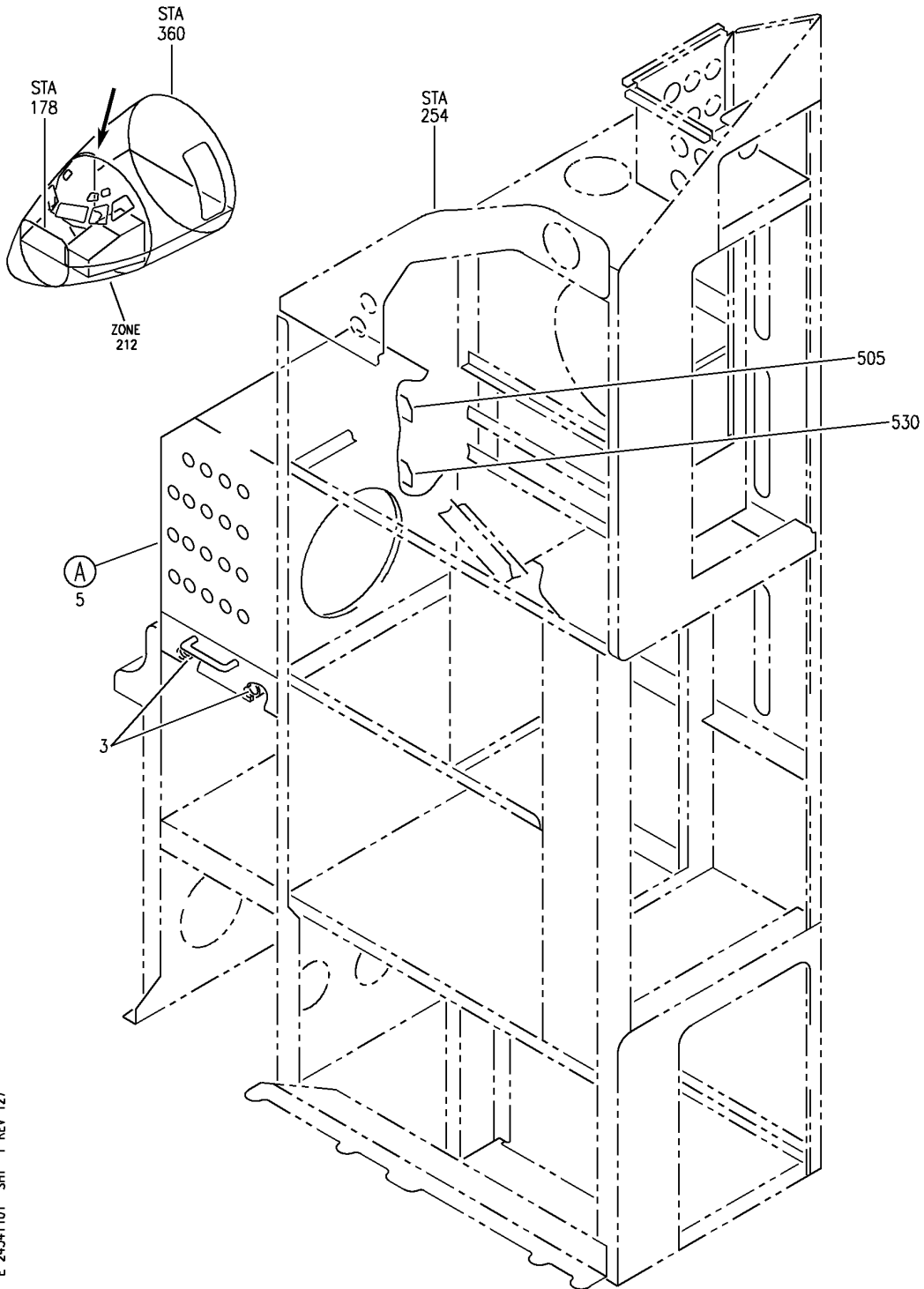


STANDBY POWER SYSTEM

HAP
OCT 10/06

24-34-00
SECTION TITLE
PAGE 1

BOEING
737-600/700/800/900
PARTS CATALOG (MAINTENANCE)



E 24-34-1101 SHT 1 REV 127

EQUIPMENT INSTL-P6 CB PNL (STANDBY POWER CONTROL UNIT ONLY)

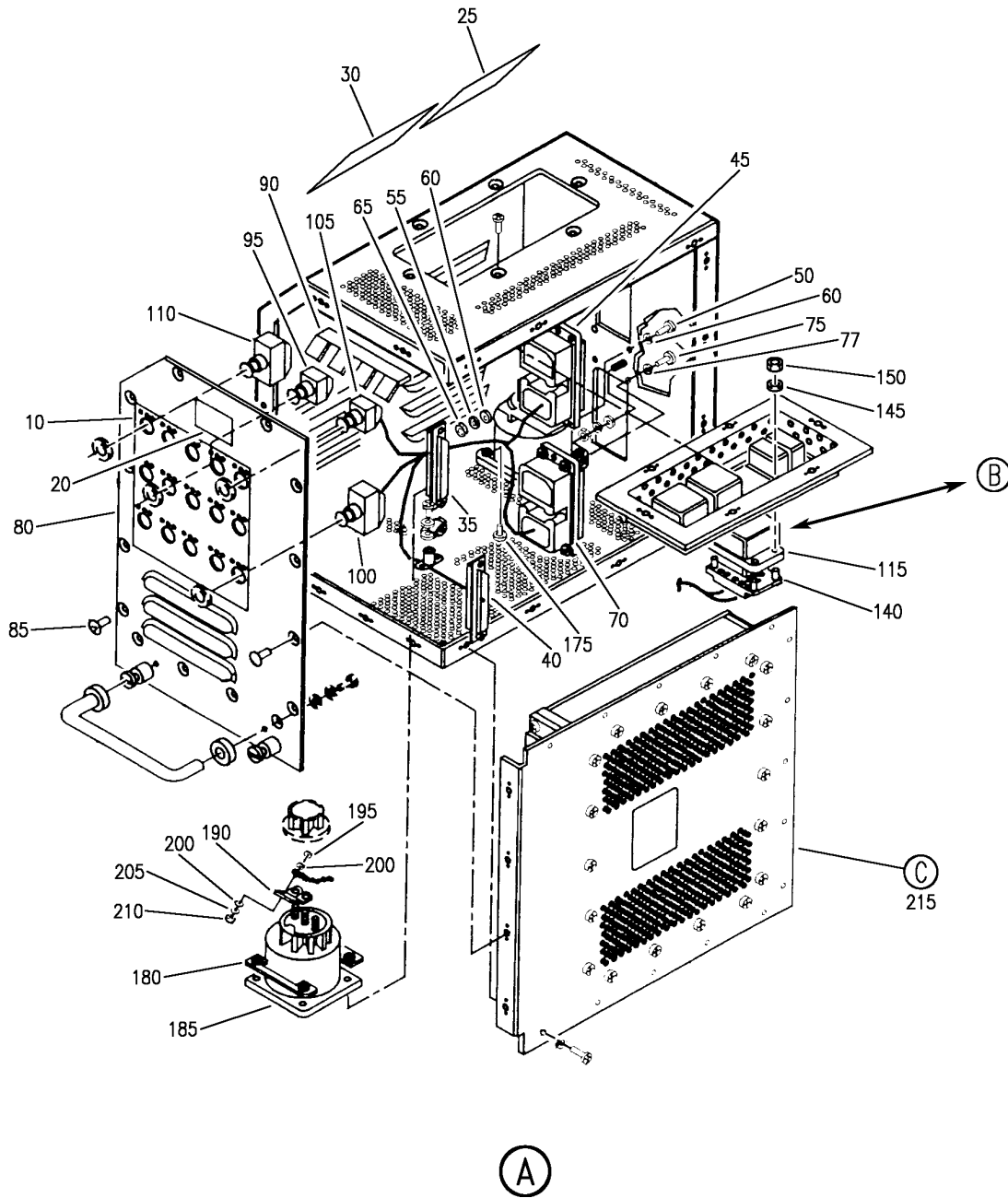
FIGURE 1

24-34-11-01

HAP
FEB 10/07

24-34-11-01
PAGE 0

BOEING
 737-600/700/800/900
 PARTS CATALOG (MAINTENANCE)



E 24341101 SHT 2 REV 127

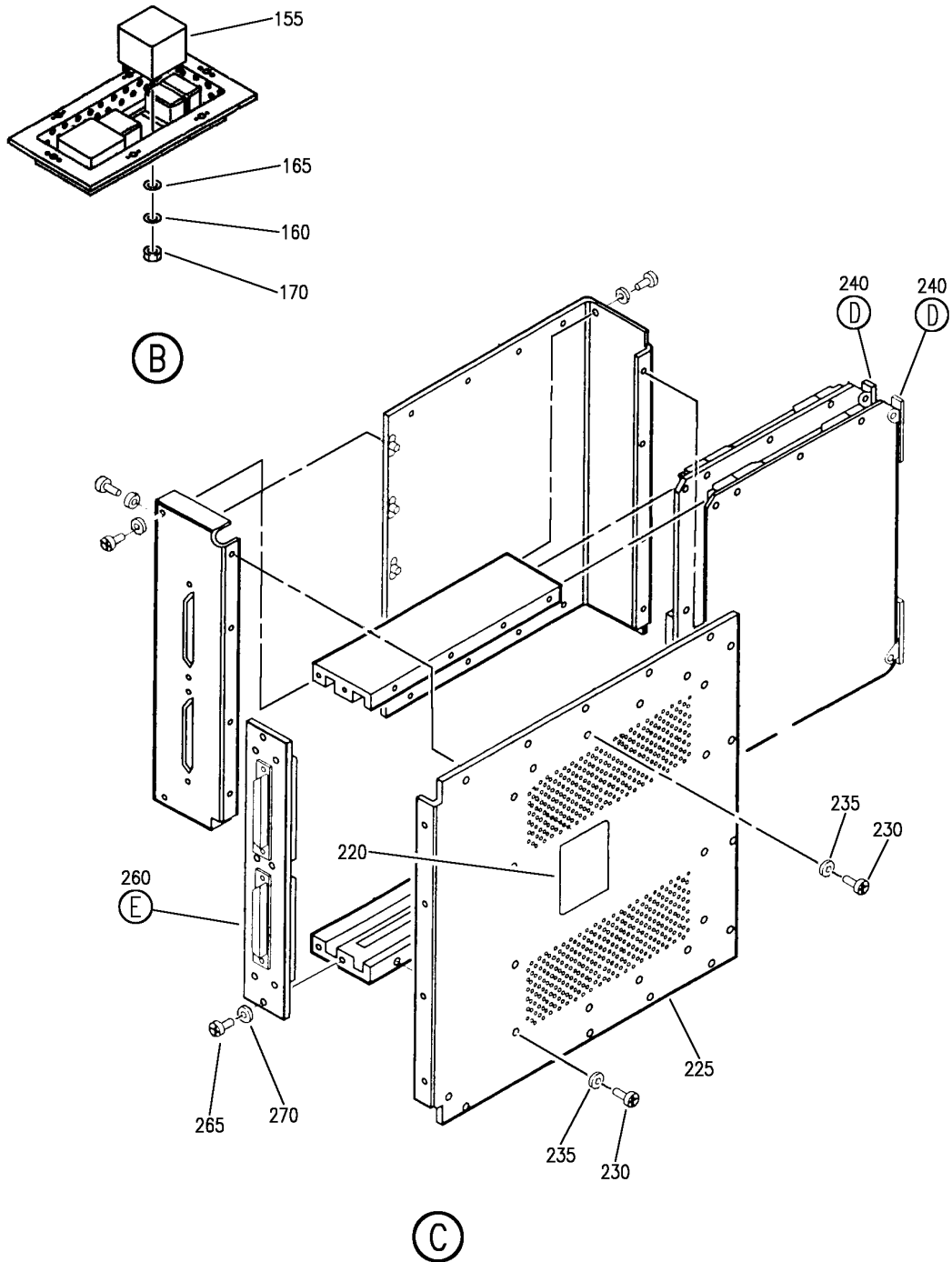
EQUIPMENT INSTL-P6 CB PNL (STANDBY POWER CONTROL UNIT ONLY)
 FIGURE 1

24-34-11-01

HAP
 FEB 10/07

24-34-11-01
 PAGE 0A

BOEING
 737-600/700/800/900
 PARTS CATALOG (MAINTENANCE)



E 24341101 SHT 3 REV 127

EQUIPMENT INSTL-P6 CB PNL (STANDBY POWER CONTROL UNIT ONLY)

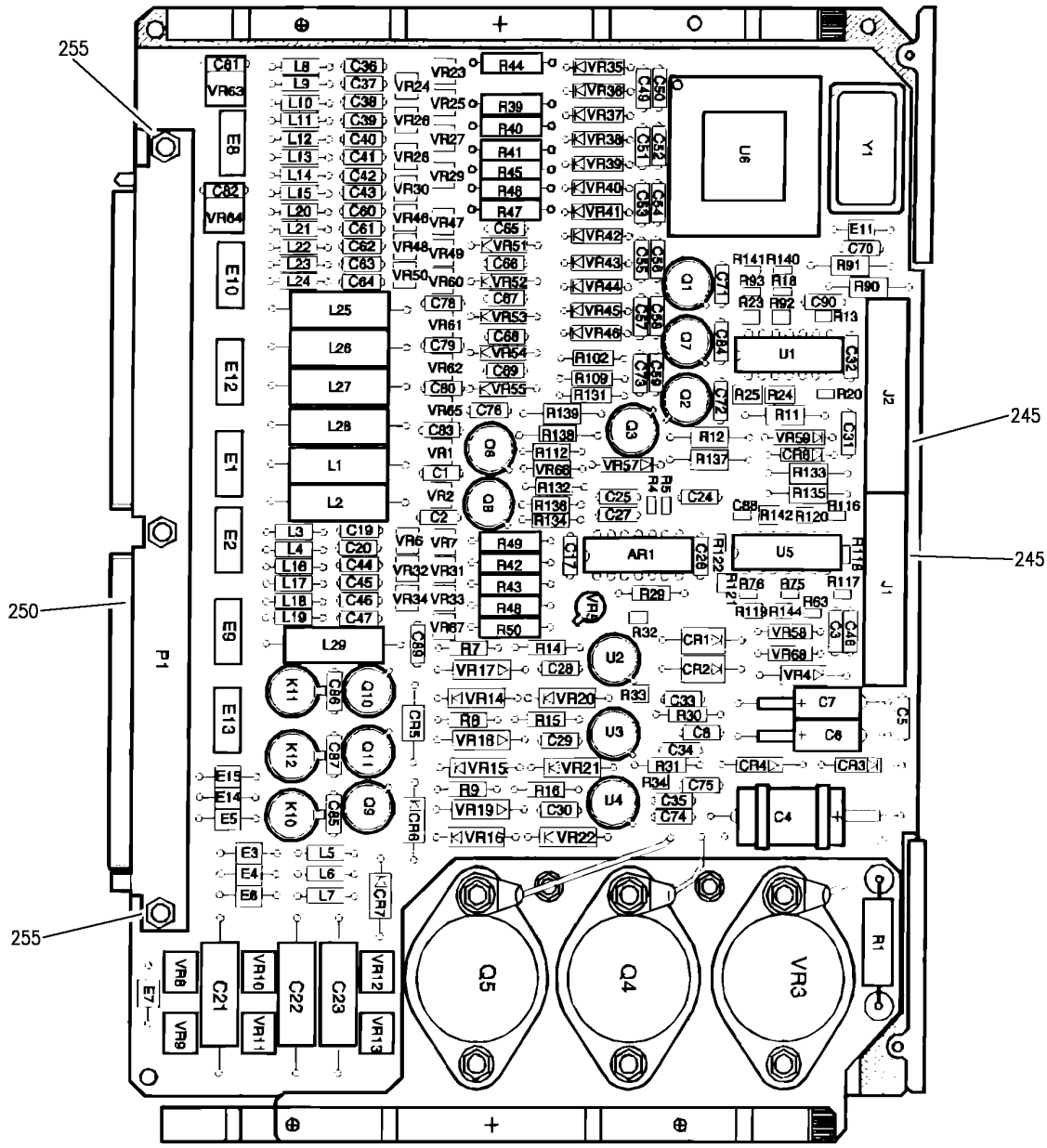
FIGURE 1

24-34-11-01

HAP
 FEB 10/07

24-34-11-01
 PAGE 0B

BOEING
 737-600/700/800/900
 PARTS CATALOG (MAINTENANCE)



E 24341101 SHT 4 REV 127

D

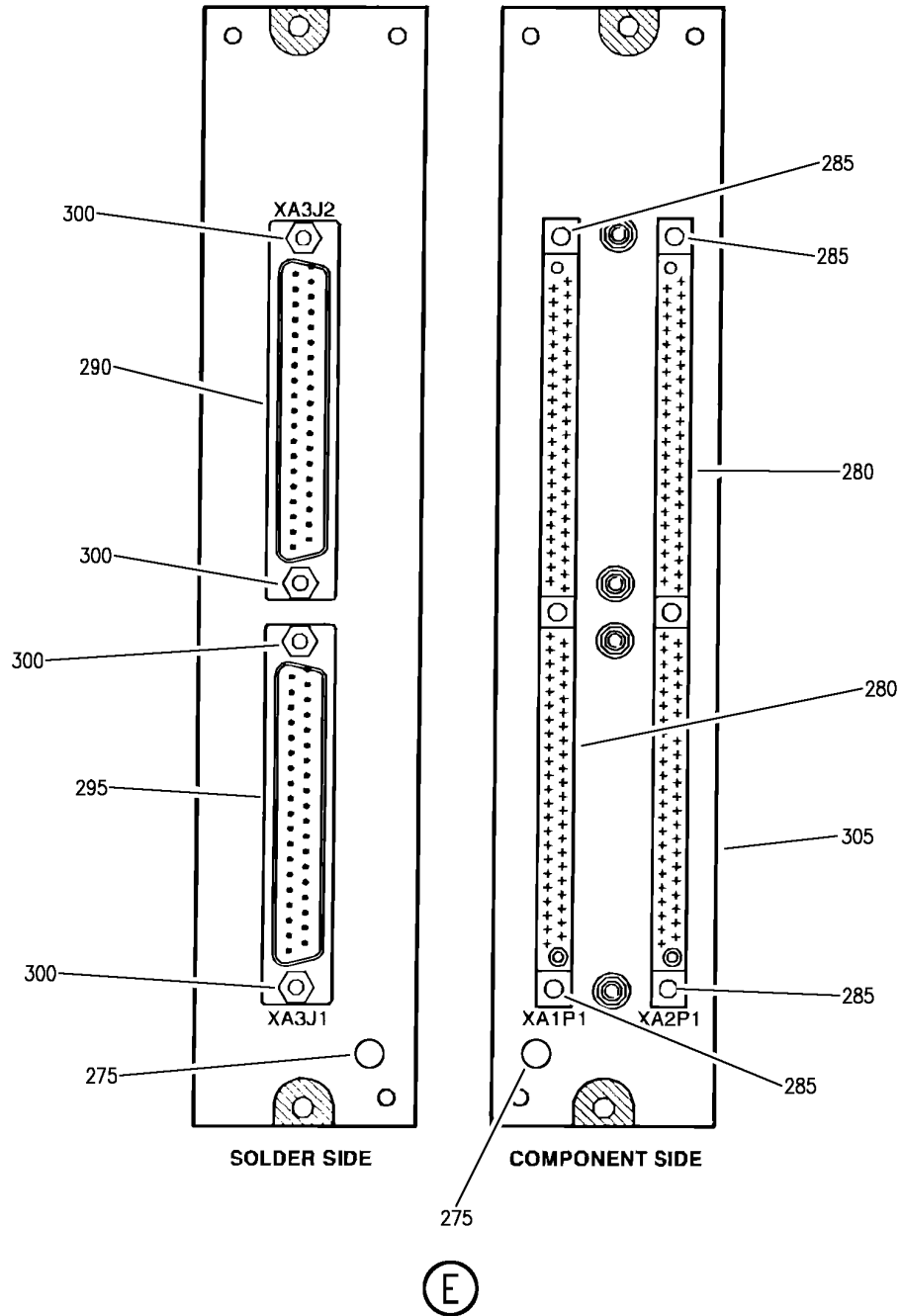
EQUIPMENT INSTL-P6 CB PNL (STANDBY POWER CONTROL UNIT ONLY)
 FIGURE 1

24-34-11-01

HAP
 FEB 10/07

24-34-11-01
 PAGE 0C

BOEING
 737-600/700/800/900
 PARTS CATALOG (MAINTENANCE)



E 24341101 SHT 5 REV 127

EQUIPMENT INSTL-P6 CB PNL (STANDBY POWER CONTROL UNIT ONLY)
 FIGURE 1

24-34-11-01

HAP
 FEB 10/07

24-34-11-01
 PAGE 0D

BOEING
737-600/700/800/900
PARTS CATALOG (MAINTENANCE)

FIG ITEM	PART NUMBER	1 2 3 4 5 6 7	NOMENCLATURE	EFFECT FROM TO	UNITS PER ASSY
1			EQUIPMENT INSTL-P6 CB PNL (STANDBY POWER CONTROL UNIT ONLY)	001007	
- 1	233A5201-1		EQUIPMENT INSTL-P6 CB PNL (STANDBY POWER CONTROL UNIT ONLY) FOR NHA/OTHER SYS DET SEE: 31-11-00-01C	001005	RF
- 1	233A5201-9		EQUIPMENT INSTL-P6 CB PNL (STANDBY POWER CONTROL UNIT ONLY) FOR NHA/OTHER SYS DET SEE: 31-11-00-01C	006007	RF
3	NAS43DD3-10FC		.SPACER- POSITION DATA: FAR SIDE OPTIONAL PART: NAS43DD3-18FC	001005	2
3	NAS43DD3-18FC		.SPACER- POSITION DATA: FAR SIDE OPTIONAL PART: NAS43DD3-10FC	001007	2

MISSING ITEM NUMBERS NOT APPLICABLE

- ITEM NOT ILLUSTRATED

HAP

24-34-11-01

BOEING PROPRIETARY - Copyright © - Unpublished Work - See title page for details.

24-34-11
FIG. 01
PAGE 1
OCT 10/06

BOEING
737-600/700/800/900
PARTS CATALOG (MAINTENANCE)

FIG ITEM	PART NUMBER	1 2 3 4 5 6 7	NOMENCLATURE	EFFECT FROM TO	UNITS PER ASSY
1	5 1151952-6		.UNIT ASSY-STBY PWR CONT SUPPLIER CODE: V07217 FUNCTIONAL DESCRIPTION: PROVIDES THE NECESSARY LOGIC AND CONTROL FUNCTIONS FOR THE STANDBY SYSTEM. THE SPCU CONTROLS THE CONNECTION OF THE BATTERY BUSES AND THE DC AND AC STANDBY BUSES. SPECIFICATION NUMBER: S281A601-3001 ELECTRICAL EQUIP NUMBER: M01720 COMPONENT MAINT MANUAL REF: 24-60-02 MAINTENANCE MANUAL REF: 24-34-11 QUALIFIED I/W DATA: FOR SINGLE BATTERY OPTION 1151952-5,-6,-7,-8,-9,-1 0,-11,-12,-13,-14 ARE I/W, WITH THE 1151952-12,-13,-14 UNITS PREFERRED. FOR DUAL BATTERY OPTION 1151952-6,-8,-9,-11,-13, -14 ARE I/W, WITH THE 1151952-13,-14 UNITS PREFERRED. OPTIONAL PART: 1151952-5 V07217 POST SERVICE BULLETIN: 24-1120	001007	1
	10 1032411-1		..DECAL-CB SUPPLIER CODE: V07217	001007	1
	15 1027229-3		..LABEL-CAUTION SUPPLIER CODE: V07217 USED ON: 1151952-9 1151952-14	001007	2

MISSING ITEM NUMBERS NOT APPLICABLE

— ITEM NOT ILLUSTRATED

HAP

24-34-11-01

BOEING PROPRIETARY - Copyright © - Unpublished Work - See title page for details.

24-34-11
FIG. 01
PAGE 3
JUN 15/09

BOEING
737-600/700/800/900
PARTS CATALOG (MAINTENANCE)

FIG ITEM	PART NUMBER	1 2 3 4 5 6 7	NOMENCLATURE	EFFECT FROM TO	UNITS PER ASSY
1	20 CS455-4		.. PLATE-IDENT SUPPLIER CODE: V07217 USED ON: 1151952-5	001005	1
	20 CS455-5		.. PLATE-IDENT SUPPLIER CODE: V07217 USED ON: 1151952-6	001007	1
	20 CS556-1		.. PLATE-IDENT SUPPLIER CODE: V07217 USED ON: 1151952-7 1151952-8 1151952-9 1151952-14	001007	1
	25 CS482-1		.. PLATE-IDENT SUPPLIER CODE: V07217 OPTIONAL PART: CS482-3 V07217 USED ON: 1151952-5 1151952-6	001007	1
	25 CS482-3		.. PLATE-IDENT SUPPLIER CODE: V07217 OPTIONAL PART: CS482-1 V07217 USED ON: 1151952-5 1151952-6	001007	1
	30 CS482-2		.. PLATE-IDENT SUPPLIER CODE: V07217 OPTIONAL PART: CS482-4 V07217 USED ON: 1151952-5 1151952-6	001007	1

MISSING ITEM NUMBERS NOT APPLICABLE

— ITEM NOT ILLUSTRATED

HAP

24-34-11-01

BOEING PROPRIETARY - Copyright © - Unpublished Work - See title page for details.

24-34-11
FIG. 01
PAGE 4
JUN 10/07

BOEING
737-600/700/800/900
PARTS CATALOG (MAINTENANCE)

FIG ITEM	PART NUMBER	1 2 3 4 5 6 7	NOMENCLATURE	EFFECT FROM TO	UNITS PER ASSY
1					
30	CS482-4		.. PLATE-IDENT SUPPLIER CODE: V07217 OPTIONAL PART: CS482-2 V07217 USED ON: 1151952-5 1151952-6	001007	1
35	308CP3C1001-076		.. CONNECTOR- SUPPLIER CODE: V03554 OPTIONAL PART: 228-967-9001 V07217	001007	1
35	228-967-9001		.. CONNECTOR- SUPPLIER CODE: V07217 OPTIONAL PART: 308CP31001-076 V03554	001007	1
40	308CS3C1001-103		.. CONNECTOR- SUPPLIER CODE: V03554 OPTIONAL PART: 228-966-9002 V07217	001007	1
40	228-966-9002		.. CONNECTOR- SUPPLIER CODE: V07217 OPTIONAL PART: 308CS3C1001-103 V03554	001007	1
45	DSXN2RS8PS36C7S		.. CONNECTOR- SUPPLIER CODE: VOGP12 MISCELLANEOUS DATA: ORDER PN DSXN2RS8PS36C7S2301 ATTACHING PARTS	001007	1
50	MS26493C6		.. SCREW- OPTIONAL PART: NAS1802-04-08	001007	4
50	NAS1802-04-08		.. SCREW- OPTIONAL PART: MS26493C6	001007	4
55	MS35338-135		.. WASHER	001007	4
60	NAS620C4L		.. WASHER	001007	8

MISSING ITEM NUMBERS NOT APPLICABLE

— ITEM NOT ILLUSTRATED

HAP

24-34-11-01

BOEING PROPRIETARY - Copyright © - Unpublished Work - See title page for details.

24-34-11
FIG. 01
PAGE 5
JUN 10/07

BOEING
737-600/700/800/900
PARTS CATALOG (MAINTENANCE)

FIG ITEM	PART NUMBER	1 2 3 4 5 6 7	NOMENCLATURE	EFFECT FROM TO	UNITS PER ASSY
1					
65	MS35649-244	..	NUT- OPTIONAL PART: NAS671C4	001007	4
65	NAS671C4	..	NUT- OPTIONAL PART: MS35649-244	001007	4
			-----*-----		
70	DSXN2RS36C7SS67	..	CONNECTOR- SUPPLIER CODE: VOGP12 MISCELLANEOUS DATA: ORDER PN DSXN2RS36C7SS67P101 OPTIONAL PART: 228-964-9001 V07217	001007	1
70	228-964-9001	..	CONNECTOR- SUPPLIER CODE: V07217 OPTIONAL PART: DSXN2RS36C7SS67 VOGP12 ATTACHING PARTS	001007	1
75	NAS1802-04-06	..	SCREW	001007	4
77	NAS620C4L	..	WASHER	001007	4
			-----*-----		
80	1032401-3	..	COVER-FRONT SUPPLIER CODE: V07217 ATTACHING PARTS	001007	1
85	MS24693-26B	..	SCREW	001007	14
			-----*-----		
90	1032408-1	..	BUS BAR- SUPPLIER CODE: V07217	001007	1
95	BACC18AD02	..	CIRCUIT BREAKER	001007	5
100	700-038-35	..	CIRCUIT BREAKER SUPPLIER CODE: V76374 SPECIFICATION NUMBER: BACC18X35 OPTIONAL PART: 492-235-103 V79405 492-235-104 V79405	001007	2
105	MS26574-1-2	..	CIRCUIT BREAKER	001007	2

MISSING ITEM NUMBERS NOT APPLICABLE

— ITEM NOT ILLUSTRATED

HAP

24-34-11-01

24-34-11
FIG. 01
PAGE 6
JUN 10/07

BOEING PROPRIETARY - Copyright © - Unpublished Work - See title page for details.

BOEING
737-600/700/800/900
PARTS CATALOG (MAINTENANCE)

FIG ITEM	PART NUMBER	1 2 3 4 5 6 7	NOMENCLATURE	EFFECT FROM TO	UNITS PER ASSY
1 110	700-038-25		..CIRCUIT BREAKER SUPPLIER CODE: V76374 SPECIFICATION NUMBER: BACC18X25 OPTIONAL PART: 492-225-103 V79405 492-225-104 V79405	001007	5
115	KDD4N		..RELAY-25 A, 4PDT SUPPLIER CODE: V58567 SPECIFICATION NUMBER: 618-943-9001 SB DATA FROM A CMM: PRE 1151952-24-59 OPTIONAL PART: 40-617-1319 VK5294 FCAC325AY4 V00213 USED ON: 1151952-5 1151952-6 1151952-7 1151952-8 1151952-9	001007	3
- 120	KDD4N		..RELAY-25 A, 4PDT SUPPLIER CODE: V58567 SPECIFICATION NUMBER: 618-943-9001 SB DATA FROM A CMM: POST 1151952-24-59 OPTIONAL PART: 40-617-1319 VK5294 FCAC325AY4 V00213 USED ON: 1151952-14	001007	1

MISSING ITEM NUMBERS NOT APPLICABLE

- ITEM NOT ILLUSTRATED

HAP

24-34-11-01

BOEING PROPRIETARY - Copyright © - Unpublished Work - See title page for details.

24-34-11
FIG. 01
PAGE 7
JUN 10/07

BOEING
737-600/700/800/900
PARTS CATALOG (MAINTENANCE)

FIG ITEM	PART NUMBER	1 2 3 4 5 6 7	NOMENCLATURE	EFFECT FROM TO	UNITS PER ASSY
1					
- 125	S01059-8914	..	SOCKET-RELAY SUPPLIER CODE: V35344 SB DATA FROM A CMM: POST 1151952-24-59 OPTIONAL PART: 668-910-9001 V07217 USED ON: 1151952-14	001007	1
- 125	668-910-9001	..	SOCKET-RELAY SUPPLIER CODE: V07217 SB DATA FROM A CMM: POST 1151952-24-59 OPTIONAL PART: S01059-8914 V35444 USED ON: 1151952-14	001007	1
- 130	AN960C4L	..	WASHER- SB DATA FROM A CMM: POST 1151952-24-59	001007	3
- 135	MS21042-04	..	NUT- SB DATA FROM A CMM: POST 1151952-24-59	001007	3
140	S01059-8914	..	SOCKET-RELAY SUPPLIER CODE: V35344 SB DATA FROM A CMM: PRE 1151952-24-59 OPTIONAL PART: 668-910-9001 V07217 USED ON: 1151952-5 1151952-6 1151952-7 1151952-8 1151952-9	001007	3

MISSING ITEM NUMBERS NOT APPLICABLE

- ITEM NOT ILLUSTRATED

HAP

24-34-11-01

BOEING PROPRIETARY - Copyright © - Unpublished Work - See title page for details.

24-34-11
FIG. 01
PAGE 8
JUN 10/07

BOEING
737-600/700/800/900
PARTS CATALOG (MAINTENANCE)

FIG ITEM	PART NUMBER	1 2 3 4 5 6 7	NOMENCLATURE	EFFECT FROM TO	UNITS PER ASSY
1 140	668-910-9001		.. SOCKET-RELAY SUPPLIER CODE: V07217 SB DATA FROM A CMM: PRE 1151952-24-59 OPTIONAL PART: S01059-8914 V35444 USED ON: 1151952-5 1151952-6 1151952-7 1151952-8 1151952-9 ATTACHING PARTS	001007	3
145	AN960C4L		.. WASHER- SB DATA FROM A CMM: PRE 1151952-24-59	001007	9
150	MS21042-04		.. NUT- SB DATA FROM A CMM: PRE 1151952-24-59	001007	9
155	9339-10274		-----*----- .. RELAY-25 A,3PST SUPPLIER CODE: V35344 SB DATA FROM A CMM: POST 1151952-24-59 OPTIONAL PART: 618-951-9001 V07217 USED ON: 1151952-14	001007	2
155	618-951-9001		.. RELAY-25 A,3PST SUPPLIER CODE: V07217 SB DATA FROM A CMM: POST 1151952-24-59 OPTIONAL PART: 9339-10274 V35344 USED ON: 1151952-14 ATTACHING PARTS	001007	2
160	NAS620C6		.. WASHER- SB DATA FROM A CMM: POST 1151952-24-59	001007	8
165	MS35338-136		.. WASHER- SB DATA FROM A CMM: POST 1151952-24-59	001007	8

MISSING ITEM NUMBERS NOT APPLICABLE

— ITEM NOT ILLUSTRATED

HAP

24-34-11-01

BOEING PROPRIETARY - Copyright © - Unpublished Work - See title page for details.

24-34-11
FIG. 01
PAGE 9
JUN 10/07

BOEING
737-600/700/800/900
PARTS CATALOG (MAINTENANCE)

FIG ITEM	PART NUMBER	1 2 3 4 5 6 7	NOMENCLATURE	EFFECT FROM TO	UNITS PER ASSY
1					
170	MS35649-264	..	NUT- SB DATA FROM A CMM: POST 1151952-24-59 -----*-----	001007	8
175	MS24693-26B	..	SCREW	001007	8
180	1033043-1	..	RING-NUT RELAY MTG SUPPLIER CODE: V07217	001007	2
185	HTA4N	..	CONTACTOR-60 A, 3PDT SUPPLIER CODE: V58657 SPECIFICATION NUMBER: 618-942-9001	001007	2
190	1033045-1	..	BUS BAR-RELAY SUPPLIER CODE: V07217 ATTACHING PARTS	001007	2
195	MS51957-44	..	SCREW	001007	4
200	NAS1149CN832R	..	WASHER	001007	8
205	MS35338-137	..	WASHER	001007	4
210	MS35649-284	..	NUT -----*-----	001007	4
215	1032399-4	..	CARD ASSY-GAGE SUPPLIER CODE: V07217 USED ON: 1151952-5	001005	1
215	1032399-5	..	CARD ASSY-GAGE SUPPLIER CODE: V07217 USED ON: 1151952-6	001007	1
215	1032399-6	..	CARD ASSY-GAGE SUPPLIER CODE: V07217 USED ON: 1151952-7	001007	1
215	1032399-7	..	CARD ASSY-GAGE SUPPLIER CODE: V07217 USED ON: 1151952-8	001007	1
215	1032399-8	..	CARD ASSY-GAGE SUPPLIER CODE: V07217 USED ON: 1151952-9 1151952-14	001007	1

MISSING ITEM NUMBERS NOT APPLICABLE

— ITEM NOT ILLUSTRATED

HAP

24-34-11-01

BOEING PROPRIETARY - Copyright © - Unpublished Work - See title page for details.

24-34-11
FIG. 01
PAGE 10
JUN 10/07

BOEING
737-600/700/800/900
PARTS CATALOG (MAINTENANCE)

FIG ITEM	PART NUMBER	1 2 3 4 5 6 7	NOMENCLATURE	EFFECT FROM TO	UNITS PER ASSY
1					
220	1035439-1		... LABEL-CAUTION SUPPLIER CODE: V07217	001007	1
225	1032402-1		... COVER-OUTER R SUPPLIER CODE: V07217 ATTACHING PARTS	001007	1
230	MS51957-14B		... SCREW	001007	8
235	NAS620C4L		... WASHER	001007	8
			-----*-----		
240	1032210-4		... CARD ASSY-CKT CONT A1/A2 SUPPLIER CODE: V07217 USED ON: 1032399-4 1032399-6	001007	2
240	1032210-5		... CARD ASSY-CKT CONT A1/A2 SUPPLIER CODE: V07217 USED ON: 1032399-5 1032399-7	001007	2
240	1032210-6		... CARD ASSY-CKT CONT A1/A2 SUPPLIER CODE: V07217 USED ON: 1032399-8	001007	2
245	M55302-128AM1A	 CONNECTOR	001007	2
250	M55302-59A90Y	 CONNECTOR ATTACHING PARTS	001007	1
255	1188-2810	 RIVET-TUBULAR SUPPLIER CODE: V1C336 OPTIONAL PART: 627-903-9012 V07217	001007	3
255	627-903-9012	 RIVET-TUBULAR SUPPLIER CODE: V07217 OPTIONAL PART: 1188-2810 V1C336 -----*-----	001007	3

MISSING ITEM NUMBERS NOT APPLICABLE

— ITEM NOT ILLUSTRATED

HAP

24-34-11-01

BOEING PROPRIETARY - Copyright © - Unpublished Work - See title page for details.

24-34-11
FIG. 01
PAGE 11
JUN 10/07

BOEING
737-600/700/800/900
PARTS CATALOG (MAINTENANCE)

FIG ITEM	PART NUMBER	1 2 3 4 5 6 7	NOMENCLATURE	EFFECT FROM TO	UNITS PER ASSY
1					
260	1032213-1	...	CARD ASSY-CKT INTERCONNECT A3 SUPPLIER CODE: V07217 USED ON: 1032399-4 1032399-5	001007	1
260	1032213-2	...	CARD ASSY-CKT INTERCONNECT A3 SUPPLIER CODE: V07217 USED ON: 1032399-6 1032399-7	001007	1
260	1036094-1	...	CARD ASSY-CKT INTERCONNECT A3 SUPPLIER CODE: V07217 USED ON: 1032399-8	001007	1
265	MS51957-14	...	SCREW	001007	2
270	NAS620C4L	...	WASHER	001007	2
			-----*-----		
275	1027229-3	LABEL-CAUTION SUPPLIER CODE: V07217 USED ON: 1151952-9 1151952-14	001007	2
280	M55302-60B90Y	CONNECTOR ATTACHING PARTS	001007	2
285	1188-2812	RIVET-TUBULAR SUPPLIER CODE: V1C336 OPTIONAL PART: 627-903-9013 V07217	001007	6
285	627-903-9013	RIVET-TUBULAR SUPPLIER CODE: V07217 OPTIONAL PART: 1188-2812 V1C336	001007	6
			-----*-----		
290	M24308-23-4F	CONNECTOR	001007	1
295	M24308-24-4F	CONNECTOR	001007	1

MISSING ITEM NUMBERS NOT APPLICABLE

— ITEM NOT ILLUSTRATED

HAP

24-34-11-01

BOEING PROPRIETARY - Copyright © - Unpublished Work - See title page for details.

24-34-11
FIG. 01
PAGE 12
JUN 10/07

BOEING
737-600/700/800/900
PARTS CATALOG (MAINTENANCE)

FIG ITEM	PART NUMBER	1 2 3 4 5 6 7	NOMENCLATURE	EFFECT FROM TO	UNITS PER ASSY
1			ATTACHING PARTS		
300	M24308-26-2F	SCREW	001007	4
		-----*			
305	1032215-1	BOARD-PRINTED WIRING	001007	1
			SUPPLIER CODE: V07217		
			USED ON: 1032213-1 1032213-2		
305	1036093-1	BOARD-PRINTED WIRING	001007	1
			SUPPLIER CODE: V07217		
			USED ON: 1036094-1		
- 502	286A0044-304		WIRE BUNDLE ASSY-P6	002004	RF
			LOAD WIRES		
- 502	286A0044-305		WIRE BUNDLE ASSY-P6	001001	RF
			LOAD WIRES		
- 503	286A0044-315		WIRE BUNDLE ASSY-P6	005005	RF
			LOAD WIRES		
- 503	286A0044-317		WIRE BUNDLE ASSY-P6	006007	RF
			LOAD WIRES		
505	BCREF129650	.PLATE	ASSY-PLUG	001007	1
			OVERLENGTH PART NUMBER: DSXN2PS8SS36C7P7301		
			ELECTRICAL EQUIP NUMBER: D11712		
			WIRING DIAGRAM REF: 243111		
- 515	MS35190-223	.SCREW-	ATTACHING PARTS	001007	4
			POSITION DATA: NEAR SIDE		
- 520	NAS1149DN332J	.WASHER-	ATTACHING PARTS	001007	4
			POSITION DATA: FAR SIDE		

MISSING ITEM NUMBERS NOT APPLICABLE

- ITEM NOT ILLUSTRATED

HAP

24-34-11-01

BOEING PROPRIETARY - Copyright © - Unpublished Work - See title page for details.

24-34-11
FIG. 01
PAGE 13
JUN 10/07

BOEING
737-600/700/800/900
PARTS CATALOG (MAINTENANCE)

FIG ITEM	PART NUMBER	1 2 3 4 5 6 7	NOMENCLATURE	EFFECT FROM TO	UNITS PER ASSY
1 - 525	PLH504		.NUT- SUPPLIER CODE: V62554 SPECIFICATION NUMBER: BACN10YR04 OPTIONAL PART: BH00312-04 V27238 BRH30C04 V52828 LH3858-40 V72962 T6113C440 V11815 H52732-04 V15653 80724-440 V56878 POSITION DATA: FAR SIDE	001007	4
530	BCREF129649		-----*----- .PLATE ASSY-PLUG OVERLENGTH PART NUMBER: DSXN2PS36C7PS67S7301 ELECTRICAL EQUIP NUMBER: D11714 WIRING DIAGRAM REF: 243111 ATTACHING PARTS	001007	1
- 535	MS35190-223		.SCREW- POSITION DATA: NEAR SIDE	001007	4
- 540	NAS1149DN332J		.WASHER- POSITION DATA: FAR SIDE	001007	4

MISSING ITEM NUMBERS NOT APPLICABLE

- ITEM NOT ILLUSTRATED

HAP

24-34-11-01

BOEING PROPRIETARY - Copyright © - Unpublished Work - See title page for details.

24-34-11
FIG. 01
PAGE 14
JUN 10/07

BOEING
737-600/700/800/900
PARTS CATALOG (MAINTENANCE)

FIG ITEM	PART NUMBER	1 2 3 4 5 6 7 NOMENCLATURE	EFFECT FROM TO	UNITS PER ASSY
1 - 545	PLH504	.NUT- SUPPLIER CODE: V62554 SPECIFICATION NUMBER: BACN10YR04 OPTIONAL PART: BH00312-04 V27238 BRH30C04 V52828 LH3858-40 V72962 T6113C440 V11815 H52732-04 V15653 80724-440 V56878 POSITION DATA: FAR SIDE -----*-----	001007	4

MISSING ITEM NUMBERS NOT APPLICABLE

- ITEM NOT ILLUSTRATED

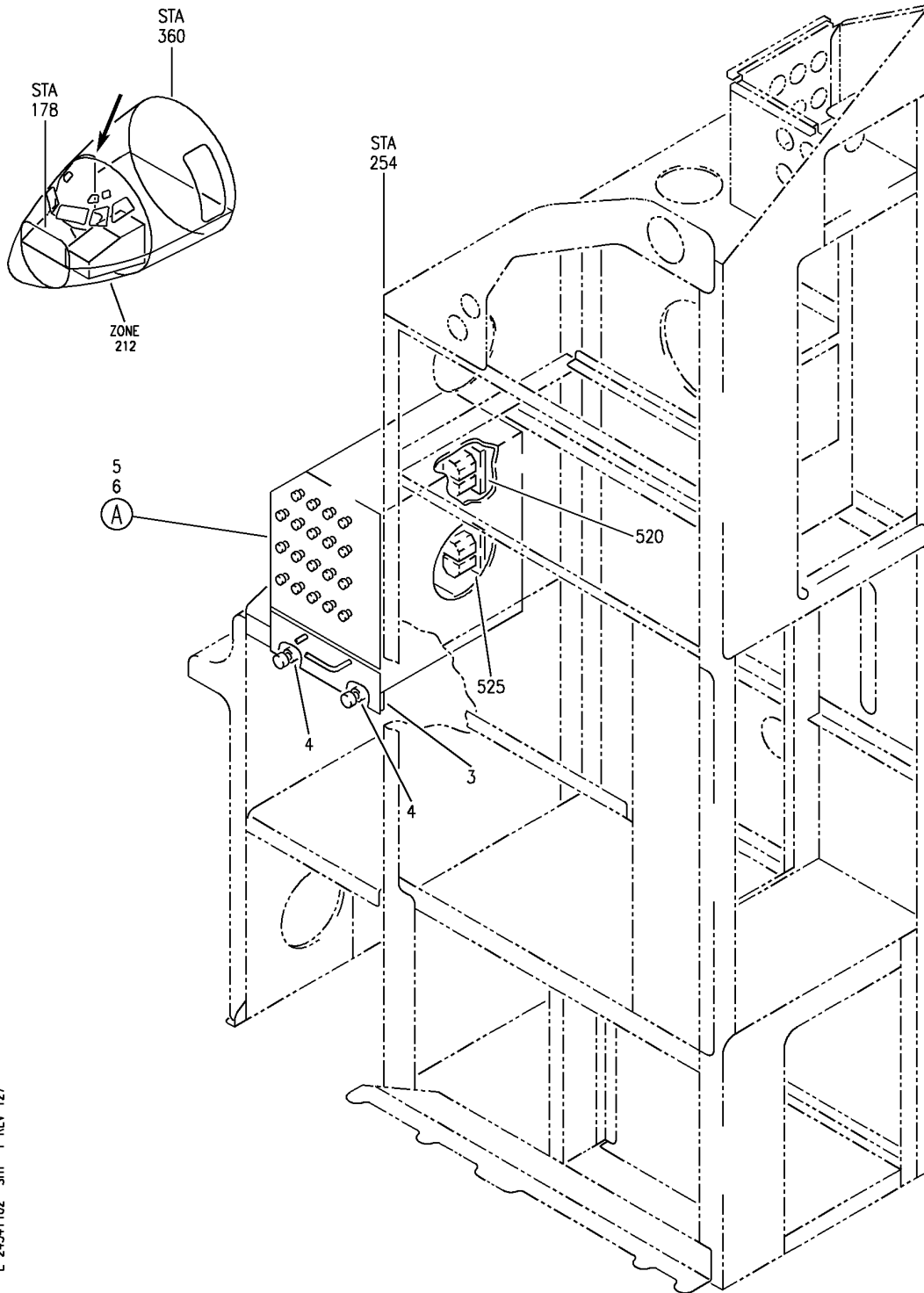
HAP

24-34-11-01

BOEING PROPRIETARY - Copyright © - Unpublished Work - See title page for details.

24-34-11
FIG. 01
PAGE 15
JUN 10/07

BOEING
737-600/700/800/900
PARTS CATALOG (MAINTENANCE)



E 24-34-1102 SH1 1 REV 127

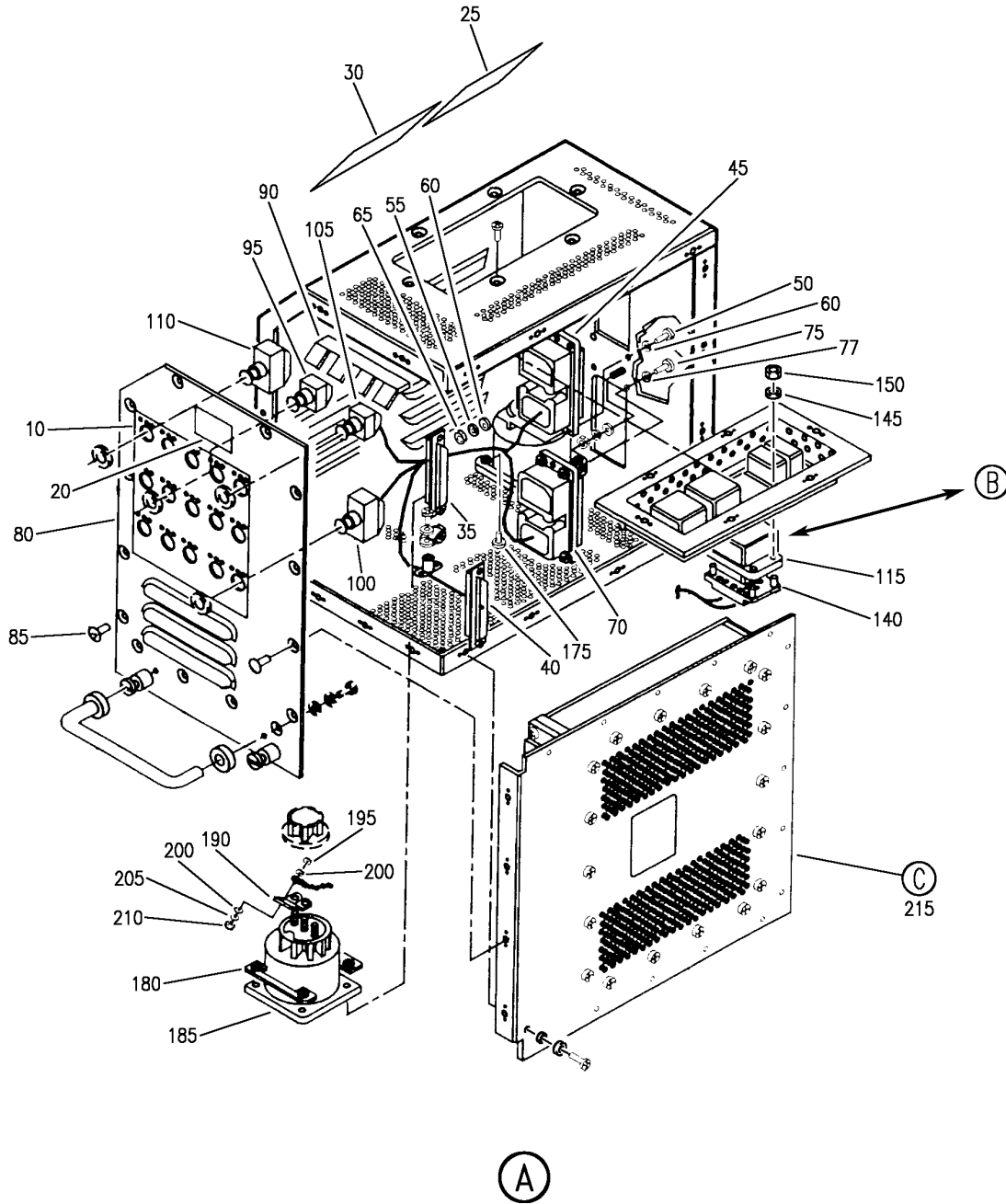
EQUIPMENT INSTL-P6 CB PNL (STANDBY POWER CONTROL UNIT ONLY)
FIGURE 2

24-34-11-02

HAP
FEB 10/07

24-34-11-02
PAGE 0

BOEING
 737-600/700/800/900
 PARTS CATALOG (MAINTENANCE)



E 24341102 SHT 2 REV 127

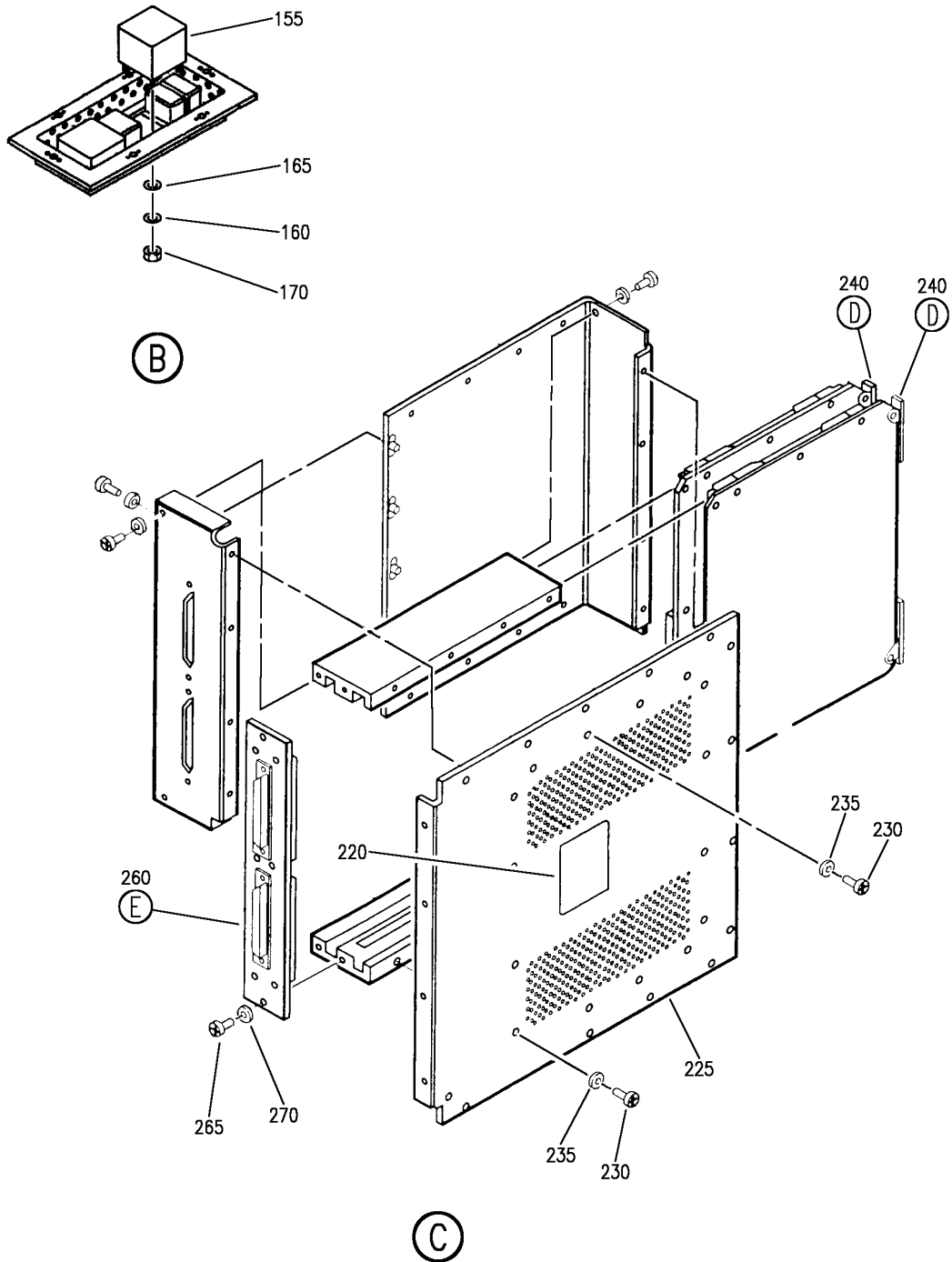
EQUIPMENT INSTL-P6 CB PNL (STANDBY POWER CONTROL UNIT ONLY)
 FIGURE 2

24-34-11-02

HAP
 FEB 10/07

24-34-11-02
 PAGE 0A

BOEING
 737-600/700/800/900
 PARTS CATALOG (MAINTENANCE)



E 24341102 SH1 3 REV 127

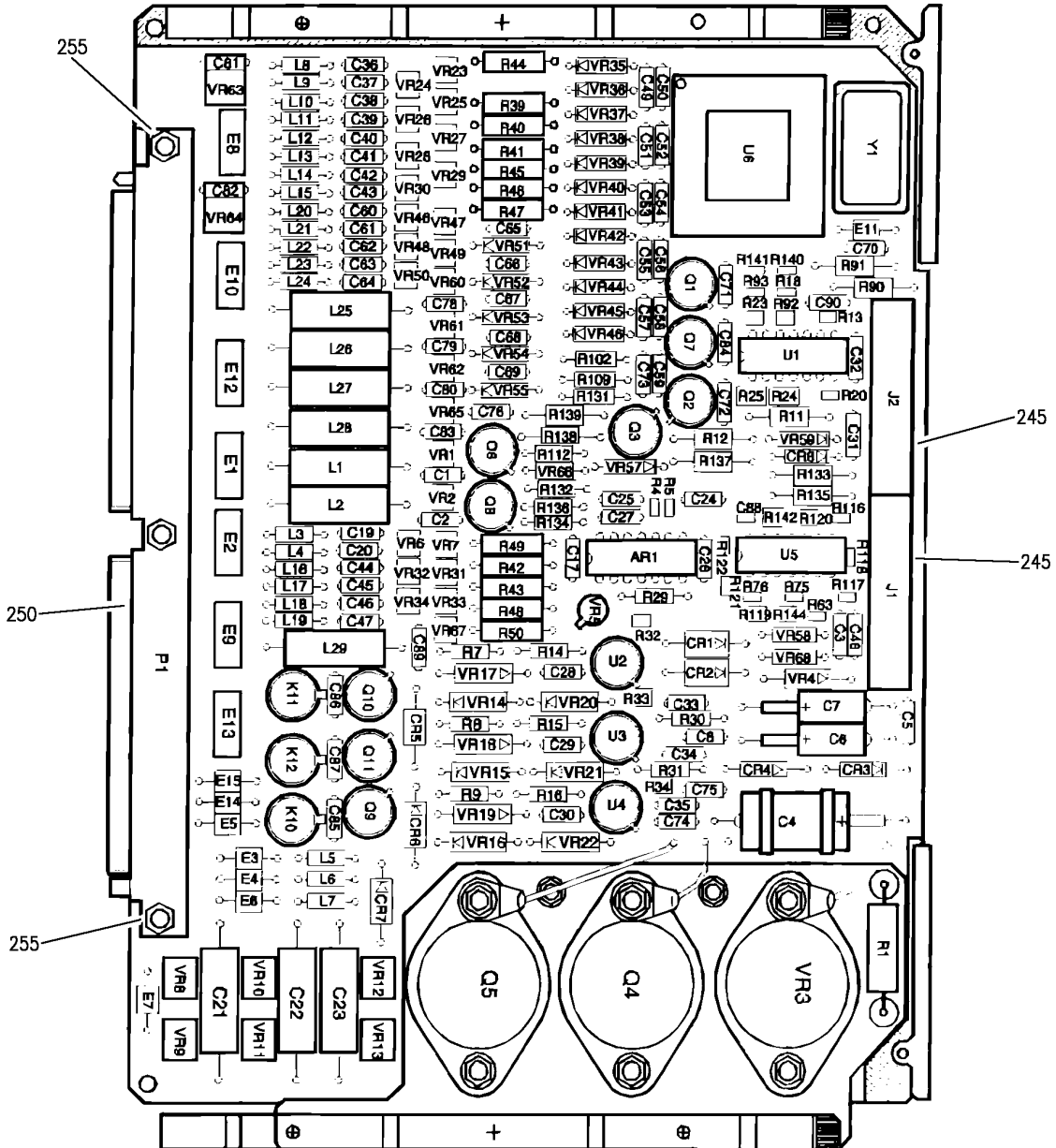
EQUIPMENT INSTL-P6 CB PNL (STANDBY POWER CONTROL UNIT ONLY)
 FIGURE 2

24-34-11-02

HAP
 FEB 10/07

24-34-11-02
 PAGE 0B


BOEING
 737-600/700/800/900
PARTS CATALOG (MAINTENANCE)



E 24341102 SHT 4 REV 127

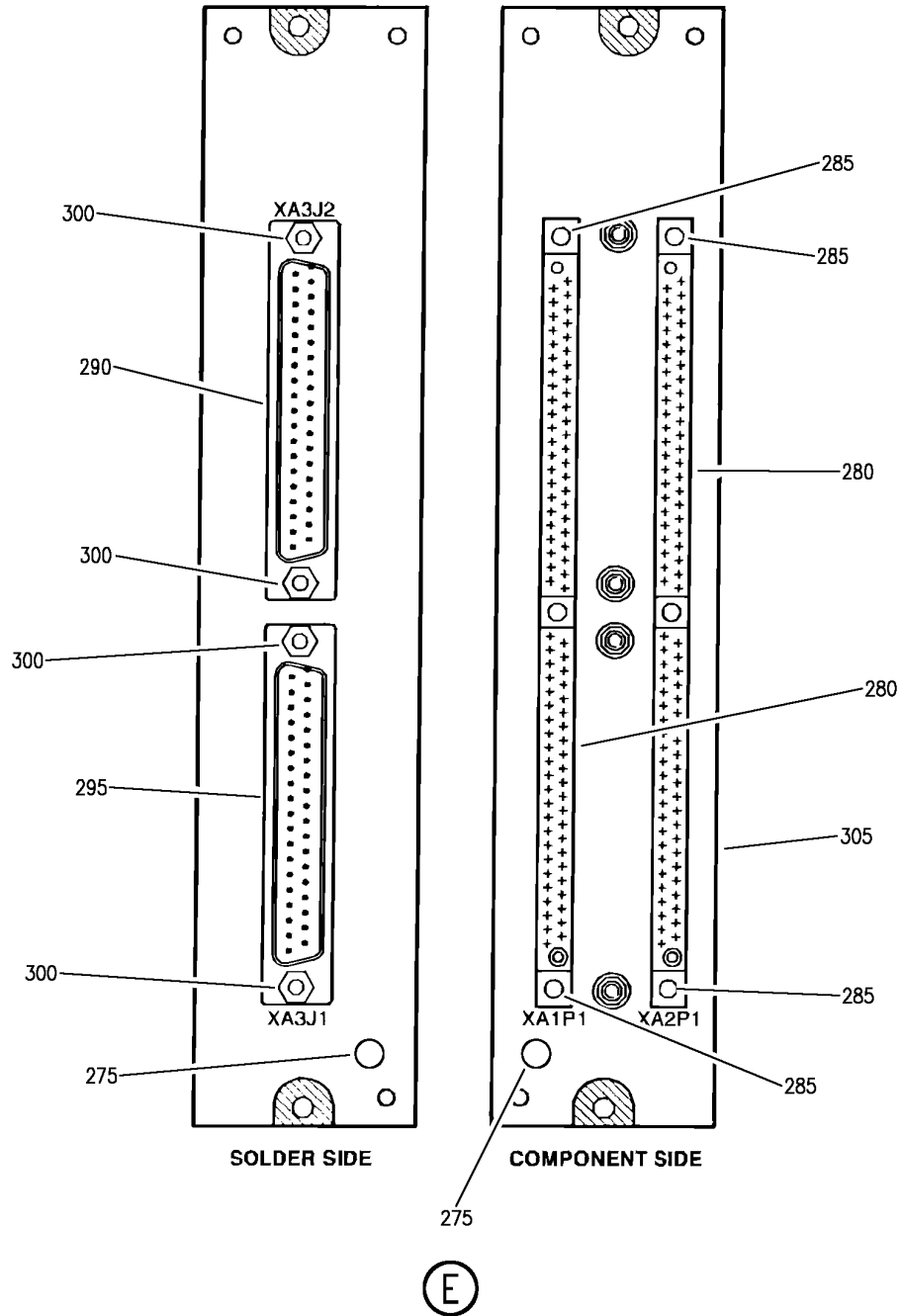
EQUIPMENT INSTL-P6 CB PNL (STANDBY POWER CONTROL UNIT ONLY)
 FIGURE 2

24-34-11-02

HAP
 FEB 10/07

24-34-11-02
 PAGE 0C

BOEING
 737-600/700/800/900
 PARTS CATALOG (MAINTENANCE)



E 24341102 SHT 5 REV 127

EQUIPMENT INSTL-P6 CB PNL (STANDBY POWER CONTROL UNIT ONLY)
 FIGURE 2

24-34-11-02

HAP
 FEB 10/07

24-34-11-02
 PAGE 0D

BOEING
737-600/700/800/900
PARTS CATALOG (MAINTENANCE)

FIG ITEM	PART NUMBER	1 2 3 4 5 6 7	NOMENCLATURE	EFFECT FROM TO	UNITS PER ASSY
2			EQUIPMENT INSTL-P6 CB PNL (STANDBY POWER CONTROL UNIT ONLY)	008030 201967	
- 1	233A5220-1		EQUIPMENT INSTL-P6 CB PNL (STANDBY POWER CONTROL UNIT ONLY) FOR NHA/OTHER SYS DET SEE: 24-30-00-01B 24-30-00-01C	008009 202967	RF
- 1	233A5220-2		EQUIPMENT INSTL-P6 CB PNL (STANDBY POWER CONTROL UNIT ONLY) FOR NHA/OTHER SYS DET SEE: 24-30-00-01B 24-30-00-01C	010020 201201	RF
- 1	233A5220-5		EQUIPMENT INSTL-P6 CB PNL (STANDBY POWER CONTROL UNIT ONLY) FOR NHA/OTHER SYS DET SEE: 24-30-00-01C	021027	RF
- 1	233A5220-7		EQUIPMENT INSTL-P6 CB PNL (STANDBY POWER CONTROL UNIT ONLY) FOR NHA/OTHER SYS DET SEE: 24-30-00-01C	028029	RF
- 1	233A5220-9		EQUIPMENT INSTL-P6 CB PNL (STANDBY POWER CONTROL UNIT ONLY) FOR NHA/OTHER SYS DET SEE: 24-30-00-01C	030030	RF
3	233A5001-30		.SPACER- POST SERVICE BULLETIN: 24-1155	202967	1
4	NAS43DD3-18FC		.SPACER- POSITION DATA: FAR SIDE PRE SERVICE BULLETIN: 24-1155	008009 202967	2

MISSING ITEM NUMBERS NOT APPLICABLE

- ITEM NOT ILLUSTRATED

HAP

24-34-11-02

BOEING PROPRIETARY - Copyright © - Unpublished Work - See title page for details.

24-34-11
FIG. 02
PAGE 1
OCT 15/08

BOEING
737-600/700/800/900
PARTS CATALOG (MAINTENANCE)

FIG ITEM	PART NUMBER	1 2 3 4 5 6 7	NOMENCLATURE	EFFECT FROM TO	UNITS PER ASSY
2 6	1151952-6		.UNIT ASSY-STBY PWR CONT SUPPLIER CODE: V07217 FUNCTIONAL DESCRIPTION: PROVIDES THE NECESSARY LOGIC AND CONTROL FUNCTIONS FOR THE STANDBY SYSTEM. THE SPCU CONTROLS THE CONNECTION OF THE BATTERY BUSES AND THE DC AND AC STANDBY BUSES. SPECIFICATION NUMBER: S281A601-3001 ELECTRICAL EQUIP NUMBER: M01720 COMPONENT MAINT MANUAL REF: 24-60-02 MAINTENANCE MANUAL REF: 24-34-11 QUALIFIED I/W DATA: FOR SINGLE BATTERY OPTION 1151952-5,-6,-7,-8,-9,-1 0,-11,-12,-13,-14 ARE I/W, WITH THE 1151952-12,-13,-14 UNITS PREFERRED. FOR DUAL BATTERY OPTION 1151952-6,-8,-9,-11,-13, -14 ARE I/W, WITH THE 1151952-13,-14 UNITS PREFERRED.	008030 201967	1

MISSING ITEM NUMBERS NOT APPLICABLE

— ITEM NOT ILLUSTRATED

HAP

24-34-11-02

BOEING PROPRIETARY - Copyright © - Unpublished Work - See title page for details.

24-34-11
FIG. 02
PAGE 3
OCT 15/08

BOEING
737-600/700/800/900
PARTS CATALOG (MAINTENANCE)

FIG ITEM	PART NUMBER	1 2 3 4 5 6 7	NOMENCLATURE	EFFECT FROM TO	UNITS PER ASSY
2 6	1151952-8		.UNIT ASSY-STBY PWR CONT SUPPLIER CODE: V07217 FUNCTIONAL DESCRIPTION: PROVIDES THE NECESSARY LOGIC AND CONTROL FUNCTIONS FOR THE STANDBY SYSTEM. THE SPCU CONTROLS THE CONNECTION OF THE BATTERY BUSES AND THE DC AND AC STANDBY BUSES. SPECIFICATION NUMBER: S281A601-3003 ELECTRICAL EQUIP NUMBER: M01720 COMPONENT MAINT MANUAL REF: 24-60-02 MAINTENANCE MANUAL REF: 24-34-11 QUALIFIED I/W DATA: FOR SINGLE BATTERY OPTION 1151952-5,-6,-7,-8,-9,-1 0,-11,-12,-13, -14 ARE I/W, WITH THE 1151952-12,-13,-14 UNITS PREFERRED. FOR DUAL BATTERY OPTION 1151952-6,-8,-9,-11,-13, -14 ARE I/W, WITH THE 1151952-13,-14 UNITS PREFERRED.	008030 201967	1

MISSING ITEM NUMBERS NOT APPLICABLE

— ITEM NOT ILLUSTRATED

HAP

24-34-11-02

BOEING PROPRIETARY - Copyright © - Unpublished Work - See title page for details.

24-34-11
FIG. 02
PAGE 4
OCT 15/08

BOEING
737-600/700/800/900
PARTS CATALOG (MAINTENANCE)

FIG ITEM	PART NUMBER	1 2 3 4 5 6 7	NOMENCLATURE	EFFECT FROM TO	UNITS PER ASSY
2 6	1151952-9		.UNIT ASSY-STBY PWR CONT SUPPLIER CODE: V07217 FUNCTIONAL DESCRIPTION: PROVIDES THE NECESSARY LOGIC AND CONTROL FUNCTIONS FOR THE STANDBY SYSTEM. THE SPCU CONTROLS THE CONNECTION OF THE BATTERY BUSES AND THE DC AND AC STANDBY BUSES. SPECIFICATION NUMBER: S281A601-3004 ELECTRICAL EQUIP NUMBER: M01720 COMPONENT MAINT MANUAL REF: 24-60-02 MAINTENANCE MANUAL REF: 24-34-11 QUALIFIED I/W DATA: FOR SINGLE BATTERY OPTION 1151952-5,-6,-7,-8,-9,-1 0,-11,-12,-13, -14 ARE I/W, WITH THE 1151952-12,-13,-14 UNITS PREFERRED. FOR DUAL BATTERY OPTION 1151952-6,-8,-9,-11,-13, -14 ARE I/W, WITH THE 1151952-13,-14 UNITS PREFERRED.	008030 201967	1

MISSING ITEM NUMBERS NOT APPLICABLE

— ITEM NOT ILLUSTRATED

HAP

24-34-11-02

BOEING PROPRIETARY - Copyright © - Unpublished Work - See title page for details.

24-34-11
FIG. 02
PAGE 5
OCT 15/08

BOEING
737-600/700/800/900
PARTS CATALOG (MAINTENANCE)

FIG ITEM	PART NUMBER	1 2 3 4 5 6 7	NOMENCLATURE	EFFECT FROM TO	UNITS PER ASSY
2 6	1151952-14		.UNIT ASSY-STBY PWR CONT SUPPLIER CODE: V07217 FUNCTIONAL DESCRIPTION: PROVIDES THE NECESSARY LOGIC AND CONTROL FUNCTIONS FOR THE STANDBY SYSTEM. THE SPCU CONTROLS THE CONNECTION OF THE BATTERY BUSES AND THE DC AND AC STANDBY BUSES. SPECIFICATION NUMBER: S281A601-3009 ELECTRICAL EQUIP NUMBER: M01720 COMPONENT MAINT MANUAL REF: 24-60-02 MAINTENANCE MANUAL REF: 24-34-11 QUALIFIED I/W DATA: FOR SINGLE BATTERY OPTION 1151952-5,-6,-7,-8,-9,-1 0,-11,-12,-13, -14 ARE I/W, WITH THE 1151952-12,-13,-14 UNITS PREFERRED. FOR DUAL BATTERY OPTION 1151952-6,-8,-9,-11,-13, -14 ARE I/W, WITH THE 1151952-13,-14 UNITS PREFERRED.	008030 201967	1
10	1032411-1		..DECAL-CB SUPPLIER CODE: V07217	008030 201967	1
15	1027229-3		..LABEL-CAUTION SUPPLIER CODE: V07217 USED ON: 1151952-9 1151952-14	008030 201967	2
20	CS455-4		..PLATE-IDENT SUPPLIER CODE: V07217 USED ON: 1151952-5	008030 201967	1

MISSING ITEM NUMBERS NOT APPLICABLE

— ITEM NOT ILLUSTRATED

HAP

24-34-11-02

BOEING PROPRIETARY - Copyright © - Unpublished Work - See title page for details.

24-34-11
FIG. 02
PAGE 6
OCT 15/08

BOEING
737-600/700/800/900
PARTS CATALOG (MAINTENANCE)

FIG ITEM	PART NUMBER	1 2 3 4 5 6 7	NOMENCLATURE	EFFECT FROM TO	UNITS PER ASSY
2	20 CS455-5		.. PLATE-IDENT SUPPLIER CODE: V07217 USED ON: 1151952-6	008030 201967	1
	20 CS556-1		.. PLATE-IDENT SUPPLIER CODE: V07217 USED ON: 1151952-7 1151952-8 1151952-9 1151952-14	008030 201967	1
	25 CS482-1		.. PLATE-IDENT SUPPLIER CODE: V07217 OPTIONAL PART: CS482-3 V07217 USED ON: 1151952-5 1151952-6	008030 201967	1
	25 CS482-3		.. PLATE-IDENT SUPPLIER CODE: V07217 OPTIONAL PART: CS482-1 V07217 USED ON: 1151952-5 1151952-6	008030 201967	1
	30 CS482-2		.. PLATE-IDENT SUPPLIER CODE: V07217 OPTIONAL PART: CS482-4 V07217 USED ON: 1151952-5 1151952-6	008030 201967	1
	30 CS482-4		.. PLATE-IDENT SUPPLIER CODE: V07217 OPTIONAL PART: CS482-2 V07217 USED ON: 1151952-5 1151952-6	008030 201967	1

MISSING ITEM NUMBERS NOT APPLICABLE

— ITEM NOT ILLUSTRATED

HAP

24-34-11-02

BOEING PROPRIETARY - Copyright © - Unpublished Work - See title page for details.

24-34-11
FIG. 02
PAGE 7
OCT 15/08

BOEING
737-600/700/800/900
PARTS CATALOG (MAINTENANCE)

FIG ITEM	PART NUMBER	1 2 3 4 5 6 7	NOMENCLATURE	EFFECT FROM TO	UNITS PER ASSY
2					
35	308CP3C1001-076	..	CONNECTOR- SUPPLIER CODE: V03554 OPTIONAL PART: 228-967-9001 V07217	008030 201967	1
35	228-967-9001	..	CONNECTOR- SUPPLIER CODE: V07217 OPTIONAL PART: 308CP31001-076 V03554	008030 201967	1
40	308CS3C1001-103	..	CONNECTOR- SUPPLIER CODE: V03554 OPTIONAL PART: 228-966-9002 V07217	008030 201967	1
40	228-966-9002	..	CONNECTOR- SUPPLIER CODE: V07217 OPTIONAL PART: 308CS3C1001-103 V03554	008030 201967	1
45	DSXN2RS8PS36C7S	..	CONNECTOR- SUPPLIER CODE: VOGP12 MISCELLANEOUS DATA: ORDER PN DSXN2RS8PS36C7S2301 ATTACHING PARTS	008030 201967	1
50	MS26493C6	..	SCREW- OPTIONAL PART: NAS1802-04-08	008030 201967	4
50	NAS1802-04-08	..	SCREW- OPTIONAL PART: MS26493C6	008030 201967	4
55	MS35338-135	..	WASHER	008030 201967	4
60	NAS620C4L	..	WASHER	008030 201967	8
65	MS35649-244	..	NUT- OPTIONAL PART: NAS671C4 -----*-----	008030 201967	4

MISSING ITEM NUMBERS NOT APPLICABLE

— ITEM NOT ILLUSTRATED

HAP

24-34-11-02

24-34-11
FIG. 02
PAGE 8
OCT 15/08

BOEING
737-600/700/800/900
PARTS CATALOG (MAINTENANCE)

FIG ITEM	PART NUMBER	1 2 3 4 5 6 7	NOMENCLATURE	EFFECT FROM TO	UNITS PER ASSY
2					
70	DSXN2RS36C7SS67	..	CONNECTOR- SUPPLIER CODE: VOGP12 MISCELLANEOUS DATA: ORDER PN DSXN2RS36C7SS67P101 OPTIONAL PART: 228-964-9001 V07217	008030 201967	1
70	228-964-9001	..	CONNECTOR- SUPPLIER CODE: V07217 OPTIONAL PART: DSXN2RS36C7SS67 VOGP12 ATTACHING PARTS	008030 201967	1
75	NAS1802-04-06	..	SCREW	008030 201967	4
77	NAS620C4L	..	WASHER	008030 201967	4
80	1032401-3	..	-----*----- COVER-FRONT SUPPLIER CODE: V07217 ATTACHING PARTS	008030 201967	1
85	MS24693-26B	..	SCREW	008030 201967	14
90	1032408-1	..	-----*----- BUS BAR- SUPPLIER CODE: V07217	008030 201967	1
95	BACC18AD02	..	CIRCUIT BREAKER	008030 201967	5
100	700-038-35	..	CIRCUIT BREAKER SUPPLIER CODE: V76374 SPECIFICATION NUMBER: BACC18X35 OPTIONAL PART: 492-235-103 V79405 492-235-104 V79405	008030 201967	2
105	MS26574-1-2	..	CIRCUIT BREAKER	008030 201967	2

MISSING ITEM NUMBERS NOT APPLICABLE

— ITEM NOT ILLUSTRATED

HAP

24-34-11-02

BOEING PROPRIETARY - Copyright © - Unpublished Work - See title page for details.

24-34-11
FIG. 02
PAGE 9
OCT 15/08

BOEING
737-600/700/800/900
PARTS CATALOG (MAINTENANCE)

FIG ITEM	PART NUMBER	1 2 3 4 5 6 7	NOMENCLATURE	EFFECT FROM TO	UNITS PER ASSY
2 110	700-038-25		..CIRCUIT BREAKER SUPPLIER CODE: V76374 SPECIFICATION NUMBER: BACC18X25 OPTIONAL PART: 492-225-103 V79405 492-225-104 V79405	008030 201967	5
115	KDD4N		..RELAY-25 A, 4PDT SUPPLIER CODE: V58567 SPECIFICATION NUMBER: 618-943-9001 SB DATA FROM A CMM: PRE 1151952-24-59 OPTIONAL PART: 40-617-1319 VK5294 FCAC325AY4 V00213 USED ON: 1151952-5 1151952-6 1151952-7 1151952-8 1151952-9	008030 201967	3
- 120	KDD4N		..RELAY-25 A, 4PDT SUPPLIER CODE: V58567 SPECIFICATION NUMBER: 618-943-9001 SB DATA FROM A CMM: POST 1151952-24-59 OPTIONAL PART: 40-617-1319 VK5294 FCAC325AY4 V00213 USED ON: 1151952-14	008030 201967	1

MISSING ITEM NUMBERS NOT APPLICABLE

- ITEM NOT ILLUSTRATED

HAP

24-34-11-02

BOEING PROPRIETARY - Copyright © - Unpublished Work - See title page for details.

24-34-11
FIG. 02
PAGE 10
OCT 15/08

BOEING
737-600/700/800/900
PARTS CATALOG (MAINTENANCE)

FIG ITEM	PART NUMBER	1 2 3 4 5 6 7	NOMENCLATURE	EFFECT FROM TO	UNITS PER ASSY
2 - 125	S01059-8914		.. SOCKET-RELAY SUPPLIER CODE: V35344 SB DATA FROM A CMM: POST 1151952-24-59 OPTIONAL PART: 668-910-9001 V07217 USED ON: 1151952-14	008030 201967	1
- 125	668-910-9001		.. SOCKET-RELAY SUPPLIER CODE: V07217 SB DATA FROM A CMM: POST 1151952-24-59 OPTIONAL PART: S01059-8914 V35444 USED ON: 1151952-14	008030 201967	1
- 130	AN960C4L		ATTACHING PARTS .. WASHER- SB DATA FROM A CMM: POST 1151952-24-59	008030 201967	3
- 135	MS21042-04		.. NUT- SB DATA FROM A CMM: POST 1151952-24-59	008030 201967	3
140	S01059-8914		-----*----- .. SOCKET-RELAY SUPPLIER CODE: V35344 SB DATA FROM A CMM: PRE 1151952-24-59 OPTIONAL PART: 668-910-9001 V07217 USED ON: 1151952-5 1151952-6 1151952-7 1151952-8 1151952-9	008030 201967	3

MISSING ITEM NUMBERS NOT APPLICABLE

- ITEM NOT ILLUSTRATED

HAP

24-34-11-02

24-34-11
FIG. 02
PAGE 11
OCT 15/08

BOEING
737-600/700/800/900
PARTS CATALOG (MAINTENANCE)

FIG ITEM	PART NUMBER	1 2 3 4 5 6 7	NOMENCLATURE	EFFECT FROM TO	UNITS PER ASSY
2 140	668-910-9001		.. SOCKET-RELAY SUPPLIER CODE: V07217 SB DATA FROM A CMM: PRE 1151952-24-59 OPTIONAL PART: S01059-8914 V35444 USED ON: 1151952-5 1151952-6 1151952-7 1151952-8 1151952-9 ATTACHING PARTS	008030 201967	3
145	AN960C4L		.. WASHER- SB DATA FROM A CMM: PRE 1151952-24-59	008030 201967	9
150	MS21042-04		.. NUT- SB DATA FROM A CMM: PRE 1151952-24-59	008030 201967	9
155	9339-10274		-----*----- .. RELAY-25 A,3PST SUPPLIER CODE: V35344 SB DATA FROM A CMM: POST 1151952-24-59 OPTIONAL PART: 618-951-9001 V07217 USED ON: 1151952-14	008030 201967	2
155	618-951-9001		.. RELAY-25 A,3PST SUPPLIER CODE: V07217 SB DATA FROM A CMM: POST 1151952-24-59 OPTIONAL PART: 9339-10274 V35344 USED ON: 1151952-14 ATTACHING PARTS	008030 201967	2
160	NAS620C6		.. WASHER- SB DATA FROM A CMM: POST 1151952-24-59	008030 201967	8
165	MS35338-136		.. WASHER- SB DATA FROM A CMM: POST 1151952-24-59	008030 201967	8

MISSING ITEM NUMBERS NOT APPLICABLE

— ITEM NOT ILLUSTRATED

HAP

24-34-11-02

BOEING PROPRIETARY - Copyright © - Unpublished Work - See title page for details.

24-34-11
FIG. 02
PAGE 12
OCT 15/08

BOEING
737-600/700/800/900
PARTS CATALOG (MAINTENANCE)

FIG ITEM	PART NUMBER	1 2 3 4 5 6 7	NOMENCLATURE	EFFECT FROM TO	UNITS PER ASSY
2					
170	MS35649-264	..	NUT- SB DATA FROM A CMM: POST 1151952-24-59 -----*-----	008030 201967	8
175	MS24693-26B	..	SCREW	008030 201967	8
180	1033043-1	..	RING-NUT RELAY MTG SUPPLIER CODE: V07217	008030 201967	2
185	HTA4N	..	CONTACTOR-60 A, 3PDT SUPPLIER CODE: V58657 SPECIFICATION NUMBER: 618-942-9001	008030 201967	2
190	1033045-1	..	BUS BAR-RELAY SUPPLIER CODE: V07217 ATTACHING PARTS	008030 201967	2
195	MS51957-44	..	SCREW	008030 201967	4
200	NAS1149CN832R	..	WASHER	008030 201967	8
205	MS35338-137	..	WASHER	008030 201967	4
210	MS35649-284	..	NUT -----*-----	008030 201967	4
215	1032399-4	..	CARD ASSY-GAGE SUPPLIER CODE: V07217 USED ON: 1151952-5	008030 201967	1
215	1032399-5	..	CARD ASSY-GAGE SUPPLIER CODE: V07217 USED ON: 1151952-6	008030 201967	1
215	1032399-6	..	CARD ASSY-GAGE SUPPLIER CODE: V07217 USED ON: 1151952-7	008030 201967	1
215	1032399-7	..	CARD ASSY-GAGE SUPPLIER CODE: V07217 USED ON: 1151952-8	008030 201967	1

MISSING ITEM NUMBERS NOT APPLICABLE

— ITEM NOT ILLUSTRATED

HAP

24-34-11-02

BOEING PROPRIETARY - Copyright © - Unpublished Work - See title page for details.

24-34-11
FIG. 02
PAGE 13
OCT 15/08

BOEING
737-600/700/800/900
PARTS CATALOG (MAINTENANCE)

FIG ITEM	PART NUMBER	1 2 3 4 5 6 7	NOMENCLATURE	EFFECT FROM TO	UNITS PER ASSY
2					
215	1032399-8	..	CARD ASSY-GAGE SUPPLIER CODE: V07217 USED ON: 1151952-9 1151952-14	008030 201967	1
220	1035439-1	...	LABEL-CAUTION SUPPLIER CODE: V07217	008030 201967	1
225	1032402-1	...	COVER-OUTER R SUPPLIER CODE: V07217 ATTACHING PARTS	008030 201967	1
230	MS51957-14B	...	SCREW	008030 201967	8
235	NAS620C4L	...	WASHER	008030 201967	8
			-----*-----		
240	1032210-4	...	CARD ASSY-CKT CONT A1/A2 SUPPLIER CODE: V07217 USED ON: 1032399-4 1032399-6	008030 201967	2
240	1032210-5	...	CARD ASSY-CKT CONT A1/A2 SUPPLIER CODE: V07217 USED ON: 1032399-5 1032399-7	008030 201967	2
240	1032210-6	...	CARD ASSY-CKT CONT A1/A2 SUPPLIER CODE: V07217 USED ON: 1032399-8	008030 201967	2
245	M55302-128AM1A	CONNECTOR	008030 201967	2
250	M55302-59A90Y	CONNECTOR	008030 201967	1
			ATTACHING PARTS		
255	1188-2810	RIVET-TUBULAR SUPPLIER CODE: V1C336 OPTIONAL PART: 627-903-9012 V07217	008030 201967	3

MISSING ITEM NUMBERS NOT APPLICABLE

— ITEM NOT ILLUSTRATED

HAP

24-34-11-02

BOEING PROPRIETARY - Copyright © - Unpublished Work - See title page for details.

24-34-11
FIG. 02
PAGE 14
OCT 15/08

BOEING
737-600/700/800/900
PARTS CATALOG (MAINTENANCE)

FIG ITEM	PART NUMBER	1 2 3 4 5 6 7	NOMENCLATURE	EFFECT FROM TO	UNITS PER ASSY
2					
255	627-903-9012	RIVET-TUBULAR SUPPLIER CODE: V07217 OPTIONAL PART: 1188-2810 V1C336 -----*-----	008030 201967	3
260	1032213-1	...	CARD ASSY-CKT INTERCONNECT A3 SUPPLIER CODE: V07217 USED ON: 1032399-4 1032399-5	008030 201967	1
260	1032213-2	...	CARD ASSY-CKT INTERCONNECT A3 SUPPLIER CODE: V07217 USED ON: 1032399-6 1032399-7	008030 201967	1
260	1036094-1	...	CARD ASSY-CKT INTERCONNECT A3 SUPPLIER CODE: V07217 USED ON: 1032399-8	008030 201967	1
265	MS51957-14	...	SCREW	008030 201967	2
270	NAS620C4L	...	WASHER	008030 201967	2
275	1027229-3	LABEL-CAUTION SUPPLIER CODE: V07217 USED ON: 1151952-9 1151952-14	008030 201967	2
280	M55302-60B90Y	CONNECTOR	008030 201967	2
285	1188-2812	RIVET-TUBULAR SUPPLIER CODE: V1C336 OPTIONAL PART: 627-903-9013 V07217	008030 201967	6

MISSING ITEM NUMBERS NOT APPLICABLE

— ITEM NOT ILLUSTRATED

HAP

24-34-11-02

BOEING PROPRIETARY - Copyright © - Unpublished Work - See title page for details.

24-34-11
FIG. 02
PAGE 15
OCT 15/08

BOEING
737-600/700/800/900
PARTS CATALOG (MAINTENANCE)

FIG ITEM	PART NUMBER	1 2 3 4 5 6 7	NOMENCLATURE	EFFECT FROM TO	UNITS PER ASSY
2					
285	627-903-9013	RIVET-TUBULAR SUPPLIER CODE: V07217 OPTIONAL PART: 1188-2812 V1C336 -----*-----	008030 201967	6
290	M24308-23-4F	CONNECTOR	008030 201967	1
295	M24308-24-4F	CONNECTOR	008030 201967	1
			ATTACHING PARTS		
300	M24308-26-2F	SCREW	008030 201967	4
			-----*-----		
305	1032215-1	BOARD-PRINTED WIRING SUPPLIER CODE: V07217 USED ON: 1032213-1 1032213-2	008030 201967	1
305	1036093-1	BOARD-PRINTED WIRING SUPPLIER CODE: V07217 USED ON: 1036094-1	008030 201967	1
- 500	286A0044-033		WIRE BUNDLE ASSY	202967	RF
- 501	286A0044-071		WIRE BUNDLE ASSY	201201	RF
- 503	286A0044-315		WIRE BUNDLE ASSY	008009	RF
- 505	286A0044-351		WIRE BUNDLE ASSY	010011	RF
- 506	286A0044-374		WIRE BUNDLE ASSY	012013	RF
- 506	286A0044-385		WIRE BUNDLE ASSY	014030	RF
520	BCREF129650	.PLATE ASSY-PLUG		008030 201967	1
			OVERLENGTH PART NUMBER: DSXN2PS8SS36C7P7301 ELECTRICAL EQUIP NUMBER: D11712 WIRING DIAGRAM REF: 243111		
			ATTACHING PARTS		
- 521	MS35190-223	.SCREW-		008030 201967	4
			POSITION DATA: NEAR SIDE PRE SERVICE BULLETIN: 24-1155		

MISSING ITEM NUMBERS NOT APPLICABLE

- ITEM NOT ILLUSTRATED

HAP

24-34-11-02

BOEING PROPRIETARY - Copyright © - Unpublished Work - See title page for details.

24-34-11
FIG. 02
PAGE 16
OCT 15/08

BOEING
737-600/700/800/900
PARTS CATALOG (MAINTENANCE)

FIG ITEM	PART NUMBER	1 2 3 4 5 6 7	NOMENCLATURE	EFFECT FROM TO	UNITS PER ASSY
2					
- 521	MS35190-225		.SCREW- POSITION DATA: NEAR SIDE POST SERVICE BULLETIN: 24-1155	201967	4
- 522	NAS1149DN332J		.WASHER- POSITION DATA: FAR SIDE PRE SERVICE BULLETIN: 24-1155	008030 201967	4
- 522	NAS1149DN832J		.WASHER- POSITION DATA: FAR SIDE POST SERVICE BULLETIN: 24-1155	201967	4
- 523	PLH504		.NUT- SUPPLIER CODE: V62554 SPECIFICATION NUMBER: BACN10YR04 OPTIONAL PART: BH00312-04 V27238 BRH30C04 V52828 LH3858-40 V72962 T6113C440 V11815 H52732-04 V15653 80724-440 V56878 POSITION DATA: FAR SIDE PRE SERVICE BULLETIN: 24-1155	008030 201967	4

MISSING ITEM NUMBERS NOT APPLICABLE

- ITEM NOT ILLUSTRATED

HAP

24-34-11-02

BOEING PROPRIETARY - Copyright © - Unpublished Work - See title page for details.

24-34-11
FIG. 02
PAGE 17
OCT 15/08

BOEING
737-600/700/800/900
PARTS CATALOG (MAINTENANCE)

FIG ITEM	PART NUMBER	1 2 3 4 5 6 7	NOMENCLATURE	EFFECT FROM TO	UNITS PER ASSY
2 - 523	PLH504CD		.NUT- SUPPLIER CODE: VF0224 SPECIFICATION NUMBER: BACN10YR04CD OPTIONAL PART: H52732-04CD V15653 POSITION DATA: FAR SIDE POST SERVICE BULLETIN: 24-1155	201967	4
	525 BCREP129649		-----*----- .PLATE ASSY-PLUG OVERLENGTH PART NUMBER: DSXN2PS36C7PS67S7301 ELECTRICAL EQUIP NUMBER: D11714 WIRING DIAGRAM REF: 243111 ATTACHING PARTS	008030 201967	1
- 530	MS35190-223		.SCREW- POSITION DATA: NEAR SIDE PRE SERVICE BULLETIN: 24-1155	008030 201967	4
- 530	MS35190-224		.SCREW- POSITION DATA: NEAR SIDE POST SERVICE BULLETIN: 24-1155	201967	4
- 535	NAS1149DN332J		.WASHER- POSITION DATA: FAR SIDE PRE SERVICE BULLETIN: 24-1155	008030 201967	4
- 535	NAS1149DN832J		.WASHER- POSITION DATA: FAR SIDE POST SERVICE BULLETIN: 24-1155	201967	4

MISSING ITEM NUMBERS NOT APPLICABLE

- ITEM NOT ILLUSTRATED

HAP

24-34-11-02

24-34-11
FIG. 02
PAGE 18
FEB 15/09

BOEING
737-600/700/800/900
PARTS CATALOG (MAINTENANCE)

FIG ITEM	PART NUMBER	1 2 3 4 5 6 7	NOMENCLATURE	EFFECT FROM TO	UNITS PER ASSY
2 - 540	PLH504		.NUT- SUPPLIER CODE: V62554 SPECIFICATION NUMBER: BACN10YR04 OPTIONAL PART: BH00312-04 V27238 BRH30C04 V52828 LH3858-40 V72962 T6113C440 V11815 H52732-04 V15653 80724-440 V56878 POSITION DATA: FAR SIDE PRE SERVICE BULLETIN: 24-1155	008030 201967	4
- 540	PLH504CD		.NUT- SUPPLIER CODE: VF0224 SPECIFICATION NUMBER: BACN10YR04CD OPTIONAL PART: H52732-04CD V15653 POSITION DATA: FAR SIDE POST SERVICE BULLETIN: 24-1155 -----*-----	201967	4

MISSING ITEM NUMBERS NOT APPLICABLE

- ITEM NOT ILLUSTRATED

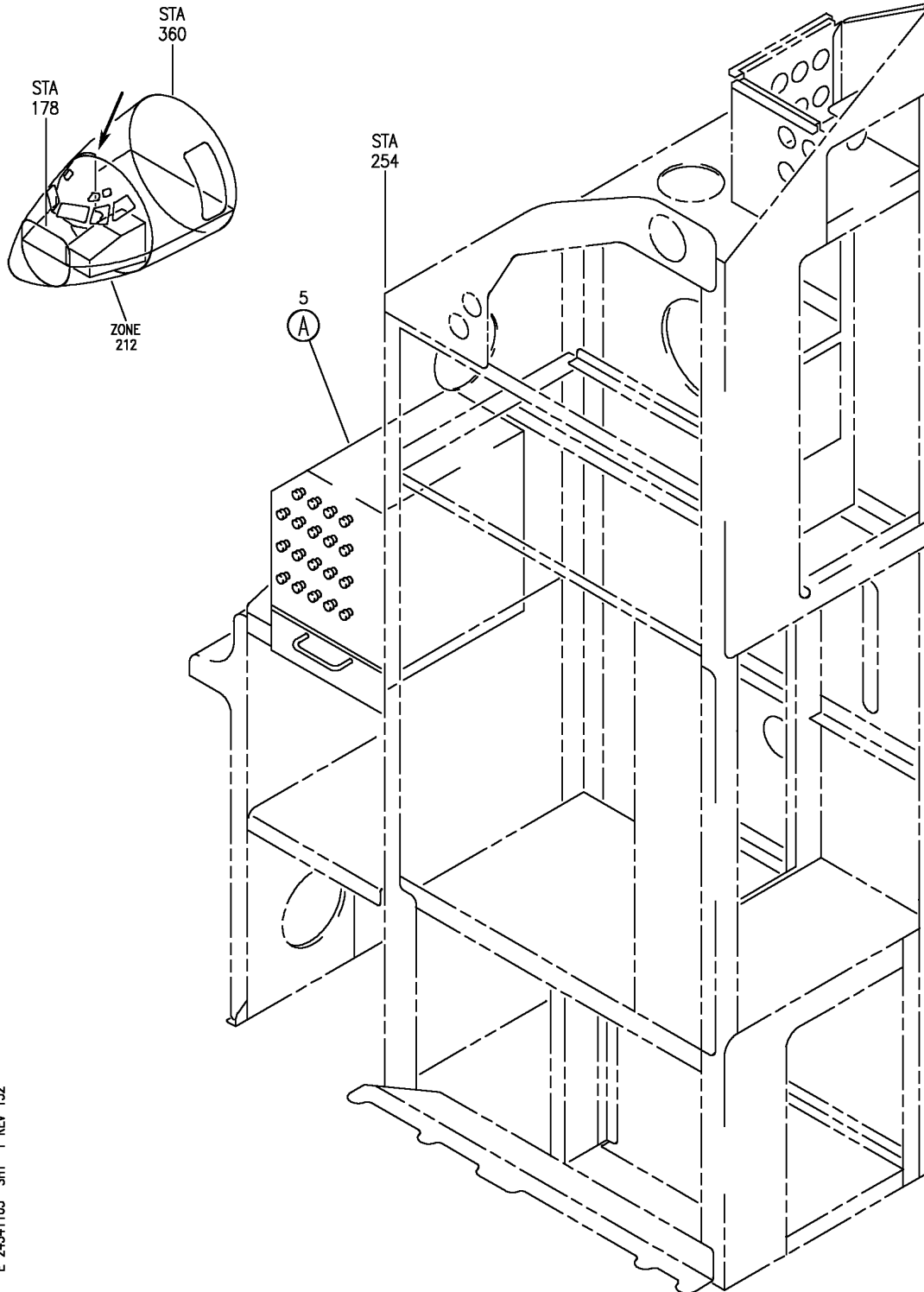
HAP

24-34-11-02

BOEING PROPRIETARY - Copyright © - Unpublished Work - See title page for details.

24-34-11
FIG. 02
PAGE 19
FEB 15/09

BOEING
737-600/700/800/900
PARTS CATALOG (MAINTENANCE)



E 24341103 SH1 1 REV 152

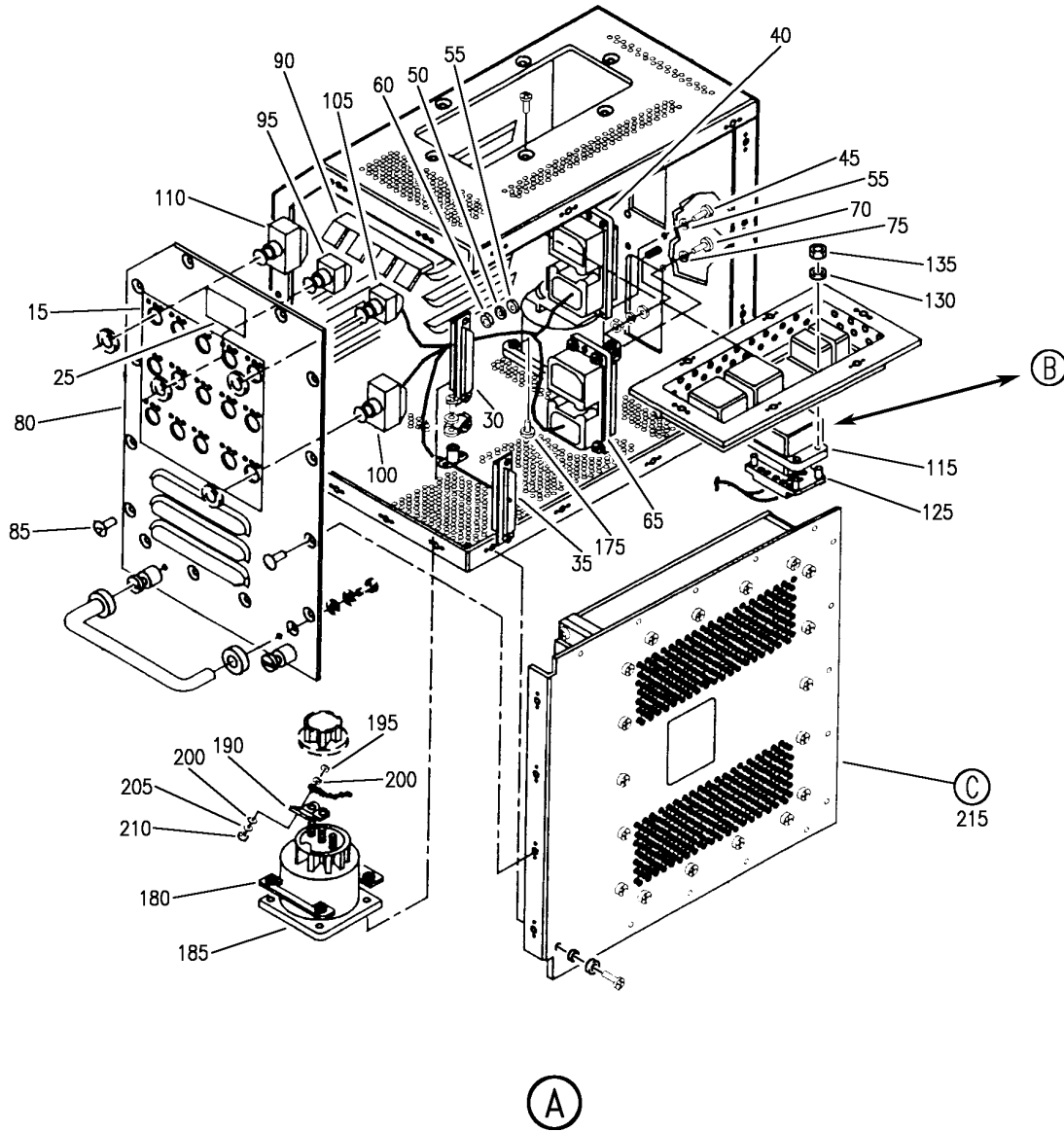
EQUIPMENT INSTL-P6 CB PNL (STANDBY POWER CONTROL UNIT ONLY)
FIGURE 3 (SHEET 1)

24-34-11-03

HAP
JUN 15/09

24-34-11-03
PAGE 0

BOEING
 737-600/700/800/900
 PARTS CATALOG (MAINTENANCE)



E 24341103 SHT 2 REV 127

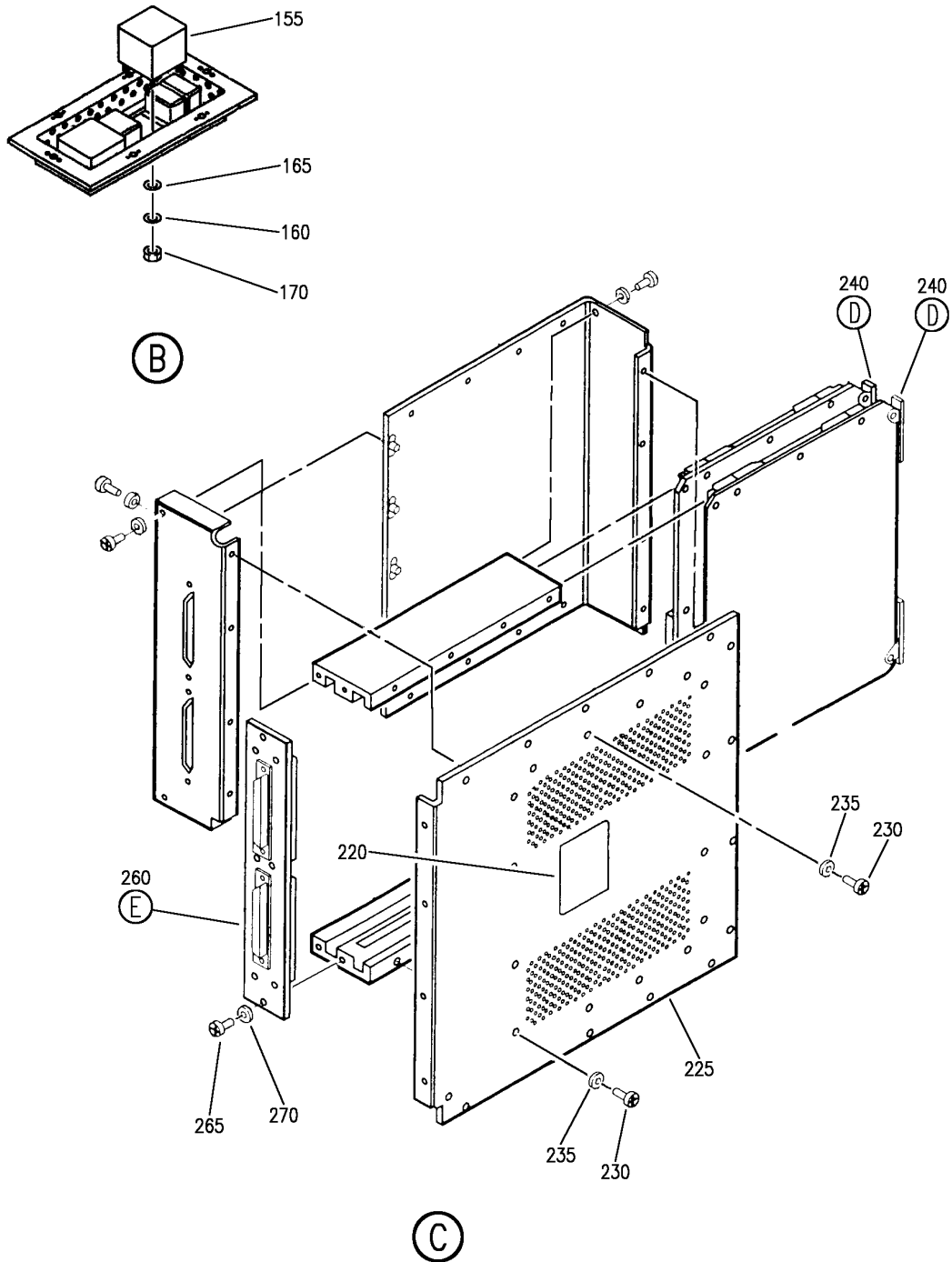
EQUIPMENT INSTL-P6 CB PNL (STANDBY POWER CONTROL UNIT ONLY)
 FIGURE 3 (SHEET 2)

24-34-11-03

HAP
 FEB 10/07

24-34-11-03
 PAGE 0A


BOEING
 737-600/700/800/900
 PARTS CATALOG (MAINTENANCE)



E 24341103 SH1 3 REV 127

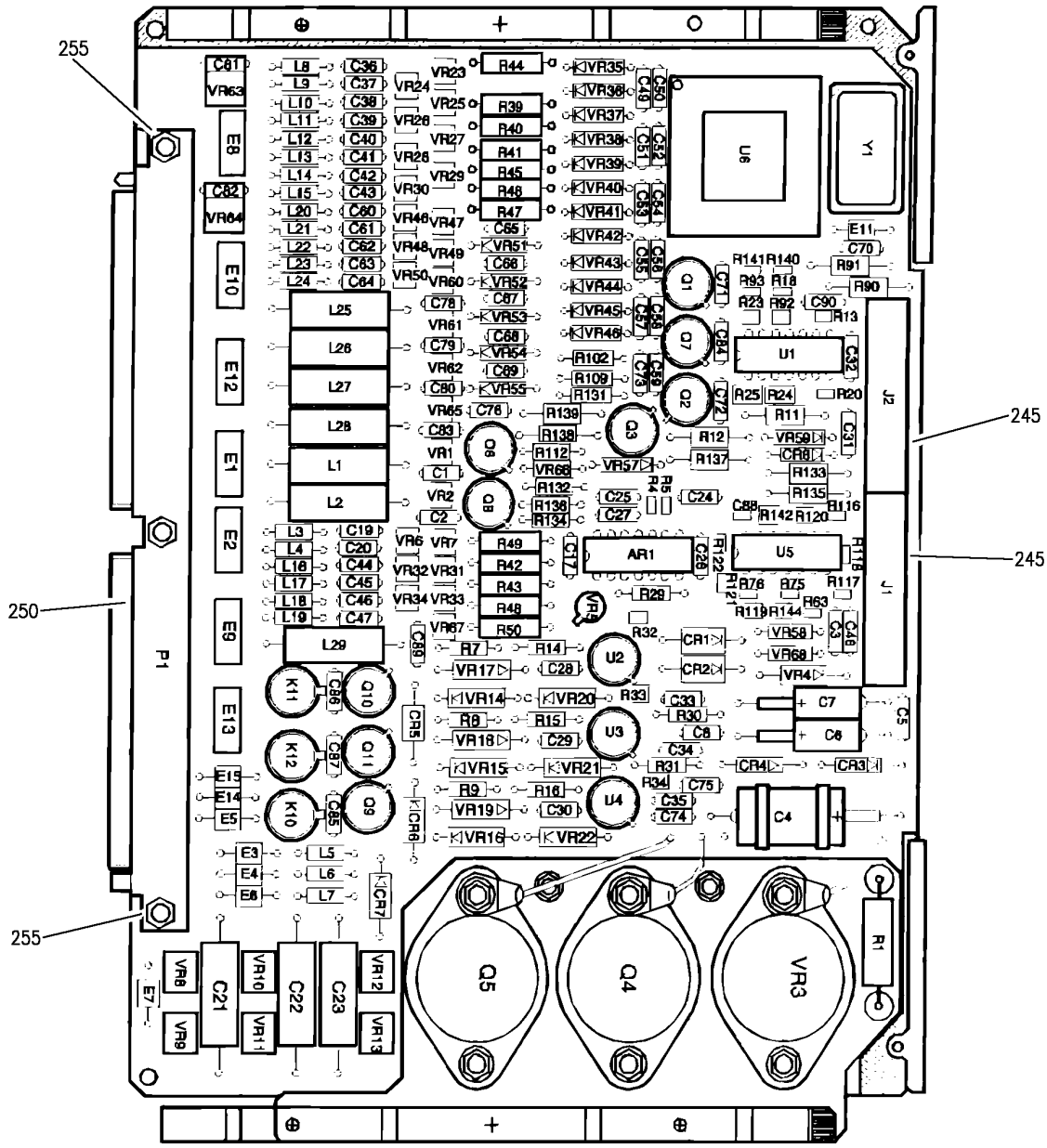
EQUIPMENT INSTL-P6 CB PNL (STANDBY POWER CONTROL UNIT ONLY)
FIGURE 3 (SHEET 3)

24-34-11-03

HAP
FEB 10/07

24-34-11-03
PAGE 0B

BOEING
737-600/700/800/900
PARTS CATALOG (MAINTENANCE)



E 24341103 SHT 4 REV 127

EQUIPMENT INSTL-P6 CB PNL (STANDBY POWER CONTROL UNIT ONLY)
FIGURE 3 (SHEET 4)

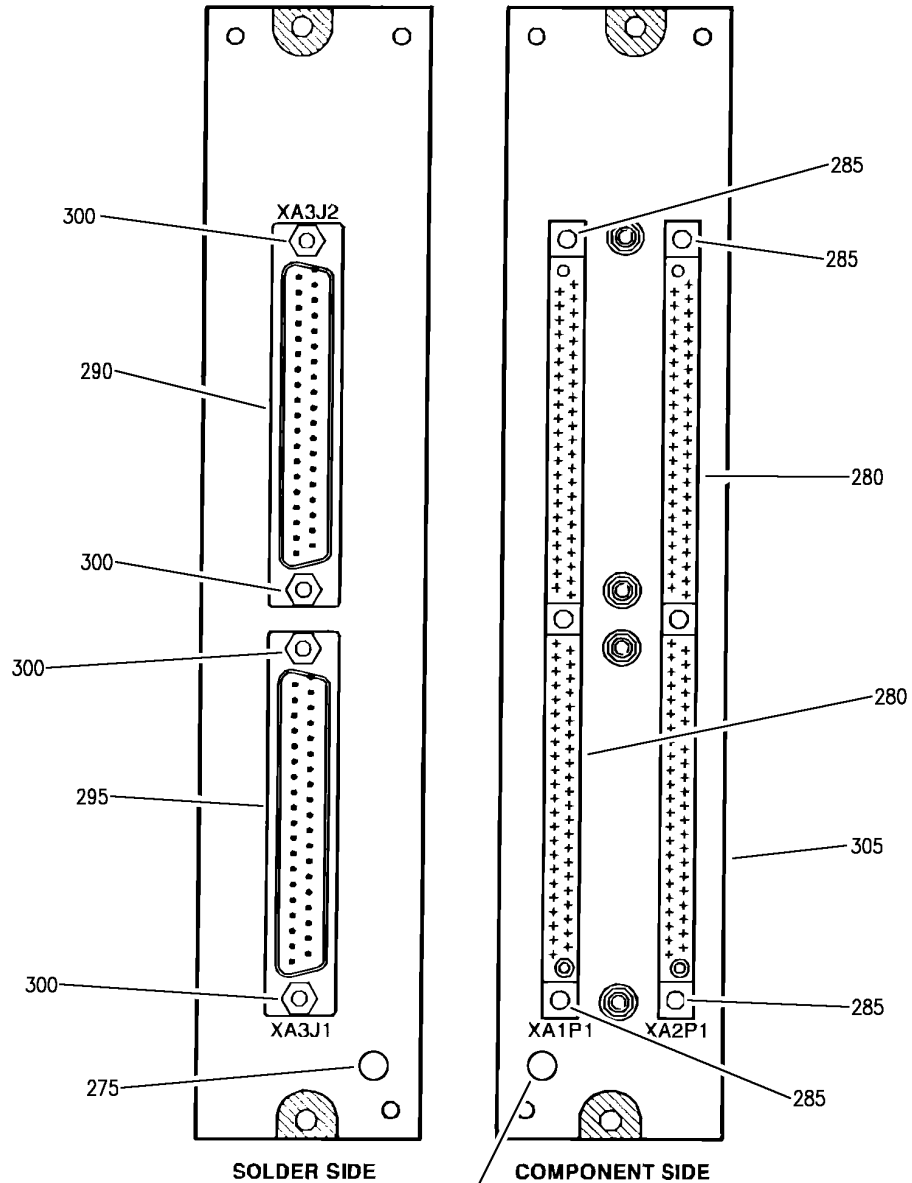
24-34-11-03

HAP
FEB 10/07

24-34-11-03
PAGE 0C

BOEING PROPRIETARY - Copyright © - Unpublished Work - See title page for details.

BOEING
 737-600/700/800/900
 PARTS CATALOG (MAINTENANCE)



275
 (E)

E 24341103 SHT 5 REV 127

EQUIPMENT INSTL-P6 CB PNL (STANDBY POWER CONTROL UNIT ONLY)
 FIGURE 3 (SHEET 5)

24-34-11-03

HAP
 FEB 10/07

24-34-11-03
 PAGE 0D


BOEING
 737-600/700/800/900
PARTS CATALOG (MAINTENANCE)

FIG ITEM	PART NUMBER	1 2 3 4 5 6 7	NOMENCLATURE	EFFECT FROM TO	UNITS PER ASSY
3			EQUIPMENT INSTL-P6 CB PNL (STANDBY POWER CONTROL UNIT ONLY)	031200 968999	
- 2	MODREF267101		EQUIPMENT INSTL-P6 CB PNL (STANDBY POWER CONTROL UNIT ONLY) MODULE NUMBER: 233A5220-11 REV P FOR OTHER SYS DETAILS SEE: 11-31-01-53A 21-25-02-02A 21-31-00-02 23-51-00-31 24-51-11-01A 24-52-00-02 24-61-00-03 28-21-21-01A 28-21-81-03 31-11-98-09 33-11-00-04A 33-18-00-03 33-25-00-02A 33-29-00-03A	031043 101101 968971	1
- 2	MODREF351279		EQUIPMENT INSTL-P6 CB PNL (STANDBY POWER CONTROL UNIT ONLY) MODULE NUMBER: 233A5220-11 REV R FOR OTHER SYS DETAILS SEE: 11-31-01-53A 21-25-02-02A 21-31-00-02 23-51-00-31 24-51-11-01A 24-52-00-02 24-61-00-03 28-21-21-01A 28-21-81-03 31-11-98-09 33-11-00-04A 33-18-00-03 33-25-00-02A 33-29-00-03A	044046 054100 102104 972972	1

MISSING ITEM NUMBERS NOT APPLICABLE

- ITEM NOT ILLUSTRATED

HAP

24-34-11-03

BOEING PROPRIETARY - Copyright © - Unpublished Work - See title page for details.

24-34-11
 FIG. 03
 PAGE 1
 FEB 15/09

BOEING
737-600/700/800/900
PARTS CATALOG (MAINTENANCE)

FIG ITEM	PART NUMBER	1 2 3 4 5 6 7	NOMENCLATURE	EFFECT FROM TO	UNITS PER ASSY
3 5	1151952-14		.UNIT ASSY-STBY PWR CONT SUPPLIER CODE: V07217 FUNCTIONAL DESCRIPTION: PROVIDES THE NECESSARY LOGIC AND CONTROL FUNCTIONS FOR THE STANDBY SYSTEM. THE SPCU CONTROLS THE CONNECTION OF THE BATTERY BUSES AND THE DC AND AC STANDBY BUSES. SPECIFICATION NUMBER: S281A601-3009 ELECTRICAL EQUIP NUMBER: M01720 COMPONENT MAINT MANUAL REF: 24-60-02 MAINTENANCE MANUAL REF: 24-34-11 QUALIFIED I/W DATA: FOR SINGLE BATTERY OPTION 1151952-5,-6,-7,-8,-9,-1 0,-11,-12,-13,-14 ARE I/W, WITH THE 1151952-12,-13,-14 UNITS PREFERRED. FOR DUAL BATTERY OPTION 1151952-6,-8,-9,-11,-13, -14 ARE I/W, WITH THE 1151952-13,-14 UNITS PREFERRED.	031200 968999	1
15	1032411-1		..DECAL-CB SUPPLIER CODE: V07217	031200 968999	1
20	1027229-3		..LABEL-CAUTION SUPPLIER CODE: V07217	031200 968999	2
25	CS556-1		..PLATE-IDENT SUPPLIER CODE: V07217	031200 968999	1
30	308CP3C1001-076		..CONNECTOR- SUPPLIER CODE: V03554 OPTIONAL PART: 228-967-9001 V07217	031200 968999	1

MISSING ITEM NUMBERS NOT APPLICABLE

— ITEM NOT ILLUSTRATED

HAP

24-34-11-03

BOEING PROPRIETARY - Copyright © - Unpublished Work - See title page for details.

24-34-11
FIG. 03
PAGE 3
OCT 15/08

BOEING
737-600/700/800/900
PARTS CATALOG (MAINTENANCE)

FIG ITEM	PART NUMBER	1 2 3 4 5 6 7	NOMENCLATURE	EFFECT FROM TO	UNITS PER ASSY
3					
30	228-967-9001	..	CONNECTOR- SUPPLIER CODE: V07217 OPTIONAL PART: 308CP31001-076 V03554	031200 968999	1
35	308CS3C1001-103	..	CONNECTOR- SUPPLIER CODE: V03554 OPTIONAL PART: 228-966-9002 V07217	031200 968999	1
35	228-966-9002	..	CONNECTOR- SUPPLIER CODE: V07217 OPTIONAL PART: 308CS3C1001-103 V03554	031200 968999	1
40	DSXN2RS8PS36C7S	..	CONNECTOR- SUPPLIER CODE: VOGP12 MISCELLANEOUS DATA: ORDER PN DSXN2RS8PS36C7S2301 ATTACHING PARTS	031200 968999	1
45	MS26493C6	..	SCREW- OPTIONAL PART: NAS1802-04-08	031200 968999	4
45	NAS1802-04-08	..	SCREW- OPTIONAL PART: MS26493C6	031200 968999	4
50	MS35338-135	..	WASHER	031200 968999	4
55	NAS620C4L	..	WASHER	031200 968999	8
60	MS35649-244	..	NUT- OPTIONAL PART: NAS671C4	031200 968999	4
60	NAS671C4	..	NUT- OPTIONAL PART: MS35649-244 -----*-----	031200 968999	4

MISSING ITEM NUMBERS NOT APPLICABLE

— ITEM NOT ILLUSTRATED

HAP

24-34-11-03

BOEING PROPRIETARY - Copyright © - Unpublished Work - See title page for details.

24-34-11
FIG. 03
PAGE 4
OCT 15/08

BOEING
737-600/700/800/900
PARTS CATALOG (MAINTENANCE)

FIG ITEM	PART NUMBER	1 2 3 4 5 6 7	NOMENCLATURE	EFFECT FROM TO	UNITS PER ASSY
3					
65	DSXN2RS36C7SS67	..	CONNECTOR- SUPPLIER CODE: VOGP12 MISCELLANEOUS DATA: ORDER PN DSXN2RS36C7SS67P101 OPTIONAL PART: 228-964-9001 V07217	031200 968999	1
65	228-964-9001	..	CONNECTOR- SUPPLIER CODE: V07217 OPTIONAL PART: DSXN2RS36C7SS67 VOGP12 ATTACHING PARTS	031200 968999	1
70	NAS1802-04-06	..	SCREW	031200 968999	4
75	NAS620C4L	..	WASHER	031200 968999	4
80	1032401-3	..	-----*----- COVER-FRONT SUPPLIER CODE: V07217 ATTACHING PARTS	031200 968999	1
85	MS24693-26B	..	SCREW	031200 968999	14
90	1032408-1	..	-----*----- BUS BAR- SUPPLIER CODE: V07217	031200 968999	1
95	BACC18AD02	..	CIRCUIT BREAKER	031200 968999	5
100	700-038-35	..	CIRCUIT BREAKER SUPPLIER CODE: V76374 SPECIFICATION NUMBER: BACC18X35 OPTIONAL PART: 492-235-103 V79405 492-235-104 V79405	031200 968999	2
105	MS26574-1-2	..	CIRCUIT BREAKER	031200 968999	2

MISSING ITEM NUMBERS NOT APPLICABLE

— ITEM NOT ILLUSTRATED

HAP

24-34-11-03

BOEING PROPRIETARY - Copyright © - Unpublished Work - See title page for details.

24-34-11
FIG. 03
PAGE 5
OCT 15/08

BOEING
737-600/700/800/900
PARTS CATALOG (MAINTENANCE)

FIG ITEM	PART NUMBER	1 2 3 4 5 6 7	NOMENCLATURE	EFFECT FROM TO	UNITS PER ASSY
3 110	700-038-25		..CIRCUIT BREAKER SUPPLIER CODE: V76374 SPECIFICATION NUMBER: BACC18X25 OPTIONAL PART: 492-225-103 V79405 492-225-104 V79405	031200 968999	5
- 120	KDD4N		..RELAY-25 A, 4PDT SUPPLIER CODE: V58567 SPECIFICATION NUMBER: 618-943-9001 SB DATA FROM A CMM: POST 1151952-24-59 OPTIONAL PART: 40-617-1319 VK5294 FCAC325AY4 V00213 USED ON: 1151952-14	031200 968999	1
- 125	S01059-8914		..SOCKET-RELAY SUPPLIER CODE: V35344 SB DATA FROM A CMM: POST 1151952-24-59 OPTIONAL PART: 668-910-9001 V07217 USED ON: 1151952-14	031200 968999	1
- 125	668-910-9001		..SOCKET-RELAY SUPPLIER CODE: V07217 SB DATA FROM A CMM: POST 1151952-24-59 OPTIONAL PART: S01059-8914 V35444 USED ON: 1151952-14	031200 968999	1
- 130	AN960C4L		ATTACHING PARTS ..WASHER- SB DATA FROM A CMM: POST 1151952-24-59	031200 968999	3

MISSING ITEM NUMBERS NOT APPLICABLE

- ITEM NOT ILLUSTRATED

HAP

24-34-11-03

BOEING PROPRIETARY - Copyright © - Unpublished Work - See title page for details.

24-34-11
FIG. 03
PAGE 6
OCT 15/08

BOEING
737-600/700/800/900
PARTS CATALOG (MAINTENANCE)

FIG ITEM	PART NUMBER	1 2 3 4 5 6 7	NOMENCLATURE	EFFECT FROM TO	UNITS PER ASSY
3					
- 135	MS21042-04	..	NUT- SB DATA FROM A CMM: POST 1151952-24-59 -----*-----	031200 968999	3
155	9339-10274	..	RELAY-25 A,3PST SUPPLIER CODE: V35344 SB DATA FROM A CMM: POST 1151952-24-59 OPTIONAL PART: 618-951-9001 V07217 USED ON: 1151952-14	031200 968999	2
155	618-951-9001	..	RELAY-25 A,3PST SUPPLIER CODE: V07217 SB DATA FROM A CMM: POST 1151952-24-59 OPTIONAL PART: 9339-10274 V35344 USED ON: 1151952-14	031200 968999	2
160	NAS620C6	..	ATTACHING PARTS WASHER- SB DATA FROM A CMM: POST 1151952-24-59	031200 968999	8
165	MS35338-136	..	WASHER- SB DATA FROM A CMM: POST 1151952-24-59	031200 968999	8
170	MS35649-264	..	NUT- SB DATA FROM A CMM: POST 1151952-24-59 -----*-----	031200 968999	8
175	MS24693-26B	..	SCREW	031200 968999	8
180	1033043-1	..	RING-NUT RELAY MTG SUPPLIER CODE: V07217	031200 968999	2
185	HTA4N	..	CONTACTOR-60 A, 3PDT SUPPLIER CODE: V58657 SPECIFICATION NUMBER: 618-942-9001	031200 968999	2
190	1033045-1	..	BUS BAR-RELAY SUPPLIER CODE: V07217	031200 968999	2

MISSING ITEM NUMBERS NOT APPLICABLE

- ITEM NOT ILLUSTRATED

HAP

24-34-11-03

BOEING PROPRIETARY - Copyright © - Unpublished Work - See title page for details.

24-34-11
FIG. 03
PAGE 7
OCT 15/08

BOEING
737-600/700/800/900
PARTS CATALOG (MAINTENANCE)

FIG ITEM	PART NUMBER	1 2 3 4 5 6 7	NOMENCLATURE	EFFECT FROM TO	UNITS PER ASSY
3			ATTACHING PARTS		
195	MS51957-44	..	SCREW	031200 968999	4
200	NAS1149CN832R	..	WASHER	031200 968999	8
205	MS35338-137	..	WASHER	031200 968999	4
210	MS35649-284	..	NUT	031200 968999	4
			-----*-----		
215	1032399-8	..	CARD ASSY-GAGE SUPPLIER CODE: V07217	031200 968999	1
220	1035439-1	...	LABEL-CAUTION SUPPLIER CODE: V07217	031200 968999	1
225	1032402-1	...	COVER-OUTER R SUPPLIER CODE: V07217	031200 968999	1
			ATTACHING PARTS		
230	MS51957-14B	...	SCREW	031200 968999	8
235	NAS620C4L	...	WASHER	031200 968999	8
			-----*-----		
240	1032210-6	...	CARD ASSY-CKT CONT A1/A2 SUPPLIER CODE: V07217	031200 968999	2
245	M55302-128AM1A	CONNECTOR	031200 968999	2
250	M55302-59A90Y	CONNECTOR	031200 968999	1
			ATTACHING PARTS		
255	1188-2810	RIVET-TUBULAR SUPPLIER CODE: V1C336	031200 968999	3
			OPTIONAL PART: 627-903-9012 V07217		
255	627-903-9012	RIVET-TUBULAR SUPPLIER CODE: V07217	031200 968999	3
			OPTIONAL PART: 1188-2810 V1C336		
			-----*-----		

MISSING ITEM NUMBERS NOT APPLICABLE

— ITEM NOT ILLUSTRATED

HAP

24-34-11-03

BOEING PROPRIETARY - Copyright © - Unpublished Work - See title page for details.

24-34-11
FIG. 03
PAGE 8
OCT 15/08

BOEING
737-600/700/800/900
PARTS CATALOG (MAINTENANCE)

FIG ITEM	PART NUMBER	1 2 3 4 5 6 7	NOMENCLATURE	EFFECT FROM TO	UNITS PER ASSY
3					
260	1036094-1	...	CARD ASSY-CKT INTERCONNECT A3 SUPPLIER CODE: V07217 ATTACHING PARTS	031200 968999	1
265	MS51957-14	...	SCREW	031200 968999	2
270	NAS620C4L	...	WASHER	031200 968999	2
			-----*-----		
275	1027229-3	LABEL-CAUTION SUPPLIER CODE: V07217	031200 968999	2
280	M55302-60B90Y	CONNECTOR	031200 968999	2
			ATTACHING PARTS		
285	1188-2812	RIVET-TUBULAR SUPPLIER CODE: V1C336 OPTIONAL PART: 627-903-9013 V07217	031200 968999	6
285	627-903-9013	RIVET-TUBULAR SUPPLIER CODE: V07217 OPTIONAL PART: 1188-2812 V1C336	031200 968999	6
			-----*-----		
290	M24308-23-4F	CONNECTOR	031200 968999	1
295	M24308-24-4F	CONNECTOR	031200 968999	1
			ATTACHING PARTS		
300	M24308-26-2F	SCREW	031200 968999	4
			-----*-----		
305	1036093-1	BOARD-PRINTED WIRING SUPPLIER CODE: V07217	031200 968999	1

MISSING ITEM NUMBERS NOT APPLICABLE

— ITEM NOT ILLUSTRATED

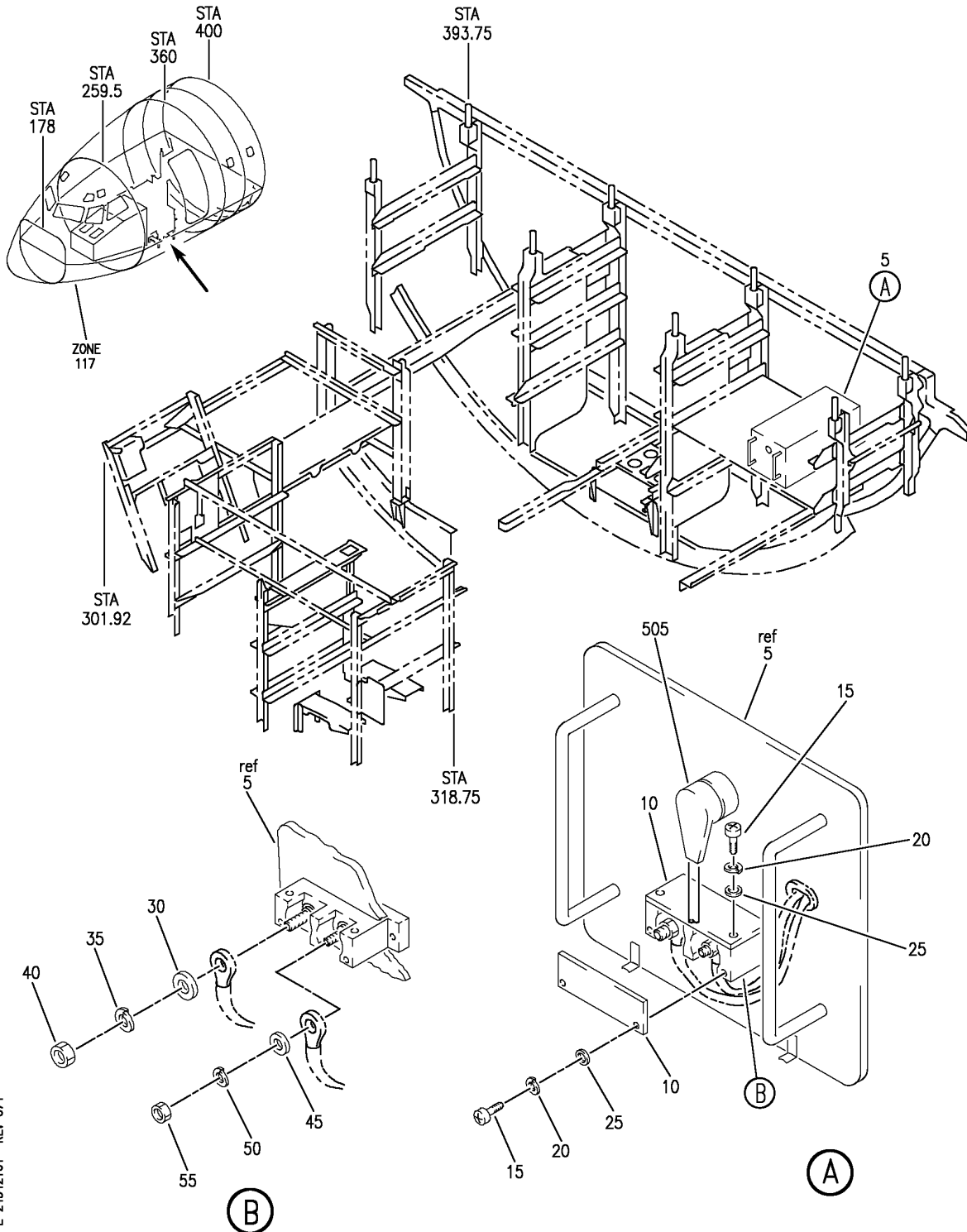
HAP

24-34-11-03

BOEING PROPRIETARY - Copyright © - Unpublished Work - See title page for details.

24-34-11
FIG. 03
PAGE 9
JUN 15/09

BOEING
 737-600/700/800/900
 PARTS CATALOG (MAINTENANCE)



EQUIPMENT INSTL-E/E BAY E2 RACK (STANDBY POWER SYSTEM ONLY)
 FIGURE 1

24-34-21-01

HAP
 OCT 10/06

24-34-21-01
 PAGE 0

BOEING
737-600/700/800/900
PARTS CATALOG (MAINTENANCE)

FIG ITEM	PART NUMBER	1 2 3 4 5 6 7	NOMENCLATURE	EFFECT FROM TO	UNITS PER ASSY
1			EQUIPMENT INSTL-E/E BAY E2 RACK (STANDBY POWER SYSTEM ONLY)		
- 1	284A0420-1		EQUIPMENT INSTL-E/E BAY E2 RACK (STANDBY POWER SYSTEM ONLY) FOR NHA/OTHER SYS DET SEE: 25-50-00-08	001002 006007	RF
- 1	284A0420-10		EQUIPMENT INSTL-E/E BAY E2 RACK (STANDBY POWER SYSTEM ONLY) FOR NHA/OTHER SYS DET SEE: 25-50-00-08	003005 008011 201967	RF
- 2	284A0421-2		EQUIPMENT INSTL-E/E BAY E2 RACK (STANDBY POWER SYSTEM ONLY) FOR NHA/OTHER SYS DET SEE: 25-50-00-08	012023	RF
- 2	284A0421-3		EQUIPMENT INSTL-E/E BAY E2 RACK (STANDBY POWER SYSTEM ONLY) FOR NHA/OTHER SYS DET SEE: 25-50-00-08	024027	RF
- 2	284A0421-4		EQUIPMENT INSTL-E/E BAY E2 RACK (STANDBY POWER SYSTEM ONLY) FOR NHA/OTHER SYS DET SEE: 25-50-00-08	028030	RF
- 2	MODREF252145		EQUIPMENT INSTL-E/E BAY E2 RACK MODULE NUMBER: 284A0421-243401 REV A	031200 968999	1

MISSING ITEM NUMBERS NOT APPLICABLE

- ITEM NOT ILLUSTRATED

HAP

24-34-21-01

BOEING PROPRIETARY - Copyright © - Unpublished Work - See title page for details.

24-34-21
FIG. 01
PAGE 1
OCT 15/08

BOEING
737-600/700/800/900
PARTS CATALOG (MAINTENANCE)

FIG ITEM	PART NUMBER	1 2 3 4 5 6 7	NOMENCLATURE	EFFECT FROM TO	UNITS PER ASSY
1	5 1-002-0102-1000		. INVERTER-STATIC SUPPLIER CODE: V10933 FUNCTIONAL DESCRIPTION: CONVERTS 24 VOLT DC POWER FROM THE BATTERY BUS TO SINGLE PHASE 115 VOLT AC POWER. SPECIFICATION NUMBER: S282T004-10 ELECTRICAL EQUIP NUMBER: M00009 COMPONENT MAINT MANUAL REF: 24-20-27 MAINTENANCE MANUAL REF: 24-34-21 PRE SERVICE BULLETIN: 24-1165 PRE SERVICE BULLETIN: 1-002-0102-1000-24-28RA V10933 REWORKED BY SERVICE LETTER: 24-165		1
	5 1-002-0102-2062		. INVERTER-STATIC SUPPLIER CODE: V10933 FUNCTIONAL DESCRIPTION: CONVERTS 24 VOLT DC POWER FROM THE BATTERY BUS TO SINGLE PHASE 115 VOLT AC POWER. SPECIFICATION NUMBER: S282T004-20 ELECTRICAL EQUIP NUMBER: M00009 COMPONENT MAINT MANUAL REF: 24-20-27 MAINTENANCE MANUAL REF: 24-34-21 PRE SERVICE BULLETIN: 24-1165		1

MISSING ITEM NUMBERS NOT APPLICABLE

— ITEM NOT ILLUSTRATED

HAP

24-34-21-01

BOEING PROPRIETARY - Copyright © - Unpublished Work - See title page for details.

24-34-21
FIG. 01
PAGE 2
JUN 15/09


BOEING
 737-600/700/800/900
PARTS CATALOG (MAINTENANCE)

FIG ITEM	PART NUMBER	1 2 3 4 5 6 7	NOMENCLATURE	EFFECT FROM TO	UNITS PER ASSY
R R	1				
	5	1-002-0102-2090	. INVERTER-STATIC SUPPLIER CODE: V10933 FUNCTIONAL DESCRIPTION: CONVERTS 24 VOLT DC POWER FROM THE BATTERY BUS TO SINGLE PHASE 115 VOLT AC POWER. SPECIFICATION NUMBER: S282T004-30 ELECTRICAL EQUIP NUMBER: M00009 COMPONENT MAINT MANUAL REF: 24-20-27 MAINTENANCE MANUAL REF: 24-34-21 POST SERVICE BULLETIN: 24-1165 24-1165R1 POST SERVICE BULLETIN: 1-002-0102-1000-24-28RA V10933		1
	5	1-002-0102-2170	. INVERTER-STATIC SUPPLIER CODE: V10933 FUNCTIONAL DESCRIPTION: CONVERTS 24 VOLT DC POWER FROM THE BATTERY BUS TO SINGLE PHASE 115 VOLT AC POWER. SPECIFICATION NUMBER: S281W204-1 ELECTRICAL EQUIP NUMBER: M00009 MAINTENANCE MANUAL REF: 24-34-21		1
	10	1-001-2715-0101	.. COVER-TERMINAL SUPPLIER CODE: V10933 ATTACHING PARTS		2
	15	MS51957-16	.. SCREW		4
	20	MS35338-135	.. WASHER		4
	25	MS15795-803	.. WASHER -----*-----		4
	30	MS15795-811	.. WASHER		1
	35	MS35338-140	.. WASHER		1
	40	1-001-3102-0013	.. NUT- SUPPLIER CODE: V10933		1
MISSING ITEM NUMBERS NOT APPLICABLE					

- ITEM NOT ILLUSTRATED

HAP

24-34-21-01

BOEING PROPRIETARY - Copyright © - Unpublished Work - See title page for details.

24-34-21
 FIG. 01
 PAGE 3
 JUN 15/09

BOEING
737-600/700/800/900
PARTS CATALOG (MAINTENANCE)

FIG ITEM	PART NUMBER	1 2 3 4 5 6 7	NOMENCLATURE	EFFECT FROM TO	UNITS PER ASSY
1					
45	MS15795-809	..	WASHER		1
50	MS35338-139	..	WASHER		1
55	1-001-3102-0012	..	NUT-		1
			SUPPLIER CODE: V10933		
- 500	286A2536-002		WIRE BUNDLE ASSY	001007	RF
- 500	286A2536-004		WIRE BUNDLE ASSY-	008030	RF
				201967	
- 500	286A2536-010		WIRE BUNDLE ASSY	031048	RF
				054106	
				968999	
505	BACC45FT14-4P	.PLUG-		001048	1
			ELECTRICAL EQUIP NUMBER: D00046	054106	
			WIRING DIAGRAM REF: 243411	201999	

MISSING ITEM NUMBERS NOT APPLICABLE

- ITEM NOT ILLUSTRATED

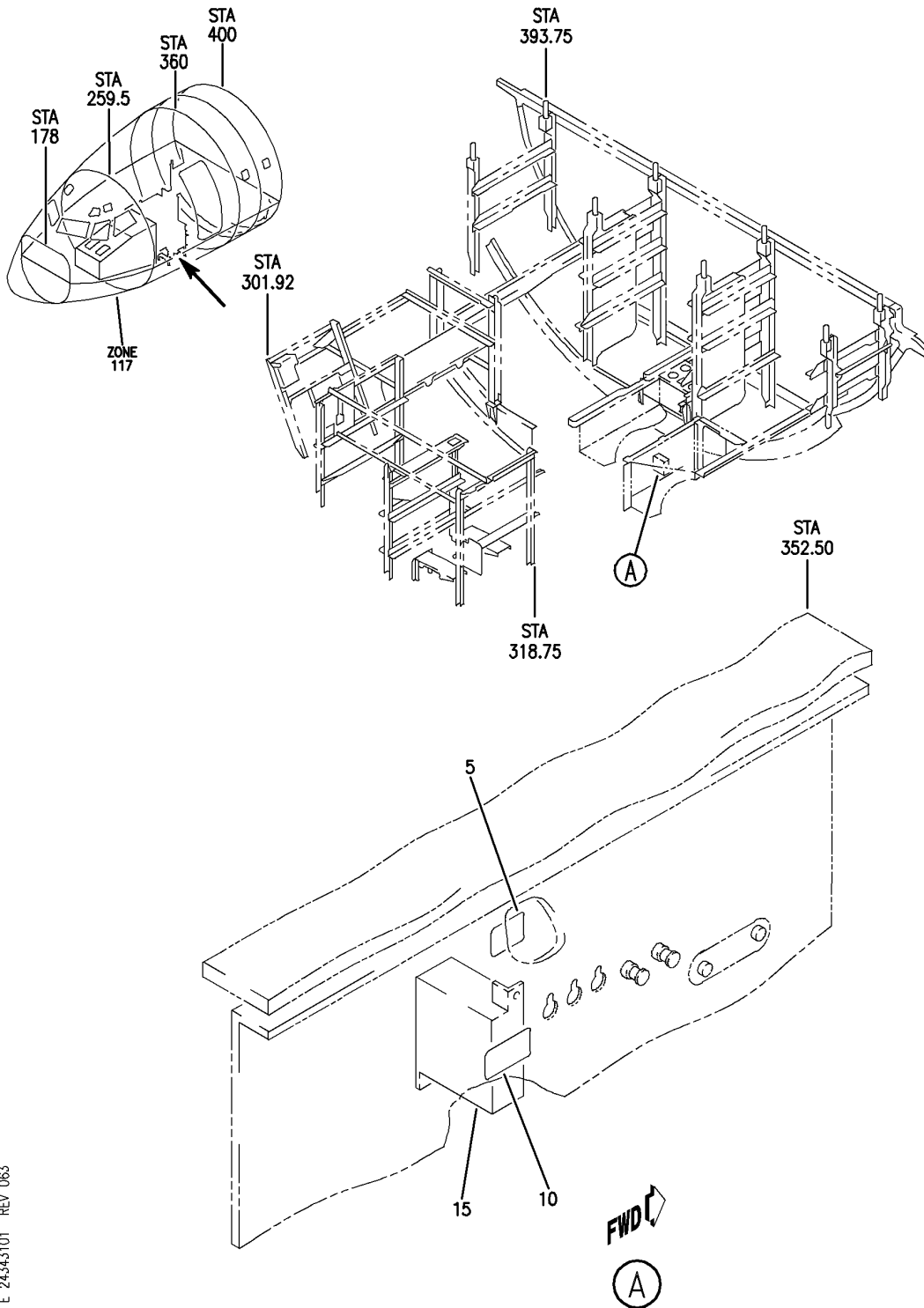
HAP

24-34-21-01

BOEING PROPRIETARY - Copyright © - Unpublished Work - See title page for details.

24-34-21
FIG. 01
PAGE 4
JUN 15/09

BOEING
 737-600/700/800/900
 PARTS CATALOG (MAINTENANCE)



E 24-34-31-01 REV 063

EQUIPMENT INSTL-E/E COMPT MAIN BATTERY (STANDBY POWER SYSTEM ONLY)
 FIGURE 1

24-34-31-01

HAP
 OCT 10/06

24-34-31-01
 PAGE 0

BOEING
737-600/700/800/900
PARTS CATALOG (MAINTENANCE)

FIG ITEM	PART NUMBER	1 2 3 4 5 6 7	NOMENCLATURE	EFFECT FROM TO	UNITS PER ASSY
1			EQUIPMENT INSTL-E/E COMPT MAIN BATTERY (STANDBY POWER SYSTEM ONLY)	001030 201967	
- 1	284A0816-4		EQUIPMENT INSTL-E/E COMPT MAIN BATTERY (STANDBY POWER SYSTEM ONLY) FOR NHA/OTHER SYS DET SEE: 24-30-00-02 24-30-00-03	001030 201967	RF
5	BAC27DEX6175		.DECAL- PLACARD CONTENT: C1341 STATIC INVERTER RCCB	001030 201967	1
10	BAC27DEX6176		.DECAL- PLACARD CONTENT: C1341 STATIC INVERTER RCCB (BACK OF PANEL)	001030 201967	1
15	SM600BA60N20		.CIRCUIT BREAKER- SUPPLIER CODE: V81640 SPECIFICATION NUMBER: BACC18AF60 OPTIONAL PART: SM600BA60N20 V27193 ELECTRICAL EQUIP NUMBER: C01341 MAINTENANCE MANUAL REF: 24-34-31	001030 201967	1
- 20	NAS1802-08-8P		ATTACHING PARTS .SCREW- -----*-----	001030 201967	2

MISSING ITEM NUMBERS NOT APPLICABLE

- ITEM NOT ILLUSTRATED

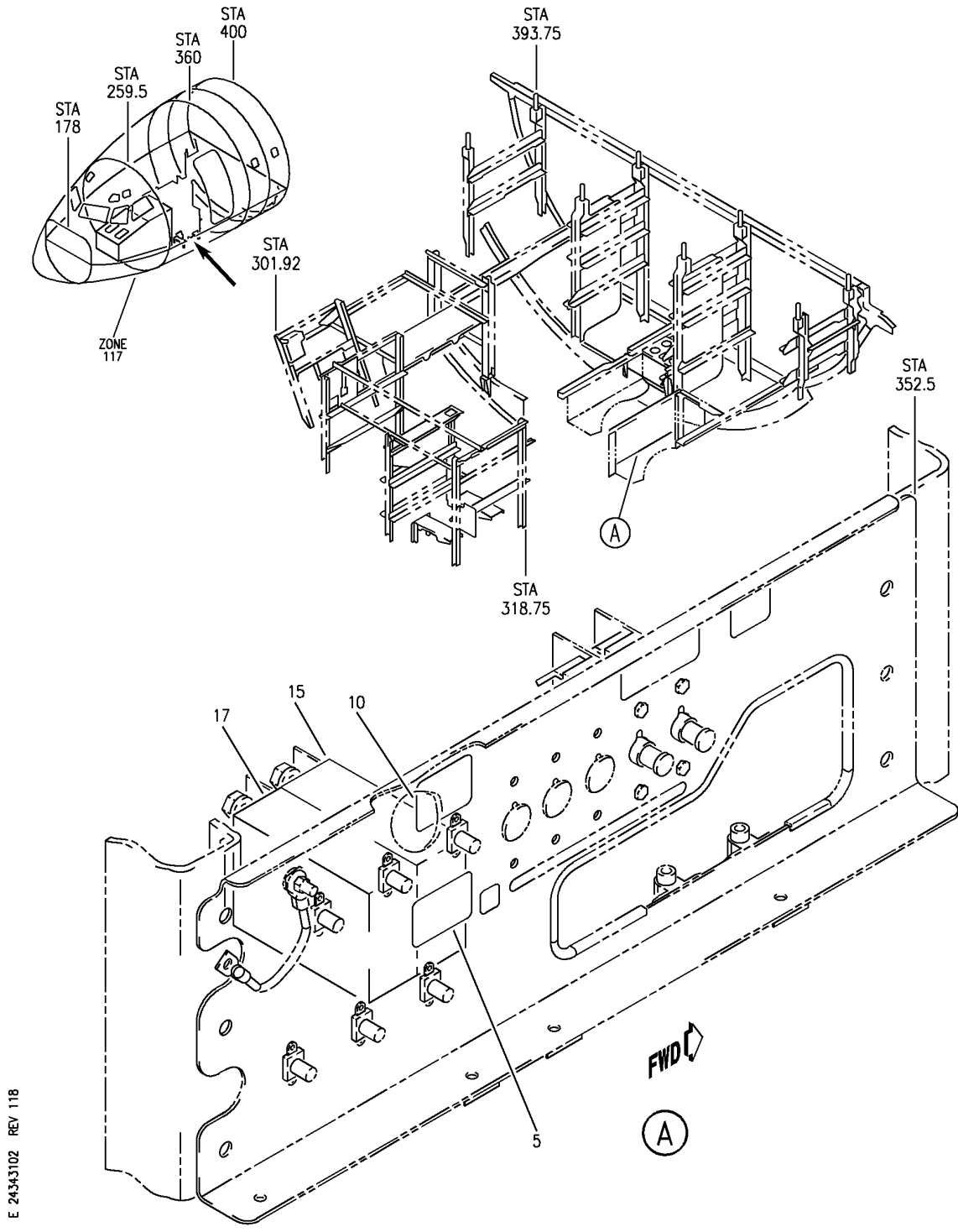
HAP

24-34-31-01

BOEING PROPRIETARY - Copyright © - Unpublished Work - See title page for details.

24-34-31
FIG. 01
PAGE 1
OCT 15/08

BOEING
737-600/700/800/900
PARTS CATALOG (MAINTENANCE)



PANEL ASSY-J9 E/E COMPT (STANDBY POWER SYSTEM ONLY)
FIGURE 2

24-34-31-02

HAP
OCT 10/06

24-34-31-02
PAGE 0

BOEING PROPRIETARY - Copyright © - Unpublished Work - See title page for details.

BOEING
737-600/700/800/900
PARTS CATALOG (MAINTENANCE)

FIG ITEM	PART NUMBER	1 2 3 4 5 6 7	NOMENCLATURE	EFFECT FROM TO	UNITS PER ASSY
2			PANEL ASSY-J9 E/E COMPT (STANDBY POWER SYSTEM ONLY)	031200 968999	
- 3	284A1816-4		PANEL ASSY-J9 E/E COMPT (STANDBY POWER SYSTEM ONLY)	031200 968999	RF
			FOR NHA/OTHER SYS DET SEE: 25-50-51-02A		
	5 BAC27DEX6176		.DECAL- PLACARD CONTENT: C1341 STATIC INVERTER RCCB (BACK OF PANEL)	031200 968999	1
	10 BAC27DEX6175		.DECAL- PLACARD CONTENT: C1341 STATIC INVERTER RCCB	031200 968999	1
	15 SM600BA60N20		.CIRCUIT BREAKER- SUPPLIER CODE: V81640 SPECIFICATION NUMBER: BACC18AF60 OPTIONAL PART: SM600BA60N20 V27193 ELECTRICAL EQUIP NUMBER: C01341 MAINTENANCE MANUAL REF: 24-34-31	031200 968999	1
R -	16 BACS12HN08-8		ATTACHING PARTS .SCREW	031200 968999	2
R			-----*-----		
	17 BACC18AF100		.CIRCUIT BREAKER- ELECTRICAL EQUIP NUMBER: C01212 MAINTENANCE MANUAL REF: 24-34-31	031200 968999	1
			ATTACHING PARTS		
-	20 BACS12HN08-8		.SCREW	031200 968999	2
			-----*-----		

MISSING ITEM NUMBERS NOT APPLICABLE

- ITEM NOT ILLUSTRATED

HAP

24-34-31-02

BOEING PROPRIETARY - Copyright © - Unpublished Work - See title page for details.

24-34-31
FIG. 02
PAGE 1
JUN 15/09