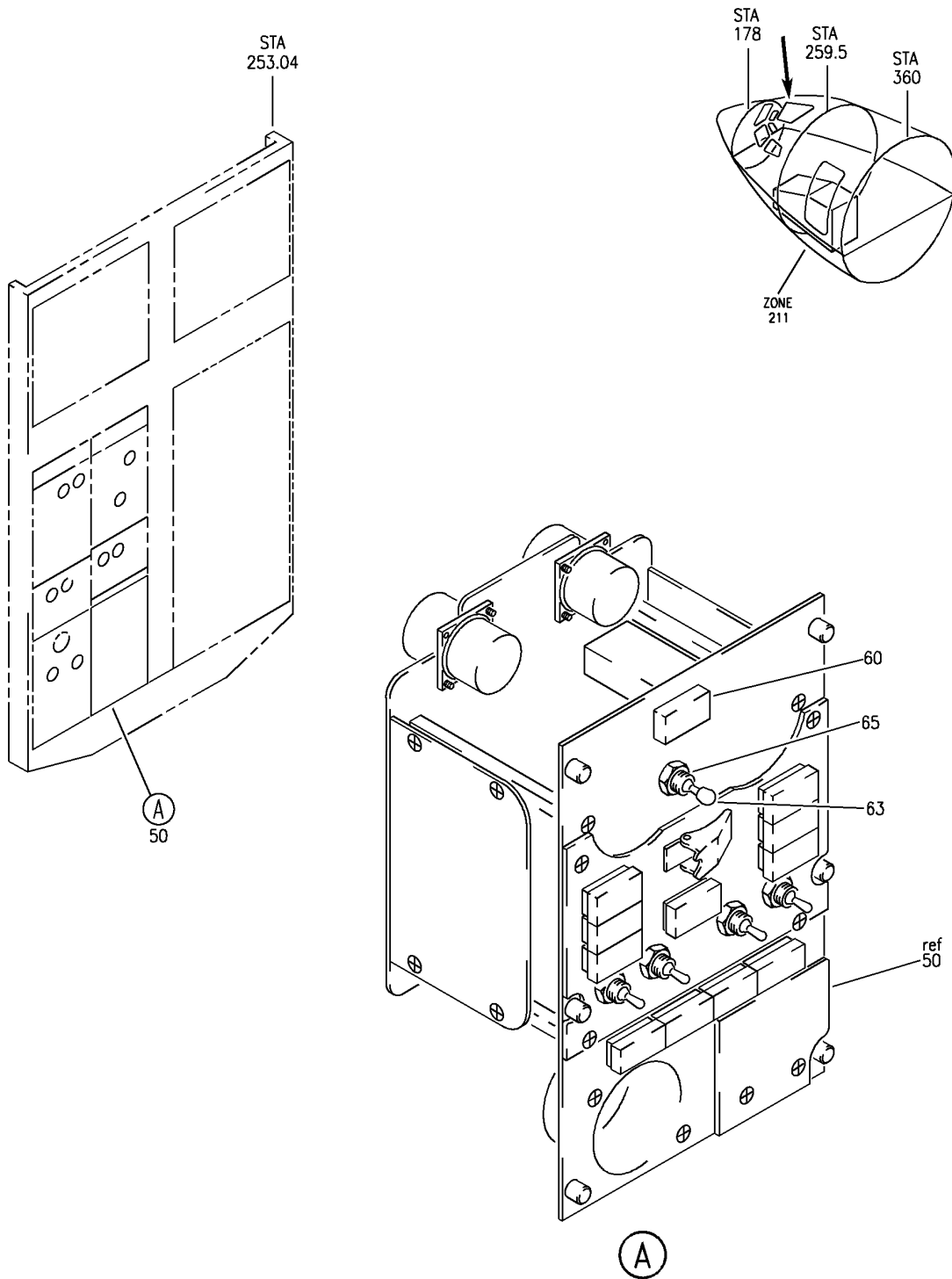


AC EXTERNAL POWER

HAP
OCT 10/06

24-41-00
SECTION TITLE
PAGE 1

BOEING
 737-600/700/800/900
 PARTS CATALOG (MAINTENANCE)



E 24-41-00-02 REV 123

MODULE INSTL-P5 OVHD (AC EXTERNAL POWER ONLY)
 FIGURE 2

24-41-00-02

HAP
 FEB 10/07

24-41-00-02
 PAGE 0

BOEING
737-600/700/800/900
PARTS CATALOG (MAINTENANCE)

FIG ITEM	PART NUMBER	1 2 3 4 5 6 7	NOMENCLATURE	EFFECT FROM TO	UNITS PER ASSY
2			MODULE INSTL-P5 OVHD (AC EXTERNAL POWER ONLY)	001028 201967	
- 1	233A3101-4		MODULE INSTL-P5 OVHD (AC EXTERNAL POWER ONLY) FOR NHA/OTHER SYS DET SEE: 31-11-00-01C	001005	RF
- 4	233A3101-52		MODULE INSTL-P5 OVHD (AC EXTERNAL POWER ONLY) FOR NHA/OTHER SYS DET SEE: 31-11-00-01C	006007	RF
- 4	233A3101-63		MODULE INSTL-P5 OVHD (AC EXTERNAL POWER ONLY) FOR NHA/OTHER SYS DET SEE: 31-11-00-01C	008011	RF
- 5	233A3101-74		MODULE INSTL-P5 OVHD (AC EXTERNAL POWER ONLY) FOR NHA/OTHER SYS DET SEE: 31-11-00-01J	201967	RF
- 7	233A3101-110		MODULE INSTL-P5 OVHD (AC EXTERNAL POWER ONLY) FOR NHA/OTHER SYS DET SEE: 31-11-00-01C	012016	RF
- 14	233A3101-225		MODULE INSTL-P5 OVHD (AC EXTERNAL POWER ONLY) FOR NHA/OTHER SYS DET SEE: 31-11-00-01C	017019	RF
- 14	233A3101-234		MODULE INSTL-P5 OVHD (AC EXTERNAL POWER ONLY) FOR NHA/OTHER SYS DET SEE: 31-11-00-01C	020028	RF
50	233A3204-1		.MODULE ASSY-AC SYS GEN/APU CONT P5-4 SUPPLIER CODE: V89954 ELECTRICAL EQUIP NUMBER: P00504 COMPONENT MAINT MANUAL REF: 31-37-31	001028 201967	RF

MISSING ITEM NUMBERS NOT APPLICABLE

- ITEM NOT ILLUSTRATED

HAP

24-41-00-02

BOEING PROPRIETARY - Copyright © - Unpublished Work - See title page for details.

24-41-00
FIG. 02
PAGE 1
OCT 15/08

BOEING
737-600/700/800/900
PARTS CATALOG (MAINTENANCE)

FIG ITEM	PART NUMBER	1 2 3 4 5 6 7	NOMENCLATURE	EFFECT FROM TO	UNITS PER ASSY
2 60	BCREF15633		..LIGHT ASSY-PRESS TO TEST IND-GROUND POWER AVAILABLE SUPPLIER CODE: V81590 OVERLENGTH PART NUMBER: 318-630-1001-386 SPECIFICATION NUMBER: 10-61803-454 COMPONENT MAINT MANUAL REF: 33-10-05 FOR DETAILS SEE: 33-11-50-03N	001028 201967	1
65	64AT34-7E		..SWITCH-TG SUPPLIER CODE: V91929	001028 201967	1

MISSING ITEM NUMBERS NOT APPLICABLE

— ITEM NOT ILLUSTRATED

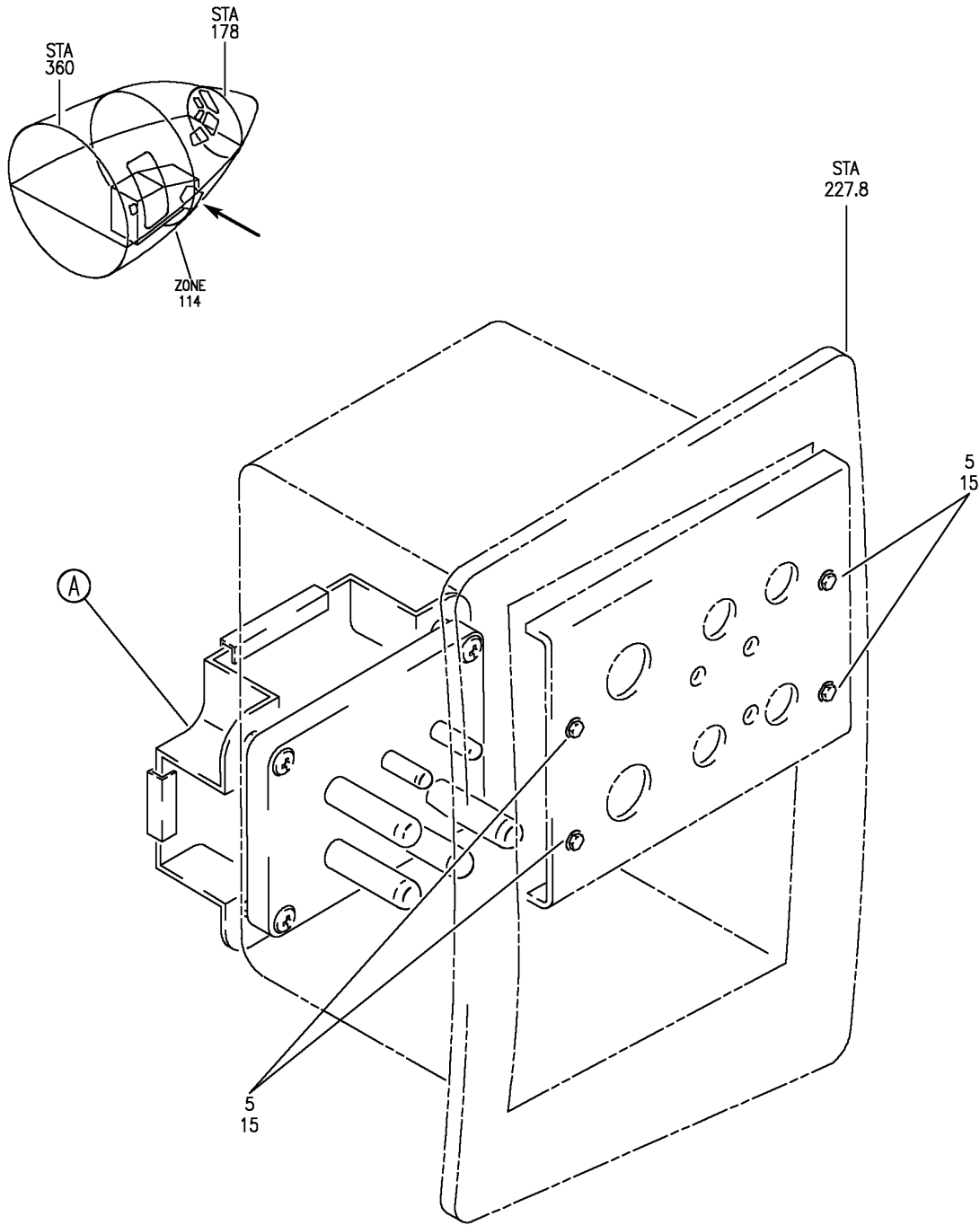
HAP

24-41-00-02

BOEING PROPRIETARY - Copyright © - Unpublished Work - See title page for details.

24-41-00
FIG. 02
PAGE 2
OCT 15/08

BOEING
737-600/700/800/900
PARTS CATALOG (MAINTENANCE)



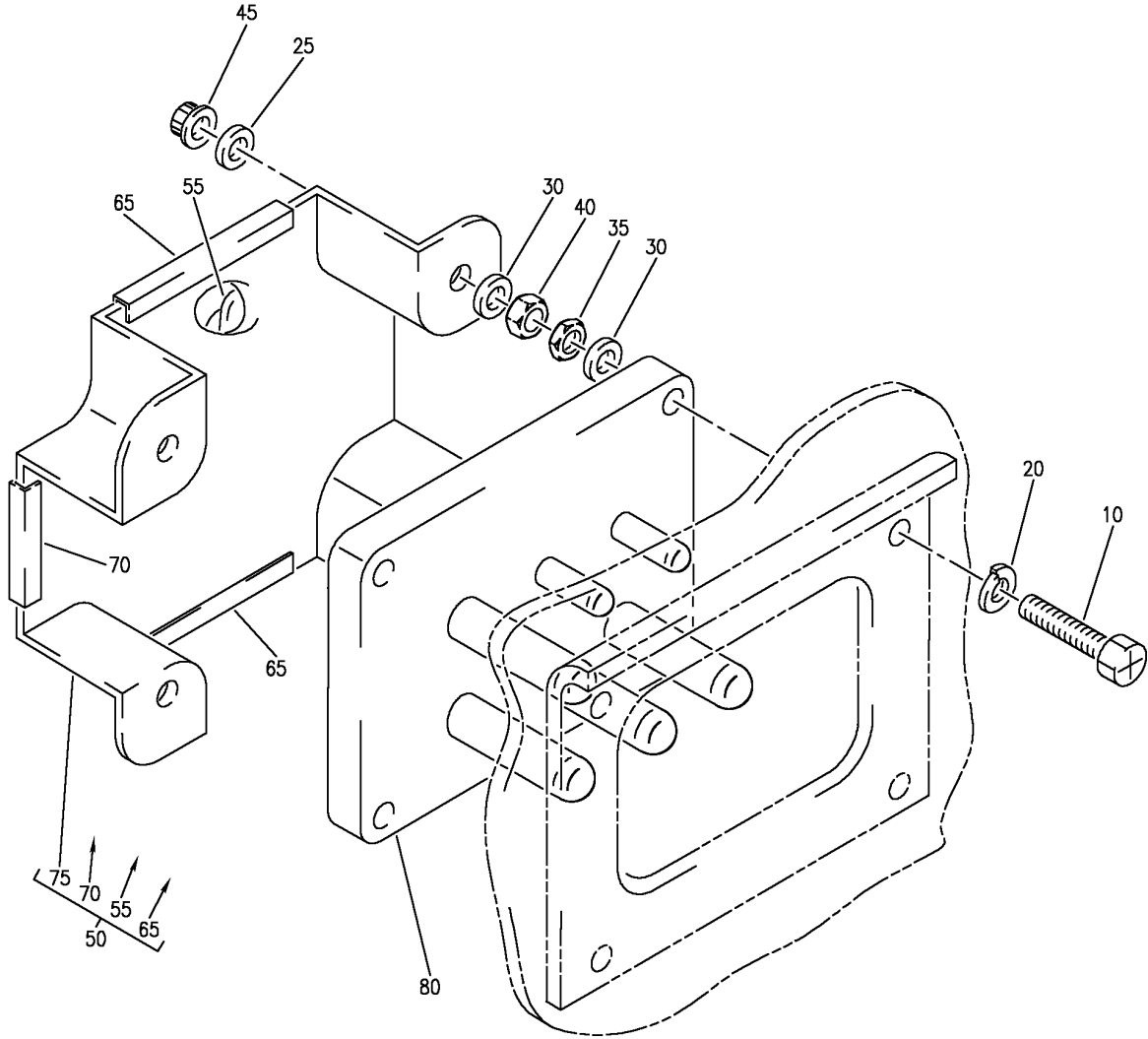
E 2441101B SHT 1 REV 150

RECEPTACLE INSTL-EXT PWR
FIGURE 1B (SHEET 1)

24-41-11-01B

HAP
FEB 15/09

24-41-11-01B
PAGE 0



E 2441101B SHT 2 REV 150

RECEPTACLE INSTL-EXT PWR
 FIGURE 1B (SHEET 2)

24-41-11-01B

HAP
 FEB 15/09

24-41-11-01B
 PAGE 0A

BOEING
737-600/700/800/900
PARTS CATALOG (MAINTENANCE)

FIG ITEM	PART NUMBER	1 2 3 4 5 6 7	NOMENCLATURE	EFFECT FROM TO	UNITS PER ASSY
1B					
- 1	284A0807-102		RECEPTACLE INSTL-EXT PWR RECEPTACLE INSTL-EXT PWR FOR NHA SEE: 24-40-00-01	008999 008015 201967	RF
- 1	284A0807-103		RECEPTACLE INSTL-EXT PWR FOR NHA SEE: 24-40-00-01	016020	RF
- 1	284A0807-104		RECEPTACLE INSTL-EXT PWR FOR NHA SEE: 24-40-00-01	021025	RF
- 1	284A0807-105		RECEPTACLE INSTL-EXT PWR FOR NHA SEE: 24-40-00-01	026030	RF
- 1	MODREF86109		RECEPTACLE INSTL-EXT PWR MODULE NUMBER: 284A0807-105 REV A	031200 968999	1
5	NAS1802-3-7P		.SCREW	008015 021025 201967	4
5	NAS1802-3-8P		.SCREW	016020 026200 968999	4
10	BACS12GU3K18		.SCREW	008025 201967	4
10	BACS12GU3K23		.SCREW	026200 968999	4
15	NAS1149D0316J		.WASHER	008999	4
20	MS35338-43		.WASHER	008025 201967	4
20	NAS1149D0332J		.WASHER	026200 968999	4
25	NAS1149D0332J		.WASHER	008025 201967	4
25	NAS620-10		.WASHER	026200 968999	4
30	NAS1149D0332J		.WASHER	026200 968999	8
35	MS25082-3		.NUT	008025 201967	4
35	MS35650-302		.NUT	026200 968999	4
40	BACN11U3CD2N		.NUT- OPTIONAL PART: NAS509-3	026200 968999	4
40	NAS509-3		.NUT- OPTIONAL PART: BACN11U3CD2N	026200 968999	4

MISSING ITEM NUMBERS NOT APPLICABLE

- ITEM NOT ILLUSTRATED

HAP

24-41-11-01B

BOEING PROPRIETARY - Copyright © - Unpublished Work - See title page for details.

24-41-11
FIG. 01B
PAGE 1
FEB 15/09

BOEING
737-600/700/800/900
PARTS CATALOG (MAINTENANCE)

FIG ITEM	PART NUMBER	1 2 3 4 5 6 7	NOMENCLATURE	EFFECT FROM TO	UNITS PER ASSY
1B 45	PLH53CD	.	NUT SUPPLIER CODE: VF0224 SPECIFICATION NUMBER: BACN10YR3CD OPTIONAL PART: H52732-3CD V15653	008999	4
50	284A2807-1	.	COVER ASSY	008020 201967	1
50	284A2807-2	.	COVER ASSY	021025	1
50	284A2807-3	.	COVER ASSY	026200 968999	1
55	WSI4-4	..	NUTPLATE SUPPLIER CODE: V04169 SPECIFICATION NUMBER: BACN10TL3-4 ATTACHING PARTS	008999	1
- 60	BACR15BB3D4C	..	RIVET -----*-----	008999	2
65	BACG20ZB000238	..	GROMMET	021200 968999	2
70	BACG20ZB000138	..	GROMMET	021200 968999	1
75	284A6807-3	..	COVER	008025 201967	1
75	284A6807-6	..	COVER	026200 968999	1
80	MS90362-3	.	CONNECTOR MAINTENANCE MANUAL REF: 24-41-11	008999	1

MISSING ITEM NUMBERS NOT APPLICABLE

- ITEM NOT ILLUSTRATED

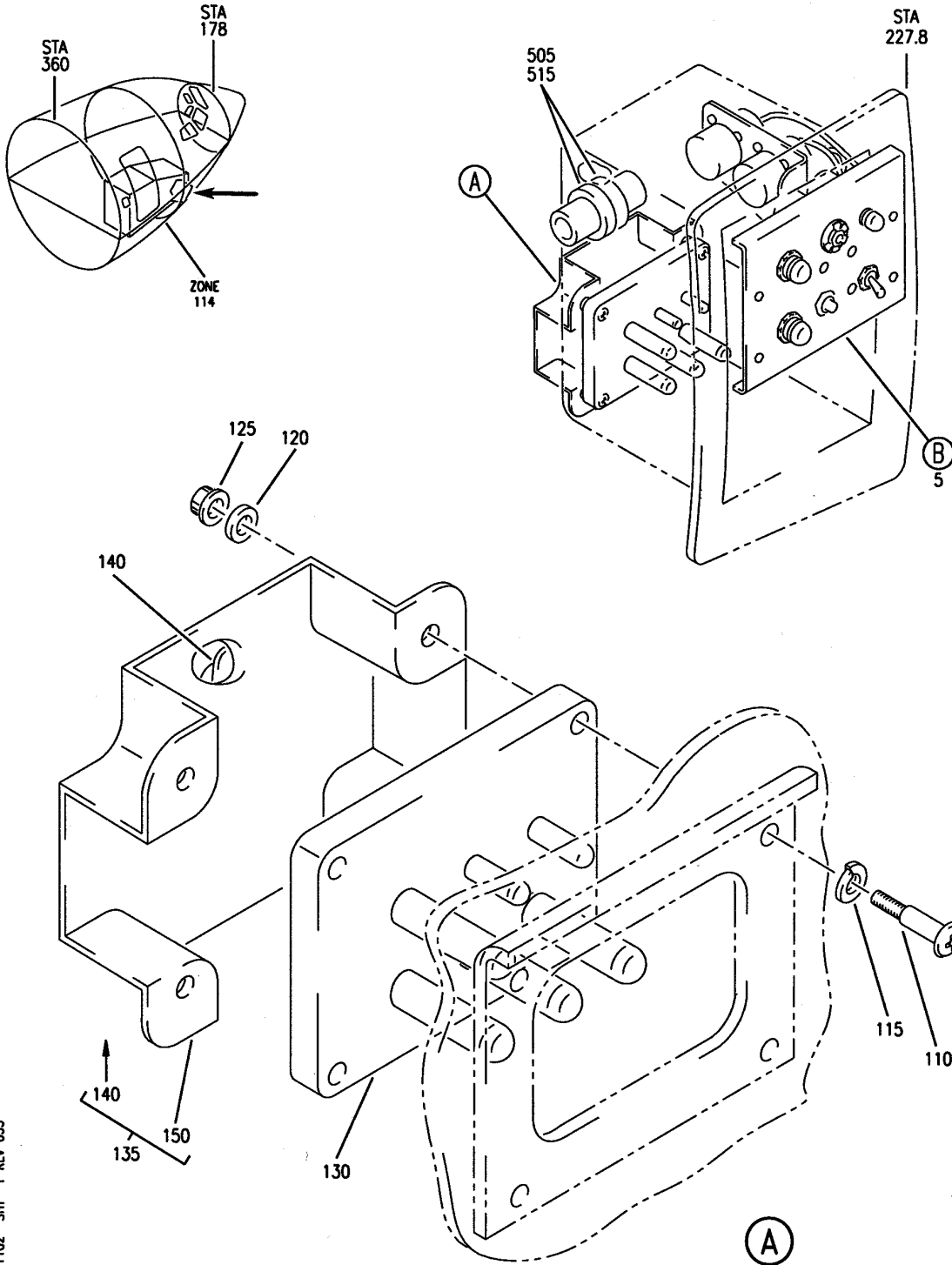
HAP

24-41-11-01B

BOEING PROPRIETARY - Copyright © - Unpublished Work - See title page for details.

24-41-11
FIG. 01B
PAGE 2
FEB 15/09

BOEING
737-600/700/800/900
PARTS CATALOG (MAINTENANCE)



E 24411102 SH1 1 REV 035

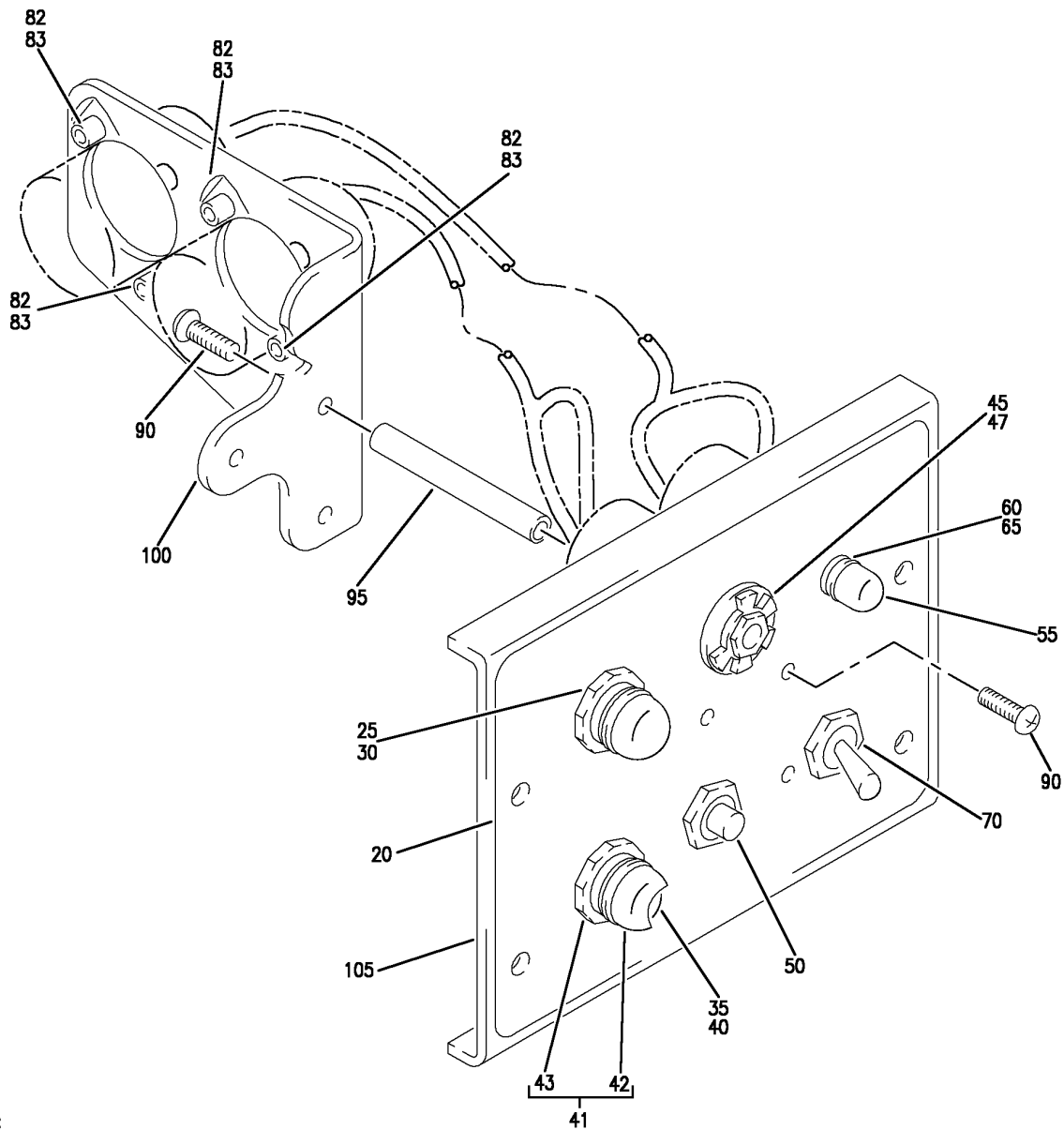
RECEPTACLE INSTL-EXT PWR
FIGURE 2 (SHEET 1)

24-41-11-02

HAP
OCT 10/06

24-41-11-02
PAGE 0

BOEING
 737-600/700/800/900
 PARTS CATALOG (MAINTENANCE)



E 2441102 SHT 2 REV 066

RECEPTACLE INSTL-EXT PWR
 FIGURE 2 (SHEET 2)

24-41-11-02

HAP
 OCT 10/06

24-41-11-02
 PAGE 0A

BOEING
737-600/700/800/900
PARTS CATALOG (MAINTENANCE)

FIG ITEM	PART NUMBER	1 2 3 4 5 6 7	NOMENCLATURE	EFFECT FROM TO	UNITS PER ASSY
2			RECEPTACLE INSTL-EXT PWR	001007	
- 1	284A0807-2		RECEPTACLE INSTL-EXT PWR FOR NHA SEE: 24-40-00-12	001007	RF
5	284A1807-3		.PANEL ASSY ATTACHING PARTS	001007	1
- 10	NAS1802-3-7P		.SCREW	001007	4
- 15	NAS1149D0316J		.WASHER	001007	4
			-----*-----		
20	BAC27DEX6640		..DECAL	001007	1
25	NE51H		..LAMP- SUPPLIER CODE: V21149 ELECTRICAL EQUIP NUMBER: L00348T OPTIONAL PART: B2A V71744	001007	1
25	B2A		..LAMP- SUPPLIER CODE: V71744 ELECTRICAL EQUIP NUMBER: L00348T OPTIONAL PART: NE51H V21149	001007	1
30	LH76-2LC14YN3		..HOLDER-LAMP SUPPLIER CODE: V3X634 ELECTRICAL EQUIP NUMBER: L00348	001007	1
35	MS25231-313		..LAMP-28V	001007	1
40	LH76-3LC15WT3		..HOLDER-LAMP SUPPLIER CODE: V3X634 ELECTRICAL EQUIP NUMBER: L00349 OPTIONAL PART: 284A1807-6	001007	1
41	284A1807-6		..LIGHT ASSEMBLY- OPTIONAL PART: LH76-3LC15WT3 V3X634	001007	1
42	026-1135-203		...CAP-LENS SUPPLIER CODE: V83330	001007	1
43	373-0410-01-203		...HOLDER- SUPPLIER CODE: V83330	001007	1

MISSING ITEM NUMBERS NOT APPLICABLE

- ITEM NOT ILLUSTRATED

HAP

24-41-11-02

24-41-11
FIG. 02
PAGE 1
FEB 10/07

BOEING
737-600/700/800/900
PARTS CATALOG (MAINTENANCE)

FIG ITEM	PART NUMBER	1 2 3 4 5 6 7	NOMENCLATURE	EFFECT FROM TO	UNITS PER ASSY
2					
45	BACW10CR7	..	WASHER	001007	1
47	BACW10P236L	..	WASHER	001007	1
50	D204W3JA	..	SWITCH-PUSH BUTTON SUPPLIER CODE: V81640 INTER/ACROSS MODEL I/W P/N: D202W3JA V81640	001007	1
50	D20011-03	..	SWITCH-PUSH BUTTON SUPPLIER CODE: V81640	001007	1
50	D20011-03N	..	SWITCH-PUSH BUTTON SUPPLIER CODE: V81640	001007	1
55	LC12RN2	..	LENS- SUPPLIER CODE: V3X634	001007	1
60	MS25237-387	..	LAMP-28V SUPPLIER CODE: V08806	001007	1
60	387	..	LAMP- SUPPLIER CODE: V08806	001007	1
65	LH73-1	..	HOLDER-LAMP SUPPLIER CODE: V3X634	001007	1
70	MS24523-23	..	SWITCH	001007	1
82	NAS1801-04-6	..	SCREW	001007	4
83	NAS1149DN332J	..	WASHER ATTACHING PARTS	001007	4
- 85	K19798-04	..	NUT SUPPLIER CODE: V15653 SPECIFICATION NUMBER: BACN10NW1 OPTIONAL PART: RMA4812-160-40 V72962 293162 V60119 -----*-----	001007	4
90	NAS601-5P	..	SCREW	001007	6
95	66-13524-32	..	SPACER	001007	3
100	286A3807-4	..	BRACKET-DISC.	001007	1
105	286A6807-4	..	PANEL	001007	1
110	BACB30NT3K13	.	BOLT	001007	4
115	MS35338-43	.	WASHER	001007	4
120	NAS1149D0332J	.	WASHER	001007	4

MISSING ITEM NUMBERS NOT APPLICABLE

- ITEM NOT ILLUSTRATED

HAP

24-41-11-02

BOEING PROPRIETARY - Copyright © - Unpublished Work - See title page for details.

24-41-11
FIG. 02
PAGE 2
JUN 15/09

BOEING
737-600/700/800/900
PARTS CATALOG (MAINTENANCE)

FIG ITEM	PART NUMBER	1 2 3 4 5 6 7	NOMENCLATURE	EFFECT FROM TO	UNITS PER ASSY
2 125	PLH53CD	.	NUT SUPPLIER CODE: VF0224 SPECIFICATION NUMBER: BACN10YR3CD OPTIONAL PART: H52732-3CD V15653	001007	4
130	MS90362-3	.	CONNECTOR MAINTENANCE MANUAL REF: 24-41-11	001007	1
135	284A2807-1	.	COVER ASSY	001007	1
140	WSI4-4	..	NUTPLATE SUPPLIER CODE: V04169 SPECIFICATION NUMBER: BACN10TL3-4 ATTACHING PARTS	001007	1
- 145	BACR15BB3D4C	..	RIVET -----*-----	001007	2
150	284A6807-3	..	COVER	001007	1
- 500	286A5337-002		WIRE BUNDLE ASSY-SERVICE TELEPHONE, TB 205, E RACK, P19	001007	RF
505	BACS45B3	.	SEAL	001007	2
- 510	286A6024-005		WIRE BUNDLE ASSY-P19 (EXTERNAL POWER RECP PANEL) TO P6 DISC	002005	RF
- 510	286A6024-010		WIRE BUNDLE ASSY-P19 (EXTERNAL POWER RECP PANEL) TO P6 DISC	001001 006007	RF
515	BACS45B3	.	SEAL	001007	2

MISSING ITEM NUMBERS NOT APPLICABLE

- ITEM NOT ILLUSTRATED

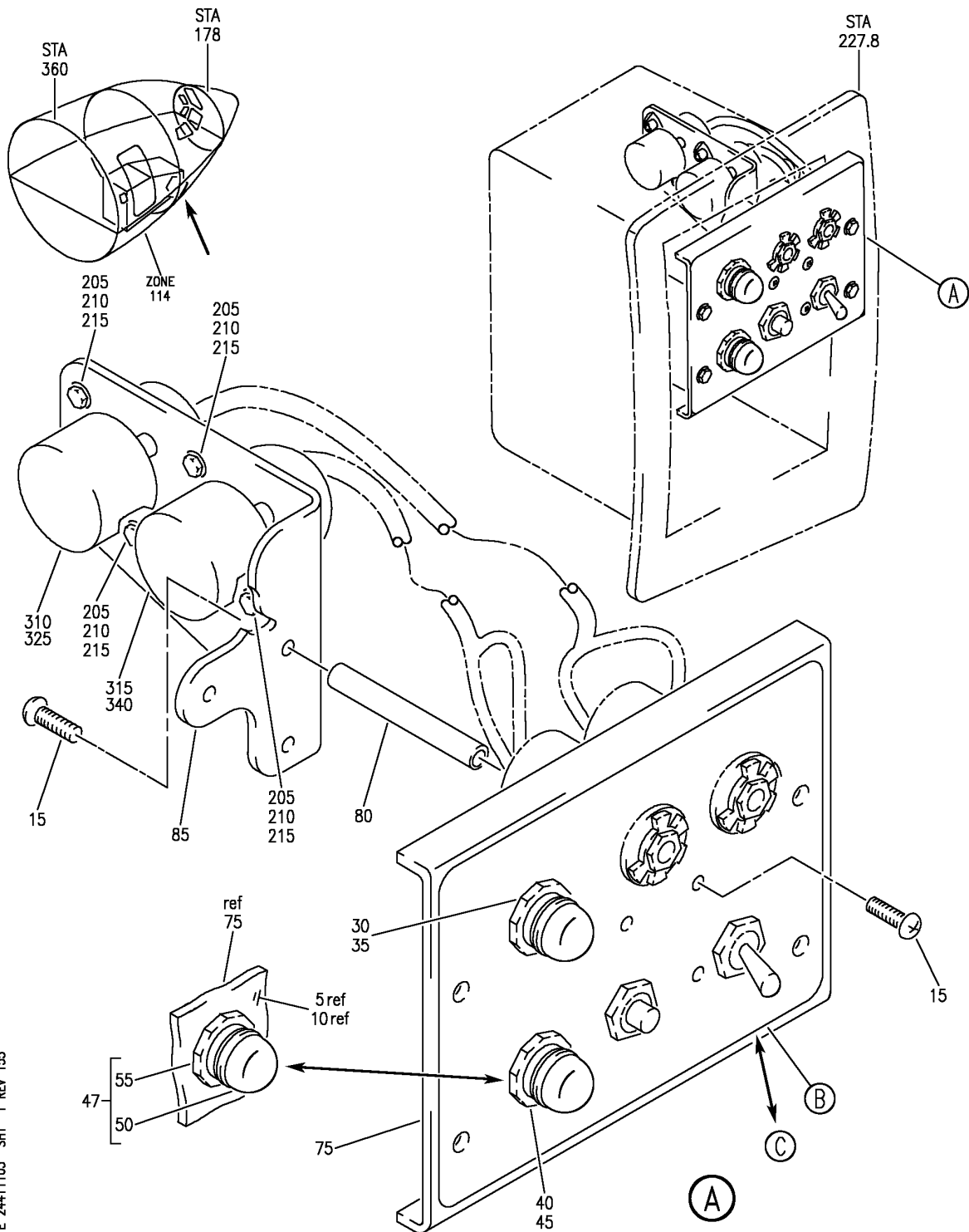
HAP

24-41-11-02

BOEING PROPRIETARY - Copyright © - Unpublished Work - See title page for details.

24-41-11
FIG. 02
PAGE 3
FEB 15/09

BOEING
 737-600/700/800/900
 PARTS CATALOG (MAINTENANCE)



E 2441103 SHT 1 REV 155

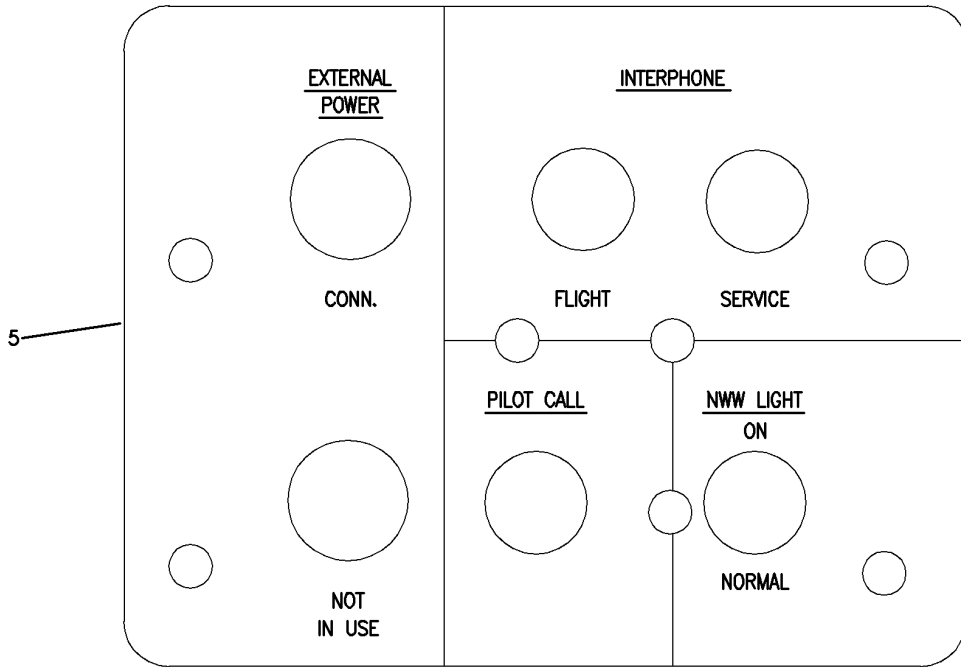
RECEPTACLE INSTL-EXT PWR (ELECTRICAL POWER ONLY)
 FIGURE 3 (SHEET 1)

24-41-11-03

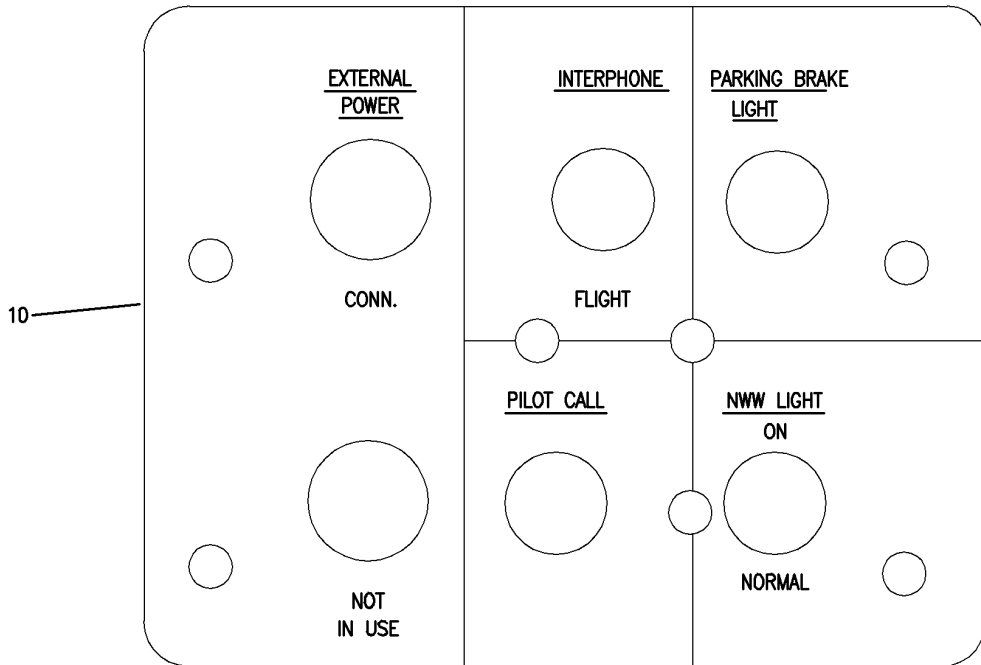
HAP
 JUN 15/09

24-41-11-03
 PAGE 0

BOEING
 737-600/700/800/900
 PARTS CATALOG (MAINTENANCE)



(B)



(C)

E 2441103 SH1 2 REV 051

RECEPTACLE INSTL-EXT PWR (ELECTRICAL POWER ONLY)
 FIGURE 3 (SHEET 2)

24-41-11-03

HAP
 OCT 10/06

24-41-11-03
 PAGE 0A

BOEING
737-600/700/800/900
PARTS CATALOG (MAINTENANCE)

FIG ITEM	PART NUMBER	1 2 3 4 5 6 7	NOMENCLATURE	EFFECT FROM TO	UNITS PER ASSY
3			RECEPTACLE INSTL-EXT PWR (ELECTRICAL POWER ONLY)	008999	
- 1	284A1807-102		RECEPTACLE INSTL-EXT PWR (ELECTRICAL POWER ONLY) FOR NHA/OTHER SYS DET SEE: 24-40-00-01	201967	RF
- 1	284A1807-103		RECEPTACLE INSTL-EXT PWR (ELECTRICAL POWER ONLY) FOR NHA/OTHER SYS DET SEE: 25-50-00-13	008030	RF
- 1	MODREF240185		RECEPTACLE INSTL-EXT PWR (ELECTRICAL POWER ONLY) MODULE NUMBER: 284A1807-103 REV C FOR OTHER SYS DETAILS SEE: 23-43-51-02 23-51-51-01 33-32-51-01	031200 968999	1
5	BAC27DEX6600		.MARKER-	031043 054103 201971	1
10	BAC27DEX6640		.DECAL-	008200 968999	1
15	NAS601-5P		.SCREW	008999	6
30	NE51H		.LAMP- SUPPLIER CODE: V21149 ELECTRICAL EQUIP NUMBER: L00348T OPTIONAL PART: B2A V71744	008999	1
30	B2A		.LAMP- SUPPLIER CODE: V71744 ELECTRICAL EQUIP NUMBER: L00348T OPTIONAL PART: NE51H V21149	008999	1
35	LH76-2LC14YN3		.HOLDER- SUPPLIER CODE: V3X634 ELECTRICAL EQUIP NUMBER: L00348	008999	1

MISSING ITEM NUMBERS NOT APPLICABLE

- ITEM NOT ILLUSTRATED

HAP

24-41-11-03

BOEING PROPRIETARY - Copyright © - Unpublished Work - See title page for details.

24-41-11
FIG. 03
PAGE 1
FEB 15/09

BOEING
737-600/700/800/900
PARTS CATALOG (MAINTENANCE)

FIG ITEM	PART NUMBER	1 2 3 4 5 6 7	NOMENCLATURE	EFFECT FROM TO	UNITS PER ASSY
3					
40	MS25231-313	.	LAMP-28V	008999	1
45	LH76-3LC15WT3	.	HOLDER-	008999	1
			SUPPLIER CODE: V3X634		
			ELECTRICAL EQUIP NUMBER: L00349		
			OPTIONAL PART: 284A1807-7		
47	284A1807-7	.	SUBKIT ASSY-	008999	1
			OPTIONAL PART: LH76-3LC15WT3		
			V3X634		
50	26-1135-203	..	CAP-LENS	008999	1
			SUPPLIER CODE: V83330		
55	373-0410-01-203	..	HOLDER-	008999	1
			SUPPLIER CODE: V83330		
			ELECTRICAL EQUIP NUMBER: L00349		
75	284A6807-2	.	PANEL-	031043	1
				054103	
				201971	
75	284A6807-4	.	PANEL-	008200	1
				968999	
80	66-13524-32	.	SPACER	008999	3
85	284A3807-4	.	BRACKET	008999	1
R - 200	288A4191-1		WIRE BUNDLE INSTL-P19	008030	RF
R			FOR NHA SEE: 25-50-00-18	201967	
R - 200	MODREF174091		WIRE BUNDLE INSTL-P19	031036	1
R			MODULE NUMBER: 288A4191-1 REV B		
R - 200	MODREF302061		WIRE BUNDLE INSTL-P19	037200	1
R			MODULE NUMBER: 288A4191-1 REV C	968999	
R	205	NAS1801-04-6	.SCREW	008999	AR
R	210	NAS1149DN332J	.WASHER	008999	AR
R	215	K19798-04	.NUT	008999	AR
R			SUPPLIER CODE: V15653		
R			SPECIFICATION NUMBER: BACN10NW1		
R			OPTIONAL PART: RMA4812-160-40		
R			V72962		
R			293162		
R			V60119		
- 300	286A0048-002		WIRE BUNDLE ASSY-	008030	RF

MISSING ITEM NUMBERS NOT APPLICABLE

- ITEM NOT ILLUSTRATED

HAP

24-41-11-03

24-41-11
FIG. 03
PAGE 2
JUN 15/09

BOEING
737-600/700/800/900
PARTS CATALOG (MAINTENANCE)

FIG ITEM	PART NUMBER	1 2 3 4 5 6 7	NOMENCLATURE	EFFECT FROM TO	UNITS PER ASSY
3					
- 300	286A0048-003		WIRE BUNDLE ASSY-	201967	RF
- 300	286A0048-008		WIRE BUNDLE ASSY-	031043	RF
				054103	
				968971	
310	BACC63BV12B12P6		.RECEPTACLE-P19 PNL ELECTRICAL EQUIP NUMBER: D04499J WIRING DIAGRAM REF: 234111	008043 054103 201971	1
315	BACC63BV14B15PN		.RECEPTACLE-P19 PNL ELECTRICAL EQUIP NUMBER: D44252J WIRING DIAGRAM REF: 244111	008043 054103 201971	1
- 320	286A5337-006		WIRE BUNDLE ASSY-SVCE INTPH	101103	RF
				201971	
- 320	286A5337-007		WIRE BUNDLE ASSY-SVCE INTPH	008043	RF
				054100	
325	BACC63BP12D12S6		.PLUG-CONDUCTIVE ELECTRICAL EQUIP NUMBER: D04499P WIRING DIAGRAM REF: 234111	008043 054103 201971	1
- 330	286A6024-007		WIRE BUNDLE ASSY-SVCE INTPH	201967	RF
- 330	286A6024-005		WIRE BUNDLE ASSY-SVCE INTPH	008030	RF
- 330	286A6024-015		WIRE BUNDLE ASSY-SVCE INTPH	031043	RF
				054103	
				968971	
340	BACC63BP14D15SN		.PLUG-P6 PNL ELECTRICAL EQUIP NUMBER: D44252P WIRING DIAGRAM REF: 244111	008043 054103 201971	1

MISSING ITEM NUMBERS NOT APPLICABLE

- ITEM NOT ILLUSTRATED

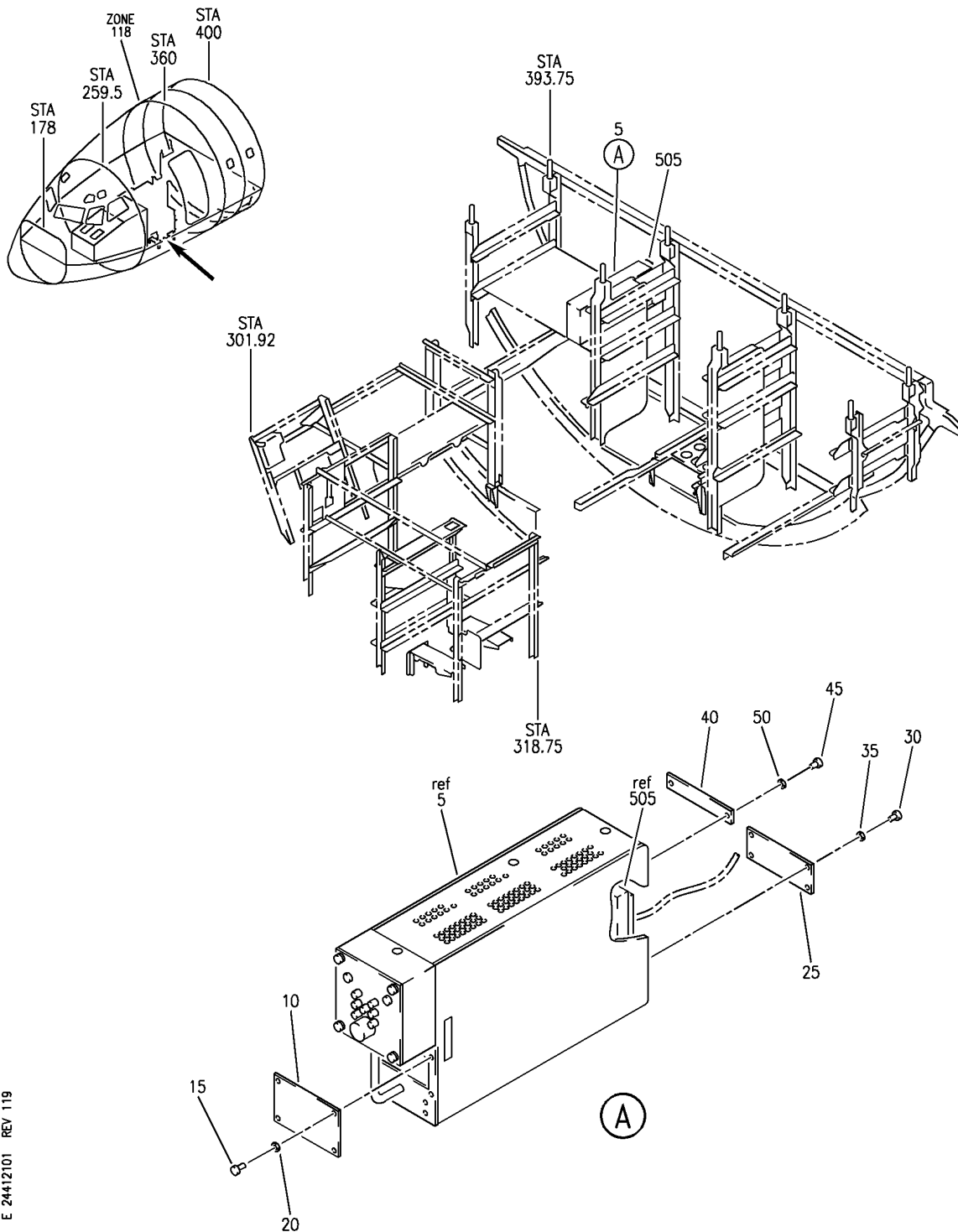
HAP

24-41-11-03

BOEING PROPRIETARY - Copyright © - Unpublished Work - See title page for details.

24-41-11
FIG. 03
PAGE 3
JUN 15/09

BOEING
 737-600/700/800/900
 PARTS CATALOG (MAINTENANCE)



E 24412101 REV 119

EQUIPMENT INSTL ELEC/ELEX BAY E4 RACK (EXTERNAL POWER ONLY)
 FIGURE 1

24-41-21-01

HAP
 OCT 10/06

24-41-21-01
 PAGE 0

BOEING
737-600/700/800/900
PARTS CATALOG (MAINTENANCE)

FIG ITEM	PART NUMBER	1 2 3 4 5 6 7	NOMENCLATURE	EFFECT FROM TO	UNITS PER ASSY
1			EQUIPMENT INSTL ELEC/ELEX BAY E4 RACK (EXTERNAL POWER ONLY)	001011 201967	
- 1	284A0440-670		EQUIPMENT INSTL-ELEC/ELEX BAY-E4 RACK (EXTERNAL POWER ONLY) FOR NHA/OTHER SYS DET SEE: 25-50-00-12A	201967	RF
- 1	284A0440-800		EQUIPMENT INSTL-ELEC/ELEX BAY-E4 RACK (EXTERNAL POWER ONLY) FOR NHA/OTHER SYS DET SEE: 25-50-00-13A	001011	RF
5	762187E		.UNIT ASSY-CONT BUS PWR SUPPLIER CODE: V99167 FUNCTIONAL DESCRIPTION: PROVIDES CONTACTOR CONTROL FOR THE EXTERNAL POWER SOURCE AND SYSTEM PROTECTION FOR THE TIE BUS AND TRANSFER DISTRIBUTION BUSES. SPECIFICATION NUMBER: S281A001-301 NOT APPROVED FOR ETOPS WITHOUT INCORP OF SB: SB90EGS02BP242REV1 MISCELLANEOUS DATA: APPROVED FOR 120 AND 180 MINUTES ETOPS AFTER S/B 90EGS02BP-24-2 REV 1 FOR S/N 0032 TO S/N 0108. ELECTRICAL EQUIP NUMBER: G00015 COMPONENT MAINT MANUAL REF: 24-23-17 QUALIFIED I/W DATA: 762187F I/W 762187E EXCEPT AIRCRAFT CONDUCTING 180 MINUTE ETOPS OPERATIONS MUST HAVE 762187F INSTALLED FUNCTIONAL REFERENCE: PLACARDS AND MARKINGS FOR DETAILS SEE 11-36-01-50B	001011 202967	1

MISSING ITEM NUMBERS NOT APPLICABLE

- ITEM NOT ILLUSTRATED

HAP

24-41-21-01

BOEING PROPRIETARY - Copyright © - Unpublished Work - See title page for details.

24-41-21
FIG. 01
PAGE 1
JUN 15/09

BOEING
737-600/700/800/900
PARTS CATALOG (MAINTENANCE)

FIG ITEM	PART NUMBER	1 2 3 4 5 6 7	NOMENCLATURE	EFFECT FROM TO	UNITS PER ASSY
1	5 762187F		.UNIT ASSY-CONT BUS PWR SUPPLIER CODE: V99167 FUNCTIONAL DESCRIPTION: PROVIDES CONTACTOR CONTROL FOR THE EXTERNAL POWER SOURCE AND SYSTEM PROTECTION FOR THE TIE BUS AND TRANSFER DISTRIBUTION BUSES. SPECIFICATION NUMBER: S281A001-302 ELECTRICAL EQUIP NUMBER: G00015 COMPONENT MAINT MANUAL REF: 24-23-17 QUALIFIED I/W DATA: 762187F I/W 762187E EXCEPT AIRCRAFT CONDUCTING 180 MINUTE ETOPS OPERATIONS MUST HAVE 762187F INSTALLED POST SERVICE LETTER: 24-147 FUNCTIONAL REFERENCE: PLACARDS AND MARKINGS FOR DETAILS SEE 11-36-01-50B	201201	1
	10 768057		..PLATE-IDENT SUPPLIER CODE: V99167 ATTACHING PARTS	001011 201967	1
	15 MS51957-14		..SCREW	001011 201967	4
	20 NAS620C4L		..WASHER	001011 201967	4
	25 768661-1		-----*----- ..PLATE-IDENT SUPPLIER CODE: V99167 ATTACHING PARTS	001011 201967	1
	30 MS51957-14		..SCREW	001011 201967	2
	35 NAS620C4L		..WASHER -----*-----	001011 201967	2

MISSING ITEM NUMBERS NOT APPLICABLE

— ITEM NOT ILLUSTRATED

HAP

24-41-21-01

BOEING PROPRIETARY - Copyright © - Unpublished Work - See title page for details.

24-41-21
FIG. 01
PAGE 2
JUN 15/09

BOEING
737-600/700/800/900
PARTS CATALOG (MAINTENANCE)

FIG ITEM	PART NUMBER	1 2 3 4 5 6 7	NOMENCLATURE	EFFECT FROM TO	UNITS PER ASSY
1					
40	762565-6		.. PLATE-BAR CODE SUPPLIER CODE: V99167 SB DATA FROM A CMM: PRE 24-4	001011 201967	1
40	762565-7		.. PLATE-BAR CODE SUPPLIER CODE: V99167 SB DATA FROM A CMM: POST 24-4	201201	1
45	MS51957-14		.. SCREW	001011 201967	2
50	NAS620C4L		.. WASHER	001011 201967	2
			-----*-----		
- 500	286A0422-006		WIRE BUNDLE ASSY-E4-2 SHELF	002005	RF
- 500	286A0422-013		WIRE BUNDLE ASSY-E4-2 SHELF	001001 006007	RF
- 501	286A0422-022		WIRE BUNDLE ASSY-E4-2 SHELF	010011	RF
- 501	286A0422-035		WIRE BUNDLE ASSY-E4-2 SHELF	008009	RF
- 501	286A0422-036		WIRE BUNDLE ASSY-E4-2 SHELF	201967	RF
505	BCREF2798		. PLUG- SUPPLIER CODE: V71468 OVERLENGTH PART NUMBER: DPX2MB67S67S33B0061 ELECTRICAL EQUIP NUMBER: D10898 WIRING DIAGRAM REF: 242221	001011 201967	1

MISSING ITEM NUMBERS NOT APPLICABLE

- ITEM NOT ILLUSTRATED

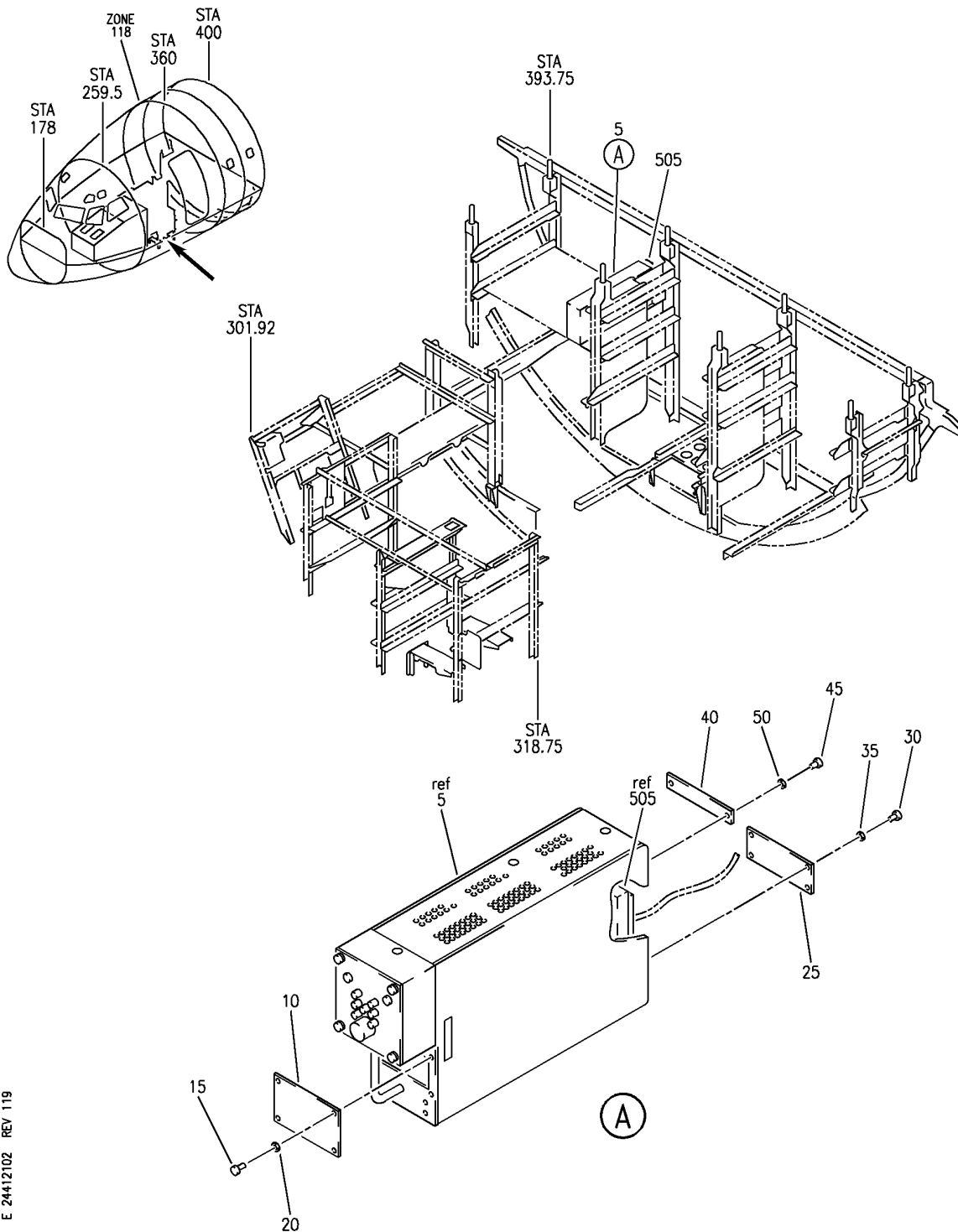
HAP

24-41-21-01

BOEING PROPRIETARY - Copyright © - Unpublished Work - See title page for details.

24-41-21
FIG. 01
PAGE 3
JUN 15/09

BOEING
 737-600/700/800/900
 PARTS CATALOG (MAINTENANCE)



E 24412102 REV 119

EQUIPMENT INSTL-E4 RACK (AC EXTERNAL POWER ONLY)
 FIGURE 2

24-41-21-02

HAP
 OCT 10/06

24-41-21-02
 PAGE 0

BOEING
737-600/700/800/900
PARTS CATALOG (MAINTENANCE)

FIG ITEM	PART NUMBER	1 2 3 4 5 6 7	NOMENCLATURE	EFFECT FROM TO	UNITS PER ASSY
2			EQUIPMENT INSTL-E4 RACK (AC EXTERNAL POWER ONLY)	031200 968999	
- 2	MODREF202977		EQUIPMENT INSTL-E4-RACK (AC EXTERNAL POWER ONLY) MODULE NUMBER: 284A0441-15 REV A FOR OTHER SYS DETAILS SEE: 21-51-02-02 21-61-11-01 23-51-01-03 24-21-81-03A 24-32-11-02 27-62-35-02 30-41-11-03	101200 968999	1
- 2	MODREF202978		EQUIPMENT INSTL-E4-RACK (AC EXTERNAL POWER ONLY) MODULE NUMBER: 284A0441-16 REV A FOR OTHER SYS DETAILS SEE: 21-51-02-02 23-51-01-03 24-21-81-03A 24-32-11-02 27-62-35-02 30-41-11-03	031100	1

MISSING ITEM NUMBERS NOT APPLICABLE

- ITEM NOT ILLUSTRATED

HAP

24-41-21-02

BOEING PROPRIETARY - Copyright © - Unpublished Work - See title page for details.

24-41-21
FIG. 02
PAGE 1
JUN 15/09

BOEING
737-600/700/800/900
PARTS CATALOG (MAINTENANCE)

FIG ITEM	PART NUMBER	1 2 3 4 5 6 7	NOMENCLATURE	EFFECT FROM TO	UNITS PER ASSY
2					
5	762187F		.UNIT ASSY-CONT BUS PWR SUPPLIER CODE: V99167 POSITION DATA: E4-2 SHELF FUNCTIONAL DESCRIPTION: PROVIDES CONTRACTOR CONTROL FOR THE EXTERNAL POWER SOURCE AND SYSTEM PROTECTION FOR THE TIE BUS AND TRANSFER DISTRIBUTION BUSES. SPECIFICATION NUMBER: S281A001-302 ELECTRICAL EQUIP NUMBER: G00015 COMPONENT MAINT MANUAL REF: 24-23-17 QUALIFIED I/W DATA: 762187F I/W 762187E EXCEPT AIRCRAFT CONDUCTING 180 MINUTE ETOPS OPERATIONS MUST HAVE 762187F INSTALLED FUNCTIONAL REFERENCE: PLACARDS AND MARKINGS FOR DETAILS SEE 11-36-01-50B	031200 968999	1
10	768057		..PLATE-IDENT SUPPLIER CODE: V99167 ATTACHING PARTS	031200 968999	1
15	MS51957-14		..SCREW	031200 968999	4
20	NAS620C4L		..WASHER	031200 968999	4
25	768661-1		-----*----- ..PLATE-IDENT SUPPLIER CODE: V99167 ATTACHING PARTS	031200 968999	1
30	MS51957-14		..SCREW	031200 968999	2
35	NAS620C4L		..WASHER -----*-----	031200 968999	2

MISSING ITEM NUMBERS NOT APPLICABLE

— ITEM NOT ILLUSTRATED

HAP

24-41-21-02

BOEING PROPRIETARY - Copyright © - Unpublished Work - See title page for details.

24-41-21
FIG. 02
PAGE 2
OCT 15/08

BOEING
737-600/700/800/900
PARTS CATALOG (MAINTENANCE)

FIG ITEM	PART NUMBER	1 2 3 4 5 6 7	NOMENCLATURE	EFFECT FROM TO	UNITS PER ASSY
2					
40	762565-6		.. PLATE-BAR CODE SUPPLIER CODE: V99167 SB DATA FROM A CMM: PRE 24-4	031200 968999	1
40	762565-7		.. PLATE-BAR CODE SUPPLIER CODE: V99167 SB DATA FROM A CMM: POST 24-4 ATTACHING PARTS	031200 968999	1
45	MS51957-14		.. SCREW	031200 968999	2
50	NAS620C4L		.. WASHER	031200 968999	2
- 500	286A0422-025		-----*----- WIRE BUNDLE ASSY-	031043 101101 968971	RF
505	BCREF2798		. PLUG- SUPPLIER CODE: V71468 OVERLENGTH PART NUMBER: DPX2MB67S67S33B0061 ELECTRICAL EQUIP NUMBER: D10898 WIRING DIAGRAM REF: 242221 ATTACHING PARTS	031046 054105 968999	1
- 510	MS35190-223		. SCREW	031046 054105 968999	4
- 515	PLH504CD		. NUT SUPPLIER CODE: VF0224 SPECIFICATION NUMBER: BACN10YR04CD OPTIONAL PART: H52732-04CD V15653 -----*-----	031046 054105 968999	4

MISSING ITEM NUMBERS NOT APPLICABLE

- ITEM NOT ILLUSTRATED

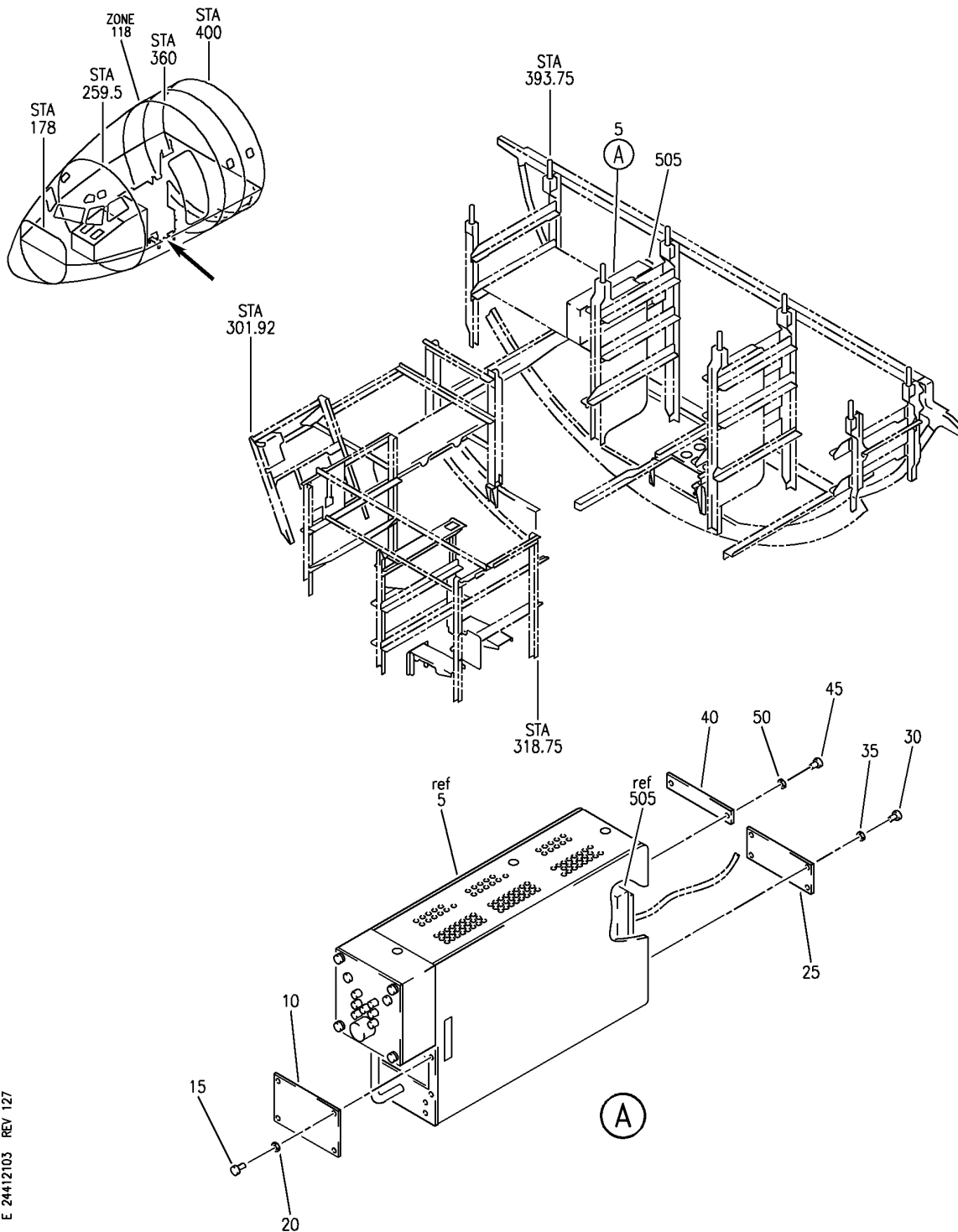
HAP

24-41-21-02

BOEING PROPRIETARY - Copyright © - Unpublished Work - See title page for details.

24-41-21
FIG. 02
PAGE 3
FEB 15/09

BOEING
 737-600/700/800/900
 PARTS CATALOG (MAINTENANCE)



E 24412103 REV 127

EQUIPMENT INSTL-E4 RACK (AC EXTERNAL POWER ONLY)
 FIGURE 3

24-41-21-03

HAP
 FEB 10/07

24-41-21-03
 PAGE 0

BOEING
737-600/700/800/900
PARTS CATALOG (MAINTENANCE)

FIG ITEM	PART NUMBER	1 2 3 4 5 6 7	NOMENCLATURE	EFFECT FROM TO	UNITS PER ASSY
3			EQUIPMENT INSTL-E4 RACK (AC EXTERNAL POWER ONLY)	012030	
- 1	284A0441-6		EQUIPMENT INSTL-E4-RACK (AC EXTERNAL POWER ONLY) PRE SERVICE BULLETIN: 21-1133 FOR NHA/OTHER SYS DET SEE: 25-50-00-13A	012022	RF
- 1	284A0441-8		EQUIPMENT INSTL-E4-RACK (AC EXTERNAL POWER ONLY) FOR NHA/OTHER SYS DET SEE: 25-50-00-13A	023027	RF
- 1	284A0441-9		EQUIPMENT INSTL-E4-RACK (AC EXTERNAL POWER ONLY) POST SERVICE BULLETIN: 21-1133 FOR NHA/OTHER SYS DET SEE: 25-50-00-13A	012022	RF
- 2	284A0441-13		EQUIPMENT INSTL-E4-RACK (AC EXTERNAL POWER ONLY) FOR NHA/OTHER SYS DET SEE: 25-50-00-13A	028030	RF

MISSING ITEM NUMBERS NOT APPLICABLE

- ITEM NOT ILLUSTRATED

HAP

24-41-21-03

BOEING PROPRIETARY - Copyright © - Unpublished Work - See title page for details.

24-41-21
FIG. 03
PAGE 1
FEB 10/07

BOEING
737-600/700/800/900
PARTS CATALOG (MAINTENANCE)

FIG ITEM	PART NUMBER	1 2 3 4 5 6 7	NOMENCLATURE	EFFECT FROM TO	UNITS PER ASSY
3 5	762187E		.UNIT ASSY-CONT BUS PWR E4-2 SHELF SUPPLIER CODE: V99167 FUNCTIONAL DESCRIPTION: PROVIDES CONTRACTOR CONTROL FOR THE EXTERNAL POWER SOURCE AND SYSTEM PROTECTION FOR THE TIE BUS AND TRANSFER DISTRIBUTION BUSES. SPECIFICATION NUMBER: S281A001-301 NOT APPROVED FOR ETOPS WITHOUT INCORP OF SB: SB90EGS02BP242REV1 MISCELLANEOUS DATA: APPROVED FOR 120 AND 180 MINUTES ETOPS AFTER S/B 90EGS02BP-24-2 REV 1 FOR S/N 0032 TO S/N 0108. ELECTRICAL EQUIP NUMBER: G00015 COMPONENT MAINT MANUAL REF: 24-23-17 QUALIFIED I/W DATA: 762187F I/W 762187E EXCEPT AIRCRAFT CONDUCTING 180 MINUTE ETOPS OPERATIONS MUST HAVE 762187F INSTALLED FUNCTIONAL REFERENCE: PLACARDS AND MARKINGS FOR DETAILS SEE 11-36-01-51B	012022	1

MISSING ITEM NUMBERS NOT APPLICABLE

- ITEM NOT ILLUSTRATED

HAP

24-41-21-03

BOEING PROPRIETARY - Copyright © - Unpublished Work - See title page for details.

24-41-21
FIG. 03
PAGE 2
FEB 10/07

BOEING
737-600/700/800/900
PARTS CATALOG (MAINTENANCE)

FIG ITEM	PART NUMBER	1 2 3 4 5 6 7	NOMENCLATURE	EFFECT FROM TO	UNITS PER ASSY	
R R	3 5	762187F	.UNIT ASSY-CONT BUS PWR E4-2 SHELF SUPPLIER CODE: V99167 FUNCTIONAL DESCRIPTION: PROVIDES CONTRACTOR CONTROL FOR THE EXTERNAL POWER SOURCE AND SYSTEM PROTECTION FOR THE TIE BUS AND TRANSFER DISTRIBUTION BUSES. SPECIFICATION NUMBER: S281A001-302 ELECTRICAL EQUIP NUMBER: G00015 COMPONENT MAINT MANUAL REF: 24-23-17 QUALIFIED I/W DATA: 762187F I/W 762187E EXCEPT AIRCRAFT CONDUCTING 180 MINUTE ETOPS OPERATIONS MUST HAVE 762187F INSTALLED FUNCTIONAL REFERENCE: PLACARDS AND MARKINGS FOR DETAILS SEE 11-36-01-51B	023030	1	
	10	768057	..PLATE-IDENT SUPPLIER CODE: V99167 ATTACHING PARTS	012030	1	
	15	MS51957-14	..SCREW	012030	4	
	20	NAS620C4L	..WASHER	012030	4	
	25	768661-1	..PLATE-IDENT SUPPLIER CODE: V99167 ATTACHING PARTS	012030	1	
	30	MS51957-14	..SCREW	012030	2	
	35	NAS620C4L	..WASHER	012030	2	
	40	762565-6	..PLATE-BAR CODE SUPPLIER CODE: V99167 SB DATA FROM A CMM: PRE 24-4	012030	1	
	MISSING ITEM NUMBERS NOT APPLICABLE					

- ITEM NOT ILLUSTRATED

HAP

24-41-21-03

BOEING PROPRIETARY - Copyright © - Unpublished Work - See title page for details.

24-41-21
FIG. 03
PAGE 3
JUN 15/09

BOEING
737-600/700/800/900
PARTS CATALOG (MAINTENANCE)

FIG ITEM	PART NUMBER	1 2 3 4 5 6 7	NOMENCLATURE	EFFECT FROM TO	UNITS PER ASSY
3					
40	762565-7		.. PLATE-BAR CODE SUPPLIER CODE: V99167 SB DATA FROM A CMM: POST 24-4 ATTACHING PARTS	012030	1
45	MS51957-14		.. SCREW	012030	2
50	NAS620C4L		.. WASHER	012030	2
			-----*-----		
- 500	286A0422-022		WIRE BUNDLE ASSY	012030	RF
505	BCREF2798		. PLUG- SUPPLIER CODE: V71468 OVERLENGTH PART NUMBER: DPX2MB67S67S33B0061 ELECTRICAL EQUIP NUMBER: D10898 WIRING DIAGRAM REF: 242221 ATTACHING PARTS	012030	1
- 510	MS35190-223		. SCREW	012030	4
- 515	PLH504CD		. NUT SUPPLIER CODE: VF0224 SPECIFICATION NUMBER: BACN10YR04CD OPTIONAL PART: H52732-04CD V15653 -----*-----	012030	4

MISSING ITEM NUMBERS NOT APPLICABLE

- ITEM NOT ILLUSTRATED

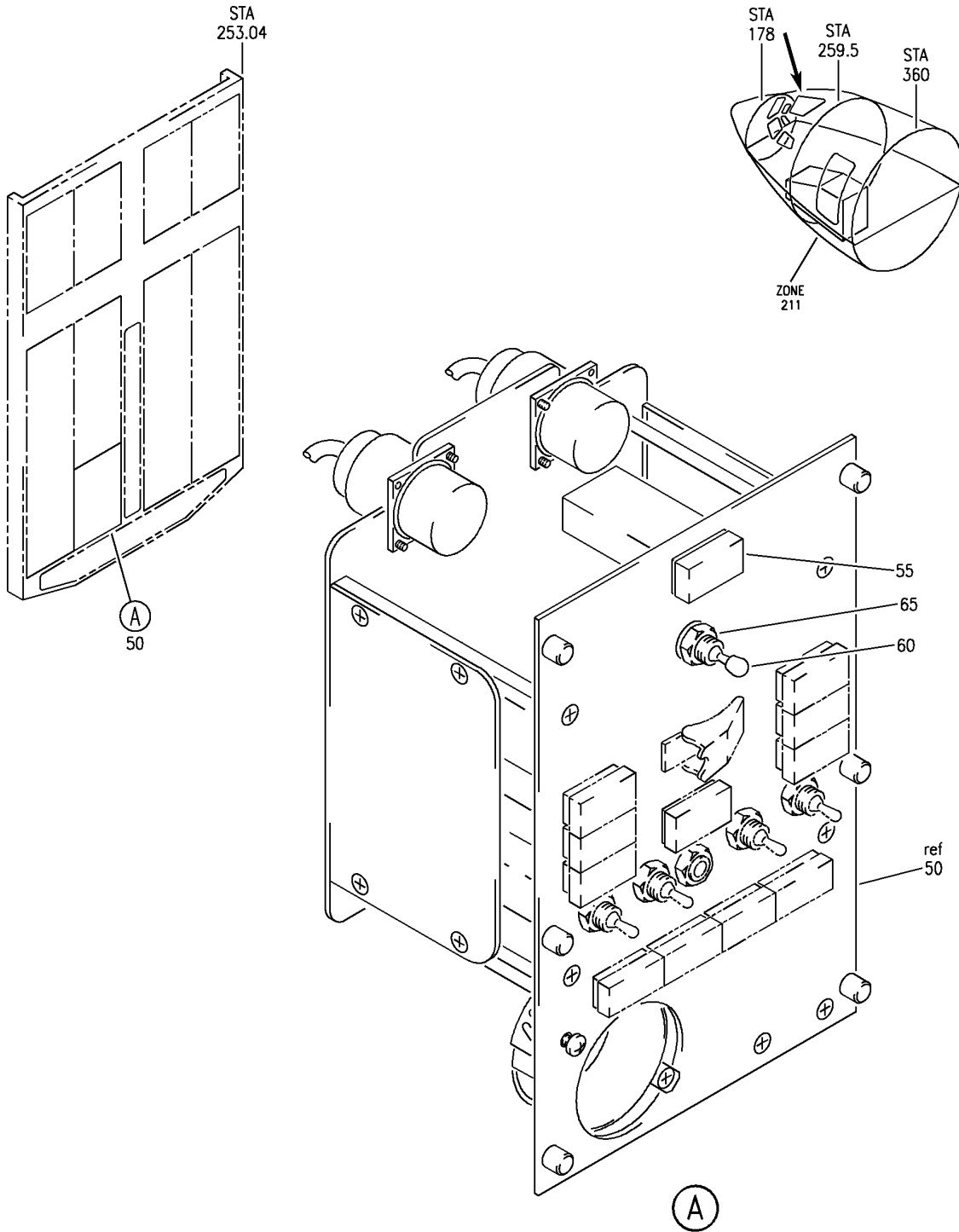
HAP

24-41-21-03

BOEING PROPRIETARY - Copyright © - Unpublished Work - See title page for details.

24-41-21
FIG. 03
PAGE 4
JUN 15/09

BOEING
 737-600/700/800/900
 PARTS CATALOG (MAINTENANCE)



E 24415101 REV 118

MODULE INSTL-P5-4 OVHD (AC EXTERNAL POWER ONLY)
 FIGURE 1

24-41-51-01

HAP
 OCT 10/06

24-41-51-01
 PAGE 0

BOEING
737-600/700/800/900
PARTS CATALOG (MAINTENANCE)

FIG ITEM	PART NUMBER	1 2 3 4 5 6 7	NOMENCLATURE	EFFECT FROM TO	UNITS PER ASSY
1			MODULE INSTL-P5-4 OVHD (AC EXTERNAL POWER ONLY)	029200 968999	
- 1	233A3104-242801		MODULE INSTL-P5-4 OVHD (AC EXTERNAL POWER ONLY) FOR NHA/OTHER SYS DET SEE: 31-11-00-02	029030	RF
- 1	MODREF82427		MODULE INSTL-P5-4 OVHD (AC EXTERNAL POWER ONLY) MODULE NUMBER: 233A3104-242801 REV A FOR OTHER SYS DETAILS SEE: 11-31-01-24Q 24-21-51-02 30-42-51-01 31-11-94-12 33-11-52-13 49-71-51-01 49-72-51-01 49-94-51-01	031036 038038	1
R R	- 1	MODREF319455	MODULE INSTL-P5-4 OVHD (AC EXTERNAL POWER ONLY) MODULE NUMBER: 233A3104-242801 REV B FOR OTHER SYS DETAILS SEE: 11-31-01-37G 11-31-01-39Z 24-21-51-02 30-42-51-01 31-11-94-04X 31-11-94-07Q 33-11-52-02X 33-11-52-06K 49-71-51-01 49-72-51-01 49-94-51-01	037037 039200 968999	1
	50	233A3204-1	.MODULE ASSY- GEN/APU CONT P5-4 SUPPLIER CODE: V89954 ELECTRICAL EQUIP NUMBER: P00504 COMPONENT MAINT MANUAL REF: 31-37-31	029200 968999	RF

MISSING ITEM NUMBERS NOT APPLICABLE

- ITEM NOT ILLUSTRATED

HAP

24-41-51-01

BOEING PROPRIETARY - Copyright © - Unpublished Work - See title page for details.

24-41-51
FIG. 01
PAGE 1
JUN 15/09

BOEING
737-600/700/800/900
PARTS CATALOG (MAINTENANCE)

FIG ITEM	PART NUMBER	1 2 3 4 5 6 7	NOMENCLATURE	EFFECT FROM TO	UNITS PER ASSY
1 55	B cref15633		..LIGHT ASSY-PRESS TO TEST IND-GROUND POWER AVAILABLE SUPPLIER CODE: V81590 OVERLENGTH PART NUMBER: 318-630-1001-386 SPECIFICATION NUMBER: 10-61803-454 COMPONENT MAINT MANUAL REF: 33-10-05 FOR DETAILS SEE: 33-11-50-03E	029200 968999	1
65	64AT34-7E		..SWITCH-TG SUPPLIER CODE: V91929	029200 968999	1

MISSING ITEM NUMBERS NOT APPLICABLE

— ITEM NOT ILLUSTRATED

HAP

24-41-51-01

BOEING PROPRIETARY - Copyright © - Unpublished Work - See title page for details.

24-41-51
FIG. 01
PAGE 2
OCT 15/08