

AC ELECTRICAL LOAD DISTRIBUTION

HAP
OCT 10/06

24-50-00
SECTION TITLE
PAGE 1

NON-ILLUSTRATED FIGURE

THE ITEMS REFLECTED IN THIS FIGURE ARE INTENTIONALLY
NON-ILLUSTRATED. THEY ARE REFERENCED TO EITHER A
NEXT HIGHER OR NEXT LOWER ASSEMBLY/INSTALLATION FIGURE.

E 24500001C REV 054

FUNCTIONAL COLLECTOR-FLIGHT DECK FINAL ASSY CUSTOMER UNIQUE (ELECTRICAL POWER ONLY)
FIGURE 1C

HAP
OCT 10/06

24-50-00-01C

24-50-00-01C
PAGE 0

 **BOEING**
737-600/700/800/900
PARTS CATALOG (MAINTENANCE)

FIG ITEM	PART NUMBER	1 2 3 4 5 6 7	NOMENCLATURE	EFFECT FROM TO	UNITS PER ASSY
1C			FUNCTIONAL COLLECTOR-FLIGHT DECK FINAL ASSY CUSTOMER UNIQUE (ELECTRICAL POWER ONLY)	001007	
- 1	230A0001-3001		FUNCTIONAL COLLECTOR-FLIGHT DECK FINAL ASSY CUSTOMER UNIQUE (ELECTRICAL POWER ONLY)	001007	RF
- 20	233A5202-103001		FOR NHA SEE: 24-00-00-08 .CIRCUIT BREAKER INSTL- P6-1 FUNCTIONAL REFERENCE: ELECTRICAL POWER FOR DETAILS SEE 24-50-51-17 PLACARDS AND MARKINGS FOR DETAILS SEE 11-35-01-17	001007	1
- 90	233A5202-202003		.CIRCUIT BREAKER INSTL- P6-2 FUNCTIONAL REFERENCE: ELECTRICAL POWER FOR DETAILS SEE 24-50-51-19 PLACARDS AND MARKINGS FOR DETAILS SEE 11-35-01-17	001007	1
- 100	233A5202-303001		.CIRCUIT BREAKER INSTL- P6-3 FUNCTIONAL REFERENCE: ELECTRICAL POWER FOR DETAILS SEE 24-50-51-20 PLACARDS AND MARKINGS FOR DETAILS SEE 11-35-01-19	001007	1
- 115	233A5202-403001		.CIRCUIT BREAKER INSTL- P6-4 FUNCTIONAL REFERENCE: ELECTRICAL POWER FOR DETAILS SEE 24-50-51-23 PLACARDS AND MARKINGS FOR DETAILS SEE 11-35-01-23	001007	1

MISSING ITEM NUMBERS NOT APPLICABLE

- ITEM NOT ILLUSTRATED

HAP

24-50-00-01C

BOEING PROPRIETARY - Copyright © - Unpublished Work - See title page for details.

24-50-00
FIG. 01C
PAGE 1
OCT 10/06

BOEING
737-600/700/800/900
PARTS CATALOG (MAINTENANCE)

FIG ITEM	PART NUMBER	1 2 3 4 5 6 7	NOMENCLATURE	EFFECT FROM TO	UNITS PER ASSY
1C - 150	233A5202-702003	.	CIRCUIT BREAKER INSTL- P6-11 FUNCTIONAL REFERENCE: ELECTRICAL POWER FOR DETAILS SEE 24-50-51-24 PLACARDS AND MARKINGS FOR DETAILS SEE 11-35-01-24	001007	1
- 165	233A5202-802003	.	CIRCUIT BREAKER INSTL- P6-12 FUNCTIONAL REFERENCE: ELECTRICAL POWER FOR DETAILS SEE 24-50-51-25 PLACARDS AND MARKINGS FOR DETAILS SEE 11-35-01-25	001007	1
- 200	233A5502-103001	.	CIRCUIT BREAKER INSTL- P18-1 FUNCTIONAL REFERENCE: ELECTRICAL POWER FOR DETAILS SEE 24-50-51-58 PLACARDS AND MARKINGS FOR DETAILS SEE 11-35-01-58	001004	1
- 200	233A5502-113001	.	CIRCUIT BREAKER INSTL- P18-1 FUNCTIONAL REFERENCE: ELECTRICAL POWER FOR DETAILS SEE 24-50-51-58 PLACARDS AND MARKINGS FOR DETAILS SEE 11-35-01-58	005007	1
- 210	233A5502-203001	.	CIRCUIT BREAKER INSTL- P18-2 FUNCTIONAL REFERENCE: ELECTRICAL POWER FOR DETAILS SEE 24-50-51-60 PLACARDS AND MARKINGS FOR DETAILS SEE 11-35-01-60	001007	1

MISSING ITEM NUMBERS NOT APPLICABLE

- ITEM NOT ILLUSTRATED

HAP

24-50-00-01C

BOEING PROPRIETARY - Copyright © - Unpublished Work - See title page for details.

24-50-00
FIG. 01C
PAGE 2
OCT 10/06


BOEING
 737-600/700/800/900
PARTS CATALOG (MAINTENANCE)

FIG ITEM	PART NUMBER	1 2 3 4 5 6 7 NOMENCLATURE	EFFECT FROM TO	UNITS PER ASSY
1C - 220	233A5502-303001	.CIRCUIT BREAKER INSTL- P18-3 FUNCTIONAL REFERENCE: ELECTRICAL POWER FOR DETAILS SEE 24-50-51-62 PLACARDS AND MARKINGS FOR DETAILS SEE 11-35-01-62	001007	1

MISSING ITEM NUMBERS NOT APPLICABLE

- ITEM NOT ILLUSTRATED

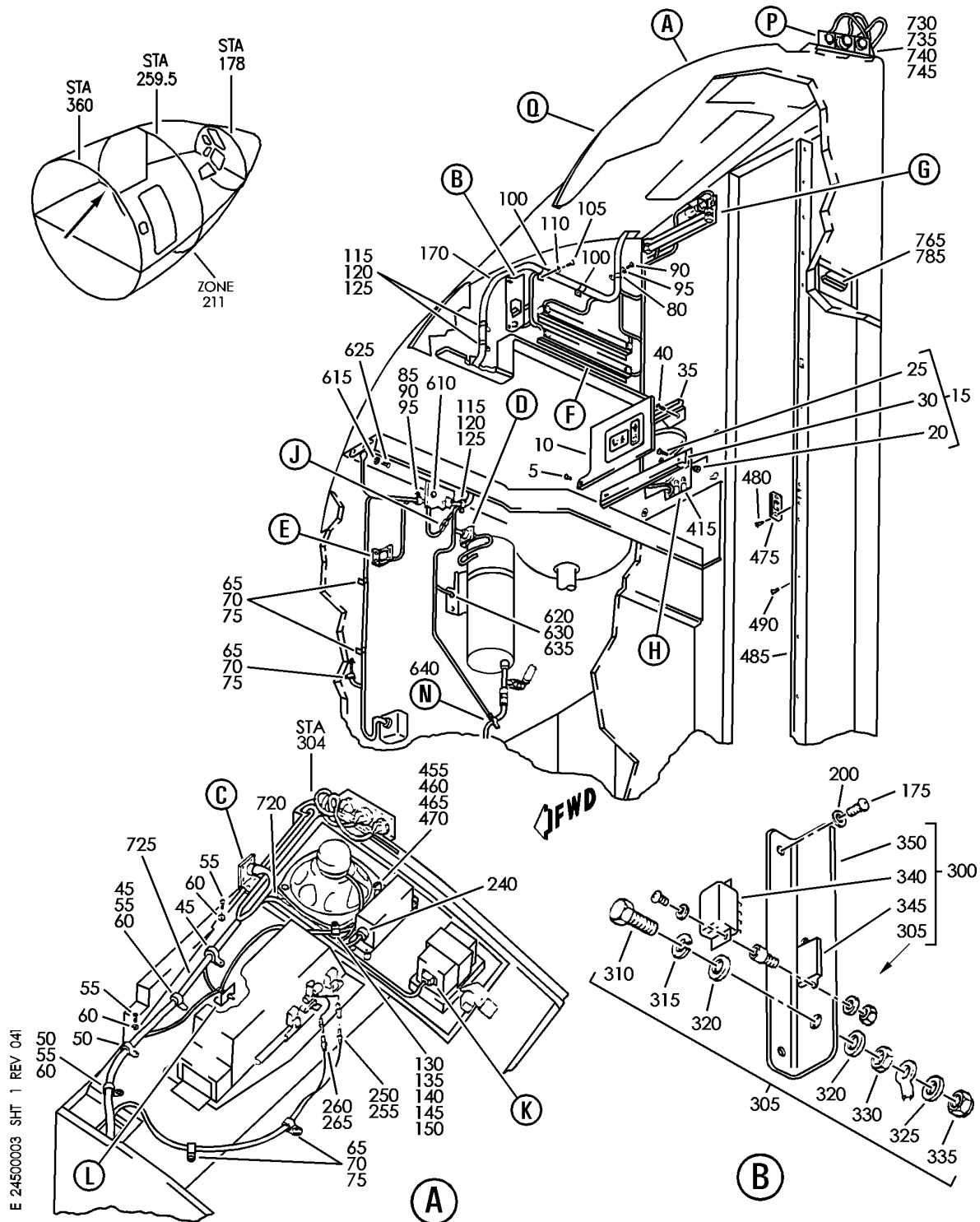
HAP

24-50-00-01C

BOEING PROPRIETARY - Copyright © - Unpublished Work - See title page for details.

24-50-00
 FIG. 01C
 PAGE 3
 OCT 10/06

BOEING
 737-600/700/800/900
 PARTS CATALOG (MAINTENANCE)



E 24500003 SHT 1 REV 041

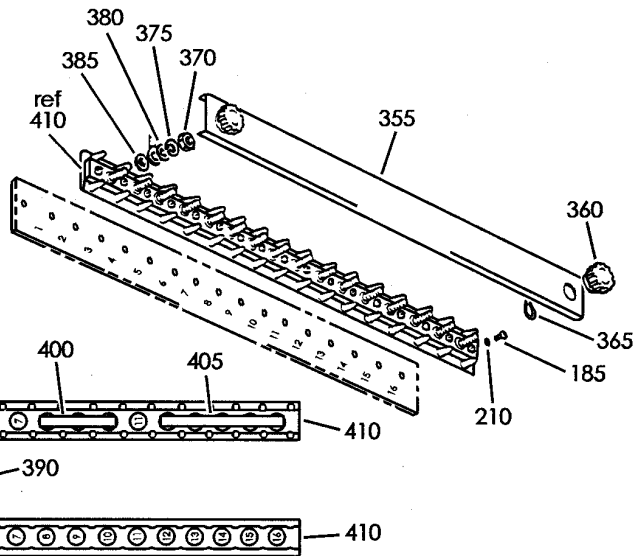
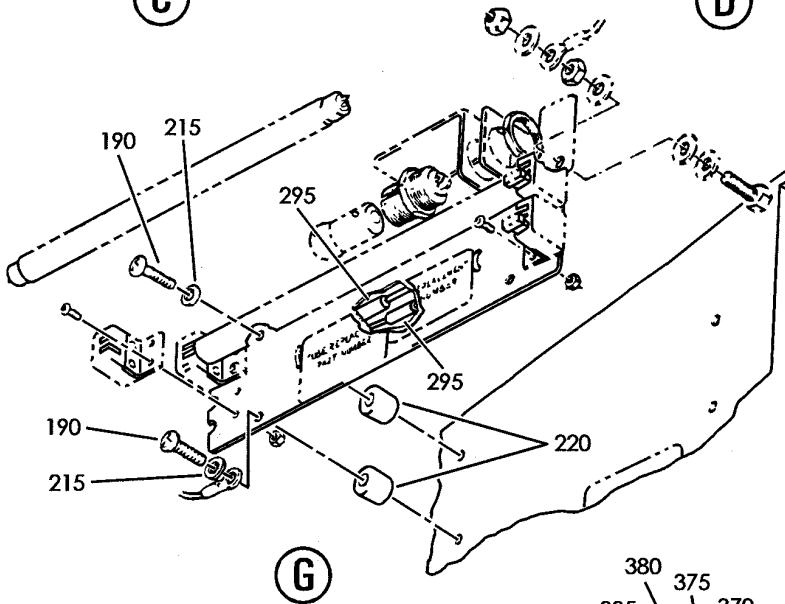
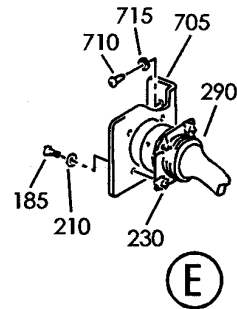
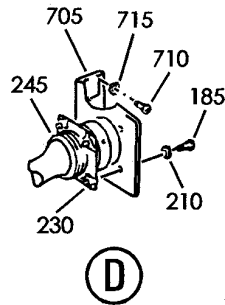
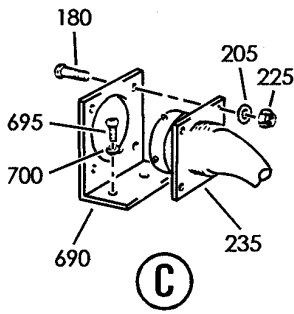
ELECTRICAL ASSY-LAV A (ELECTRICAL POWER ONLY)
 FIGURE 3 (SHEET 1)

24-50-00-03

HAP
 OCT 10/06

24-50-00-03
 PAGE 0

BOEING
 737-600/700/800/900
 PARTS CATALOG (MAINTENANCE)



E 24500003 SHT 2 REV 030

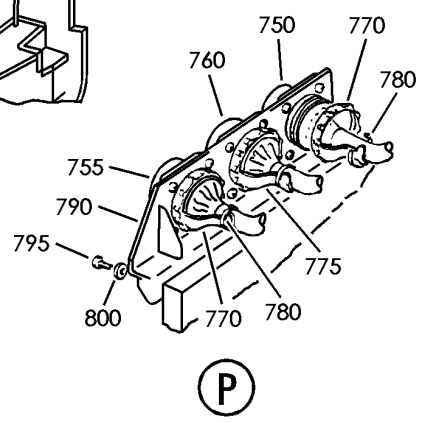
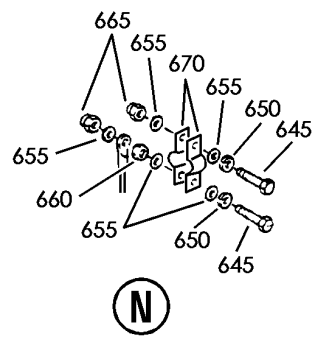
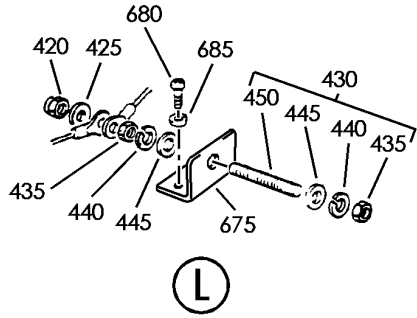
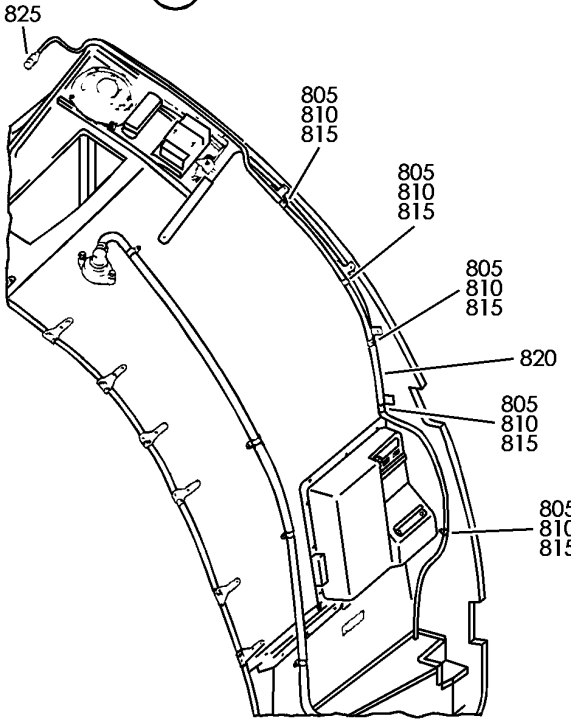
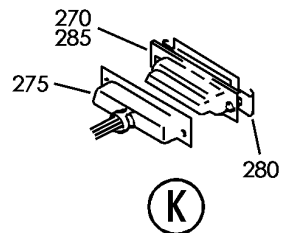
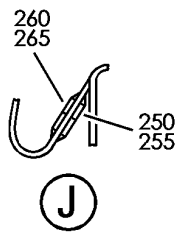
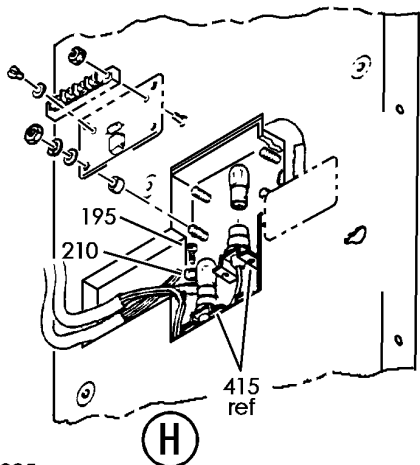
ELECTRICAL ASSY-LAV A (ELECTRICAL POWER ONLY)
 FIGURE 3 (SHEET 2)

24-50-00-03

HAP
 OCT 10/06

24-50-00-03
 PAGE 0A

BOEING
 737-600/700/800/900
 PARTS CATALOG (MAINTENANCE)



E 24500003 SHT 3 REV 041

ELECTRICAL ASSY-LAV A (ELECTRICAL POWER ONLY)
 FIGURE 3 (SHEET 3)

24-50-00-03

HAP
 OCT 10/06

24-50-00-03
 PAGE 0B

BOEING
737-600/700/800/900
PARTS CATALOG (MAINTENANCE)

FIG ITEM	PART NUMBER	1 2 3 4 5 6 7	NOMENCLATURE	EFFECT FROM TO	UNITS PER ASSY
3			ELECTRICAL ASSY-LAV A (ELECTRICAL POWER ONLY)	001005	
- 1	C23102-011-003		ELECTRICAL INSTL-LAV A (ELECTRICAL POWER ONLY) SUPPLIER CODE: VU3384 FOR NHA/OTHER SYS DET SEE: 25-40-01-56	001005	RF
5	MS27039-0806		.SCREW	001005	1
10	C22102-921-003		.PANEL-RTS SUPPLIER CODE: VU3384	001005	1
15	C23102-247-001		.CAPPING ASSY- SUPPLIER CODE: VU3384 POSITION DATA: LWR	001005	1
20	C22102-965-101		..BUTTON- SUPPLIER CODE: VU3384 ATTACHING PARTS	001005	1
25	MS24693S25		..SCREW -----*-----	001005	1
30	C23102-247-101		..CAPPING- SUPPLIER CODE: VU3384	001005	1
35	C23102-245-101		.CAPPING- SUPPLIER CODE: VU3384 POSITION DATA: UPR ATTACHING PARTS	001005	1
40	MS24693C28		.SCREW -----*-----	001005	2
45	BACC10DK7		.CLAMP	001005	2
50	BACC10DK8		.CLIP ATTACHING PARTS	001005	2
55	MS27039-1-08		.SCREW	001005	4
60	SP122D		.WASHER- -----*-----	001005	4
65	BACC10DK3		.CLAMP ATTACHING PARTS	001005	6
70	MS27039-1-06		.SCREW	001005	6
75	SP122D		.WASHER- -----*-----	001005	6
80	BACC10DK16		.CLAMP	001005	1
85	BACC10DK5		.CLAMP ATTACHING PARTS	001005	1
90	MS27039-1-07		.SCREW	001005	2

MISSING ITEM NUMBERS NOT APPLICABLE

- ITEM NOT ILLUSTRATED

HAP

24-50-00-03

BOEING PROPRIETARY - Copyright © - Unpublished Work - See title page for details.

24-50-00
FIG. 03
PAGE 1
OCT 10/06

BOEING
737-600/700/800/900
PARTS CATALOG (MAINTENANCE)

FIG ITEM	PART NUMBER	1 2 3 4 5 6 7	NOMENCLATURE	EFFECT FROM TO	UNITS PER ASSY
3					
95	SP122D		.WASHER- -----*-----	001005	2
100	BACC10DK13		.CLAMP ATTACHING PARTS	001005	2
105	MS27039-1-07		.SCREW	001005	2
110	SP122D		.WASHER- -----*-----	001005	2
115	BACC10DK10		.CLAMP ATTACHING PARTS	001005	3
120	MS27039-1-07		.SCREW	001005	3
125	SP122D		.WASHER- -----*-----	001005	3
130	BACC10DK4		.CLAMP ATTACHING PARTS	001005	RF
135	MS27039-0812		.SCREW	001005	RF
140	C22102-949-103		.SPACER- SUPPLIER CODE: VU3384	001005	RF
145	SP47X		.WASHER-	001005	RF
150	SP122C		.WASHER- -----*-----	001005	RF
- 155	T15R		.CABLE-TIE SUPPLIER CODE: VU3384	001005	AR
- 160	T18R		.CABLE-TIE SUPPLIER CODE: VU3384	001005	AR
- 165	T50R		.CABLE-TIE SUPPLIER CODE: VU3384	001005	AR
170	C23102-131-025		.LOOM ASSY-MAIN SUPPLIER CODE: VU3384 ATTACHING PARTS	001005	1
175	MS27039-1-05		.SCREW	001005	2
180	MS35206-229		.SCREW	001005	4
185	MS51957-16		.SCREW	001005	25
190	MS27039-0813		.SCREW	001005	4
195	MS51957-15		.SCREW	001005	4
200	SP122D		.WASHER-	001005	2
205	SP122B		.WASHER-	001005	4
210	SP122A		.WASHER	001005	25
215	SP122C		.WASHER-	001005	4
220	C22302-669-101		.SPACER- SUPPLIER CODE: VU3384	001005	4
225	H10-06		.NUT- SUPPLIER CODE: V15653	001005	4

MISSING ITEM NUMBERS NOT APPLICABLE

- ITEM NOT ILLUSTRATED

HAP

24-50-00-03

24-50-00
FIG. 03
PAGE 2
OCT 10/06

BOEING
737-600/700/800/900
PARTS CATALOG (MAINTENANCE)

FIG ITEM	PART NUMBER	1 2 3 4 5 6 7	NOMENCLATURE	EFFECT FROM TO	UNITS PER ASSY
3					
230	132003		.NUT- SUPPLIER CODE: V60119 -----*-----	001005	8
235	MS24264R24B43P		..CONNECTOR-DZ100	001005	1
240	MB12P1		..CONNECTOR-DZ101 SUPPLIER CODE: V09922 OPTIONAL PART: CB12P1 VU3290 C22502-351-137L VU3384 CB12P1 VU3384 CB12P1 V71770 CB12P1 V55104	001005	1
245	MS24264R14B7S		..CONNECTOR-DZ102	001005	1
250	48-7191		..CONNECTOR-DZ103, DZ152 SUPPLIER CODE: V02660	001005	2
255	M39029-32-248		..SOCKET-AMP	001005	2
260	48-7190		..CONNECTOR-DZ104, DZ153 SUPPLIER CODE: V02660	001005	2
265	M39029-31-229		..PIN-AMP	001005	2
270	DAMA15SWS		..CONNECTOR-DZ107 SUPPLIER CODE: V71468	001005	1
275	DA19977		..CLAMP- SUPPLIER CODE: VU3384 POSITION DATA: BACK	001005	1
280	DA51220-1		..LOCK-SLIDE SUPPLIER CODE: V71468	001005	1
285	MS27488-16		..PLUG	001005	5
290	MS24264R14B12S		..CONNECTOR-DZ150	001005	1
295	D436-58		..SPLICE-STUB SUPPLIER CODE: VU3384	001005	2
300	C23102-193-001		..RELAY ASSY- SUPPLIER CODE: VU3384	001005	1

MISSING ITEM NUMBERS NOT APPLICABLE

— ITEM NOT ILLUSTRATED

HAP

24-50-00-03

BOEING PROPRIETARY - Copyright © - Unpublished Work - See title page for details.

24-50-00
FIG. 03
PAGE 3
OCT 10/06

BOEING
737-600/700/800/900
PARTS CATALOG (MAINTENANCE)

FIG ITEM	PART NUMBER	1 2 3 4 5 6 7	NOMENCLATURE	EFFECT FROM TO	UNITS PER ASSY
3					
305	RES111A1	...	STUD ASSY-EARTH SUPPLIER CODE: VU3384	001005	1
310	MS1015	SCREW	001005	1
315	SP47C	WASHER-	001005	1
320	SP124D	WASHER-	001005	2
325	SP122D	WASHER-	001005	1
330	MS35650-305T	NUT	001005	1
335	H10-3	NUT- SUPPLIER CODE: V15653 OPTIONAL PART: 30-297-668-04 VK5294	001005	1
340	HFV1206K03	...	RELAY-RZ101 SUPPLIER CODE: V58614	001005	1
345	HRTS13KM	...	BASE-DZ110 SUPPLIER CODE: V91663	001005	1
350	C23102-193-101	...	PANEL- SUPPLIER CODE: VU3384	001005	1
355	MS18029-12S16	..	COVER	001005	2
360	MS18029-22	..	NUT ASSY	001005	4
365	MS16624-40	...	RING-RETAINER	001005	1
370	A210DT	..	NUT- SUPPLIER CODE: VK7766	001005	32
375	SP47C	..	WASHER-	001005	32
380	SP13C	..	WASHER-	001005	32
385	SP15C	..	WASHER-	001005	32
390	IN5618	..	DIODE- SUPPLIER CODE: VU3384 ELECTRICAL EQUIP NUMBER: D00001 D00002 D00005	001005	3
390	IN5618	..	DIODE- SUPPLIER CODE: VU3384	001005	3
395	MS25226-4-2	..	LINK	001005	2
400	MS25226-4-3	..	LINK	001005	1
405	MS25226-4-5	..	LINK	001005	1
410	MS27212-2-16	..	BLOCK-TERMINAL TZ100, TZ101	001005	2

MISSING ITEM NUMBERS NOT APPLICABLE

- ITEM NOT ILLUSTRATED

HAP

24-50-00-03

24-50-00
FIG. 03
PAGE 4
FEB 10/07

BOEING
737-600/700/800/900
PARTS CATALOG (MAINTENANCE)

FIG ITEM	PART NUMBER	1 2 3 4 5 6 7	NOMENCLATURE	EFFECT FROM TO	UNITS PER ASSY
3					
415	MBCM4		. . HOLDER-LAMP MZ135, MZ136 SUPPLIER CODE: VU0928	001005	2
420	H10-4		. NUT- SUPPLIER CODE: V15653	001005	1
425	SP122E		. WASHER-	001005	1
430	RES171B		. STUD ASSY- SUPPLIER CODE: VU3384	001005	1
435	3A105ET		. . NUT- SUPPLIER CODE: VU3384	001005	2
440	SP47E		. . WASHER-	001005	2
445	SP123E		. . WASHER-	001005	2
450	MS289		. . STUD	001005	1
455	MS27039-0810		. SCREW	001005	RF
460	SP47X		. WASHER-	001005	RF
465	SP122C		. WASHER-	001005	RF
470	C22102-949-103		. SPACER- SUPPLIER CODE: VU3384	001005	RF
475	C22102-126-103		. PLATE-STRIKER SUPPLIER CODE: VU3384	001005	RF
480	MS24693S28		ATTACHING PARTS . SCREW	001005	RF
485	C22102-264-007		-----*----- . CAPPING- SUPPLIER CODE: VU3384	001005	RF
490	MS24694C6		ATTACHING PARTS . SCREW	001005	RF
610	RES111A1		-----*----- . STUD ASSY-EARTH SUPPLIER CODE: VU3384	001005	RF
615	MS27039-0806		. SCREW	001005	1
620	MS27039-1-05		. SCREW	001005	RF
625	SP122C		. WASHER-	001005	1
630	SP47C		. WASHER-	001005	RF
635	SP122D		. WASHER-	001005	RF
640	RES162		. CLAMP ASSY- SUPPLIER CODE: VU3384	001005	1
645	MS1015		. . SCREW	001005	2
650	SP47C		. . WASHER-	001005	2
655	SP123D		. . WASHER	001005	5

MISSING ITEM NUMBERS NOT APPLICABLE

— ITEM NOT ILLUSTRATED

HAP

24-50-00-03

24-50-00
FIG. 03
PAGE 5
OCT 10/06

BOEING
737-600/700/800/900
PARTS CATALOG (MAINTENANCE)

FIG ITEM	PART NUMBER	1 2 3 4 5 6 7	NOMENCLATURE	EFFECT FROM TO	UNITS PER ASSY
3					
660	MN69	..	NUT- SUPPLIER CODE: VU384	001005	1
665	H14-3	..	NUT- SUPPLIER CODE: V15653	001005	2
670	RES162-001	..	CLAMP-SADDLE SUPPLIER CODE: VU384	001005	2
675	C22501-305-101	.	BRACKET-BONDING SUPPLIER CODE: VU384	001005	1
680	MS27039-1-06	.	SCREW	001005	2
685	SP122D	.	WASHER-	001005	2
690	C22101-503-101	.	BRACKET-CONNECTOR SUPPLIER CODE: VU384	001005	1
695	MS27039-1-04	.	SCREW	001005	2
700	SP122D	.	WASHER-	001005	2
705	RES182C4	.	BRACKET-CONNECTOR SUPPLIER CODE: VU384	001005	2
710	MS27039-1-04	.	SCREW	001005	2
715	SP122D	.	WASHER-	001005	2
720	25-44-22-004RF	.	SLEEVE-BRAIDED 0.5 SUPPLIER CODE: VU384	001005	AR
725	25-44-22-005RF	.	SLEEVE-BRAIDED 0.75 SUPPLIER CODE: VU384	001005	AR
730	C23102-137-001	.	LOOM ASSY-PNL SUPPLIER CODE: VU384	001005	1
735	MS51957-16	.	SCREW	001005	12
740	SP122A	.	WASHER	001005	12
745	H10-04	.	NUT- SUPPLIER CODE: V15653	001005	12
750	MS24264R22B55P9	..	CONNECTOR-DZ160	001005	1
755	MS24264R22B55P	..	CONNECTOR-DZ161	001005	1
760	MS24264R24B61P6	..	CONNECTOR-DZ162	001005	1

MISSING ITEM NUMBERS NOT APPLICABLE

— ITEM NOT ILLUSTRATED

HAP

24-50-00-03

24-50-00
FIG. 03
PAGE 6
OCT 10/06

BOEING
737-600/700/800/900
PARTS CATALOG (MAINTENANCE)

FIG ITEM	PART NUMBER	1 2 3 4 5 6 7	NOMENCLATURE	EFFECT FROM TO	UNITS PER ASSY
3					
765	25-44-22-006RF	..	CONNECTOR-DZ163 SUPPLIER CODE: V50541	001005	1
770	BACC10GH22	..	CLAMP- POSITION DATA: BACK	001005	2
775	BACC10GH24	..	CLAMP- POSITION DATA: BACK	001005	1
780	G70407-1N	..	BUSHING- SUPPLIER CODE: V06324	001005	3
785	C23102-329-101	..	BRACKET- SUPPLIER CODE: VU3384	001005	1
790	C23102-199-001	.	BRACKET- SUPPLIER CODE: VU3384	001005	1
795	MS27039-1-07	.	SCREW	001005	3
800	SP122D	.	WASHER-	001005	3
805	BACC10DK3	.	CLAMP ATTACHING PARTS	001005	5
810	MS27039-1-07	.	SCREW	001005	5
815	SP126D	.	WASHER-	001005	5
820	C23102-421-001	.	LOOM ASSY-THRESHOLD SUPPLIER CODE: VU3384	001005	1
825	AMC02PA03B	..	PLUG-DZ182 SUPPLIER CODE: V05574	001005	1

MISSING ITEM NUMBERS NOT APPLICABLE

— ITEM NOT ILLUSTRATED

HAP

24-50-00-03

BOEING PROPRIETARY - Copyright © - Unpublished Work - See title page for details.

24-50-00
FIG. 03
PAGE 7
OCT 10/06

NON-ILLUSTRATED FIGURE

THE ITEMS REFLECTED IN THIS FIGURE ARE INTENTIONALLY
NON-ILLUSTRATED. THEY ARE REFERENCED TO EITHER A
NEXT HIGHER OR NEXT LOWER ASSEMBLY/INSTALLATION FIGURE.

E 2450003B REV 055

FUNCTIONAL COLLECTOR-P6-1 CB E/E EQPT FINAL ASSY CUSTOMER UNIQUE (AC ELECTRICAL LOAD DISTRIBUTION)
FIGURE 3B

HAP
OCT 15/08

24-50-00-03B

24-50-00-03B
PAGE 0

BOEING
737-600/700/800/900
PARTS CATALOG (MAINTENANCE)

FIG ITEM	PART NUMBER	1 2 3 4 5 6 7	NOMENCLATURE	EFFECT FROM TO	UNITS PER ASSY
3B			FUNCTIONAL COLLECTOR-P6-1 CB E/E EQPT FINAL ASSY CUSTOMER UNIQUE (AC ELECTRICAL LOAD DISTRIBUTION)	201967	
- 3	230A0020-2610		FUNCTIONAL COLLECTOR-P6-1 CB E/E EQPT FINAL ASSY CUSTOMER UNIQUE (AC ELECTRICAL LOAD DISTRIBUTION)	201967	RF
- 20	233A5221-1		.MARKER INSTL-P6-1 CB PNL FOR DETAILS SEE: 24-00-00-04	201967	1
- 25	233A5221-2		.CIRCUIT BREAKER INSTL- POST SERVICE BULLETIN: 23-1139 FOR DETAILS SEE: 24-51-51-20Y	201967	1
- 30	233A5221-200080		.CIRCUIT BREAKER INSTL- FOR DETAILS SEE: 24-51-51-20Y	201967	1
- 45	233A5221-200744		.CIRCUIT BREAKER INSTL- FOR DETAILS SEE: 24-51-51-20Y	201967	1
- 50	233A5221-200857		.CIRCUIT BREAKER INSTL- FOR DETAILS SEE: 24-51-51-20Y	201967	1
- 55	233A5221-201050		.CIRCUIT BREAKER INSTL- FOR DETAILS SEE: 24-51-51-20Y	201967	1
- 145	233A5221-201480		.CIRCUIT BREAKER INSTL- FOR DETAILS SEE: 24-51-51-20Y	201967	1
- 165	233A5221-201500		.CIRCUIT BREAKER INSTL- P6-1/E9 FOR DETAILS SEE: 24-51-51-20Y	201967	1
- 240	233A5221-301108		.PLUG BUTTON INSTL-P6-1/A8 FOR DETAILS SEE: 24-51-51-20Y	201967	1
- 245	233A5221-301109		.PLUG BUTTON INSTL-P6-1/A9 FOR DETAILS SEE: 24-51-51-20Y	201967	1
- 250	233A5221-301111		.PLUG BUTTON INSTL-P6-1/A11 FOR DETAILS SEE: 24-51-51-20Y	201967	1

MISSING ITEM NUMBERS NOT APPLICABLE

- ITEM NOT ILLUSTRATED

HAP

24-50-00-03B

BOEING PROPRIETARY - Copyright © - Unpublished Work - See title page for details.

24-50-00
FIG. 03B
PAGE 1
OCT 15/08

 **BOEING**
737-600/700/800/900
PARTS CATALOG (MAINTENANCE)

FIG ITEM	PART NUMBER	1 2 3 4 5 6 7	NOMENCLATURE	EFFECT FROM TO	UNITS PER ASSY
3B					
- 255	233A5221-301208		.PLUG BUTTON INSTL-P6-1/B8 FOR DETAILS SEE: 24-51-51-20Y	201967	1
- 260	233A5221-301209		.PLUG BUTTON INSTL-P6-1/B9 FOR DETAILS SEE: 24-51-51-20Y	201967	1
- 265	233A5221-301210		.PLUG BUTTON INSTL-P6-1/B10 PRE SERVICE BULLETIN: 23-1139 FOR DETAILS SEE: 24-51-51-20Y	201967	1
- 270	233A5221-301211		.PLUG BUTTON INSTL-P6-1/B11 FOR DETAILS SEE: 24-51-51-20Y	201967	1
- 275	233A5221-301212		.PLUG BUTTON INSTL-P6-1/B12 FOR DETAILS SEE: 24-51-51-20Y	201967	1
- 280	233A5221-301213		.PLUG BUTTON INSTL-P6-1/B13 FOR DETAILS SEE: 24-51-51-20Y	201967	1
- 285	233A5221-301214		.PLUG BUTTON INSTL-P6-1/14 FOR DETAILS SEE: 24-51-51-20Y	201967	1
- 290	233A5221-301215		.PLUG BUTTON INSTL-P6-1/B15 FOR DETAILS SEE: 24-51-51-20Y	201967	1
- 295	233A5221-301216		.PLUG BUTTON INSTL-P6-1/B16 FOR DETAILS SEE: 24-51-51-20Y	201967	1
- 300	233A5221-301217		.PLUG BUTTON INSTL-P6-1/B17 FOR DETAILS SEE: 24-51-51-20Y	201967	1
- 305	233A5221-301302		.PLUG BUTTON INSTL-P6-1/C2 FOR DETAILS SEE: 24-51-51-20Y	201967	1
- 310	233A5221-301304		.PLUG BUTTON INSTL-P6-1/C4 FOR DETAILS SEE: 24-51-51-20Y	201967	1
- 315	233A5221-301305		.PLUG BUTTON INSTL-P6-1/C5 FOR DETAILS SEE: 24-51-51-20Y	201967	1
- 320	233A5221-301306		.PLUG BUTTON INSTL-P6-1/C6 PRE SERVICE BULLETIN: 23-1139 FOR DETAILS SEE: 24-51-51-20Y	202967	1
- 325	233A5221-301307		.PLUG BUTTON INSTL-P6-1/C7 FOR DETAILS SEE: 24-51-51-20Y	201967	1

MISSING ITEM NUMBERS NOT APPLICABLE

- ITEM NOT ILLUSTRATED

HAP

24-50-00-03B

BOEING PROPRIETARY - Copyright © - Unpublished Work - See title page for details.

24-50-00
FIG. 03B
PAGE 2
OCT 15/08

 **BOEING**
737-600/700/800/900
PARTS CATALOG (MAINTENANCE)

FIG ITEM	PART NUMBER	1 2 3 4 5 6 7	NOMENCLATURE	EFFECT FROM TO	UNITS PER ASSY
3B					
- 330	233A5221-301308	.	PLUG BUTTON INSTL-P6-1/C8 FOR DETAILS SEE: 24-51-51-20Y	201967	1
- 340	233A5221-301310	.	PLUG BUTTON INSTL-P6-1/C10 FOR DETAILS SEE: 24-51-51-20Y	201967	1
- 345	233A5221-301311	.	PLUG BUTTON INSTL-P6-1/C11 FOR DETAILS SEE: 24-51-51-20Y	201967	1
- 350	233A5221-301312	.	PLUG BUTTON INSTL-P6-1/C12 FOR DETAILS SEE: 24-51-51-20Y	201967	1
- 355	233A5221-301313	.	PLUG BUTTON INSTL-P6-1/C13 FOR DETAILS SEE: 24-51-51-20Y	201967	1
- 360	233A5221-301316	.	PLUG BUTTON INSTL-P6-1/C16 FOR DETAILS SEE: 24-51-51-20Y	201967	1
- 365	233A5221-301401	.	PLUG BUTTON INSTL-P6-1/D1 FOR DETAILS SEE: 24-51-51-20Y	201967	1
- 375	233A5221-301403	.	PLUG BUTTON INSTL-P6-1/D3 FOR DETAILS SEE: 24-51-51-20Y	201967	1
- 380	233A5221-301405	.	PLUG BUTTON INSTL-P6-1/D5 FOR DETAILS SEE: 24-51-51-20Y	201967	1
- 385	233A5221-301406	.	PLUG BUTTON INSTL-P6-1/D6 FOR DETAILS SEE: 24-51-51-20Y	201967	1
- 390	233A5221-301407	.	PLUG BUTTON INSTL-P6-1/D7 FOR DETAILS SEE: 24-51-51-20Y	201967	1
- 395	233A5221-301408	.	PLUG BUTTON INSTL-P6-1/D8 FOR DETAILS SEE: 24-51-51-20Y	201967	1
- 400	233A5221-301412	.	PLUG BUTTON INSTL-P6-1/D12 FOR DETAILS SEE: 24-51-51-20Y	201967	1
- 410	233A5221-301417	.	PLUG BUTTON INSTL-P6-1/D17 FOR DETAILS SEE: 24-51-51-20Y	201967	1
- 415	233A5221-301501	.	PLUG BUTTON INSTL-P6-1/E1 FOR DETAILS SEE: 24-51-51-20Y	201967	1
- 420	233A5221-301502	.	PLUG BUTTON INSTL-P6-1/E2 FOR DETAILS SEE: 24-51-51-20Y	201967	1
MISSING ITEM NUMBERS NOT APPLICABLE					

- ITEM NOT ILLUSTRATED

HAP

24-50-00-03B

BOEING PROPRIETARY - Copyright © - Unpublished Work - See title page for details.

24-50-00
FIG. 03B
PAGE 3
OCT 15/08

 **BOEING**
737-600/700/800/900
PARTS CATALOG (MAINTENANCE)

FIG ITEM	PART NUMBER	1 2 3 4 5 6 7	NOMENCLATURE	EFFECT FROM TO	UNITS PER ASSY
3B					
- 425	233A5221-301503		.PLUG BUTTON INSTL-P6-1/E3 FOR DETAILS SEE: 24-51-51-20Y	201967	1
- 430	233A5221-301504		.PLUG BUTTON INSTL-P6-1/E4 FOR DETAILS SEE: 24-51-51-20Y	201967	1
- 435	233A5221-301505		.PLUG BUTTON INSTL-P6-1/E5 FOR DETAILS SEE: 24-51-51-20Y	201967	1
- 440	233A5221-301506		.PLUG BUTTON INSTL-P6-1/E6 FOR DETAILS SEE: 24-51-51-20Y	201967	1
- 450	233A5221-301508		.PLUG BUTTON INSTL-P6-1/E8 FOR DETAILS SEE: 24-51-51-20Y	201967	1
- 465	233A5221-301516		.PLUG BUTTON INSTL-P6-1/E16 FOR DETAILS SEE: 24-51-51-20Y	201967	1
- 470	233A5221-301517		.PLUG BUTTON INSTL-P6-1/E16 FOR DETAILS SEE: 24-51-51-20Y	201967	1
- 535	233A5221-501402		.INOP INSTL-P6-1/D2 FUNCTIONAL REFERENCE: PLACARDS AND MARKINGS FOR DETAILS SEE 11-35-01-01Y ELECTRICAL POWER FOR DETAILS SEE 24-51-51-20Y	201967	1
- 560	233A5221-501416		.INOP INSTL-P6-1/D16 FUNCTIONAL REFERENCE: PLACARDS AND MARKINGS FOR DETAILS SEE 11-35-01-01Y ELECTRICAL POWER FOR DETAILS SEE 24-51-51-20Y	201967	1
- 575	233A5221-501507		.INOP INSTL-P6-1/E7 FUNCTIONAL REFERENCE: PLACARDS AND MARKINGS FOR DETAILS SEE 11-35-01-01Y ELECTRICAL POWER FOR DETAILS SEE 24-51-51-20Y	201967	1
MISSING ITEM NUMBERS NOT APPLICABLE					

- ITEM NOT ILLUSTRATED

HAP

24-50-00-03B

BOEING PROPRIETARY - Copyright © - Unpublished Work - See title page for details.

24-50-00
FIG. 03B
PAGE 4
OCT 15/08


BOEING
 737-600/700/800/900
PARTS CATALOG (MAINTENANCE)

FIG ITEM	PART NUMBER	1 2 3 4 5 6 7	NOMENCLATURE	EFFECT FROM TO	UNITS PER ASSY
3B - 585	233A5221-501509	.INOP	INSTL-P6-1/E9 FUNCTIONAL REFERENCE: PLACARDS AND MARKINGS FOR DETAILS SEE 11-35-01-01Y ELECTRICAL POWER FOR DETAILS SEE 24-51-51-20Y	201967	1
- 590	233A5221-501515	.INOP	INSTL-P6-1/E15 FUNCTIONAL REFERENCE: PLACARDS AND MARKINGS FOR DETAILS SEE 11-35-01-01Y ELECTRICAL POWER FOR DETAILS SEE 24-51-51-20Y	201967	1

MISSING ITEM NUMBERS NOT APPLICABLE

- ITEM NOT ILLUSTRATED

HAP

24-50-00-03B

BOEING PROPRIETARY - Copyright © - Unpublished Work - See title page for details.

24-50-00
 FIG. 03B
 PAGE 5
 OCT 15/08

NON-ILLUSTRATED FIGURE

THE ITEMS REFLECTED IN THIS FIGURE ARE INTENTIONALLY
NON-ILLUSTRATED. THEY ARE REFERENCED TO EITHER A
NEXT HIGHER OR NEXT LOWER ASSEMBLY/INSTALLATION FIGURE.

E 2450003C REV 055

FUNCTIONAL COLLECTOR-P6 CB E/E EQPT FINAL ASSY (AC ELECTRICAL LOAD DISTRIBUTION ONLY)
FIGURE 3C

HAP
OCT 10/06

24-50-00-03C

24-50-00-03C
PAGE 0

 **BOEING**
737-600/700/800/900
PARTS CATALOG (MAINTENANCE)

FIG ITEM	PART NUMBER	1 2 3 4 5 6 7	NOMENCLATURE	EFFECT FROM TO	UNITS PER ASSY
3C			FUNCTIONAL COLLECTOR-P6 CB E/E EQPT FINAL ASSY (AC ELECTRICAL LOAD DISTRIBUTION ONLY)	008030	
- 1	230A0020-3001		FUNCTIONAL COLLECTOR-P6 CB E/E EQPT FINAL ASSY CUSTOMER UNIQUE (AC ELECTRICAL LOAD DISTRIBUTION ONLY) FOR NHA/OTHER SYS DET SEE: 24-00-00-08	008030	RF
- 50	233A5221-1		.MARKER INSTL-P6-1 FOR DETAILS SEE: 24-51-51-21A	008030	1
- 60	233A5221-2		.CIRCUIT BREAKER INSTL-P6-1 FOR DETAILS SEE: 24-51-51-21A	008013	1
- 65	233A5221-200080		.CIRCUIT BREAKER INSTL-P6-1 FOR DETAILS SEE: 24-51-51-21A	008030	1
- 70	233A5221-200188		.CIRCUIT BREAKER INSTL-P6-1 FOR DETAILS SEE: 24-51-51-21A	015030	1
- 75	233A5221-200743		.CIRCUIT BREAKER INSTL-P6-1 FOR DETAILS SEE: 24-51-51-21A	008030	1
- 80	233A5221-200744		.CIRCUIT BREAKER INSTL-P6-1 FOR DETAILS SEE: 24-51-51-21A	008030	1
- 95	233A5221-201101		.CIRCUIT BREAKER INSTL-P6-1 FOR DETAILS SEE: 24-51-51-21A	008030	1
- 100	233A5221-201194		.CIRCUIT BREAKER INSTL-P6-1 FOR DETAILS SEE: 24-51-51-21A	015030	1
- 115	233A5221-201216		.CIRCUIT BREAKER INSTL-P6-1 FOR DETAILS SEE: 24-51-51-21A	008030	1
- 120	233A5221-201239		.CIRCUIT BREAKER INSTL-P6-1 FOR DETAILS SEE: 24-51-51-21A	008030	1
- 125	233A5221-201255		.CIRCUIT BREAKER INSTL-P6-1 FOR DETAILS SEE: 24-51-51-21A	008030	1
- 130	233A5221-201450		.CIRCUIT BREAKER INSTL-P6-1 FOR DETAILS SEE: 24-51-51-21A	008030	1

MISSING ITEM NUMBERS NOT APPLICABLE

- ITEM NOT ILLUSTRATED

HAP

24-50-00-03C

BOEING PROPRIETARY - Copyright © - Unpublished Work - See title page for details.

24-50-00
FIG. 03C
PAGE 1
OCT 10/06

 **BOEING**
737-600/700/800/900
PARTS CATALOG (MAINTENANCE)

FIG ITEM	PART NUMBER	1 2 3 4 5 6 7	NOMENCLATURE	EFFECT FROM TO	UNITS PER ASSY
3C					
- 135	233A5221-201451	.	CIRCUIT BREAKER INSTL-P6-1 FOR DETAILS SEE: 24-51-51-21A	008030	1
- 140	233A5221-201452	.	CIRCUIT BREAKER INSTL-P6-1 FOR DETAILS SEE: 24-51-51-21A	008030	1
- 145	233A5221-201453	.	CIRCUIT BREAKER INSTL-P6-1 FOR DETAILS SEE: 24-51-51-21A	008030	1
- 150	233A5221-201454	.	CIRCUIT BREAKER INSTL-P6-1 FOR DETAILS SEE: 24-51-51-21A	008030	1
- 155	233A5221-201455	.	CIRCUIT BREAKER INSTL-P6-1 FOR DETAILS SEE: 24-51-51-21A	008030	1
- 160	233A5221-201456	.	CIRCUIT BREAKER INSTL-P6-1 FOR DETAILS SEE: 24-51-51-21A	008030	1
- 180	233A5221-201480	.	CIRCUIT BREAKER INSTL-P6-1 FOR DETAILS SEE: 24-51-51-21A	008030	1
- 275	233A5221-201584	.	CIRCUIT BREAKER INSTL-P6-1 POST SERVICE BULLETIN: 23-1139R1 FOR DETAILS SEE: 24-51-51-21A	009009 014030	1
- 285	233A5221-3	.	CIRCUIT BREAKER INSTL-P6-1 FOR DETAILS SEE: 24-51-51-21A	014014	1
- 290	233A5221-4	.	CIRCUIT BREAKER INSTL-P6-1 FOR DETAILS SEE: 24-51-51-21A	015030	1
- 350	233A5221-301108	.	PLUG BUTTON INSTL-P6-1/A8 FOR DETAILS SEE: 24-51-51-21A	008030	1
- 355	233A5221-301109	.	PLUG BUTTON INSTL-P6-1/A9 FOR DETAILS SEE: 24-51-51-21A	008030	1
- 360	233A5221-301111	.	PLUG BUTTON INSTL-P6-1/A11 FOR DETAILS SEE: 24-51-51-21A	008030	1
- 365	233A5221-301208	.	PLUG BUTTON INSTL-P6-1/B8 FOR DETAILS SEE: 24-51-51-21A	008030	1
- 370	233A5221-301209	.	PLUG BUTTON INSTL-P6-1/B9 FOR DETAILS SEE: 24-51-51-21A	008030	1

MISSING ITEM NUMBERS NOT APPLICABLE

- ITEM NOT ILLUSTRATED

HAP

24-50-00-03C

BOEING PROPRIETARY - Copyright © - Unpublished Work - See title page for details.

24-50-00
FIG. 03C
PAGE 2
JUN 10/07

 **BOEING**
737-600/700/800/900
PARTS CATALOG (MAINTENANCE)

FIG ITEM	PART NUMBER	1 2 3 4 5 6 7	NOMENCLATURE	EFFECT FROM TO	UNITS PER ASSY
3C					
- 375	233A5221-301210	.	PLUG BUTTON INSTL-P6-1/B10 FOR DETAILS SEE: 24-51-51-21A	008008 010013	1
- 380	233A5221-301211	.	PLUG BUTTON INSTL-P6-1/B11 FOR DETAILS SEE: 24-51-51-21A	008030	1
- 385	233A5221-301212	.	PLUG BUTTON INSTL-P6-1/B12 FOR DETAILS SEE: 24-51-51-21A	008030	1
- 390	233A5221-301213	.	PLUG BUTTON INSTL-P6-1/B13 FOR DETAILS SEE: 24-51-51-21A	008030	1
- 395	233A5221-301214	.	PLUG BUTTON INSTL-P6-1/B14 FOR DETAILS SEE: 24-51-51-21A	008030	1
- 400	233A5221-301215	.	PLUG BUTTON INSTL-P6-1/B15 FOR DETAILS SEE: 24-51-51-21A	008030	1
- 405	233A5221-301216	.	PLUG BUTTON INSTL-P6-1/B16 FOR DETAILS SEE: 24-51-51-21A	008030	1
- 410	233A5221-301217	.	PLUG BUTTON INSTL-P6-1/B17 FOR DETAILS SEE: 24-51-51-21A	008030	1
- 415	233A5221-301302	.	PLUG BUTTON INSTL-P6-1/C2 FOR DETAILS SEE: 24-51-51-21A	008030	1
- 420	233A5221-301304	.	PLUG BUTTON INSTL-P6-1/C4 FOR DETAILS SEE: 24-51-51-21A	008030	1
- 430	233A5221-301306	.	PLUG BUTTON INSTL-P6-1/C6 FOR DETAILS SEE: 24-51-51-21A	008008 010013	1
- 455	233A5221-301311	.	PLUG BUTTON INSTL-P6-1/C11 FOR DETAILS SEE: 24-51-51-21A	008030	1
- 460	233A5221-301312	.	PLUG BUTTON INSTL-P6-1/C12 FOR DETAILS SEE: 24-51-51-21A	008030	1
- 465	233A5221-301313	.	PLUG BUTTON INSTL-P6-1/C13 FOR DETAILS SEE: 24-51-51-21A	008030	1
- 470	233A5221-301316	.	PLUG BUTTON INSTL-P6-1/C16 FOR DETAILS SEE: 24-51-51-21A	008030	1
- 475	233A5221-301401	.	PLUG BUTTON INSTL-P6-1/D1 FOR DETAILS SEE: 24-51-51-21A	008030	1
MISSING ITEM NUMBERS NOT APPLICABLE					

- ITEM NOT ILLUSTRATED

HAP

24-50-00-03C

BOEING PROPRIETARY - Copyright © - Unpublished Work - See title page for details.

24-50-00
FIG. 03C
PAGE 3
JUN 10/07

 **BOEING**
737-600/700/800/900
PARTS CATALOG (MAINTENANCE)

FIG ITEM	PART NUMBER	1 2 3 4 5 6 7	NOMENCLATURE	EFFECT FROM TO	UNITS PER ASSY
3C					
- 480	233A5221-301402		.PLUG BUTTON INSTL-P6-1/D2 FOR DETAILS SEE: 24-51-51-21A	008030	1
- 485	233A5221-301403		.PLUG BUTTON INSTL-P6-1/D3 FOR DETAILS SEE: 24-51-51-21A	008030	1
- 510	233A5221-301412		.PLUG BUTTON INSTL-P6-1/D12 FOR DETAILS SEE: 24-51-51-21A	008030	1
- 515	233A5221-301417		.PLUG BUTTON INSTL-P6-1/D17 FOR DETAILS SEE: 24-51-51-21A	008030	1
- 520	233A5221-301501		.PLUG BUTTON INSTL-P6-1/E1 FOR DETAILS SEE: 24-51-51-21A	008030	1
- 525	233A5221-301502		.PLUG BUTTON INSTL-P6-1/E2 FOR DETAILS SEE: 24-51-51-21A	008030	1
- 530	233A5221-301503		.PLUG BUTTON INSTL-P6-1/E3 FOR DETAILS SEE: 24-51-51-21A	008030	1
- 535	233A5221-301504		.PLUG BUTTON INSTL-P6-1/E4 FOR DETAILS SEE: 24-51-51-21A	008030	1
- 560	233A5221-301509		.PLUG BUTTON INSTL-P6-1/E9 FOR DETAILS SEE: 24-51-51-21A	008030	1
- 565	233A5221-301516		.PLUG BUTTON INSTL-P6-1/E16 FOR DETAILS SEE: 24-51-51-21A	008030	1
- 570	233A5221-301517		.PLUG BUTTON INSTL-P6-1/E17 FOR DETAILS SEE: 24-51-51-21A	008030	1
- 600	233A5221-501117		.INOP INSTL-P6-1/A17 FUNCTIONAL REFERENCE: ELECTRICAL POWER FOR DETAILS SEE 24-51-51-21A PLACARDS AND MARKINGS FOR DETAILS SEE 11-35-01-02A	008030	1
- 700	233A5221-501416		.INOP INSTL-P6-1/D16 FUNCTIONAL REFERENCE: ELECTRICAL POWER FOR DETAILS SEE 24-51-51-21A PLACARDS AND MARKINGS FOR DETAILS SEE 11-35-01-02A	008030	1

MISSING ITEM NUMBERS NOT APPLICABLE

- ITEM NOT ILLUSTRATED

HAP

24-50-00-03C

BOEING PROPRIETARY - Copyright © - Unpublished Work - See title page for details.

24-50-00
FIG. 03C
PAGE 4
OCT 10/07


BOEING
 737-600/700/800/900
PARTS CATALOG (MAINTENANCE)

FIG ITEM	PART NUMBER	1 2 3 4 5 6 7	NOMENCLATURE	EFFECT FROM TO	UNITS PER ASSY
3C - 710	233A5221-501506	.INOP	INSTL-P6-1/E6 FUNCTIONAL REFERENCE: ELECTRICAL POWER FOR DETAILS SEE 24-51-51-21A PLACARDS AND MARKINGS FOR DETAILS SEE 11-35-01-02A	008030	1
- 730	233A5221-501515	.INOP	INSTL-P6-1/E15 FUNCTIONAL REFERENCE: ELECTRICAL POWER FOR DETAILS SEE 24-51-51-21A PLACARDS AND MARKINGS FOR DETAILS SEE 11-35-01-02A	008030	1

MISSING ITEM NUMBERS NOT APPLICABLE

- ITEM NOT ILLUSTRATED

HAP

24-50-00-03C

BOEING PROPRIETARY - Copyright © - Unpublished Work - See title page for details.

24-50-00
 FIG. 03C
 PAGE 5
 OCT 10/07

NON-ILLUSTRATED FIGURE

THE ITEMS REFLECTED IN THIS FIGURE ARE INTENTIONALLY
NON-ILLUSTRATED. THEY ARE REFERENCED TO EITHER A
NEXT HIGHER OR NEXT LOWER ASSEMBLY/INSTALLATION FIGURE.

E 2450004B REV 055

FUNCTIONAL COLLECTOR-P6-2 CB E/E EQPT FINAL ASSY CUSTOMER UNIQUE (AC ELECTRICAL LOAD DISTRIBUTION)
FIGURE 4B

HAP
OCT 15/08

24-50-00-04B

24-50-00-04B
PAGE 0

BOEING
737-600/700/800/900
PARTS CATALOG (MAINTENANCE)

FIG ITEM	PART NUMBER	1 2 3 4 5 6 7	NOMENCLATURE	EFFECT FROM TO	UNITS PER ASSY
4B			FUNCTIONAL COLLECTOR-P6-2 CB E/E EQPT FINAL ASSY CUSTOMER UNIQUE (AC ELECTRICAL LOAD DISTRIBUTION)	201967	
- 3	230A0020-2610		FUNCTIONAL COLLECTOR-P6-2 CB E/E EQPT FINAL ASSY CUSTOMER UNIQUE (AC ELECTRICAL LOAD DISTRIBUTION)	201967	RF
- 20	233A5222-1		.MARKER INSTL- FOR DETAILS SEE: 24-51-52-20	201967	1
- 25	233A5222-2		.CIRCUIT BREAKER INSTL- FUNCTIONAL REFERENCE: PLACARDS AND MARKINGS FOR DETAILS SEE 11-31-51-42 ELECTRICAL POWER FOR DETAILS SEE 24-51-52-20	201967	1
- 30	233A5222-302103		.PLUG BUTTON INSTL- FOR DETAILS SEE: 24-51-52-20	201967	1
- 35	233A5222-302104		.PLUG BUTTON INSTL- FOR DETAILS SEE: 24-51-52-20	201967	1
- 40	233A5222-302105		.PLUG BUTTON INSTL- FOR DETAILS SEE: 24-51-52-20	201967	1
R R R - 45	233A5222-302110		.PLUG BUTTON INSTL- FOR DETAILS SEE: 24-51-52-20	201967	1
- 50	233A5222-302114		.PLUG BUTTON INSTL- FOR DETAILS SEE: 24-51-52-20	201967	1
- 55	233A5222-302118		.PLUG BUTTON INSTL- FOR DETAILS SEE: 24-51-52-20	201967	1
- 60	233A5222-302120		.PLUG BUTTON INSTL- FOR DETAILS SEE: 24-51-52-20	201967	1
- 65	233A5222-302211		.PLUG BUTTON INSTL- FOR DETAILS SEE: 24-51-52-20	201967	1

MISSING ITEM NUMBERS NOT APPLICABLE

- ITEM NOT ILLUSTRATED

HAP

24-50-00-04B

BOEING PROPRIETARY - Copyright © - Unpublished Work - See title page for details.

24-50-00
FIG. 04B
PAGE 1
JUN 15/09

BOEING
737-600/700/800/900
PARTS CATALOG (MAINTENANCE)

FIG ITEM	PART NUMBER	1 2 3 4 5 6 7	NOMENCLATURE	EFFECT FROM TO	UNITS PER ASSY
4B					
- 70	233A5222-302216		.PLUG BUTTON INSTL- FOR DETAILS SEE: 24-51-52-20	201967	1
- 75	233A5222-302217		.PLUG BUTTON INSTL- FOR DETAILS SEE: 24-51-52-20	201967	1
- 80	233A5222-302218		.PLUG BUTTON INSTL- FOR DETAILS SEE: 24-51-52-20	201967	1
- 85	233A5222-302310		.PLUG BUTTON INSTL- FOR DETAILS SEE: 24-51-52-20	201967	1
- 90	233A5222-302312		.PLUG BUTTON INSTL- FOR DETAILS SEE: 24-51-52-20	201967	1
- 95	233A5222-302317		.PLUG BUTTON INSTL- FOR DETAILS SEE: 24-51-52-20	201967	1
- 100	233A5222-302320		.PLUG BUTTON INSTL- FOR DETAILS SEE: 24-51-52-20	201967	1
- 105	233A5222-302403		.PLUG BUTTON INSTL- FOR DETAILS SEE: 24-51-52-20	201967	1
- 110	233A5222-302405		.PLUG BUTTON INSTL- FOR DETAILS SEE: 24-51-52-20	201967	1
- 115	233A5222-302409		.PLUG BUTTON INSTL- FOR DETAILS SEE: 24-51-52-20	201967	1
- 120	233A5222-302411		.PLUG BUTTON INSTL- FOR DETAILS SEE: 24-51-52-20	201967	1
- 125	233A5222-302412		.PLUG BUTTON INSTL- FOR DETAILS SEE: 24-51-52-20	201967	1
- 130	233A5222-302414		.PLUG BUTTON INSTL- FOR DETAILS SEE: 24-51-52-20	201967	1
R R R R R - 135	233A5222-302415		.PLUG BUTTON INSTL- PRE SERVICE BULLETIN: 27-1253R1 FOR DETAILS SEE: 24-51-52-20	202967	1
- 140	233A5222-302417		.PLUG BUTTON INSTL- FOR DETAILS SEE: 24-51-52-20	201967	1

MISSING ITEM NUMBERS NOT APPLICABLE

- ITEM NOT ILLUSTRATED

HAP

24-50-00-04B

BOEING PROPRIETARY - Copyright © - Unpublished Work - See title page for details.

24-50-00
FIG. 04B
PAGE 2
JUN 15/09


BOEING
 737-600/700/800/900
PARTS CATALOG (MAINTENANCE)

FIG ITEM	PART NUMBER	1 2 3 4 5 6 7 NOMENCLATURE	EFFECT FROM TO	UNITS PER ASSY
4 B - 145	233A5222-302420	.PLUG BUTTON INSTL- FOR DETAILS SEE: 24-51-52-20	201967	1

MISSING ITEM NUMBERS NOT APPLICABLE

- ITEM NOT ILLUSTRATED

HAP

24-50-00-04B

BOEING PROPRIETARY - Copyright © - Unpublished Work - See title page for details.

24-50-00
 FIG. 04B
 PAGE 3
 JUN 15/09

NON-ILLUSTRATED FIGURE

THE ITEMS REFLECTED IN THIS FIGURE ARE INTENTIONALLY
NON-ILLUSTRATED. THEY ARE REFERENCED TO EITHER A
NEXT HIGHER OR NEXT LOWER ASSEMBLY/INSTALLATION FIGURE.

E 24500004C REV 055

FUNCTIONAL COLLECTOR-P6 CB E/E EQPT FINAL ASSY (AC ELECTRICAL LOAD DISTRIBUTION ONLY)
FIGURE 4C

HAP
OCT 10/06

24-50-00-04C

24-50-00-04C
PAGE 0

BOEING
737-600/700/800/900
PARTS CATALOG (MAINTENANCE)

FIG ITEM	PART NUMBER	1 2 3 4 5 6 7	NOMENCLATURE	EFFECT FROM TO	UNITS PER ASSY
4C			FUNCTIONAL COLLECTOR-P6 CB E/E EQPT FINAL ASSY (AC ELECTRICAL LOAD DISTRIBUTION ONLY)	008030	
- 1	230A0020-3001		FUNCTIONAL COLLECTOR-P6 CB E/E EQPT FINAL ASSY CUSTOMER UNIQUE (AC ELECTRICAL LOAD DISTRIBUTION ONLY) FOR NHA/OTHER SYS DET SEE: 24-00-00-08	008030	RF
- 50	233A5222-1		.MARKER INSTL-P6-2 FOR DETAILS SEE: 24-51-52-20	008030	1
- 70	233A5222-3		.CIRCUIT BREAKER INSTL-P6-2 FUNCTIONAL REFERENCE: ELECTRICAL POWER FOR DETAILS SEE 24-51-52-20 PLACARDS AND MARKINGS FOR DETAILS SEE 11-31-51-42	030030	1
- 70	233A5222-2		.CIRCUIT BREAKER INSTL-P6-2 FUNCTIONAL REFERENCE: PLACARDS AND MARKINGS FOR DETAILS SEE 11-31-51-42 ELECTRICAL POWER FOR DETAILS SEE 24-51-52-20	008029	1
- 90	233A5222-302103		.PLUG BUTTON INSTL-P6-2/A3 FOR DETAILS SEE: 24-51-52-20	008030	1
- 95	233A5222-302104		.PLUG BUTTON INSTL-P6-2/A4 FOR DETAILS SEE: 24-51-52-20	008030	1
- 100	233A5222-302105		.PLUG BUTTON INSTL-P6-2/A5 FOR DETAILS SEE: 24-51-52-20	008030	1
- 105	233A5222-302110		.PLUG BUTTON INSTL-P6-2/A10 PRE AIRLINE MOD: E.O. APB737-8007 VHAP FOR DETAILS SEE: 24-51-52-20	008030	1
- 110	233A5222-302114		.PLUG BUTTON INSTL-P6-2/A14 FOR DETAILS SEE: 24-51-52-20	008030	1

MISSING ITEM NUMBERS NOT APPLICABLE

- ITEM NOT ILLUSTRATED

HAP

24-50-00-04C

BOEING PROPRIETARY - Copyright © - Unpublished Work - See title page for details.

24-50-00
FIG. 04C
PAGE 1
FEB 15/09

 **BOEING**
737-600/700/800/900
PARTS CATALOG (MAINTENANCE)

FIG ITEM	PART NUMBER	1 2 3 4 5 6 7	NOMENCLATURE	EFFECT FROM TO	UNITS PER ASSY
4C					
- 115	233A5222-302118		.PLUG BUTTON INSTL-P6-2/A18 FOR DETAILS SEE: 24-51-52-20	008030	1
- 120	233A5222-302120		.PLUG BUTTON INSTL-P6-2/A20 FOR DETAILS SEE: 24-51-52-20	008030	1
- 125	233A5222-302211		.PLUG BUTTON INSTL-P6-2/B11 FOR DETAILS SEE: 24-51-52-20	008030	1
- 130	233A5222-302216		.PLUG BUTTON INSTL-P6-2/B16 FOR DETAILS SEE: 24-51-52-20	008030	1
- 135	233A5222-302217		.PLUG BUTTON INSTL-P6-2/B17 FOR DETAILS SEE: 24-51-52-20	008030	1
- 140	233A5222-302218		.PLUG BUTTON INSTL-P6-2/B18 FOR DETAILS SEE: 24-51-52-20	008030	1
- 145	233A5222-302310		.PLUG BUTTON INSTL-P6-2/C10 FOR DETAILS SEE: 24-51-52-20	008030	1
- 150	233A5222-302312		.PLUG BUTTON INSTL-P6-2/C12 FOR DETAILS SEE: 24-51-52-20	008030	1
- 155	233A5222-302317		.PLUG BUTTON INSTL-P6-2/C17 FOR DETAILS SEE: 24-51-52-20	008030	1
- 160	233A5222-302320		.PLUG BUTTON INSTL-P6-2/C20 FOR DETAILS SEE: 24-51-52-20	008030	1
- 165	233A5222-302403		.PLUG BUTTON INSTL-P6-2/D3 FOR DETAILS SEE: 24-51-52-20	008030	1
- 170	233A5222-302405		.PLUG BUTTON INSTL-P6-2/D5 FOR DETAILS SEE: 24-51-52-20	008030	1
- 175	233A5222-302409		.PLUG BUTTON INSTL-P6-2/D9 FOR DETAILS SEE: 24-51-52-20	008030	1
- 180	233A5222-302411		.PLUG BUTTON INSTL-P6-2/D11 FOR DETAILS SEE: 24-51-52-20	008030	1
- 185	233A5222-302412		.PLUG BUTTON INSTL-P6-2/D12 FOR DETAILS SEE: 24-51-52-20	008030	1
- 190	233A5222-302414		.PLUG BUTTON INSTL-P6-2/D14 FOR DETAILS SEE: 24-51-52-20	008030	1

MISSING ITEM NUMBERS NOT APPLICABLE

- ITEM NOT ILLUSTRATED

HAP

24-50-00-04C

BOEING PROPRIETARY - Copyright © - Unpublished Work - See title page for details.

24-50-00
FIG. 04C
PAGE 2
FEB 15/09

BOEING
737-600/700/800/900
PARTS CATALOG (MAINTENANCE)

FIG ITEM	PART NUMBER	1 2 3 4 5 6 7	NOMENCLATURE	EFFECT FROM TO	UNITS PER ASSY
R R R R R	4C - 195	233A5222-302415	.PLUG BUTTON INSTL-P6-2/D15 PRE SERVICE BULLETIN: 27-1253R3 FOR DETAILS SEE: 24-51-52-20	014014	1
	- 200	233A5222-302417	.PLUG BUTTON INSTL-P6-2/D17 FOR DETAILS SEE: 24-51-52-20	008030	1
	- 205	233A5222-302420	.PLUG BUTTON INSTL-P6-2/D20 FOR DETAILS SEE: 24-51-52-20	008030	1
	- 405	233A5222-201628	.CIRCUIT BREAKER INSTL- FLIGHT CONT FORCE FIGHT MON FOR DETAILS SEE: 24-51-52-20	030030	1
	- 600	233A5222-502415	.INOP INSTL-P6-2/D15 FUNCTIONAL REFERENCE: ELECTRICAL POWER FOR DETAILS SEE 24-51-52-20 PLACARDS AND MARKINGS FOR DETAILS SEE 11-31-51-42	030030	1

MISSING ITEM NUMBERS NOT APPLICABLE

- ITEM NOT ILLUSTRATED

HAP

24-50-00-04C

BOEING PROPRIETARY - Copyright © - Unpublished Work - See title page for details.

24-50-00
FIG. 04C
PAGE 3
JUN 15/09

NON-ILLUSTRATED FIGURE

THE ITEMS REFLECTED IN THIS FIGURE ARE INTENTIONALLY
NON-ILLUSTRATED. THEY ARE REFERENCED TO EITHER A
NEXT HIGHER OR NEXT LOWER ASSEMBLY/INSTALLATION FIGURE.

E 24500005B REV 055

FUNCTIONAL COLLECTOR-P6-3 CB E/E EQPT FINAL ASSY CUSTOMER UNIQUE (AC ELECTRICAL LOAD DISTRIBUTION)
FIGURE 5B

HAP
OCT 15/08

24-50-00-05B

24-50-00-05B
PAGE 0

BOEING
737-600/700/800/900
PARTS CATALOG (MAINTENANCE)

FIG ITEM	PART NUMBER	1 2 3 4 5 6 7	NOMENCLATURE	EFFECT FROM TO	UNITS PER ASSY
5B			FUNCTIONAL COLLECTOR-P6-3 CB E/E EQPT FINAL ASSY CUSTOMER UNIQUE (AC ELECTRICAL LOAD DISTRIBUTION)	201967	
- 3	230A0020-2610		FUNCTIONAL COLLECTOR-P6-3 CB E/E EQPT FINAL ASSY CUSTOMER UNIQUE (AC ELECTRICAL LOAD DISTRIBUTION)	201967	RF
- 20	233A5223-1		.MARKER INSTL-P6-3 CB FOR DETAILS SEE: 24-00-00-04	201967	1
- 25	233A5223-2		.CIRCUIT BREAKER INSTL-P6-3 FUNCTIONAL REFERENCE: PLACARDS AND MARKINGS FOR DETAILS SEE 11-35-01-43 ELECTRICAL POWER FOR DETAILS SEE 24-51-53-20	201967	1
- 100	233A5223-303113		.PLUG BUTTON INSTL-P6-3/A13 FOR DETAILS SEE: 24-51-53-20	201967	1
- 105	233A5223-303117		.PLUG BUTTON INSTL-P6-3/A17 FOR DETAILS SEE: 24-51-53-20	201967	1
- 110	233A5223-303201		.PLUG BUTTON INSTL-P6-3/B1 FOR DETAILS SEE: 24-51-53-20	201967	1
- 115	233A5223-303202		.PLUG BUTTON INSTL-P6-3/B2 FOR DETAILS SEE: 24-51-53-20	201967	1
- 120	233A5223-303206		.PLUG BUTTON INSTL-P6-3/B6 FOR DETAILS SEE: 24-51-53-20	201967	1
- 125	233A5223-303208		.PLUG BUTTON INSTL-P6-3/B8 FOR DETAILS SEE: 24-51-53-20	201967	1
- 130	233A5223-303211		.PLUG BUTTON INSTL-P6-3/B11 FOR DETAILS SEE: 24-51-53-20	201967	1
- 135	233A5223-303214		.PLUG BUTTON INSTL-P6-3/B14 FOR DETAILS SEE: 24-51-53-20	201967	1

MISSING ITEM NUMBERS NOT APPLICABLE

- ITEM NOT ILLUSTRATED

HAP

24-50-00-05B

BOEING PROPRIETARY - Copyright © - Unpublished Work - See title page for details.

24-50-00
FIG. 05B
PAGE 1
OCT 15/08

 **BOEING**
737-600/700/800/900
PARTS CATALOG (MAINTENANCE)

FIG ITEM	PART NUMBER	1 2 3 4 5 6 7	NOMENCLATURE	EFFECT FROM TO	UNITS PER ASSY
5B					
- 140	233A5223-303215		.PLUG BUTTON INSTL-P6-3/B15 FOR DETAILS SEE: 24-51-53-20	201967	1
- 145	233A5223-303218		.PLUG BUTTON INSTL-P6-3/B18 FOR DETAILS SEE: 24-51-53-20	201967	1
- 150	233A5223-303301		.PLUG BUTTON INSTL-P6-3/C1 FOR DETAILS SEE: 24-51-53-20	201967	1
- 155	233A5223-303302		.PLUG BUTTON INSTL-P6-3/C2 FOR DETAILS SEE: 24-51-53-20	201967	1
- 160	233A5223-303303		.PLUG BUTTON INSTL-P6-3/C3 PRE ALERT SB: 28A1206 FOR DETAILS SEE: 24-51-53-20	201967	1
- 165	233A5223-303305		.PLUG BUTTON INSTL-P6-3/C5 FOR DETAILS SEE: 24-51-53-20	201967	1
- 170	233A5223-303307		.PLUG BUTTON INSTL-P6-3/C7 PRE ALERT SB: 28A1206 FOR DETAILS SEE: 24-51-53-20	201967	1
- 175	233A5223-303308		.PLUG BUTTON INSTL-P6-3/C8 FOR DETAILS SEE: 24-51-53-20	201967	1
- 180	233A5223-303317		.PLUG BUTTON INSTL-P6-3/C17 FOR DETAILS SEE: 24-51-53-20	201967	1
- 185	233A5223-303403		.PLUG BUTTON INSTL-P6-3/D3 FOR DETAILS SEE: 24-51-53-20	201967	1
- 190	233A5223-303404		.PLUG BUTTON INSTL-P6-3/D4 FOR DETAILS SEE: 24-51-53-20	201967	1
- 195	233A5223-303405		.PLUG BUTTON INSTL-P6-3/D5 FOR DETAILS SEE: 24-51-53-20	201967	1
- 200	233A5223-303406		.PLUG BUTTON INSTL-P6-3/D6 FOR DETAILS SEE: 24-51-53-20	201967	1
- 205	233A5223-303407		.PLUG BUTTON INSTL-P6-3/D7 PRE ALERT SB: 28A1206 FOR DETAILS SEE: 24-51-53-20	201967	1

MISSING ITEM NUMBERS NOT APPLICABLE

- ITEM NOT ILLUSTRATED

HAP

24-50-00-05B

BOEING PROPRIETARY - Copyright © - Unpublished Work - See title page for details.

24-50-00
FIG. 05B
PAGE 2
OCT 15/08

 **BOEING**
737-600/700/800/900
PARTS CATALOG (MAINTENANCE)

FIG ITEM	PART NUMBER	1 2 3 4 5 6 7	NOMENCLATURE	EFFECT FROM TO	UNITS PER ASSY
5B					
- 210	233A5223-303502		.PLUG BUTTON INSTL-P6-3/E2 FOR DETAILS SEE: 24-51-53-20	201967	1
- 215	233A5223-303507		.PLUG BUTTON INSTL-P6-3/E7 PRE ALERT SB: 28A1206 FOR DETAILS SEE: 24-51-53-20	201967	1
- 220	233A5223-303515		.PLUG BUTTON INSTL-P6-3/E15 FOR DETAILS SEE: 24-51-53-20	201967	1
- 225	233A5223-303517		.PLUG BUTTON INSTL-P6-3/E17 FOR DETAILS SEE: 24-51-53-20	201967	1
- 230	233A5223-303602		.PLUG BUTTON INSTL-P6-3/F2 FOR DETAILS SEE: 24-51-53-20	201967	1
- 235	233A5223-303603		.PLUG BUTTON INSTL-P6-3/F3 FOR DETAILS SEE: 24-51-53-20	201967	1
- 240	233A5223-303604		.PLUG BUTTON INSTL-P6-3/F4 FOR DETAILS SEE: 24-51-53-20	201967	1
- 245	233A5223-303605		.PLUG BUTTON INSTL-P6-3/F5 FOR DETAILS SEE: 24-51-53-20	201967	1
- 250	233A5223-303606		.PLUG BUTTON INSTL-P6-3/F6 FOR DETAILS SEE: 24-51-53-20	201967	1
- 255	233A5223-303607		.PLUG BUTTON INSTL-P6-3/F7 PRE ALERT SB: 28A1206 FOR DETAILS SEE: 24-51-53-20	201967	1
- 260	233A5223-303615		.PLUG BUTTON INSTL-P6-3/F15 FOR DETAILS SEE: 24-51-53-20	201967	1
- 265	233A5223-303617		.PLUG BUTTON INSTL-P6-3/F17 FOR DETAILS SEE: 24-51-53-20	201967	1

MISSING ITEM NUMBERS NOT APPLICABLE

- ITEM NOT ILLUSTRATED

HAP

24-50-00-05B

BOEING PROPRIETARY - Copyright © - Unpublished Work - See title page for details.

24-50-00
FIG. 05B
PAGE 3
OCT 15/08

NON-ILLUSTRATED FIGURE

THE ITEMS REFLECTED IN THIS FIGURE ARE INTENTIONALLY
NON-ILLUSTRATED. THEY ARE REFERENCED TO EITHER A
NEXT HIGHER OR NEXT LOWER ASSEMBLY/INSTALLATION FIGURE.

E 2450005C REV 055

FUNCTIONAL COLLECTOR-P6 CB E/E EQPT FINAL ASSY (AC ELECTRICAL LOAD DISTRIBUTION ONLY)
FIGURE 5C

HAP
OCT 10/06

24-50-00-05C

24-50-00-05C
PAGE 0

BOEING
737-600/700/800/900
PARTS CATALOG (MAINTENANCE)

FIG ITEM	PART NUMBER	1 2 3 4 5 6 7	NOMENCLATURE	EFFECT FROM TO	UNITS PER ASSY
5C			FUNCTIONAL COLLECTOR-P6 CB E/E EQPT FINAL ASSY (AC ELECTRICAL LOAD DISTRIBUTION ONLY)	008030	
- 1	230A0020-3001		FUNCTIONAL COLLECTOR-P6 CB E/E EQPT FINAL ASSY CUSTOMER UNIQUE (AC ELECTRICAL LOAD DISTRIBUTION ONLY) FOR NHA/OTHER SYS DET SEE: 24-00-00-08	008030	RF
- 50	233A5223-1		.MARKER INSTL-P6-3 CB FOR DETAILS SEE: 24-51-53-20B	008030	1
- 70	233A5223-2		.CIRCUIT BREAKER INSTL-P6-3 FUNCTIONAL REFERENCE: ELECTRICAL POWER FOR DETAILS SEE 24-51-53-20B PLACARDS AND MARKINGS FOR DETAILS SEE 11-35-01-43B	008030	1
- 100	233A5223-201495		.CIRCUIT BREAKER INSTL- P6-3/C1 FOR DETAILS SEE: 24-51-53-20B	008030	1
- 140	233A5223-303113		.PLUG BUTTON INSTL-P6-3/A13 CB PNL FOR DETAILS SEE: 24-51-53-20B	008030	1
- 145	233A5223-303117		.PLUG BUTTON INSTL-P6-3/A17 CB PNL FOR DETAILS SEE: 24-51-53-20B	008030	1
- 150	233A5223-303201		.PLUG BUTTON INSTL-P6-3/B1 CB PNL FOR DETAILS SEE: 24-51-53-20B	008030	1
- 155	233A5223-303202		.PLUG BUTTON INSTL-P6-3/B2 CB PNL FOR DETAILS SEE: 24-51-53-20B	008030	1
- 160	233A5223-303206		.PLUG BUTTON INSTL-P6-3/B6 CB PNL FOR DETAILS SEE: 24-51-53-20B	008030	1

MISSING ITEM NUMBERS NOT APPLICABLE

- ITEM NOT ILLUSTRATED

HAP

24-50-00-05C

BOEING PROPRIETARY - Copyright © - Unpublished Work - See title page for details.

24-50-00
FIG. 05C
PAGE 1
OCT 10/06

 **BOEING**
737-600/700/800/900
PARTS CATALOG (MAINTENANCE)

FIG ITEM	PART NUMBER	1 2 3 4 5 6 7	NOMENCLATURE	EFFECT FROM TO	UNITS PER ASSY
5C					
- 165	233A5223-303208		.PLUG BUTTON INSTL-P6-3/B8 CB PNL FOR DETAILS SEE: 24-51-53-20B	008030	1
- 170	233A5223-303211		.PLUG BUTTON INSTL-P6-3/B11 CB PNL FOR DETAILS SEE: 24-51-53-20B	008030	1
- 175	233A5223-303214		.PLUG BUTTON INSTL-P6-3/B14 CB PNL FOR DETAILS SEE: 24-51-53-20B	008030	1
- 180	233A5223-303215		.PLUG BUTTON INSTL-P6-3/B15 CB PNL FOR DETAILS SEE: 24-51-53-20B	008030	1
- 185	233A5223-303218		.PLUG BUTTON INSTL-P6-3/B18 CB PNL FOR DETAILS SEE: 24-51-53-20B	008030	1
- 195	233A5223-303302		.PLUG BUTTON INSTL-P6-3/C2 CB PNL FOR DETAILS SEE: 24-51-53-20B	008030	1
- 200	233A5223-303303		.PLUG BUTTON INSTL-P6-3/C3 CB PNL PRE ALERT SB: 28A1206 FOR DETAILS SEE: 24-51-53-20B	008030	1
- 205	233A5223-303305		.PLUG BUTTON INSTL-P6-3/C5 CB PNL FOR DETAILS SEE: 24-51-53-20B	008030	1
- 210	233A5223-303307		.PLUG BUTTON INSTL-P6-3/C7 CB PNL PRE ALERT SB: 28A1206 FOR DETAILS SEE: 24-51-53-20B	008030	1
- 215	233A5223-303308		.PLUG BUTTON INSTL-P6-3/C8 CB PNL FOR DETAILS SEE: 24-51-53-20B	008030	1
- 220	233A5223-303317		.PLUG BUTTON INSTL-P6-3/C17 CB PNL FOR DETAILS SEE: 24-51-53-20B	008030	1

MISSING ITEM NUMBERS NOT APPLICABLE

- ITEM NOT ILLUSTRATED

HAP

24-50-00-05C

BOEING PROPRIETARY - Copyright © - Unpublished Work - See title page for details.

24-50-00
FIG. 05C
PAGE 2
OCT 10/06

 **BOEING**
737-600/700/800/900
PARTS CATALOG (MAINTENANCE)

FIG ITEM	PART NUMBER	1 2 3 4 5 6 7	NOMENCLATURE	EFFECT FROM TO	UNITS PER ASSY
5C					
- 225	233A5223-303403	.	PLUG BUTTON INSTL-P6-3/D3 CB PNL FOR DETAILS SEE: 24-51-53-20B	008030	1
- 230	233A5223-303404	.	PLUG BUTTON INSTL-P6-3/D4 CB PNL FOR DETAILS SEE: 24-51-53-20B	008030	1
- 235	233A5223-303405	.	PLUG BUTTON INSTL-P6-3/D5 CB PNL FOR DETAILS SEE: 24-51-53-20B	008030	1
- 240	233A5223-303406	.	PLUG BUTTON INSTL-P6-3/D6 CB PNL FOR DETAILS SEE: 24-51-53-20B	008030	1
- 245	233A5223-303407	.	PLUG BUTTON INSTL-P6-3/D7 CB PNL PRE ALERT SB: 28A1206 FOR DETAILS SEE: 24-51-53-20B	008030	1
- 250	233A5223-303502	.	PLUG BUTTON INSTL-P6-3/E2 CB PNL FOR DETAILS SEE: 24-51-53-20B	008030	1
- 255	233A5223-303507	.	PLUG BUTTON INSTL-P6-3/E7 CB PNL PRE ALERT SB: 28A1206 FOR DETAILS SEE: 24-51-53-20B	008030	1
- 260	233A5223-303515	.	PLUG BUTTON INSTL-P6-3/E15 CB PNL FOR DETAILS SEE: 24-51-53-20B	008030	1
- 265	233A5223-303517	.	PLUG BUTTON INSTL-P6-3/E17 CB PNL FOR DETAILS SEE: 24-51-53-20B	008030	1
- 270	233A5223-303602	.	PLUG BUTTON INSTL-P6-3/F2 CB PNL FOR DETAILS SEE: 24-51-53-20B	008030	1
- 275	233A5223-303603	.	PLUG BUTTON INSTL-P6-3/F3 CB PNL FOR DETAILS SEE: 24-51-53-20B	008030	1

MISSING ITEM NUMBERS NOT APPLICABLE

- ITEM NOT ILLUSTRATED

HAP

24-50-00-05C

BOEING PROPRIETARY - Copyright © - Unpublished Work - See title page for details.

24-50-00
FIG. 05C
PAGE 3
OCT 10/06

BOEING
737-600/700/800/900
PARTS CATALOG (MAINTENANCE)

FIG ITEM	PART NUMBER	1 2 3 4 5 6 7	NOMENCLATURE	EFFECT FROM TO	UNITS PER ASSY
5C - 280	233A5223-303604		.PLUG BUTTON INSTL-P6-3/F4 CB PNL FOR DETAILS SEE: 24-51-53-20B	008030	1
- 285	233A5223-303605		.PLUG BUTTON INSTL-P6-3/F5 CB PNL FOR DETAILS SEE: 24-51-53-20B	008030	1
- 290	233A5223-303606		.PLUG BUTTON INSTL-P6-3/F6 CB PNL FOR DETAILS SEE: 24-51-53-20B	008030	1
- 295	233A5223-303607		.PLUG BUTTON INSTL-P6-3/F7 CB PNL FOR DETAILS SEE: 24-51-53-20B	008030	1
- 300	233A5223-303615		.PLUG BUTTON INSTL-P6-3/F15 CB PNL FOR DETAILS SEE: 24-51-53-20B	008030	1
- 305	233A5223-303617		.PLUG BUTTON INSTL-P6-3/F17 CB PNL FOR DETAILS SEE: 24-51-53-20B	008030	1
- 315	233A5223-503301		.INOP INSTL-P6-3/C1 FUNCTIONAL REFERENCE: ELECTRICAL POWER FOR DETAILS SEE 24-51-53-20B PLACARDS AND MARKINGS FOR DETAILS SEE 11-35-01-43B	008030	1

MISSING ITEM NUMBERS NOT APPLICABLE

- ITEM NOT ILLUSTRATED

HAP

24-50-00-05C

BOEING PROPRIETARY - Copyright © - Unpublished Work - See title page for details.

24-50-00
FIG. 05C
PAGE 4
OCT 10/06

NON-ILLUSTRATED FIGURE

THE ITEMS REFLECTED IN THIS FIGURE ARE INTENTIONALLY
NON-ILLUSTRATED. THEY ARE REFERENCED TO EITHER A
NEXT HIGHER OR NEXT LOWER ASSEMBLY/INSTALLATION FIGURE.

E 24500006B REV 055

FUNCTIONAL COLLECTOR-P6-4 CB E/E EQPT FINAL ASSY CUSTOMER UNIQUE (AC ELECTRICAL LOAD DISTRIBUTION)
FIGURE 6B

HAP
OCT 15/08

24-50-00-06B

24-50-00-06B
PAGE 0

BOEING
737-600/700/800/900
PARTS CATALOG (MAINTENANCE)

FIG ITEM	PART NUMBER	1 2 3 4 5 6 7	NOMENCLATURE	EFFECT FROM TO	UNITS PER ASSY
6B			FUNCTIONAL COLLECTOR-P6-4 CB E/E EQPT FINAL ASSY CUSTOMER UNIQUE (AC ELECTRICAL LOAD DISTRIBUTION)	201967	
- 3	230A0020-2610		FUNCTIONAL COLLECTOR-P6-4 CB E/E EQPT FINAL ASSY CUSTOMER UNIQUE (AC ELECTRICAL LOAD DISTRIBUTION)	201967	RF
- 20	233A5224-1		.MARKER INSTL-P6-4 FOR DETAILS SEE: 24-00-00-04	201967	1
- 25	233A5224-2		.CIRCUIT BREAKER INSTL- P6-4 FUNCTIONAL REFERENCE: PLACARDS AND MARKINGS FOR DETAILS SEE 11-35-01-40C ELECTRICAL POWER FOR DETAILS SEE 24-51-54-21	201967	1
- 30	233A5224-200344		.CIRCUIT BREAKER INSTL- AIR CONDITIONING TEMP CONT 35 F L P6-4/A1 FOR DETAILS SEE: 24-51-54-21	201967	1
- 35	233A5224-200268		.CIRCUIT BREAKER INSTL- AIR CONDITIONING TEMP CONT AUTO L P6-4/A2 FOR DETAILS SEE: 24-51-54-21	201967	1
- 40	233A5224-200267		.CIRCUIT BREAKER INSTL- AIR CONDITIONING TEMP CONT MANUAL P6-4/A3 FOR DETAILS SEE: 24-51-54-21	201967	1
- 45	233A5224-200265		.CIRCUIT BREAKER INSTL- AIR CONDITIONING RAM AIR MOD CONT L P6-4/A8 FOR DETAILS SEE: 24-51-54-21	201967	1
- 55	233A5224-200409		.CIRCUIT BREAKER INSTL- FWD AIRSTAIR DOOR P6-4/A16 FOR DETAILS SEE: 24-51-54-21	201967	1

MISSING ITEM NUMBERS NOT APPLICABLE

- ITEM NOT ILLUSTRATED

HAP

24-50-00-06B

BOEING PROPRIETARY - Copyright © - Unpublished Work - See title page for details.

24-50-00
FIG. 06B
PAGE 1
OCT 15/08

BOEING
737-600/700/800/900
PARTS CATALOG (MAINTENANCE)

FIG ITEM	PART NUMBER	1 2 3 4 5 6 7	NOMENCLATURE	EFFECT FROM TO	UNITS PER ASSY
6B					
- 60	233A5224-200246	.	CIRCUIT BREAKER INSTL- FWD AIRSTAIR CONT NORMAL P6-4/A17 FOR DETAILS SEE: 24-51-54-21	201967	1
- 65	233A5224-200270	.	CIRCUIT BREAKER INSTL- FWD AIRSTAIR TREAD LIGHT P6-4/A18 FOR DETAILS SEE: 24-51-54-21	201967	1
- 70	233A5224-200345	.	CIRCUIT BREAKER INSTL- AIR CONDITIONING TEMP CONT 35 F R P6-4/B1 FOR DETAILS SEE: 24-51-54-21	201967	1
- 75	233A5224-200258	.	CIRCUIT BREAKER INSTL- AIR CONDITIONING TEMP CONT AUTO R P6-4/B2 FOR DETAILS SEE: 24-51-54-21	201967	1
- 80	233A5224-200266	.	CIRCUIT BREAKER INSTL- AIR CONDITIONING RAM AIR MOD CONT R P6-4/B8 FOR DETAILS SEE: 24-51-54-21	201967	1
- 85	233A5224-200850	.	CIRCUIT BREAKER INSTL- FWD AIRSTAIR ACTUATOR P6-4/B17 FOR DETAILS SEE: 24-51-54-21	201967	1
- 90	233A5224-200257	.	CIRCUIT BREAKER INSTL- AIR CONDITIONING OVER HEAT P6-4/C4 FOR DETAILS SEE: 24-51-54-21	201967	1
- 95	233A5224-201254	.	CIRCUIT BREAKER INSTL- FWD AIRSTAIR CONT STBY P6-4/C16 FOR DETAILS SEE: 24-51-54-21	201967	1
- 100	233A5224-200411	.	CIRCUIT BREAKER INSTL- FWD AIRSTAIR STBY DOOR ACTUATOR P6-4/C17 FOR DETAILS SEE: 24-51-54-21	201967	1

MISSING ITEM NUMBERS NOT APPLICABLE

- ITEM NOT ILLUSTRATED

HAP

24-50-00-06B

BOEING PROPRIETARY - Copyright © - Unpublished Work - See title page for details.

24-50-00
FIG. 06B
PAGE 2
OCT 15/08

 **BOEING**
737-600/700/800/900
PARTS CATALOG (MAINTENANCE)

FIG ITEM	PART NUMBER	1 2 3 4 5 6 7	NOMENCLATURE	EFFECT FROM TO	UNITS PER ASSY
6B					
- 115	233A5224-200124	.	CIRCUIT BREAKER INSTL- AIR CONDITIONING MIX VALVE POS IND P6-4/D7 FOR DETAILS SEE: 24-51-54-21	201967	1
- 120	233A5224-201015	.	CIRCUIT BREAKER INSTL- AIR CONDITIONING RECIRC FAN CONT P6-4/E1 FOR DETAILS SEE: 24-51-54-21	201967	1
- 130	233A5224-304109	.	PLUG BUTTON INSTL-P6-4/A9 FOR DETAILS SEE: 24-51-54-21	201967	1
- 135	233A5224-304110	.	PLUG BUTTON INSTL-P6-4/A10 FOR DETAILS SEE: 24-51-54-21	201967	1
- 140	233A5224-304111	.	PLUG BUTTON INSTL-P6-4/A11 FOR DETAILS SEE: 24-51-54-21	201967	1
- 145	233A5224-304112	.	PLUG BUTTON INSTL-P6-4/A12 FOR DETAILS SEE: 24-51-54-21	201967	1
- 150	233A5224-304113	.	PLUG BUTTON INSTL-P6-4/A13 FOR DETAILS SEE: 24-51-54-21	201967	1
- 155	233A5224-304115	.	PLUG BUTTON INSTL-P6-4/A15 FOR DETAILS SEE: 24-51-54-21	201967	1
- 175	233A5224-304203	.	PLUG BUTTON INSTL-P6-4/B3 FOR DETAILS SEE: 24-51-54-21	201967	1
- 180	233A5224-304209	.	PLUG BUTTON INSTL-P6-4/B9 FOR DETAILS SEE: 24-51-54-21	201967	1
- 185	233A5224-304210	.	PLUG BUTTON INSTL-P6-4/B10 FOR DETAILS SEE: 24-51-54-21	201967	1
- 190	233A5224-304211	.	PLUG BUTTON INSTL-P6-4/B11 FOR DETAILS SEE: 24-51-54-21	201967	1
- 195	233A5224-304212	.	PLUG BUTTON INSTL-P6-4/B12 FOR DETAILS SEE: 24-51-54-21	201967	1
- 200	233A5224-304213	.	PLUG BUTTON INSTL-P6-4/B13 FOR DETAILS SEE: 24-51-54-21	201967	1
- 205	233A5224-304215	.	PLUG BUTTON INSTL-P6-4/B15 FOR DETAILS SEE: 24-51-54-21	201967	1
MISSING ITEM NUMBERS NOT APPLICABLE					

- ITEM NOT ILLUSTRATED

HAP

24-50-00-06B

BOEING PROPRIETARY - Copyright © - Unpublished Work - See title page for details.

24-50-00
FIG. 06B
PAGE 3
OCT 15/08

 **BOEING**
737-600/700/800/900
PARTS CATALOG (MAINTENANCE)

FIG ITEM	PART NUMBER	1 2 3 4 5 6 7	NOMENCLATURE	EFFECT FROM TO	UNITS PER ASSY
6B					
- 210	233A5224-304216	.	PLUG BUTTON INSTL-P6-4/B16 FOR DETAILS SEE: 24-51-54-21	201967	1
- 220	233A5224-304218	.	PLUG BUTTON INSTL-P6-4/B18 FOR DETAILS SEE: 24-51-54-21	201967	1
- 225	233A5224-304301	.	PLUG BUTTON INSTL-P6-4/C1 FOR DETAILS SEE: 24-51-54-21	201967	1
- 230	233A5224-304302	.	PLUG BUTTON INSTL-P6-4/C2 FOR DETAILS SEE: 24-51-54-21	201967	1
- 235	233A5224-304303	.	PLUG BUTTON INSTL-P6-4/C3 FOR DETAILS SEE: 24-51-54-21	201967	1
- 240	233A5224-304307	.	PLUG BUTTON INSTL-P6-4/C7 FOR DETAILS SEE: 24-51-54-21	201967	1
- 245	233A5224-304308	.	PLUG BUTTON INSTL-P6-4/C8 FOR DETAILS SEE: 24-51-54-21	201967	1
- 250	233A5224-304309	.	PLUG BUTTON INSTL-P6-4/C9 FOR DETAILS SEE: 24-51-54-21	201967	1
- 255	233A5224-304310	.	PLUG BUTTON INSTL-P6-4/C10 FOR DETAILS SEE: 24-51-54-21	201967	1
- 260	233A5224-304311	.	PLUG BUTTON INSTL-P6-4/C11 FOR DETAILS SEE: 24-51-54-21	201967	1
- 275	233A5224-304318	.	PLUG BUTTON INSTL-P6-4/C18 FOR DETAILS SEE: 24-51-54-21	201967	1
- 280	233A5224-304403	.	PLUG BUTTON INSTL-P6-4/D3 FOR DETAILS SEE: 24-51-54-21	201967	1
- 285	233A5224-304404	.	PLUG BUTTON INSTL-P6-4/D4 FOR DETAILS SEE: 24-51-54-21	201967	1
- 290	233A5224-304405	.	PLUG BUTTON INSTL-P6-4/D5 FOR DETAILS SEE: 24-51-54-21	201967	1
- 295	233A5224-304406	.	PLUG BUTTON INSTL-P6-4/D6 FOR DETAILS SEE: 24-51-54-21	201967	1
- 300	233A5224-304409	.	PLUG BUTTON INSTL-P6-4/D9 FOR DETAILS SEE: 24-51-54-21	201967	1
MISSING ITEM NUMBERS NOT APPLICABLE					

- ITEM NOT ILLUSTRATED

HAP

24-50-00-06B

BOEING PROPRIETARY - Copyright © - Unpublished Work - See title page for details.

24-50-00
FIG. 06B
PAGE 4
OCT 15/08

 **BOEING**
737-600/700/800/900
PARTS CATALOG (MAINTENANCE)

FIG ITEM	PART NUMBER	1 2 3 4 5 6 7	NOMENCLATURE	EFFECT FROM TO	UNITS PER ASSY
6B					
- 305	233A5224-304410		.PLUG BUTTON INSTL-P6-4/D10 FOR DETAILS SEE: 24-51-54-21	201967	1
- 310	233A5224-304412		.PLUG BUTTON INSTL-P6-4/D12 FOR DETAILS SEE: 24-51-54-21	201967	1
- 315	233A5224-304417		.PLUG BUTTON INSTL-P6-4/D17 FOR DETAILS SEE: 24-51-54-21	201967	1
- 320	233A5224-304502		.PLUG BUTTON INSTL-P6-4/E2 FOR DETAILS SEE: 24-51-54-21	201967	1
- 325	233A5224-304503		.PLUG BUTTON INSTL-P6-4/E3 FOR DETAILS SEE: 24-51-54-21	201967	1
- 330	233A5224-304505		.PLUG BUTTON INSTL-P6-4/E5 FOR DETAILS SEE: 24-51-54-21	201967	1
- 335	233A5224-304506		.PLUG BUTTON INSTL-P6-4/E6 FOR DETAILS SEE: 24-51-54-21	201967	1
- 340	233A5224-304507		.PLUG BUTTON INSTL-P6-4/E7 FOR DETAILS SEE: 24-51-54-21	201967	1
- 345	233A5224-304508		.PLUG BUTTON INSTL-P6-4/E8 FOR DETAILS SEE: 24-51-54-21	201967	1
- 350	233A5224-304510		.PLUG BUTTON INSTL-P6-4/E10 FOR DETAILS SEE: 24-51-54-21	201967	1
- 355	233A5224-304514		.PLUG BUTTON INSTL-P6-4/E14 FOR DETAILS SEE: 24-51-54-21	201967	1
- 360	233A5224-304517		.PLUG BUTTON INSTL-P6-4/E17 FOR DETAILS SEE: 24-51-54-21	201967	1
- 365	233A5224-304602		.PLUG BUTTON INSTL-P6-4/F2 FOR DETAILS SEE: 24-51-54-21	201967	1
- 370	233A5224-304604		.PLUG BUTTON INSTL-P6-4/F4 FOR DETAILS SEE: 24-51-54-21	201967	1
- 375	233A5224-304615		.PLUG BUTTON INSTL-P6-4/F15 FOR DETAILS SEE: 24-51-54-21	201967	1
- 380	233A5224-304617		.PLUG BUTTON INSTL-P6-4/F17 FOR DETAILS SEE: 24-51-54-21	201967	1
MISSING ITEM NUMBERS NOT APPLICABLE					

- ITEM NOT ILLUSTRATED

HAP

24-50-00-06B

BOEING PROPRIETARY - Copyright © - Unpublished Work - See title page for details.

24-50-00
FIG. 06B
PAGE 5
OCT 15/08

 **BOEING**
737-600/700/800/900
PARTS CATALOG (MAINTENANCE)

FIG ITEM	PART NUMBER	1 2 3 4 5 6 7	NOMENCLATURE	EFFECT FROM TO	UNITS PER ASSY
6B - 385	233A5224-504116	.INOP	INSTL-P6-4/A16 FUNCTIONAL REFERENCE: PLACARDS AND MARKINGS FOR DETAILS SEE 11-35-01-40C ELECTRICAL POWER FOR DETAILS SEE 24-51-54-21	201967	1
- 390	233A5224-504117	.INOP	INSTL-P6-4/A17 FUNCTIONAL REFERENCE: PLACARDS AND MARKINGS FOR DETAILS SEE 11-35-01-40C ELECTRICAL POWER FOR DETAILS SEE 24-51-54-21	201967	1
- 395	233A5224-504118	.INOP	INSTL-P6-4/A18 FUNCTIONAL REFERENCE: PLACARDS AND MARKINGS FOR DETAILS SEE 11-35-01-40C ELECTRICAL POWER FOR DETAILS SEE 24-51-54-21	201967	1
- 400	233A5224-504217	.INOP	INSTL-P6-4/B17 FUNCTIONAL REFERENCE: PLACARDS AND MARKINGS FOR DETAILS SEE 11-35-01-40C ELECTRICAL POWER FOR DETAILS SEE 24-51-54-21	201967	1
- 405	233A5224-504316	.INOP	INSTL-P6-4/C16 FUNCTIONAL REFERENCE: PLACARDS AND MARKINGS FOR DETAILS SEE 11-35-01-40C ELECTRICAL POWER FOR DETAILS SEE 24-51-54-21	201967	1
- 410	233A5224-504317	.INOP	INSTL-P6-4/C17 FUNCTIONAL REFERENCE: PLACARDS AND MARKINGS FOR DETAILS SEE 11-35-01-40C ELECTRICAL POWER FOR DETAILS SEE 24-51-54-21	201967	1

MISSING ITEM NUMBERS NOT APPLICABLE

- ITEM NOT ILLUSTRATED

HAP

24-50-00-06B

BOEING PROPRIETARY - Copyright © - Unpublished Work - See title page for details.

24-50-00
FIG. 06B
PAGE 6
OCT 15/08

NON-ILLUSTRATED FIGURE

THE ITEMS REFLECTED IN THIS FIGURE ARE INTENTIONALLY
NON-ILLUSTRATED. THEY ARE REFERENCED TO EITHER A
NEXT HIGHER OR NEXT LOWER ASSEMBLY/INSTALLATION FIGURE.

E 2450006C REV 055

FUNCTIONAL COLLECTOR-P6 CB E/E EQPT FINAL ASSY (AC ELECTRICAL LOAD DISTRIBUTION ONLY)
FIGURE 6C

HAP
OCT 10/06

24-50-00-06C

24-50-00-06C
PAGE 0

BOEING
737-600/700/800/900
PARTS CATALOG (MAINTENANCE)

FIG ITEM	PART NUMBER	1 2 3 4 5 6 7	NOMENCLATURE	EFFECT FROM TO	UNITS PER ASSY
6C			FUNCTIONAL COLLECTOR-P6 CB E/E EQPT FINAL ASSY (AC ELECTRICAL LOAD DISTRIBUTION ONLY)	008030	
- 1	230A0020-3001		FUNCTIONAL COLLECTOR-P6 CB E/E EQPT FINAL ASSY CUSTOMER UNIQUE (AC ELECTRICAL LOAD DISTRIBUTION ONLY) FOR NHA/OTHER SYS DET SEE: 24-00-00-08	008030	RF
- 50	233A5224-1		.MARKER INSTL-P6-4 FOR DETAILS SEE: 24-51-54-20J	008030	1
- 70	233A5224-2		.CIRCUIT BREAKER INSTL-P6-4 FUNCTIONAL REFERENCE: ELECTRICAL POWER FOR DETAILS SEE 24-51-54-20J PLACARDS AND MARKINGS FOR DETAILS SEE 11-35-01-40D 11-35-01-40E	008030	1
- 110	233A5224-200555		.CIRCUIT BREAKER INSTL- FOR DETAILS SEE: 24-51-54-20J	008030	1
- 125	233A5224-201023		.CIRCUIT BREAKER INSTL- FOR DETAILS SEE: 24-51-54-20J	008030	1
- 130	233A5224-201157		.CIRCUIT BREAKER INSTL- FOR DETAILS SEE: 24-51-54-20J	008030	1
- 135	233A5224-201158		.CIRCUIT BREAKER INSTL- FOR DETAILS SEE: 24-51-54-20J	008030	1
- 140	233A5224-201159		.CIRCUIT BREAKER INSTL- FOR DETAILS SEE: 24-51-54-20J	008030	1
- 145	233A5224-201160		.CIRCUIT BREAKER INSTL- FOR DETAILS SEE: 24-51-54-20J	008030	1
- 150	233A5224-201161		.CIRCUIT BREAKER INSTL- FOR DETAILS SEE: 24-51-54-20J	008030	1
- 155	233A5224-201162		.CIRCUIT BREAKER INSTL- FOR DETAILS SEE: 24-51-54-20J	008030	1

MISSING ITEM NUMBERS NOT APPLICABLE

- ITEM NOT ILLUSTRATED

HAP

24-50-00-06C

BOEING PROPRIETARY - Copyright © - Unpublished Work - See title page for details.

24-50-00
FIG. 06C
PAGE 1
OCT 10/06

 **BOEING**
737-600/700/800/900
PARTS CATALOG (MAINTENANCE)

FIG ITEM	PART NUMBER	1 2 3 4 5 6 7	NOMENCLATURE	EFFECT FROM TO	UNITS PER ASSY
6C					
- 160	233A5224-201163	.	CIRCUIT BREAKER INSTL- FOR DETAILS SEE: 24-51-54-20J	008030	1
- 165	233A5224-201164	.	CIRCUIT BREAKER INSTL- FOR DETAILS SEE: 24-51-54-20J	008030	1
- 170	233A5224-201166	.	CIRCUIT BREAKER INSTL- FOR DETAILS SEE: 24-51-54-20J	008030	1
- 175	233A5224-201167	.	CIRCUIT BREAKER INSTL- FOR DETAILS SEE: 24-51-54-20J	008030	1
- 180	233A5224-201169	.	CIRCUIT BREAKER INSTL- FOR DETAILS SEE: 24-51-54-20J	008030	1
- 185	233A5224-201170	.	CIRCUIT BREAKER INSTL- FOR DETAILS SEE: 24-51-54-20J	008030	1
- 190	233A5224-201172	.	CIRCUIT BREAKER INSTL- FOR DETAILS SEE: 24-51-54-20J	008030	1
- 195	233A5224-201176	.	CIRCUIT BREAKER INSTL- FOR DETAILS SEE: 24-51-54-20J	008030	1
- 200	233A5224-201177	.	CIRCUIT BREAKER INSTL- FOR DETAILS SEE: 24-51-54-20J	008030	1
- 205	233A5224-201178	.	CIRCUIT BREAKER INSTL- FOR DETAILS SEE: 24-51-54-20J	008030	1
- 220	233A5224-201613	.	CIRCUIT BREAKER INSTL- FOR DETAILS SEE: 24-51-54-20J	023030	1
- 225	233A5224-201614	.	CIRCUIT BREAKER INSTL- FOR DETAILS SEE: 24-51-54-20J	023030	1
- 230	233A5224-304102	.	PLUG BUTTON INSTL-P6-4/A2 CB PNL FOR DETAILS SEE: 24-51-54-20J	008030	1
- 235	233A5224-304110	.	PLUG BUTTON INSTL-P6-4/A10 CB PNL FOR DETAILS SEE: 24-51-54-20J	008030	1
- 240	233A5224-304112	.	PLUG BUTTON INSTL-P6-4/A12 CB PNL FOR DETAILS SEE: 24-51-54-20J	008030	1

MISSING ITEM NUMBERS NOT APPLICABLE

- ITEM NOT ILLUSTRATED

HAP

24-50-00-06C

BOEING PROPRIETARY - Copyright © - Unpublished Work - See title page for details.

24-50-00
FIG. 06C
PAGE 2
OCT 10/06

 **BOEING**
737-600/700/800/900
PARTS CATALOG (MAINTENANCE)

FIG ITEM	PART NUMBER	1 2 3 4 5 6 7	NOMENCLATURE	EFFECT FROM TO	UNITS PER ASSY
6C					
- 245	233A5224-304113	.	PLUG BUTTON INSTL-P6-4/A13 CB PNL FOR DETAILS SEE: 24-51-54-20J	008030	1
- 250	233A5224-304115	.	PLUG BUTTON INSTL-P6-4/A15 CB PNL FOR DETAILS SEE: 24-51-54-20J	008030	1
- 255	233A5224-304116	.	PLUG BUTTON INSTL-P6-4/A16 CB PNL FOR DETAILS SEE: 24-51-54-20J	008030	1
- 260	233A5224-304117	.	PLUG BUTTON INSTL-P6-4/A17 CB PNL FOR DETAILS SEE: 24-51-54-20J	008030	1
- 265	233A5224-304118	.	PLUG BUTTON INSTL-P6-4/A18 CB PNL FOR DETAILS SEE: 24-51-54-20J	008030	1
- 270	233A5224-304210	.	PLUG BUTTON INSTL-P6-4/B10 CB PNL FOR DETAILS SEE: 24-51-54-20J	008030	1
- 275	233A5224-304212	.	PLUG BUTTON INSTL-P6-4/B12 CB PNL FOR DETAILS SEE: 24-51-54-20J	008030	1
- 280	233A5224-304213	.	PLUG BUTTON INSTL-P6-4/B13 CB PNL FOR DETAILS SEE: 24-51-54-20J	008030	1
- 285	233A5224-304215	.	PLUG BUTTON INSTL-P6-4/B15 CB PNL FOR DETAILS SEE: 24-51-54-20J	008030	1
- 290	233A5224-304216	.	PLUG BUTTON INSTL-P6-4/B16 CB PNL FOR DETAILS SEE: 24-51-54-20J	008030	1
- 295	233A5224-304217	.	PLUG BUTTON INSTL-P6-4/B17 CB PNL FOR DETAILS SEE: 24-51-54-20J	008030	1
- 300	233A5224-304218	.	PLUG BUTTON INSTL-P6-4/B18 CB PNL FOR DETAILS SEE: 24-51-54-20J	008030	1
MISSING ITEM NUMBERS NOT APPLICABLE					

- ITEM NOT ILLUSTRATED

HAP

24-50-00-06C

BOEING PROPRIETARY - Copyright © - Unpublished Work - See title page for details.

24-50-00
FIG. 06C
PAGE 3
OCT 10/06

 **BOEING**
737-600/700/800/900
PARTS CATALOG (MAINTENANCE)

FIG ITEM	PART NUMBER	1 2 3 4 5 6 7	NOMENCLATURE	EFFECT FROM TO	UNITS PER ASSY
6C					
- 305	233A5224-304301	.PLUG	BUTTON INSTL-P6-4/C1 CB PNL FOR DETAILS SEE: 24-51-54-20J	008030	1
- 310	233A5224-304309	.PLUG	BUTTON INSTL-P6-4/C9 CB PNL FOR DETAILS SEE: 24-51-54-20J	008030	1
- 315	233A5224-304310	.PLUG	BUTTON INSTL-P6-4/C10 CB PNL FOR DETAILS SEE: 24-51-54-20J	008030	1
- 320	233A5224-304311	.PLUG	BUTTON INSTL-P6-4/C11 CB PNL FOR DETAILS SEE: 24-51-54-20J	008030	1
- 325	233A5224-304316	.PLUG	BUTTON INSTL-P6-4/C16 CB PNL FOR DETAILS SEE: 24-51-54-20J	008030	1
- 330	233A5224-304317	.PLUG	BUTTON INSTL-P6-4/C17 CB PNL FOR DETAILS SEE: 24-51-54-20J	008030	1
- 335	233A5224-304318	.PLUG	BUTTON INSTL-P6-4/C18 CB PNL FOR DETAILS SEE: 24-51-54-20J	008030	1
- 340	233A5224-304403	.PLUG	BUTTON INSTL-P6-4/D3 CB PNL FOR DETAILS SEE: 24-51-54-20J	008022	1
- 345	233A5224-304404	.PLUG	BUTTON INSTL-P6-4/D4 CB PNL FOR DETAILS SEE: 24-51-54-20J	008022	1
- 350	233A5224-304405	.PLUG	BUTTON INSTL-P6-4/D5 CB PNL FOR DETAILS SEE: 24-51-54-20J	008030	1
- 355	233A5224-304406	.PLUG	BUTTON INSTL-P6-4/D6 CB PNL FOR DETAILS SEE: 24-51-54-20J	008030	1
- 360	233A5224-304407	.PLUG	BUTTON INSTL-P6-4/D7 CB PNL FOR DETAILS SEE: 24-51-54-20J	008030	1

MISSING ITEM NUMBERS NOT APPLICABLE

- ITEM NOT ILLUSTRATED

HAP

24-50-00-06C

BOEING PROPRIETARY - Copyright © - Unpublished Work - See title page for details.

24-50-00
FIG. 06C
PAGE 4
OCT 10/06

 **BOEING**
737-600/700/800/900
PARTS CATALOG (MAINTENANCE)

FIG ITEM	PART NUMBER	1 2 3 4 5 6 7	NOMENCLATURE	EFFECT FROM TO	UNITS PER ASSY
6C					
- 365	233A5224-304410	.PLUG	BUTTON INSTL-P6-4/D10 CB PNL FOR DETAILS SEE: 24-51-54-20J	008030	1
- 370	233A5224-304412	.PLUG	BUTTON INSTL-P6-4/D12 CB PNL FOR DETAILS SEE: 24-51-54-20J	008030	1
- 375	233A5224-304417	.PLUG	BUTTON INSTL-P6-4/D17 CB PNL FOR DETAILS SEE: 24-51-54-20J	008030	1
- 380	233A5224-304501	.PLUG	BUTTON INSTL-P6-4/E1 CB PNL FOR DETAILS SEE: 24-51-54-20J	008030	1
- 385	233A5224-304503	.PLUG	BUTTON INSTL-P6-4/E3 CB PNL FOR DETAILS SEE: 24-51-54-20J	008030	1
- 390	233A5224-304505	.PLUG	BUTTON INSTL-P6-4/E5 CB PNL FOR DETAILS SEE: 24-51-54-20J	008030	1
- 395	233A5224-304506	.PLUG	BUTTON INSTL-P6-4/E6 CB PNL FOR DETAILS SEE: 24-51-54-20J	008030	1
- 400	233A5224-304507	.PLUG	BUTTON INSTL-P6-4/E7 CB PNL FOR DETAILS SEE: 24-51-54-20J	008030	1
- 405	233A5224-304508	.PLUG	BUTTON INSTL-P6-4/E8 CB PNL FOR DETAILS SEE: 24-51-54-20J	008030	1
- 410	233A5224-304510	.PLUG	BUTTON INSTL-P6-4/E10 CB PNL FOR DETAILS SEE: 24-51-54-20J	008030	1
- 415	233A5224-304514	.PLUG	BUTTON INSTL-P6-4/E14 CB PNL FOR DETAILS SEE: 24-51-54-20J	008030	1
- 420	233A5224-304517	.PLUG	BUTTON INSTL-P6-4/E17 CB PNL FOR DETAILS SEE: 24-51-54-20J	008030	1

MISSING ITEM NUMBERS NOT APPLICABLE

- ITEM NOT ILLUSTRATED

HAP

24-50-00-06C

BOEING PROPRIETARY - Copyright © - Unpublished Work - See title page for details.

24-50-00
FIG. 06C
PAGE 5
OCT 10/06


BOEING
 737-600/700/800/900
PARTS CATALOG (MAINTENANCE)

FIG ITEM	PART NUMBER	1 2 3 4 5 6 7	NOMENCLATURE	EFFECT FROM TO	UNITS PER ASSY
6C					
- 425	233A5224-304602		.PLUG BUTTON INSTL-P6-4/F2 CB PNL FOR DETAILS SEE: 24-51-54-20J	008030	1
- 430	233A5224-304604		.PLUG BUTTON INSTL-P6-4/F4 CB PNL FOR DETAILS SEE: 24-51-54-20J	008030	1
- 435	233A5224-304615		.PLUG BUTTON INSTL-P6-4/F15 CB PNL FOR DETAILS SEE: 24-51-54-20J	008030	1
- 440	233A5224-304617		.PLUG BUTTON INSTL-P6-4/F17 CB PNL FOR DETAILS SEE: 24-51-54-20J	008030	1

MISSING ITEM NUMBERS NOT APPLICABLE

- ITEM NOT ILLUSTRATED

HAP

24-50-00-06C

BOEING PROPRIETARY - Copyright © - Unpublished Work - See title page for details.

24-50-00
 FIG. 06C
 PAGE 6
 OCT 10/06

NON-ILLUSTRATED FIGURE

THE ITEMS REFLECTED IN THIS FIGURE ARE INTENTIONALLY
NON-ILLUSTRATED. THEY ARE REFERENCED TO EITHER A
NEXT HIGHER OR NEXT LOWER ASSEMBLY/INSTALLATION FIGURE.

E 24500007B REV 055

FUNCTIONAL COLLECTOR-P6-11 CB E/E EQPT FINAL ASSY CUSTOMER UNIQUE (AC ELECTRICAL LOAD DISTRIBUTION)
FIGURE 7B

HAP
OCT 15/08

24-50-00-07B

24-50-00-07B
PAGE 0

BOEING
737-600/700/800/900
PARTS CATALOG (MAINTENANCE)

FIG ITEM	PART NUMBER	1 2 3 4 5 6 7	NOMENCLATURE	EFFECT FROM TO	UNITS PER ASSY
7B			FUNCTIONAL COLLECTOR-P6-11 CB E/E EQPT FINAL ASSY CUSTOMER UNIQUE (AC ELECTRICAL LOAD DISTRIBUTION)	201967	
- 3	230A0020-2610		FUNCTIONAL COLLECTOR-P6-11 CB E/E EQPT FINAL ASSY CUSTOMER UNIQUE (AC ELECTRICAL LOAD DISTRIBUTION)	201967	RF
- 20	233A5225-1		.MARKER INSTL-P6-11 FOR DETAILS SEE: 24-00-00-04	201967	1
- 25	233A5225-2		.CIRCUIT BREAKER INSTL- P6-11 FOR DETAILS SEE: 24-51-55-20	201967	1
- 75	233A5225-200229		.CIRCUIT BREAKER INSTL- WINDOW HEAT PWR L4 & L5 P6-11/B7 FOR DETAILS SEE: 24-51-55-20	201967	1
- 95	233A5225-311101		.PLUG BUTTON INSTL-P6-11/A1 FOR DETAILS SEE: 24-51-55-20	201967	1
- 100	233A5225-311102		.PLUG BUTTON INSTL-P6-11/A2 FOR DETAILS SEE: 24-51-55-20	201967	1
- 105	233A5225-311103		.PLUG BUTTON INSTL-P6-11/A3 FOR DETAILS SEE: 24-51-55-20	201967	1
- 110	233A5225-311104		.PLUG BUTTON INSTL-P6-11/A4 FOR DETAILS SEE: 24-51-55-20	201967	1
- 115	233A5225-311105		.PLUG BUTTON INSTL-P6-11/A5 FOR DETAILS SEE: 24-51-55-20	201967	1
- 120	233A5225-311106		.PLUG BUTTON INSTL-P6-11/A6 FOR DETAILS SEE: 24-51-55-20	201967	1
- 125	233A5225-311107		.PLUG BUTTON INSTL-P6-11/A7 FOR DETAILS SEE: 24-51-55-20	201967	1
- 130	233A5225-311108		.PLUG BUTTON INSTL- FOR DETAILS SEE: 24-51-55-20	201967	1

MISSING ITEM NUMBERS NOT APPLICABLE

- ITEM NOT ILLUSTRATED

HAP

24-50-00-07B

BOEING PROPRIETARY - Copyright © - Unpublished Work - See title page for details.

24-50-00
FIG. 07B
PAGE 1
OCT 15/08

 **BOEING**
737-600/700/800/900
PARTS CATALOG (MAINTENANCE)

FIG ITEM	PART NUMBER	1 2 3 4 5 6 7	NOMENCLATURE	EFFECT FROM TO	UNITS PER ASSY
7B					
- 135	233A5225-311109		.PLUG BUTTON INSTL- FOR DETAILS SEE: 24-51-55-20	201967	1
- 140	233A5225-311201		.PLUG BUTTON INSTL-P6-11/B1 FOR DETAILS SEE: 24-51-55-20	201967	1
- 145	233A5225-311202		.PLUG BUTTON INSTL-P6-11/B2 FOR DETAILS SEE: 24-51-55-20	201967	1
- 150	233A5225-311203		.PLUG BUTTON INSTL-P6-11/B3 FOR DETAILS SEE: 24-51-55-20	201967	1
- 155	233A5225-311204		.PLUG BUTTON INSTL-P6-11/B4 FOR DETAILS SEE: 24-51-55-20	201967	1
- 160	233A5225-311205		.PLUG BUTTON INSTL-P6-11/B5 FOR DETAILS SEE: 24-51-55-20	201967	1
- 165	233A5225-311206		.PLUG BUTTON INSTL- FOR DETAILS SEE: 24-51-55-20	201967	1
- 170	233A5225-311301		.PLUG BUTTON INSTL-P6-11/C1 FOR DETAILS SEE: 24-51-55-20	201967	1
- 175	233A5225-311302		.PLUG BUTTON INSTL-P6-11/C2 FOR DETAILS SEE: 24-51-55-20	201967	1
- 180	233A5225-311303		.PLUG BUTTON INSTL-P6-11/C3 FOR DETAILS SEE: 24-51-55-20	201967	1
- 185	233A5225-311304		.PLUG BUTTON INSTL-P6-11/C4 FOR DETAILS SEE: 24-51-55-20	201967	1
- 190	233A5225-311305		.PLUG BUTTON INSTL-P6-11/C5 FOR DETAILS SEE: 24-51-55-20	201967	1
- 195	233A5225-311306		.PLUG BUTTON INSTL-P6-11/C6 FOR DETAILS SEE: 24-51-55-20	201967	1
- 200	233A5225-311307		.PLUG BUTTON INSTL-P6-11/C7 FOR DETAILS SEE: 24-51-55-20	201967	1
- 205	233A5225-311308		.PLUG BUTTON INSTL-P6-11/C8 FOR DETAILS SEE: 24-51-55-20	201967	1
- 210	233A5225-311309		.PLUG BUTTON INSTL-P6-11/C9 FOR DETAILS SEE: 24-51-55-20	201967	1
MISSING ITEM NUMBERS NOT APPLICABLE					

- ITEM NOT ILLUSTRATED

HAP

24-50-00-07B

BOEING PROPRIETARY - Copyright © - Unpublished Work - See title page for details.

24-50-00
FIG. 07B
PAGE 2
OCT 15/08

 **BOEING**
737-600/700/800/900
PARTS CATALOG (MAINTENANCE)

FIG ITEM	PART NUMBER	1 2 3 4 5 6 7	NOMENCLATURE	EFFECT FROM TO	UNITS PER ASSY
7B - 215	233A5225-311407		.PLUG BUTTON INSTL-P6-11/D7 FOR DETAILS SEE: 24-51-55-20	201967	1
- 220	233A5225-311408		.PLUG BUTTON INSTL-P6-11/D8 FOR DETAILS SEE: 24-51-55-20	201967	1
- 225	233A5225-311409		.PLUG BUTTON INSTL-P6-11/D9 FOR DETAILS SEE: 24-51-55-20	201967	1

MISSING ITEM NUMBERS NOT APPLICABLE

- ITEM NOT ILLUSTRATED

HAP

24-50-00-07B

BOEING PROPRIETARY - Copyright © - Unpublished Work - See title page for details.

24-50-00
FIG. 07B
PAGE 3
OCT 15/08

NON-ILLUSTRATED FIGURE

THE ITEMS REFLECTED IN THIS FIGURE ARE INTENTIONALLY
NON-ILLUSTRATED. THEY ARE REFERENCED TO EITHER A
NEXT HIGHER OR NEXT LOWER ASSEMBLY/INSTALLATION FIGURE.

E 2450007C REV 055

FUNCTIONAL COLLECTOR-P6 CB E/E EQPT FINAL ASSY (AC ELECTRICAL LOAD DISTRIBUTION ONLY)
FIGURE 7C

HAP
OCT 10/06

24-50-00-07C

24-50-00-07C
PAGE 0

BOEING
737-600/700/800/900
PARTS CATALOG (MAINTENANCE)

FIG ITEM	PART NUMBER	1 2 3 4 5 6 7	NOMENCLATURE	EFFECT FROM TO	UNITS PER ASSY
7C			FUNCTIONAL COLLECTOR-P6 CB E/E EQPT FINAL ASSY (AC ELECTRICAL LOAD DISTRIBUTION ONLY)	008030	
- 1	230A0020-3001		FUNCTIONAL COLLECTOR-P6 CB E/E EQPT FINAL ASSY CUSTOMER UNIQUE (AC ELECTRICAL LOAD DISTRIBUTION ONLY) FOR NHA/OTHER SYS DET SEE: 24-00-00-08	008030	RF
- 50	233A5225-1		.MARKER INSTL-P6-11 FOR DETAILS SEE: 24-51-55-20E	008030	1
- 70	233A5225-2		.CIRCUIT BREAKER INSTL- FOR DETAILS SEE: 24-51-55-20E	008030	1
- 80	233A5225-201139		.CIRCUIT BREAKER INSTL- FOR DETAILS SEE: 24-51-55-20E	008030	1
- 130	233A5225-210229		.CIRCUIT BREAKER INSTL- FOR DETAILS SEE: 24-51-55-20E	008030	1
- 150	233A5225-311101		.PLUG BUTTON INSTL-P6-11/A1 FOR DETAILS SEE: 24-51-55-20E	008030	1
- 155	233A5225-311102		.PLUG BUTTON INSTL-P6-11/A2 FOR DETAILS SEE: 24-51-55-20E	008030	1
- 160	233A5225-311103		.PLUG BUTTON INSTL-P6-11/A3 FOR DETAILS SEE: 24-51-55-20E	008030	1
- 165	233A5225-311104		.PLUG BUTTON INSTL-P6-11/A4 FOR DETAILS SEE: 24-51-55-20E	008030	1
- 170	233A5225-311105		.PLUG BUTTON INSTL-P6-11/A5 FOR DETAILS SEE: 24-51-55-20E	008030	1
- 175	233A5225-311106		.PLUG BUTTON INSTL-P6-11/A6 FOR DETAILS SEE: 24-51-55-20E	008030	1
- 180	233A5225-311107		.PLUG BUTTON INSTL-P6-11/A7 FOR DETAILS SEE: 24-51-55-20E	008030	1
- 185	233A5225-311108		.PLUG BUTTON INSTL-P6-11/A8 FOR DETAILS SEE: 24-51-55-20E	008030	1

MISSING ITEM NUMBERS NOT APPLICABLE

- ITEM NOT ILLUSTRATED

HAP

24-50-00-07C

BOEING PROPRIETARY - Copyright © - Unpublished Work - See title page for details.

24-50-00
FIG. 07C
PAGE 1
OCT 10/06

 **BOEING**
737-600/700/800/900
PARTS CATALOG (MAINTENANCE)

FIG ITEM	PART NUMBER	1 2 3 4 5 6 7	NOMENCLATURE	EFFECT FROM TO	UNITS PER ASSY
7C					
- 190	233A5225-311109	.	PLUG BUTTON INSTL-P6-11/A9 FOR DETAILS SEE: 24-51-55-20E	008030	1
- 195	233A5225-311201	.	PLUG BUTTON INSTL-P6-11/B1 FOR DETAILS SEE: 24-51-55-20E	008030	1
- 200	233A5225-311202	.	PLUG BUTTON INSTL-P6-11/B2 FOR DETAILS SEE: 24-51-55-20E	008030	1
- 205	233A5225-311203	.	PLUG BUTTON INSTL-P6-11/B3 FOR DETAILS SEE: 24-51-55-20E	008030	1
- 210	233A5225-311204	.	PLUG BUTTON INSTL-P6-11/B4 FOR DETAILS SEE: 24-51-55-20E	008030	1
- 215	233A5225-311205	.	PLUG BUTTON INSTL-P6-11/B5 FOR DETAILS SEE: 24-51-55-20E	008030	1
- 220	233A5225-311206	.	PLUG BUTTON INSTL-P6-11/B6 FOR DETAILS SEE: 24-51-55-20E	008030	1
- 225	233A5225-311301	.	PLUG BUTTON INSTL-P6-11/C1 FOR DETAILS SEE: 24-51-55-20E	008030	1
- 230	233A5225-311302	.	PLUG BUTTON INSTL-P6-11/C2 FOR DETAILS SEE: 24-51-55-20E	008030	1
- 235	233A5225-311303	.	PLUG BUTTON INSTL-P6-11/C3 FOR DETAILS SEE: 24-51-55-20E	008030	1
- 240	233A5225-311304	.	PLUG BUTTON INSTL-P6-11/C4 FOR DETAILS SEE: 24-51-55-20E	008030	1
- 245	233A5225-311305	.	PLUG BUTTON INSTL-P6-11/C5 FOR DETAILS SEE: 24-51-55-20E	008030	1
- 250	233A5225-311306	.	PLUG BUTTON INSTL-P6-11/C6 FOR DETAILS SEE: 24-51-55-20E	008030	1
- 255	233A5225-311307	.	PLUG BUTTON INSTL-P6-11/C7 FOR DETAILS SEE: 24-51-55-20E	008030	1
- 260	233A5225-311308	.	PLUG BUTTON INSTL-P6-11/C8 FOR DETAILS SEE: 24-51-55-20E	008030	1
- 265	233A5225-311309	.	PLUG BUTTON INSTL-P6-11/C9 FOR DETAILS SEE: 24-51-55-20E	008030	1
MISSING ITEM NUMBERS NOT APPLICABLE					

- ITEM NOT ILLUSTRATED

HAP

24-50-00-07C

BOEING PROPRIETARY - Copyright © - Unpublished Work - See title page for details.

24-50-00
FIG. 07C
PAGE 2
OCT 10/06


BOEING
 737-600/700/800/900
PARTS CATALOG (MAINTENANCE)

FIG ITEM	PART NUMBER	1 2 3 4 5 6 7	NOMENCLATURE	EFFECT FROM TO	UNITS PER ASSY
7C - 270	233A5225-311407	.	PLUG BUTTON INSTL-P6-11/D7 FOR DETAILS SEE: 24-51-55-20E	008030	1
- 280	233A5225-311409	.	PLUG BUTTON INSTL-P6-11/D9 FOR DETAILS SEE: 24-51-55-20E	008030	1
- 355	233A5225-611400	.	SUPPORT INSTL-MARKER P6-11/ROW D FOR DETAILS SEE: 24-51-55-20E	008030	1

MISSING ITEM NUMBERS NOT APPLICABLE

- ITEM NOT ILLUSTRATED

HAP

24-50-00-07C

BOEING PROPRIETARY - Copyright © - Unpublished Work - See title page for details.

24-50-00
 FIG. 07C
 PAGE 3
 OCT 10/06

NON-ILLUSTRATED FIGURE

THE ITEMS REFLECTED IN THIS FIGURE ARE INTENTIONALLY
NON-ILLUSTRATED. THEY ARE REFERENCED TO EITHER A
NEXT HIGHER OR NEXT LOWER ASSEMBLY/INSTALLATION FIGURE.

E 2450008B REV 055

FUNCTIONAL COLLECTOR-P6-12 CB E/E EQPT FINAL ASSY CUSTOMER UNIQUE (AC ELECTRICAL LOAD DISTRIBUTION)
FIGURE 8B

HAP
OCT 15/08

24-50-00-08B

24-50-00-08B
PAGE 0

BOEING
737-600/700/800/900
PARTS CATALOG (MAINTENANCE)

FIG ITEM	PART NUMBER	1 2 3 4 5 6 7	NOMENCLATURE	EFFECT FROM TO	UNITS PER ASSY
8B			FUNCTIONAL COLLECTOR-P6-12 CB E/E EQPT FINAL ASSY CUSTOMER UNIQUE (AC ELECTRICAL LOAD DISTRIBUTION)	201967	
- 3	230A0020-2610		FUNCTIONAL COLLECTOR-P6-12 CB E/E EQPT FINAL ASSY CUSTOMER UNIQUE (AC ELECTRICAL LOAD DISTRIBUTION)	201967	RF
- 20	233A5226-1		.MARKER INSTL- FOR DETAILS SEE: 24-51-56-20A	201967	1
- 25	233A5226-2		.CIRCUIT BREAKER INSTL- FOR DETAILS SEE: 24-51-56-20A	201967	1
- 30	233A5226-200395		.CIRCUIT BREAKER INSTL- FOR DETAILS SEE: 24-51-56-20A	201967	1
- 50	233A5226-312101		.PLUG BUTTON INSTL- FOR DETAILS SEE: 24-51-56-20A	201967	1
- 55	233A5226-312102		.PLUG BUTTON INSTL- FOR DETAILS SEE: 24-51-56-20A	201967	1
- 60	233A5226-312103		.PLUG BUTTON INSTL- FOR DETAILS SEE: 24-51-56-20A	201967	1
- 65	233A5226-312104		.PLUG BUTTON INSTL- FOR DETAILS SEE: 24-51-56-20A	201967	1
- 70	233A5226-312105		.PLUG BUTTON INSTL- FOR DETAILS SEE: 24-51-56-20A	201967	1
- 75	233A5226-312106		.PLUG BUTTON INSTL- FOR DETAILS SEE: 24-51-56-20A	201967	1
- 80	233A5226-312107		.PLUG BUTTON INSTL- FOR DETAILS SEE: 24-51-56-20A	201967	1
- 85	233A5226-312108		.PLUG BUTTON INSTL- FOR DETAILS SEE: 24-51-56-20A	201967	1
- 90	233A5226-312109		.PLUG BUTTON INSTL- FOR DETAILS SEE: 24-51-56-20A	201967	1

MISSING ITEM NUMBERS NOT APPLICABLE

- ITEM NOT ILLUSTRATED

HAP

24-50-00-08B

BOEING PROPRIETARY - Copyright © - Unpublished Work - See title page for details.

24-50-00
FIG. 08B
PAGE 1
OCT 15/08

 **BOEING**
737-600/700/800/900
PARTS CATALOG (MAINTENANCE)

FIG ITEM	PART NUMBER	1 2 3 4 5 6 7	NOMENCLATURE	EFFECT FROM TO	UNITS PER ASSY
8B					
- 95	233A5226-312201	.	PLUG BUTTON INSTL- FOR DETAILS SEE: 24-51-56-20A	201967	1
- 100	233A5226-312202	.	PLUG BUTTON INSTL- FOR DETAILS SEE: 24-51-56-20A	201967	1
- 105	233A5226-312203	.	PLUG BUTTON INSTL- FOR DETAILS SEE: 24-51-56-20A	201967	1
- 110	233A5226-312204	.	PLUG BUTTON INSTL- FOR DETAILS SEE: 24-51-56-20A	201967	1
- 115	233A5226-312205	.	PLUG BUTTON INSTL- FOR DETAILS SEE: 24-51-56-20A	201967	1
- 120	233A5226-312206	.	PLUG BUTTON INSTL- FOR DETAILS SEE: 24-51-56-20A	201967	1
- 125	233A5226-312301	.	PLUG BUTTON INSTL- FOR DETAILS SEE: 24-51-56-20A	201967	1
- 130	233A5226-312302	.	PLUG BUTTON INSTL- FOR DETAILS SEE: 24-51-56-20A	201967	1
- 135	233A5226-312303	.	PLUG BUTTON INSTL- FOR DETAILS SEE: 24-51-56-20A	201967	1
- 140	233A5226-312304	.	PLUG BUTTON INSTL- FOR DETAILS SEE: 24-51-56-20A	201967	1
- 145	233A5226-312305	.	PLUG BUTTON INSTL- FOR DETAILS SEE: 24-51-56-20A	201967	1
- 150	233A5226-312306	.	PLUG BUTTON INSTL- FOR DETAILS SEE: 24-51-56-20A	201967	1
- 155	233A5226-312307	.	PLUG BUTTON INSTL- FOR DETAILS SEE: 24-51-56-20A	201967	1
- 160	233A5226-312308	.	PLUG BUTTON INSTL- FOR DETAILS SEE: 24-51-56-20A	201967	1
- 165	233A5226-312309	.	PLUG BUTTON INSTL- FOR DETAILS SEE: 24-51-56-20A	201967	1
- 170	233A5226-312404	.	PLUG BUTTON INSTL- FOR DETAILS SEE: 24-51-56-20A	201967	1

MISSING ITEM NUMBERS NOT APPLICABLE

- ITEM NOT ILLUSTRATED

HAP

24-50-00-08B

BOEING PROPRIETARY - Copyright © - Unpublished Work - See title page for details.

24-50-00
FIG. 08B
PAGE 2
OCT 15/08

BOEING
737-600/700/800/900
PARTS CATALOG (MAINTENANCE)

FIG ITEM	PART NUMBER	1 2 3 4 5 6 7	NOMENCLATURE	EFFECT FROM TO	UNITS PER ASSY
8B					
- 175	233A5226-312405		.PLUG BUTTON INSTL- FOR DETAILS SEE: 24-51-56-20A	201967	1
- 180	233A5226-312406		.PLUG BUTTON INSTL- FOR DETAILS SEE: 24-51-56-20A	201967	1
- 185	233A5226-312407		.PLUG BUTTON INSTL- FOR DETAILS SEE: 24-51-56-20A	201967	1
- 190	233A5226-312408		.PLUG BUTTON INSTL- FOR DETAILS SEE: 24-51-56-20A	201967	1
- 195	233A5226-312409		.PLUG BUTTON INSTL- FOR DETAILS SEE: 24-51-56-20A	201967	1

MISSING ITEM NUMBERS NOT APPLICABLE

- ITEM NOT ILLUSTRATED

HAP

24-50-00-08B

BOEING PROPRIETARY - Copyright © - Unpublished Work - See title page for details.

24-50-00
FIG. 08B
PAGE 3
OCT 15/08

NON-ILLUSTRATED FIGURE

THE ITEMS REFLECTED IN THIS FIGURE ARE INTENTIONALLY
NON-ILLUSTRATED. THEY ARE REFERENCED TO EITHER A
NEXT HIGHER OR NEXT LOWER ASSEMBLY/INSTALLATION FIGURE.

E 2450008C REV 055

FUNCTIONAL COLLECTOR-P6 CB E/E EQPT FINAL ASSY (AC ELECTRICAL LOAD DISTRIBUTION ONLY)
FIGURE 8C

HAP
OCT 10/06

24-50-00-08C

24-50-00-08C
PAGE 0

BOEING
737-600/700/800/900
PARTS CATALOG (MAINTENANCE)

FIG ITEM	PART NUMBER	1 2 3 4 5 6 7	NOMENCLATURE	EFFECT FROM TO	UNITS PER ASSY
8C			FUNCTIONAL COLLECTOR-P6 CB E/E EQPT FINAL ASSY (AC ELECTRICAL LOAD DISTRIBUTION ONLY)	008030	
- 1	230A0020-3001		FUNCTIONAL COLLECTOR-P6 CB E/E EQPT FINAL ASSY (AC ELECTRICAL LOAD DISTRIBUTION ONLY)	008030	RF
- 200	233A5226-1		.MARKER INSTL-P6-12 PRE-MODULE FOR DETAILS SEE: 24-00-00-08	008030	1
- 205	233A5226-2		.CIRCUIT BREAKER INSTL- P6-12 PRE-MODULE FOR DETAILS SEE: 24-50-56-03	008030	1
- 245	233A5226-210395		.CIRCUIT BREAKER INSTL- P6-12 PRE-MODULE FOR DETAILS SEE: 24-50-56-03	008030	1
- 250	233A5226-312101		.PLUG BUTTON INSTL- P6-12 PRE-MODULE FOR DETAILS SEE: 24-50-56-03	008030	1
- 255	233A5226-312102		.PLUG BUTTON INSTL- P6-12 PRE-MODULE FOR DETAILS SEE: 24-50-56-03	008030	1
- 260	233A5226-312103		.PLUG BUTTON INSTL- P6-12 PRE-MODULE FOR DETAILS SEE: 24-50-56-03	008030	1
- 265	233A5226-312104		.PLUG BUTTON INSTL- P6-12 PRE-MODULE FOR DETAILS SEE: 24-50-56-03	008030	1
- 270	233A5226-312105		.PLUG BUTTON INSTL- P6-12 PRE-MODULE FOR DETAILS SEE: 24-50-56-03	008030	1
- 275	233A5226-312106		.PLUG BUTTON INSTL- P6-12 PRE-MODULE FOR DETAILS SEE: 24-50-56-03	008030	1

MISSING ITEM NUMBERS NOT APPLICABLE

- ITEM NOT ILLUSTRATED

HAP

24-50-00-08C

BOEING PROPRIETARY - Copyright © - Unpublished Work - See title page for details.

24-50-00
FIG. 08C
PAGE 1
OCT 10/06

 **BOEING**
737-600/700/800/900
PARTS CATALOG (MAINTENANCE)

FIG ITEM	PART NUMBER	1 2 3 4 5 6 7	NOMENCLATURE	EFFECT FROM TO	UNITS PER ASSY
8C					
- 280	233A5226-312107		.PLUG BUTTON INSTL- P6-12 PRE-MODULE FOR DETAILS SEE: 24-50-56-03	008030	1
- 285	233A5226-312108		.PLUG BUTTON INSTL- P6-12 PRE-MODULE FOR DETAILS SEE: 24-50-56-03	008030	1
- 290	233A5226-312109		.PLUG BUTTON INSTL- P6-12 PRE-MODULE FOR DETAILS SEE: 24-50-56-03	008030	1
- 295	233A5226-312201		.PLUG BUTTON INSTL- P6-12 PRE-MODULE FOR DETAILS SEE: 24-50-56-03	008030	1
- 300	233A5226-312202		.PLUG BUTTON INSTL- P6-12 PRE-MODULE FOR DETAILS SEE: 24-50-56-03	008030	1
- 305	233A5226-312203		.PLUG BUTTON INSTL- P6-12 PRE-MODULE FOR DETAILS SEE: 24-50-56-03	008030	1
- 310	233A5226-312204		.PLUG BUTTON INSTL- P6-12 PRE-MODULE FOR DETAILS SEE: 24-50-56-03	008030	1
- 315	233A5226-312206		.PLUG BUTTON INSTL- P6-12 PRE-MODULE FOR DETAILS SEE: 24-50-56-03	008030	1
- 320	233A5226-312301		.PLUG BUTTON INSTL- P6-12 PRE-MODULE FOR DETAILS SEE: 24-50-56-03	008030	1
- 321	233A5226-312302		.PLUG BUTTON INSTL-P6-12/C2 FOR DETAILS SEE: 24-50-56-03	008030	1
- 325	233A5226-312303		.PLUG BUTTON INSTL- P6-12 PRE-MODULE FOR DETAILS SEE: 24-50-56-03	008030	1
- 330	233A5226-312304		.PLUG BUTTON INSTL- P6-12 PRE-MODULE FOR DETAILS SEE: 24-50-56-03	008030	1

MISSING ITEM NUMBERS NOT APPLICABLE

- ITEM NOT ILLUSTRATED

HAP

24-50-00-08C

BOEING PROPRIETARY - Copyright © - Unpublished Work - See title page for details.

24-50-00
FIG. 08C
PAGE 2
OCT 10/06

 **BOEING**
737-600/700/800/900
PARTS CATALOG (MAINTENANCE)

FIG ITEM	PART NUMBER	1 2 3 4 5 6 7	NOMENCLATURE	EFFECT FROM TO	UNITS PER ASSY
8C					
- 335	233A5226-312305	.	PLUG BUTTON INSTL- P6-12 PRE-MODULE FOR DETAILS SEE: 24-50-56-03	008030	1
- 340	233A5226-312306	.	PLUG BUTTON INSTL- P6-12 PRE-MODULE FOR DETAILS SEE: 24-50-56-03	008030	1
- 345	233A5226-312307	.	PLUG BUTTON INSTL- P6-12 PRE-MODULE FOR DETAILS SEE: 24-50-56-03	008030	1
- 350	233A5226-312308	.	PLUG BUTTON INSTL- P6-12 PRE-MODULE FOR DETAILS SEE: 24-50-56-03	008030	1
- 355	233A5226-312309	.	PLUG BUTTON INSTL- P6-12 PRE-MODULE FOR DETAILS SEE: 24-50-56-03	008030	1
- 360	233A5226-312404	.	PLUG BUTTON INSTL- P6-12 PRE-MODULE FOR DETAILS SEE: 24-50-56-03	008030	1
- 365	233A5226-312405	.	PLUG BUTTON INSTL- P6-12 PRE-MODULE FOR DETAILS SEE: 24-50-56-03	008030	1
- 370	233A5226-312406	.	PLUG BUTTON INSTL- P6-12 PRE-MODULE FOR DETAILS SEE: 24-50-56-03	008030	1
- 375	233A5226-312407	.	PLUG BUTTON INSTL- P6-12 PRE-MODULE FOR DETAILS SEE: 24-50-56-03	008030	1
- 380	233A5226-312408	.	PLUG BUTTON INSTL- P6-12 PRE-MODULE FOR DETAILS SEE: 24-50-56-03	008030	1
- 385	233A5226-312409	.	PLUG BUTTON INSTL- P6-12 PRE-MODULE FOR DETAILS SEE: 24-50-56-03	008030	1
- 510	233A5226-312205	.	PLUG BUTTON INSTL-P6-12/B5 FOR DETAILS SEE: 24-50-56-03	008030	1

MISSING ITEM NUMBERS NOT APPLICABLE

- ITEM NOT ILLUSTRATED

HAP

24-50-00-08C

BOEING PROPRIETARY - Copyright © - Unpublished Work - See title page for details.

24-50-00
FIG. 08C
PAGE 3
OCT 10/06

NON-ILLUSTRATED FIGURE

THE ITEMS REFLECTED IN THIS FIGURE ARE INTENTIONALLY
NON-ILLUSTRATED. THEY ARE REFERENCED TO EITHER A
NEXT HIGHER OR NEXT LOWER ASSEMBLY/INSTALLATION FIGURE.

E 24500011B REV 057

FUNCTIONAL COLLECTOR-P18-1 CB E/E EQPT FINAL ASSY CUSTOMER UNIQUE (AC ELECTRICAL LOAD DISTRIBUTION)
FIGURE 11B

HAP
OCT 15/08

24-50-00-11B

24-50-00-11B
PAGE 0

BOEING
737-600/700/800/900
PARTS CATALOG (MAINTENANCE)

FIG ITEM	PART NUMBER	1 2 3 4 5 6 7	NOMENCLATURE	EFFECT FROM TO	UNITS PER ASSY
11B			FUNCTIONAL COLLECTOR-P18-1 CB E/E EQPT FINAL ASSY CUSTOMER UNIQUE (AC ELECTRICAL LOAD DISTRIBUTION)	201967	
- 10	230A0050-2610		FUNCTIONAL COLLECTOR-P18-1 CB E/E EQPT FINAL ASSY CUSTOMER UNIQUE (AC ELECTRICAL LOAD DISTRIBUTION ONLY) FOR NHA/OTHER SYS DET SEE: 24-00-00-04	201967	RF
- 50	233A5521-1		.MARKER INSTL- FOR DETAILS SEE: 24-50-58-01	201967	1
- 55	233A5521-2		.CIRCUIT BREAKER INSTL- P18-1 FUNCTIONAL REFERENCE: ELECTRICAL POWER FOR DETAILS SEE 24-50-58-01 PLACARDS AND MARKINGS FOR DETAILS SEE 11-31-51-07E	201967	1
- 65	233A5521-201386		.CIRCUIT BREAKER INSTL- RADIO NAVIGATION RMI P18-1/A5 FOR DETAILS SEE: 24-50-58-01	201967	1
- 70	233A5521-201479		.CIRCUIT BREAKER INSTL- RADIO NAVIGATION NMR 1 P18-1/A2 FOR DETAILS SEE: 24-50-58-01	201967	1
- 75	233A5521-201519		.CIRCUIT BREAKER INSTL- RADIO NAVIGATION TERRAIN DISPLAY P18-1/A7 FOR DETAILS SEE: 24-50-58-01	201967	1
- 90	233A5521-381106		.PLUG BUTTON INSTL-P18-1/A6 FOR DETAILS SEE: 24-50-58-01	201967	1
- 95	233A5521-381202		.PLUG BUTTON INSTL-P18-1/B2 FOR DETAILS SEE: 24-50-58-01	201967	1
- 105	233A5521-381301		.PLUG BUTTON INSTL-P18-1/C1 FOR DETAILS SEE: 24-50-58-01	201967	1

MISSING ITEM NUMBERS NOT APPLICABLE

- ITEM NOT ILLUSTRATED

HAP

24-50-00-11B

BOEING PROPRIETARY - Copyright © - Unpublished Work - See title page for details.

24-50-00
FIG. 11B
PAGE 1
OCT 15/08


BOEING
 737-600/700/800/900
PARTS CATALOG (MAINTENANCE)

FIG ITEM	PART NUMBER	1 2 3 4 5 6 7	NOMENCLATURE	EFFECT FROM TO	UNITS PER ASSY
11B					
- 110	233A5521-381303		.PLUG BUTTON INSTL-P18-1/C3 FOR DETAILS SEE: 24-50-58-01	201967	1
- 120	233A5521-381502		.PLUG BUTTON INSTL-P18-1/E2 FOR DETAILS SEE: 24-50-58-01	201967	1
- 125	233A5521-381504		.PLUG BUTTON INSTL-P18-1/E4 FOR DETAILS SEE: 24-50-58-01	201967	1
- 130	233A5521-381506		.PLUG BUTTON INSTL-P18-1/E6 FOR DETAILS SEE: 24-50-58-01	201967	1
MISSING ITEM NUMBERS NOT APPLICABLE					

- ITEM NOT ILLUSTRATED

HAP

24-50-00-11B

BOEING PROPRIETARY - Copyright © - Unpublished Work - See title page for details.

24-50-00
 FIG. 11B
 PAGE 2
 OCT 15/08

NON-ILLUSTRATED FIGURE

THE ITEMS REFLECTED IN THIS FIGURE ARE INTENTIONALLY
NON-ILLUSTRATED. THEY ARE REFERENCED TO EITHER A
NEXT HIGHER OR NEXT LOWER ASSEMBLY/INSTALLATION FIGURE.

E 24500011C REV 057

FUNCTIONAL COLLECTOR-P18-1 CB E/E EQPT FINAL ASSY (AC ELECTRICAL LOAD DISTRIBUTION ONLY)
FIGURE 11C

HAP
OCT 10/06

24-50-00-11C

24-50-00-11C
PAGE 0

BOEING
737-600/700/800/900
PARTS CATALOG (MAINTENANCE)

FIG ITEM	PART NUMBER	1 2 3 4 5 6 7	NOMENCLATURE	EFFECT FROM TO	UNITS PER ASSY
11C			FUNCTIONAL COLLECTOR-P18-1 CB E/E EQPT FINAL ASSY (AC ELECTRICAL LOAD DISTRIBUTION ONLY)	001004 008030	
- 1	230A0050-3001		FUNCTIONAL COLLECTOR-P18-1 CB E/E EQPT FINAL ASSY (AC ELECTRICAL LOAD DISTRIBUTION ONLY) FOR NHA/OTHER SYS DET SEE: 24-00-00-08	001004 008030	RF
- 50	233A5521-1		.MARKER INSTL- FOR DETAILS SEE: 24-50-58-01	008030	1
- 55	233A5521-2		.CIRCUIT BREAKER INSTL- P18-1 FUNCTIONAL REFERENCE: ELECTRICAL POWER FOR DETAILS SEE 24-50-58-01 PLACARDS AND MARKINGS FOR DETAILS SEE 11-35-01-30	008014	1
- 60	233A5521-200186		.CIRCUIT BREAKER INSTL- ATC 1 P18-1/B5 FOR DETAILS SEE: 24-50-58-01	015030	1
- 65	233A5521-201386		.CIRCUIT BREAKER INSTL- RADIO NAVIGATION RMI P18-1/A5 FOR DETAILS SEE: 24-50-58-01	008030	1
- 70	233A5521-201479		.CIRCUIT BREAKER INSTL- RADIO NAVIGATION NMR 1 P18-1/A2 FOR DETAILS SEE: 24-50-58-01	008030	1
- 75	233A5521-201519		.CIRCUIT BREAKER INSTL- RADIO NAV TERRAIN DISPLAY P18-1/A7 POST AIRLINE MOD: 737-EB34-0155 VHAP FOR DETAILS SEE: 24-50-58-01	001004 008030	1

MISSING ITEM NUMBERS NOT APPLICABLE

- ITEM NOT ILLUSTRATED

HAP

24-50-00-11C

BOEING PROPRIETARY - Copyright © - Unpublished Work - See title page for details.

24-50-00
FIG. 11C
PAGE 1
OCT 10/06

 **BOEING**
737-600/700/800/900
PARTS CATALOG (MAINTENANCE)

FIG ITEM	PART NUMBER	1 2 3 4 5 6 7	NOMENCLATURE	EFFECT FROM TO	UNITS PER ASSY
11C - 80	233A5521-3		.CIRCUIT BREAKER INSTL- P18-1 FUNCTIONAL REFERENCE: ELECTRICAL POWER FOR DETAILS SEE 24-50-58-01 PLACARDS AND MARKINGS FOR DETAILS SEE 11-35-01-30	015030	1
- 90	233A5521-381106		.PLUG BUTTON INSTL-P18-1 A6 FOR DETAILS SEE: 24-50-58-01	008030	1
- 95	233A5521-381202		.PLUG BUTTON INSTL-P18-1 B2 FOR DETAILS SEE: 24-50-58-01	008030	1
- 100	233A5521-381301		.PLUG BUTTON INSTL-P18-1 C1 FOR DETAILS SEE: 24-50-58-01	008030	1
- 105	233A5521-381303		.PLUG BUTTON INSTL-P18-1 C3 FOR DETAILS SEE: 24-50-58-01	008030	1
- 110	233A5521-381502		.PLUG BUTTON INSTL-P18-1 E2 FOR DETAILS SEE: 24-50-58-01	008030	1
- 115	233A5521-381504		.PLUG BUTTON INSTL-P18-1 E4 FOR DETAILS SEE: 24-50-58-01	008030	1
- 120	233A5521-381506		.PLUG BUTTON INSTL-P18-1 E6 FOR DETAILS SEE: 24-50-58-01	008030	1

MISSING ITEM NUMBERS NOT APPLICABLE

- ITEM NOT ILLUSTRATED

HAP

24-50-00-11C

BOEING PROPRIETARY - Copyright © - Unpublished Work - See title page for details.

24-50-00
FIG. 11C
PAGE 2
OCT 10/06

NON-ILLUSTRATED FIGURE

THE ITEMS REFLECTED IN THIS FIGURE ARE INTENTIONALLY
NON-ILLUSTRATED. THEY ARE REFERENCED TO EITHER A
NEXT HIGHER OR NEXT LOWER ASSEMBLY/INSTALLATION FIGURE.

E 24500012B REV 057

FUNCTIONAL COLLECTOR-P18-2 CB E/E EQPT FINAL ASSY CUSTOMER UNIQUE (AC ELECTRICAL LOAD DISTRIBUTION)
FIGURE 12B

HAP
OCT 15/08

24-50-00-12B

24-50-00-12B
PAGE 0

BOEING
737-600/700/800/900
PARTS CATALOG (MAINTENANCE)

FIG ITEM	PART NUMBER	1 2 3 4 5 6 7	NOMENCLATURE	EFFECT FROM TO	UNITS PER ASSY
12B			FUNCTIONAL COLLECTOR-P18-2 CB E/E EQPT FINAL ASSY CUSTOMER UNIQUE (AC ELECTRICAL LOAD DISTRIBUTION)	201967	
- 10	230A0050-2610		FUNCTIONAL COLLECTOR-P18-2 CB E/E EQPT FINAL ASSY CUSTOMER UNIQUE (AC ELECTRICAL LOAD DISTRIBUTION ONLY) FOR NHA/OTHER SYS DET SEE: 24-00-00-04	201967	RF
- 50	233A5522-1		.MARKER INSTL-P18-2 FOR DETAILS SEE: 24-50-59-01B	201967	1
- 55	233A5522-2		.CIRCUIT BREAKER INSTL- P18-2 FOR DETAILS SEE: 24-50-59-01B	201967	1
- 60	233A5522-200058		.CIRCUIT BREAKER INSTL-COMM SECAL P18-2/D15 FOR DETAILS SEE: 24-50-59-01B	201967	1
- 65	233A5522-200107		.CIRCUIT BREAKER INSTL- VOICE RCDR P18-2/D7 FOR DETAILS SEE: 24-50-59-01B	201967	1
- 70	233A5522-200357		.CIRCUIT BREAKER INSTL-STBY ALTM/ASI VIB P18-2/D10 FOR DETAILS SEE: 24-50-59-01B	201967	1
- 75	233A5522-200471		.CIRCUIT BREAKER INSTL-COMM VHF 3 P18-2/D12 FOR DETAILS SEE: 24-50-59-01B	201967	1
- 80	233A5522-200839		.CIRCUIT BREAKER INSTL-COMM HF 1 P18-2/E11 FOR DETAILS SEE: 24-50-59-01B	201967	1
- 85	233A5522-201018		.CIRCUIT BREAKER INSTL-FMCS CDU 1 P18-2/A7 FOR DETAILS SEE: 24-50-59-01B	201967	1
- 90	233A5522-201192		.CIRCUIT BREAKER INSTL-FMCS BITE DC P18-2/B10 FOR DETAILS SEE: 24-50-59-01B	201967	1

MISSING ITEM NUMBERS NOT APPLICABLE

- ITEM NOT ILLUSTRATED

HAP

24-50-00-12B

BOEING PROPRIETARY - Copyright © - Unpublished Work - See title page for details.

24-50-00
FIG. 12B
PAGE 1
OCT 15/08

 **BOEING**
737-600/700/800/900
PARTS CATALOG (MAINTENANCE)

FIG ITEM	PART NUMBER	1 2 3 4 5 6 7	NOMENCLATURE	EFFECT FROM TO	UNITS PER ASSY
12B - 100	233A5522-201387		.CIRCUIT BREAKER INSTL-STBY ATT IND P18-2/D9 FOR DETAILS SEE: 24-50-59-01B	201967	1
- 155	233A5522-201537		.CIRCUIT BREAKER INSTL- VOICE RCDR RELAY P18-2/C7 FOR DETAILS SEE: 24-50-59-01B	201967	1
- 225	233A5522-382102		.PLUG BUTTON INSTL-P18-2/A2 FOR DETAILS SEE: 24-50-59-01B	201967	1
- 230	233A5522-382108		.PLUG BUTTON INSTL-P18-2/A8 FOR DETAILS SEE: 24-50-59-01B	201967	1
- 235	233A5522-382209		.PLUG BUTTON INSTL-P18-2/B9 FOR DETAILS SEE: 24-50-59-01B	201967	1
- 245	233A5522-382301		.PLUG BUTTON INSTL-P18-2/C1 FOR DETAILS SEE: 24-50-59-01B	201967	1
- 250	233A5522-382302		.PLUG BUTTON INSTL-P18-2/C2 FOR DETAILS SEE: 24-50-59-01B	201967	1
- 255	233A5522-382303		.PLUG BUTTON INSTL-P18-2/C3 FOR DETAILS SEE: 24-50-59-01B	201967	1
- 260	233A5522-382304		.PLUG BUTTON INSTL-P18-2/C4 FOR DETAILS SEE: 24-50-59-01B	201967	1
- 265	233A5522-382305		.PLUG BUTTON INSTL-P18-2/C5 FOR DETAILS SEE: 24-50-59-01B	201967	1
- 270	233A5522-382306		.PLUG BUTTON INSTL-P18-2/C6 FOR DETAILS SEE: 24-50-59-01B	201967	1
- 280	233A5522-382406		.PLUG BUTTON INSTL-P18-2/D6 FOR DETAILS SEE: 24-50-59-01B	201967	1
- 285	233A5522-382408		.PLUG BUTTON INSTL-P18-2/D8 FOR DETAILS SEE: 24-50-59-01B	201967	1
- 300	233A5522-382413		.PLUG BUTTON INSTL- P18-2/D13 FOR DETAILS SEE: 24-50-59-01B	201967	1

MISSING ITEM NUMBERS NOT APPLICABLE

- ITEM NOT ILLUSTRATED

HAP

24-50-00-12B

BOEING PROPRIETARY - Copyright © - Unpublished Work - See title page for details.

24-50-00
FIG. 12B
PAGE 2
OCT 15/08

BOEING
737-600/700/800/900
PARTS CATALOG (MAINTENANCE)

FIG ITEM	PART NUMBER	1 2 3 4 5 6 7	NOMENCLATURE	EFFECT FROM TO	UNITS PER ASSY
12B - 305	233A5522-382414		.PLUG BUTTON INSTL- P18-2/D14 FOR DETAILS SEE: 24-50-59-01B	201967	1
- 315	233A5522-382509		.PLUG BUTTON INSTL-P18-2/E9 FOR DETAILS SEE: 24-50-59-01B	201967	1
- 320	233A5522-382510		.PLUG BUTTON INSTL- P18-2/E10 FOR DETAILS SEE: 24-50-59-01B	201967	1
- 330	233A5522-382512		.PLUG BUTTON INSTL- P18-2/E12 FOR DETAILS SEE: 24-50-59-01B	201967	1
- 335	233A5522-382513		.PLUG BUTTON INSTL- P18-2/E13 FOR DETAILS SEE: 24-50-59-01B	201967	1
- 340	233A5522-382514		.PLUG BUTTON INSTL- P18-2/E14 FOR DETAILS SEE: 24-50-59-01B	201967	1
- 345	233A5522-382515		.PLUG BUTTON INSTL- P18-2/E15 FOR DETAILS SEE: 24-50-59-01B	201967	1

MISSING ITEM NUMBERS NOT APPLICABLE

- ITEM NOT ILLUSTRATED

HAP

24-50-00-12B

BOEING PROPRIETARY - Copyright © - Unpublished Work - See title page for details.

24-50-00
FIG. 12B
PAGE 3
OCT 15/08

NON-ILLUSTRATED FIGURE

THE ITEMS REFLECTED IN THIS FIGURE ARE INTENTIONALLY
NON-ILLUSTRATED. THEY ARE REFERENCED TO EITHER A
NEXT HIGHER OR NEXT LOWER ASSEMBLY/INSTALLATION FIGURE.

E 24500012C REV 057

FUNCTIONAL COLLECTOR-P18-2 CB E/E EQPT FINAL ASSY (AC ELECTRICAL LOAD DISTRIBUTION ONLY)
FIGURE 12C

HAP
OCT 10/06

24-50-00-12C

24-50-00-12C
PAGE 0

BOEING
737-600/700/800/900
PARTS CATALOG (MAINTENANCE)

FIG ITEM	PART NUMBER	1 2 3 4 5 6 7	NOMENCLATURE	EFFECT FROM TO	UNITS PER ASSY
12C			FUNCTIONAL COLLECTOR-P18-2 CB E/E EQPT FINAL ASSY (AC ELECTRICAL LOAD DISTRIBUTION ONLY)	008030	
- 1	230A0050-3001		FUNCTIONAL COLLECTOR-P18-2 CB E/E EQPT FINAL ASSY (AC ELECTRICAL LOAD DISTRIBUTION ONLY) FOR NHA/OTHER SYS DET SEE: 24-00-00-08	008030	RF
- 50	233A5522-1		.MARKER INSTL-P18-2 FOR DETAILS SEE: 24-50-59-01P	008030	1
- 55	233A5522-2		.CIRCUIT BREAKER INSTL- P18-2 FOR DETAILS SEE: 24-50-59-01P	008030	1
- 60	233A5522-200058		.CIRCUIT BREAKER INSTL- COMMUNICATIONS SELCAL P18-2/D15 FOR DETAILS SEE: 24-50-59-01P	008030	1
- 65	233A5522-200107		.CIRCUIT BREAKER INSTL- VOICE RC DR P18-2/D7 FOR DETAILS SEE: 24-50-59-01P	008030	1
- 70	233A5522-200357		.CIRCUIT BREAKER INSTL-STBY ALTM/ASI VIB P18-2/D10 FOR DETAILS SEE: 24-50-59-01P	008030	1
- 75	233A5522-200471		.CIRCUIT BREAKER INSTL- COMMUNICATIONS VHF 3 P18-2/D12 FOR DETAILS SEE: 24-50-59-01P	008030	1
- 95	233A5522-201192		.CIRCUIT BREAKER INSTL-FMCS BITE DC P18-2/B10 FOR DETAILS SEE: 24-50-59-01P	008030	1
- 100	233A5522-201238		.CIRCUIT BREAKER INSTL-FMCS MDCU 1 P18-2/A7 FOR DETAILS SEE: 24-50-59-01P	008030	1
- 105	233A5522-201387		.CIRCUIT BREAKER INSTL-STBY ATT IND P18-2/D9 FOR DETAILS SEE: 24-50-59-01P	008030	1

MISSING ITEM NUMBERS NOT APPLICABLE

- ITEM NOT ILLUSTRATED

HAP

24-50-00-12C

BOEING PROPRIETARY - Copyright © - Unpublished Work - See title page for details.

24-50-00
FIG. 12C
PAGE 1
OCT 10/07

 **BOEING**
737-600/700/800/900
PARTS CATALOG (MAINTENANCE)

FIG ITEM	PART NUMBER	1 2 3 4 5 6 7	NOMENCLATURE	EFFECT FROM TO	UNITS PER ASSY
12C - 155	233A5522-201537	.	CIRCUIT BREAKER INSTL- VOICE RCDR RELAY P18-2/C7 FOR DETAILS SEE: 24-50-59-01P	008030	1
- 250	233A5522-382102	.	PLUG BUTTON INSTL-P18-2 A2 FOR DETAILS SEE: 24-50-59-01P	008030	1
- 255	233A5522-382108	.	PLUG BUTTON INSTL-P18-2 A8 FOR DETAILS SEE: 24-50-59-01P	008030	1
- 260	233A5522-382209	.	PLUG BUTTON INSTL-P18-2 B9 FOR DETAILS SEE: 24-50-59-01P	008030	1
- 270	233A5522-382301	.	PLUG BUTTON INSTL-P18-2 C1 FOR DETAILS SEE: 24-50-59-01P	008030	1
- 275	233A5522-382302	.	PLUG BUTTON INSTL-P18-2 C2 FOR DETAILS SEE: 24-50-59-01P	008030	1
- 280	233A5522-382303	.	PLUG BUTTON INSTL-P18-2 C3 FOR DETAILS SEE: 24-50-59-01P	008030	1
- 285	233A5522-382304	.	PLUG BUTTON INSTL-P18-2 C4 FOR DETAILS SEE: 24-50-59-01P	008030	1
- 290	233A5522-382305	.	PLUG BUTTON INSTL-P18-2 C5 FOR DETAILS SEE: 24-50-59-01P	008030	1
- 295	233A5522-382306	.	PLUG BUTTON INSTL-P18-2 C6 FOR DETAILS SEE: 24-50-59-01P	008030	1
- 305	233A5522-382406	.	PLUG BUTTON INSTL-P18-2 D6 FOR DETAILS SEE: 24-50-59-01P	008030	1
- 310	233A5522-382408	.	PLUG BUTTON INSTL-P18-2 D8 FOR DETAILS SEE: 24-50-59-01P	008030	1
- 320	233A5522-382413	.	PLUG BUTTON INSTL- P18-2/D13 FOR DETAILS SEE: 24-50-59-01P	008030	1
- 325	233A5522-382414	.	PLUG BUTTON INSTL- P18-2/D14 FOR DETAILS SEE: 24-50-59-01P	008030	1
- 330	233A5522-382509	.	PLUG BUTTON INSTL-P18-2 E9 FOR DETAILS SEE: 24-50-59-01P	008030	1

MISSING ITEM NUMBERS NOT APPLICABLE

- ITEM NOT ILLUSTRATED

HAP

24-50-00-12C

BOEING PROPRIETARY - Copyright © - Unpublished Work - See title page for details.

24-50-00
FIG. 12C
PAGE 2
OCT 10/07

 **BOEING**
737-600/700/800/900
PARTS CATALOG (MAINTENANCE)

FIG ITEM	PART NUMBER	1 2 3 4 5 6 7	NOMENCLATURE	EFFECT FROM TO	UNITS PER ASSY
12C - 335	233A5522-382510		.PLUG BUTTON INSTL- P18-2/E10 FOR DETAILS SEE: 24-50-59-01P	008030	1
- 340	233A5522-382511		.PLUG BUTTON INSTL- P18-2/E11 FOR DETAILS SEE: 24-50-59-01P	008030	1
- 345	233A5522-382512		.PLUG BUTTON INSTL- P18-2/E12 FOR DETAILS SEE: 24-50-59-01P	008030	1
- 350	233A5522-382513		.PLUG BUTTON INSTL- P18-2/E13 FOR DETAILS SEE: 24-50-59-01P	008030	1
- 355	233A5522-382514		.PLUG BUTTON INSTL- P18-2/E14 FOR DETAILS SEE: 24-50-59-01P	008030	1
- 360	233A5522-382515		.PLUG BUTTON INSTL- P18-2/E15 FOR DETAILS SEE: 24-50-59-01P	008030	1
- 500	233A5522-582415		.INOP INSTL-P18-2 D15 FUNCTIONAL REFERENCE: ELECTRICAL POWER FOR DETAILS SEE 24-50-59-01P PLACARDS AND MARKINGS FOR DETAILS SEE 11-35-01-31P	008030	1

MISSING ITEM NUMBERS NOT APPLICABLE

- ITEM NOT ILLUSTRATED

HAP

24-50-00-12C

BOEING PROPRIETARY - Copyright © - Unpublished Work - See title page for details.

24-50-00
FIG. 12C
PAGE 3
OCT 10/07

NON-ILLUSTRATED FIGURE

THE ITEMS REFLECTED IN THIS FIGURE ARE INTENTIONALLY
NON-ILLUSTRATED. THEY ARE REFERENCED TO EITHER A
NEXT HIGHER OR NEXT LOWER ASSEMBLY/INSTALLATION FIGURE.

E 24500013B REV 057

FUNCTIONAL COLLECTOR-P18-3 CB E/E EQPT FINAL ASSY CUSTOMER UNIQUE (AC ELECTRICAL LOAD DISTRIBUTION)
FIGURE 13B

HAP
OCT 15/08

24-50-00-13B

24-50-00-13B
PAGE 0

BOEING
737-600/700/800/900
PARTS CATALOG (MAINTENANCE)

FIG ITEM	PART NUMBER	1 2 3 4 5 6 7	NOMENCLATURE	EFFECT FROM TO	UNITS PER ASSY
13B			FUNCTIONAL COLLECTOR-P18-3 CB E/E EQPT FINAL ASSY CUSTOMER UNIQUE (AC ELECTRICAL LOAD DISTRIBUTION)	201967	
- 10	230A0050-2610		FUNCTIONAL COLLECTOR-P18-3 CB E/E EQPT FINAL ASSY CUSTOMER UNIQUE (AC ELECTRICAL LOAD DISTRIBUTION ONLY) FOR NHA/OTHER SYS DET SEE: 24-00-00-04	201967	RF
- 50	233A5523-1		.MARKER INSTL-P18-3 FOR DETAILS SEE: 24-50-60-02C	201967	1
- 55	233A5523-2		.CIRCUIT BREAKER INSTL- P18-3 FOR DETAILS SEE: 24-50-60-02C	201967	1
- 60	233A5523-200103		.CIRCUIT BREAKER INSTL- SHAVER OUTLET 115V AC P18-3/F12 FOR DETAILS SEE: 24-50-60-02C	201967	1
- 65	233A5523-200104		.CIRCUIT BREAKER INSTL-LAV WATER HEATER A P18-3/F13 FOR DETAILS SEE: 24-50-60-02C	201967	1
- 80	233A5523-200123		.CIRCUIT BREAKER INSTL-EXT LIGHTING NOSE GEAR TAXI P18-3/D14 FOR DETAILS SEE: 24-50-60-02C	201967	1
- 105	233A5523-200250		.CIRCUIT BREAKER INSTL- PASS. CAB. LIGHTING EMER CHGR FWD P18-3/A11	201967	1
- 135	233A5523-201073		.CIRCUIT BREAKER INSTL-LAV WATER HEATER D P18-3/F14 FOR DETAILS SEE: 24-50-60-02C	201967	1
- 140	233A5523-201096		.CIRCUIT BREAKER INSTL-LAV WATER HEATER E P18-3/F15 FOR DETAILS SEE: 24-50-60-02C	201967	1
- 165	233A5523-201358		.CIRCUIT BREAKER INSTL- PASS. CAB. LIGHTING EMER CHGR R AFT P18-3/B10 FOR DETAILS SEE: 24-50-60-02C	201967	1

MISSING ITEM NUMBERS NOT APPLICABLE

- ITEM NOT ILLUSTRATED

HAP

24-50-00-13B

BOEING PROPRIETARY - Copyright © - Unpublished Work - See title page for details.

24-50-00
FIG. 13B
PAGE 1
OCT 15/08

 **BOEING**
737-600/700/800/900
PARTS CATALOG (MAINTENANCE)

FIG ITEM	PART NUMBER	1 2 3 4 5 6 7	NOMENCLATURE	EFFECT FROM TO	UNITS PER ASSY
13B - 175	233A5523-201473	.	CIRCUIT BREAKER INSTL-HOSE HEATERS P18-3/E18 FOR DETAILS SEE: 24-50-60-02C	201967	1
- 220	233A5523-201528	.	CIRCUIT BREAKER INSTL- CARGO FIRE EXT 2 P18-3/B16 FOR DETAILS SEE: 24-50-60-02C	201967	1
- 275	233A5523-383102	.	PLUG BUTTON INSTL-P18-3/A2 FOR DETAILS SEE: 24-50-60-02C	201967	1
- 280	233A5523-383103	.	PLUG BUTTON INSTL-P18-3/A3 FOR DETAILS SEE: 24-50-60-02C	201967	1
- 285	233A5523-383104	.	PLUG BUTTON INSTL-P18-3/A4 FOR DETAILS SEE: 24-50-60-02C	201967	1
- 290	233A5523-383105	.	PLUG BUTTON INSTL-P18-3/A5 FOR DETAILS SEE: 24-50-60-02C	201967	1
- 295	233A5523-383116	.	PLUG BUTTON INSTL- P18-3/A16 FOR DETAILS SEE: 24-50-60-02C	201967	1
- 300	233A5523-383202	.	PLUG BUTTON INSTL-P18-3/B2 FOR DETAILS SEE: 24-50-60-02C	201967	1
- 305	233A5523-383204	.	PLUG BUTTON INSTL-P18-3/B4 FOR DETAILS SEE: 24-50-60-02C	201967	1
- 310	233A5523-383205	.	PLUG BUTTON INSTL-P18-3/B5 FOR DETAILS SEE: 24-50-60-02C	201967	1
- 315	233A5523-383209	.	PLUG BUTTON INSTL-P18-3/B9 FOR DETAILS SEE: 24-50-60-02C	201967	1
- 320	233A5523-383211	.	PLUG BUTTON INSTL- P18-3/B11 FOR DETAILS SEE: 24-50-60-02C	201967	1
- 330	233A5523-383218	.	PLUG BUTTON INSTL- P18-3/B18 FOR DETAILS SEE: 24-50-60-02C	201967	1
- 335	233A5523-383219	.	PLUG BUTTON INSTL- P18-3/B19 FOR DETAILS SEE: 24-50-60-02C	201967	1

MISSING ITEM NUMBERS NOT APPLICABLE

- ITEM NOT ILLUSTRATED

HAP

24-50-00-13B

BOEING PROPRIETARY - Copyright © - Unpublished Work - See title page for details.

24-50-00
FIG. 13B
PAGE 2
OCT 15/08

 **BOEING**
737-600/700/800/900
PARTS CATALOG (MAINTENANCE)

FIG ITEM	PART NUMBER	1 2 3 4 5 6 7	NOMENCLATURE	EFFECT FROM TO	UNITS PER ASSY
13B					
- 340	233A5523-383306		.PLUG BUTTON INSTL-P18-3/C6 FOR DETAILS SEE: 24-50-60-02C	201967	1
- 345	233A5523-383307		.PLUG BUTTON INSTL-P18-3/C7 FOR DETAILS SEE: 24-50-60-02C	201967	1
- 350	233A5523-383407		.PLUG BUTTON INSTL-P18-3/D7 FOR DETAILS SEE: 24-50-60-02C	201967	1
- 355	233A5523-383408		.PLUG BUTTON INSTL-P18-3/D8 FOR DETAILS SEE: 24-50-60-02C	201967	1
- 360	233A5523-383410		.PLUG BUTTON INSTL- P18-3/D10 FOR DETAILS SEE: 24-50-60-02C	201967	1
- 365	233A5523-383412		.PLUG BUTTON INSTL- P18-3/D10 FOR DETAILS SEE: 24-50-60-02C	201967	1
- 370	233A5523-383413		.PLUG BUTTON INSTL- P18-3/D13 FOR DETAILS SEE: 24-50-60-02C	201967	1
- 375	233A5523-383415		.PLUG BUTTON INSTL- P18-3/D13 FOR DETAILS SEE: 24-50-60-02C	201967	1
- 380	233A5523-383416		.PLUG BUTTON INSTL- P18-3/D16 FOR DETAILS SEE: 24-50-60-02C	201967	1
- 385	233A5523-383417		.PLUG BUTTON INSTL- P18-3/D17 FOR DETAILS SEE: 24-50-60-02C	201967	1
- 390	233A5523-383506		.PLUG BUTTON INSTL-P18-3/E6 FOR DETAILS SEE: 24-50-60-02C	201967	1
- 395	233A5523-383507		.PLUG BUTTON INSTL-P18-3/E7 FOR DETAILS SEE: 24-50-60-02C	201967	1
- 400	233A5523-383508		.PLUG BUTTON INSTL-P18-3/E8 FOR DETAILS SEE: 24-50-60-02C	201967	1
- 405	233A5523-383509		.PLUG BUTTON INSTL-P18-3/E9 FOR DETAILS SEE: 24-50-60-02C	201967	1

MISSING ITEM NUMBERS NOT APPLICABLE

- ITEM NOT ILLUSTRATED

HAP

24-50-00-13B

BOEING PROPRIETARY - Copyright © - Unpublished Work - See title page for details.

24-50-00
FIG. 13B
PAGE 3
OCT 15/08

 **BOEING**
737-600/700/800/900
PARTS CATALOG (MAINTENANCE)

FIG ITEM	PART NUMBER	1 2 3 4 5 6 7	NOMENCLATURE	EFFECT FROM TO	UNITS PER ASSY
13B - 410	233A5523-383510		.PLUG BUTTON INSTL- P18-3/E10 FOR DETAILS SEE: 24-50-60-02C	201967	1
- 415	233A5523-383513		.PLUG BUTTON INSTL- P18-3/E13 FOR DETAILS SEE: 24-50-60-02C	201967	1
- 420	233A5523-383515		.PLUG BUTTON INSTL- P18-3/E15 FOR DETAILS SEE: 24-50-60-02C	201967	1
- 425	233A5523-383516		.PLUG BUTTON INSTL- P18-3/E16 FOR DETAILS SEE: 24-50-60-02C	201967	1
- 430	233A5523-383517		.PLUG BUTTON INSTL- P18-3/E17 FOR DETAILS SEE: 24-50-60-02C	201967	1
- 440	233A5523-383519		.PLUG BUTTON INSTL- P18-3/E19 FOR DETAILS SEE: 24-50-60-02C	201967	1
- 445	233A5523-383601		.PLUG BUTTON INSTL-P18-3/F1 FOR DETAILS SEE: 24-50-60-02C	201967	1
- 450	233A5523-383602		.PLUG BUTTON INSTL-P18-3/F2 FOR DETAILS SEE: 24-50-60-02C	201967	1
- 455	233A5523-383603		.PLUG BUTTON INSTL-P18-3/F3 FOR DETAILS SEE: 24-50-60-02C	201967	1
- 460	233A5523-383604		.PLUG BUTTON INSTL-P18-3/F4 FOR DETAILS SEE: 24-50-60-02C	201967	1
- 465	233A5523-383605		.PLUG BUTTON INSTL-P18-3/F5 FOR DETAILS SEE: 24-50-60-02C	201967	1
- 470	233A5523-383606		.PLUG BUTTON INSTL-P18-3/F6 FOR DETAILS SEE: 24-50-60-02C	201967	1
- 475	233A5523-383611		.PLUG BUTTON INSTL- P18-3/F11 FOR DETAILS SEE: 24-50-60-02C	201967	1

MISSING ITEM NUMBERS NOT APPLICABLE

- ITEM NOT ILLUSTRATED

HAP

24-50-00-13B

BOEING PROPRIETARY - Copyright © - Unpublished Work - See title page for details.

24-50-00
FIG. 13B
PAGE 4
OCT 15/08

 **BOEING**
737-600/700/800/900
PARTS CATALOG (MAINTENANCE)

FIG ITEM	PART NUMBER	1 2 3 4 5 6 7	NOMENCLATURE	EFFECT FROM TO	UNITS PER ASSY
13B - 490	233A5523-383616		.PLUG BUTTON INSTL- P18-3/F16 FOR DETAILS SEE: 24-50-60-02C	201967	1
- 495	233A5523-383617		.PLUG BUTTON INSTL- P18-3/F17 FOR DETAILS SEE: 24-50-60-02C	201967	1
- 500	233A5523-383618		.PLUG BUTTON INSTL- P18-3/F18 FOR DETAILS SEE: 24-50-60-02C	201967	1
- 505	233A5523-383619		.PLUG BUTTON INSTL- P18-3/F19 FOR DETAILS SEE: 24-50-60-02C	201967	1

MISSING ITEM NUMBERS NOT APPLICABLE

- ITEM NOT ILLUSTRATED

HAP

24-50-00-13B

BOEING PROPRIETARY - Copyright © - Unpublished Work - See title page for details.

24-50-00
FIG. 13B
PAGE 5
OCT 15/08

NON-ILLUSTRATED FIGURE

THE ITEMS REFLECTED IN THIS FIGURE ARE INTENTIONALLY
NON-ILLUSTRATED. THEY ARE REFERENCED TO EITHER A
NEXT HIGHER OR NEXT LOWER ASSEMBLY/INSTALLATION FIGURE.

E 24500013C REV 057

FUNCTIONAL COLLECTOR-P18-3 CB E/E EQPT FINAL ASSY (AC ELECTRICAL LOAD DISTRIBUTION ONLY)
FIGURE 13C

HAP
OCT 10/06

24-50-00-13C

24-50-00-13C
PAGE 0

BOEING
737-600/700/800/900
PARTS CATALOG (MAINTENANCE)

FIG ITEM	PART NUMBER	1 2 3 4 5 6 7	NOMENCLATURE	EFFECT FROM TO	UNITS PER ASSY
13C			FUNCTIONAL COLLECTOR-P18-3 CB E/E EQPT FINAL ASSY (AC ELECTRICAL LOAD DISTRIBUTION ONLY)	008030	
- 1	230A0050-3001		FUNCTIONAL COLLECTOR-P18-3 CB E/E EQPT FINAL ASSY (AC ELECTRICAL LOAD DISTRIBUTION ONLY) FOR NHA/OTHER SYS DET SEE: 24-00-00-08	008030	RF
- 50	233A5523-1		.MARKER INSTL-P18-3 FOR DETAILS SEE: 24-50-60-01H	008030	1
- 55	233A5523-2		.CIRCUIT BREAKER INSTL- P18-3 FOR DETAILS SEE: 24-50-60-01H	008014	1
- 65	233A5523-200104		.CIRCUIT BREAKER INSTL-LAV WATER HEATER A P18-3/F13 FOR DETAILS SEE: 24-50-60-01H	008030	1
- 70	233A5523-200123		.CIRCUIT BREAKER INSTL-EXT LIGHTING NOSE GEAR TAXI P18-3/D14 FOR DETAILS SEE: 24-50-60-01H	008030	1
- 75	233A5523-200220		.CIRCUIT BREAKER INSTL- WINDOW HEAT CONT L FRONT DC P18-3/F5 FOR DETAILS SEE: 24-50-60-01H	008030	1
- 80	233A5523-200221		.CIRCUIT BREAKER INSTL- WINDOW HEAT CONT L SIDE DC P18-3/F2 FOR DETAILS SEE: 24-50-60-01H	008030	1
- 85	233A5523-200222		.CIRCUIT BREAKER INSTL- WINDOW HEAT CONT R FRONT DC P18-3/F1 FOR DETAILS SEE: 24-50-60-01H	008030	1
- 90	233A5523-200223		.CIRCUIT BREAKER INSTL- WINDOW HEAT CONT R SIDE DC P18-3/F4 FOR DETAILS SEE: 24-50-60-01H	008030	1

MISSING ITEM NUMBERS NOT APPLICABLE

- ITEM NOT ILLUSTRATED

HAP

24-50-00-13C

BOEING PROPRIETARY - Copyright © - Unpublished Work - See title page for details.

24-50-00
FIG. 13C
PAGE 1
OCT 10/06

BOEING
737-600/700/800/900
PARTS CATALOG (MAINTENANCE)

FIG ITEM	PART NUMBER	1 2 3 4 5 6 7	NOMENCLATURE	EFFECT FROM TO	UNITS PER ASSY
13C - 95	233A5523-200523	.	CIRCUIT BREAKER INSTL- HEATERS CAPT PITOT P18-3/C1 FOR DETAILS SEE: 24-50-60-01H	015030	1
- 100	233A5523-200524	.	CIRCUIT BREAKER INSTL- HEATERS AUX PITOT P18-3/D6 FOR DETAILS SEE: 24-50-60-01H	015030	1
- 105	233A5523-200525	.	CIRCUIT BREAKER INSTL- HEATERS F/O PITOT P18-3/D5 FOR DETAILS SEE: 24-50-60-01H	015030	1
- 110	233A5523-200644	.	CIRCUIT BREAKER INSTL-EXT LIGHTING LOGO ILLUM P18-3/A15 FOR DETAILS SEE: 24-50-60-01H	015030	1
- 115	233A5523-200911	.	CIRCUIT BREAKER INSTL-AIR CONDITIONING RECIRC FAN L CAB. AIR P18-3/E7 FOR DETAILS SEE: 24-50-60-01H	008030	1
- 120	233A5523-201073	.	CIRCUIT BREAKER INSTL-LAV WATER HEATER D P18-3/F14 FOR DETAILS SEE: 24-50-60-01H	008030	1
- 125	233A5523-201096	.	CIRCUIT BREAKER INSTL-LAV WATER HEATER E P18-3/F15 FOR DETAILS SEE: 24-50-60-01H	008030	1
- 130	233A5523-201125	.	CIRCUIT BREAKER INSTL-LAV SMOKE P18-3/E12 FOR DETAILS SEE: 24-50-60-01H	015030	1
- 140	233A5523-201156	.	CIRCUIT BREAKER INSTL- AIR CONDITIONING RECIRCULATION FAN L CONT P18-3/E9 FOR DETAILS SEE: 24-50-60-01H	008030	1
- 150	233A5523-201460	.	CIRCUIT BREAKER INSTL-28V DC SVCE OUTLET P18-3/F19 FOR DETAILS SEE: 24-50-60-01H	008030	1

MISSING ITEM NUMBERS NOT APPLICABLE

- ITEM NOT ILLUSTRATED

HAP

24-50-00-13C

BOEING PROPRIETARY - Copyright © - Unpublished Work - See title page for details.

24-50-00
FIG. 13C
PAGE 2
OCT 10/06

 **BOEING**
737-600/700/800/900
PARTS CATALOG (MAINTENANCE)

FIG ITEM	PART NUMBER	1 2 3 4 5 6 7	NOMENCLATURE	EFFECT FROM TO	UNITS PER ASSY
13C - 245	233A5523-210250	.	CIRCUIT BREAKER INSTL-PASS. CAB. LIGHTING EMER CHGR FWD P18-3/A11 FOR DETAILS SEE: 24-50-60-01H	008030	1
- 250	233A5523-211358	.	CIRCUIT BREAKER INSTL-PASS. CAB. LIGHTING EMER CHGR R AFT P18-3/B10 FOR DETAILS SEE: 24-50-60-01H	008030	1
- 255	233A5523-211473	.	CIRCUIT BREAKER INSTL-HOSE HEATERS P18-3/F16 FOR DETAILS SEE: 24-50-60-01H	008030	1
- 270	233A5523-4	.	CIRCUIT BREAKER INSTL-P18-3 FOR DETAILS SEE: 24-50-60-01H	015030	1
- 355	233A5523-383102	.	PLUG BUTTON INSTL-P18-3/A2 FOR DETAILS SEE: 24-50-60-01H	008030	1
- 360	233A5523-383103	.	PLUG BUTTON INSTL-P18-3/A3 FOR DETAILS SEE: 24-50-60-01H	008030	1
- 365	233A5523-383104	.	PLUG BUTTON INSTL-P18-3/A4 FOR DETAILS SEE: 24-50-60-01H	008030	1
- 370	233A5523-383105	.	PLUG BUTTON INSTL-P18-3/A5 FOR DETAILS SEE: 24-50-60-01H	008030	1
- 380	233A5523-383116	.	PLUG BUTTON INSTL-P18-3/A16 FOR DETAILS SEE: 24-50-60-01H	008030	1
- 385	233A5523-383202	.	PLUG BUTTON INSTL-P18-3/B2 FOR DETAILS SEE: 24-50-60-01H	008030	1
- 390	233A5523-383204	.	PLUG BUTTON INSTL-P18-3/B4 FOR DETAILS SEE: 24-50-60-01H	008030	1
- 395	233A5523-383205	.	PLUG BUTTON INSTL-P18-3/B5 FOR DETAILS SEE: 24-50-60-01H	008030	1
- 400	233A5523-383209	.	PLUG BUTTON INSTL-P18-3/B9 FOR DETAILS SEE: 24-50-60-01H	008030	1

MISSING ITEM NUMBERS NOT APPLICABLE

- ITEM NOT ILLUSTRATED

HAP

24-50-00-13C

BOEING PROPRIETARY - Copyright © - Unpublished Work - See title page for details.

24-50-00
FIG. 13C
PAGE 3
OCT 10/06

 **BOEING**
737-600/700/800/900
PARTS CATALOG (MAINTENANCE)

FIG ITEM	PART NUMBER	1 2 3 4 5 6 7	NOMENCLATURE	EFFECT FROM TO	UNITS PER ASSY
13C - 405	233A5523-383211		.PLUG BUTTON INSTL- P18-3/B11 FOR DETAILS SEE: 24-50-60-01H	008030	1
- 410	233A5523-383216		.PLUG BUTTON INSTL- P18-3/B16 FOR DETAILS SEE: 24-50-60-01H	008030	1
- 415	233A5523-383218		.PLUG BUTTON INSTL- P18-3/B18 FOR DETAILS SEE: 24-50-60-01H	008030	1
- 420	233A5523-383219		.PLUG BUTTON INSTL- P18-3/B19 FOR DETAILS SEE: 24-50-60-01H	008030	1
- 425	233A5523-383306		.PLUG BUTTON INSTL-P18-3/C6 FOR DETAILS SEE: 24-50-60-01H	008030	1
- 430	233A5523-383307		.PLUG BUTTON INSTL-P18-3/C7 FOR DETAILS SEE: 24-50-60-01H	008030	1
- 435	233A5523-383407		.PLUG BUTTON INSTL-P18-3/D7 FOR DETAILS SEE: 24-50-60-01H	008030	1
- 440	233A5523-383408		.PLUG BUTTON INSTL-P18-3/D8 FOR DETAILS SEE: 24-50-60-01H	008030	1
- 445	233A5523-383410		.PLUG BUTTON INSTL- P18-3/D10 FOR DETAILS SEE: 24-50-60-01H	008030	1
- 450	233A5523-383412		.PLUG BUTTON INSTL- P18-3/D12 FOR DETAILS SEE: 24-50-60-01H	008030	1
- 455	233A5523-383413		.PLUG BUTTON INSTL- P18-3/D13 FOR DETAILS SEE: 24-50-60-01H	008030	1
- 460	233A5523-383415		.PLUG BUTTON INSTL- P18-3/D15 FOR DETAILS SEE: 24-50-60-01H	008030	1
- 465	233A5523-383416		.PLUG BUTTON INSTL- P18-3/D16 FOR DETAILS SEE: 24-50-60-01H	008030	1

MISSING ITEM NUMBERS NOT APPLICABLE

- ITEM NOT ILLUSTRATED

HAP

24-50-00-13C

BOEING PROPRIETARY - Copyright © - Unpublished Work - See title page for details.

24-50-00
FIG. 13C
PAGE 4
OCT 10/06

 **BOEING**
737-600/700/800/900
PARTS CATALOG (MAINTENANCE)

FIG ITEM	PART NUMBER	1 2 3 4 5 6 7	NOMENCLATURE	EFFECT FROM TO	UNITS PER ASSY
13C					
- 470	233A5523-383417	.	PLUG BUTTON INSTL- P18-3/D17 FOR DETAILS SEE: 24-50-60-01H	008030	1
- 475	233A5523-383506	.	PLUG BUTTON INSTL-P18-3/E6 FOR DETAILS SEE: 24-50-60-01H	008030	1
- 480	233A5523-383508	.	PLUG BUTTON INSTL-P18-3/E8 FOR DETAILS SEE: 24-50-60-01H	008030	1
- 485	233A5523-383510	.	PLUG BUTTON INSTL- P18-3/E10 FOR DETAILS SEE: 24-50-60-01H	008030	1
- 490	233A5523-383513	.	PLUG BUTTON INSTL- P18-3/E13 FOR DETAILS SEE: 24-50-60-01H	008030	1
- 495	233A5523-383515	.	PLUG BUTTON INSTL- P18-3/E15 FOR DETAILS SEE: 24-50-60-01H	008030	1
- 500	233A5523-383516	.	PLUG BUTTON INSTL- P18-3/E16 FOR DETAILS SEE: 24-50-60-01H	008030	1
- 505	233A5523-383517	.	PLUG BUTTON INSTL- P18-3/E17 FOR DETAILS SEE: 24-50-60-01H	008030	1
- 510	233A5523-383518	.	PLUG BUTTON INSTL- P18-3/E18 FOR DETAILS SEE: 24-50-60-01H	008030	1
- 515	233A5523-383519	.	PLUG BUTTON INSTL- P18-3/E19 FOR DETAILS SEE: 24-50-60-01H	008030	1
- 530	233A5523-383603	.	PLUG BUTTON INSTL-P18-3/F3 FOR DETAILS SEE: 24-50-60-01H	008030	1
- 545	233A5523-383606	.	PLUG BUTTON INSTL-P18-3/F6 FOR DETAILS SEE: 24-50-60-01H	008030	1
- 550	233A5523-383611	.	PLUG BUTTON INSTL- P18-3/F11 FOR DETAILS SEE: 24-50-60-01H	008030	1

MISSING ITEM NUMBERS NOT APPLICABLE

- ITEM NOT ILLUSTRATED

HAP

24-50-00-13C

BOEING PROPRIETARY - Copyright © - Unpublished Work - See title page for details.

24-50-00
FIG. 13C
PAGE 5
OCT 10/06

BOEING
737-600/700/800/900
PARTS CATALOG (MAINTENANCE)

FIG ITEM	PART NUMBER	1 2 3 4 5 6 7	NOMENCLATURE	EFFECT FROM TO	UNITS PER ASSY
13C - 555	233A5523-383612		.PLUG BUTTON INSTL- P18-3/F12 FOR DETAILS SEE: 24-50-60-01H	008030	1
- 575	233A5523-383617		.PLUG BUTTON INSTL- P18-3/F17 FOR DETAILS SEE: 24-50-60-01H	008030	1
- 580	233A5523-383618		.PLUG BUTTON INSTL- P18-3/F18 FOR DETAILS SEE: 24-50-60-01H	008030	1

MISSING ITEM NUMBERS NOT APPLICABLE

- ITEM NOT ILLUSTRATED

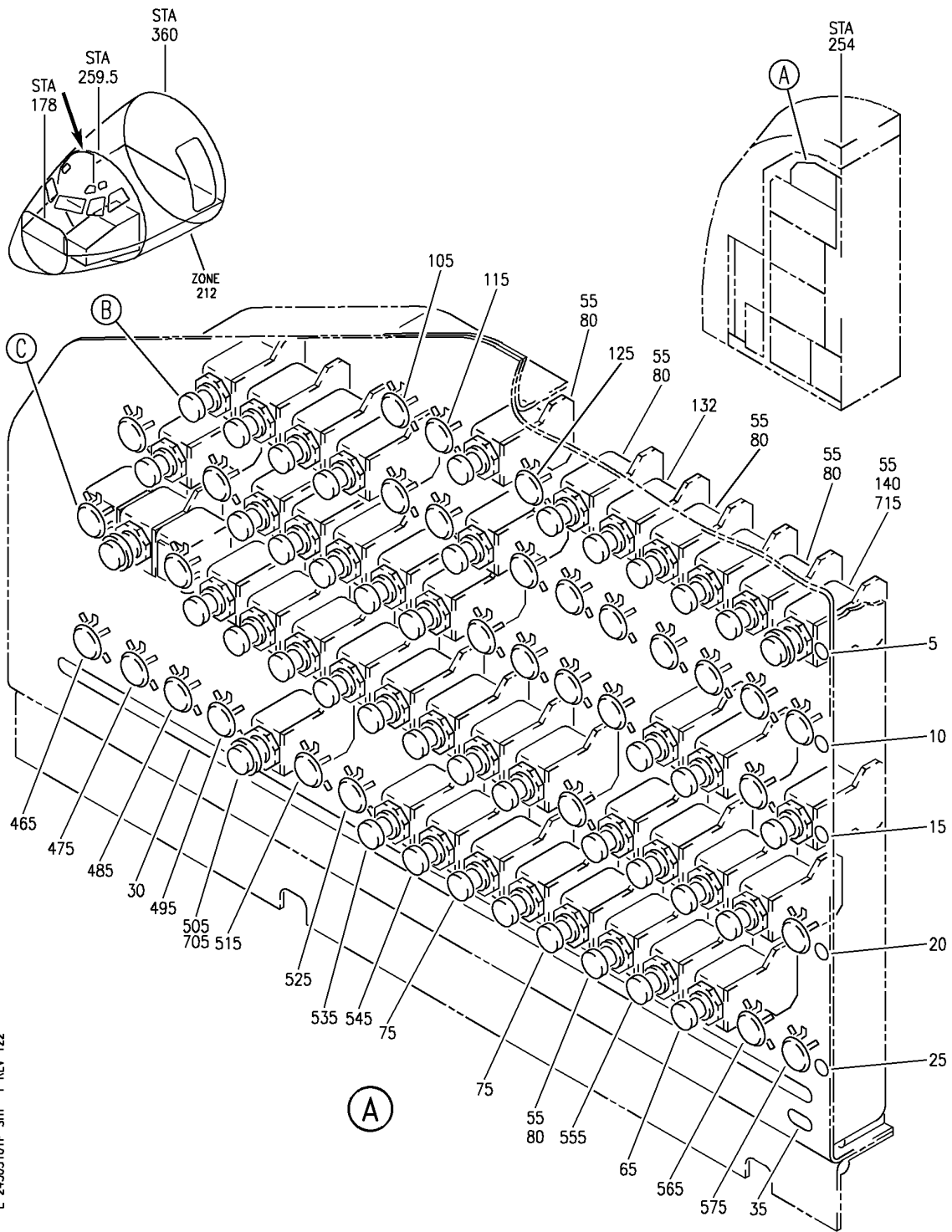
HAP

24-50-00-13C

BOEING PROPRIETARY - Copyright © - Unpublished Work - See title page for details.

24-50-00
FIG. 13C
PAGE 6
OCT 10/06

BOEING
 737-600/700/800/900
 PARTS CATALOG (MAINTENANCE)



E 24-50-51-01P SHT 1 REV 122

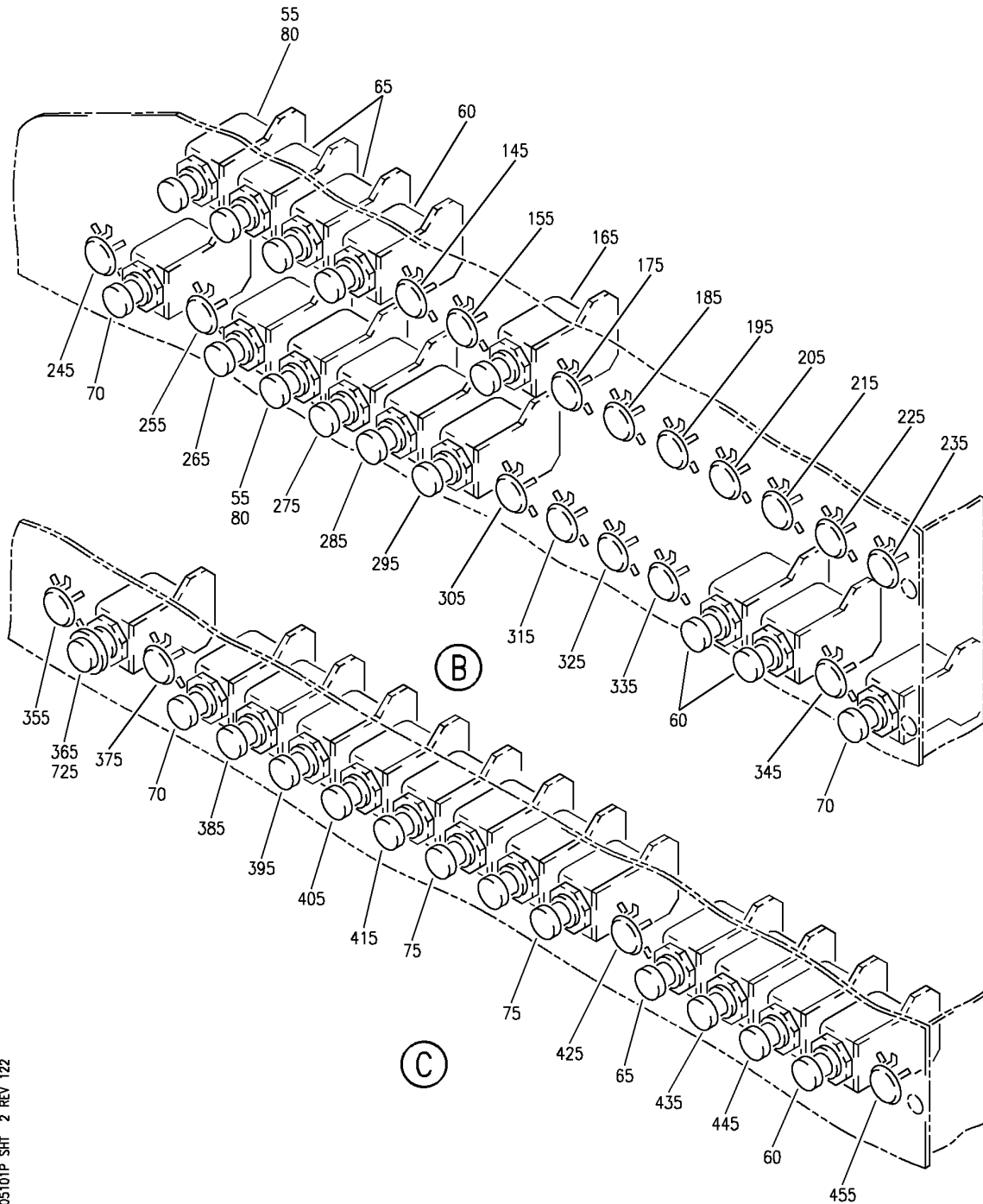
MARKER, CIRCUIT BREAKER, PLUG BUTTON AND INOP INSTL-P6-1 PNL (ELECTRICAL POWER ONLY)
 FIGURE 1P (SHEET 1)

HAP
 JUN 10/07

24-50-51-01P

24-50-51-01P
 PAGE 0

BOEING
 737-600/700/800/900
 PARTS CATALOG (MAINTENANCE)



E 24505101P SHT 2 REV 122

MARKER, CIRCUIT BREAKER, PLUG BUTTON AND INOP INSTL-P6-1 PNL (ELECTRICAL POWER ONLY)
 FIGURE 1P (SHEET 2)

HAP
 JUN 10/07

24-50-51-01P

24-50-51-01P
 PAGE 0A

BOEING
737-600/700/800/900
PARTS CATALOG (MAINTENANCE)

FIG ITEM	PART NUMBER	1 2 3 4 5 6 7	NOMENCLATURE	EFFECT FROM TO	UNITS PER ASSY
1P			MARKER, CIRCUIT BREAKER, PLUG BUTTON AND INOP INSTL-P6-1 PNL (ELECTRICAL POWER ONLY)	039040	
- 1	MODREF235052		MARKER INSTL-P6-1 PNL MODULE NUMBER: 233A5221-1 REV C	039040	1
5	BAC27DCC3065		.MARKER- PLACARD CONTENT: A	039040	1
10	BAC27DCC3066		.MARKER- PLACARD CONTENT: B	039040	1
15	BAC27DCC3067		.MARKER- PLACARD CONTENT: C	039040	1
20	BAC27DCC3068		.MARKER- PLACARD CONTENT: D	039040	1
25	BAC27DCC3069		.MARKER- PLACARD CONTENT: E	039040	1
30	BAC27DCC2719		.MARKER- PLACARD CONTENT: 1 THRU 17	039040	1
35	BAC27DCC3074		.MARKER- PLACARD CONTENT: P6-1	039040	1
- 50	MODREF274758		CIRCUIT BREAKER INSTL-P6-1 PNL MODULE NUMBER: 233A5221-4 REV C	039040	1
60	2TC47-3		.CIRCUIT BREAKER- SUPPLIER CODE: V82647 SPECIFICATION NUMBER: BACC18AD3 OPTIONAL PART: 4310-029-3 V76374 ELECTRICAL EQUIP NUMBER: C00426 C00549 C01008 C01262	039040	4

MISSING ITEM NUMBERS NOT APPLICABLE

- ITEM NOT ILLUSTRATED

HAP

24-50-51-01P

BOEING PROPRIETARY - Copyright © - Unpublished Work - See title page for details.

24-50-51
FIG. 01P
PAGE 1
JUN 10/07

BOEING
737-600/700/800/900
PARTS CATALOG (MAINTENANCE)

FIG ITEM	PART NUMBER	1 2 3 4 5 6 7	NOMENCLATURE	EFFECT FROM TO	UNITS PER ASSY
1P 65	2TC47-5		.CIRCUIT BREAKER- SUPPLIER CODE: V82647 SPECIFICATION NUMBER: BACC18AD5 OPTIONAL PART: 4310-029-5 V76374 ELECTRICAL EQUIP NUMBER: C00120 C01206 C01263 C01393	039040	4
70	2TC47-10		.CIRCUIT BREAKER- SUPPLIER CODE: V82647 SPECIFICATION NUMBER: BACC18AD10 OPTIONAL PART: 4310-029-10 V76374 ELECTRICAL EQUIP NUMBER: C00082 C00166 C01010	039040	3
75	4310-029-15		.CIRCUIT BREAKER- SUPPLIER CODE: V76374 SPECIFICATION NUMBER: BACC18AD15 OPTIONAL PART: 2TC47-15 V82647 ELECTRICAL EQUIP NUMBER: C01360 C01361 C01362 C01364 C01366 C01373	039040	6

MISSING ITEM NUMBERS NOT APPLICABLE

— ITEM NOT ILLUSTRATED

HAP

24-50-51-01P

BOEING PROPRIETARY - Copyright © - Unpublished Work - See title page for details.

24-50-51
FIG. 01P
PAGE 2
JUN 10/07

BOEING
737-600/700/800/900
PARTS CATALOG (MAINTENANCE)

FIG ITEM	PART NUMBER	1 2 3 4 5 6 7	NOMENCLATURE	EFFECT FROM TO	UNITS PER ASSY
1P 80	2TC47-2-5		.CIRCUIT BREAKER- SUPPLIER CODE: V82647 SPECIFICATION NUMBER: BACC18AD2 OPTIONAL PART: 4310-029-205 V76374 ELECTRICAL EQUIP NUMBER: C00192 C01207 C01370 C01375 C01377 C01379 C01385 C01583	039040	8
- 100	MODREF82561		PLUG BUTTON INSTL-P6-1/A8 MODULE NUMBER: 233A5221-301108 REV A	039040	1
105	BS51338D5003		.PLUG- SUPPLIER CODE: V83058 SPECIFICATION NUMBER: BACP20B63B OPTIONAL PART: 51338 V83058 MISCELLANEOUS DATA: USE IN PLACE OF CIRCUIT BREAKERS ON OPEN HOLES	039040	1
- 110	MODREF82562		PLUG BUTTON INSTL-P6-1/A9 MODULE NUMBER: 233A5221-301109 REV A	039040	1
115	BS51338D5003		.PLUG- SUPPLIER CODE: V83058 SPECIFICATION NUMBER: BACP20B63B OPTIONAL PART: 51338 V83058 MISCELLANEOUS DATA: USE IN PLACE OF CIRCUIT BREAKERS ON OPEN HOLES	039040	1
- 120	MODREF82563		PLUG BUTTON INSTL-P6-1/A11 MODULE NUMBER: 233A5221-301111 REV A	039040	1

MISSING ITEM NUMBERS NOT APPLICABLE

- ITEM NOT ILLUSTRATED

HAP

24-50-51-01P

BOEING PROPRIETARY - Copyright © - Unpublished Work - See title page for details.

24-50-51
FIG. 01P
PAGE 3
JUN 10/07

BOEING
737-600/700/800/900
PARTS CATALOG (MAINTENANCE)

FIG ITEM	PART NUMBER	1 2 3 4 5 6 7	NOMENCLATURE	EFFECT FROM TO	UNITS PER ASSY
1P 125	BS51338D5003	.	PLUG- SUPPLIER CODE: V83058 SPECIFICATION NUMBER: BACP20B63B OPTIONAL PART: 51338 V83058 MISCELLANEOUS DATA: USE IN PLACE OF CIRCUIT BREAKERS ON OPEN HOLES	039040	1
- 130	MODREF82542	C	CIRCUIT BREAKER INSTL- RADIO NAVIGATION MMR 2 P6-1/A13 MODULE NUMBER: 233A5221-201480 REV A	039040	1
132	2TC47-2-5	.	CIRCUIT BREAKER- SUPPLIER CODE: V82647 SPECIFICATION NUMBER: BACC18AD2 OPTIONAL PART: 4310-029-205 V76374 ELECTRICAL EQUIP NUMBER: C01480	039040	1
- 135	MODREF273852	C	CIRCUIT BREAKER INSTL-ADF 2 P6-1/A17 MODULE NUMBER: 233A5221-201383 REV A	039040	1
140	2TC47-2-5	.	CIRCUIT BREAKER- SUPPLIER CODE: V82647 SPECIFICATION NUMBER: BACC18AD2 OPTIONAL PART: 4310-029-205 V76374 ELECTRICAL EQUIP NUMBER: C01383	039040	1
- 142	MODREF82564	P	PLUG BUTTON INSTL-P6-1/B8 MODULE NUMBER: 233A5221-301208 REV A	039040	1

MISSING ITEM NUMBERS NOT APPLICABLE

- ITEM NOT ILLUSTRATED

HAP

24-50-51-01P

BOEING PROPRIETARY - Copyright © - Unpublished Work - See title page for details.

24-50-51
FIG. 01P
PAGE 4
JUN 10/07

BOEING
737-600/700/800/900
PARTS CATALOG (MAINTENANCE)

FIG ITEM	PART NUMBER	1 2 3 4 5 6 7	NOMENCLATURE	EFFECT FROM TO	UNITS PER ASSY
1P 145	BS51338D5003		.PLUG- SUPPLIER CODE: V83058 SPECIFICATION NUMBER: BACP20B63B OPTIONAL PART: 51338 V83058 MISCELLANEOUS DATA: USE IN PLACE OF CIRCUIT BREAKERS ON OPEN HOLES	039040	1
- 150	MODREF82565		PLUG BUTTON INSTL-P6-1/B9 MODULE NUMBER: 233A5221-301209 REV A	039040	1
155	BS51338D5003		.PLUG- SUPPLIER CODE: V83058 SPECIFICATION NUMBER: BACP20B63B OPTIONAL PART: 51338 V83058 MISCELLANEOUS DATA: USE IN PLACE OF CIRCUIT BREAKERS ON OPEN HOLES	039040	1
- 160	MODREF82559		CIRCUIT BREAKER INSTL- ENTERTAINMENT AUDIO DC P6-1/B10 MODULE NUMBER: 233A5221-201584 REV A	039040	1
165	2TC47-3		.CIRCUIT BREAKER- SUPPLIER CODE: V82647 SPECIFICATION NUMBER: BACC18AD3 OPTIONAL PART: 4310-029-3 V76374 ELECTRICAL EQUIP NUMBER: C01584	039040	1
- 170	MODREF82567		PLUG BUTTON INSTL-P6-1/B11 MODULE NUMBER: 233A5221-301211 REV A	039040	1

MISSING ITEM NUMBERS NOT APPLICABLE

- ITEM NOT ILLUSTRATED

HAP

24-50-51-01P

BOEING PROPRIETARY - Copyright © - Unpublished Work - See title page for details.

24-50-51
FIG. 01P
PAGE 5
JUN 10/07

BOEING
737-600/700/800/900
PARTS CATALOG (MAINTENANCE)

FIG ITEM	PART NUMBER	1 2 3 4 5 6 7	NOMENCLATURE	EFFECT FROM TO	UNITS PER ASSY
1P 175	BS51338D5003		.PLUG- SUPPLIER CODE: V83058 SPECIFICATION NUMBER: BACP20B63B OPTIONAL PART: 51338 V83058 MISCELLANEOUS DATA: USE IN PLACE OF CIRCUIT BREAKERS ON OPEN HOLES	039040	1
- 180	MODREF82568		PLUG BUTTON INSTL-P6-1/B12 MODULE NUMBER: 233A5221-301212 REV A	039040	1
185	BS51338D5003		.PLUG- SUPPLIER CODE: V83058 SPECIFICATION NUMBER: BACP20B63B OPTIONAL PART: 51338 V83058 MISCELLANEOUS DATA: USE IN PLACE OF CIRCUIT BREAKERS ON OPEN HOLES	039040	1
- 190	MODREF82569		PLUG BUTTON INSTL-P6-1/B13 MODULE NUMBER: 233A5221-301213 REV A	039040	1
195	BS51338D5003		.PLUG- SUPPLIER CODE: V83058 SPECIFICATION NUMBER: BACP20B63B OPTIONAL PART: 51338 V83058 MISCELLANEOUS DATA: USE IN PLACE OF CIRCUIT BREAKERS ON OPEN HOLES	039040	1
- 200	MODREF82570		PLUG BUTTON INSTL-P6-1/B14 MODULE NUMBER: 233A5221-301214 REV A	039040	1

MISSING ITEM NUMBERS NOT APPLICABLE

- ITEM NOT ILLUSTRATED

HAP

24-50-51-01P

BOEING PROPRIETARY - Copyright © - Unpublished Work - See title page for details.

24-50-51
FIG. 01P
PAGE 6
JUN 10/07

BOEING
737-600/700/800/900
PARTS CATALOG (MAINTENANCE)

FIG ITEM	PART NUMBER	1 2 3 4 5 6 7	NOMENCLATURE	EFFECT FROM TO	UNITS PER ASSY
1P 205	BS51338D5003		.PLUG- SUPPLIER CODE: V83058 SPECIFICATION NUMBER: BACP20B63B OPTIONAL PART: 51338 V83058 MISCELLANEOUS DATA: USE IN PLACE OF CIRCUIT BREAKERS ON OPEN HOLES	039040	1
- 210	MODREF82571		PLUG BUTTON INSTL-P6-1/B15 MODULE NUMBER: 233A5221-301215 REV A	039040	1
215	BS51338D5003		.PLUG- SUPPLIER CODE: V83058 SPECIFICATION NUMBER: BACP20B63B OPTIONAL PART: 51338 V83058 MISCELLANEOUS DATA: USE IN PLACE OF CIRCUIT BREAKERS ON OPEN HOLES	039040	1
- 220	MODREF82572		PLUG BUTTON INSTL-P6-1/B16 MODULE NUMBER: 233A5221-301216 REV A	039040	1
225	BS51338D5003		.PLUG- SUPPLIER CODE: V83058 SPECIFICATION NUMBER: BACP20B63B OPTIONAL PART: 51338 V83058 MISCELLANEOUS DATA: USE IN PLACE OF CIRCUIT BREAKERS ON OPEN HOLES	039040	1
- 230	MODREF82573		PLUG BUTTON INSTL-P6-1/B17 MODULE NUMBER: 233A5221-301217 REV A	039040	1

MISSING ITEM NUMBERS NOT APPLICABLE

- ITEM NOT ILLUSTRATED

HAP

24-50-51-01P

BOEING PROPRIETARY - Copyright © - Unpublished Work - See title page for details.

24-50-51
FIG. 01P
PAGE 7
JUN 10/07

BOEING
737-600/700/800/900
PARTS CATALOG (MAINTENANCE)

FIG ITEM	PART NUMBER	1 2 3 4 5 6 7	NOMENCLATURE	EFFECT FROM TO	UNITS PER ASSY
1P 235	BS51338D5003		.PLUG- SUPPLIER CODE: V83058 SPECIFICATION NUMBER: BACP20B63B OPTIONAL PART: 51338 V83058 MISCELLANEOUS DATA: USE IN PLACE OF CIRCUIT BREAKERS ON OPEN HOLES	039040	1
- 240	MODREF82574		PLUG BUTTON INSTL-P6-1/C2 MODULE NUMBER: 233A5221-301302 REV A	039040	1
245	BS51338D5003		.PLUG- SUPPLIER CODE: V83058 SPECIFICATION NUMBER: BACP20B63B OPTIONAL PART: 51338 V83058 MISCELLANEOUS DATA: USE IN PLACE OF CIRCUIT BREAKERS ON OPEN HOLES	039040	1
- 250	MODREF82575		PLUG BUTTON INSTL-P6-1/C4 MODULE NUMBER: 233A5221-301304 REV A	039040	1
255	BS51338D5003		.PLUG- SUPPLIER CODE: V83058 SPECIFICATION NUMBER: BACP20B63B OPTIONAL PART: 51338 V83058 MISCELLANEOUS DATA: USE IN PLACE OF CIRCUIT BREAKERS ON OPEN HOLES	039040	1
- 260	MODREF82560		CIRCUIT BREAKER INSTL- ENTERTAINMENT VID CONT CENTER DC P6-1/C5 MODULE NUMBER: 233A5221-211450 REV A	039040	1

MISSING ITEM NUMBERS NOT APPLICABLE

- ITEM NOT ILLUSTRATED

HAP

24-50-51-01P

BOEING PROPRIETARY - Copyright © - Unpublished Work - See title page for details.

24-50-51
FIG. 01P
PAGE 8
JUN 10/07

BOEING
737-600/700/800/900
PARTS CATALOG (MAINTENANCE)

FIG ITEM	PART NUMBER	1 2 3 4 5 6 7	NOMENCLATURE	EFFECT FROM TO	UNITS PER ASSY
1P 265	2TC47-7-5		.CIRCUIT BREAKER- SUPPLIER CODE: V82647 SPECIFICATION NUMBER: BACC18AD7 OPTIONAL PART: 4310-029-705 V76374 ELECTRICAL EQUIP NUMBER: C01450	039040	1
- 270	MODREF82533		CIRCUIT BREAKER INSTL- ENTERTAINMENT VID CONT CENTER AC P6-1/C7 MODULE NUMBER: 233A5221-201451 REV A	039040	1
275	2TC47-7-5		.CIRCUIT BREAKER- SUPPLIER CODE: V82647 SPECIFICATION NUMBER: BACC18AD7 OPTIONAL PART: 4310-029-705 V76374 ELECTRICAL EQUIP NUMBER: C01451	039040	1
- 280	MODREF82538		CIRCUIT BREAKER INSTL- ENTERTAINMENT AUDIO P6-1/C8 MODULE NUMBER: 233A5221-201456 REV A	039040	1
285	2TC47-7-5		.CIRCUIT BREAKER- SUPPLIER CODE: V82647 SPECIFICATION NUMBER: BACC18AD7 OPTIONAL PART: 4310-029-705 V76374 ELECTRICAL EQUIP NUMBER: C01456	039040	1
- 290	MODREF82519		CIRCUIT BREAKER INSTL- ENTERTAINMENT PA TAPE RPDR AC P6-1/C9 MODULE NUMBER: 233A5221-200080 REV A	039040	1

MISSING ITEM NUMBERS NOT APPLICABLE

- ITEM NOT ILLUSTRATED

HAP

24-50-51-01P

BOEING PROPRIETARY - Copyright © - Unpublished Work - See title page for details.

24-50-51
FIG. 01P
PAGE 9
JUN 10/07

BOEING
737-600/700/800/900
PARTS CATALOG (MAINTENANCE)

FIG ITEM	PART NUMBER	1 2 3 4 5 6 7	NOMENCLATURE	EFFECT FROM TO	UNITS PER ASSY
1P 295	2TC47-3		.CIRCUIT BREAKER- SUPPLIER CODE: V82647 SPECIFICATION NUMBER: BACC18AD3 OPTIONAL PART: 4310-029-3 V76374 ELECTRICAL EQUIP NUMBER: C00080	039040	1
- 300	MODREF82580		PLUG BUTTON INSTL-P6-1/C10 MODULE NUMBER: 233A5221-301310 REV A	039040	1
305	BS51338D5003		.PLUG- SUPPLIER CODE: V83058 SPECIFICATION NUMBER: BACP20B63B OPTIONAL PART: 51338 V83058 MISCELLANEOUS DATA: USE IN PLACE OF CIRCUIT BREAKERS ON OPEN HOLES	039040	1
- 310	MODREF82581		PLUG BUTTON INSTL-P6-1/C11 MODULE NUMBER: 233A5221-301311 REV A	039040	1
315	BS51338D5003		.PLUG- SUPPLIER CODE: V83058 SPECIFICATION NUMBER: BACP20B63B OPTIONAL PART: 51338 V83058 MISCELLANEOUS DATA: USE IN PLACE OF CIRCUIT BREAKERS ON OPEN HOLES	039040	1
- 320	MODREF82582		PLUG BUTTON INSTL-P6-1/C12 MODULE NUMBER: 233A5221-301312 REV A	039040	1

MISSING ITEM NUMBERS NOT APPLICABLE

- ITEM NOT ILLUSTRATED

HAP

24-50-51-01P

BOEING PROPRIETARY - Copyright © - Unpublished Work - See title page for details.

24-50-51
FIG. 01P
PAGE 10
JUN 10/07

BOEING
737-600/700/800/900
PARTS CATALOG (MAINTENANCE)

FIG ITEM	PART NUMBER	1 2 3 4 5 6 7	NOMENCLATURE	EFFECT FROM TO	UNITS PER ASSY
1P 325	BS51338D5003		.PLUG- SUPPLIER CODE: V83058 SPECIFICATION NUMBER: BACP20B63B OPTIONAL PART: 51338 V83058 MISCELLANEOUS DATA: USE IN PLACE OF CIRCUIT BREAKERS ON OPEN HOLES	039040	1
- 330	MODREF82583		PLUG BUTTON INSTL-P6-1/C13 MODULE NUMBER: 233A5221-301313 REV A	039040	1
335	BS51338D5003		.PLUG- SUPPLIER CODE: V83058 SPECIFICATION NUMBER: BACP20B63B OPTIONAL PART: 51338 V83058 MISCELLANEOUS DATA: USE IN PLACE OF CIRCUIT BREAKERS ON OPEN HOLES	039040	1
- 340	MODREF82584		PLUG BUTTON INSTL-P6-1/C16 MODULE NUMBER: 233A5221-301316 REV A	039040	1
345	BS51338D5003		.PLUG- SUPPLIER CODE: V83058 SPECIFICATION NUMBER: BACP20B63B OPTIONAL PART: 51338 V83058 MISCELLANEOUS DATA: USE IN PLACE OF CIRCUIT BREAKERS ON OPEN HOLES	039040	1
- 350	MODREF82585		PLUG BUTTON INSTL-P6-1/D1 MODULE NUMBER: 233A5221-301401 REV A	039040	1

MISSING ITEM NUMBERS NOT APPLICABLE

- ITEM NOT ILLUSTRATED

HAP

24-50-51-01P

BOEING PROPRIETARY - Copyright © - Unpublished Work - See title page for details.

24-50-51
FIG. 01P
PAGE 11
JUN 10/07

 **BOEING**
737-600/700/800/900
PARTS CATALOG (MAINTENANCE)

FIG ITEM	PART NUMBER	1 2 3 4 5 6 7	NOMENCLATURE	EFFECT FROM TO	UNITS PER ASSY
1P 355	BS51338D5003		.PLUG- SUPPLIER CODE: V83058 SPECIFICATION NUMBER: BACP20B63B OPTIONAL PART: 51338 V83058 MISCELLANEOUS DATA: USE IN PLACE OF CIRCUIT BREAKERS ON OPEN HOLES	039040	1
- 360	MODREF82523		CIRCUIT BREAKER INSTL- COMMUNICATIONS HF 2 P6-1/D2 MODULE NUMBER: 233A5221-200857 REV A	039040	1
365	6TC6-5		.CIRCUIT BREAKER- SUPPLIER CODE: V82647 SPECIFICATION NUMBER: BACC18AC5 OPTIONAL PART: 4330-004-5 V76374 ELECTRICAL EQUIP NUMBER: C00857	039040	1
- 370	MODREF82587		PLUG BUTTON INSTL-P6-1/D3 MODULE NUMBER: 233A5221-301403 REV A	039040	1
375	BS51338D5003		.PLUG- SUPPLIER CODE: V83058 SPECIFICATION NUMBER: BACP20B63B OPTIONAL PART: 51338 V83058 MISCELLANEOUS DATA: USE IN PLACE OF CIRCUIT BREAKERS ON OPEN HOLES	039040	1
- 380	MODREF82534		CIRCUIT BREAKER INSTL-VIDEO 1 P6-1/D5 MODULE NUMBER: 233A5221-201452 REV A	039040	1

MISSING ITEM NUMBERS NOT APPLICABLE

- ITEM NOT ILLUSTRATED

HAP

24-50-51-01P

BOEING PROPRIETARY - Copyright © - Unpublished Work - See title page for details.

24-50-51
FIG. 01P
PAGE 12
JUN 10/07

BOEING
737-600/700/800/900
PARTS CATALOG (MAINTENANCE)

FIG ITEM	PART NUMBER	1 2 3 4 5 6 7	NOMENCLATURE	EFFECT FROM TO	UNITS PER ASSY
1P 385	2TC47-7-5	.	CIRCUIT BREAKER- SUPPLIER CODE: V82647 SPECIFICATION NUMBER: BACC18AD7 OPTIONAL PART: 4310-029-705 V76374 ELECTRICAL EQUIP NUMBER: C01452	039040	1
- 390	MODREF82535		CIRCUIT BREAKER INSTL-VIDEO 2 P6-1/D6 MODULE NUMBER: 233A5221-201453 REV A	039040	1
395	2TC47-7-5	.	CIRCUIT BREAKER- SUPPLIER CODE: V82647 SPECIFICATION NUMBER: BACC18AD7 OPTIONAL PART: 4310-029-705 V76374 ELECTRICAL EQUIP NUMBER: C01453	039040	1
- 400	MODREF82536		CIRCUIT BREAKER INSTL-VIDEO 3 P6-1/D7 MODULE NUMBER: 233A5221-201454 REV A	039040	1
405	2TC47-7-5	.	CIRCUIT BREAKER- SUPPLIER CODE: V82647 SPECIFICATION NUMBER: BACC18AD7 OPTIONAL PART: 4310-029-705 V76374 ELECTRICAL EQUIP NUMBER: C01454	039040	1
- 410	MODREF82537		CIRCUIT BREAKER INSTL-VIDEO 4 P6-1/D8 MODULE NUMBER: 233A5221-201455 REV A	039040	1

MISSING ITEM NUMBERS NOT APPLICABLE

- ITEM NOT ILLUSTRATED

HAP

24-50-51-01P

BOEING PROPRIETARY - Copyright © - Unpublished Work - See title page for details.

24-50-51
FIG. 01P
PAGE 13
JUN 10/07

 **BOEING**
737-600/700/800/900
PARTS CATALOG (MAINTENANCE)

FIG ITEM	PART NUMBER	1 2 3 4 5 6 7	NOMENCLATURE	EFFECT FROM TO	UNITS PER ASSY
1P 415	2TC47-7-5		.CIRCUIT BREAKER- SUPPLIER CODE: V82647 SPECIFICATION NUMBER: BACC18AD7 OPTIONAL PART: 4310-029-705 V76374 ELECTRICAL EQUIP NUMBER: C01455	039040	1
- 420	MODREF82592		PLUG BUTTON INSTL-P6-1/D12 MODULE NUMBER: 233A5221-301412 REV A	039040	1
425	BS51338D5003		.PLUG- SUPPLIER CODE: V83058 SPECIFICATION NUMBER: BACP20B63B OPTIONAL PART: 51338 V83058 MISCELLANEOUS DATA: USE IN PLACE OF CIRCUIT BREAKERS ON OPEN HOLES	039040	1
- 430	MODREF82520		CIRCUIT BREAKER INSTL- ATC-2 P6-1/D14 MODULE NUMBER: 233A5221-200188 REV A	039040	1
435	2TC47-5		.CIRCUIT BREAKER- SUPPLIER CODE: V82647 SPECIFICATION NUMBER: BACC18AD5 OPTIONAL PART: 4310-029-5 V76374 ELECTRICAL EQUIP NUMBER: C00188	039040	1
- 440	MODREF82530		CIRCUIT BREAKER INSTL-FMCS MCDU 2 P6-1/D15 MODULE NUMBER: 233A5221-201239 REV A	039040	1

MISSING ITEM NUMBERS NOT APPLICABLE

- ITEM NOT ILLUSTRATED

HAP

24-50-51-01P

BOEING PROPRIETARY - Copyright © - Unpublished Work - See title page for details.

24-50-51
FIG. 01P
PAGE 14
JUN 10/07

BOEING
737-600/700/800/900
PARTS CATALOG (MAINTENANCE)

FIG ITEM	PART NUMBER	1 2 3 4 5 6 7	NOMENCLATURE	EFFECT FROM TO	UNITS PER ASSY
1P 445	2TC47-3		.CIRCUIT BREAKER- SUPPLIER CODE: V82647 SPECIFICATION NUMBER: BACC18AD3 OPTIONAL PART: 4310-029-3 V76374 ELECTRICAL EQUIP NUMBER: C01239	039040	1
- 450	MODREF82594		PLUG BUTTON INSTL-P6-1/D17 MODULE NUMBER: 233A5221-301417 REV A	039040	1
455	BS51338D5003		.PLUG- SUPPLIER CODE: V83058 SPECIFICATION NUMBER: BACP20B63B OPTIONAL PART: 51338 V83058 MISCELLANEOUS DATA: USE IN PLACE OF CIRCUIT BREAKERS ON OPEN HOLES	039040	1
- 460	MODREF82595		PLUG BUTTON INSTL-P6-1/E1 MODULE NUMBER: 233A5221-301501 REV A	039040	1
465	BS51338D5003		.PLUG- SUPPLIER CODE: V83058 SPECIFICATION NUMBER: BACP20B63B OPTIONAL PART: 51338 V83058 MISCELLANEOUS DATA: USE IN PLACE OF CIRCUIT BREAKERS ON OPEN HOLES	039040	1
- 470	MODREF82596		PLUG BUTTON INSTL-P6-1/E2 MODULE NUMBER: 233A5221-301502 REV A	039040	1

MISSING ITEM NUMBERS NOT APPLICABLE

- ITEM NOT ILLUSTRATED

HAP

24-50-51-01P

BOEING PROPRIETARY - Copyright © - Unpublished Work - See title page for details.

24-50-51
FIG. 01P
PAGE 15
JUN 10/07

BOEING
737-600/700/800/900
PARTS CATALOG (MAINTENANCE)

FIG ITEM	PART NUMBER	1 2 3 4 5 6 7	NOMENCLATURE	EFFECT FROM TO	UNITS PER ASSY
1P 475	BS51338D5003		.PLUG- SUPPLIER CODE: V83058 SPECIFICATION NUMBER: BACP20B63B OPTIONAL PART: 51338 V83058 MISCELLANEOUS DATA: USE IN PLACE OF CIRCUIT BREAKERS ON OPEN HOLES	039040	1
- 480	MODREF82597		PLUG BUTTON INSTL-P6-1/E3 MODULE NUMBER: 233A5221-301503 REV A	039040	1
485	BS51338D5003		.PLUG- SUPPLIER CODE: V83058 SPECIFICATION NUMBER: BACP20B63B OPTIONAL PART: 51338 V83058 MISCELLANEOUS DATA: USE IN PLACE OF CIRCUIT BREAKERS ON OPEN HOLES	039040	1
- 490	MODREF82598		PLUG BUTTON INSTL-P6-1/E4 MODULE NUMBER: 233A5221-301504 REV A	039040	1
495	BS51338D5003		.PLUG- SUPPLIER CODE: V83058 SPECIFICATION NUMBER: BACP20B63B OPTIONAL PART: 51338 V83058 MISCELLANEOUS DATA: USE IN PLACE OF CIRCUIT BREAKERS ON OPEN HOLES	039040	1
- 500	MODREF82529		CIRCUIT BREAKER INSTL-PRTR P6-1/E5 MODULE NUMBER: 233A5221-201216 REV A	039040	1

MISSING ITEM NUMBERS NOT APPLICABLE

- ITEM NOT ILLUSTRATED

HAP

24-50-51-01P

BOEING PROPRIETARY - Copyright © - Unpublished Work - See title page for details.

24-50-51
FIG. 01P
PAGE 16
JUN 10/07

BOEING
737-600/700/800/900
PARTS CATALOG (MAINTENANCE)

FIG ITEM	PART NUMBER	1 2 3 4 5 6 7	NOMENCLATURE	EFFECT FROM TO	UNITS PER ASSY
1P 505	2TC47-2-5		.CIRCUIT BREAKER- SUPPLIER CODE: V82647 SPECIFICATION NUMBER: BACC18AD2 OPTIONAL PART: 4310-029-205 V76374 ELECTRICAL EQUIP NUMBER: C01216	039040	1
- 510	MODREF82600		PLUG BUTTON INSTL-P6-1/E6 MODULE NUMBER: 233A5221-301506 REV A	039040	1
515	BS51338D5003		.PLUG- SUPPLIER CODE: V83058 SPECIFICATION NUMBER: BACP20B63B OPTIONAL PART: 51338 V83058 MISCELLANEOUS DATA: USE IN PLACE OF CIRCUIT BREAKERS ON OPEN HOLES	039040	1
- 520	MODREF82601		PLUG BUTTON INSTL-P6-1/E7 MODULE NUMBER: 233A5221-301507 REV A	039040	1
525	BS51338D5003		.PLUG- SUPPLIER CODE: V83058 SPECIFICATION NUMBER: BACP20B63B OPTIONAL PART: 51338 V83058 MISCELLANEOUS DATA: USE IN PLACE OF CIRCUIT BREAKERS ON OPEN HOLES	039040	1
- 530	MODREF82543		CIRCUIT BREAKER INSTL-CMU 1 AC P6-1/E8 MODULE NUMBER: 233A5221-201483 REV A	039040	1

MISSING ITEM NUMBERS NOT APPLICABLE

- ITEM NOT ILLUSTRATED

HAP

24-50-51-01P

BOEING PROPRIETARY - Copyright © - Unpublished Work - See title page for details.

24-50-51
FIG. 01P
PAGE 17
JUN 10/07

BOEING
737-600/700/800/900
PARTS CATALOG (MAINTENANCE)

FIG ITEM	PART NUMBER	1 2 3 4 5 6 7	NOMENCLATURE	EFFECT FROM TO	UNITS PER ASSY
1P 535	2TC47-2-5		.CIRCUIT BREAKER- SUPPLIER CODE: V82647 SPECIFICATION NUMBER: BACC18AD2 OPTIONAL PART: 4310-029-205 V76374 ELECTRICAL EQUIP NUMBER: C01483	039040	1
- 540	MODREF82546		CIRCUIT BREAKER INSTL- CMU/ACARS DC P6-1/E9 MODULE NUMBER: 233A5221-201500 REV A	039040	1
545	2TC47-2-5		.CIRCUIT BREAKER- SUPPLIER CODE: V82647 SPECIFICATION NUMBER: BACC18AD2 OPTIONAL PART: 4310-029-205 V76374 ELECTRICAL EQUIP NUMBER: C01500	039040	1
- 550	MODREF82526		CIRCUIT BREAKER INSTL-ATC ANT SWITCH P6-1/E14 MODULE NUMBER: 233A5221-201194 REV A	039040	1
555	2TC47-2-5		.CIRCUIT BREAKER- SUPPLIER CODE: V82647 SPECIFICATION NUMBER: BACC18AD2 OPTIONAL PART: 4310-029-205 V76374 ELECTRICAL EQUIP NUMBER: C01194	039040	1
- 560	MODREF82605		PLUG BUTTON INSTL-P6-1/E16 MODULE NUMBER: 233A5221-301516 REV A	039040	1

MISSING ITEM NUMBERS NOT APPLICABLE

- ITEM NOT ILLUSTRATED

HAP

24-50-51-01P

BOEING PROPRIETARY - Copyright © - Unpublished Work - See title page for details.

24-50-51
FIG. 01P
PAGE 18
JUN 10/07

BOEING
737-600/700/800/900
PARTS CATALOG (MAINTENANCE)

FIG ITEM	PART NUMBER	1 2 3 4 5 6 7	NOMENCLATURE	EFFECT FROM TO	UNITS PER ASSY
1P 565	BS51338D5003		.PLUG- SUPPLIER CODE: V83058 SPECIFICATION NUMBER: BACP20B63B OPTIONAL PART: 51338 V83058 MISCELLANEOUS DATA: USE IN PLACE OF CIRCUIT BREAKERS ON OPEN HOLES	039040	1
- 570	MODREF82606		PLUG BUTTON INSTL-P6-1/E17 MODULE NUMBER: 233A5221-301517 REV A	039040	1
575	BS51338D5003		.PLUG- SUPPLIER CODE: V83058 SPECIFICATION NUMBER: BACP20B63B OPTIONAL PART: 51338 V83058 MISCELLANEOUS DATA: USE IN PLACE OF CIRCUIT BREAKERS ON OPEN HOLES	039040	1
- 710	MODREF82664		INOP INSTL-P6-1/A17 (ELECTRICAL POWER ONLY) MODULE NUMBER: 233A5221-501117 REV A FOR OTHER SYS DETAILS SEE: 11-31-51-04L	039040	1
715	10237-1		.COLLAR- SUPPLIER CODE: V1N6X0	039040	1
- 720	MODREF82677		INOP INSTL-P6-1/D2 (ELECTRICAL POWER ONLY) MODULE NUMBER: 233A5221-501402 REV A FOR OTHER SYS DETAILS SEE: 11-31-51-04L	039040	1
725	10237-1		.COLLAR- SUPPLIER CODE: V1N6X0	039040	1

MISSING ITEM NUMBERS NOT APPLICABLE

- ITEM NOT ILLUSTRATED

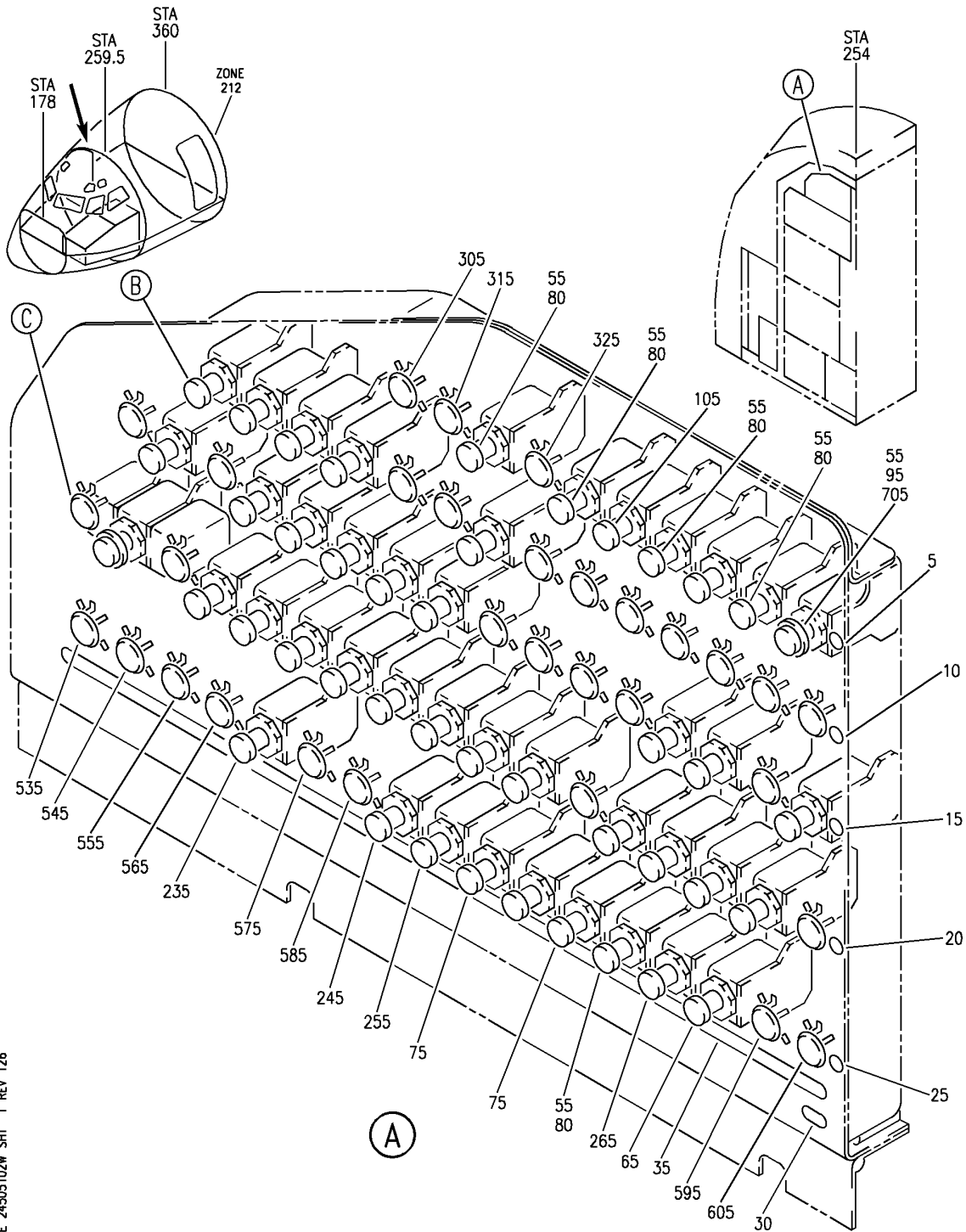
HAP

24-50-51-01P

BOEING PROPRIETARY - Copyright © - Unpublished Work - See title page for details.

24-50-51
FIG. 01P
PAGE 19
JUN 10/07


BOEING
 737-600/700/800/900
PARTS CATALOG (MAINTENANCE)



E 24-50-51-02W SHT 1 REV 126

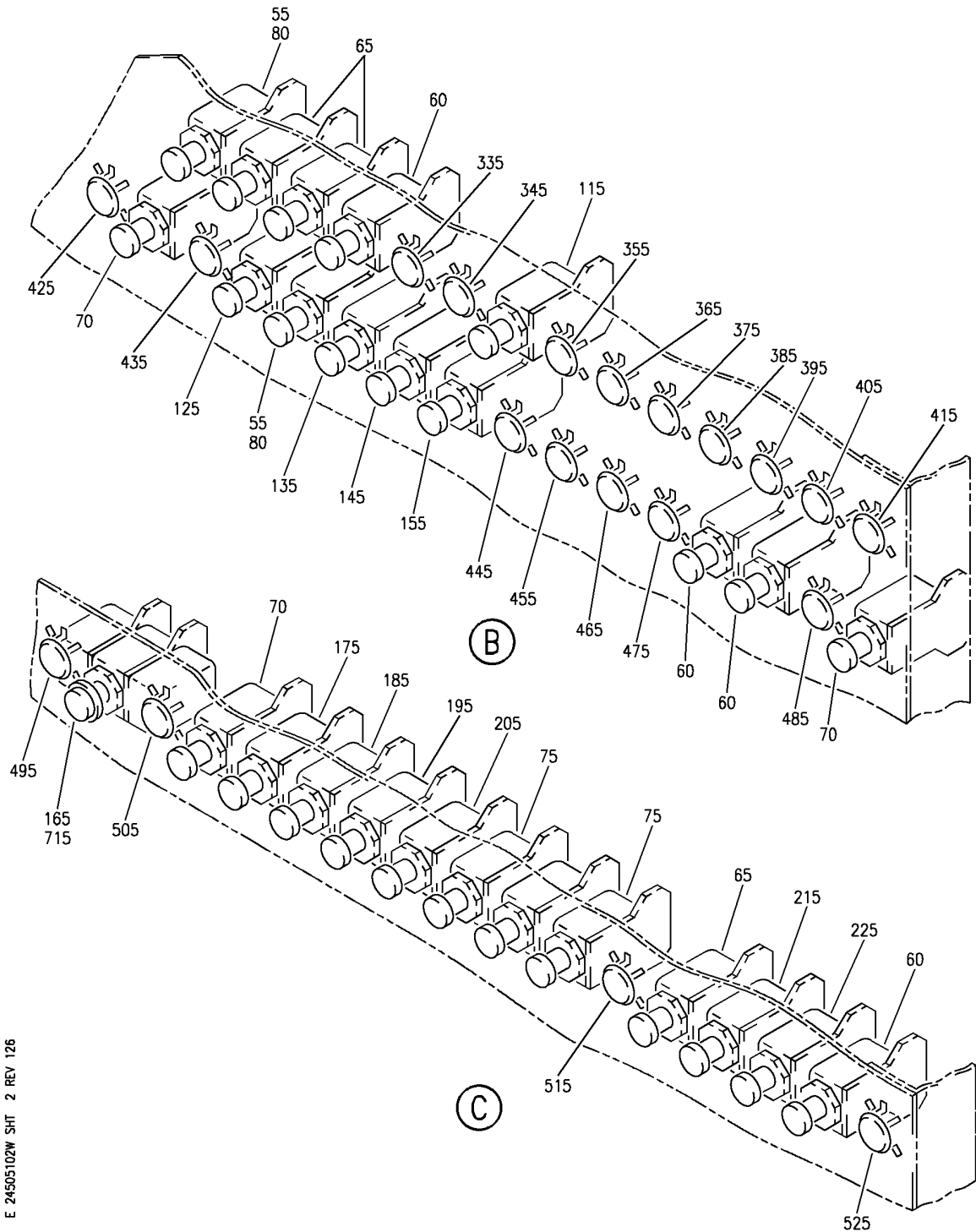
MARKER, CIRCUIT BREAKER, PLUG BUTTON AND INOP INSTL-P6-1 PNL (ELECTRICAL POWER ONLY)
 FIGURE 2W (SHEET 1)

HAP
FEB 10/07

24-50-51-02W

24-50-51-02W
PAGE 0

BOEING
 737-600/700/800/900
 PARTS CATALOG (MAINTENANCE)



E 24-50-51-02W SHT 2 REV 126

MARKER, CIRCUIT BREAKER, PLUG BUTTON AND INOP INSTL-P6-1 PNL (ELECTRICAL POWER ONLY)
 FIGURE 2W (SHEET 2)

HAP
 FEB 10/07

24-50-51-02W

24-50-51-02W
 PAGE 0A

BOEING
737-600/700/800/900
PARTS CATALOG (MAINTENANCE)

FIG ITEM	PART NUMBER	1 2 3 4 5 6 7	NOMENCLATURE	EFFECT FROM TO	UNITS PER ASSY
2W			MARKER, CIRCUIT BREAKER, PLUG BUTTON AND INOP INSTL-P6-1 PNL (ELECTRICAL POWER ONLY)	037037	
- 1	MODREF235052		MARKER INSTL-P6-1 PNL MODULE NUMBER: 233A5221-1 REV C	037037	1
	5 BAC27DCC3065		.MARKER- PLACARD CONTENT: A	037037	1
	10 BAC27DCC3066		.MARKER- PLACARD CONTENT: B	037037	1
	15 BAC27DCC3067		.MARKER- PLACARD CONTENT: C	037037	1
	20 BAC27DCC3068		.MARKER- PLACARD CONTENT: D	037037	1
	25 BAC27DCC3069		.MARKER- PLACARD CONTENT: E	037037	1
	30 BAC27DCC3074		.MARKER- PLACARD CONTENT: P6-1	037037	1
	35 BAC27DCC2719		.MARKER- PLACARD CONTENT: 1 THRU 17	037037	1
- 50	MODREF274758		CIRCUIT BREAKER INSTL-P6-1 PNL MODULE NUMBER: 233A5221-4 REV C	037037	1
	60 2TC47-3		.CIRCUIT BREAKER- SUPPLIER CODE: V82647 SPECIFICATION NUMBER: BACC18AD3 OPTIONAL PART: 4310-029-3 V76374 ELECTRICAL EQUIP NUMBER: C00426 C00549 C01008 C01262	037037	4

MISSING ITEM NUMBERS NOT APPLICABLE

- ITEM NOT ILLUSTRATED

HAP

24-50-51-02W

BOEING PROPRIETARY - Copyright © - Unpublished Work - See title page for details.

24-50-51
FIG. 02W
PAGE 1
FEB 10/07

BOEING
737-600/700/800/900
PARTS CATALOG (MAINTENANCE)

FIG ITEM	PART NUMBER	1 2 3 4 5 6 7	NOMENCLATURE	EFFECT FROM TO	UNITS PER ASSY
2W 65	2TC47-5		.CIRCUIT BREAKER- SUPPLIER CODE: V82647 SPECIFICATION NUMBER: BACC18AD5 OPTIONAL PART: 4310-029-5 V76374 ELECTRICAL EQUIP NUMBER: C00120 C01206 C01263 C01393	037037	4
70	2TC47-10		.CIRCUIT BREAKER- SUPPLIER CODE: V82647 SPECIFICATION NUMBER: BACC18AD10 OPTIONAL PART: 4310-029-10 V76374 ELECTRICAL EQUIP NUMBER: C00082 C00166 C01010	037037	3
75	4310-029-15		.CIRCUIT BREAKER- SUPPLIER CODE: V76374 SPECIFICATION NUMBER: BACC18AD15 OPTIONAL PART: 2TC47-15 V82647 ELECTRICAL EQUIP NUMBER: C01360 C01361 C01362 C01364 C01366 C01373	037037	6

MISSING ITEM NUMBERS NOT APPLICABLE

— ITEM NOT ILLUSTRATED

HAP

24-50-51-02W

BOEING PROPRIETARY - Copyright © - Unpublished Work - See title page for details.

24-50-51
FIG. 02W
PAGE 2
FEB 10/07

BOEING
737-600/700/800/900
PARTS CATALOG (MAINTENANCE)

FIG ITEM	PART NUMBER	1 2 3 4 5 6 7	NOMENCLATURE	EFFECT FROM TO	UNITS PER ASSY
2W 80	2TC47-2-5		.CIRCUIT BREAKER- SUPPLIER CODE: V82647 SPECIFICATION NUMBER: BACC18AD2 OPTIONAL PART: 4310-029-205 V76374 ELECTRICAL EQUIP NUMBER: C00192 C01207 C01370 C01375 C01377 C01379 C01385 C01583	037037	8
- 90	MODREF273852		CIRCUIT BREAKER INSTL-ADF 2 P6-1/A17 MODULE NUMBER: 233A5221-201383 REV A	037037	1
95	2TC47-2-5		.CIRCUIT BREAKER- SUPPLIER CODE: V82647 SPECIFICATION NUMBER: BACC18AD2 OPTIONAL PART: 4310-029-205 V76374 ELECTRICAL EQUIP NUMBER: C01383	037037	1
- 100	MODREF82542		CIRCUIT BREAKER INSTL- RADIO NAV MULTI-MODE RCVR 2 P6-1/A13 MODULE NUMBER: 233A5221-201480 REV A	037037	1
105	2TC47-2-5		.CIRCUIT BREAKER- SUPPLIER CODE: V82647 SPECIFICATION NUMBER: BACC18AD2 OPTIONAL PART: 4310-029-205 V76374 ELECTRICAL EQUIP NUMBER: C01480	037037	1

MISSING ITEM NUMBERS NOT APPLICABLE

- ITEM NOT ILLUSTRATED

HAP

24-50-51-02W

BOEING PROPRIETARY - Copyright © - Unpublished Work - See title page for details.

24-50-51
FIG. 02W
PAGE 3
FEB 10/07

BOEING
737-600/700/800/900
PARTS CATALOG (MAINTENANCE)

FIG ITEM	PART NUMBER	1 2 3 4 5 6 7	NOMENCLATURE	EFFECT FROM TO	UNITS PER ASSY
2W - 110	MODREF82559		CIRCUIT BREAKER INSTL- ENTERTAINMENT AUDIO DC P6-1/B10 MODULE NUMBER: 233A5221-201584 REV A	037037	1
115	2TC47-3		.CIRCUIT BREAKER- SUPPLIER CODE: V82647 SPECIFICATION NUMBER: BACC18AD3 OPTIONAL PART: 4310-029-3 V76374 ELECTRICAL EQUIP NUMBER: C01584	037037	1
- 120	MODREF82560		CIRCUIT BREAKER INSTL- ENTERTAINMENT VIDEO CONT CTR DC P6-1/C5 MODULE NUMBER: 233A5221-211450 REV A	037037	1
125	2TC47-7-5		.CIRCUIT BREAKER- SUPPLIER CODE: V82647 SPECIFICATION NUMBER: BACC18AD7 OPTIONAL PART: 4310-029-705 V76374 ELECTRICAL EQUIP NUMBER: C01450	037037	1
- 130	MODREF82533		CIRCUIT BREAKER INSTL- ENTERTAINMENT VIDEO CONT CTR AC P6-1/C7 MODULE NUMBER: 233A5221-201451 REV A	037037	1
135	2TC47-7-5		.CIRCUIT BREAKER- SUPPLIER CODE: V82647 SPECIFICATION NUMBER: BACC18AD7 OPTIONAL PART: 4310-029-705 V76374 ELECTRICAL EQUIP NUMBER: C01451	037037	1

MISSING ITEM NUMBERS NOT APPLICABLE

- ITEM NOT ILLUSTRATED

HAP

24-50-51-02W

BOEING PROPRIETARY - Copyright © - Unpublished Work - See title page for details.

24-50-51
FIG. 02W
PAGE 4
FEB 10/07

BOEING
737-600/700/800/900
PARTS CATALOG (MAINTENANCE)

FIG ITEM	PART NUMBER	1 2 3 4 5 6 7	NOMENCLATURE	EFFECT FROM TO	UNITS PER ASSY
2W - 140	MODREF82538		CIRCUIT BREAKER INSTL- ENTERTAINMENT AUDIO P6-1/C8 MODULE NUMBER: 233A5221-201456 REV A	037037	1
145	2TC47-7-5		.CIRCUIT BREAKER- SUPPLIER CODE: V82647 SPECIFICATION NUMBER: BACC18AD7 OPTIONAL PART: 4310-029-705 V76374 ELECTRICAL EQUIP NUMBER: C01456	037037	1
- 150	MODREF82519		CIRCUIT BREAKER INSTL- ENTERTAINMENT PA TAPE RPDR AC P6-1/C9 MODULE NUMBER: 233A5221-200080 REV A	037037	1
155	2TC47-7-5		.CIRCUIT BREAKER- SUPPLIER CODE: V82647 SPECIFICATION NUMBER: BACC18AD7 OPTIONAL PART: 4310-029-705 V76374 ELECTRICAL EQUIP NUMBER: C00080	037037	1
- 160	MODREF82523		CIRCUIT BREAKER INSTL- COMM HF 2 P6-1/D2 MODULE NUMBER: 233A5221-200857 REV A	037037	1
165	6TC6-5		.CIRCUIT BREAKER- SUPPLIER CODE: V82647 SPECIFICATION NUMBER: BACC18AC5 OPTIONAL PART: 4330-004-5 V76374 ELECTRICAL EQUIP NUMBER: C00857	037037	1
- 170	MODREF82534		CIRCUIT BREAKER INSTL-VIDEO 1 P6-1/D5 MODULE NUMBER: 233A5221-201452 REV A	037037	1

MISSING ITEM NUMBERS NOT APPLICABLE

- ITEM NOT ILLUSTRATED

HAP

24-50-51-02W

BOEING PROPRIETARY - Copyright © - Unpublished Work - See title page for details.

24-50-51
FIG. 02W
PAGE 5
FEB 10/07

BOEING
737-600/700/800/900
PARTS CATALOG (MAINTENANCE)

FIG ITEM	PART NUMBER	1 2 3 4 5 6 7	NOMENCLATURE	EFFECT FROM TO	UNITS PER ASSY
2W 175	2TC47-7-5	.	CIRCUIT BREAKER- SUPPLIER CODE: V82647 SPECIFICATION NUMBER: BACC18AD7 OPTIONAL PART: 4310-029-705 V76374 ELECTRICAL EQUIP NUMBER: C01452	037037	1
- 180	MODREF82535		CIRCUIT BREAKER INSTL-VIDEO 2 P6-1/D6 MODULE NUMBER: 233A5221-201453 REV A	037037	1
185	2TC47-7-5	.	CIRCUIT BREAKER- SUPPLIER CODE: V82647 SPECIFICATION NUMBER: BACC18AD7 OPTIONAL PART: 4310-029-705 V76374 ELECTRICAL EQUIP NUMBER: C01453	037037	1
- 190	MODREF82536		CIRCUIT BREAKER INSTL-VIDEO 3 P6-1/D7 MODULE NUMBER: 233A5221-201454 REV A	037037	1
195	2TC47-7-5	.	CIRCUIT BREAKER- SUPPLIER CODE: V82647 SPECIFICATION NUMBER: BACC18AD7 OPTIONAL PART: 4310-029-705 V76374 ELECTRICAL EQUIP NUMBER: C01454	037037	1
- 200	MODREF82537		CIRCUIT BREAKER INSTL-VIDEO 4 P6-1/D8 MODULE NUMBER: 233A5221-201455 REV A	037037	1

MISSING ITEM NUMBERS NOT APPLICABLE

- ITEM NOT ILLUSTRATED

HAP

24-50-51-02W

BOEING PROPRIETARY - Copyright © - Unpublished Work - See title page for details.

24-50-51
FIG. 02W
PAGE 6
FEB 10/07

BOEING
737-600/700/800/900
PARTS CATALOG (MAINTENANCE)

FIG ITEM	PART NUMBER	1 2 3 4 5 6 7	NOMENCLATURE	EFFECT FROM TO	UNITS PER ASSY
2W 205	2TC47-7-5		.CIRCUIT BREAKER- SUPPLIER CODE: V82647 SPECIFICATION NUMBER: BACC18AD7 OPTIONAL PART: 4310-029-705 V76374 ELECTRICAL EQUIP NUMBER: C01455	037037	1
- 210	MODREF82520		CIRCUIT BREAKER INSTL- ATC-2 P6-1/D14 MODULE NUMBER: 233A5221-200188 REV A	037037	1
215	2TC47-5		.CIRCUIT BREAKER- SUPPLIER CODE: V82647 SPECIFICATION NUMBER: BACC18AD5 OPTIONAL PART: 4310-029-5 V76374 ELECTRICAL EQUIP NUMBER: C00188	037037	1
- 220	MODREF82530		CIRCUIT BREAKER INSTL-FMCS MCDU 2 P6-1/D15 MODULE NUMBER: 233A5221-201239 REV A	037037	1
225	2TC47-3		.CIRCUIT BREAKER- SUPPLIER CODE: V82647 SPECIFICATION NUMBER: BACC18AD3 OPTIONAL PART: 4310-029-3 V76374 ELECTRICAL EQUIP NUMBER: C01239	037037	1
- 230	MODREF82529		CIRCUIT BREAKER INSTL-PRTR P6-1/E5 MODULE NUMBER: 233A5221-201216 REV A	037037	1

MISSING ITEM NUMBERS NOT APPLICABLE

- ITEM NOT ILLUSTRATED

HAP

24-50-51-02W

BOEING PROPRIETARY - Copyright © - Unpublished Work - See title page for details.

24-50-51
FIG. 02W
PAGE 7
FEB 10/07

BOEING
737-600/700/800/900
PARTS CATALOG (MAINTENANCE)

FIG ITEM	PART NUMBER	1 2 3 4 5 6 7	NOMENCLATURE	EFFECT FROM TO	UNITS PER ASSY
2W 235	2TC47-2-5	.	CIRCUIT BREAKER- SUPPLIER CODE: V82647 SPECIFICATION NUMBER: BACC18AD2 OPTIONAL PART: 4310-029-205 V76374 ELECTRICAL EQUIP NUMBER: C01216	037037	1
- 240	MODREF82543		CIRCUIT BREAKER INSTL-CMU 1 AC P6-1/E8 MODULE NUMBER: 233A5221-201483 REV A	037037	1
245	2TC47-2-5	.	CIRCUIT BREAKER- SUPPLIER CODE: V82647 SPECIFICATION NUMBER: BACC18AD2 OPTIONAL PART: 4310-029-205 V76374 ELECTRICAL EQUIP NUMBER: C01483	037037	1
- 250	MODREF82546		CIRCUIT BREAKER INSTL-CMU CMU/ACARS DC P6-1/E9 MODULE NUMBER: 233A5221-201500 REV A	037037	1
255	2TC47-2-5	.	CIRCUIT BREAKER- SUPPLIER CODE: V82647 SPECIFICATION NUMBER: BACC18AD2 OPTIONAL PART: 4310-029-205 V76374 ELECTRICAL EQUIP NUMBER: C01500	037037	1
- 260	MODREF82526		CIRCUIT BREAKER INSTL-ATC ANT. SWITCH P6-1/E14 MODULE NUMBER: 233A5221-201194 REV A	037037	1

MISSING ITEM NUMBERS NOT APPLICABLE

- ITEM NOT ILLUSTRATED

HAP

24-50-51-02W

BOEING PROPRIETARY - Copyright © - Unpublished Work - See title page for details.

24-50-51
FIG. 02W
PAGE 8
FEB 10/07

BOEING
737-600/700/800/900
PARTS CATALOG (MAINTENANCE)

FIG ITEM	PART NUMBER	1 2 3 4 5 6 7	NOMENCLATURE	EFFECT FROM TO	UNITS PER ASSY
2W 265	2TC47-2-5		.CIRCUIT BREAKER- SUPPLIER CODE: V82647 SPECIFICATION NUMBER: BACC18AD2 OPTIONAL PART: 4310-029-205 V76374 ELECTRICAL EQUIP NUMBER: C01194	037037	1
- 300	MODREF82561		PLUG BUTTON INSTL-P6-1/A8 MODULE NUMBER: 233A5221-301108 REV A	037037	1
305	BS51338D5003		.PLUG- SUPPLIER CODE: V83058 SPECIFICATION NUMBER: BACP20B63B OPTIONAL PART: 51338 V83058 MISCELLANEOUS DATA: USE IN PLACE OF CIRCUIT BREAKERS ON OPEN HOLES	037037	1
- 310	MODREF82562		PLUG BUTTON INSTL-P6-1/A9 MODULE NUMBER: 233A5221-301109 REV A	037037	1
315	BS51338D5003		.PLUG- SUPPLIER CODE: V83058 SPECIFICATION NUMBER: BACP20B63B OPTIONAL PART: 51338 V83058 MISCELLANEOUS DATA: USE IN PLACE OF CIRCUIT BREAKERS ON OPEN HOLES	037037	1
- 320	MODREF82563		PLUG BUTTON INSTL-P6-1/A11 MODULE NUMBER: 233A5221-301111 REV A	037037	1

MISSING ITEM NUMBERS NOT APPLICABLE

- ITEM NOT ILLUSTRATED

HAP

24-50-51-02W

BOEING PROPRIETARY - Copyright © - Unpublished Work - See title page for details.

24-50-51
FIG. 02W
PAGE 9
FEB 10/07

BOEING
737-600/700/800/900
PARTS CATALOG (MAINTENANCE)

FIG ITEM	PART NUMBER	1 2 3 4 5 6 7	NOMENCLATURE	EFFECT FROM TO	UNITS PER ASSY
2W 325	BS51338D5003		.PLUG- SUPPLIER CODE: V83058 SPECIFICATION NUMBER: BACP20B63B OPTIONAL PART: 51338 V83058 MISCELLANEOUS DATA: USE IN PLACE OF CIRCUIT BREAKERS ON OPEN HOLES	037037	1
- 330	MODREF82564		PLUG BUTTON INSTL-P6-1/B8 MODULE NUMBER: 233A5221-301208 REV A	037037	1
335	BS51338D5003		.PLUG- SUPPLIER CODE: V83058 SPECIFICATION NUMBER: BACP20B63B OPTIONAL PART: 51338 V83058 MISCELLANEOUS DATA: USE IN PLACE OF CIRCUIT BREAKERS ON OPEN HOLES	037037	1
- 340	MODREF82565		PLUG BUTTON INSTL-P6-1/B9 MODULE NUMBER: 233A5221-301209 REV A	037037	1
345	BS51338D5003		.PLUG- SUPPLIER CODE: V83058 SPECIFICATION NUMBER: BACP20B63B OPTIONAL PART: 51338 V83058 MISCELLANEOUS DATA: USE IN PLACE OF CIRCUIT BREAKERS ON OPEN HOLES	037037	1
- 350	MODREF82567		PLUG BUTTON INSTL-P6-1/B11 MODULE NUMBER: 233A5221-301211 REV A	037037	1

MISSING ITEM NUMBERS NOT APPLICABLE

- ITEM NOT ILLUSTRATED

HAP

24-50-51-02W

BOEING PROPRIETARY - Copyright © - Unpublished Work - See title page for details.

24-50-51
FIG. 02W
PAGE 10
FEB 10/07

BOEING
737-600/700/800/900
PARTS CATALOG (MAINTENANCE)

FIG ITEM	PART NUMBER	1 2 3 4 5 6 7	NOMENCLATURE	EFFECT FROM TO	UNITS PER ASSY
2W 355	BS51338D5003		.PLUG- SUPPLIER CODE: V83058 SPECIFICATION NUMBER: BACP20B63B OPTIONAL PART: 51338 V83058 MISCELLANEOUS DATA: USE IN PLACE OF CIRCUIT BREAKERS ON OPEN HOLES	037037	1
- 360	MODREF82568		PLUG BUTTON INSTL-P6-1/B12 MODULE NUMBER: 233A5221-301212 REV A	037037	1
365	BS51338D5003		.PLUG- SUPPLIER CODE: V83058 SPECIFICATION NUMBER: BACP20B63B OPTIONAL PART: 51338 V83058 MISCELLANEOUS DATA: USE IN PLACE OF CIRCUIT BREAKERS ON OPEN HOLES	037037	1
- 370	MODREF82569		PLUG BUTTON INSTL-P6-1/B13 MODULE NUMBER: 233A5221-301213 REV A	037037	1
375	BS51338D5003		.PLUG- SUPPLIER CODE: V83058 SPECIFICATION NUMBER: BACP20B63B OPTIONAL PART: 51338 V83058 MISCELLANEOUS DATA: USE IN PLACE OF CIRCUIT BREAKERS ON OPEN HOLES	037037	1
- 380	MODREF82570		PLUG BUTTON INSTL-P6-1/B14 MODULE NUMBER: 233A5221-301214 REV A	037037	1

MISSING ITEM NUMBERS NOT APPLICABLE

- ITEM NOT ILLUSTRATED

HAP

24-50-51-02W

BOEING PROPRIETARY - Copyright © - Unpublished Work - See title page for details.

24-50-51
FIG. 02W
PAGE 11
FEB 10/07

BOEING
737-600/700/800/900
PARTS CATALOG (MAINTENANCE)

FIG ITEM	PART NUMBER	1 2 3 4 5 6 7	NOMENCLATURE	EFFECT FROM TO	UNITS PER ASSY
2W 385	BS51338D5003		.PLUG- SUPPLIER CODE: V83058 SPECIFICATION NUMBER: BACP20B63B OPTIONAL PART: 51338 V83058 MISCELLANEOUS DATA: USE IN PLACE OF CIRCUIT BREAKERS ON OPEN HOLES	037037	1
- 390	MODREF82571		PLUG BUTTON INSTL-P6-1/B15 MODULE NUMBER: 233A5221-301215 REV A	037037	1
395	BS51338D5003		.PLUG- SUPPLIER CODE: V83058 SPECIFICATION NUMBER: BACP20B63B OPTIONAL PART: 51338 V83058 MISCELLANEOUS DATA: USE IN PLACE OF CIRCUIT BREAKERS ON OPEN HOLES	037037	1
- 400	MODREF82572		PLUG BUTTON INSTL-P6-1/B16 MODULE NUMBER: 233A5221-301216 REV A	037037	1
405	BS51338D5003		.PLUG- SUPPLIER CODE: V83058 SPECIFICATION NUMBER: BACP20B63B OPTIONAL PART: 51338 V83058 MISCELLANEOUS DATA: USE IN PLACE OF CIRCUIT BREAKERS ON OPEN HOLES	037037	1
- 410	MODREF82573		PLUG BUTTON INSTL-P6-1/B17 MODULE NUMBER: 233A5221-301217 REV A	037037	1

MISSING ITEM NUMBERS NOT APPLICABLE

- ITEM NOT ILLUSTRATED

HAP

24-50-51-02W

BOEING PROPRIETARY - Copyright © - Unpublished Work - See title page for details.

24-50-51
FIG. 02W
PAGE 12
FEB 10/07

BOEING
737-600/700/800/900
PARTS CATALOG (MAINTENANCE)

FIG ITEM	PART NUMBER	1 2 3 4 5 6 7	NOMENCLATURE	EFFECT FROM TO	UNITS PER ASSY
2W 415	BS51338D5003		.PLUG- SUPPLIER CODE: V83058 SPECIFICATION NUMBER: BACP20B63B OPTIONAL PART: 51338 V83058 MISCELLANEOUS DATA: USE IN PLACE OF CIRCUIT BREAKERS ON OPEN HOLES	037037	1
- 420	MODREF82574		PLUG BUTTON INSTL-P6-1/C2 MODULE NUMBER: 233A5221-301302 REV A	037037	1
425	BS51338D5003		.PLUG- SUPPLIER CODE: V83058 SPECIFICATION NUMBER: BACP20B63B OPTIONAL PART: 51338 V83058 MISCELLANEOUS DATA: USE IN PLACE OF CIRCUIT BREAKERS ON OPEN HOLES	037037	1
- 430	MODREF82575		PLUG BUTTON INSTL-P6-1/C4 MODULE NUMBER: 233A5221-301304 REV A	037037	1
435	BS51338D5003		.PLUG- SUPPLIER CODE: V83058 SPECIFICATION NUMBER: BACP20B63B OPTIONAL PART: 51338 V83058 MISCELLANEOUS DATA: USE IN PLACE OF CIRCUIT BREAKERS ON OPEN HOLES	037037	1
- 440	MODREF82580		PLUG BUTTON INSTL-P6-1/C10 MODULE NUMBER: 233A5221-301310 REV A	037037	1

MISSING ITEM NUMBERS NOT APPLICABLE

- ITEM NOT ILLUSTRATED

HAP

24-50-51-02W

BOEING PROPRIETARY - Copyright © - Unpublished Work - See title page for details.

24-50-51
FIG. 02W
PAGE 13
FEB 10/07

BOEING
737-600/700/800/900
PARTS CATALOG (MAINTENANCE)

FIG ITEM	PART NUMBER	1 2 3 4 5 6 7	NOMENCLATURE	EFFECT FROM TO	UNITS PER ASSY
2W 445	BS51338D5003		.PLUG- SUPPLIER CODE: V83058 SPECIFICATION NUMBER: BACP20B63B OPTIONAL PART: 51338 V83058 MISCELLANEOUS DATA: USE IN PLACE OF CIRCUIT BREAKERS ON OPEN HOLES	037037	1
- 450	MODREF82581		PLUG BUTTON INSTL-P6-1/C11 MODULE NUMBER: 233A5221-301311 REV A	037037	1
455	BS51338D5003		.PLUG- SUPPLIER CODE: V83058 SPECIFICATION NUMBER: BACP20B63B OPTIONAL PART: 51338 V83058 MISCELLANEOUS DATA: USE IN PLACE OF CIRCUIT BREAKERS ON OPEN HOLES	037037	1
- 460	MODREF82582		PLUG BUTTON INSTL-P6-1/C12 MODULE NUMBER: 233A5221-301312 REV A	037037	1
465	BS51338D5003		.PLUG- SUPPLIER CODE: V83058 SPECIFICATION NUMBER: BACP20B63B OPTIONAL PART: 51338 V83058 MISCELLANEOUS DATA: USE IN PLACE OF CIRCUIT BREAKERS ON OPEN HOLES	037037	1
- 470	MODREF82583		PLUG BUTTON INSTL-P6-1/C13 MODULE NUMBER: 233A5221-301313 REV A	037037	1

MISSING ITEM NUMBERS NOT APPLICABLE

- ITEM NOT ILLUSTRATED

HAP

24-50-51-02W

BOEING PROPRIETARY - Copyright © - Unpublished Work - See title page for details.

24-50-51
FIG. 02W
PAGE 14
FEB 10/07

BOEING
737-600/700/800/900
PARTS CATALOG (MAINTENANCE)

FIG ITEM	PART NUMBER	1 2 3 4 5 6 7	NOMENCLATURE	EFFECT FROM TO	UNITS PER ASSY
2W 475	BS51338D5003		.PLUG- SUPPLIER CODE: V83058 SPECIFICATION NUMBER: BACP20B63B OPTIONAL PART: 51338 V83058 MISCELLANEOUS DATA: USE IN PLACE OF CIRCUIT BREAKERS ON OPEN HOLES	037037	1
- 480	MODREF82584		PLUG BUTTON INSTL-P6-1/C16 MODULE NUMBER: 233A5221-301316 REV A	037037	1
485	BS51338D5003		.PLUG- SUPPLIER CODE: V83058 SPECIFICATION NUMBER: BACP20B63B OPTIONAL PART: 51338 V83058 MISCELLANEOUS DATA: USE IN PLACE OF CIRCUIT BREAKERS ON OPEN HOLES	037037	1
- 490	MODREF82585		PLUG BUTTON INSTL-P6-1/D1 MODULE NUMBER: 233A5221-301401 REV A	037037	1
495	BS51338D5003		.PLUG- SUPPLIER CODE: V83058 SPECIFICATION NUMBER: BACP20B63B OPTIONAL PART: 51338 V83058 MISCELLANEOUS DATA: USE IN PLACE OF CIRCUIT BREAKERS ON OPEN HOLES	037037	1
- 500	MODREF82587		PLUG BUTTON INSTL-P6-1/D3 MODULE NUMBER: 233A5221-301403 REV A	037037	1

MISSING ITEM NUMBERS NOT APPLICABLE

- ITEM NOT ILLUSTRATED

HAP

24-50-51-02W

BOEING PROPRIETARY - Copyright © - Unpublished Work - See title page for details.

24-50-51
FIG. 02W
PAGE 15
FEB 10/07

BOEING
737-600/700/800/900
PARTS CATALOG (MAINTENANCE)

FIG ITEM	PART NUMBER	1 2 3 4 5 6 7	NOMENCLATURE	EFFECT FROM TO	UNITS PER ASSY
2W 505	BS51338D5003		.PLUG- SUPPLIER CODE: V83058 SPECIFICATION NUMBER: BACP20B63B OPTIONAL PART: 51338 V83058 MISCELLANEOUS DATA: USE IN PLACE OF CIRCUIT BREAKERS ON OPEN HOLES	037037	1
- 510	MODREF82592		PLUG BUTTON INSTL-P6-1/D12 MODULE NUMBER: 233A5221-301412 REV A	037037	1
515	BS51338D5003		.PLUG- SUPPLIER CODE: V83058 SPECIFICATION NUMBER: BACP20B63B OPTIONAL PART: 51338 V83058 MISCELLANEOUS DATA: USE IN PLACE OF CIRCUIT BREAKERS ON OPEN HOLES	037037	1
- 520	MODREF82594		PLUG BUTTON INSTL-P6-1/D17 MODULE NUMBER: 233A5221-301417 REV A	037037	1
525	BS51338D5003		.PLUG- SUPPLIER CODE: V83058 SPECIFICATION NUMBER: BACP20B63B OPTIONAL PART: 51338 V83058 MISCELLANEOUS DATA: USE IN PLACE OF CIRCUIT BREAKERS ON OPEN HOLES	037037	1
- 530	MODREF82595		PLUG BUTTON INSTL-P6-1/E1 MODULE NUMBER: 233A5221-301501 REV A	037037	1

MISSING ITEM NUMBERS NOT APPLICABLE

- ITEM NOT ILLUSTRATED

HAP

24-50-51-02W

BOEING PROPRIETARY - Copyright © - Unpublished Work - See title page for details.

24-50-51
FIG. 02W
PAGE 16
FEB 10/07

BOEING
737-600/700/800/900
PARTS CATALOG (MAINTENANCE)

FIG ITEM	PART NUMBER	1 2 3 4 5 6 7	NOMENCLATURE	EFFECT FROM TO	UNITS PER ASSY
2W 535	BS51338D5003		.PLUG- SUPPLIER CODE: V83058 SPECIFICATION NUMBER: BACP20B63B OPTIONAL PART: 51338 V83058 MISCELLANEOUS DATA: USE IN PLACE OF CIRCUIT BREAKERS ON OPEN HOLES	037037	1
- 540	MODREF82596		PLUG BUTTON INSTL-P6-1/E2 MODULE NUMBER: 233A5221-301502 REV A	037037	1
545	BS51338D5003		.PLUG- SUPPLIER CODE: V83058 SPECIFICATION NUMBER: BACP20B63B OPTIONAL PART: 51338 V83058 MISCELLANEOUS DATA: USE IN PLACE OF CIRCUIT BREAKERS ON OPEN HOLES	037037	1
- 550	MODREF82597		PLUG BUTTON INSTL-P6-1/E3 MODULE NUMBER: 233A5221-301503 REV A	037037	1
555	BS51338D5003		.PLUG- SUPPLIER CODE: V83058 SPECIFICATION NUMBER: BACP20B63B OPTIONAL PART: 51338 V83058 MISCELLANEOUS DATA: USE IN PLACE OF CIRCUIT BREAKERS ON OPEN HOLES	037037	1
- 560	MODREF82598		PLUG BUTTON INSTL-P6-1/E4 MODULE NUMBER: 233A5221-301504 REV A	037037	1

MISSING ITEM NUMBERS NOT APPLICABLE

- ITEM NOT ILLUSTRATED

HAP

24-50-51-02W

BOEING PROPRIETARY - Copyright © - Unpublished Work - See title page for details.

24-50-51
FIG. 02W
PAGE 17
FEB 10/07

BOEING
737-600/700/800/900
PARTS CATALOG (MAINTENANCE)

FIG ITEM	PART NUMBER	1 2 3 4 5 6 7	NOMENCLATURE	EFFECT FROM TO	UNITS PER ASSY
2W 565	BS51338D5003		.PLUG- SUPPLIER CODE: V83058 SPECIFICATION NUMBER: BACP20B63B OPTIONAL PART: 51338 V83058 MISCELLANEOUS DATA: USE IN PLACE OF CIRCUIT BREAKERS ON OPEN HOLES	037037	1
- 570	MODREF82600		PLUG BUTTON INSTL-P6-1/E6 MODULE NUMBER: 233A5221-301506 REV A	037037	1
575	BS51338D5003		.PLUG- SUPPLIER CODE: V83058 SPECIFICATION NUMBER: BACP20B63B OPTIONAL PART: 51338 V83058 MISCELLANEOUS DATA: USE IN PLACE OF CIRCUIT BREAKERS ON OPEN HOLES	037037	1
- 580	MODREF82601		PLUG BUTTON INSTL-P6-1/E7 MODULE NUMBER: 233A5221-301507 REV A	037037	1
585	BS51338D5003		.PLUG- SUPPLIER CODE: V83058 SPECIFICATION NUMBER: BACP20B63B OPTIONAL PART: 51338 V83058 MISCELLANEOUS DATA: USE IN PLACE OF CIRCUIT BREAKERS ON OPEN HOLES	037037	1
- 590	MODREF82605		PLUG BUTTON INSTL-P6-1/E16 MODULE NUMBER: 233A5221-301516 REV A	037037	1

MISSING ITEM NUMBERS NOT APPLICABLE

- ITEM NOT ILLUSTRATED

HAP

24-50-51-02W

BOEING PROPRIETARY - Copyright © - Unpublished Work - See title page for details.

24-50-51
FIG. 02W
PAGE 18
FEB 10/07

BOEING
737-600/700/800/900
PARTS CATALOG (MAINTENANCE)

FIG ITEM	PART NUMBER	1 2 3 4 5 6 7	NOMENCLATURE	EFFECT FROM TO	UNITS PER ASSY
2W 595	BS51338D5003		.PLUG- SUPPLIER CODE: V83058 SPECIFICATION NUMBER: BACP20B63B OPTIONAL PART: 51338 V83058 MISCELLANEOUS DATA: USE IN PLACE OF CIRCUIT BREAKERS ON OPEN HOLES	037037	1
- 600	MODREF82606		PLUG BUTTON INSTL-P6-1/E17 MODULE NUMBER: 233A5221-301517 REV A	037037	1
605	BS51338D5003		.PLUG- SUPPLIER CODE: V83058 SPECIFICATION NUMBER: BACP20B63B OPTIONAL PART: 51338 V83058 MISCELLANEOUS DATA: USE IN PLACE OF CIRCUIT BREAKERS ON OPEN HOLES	037037	1
- 700	MODREF82664		INOP INSTL-P6-1/A17 (ELECTRICAL POWER ONLY) MODULE NUMBER: 233A5221-501117 REV A FOR OTHER SYS DETAILS SEE: 11-31-51-02W	037037	1
705	10237-1		.COLLAR- SUPPLIER CODE: V1N6X0	037037	1
- 710	MODREF82677		INOP INSTL-P6-1/D2 (ELECTRICAL POWER ONLY) MODULE NUMBER: 233A5221-501402 REV A FOR OTHER SYS DETAILS SEE: 11-31-51-02W	037037	1
715	10237-1		.COLLAR- SUPPLIER CODE: V1N6X0	037037	1

MISSING ITEM NUMBERS NOT APPLICABLE

- ITEM NOT ILLUSTRATED

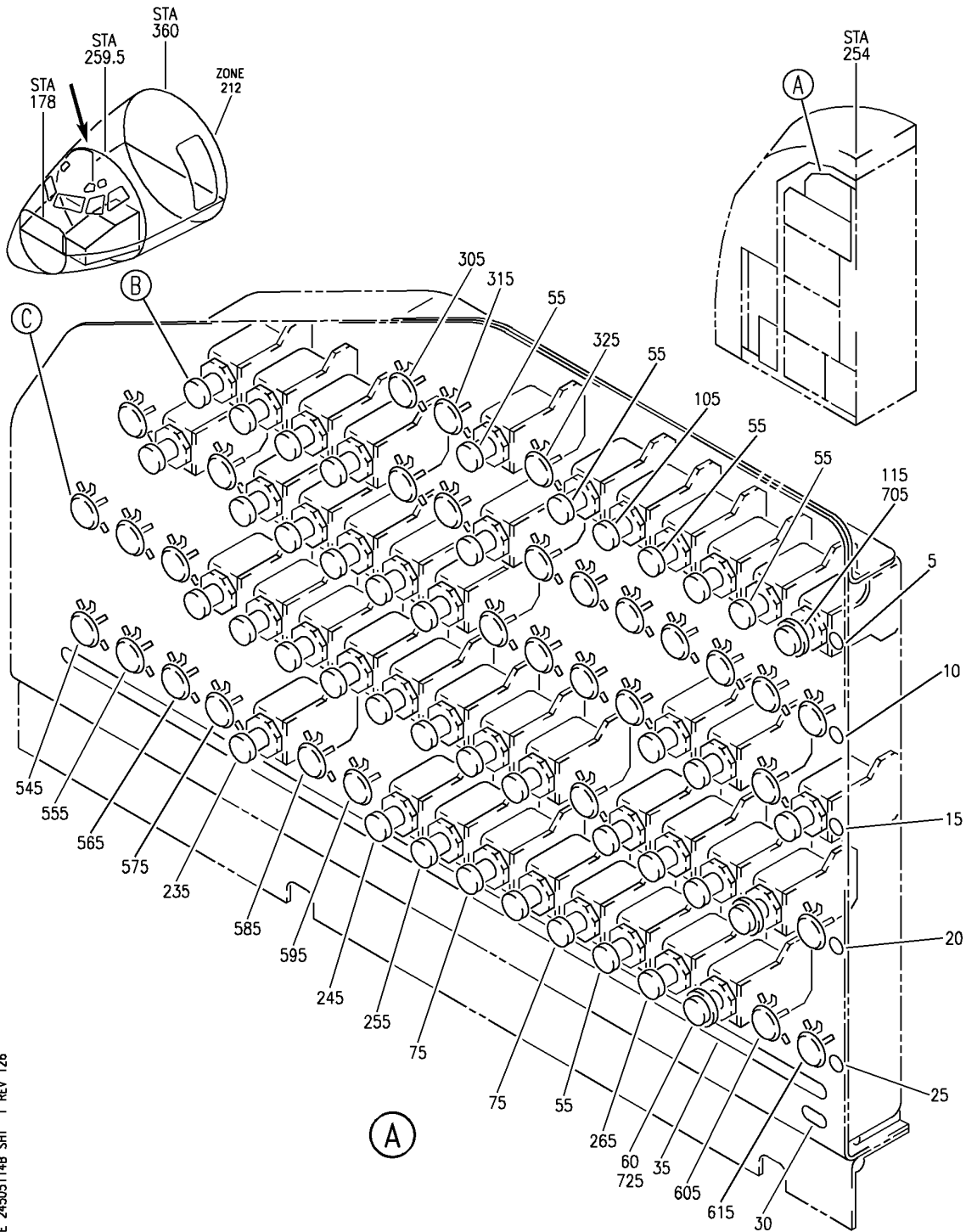
HAP

24-50-51-02W

BOEING PROPRIETARY - Copyright © - Unpublished Work - See title page for details.

24-50-51
FIG. 02W
PAGE 19
FEB 10/07


BOEING
 737-600/700/800/900
PARTS CATALOG (MAINTENANCE)



E 24505114B SHT 1 REV 126

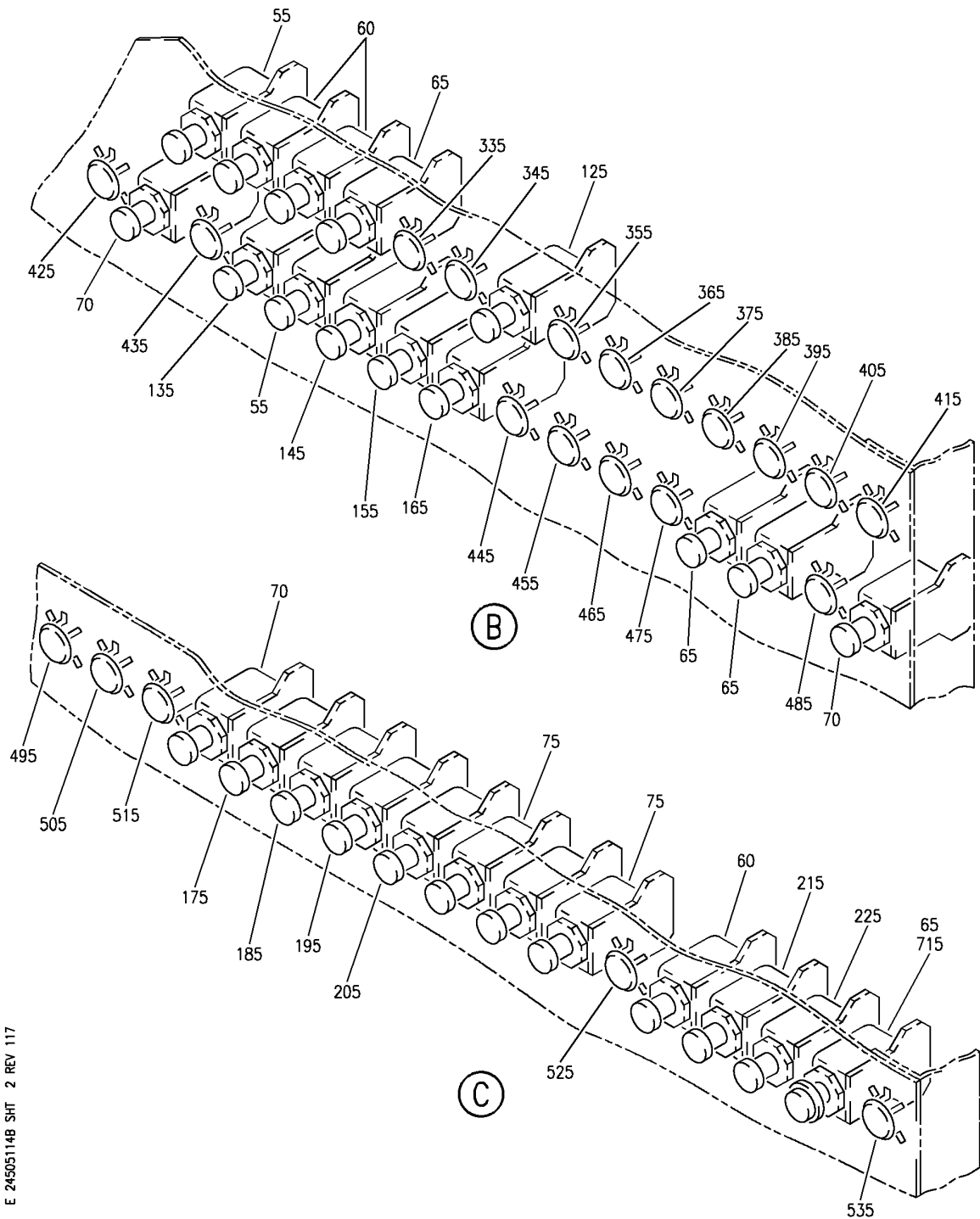
MARKER, CIRCUIT BREAKER, PLUG BUTTON AND INOP INSTL-P6-1 PNL (ELECTRICAL POWER ONLY)
 FIGURE 14B (SHEET 1)

HAP
FEB 10/07

24-50-51-14B

24-50-51-14B
 PAGE 0

BOEING
 737-600/700/800/900
 PARTS CATALOG (MAINTENANCE)



E 24-50-51-14B SHT 2 REV 117

MARKER, CIRCUIT BREAKER, PLUG BUTTON AND INOP INSTL-P6-1 PNL (ELECTRICAL POWER ONLY)
 FIGURE 14B (SHEET 2)

24-50-51-14B

HAP
 OCT 10/06

24-50-51-14B
 PAGE 0A

BOEING
737-600/700/800/900
PARTS CATALOG (MAINTENANCE)

FIG ITEM	PART NUMBER	1 2 3 4 5 6 7	NOMENCLATURE	EFFECT FROM TO	UNITS PER ASSY
14B			MARKER, CIRCUIT BREAKER, PLUG BUTTON AND INOP INSTL-P6-1 PNL (ELECTRICAL POWER ONLY)	031036	
- 1	MODREF235052		MARKER INSTL-P6-1 PNL MODULE NUMBER: 233A5221-1 REV C	031036	1
5	BAC27DCC3065		.MARKER- PLACARD CONTENT: A	031036	1
10	BAC27DCC3066		.MARKER- PLACARD CONTENT: B	031036	1
15	BAC27DCC3067		.MARKER- PLACARD CONTENT: C	031036	1
20	BAC27DCC3068		.MARKER- PLACARD CONTENT: D	031036	1
25	BAC27DCC3069		.MARKER- PLACARD CONTENT: E	031036	1
30	BAC27DCC3074		.MARKER- PLACARD CONTENT: P6-1	031036	1
35	BAC27DCC2719		.MARKER- PLACARD CONTENT: 1 THRU 17	031036	1
- 50	MODREF274758		CIRCUIT BREAKER INSTL-P6-1 MODULE NUMBER: 233A5221-4 REV C	031036	1
55	2TC47-2-5		.CIRCUIT BREAKER- SUPPLIER CODE: V82647 SPECIFICATION NUMBER: BACC18AD2 OPTIONAL PART: 4310-029-205 V76374 ELECTRICAL EQUIP NUMBER: C00192 C01207 C01370 C01375 C01377 C01379 C01385 C01583	031036	8

MISSING ITEM NUMBERS NOT APPLICABLE

- ITEM NOT ILLUSTRATED

HAP

24-50-51-14B

BOEING PROPRIETARY - Copyright © - Unpublished Work - See title page for details.

24-50-51
FIG. 14B
PAGE 1
FEB 10/07

BOEING
737-600/700/800/900
PARTS CATALOG (MAINTENANCE)

FIG ITEM	PART NUMBER	1 2 3 4 5 6 7	NOMENCLATURE	EFFECT FROM TO	UNITS PER ASSY
14B 60	2TC47-5		.CIRCUIT BREAKER- SUPPLIER CODE: V82647 SPECIFICATION NUMBER: BACC18AD5 OPTIONAL PART: 4310-029-5 V76374 ELECTRICAL EQUIP NUMBER: C00120 C01206 C01263 C01393	031036	4
65	2TC47-3		.CIRCUIT BREAKER- SUPPLIER CODE: V82647 SPECIFICATION NUMBER: BACC18AD3 OPTIONAL PART: 4310-029-3 V76374 ELECTRICAL EQUIP NUMBER: C00426 C00549 C01008 C01262	031036	4
70	2TC47-10		.CIRCUIT BREAKER- SUPPLIER CODE: V82647 SPECIFICATION NUMBER: BACC18AD10 OPTIONAL PART: 4310-029-10 V76374 ELECTRICAL EQUIP NUMBER: C00082 C00166 C01010	031036	3

MISSING ITEM NUMBERS NOT APPLICABLE

— ITEM NOT ILLUSTRATED

HAP

24-50-51-14B

BOEING PROPRIETARY - Copyright © - Unpublished Work - See title page for details.

24-50-51
FIG. 14B
PAGE 2
FEB 10/07

BOEING
737-600/700/800/900
PARTS CATALOG (MAINTENANCE)

FIG ITEM	PART NUMBER	1 2 3 4 5 6 7	NOMENCLATURE	EFFECT FROM TO	UNITS PER ASSY
14B 75	4310-029-15	.	CIRCUIT BREAKER- SUPPLIER CODE: V76374 SPECIFICATION NUMBER: BACC18AD15 OPTIONAL PART: 2TC47-15 V82647 ELECTRICAL EQUIP NUMBER: C01360 C01361 C01362 C01364 C01366 C01373	031036	6
- 100	MODREF82542		CIRCUIT BREAKER INSTL- RADIO NAV MMR 2 P6-1/A13 MODULE NUMBER: 233A5221-201480 REV A	031036	1
105	2TC47-2-5	.	CIRCUIT BREAKER- SUPPLIER CODE: V82647 SPECIFICATION NUMBER: BACC18AD2 OPTIONAL PART: 4310-029-205 V76374 ELECTRICAL EQUIP NUMBER: C01480	031036	1
- 110	MODREF273852		CIRCUIT BREAKER INSTL-ADF 2 P6-1/A17 MODULE NUMBER: 233A5221-201383 REV A	031036	1
115	2TC47-2-5	.	CIRCUIT BREAKER- SUPPLIER CODE: V82647 SPECIFICATION NUMBER: BACC18AD2 OPTIONAL PART: 4310-029-205 V76374 ELECTRICAL EQUIP NUMBER: C01383	031036	1
- 120	MODREF82559		CIRCUIT BREAKER INSTL- ENTERTAINMENT AUDIO DC P6-1/B10 MODULE NUMBER: 233A5221-201584 REV A	031036	1

MISSING ITEM NUMBERS NOT APPLICABLE

- ITEM NOT ILLUSTRATED

HAP

24-50-51-14B

BOEING PROPRIETARY - Copyright © - Unpublished Work - See title page for details.

24-50-51
FIG. 14B
PAGE 3
FEB 10/07

BOEING
737-600/700/800/900
PARTS CATALOG (MAINTENANCE)

FIG ITEM	PART NUMBER	1 2 3 4 5 6 7	NOMENCLATURE	EFFECT FROM TO	UNITS PER ASSY
14B 125	2TC47-3		.CIRCUIT BREAKER- SUPPLIER CODE: V82647 SPECIFICATION NUMBER: BACC18AD3 OPTIONAL PART: 4310-029-3 V76374 ELECTRICAL EQUIP NUMBER: C01584	031036	1
- 130	MODREF82560		CIRCUIT BREAKER INSTL- ENTERTAINMENT VID CONT CENTER DC P6-1/C5 MODULE NUMBER: 233A5221-211450 REV A	031036	1
135	2TC47-7-5		.CIRCUIT BREAKER- SUPPLIER CODE: V82647 SPECIFICATION NUMBER: BACC18AD7 OPTIONAL PART: 4310-029-705 V76374 ELECTRICAL EQUIP NUMBER: C01450	031036	1
- 140	MODREF82533		CIRCUIT BREAKER INSTL- ENTERTAINMENT VID CONT CENTER AC P6-1/C7 MODULE NUMBER: 233A5221-201451 REV A	031036	1
145	2TC47-7-5		.CIRCUIT BREAKER- SUPPLIER CODE: V82647 SPECIFICATION NUMBER: BACC18AD7 OPTIONAL PART: 4310-029-705 V76374 ELECTRICAL EQUIP NUMBER: C01451	031036	1
- 150	MODREF82538		CIRCUIT BREAKER INSTL- ENTERTAINMENT AUDIO P6-1/C8 MODULE NUMBER: 233A5221-201456 REV A	031036	1

MISSING ITEM NUMBERS NOT APPLICABLE

- ITEM NOT ILLUSTRATED

HAP

24-50-51-14B

BOEING PROPRIETARY - Copyright © - Unpublished Work - See title page for details.

24-50-51
FIG. 14B
PAGE 4
FEB 10/07

BOEING
737-600/700/800/900
PARTS CATALOG (MAINTENANCE)

FIG ITEM	PART NUMBER	1 2 3 4 5 6 7	NOMENCLATURE	EFFECT FROM TO	UNITS PER ASSY
14B 155	2TC47-7-5		.CIRCUIT BREAKER- SUPPLIER CODE: V82647 SPECIFICATION NUMBER: BACC18AD7 OPTIONAL PART: 4310-029-705 V76374 ELECTRICAL EQUIP NUMBER: C01456	031036	1
- 160	MODREF82519		CIRCUIT BREAKER INSTL- ENTERTAINMENT PA TAPE RPDR AC P6-1/C9 MODULE NUMBER: 233A5221-200080 REV A	031036	1
165	2TC47-3		.CIRCUIT BREAKER- SUPPLIER CODE: V82647 SPECIFICATION NUMBER: BACC18AD3 OPTIONAL PART: 4310-029-3 V76374 ELECTRICAL EQUIP NUMBER: C00080	031036	1
- 170	MODREF82534		CIRCUIT BREAKER INSTL-VIDEO 1 P6-1/D5 MODULE NUMBER: 233A5221-201452 REV A	031036	1
175	2TC47-7-5		.CIRCUIT BREAKER- SUPPLIER CODE: V82647 SPECIFICATION NUMBER: BACC18AD7 OPTIONAL PART: 4310-029-705 V76374 ELECTRICAL EQUIP NUMBER: C01452	031036	1
- 180	MODREF82535		CIRCUIT BREAKER INSTL-VIDEO 2 P6-1/D6 MODULE NUMBER: 233A5221-201453 REV A	031036	1

MISSING ITEM NUMBERS NOT APPLICABLE

- ITEM NOT ILLUSTRATED

HAP

24-50-51-14B

BOEING PROPRIETARY - Copyright © - Unpublished Work - See title page for details.

24-50-51
FIG. 14B
PAGE 5
FEB 10/07

BOEING
737-600/700/800/900
PARTS CATALOG (MAINTENANCE)

FIG ITEM	PART NUMBER	1 2 3 4 5 6 7	NOMENCLATURE	EFFECT FROM TO	UNITS PER ASSY
14B 185	2TC47-7-5		.CIRCUIT BREAKER- SUPPLIER CODE: V82647 SPECIFICATION NUMBER: BACC18AD7 OPTIONAL PART: 4310-029-705 V76374 ELECTRICAL EQUIP NUMBER: C01453	031036	1
- 190	MODREF82536		CIRCUIT BREAKER INSTL-VIDEO 3 P6-1/D7 MODULE NUMBER: 233A5221-201454 REV A	031036	1
195	2TC47-7-5		.CIRCUIT BREAKER- SUPPLIER CODE: V82647 SPECIFICATION NUMBER: BACC18AD7 OPTIONAL PART: 4310-029-705 V76374 ELECTRICAL EQUIP NUMBER: C01454	031036	1
- 200	MODREF82537		CIRCUIT BREAKER INSTL-VIDEO 4 P6-1/D8 MODULE NUMBER: 233A5221-201455 REV A	031036	1
205	2TC47-7-5		.CIRCUIT BREAKER- SUPPLIER CODE: V82647 SPECIFICATION NUMBER: BACC18AD7 OPTIONAL PART: 4310-029-705 V76374 ELECTRICAL EQUIP NUMBER: C01455	031036	1
- 210	MODREF82520		CIRCUIT BREAKER INSTL- ATC-2 P6-1/D14 MODULE NUMBER: 233A5221-200188 REV A	031036	1

MISSING ITEM NUMBERS NOT APPLICABLE

- ITEM NOT ILLUSTRATED

HAP

24-50-51-14B

BOEING PROPRIETARY - Copyright © - Unpublished Work - See title page for details.

24-50-51
FIG. 14B
PAGE 6
FEB 10/07

BOEING
737-600/700/800/900
PARTS CATALOG (MAINTENANCE)

FIG ITEM	PART NUMBER	1 2 3 4 5 6 7	NOMENCLATURE	EFFECT FROM TO	UNITS PER ASSY
14B 215	2TC47-5	.	CIRCUIT BREAKER- SUPPLIER CODE: V82647 SPECIFICATION NUMBER: BACC18AD5 OPTIONAL PART: 4310-029-5 V76374 ELECTRICAL EQUIP NUMBER: C00188	031036	1
- 220	MODREF82530		CIRCUIT BREAKER INSTL-FMCS MCDU 2 P6-1/D15 MODULE NUMBER: 233A5221-201239 REV A	031036	1
225	2TC47-3	.	CIRCUIT BREAKER- SUPPLIER CODE: V82647 SPECIFICATION NUMBER: BACC18AD3 OPTIONAL PART: 4310-029-3 V76374 ELECTRICAL EQUIP NUMBER: C01239	031036	1
- 230	MODREF82529		CIRCUIT BREAKER INSTL-PRTR P6-1/E5 MODULE NUMBER: 233A5221-201216 REV A	031036	1
235	2TC47-2-5	.	CIRCUIT BREAKER- SUPPLIER CODE: V82647 SPECIFICATION NUMBER: BACC18AD2 OPTIONAL PART: 4310-029-205 V76374 ELECTRICAL EQUIP NUMBER: C01216	031036	1
- 240	MODREF82543		CIRCUIT BREAKER INSTL- CMU 1 AC P6-1/E8 MODULE NUMBER: 233A5221-201483 REV A	031036	1

MISSING ITEM NUMBERS NOT APPLICABLE

- ITEM NOT ILLUSTRATED

HAP

24-50-51-14B

BOEING PROPRIETARY - Copyright © - Unpublished Work - See title page for details.

24-50-51
FIG. 14B
PAGE 7
FEB 10/07

BOEING
737-600/700/800/900
PARTS CATALOG (MAINTENANCE)

FIG ITEM	PART NUMBER	1 2 3 4 5 6 7	NOMENCLATURE	EFFECT FROM TO	UNITS PER ASSY
14B 245	2TC47-2-5		.CIRCUIT BREAKER- SUPPLIER CODE: V82647 SPECIFICATION NUMBER: BACC18AD2 OPTIONAL PART: 4310-029-205 V76374 ELECTRICAL EQUIP NUMBER: C01483	031036	1
- 250	MODREF82546		CIRCUIT BREAKER INSTL- CMU/ACARS DC P6-1/E9 MODULE NUMBER: 233A5221-201500 REV A	031036	1
255	2TC47-2-5		.CIRCUIT BREAKER- SUPPLIER CODE: V82647 SPECIFICATION NUMBER: BACC18AD2 OPTIONAL PART: 4310-029-205 V76374 ELECTRICAL EQUIP NUMBER: C01500	031036	1
- 260	MODREF82526		CIRCUIT BREAKER INSTL-ATC ANT SWITCH P6-1/E14 MODULE NUMBER: 233A5221-201194 REV A	031036	1
265	2TC47-2-5		.CIRCUIT BREAKER- SUPPLIER CODE: V82647 SPECIFICATION NUMBER: BACC18AD2 OPTIONAL PART: 4310-029-205 V76374 ELECTRICAL EQUIP NUMBER: C01194	031036	1
- 300	MODREF82561		PLUG BUTTON INSTL-P6-1/A8 MODULE NUMBER: 233A5221-301108 REV A	031036	1

MISSING ITEM NUMBERS NOT APPLICABLE

- ITEM NOT ILLUSTRATED

HAP

24-50-51-14B

BOEING PROPRIETARY - Copyright © - Unpublished Work - See title page for details.

24-50-51
FIG. 14B
PAGE 8
FEB 10/07

BOEING
737-600/700/800/900
PARTS CATALOG (MAINTENANCE)

FIG ITEM	PART NUMBER	1 2 3 4 5 6 7	NOMENCLATURE	EFFECT FROM TO	UNITS PER ASSY
14B 305	BS51338D5003		.PLUG- SUPPLIER CODE: V83058 SPECIFICATION NUMBER: BACP20B63B OPTIONAL PART: 51338 V83058 MISCELLANEOUS DATA: USE IN PLACE OF CIRCUIT BREAKERS ON OPEN HOLES	031036	1
- 310	MODREF82562		PLUG BUTTON INSTL-P6-1/A9 MODULE NUMBER: 233A5221-301109 REV A	031036	1
315	BS51338D5003		.PLUG- SUPPLIER CODE: V83058 SPECIFICATION NUMBER: BACP20B63B OPTIONAL PART: 51338 V83058 MISCELLANEOUS DATA: USE IN PLACE OF CIRCUIT BREAKERS ON OPEN HOLES	031036	1
- 320	MODREF82563		PLUG BUTTON INSTL-P6-1/A11 MODULE NUMBER: 233A5221-301111 REV A	031036	1
325	BS51338D5003		.PLUG- SUPPLIER CODE: V83058 SPECIFICATION NUMBER: BACP20B63B OPTIONAL PART: 51338 V83058 MISCELLANEOUS DATA: USE IN PLACE OF CIRCUIT BREAKERS ON OPEN HOLES	031036	1
- 330	MODREF82564		PLUG BUTTON INSTL-P6-1/B8 MODULE NUMBER: 233A5221-301208 REV A	031036	1

MISSING ITEM NUMBERS NOT APPLICABLE

- ITEM NOT ILLUSTRATED

HAP

24-50-51-14B

BOEING PROPRIETARY - Copyright © - Unpublished Work - See title page for details.

24-50-51
FIG. 14B
PAGE 9
FEB 10/07

BOEING
737-600/700/800/900
PARTS CATALOG (MAINTENANCE)

FIG ITEM	PART NUMBER	1 2 3 4 5 6 7	NOMENCLATURE	EFFECT FROM TO	UNITS PER ASSY
14B 335	BS51338D5003		.PLUG- SUPPLIER CODE: V83058 SPECIFICATION NUMBER: BACP20B63B OPTIONAL PART: 51338 V83058 MISCELLANEOUS DATA: USE IN PLACE OF CIRCUIT BREAKERS ON OPEN HOLES	031036	1
- 340	MODREF82565		PLUG BUTTON INSTL-P6-1/B9 MODULE NUMBER: 233A5221-301209 REV A	031036	1
345	BS51338D5003		.PLUG- SUPPLIER CODE: V83058 SPECIFICATION NUMBER: BACP20B63B OPTIONAL PART: 51338 V83058 MISCELLANEOUS DATA: USE IN PLACE OF CIRCUIT BREAKERS ON OPEN HOLES	031036	1
- 350	MODREF82567		PLUG BUTTON INSTL-P6-1/B11 MODULE NUMBER: 233A5221-301211 REV A	031036	1
355	BS51338D5003		.PLUG- SUPPLIER CODE: V83058 SPECIFICATION NUMBER: BACP20B63B OPTIONAL PART: 51338 V83058 MISCELLANEOUS DATA: USE IN PLACE OF CIRCUIT BREAKERS ON OPEN HOLES	031036	1
- 360	MODREF82568		PLUG BUTTON INSTL-P6-1/B12 MODULE NUMBER: 233A5221-301212 REV A	031036	1

MISSING ITEM NUMBERS NOT APPLICABLE

- ITEM NOT ILLUSTRATED

HAP

24-50-51-14B

BOEING PROPRIETARY - Copyright © - Unpublished Work - See title page for details.

24-50-51
FIG. 14B
PAGE 10
FEB 10/07

BOEING
737-600/700/800/900
PARTS CATALOG (MAINTENANCE)

FIG ITEM	PART NUMBER	1 2 3 4 5 6 7	NOMENCLATURE	EFFECT FROM TO	UNITS PER ASSY
14B 365	BS51338D5003		.PLUG- SUPPLIER CODE: V83058 SPECIFICATION NUMBER: BACP20B63B OPTIONAL PART: 51338 V83058 MISCELLANEOUS DATA: USE IN PLACE OF CIRCUIT BREAKERS ON OPEN HOLES	031036	1
- 370	MODREF82569		PLUG BUTTON INSTL-P6-1/B13 MODULE NUMBER: 233A5221-301213 REV A	031036	1
375	BS51338D5003		.PLUG- SUPPLIER CODE: V83058 SPECIFICATION NUMBER: BACP20B63B OPTIONAL PART: 51338 V83058 MISCELLANEOUS DATA: USE IN PLACE OF CIRCUIT BREAKERS ON OPEN HOLES	031036	1
- 380	MODREF82570		PLUG BUTTON INSTL-P6-1/B14 MODULE NUMBER: 233A5221-301214 REV A	031036	1
385	BS51338D5003		.PLUG- SUPPLIER CODE: V83058 SPECIFICATION NUMBER: BACP20B63B OPTIONAL PART: 51338 V83058 MISCELLANEOUS DATA: USE IN PLACE OF CIRCUIT BREAKERS ON OPEN HOLES	031036	1
- 390	MODREF82571		PLUG BUTTON INSTL-P6-1/B15 MODULE NUMBER: 233A5221-301215 REV A	031036	1

MISSING ITEM NUMBERS NOT APPLICABLE

- ITEM NOT ILLUSTRATED

HAP

24-50-51-14B

BOEING PROPRIETARY - Copyright © - Unpublished Work - See title page for details.

24-50-51
FIG. 14B
PAGE 11
FEB 10/07

BOEING
737-600/700/800/900
PARTS CATALOG (MAINTENANCE)

FIG ITEM	PART NUMBER	1 2 3 4 5 6 7	NOMENCLATURE	EFFECT FROM TO	UNITS PER ASSY
14B 395	BS51338D5003		.PLUG- SUPPLIER CODE: V83058 SPECIFICATION NUMBER: BACP20B63B OPTIONAL PART: 51338 V83058 MISCELLANEOUS DATA: USE IN PLACE OF CIRCUIT BREAKERS ON OPEN HOLES	031036	1
- 400	MODREF82572		PLUG BUTTON INSTL-P6-1/B16 MODULE NUMBER: 233A5221-301216 REV A	031036	1
405	BS51338D5003		.PLUG- SUPPLIER CODE: V83058 SPECIFICATION NUMBER: BACP20B63B OPTIONAL PART: 51338 V83058 MISCELLANEOUS DATA: USE IN PLACE OF CIRCUIT BREAKERS ON OPEN HOLES	031036	1
- 410	MODREF82573		PLUG BUTTON INSTL-P6-1/B17 MODULE NUMBER: 233A5221-301217 REV A	031036	1
415	BS51338D5003		.PLUG- SUPPLIER CODE: V83058 SPECIFICATION NUMBER: BACP20B63B OPTIONAL PART: 51338 V83058 MISCELLANEOUS DATA: USE IN PLACE OF CIRCUIT BREAKERS ON OPEN HOLES	031036	1
- 420	MODREF82574		PLUG BUTTON INSTL-P6-1/C2 MODULE NUMBER: 233A5221-301302 REV A	031036	1

MISSING ITEM NUMBERS NOT APPLICABLE

- ITEM NOT ILLUSTRATED

HAP

24-50-51-14B

BOEING PROPRIETARY - Copyright © - Unpublished Work - See title page for details.

24-50-51
FIG. 14B
PAGE 12
FEB 10/07

BOEING
737-600/700/800/900
PARTS CATALOG (MAINTENANCE)

FIG ITEM	PART NUMBER	1 2 3 4 5 6 7	NOMENCLATURE	EFFECT FROM TO	UNITS PER ASSY
14B 425	BS51338D5003		.PLUG- SUPPLIER CODE: V83058 SPECIFICATION NUMBER: BACP20B63B OPTIONAL PART: 51338 V83058 MISCELLANEOUS DATA: USE IN PLACE OF CIRCUIT BREAKERS ON OPEN HOLES	031036	1
- 430	MODREF82575		PLUG BUTTON INSTL-P6-1/C4 MODULE NUMBER: 233A5221-301304 REV A	031036	1
435	BS51338D5003		.PLUG- SUPPLIER CODE: V83058 SPECIFICATION NUMBER: BACP20B63B OPTIONAL PART: 51338 V83058 MISCELLANEOUS DATA: USE IN PLACE OF CIRCUIT BREAKERS ON OPEN HOLES	031036	1
- 440	MODREF82580		PLUG BUTTON INSTL-P6-1/C10 MODULE NUMBER: 233A5221-301310 REV A	031036	1
445	BS51338D5003		.PLUG- SUPPLIER CODE: V83058 SPECIFICATION NUMBER: BACP20B63B OPTIONAL PART: 51338 V83058 MISCELLANEOUS DATA: USE IN PLACE OF CIRCUIT BREAKERS ON OPEN HOLES	031036	1
- 450	MODREF82581		PLUG BUTTON INSTL-P6-1/C11 MODULE NUMBER: 233A5221-301311 REV A	031036	1

MISSING ITEM NUMBERS NOT APPLICABLE

- ITEM NOT ILLUSTRATED

HAP

24-50-51-14B

BOEING PROPRIETARY - Copyright © - Unpublished Work - See title page for details.

24-50-51
FIG. 14B
PAGE 13
FEB 10/07

BOEING
737-600/700/800/900
PARTS CATALOG (MAINTENANCE)

FIG ITEM	PART NUMBER	1 2 3 4 5 6 7	NOMENCLATURE	EFFECT FROM TO	UNITS PER ASSY
14B 455	BS51338D5003		.PLUG- SUPPLIER CODE: V83058 SPECIFICATION NUMBER: BACP20B63B OPTIONAL PART: 51338 V83058 MISCELLANEOUS DATA: USE IN PLACE OF CIRCUIT BREAKERS ON OPEN HOLES	031036	1
- 460	MODREF82582		PLUG BUTTON INSTL-P6-1/C12 MODULE NUMBER: 233A5221-301312 REV A	031036	1
465	BS51338D5003		.PLUG- SUPPLIER CODE: V83058 SPECIFICATION NUMBER: BACP20B63B OPTIONAL PART: 51338 V83058 MISCELLANEOUS DATA: USE IN PLACE OF CIRCUIT BREAKERS ON OPEN HOLES	031036	1
- 470	MODREF82583		PLUG BUTTON INSTL-P6-1/C13 MODULE NUMBER: 233A5221-301313 REV A	031036	1
475	BS51338D5003		.PLUG- SUPPLIER CODE: V83058 SPECIFICATION NUMBER: BACP20B63B OPTIONAL PART: 51338 V83058 MISCELLANEOUS DATA: USE IN PLACE OF CIRCUIT BREAKERS ON OPEN HOLES	031036	1
- 480	MODREF82584		PLUG BUTTON INSTL-P6-1/C16 MODULE NUMBER: 233A5221-301316 REV A	031036	1

MISSING ITEM NUMBERS NOT APPLICABLE

- ITEM NOT ILLUSTRATED

HAP

24-50-51-14B

BOEING PROPRIETARY - Copyright © - Unpublished Work - See title page for details.

24-50-51
FIG. 14B
PAGE 14
FEB 10/07

BOEING
737-600/700/800/900
PARTS CATALOG (MAINTENANCE)

FIG ITEM	PART NUMBER	1 2 3 4 5 6 7	NOMENCLATURE	EFFECT FROM TO	UNITS PER ASSY
14B 485	BS51338D5003		.PLUG- SUPPLIER CODE: V83058 SPECIFICATION NUMBER: BACP20B63B OPTIONAL PART: 51338 V83058 MISCELLANEOUS DATA: USE IN PLACE OF CIRCUIT BREAKERS ON OPEN HOLES	031036	1
- 490	MODREF82585		PLUG BUTTON INSTL-P6-1/D1 MODULE NUMBER: 233A5221-301401 REV A	031036	1
495	BS51338D5003		.PLUG- SUPPLIER CODE: V83058 SPECIFICATION NUMBER: BACP20B63B OPTIONAL PART: 51338 V83058 MISCELLANEOUS DATA: USE IN PLACE OF CIRCUIT BREAKERS ON OPEN HOLES	031036	1
- 500	MODREF82586		PLUG BUTTON INSTL-P6-1/D2 MODULE NUMBER: 233A5221-301402 REV A	031036	1
505	BS51338D5003		.PLUG- SUPPLIER CODE: V83058 SPECIFICATION NUMBER: BACP20B63B OPTIONAL PART: 51338 V83058 MISCELLANEOUS DATA: USE IN PLACE OF CIRCUIT BREAKERS ON OPEN HOLES	031036	1
- 510	MODREF82587		PLUG BUTTON INSTL-P6-1/D3 MODULE NUMBER: 233A5221-301403 REV A	031036	1

MISSING ITEM NUMBERS NOT APPLICABLE

- ITEM NOT ILLUSTRATED

HAP

24-50-51-14B

BOEING PROPRIETARY - Copyright © - Unpublished Work - See title page for details.

24-50-51
FIG. 14B
PAGE 15
FEB 10/07

BOEING
737-600/700/800/900
PARTS CATALOG (MAINTENANCE)

FIG ITEM	PART NUMBER	1 2 3 4 5 6 7	NOMENCLATURE	EFFECT FROM TO	UNITS PER ASSY
14B 515	BS51338D5003		.PLUG- SUPPLIER CODE: V83058 SPECIFICATION NUMBER: BACP20B63B OPTIONAL PART: 51338 V83058 MISCELLANEOUS DATA: USE IN PLACE OF CIRCUIT BREAKERS ON OPEN HOLES	031036	1
- 520	MODREF82592		PLUG BUTTON INSTL-P6-1/D12 MODULE NUMBER: 233A5221-301412 REV A	031036	1
525	BS51338D5003		.PLUG- SUPPLIER CODE: V83058 SPECIFICATION NUMBER: BACP20B63B OPTIONAL PART: 51338 V83058 MISCELLANEOUS DATA: USE IN PLACE OF CIRCUIT BREAKERS ON OPEN HOLES	031036	1
- 530	MODREF82594		PLUG BUTTON INSTL-P6-1/D17 MODULE NUMBER: 233A5221-301417 REV A	031036	1
535	BS51338D5003		.PLUG- SUPPLIER CODE: V83058 SPECIFICATION NUMBER: BACP20B63B OPTIONAL PART: 51338 V83058 MISCELLANEOUS DATA: USE IN PLACE OF CIRCUIT BREAKERS ON OPEN HOLES	031036	1
- 540	MODREF82595		PLUG BUTTON INSTL-P6-1/E1 MODULE NUMBER: 233A5221-301501 REV A	031036	1

MISSING ITEM NUMBERS NOT APPLICABLE

- ITEM NOT ILLUSTRATED

HAP

24-50-51-14B

BOEING PROPRIETARY - Copyright © - Unpublished Work - See title page for details.

24-50-51
FIG. 14B
PAGE 16
FEB 10/07

BOEING
737-600/700/800/900
PARTS CATALOG (MAINTENANCE)

FIG ITEM	PART NUMBER	1 2 3 4 5 6 7	NOMENCLATURE	EFFECT FROM TO	UNITS PER ASSY
14B 545	BS51338D5003		.PLUG- SUPPLIER CODE: V83058 SPECIFICATION NUMBER: BACP20B63B OPTIONAL PART: 51338 V83058 MISCELLANEOUS DATA: USE IN PLACE OF CIRCUIT BREAKERS ON OPEN HOLES	031036	1
- 550	MODREF82596		PLUG BUTTON INSTL-P6-1/E2 MODULE NUMBER: 233A5221-301502 REV A	031036	1
555	BS51338D5003		.PLUG- SUPPLIER CODE: V83058 SPECIFICATION NUMBER: BACP20B63B OPTIONAL PART: 51338 V83058 MISCELLANEOUS DATA: USE IN PLACE OF CIRCUIT BREAKERS ON OPEN HOLES	031036	1
- 560	MODREF82597		PLUG BUTTON INSTL-P6-1/E3 MODULE NUMBER: 233A5221-301503 REV A	031036	1
565	BS51338D5003		.PLUG- SUPPLIER CODE: V83058 SPECIFICATION NUMBER: BACP20B63B OPTIONAL PART: 51338 V83058 MISCELLANEOUS DATA: USE IN PLACE OF CIRCUIT BREAKERS ON OPEN HOLES	031036	1
- 570	MODREF82598		PLUG BUTTON INSTL-P6-1/E4 MODULE NUMBER: 233A5221-301504 REV A	031036	1

MISSING ITEM NUMBERS NOT APPLICABLE

- ITEM NOT ILLUSTRATED

HAP

24-50-51-14B

BOEING PROPRIETARY - Copyright © - Unpublished Work - See title page for details.

24-50-51
FIG. 14B
PAGE 17
FEB 10/07

 **BOEING**
737-600/700/800/900
PARTS CATALOG (MAINTENANCE)

FIG ITEM	PART NUMBER	1 2 3 4 5 6 7	NOMENCLATURE	EFFECT FROM TO	UNITS PER ASSY
14B 575	BS51338D5003		.PLUG- SUPPLIER CODE: V83058 SPECIFICATION NUMBER: BACP20B63B OPTIONAL PART: 51338 V83058 MISCELLANEOUS DATA: USE IN PLACE OF CIRCUIT BREAKERS ON OPEN HOLES	031036	1
- 580	MODREF82600		PLUG BUTTON INSTL-P6-1/E6 MODULE NUMBER: 233A5221-301506 REV A	031036	1
585	BS51338D5003		.PLUG- SUPPLIER CODE: V83058 SPECIFICATION NUMBER: BACP20B63B OPTIONAL PART: 51338 V83058 MISCELLANEOUS DATA: USE IN PLACE OF CIRCUIT BREAKERS ON OPEN HOLES	031036	1
- 590	MODREF82601		PLUG BUTTON INSTL-P6-1/E7 MODULE NUMBER: 233A5221-301507 REV A	031036	1
595	BS51338D5003		.PLUG- SUPPLIER CODE: V83058 SPECIFICATION NUMBER: BACP20B63B OPTIONAL PART: 51338 V83058 MISCELLANEOUS DATA: USE IN PLACE OF CIRCUIT BREAKERS ON OPEN HOLES	031036	1
- 600	MODREF82605		PLUG BUTTON INSTL-P6-1/E16 MODULE NUMBER: 233A5221-301516 REV A	031036	1

MISSING ITEM NUMBERS NOT APPLICABLE

- ITEM NOT ILLUSTRATED

HAP

24-50-51-14B

BOEING PROPRIETARY - Copyright © - Unpublished Work - See title page for details.

24-50-51
FIG. 14B
PAGE 18
FEB 10/07

BOEING
737-600/700/800/900
PARTS CATALOG (MAINTENANCE)

FIG ITEM	PART NUMBER	1 2 3 4 5 6 7	NOMENCLATURE	EFFECT FROM TO	UNITS PER ASSY
14B 605	BS51338D5003		.PLUG- SUPPLIER CODE: V83058 SPECIFICATION NUMBER: BACP20B63B OPTIONAL PART: 51338 V83058 MISCELLANEOUS DATA: USE IN PLACE OF CIRCUIT BREAKERS ON OPEN HOLES	031036	1
- 610	MODREF82606		PLUG BUTTON INSTL-P6-1/E17 MODULE NUMBER: 233A5221-301517 REV A	031036	1
615	BS51338D5003		.PLUG- SUPPLIER CODE: V83058 SPECIFICATION NUMBER: BACP20B63B OPTIONAL PART: 51338 V83058 MISCELLANEOUS DATA: USE IN PLACE OF CIRCUIT BREAKERS ON OPEN HOLES	031036	1
- 700	MODREF82664		INOP INSTL-P6-1/A17 (ELECTRICAL POWER ONLY) MODULE NUMBER: 233A5221-501117 REV A FOR OTHER SYS DETAILS SEE: 11-31-51-14B	031036	1
705	10237-1		.COLLAR- SUPPLIER CODE: V1N6X0	031036	1
- 710	MODREF82682		INOP INSTL-P6-1/D16 (ELECTRICAL POWER ONLY) MODULE NUMBER: 233A5221-501416 REV A FOR OTHER SYS DETAILS SEE: 11-31-51-14B	031036	1
715	10237-1		.COLLAR- SUPPLIER CODE: V1N6X0	031036	1
- 720	MODREF82690		INOP INSTL-P6-1/E15 (ELECTRICAL POWER ONLY) MODULE NUMBER: 233A5221-501515 REV A FOR OTHER SYS DETAILS SEE: 11-31-51-14B	031036	1

MISSING ITEM NUMBERS NOT APPLICABLE

- ITEM NOT ILLUSTRATED

HAP

24-50-51-14B

BOEING PROPRIETARY - Copyright © - Unpublished Work - See title page for details.

24-50-51
FIG. 14B
PAGE 19
FEB 10/07


BOEING
 737-600/700/800/900
PARTS CATALOG (MAINTENANCE)

FIG ITEM	PART NUMBER	1 2 3 4 5 6 7 NOMENCLATURE	EFFECT FROM TO	UNITS PER ASSY
14B 725	10237-1	. COLLAR- SUPPLIER CODE: V1N6X0	031036	1

MISSING ITEM NUMBERS NOT APPLICABLE

— ITEM NOT ILLUSTRATED

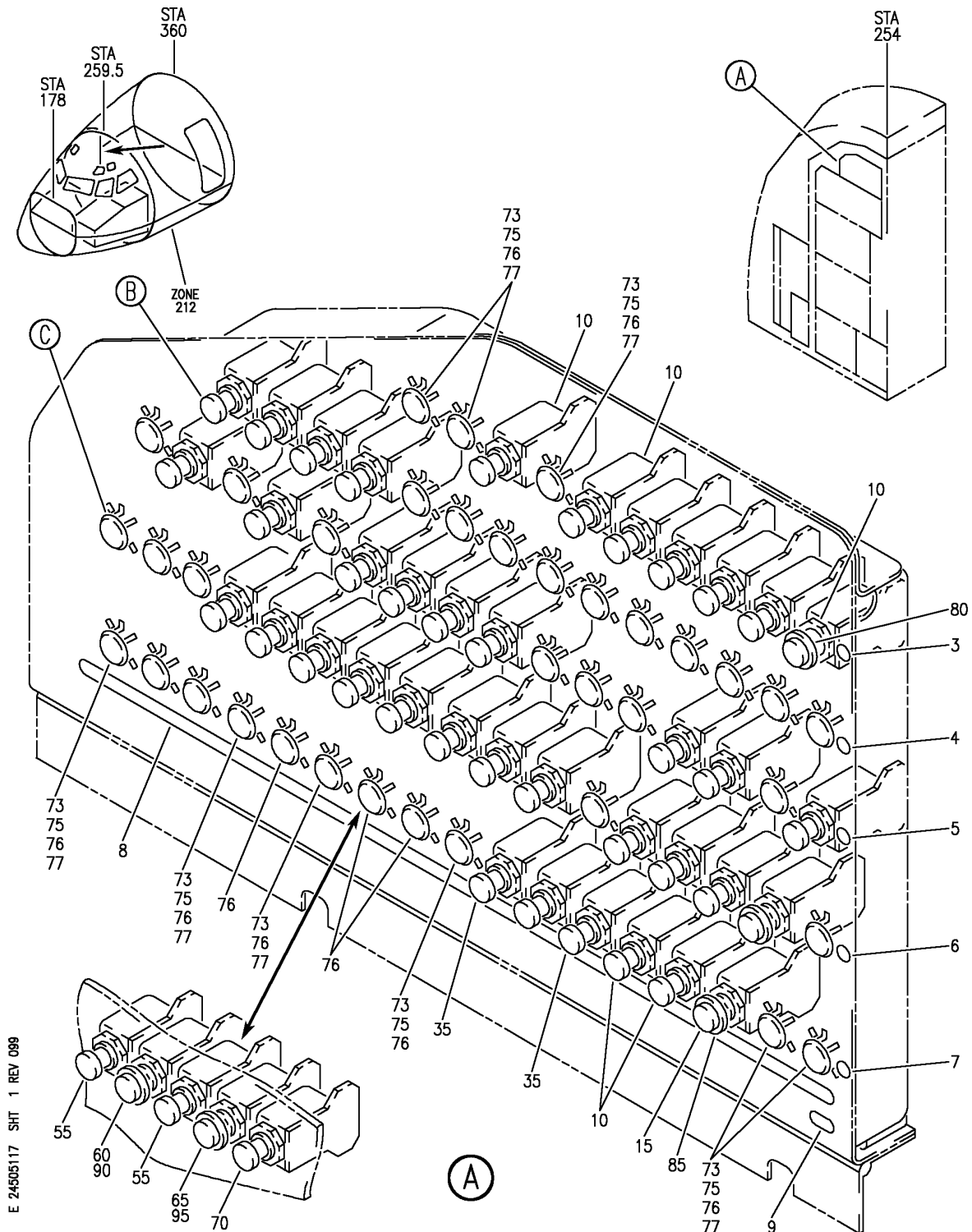
HAP

24-50-51-14B

BOEING PROPRIETARY - Copyright © - Unpublished Work - See title page for details.

24-50-51
 FIG. 14B
 PAGE 20
 FEB 10/07

BOEING
737-600/700/800/900
PARTS CATALOG (MAINTENANCE)



E 24505117 SHT 1 REV 098

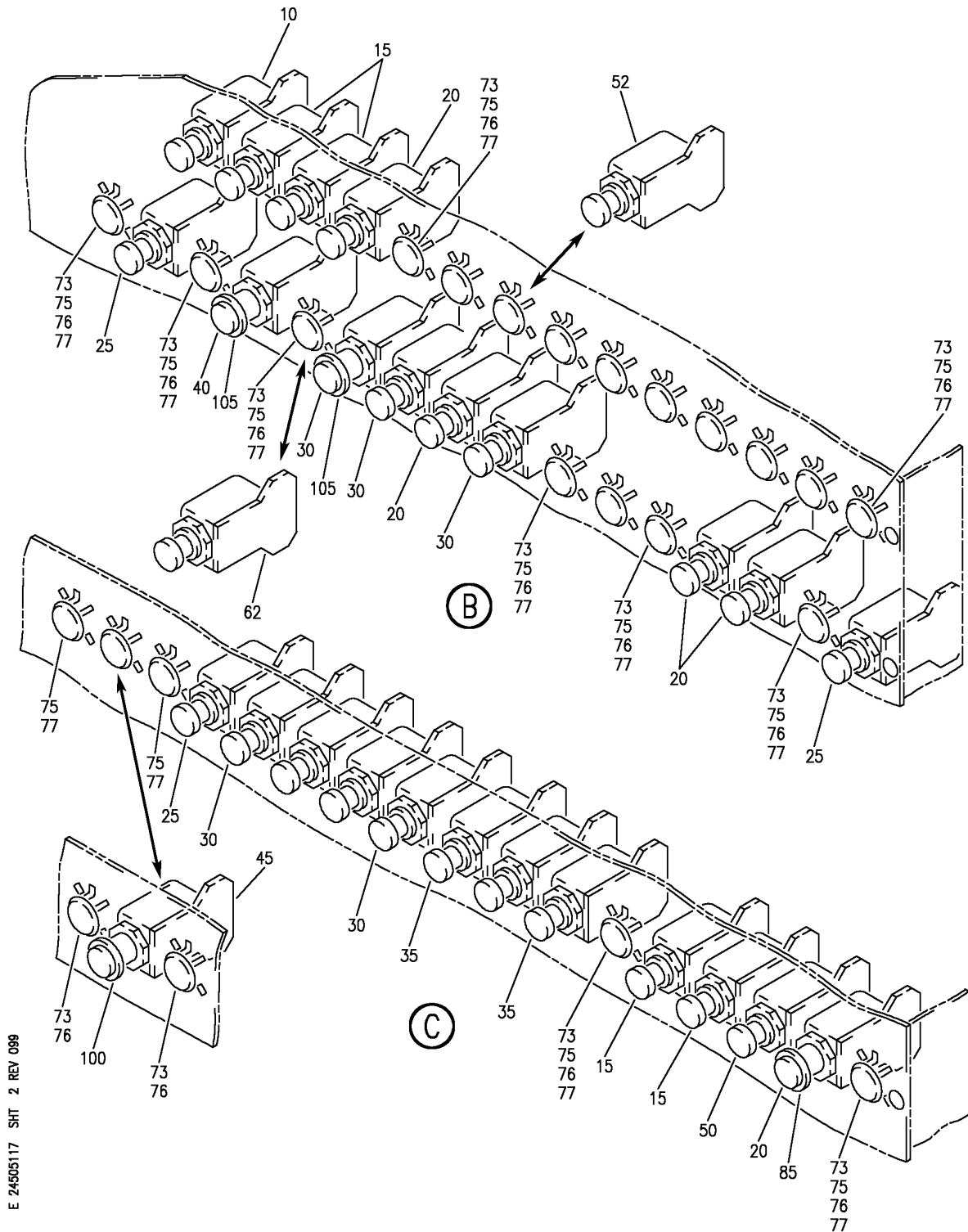
CIRCUIT BREAKER INSTL FLIGHT DECK P6-1 (AC ELECTRICAL LOAD DISTRIBUTION ONLY)
 FIGURE 17 (SHEET 1)

24-50-51-17

HAP
 OCT 10/06

24-50-51-17
 PAGE 0


BOEING
 737-600/700/800/900
PARTS CATALOG (MAINTENANCE)



E 24505117 SHT 2 REV 089

CIRCUIT BREAKER INSTL FLIGHT DECK P6-1 (AC ELECTRICAL LOAD DISTRIBUTION ONLY)
 FIGURE 17 (SHEET 2)

HAP
 OCT 10/06

24-50-51-17

24-50-51-17
 PAGE 0A

BOEING
737-600/700/800/900
PARTS CATALOG (MAINTENANCE)

FIG ITEM	PART NUMBER	1 2 3 4 5 6 7	NOMENCLATURE	EFFECT FROM TO	UNITS PER ASSY
17			CIRCUIT BREAKER INSTL FLIGHT DECK P6-1 (AC ELECTRICAL LOAD DISTRIBUTION ONLY)	001007	
- 1	233A5202-103001		CIRCUIT BREAKER INSTL- FLIGHT DECK P6-1 (AC ELECTRICAL LOAD DISTRIBUTION ONLY) FOR NHA/OTHER SYS DET SEE: 24-50-00-01C	001007	RF
3	BAC27DEX4980		.MARKER- PLACARD CONTENT: A	001007	1
4	BAC27DEX4981		.MARKER- PLACARD CONTENT: B	001007	1
5	BAC27DEX4982		.MARKER- PLACARD CONTENT: C	001007	1
6	BAC27DEX4983		.MARKER- PLACARD CONTENT: D	001007	1
7	BAC27DEX4984		.MARKER- PLACARD CONTENT: E	001007	1
8	BAC27DCC2719		.MARKER	001007	1
9	BAC27DCC1229		.MARKER-ALUMINUM FOIL PLACARD CONTENT: P6-1	001007	1
10	2TC47-2-5		.CIRCUIT BREAKER- SUPPLIER CODE: V82647 SPECIFICATION NUMBER: BACC18AD2 OPTIONAL PART: 4310-029-205 V76374 ELECTRICAL EQUIP NUMBER: C01377 C01375 C01480 C00192 C01379 C01385 C01383 C01207 C01370 C01194	001007	10

MISSING ITEM NUMBERS NOT APPLICABLE

- ITEM NOT ILLUSTRATED

HAP

24-50-51-17

BOEING PROPRIETARY - Copyright © - Unpublished Work - See title page for details.

24-50-51
FIG. 17
PAGE 1
OCT 10/06

BOEING
737-600/700/800/900
PARTS CATALOG (MAINTENANCE)

FIG ITEM	PART NUMBER	1 2 3 4 5 6 7	NOMENCLATURE	EFFECT FROM TO	UNITS PER ASSY
17 15	2TC47-5		.CIRCUIT BREAKER- SUPPLIER CODE: V82647 SPECIFICATION NUMBER: BACC18AD5 OPTIONAL PART: 4310-029-5 V76374 ELECTRICAL EQUIP NUMBER: C01206 C01393 C00120 C00188 C01263	001007	5
20	2TC47-3		.CIRCUIT BREAKER- SUPPLIER CODE: V82647 SPECIFICATION NUMBER: BACC18AD3 OPTIONAL PART: 4310-029-3 V76374 ELECTRICAL EQUIP NUMBER: C00549 C00080 C01008 C00426 C01262	001007	5
25	2TC47-10		.CIRCUIT BREAKER- SUPPLIER CODE: V82647 SPECIFICATION NUMBER: BACC18AD10 OPTIONAL PART: 4310-029-10 V76374 ELECTRICAL EQUIP NUMBER: C00166 C01010 C00082	001007	3

MISSING ITEM NUMBERS NOT APPLICABLE

— ITEM NOT ILLUSTRATED

HAP

24-50-51-17

BOEING PROPRIETARY - Copyright © - Unpublished Work - See title page for details.

24-50-51
FIG. 17
PAGE 2
OCT 10/06

BOEING
737-600/700/800/900
PARTS CATALOG (MAINTENANCE)

FIG ITEM	PART NUMBER	1 2 3 4 5 6 7	NOMENCLATURE	EFFECT FROM TO	UNITS PER ASSY
17 30	2TC47-7-5		.CIRCUIT BREAKER- SUPPLIER CODE: V82647 SPECIFICATION NUMBER: BACC18AD7 OPTIONAL PART: 4310-029-705 V76374 ELECTRICAL EQUIP NUMBER: C01451 C01456 C01101 C01452 C01453 C01454 C01455	001007	7
35	4310-029-15		.CIRCUIT BREAKER- SUPPLIER CODE: V76374 SPECIFICATION NUMBER: BACC18AD15 OPTIONAL PART: 2TC47-15 V82647 ELECTRICAL EQUIP NUMBER: C01362 C01361 C01360 C01364 C01366 C01373	001007	6
40	2TC47-5		.CIRCUIT BREAKER- SUPPLIER CODE: V82647 SPECIFICATION NUMBER: BACC18AD5 OPTIONAL PART: 4310-029-5 V76374 ELECTRICAL EQUIP NUMBER: C01450	001007	1

MISSING ITEM NUMBERS NOT APPLICABLE

— ITEM NOT ILLUSTRATED

HAP

24-50-51-17

BOEING PROPRIETARY - Copyright © - Unpublished Work - See title page for details.

24-50-51
FIG. 17
PAGE 3
OCT 10/06

BOEING
737-600/700/800/900
PARTS CATALOG (MAINTENANCE)

FIG ITEM	PART NUMBER	1 2 3 4 5 6 7	NOMENCLATURE	EFFECT FROM TO	UNITS PER ASSY
17 55	2TC47-2-5		.CIRCUIT BREAKER- SUPPLIER CODE: V82647 SPECIFICATION NUMBER: BACC18AD2 OPTIONAL PART: 4310-029-205 V76374 ELECTRICAL EQUIP NUMBER: C01050 C00744	001007	2
60	2TC47-2-5		.CIRCUIT BREAKER- SUPPLIER CODE: V82647 SPECIFICATION NUMBER: BACC18AD2 OPTIONAL PART: 4310-029-205 V76374 ELECTRICAL EQUIP NUMBER: C01255	001007	1
65	2TC47-2-5		.CIRCUIT BREAKER- SUPPLIER CODE: V82647 SPECIFICATION NUMBER: BACC18AD2 OPTIONAL PART: 4310-029-205 V76374 ELECTRICAL EQUIP NUMBER: C00743	001007	1
- 75	BS51338D5003		.PLUG- SUPPLIER CODE: V83058 SPECIFICATION NUMBER: BACP20B63B OPTIONAL PART: 51338 V83058 POSITION DATA: A8, A9, A11, B8-B17, C2, C4, C6, C11-C13, C16, D1-D3, D12, D17, E1-E4, E6, E9, E16, E17	001007	32
80	10237-1		.COLLAR- SUPPLIER CODE: V1N6X0	001007	1

MISSING ITEM NUMBERS NOT APPLICABLE

- ITEM NOT ILLUSTRATED

HAP

24-50-51-17

BOEING PROPRIETARY - Copyright © - Unpublished Work - See title page for details.

24-50-51
FIG. 17
PAGE 4
FEB 10/07


BOEING
 737-600/700/800/900
PARTS CATALOG (MAINTENANCE)

FIG ITEM	PART NUMBER	1 2 3 4 5 6 7	NOMENCLATURE	EFFECT FROM TO	UNITS PER ASSY
17					
85	10237-1		. COLLAR- SUPPLIER CODE: V1N6X0	001007	2
90	10237-1		. COLLAR- SUPPLIER CODE: V1N6X0	001007	1
105	10237-1		. COLLAR- SUPPLIER CODE: V1N6X0 POST SERVICE BULLETIN: 25-1542	001007	2

MISSING ITEM NUMBERS NOT APPLICABLE

— ITEM NOT ILLUSTRATED

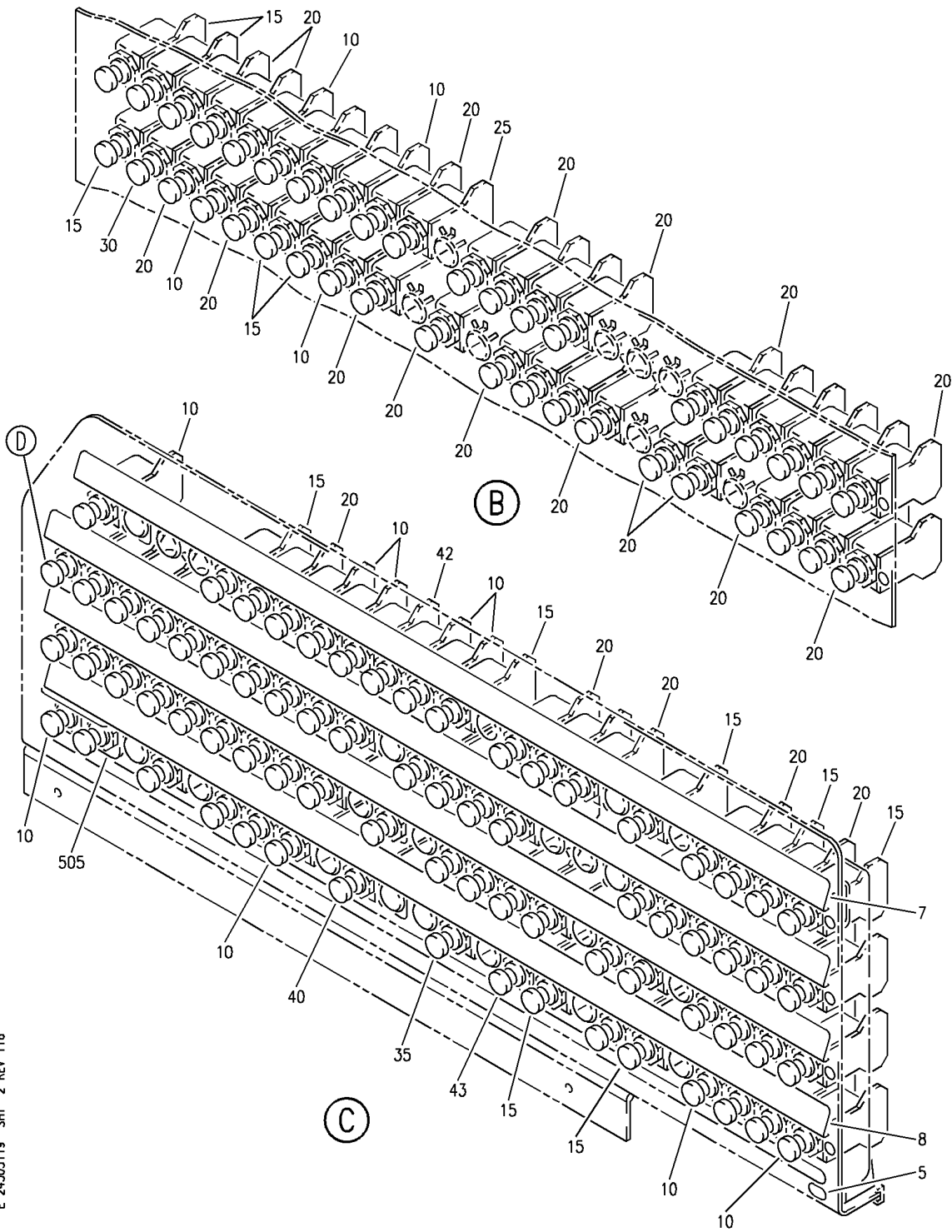
HAP

24-50-51-17

BOEING PROPRIETARY - Copyright © - Unpublished Work - See title page for details.

24-50-51
 FIG. 17
 PAGE 5
 FEB 10/07


BOEING
 737-600/700/800/900
PARTS CATALOG (MAINTENANCE)



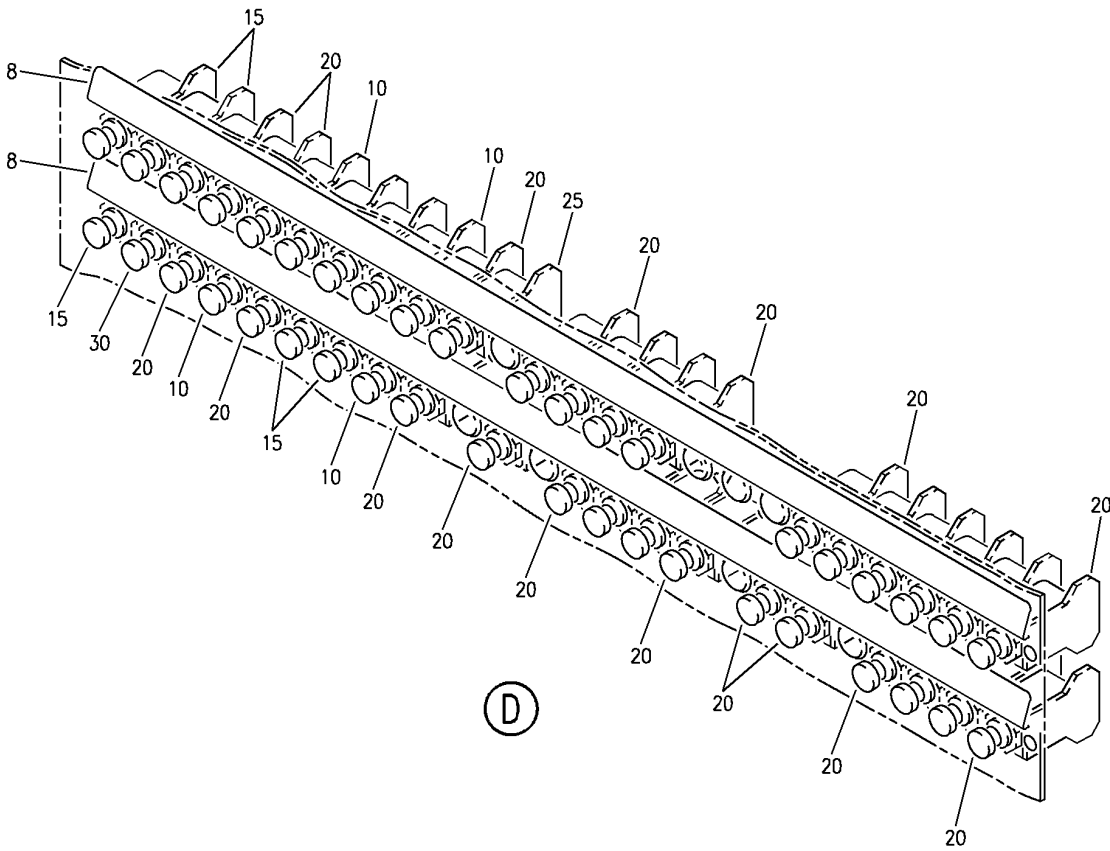
E 24505119 SHT 2 REV 116

CIRCUIT BREAKER INSTL FLIGHT DECK P6-2 (AC ELECTRICAL LOAD DISTRIBUTION ONLY)
 FIGURE 19 (SHEET 2)

24-50-51-19

HAP
 OCT 10/06

24-50-51-19
 PAGE 0A



E 24505119 SH 3 REV 116

CIRCUIT BREAKER INSTL FLIGHT DECK P6-2 (AC ELECTRICAL LOAD DISTRIBUTION ONLY)
 FIGURE 19 (SHEET 3)

HAP
 OCT 10/06

24-50-51-19

24-50-51-19
 PAGE 0B

BOEING
737-600/700/800/900
PARTS CATALOG (MAINTENANCE)

FIG ITEM	PART NUMBER	1 2 3 4 5 6 7	NOMENCLATURE	EFFECT FROM TO	UNITS PER ASSY
19 10	2TC47-2-5		.CIRCUIT BREAKER- SUPPLIER CODE: V82647 SPECIFICATION NUMBER: BACC18AD2 OPTIONAL PART: 4310-029-205 V76374 ELECTRICAL EQUIP NUMBER: C01076 C00211 C01468 C01443 C00213 C01313 C01318 C01319 C01464 C00154 C01004 C01515 C01514 C00459 C00151 C01391 C01315 C00084 C00086 C00083 C00085	001007	21

MISSING ITEM NUMBERS NOT APPLICABLE

— ITEM NOT ILLUSTRATED

HAP

24-50-51-19

BOEING PROPRIETARY - Copyright © - Unpublished Work - See title page for details.

24-50-51
FIG. 19
PAGE 2
OCT 10/06

BOEING
737-600/700/800/900
PARTS CATALOG (MAINTENANCE)

FIG ITEM	PART NUMBER	1 2 3 4 5 6 7	NOMENCLATURE	EFFECT FROM TO	UNITS PER ASSY
19 15	2TC47-3		.CIRCUIT BREAKER- SUPPLIER CODE: V82647 SPECIFICATION NUMBER: BACC18AD3 OPTIONAL PART: 4310-029-3 V76374 ELECTRICAL EQUIP NUMBER: C00566 C00306 C00388 C00407 C00405 C00374 C01064 C01037 C01413 C00277 C00788 C00786 C00787	001007	13

MISSING ITEM NUMBERS NOT APPLICABLE

— ITEM NOT ILLUSTRATED

HAP

24-50-51-19

BOEING PROPRIETARY - Copyright © - Unpublished Work - See title page for details.

24-50-51
FIG. 19
PAGE 3
OCT 10/06

BOEING
737-600/700/800/900
PARTS CATALOG (MAINTENANCE)

FIG ITEM	PART NUMBER	1 2 3 4 5 6 7	NOMENCLATURE	EFFECT FROM TO	UNITS PER ASSY
19 20	2TC47-5		.CIRCUIT BREAKER- SUPPLIER CODE: V82647 SPECIFICATION NUMBER: BACC18AD5 OPTIONAL PART: 4310-029-5 V76374 ELECTRICAL EQUIP NUMBER: C00210 C01081 C01085 C00780 C00396 C00403 C01046 C00716 C00440 C00204 C00363 C01070 C00779 C01344 C00297 C00452 C00296 C01022 C01021 C01047 C01267 C01447 C00362 C01074 C01068 C00799 C00781 C00348 C00347 C00560 C00561 C00239 C00240	001007	33

MISSING ITEM NUMBERS NOT APPLICABLE

— ITEM NOT ILLUSTRATED

HAP

24-50-51-19

BOEING PROPRIETARY - Copyright © - Unpublished Work - See title page for details.

24-50-51
FIG. 19
PAGE 4
OCT 10/06

BOEING
737-600/700/800/900
PARTS CATALOG (MAINTENANCE)

FIG ITEM	PART NUMBER	1 2 3 4 5 6 7	NOMENCLATURE	EFFECT FROM TO	UNITS PER ASSY
19 25	2TC47-7-5		.CIRCUIT BREAKER- SUPPLIER CODE: V82647 SPECIFICATION NUMBER: BACC18AD7 OPTIONAL PART: 4310-029-705 V76374 ELECTRICAL EQUIP NUMBER: C00207	001007	1
30	2TC6-1		.CIRCUIT BREAKER- SUPPLIER CODE: V82647 SPECIFICATION NUMBER: BACC18Z1R OPTIONAL PART: 4310-002-1 V76374 ELECTRICAL EQUIP NUMBER: C01042	001007	1
35	4330-004-15		.CIRCUIT BREAKER- SUPPLIER CODE: V76374 SPECIFICATION NUMBER: BACC18AC15 OPTIONAL PART: 6TC6-15 V82647 ELECTRICAL EQUIP NUMBER: C00840	001007	1
40	6TC6-10		.CIRCUIT BREAKER- SUPPLIER CODE: V82647 SPECIFICATION NUMBER: BACC18AC10 OPTIONAL PART: 4330-004-10 V76374 ELECTRICAL EQUIP NUMBER: C00841	001007	1

MISSING ITEM NUMBERS NOT APPLICABLE

— ITEM NOT ILLUSTRATED

HAP

24-50-51-19

BOEING PROPRIETARY - Copyright © - Unpublished Work - See title page for details.

24-50-51
FIG. 19
PAGE 5
OCT 10/06

BOEING
737-600/700/800/900
PARTS CATALOG (MAINTENANCE)

FIG ITEM	PART NUMBER	1 2 3 4 5 6 7	NOMENCLATURE	EFFECT FROM TO	UNITS PER ASSY
19					
R R R R R R R R R R	42	2TC47-5	.CIRCUIT BREAKER- SUPPLIER CODE: V82647 SPECIFICATION NUMBER: BACC18AD5 OPTIONAL PART: 4310-029-5 V76374 ELECTRICAL EQUIP NUMBER: C01611 POST AIRLINE MOD: E.O.APB737-8007 VHAP	001007	1
	43	2TC47-2-5	.CIRCUIT BREAKER- SUPPLIER CODE: V82647 SPECIFICATION NUMBER: BACC18AD2 OPTIONAL PART: 4310-029-205 V76374 ELECTRICAL EQUIP NUMBER: C01628 POST SERVICE BULLETIN: 27-1253R3	001007	1
-	45	BS51338D5003	.PLUG- SUPPLIER CODE: V83058 SPECIFICATION NUMBER: BACP20B63B OPTIONAL PART: 51338 V83058 MISCELLANEOUS DATA: USE IN PLACE OF CIRCUIT BREAKERS ON OPEN HOLES	001007	AR

MISSING ITEM NUMBERS NOT APPLICABLE

- ITEM NOT ILLUSTRATED

HAP

24-50-51-19

BOEING PROPRIETARY - Copyright © - Unpublished Work - See title page for details.

24-50-51
FIG. 19
PAGE 6
JUN 15/09

BOEING
737-600/700/800/900
PARTS CATALOG (MAINTENANCE)

FIG ITEM	PART NUMBER	1 2 3 4 5 6 7	NOMENCLATURE	EFFECT FROM TO	UNITS PER ASSY
19					
R R	- 50 BS51338D5003		.PLUG- SUPPLIER CODE: V83058 SPECIFICATION NUMBER: BACP20B63B OPTIONAL PART: 51338 V83058 MISCELLANEOUS DATA: USE IN PLACE OF CIRCUIT BREAKERS ON OPEN HOLES PRE AIRLINE MOD: E.O.APB737-8007 VHAP	001007	AR
	- 700 286A0040-304		WIRE BUNDLE ASSY	001007	RF
	- 705 RBEJ40K5A5A3		.JUMPER- SUPPLIER CODE: V1GK47 SPECIFICATION NUMBER: BACJ40K5A5A3 POST AIRLINE MOD: E.O.APB737-8007 VHAP	001007	1

MISSING ITEM NUMBERS NOT APPLICABLE

- ITEM NOT ILLUSTRATED

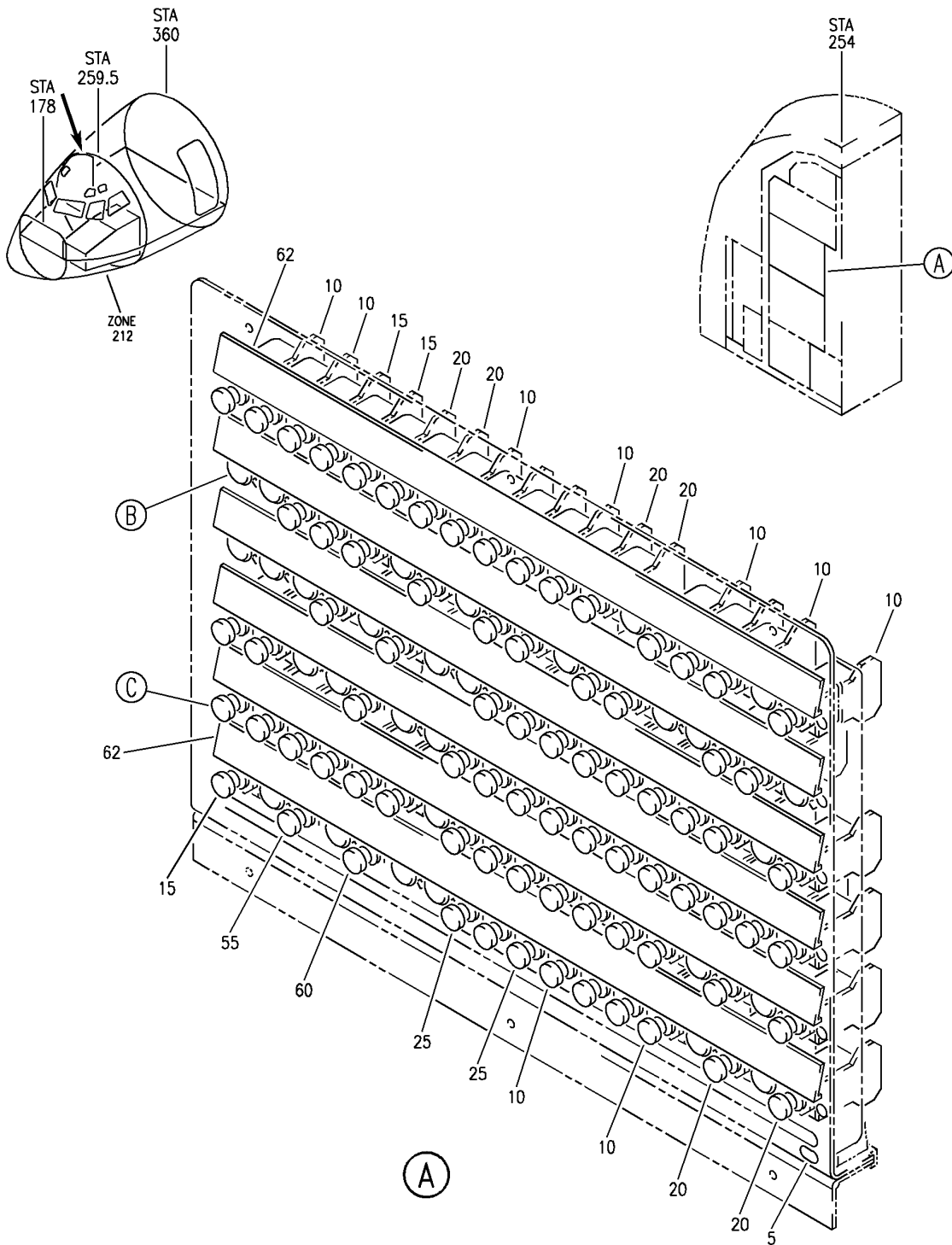
HAP

24-50-51-19

BOEING PROPRIETARY - Copyright © - Unpublished Work - See title page for details.

24-50-51
FIG. 19
PAGE 7
JUN 15/09

BOEING
 737-600/700/800/900
 PARTS CATALOG (MAINTENANCE)



E 24-50-51-20 SHT 1 REV 116

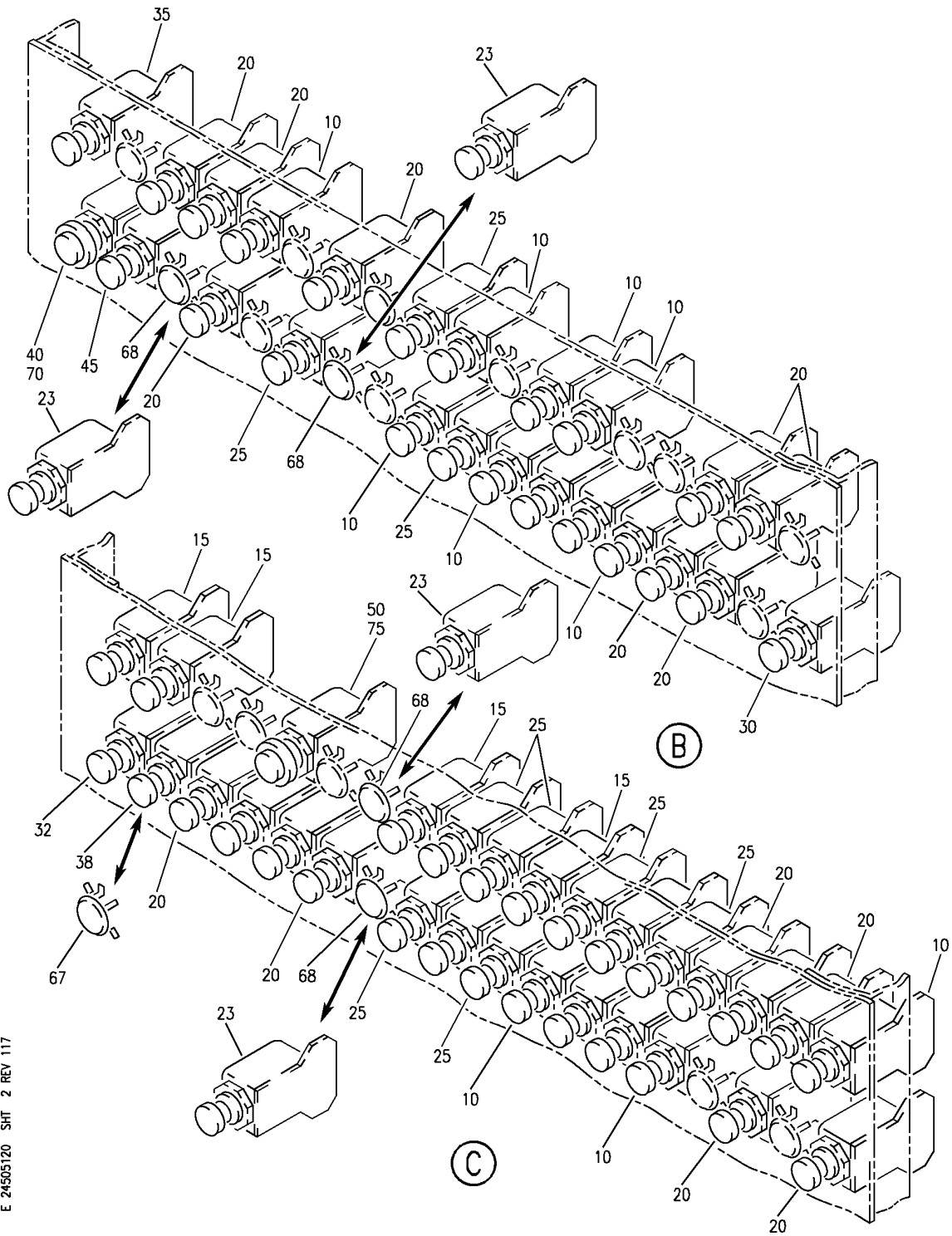
CIRCUIT BREAKER INSTL FLIGHT DECK P6-3 (AC ELECTRICAL LOAD DISTRIBUTION ONLY)
 FIGURE 20 (SHEET 1)

24-50-51-20

HAP
 OCT 10/06

24-50-51-20
 PAGE 0


BOEING
737-600/700/800/900
PARTS CATALOG (MAINTENANCE)



E 24-50-51-20 SHT 2 REV 117

CIRCUIT BREAKER INSTL FLIGHT DECK P6-3 (AC ELECTRICAL LOAD DISTRIBUTION ONLY)
 FIGURE 20 (SHEET 2)

24-50-51-20

HAP
OCT 10/06

24-50-51-20
 PAGE 0A

BOEING
737-600/700/800/900
PARTS CATALOG (MAINTENANCE)

FIG ITEM	PART NUMBER	1 2 3 4 5 6 7	NOMENCLATURE	EFFECT FROM TO	UNITS PER ASSY
20			CIRCUIT BREAKER INSTL FLIGHT DECK P6-3 (AC ELECTRICAL LOAD DISTRIBUTION ONLY)	001007	
- 1	233A5202-303001		CIRCUIT BREAKER INSTL- FLIGHT DECK P6-3 (AC ELECTRICAL LOAD DISTRIBUTION ONLY) FOR NHA/OTHER SYS DET SEE: 24-50-00-01C	001007	RF
5	BAC27DCC1231		.MARKER-ALUMINUM FOIL PLACARD CONTENT: P6-3	001007	1

MISSING ITEM NUMBERS NOT APPLICABLE

- ITEM NOT ILLUSTRATED

HAP

24-50-51-20

BOEING PROPRIETARY - Copyright © - Unpublished Work - See title page for details.

24-50-51
FIG. 20
PAGE 1
OCT 10/06

BOEING
737-600/700/800/900
PARTS CATALOG (MAINTENANCE)

FIG ITEM	PART NUMBER	1 2 3 4 5 6 7	NOMENCLATURE	EFFECT FROM TO	UNITS PER ASSY
20 10	2TC47-3	.	CIRCUIT BREAKER- SUPPLIER CODE: V82647 SPECIFICATION NUMBER: BACC18AD3 OPTIONAL PART: 4310-029-3 V76374 ELECTRICAL EQUIP NUMBER: C00736 C00737 C00355 C00283 C00308 C00309 C00161 C00282 C01345 C00583 C00540 C00335 C00132 C00131 C00219 C01275 C01276 C01277 C01278 C00451 C00313 C00314 C00315 C00316 C00317 C00318 C01179 C01180	001007	28

MISSING ITEM NUMBERS NOT APPLICABLE

— ITEM NOT ILLUSTRATED

HAP

24-50-51-20

BOEING PROPRIETARY - Copyright © - Unpublished Work - See title page for details.

24-50-51
FIG. 20
PAGE 2
OCT 10/06

BOEING
737-600/700/800/900
PARTS CATALOG (MAINTENANCE)

FIG ITEM	PART NUMBER	1 2 3 4 5 6 7	NOMENCLATURE	EFFECT FROM TO	UNITS PER ASSY
20 15	2TC47-5		.CIRCUIT BREAKER- SUPPLIER CODE: V82647 SPECIFICATION NUMBER: BACC18AD5 OPTIONAL PART: 4310-029-5 V76374 ELECTRICAL EQUIP NUMBER: C00032 C01441 C01399 C01400 C00701 C00133 C00117	001007	7
20	2TC47-2-5		.CIRCUIT BREAKER- SUPPLIER CODE: V82647 SPECIFICATION NUMBER: BACC18AD2 OPTIONAL PART: 4310-029-205 V76374 ELECTRICAL EQUIP NUMBER: C00398 C00397 C00751 C01425 C00360 C00359 C00361 C01346 C00129 C01471 C01355 C01356 C01401 C01432 C01027 C01321 C01396 C01320 C01395 C00196 C00195 C00570 C00569	001007	23

MISSING ITEM NUMBERS NOT APPLICABLE

— ITEM NOT ILLUSTRATED

HAP

24-50-51-20

BOEING PROPRIETARY - Copyright © - Unpublished Work - See title page for details.

24-50-51
FIG. 20
PAGE 3
OCT 10/06

BOEING
737-600/700/800/900
PARTS CATALOG (MAINTENANCE)

FIG ITEM	PART NUMBER	1 2 3 4 5 6 7	NOMENCLATURE	EFFECT FROM TO	UNITS PER ASSY
20 23	2TC47-2-5		.CIRCUIT BREAKER- SUPPLIER CODE: V82647 SPECIFICATION NUMBER: BACC18AD2 OPTIONAL PART: 4310-029-205 V76374 ELECTRICAL EQUIP NUMBER: C01637 C01638 C01639 C01640 POST ALERT SB: 28A1206	001007	4
25	2TC47-7-5		.CIRCUIT BREAKER- SUPPLIER CODE: V82647 SPECIFICATION NUMBER: BACC18AD7 OPTIONAL PART: 4310-029-705 V76374 ELECTRICAL EQUIP NUMBER: C00331 C01472 C00284 C00323 C00325 C00310 C00311 C00312 C00326 C00329 C00328 C00327 C00330 C00390	001007	14
30	2TC6-1		.CIRCUIT BREAKER- SUPPLIER CODE: V82647 SPECIFICATION NUMBER: BACC18Z1R OPTIONAL PART: 4310-002-1 V76374 ELECTRICAL EQUIP NUMBER: C01398	001007	1

MISSING ITEM NUMBERS NOT APPLICABLE

— ITEM NOT ILLUSTRATED

HAP

24-50-51-20

BOEING PROPRIETARY - Copyright © - Unpublished Work - See title page for details.

24-50-51
FIG. 20
PAGE 4
OCT 10/06

BOEING
737-600/700/800/900
PARTS CATALOG (MAINTENANCE)

FIG ITEM	PART NUMBER	1 2 3 4 5 6 7	NOMENCLATURE	EFFECT FROM TO	UNITS PER ASSY
20 32	2TC47-3		.CIRCUIT BREAKER- SUPPLIER CODE: V82647 SPECIFICATION NUMBER: BACC18AD3 OPTIONAL PART: 4310-029-3 V76374 ELECTRICAL EQUIP NUMBER: C00137	001007	1
40	2TC47-2-5		.CIRCUIT BREAKER- SUPPLIER CODE: V82647 SPECIFICATION NUMBER: BACC18AD2 OPTIONAL PART: 4310-029-205 V76374 ELECTRICAL EQUIP NUMBER: C01495	001007	1
- 65	BS51338D5003		.PLUG SUPPLIER CODE: V83058 SPECIFICATION NUMBER: BACP20B63B OPTIONAL PART: 51338 V83058	001007	AR
68	BS51338D5003		.PLUG- SUPPLIER CODE: V83058 SPECIFICATION NUMBER: BACP20B63B OPTIONAL PART: 51338 V83058 PRE ALERT SB: 28A1206	001007	AR
70	10237-1		.COLLAR- SUPPLIER CODE: V1N6X0	001007	1

MISSING ITEM NUMBERS NOT APPLICABLE

- ITEM NOT ILLUSTRATED

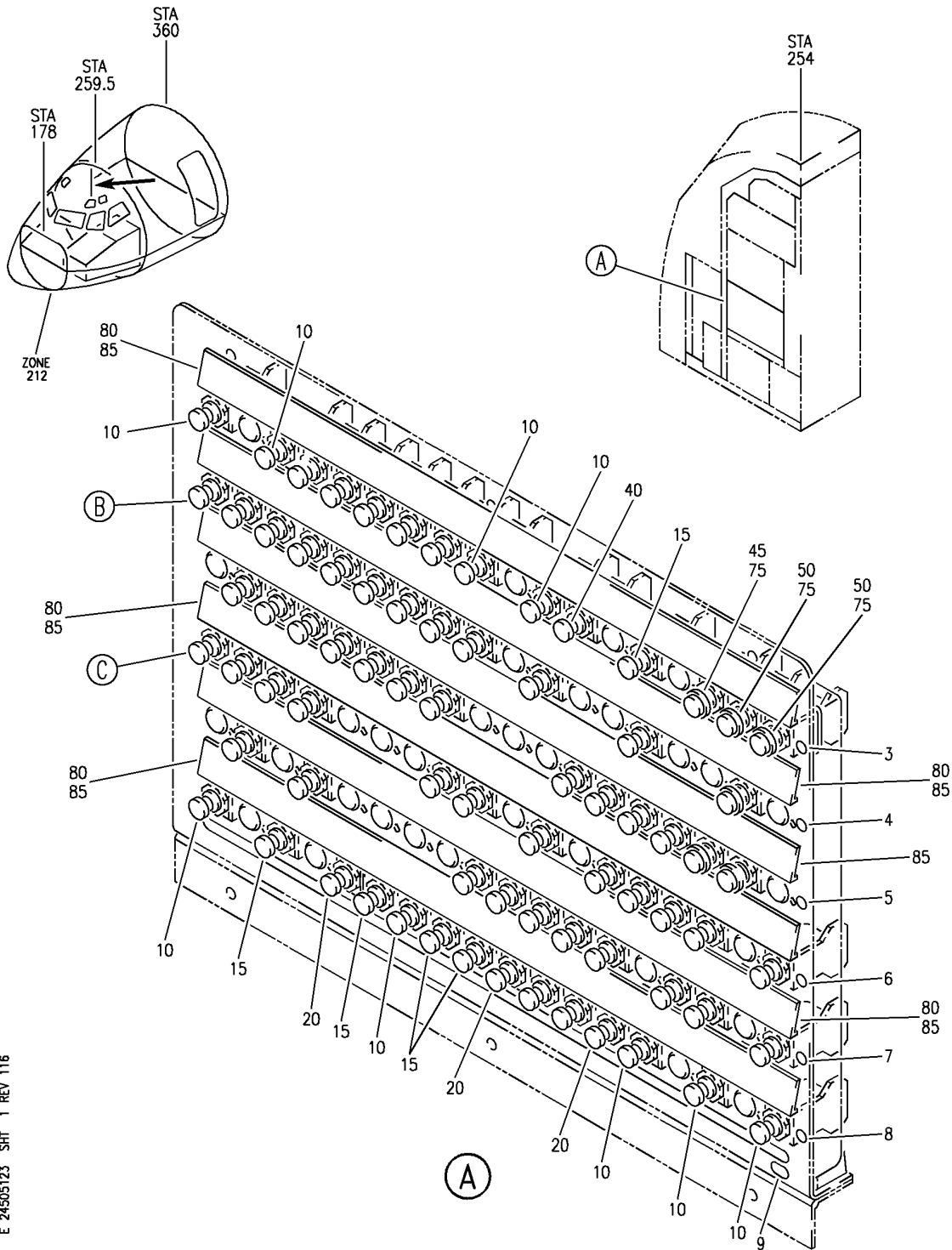
HAP

24-50-51-20

BOEING PROPRIETARY - Copyright © - Unpublished Work - See title page for details.

24-50-51
FIG. 20
PAGE 5
FEB 10/07

BOEING
 737-600/700/800/900
 PARTS CATALOG (MAINTENANCE)



E 24-50-51-23 SHT 1 REV 116

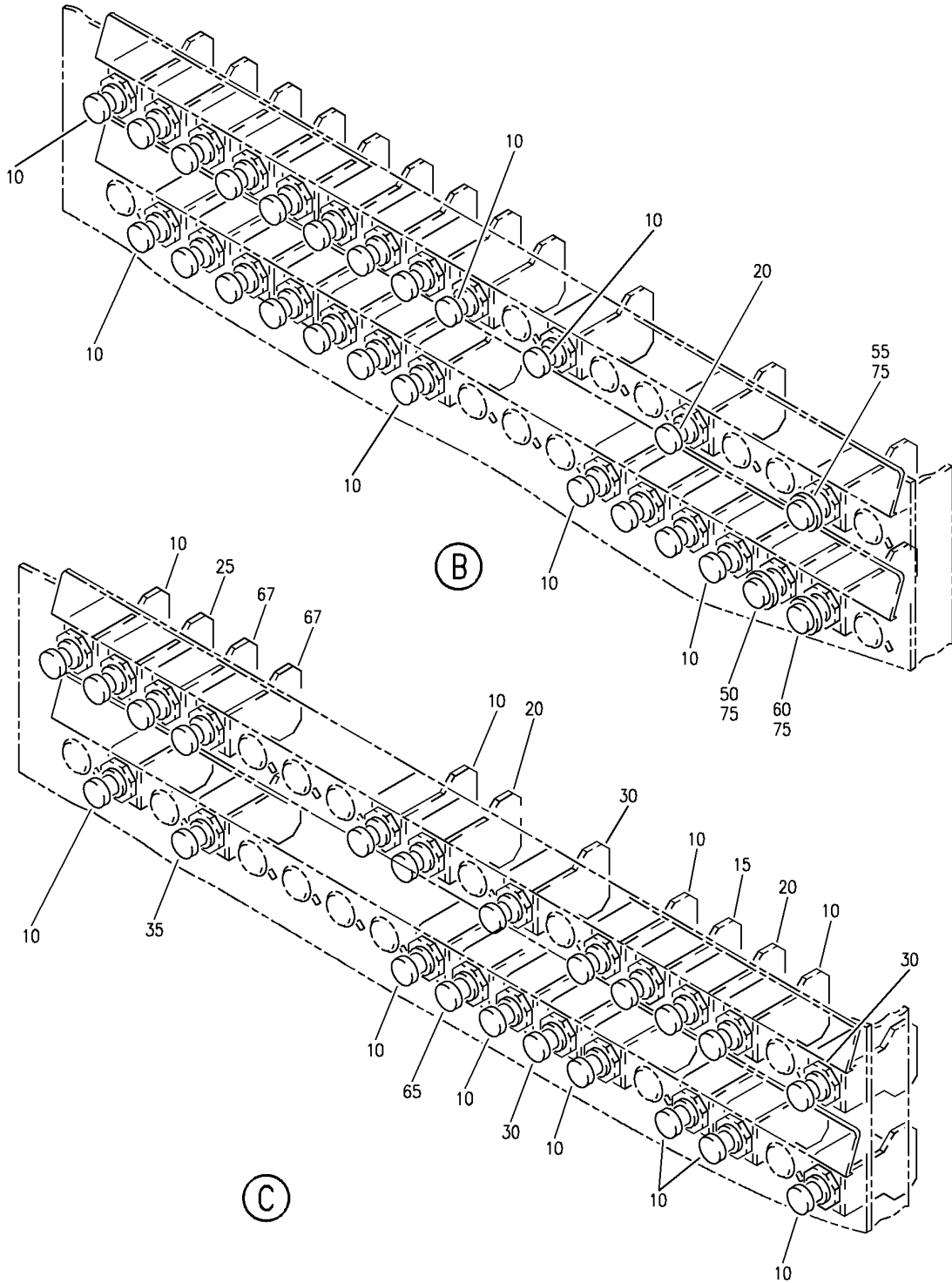
CIRCUIT BREAKER INSTL FLIGHT DECK P6-4 (AC ELECTRICAL LOAD DISTRIBUTION ONLY)
 FIGURE 23 (SHEET 1)

24-50-51-23

HAP
 OCT 10/06

24-50-51-23
 PAGE 0

BOEING
 737-600/700/800/900
 PARTS CATALOG (MAINTENANCE)



E 24505123 SHT 2 REV 116

CIRCUIT BREAKER INSTL FLIGHT DECK P6-4 (AC ELECTRICAL LOAD DISTRIBUTION ONLY)
 FIGURE 23 (SHEET 2)

HAP
 OCT 10/06

24-50-51-23

24-50-51-23
 PAGE 0A

BOEING
737-600/700/800/900
PARTS CATALOG (MAINTENANCE)

FIG ITEM	PART NUMBER	1 2 3 4 5 6 7	NOMENCLATURE	EFFECT FROM TO	UNITS PER ASSY
23			CIRCUIT BREAKER INSTL FLIGHT DECK P6-4 (AC ELECTRICAL LOAD DISTRIBUTION ONLY)	001007	
- 1	233A5202-403001		CIRCUIT BREAKER INSTL- FLIGHT DECK P6-4 (AC ELECTRICAL LOAD DISTRIBUTION ONLY) FOR NHA/OTHER SYS DET SEE: 24-50-00-01C	001007	RF
3	BAC27DEX4980		.MARKER-ALUMINUM FOIL PLACARD CONTENT: A	001007	1
4	BAC27DEX4981		.MARKER-ALUMINUM FOIL PLACARD CONTENT: B	001007	1
5	BAC27DEX4982		.MARKER-ALUMINUM FOIL PLACARD CONTENT: C	001007	1
6	BAC27DEX4983		.MARKER-ALUMINUM FOIL PLACARD CONTENT: D	001007	1
7	BAC27DEX4984		.MARKER-ALUMINUM FOIL PLACARD CONTENT: E	001007	1
8	BAC27DEX4985		.MARKER-ALUMINUM FOIL PLACARD CONTENT: F	001007	1
9	BAC27DCC1230		.MARKER-ALUMINUM FOIL PLACARD CONTENT: P6-4	001007	1
10	2TC47-2-5		.CIRCUIT BREAKER- SUPPLIER CODE: V82647 SPECIFICATION NUMBER: BACC18AD2 OPTIONAL PART: 4310-029-205 V76374 ELECTRICAL EQUIP NUMBER: C01157 C01170 C00399 C00259 C01470 C00796 C00555 C01158 C01159	001007	46

MISSING ITEM NUMBERS NOT APPLICABLE

- ITEM NOT ILLUSTRATED

HAP

24-50-51-23

BOEING PROPRIETARY - Copyright © - Unpublished Work - See title page for details.

24-50-51
FIG. 23
PAGE 1
OCT 10/06


BOEING
 737-600/700/800/900
PARTS CATALOG (MAINTENANCE)

FIG ITEM	PART NUMBER	1 2 3 4 5 6 7 NOMENCLATURE	EFFECT FROM TO	UNITS PER ASSY
23		C01160 C01167 C01163 C00400 C00077 C01469 C00797 C01178 C01161 C01162 C01169 C01166 C01164 C00263 C00262 C01177 C01176 C01116 C01117 C01435 C01436 C01444 C00076 C01467 C00072 C01023 C00155 C01397 C01328 C00134 C01466 C00136 C01273 C01272 C00026 C00023 C01338		

MISSING ITEM NUMBERS NOT APPLICABLE

— ITEM NOT ILLUSTRATED

HAP

24-50-51-23

BOEING PROPRIETARY - Copyright © - Unpublished Work - See title page for details.

24-50-51
 FIG. 23
 PAGE 2
 OCT 10/06

BOEING
737-600/700/800/900
PARTS CATALOG (MAINTENANCE)

FIG ITEM	PART NUMBER	1 2 3 4 5 6 7	NOMENCLATURE	EFFECT FROM TO	UNITS PER ASSY
23 15	2TC47-7-5		.CIRCUIT BREAKER- SUPPLIER CODE: V82647 SPECIFICATION NUMBER: BACC18AD7 OPTIONAL PART: 4310-029-705 V76374 ELECTRICAL EQUIP NUMBER: C00033 C02043 C01270 C01269 C01286 C01287	001007	6
20	2TC47-5		.CIRCUIT BREAKER- SUPPLIER CODE: V82647 SPECIFICATION NUMBER: BACC18AD5 OPTIONAL PART: 4310-029-5 V76374 ELECTRICAL EQUIP NUMBER: C01224 C01172 C02047 C01271 C01283 C01284 C01285 C01290	001007	8
25	2TC6-1		.CIRCUIT BREAKER- SUPPLIER CODE: V82647 SPECIFICATION NUMBER: BACC18Z1R OPTIONAL PART: 4310-002-1 V76374 ELECTRICAL EQUIP NUMBER: C01445	001007	1

MISSING ITEM NUMBERS NOT APPLICABLE

— ITEM NOT ILLUSTRATED

HAP

24-50-51-23

BOEING PROPRIETARY - Copyright © - Unpublished Work - See title page for details.

24-50-51
FIG. 23
PAGE 3
OCT 10/06

BOEING
737-600/700/800/900
PARTS CATALOG (MAINTENANCE)

FIG ITEM	PART NUMBER	1 2 3 4 5 6 7	NOMENCLATURE	EFFECT FROM TO	UNITS PER ASSY
23 30	2TC47-10		.CIRCUIT BREAKER- SUPPLIER CODE: V82647 SPECIFICATION NUMBER: BACC18AD10 OPTIONAL PART: 4310-029-10 V76374 ELECTRICAL EQUIP NUMBER: C03064 C02029 C03065	001007	3
35	9TC620		.CIRCUIT BREAKER- SUPPLIER CODE: V82647 SPECIFICATION NUMBER: BACC18AE20 ELECTRICAL EQUIP NUMBER: C00884	001007	1
- 70	BS51338D5003		.PLUG SUPPLIER CODE: V83058 SPECIFICATION NUMBER: BACP20B63B OPTIONAL PART: 51338 V83058	001007	AR
80	233A5511-3		.SUPPORT-	001007	6

MISSING ITEM NUMBERS NOT APPLICABLE

- ITEM NOT ILLUSTRATED

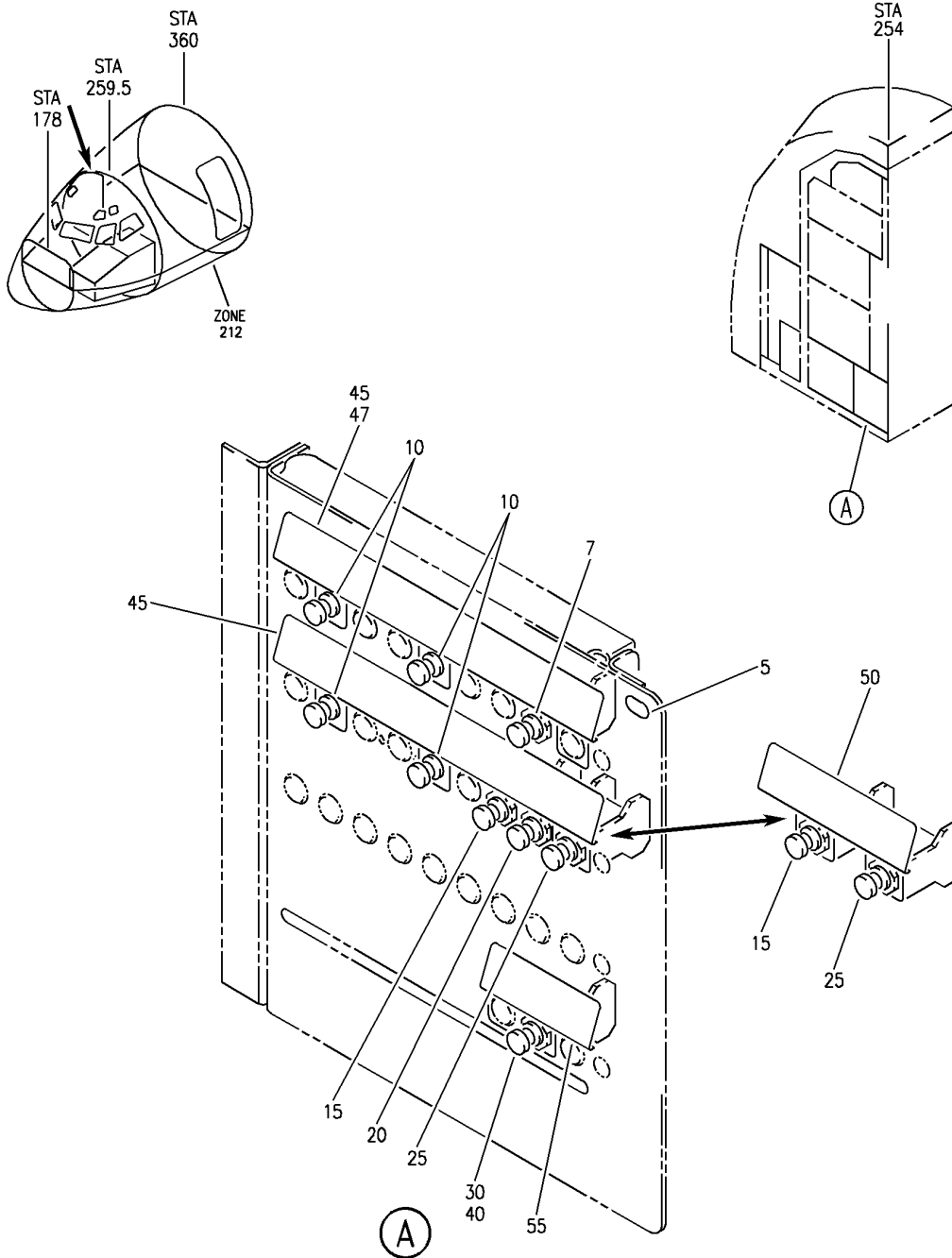
HAP

24-50-51-23

BOEING PROPRIETARY - Copyright © - Unpublished Work - See title page for details.

24-50-51
FIG. 23
PAGE 4
OCT 10/06

BOEING
 737-600/700/800/900
 PARTS CATALOG (MAINTENANCE)



E 24505124 REV 104

CIRCUIT BREAKER INSTL FLIGHT DECK P6-11 (AC ELECTRICAL LOAD DISTRIBUTION ONLY)
 FIGURE 24

24-50-51-24

HAP
 OCT 10/06

24-50-51-24
 PAGE 0

BOEING
737-600/700/800/900
PARTS CATALOG (MAINTENANCE)

FIG ITEM	PART NUMBER	1 2 3 4 5 6 7	NOMENCLATURE	EFFECT FROM TO	UNITS PER ASSY
24			CIRCUIT BREAKER INSTL FLIGHT DECK P6-11 (AC ELECTRICAL LOAD DISTRIBUTION ONLY)	001007	
- 1	233A5202-702003		CIRCUIT BREAKER INSTL- FLIGHT DECK P6-11 (AC ELECTRICAL LOAD DISTRIBUTION ONLY) FOR NHA/OTHER SYS DET SEE: 24-50-00-01C	001007	RF
5	BAC27DCC1235		.MARKER-ALUMINUM FOIL PLACARD CONTENT: P6-11	001007	1
15	2TC47-5		.CIRCUIT BREAKER- SUPPLIER CODE: V82647 SPECIFICATION NUMBER: BACC18AD5 OPTIONAL PART: 4310-029-5 V76374 ELECTRICAL EQUIP NUMBER: C00229	001007	1
20	4310-029-15		.CIRCUIT BREAKER- SUPPLIER CODE: V76374 SPECIFICATION NUMBER: BACC18AD15 OPTIONAL PART: 2TC47-15 V82647 ELECTRICAL EQUIP NUMBER: C00393	001007	1
25	700-038-25		.CIRCUIT BREAKER- SUPPLIER CODE: V76374 SPECIFICATION NUMBER: BACC18X25 OPTIONAL PART: 492-225-103 V79405 492-225-104 V79405 ELECTRICAL EQUIP NUMBER: C00228	001007	1

MISSING ITEM NUMBERS NOT APPLICABLE

- ITEM NOT ILLUSTRATED

HAP

24-50-51-24

BOEING PROPRIETARY - Copyright © - Unpublished Work - See title page for details.

24-50-51
FIG. 24
PAGE 1
OCT 10/06

BOEING
737-600/700/800/900
PARTS CATALOG (MAINTENANCE)

FIG ITEM	PART NUMBER	1 2 3 4 5 6 7	NOMENCLATURE	EFFECT FROM TO	UNITS PER ASSY
24 30	2TC47-2-5		.CIRCUIT BREAKER- SUPPLIER CODE: V82647 SPECIFICATION NUMBER: BACC18AD2 OPTIONAL PART: 4310-029-205 V76374 ELECTRICAL EQUIP NUMBER: C01139	001007	1
- 35	BS51338D5003		.PLUG SUPPLIER CODE: V83058 SPECIFICATION NUMBER: BACP20B63B OPTIONAL PART: 51338 V83058	001007	AR
50	233A5511-5		.SUPPORT-MARKER	001007	1
55	233A5511-7		.SUPPORT-MARKER	001007	1

MISSING ITEM NUMBERS NOT APPLICABLE

- ITEM NOT ILLUSTRATED

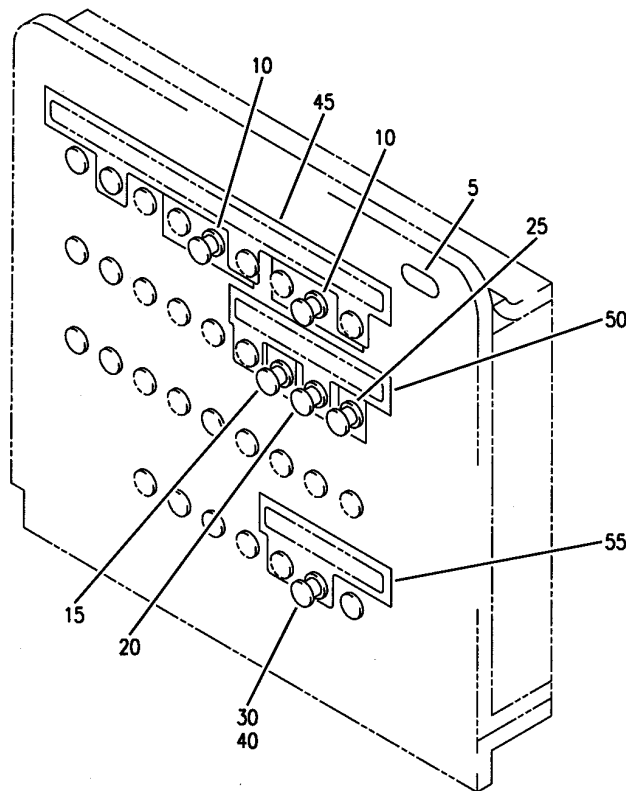
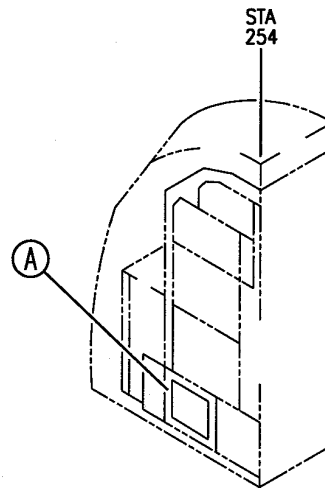
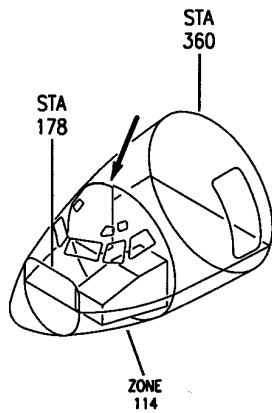
HAP

24-50-51-24

BOEING PROPRIETARY - Copyright © - Unpublished Work - See title page for details.

24-50-51
FIG. 24
PAGE 2
OCT 10/06

BOEING
 737-600/700/800/900
 PARTS CATALOG (MAINTENANCE)



(A)

E 24505125 REV 034

CIRCUIT BREAKER INSTL FLIGHT DECK P6-12 (AC ELECTRICAL LOAD DISTRIBUTION ONLY)
 FIGURE 25

24-50-51-25

HAP
 OCT 10/06

24-50-51-25
 PAGE 0

BOEING
737-600/700/800/900
PARTS CATALOG (MAINTENANCE)

FIG ITEM	PART NUMBER	1 2 3 4 5 6 7	NOMENCLATURE	EFFECT FROM TO	UNITS PER ASSY
25			CIRCUIT BREAKER INSTL FLIGHT DECK P6-12 (AC ELECTRICAL LOAD DISTRIBUTION ONLY)	001007	
- 1	233A5202-802003		CIRCUIT BREAKER INSTL- FLIGHT DECK P6-12 (AC ELECTRICAL LOAD DISTRIBUTION ONLY) FOR NHA/OTHER SYS DET SEE: 24-50-00-01C	001007	RF
5	BAC27DCC2755		.MARKER-ALUMINUM FOIL PLACARD CONTENT: P6-12	001007	1
15	2TC47-5		.CIRCUIT BREAKER- SUPPLIER CODE: V82647 SPECIFICATION NUMBER: BACC18AD5 OPTIONAL PART: 4310-029-5 V76374 ELECTRICAL EQUIP NUMBER: C00395	001007	1
20	700-038-25		.CIRCUIT BREAKER- SUPPLIER CODE: V76374 SPECIFICATION NUMBER: BACC18X25 OPTIONAL PART: 492-225-103 V79405 492-225-104 V79405 ELECTRICAL EQUIP NUMBER: C00394	001007	1
25	4310-029-15		.CIRCUIT BREAKER- SUPPLIER CODE: V76374 SPECIFICATION NUMBER: BACC18AD15 OPTIONAL PART: 2TC47-15 V82647 ELECTRICAL EQUIP NUMBER: C00392	001007	1

MISSING ITEM NUMBERS NOT APPLICABLE

- ITEM NOT ILLUSTRATED

HAP

24-50-51-25

BOEING PROPRIETARY - Copyright © - Unpublished Work - See title page for details.

24-50-51
FIG. 25
PAGE 1
OCT 10/06


BOEING
 737-600/700/800/900
PARTS CATALOG (MAINTENANCE)

FIG ITEM	PART NUMBER	1 2 3 4 5 6 7	NOMENCLATURE	EFFECT FROM TO	UNITS PER ASSY
25 - 35	BS51338D5003		.PLUG SUPPLIER CODE: V83058 SPECIFICATION NUMBER: BACP20B63B OPTIONAL PART: 51338 V83058	001007	AR
50	233A5511-5		.SUPPORT-MARKER	001007	1

MISSING ITEM NUMBERS NOT APPLICABLE

- ITEM NOT ILLUSTRATED

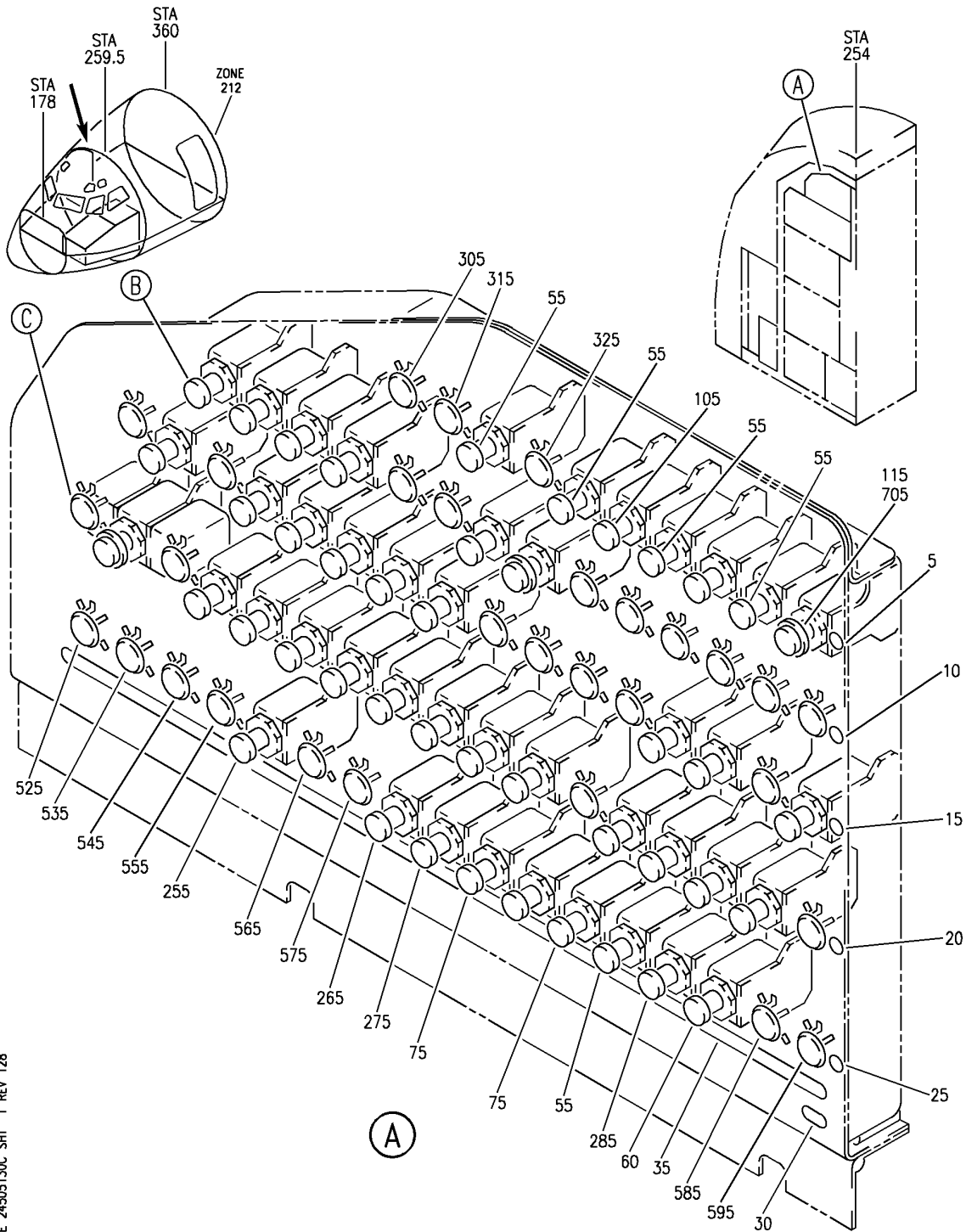
HAP

24-50-51-25

BOEING PROPRIETARY - Copyright © - Unpublished Work - See title page for details.

24-50-51
 FIG. 25
 PAGE 2
 OCT 10/06

BOEING
 737-600/700/800/900
 PARTS CATALOG (MAINTENANCE)



E 24-50-51-30C SHT 1 REV 128

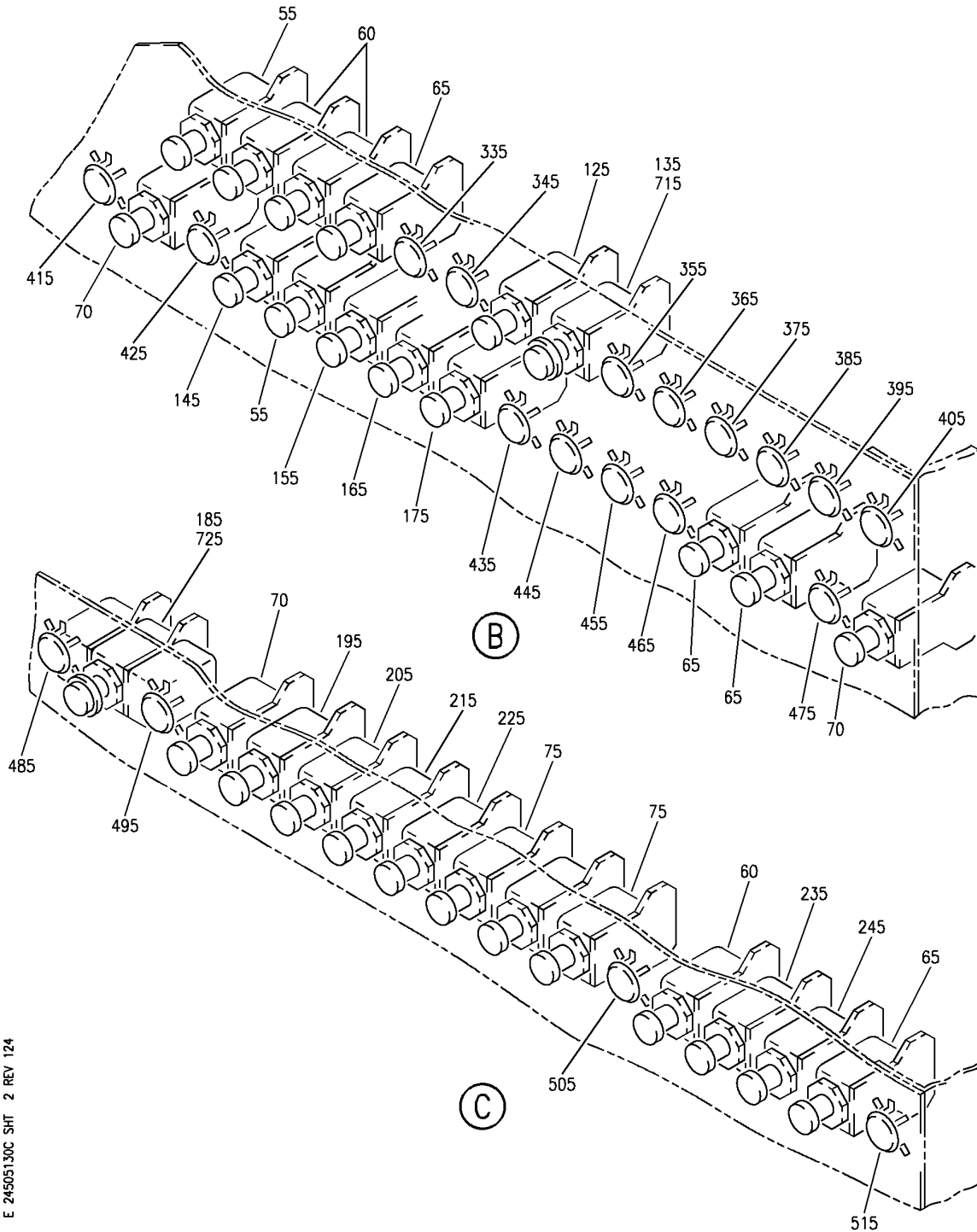
MARKER, CIRCUIT BREAKER, PLUG BUTTON AND INOP INSTL-P6-1 PNL (ELECTRICAL POWER ONLY)
 FIGURE 30C (SHEET 1)

HAP
 JUN 10/07

24-50-51-30C

24-50-51-30C
 PAGE 0

BOEING
737-600/700/800/900
PARTS CATALOG (MAINTENANCE)



E 24-50-51-30C SHT 2 REV 124

MARKER, CIRCUIT BREAKER, PLUG BUTTON AND INOP INSTL-P6-1 PNL (ELECTRICAL POWER ONLY)
 FIGURE 30C (SHEET 2)

HAP
 FEB 10/07

24-50-51-30C

24-50-51-30C
 PAGE 0A

BOEING
737-600/700/800/900
PARTS CATALOG (MAINTENANCE)

FIG ITEM	PART NUMBER	1 2 3 4 5 6 7	NOMENCLATURE	EFFECT FROM TO	UNITS PER ASSY
30C			MARKER, CIRCUIT BREAKER, PLUG BUTTON AND INOP INSTL-P6-1 PNL (ELECTRICAL POWER ONLY)	968969	
- 1	MODREF235052		MARKER INSTL-P6-1 PNL MODULE NUMBER: 233A5221-1 REV C	968969	1
5	BAC27DCC3065		.MARKER- PLACARD CONTENT: A	968969	1
10	BAC27DCC3066		.MARKER- PLACARD CONTENT: B	968969	1
15	BAC27DCC3067		.MARKER- PLACARD CONTENT: C	968969	1
20	BAC27DCC3068		.MARKER- PLACARD CONTENT: D	968969	1
25	BAC27DCC3069		.MARKER- PLACARD CONTENT: E	968969	1
30	BAC27DCC3074		.MARKER- PLACARD CONTENT: P6-1	968969	1
35	BAC27DCC2719		.MARKER- PLACARD CONTENT: 1 THRU 17	968969	1
- 50	MODREF274758		CIRCUIT BREAKER INSTL-P6-1 MODULE NUMBER: 233A5221-4 REV C	968969	1
55	2TC47-2-5		.CIRCUIT BREAKER- SUPPLIER CODE: V82647 SPECIFICATION NUMBER: BACC18AD2 OPTIONAL PART: 4310-029-205 V76374 ELECTRICAL EQUIP NUMBER: C00192 C01207 C01370 C01375 C01377 C01379 C01385 C01583	968969	8

MISSING ITEM NUMBERS NOT APPLICABLE

- ITEM NOT ILLUSTRATED

HAP

24-50-51-30C

BOEING PROPRIETARY - Copyright © - Unpublished Work - See title page for details.

24-50-51
FIG. 30C
PAGE 1
JUN 10/07

BOEING
737-600/700/800/900
PARTS CATALOG (MAINTENANCE)

FIG ITEM	PART NUMBER	1 2 3 4 5 6 7	NOMENCLATURE	EFFECT FROM TO	UNITS PER ASSY
30C 60	2TC47-5		.CIRCUIT BREAKER- SUPPLIER CODE: V82647 SPECIFICATION NUMBER: BACC18AD5 OPTIONAL PART: 4310-029-5 V76374 ELECTRICAL EQUIP NUMBER: C00120 C01206 C01263 C01393	968969	4
65	2TC47-3		.CIRCUIT BREAKER- SUPPLIER CODE: V82647 SPECIFICATION NUMBER: BACC18AD3 OPTIONAL PART: 4310-029-3 V76374 ELECTRICAL EQUIP NUMBER: C00426 C00549 C01008 C01262	968969	4
70	2TC47-10		.CIRCUIT BREAKER- SUPPLIER CODE: V82647 SPECIFICATION NUMBER: BACC18AD10 OPTIONAL PART: 4310-029-10 V76374 ELECTRICAL EQUIP NUMBER: C00082 C00166 C01010	968969	3

MISSING ITEM NUMBERS NOT APPLICABLE

— ITEM NOT ILLUSTRATED

HAP

24-50-51-30C

BOEING PROPRIETARY - Copyright © - Unpublished Work - See title page for details.

24-50-51
FIG. 30C
PAGE 2
JUN 10/07

BOEING
737-600/700/800/900
PARTS CATALOG (MAINTENANCE)

FIG ITEM	PART NUMBER	1 2 3 4 5 6 7	NOMENCLATURE	EFFECT FROM TO	UNITS PER ASSY
30C 75	4310-029-15		.CIRCUIT BREAKER- SUPPLIER CODE: V76374 SPECIFICATION NUMBER: BACC18AD15 OPTIONAL PART: 2TC47-15 V82647 ELECTRICAL EQUIP NUMBER: C01360 C01361 C01362 C01364 C01366 C01373	968969	6
- 100	MODREF82542		CIRCUIT BREAKER INSTL- RADIO NAV MMR 2 P6-1/A13 MODULE NUMBER: 233A5221-201480 REV A	968969	1
105	2TC47-2-5		.CIRCUIT BREAKER- SUPPLIER CODE: V82647 SPECIFICATION NUMBER: BACC18AD2 OPTIONAL PART: 4310-029-205 V76374 ELECTRICAL EQUIP NUMBER: C01480	968969	1
- 110	MODREF273852		CIRCUIT BREAKER INSTL-ADF 2 P6-1/A17 MODULE NUMBER: 233A5221-201383 REV A	968969	1
115	2TC47-2-5		.CIRCUIT BREAKER- SUPPLIER CODE: V82647 SPECIFICATION NUMBER: BACC18AD2 OPTIONAL PART: 4310-029-205 V76374 ELECTRICAL EQUIP NUMBER: C01383	968969	1
- 120	MODREF82559		CIRCUIT BREAKER INSTL- ENTERTAINMENT AUDIO DC P6-1/B10 MODULE NUMBER: 233A5221-201584 REV A	968969	1

MISSING ITEM NUMBERS NOT APPLICABLE

- ITEM NOT ILLUSTRATED

HAP

24-50-51-30C

BOEING PROPRIETARY - Copyright © - Unpublished Work - See title page for details.

24-50-51
FIG. 30C
PAGE 3
JUN 10/07

BOEING
737-600/700/800/900
PARTS CATALOG (MAINTENANCE)

FIG ITEM	PART NUMBER	1 2 3 4 5 6 7	NOMENCLATURE	EFFECT FROM TO	UNITS PER ASSY
30C 125	2TC47-3		.CIRCUIT BREAKER- SUPPLIER CODE: V82647 SPECIFICATION NUMBER: BACC18AD3 OPTIONAL PART: 4310-029-3 V76374 ELECTRICAL EQUIP NUMBER: C01584	968969	1
- 130	MODREF262663		CIRCUIT BREAKER INSTL- AIRSHOW AC P6-1/B11 MODULE NUMBER: 233A5221-201670 REV A	968969	1
135	2TC47-2-5		.CIRCUIT BREAKER- SUPPLIER CODE: V82647 SPECIFICATION NUMBER: BACC18AD2 OPTIONAL PART: 4310-029-205 V76374 ELECTRICAL EQUIP NUMBER: C01670	968969	1
- 140	MODREF82560		CIRCUIT BREAKER INSTL- ENTERTAINMENT VIDEO CONT CTR DC P6-1/C5 MODULE NUMBER: 233A5221-211450 REV A	968969	1
145	2TC47-7-5		.CIRCUIT BREAKER- SUPPLIER CODE: V82647 SPECIFICATION NUMBER: BACC18AD7 OPTIONAL PART: 4310-029-705 V76374 ELECTRICAL EQUIP NUMBER: C01450	968969	1
- 150	MODREF82533		CIRCUIT BREAKER INSTL- ENTERTAINMENT VIDEO CONT CTR AC P6-1/C7 MODULE NUMBER: 233A5221-201451 REV A	968969	1

MISSING ITEM NUMBERS NOT APPLICABLE

- ITEM NOT ILLUSTRATED

HAP

24-50-51-30C

BOEING PROPRIETARY - Copyright © - Unpublished Work - See title page for details.

24-50-51
FIG. 30C
PAGE 4
JUN 10/07

BOEING
737-600/700/800/900
PARTS CATALOG (MAINTENANCE)

FIG ITEM	PART NUMBER	1 2 3 4 5 6 7	NOMENCLATURE	EFFECT FROM TO	UNITS PER ASSY
30C 155	2TC47-7-5		.CIRCUIT BREAKER- SUPPLIER CODE: V82647 SPECIFICATION NUMBER: BACC18AD7 OPTIONAL PART: 4310-029-705 V76374 ELECTRICAL EQUIP NUMBER: C01451	968969	1
- 160	MODREF82538		CIRCUIT BREAKER INSTL- ENTERTAINMENT AUDIO P6-1/C8 MODULE NUMBER: 233A5221-201456 REV A	968969	1
165	2TC47-7-5		.CIRCUIT BREAKER- SUPPLIER CODE: V82647 SPECIFICATION NUMBER: BACC18AD7 OPTIONAL PART: 4310-029-705 V76374 ELECTRICAL EQUIP NUMBER: C01456	968969	1
- 170	MODREF82519		CIRCUIT BREAKER INSTL- ENTERTAINMENT PA TAPE RPDR AC P6-1/C9 MODULE NUMBER: 233A5221-200080 REV A	968969	1
175	2TC47-3		.CIRCUIT BREAKER- SUPPLIER CODE: V82647 SPECIFICATION NUMBER: BACC18AD3 OPTIONAL PART: 4310-029-3 V76374 ELECTRICAL EQUIP NUMBER: C00080	968969	1
- 180	MODREF82523		CIRCUIT BREAKER INSTL- COMMUNICATIONS HF 2 P6-1/D2 MODULE NUMBER: 233A5221-200857 REV A	968969	1

MISSING ITEM NUMBERS NOT APPLICABLE

- ITEM NOT ILLUSTRATED

HAP

24-50-51-30C

BOEING PROPRIETARY - Copyright © - Unpublished Work - See title page for details.

24-50-51
FIG. 30C
PAGE 5
JUN 10/07

BOEING
737-600/700/800/900
PARTS CATALOG (MAINTENANCE)

FIG ITEM	PART NUMBER	1 2 3 4 5 6 7	NOMENCLATURE	EFFECT FROM TO	UNITS PER ASSY
30C 185	6TC6-5		.CIRCUIT BREAKER- SUPPLIER CODE: V82647 SPECIFICATION NUMBER: BACC18AC5 OPTIONAL PART: 4330-004-5 V76374 ELECTRICAL EQUIP NUMBER: C00857	968969	1
- 190	MODREF82534		CIRCUIT BREAKER INSTL- VIDEO 1 P6-1/D5 MODULE NUMBER: 233A5221-201452 REV A	968969	1
195	2TC47-7-5		.CIRCUIT BREAKER- SUPPLIER CODE: V82647 SPECIFICATION NUMBER: BACC18AD7 OPTIONAL PART: 4310-029-705 V76374 ELECTRICAL EQUIP NUMBER: C01452	968969	1
- 200	MODREF82535		CIRCUIT BREAKER INSTL- VIDEO 2 P6-1/D6 MODULE NUMBER: 233A5221-201453 REV A	968969	1
205	2TC47-7-5		.CIRCUIT BREAKER- SUPPLIER CODE: V82647 SPECIFICATION NUMBER: BACC18AD7 OPTIONAL PART: 4310-029-705 V76374 ELECTRICAL EQUIP NUMBER: C01453	968969	1
- 210	MODREF82536		CIRCUIT BREAKER INSTL- VIDEO 3 P6-1/D7 MODULE NUMBER: 233A5221-201454 REV A	968969	1

MISSING ITEM NUMBERS NOT APPLICABLE

- ITEM NOT ILLUSTRATED

HAP

24-50-51-30C

BOEING PROPRIETARY - Copyright © - Unpublished Work - See title page for details.

24-50-51
FIG. 30C
PAGE 6
JUN 10/07

BOEING
737-600/700/800/900
PARTS CATALOG (MAINTENANCE)

FIG ITEM	PART NUMBER	1 2 3 4 5 6 7	NOMENCLATURE	EFFECT FROM TO	UNITS PER ASSY
30C 215	2TC47-7-5		.CIRCUIT BREAKER- SUPPLIER CODE: V82647 SPECIFICATION NUMBER: BACC18AD7 OPTIONAL PART: 4310-029-705 V76374 ELECTRICAL EQUIP NUMBER: C01454	968969	1
- 220	MODREF82537		CIRCUIT BREAKER INSTL- VIDEO 4 P6-1/D8 MODULE NUMBER: 233A5221-201455 REV A	968969	1
225	2TC47-7-5		.CIRCUIT BREAKER- SUPPLIER CODE: V82647 SPECIFICATION NUMBER: BACC18AD7 OPTIONAL PART: 4310-029-705 V76374 ELECTRICAL EQUIP NUMBER: C01455	968969	1
- 230	MODREF82520		CIRCUIT BREAKER INSTL- ATC-2 P6-1/D14 MODULE NUMBER: 233A5221-200188 REV A	968969	1
235	2TC47-5		.CIRCUIT BREAKER- SUPPLIER CODE: V82647 SPECIFICATION NUMBER: BACC18AD5 OPTIONAL PART: 4310-029-5 V76374 ELECTRICAL EQUIP NUMBER: C00188	968969	1
- 240	MODREF82530		CIRCUIT BREAKER INSTL-FMCS MCDU 2 P6-1/D15 MODULE NUMBER: 233A5221-201239 REV A	968969	1

MISSING ITEM NUMBERS NOT APPLICABLE

- ITEM NOT ILLUSTRATED

HAP

24-50-51-30C

BOEING PROPRIETARY - Copyright © - Unpublished Work - See title page for details.

24-50-51
FIG. 30C
PAGE 7
JUN 10/07

BOEING
737-600/700/800/900
PARTS CATALOG (MAINTENANCE)

FIG ITEM	PART NUMBER	1 2 3 4 5 6 7	NOMENCLATURE	EFFECT FROM TO	UNITS PER ASSY
30C 245	2TC47-3	.	CIRCUIT BREAKER- SUPPLIER CODE: V82647 SPECIFICATION NUMBER: BACC18AD3 OPTIONAL PART: 4310-029-3 V76374 ELECTRICAL EQUIP NUMBER: C01239	968969	1
- 250	MODREF82529		CIRCUIT BREAKER INSTL-PRTR P6-1/E5 MODULE NUMBER: 233A5221-201216 REV A	968969	1
255	2TC47-2-5	.	CIRCUIT BREAKER- SUPPLIER CODE: V82647 SPECIFICATION NUMBER: BACC18AD2 OPTIONAL PART: 4310-029-205 V76374 ELECTRICAL EQUIP NUMBER: C01216	968969	1
- 260	MODREF82543		CIRCUIT BREAKER INSTL-CMU 1 AC P6-1/E8 MODULE NUMBER: 233A5221-201483 REV A	968969	1
265	2TC47-2-5	.	CIRCUIT BREAKER- SUPPLIER CODE: V82647 SPECIFICATION NUMBER: BACC18AD2 OPTIONAL PART: 4310-029-205 V76374 ELECTRICAL EQUIP NUMBER: C01483	968969	1
- 270	MODREF82546		CIRCUIT BREAKER INSTL- CMU/ACARS DC P6-1/E9 MODULE NUMBER: 233A5221-201500 REV A	968969	1

MISSING ITEM NUMBERS NOT APPLICABLE

- ITEM NOT ILLUSTRATED

HAP

24-50-51-30C

BOEING PROPRIETARY - Copyright © - Unpublished Work - See title page for details.

24-50-51
FIG. 30C
PAGE 8
JUN 10/07

BOEING
737-600/700/800/900
PARTS CATALOG (MAINTENANCE)

FIG ITEM	PART NUMBER	1 2 3 4 5 6 7	NOMENCLATURE	EFFECT FROM TO	UNITS PER ASSY
30C 275	2TC47-2-5		.CIRCUIT BREAKER- SUPPLIER CODE: V82647 SPECIFICATION NUMBER: BACC18AD2 OPTIONAL PART: 4310-029-205 V76374 ELECTRICAL EQUIP NUMBER: C01500	968969	1
- 280	MODREF82526		CIRCUIT BREAKER INSTL-ATC ANT. SWITCH P6-1/E14 MODULE NUMBER: 233A5221-201194 REV A	968969	1
285	2TC47-2-5		.CIRCUIT BREAKER- SUPPLIER CODE: V82647 SPECIFICATION NUMBER: BACC18AD2 OPTIONAL PART: 4310-029-205 V76374 ELECTRICAL EQUIP NUMBER: C01194	968969	1
- 300	MODREF82561		PLUG BUTTON INSTL-P6-1/A8 MODULE NUMBER: 233A5221-301108 REV A	968969	1
305	BS51338D5003		.PLUG- SUPPLIER CODE: V83058 SPECIFICATION NUMBER: BACP20B63B OPTIONAL PART: 51338 V83058 MISCELLANEOUS DATA: USE IN PLACE OF CIRCUIT BREAKERS ON OPEN HOLES	968969	1
- 310	MODREF82562		PLUG BUTTON INSTL-P6-1/A9 MODULE NUMBER: 233A5221-301109 REV A	968969	1

MISSING ITEM NUMBERS NOT APPLICABLE

- ITEM NOT ILLUSTRATED

HAP

24-50-51-30C

BOEING PROPRIETARY - Copyright © - Unpublished Work - See title page for details.

24-50-51
FIG. 30C
PAGE 9
JUN 10/07

BOEING
737-600/700/800/900
PARTS CATALOG (MAINTENANCE)

FIG ITEM	PART NUMBER	1 2 3 4 5 6 7	NOMENCLATURE	EFFECT FROM TO	UNITS PER ASSY
30C 315	BS51338D5003		.PLUG- SUPPLIER CODE: V83058 SPECIFICATION NUMBER: BACP20B63B OPTIONAL PART: 51338 V83058 MISCELLANEOUS DATA: USE IN PLACE OF CIRCUIT BREAKERS ON OPEN HOLES	968969	1
- 320	MODREF82563		PLUG BUTTON INSTL-P6-1/A11 MODULE NUMBER: 233A5221-301111 REV A	968969	1
325	BS51338D5003		.PLUG- SUPPLIER CODE: V83058 SPECIFICATION NUMBER: BACP20B63B OPTIONAL PART: 51338 V83058 MISCELLANEOUS DATA: USE IN PLACE OF CIRCUIT BREAKERS ON OPEN HOLES	968969	1
- 330	MODREF82564		PLUG BUTTON INSTL-P6-1/B8 MODULE NUMBER: 233A5221-301208 REV A	968969	1
335	BS51338D5003		.PLUG- SUPPLIER CODE: V83058 SPECIFICATION NUMBER: BACP20B63B OPTIONAL PART: 51338 V83058 MISCELLANEOUS DATA: USE IN PLACE OF CIRCUIT BREAKERS ON OPEN HOLES	968969	1
- 340	MODREF82565		PLUG BUTTON INSTL-P6-1/B9 MODULE NUMBER: 233A5221-301209 REV A	968969	1

MISSING ITEM NUMBERS NOT APPLICABLE

- ITEM NOT ILLUSTRATED

HAP

24-50-51-30C

BOEING PROPRIETARY - Copyright © - Unpublished Work - See title page for details.

24-50-51
FIG. 30C
PAGE 10
JUN 10/07

BOEING
737-600/700/800/900
PARTS CATALOG (MAINTENANCE)

FIG ITEM	PART NUMBER	1 2 3 4 5 6 7	NOMENCLATURE	EFFECT FROM TO	UNITS PER ASSY
30C 345	BS51338D5003		.PLUG- SUPPLIER CODE: V83058 SPECIFICATION NUMBER: BACP20B63B OPTIONAL PART: 51338 V83058 MISCELLANEOUS DATA: USE IN PLACE OF CIRCUIT BREAKERS ON OPEN HOLES	968969	1
- 350	MODREF82568		PLUG BUTTON INSTL-P6-1/B12 MODULE NUMBER: 233A5221-301212 REV A	968969	1
355	BS51338D5003		.PLUG- SUPPLIER CODE: V83058 SPECIFICATION NUMBER: BACP20B63B OPTIONAL PART: 51338 V83058 MISCELLANEOUS DATA: USE IN PLACE OF CIRCUIT BREAKERS ON OPEN HOLES	968969	1
- 360	MODREF82569		PLUG BUTTON INSTL-P6-1/B13 MODULE NUMBER: 233A5221-301213 REV A	968969	1
365	BS51338D5003		.PLUG- SUPPLIER CODE: V83058 SPECIFICATION NUMBER: BACP20B63B OPTIONAL PART: 51338 V83058 MISCELLANEOUS DATA: USE IN PLACE OF CIRCUIT BREAKERS ON OPEN HOLES	968969	1
- 370	MODREF82570		PLUG BUTTON INSTL-P6-1/B14 MODULE NUMBER: 233A5221-301214 REV A	968969	1

MISSING ITEM NUMBERS NOT APPLICABLE

- ITEM NOT ILLUSTRATED

HAP

24-50-51-30C

BOEING PROPRIETARY - Copyright © - Unpublished Work - See title page for details.

24-50-51
FIG. 30C
PAGE 11
JUN 10/07

BOEING
737-600/700/800/900
PARTS CATALOG (MAINTENANCE)

FIG ITEM	PART NUMBER	1 2 3 4 5 6 7	NOMENCLATURE	EFFECT FROM TO	UNITS PER ASSY
30C 375	BS51338D5003		.PLUG- SUPPLIER CODE: V83058 SPECIFICATION NUMBER: BACP20B63B OPTIONAL PART: 51338 V83058 MISCELLANEOUS DATA: USE IN PLACE OF CIRCUIT BREAKERS ON OPEN HOLES	968969	1
- 380	MODREF82571		PLUG BUTTON INSTL-P6-1/B15 MODULE NUMBER: 233A5221-301215 REV A	968969	1
385	BS51338D5003		.PLUG- SUPPLIER CODE: V83058 SPECIFICATION NUMBER: BACP20B63B OPTIONAL PART: 51338 V83058 MISCELLANEOUS DATA: USE IN PLACE OF CIRCUIT BREAKERS ON OPEN HOLES	968969	1
- 390	MODREF82572		PLUG BUTTON INSTL-P6-1/B16 MODULE NUMBER: 233A5221-301216 REV A	968969	1
395	BS51338D5003		.PLUG- SUPPLIER CODE: V83058 SPECIFICATION NUMBER: BACP20B63B OPTIONAL PART: 51338 V83058 MISCELLANEOUS DATA: USE IN PLACE OF CIRCUIT BREAKERS ON OPEN HOLES	968969	1
- 400	MODREF82573		PLUG BUTTON INSTL-P6-1/B17 MODULE NUMBER: 233A5221-301217 REV A	968969	1

MISSING ITEM NUMBERS NOT APPLICABLE

- ITEM NOT ILLUSTRATED

HAP

24-50-51-30C

BOEING PROPRIETARY - Copyright © - Unpublished Work - See title page for details.

24-50-51
FIG. 30C
PAGE 12
JUN 10/07

BOEING
737-600/700/800/900
PARTS CATALOG (MAINTENANCE)

FIG ITEM	PART NUMBER	1 2 3 4 5 6 7	NOMENCLATURE	EFFECT FROM TO	UNITS PER ASSY
30C 405	BS51338D5003		.PLUG- SUPPLIER CODE: V83058 SPECIFICATION NUMBER: BACP20B63B OPTIONAL PART: 51338 V83058 MISCELLANEOUS DATA: USE IN PLACE OF CIRCUIT BREAKERS ON OPEN HOLES	968969	1
- 410	MODREF82574		PLUG BUTTON INSTL-P6-1/C2 MODULE NUMBER: 233A5221-301302 REV A	968969	1
415	BS51338D5003		.PLUG- SUPPLIER CODE: V83058 SPECIFICATION NUMBER: BACP20B63B OPTIONAL PART: 51338 V83058 MISCELLANEOUS DATA: USE IN PLACE OF CIRCUIT BREAKERS ON OPEN HOLES	968969	1
- 420	MODREF82575		PLUG BUTTON INSTL-P6-1/C4 MODULE NUMBER: 233A5221-301304 REV A	968969	1
425	BS51338D5003		.PLUG- SUPPLIER CODE: V83058 SPECIFICATION NUMBER: BACP20B63B OPTIONAL PART: 51338 V83058 MISCELLANEOUS DATA: USE IN PLACE OF CIRCUIT BREAKERS ON OPEN HOLES	968969	1
- 430	MODREF82580		PLUG BUTTON INSTL-P6-1/C10 MODULE NUMBER: 233A5221-301310 REV A	968969	1

MISSING ITEM NUMBERS NOT APPLICABLE

- ITEM NOT ILLUSTRATED

HAP

24-50-51-30C

BOEING PROPRIETARY - Copyright © - Unpublished Work - See title page for details.

24-50-51
FIG. 30C
PAGE 13
JUN 10/07

BOEING
737-600/700/800/900
PARTS CATALOG (MAINTENANCE)

FIG ITEM	PART NUMBER	1 2 3 4 5 6 7	NOMENCLATURE	EFFECT FROM TO	UNITS PER ASSY
30C 435	BS51338D5003		.PLUG- SUPPLIER CODE: V83058 SPECIFICATION NUMBER: BACP20B63B OPTIONAL PART: 51338 V83058 MISCELLANEOUS DATA: USE IN PLACE OF CIRCUIT BREAKERS ON OPEN HOLES	968969	1
- 440	MODREF82581		PLUG BUTTON INSTL-P6-1/C11 MODULE NUMBER: 233A5221-301311 REV A	968969	1
445	BS51338D5003		.PLUG- SUPPLIER CODE: V83058 SPECIFICATION NUMBER: BACP20B63B OPTIONAL PART: 51338 V83058 MISCELLANEOUS DATA: USE IN PLACE OF CIRCUIT BREAKERS ON OPEN HOLES	968969	1
- 450	MODREF82582		PLUG BUTTON INSTL-P6-1/C12 MODULE NUMBER: 233A5221-301312 REV A	968969	1
455	BS51338D5003		.PLUG- SUPPLIER CODE: V83058 SPECIFICATION NUMBER: BACP20B63B OPTIONAL PART: 51338 V83058 MISCELLANEOUS DATA: USE IN PLACE OF CIRCUIT BREAKERS ON OPEN HOLES	968969	1
- 460	MODREF82583		PLUG BUTTON INSTL-P6-1/C13 MODULE NUMBER: 233A5221-301313 REV A	968969	1

MISSING ITEM NUMBERS NOT APPLICABLE

- ITEM NOT ILLUSTRATED

HAP

24-50-51-30C

BOEING PROPRIETARY - Copyright © - Unpublished Work - See title page for details.

24-50-51
FIG. 30C
PAGE 14
JUN 10/07

BOEING
737-600/700/800/900
PARTS CATALOG (MAINTENANCE)

FIG ITEM	PART NUMBER	1 2 3 4 5 6 7	NOMENCLATURE	EFFECT FROM TO	UNITS PER ASSY
30C 465	BS51338D5003		.PLUG- SUPPLIER CODE: V83058 SPECIFICATION NUMBER: BACP20B63B OPTIONAL PART: 51338 V83058 MISCELLANEOUS DATA: USE IN PLACE OF CIRCUIT BREAKERS ON OPEN HOLES	968969	1
- 470	MODREF82584		PLUG BUTTON INSTL-P6-1/C16 MODULE NUMBER: 233A5221-301316 REV A	968969	1
475	BS51338D5003		.PLUG- SUPPLIER CODE: V83058 SPECIFICATION NUMBER: BACP20B63B OPTIONAL PART: 51338 V83058 MISCELLANEOUS DATA: USE IN PLACE OF CIRCUIT BREAKERS ON OPEN HOLES	968969	1
- 480	MODREF82585		PLUG BUTTON INSTL-P6-1/D1 MODULE NUMBER: 233A5221-301401 REV A	968969	1
485	BS51338D5003		.PLUG- SUPPLIER CODE: V83058 SPECIFICATION NUMBER: BACP20B63B OPTIONAL PART: 51338 V83058 MISCELLANEOUS DATA: USE IN PLACE OF CIRCUIT BREAKERS ON OPEN HOLES	968969	1
- 490	MODREF82587		PLUG BUTTON INSTL-P6-1/D3 MODULE NUMBER: 233A5221-301403 REV A	968969	1

MISSING ITEM NUMBERS NOT APPLICABLE

- ITEM NOT ILLUSTRATED

HAP

24-50-51-30C

BOEING PROPRIETARY - Copyright © - Unpublished Work - See title page for details.

24-50-51
FIG. 30C
PAGE 15
JUN 10/07

BOEING
737-600/700/800/900
PARTS CATALOG (MAINTENANCE)

FIG ITEM	PART NUMBER	1 2 3 4 5 6 7	NOMENCLATURE	EFFECT FROM TO	UNITS PER ASSY
30C 495	BS51338D5003		.PLUG- SUPPLIER CODE: V83058 SPECIFICATION NUMBER: BACP20B63B OPTIONAL PART: 51338 V83058 MISCELLANEOUS DATA: USE IN PLACE OF CIRCUIT BREAKERS ON OPEN HOLES	968969	1
- 500	MODREF82592		PLUG BUTTON INSTL-P6-1/D12 MODULE NUMBER: 233A5221-301412 REV A	968969	1
505	BS51338D5003		.PLUG- SUPPLIER CODE: V83058 SPECIFICATION NUMBER: BACP20B63B OPTIONAL PART: 51338 V83058 MISCELLANEOUS DATA: USE IN PLACE OF CIRCUIT BREAKERS ON OPEN HOLES	968969	1
- 510	MODREF82594		PLUG BUTTON INSTL-P6-1/D17 MODULE NUMBER: 233A5221-301417 REV A	968969	1
515	BS51338D5003		.PLUG- SUPPLIER CODE: V83058 SPECIFICATION NUMBER: BACP20B63B OPTIONAL PART: 51338 V83058 MISCELLANEOUS DATA: USE IN PLACE OF CIRCUIT BREAKERS ON OPEN HOLES	968969	1
- 520	MODREF82595		PLUG BUTTON INSTL-P6-1/E1 MODULE NUMBER: 233A5221-301501 REV A	968969	1

MISSING ITEM NUMBERS NOT APPLICABLE

- ITEM NOT ILLUSTRATED

HAP

24-50-51-30C

BOEING PROPRIETARY - Copyright © - Unpublished Work - See title page for details.

24-50-51
FIG. 30C
PAGE 16
JUN 10/07

BOEING
737-600/700/800/900
PARTS CATALOG (MAINTENANCE)

FIG ITEM	PART NUMBER	1 2 3 4 5 6 7	NOMENCLATURE	EFFECT FROM TO	UNITS PER ASSY
30C 525	BS51338D5003		.PLUG- SUPPLIER CODE: V83058 SPECIFICATION NUMBER: BACP20B63B OPTIONAL PART: 51338 V83058 MISCELLANEOUS DATA: USE IN PLACE OF CIRCUIT BREAKERS ON OPEN HOLES	968969	1
- 530	MODREF82596		PLUG BUTTON INSTL-P6-1/E2 MODULE NUMBER: 233A5221-301502 REV A	968969	1
535	BS51338D5003		.PLUG- SUPPLIER CODE: V83058 SPECIFICATION NUMBER: BACP20B63B OPTIONAL PART: 51338 V83058 MISCELLANEOUS DATA: USE IN PLACE OF CIRCUIT BREAKERS ON OPEN HOLES	968969	1
- 540	MODREF82597		PLUG BUTTON INSTL-P6-1/E3 MODULE NUMBER: 233A5221-301503 REV A	968969	1
545	BS51338D5003		.PLUG- SUPPLIER CODE: V83058 SPECIFICATION NUMBER: BACP20B63B OPTIONAL PART: 51338 V83058 MISCELLANEOUS DATA: USE IN PLACE OF CIRCUIT BREAKERS ON OPEN HOLES	968969	1
- 550	MODREF82598		PLUG BUTTON INSTL-P6-1/E4 MODULE NUMBER: 233A5221-301504 REV A	968969	1

MISSING ITEM NUMBERS NOT APPLICABLE

- ITEM NOT ILLUSTRATED

HAP

24-50-51-30C

BOEING PROPRIETARY - Copyright © - Unpublished Work - See title page for details.

24-50-51
FIG. 30C
PAGE 17
JUN 10/07

BOEING
737-600/700/800/900
PARTS CATALOG (MAINTENANCE)

FIG ITEM	PART NUMBER	1 2 3 4 5 6 7	NOMENCLATURE	EFFECT FROM TO	UNITS PER ASSY
30C 555	BS51338D5003		.PLUG- SUPPLIER CODE: V83058 SPECIFICATION NUMBER: BACP20B63B OPTIONAL PART: 51338 V83058 MISCELLANEOUS DATA: USE IN PLACE OF CIRCUIT BREAKERS ON OPEN HOLES	968969	1
- 560	MODREF82600		PLUG BUTTON INSTL-P6-1/E6 MODULE NUMBER: 233A5221-301506 REV A	968969	1
565	BS51338D5003		.PLUG- SUPPLIER CODE: V83058 SPECIFICATION NUMBER: BACP20B63B OPTIONAL PART: 51338 V83058 MISCELLANEOUS DATA: USE IN PLACE OF CIRCUIT BREAKERS ON OPEN HOLES	968969	1
- 570	MODREF82601		PLUG BUTTON INSTL-P6-1/E7 MODULE NUMBER: 233A5221-301507 REV A	968969	1
575	BS51338D5003		.PLUG- SUPPLIER CODE: V83058 SPECIFICATION NUMBER: BACP20B63B OPTIONAL PART: 51338 V83058 MISCELLANEOUS DATA: USE IN PLACE OF CIRCUIT BREAKERS ON OPEN HOLES	968969	1
- 580	MODREF82605		PLUG BUTTON INSTL-P6-1/E16 MODULE NUMBER: 233A5221-301516 REV A	968969	1

MISSING ITEM NUMBERS NOT APPLICABLE

- ITEM NOT ILLUSTRATED

HAP

24-50-51-30C

BOEING PROPRIETARY - Copyright © - Unpublished Work - See title page for details.

24-50-51
FIG. 30C
PAGE 18
JUN 10/07

BOEING
737-600/700/800/900
PARTS CATALOG (MAINTENANCE)

FIG ITEM	PART NUMBER	1 2 3 4 5 6 7	NOMENCLATURE	EFFECT FROM TO	UNITS PER ASSY
30C 585	BS51338D5003		.PLUG- SUPPLIER CODE: V83058 SPECIFICATION NUMBER: BACP20B63B OPTIONAL PART: 51338 V83058 MISCELLANEOUS DATA: USE IN PLACE OF CIRCUIT BREAKERS ON OPEN HOLES	968969	1
- 590	MODREF82606		PLUG BUTTON INSTL-P6-1/E17 MODULE NUMBER: 233A5221-301517 REV A	968969	1
595	BS51338D5003		.PLUG- SUPPLIER CODE: V83058 SPECIFICATION NUMBER: BACP20B63B OPTIONAL PART: 51338 V83058 MISCELLANEOUS DATA: USE IN PLACE OF CIRCUIT BREAKERS ON OPEN HOLES	968969	1
- 700	MODREF82664		INOP INSTL-P6-1/A17 (ELECTRICAL POWER ONLY) MODULE NUMBER: 233A5221-501117 REV A FOR OTHER SYS DETAILS SEE: 11-31-51-30C	968969	1
705	10237-1		.COLLAR- SUPPLIER CODE: V1N6X0	968969	1
- 710	MODREF262665		INOP INSTL-P6-1/B11 (ELECTRICAL POWER ONLY) MODULE NUMBER: 233A5221-501211 REV A FOR OTHER SYS DETAILS SEE: 11-31-51-30C	968969	1
715	10237-1		.COLLAR- SUPPLIER CODE: V1N6X0	968969	1
- 720	MODREF82677		INOP INSTL-P6-1/D2 (ELECTRICAL POWER ONLY) MODULE NUMBER: 233A5221-501402 REV A FOR OTHER SYS DETAILS SEE: 11-31-51-30C	968969	1

MISSING ITEM NUMBERS NOT APPLICABLE

- ITEM NOT ILLUSTRATED

HAP

24-50-51-30C

BOEING PROPRIETARY - Copyright © - Unpublished Work - See title page for details.

24-50-51
FIG. 30C
PAGE 19
JUN 10/07


BOEING
 737-600/700/800/900
PARTS CATALOG (MAINTENANCE)

FIG ITEM	PART NUMBER	1 2 3 4 5 6 7 NOMENCLATURE	EFFECT FROM TO	UNITS PER ASSY
30C 725	10237-1	. COLLAR- SUPPLIER CODE: V1N6X0	968969	1

MISSING ITEM NUMBERS NOT APPLICABLE

— ITEM NOT ILLUSTRATED

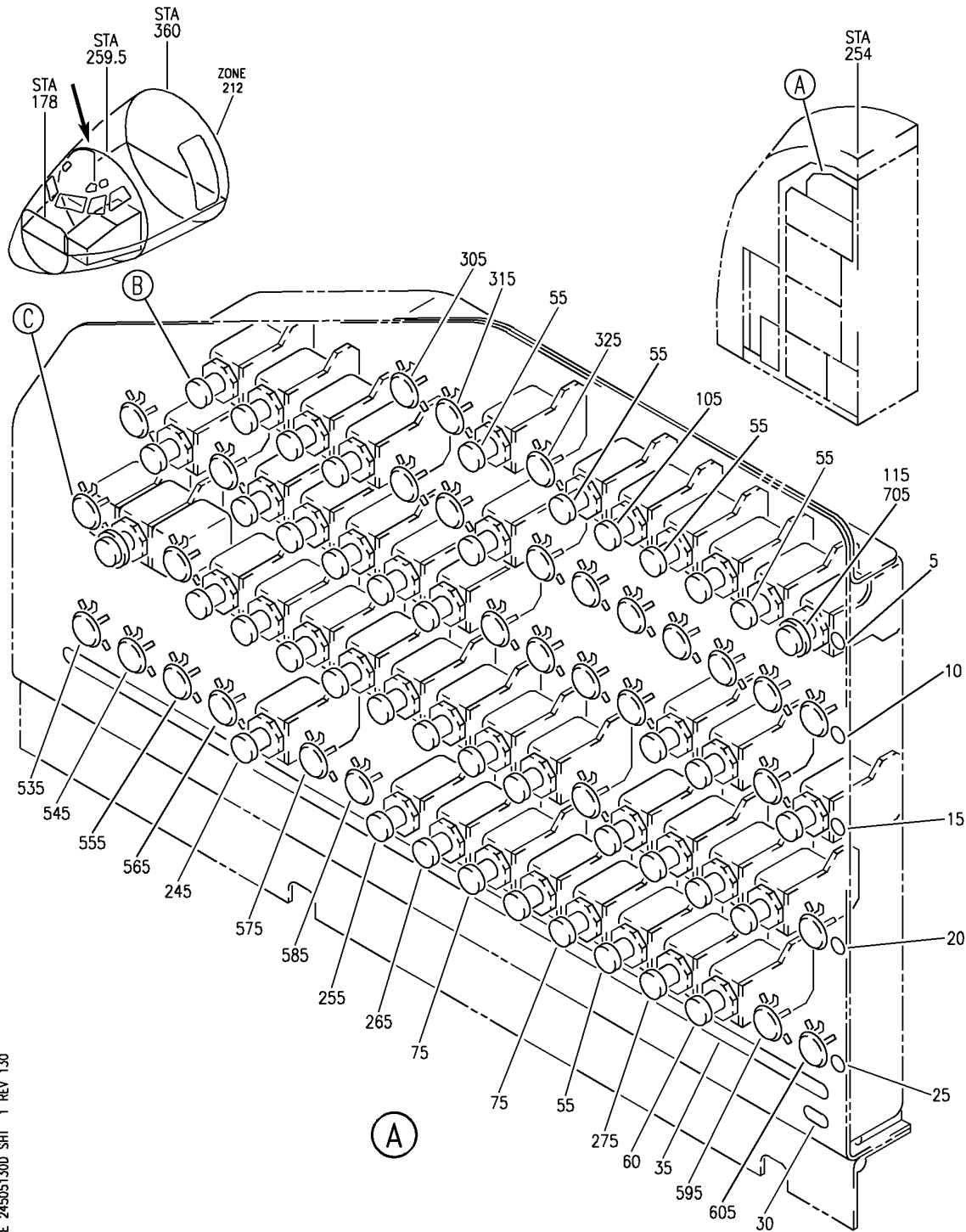
HAP

24-50-51-30C

BOEING PROPRIETARY - Copyright © - Unpublished Work - See title page for details.

24-50-51
 FIG. 30C
 PAGE 20
 JUN 10/07

BOEING
737-600/700/800/900
PARTS CATALOG (MAINTENANCE)



E 24-50-51-30D SHT 1 REV 130

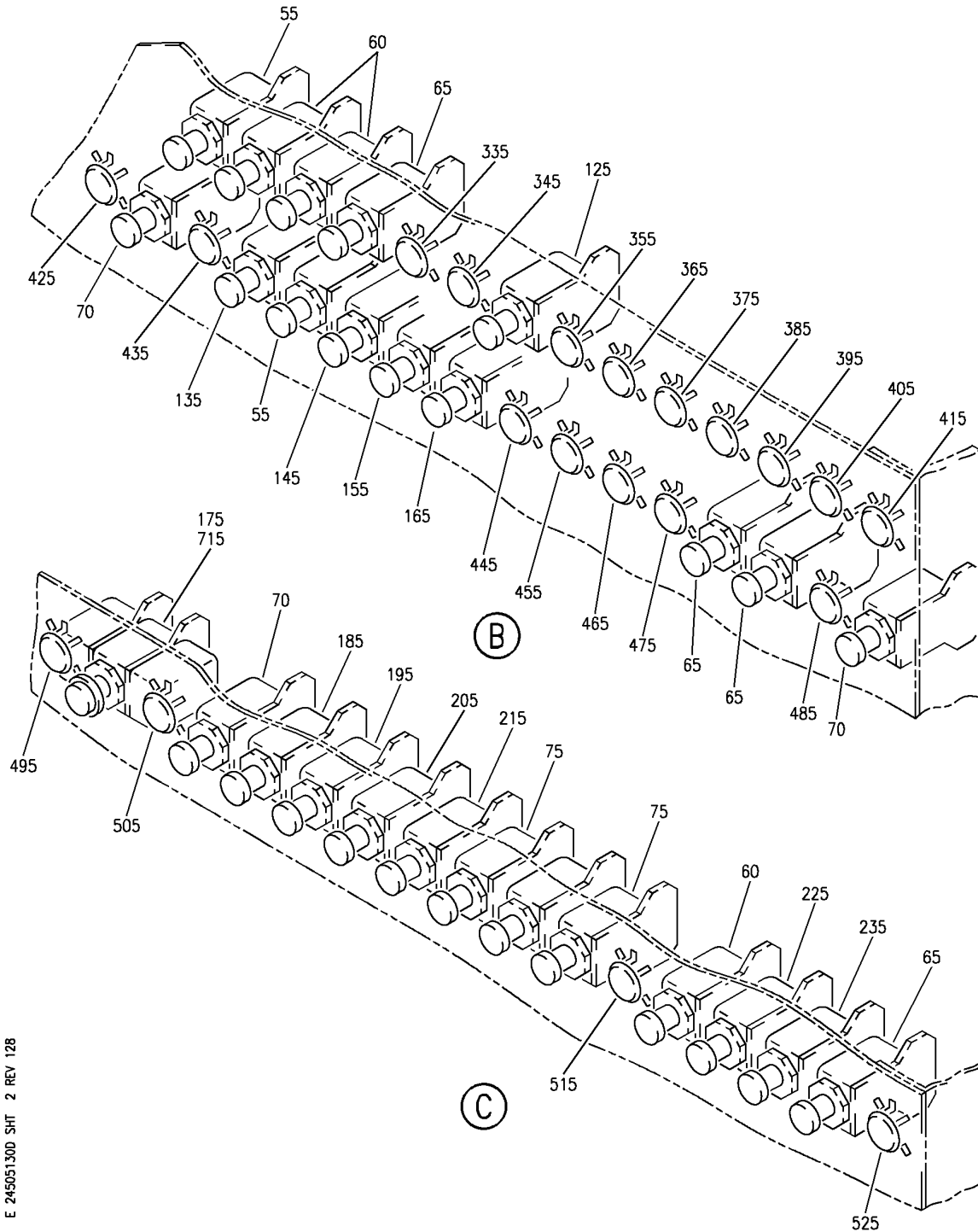
MARKER, CIRCUIT BREAKER, PLUG BUTTON AND INOP INSTL-P6-1 PNL (ELECTRICAL POWER ONLY)
 FIGURE 30D (SHEET 1)

HAP
 JUN 10/07

24-50-51-30D

24-50-51-30D
 PAGE 0

BOEING
737-600/700/800/900
PARTS CATALOG (MAINTENANCE)



E 24-50-51-30D SHT 2 REV 128

MARKER, CIRCUIT BREAKER, PLUG BUTTON AND INOP INSTL-P6-1 PNL (ELECTRICAL POWER ONLY)
 FIGURE 30D (SHEET 2)

24-50-51-30D

HAP
 JUN 10/07

24-50-51-30D
 PAGE 0A

BOEING
737-600/700/800/900
PARTS CATALOG (MAINTENANCE)

FIG ITEM	PART NUMBER	1 2 3 4 5 6 7	NOMENCLATURE	EFFECT FROM TO	UNITS PER ASSY
30D			MARKER, CIRCUIT BREAKER, PLUG BUTTON AND INOP INSTL-P6-1 PNL (ELECTRICAL POWER ONLY)	101101 970971	
- 1	MODREF235052		MARKER INSTL-P6-1 PNL MODULE NUMBER: 233A5221-1 REV C	101101 970971	1
5	BAC27DCC3065		.MARKER- PLACARD CONTENT: A	101101 970971	1
10	BAC27DCC3066		.MARKER- PLACARD CONTENT: B	101101 970971	1
15	BAC27DCC3067		.MARKER- PLACARD CONTENT: C	101101 970971	1
20	BAC27DCC3068		.MARKER- PLACARD CONTENT: D	101101 970971	1
25	BAC27DCC3069		.MARKER- PLACARD CONTENT: E	101101 970971	1
30	BAC27DCC3074		.MARKER- PLACARD CONTENT: P6-1	101101 970971	1
35	BAC27DCC2719		.MARKER- PLACARD CONTENT: 1 THRU 17	101101 970971	1
- 50	MODREF274758		CIRCUIT BREAKER INSTL-P6-1 MODULE NUMBER: 233A5221-4 REV C	101101 970971	1
55	2TC47-2-5		.CIRCUIT BREAKER- SUPPLIER CODE: V82647 SPECIFICATION NUMBER: BACC18AD2 OPTIONAL PART: 4310-029-205 V76374 ELECTRICAL EQUIP NUMBER: C00192 C01207 C01370 C01375 C01377 C01379 C01385 C01583	101101 970971	8

MISSING ITEM NUMBERS NOT APPLICABLE

- ITEM NOT ILLUSTRATED

HAP

24-50-51-30D

BOEING PROPRIETARY - Copyright © - Unpublished Work - See title page for details.

24-50-51
FIG. 30D
PAGE 1
FEB 15/08

BOEING
737-600/700/800/900
PARTS CATALOG (MAINTENANCE)

FIG ITEM	PART NUMBER	1 2 3 4 5 6 7	NOMENCLATURE	EFFECT FROM TO	UNITS PER ASSY
30D 60	2TC47-5		.CIRCUIT BREAKER- SUPPLIER CODE: V82647 SPECIFICATION NUMBER: BACC18AD5 OPTIONAL PART: 4310-029-5 V76374 ELECTRICAL EQUIP NUMBER: C00120 C01206 C01263 C01393	101101 970971	4
65	2TC47-3		.CIRCUIT BREAKER- SUPPLIER CODE: V82647 SPECIFICATION NUMBER: BACC18AD3 OPTIONAL PART: 4310-029-3 V76374 ELECTRICAL EQUIP NUMBER: C00426 C00549 C01008 C01262	101101 970971	4
70	2TC47-10		.CIRCUIT BREAKER- SUPPLIER CODE: V82647 SPECIFICATION NUMBER: BACC18AD10 OPTIONAL PART: 4310-029-10 V76374 ELECTRICAL EQUIP NUMBER: C00082 C00166 C01010	101101 970971	3

MISSING ITEM NUMBERS NOT APPLICABLE

— ITEM NOT ILLUSTRATED

HAP

24-50-51-30D

BOEING PROPRIETARY - Copyright © - Unpublished Work - See title page for details.

24-50-51
FIG. 30D
PAGE 2
FEB 15/08

BOEING
737-600/700/800/900
PARTS CATALOG (MAINTENANCE)

FIG ITEM	PART NUMBER	1 2 3 4 5 6 7	NOMENCLATURE	EFFECT FROM TO	UNITS PER ASSY
30D 75	4310-029-15		.CIRCUIT BREAKER- SUPPLIER CODE: V76374 SPECIFICATION NUMBER: BACC18AD15 OPTIONAL PART: 2TC47-15 V82647 ELECTRICAL EQUIP NUMBER: C01360 C01361 C01362 C01364 C01366 C01373	101101 970971	6
- 100	MODREF82542		CIRCUIT BREAKER INSTL- RADIO NAV MMR 2 P6-1/A13 MODULE NUMBER: 233A5221-201480 REV A	101101 970971	1
105	2TC47-2-5		.CIRCUIT BREAKER- SUPPLIER CODE: V82647 SPECIFICATION NUMBER: BACC18AD2 OPTIONAL PART: 4310-029-205 V76374 ELECTRICAL EQUIP NUMBER: C01480	101101 970971	1
- 110	MODREF273852		CIRCUIT BREAKER INSTL-ADF 2 P6-1/A17 MODULE NUMBER: 233A5221-201383 REV A	101101 970971	1
115	2TC47-2-5		.CIRCUIT BREAKER- SUPPLIER CODE: V82647 SPECIFICATION NUMBER: BACC18AD2 OPTIONAL PART: 4310-029-205 V76374 ELECTRICAL EQUIP NUMBER: C01383	101101 970971	1
- 120	MODREF82559		CIRCUIT BREAKER INSTL- ENTERTAINMENT AUDIO DC P6-1/B10 MODULE NUMBER: 233A5221-201584 REV A	101101 970971	1

MISSING ITEM NUMBERS NOT APPLICABLE

- ITEM NOT ILLUSTRATED

HAP

24-50-51-30D

BOEING PROPRIETARY - Copyright © - Unpublished Work - See title page for details.

24-50-51
FIG. 30D
PAGE 3
FEB 15/08

BOEING
737-600/700/800/900
PARTS CATALOG (MAINTENANCE)

FIG ITEM	PART NUMBER	1 2 3 4 5 6 7	NOMENCLATURE	EFFECT FROM TO	UNITS PER ASSY
30D 125	2TC47-3		.CIRCUIT BREAKER- SUPPLIER CODE: V82647 SPECIFICATION NUMBER: BACC18AD3 OPTIONAL PART: 4310-029-3 V76374 ELECTRICAL EQUIP NUMBER: C01584	101101 970971	1
- 130	MODREF82560		CIRCUIT BREAKER INSTL- ENTERTAINMENT VIDEO CONT CTR DC P6-1/C5 MODULE NUMBER: 233A5221-211450 REV A	101101 970971	1
135	2TC47-7-5		.CIRCUIT BREAKER- SUPPLIER CODE: V82647 SPECIFICATION NUMBER: BACC18AD7 OPTIONAL PART: 4310-029-705 V76374 ELECTRICAL EQUIP NUMBER: C01450	101101 970971	1
- 140	MODREF82533		CIRCUIT BREAKER INSTL- ENTERTAINMENT VIDEO CONT CTR AC P6-1/C7 MODULE NUMBER: 233A5221-201451 REV A	101101 970971	1
145	2TC47-7-5		.CIRCUIT BREAKER- SUPPLIER CODE: V82647 SPECIFICATION NUMBER: BACC18AD7 OPTIONAL PART: 4310-029-705 V76374 ELECTRICAL EQUIP NUMBER: C01451	101101 970971	1
- 150	MODREF82538		CIRCUIT BREAKER INSTL- ENTERTAINMENT AUDIO P6-1/C8 MODULE NUMBER: 233A5221-201456 REV A	101101 970971	1

MISSING ITEM NUMBERS NOT APPLICABLE

- ITEM NOT ILLUSTRATED

HAP

24-50-51-30D

BOEING PROPRIETARY - Copyright © - Unpublished Work - See title page for details.

24-50-51
FIG. 30D
PAGE 4
FEB 15/08

BOEING
737-600/700/800/900
PARTS CATALOG (MAINTENANCE)

FIG ITEM	PART NUMBER	1 2 3 4 5 6 7	NOMENCLATURE	EFFECT FROM TO	UNITS PER ASSY
30D 155	2TC47-7-5		.CIRCUIT BREAKER- SUPPLIER CODE: V82647 SPECIFICATION NUMBER: BACC18AD7 OPTIONAL PART: 4310-029-705 V76374 ELECTRICAL EQUIP NUMBER: C01456	101101 970971	1
- 160	MODREF82519		CIRCUIT BREAKER INSTL- ENTERTAINMENT PA TAPE RPDR AC P6-1/C9 MODULE NUMBER: 233A5221-200080 REV A	101101 970971	1
165	2TC47-3		.CIRCUIT BREAKER- SUPPLIER CODE: V82647 SPECIFICATION NUMBER: BACC18AD3 OPTIONAL PART: 4310-029-3 V76374 ELECTRICAL EQUIP NUMBER: C00080	101101 970971	1
- 170	MODREF82523		CIRCUIT BREAKER INSTL- COMMUNICATIONS HF 2 P6-1/D2 MODULE NUMBER: 233A5221-200857 REV A	101101 970971	1
175	6TC6-5		.CIRCUIT BREAKER- SUPPLIER CODE: V82647 SPECIFICATION NUMBER: BACC18AC5 OPTIONAL PART: 4330-004-5 V76374 ELECTRICAL EQUIP NUMBER: C00857	101101 970971	1
- 180	MODREF82534		CIRCUIT BREAKER INSTL- VIDEO 1 P6-1/D5 MODULE NUMBER: 233A5221-201452 REV A	101101 970971	1

MISSING ITEM NUMBERS NOT APPLICABLE

- ITEM NOT ILLUSTRATED

HAP

24-50-51-30D

BOEING PROPRIETARY - Copyright © - Unpublished Work - See title page for details.

24-50-51
FIG. 30D
PAGE 5
FEB 15/08

BOEING
737-600/700/800/900
PARTS CATALOG (MAINTENANCE)

FIG ITEM	PART NUMBER	1 2 3 4 5 6 7	NOMENCLATURE	EFFECT FROM TO	UNITS PER ASSY
30D 185	2TC47-7-5		.CIRCUIT BREAKER- SUPPLIER CODE: V82647 SPECIFICATION NUMBER: BACC18AD7 OPTIONAL PART: 4310-029-705 V76374 ELECTRICAL EQUIP NUMBER: C01452	101101 970971	1
- 190	MODREF82535		CIRCUIT BREAKER INSTL- VIDEO 2 P6-1/D6 MODULE NUMBER: 233A5221-201453 REV A	101101 970971	1
195	2TC47-7-5		.CIRCUIT BREAKER- SUPPLIER CODE: V82647 SPECIFICATION NUMBER: BACC18AD7 OPTIONAL PART: 4310-029-705 V76374 ELECTRICAL EQUIP NUMBER: C01453	101101 970971	1
- 200	MODREF82536		CIRCUIT BREAKER INSTL- VIDEO 3 P6-1/D7 MODULE NUMBER: 233A5221-201454 REV A	101101 970971	1
205	2TC47-7-5		.CIRCUIT BREAKER- SUPPLIER CODE: V82647 SPECIFICATION NUMBER: BACC18AD7 OPTIONAL PART: 4310-029-705 V76374 ELECTRICAL EQUIP NUMBER: C01454	101101 970971	1
- 210	MODREF82537		CIRCUIT BREAKER INSTL- VIDEO 4 P6-1/D8 MODULE NUMBER: 233A5221-201455 REV A	101101 970971	1

MISSING ITEM NUMBERS NOT APPLICABLE

- ITEM NOT ILLUSTRATED

HAP

24-50-51-30D

BOEING PROPRIETARY - Copyright © - Unpublished Work - See title page for details.

24-50-51
FIG. 30D
PAGE 6
FEB 15/08

BOEING
737-600/700/800/900
PARTS CATALOG (MAINTENANCE)

FIG ITEM	PART NUMBER	1 2 3 4 5 6 7	NOMENCLATURE	EFFECT FROM TO	UNITS PER ASSY
30D 215	2TC47-7-5	.	CIRCUIT BREAKER- SUPPLIER CODE: V82647 SPECIFICATION NUMBER: BACC18AD7 OPTIONAL PART: 4310-029-705 V76374 ELECTRICAL EQUIP NUMBER: C01455	101101 970971	1
- 220	MODREF82520		CIRCUIT BREAKER INSTL- ATC-2 P6-1/D14 MODULE NUMBER: 233A5221-200188 REV A	101101 970971	1
225	2TC47-5	.	CIRCUIT BREAKER- SUPPLIER CODE: V82647 SPECIFICATION NUMBER: BACC18AD5 OPTIONAL PART: 4310-029-5 V76374 ELECTRICAL EQUIP NUMBER: C00188	101101 970971	1
- 230	MODREF82530		CIRCUIT BREAKER INSTL-FMCS MCDU 2 P6-1/D15 MODULE NUMBER: 233A5221-201239 REV A	101101 970971	1
235	2TC47-3	.	CIRCUIT BREAKER- SUPPLIER CODE: V82647 SPECIFICATION NUMBER: BACC18AD3 OPTIONAL PART: 4310-029-3 V76374 ELECTRICAL EQUIP NUMBER: C01239	101101 970971	1
- 240	MODREF82529		CIRCUIT BREAKER INSTL-PRTR P6-1/E5 MODULE NUMBER: 233A5221-201216 REV A	101101 970971	1

MISSING ITEM NUMBERS NOT APPLICABLE

- ITEM NOT ILLUSTRATED

HAP

24-50-51-30D

BOEING PROPRIETARY - Copyright © - Unpublished Work - See title page for details.

24-50-51
FIG. 30D
PAGE 7
FEB 15/08

BOEING
737-600/700/800/900
PARTS CATALOG (MAINTENANCE)

FIG ITEM	PART NUMBER	1 2 3 4 5 6 7	NOMENCLATURE	EFFECT FROM TO	UNITS PER ASSY
30D 245	2TC47-2-5	.	CIRCUIT BREAKER- SUPPLIER CODE: V82647 SPECIFICATION NUMBER: BACC18AD2 OPTIONAL PART: 4310-029-205 V76374 ELECTRICAL EQUIP NUMBER: C01216	101101 970971	1
- 250	MODREF82543		CIRCUIT BREAKER INSTL-CMU 1 AC P6-1/E8 MODULE NUMBER: 233A5221-201483 REV A	101101 970971	1
255	2TC47-2-5	.	CIRCUIT BREAKER- SUPPLIER CODE: V82647 SPECIFICATION NUMBER: BACC18AD2 OPTIONAL PART: 4310-029-205 V76374 ELECTRICAL EQUIP NUMBER: C01483	101101 970971	1
- 260	MODREF82546		CIRCUIT BREAKER INSTL- CMU/ACARS DC P6-1/E9 MODULE NUMBER: 233A5221-201500 REV A	101101 970971	1
265	2TC47-2-5	.	CIRCUIT BREAKER- SUPPLIER CODE: V82647 SPECIFICATION NUMBER: BACC18AD2 OPTIONAL PART: 4310-029-205 V76374 ELECTRICAL EQUIP NUMBER: C01500	101101 970971	1
- 270	MODREF82526		CIRCUIT BREAKER INSTL-ATC ANT. SWITCH P6-1/E14 MODULE NUMBER: 233A5221-201194 REV A	101101 970971	1

MISSING ITEM NUMBERS NOT APPLICABLE

- ITEM NOT ILLUSTRATED

HAP

24-50-51-30D

BOEING PROPRIETARY - Copyright © - Unpublished Work - See title page for details.

24-50-51
FIG. 30D
PAGE 8
FEB 15/08


BOEING
 737-600/700/800/900
PARTS CATALOG (MAINTENANCE)

FIG ITEM	PART NUMBER	1 2 3 4 5 6 7	NOMENCLATURE	EFFECT FROM TO	UNITS PER ASSY
30D 275	2TC47-2-5		.CIRCUIT BREAKER- SUPPLIER CODE: V82647 SPECIFICATION NUMBER: BACC18AD2 OPTIONAL PART: 4310-029-205 V76374 ELECTRICAL EQUIP NUMBER: C01194	101101 970971	1
- 300	MODREF82561		PLUG BUTTON INSTL-P6-1/A8 MODULE NUMBER: 233A5221-301108 REV A	101101 970971	1
305	BS51338D5003		.PLUG- SUPPLIER CODE: V83058 SPECIFICATION NUMBER: BACP20B63B OPTIONAL PART: 51338 V83058 MISCELLANEOUS DATA: USE IN PLACE OF CIRCUIT BREAKERS ON OPEN HOLES	101101 970971	1
- 310	MODREF82562		PLUG BUTTON INSTL-P6-1/A9 MODULE NUMBER: 233A5221-301109 REV A	101101 970971	1
315	BS51338D5003		.PLUG- SUPPLIER CODE: V83058 SPECIFICATION NUMBER: BACP20B63B OPTIONAL PART: 51338 V83058 MISCELLANEOUS DATA: USE IN PLACE OF CIRCUIT BREAKERS ON OPEN HOLES	101101 970971	1
- 320	MODREF82563		PLUG BUTTON INSTL-P6-1/A11 MODULE NUMBER: 233A5221-301111 REV A	101101 970971	1

MISSING ITEM NUMBERS NOT APPLICABLE

- ITEM NOT ILLUSTRATED

HAP

24-50-51-30D

BOEING PROPRIETARY - Copyright © - Unpublished Work - See title page for details.

24-50-51
 FIG. 30D
 PAGE 9
 FEB 15/08

BOEING
737-600/700/800/900
PARTS CATALOG (MAINTENANCE)

FIG ITEM	PART NUMBER	1 2 3 4 5 6 7	NOMENCLATURE	EFFECT FROM TO	UNITS PER ASSY
30D 325	BS51338D5003		.PLUG- SUPPLIER CODE: V83058 SPECIFICATION NUMBER: BACP20B63B OPTIONAL PART: 51338 V83058 MISCELLANEOUS DATA: USE IN PLACE OF CIRCUIT BREAKERS ON OPEN HOLES	101101 970971	1
- 330	MODREF82564		PLUG BUTTON INSTL-P6-1/B8 MODULE NUMBER: 233A5221-301208 REV A	101101 970971	1
335	BS51338D5003		.PLUG- SUPPLIER CODE: V83058 SPECIFICATION NUMBER: BACP20B63B OPTIONAL PART: 51338 V83058 MISCELLANEOUS DATA: USE IN PLACE OF CIRCUIT BREAKERS ON OPEN HOLES	101101 970971	1
- 340	MODREF82565		PLUG BUTTON INSTL-P6-1/B9 MODULE NUMBER: 233A5221-301209 REV A	101101 970971	1
345	BS51338D5003		.PLUG- SUPPLIER CODE: V83058 SPECIFICATION NUMBER: BACP20B63B OPTIONAL PART: 51338 V83058 MISCELLANEOUS DATA: USE IN PLACE OF CIRCUIT BREAKERS ON OPEN HOLES	101101 970971	1
- 350	MODREF82567		PLUG BUTTON INSTL-P6-1/B11 MODULE NUMBER: 233A5221-301211 REV A	101101 970971	1

MISSING ITEM NUMBERS NOT APPLICABLE

- ITEM NOT ILLUSTRATED

HAP

24-50-51-30D

BOEING PROPRIETARY - Copyright © - Unpublished Work - See title page for details.

24-50-51
FIG. 30D
PAGE 10
FEB 15/08

BOEING
737-600/700/800/900
PARTS CATALOG (MAINTENANCE)

FIG ITEM	PART NUMBER	1 2 3 4 5 6 7	NOMENCLATURE	EFFECT FROM TO	UNITS PER ASSY
30D 355	BS51338D5003		.PLUG- SUPPLIER CODE: V83058 SPECIFICATION NUMBER: BACP20B63B OPTIONAL PART: 51338 V83058 MISCELLANEOUS DATA: USE IN PLACE OF CIRCUIT BREAKERS ON OPEN HOLES	101101 970971	1
- 360	MODREF82568		PLUG BUTTON INSTL-P6-1/B12 MODULE NUMBER: 233A5221-301212 REV A	101101 970971	1
365	BS51338D5003		.PLUG- SUPPLIER CODE: V83058 SPECIFICATION NUMBER: BACP20B63B OPTIONAL PART: 51338 V83058 MISCELLANEOUS DATA: USE IN PLACE OF CIRCUIT BREAKERS ON OPEN HOLES	101101 970971	1
- 370	MODREF82569		PLUG BUTTON INSTL-P6-1/B13 MODULE NUMBER: 233A5221-301213 REV A	101101 970971	1
375	BS51338D5003		.PLUG- SUPPLIER CODE: V83058 SPECIFICATION NUMBER: BACP20B63B OPTIONAL PART: 51338 V83058 MISCELLANEOUS DATA: USE IN PLACE OF CIRCUIT BREAKERS ON OPEN HOLES	101101 970971	1
- 380	MODREF82570		PLUG BUTTON INSTL-P6-1/B14 MODULE NUMBER: 233A5221-301214 REV A	101101 970971	1

MISSING ITEM NUMBERS NOT APPLICABLE

- ITEM NOT ILLUSTRATED

HAP

24-50-51-30D

BOEING PROPRIETARY - Copyright © - Unpublished Work - See title page for details.

24-50-51
FIG. 30D
PAGE 11
FEB 15/08

BOEING
737-600/700/800/900
PARTS CATALOG (MAINTENANCE)

FIG ITEM	PART NUMBER	1 2 3 4 5 6 7	NOMENCLATURE	EFFECT FROM TO	UNITS PER ASSY
30D 385	BS51338D5003		.PLUG- SUPPLIER CODE: V83058 SPECIFICATION NUMBER: BACP20B63B OPTIONAL PART: 51338 V83058 MISCELLANEOUS DATA: USE IN PLACE OF CIRCUIT BREAKERS ON OPEN HOLES	101101 970971	1
- 390	MODREF82571		PLUG BUTTON INSTL-P6-1/B15 MODULE NUMBER: 233A5221-301215 REV A	101101 970971	1
395	BS51338D5003		.PLUG- SUPPLIER CODE: V83058 SPECIFICATION NUMBER: BACP20B63B OPTIONAL PART: 51338 V83058 MISCELLANEOUS DATA: USE IN PLACE OF CIRCUIT BREAKERS ON OPEN HOLES	101101 970971	1
- 400	MODREF82572		PLUG BUTTON INSTL-P6-1/B16 MODULE NUMBER: 233A5221-301216 REV A	101101 970971	1
405	BS51338D5003		.PLUG- SUPPLIER CODE: V83058 SPECIFICATION NUMBER: BACP20B63B OPTIONAL PART: 51338 V83058 MISCELLANEOUS DATA: USE IN PLACE OF CIRCUIT BREAKERS ON OPEN HOLES	101101 970971	1
- 410	MODREF82573		PLUG BUTTON INSTL-P6-1/B17 MODULE NUMBER: 233A5221-301217 REV A	101101 970971	1

MISSING ITEM NUMBERS NOT APPLICABLE

- ITEM NOT ILLUSTRATED

HAP

24-50-51-30D

BOEING PROPRIETARY - Copyright © - Unpublished Work - See title page for details.

24-50-51
FIG. 30D
PAGE 12
FEB 15/08

 **BOEING**
737-600/700/800/900
PARTS CATALOG (MAINTENANCE)

FIG ITEM	PART NUMBER	1 2 3 4 5 6 7	NOMENCLATURE	EFFECT FROM TO	UNITS PER ASSY
30D 415	BS51338D5003		.PLUG- SUPPLIER CODE: V83058 SPECIFICATION NUMBER: BACP20B63B OPTIONAL PART: 51338 V83058 MISCELLANEOUS DATA: USE IN PLACE OF CIRCUIT BREAKERS ON OPEN HOLES	101101 970971	1
- 420	MODREF82574		PLUG BUTTON INSTL-P6-1/C2 MODULE NUMBER: 233A5221-301302 REV A	101101 970971	1
425	BS51338D5003		.PLUG- SUPPLIER CODE: V83058 SPECIFICATION NUMBER: BACP20B63B OPTIONAL PART: 51338 V83058 MISCELLANEOUS DATA: USE IN PLACE OF CIRCUIT BREAKERS ON OPEN HOLES	101101 970971	1
- 430	MODREF82575		PLUG BUTTON INSTL-P6-1/C4 MODULE NUMBER: 233A5221-301304 REV A	101101 970971	1
435	BS51338D5003		.PLUG- SUPPLIER CODE: V83058 SPECIFICATION NUMBER: BACP20B63B OPTIONAL PART: 51338 V83058 MISCELLANEOUS DATA: USE IN PLACE OF CIRCUIT BREAKERS ON OPEN HOLES	101101 970971	1
- 440	MODREF82580		PLUG BUTTON INSTL-P6-1/C10 MODULE NUMBER: 233A5221-301310 REV A	101101 970971	1

MISSING ITEM NUMBERS NOT APPLICABLE

- ITEM NOT ILLUSTRATED

HAP

24-50-51-30D

BOEING PROPRIETARY - Copyright © - Unpublished Work - See title page for details.

24-50-51
FIG. 30D
PAGE 13
FEB 15/08

BOEING
737-600/700/800/900
PARTS CATALOG (MAINTENANCE)

FIG ITEM	PART NUMBER	1 2 3 4 5 6 7	NOMENCLATURE	EFFECT FROM TO	UNITS PER ASSY
30D 445	BS51338D5003		.PLUG- SUPPLIER CODE: V83058 SPECIFICATION NUMBER: BACP20B63B OPTIONAL PART: 51338 V83058 MISCELLANEOUS DATA: USE IN PLACE OF CIRCUIT BREAKERS ON OPEN HOLES	101101 970971	1
- 450	MODREF82581		PLUG BUTTON INSTL-P6-1/C11 MODULE NUMBER: 233A5221-301311 REV A	101101 970971	1
455	BS51338D5003		.PLUG- SUPPLIER CODE: V83058 SPECIFICATION NUMBER: BACP20B63B OPTIONAL PART: 51338 V83058 MISCELLANEOUS DATA: USE IN PLACE OF CIRCUIT BREAKERS ON OPEN HOLES	101101 970971	1
- 460	MODREF82582		PLUG BUTTON INSTL-P6-1/C12 MODULE NUMBER: 233A5221-301312 REV A	101101 970971	1
465	BS51338D5003		.PLUG- SUPPLIER CODE: V83058 SPECIFICATION NUMBER: BACP20B63B OPTIONAL PART: 51338 V83058 MISCELLANEOUS DATA: USE IN PLACE OF CIRCUIT BREAKERS ON OPEN HOLES	101101 970971	1
- 470	MODREF82583		PLUG BUTTON INSTL-P6-1/C13 MODULE NUMBER: 233A5221-301313 REV A	101101 970971	1

MISSING ITEM NUMBERS NOT APPLICABLE

- ITEM NOT ILLUSTRATED

HAP

24-50-51-30D

BOEING PROPRIETARY - Copyright © - Unpublished Work - See title page for details.

24-50-51
FIG. 30D
PAGE 14
FEB 15/08

BOEING
737-600/700/800/900
PARTS CATALOG (MAINTENANCE)

FIG ITEM	PART NUMBER	1 2 3 4 5 6 7	NOMENCLATURE	EFFECT FROM TO	UNITS PER ASSY
30D 475	BS51338D5003		.PLUG- SUPPLIER CODE: V83058 SPECIFICATION NUMBER: BACP20B63B OPTIONAL PART: 51338 V83058 MISCELLANEOUS DATA: USE IN PLACE OF CIRCUIT BREAKERS ON OPEN HOLES	101101 970971	1
- 480	MODREF82584		PLUG BUTTON INSTL-P6-1/C16 MODULE NUMBER: 233A5221-301316 REV A	101101 970971	1
485	BS51338D5003		.PLUG- SUPPLIER CODE: V83058 SPECIFICATION NUMBER: BACP20B63B OPTIONAL PART: 51338 V83058 MISCELLANEOUS DATA: USE IN PLACE OF CIRCUIT BREAKERS ON OPEN HOLES	101101 970971	1
- 490	MODREF82585		PLUG BUTTON INSTL-P6-1/D1 MODULE NUMBER: 233A5221-301401 REV A	101101 970971	1
495	BS51338D5003		.PLUG- SUPPLIER CODE: V83058 SPECIFICATION NUMBER: BACP20B63B OPTIONAL PART: 51338 V83058 MISCELLANEOUS DATA: USE IN PLACE OF CIRCUIT BREAKERS ON OPEN HOLES	101101 970971	1
- 500	MODREF82587		PLUG BUTTON INSTL-P6-1/D3 MODULE NUMBER: 233A5221-301403 REV A	101101 970971	1

MISSING ITEM NUMBERS NOT APPLICABLE

- ITEM NOT ILLUSTRATED

HAP

24-50-51-30D

BOEING PROPRIETARY - Copyright © - Unpublished Work - See title page for details.

24-50-51
FIG. 30D
PAGE 15
FEB 15/08

BOEING
737-600/700/800/900
PARTS CATALOG (MAINTENANCE)

FIG ITEM	PART NUMBER	1 2 3 4 5 6 7	NOMENCLATURE	EFFECT FROM TO	UNITS PER ASSY
30D 505	BS51338D5003		.PLUG- SUPPLIER CODE: V83058 SPECIFICATION NUMBER: BACP20B63B OPTIONAL PART: 51338 V83058 MISCELLANEOUS DATA: USE IN PLACE OF CIRCUIT BREAKERS ON OPEN HOLES	101101 970971	1
- 510	MODREF82592		PLUG BUTTON INSTL-P6-1/D12 MODULE NUMBER: 233A5221-301412 REV A	101101 970971	1
515	BS51338D5003		.PLUG- SUPPLIER CODE: V83058 SPECIFICATION NUMBER: BACP20B63B OPTIONAL PART: 51338 V83058 MISCELLANEOUS DATA: USE IN PLACE OF CIRCUIT BREAKERS ON OPEN HOLES	101101 970971	1
- 520	MODREF82594		PLUG BUTTON INSTL-P6-1/D17 MODULE NUMBER: 233A5221-301417 REV A	101101 970971	1
525	BS51338D5003		.PLUG- SUPPLIER CODE: V83058 SPECIFICATION NUMBER: BACP20B63B OPTIONAL PART: 51338 V83058 MISCELLANEOUS DATA: USE IN PLACE OF CIRCUIT BREAKERS ON OPEN HOLES	101101 970971	1
- 530	MODREF82595		PLUG BUTTON INSTL-P6-1/E1 MODULE NUMBER: 233A5221-301501 REV A	101101 970971	1

MISSING ITEM NUMBERS NOT APPLICABLE

- ITEM NOT ILLUSTRATED

HAP

24-50-51-30D

BOEING PROPRIETARY - Copyright © - Unpublished Work - See title page for details.

24-50-51
FIG. 30D
PAGE 16
FEB 15/08

BOEING
737-600/700/800/900
PARTS CATALOG (MAINTENANCE)

FIG ITEM	PART NUMBER	1 2 3 4 5 6 7	NOMENCLATURE	EFFECT FROM TO	UNITS PER ASSY
30D 535	BS51338D5003		.PLUG- SUPPLIER CODE: V83058 SPECIFICATION NUMBER: BACP20B63B OPTIONAL PART: 51338 V83058 MISCELLANEOUS DATA: USE IN PLACE OF CIRCUIT BREAKERS ON OPEN HOLES	101101 970971	1
- 540	MODREF82596		PLUG BUTTON INSTL-P6-1/E2 MODULE NUMBER: 233A5221-301502 REV A	101101 970971	1
545	BS51338D5003		.PLUG- SUPPLIER CODE: V83058 SPECIFICATION NUMBER: BACP20B63B OPTIONAL PART: 51338 V83058 MISCELLANEOUS DATA: USE IN PLACE OF CIRCUIT BREAKERS ON OPEN HOLES	101101 970971	1
- 550	MODREF82597		PLUG BUTTON INSTL-P6-1/E3 MODULE NUMBER: 233A5221-301503 REV A	101101 970971	1
555	BS51338D5003		.PLUG- SUPPLIER CODE: V83058 SPECIFICATION NUMBER: BACP20B63B OPTIONAL PART: 51338 V83058 MISCELLANEOUS DATA: USE IN PLACE OF CIRCUIT BREAKERS ON OPEN HOLES	101101 970971	1
- 560	MODREF82598		PLUG BUTTON INSTL-P6-1/E4 MODULE NUMBER: 233A5221-301504 REV A	101101 970971	1

MISSING ITEM NUMBERS NOT APPLICABLE

- ITEM NOT ILLUSTRATED

HAP

24-50-51-30D

BOEING PROPRIETARY - Copyright © - Unpublished Work - See title page for details.

24-50-51
FIG. 30D
PAGE 17
FEB 15/08

BOEING
737-600/700/800/900
PARTS CATALOG (MAINTENANCE)

FIG ITEM	PART NUMBER	1 2 3 4 5 6 7	NOMENCLATURE	EFFECT FROM TO	UNITS PER ASSY
30D 565	BS51338D5003		.PLUG- SUPPLIER CODE: V83058 SPECIFICATION NUMBER: BACP20B63B OPTIONAL PART: 51338 V83058 MISCELLANEOUS DATA: USE IN PLACE OF CIRCUIT BREAKERS ON OPEN HOLES	101101 970971	1
- 570	MODREF82600		PLUG BUTTON INSTL-P6-1/E6 MODULE NUMBER: 233A5221-301506 REV A	101101 970971	1
575	BS51338D5003		.PLUG- SUPPLIER CODE: V83058 SPECIFICATION NUMBER: BACP20B63B OPTIONAL PART: 51338 V83058 MISCELLANEOUS DATA: USE IN PLACE OF CIRCUIT BREAKERS ON OPEN HOLES	101101 970971	1
- 580	MODREF82601		PLUG BUTTON INSTL-P6-1/E7 MODULE NUMBER: 233A5221-301507 REV A	101101 970971	1
585	BS51338D5003		.PLUG- SUPPLIER CODE: V83058 SPECIFICATION NUMBER: BACP20B63B OPTIONAL PART: 51338 V83058 MISCELLANEOUS DATA: USE IN PLACE OF CIRCUIT BREAKERS ON OPEN HOLES	101101 970971	1
- 590	MODREF82605		PLUG BUTTON INSTL-P6-1/E16 MODULE NUMBER: 233A5221-301516 REV A	101101 970971	1

MISSING ITEM NUMBERS NOT APPLICABLE

- ITEM NOT ILLUSTRATED

HAP

24-50-51-30D

BOEING PROPRIETARY - Copyright © - Unpublished Work - See title page for details.

24-50-51
FIG. 30D
PAGE 18
FEB 15/08

BOEING
737-600/700/800/900
PARTS CATALOG (MAINTENANCE)

FIG ITEM	PART NUMBER	1 2 3 4 5 6 7	NOMENCLATURE	EFFECT FROM TO	UNITS PER ASSY
30D 595	BS51338D5003		.PLUG- SUPPLIER CODE: V83058 SPECIFICATION NUMBER: BACP20B63B OPTIONAL PART: 51338 V83058 MISCELLANEOUS DATA: USE IN PLACE OF CIRCUIT BREAKERS ON OPEN HOLES	101101 970971	1
- 600	MODREF82606		PLUG BUTTON INSTL-P6-1/E17 MODULE NUMBER: 233A5221-301517 REV A	101101 970971	1
605	BS51338D5003		.PLUG- SUPPLIER CODE: V83058 SPECIFICATION NUMBER: BACP20B63B OPTIONAL PART: 51338 V83058 MISCELLANEOUS DATA: USE IN PLACE OF CIRCUIT BREAKERS ON OPEN HOLES	101101 970971	1
- 700	MODREF82664		INOP INSTL-P6-1/A17 (ELECTRICAL POWER ONLY) MODULE NUMBER: 233A5221-501117 REV A FOR OTHER SYS DETAILS SEE: 11-31-51-30D	101101 970971	1
705	10237-1		.COLLAR- SUPPLIER CODE: V1N6X0	101101 970971	1
- 710	MODREF82677		INOP INSTL-P6-1/D2 (ELECTRICAL POWER ONLY) MODULE NUMBER: 233A5221-501402 REV A FOR OTHER SYS DETAILS SEE: 11-31-51-30D	101101 970971	1
715	10237-1		.COLLAR- SUPPLIER CODE: V1N6X0	101101 970971	1

MISSING ITEM NUMBERS NOT APPLICABLE

- ITEM NOT ILLUSTRATED

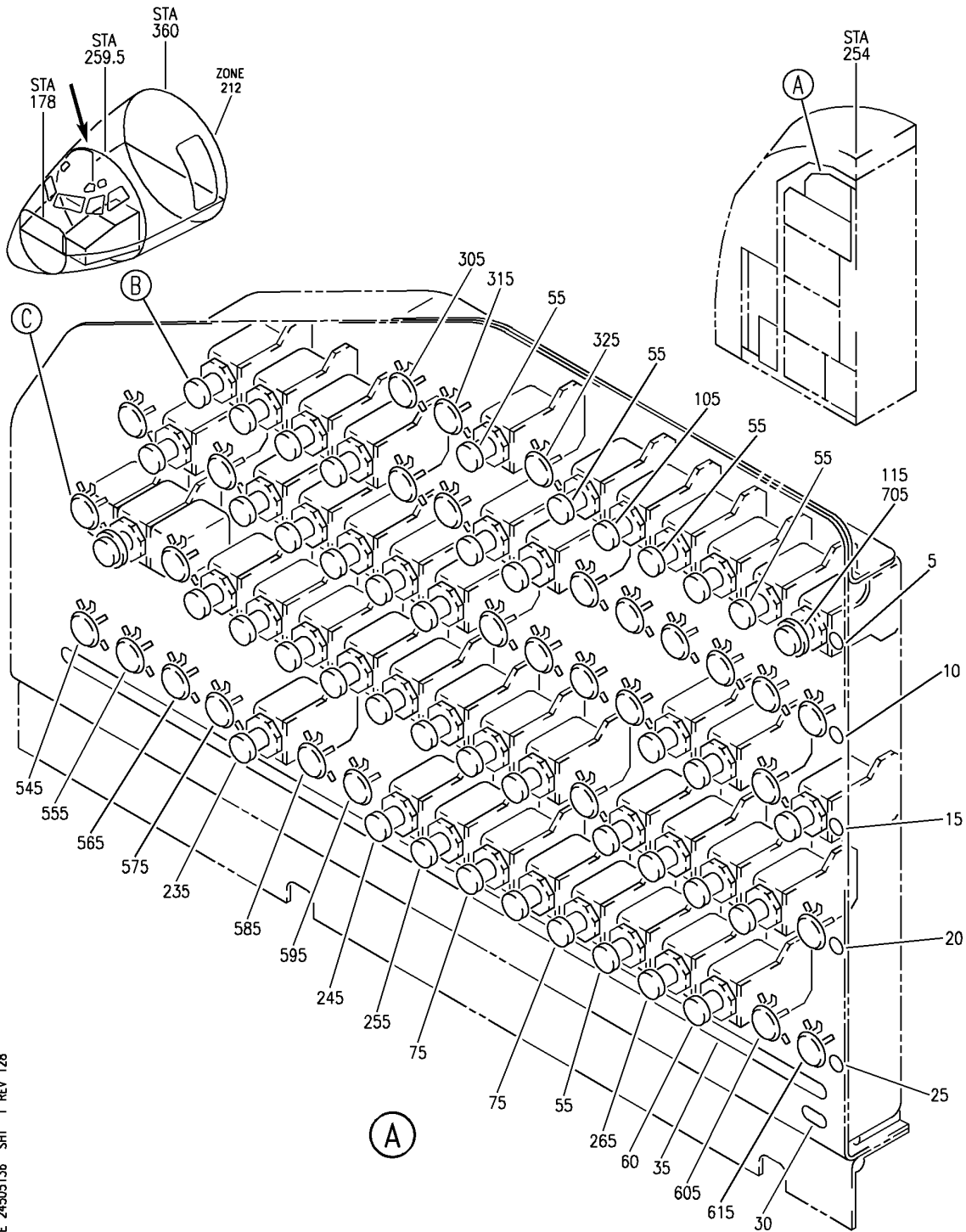
HAP

24-50-51-30D

BOEING PROPRIETARY - Copyright © - Unpublished Work - See title page for details.

24-50-51
FIG. 30D
PAGE 19
FEB 15/08


BOEING
 737-600/700/800/900
PARTS CATALOG (MAINTENANCE)



E 24-50-51-36 SHT 1 REV 128

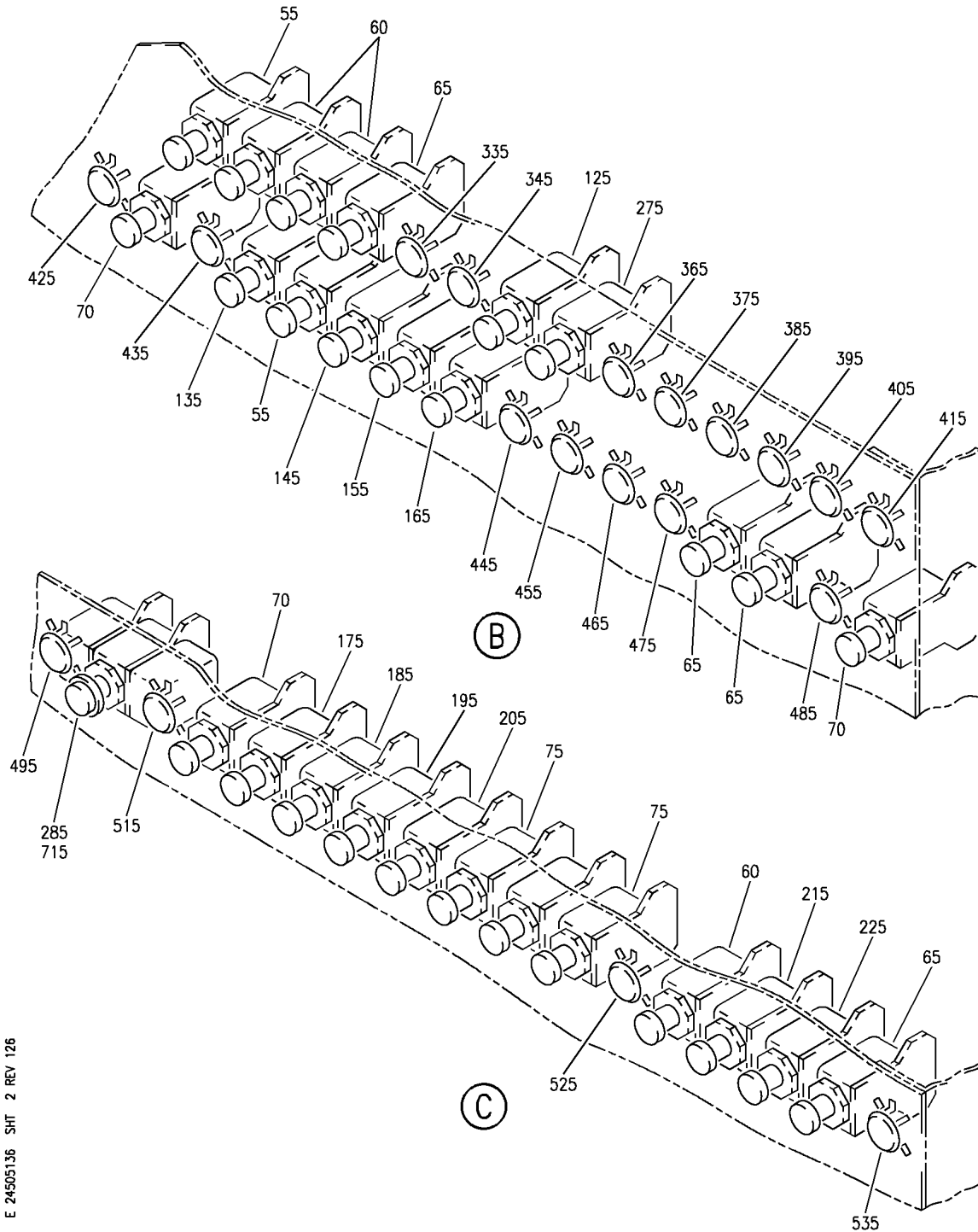
MARKER, CIRCUIT BREAKER, PLUG BUTTON AND INOP INSTL-P6-1 PNL (ELECTRICAL POWER ONLY)
 FIGURE 36 (SHEET 1)

24-50-51-36

HAP
JUN 10/07

24-50-51-36
PAGE 0

BOEING
 737-600/700/800/900
 PARTS CATALOG (MAINTENANCE)



E 24-50-51-36 SHT 2 REV 126

MARKER, CIRCUIT BREAKER, PLUG BUTTON AND INOP INSTL-P6-1 PNL (ELECTRICAL POWER ONLY)
 FIGURE 36 (SHEET 2)

24-50-51-36

HAP
 FEB 10/07

24-50-51-36
 PAGE 0A

BOEING
737-600/700/800/900
PARTS CATALOG (MAINTENANCE)

FIG ITEM	PART NUMBER	1 2 3 4 5 6 7	NOMENCLATURE	EFFECT FROM TO	UNITS PER ASSY
36			MARKER, CIRCUIT BREAKER, PLUG BUTTON AND INOP INSTL-P6-1 PNL (ELECTRICAL POWER ONLY)	038038 048048	
- 1	MODREF235052		MARKER INSTL-P6-1 MODULE NUMBER: 233A5221-1 REV C	038038 048048	1
5	BAC27DCC3065		.MARKER- PLACARD CONTENT: A	038038 048048	1
10	BAC27DCC3066		.MARKER- PLACARD CONTENT: B	038038 048048	1
15	BAC27DCC3067		.MARKER- PLACARD CONTENT: C	038038 048048	1
20	BAC27DCC3068		.MARKER- PLACARD CONTENT: D	038038 048048	1
25	BAC27DCC3069		.MARKER- PLACARD CONTENT: E	038038 048048	1
30	BAC27DCC3074		.MARKER- PLACARD CONTENT: P6-1	038038 048048	1
35	BAC27DCC2719		.MARKER- PLACARD CONTENT: 1 THRU 17	038038 048048	1
- 50	MODREF274758		CIRCUIT BREAKER INSTL-P6-1 MODULE NUMBER: 233A5221-4 REV C	038038 048048	1
55	2TC47-2-5		.CIRCUIT BREAKER- SUPPLIER CODE: V82647 SPECIFICATION NUMBER: BACC18AD2 OPTIONAL PART: 4310-029-205 V76374 ELECTRICAL EQUIP NUMBER: C00192 C01207 C01370 C01375 C01377 C01379 C01385 C01583	038038 048048	8

MISSING ITEM NUMBERS NOT APPLICABLE

- ITEM NOT ILLUSTRATED

HAP

24-50-51-36

24-50-51
FIG. 36
PAGE 1
JUN 15/08

BOEING
737-600/700/800/900
PARTS CATALOG (MAINTENANCE)

FIG ITEM	PART NUMBER	1 2 3 4 5 6 7	NOMENCLATURE	EFFECT FROM TO	UNITS PER ASSY
36 60	2TC47-5		.CIRCUIT BREAKER- SUPPLIER CODE: V82647 SPECIFICATION NUMBER: BACC18AD5 OPTIONAL PART: 4310-029-5 V76374 ELECTRICAL EQUIP NUMBER: C00120 C01206 C01263 C01393	038038 048048	4
65	2TC47-3		.CIRCUIT BREAKER- SUPPLIER CODE: V82647 SPECIFICATION NUMBER: BACC18AD3 OPTIONAL PART: 4310-029-3 V76374 ELECTRICAL EQUIP NUMBER: C00426 C00549 C01008 C01262	038038 048048	4
70	2TC47-10		.CIRCUIT BREAKER- SUPPLIER CODE: V82647 SPECIFICATION NUMBER: BACC18AD10 OPTIONAL PART: 4310-029-10 V76374 ELECTRICAL EQUIP NUMBER: C00082 C00166 C01010	038038 048048	3

MISSING ITEM NUMBERS NOT APPLICABLE

— ITEM NOT ILLUSTRATED

HAP

24-50-51-36

BOEING PROPRIETARY - Copyright © - Unpublished Work - See title page for details.

24-50-51
FIG. 36
PAGE 2
JUN 15/08

BOEING
737-600/700/800/900
PARTS CATALOG (MAINTENANCE)

FIG ITEM	PART NUMBER	1 2 3 4 5 6 7	NOMENCLATURE	EFFECT FROM TO	UNITS PER ASSY
36 75	4310-029-15		.CIRCUIT BREAKER- SUPPLIER CODE: V76374 SPECIFICATION NUMBER: BACC18AD15 OPTIONAL PART: 2TC47-15 V82647 ELECTRICAL EQUIP NUMBER: C01360 C01361 C01362 C01364 C01366 C01373	038038 048048	6
- 100	MODREF82542		CIRCUIT BREAKER INSTL- RADIO NAV MMR 2 P6-1/A13 MODULE NUMBER: 233A5221-201480 REV A	038038 048048	1
105	2TC47-2-5		.CIRCUIT BREAKER- SUPPLIER CODE: V82647 SPECIFICATION NUMBER: BACC18AD2 OPTIONAL PART: 4310-029-205 V76374 ELECTRICAL EQUIP NUMBER: C01480	038038 048048	1
- 110	MODREF273852		CIRCUIT BREAKER INSTL-ADF 2 P6-1/A17 MODULE NUMBER: 233A5221-201383 REV A	038038 048048	1
115	2TC47-2-5		.CIRCUIT BREAKER- SUPPLIER CODE: V82647 SPECIFICATION NUMBER: BACC18AD2 OPTIONAL PART: 4310-029-205 V76374 ELECTRICAL EQUIP NUMBER: C01383	038038 048048	1
- 120	MODREF82559		CIRCUIT BREAKER INSTL- ENTERTAINMENT AUDIO DC P6-1/B10 MODULE NUMBER: 233A5221-201584 REV A	038038 048048	1

MISSING ITEM NUMBERS NOT APPLICABLE

- ITEM NOT ILLUSTRATED

HAP

24-50-51-36

BOEING PROPRIETARY - Copyright © - Unpublished Work - See title page for details.

24-50-51
FIG. 36
PAGE 3
JUN 15/08

BOEING
737-600/700/800/900
PARTS CATALOG (MAINTENANCE)

FIG ITEM	PART NUMBER	1 2 3 4 5 6 7	NOMENCLATURE	EFFECT FROM TO	UNITS PER ASSY
36 125	2TC47-3		.CIRCUIT BREAKER- SUPPLIER CODE: V82647 SPECIFICATION NUMBER: BACC18AD3 OPTIONAL PART: 4310-029-3 V76374 ELECTRICAL EQUIP NUMBER: C01584	038038 048048	1
- 130	MODREF82560		CIRCUIT BREAKER INSTL- ENTERTAINMENT VID CONT CENTER DC P6-1/C5 MODULE NUMBER: 233A5221-211450 REV A	038038 048048	1
135	2TC47-7-5		.CIRCUIT BREAKER- SUPPLIER CODE: V82647 SPECIFICATION NUMBER: BACC18AD7 OPTIONAL PART: 4310-029-705 V76374 ELECTRICAL EQUIP NUMBER: C01450	038038 048048	1
- 140	MODREF82533		CIRCUIT BREAKER INSTL- ENTERTAINMENT VID CONT CENTER AC P6-1/C7 MODULE NUMBER: 233A5221-201451 REV A	038038 048048	1
145	2TC47-7-5		.CIRCUIT BREAKER- SUPPLIER CODE: V82647 SPECIFICATION NUMBER: BACC18AD7 OPTIONAL PART: 4310-029-705 V76374 ELECTRICAL EQUIP NUMBER: C01451	038038 048048	1
- 150	MODREF82538		CIRCUIT BREAKER INSTL- ENTERTAINMENT AUDIO P6-1/C8 MODULE NUMBER: 233A5221-201456 REV A	038038 048048	1

MISSING ITEM NUMBERS NOT APPLICABLE

- ITEM NOT ILLUSTRATED

HAP

24-50-51-36

BOEING PROPRIETARY - Copyright © - Unpublished Work - See title page for details.

24-50-51
FIG. 36
PAGE 4
JUN 15/08

BOEING
737-600/700/800/900
PARTS CATALOG (MAINTENANCE)

FIG ITEM	PART NUMBER	1 2 3 4 5 6 7	NOMENCLATURE	EFFECT FROM TO	UNITS PER ASSY
36 155	2TC47-7-5		.CIRCUIT BREAKER- SUPPLIER CODE: V82647 SPECIFICATION NUMBER: BACC18AD7 OPTIONAL PART: 4310-029-705 V76374 ELECTRICAL EQUIP NUMBER: C01456	038038 048048	1
- 160	MODREF82519		CIRCUIT BREAKER INSTL- ENTERTAINMENT PA TAPE RPDR AC P6-1/C9 MODULE NUMBER: 233A5221-200080 REV A	038038 048048	1
165	2TC47-3		.CIRCUIT BREAKER- SUPPLIER CODE: V82647 SPECIFICATION NUMBER: BACC18AD3 OPTIONAL PART: 4310-029-3 V76374 ELECTRICAL EQUIP NUMBER: C00080	038038 048048	1
- 170	MODREF82534		CIRCUIT BREAKER INSTL-VIDEO 1 P6-1/D5 MODULE NUMBER: 233A5221-201452 REV A	038038 048048	1
175	2TC47-7-5		.CIRCUIT BREAKER- SUPPLIER CODE: V82647 SPECIFICATION NUMBER: BACC18AD7 OPTIONAL PART: 4310-029-705 V76374 ELECTRICAL EQUIP NUMBER: C01452	038038 048048	1
- 180	MODREF82535		CIRCUIT BREAKER INSTL-VIDEO 2 P6-1/D6 MODULE NUMBER: 233A5221-201453 REV A	038038 048048	1

MISSING ITEM NUMBERS NOT APPLICABLE

- ITEM NOT ILLUSTRATED

HAP

24-50-51-36

BOEING PROPRIETARY - Copyright © - Unpublished Work - See title page for details.

24-50-51
FIG. 36
PAGE 5
JUN 15/08

BOEING
737-600/700/800/900
PARTS CATALOG (MAINTENANCE)

FIG ITEM	PART NUMBER	1 2 3 4 5 6 7	NOMENCLATURE	EFFECT FROM TO	UNITS PER ASSY
36 185	2TC47-7-5	.	CIRCUIT BREAKER- SUPPLIER CODE: V82647 SPECIFICATION NUMBER: BACC18AD7 OPTIONAL PART: 4310-029-705 V76374 ELECTRICAL EQUIP NUMBER: C01453	038038 048048	1
- 190	MODREF82536		CIRCUIT BREAKER INSTL-VIDEO 3 P6-1/D7 MODULE NUMBER: 233A5221-201454 REV A	038038 048048	1
195	2TC47-7-5	.	CIRCUIT BREAKER- SUPPLIER CODE: V82647 SPECIFICATION NUMBER: BACC18AD7 OPTIONAL PART: 4310-029-705 V76374 ELECTRICAL EQUIP NUMBER: C01454	038038 048048	1
- 200	MODREF82537		CIRCUIT BREAKER INSTL-VIDEO 4 P6-1/D8 MODULE NUMBER: 233A5221-201455 REV A	038038 048048	1
205	2TC47-7-5	.	CIRCUIT BREAKER- SUPPLIER CODE: V82647 SPECIFICATION NUMBER: BACC18AD7 OPTIONAL PART: 4310-029-705 V76374 ELECTRICAL EQUIP NUMBER: C01455	038038 048048	1
- 210	MODREF82520		CIRCUIT BREAKER INSTL- ATC-2 P6-1/D14 MODULE NUMBER: 233A5221-200188 REV A	038038 048048	1

MISSING ITEM NUMBERS NOT APPLICABLE

- ITEM NOT ILLUSTRATED

HAP

24-50-51-36

BOEING PROPRIETARY - Copyright © - Unpublished Work - See title page for details.

24-50-51
FIG. 36
PAGE 6
JUN 15/08

BOEING
737-600/700/800/900
PARTS CATALOG (MAINTENANCE)

FIG ITEM	PART NUMBER	1 2 3 4 5 6 7	NOMENCLATURE	EFFECT FROM TO	UNITS PER ASSY
36 215	2TC47-5	.	CIRCUIT BREAKER- SUPPLIER CODE: V82647 SPECIFICATION NUMBER: BACC18AD5 OPTIONAL PART: 4310-029-5 V76374 ELECTRICAL EQUIP NUMBER: C00188	038038 048048	1
- 220	MODREF82530		CIRCUIT BREAKER INSTL- FMCS MCDU 2 P6-1/D15 MODULE NUMBER: 233A5221-201239 REV A	038038 048048	1
225	2TC47-3	.	CIRCUIT BREAKER- SUPPLIER CODE: V82647 SPECIFICATION NUMBER: BACC18AD3 OPTIONAL PART: 4310-029-3 V76374 ELECTRICAL EQUIP NUMBER: C01239	038038 048048	1
- 230	MODREF82529		CIRCUIT BREAKER INSTL-PRTR P6-1/E5 MODULE NUMBER: 233A5221-201216 REV A	038038 048048	1
235	2TC47-2-5	.	CIRCUIT BREAKER- SUPPLIER CODE: V82647 SPECIFICATION NUMBER: BACC18AD2 OPTIONAL PART: 4310-029-205 V76374 ELECTRICAL EQUIP NUMBER: C01216	038038 048048	1
- 240	MODREF82543		CIRCUIT BREAKER INSTL-CMU 1 AC P6-1/E8 MODULE NUMBER: 233A5221-201483 REV A	038038 048048	1

MISSING ITEM NUMBERS NOT APPLICABLE

- ITEM NOT ILLUSTRATED

HAP

24-50-51-36

BOEING PROPRIETARY - Copyright © - Unpublished Work - See title page for details.

24-50-51
FIG. 36
PAGE 7
JUN 15/08

BOEING
737-600/700/800/900
PARTS CATALOG (MAINTENANCE)

FIG ITEM	PART NUMBER	1 2 3 4 5 6 7	NOMENCLATURE	EFFECT FROM TO	UNITS PER ASSY
36 245	2TC47-2-5		.CIRCUIT BREAKER- SUPPLIER CODE: V82647 SPECIFICATION NUMBER: BACC18AD2 OPTIONAL PART: 4310-029-205 V76374 ELECTRICAL EQUIP NUMBER: C01483	038038 048048	1
- 250	MODREF82546		CIRCUIT BREAKER INSTL- CMU/ACARS DC P6-1/E9 MODULE NUMBER: 233A5221-201500 REV A	038038 048048	1
255	2TC47-2-5		.CIRCUIT BREAKER- SUPPLIER CODE: V82647 SPECIFICATION NUMBER: BACC18AD2 OPTIONAL PART: 4310-029-205 V76374 ELECTRICAL EQUIP NUMBER: C01500	038038 048048	1
- 260	MODREF82526		CIRCUIT BREAKER INSTL-ATC ANT SWITCH P6-1/E14 MODULE NUMBER: 233A5221-201194 REV A	038038 048048	1
265	2TC47-2-5		.CIRCUIT BREAKER- SUPPLIER CODE: V82647 SPECIFICATION NUMBER: BACC18AD2 OPTIONAL PART: 4310-029-205 V76374 ELECTRICAL EQUIP NUMBER: C01194	038038 048048	1
- 270	MODREF262663		CIRCUIT BREAKER INSTL- AIRSHOW AC P6-1/B11 MODULE NUMBER: 233A5221-201670 REV A	038038 048048	1

MISSING ITEM NUMBERS NOT APPLICABLE

- ITEM NOT ILLUSTRATED

HAP

24-50-51-36

BOEING PROPRIETARY - Copyright © - Unpublished Work - See title page for details.

24-50-51
FIG. 36
PAGE 8
JUN 15/08

BOEING
737-600/700/800/900
PARTS CATALOG (MAINTENANCE)

FIG ITEM	PART NUMBER	1 2 3 4 5 6 7	NOMENCLATURE	EFFECT FROM TO	UNITS PER ASSY
36 275	2TC47-2-5		.CIRCUIT BREAKER- SUPPLIER CODE: V82647 SPECIFICATION NUMBER: BACC18AD2 OPTIONAL PART: 4310-029-205 V76374 ELECTRICAL EQUIP NUMBER: C01670	038038 048048	1
- 280	MODREF82523		CIRCUIT BREAKER INSTL- COMMUNICATIONS HF 2 P6-1/D2 MODULE NUMBER: 233A5221-200857 REV A	038038 048048	1
285	6TC6-5		.CIRCUIT BREAKER- SUPPLIER CODE: V82647 SPECIFICATION NUMBER: BACC18AC5 OPTIONAL PART: 4330-004-5 V76374 ELECTRICAL EQUIP NUMBER: C00857	038038 048048	1
- 300	MODREF82561		PLUG BUTTON INSTL-P6-1/A8 MODULE NUMBER: 233A5221-301108 REV A	038038 048048	1
305	BS51338D5003		.PLUG- SUPPLIER CODE: V83058 SPECIFICATION NUMBER: BACP20B63B OPTIONAL PART: 51338 V83058 MISCELLANEOUS DATA: USE IN PLACE OF CIRCUIT BREAKERS ON OPEN HOLES	038038 048048	1
- 310	MODREF82562		PLUG BUTTON INSTL-P6-1/A9 MODULE NUMBER: 233A5221-301109 REV A	038038 048048	1

MISSING ITEM NUMBERS NOT APPLICABLE

- ITEM NOT ILLUSTRATED

HAP

24-50-51-36

BOEING PROPRIETARY - Copyright © - Unpublished Work - See title page for details.

24-50-51
FIG. 36
PAGE 9
JUN 15/08

BOEING
737-600/700/800/900
PARTS CATALOG (MAINTENANCE)

FIG ITEM	PART NUMBER	1 2 3 4 5 6 7	NOMENCLATURE	EFFECT FROM TO	UNITS PER ASSY
36 315	BS51338D5003		.PLUG- SUPPLIER CODE: V83058 SPECIFICATION NUMBER: BACP20B63B OPTIONAL PART: 51338 V83058 MISCELLANEOUS DATA: USE IN PLACE OF CIRCUIT BREAKERS ON OPEN HOLES	038038 048048	1
- 320	MODREF82563		PLUG BUTTON INSTL-P6-1/A11 MODULE NUMBER: 233A5221-301111 REV A	038038 048048	1
325	BS51338D5003		.PLUG- SUPPLIER CODE: V83058 SPECIFICATION NUMBER: BACP20B63B OPTIONAL PART: 51338 V83058 MISCELLANEOUS DATA: USE IN PLACE OF CIRCUIT BREAKERS ON OPEN HOLES	038038 048048	1
- 330	MODREF82564		PLUG BUTTON INSTL-P6-1/B8 MODULE NUMBER: 233A5221-301208 REV A	038038 048048	1
335	BS51338D5003		.PLUG- SUPPLIER CODE: V83058 SPECIFICATION NUMBER: BACP20B63B OPTIONAL PART: 51338 V83058 MISCELLANEOUS DATA: USE IN PLACE OF CIRCUIT BREAKERS ON OPEN HOLES	038038 048048	1
- 340	MODREF82565		PLUG BUTTON INSTL-P6-1/B9 MODULE NUMBER: 233A5221-301209 REV A	038038 048048	1

MISSING ITEM NUMBERS NOT APPLICABLE

- ITEM NOT ILLUSTRATED

HAP

24-50-51-36

BOEING PROPRIETARY - Copyright © - Unpublished Work - See title page for details.

24-50-51
FIG. 36
PAGE 10
JUN 15/08

BOEING
737-600/700/800/900
PARTS CATALOG (MAINTENANCE)

FIG ITEM	PART NUMBER	1 2 3 4 5 6 7	NOMENCLATURE	EFFECT FROM TO	UNITS PER ASSY
36 345	BS51338D5003		.PLUG- SUPPLIER CODE: V83058 SPECIFICATION NUMBER: BACP20B63B OPTIONAL PART: 51338 V83058 MISCELLANEOUS DATA: USE IN PLACE OF CIRCUIT BREAKERS ON OPEN HOLES	038038 048048	1
- 360	MODREF82568		PLUG BUTTON INSTL-P6-1/B12 MODULE NUMBER: 233A5221-301212 REV A	038038 048048	1
365	BS51338D5003		.PLUG- SUPPLIER CODE: V83058 SPECIFICATION NUMBER: BACP20B63B OPTIONAL PART: 51338 V83058 MISCELLANEOUS DATA: USE IN PLACE OF CIRCUIT BREAKERS ON OPEN HOLES	038038 048048	1
- 370	MODREF82569		PLUG BUTTON INSTL-P6-1/B13 MODULE NUMBER: 233A5221-301213 REV A	038038 048048	1
375	BS51338D5003		.PLUG- SUPPLIER CODE: V83058 SPECIFICATION NUMBER: BACP20B63B OPTIONAL PART: 51338 V83058 MISCELLANEOUS DATA: USE IN PLACE OF CIRCUIT BREAKERS ON OPEN HOLES	038038 048048	1
- 380	MODREF82570		PLUG BUTTON INSTL-P6-1/B14 MODULE NUMBER: 233A5221-301214 REV A	038038 048048	1

MISSING ITEM NUMBERS NOT APPLICABLE

- ITEM NOT ILLUSTRATED

HAP

24-50-51-36

BOEING PROPRIETARY - Copyright © - Unpublished Work - See title page for details.

24-50-51
FIG. 36
PAGE 11
JUN 15/08

BOEING
737-600/700/800/900
PARTS CATALOG (MAINTENANCE)

FIG ITEM	PART NUMBER	1 2 3 4 5 6 7	NOMENCLATURE	EFFECT FROM TO	UNITS PER ASSY
36 385	BS51338D5003		.PLUG- SUPPLIER CODE: V83058 SPECIFICATION NUMBER: BACP20B63B OPTIONAL PART: 51338 V83058 MISCELLANEOUS DATA: USE IN PLACE OF CIRCUIT BREAKERS ON OPEN HOLES	038038 048048	1
- 390	MODREF82571		PLUG BUTTON INSTL-P6-1/B15 MODULE NUMBER: 233A5221-301215 REV A	038038 048048	1
395	BS51338D5003		.PLUG- SUPPLIER CODE: V83058 SPECIFICATION NUMBER: BACP20B63B OPTIONAL PART: 51338 V83058 MISCELLANEOUS DATA: USE IN PLACE OF CIRCUIT BREAKERS ON OPEN HOLES	038038 048048	1
- 400	MODREF82572		PLUG BUTTON INSTL-P6-1/B16 MODULE NUMBER: 233A5221-301216 REV A	038038 048048	1
405	BS51338D5003		.PLUG- SUPPLIER CODE: V83058 SPECIFICATION NUMBER: BACP20B63B OPTIONAL PART: 51338 V83058 MISCELLANEOUS DATA: USE IN PLACE OF CIRCUIT BREAKERS ON OPEN HOLES	038038 048048	1
- 410	MODREF82573		PLUG BUTTON INSTL-P6-1/B17 MODULE NUMBER: 233A5221-301217 REV A	038038 048048	1

MISSING ITEM NUMBERS NOT APPLICABLE

- ITEM NOT ILLUSTRATED

HAP

24-50-51-36

BOEING PROPRIETARY - Copyright © - Unpublished Work - See title page for details.

24-50-51
FIG. 36
PAGE 12
JUN 15/08

BOEING
737-600/700/800/900
PARTS CATALOG (MAINTENANCE)

FIG ITEM	PART NUMBER	1 2 3 4 5 6 7	NOMENCLATURE	EFFECT FROM TO	UNITS PER ASSY
36 415	BS51338D5003		.PLUG- SUPPLIER CODE: V83058 SPECIFICATION NUMBER: BACP20B63B OPTIONAL PART: 51338 V83058 MISCELLANEOUS DATA: USE IN PLACE OF CIRCUIT BREAKERS ON OPEN HOLES	038038 048048	1
- 420	MODREF82574		PLUG BUTTON INSTL-P6-1/C2 MODULE NUMBER: 233A5221-301302 REV A	038038 048048	1
425	BS51338D5003		.PLUG- SUPPLIER CODE: V83058 SPECIFICATION NUMBER: BACP20B63B OPTIONAL PART: 51338 V83058 MISCELLANEOUS DATA: USE IN PLACE OF CIRCUIT BREAKERS ON OPEN HOLES	038038 048048	1
- 430	MODREF82575		PLUG BUTTON INSTL-P6-1/C4 MODULE NUMBER: 233A5221-301304 REV A	038038 048048	1
435	BS51338D5003		.PLUG- SUPPLIER CODE: V83058 SPECIFICATION NUMBER: BACP20B63B OPTIONAL PART: 51338 V83058 MISCELLANEOUS DATA: USE IN PLACE OF CIRCUIT BREAKERS ON OPEN HOLES	038038 048048	1
- 440	MODREF82580		PLUG BUTTON INSTL-P6-1/C10 MODULE NUMBER: 233A5221-301310 REV A	038038 048048	1

MISSING ITEM NUMBERS NOT APPLICABLE

- ITEM NOT ILLUSTRATED

HAP

24-50-51-36

BOEING PROPRIETARY - Copyright © - Unpublished Work - See title page for details.

24-50-51
FIG. 36
PAGE 13
JUN 15/08

BOEING
737-600/700/800/900
PARTS CATALOG (MAINTENANCE)

FIG ITEM	PART NUMBER	1 2 3 4 5 6 7	NOMENCLATURE	EFFECT FROM TO	UNITS PER ASSY
36 445	BS51338D5003		.PLUG- SUPPLIER CODE: V83058 SPECIFICATION NUMBER: BACP20B63B OPTIONAL PART: 51338 V83058 MISCELLANEOUS DATA: USE IN PLACE OF CIRCUIT BREAKERS ON OPEN HOLES	038038 048048	1
- 450	MODREF82581		PLUG BUTTON INSTL-P6-1/C11 MODULE NUMBER: 233A5221-301311 REV A	038038 048048	1
455	BS51338D5003		.PLUG- SUPPLIER CODE: V83058 SPECIFICATION NUMBER: BACP20B63B OPTIONAL PART: 51338 V83058 MISCELLANEOUS DATA: USE IN PLACE OF CIRCUIT BREAKERS ON OPEN HOLES	038038 048048	1
- 460	MODREF82582		PLUG BUTTON INSTL-P6-1/C12 MODULE NUMBER: 233A5221-301312 REV A	038038 048048	1
465	BS51338D5003		.PLUG- SUPPLIER CODE: V83058 SPECIFICATION NUMBER: BACP20B63B OPTIONAL PART: 51338 V83058 MISCELLANEOUS DATA: USE IN PLACE OF CIRCUIT BREAKERS ON OPEN HOLES	038038 048048	1
- 470	MODREF82583		PLUG BUTTON INSTL-P6-1/C13 MODULE NUMBER: 233A5221-301313 REV A	038038 048048	1

MISSING ITEM NUMBERS NOT APPLICABLE

- ITEM NOT ILLUSTRATED

HAP

24-50-51-36

BOEING PROPRIETARY - Copyright © - Unpublished Work - See title page for details.

24-50-51
FIG. 36
PAGE 14
JUN 15/08

BOEING
737-600/700/800/900
PARTS CATALOG (MAINTENANCE)

FIG ITEM	PART NUMBER	1 2 3 4 5 6 7	NOMENCLATURE	EFFECT FROM TO	UNITS PER ASSY
36 475	BS51338D5003		.PLUG- SUPPLIER CODE: V83058 SPECIFICATION NUMBER: BACP20B63B OPTIONAL PART: 51338 V83058 MISCELLANEOUS DATA: USE IN PLACE OF CIRCUIT BREAKERS ON OPEN HOLES	038038 048048	1
- 480	MODREF82584		PLUG BUTTON INSTL-P6-1/C16 MODULE NUMBER: 233A5221-301316 REV A	038038 048048	1
485	BS51338D5003		.PLUG- SUPPLIER CODE: V83058 SPECIFICATION NUMBER: BACP20B63B OPTIONAL PART: 51338 V83058 MISCELLANEOUS DATA: USE IN PLACE OF CIRCUIT BREAKERS ON OPEN HOLES	038038 048048	1
- 490	MODREF82585		PLUG BUTTON INSTL-P6-1/D1 MODULE NUMBER: 233A5221-301401 REV A	038038 048048	1
495	BS51338D5003		.PLUG- SUPPLIER CODE: V83058 SPECIFICATION NUMBER: BACP20B63B OPTIONAL PART: 51338 V83058 MISCELLANEOUS DATA: USE IN PLACE OF CIRCUIT BREAKERS ON OPEN HOLES	038038 048048	1
- 510	MODREF82587		PLUG BUTTON INSTL-P6-1/D3 MODULE NUMBER: 233A5221-301403 REV A	038038 048048	1

MISSING ITEM NUMBERS NOT APPLICABLE

- ITEM NOT ILLUSTRATED

HAP

24-50-51-36

BOEING PROPRIETARY - Copyright © - Unpublished Work - See title page for details.

24-50-51
FIG. 36
PAGE 15
JUN 15/08

BOEING
737-600/700/800/900
PARTS CATALOG (MAINTENANCE)

FIG ITEM	PART NUMBER	1 2 3 4 5 6 7	NOMENCLATURE	EFFECT FROM TO	UNITS PER ASSY
36 515	BS51338D5003		.PLUG- SUPPLIER CODE: V83058 SPECIFICATION NUMBER: BACP20B63B OPTIONAL PART: 51338 V83058 MISCELLANEOUS DATA: USE IN PLACE OF CIRCUIT BREAKERS ON OPEN HOLES	038038 048048	1
- 520	MODREF82592		PLUG BUTTON INSTL-P6-1/D12 MODULE NUMBER: 233A5221-301412 REV A	038038 048048	1
525	BS51338D5003		.PLUG- SUPPLIER CODE: V83058 SPECIFICATION NUMBER: BACP20B63B OPTIONAL PART: 51338 V83058 MISCELLANEOUS DATA: USE IN PLACE OF CIRCUIT BREAKERS ON OPEN HOLES	038038 048048	1
- 530	MODREF82594		PLUG BUTTON INSTL-P6-1/D17 MODULE NUMBER: 233A5221-301417 REV A	038038 048048	1
535	BS51338D5003		.PLUG- SUPPLIER CODE: V83058 SPECIFICATION NUMBER: BACP20B63B OPTIONAL PART: 51338 V83058 MISCELLANEOUS DATA: USE IN PLACE OF CIRCUIT BREAKERS ON OPEN HOLES	038038 048048	1
- 540	MODREF82595		PLUG BUTTON INSTL-P6-1/E1 MODULE NUMBER: 233A5221-301501 REV A	038038 048048	1

MISSING ITEM NUMBERS NOT APPLICABLE

- ITEM NOT ILLUSTRATED

HAP

24-50-51-36

BOEING PROPRIETARY - Copyright © - Unpublished Work - See title page for details.

24-50-51
FIG. 36
PAGE 16
JUN 15/08

BOEING
737-600/700/800/900
PARTS CATALOG (MAINTENANCE)

FIG ITEM	PART NUMBER	1 2 3 4 5 6 7	NOMENCLATURE	EFFECT FROM TO	UNITS PER ASSY
36 545	BS51338D5003		.PLUG- SUPPLIER CODE: V83058 SPECIFICATION NUMBER: BACP20B63B OPTIONAL PART: 51338 V83058 MISCELLANEOUS DATA: USE IN PLACE OF CIRCUIT BREAKERS ON OPEN HOLES	038038 048048	1
- 550	MODREF82596		PLUG BUTTON INSTL-P6-1/E2 MODULE NUMBER: 233A5221-301502 REV A	038038 048048	1
555	BS51338D5003		.PLUG- SUPPLIER CODE: V83058 SPECIFICATION NUMBER: BACP20B63B OPTIONAL PART: 51338 V83058 MISCELLANEOUS DATA: USE IN PLACE OF CIRCUIT BREAKERS ON OPEN HOLES	038038 048048	1
- 560	MODREF82597		PLUG BUTTON INSTL-P6-1/E3 MODULE NUMBER: 233A5221-301503 REV A	038038 048048	1
565	BS51338D5003		.PLUG- SUPPLIER CODE: V83058 SPECIFICATION NUMBER: BACP20B63B OPTIONAL PART: 51338 V83058 MISCELLANEOUS DATA: USE IN PLACE OF CIRCUIT BREAKERS ON OPEN HOLES	038038 048048	1
- 570	MODREF82598		PLUG BUTTON INSTL-P6-1/E4 MODULE NUMBER: 233A5221-301504 REV A	038038 048048	1

MISSING ITEM NUMBERS NOT APPLICABLE

- ITEM NOT ILLUSTRATED

HAP

24-50-51-36

BOEING PROPRIETARY - Copyright © - Unpublished Work - See title page for details.

24-50-51
FIG. 36
PAGE 17
JUN 15/08

BOEING
737-600/700/800/900
PARTS CATALOG (MAINTENANCE)

FIG ITEM	PART NUMBER	1 2 3 4 5 6 7	NOMENCLATURE	EFFECT FROM TO	UNITS PER ASSY
36 575	BS51338D5003		.PLUG- SUPPLIER CODE: V83058 SPECIFICATION NUMBER: BACP20B63B OPTIONAL PART: 51338 V83058 MISCELLANEOUS DATA: USE IN PLACE OF CIRCUIT BREAKERS ON OPEN HOLES	038038 048048	1
- 580	MODREF82600		PLUG BUTTON INSTL-P6-1/E6 MODULE NUMBER: 233A5221-301506 REV A	038038 048048	1
585	BS51338D5003		.PLUG- SUPPLIER CODE: V83058 SPECIFICATION NUMBER: BACP20B63B OPTIONAL PART: 51338 V83058 MISCELLANEOUS DATA: USE IN PLACE OF CIRCUIT BREAKERS ON OPEN HOLES	038038 048048	1
- 590	MODREF82601		PLUG BUTTON INSTL-P6-1/E7 MODULE NUMBER: 233A5221-301507 REV A	038038 048048	1
595	BS51338D5003		.PLUG- SUPPLIER CODE: V83058 SPECIFICATION NUMBER: BACP20B63B OPTIONAL PART: 51338 V83058 MISCELLANEOUS DATA: USE IN PLACE OF CIRCUIT BREAKERS ON OPEN HOLES	038038 048048	1
- 600	MODREF82605		PLUG BUTTON INSTL-P6-1/E16 MODULE NUMBER: 233A5221-301516 REV A	038038 048048	1

MISSING ITEM NUMBERS NOT APPLICABLE

- ITEM NOT ILLUSTRATED

HAP

24-50-51-36

BOEING PROPRIETARY - Copyright © - Unpublished Work - See title page for details.

24-50-51
FIG. 36
PAGE 18
JUN 15/08


BOEING
 737-600/700/800/900
PARTS CATALOG (MAINTENANCE)

FIG ITEM	PART NUMBER	1 2 3 4 5 6 7	NOMENCLATURE	EFFECT FROM TO	UNITS PER ASSY
36 605	BS51338D5003		.PLUG- SUPPLIER CODE: V83058 SPECIFICATION NUMBER: BACP20B63B OPTIONAL PART: 51338 V83058 MISCELLANEOUS DATA: USE IN PLACE OF CIRCUIT BREAKERS ON OPEN HOLES	038038 048048	1
- 610	MODREF82606		PLUG BUTTON INSTL-P6-1/E17 MODULE NUMBER: 233A5221-301517 REV A	038038 048048	1
615	BS51338D5003		.PLUG- SUPPLIER CODE: V83058 SPECIFICATION NUMBER: BACP20B63B OPTIONAL PART: 51338 V83058 MISCELLANEOUS DATA: USE IN PLACE OF CIRCUIT BREAKERS ON OPEN HOLES	038038 048048	1
- 700	MODREF82664		INOP INSTL-P6-1/A17 (ELECTRICAL POWER ONLY) MODULE NUMBER: 233A5221-501117 REV A FOR OTHER SYS DETAILS SEE: 11-31-51-36	038038 048048	1
705	10237-1		.COLLAR- SUPPLIER CODE: V1N6X0	038038 048048	1
R R R R R R R R R R R R	- 710	MODREF82677	INOP INSTL-P6-1/D2 (ELECTRICAL POWER ONLY) MODULE NUMBER: 233A5221-501402 REV A POST RAPID REVISION: RR97237-21B FOR OTHER SYS DETAILS SEE: 11-31-51-36	038038 048048	1
715	10237-1		.COLLAR- SUPPLIER CODE: V1N6X0 POST RAPID REVISION: RR97237-21B	038038 048048	1

MISSING ITEM NUMBERS NOT APPLICABLE

- ITEM NOT ILLUSTRATED

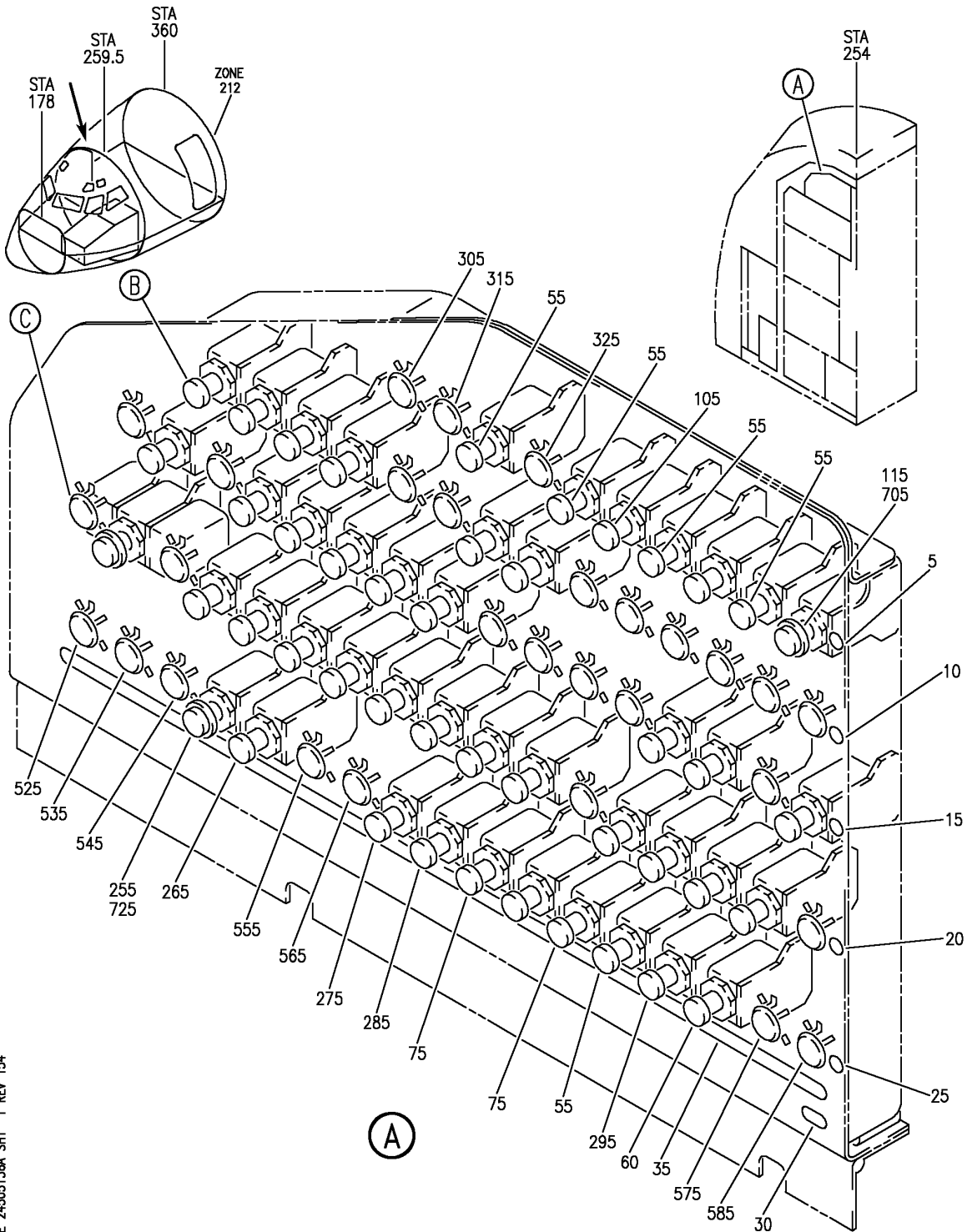
HAP

24-50-51-36

BOEING PROPRIETARY - Copyright © - Unpublished Work - See title page for details.

24-50-51
 FIG. 36
 PAGE 19
 JUN 15/09

BOEING
 737-600/700/800/900
 PARTS CATALOG (MAINTENANCE)



E 24505136A SHT 1 REV 154

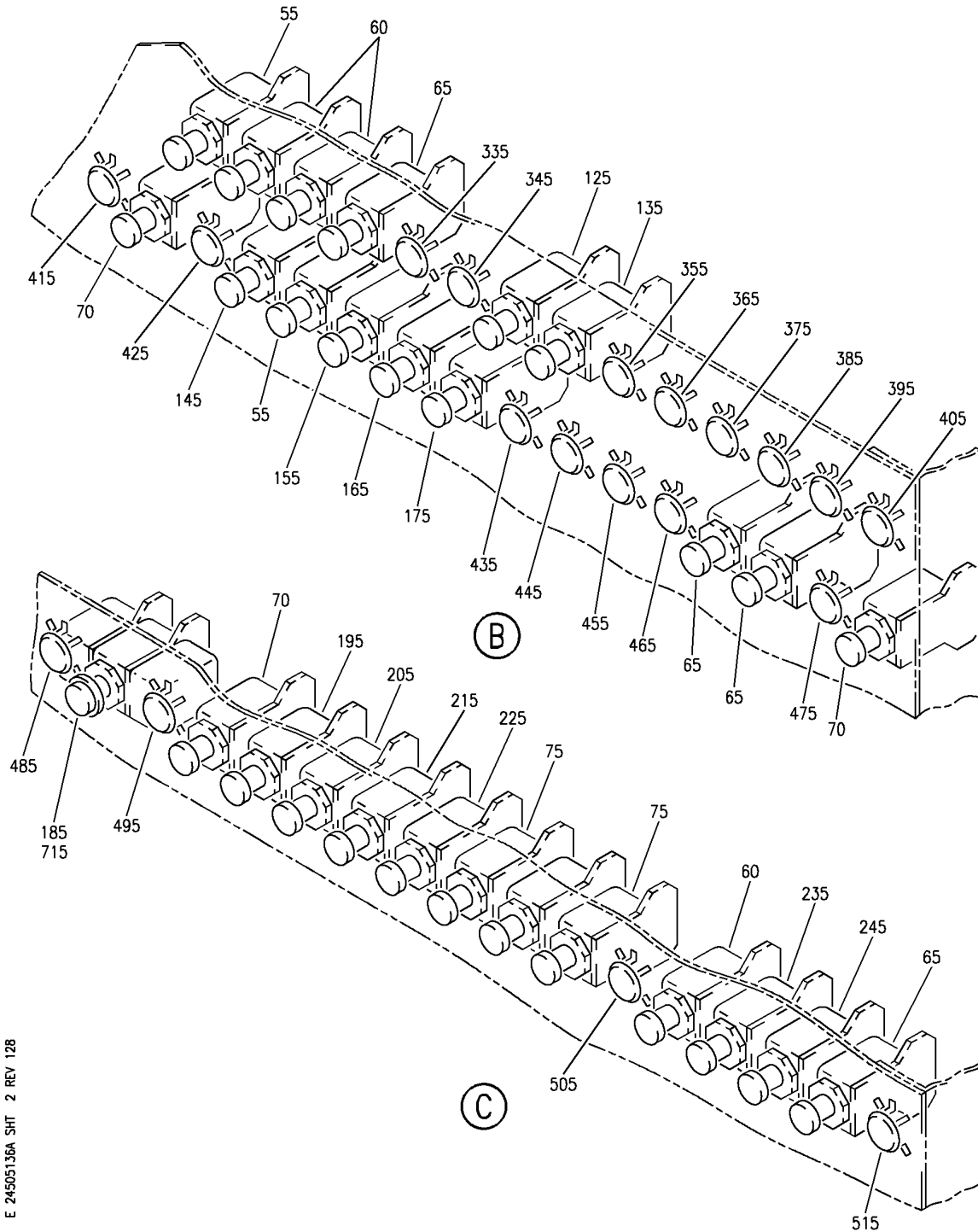
MARKER, CIRCUIT BREAKER, PLUG BUTTON AND INOP INSTL-P6-1 PNL (ELECTRICAL POWER ONLY)
 FIGURE 36A (SHEET 1)

24-50-51-36A

HAP
 JUN 15/09

24-50-51-36A
 PAGE 0

BOEING
737-600/700/800/900
PARTS CATALOG (MAINTENANCE)



E 24-50-51-36A SHT 2 REV 128

MARKER, CIRCUIT BREAKER, PLUG BUTTON AND INOP INSTL-P6-1 PNL (ELECTRICAL POWER ONLY)
 FIGURE 36A (SHEET 2)

HAP
 JUN 10/07

24-50-51-36A

24-50-51-36A
 PAGE 0A

BOEING
737-600/700/800/900
PARTS CATALOG (MAINTENANCE)

FIG ITEM	PART NUMBER	1 2 3 4 5 6 7	NOMENCLATURE	EFFECT FROM TO	UNITS PER ASSY
36A			MARKER, CIRCUIT BREAKER, PLUG BUTTON AND INOP INSTL-P6-1 PNL (ELECTRICAL POWER ONLY)	042043 104200 972999	
- 1	MODREF235052		MARKER INSTL-P6-1 MODULE NUMBER: 233A5221-1 REV C	042043 104200 972999	1
5	BAC27DCC3065		.MARKER- PLACARD CONTENT: A	042043 104200 972999	1
10	BAC27DCC3066		.MARKER- PLACARD CONTENT: B	042043 104200 972999	1
15	BAC27DCC3067		.MARKER- PLACARD CONTENT: C	042043 104200 972999	1
20	BAC27DCC3068		.MARKER- PLACARD CONTENT: D	042043 104200 972999	1
25	BAC27DCC3069		.MARKER- PLACARD CONTENT: E	042043 104200 972999	1
30	BAC27DCC3074		.MARKER- PLACARD CONTENT: P6-1	042043 104200 972999	1
35	BAC27DCC2719		.MARKER- PLACARD CONTENT: 1 THRU 17	042043 104200 972999	1
- 50	MODREF274758		CIRCUIT BREAKER INSTL-P6-1 MODULE NUMBER: 233A5221-4 REV C	042043 104200 972999	1
55	2TC47-2-5		.CIRCUIT BREAKER- SUPPLIER CODE: V82647 SPECIFICATION NUMBER: BACC18AD2 OPTIONAL PART: 4310-029-205 V76374 ELECTRICAL EQUIP NUMBER: C00192 C01207 C01370 C01375 C01377 C01379 C01385 C01583	042043 104200 972999	8

MISSING ITEM NUMBERS NOT APPLICABLE

- ITEM NOT ILLUSTRATED

HAP

24-50-51-36A

BOEING PROPRIETARY - Copyright © - Unpublished Work - See title page for details.

24-50-51
FIG. 36A
PAGE 1
OCT 15/08

BOEING
737-600/700/800/900
PARTS CATALOG (MAINTENANCE)

FIG ITEM	PART NUMBER	1 2 3 4 5 6 7	NOMENCLATURE	EFFECT FROM TO	UNITS PER ASSY
36A 60	2TC47-5		.CIRCUIT BREAKER- SUPPLIER CODE: V82647 SPECIFICATION NUMBER: BACC18AD5 OPTIONAL PART: 4310-029-5 V76374 ELECTRICAL EQUIP NUMBER: C00120 C01206 C01263 C01393	042043 104200 972999	4
65	2TC47-3		.CIRCUIT BREAKER- SUPPLIER CODE: V82647 SPECIFICATION NUMBER: BACC18AD3 OPTIONAL PART: 4310-029-3 V76374 ELECTRICAL EQUIP NUMBER: C00426 C00549 C01008 C01262	042043 104200 972999	4
70	2TC47-10		.CIRCUIT BREAKER- SUPPLIER CODE: V82647 SPECIFICATION NUMBER: BACC18AD10 OPTIONAL PART: 4310-029-10 V76374 ELECTRICAL EQUIP NUMBER: C00082 C00166 C01010	042043 104200 972999	3

MISSING ITEM NUMBERS NOT APPLICABLE

— ITEM NOT ILLUSTRATED

HAP

24-50-51-36A

BOEING PROPRIETARY - Copyright © - Unpublished Work - See title page for details.

24-50-51
FIG. 36A
PAGE 2
OCT 15/08

BOEING
737-600/700/800/900
PARTS CATALOG (MAINTENANCE)

FIG ITEM	PART NUMBER	1 2 3 4 5 6 7	NOMENCLATURE	EFFECT FROM TO	UNITS PER ASSY
36A 75	4310-029-15	.	CIRCUIT BREAKER- SUPPLIER CODE: V76374 SPECIFICATION NUMBER: BACC18AD15 OPTIONAL PART: 2TC47-15 V82647 ELECTRICAL EQUIP NUMBER: C01360 C01361 C01362 C01364 C01366 C01373	042043 104200 972999	6
- 100	MODREF82542		CIRCUIT BREAKER INSTL- RADIO NAV MMR 2 P6-1/A13 MODULE NUMBER: 233A5221-201480 REV A	042043 104200 972999	1
105	2TC47-2-5	.	CIRCUIT BREAKER- SUPPLIER CODE: V82647 SPECIFICATION NUMBER: BACC18AD2 OPTIONAL PART: 4310-029-205 V76374 ELECTRICAL EQUIP NUMBER: C01480	042043 104200 972999	1
- 110	MODREF273852		CIRCUIT BREAKER INSTL-ADF 2 P6-1/A17 MODULE NUMBER: 233A5221-201383 REV A	042043 104200 972999	1
115	2TC47-2-5	.	CIRCUIT BREAKER- SUPPLIER CODE: V82647 SPECIFICATION NUMBER: BACC18AD2 OPTIONAL PART: 4310-029-205 V76374 ELECTRICAL EQUIP NUMBER: C01383	042043 104200 972999	1
- 120	MODREF82559		CIRCUIT BREAKER INSTL- ENTERTAINMENT AUDIO DC P6-1/B10 MODULE NUMBER: 233A5221-201584 REV A	042043 104200 972999	1

MISSING ITEM NUMBERS NOT APPLICABLE

- ITEM NOT ILLUSTRATED

HAP

24-50-51-36A

BOEING PROPRIETARY - Copyright © - Unpublished Work - See title page for details.

24-50-51
FIG. 36A
PAGE 3
OCT 15/08

BOEING
737-600/700/800/900
PARTS CATALOG (MAINTENANCE)

FIG ITEM	PART NUMBER	1 2 3 4 5 6 7	NOMENCLATURE	EFFECT FROM TO	UNITS PER ASSY
36A 125	2TC47-3		.CIRCUIT BREAKER- SUPPLIER CODE: V82647 SPECIFICATION NUMBER: BACC18AD3 OPTIONAL PART: 4310-029-3 V76374 ELECTRICAL EQUIP NUMBER: C01584	042043 104200 972999	1
- 130	MODREF262663		CIRCUIT BREAKER INSTL- AIRSHOW AC P6-1/B11 MODULE NUMBER: 233A5221-201670 REV A	042043 104200 972999	1
135	2TC47-2-5		.CIRCUIT BREAKER- SUPPLIER CODE: V82647 SPECIFICATION NUMBER: BACC18AD2 OPTIONAL PART: 4310-029-205 V76374 ELECTRICAL EQUIP NUMBER: C01670	042043 104200 972999	1
- 140	MODREF82560		CIRCUIT BREAKER INSTL- ENTERTAINMENT VID CONT CENTER DC P6-1/C5 MODULE NUMBER: 233A5221-211450 REV A	042043 104200 972999	1
145	2TC47-7-5		.CIRCUIT BREAKER- SUPPLIER CODE: V82647 SPECIFICATION NUMBER: BACC18AD7 OPTIONAL PART: 4310-029-705 V76374 ELECTRICAL EQUIP NUMBER: C01450	042043 104200 972999	1
- 150	MODREF82533		CIRCUIT BREAKER INSTL- ENTERTAINMENT VID CONT CENTER AC P6-1/C7 MODULE NUMBER: 233A5221-201451 REV A	042043 104200 972999	1

MISSING ITEM NUMBERS NOT APPLICABLE

- ITEM NOT ILLUSTRATED

HAP

24-50-51-36A

BOEING PROPRIETARY - Copyright © - Unpublished Work - See title page for details.

24-50-51
FIG. 36A
PAGE 4
OCT 15/08

BOEING
737-600/700/800/900
PARTS CATALOG (MAINTENANCE)

FIG ITEM	PART NUMBER	1 2 3 4 5 6 7	NOMENCLATURE	EFFECT FROM TO	UNITS PER ASSY
36A 155	2TC47-7-5		.CIRCUIT BREAKER- SUPPLIER CODE: V82647 SPECIFICATION NUMBER: BACC18AD7 OPTIONAL PART: 4310-029-705 V76374 ELECTRICAL EQUIP NUMBER: C01451	042043 104200 972999	1
- 160	MODREF82538		CIRCUIT BREAKER INSTL- ENTERTAINMENT AUDIO P6-1/C8 MODULE NUMBER: 233A5221-201456 REV A	042043 104200 972999	1
165	2TC47-7-5		.CIRCUIT BREAKER- SUPPLIER CODE: V82647 SPECIFICATION NUMBER: BACC18AD7 OPTIONAL PART: 4310-029-705 V76374 ELECTRICAL EQUIP NUMBER: C01456	042043 104200 972999	1
- 170	MODREF82519		CIRCUIT BREAKER INSTL- ENTERTAINMENT PA TAPE RPDR AC P6-1/C9 MODULE NUMBER: 233A5221-200080 REV A	042043 104200 972999	1
175	2TC47-3		.CIRCUIT BREAKER- SUPPLIER CODE: V82647 SPECIFICATION NUMBER: BACC18AD3 OPTIONAL PART: 4310-029-3 V76374 ELECTRICAL EQUIP NUMBER: C00080	042043 104200 972999	1
- 180	MODREF82523		CIRCUIT BREAKER INSTL- COMMUNICATIONS HF 2 P6-1/D2 MODULE NUMBER: 233A5221-200857 REV A	042043 104200 972999	1

MISSING ITEM NUMBERS NOT APPLICABLE

- ITEM NOT ILLUSTRATED

HAP

24-50-51-36A

BOEING PROPRIETARY - Copyright © - Unpublished Work - See title page for details.

24-50-51
FIG. 36A
PAGE 5
OCT 15/08

BOEING
737-600/700/800/900
PARTS CATALOG (MAINTENANCE)

FIG ITEM	PART NUMBER	1 2 3 4 5 6 7	NOMENCLATURE	EFFECT FROM TO	UNITS PER ASSY
36A 185	6TC6-5	.	CIRCUIT BREAKER- SUPPLIER CODE: V82647 SPECIFICATION NUMBER: BACC18AC5 OPTIONAL PART: 4330-004-5 V76374 ELECTRICAL EQUIP NUMBER: C00857	042043 104200 972999	1
- 190	MODREF82534		CIRCUIT BREAKER INSTL-VIDEO 1 P6-1/D5 MODULE NUMBER: 233A5221-201452 REV A	042043 104200 972999	1
195	2TC47-7-5	.	CIRCUIT BREAKER- SUPPLIER CODE: V82647 SPECIFICATION NUMBER: BACC18AD7 OPTIONAL PART: 4310-029-705 V76374 ELECTRICAL EQUIP NUMBER: C01452	042043 104200 972999	1
- 200	MODREF82535		CIRCUIT BREAKER INSTL-VIDEO 2 P6-1/D6 MODULE NUMBER: 233A5221-201453 REV A	042043 104200 972999	1
205	2TC47-7-5	.	CIRCUIT BREAKER- SUPPLIER CODE: V82647 SPECIFICATION NUMBER: BACC18AD7 OPTIONAL PART: 4310-029-705 V76374 ELECTRICAL EQUIP NUMBER: C01453	042043 104200 972999	1
- 210	MODREF82536		CIRCUIT BREAKER INSTL-VIDEO 3 P6-1/D7 MODULE NUMBER: 233A5221-201454 REV A	042043 104200 972999	1

MISSING ITEM NUMBERS NOT APPLICABLE

- ITEM NOT ILLUSTRATED

HAP

24-50-51-36A

BOEING PROPRIETARY - Copyright © - Unpublished Work - See title page for details.

24-50-51
FIG. 36A
PAGE 6
OCT 15/08

BOEING
737-600/700/800/900
PARTS CATALOG (MAINTENANCE)

FIG ITEM	PART NUMBER	1 2 3 4 5 6 7	NOMENCLATURE	EFFECT FROM TO	UNITS PER ASSY
36A 215	2TC47-7-5	.	CIRCUIT BREAKER- SUPPLIER CODE: V82647 SPECIFICATION NUMBER: BACC18AD7 OPTIONAL PART: 4310-029-705 V76374 ELECTRICAL EQUIP NUMBER: C01454	042043 104200 972999	1
- 220	MODREF82537		CIRCUIT BREAKER INSTL-VIDEO 4 P6-1/D8 MODULE NUMBER: 233A5221-201455 REV A	042043 104200 972999	1
225	2TC47-7-5	.	CIRCUIT BREAKER- SUPPLIER CODE: V82647 SPECIFICATION NUMBER: BACC18AD7 OPTIONAL PART: 4310-029-705 V76374 ELECTRICAL EQUIP NUMBER: C01455	042043 104200 972999	1
- 230	MODREF82520		CIRCUIT BREAKER INSTL- ATC-2 P6-1/D14 MODULE NUMBER: 233A5221-200188 REV A	042043 104200 972999	1
235	2TC47-5	.	CIRCUIT BREAKER- SUPPLIER CODE: V82647 SPECIFICATION NUMBER: BACC18AD5 OPTIONAL PART: 4310-029-5 V76374 ELECTRICAL EQUIP NUMBER: C00188	042043 104200 972999	1
- 240	MODREF82530		CIRCUIT BREAKER INSTL- FMCS MCDU 2 P6-1/D15 MODULE NUMBER: 233A5221-201239 REV A	042043 104200 972999	1

MISSING ITEM NUMBERS NOT APPLICABLE

- ITEM NOT ILLUSTRATED

HAP

24-50-51-36A

BOEING PROPRIETARY - Copyright © - Unpublished Work - See title page for details.

24-50-51
FIG. 36A
PAGE 7
OCT 15/08

BOEING
737-600/700/800/900
PARTS CATALOG (MAINTENANCE)

FIG ITEM	PART NUMBER	1 2 3 4 5 6 7	NOMENCLATURE	EFFECT FROM TO	UNITS PER ASSY
36A 245	2TC47-3	.	CIRCUIT BREAKER- SUPPLIER CODE: V82647 SPECIFICATION NUMBER: BACC18AD3 OPTIONAL PART: 4310-029-3 V76374 ELECTRICAL EQUIP NUMBER: C01239	042043 104200 972999	1
- 250	MODREF82527		CIRCUIT BREAKER INSTL-ACMS P6-1/E4 MODULE NUMBER: 233A5221-201196 REV A	042043 104200 972999	1
255	2TC47-2-5	.	CIRCUIT BREAKER- SUPPLIER CODE: V82647 SPECIFICATION NUMBER: BACC18AD2 OPTIONAL PART: 4310-029-205 V76374 ELECTRICAL EQUIP NUMBER: C01196	042043 104200 972999	1
- 260	MODREF82529		CIRCUIT BREAKER INSTL-PRTR P6-1/E5 MODULE NUMBER: 233A5221-201216 REV A	042043 104200 972999	1
265	2TC47-2-5	.	CIRCUIT BREAKER- SUPPLIER CODE: V82647 SPECIFICATION NUMBER: BACC18AD2 OPTIONAL PART: 4310-029-205 V76374 ELECTRICAL EQUIP NUMBER: C01216	042043 104200 972999	1
- 270	MODREF82543		CIRCUIT BREAKER INSTL-CMU 1 AC P6-1/E8 MODULE NUMBER: 233A5221-201483 REV A	042043 104200 972999	1

MISSING ITEM NUMBERS NOT APPLICABLE

- ITEM NOT ILLUSTRATED

HAP

24-50-51-36A

BOEING PROPRIETARY - Copyright © - Unpublished Work - See title page for details.

24-50-51
FIG. 36A
PAGE 8
OCT 15/08

BOEING
737-600/700/800/900
PARTS CATALOG (MAINTENANCE)

FIG ITEM	PART NUMBER	1 2 3 4 5 6 7	NOMENCLATURE	EFFECT FROM TO	UNITS PER ASSY
36A 275	2TC47-2-5		.CIRCUIT BREAKER- SUPPLIER CODE: V82647 SPECIFICATION NUMBER: BACC18AD2 OPTIONAL PART: 4310-029-205 V76374 ELECTRICAL EQUIP NUMBER: C01483	042043 104200 972999	1
- 280	MODREF82546		CIRCUIT BREAKER INSTL- CMU/ACARS DC P6-1/E9 MODULE NUMBER: 233A5221-201500 REV A	042043 104200 972999	1
285	2TC47-2-5		.CIRCUIT BREAKER- SUPPLIER CODE: V82647 SPECIFICATION NUMBER: BACC18AD2 OPTIONAL PART: 4310-029-205 V76374 ELECTRICAL EQUIP NUMBER: C01500	042043 104200 972999	1
- 290	MODREF82526		CIRCUIT BREAKER INSTL-ATC ANT SWITCH P6-1/E14 MODULE NUMBER: 233A5221-201194 REV A	042043 104200 972999	1
295	2TC47-2-5		.CIRCUIT BREAKER- SUPPLIER CODE: V82647 SPECIFICATION NUMBER: BACC18AD2 OPTIONAL PART: 4310-029-205 V76374 ELECTRICAL EQUIP NUMBER: C01194	042043 104200 972999	1
- 300	MODREF82561		PLUG BUTTON INSTL-P6-1/A8 MODULE NUMBER: 233A5221-301108 REV A	042043 104200 972999	1

MISSING ITEM NUMBERS NOT APPLICABLE

- ITEM NOT ILLUSTRATED

HAP

24-50-51-36A

BOEING PROPRIETARY - Copyright © - Unpublished Work - See title page for details.

24-50-51
FIG. 36A
PAGE 9
OCT 15/08

BOEING
737-600/700/800/900
PARTS CATALOG (MAINTENANCE)

FIG ITEM	PART NUMBER	1 2 3 4 5 6 7	NOMENCLATURE	EFFECT FROM TO	UNITS PER ASSY
36A 305	BS51338D5003		.PLUG- SUPPLIER CODE: V83058 SPECIFICATION NUMBER: BACP20B63B OPTIONAL PART: 51338 V83058 MISCELLANEOUS DATA: USE IN PLACE OF CIRCUIT BREAKERS ON OPEN HOLES	042043 104200 972999	1
- 310	MODREF82562		PLUG BUTTON INSTL-P6-1/A9 MODULE NUMBER: 233A5221-301109 REV A	042043 104200 972999	1
315	BS51338D5003		.PLUG- SUPPLIER CODE: V83058 SPECIFICATION NUMBER: BACP20B63B OPTIONAL PART: 51338 V83058 MISCELLANEOUS DATA: USE IN PLACE OF CIRCUIT BREAKERS ON OPEN HOLES	042043 104200 972999	1
- 320	MODREF82563		PLUG BUTTON INSTL-P6-1/A11 MODULE NUMBER: 233A5221-301111 REV A	042043 104200 972999	1
325	BS51338D5003		.PLUG- SUPPLIER CODE: V83058 SPECIFICATION NUMBER: BACP20B63B OPTIONAL PART: 51338 V83058 MISCELLANEOUS DATA: USE IN PLACE OF CIRCUIT BREAKERS ON OPEN HOLES	042043 104200 972999	1
- 330	MODREF82564		PLUG BUTTON INSTL-P6-1/B8 MODULE NUMBER: 233A5221-301208 REV A	042043 104200 972999	1

MISSING ITEM NUMBERS NOT APPLICABLE

- ITEM NOT ILLUSTRATED

HAP

24-50-51-36A

BOEING PROPRIETARY - Copyright © - Unpublished Work - See title page for details.

24-50-51
FIG. 36A
PAGE 10
OCT 15/08

BOEING
737-600/700/800/900
PARTS CATALOG (MAINTENANCE)

FIG ITEM	PART NUMBER	1 2 3 4 5 6 7	NOMENCLATURE	EFFECT FROM TO	UNITS PER ASSY
36A 335	BS51338D5003		.PLUG- SUPPLIER CODE: V83058 SPECIFICATION NUMBER: BACP20B63B OPTIONAL PART: 51338 V83058 MISCELLANEOUS DATA: USE IN PLACE OF CIRCUIT BREAKERS ON OPEN HOLES	042043 104200 972999	1
- 340	MODREF82565		PLUG BUTTON INSTL-P6-1/B9 MODULE NUMBER: 233A5221-301209 REV A	042043 104200 972999	1
345	BS51338D5003		.PLUG- SUPPLIER CODE: V83058 SPECIFICATION NUMBER: BACP20B63B OPTIONAL PART: 51338 V83058 MISCELLANEOUS DATA: USE IN PLACE OF CIRCUIT BREAKERS ON OPEN HOLES	042043 104200 972999	1
- 350	MODREF82568		PLUG BUTTON INSTL-P6-1/B12 MODULE NUMBER: 233A5221-301212 REV A	042043 104200 972999	1
355	BS51338D5003		.PLUG- SUPPLIER CODE: V83058 SPECIFICATION NUMBER: BACP20B63B OPTIONAL PART: 51338 V83058 MISCELLANEOUS DATA: USE IN PLACE OF CIRCUIT BREAKERS ON OPEN HOLES	042043 104200 972999	1
- 360	MODREF82569		PLUG BUTTON INSTL-P6-1/B13 MODULE NUMBER: 233A5221-301213 REV A	042043 104200 972999	1

MISSING ITEM NUMBERS NOT APPLICABLE

- ITEM NOT ILLUSTRATED

HAP

24-50-51-36A

BOEING PROPRIETARY - Copyright © - Unpublished Work - See title page for details.

24-50-51
FIG. 36A
PAGE 11
OCT 15/08

BOEING
737-600/700/800/900
PARTS CATALOG (MAINTENANCE)

FIG ITEM	PART NUMBER	1 2 3 4 5 6 7	NOMENCLATURE	EFFECT FROM TO	UNITS PER ASSY
36A 365	BS51338D5003		.PLUG- SUPPLIER CODE: V83058 SPECIFICATION NUMBER: BACP20B63B OPTIONAL PART: 51338 V83058 MISCELLANEOUS DATA: USE IN PLACE OF CIRCUIT BREAKERS ON OPEN HOLES	042043 104200 972999	1
- 370	MODREF82570		PLUG BUTTON INSTL-P6-1/B14 MODULE NUMBER: 233A5221-301214 REV A	042043 104200 972999	1
375	BS51338D5003		.PLUG- SUPPLIER CODE: V83058 SPECIFICATION NUMBER: BACP20B63B OPTIONAL PART: 51338 V83058 MISCELLANEOUS DATA: USE IN PLACE OF CIRCUIT BREAKERS ON OPEN HOLES	042043 104200 972999	1
- 380	MODREF82571		PLUG BUTTON INSTL-P6-1/B15 MODULE NUMBER: 233A5221-301215 REV A	042043 104200 972999	1
385	BS51338D5003		.PLUG- SUPPLIER CODE: V83058 SPECIFICATION NUMBER: BACP20B63B OPTIONAL PART: 51338 V83058 MISCELLANEOUS DATA: USE IN PLACE OF CIRCUIT BREAKERS ON OPEN HOLES	042043 104200 972999	1
- 390	MODREF82572		PLUG BUTTON INSTL-P6-1/B16 MODULE NUMBER: 233A5221-301216 REV A	042043 104200 972999	1

MISSING ITEM NUMBERS NOT APPLICABLE

- ITEM NOT ILLUSTRATED

HAP

24-50-51-36A

BOEING PROPRIETARY - Copyright © - Unpublished Work - See title page for details.

24-50-51
FIG. 36A
PAGE 12
OCT 15/08

BOEING
737-600/700/800/900
PARTS CATALOG (MAINTENANCE)

FIG ITEM	PART NUMBER	1 2 3 4 5 6 7	NOMENCLATURE	EFFECT FROM TO	UNITS PER ASSY
36A 395	BS51338D5003		.PLUG- SUPPLIER CODE: V83058 SPECIFICATION NUMBER: BACP20B63B OPTIONAL PART: 51338 V83058 MISCELLANEOUS DATA: USE IN PLACE OF CIRCUIT BREAKERS ON OPEN HOLES	042043 104200 972999	1
- 400	MODREF82573		PLUG BUTTON INSTL-P6-1/B17 MODULE NUMBER: 233A5221-301217 REV A	042043 104200 972999	1
405	BS51338D5003		.PLUG- SUPPLIER CODE: V83058 SPECIFICATION NUMBER: BACP20B63B OPTIONAL PART: 51338 V83058 MISCELLANEOUS DATA: USE IN PLACE OF CIRCUIT BREAKERS ON OPEN HOLES	042043 104200 972999	1
- 410	MODREF82574		PLUG BUTTON INSTL-P6-1/C2 MODULE NUMBER: 233A5221-301302 REV A	042043 104200 972999	1
415	BS51338D5003		.PLUG- SUPPLIER CODE: V83058 SPECIFICATION NUMBER: BACP20B63B OPTIONAL PART: 51338 V83058 MISCELLANEOUS DATA: USE IN PLACE OF CIRCUIT BREAKERS ON OPEN HOLES	042043 104200 972999	1
- 420	MODREF82575		PLUG BUTTON INSTL-P6-1/C4 MODULE NUMBER: 233A5221-301304 REV A	042043 104200 972999	1

MISSING ITEM NUMBERS NOT APPLICABLE

- ITEM NOT ILLUSTRATED

HAP

24-50-51-36A

BOEING PROPRIETARY - Copyright © - Unpublished Work - See title page for details.

24-50-51
FIG. 36A
PAGE 13
OCT 15/08

BOEING
737-600/700/800/900
PARTS CATALOG (MAINTENANCE)

FIG ITEM	PART NUMBER	1 2 3 4 5 6 7	NOMENCLATURE	EFFECT FROM TO	UNITS PER ASSY
36A 425	BS51338D5003		.PLUG- SUPPLIER CODE: V83058 SPECIFICATION NUMBER: BACP20B63B OPTIONAL PART: 51338 V83058 MISCELLANEOUS DATA: USE IN PLACE OF CIRCUIT BREAKERS ON OPEN HOLES	042043 104200 972999	1
- 430	MODREF82580		PLUG BUTTON INSTL-P6-1/C10 MODULE NUMBER: 233A5221-301310 REV A	042043 104200 972999	1
435	BS51338D5003		.PLUG- SUPPLIER CODE: V83058 SPECIFICATION NUMBER: BACP20B63B OPTIONAL PART: 51338 V83058 MISCELLANEOUS DATA: USE IN PLACE OF CIRCUIT BREAKERS ON OPEN HOLES	042043 104200 972999	1
- 440	MODREF82581		PLUG BUTTON INSTL-P6-1/C11 MODULE NUMBER: 233A5221-301311 REV A	042043 104200 972999	1
445	BS51338D5003		.PLUG- SUPPLIER CODE: V83058 SPECIFICATION NUMBER: BACP20B63B OPTIONAL PART: 51338 V83058 MISCELLANEOUS DATA: USE IN PLACE OF CIRCUIT BREAKERS ON OPEN HOLES	042043 104200 972999	1
- 450	MODREF82582		PLUG BUTTON INSTL-P6-1/C12 MODULE NUMBER: 233A5221-301312 REV A	042043 104200 972999	1

MISSING ITEM NUMBERS NOT APPLICABLE

- ITEM NOT ILLUSTRATED

HAP

24-50-51-36A

BOEING PROPRIETARY - Copyright © - Unpublished Work - See title page for details.

24-50-51
FIG. 36A
PAGE 14
OCT 15/08

BOEING
737-600/700/800/900
PARTS CATALOG (MAINTENANCE)

FIG ITEM	PART NUMBER	1 2 3 4 5 6 7	NOMENCLATURE	EFFECT FROM TO	UNITS PER ASSY
36A 455	BS51338D5003		.PLUG- SUPPLIER CODE: V83058 SPECIFICATION NUMBER: BACP20B63B OPTIONAL PART: 51338 V83058 MISCELLANEOUS DATA: USE IN PLACE OF CIRCUIT BREAKERS ON OPEN HOLES	042043 104200 972999	1
- 460	MODREF82583		PLUG BUTTON INSTL-P6-1/C13 MODULE NUMBER: 233A5221-301313 REV A	042043 104200 972999	1
465	BS51338D5003		.PLUG- SUPPLIER CODE: V83058 SPECIFICATION NUMBER: BACP20B63B OPTIONAL PART: 51338 V83058 MISCELLANEOUS DATA: USE IN PLACE OF CIRCUIT BREAKERS ON OPEN HOLES	042043 104200 972999	1
- 470	MODREF82584		PLUG BUTTON INSTL-P6-1/C16 MODULE NUMBER: 233A5221-301316 REV A	042043 104200 972999	1
475	BS51338D5003		.PLUG- SUPPLIER CODE: V83058 SPECIFICATION NUMBER: BACP20B63B OPTIONAL PART: 51338 V83058 MISCELLANEOUS DATA: USE IN PLACE OF CIRCUIT BREAKERS ON OPEN HOLES	042043 104200 972999	1
- 480	MODREF82585		PLUG BUTTON INSTL-P6-1/D1 MODULE NUMBER: 233A5221-301401 REV A	042043 104200 972999	1

MISSING ITEM NUMBERS NOT APPLICABLE

- ITEM NOT ILLUSTRATED

HAP

24-50-51-36A

BOEING PROPRIETARY - Copyright © - Unpublished Work - See title page for details.

24-50-51
FIG. 36A
PAGE 15
OCT 15/08

BOEING
737-600/700/800/900
PARTS CATALOG (MAINTENANCE)

FIG ITEM	PART NUMBER	1 2 3 4 5 6 7	NOMENCLATURE	EFFECT FROM TO	UNITS PER ASSY
36A 485	BS51338D5003		.PLUG- SUPPLIER CODE: V83058 SPECIFICATION NUMBER: BACP20B63B OPTIONAL PART: 51338 V83058 MISCELLANEOUS DATA: USE IN PLACE OF CIRCUIT BREAKERS ON OPEN HOLES	042043 104200 972999	1
- 490	MODREF82587		PLUG BUTTON INSTL-P6-1/D3 MODULE NUMBER: 233A5221-301403 REV A	042043 104200 972999	1
495	BS51338D5003		.PLUG- SUPPLIER CODE: V83058 SPECIFICATION NUMBER: BACP20B63B OPTIONAL PART: 51338 V83058 MISCELLANEOUS DATA: USE IN PLACE OF CIRCUIT BREAKERS ON OPEN HOLES	042043 104200 972999	1
- 500	MODREF82592		PLUG BUTTON INSTL-P6-1/D12 MODULE NUMBER: 233A5221-301412 REV A	042043 104200 972999	1
505	BS51338D5003		.PLUG- SUPPLIER CODE: V83058 SPECIFICATION NUMBER: BACP20B63B OPTIONAL PART: 51338 V83058 MISCELLANEOUS DATA: USE IN PLACE OF CIRCUIT BREAKERS ON OPEN HOLES	042043 104200 972999	1
- 510	MODREF82594		PLUG BUTTON INSTL-P6-1/D17 MODULE NUMBER: 233A5221-301417 REV A	042043 104200 972999	1

MISSING ITEM NUMBERS NOT APPLICABLE

- ITEM NOT ILLUSTRATED

HAP

24-50-51-36A

BOEING PROPRIETARY - Copyright © - Unpublished Work - See title page for details.

24-50-51
FIG. 36A
PAGE 16
OCT 15/08

BOEING
737-600/700/800/900
PARTS CATALOG (MAINTENANCE)

FIG ITEM	PART NUMBER	1 2 3 4 5 6 7	NOMENCLATURE	EFFECT FROM TO	UNITS PER ASSY
36A 515	BS51338D5003		.PLUG- SUPPLIER CODE: V83058 SPECIFICATION NUMBER: BACP20B63B OPTIONAL PART: 51338 V83058 MISCELLANEOUS DATA: USE IN PLACE OF CIRCUIT BREAKERS ON OPEN HOLES	042043 104200 972999	1
- 520	MODREF82595		PLUG BUTTON INSTL-P6-1/E1 MODULE NUMBER: 233A5221-301501 REV A	042043 104200 972999	1
525	BS51338D5003		.PLUG- SUPPLIER CODE: V83058 SPECIFICATION NUMBER: BACP20B63B OPTIONAL PART: 51338 V83058 MISCELLANEOUS DATA: USE IN PLACE OF CIRCUIT BREAKERS ON OPEN HOLES	042043 104200 972999	1
- 530	MODREF82596		PLUG BUTTON INSTL-P6-1/E2 MODULE NUMBER: 233A5221-301502 REV A	042043 104200 972999	1
535	BS51338D5003		.PLUG- SUPPLIER CODE: V83058 SPECIFICATION NUMBER: BACP20B63B OPTIONAL PART: 51338 V83058 MISCELLANEOUS DATA: USE IN PLACE OF CIRCUIT BREAKERS ON OPEN HOLES	042043 104200 972999	1
- 540	MODREF82597		PLUG BUTTON INSTL-P6-1/E3 MODULE NUMBER: 233A5221-301503 REV A	042043 104200 972999	1

MISSING ITEM NUMBERS NOT APPLICABLE

- ITEM NOT ILLUSTRATED

HAP

24-50-51-36A

BOEING PROPRIETARY - Copyright © - Unpublished Work - See title page for details.

24-50-51
FIG. 36A
PAGE 17
OCT 15/08

BOEING
737-600/700/800/900
PARTS CATALOG (MAINTENANCE)

FIG ITEM	PART NUMBER	1 2 3 4 5 6 7	NOMENCLATURE	EFFECT FROM TO	UNITS PER ASSY
36A 545	BS51338D5003		.PLUG- SUPPLIER CODE: V83058 SPECIFICATION NUMBER: BACP20B63B OPTIONAL PART: 51338 V83058 MISCELLANEOUS DATA: USE IN PLACE OF CIRCUIT BREAKERS ON OPEN HOLES	042043 104200 972999	1
- 550	MODREF82600		PLUG BUTTON INSTL-P6-1/E6 MODULE NUMBER: 233A5221-301506 REV A	042043 104200 972999	1
555	BS51338D5003		.PLUG- SUPPLIER CODE: V83058 SPECIFICATION NUMBER: BACP20B63B OPTIONAL PART: 51338 V83058 MISCELLANEOUS DATA: USE IN PLACE OF CIRCUIT BREAKERS ON OPEN HOLES	042043 104200 972999	1
- 560	MODREF82601		PLUG BUTTON INSTL-P6-1/E7 MODULE NUMBER: 233A5221-301507 REV A	042043 104200 972999	1
565	BS51338D5003		.PLUG- SUPPLIER CODE: V83058 SPECIFICATION NUMBER: BACP20B63B OPTIONAL PART: 51338 V83058 MISCELLANEOUS DATA: USE IN PLACE OF CIRCUIT BREAKERS ON OPEN HOLES	042043 104200 972999	1
- 570	MODREF82605		PLUG BUTTON INSTL-P6-1/E16 MODULE NUMBER: 233A5221-301516 REV A	042043 104200 972999	1

MISSING ITEM NUMBERS NOT APPLICABLE

- ITEM NOT ILLUSTRATED

HAP

24-50-51-36A

BOEING PROPRIETARY - Copyright © - Unpublished Work - See title page for details.

24-50-51
FIG. 36A
PAGE 18
OCT 15/08

BOEING
737-600/700/800/900
PARTS CATALOG (MAINTENANCE)

FIG ITEM	PART NUMBER	1 2 3 4 5 6 7	NOMENCLATURE	EFFECT FROM TO	UNITS PER ASSY
36A 575	BS51338D5003		.PLUG- SUPPLIER CODE: V83058 SPECIFICATION NUMBER: BACP20B63B OPTIONAL PART: 51338 V83058 MISCELLANEOUS DATA: USE IN PLACE OF CIRCUIT BREAKERS ON OPEN HOLES	042043 104200 972999	1
- 580	MODREF82606		PLUG BUTTON INSTL-P6-1/E17 MODULE NUMBER: 233A5221-301517 REV A	042043 104200 972999	1
585	BS51338D5003		.PLUG- SUPPLIER CODE: V83058 SPECIFICATION NUMBER: BACP20B63B OPTIONAL PART: 51338 V83058 MISCELLANEOUS DATA: USE IN PLACE OF CIRCUIT BREAKERS ON OPEN HOLES	042043 104200 972999	1
- 700	MODREF82664		INOP INSTL-P6-1/A17 (ELECTRICAL POWER ONLY) MODULE NUMBER: 233A5221-501117 REV A FOR OTHER SYS DETAILS SEE: 11-31-51-36A 11-31-51-36B	042043 104200 972999	1
705	10237-1		.COLLAR- SUPPLIER CODE: V1N6X0	042043 104200 972999	1
- 710	MODREF82677		INOP INSTL-P6-1/D2 (ELECTRICAL POWER ONLY) MODULE NUMBER: 233A5221-501402 REV A FOR OTHER SYS DETAILS SEE: 11-31-51-36A 11-31-51-36B	042043 104200 972999	1
715	10237-1		.COLLAR- SUPPLIER CODE: V1N6X0	042043 104200 972999	1

MISSING ITEM NUMBERS NOT APPLICABLE

- ITEM NOT ILLUSTRATED

HAP

24-50-51-36A

BOEING PROPRIETARY - Copyright © - Unpublished Work - See title page for details.

24-50-51
FIG. 36A
PAGE 19
OCT 15/08


BOEING
 737-600/700/800/900
PARTS CATALOG (MAINTENANCE)

FIG ITEM	PART NUMBER	1 2 3 4 5 6 7	NOMENCLATURE	EFFECT FROM TO	UNITS PER ASSY
R R R R R R R R R R	36A - 720	MODREF82684	INOP INSTL-P6-1/E4 (ELECTRICAL POWER ONLY) MODULE NUMBER: 233A5221-501504 REV A POST RAPID REVISION: RR97237-38B FOR OTHER SYS DETAILS SEE: 11-31-51-36A	107200	1
	725	10237-1	.COLLAR- SUPPLIER CODE: V1N6X0 POST RAPID REVISION: RR97237-38B	107200	1

MISSING ITEM NUMBERS NOT APPLICABLE

- ITEM NOT ILLUSTRATED

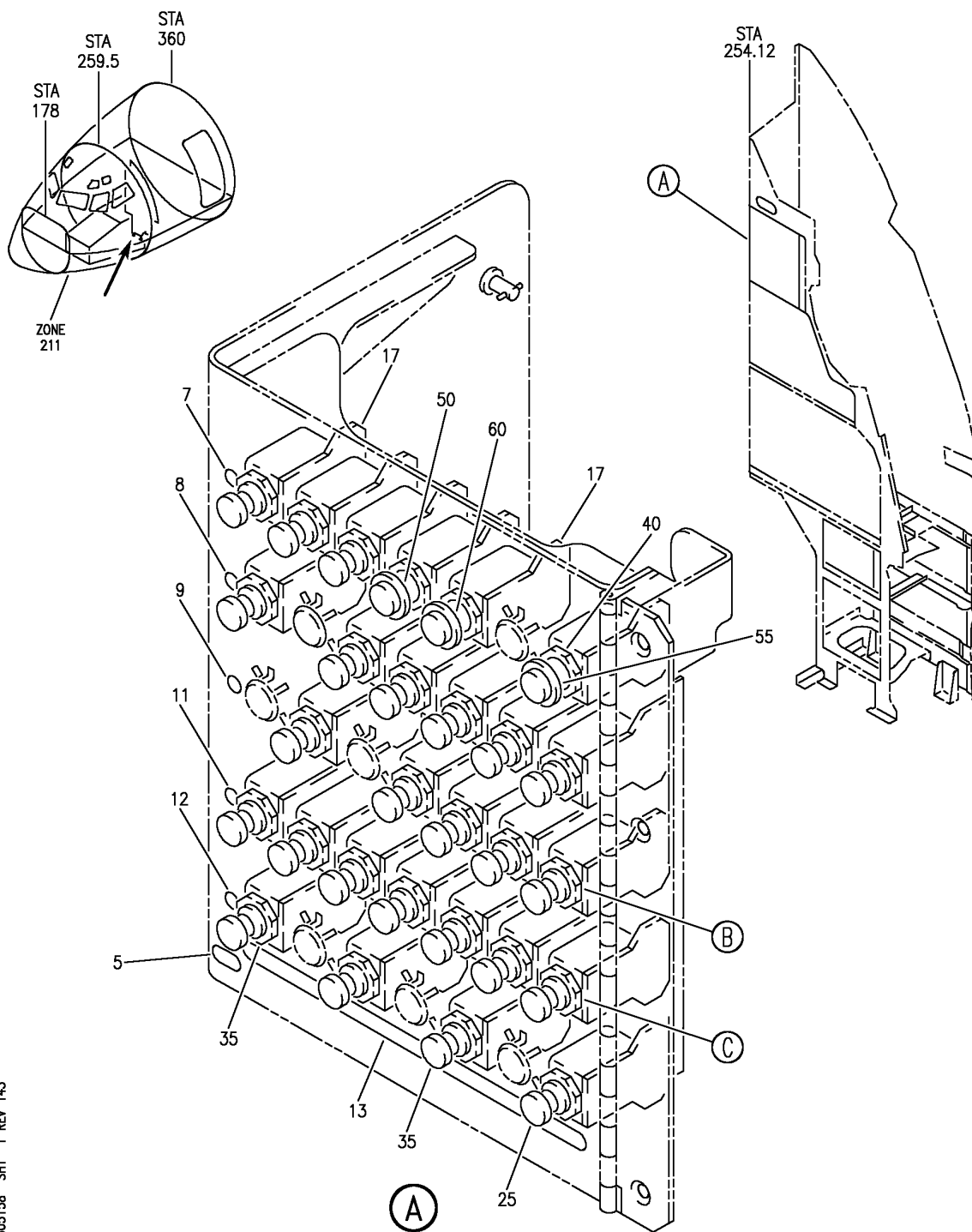
HAP

24-50-51-36A

BOEING PROPRIETARY - Copyright © - Unpublished Work - See title page for details.

24-50-51
 FIG. 36A
 PAGE 20
 JUN 15/09

BOEING
737-600/700/800/900
PARTS CATALOG (MAINTENANCE)



E 24505158 SHT 1 REV 143

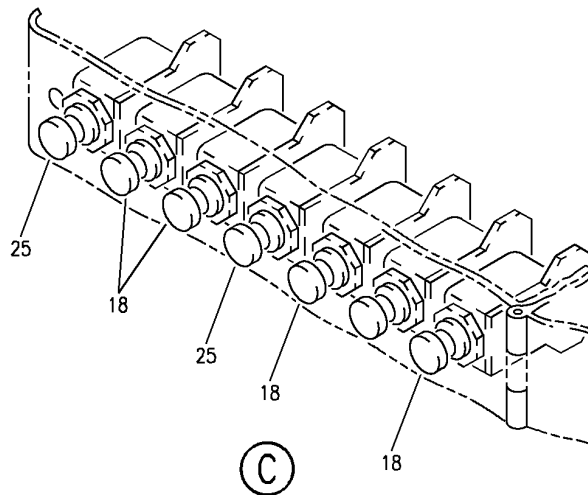
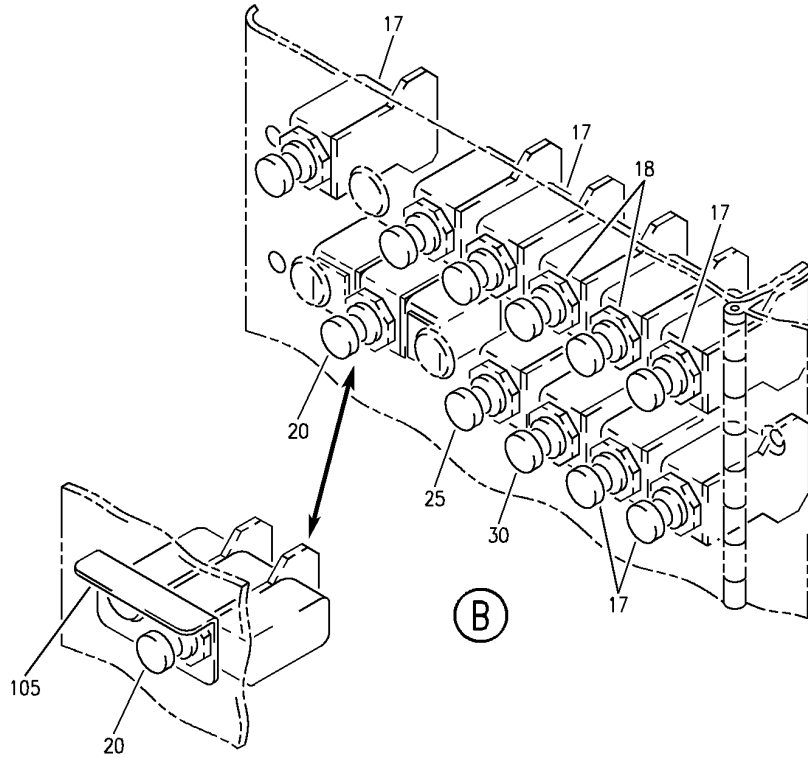
CIRCUIT BREAKER AND KIT INSTL-FLIGHT DECK P18-1 (AC ELECTRICAL LOAD DISTRIBUTION ONLY)
 FIGURE 58 (SHEET 1)

HAP
 JUN 15/08

24-50-51-58

24-50-51-58
 PAGE 0

BOEING
737-600/700/800/900
PARTS CATALOG (MAINTENANCE)



E 24-50-51-58 SHT 2 REV 116

CIRCUIT BREAKER AND KIT INSTL-FLIGHT DECK P18-1 (AC ELECTRICAL LOAD DISTRIBUTION ONLY)
FIGURE 58 (SHEET 2)

HAP
OCT 10/06

24-50-51-58

24-50-51-58
PAGE 0A

BOEING
737-600/700/800/900
PARTS CATALOG (MAINTENANCE)

FIG ITEM	PART NUMBER	1 2 3 4 5 6 7	NOMENCLATURE	EFFECT FROM TO	UNITS PER ASSY
58			CIRCUIT BREAKER AND KIT INSTL-FLIGHT DECK P18-1 (AC ELECTRICAL LOAD DISTRIBUTION ONLY)	001007	
- 1	233A5502-103001		CIRCUIT BREAKER INSTL- FLIGHT DECK P18-1 (AC ELECTRICAL LOAD DISTRIBUTION ONLY) FOR NHA/OTHER SYS DET SEE: 24-50-00-01C	001004	RF
- 1	233A5502-113001		CIRCUIT BREAKER INSTL- FLIGHT DECK P18-1 (AC ELECTRICAL LOAD DISTRIBUTION ONLY) FOR NHA/OTHER SYS DET SEE: 24-50-00-01C	005007	RF
5	BAC27DCC1237		.MARKER- PLACARD CONTENT: P18-1	001007	1
7	BAC27DEX4980		.MARKER-ALUMINUM FOIL PLACARD CONTENT: A	001007	1
8	BAC27DEX4981		.MARKER-ALUMINUM FOIL PLACARD CONTENT: B	001007	1
9	BAC27DEX4982		.MARKER-ALUMINUM FOIL PLACARD CONTENT: C	001007	1
11	BAC27DEX4983		.MARKER-ALUMINUM FOIL PLACARD CONTENT: D	001007	1
12	BAC27DEX4984		.MARKER-ALUMINUM FOIL PLACARD CONTENT: E	001007	1
13	BAC27DCC2740		.DECAL- PLACARD CONTENT: 1 THRU 7	001007	1

MISSING ITEM NUMBERS NOT APPLICABLE

- ITEM NOT ILLUSTRATED

HAP

24-50-51-58

BOEING PROPRIETARY - Copyright © - Unpublished Work - See title page for details.

24-50-51
FIG. 58
PAGE 1
OCT 10/06

BOEING
737-600/700/800/900
PARTS CATALOG (MAINTENANCE)

FIG ITEM	PART NUMBER	1 2 3 4 5 6 7	NOMENCLATURE	EFFECT FROM TO	UNITS PER ASSY
58 17	2TC47-2-5		.CIRCUIT BREAKER- SUPPLIER CODE: V82647 SPECIFICATION NUMBER: BACC18AD2 OPTIONAL PART: 4310-029-205 V76374 ELECTRICAL EQUIP NUMBER: C01374 C01479 C01378 C01382 C01386 C01376 C00190 C01384 C00629 C01429 C00285	001007	11
18	2TC47-5		.CIRCUIT BREAKER- SUPPLIER CODE: V82647 SPECIFICATION NUMBER: BACC18AD5 OPTIONAL PART: 4310-029-5 V76374 ELECTRICAL EQUIP NUMBER: C00186 C01195 C01045 C01048 C01044 C01354 C00286	001007	7
20	4330-004-15		.CIRCUIT BREAKER- SUPPLIER CODE: V76374 SPECIFICATION NUMBER: BACC18AC15 OPTIONAL PART: 6TC6-15 V82647 ELECTRICAL EQUIP NUMBER: C00849	001007	1

MISSING ITEM NUMBERS NOT APPLICABLE

— ITEM NOT ILLUSTRATED

HAP

24-50-51-58

BOEING PROPRIETARY - Copyright © - Unpublished Work - See title page for details.

24-50-51
FIG. 58
PAGE 2
OCT 10/06

BOEING
737-600/700/800/900
PARTS CATALOG (MAINTENANCE)

FIG ITEM	PART NUMBER	1 2 3 4 5 6 7	NOMENCLATURE	EFFECT FROM TO	UNITS PER ASSY
58 25	2TC47-3		.CIRCUIT BREAKER- SUPPLIER CODE: V82647 SPECIFICATION NUMBER: BACC18AD3 OPTIONAL PART: 4310-029-3 V76374 ELECTRICAL EQUIP NUMBER: C00456 C01049 C00457 C01007	001007	4
30	2TC6-1		.CIRCUIT BREAKER- SUPPLIER CODE: V82647 SPECIFICATION NUMBER: BACC18Z1R OPTIONAL PART: 4310-002-1 V76374 ELECTRICAL EQUIP NUMBER: C01041	001007	1
35	2TC47-10		.CIRCUIT BREAKER- SUPPLIER CODE: V82647 SPECIFICATION NUMBER: BACC18AD10 OPTIONAL PART: 4310-029-10 V76374 ELECTRICAL EQUIP NUMBER: C00721 C01141 C01009	001007	3
40	2TC47-2-5		.CIRCUIT BREAKER- SUPPLIER CODE: V82647 SPECIFICATION NUMBER: BACC18AD2 OPTIONAL PART: 4310-029-205 V76374 ELECTRICAL EQUIP NUMBER: C01519	005007	1

MISSING ITEM NUMBERS NOT APPLICABLE

— ITEM NOT ILLUSTRATED

HAP

24-50-51-58

BOEING PROPRIETARY - Copyright © - Unpublished Work - See title page for details.

24-50-51
FIG. 58
PAGE 3
OCT 10/06

 **BOEING**
737-600/700/800/900
PARTS CATALOG (MAINTENANCE)

FIG ITEM	PART NUMBER	1 2 3 4 5 6 7	NOMENCLATURE	EFFECT FROM TO	UNITS PER ASSY
58 - 45	BS51338D5003		.PLUG- SUPPLIER CODE: V83058 SPECIFICATION NUMBER: BACP20B63B OPTIONAL PART: 51338 V83058 MISCELLANEOUS DATA: USE IN PLACE OF CIRCUIT BREAKERS ON OPEN HOLES	001007	AR
55	10237-1		.COLLAR- SUPPLIER CODE: V1N6X0	005007	1

MISSING ITEM NUMBERS NOT APPLICABLE

- ITEM NOT ILLUSTRATED

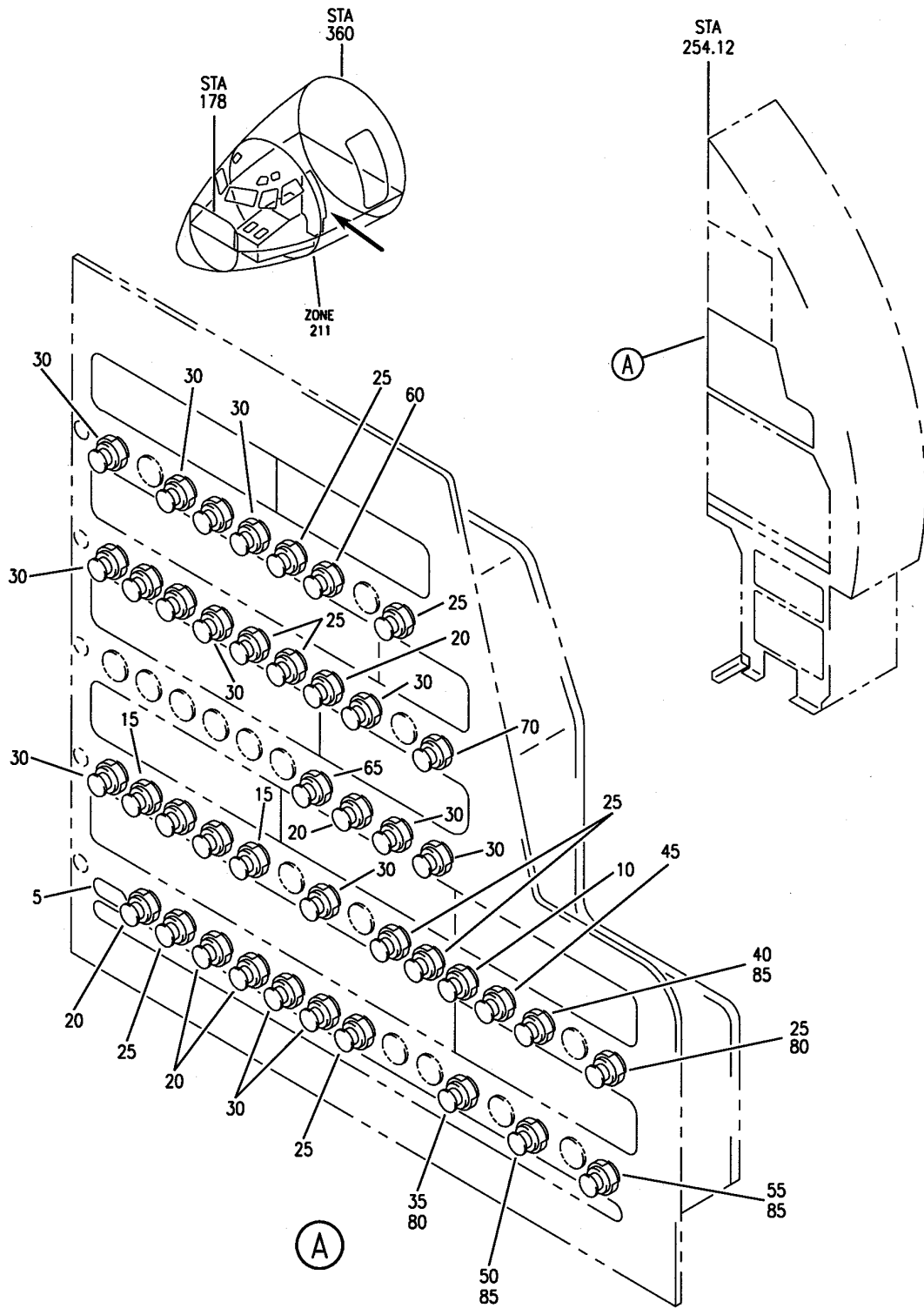
HAP

24-50-51-58

BOEING PROPRIETARY - Copyright © - Unpublished Work - See title page for details.

24-50-51
FIG. 58
PAGE 4
FEB 10/07

BOEING
 737-600/700/800/900
 PARTS CATALOG (MAINTENANCE)



E 24505160 REV 033

CIRCUIT BREAKER INSTL FLIGHT DECK P18-2 (AC ELECTRICAL LOAD DISTRIBUTION ONLY)
 FIGURE 60

24-50-51-60

HAP
 OCT 10/06

24-50-51-60
 PAGE 0

BOEING
737-600/700/800/900
PARTS CATALOG (MAINTENANCE)

FIG ITEM	PART NUMBER	1 2 3 4 5 6 7	NOMENCLATURE	EFFECT FROM TO	UNITS PER ASSY
60			CIRCUIT BREAKER INSTL FLIGHT DECK P18-2 (AC ELECTRICAL LOAD DISTRIBUTION ONLY)	001007	
- 1	233A5502-203001		CIRCUIT BREAKER INSTL- FLIGHT DECK P18-2 (AC ELECTRICAL LOAD DISTRIBUTION ONLY) FOR NHA/OTHER SYS DET SEE: 24-50-00-01C	001007	RF
5	BAC27DCC1236		.MARKER-ALUMINUM FOIL PLACARD CONTENT: P18-2	001007	1
10	2TC47-10		.CIRCUIT BREAKER- SUPPLIER CODE: V82647 SPECIFICATION NUMBER: BACC18AD10 OPTIONAL PART: 4310-029-10 V76374 ELECTRICAL EQUIP NUMBER: C00165	001007	1
15	4310-029-15		.CIRCUIT BREAKER- SUPPLIER CODE: V76374 SPECIFICATION NUMBER: BACC18AD15 OPTIONAL PART: 2TC47-15 V82647 ELECTRICAL EQUIP NUMBER: C01372 C01365 C01363 C01359	001007	4

MISSING ITEM NUMBERS NOT APPLICABLE

- ITEM NOT ILLUSTRATED

HAP

24-50-51-60

BOEING PROPRIETARY - Copyright © - Unpublished Work - See title page for details.

24-50-51
FIG. 60
PAGE 1
OCT 10/06

BOEING
737-600/700/800/900
PARTS CATALOG (MAINTENANCE)

FIG ITEM	PART NUMBER	1 2 3 4 5 6 7	NOMENCLATURE	EFFECT FROM TO	UNITS PER ASSY
60 20	2TC47-5		.CIRCUIT BREAKER- SUPPLIER CODE: V82647 SPECIFICATION NUMBER: BACC18AD5 OPTIONAL PART: 4310-029-5 V76374 ELECTRICAL EQUIP NUMBER: C01266 C00544 C00412 C01392 C01204	001007	5
25	2TC47-3		.CIRCUIT BREAKER- SUPPLIER CODE: V82647 SPECIFICATION NUMBER: BACC18AD3 OPTIONAL PART: 4310-029-3 V76374 ELECTRICAL EQUIP NUMBER: C01017 C00923 C00276 C01412 C01387 C00357 C00058 C00170 C00425	001007	9

MISSING ITEM NUMBERS NOT APPLICABLE

— ITEM NOT ILLUSTRATED

HAP

24-50-51-60

BOEING PROPRIETARY - Copyright © - Unpublished Work - See title page for details.

24-50-51
FIG. 60
PAGE 2
OCT 10/06

BOEING
737-600/700/800/900
PARTS CATALOG (MAINTENANCE)

FIG ITEM	PART NUMBER	1 2 3 4 5 6 7	NOMENCLATURE	EFFECT FROM TO	UNITS PER ASSY
60 30	2TC47-2-5		.CIRCUIT BREAKER- SUPPLIER CODE: V82647 SPECIFICATION NUMBER: BACC18AD2 OPTIONAL PART: 4310-029-205 V76374 ELECTRICAL EQUIP NUMBER: C00458 C00153 C01390 C01314 C01316 C01317 C01312 C01003 C01103 C00109 C00468 C01369 C00107 C01205 C01208	001007	15
35	6TC6-5		.CIRCUIT BREAKER- SUPPLIER CODE: V82647 SPECIFICATION NUMBER: BACC18AC5 OPTIONAL PART: 4330-004-5 V76374 ELECTRICAL EQUIP NUMBER: C00839	001007	1
45	2TC47-10		.CIRCUIT BREAKER- SUPPLIER CODE: V82647 SPECIFICATION NUMBER: BACC18AD10 OPTIONAL PART: 4310-029-10 V76374 ELECTRICAL EQUIP NUMBER: C00471	001007	1

MISSING ITEM NUMBERS NOT APPLICABLE

— ITEM NOT ILLUSTRATED

HAP

24-50-51-60

BOEING PROPRIETARY - Copyright © - Unpublished Work - See title page for details.

24-50-51
FIG. 60
PAGE 3
OCT 10/06

BOEING
737-600/700/800/900
PARTS CATALOG (MAINTENANCE)

FIG ITEM	PART NUMBER	1 2 3 4 5 6 7	NOMENCLATURE	EFFECT FROM TO	UNITS PER ASSY
60					
60	2TC47-3		.CIRCUIT BREAKER- SUPPLIER CODE: V82647 SPECIFICATION NUMBER: BACC18AD3 OPTIONAL PART: 4310-029-3 V76374 ELECTRICAL EQUIP NUMBER: C01238	001007	1
65	2TC47-2-5		.CIRCUIT BREAKER- SUPPLIER CODE: V82647 SPECIFICATION NUMBER: BACC18AD2 OPTIONAL PART: 4310-029-205 V76374 ELECTRICAL EQUIP NUMBER: C01537	001007	1
70	2TC47-3		.CIRCUIT BREAKER- SUPPLIER CODE: V82647 SPECIFICATION NUMBER: BACC18AD3 OPTIONAL PART: 4310-029-3 V76374 ELECTRICAL EQUIP NUMBER: C01537	001007	1
- 75	BS51338D5003		.PLUG SUPPLIER CODE: V83058 SPECIFICATION NUMBER: BACP20B63B OPTIONAL PART: 51338 V83058	001007	AR
80	10237-1		.COLLAR- SUPPLIER CODE: V1N6X0	001007	2

MISSING ITEM NUMBERS NOT APPLICABLE

- ITEM NOT ILLUSTRATED

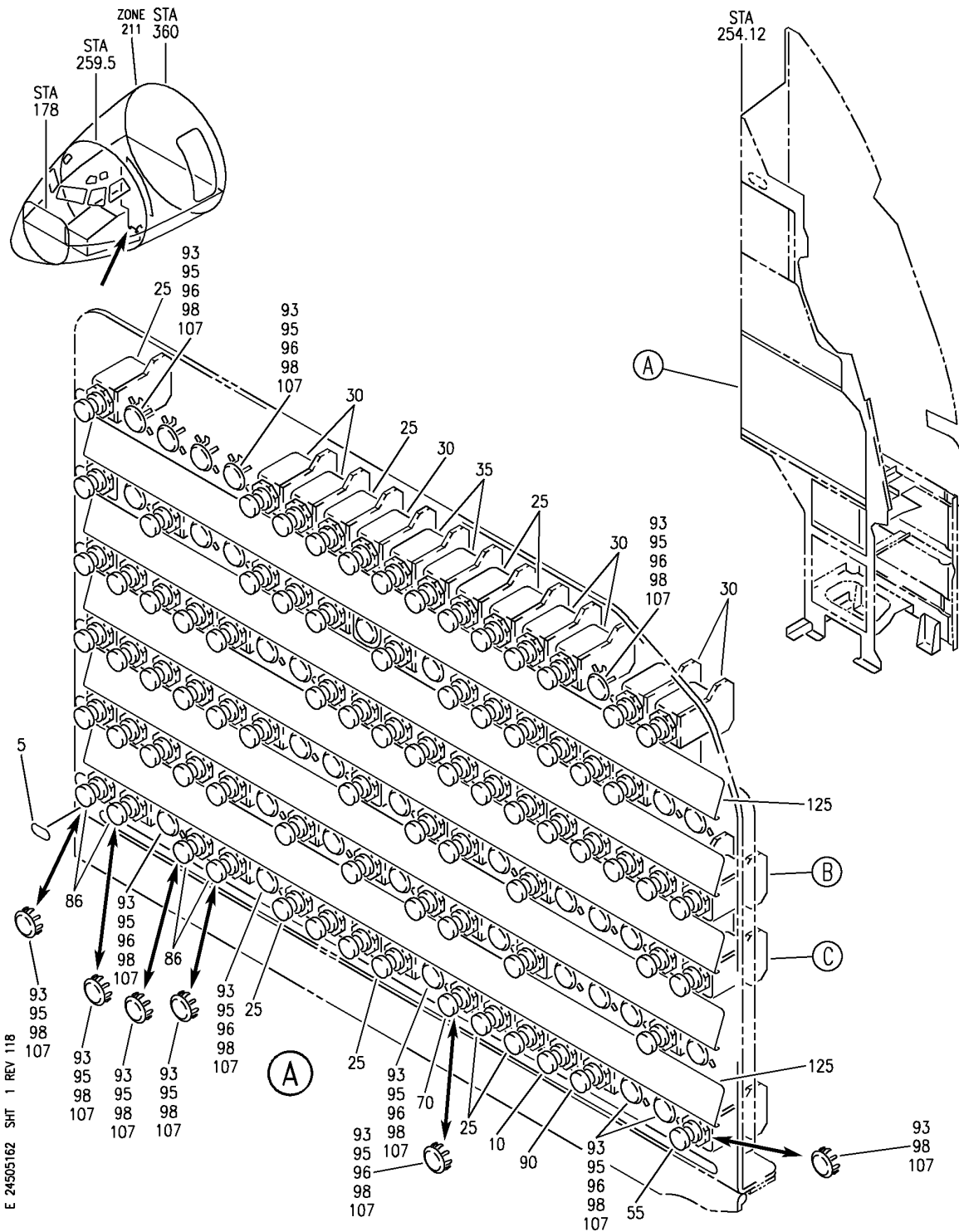
HAP

24-50-51-60

BOEING PROPRIETARY - Copyright © - Unpublished Work - See title page for details.

24-50-51
FIG. 60
PAGE 4
FEB 10/07

BOEING
737-600/700/800/900
PARTS CATALOG (MAINTENANCE)



E 24505162 SHT 1 REV 118

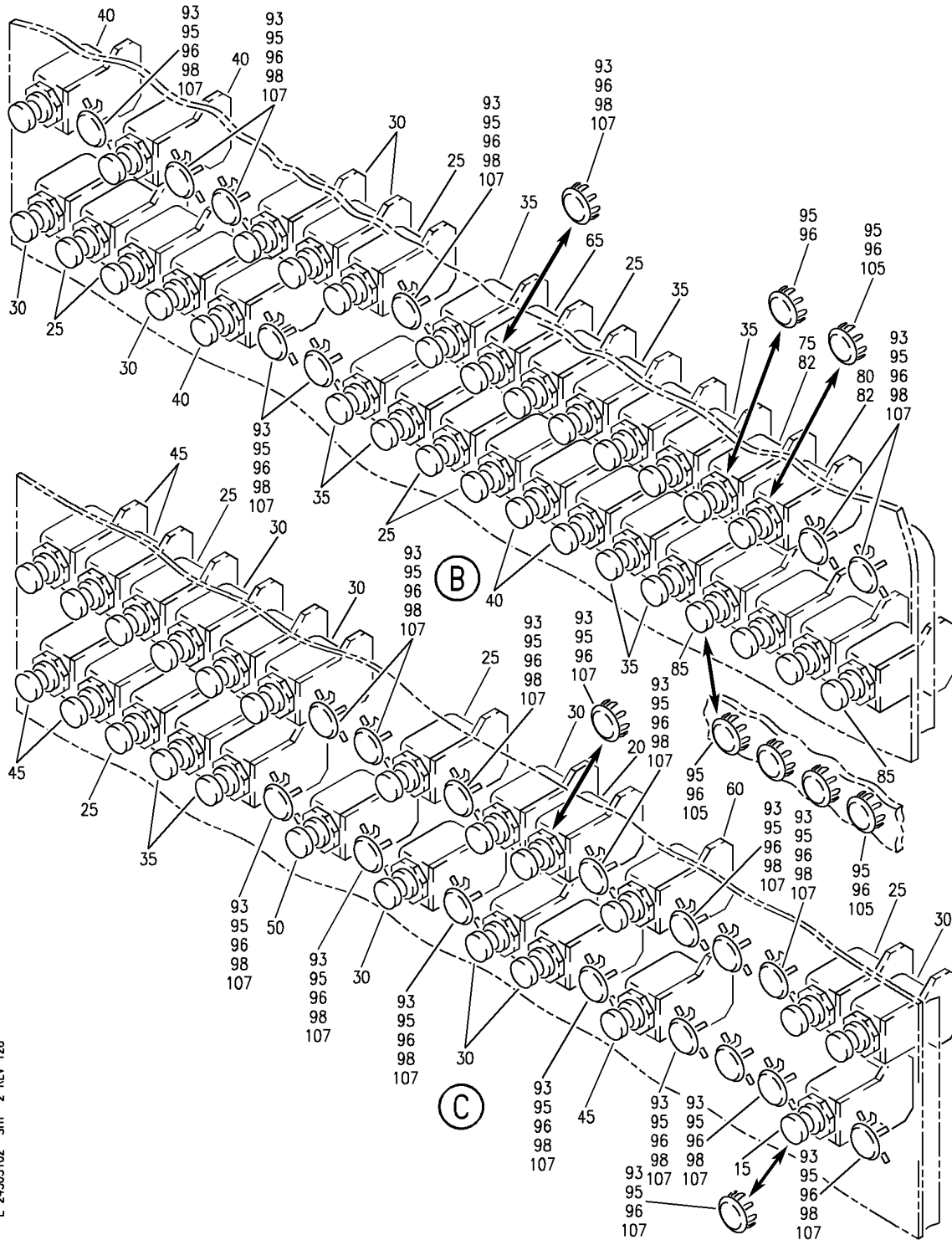
CIRCUIT BREAKER INSTL FLIGHT DECK P18-3 (AC ELECTRICAL DISTRIBUTION ONLY)
FIGURE 62 (SHEET 1)

24-50-51-62

HAP
OCT 10/06

24-50-51-62
PAGE 0


BOEING
737-600/700/800/900
PARTS CATALOG (MAINTENANCE)



E 24505162 SHT 2 REV 128

CIRCUIT BREAKER INSTL FLIGHT DECK P18-3 (AC ELECTRICAL DISTRIBUTION ONLY)
 FIGURE 62 (SHEET 2)

HAP
 JUN 10/07

24-50-51-62

24-50-51-62
 PAGE 0A

BOEING
737-600/700/800/900
PARTS CATALOG (MAINTENANCE)

FIG ITEM	PART NUMBER	1 2 3 4 5 6 7	NOMENCLATURE	EFFECT FROM TO	UNITS PER ASSY
62			CIRCUIT BREAKER INSTL FLIGHT DECK P18-3 (AC ELECTRICAL DISTRIBUTION ONLY)	001007	
- 1	233A5502-303001		CIRCUIT BREAKER INSTL- FLIGHT DECK P18-3 (AC ELECTRICAL DISTRIBUTION ONLY) FOR NHA/OTHER SYS DET SEE: 24-50-00-01C	001007	RF
5	BAC27DCC1239		.MARKER-ALUMINUM FOIL PLACARD CONTENT: P18-3	001007	1
10	2TC47-5		.CIRCUIT BREAKER- SUPPLIER CODE: V82647 SPECIFICATION NUMBER: BACC18AD5 OPTIONAL PART: 4310-029-5 V76374 ELECTRICAL EQUIP NUMBER: C01096	001007	1

MISSING ITEM NUMBERS NOT APPLICABLE

- ITEM NOT ILLUSTRATED

HAP

24-50-51-62

BOEING PROPRIETARY - Copyright © - Unpublished Work - See title page for details.

24-50-51
FIG. 62
PAGE 1
OCT 10/06

BOEING
737-600/700/800/900
PARTS CATALOG (MAINTENANCE)

FIG ITEM	PART NUMBER	1 2 3 4 5 6 7	NOMENCLATURE	EFFECT FROM TO	UNITS PER ASSY
62 25	2TC47-5		.CIRCUIT BREAKER- SUPPLIER CODE: V82647 SPECIFICATION NUMBER: BACC18AD5 OPTIONAL PART: 4310-029-5 V76374 ELECTRICAL EQUIP NUMBER: C00146 C01403 C00113 C00114 C01404 C00111 C00238 C01072 C01408 C01407 C01071 C01217 C01463 C00234 C00156 C00785 C00784 C00783 C00104 C01073	001007	20

MISSING ITEM NUMBERS NOT APPLICABLE

— ITEM NOT ILLUSTRATED

HAP

24-50-51-62

BOEING PROPRIETARY - Copyright © - Unpublished Work - See title page for details.

24-50-51
FIG. 62
PAGE 2
OCT 10/06

BOEING
737-600/700/800/900
PARTS CATALOG (MAINTENANCE)

FIG ITEM	PART NUMBER	1 2 3 4 5 6 7	NOMENCLATURE	EFFECT FROM TO	UNITS PER ASSY
62 30	2TC47-2-5		.CIRCUIT BREAKER- SUPPLIER CODE: V82647 SPECIFICATION NUMBER: BACC18AD2 OPTIONAL PART: 4310-029-205 V76374 ELECTRICAL EQUIP NUMBER: C00148 C01001 C00073 C00110 C00644 C01433 C01434 C00149 C01002 C00523 C00236 C00237 C00525 C00524 C00442 C01423 C01156 C01274 C01125	001007	19
35	2TC47-7-5		.CIRCUIT BREAKER- SUPPLIER CODE: V82647 SPECIFICATION NUMBER: BACC18AD7 OPTIONAL PART: 4310-029-705 V76374 ELECTRICAL EQUIP NUMBER: C01357 C00250 C01358 C00115 C00274 C00271 C01406 C01405 C00272 C00273 C00700 C00233	001007	12

MISSING ITEM NUMBERS NOT APPLICABLE

— ITEM NOT ILLUSTRATED

HAP

24-50-51-62

BOEING PROPRIETARY - Copyright © - Unpublished Work - See title page for details.

24-50-51
FIG. 62
PAGE 3
OCT 10/06

BOEING
737-600/700/800/900
PARTS CATALOG (MAINTENANCE)

FIG ITEM	PART NUMBER	1 2 3 4 5 6 7	NOMENCLATURE	EFFECT FROM TO	UNITS PER ASSY
62 40	2TC47-10		.CIRCUIT BREAKER- SUPPLIER CODE: V82647 SPECIFICATION NUMBER: BACC18AD10 OPTIONAL PART: 4310-029-10 V76374 ELECTRICAL EQUIP NUMBER: C00055 C00054 C02046 C00245 C00244	001007	5
45	2TC47-3		.CIRCUIT BREAKER- SUPPLIER CODE: V82647 SPECIFICATION NUMBER: BACC18AD3 OPTIONAL PART: 4310-029-3 V76374 ELECTRICAL EQUIP NUMBER: C00226 C00225 C00224 C00227 C00163	001007	5
50	9TC620		.CIRCUIT BREAKER- SUPPLIER CODE: V82647 SPECIFICATION NUMBER: BACC18AE20 ELECTRICAL EQUIP NUMBER: C00911	001007	1
55	4310-029-15		.CIRCUIT BREAKER- SUPPLIER CODE: V76374 SPECIFICATION NUMBER: BACC18AD15 OPTIONAL PART: 2TC47-15 V82647 ELECTRICAL EQUIP NUMBER: C01460	001007	1

MISSING ITEM NUMBERS NOT APPLICABLE

— ITEM NOT ILLUSTRATED

HAP

24-50-51-62

BOEING PROPRIETARY - Copyright © - Unpublished Work - See title page for details.

24-50-51
FIG. 62
PAGE 4
OCT 10/06

BOEING
737-600/700/800/900
PARTS CATALOG (MAINTENANCE)

FIG ITEM	PART NUMBER	1 2 3 4 5 6 7	NOMENCLATURE	EFFECT FROM TO	UNITS PER ASSY
62 60	2TC47-10		.CIRCUIT BREAKER- SUPPLIER CODE: V82647 SPECIFICATION NUMBER: BACC18AD10 OPTIONAL PART: 4310-029-10 V76374 ELECTRICAL EQUIP NUMBER: C00123	001007	1
80	2TC47-5		.CIRCUIT BREAKER- SUPPLIER CODE: V82647 SPECIFICATION NUMBER: BACC18AD5 OPTIONAL PART: 4310-029-5 V76374 ELECTRICAL EQUIP NUMBER: C01526 POST ALERT SB: 26A1083R1	001007	1
85	2TC47-2-5		.CIRCUIT BREAKER- SUPPLIER CODE: V82647 SPECIFICATION NUMBER: BACC18AD2 OPTIONAL PART: 4310-029-205 V76374 ELECTRICAL EQUIP NUMBER: C01523 C01522 C01525 C01524 POST ALERT SB: 26A1083R1	001007	4
86	2TC47-2-5		.CIRCUIT BREAKER- SUPPLIER CODE: V82647 SPECIFICATION NUMBER: BACC18AD2 OPTIONAL PART: 4310-029-205 V76374 POST SERVICE BULLETIN: 30-1047	001007	4

MISSING ITEM NUMBERS NOT APPLICABLE

— ITEM NOT ILLUSTRATED

HAP

24-50-51-62

BOEING PROPRIETARY - Copyright © - Unpublished Work - See title page for details.

24-50-51
FIG. 62
PAGE 5
OCT 10/06

 **BOEING**
737-600/700/800/900
PARTS CATALOG (MAINTENANCE)

FIG ITEM	PART NUMBER	1 2 3 4 5 6 7	NOMENCLATURE	EFFECT FROM TO	UNITS PER ASSY
62 90	2TC47-5		.CIRCUIT BREAKER- SUPPLIER CODE: V82647 SPECIFICATION NUMBER: BACC18AD5 OPTIONAL PART: 4310-029-5 V76374 ELECTRICAL EQUIP NUMBER: C01473	001007	1
96	BS51338D5003		.PLUG SUPPLIER CODE: V83058 SPECIFICATION NUMBER: BACP20B63B OPTIONAL PART: 51338 V83058	001007	AR
125 - 680	233A5511-11 286A0020-302		.SUPPORT-MARKER WIRE BUNDLE ASSY-P18 BUS WIRING POST SERVICE BULLETIN: 33-1116 POST ALERT SB: 26A1083R1	001007 002004	5 RF
- 685	286A0020-314		WIRE BUNDLE ASSY-P18 BUS WIRING POST SERVICE BULLETIN: 33-1116 POST ALERT SB: 26A1083R1	005005	RF
- 705	RBEJ40K5A5A6		.JUMPER- SUPPLIER CODE: V1GK47 SPECIFICATION NUMBER: BACJ40K5A5A6 POST ALERT SB: 26A1083R1	002005	2
- 707	RBEJ40K5A5A6		.JUMPER- SUPPLIER CODE: V1GK47 SPECIFICATION NUMBER: BACJ40K5A5A6 POST SERVICE BULLETIN: 33-1116	002005	3

MISSING ITEM NUMBERS NOT APPLICABLE

- ITEM NOT ILLUSTRATED

HAP

24-50-51-62

BOEING PROPRIETARY - Copyright © - Unpublished Work - See title page for details.

24-50-51
FIG. 62
PAGE 6
OCT 10/06

 **BOEING**
737-600/700/800/900
PARTS CATALOG (MAINTENANCE)

FIG ITEM	PART NUMBER	1 2 3 4 5 6 7	NOMENCLATURE	EFFECT FROM TO	UNITS PER ASSY
62 - 742	286A0018-305		WIRE BUNDLE ASSY-P18 BUS WIRING POST SERVICE BULLETIN: 33-1116 POST ALERT SB: 26A1083R1	001001	RF
- 747	286A0018-318		WIRE BUNDLE ASSY-P18 BUS WIRING POST SERVICE BULLETIN: 33-1116 POST ALERT SB: 26A1083R1	006007	RF
- 750	RBEJ40K5A5A6		. JUMPER- SUPPLIER CODE: V1GK47 SPECIFICATION NUMBER: BACJ40K5A5A6 POST ALERT SB: 26A1083R1	001001 006007	2
- 752	RBEJ40K5A5A6		. JUMPER- SUPPLIER CODE: V1GK47 SPECIFICATION NUMBER: BACJ40K5A5A6 POST SERVICE BULLETIN: 33-1116	001001 006007	3

MISSING ITEM NUMBERS NOT APPLICABLE

- ITEM NOT ILLUSTRATED

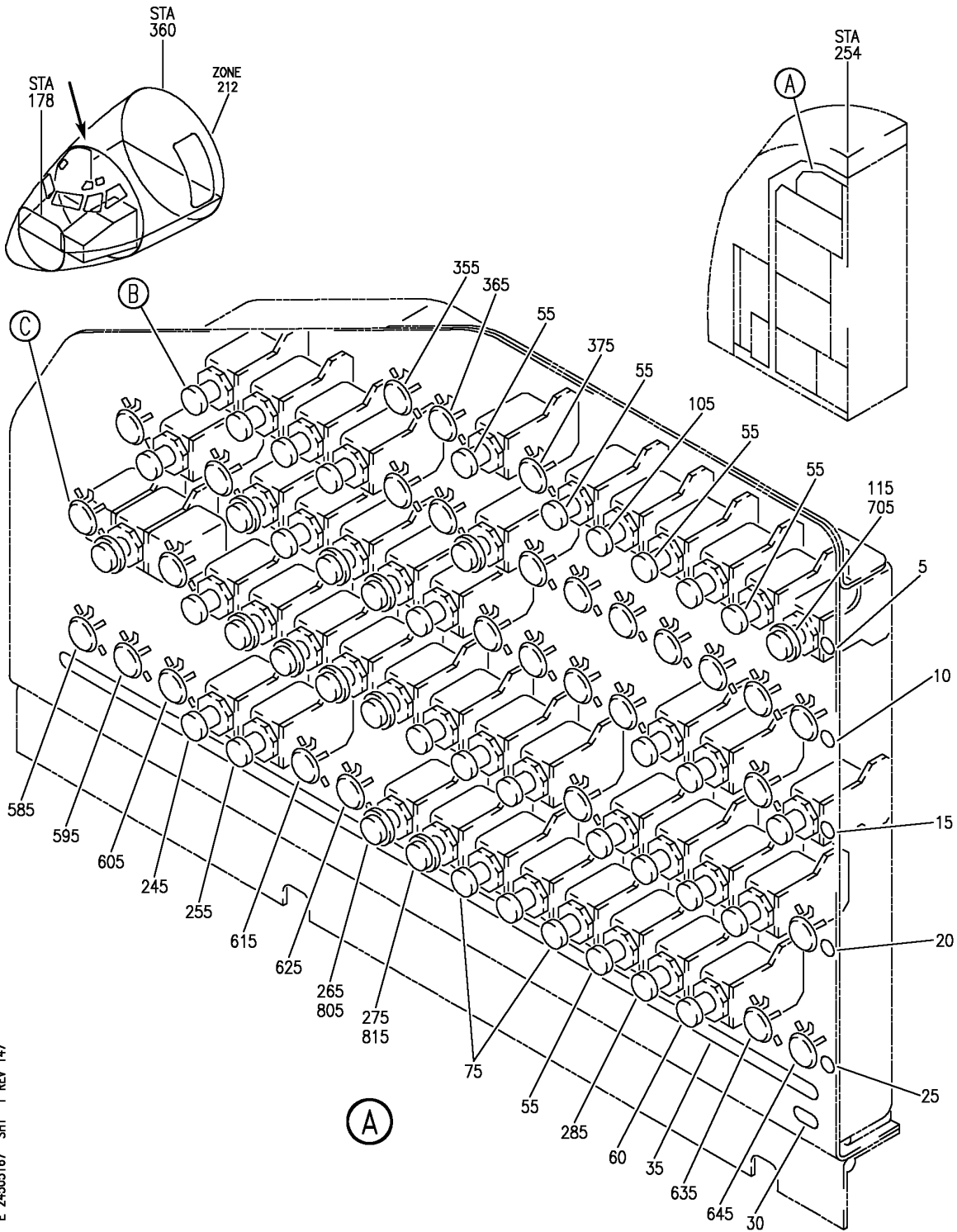
HAP

24-50-51-62

BOEING PROPRIETARY - Copyright © - Unpublished Work - See title page for details.

24-50-51
FIG. 62
PAGE 7
OCT 10/06

BOEING
 737-600/700/800/900
 PARTS CATALOG (MAINTENANCE)



E 24505167 SHT 1 REV 147

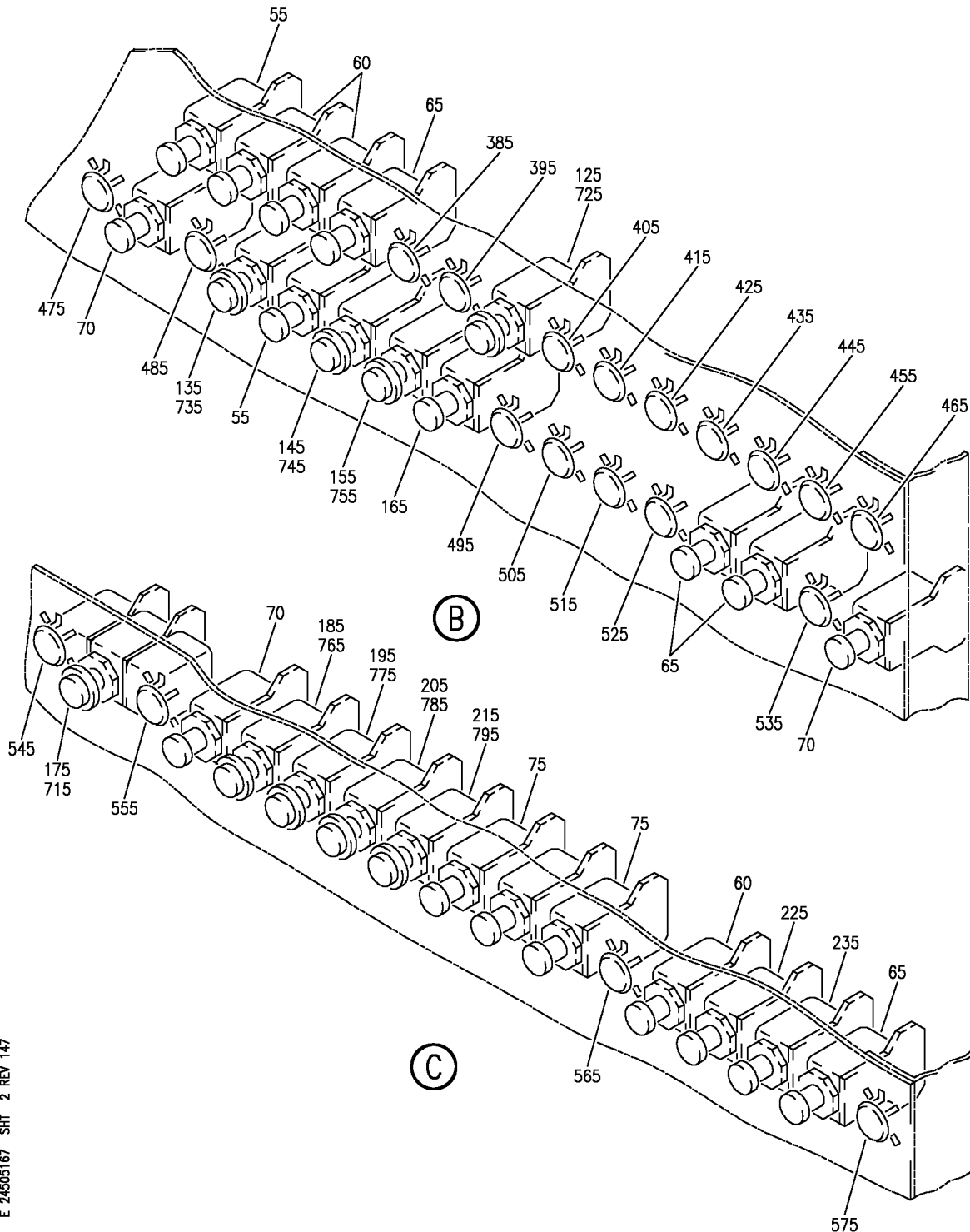
MARKER, CIRCUIT BREAKER, PLUG BUTTON AND INOP INSTL-P6-1 PNL (ELECTRICAL POWER ONLY)
 FIGURE 67 (SHEET 1)

24-50-51-67

HAP
 OCT 15/08

24-50-51-67
 PAGE 0

BOEING
 737-600/700/800/900
 PARTS CATALOG (MAINTENANCE)



E 24505167 SHT 2 REV 147

MARKER, CIRCUIT BREAKER, PLUG BUTTON AND INOP INSTL-P6-1 PNL (ELECTRICAL POWER ONLY)
 FIGURE 67 (SHEET 2)

24-50-51-67

HAP
 OCT 15/08

24-50-51-67
 PAGE 0A

BOEING
737-600/700/800/900
PARTS CATALOG (MAINTENANCE)

FIG ITEM	PART NUMBER	1 2 3 4 5 6 7	NOMENCLATURE	EFFECT FROM TO	UNITS PER ASSY
67			MARKER, CIRCUIT BREAKER, PLUG BUTTON AND INOP INSTL-P6-1 PNL (ELECTRICAL POWER ONLY)	102103	
- 1	MODREF235052		MARKER INSTL-P6-1 PNL MODULE NUMBER: 233A5221-1 REV C	102103	1
5	BAC27DCC3065		.MARKER- PLACARD CONTENT: A	102103	1
10	BAC27DCC3066		.MARKER- PLACARD CONTENT: B	102103	1
15	BAC27DCC3067		.MARKER- PLACARD CONTENT: C	102103	1
20	BAC27DCC3068		.MARKER- PLACARD CONTENT: D	102103	1
25	BAC27DCC3069		.MARKER- PLACARD CONTENT: E	102103	1
30	BAC27DCC3074		.MARKER- PLACARD CONTENT: P6-1	102103	1
35	BAC27DCC2719		.MARKER- PLACARD CONTENT: 1 THRU 17	102103	1
- 50	MODREF274758		CIRCUIT BREAKER INSTL-P6-1 MODULE NUMBER: 233A5221-4 REV C	102103	1
55	2TC47-2-5		.CIRCUIT BREAKER- SUPPLIER CODE: V82647 SPECIFICATION NUMBER: BACC18AD2 OPTIONAL PART: 4310-029-205 V76374 ELECTRICAL EQUIP NUMBER: C00192 C01207 C01370 C01375 C01377 C01379 C01385 C01583	102103	8

MISSING ITEM NUMBERS NOT APPLICABLE

- ITEM NOT ILLUSTRATED

HAP

24-50-51-67

BOEING PROPRIETARY - Copyright © - Unpublished Work - See title page for details.

24-50-51
FIG. 67
PAGE 1
FEB 15/08

BOEING
737-600/700/800/900
PARTS CATALOG (MAINTENANCE)

FIG ITEM	PART NUMBER	1 2 3 4 5 6 7	NOMENCLATURE	EFFECT FROM TO	UNITS PER ASSY
67 60	2TC47-5		.CIRCUIT BREAKER- SUPPLIER CODE: V82647 SPECIFICATION NUMBER: BACC18AD5 OPTIONAL PART: 4310-029-5 V76374 ELECTRICAL EQUIP NUMBER: C00120 C01206 C01263 C01393	102103	4
65	2TC47-3		.CIRCUIT BREAKER- SUPPLIER CODE: V82647 SPECIFICATION NUMBER: BACC18AD3 OPTIONAL PART: 4310-029-3 V76374 ELECTRICAL EQUIP NUMBER: C00426 C00549 C01008 C01262	102103	4
70	2TC47-10		.CIRCUIT BREAKER- SUPPLIER CODE: V82647 SPECIFICATION NUMBER: BACC18AD10 OPTIONAL PART: 4310-029-10 V76374 ELECTRICAL EQUIP NUMBER: C00082 C00166 C01010	102103	3

MISSING ITEM NUMBERS NOT APPLICABLE

— ITEM NOT ILLUSTRATED

HAP

24-50-51-67

BOEING PROPRIETARY - Copyright © - Unpublished Work - See title page for details.

24-50-51
FIG. 67
PAGE 2
FEB 15/08

BOEING
737-600/700/800/900
PARTS CATALOG (MAINTENANCE)

FIG ITEM	PART NUMBER	1 2 3 4 5 6 7	NOMENCLATURE	EFFECT FROM TO	UNITS PER ASSY
67 75	4310-029-15		.CIRCUIT BREAKER- SUPPLIER CODE: V76374 SPECIFICATION NUMBER: BACC18AD15 OPTIONAL PART: 2TC47-15 V82647 ELECTRICAL EQUIP NUMBER: C01360 C01361 C01362 C01364 C01366 C01373	102103	6
- 100	MODREF82542		CIRCUIT BREAKER INSTL- RADIO NAV MMR 2 P6-1/A13 MODULE NUMBER: 233A5221-201480 REV A	102103	1
105	2TC47-2-5		.CIRCUIT BREAKER- SUPPLIER CODE: V82647 SPECIFICATION NUMBER: BACC18AD2 OPTIONAL PART: 4310-029-205 V76374 ELECTRICAL EQUIP NUMBER: C01480	102103	1
- 110	MODREF273852		CIRCUIT BREAKER INSTL-ADF 2 P6-1/A17 MODULE NUMBER: 233A5221-201383 REV A	102103	1
115	2TC47-2-5		.CIRCUIT BREAKER- SUPPLIER CODE: V82647 SPECIFICATION NUMBER: BACC18AD2 OPTIONAL PART: 4310-029-205 V76374 ELECTRICAL EQUIP NUMBER: C01383	102103	1
- 120	MODREF82559		CIRCUIT BREAKER INSTL- ENTERTAINMENT AUDIO DC P6-1/B10 MODULE NUMBER: 233A5221-201584 REV A	102103	1

MISSING ITEM NUMBERS NOT APPLICABLE

- ITEM NOT ILLUSTRATED

HAP

24-50-51-67

BOEING PROPRIETARY - Copyright © - Unpublished Work - See title page for details.

24-50-51
FIG. 67
PAGE 3
FEB 15/08

BOEING
737-600/700/800/900
PARTS CATALOG (MAINTENANCE)

FIG ITEM	PART NUMBER	1 2 3 4 5 6 7	NOMENCLATURE	EFFECT FROM TO	UNITS PER ASSY
67 125	2TC47-3		.CIRCUIT BREAKER- SUPPLIER CODE: V82647 SPECIFICATION NUMBER: BACC18AD3 OPTIONAL PART: 4310-029-3 V76374 ELECTRICAL EQUIP NUMBER: C01584	102103	1
- 130	MODREF82560		CIRCUIT BREAKER INSTL- ENTERTAINMENT VIDEO CONT CTR DC P6-1/C5 MODULE NUMBER: 233A5221-211450 REV A	102103	1
135	2TC47-7-5		.CIRCUIT BREAKER- SUPPLIER CODE: V82647 SPECIFICATION NUMBER: BACC18AD7 OPTIONAL PART: 4310-029-705 V76374 ELECTRICAL EQUIP NUMBER: C01450	102103	1
- 140	MODREF82533		CIRCUIT BREAKER INSTL- ENTERTAINMENT VIDEO CONT CTR AC P6-1/C7 MODULE NUMBER: 233A5221-201451 REV A	102103	1
145	2TC47-7-5		.CIRCUIT BREAKER- SUPPLIER CODE: V82647 SPECIFICATION NUMBER: BACC18AD7 OPTIONAL PART: 4310-029-705 V76374 ELECTRICAL EQUIP NUMBER: C01451	102103	1
- 150	MODREF82538		CIRCUIT BREAKER INSTL- ENTERTAINMENT AUDIO P6-1/C8 MODULE NUMBER: 233A5221-201456 REV A	102103	1

MISSING ITEM NUMBERS NOT APPLICABLE

- ITEM NOT ILLUSTRATED

HAP

24-50-51-67

BOEING PROPRIETARY - Copyright © - Unpublished Work - See title page for details.

24-50-51
FIG. 67
PAGE 4
FEB 15/08

BOEING
737-600/700/800/900
PARTS CATALOG (MAINTENANCE)

FIG ITEM	PART NUMBER	1 2 3 4 5 6 7	NOMENCLATURE	EFFECT FROM TO	UNITS PER ASSY
67 155	2TC47-7-5		.CIRCUIT BREAKER- SUPPLIER CODE: V82647 SPECIFICATION NUMBER: BACC18AD7 OPTIONAL PART: 4310-029-705 V76374 ELECTRICAL EQUIP NUMBER: C01456	102103	1
- 160	MODREF82519		CIRCUIT BREAKER INSTL- ENTERTAINMENT PA TAPE RPDR AC P6-1/C9 MODULE NUMBER: 233A5221-200080 REV A	102103	1
165	2TC47-3		.CIRCUIT BREAKER- SUPPLIER CODE: V82647 SPECIFICATION NUMBER: BACC18AD3 OPTIONAL PART: 4310-029-3 V76374 ELECTRICAL EQUIP NUMBER: C00080	102103	1
- 170	MODREF82523		CIRCUIT BREAKER INSTL- COMMUNICATIONS HF 2 P6-1/D2 MODULE NUMBER: 233A5221-200857 REV A	102103	1
175	6TC6-5		.CIRCUIT BREAKER- SUPPLIER CODE: V82647 SPECIFICATION NUMBER: BACC18AC5 OPTIONAL PART: 4330-004-5 V76374 ELECTRICAL EQUIP NUMBER: C00857	102103	1
- 180	MODREF82534		CIRCUIT BREAKER INSTL- VIDEO 1 P6-1/D5 MODULE NUMBER: 233A5221-201452 REV A	102103	1

MISSING ITEM NUMBERS NOT APPLICABLE

- ITEM NOT ILLUSTRATED

HAP

24-50-51-67

BOEING PROPRIETARY - Copyright © - Unpublished Work - See title page for details.

24-50-51
FIG. 67
PAGE 5
FEB 15/08

BOEING
737-600/700/800/900
PARTS CATALOG (MAINTENANCE)

FIG ITEM	PART NUMBER	1 2 3 4 5 6 7	NOMENCLATURE	EFFECT FROM TO	UNITS PER ASSY
67 185	2TC47-7-5		.CIRCUIT BREAKER- SUPPLIER CODE: V82647 SPECIFICATION NUMBER: BACC18AD7 OPTIONAL PART: 4310-029-705 V76374 ELECTRICAL EQUIP NUMBER: C01452	102103	1
- 190	MODREF82535		CIRCUIT BREAKER INSTL- VIDEO 2 P6-1/D6 MODULE NUMBER: 233A5221-201453 REV A	102103	1
195	2TC47-7-5		.CIRCUIT BREAKER- SUPPLIER CODE: V82647 SPECIFICATION NUMBER: BACC18AD7 OPTIONAL PART: 4310-029-705 V76374 ELECTRICAL EQUIP NUMBER: C01453	102103	1
- 200	MODREF82536		CIRCUIT BREAKER INSTL- VIDEO 3 P6-1/D7 MODULE NUMBER: 233A5221-201454 REV A	102103	1
205	2TC47-7-5		.CIRCUIT BREAKER- SUPPLIER CODE: V82647 SPECIFICATION NUMBER: BACC18AD7 OPTIONAL PART: 4310-029-705 V76374 ELECTRICAL EQUIP NUMBER: C01454	102103	1
- 210	MODREF82537		CIRCUIT BREAKER INSTL- VIDEO 4 P6-1/D8 MODULE NUMBER: 233A5221-201455 REV A	102103	1

MISSING ITEM NUMBERS NOT APPLICABLE

- ITEM NOT ILLUSTRATED

HAP

24-50-51-67

BOEING PROPRIETARY - Copyright © - Unpublished Work - See title page for details.

24-50-51
FIG. 67
PAGE 6
FEB 15/08

BOEING
737-600/700/800/900
PARTS CATALOG (MAINTENANCE)

FIG ITEM	PART NUMBER	1 2 3 4 5 6 7	NOMENCLATURE	EFFECT FROM TO	UNITS PER ASSY
67 215	2TC47-7-5		.CIRCUIT BREAKER- SUPPLIER CODE: V82647 SPECIFICATION NUMBER: BACC18AD7 OPTIONAL PART: 4310-029-705 V76374 ELECTRICAL EQUIP NUMBER: C01455	102103	1
- 220	MODREF82520		CIRCUIT BREAKER INSTL- ATC-2 P6-1/D14 MODULE NUMBER: 233A5221-200188 REV A	102103	1
225	2TC47-5		.CIRCUIT BREAKER- SUPPLIER CODE: V82647 SPECIFICATION NUMBER: BACC18AD5 OPTIONAL PART: 4310-029-5 V76374 ELECTRICAL EQUIP NUMBER: C00188	102103	1
- 230	MODREF82530		CIRCUIT BREAKER INSTL-FMCS MCDU 2 P6-1/D15 MODULE NUMBER: 233A5221-201239 REV A	102103	1
235	2TC47-3		.CIRCUIT BREAKER- SUPPLIER CODE: V82647 SPECIFICATION NUMBER: BACC18AD3 OPTIONAL PART: 4310-029-3 V76374 ELECTRICAL EQUIP NUMBER: C01239	102103	1
- 240	MODREF82527		CIRCUIT BREAKER INSTL-ACMS P6-1/E4 MODULE NUMBER: 233A5221-201196 REV A	102103	1

MISSING ITEM NUMBERS NOT APPLICABLE

- ITEM NOT ILLUSTRATED

HAP

24-50-51-67

BOEING PROPRIETARY - Copyright © - Unpublished Work - See title page for details.

24-50-51
FIG. 67
PAGE 7
FEB 15/08

BOEING
737-600/700/800/900
PARTS CATALOG (MAINTENANCE)

FIG ITEM	PART NUMBER	1 2 3 4 5 6 7	NOMENCLATURE	EFFECT FROM TO	UNITS PER ASSY
67 245	2TC47-2-5		.CIRCUIT BREAKER- SUPPLIER CODE: V82647 SPECIFICATION NUMBER: BACC18AD2 OPTIONAL PART: 4310-029-205 V76374 ELECTRICAL EQUIP NUMBER: C01196	102103	1
- 250	MODREF82529		CIRCUIT BREAKER INSTL-PRTR P6-1/E5 MODULE NUMBER: 233A5221-201216 REV A	102103	1
255	2TC47-2-5		.CIRCUIT BREAKER- SUPPLIER CODE: V82647 SPECIFICATION NUMBER: BACC18AD2 OPTIONAL PART: 4310-029-205 V76374 ELECTRICAL EQUIP NUMBER: C01216	102103	1
- 260	MODREF82543		CIRCUIT BREAKER INSTL-CMU 1 AC P6-1/E8 MODULE NUMBER: 233A5221-201483 REV A	102103	1
265	2TC47-2-5		.CIRCUIT BREAKER- SUPPLIER CODE: V82647 SPECIFICATION NUMBER: BACC18AD2 OPTIONAL PART: 4310-029-205 V76374 ELECTRICAL EQUIP NUMBER: C01483	102103	1
- 270	MODREF82546		CIRCUIT BREAKER INSTL- CMU/ACARS DC P6-1/E9 MODULE NUMBER: 233A5221-201500 REV A	102103	1

MISSING ITEM NUMBERS NOT APPLICABLE

- ITEM NOT ILLUSTRATED

HAP

24-50-51-67

BOEING PROPRIETARY - Copyright © - Unpublished Work - See title page for details.

24-50-51
FIG. 67
PAGE 8
FEB 15/08

BOEING
737-600/700/800/900
PARTS CATALOG (MAINTENANCE)

FIG ITEM	PART NUMBER	1 2 3 4 5 6 7	NOMENCLATURE	EFFECT FROM TO	UNITS PER ASSY
67 275	2TC47-2-5		.CIRCUIT BREAKER- SUPPLIER CODE: V82647 SPECIFICATION NUMBER: BACC18AD2 OPTIONAL PART: 4310-029-205 V76374 ELECTRICAL EQUIP NUMBER: C01500	102103	1
- 280	MODREF82526		CIRCUIT BREAKER INSTL-ATC ANT SWITCH P6-1/E14 MODULE NUMBER: 233A5221-201194 REV A	102103	1
285	2TC47-2-5		.CIRCUIT BREAKER- SUPPLIER CODE: V82647 SPECIFICATION NUMBER: BACC18AD2 OPTIONAL PART: 4310-029-205 V76374 ELECTRICAL EQUIP NUMBER: C01194	102103	1
- 350	MODREF82561		PLUG BUTTON INSTL-P6-1/A8 MODULE NUMBER: 233A5221-301108 REV A	102103	1
355	BS51338D5003		.PLUG- SUPPLIER CODE: V83058 SPECIFICATION NUMBER: BACP20B63B OPTIONAL PART: 51338 V83058 MISCELLANEOUS DATA: USE IN PLACE OF CIRCUIT BREAKERS ON OPEN HOLES	102103	1
- 360	MODREF82562		PLUG BUTTON INSTL-P6-1/A9 MODULE NUMBER: 233A5221-301109 REV A	102103	1

MISSING ITEM NUMBERS NOT APPLICABLE

- ITEM NOT ILLUSTRATED

HAP

24-50-51-67

BOEING PROPRIETARY - Copyright © - Unpublished Work - See title page for details.

24-50-51
FIG. 67
PAGE 9
FEB 15/08

BOEING
737-600/700/800/900
PARTS CATALOG (MAINTENANCE)

FIG ITEM	PART NUMBER	1 2 3 4 5 6 7	NOMENCLATURE	EFFECT FROM TO	UNITS PER ASSY
67 365	BS51338D5003		.PLUG- SUPPLIER CODE: V83058 SPECIFICATION NUMBER: BACP20B63B OPTIONAL PART: 51338 V83058 MISCELLANEOUS DATA: USE IN PLACE OF CIRCUIT BREAKERS ON OPEN HOLES	102103	1
- 370	MODREF82563		PLUG BUTTON INSTL-P6-1/A11 MODULE NUMBER: 233A5221-301111 REV A	102103	1
375	BS51338D5003		.PLUG- SUPPLIER CODE: V83058 SPECIFICATION NUMBER: BACP20B63B OPTIONAL PART: 51338 V83058 MISCELLANEOUS DATA: USE IN PLACE OF CIRCUIT BREAKERS ON OPEN HOLES	102103	1
- 380	MODREF82564		PLUG BUTTON INSTL-P6-1/B8 MODULE NUMBER: 233A5221-301208 REV A	102103	1
385	BS51338D5003		.PLUG- SUPPLIER CODE: V83058 SPECIFICATION NUMBER: BACP20B63B OPTIONAL PART: 51338 V83058 MISCELLANEOUS DATA: USE IN PLACE OF CIRCUIT BREAKERS ON OPEN HOLES	102103	1
- 390	MODREF82565		PLUG BUTTON INSTL-P6-1/B9 MODULE NUMBER: 233A5221-301209 REV A	102103	1

MISSING ITEM NUMBERS NOT APPLICABLE

- ITEM NOT ILLUSTRATED

HAP

24-50-51-67

BOEING PROPRIETARY - Copyright © - Unpublished Work - See title page for details.

24-50-51
FIG. 67
PAGE 10
FEB 15/08

BOEING
737-600/700/800/900
PARTS CATALOG (MAINTENANCE)

FIG ITEM	PART NUMBER	1 2 3 4 5 6 7	NOMENCLATURE	EFFECT FROM TO	UNITS PER ASSY
67 395	BS51338D5003		.PLUG- SUPPLIER CODE: V83058 SPECIFICATION NUMBER: BACP20B63B OPTIONAL PART: 51338 V83058 MISCELLANEOUS DATA: USE IN PLACE OF CIRCUIT BREAKERS ON OPEN HOLES	102103	1
- 400	MODREF82567		PLUG BUTTON INSTL-P6-1/B11 MODULE NUMBER: 233A5221-301211 REV A	102103	1
405	BS51338D5003		.PLUG- SUPPLIER CODE: V83058 SPECIFICATION NUMBER: BACP20B63B OPTIONAL PART: 51338 V83058 MISCELLANEOUS DATA: USE IN PLACE OF CIRCUIT BREAKERS ON OPEN HOLES	102103	1
- 410	MODREF82568		PLUG BUTTON INSTL-P6-1/B12 MODULE NUMBER: 233A5221-301212 REV A	102103	1
415	BS51338D5003		.PLUG- SUPPLIER CODE: V83058 SPECIFICATION NUMBER: BACP20B63B OPTIONAL PART: 51338 V83058 MISCELLANEOUS DATA: USE IN PLACE OF CIRCUIT BREAKERS ON OPEN HOLES	102103	1
- 420	MODREF82569		PLUG BUTTON INSTL-P6-1/B13 MODULE NUMBER: 233A5221-301213 REV A	102103	1

MISSING ITEM NUMBERS NOT APPLICABLE

- ITEM NOT ILLUSTRATED

HAP

24-50-51-67

BOEING PROPRIETARY - Copyright © - Unpublished Work - See title page for details.

24-50-51
FIG. 67
PAGE 11
FEB 15/08

BOEING
737-600/700/800/900
PARTS CATALOG (MAINTENANCE)

FIG ITEM	PART NUMBER	1 2 3 4 5 6 7	NOMENCLATURE	EFFECT FROM TO	UNITS PER ASSY
67 425	BS51338D5003		.PLUG- SUPPLIER CODE: V83058 SPECIFICATION NUMBER: BACP20B63B OPTIONAL PART: 51338 V83058 MISCELLANEOUS DATA: USE IN PLACE OF CIRCUIT BREAKERS ON OPEN HOLES	102103	1
- 430	MODREF82570		PLUG BUTTON INSTL-P6-1/B14 MODULE NUMBER: 233A5221-301214 REV A	102103	1
435	BS51338D5003		.PLUG- SUPPLIER CODE: V83058 SPECIFICATION NUMBER: BACP20B63B OPTIONAL PART: 51338 V83058 MISCELLANEOUS DATA: USE IN PLACE OF CIRCUIT BREAKERS ON OPEN HOLES	102103	1
- 440	MODREF82571		PLUG BUTTON INSTL-P6-1/B15 MODULE NUMBER: 233A5221-301215 REV A	102103	1
445	BS51338D5003		.PLUG- SUPPLIER CODE: V83058 SPECIFICATION NUMBER: BACP20B63B OPTIONAL PART: 51338 V83058 MISCELLANEOUS DATA: USE IN PLACE OF CIRCUIT BREAKERS ON OPEN HOLES	102103	1
- 450	MODREF82572		PLUG BUTTON INSTL-P6-1/B16 MODULE NUMBER: 233A5221-301216 REV A	102103	1

MISSING ITEM NUMBERS NOT APPLICABLE

- ITEM NOT ILLUSTRATED

HAP

24-50-51-67

BOEING PROPRIETARY - Copyright © - Unpublished Work - See title page for details.

24-50-51
FIG. 67
PAGE 12
FEB 15/08

BOEING
737-600/700/800/900
PARTS CATALOG (MAINTENANCE)

FIG ITEM	PART NUMBER	1 2 3 4 5 6 7	NOMENCLATURE	EFFECT FROM TO	UNITS PER ASSY
67 455	BS51338D5003		.PLUG- SUPPLIER CODE: V83058 SPECIFICATION NUMBER: BACP20B63B OPTIONAL PART: 51338 V83058 MISCELLANEOUS DATA: USE IN PLACE OF CIRCUIT BREAKERS ON OPEN HOLES	102103	1
- 460	MODREF82573		PLUG BUTTON INSTL-P6-1/B17 MODULE NUMBER: 233A5221-301217 REV A	102103	1
465	BS51338D5003		.PLUG- SUPPLIER CODE: V83058 SPECIFICATION NUMBER: BACP20B63B OPTIONAL PART: 51338 V83058 MISCELLANEOUS DATA: USE IN PLACE OF CIRCUIT BREAKERS ON OPEN HOLES	102103	1
- 470	MODREF82574		PLUG BUTTON INSTL-P6-1/C2 MODULE NUMBER: 233A5221-301302 REV A	102103	1
475	BS51338D5003		.PLUG- SUPPLIER CODE: V83058 SPECIFICATION NUMBER: BACP20B63B OPTIONAL PART: 51338 V83058 MISCELLANEOUS DATA: USE IN PLACE OF CIRCUIT BREAKERS ON OPEN HOLES	102103	1
- 480	MODREF82575		PLUG BUTTON INSTL-P6-1/C4 MODULE NUMBER: 233A5221-301304 REV A	102103	1

MISSING ITEM NUMBERS NOT APPLICABLE

- ITEM NOT ILLUSTRATED

HAP

24-50-51-67

BOEING PROPRIETARY - Copyright © - Unpublished Work - See title page for details.

24-50-51
FIG. 67
PAGE 13
FEB 15/08

BOEING
737-600/700/800/900
PARTS CATALOG (MAINTENANCE)

FIG ITEM	PART NUMBER	1 2 3 4 5 6 7	NOMENCLATURE	EFFECT FROM TO	UNITS PER ASSY
67 485	BS51338D5003		.PLUG- SUPPLIER CODE: V83058 SPECIFICATION NUMBER: BACP20B63B OPTIONAL PART: 51338 V83058 MISCELLANEOUS DATA: USE IN PLACE OF CIRCUIT BREAKERS ON OPEN HOLES	102103	1
- 490	MODREF82580		PLUG BUTTON INSTL-P6-1/C10 MODULE NUMBER: 233A5221-301310 REV A	102103	1
495	BS51338D5003		.PLUG- SUPPLIER CODE: V83058 SPECIFICATION NUMBER: BACP20B63B OPTIONAL PART: 51338 V83058 MISCELLANEOUS DATA: USE IN PLACE OF CIRCUIT BREAKERS ON OPEN HOLES	102103	1
- 500	MODREF82581		PLUG BUTTON INSTL-P6-1/C11 MODULE NUMBER: 233A5221-301311 REV A	102103	1
505	BS51338D5003		.PLUG- SUPPLIER CODE: V83058 SPECIFICATION NUMBER: BACP20B63B OPTIONAL PART: 51338 V83058 MISCELLANEOUS DATA: USE IN PLACE OF CIRCUIT BREAKERS ON OPEN HOLES	102103	1
- 510	MODREF82582		PLUG BUTTON INSTL-P6-1/C12 MODULE NUMBER: 233A5221-301312 REV A	102103	1

MISSING ITEM NUMBERS NOT APPLICABLE

- ITEM NOT ILLUSTRATED

HAP

24-50-51-67

BOEING PROPRIETARY - Copyright © - Unpublished Work - See title page for details.

24-50-51
FIG. 67
PAGE 14
FEB 15/08

BOEING
737-600/700/800/900
PARTS CATALOG (MAINTENANCE)

FIG ITEM	PART NUMBER	1 2 3 4 5 6 7	NOMENCLATURE	EFFECT FROM TO	UNITS PER ASSY
67 515	BS51338D5003		.PLUG- SUPPLIER CODE: V83058 SPECIFICATION NUMBER: BACP20B63B OPTIONAL PART: 51338 V83058 MISCELLANEOUS DATA: USE IN PLACE OF CIRCUIT BREAKERS ON OPEN HOLES	102103	1
- 520	MODREF82583		PLUG BUTTON INSTL-P6-1/C13 MODULE NUMBER: 233A5221-301313 REV A	102103	1
525	BS51338D5003		.PLUG- SUPPLIER CODE: V83058 SPECIFICATION NUMBER: BACP20B63B OPTIONAL PART: 51338 V83058 MISCELLANEOUS DATA: USE IN PLACE OF CIRCUIT BREAKERS ON OPEN HOLES	102103	1
- 530	MODREF82584		PLUG BUTTON INSTL-P6-1/C16 MODULE NUMBER: 233A5221-301316 REV A	102103	1
535	BS51338D5003		.PLUG- SUPPLIER CODE: V83058 SPECIFICATION NUMBER: BACP20B63B OPTIONAL PART: 51338 V83058 MISCELLANEOUS DATA: USE IN PLACE OF CIRCUIT BREAKERS ON OPEN HOLES	102103	1
- 540	MODREF82585		PLUG BUTTON INSTL-P6-1/D1 MODULE NUMBER: 233A5221-301401 REV A	102103	1

MISSING ITEM NUMBERS NOT APPLICABLE

- ITEM NOT ILLUSTRATED

HAP

24-50-51-67

BOEING PROPRIETARY - Copyright © - Unpublished Work - See title page for details.

24-50-51
FIG. 67
PAGE 15
FEB 15/08

BOEING
737-600/700/800/900
PARTS CATALOG (MAINTENANCE)

FIG ITEM	PART NUMBER	1 2 3 4 5 6 7	NOMENCLATURE	EFFECT FROM TO	UNITS PER ASSY
67 545	BS51338D5003		.PLUG- SUPPLIER CODE: V83058 SPECIFICATION NUMBER: BACP20B63B OPTIONAL PART: 51338 V83058 MISCELLANEOUS DATA: USE IN PLACE OF CIRCUIT BREAKERS ON OPEN HOLES	102103	1
- 550	MODREF82587		PLUG BUTTON INSTL-P6-1/D3 MODULE NUMBER: 233A5221-301403 REV A	102103	1
555	BS51338D5003		.PLUG- SUPPLIER CODE: V83058 SPECIFICATION NUMBER: BACP20B63B OPTIONAL PART: 51338 V83058 MISCELLANEOUS DATA: USE IN PLACE OF CIRCUIT BREAKERS ON OPEN HOLES	102103	1
- 560	MODREF82592		PLUG BUTTON INSTL-P6-1/D12 MODULE NUMBER: 233A5221-301412 REV A	102103	1
565	BS51338D5003		.PLUG- SUPPLIER CODE: V83058 SPECIFICATION NUMBER: BACP20B63B OPTIONAL PART: 51338 V83058 MISCELLANEOUS DATA: USE IN PLACE OF CIRCUIT BREAKERS ON OPEN HOLES	102103	1
- 570	MODREF82594		PLUG BUTTON INSTL-P6-1/D17 MODULE NUMBER: 233A5221-301417 REV A	102103	1

MISSING ITEM NUMBERS NOT APPLICABLE

- ITEM NOT ILLUSTRATED

HAP

24-50-51-67

BOEING PROPRIETARY - Copyright © - Unpublished Work - See title page for details.

24-50-51
FIG. 67
PAGE 16
FEB 15/08

BOEING
737-600/700/800/900
PARTS CATALOG (MAINTENANCE)

FIG ITEM	PART NUMBER	1 2 3 4 5 6 7	NOMENCLATURE	EFFECT FROM TO	UNITS PER ASSY
67 575	BS51338D5003		.PLUG- SUPPLIER CODE: V83058 SPECIFICATION NUMBER: BACP20B63B OPTIONAL PART: 51338 V83058 MISCELLANEOUS DATA: USE IN PLACE OF CIRCUIT BREAKERS ON OPEN HOLES	102103	1
- 580	MODREF82595		PLUG BUTTON INSTL-P6-1/E1 MODULE NUMBER: 233A5221-301501 REV A	102103	1
585	BS51338D5003		.PLUG- SUPPLIER CODE: V83058 SPECIFICATION NUMBER: BACP20B63B OPTIONAL PART: 51338 V83058 MISCELLANEOUS DATA: USE IN PLACE OF CIRCUIT BREAKERS ON OPEN HOLES	102103	1
- 590	MODREF82596		PLUG BUTTON INSTL-P6-1/E2 MODULE NUMBER: 233A5221-301502 REV A	102103	1
595	BS51338D5003		.PLUG- SUPPLIER CODE: V83058 SPECIFICATION NUMBER: BACP20B63B OPTIONAL PART: 51338 V83058 MISCELLANEOUS DATA: USE IN PLACE OF CIRCUIT BREAKERS ON OPEN HOLES	102103	1
- 600	MODREF82597		PLUG BUTTON INSTL-P6-1/E3 MODULE NUMBER: 233A5221-301503 REV A	102103	1

MISSING ITEM NUMBERS NOT APPLICABLE

- ITEM NOT ILLUSTRATED

HAP

24-50-51-67

BOEING PROPRIETARY - Copyright © - Unpublished Work - See title page for details.

24-50-51
FIG. 67
PAGE 17
FEB 15/08

BOEING
737-600/700/800/900
PARTS CATALOG (MAINTENANCE)

FIG ITEM	PART NUMBER	1 2 3 4 5 6 7	NOMENCLATURE	EFFECT FROM TO	UNITS PER ASSY
67 605	BS51338D5003		.PLUG- SUPPLIER CODE: V83058 SPECIFICATION NUMBER: BACP20B63B OPTIONAL PART: 51338 V83058 MISCELLANEOUS DATA: USE IN PLACE OF CIRCUIT BREAKERS ON OPEN HOLES	102103	1
- 610	MODREF82600		PLUG BUTTON INSTL-P6-1/E6 MODULE NUMBER: 233A5221-301506 REV A	102103	1
615	BS51338D5003		.PLUG- SUPPLIER CODE: V83058 SPECIFICATION NUMBER: BACP20B63B OPTIONAL PART: 51338 V83058 MISCELLANEOUS DATA: USE IN PLACE OF CIRCUIT BREAKERS ON OPEN HOLES	102103	1
- 620	MODREF82601		PLUG BUTTON INSTL-P6-1/E7 MODULE NUMBER: 233A5221-301507 REV A	102103	1
625	BS51338D5003		.PLUG- SUPPLIER CODE: V83058 SPECIFICATION NUMBER: BACP20B63B OPTIONAL PART: 51338 V83058 MISCELLANEOUS DATA: USE IN PLACE OF CIRCUIT BREAKERS ON OPEN HOLES	102103	1
- 630	MODREF82605		PLUG BUTTON INSTL-P6-1/E16 MODULE NUMBER: 233A5221-301516 REV A	102103	1

MISSING ITEM NUMBERS NOT APPLICABLE

- ITEM NOT ILLUSTRATED

HAP

24-50-51-67

BOEING PROPRIETARY - Copyright © - Unpublished Work - See title page for details.

24-50-51
FIG. 67
PAGE 18
FEB 15/08

BOEING
737-600/700/800/900
PARTS CATALOG (MAINTENANCE)

FIG ITEM	PART NUMBER	1 2 3 4 5 6 7	NOMENCLATURE	EFFECT FROM TO	UNITS PER ASSY
67 635	BS51338D5003		.PLUG- SUPPLIER CODE: V83058 SPECIFICATION NUMBER: BACP20B63B OPTIONAL PART: 51338 V83058 MISCELLANEOUS DATA: USE IN PLACE OF CIRCUIT BREAKERS ON OPEN HOLES	102103	1
- 640	MODREF82606		PLUG BUTTON INSTL-P6-1/E17 MODULE NUMBER: 233A5221-301517 REV A	102103	1
645	BS51338D5003		.PLUG- SUPPLIER CODE: V83058 SPECIFICATION NUMBER: BACP20B63B OPTIONAL PART: 51338 V83058 MISCELLANEOUS DATA: USE IN PLACE OF CIRCUIT BREAKERS ON OPEN HOLES	102103	1
- 700	MODREF82664		INOP INSTL-P6-1/A17 (ELECTRICAL POWER ONLY) MODULE NUMBER: 233A5221-501117 REV A FOR OTHER SYS DETAILS SEE: 11-31-51-67	102103	1
705	10237-1		.COLLAR- SUPPLIER CODE: V1N6X0	102103	1
- 710	MODREF82677		INOP INSTL-P6-1/D2 (ELECTRICAL POWER ONLY) MODULE NUMBER: 233A5221-501402 REV A FOR OTHER SYS DETAILS SEE: 11-31-51-67	102103	1
715	10237-1		.COLLAR- SUPPLIER CODE: V1N6X0	102103	1

MISSING ITEM NUMBERS NOT APPLICABLE

- ITEM NOT ILLUSTRATED

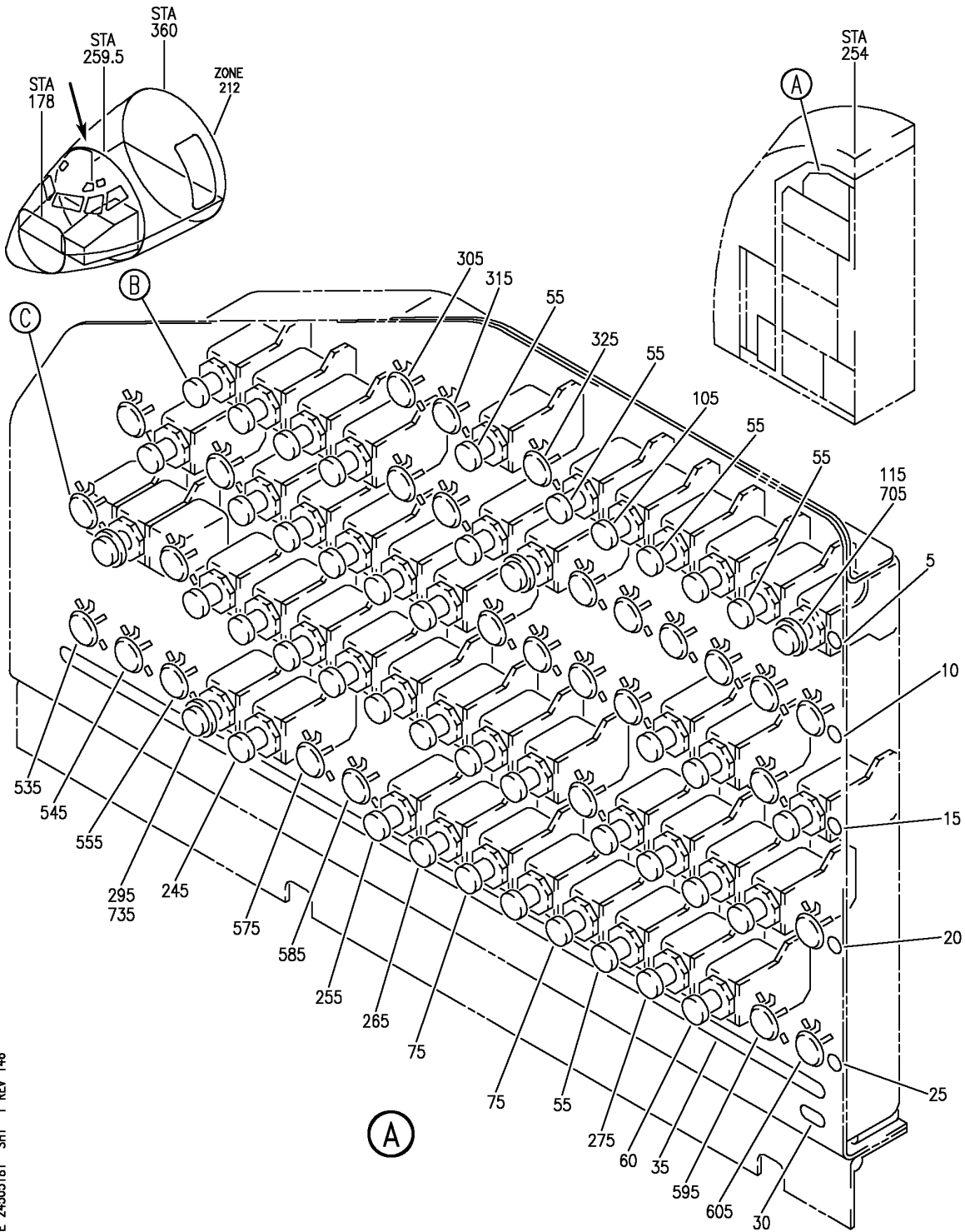
HAP

24-50-51-67

BOEING PROPRIETARY - Copyright © - Unpublished Work - See title page for details.

24-50-51
FIG. 67
PAGE 19
FEB 15/08

BOEING
 737-600/700/800/900
 PARTS CATALOG (MAINTENANCE)



E 24505181 SHT 1 REV 146

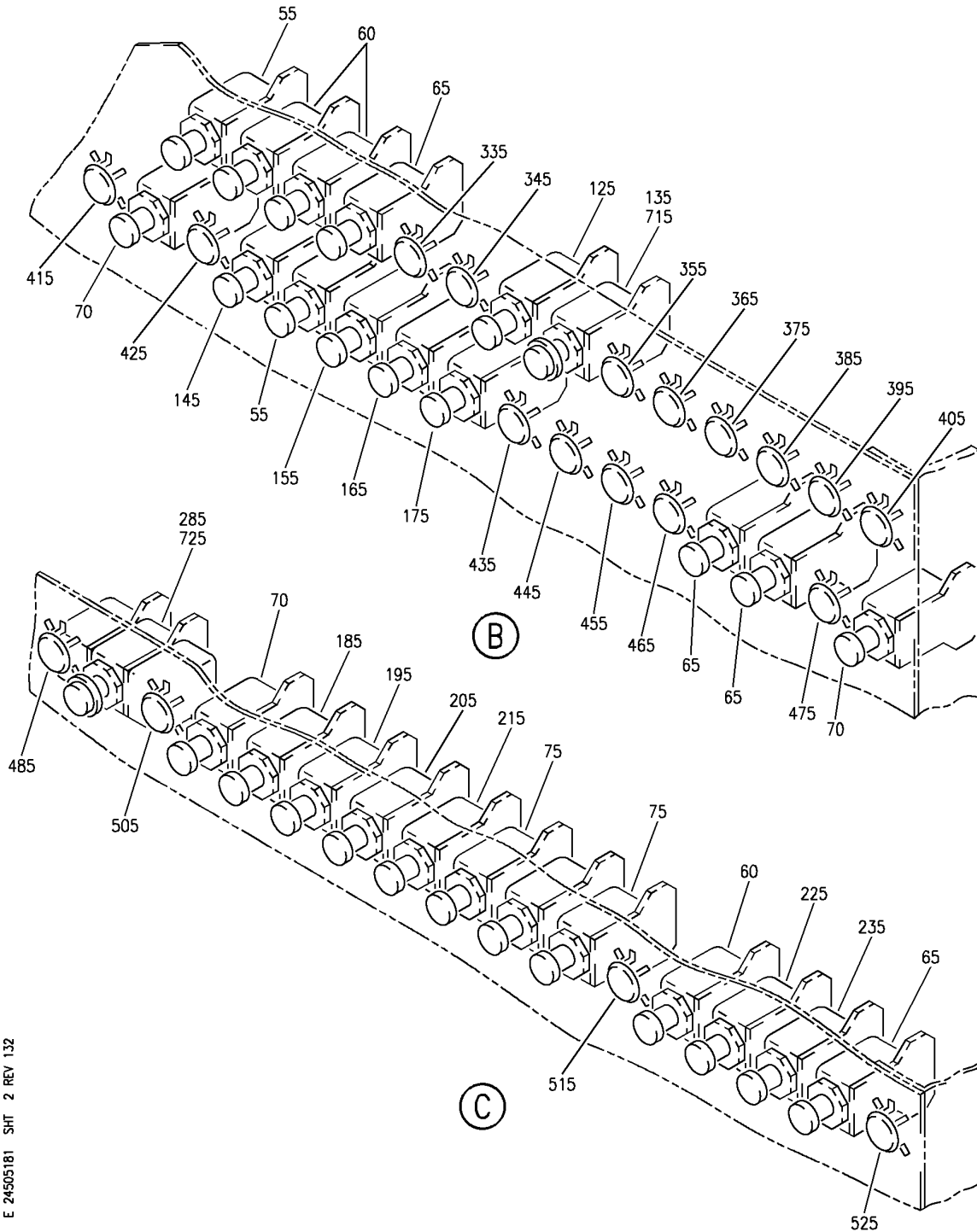
MARKER, CIRCUIT BREAKER, PLUG BUTTON AND INOP INSTL-P6-1 PNL (ELECTRICAL POWER ONLY)
 FIGURE 81 (SHEET 1)

24-50-51-81

HAP
 OCT 15/08

24-50-51-81
 PAGE 0

BOEING
737-600/700/800/900
PARTS CATALOG (MAINTENANCE)



E 24-50-51-81 SHT 2 REV 132

MARKER, CIRCUIT BREAKER, PLUG BUTTON AND INOP INSTL-P6-1 PNL (ELECTRICAL POWER ONLY)
 FIGURE 81 (SHEET 2)

HAP
 OCT 10/07

24-50-51-81

24-50-51-81
 PAGE 0A

BOEING
737-600/700/800/900
PARTS CATALOG (MAINTENANCE)

FIG ITEM	PART NUMBER	1 2 3 4 5 6 7	NOMENCLATURE	EFFECT FROM TO	UNITS PER ASSY
81			MARKER, CIRCUIT BREAKER, PLUG BUTTON AND INOP INSTL-P6-1 PNL (ELECTRICAL POWER ONLY)	041041 044047 049100	
- 1	MODREF235052		MARKER INSTL-P6-1 MODULE NUMBER: 233A5221-1 REV C	041041 044047 049100	1
5	BAC27DCC3065		.MARKER- PLACARD CONTENT: A	041041 044047 049100	1
10	BAC27DCC3066		.MARKER- PLACARD CONTENT: B	041041 044047 049100	1
15	BAC27DCC3067		.MARKER- PLACARD CONTENT: C	041041 044047 049100	1
20	BAC27DCC3068		.MARKER- PLACARD CONTENT: D	041041 044047 049100	1
25	BAC27DCC3069		.MARKER- PLACARD CONTENT: E	041041 044047 049100	1
30	BAC27DCC3074		.MARKER- PLACARD CONTENT: P6-1	041041 044047 049100	1
35	BAC27DCC2719		.MARKER- PLACARD CONTENT: 1 THRU 17	041041 044047 049100	1
- 50	MODREF274758		CIRCUIT BREAKER INSTL-P6-1 MODULE NUMBER: 233A5221-4 REV C	041041 044047 049100	1
55	2TC47-2-5		.CIRCUIT BREAKER- SUPPLIER CODE: V82647 SPECIFICATION NUMBER: BACC18AD2 OPTIONAL PART: 4310-029-205 V76374 ELECTRICAL EQUIP NUMBER: C00192 C01207 C01370 C01375 C01377 C01379 C01385 C01583	041041 044047 049100	8

MISSING ITEM NUMBERS NOT APPLICABLE

- ITEM NOT ILLUSTRATED

HAP

24-50-51-81

24-50-51
FIG. 81
PAGE 1
JUN 15/08

BOEING
737-600/700/800/900
PARTS CATALOG (MAINTENANCE)

FIG ITEM	PART NUMBER	1 2 3 4 5 6 7	NOMENCLATURE	EFFECT FROM TO	UNITS PER ASSY
81 60	2TC47-5		.CIRCUIT BREAKER- SUPPLIER CODE: V82647 SPECIFICATION NUMBER: BACC18AD5 OPTIONAL PART: 4310-029-5 V76374 ELECTRICAL EQUIP NUMBER: C00120 C01206 C01263 C01393	041041 044047 049100	4
65	2TC47-3		.CIRCUIT BREAKER- SUPPLIER CODE: V82647 SPECIFICATION NUMBER: BACC18AD3 OPTIONAL PART: 4310-029-3 V76374 ELECTRICAL EQUIP NUMBER: C00426 C00549 C01008 C01262	041041 044047 049100	4
70	2TC47-10		.CIRCUIT BREAKER- SUPPLIER CODE: V82647 SPECIFICATION NUMBER: BACC18AD10 OPTIONAL PART: 4310-029-10 V76374 ELECTRICAL EQUIP NUMBER: C00082 C00166 C01010	041041 044047 049100	3

MISSING ITEM NUMBERS NOT APPLICABLE

— ITEM NOT ILLUSTRATED

HAP

24-50-51-81

BOEING PROPRIETARY - Copyright © - Unpublished Work - See title page for details.

24-50-51
FIG. 81
PAGE 2
JUN 15/08

BOEING
737-600/700/800/900
PARTS CATALOG (MAINTENANCE)

FIG ITEM	PART NUMBER	1 2 3 4 5 6 7	NOMENCLATURE	EFFECT FROM TO	UNITS PER ASSY
81					
75	4310-029-15		.CIRCUIT BREAKER- SUPPLIER CODE: V76374 SPECIFICATION NUMBER: BACC18AD15 OPTIONAL PART: 2TC47-15 V82647 ELECTRICAL EQUIP NUMBER: C01360 C01361 C01362 C01364 C01366 C01373	041041 044047 049100	6
- 100	MODREF82542		CIRCUIT BREAKER INSTL- RADIO NAV MMR 2 P6-1/A13 MODULE NUMBER: 233A5221-201480 REV A	041041 044047 049100	1
105	2TC47-2-5		.CIRCUIT BREAKER- SUPPLIER CODE: V82647 SPECIFICATION NUMBER: BACC18AD2 OPTIONAL PART: 4310-029-205 V76374 ELECTRICAL EQUIP NUMBER: C01480	041041 044047 049100	1
- 110	MODREF273852		CIRCUIT BREAKER INSTL-ADF 2 P6-1/A17 MODULE NUMBER: 233A5221-201383 REV A	041041 044047 049100	1
115	2TC47-2-5		.CIRCUIT BREAKER- SUPPLIER CODE: V82647 SPECIFICATION NUMBER: BACC18AD2 OPTIONAL PART: 4310-029-205 V76374 ELECTRICAL EQUIP NUMBER: C01383	041041 044047 049100	1
- 120	MODREF82559		CIRCUIT BREAKER INSTL- ENTERTAINMENT AUDIO DC P6-1/B10 MODULE NUMBER: 233A5221-201584 REV A	041041 044047 049100	1

MISSING ITEM NUMBERS NOT APPLICABLE

- ITEM NOT ILLUSTRATED

HAP

24-50-51-81

24-50-51
FIG. 81
PAGE 3
JUN 15/08

BOEING
737-600/700/800/900
PARTS CATALOG (MAINTENANCE)

FIG ITEM	PART NUMBER	1 2 3 4 5 6 7	NOMENCLATURE	EFFECT FROM TO	UNITS PER ASSY
81 125	2TC47-3		.CIRCUIT BREAKER- SUPPLIER CODE: V82647 SPECIFICATION NUMBER: BACC18AD3 OPTIONAL PART: 4310-029-3 V76374 ELECTRICAL EQUIP NUMBER: C01584	041041 044047 049100	1
- 130	MODREF262663		CIRCUIT BREAKER INSTL- AIRSHOW AC P6-1/B11 MODULE NUMBER: 233A5221-201670 REV A	041041 044047 049100	1
135	2TC47-2-5		.CIRCUIT BREAKER- SUPPLIER CODE: V82647 SPECIFICATION NUMBER: BACC18AD2 OPTIONAL PART: 4310-029-205 V76374 ELECTRICAL EQUIP NUMBER: C01670	041041 044047 049100	1
- 140	MODREF82560		CIRCUIT BREAKER INSTL- ENTERTAINMENT VIDEO CONT CTR DC P6-1/C5 MODULE NUMBER: 233A5221-211450 REV A	041041 044047 049100	1
145	2TC47-7-5		.CIRCUIT BREAKER- SUPPLIER CODE: V82647 SPECIFICATION NUMBER: BACC18AD7 OPTIONAL PART: 4310-029-705 V76374 ELECTRICAL EQUIP NUMBER: C01450	041041 044047 049100	1
- 150	MODREF82533		CIRCUIT BREAKER INSTL- ENTERTAINMENT VID CONT CTR AC P6-1/C7 MODULE NUMBER: 233A5221-201451 REV A	041041 044047 049100	1

MISSING ITEM NUMBERS NOT APPLICABLE

- ITEM NOT ILLUSTRATED

HAP

24-50-51-81

BOEING PROPRIETARY - Copyright © - Unpublished Work - See title page for details.

24-50-51
FIG. 81
PAGE 4
JUN 15/08

BOEING
737-600/700/800/900
PARTS CATALOG (MAINTENANCE)

FIG ITEM	PART NUMBER	1 2 3 4 5 6 7	NOMENCLATURE	EFFECT FROM TO	UNITS PER ASSY
81 155	2TC47-7-5		.CIRCUIT BREAKER- SUPPLIER CODE: V82647 SPECIFICATION NUMBER: BACC18AD7 OPTIONAL PART: 4310-029-705 V76374 ELECTRICAL EQUIP NUMBER: C01451	041041 044047 049100	1
- 160	MODREF82538		CIRCUIT BREAKER INSTL- ENTERTAINMENT AUDIO P6-1/C8 MODULE NUMBER: 233A5221-201456 REV A	041041 044047 049100	1
165	2TC47-7-5		.CIRCUIT BREAKER- SUPPLIER CODE: V82647 SPECIFICATION NUMBER: BACC18AD7 OPTIONAL PART: 4310-029-705 V76374 ELECTRICAL EQUIP NUMBER: C01456	041041 044047 049100	1
- 170	MODREF82519		CIRCUIT BREAKER INSTL- ENTERTAINMENT PA TAPE RPDR AC P6-1/C9 MODULE NUMBER: 233A5221-200080 REV A	041041 044047 049100	1
175	2TC47-3		.CIRCUIT BREAKER- SUPPLIER CODE: V82647 SPECIFICATION NUMBER: BACC18AD3 OPTIONAL PART: 4310-029-3 V76374 ELECTRICAL EQUIP NUMBER: C00080	041041 044047 049100	1
- 180	MODREF82534		CIRCUIT BREAKER INSTL- VIDEO 1 P6-1/D5 MODULE NUMBER: 233A5221-201452 REV A	041041 044047 049100	1

MISSING ITEM NUMBERS NOT APPLICABLE

- ITEM NOT ILLUSTRATED

HAP

24-50-51-81

BOEING PROPRIETARY - Copyright © - Unpublished Work - See title page for details.

24-50-51
FIG. 81
PAGE 5
JUN 15/08

BOEING
737-600/700/800/900
PARTS CATALOG (MAINTENANCE)

FIG ITEM	PART NUMBER	1 2 3 4 5 6 7	NOMENCLATURE	EFFECT FROM TO	UNITS PER ASSY
81 185	2TC47-7-5		.CIRCUIT BREAKER- SUPPLIER CODE: V82647 SPECIFICATION NUMBER: BACC18AD7 OPTIONAL PART: 4310-029-705 V76374 ELECTRICAL EQUIP NUMBER: C01452	041041 044047 049100	1
- 190	MODREF82535		CIRCUIT BREAKER INSTL- VIDEO 2 P6-1/D6 MODULE NUMBER: 233A5221-201453 REV A	041041 044047 049100	1
195	2TC47-7-5		.CIRCUIT BREAKER- SUPPLIER CODE: V82647 SPECIFICATION NUMBER: BACC18AD7 OPTIONAL PART: 4310-029-705 V76374 ELECTRICAL EQUIP NUMBER: C01453	041041 044047 049100	1
- 200	MODREF82536		CIRCUIT BREAKER INSTL- VIDEO 3 P6-1/D7 MODULE NUMBER: 233A5221-201454 REV A	041041 044047 049100	1
205	2TC47-7-5		.CIRCUIT BREAKER- SUPPLIER CODE: V82647 SPECIFICATION NUMBER: BACC18AD7 OPTIONAL PART: 4310-029-705 V76374 ELECTRICAL EQUIP NUMBER: C01454	041041 044047 049100	1
- 210	MODREF82537		CIRCUIT BREAKER INSTL- VIDEO 4 P6-1/D8 MODULE NUMBER: 233A5221-201455 REV A	041041 044047 049100	1

MISSING ITEM NUMBERS NOT APPLICABLE

- ITEM NOT ILLUSTRATED

HAP

24-50-51-81

24-50-51
FIG. 81
PAGE 6
JUN 15/08

BOEING
737-600/700/800/900
PARTS CATALOG (MAINTENANCE)

FIG ITEM	PART NUMBER	1 2 3 4 5 6 7	NOMENCLATURE	EFFECT FROM TO	UNITS PER ASSY
81 215	2TC47-7-5		.CIRCUIT BREAKER- SUPPLIER CODE: V82647 SPECIFICATION NUMBER: BACC18AD7 OPTIONAL PART: 4310-029-705 V76374 ELECTRICAL EQUIP NUMBER: C01455	041041 044047 049100	1
- 220	MODREF82520		CIRCUIT BREAKER INSTL- ATC-2 P6-1/D14 MODULE NUMBER: 233A5221-200188 REV A	041041 044047 049100	1
225	2TC47-5		.CIRCUIT BREAKER- SUPPLIER CODE: V82647 SPECIFICATION NUMBER: BACC18AD5 OPTIONAL PART: 4310-029-5 V76374 ELECTRICAL EQUIP NUMBER: C00188	041041 044047 049100	1
- 230	MODREF82530		CIRCUIT BREAKER INSTL- FMCS MCDU 2 P6-1/D15 MODULE NUMBER: 233A5221-201239 REV A	041041 044047 049100	1
235	2TC47-3		.CIRCUIT BREAKER- SUPPLIER CODE: V82647 SPECIFICATION NUMBER: BACC18AD3 OPTIONAL PART: 4310-029-3 V76374 ELECTRICAL EQUIP NUMBER: C01239	041041 044047 049100	1
- 240	MODREF82529		CIRCUIT BREAKER INSTL-PRTR P6-1/E5 MODULE NUMBER: 233A5221-201216 REV A	041041 044047 049100	1

MISSING ITEM NUMBERS NOT APPLICABLE

- ITEM NOT ILLUSTRATED

HAP

24-50-51-81

BOEING PROPRIETARY - Copyright © - Unpublished Work - See title page for details.

24-50-51
FIG. 81
PAGE 7
JUN 15/08

BOEING
737-600/700/800/900
PARTS CATALOG (MAINTENANCE)

FIG ITEM	PART NUMBER	1 2 3 4 5 6 7	NOMENCLATURE	EFFECT FROM TO	UNITS PER ASSY
81 245	2TC47-2-5		.CIRCUIT BREAKER- SUPPLIER CODE: V82647 SPECIFICATION NUMBER: BACC18AD2 OPTIONAL PART: 4310-029-205 V76374 ELECTRICAL EQUIP NUMBER: C01216	041041 044047 049100	1
- 250	MODREF82543		CIRCUIT BREAKER INSTL-CMU 1 AC P6-1/E8 MODULE NUMBER: 233A5221-201483 REV A	041041 044047 049100	1
255	2TC47-2-5		.CIRCUIT BREAKER- SUPPLIER CODE: V82647 SPECIFICATION NUMBER: BACC18AD2 OPTIONAL PART: 4310-029-205 V76374 ELECTRICAL EQUIP NUMBER: C01483	041041 044047 049100	1
- 260	MODREF82546		CIRCUIT BREAKER INSTL- CMU/ACARS DC P6-1/E9 MODULE NUMBER: 233A5221-201500 REV A	041041 044047 049100	1
265	2TC47-2-5		.CIRCUIT BREAKER- SUPPLIER CODE: V82647 SPECIFICATION NUMBER: BACC18AD2 OPTIONAL PART: 4310-029-205 V76374 ELECTRICAL EQUIP NUMBER: C01500	041041 044047 049100	1
- 270	MODREF82526		CIRCUIT BREAKER INSTL- ATC ANT SWITCH P6-1/E14 MODULE NUMBER: 233A5221-201194 REV A	041041 044047 049100	1

MISSING ITEM NUMBERS NOT APPLICABLE

- ITEM NOT ILLUSTRATED

HAP

24-50-51-81

24-50-51
FIG. 81
PAGE 8
JUN 15/08

BOEING
737-600/700/800/900
PARTS CATALOG (MAINTENANCE)

FIG ITEM	PART NUMBER	1 2 3 4 5 6 7	NOMENCLATURE	EFFECT FROM TO	UNITS PER ASSY
81 275	2TC47-2-5		.CIRCUIT BREAKER- SUPPLIER CODE: V82647 SPECIFICATION NUMBER: BACC18AD2 OPTIONAL PART: 4310-029-205 V76374 ELECTRICAL EQUIP NUMBER: C01194	041041 044047 049100	1
- 280	MODREF82523		CIRCUIT BREAKER INSTL- COMMUNICATIONS HF 2 P6-1/D2 MODULE NUMBER: 233A5221-200857 REV A	041041 044047 049100	1
285	6TC6-5		.CIRCUIT BREAKER- SUPPLIER CODE: V82647 SPECIFICATION NUMBER: BACC18AC5 OPTIONAL PART: 4330-004-5 V76374 ELECTRICAL EQUIP NUMBER: C00857	041041 044047 049100	1
- 290	MODREF82527		CIRCUIT BREAKER INSTL-ACMS P6-1/E4 MODULE NUMBER: 233A5221-201196 REV A	041041 044047 049100	1
295	2TC47-2-5		.CIRCUIT BREAKER- SUPPLIER CODE: V82647 SPECIFICATION NUMBER: BACC18AD2 OPTIONAL PART: 4310-029-205 V76374 ELECTRICAL EQUIP NUMBER: C01196	041041 044047 049100	1
- 300	MODREF82561		PLUG BUTTON INSTL-P6-1/A8 MODULE NUMBER: 233A5221-301108 REV A	041041 044047 049100	1

MISSING ITEM NUMBERS NOT APPLICABLE

- ITEM NOT ILLUSTRATED

HAP

24-50-51-81

BOEING PROPRIETARY - Copyright © - Unpublished Work - See title page for details.

24-50-51
FIG. 81
PAGE 9
JUN 15/08

BOEING
737-600/700/800/900
PARTS CATALOG (MAINTENANCE)

FIG ITEM	PART NUMBER	1 2 3 4 5 6 7	NOMENCLATURE	EFFECT FROM TO	UNITS PER ASSY
81 305	BS51338D5003		.PLUG- SUPPLIER CODE: V83058 SPECIFICATION NUMBER: BACP20B63B OPTIONAL PART: 51338 V83058 MISCELLANEOUS DATA: USE IN PLACE OF CIRCUIT BREAKERS ON OPEN HOLES	041041 044047 049100	1
- 310	MODREF82562		PLUG BUTTON INSTL-P6-1/A9 MODULE NUMBER: 233A5221-301109 REV A	041041 044047 049100	1
315	BS51338D5003		.PLUG- SUPPLIER CODE: V83058 SPECIFICATION NUMBER: BACP20B63B OPTIONAL PART: 51338 V83058 MISCELLANEOUS DATA: USE IN PLACE OF CIRCUIT BREAKERS ON OPEN HOLES	041041 044047 049100	1
- 320	MODREF82563		PLUG BUTTON INSTL-P6-1/A11 MODULE NUMBER: 233A5221-301111 REV A	041041 044047 049100	1
325	BS51338D5003		.PLUG- SUPPLIER CODE: V83058 SPECIFICATION NUMBER: BACP20B63B OPTIONAL PART: 51338 V83058 MISCELLANEOUS DATA: USE IN PLACE OF CIRCUIT BREAKERS ON OPEN HOLES	041041 044047 049100	1
- 330	MODREF82564		PLUG BUTTON INSTL-P6-1/B8 MODULE NUMBER: 233A5221-301208 REV A	041041 044047 049100	1

MISSING ITEM NUMBERS NOT APPLICABLE

- ITEM NOT ILLUSTRATED

HAP

24-50-51-81

BOEING PROPRIETARY - Copyright © - Unpublished Work - See title page for details.

24-50-51
FIG. 81
PAGE 10
JUN 15/08

BOEING
737-600/700/800/900
PARTS CATALOG (MAINTENANCE)

FIG ITEM	PART NUMBER	1 2 3 4 5 6 7	NOMENCLATURE	EFFECT FROM TO	UNITS PER ASSY
81 335	BS51338D5003		.PLUG- SUPPLIER CODE: V83058 SPECIFICATION NUMBER: BACP20B63B OPTIONAL PART: 51338 V83058 MISCELLANEOUS DATA: USE IN PLACE OF CIRCUIT BREAKERS ON OPEN HOLES	041041 044047 049100	1
- 340	MODREF82565		PLUG BUTTON INSTL-P6-1/B9 MODULE NUMBER: 233A5221-301209 REV A	041041 044047 049100	1
345	BS51338D5003		.PLUG- SUPPLIER CODE: V83058 SPECIFICATION NUMBER: BACP20B63B OPTIONAL PART: 51338 V83058 MISCELLANEOUS DATA: USE IN PLACE OF CIRCUIT BREAKERS ON OPEN HOLES	041041 044047 049100	1
- 350	MODREF82568		PLUG BUTTON INSTL-P6-1/B12 MODULE NUMBER: 233A5221-301212 REV A	041041 044047 049100	1
355	BS51338D5003		.PLUG- SUPPLIER CODE: V83058 SPECIFICATION NUMBER: BACP20B63B OPTIONAL PART: 51338 V83058 MISCELLANEOUS DATA: USE IN PLACE OF CIRCUIT BREAKERS ON OPEN HOLES	041041 044047 049100	1
- 360	MODREF82569		PLUG BUTTON INSTL-P6-1/B13 MODULE NUMBER: 233A5221-301213 REV A	041041 044047 049100	1

MISSING ITEM NUMBERS NOT APPLICABLE

- ITEM NOT ILLUSTRATED

HAP

24-50-51-81

BOEING PROPRIETARY - Copyright © - Unpublished Work - See title page for details.

24-50-51
FIG. 81
PAGE 11
JUN 15/08

BOEING
737-600/700/800/900
PARTS CATALOG (MAINTENANCE)

FIG ITEM	PART NUMBER	1 2 3 4 5 6 7	NOMENCLATURE	EFFECT FROM TO	UNITS PER ASSY
81 365	BS51338D5003		.PLUG- SUPPLIER CODE: V83058 SPECIFICATION NUMBER: BACP20B63B OPTIONAL PART: 51338 V83058 MISCELLANEOUS DATA: USE IN PLACE OF CIRCUIT BREAKERS ON OPEN HOLES	041041 044047 049100	1
- 370	MODREF82570		PLUG BUTTON INSTL-P6-1/B14 MODULE NUMBER: 233A5221-301214 REV A	041041 044047 049100	1
375	BS51338D5003		.PLUG- SUPPLIER CODE: V83058 SPECIFICATION NUMBER: BACP20B63B OPTIONAL PART: 51338 V83058 MISCELLANEOUS DATA: USE IN PLACE OF CIRCUIT BREAKERS ON OPEN HOLES	041041 044047 049100	1
- 380	MODREF82571		PLUG BUTTON INSTL-P6-1/B15 MODULE NUMBER: 233A5221-301215 REV A	041041 044047 049100	1
385	BS51338D5003		.PLUG- SUPPLIER CODE: V83058 SPECIFICATION NUMBER: BACP20B63B OPTIONAL PART: 51338 V83058 MISCELLANEOUS DATA: USE IN PLACE OF CIRCUIT BREAKERS ON OPEN HOLES	041041 044047 049100	1
- 390	MODREF82572		PLUG BUTTON INSTL-P6-1/B16 MODULE NUMBER: 233A5221-301216 REV A	041041 044047 049100	1

MISSING ITEM NUMBERS NOT APPLICABLE

- ITEM NOT ILLUSTRATED

HAP

24-50-51-81

BOEING PROPRIETARY - Copyright © - Unpublished Work - See title page for details.

24-50-51
FIG. 81
PAGE 12
JUN 15/08

BOEING
737-600/700/800/900
PARTS CATALOG (MAINTENANCE)

FIG ITEM	PART NUMBER	1 2 3 4 5 6 7	NOMENCLATURE	EFFECT FROM TO	UNITS PER ASSY
81 395	BS51338D5003		.PLUG- SUPPLIER CODE: V83058 SPECIFICATION NUMBER: BACP20B63B OPTIONAL PART: 51338 V83058 MISCELLANEOUS DATA: USE IN PLACE OF CIRCUIT BREAKERS ON OPEN HOLES	041041 044047 049100	1
- 400	MODREF82573		PLUG BUTTON INSTL-P6-1/B17 MODULE NUMBER: 233A5221-301217 REV A	041041 044047 049100	1
405	BS51338D5003		.PLUG- SUPPLIER CODE: V83058 SPECIFICATION NUMBER: BACP20B63B OPTIONAL PART: 51338 V83058 MISCELLANEOUS DATA: USE IN PLACE OF CIRCUIT BREAKERS ON OPEN HOLES	041041 044047 049100	1
- 410	MODREF82574		PLUG BUTTON INSTL-P6-1/C2 MODULE NUMBER: 233A5221-301302 REV A	041041 044047 049100	1
415	BS51338D5003		.PLUG- SUPPLIER CODE: V83058 SPECIFICATION NUMBER: BACP20B63B OPTIONAL PART: 51338 V83058 MISCELLANEOUS DATA: USE IN PLACE OF CIRCUIT BREAKERS ON OPEN HOLES	041041 044047 049100	1
- 420	MODREF82575		PLUG BUTTON INSTL-P6-1/C4 MODULE NUMBER: 233A5221-301304 REV A	041041 044047 049100	1

MISSING ITEM NUMBERS NOT APPLICABLE

- ITEM NOT ILLUSTRATED

HAP

24-50-51-81

BOEING PROPRIETARY - Copyright © - Unpublished Work - See title page for details.

24-50-51
FIG. 81
PAGE 13
JUN 15/08

BOEING
737-600/700/800/900
PARTS CATALOG (MAINTENANCE)

FIG ITEM	PART NUMBER	1 2 3 4 5 6 7	NOMENCLATURE	EFFECT FROM TO	UNITS PER ASSY
81 425	BS51338D5003		.PLUG- SUPPLIER CODE: V83058 SPECIFICATION NUMBER: BACP20B63B OPTIONAL PART: 51338 V83058 MISCELLANEOUS DATA: USE IN PLACE OF CIRCUIT BREAKERS ON OPEN HOLES	041041 044047 049100	1
- 430	MODREF82580		PLUG BUTTON INSTL-P6-1/C10 MODULE NUMBER: 233A5221-301310 REV A	041041 044047 049100	1
435	BS51338D5003		.PLUG- SUPPLIER CODE: V83058 SPECIFICATION NUMBER: BACP20B63B OPTIONAL PART: 51338 V83058 MISCELLANEOUS DATA: USE IN PLACE OF CIRCUIT BREAKERS ON OPEN HOLES	041041 044047 049100	1
- 440	MODREF82581		PLUG BUTTON INSTL-P6-1/C11 MODULE NUMBER: 233A5221-301311 REV A	041041 044047 049100	1
445	BS51338D5003		.PLUG- SUPPLIER CODE: V83058 SPECIFICATION NUMBER: BACP20B63B OPTIONAL PART: 51338 V83058 MISCELLANEOUS DATA: USE IN PLACE OF CIRCUIT BREAKERS ON OPEN HOLES	041041 044047 049100	1
- 450	MODREF82582		PLUG BUTTON INSTL-P6-1/C12 MODULE NUMBER: 233A5221-301312 REV A	041041 044047 049100	1

MISSING ITEM NUMBERS NOT APPLICABLE

- ITEM NOT ILLUSTRATED

HAP

24-50-51-81

BOEING PROPRIETARY - Copyright © - Unpublished Work - See title page for details.

24-50-51
FIG. 81
PAGE 14
JUN 15/08

BOEING
737-600/700/800/900
PARTS CATALOG (MAINTENANCE)

FIG ITEM	PART NUMBER	1 2 3 4 5 6 7	NOMENCLATURE	EFFECT FROM TO	UNITS PER ASSY
81 455	BS51338D5003		.PLUG- SUPPLIER CODE: V83058 SPECIFICATION NUMBER: BACP20B63B OPTIONAL PART: 51338 V83058 MISCELLANEOUS DATA: USE IN PLACE OF CIRCUIT BREAKERS ON OPEN HOLES	041041 044047 049100	1
- 460	MODREF82583		PLUG BUTTON INSTL-P6-1/C13 MODULE NUMBER: 233A5221-301313 REV A	041041 044047 049100	1
465	BS51338D5003		.PLUG- SUPPLIER CODE: V83058 SPECIFICATION NUMBER: BACP20B63B OPTIONAL PART: 51338 V83058 MISCELLANEOUS DATA: USE IN PLACE OF CIRCUIT BREAKERS ON OPEN HOLES	041041 044047 049100	1
- 470	MODREF82584		PLUG BUTTON INSTL-P6-1/C16 MODULE NUMBER: 233A5221-301316 REV A	041041 044047 049100	1
475	BS51338D5003		.PLUG- SUPPLIER CODE: V83058 SPECIFICATION NUMBER: BACP20B63B OPTIONAL PART: 51338 V83058 MISCELLANEOUS DATA: USE IN PLACE OF CIRCUIT BREAKERS ON OPEN HOLES	041041 044047 049100	1
- 480	MODREF82585		PLUG BUTTON INSTL-P6-1/D1 MODULE NUMBER: 233A5221-301401 REV A	041041 044047 049100	1

MISSING ITEM NUMBERS NOT APPLICABLE

- ITEM NOT ILLUSTRATED

HAP

24-50-51-81

BOEING PROPRIETARY - Copyright © - Unpublished Work - See title page for details.

24-50-51
FIG. 81
PAGE 15
JUN 15/08

BOEING
737-600/700/800/900
PARTS CATALOG (MAINTENANCE)

FIG ITEM	PART NUMBER	1 2 3 4 5 6 7	NOMENCLATURE	EFFECT FROM TO	UNITS PER ASSY
81 485	BS51338D5003		.PLUG- SUPPLIER CODE: V83058 SPECIFICATION NUMBER: BACP20B63B OPTIONAL PART: 51338 V83058 MISCELLANEOUS DATA: USE IN PLACE OF CIRCUIT BREAKERS ON OPEN HOLES	041041 044047 049100	1
- 500	MODREF82587		PLUG BUTTON INSTL-P6-1/D3 MODULE NUMBER: 233A5221-301403 REV A	041041 044047 049100	1
505	BS51338D5003		.PLUG- SUPPLIER CODE: V83058 SPECIFICATION NUMBER: BACP20B63B OPTIONAL PART: 51338 V83058 MISCELLANEOUS DATA: USE IN PLACE OF CIRCUIT BREAKERS ON OPEN HOLES	041041 044047 049100	1
- 510	MODREF82592		PLUG BUTTON INSTL-P6-1/D12 MODULE NUMBER: 233A5221-301412 REV A	041041 044047 049100	1
515	BS51338D5003		.PLUG- SUPPLIER CODE: V83058 SPECIFICATION NUMBER: BACP20B63B OPTIONAL PART: 51338 V83058 MISCELLANEOUS DATA: USE IN PLACE OF CIRCUIT BREAKERS ON OPEN HOLES	041041 044047 049100	1
- 520	MODREF82594		PLUG BUTTON INSTL-P6-1/D17 MODULE NUMBER: 233A5221-301417 REV A	041041 044047 049100	1

MISSING ITEM NUMBERS NOT APPLICABLE

- ITEM NOT ILLUSTRATED

HAP

24-50-51-81

BOEING PROPRIETARY - Copyright © - Unpublished Work - See title page for details.

24-50-51
FIG. 81
PAGE 16
JUN 15/08

BOEING
737-600/700/800/900
PARTS CATALOG (MAINTENANCE)

FIG ITEM	PART NUMBER	1 2 3 4 5 6 7	NOMENCLATURE	EFFECT FROM TO	UNITS PER ASSY
81 525	BS51338D5003		.PLUG- SUPPLIER CODE: V83058 SPECIFICATION NUMBER: BACP20B63B OPTIONAL PART: 51338 V83058 MISCELLANEOUS DATA: USE IN PLACE OF CIRCUIT BREAKERS ON OPEN HOLES	041041 044047 049100	1
- 530	MODREF82595		PLUG BUTTON INSTL-P6-1/E1 MODULE NUMBER: 233A5221-301501 REV A	041041 044047 049100	1
535	BS51338D5003		.PLUG- SUPPLIER CODE: V83058 SPECIFICATION NUMBER: BACP20B63B OPTIONAL PART: 51338 V83058 MISCELLANEOUS DATA: USE IN PLACE OF CIRCUIT BREAKERS ON OPEN HOLES	041041 044047 049100	1
- 540	MODREF82596		PLUG BUTTON INSTL-P6-1/E2 MODULE NUMBER: 233A5221-301502 REV A	041041 044047 049100	1
545	BS51338D5003		.PLUG- SUPPLIER CODE: V83058 SPECIFICATION NUMBER: BACP20B63B OPTIONAL PART: 51338 V83058 MISCELLANEOUS DATA: USE IN PLACE OF CIRCUIT BREAKERS ON OPEN HOLES	041041 044047 049100	1
- 550	MODREF82597		PLUG BUTTON INSTL-P6-1/E3 MODULE NUMBER: 233A5221-301503 REV A	041041 044047 049100	1

MISSING ITEM NUMBERS NOT APPLICABLE

- ITEM NOT ILLUSTRATED

HAP

24-50-51-81

BOEING PROPRIETARY - Copyright © - Unpublished Work - See title page for details.

24-50-51
FIG. 81
PAGE 17
JUN 15/08

BOEING
737-600/700/800/900
PARTS CATALOG (MAINTENANCE)

FIG ITEM	PART NUMBER	1 2 3 4 5 6 7	NOMENCLATURE	EFFECT FROM TO	UNITS PER ASSY
81 555	BS51338D5003		.PLUG- SUPPLIER CODE: V83058 SPECIFICATION NUMBER: BACP20B63B OPTIONAL PART: 51338 V83058 MISCELLANEOUS DATA: USE IN PLACE OF CIRCUIT BREAKERS ON OPEN HOLES	041041 044047 049100	1
- 570	MODREF82600		PLUG BUTTON INSTL-P6-1/E6 MODULE NUMBER: 233A5221-301506 REV A	041041 044047 049100	1
575	BS51338D5003		.PLUG- SUPPLIER CODE: V83058 SPECIFICATION NUMBER: BACP20B63B OPTIONAL PART: 51338 V83058 MISCELLANEOUS DATA: USE IN PLACE OF CIRCUIT BREAKERS ON OPEN HOLES	041041 044047 049100	1
- 580	MODREF82601		PLUG BUTTON INSTL-P6-1/E7 MODULE NUMBER: 233A5221-301507 REV A	041041 044047 049100	1
585	BS51338D5003		.PLUG- SUPPLIER CODE: V83058 SPECIFICATION NUMBER: BACP20B63B OPTIONAL PART: 51338 V83058 MISCELLANEOUS DATA: USE IN PLACE OF CIRCUIT BREAKERS ON OPEN HOLES	041041 044047 049100	1
- 590	MODREF82605		PLUG BUTTON INSTL-P6-1/E16 MODULE NUMBER: 233A5221-301516 REV A	041041 044047 049100	1

MISSING ITEM NUMBERS NOT APPLICABLE

- ITEM NOT ILLUSTRATED

HAP

24-50-51-81

BOEING PROPRIETARY - Copyright © - Unpublished Work - See title page for details.

24-50-51
FIG. 81
PAGE 18
JUN 15/08

BOEING
737-600/700/800/900
PARTS CATALOG (MAINTENANCE)

FIG ITEM	PART NUMBER	1 2 3 4 5 6 7	NOMENCLATURE	EFFECT FROM TO	UNITS PER ASSY
81 595	BS51338D5003		.PLUG- SUPPLIER CODE: V83058 SPECIFICATION NUMBER: BACP20B63B OPTIONAL PART: 51338 V83058 MISCELLANEOUS DATA: USE IN PLACE OF CIRCUIT BREAKERS ON OPEN HOLES	041041 044047 049100	1
- 600	MODREF82606		PLUG BUTTON INSTL-P6-1/E17 MODULE NUMBER: 233A5221-301517 REV A	041041 044047 049100	1
605	BS51338D5003		.PLUG- SUPPLIER CODE: V83058 SPECIFICATION NUMBER: BACP20B63B OPTIONAL PART: 51338 V83058 MISCELLANEOUS DATA: USE IN PLACE OF CIRCUIT BREAKERS ON OPEN HOLES	041041 044047 049100	1
- 700	MODREF82664		INOP INSTL-P6-1/A17 (ELECTRICAL POWER ONLY) MODULE NUMBER: 233A5221-501117 REV A FOR OTHER SYS DETAILS SEE: 11-31-51-81 11-31-51-81A	041041 044047 049100	1
705	10237-1		.COLLAR- SUPPLIER CODE: V1N6X0	041041 044047 049100	1
- 710	MODREF262665		INOP INSTL-P6-1/B11 (ELECTRICAL POWER ONLY) MODULE NUMBER: 233A5221-501211 REV A FOR OTHER SYS DETAILS SEE: 11-31-51-81	041041	1
715	10237-1		.COLLAR- SUPPLIER CODE: V1N6X0	041041	1

MISSING ITEM NUMBERS NOT APPLICABLE

- ITEM NOT ILLUSTRATED

HAP

24-50-51-81

BOEING PROPRIETARY - Copyright © - Unpublished Work - See title page for details.

24-50-51
FIG. 81
PAGE 19
JUN 15/08


BOEING
 737-600/700/800/900
PARTS CATALOG (MAINTENANCE)

FIG ITEM	PART NUMBER	1 2 3 4 5 6 7	NOMENCLATURE	EFFECT FROM TO	UNITS PER ASSY
81 - 720	MODREF82677		INOP INSTL-P6-1/D2 (ELECTRICAL POWER ONLY) MODULE NUMBER: 233A5221-501402 REV A FOR OTHER SYS DETAILS SEE: 11-31-51-81 11-31-51-81A	041041 044047 049100	1
725	10237-1		. COLLAR- SUPPLIER CODE: V1N6X0	041041 044047 049100	1

MISSING ITEM NUMBERS NOT APPLICABLE

- ITEM NOT ILLUSTRATED

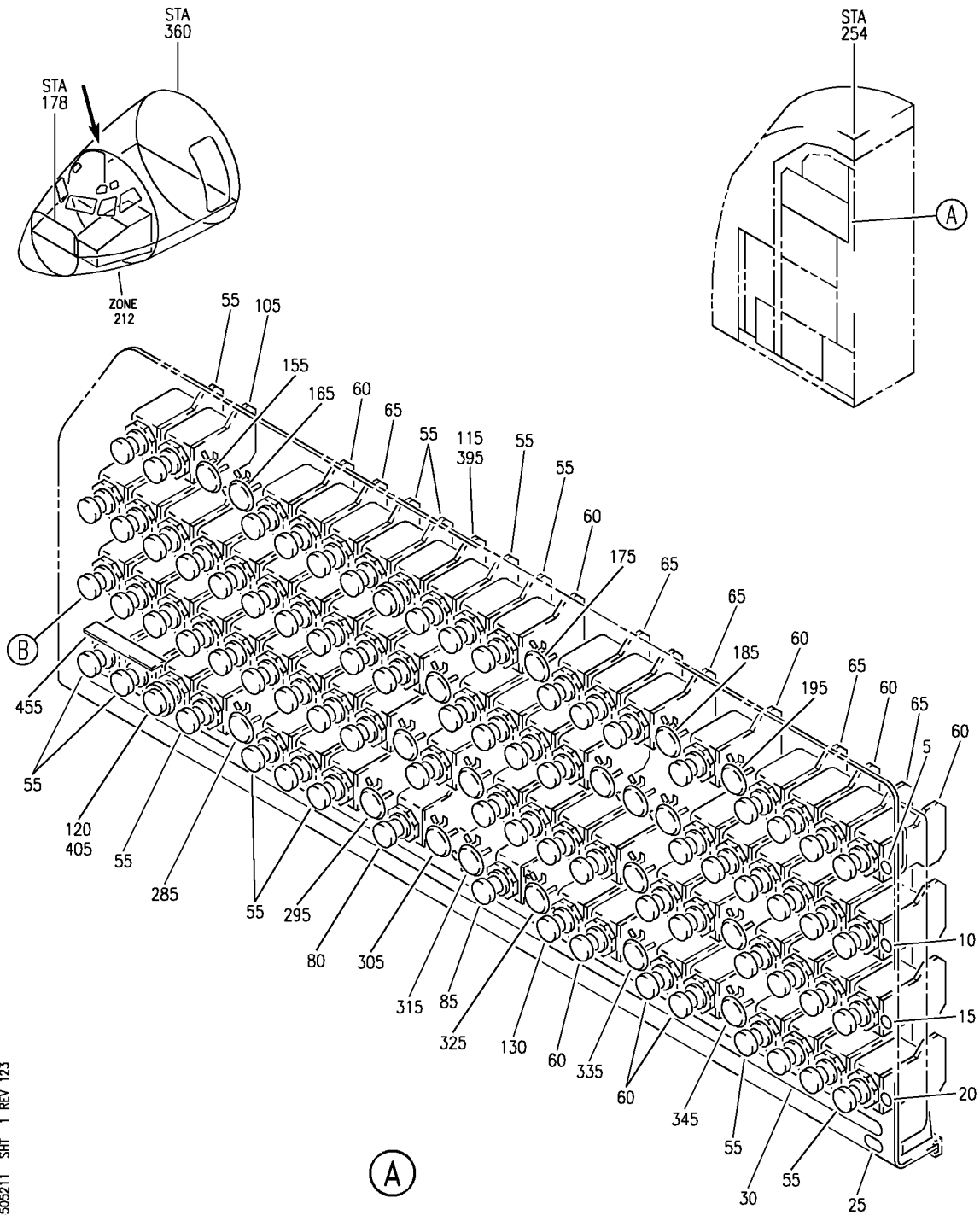
HAP

24-50-51-81

BOEING PROPRIETARY - Copyright © - Unpublished Work - See title page for details.

24-50-51
 FIG. 81
 PAGE 20
 JUN 15/08

BOEING
737-600/700/800/900
PARTS CATALOG (MAINTENANCE)



E 24-50-52-11 SHT 1 REV 123

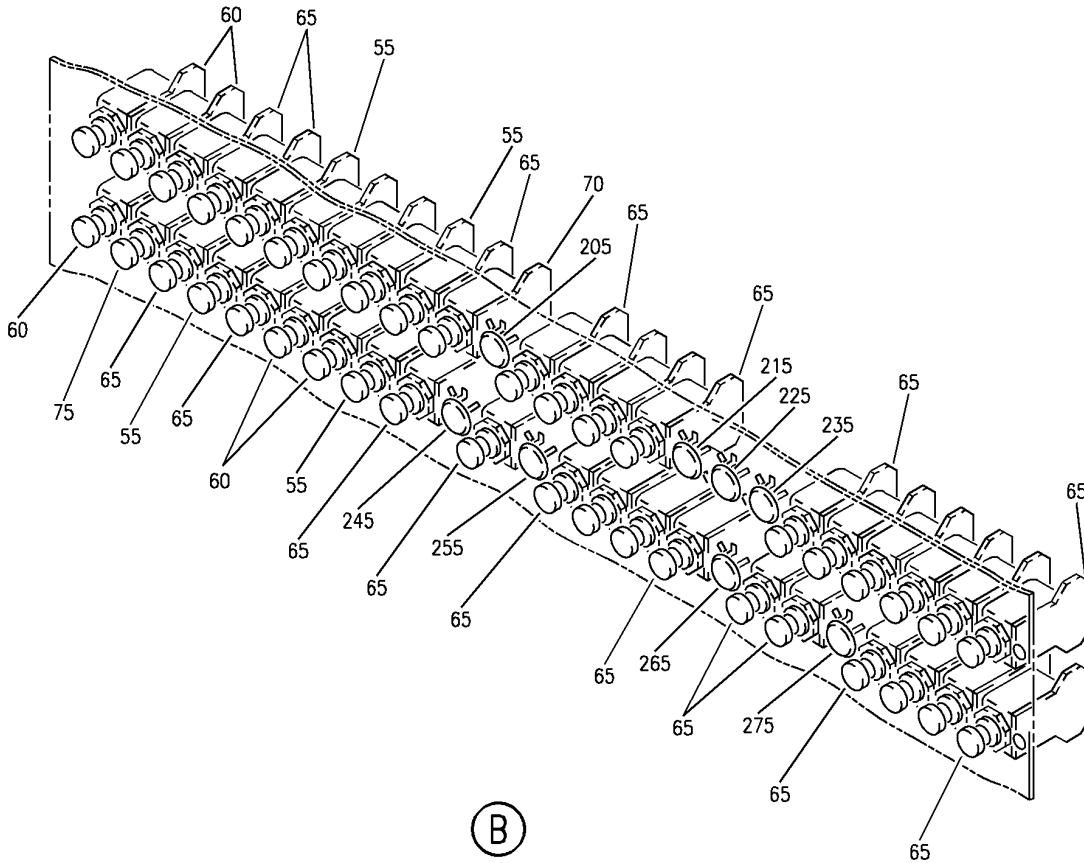
MARKER, CIRCUIT BREAKER, PLUG BUTTON, INOP AND GUARD INSTL-P6-2 PNL (ELECTRICAL POWER ONLY)
 FIGURE 11 (SHEET 1)

HAP
 FEB 10/07

24-50-52-11

24-50-52-11
 PAGE 0

BOEING
 737-600/700/800/900
 PARTS CATALOG (MAINTENANCE)



E 24505211 SHT 2 REV 107

MARKER, CIRCUIT BREAKER, PLUG BUTTON, INOP AND GUARD INSTL-P6-2 PNL (ELECTRICAL POWER ONLY)
 FIGURE 11 (SHEET 2)

HAP
 FEB 10/07

24-50-52-11

24-50-52-11
 PAGE 0A

BOEING
737-600/700/800/900
PARTS CATALOG (MAINTENANCE)

FIG ITEM	PART NUMBER	1 2 3 4 5 6 7	NOMENCLATURE	EFFECT FROM TO	UNITS PER ASSY
11			MARKER, CIRCUIT BREAKER, PLUG BUTTON, INOP AND GUARD INSTL-P6-2 PNL (ELECTRICAL POWER ONLY)	101103 970971	
- 1	MODREF250401		MARKER INSTL-P6-2 PNL MODULE NUMBER: 233A5222-1 REV D	101103 970971	1
5	BAC27DCC3065		.MARKER- PLACARD CONTENT: A	101103 970971	1
10	BAC27DCC3066		.MARKER- PLACARD CONTENT: B	101103 970971	1
15	BAC27DCC3067		.MARKER- PLACARD CONTENT: C	101103 970971	1
20	BAC27DCC3068		.MARKER- PLACARD CONTENT: D	101103 970971	1
25	BAC27DCC3075		.MARKER- PLACARD CONTENT: P6-2	101103 970971	1
30	BAC27DCC2731		.MARKER- PLACARD CONTENT: 1 THRU 24	101103 970971	1
- 50	MODREF282627		CIRCUIT BREAKER INSTL-P6-2 (ELECTRICAL POWER ONLY) MODULE NUMBER: 233A5222-4 REV C FOR OTHER SYS DETAILS SEE: 11-31-52-11H	101103 970971	1

MISSING ITEM NUMBERS NOT APPLICABLE

- ITEM NOT ILLUSTRATED

HAP

24-50-52-11

BOEING PROPRIETARY - Copyright © - Unpublished Work - See title page for details.

24-50-52
FIG. 11
PAGE 1
FEB 15/08

BOEING
737-600/700/800/900
PARTS CATALOG (MAINTENANCE)

FIG ITEM	PART NUMBER	1 2 3 4 5 6 7	NOMENCLATURE	EFFECT FROM TO	UNITS PER ASSY
11 55	2TC47-2-5		.CIRCUIT BREAKER- SUPPLIER CODE: V82647 SPECIFICATION NUMBER: BACC18AD2 OPTIONAL PART: 4310-029-205 V76374 ELECTRICAL EQUIP NUMBER: C00083 C00084 C00085 C00086 C00151 C00154 C00211 C00213 C00459 C01004 C01076 C01313 C01315 C01318 C01319 C01391 C01443 C01464 C01468 C01514 C01515	101103 970971	21

MISSING ITEM NUMBERS NOT APPLICABLE

— ITEM NOT ILLUSTRATED

HAP

24-50-52-11

BOEING PROPRIETARY - Copyright © - Unpublished Work - See title page for details.

24-50-52
FIG. 11
PAGE 2
FEB 15/08

BOEING
737-600/700/800/900
PARTS CATALOG (MAINTENANCE)

FIG ITEM	PART NUMBER	1 2 3 4 5 6 7	NOMENCLATURE	EFFECT FROM TO	UNITS PER ASSY
11 60	2TC47-3		.CIRCUIT BREAKER- SUPPLIER CODE: V82647 SPECIFICATION NUMBER: BACC18AD3 OPTIONAL PART: 4310-029-3 V76374 ELECTRICAL EQUIP NUMBER: C00277 C00306 C00374 C00388 C00405 C00407 C00566 C00786 C00787 C00788 C01037 C01064 C01413	101103 970971	13

MISSING ITEM NUMBERS NOT APPLICABLE

— ITEM NOT ILLUSTRATED

HAP

24-50-52-11

BOEING PROPRIETARY - Copyright © - Unpublished Work - See title page for details.

24-50-52
FIG. 11
PAGE 3
FEB 15/08

BOEING
737-600/700/800/900
PARTS CATALOG (MAINTENANCE)

FIG ITEM	PART NUMBER	1 2 3 4 5 6 7	NOMENCLATURE	EFFECT FROM TO	UNITS PER ASSY
11 65	2TC47-5		.CIRCUIT BREAKER- SUPPLIER CODE: V82647 SPECIFICATION NUMBER: BACC18AD5 OPTIONAL PART: 4310-029-5 V76374 ELECTRICAL EQUIP NUMBER: C00204 C00210 C00239 C00240 C00296 C00297 C00347 C00348 C00362 C00363 C00396 C00403 C00440 C00452 C00560 C00561 C00716 C00779 C00780 C00781 C00799 C01021 C01022 C01046 C01047 C01068 C01070 C01074 C01081 C01085 C01267 C01344 C01447	101103 970971	33

MISSING ITEM NUMBERS NOT APPLICABLE

— ITEM NOT ILLUSTRATED

HAP

24-50-52-11

BOEING PROPRIETARY - Copyright © - Unpublished Work - See title page for details.

24-50-52
FIG. 11
PAGE 4
FEB 15/08

BOEING
737-600/700/800/900
PARTS CATALOG (MAINTENANCE)

FIG ITEM	PART NUMBER	1 2 3 4 5 6 7	NOMENCLATURE	EFFECT FROM TO	UNITS PER ASSY
11 70	2TC47-7-5		.CIRCUIT BREAKER- SUPPLIER CODE: V82647 SPECIFICATION NUMBER: BACC18AD7 OPTIONAL PART: 4310-029-705 V76374 ELECTRICAL EQUIP NUMBER: C00207	101103 970971	1
75	2TC6-1		.CIRCUIT BREAKER- SUPPLIER CODE: V82647 SPECIFICATION NUMBER: BACC18Z1R OPTIONAL PART: 4310-002-1 V76374 ELECTRICAL EQUIP NUMBER: C01042	101103 970971	1
80	9TC615		.CIRCUIT BREAKER- SUPPLIER CODE: V82647 SPECIFICATION NUMBER: BACC18AE15 ELECTRICAL EQUIP NUMBER: C00840	101103 970971	1
85	6TC6-10		.CIRCUIT BREAKER- SUPPLIER CODE: V82647 SPECIFICATION NUMBER: BACC18AC10 OPTIONAL PART: 4330-004-10 V76374 ELECTRICAL EQUIP NUMBER: C00841	101103 970971	1
- 100	MODREF250406		CIRCUIT BREAKER INSTL-AFCS INTLK 2 P6-2/A3 MODULE NUMBER: 233A5222-201631 REV B	101103 970971	1

MISSING ITEM NUMBERS NOT APPLICABLE

- ITEM NOT ILLUSTRATED

HAP

24-50-52-11

BOEING PROPRIETARY - Copyright © - Unpublished Work - See title page for details.

24-50-52
FIG. 11
PAGE 5
FEB 15/08

BOEING
737-600/700/800/900
PARTS CATALOG (MAINTENANCE)

FIG ITEM	PART NUMBER	1 2 3 4 5 6 7	NOMENCLATURE	EFFECT FROM TO	UNITS PER ASSY
11 105	2TC47-5		.CIRCUIT BREAKER- SUPPLIER CODE: V82647 SPECIFICATION NUMBER: BACC18AD5 OPTIONAL PART: 4310-029-5 V76374 ELECTRICAL EQUIP NUMBER: C01631	101103 970971	1
- 110	MODREF250402		CIRCUIT BREAKER INSTL- SPDBRK AUTOSTOW P6-2/A10 MODULE NUMBER: 233A5222-201611 REV B	101103 970971	1
115	2TC47-5		.CIRCUIT BREAKER- SUPPLIER CODE: V82647 SPECIFICATION NUMBER: BACC18AD5 OPTIONAL PART: 4310-029-5 V76374 ELECTRICAL EQUIP NUMBER: C01611	101103 970971	1
- 120	MODREF250405		CIRCUIT BREAKER INSTL-AFCS SYS B RUDDER DC P6-2/D3 MODULE NUMBER: 233A5222-201630 REV B	101103 970971	1
125	2TC47-10		.CIRCUIT BREAKER- SUPPLIER CODE: V82647 SPECIFICATION NUMBER: BACC18AD10 OPTIONAL PART: 4310-029-10 V76374 ELECTRICAL EQUIP NUMBER: C01630	101103 970971	1
- 130	MODREF250404		CIRCUIT BREAKER INSTL- FLIGHT CONTROL FORCE FIGHT MON P6-2/D15 MODULE NUMBER: 233A5222-201628 REV B	101103 970971	1

MISSING ITEM NUMBERS NOT APPLICABLE

- ITEM NOT ILLUSTRATED

HAP

24-50-52-11

BOEING PROPRIETARY - Copyright © - Unpublished Work - See title page for details.

24-50-52
FIG. 11
PAGE 6
FEB 15/08

BOEING
737-600/700/800/900
PARTS CATALOG (MAINTENANCE)

FIG ITEM	PART NUMBER	1 2 3 4 5 6 7	NOMENCLATURE	EFFECT FROM TO	UNITS PER ASSY
11 135	2TC47-2-5		.CIRCUIT BREAKER- SUPPLIER CODE: V82647 SPECIFICATION NUMBER: BACC18AD2 OPTIONAL PART: 4310-029-205 V76374 ELECTRICAL EQUIP NUMBER: C01628	101103 970971	1
- 150	MODREF250407		PLUG BUTTON INSTL-P6-2/A4 MODULE NUMBER: 233A5222-302104 REV B	101103 970971	1
155	BS51338D5003		.PLUG- SUPPLIER CODE: V83058 SPECIFICATION NUMBER: BACP20B63B OPTIONAL PART: 51338 V83058 MISCELLANEOUS DATA: USE IN PLACE OF CIRCUIT BREAKERS ON OPEN HOLES	101103 970971	1
- 160	MODREF250408		PLUG BUTTON INSTL-P6-2/A5 MODULE NUMBER: 233A5222-302105 REV B	101103 970971	1
165	BS51338D5003		.PLUG- SUPPLIER CODE: V83058 SPECIFICATION NUMBER: BACP20B63B OPTIONAL PART: 51338 V83058 MISCELLANEOUS DATA: USE IN PLACE OF CIRCUIT BREAKERS ON OPEN HOLES	101103 970971	1
- 170	MODREF250410		PLUG BUTTON INSTL-P6-2/A14 MODULE NUMBER: 233A5222-302114 REV B	101103 970971	1

MISSING ITEM NUMBERS NOT APPLICABLE

- ITEM NOT ILLUSTRATED

HAP

24-50-52-11

BOEING PROPRIETARY - Copyright © - Unpublished Work - See title page for details.

24-50-52
FIG. 11
PAGE 7
FEB 15/08

BOEING
737-600/700/800/900
PARTS CATALOG (MAINTENANCE)

FIG ITEM	PART NUMBER	1 2 3 4 5 6 7	NOMENCLATURE	EFFECT FROM TO	UNITS PER ASSY
11 175	BS51338D5003		.PLUG- SUPPLIER CODE: V83058 SPECIFICATION NUMBER: BACP20B63B OPTIONAL PART: 51338 V83058 MISCELLANEOUS DATA: USE IN PLACE OF CIRCUIT BREAKERS ON OPEN HOLES	101103 970971	1
- 180	MODREF250411		PLUG BUTTON INSTL-P6-2/A18 MODULE NUMBER: 233A5222-302118 REV B	101103 970971	1
185	BS51338D5003		.PLUG- SUPPLIER CODE: V83058 SPECIFICATION NUMBER: BACP20B63B OPTIONAL PART: 51338 V83058 MISCELLANEOUS DATA: USE IN PLACE OF CIRCUIT BREAKERS ON OPEN HOLES	101103 970971	1
- 190	MODREF250412		PLUG BUTTON INSTL-P6-2/A20 MODULE NUMBER: 233A5222-302120 REV B	101103 970971	1
195	BS51338D5003		.PLUG- SUPPLIER CODE: V83058 SPECIFICATION NUMBER: BACP20B63B OPTIONAL PART: 51338 V83058 MISCELLANEOUS DATA: USE IN PLACE OF CIRCUIT BREAKERS ON OPEN HOLES	101103 970971	1
- 200	MODREF250413		PLUG BUTTON INSTL-P6-2/B11 MODULE NUMBER: 233A5222-302211 REV B	101103 970971	1

MISSING ITEM NUMBERS NOT APPLICABLE

- ITEM NOT ILLUSTRATED

HAP

24-50-52-11

BOEING PROPRIETARY - Copyright © - Unpublished Work - See title page for details.

24-50-52
FIG. 11
PAGE 8
FEB 15/08

BOEING
737-600/700/800/900
PARTS CATALOG (MAINTENANCE)

FIG ITEM	PART NUMBER	1 2 3 4 5 6 7	NOMENCLATURE	EFFECT FROM TO	UNITS PER ASSY
11 205	BS51338D5003		.PLUG- SUPPLIER CODE: V83058 SPECIFICATION NUMBER: BACP20B63B OPTIONAL PART: 51338 V83058 MISCELLANEOUS DATA: USE IN PLACE OF CIRCUIT BREAKERS ON OPEN HOLES	101103 970971	1
- 210	MODREF250414		PLUG BUTTON INSTL-P6-2/B16 MODULE NUMBER: 233A5222-302216 REV B	101103 970971	1
215	BS51338D5003		.PLUG- SUPPLIER CODE: V83058 SPECIFICATION NUMBER: BACP20B63B OPTIONAL PART: 51338 V83058 MISCELLANEOUS DATA: USE IN PLACE OF CIRCUIT BREAKERS ON OPEN HOLES	101103 970971	1
- 220	MODREF250415		PLUG BUTTON INSTL-P6-2/B17 MODULE NUMBER: 233A5222-302217 REV B	101103 970971	1
225	BS51338D5003		.PLUG- SUPPLIER CODE: V83058 SPECIFICATION NUMBER: BACP20B63B OPTIONAL PART: 51338 V83058 MISCELLANEOUS DATA: USE IN PLACE OF CIRCUIT BREAKERS ON OPEN HOLES	101103 970971	1
- 230	MODREF250416		PLUG BUTTON INSTL-P6-2/B18 MODULE NUMBER: 233A5222-302218 REV B	101103 970971	1

MISSING ITEM NUMBERS NOT APPLICABLE

- ITEM NOT ILLUSTRATED

HAP

24-50-52-11

BOEING PROPRIETARY - Copyright © - Unpublished Work - See title page for details.

24-50-52
FIG. 11
PAGE 9
FEB 15/08

BOEING
737-600/700/800/900
PARTS CATALOG (MAINTENANCE)

FIG ITEM	PART NUMBER	1 2 3 4 5 6 7	NOMENCLATURE	EFFECT FROM TO	UNITS PER ASSY
11 235	BS51338D5003		.PLUG- SUPPLIER CODE: V83058 SPECIFICATION NUMBER: BACP20B63B OPTIONAL PART: 51338 V83058 MISCELLANEOUS DATA: USE IN PLACE OF CIRCUIT BREAKERS ON OPEN HOLES	101103 970971	1
- 240	MODREF250417		PLUG BUTTON INSTL-P6-2/C10 MODULE NUMBER: 233A5222-302310 REV B	101103 970971	1
245	BS51338D5003		.PLUG- SUPPLIER CODE: V83058 SPECIFICATION NUMBER: BACP20B63B OPTIONAL PART: 51338 V83058 MISCELLANEOUS DATA: USE IN PLACE OF CIRCUIT BREAKERS ON OPEN HOLES	101103 970971	1
- 250	MODREF250418		PLUG BUTTON INSTL-P6-2/C12 MODULE NUMBER: 233A5222-302312 REV B	101103 970971	1
255	BS51338D5003		.PLUG- SUPPLIER CODE: V83058 SPECIFICATION NUMBER: BACP20B63B OPTIONAL PART: 51338 V83058 MISCELLANEOUS DATA: USE IN PLACE OF CIRCUIT BREAKERS ON OPEN HOLES	101103 970971	1
- 260	MODREF250419		PLUG BUTTON INSTL-P6-2/C17 MODULE NUMBER: 233A5222-302317 REV B	101103 970971	1

MISSING ITEM NUMBERS NOT APPLICABLE

- ITEM NOT ILLUSTRATED

HAP

24-50-52-11

BOEING PROPRIETARY - Copyright © - Unpublished Work - See title page for details.

24-50-52
FIG. 11
PAGE 10
FEB 15/08

BOEING
737-600/700/800/900
PARTS CATALOG (MAINTENANCE)

FIG ITEM	PART NUMBER	1 2 3 4 5 6 7	NOMENCLATURE	EFFECT FROM TO	UNITS PER ASSY
11 265	BS51338D5003		.PLUG- SUPPLIER CODE: V83058 SPECIFICATION NUMBER: BACP20B63B OPTIONAL PART: 51338 V83058 MISCELLANEOUS DATA: USE IN PLACE OF CIRCUIT BREAKERS ON OPEN HOLES	101103 970971	1
- 270	MODREF250420		PLUG BUTTON INSTL-P6-2/C20 MODULE NUMBER: 233A5222-302320 REV B	101103 970971	1
275	BS51338D5003		.PLUG- SUPPLIER CODE: V83058 SPECIFICATION NUMBER: BACP20B63B OPTIONAL PART: 51338 V83058 MISCELLANEOUS DATA: USE IN PLACE OF CIRCUIT BREAKERS ON OPEN HOLES	101103 970971	1
- 280	MODREF250421		PLUG BUTTON INSTL-P6-2/D5 MODULE NUMBER: 233A5222-302405 REV B	101103 970971	1
285	BS51338D5003		.PLUG- SUPPLIER CODE: V83058 SPECIFICATION NUMBER: BACP20B63B OPTIONAL PART: 51338 V83058 MISCELLANEOUS DATA: USE IN PLACE OF CIRCUIT BREAKERS ON OPEN HOLES	101103 970971	1
- 290	MODREF250422		PLUG BUTTON INSTL-P6-2/D9 MODULE NUMBER: 233A5222-302409 REV B	101103 970971	1

MISSING ITEM NUMBERS NOT APPLICABLE

- ITEM NOT ILLUSTRATED

HAP

24-50-52-11

BOEING PROPRIETARY - Copyright © - Unpublished Work - See title page for details.

24-50-52
FIG. 11
PAGE 11
FEB 15/08

BOEING
737-600/700/800/900
PARTS CATALOG (MAINTENANCE)

FIG ITEM	PART NUMBER	1 2 3 4 5 6 7	NOMENCLATURE	EFFECT FROM TO	UNITS PER ASSY
11 295	BS51338D5003		.PLUG- SUPPLIER CODE: V83058 SPECIFICATION NUMBER: BACP20B63B OPTIONAL PART: 51338 V83058 MISCELLANEOUS DATA: USE IN PLACE OF CIRCUIT BREAKERS ON OPEN HOLES	101103 970971	1
- 300	MODREF250423		PLUG BUTTON INSTL-P6-2/D11 MODULE NUMBER: 233A5222-302411 REV B	101103 970971	1
305	BS51338D5003		.PLUG- SUPPLIER CODE: V83058 SPECIFICATION NUMBER: BACP20B63B OPTIONAL PART: 51338 V83058 MISCELLANEOUS DATA: USE IN PLACE OF CIRCUIT BREAKERS ON OPEN HOLES	101103 970971	1
- 310	MODREF250424		PLUG BUTTON INSTL-P6-2/D12 MODULE NUMBER: 233A5222-302412 REV B	101103 970971	1
315	BS51338D5003		.PLUG- SUPPLIER CODE: V83058 SPECIFICATION NUMBER: BACP20B63B OPTIONAL PART: 51338 V83058 MISCELLANEOUS DATA: USE IN PLACE OF CIRCUIT BREAKERS ON OPEN HOLES	101103 970971	1
- 320	MODREF250425		PLUG BUTTON INSTL-P6-2/D14 MODULE NUMBER: 233A5222-302414 REV B	101103 970971	1

MISSING ITEM NUMBERS NOT APPLICABLE

- ITEM NOT ILLUSTRATED

HAP

24-50-52-11

BOEING PROPRIETARY - Copyright © - Unpublished Work - See title page for details.

24-50-52
FIG. 11
PAGE 12
FEB 15/08

BOEING
737-600/700/800/900
PARTS CATALOG (MAINTENANCE)

FIG ITEM	PART NUMBER	1 2 3 4 5 6 7	NOMENCLATURE	EFFECT FROM TO	UNITS PER ASSY
11 325	BS51338D5003		.PLUG- SUPPLIER CODE: V83058 SPECIFICATION NUMBER: BACP20B63B OPTIONAL PART: 51338 V83058 MISCELLANEOUS DATA: USE IN PLACE OF CIRCUIT BREAKERS ON OPEN HOLES	101103 970971	1
- 330	MODREF250426		PLUG BUTTON INSTL-P6-2/D17 MODULE NUMBER: 233A5222-302417 REV B	101103 970971	1
335	BS51338D5003		.PLUG- SUPPLIER CODE: V83058 SPECIFICATION NUMBER: BACP20B63B OPTIONAL PART: 51338 V83058 MISCELLANEOUS DATA: USE IN PLACE OF CIRCUIT BREAKERS ON OPEN HOLES	101103 970971	1
- 340	MODREF250427		PLUG BUTTON INSTL-P6-2/D20 MODULE NUMBER: 233A5222-302420 REV B	101103 970971	1
345	BS51338D5003		.PLUG- SUPPLIER CODE: V83058 SPECIFICATION NUMBER: BACP20B63B OPTIONAL PART: 51338 V83058 MISCELLANEOUS DATA: USE IN PLACE OF CIRCUIT BREAKERS ON OPEN HOLES	101103 970971	1
- 400	MODREF250434		INOP INSTL-P6-2/D3 (ELECTRICAL POWER ONLY) MODULE NUMBER: 233A5222-502403 REV B FOR OTHER SYS DETAILS SEE: 11-31-52-11H	101103 970971	1
405	10237-1		.COLLAR- SUPPLIER CODE: V1N6X0	101103 970971	1

MISSING ITEM NUMBERS NOT APPLICABLE

- ITEM NOT ILLUSTRATED

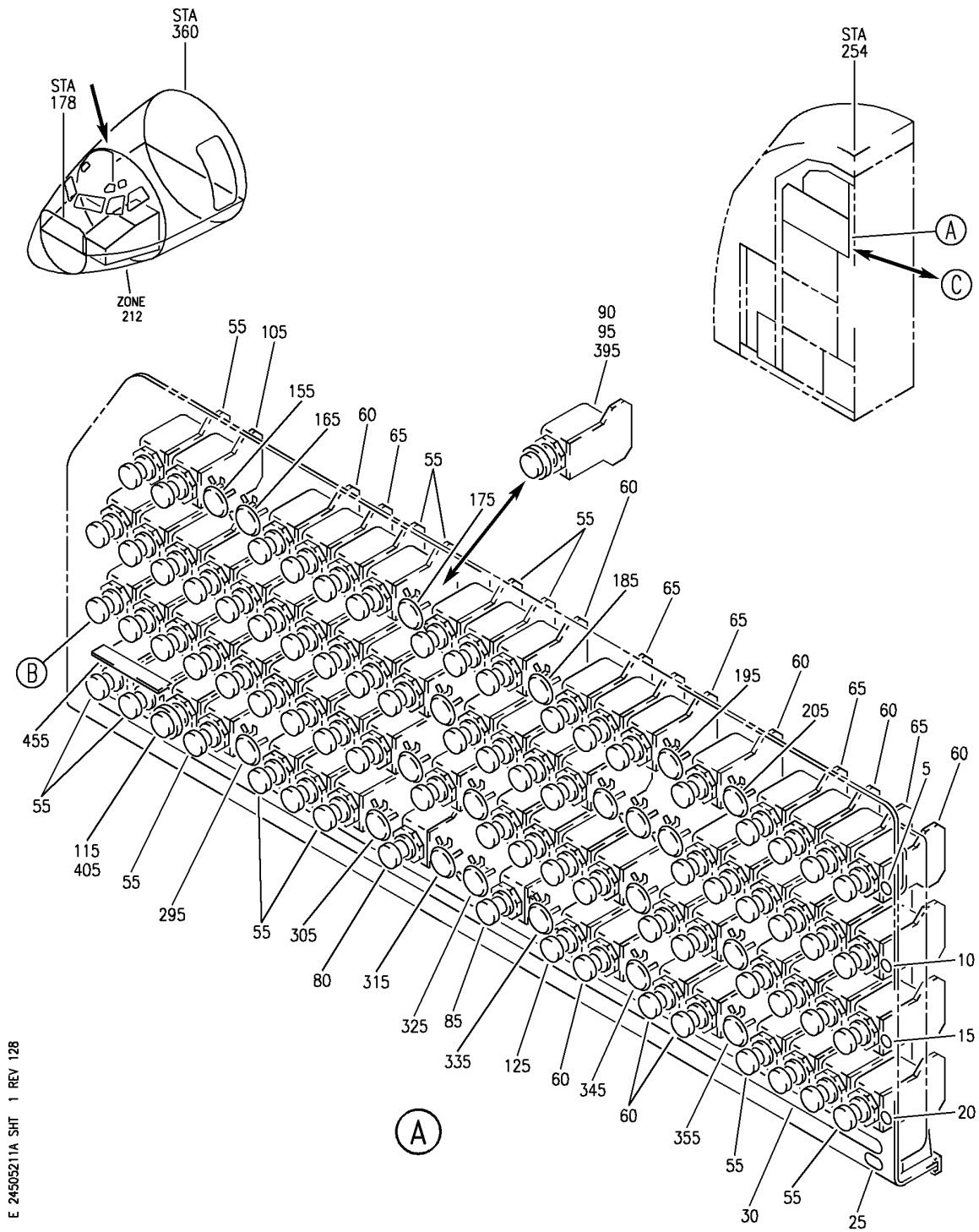
HAP

24-50-52-11

BOEING PROPRIETARY - Copyright © - Unpublished Work - See title page for details.

24-50-52
FIG. 11
PAGE 13
FEB 15/08

BOEING
 737-600/700/800/900
 PARTS CATALOG (MAINTENANCE)



E 24-50-52-11A SHT 1 REV 128

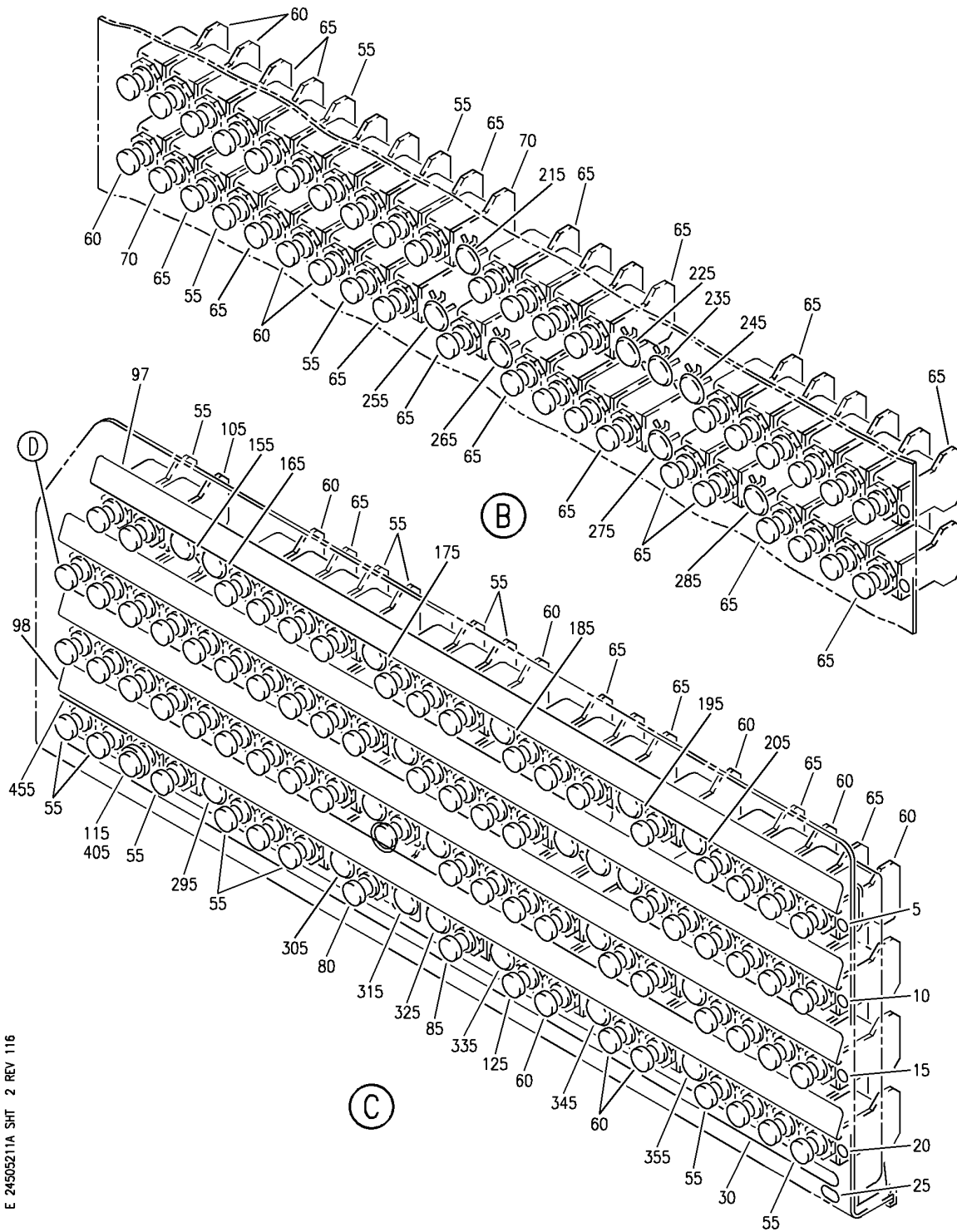
MARKER, CIRCUIT BREAKER, PLUG BUTTON, INOP AND GUARD INSTL-P6-2 PNL (ELECTRICAL POWER ONLY)
 FIGURE 11A (SHEET 1)

HAP
 JUN 10/07

24-50-52-11A

24-50-52-11A
 PAGE 0


BOEING
737-600/700/800/900
PARTS CATALOG (MAINTENANCE)



E 24-50-52-11A SHT 2 REV 116

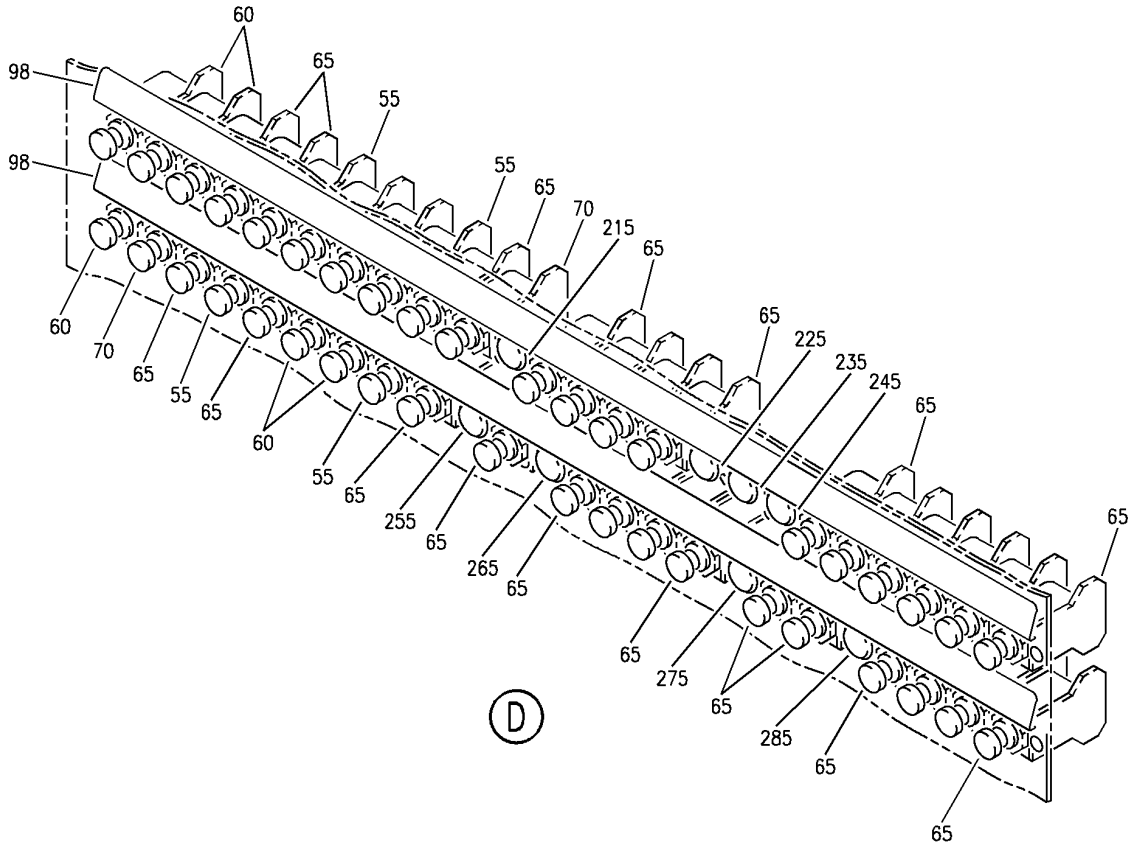
MARKER, CIRCUIT BREAKER, PLUG BUTTON, INOP AND GUARD INSTL-P6-2 PNL (ELECTRICAL POWER ONLY)
 FIGURE 11A (SHEET 2)

HAP
OCT 10/06

24-50-52-11A

24-50-52-11A
 PAGE 0A

BOEING
 737-600/700/800/900
 PARTS CATALOG (MAINTENANCE)



E 24505211A SHT 3 REV 116

MARKER, CIRCUIT BREAKER, PLUG BUTTON, INOP AND GUARD INSTL-P6-2 PNL (ELECTRICAL POWER ONLY)
 FIGURE 11A (SHEET 3)

HAP
 OCT 10/06

24-50-52-11A

24-50-52-11A
 PAGE 0B

BOEING
737-600/700/800/900
PARTS CATALOG (MAINTENANCE)

FIG ITEM	PART NUMBER	1 2 3 4 5 6 7	NOMENCLATURE	EFFECT FROM TO	UNITS PER ASSY
11A			MARKER, CIRCUIT BREAKER, PLUG BUTTON, INOP AND GUARD INSTL-P6-2 PNL (ELECTRICAL POWER ONLY)	031036	
- 1	MODREF250401		MARKER INSTL-P6-2 PNL MODULE NUMBER: 233A5222-1 REV D	031036	1
5	BAC27DCC3065		.MARKER- PLACARD CONTENT: A	031036	1
10	BAC27DCC3066		.MARKER- PLACARD CONTENT: B	031036	1
15	BAC27DCC3067		.MARKER- PLACARD CONTENT: C	031036	1
20	BAC27DCC3068		.MARKER- PLACARD CONTENT: D	031036	1
25	BAC27DCC3075		.MARKER- PLACARD CONTENT: P6-2	031036	1
30	BAC27DCC2731		.MARKER- PLACARD CONTENT: 1 THRU 24	031036	1
- 50	MODREF250428		CIRCUIT BREAKER INSTL-P6-2 (ELECTRICAL POWER ONLY) MODULE NUMBER: 233A5222-4 REV B FOR OTHER SYS DETAILS SEE: 11-31-52-11A	031036	1

MISSING ITEM NUMBERS NOT APPLICABLE

- ITEM NOT ILLUSTRATED

HAP

24-50-52-11A

BOEING PROPRIETARY - Copyright © - Unpublished Work - See title page for details.

24-50-52
FIG. 11A
PAGE 1
OCT 10/06


BOEING
 737-600/700/800/900
PARTS CATALOG (MAINTENANCE)

FIG ITEM	PART NUMBER	1 2 3 4 5 6 7	NOMENCLATURE	EFFECT FROM TO	UNITS PER ASSY
11A 55	2TC47-2-5		.CIRCUIT BREAKER- SUPPLIER CODE: V82647 SPECIFICATION NUMBER: BACC18AD2 OPTIONAL PART: 4310-029-205 V76374 ELECTRICAL EQUIP NUMBER: C00083 C00084 C00085 C00086 C00151 C00154 C00211 C00213 C00459 C01004 C01076 C01313 C01315 C01318 C01319 C01391 C01443 C01464 C01468 C01514 C01515	031036	21

MISSING ITEM NUMBERS NOT APPLICABLE

— ITEM NOT ILLUSTRATED

HAP

24-50-52-11A

BOEING PROPRIETARY - Copyright © - Unpublished Work - See title page for details.

24-50-52
 FIG. 11A
 PAGE 2
 OCT 10/06

BOEING
737-600/700/800/900
PARTS CATALOG (MAINTENANCE)

FIG ITEM	PART NUMBER	1 2 3 4 5 6 7 NOMENCLATURE	EFFECT FROM TO	UNITS PER ASSY
11A 60	2TC47-3	.CIRCUIT BREAKER- SUPPLIER CODE: V82647 SPECIFICATION NUMBER: BACC18AD3 OPTIONAL PART: 4310-029-3 V76374 ELECTRICAL EQUIP NUMBER: C00277 C00306 C00374 C00388 C00405 C00407 C00566 C00786 C00787 C00788 C01037 C01064 C01413	031036	13

MISSING ITEM NUMBERS NOT APPLICABLE

— ITEM NOT ILLUSTRATED

HAP

24-50-52-11A

BOEING PROPRIETARY - Copyright © - Unpublished Work - See title page for details.

24-50-52
FIG. 11A
PAGE 3
OCT 10/06

BOEING
737-600/700/800/900
PARTS CATALOG (MAINTENANCE)

FIG ITEM	PART NUMBER	1 2 3 4 5 6 7	NOMENCLATURE	EFFECT FROM TO	UNITS PER ASSY
11A 65	2TC47-5	.	CIRCUIT BREAKER- SUPPLIER CODE: V82647 SPECIFICATION NUMBER: BACC18AD5 OPTIONAL PART: 4310-029-5 V76374 ELECTRICAL EQUIP NUMBER: C00204 C00210 C00239 C00240 C00296 C00297 C00347 C00348 C00362 C00363 C00396 C00403 C00440 C00452 C00560 C00561 C00716 C00779 C00780 C00781 C00799 C01021 C01022 C01046 C01047 C01068 C01070 C01074 C01081 C01085 C01267 C01344 C01447	031036	33

MISSING ITEM NUMBERS NOT APPLICABLE

— ITEM NOT ILLUSTRATED

HAP

24-50-52-11A

BOEING PROPRIETARY - Copyright © - Unpublished Work - See title page for details.

24-50-52
FIG. 11A
PAGE 4
OCT 10/06

BOEING
737-600/700/800/900
PARTS CATALOG (MAINTENANCE)

FIG ITEM	PART NUMBER	1 2 3 4 5 6 7	NOMENCLATURE	EFFECT FROM TO	UNITS PER ASSY
11A 70	2TC47-7-5	.	CIRCUIT BREAKER- SUPPLIER CODE: V82647 SPECIFICATION NUMBER: BACC18AD7 OPTIONAL PART: 4310-029-705 V76374 ELECTRICAL EQUIP NUMBER: C00207	031036	1
75	2TC6-1	.	CIRCUIT BREAKER- SUPPLIER CODE: V82647 SPECIFICATION NUMBER: BACC18Z1R OPTIONAL PART: 4310-002-1 V76374 ELECTRICAL EQUIP NUMBER: C01042	031036	1
80	9TC615	.	CIRCUIT BREAKER- SUPPLIER CODE: V82647 SPECIFICATION NUMBER: BACC18AE15 ELECTRICAL EQUIP NUMBER: C00840	031036	1
85	6TC6-10	.	CIRCUIT BREAKER- SUPPLIER CODE: V82647 SPECIFICATION NUMBER: BACC18AC10 OPTIONAL PART: 4330-004-10 V76374 ELECTRICAL EQUIP NUMBER: C00841	031036	1
- 100	MODREF250406		CIRCUIT BREAKER INSTL-AFCS INTLK 2 P6-2/A3 MODULE NUMBER: 233A5222-201631 REV B	031036	1

MISSING ITEM NUMBERS NOT APPLICABLE

- ITEM NOT ILLUSTRATED

HAP

24-50-52-11A

BOEING PROPRIETARY - Copyright © - Unpublished Work - See title page for details.

24-50-52
FIG. 11A
PAGE 5
OCT 10/06

BOEING
737-600/700/800/900
PARTS CATALOG (MAINTENANCE)

FIG ITEM	PART NUMBER	1 2 3 4 5 6 7	NOMENCLATURE	EFFECT FROM TO	UNITS PER ASSY
11A 105	2TC47-5		.CIRCUIT BREAKER- SUPPLIER CODE: V82647 SPECIFICATION NUMBER: BACC18AD5 OPTIONAL PART: 4310-029-5 V76374 ELECTRICAL EQUIP NUMBER: C01631	031036	1
- 110	MODREF250405		CIRCUIT BREAKER INSTL-AFCS SYS B RUDDER DC P6-2/D3 MODULE NUMBER: 233A5222-201630 REV B	031036	1
115	2TC47-10		.CIRCUIT BREAKER- SUPPLIER CODE: V82647 SPECIFICATION NUMBER: BACC18AD10 OPTIONAL PART: 4310-029-10 V76374 ELECTRICAL EQUIP NUMBER: C01630	031036	1
- 120	MODREF250404		CIRCUIT BREAKER INSTL- FLIGHT CONTROL FORCE FIGHT MON P6-2/D15 MODULE NUMBER: 233A5222-201628 REV B	031036	1
125	2TC47-2-5		.CIRCUIT BREAKER- SUPPLIER CODE: V82647 SPECIFICATION NUMBER: BACC18AD2 OPTIONAL PART: 4310-029-205 V76374 ELECTRICAL EQUIP NUMBER: C01628	031036	1
- 150	MODREF250407		PLUG BUTTON INSTL-P6-2/A4 MODULE NUMBER: 233A5222-302104 REV B	031036	1

MISSING ITEM NUMBERS NOT APPLICABLE

- ITEM NOT ILLUSTRATED

HAP

24-50-52-11A

BOEING PROPRIETARY - Copyright © - Unpublished Work - See title page for details.

24-50-52
FIG. 11A
PAGE 6
OCT 10/06

BOEING
737-600/700/800/900
PARTS CATALOG (MAINTENANCE)

FIG ITEM	PART NUMBER	1 2 3 4 5 6 7	NOMENCLATURE	EFFECT FROM TO	UNITS PER ASSY
11A 155	BS51338D5003		.PLUG- SUPPLIER CODE: V83058 SPECIFICATION NUMBER: BACP20B63B OPTIONAL PART: 51338 V83058 MISCELLANEOUS DATA: USE IN PLACE OF CIRCUIT BREAKERS ON OPEN HOLES	031036	1
- 160	MODREF250408		PLUG BUTTON INSTL-P6-2/A5 MODULE NUMBER: 233A5222-302105 REV B	031036	1
165	BS51338D5003		.PLUG- SUPPLIER CODE: V83058 SPECIFICATION NUMBER: BACP20B63B OPTIONAL PART: 51338 V83058 MISCELLANEOUS DATA: USE IN PLACE OF CIRCUIT BREAKERS ON OPEN HOLES	031036	1
- 170	MODREF250409		PLUG BUTTON INSTL-P6-2/A10 MODULE NUMBER: 233A5222-302110 REV B	031036	1
175	BS51338D5003		.PLUG- SUPPLIER CODE: V83058 SPECIFICATION NUMBER: BACP20B63B OPTIONAL PART: 51338 V83058 MISCELLANEOUS DATA: USE IN PLACE OF CIRCUIT BREAKERS ON OPEN HOLES	031036	1
- 180	MODREF250410		PLUG BUTTON INSTL-P6-2/A14 MODULE NUMBER: 233A5222-302114 REV B	031036	1

MISSING ITEM NUMBERS NOT APPLICABLE

- ITEM NOT ILLUSTRATED

HAP

24-50-52-11A

BOEING PROPRIETARY - Copyright © - Unpublished Work - See title page for details.

24-50-52
FIG. 11A
PAGE 7
OCT 10/06

BOEING
737-600/700/800/900
PARTS CATALOG (MAINTENANCE)

FIG ITEM	PART NUMBER	1 2 3 4 5 6 7	NOMENCLATURE	EFFECT FROM TO	UNITS PER ASSY
11A 185	BS51338D5003		.PLUG- SUPPLIER CODE: V83058 SPECIFICATION NUMBER: BACP20B63B OPTIONAL PART: 51338 V83058 MISCELLANEOUS DATA: USE IN PLACE OF CIRCUIT BREAKERS ON OPEN HOLES	031036	1
- 190	MODREF250411		PLUG BUTTON INSTL-P6-2/A18 MODULE NUMBER: 233A5222-302118 REV B	031036	1
195	BS51338D5003		.PLUG- SUPPLIER CODE: V83058 SPECIFICATION NUMBER: BACP20B63B OPTIONAL PART: 51338 V83058 MISCELLANEOUS DATA: USE IN PLACE OF CIRCUIT BREAKERS ON OPEN HOLES	031036	1
- 200	MODREF250412		PLUG BUTTON INSTL-P6-2/A20 MODULE NUMBER: 233A5222-302120 REV B	031036	1
205	BS51338D5003		.PLUG- SUPPLIER CODE: V83058 SPECIFICATION NUMBER: BACP20B63B OPTIONAL PART: 51338 V83058 MISCELLANEOUS DATA: USE IN PLACE OF CIRCUIT BREAKERS ON OPEN HOLES	031036	1
- 210	MODREF250413		PLUG BUTTON INSTL-P6-2/B11 MODULE NUMBER: 233A5222-302211 REV B	031036	1

MISSING ITEM NUMBERS NOT APPLICABLE

- ITEM NOT ILLUSTRATED

HAP

24-50-52-11A

BOEING PROPRIETARY - Copyright © - Unpublished Work - See title page for details.

24-50-52
FIG. 11A
PAGE 8
OCT 10/06

BOEING
737-600/700/800/900
PARTS CATALOG (MAINTENANCE)

FIG ITEM	PART NUMBER	1 2 3 4 5 6 7	NOMENCLATURE	EFFECT FROM TO	UNITS PER ASSY
11A 215	BS51338D5003		.PLUG- SUPPLIER CODE: V83058 SPECIFICATION NUMBER: BACP20B63B OPTIONAL PART: 51338 V83058 MISCELLANEOUS DATA: USE IN PLACE OF CIRCUIT BREAKERS ON OPEN HOLES	031036	1
- 220	MODREF250414		PLUG BUTTON INSTL-P6-2/B16 MODULE NUMBER: 233A5222-302216 REV B	031036	1
225	BS51338D5003		.PLUG- SUPPLIER CODE: V83058 SPECIFICATION NUMBER: BACP20B63B OPTIONAL PART: 51338 V83058 MISCELLANEOUS DATA: USE IN PLACE OF CIRCUIT BREAKERS ON OPEN HOLES	031036	1
- 230	MODREF250415		PLUG BUTTON INSTL-P6-2/B17 MODULE NUMBER: 233A5222-302217 REV B	031036	1
235	BS51338D5003		.PLUG- SUPPLIER CODE: V83058 SPECIFICATION NUMBER: BACP20B63B OPTIONAL PART: 51338 V83058 MISCELLANEOUS DATA: USE IN PLACE OF CIRCUIT BREAKERS ON OPEN HOLES	031036	1
- 240	MODREF250416		PLUG BUTTON INSTL-P6-2/B18 MODULE NUMBER: 233A5222-302218 REV B	031036	1

MISSING ITEM NUMBERS NOT APPLICABLE

- ITEM NOT ILLUSTRATED

HAP

24-50-52-11A

BOEING PROPRIETARY - Copyright © - Unpublished Work - See title page for details.

24-50-52
FIG. 11A
PAGE 9
OCT 10/06

BOEING
737-600/700/800/900
PARTS CATALOG (MAINTENANCE)

FIG ITEM	PART NUMBER	1 2 3 4 5 6 7	NOMENCLATURE	EFFECT FROM TO	UNITS PER ASSY
11A 245	BS51338D5003		.PLUG- SUPPLIER CODE: V83058 SPECIFICATION NUMBER: BACP20B63B OPTIONAL PART: 51338 V83058 MISCELLANEOUS DATA: USE IN PLACE OF CIRCUIT BREAKERS ON OPEN HOLES	031036	1
- 250	MODREF250417		PLUG BUTTON INSTL-P6-2/C10 MODULE NUMBER: 233A5222-302310 REV B	031036	1
255	BS51338D5003		.PLUG- SUPPLIER CODE: V83058 SPECIFICATION NUMBER: BACP20B63B OPTIONAL PART: 51338 V83058 MISCELLANEOUS DATA: USE IN PLACE OF CIRCUIT BREAKERS ON OPEN HOLES	031036	1
- 260	MODREF250418		PLUG BUTTON INSTL-P6-2/C12 MODULE NUMBER: 233A5222-302312 REV B	031036	1
265	BS51338D5003		.PLUG- SUPPLIER CODE: V83058 SPECIFICATION NUMBER: BACP20B63B OPTIONAL PART: 51338 V83058 MISCELLANEOUS DATA: USE IN PLACE OF CIRCUIT BREAKERS ON OPEN HOLES	031036	1
- 270	MODREF250419		PLUG BUTTON INSTL-P6-2/C17 MODULE NUMBER: 233A5222-302317 REV B	031036	1

MISSING ITEM NUMBERS NOT APPLICABLE

- ITEM NOT ILLUSTRATED

HAP

24-50-52-11A

BOEING PROPRIETARY - Copyright © - Unpublished Work - See title page for details.

24-50-52
FIG. 11A
PAGE 10
OCT 10/06

BOEING
737-600/700/800/900
PARTS CATALOG (MAINTENANCE)

FIG ITEM	PART NUMBER	1 2 3 4 5 6 7	NOMENCLATURE	EFFECT FROM TO	UNITS PER ASSY
11A 275	BS51338D5003		.PLUG- SUPPLIER CODE: V83058 SPECIFICATION NUMBER: BACP20B63B OPTIONAL PART: 51338 V83058 MISCELLANEOUS DATA: USE IN PLACE OF CIRCUIT BREAKERS ON OPEN HOLES	031036	1
- 280	MODREF250420		PLUG BUTTON INSTL-P6-2/C20 MODULE NUMBER: 233A5222-302320 REV B	031036	1
285	BS51338D5003		.PLUG- SUPPLIER CODE: V83058 SPECIFICATION NUMBER: BACP20B63B OPTIONAL PART: 51338 V83058 MISCELLANEOUS DATA: USE IN PLACE OF CIRCUIT BREAKERS ON OPEN HOLES	031036	1
- 290	MODREF250421		PLUG BUTTON INSTL-P6-2/D5 MODULE NUMBER: 233A5222-302405 REV B	031036	1
295	BS51338D5003		.PLUG- SUPPLIER CODE: V83058 SPECIFICATION NUMBER: BACP20B63B OPTIONAL PART: 51338 V83058 MISCELLANEOUS DATA: USE IN PLACE OF CIRCUIT BREAKERS ON OPEN HOLES	031036	1
- 300	MODREF250422		PLUG BUTTON INSTL-P6-2/D9 MODULE NUMBER: 233A5222-302409 REV B	031036	1

MISSING ITEM NUMBERS NOT APPLICABLE

- ITEM NOT ILLUSTRATED

HAP

24-50-52-11A

BOEING PROPRIETARY - Copyright © - Unpublished Work - See title page for details.

24-50-52
FIG. 11A
PAGE 11
OCT 10/06

BOEING
737-600/700/800/900
PARTS CATALOG (MAINTENANCE)

FIG ITEM	PART NUMBER	1 2 3 4 5 6 7	NOMENCLATURE	EFFECT FROM TO	UNITS PER ASSY
11A 305	BS51338D5003		.PLUG- SUPPLIER CODE: V83058 SPECIFICATION NUMBER: BACP20B63B OPTIONAL PART: 51338 V83058 MISCELLANEOUS DATA: USE IN PLACE OF CIRCUIT BREAKERS ON OPEN HOLES	031036	1
- 310	MODREF250423		PLUG BUTTON INSTL-P6-2/D11 MODULE NUMBER: 233A5222-302411 REV B	031036	1
315	BS51338D5003		.PLUG- SUPPLIER CODE: V83058 SPECIFICATION NUMBER: BACP20B63B OPTIONAL PART: 51338 V83058 MISCELLANEOUS DATA: USE IN PLACE OF CIRCUIT BREAKERS ON OPEN HOLES	031036	1
- 320	MODREF250424		PLUG BUTTON INSTL-P6-2/D12 MODULE NUMBER: 233A5222-302412 REV B	031036	1
325	BS51338D5003		.PLUG- SUPPLIER CODE: V83058 SPECIFICATION NUMBER: BACP20B63B OPTIONAL PART: 51338 V83058 MISCELLANEOUS DATA: USE IN PLACE OF CIRCUIT BREAKERS ON OPEN HOLES	031036	1
- 330	MODREF250425		PLUG BUTTON INSTL-P6-2/D14 MODULE NUMBER: 233A5222-302414 REV B	031036	1

MISSING ITEM NUMBERS NOT APPLICABLE

- ITEM NOT ILLUSTRATED

HAP

24-50-52-11A

BOEING PROPRIETARY - Copyright © - Unpublished Work - See title page for details.

24-50-52
FIG. 11A
PAGE 12
OCT 10/06

BOEING
737-600/700/800/900
PARTS CATALOG (MAINTENANCE)

FIG ITEM	PART NUMBER	1 2 3 4 5 6 7	NOMENCLATURE	EFFECT FROM TO	UNITS PER ASSY
11A 335	BS51338D5003		.PLUG- SUPPLIER CODE: V83058 SPECIFICATION NUMBER: BACP20B63B OPTIONAL PART: 51338 V83058 MISCELLANEOUS DATA: USE IN PLACE OF CIRCUIT BREAKERS ON OPEN HOLES	031036	1
- 340	MODREF250426		PLUG BUTTON INSTL-P6-2/D17 MODULE NUMBER: 233A5222-302417 REV B	031036	1
345	BS51338D5003		.PLUG- SUPPLIER CODE: V83058 SPECIFICATION NUMBER: BACP20B63B OPTIONAL PART: 51338 V83058 MISCELLANEOUS DATA: USE IN PLACE OF CIRCUIT BREAKERS ON OPEN HOLES	031036	1
- 350	MODREF250427		PLUG BUTTON INSTL-P6-2/D20 MODULE NUMBER: 233A5222-302420 REV B	031036	1
355	BS51338D5003		.PLUG- SUPPLIER CODE: V83058 SPECIFICATION NUMBER: BACP20B63B OPTIONAL PART: 51338 V83058 MISCELLANEOUS DATA: USE IN PLACE OF CIRCUIT BREAKERS ON OPEN HOLES	031036	1
- 400	MODREF250434		INOP INSTL-P6-2/D3 (ELECTRICAL POWER ONLY) MODULE NUMBER: 233A5222-502403 REV B FOR OTHER SYS DETAILS SEE: 11-31-52-11A	031036	1
405	10237-1		.COLLAR- SUPPLIER CODE: V1N6X0	031036	1

MISSING ITEM NUMBERS NOT APPLICABLE

- ITEM NOT ILLUSTRATED

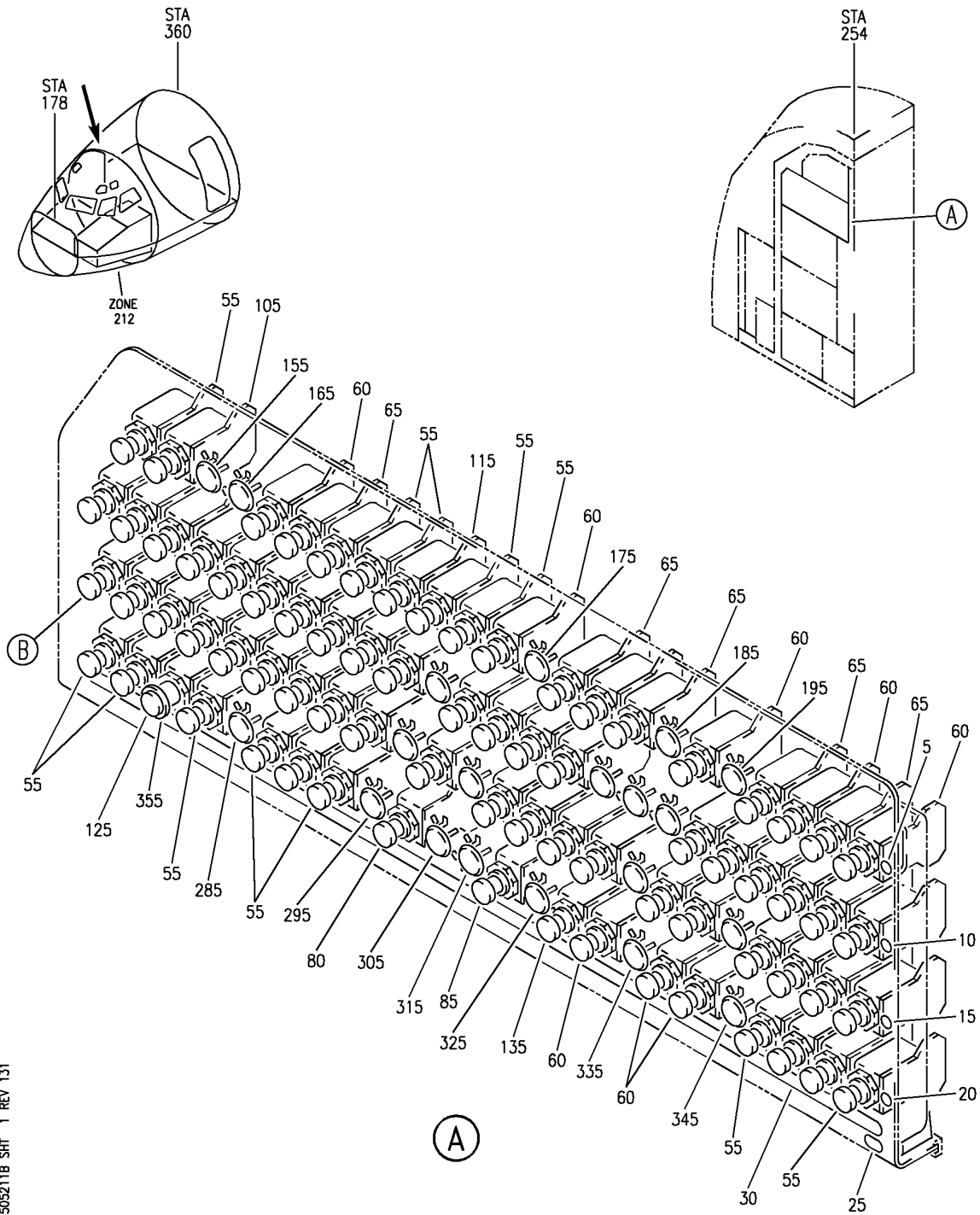
HAP

24-50-52-11A

BOEING PROPRIETARY - Copyright © - Unpublished Work - See title page for details.

24-50-52
FIG. 11A
PAGE 13
FEB 10/07

BOEING
737-600/700/800/900
PARTS CATALOG (MAINTENANCE)



E 24-50-52-11B SHT 1 REV 131

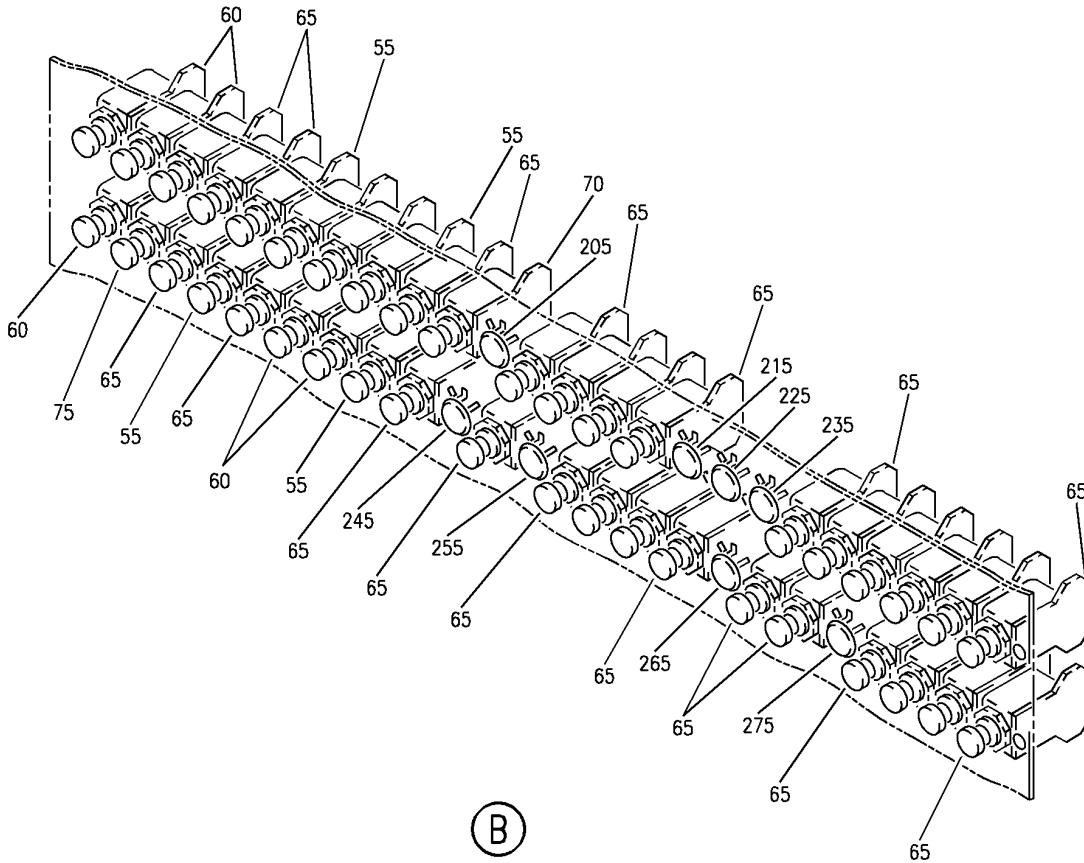
MARKER, CIRCUIT BREAKER AND PLUG BUTTON INSTL-P6-2 (ELECTRICAL POWER ONLY)
 FIGURE 11B (SHEET 1)

24-50-52-11B

HAP
 JUN 10/07

24-50-52-11B
 PAGE 0

BOEING
 737-600/700/800/900
 PARTS CATALOG (MAINTENANCE)



E 24-50-52-11B SHT 2 REV 108

MARKER, CIRCUIT BREAKER AND PLUG BUTTON INSTL-P6-2 (ELECTRICAL POWER ONLY)
 FIGURE 11B (SHEET 2)

HAP
 JUN 10/07

24-50-52-11B

24-50-52-11B
 PAGE 0A

BOEING
737-600/700/800/900
PARTS CATALOG (MAINTENANCE)

FIG ITEM	PART NUMBER	1 2 3 4 5 6 7	NOMENCLATURE	EFFECT FROM TO	UNITS PER ASSY
11B			MARKER, CIRCUIT BREAKER AND PLUG BUTTON INSTL-P6-2 (ELECTRICAL POWER ONLY)	104106 968969 972999	
- 1	MODREF250401		MARKER INSTL-P6-2 PNL MODULE NUMBER: 233A5222-1 REV D	104106 968969 972999	1
5	BAC27DCC3065		.MARKER- PLACARD CONTENT: A	104106 968969 972999	1
10	BAC27DCC3066		.MARKER- PLACARD CONTENT: B	104106 968969 972999	1
15	BAC27DCC3067		.MARKER- PLACARD CONTENT: C	104106 968969 972999	1
20	BAC27DCC3068		.MARKER- PLACARD CONTENT: D	104106 968969 972999	1
25	BAC27DCC3075		.MARKER- PLACARD CONTENT: P6-2	104106 968969 972999	1
30	BAC27DCC2731		.MARKER- PLACARD CONTENT: 1 THRU 24	104106 968969 972999	1
- 50	MODREF282627		CIRCUIT BREAKER INSTL-P6-2 (ELECTRICAL POWER ONLY) MODULE NUMBER: 233A5222-4 REV C FOR OTHER SYS DETAILS SEE: 11-31-52-11B	104106 968969 972999	1

MISSING ITEM NUMBERS NOT APPLICABLE

- ITEM NOT ILLUSTRATED

HAP

24-50-52-11B

BOEING PROPRIETARY - Copyright © - Unpublished Work - See title page for details.

24-50-52
FIG. 11B
PAGE 1
OCT 15/08

BOEING
737-600/700/800/900
PARTS CATALOG (MAINTENANCE)

FIG ITEM	PART NUMBER	1 2 3 4 5 6 7	NOMENCLATURE	EFFECT FROM TO	UNITS PER ASSY
11B 55	2TC47-2-5		.CIRCUIT BREAKER- SUPPLIER CODE: V82647 SPECIFICATION NUMBER: BACC18AD2 OPTIONAL PART: 4310-029-205 V76374 ELECTRICAL EQUIP NUMBER: C00083 C00084 C00085 C00086 C00151 C00154 C00211 C00213 C00459 C01004 C01076 C01313 C01315 C01318 C01319 C01391 C01443 C01464 C01468 C01514 C01515	104106 968969 972999	21

MISSING ITEM NUMBERS NOT APPLICABLE

— ITEM NOT ILLUSTRATED

HAP

24-50-52-11B

BOEING PROPRIETARY - Copyright © - Unpublished Work - See title page for details.

24-50-52
FIG. 11B
PAGE 2
OCT 15/08

BOEING
737-600/700/800/900
PARTS CATALOG (MAINTENANCE)

FIG ITEM	PART NUMBER	1 2 3 4 5 6 7 NOMENCLATURE	EFFECT FROM TO	UNITS PER ASSY
11B 60	2TC47-3	.CIRCUIT BREAKER- SUPPLIER CODE: V82647 SPECIFICATION NUMBER: BACC18AD3 OPTIONAL PART: 4310-029-3 V76374 ELECTRICAL EQUIP NUMBER: C00277 C00306 C00374 C00388 C00405 C00407 C00566 C00786 C00787 C00788 C01037 C01064 C01413	104106 968969 972999	13

MISSING ITEM NUMBERS NOT APPLICABLE

— ITEM NOT ILLUSTRATED

HAP

24-50-52-11B

BOEING PROPRIETARY - Copyright © - Unpublished Work - See title page for details.

24-50-52
FIG. 11B
PAGE 3
OCT 15/08


BOEING
 737-600/700/800/900
PARTS CATALOG (MAINTENANCE)

FIG ITEM	PART NUMBER	1 2 3 4 5 6 7	NOMENCLATURE	EFFECT FROM TO	UNITS PER ASSY
11B 65	2TC47-5		.CIRCUIT BREAKER- SUPPLIER CODE: V82647 SPECIFICATION NUMBER: BACC18AD5 OPTIONAL PART: 4310-029-5 V76374 ELECTRICAL EQUIP NUMBER: C00204 C00210 C00239 C00240 C00296 C00297 C00347 C00348 C00362 C00363 C00396 C00403 C00440 C00452 C00560 C00561 C00716 C00779 C00780 C00781 C00799 C01021 C01022 C01046 C01047 C01068 C01070 C01074 C01081 C01085 C01267 C01344 C01447	104106 968969 972999	33

MISSING ITEM NUMBERS NOT APPLICABLE

— ITEM NOT ILLUSTRATED

HAP

24-50-52-11B

BOEING PROPRIETARY - Copyright © - Unpublished Work - See title page for details.

24-50-52
 FIG. 11B
 PAGE 4
 OCT 15/08

BOEING
737-600/700/800/900
PARTS CATALOG (MAINTENANCE)

FIG ITEM	PART NUMBER	1 2 3 4 5 6 7	NOMENCLATURE	EFFECT FROM TO	UNITS PER ASSY
11B 70	2TC47-7-5		.CIRCUIT BREAKER- SUPPLIER CODE: V82647 SPECIFICATION NUMBER: BACC18AD7 OPTIONAL PART: 4310-029-705 V76374 ELECTRICAL EQUIP NUMBER: C00207	104106 968969 972999	1
75	2TC6-1		.CIRCUIT BREAKER- SUPPLIER CODE: V82647 SPECIFICATION NUMBER: BACC18Z1R OPTIONAL PART: 4310-002-1 V76374 ELECTRICAL EQUIP NUMBER: C01042	104106 968969 972999	1
80	9TC615		.CIRCUIT BREAKER- SUPPLIER CODE: V82647 SPECIFICATION NUMBER: BACC18AE15 ELECTRICAL EQUIP NUMBER: C00840	104106 968969 972999	1
85	6TC6-10		.CIRCUIT BREAKER- SUPPLIER CODE: V82647 SPECIFICATION NUMBER: BACC18AC10 OPTIONAL PART: 4330-004-10 V76374 ELECTRICAL EQUIP NUMBER: C00841	104106 968969 972999	1
- 100	MODREF250406		CIRCUIT BREAKER INSTL-AFCS INTLK 2 P6-2/A3 MODULE NUMBER: 233A5222-201631 REV B	104106 968969 972999	1

MISSING ITEM NUMBERS NOT APPLICABLE

- ITEM NOT ILLUSTRATED

HAP

24-50-52-11B

BOEING PROPRIETARY - Copyright © - Unpublished Work - See title page for details.

24-50-52
FIG. 11B
PAGE 5
OCT 15/08

BOEING
737-600/700/800/900
PARTS CATALOG (MAINTENANCE)

FIG ITEM	PART NUMBER	1 2 3 4 5 6 7	NOMENCLATURE	EFFECT FROM TO	UNITS PER ASSY
11B 105	2TC47-5	.	CIRCUIT BREAKER- SUPPLIER CODE: V82647 SPECIFICATION NUMBER: BACC18AD5 OPTIONAL PART: 4310-029-5 V76374 ELECTRICAL EQUIP NUMBER: C01631	104106 968969 972999	1
- 110	MODREF250402		CIRCUIT BREAKER INSTL- SPDBRK AUTOSTOW P6-2/A10 MODULE NUMBER: 233A5222-201611 REV B	104106 968969 972999	1
115	2TC47-5	.	CIRCUIT BREAKER- SUPPLIER CODE: V82647 SPECIFICATION NUMBER: BACC18AD5 OPTIONAL PART: 4310-029-5 V76374 ELECTRICAL EQUIP NUMBER: C01611	104106 968969 972999	1
- 120	MODREF250405		CIRCUIT BREAKER INSTL-AFCS SYS B RUDDER DC P6-2/D3 MODULE NUMBER: 233A5222-201630 REV B	104106 968969 972999	1
125	2TC47-10	.	CIRCUIT BREAKER- SUPPLIER CODE: V82647 SPECIFICATION NUMBER: BACC18AD10 OPTIONAL PART: 4310-029-10 V76374 ELECTRICAL EQUIP NUMBER: C01630	104106 968969 972999	1
- 130	MODREF250404		CIRCUIT BREAKER INSTL- FLIGHT CONTROL FORCE FIGHT MON P6-2/D15 MODULE NUMBER: 233A5222-201628 REV B	104106 968969 972999	1

MISSING ITEM NUMBERS NOT APPLICABLE

- ITEM NOT ILLUSTRATED

HAP

24-50-52-11B

BOEING PROPRIETARY - Copyright © - Unpublished Work - See title page for details.

24-50-52
FIG. 11B
PAGE 6
OCT 15/08

BOEING
737-600/700/800/900
PARTS CATALOG (MAINTENANCE)

FIG ITEM	PART NUMBER	1 2 3 4 5 6 7	NOMENCLATURE	EFFECT FROM TO	UNITS PER ASSY
11B 135	2TC47-2-5		.CIRCUIT BREAKER- SUPPLIER CODE: V82647 SPECIFICATION NUMBER: BACC18AD2 OPTIONAL PART: 4310-029-205 V76374 ELECTRICAL EQUIP NUMBER: C01628	104106 968969 972999	1
- 150	MODREF250407		PLUG BUTTON INSTL-P6-2/A4 MODULE NUMBER: 233A5222-302104 REV B	104106 968969 972999	1
155	BS51338D5003		.PLUG- SUPPLIER CODE: V83058 SPECIFICATION NUMBER: BACP20B63B OPTIONAL PART: 51338 V83058 MISCELLANEOUS DATA: USE IN PLACE OF CIRCUIT BREAKERS ON OPEN HOLES	104106 968969 972999	1
- 160	MODREF250408		PLUG BUTTON INSTL-P6-2/A5 MODULE NUMBER: 233A5222-302105 REV B	104106 968969 972999	1
165	BS51338D5003		.PLUG- SUPPLIER CODE: V83058 SPECIFICATION NUMBER: BACP20B63B OPTIONAL PART: 51338 V83058 MISCELLANEOUS DATA: USE IN PLACE OF CIRCUIT BREAKERS ON OPEN HOLES	104106 968969 972999	1
- 170	MODREF250410		PLUG BUTTON INSTL-P6-2/A14 MODULE NUMBER: 233A5222-302114 REV B	104106 968969 972999	1

MISSING ITEM NUMBERS NOT APPLICABLE

- ITEM NOT ILLUSTRATED

HAP

24-50-52-11B

BOEING PROPRIETARY - Copyright © - Unpublished Work - See title page for details.

24-50-52
FIG. 11B
PAGE 7
OCT 15/08

BOEING
737-600/700/800/900
PARTS CATALOG (MAINTENANCE)

FIG ITEM	PART NUMBER	1 2 3 4 5 6 7	NOMENCLATURE	EFFECT FROM TO	UNITS PER ASSY
11B 175	BS51338D5003		.PLUG- SUPPLIER CODE: V83058 SPECIFICATION NUMBER: BACP20B63B OPTIONAL PART: 51338 V83058 MISCELLANEOUS DATA: USE IN PLACE OF CIRCUIT BREAKERS ON OPEN HOLES	104106 968969 972999	1
- 180	MODREF250411		PLUG BUTTON INSTL-P6-2/A18 MODULE NUMBER: 233A5222-302118 REV B	104106 968969 972999	1
185	BS51338D5003		.PLUG- SUPPLIER CODE: V83058 SPECIFICATION NUMBER: BACP20B63B OPTIONAL PART: 51338 V83058 MISCELLANEOUS DATA: USE IN PLACE OF CIRCUIT BREAKERS ON OPEN HOLES	104106 968969 972999	1
- 190	MODREF250412		PLUG BUTTON INSTL-P6-2/A20 MODULE NUMBER: 233A5222-302120 REV B	104106 968969 972999	1
195	BS51338D5003		.PLUG- SUPPLIER CODE: V83058 SPECIFICATION NUMBER: BACP20B63B OPTIONAL PART: 51338 V83058 MISCELLANEOUS DATA: USE IN PLACE OF CIRCUIT BREAKERS ON OPEN HOLES	104106 968969 972999	1
- 200	MODREF250413		PLUG BUTTON INSTL-P6-2/B11 MODULE NUMBER: 233A5222-302211 REV B	104106 968969 972999	1

MISSING ITEM NUMBERS NOT APPLICABLE

- ITEM NOT ILLUSTRATED

HAP

24-50-52-11B

BOEING PROPRIETARY - Copyright © - Unpublished Work - See title page for details.

24-50-52
FIG. 11B
PAGE 8
OCT 15/08

BOEING
737-600/700/800/900
PARTS CATALOG (MAINTENANCE)

FIG ITEM	PART NUMBER	1 2 3 4 5 6 7	NOMENCLATURE	EFFECT FROM TO	UNITS PER ASSY
11B 205	BS51338D5003		.PLUG- SUPPLIER CODE: V83058 SPECIFICATION NUMBER: BACP20B63B OPTIONAL PART: 51338 V83058 MISCELLANEOUS DATA: USE IN PLACE OF CIRCUIT BREAKERS ON OPEN HOLES	104106 968969 972999	1
- 210	MODREF250414		PLUG BUTTON INSTL-P6-2/B16 MODULE NUMBER: 233A5222-302216 REV B	104106 968969 972999	1
215	BS51338D5003		.PLUG- SUPPLIER CODE: V83058 SPECIFICATION NUMBER: BACP20B63B OPTIONAL PART: 51338 V83058 MISCELLANEOUS DATA: USE IN PLACE OF CIRCUIT BREAKERS ON OPEN HOLES	104106 968969 972999	1
- 220	MODREF250415		PLUG BUTTON INSTL-P6-2/B17 MODULE NUMBER: 233A5222-302217 REV B	104106 968969 972999	1
225	BS51338D5003		.PLUG- SUPPLIER CODE: V83058 SPECIFICATION NUMBER: BACP20B63B OPTIONAL PART: 51338 V83058 MISCELLANEOUS DATA: USE IN PLACE OF CIRCUIT BREAKERS ON OPEN HOLES	104106 968969 972999	1
- 230	MODREF250416		PLUG BUTTON INSTL-P6-2/B18 MODULE NUMBER: 233A5222-302218 REV B	104106 968969 972999	1

MISSING ITEM NUMBERS NOT APPLICABLE

- ITEM NOT ILLUSTRATED

HAP

24-50-52-11B

BOEING PROPRIETARY - Copyright © - Unpublished Work - See title page for details.

24-50-52
FIG. 11B
PAGE 9
OCT 15/08

BOEING
737-600/700/800/900
PARTS CATALOG (MAINTENANCE)

FIG ITEM	PART NUMBER	1 2 3 4 5 6 7	NOMENCLATURE	EFFECT FROM TO	UNITS PER ASSY
11B 235	BS51338D5003		.PLUG- SUPPLIER CODE: V83058 SPECIFICATION NUMBER: BACP20B63B OPTIONAL PART: 51338 V83058 MISCELLANEOUS DATA: USE IN PLACE OF CIRCUIT BREAKERS ON OPEN HOLES	104106 968969 972999	1
- 240	MODREF250417		PLUG BUTTON INSTL-P6-2/C10 MODULE NUMBER: 233A5222-302310 REV B	104106 968969 972999	1
245	BS51338D5003		.PLUG- SUPPLIER CODE: V83058 SPECIFICATION NUMBER: BACP20B63B OPTIONAL PART: 51338 V83058 MISCELLANEOUS DATA: USE IN PLACE OF CIRCUIT BREAKERS ON OPEN HOLES	104106 968969 972999	1
- 250	MODREF250418		PLUG BUTTON INSTL-P6-2/C12 MODULE NUMBER: 233A5222-302312 REV B	104106 968969 972999	1
255	BS51338D5003		.PLUG- SUPPLIER CODE: V83058 SPECIFICATION NUMBER: BACP20B63B OPTIONAL PART: 51338 V83058 MISCELLANEOUS DATA: USE IN PLACE OF CIRCUIT BREAKERS ON OPEN HOLES	104106 968969 972999	1
- 260	MODREF250419		PLUG BUTTON INSTL-P6-2/C17 MODULE NUMBER: 233A5222-302317 REV B	104106 968969 972999	1

MISSING ITEM NUMBERS NOT APPLICABLE

- ITEM NOT ILLUSTRATED

HAP

24-50-52-11B

BOEING PROPRIETARY - Copyright © - Unpublished Work - See title page for details.

24-50-52
FIG. 11B
PAGE 10
OCT 15/08

BOEING
737-600/700/800/900
PARTS CATALOG (MAINTENANCE)

FIG ITEM	PART NUMBER	1 2 3 4 5 6 7	NOMENCLATURE	EFFECT FROM TO	UNITS PER ASSY
11B 265	BS51338D5003		.PLUG- SUPPLIER CODE: V83058 SPECIFICATION NUMBER: BACP20B63B OPTIONAL PART: 51338 V83058 MISCELLANEOUS DATA: USE IN PLACE OF CIRCUIT BREAKERS ON OPEN HOLES	104106 968969 972999	1
- 270	MODREF250420		PLUG BUTTON INSTL-P6-2/C20 MODULE NUMBER: 233A5222-302320 REV B	104106 968969 972999	1
275	BS51338D5003		.PLUG- SUPPLIER CODE: V83058 SPECIFICATION NUMBER: BACP20B63B OPTIONAL PART: 51338 V83058 MISCELLANEOUS DATA: USE IN PLACE OF CIRCUIT BREAKERS ON OPEN HOLES	104106 968969 972999	1
- 280	MODREF250421		PLUG BUTTON INSTL-P6-2/D5 MODULE NUMBER: 233A5222-302405 REV B	104106 968969 972999	1
285	BS51338D5003		.PLUG- SUPPLIER CODE: V83058 SPECIFICATION NUMBER: BACP20B63B OPTIONAL PART: 51338 V83058 MISCELLANEOUS DATA: USE IN PLACE OF CIRCUIT BREAKERS ON OPEN HOLES	104106 968969 972999	1
- 290	MODREF250422		PLUG BUTTON INSTL-P6-2/D9 MODULE NUMBER: 233A5222-302409 REV B	104106 968969 972999	1

MISSING ITEM NUMBERS NOT APPLICABLE

- ITEM NOT ILLUSTRATED

HAP

24-50-52-11B

BOEING PROPRIETARY - Copyright © - Unpublished Work - See title page for details.

24-50-52
FIG. 11B
PAGE 11
OCT 15/08

BOEING
737-600/700/800/900
PARTS CATALOG (MAINTENANCE)

FIG ITEM	PART NUMBER	1 2 3 4 5 6 7	NOMENCLATURE	EFFECT FROM TO	UNITS PER ASSY
11B 295	BS51338D5003		.PLUG- SUPPLIER CODE: V83058 SPECIFICATION NUMBER: BACP20B63B OPTIONAL PART: 51338 V83058 MISCELLANEOUS DATA: USE IN PLACE OF CIRCUIT BREAKERS ON OPEN HOLES	104106 968969 972999	1
- 300	MODREF250423		PLUG BUTTON INSTL-P6-2/D11 MODULE NUMBER: 233A5222-302411 REV B	104106 968969 972999	1
305	BS51338D5003		.PLUG- SUPPLIER CODE: V83058 SPECIFICATION NUMBER: BACP20B63B OPTIONAL PART: 51338 V83058 MISCELLANEOUS DATA: USE IN PLACE OF CIRCUIT BREAKERS ON OPEN HOLES	104106 968969 972999	1
- 310	MODREF250424		PLUG BUTTON INSTL-P6-2/D12 MODULE NUMBER: 233A5222-302412 REV B	104106 968969 972999	1
315	BS51338D5003		.PLUG- SUPPLIER CODE: V83058 SPECIFICATION NUMBER: BACP20B63B OPTIONAL PART: 51338 V83058 MISCELLANEOUS DATA: USE IN PLACE OF CIRCUIT BREAKERS ON OPEN HOLES	104106 968969 972999	1
- 320	MODREF250425		PLUG BUTTON INSTL-P6-2/D14 MODULE NUMBER: 233A5222-302414 REV B	104106 968969 972999	1

MISSING ITEM NUMBERS NOT APPLICABLE

- ITEM NOT ILLUSTRATED

HAP

24-50-52-11B

BOEING PROPRIETARY - Copyright © - Unpublished Work - See title page for details.

24-50-52
FIG. 11B
PAGE 12
OCT 15/08

 **BOEING**
737-600/700/800/900
PARTS CATALOG (MAINTENANCE)

FIG ITEM	PART NUMBER	1 2 3 4 5 6 7	NOMENCLATURE	EFFECT FROM TO	UNITS PER ASSY
11B 325	BS51338D5003		.PLUG- SUPPLIER CODE: V83058 SPECIFICATION NUMBER: BACP20B63B OPTIONAL PART: 51338 V83058 MISCELLANEOUS DATA: USE IN PLACE OF CIRCUIT BREAKERS ON OPEN HOLES	104106 968969 972999	1
- 330	MODREF250426		PLUG BUTTON INSTL-P6-2/D17 MODULE NUMBER: 233A5222-302417 REV B	104106 968969 972999	1
335	BS51338D5003		.PLUG- SUPPLIER CODE: V83058 SPECIFICATION NUMBER: BACP20B63B OPTIONAL PART: 51338 V83058 MISCELLANEOUS DATA: USE IN PLACE OF CIRCUIT BREAKERS ON OPEN HOLES	104106 968969 972999	1
- 340	MODREF250427		PLUG BUTTON INSTL-P6-2/D20 MODULE NUMBER: 233A5222-302420 REV B	104106 968969 972999	1
345	BS51338D5003		.PLUG- SUPPLIER CODE: V83058 SPECIFICATION NUMBER: BACP20B63B OPTIONAL PART: 51338 V83058 MISCELLANEOUS DATA: USE IN PLACE OF CIRCUIT BREAKERS ON OPEN HOLES	104106 968969 972999	1
- 350	MODREF82723		INOP INSTL-P6-2/D3 (ELECTRICAL POWER ONLY) MODULE NUMBER: 233A5222-502403 REV A POST SERVICE BULLETIN: 22-1190 FOR OTHER SYS DETAILS SEE: 11-31-52-11B	968969	1

MISSING ITEM NUMBERS NOT APPLICABLE

- ITEM NOT ILLUSTRATED

HAP

24-50-52-11B

BOEING PROPRIETARY - Copyright © - Unpublished Work - See title page for details.

24-50-52
FIG. 11B
PAGE 13
OCT 15/08


BOEING
 737-600/700/800/900
PARTS CATALOG (MAINTENANCE)

FIG ITEM	PART NUMBER	1 2 3 4 5 6 7 NOMENCLATURE	EFFECT FROM TO	UNITS PER ASSY
11B 355	10237-1	. COLLAR- SUPPLIER CODE: V1N6X0 POST SERVICE BULLETIN: 22-1190 QUALIFIED SB I/W DATA: INSTL CLIP FOR FAIL-OPERATIONAL TO FAIL-PASSIVE OR REMOVE CLIP FOR FAIL-PASSIVE TO FAIL-OPERATIONAL	968969	1

MISSING ITEM NUMBERS NOT APPLICABLE

— ITEM NOT ILLUSTRATED

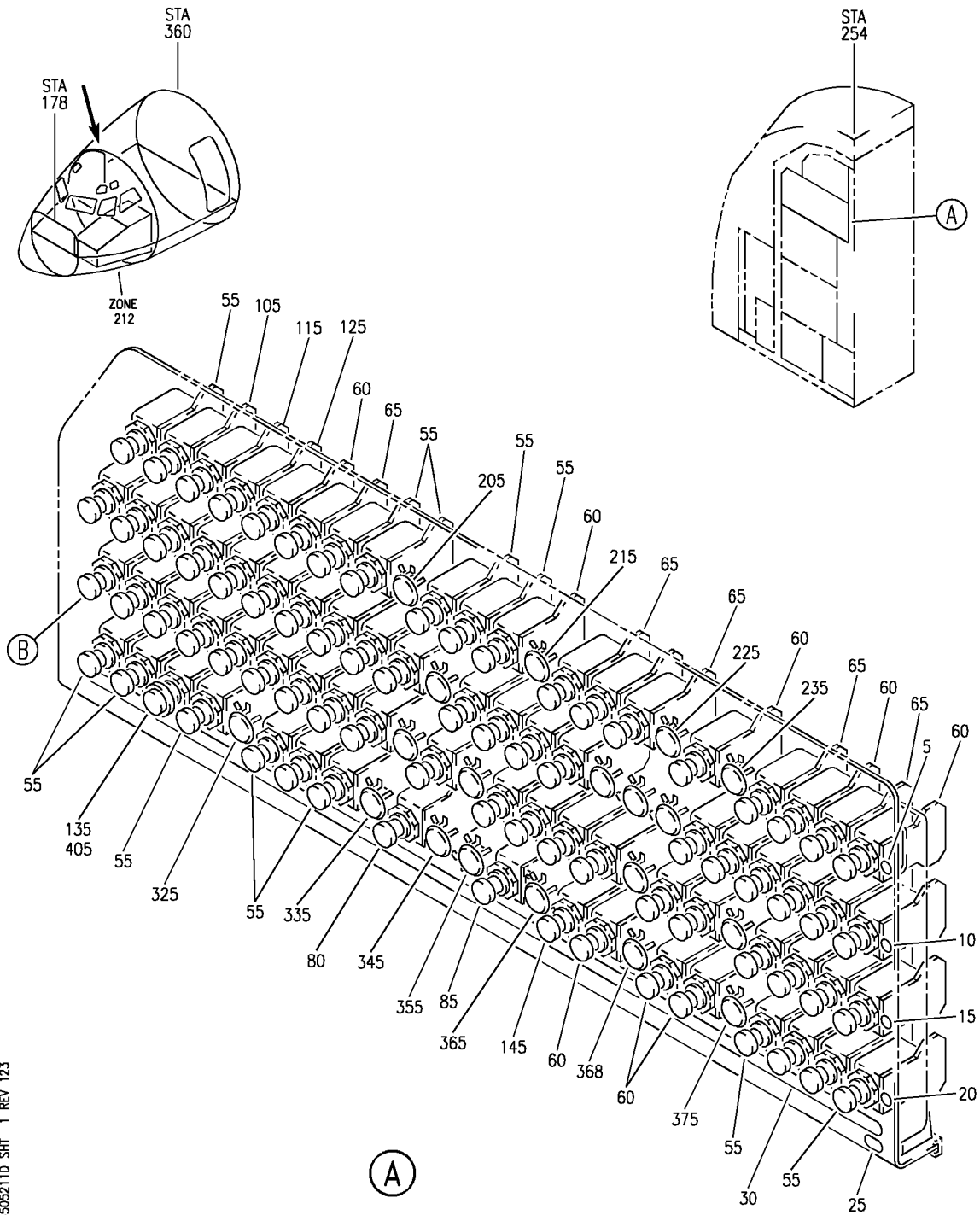
HAP

24-50-52-11B

BOEING PROPRIETARY - Copyright © - Unpublished Work - See title page for details.

24-50-52
 FIG. 11B
 PAGE 14
 JUN 10/07

BOEING
 737-600/700/800/900
 PARTS CATALOG (MAINTENANCE)



E 24-50-52-11D SHT 1 REV 123

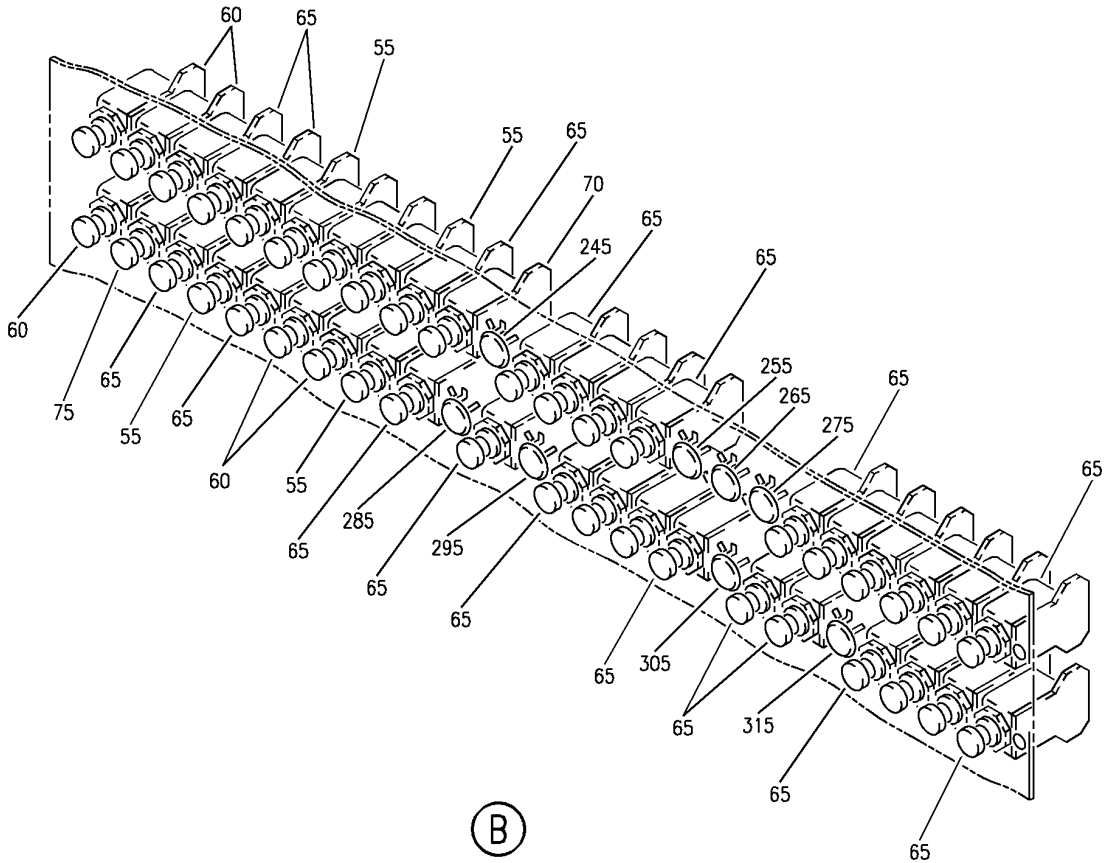
MARKER, CIRCUIT BREAKER, PLUG BUTTON, AND INOP INSTL-P6-2 PNL (ELECTRICAL POWER ONLY)
 FIGURE 11D (SHEET 1)

HAP
 OCT 10/06

24-50-52-11D

24-50-52-11D
 PAGE 0

BOEING
 737-600/700/800/900
 PARTS CATALOG (MAINTENANCE)



E 24-50-52-11D SHT 2 REV 112

MARKER, CIRCUIT BREAKER, PLUG BUTTON, AND INOP INSTL-P6-2 PNL (ELECTRICAL POWER ONLY)
 FIGURE 11D (SHEET 2)

HAP
 OCT 10/06

24-50-52-11D

24-50-52-11D
 PAGE 0A

BOEING
737-600/700/800/900
PARTS CATALOG (MAINTENANCE)

FIG ITEM	PART NUMBER	1 2 3 4 5 6 7	NOMENCLATURE	EFFECT FROM TO	UNITS PER ASSY
11D			MARKER, CIRCUIT BREAKER, PLUG BUTTON, AND INOP INSTL-P6-2 PNL (ELECTRICAL POWER ONLY)	037047 054100	
- 1	MODREF250401		MARKER INSTL-P6-2 PNL MODULE NUMBER: 233A5222-1 REV D	037047 054100	1
5	BAC27DCC3065		.MARKER- PLACARD CONTENT: A	037047 054100	1
10	BAC27DCC3066		.MARKER- PLACARD CONTENT: B	037047 054100	1
15	BAC27DCC3067		.MARKER- PLACARD CONTENT: C	037047 054100	1
20	BAC27DCC3068		.MARKER- PLACARD CONTENT: D	037047 054100	1
25	BAC27DCC3075		.MARKER- PLACARD CONTENT: P6-2	037047 054100	1
30	BAC27DCC2731		.MARKER- PLACARD CONTENT: 1 THRU 24	037047 054100	1
- 50	MODREF282627		CIRCUIT BREAKER INSTL-P6-2 (ELECTRICAL POWER ONLY) MODULE NUMBER: 233A5222-4 REV C FOR OTHER SYS DETAILS SEE: 11-31-52-11J 11-31-52-11K	037047 054100	1

MISSING ITEM NUMBERS NOT APPLICABLE

- ITEM NOT ILLUSTRATED

HAP

24-50-52-11D

BOEING PROPRIETARY - Copyright © - Unpublished Work - See title page for details.

24-50-52
FIG. 11D
PAGE 1
FEB 15/09


BOEING
 737-600/700/800/900
PARTS CATALOG (MAINTENANCE)

FIG ITEM	PART NUMBER	1 2 3 4 5 6 7	NOMENCLATURE	EFFECT FROM TO	UNITS PER ASSY
11D 55	2TC47-2-5	.	CIRCUIT BREAKER- SUPPLIER CODE: V82647 SPECIFICATION NUMBER: BACC18AD2 OPTIONAL PART: 4310-029-205 V76374 ELECTRICAL EQUIP NUMBER: C00083 C00084 C00085 C00086 C00151 C00154 C00211 C00213 C00459 C01004 C01076 C01313 C01315 C01318 C01319 C01391 C01443 C01464 C01468 C01514 C01515	037047 054100	21

MISSING ITEM NUMBERS NOT APPLICABLE

— ITEM NOT ILLUSTRATED

HAP

24-50-52-11D

BOEING PROPRIETARY - Copyright © - Unpublished Work - See title page for details.

24-50-52
 FIG. 11D
 PAGE 2
 FEB 15/09

BOEING
737-600/700/800/900
PARTS CATALOG (MAINTENANCE)

FIG ITEM	PART NUMBER	1 2 3 4 5 6 7	NOMENCLATURE	EFFECT FROM TO	UNITS PER ASSY
11D 60	2TC47-3		.CIRCUIT BREAKER- SUPPLIER CODE: V82647 SPECIFICATION NUMBER: BACC18AD3 OPTIONAL PART: 4310-029-3 V76374 ELECTRICAL EQUIP NUMBER: C00277 C00306 C00374 C00388 C00405 C00407 C00566 C00786 C00787 C00788 C01037 C01064 C01413	037047 054100	13

MISSING ITEM NUMBERS NOT APPLICABLE

— ITEM NOT ILLUSTRATED

HAP

24-50-52-11D

BOEING PROPRIETARY - Copyright © - Unpublished Work - See title page for details.

24-50-52
FIG. 11D
PAGE 3
FEB 15/09

BOEING
737-600/700/800/900
PARTS CATALOG (MAINTENANCE)

FIG ITEM	PART NUMBER	1 2 3 4 5 6 7	NOMENCLATURE	EFFECT FROM TO	UNITS PER ASSY
11D 65	2TC47-5		.CIRCUIT BREAKER- SUPPLIER CODE: V82647 SPECIFICATION NUMBER: BACC18AD5 OPTIONAL PART: 4310-029-5 V76374 ELECTRICAL EQUIP NUMBER: C00204 C00210 C00239 C00240 C00296 C00297 C00347 C00348 C00362 C00363 C00396 C00403 C00440 C00452 C00560 C00561 C00716 C00779 C00780 C00781 C00799 C01021 C01022 C01046 C01047 C01068 C01070 C01074 C01081 C01085 C01267 C01344 C01447	037047 054100	33

MISSING ITEM NUMBERS NOT APPLICABLE

— ITEM NOT ILLUSTRATED

HAP

24-50-52-11D

BOEING PROPRIETARY - Copyright © - Unpublished Work - See title page for details.

24-50-52
FIG. 11D
PAGE 4
FEB 15/09

BOEING
737-600/700/800/900
PARTS CATALOG (MAINTENANCE)

FIG ITEM	PART NUMBER	1 2 3 4 5 6 7	NOMENCLATURE	EFFECT FROM TO	UNITS PER ASSY
11D 70	2TC47-7-5		.CIRCUIT BREAKER- SUPPLIER CODE: V82647 SPECIFICATION NUMBER: BACC18AD7 OPTIONAL PART: 4310-029-705 V76374 ELECTRICAL EQUIP NUMBER: C00207	037047 054100	1
75	2TC6-1		.CIRCUIT BREAKER- SUPPLIER CODE: V82647 SPECIFICATION NUMBER: BACC18Z1R OPTIONAL PART: 4310-002-1 V76374 ELECTRICAL EQUIP NUMBER: C01042	037047 054100	1
80	9TC615		.CIRCUIT BREAKER- SUPPLIER CODE: V82647 SPECIFICATION NUMBER: BACC18AE15 ELECTRICAL EQUIP NUMBER: C00840	037047 054100	1
85	6TC6-10		.CIRCUIT BREAKER- SUPPLIER CODE: V82647 SPECIFICATION NUMBER: BACC18AC10 OPTIONAL PART: 4330-004-10 V76374 ELECTRICAL EQUIP NUMBER: C00841	037047 054100	1
- 100	MODREF250406		CIRCUIT BREAKER INSTL-AFCS INTLK 2 P6-2/A3 MODULE NUMBER: 233A5222-201631 REV B	037047 054100	1

MISSING ITEM NUMBERS NOT APPLICABLE

- ITEM NOT ILLUSTRATED

HAP

24-50-52-11D

BOEING PROPRIETARY - Copyright © - Unpublished Work - See title page for details.

24-50-52
FIG. 11D
PAGE 5
FEB 15/09

BOEING
737-600/700/800/900
PARTS CATALOG (MAINTENANCE)

FIG ITEM	PART NUMBER	1 2 3 4 5 6 7	NOMENCLATURE	EFFECT FROM TO	UNITS PER ASSY
11D 105	2TC47-5		.CIRCUIT BREAKER- SUPPLIER CODE: V82647 SPECIFICATION NUMBER: BACC18AD5 OPTIONAL PART: 4310-029-5 V76374 ELECTRICAL EQUIP NUMBER: C01631	037047 054100	1
- 110	MODREF270686		CIRCUIT BREAKER INSTL- SPOILER PCU SOV SYS A P6-2/A4 MODULE NUMBER: 233A5222-201662 REV A	037047 054100	1
115	2TC47-5		.CIRCUIT BREAKER- SUPPLIER CODE: V82647 SPECIFICATION NUMBER: BACC18AD5 OPTIONAL PART: 4310-029-5 V76374 ELECTRICAL EQUIP NUMBER: C01662	037047 054100	1
- 120	MODREF270687		CIRCUIT BREAKER INSTL- SPOILER PCU SOV SYS B P6-2/A5 MODULE NUMBER: 233A5222-201663 REV A	037047 054100	1
125	2TC47-5		.CIRCUIT BREAKER- SUPPLIER CODE: V82647 SPECIFICATION NUMBER: BACC18AD5 OPTIONAL PART: 4310-029-5 V76374 ELECTRICAL EQUIP NUMBER: C01663	037047 054100	1
- 130	MODREF250405		CIRCUIT BREAKER INSTL-AFCS SYS B RUDDER DC P6-2/D3 MODULE NUMBER: 233A5222-201630 REV B	037047 054100	1

MISSING ITEM NUMBERS NOT APPLICABLE

- ITEM NOT ILLUSTRATED

HAP

24-50-52-11D

BOEING PROPRIETARY - Copyright © - Unpublished Work - See title page for details.

24-50-52
FIG. 11D
PAGE 6
FEB 15/09

BOEING
737-600/700/800/900
PARTS CATALOG (MAINTENANCE)

FIG ITEM	PART NUMBER	1 2 3 4 5 6 7	NOMENCLATURE	EFFECT FROM TO	UNITS PER ASSY
11D 135	2TC47-10		.CIRCUIT BREAKER- SUPPLIER CODE: V82647 SPECIFICATION NUMBER: BACC18AD10 OPTIONAL PART: 4310-029-10 V76374 ELECTRICAL EQUIP NUMBER: C01630	037047 054100	1
- 140	MODREF250404		CIRCUIT BREAKER INSTL- FLIGHT CONTROL FORCE FIGHT MON P6-2/D15 MODULE NUMBER: 233A5222-201628 REV B	037047 054100	1
145	2TC47-2-5		.CIRCUIT BREAKER- SUPPLIER CODE: V82647 SPECIFICATION NUMBER: BACC18AD2 OPTIONAL PART: 4310-029-205 V76374 ELECTRICAL EQUIP NUMBER: C01628	037047 054100	1
- 200	MODREF250409		PLUG BUTTON INSTL-P6-2/A10 MODULE NUMBER: 233A5222-302110 REV B	037047 054100	1
205	BS51338D5003		.PLUG- SUPPLIER CODE: V83058 SPECIFICATION NUMBER: BACP20B63B OPTIONAL PART: 51338 V83058 MISCELLANEOUS DATA: USE IN PLACE OF CIRCUIT BREAKERS ON OPEN HOLES	037047 054100	1
- 210	MODREF250410		PLUG BUTTON INSTL-P6-2/A14 MODULE NUMBER: 233A5222-302114 REV B	037047 054100	1

MISSING ITEM NUMBERS NOT APPLICABLE

- ITEM NOT ILLUSTRATED

HAP

24-50-52-11D

BOEING PROPRIETARY - Copyright © - Unpublished Work - See title page for details.

24-50-52
FIG. 11D
PAGE 7
FEB 15/09

BOEING
737-600/700/800/900
PARTS CATALOG (MAINTENANCE)

FIG ITEM	PART NUMBER	1 2 3 4 5 6 7	NOMENCLATURE	EFFECT FROM TO	UNITS PER ASSY
11D 215	BS51338D5003		.PLUG- SUPPLIER CODE: V83058 SPECIFICATION NUMBER: BACP20B63B OPTIONAL PART: 51338 V83058 MISCELLANEOUS DATA: USE IN PLACE OF CIRCUIT BREAKERS ON OPEN HOLES	037047 054100	1
- 220	MODREF250411		PLUG BUTTON INSTL-P6-2/A18 MODULE NUMBER: 233A5222-302118 REV B	037047 054100	1
225	BS51338D5003		.PLUG- SUPPLIER CODE: V83058 SPECIFICATION NUMBER: BACP20B63B OPTIONAL PART: 51338 V83058 MISCELLANEOUS DATA: USE IN PLACE OF CIRCUIT BREAKERS ON OPEN HOLES	037047 054100	1
- 230	MODREF250412		PLUG BUTTON INSTL-P6-2/A20 MODULE NUMBER: 233A5222-302120 REV B	037047 054100	1
235	BS51338D5003		.PLUG- SUPPLIER CODE: V83058 SPECIFICATION NUMBER: BACP20B63B OPTIONAL PART: 51338 V83058 MISCELLANEOUS DATA: USE IN PLACE OF CIRCUIT BREAKERS ON OPEN HOLES	037047 054100	1
- 240	MODREF250413		PLUG BUTTON INSTL-P6-2/B11 MODULE NUMBER: 233A5222-302211 REV B	037047 054100	1

MISSING ITEM NUMBERS NOT APPLICABLE

- ITEM NOT ILLUSTRATED

HAP

24-50-52-11D

BOEING PROPRIETARY - Copyright © - Unpublished Work - See title page for details.

24-50-52
FIG. 11D
PAGE 8
FEB 15/09

BOEING
737-600/700/800/900
PARTS CATALOG (MAINTENANCE)

FIG ITEM	PART NUMBER	1 2 3 4 5 6 7	NOMENCLATURE	EFFECT FROM TO	UNITS PER ASSY
11D 245	BS51338D5003		.PLUG- SUPPLIER CODE: V83058 SPECIFICATION NUMBER: BACP20B63B OPTIONAL PART: 51338 V83058 MISCELLANEOUS DATA: USE IN PLACE OF CIRCUIT BREAKERS ON OPEN HOLES	037047 054100	1
- 250	MODREF250414		PLUG BUTTON INSTL-P6-2/B16 MODULE NUMBER: 233A5222-302216 REV B	037047 054100	1
255	BS51338D5003		.PLUG- SUPPLIER CODE: V83058 SPECIFICATION NUMBER: BACP20B63B OPTIONAL PART: 51338 V83058 MISCELLANEOUS DATA: USE IN PLACE OF CIRCUIT BREAKERS ON OPEN HOLES	037047 054100	1
- 260	MODREF250415		PLUG BUTTON INSTL-P6-2/B17 MODULE NUMBER: 233A5222-302217 REV B	037047 054100	1
265	BS51338D5003		.PLUG- SUPPLIER CODE: V83058 SPECIFICATION NUMBER: BACP20B63B OPTIONAL PART: 51338 V83058 MISCELLANEOUS DATA: USE IN PLACE OF CIRCUIT BREAKERS ON OPEN HOLES	037047 054100	1
- 270	MODREF250416		PLUG BUTTON INSTL-P6-2/B18 MODULE NUMBER: 233A5222-302218 REV B	037047 054100	1

MISSING ITEM NUMBERS NOT APPLICABLE

- ITEM NOT ILLUSTRATED

HAP

24-50-52-11D

BOEING PROPRIETARY - Copyright © - Unpublished Work - See title page for details.

24-50-52
FIG. 11D
PAGE 9
FEB 15/09

BOEING
737-600/700/800/900
PARTS CATALOG (MAINTENANCE)

FIG ITEM	PART NUMBER	1 2 3 4 5 6 7	NOMENCLATURE	EFFECT FROM TO	UNITS PER ASSY
11D 275	BS51338D5003		.PLUG- SUPPLIER CODE: V83058 SPECIFICATION NUMBER: BACP20B63B OPTIONAL PART: 51338 V83058 MISCELLANEOUS DATA: USE IN PLACE OF CIRCUIT BREAKERS ON OPEN HOLES	037047 054100	1
- 280	MODREF250417		PLUG BUTTON INSTL-P6-2/C10 MODULE NUMBER: 233A5222-302310 REV B	037047 054100	1
285	BS51338D5003		.PLUG- SUPPLIER CODE: V83058 SPECIFICATION NUMBER: BACP20B63B OPTIONAL PART: 51338 V83058 MISCELLANEOUS DATA: USE IN PLACE OF CIRCUIT BREAKERS ON OPEN HOLES	037047 054100	1
- 290	MODREF250418		PLUG BUTTON INSTL-P6-2/C12 MODULE NUMBER: 233A5222-302312 REV B	037047 054100	1
295	BS51338D5003		.PLUG- SUPPLIER CODE: V83058 SPECIFICATION NUMBER: BACP20B63B OPTIONAL PART: 51338 V83058 MISCELLANEOUS DATA: USE IN PLACE OF CIRCUIT BREAKERS ON OPEN HOLES	037047 054100	1
- 300	MODREF250419		PLUG BUTTON INSTL-P6-2/C17 MODULE NUMBER: 233A5222-302317 REV B	037047 054100	1

MISSING ITEM NUMBERS NOT APPLICABLE

- ITEM NOT ILLUSTRATED

HAP

24-50-52-11D

BOEING PROPRIETARY - Copyright © - Unpublished Work - See title page for details.

24-50-52
FIG. 11D
PAGE 10
FEB 15/09

BOEING
737-600/700/800/900
PARTS CATALOG (MAINTENANCE)

FIG ITEM	PART NUMBER	1 2 3 4 5 6 7	NOMENCLATURE	EFFECT FROM TO	UNITS PER ASSY
11D 305	BS51338D5003		.PLUG- SUPPLIER CODE: V83058 SPECIFICATION NUMBER: BACP20B63B OPTIONAL PART: 51338 V83058 MISCELLANEOUS DATA: USE IN PLACE OF CIRCUIT BREAKERS ON OPEN HOLES	037047 054100	1
- 310	MODREF250420		PLUG BUTTON INSTL-P6-2/C20 MODULE NUMBER: 233A5222-302320 REV B	037047 054100	1
315	BS51338D5003		.PLUG- SUPPLIER CODE: V83058 SPECIFICATION NUMBER: BACP20B63B OPTIONAL PART: 51338 V83058 MISCELLANEOUS DATA: USE IN PLACE OF CIRCUIT BREAKERS ON OPEN HOLES	037047 054100	1
- 320	MODREF250421		PLUG BUTTON INSTL-P6-2/D5 MODULE NUMBER: 233A5222-302405 REV B	037047 054100	1
325	BS51338D5003		.PLUG- SUPPLIER CODE: V83058 SPECIFICATION NUMBER: BACP20B63B OPTIONAL PART: 51338 V83058 MISCELLANEOUS DATA: USE IN PLACE OF CIRCUIT BREAKERS ON OPEN HOLES	037047 054100	1
- 330	MODREF250422		PLUG BUTTON INSTL-P6-2/D9 MODULE NUMBER: 233A5222-302409 REV B	037047 054100	1

MISSING ITEM NUMBERS NOT APPLICABLE

- ITEM NOT ILLUSTRATED

HAP

24-50-52-11D

BOEING PROPRIETARY - Copyright © - Unpublished Work - See title page for details.

24-50-52
FIG. 11D
PAGE 11
FEB 15/09

BOEING
737-600/700/800/900
PARTS CATALOG (MAINTENANCE)

FIG ITEM	PART NUMBER	1 2 3 4 5 6 7	NOMENCLATURE	EFFECT FROM TO	UNITS PER ASSY
11D 335	BS51338D5003		.PLUG- SUPPLIER CODE: V83058 SPECIFICATION NUMBER: BACP20B63B OPTIONAL PART: 51338 V83058 MISCELLANEOUS DATA: USE IN PLACE OF CIRCUIT BREAKERS ON OPEN HOLES	037047 054100	1
- 340	MODREF250423		PLUG BUTTON INSTL-P6-2/D11 MODULE NUMBER: 233A5222-302411 REV B	037047 054100	1
345	BS51338D5003		.PLUG- SUPPLIER CODE: V83058 SPECIFICATION NUMBER: BACP20B63B OPTIONAL PART: 51338 V83058 MISCELLANEOUS DATA: USE IN PLACE OF CIRCUIT BREAKERS ON OPEN HOLES	037047 054100	1
- 350	MODREF250424		PLUG BUTTON INSTL-P6-2/D12 MODULE NUMBER: 233A5222-302412 REV B	037047 054100	1
355	BS51338D5003		.PLUG- SUPPLIER CODE: V83058 SPECIFICATION NUMBER: BACP20B63B OPTIONAL PART: 51338 V83058 MISCELLANEOUS DATA: USE IN PLACE OF CIRCUIT BREAKERS ON OPEN HOLES	037047 054100	1
- 360	MODREF250425		PLUG BUTTON INSTL-P6-2/D14 MODULE NUMBER: 233A5222-302414 REV B	037047 054100	1

MISSING ITEM NUMBERS NOT APPLICABLE

- ITEM NOT ILLUSTRATED

HAP

24-50-52-11D

BOEING PROPRIETARY - Copyright © - Unpublished Work - See title page for details.

24-50-52
FIG. 11D
PAGE 12
FEB 15/09

BOEING
737-600/700/800/900
PARTS CATALOG (MAINTENANCE)

FIG ITEM	PART NUMBER	1 2 3 4 5 6 7	NOMENCLATURE	EFFECT FROM TO	UNITS PER ASSY
11D 365	BS51338D5003		.PLUG- SUPPLIER CODE: V83058 SPECIFICATION NUMBER: BACP20B63B OPTIONAL PART: 51338 V83058 MISCELLANEOUS DATA: USE IN PLACE OF CIRCUIT BREAKERS ON OPEN HOLES	037047 054100	1
- 367	MODREF250426		PLUG BUTTON INSTL-P6-2/D17 MODULE NUMBER: 233A5222-302417 REV B	037047 054100	1
368	BS51338D5003		.PLUG- SUPPLIER CODE: V83058 SPECIFICATION NUMBER: BACP20B63B OPTIONAL PART: 51338 V83058 MISCELLANEOUS DATA: USE IN PLACE OF CIRCUIT BREAKERS ON OPEN HOLES	037047 054100	1
- 370	MODREF250427		PLUG BUTTON INSTL-P6-2/D20 MODULE NUMBER: 233A5222-302420 REV B	037047 054100	1
375	BS51338D5003		.PLUG- SUPPLIER CODE: V83058 SPECIFICATION NUMBER: BACP20B63B OPTIONAL PART: 51338 V83058 MISCELLANEOUS DATA: USE IN PLACE OF CIRCUIT BREAKERS ON OPEN HOLES	037047 054100	1
- 400	MODREF250434		INOP INSTL-P6-2/D3 (ELECTRICAL POWER ONLY) MODULE NUMBER: 233A5222-502403 REV B FOR OTHER SYS DETAILS SEE: 11-31-52-11J	037037 039041 047047 054100	1
405	10237-1		.COLLAR- SUPPLIER CODE: V1N6X0	037037 039041 047047 054100	1

MISSING ITEM NUMBERS NOT APPLICABLE

- ITEM NOT ILLUSTRATED

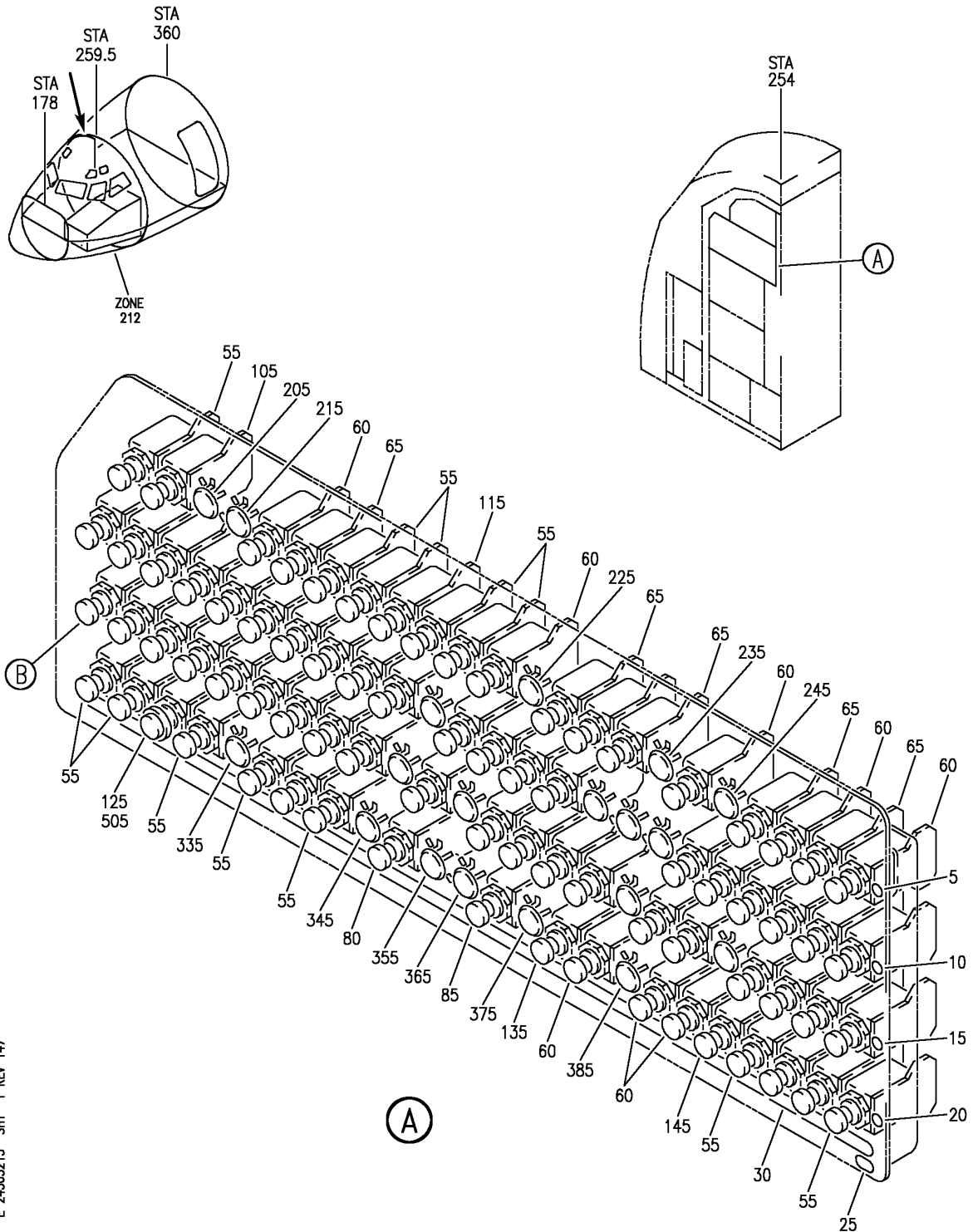
HAP

24-50-52-11D

BOEING PROPRIETARY - Copyright © - Unpublished Work - See title page for details.

24-50-52
FIG. 11D
PAGE 13
FEB 15/09

BOEING
 737-600/700/800/900
 PARTS CATALOG (MAINTENANCE)



E 24505215 SHT 1 REV 147

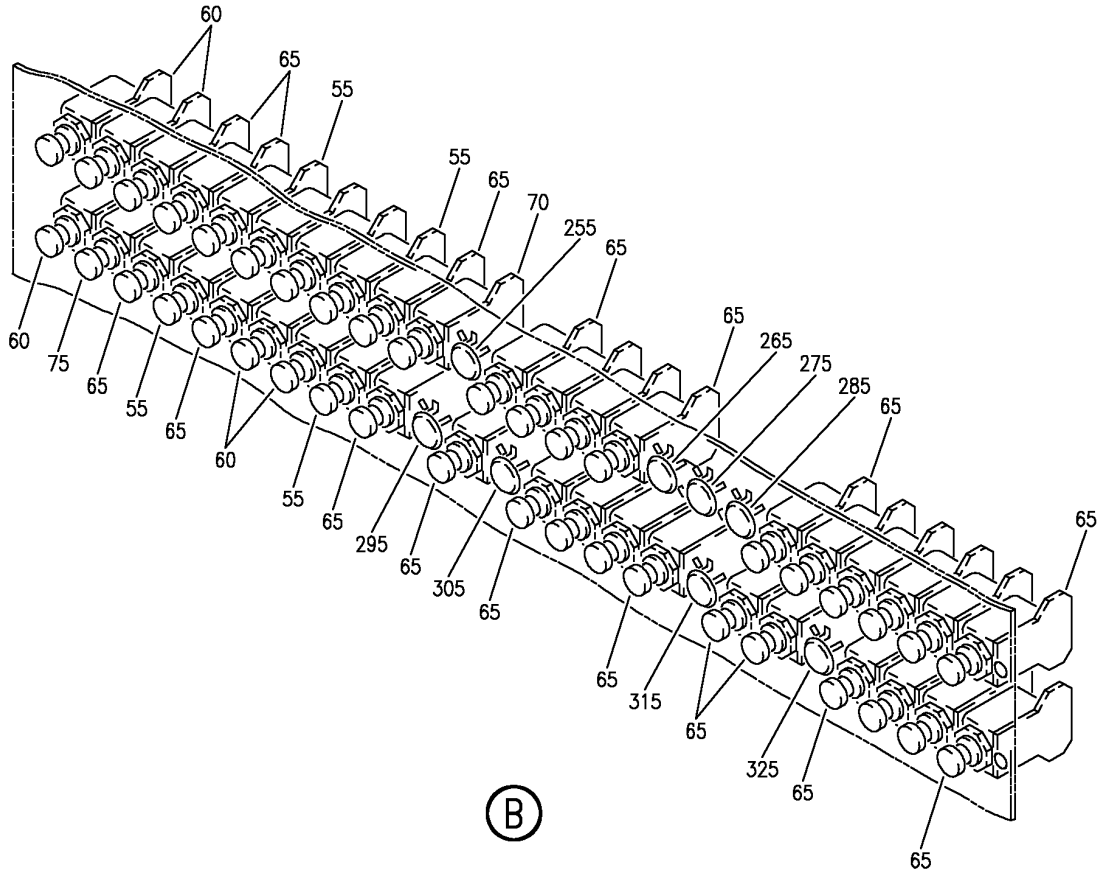
MARKER, CIRCUIT BREAKER, PLUG BUTTON AND INOP INSTL-P6-2 PNL (ELECTRICAL POWER ONLY)
 FIGURE 15 (SHEET 1)

24-50-52-15

HAP
 OCT 15/08

24-50-52-15
 PAGE 0

BOEING
 737-600/700/800/900
 PARTS CATALOG (MAINTENANCE)



E 24505215 SHT 2 REV 147

MARKER, CIRCUIT BREAKER, PLUG BUTTON AND INOP INSTL-P6-2 PNL (ELECTRICAL POWER ONLY)
 FIGURE 15 (SHEET 2)

HAP
 OCT 15/08

24-50-52-15

24-50-52-15
 PAGE 0A

 **BOEING**
737-600/700/800/900
PARTS CATALOG (MAINTENANCE)

FIG ITEM	PART NUMBER	1 2 3 4 5 6 7	NOMENCLATURE	EFFECT FROM TO	UNITS PER ASSY
15			MARKER, CIRCUIT BREAKER, PLUG BUTTON AND INOP INSTL-P6-2 PNL (ELECTRICAL POWER ONLY)	107200	
- 1	MODREF250401		MARKER INSTL-P6-2 PNL MODULE NUMBER: 233A5222-1 REV D	107200	1
5	BAC27DCC3065		.MARKER- PLACARD CONTENT: A	107200	1
10	BAC27DCC3066		.MARKER- PLACARD CONTENT: B	107200	1
15	BAC27DCC3067		.MARKER- PLACARD CONTENT: C	107200	1
20	BAC27DCC3068		.MARKER- PLACARD CONTENT: D	107200	1
25	BAC27DCC3075		.MARKER- PLACARD CONTENT: P6-2	107200	1
30	BAC27DCC2731		.MARKER- PLACARD CONTENT: 1 THRU 24	107200	1
- 50	MODREF282627		CIRCUIT BREAKER INSTL-P6-2 (ELECTRICAL POWER ONLY) MODULE NUMBER: 233A5222-4 REV C FOR OTHER SYS DETAILS SEE: 11-31-52-15A	107200	1

MISSING ITEM NUMBERS NOT APPLICABLE

- ITEM NOT ILLUSTRATED

HAP

24-50-52-15

BOEING PROPRIETARY - Copyright © - Unpublished Work - See title page for details.

24-50-52
FIG. 15
PAGE 1
OCT 15/08

BOEING
737-600/700/800/900
PARTS CATALOG (MAINTENANCE)

FIG ITEM	PART NUMBER	1 2 3 4 5 6 7	NOMENCLATURE	EFFECT FROM TO	UNITS PER ASSY
15 55	2TC47-2-5		.CIRCUIT BREAKER- SUPPLIER CODE: V82647 SPECIFICATION NUMBER: BACC18AD2 OPTIONAL PART: 4310-029-205 V76374 ELECTRICAL EQUIP NUMBER: C00083 C00084 C00085 C00086 C00151 C00154 C00211 C00213 C00459 C01004 C01076 C01313 C01315 C01318 C01319 C01391 C01443 C01464 C01468 C01514 C01515	107200	21

MISSING ITEM NUMBERS NOT APPLICABLE

— ITEM NOT ILLUSTRATED

HAP

24-50-52-15

BOEING PROPRIETARY - Copyright © - Unpublished Work - See title page for details.

24-50-52
FIG. 15
PAGE 2
OCT 15/08


BOEING
 737-600/700/800/900
PARTS CATALOG (MAINTENANCE)

FIG ITEM	PART NUMBER	1 2 3 4 5 6 7	NOMENCLATURE	EFFECT FROM TO	UNITS PER ASSY
15 60	2TC47-3		.CIRCUIT BREAKER- SUPPLIER CODE: V82647 SPECIFICATION NUMBER: BACC18AD3 OPTIONAL PART: 4310-029-3 V76374 ELECTRICAL EQUIP NUMBER: C00277 C00306 C00374 C00388 C00405 C00407 C00566 C00786 C00787 C00788 C01037 C01064 C01413	107200	13

MISSING ITEM NUMBERS NOT APPLICABLE

— ITEM NOT ILLUSTRATED

HAP

24-50-52-15

BOEING PROPRIETARY - Copyright © - Unpublished Work - See title page for details.

24-50-52
 FIG. 15
 PAGE 3
 OCT 15/08

BOEING
737-600/700/800/900
PARTS CATALOG (MAINTENANCE)

FIG ITEM	PART NUMBER	1 2 3 4 5 6 7	NOMENCLATURE	EFFECT FROM TO	UNITS PER ASSY
15 65	2TC47-5		.CIRCUIT BREAKER- SUPPLIER CODE: V82647 SPECIFICATION NUMBER: BACC18AD5 OPTIONAL PART: 4310-029-5 V76374 ELECTRICAL EQUIP NUMBER: C00204 C00210 C00239 C00240 C00296 C00297 C00347 C00348 C00362 C00363 C00396 C00403 C00440 C00452 C00560 C00561 C00716 C00779 C00780 C00781 C00799 C01021 C01022 C01046 C01047 C01068 C01070 C01074 C01081 C01085 C01267 C01344 C01447	107200	33

MISSING ITEM NUMBERS NOT APPLICABLE

— ITEM NOT ILLUSTRATED

HAP

24-50-52-15

BOEING PROPRIETARY - Copyright © - Unpublished Work - See title page for details.

24-50-52
FIG. 15
PAGE 4
OCT 15/08

BOEING
737-600/700/800/900
PARTS CATALOG (MAINTENANCE)

FIG ITEM	PART NUMBER	1 2 3 4 5 6 7	NOMENCLATURE	EFFECT FROM TO	UNITS PER ASSY
15 70	2TC47-7-5	.	CIRCUIT BREAKER- SUPPLIER CODE: V82647 SPECIFICATION NUMBER: BACC18AD7 OPTIONAL PART: 4310-029-705 V76374 ELECTRICAL EQUIP NUMBER: C00207	107200	1
75	2TC6-1	.	CIRCUIT BREAKER- SUPPLIER CODE: V82647 SPECIFICATION NUMBER: BACC18Z1R OPTIONAL PART: 4310-002-1 V76374 ELECTRICAL EQUIP NUMBER: C01042	107200	1
80	9TC615	.	CIRCUIT BREAKER- SUPPLIER CODE: V82647 SPECIFICATION NUMBER: BACC18AE15 ELECTRICAL EQUIP NUMBER: C00840	107200	1
85	6TC6-10	.	CIRCUIT BREAKER- SUPPLIER CODE: V82647 SPECIFICATION NUMBER: BACC18AC10 OPTIONAL PART: 4330-004-10 V76374 ELECTRICAL EQUIP NUMBER: C00841	107200	1
- 100	MODREF250406		CIRCUIT BREAKER INSTL-AFCS INTLK 2 P6-2/A3 MODULE NUMBER: 233A5222-201631 REV B	107200	1

MISSING ITEM NUMBERS NOT APPLICABLE

- ITEM NOT ILLUSTRATED

HAP

24-50-52-15

BOEING PROPRIETARY - Copyright © - Unpublished Work - See title page for details.

24-50-52
FIG. 15
PAGE 5
OCT 15/08

BOEING
737-600/700/800/900
PARTS CATALOG (MAINTENANCE)

FIG ITEM	PART NUMBER	1 2 3 4 5 6 7	NOMENCLATURE	EFFECT FROM TO	UNITS PER ASSY
15 105	2TC47-5		.CIRCUIT BREAKER- SUPPLIER CODE: V82647 SPECIFICATION NUMBER: BACC18AD5 OPTIONAL PART: 4310-029-5 V76374 ELECTRICAL EQUIP NUMBER: C01631	107200	1
- 110	MODREF250402		CIRCUIT BREAKER INSTL- SPDBRK AUTOSTOW P6-2/A10 MODULE NUMBER: 233A5222-201611 REV B	107200	1
115	2TC47-5		.CIRCUIT BREAKER- SUPPLIER CODE: V82647 SPECIFICATION NUMBER: BACC18AD5 OPTIONAL PART: 4310-029-5 V76374 ELECTRICAL EQUIP NUMBER: C01611	107200	1
- 120	MODREF250405		CIRCUIT BREAKER INSTL-AFCS SYS B RUDDER DC P6-2/D3 MODULE NUMBER: 233A5222-201630 REV B	107200	1
125	2TC47-10		.CIRCUIT BREAKER- SUPPLIER CODE: V82647 SPECIFICATION NUMBER: BACC18AD10 OPTIONAL PART: 4310-029-10 V76374 ELECTRICAL EQUIP NUMBER: C01630	107200	1
- 130	MODREF250404		CIRCUIT BREAKER INSTL- FLIGHT CONT FORCE FIGHT MON P6-2/D15 MODULE NUMBER: 233A5222-201628 REV B	107200	1

MISSING ITEM NUMBERS NOT APPLICABLE

- ITEM NOT ILLUSTRATED

HAP

24-50-52-15

BOEING PROPRIETARY - Copyright © - Unpublished Work - See title page for details.

24-50-52
FIG. 15
PAGE 6
OCT 15/08

BOEING
737-600/700/800/900
PARTS CATALOG (MAINTENANCE)

FIG ITEM	PART NUMBER	1 2 3 4 5 6 7	NOMENCLATURE	EFFECT FROM TO	UNITS PER ASSY
15 135	2TC47-2-5		.CIRCUIT BREAKER- SUPPLIER CODE: V82647 SPECIFICATION NUMBER: BACC18AD2 OPTIONAL PART: 4310-029-205 V76374 ELECTRICAL EQUIP NUMBER: C01628	107200	1
- 140	MODREF391755		CIRCUIT BREAKER INSTL- TAKEOFF WARNING LT P6-2/D20 MODULE NUMBER: 233A5222-201698 REV A	107200	1
145	2TC47-2-5		.CIRCUIT BREAKER- SUPPLIER CODE: V82647 SPECIFICATION NUMBER: BACC18AD2 OPTIONAL PART: 4310-029-205 V76374 ELECTRICAL EQUIP NUMBER: C01698	107200	1
- 200	MODREF250407		PLUG BUTTON INSTL-P6-2/A4 MODULE NUMBER: 233A5222-302104 REV B	107200	1
205	BS51338D5003		.PLUG- SUPPLIER CODE: V83058 SPECIFICATION NUMBER: BACP20B63B OPTIONAL PART: 51338 V83058 MISCELLANEOUS DATA: USE IN PLACE OF CIRCUIT BREAKERS ON OPEN HOLES	107200	1
- 210	MODREF250408		PLUG BUTTON INSTL-P6-2/A5 MODULE NUMBER: 233A5222-302105 REV B	107200	1

MISSING ITEM NUMBERS NOT APPLICABLE

- ITEM NOT ILLUSTRATED

HAP

24-50-52-15

BOEING PROPRIETARY - Copyright © - Unpublished Work - See title page for details.

24-50-52
FIG. 15
PAGE 7
OCT 15/08

BOEING
737-600/700/800/900
PARTS CATALOG (MAINTENANCE)

FIG ITEM	PART NUMBER	1 2 3 4 5 6 7	NOMENCLATURE	EFFECT FROM TO	UNITS PER ASSY
15 215	BS51338D5003		.PLUG- SUPPLIER CODE: V83058 SPECIFICATION NUMBER: BACP20B63B OPTIONAL PART: 51338 V83058 MISCELLANEOUS DATA: USE IN PLACE OF CIRCUIT BREAKERS ON OPEN HOLES	107200	1
- 220	MODREF250410		PLUG BUTTON INSTL-P6-2/A14 MODULE NUMBER: 233A5222-302114 REV B	107200	1
225	BS51338D5003		.PLUG- SUPPLIER CODE: V83058 SPECIFICATION NUMBER: BACP20B63B OPTIONAL PART: 51338 V83058 MISCELLANEOUS DATA: USE IN PLACE OF CIRCUIT BREAKERS ON OPEN HOLES	107200	1
- 230	MODREF250411		PLUG BUTTON INSTL-P6-2/A18 MODULE NUMBER: 233A5222-302118 REV B	107200	1
235	BS51338D5003		.PLUG- SUPPLIER CODE: V83058 SPECIFICATION NUMBER: BACP20B63B OPTIONAL PART: 51338 V83058 MISCELLANEOUS DATA: USE IN PLACE OF CIRCUIT BREAKERS ON OPEN HOLES	107200	1
- 240	MODREF250412		PLUG BUTTON INSTL-P6-2/A20 MODULE NUMBER: 233A5222-302120 REV B	107200	1

MISSING ITEM NUMBERS NOT APPLICABLE

- ITEM NOT ILLUSTRATED

HAP

24-50-52-15

BOEING PROPRIETARY - Copyright © - Unpublished Work - See title page for details.

24-50-52
FIG. 15
PAGE 8
OCT 15/08

BOEING
737-600/700/800/900
PARTS CATALOG (MAINTENANCE)

FIG ITEM	PART NUMBER	1 2 3 4 5 6 7	NOMENCLATURE	EFFECT FROM TO	UNITS PER ASSY
15 245	BS51338D5003		.PLUG- SUPPLIER CODE: V83058 SPECIFICATION NUMBER: BACP20B63B OPTIONAL PART: 51338 V83058 MISCELLANEOUS DATA: USE IN PLACE OF CIRCUIT BREAKERS ON OPEN HOLES	107200	1
- 250	MODREF250413		PLUG BUTTON INSTL-P6-2/B11 MODULE NUMBER: 233A5222-302211 REV B	107200	1
255	BS51338D5003		.PLUG- SUPPLIER CODE: V83058 SPECIFICATION NUMBER: BACP20B63B OPTIONAL PART: 51338 V83058 MISCELLANEOUS DATA: USE IN PLACE OF CIRCUIT BREAKERS ON OPEN HOLES	107200	1
- 260	MODREF250414		PLUG BUTTON INSTL-P6-2/B16 MODULE NUMBER: 233A5222-302216 REV B	107200	1
265	BS51338D5003		.PLUG- SUPPLIER CODE: V83058 SPECIFICATION NUMBER: BACP20B63B OPTIONAL PART: 51338 V83058 MISCELLANEOUS DATA: USE IN PLACE OF CIRCUIT BREAKERS ON OPEN HOLES	107200	1
- 270	MODREF250415		PLUG BUTTON INSTL-P6-2/B17 MODULE NUMBER: 233A5222-302217 REV B	107200	1

MISSING ITEM NUMBERS NOT APPLICABLE

- ITEM NOT ILLUSTRATED

HAP

24-50-52-15

BOEING PROPRIETARY - Copyright © - Unpublished Work - See title page for details.

24-50-52
FIG. 15
PAGE 9
OCT 15/08

BOEING
737-600/700/800/900
PARTS CATALOG (MAINTENANCE)

FIG ITEM	PART NUMBER	1 2 3 4 5 6 7	NOMENCLATURE	EFFECT FROM TO	UNITS PER ASSY
15 275	BS51338D5003		.PLUG- SUPPLIER CODE: V83058 SPECIFICATION NUMBER: BACP20B63B OPTIONAL PART: 51338 V83058 MISCELLANEOUS DATA: USE IN PLACE OF CIRCUIT BREAKERS ON OPEN HOLES	107200	1
- 280	MODREF250416		PLUG BUTTON INSTL-P6-2/B18 MODULE NUMBER: 233A5222-302218 REV B	107200	1
285	BS51338D5003		.PLUG- SUPPLIER CODE: V83058 SPECIFICATION NUMBER: BACP20B63B OPTIONAL PART: 51338 V83058 MISCELLANEOUS DATA: USE IN PLACE OF CIRCUIT BREAKERS ON OPEN HOLES	107200	1
- 290	MODREF250417		PLUG BUTTON INSTL-P6-2/C10 MODULE NUMBER: 233A5222-302310 REV B	107200	1
295	BS51338D5003		.PLUG- SUPPLIER CODE: V83058 SPECIFICATION NUMBER: BACP20B63B OPTIONAL PART: 51338 V83058 MISCELLANEOUS DATA: USE IN PLACE OF CIRCUIT BREAKERS ON OPEN HOLES	107200	1
- 300	MODREF250418		PLUG BUTTON INSTL-P6-2/C12 MODULE NUMBER: 233A5222-302312 REV B	107200	1

MISSING ITEM NUMBERS NOT APPLICABLE

- ITEM NOT ILLUSTRATED

HAP

24-50-52-15

BOEING PROPRIETARY - Copyright © - Unpublished Work - See title page for details.

24-50-52
FIG. 15
PAGE 10
OCT 15/08

BOEING
737-600/700/800/900
PARTS CATALOG (MAINTENANCE)

FIG ITEM	PART NUMBER	1 2 3 4 5 6 7	NOMENCLATURE	EFFECT FROM TO	UNITS PER ASSY
15 305	BS51338D5003		.PLUG- SUPPLIER CODE: V83058 SPECIFICATION NUMBER: BACP20B63B OPTIONAL PART: 51338 V83058 MISCELLANEOUS DATA: USE IN PLACE OF CIRCUIT BREAKERS ON OPEN HOLES	107200	1
- 310	MODREF250419		PLUG BUTTON INSTL-P6-2/C17 MODULE NUMBER: 233A5222-302317 REV B	107200	1
315	BS51338D5003		.PLUG- SUPPLIER CODE: V83058 SPECIFICATION NUMBER: BACP20B63B OPTIONAL PART: 51338 V83058 MISCELLANEOUS DATA: USE IN PLACE OF CIRCUIT BREAKERS ON OPEN HOLES	107200	1
- 320	MODREF250420		PLUG BUTTON INSTL-P6-2/C20 MODULE NUMBER: 233A5222-302320 REV B	107200	1
325	BS51338D5003		.PLUG- SUPPLIER CODE: V83058 SPECIFICATION NUMBER: BACP20B63B OPTIONAL PART: 51338 V83058 MISCELLANEOUS DATA: USE IN PLACE OF CIRCUIT BREAKERS ON OPEN HOLES	107200	1
- 330	MODREF250421		PLUG BUTTON INSTL-P6-2/D5 MODULE NUMBER: 233A5222-302405 REV B	107200	1

MISSING ITEM NUMBERS NOT APPLICABLE

- ITEM NOT ILLUSTRATED

HAP

24-50-52-15

BOEING PROPRIETARY - Copyright © - Unpublished Work - See title page for details.

24-50-52
FIG. 15
PAGE 11
OCT 15/08

BOEING
737-600/700/800/900
PARTS CATALOG (MAINTENANCE)

FIG ITEM	PART NUMBER	1 2 3 4 5 6 7	NOMENCLATURE	EFFECT FROM TO	UNITS PER ASSY
15 335	BS51338D5003		.PLUG- SUPPLIER CODE: V83058 SPECIFICATION NUMBER: BACP20B63B OPTIONAL PART: 51338 V83058 MISCELLANEOUS DATA: USE IN PLACE OF CIRCUIT BREAKERS ON OPEN HOLES	107200	1
- 340	MODREF250422		PLUG BUTTON INSTL-P6-2/D9 MODULE NUMBER: 233A5222-302409 REV B	107200	1
345	BS51338D5003		.PLUG- SUPPLIER CODE: V83058 SPECIFICATION NUMBER: BACP20B63B OPTIONAL PART: 51338 V83058 MISCELLANEOUS DATA: USE IN PLACE OF CIRCUIT BREAKERS ON OPEN HOLES	107200	1
- 350	MODREF250423		PLUG BUTTON INSTL-P6-2/D11 MODULE NUMBER: 233A5222-302411 REV B	107200	1
355	BS51338D5003		.PLUG- SUPPLIER CODE: V83058 SPECIFICATION NUMBER: BACP20B63B OPTIONAL PART: 51338 V83058 MISCELLANEOUS DATA: USE IN PLACE OF CIRCUIT BREAKERS ON OPEN HOLES	107200	1
- 360	MODREF250424		PLUG BUTTON INSTL-P6-2/D12 MODULE NUMBER: 233A5222-302412 REV B	107200	1

MISSING ITEM NUMBERS NOT APPLICABLE

- ITEM NOT ILLUSTRATED

HAP

24-50-52-15

BOEING PROPRIETARY - Copyright © - Unpublished Work - See title page for details.

24-50-52
FIG. 15
PAGE 12
OCT 15/08

BOEING
737-600/700/800/900
PARTS CATALOG (MAINTENANCE)

FIG ITEM	PART NUMBER	1 2 3 4 5 6 7	NOMENCLATURE	EFFECT FROM TO	UNITS PER ASSY
15 365	BS51338D5003		.PLUG- SUPPLIER CODE: V83058 SPECIFICATION NUMBER: BACP20B63B OPTIONAL PART: 51338 V83058 MISCELLANEOUS DATA: USE IN PLACE OF CIRCUIT BREAKERS ON OPEN HOLES	107200	1
- 370	MODREF250425		PLUG BUTTON INSTL-P6-2/D14 MODULE NUMBER: 233A5222-302414 REV B	107200	1
375	BS51338D5003		.PLUG- SUPPLIER CODE: V83058 SPECIFICATION NUMBER: BACP20B63B OPTIONAL PART: 51338 V83058 MISCELLANEOUS DATA: USE IN PLACE OF CIRCUIT BREAKERS ON OPEN HOLES	107200	1
- 380	MODREF250426		PLUG BUTTON INSTL-P6-2/D17 MODULE NUMBER: 233A5222-302417 REV B	107200	1
385	BS51338D5003		.PLUG- SUPPLIER CODE: V83058 SPECIFICATION NUMBER: BACP20B63B OPTIONAL PART: 51338 V83058 MISCELLANEOUS DATA: USE IN PLACE OF CIRCUIT BREAKERS ON OPEN HOLES	107200	1

MISSING ITEM NUMBERS NOT APPLICABLE

- ITEM NOT ILLUSTRATED

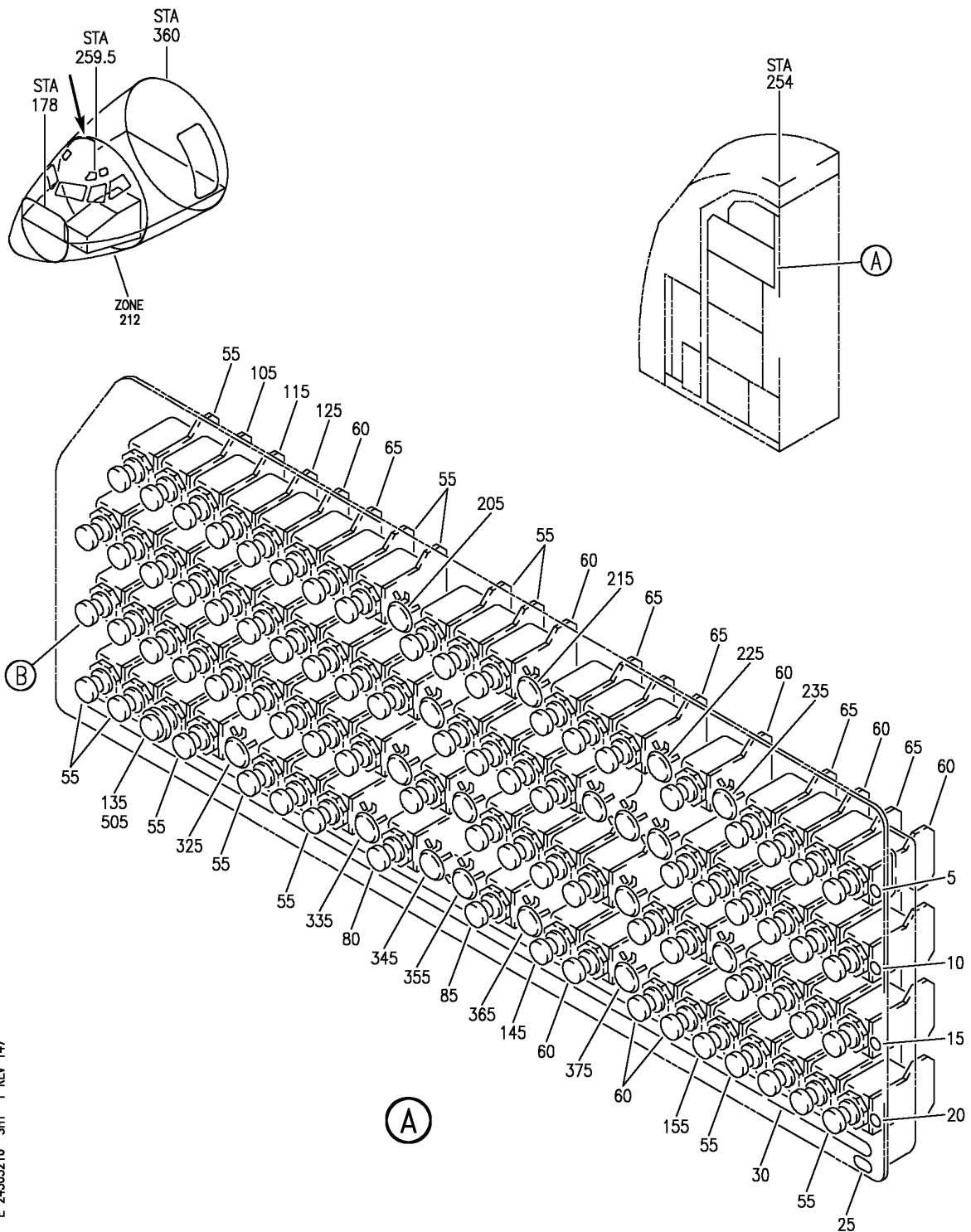
HAP

24-50-52-15

BOEING PROPRIETARY - Copyright © - Unpublished Work - See title page for details.

24-50-52
FIG. 15
PAGE 13
OCT 15/08

BOEING
 737-600/700/800/900
 PARTS CATALOG (MAINTENANCE)



E 24505216 SHT 1 REV 147

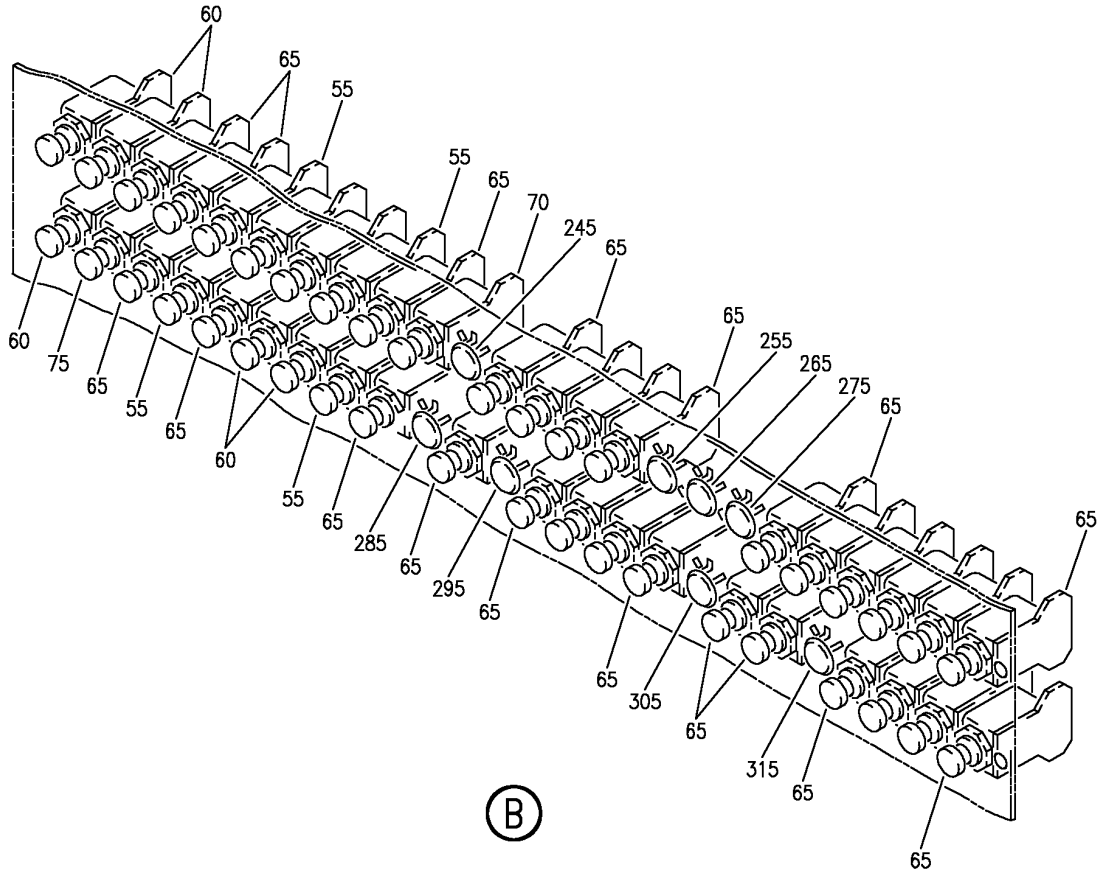
MARKER, CIRCUIT BREAKER, PLUG BUTTON, AND INOP INSTL-P6-2 PNL (ELECTRICAL POWER ONLY)
 FIGURE 16 (SHEET 1)

24-50-52-16

HAP
 OCT 15/08

24-50-52-16
 PAGE 0

BOEING
 737-600/700/800/900
 PARTS CATALOG (MAINTENANCE)



E 24505216 SHT 2 REV 147

MARKER, CIRCUIT BREAKER, PLUG BUTTON, AND INOP INSTL-P6-2 PNL (ELECTRICAL POWER ONLY)
 FIGURE 16 (SHEET 2)

HAP
 OCT 15/08

24-50-52-16

24-50-52-16
 PAGE 0A

 **BOEING**
737-600/700/800/900
PARTS CATALOG (MAINTENANCE)

FIG ITEM	PART NUMBER	1 2 3 4 5 6 7	NOMENCLATURE	EFFECT FROM TO	UNITS PER ASSY
16			MARKER, CIRCUIT BREAKER, PLUG BUTTON, AND INOP INSTL-P6-2 PNL (ELECTRICAL POWER ONLY)	048053	
- 1	MODREF250401		MARKER INSTL-P6-2 PNL MODULE NUMBER: 233A5222-1 REV D	048053	1
5	BAC27DCC3065		.MARKER- PLACARD CONTENT: A	048053	1
10	BAC27DCC3066		.MARKER- PLACARD CONTENT: B	048053	1
15	BAC27DCC3067		.MARKER- PLACARD CONTENT: C	048053	1
20	BAC27DCC3068		.MARKER- PLACARD CONTENT: D	048053	1
25	BAC27DCC3075		.MARKER- PLACARD CONTENT: P6-2	048053	1
30	BAC27DCC2731		.MARKER- PLACARD CONTENT: 1 THRU 24	048053	1
- 50	MODREF282627		CIRCUIT BREAKER INSTL-P6-2 (ELECTRICAL POWER ONLY) MODULE NUMBER: 233A5222-4 REV C FOR OTHER SYS DETAILS SEE: 11-31-52-16 11-31-52-16A	048053	1

MISSING ITEM NUMBERS NOT APPLICABLE

- ITEM NOT ILLUSTRATED

HAP

24-50-52-16

BOEING PROPRIETARY - Copyright © - Unpublished Work - See title page for details.

24-50-52
FIG. 16
PAGE 1
FEB 15/09

BOEING
737-600/700/800/900
PARTS CATALOG (MAINTENANCE)

FIG ITEM	PART NUMBER	1 2 3 4 5 6 7	NOMENCLATURE	EFFECT FROM TO	UNITS PER ASSY
16 55	2TC47-2-5		.CIRCUIT BREAKER- SUPPLIER CODE: V82647 SPECIFICATION NUMBER: BACC18AD2 OPTIONAL PART: 4310-029-205 V76374 ELECTRICAL EQUIP NUMBER: C00083 C00084 C00085 C00086 C00151 C00154 C00211 C00213 C00459 C01004 C01076 C01313 C01315 C01318 C01319 C01391 C01443 C01464 C01468 C01514 C01515	048053	21

MISSING ITEM NUMBERS NOT APPLICABLE

— ITEM NOT ILLUSTRATED

HAP

24-50-52-16

BOEING PROPRIETARY - Copyright © - Unpublished Work - See title page for details.

24-50-52
FIG. 16
PAGE 2
FEB 15/09

BOEING
737-600/700/800/900
PARTS CATALOG (MAINTENANCE)

FIG ITEM	PART NUMBER	1 2 3 4 5 6 7 NOMENCLATURE	EFFECT FROM TO	UNITS PER ASSY
16 60	2TC47-3	.CIRCUIT BREAKER- SUPPLIER CODE: V82647 SPECIFICATION NUMBER: BACC18AD3 OPTIONAL PART: 4310-029-3 V76374 ELECTRICAL EQUIP NUMBER: C00277 C00306 C00374 C00388 C00405 C00407 C00566 C00786 C00787 C00788 C01037 C01064 C01413	048053	13

MISSING ITEM NUMBERS NOT APPLICABLE

— ITEM NOT ILLUSTRATED

HAP

24-50-52-16

BOEING PROPRIETARY - Copyright © - Unpublished Work - See title page for details.

24-50-52
FIG. 16
PAGE 3
FEB 15/09

BOEING
737-600/700/800/900
PARTS CATALOG (MAINTENANCE)

FIG ITEM	PART NUMBER	1 2 3 4 5 6 7	NOMENCLATURE	EFFECT FROM TO	UNITS PER ASSY
16 65	2TC47-5		.CIRCUIT BREAKER- SUPPLIER CODE: V82647 SPECIFICATION NUMBER: BACC18AD5 OPTIONAL PART: 4310-029-5 V76374 ELECTRICAL EQUIP NUMBER: C00204 C00210 C00239 C00240 C00296 C00297 C00347 C00348 C00362 C00363 C00396 C00403 C00440 C00452 C00560 C00561 C00716 C00779 C00780 C00781 C00799 C01021 C01022 C01046 C01047 C01068 C01070 C01074 C01081 C01085 C01267 C01344 C01447	048053	33

MISSING ITEM NUMBERS NOT APPLICABLE

— ITEM NOT ILLUSTRATED

HAP

24-50-52-16

BOEING PROPRIETARY - Copyright © - Unpublished Work - See title page for details.

24-50-52
FIG. 16
PAGE 4
FEB 15/09

BOEING
737-600/700/800/900
PARTS CATALOG (MAINTENANCE)

FIG ITEM	PART NUMBER	1 2 3 4 5 6 7	NOMENCLATURE	EFFECT FROM TO	UNITS PER ASSY
16 70	2TC47-7-5	.	CIRCUIT BREAKER- SUPPLIER CODE: V82647 SPECIFICATION NUMBER: BACC18AD7 OPTIONAL PART: 4310-029-705 V76374 ELECTRICAL EQUIP NUMBER: C00207	048053	1
75	2TC6-1	.	CIRCUIT BREAKER- SUPPLIER CODE: V82647 SPECIFICATION NUMBER: BACC18Z1R OPTIONAL PART: 4310-002-1 V76374 ELECTRICAL EQUIP NUMBER: C01042	048053	1
80	9TC615	.	CIRCUIT BREAKER- SUPPLIER CODE: V82647 SPECIFICATION NUMBER: BACC18AE15 ELECTRICAL EQUIP NUMBER: C00840	048053	1
85	6TC6-10	.	CIRCUIT BREAKER- SUPPLIER CODE: V82647 SPECIFICATION NUMBER: BACC18AC10 OPTIONAL PART: 4330-004-10 V76374 ELECTRICAL EQUIP NUMBER: C00841	048053	1
- 100	MODREF250406		CIRCUIT BREAKER INSTL-AFCS INTLK 2 P6-2/A3 MODULE NUMBER: 233A5222-201631 REV B	048053	1

MISSING ITEM NUMBERS NOT APPLICABLE

- ITEM NOT ILLUSTRATED

HAP

24-50-52-16

BOEING PROPRIETARY - Copyright © - Unpublished Work - See title page for details.

24-50-52
FIG. 16
PAGE 5
FEB 15/09

BOEING
737-600/700/800/900
PARTS CATALOG (MAINTENANCE)

FIG ITEM	PART NUMBER	1 2 3 4 5 6 7	NOMENCLATURE	EFFECT FROM TO	UNITS PER ASSY
16 105	2TC47-5		.CIRCUIT BREAKER- SUPPLIER CODE: V82647 SPECIFICATION NUMBER: BACC18AD5 OPTIONAL PART: 4310-029-5 V76374 ELECTRICAL EQUIP NUMBER: C01631	048053	1
- 110	MODREF270686		CIRCUIT BREAKER INSTL- SPOILER PCU SOV SYS A P6-2/A4 MODULE NUMBER: 233A5222-201662 REV A	048053	1
115	2TC47-5		.CIRCUIT BREAKER- SUPPLIER CODE: V82647 SPECIFICATION NUMBER: BACC18AD5 OPTIONAL PART: 4310-029-5 V76374 ELECTRICAL EQUIP NUMBER: C01662	048053	1
- 120	MODREF270687		CIRCUIT BREAKER INSTL- SPOILER PCU SOV SYS B P6-2/A5 MODULE NUMBER: 233A5222-201663 REV A	048053	1
125	2TC47-5		.CIRCUIT BREAKER- SUPPLIER CODE: V82647 SPECIFICATION NUMBER: BACC18AD5 OPTIONAL PART: 4310-029-5 V76374 ELECTRICAL EQUIP NUMBER: C01663	048053	1
- 130	MODREF250405		CIRCUIT BREAKER INSTL-AFCS SYS B RUDDER DC P6-2/D3 MODULE NUMBER: 233A5222-201630 REV B	048053	1

MISSING ITEM NUMBERS NOT APPLICABLE

- ITEM NOT ILLUSTRATED

HAP

24-50-52-16

BOEING PROPRIETARY - Copyright © - Unpublished Work - See title page for details.

24-50-52
FIG. 16
PAGE 6
FEB 15/09

BOEING
737-600/700/800/900
PARTS CATALOG (MAINTENANCE)

FIG ITEM	PART NUMBER	1 2 3 4 5 6 7	NOMENCLATURE	EFFECT FROM TO	UNITS PER ASSY
16 135	2TC47-10		.CIRCUIT BREAKER- SUPPLIER CODE: V82647 SPECIFICATION NUMBER: BACC18AD10 OPTIONAL PART: 4310-029-10 V76374 ELECTRICAL EQUIP NUMBER: C01630	048053	1
- 140	MODREF250404		CIRCUIT BREAKER INSTL- FLIGHT CONTROL FORCE FIGHT MON P6-2/D15 MODULE NUMBER: 233A5222-201628 REV B	048053	1
145	2TC47-2-5		.CIRCUIT BREAKER- SUPPLIER CODE: V82647 SPECIFICATION NUMBER: BACC18AD2 OPTIONAL PART: 4310-029-205 V76374 ELECTRICAL EQUIP NUMBER: C01628	048053	1
- 150	MODREF391755		CIRCUIT BREAKER INSTL- TAKEOFF WARNING LIGHT MODULE NUMBER: 233A5222-201698 REV A	048053	1
155	2TC47-2-5		.CIRCUIT BREAKER- SUPPLIER CODE: V82647 SPECIFICATION NUMBER: BACC18AD2 OPTIONAL PART: 4310-029-205 V76374 ELECTRICAL EQUIP NUMBER: C01698	048053	1
- 200	MODREF250409		PLUG BUTTON INSTL-P6-2/A10 MODULE NUMBER: 233A5222-302110 REV B	048053	1

MISSING ITEM NUMBERS NOT APPLICABLE

- ITEM NOT ILLUSTRATED

HAP

24-50-52-16

BOEING PROPRIETARY - Copyright © - Unpublished Work - See title page for details.

24-50-52
FIG. 16
PAGE 7
FEB 15/09

BOEING
737-600/700/800/900
PARTS CATALOG (MAINTENANCE)

FIG ITEM	PART NUMBER	1 2 3 4 5 6 7	NOMENCLATURE	EFFECT FROM TO	UNITS PER ASSY
16 205	BS51338D5003		.PLUG- SUPPLIER CODE: V83058 SPECIFICATION NUMBER: BACP20B63B OPTIONAL PART: 51338 V83058 MISCELLANEOUS DATA: USE IN PLACE OF CIRCUIT BREAKERS ON OPEN HOLES	048053	1
- 210	MODREF250410		PLUG BUTTON INSTL-P6-2/A14 MODULE NUMBER: 233A5222-302114 REV B	048053	1
215	BS51338D5003		.PLUG- SUPPLIER CODE: V83058 SPECIFICATION NUMBER: BACP20B63B OPTIONAL PART: 51338 V83058 MISCELLANEOUS DATA: USE IN PLACE OF CIRCUIT BREAKERS ON OPEN HOLES	048053	1
- 220	MODREF250411		PLUG BUTTON INSTL-P6-2/A18 MODULE NUMBER: 233A5222-302118 REV B	048053	1
225	BS51338D5003		.PLUG- SUPPLIER CODE: V83058 SPECIFICATION NUMBER: BACP20B63B OPTIONAL PART: 51338 V83058 MISCELLANEOUS DATA: USE IN PLACE OF CIRCUIT BREAKERS ON OPEN HOLES	048053	1
- 230	MODREF250412		PLUG BUTTON INSTL-P6-2/A20 MODULE NUMBER: 233A5222-302120 REV B	048053	1

MISSING ITEM NUMBERS NOT APPLICABLE

- ITEM NOT ILLUSTRATED

HAP

24-50-52-16

BOEING PROPRIETARY - Copyright © - Unpublished Work - See title page for details.

24-50-52
FIG. 16
PAGE 8
FEB 15/09

BOEING
737-600/700/800/900
PARTS CATALOG (MAINTENANCE)

FIG ITEM	PART NUMBER	1 2 3 4 5 6 7	NOMENCLATURE	EFFECT FROM TO	UNITS PER ASSY
16 235	BS51338D5003		.PLUG- SUPPLIER CODE: V83058 SPECIFICATION NUMBER: BACP20B63B OPTIONAL PART: 51338 V83058 MISCELLANEOUS DATA: USE IN PLACE OF CIRCUIT BREAKERS ON OPEN HOLES	048053	1
- 240	MODREF250413		PLUG BUTTON INSTL-P6-2/B11 MODULE NUMBER: 233A5222-302211 REV B	048053	1
245	BS51338D5003		.PLUG- SUPPLIER CODE: V83058 SPECIFICATION NUMBER: BACP20B63B OPTIONAL PART: 51338 V83058 MISCELLANEOUS DATA: USE IN PLACE OF CIRCUIT BREAKERS ON OPEN HOLES	048053	1
- 250	MODREF250414		PLUG BUTTON INSTL-P6-2/B16 MODULE NUMBER: 233A5222-302216 REV B	048053	1
255	BS51338D5003		.PLUG- SUPPLIER CODE: V83058 SPECIFICATION NUMBER: BACP20B63B OPTIONAL PART: 51338 V83058 MISCELLANEOUS DATA: USE IN PLACE OF CIRCUIT BREAKERS ON OPEN HOLES	048053	1
- 260	MODREF250415		PLUG BUTTON INSTL-P6-2/B17 MODULE NUMBER: 233A5222-302217 REV B	048053	1

MISSING ITEM NUMBERS NOT APPLICABLE

- ITEM NOT ILLUSTRATED

HAP

24-50-52-16

BOEING PROPRIETARY - Copyright © - Unpublished Work - See title page for details.

24-50-52
FIG. 16
PAGE 9
FEB 15/09

BOEING
737-600/700/800/900
PARTS CATALOG (MAINTENANCE)

FIG ITEM	PART NUMBER	1 2 3 4 5 6 7	NOMENCLATURE	EFFECT FROM TO	UNITS PER ASSY
16 265	BS51338D5003		.PLUG- SUPPLIER CODE: V83058 SPECIFICATION NUMBER: BACP20B63B OPTIONAL PART: 51338 V83058 MISCELLANEOUS DATA: USE IN PLACE OF CIRCUIT BREAKERS ON OPEN HOLES	048053	1
- 270	MODREF250416		PLUG BUTTON INSTL-P6-2/B18 MODULE NUMBER: 233A5222-302218 REV B	048053	1
275	BS51338D5003		.PLUG- SUPPLIER CODE: V83058 SPECIFICATION NUMBER: BACP20B63B OPTIONAL PART: 51338 V83058 MISCELLANEOUS DATA: USE IN PLACE OF CIRCUIT BREAKERS ON OPEN HOLES	048053	1
- 280	MODREF250417		PLUG BUTTON INSTL-P6-2/C10 MODULE NUMBER: 233A5222-302310 REV B	048053	1
285	BS51338D5003		.PLUG- SUPPLIER CODE: V83058 SPECIFICATION NUMBER: BACP20B63B OPTIONAL PART: 51338 V83058 MISCELLANEOUS DATA: USE IN PLACE OF CIRCUIT BREAKERS ON OPEN HOLES	048053	1
- 290	MODREF250418		PLUG BUTTON INSTL-P6-2/C12 MODULE NUMBER: 233A5222-302312 REV B	048053	1

MISSING ITEM NUMBERS NOT APPLICABLE

- ITEM NOT ILLUSTRATED

HAP

24-50-52-16

BOEING PROPRIETARY - Copyright © - Unpublished Work - See title page for details.

24-50-52
FIG. 16
PAGE 10
FEB 15/09

BOEING
737-600/700/800/900
PARTS CATALOG (MAINTENANCE)

FIG ITEM	PART NUMBER	1 2 3 4 5 6 7	NOMENCLATURE	EFFECT FROM TO	UNITS PER ASSY
16 295	BS51338D5003		.PLUG- SUPPLIER CODE: V83058 SPECIFICATION NUMBER: BACP20B63B OPTIONAL PART: 51338 V83058 MISCELLANEOUS DATA: USE IN PLACE OF CIRCUIT BREAKERS ON OPEN HOLES	048053	1
- 300	MODREF250419		PLUG BUTTON INSTL-P6-2/C17 MODULE NUMBER: 233A5222-302317 REV B	048053	1
305	BS51338D5003		.PLUG- SUPPLIER CODE: V83058 SPECIFICATION NUMBER: BACP20B63B OPTIONAL PART: 51338 V83058 MISCELLANEOUS DATA: USE IN PLACE OF CIRCUIT BREAKERS ON OPEN HOLES	048053	1
- 310	MODREF250420		PLUG BUTTON INSTL-P6-2/C20 MODULE NUMBER: 233A5222-302320 REV B	048053	1
315	BS51338D5003		.PLUG- SUPPLIER CODE: V83058 SPECIFICATION NUMBER: BACP20B63B OPTIONAL PART: 51338 V83058 MISCELLANEOUS DATA: USE IN PLACE OF CIRCUIT BREAKERS ON OPEN HOLES	048053	1
- 320	MODREF250421		PLUG BUTTON INSTL-P6-2/D5 MODULE NUMBER: 233A5222-302405 REV B	048053	1

MISSING ITEM NUMBERS NOT APPLICABLE

- ITEM NOT ILLUSTRATED

HAP

24-50-52-16

BOEING PROPRIETARY - Copyright © - Unpublished Work - See title page for details.

24-50-52
FIG. 16
PAGE 11
FEB 15/09

BOEING
737-600/700/800/900
PARTS CATALOG (MAINTENANCE)

FIG ITEM	PART NUMBER	1 2 3 4 5 6 7	NOMENCLATURE	EFFECT FROM TO	UNITS PER ASSY
16 325	BS51338D5003		.PLUG- SUPPLIER CODE: V83058 SPECIFICATION NUMBER: BACP20B63B OPTIONAL PART: 51338 V83058 MISCELLANEOUS DATA: USE IN PLACE OF CIRCUIT BREAKERS ON OPEN HOLES	048053	1
- 330	MODREF250422		PLUG BUTTON INSTL-P6-2/D9 MODULE NUMBER: 233A5222-302409 REV B	048053	1
335	BS51338D5003		.PLUG- SUPPLIER CODE: V83058 SPECIFICATION NUMBER: BACP20B63B OPTIONAL PART: 51338 V83058 MISCELLANEOUS DATA: USE IN PLACE OF CIRCUIT BREAKERS ON OPEN HOLES	048053	1
- 340	MODREF250423		PLUG BUTTON INSTL-P6-2/D11 MODULE NUMBER: 233A5222-302411 REV B	048053	1
345	BS51338D5003		.PLUG- SUPPLIER CODE: V83058 SPECIFICATION NUMBER: BACP20B63B OPTIONAL PART: 51338 V83058 MISCELLANEOUS DATA: USE IN PLACE OF CIRCUIT BREAKERS ON OPEN HOLES	048053	1
- 350	MODREF250424		PLUG BUTTON INSTL-P6-2/D12 MODULE NUMBER: 233A5222-302412 REV B	048053	1

MISSING ITEM NUMBERS NOT APPLICABLE

- ITEM NOT ILLUSTRATED

HAP

24-50-52-16

BOEING PROPRIETARY - Copyright © - Unpublished Work - See title page for details.

24-50-52
FIG. 16
PAGE 12
FEB 15/09

BOEING
737-600/700/800/900
PARTS CATALOG (MAINTENANCE)

FIG ITEM	PART NUMBER	1 2 3 4 5 6 7	NOMENCLATURE	EFFECT FROM TO	UNITS PER ASSY
16 355	BS51338D5003		.PLUG- SUPPLIER CODE: V83058 SPECIFICATION NUMBER: BACP20B63B OPTIONAL PART: 51338 V83058 MISCELLANEOUS DATA: USE IN PLACE OF CIRCUIT BREAKERS ON OPEN HOLES	048053	1
- 360	MODREF250425		PLUG BUTTON INSTL-P6-2/D14 MODULE NUMBER: 233A5222-302414 REV B	048053	1
365	BS51338D5003		.PLUG- SUPPLIER CODE: V83058 SPECIFICATION NUMBER: BACP20B63B OPTIONAL PART: 51338 V83058 MISCELLANEOUS DATA: USE IN PLACE OF CIRCUIT BREAKERS ON OPEN HOLES	048053	1
- 370	MODREF250426		PLUG BUTTON INSTL-P6-2/D17 MODULE NUMBER: 233A5222-302417 REV B	048053	1
375	BS51338D5003		.PLUG- SUPPLIER CODE: V83058 SPECIFICATION NUMBER: BACP20B63B OPTIONAL PART: 51338 V83058 MISCELLANEOUS DATA: USE IN PLACE OF CIRCUIT BREAKERS ON OPEN HOLES	048053	1
- 500	MODREF250434		INOP INSTL-P6-2/D3 (ELECTRICAL POWER ONLY) MODULE NUMBER: 233A5222-502403 REV B FOR OTHER SYS DETAILS SEE: 11-31-52-16A	049050	1
505	10237-1		.COLLAR- SUPPLIER CODE: V1N6X0	049050	1

MISSING ITEM NUMBERS NOT APPLICABLE

- ITEM NOT ILLUSTRATED

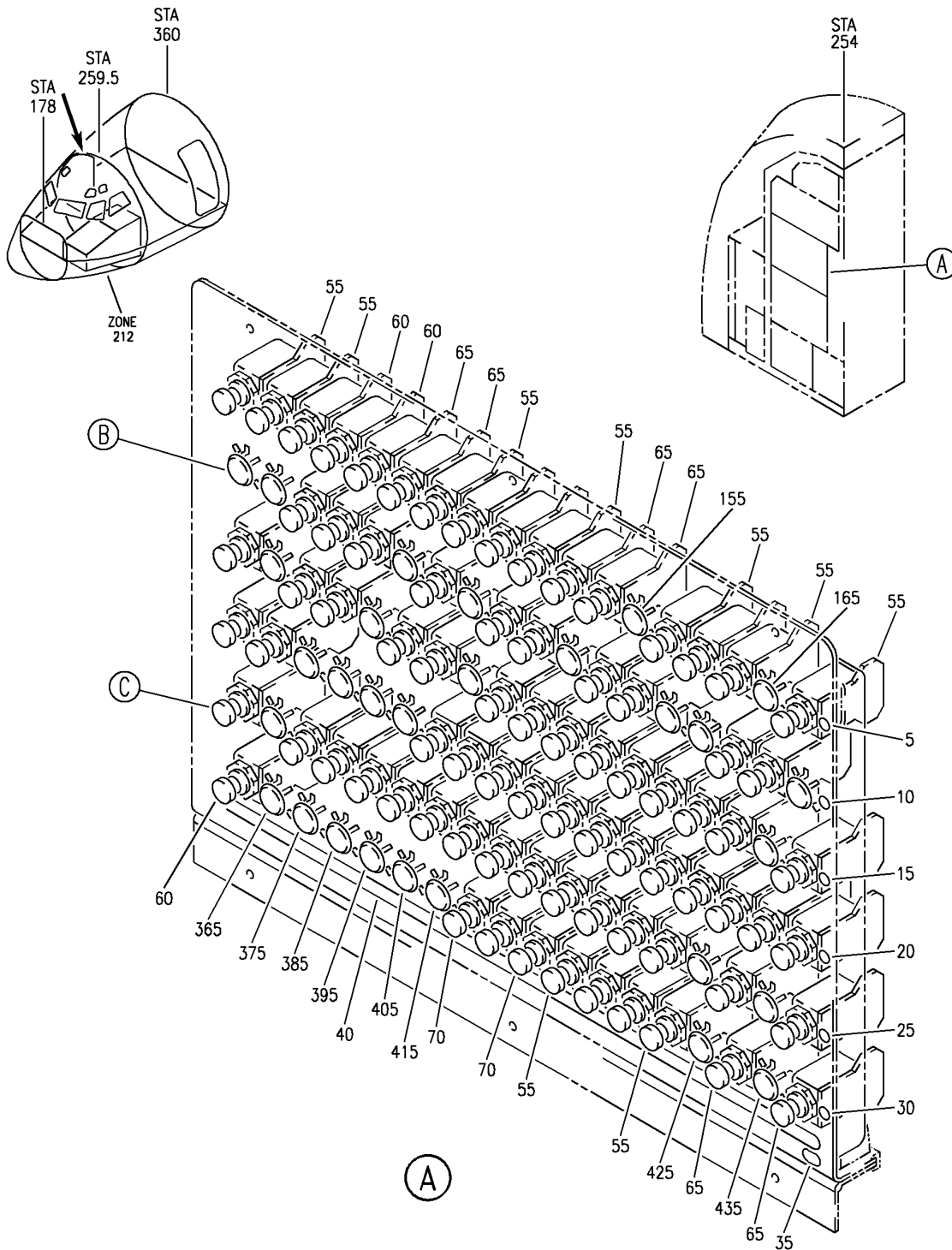
HAP

24-50-52-16

BOEING PROPRIETARY - Copyright © - Unpublished Work - See title page for details.

24-50-52
FIG. 16
PAGE 13
FEB 15/09

BOEING
 737-600/700/800/900
 PARTS CATALOG (MAINTENANCE)



E 24-50-53-01X SHT 1 REV 111

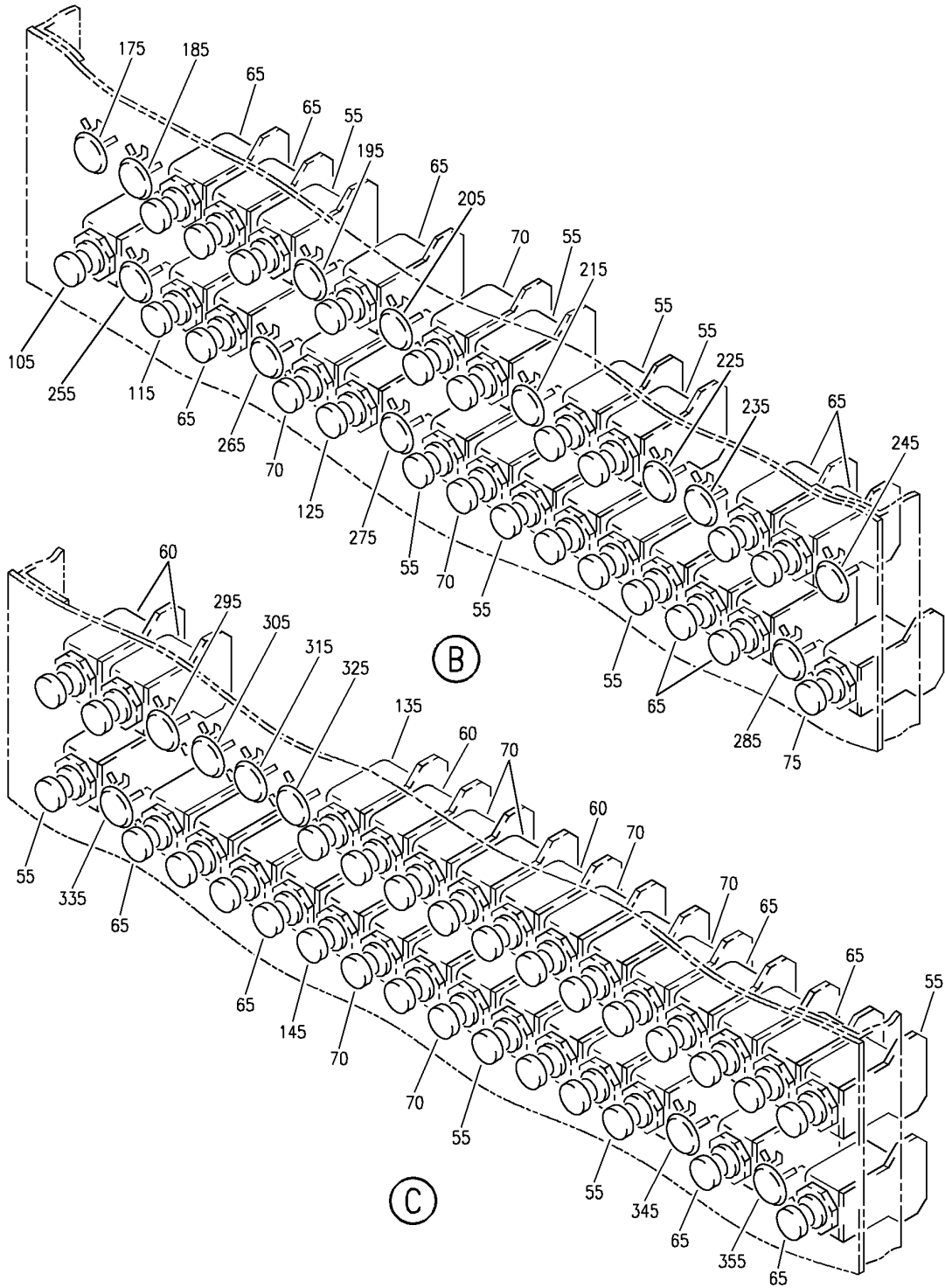
MARKER, CIRCUIT BREAKER, AND PLUG BUTTON INSTL-P6-3 PNL (ELECTRICAL POWER ONLY)
 FIGURE 1X (SHEET 1)

HAP
 OCT 10/06

24-50-53-01X

24-50-53-01X
 PAGE 0

BOEING
737-600/700/800/900
PARTS CATALOG (MAINTENANCE)



E 24-50-53-01X SHT 2 REV 111

MARKER, CIRCUIT BREAKER, AND PLUG BUTTON INSTL-P6-3 PNL (ELECTRICAL POWER ONLY)
 FIGURE 1X (SHEET 2)

HAP
 OCT 10/06

24-50-53-01X

24-50-53-01X
 PAGE 0A

BOEING PROPRIETARY - Copyright © - Unpublished Work - See title page for details.

BOEING
737-600/700/800/900
PARTS CATALOG (MAINTENANCE)

FIG ITEM	PART NUMBER	1 2 3 4 5 6 7	NOMENCLATURE	EFFECT FROM TO	UNITS PER ASSY
1X			MARKER, CIRCUIT BREAKER, AND PLUG BUTTON INSTL- P6-3 PNL (ELECTRICAL POWER ONLY)	031036	
- 1	MODREF250435		MARKER INSTL-P6-3 PNL MODULE NUMBER: 233A5223-1 REV D	031036	1
5	BAC27DCC3065		.MARKER- PLACARD CONTENT: A	031036	1
10	BAC27DCC3066		.MARKER- PLACARD CONTENT: B	031036	1
15	BAC27DCC3067		.MARKER- PLACARD CONTENT: C	031036	1
20	BAC27DCC3068		.MARKER- PLACARD CONTENT: D	031036	1
25	BAC27DCC3069		.MARKER- PLACARD CONTENT: E	031036	1
30	BAC27DCC3070		.MARKER- PLACARD CONTENT: F	031036	1
35	BAC27DCC3076		.MARKER- PLACARD CONTENT: P6-3	031036	1
40	BAC27DCC2744		.MARKER- PLACARD CONTENT: 1 THRU 18	031036	1
- 50	MODREF252405		CIRCUIT BREAKER INSTL-P6-3 PNL (ELECTRICAL POWER ONLY) MODULE NUMBER: 233A5223-2 REV B FOR OTHER SYS DETAILS SEE: 11-31-53-01X	031036	1

MISSING ITEM NUMBERS NOT APPLICABLE

- ITEM NOT ILLUSTRATED

HAP

24-50-53-01X

BOEING PROPRIETARY - Copyright © - Unpublished Work - See title page for details.

24-50-53
FIG. 01X
PAGE 1
OCT 10/06


BOEING
 737-600/700/800/900
PARTS CATALOG (MAINTENANCE)

FIG ITEM	PART NUMBER	1 2 3 4 5 6 7	NOMENCLATURE	EFFECT FROM TO	UNITS PER ASSY
1X 55	2TC47-3	.	CIRCUIT BREAKER- SUPPLIER CODE: V82647 SPECIFICATION NUMBER: BACC18AD3 OPTIONAL PART: 4310-029-3 V76374 ELECTRICAL EQUIP NUMBER: C00129 C00132 C00137 C00161 C00219 C00282 C00283 C00308 C00309 C00313 C00314 C00315 C00316 C00317 C00318 C00335 C00355 C00451 C00540 C00583 C00736 C00737 C01179 C01180 C01275 C01276 C01277 C01278 C01345	031036	29

MISSING ITEM NUMBERS NOT APPLICABLE

— ITEM NOT ILLUSTRATED

HAP

24-50-53-01X

BOEING PROPRIETARY - Copyright © - Unpublished Work - See title page for details.

24-50-53
 FIG. 01X
 PAGE 2
 OCT 10/06

BOEING
737-600/700/800/900
PARTS CATALOG (MAINTENANCE)

FIG ITEM	PART NUMBER	1 2 3 4 5 6 7	NOMENCLATURE	EFFECT FROM TO	UNITS PER ASSY
1X 60	2TC47-5		.CIRCUIT BREAKER- SUPPLIER CODE: V82647 SPECIFICATION NUMBER: BACC18AD5 OPTIONAL PART: 4310-029-5 V76374 ELECTRICAL EQUIP NUMBER: C00032 C00117 C00133 C00701 C01399 C01400 C01441	031036	7
65	2TC47-2-5		.CIRCUIT BREAKER- SUPPLIER CODE: V82647 SPECIFICATION NUMBER: BACC18AD2 OPTIONAL PART: 4310-029-205 V76374 ELECTRICAL EQUIP NUMBER: C00129 C00195 C00196 C00359 C00360 C00361 C00397 C00398 C00569 C00570 C00751 C01027 C01320 C01321 C01346 C01355 C01356 C01395 C01396 C01401 C01425 C01432 C01471	031036	23

MISSING ITEM NUMBERS NOT APPLICABLE

— ITEM NOT ILLUSTRATED

HAP

24-50-53-01X

BOEING PROPRIETARY - Copyright © - Unpublished Work - See title page for details.

24-50-53
FIG. 01X
PAGE 3
OCT 10/06

BOEING
737-600/700/800/900
PARTS CATALOG (MAINTENANCE)

FIG ITEM	PART NUMBER	1 2 3 4 5 6 7	NOMENCLATURE	EFFECT FROM TO	UNITS PER ASSY
1X 70	2TC47-7-5		.CIRCUIT BREAKER- SUPPLIER CODE: V82647 SPECIFICATION NUMBER: BACC18AD7 OPTIONAL PART: 4310-029-705 V76374 ELECTRICAL EQUIP NUMBER: C00284 C00310 C00311 C00312 C00323 C00325 C00326 C00327 C00328 C00329 C00330 C00331 C00390 C01472	031036	14
75	2TC6-1		.CIRCUIT BREAKER- SUPPLIER CODE: V82647 SPECIFICATION NUMBER: BACC18Z1R OPTIONAL PART: 4310-002-1 V76374 ELECTRICAL EQUIP NUMBER: C01398	031036	1
- 100	MODREF250440		CIRCUIT BREAKER INSTL-FUEL ELT INTERFACE UNIT P6-3/C1 MODULE NUMBER: 233A5223-201495 REV B	031036	1
105	2TC47-2-5		.CIRCUIT BREAKER- SUPPLIER CODE: V82647 SPECIFICATION NUMBER: BACC18AD2 OPTIONAL PART: 4310-029-205 V76374 ELECTRICAL EQUIP NUMBER: C01495	031036	1

MISSING ITEM NUMBERS NOT APPLICABLE

- ITEM NOT ILLUSTRATED

HAP

24-50-53-01X

BOEING PROPRIETARY - Copyright © - Unpublished Work - See title page for details.

24-50-53
FIG. 01X
PAGE 4
OCT 10/06

BOEING
737-600/700/800/900
PARTS CATALOG (MAINTENANCE)

FIG ITEM	PART NUMBER	1 2 3 4 5 6 7	NOMENCLATURE	EFFECT FROM TO	UNITS PER ASSY
1X - 110	MODREF250451		CIRCUIT BREAKER INSTL-FUEL AUTO SHUTOFF BOOST PUMP CTR TANK L DC P6-3/C3 MODULE NUMBER: 233A5223-201637 REV B	031036	1
115	2TC47-2-5		.CIRCUIT BREAKER- SUPPLIER CODE: V82647 SPECIFICATION NUMBER: BACC18AD2 OPTIONAL PART: 4310-029-205 V76374 ELECTRICAL EQUIP NUMBER: C01637	031036	1
- 120	MODREF250452		CIRCUIT BREAKER INSTL-FUEL AUTO SHUTOFF BOOST PUMP CTR TANK R DC P6-3/C7 MODULE NUMBER: 233A5223-201638 REV B	031036	1
125	2TC47-2-5		.CIRCUIT BREAKER- SUPPLIER CODE: V82647 SPECIFICATION NUMBER: BACC18AD2 OPTIONAL PART: 4310-029-205 V76374 ELECTRICAL EQUIP NUMBER: C01638	031036	1
- 130	MODREF250453		CIRCUIT BREAKER INSTL-FUEL AUTO SHUTOFF BOOST PUMP CTR TANK L AC P6-3/D7 MODULE NUMBER: 233A5223-201639 REV B	031036	1
135	2TC47-2-5		.CIRCUIT BREAKER- SUPPLIER CODE: V82647 SPECIFICATION NUMBER: BACC18AD2 OPTIONAL PART: 4310-029-205 V76374 ELECTRICAL EQUIP NUMBER: C01639	031036	1

MISSING ITEM NUMBERS NOT APPLICABLE

- ITEM NOT ILLUSTRATED

HAP

24-50-53-01X

BOEING PROPRIETARY - Copyright © - Unpublished Work - See title page for details.

24-50-53
FIG. 01X
PAGE 5
OCT 10/06

BOEING
737-600/700/800/900
PARTS CATALOG (MAINTENANCE)

FIG ITEM	PART NUMBER	1 2 3 4 5 6 7	NOMENCLATURE	EFFECT FROM TO	UNITS PER ASSY
1X - 140	MODREF250454		CIRCUIT BREAKER INSTL-FUEL AUTO SHUTOFF BOOST PUMP CTR TANK R AC P6-3/E7 MODULE NUMBER: 233A5223-201640 REV B	031036	1
145	2TC47-2-5		.CIRCUIT BREAKER- SUPPLIER CODE: V82647 SPECIFICATION NUMBER: BACC18AD2 OPTIONAL PART: 4310-029-205 V76374 ELECTRICAL EQUIP NUMBER: C01640	031036	1
- 150	MODREF250456		PLUG BUTTON INSTL-P6-3/A13 MODULE NUMBER: 233A5223-303113 REV B	031036	1
155	BS51338D5003		.PLUG- SUPPLIER CODE: V83058 SPECIFICATION NUMBER: BACP20B63B OPTIONAL PART: 51338 V83058 MISCELLANEOUS DATA: USE IN PLACE OF CIRCUIT BREAKERS ON OPEN HOLES	031036	1
- 160	MODREF250457		PLUG BUTTON INSTL-P6-3/A17 MODULE NUMBER: 233A5223-303117 REV B	031036	1
165	BS51338D5003		.PLUG- SUPPLIER CODE: V83058 SPECIFICATION NUMBER: BACP20B63B OPTIONAL PART: 51338 V83058 MISCELLANEOUS DATA: USE IN PLACE OF CIRCUIT BREAKERS ON OPEN HOLES	031036	1
- 170	MODREF250458		PLUG BUTTON INSTL-P6-3/B1 MODULE NUMBER: 233A5223-303201 REV B	031036	1

MISSING ITEM NUMBERS NOT APPLICABLE

- ITEM NOT ILLUSTRATED

HAP

24-50-53-01X

BOEING PROPRIETARY - Copyright © - Unpublished Work - See title page for details.

24-50-53
FIG. 01X
PAGE 6
OCT 10/06

BOEING
737-600/700/800/900
PARTS CATALOG (MAINTENANCE)

FIG ITEM	PART NUMBER	1 2 3 4 5 6 7	NOMENCLATURE	EFFECT FROM TO	UNITS PER ASSY
1X 175	BS51338D5003		.PLUG- SUPPLIER CODE: V83058 SPECIFICATION NUMBER: BACP20B63B OPTIONAL PART: 51338 V83058 MISCELLANEOUS DATA: USE IN PLACE OF CIRCUIT BREAKERS ON OPEN HOLES	031036	1
- 180	MODREF250459		PLUG BUTTON INSTL-P6-3/B2 MODULE NUMBER: 233A5223-303202 REV B	031036	1
185	BS51338D5003		.PLUG- SUPPLIER CODE: V83058 SPECIFICATION NUMBER: BACP20B63B OPTIONAL PART: 51338 V83058 MISCELLANEOUS DATA: USE IN PLACE OF CIRCUIT BREAKERS ON OPEN HOLES	031036	1
- 190	MODREF250460		PLUG BUTTON INSTL-P6-3/B6 MODULE NUMBER: 233A5223-303206 REV B	031036	1
195	BS51338D5003		.PLUG- SUPPLIER CODE: V83058 SPECIFICATION NUMBER: BACP20B63B OPTIONAL PART: 51338 V83058 MISCELLANEOUS DATA: USE IN PLACE OF CIRCUIT BREAKERS ON OPEN HOLES	031036	1
- 200	MODREF250461		PLUG BUTTON INSTL-P6-3/B8 MODULE NUMBER: 233A5223-303208 REV B	031036	1

MISSING ITEM NUMBERS NOT APPLICABLE

- ITEM NOT ILLUSTRATED

HAP

24-50-53-01X

BOEING PROPRIETARY - Copyright © - Unpublished Work - See title page for details.

24-50-53
FIG. 01X
PAGE 7
OCT 10/06

BOEING
737-600/700/800/900
PARTS CATALOG (MAINTENANCE)

FIG ITEM	PART NUMBER	1 2 3 4 5 6 7	NOMENCLATURE	EFFECT FROM TO	UNITS PER ASSY
1X 205	BS51338D5003		.PLUG- SUPPLIER CODE: V83058 SPECIFICATION NUMBER: BACP20B63B OPTIONAL PART: 51338 V83058 MISCELLANEOUS DATA: USE IN PLACE OF CIRCUIT BREAKERS ON OPEN HOLES	031036	1
- 210	MODREF250462		PLUG BUTTON INSTL-P6-3/B11 MODULE NUMBER: 233A5223-303211 REV B	031036	1
215	BS51338D5003		.PLUG- SUPPLIER CODE: V83058 SPECIFICATION NUMBER: BACP20B63B OPTIONAL PART: 51338 V83058 MISCELLANEOUS DATA: USE IN PLACE OF CIRCUIT BREAKERS ON OPEN HOLES	031036	1
- 220	MODREF250463		PLUG BUTTON INSTL-P6-3/B14 MODULE NUMBER: 233A5223-303214 REV B	031036	1
225	BS51338D5003		.PLUG- SUPPLIER CODE: V83058 SPECIFICATION NUMBER: BACP20B63B OPTIONAL PART: 51338 V83058 MISCELLANEOUS DATA: USE IN PLACE OF CIRCUIT BREAKERS ON OPEN HOLES	031036	1
- 230	MODREF250464		PLUG BUTTON INSTL-P6-3/B15 MODULE NUMBER: 233A5223-303215 REV B	031036	1

MISSING ITEM NUMBERS NOT APPLICABLE

- ITEM NOT ILLUSTRATED

HAP

24-50-53-01X

BOEING PROPRIETARY - Copyright © - Unpublished Work - See title page for details.

24-50-53
FIG. 01X
PAGE 8
OCT 10/06

BOEING
737-600/700/800/900
PARTS CATALOG (MAINTENANCE)

FIG ITEM	PART NUMBER	1 2 3 4 5 6 7	NOMENCLATURE	EFFECT FROM TO	UNITS PER ASSY
1X 235	BS51338D5003		.PLUG- SUPPLIER CODE: V83058 SPECIFICATION NUMBER: BACP20B63B OPTIONAL PART: 51338 V83058 MISCELLANEOUS DATA: USE IN PLACE OF CIRCUIT BREAKERS ON OPEN HOLES	031036	1
- 240	MODREF250465		PLUG BUTTON INSTL-P6-3/B18 MODULE NUMBER: 233A5223-303218 REV B	031036	1
245	BS51338D5003		.PLUG- SUPPLIER CODE: V83058 SPECIFICATION NUMBER: BACP20B63B OPTIONAL PART: 51338 V83058 MISCELLANEOUS DATA: USE IN PLACE OF CIRCUIT BREAKERS ON OPEN HOLES	031036	1
- 250	MODREF250467		PLUG BUTTON INSTL-P6-3/C2 MODULE NUMBER: 233A5223-303302 REV B	031036	1
255	BS51338D5003		.PLUG- SUPPLIER CODE: V83058 SPECIFICATION NUMBER: BACP20B63B OPTIONAL PART: 51338 V83058 MISCELLANEOUS DATA: USE IN PLACE OF CIRCUIT BREAKERS ON OPEN HOLES	031036	1
- 260	MODREF250469		PLUG BUTTON INSTL-P6-3/C5 MODULE NUMBER: 233A5223-303305 REV B	031036	1

MISSING ITEM NUMBERS NOT APPLICABLE

- ITEM NOT ILLUSTRATED

HAP

24-50-53-01X

BOEING PROPRIETARY - Copyright © - Unpublished Work - See title page for details.

24-50-53
FIG. 01X
PAGE 9
OCT 10/06

BOEING
737-600/700/800/900
PARTS CATALOG (MAINTENANCE)

FIG ITEM	PART NUMBER	1 2 3 4 5 6 7	NOMENCLATURE	EFFECT FROM TO	UNITS PER ASSY
1X 265	BS51338D5003		.PLUG- SUPPLIER CODE: V83058 SPECIFICATION NUMBER: BACP20B63B OPTIONAL PART: 51338 V83058 MISCELLANEOUS DATA: USE IN PLACE OF CIRCUIT BREAKERS ON OPEN HOLES	031036	1
- 270	MODREF250471		PLUG BUTTON INSTL-P6-3/C8 MODULE NUMBER: 233A5223-303308 REV B	031036	1
275	BS51338D5003		.PLUG- SUPPLIER CODE: V83058 SPECIFICATION NUMBER: BACP20B63B OPTIONAL PART: 51338 V83058 MISCELLANEOUS DATA: USE IN PLACE OF CIRCUIT BREAKERS ON OPEN HOLES	031036	1
- 280	MODREF250472		PLUG BUTTON INSTL-P6-3/C17 MODULE NUMBER: 233A5223-303317 REV B	031036	1
285	BS51338D5003		.PLUG- SUPPLIER CODE: V83058 SPECIFICATION NUMBER: BACP20B63B OPTIONAL PART: 51338 V83058 MISCELLANEOUS DATA: USE IN PLACE OF CIRCUIT BREAKERS ON OPEN HOLES	031036	1
- 290	MODREF250473		PLUG BUTTON INSTL-P6-3/D3 MODULE NUMBER: 233A5223-303403 REV B	031036	1

MISSING ITEM NUMBERS NOT APPLICABLE

- ITEM NOT ILLUSTRATED

HAP

24-50-53-01X

BOEING PROPRIETARY - Copyright © - Unpublished Work - See title page for details.

24-50-53
FIG. 01X
PAGE 10
OCT 10/06

BOEING
737-600/700/800/900
PARTS CATALOG (MAINTENANCE)

FIG ITEM	PART NUMBER	1 2 3 4 5 6 7	NOMENCLATURE	EFFECT FROM TO	UNITS PER ASSY
1X 295	BS51338D5003		.PLUG- SUPPLIER CODE: V83058 SPECIFICATION NUMBER: BACP20B63B OPTIONAL PART: 51338 V83058 MISCELLANEOUS DATA: USE IN PLACE OF CIRCUIT BREAKERS ON OPEN HOLES	031036	1
- 300	MODREF250474		PLUG BUTTON INSTL-P6-3/D4 MODULE NUMBER: 233A5223-303404 REV B	031036	1
305	BS51338D5003		.PLUG- SUPPLIER CODE: V83058 SPECIFICATION NUMBER: BACP20B63B OPTIONAL PART: 51338 V83058 MISCELLANEOUS DATA: USE IN PLACE OF CIRCUIT BREAKERS ON OPEN HOLES	031036	1
- 310	MODREF250475		PLUG BUTTON INSTL-P6-3/D5 MODULE NUMBER: 233A5223-303405 REV B	031036	1
315	BS51338D5003		.PLUG- SUPPLIER CODE: V83058 SPECIFICATION NUMBER: BACP20B63B OPTIONAL PART: 51338 V83058 MISCELLANEOUS DATA: USE IN PLACE OF CIRCUIT BREAKERS ON OPEN HOLES	031036	1
- 320	MODREF250476		PLUG BUTTON INSTL-P6-3/D6 MODULE NUMBER: 233A5223-303406 REV B	031036	1

MISSING ITEM NUMBERS NOT APPLICABLE

- ITEM NOT ILLUSTRATED

HAP

24-50-53-01X

BOEING PROPRIETARY - Copyright © - Unpublished Work - See title page for details.

24-50-53
FIG. 01X
PAGE 11
OCT 10/06

BOEING
737-600/700/800/900
PARTS CATALOG (MAINTENANCE)

FIG ITEM	PART NUMBER	1 2 3 4 5 6 7	NOMENCLATURE	EFFECT FROM TO	UNITS PER ASSY
1X 325	BS51338D5003		.PLUG- SUPPLIER CODE: V83058 SPECIFICATION NUMBER: BACP20B63B OPTIONAL PART: 51338 V83058 MISCELLANEOUS DATA: USE IN PLACE OF CIRCUIT BREAKERS ON OPEN HOLES	031036	1
- 330	MODREF250478		PLUG BUTTON INSTL-P6-3/E2 MODULE NUMBER: 233A5223-303502 REV B	031036	1
335	BS51338D5003		.PLUG- SUPPLIER CODE: V83058 SPECIFICATION NUMBER: BACP20B63B OPTIONAL PART: 51338 V83058 MISCELLANEOUS DATA: USE IN PLACE OF CIRCUIT BREAKERS ON OPEN HOLES	031036	1
- 340	MODREF250480		PLUG BUTTON INSTL-P6-3/E15 MODULE NUMBER: 233A5223-303515 REV B	031036	1
345	BS51338D5003		.PLUG- SUPPLIER CODE: V83058 SPECIFICATION NUMBER: BACP20B63B OPTIONAL PART: 51338 V83058 MISCELLANEOUS DATA: USE IN PLACE OF CIRCUIT BREAKERS ON OPEN HOLES	031036	1
- 350	MODREF250481		PLUG BUTTON INSTL-P6-3/E17 MODULE NUMBER: 233A5223-303517 REV B	031036	1

MISSING ITEM NUMBERS NOT APPLICABLE

- ITEM NOT ILLUSTRATED

HAP

24-50-53-01X

BOEING PROPRIETARY - Copyright © - Unpublished Work - See title page for details.

24-50-53
FIG. 01X
PAGE 12
OCT 10/06

BOEING
737-600/700/800/900
PARTS CATALOG (MAINTENANCE)

FIG ITEM	PART NUMBER	1 2 3 4 5 6 7	NOMENCLATURE	EFFECT FROM TO	UNITS PER ASSY
1X 355	BS51338D5003		.PLUG- SUPPLIER CODE: V83058 SPECIFICATION NUMBER: BACP20B63B OPTIONAL PART: 51338 V83058 MISCELLANEOUS DATA: USE IN PLACE OF CIRCUIT BREAKERS ON OPEN HOLES	031036	1
- 360	MODREF250482		PLUG BUTTON INSTL-P6-3/F2 MODULE NUMBER: 233A5223-303602 REV B	031036	1
365	BS51338D5003		.PLUG- SUPPLIER CODE: V83058 SPECIFICATION NUMBER: BACP20B63B OPTIONAL PART: 51338 V83058 MISCELLANEOUS DATA: USE IN PLACE OF CIRCUIT BREAKERS ON OPEN HOLES	031036	1
- 370	MODREF250483		PLUG BUTTON INSTL-P6-3/F3 MODULE NUMBER: 233A5223-303603 REV B	031036	1
375	BS51338D5003		.PLUG- SUPPLIER CODE: V83058 SPECIFICATION NUMBER: BACP20B63B OPTIONAL PART: 51338 V83058 MISCELLANEOUS DATA: USE IN PLACE OF CIRCUIT BREAKERS ON OPEN HOLES	031036	1
- 380	MODREF250484		PLUG BUTTON INSTL-P6-3/F4 MODULE NUMBER: 233A5223-303604 REV B	031036	1

MISSING ITEM NUMBERS NOT APPLICABLE

- ITEM NOT ILLUSTRATED

HAP

24-50-53-01X

BOEING PROPRIETARY - Copyright © - Unpublished Work - See title page for details.

24-50-53
FIG. 01X
PAGE 13
OCT 10/06

BOEING
737-600/700/800/900
PARTS CATALOG (MAINTENANCE)

FIG ITEM	PART NUMBER	1 2 3 4 5 6 7	NOMENCLATURE	EFFECT FROM TO	UNITS PER ASSY
1X 385	BS51338D5003		.PLUG- SUPPLIER CODE: V83058 SPECIFICATION NUMBER: BACP20B63B OPTIONAL PART: 51338 V83058 MISCELLANEOUS DATA: USE IN PLACE OF CIRCUIT BREAKERS ON OPEN HOLES	031036	1
- 390	MODREF250485		PLUG BUTTON INSTL-P6-3/F5 MODULE NUMBER: 233A5223-303605 REV B	031036	1
395	BS51338D5003		.PLUG- SUPPLIER CODE: V83058 SPECIFICATION NUMBER: BACP20B63B OPTIONAL PART: 51338 V83058 MISCELLANEOUS DATA: USE IN PLACE OF CIRCUIT BREAKERS ON OPEN HOLES	031036	1
- 400	MODREF250486		PLUG BUTTON INSTL-P6-3/F6 MODULE NUMBER: 233A5223-303606 REV B	031036	1
405	BS51338D5003		.PLUG- SUPPLIER CODE: V83058 SPECIFICATION NUMBER: BACP20B63B OPTIONAL PART: 51338 V83058 MISCELLANEOUS DATA: USE IN PLACE OF CIRCUIT BREAKERS ON OPEN HOLES	031036	1
- 410	MODREF250487		PLUG BUTTON INSTL-P6-3/F7 MODULE NUMBER: 233A5223-303607 REV B	031036	1

MISSING ITEM NUMBERS NOT APPLICABLE

- ITEM NOT ILLUSTRATED

HAP

24-50-53-01X

BOEING PROPRIETARY - Copyright © - Unpublished Work - See title page for details.

24-50-53
FIG. 01X
PAGE 14
OCT 10/06

BOEING
737-600/700/800/900
PARTS CATALOG (MAINTENANCE)

FIG ITEM	PART NUMBER	1 2 3 4 5 6 7	NOMENCLATURE	EFFECT FROM TO	UNITS PER ASSY
1X 415	BS51338D5003		.PLUG- SUPPLIER CODE: V83058 SPECIFICATION NUMBER: BACP20B63B OPTIONAL PART: 51338 V83058 MISCELLANEOUS DATA: USE IN PLACE OF CIRCUIT BREAKERS ON OPEN HOLES	031036	1
- 420	MODREF250488		PLUG BUTTON INSTL-P6-3/F15 MODULE NUMBER: 233A5223-303615 REV B	031036	1
425	BS51338D5003		.PLUG- SUPPLIER CODE: V83058 SPECIFICATION NUMBER: BACP20B63B OPTIONAL PART: 51338 V83058 MISCELLANEOUS DATA: USE IN PLACE OF CIRCUIT BREAKERS ON OPEN HOLES	031036	1
- 430	MODREF250489		PLUG BUTTON INSTL-P6-3/F17 MODULE NUMBER: 233A5223-303617 REV B	031036	1
435	BS51338D5003		.PLUG- SUPPLIER CODE: V83058 SPECIFICATION NUMBER: BACP20B63B OPTIONAL PART: 51338 V83058 MISCELLANEOUS DATA: USE IN PLACE OF CIRCUIT BREAKERS ON OPEN HOLES	031036	1

MISSING ITEM NUMBERS NOT APPLICABLE

- ITEM NOT ILLUSTRATED

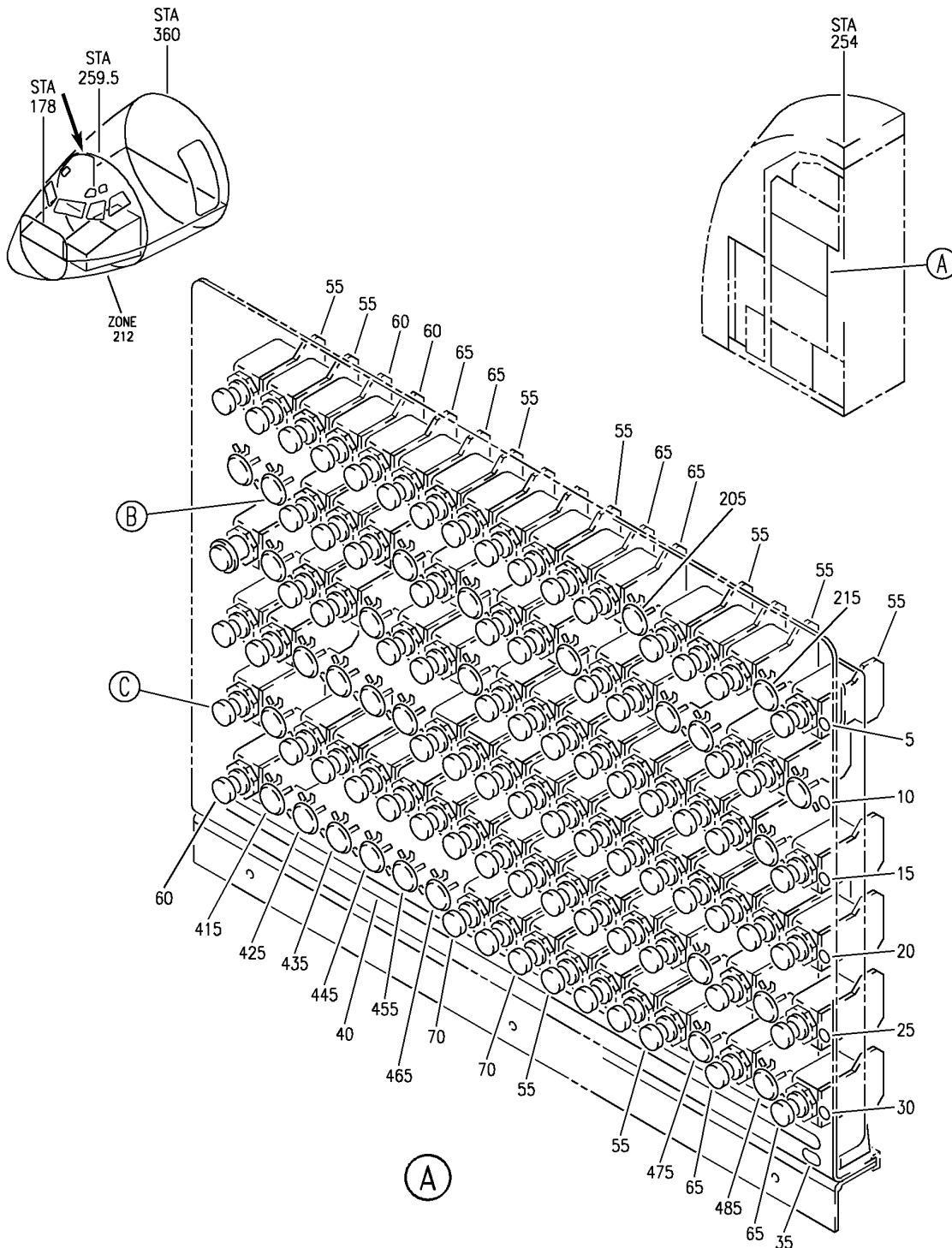
HAP

24-50-53-01X

BOEING PROPRIETARY - Copyright © - Unpublished Work - See title page for details.

24-50-53
FIG. 01X
PAGE 15
OCT 10/06

BOEING
 737-600/700/800/900
 PARTS CATALOG (MAINTENANCE)



E 24-50-53-02K SHT 1 REV 130

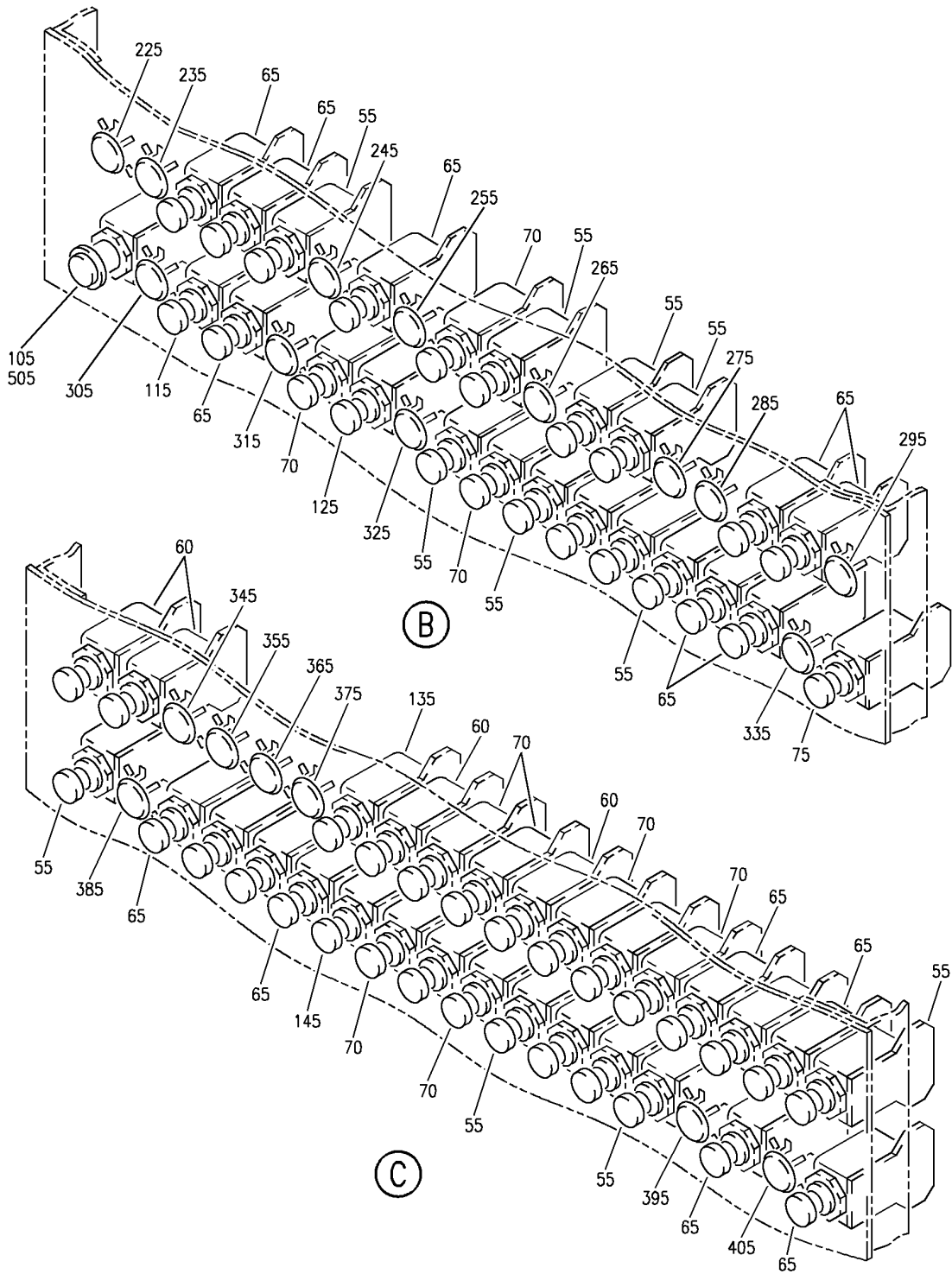
MARKER, CIRCUIT BREAKER, PLUG BUTTON AND INOP INSTL- P6-3 PNL (ELECTRICAL POWER ONLY)
 FIGURE 2K (SHEET 1)

HAP
 JUN 10/07

24-50-53-02K

24-50-53-02K
 PAGE 0

BOEING
737-600/700/800/900
PARTS CATALOG (MAINTENANCE)



E 24-50-53-02K SHT 2 REV 130

MARKER, CIRCUIT BREAKER, PLUG BUTTON AND INOP INSTL- P6-3 PNL (ELECTRICAL POWER ONLY)
 FIGURE 2K (SHEET 2)

HAP
 JUN 10/07

24-50-53-02K

24-50-53-02K
 PAGE 0A

BOEING
737-600/700/800/900
PARTS CATALOG (MAINTENANCE)

FIG ITEM	PART NUMBER	1 2 3 4 5 6 7	NOMENCLATURE	EFFECT FROM TO	UNITS PER ASSY
2K			MARKER, CIRCUIT BREAKER, PLUG BUTTON AND INOP INSTL- P6-3 PNL (ELECTRICAL POWER ONLY)	037037 039052 054200 968999	
- 1	MODREF250435		MARKER INSTL-P6-3 PNL MODULE NUMBER: 233A5223-1 REV D	037037 039052 054200 968999	1
	5 BAC27DCC3065		.MARKER- PLACARD CONTENT: A	037037 039052 054200 968999	1
	10 BAC27DCC3066		.MARKER- PLACARD CONTENT: B	037037 039052 054200 968999	1
	15 BAC27DCC3067		.MARKER- PLACARD CONTENT: C	037037 039052 054200 968999	1
	20 BAC27DCC3068		.MARKER- PLACARD CONTENT: D	037037 039052 054200 968999	1
	25 BAC27DCC3069		.MARKER- PLACARD CONTENT: E	037037 039052 054200 968999	1
	30 BAC27DCC3070		.MARKER- PLACARD CONTENT: F	037037 039052 054200 968999	1
	35 BAC27DCC3076		.MARKER- PLACARD CONTENT: P6-3	037037 039052 054200 968999	1
	40 BAC27DCC2744		.MARKER- PLACARD CONTENT: 1 THRU 18	037037 039052 054200 968999	1
- 50	MODREF252405		CIRCUIT BREAKER INSTL-P6-3 PNL (ELECTRICAL POWER ONLY) MODULE NUMBER: 233A5223-2 REV B FOR OTHER SYS DETAILS SEE: 11-31-53-02K	037037 039052 054200 968999	1

MISSING ITEM NUMBERS NOT APPLICABLE

- ITEM NOT ILLUSTRATED

HAP

24-50-53-02K

BOEING PROPRIETARY - Copyright © - Unpublished Work - See title page for details.

24-50-53
FIG. 02K
PAGE 1
FEB 15/09

BOEING
737-600/700/800/900
PARTS CATALOG (MAINTENANCE)

FIG ITEM	PART NUMBER	1 2 3 4 5 6 7	NOMENCLATURE	EFFECT FROM TO	UNITS PER ASSY
2K 55	2TC47-3	.	CIRCUIT BREAKER- SUPPLIER CODE: V82647 SPECIFICATION NUMBER: BACC18AD3 OPTIONAL PART: 4310-029-3 V76374 ELECTRICAL EQUIP NUMBER: C00129 C00132 C00137 C00161 C00219 C00282 C00283 C00308 C00309 C00313 C00314 C00315 C00316 C00317 C00318 C00335 C00355 C00451 C00540 C00583 C00736 C00737 C01179 C01180 C01275 C01276 C01277 C01278 C01345	037037 039052 054200 968999	29

MISSING ITEM NUMBERS NOT APPLICABLE

— ITEM NOT ILLUSTRATED

HAP

24-50-53-02K

BOEING PROPRIETARY - Copyright © - Unpublished Work - See title page for details.

24-50-53
FIG. 02K
PAGE 2
FEB 15/09

BOEING
737-600/700/800/900
PARTS CATALOG (MAINTENANCE)

FIG ITEM	PART NUMBER	1 2 3 4 5 6 7	NOMENCLATURE	EFFECT FROM TO	UNITS PER ASSY
2K 60	2TC47-5	.	CIRCUIT BREAKER- SUPPLIER CODE: V82647 SPECIFICATION NUMBER: BACC18AD5 OPTIONAL PART: 4310-029-5 V76374 ELECTRICAL EQUIP NUMBER: C00032 C00117 C00133 C00701 C01399 C01400 C01441	037037 039052 054200 968999	7
65	2TC47-2-5	.	CIRCUIT BREAKER- SUPPLIER CODE: V82647 SPECIFICATION NUMBER: BACC18AD2 OPTIONAL PART: 4310-029-205 V76374 ELECTRICAL EQUIP NUMBER: C00129 C00195 C00196 C00359 C00360 C00361 C00397 C00398 C00569 C00570 C00751 C01027 C01320 C01321 C01346 C01355 C01356 C01395 C01396 C01401 C01425 C01432 C01471	037037 039052 054200 968999	23

MISSING ITEM NUMBERS NOT APPLICABLE

— ITEM NOT ILLUSTRATED

HAP

24-50-53-02K

BOEING PROPRIETARY - Copyright © - Unpublished Work - See title page for details.

24-50-53
FIG. 02K
PAGE 3
FEB 15/09

BOEING
737-600/700/800/900
PARTS CATALOG (MAINTENANCE)

FIG ITEM	PART NUMBER	1 2 3 4 5 6 7	NOMENCLATURE	EFFECT FROM TO	UNITS PER ASSY
2K 70	2TC47-7-5		.CIRCUIT BREAKER- SUPPLIER CODE: V82647 SPECIFICATION NUMBER: BACC18AD7 OPTIONAL PART: 4310-029-705 V76374 ELECTRICAL EQUIP NUMBER: C00284 C00310 C00311 C00312 C00323 C00325 C00326 C00327 C00328 C00329 C00330 C00331 C00390 C01472	037037 039052 054200 968999	14
75	2TC6-1		.CIRCUIT BREAKER- SUPPLIER CODE: V82647 SPECIFICATION NUMBER: BACC18Z1R OPTIONAL PART: 4310-002-1 V76374 ELECTRICAL EQUIP NUMBER: C01398	037037 039052 054200 968999	1
- 100	MODREF250440		CIRCUIT BREAKER INSTL-ELT INTERFACE UNIT P6-3/C1 MODULE NUMBER: 233A5223-201495 REV B	037037 039052 054200 968999	1
105	2TC47-2-5		.CIRCUIT BREAKER- SUPPLIER CODE: V82647 SPECIFICATION NUMBER: BACC18AD2 OPTIONAL PART: 4310-029-205 V76374 ELECTRICAL EQUIP NUMBER: C01495	037037 039052 054200 968999	1

MISSING ITEM NUMBERS NOT APPLICABLE

- ITEM NOT ILLUSTRATED

HAP

24-50-53-02K

BOEING PROPRIETARY - Copyright © - Unpublished Work - See title page for details.

24-50-53
FIG. 02K
PAGE 4
FEB 15/09


BOEING
 737-600/700/800/900
PARTS CATALOG (MAINTENANCE)

FIG ITEM	PART NUMBER	1 2 3 4 5 6 7	NOMENCLATURE	EFFECT FROM TO	UNITS PER ASSY
2K - 110	MODREF250451		CIRCUIT BREAKER INSTL-FUEL AUTO SHUTOFF BOOST PUMP CTR TANK L DC P6-3/C3 MODULE NUMBER: 233A5223-201637 REV B	037037 039052 054200 968999	1
115	2TC47-2-5		.CIRCUIT BREAKER- SUPPLIER CODE: V82647 SPECIFICATION NUMBER: BACC18AD2 OPTIONAL PART: 4310-029-205 V76374 ELECTRICAL EQUIP NUMBER: C01637	037037 039052 054200 968999	1
- 120	MODREF250452		CIRCUIT BREAKER INSTL-FUEL AUTO SHUTOFF BOOST PUMP CTR TANK R DC P6-3/C7 MODULE NUMBER: 233A5223-201638 REV B	037037 039052 054200 968999	1
125	2TC47-2-5		.CIRCUIT BREAKER- SUPPLIER CODE: V82647 SPECIFICATION NUMBER: BACC18AD2 OPTIONAL PART: 4310-029-205 V76374 ELECTRICAL EQUIP NUMBER: C01638	037037 039052 054200 968999	1
- 130	MODREF291635		CIRCUIT BREAKER INSTL- FUEL AUTO SHUTOFF UCPO BOOST PUMP CTR TANK L AC P6-3/D7 MODULE NUMBER: 233A5223-201659 REV A	037037 039052 054200 968999	1
135	2TC47-2-5		.CIRCUIT BREAKER- SUPPLIER CODE: V82647 SPECIFICATION NUMBER: BACC18AD2 OPTIONAL PART: 4310-029-205 V76374 ELECTRICAL EQUIP NUMBER: C01659	037037 039052 054200 968999	1

MISSING ITEM NUMBERS NOT APPLICABLE

- ITEM NOT ILLUSTRATED

HAP

24-50-53-02K

BOEING PROPRIETARY - Copyright © - Unpublished Work - See title page for details.

24-50-53
 FIG. 02K
 PAGE 5
 FEB 15/09

BOEING
737-600/700/800/900
PARTS CATALOG (MAINTENANCE)

FIG ITEM	PART NUMBER	1 2 3 4 5 6 7	NOMENCLATURE	EFFECT FROM TO	UNITS PER ASSY
2K - 140	MODREF291634		CIRCUIT BREAKER INSTL- FUEL AUTO SHUTOFF UCPO BOOST PUMP CTR TANK R AC P6-3/E7 MODULE NUMBER: 233A5223-201658 REV A	037037 039052 054200 968999	1
145	2TC47-2-5		.CIRCUIT BREAKER- SUPPLIER CODE: V82647 SPECIFICATION NUMBER: BACC18AD2 OPTIONAL PART: 4310-029-205 V76374 ELECTRICAL EQUIP NUMBER: C01658	037037 039052 054200 968999	1
- 200	MODREF250456		PLUG BUTTON INSTL-P6-3/A13 MODULE NUMBER: 233A5223-303113 REV B	037037 039052 054200 968999	1
205	BS51338D5003		.PLUG- SUPPLIER CODE: V83058 SPECIFICATION NUMBER: BACP20B63B OPTIONAL PART: 51338 V83058 MISCELLANEOUS DATA: USE IN PLACE OF CIRCUIT BREAKERS ON OPEN HOLES	037037 039052 054200 968999	1
- 210	MODREF250457		PLUG BUTTON INSTL-P6-3/A17 MODULE NUMBER: 233A5223-303117 REV B	037037 039052 054200 968999	1
215	BS51338D5003		.PLUG- SUPPLIER CODE: V83058 SPECIFICATION NUMBER: BACP20B63B OPTIONAL PART: 51338 V83058 MISCELLANEOUS DATA: USE IN PLACE OF CIRCUIT BREAKERS ON OPEN HOLES	037037 039052 054200 968999	1

MISSING ITEM NUMBERS NOT APPLICABLE

- ITEM NOT ILLUSTRATED

HAP

24-50-53-02K

BOEING PROPRIETARY - Copyright © - Unpublished Work - See title page for details.

24-50-53
FIG. 02K
PAGE 6
FEB 15/09

BOEING
737-600/700/800/900
PARTS CATALOG (MAINTENANCE)

FIG ITEM	PART NUMBER	1 2 3 4 5 6 7	NOMENCLATURE	EFFECT FROM TO	UNITS PER ASSY
2K - 220	MODREF250458		PLUG BUTTON INSTL-P6-3/B1 MODULE NUMBER: 233A5223-303201 REV B	037037 039052 054200 968999	1
	225 BS51338D5003		.PLUG- SUPPLIER CODE: V83058 SPECIFICATION NUMBER: BACP20B63B OPTIONAL PART: 51338 V83058 MISCELLANEOUS DATA: USE IN PLACE OF CIRCUIT BREAKERS ON OPEN HOLES	037037 039052 054200 968999	1
- 230	MODREF250459		PLUG BUTTON INSTL-P6-3/B2 MODULE NUMBER: 233A5223-303202 REV B	037037 039052 054200 968999	1
	235 BS51338D5003		.PLUG- SUPPLIER CODE: V83058 SPECIFICATION NUMBER: BACP20B63B OPTIONAL PART: 51338 V83058 MISCELLANEOUS DATA: USE IN PLACE OF CIRCUIT BREAKERS ON OPEN HOLES	037037 039052 054200 968999	1
- 240	MODREF250460		PLUG BUTTON INSTL-P6-3/B6 MODULE NUMBER: 233A5223-303206 REV B	037037 039052 054200 968999	1
	245 BS51338D5003		.PLUG- SUPPLIER CODE: V83058 SPECIFICATION NUMBER: BACP20B63B OPTIONAL PART: 51338 V83058 MISCELLANEOUS DATA: USE IN PLACE OF CIRCUIT BREAKERS ON OPEN HOLES	037037 039052 054200 968999	1
- 250	MODREF250461		PLUG BUTTON INSTL-P6-3/B8 MODULE NUMBER: 233A5223-303208 REV B	037037 039052 054200 968999	1

MISSING ITEM NUMBERS NOT APPLICABLE

- ITEM NOT ILLUSTRATED

HAP

24-50-53-02K

BOEING PROPRIETARY - Copyright © - Unpublished Work - See title page for details.

24-50-53
FIG. 02K
PAGE 7
FEB 15/09

BOEING
737-600/700/800/900
PARTS CATALOG (MAINTENANCE)

FIG ITEM	PART NUMBER	1 2 3 4 5 6 7	NOMENCLATURE	EFFECT FROM TO	UNITS PER ASSY
2K 255	BS51338D5003	.	PLUG- SUPPLIER CODE: V83058 SPECIFICATION NUMBER: BACP20B63B OPTIONAL PART: 51338 V83058 MISCELLANEOUS DATA: USE IN PLACE OF CIRCUIT BREAKERS ON OPEN HOLES	037037 039052 054200 968999	1
- 260	MODREF250462		PLUG BUTTON INSTL-P6-3/B11 MODULE NUMBER: 233A5223-303211 REV B	037037 039052 054200 968999	1
265	BS51338D5003	.	PLUG- SUPPLIER CODE: V83058 SPECIFICATION NUMBER: BACP20B63B OPTIONAL PART: 51338 V83058 MISCELLANEOUS DATA: USE IN PLACE OF CIRCUIT BREAKERS ON OPEN HOLES	037037 039052 054200 968999	1
- 270	MODREF250463		PLUG BUTTON INSTL-P6-3/B14 MODULE NUMBER: 233A5223-303214 REV B	037037 039052 054200 968999	1
275	BS51338D5003	.	PLUG- SUPPLIER CODE: V83058 SPECIFICATION NUMBER: BACP20B63B OPTIONAL PART: 51338 V83058 MISCELLANEOUS DATA: USE IN PLACE OF CIRCUIT BREAKERS ON OPEN HOLES	037037 039052 054200 968999	1
- 280	MODREF250464		PLUG BUTTON INSTL-P6-3/B15 MODULE NUMBER: 233A5223-303215 REV B	037037 039052 054200 968999	1

MISSING ITEM NUMBERS NOT APPLICABLE

- ITEM NOT ILLUSTRATED

HAP

24-50-53-02K

BOEING PROPRIETARY - Copyright © - Unpublished Work - See title page for details.

24-50-53
FIG. 02K
PAGE 8
FEB 15/09

BOEING
737-600/700/800/900
PARTS CATALOG (MAINTENANCE)

FIG ITEM	PART NUMBER	1 2 3 4 5 6 7	NOMENCLATURE	EFFECT FROM TO	UNITS PER ASSY
2K 285	BS51338D5003		.PLUG- SUPPLIER CODE: V83058 SPECIFICATION NUMBER: BACP20B63B OPTIONAL PART: 51338 V83058 MISCELLANEOUS DATA: USE IN PLACE OF CIRCUIT BREAKERS ON OPEN HOLES	037037 039052 054200 968999	1
- 290	MODREF250465		PLUG BUTTON INSTL-P6-3/B18 MODULE NUMBER: 233A5223-303218 REV B	037037 039052 054200 968999	1
295	BS51338D5003		.PLUG- SUPPLIER CODE: V83058 SPECIFICATION NUMBER: BACP20B63B OPTIONAL PART: 51338 V83058 MISCELLANEOUS DATA: USE IN PLACE OF CIRCUIT BREAKERS ON OPEN HOLES	037037 039052 054200 968999	1
- 300	MODREF250467		PLUG BUTTON INSTL-P6-3/C2 MODULE NUMBER: 233A5223-303302 REV B	037037 039052 054200 968999	1
305	BS51338D5003		.PLUG- SUPPLIER CODE: V83058 SPECIFICATION NUMBER: BACP20B63B OPTIONAL PART: 51338 V83058 MISCELLANEOUS DATA: USE IN PLACE OF CIRCUIT BREAKERS ON OPEN HOLES	037037 039052 054200 968999	1
- 310	MODREF250469		PLUG BUTTON INSTL-P6-3/C5 MODULE NUMBER: 233A5223-303305 REV B	037037 039052 054200 968999	1

MISSING ITEM NUMBERS NOT APPLICABLE

- ITEM NOT ILLUSTRATED

HAP

24-50-53-02K

BOEING PROPRIETARY - Copyright © - Unpublished Work - See title page for details.

24-50-53
FIG. 02K
PAGE 9
FEB 15/09

BOEING
737-600/700/800/900
PARTS CATALOG (MAINTENANCE)

FIG ITEM	PART NUMBER	1 2 3 4 5 6 7	NOMENCLATURE	EFFECT FROM TO	UNITS PER ASSY
2K 315	BS51338D5003		.PLUG- SUPPLIER CODE: V83058 SPECIFICATION NUMBER: BACP20B63B OPTIONAL PART: 51338 V83058 MISCELLANEOUS DATA: USE IN PLACE OF CIRCUIT BREAKERS ON OPEN HOLES	037037 039052 054200 968999	1
- 320	MODREF250471		PLUG BUTTON INSTL-P6-3/C8 MODULE NUMBER: 233A5223-303308 REV B	037037 039052 054200 968999	1
325	BS51338D5003		.PLUG- SUPPLIER CODE: V83058 SPECIFICATION NUMBER: BACP20B63B OPTIONAL PART: 51338 V83058 MISCELLANEOUS DATA: USE IN PLACE OF CIRCUIT BREAKERS ON OPEN HOLES	037037 039052 054200 968999	1
- 330	MODREF250472		PLUG BUTTON INSTL-P6-3/C17 MODULE NUMBER: 233A5223-303317 REV B	037037 039052 054200 968999	1
335	BS51338D5003		.PLUG- SUPPLIER CODE: V83058 SPECIFICATION NUMBER: BACP20B63B OPTIONAL PART: 51338 V83058 MISCELLANEOUS DATA: USE IN PLACE OF CIRCUIT BREAKERS ON OPEN HOLES	037037 039052 054200 968999	1
- 340	MODREF250473		PLUG BUTTON INSTL-P6-3/D3 MODULE NUMBER: 233A5223-303403 REV B	037037 039052 054200 968999	1

MISSING ITEM NUMBERS NOT APPLICABLE

- ITEM NOT ILLUSTRATED

HAP

24-50-53-02K

BOEING PROPRIETARY - Copyright © - Unpublished Work - See title page for details.

24-50-53
FIG. 02K
PAGE 10
FEB 15/09

BOEING
737-600/700/800/900
PARTS CATALOG (MAINTENANCE)

FIG ITEM	PART NUMBER	1 2 3 4 5 6 7	NOMENCLATURE	EFFECT FROM TO	UNITS PER ASSY
2K 345	BS51338D5003		.PLUG- SUPPLIER CODE: V83058 SPECIFICATION NUMBER: BACP20B63B OPTIONAL PART: 51338 V83058 MISCELLANEOUS DATA: USE IN PLACE OF CIRCUIT BREAKERS ON OPEN HOLES	037037 039052 054200 968999	1
- 350	MODREF250474		PLUG BUTTON INSTL-P6-3/D4 MODULE NUMBER: 233A5223-303404 REV B	037037 039052 054200 968999	1
355	BS51338D5003		.PLUG- SUPPLIER CODE: V83058 SPECIFICATION NUMBER: BACP20B63B OPTIONAL PART: 51338 V83058 MISCELLANEOUS DATA: USE IN PLACE OF CIRCUIT BREAKERS ON OPEN HOLES	037037 039052 054200 968999	1
- 360	MODREF250475		PLUG BUTTON INSTL-P6-3/D5 MODULE NUMBER: 233A5223-303405 REV B	037037 039052 054200 968999	1
365	BS51338D5003		.PLUG- SUPPLIER CODE: V83058 SPECIFICATION NUMBER: BACP20B63B OPTIONAL PART: 51338 V83058 MISCELLANEOUS DATA: USE IN PLACE OF CIRCUIT BREAKERS ON OPEN HOLES	037037 039052 054200 968999	1
- 370	MODREF250476		PLUG BUTTON INSTL-P6-3/D6 MODULE NUMBER: 233A5223-303406 REV B	037037 039052 054200 968999	1

MISSING ITEM NUMBERS NOT APPLICABLE

- ITEM NOT ILLUSTRATED

HAP

24-50-53-02K

BOEING PROPRIETARY - Copyright © - Unpublished Work - See title page for details.

24-50-53
FIG. 02K
PAGE 11
FEB 15/09

BOEING
737-600/700/800/900
PARTS CATALOG (MAINTENANCE)

FIG ITEM	PART NUMBER	1 2 3 4 5 6 7	NOMENCLATURE	EFFECT FROM TO	UNITS PER ASSY
2K 375	BS51338D5003		.PLUG- SUPPLIER CODE: V83058 SPECIFICATION NUMBER: BACP20B63B OPTIONAL PART: 51338 V83058 MISCELLANEOUS DATA: USE IN PLACE OF CIRCUIT BREAKERS ON OPEN HOLES	037037 039052 054200 968999	1
- 380	MODREF250478		PLUG BUTTON INSTL-P6-3/E2 MODULE NUMBER: 233A5223-303502 REV B	037037 039052 054200 968999	1
385	BS51338D5003		.PLUG- SUPPLIER CODE: V83058 SPECIFICATION NUMBER: BACP20B63B OPTIONAL PART: 51338 V83058 MISCELLANEOUS DATA: USE IN PLACE OF CIRCUIT BREAKERS ON OPEN HOLES	037037 039052 054200 968999	1
- 390	MODREF250480		PLUG BUTTON INSTL-P6-3/E15 MODULE NUMBER: 233A5223-303515 REV B	037037 039052 054200 968999	1
395	BS51338D5003		.PLUG- SUPPLIER CODE: V83058 SPECIFICATION NUMBER: BACP20B63B OPTIONAL PART: 51338 V83058 MISCELLANEOUS DATA: USE IN PLACE OF CIRCUIT BREAKERS ON OPEN HOLES	037037 039052 054200 968999	1
- 400	MODREF250481		PLUG BUTTON INSTL-P6-3/E17 MODULE NUMBER: 233A5223-303517 REV B	037037 039052 054200 968999	1

MISSING ITEM NUMBERS NOT APPLICABLE

- ITEM NOT ILLUSTRATED

HAP

24-50-53-02K

BOEING PROPRIETARY - Copyright © - Unpublished Work - See title page for details.

24-50-53
FIG. 02K
PAGE 12
FEB 15/09

BOEING
737-600/700/800/900
PARTS CATALOG (MAINTENANCE)

FIG ITEM	PART NUMBER	1 2 3 4 5 6 7	NOMENCLATURE	EFFECT FROM TO	UNITS PER ASSY
2K 405	BS51338D5003		.PLUG- SUPPLIER CODE: V83058 SPECIFICATION NUMBER: BACP20B63B OPTIONAL PART: 51338 V83058 MISCELLANEOUS DATA: USE IN PLACE OF CIRCUIT BREAKERS ON OPEN HOLES	037037 039052 054200 968999	1
- 410	MODREF250482		PLUG BUTTON INSTL-P6-3/F2 MODULE NUMBER: 233A5223-303602 REV B	037037 039052 054200 968999	1
415	BS51338D5003		.PLUG- SUPPLIER CODE: V83058 SPECIFICATION NUMBER: BACP20B63B OPTIONAL PART: 51338 V83058 MISCELLANEOUS DATA: USE IN PLACE OF CIRCUIT BREAKERS ON OPEN HOLES	037037 039052 054200 968999	1
- 420	MODREF250483		PLUG BUTTON INSTL-P6-3/F3 MODULE NUMBER: 233A5223-303603 REV B	037037 039052 054200 968999	1
425	BS51338D5003		.PLUG- SUPPLIER CODE: V83058 SPECIFICATION NUMBER: BACP20B63B OPTIONAL PART: 51338 V83058 MISCELLANEOUS DATA: USE IN PLACE OF CIRCUIT BREAKERS ON OPEN HOLES	037037 039052 054200 968999	1
- 430	MODREF250484		PLUG BUTTON INSTL-P6-3/F4 MODULE NUMBER: 233A5223-303604 REV B	037037 039052 054200 968999	1

MISSING ITEM NUMBERS NOT APPLICABLE

- ITEM NOT ILLUSTRATED

HAP

24-50-53-02K

BOEING PROPRIETARY - Copyright © - Unpublished Work - See title page for details.

24-50-53
FIG. 02K
PAGE 13
FEB 15/09

BOEING
737-600/700/800/900
PARTS CATALOG (MAINTENANCE)

FIG ITEM	PART NUMBER	1 2 3 4 5 6 7	NOMENCLATURE	EFFECT FROM TO	UNITS PER ASSY
2K 435	BS51338D5003		.PLUG- SUPPLIER CODE: V83058 SPECIFICATION NUMBER: BACP20B63B OPTIONAL PART: 51338 V83058 MISCELLANEOUS DATA: USE IN PLACE OF CIRCUIT BREAKERS ON OPEN HOLES	037037 039052 054200 968999	1
- 440	MODREF250485		PLUG BUTTON INSTL-P6-3/F5 MODULE NUMBER: 233A5223-303605 REV B	037037 039052 054200 968999	1
445	BS51338D5003		.PLUG- SUPPLIER CODE: V83058 SPECIFICATION NUMBER: BACP20B63B OPTIONAL PART: 51338 V83058 MISCELLANEOUS DATA: USE IN PLACE OF CIRCUIT BREAKERS ON OPEN HOLES	037037 039052 054200 968999	1
- 450	MODREF250486		PLUG BUTTON INSTL-P6-3/F6 MODULE NUMBER: 233A5223-303606 REV B	037037 039052 054200 968999	1
455	BS51338D5003		.PLUG- SUPPLIER CODE: V83058 SPECIFICATION NUMBER: BACP20B63B OPTIONAL PART: 51338 V83058 MISCELLANEOUS DATA: USE IN PLACE OF CIRCUIT BREAKERS ON OPEN HOLES	037037 039052 054200 968999	1
- 460	MODREF250487		PLUG BUTTON INSTL-P6-3/F7 MODULE NUMBER: 233A5223-303607 REV B	037037 039052 054200 968999	1

MISSING ITEM NUMBERS NOT APPLICABLE

- ITEM NOT ILLUSTRATED

HAP

24-50-53-02K

BOEING PROPRIETARY - Copyright © - Unpublished Work - See title page for details.

24-50-53
FIG. 02K
PAGE 14
FEB 15/09

BOEING
737-600/700/800/900
PARTS CATALOG (MAINTENANCE)

FIG ITEM	PART NUMBER	1 2 3 4 5 6 7	NOMENCLATURE	EFFECT FROM TO	UNITS PER ASSY
2K 465	BS51338D5003		.PLUG- SUPPLIER CODE: V83058 SPECIFICATION NUMBER: BACP20B63B OPTIONAL PART: 51338 V83058 MISCELLANEOUS DATA: USE IN PLACE OF CIRCUIT BREAKERS ON OPEN HOLES	037037 039052 054200 968999	1
- 470	MODREF250488		PLUG BUTTON INSTL-P6-3/F15 MODULE NUMBER: 233A5223-303615 REV B	037037 039052 054200 968999	1
475	BS51338D5003		.PLUG- SUPPLIER CODE: V83058 SPECIFICATION NUMBER: BACP20B63B OPTIONAL PART: 51338 V83058 MISCELLANEOUS DATA: USE IN PLACE OF CIRCUIT BREAKERS ON OPEN HOLES	037037 039052 054200 968999	1
- 480	MODREF250489		PLUG BUTTON INSTL-P6-3/F17 MODULE NUMBER: 233A5223-303617 REV B	037037 039052 054200 968999	1
485	BS51338D5003		.PLUG- SUPPLIER CODE: V83058 SPECIFICATION NUMBER: BACP20B63B OPTIONAL PART: 51338 V83058 MISCELLANEOUS DATA: USE IN PLACE OF CIRCUIT BREAKERS ON OPEN HOLES	037037 039052 054200 968999	1
- 500	MODREF264667		INOP INSTL-P6-3/C1 (ELECTRICAL POWER ONLY) MODULE NUMBER: 233A5223-503301 REV C POST RAPID REVISION: RR97089-58D FOR OTHER SYS DETAILS SEE: 11-31-53-02K	042043	1

MISSING ITEM NUMBERS NOT APPLICABLE

- ITEM NOT ILLUSTRATED

HAP

24-50-53-02K

BOEING PROPRIETARY - Copyright © - Unpublished Work - See title page for details.

24-50-53
FIG. 02K
PAGE 15
FEB 15/09


BOEING
 737-600/700/800/900
PARTS CATALOG (MAINTENANCE)

FIG ITEM	PART NUMBER	1 2 3 4 5 6 7 NOMENCLATURE	EFFECT FROM TO	UNITS PER ASSY
2K 505	10237-1	. COLLAR- SUPPLIER CODE: V1N6X0 POST RAPID REVISION: RR97089-58D	042043	1

MISSING ITEM NUMBERS NOT APPLICABLE

— ITEM NOT ILLUSTRATED

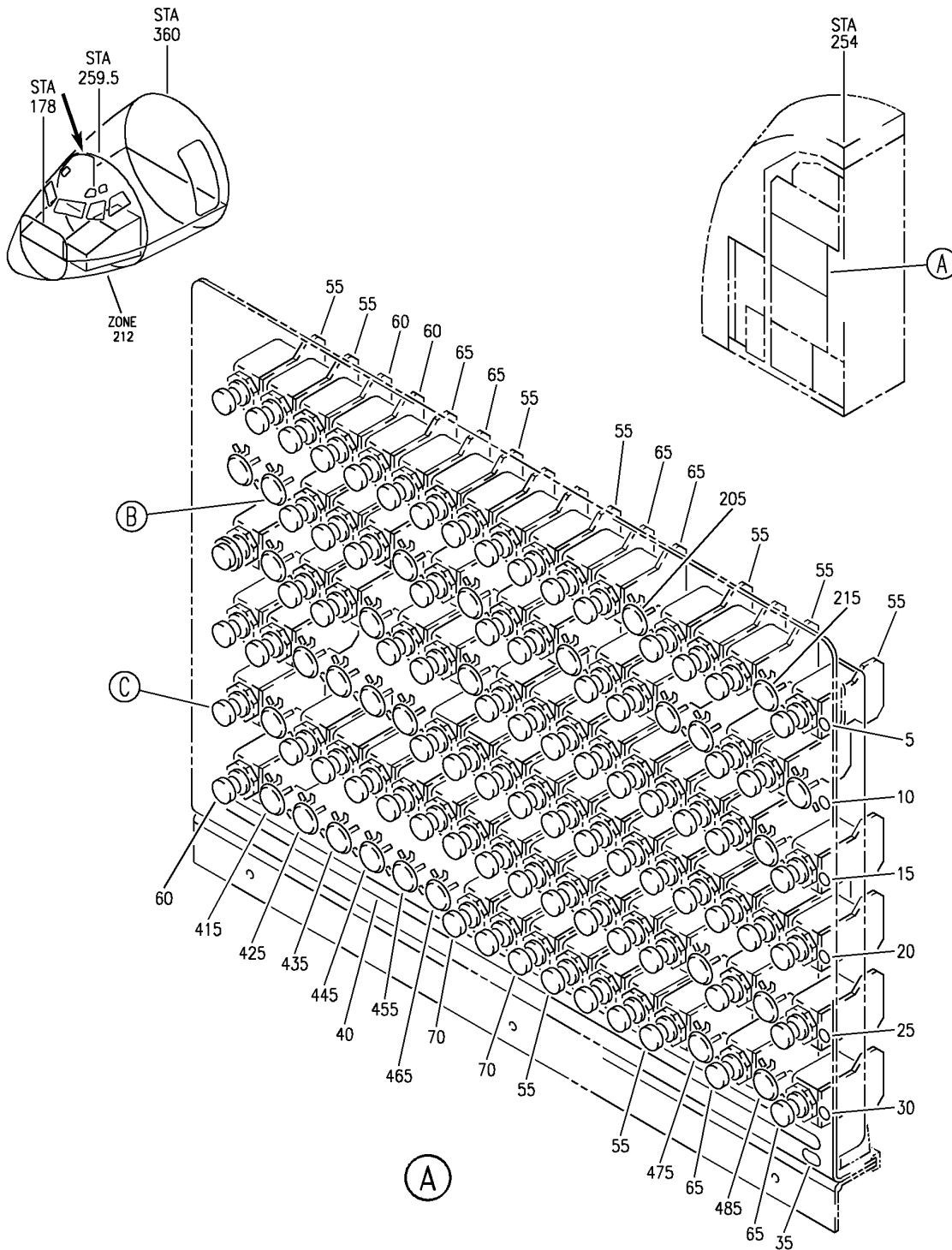
HAP

24-50-53-02K

BOEING PROPRIETARY - Copyright © - Unpublished Work - See title page for details.

24-50-53
 FIG. 02K
 PAGE 16
 OCT 10/07

BOEING
 737-600/700/800/900
 PARTS CATALOG (MAINTENANCE)



E 24-50-53-02L SHT 1 REV 118

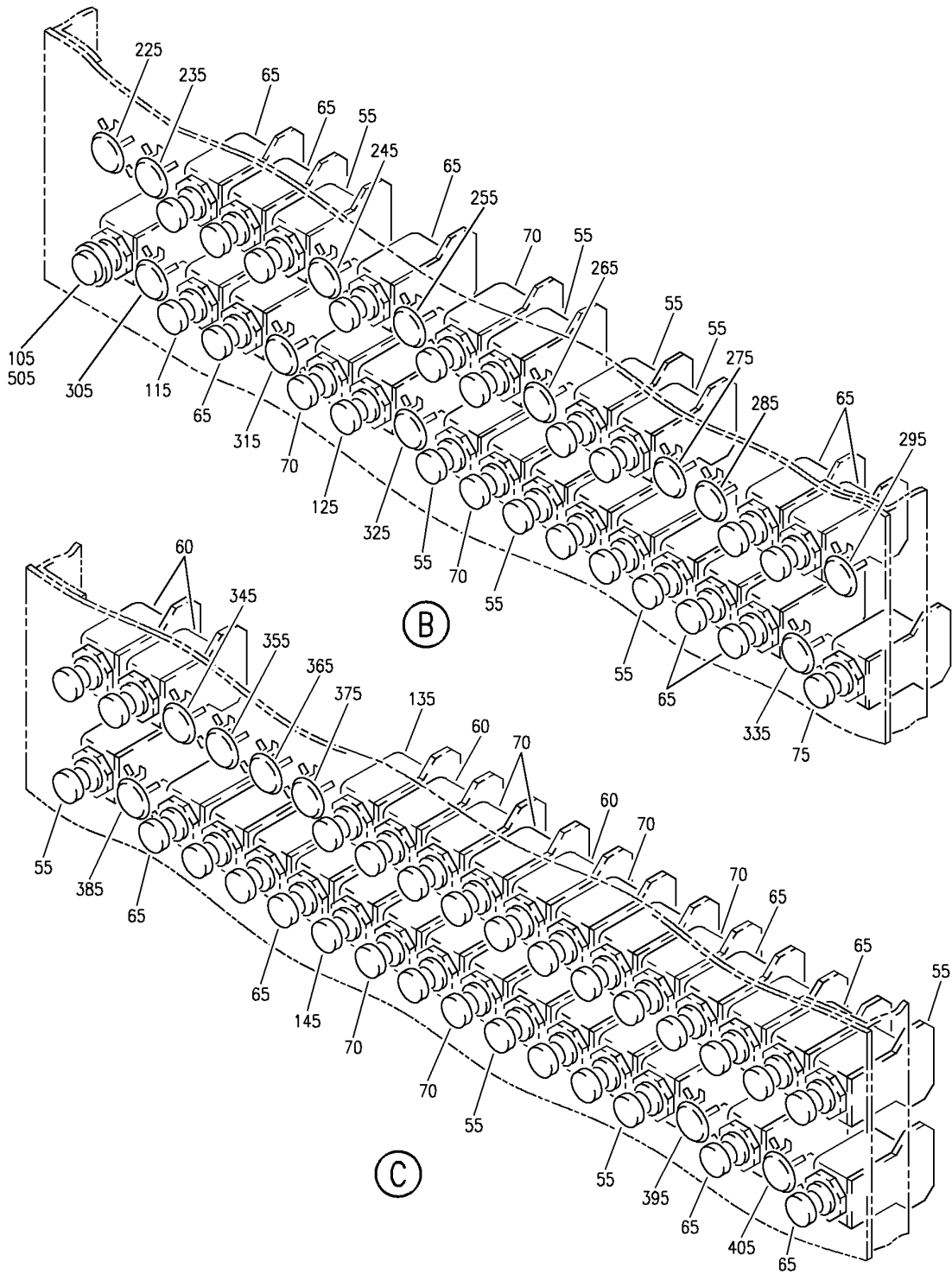
MARKER, CIRCUIT BREAKER, PLUG BUTTON AND INOP INSTL-P6-3 PNL (ELECTRICAL POWER ONLY)
 FIGURE 2L (SHEET 1)

HAP
 FEB 10/07

24-50-53-02L

24-50-53-02L
 PAGE 0

BOEING
737-600/700/800/900
PARTS CATALOG (MAINTENANCE)



E 24-50-53-02L SHT 2 REV 118

MARKER, CIRCUIT BREAKER, PLUG BUTTON AND INOP INSTL-P6-3 PNL (ELECTRICAL POWER ONLY)
 FIGURE 2L (SHEET 2)

HAP
 FEB 10/07

24-50-53-02L

24-50-53-02L
 PAGE 0A

BOEING
737-600/700/800/900
PARTS CATALOG (MAINTENANCE)

FIG ITEM	PART NUMBER	1 2 3 4 5 6 7	NOMENCLATURE	EFFECT FROM TO	UNITS PER ASSY
2L			MARKER, CIRCUIT BREAKER, PLUG BUTTON AND INOP INSTL-P6-3 PNL (ELECTRICAL POWER ONLY)	038038	
- 1	MODREF250435		MARKER INSTL-P6-3 PNL MODULE NUMBER: 233A5223-1 REV D	038038	1
	5 BAC27DCC3065		.MARKER- PLACARD CONTENT: A	038038	1
	10 BAC27DCC3066		.MARKER- PLACARD CONTENT: B	038038	1
	15 BAC27DCC3067		.MARKER- PLACARD CONTENT: C	038038	1
	20 BAC27DCC3068		.MARKER- PLACARD CONTENT: D	038038	1
	25 BAC27DCC3069		.MARKER- PLACARD CONTENT: E	038038	1
	30 BAC27DCC3070		.MARKER- PLACARD CONTENT: F	038038	1
	35 BAC27DCC3076		.MARKER- PLACARD CONTENT: P6-3	038038	1
	40 BAC27DCC2744		.MARKER- PLACARD CONTENT: 1 THRU 18	038038	1
- 50	MODREF252405		CIRCUIT BREAKER INSTL-P6-3 PNL (ELECTRICAL POWER ONLY) MODULE NUMBER: 233A5223-2 REV B FOR OTHER SYS DETAILS SEE: 11-31-53-02L	038038	1

MISSING ITEM NUMBERS NOT APPLICABLE

- ITEM NOT ILLUSTRATED

HAP

24-50-53-02L

BOEING PROPRIETARY - Copyright © - Unpublished Work - See title page for details.

24-50-53
FIG. 02L
PAGE 1
OCT 10/07


BOEING
 737-600/700/800/900
PARTS CATALOG (MAINTENANCE)

FIG ITEM	PART NUMBER	1 2 3 4 5 6 7	NOMENCLATURE	EFFECT FROM TO	UNITS PER ASSY
2L 55	2TC47-3	.	CIRCUIT BREAKER- SUPPLIER CODE: V82647 SPECIFICATION NUMBER: BACC18AD3 OPTIONAL PART: 4310-029-3 V76374 ELECTRICAL EQUIP NUMBER: C00129 C00132 C00137 C00161 C00219 C00282 C00283 C00308 C00309 C00313 C00314 C00315 C00316 C00317 C00318 C00335 C00355 C00451 C00540 C00583 C00736 C00737 C01179 C01180 C01275 C01276 C01277 C01278 C01345	038038	29

MISSING ITEM NUMBERS NOT APPLICABLE

— ITEM NOT ILLUSTRATED

HAP

24-50-53-02L

BOEING PROPRIETARY - Copyright © - Unpublished Work - See title page for details.

24-50-53
 FIG. 02L
 PAGE 2
 OCT 10/07

BOEING
737-600/700/800/900
PARTS CATALOG (MAINTENANCE)

FIG ITEM	PART NUMBER	1 2 3 4 5 6 7	NOMENCLATURE	EFFECT FROM TO	UNITS PER ASSY
2L 60	2TC47-5		.CIRCUIT BREAKER- SUPPLIER CODE: V82647 SPECIFICATION NUMBER: BACC18AD5 OPTIONAL PART: 4310-029-5 V76374 ELECTRICAL EQUIP NUMBER: C00032 C00117 C00133 C00701 C01399 C01400 C01441	038038	7
65	2TC47-2-5		.CIRCUIT BREAKER- SUPPLIER CODE: V82647 SPECIFICATION NUMBER: BACC18AD2 OPTIONAL PART: 4310-029-205 V76374 ELECTRICAL EQUIP NUMBER: C00129 C00195 C00196 C00359 C00360 C00361 C00397 C00398 C00569 C00570 C00751 C01027 C01320 C01321 C01346 C01355 C01356 C01395 C01396 C01401 C01425 C01432 C01471	038038	23

MISSING ITEM NUMBERS NOT APPLICABLE

— ITEM NOT ILLUSTRATED

HAP

24-50-53-02L

BOEING PROPRIETARY - Copyright © - Unpublished Work - See title page for details.

24-50-53
FIG. 02L
PAGE 3
OCT 10/07

BOEING
737-600/700/800/900
PARTS CATALOG (MAINTENANCE)

FIG ITEM	PART NUMBER	1 2 3 4 5 6 7	NOMENCLATURE	EFFECT FROM TO	UNITS PER ASSY
2L 70	2TC47-7-5		.CIRCUIT BREAKER- SUPPLIER CODE: V82647 SPECIFICATION NUMBER: BACC18AD7 OPTIONAL PART: 4310-029-705 V76374 ELECTRICAL EQUIP NUMBER: C00284 C00310 C00311 C00312 C00323 C00325 C00326 C00327 C00328 C00329 C00330 C00331 C00390 C01472	038038	14
75	2TC6-1		.CIRCUIT BREAKER- SUPPLIER CODE: V82647 SPECIFICATION NUMBER: BACC18Z1R OPTIONAL PART: 4310-002-1 V76374 ELECTRICAL EQUIP NUMBER: C01398	038038	1
- 100	MODREF250440		CIRCUIT BREAKER INSTL-ELT INTERFACE UNIT P6-3/C1 MODULE NUMBER: 233A5223-201495 REV B	038038	1
105	2TC47-2-5		.CIRCUIT BREAKER- SUPPLIER CODE: V82647 SPECIFICATION NUMBER: BACC18AD2 OPTIONAL PART: 4310-029-205 V76374 ELECTRICAL EQUIP NUMBER: C01495	038038	1

MISSING ITEM NUMBERS NOT APPLICABLE

- ITEM NOT ILLUSTRATED

HAP

24-50-53-02L

BOEING PROPRIETARY - Copyright © - Unpublished Work - See title page for details.

24-50-53
FIG. 02L
PAGE 4
OCT 10/07

BOEING
737-600/700/800/900
PARTS CATALOG (MAINTENANCE)

FIG ITEM	PART NUMBER	1 2 3 4 5 6 7	NOMENCLATURE	EFFECT FROM TO	UNITS PER ASSY
2L - 110	MODREF250451		CIRCUIT BREAKER INSTL-FUEL AUTO SHUTOFF BOOST PUMP CTR TANK L DC P6-3/C3 MODULE NUMBER: 233A5223-201637 REV B	038038	1
	115 2TC47-2-5		.CIRCUIT BREAKER- SUPPLIER CODE: V82647 SPECIFICATION NUMBER: BACC18AD2 OPTIONAL PART: 4310-029-205 V76374 ELECTRICAL EQUIP NUMBER: C01637	038038	1
- 120	MODREF250452		CIRCUIT BREAKER INSTL-FUEL AUTO SHUTOFF BOOST PUMP CTR TANK R DC P6-3/C7 MODULE NUMBER: 233A5223-201638 REV B	038038	1
	125 2TC47-2-5		.CIRCUIT BREAKER- SUPPLIER CODE: V82647 SPECIFICATION NUMBER: BACC18AD2 OPTIONAL PART: 4310-029-205 V76374 ELECTRICAL EQUIP NUMBER: C01638	038038	1
- 130	MODREF291635		CIRCUIT BREAKER INSTL- FUEL AUTO SHUTOFF UCPO BOOST PUMP CTR TANK L AC P6-3/D7 MODULE NUMBER: 233A5223-201659 REV A	038038	1
	135 2TC47-2-5		.CIRCUIT BREAKER- SUPPLIER CODE: V82647 SPECIFICATION NUMBER: BACC18AD2 OPTIONAL PART: 4310-029-205 V76374 ELECTRICAL EQUIP NUMBER: C01659	038038	1

MISSING ITEM NUMBERS NOT APPLICABLE

- ITEM NOT ILLUSTRATED

HAP

24-50-53-02L

BOEING PROPRIETARY - Copyright © - Unpublished Work - See title page for details.

24-50-53
FIG. 02L
PAGE 5
OCT 10/07

BOEING
737-600/700/800/900
PARTS CATALOG (MAINTENANCE)

FIG ITEM	PART NUMBER	1 2 3 4 5 6 7	NOMENCLATURE	EFFECT FROM TO	UNITS PER ASSY
2L - 140	MODREF291634		CIRCUIT BREAKER INSTL- FUEL AUTO SHUTOFF UCPO BOOST PUMP CTR TANK R AC P6-3/E7 MODULE NUMBER: 233A5223-201658 REV A	038038	1
145	2TC47-2-5		.CIRCUIT BREAKER- SUPPLIER CODE: V82647 SPECIFICATION NUMBER: BACC18AD2 OPTIONAL PART: 4310-029-205 V76374 ELECTRICAL EQUIP NUMBER: C01658	038038	1
- 200	MODREF250456		PLUG BUTTON INSTL-P6-3/A13 MODULE NUMBER: 233A5223-303113 REV B	038038	1
205	BS51338D5003		.PLUG- SUPPLIER CODE: V83058 SPECIFICATION NUMBER: BACP20B63B OPTIONAL PART: 51338 V83058 MISCELLANEOUS DATA: USE IN PLACE OF CIRCUIT BREAKERS ON OPEN HOLES	038038	1
- 210	MODREF250457		PLUG BUTTON INSTL-P6-3/A17 MODULE NUMBER: 233A5223-303117 REV B	038038	1
215	BS51338D5003		.PLUG- SUPPLIER CODE: V83058 SPECIFICATION NUMBER: BACP20B63B OPTIONAL PART: 51338 V83058 MISCELLANEOUS DATA: USE IN PLACE OF CIRCUIT BREAKERS ON OPEN HOLES	038038	1
- 220	MODREF250458		PLUG BUTTON INSTL-P6-3/B1 MODULE NUMBER: 233A5223-303201 REV B	038038	1

MISSING ITEM NUMBERS NOT APPLICABLE

- ITEM NOT ILLUSTRATED

HAP

24-50-53-02L

BOEING PROPRIETARY - Copyright © - Unpublished Work - See title page for details.

24-50-53
FIG. 02L
PAGE 6
OCT 10/07

BOEING
737-600/700/800/900
PARTS CATALOG (MAINTENANCE)

FIG ITEM	PART NUMBER	1 2 3 4 5 6 7	NOMENCLATURE	EFFECT FROM TO	UNITS PER ASSY
2L 225	BS51338D5003		.PLUG- SUPPLIER CODE: V83058 SPECIFICATION NUMBER: BACP20B63B OPTIONAL PART: 51338 V83058 MISCELLANEOUS DATA: USE IN PLACE OF CIRCUIT BREAKERS ON OPEN HOLES	038038	1
- 230	MODREF250459		PLUG BUTTON INSTL-P6-3/B2 MODULE NUMBER: 233A5223-303202 REV B	038038	1
235	BS51338D5003		.PLUG- SUPPLIER CODE: V83058 SPECIFICATION NUMBER: BACP20B63B OPTIONAL PART: 51338 V83058 MISCELLANEOUS DATA: USE IN PLACE OF CIRCUIT BREAKERS ON OPEN HOLES	038038	1
- 240	MODREF250460		PLUG BUTTON INSTL-P6-3/B6 MODULE NUMBER: 233A5223-303206 REV B	038038	1
245	BS51338D5003		.PLUG- SUPPLIER CODE: V83058 SPECIFICATION NUMBER: BACP20B63B OPTIONAL PART: 51338 V83058 MISCELLANEOUS DATA: USE IN PLACE OF CIRCUIT BREAKERS ON OPEN HOLES	038038	1
- 250	MODREF250461		PLUG BUTTON INSTL-P6-3/B8 MODULE NUMBER: 233A5223-303208 REV B	038038	1

MISSING ITEM NUMBERS NOT APPLICABLE

- ITEM NOT ILLUSTRATED

HAP

24-50-53-02L

BOEING PROPRIETARY - Copyright © - Unpublished Work - See title page for details.

24-50-53
FIG. 02L
PAGE 7
OCT 10/07

BOEING
737-600/700/800/900
PARTS CATALOG (MAINTENANCE)

FIG ITEM	PART NUMBER	1 2 3 4 5 6 7	NOMENCLATURE	EFFECT FROM TO	UNITS PER ASSY
2L 255	BS51338D5003		.PLUG- SUPPLIER CODE: V83058 SPECIFICATION NUMBER: BACP20B63B OPTIONAL PART: 51338 V83058 MISCELLANEOUS DATA: USE IN PLACE OF CIRCUIT BREAKERS ON OPEN HOLES	038038	1
- 260	MODREF250462		PLUG BUTTON INSTL-P6-3/B11 MODULE NUMBER: 233A5223-303211 REV B	038038	1
265	BS51338D5003		.PLUG- SUPPLIER CODE: V83058 SPECIFICATION NUMBER: BACP20B63B OPTIONAL PART: 51338 V83058 MISCELLANEOUS DATA: USE IN PLACE OF CIRCUIT BREAKERS ON OPEN HOLES	038038	1
- 270	MODREF250463		PLUG BUTTON INSTL-P6-3/B14 MODULE NUMBER: 233A5223-303214 REV B	038038	1
275	BS51338D5003		.PLUG- SUPPLIER CODE: V83058 SPECIFICATION NUMBER: BACP20B63B OPTIONAL PART: 51338 V83058 MISCELLANEOUS DATA: USE IN PLACE OF CIRCUIT BREAKERS ON OPEN HOLES	038038	1
- 280	MODREF250464		PLUG BUTTON INSTL-P6-3/B15 MODULE NUMBER: 233A5223-303215 REV B	038038	1

MISSING ITEM NUMBERS NOT APPLICABLE

- ITEM NOT ILLUSTRATED

HAP

24-50-53-02L

BOEING PROPRIETARY - Copyright © - Unpublished Work - See title page for details.

24-50-53
FIG. 02L
PAGE 8
OCT 10/07

BOEING
737-600/700/800/900
PARTS CATALOG (MAINTENANCE)

FIG ITEM	PART NUMBER	1 2 3 4 5 6 7	NOMENCLATURE	EFFECT FROM TO	UNITS PER ASSY
2L 285	BS51338D5003		.PLUG- SUPPLIER CODE: V83058 SPECIFICATION NUMBER: BACP20B63B OPTIONAL PART: 51338 V83058 MISCELLANEOUS DATA: USE IN PLACE OF CIRCUIT BREAKERS ON OPEN HOLES	038038	1
- 290	MODREF250465		PLUG BUTTON INSTL-P6-3/B18 MODULE NUMBER: 233A5223-303218 REV B	038038	1
295	BS51338D5003		.PLUG- SUPPLIER CODE: V83058 SPECIFICATION NUMBER: BACP20B63B OPTIONAL PART: 51338 V83058 MISCELLANEOUS DATA: USE IN PLACE OF CIRCUIT BREAKERS ON OPEN HOLES	038038	1
- 300	MODREF250467		PLUG BUTTON INSTL-P6-3/C2 MODULE NUMBER: 233A5223-303302 REV B	038038	1
305	BS51338D5003		.PLUG- SUPPLIER CODE: V83058 SPECIFICATION NUMBER: BACP20B63B OPTIONAL PART: 51338 V83058 MISCELLANEOUS DATA: USE IN PLACE OF CIRCUIT BREAKERS ON OPEN HOLES	038038	1
- 310	MODREF250469		PLUG BUTTON INSTL-P6-3/C5 MODULE NUMBER: 233A5223-303305 REV B	038038	1

MISSING ITEM NUMBERS NOT APPLICABLE

- ITEM NOT ILLUSTRATED

HAP

24-50-53-02L

BOEING PROPRIETARY - Copyright © - Unpublished Work - See title page for details.

24-50-53
FIG. 02L
PAGE 9
OCT 10/07

BOEING
737-600/700/800/900
PARTS CATALOG (MAINTENANCE)

FIG ITEM	PART NUMBER	1 2 3 4 5 6 7	NOMENCLATURE	EFFECT FROM TO	UNITS PER ASSY
2L 315	BS51338D5003		.PLUG- SUPPLIER CODE: V83058 SPECIFICATION NUMBER: BACP20B63B OPTIONAL PART: 51338 V83058 MISCELLANEOUS DATA: USE IN PLACE OF CIRCUIT BREAKERS ON OPEN HOLES	038038	1
- 320	MODREF250471		PLUG BUTTON INSTL-P6-3/C8 MODULE NUMBER: 233A5223-303308 REV B	038038	1
325	BS51338D5003		.PLUG- SUPPLIER CODE: V83058 SPECIFICATION NUMBER: BACP20B63B OPTIONAL PART: 51338 V83058 MISCELLANEOUS DATA: USE IN PLACE OF CIRCUIT BREAKERS ON OPEN HOLES	038038	1
- 330	MODREF250472		PLUG BUTTON INSTL-P6-3/C17 MODULE NUMBER: 233A5223-303317 REV B	038038	1
335	BS51338D5003		.PLUG- SUPPLIER CODE: V83058 SPECIFICATION NUMBER: BACP20B63B OPTIONAL PART: 51338 V83058 MISCELLANEOUS DATA: USE IN PLACE OF CIRCUIT BREAKERS ON OPEN HOLES	038038	1
- 340	MODREF250473		PLUG BUTTON INSTL-P6-3/D3 MODULE NUMBER: 233A5223-303403 REV B	038038	1

MISSING ITEM NUMBERS NOT APPLICABLE

- ITEM NOT ILLUSTRATED

HAP

24-50-53-02L

BOEING PROPRIETARY - Copyright © - Unpublished Work - See title page for details.

24-50-53
FIG. 02L
PAGE 10
OCT 10/07

BOEING
737-600/700/800/900
PARTS CATALOG (MAINTENANCE)

FIG ITEM	PART NUMBER	1 2 3 4 5 6 7	NOMENCLATURE	EFFECT FROM TO	UNITS PER ASSY
2L 345	BS51338D5003		.PLUG- SUPPLIER CODE: V83058 SPECIFICATION NUMBER: BACP20B63B OPTIONAL PART: 51338 V83058 MISCELLANEOUS DATA: USE IN PLACE OF CIRCUIT BREAKERS ON OPEN HOLES	038038	1
- 350	MODREF250474		PLUG BUTTON INSTL-P6-3/D4 MODULE NUMBER: 233A5223-303404 REV B	038038	1
355	BS51338D5003		.PLUG- SUPPLIER CODE: V83058 SPECIFICATION NUMBER: BACP20B63B OPTIONAL PART: 51338 V83058 MISCELLANEOUS DATA: USE IN PLACE OF CIRCUIT BREAKERS ON OPEN HOLES	038038	1
- 360	MODREF250475		PLUG BUTTON INSTL-P6-3/D5 MODULE NUMBER: 233A5223-303405 REV B	038038	1
365	BS51338D5003		.PLUG- SUPPLIER CODE: V83058 SPECIFICATION NUMBER: BACP20B63B OPTIONAL PART: 51338 V83058 MISCELLANEOUS DATA: USE IN PLACE OF CIRCUIT BREAKERS ON OPEN HOLES	038038	1
- 370	MODREF250476		PLUG BUTTON INSTL-P6-3/D6 MODULE NUMBER: 233A5223-303406 REV B	038038	1

MISSING ITEM NUMBERS NOT APPLICABLE

- ITEM NOT ILLUSTRATED

HAP

24-50-53-02L

BOEING PROPRIETARY - Copyright © - Unpublished Work - See title page for details.

24-50-53
FIG. 02L
PAGE 11
OCT 10/07

BOEING
737-600/700/800/900
PARTS CATALOG (MAINTENANCE)

FIG ITEM	PART NUMBER	1 2 3 4 5 6 7	NOMENCLATURE	EFFECT FROM TO	UNITS PER ASSY
2L 375	BS51338D5003		.PLUG- SUPPLIER CODE: V83058 SPECIFICATION NUMBER: BACP20B63B OPTIONAL PART: 51338 V83058 MISCELLANEOUS DATA: USE IN PLACE OF CIRCUIT BREAKERS ON OPEN HOLES	038038	1
- 380	MODREF250478		PLUG BUTTON INSTL-P6-3/E2 MODULE NUMBER: 233A5223-303502 REV B	038038	1
385	BS51338D5003		.PLUG- SUPPLIER CODE: V83058 SPECIFICATION NUMBER: BACP20B63B OPTIONAL PART: 51338 V83058 MISCELLANEOUS DATA: USE IN PLACE OF CIRCUIT BREAKERS ON OPEN HOLES	038038	1
- 390	MODREF250480		PLUG BUTTON INSTL-P6-3/E15 MODULE NUMBER: 233A5223-303515 REV B	038038	1
395	BS51338D5003		.PLUG- SUPPLIER CODE: V83058 SPECIFICATION NUMBER: BACP20B63B OPTIONAL PART: 51338 V83058 MISCELLANEOUS DATA: USE IN PLACE OF CIRCUIT BREAKERS ON OPEN HOLES	038038	1
- 400	MODREF250481		PLUG BUTTON INSTL-P6-3/E17 MODULE NUMBER: 233A5223-303517 REV B	038038	1

MISSING ITEM NUMBERS NOT APPLICABLE

- ITEM NOT ILLUSTRATED

HAP

24-50-53-02L

BOEING PROPRIETARY - Copyright © - Unpublished Work - See title page for details.

24-50-53
FIG. 02L
PAGE 12
OCT 10/07

BOEING
737-600/700/800/900
PARTS CATALOG (MAINTENANCE)

FIG ITEM	PART NUMBER	1 2 3 4 5 6 7	NOMENCLATURE	EFFECT FROM TO	UNITS PER ASSY
2L 405	BS51338D5003		.PLUG- SUPPLIER CODE: V83058 SPECIFICATION NUMBER: BACP20B63B OPTIONAL PART: 51338 V83058 MISCELLANEOUS DATA: USE IN PLACE OF CIRCUIT BREAKERS ON OPEN HOLES	038038	1
- 410	MODREF250482		PLUG BUTTON INSTL-P6-3/F2 MODULE NUMBER: 233A5223-303602 REV B	038038	1
415	BS51338D5003		.PLUG- SUPPLIER CODE: V83058 SPECIFICATION NUMBER: BACP20B63B OPTIONAL PART: 51338 V83058 MISCELLANEOUS DATA: USE IN PLACE OF CIRCUIT BREAKERS ON OPEN HOLES	038038	1
- 420	MODREF250483		PLUG BUTTON INSTL-P6-3/F3 MODULE NUMBER: 233A5223-303603 REV B	038038	1
425	BS51338D5003		.PLUG- SUPPLIER CODE: V83058 SPECIFICATION NUMBER: BACP20B63B OPTIONAL PART: 51338 V83058 MISCELLANEOUS DATA: USE IN PLACE OF CIRCUIT BREAKERS ON OPEN HOLES	038038	1
- 430	MODREF250484		PLUG BUTTON INSTL-P6-3/F4 MODULE NUMBER: 233A5223-303604 REV B	038038	1

MISSING ITEM NUMBERS NOT APPLICABLE

- ITEM NOT ILLUSTRATED

HAP

24-50-53-02L

BOEING PROPRIETARY - Copyright © - Unpublished Work - See title page for details.

24-50-53
FIG. 02L
PAGE 13
OCT 10/07

BOEING
737-600/700/800/900
PARTS CATALOG (MAINTENANCE)

FIG ITEM	PART NUMBER	1 2 3 4 5 6 7	NOMENCLATURE	EFFECT FROM TO	UNITS PER ASSY
2L 435	BS51338D5003		.PLUG- SUPPLIER CODE: V83058 SPECIFICATION NUMBER: BACP20B63B OPTIONAL PART: 51338 V83058 MISCELLANEOUS DATA: USE IN PLACE OF CIRCUIT BREAKERS ON OPEN HOLES	038038	1
- 440	MODREF250485		PLUG BUTTON INSTL-P6-3/F5 MODULE NUMBER: 233A5223-303605 REV B	038038	1
445	BS51338D5003		.PLUG- SUPPLIER CODE: V83058 SPECIFICATION NUMBER: BACP20B63B OPTIONAL PART: 51338 V83058 MISCELLANEOUS DATA: USE IN PLACE OF CIRCUIT BREAKERS ON OPEN HOLES	038038	1
- 450	MODREF250486		PLUG BUTTON INSTL-P6-3/F6 MODULE NUMBER: 233A5223-303606 REV B	038038	1
455	BS51338D5003		.PLUG- SUPPLIER CODE: V83058 SPECIFICATION NUMBER: BACP20B63B OPTIONAL PART: 51338 V83058 MISCELLANEOUS DATA: USE IN PLACE OF CIRCUIT BREAKERS ON OPEN HOLES	038038	1
- 460	MODREF250487		PLUG BUTTON INSTL-P6-3/F7 MODULE NUMBER: 233A5223-303607 REV B	038038	1

MISSING ITEM NUMBERS NOT APPLICABLE

- ITEM NOT ILLUSTRATED

HAP

24-50-53-02L

BOEING PROPRIETARY - Copyright © - Unpublished Work - See title page for details.

24-50-53
FIG. 02L
PAGE 14
OCT 10/07

BOEING
737-600/700/800/900
PARTS CATALOG (MAINTENANCE)

FIG ITEM	PART NUMBER	1 2 3 4 5 6 7	NOMENCLATURE	EFFECT FROM TO	UNITS PER ASSY
2L 465	BS51338D5003		.PLUG- SUPPLIER CODE: V83058 SPECIFICATION NUMBER: BACP20B63B OPTIONAL PART: 51338 V83058 MISCELLANEOUS DATA: USE IN PLACE OF CIRCUIT BREAKERS ON OPEN HOLES	038038	1
- 470	MODREF250488		PLUG BUTTON INSTL-P6-3/F15 MODULE NUMBER: 233A5223-303615 REV B	038038	1
475	BS51338D5003		.PLUG- SUPPLIER CODE: V83058 SPECIFICATION NUMBER: BACP20B63B OPTIONAL PART: 51338 V83058 MISCELLANEOUS DATA: USE IN PLACE OF CIRCUIT BREAKERS ON OPEN HOLES	038038	1
- 480	MODREF250489		PLUG BUTTON INSTL-P6-3/F17 MODULE NUMBER: 233A5223-303617 REV B	038038	1
485	BS51338D5003		.PLUG- SUPPLIER CODE: V83058 SPECIFICATION NUMBER: BACP20B63B OPTIONAL PART: 51338 V83058 MISCELLANEOUS DATA: USE IN PLACE OF CIRCUIT BREAKERS ON OPEN HOLES	038038	1
- 500	MODREF264667		INOP INSTL-P6-3/C1 (ELECTRICAL POWER ONLY) MODULE NUMBER: 233A5223-503301 REV C POST RAPID REVISION: RR97089-58B FOR OTHER SYS DETAILS SEE: 11-31-53-02L	038038	1

MISSING ITEM NUMBERS NOT APPLICABLE

- ITEM NOT ILLUSTRATED

HAP

24-50-53-02L

BOEING PROPRIETARY - Copyright © - Unpublished Work - See title page for details.

24-50-53
FIG. 02L
PAGE 15
OCT 10/07

BOEING
737-600/700/800/900
PARTS CATALOG (MAINTENANCE)

FIG ITEM	PART NUMBER	1 2 3 4 5 6 7 NOMENCLATURE	EFFECT FROM TO	UNITS PER ASSY
2L 505	10237-1	. COLLAR- SUPPLIER CODE: V1N6X0 POST RAPID REVISION: RR97089-58B	038038	1

MISSING ITEM NUMBERS NOT APPLICABLE

— ITEM NOT ILLUSTRATED

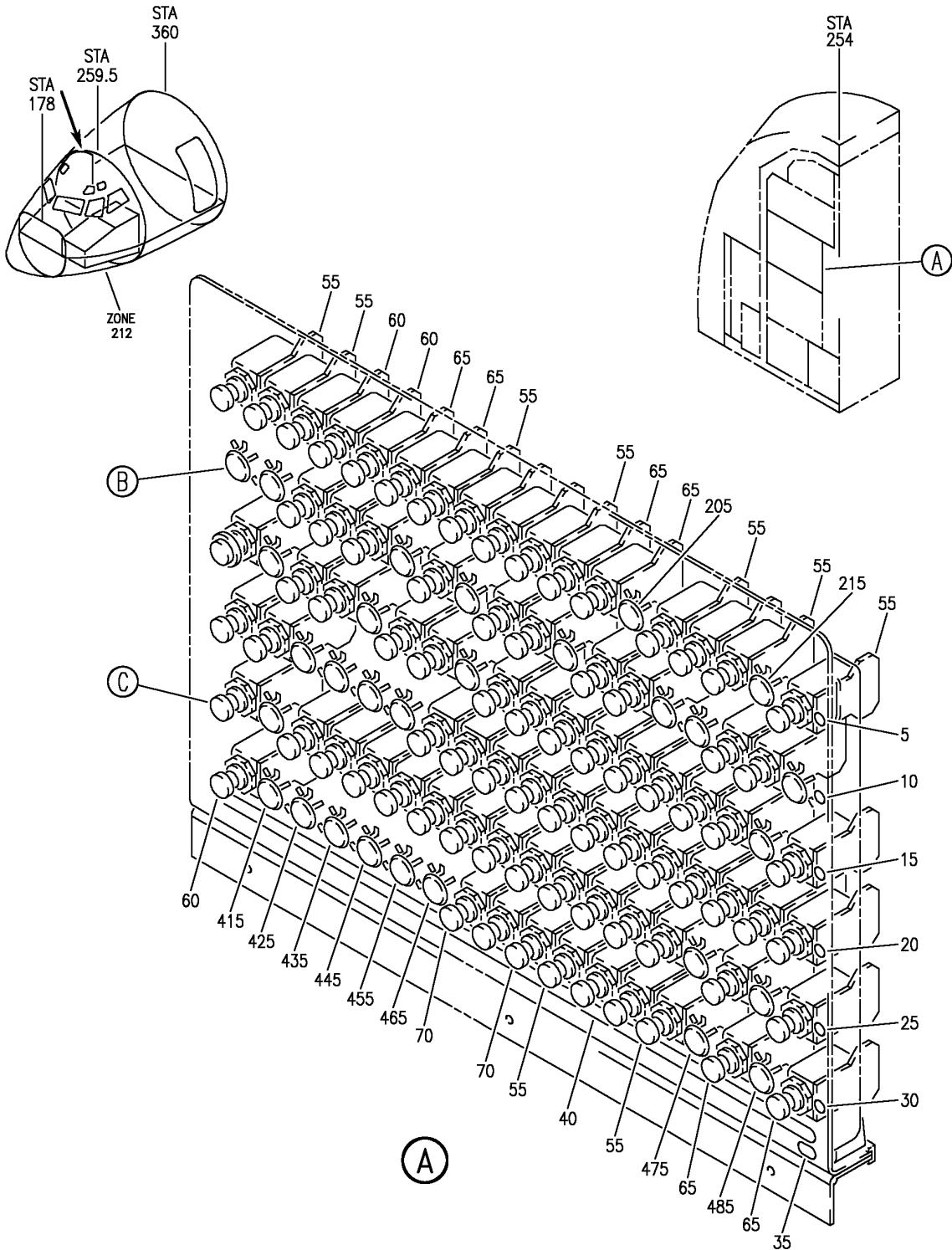
HAP

24-50-53-02L

BOEING PROPRIETARY - Copyright © - Unpublished Work - See title page for details.

24-50-53
FIG. 02L
PAGE 16
OCT 10/07

BOEING
 737-600/700/800/900
 PARTS CATALOG (MAINTENANCE)



E 24505327 SHT 1 REV 155

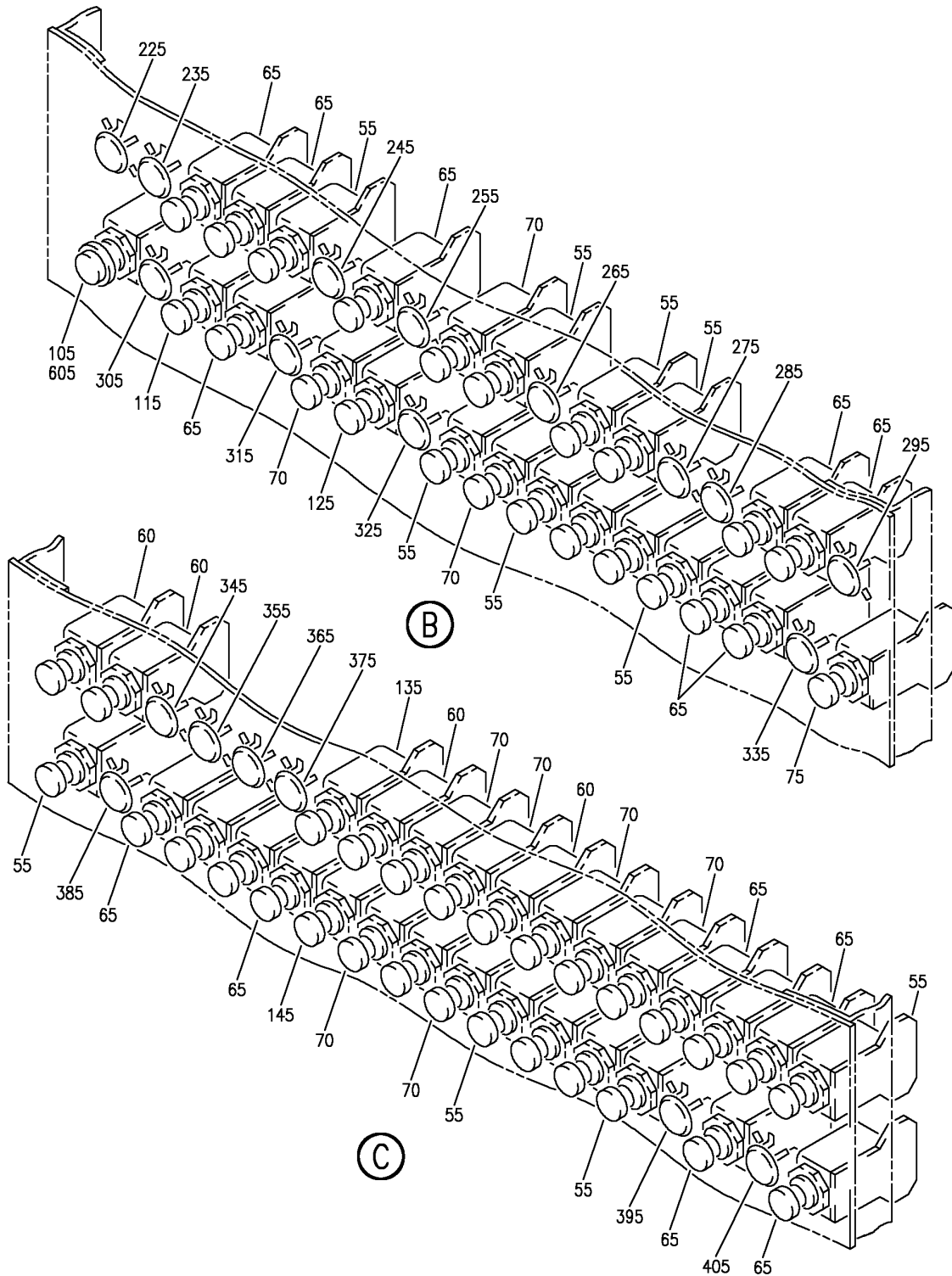
MARKER, CIRCUIT BREAKER, PLUG BUTTON AND INOP INSTL-P6-3 PNL (ELECTRICAL POWER ONLY)
 FIGURE 27 (SHEET 1)

24-50-53-27

HAP
 JUN 15/09

24-50-53-27
 PAGE 0

BOEING
 737-600/700/800/900
 PARTS CATALOG (MAINTENANCE)



E 24505327 SHT 2 REV 155

MARKER, CIRCUIT BREAKER, PLUG BUTTON AND INOP INSTL-P6-3 PNL (ELECTRICAL POWER ONLY)
 FIGURE 27 (SHEET 2)

24-50-53-27

HAP
 JUN 15/09

24-50-53-27
 PAGE 0A

BOEING
737-600/700/800/900
PARTS CATALOG (MAINTENANCE)

FIG ITEM	PART NUMBER	1 2 3 4 5 6 7	NOMENCLATURE	EFFECT FROM TO	UNITS PER ASSY
R R R R	27		MARKER, CIRCUIT BREAKER, PLUG BUTTON AND INOP INSTL-P6-3 PNL (ELECTRICAL POWER ONLY)	053053	
	- 1	MODREF250435	MARKER INSTL-P6-3 PNL MODULE NUMBER: 233A5223-1 REV D	053053	1
	5	BAC27DCC3065	.MARKER- PLACARD CONTENT: A	053053	1
	10	BAC27DCC3066	.MARKER- PLACARD CONTENT: B	053053	1
	15	BAC27DCC3067	.MARKER- PLACARD CONTENT: C	053053	1
	20	BAC27DCC3068	.MARKER- PLACARD CONTENT: D	053053	1
	25	BAC27DCC3069	.MARKER- PLACARD CONTENT: E	053053	1
	30	BAC27DCC3070	.MARKER- PLACARD CONTENT: F	053053	1
	35	BAC27DCC3076	.MARKER- PLACARD CONTENT: P6-3	053053	1
	40	BAC27DCC2744	.MARKER- PLACARD CONTENT: 1 THRU 18	053053	1
	- 50	MODREF252405	CIRCUIT BREAKER INSTL-P6-3 PNL (ELECTRICAL POWER ONLY) MODULE NUMBER: 233A5223-2 REV B FOR OTHER SYS DETAILS SEE: 11-31-53-27	053053	1

MISSING ITEM NUMBERS NOT APPLICABLE

- ITEM NOT ILLUSTRATED

HAP

24-50-53-27

BOEING PROPRIETARY - Copyright © - Unpublished Work - See title page for details.

24-50-53
FIG. 27
PAGE 1
JUN 15/09

BOEING
737-600/700/800/900
PARTS CATALOG (MAINTENANCE)

FIG ITEM	PART NUMBER	1 2 3 4 5 6 7	NOMENCLATURE	EFFECT FROM TO	UNITS PER ASSY
27 60	2TC47-5		.CIRCUIT BREAKER- SUPPLIER CODE: V82647 SPECIFICATION NUMBER: BACC18AD5 OPTIONAL PART: 4310-029-5 V76374 ELECTRICAL EQUIP NUMBER: C00032 C00117 C00133 C00701 C01399 C01400 C01441	053053	7
65	2TC47-2-5		.CIRCUIT BREAKER- SUPPLIER CODE: V82647 SPECIFICATION NUMBER: BACC18AD2 OPTIONAL PART: 4310-029-205 V76374 ELECTRICAL EQUIP NUMBER: C00129 C00195 C00196 C00359 C00360 C00361 C00397 C00398 C00569 C00570 C00751 C01027 C01320 C01321 C01346 C01355 C01356 C01395 C01396 C01401 C01425 C01432 C01471	053053	23

MISSING ITEM NUMBERS NOT APPLICABLE

— ITEM NOT ILLUSTRATED

HAP

24-50-53-27

BOEING PROPRIETARY - Copyright © - Unpublished Work - See title page for details.

24-50-53
FIG. 27
PAGE 3
FEB 15/09

BOEING
737-600/700/800/900
PARTS CATALOG (MAINTENANCE)

FIG ITEM	PART NUMBER	1 2 3 4 5 6 7	NOMENCLATURE	EFFECT FROM TO	UNITS PER ASSY
27 70	2TC47-7-5		.CIRCUIT BREAKER- SUPPLIER CODE: V82647 SPECIFICATION NUMBER: BACC18AD7 OPTIONAL PART: 4310-029-705 V76374 ELECTRICAL EQUIP NUMBER: C00284 C00310 C00311 C00312 C00323 C00325 C00326 C00327 C00328 C00329 C00330 C00331 C00390 C01472	053053	14
75	2TC6-1		.CIRCUIT BREAKER- SUPPLIER CODE: V82647 SPECIFICATION NUMBER: BACC18Z1R OPTIONAL PART: 4310-002-1 V76374 ELECTRICAL EQUIP NUMBER: C01398	053053	1
- 100	MODREF250440		CIRCUIT BREAKER INSTL-ELT INTERFACE UNIT P6-3/C1 MODULE NUMBER: 233A5223-201495 REV B	053053	1
105	2TC47-2-5		.CIRCUIT BREAKER- SUPPLIER CODE: V82647 SPECIFICATION NUMBER: BACC18AD2 OPTIONAL PART: 4310-029-205 V76374 ELECTRICAL EQUIP NUMBER: C01495	053053	1

MISSING ITEM NUMBERS NOT APPLICABLE

- ITEM NOT ILLUSTRATED

HAP

24-50-53-27

BOEING PROPRIETARY - Copyright © - Unpublished Work - See title page for details.

24-50-53
FIG. 27
PAGE 4
FEB 15/09

BOEING
737-600/700/800/900
PARTS CATALOG (MAINTENANCE)

FIG ITEM	PART NUMBER	1 2 3 4 5 6 7	NOMENCLATURE	EFFECT FROM TO	UNITS PER ASSY
27 - 110	MODREF250451		CIRCUIT BREAKER INSTL-FUEL AUTO SHUTOFF BOOST PUMP CTR TANK L DC P6-3/C3 MODULE NUMBER: 233A5223-201637 REV B	053053	1
115	2TC47-2-5		.CIRCUIT BREAKER- SUPPLIER CODE: V82647 SPECIFICATION NUMBER: BACC18AD2 OPTIONAL PART: 4310-029-205 V76374 ELECTRICAL EQUIP NUMBER: C01637	053053	1
- 120	MODREF250452		CIRCUIT BREAKER INSTL-FUEL AUTO SHUTOFF BOOST PUMP CTR TANK R DC P6-3/C7 MODULE NUMBER: 233A5223-201638 REV B	053053	1
125	2TC47-2-5		.CIRCUIT BREAKER- SUPPLIER CODE: V82647 SPECIFICATION NUMBER: BACC18AD2 OPTIONAL PART: 4310-029-205 V76374 ELECTRICAL EQUIP NUMBER: C01638	053053	1
- 130	MODREF291635		CIRCUIT BREAKER INSTL- FUEL AUTO SHUTOFF UCPO BOOST PUMP CTR TANK L AC P6-3/D7 MODULE NUMBER: 233A5223-201659 REV A	053053	1
135	2TC47-2-5		.CIRCUIT BREAKER- SUPPLIER CODE: V82647 SPECIFICATION NUMBER: BACC18AD2 OPTIONAL PART: 4310-029-205 V76374 ELECTRICAL EQUIP NUMBER: C01659	053053	1

MISSING ITEM NUMBERS NOT APPLICABLE

- ITEM NOT ILLUSTRATED

HAP

24-50-53-27

BOEING PROPRIETARY - Copyright © - Unpublished Work - See title page for details.

24-50-53
FIG. 27
PAGE 5
FEB 15/09

BOEING
737-600/700/800/900
PARTS CATALOG (MAINTENANCE)

FIG ITEM	PART NUMBER	1 2 3 4 5 6 7	NOMENCLATURE	EFFECT FROM TO	UNITS PER ASSY
27 - 140	MODREF291634		CIRCUIT BREAKER INSTL- FUEL AUTO SHUTOFF UCPO BOOST PUMP CTR TANK R AC P6-3/E7 MODULE NUMBER: 233A5223-201658 REV A	053053	1
145	2TC47-2-5		.CIRCUIT BREAKER- SUPPLIER CODE: V82647 SPECIFICATION NUMBER: BACC18AD2 OPTIONAL PART: 4310-029-205 V76374 ELECTRICAL EQUIP NUMBER: C01658	053053	1
- 200	MODREF250456		PLUG BUTTON INSTL-P6-3/A13 MODULE NUMBER: 233A5223-303113 REV B	053053	1
205	BS51338D5003		.PLUG- SUPPLIER CODE: V83058 SPECIFICATION NUMBER: BACP20B63B OPTIONAL PART: 51338 V83058 MISCELLANEOUS DATA: USE IN PLACE OF CIRCUIT BREAKERS ON OPEN HOLES	053053	1
- 210	MODREF250457		PLUG BUTTON INSTL-P6-3/A17 MODULE NUMBER: 233A5223-303117 REV B	053053	1
215	BS51338D5003		.PLUG- SUPPLIER CODE: V83058 SPECIFICATION NUMBER: BACP20B63B OPTIONAL PART: 51338 V83058 MISCELLANEOUS DATA: USE IN PLACE OF CIRCUIT BREAKERS ON OPEN HOLES	053053	1
- 220	MODREF250458		PLUG BUTTON INSTL-P6-3/B1 MODULE NUMBER: 233A5223-303201 REV B	053053	1

MISSING ITEM NUMBERS NOT APPLICABLE

- ITEM NOT ILLUSTRATED

HAP

24-50-53-27

BOEING PROPRIETARY - Copyright © - Unpublished Work - See title page for details.

24-50-53
FIG. 27
PAGE 6
FEB 15/09

BOEING
737-600/700/800/900
PARTS CATALOG (MAINTENANCE)

FIG ITEM	PART NUMBER	1 2 3 4 5 6 7	NOMENCLATURE	EFFECT FROM TO	UNITS PER ASSY
27 225	BS51338D5003		.PLUG- SUPPLIER CODE: V83058 SPECIFICATION NUMBER: BACP20B63B OPTIONAL PART: 51338 V83058 MISCELLANEOUS DATA: USE IN PLACE OF CIRCUIT BREAKERS ON OPEN HOLES	053053	1
- 230	MODREF250459		PLUG BUTTON INSTL-P6-3/B2 MODULE NUMBER: 233A5223-303202 REV B	053053	1
235	BS51338D5003		.PLUG- SUPPLIER CODE: V83058 SPECIFICATION NUMBER: BACP20B63B OPTIONAL PART: 51338 V83058 MISCELLANEOUS DATA: USE IN PLACE OF CIRCUIT BREAKERS ON OPEN HOLES	053053	1
- 240	MODREF250460		PLUG BUTTON INSTL-P6-3/B6 MODULE NUMBER: 233A5223-303206 REV B	053053	1
245	BS51338D5003		.PLUG- SUPPLIER CODE: V83058 SPECIFICATION NUMBER: BACP20B63B OPTIONAL PART: 51338 V83058 MISCELLANEOUS DATA: USE IN PLACE OF CIRCUIT BREAKERS ON OPEN HOLES	053053	1
- 250	MODREF250461		PLUG BUTTON INSTL-P6-3/B8 MODULE NUMBER: 233A5223-303208 REV B	053053	1

MISSING ITEM NUMBERS NOT APPLICABLE

- ITEM NOT ILLUSTRATED

HAP

24-50-53-27

BOEING PROPRIETARY - Copyright © - Unpublished Work - See title page for details.

24-50-53
FIG. 27
PAGE 7
FEB 15/09

BOEING
737-600/700/800/900
PARTS CATALOG (MAINTENANCE)

FIG ITEM	PART NUMBER	1 2 3 4 5 6 7	NOMENCLATURE	EFFECT FROM TO	UNITS PER ASSY
27 255	BS51338D5003		.PLUG- SUPPLIER CODE: V83058 SPECIFICATION NUMBER: BACP20B63B OPTIONAL PART: 51338 V83058 MISCELLANEOUS DATA: USE IN PLACE OF CIRCUIT BREAKERS ON OPEN HOLES	053053	1
- 260	MODREF250462		PLUG BUTTON INSTL-P6-3/B11 MODULE NUMBER: 233A5223-303211 REV B	053053	1
265	BS51338D5003		.PLUG- SUPPLIER CODE: V83058 SPECIFICATION NUMBER: BACP20B63B OPTIONAL PART: 51338 V83058 MISCELLANEOUS DATA: USE IN PLACE OF CIRCUIT BREAKERS ON OPEN HOLES	053053	1
- 270	MODREF250463		PLUG BUTTON INSTL-P6-3/B14 MODULE NUMBER: 233A5223-303214 REV B	053053	1
275	BS51338D5003		.PLUG- SUPPLIER CODE: V83058 SPECIFICATION NUMBER: BACP20B63B OPTIONAL PART: 51338 V83058 MISCELLANEOUS DATA: USE IN PLACE OF CIRCUIT BREAKERS ON OPEN HOLES	053053	1
- 280	MODREF250464		PLUG BUTTON INSTL-P6-3/B15 MODULE NUMBER: 233A5223-303215 REV B	053053	1

MISSING ITEM NUMBERS NOT APPLICABLE

- ITEM NOT ILLUSTRATED

HAP

24-50-53-27

BOEING PROPRIETARY - Copyright © - Unpublished Work - See title page for details.

24-50-53
FIG. 27
PAGE 8
FEB 15/09

BOEING
737-600/700/800/900
PARTS CATALOG (MAINTENANCE)

FIG ITEM	PART NUMBER	1 2 3 4 5 6 7	NOMENCLATURE	EFFECT FROM TO	UNITS PER ASSY
27 285	BS51338D5003		.PLUG- SUPPLIER CODE: V83058 SPECIFICATION NUMBER: BACP20B63B OPTIONAL PART: 51338 V83058 MISCELLANEOUS DATA: USE IN PLACE OF CIRCUIT BREAKERS ON OPEN HOLES	053053	1
- 290	MODREF250465		PLUG BUTTON INSTL-P6-3/B18 MODULE NUMBER: 233A5223-303218 REV B	053053	1
295	BS51338D5003		.PLUG- SUPPLIER CODE: V83058 SPECIFICATION NUMBER: BACP20B63B OPTIONAL PART: 51338 V83058 MISCELLANEOUS DATA: USE IN PLACE OF CIRCUIT BREAKERS ON OPEN HOLES	053053	1
- 300	MODREF250467		PLUG BUTTON INSTL-P6-3/C2 MODULE NUMBER: 233A5223-303302 REV B	053053	1
305	BS51338D5003		.PLUG- SUPPLIER CODE: V83058 SPECIFICATION NUMBER: BACP20B63B OPTIONAL PART: 51338 V83058 MISCELLANEOUS DATA: USE IN PLACE OF CIRCUIT BREAKERS ON OPEN HOLES	053053	1
- 310	MODREF250469		PLUG BUTTON INSTL-P6-3/C5 MODULE NUMBER: 233A5223-303305 REV B	053053	1

MISSING ITEM NUMBERS NOT APPLICABLE

- ITEM NOT ILLUSTRATED

HAP

24-50-53-27

BOEING PROPRIETARY - Copyright © - Unpublished Work - See title page for details.

24-50-53
FIG. 27
PAGE 9
FEB 15/09

BOEING
737-600/700/800/900
PARTS CATALOG (MAINTENANCE)

FIG ITEM	PART NUMBER	1 2 3 4 5 6 7	NOMENCLATURE	EFFECT FROM TO	UNITS PER ASSY
27 315	BS51338D5003		.PLUG- SUPPLIER CODE: V83058 SPECIFICATION NUMBER: BACP20B63B OPTIONAL PART: 51338 V83058 MISCELLANEOUS DATA: USE IN PLACE OF CIRCUIT BREAKERS ON OPEN HOLES	053053	1
- 320	MODREF250471		PLUG BUTTON INSTL-P6-3/C8 MODULE NUMBER: 233A5223-303308 REV B	053053	1
325	BS51338D5003		.PLUG- SUPPLIER CODE: V83058 SPECIFICATION NUMBER: BACP20B63B OPTIONAL PART: 51338 V83058 MISCELLANEOUS DATA: USE IN PLACE OF CIRCUIT BREAKERS ON OPEN HOLES	053053	1
- 330	MODREF250472		PLUG BUTTON INSTL-P6-3/C17 MODULE NUMBER: 233A5223-303317 REV B	053053	1
335	BS51338D5003		.PLUG- SUPPLIER CODE: V83058 SPECIFICATION NUMBER: BACP20B63B OPTIONAL PART: 51338 V83058 MISCELLANEOUS DATA: USE IN PLACE OF CIRCUIT BREAKERS ON OPEN HOLES	053053	1
- 340	MODREF250473		PLUG BUTTON INSTL-P6-3/D3 MODULE NUMBER: 233A5223-303403 REV B	053053	1

MISSING ITEM NUMBERS NOT APPLICABLE

- ITEM NOT ILLUSTRATED

HAP

24-50-53-27

BOEING PROPRIETARY - Copyright © - Unpublished Work - See title page for details.

24-50-53
FIG. 27
PAGE 10
FEB 15/09

BOEING
737-600/700/800/900
PARTS CATALOG (MAINTENANCE)

FIG ITEM	PART NUMBER	1 2 3 4 5 6 7	NOMENCLATURE	EFFECT FROM TO	UNITS PER ASSY
27 345	BS51338D5003		.PLUG- SUPPLIER CODE: V83058 SPECIFICATION NUMBER: BACP20B63B OPTIONAL PART: 51338 V83058 MISCELLANEOUS DATA: USE IN PLACE OF CIRCUIT BREAKERS ON OPEN HOLES	053053	1
- 350	MODREF250474		PLUG BUTTON INSTL-P6-3/D4 MODULE NUMBER: 233A5223-303404 REV B	053053	1
355	BS51338D5003		.PLUG- SUPPLIER CODE: V83058 SPECIFICATION NUMBER: BACP20B63B OPTIONAL PART: 51338 V83058 MISCELLANEOUS DATA: USE IN PLACE OF CIRCUIT BREAKERS ON OPEN HOLES	053053	1
- 360	MODREF250475		PLUG BUTTON INSTL-P6-3/D5 MODULE NUMBER: 233A5223-303405 REV B	053053	1
365	BS51338D5003		.PLUG- SUPPLIER CODE: V83058 SPECIFICATION NUMBER: BACP20B63B OPTIONAL PART: 51338 V83058 MISCELLANEOUS DATA: USE IN PLACE OF CIRCUIT BREAKERS ON OPEN HOLES	053053	1
- 370	MODREF250476		PLUG BUTTON INSTL-P6-3/D6 MODULE NUMBER: 233A5223-303406 REV B	053053	1

MISSING ITEM NUMBERS NOT APPLICABLE

- ITEM NOT ILLUSTRATED

HAP

24-50-53-27

BOEING PROPRIETARY - Copyright © - Unpublished Work - See title page for details.

24-50-53
FIG. 27
PAGE 11
FEB 15/09

BOEING
737-600/700/800/900
PARTS CATALOG (MAINTENANCE)

FIG ITEM	PART NUMBER	1 2 3 4 5 6 7	NOMENCLATURE	EFFECT FROM TO	UNITS PER ASSY
27 375	BS51338D5003		.PLUG- SUPPLIER CODE: V83058 SPECIFICATION NUMBER: BACP20B63B OPTIONAL PART: 51338 V83058 MISCELLANEOUS DATA: USE IN PLACE OF CIRCUIT BREAKERS ON OPEN HOLES	053053	1
- 380	MODREF250478		PLUG BUTTON INSTL-P6-3/E2 MODULE NUMBER: 233A5223-303502 REV B	053053	1
385	BS51338D5003		.PLUG- SUPPLIER CODE: V83058 SPECIFICATION NUMBER: BACP20B63B OPTIONAL PART: 51338 V83058 MISCELLANEOUS DATA: USE IN PLACE OF CIRCUIT BREAKERS ON OPEN HOLES	053053	1
- 390	MODREF250480		PLUG BUTTON INSTL-P6-3/E15 MODULE NUMBER: 233A5223-303515 REV B	053053	1
395	BS51338D5003		.PLUG- SUPPLIER CODE: V83058 SPECIFICATION NUMBER: BACP20B63B OPTIONAL PART: 51338 V83058 MISCELLANEOUS DATA: USE IN PLACE OF CIRCUIT BREAKERS ON OPEN HOLES	053053	1
- 400	MODREF250481		PLUG BUTTON INSTL-P6-3/E17 MODULE NUMBER: 233A5223-303517 REV B	053053	1

MISSING ITEM NUMBERS NOT APPLICABLE

- ITEM NOT ILLUSTRATED

HAP

24-50-53-27

BOEING PROPRIETARY - Copyright © - Unpublished Work - See title page for details.

24-50-53
FIG. 27
PAGE 12
FEB 15/09

BOEING
737-600/700/800/900
PARTS CATALOG (MAINTENANCE)

FIG ITEM	PART NUMBER	1 2 3 4 5 6 7	NOMENCLATURE	EFFECT FROM TO	UNITS PER ASSY
27 405	BS51338D5003		.PLUG- SUPPLIER CODE: V83058 SPECIFICATION NUMBER: BACP20B63B OPTIONAL PART: 51338 V83058 MISCELLANEOUS DATA: USE IN PLACE OF CIRCUIT BREAKERS ON OPEN HOLES	053053	1
- 410	MODREF250482		PLUG BUTTON INSTL-P6-3/F2 MODULE NUMBER: 233A5223-303602 REV B	053053	1
415	BS51338D5003		.PLUG- SUPPLIER CODE: V83058 SPECIFICATION NUMBER: BACP20B63B OPTIONAL PART: 51338 V83058 MISCELLANEOUS DATA: USE IN PLACE OF CIRCUIT BREAKERS ON OPEN HOLES	053053	1
- 420	MODREF250483		PLUG BUTTON INSTL-P6-3/F3 MODULE NUMBER: 233A5223-303603 REV B	053053	1
425	BS51338D5003		.PLUG- SUPPLIER CODE: V83058 SPECIFICATION NUMBER: BACP20B63B OPTIONAL PART: 51338 V83058 MISCELLANEOUS DATA: USE IN PLACE OF CIRCUIT BREAKERS ON OPEN HOLES	053053	1
- 430	MODREF250484		PLUG BUTTON INSTL-P6-3/F4 MODULE NUMBER: 233A5223-303604 REV B	053053	1

MISSING ITEM NUMBERS NOT APPLICABLE

- ITEM NOT ILLUSTRATED

HAP

24-50-53-27

BOEING PROPRIETARY - Copyright © - Unpublished Work - See title page for details.

24-50-53
FIG. 27
PAGE 13
FEB 15/09

BOEING
737-600/700/800/900
PARTS CATALOG (MAINTENANCE)

FIG ITEM	PART NUMBER	1 2 3 4 5 6 7	NOMENCLATURE	EFFECT FROM TO	UNITS PER ASSY
27 435	BS51338D5003		.PLUG- SUPPLIER CODE: V83058 SPECIFICATION NUMBER: BACP20B63B OPTIONAL PART: 51338 V83058 MISCELLANEOUS DATA: USE IN PLACE OF CIRCUIT BREAKERS ON OPEN HOLES	053053	1
- 440	MODREF250485		PLUG BUTTON INSTL-P6-3/F5 MODULE NUMBER: 233A5223-303605 REV B	053053	1
445	BS51338D5003		.PLUG- SUPPLIER CODE: V83058 SPECIFICATION NUMBER: BACP20B63B OPTIONAL PART: 51338 V83058 MISCELLANEOUS DATA: USE IN PLACE OF CIRCUIT BREAKERS ON OPEN HOLES	053053	1
- 450	MODREF250486		PLUG BUTTON INSTL-P6-3/F6 MODULE NUMBER: 233A5223-303606 REV B	053053	1
455	BS51338D5003		.PLUG- SUPPLIER CODE: V83058 SPECIFICATION NUMBER: BACP20B63B OPTIONAL PART: 51338 V83058 MISCELLANEOUS DATA: USE IN PLACE OF CIRCUIT BREAKERS ON OPEN HOLES	053053	1
- 460	MODREF250487		PLUG BUTTON INSTL-P6-3/F7 MODULE NUMBER: 233A5223-303607 REV B	053053	1

MISSING ITEM NUMBERS NOT APPLICABLE

- ITEM NOT ILLUSTRATED

HAP

24-50-53-27

BOEING PROPRIETARY - Copyright © - Unpublished Work - See title page for details.

24-50-53
FIG. 27
PAGE 14
FEB 15/09

BOEING
737-600/700/800/900
PARTS CATALOG (MAINTENANCE)

FIG ITEM	PART NUMBER	1 2 3 4 5 6 7	NOMENCLATURE	EFFECT FROM TO	UNITS PER ASSY
27 465	BS51338D5003		.PLUG- SUPPLIER CODE: V83058 SPECIFICATION NUMBER: BACP20B63B OPTIONAL PART: 51338 V83058 MISCELLANEOUS DATA: USE IN PLACE OF CIRCUIT BREAKERS ON OPEN HOLES	053053	1
- 470	MODREF250488		PLUG BUTTON INSTL-P6-3/F15 MODULE NUMBER: 233A5223-303615 REV B	053053	1
475	BS51338D5003		.PLUG- SUPPLIER CODE: V83058 SPECIFICATION NUMBER: BACP20B63B OPTIONAL PART: 51338 V83058 MISCELLANEOUS DATA: USE IN PLACE OF CIRCUIT BREAKERS ON OPEN HOLES	053053	1
- 480	MODREF250489		PLUG BUTTON INSTL-P6-3/F17 MODULE NUMBER: 233A5223-303617 REV B	053053	1
485	BS51338D5003		.PLUG- SUPPLIER CODE: V83058 SPECIFICATION NUMBER: BACP20B63B OPTIONAL PART: 51338 V83058 MISCELLANEOUS DATA: USE IN PLACE OF CIRCUIT BREAKERS ON OPEN HOLES	053053	1

MISSING ITEM NUMBERS NOT APPLICABLE

- ITEM NOT ILLUSTRATED

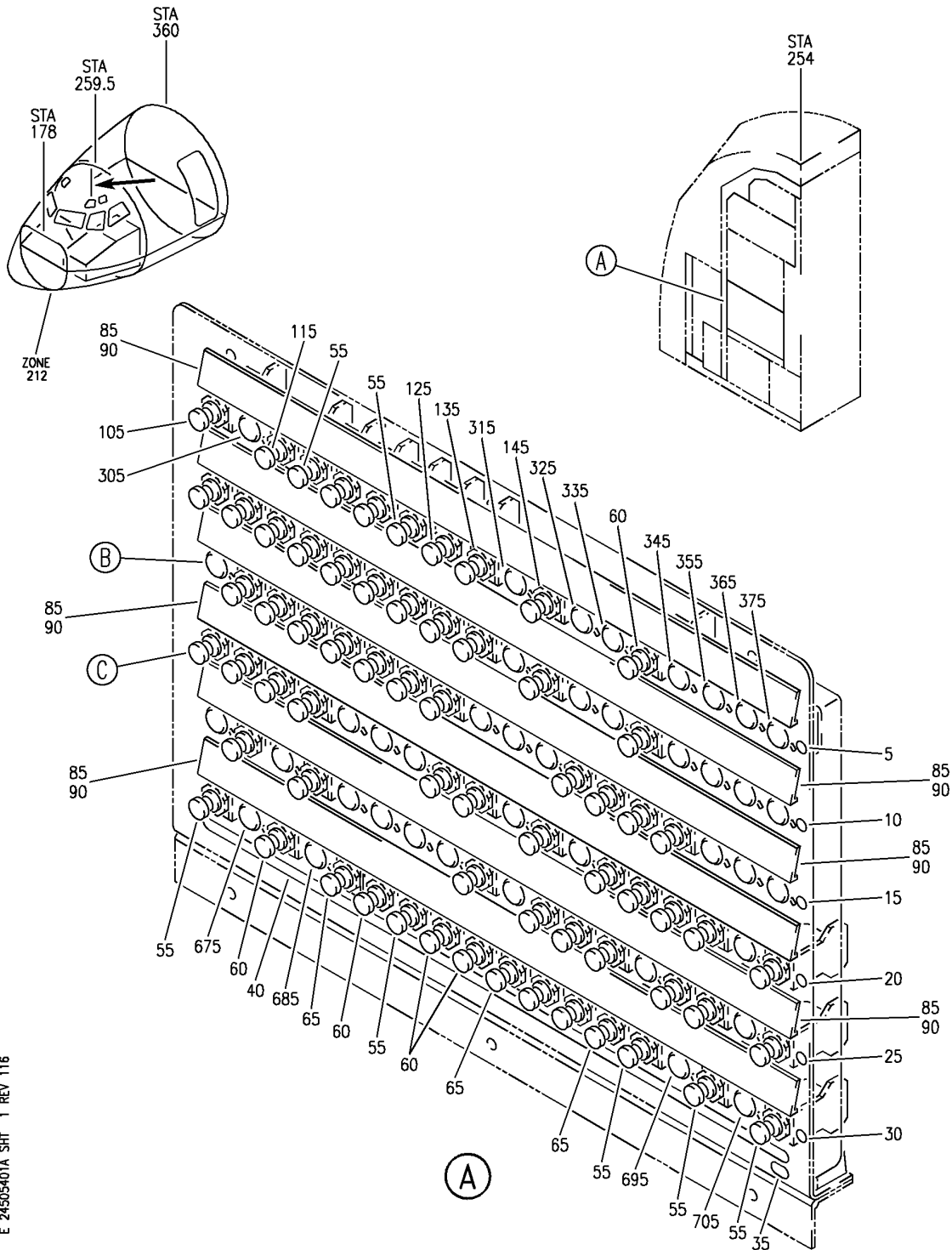
HAP

24-50-53-27

BOEING PROPRIETARY - Copyright © - Unpublished Work - See title page for details.

24-50-53
FIG. 27
PAGE 15
FEB 15/09

BOEING
737-600/700/800/900
PARTS CATALOG (MAINTENANCE)



E 24-50-54-01A SHT 1 REV 116

MARKER, CIRCUIT BREAKER AND PLUG BUTTON INSTL-P6-4 CB PNL (ELECTRICAL POWER ONLY)
 FIGURE 1A (SHEET 1)

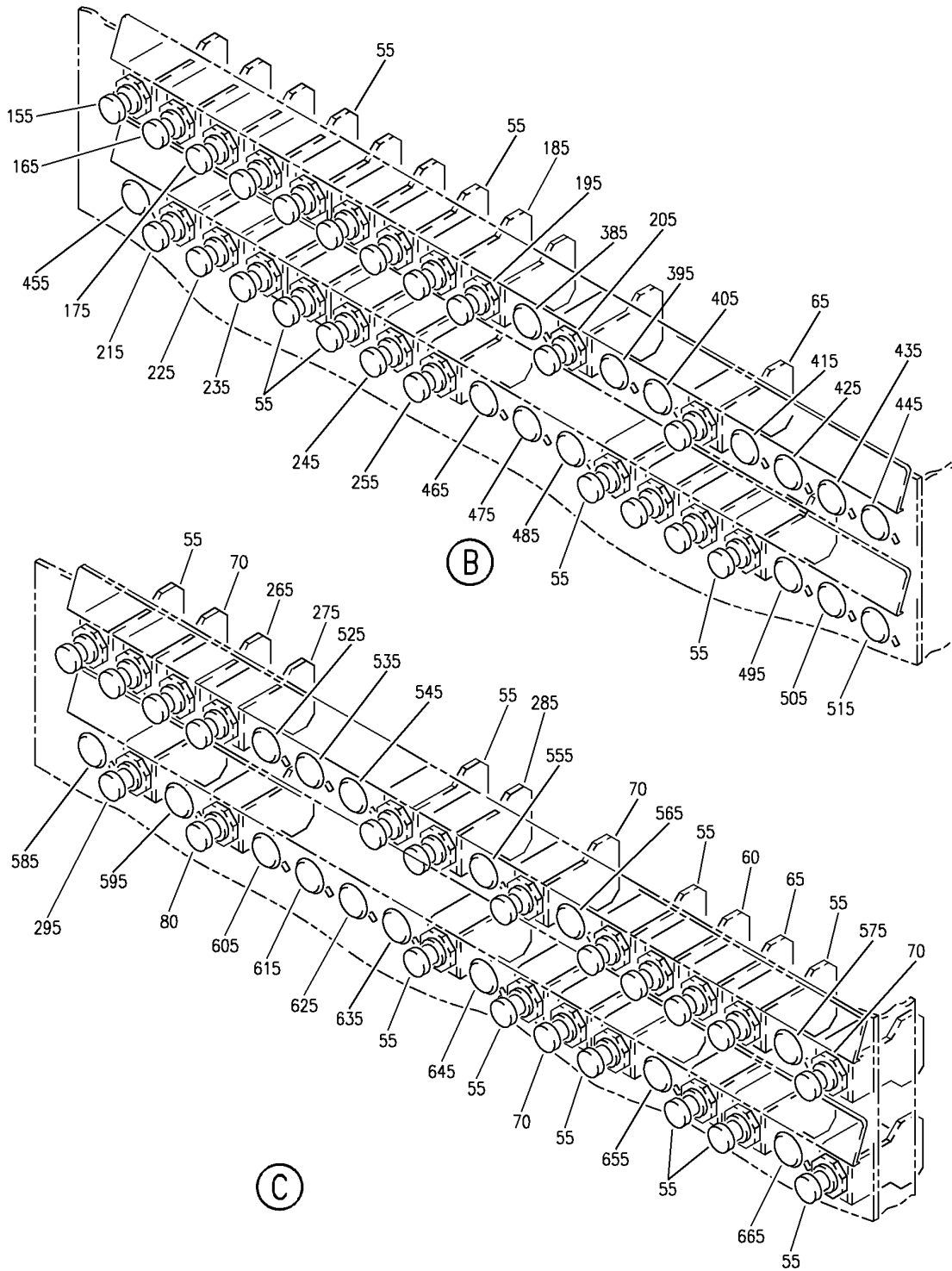
HAP
 OCT 10/06

24-50-54-01A

24-50-54-01A
 PAGE 0

BOEING PROPRIETARY - Copyright © - Unpublished Work - See title page for details.


BOEING
737-600/700/800/900
PARTS CATALOG (MAINTENANCE)



E 24-50-54-01A SHT 2 REV 107

MARKER, CIRCUIT BREAKER AND PLUG BUTTON INSTL-P6-4 CB PNL (ELECTRICAL POWER ONLY)
 FIGURE 1A (SHEET 2)

24-50-54-01A

HAP
OCT 10/06

24-50-54-01A
PAGE 0A

BOEING PROPRIETARY - Copyright © - Unpublished Work - See title page for details.

BOEING
737-600/700/800/900
PARTS CATALOG (MAINTENANCE)

FIG ITEM	PART NUMBER	1 2 3 4 5 6 7	NOMENCLATURE	EFFECT FROM TO	UNITS PER ASSY
1 A			MARKER, CIRCUIT BREAKER AND PLUG BUTTON INSTL-P6-4 CB PNL (ELECTRICAL POWER ONLY)	031100	
- 1	MODREF251186		MARKER INSTL-P6-4 PNL MODULE NUMBER: 233A5224-1 REV D	031100	1
	5 BAC27DCC3065		.MARKER- PLACARD CONTENT: A	031100	1
	10 BAC27DCC3066		.MARKER- PLACARD CONTENT: B	031100	1
	15 BAC27DCC3067		.MARKER- PLACARD CONTENT: C	031100	1
	20 BAC27DCC3068		.MARKER- PLACARD CONTENT: D	031100	1
	25 BAC27DCC3069		.MARKER- PLACARD CONTENT: E	031100	1
	30 BAC27DCC3070		.MARKER- PLACARD CONTENT: F	031100	1
	35 BAC27DCC3077		.MARKER- PLACARD CONTENT: P6-4	031100	1
	40 BAC27DCC2744		.MARKER- PLACARD CONTENT: 1 THRU 18	031100	1
- 50	MODREF254582		CIRCUIT BREAKER INSTL-P6-4 PNL (ELECTRICAL POWER ONLY) MODULE NUMBER: 233A5224-2 REV D FOR OTHER SYS DETAILS SEE: 11-31-54-01A	031100	1

MISSING ITEM NUMBERS NOT APPLICABLE

- ITEM NOT ILLUSTRATED

HAP

24-50-54-01A

BOEING PROPRIETARY - Copyright © - Unpublished Work - See title page for details.

24-50-54
FIG. 01A
PAGE 1
FEB 15/09

BOEING
737-600/700/800/900
PARTS CATALOG (MAINTENANCE)

FIG ITEM	PART NUMBER	1 2 3 4 5 6 7	NOMENCLATURE	EFFECT FROM TO	UNITS PER ASSY
1 A 55	2TC47-2-5		.CIRCUIT BREAKER- SUPPLIER CODE: V82647 SPECIFICATION NUMBER: BACC18AD2 OPTIONAL PART: 4310-029-205 V76374 ELECTRICAL EQUIP NUMBER: C00023 C00026 C00072 C00076 C00077 C00134 C00136 C00155 C00259 C00262 C00263 C00399 C00400 C00796 C00797 C01116 C01117 C01272 C01273 C01328 C01338 C01397 C01435 C01436 C01444 C01466 C01467 C01469 C01470	031100	29

MISSING ITEM NUMBERS NOT APPLICABLE

— ITEM NOT ILLUSTRATED

HAP

24-50-54-01A

BOEING PROPRIETARY - Copyright © - Unpublished Work - See title page for details.

24-50-54
FIG. 01A
PAGE 2
FEB 15/09

BOEING
737-600/700/800/900
PARTS CATALOG (MAINTENANCE)

FIG ITEM	PART NUMBER	1 2 3 4 5 6 7	NOMENCLATURE	EFFECT FROM TO	UNITS PER ASSY
1 A 60	2TC47-7-5		.CIRCUIT BREAKER- SUPPLIER CODE: V82647 SPECIFICATION NUMBER: BACC18AD7 OPTIONAL PART: 4310-029-705 V76374 ELECTRICAL EQUIP NUMBER: C00033 C01269 C01270 C01286 C01287 C02043	031100	6
65	2TC47-5		.CIRCUIT BREAKER- SUPPLIER CODE: V82647 SPECIFICATION NUMBER: BACC18AD5 OPTIONAL PART: 4310-029-5 V76374 ELECTRICAL EQUIP NUMBER: C01271 C01283 C01284 C01285 C01290 C01424 C02047	031100	7
70	2TC6-1		.CIRCUIT BREAKER- SUPPLIER CODE: V82647 SPECIFICATION NUMBER: BACC18Z1R OPTIONAL PART: 4310-002-1 V76374 ELECTRICAL EQUIP NUMBER: C01445	031100	1

MISSING ITEM NUMBERS NOT APPLICABLE

— ITEM NOT ILLUSTRATED

HAP

24-50-54-01A

BOEING PROPRIETARY - Copyright © - Unpublished Work - See title page for details.

24-50-54
FIG. 01A
PAGE 3
FEB 15/09

 **BOEING**
737-600/700/800/900
PARTS CATALOG (MAINTENANCE)

FIG ITEM	PART NUMBER	1 2 3 4 5 6 7	NOMENCLATURE	EFFECT FROM TO	UNITS PER ASSY
1A 75	2TC47-10		.CIRCUIT BREAKER- SUPPLIER CODE: V82647 SPECIFICATION NUMBER: BACC18AD10 OPTIONAL PART: 4310-029-10 V76374 ELECTRICAL EQUIP NUMBER: C02029 C03064 C03065	031100	3
80	9TC620		.CIRCUIT BREAKER- SUPPLIER CODE: V82647 SPECIFICATION NUMBER: BACC18AE20 ELECTRICAL EQUIP NUMBER: C00884	031100	1
- 100	MODREF251207		CIRCUIT BREAKER INSTL-AIR CONDITIONING TEMP CONT VALVE CLOSE P6-4/A1 MODULE NUMBER: 233A5224-201157 REV B	031100	1
105	2TC47-2-5		.CIRCUIT BREAKER- SUPPLIER CODE: V82647 SPECIFICATION NUMBER: BACC18AD2 OPTIONAL PART: 4310-029-205 V76374 ELECTRICAL EQUIP NUMBER: C01157	031100	1
- 110	MODREF251218		CIRCUIT BREAKER INSTL-AIR CONDITIONING ZONE TEMP VALVE/FAN CONT AFT PASS P6-4/A3 MODULE NUMBER: 233A5224-201170 REV B	031100	1

MISSING ITEM NUMBERS NOT APPLICABLE

- ITEM NOT ILLUSTRATED

HAP

24-50-54-01A

BOEING PROPRIETARY - Copyright © - Unpublished Work - See title page for details.

24-50-54
FIG. 01A
PAGE 4
FEB 15/09

BOEING
737-600/700/800/900
PARTS CATALOG (MAINTENANCE)

FIG ITEM	PART NUMBER	1 2 3 4 5 6 7	NOMENCLATURE	EFFECT FROM TO	UNITS PER ASSY
1A 115	2TC47-2-5		.CIRCUIT BREAKER- SUPPLIER CODE: V82647 SPECIFICATION NUMBER: BACC18AD2 OPTIONAL PART: 4310-029-205 V76374 ELECTRICAL EQUIP NUMBER: C01170	031100	1
- 120	MODREF251201		CIRCUIT BREAKER INSTL-AIR CONDITIONING RAM AIR MOD CONT LEFT P6-4/A8 MODULE NUMBER: 233A5224-200555 REV B	031100	1
125	2TC47-2-5		.CIRCUIT BREAKER- SUPPLIER CODE: V82647 SPECIFICATION NUMBER: BACC18AD2 OPTIONAL PART: 4310-029-205 V76374 ELECTRICAL EQUIP NUMBER: C00555	031100	1
- 130	MODREF251208		CIRCUIT BREAKER INSTL-AIR CONDITIONING PACK CONTROL LEFT DC P6-4/A9 MODULE NUMBER: 233A5224-201158 REV B	031100	1
135	2TC47-2-5		.CIRCUIT BREAKER- SUPPLIER CODE: V82647 SPECIFICATION NUMBER: BACC18AD2 OPTIONAL PART: 4310-029-205 V76374 ELECTRICAL EQUIP NUMBER: C01158	031100	1
- 140	MODREF251209		CIRCUIT BREAKER INSTL-AIR CONDITIONING PACK CONTROL LEFT AC P6-4/A11 MODULE NUMBER: 233A5224-201159 REV B	031100	1

MISSING ITEM NUMBERS NOT APPLICABLE

- ITEM NOT ILLUSTRATED

HAP

24-50-54-01A

BOEING PROPRIETARY - Copyright © - Unpublished Work - See title page for details.

24-50-54
FIG. 01A
PAGE 5
FEB 15/09

BOEING
737-600/700/800/900
PARTS CATALOG (MAINTENANCE)

FIG ITEM	PART NUMBER	1 2 3 4 5 6 7	NOMENCLATURE	EFFECT FROM TO	UNITS PER ASSY
1A 145	2TC47-2-5		.CIRCUIT BREAKER- SUPPLIER CODE: V82647 SPECIFICATION NUMBER: BACC18AD2 OPTIONAL PART: 4310-029-205 V76374 ELECTRICAL EQUIP NUMBER: C01159	031100	1
- 150	MODREF251210		CIRCUIT BREAKER INSTL-AIR CONDITIONING TEMP CONT VALVE CLOSE RIGHT P6-4/B1 MODULE NUMBER: 233A5224-201160 REV B	031100	1
155	2TC47-2-5		.CIRCUIT BREAKER- SUPPLIER CODE: V82647 SPECIFICATION NUMBER: BACC18AD2 OPTIONAL PART: 4310-029-205 V76374 ELECTRICAL EQUIP NUMBER: C01160	031100	1
- 160	MODREF251216		CIRCUIT BREAKER INSTL-AIR CONDITIONING ZONE TEMP VALVE/FAN CONT FWD PASS P6-4/B2 MODULE NUMBER: 233A5224-201167 REV B	031100	1
165	2TC47-2-5		.CIRCUIT BREAKER- SUPPLIER CODE: V82647 SPECIFICATION NUMBER: BACC18AD2 OPTIONAL PART: 4310-029-205 V76374 ELECTRICAL EQUIP NUMBER: C01167	031100	1
- 170	MODREF251213		CIRCUIT BREAKER INSTL-AIR CONDITIONING ZONE TEMP VALVE/FAN CONT FLT DK P6-4/B3 MODULE NUMBER: 233A5224-201163 REV B	031100	1

MISSING ITEM NUMBERS NOT APPLICABLE

- ITEM NOT ILLUSTRATED

HAP

24-50-54-01A

BOEING PROPRIETARY - Copyright © - Unpublished Work - See title page for details.

24-50-54
FIG. 01A
PAGE 6
FEB 15/09

BOEING
737-600/700/800/900
PARTS CATALOG (MAINTENANCE)

FIG ITEM	PART NUMBER	1 2 3 4 5 6 7	NOMENCLATURE	EFFECT FROM TO	UNITS PER ASSY
1A 175	2TC47-2-5		.CIRCUIT BREAKER- SUPPLIER CODE: V82647 SPECIFICATION NUMBER: BACC18AD2 OPTIONAL PART: 4310-029-205 V76374 ELECTRICAL EQUIP NUMBER: C01163	031100	1
- 180	MODREF251222		CIRCUIT BREAKER INSTL-AIR CONDITIONING RAM AIR MOD CONT RIGHT P6-4/B8 MODULE NUMBER: 233A5224-201178 REV B	031100	1
185	2TC47-2-5		.CIRCUIT BREAKER- SUPPLIER CODE: V82647 SPECIFICATION NUMBER: BACC18AD2 OPTIONAL PART: 4310-029-205 V76374 ELECTRICAL EQUIP NUMBER: C01178	031100	1
- 190	MODREF251211		CIRCUIT BREAKER INSTL-AIR CONDITIONING PACK CONTROL RIGHT DC P6-4/B9 MODULE NUMBER: 233A5224-201161 REV B	031100	1
195	2TC47-2-5		.CIRCUIT BREAKER- SUPPLIER CODE: V82647 SPECIFICATION NUMBER: BACC18AD2 OPTIONAL PART: 4310-029-205 V76374 ELECTRICAL EQUIP NUMBER: C01161	031100	1
- 200	MODREF251212		CIRCUIT BREAKER INSTL-AIR CONDITIONING PACK CONTROL RIGHT AC P6-4/B11 MODULE NUMBER: 233A5224-201162 REV B	031100	1

MISSING ITEM NUMBERS NOT APPLICABLE

- ITEM NOT ILLUSTRATED

HAP

24-50-54-01A

BOEING PROPRIETARY - Copyright © - Unpublished Work - See title page for details.

24-50-54
FIG. 01A
PAGE 7
FEB 15/09

BOEING
737-600/700/800/900
PARTS CATALOG (MAINTENANCE)

FIG ITEM	PART NUMBER	1 2 3 4 5 6 7	NOMENCLATURE	EFFECT FROM TO	UNITS PER ASSY
1A 205	2TC47-2-5		.CIRCUIT BREAKER- SUPPLIER CODE: V82647 SPECIFICATION NUMBER: BACC18AD2 OPTIONAL PART: 4310-029-205 V76374 ELECTRICAL EQUIP NUMBER: C01162	031100	1
- 210	MODREF251217		CIRCUIT BREAKER INSTL-AIR CONDITIONING ZONE TEMP DUCT OVHT AFT PASS P6-4/C2 MODULE NUMBER: 233A5224-201169 REV B	031100	1
215	2TC47-2-5		.CIRCUIT BREAKER- SUPPLIER CODE: V82647 SPECIFICATION NUMBER: BACC18AD2 OPTIONAL PART: 4310-029-205 V76374 ELECTRICAL EQUIP NUMBER: C01169	031100	1
- 220	MODREF251215		CIRCUIT BREAKER INSTL-AIR CONDITIONING ZONE TEMP DUCT OVHT FWD PASS P6-4/C3 MODULE NUMBER: 233A5224-201166 REV B	031100	1
225	2TC47-2-5		.CIRCUIT BREAKER- SUPPLIER CODE: V82647 SPECIFICATION NUMBER: BACC18AD2 OPTIONAL PART: 4310-029-205 V76374 ELECTRICAL EQUIP NUMBER: C01166	031100	1
- 230	MODREF251214		CIRCUIT BREAKER INSTL-AIR CONDITIONING ZONE TEMP DUCT OVHT FLT DECK P6-4/C4 MODULE NUMBER: 233A5224-201164 REV B	031100	1

MISSING ITEM NUMBERS NOT APPLICABLE

- ITEM NOT ILLUSTRATED

HAP

24-50-54-01A

BOEING PROPRIETARY - Copyright © - Unpublished Work - See title page for details.

24-50-54
FIG. 01A
PAGE 8
FEB 15/09

BOEING
737-600/700/800/900
PARTS CATALOG (MAINTENANCE)

FIG ITEM	PART NUMBER	1 2 3 4 5 6 7	NOMENCLATURE	EFFECT FROM TO	UNITS PER ASSY
1A 235	2TC47-2-5		.CIRCUIT BREAKER- SUPPLIER CODE: V82647 SPECIFICATION NUMBER: BACC18AD2 OPTIONAL PART: 4310-029-205 V76374 ELECTRICAL EQUIP NUMBER: C01164	031100	1
- 240	MODREF251221		CIRCUIT BREAKER INSTL-AIR CONDITIONING PACK/ENGINE BLEED AIR OVHT RIGHT P6-4/C7 MODULE NUMBER: 233A5224-201177 REV B	031100	1
245	2TC47-2-5		.CIRCUIT BREAKER- SUPPLIER CODE: V82647 SPECIFICATION NUMBER: BACC18AD2 OPTIONAL PART: 4310-029-205 V76374 ELECTRICAL EQUIP NUMBER: C01177	031100	1
- 250	MODREF251220		CIRCUIT BREAKER INSTL-AIR CONDITIONING PACK/ENGINE BLEED AIR OVHT LEFT P6-4/C8 MODULE NUMBER: 233A5224-201176 REV B	031100	1
255	2TC47-2-5		.CIRCUIT BREAKER- SUPPLIER CODE: V82647 SPECIFICATION NUMBER: BACC18AD2 OPTIONAL PART: 4310-029-205 V76374 ELECTRICAL EQUIP NUMBER: C01176	031100	1
- 260	MODREF251225		CIRCUIT BREAKER INSTL-AIR CONDITIONING PACK CONT VALVES L ALT P6-4/D3 MODULE NUMBER: 233A5224-201613 REV B	031100	1

MISSING ITEM NUMBERS NOT APPLICABLE

- ITEM NOT ILLUSTRATED

HAP

24-50-54-01A

BOEING PROPRIETARY - Copyright © - Unpublished Work - See title page for details.

24-50-54
FIG. 01A
PAGE 9
FEB 15/09

BOEING
737-600/700/800/900
PARTS CATALOG (MAINTENANCE)

FIG ITEM	PART NUMBER	1 2 3 4 5 6 7	NOMENCLATURE	EFFECT FROM TO	UNITS PER ASSY
1A 265	2TC47-2-5		.CIRCUIT BREAKER- SUPPLIER CODE: V82647 SPECIFICATION NUMBER: BACC18AD2 OPTIONAL PART: 4310-029-205 V76374 ELECTRICAL EQUIP NUMBER: C01613	031100	1
- 270	MODREF251226		CIRCUIT BREAKER INSTL-AIR CONDITIONING PACK CONT VALVES R ALT P6-4/D4 MODULE NUMBER: 233A5224-201614 REV B	031100	1
275	2TC47-2-5		.CIRCUIT BREAKER- SUPPLIER CODE: V82647 SPECIFICATION NUMBER: BACC18AD2 OPTIONAL PART: 4310-029-205 V76374 ELECTRICAL EQUIP NUMBER: C01614	031100	1
- 280	MODREF251219		CIRCUIT BREAKER INSTL-AIR CONDITIONING TRIM AIR PRESS P6-4/D9 MODULE NUMBER: 233A5224-201172 REV B	031100	1
285	2TC47-5		.CIRCUIT BREAKER- SUPPLIER CODE: V82647 SPECIFICATION NUMBER: BACC18AD5 OPTIONAL PART: 4310-029-5 V76374 ELECTRICAL EQUIP NUMBER: C01172	031100	1
- 290	MODREF251206		CIRCUIT BREAKER INSTL-AIR CONDITIONING RECIRC FAN RIGHT CONT P6-4/E2 MODULE NUMBER: 233A5224-201023 REV B	031100	1

MISSING ITEM NUMBERS NOT APPLICABLE

- ITEM NOT ILLUSTRATED

HAP

24-50-54-01A

BOEING PROPRIETARY - Copyright © - Unpublished Work - See title page for details.

24-50-54
FIG. 01A
PAGE 10
FEB 15/09

BOEING
737-600/700/800/900
PARTS CATALOG (MAINTENANCE)

FIG ITEM	PART NUMBER	1 2 3 4 5 6 7	NOMENCLATURE	EFFECT FROM TO	UNITS PER ASSY
1A 295	2TC47-2-5		.CIRCUIT BREAKER- SUPPLIER CODE: V82647 SPECIFICATION NUMBER: BACC18AD2 OPTIONAL PART: 4310-029-205 V76374 ELECTRICAL EQUIP NUMBER: C01023	031100	1
- 300	MODREF251229		PLUG BUTTON INSTL-P6-4/A2 MODULE NUMBER: 233A5224-304102 REV B	031100	1
305	BS51338D5003		.PLUG- SUPPLIER CODE: V83058 SPECIFICATION NUMBER: BACP20B63B OPTIONAL PART: 51338 V83058 MISCELLANEOUS DATA: USE IN PLACE OF CIRCUIT BREAKERS ON OPEN HOLES	031100	1
- 310	MODREF251231		PLUG BUTTON INSTL-P6-4/A10 MODULE NUMBER: 233A5224-304110 REV B	031100	1
315	BS51338D5003		.PLUG- SUPPLIER CODE: V83058 SPECIFICATION NUMBER: BACP20B63B OPTIONAL PART: 51338 V83058 MISCELLANEOUS DATA: USE IN PLACE OF CIRCUIT BREAKERS ON OPEN HOLES	031100	1
- 320	MODREF251233		PLUG BUTTON INSTL-P6-4/A12 MODULE NUMBER: 233A5224-304112 REV B	031100	1

MISSING ITEM NUMBERS NOT APPLICABLE

- ITEM NOT ILLUSTRATED

HAP

24-50-54-01A

BOEING PROPRIETARY - Copyright © - Unpublished Work - See title page for details.

24-50-54
FIG. 01A
PAGE 11
FEB 15/09

BOEING
737-600/700/800/900
PARTS CATALOG (MAINTENANCE)

FIG ITEM	PART NUMBER	1 2 3 4 5 6 7	NOMENCLATURE	EFFECT FROM TO	UNITS PER ASSY
1A 325	BS51338D5003		.PLUG- SUPPLIER CODE: V83058 SPECIFICATION NUMBER: BACP20B63B OPTIONAL PART: 51338 V83058 MISCELLANEOUS DATA: USE IN PLACE OF CIRCUIT BREAKERS ON OPEN HOLES	031100	1
- 330	MODREF251234		PLUG BUTTON INSTL-P6-4/A13 MODULE NUMBER: 233A5224-304113 REV B	031100	1
335	BS51338D5003		.PLUG- SUPPLIER CODE: V83058 SPECIFICATION NUMBER: BACP20B63B OPTIONAL PART: 51338 V83058 MISCELLANEOUS DATA: USE IN PLACE OF CIRCUIT BREAKERS ON OPEN HOLES	031100	1
- 340	MODREF251235		PLUG BUTTON INSTL-P6-4/A15 MODULE NUMBER: 233A5224-304115 REV B	031100	1
345	BS51338D5003		.PLUG- SUPPLIER CODE: V83058 SPECIFICATION NUMBER: BACP20B63B OPTIONAL PART: 51338 V83058 MISCELLANEOUS DATA: USE IN PLACE OF CIRCUIT BREAKERS ON OPEN HOLES	031100	1
- 350	MODREF251236		PLUG BUTTON INSTL-P6-4/A16 MODULE NUMBER: 233A5224-304116 REV B	031100	1

MISSING ITEM NUMBERS NOT APPLICABLE

- ITEM NOT ILLUSTRATED

HAP

24-50-54-01A

BOEING PROPRIETARY - Copyright © - Unpublished Work - See title page for details.

24-50-54
FIG. 01A
PAGE 12
FEB 15/09

BOEING
737-600/700/800/900
PARTS CATALOG (MAINTENANCE)

FIG ITEM	PART NUMBER	1 2 3 4 5 6 7	NOMENCLATURE	EFFECT FROM TO	UNITS PER ASSY
1A 355	BS51338D5003		.PLUG- SUPPLIER CODE: V83058 SPECIFICATION NUMBER: BACP20B63B OPTIONAL PART: 51338 V83058 MISCELLANEOUS DATA: USE IN PLACE OF CIRCUIT BREAKERS ON OPEN HOLES	031100	1
- 360	MODREF251237		PLUG BUTTON INSTL-P6-4/A17 MODULE NUMBER: 233A5224-304117 REV B	031100	1
365	BS51338D5003		.PLUG- SUPPLIER CODE: V83058 SPECIFICATION NUMBER: BACP20B63B OPTIONAL PART: 51338 V83058 MISCELLANEOUS DATA: USE IN PLACE OF CIRCUIT BREAKERS ON OPEN HOLES	031100	1
- 370	MODREF251238		PLUG BUTTON INSTL-P6-4/A18 MODULE NUMBER: 233A5224-304118 REV B	031100	1
375	BS51338D5003		.PLUG- SUPPLIER CODE: V83058 SPECIFICATION NUMBER: BACP20B63B OPTIONAL PART: 51338 V83058 MISCELLANEOUS DATA: USE IN PLACE OF CIRCUIT BREAKERS ON OPEN HOLES	031100	1
- 380	MODREF251241		PLUG BUTTON INSTL-P6-4/B10 MODULE NUMBER: 233A5224-304210 REV B	031100	1

MISSING ITEM NUMBERS NOT APPLICABLE

- ITEM NOT ILLUSTRATED

HAP

24-50-54-01A

BOEING PROPRIETARY - Copyright © - Unpublished Work - See title page for details.

24-50-54
FIG. 01A
PAGE 13
FEB 15/09

BOEING
737-600/700/800/900
PARTS CATALOG (MAINTENANCE)

FIG ITEM	PART NUMBER	1 2 3 4 5 6 7	NOMENCLATURE	EFFECT FROM TO	UNITS PER ASSY
1A 385	BS51338D5003		.PLUG- SUPPLIER CODE: V83058 SPECIFICATION NUMBER: BACP20B63B OPTIONAL PART: 51338 V83058 MISCELLANEOUS DATA: USE IN PLACE OF CIRCUIT BREAKERS ON OPEN HOLES	031100	1
- 390	MODREF251243		PLUG BUTTON INSTL-P6-4/B12 MODULE NUMBER: 233A5224-304212 REV B	031100	1
395	BS51338D5003		.PLUG- SUPPLIER CODE: V83058 SPECIFICATION NUMBER: BACP20B63B OPTIONAL PART: 51338 V83058 MISCELLANEOUS DATA: USE IN PLACE OF CIRCUIT BREAKERS ON OPEN HOLES	031100	1
- 400	MODREF251244		PLUG BUTTON INSTL-P6-4/B13 MODULE NUMBER: 233A5224-304213 REV B	031100	1
405	BS51338D5003		.PLUG- SUPPLIER CODE: V83058 SPECIFICATION NUMBER: BACP20B63B OPTIONAL PART: 51338 V83058 MISCELLANEOUS DATA: USE IN PLACE OF CIRCUIT BREAKERS ON OPEN HOLES	031100	1
- 410	MODREF251245		PLUG BUTTON INSTL-P6-4/B15 MODULE NUMBER: 233A5224-304215 REV B	031100	1

MISSING ITEM NUMBERS NOT APPLICABLE

- ITEM NOT ILLUSTRATED

HAP

24-50-54-01A

BOEING PROPRIETARY - Copyright © - Unpublished Work - See title page for details.

24-50-54
FIG. 01A
PAGE 14
FEB 15/09

BOEING
737-600/700/800/900
PARTS CATALOG (MAINTENANCE)

FIG ITEM	PART NUMBER	1 2 3 4 5 6 7	NOMENCLATURE	EFFECT FROM TO	UNITS PER ASSY
1A 415	BS51338D5003		.PLUG- SUPPLIER CODE: V83058 SPECIFICATION NUMBER: BACP20B63B OPTIONAL PART: 51338 V83058 MISCELLANEOUS DATA: USE IN PLACE OF CIRCUIT BREAKERS ON OPEN HOLES	031100	1
- 420	MODREF251246		PLUG BUTTON INSTL-P6-4/B16 MODULE NUMBER: 233A5224-304216 REV B	031100	1
425	BS51338D5003		.PLUG- SUPPLIER CODE: V83058 SPECIFICATION NUMBER: BACP20B63B OPTIONAL PART: 51338 V83058 MISCELLANEOUS DATA: USE IN PLACE OF CIRCUIT BREAKERS ON OPEN HOLES	031100	1
- 430	MODREF251247		PLUG BUTTON INSTL-P6-4/B17 MODULE NUMBER: 233A5224-304217 REV B	031100	1
435	BS51338D5003		.PLUG- SUPPLIER CODE: V83058 SPECIFICATION NUMBER: BACP20B63B OPTIONAL PART: 51338 V83058 MISCELLANEOUS DATA: USE IN PLACE OF CIRCUIT BREAKERS ON OPEN HOLES	031100	1
- 440	MODREF251248		PLUG BUTTON INSTL-P6-4/B18 MODULE NUMBER: 233A5224-304218 REV B	031100	1

MISSING ITEM NUMBERS NOT APPLICABLE

- ITEM NOT ILLUSTRATED

HAP

24-50-54-01A

BOEING PROPRIETARY - Copyright © - Unpublished Work - See title page for details.

24-50-54
FIG. 01A
PAGE 15
FEB 15/09

BOEING
737-600/700/800/900
PARTS CATALOG (MAINTENANCE)

FIG ITEM	PART NUMBER	1 2 3 4 5 6 7	NOMENCLATURE	EFFECT FROM TO	UNITS PER ASSY
1 A 445	BS51338D5003		.PLUG- SUPPLIER CODE: V83058 SPECIFICATION NUMBER: BACP20B63B OPTIONAL PART: 51338 V83058 MISCELLANEOUS DATA: USE IN PLACE OF CIRCUIT BREAKERS ON OPEN HOLES	031100	1
- 450	MODREF251249		PLUG BUTTON INSTL-P6-4/C1 MODULE NUMBER: 233A5224-304301 REV B	031100	1
455	BS51338D5003		.PLUG- SUPPLIER CODE: V83058 SPECIFICATION NUMBER: BACP20B63B OPTIONAL PART: 51338 V83058 MISCELLANEOUS DATA: USE IN PLACE OF CIRCUIT BREAKERS ON OPEN HOLES	031100	1
- 460	MODREF251254		PLUG BUTTON INSTL-P6-4/C9 MODULE NUMBER: 233A5224-304309 REV B	031100	1
465	BS51338D5003		.PLUG- SUPPLIER CODE: V83058 SPECIFICATION NUMBER: BACP20B63B OPTIONAL PART: 51338 V83058 MISCELLANEOUS DATA: USE IN PLACE OF CIRCUIT BREAKERS ON OPEN HOLES	031100	1
- 470	MODREF251255		PLUG BUTTON INSTL-P6-4/C10 MODULE NUMBER: 233A5224-304310 REV B	031100	1

MISSING ITEM NUMBERS NOT APPLICABLE

- ITEM NOT ILLUSTRATED

HAP

24-50-54-01A

BOEING PROPRIETARY - Copyright © - Unpublished Work - See title page for details.

24-50-54
FIG. 01A
PAGE 16
FEB 15/09

BOEING
737-600/700/800/900
PARTS CATALOG (MAINTENANCE)

FIG ITEM	PART NUMBER	1 2 3 4 5 6 7	NOMENCLATURE	EFFECT FROM TO	UNITS PER ASSY
1A 475	BS51338D5003		.PLUG- SUPPLIER CODE: V83058 SPECIFICATION NUMBER: BACP20B63B OPTIONAL PART: 51338 V83058 MISCELLANEOUS DATA: USE IN PLACE OF CIRCUIT BREAKERS ON OPEN HOLES	031100	1
- 480	MODREF251256		PLUG BUTTON INSTL-P6-4/C11 MODULE NUMBER: 233A5224-304311 REV B	031100	1
485	BS51338D5003		.PLUG- SUPPLIER CODE: V83058 SPECIFICATION NUMBER: BACP20B63B OPTIONAL PART: 51338 V83058 MISCELLANEOUS DATA: USE IN PLACE OF CIRCUIT BREAKERS ON OPEN HOLES	031100	1
- 490	MODREF251257		PLUG BUTTON INSTL-P6-4/C16 MODULE NUMBER: 233A5224-304316 REV B	031100	1
495	BS51338D5003		.PLUG- SUPPLIER CODE: V83058 SPECIFICATION NUMBER: BACP20B63B OPTIONAL PART: 51338 V83058 MISCELLANEOUS DATA: USE IN PLACE OF CIRCUIT BREAKERS ON OPEN HOLES	031100	1
- 500	MODREF251258		PLUG BUTTON INSTL-P6-4/C17 MODULE NUMBER: 233A5224-304317 REV B	031100	1

MISSING ITEM NUMBERS NOT APPLICABLE

- ITEM NOT ILLUSTRATED

HAP

24-50-54-01A

BOEING PROPRIETARY - Copyright © - Unpublished Work - See title page for details.

24-50-54
FIG. 01A
PAGE 17
FEB 15/09

BOEING
737-600/700/800/900
PARTS CATALOG (MAINTENANCE)

FIG ITEM	PART NUMBER	1 2 3 4 5 6 7	NOMENCLATURE	EFFECT FROM TO	UNITS PER ASSY
1A 505	BS51338D5003		.PLUG- SUPPLIER CODE: V83058 SPECIFICATION NUMBER: BACP20B63B OPTIONAL PART: 51338 V83058 MISCELLANEOUS DATA: USE IN PLACE OF CIRCUIT BREAKERS ON OPEN HOLES	031100	1
- 510	MODREF251259		PLUG BUTTON INSTL-P6-4/C18 MODULE NUMBER: 233A5224-304318 REV B	031100	1
515	BS51338D5003		.PLUG- SUPPLIER CODE: V83058 SPECIFICATION NUMBER: BACP20B63B OPTIONAL PART: 51338 V83058 MISCELLANEOUS DATA: USE IN PLACE OF CIRCUIT BREAKERS ON OPEN HOLES	031100	1
- 520	MODREF251262		PLUG BUTTON INSTL-P6-4/D5 MODULE NUMBER: 233A5224-304405 REV B	031100	1
525	BS51338D5003		.PLUG- SUPPLIER CODE: V83058 SPECIFICATION NUMBER: BACP20B63B OPTIONAL PART: 51338 V83058 MISCELLANEOUS DATA: USE IN PLACE OF CIRCUIT BREAKERS ON OPEN HOLES	031100	1
- 530	MODREF251263		PLUG BUTTON INSTL-P6-4/D6 MODULE NUMBER: 233A5224-304406 REV B	031100	1

MISSING ITEM NUMBERS NOT APPLICABLE

- ITEM NOT ILLUSTRATED

HAP

24-50-54-01A

BOEING PROPRIETARY - Copyright © - Unpublished Work - See title page for details.

24-50-54
FIG. 01A
PAGE 18
FEB 15/09

BOEING
737-600/700/800/900
PARTS CATALOG (MAINTENANCE)

FIG ITEM	PART NUMBER	1 2 3 4 5 6 7	NOMENCLATURE	EFFECT FROM TO	UNITS PER ASSY
1A 535	BS51338D5003		.PLUG- SUPPLIER CODE: V83058 SPECIFICATION NUMBER: BACP20B63B OPTIONAL PART: 51338 V83058 MISCELLANEOUS DATA: USE IN PLACE OF CIRCUIT BREAKERS ON OPEN HOLES	031100	1
- 540	MODREF251264		PLUG BUTTON INSTL-P6-4/D7 MODULE NUMBER: 233A5224-304407 REV B	031100	1
545	BS51338D5003		.PLUG- SUPPLIER CODE: V83058 SPECIFICATION NUMBER: BACP20B63B OPTIONAL PART: 51338 V83058 MISCELLANEOUS DATA: USE IN PLACE OF CIRCUIT BREAKERS ON OPEN HOLES	031100	1
- 550	MODREF251266		PLUG BUTTON INSTL-P6-4/D10 MODULE NUMBER: 233A5224-304410 REV B	031100	1
555	BS51338D5003		.PLUG- SUPPLIER CODE: V83058 SPECIFICATION NUMBER: BACP20B63B OPTIONAL PART: 51338 V83058 MISCELLANEOUS DATA: USE IN PLACE OF CIRCUIT BREAKERS ON OPEN HOLES	031100	1
- 560	MODREF251267		PLUG BUTTON INSTL-P6-4/D12 MODULE NUMBER: 233A5224-304412 REV B	031100	1

MISSING ITEM NUMBERS NOT APPLICABLE

- ITEM NOT ILLUSTRATED

HAP

24-50-54-01A

BOEING PROPRIETARY - Copyright © - Unpublished Work - See title page for details.

24-50-54
FIG. 01A
PAGE 19
FEB 15/09

BOEING
737-600/700/800/900
PARTS CATALOG (MAINTENANCE)

FIG ITEM	PART NUMBER	1 2 3 4 5 6 7	NOMENCLATURE	EFFECT FROM TO	UNITS PER ASSY
1A 565	BS51338D5003		.PLUG- SUPPLIER CODE: V83058 SPECIFICATION NUMBER: BACP20B63B OPTIONAL PART: 51338 V83058 MISCELLANEOUS DATA: USE IN PLACE OF CIRCUIT BREAKERS ON OPEN HOLES	031100	1
- 570	MODREF251268		PLUG BUTTON INSTL-P6-4/D17 MODULE NUMBER: 233A5224-304417 REV B	031100	1
575	BS51338D5003		.PLUG- SUPPLIER CODE: V83058 SPECIFICATION NUMBER: BACP20B63B OPTIONAL PART: 51338 V83058 MISCELLANEOUS DATA: USE IN PLACE OF CIRCUIT BREAKERS ON OPEN HOLES	031100	1
- 580	MODREF251269		PLUG BUTTON INSTL-P6-4/E1 MODULE NUMBER: 233A5224-304501 REV B	031100	1
585	BS51338D5003		.PLUG- SUPPLIER CODE: V83058 SPECIFICATION NUMBER: BACP20B63B OPTIONAL PART: 51338 V83058 MISCELLANEOUS DATA: USE IN PLACE OF CIRCUIT BREAKERS ON OPEN HOLES	031100	1
- 590	MODREF251271		PLUG BUTTON INSTL-P6-4/E3 MODULE NUMBER: 233A5224-304503 REV B	031100	1

MISSING ITEM NUMBERS NOT APPLICABLE

- ITEM NOT ILLUSTRATED

HAP

24-50-54-01A

BOEING PROPRIETARY - Copyright © - Unpublished Work - See title page for details.

24-50-54
FIG. 01A
PAGE 20
FEB 15/09

BOEING
737-600/700/800/900
PARTS CATALOG (MAINTENANCE)

FIG ITEM	PART NUMBER	1 2 3 4 5 6 7	NOMENCLATURE	EFFECT FROM TO	UNITS PER ASSY
1A 595	BS51338D5003		.PLUG- SUPPLIER CODE: V83058 SPECIFICATION NUMBER: BACP20B63B OPTIONAL PART: 51338 V83058 MISCELLANEOUS DATA: USE IN PLACE OF CIRCUIT BREAKERS ON OPEN HOLES	031100	1
- 600	MODREF251272		PLUG BUTTON INSTL-P6-4/E5 MODULE NUMBER: 233A5224-304505 REV B	031100	1
605	BS51338D5003		.PLUG- SUPPLIER CODE: V83058 SPECIFICATION NUMBER: BACP20B63B OPTIONAL PART: 51338 V83058 MISCELLANEOUS DATA: USE IN PLACE OF CIRCUIT BREAKERS ON OPEN HOLES	031100	1
- 610	MODREF251273		PLUG BUTTON INSTL-P6-4/E6 MODULE NUMBER: 233A5224-304506 REV B	031100	1
615	BS51338D5003		.PLUG- SUPPLIER CODE: V83058 SPECIFICATION NUMBER: BACP20B63B OPTIONAL PART: 51338 V83058 MISCELLANEOUS DATA: USE IN PLACE OF CIRCUIT BREAKERS ON OPEN HOLES	031100	1
- 620	MODREF251274		PLUG BUTTON INSTL-P6-4/E7 MODULE NUMBER: 233A5224-304507 REV B	031100	1

MISSING ITEM NUMBERS NOT APPLICABLE

- ITEM NOT ILLUSTRATED

HAP

24-50-54-01A

BOEING PROPRIETARY - Copyright © - Unpublished Work - See title page for details.

24-50-54
FIG. 01A
PAGE 21
FEB 15/09

BOEING
737-600/700/800/900
PARTS CATALOG (MAINTENANCE)

FIG ITEM	PART NUMBER	1 2 3 4 5 6 7	NOMENCLATURE	EFFECT FROM TO	UNITS PER ASSY
1A 625	BS51338D5003		.PLUG- SUPPLIER CODE: V83058 SPECIFICATION NUMBER: BACP20B63B OPTIONAL PART: 51338 V83058 MISCELLANEOUS DATA: USE IN PLACE OF CIRCUIT BREAKERS ON OPEN HOLES	031100	1
- 630	MODREF251275		PLUG BUTTON INSTL-P6-4/E8 MODULE NUMBER: 233A5224-304508 REV B	031100	1
635	BS51338D5003		.PLUG- SUPPLIER CODE: V83058 SPECIFICATION NUMBER: BACP20B63B OPTIONAL PART: 51338 V83058 MISCELLANEOUS DATA: USE IN PLACE OF CIRCUIT BREAKERS ON OPEN HOLES	031100	1
- 640	MODREF251276		PLUG BUTTON INSTL-P6-4/E10 MODULE NUMBER: 233A5224-304510 REV B	031100	1
645	BS51338D5003		.PLUG- SUPPLIER CODE: V83058 SPECIFICATION NUMBER: BACP20B63B OPTIONAL PART: 51338 V83058 MISCELLANEOUS DATA: USE IN PLACE OF CIRCUIT BREAKERS ON OPEN HOLES	031100	1
- 650	MODREF251277		PLUG BUTTON INSTL-P6-4/E14 MODULE NUMBER: 233A5224-304514 REV B	031100	1

MISSING ITEM NUMBERS NOT APPLICABLE

- ITEM NOT ILLUSTRATED

HAP

24-50-54-01A

BOEING PROPRIETARY - Copyright © - Unpublished Work - See title page for details.

24-50-54
FIG. 01A
PAGE 22
FEB 15/09

BOEING
737-600/700/800/900
PARTS CATALOG (MAINTENANCE)

FIG ITEM	PART NUMBER	1 2 3 4 5 6 7	NOMENCLATURE	EFFECT FROM TO	UNITS PER ASSY
1A 655	BS51338D5003		.PLUG- SUPPLIER CODE: V83058 SPECIFICATION NUMBER: BACP20B63B OPTIONAL PART: 51338 V83058 MISCELLANEOUS DATA: USE IN PLACE OF CIRCUIT BREAKERS ON OPEN HOLES	031100	1
- 660	MODREF251278		PLUG BUTTON INSTL-P6-4/E17 MODULE NUMBER: 233A5224-304517 REV B	031100	1
665	BS51338D5003		.PLUG- SUPPLIER CODE: V83058 SPECIFICATION NUMBER: BACP20B63B OPTIONAL PART: 51338 V83058 MISCELLANEOUS DATA: USE IN PLACE OF CIRCUIT BREAKERS ON OPEN HOLES	031100	1
- 670	MODREF251279		PLUG BUTTON INSTL-P6-4/F2 MODULE NUMBER: 233A5224-304602 REV B	031100	1
675	BS51338D5003		.PLUG- SUPPLIER CODE: V83058 SPECIFICATION NUMBER: BACP20B63B OPTIONAL PART: 51338 V83058 MISCELLANEOUS DATA: USE IN PLACE OF CIRCUIT BREAKERS ON OPEN HOLES	031100	1
- 680	MODREF251280		PLUG BUTTON INSTL-P6-4/F4 MODULE NUMBER: 233A5224-304604 REV B	031100	1

MISSING ITEM NUMBERS NOT APPLICABLE

- ITEM NOT ILLUSTRATED

HAP

24-50-54-01A

BOEING PROPRIETARY - Copyright © - Unpublished Work - See title page for details.

24-50-54
FIG. 01A
PAGE 23
FEB 15/09

BOEING
737-600/700/800/900
PARTS CATALOG (MAINTENANCE)

FIG ITEM	PART NUMBER	1 2 3 4 5 6 7	NOMENCLATURE	EFFECT FROM TO	UNITS PER ASSY
1A 685	BS51338D5003		.PLUG- SUPPLIER CODE: V83058 SPECIFICATION NUMBER: BACP20B63B OPTIONAL PART: 51338 V83058 MISCELLANEOUS DATA: USE IN PLACE OF CIRCUIT BREAKERS ON OPEN HOLES	031100	1
- 690	MODREF251281		PLUG BUTTON INSTL-P6-4/F15 MODULE NUMBER: 233A5224-304615 REV B	031100	1
695	BS51338D5003		.PLUG- SUPPLIER CODE: V83058 SPECIFICATION NUMBER: BACP20B63B OPTIONAL PART: 51338 V83058 MISCELLANEOUS DATA: USE IN PLACE OF CIRCUIT BREAKERS ON OPEN HOLES	031100	1
- 700	MODREF251282		PLUG BUTTON INSTL-P6-4/F17 MODULE NUMBER: 233A5224-304617 REV B	031100	1
705	BS51338D5003		.PLUG- SUPPLIER CODE: V83058 SPECIFICATION NUMBER: BACP20B63B OPTIONAL PART: 51338 V83058 MISCELLANEOUS DATA: USE IN PLACE OF CIRCUIT BREAKERS ON OPEN HOLES	031100	1

MISSING ITEM NUMBERS NOT APPLICABLE

- ITEM NOT ILLUSTRATED

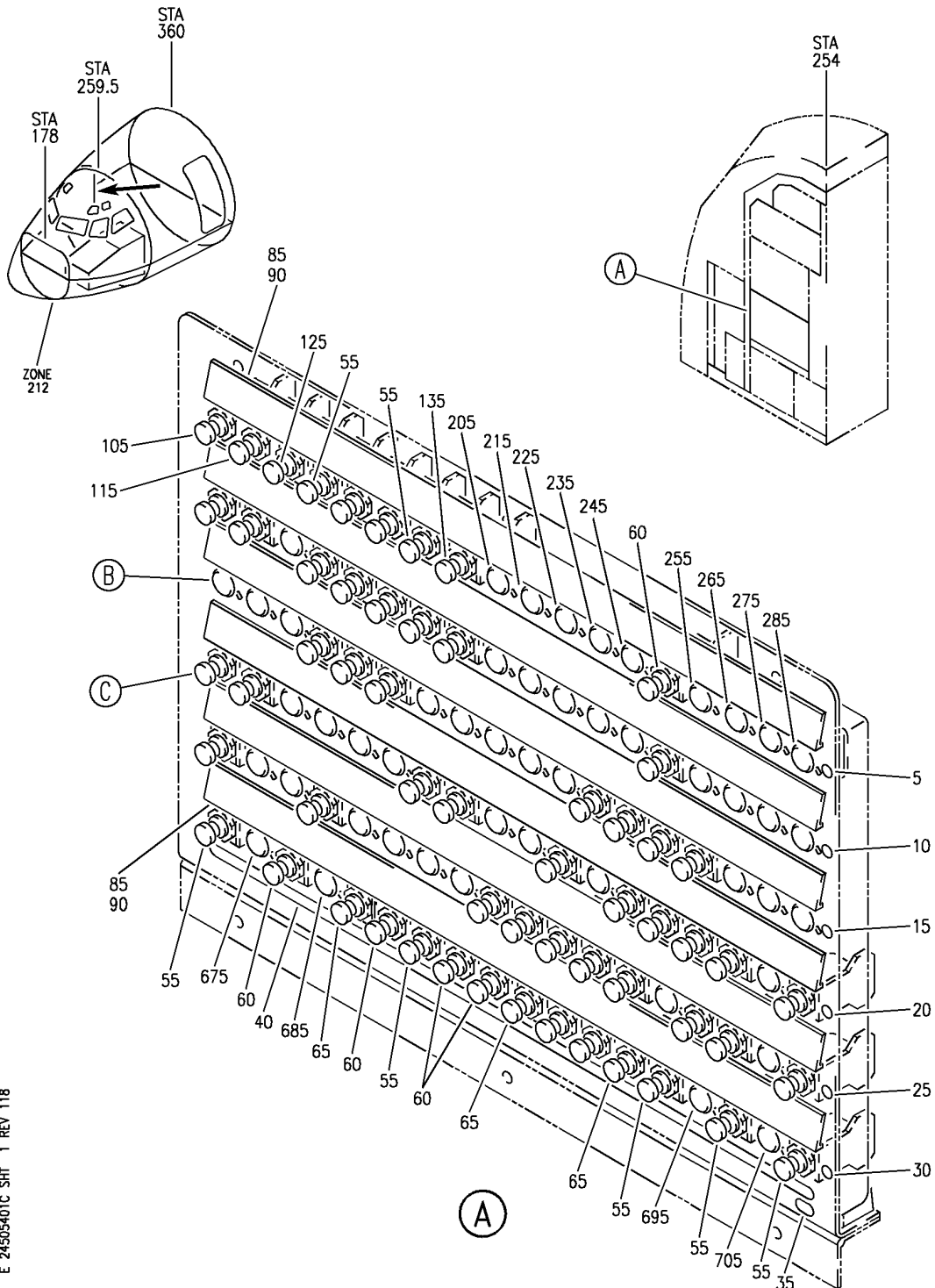
HAP

24-50-54-01A

BOEING PROPRIETARY - Copyright © - Unpublished Work - See title page for details.

24-50-54
FIG. 01A
PAGE 24
FEB 15/09

BOEING
 737-600/700/800/900
 PARTS CATALOG (MAINTENANCE)



E 24-50-54-01C SHT 1 REV 118

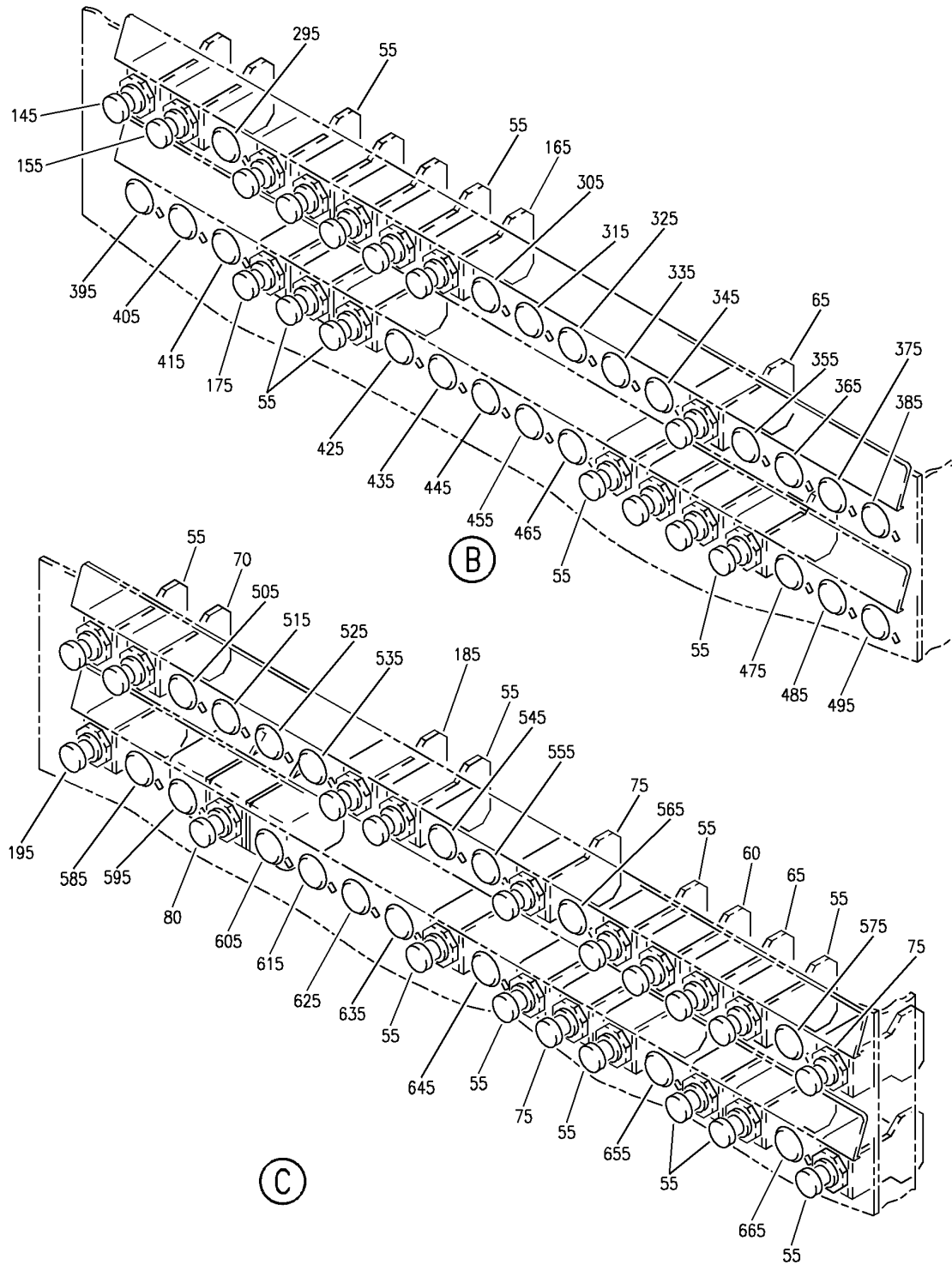
MARKER, CIRCUIT BREAKER AND PLUG BUTTON INSTL-P6-4 PNL (ELECTRICAL POWER ONLY)
 FIGURE 1C (SHEET 1)

24-50-54-01C

HAP
 FEB 10/07

24-50-54-01C
 PAGE 0

BOEING
737-600/700/800/900
PARTS CATALOG (MAINTENANCE)



E 24-50-54-01C SHT 2 REV 108

MARKER, CIRCUIT BREAKER AND PLUG BUTTON INSTL-P6-4 PNL (ELECTRICAL POWER ONLY)
 FIGURE 1C (SHEET 2)

24-50-54-01C

HAP
 FEB 10/07

24-50-54-01C
 PAGE 0A

BOEING
737-600/700/800/900
PARTS CATALOG (MAINTENANCE)

FIG ITEM	PART NUMBER	1 2 3 4 5 6 7	NOMENCLATURE	EFFECT FROM TO	UNITS PER ASSY
1C			MARKER, CIRCUIT BREAKER AND PLUG BUTTON INSTL-P6-4 PNL (ELECTRICAL POWER ONLY)	101200 968999	
- 1	MODREF251186		MARKER INSTL-P6-4 PNL MODULE NUMBER: 233A5224-1 REV D	101200 968999	1
5	BAC27DCC3065		.MARKER- PLACARD CONTENT: A	101200 968999	1
10	BAC27DCC3066		.MARKER- PLACARD CONTENT: B	101200 968999	1
15	BAC27DCC3067		.MARKER- PLACARD CONTENT: C	101200 968999	1
20	BAC27DCC3068		.MARKER- PLACARD CONTENT: D	101200 968999	1
25	BAC27DCC3069		.MARKER- PLACARD CONTENT: E	101200 968999	1
30	BAC27DCC3070		.MARKER- PLACARD CONTENT: F	101200 968999	1
35	BAC27DCC3077		.MARKER- PLACARD CONTENT: P6-4	101200 968999	1
40	BAC27DCC2744		.MARKER- PLACARD CONTENT: 1 THRU 18	101200 968999	1
- 50	MODREF254582		CIRCUIT BREAKER INSTL-P6-4 PNL (ELECTRICAL POWER ONLY) MODULE NUMBER: 233A5224-2 REV D FOR OTHER SYS DETAILS SEE: 11-31-54-01C	101200 968999	1

MISSING ITEM NUMBERS NOT APPLICABLE

- ITEM NOT ILLUSTRATED

HAP

24-50-54-01C

BOEING PROPRIETARY - Copyright © - Unpublished Work - See title page for details.

24-50-54
FIG. 01C
PAGE 1
OCT 15/08

BOEING
737-600/700/800/900
PARTS CATALOG (MAINTENANCE)

FIG ITEM	PART NUMBER	1 2 3 4 5 6 7	NOMENCLATURE	EFFECT FROM TO	UNITS PER ASSY
1C 55	2TC47-2-5		.CIRCUIT BREAKER- SUPPLIER CODE: V82647 SPECIFICATION NUMBER: BACC18AD2 OPTIONAL PART: 4310-029-205 V76374 ELECTRICAL EQUIP NUMBER: C00023 C00026 C00072 C00076 C00077 C00134 C00136 C00155 C00259 C00262 C00263 C00399 C00400 C00796 C00797 C01116 C01117 C01272 C01273 C01328 C01338 C01397 C01435 C01436 C01444 C01466 C01467 C01469 C01470	101200 968999	29

MISSING ITEM NUMBERS NOT APPLICABLE

— ITEM NOT ILLUSTRATED

HAP

24-50-54-01C

BOEING PROPRIETARY - Copyright © - Unpublished Work - See title page for details.

24-50-54
FIG. 01C
PAGE 2
OCT 15/08

BOEING
737-600/700/800/900
PARTS CATALOG (MAINTENANCE)

FIG ITEM	PART NUMBER	1 2 3 4 5 6 7	NOMENCLATURE	EFFECT FROM TO	UNITS PER ASSY
1C 60	2TC47-7-5		.CIRCUIT BREAKER- SUPPLIER CODE: V82647 SPECIFICATION NUMBER: BACC18AD7 OPTIONAL PART: 4310-029-705 V76374 ELECTRICAL EQUIP NUMBER: C00033 C01269 C01270 C01286 C01287 C02043	101200 968999	6
65	2TC47-5		.CIRCUIT BREAKER- SUPPLIER CODE: V82647 SPECIFICATION NUMBER: BACC18AD5 OPTIONAL PART: 4310-029-5 V76374 ELECTRICAL EQUIP NUMBER: C01271 C01283 C01284 C01285 C01290 C01424 C02047	101200 968999	7
70	2TC6-1		.CIRCUIT BREAKER- SUPPLIER CODE: V82647 SPECIFICATION NUMBER: BACC18Z1R OPTIONAL PART: 4310-002-1 V76374 ELECTRICAL EQUIP NUMBER: C01445	101200 968999	1

MISSING ITEM NUMBERS NOT APPLICABLE

— ITEM NOT ILLUSTRATED

HAP

24-50-54-01C

BOEING PROPRIETARY - Copyright © - Unpublished Work - See title page for details.

24-50-54
FIG. 01C
PAGE 3
OCT 15/08

BOEING
737-600/700/800/900
PARTS CATALOG (MAINTENANCE)

FIG ITEM	PART NUMBER	1 2 3 4 5 6 7	NOMENCLATURE	EFFECT FROM TO	UNITS PER ASSY
1C 75	2TC47-10		.CIRCUIT BREAKER- SUPPLIER CODE: V82647 SPECIFICATION NUMBER: BACC18AD10 OPTIONAL PART: 4310-029-10 V76374 ELECTRICAL EQUIP NUMBER: C02029 C03064 C03065	101200 968999	3
80	9TC620		.CIRCUIT BREAKER- SUPPLIER CODE: V82647 SPECIFICATION NUMBER: BACC18AE20 ELECTRICAL EQUIP NUMBER: C00884	101200 968999	1
- 100	MODREF251197		CIRCUIT BREAKER INSTL-AIR CONDITIONING TEMP CONTROL 35 F LEFT P6-4/A1 MODULE NUMBER: 233A5224-200344 REV B	101200 968999	1
105	2TC47-2-5		.CIRCUIT BREAKER- SUPPLIER CODE: V82647 SPECIFICATION NUMBER: BACC18AD2 OPTIONAL PART: 4310-029-205 V76374 ELECTRICAL EQUIP NUMBER: C00344	101200 968999	1
- 110	MODREF251195		CIRCUIT BREAKER INSTL-AIR CONDITIONING TEMP CONTROL AUTO LEFT P6-4/A2 MODULE NUMBER: 233A5224-200268 REV B	101200 968999	1
115	2TC47-2-5		.CIRCUIT BREAKER- SUPPLIER CODE: V82647 SPECIFICATION NUMBER: BACC18AD2 OPTIONAL PART: 4310-029-205 V76374 ELECTRICAL EQUIP NUMBER: C00268	101200 968999	1

MISSING ITEM NUMBERS NOT APPLICABLE

- ITEM NOT ILLUSTRATED

HAP

24-50-54-01C

BOEING PROPRIETARY - Copyright © - Unpublished Work - See title page for details.

24-50-54
FIG. 01C
PAGE 4
OCT 15/08

BOEING
737-600/700/800/900
PARTS CATALOG (MAINTENANCE)

FIG ITEM	PART NUMBER	1 2 3 4 5 6 7	NOMENCLATURE	EFFECT FROM TO	UNITS PER ASSY
1C - 120	MODREF251194		CIRCUIT BREAKER INSTL-AIR CONDITIONING TEMP CONTROL MANUAL P6-4/A3 MODULE NUMBER: 233A5224-200267 REV B	101200 968999	1
125	2TC47-2-5		.CIRCUIT BREAKER- SUPPLIER CODE: V82647 SPECIFICATION NUMBER: BACC18AD2 OPTIONAL PART: 4310-029-205 V76374 ELECTRICAL EQUIP NUMBER: C00267	101200 968999	1
- 130	MODREF251192		CIRCUIT BREAKER INSTL-AIR CONDITIONING RAM AIR MOD CONT LEFT P6-4/A8 MODULE NUMBER: 233A5224-200265 REV B	101200 968999	1
135	2TC47-2-5		.CIRCUIT BREAKER- SUPPLIER CODE: V82647 SPECIFICATION NUMBER: BACC18AD2 OPTIONAL PART: 4310-029-205 V76374 ELECTRICAL EQUIP NUMBER: C00265	101200 968999	1
- 140	MODREF251198		CIRCUIT BREAKER INSTL-AIR CONDITIONING TEMP CONTROL 35 F RIGHT P6-4/B1 MODULE NUMBER: 233A5224-200345 REV B	101200 968999	1
145	2TC47-2-5		.CIRCUIT BREAKER- SUPPLIER CODE: V82647 SPECIFICATION NUMBER: BACC18AD2 OPTIONAL PART: 4310-029-205 V76374 ELECTRICAL EQUIP NUMBER: C00345	101200 968999	1

MISSING ITEM NUMBERS NOT APPLICABLE

- ITEM NOT ILLUSTRATED

HAP

24-50-54-01C

BOEING PROPRIETARY - Copyright © - Unpublished Work - See title page for details.

24-50-54
FIG. 01C
PAGE 5
OCT 15/08

BOEING
737-600/700/800/900
PARTS CATALOG (MAINTENANCE)

FIG ITEM	PART NUMBER	1 2 3 4 5 6 7	NOMENCLATURE	EFFECT FROM TO	UNITS PER ASSY
1C - 150	MODREF251191		CIRCUIT BREAKER INSTL-AIR CONDITIONING TEMP CONTROL AUTO RIGHT P6-4/B2 MODULE NUMBER: 233A5224-200258 REV B	101200 968999	1
155	2TC47-2-5		.CIRCUIT BREAKER- SUPPLIER CODE: V82647 SPECIFICATION NUMBER: BACC18AD2 OPTIONAL PART: 4310-029-205 V76374 ELECTRICAL EQUIP NUMBER: C00258	101200 968999	1
- 160	MODREF251193		CIRCUIT BREAKER INSTL-AIR CONDITIONING RAM AIR MOD CONT RIGHT P6-4/B8 MODULE NUMBER: 233A5224-200266 REV B	101200 968999	1
165	2TC47-2-5		.CIRCUIT BREAKER- SUPPLIER CODE: V82647 SPECIFICATION NUMBER: BACC18AD2 OPTIONAL PART: 4310-029-205 V76374 ELECTRICAL EQUIP NUMBER: C00266	101200 968999	1
- 170	MODREF251190		CIRCUIT BREAKER INSTL-AIR CONDITIONING OVER HEAT P6-4/C4 MODULE NUMBER: 233A5224-200257 REV B	101200 968999	1
175	2TC47-2-5		.CIRCUIT BREAKER- SUPPLIER CODE: V82647 SPECIFICATION NUMBER: BACC18AD2 OPTIONAL PART: 4310-029-205 V76374 ELECTRICAL EQUIP NUMBER: C00257	101200 968999	1

MISSING ITEM NUMBERS NOT APPLICABLE

- ITEM NOT ILLUSTRATED

HAP

24-50-54-01C

BOEING PROPRIETARY - Copyright © - Unpublished Work - See title page for details.

24-50-54
FIG. 01C
PAGE 6
OCT 15/08

BOEING
737-600/700/800/900
PARTS CATALOG (MAINTENANCE)

FIG ITEM	PART NUMBER	1 2 3 4 5 6 7	NOMENCLATURE	EFFECT FROM TO	UNITS PER ASSY
1C - 180	MODREF251188		CIRCUIT BREAKER INSTL-AIR CONDITIONING MIX VALVE POS IND P6-4/D7 MODULE NUMBER: 233A5224-200124 REV B	101200 968999	1
185	2TC47-2-5		.CIRCUIT BREAKER- SUPPLIER CODE: V82647 SPECIFICATION NUMBER: BACC18AD2 OPTIONAL PART: 4310-029-205 V76374 ELECTRICAL EQUIP NUMBER: C00124	101200 968999	1
- 190	MODREF251205		CIRCUIT BREAKER INSTL-AIR CONDITIONING RECIRC FAN CONT P6-4/E1 MODULE NUMBER: 233A5224-201015 REV B	101200 968999	1
195	2TC47-2-5		.CIRCUIT BREAKER- SUPPLIER CODE: V82647 SPECIFICATION NUMBER: BACC18AD2 OPTIONAL PART: 4310-029-205 V76374 ELECTRICAL EQUIP NUMBER: C01015	101200 968999	1
- 200	MODREF251230		PLUG BUTTON INSTL-P6-4/A9 MODULE NUMBER: 233A5224-304109 REV B	101200 968999	1
205	BS51338D5003		.PLUG- SUPPLIER CODE: V83058 SPECIFICATION NUMBER: BACP20B63B OPTIONAL PART: 51338 V83058 MISCELLANEOUS DATA: USE IN PLACE OF CIRCUIT BREAKERS ON OPEN HOLES	101200 968999	1
- 210	MODREF251231		PLUG BUTTON INSTL-P6-4/A10 MODULE NUMBER: 233A5224-304110 REV B	101200 968999	1

MISSING ITEM NUMBERS NOT APPLICABLE

- ITEM NOT ILLUSTRATED

HAP

24-50-54-01C

BOEING PROPRIETARY - Copyright © - Unpublished Work - See title page for details.

24-50-54
FIG. 01C
PAGE 7
OCT 15/08

BOEING
737-600/700/800/900
PARTS CATALOG (MAINTENANCE)

FIG ITEM	PART NUMBER	1 2 3 4 5 6 7	NOMENCLATURE	EFFECT FROM TO	UNITS PER ASSY
1C 215	BS51338D5003		.PLUG- SUPPLIER CODE: V83058 SPECIFICATION NUMBER: BACP20B63B OPTIONAL PART: 51338 V83058 MISCELLANEOUS DATA: USE IN PLACE OF CIRCUIT BREAKERS ON OPEN HOLES	101200 968999	1
- 220	MODREF251232		PLUG BUTTON INSTL-P6-4/A11 MODULE NUMBER: 233A5224-304111 REV B	101200 968999	1
225	BS51338D5003		.PLUG- SUPPLIER CODE: V83058 SPECIFICATION NUMBER: BACP20B63B OPTIONAL PART: 51338 V83058 MISCELLANEOUS DATA: USE IN PLACE OF CIRCUIT BREAKERS ON OPEN HOLES	101200 968999	1
- 230	MODREF251233		PLUG BUTTON INSTL-P6-4/A12 MODULE NUMBER: 233A5224-304112 REV B	101200 968999	1
235	BS51338D5003		.PLUG- SUPPLIER CODE: V83058 SPECIFICATION NUMBER: BACP20B63B OPTIONAL PART: 51338 V83058 MISCELLANEOUS DATA: USE IN PLACE OF CIRCUIT BREAKERS ON OPEN HOLES	101200 968999	1
- 240	MODREF251234		PLUG BUTTON INSTL-P6-4/A13 MODULE NUMBER: 233A5224-304113 REV B	101200 968999	1

MISSING ITEM NUMBERS NOT APPLICABLE

- ITEM NOT ILLUSTRATED

HAP

24-50-54-01C

BOEING PROPRIETARY - Copyright © - Unpublished Work - See title page for details.

24-50-54
FIG. 01C
PAGE 8
OCT 15/08

BOEING
737-600/700/800/900
PARTS CATALOG (MAINTENANCE)

FIG ITEM	PART NUMBER	1 2 3 4 5 6 7	NOMENCLATURE	EFFECT FROM TO	UNITS PER ASSY
1C 245	BS51338D5003		.PLUG- SUPPLIER CODE: V83058 SPECIFICATION NUMBER: BACP20B63B OPTIONAL PART: 51338 V83058 MISCELLANEOUS DATA: USE IN PLACE OF CIRCUIT BREAKERS ON OPEN HOLES	101200 968999	1
- 250	MODREF251235		PLUG BUTTON INSTL-P6-4/A15 MODULE NUMBER: 233A5224-304115 REV B	101200 968999	1
255	BS51338D5003		.PLUG- SUPPLIER CODE: V83058 SPECIFICATION NUMBER: BACP20B63B OPTIONAL PART: 51338 V83058 MISCELLANEOUS DATA: USE IN PLACE OF CIRCUIT BREAKERS ON OPEN HOLES	101200 968999	1
- 260	MODREF251236		PLUG BUTTON INSTL-P6-4/A16 MODULE NUMBER: 233A5224-304116 REV B	101200 968999	1
265	BS51338D5003		.PLUG- SUPPLIER CODE: V83058 SPECIFICATION NUMBER: BACP20B63B OPTIONAL PART: 51338 V83058 MISCELLANEOUS DATA: USE IN PLACE OF CIRCUIT BREAKERS ON OPEN HOLES	101200 968999	1
- 270	MODREF251237		PLUG BUTTON INSTL-P6-4/A17 MODULE NUMBER: 233A5224-304117 REV B	101200 968999	1

MISSING ITEM NUMBERS NOT APPLICABLE

- ITEM NOT ILLUSTRATED

HAP

24-50-54-01C

BOEING PROPRIETARY - Copyright © - Unpublished Work - See title page for details.

24-50-54
FIG. 01C
PAGE 9
OCT 15/08


BOEING
 737-600/700/800/900
PARTS CATALOG (MAINTENANCE)

FIG ITEM	PART NUMBER	1 2 3 4 5 6 7	NOMENCLATURE	EFFECT FROM TO	UNITS PER ASSY
1C 275	BS51338D5003		.PLUG- SUPPLIER CODE: V83058 SPECIFICATION NUMBER: BACP20B63B OPTIONAL PART: 51338 V83058 MISCELLANEOUS DATA: USE IN PLACE OF CIRCUIT BREAKERS ON OPEN HOLES	101200 968999	1
- 280	MODREF251238		PLUG BUTTON INSTL-P6-4/A18 MODULE NUMBER: 233A5224-304118 REV B	101200 968999	1
285	BS51338D5003		.PLUG- SUPPLIER CODE: V83058 SPECIFICATION NUMBER: BACP20B63B OPTIONAL PART: 51338 V83058 MISCELLANEOUS DATA: USE IN PLACE OF CIRCUIT BREAKERS ON OPEN HOLES	101200 968999	1
- 290	MODREF251239		PLUG BUTTON INSTL-P6-4/B3 MODULE NUMBER: 233A5224-304203 REV B	101200 968999	1
295	BS51338D5003		.PLUG- SUPPLIER CODE: V83058 SPECIFICATION NUMBER: BACP20B63B OPTIONAL PART: 51338 V83058 MISCELLANEOUS DATA: USE IN PLACE OF CIRCUIT BREAKERS ON OPEN HOLES	101200 968999	1
- 300	MODREF251240		PLUG BUTTON INSTL-P6-4/B9 MODULE NUMBER: 233A5224-304209 REV B	101200 968999	1

MISSING ITEM NUMBERS NOT APPLICABLE

- ITEM NOT ILLUSTRATED

HAP

24-50-54-01C

BOEING PROPRIETARY - Copyright © - Unpublished Work - See title page for details.

24-50-54
 FIG. 01C
 PAGE 10
 OCT 15/08

BOEING
737-600/700/800/900
PARTS CATALOG (MAINTENANCE)

FIG ITEM	PART NUMBER	1 2 3 4 5 6 7	NOMENCLATURE	EFFECT FROM TO	UNITS PER ASSY
1C 305	BS51338D5003		.PLUG- SUPPLIER CODE: V83058 SPECIFICATION NUMBER: BACP20B63B OPTIONAL PART: 51338 V83058 MISCELLANEOUS DATA: USE IN PLACE OF CIRCUIT BREAKERS ON OPEN HOLES	101200 968999	1
- 310	MODREF251241		PLUG BUTTON INSTL-P6-4/B10 MODULE NUMBER: 233A5224-304210 REV B	101200 968999	1
315	BS51338D5003		.PLUG- SUPPLIER CODE: V83058 SPECIFICATION NUMBER: BACP20B63B OPTIONAL PART: 51338 V83058 MISCELLANEOUS DATA: USE IN PLACE OF CIRCUIT BREAKERS ON OPEN HOLES	101200 968999	1
- 320	MODREF251242		PLUG BUTTON INSTL-P6-4/B11 MODULE NUMBER: 233A5224-304211 REV B	101200 968999	1
325	BS51338D5003		.PLUG- SUPPLIER CODE: V83058 SPECIFICATION NUMBER: BACP20B63B OPTIONAL PART: 51338 V83058 MISCELLANEOUS DATA: USE IN PLACE OF CIRCUIT BREAKERS ON OPEN HOLES	101200 968999	1
- 330	MODREF251243		PLUG BUTTON INSTL-P6-4/B12 MODULE NUMBER: 233A5224-304212 REV B	101200 968999	1

MISSING ITEM NUMBERS NOT APPLICABLE

- ITEM NOT ILLUSTRATED

HAP

24-50-54-01C

BOEING PROPRIETARY - Copyright © - Unpublished Work - See title page for details.

24-50-54
FIG. 01C
PAGE 11
OCT 15/08

BOEING
737-600/700/800/900
PARTS CATALOG (MAINTENANCE)

FIG ITEM	PART NUMBER	1 2 3 4 5 6 7	NOMENCLATURE	EFFECT FROM TO	UNITS PER ASSY
1C 335	BS51338D5003		.PLUG- SUPPLIER CODE: V83058 SPECIFICATION NUMBER: BACP20B63B OPTIONAL PART: 51338 V83058 MISCELLANEOUS DATA: USE IN PLACE OF CIRCUIT BREAKERS ON OPEN HOLES	101200 968999	1
- 340	MODREF251244		PLUG BUTTON INSTL-P6-4/B13 MODULE NUMBER: 233A5224-304213 REV B	101200 968999	1
345	BS51338D5003		.PLUG- SUPPLIER CODE: V83058 SPECIFICATION NUMBER: BACP20B63B OPTIONAL PART: 51338 V83058 MISCELLANEOUS DATA: USE IN PLACE OF CIRCUIT BREAKERS ON OPEN HOLES	101200 968999	1
- 350	MODREF251245		PLUG BUTTON INSTL-P6-4/B15 MODULE NUMBER: 233A5224-304215 REV B	101200 968999	1
355	BS51338D5003		.PLUG- SUPPLIER CODE: V83058 SPECIFICATION NUMBER: BACP20B63B OPTIONAL PART: 51338 V83058 MISCELLANEOUS DATA: USE IN PLACE OF CIRCUIT BREAKERS ON OPEN HOLES	101200 968999	1
- 360	MODREF251246		PLUG BUTTON INSTL-P6-4/B16 MODULE NUMBER: 233A5224-304216 REV B	101200 968999	1

MISSING ITEM NUMBERS NOT APPLICABLE

- ITEM NOT ILLUSTRATED

HAP

24-50-54-01C

BOEING PROPRIETARY - Copyright © - Unpublished Work - See title page for details.

24-50-54
FIG. 01C
PAGE 12
OCT 15/08

BOEING
737-600/700/800/900
PARTS CATALOG (MAINTENANCE)

FIG ITEM	PART NUMBER	1 2 3 4 5 6 7	NOMENCLATURE	EFFECT FROM TO	UNITS PER ASSY
1C 365	BS51338D5003		.PLUG- SUPPLIER CODE: V83058 SPECIFICATION NUMBER: BACP20B63B OPTIONAL PART: 51338 V83058 MISCELLANEOUS DATA: USE IN PLACE OF CIRCUIT BREAKERS ON OPEN HOLES	101200 968999	1
- 370	MODREF251247		PLUG BUTTON INSTL-P6-4/B17 MODULE NUMBER: 233A5224-304217 REV B	101200 968999	1
375	BS51338D5003		.PLUG- SUPPLIER CODE: V83058 SPECIFICATION NUMBER: BACP20B63B OPTIONAL PART: 51338 V83058 MISCELLANEOUS DATA: USE IN PLACE OF CIRCUIT BREAKERS ON OPEN HOLES	101200 968999	1
- 380	MODREF251248		PLUG BUTTON INSTL-P6-4/B18 MODULE NUMBER: 233A5224-304218 REV B	101200 968999	1
385	BS51338D5003		.PLUG- SUPPLIER CODE: V83058 SPECIFICATION NUMBER: BACP20B63B OPTIONAL PART: 51338 V83058 MISCELLANEOUS DATA: USE IN PLACE OF CIRCUIT BREAKERS ON OPEN HOLES	101200 968999	1
- 390	MODREF251249		PLUG BUTTON INSTL-P6-4/C1 MODULE NUMBER: 233A5224-304301 REV B	101200 968999	1

MISSING ITEM NUMBERS NOT APPLICABLE

- ITEM NOT ILLUSTRATED

HAP

24-50-54-01C

BOEING PROPRIETARY - Copyright © - Unpublished Work - See title page for details.

24-50-54
FIG. 01C
PAGE 13
OCT 15/08

BOEING
737-600/700/800/900
PARTS CATALOG (MAINTENANCE)

FIG ITEM	PART NUMBER	1 2 3 4 5 6 7	NOMENCLATURE	EFFECT FROM TO	UNITS PER ASSY
1C 395	BS51338D5003		.PLUG- SUPPLIER CODE: V83058 SPECIFICATION NUMBER: BACP20B63B OPTIONAL PART: 51338 V83058 MISCELLANEOUS DATA: USE IN PLACE OF CIRCUIT BREAKERS ON OPEN HOLES	101200 968999	1
- 400	MODREF251250		PLUG BUTTON INSTL-P6-4/C2 MODULE NUMBER: 233A5224-304302 REV B	101200 968999	1
405	BS51338D5003		.PLUG- SUPPLIER CODE: V83058 SPECIFICATION NUMBER: BACP20B63B OPTIONAL PART: 51338 V83058 MISCELLANEOUS DATA: USE IN PLACE OF CIRCUIT BREAKERS ON OPEN HOLES	101200 968999	1
- 410	MODREF251251		PLUG BUTTON INSTL-P6-4/C3 MODULE NUMBER: 233A5224-304303 REV B	101200 968999	1
415	BS51338D5003		.PLUG- SUPPLIER CODE: V83058 SPECIFICATION NUMBER: BACP20B63B OPTIONAL PART: 51338 V83058 MISCELLANEOUS DATA: USE IN PLACE OF CIRCUIT BREAKERS ON OPEN HOLES	101200 968999	1
- 420	MODREF251252		PLUG BUTTON INSTL-P6-4/C7 MODULE NUMBER: 233A5224-304307 REV B	101200 968999	1

MISSING ITEM NUMBERS NOT APPLICABLE

- ITEM NOT ILLUSTRATED

HAP

24-50-54-01C

BOEING PROPRIETARY - Copyright © - Unpublished Work - See title page for details.

24-50-54
FIG. 01C
PAGE 14
OCT 15/08

BOEING
737-600/700/800/900
PARTS CATALOG (MAINTENANCE)

FIG ITEM	PART NUMBER	1 2 3 4 5 6 7	NOMENCLATURE	EFFECT FROM TO	UNITS PER ASSY
1C 425	BS51338D5003		.PLUG- SUPPLIER CODE: V83058 SPECIFICATION NUMBER: BACP20B63B OPTIONAL PART: 51338 V83058 MISCELLANEOUS DATA: USE IN PLACE OF CIRCUIT BREAKERS ON OPEN HOLES	101200 968999	1
- 430	MODREF251253		PLUG BUTTON INSTL-P6-4/C8 MODULE NUMBER: 233A5224-304308 REV B	101200 968999	1
435	BS51338D5003		.PLUG- SUPPLIER CODE: V83058 SPECIFICATION NUMBER: BACP20B63B OPTIONAL PART: 51338 V83058 MISCELLANEOUS DATA: USE IN PLACE OF CIRCUIT BREAKERS ON OPEN HOLES	101200 968999	1
- 440	MODREF251254		PLUG BUTTON INSTL-P6-4/C9 MODULE NUMBER: 233A5224-304309 REV B	101200 968999	1
445	BS51338D5003		.PLUG- SUPPLIER CODE: V83058 SPECIFICATION NUMBER: BACP20B63B OPTIONAL PART: 51338 V83058 MISCELLANEOUS DATA: USE IN PLACE OF CIRCUIT BREAKERS ON OPEN HOLES	101200 968999	1
- 450	MODREF251255		PLUG BUTTON INSTL-P6-4/C10 MODULE NUMBER: 233A5224-304310 REV B	101200 968999	1

MISSING ITEM NUMBERS NOT APPLICABLE

- ITEM NOT ILLUSTRATED

HAP

24-50-54-01C

BOEING PROPRIETARY - Copyright © - Unpublished Work - See title page for details.

24-50-54
FIG. 01C
PAGE 15
OCT 15/08

BOEING
737-600/700/800/900
PARTS CATALOG (MAINTENANCE)

FIG ITEM	PART NUMBER	1 2 3 4 5 6 7	NOMENCLATURE	EFFECT FROM TO	UNITS PER ASSY
1C 455	BS51338D5003		.PLUG- SUPPLIER CODE: V83058 SPECIFICATION NUMBER: BACP20B63B OPTIONAL PART: 51338 V83058 MISCELLANEOUS DATA: USE IN PLACE OF CIRCUIT BREAKERS ON OPEN HOLES	101200 968999	1
- 460	MODREF251256		PLUG BUTTON INSTL-P6-4/C11 MODULE NUMBER: 233A5224-304311 REV B	101200 968999	1
465	BS51338D5003		.PLUG- SUPPLIER CODE: V83058 SPECIFICATION NUMBER: BACP20B63B OPTIONAL PART: 51338 V83058 MISCELLANEOUS DATA: USE IN PLACE OF CIRCUIT BREAKERS ON OPEN HOLES	101200 968999	1
- 470	MODREF251257		PLUG BUTTON INSTL-P6-4/C16 MODULE NUMBER: 233A5224-304316 REV B	101200 968999	1
475	BS51338D5003		.PLUG- SUPPLIER CODE: V83058 SPECIFICATION NUMBER: BACP20B63B OPTIONAL PART: 51338 V83058 MISCELLANEOUS DATA: USE IN PLACE OF CIRCUIT BREAKERS ON OPEN HOLES	101200 968999	1
- 480	MODREF251258		PLUG BUTTON INSTL-P6-4/C17 MODULE NUMBER: 233A5224-304317 REV B	101200 968999	1

MISSING ITEM NUMBERS NOT APPLICABLE

- ITEM NOT ILLUSTRATED

HAP

24-50-54-01C

BOEING PROPRIETARY - Copyright © - Unpublished Work - See title page for details.

24-50-54
FIG. 01C
PAGE 16
OCT 15/08

BOEING
737-600/700/800/900
PARTS CATALOG (MAINTENANCE)

FIG ITEM	PART NUMBER	1 2 3 4 5 6 7	NOMENCLATURE	EFFECT FROM TO	UNITS PER ASSY
1C 485	BS51338D5003		.PLUG- SUPPLIER CODE: V83058 SPECIFICATION NUMBER: BACP20B63B OPTIONAL PART: 51338 V83058 MISCELLANEOUS DATA: USE IN PLACE OF CIRCUIT BREAKERS ON OPEN HOLES	101200 968999	1
- 490	MODREF251259		PLUG BUTTON INSTL-P6-4/C18 MODULE NUMBER: 233A5224-304318 REV B	101200 968999	1
495	BS51338D5003		.PLUG- SUPPLIER CODE: V83058 SPECIFICATION NUMBER: BACP20B63B OPTIONAL PART: 51338 V83058 MISCELLANEOUS DATA: USE IN PLACE OF CIRCUIT BREAKERS ON OPEN HOLES	101200 968999	1
- 500	MODREF251260		PLUG BUTTON INSTL-P6-4/D3 MODULE NUMBER: 233A5224-304403 REV B	101200 968999	1
505	BS51338D5003		.PLUG- SUPPLIER CODE: V83058 SPECIFICATION NUMBER: BACP20B63B OPTIONAL PART: 51338 V83058 MISCELLANEOUS DATA: USE IN PLACE OF CIRCUIT BREAKERS ON OPEN HOLES	101200 968999	1
- 510	MODREF251261		PLUG BUTTON INSTL-P6-4/D4 MODULE NUMBER: 233A5224-304404 REV B	101200 968999	1

MISSING ITEM NUMBERS NOT APPLICABLE

- ITEM NOT ILLUSTRATED

HAP

24-50-54-01C

BOEING PROPRIETARY - Copyright © - Unpublished Work - See title page for details.

24-50-54
FIG. 01C
PAGE 17
OCT 15/08

BOEING
737-600/700/800/900
PARTS CATALOG (MAINTENANCE)

FIG ITEM	PART NUMBER	1 2 3 4 5 6 7	NOMENCLATURE	EFFECT FROM TO	UNITS PER ASSY
1C 515	BS51338D5003		.PLUG- SUPPLIER CODE: V83058 SPECIFICATION NUMBER: BACP20B63B OPTIONAL PART: 51338 V83058 MISCELLANEOUS DATA: USE IN PLACE OF CIRCUIT BREAKERS ON OPEN HOLES	101200 968999	1
- 520	MODREF251262		PLUG BUTTON INSTL-P6-4/D5 MODULE NUMBER: 233A5224-304405 REV B	101200 968999	1
525	BS51338D5003		.PLUG- SUPPLIER CODE: V83058 SPECIFICATION NUMBER: BACP20B63B OPTIONAL PART: 51338 V83058 MISCELLANEOUS DATA: USE IN PLACE OF CIRCUIT BREAKERS ON OPEN HOLES	101200 968999	1
- 530	MODREF251263		PLUG BUTTON INSTL-P6-4/D6 MODULE NUMBER: 233A5224-304406 REV B	101200 968999	1
535	BS51338D5003		.PLUG- SUPPLIER CODE: V83058 SPECIFICATION NUMBER: BACP20B63B OPTIONAL PART: 51338 V83058 MISCELLANEOUS DATA: USE IN PLACE OF CIRCUIT BREAKERS ON OPEN HOLES	101200 968999	1
- 540	MODREF251265		PLUG BUTTON INSTL-P6-4/D9 MODULE NUMBER: 233A5224-304409 REV B	101200 968999	1

MISSING ITEM NUMBERS NOT APPLICABLE

- ITEM NOT ILLUSTRATED

HAP

24-50-54-01C

BOEING PROPRIETARY - Copyright © - Unpublished Work - See title page for details.

24-50-54
FIG. 01C
PAGE 18
OCT 15/08

BOEING
737-600/700/800/900
PARTS CATALOG (MAINTENANCE)

FIG ITEM	PART NUMBER	1 2 3 4 5 6 7	NOMENCLATURE	EFFECT FROM TO	UNITS PER ASSY
1C 545	BS51338D5003		.PLUG- SUPPLIER CODE: V83058 SPECIFICATION NUMBER: BACP20B63B OPTIONAL PART: 51338 V83058 MISCELLANEOUS DATA: USE IN PLACE OF CIRCUIT BREAKERS ON OPEN HOLES	101200 968999	1
- 550	MODREF251266		PLUG BUTTON INSTL-P6-4/D10 MODULE NUMBER: 233A5224-304410 REV B	101200 968999	1
555	BS51338D5003		.PLUG- SUPPLIER CODE: V83058 SPECIFICATION NUMBER: BACP20B63B OPTIONAL PART: 51338 V83058 MISCELLANEOUS DATA: USE IN PLACE OF CIRCUIT BREAKERS ON OPEN HOLES	101200 968999	1
- 560	MODREF251267		PLUG BUTTON INSTL-P6-4/D12 MODULE NUMBER: 233A5224-304412 REV B	101200 968999	1
565	BS51338D5003		.PLUG- SUPPLIER CODE: V83058 SPECIFICATION NUMBER: BACP20B63B OPTIONAL PART: 51338 V83058 MISCELLANEOUS DATA: USE IN PLACE OF CIRCUIT BREAKERS ON OPEN HOLES	101200 968999	1
- 570	MODREF251268		PLUG BUTTON INSTL-P6-4/D17 MODULE NUMBER: 233A5224-304417 REV B	101200 968999	1

MISSING ITEM NUMBERS NOT APPLICABLE

- ITEM NOT ILLUSTRATED

HAP

24-50-54-01C

BOEING PROPRIETARY - Copyright © - Unpublished Work - See title page for details.

24-50-54
FIG. 01C
PAGE 19
OCT 15/08

BOEING
737-600/700/800/900
PARTS CATALOG (MAINTENANCE)

FIG ITEM	PART NUMBER	1 2 3 4 5 6 7	NOMENCLATURE	EFFECT FROM TO	UNITS PER ASSY
1C 575	BS51338D5003		.PLUG- SUPPLIER CODE: V83058 SPECIFICATION NUMBER: BACP20B63B OPTIONAL PART: 51338 V83058 MISCELLANEOUS DATA: USE IN PLACE OF CIRCUIT BREAKERS ON OPEN HOLES	101200 968999	1
- 580	MODREF251270		PLUG BUTTON INSTL-P6-4/E2 MODULE NUMBER: 233A5224-304502 REV B	101200 968999	1
585	BS51338D5003		.PLUG- SUPPLIER CODE: V83058 SPECIFICATION NUMBER: BACP20B63B OPTIONAL PART: 51338 V83058 MISCELLANEOUS DATA: USE IN PLACE OF CIRCUIT BREAKERS ON OPEN HOLES	101200 968999	1
- 590	MODREF251271		PLUG BUTTON INSTL-P6-4/E3 MODULE NUMBER: 233A5224-304503 REV B	101200 968999	1
595	BS51338D5003		.PLUG- SUPPLIER CODE: V83058 SPECIFICATION NUMBER: BACP20B63B OPTIONAL PART: 51338 V83058 MISCELLANEOUS DATA: USE IN PLACE OF CIRCUIT BREAKERS ON OPEN HOLES	101200 968999	1
- 600	MODREF251272		PLUG BUTTON INSTL-P6-4/E5 MODULE NUMBER: 233A5224-304505 REV B	101200 968999	1

MISSING ITEM NUMBERS NOT APPLICABLE

- ITEM NOT ILLUSTRATED

HAP

24-50-54-01C

BOEING PROPRIETARY - Copyright © - Unpublished Work - See title page for details.

24-50-54
FIG. 01C
PAGE 20
OCT 15/08

BOEING
737-600/700/800/900
PARTS CATALOG (MAINTENANCE)

FIG ITEM	PART NUMBER	1 2 3 4 5 6 7	NOMENCLATURE	EFFECT FROM TO	UNITS PER ASSY
1C 605	BS51338D5003		.PLUG- SUPPLIER CODE: V83058 SPECIFICATION NUMBER: BACP20B63B OPTIONAL PART: 51338 V83058 MISCELLANEOUS DATA: USE IN PLACE OF CIRCUIT BREAKERS ON OPEN HOLES	101200 968999	1
- 610	MODREF251273		PLUG BUTTON INSTL-P6-4/E6 MODULE NUMBER: 233A5224-304506 REV B	101200 968999	1
615	BS51338D5003		.PLUG- SUPPLIER CODE: V83058 SPECIFICATION NUMBER: BACP20B63B OPTIONAL PART: 51338 V83058 MISCELLANEOUS DATA: USE IN PLACE OF CIRCUIT BREAKERS ON OPEN HOLES	101200 968999	1
- 620	MODREF251274		PLUG BUTTON INSTL-P6-4/E7 MODULE NUMBER: 233A5224-304507 REV B	101200 968999	1
625	BS51338D5003		.PLUG- SUPPLIER CODE: V83058 SPECIFICATION NUMBER: BACP20B63B OPTIONAL PART: 51338 V83058 MISCELLANEOUS DATA: USE IN PLACE OF CIRCUIT BREAKERS ON OPEN HOLES	101200 968999	1
- 630	MODREF251275		PLUG BUTTON INSTL-P6-4/E8 MODULE NUMBER: 233A5224-304508 REV B	101200 968999	1

MISSING ITEM NUMBERS NOT APPLICABLE

- ITEM NOT ILLUSTRATED

HAP

24-50-54-01C

BOEING PROPRIETARY - Copyright © - Unpublished Work - See title page for details.

24-50-54
FIG. 01C
PAGE 21
OCT 15/08

BOEING
737-600/700/800/900
PARTS CATALOG (MAINTENANCE)

FIG ITEM	PART NUMBER	1 2 3 4 5 6 7	NOMENCLATURE	EFFECT FROM TO	UNITS PER ASSY
1C 635	BS51338D5003		.PLUG- SUPPLIER CODE: V83058 SPECIFICATION NUMBER: BACP20B63B OPTIONAL PART: 51338 V83058 MISCELLANEOUS DATA: USE IN PLACE OF CIRCUIT BREAKERS ON OPEN HOLES	101200 968999	1
- 640	MODREF251276		PLUG BUTTON INSTL-P6-4/E10 MODULE NUMBER: 233A5224-304510 REV B	101200 968999	1
645	BS51338D5003		.PLUG- SUPPLIER CODE: V83058 SPECIFICATION NUMBER: BACP20B63B OPTIONAL PART: 51338 V83058 MISCELLANEOUS DATA: USE IN PLACE OF CIRCUIT BREAKERS ON OPEN HOLES	101200 968999	1
- 650	MODREF251277		PLUG BUTTON INSTL-P6-4/E14 MODULE NUMBER: 233A5224-304514 REV B	101200 968999	1
655	BS51338D5003		.PLUG- SUPPLIER CODE: V83058 SPECIFICATION NUMBER: BACP20B63B OPTIONAL PART: 51338 V83058 MISCELLANEOUS DATA: USE IN PLACE OF CIRCUIT BREAKERS ON OPEN HOLES	101200 968999	1
- 660	MODREF251278		PLUG BUTTON INSTL-P6-4/E17 MODULE NUMBER: 233A5224-304517 REV B	101200 968999	1

MISSING ITEM NUMBERS NOT APPLICABLE

- ITEM NOT ILLUSTRATED

HAP

24-50-54-01C

BOEING PROPRIETARY - Copyright © - Unpublished Work - See title page for details.

24-50-54
FIG. 01C
PAGE 22
OCT 15/08

BOEING
737-600/700/800/900
PARTS CATALOG (MAINTENANCE)

FIG ITEM	PART NUMBER	1 2 3 4 5 6 7	NOMENCLATURE	EFFECT FROM TO	UNITS PER ASSY
1C 665	BS51338D5003		.PLUG- SUPPLIER CODE: V83058 SPECIFICATION NUMBER: BACP20B63B OPTIONAL PART: 51338 V83058 MISCELLANEOUS DATA: USE IN PLACE OF CIRCUIT BREAKERS ON OPEN HOLES	101200 968999	1
- 670	MODREF251279		PLUG BUTTON INSTL-P6-4/F2 MODULE NUMBER: 233A5224-304602 REV B	101200 968999	1
675	BS51338D5003		.PLUG- SUPPLIER CODE: V83058 SPECIFICATION NUMBER: BACP20B63B OPTIONAL PART: 51338 V83058 MISCELLANEOUS DATA: USE IN PLACE OF CIRCUIT BREAKERS ON OPEN HOLES	101200 968999	1
- 680	MODREF251280		PLUG BUTTON INSTL-P6-4/F4 MODULE NUMBER: 233A5224-304604 REV B	101200 968999	1
685	BS51338D5003		.PLUG- SUPPLIER CODE: V83058 SPECIFICATION NUMBER: BACP20B63B OPTIONAL PART: 51338 V83058 MISCELLANEOUS DATA: USE IN PLACE OF CIRCUIT BREAKERS ON OPEN HOLES	101200 968999	1
- 690	MODREF251281		PLUG BUTTON INSTL-P6-4/F15 MODULE NUMBER: 233A5224-304615 REV B	101200 968999	1

MISSING ITEM NUMBERS NOT APPLICABLE

- ITEM NOT ILLUSTRATED

HAP

24-50-54-01C

BOEING PROPRIETARY - Copyright © - Unpublished Work - See title page for details.

24-50-54
FIG. 01C
PAGE 23
OCT 15/08

BOEING
737-600/700/800/900
PARTS CATALOG (MAINTENANCE)

FIG ITEM	PART NUMBER	1 2 3 4 5 6 7	NOMENCLATURE	EFFECT FROM TO	UNITS PER ASSY
1C 695	BS51338D5003		.PLUG- SUPPLIER CODE: V83058 SPECIFICATION NUMBER: BACP20B63B OPTIONAL PART: 51338 V83058 MISCELLANEOUS DATA: USE IN PLACE OF CIRCUIT BREAKERS ON OPEN HOLES	101200 968999	1
- 700	MODREF251282		PLUG BUTTON INSTL-P6-4/F17 MODULE NUMBER: 233A5224-304617 REV B	101200 968999	1
705	BS51338D5003		.PLUG- SUPPLIER CODE: V83058 SPECIFICATION NUMBER: BACP20B63B OPTIONAL PART: 51338 V83058 MISCELLANEOUS DATA: USE IN PLACE OF CIRCUIT BREAKERS ON OPEN HOLES	101200 968999	1

MISSING ITEM NUMBERS NOT APPLICABLE

- ITEM NOT ILLUSTRATED

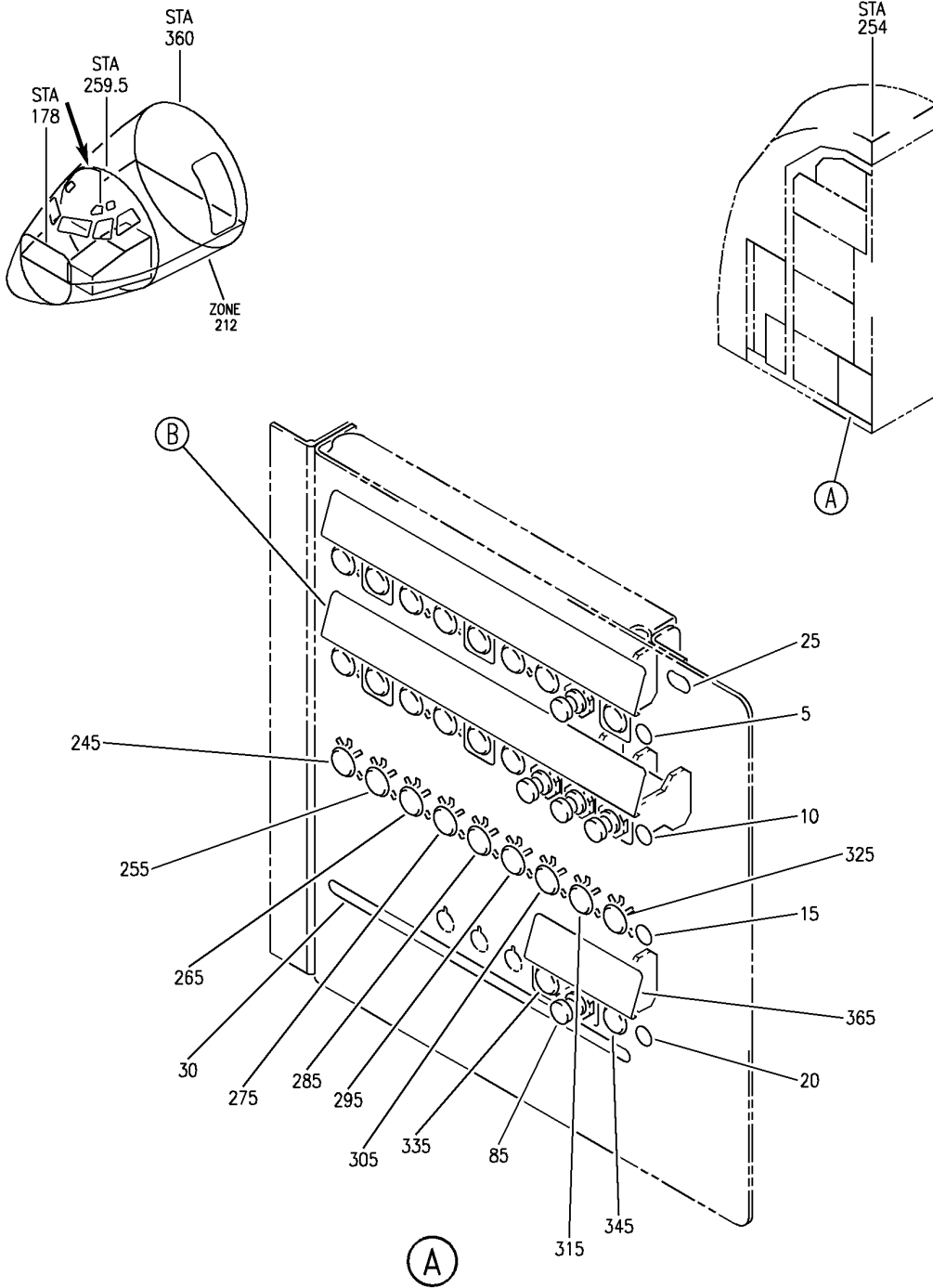
HAP

24-50-54-01C

BOEING PROPRIETARY - Copyright © - Unpublished Work - See title page for details.

24-50-54
FIG. 01C
PAGE 24
OCT 15/08

BOEING
 737-600/700/800/900
 PARTS CATALOG (MAINTENANCE)



E 24-50-55-05P SHT 1 REV 110

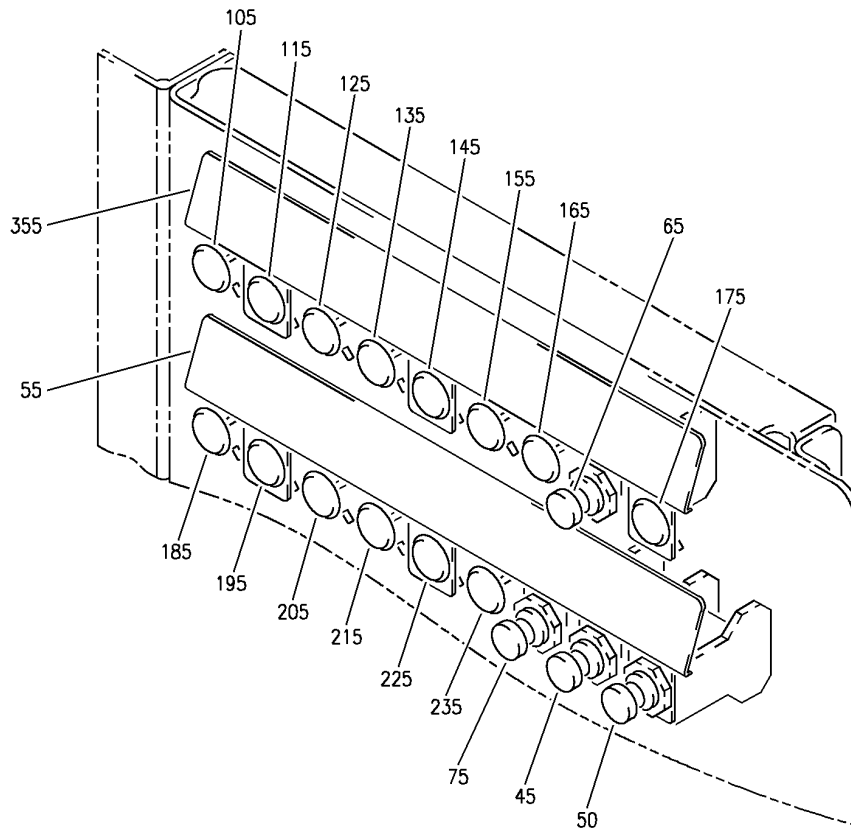
MARKER, CIRCUIT BREAKER, PLUG BUTTON AND SUPPORT INSTL-P6-11
 FIGURE 5P (SHEET 1)

24-50-55-05P

HAP
 OCT 10/06

24-50-55-05P
 PAGE 0

BOEING
737-600/700/800/900
PARTS CATALOG (MAINTENANCE)



(B)

E 24-50-55-05P SHT 2 REV 110

MARKER, CIRCUIT BREAKER, PLUG BUTTON AND SUPPORT INSTL-P6-11
FIGURE 5P (SHEET 2)

24-50-55-05P

HAP
OCT 10/06

24-50-55-05P
PAGE 0A

BOEING PROPRIETARY - Copyright © - Unpublished Work - See title page for details.

BOEING
737-600/700/800/900
PARTS CATALOG (MAINTENANCE)

FIG ITEM	PART NUMBER	1 2 3 4 5 6 7	NOMENCLATURE	EFFECT FROM TO	UNITS PER ASSY
5P			MARKER, CIRCUIT BREAKER, PLUG BUTTON AND SUPPORT INSTL-P6-11	031200 968999	
- 1	MODREF235056		MARKER INSTL-P6-11 MODULE NUMBER: 233A5225-1 REV C	031200 968999	1
5	BAC27DCC3065		.MARKER- PLACARD CONTENT: A	031200 968999	1
10	BAC27DCC3066		.MARKER- PLACARD CONTENT: B	031200 968999	1
15	BAC27DCC3067		.MARKER- PLACARD CONTENT: C	031200 968999	1
20	BAC27DCC3068		.MARKER- PLACARD CONTENT: D	031200 968999	1
25	BAC27DCC3078		.MARKER- PLACARD CONTENT: P6-11	031200 968999	1
30	BAC27DCC2755		.MARKER- PLACARD CONTENT: 1 THRU 9	031200 968999	1
- 40	MODREF82927		CIRCUIT BREAKER INSTL-P6-11 MODULE NUMBER: 233A5225-2 REV A	031200 968999	1
45	4310-029-15		.CIRCUIT BREAKER- SUPPLIER CODE: V76374 SPECIFICATION NUMBER: BACC18AD15 OPTIONAL PART: 2TC47-15 V82647 ELECTRICAL EQUIP NUMBER: C00393	031200 968999	1
50	700-038-25		.CIRCUIT BREAKER- SUPPLIER CODE: V76374 SPECIFICATION NUMBER: BACC18X25 OPTIONAL PART: 492-225-103 V79405 492-225-104 V79405 ELECTRICAL EQUIP NUMBER: C00228	031200 968999	1

MISSING ITEM NUMBERS NOT APPLICABLE

- ITEM NOT ILLUSTRATED

HAP

24-50-55-05P

BOEING PROPRIETARY - Copyright © - Unpublished Work - See title page for details.

24-50-55
FIG. 05P
PAGE 1
FEB 15/09

BOEING
737-600/700/800/900
PARTS CATALOG (MAINTENANCE)

FIG ITEM	PART NUMBER	1 2 3 4 5 6 7	NOMENCLATURE	EFFECT FROM TO	UNITS PER ASSY
5P					
55	233A5511-9	.	SUPPORT-ROW B MARKER	031200 968999	1
- 60	MODREF82942		CIRCUIT BREAKER INSTL- CAB. UTILITY RELAY PWR P6-11/A8 MODULE NUMBER: 233A5225-201627 REV A	031200 968999	1
65	2TC47-2-5	.	CIRCUIT BREAKER- SUPPLIER CODE: V82647 SPECIFICATION NUMBER: BACC18AD2 OPTIONAL PART: 4310-029-205 V76374 ELECTRICAL EQUIP NUMBER: C01627	031200 968999	1
- 70	MODREF223542		CIRCUIT BREAKER INSTL- WINDOW HEAT POWER L3 P6-11/B7 MODULE NUMBER: 233A5225-201650 REV A	031200 968999	1
75	2TC47-3	.	CIRCUIT BREAKER- SUPPLIER CODE: V82647 SPECIFICATION NUMBER: BACC18AD3 OPTIONAL PART: 4310-029-3 V76374 ELECTRICAL EQUIP NUMBER: C01650	031200 968999	1
- 80	MODREF82929		CIRCUIT BREAKER INSTL- AFT CARGO LOADER CONT P6-11/D8 MODULE NUMBER: 233A5225-201139 REV A	031200 968999	1
85	2TC47-2-5	.	CIRCUIT BREAKER- SUPPLIER CODE: V82647 SPECIFICATION NUMBER: BACC18AD2 OPTIONAL PART: 4310-029-205 V76374 ELECTRICAL EQUIP NUMBER: C01139	031200 968999	1

MISSING ITEM NUMBERS NOT APPLICABLE

- ITEM NOT ILLUSTRATED

HAP

24-50-55-05P

BOEING PROPRIETARY - Copyright © - Unpublished Work - See title page for details.

24-50-55
FIG. 05P
PAGE 2
FEB 15/09

BOEING
737-600/700/800/900
PARTS CATALOG (MAINTENANCE)

FIG ITEM	PART NUMBER	1 2 3 4 5 6 7	NOMENCLATURE	EFFECT FROM TO	UNITS PER ASSY
5P					
- 100	MODREF82945		PLUG BUTTON INSTL-P6-11/A1 MODULE NUMBER: 233A5225-311101 REV A	031200 968999	1
105	BS51338D5003		.PLUG- SUPPLIER CODE: V83058 SPECIFICATION NUMBER: BACP20B63B OPTIONAL PART: 51338 V83058 MISCELLANEOUS DATA: USE IN PLACE OF CIRCUIT BREAKERS ON OPEN HOLES	031200 968999	1
- 110	MODREF82946		PLUG BUTTON INSTL-P6-11/A2 MODULE NUMBER: 233A5225-311102 REV A	031200 968999	1
115	BS51338D5003		.PLUG- SUPPLIER CODE: V83058 SPECIFICATION NUMBER: BACP20B63B OPTIONAL PART: 51338 V83058 MISCELLANEOUS DATA: USE IN PLACE OF CIRCUIT BREAKERS ON OPEN HOLES	031200 968999	1
- 120	MODREF82947		PLUG BUTTON INSTL-P6-11/A3 MODULE NUMBER: 233A5225-311103 REV A	031200 968999	1
125	BS51338D5003		.PLUG- SUPPLIER CODE: V83058 SPECIFICATION NUMBER: BACP20B63B OPTIONAL PART: 51338 V83058 MISCELLANEOUS DATA: USE IN PLACE OF CIRCUIT BREAKERS ON OPEN HOLES	031200 968999	1
- 130	MODREF82948		PLUG BUTTON INSTL-P6-11/A4 MODULE NUMBER: 233A5225-311104 REV A	031200 968999	1

MISSING ITEM NUMBERS NOT APPLICABLE

- ITEM NOT ILLUSTRATED

HAP

24-50-55-05P

BOEING PROPRIETARY - Copyright © - Unpublished Work - See title page for details.

24-50-55
FIG. 05P
PAGE 3
FEB 15/09

BOEING
737-600/700/800/900
PARTS CATALOG (MAINTENANCE)

FIG ITEM	PART NUMBER	1 2 3 4 5 6 7	NOMENCLATURE	EFFECT FROM TO	UNITS PER ASSY
5P 135	BS51338D5003		.PLUG- SUPPLIER CODE: V83058 SPECIFICATION NUMBER: BACP20B63B OPTIONAL PART: 51338 V83058 MISCELLANEOUS DATA: USE IN PLACE OF CIRCUIT BREAKERS ON OPEN HOLES	031200 968999	1
- 140	MODREF82949		PLUG BUTTON INSTL-P6-11/A5 MODULE NUMBER: 233A5225-311105 REV A	031200 968999	1
145	BS51338D5003		.PLUG- SUPPLIER CODE: V83058 SPECIFICATION NUMBER: BACP20B63B OPTIONAL PART: 51338 V83058 MISCELLANEOUS DATA: USE IN PLACE OF CIRCUIT BREAKERS ON OPEN HOLES	031200 968999	1
- 150	MODREF82950		PLUG BUTTON INSTL-P6-11/A6 MODULE NUMBER: 233A5225-311106 REV A	031200 968999	1
155	BS51338D5003		.PLUG- SUPPLIER CODE: V83058 SPECIFICATION NUMBER: BACP20B63B OPTIONAL PART: 51338 V83058 MISCELLANEOUS DATA: USE IN PLACE OF CIRCUIT BREAKERS ON OPEN HOLES	031200 968999	1
- 160	MODREF82951		PLUG BUTTON INSTL-P6-11/A7 MODULE NUMBER: 233A5225-311107 REV A	031200 968999	1

MISSING ITEM NUMBERS NOT APPLICABLE

- ITEM NOT ILLUSTRATED

HAP

24-50-55-05P

BOEING PROPRIETARY - Copyright © - Unpublished Work - See title page for details.

24-50-55
FIG. 05P
PAGE 4
FEB 15/09

BOEING
737-600/700/800/900
PARTS CATALOG (MAINTENANCE)

FIG ITEM	PART NUMBER	1 2 3 4 5 6 7	NOMENCLATURE	EFFECT FROM TO	UNITS PER ASSY
5P 165	BS51338D5003		.PLUG- SUPPLIER CODE: V83058 SPECIFICATION NUMBER: BACP20B63B OPTIONAL PART: 51338 V83058 MISCELLANEOUS DATA: USE IN PLACE OF CIRCUIT BREAKERS ON OPEN HOLES	031200 968999	1
- 170	MODREF82952		PLUG BUTTON INSTL-P6-11/A9 MODULE NUMBER: 233A5225-311109 REV A	031200 968999	1
175	BS51338D5003		.PLUG- SUPPLIER CODE: V83058 SPECIFICATION NUMBER: BACP20B63B OPTIONAL PART: 51338 V83058 MISCELLANEOUS DATA: USE IN PLACE OF CIRCUIT BREAKERS ON OPEN HOLES	031200 968999	1
- 180	MODREF82953		PLUG BUTTON INSTL-P6-11/B1 MODULE NUMBER: 233A5225-311201 REV A	031200 968999	1
185	BS51338D5003		.PLUG- SUPPLIER CODE: V83058 SPECIFICATION NUMBER: BACP20B63B OPTIONAL PART: 51338 V83058 MISCELLANEOUS DATA: USE IN PLACE OF CIRCUIT BREAKERS ON OPEN HOLES	031200 968999	1
- 190	MODREF82954		PLUG BUTTON INSTL-P6-11/B2 MODULE NUMBER: 233A5225-311202 REV A	031200 968999	1

MISSING ITEM NUMBERS NOT APPLICABLE

- ITEM NOT ILLUSTRATED

HAP

24-50-55-05P

BOEING PROPRIETARY - Copyright © - Unpublished Work - See title page for details.

24-50-55
FIG. 05P
PAGE 5
FEB 15/09

BOEING
737-600/700/800/900
PARTS CATALOG (MAINTENANCE)

FIG ITEM	PART NUMBER	1 2 3 4 5 6 7	NOMENCLATURE	EFFECT FROM TO	UNITS PER ASSY
5P 195	BS51338D5003		.PLUG- SUPPLIER CODE: V83058 SPECIFICATION NUMBER: BACP20B63B OPTIONAL PART: 51338 V83058 MISCELLANEOUS DATA: USE IN PLACE OF CIRCUIT BREAKERS ON OPEN HOLES	031200 968999	1
- 200	MODREF82955		PLUG BUTTON INSTL-P6-11/B3 MODULE NUMBER: 233A5225-311203 REV A	031200 968999	1
205	BS51338D5003		.PLUG- SUPPLIER CODE: V83058 SPECIFICATION NUMBER: BACP20B63B OPTIONAL PART: 51338 V83058 MISCELLANEOUS DATA: USE IN PLACE OF CIRCUIT BREAKERS ON OPEN HOLES	031200 968999	1
- 210	MODREF82956		PLUG BUTTON INSTL-P6-11/B4 MODULE NUMBER: 233A5225-311204 REV A	031200 968999	1
215	BS51338D5003		.PLUG- SUPPLIER CODE: V83058 SPECIFICATION NUMBER: BACP20B63B OPTIONAL PART: 51338 V83058 MISCELLANEOUS DATA: USE IN PLACE OF CIRCUIT BREAKERS ON OPEN HOLES	031200 968999	1
- 220	MODREF82957		PLUG BUTTON INSTL-P6-11/B5 MODULE NUMBER: 233A5225-311205 REV A	031200 968999	1

MISSING ITEM NUMBERS NOT APPLICABLE

- ITEM NOT ILLUSTRATED

HAP

24-50-55-05P

BOEING PROPRIETARY - Copyright © - Unpublished Work - See title page for details.

24-50-55
FIG. 05P
PAGE 6
FEB 15/09

BOEING
737-600/700/800/900
PARTS CATALOG (MAINTENANCE)

FIG ITEM	PART NUMBER	1 2 3 4 5 6 7	NOMENCLATURE	EFFECT FROM TO	UNITS PER ASSY
5P 225	BS51338D5003		.PLUG- SUPPLIER CODE: V83058 SPECIFICATION NUMBER: BACP20B63B OPTIONAL PART: 51338 V83058 MISCELLANEOUS DATA: USE IN PLACE OF CIRCUIT BREAKERS ON OPEN HOLES	031200 968999	1
- 230	MODREF82958		PLUG BUTTON INSTL-P6-11/B6 MODULE NUMBER: 233A5225-311206 REV A	031200 968999	1
235	BS51338D5003		.PLUG- SUPPLIER CODE: V83058 SPECIFICATION NUMBER: BACP20B63B OPTIONAL PART: 51338 V83058 MISCELLANEOUS DATA: USE IN PLACE OF CIRCUIT BREAKERS ON OPEN HOLES	031200 968999	1
- 240	MODREF82959		PLUG BUTTON INSTL-P6-11/C1 MODULE NUMBER: 233A5225-311301 REV A	031200 968999	1
245	BS51338D5003		.PLUG- SUPPLIER CODE: V83058 SPECIFICATION NUMBER: BACP20B63B OPTIONAL PART: 51338 V83058 MISCELLANEOUS DATA: USE IN PLACE OF CIRCUIT BREAKERS ON OPEN HOLES	031200 968999	1
- 250	MODREF82960		PLUG BUTTON INSTL-P6-11/C2 MODULE NUMBER: 233A5225-311302 REV A	031200 968999	1

MISSING ITEM NUMBERS NOT APPLICABLE

- ITEM NOT ILLUSTRATED

HAP

24-50-55-05P

BOEING PROPRIETARY - Copyright © - Unpublished Work - See title page for details.

24-50-55
FIG. 05P
PAGE 7
FEB 15/09

BOEING
737-600/700/800/900
PARTS CATALOG (MAINTENANCE)

FIG ITEM	PART NUMBER	1 2 3 4 5 6 7	NOMENCLATURE	EFFECT FROM TO	UNITS PER ASSY
5P 255	BS51338D5003		.PLUG- SUPPLIER CODE: V83058 SPECIFICATION NUMBER: BACP20B63B OPTIONAL PART: 51338 V83058 MISCELLANEOUS DATA: USE IN PLACE OF CIRCUIT BREAKERS ON OPEN HOLES	031200 968999	1
- 260	MODREF82961		PLUG BUTTON INSTL-P6-11/C3 MODULE NUMBER: 233A5225-311303 REV A	031200 968999	1
265	BS51338D5003		.PLUG- SUPPLIER CODE: V83058 SPECIFICATION NUMBER: BACP20B63B OPTIONAL PART: 51338 V83058 MISCELLANEOUS DATA: USE IN PLACE OF CIRCUIT BREAKERS ON OPEN HOLES	031200 968999	1
- 270	MODREF82962		PLUG BUTTON INSTL-P6-11/C4 MODULE NUMBER: 233A5225-311304 REV A	031200 968999	1
275	BS51338D5003		.PLUG- SUPPLIER CODE: V83058 SPECIFICATION NUMBER: BACP20B63B OPTIONAL PART: 51338 V83058 MISCELLANEOUS DATA: USE IN PLACE OF CIRCUIT BREAKERS ON OPEN HOLES	031200 968999	1
- 280	MODREF82963		PLUG BUTTON INSTL-P6-11/C5 MODULE NUMBER: 233A5225-311305 REV A	031200 968999	1

MISSING ITEM NUMBERS NOT APPLICABLE

- ITEM NOT ILLUSTRATED

HAP

24-50-55-05P

BOEING PROPRIETARY - Copyright © - Unpublished Work - See title page for details.

24-50-55
FIG. 05P
PAGE 8
FEB 15/09

BOEING
737-600/700/800/900
PARTS CATALOG (MAINTENANCE)

FIG ITEM	PART NUMBER	1 2 3 4 5 6 7	NOMENCLATURE	EFFECT FROM TO	UNITS PER ASSY
5P 285	BS51338D5003		.PLUG- SUPPLIER CODE: V83058 SPECIFICATION NUMBER: BACP20B63B OPTIONAL PART: 51338 V83058 MISCELLANEOUS DATA: USE IN PLACE OF CIRCUIT BREAKERS ON OPEN HOLES	031200 968999	1
- 290	MODREF82964		PLUG BUTTON INSTL-P6-11/C6 MODULE NUMBER: 233A5225-311306 REV A	031200 968999	1
295	BS51338D5003		.PLUG- SUPPLIER CODE: V83058 SPECIFICATION NUMBER: BACP20B63B OPTIONAL PART: 51338 V83058 MISCELLANEOUS DATA: USE IN PLACE OF CIRCUIT BREAKERS ON OPEN HOLES	031200 968999	1
- 300	MODREF82965		PLUG BUTTON INSTL-P6-11/C7 MODULE NUMBER: 233A5225-311307 REV A	031200 968999	1
305	BS51338D5003		.PLUG- SUPPLIER CODE: V83058 SPECIFICATION NUMBER: BACP20B63B OPTIONAL PART: 51338 V83058 MISCELLANEOUS DATA: USE IN PLACE OF CIRCUIT BREAKERS ON OPEN HOLES	031200 968999	1
- 310	MODREF82966		PLUG BUTTON INSTL-P6-11/C8 MODULE NUMBER: 233A5225-311308 REV A	031200 968999	1

MISSING ITEM NUMBERS NOT APPLICABLE

- ITEM NOT ILLUSTRATED

HAP

24-50-55-05P

BOEING PROPRIETARY - Copyright © - Unpublished Work - See title page for details.

24-50-55
FIG. 05P
PAGE 9
FEB 15/09

BOEING
737-600/700/800/900
PARTS CATALOG (MAINTENANCE)

FIG ITEM	PART NUMBER	1 2 3 4 5 6 7	NOMENCLATURE	EFFECT FROM TO	UNITS PER ASSY
5P 315	BS51338D5003		.PLUG- SUPPLIER CODE: V83058 SPECIFICATION NUMBER: BACP20B63B OPTIONAL PART: 51338 V83058 MISCELLANEOUS DATA: USE IN PLACE OF CIRCUIT BREAKERS ON OPEN HOLES	031200 968999	1
- 320	MODREF82967		PLUG BUTTON INSTL-P6-11/C9 MODULE NUMBER: 233A5225-311309 REV A	031200 968999	1
325	BS51338D5003		.PLUG- SUPPLIER CODE: V83058 SPECIFICATION NUMBER: BACP20B63B OPTIONAL PART: 51338 V83058 MISCELLANEOUS DATA: USE IN PLACE OF CIRCUIT BREAKERS ON OPEN HOLES	031200 968999	1
- 330	MODREF82968		PLUG BUTTON INSTL-P6-11/D7 MODULE NUMBER: 233A5225-311407 REV A	031200 968999	1
335	BS51338D5003		.PLUG- SUPPLIER CODE: V83058 SPECIFICATION NUMBER: BACP20B63B OPTIONAL PART: 51338 V83058 MISCELLANEOUS DATA: USE IN PLACE OF CIRCUIT BREAKERS ON OPEN HOLES	031200 968999	1
- 340	MODREF82970		PLUG BUTTON INSTL-P6-11/D9 MODULE NUMBER: 233A5225-311409 REV A	031200 968999	1

MISSING ITEM NUMBERS NOT APPLICABLE

- ITEM NOT ILLUSTRATED

HAP

24-50-55-05P

BOEING PROPRIETARY - Copyright © - Unpublished Work - See title page for details.

24-50-55
FIG. 05P
PAGE 10
FEB 15/09

BOEING
737-600/700/800/900
PARTS CATALOG (MAINTENANCE)

FIG ITEM	PART NUMBER	1 2 3 4 5 6 7	NOMENCLATURE	EFFECT FROM TO	UNITS PER ASSY
5P 345	BS51338D5003		.PLUG- SUPPLIER CODE: V83058 SPECIFICATION NUMBER: BACP20B63B OPTIONAL PART: 51338 V83058 MISCELLANEOUS DATA: USE IN PLACE OF CIRCUIT BREAKERS ON OPEN HOLES	031200 968999	1
- 350	MODREF82987		SUPPORT INSTL-ROW A MARKER MODULE NUMBER: 233A5225-611100 REV A	031200 968999	1
355	233A5511-9		.SUPPORT	031200 968999	1
- 360	MODREF82988		SUPPORT INSTL-ROW D MARKER MODULE NUMBER: 233A5225-611400 REV A	031200 968999	1
365	233A5511-7		.SUPPORT	031200 968999	1

MISSING ITEM NUMBERS NOT APPLICABLE

- ITEM NOT ILLUSTRATED

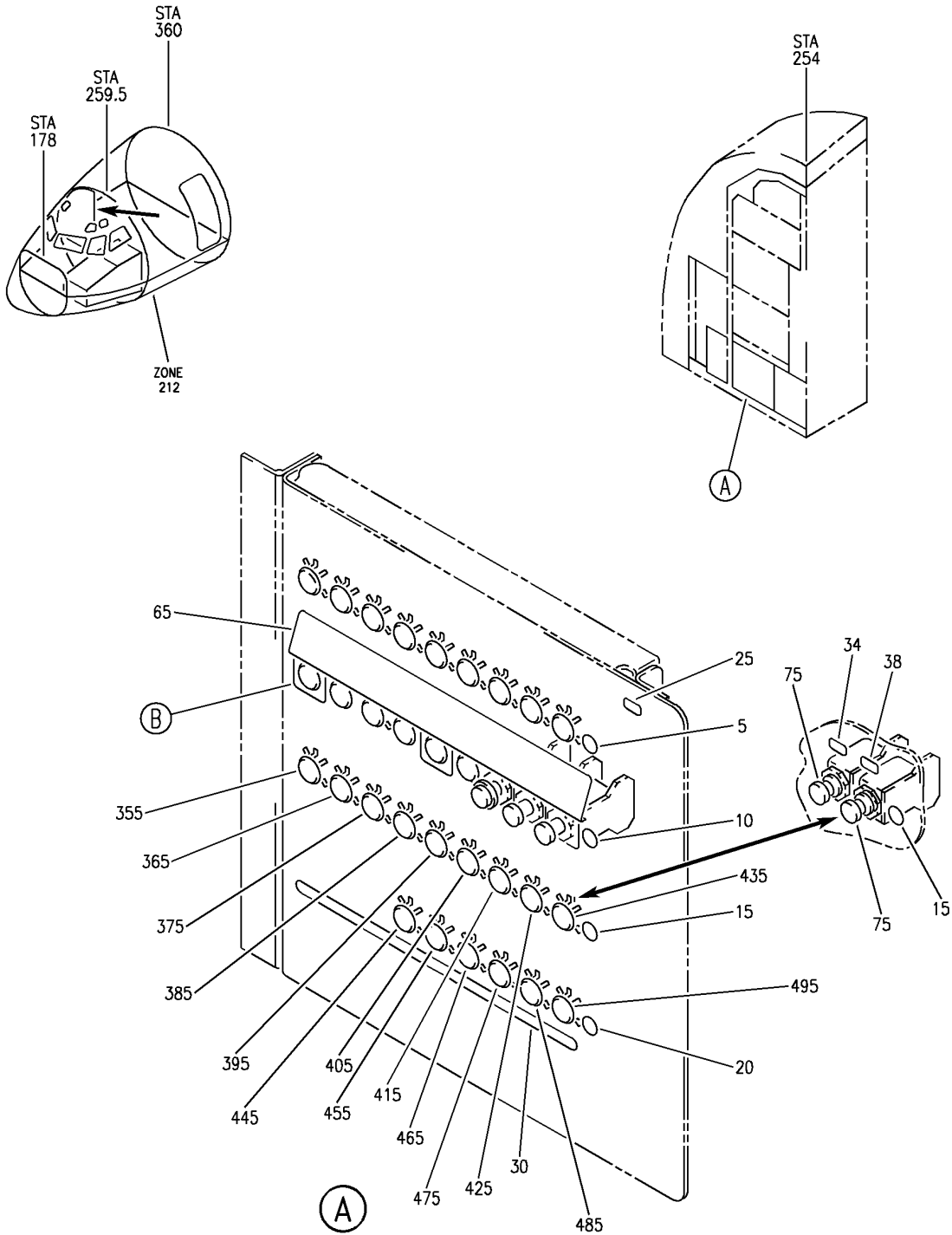
HAP

24-50-55-05P

BOEING PROPRIETARY - Copyright © - Unpublished Work - See title page for details.

24-50-55
FIG. 05P
PAGE 11
FEB 15/09

BOEING
 737-600/700/800/900
 PARTS CATALOG (MAINTENANCE)



E 24-50-56-03 SHT 1 REV 129

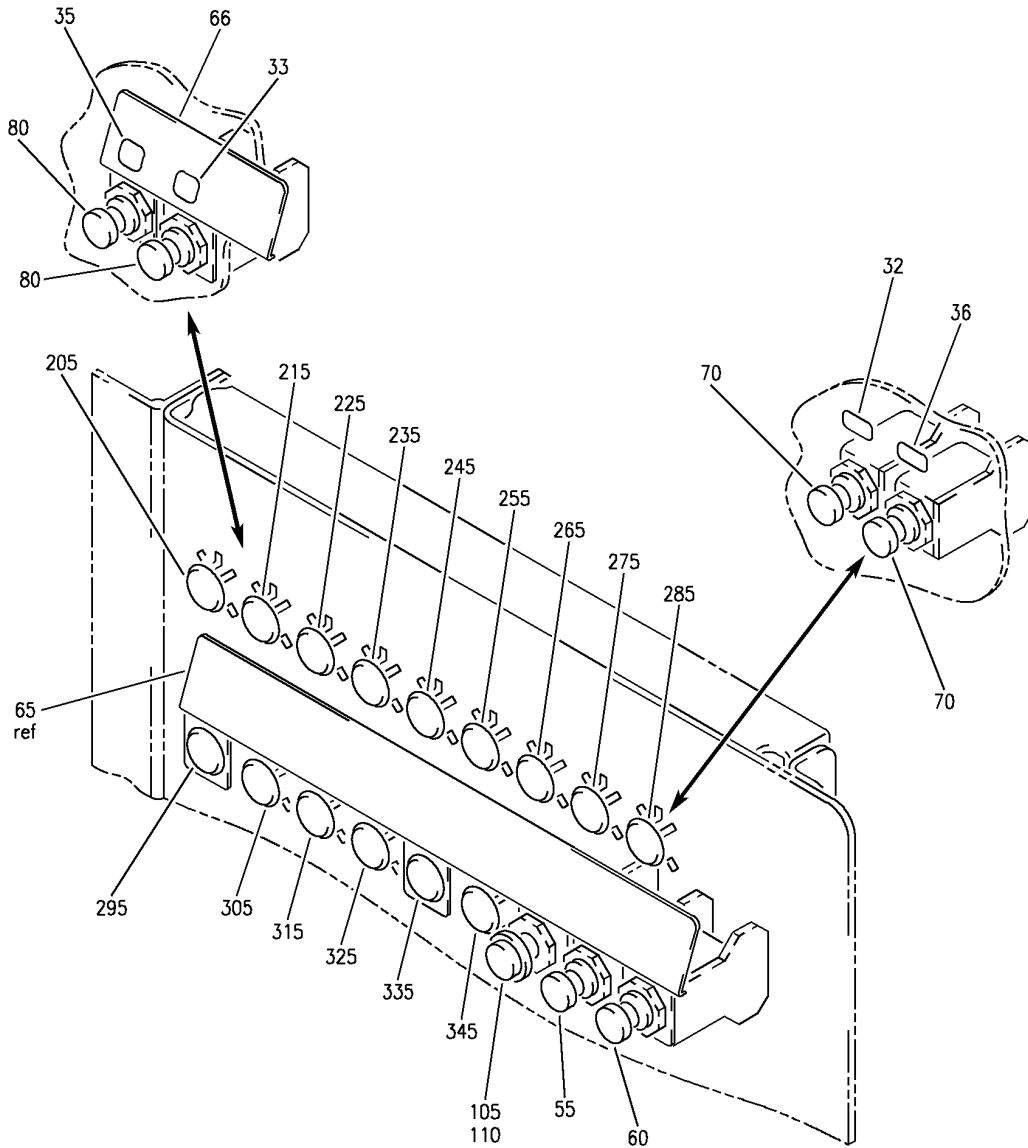
MARKER, CIRCUIT BREAKER AND PLUG BUTTON INSTL-P6-12 PNL
 FIGURE 3 (SHEET 1)

24-50-56-03

HAP
 JUN 10/07

24-50-56-03
 PAGE 0

BOEING
 737-600/700/800/900
 PARTS CATALOG (MAINTENANCE)



(B)

E 24-50-56-03 SHT 2 REV 131

MARKER, CIRCUIT BREAKER AND PLUG BUTTON INSTL-P6-12 PNL
 FIGURE 3 (SHEET 2)

24-50-56-03

HAP
 JUN 10/07

24-50-56-03
 PAGE 0A

BOEING
737-600/700/800/900
PARTS CATALOG (MAINTENANCE)

FIG ITEM	PART NUMBER	1 2 3 4 5 6 7	NOMENCLATURE	EFFECT FROM TO	UNITS PER ASSY
3			MARKER, CIRCUIT BREAKER AND PLUG BUTTON INSTL-P6-12 PNL	008036	
- 1	233A5226-1		MARKER INSTL-P6-12 PNL FOR NHA SEE: 24-50-00-08C	008030	RF
- 1	MODREF235057		MARKER INSTL-P6-12 PNL MODULE NUMBER: 233A5226-1 REV C	031036	1
	5 BAC27DCC3065		.MARKER- PLACARD CONTENT: A	008036	1
	10 BAC27DCC3066		.MARKER- PLACARD CONTENT: B	008036	1
	15 BAC27DCC3067		.MARKER- PLACARD CONTENT: C	008036	1
	20 BAC27DCC3068		.MARKER- PLACARD CONTENT: D	008036	1
	25 BAC27DCC3079		.MARKER- PLACARD CONTENT: P6-12	008036	1
	30 BAC27DCC2755		.MARKER- POSITION DATA: 1 THRU 9	008036	1
- 50	233A5226-2		CIRCUIT BREAKER INSTL-P6-12 FOR NHA SEE: 24-50-00-08C	008030	RF
- 50	MODREF82990		CIRCUIT BREAKER INSTL-P6-12 PNL MODULE NUMBER: 233A5226-2 REV A	031036	1
	55 700-038-25		.CIRCUIT BREAKER- SUPPLIER CODE: V76374 SPECIFICATION NUMBER: BACC18X25 OPTIONAL PART: 492-225-103 V79405 492-225-104 V79405 ELECTRICAL EQUIP NUMBER: C00394	008036	1

MISSING ITEM NUMBERS NOT APPLICABLE

- ITEM NOT ILLUSTRATED

HAP

24-50-56-03

BOEING PROPRIETARY - Copyright © - Unpublished Work - See title page for details.

24-50-56
FIG. 03
PAGE 1
FEB 10/07

BOEING
737-600/700/800/900
PARTS CATALOG (MAINTENANCE)

FIG ITEM	PART NUMBER	1 2 3 4 5 6 7	NOMENCLATURE	EFFECT FROM TO	UNITS PER ASSY
3	60 4310-029-15		.CIRCUIT BREAKER- SUPPLIER CODE: V76374 SPECIFICATION NUMBER: BACC18AD15 OPTIONAL PART: 2TC47-15 V82647 ELECTRICAL EQUIP NUMBER: C00392	008036	1
- 65	233A5511-9		.SUPPORT-ROW B MARKER	008036	1
- 100	233A5226-210395		CIRCUIT BREAKER INSTL- WINDOW HEAT PWR R3, R4 & R5 P6-12/B7 FOR NHA SEE: 24-50-00-08C	008030	RF
- 100	MODREF223548		CIRCUIT BREAKER INSTL- WINDOW HEAT PWR R3 P6-12/B7 MODULE NUMBER: 233A5226-201649 REV A	031036	1
105	2TC47-5		.CIRCUIT BREAKER- SUPPLIER CODE: V82647 SPECIFICATION NUMBER: BACC18AD5 OPTIONAL PART: 4310-029-5 V76374 ELECTRICAL EQUIP NUMBER: C00395	008030	1
105	2TC47-3		.CIRCUIT BREAKER- SUPPLIER CODE: V82647 SPECIFICATION NUMBER: BACC18AD3 OPTIONAL PART: 4310-029-3 V76374 ELECTRICAL EQUIP NUMBER: C01649	031036	1
- 200	233A5226-312101		PLUG BUTTON INSTL-P6-12/A1 FOR NHA SEE: 24-50-00-08C	008030	RF
- 200	MODREF83003		PLUG BUTTON INSTL-P6-12/A1 MODULE NUMBER: 233A5226-312101 REV A	031036	1

MISSING ITEM NUMBERS NOT APPLICABLE

- ITEM NOT ILLUSTRATED

HAP

24-50-56-03

BOEING PROPRIETARY - Copyright © - Unpublished Work - See title page for details.

24-50-56
FIG. 03
PAGE 2
FEB 10/07

BOEING
737-600/700/800/900
PARTS CATALOG (MAINTENANCE)

FIG ITEM	PART NUMBER	1 2 3 4 5 6 7	NOMENCLATURE	EFFECT FROM TO	UNITS PER ASSY
3 205	BS51338D5003		.PLUG- SUPPLIER CODE: V83058 SPECIFICATION NUMBER: BACP20B63B OPTIONAL PART: 51338 V83058 MISCELLANEOUS DATA: USE IN PLACE OF CIRCUIT BREAKERS ON OPEN HOLES	008036	1
- 210	233A5226-312102		PLUG BUTTON INSTL-P6-12/A2 FOR NHA SEE: 24-50-00-08C	008030	RF
- 210	MODREF83004		PLUG BUTTON INSTL-P6-12/A2 MODULE NUMBER: 233A5226-312102 REV A	031036	1
215	BS51338D5003		.PLUG- SUPPLIER CODE: V83058 SPECIFICATION NUMBER: BACP20B63B OPTIONAL PART: 51338 V83058 MISCELLANEOUS DATA: USE IN PLACE OF CIRCUIT BREAKERS ON OPEN HOLES	008036	1
- 220	233A5226-312103		PLUG BUTTON INSTL-P6-12/A3 FOR NHA SEE: 24-50-00-08C	008030	RF
- 220	MODREF83005		PLUG BUTTON INSTL-P6-12/A3 MODULE NUMBER: 233A5226-312103 REV A	031036	1
225	BS51338D5003		.PLUG- SUPPLIER CODE: V83058 SPECIFICATION NUMBER: BACP20B63B OPTIONAL PART: 51338 V83058 MISCELLANEOUS DATA: USE IN PLACE OF CIRCUIT BREAKERS ON OPEN HOLES	008036	1
- 230	233A5226-312104		PLUG BUTTON INSTL-P6-12/A4 FOR NHA SEE: 24-50-00-08C	008030	RF

MISSING ITEM NUMBERS NOT APPLICABLE

- ITEM NOT ILLUSTRATED

HAP

24-50-56-03

BOEING PROPRIETARY - Copyright © - Unpublished Work - See title page for details.

24-50-56
FIG. 03
PAGE 3
FEB 10/07

BOEING
737-600/700/800/900
PARTS CATALOG (MAINTENANCE)

FIG ITEM	PART NUMBER	1 2 3 4 5 6 7	NOMENCLATURE	EFFECT FROM TO	UNITS PER ASSY
3					
- 230	MODREF83006		PLUG BUTTON INSTL-P6-12/A4 MODULE NUMBER: 233A5226-312104 REV A	031036	1
235	BS51338D5003		.PLUG- SUPPLIER CODE: V83058 SPECIFICATION NUMBER: BACP20B63B OPTIONAL PART: 51338 V83058 MISCELLANEOUS DATA: USE IN PLACE OF CIRCUIT BREAKERS ON OPEN HOLES	008036	1
- 240	233A5226-312105		PLUG BUTTON INSTL-P6-12/A5 FOR NHA SEE: 24-50-00-08C	008030	RF
- 240	MODREF83007		PLUG BUTTON INSTL-P6-12/A5 MODULE NUMBER: 233A5226-312105 REV A	031036	1
245	BS51338D5003		.PLUG- SUPPLIER CODE: V83058 SPECIFICATION NUMBER: BACP20B63B OPTIONAL PART: 51338 V83058 MISCELLANEOUS DATA: USE IN PLACE OF CIRCUIT BREAKERS ON OPEN HOLES	008036	1
- 250	233A5226-312106		PLUG BUTTON INSTL-P6-12/A6 FOR NHA SEE: 24-50-00-08C	008030	RF
- 250	MODREF83008		PLUG BUTTON INSTL-P6-12/A6 MODULE NUMBER: 233A5226-312106 REV A	031036	1
255	BS51338D5003		.PLUG- SUPPLIER CODE: V83058 SPECIFICATION NUMBER: BACP20B63B OPTIONAL PART: 51338 V83058 MISCELLANEOUS DATA: USE IN PLACE OF CIRCUIT BREAKERS ON OPEN HOLES	008036	1

MISSING ITEM NUMBERS NOT APPLICABLE

- ITEM NOT ILLUSTRATED

HAP

24-50-56-03

BOEING PROPRIETARY - Copyright © - Unpublished Work - See title page for details.

24-50-56
FIG. 03
PAGE 4
FEB 10/07

BOEING
737-600/700/800/900
PARTS CATALOG (MAINTENANCE)

FIG ITEM	PART NUMBER	1 2 3 4 5 6 7	NOMENCLATURE	EFFECT FROM TO	UNITS PER ASSY
3					
- 260	233A5226-312107		PLUG BUTTON INSTL-P6-12/A7 FOR NHA SEE: 24-50-00-08C	008030	RF
- 260	MODREF83009		PLUG BUTTON INSTL-P6-12/A7 MODULE NUMBER: 233A5226-312107 REV A	031036	1
265	BS51338D5003		.PLUG- SUPPLIER CODE: V83058 SPECIFICATION NUMBER: BACP20B63B OPTIONAL PART: 51338 V83058 MISCELLANEOUS DATA: USE IN PLACE OF CIRCUIT BREAKERS ON OPEN HOLES	008036	1
- 270	233A5226-312108		PLUG BUTTON INSTL-P6-12/A8 FOR NHA SEE: 24-50-00-08C	008030	RF
- 270	MODREF83010		PLUG BUTTON INSTL-P6-12/A8 MODULE NUMBER: 233A5226-312108 REV A	031036	1
275	BS51338D5003		.PLUG- SUPPLIER CODE: V83058 SPECIFICATION NUMBER: BACP20B63B OPTIONAL PART: 51338 V83058 MISCELLANEOUS DATA: USE IN PLACE OF CIRCUIT BREAKERS ON OPEN HOLES	008036	1
- 280	233A5226-312109		PLUG BUTTON INSTL-P6-12/A9 FOR NHA SEE: 24-50-00-08C	008030	RF
- 280	MODREF83011		PLUG BUTTON INSTL-P6-12/A9 MODULE NUMBER: 233A5226-312109 REV A	031036	1

MISSING ITEM NUMBERS NOT APPLICABLE

- ITEM NOT ILLUSTRATED

HAP

24-50-56-03

BOEING PROPRIETARY - Copyright © - Unpublished Work - See title page for details.

24-50-56
FIG. 03
PAGE 5
FEB 10/07

BOEING
737-600/700/800/900
PARTS CATALOG (MAINTENANCE)

FIG ITEM	PART NUMBER	1 2 3 4 5 6 7	NOMENCLATURE	EFFECT FROM TO	UNITS PER ASSY
3 285	BS51338D5003		.PLUG- SUPPLIER CODE: V83058 SPECIFICATION NUMBER: BACP20B63B OPTIONAL PART: 51338 V83058 MISCELLANEOUS DATA: USE IN PLACE OF CIRCUIT BREAKERS ON OPEN HOLES	008036	1
- 290	233A5226-312201		PLUG BUTTON INSTL-P6-12/B1 FOR NHA SEE: 24-50-00-08C	008030	RF
- 290	MODREF83012		PLUG BUTTON INSTL-P6-12/B1 MODULE NUMBER: 233A5226-312201 REV A	031036	1
295	BS51338D5003		.PLUG- SUPPLIER CODE: V83058 SPECIFICATION NUMBER: BACP20B63B OPTIONAL PART: 51338 V83058 MISCELLANEOUS DATA: USE IN PLACE OF CIRCUIT BREAKERS ON OPEN HOLES	008036	1
- 300	233A5226-312202		PLUG BUTTON INSTL-P6-12/B2 FOR NHA SEE: 24-50-00-08C	008030	RF
- 300	MODREF83013		PLUG BUTTON INSTL-P6-12/B2 MODULE NUMBER: 233A5226-312202 REV A	031036	1
305	BS51338D5003		.PLUG- SUPPLIER CODE: V83058 SPECIFICATION NUMBER: BACP20B63B OPTIONAL PART: 51338 V83058 MISCELLANEOUS DATA: USE IN PLACE OF CIRCUIT BREAKERS ON OPEN HOLES	008036	1
- 310	233A5226-312203		PLUG BUTTON INSTL-P6-12/B3 FOR NHA SEE: 24-50-00-08C	008030	RF

MISSING ITEM NUMBERS NOT APPLICABLE

- ITEM NOT ILLUSTRATED

HAP

24-50-56-03

BOEING PROPRIETARY - Copyright © - Unpublished Work - See title page for details.

24-50-56
FIG. 03
PAGE 6
FEB 10/07

BOEING
737-600/700/800/900
PARTS CATALOG (MAINTENANCE)

FIG ITEM	PART NUMBER	1 2 3 4 5 6 7	NOMENCLATURE	EFFECT FROM TO	UNITS PER ASSY
3					
- 310	MODREF83014		PLUG BUTTON INSTL-P6-12/B3 MODULE NUMBER: 233A5226-312203 REV A	031036	1
315	BS51338D5003		.PLUG- SUPPLIER CODE: V83058 SPECIFICATION NUMBER: BACP20B63B OPTIONAL PART: 51338 V83058 MISCELLANEOUS DATA: USE IN PLACE OF CIRCUIT BREAKERS ON OPEN HOLES	008036	1
- 320	233A5226-312204		PLUG BUTTON INSTL-P6-12/B4 FOR NHA SEE: 24-50-00-08C	008030	RF
- 320	MODREF83015		PLUG BUTTON INSTL-P6-12/B4 MODULE NUMBER: 233A5226-312204 REV A	031036	1
325	BS51338D5003		.PLUG- SUPPLIER CODE: V83058 SPECIFICATION NUMBER: BACP20B63B OPTIONAL PART: 51338 V83058 MISCELLANEOUS DATA: USE IN PLACE OF CIRCUIT BREAKERS ON OPEN HOLES	008036	1
- 330	233A5226-312205		PLUG BUTTON INSTL-P6-12/B5 FOR NHA SEE: 24-50-00-08C	008030	RF
- 330	MODREF83016		PLUG BUTTON INSTL-P6-12/B5 MODULE NUMBER: 233A5226-312205 REV A	031036	1
335	BS51338D5003		.PLUG- SUPPLIER CODE: V83058 SPECIFICATION NUMBER: BACP20B63B OPTIONAL PART: 51338 V83058 MISCELLANEOUS DATA: USE IN PLACE OF CIRCUIT BREAKERS ON OPEN HOLES	008036	1

MISSING ITEM NUMBERS NOT APPLICABLE

- ITEM NOT ILLUSTRATED

HAP

24-50-56-03

BOEING PROPRIETARY - Copyright © - Unpublished Work - See title page for details.

24-50-56
FIG. 03
PAGE 7
FEB 10/07

BOEING
737-600/700/800/900
PARTS CATALOG (MAINTENANCE)

FIG ITEM	PART NUMBER	1 2 3 4 5 6 7	NOMENCLATURE	EFFECT FROM TO	UNITS PER ASSY
3					
- 340	233A5226-312206		PLUG BUTTON INSTL-P6-12/B6 FOR NHA SEE: 24-50-00-08C	008030	RF
- 340	MODREF83017		PLUG BUTTON INSTL-P6-12/B6 MODULE NUMBER: 233A5226-312206 REV A	031036	1
345	BS51338D5003		.PLUG- SUPPLIER CODE: V83058 SPECIFICATION NUMBER: BACP20B63B OPTIONAL PART: 51338 V83058 MISCELLANEOUS DATA: USE IN PLACE OF CIRCUIT BREAKERS ON OPEN HOLES	008036	1
- 350	233A5226-312301		PLUG BUTTON INSTL-P6-12/C1 FOR NHA SEE: 24-50-00-08C	008030	RF
- 350	MODREF83018		PLUG BUTTON INSTL-P6-12/C1 MODULE NUMBER: 233A5226-312301 REV A	031036	1
355	BS51338D5003		.PLUG- SUPPLIER CODE: V83058 SPECIFICATION NUMBER: BACP20B63B OPTIONAL PART: 51338 V83058 MISCELLANEOUS DATA: USE IN PLACE OF CIRCUIT BREAKERS ON OPEN HOLES	008036	1
- 360	233A5226-312302		PLUG BUTTON INSTL-P6-12/C2 FOR NHA SEE: 24-50-00-08C	008030	RF
- 360	MODREF83019		PLUG BUTTON INSTL-P6-12/C2 MODULE NUMBER: 233A5226-312302 REV A	031036	1

MISSING ITEM NUMBERS NOT APPLICABLE

- ITEM NOT ILLUSTRATED

HAP

24-50-56-03

BOEING PROPRIETARY - Copyright © - Unpublished Work - See title page for details.

24-50-56
FIG. 03
PAGE 8
FEB 10/07

BOEING
737-600/700/800/900
PARTS CATALOG (MAINTENANCE)

FIG ITEM	PART NUMBER	1 2 3 4 5 6 7	NOMENCLATURE	EFFECT FROM TO	UNITS PER ASSY
3 365	BS51338D5003		.PLUG- SUPPLIER CODE: V83058 SPECIFICATION NUMBER: BACP20B63B OPTIONAL PART: 51338 V83058 MISCELLANEOUS DATA: USE IN PLACE OF CIRCUIT BREAKERS ON OPEN HOLES	008036	1
- 370	233A5226-312303		PLUG BUTTON INSTL-P6-12/C3 FOR NHA SEE: 24-50-00-08C	008030	RF
- 370	MODREF83020		PLUG BUTTON INSTL-P6-12/C3 MODULE NUMBER: 233A5226-312303 REV A	031036	1
375	BS51338D5003		.PLUG- SUPPLIER CODE: V83058 SPECIFICATION NUMBER: BACP20B63B OPTIONAL PART: 51338 V83058 MISCELLANEOUS DATA: USE IN PLACE OF CIRCUIT BREAKERS ON OPEN HOLES	008036	1
- 380	233A5226-312304		PLUG BUTTON INSTL-P6-12/C4 FOR NHA SEE: 24-50-00-08C	008030	RF
- 380	MODREF83021		PLUG BUTTON INSTL-P6-12/C4 MODULE NUMBER: 233A5226-312304 REV A	031036	1
385	BS51338D5003		.PLUG- SUPPLIER CODE: V83058 SPECIFICATION NUMBER: BACP20B63B OPTIONAL PART: 51338 V83058 MISCELLANEOUS DATA: USE IN PLACE OF CIRCUIT BREAKERS ON OPEN HOLES	008036	1
- 390	233A5226-312305		PLUG BUTTON INSTL-P6-12/C5 FOR NHA SEE: 24-50-00-08C	008030	RF

MISSING ITEM NUMBERS NOT APPLICABLE

- ITEM NOT ILLUSTRATED

HAP

24-50-56-03

BOEING PROPRIETARY - Copyright © - Unpublished Work - See title page for details.

24-50-56
FIG. 03
PAGE 9
FEB 10/07

BOEING
737-600/700/800/900
PARTS CATALOG (MAINTENANCE)

FIG ITEM	PART NUMBER	1 2 3 4 5 6 7	NOMENCLATURE	EFFECT FROM TO	UNITS PER ASSY
3					
- 390	MODREF83022		PLUG BUTTON INSTL-P6-12/C5 MODULE NUMBER: 233A5226-312305 REV A	031036	1
395	BS51338D5003		.PLUG- SUPPLIER CODE: V83058 SPECIFICATION NUMBER: BACP20B63B OPTIONAL PART: 51338 V83058 MISCELLANEOUS DATA: USE IN PLACE OF CIRCUIT BREAKERS ON OPEN HOLES	008036	1
- 400	233A5226-312306		PLUG BUTTON INSTL-P6-12/C6 FOR NHA SEE: 24-50-00-08C	008030	RF
- 400	MODREF83023		PLUG BUTTON INSTL-P6-12/C6 MODULE NUMBER: 233A5226-312306 REV A	031036	1
405	BS51338D5003		.PLUG- SUPPLIER CODE: V83058 SPECIFICATION NUMBER: BACP20B63B OPTIONAL PART: 51338 V83058 MISCELLANEOUS DATA: USE IN PLACE OF CIRCUIT BREAKERS ON OPEN HOLES	008036	1
- 410	233A5226-312307		PLUG BUTTON INSTL-P6-12/C7 FOR NHA SEE: 24-50-00-08C	008030	RF
- 410	MODREF83024		PLUG BUTTON INSTL-P6-12/C7 MODULE NUMBER: 233A5226-312307 REV A	031036	1
415	BS51338D5003		.PLUG- SUPPLIER CODE: V83058 SPECIFICATION NUMBER: BACP20B63B OPTIONAL PART: 51338 V83058 MISCELLANEOUS DATA: USE IN PLACE OF CIRCUIT BREAKERS ON OPEN HOLES	008036	1

MISSING ITEM NUMBERS NOT APPLICABLE

- ITEM NOT ILLUSTRATED

HAP

24-50-56-03

BOEING PROPRIETARY - Copyright © - Unpublished Work - See title page for details.

24-50-56
FIG. 03
PAGE 10
FEB 10/07

BOEING
737-600/700/800/900
PARTS CATALOG (MAINTENANCE)

FIG ITEM	PART NUMBER	1 2 3 4 5 6 7	NOMENCLATURE	EFFECT FROM TO	UNITS PER ASSY
3					
- 420	233A5226-312308		PLUG BUTTON INSTL-P6-12/C8 FOR NHA SEE: 24-50-00-08C	008030	RF
- 420	MODREF83025		PLUG BUTTON INSTL-P6-12/C8 MODULE NUMBER: 233A5226-312308 REV A	031036	1
425	BS51338D5003		.PLUG- SUPPLIER CODE: V83058 SPECIFICATION NUMBER: BACP20B63B OPTIONAL PART: 51338 V83058 MISCELLANEOUS DATA: USE IN PLACE OF CIRCUIT BREAKERS ON OPEN HOLES	008036	1
- 430	233A5226-312309		PLUG BUTTON INSTL-P6-12/C9 FOR NHA SEE: 24-50-00-08C	008030	RF
- 430	MODREF83026		PLUG BUTTON INSTL-P6-12/C9 MODULE NUMBER: 233A5226-312309 REV A	031036	1
435	BS51338D5003		.PLUG- SUPPLIER CODE: V83058 SPECIFICATION NUMBER: BACP20B63B OPTIONAL PART: 51338 V83058 MISCELLANEOUS DATA: USE IN PLACE OF CIRCUIT BREAKERS ON OPEN HOLES	008036	1
- 440	233A5226-312404		PLUG BUTTON INSTL-P6-12/D4 FOR NHA SEE: 24-50-00-08C	008030	RF
- 440	MODREF83027		PLUG BUTTON INSTL-P6-12/D4 MODULE NUMBER: 233A5226-312404 REV A	031036	1

MISSING ITEM NUMBERS NOT APPLICABLE

- ITEM NOT ILLUSTRATED

HAP

24-50-56-03

BOEING PROPRIETARY - Copyright © - Unpublished Work - See title page for details.

24-50-56
FIG. 03
PAGE 11
FEB 10/07

BOEING
737-600/700/800/900
PARTS CATALOG (MAINTENANCE)

FIG ITEM	PART NUMBER	1 2 3 4 5 6 7	NOMENCLATURE	EFFECT FROM TO	UNITS PER ASSY
3 445	BS51338D5003		.PLUG- SUPPLIER CODE: V83058 SPECIFICATION NUMBER: BACP20B63B OPTIONAL PART: 51338 V83058 MISCELLANEOUS DATA: USE IN PLACE OF CIRCUIT BREAKERS ON OPEN HOLES	008036	1
- 450	233A5226-312405		PLUG BUTTON INSTL-P6-12/D5 FOR NHA SEE: 24-50-00-08C	008030	RF
- 450	MODREF83028		PLUG BUTTON INSTL-P6-12/D5 MODULE NUMBER: 233A5226-312405 REV A	031036	1
455	BS51338D5003		.PLUG- SUPPLIER CODE: V83058 SPECIFICATION NUMBER: BACP20B63B OPTIONAL PART: 51338 V83058 MISCELLANEOUS DATA: USE IN PLACE OF CIRCUIT BREAKERS ON OPEN HOLES	008036	1
- 460	233A5226-312406		PLUG BUTTON INSTL-P6-12/D6 FOR NHA SEE: 24-50-00-08C	008030	RF
- 460	MODREF83029		PLUG BUTTON INSTL-P6-12/D6 MODULE NUMBER: 233A5226-312406 REV A	031036	1
465	BS51338D5003		.PLUG- SUPPLIER CODE: V83058 SPECIFICATION NUMBER: BACP20B63B OPTIONAL PART: 51338 V83058 MISCELLANEOUS DATA: USE IN PLACE OF CIRCUIT BREAKERS ON OPEN HOLES	008036	1
- 470	233A5226-312407		PLUG BUTTON INSTL-P6-12/D7 FOR NHA SEE: 24-50-00-08C	008030	RF

MISSING ITEM NUMBERS NOT APPLICABLE

- ITEM NOT ILLUSTRATED

HAP

24-50-56-03

BOEING PROPRIETARY - Copyright © - Unpublished Work - See title page for details.

24-50-56
FIG. 03
PAGE 12
FEB 10/07

BOEING
737-600/700/800/900
PARTS CATALOG (MAINTENANCE)

FIG ITEM	PART NUMBER	1 2 3 4 5 6 7	NOMENCLATURE	EFFECT FROM TO	UNITS PER ASSY
3					
- 470	MODREF83030		PLUG BUTTON INSTL-P6-12/D7 MODULE NUMBER: 233A5226-312407 REV A	031036	1
475	BS51338D5003		.PLUG- SUPPLIER CODE: V83058 SPECIFICATION NUMBER: BACP20B63B OPTIONAL PART: 51338 V83058 MISCELLANEOUS DATA: USE IN PLACE OF CIRCUIT BREAKERS ON OPEN HOLES	008036	1
- 480	233A5226-312408		PLUG BUTTON INSTL-P6-12/D8 FOR NHA SEE: 24-50-00-08C	008030	RF
- 480	MODREF83031		PLUG BUTTON INSTL-P6-12/D8 MODULE NUMBER: 233A5226-312408 REV A	031036	1
485	BS51338D5003		.PLUG- SUPPLIER CODE: V83058 SPECIFICATION NUMBER: BACP20B63B OPTIONAL PART: 51338 V83058 MISCELLANEOUS DATA: USE IN PLACE OF CIRCUIT BREAKERS ON OPEN HOLES	008036	1
- 490	233A5226-312409		PLUG BUTTON INSTL-P6-12/D9 FOR NHA SEE: 24-50-00-08C	008030	RF
- 490	MODREF83032		PLUG BUTTON INSTL-P6-12/D9 MODULE NUMBER: 233A5226-312409 REV A	031036	1
495	BS51338D5003		.PLUG- SUPPLIER CODE: V83058 SPECIFICATION NUMBER: BACP20B63B OPTIONAL PART: 51338 V83058 MISCELLANEOUS DATA: USE IN PLACE OF CIRCUIT BREAKERS ON OPEN HOLES	008036	1

MISSING ITEM NUMBERS NOT APPLICABLE

- ITEM NOT ILLUSTRATED

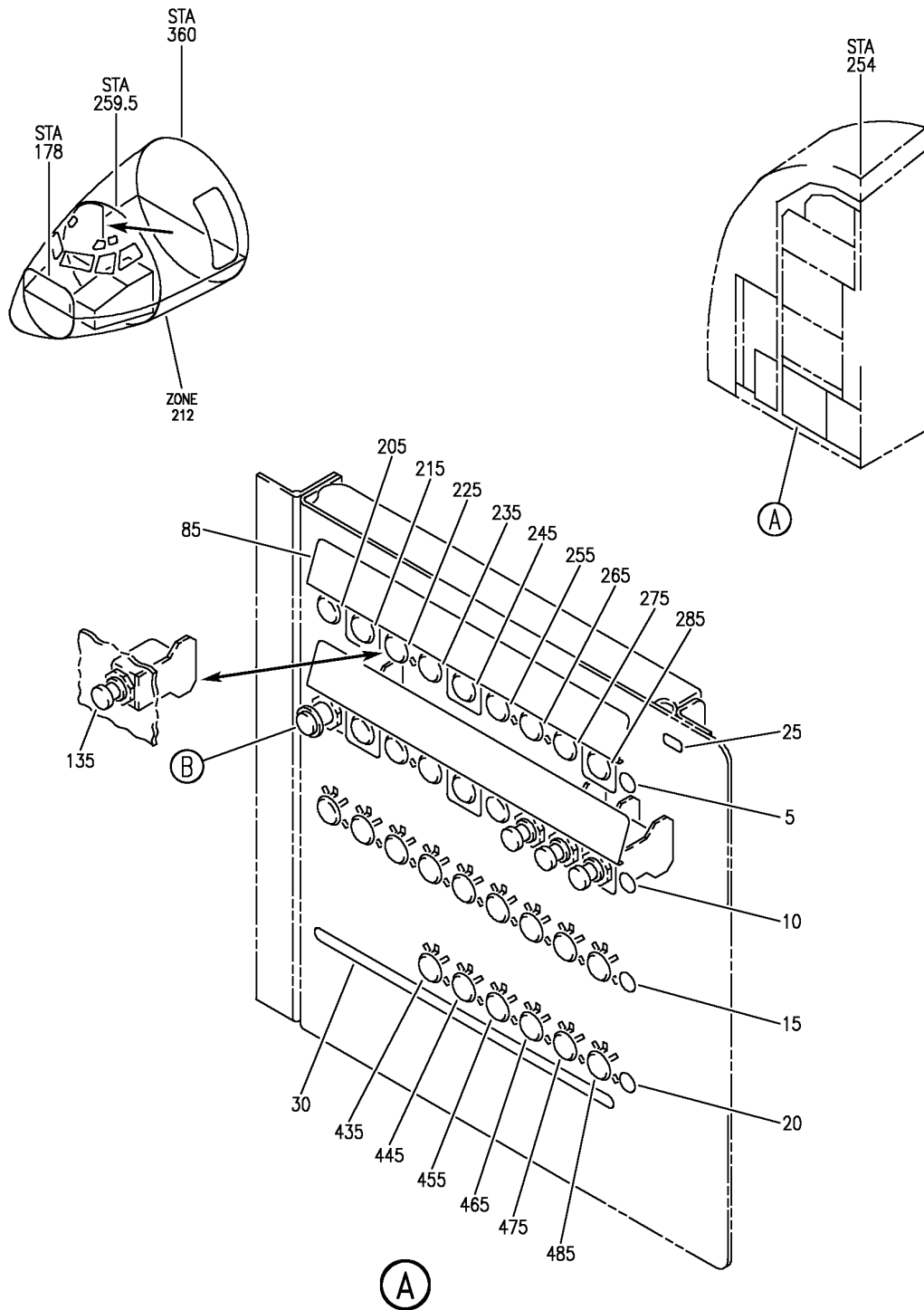
HAP

24-50-56-03

BOEING PROPRIETARY - Copyright © - Unpublished Work - See title page for details.

24-50-56
FIG. 03
PAGE 13
FEB 10/07

BOEING
 737-600/700/800/900
 PARTS CATALOG (MAINTENANCE)



E 24505626 SHT 1 REV 146

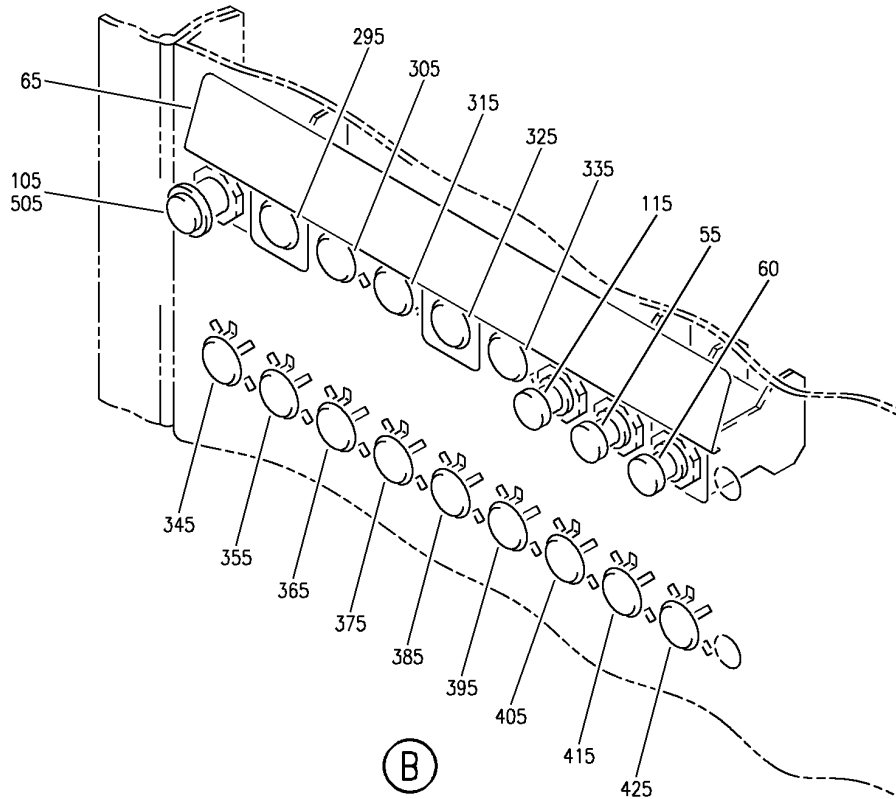
MARKER, CIRCUIT BREAKER, PLUG BUTTON AND INOP INSTL-P6-12 PNL (ELECTRICAL POWER ONLY)
 FIGURE 26 (SHEET 1)

24-50-56-26

HAP
 OCT 15/08

24-50-56-26
 PAGE 0

BOEING
 737-600/700/800/900
 PARTS CATALOG (MAINTENANCE)



E 24-50-56-26 SH1 2 REV 127

MARKER, CIRCUIT BREAKER, PLUG BUTTON AND INOP INSTL-P6-12 PNL (ELECTRICAL POWER ONLY)
 FIGURE 26 (SHEET 2)

HAP
 FEB 10/07

24-50-56-26

24-50-56-26
 PAGE 0A

BOEING
737-600/700/800/900
PARTS CATALOG (MAINTENANCE)

FIG ITEM	PART NUMBER	1 2 3 4 5 6 7	NOMENCLATURE	EFFECT FROM TO	UNITS PER ASSY
26			MARKER, CIRCUIT BREAKER, PLUG BUTTON AND INOP INSTL-P6-12 PNL (ELECTRICAL POWER ONLY)	037037 039041 047050 054200 968999	
- 1	MODREF235057		MARKER INSTL-P6-12 PNL MODULE NUMBER: 233A5226-1 REV C	037037 039041 047050 054200 968999	1
5	BAC27DCC3065		.MARKER- PLACARD CONTENT: A	037037 039041 047050 054200 968999	1
10	BAC27DCC3066		.MARKER- PLACARD CONTENT: B	037037 039041 047050 054200 968999	1
15	BAC27DCC3067		.MARKER- PLACARD CONTENT: C	037037 039041 047050 054200 968999	1
20	BAC27DCC3068		.MARKER- PLACARD CONTENT: D	037037 039041 047050 054200 968999	1
25	BAC27DCC3079		.MARKER- PLACARD CONTENT: P6-12	037037 039041 047050 054200 968999	1
30	BAC27DCC2755		.MARKER- PLACARD CONTENT: 1 THRU 9	037037 039041 047050 054200 968999	1
- 50	MODREF82990		CIRCUIT BREAKER INSTL-P6-12 MODULE NUMBER: 233A5226-2 REV A	037037 039041 047050 054200 968999	1

MISSING ITEM NUMBERS NOT APPLICABLE

- ITEM NOT ILLUSTRATED

HAP

24-50-56-26

BOEING PROPRIETARY - Copyright © - Unpublished Work - See title page for details.

24-50-56
FIG. 26
PAGE 1
FEB 15/09

BOEING
737-600/700/800/900
PARTS CATALOG (MAINTENANCE)

FIG ITEM	PART NUMBER	1 2 3 4 5 6 7	NOMENCLATURE	EFFECT FROM TO	UNITS PER ASSY
26 55	700-038-25		.CIRCUIT BREAKER- SUPPLIER CODE: V76374 SPECIFICATION NUMBER: BACC18X25 OPTIONAL PART: 492-225-103 V79405 492-225-104 V79405 ELECTRICAL EQUIP NUMBER: C00394	037037 039041 047050 054200 968999	1
60	4310-029-15		.CIRCUIT BREAKER- SUPPLIER CODE: V76374 SPECIFICATION NUMBER: BACC18AD15 OPTIONAL PART: 2TC47-15 V82647 ELECTRICAL EQUIP NUMBER: C00392	037037 039041 047050 054200 968999	1
65	233A5511-9		.SUPPORT-ROW B MARKER	037037 039041 047050 054200 968999	1
- 80	MODREF83042		SUPPORT INSTL-MARKER P6-12/ROW A MODULE NUMBER: 233A5226-612100 REV A POST SERVICE BULLETIN: 24-1180	037037 039040	1
85	233A5511-9		.SUPPORT- POST SERVICE BULLETIN: 24-1180	037037 039040	1
- 100	MODREF251996		CIRCUIT BREAKER INSTL- SURVL CAMERS P6-12/B1 MODULE NUMBER: 233A5226-201641 REV A	037037 039041 047050 054200 968999	1

MISSING ITEM NUMBERS NOT APPLICABLE

- ITEM NOT ILLUSTRATED

HAP

24-50-56-26

BOEING PROPRIETARY - Copyright © - Unpublished Work - See title page for details.

24-50-56
FIG. 26
PAGE 2
FEB 15/09

BOEING
737-600/700/800/900
PARTS CATALOG (MAINTENANCE)

FIG ITEM	PART NUMBER	1 2 3 4 5 6 7	NOMENCLATURE	EFFECT FROM TO	UNITS PER ASSY
26 105	2TC47-5		.CIRCUIT BREAKER- SUPPLIER CODE: V82647 SPECIFICATION NUMBER: BACC18AD5 OPTIONAL PART: 4310-029-5 V76374 ELECTRICAL EQUIP NUMBER: C01641	037037 039041 047050 054200 968999	1
- 110	MODREF223548		CIRCUIT BREAKER INSTL- WINDOW HEAT PWR R3 P6-12/B7 MODULE NUMBER: 233A5226-201649 REV A	037037 039041 047050 054200 968999	1
115	2TC47-3		.CIRCUIT BREAKER- SUPPLIER CODE: V82647 SPECIFICATION NUMBER: BACC18AD3 OPTIONAL PART: 4310-029-3 V76374 ELECTRICAL EQUIP NUMBER: C01649	037037 039041 047050 054200 968999	1
- 130	MODREF255706		CIRCUIT BREAKER INSTL-FD PC POWER P6-12/A3 MODULE NUMBER: 233A5226-201643 REV A POST SERVICE BULLETIN: 24-1180	037037 039040	1
135	2TC47-5		.CIRCUIT BREAKER- SUPPLIER CODE: V82647 SPECIFICATION NUMBER: BACC18AD5 OPTIONAL PART: 4310-029-5 V76374 ELECTRICAL EQUIP NUMBER: C01643 POST SERVICE BULLETIN: 24-1180	037037 039040	1
- 200	MODREF83003		PLUG BUTTON INSTL-P6-12/A1 MODULE NUMBER: 233A5226-312101 REV A	037037 039041 047050 054200 968999	1

MISSING ITEM NUMBERS NOT APPLICABLE

- ITEM NOT ILLUSTRATED

HAP

24-50-56-26

BOEING PROPRIETARY - Copyright © - Unpublished Work - See title page for details.

24-50-56
FIG. 26
PAGE 3
FEB 15/09

BOEING
737-600/700/800/900
PARTS CATALOG (MAINTENANCE)

FIG ITEM	PART NUMBER	1 2 3 4 5 6 7	NOMENCLATURE	EFFECT FROM TO	UNITS PER ASSY
26 205	BS51338D5003		.PLUG- SUPPLIER CODE: V83058 SPECIFICATION NUMBER: BACP20B63B OPTIONAL PART: 51338 V83058 MISCELLANEOUS DATA: USE IN PLACE OF CIRCUIT BREAKERS ON OPEN HOLES	037037 039041 047050 054200 968999	1
- 210	MODREF83004		PLUG BUTTON INSTL-P6-12/A2 MODULE NUMBER: 233A5226-312102 REV A	037037 039041 047050 054200 968999	1
215	BS51338D5003		.PLUG- SUPPLIER CODE: V83058 SPECIFICATION NUMBER: BACP20B63B OPTIONAL PART: 51338 V83058 MISCELLANEOUS DATA: USE IN PLACE OF CIRCUIT BREAKERS ON OPEN HOLES	037037 039041 047050 054200 968999	1
- 220	MODREF83005		PLUG BUTTON INSTL-P6-12/A3 MODULE NUMBER: 233A5226-312103 REV A PRE SERVICE BULLETIN: 24-1180	037037 039041 047050 054200 968999	1
225	BS51338D5003		.PLUG- SUPPLIER CODE: V83058 SPECIFICATION NUMBER: BACP20B63B OPTIONAL PART: 51338 V83058 MISCELLANEOUS DATA: USE IN PLACE OF CIRCUIT BREAKERS ON OPEN HOLES PRE SERVICE BULLETIN: 24-1180	037037 039041 047050 054200 968999	1

MISSING ITEM NUMBERS NOT APPLICABLE

- ITEM NOT ILLUSTRATED

HAP

24-50-56-26

BOEING PROPRIETARY - Copyright © - Unpublished Work - See title page for details.

24-50-56
FIG. 26
PAGE 4
FEB 15/09

BOEING
737-600/700/800/900
PARTS CATALOG (MAINTENANCE)

FIG ITEM	PART NUMBER	1 2 3 4 5 6 7	NOMENCLATURE	EFFECT FROM TO	UNITS PER ASSY
26 - 230	MODREF83006		PLUG BUTTON INSTL-P6-12/A4 MODULE NUMBER: 233A5226-312104 REV A	037037 039041 047050 054200 968999	1
235	BS51338D5003		.PLUG- SUPPLIER CODE: V83058 SPECIFICATION NUMBER: BACP20B63B OPTIONAL PART: 51338 V83058 MISCELLANEOUS DATA: USE IN PLACE OF CIRCUIT BREAKERS ON OPEN HOLES	037037 039041 047050 054200 968999	1
- 240	MODREF83007		PLUG BUTTON INSTL-P6-12/A5 MODULE NUMBER: 233A5226-312105 REV A	037037 039041 047050 054200 968999	1
245	BS51338D5003		.PLUG- SUPPLIER CODE: V83058 SPECIFICATION NUMBER: BACP20B63B OPTIONAL PART: 51338 V83058 MISCELLANEOUS DATA: USE IN PLACE OF CIRCUIT BREAKERS ON OPEN HOLES	037037 039041 047050 054200 968999	1
- 250	MODREF83008		PLUG BUTTON INSTL-P6-12/A6 MODULE NUMBER: 233A5226-312106 REV A	037037 039041 047050 054200 968999	1
255	BS51338D5003		.PLUG- SUPPLIER CODE: V83058 SPECIFICATION NUMBER: BACP20B63B OPTIONAL PART: 51338 V83058 MISCELLANEOUS DATA: USE IN PLACE OF CIRCUIT BREAKERS ON OPEN HOLES	037037 039041 047050 054200 968999	1

MISSING ITEM NUMBERS NOT APPLICABLE

- ITEM NOT ILLUSTRATED

HAP

24-50-56-26

BOEING PROPRIETARY - Copyright © - Unpublished Work - See title page for details.

24-50-56
FIG. 26
PAGE 5
FEB 15/09

BOEING
737-600/700/800/900
PARTS CATALOG (MAINTENANCE)

FIG ITEM	PART NUMBER	1 2 3 4 5 6 7	NOMENCLATURE	EFFECT FROM TO	UNITS PER ASSY
26 - 260	MODREF83009		PLUG BUTTON INSTL-P6-12/A7 MODULE NUMBER: 233A5226-312107 REV A	037037 039041 047050 054200 968999	1
265	BS51338D5003		.PLUG- SUPPLIER CODE: V83058 SPECIFICATION NUMBER: BACP20B63B OPTIONAL PART: 51338 V83058 MISCELLANEOUS DATA: USE IN PLACE OF CIRCUIT BREAKERS ON OPEN HOLES	037037 039041 047050 054200 968999	1
- 270	MODREF83010		PLUG BUTTON INSTL-P6-12/A8 MODULE NUMBER: 233A5226-312108 REV A	037037 039041 047050 054200 968999	1
275	BS51338D5003		.PLUG- SUPPLIER CODE: V83058 SPECIFICATION NUMBER: BACP20B63B OPTIONAL PART: 51338 V83058 MISCELLANEOUS DATA: USE IN PLACE OF CIRCUIT BREAKERS ON OPEN HOLES	037037 039041 047050 054200 968999	1
- 280	MODREF83011		PLUG BUTTON INSTL-P6-12/A9 MODULE NUMBER: 233A5226-312109 REV A	037037 039041 047050 054200 968999	1
285	BS51338D5003		.PLUG- SUPPLIER CODE: V83058 SPECIFICATION NUMBER: BACP20B63B OPTIONAL PART: 51338 V83058 MISCELLANEOUS DATA: USE IN PLACE OF CIRCUIT BREAKERS ON OPEN HOLES	037037 039041 047050 054200 968999	1

MISSING ITEM NUMBERS NOT APPLICABLE

- ITEM NOT ILLUSTRATED

HAP

24-50-56-26

BOEING PROPRIETARY - Copyright © - Unpublished Work - See title page for details.

24-50-56
FIG. 26
PAGE 6
FEB 15/09

BOEING
737-600/700/800/900
PARTS CATALOG (MAINTENANCE)

FIG ITEM	PART NUMBER	1 2 3 4 5 6 7	NOMENCLATURE	EFFECT FROM TO	UNITS PER ASSY
26 - 290	MODREF83013		PLUG BUTTON INSTL-P6-12/B2 MODULE NUMBER: 233A5226-312202 REV A	037037 039041 047050 054200 968999	1
295	BS51338D5003		.PLUG- SUPPLIER CODE: V83058 SPECIFICATION NUMBER: BACP20B63B OPTIONAL PART: 51338 V83058 MISCELLANEOUS DATA: USE IN PLACE OF CIRCUIT BREAKERS ON OPEN HOLES	037037 039041 047050 054200 968999	1
- 300	MODREF83014		PLUG BUTTON INSTL-P6-12/B3 MODULE NUMBER: 233A5226-312203 REV A	037037 039041 047050 054200 968999	1
305	BS51338D5003		.PLUG- SUPPLIER CODE: V83058 SPECIFICATION NUMBER: BACP20B63B OPTIONAL PART: 51338 V83058 MISCELLANEOUS DATA: USE IN PLACE OF CIRCUIT BREAKERS ON OPEN HOLES	037037 039041 047050 054200 968999	1
- 310	MODREF83015		PLUG BUTTON INSTL-P6-12/B4 MODULE NUMBER: 233A5226-312204 REV A	037037 039041 047050 054200 968999	1
315	BS51338D5003		.PLUG- SUPPLIER CODE: V83058 SPECIFICATION NUMBER: BACP20B63B OPTIONAL PART: 51338 V83058 MISCELLANEOUS DATA: USE IN PLACE OF CIRCUIT BREAKERS ON OPEN HOLES	037037 039041 047050 054200 968999	1

MISSING ITEM NUMBERS NOT APPLICABLE

- ITEM NOT ILLUSTRATED

HAP

24-50-56-26

BOEING PROPRIETARY - Copyright © - Unpublished Work - See title page for details.

24-50-56
FIG. 26
PAGE 7
FEB 15/09

BOEING
737-600/700/800/900
PARTS CATALOG (MAINTENANCE)

FIG ITEM	PART NUMBER	1 2 3 4 5 6 7	NOMENCLATURE	EFFECT FROM TO	UNITS PER ASSY
26 - 320	MODREF83016		PLUG BUTTON INSTL-P6-12/B5 MODULE NUMBER: 233A5226-312205 REV A	037037 039041 047050 054200 968999	1
325	BS51338D5003		.PLUG- SUPPLIER CODE: V83058 SPECIFICATION NUMBER: BACP20B63B OPTIONAL PART: 51338 V83058 MISCELLANEOUS DATA: USE IN PLACE OF CIRCUIT BREAKERS ON OPEN HOLES	037037 039041 047050 054200 968999	1
- 330	MODREF83017		PLUG BUTTON INSTL-P6-12/B6 MODULE NUMBER: 233A5226-312206 REV A	037037 039041 047050 054200 968999	1
335	BS51338D5003		.PLUG- SUPPLIER CODE: V83058 SPECIFICATION NUMBER: BACP20B63B OPTIONAL PART: 51338 V83058 MISCELLANEOUS DATA: USE IN PLACE OF CIRCUIT BREAKERS ON OPEN HOLES	037037 039041 047050 054200 968999	1
- 340	MODREF83018		PLUG BUTTON INSTL-P6-12/C1 MODULE NUMBER: 233A5226-312301 REV A	037037 039041 047050 054200 968999	1
345	BS51338D5003		.PLUG- SUPPLIER CODE: V83058 SPECIFICATION NUMBER: BACP20B63B OPTIONAL PART: 51338 V83058 MISCELLANEOUS DATA: USE IN PLACE OF CIRCUIT BREAKERS ON OPEN HOLES	037037 039041 047050 054200 968999	1

MISSING ITEM NUMBERS NOT APPLICABLE

- ITEM NOT ILLUSTRATED

HAP

24-50-56-26

BOEING PROPRIETARY - Copyright © - Unpublished Work - See title page for details.

24-50-56
FIG. 26
PAGE 8
FEB 15/09

BOEING
737-600/700/800/900
PARTS CATALOG (MAINTENANCE)

FIG ITEM	PART NUMBER	1 2 3 4 5 6 7	NOMENCLATURE	EFFECT FROM TO	UNITS PER ASSY
26 - 350	MODREF83019		PLUG BUTTON INSTL-P6-12/C2 MODULE NUMBER: 233A5226-312302 REV A	037037 039041 047050 054200 968999	1
355	BS51338D5003		.PLUG- SUPPLIER CODE: V83058 SPECIFICATION NUMBER: BACP20B63B OPTIONAL PART: 51338 V83058 MISCELLANEOUS DATA: USE IN PLACE OF CIRCUIT BREAKERS ON OPEN HOLES	037037 039041 047050 054200 968999	1
- 360	MODREF83020		PLUG BUTTON INSTL-P6-12/C3 MODULE NUMBER: 233A5226-312303 REV A	037037 039041 047050 054200 968999	1
365	BS51338D5003		.PLUG- SUPPLIER CODE: V83058 SPECIFICATION NUMBER: BACP20B63B OPTIONAL PART: 51338 V83058 MISCELLANEOUS DATA: USE IN PLACE OF CIRCUIT BREAKERS ON OPEN HOLES	037037 039041 047050 054200 968999	1
- 370	MODREF83021		PLUG BUTTON INSTL-P6-12/C4 MODULE NUMBER: 233A5226-312304 REV A	037037 039041 047050 054200 968999	1
375	BS51338D5003		.PLUG- SUPPLIER CODE: V83058 SPECIFICATION NUMBER: BACP20B63B OPTIONAL PART: 51338 V83058 MISCELLANEOUS DATA: USE IN PLACE OF CIRCUIT BREAKERS ON OPEN HOLES	037037 039041 047050 054200 968999	1

MISSING ITEM NUMBERS NOT APPLICABLE

- ITEM NOT ILLUSTRATED

HAP

24-50-56-26

BOEING PROPRIETARY - Copyright © - Unpublished Work - See title page for details.

24-50-56
FIG. 26
PAGE 9
FEB 15/09

BOEING
737-600/700/800/900
PARTS CATALOG (MAINTENANCE)

FIG ITEM	PART NUMBER	1 2 3 4 5 6 7	NOMENCLATURE	EFFECT FROM TO	UNITS PER ASSY
26 - 380	MODREF83022		PLUG BUTTON INSTL-P6-12/C5 MODULE NUMBER: 233A5226-312305 REV A	037037 039041 047050 054200 968999	1
385	BS51338D5003		.PLUG- SUPPLIER CODE: V83058 SPECIFICATION NUMBER: BACP20B63B OPTIONAL PART: 51338 V83058 MISCELLANEOUS DATA: USE IN PLACE OF CIRCUIT BREAKERS ON OPEN HOLES	037037 039041 047050 054200 968999	1
- 390	MODREF83023		PLUG BUTTON INSTL-P6-12/C6 MODULE NUMBER: 233A5226-312306 REV A	037037 039041 047050 054200 968999	1
395	BS51338D5003		.PLUG- SUPPLIER CODE: V83058 SPECIFICATION NUMBER: BACP20B63B OPTIONAL PART: 51338 V83058 MISCELLANEOUS DATA: USE IN PLACE OF CIRCUIT BREAKERS ON OPEN HOLES	037037 039041 047050 054200 968999	1
- 400	MODREF83024		PLUG BUTTON INSTL-P6-12/C7 MODULE NUMBER: 233A5226-312307 REV A	037037 039041 047050 054200 968999	1
405	BS51338D5003		.PLUG- SUPPLIER CODE: V83058 SPECIFICATION NUMBER: BACP20B63B OPTIONAL PART: 51338 V83058 MISCELLANEOUS DATA: USE IN PLACE OF CIRCUIT BREAKERS ON OPEN HOLES	037037 039041 047050 054200 968999	1

MISSING ITEM NUMBERS NOT APPLICABLE

- ITEM NOT ILLUSTRATED

HAP

24-50-56-26

BOEING PROPRIETARY - Copyright © - Unpublished Work - See title page for details.

24-50-56
FIG. 26
PAGE 10
FEB 15/09

BOEING
737-600/700/800/900
PARTS CATALOG (MAINTENANCE)

FIG ITEM	PART NUMBER	1 2 3 4 5 6 7	NOMENCLATURE	EFFECT FROM TO	UNITS PER ASSY
26 - 410	MODREF83025		PLUG BUTTON INSTL-P6-12/C8 MODULE NUMBER: 233A5226-312308 REV A	037037 039041 047050 054200 968999	1
415	BS51338D5003		.PLUG- SUPPLIER CODE: V83058 SPECIFICATION NUMBER: BACP20B63B OPTIONAL PART: 51338 V83058 MISCELLANEOUS DATA: USE IN PLACE OF CIRCUIT BREAKERS ON OPEN HOLES	037037 039041 047050 054200 968999	1
- 420	MODREF83026		PLUG BUTTON INSTL-P6-12/C9 MODULE NUMBER: 233A5226-312309 REV A	037037 039041 047050 054200 968999	1
425	BS51338D5003		.PLUG- SUPPLIER CODE: V83058 SPECIFICATION NUMBER: BACP20B63B OPTIONAL PART: 51338 V83058 MISCELLANEOUS DATA: USE IN PLACE OF CIRCUIT BREAKERS ON OPEN HOLES	037037 039041 047050 054200 968999	1
- 430	MODREF83027		PLUG BUTTON INSTL-P6-12/D4 MODULE NUMBER: 233A5226-312404 REV A	037037 039041 047050 054200 968999	1
435	BS51338D5003		.PLUG- SUPPLIER CODE: V83058 SPECIFICATION NUMBER: BACP20B63B OPTIONAL PART: 51338 V83058 MISCELLANEOUS DATA: USE IN PLACE OF CIRCUIT BREAKERS ON OPEN HOLES	037037 039041 047050 054200 968999	1

MISSING ITEM NUMBERS NOT APPLICABLE

- ITEM NOT ILLUSTRATED

HAP

24-50-56-26

BOEING PROPRIETARY - Copyright © - Unpublished Work - See title page for details.

24-50-56
FIG. 26
PAGE 11
FEB 15/09

BOEING
737-600/700/800/900
PARTS CATALOG (MAINTENANCE)

FIG ITEM	PART NUMBER	1 2 3 4 5 6 7	NOMENCLATURE	EFFECT FROM TO	UNITS PER ASSY
26 - 440	MODREF83028		PLUG BUTTON INSTL-P6-12/D5 MODULE NUMBER: 233A5226-312405 REV A	037037 039041 047050 054200 968999	1
445	BS51338D5003		.PLUG- SUPPLIER CODE: V83058 SPECIFICATION NUMBER: BACP20B63B OPTIONAL PART: 51338 V83058 MISCELLANEOUS DATA: USE IN PLACE OF CIRCUIT BREAKERS ON OPEN HOLES	037037 039041 047050 054200 968999	1
- 450	MODREF83029		PLUG BUTTON INSTL-P6-12/D6 MODULE NUMBER: 233A5226-312406 REV A	037037 039041 047050 054200 968999	1
455	BS51338D5003		.PLUG- SUPPLIER CODE: V83058 SPECIFICATION NUMBER: BACP20B63B OPTIONAL PART: 51338 V83058 MISCELLANEOUS DATA: USE IN PLACE OF CIRCUIT BREAKERS ON OPEN HOLES	037037 039041 047050 054200 968999	1
- 460	MODREF83030		PLUG BUTTON INSTL-P6-12/D7 MODULE NUMBER: 233A5226-312407 REV A	037037 039041 047050 054200 968999	1
465	BS51338D5003		.PLUG- SUPPLIER CODE: V83058 SPECIFICATION NUMBER: BACP20B63B OPTIONAL PART: 51338 V83058 MISCELLANEOUS DATA: USE IN PLACE OF CIRCUIT BREAKERS ON OPEN HOLES	037037 039041 047050 054200 968999	1

MISSING ITEM NUMBERS NOT APPLICABLE

- ITEM NOT ILLUSTRATED

HAP

24-50-56-26

BOEING PROPRIETARY - Copyright © - Unpublished Work - See title page for details.

24-50-56
FIG. 26
PAGE 12
FEB 15/09

BOEING
737-600/700/800/900
PARTS CATALOG (MAINTENANCE)

FIG ITEM	PART NUMBER	1 2 3 4 5 6 7	NOMENCLATURE	EFFECT FROM TO	UNITS PER ASSY
26 - 470	MODREF83031		PLUG BUTTON INSTL-P6-12/D8 MODULE NUMBER: 233A5226-312408 REV A	037037 039041 047050 054200 968999	1
475	BS51338D5003		.PLUG- SUPPLIER CODE: V83058 SPECIFICATION NUMBER: BACP20B63B OPTIONAL PART: 51338 V83058 MISCELLANEOUS DATA: USE IN PLACE OF CIRCUIT BREAKERS ON OPEN HOLES	037037 039041 047050 054200 968999	1
- 480	MODREF83032		PLUG BUTTON INSTL-P6-12/D9 MODULE NUMBER: 233A5226-312409 REV A	037037 039041 047050 054200 968999	1
485	BS51338D5003		.PLUG- SUPPLIER CODE: V83058 SPECIFICATION NUMBER: BACP20B63B OPTIONAL PART: 51338 V83058 MISCELLANEOUS DATA: USE IN PLACE OF CIRCUIT BREAKERS ON OPEN HOLES	037037 039041 047050 054200 968999	1
- 500	MODREF251998		INOP INSTL-P6-12/B1 (ELECTRICAL POWER ONLY) MODULE NUMBER: 233A5226-512201 REV A FOR OTHER SYS DETAILS SEE: 11-31-56-26B	037037	1
505	10237-1		.COLLAR- SUPPLIER CODE: V1N6X0	037037	1

MISSING ITEM NUMBERS NOT APPLICABLE

- ITEM NOT ILLUSTRATED

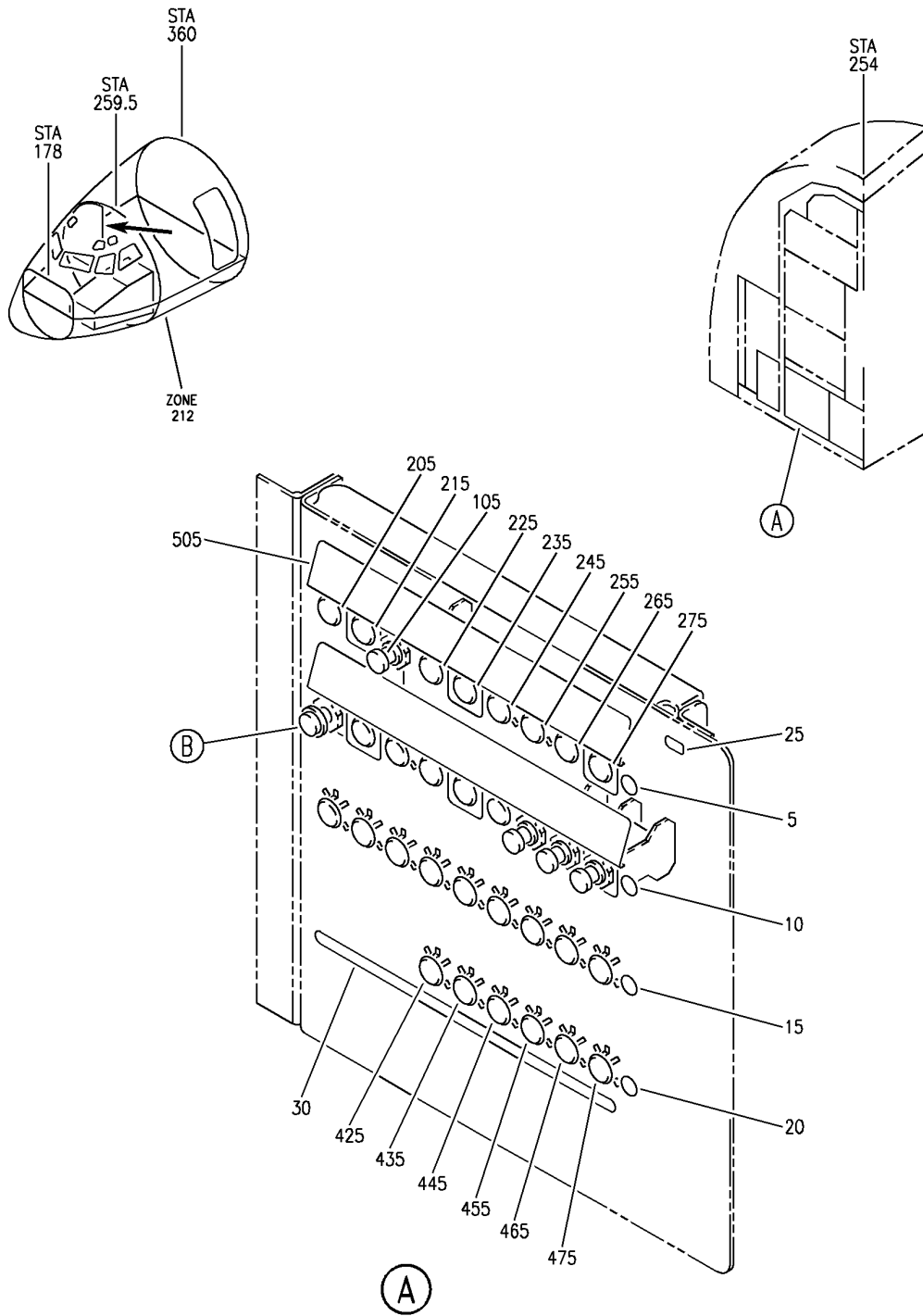
HAP

24-50-56-26

BOEING PROPRIETARY - Copyright © - Unpublished Work - See title page for details.

24-50-56
FIG. 26
PAGE 13
FEB 15/09

BOEING
 737-600/700/800/900
 PARTS CATALOG (MAINTENANCE)



E 24-50-56-29 SHT 1 REV 127

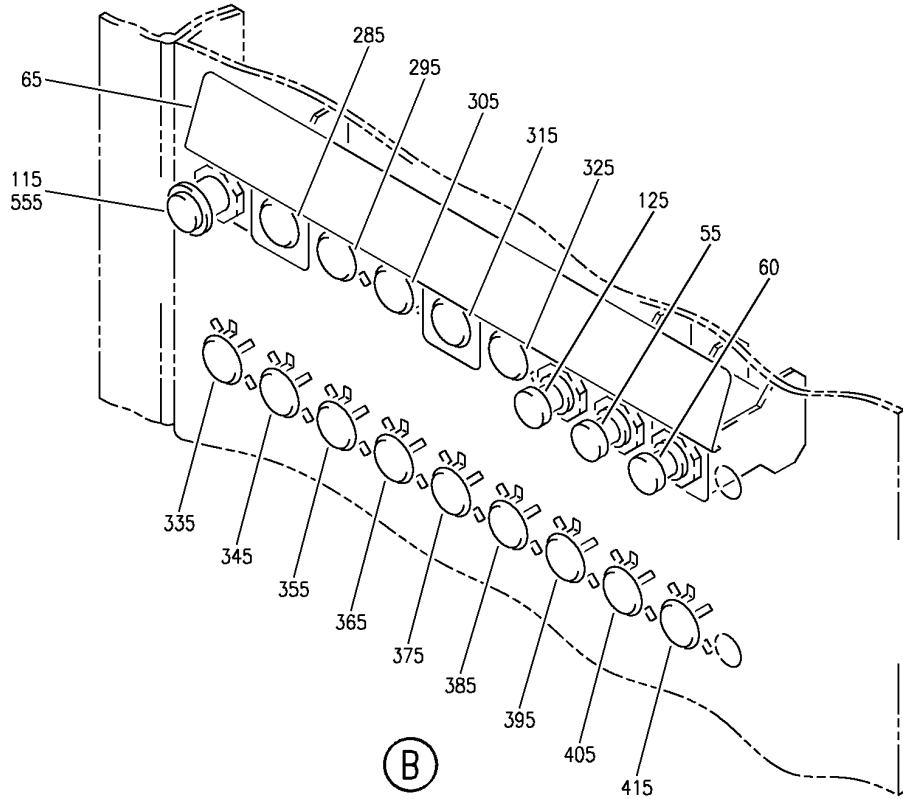
MARKER, CIRCUIT BREAKER, PLUG BUTTON, INOP AND SUPPORT INSTL-P6-12 PNL (ELECTRICAL POWER ONLY)
 FIGURE 29 (SHEET 1)

HAP
 FEB 10/07

24-50-56-29

24-50-56-29
 PAGE 0

BOEING
 737-600/700/800/900
 PARTS CATALOG (MAINTENANCE)



E 24-50-56-29 SH1 2 REV 127

MARKER, CIRCUIT BREAKER, PLUG BUTTON, INOP AND SUPPORT INSTL-P6-12 PNL (ELECTRICAL POWER ONLY)
 FIGURE 29 (SHEET 2)

HAP
 FEB 10/07

24-50-56-29

24-50-56-29
 PAGE 0A

BOEING
737-600/700/800/900
PARTS CATALOG (MAINTENANCE)

FIG ITEM	PART NUMBER	1 2 3 4 5 6 7	NOMENCLATURE	EFFECT FROM TO	UNITS PER ASSY
29			MARKER, CIRCUIT BREAKER, PLUG BUTTON, INOP AND SUPPORT INSTL-P6-12 PNL (ELECTRICAL POWER ONLY)	038038 042046 051053	
- 1	MODREF235057		MARKER INSTL-P6-12 PNL MODULE NUMBER: 233A5226-1 REV C	038038 042046 051053	1
5	BAC27DCC3065		.MARKER- PLACARD CONTENT: A	038038 042046 051053	1
10	BAC27DCC3066		.MARKER- PLACARD CONTENT: B	038038 042046 051053	1
15	BAC27DCC3067		.MARKER- PLACARD CONTENT: C	038038 042046 051053	1
20	BAC27DCC3068		.MARKER- PLACARD CONTENT: D	038038 042046 051053	1
25	BAC27DCC3079		.MARKER- PLACARD CONTENT: P6-12	038038 042046 051053	1
30	BAC27DCC2755		.MARKER	038038 042046 051053	1
- 50	MODREF82990		CIRCUIT BREAKER INSTL-P6-12 PNL MODULE NUMBER: 233A5226-2 REV A	038038 042046 051053	1
55	700-038-25		.CIRCUIT BREAKER- SUPPLIER CODE: V76374 SPECIFICATION NUMBER: BACC18X25 OPTIONAL PART: 492-225-103 V79405 492-225-104 V79405 ELECTRICAL EQUIP NUMBER: C00394	038038 042046 051053	1

MISSING ITEM NUMBERS NOT APPLICABLE

- ITEM NOT ILLUSTRATED

HAP

24-50-56-29

BOEING PROPRIETARY - Copyright © - Unpublished Work - See title page for details.

24-50-56
FIG. 29
PAGE 1
FEB 15/09

BOEING
737-600/700/800/900
PARTS CATALOG (MAINTENANCE)

FIG ITEM	PART NUMBER	1 2 3 4 5 6 7	NOMENCLATURE	EFFECT FROM TO	UNITS PER ASSY
29 60	4310-029-15		.CIRCUIT BREAKER- SUPPLIER CODE: V76374 SPECIFICATION NUMBER: BACC18AD15 OPTIONAL PART: 2TC47-15 V82647 ELECTRICAL EQUIP NUMBER: C00392	038038 042046 051053	1
65	233A5511-9		.SUPPORT-ROW B MARKER	038038 042046 051053	1
- 100	MODREF255706		CIRCUIT BREAKER INSTL-FD PC POWER P6-12/A3 MODULE NUMBER: 233A5226-201643 REV A	038038 042046 051053	1
105	2TC47-5		.CIRCUIT BREAKER- SUPPLIER CODE: V82647 SPECIFICATION NUMBER: BACC18AD5 OPTIONAL PART: 4310-029-5 V76374 ELECTRICAL EQUIP NUMBER: C01643	038038 042046 051053	1
- 110	MODREF251996		CIRCUIT BREAKER INSTL- SURVL CAMERS P6-12/B1 MODULE NUMBER: 233A5226-201641 REV A	038038 042046 051053	1
115	2TC47-5		.CIRCUIT BREAKER- SUPPLIER CODE: V82647 SPECIFICATION NUMBER: BACC18AD5 OPTIONAL PART: 4310-029-5 V76374 ELECTRICAL EQUIP NUMBER: C01641	038038 042046 051053	1
- 120	MODREF223548		CIRCUIT BREAKER INSTL- WINDOW HEAT PWR R3 P6-12/B7 MODULE NUMBER: 233A5226-201649 REV A	038038 042046 051053	1

MISSING ITEM NUMBERS NOT APPLICABLE

- ITEM NOT ILLUSTRATED

HAP

24-50-56-29

BOEING PROPRIETARY - Copyright © - Unpublished Work - See title page for details.

24-50-56
FIG. 29
PAGE 2
FEB 15/09

BOEING
737-600/700/800/900
PARTS CATALOG (MAINTENANCE)

FIG ITEM	PART NUMBER	1 2 3 4 5 6 7	NOMENCLATURE	EFFECT FROM TO	UNITS PER ASSY
29 125	2TC47-3		.CIRCUIT BREAKER- SUPPLIER CODE: V82647 SPECIFICATION NUMBER: BACC18AD3 OPTIONAL PART: 4310-029-3 V76374 ELECTRICAL EQUIP NUMBER: C01649	038038 042046 051053	1
- 200	MODREF83003		PLUG BUTTON INSTL-P6-12/A1 MODULE NUMBER: 233A5226-312101 REV A	038038 042046 051053	1
205	BS51338D5003		.PLUG- SUPPLIER CODE: V83058 SPECIFICATION NUMBER: BACP20B63B OPTIONAL PART: 51338 V83058 MISCELLANEOUS DATA: USE IN PLACE OF CIRCUIT BREAKERS ON OPEN HOLES	038038 042046 051053	1
- 210	MODREF83004		PLUG BUTTON INSTL-P6-12/A2 MODULE NUMBER: 233A5226-312102 REV A	038038 042046 051053	1
215	BS51338D5003		.PLUG- SUPPLIER CODE: V83058 SPECIFICATION NUMBER: BACP20B63B OPTIONAL PART: 51338 V83058 MISCELLANEOUS DATA: USE IN PLACE OF CIRCUIT BREAKERS ON OPEN HOLES	038038 042046 051053	1
- 220	MODREF83006		PLUG BUTTON INSTL-P6-12/A4 MODULE NUMBER: 233A5226-312104 REV A	038038 042046 051053	1

MISSING ITEM NUMBERS NOT APPLICABLE

- ITEM NOT ILLUSTRATED

HAP

24-50-56-29

BOEING PROPRIETARY - Copyright © - Unpublished Work - See title page for details.

24-50-56
FIG. 29
PAGE 3
FEB 15/09

BOEING
737-600/700/800/900
PARTS CATALOG (MAINTENANCE)

FIG ITEM	PART NUMBER	1 2 3 4 5 6 7	NOMENCLATURE	EFFECT FROM TO	UNITS PER ASSY
29 225	BS51338D5003		.PLUG- SUPPLIER CODE: V83058 SPECIFICATION NUMBER: BACP20B63B OPTIONAL PART: 51338 V83058 MISCELLANEOUS DATA: USE IN PLACE OF CIRCUIT BREAKERS ON OPEN HOLES	038038 042046 051053	1
- 230	MODREF83007		PLUG BUTTON INSTL-P6-12/A5 MODULE NUMBER: 233A5226-312105 REV A	038038 042046 051053	1
235	BS51338D5003		.PLUG- SUPPLIER CODE: V83058 SPECIFICATION NUMBER: BACP20B63B OPTIONAL PART: 51338 V83058 MISCELLANEOUS DATA: USE IN PLACE OF CIRCUIT BREAKERS ON OPEN HOLES	038038 042046 051053	1
- 240	MODREF83008		PLUG BUTTON INSTL-P6-12/A6 MODULE NUMBER: 233A5226-312106 REV A	038038 042046 051053	1
245	BS51338D5003		.PLUG- SUPPLIER CODE: V83058 SPECIFICATION NUMBER: BACP20B63B OPTIONAL PART: 51338 V83058 MISCELLANEOUS DATA: USE IN PLACE OF CIRCUIT BREAKERS ON OPEN HOLES	038038 042046 051053	1
- 250	MODREF83009		PLUG BUTTON INSTL-P6-12/A7 MODULE NUMBER: 233A5226-312107 REV A	038038 042046 051053	1

MISSING ITEM NUMBERS NOT APPLICABLE

- ITEM NOT ILLUSTRATED

HAP

24-50-56-29

BOEING PROPRIETARY - Copyright © - Unpublished Work - See title page for details.

24-50-56
FIG. 29
PAGE 4
FEB 15/09

BOEING
737-600/700/800/900
PARTS CATALOG (MAINTENANCE)

FIG ITEM	PART NUMBER	1 2 3 4 5 6 7	NOMENCLATURE	EFFECT FROM TO	UNITS PER ASSY
29 255	BS51338D5003		.PLUG- SUPPLIER CODE: V83058 SPECIFICATION NUMBER: BACP20B63B OPTIONAL PART: 51338 V83058 MISCELLANEOUS DATA: USE IN PLACE OF CIRCUIT BREAKERS ON OPEN HOLES	038038 042046 051053	1
- 260	MODREF83010		PLUG BUTTON INSTL-P6-12/A8 MODULE NUMBER: 233A5226-312108 REV A	038038 042046 051053	1
265	BS51338D5003		.PLUG- SUPPLIER CODE: V83058 SPECIFICATION NUMBER: BACP20B63B OPTIONAL PART: 51338 V83058 MISCELLANEOUS DATA: USE IN PLACE OF CIRCUIT BREAKERS ON OPEN HOLES	038038 042046 051053	1
- 270	MODREF83011		PLUG BUTTON INSTL-P6-12/A9 MODULE NUMBER: 233A5226-312109 REV A	038038 042046 051053	1
275	BS51338D5003		.PLUG- SUPPLIER CODE: V83058 SPECIFICATION NUMBER: BACP20B63B OPTIONAL PART: 51338 V83058 MISCELLANEOUS DATA: USE IN PLACE OF CIRCUIT BREAKERS ON OPEN HOLES	038038 042046 051053	1
- 280	MODREF83013		PLUG BUTTON INSTL-P6-12/B2 MODULE NUMBER: 233A5226-312202 REV A	038038 042046 051053	1

MISSING ITEM NUMBERS NOT APPLICABLE

- ITEM NOT ILLUSTRATED

HAP

24-50-56-29

BOEING PROPRIETARY - Copyright © - Unpublished Work - See title page for details.

24-50-56
FIG. 29
PAGE 5
FEB 15/09

BOEING
737-600/700/800/900
PARTS CATALOG (MAINTENANCE)

FIG ITEM	PART NUMBER	1 2 3 4 5 6 7	NOMENCLATURE	EFFECT FROM TO	UNITS PER ASSY
29 285	BS51338D5003		.PLUG- SUPPLIER CODE: V83058 SPECIFICATION NUMBER: BACP20B63B OPTIONAL PART: 51338 V83058 MISCELLANEOUS DATA: USE IN PLACE OF CIRCUIT BREAKERS ON OPEN HOLES	038038 042046 051053	1
- 290	MODREF83014		PLUG BUTTON INSTL-P6-12/B3 MODULE NUMBER: 233A5226-312203 REV A	038038 042046 051053	1
295	BS51338D5003		.PLUG- SUPPLIER CODE: V83058 SPECIFICATION NUMBER: BACP20B63B OPTIONAL PART: 51338 V83058 MISCELLANEOUS DATA: USE IN PLACE OF CIRCUIT BREAKERS ON OPEN HOLES	038038 042046 051053	1
- 300	MODREF83015		PLUG BUTTON INSTL-P6-12/B4 MODULE NUMBER: 233A5226-312204 REV A	038038 042046 051053	1
305	BS51338D5003		.PLUG- SUPPLIER CODE: V83058 SPECIFICATION NUMBER: BACP20B63B OPTIONAL PART: 51338 V83058 MISCELLANEOUS DATA: USE IN PLACE OF CIRCUIT BREAKERS ON OPEN HOLES	038038 042046 051053	1
- 310	MODREF83016		PLUG BUTTON INSTL-P6-12/B5 MODULE NUMBER: 233A5226-312205 REV A	038038 042046 051053	1

MISSING ITEM NUMBERS NOT APPLICABLE

- ITEM NOT ILLUSTRATED

HAP

24-50-56-29

BOEING PROPRIETARY - Copyright © - Unpublished Work - See title page for details.

24-50-56
FIG. 29
PAGE 6
FEB 15/09

BOEING
737-600/700/800/900
PARTS CATALOG (MAINTENANCE)

FIG ITEM	PART NUMBER	1 2 3 4 5 6 7	NOMENCLATURE	EFFECT FROM TO	UNITS PER ASSY
29 315	BS51338D5003		.PLUG- SUPPLIER CODE: V83058 SPECIFICATION NUMBER: BACP20B63B OPTIONAL PART: 51338 V83058 MISCELLANEOUS DATA: USE IN PLACE OF CIRCUIT BREAKERS ON OPEN HOLES	038038 042046 051053	1
- 320	MODREF83017		PLUG BUTTON INSTL-P6-12/B6 MODULE NUMBER: 233A5226-312206 REV A	038038 042046 051053	1
325	BS51338D5003		.PLUG- SUPPLIER CODE: V83058 SPECIFICATION NUMBER: BACP20B63B OPTIONAL PART: 51338 V83058 MISCELLANEOUS DATA: USE IN PLACE OF CIRCUIT BREAKERS ON OPEN HOLES	038038 042046 051053	1
- 330	MODREF83018		PLUG BUTTON INSTL-P6-12/C1 MODULE NUMBER: 233A5226-312301 REV A	038038 042046 051053	1
335	BS51338D5003		.PLUG- SUPPLIER CODE: V83058 SPECIFICATION NUMBER: BACP20B63B OPTIONAL PART: 51338 V83058 MISCELLANEOUS DATA: USE IN PLACE OF CIRCUIT BREAKERS ON OPEN HOLES	038038 042046 051053	1
- 340	MODREF83019		PLUG BUTTON INSTL-P6-12/C2 MODULE NUMBER: 233A5226-312302 REV A	038038 042046 051053	1

MISSING ITEM NUMBERS NOT APPLICABLE

- ITEM NOT ILLUSTRATED

HAP

24-50-56-29

BOEING PROPRIETARY - Copyright © - Unpublished Work - See title page for details.

24-50-56
FIG. 29
PAGE 7
FEB 15/09

BOEING
737-600/700/800/900
PARTS CATALOG (MAINTENANCE)

FIG ITEM	PART NUMBER	1 2 3 4 5 6 7	NOMENCLATURE	EFFECT FROM TO	UNITS PER ASSY
29 345	BS51338D5003		.PLUG- SUPPLIER CODE: V83058 SPECIFICATION NUMBER: BACP20B63B OPTIONAL PART: 51338 V83058 MISCELLANEOUS DATA: USE IN PLACE OF CIRCUIT BREAKERS ON OPEN HOLES	038038 042046 051053	1
- 350	MODREF83020		PLUG BUTTON INSTL-P6-12/C3 MODULE NUMBER: 233A5226-312303 REV A	038038 042046 051053	1
355	BS51338D5003		.PLUG- SUPPLIER CODE: V83058 SPECIFICATION NUMBER: BACP20B63B OPTIONAL PART: 51338 V83058 MISCELLANEOUS DATA: USE IN PLACE OF CIRCUIT BREAKERS ON OPEN HOLES	038038 042046 051053	1
- 360	MODREF83021		PLUG BUTTON INSTL-P6-12/C4 MODULE NUMBER: 233A5226-312304 REV A	038038 042046 051053	1
365	BS51338D5003		.PLUG- SUPPLIER CODE: V83058 SPECIFICATION NUMBER: BACP20B63B OPTIONAL PART: 51338 V83058 MISCELLANEOUS DATA: USE IN PLACE OF CIRCUIT BREAKERS ON OPEN HOLES	038038 042046 051053	1
- 370	MODREF83022		PLUG BUTTON INSTL-P6-12/C5 MODULE NUMBER: 233A5226-312305 REV A	038038 042046 051053	1

MISSING ITEM NUMBERS NOT APPLICABLE

- ITEM NOT ILLUSTRATED

HAP

24-50-56-29

BOEING PROPRIETARY - Copyright © - Unpublished Work - See title page for details.

24-50-56
FIG. 29
PAGE 8
FEB 15/09

BOEING
737-600/700/800/900
PARTS CATALOG (MAINTENANCE)

FIG ITEM	PART NUMBER	1 2 3 4 5 6 7	NOMENCLATURE	EFFECT FROM TO	UNITS PER ASSY
29 375	BS51338D5003		.PLUG- SUPPLIER CODE: V83058 SPECIFICATION NUMBER: BACP20B63B OPTIONAL PART: 51338 V83058 MISCELLANEOUS DATA: USE IN PLACE OF CIRCUIT BREAKERS ON OPEN HOLES	038038 042046 051053	1
- 380	MODREF83023		PLUG BUTTON INSTL-P6-12/C6 MODULE NUMBER: 233A5226-312306 REV A	038038 042046 051053	1
385	BS51338D5003		.PLUG- SUPPLIER CODE: V83058 SPECIFICATION NUMBER: BACP20B63B OPTIONAL PART: 51338 V83058 MISCELLANEOUS DATA: USE IN PLACE OF CIRCUIT BREAKERS ON OPEN HOLES	038038 042046 051053	1
- 390	MODREF83024		PLUG BUTTON INSTL-P6-12/C7 MODULE NUMBER: 233A5226-312307 REV A	038038 042046 051053	1
395	BS51338D5003		.PLUG- SUPPLIER CODE: V83058 SPECIFICATION NUMBER: BACP20B63B OPTIONAL PART: 51338 V83058 MISCELLANEOUS DATA: USE IN PLACE OF CIRCUIT BREAKERS ON OPEN HOLES	038038 042046 051053	1
- 400	MODREF83025		PLUG BUTTON INSTL-P6-12/C8 MODULE NUMBER: 233A5226-312308 REV A	038038 042046 051053	1

MISSING ITEM NUMBERS NOT APPLICABLE

- ITEM NOT ILLUSTRATED

HAP

24-50-56-29

BOEING PROPRIETARY - Copyright © - Unpublished Work - See title page for details.

24-50-56
FIG. 29
PAGE 9
FEB 15/09

BOEING
737-600/700/800/900
PARTS CATALOG (MAINTENANCE)

FIG ITEM	PART NUMBER	1 2 3 4 5 6 7	NOMENCLATURE	EFFECT FROM TO	UNITS PER ASSY
29 405	BS51338D5003		.PLUG- SUPPLIER CODE: V83058 SPECIFICATION NUMBER: BACP20B63B OPTIONAL PART: 51338 V83058 MISCELLANEOUS DATA: USE IN PLACE OF CIRCUIT BREAKERS ON OPEN HOLES	038038 042046 051053	1
- 410	MODREF83026		PLUG BUTTON INSTL-P6-12/C9 MODULE NUMBER: 233A5226-312309 REV A	038038 042046 051053	1
415	BS51338D5003		.PLUG- SUPPLIER CODE: V83058 SPECIFICATION NUMBER: BACP20B63B OPTIONAL PART: 51338 V83058 MISCELLANEOUS DATA: USE IN PLACE OF CIRCUIT BREAKERS ON OPEN HOLES	038038 042046 051053	1
- 420	MODREF83027		PLUG BUTTON INSTL-P6-12/D4 MODULE NUMBER: 233A5226-312404 REV A	038038 042046 051053	1
425	BS51338D5003		.PLUG- SUPPLIER CODE: V83058 SPECIFICATION NUMBER: BACP20B63B OPTIONAL PART: 51338 V83058 MISCELLANEOUS DATA: USE IN PLACE OF CIRCUIT BREAKERS ON OPEN HOLES	038038 042046 051053	1
- 430	MODREF83028		PLUG BUTTON INSTL-P6-12/D5 MODULE NUMBER: 233A5226-312405 REV A	038038 042046 051053	1

MISSING ITEM NUMBERS NOT APPLICABLE

- ITEM NOT ILLUSTRATED

HAP

24-50-56-29

BOEING PROPRIETARY - Copyright © - Unpublished Work - See title page for details.

24-50-56
FIG. 29
PAGE 10
FEB 15/09

BOEING
737-600/700/800/900
PARTS CATALOG (MAINTENANCE)

FIG ITEM	PART NUMBER	1 2 3 4 5 6 7	NOMENCLATURE	EFFECT FROM TO	UNITS PER ASSY
29 435	BS51338D5003		.PLUG- SUPPLIER CODE: V83058 SPECIFICATION NUMBER: BACP20B63B OPTIONAL PART: 51338 V83058 MISCELLANEOUS DATA: USE IN PLACE OF CIRCUIT BREAKERS ON OPEN HOLES	038038 042046 051053	1
- 440	MODREF83029		PLUG BUTTON INSTL-P6-12/D6 MODULE NUMBER: 233A5226-312406 REV A	038038 042046 051053	1
445	BS51338D5003		.PLUG- SUPPLIER CODE: V83058 SPECIFICATION NUMBER: BACP20B63B OPTIONAL PART: 51338 V83058 MISCELLANEOUS DATA: USE IN PLACE OF CIRCUIT BREAKERS ON OPEN HOLES	038038 042046 051053	1
- 450	MODREF83030		PLUG BUTTON INSTL-P6-12/D7 MODULE NUMBER: 233A5226-312407 REV A	038038 042046 051053	1
455	BS51338D5003		.PLUG- SUPPLIER CODE: V83058 SPECIFICATION NUMBER: BACP20B63B OPTIONAL PART: 51338 V83058 MISCELLANEOUS DATA: USE IN PLACE OF CIRCUIT BREAKERS ON OPEN HOLES	038038 042046 051053	1
- 460	MODREF83031		PLUG BUTTON INSTL-P6-12/D8 MODULE NUMBER: 233A5226-312408 REV A	038038 042046 051053	1

MISSING ITEM NUMBERS NOT APPLICABLE

- ITEM NOT ILLUSTRATED

HAP

24-50-56-29

BOEING PROPRIETARY - Copyright © - Unpublished Work - See title page for details.

24-50-56
FIG. 29
PAGE 11
FEB 15/09

BOEING
737-600/700/800/900
PARTS CATALOG (MAINTENANCE)

FIG ITEM	PART NUMBER	1 2 3 4 5 6 7	NOMENCLATURE	EFFECT FROM TO	UNITS PER ASSY
29 465	BS51338D5003		.PLUG- SUPPLIER CODE: V83058 SPECIFICATION NUMBER: BACP20B63B OPTIONAL PART: 51338 V83058 MISCELLANEOUS DATA: USE IN PLACE OF CIRCUIT BREAKERS ON OPEN HOLES	038038 042046 051053	1
- 470	MODREF83032		PLUG BUTTON INSTL-P6-12/D9 MODULE NUMBER: 233A5226-312409 REV A	038038 042046 051053	1
475	BS51338D5003		.PLUG- SUPPLIER CODE: V83058 SPECIFICATION NUMBER: BACP20B63B OPTIONAL PART: 51338 V83058 MISCELLANEOUS DATA: USE IN PLACE OF CIRCUIT BREAKERS ON OPEN HOLES	038038 042046 051053	1
- 500	MODREF83042		SUPPORT INSTL-ROW A MARKER MODULE NUMBER: 233A5226-612100 REV A	042046 051053	1
505	233A5511-9		.SUPPORT	042046 051053	1
- 550	MODREF251998		INOP INSTL-P6-12/B1 (ELECTRICAL POWER ONLY) MODULE NUMBER: 233A5226-512201 REV A FOR OTHER SYS DETAILS SEE: 11-31-56-29	038038	1
555	10237-1		.COLLAR- SUPPLIER CODE: V1N6X0	038038	1

MISSING ITEM NUMBERS NOT APPLICABLE

- ITEM NOT ILLUSTRATED

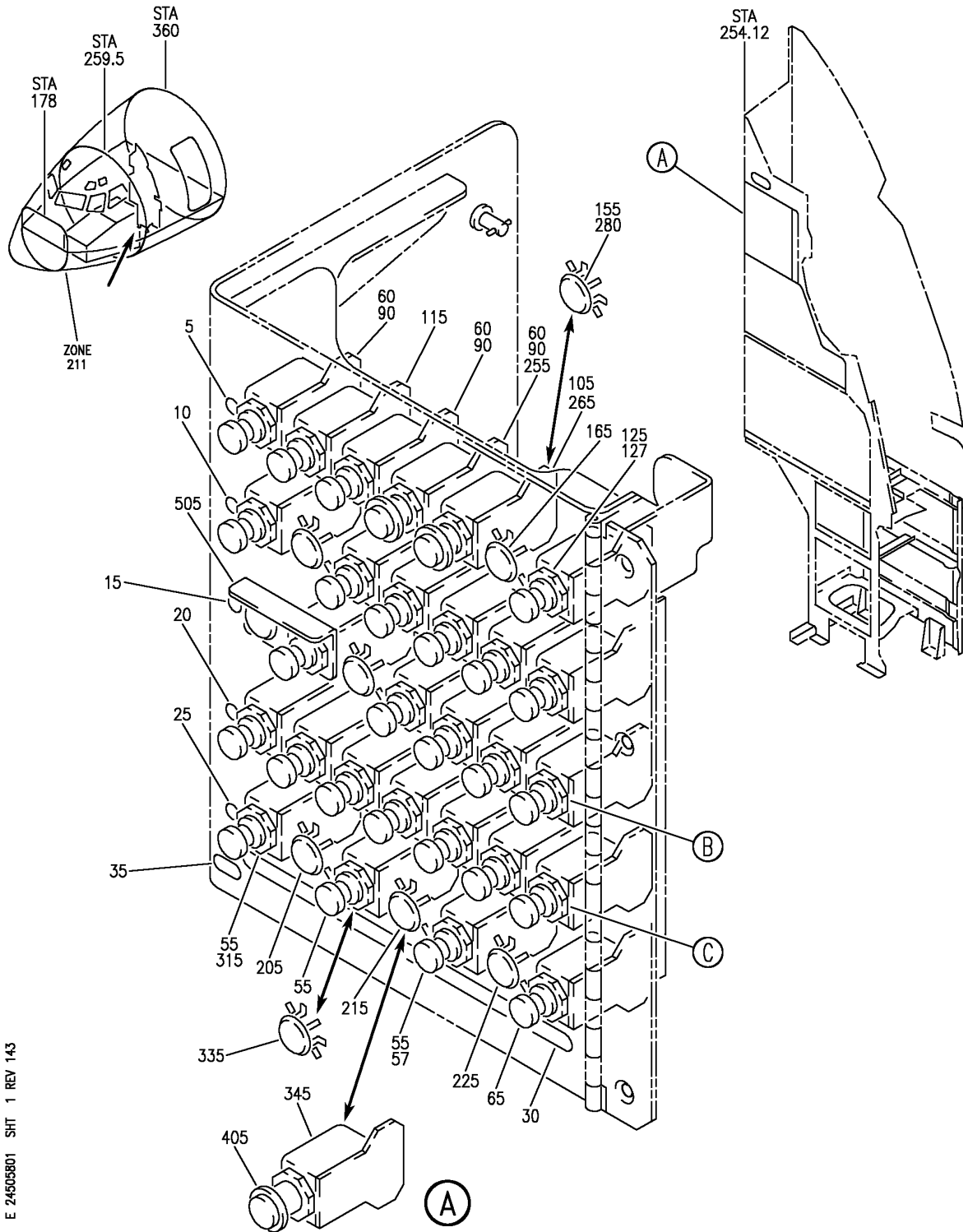
HAP

24-50-56-29

BOEING PROPRIETARY - Copyright © - Unpublished Work - See title page for details.

24-50-56
FIG. 29
PAGE 12
FEB 15/09


BOEING
737-600/700/800/900
PARTS CATALOG (MAINTENANCE)



E 24505801 SHT 1 REV 143

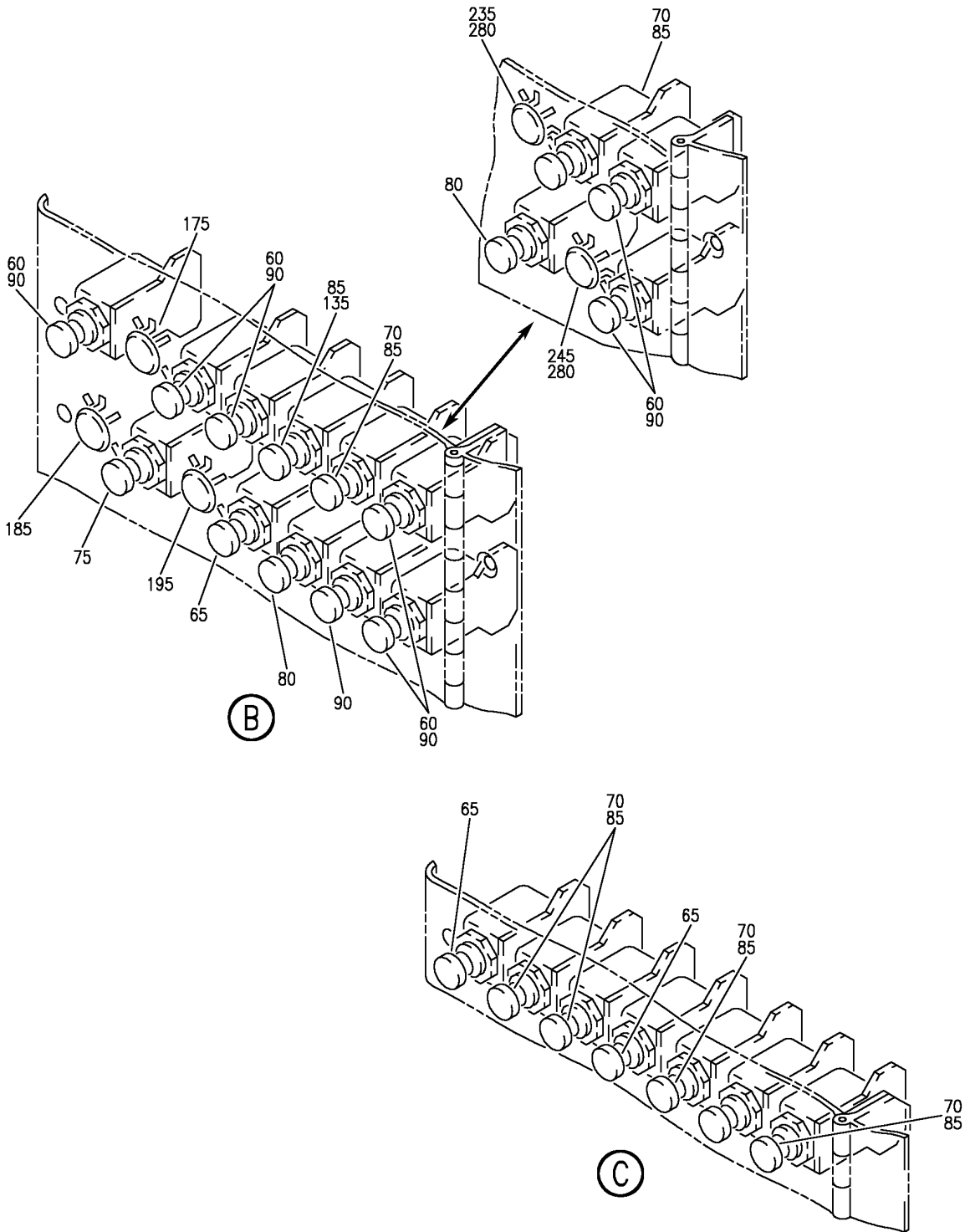
MARKER, CIRCUIT BREAKER, PLUG BUTTON, KIT AND INOP INSTL-P18-1 PNL (ELECTRICAL POWER ONLY)
 FIGURE 1 (SHEET 1)

HAP
JUN 15/08

24-50-58-01

24-50-58-01
PAGE 0

BOEING
 737-600/700/800/900
 PARTS CATALOG (MAINTENANCE)



E 24505801 SHT 2 REV 087

MARKER, CIRCUIT BREAKER, PLUG BUTTON, KIT AND INOP INSTL-P18-1 PNL (ELECTRICAL POWER ONLY)
 FIGURE 1 (SHEET 2)

HAP
 FEB 10/07

24-50-58-01

24-50-58-01
 PAGE 0A

BOEING
737-600/700/800/900
PARTS CATALOG (MAINTENANCE)

FIG ITEM	PART NUMBER	1 2 3 4 5 6 7	NOMENCLATURE	EFFECT FROM TO	UNITS PER ASSY
1			MARKER, CIRCUIT BREAKER, PLUG BUTTON, KIT AND INOP INSTL-P18-1 PNL (ELECTRICAL POWER ONLY)	001004 008030 201967	
- 1	233A5521-1		MARKER INSTL-P18-1 FOR NHA SEE: 24-50-00-11B 24-50-00-11C	008030 201967	RF
5	BAC27DCC3065		.MARKER- PLACARD CONTENT: A	008030 201967	1
10	BAC27DCC3066		.MARKER- PLACARD CONTENT: B	008030 201967	1
15	BAC27DCC3067		.MARKER- PLACARD CONTENT: C	008030 201967	1
20	BAC27DCC3068		.MARKER- PLACARD CONTENT: D	008030 201967	1
25	BAC27DCC3069		.MARKER- PLACARD CONTENT: E	008030 201967	1
30	BAC27DCC2740		.DECAL- PLACARD CONTENT: 1 THRU 7	008030 201967	1
35	BAC27DCC3080		.MARKER- PLACARD CONTENT: P18-1	008030 201967	1
- 50	233A5521-2		CIRCUIT BREAKER INSTL-P18-1 (ELECTRICAL POWER ONLY) FOR NHA/OTHER SYS DET SEE: 24-50-00-11B 24-50-00-11C	008014 201967	RF
- 50	233A5521-3		CIRCUIT BREAKER INSTL-P18-1 (ELECTRICAL POWER ONLY) FOR NHA/OTHER SYS DET SEE: 24-50-00-11C	015030	RF

MISSING ITEM NUMBERS NOT APPLICABLE

- ITEM NOT ILLUSTRATED

HAP

24-50-58-01

BOEING PROPRIETARY - Copyright © - Unpublished Work - See title page for details.

24-50-58
FIG. 01
PAGE 1
OCT 15/08

BOEING
737-600/700/800/900
PARTS CATALOG (MAINTENANCE)

FIG ITEM	PART NUMBER	1 2 3 4 5 6 7	NOMENCLATURE	EFFECT FROM TO	UNITS PER ASSY
1 55	2TC47-10		.CIRCUIT BREAKER- SUPPLIER CODE: V82647 SPECIFICATION NUMBER: BACC18AD10 OPTIONAL PART: 4310-029-10 V76374 ELECTRICAL EQUIP NUMBER: C00721 C01141 C01009	008030 201967	3
60	2TC47-2-5		.CIRCUIT BREAKER- SUPPLIER CODE: V82647 SPECIFICATION NUMBER: BACC18AD2 OPTIONAL PART: 4310-029-205 V76374 ELECTRICAL EQUIP NUMBER: C01374 C01378 C01382 C01376 C00190 C01384 C00629 C00285	008030 201967	8
65	2TC47-3		.CIRCUIT BREAKER- SUPPLIER CODE: V82647 SPECIFICATION NUMBER: BACC18AD3 OPTIONAL PART: 4310-029-3 V76374 ELECTRICAL EQUIP NUMBER: C00456 C01049 C00457 C01007	008030 201967	4

MISSING ITEM NUMBERS NOT APPLICABLE

— ITEM NOT ILLUSTRATED

HAP

24-50-58-01

BOEING PROPRIETARY - Copyright © - Unpublished Work - See title page for details.

24-50-58
FIG. 01
PAGE 2
OCT 15/08

BOEING
737-600/700/800/900
PARTS CATALOG (MAINTENANCE)

FIG ITEM	PART NUMBER	1 2 3 4 5 6 7	NOMENCLATURE	EFFECT FROM TO	UNITS PER ASSY
1 70	2TC47-5		.CIRCUIT BREAKER- SUPPLIER CODE: V82647 SPECIFICATION NUMBER: BACC18AD5 OPTIONAL PART: 4310-029-5 V76374 ELECTRICAL EQUIP NUMBER: C01195 C01045 C01048 C01044 C01354 C00286	015030	6
75	9TC615		.CIRCUIT BREAKER- SUPPLIER CODE: V82647 SPECIFICATION NUMBER: BACC18AE15 ELECTRICAL EQUIP NUMBER: C00849	008030 201967	1
80	2TC6-1		.CIRCUIT BREAKER- SUPPLIER CODE: V82647 SPECIFICATION NUMBER: BACC18Z1R OPTIONAL PART: 4310-002-1 V76374 ELECTRICAL EQUIP NUMBER: C01041	008030 201967	1
85	2TC47-5		.CIRCUIT BREAKER- SUPPLIER CODE: V82647 SPECIFICATION NUMBER: BACC18AD5 OPTIONAL PART: 4310-029-5 V76374 ELECTRICAL EQUIP NUMBER: C00186 C01195 C01045 C01048 C01044 C01354 C00286	008014 201967	7

MISSING ITEM NUMBERS NOT APPLICABLE

— ITEM NOT ILLUSTRATED

HAP

24-50-58-01

BOEING PROPRIETARY - Copyright © - Unpublished Work - See title page for details.

24-50-58
FIG. 01
PAGE 3
OCT 15/08

BOEING
737-600/700/800/900
PARTS CATALOG (MAINTENANCE)

FIG ITEM	PART NUMBER	1 2 3 4 5 6 7	NOMENCLATURE	EFFECT FROM TO	UNITS PER ASSY
1 90	2TC47-2-5		.CIRCUIT BREAKER- SUPPLIER CODE: V82647 SPECIFICATION NUMBER: BACC18AD2 OPTIONAL PART: 4310-029-205 V76374 ELECTRICAL EQUIP NUMBER: C01429 C01374 C01376 C00629 C01382 C01378 C01384 C00190 C00285	008030 201967	1
- 100	233A5521-201386		CIRCUIT BREAKER INSTL-RADIO NAV RMI P18-1/A5 FOR NHA SEE: 24-50-00-11B 24-50-00-11C	008030 201967	RF
105	2TC47-2-5		.CIRCUIT BREAKER- SUPPLIER CODE: V82647 SPECIFICATION NUMBER: BACC18AD2 OPTIONAL PART: 4310-029-205 V76374 ELECTRICAL EQUIP NUMBER: C01386	008030 201967	1
- 110	233A5521-201479		CIRCUIT BREAKER INSTL-RADIO NAV MMR 1 P18-1/A2 FOR NHA SEE: 24-50-00-11B 24-50-00-11C	008030 201967	RF
115	2TC47-2-5		.CIRCUIT BREAKER- SUPPLIER CODE: V82647 SPECIFICATION NUMBER: BACC18AD2 OPTIONAL PART: 4310-029-205 V76374 ELECTRICAL EQUIP NUMBER: C01479	008030 201967	1

MISSING ITEM NUMBERS NOT APPLICABLE

- ITEM NOT ILLUSTRATED

HAP

24-50-58-01

BOEING PROPRIETARY - Copyright © - Unpublished Work - See title page for details.

24-50-58
FIG. 01
PAGE 4
OCT 15/08

BOEING
737-600/700/800/900
PARTS CATALOG (MAINTENANCE)

FIG ITEM	PART NUMBER	1 2 3 4 5 6 7	NOMENCLATURE	EFFECT FROM TO	UNITS PER ASSY
1 - 120	233A5521-201519		CIRCUIT BREAKER INSTL-RADIO NAV TERRAIN DISPLAY P18-1/A7 POST AIRLINE MOD: 737-EB34-0155 VHAP FOR NHA SEE: 24-50-00-11B 24-50-00-11C	001004 008030 201967	RF
125	2TC47-2-5		.CIRCUIT BREAKER- SUPPLIER CODE: V82647 SPECIFICATION NUMBER: BACC18AD2 OPTIONAL PART: 4310-029-205 V76374 ELECTRICAL EQUIP NUMBER: C01519	008030 201967	1
127	2TC47-2-5		.CIRCUIT BREAKER- SUPPLIER CODE: V82647 SPECIFICATION NUMBER: BACC18AD2 OPTIONAL PART: 4310-029-205 V76374 ELECTRICAL EQUIP NUMBER: C09001 POST AIRLINE MOD: 737-EB34-0155 VHAP	001004	1
- 130	233A5521-200186		CIRCUIT BREAKER INSTL-ATC 1 P18-1/B5 FOR NHA SEE: 24-50-00-11C	015030	RF
135	2TC47-5		.CIRCUIT BREAKER- SUPPLIER CODE: V82647 SPECIFICATION NUMBER: BACC18AD5 OPTIONAL PART: 4310-029-5 V76374 ELECTRICAL EQUIP NUMBER: C00186	015030	1

MISSING ITEM NUMBERS NOT APPLICABLE

- ITEM NOT ILLUSTRATED

HAP

24-50-58-01

BOEING PROPRIETARY - Copyright © - Unpublished Work - See title page for details.

24-50-58
FIG. 01
PAGE 5
OCT 15/08

BOEING
737-600/700/800/900
PARTS CATALOG (MAINTENANCE)

FIG ITEM	PART NUMBER	1 2 3 4 5 6 7	NOMENCLATURE	EFFECT FROM TO	UNITS PER ASSY
1					
- 160	233A5521-381106		PLUG BUTTON INSTL-P18-1/A6 FOR NHA SEE: 24-50-00-11B 24-50-00-11C	008030 201967	RF
165	BS51338D5003		.PLUG- SUPPLIER CODE: V83058 SPECIFICATION NUMBER: BACP20B63B OPTIONAL PART: 51338 V83058 MISCELLANEOUS DATA: USE IN PLACE OF CIRCUIT BREAKERS ON OPEN HOLES	008030 201967	1
- 170	233A5521-381202		PLUG BUTTON INSTL-P18-1/B2 FOR NHA SEE: 24-50-00-11B 24-50-00-11C	008030 201967	RF
175	BS51338D5003		.PLUG- SUPPLIER CODE: V83058 SPECIFICATION NUMBER: BACP20B63B OPTIONAL PART: 51338 V83058 MISCELLANEOUS DATA: USE IN PLACE OF CIRCUIT BREAKERS ON OPEN HOLES	008030 201967	1
- 180	233A5521-381301		PLUG BUTTON INSTL-P18-1/C1 FOR NHA SEE: 24-50-00-11B 24-50-00-11C	008030 201967	RF
185	BS51338D5003		.PLUG- SUPPLIER CODE: V83058 SPECIFICATION NUMBER: BACP20B63B OPTIONAL PART: 51338 V83058 MISCELLANEOUS DATA: USE IN PLACE OF CIRCUIT BREAKERS ON OPEN HOLES	008030 201967	1
- 190	233A5521-381303		PLUG BUTTON INSTL-P18-1/C3 FOR NHA SEE: 24-50-00-11B 24-50-00-11C	008030 201967	RF

MISSING ITEM NUMBERS NOT APPLICABLE

- ITEM NOT ILLUSTRATED

HAP

24-50-58-01

BOEING PROPRIETARY - Copyright © - Unpublished Work - See title page for details.

24-50-58
FIG. 01
PAGE 6
OCT 15/08

BOEING
737-600/700/800/900
PARTS CATALOG (MAINTENANCE)

FIG ITEM	PART NUMBER	1 2 3 4 5 6 7	NOMENCLATURE	EFFECT FROM TO	UNITS PER ASSY
1 195	BS51338D5003		.PLUG- SUPPLIER CODE: V83058 SPECIFICATION NUMBER: BACP20B63B OPTIONAL PART: 51338 V83058 MISCELLANEOUS DATA: USE IN PLACE OF CIRCUIT BREAKERS ON OPEN HOLES	008030 201967	1
- 200	233A5521-381502		PLUG BUTTON INSTL-P18-1/E2 FOR NHA SEE: 24-50-00-11B 24-50-00-11C	008030 201967	RF
205	BS51338D5003		.PLUG- SUPPLIER CODE: V83058 SPECIFICATION NUMBER: BACP20B63B OPTIONAL PART: 51338 V83058 MISCELLANEOUS DATA: USE IN PLACE OF CIRCUIT BREAKERS ON OPEN HOLES	008030 201967	1
- 210	233A5521-381504		PLUG BUTTON INSTL-P18-1/E4 FOR NHA SEE: 24-50-00-11B 24-50-00-11C	008030 201967	RF
215	BS51338D5003		.PLUG- SUPPLIER CODE: V83058 SPECIFICATION NUMBER: BACP20B63B OPTIONAL PART: 51338 V83058 MISCELLANEOUS DATA: USE IN PLACE OF CIRCUIT BREAKERS ON OPEN HOLES	008030 201967	1
- 220	233A5521-381506		PLUG BUTTON INSTL-P18-1/E6 FOR NHA SEE: 24-50-00-11B 24-50-00-11C	008030 201967	RF

MISSING ITEM NUMBERS NOT APPLICABLE

- ITEM NOT ILLUSTRATED

HAP

24-50-58-01

BOEING PROPRIETARY - Copyright © - Unpublished Work - See title page for details.

24-50-58
FIG. 01
PAGE 7
OCT 15/08

BOEING
737-600/700/800/900
PARTS CATALOG (MAINTENANCE)

FIG ITEM	PART NUMBER	1 2 3 4 5 6 7	NOMENCLATURE	EFFECT FROM TO	UNITS PER ASSY
1 225	BS51338D5003		.PLUG- SUPPLIER CODE: V83058 SPECIFICATION NUMBER: BACP20B63B OPTIONAL PART: 51338 V83058 MISCELLANEOUS DATA: USE IN PLACE OF CIRCUIT BREAKERS ON OPEN HOLES	008030 201967	1
- 500	233A5001-33		KIT INSTL-CB GUARD P18-1 POST SERVICE BULLETIN: 24-1161	201967	1
505	69-77090-16		.GUARD ASSY	201967	1

MISSING ITEM NUMBERS NOT APPLICABLE

- ITEM NOT ILLUSTRATED

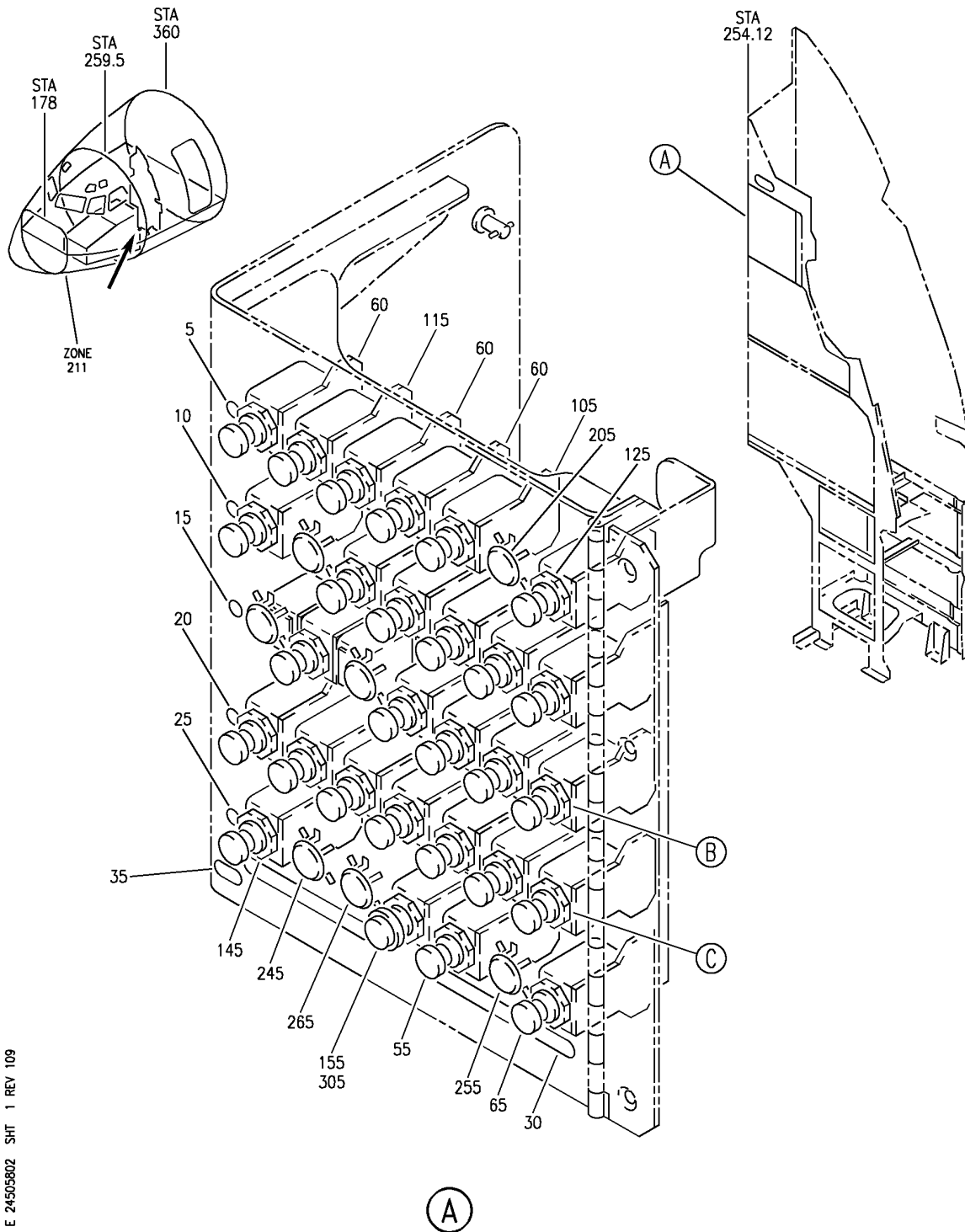
HAP

24-50-58-01

BOEING PROPRIETARY - Copyright © - Unpublished Work - See title page for details.

24-50-58
FIG. 01
PAGE 8
OCT 15/08

BOEING
737-600/700/800/900
PARTS CATALOG (MAINTENANCE)



E 24-50-58-02 SHT 1 REV 109

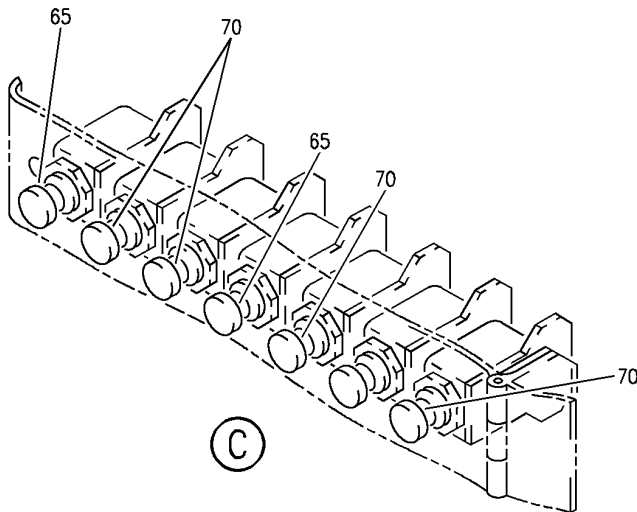
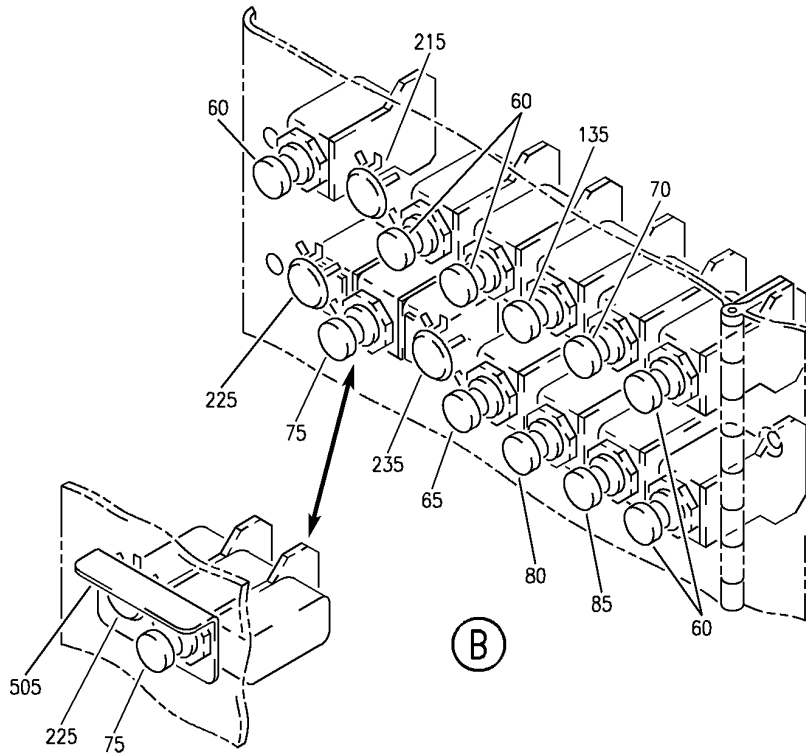
MARKER, CIRCUIT BREAKER, PLUG BUTTON, KIT AND INOP INSTL-P18-1 (ELECTRICAL POWER ONLY)
 FIGURE 2 (SHEET 1)

24-50-58-02

HAP
 OCT 10/06

24-50-58-02
 PAGE 0

BOEING
 737-600/700/800/900
 PARTS CATALOG (MAINTENANCE)



E 24-50-5802 SHT 2 REV 116

MARKER, CIRCUIT BREAKER, PLUG BUTTON, KIT AND INOP INSTL-P18-1 (ELECTRICAL POWER ONLY)
 FIGURE 2 (SHEET 2)

HAP
 OCT 10/06

24-50-58-02

24-50-58-02
 PAGE 0A

BOEING
737-600/700/800/900
PARTS CATALOG (MAINTENANCE)

FIG ITEM	PART NUMBER	1 2 3 4 5 6 7	NOMENCLATURE	EFFECT FROM TO	UNITS PER ASSY
2			MARKER, CIRCUIT BREAKER, PLUG BUTTON, KIT AND INOP INSTL-P18-1 (ELECTRICAL POWER ONLY)	031037 039041 047050 054100 102200 972999	
- 1	MODREF235058		MARKER INSTL-P18-1 MODULE NUMBER: 233A5521-1 REV C	031037 039041 047050 054100 102200 972999	1
5	BAC27DCC3065		.MARKER- PLACARD CONTENT: A	031037 039041 047050 054100 102200 972999	1
10	BAC27DCC3066		.MARKER- PLACARD CONTENT: B	031037 039041 047050 054100 102200 972999	1
15	BAC27DCC3067		.MARKER- PLACARD CONTENT: C	031037 039041 047050 054100 102200 972999	1
20	BAC27DCC3068		.MARKER- PLACARD CONTENT: D	031037 039041 047050 054100 102200 972999	1
25	BAC27DCC3069		.MARKER- PLACARD CONTENT: E	031037 039041 047050 054100 102200 972999	1
30	BAC27DCC2740		.DECAL- PLACARD CONTENT: 1 THRU 7	031037 039041 047050 054100 102200 972999	1

MISSING ITEM NUMBERS NOT APPLICABLE

- ITEM NOT ILLUSTRATED

HAP

24-50-58-02

24-50-58
FIG. 02
PAGE 1
FEB 15/09

BOEING PROPRIETARY - Copyright © - Unpublished Work - See title page for details.

BOEING
737-600/700/800/900
PARTS CATALOG (MAINTENANCE)

FIG ITEM	PART NUMBER	1 2 3 4 5 6 7	NOMENCLATURE	EFFECT FROM TO	UNITS PER ASSY
2	35 BAC27DCC3080		.MARKER- PLACARD CONTENT: P18-1	031037 039041 047050 054100 102200 972999	1
-	50 MODREF83075		CIRCUIT BREAKER INSTL-P18-1 (ELECTRICAL POWER ONLY) MODULE NUMBER: 233A5521-5 REV A FOR OTHER SYS DETAILS SEE: 11-31-58-02 11-31-58-02A	031037 039041 047050 054100 102200 972999	1
	55 2TC47-10		.CIRCUIT BREAKER- SUPPLIER CODE: V82647 SPECIFICATION NUMBER: BACC18AD10 OPTIONAL PART: 4310-029-10 V76374 ELECTRICAL EQUIP NUMBER: C01009	031037 039041 047050 054100 102200 972999	1
	60 2TC47-2-5		.CIRCUIT BREAKER- SUPPLIER CODE: V82647 SPECIFICATION NUMBER: BACC18AD2 OPTIONAL PART: 4310-029-205 V76374 ELECTRICAL EQUIP NUMBER: C00190 C00285 C00629 C01374 C01376 C01378 C01382 C01384	031037 039041 047050 054100 102200 972999	8

MISSING ITEM NUMBERS NOT APPLICABLE

- ITEM NOT ILLUSTRATED

HAP

24-50-58-02

BOEING PROPRIETARY - Copyright © - Unpublished Work - See title page for details.

24-50-58
FIG. 02
PAGE 2
FEB 15/09

BOEING
737-600/700/800/900
PARTS CATALOG (MAINTENANCE)

FIG ITEM	PART NUMBER	1 2 3 4 5 6 7	NOMENCLATURE	EFFECT FROM TO	UNITS PER ASSY
2 65	2TC47-3		.CIRCUIT BREAKER- SUPPLIER CODE: V82647 SPECIFICATION NUMBER: BACC18AD3 OPTIONAL PART: 4310-029-3 V76374 ELECTRICAL EQUIP NUMBER: C00456 C00457 C01007 C01049	031037 039041 047050 054100 102200 972999	4
70	2TC47-5		.CIRCUIT BREAKER- SUPPLIER CODE: V82647 SPECIFICATION NUMBER: BACC18AD5 OPTIONAL PART: 4310-029-5 V76374 ELECTRICAL EQUIP NUMBER: C00286 C01044 C01045 C01048 C01195 C01354	031037 039041 047050 054100 102200 972999	6
75	9TC615		.CIRCUIT BREAKER- SUPPLIER CODE: V82647 SPECIFICATION NUMBER: BACC18AE15 ELECTRICAL EQUIP NUMBER: C00849	031037 039041 047050 054100 102200 972999	1
80	2TC6-1		.CIRCUIT BREAKER- SUPPLIER CODE: V82647 SPECIFICATION NUMBER: BACC18Z1R OPTIONAL PART: 4310-002-1 V76374 ELECTRICAL EQUIP NUMBER: C01041	031037 039041 047050 054100 102200 972999	1

MISSING ITEM NUMBERS NOT APPLICABLE

— ITEM NOT ILLUSTRATED

HAP

24-50-58-02

BOEING PROPRIETARY - Copyright © - Unpublished Work - See title page for details.

24-50-58
FIG. 02
PAGE 3
FEB 15/09

BOEING
737-600/700/800/900
PARTS CATALOG (MAINTENANCE)

FIG ITEM	PART NUMBER	1 2 3 4 5 6 7	NOMENCLATURE	EFFECT FROM TO	UNITS PER ASSY
2 85	2TC47-2-5		.CIRCUIT BREAKER- SUPPLIER CODE: V82647 SPECIFICATION NUMBER: BACC18AD2 OPTIONAL PART: 4310-029-205 V76374 ELECTRICAL EQUIP NUMBER: C01429	031037 039041 047050 054100 102200 972999	1
- 100	MODREF83053		CIRCUIT BREAKER INSTL-RADIO NAV RMI P18-1/A5 MODULE NUMBER: 233A5521-201386 REV A	031037 039041 047050 054100 102200 972999	1
105	2TC47-2-5		.CIRCUIT BREAKER- SUPPLIER CODE: V82647 SPECIFICATION NUMBER: BACC18AD2 OPTIONAL PART: 4310-029-205 V76374 ELECTRICAL EQUIP NUMBER: C01386	031037 039041 047050 054100 102200 972999	1
- 110	MODREF83054		CIRCUIT BREAKER INSTL-RADIO NAV MMR 1 P18-1/A2 MODULE NUMBER: 233A5521-201479 REV A	031037 039041 047050 054100 102200 972999	1
115	2TC47-2-5		.CIRCUIT BREAKER- SUPPLIER CODE: V82647 SPECIFICATION NUMBER: BACC18AD2 OPTIONAL PART: 4310-029-205 V76374 ELECTRICAL EQUIP NUMBER: C01479	031037 039041 047050 054100 102200 972999	1
- 120	MODREF83055		CIRCUIT BREAKER INSTL-RADIO NAV TERRAIN DISPLAY P18-1/A7 MODULE NUMBER: 233A5521-201519 REV A	031037 039041 047050 054100 102200 972999	1

MISSING ITEM NUMBERS NOT APPLICABLE

- ITEM NOT ILLUSTRATED

HAP

24-50-58-02

BOEING PROPRIETARY - Copyright © - Unpublished Work - See title page for details.

24-50-58
FIG. 02
PAGE 4
FEB 15/09

BOEING
737-600/700/800/900
PARTS CATALOG (MAINTENANCE)

FIG ITEM	PART NUMBER	1 2 3 4 5 6 7	NOMENCLATURE	EFFECT FROM TO	UNITS PER ASSY
2 125	2TC47-2-5		.CIRCUIT BREAKER- SUPPLIER CODE: V82647 SPECIFICATION NUMBER: BACC18AD2 OPTIONAL PART: 4310-029-205 V76374 ELECTRICAL EQUIP NUMBER: C01519	031037 039041 047050 054100 102200 972999	1
- 130	MODREF83052		CIRCUIT BREAKER INSTL-ATC 1 P18-1/B5 MODULE NUMBER: 233A5521-200186 REV A	031037 039041 047050 054100 102200 972999	1
135	2TC47-5		.CIRCUIT BREAKER- SUPPLIER CODE: V82647 SPECIFICATION NUMBER: BACC18AD5 OPTIONAL PART: 4310-029-5 V76374 ELECTRICAL EQUIP NUMBER: C00186	031037 039041 047050 054100 102200 972999	1
- 140	MODREF83057		CIRCUIT BREAKER INSTL- AUTOTHROTTLE DC 1 P18-1/E1 MODULE NUMBER: 233A5521-210721 REV A	031037 039041 047050 054100 102200 972999	1
145	2TC47-7-5		.CIRCUIT BREAKER- SUPPLIER CODE: V82647 SPECIFICATION NUMBER: BACC18AD7 OPTIONAL PART: 4310-029-705 V76374 ELECTRICAL EQUIP NUMBER: C00721	031037 039041 047050 054100 102200 972999	1
- 150	MODREF83056		CIRCUIT BREAKER INSTL-AFCS SYS A RUDDER DC P18-1/E4 MODULE NUMBER: 233A5521-201629 REV A	031037 039041 047050 054100 102200 972999	1

MISSING ITEM NUMBERS NOT APPLICABLE

- ITEM NOT ILLUSTRATED

HAP

24-50-58-02

BOEING PROPRIETARY - Copyright © - Unpublished Work - See title page for details.

24-50-58
FIG. 02
PAGE 5
FEB 15/09

BOEING
737-600/700/800/900
PARTS CATALOG (MAINTENANCE)

FIG ITEM	PART NUMBER	1 2 3 4 5 6 7	NOMENCLATURE	EFFECT FROM TO	UNITS PER ASSY
2 155	2TC47-10	.	CIRCUIT BREAKER- SUPPLIER CODE: V82647 SPECIFICATION NUMBER: BACC18AD10 OPTIONAL PART: 4310-029-10 V76374 ELECTRICAL EQUIP NUMBER: C01629	031037 039041 047050 054100 102200 972999	1
- 200	MODREF83060		PLUG BUTTON INSTL-P18-1/A6 MODULE NUMBER: 233A5521-381106 REV A	031037 039041 047050 054100 102200 972999	1
205	BS51338D5003	.	PLUG- SUPPLIER CODE: V83058 SPECIFICATION NUMBER: BACP20B63B OPTIONAL PART: 51338 V83058 MISCELLANEOUS DATA: USE IN PLACE OF CIRCUIT BREAKERS ON OPEN HOLES	031037 039041 047050 054100 102200 972999	1
- 210	MODREF83061		PLUG BUTTON INSTL-P18-1/B2 MODULE NUMBER: 233A5521-381202 REV A	031037 039041 047050 054100 102200 972999	1
215	BS51338D5003	.	PLUG- SUPPLIER CODE: V83058 SPECIFICATION NUMBER: BACP20B63B OPTIONAL PART: 51338 V83058 MISCELLANEOUS DATA: USE IN PLACE OF CIRCUIT BREAKERS ON OPEN HOLES	031037 039041 047050 054100 102200 972999	1

MISSING ITEM NUMBERS NOT APPLICABLE

- ITEM NOT ILLUSTRATED

HAP

24-50-58-02

BOEING PROPRIETARY - Copyright © - Unpublished Work - See title page for details.

24-50-58
FIG. 02
PAGE 6
FEB 15/09

BOEING
737-600/700/800/900
PARTS CATALOG (MAINTENANCE)

FIG ITEM	PART NUMBER	1 2 3 4 5 6 7	NOMENCLATURE	EFFECT FROM TO	UNITS PER ASSY
2 - 220	MODREF83063		PLUG BUTTON INSTL-P18-1/C1 MODULE NUMBER: 233A5521-381301 REV A	031037 039041 047050 054100 102200 972999	1
225	BS51338D5003		.PLUG- SUPPLIER CODE: V83058 SPECIFICATION NUMBER: BACP20B63B OPTIONAL PART: 51338 V83058 MISCELLANEOUS DATA: USE IN PLACE OF CIRCUIT BREAKERS ON OPEN HOLES	031037 039041 047050 054100 102200 972999	1
- 230	MODREF83064		PLUG BUTTON INSTL-P18-1/C3 MODULE NUMBER: 233A5521-381303 REV A	031037 039041 047050 054100 102200 972999	1
235	BS51338D5003		.PLUG- SUPPLIER CODE: V83058 SPECIFICATION NUMBER: BACP20B63B OPTIONAL PART: 51338 V83058 MISCELLANEOUS DATA: USE IN PLACE OF CIRCUIT BREAKERS ON OPEN HOLES	031037 039041 047050 054100 102200 972999	1
- 240	MODREF83066		PLUG BUTTON INSTL-P18-1/E2 MODULE NUMBER: 233A5521-381502 REV A	031037 039041 047050 054100 102200 972999	1

MISSING ITEM NUMBERS NOT APPLICABLE

- ITEM NOT ILLUSTRATED

HAP

24-50-58-02

BOEING PROPRIETARY - Copyright © - Unpublished Work - See title page for details.

24-50-58
FIG. 02
PAGE 7
FEB 15/09

BOEING
737-600/700/800/900
PARTS CATALOG (MAINTENANCE)

FIG ITEM	PART NUMBER	1 2 3 4 5 6 7	NOMENCLATURE	EFFECT FROM TO	UNITS PER ASSY
2 245	BS51338D5003		.PLUG- SUPPLIER CODE: V83058 SPECIFICATION NUMBER: BACP20B63B OPTIONAL PART: 51338 V83058 MISCELLANEOUS DATA: USE IN PLACE OF CIRCUIT BREAKERS ON OPEN HOLES	031037 039041 047050 054100 102200 972999	1
- 250	MODREF83068		PLUG BUTTON INSTL-P18-1/E6 MODULE NUMBER: 233A5521-381506 REV A	031037 039041 047050 054100 102200 972999	1
255	BS51338D5003		.PLUG- SUPPLIER CODE: V83058 SPECIFICATION NUMBER: BACP20B63B OPTIONAL PART: 51338 V83058 MISCELLANEOUS DATA: USE IN PLACE OF CIRCUIT BREAKERS ON OPEN HOLES	031037 039041 047050 054100 102200 972999	1
- 260	MODREF83067		PLUG BUTTON INSTL-P18-1/E3 MODULE NUMBER: 233A5521-381503 REV A	031037 039041 047050 054100 102200 972999	1
265	BS51338D5003		.PLUG- SUPPLIER CODE: V83058 SPECIFICATION NUMBER: BACP20B63B OPTIONAL PART: 51338 V83058 MISCELLANEOUS DATA: USE IN PLACE OF CIRCUIT BREAKERS ON OPEN HOLES	031037 039041 047050 054100 102200 972999	1

MISSING ITEM NUMBERS NOT APPLICABLE

- ITEM NOT ILLUSTRATED

HAP

24-50-58-02

BOEING PROPRIETARY - Copyright © - Unpublished Work - See title page for details.

24-50-58
FIG. 02
PAGE 8
FEB 15/09

BOEING
737-600/700/800/900
PARTS CATALOG (MAINTENANCE)

FIG ITEM	PART NUMBER	1 2 3 4 5 6 7	NOMENCLATURE	EFFECT FROM TO	UNITS PER ASSY
2 - 300	MODREF83077		INOP INSTL-P18-1/E4 (ELECTRICAL POWER ONLY) MODULE NUMBER: 233A5521-581504 REV A FOR OTHER SYS DETAILS SEE: 11-31-58-02	031037 039041 047047 049050 054100 102103	1
305	10237-1		. COLLAR- SUPPLIER CODE: V1N6X0	031037 039041 047047 049050 054100 102103	1

MISSING ITEM NUMBERS NOT APPLICABLE

- ITEM NOT ILLUSTRATED

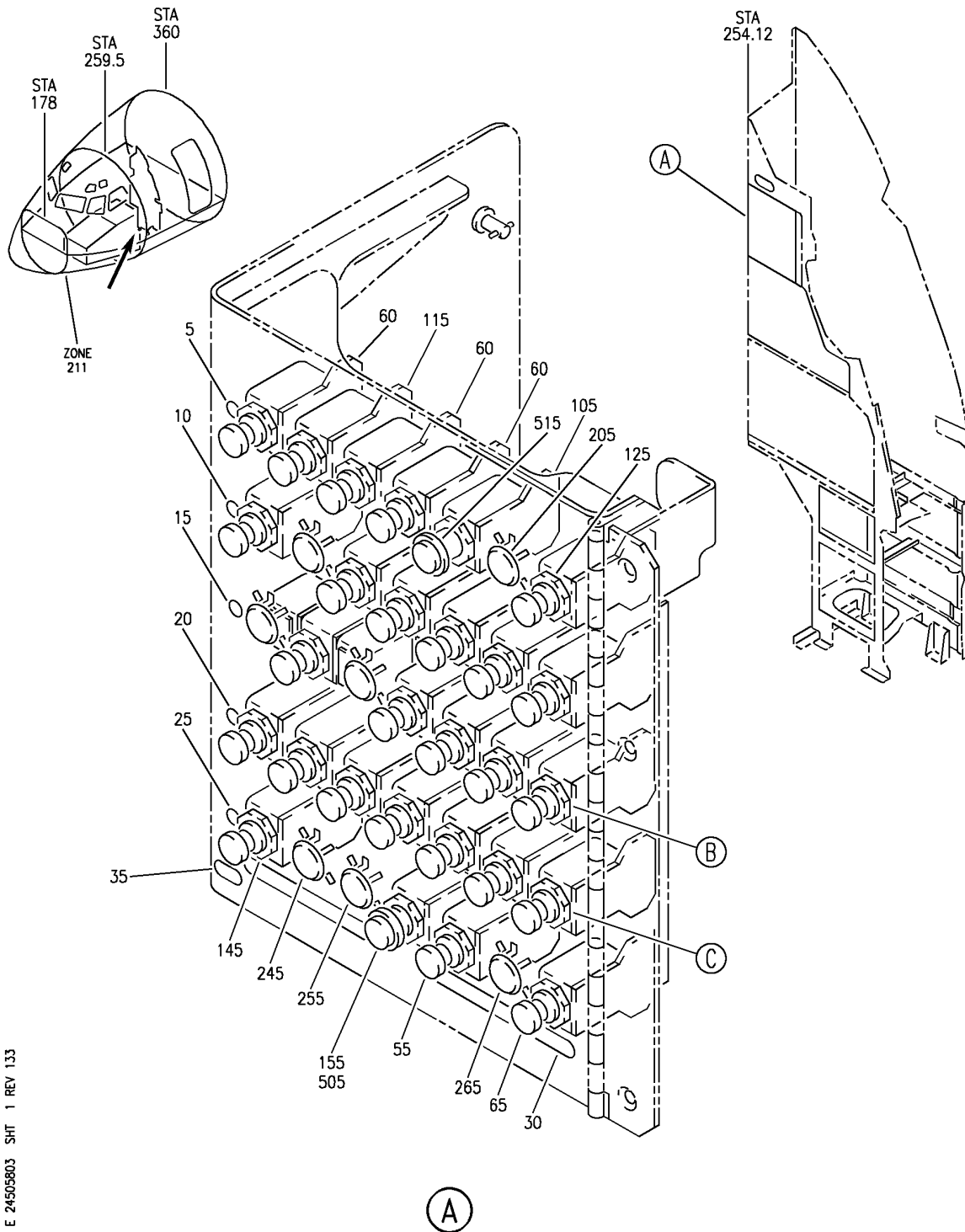
HAP

24-50-58-02

BOEING PROPRIETARY - Copyright © - Unpublished Work - See title page for details.

24-50-58
FIG. 02
PAGE 9
FEB 15/09

BOEING
737-600/700/800/900
PARTS CATALOG (MAINTENANCE)



E 24-50-5803 SHT 1 REV 133

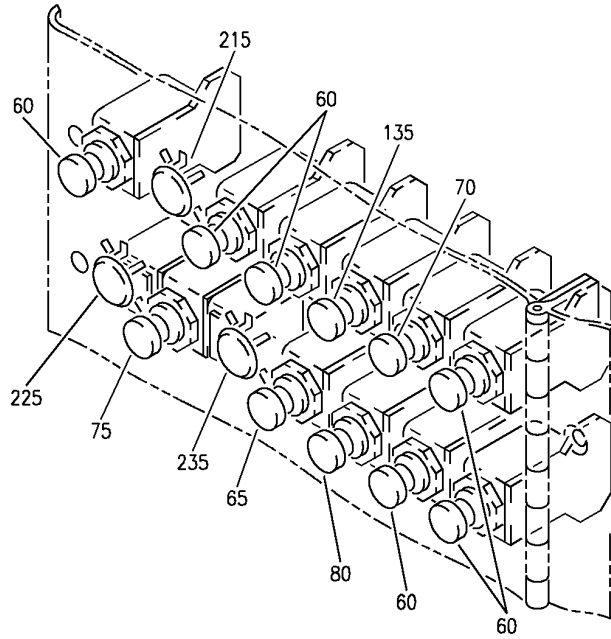
MARKER, CIRCUIT BREAKER, PLUG BUTTON AND INOP INSTL-P18-1 (ELECTRICAL POWER ONLY)
 FIGURE 3 (SHEET 1)

24-50-58-03

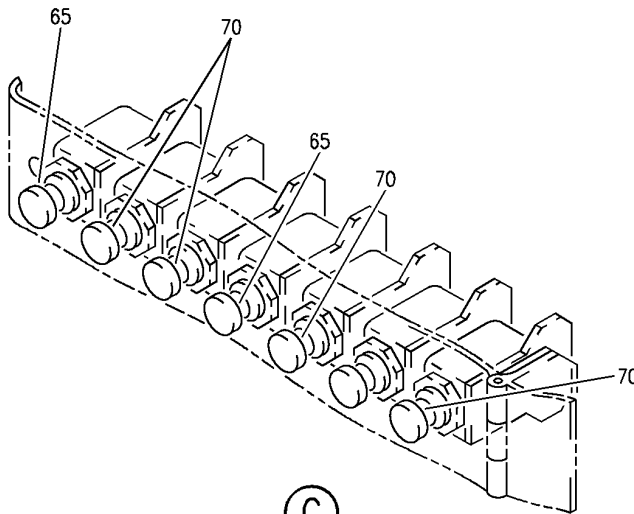
HAP
 OCT 10/07

24-50-58-03
 PAGE 0

BOEING
 737-600/700/800/900
 PARTS CATALOG (MAINTENANCE)



(B)



(C)

E 24-50-5803 SHT 2 REV 109

MARKER, CIRCUIT BREAKER, PLUG BUTTON AND INOP INSTL-P18-1 (ELECTRICAL POWER ONLY)
 FIGURE 3 (SHEET 2)

HAP
 FEB 10/07

24-50-58-03

24-50-58-03
 PAGE 0A

BOEING
737-600/700/800/900
PARTS CATALOG (MAINTENANCE)

FIG ITEM	PART NUMBER	1 2 3 4 5 6 7	NOMENCLATURE	EFFECT FROM TO	UNITS PER ASSY
3			MARKER, CIRCUIT BREAKER, PLUG BUTTON AND INOP INSTL-P18-1 (ELECTRICAL POWER ONLY)	038038 042046 051053 101101 968971	
- 1	MODREF235058		MARKER INSTL-P18-1 MODULE NUMBER: 233A5521-1 REV C	038038 042046 051053 101101 968971	1
5	BAC27DCC3065		.MARKER- PLACARD CONTENT: A	038038 042046 051053 101101 968971	1
10	BAC27DCC3066		.MARKER- PLACARD CONTENT: B	038038 042046 051053 101101 968971	1
15	BAC27DCC3067		.MARKER- PLACARD CONTENT: C	038038 042046 051053 101101 968971	1
20	BAC27DCC3068		.MARKER- PLACARD CONTENT: D	038038 042046 051053 101101 968971	1
25	BAC27DCC3069		.MARKER- PLACARD CONTENT: E	038038 042046 051053 101101 968971	1
30	BAC27DCC2740		.DECAL- PLACARD CONTENT: 1 THRU 7	038038 042046 051053 101101 968971	1
35	BAC27DCC3080		.MARKER- PLACARD CONTENT: P18-1	038038 042046 051053 101101 968971	1

MISSING ITEM NUMBERS NOT APPLICABLE

- ITEM NOT ILLUSTRATED

HAP

24-50-58-03

BOEING PROPRIETARY - Copyright © - Unpublished Work - See title page for details.

24-50-58
FIG. 03
PAGE 1
FEB 15/09

BOEING
737-600/700/800/900
PARTS CATALOG (MAINTENANCE)

FIG ITEM	PART NUMBER	1 2 3 4 5 6 7	NOMENCLATURE	EFFECT FROM TO	UNITS PER ASSY
3 - 50	MODREF83075		CIRCUIT BREAKER INSTL-P18-1 (ELECTRICAL POWER ONLY) MODULE NUMBER: 233A5521-5 REV A FOR OTHER SYS DETAILS SEE: 11-31-58-03 11-31-58-03B	038038 042046 051053 101101 968971	1
55	2TC47-10		.CIRCUIT BREAKER- SUPPLIER CODE: V82647 SPECIFICATION NUMBER: BACC18AD10 OPTIONAL PART: 4310-029-10 V76374 ELECTRICAL EQUIP NUMBER: C01009	038038 042046 051053 101101 968971	1
60	2TC47-2-5		.CIRCUIT BREAKER- SUPPLIER CODE: V82647 SPECIFICATION NUMBER: BACC18AD2 OPTIONAL PART: 4310-029-205 V76374 ELECTRICAL EQUIP NUMBER: C00190 C00285 C00629 C01374 C01376 C01378 C01382 C01384 C01429	038038 042046 051053 101101 968971	9
65	2TC47-3		.CIRCUIT BREAKER- SUPPLIER CODE: V82647 SPECIFICATION NUMBER: BACC18AD3 OPTIONAL PART: 4310-029-3 V76374 ELECTRICAL EQUIP NUMBER: C00456 C00457 C01007 C01049	038038 042046 051053 101101 968971	4

MISSING ITEM NUMBERS NOT APPLICABLE

- ITEM NOT ILLUSTRATED

HAP

24-50-58-03

BOEING PROPRIETARY - Copyright © - Unpublished Work - See title page for details.

24-50-58
FIG. 03
PAGE 2
FEB 15/09

BOEING
737-600/700/800/900
PARTS CATALOG (MAINTENANCE)

FIG ITEM	PART NUMBER	1 2 3 4 5 6 7	NOMENCLATURE	EFFECT FROM TO	UNITS PER ASSY
3 70	2TC47-5		.CIRCUIT BREAKER- SUPPLIER CODE: V82647 SPECIFICATION NUMBER: BACC18AD5 OPTIONAL PART: 4310-029-5 V76374 ELECTRICAL EQUIP NUMBER: C00286 C01044 C01045 C01048 C01195 C01354	038038 042046 051053 101101 968971	6
75	9TC615		.CIRCUIT BREAKER- SUPPLIER CODE: V82647 SPECIFICATION NUMBER: BACC18AE15 ELECTRICAL EQUIP NUMBER: C00849	038038 042046 051053 101101 968971	1
80	2TC6-1		.CIRCUIT BREAKER- SUPPLIER CODE: V82647 SPECIFICATION NUMBER: BACC18Z1R OPTIONAL PART: 4310-002-1 V76374 ELECTRICAL EQUIP NUMBER: C01041	038038 042046 051053 101101 968971	1
- 100	MODREF83053		CIRCUIT BREAKER INSTL-RADIO NAV RMI P18-1/A5 MODULE NUMBER: 233A5521-201386 REV A	038038 042046 051053 101101 968971	1
105	2TC47-2-5		.CIRCUIT BREAKER- SUPPLIER CODE: V82647 SPECIFICATION NUMBER: BACC18AD2 OPTIONAL PART: 4310-029-205 V76374 ELECTRICAL EQUIP NUMBER: C01386	038038 042046 051053 101101 968971	1

MISSING ITEM NUMBERS NOT APPLICABLE

- ITEM NOT ILLUSTRATED

HAP

24-50-58-03

BOEING PROPRIETARY - Copyright © - Unpublished Work - See title page for details.

24-50-58
FIG. 03
PAGE 3
FEB 15/09

BOEING
737-600/700/800/900
PARTS CATALOG (MAINTENANCE)

FIG ITEM	PART NUMBER	1 2 3 4 5 6 7	NOMENCLATURE	EFFECT FROM TO	UNITS PER ASSY
3					
- 110	MODREF83054		CIRCUIT BREAKER INSTL-RADIO NAV MMR 1 P18-1/A2 MODULE NUMBER: 233A5521-201479 REV A	038038 042046 051053 101101 968971	1
115	2TC47-2-5		.CIRCUIT BREAKER- SUPPLIER CODE: V82647 SPECIFICATION NUMBER: BACC18AD2 OPTIONAL PART: 4310-029-205 V76374 ELECTRICAL EQUIP NUMBER: C01479	038038 042046 051053 101101 968971	1
- 120	MODREF83055		CIRCUIT BREAKER INSTL-RADIO NAV TERRAIN DISPLAY P18-1/A7 MODULE NUMBER: 233A5521-201519 REV A	038038 042046 051053 101101 968971	1
125	2TC47-2-5		.CIRCUIT BREAKER- SUPPLIER CODE: V82647 SPECIFICATION NUMBER: BACC18AD2 OPTIONAL PART: 4310-029-205 V76374 ELECTRICAL EQUIP NUMBER: C01519	038038 042046 051053 101101 968971	1
- 130	MODREF83052		CIRCUIT BREAKER INSTL-ATC 1 P18-1/B5 MODULE NUMBER: 233A5521-200186 REV A	038038 042046 051053 101101 968971	1
135	2TC47-5		.CIRCUIT BREAKER- SUPPLIER CODE: V82647 SPECIFICATION NUMBER: BACC18AD5 OPTIONAL PART: 4310-029-5 V76374 ELECTRICAL EQUIP NUMBER: C00186	038038 042046 051053 101101 968971	1

MISSING ITEM NUMBERS NOT APPLICABLE

- ITEM NOT ILLUSTRATED

HAP

24-50-58-03

BOEING PROPRIETARY - Copyright © - Unpublished Work - See title page for details.

24-50-58
FIG. 03
PAGE 4
FEB 15/09

BOEING
737-600/700/800/900
PARTS CATALOG (MAINTENANCE)

FIG ITEM	PART NUMBER	1 2 3 4 5 6 7	NOMENCLATURE	EFFECT FROM TO	UNITS PER ASSY
3					
- 140	MODREF83057		CIRCUIT BREAKER INSTL- AUTOTHROTTLE DC 1 P18-1/E1 MODULE NUMBER: 233A5521-210721 REV A	038038 042046 051053 101101 968971	1
145	2TC47-7-5		.CIRCUIT BREAKER- SUPPLIER CODE: V82647 SPECIFICATION NUMBER: BACC18AD7 OPTIONAL PART: 4310-029-705 V76374 ELECTRICAL EQUIP NUMBER: C00721	038038 042046 051053 101101 968971	1
- 150	MODREF83056		CIRCUIT BREAKER INSTL-AFCS SYS A RUDDER DC P18-1/E4 MODULE NUMBER: 233A5521-201629 REV A	038038 042046 051053 101101 968971	1
155	2TC47-10		.CIRCUIT BREAKER- SUPPLIER CODE: V82647 SPECIFICATION NUMBER: BACC18AD10 OPTIONAL PART: 4310-029-10 V76374 ELECTRICAL EQUIP NUMBER: C01629	038038 042046 051053 101101 968971	1
- 200	MODREF83060		PLUG BUTTON INSTL-P18-1/A6 MODULE NUMBER: 233A5521-381106 REV A	038038 042046 051053 101101 968971	1
205	BS51338D5003		.PLUG- SUPPLIER CODE: V83058 SPECIFICATION NUMBER: BACP20B63B OPTIONAL PART: 51338 V83058 MISCELLANEOUS DATA: USE IN PLACE OF CIRCUIT BREAKERS ON OPEN HOLES	038038 042046 051053 101101 968971	1

MISSING ITEM NUMBERS NOT APPLICABLE

- ITEM NOT ILLUSTRATED

HAP

24-50-58-03

BOEING PROPRIETARY - Copyright © - Unpublished Work - See title page for details.

24-50-58
FIG. 03
PAGE 5
FEB 15/09

BOEING
737-600/700/800/900
PARTS CATALOG (MAINTENANCE)

FIG ITEM	PART NUMBER	1 2 3 4 5 6 7	NOMENCLATURE	EFFECT FROM TO	UNITS PER ASSY
3 - 210	MODREF83061		PLUG BUTTON INSTL-P18-1/B2 MODULE NUMBER: 233A5521-381202 REV A	038038 042046 051053 101101 968971	1
215	BS51338D5003		.PLUG- SUPPLIER CODE: V83058 SPECIFICATION NUMBER: BACP20B63B OPTIONAL PART: 51338 V83058 MISCELLANEOUS DATA: USE IN PLACE OF CIRCUIT BREAKERS ON OPEN HOLES	038038 042046 051053 101101 968971	1
- 220	MODREF83063		PLUG BUTTON INSTL-P18-1/C1 MODULE NUMBER: 233A5521-381301 REV A	038038 042046 051053 101101 968971	1
225	BS51338D5003		.PLUG- SUPPLIER CODE: V83058 SPECIFICATION NUMBER: BACP20B63B OPTIONAL PART: 51338 V83058 MISCELLANEOUS DATA: USE IN PLACE OF CIRCUIT BREAKERS ON OPEN HOLES	038038 042046 051053 101101 968971	1
- 230	MODREF83064		PLUG BUTTON INSTL-P18-1/C3 MODULE NUMBER: 233A5521-381303 REV A	038038 042046 051053 101101 968971	1
235	BS51338D5003		.PLUG- SUPPLIER CODE: V83058 SPECIFICATION NUMBER: BACP20B63B OPTIONAL PART: 51338 V83058 MISCELLANEOUS DATA: USE IN PLACE OF CIRCUIT BREAKERS ON OPEN HOLES	038038 042046 051053 101101 968971	1

MISSING ITEM NUMBERS NOT APPLICABLE

- ITEM NOT ILLUSTRATED

HAP

24-50-58-03

BOEING PROPRIETARY - Copyright © - Unpublished Work - See title page for details.

24-50-58
FIG. 03
PAGE 6
FEB 15/09

BOEING
737-600/700/800/900
PARTS CATALOG (MAINTENANCE)

FIG ITEM	PART NUMBER	1 2 3 4 5 6 7	NOMENCLATURE	EFFECT FROM TO	UNITS PER ASSY
3					
- 240	MODREF83066		PLUG BUTTON INSTL-P18-1/E2 MODULE NUMBER: 233A5521-381502 REV A	038038 042046 051053 101101 968971	1
245	BS51338D5003		.PLUG- SUPPLIER CODE: V83058 SPECIFICATION NUMBER: BACP20B63B OPTIONAL PART: 51338 V83058 MISCELLANEOUS DATA: USE IN PLACE OF CIRCUIT BREAKERS ON OPEN HOLES	038038 042046 051053 101101 968971	1
- 250	MODREF83067		PLUG BUTTON INSTL-P18-1/E3 MODULE NUMBER: 233A5521-381503 REV A	038038 042046 051053 101101 968971	1
255	BS51338D5003		.PLUG- SUPPLIER CODE: V83058 SPECIFICATION NUMBER: BACP20B63B OPTIONAL PART: 51338 V83058 MISCELLANEOUS DATA: USE IN PLACE OF CIRCUIT BREAKERS ON OPEN HOLES	038038 042046 051053 101101 968971	1
- 260	MODREF83068		PLUG BUTTON INSTL-P18-1/E6 MODULE NUMBER: 233A5521-381506 REV A	038038 042046 051053 101101 968971	1
265	BS51338D5003		.PLUG- SUPPLIER CODE: V83058 SPECIFICATION NUMBER: BACP20B63B OPTIONAL PART: 51338 V83058 MISCELLANEOUS DATA: USE IN PLACE OF CIRCUIT BREAKERS ON OPEN HOLES	038038 042046 051053 101101 968971	1

MISSING ITEM NUMBERS NOT APPLICABLE

- ITEM NOT ILLUSTRATED

HAP

24-50-58-03

BOEING PROPRIETARY - Copyright © - Unpublished Work - See title page for details.

24-50-58
FIG. 03
PAGE 7
FEB 15/09

BOEING
737-600/700/800/900
PARTS CATALOG (MAINTENANCE)

FIG ITEM	PART NUMBER	1 2 3 4 5 6 7	NOMENCLATURE	EFFECT FROM TO	UNITS PER ASSY
3 - 500	MODREF83077		INOP INSTL-P18-1/E4 (ELECTRICAL POWER ONLY) MODULE NUMBER: 233A5521-581504 REV A POST SERVICE BULLETIN: 22-1190 FOR OTHER SYS DETAILS SEE: 11-31-58-03 11-31-58-03B	101101 968971	1
505	10237-1		. COLLAR- SUPPLIER CODE: V1N6X0 POST SERVICE BULLETIN: 22-1190 QUALIFIED SB I/W DATA: INSTL CLIP FOR FAIL-OPERATIONAL TO FAIL-PASSIVE OR REMOVE CLIP FOR FAIL-PASSIVE TO FAIL-OPERATIONAL	101101 968971	1

MISSING ITEM NUMBERS NOT APPLICABLE

- ITEM NOT ILLUSTRATED

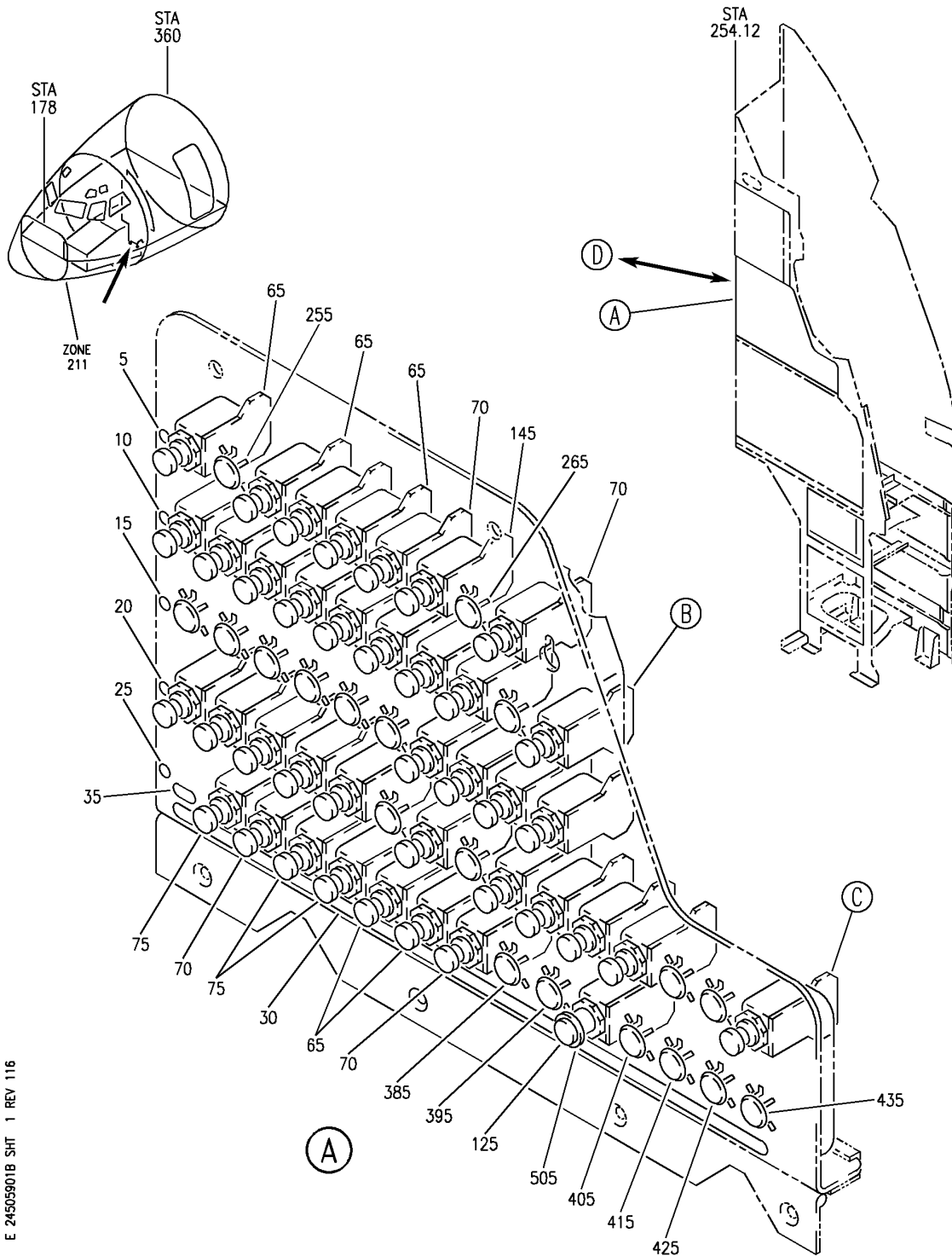
HAP

24-50-58-03

BOEING PROPRIETARY - Copyright © - Unpublished Work - See title page for details.

24-50-58
FIG. 03
PAGE 8
FEB 15/08

BOEING
 737-600/700/800/900
 PARTS CATALOG (MAINTENANCE)



E 24-50-59-01B SHT 1 REV 116

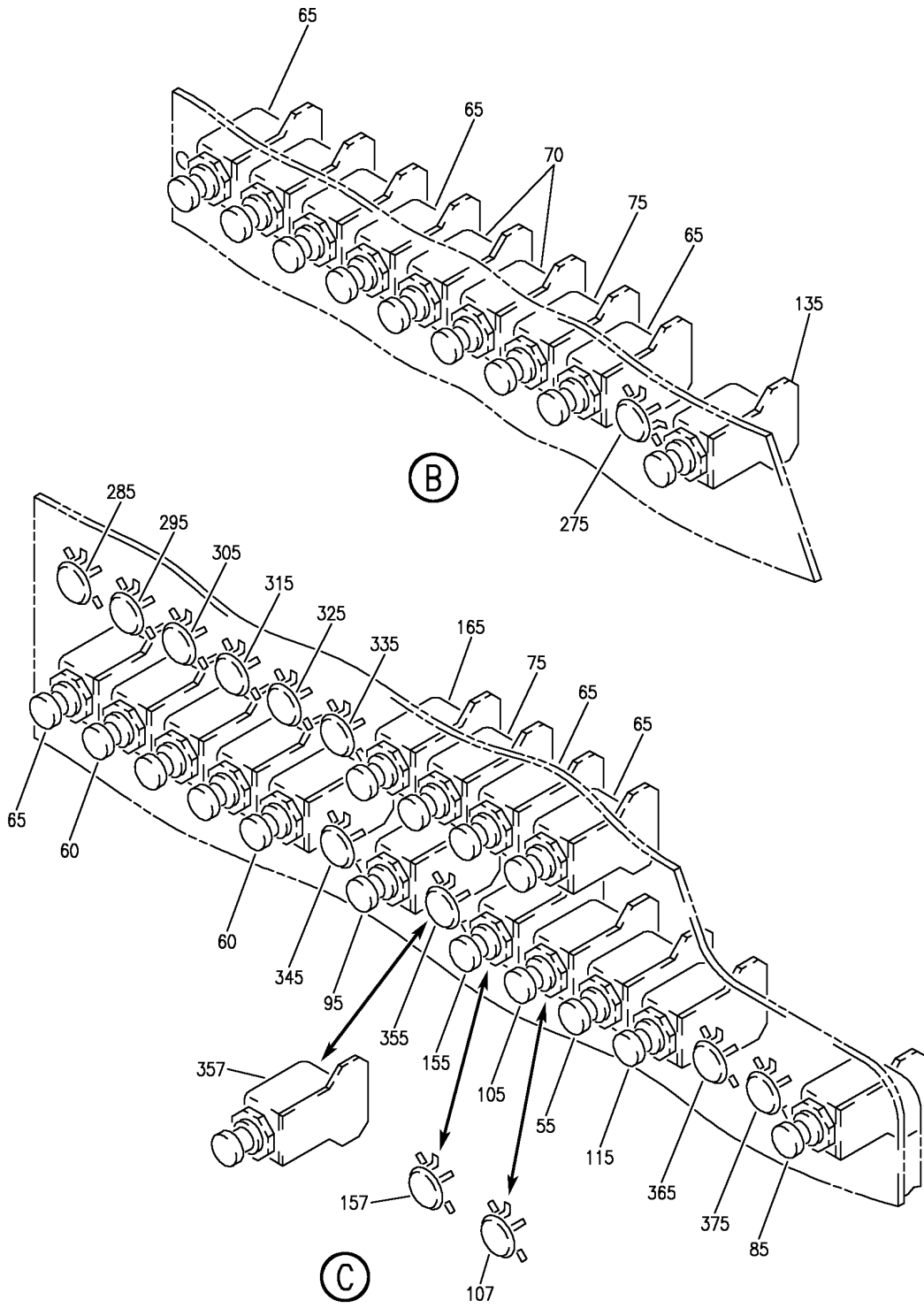
MARKER, CIRCUIT BREAKER, PLUG BUTTON AND INOP INSTL-P18-2 PNL (ELECTRICAL POWER ONLY)
 FIGURE 1B (SHEET 1)

HAP
 OCT 15/08

24-50-59-01B

24-50-59-01B
 PAGE 0

BOEING
 737-600/700/800/900
 PARTS CATALOG (MAINTENANCE)



E 24505901B SHT 2 REV 084

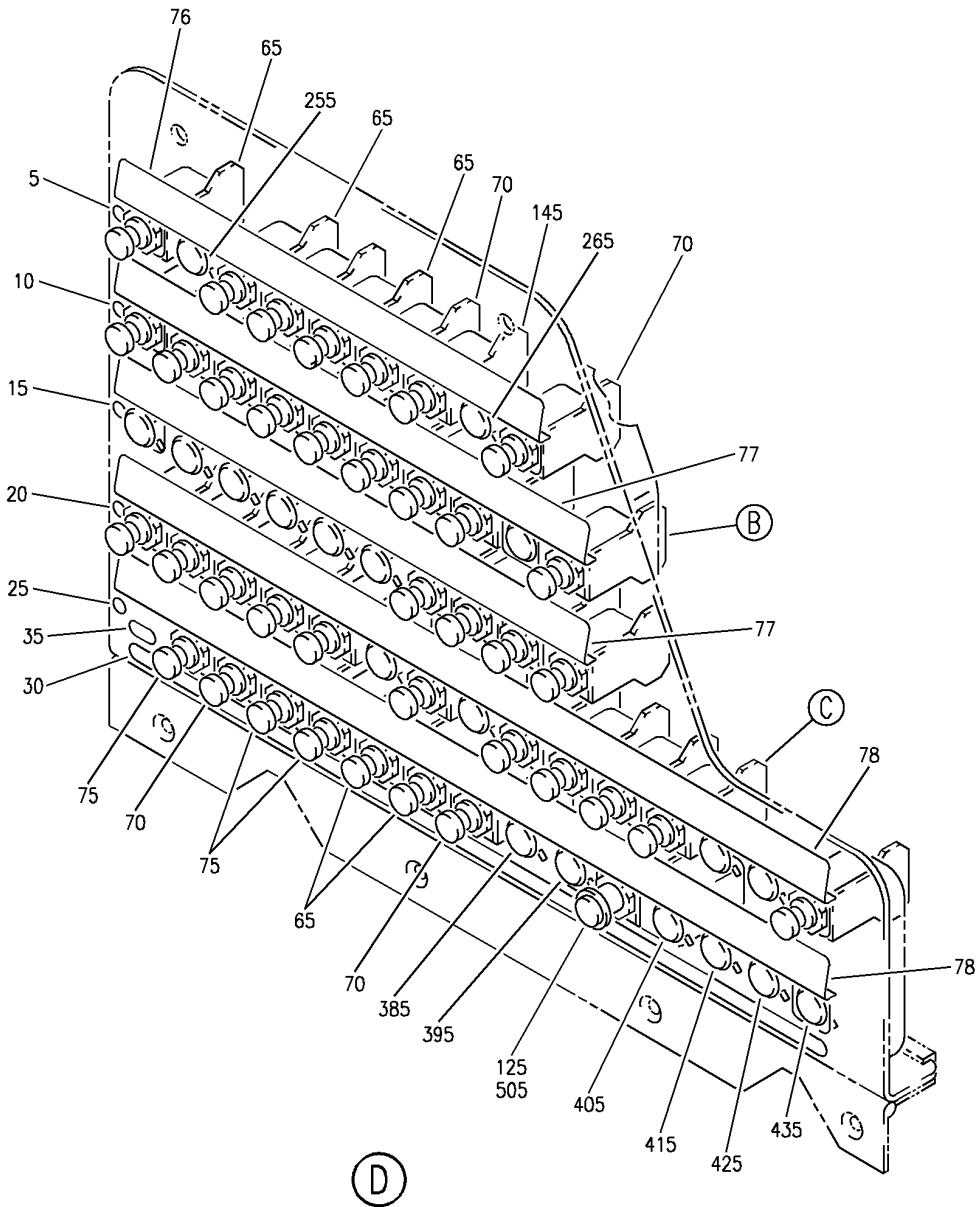
MARKER, CIRCUIT BREAKER, PLUG BUTTON AND INOP INSTL-P18-2 PNL (ELECTRICAL POWER ONLY)
 FIGURE 1B (SHEET 2)

24-50-59-01B

HAP
 OCT 15/08

24-50-59-01B
 PAGE 0A

BOEING
 737-600/700/800/900
 PARTS CATALOG (MAINTENANCE)



E 24-50-59-01B SHT 3 REV 116

MARKER, CIRCUIT BREAKER, PLUG BUTTON AND INOP INSTL-P18-2 PNL (ELECTRICAL POWER ONLY)
 FIGURE 1B (SHEET 3)

HAP
 OCT 15/08

24-50-59-01B

24-50-59-01B
 PAGE 0B

BOEING
737-600/700/800/900
PARTS CATALOG (MAINTENANCE)

FIG ITEM	PART NUMBER	1 2 3 4 5 6 7	NOMENCLATURE	EFFECT FROM TO	UNITS PER ASSY
1B			MARKER, CIRCUIT BREAKER, PLUG BUTTON AND INOP INSTL-P18-2 PNL (ELECTRICAL POWER ONLY)	201967	
- 1	233A5522-1		MARKER INSTL-P18-2 FOR NHA SEE: 24-50-00-12B	201967	RF
	5 BAC27DCC3065		.MARKER- PLACARD CONTENT: A	201967	1
	10 BAC27DCC3066		.MARKER- PLACARD CONTENT: B	201967	1
	15 BAC27DCC3067		.MARKER- PLACARD CONTENT: C	201967	1
	20 BAC27DCC3068		.MARKER- PLACARD CONTENT: D	201967	1
	25 BAC27DCC3069		.MARKER- PLACARD CONTENT: E	201967	1
	30 BAC27DCC2748		.MARKER- PLACARD CONTENT: 1 THRU 15	201967	1
	35 BAC27DCC3081		.MARKER- PLACARD CONTENT: P18-2	201967	1
- 50	233A5522-2		CIRCUIT BREAKER INSTL- P18-2 FOR NHA SEE: 24-50-00-12B	201967	RF
	55 2TC47-10		.CIRCUIT BREAKER- SUPPLIER CODE: V82647 SPECIFICATION NUMBER: BACC18AD10 OPTIONAL PART: 4310-029-10 V76374 ELECTRICAL EQUIP NUMBER: C00165	201967	1

MISSING ITEM NUMBERS NOT APPLICABLE

- ITEM NOT ILLUSTRATED

HAP

24-50-59-01B

BOEING PROPRIETARY - Copyright © - Unpublished Work - See title page for details.

24-50-59
FIG. 01B
PAGE 1
OCT 15/08

BOEING
737-600/700/800/900
PARTS CATALOG (MAINTENANCE)

FIG ITEM	PART NUMBER	1 2 3 4 5 6 7	NOMENCLATURE	EFFECT FROM TO	UNITS PER ASSY
1B 60	4310-029-15	.	CIRCUIT BREAKER- SUPPLIER CODE: V76374 SPECIFICATION NUMBER: BACC18AD15 OPTIONAL PART: 2TC47-15 V82647 ELECTRICAL EQUIP NUMBER: C01372 C01365 C01363 C01359	201967	4
65	2TC47-2-5	.	CIRCUIT BREAKER- SUPPLIER CODE: V82647 SPECIFICATION NUMBER: BACC18AD2 OPTIONAL PART: 4310-029-205 V76374 ELECTRICAL EQUIP NUMBER: C00485 C00153 C01390 C01314 C01316 C01317 C01312 C01003 C01103 C00109 C00468 C01369 C01205 C01208	201967	14

MISSING ITEM NUMBERS NOT APPLICABLE

— ITEM NOT ILLUSTRATED

HAP

24-50-59-01B

BOEING PROPRIETARY - Copyright © - Unpublished Work - See title page for details.

24-50-59
FIG. 01B
PAGE 2
OCT 15/08

BOEING
737-600/700/800/900
PARTS CATALOG (MAINTENANCE)

FIG ITEM	PART NUMBER	1 2 3 4 5 6 7	NOMENCLATURE	EFFECT FROM TO	UNITS PER ASSY
1B 70	2TC47-3		.CIRCUIT BREAKER- SUPPLIER CODE: V82647 SPECIFICATION NUMBER: BACC18AD3 OPTIONAL PART: 4310-029-3 V76374 ELECTRICAL EQUIP NUMBER: C01017 C00923 C00276 C01412 C00170 C00425	201967	6
75	2TC47-5		.CIRCUIT BREAKER- SUPPLIER CODE: V82647 SPECIFICATION NUMBER: BACC18AD5 OPTIONAL PART: 4310-029-5 V76374 ELECTRICAL EQUIP NUMBER: C01266 C00544 C00412 C01392 C01204	201967	5
76	233A5511-15		.GUARD-MARKER POST SERVICE BULLETIN: 24-1161	201967	1
77	233A5511-16		.GUARD-MARKER POST SERVICE BULLETIN: 24-1161	201967	2
78	233A5511-17		.GUARD-MARKER POST SERVICE BULLETIN: 24-1161	201967	2
- 80	233A5522-200058		CIRCUIT BREAKER INSTL- P18-2 FOR NHA SEE: 24-50-00-12B	201967	RF

MISSING ITEM NUMBERS NOT APPLICABLE

- ITEM NOT ILLUSTRATED

HAP

24-50-59-01B

BOEING PROPRIETARY - Copyright © - Unpublished Work - See title page for details.

24-50-59
FIG. 01B
PAGE 3
OCT 15/08

BOEING
737-600/700/800/900
PARTS CATALOG (MAINTENANCE)

FIG ITEM	PART NUMBER	1 2 3 4 5 6 7	NOMENCLATURE	EFFECT FROM TO	UNITS PER ASSY
1B 85	2TC47-3		.CIRCUIT BREAKER- SUPPLIER CODE: V82647 SPECIFICATION NUMBER: BACC18AD3 OPTIONAL PART: 4310-029-3 V76374 ELECTRICAL EQUIP NUMBER: C00058	201967	1
- 90	233A5522-200107		CIRCUIT BREAKER INSTL- P18-2 FOR NHA SEE: 24-50-00-12B	201967	RF
95	2TC47-2-5		.CIRCUIT BREAKER- SUPPLIER CODE: V82647 SPECIFICATION NUMBER: BACC18AD2 OPTIONAL PART: 4310-029-205 V76374 ELECTRICAL EQUIP NUMBER: C00107	201967	1
- 100	233A5522-200357		CIRCUIT BREAKER INSTL- P18-2 FOR NHA SEE: 24-50-00-12B	201967	RF
105	2TC47-3		.CIRCUIT BREAKER- SUPPLIER CODE: V82647 SPECIFICATION NUMBER: BACC18AD3 OPTIONAL PART: 4310-029-3 V76374 ELECTRICAL EQUIP NUMBER: C00357	201967	1
- 110	233A5522-200471		CIRCUIT BREAKER INSTL- P18-2 FOR NHA SEE: 24-50-00-12B	201967	RF

MISSING ITEM NUMBERS NOT APPLICABLE

- ITEM NOT ILLUSTRATED

HAP

24-50-59-01B

BOEING PROPRIETARY - Copyright © - Unpublished Work - See title page for details.

24-50-59
FIG. 01B
PAGE 4
OCT 15/08

BOEING
737-600/700/800/900
PARTS CATALOG (MAINTENANCE)

FIG ITEM	PART NUMBER	1 2 3 4 5 6 7	NOMENCLATURE	EFFECT FROM TO	UNITS PER ASSY
1B 115	2TC47-10		.CIRCUIT BREAKER- SUPPLIER CODE: V82647 SPECIFICATION NUMBER: BACC18AD10 OPTIONAL PART: 4310-029-10 V76374 ELECTRICAL EQUIP NUMBER: C00471	201967	1
- 120	233A5522-200839		CIRCUIT BREAKER INSTL- P18-2 FOR NHA SEE: 24-50-00-12B	201967	RF
125	6TC6-5		.CIRCUIT BREAKER- SUPPLIER CODE: V82647 SPECIFICATION NUMBER: BACC18AC5 OPTIONAL PART: 4330-004-5 V76374 ELECTRICAL EQUIP NUMBER: C00839	201967	1
- 130	233A5522-201192		CIRCUIT BREAKER INSTL- P18-2 FOR NHA SEE: 24-50-00-12B	201967	RF
135	2TC47-3		.CIRCUIT BREAKER- SUPPLIER CODE: V82647 SPECIFICATION NUMBER: BACC18AD3 OPTIONAL PART: 4310-029-3 V76374 ELECTRICAL EQUIP NUMBER: C01192	201967	1
- 140	233A5522-201018		CIRCUIT BREAKER INSTL- P18-2 FOR NHA SEE: 24-50-00-12B	201967	RF

MISSING ITEM NUMBERS NOT APPLICABLE

- ITEM NOT ILLUSTRATED

HAP

24-50-59-01B

BOEING PROPRIETARY - Copyright © - Unpublished Work - See title page for details.

24-50-59
FIG. 01B
PAGE 5
OCT 15/08

BOEING
737-600/700/800/900
PARTS CATALOG (MAINTENANCE)

FIG ITEM	PART NUMBER	1 2 3 4 5 6 7	NOMENCLATURE	EFFECT FROM TO	UNITS PER ASSY
1B 145	2TC47-3		.CIRCUIT BREAKER- SUPPLIER CODE: V82647 SPECIFICATION NUMBER: BACC18AD3 OPTIONAL PART: 4310-029-3 V76374 ELECTRICAL EQUIP NUMBER: C01018	201967	1
- 150	233A5522-201387		CIRCUIT BREAKER INSTL- P18-2 FOR NHA SEE: 24-50-00-12B	201967	RF
155	2TC47-3		.CIRCUIT BREAKER- SUPPLIER CODE: V82647 SPECIFICATION NUMBER: BACC18AD3 OPTIONAL PART: 4310-029-3 V76374 ELECTRICAL EQUIP NUMBER: C01387	201967	1
- 160	233A5522-201537		CIRCUIT BREAKER INSTL- P18-2 FOR NHA SEE: 24-50-00-12B	201967	RF
165	2TC47-2-5		.CIRCUIT BREAKER- SUPPLIER CODE: V82647 SPECIFICATION NUMBER: BACC18AD2 OPTIONAL PART: 4310-029-205 V76374 ELECTRICAL EQUIP NUMBER: C01537	201967	1
- 250	233A5522-382102		PLUG BUTTON INSTL- P18-2/A2 FOR NHA SEE: 24-50-00-12B	201967	RF

MISSING ITEM NUMBERS NOT APPLICABLE

- ITEM NOT ILLUSTRATED

HAP

24-50-59-01B

BOEING PROPRIETARY - Copyright © - Unpublished Work - See title page for details.

24-50-59
FIG. 01B
PAGE 6
OCT 15/08

BOEING
737-600/700/800/900
PARTS CATALOG (MAINTENANCE)

FIG ITEM	PART NUMBER	1 2 3 4 5 6 7	NOMENCLATURE	EFFECT FROM TO	UNITS PER ASSY
1B 255	BS51338D5003		.PLUG- SUPPLIER CODE: V83058 SPECIFICATION NUMBER: BACP20B63B OPTIONAL PART: 51338 V83058 MISCELLANEOUS DATA: USE IN PLACE OF CIRCUIT BREAKERS ON OPEN HOLES	201967	1
- 260	233A5522-382108		PLUG BUTTON INSTL- P18-2/A8 FOR NHA SEE: 24-50-00-12B	201967	RF
265	BS51338D5003		.PLUG- SUPPLIER CODE: V83058 SPECIFICATION NUMBER: BACP20B63B OPTIONAL PART: 51338 V83058 MISCELLANEOUS DATA: USE IN PLACE OF CIRCUIT BREAKERS ON OPEN HOLES	201967	1
- 270	233A5522-382209		PLUG BUTTON INSTL- P18-2/B9 FOR NHA SEE: 24-50-00-12B	201967	RF
275	BS51338D5003		.PLUG- SUPPLIER CODE: V83058 SPECIFICATION NUMBER: BACP20B63B OPTIONAL PART: 51338 V83058 MISCELLANEOUS DATA: USE IN PLACE OF CIRCUIT BREAKERS ON OPEN HOLES	201967	1
- 280	233A5522-382301		PLUG BUTTON INSTL- P18-2/C1 FOR NHA SEE: 24-50-00-12B	201967	RF

MISSING ITEM NUMBERS NOT APPLICABLE

- ITEM NOT ILLUSTRATED

HAP

24-50-59-01B

BOEING PROPRIETARY - Copyright © - Unpublished Work - See title page for details.

24-50-59
FIG. 01B
PAGE 7
OCT 15/08

BOEING
737-600/700/800/900
PARTS CATALOG (MAINTENANCE)

FIG ITEM	PART NUMBER	1 2 3 4 5 6 7	NOMENCLATURE	EFFECT FROM TO	UNITS PER ASSY
1B 285	BS51338D5003		.PLUG- SUPPLIER CODE: V83058 SPECIFICATION NUMBER: BACP20B63B OPTIONAL PART: 51338 V83058 MISCELLANEOUS DATA: USE IN PLACE OF CIRCUIT BREAKERS ON OPEN HOLES	201967	1
- 290	233A5522-382302		PLUG BUTTON INSTL- P18-2/C2 FOR NHA SEE: 24-50-00-12B	201967	RF
295	BS51338D5003		.PLUG- SUPPLIER CODE: V83058 SPECIFICATION NUMBER: BACP20B63B OPTIONAL PART: 51338 V83058 MISCELLANEOUS DATA: USE IN PLACE OF CIRCUIT BREAKERS ON OPEN HOLES	201967	1
- 300	233A5522-382303		PLUG BUTTON INSTL- P18-2/C3 FOR NHA SEE: 24-50-00-12B	201967	RF
305	BS51338D5003		.PLUG- SUPPLIER CODE: V83058 SPECIFICATION NUMBER: BACP20B63B OPTIONAL PART: 51338 V83058 MISCELLANEOUS DATA: USE IN PLACE OF CIRCUIT BREAKERS ON OPEN HOLES	201967	1
- 310	233A5522-382304		PLUG BUTTON INSTL- P18-2/C4 FOR NHA SEE: 24-50-00-12B	201967	RF

MISSING ITEM NUMBERS NOT APPLICABLE

- ITEM NOT ILLUSTRATED

HAP

24-50-59-01B

BOEING PROPRIETARY - Copyright © - Unpublished Work - See title page for details.

24-50-59
FIG. 01B
PAGE 8
OCT 15/08

BOEING
737-600/700/800/900
PARTS CATALOG (MAINTENANCE)

FIG ITEM	PART NUMBER	1 2 3 4 5 6 7	NOMENCLATURE	EFFECT FROM TO	UNITS PER ASSY
1B 315	BS51338D5003		.PLUG- SUPPLIER CODE: V83058 SPECIFICATION NUMBER: BACP20B63B OPTIONAL PART: 51338 V83058 MISCELLANEOUS DATA: USE IN PLACE OF CIRCUIT BREAKERS ON OPEN HOLES	201967	1
- 320	233A5522-382305		PLUG BUTTON INSTL- P18-2/C5 FOR NHA SEE: 24-50-00-12B	201967	RF
325	BS51338D5003		.PLUG- SUPPLIER CODE: V83058 SPECIFICATION NUMBER: BACP20B63B OPTIONAL PART: 51338 V83058 MISCELLANEOUS DATA: USE IN PLACE OF CIRCUIT BREAKERS ON OPEN HOLES	201967	1
- 330	233A5522-382306		PLUG BUTTON INSTL- P18-2/C6 FOR NHA SEE: 24-50-00-12B	201967	RF
335	BS51338D5003		.PLUG- SUPPLIER CODE: V83058 SPECIFICATION NUMBER: BACP20B63B OPTIONAL PART: 51338 V83058 MISCELLANEOUS DATA: USE IN PLACE OF CIRCUIT BREAKERS ON OPEN HOLES	201967	1
- 340	233A5522-382406		PLUG BUTTON INSTL- P18-2/D6 FOR NHA SEE: 24-50-00-12B	201967	RF

MISSING ITEM NUMBERS NOT APPLICABLE

- ITEM NOT ILLUSTRATED

HAP

24-50-59-01B

BOEING PROPRIETARY - Copyright © - Unpublished Work - See title page for details.

24-50-59
FIG. 01B
PAGE 9
OCT 15/08

BOEING
737-600/700/800/900
PARTS CATALOG (MAINTENANCE)

FIG ITEM	PART NUMBER	1 2 3 4 5 6 7	NOMENCLATURE	EFFECT FROM TO	UNITS PER ASSY
1B 345	BS51338D5003		.PLUG- SUPPLIER CODE: V83058 SPECIFICATION NUMBER: BACP20B63B OPTIONAL PART: 51338 V83058 MISCELLANEOUS DATA: USE IN PLACE OF CIRCUIT BREAKERS ON OPEN HOLES	201967	1
- 350	233A5522-382408		PLUG BUTTON INSTL- P18-2/D8 FOR NHA SEE: 24-50-00-12B	201967	RF
355	BS51338D5003		.PLUG- SUPPLIER CODE: V83058 SPECIFICATION NUMBER: BACP20B63B OPTIONAL PART: 51338 V83058 MISCELLANEOUS DATA: USE IN PLACE OF CIRCUIT BREAKERS ON OPEN HOLES	201967	1
- 360	233A5522-382413		PLUG BUTTON INSTL- P18-2/D13 FOR NHA SEE: 24-50-00-12B	201967	RF
365	BS51338D5003		.PLUG- SUPPLIER CODE: V83058 SPECIFICATION NUMBER: BACP20B63B OPTIONAL PART: 51338 V83058 MISCELLANEOUS DATA: USE IN PLACE OF CIRCUIT BREAKERS ON OPEN HOLES	201967	1
- 370	233A5522-382414		PLUG BUTTON INSTL- P18-2/D14 FOR NHA SEE: 24-50-00-12B	201967	RF

MISSING ITEM NUMBERS NOT APPLICABLE

- ITEM NOT ILLUSTRATED

HAP

24-50-59-01B

BOEING PROPRIETARY - Copyright © - Unpublished Work - See title page for details.

24-50-59
FIG. 01B
PAGE 10
OCT 15/08

 **BOEING**
737-600/700/800/900
PARTS CATALOG (MAINTENANCE)

FIG ITEM	PART NUMBER	1 2 3 4 5 6 7	NOMENCLATURE	EFFECT FROM TO	UNITS PER ASSY
1B 375	BS51338D5003		.PLUG- SUPPLIER CODE: V83058 SPECIFICATION NUMBER: BACP20B63B OPTIONAL PART: 51338 V83058 MISCELLANEOUS DATA: USE IN PLACE OF CIRCUIT BREAKERS ON OPEN HOLES	201967	1
- 380	233A5522-382509		PLUG BUTTON INSTL- P18-2/E9 FOR NHA SEE: 24-50-00-12B	201967	RF
385	BS51338D5003		.PLUG- SUPPLIER CODE: V83058 SPECIFICATION NUMBER: BACP20B63B OPTIONAL PART: 51338 V83058 MISCELLANEOUS DATA: USE IN PLACE OF CIRCUIT BREAKERS ON OPEN HOLES	201967	1
- 390	233A5522-382510		PLUG BUTTON INSTL- P18-2/E10 FOR NHA SEE: 24-50-00-12B	201967	RF
395	BS51338D5003		.PLUG- SUPPLIER CODE: V83058 SPECIFICATION NUMBER: BACP20B63B OPTIONAL PART: 51338 V83058 MISCELLANEOUS DATA: USE IN PLACE OF CIRCUIT BREAKERS ON OPEN HOLES	201967	1
- 400	233A5522-382512		PLUG BUTTON INSTL- P18-2/E12 FOR NHA SEE: 24-50-00-12B	201967	RF

MISSING ITEM NUMBERS NOT APPLICABLE

- ITEM NOT ILLUSTRATED

HAP

24-50-59-01B

BOEING PROPRIETARY - Copyright © - Unpublished Work - See title page for details.

24-50-59
FIG. 01B
PAGE 11
OCT 15/08


BOEING
 737-600/700/800/900
PARTS CATALOG (MAINTENANCE)

FIG ITEM	PART NUMBER	1 2 3 4 5 6 7	NOMENCLATURE	EFFECT FROM TO	UNITS PER ASSY
1B 405	BS51338D5003		.PLUG- SUPPLIER CODE: V83058 SPECIFICATION NUMBER: BACP20B63B OPTIONAL PART: 51338 V83058 MISCELLANEOUS DATA: USE IN PLACE OF CIRCUIT BREAKERS ON OPEN HOLES	201967	1
- 410	233A5522-382513		PLUG BUTTON INSTL- P18-2/E13 FOR NHA SEE: 24-50-00-12B	201967	RF
415	BS51338D5003		.PLUG- SUPPLIER CODE: V83058 SPECIFICATION NUMBER: BACP20B63B OPTIONAL PART: 51338 V83058 MISCELLANEOUS DATA: USE IN PLACE OF CIRCUIT BREAKERS ON OPEN HOLES	201967	1
- 420	233A5522-382514		PLUG BUTTON INSTL- P18-2/E14 FOR NHA SEE: 24-50-00-12B	201967	RF
425	BS51338D5003		.PLUG- SUPPLIER CODE: V83058 SPECIFICATION NUMBER: BACP20B63B OPTIONAL PART: 51338 V83058 MISCELLANEOUS DATA: USE IN PLACE OF CIRCUIT BREAKERS ON OPEN HOLES	201967	1
- 430	233A5522-382515		PLUG BUTTON INSTL- P18-2/E15 FOR NHA SEE: 24-50-00-12B	201967	RF

MISSING ITEM NUMBERS NOT APPLICABLE

- ITEM NOT ILLUSTRATED

HAP

24-50-59-01B

BOEING PROPRIETARY - Copyright © - Unpublished Work - See title page for details.

24-50-59
 FIG. 01B
 PAGE 12
 OCT 15/08


BOEING
 737-600/700/800/900
PARTS CATALOG (MAINTENANCE)

FIG ITEM	PART NUMBER	1 2 3 4 5 6 7 NOMENCLATURE	EFFECT FROM TO	UNITS PER ASSY
1 B 435	BS51338D5003	. PLUG- SUPPLIER CODE: V83058 SPECIFICATION NUMBER: BACP20B63B OPTIONAL PART: 51338 V83058 MISCELLANEOUS DATA: USE IN PLACE OF CIRCUIT BREAKERS ON OPEN HOLES	201967	1

MISSING ITEM NUMBERS NOT APPLICABLE

— ITEM NOT ILLUSTRATED

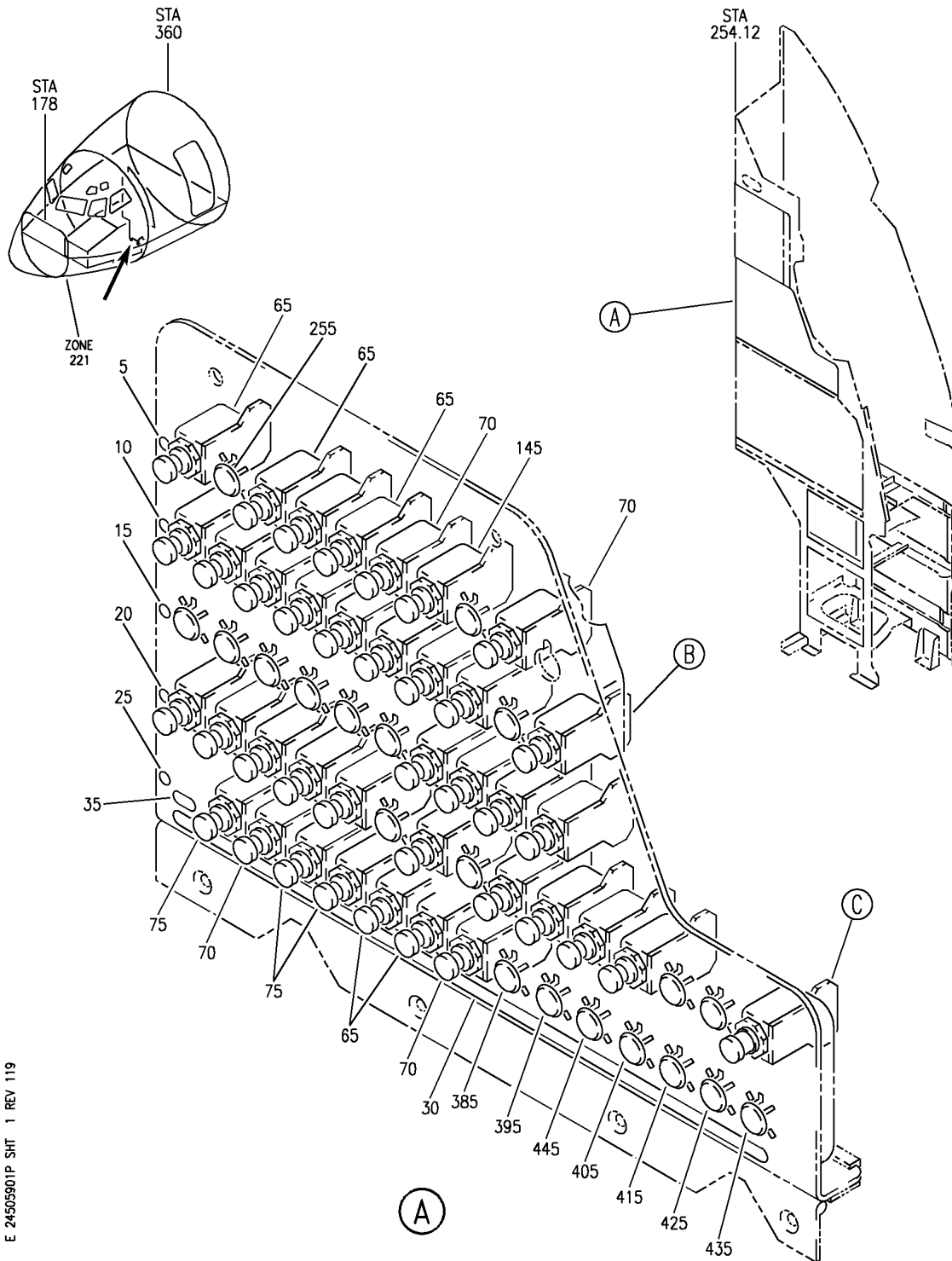
HAP

24-50-59-01B

BOEING PROPRIETARY - Copyright © - Unpublished Work - See title page for details.

24-50-59
 FIG. 01B
 PAGE 13
 OCT 15/08

BOEING
 737-600/700/800/900
 PARTS CATALOG (MAINTENANCE)



E 24-50-59-01P SHT 1 REV 119

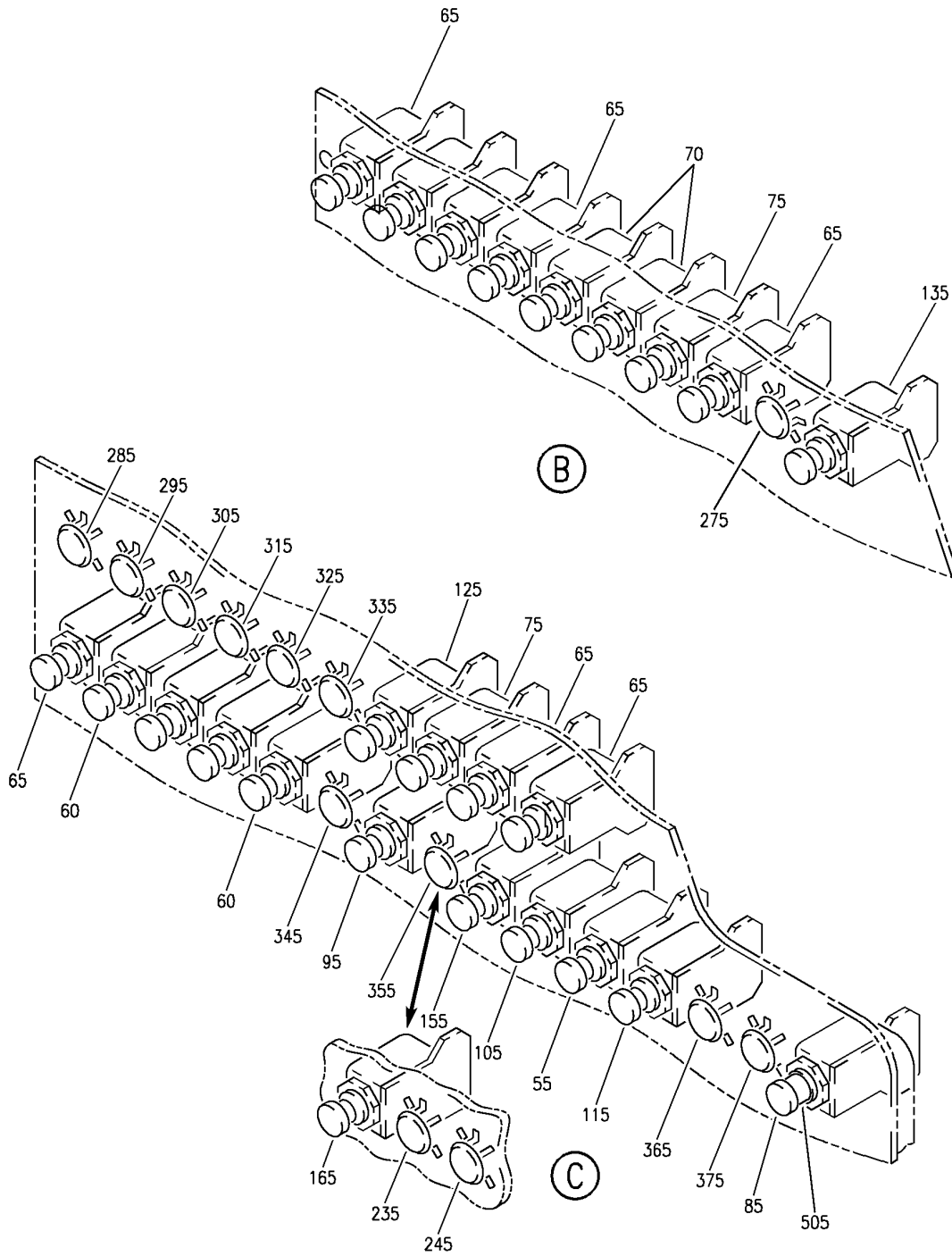
MARKER, CIRCUIT BREAKER, PLUG BUTTON AND INOP INSTL-P18-2 PNL (ELECTRICAL POWER ONLY)
 FIGURE 1P (SHEET 1)

HAP
 FEB 10/07

24-50-59-01P

24-50-59-01P
 PAGE 0

BOEING
 737-600/700/800/900
 PARTS CATALOG (MAINTENANCE)



E 24-50-59-01P SHT 2 REV 119

MARKER, CIRCUIT BREAKER, PLUG BUTTON AND INOP INSTL-P18-2 PNL (ELECTRICAL POWER ONLY)
 FIGURE 1P (SHEET 2)

HAP
 FEB 10/07

24-50-59-01P

24-50-59-01P
 PAGE 0A

BOEING
737-600/700/800/900
PARTS CATALOG (MAINTENANCE)

FIG ITEM	PART NUMBER	1 2 3 4 5 6 7	NOMENCLATURE	EFFECT FROM TO	UNITS PER ASSY
1P			MARKER, CIRCUIT BREAKER, PLUG BUTTON AND INOP INSTL-P18-2 PNL (ELECTRICAL POWER ONLY)	008030	
- 1	233A5522-1		MARKER INSTL-P18-2 FOR NHA SEE: 24-50-00-12C	008030	RF
5	BAC27DCC3065		.MARKER- PLACARD CONTENT: A	008030	1
10	BAC27DCC3066		.MARKER- PLACARD CONTENT: B	008030	1
15	BAC27DCC3067		.MARKER- PLACARD CONTENT: C	008030	1
20	BAC27DCC3068		.MARKER- PLACARD CONTENT: D	008030	1
25	BAC27DCC3069		.MARKER- PLACARD CONTENT: E	008030	1
30	BAC27DCC2748		.MARKER- PLACARD CONTENT: 1 THRU 15	008030	1
35	BAC27DCC3081		.MARKER- PLACARD CONTENT: P18-2	008030	1
- 50	233A5522-2		CIRCUIT BREAKER INSTL- P18-2 FOR NHA SEE: 24-50-00-12C	008030	RF
55	2TC47-10		.CIRCUIT BREAKER- SUPPLIER CODE: V82647 SPECIFICATION NUMBER: BACC18AD10 OPTIONAL PART: 4310-029-10 V76374 ELECTRICAL EQUIP NUMBER: C00165	008030	1

MISSING ITEM NUMBERS NOT APPLICABLE

- ITEM NOT ILLUSTRATED

HAP

24-50-59-01P

BOEING PROPRIETARY - Copyright © - Unpublished Work - See title page for details.

24-50-59
FIG. 01P
PAGE 1
FEB 10/07

BOEING
737-600/700/800/900
PARTS CATALOG (MAINTENANCE)

FIG ITEM	PART NUMBER	1 2 3 4 5 6 7	NOMENCLATURE	EFFECT FROM TO	UNITS PER ASSY
1P 60	4310-029-15		.CIRCUIT BREAKER- SUPPLIER CODE: V76374 SPECIFICATION NUMBER: BACC18AD15 OPTIONAL PART: 2TC47-15 V82647 ELECTRICAL EQUIP NUMBER: C01372 C01365 C01363 C01359	008030	4
65	2TC47-2-5		.CIRCUIT BREAKER- SUPPLIER CODE: V82647 SPECIFICATION NUMBER: BACC18AD2 OPTIONAL PART: 4310-029-205 V76374 ELECTRICAL EQUIP NUMBER: C00485 C00153 C01390 C01314 C01316 C01317 C01312 C01003 C01103 C00109 C00468 C01369 C01205 C01208	008030	14

MISSING ITEM NUMBERS NOT APPLICABLE

— ITEM NOT ILLUSTRATED

HAP

24-50-59-01P

BOEING PROPRIETARY - Copyright © - Unpublished Work - See title page for details.

24-50-59
FIG. 01P
PAGE 2
OCT 10/06

BOEING
737-600/700/800/900
PARTS CATALOG (MAINTENANCE)

FIG ITEM	PART NUMBER	1 2 3 4 5 6 7	NOMENCLATURE	EFFECT FROM TO	UNITS PER ASSY
1P 70	2TC47-3		.CIRCUIT BREAKER- SUPPLIER CODE: V82647 SPECIFICATION NUMBER: BACC18AD3 OPTIONAL PART: 4310-029-3 V76374 ELECTRICAL EQUIP NUMBER: C01017 C00923 C00276 C01412 C00170 C00425	008030	6
75	2TC47-5		.CIRCUIT BREAKER- SUPPLIER CODE: V82647 SPECIFICATION NUMBER: BACC18AD5 OPTIONAL PART: 4310-029-5 V76374 ELECTRICAL EQUIP NUMBER: C01266 C00544 C00412 C01392 C01204	008030	5
- 80	233A5522-200058		CIRCUIT BREAKER INSTL- P18-2 FOR NHA SEE: 24-50-00-12C	008030	RF
85	2TC47-3		.CIRCUIT BREAKER- SUPPLIER CODE: V82647 SPECIFICATION NUMBER: BACC18AD3 OPTIONAL PART: 4310-029-3 V76374 ELECTRICAL EQUIP NUMBER: C00058	008030	1
- 90	233A5522-200107		CIRCUIT BREAKER INSTL- P18-2 FOR NHA SEE: 24-50-00-12C	008030	RF

MISSING ITEM NUMBERS NOT APPLICABLE

- ITEM NOT ILLUSTRATED

HAP

24-50-59-01P

BOEING PROPRIETARY - Copyright © - Unpublished Work - See title page for details.

24-50-59
FIG. 01P
PAGE 3
OCT 10/06

BOEING
737-600/700/800/900
PARTS CATALOG (MAINTENANCE)

FIG ITEM	PART NUMBER	1 2 3 4 5 6 7	NOMENCLATURE	EFFECT FROM TO	UNITS PER ASSY
1P 95	2TC47-2-5		.CIRCUIT BREAKER- SUPPLIER CODE: V82647 SPECIFICATION NUMBER: BACC18AD2 OPTIONAL PART: 4310-029-205 V76374 ELECTRICAL EQUIP NUMBER: C00107	008030	1
- 100	233A5522-200357		CIRCUIT BREAKER INSTL- P18-2 FOR NHA SEE: 24-50-00-12C	008030	RF
105	2TC47-3		.CIRCUIT BREAKER- SUPPLIER CODE: V82647 SPECIFICATION NUMBER: BACC18AD3 OPTIONAL PART: 4310-029-3 V76374 ELECTRICAL EQUIP NUMBER: C00357	008030	1
- 110	233A5522-200471		CIRCUIT BREAKER INSTL- P18-2 FOR NHA SEE: 24-50-00-12C	008030	RF
115	2TC47-10		.CIRCUIT BREAKER- SUPPLIER CODE: V82647 SPECIFICATION NUMBER: BACC18AD10 OPTIONAL PART: 4310-029-10 V76374 ELECTRICAL EQUIP NUMBER: C00471	008030	1
- 120	233A5522-201537		CIRCUIT BREAKER INSTL- P18-2 FOR NHA SEE: 24-50-00-12C	008030	RF

MISSING ITEM NUMBERS NOT APPLICABLE

- ITEM NOT ILLUSTRATED

HAP

24-50-59-01P

BOEING PROPRIETARY - Copyright © - Unpublished Work - See title page for details.

24-50-59
FIG. 01P
PAGE 4
OCT 10/07

 **BOEING**
737-600/700/800/900
PARTS CATALOG (MAINTENANCE)

FIG ITEM	PART NUMBER	1 2 3 4 5 6 7	NOMENCLATURE	EFFECT FROM TO	UNITS PER ASSY
1P 125	2TC47-2-5		.CIRCUIT BREAKER- SUPPLIER CODE: V82647 SPECIFICATION NUMBER: BACC18AD2 OPTIONAL PART: 4310-029-205 V76374 ELECTRICAL EQUIP NUMBER: C01537	008030	1
- 130	233A5522-201192		CIRCUIT BREAKER INSTL- P18-2 FOR NHA SEE: 24-50-00-12C	008030	RF
135	2TC47-3		.CIRCUIT BREAKER- SUPPLIER CODE: V82647 SPECIFICATION NUMBER: BACC18AD3 OPTIONAL PART: 4310-029-3 V76374 ELECTRICAL EQUIP NUMBER: C01192	008030	1
- 140	233A5522-201238		CIRCUIT BREAKER INSTL- P18-2 FOR NHA SEE: 24-50-00-12C	008030	RF
145	2TC47-3		.CIRCUIT BREAKER- SUPPLIER CODE: V82647 SPECIFICATION NUMBER: BACC18AD3 OPTIONAL PART: 4310-029-3 V76374 ELECTRICAL EQUIP NUMBER: C01238	008030	1
- 150	233A5522-201387		CIRCUIT BREAKER INSTL- P18-2 FOR NHA SEE: 24-50-00-12C	008030	RF

MISSING ITEM NUMBERS NOT APPLICABLE

- ITEM NOT ILLUSTRATED

HAP

24-50-59-01P

BOEING PROPRIETARY - Copyright © - Unpublished Work - See title page for details.

24-50-59
FIG. 01P
PAGE 5
OCT 10/07

BOEING
737-600/700/800/900
PARTS CATALOG (MAINTENANCE)

FIG ITEM	PART NUMBER	1 2 3 4 5 6 7	NOMENCLATURE	EFFECT FROM TO	UNITS PER ASSY
1P 155	2TC47-3		.CIRCUIT BREAKER- SUPPLIER CODE: V82647 SPECIFICATION NUMBER: BACC18AD3 OPTIONAL PART: 4310-029-3 V76374 ELECTRICAL EQUIP NUMBER: C01387	008030	1
- 250	233A5522-382102		PLUG BUTTON INSTL- P18-2/A2 FOR NHA SEE: 24-50-00-12C	008030	RF
255	BS51338D5003		.PLUG- SUPPLIER CODE: V83058 SPECIFICATION NUMBER: BACP20B63B OPTIONAL PART: 51338 V83058 MISCELLANEOUS DATA: USE IN PLACE OF CIRCUIT BREAKERS ON OPEN HOLES	008030	1
- 260	233A5522-382108		PLUG BUTTON INSTL- P18-2/A8 FOR NHA SEE: 24-50-00-12C	008030	RF
265	BS51338D5003		.PLUG- SUPPLIER CODE: V83058 SPECIFICATION NUMBER: BACP20B63B OPTIONAL PART: 51338 V83058 MISCELLANEOUS DATA: USE IN PLACE OF CIRCUIT BREAKERS ON OPEN HOLES	008030	1
- 270	233A5522-382209		PLUG BUTTON INSTL- P18-2/B9 FOR NHA SEE: 24-50-00-12C	008030	RF

MISSING ITEM NUMBERS NOT APPLICABLE

- ITEM NOT ILLUSTRATED

HAP

24-50-59-01P

BOEING PROPRIETARY - Copyright © - Unpublished Work - See title page for details.

24-50-59
FIG. 01P
PAGE 6
OCT 10/07


BOEING
 737-600/700/800/900
PARTS CATALOG (MAINTENANCE)

FIG ITEM	PART NUMBER	1 2 3 4 5 6 7	NOMENCLATURE	EFFECT FROM TO	UNITS PER ASSY
1P 275	BS51338D5003		.PLUG- SUPPLIER CODE: V83058 SPECIFICATION NUMBER: BACP20B63B OPTIONAL PART: 51338 V83058 MISCELLANEOUS DATA: USE IN PLACE OF CIRCUIT BREAKERS ON OPEN HOLES	008030	1
- 280	233A5522-382301		PLUG BUTTON INSTL- P18-2/C1 FOR NHA SEE: 24-50-00-12C	008030	RF
285	BS51338D5003		.PLUG- SUPPLIER CODE: V83058 SPECIFICATION NUMBER: BACP20B63B OPTIONAL PART: 51338 V83058 MISCELLANEOUS DATA: USE IN PLACE OF CIRCUIT BREAKERS ON OPEN HOLES	008030	1
- 290	233A5522-382302		PLUG BUTTON INSTL- P18-2/C2 FOR NHA SEE: 24-50-00-12C	008030	RF
295	BS51338D5003		.PLUG- SUPPLIER CODE: V83058 SPECIFICATION NUMBER: BACP20B63B OPTIONAL PART: 51338 V83058 MISCELLANEOUS DATA: USE IN PLACE OF CIRCUIT BREAKERS ON OPEN HOLES	008030	1
- 300	233A5522-382303		PLUG BUTTON INSTL- P18-2/C3 FOR NHA SEE: 24-50-00-12C	008030	RF

MISSING ITEM NUMBERS NOT APPLICABLE

- ITEM NOT ILLUSTRATED

HAP

24-50-59-01P

BOEING PROPRIETARY - Copyright © - Unpublished Work - See title page for details.

24-50-59
 FIG. 01P
 PAGE 7
 OCT 10/07

BOEING
737-600/700/800/900
PARTS CATALOG (MAINTENANCE)

FIG ITEM	PART NUMBER	1 2 3 4 5 6 7	NOMENCLATURE	EFFECT FROM TO	UNITS PER ASSY
1P 305	BS51338D5003		.PLUG- SUPPLIER CODE: V83058 SPECIFICATION NUMBER: BACP20B63B OPTIONAL PART: 51338 V83058 MISCELLANEOUS DATA: USE IN PLACE OF CIRCUIT BREAKERS ON OPEN HOLES	008030	1
- 310	233A5522-382304		PLUG BUTTON INSTL- P18-2/C4 FOR NHA SEE: 24-50-00-12C	008030	RF
315	BS51338D5003		.PLUG- SUPPLIER CODE: V83058 SPECIFICATION NUMBER: BACP20B63B OPTIONAL PART: 51338 V83058 MISCELLANEOUS DATA: USE IN PLACE OF CIRCUIT BREAKERS ON OPEN HOLES	008030	1
- 320	233A5522-382305		PLUG BUTTON INSTL- P18-2/C5 FOR NHA SEE: 24-50-00-12C	008030	RF
325	BS51338D5003		.PLUG- SUPPLIER CODE: V83058 SPECIFICATION NUMBER: BACP20B63B OPTIONAL PART: 51338 V83058 MISCELLANEOUS DATA: USE IN PLACE OF CIRCUIT BREAKERS ON OPEN HOLES	008030	1
- 330	233A5522-382306		PLUG BUTTON INSTL- P18-2/C6 FOR NHA SEE: 24-50-00-12C	008030	RF

MISSING ITEM NUMBERS NOT APPLICABLE

- ITEM NOT ILLUSTRATED

HAP

24-50-59-01P

BOEING PROPRIETARY - Copyright © - Unpublished Work - See title page for details.

24-50-59
FIG. 01P
PAGE 8
OCT 10/07

BOEING
737-600/700/800/900
PARTS CATALOG (MAINTENANCE)

FIG ITEM	PART NUMBER	1 2 3 4 5 6 7	NOMENCLATURE	EFFECT FROM TO	UNITS PER ASSY
1P 335	BS51338D5003		.PLUG- SUPPLIER CODE: V83058 SPECIFICATION NUMBER: BACP20B63B OPTIONAL PART: 51338 V83058 MISCELLANEOUS DATA: USE IN PLACE OF CIRCUIT BREAKERS ON OPEN HOLES	008030	1
- 340	233A5522-382406		PLUG BUTTON INSTL- P18-2/D6 FOR NHA SEE: 24-50-00-12C	008030	RF
345	BS51338D5003		.PLUG- SUPPLIER CODE: V83058 SPECIFICATION NUMBER: BACP20B63B OPTIONAL PART: 51338 V83058 MISCELLANEOUS DATA: USE IN PLACE OF CIRCUIT BREAKERS ON OPEN HOLES	008030	1
- 350	233A5522-382408		PLUG BUTTON INSTL- P18-2/D8 FOR NHA SEE: 24-50-00-12C	008030	RF
355	BS51338D5003		.PLUG- SUPPLIER CODE: V83058 SPECIFICATION NUMBER: BACP20B63B OPTIONAL PART: 51338 V83058 MISCELLANEOUS DATA: USE IN PLACE OF CIRCUIT BREAKERS ON OPEN HOLES	008030	1
- 360	233A5522-382413		PLUG BUTTON INSTL- P18-2/D13 FOR NHA SEE: 24-50-00-12C	008030	RF

MISSING ITEM NUMBERS NOT APPLICABLE

- ITEM NOT ILLUSTRATED

HAP

24-50-59-01P

BOEING PROPRIETARY - Copyright © - Unpublished Work - See title page for details.

24-50-59
FIG. 01P
PAGE 9
OCT 10/07

BOEING
737-600/700/800/900
PARTS CATALOG (MAINTENANCE)

FIG ITEM	PART NUMBER	1 2 3 4 5 6 7	NOMENCLATURE	EFFECT FROM TO	UNITS PER ASSY
1P 365	BS51338D5003		.PLUG- SUPPLIER CODE: V83058 SPECIFICATION NUMBER: BACP20B63B OPTIONAL PART: 51338 V83058 MISCELLANEOUS DATA: USE IN PLACE OF CIRCUIT BREAKERS ON OPEN HOLES	008030	1
- 370	233A5522-382414		PLUG BUTTON INSTL- P18-2/D14 FOR NHA SEE: 24-50-00-12C	008030	RF
375	BS51338D5003		.PLUG- SUPPLIER CODE: V83058 SPECIFICATION NUMBER: BACP20B63B OPTIONAL PART: 51338 V83058 MISCELLANEOUS DATA: USE IN PLACE OF CIRCUIT BREAKERS ON OPEN HOLES	008030	1
- 380	233A5522-382509		PLUG BUTTON INSTL- P18-2/E9 FOR NHA SEE: 24-50-00-12C	008030	RF
385	BS51338D5003		.PLUG- SUPPLIER CODE: V83058 SPECIFICATION NUMBER: BACP20B63B OPTIONAL PART: 51338 V83058 MISCELLANEOUS DATA: USE IN PLACE OF CIRCUIT BREAKERS ON OPEN HOLES	008030	1
- 390	233A5522-382510		PLUG BUTTON INSTL- P18-2/E10 FOR NHA SEE: 24-50-00-12C	008030	RF

MISSING ITEM NUMBERS NOT APPLICABLE

- ITEM NOT ILLUSTRATED

HAP

24-50-59-01P

BOEING PROPRIETARY - Copyright © - Unpublished Work - See title page for details.

24-50-59
FIG. 01P
PAGE 10
OCT 10/07

BOEING
737-600/700/800/900
PARTS CATALOG (MAINTENANCE)

FIG ITEM	PART NUMBER	1 2 3 4 5 6 7	NOMENCLATURE	EFFECT FROM TO	UNITS PER ASSY
1P 395	BS51338D5003		.PLUG- SUPPLIER CODE: V83058 SPECIFICATION NUMBER: BACP20B63B OPTIONAL PART: 51338 V83058 MISCELLANEOUS DATA: USE IN PLACE OF CIRCUIT BREAKERS ON OPEN HOLES	008030	1
- 400	233A5522-382512		PLUG BUTTON INSTL- P18-2/E12 FOR NHA SEE: 24-50-00-12C	008030	RF
405	BS51338D5003		.PLUG- SUPPLIER CODE: V83058 SPECIFICATION NUMBER: BACP20B63B OPTIONAL PART: 51338 V83058 MISCELLANEOUS DATA: USE IN PLACE OF CIRCUIT BREAKERS ON OPEN HOLES	008030	1
- 410	233A5522-382513		PLUG BUTTON INSTL- P18-2/E13 FOR NHA SEE: 24-50-00-12C	008030	RF
415	BS51338D5003		.PLUG- SUPPLIER CODE: V83058 SPECIFICATION NUMBER: BACP20B63B OPTIONAL PART: 51338 V83058 MISCELLANEOUS DATA: USE IN PLACE OF CIRCUIT BREAKERS ON OPEN HOLES	008030	1
- 420	233A5522-382514		PLUG BUTTON INSTL- P18-2/E14 FOR NHA SEE: 24-50-00-12C	008030	RF

MISSING ITEM NUMBERS NOT APPLICABLE

- ITEM NOT ILLUSTRATED

HAP

24-50-59-01P

BOEING PROPRIETARY - Copyright © - Unpublished Work - See title page for details.

24-50-59
FIG. 01P
PAGE 11
OCT 10/07

BOEING
737-600/700/800/900
PARTS CATALOG (MAINTENANCE)

FIG ITEM	PART NUMBER	1 2 3 4 5 6 7	NOMENCLATURE	EFFECT FROM TO	UNITS PER ASSY
1P 425	BS51338D5003		.PLUG- SUPPLIER CODE: V83058 SPECIFICATION NUMBER: BACP20B63B OPTIONAL PART: 51338 V83058 MISCELLANEOUS DATA: USE IN PLACE OF CIRCUIT BREAKERS ON OPEN HOLES	008030	1
- 430	233A5522-382515		PLUG BUTTON INSTL- P18-2/E15 FOR NHA SEE: 24-50-00-12C	008030	RF
435	BS51338D5003		.PLUG- SUPPLIER CODE: V83058 SPECIFICATION NUMBER: BACP20B63B OPTIONAL PART: 51338 V83058 MISCELLANEOUS DATA: USE IN PLACE OF CIRCUIT BREAKERS ON OPEN HOLES	008030	1
- 440	233A5522-382511		PLUG BUTTON INSTL- P18-2/E11 FOR NHA SEE: 24-50-00-12C	008030	RF
445	BS51338D5003		.PLUG- SUPPLIER CODE: V83058 SPECIFICATION NUMBER: BACP20B63B OPTIONAL PART: 51338 V83058 MISCELLANEOUS DATA: USE IN PLACE OF CIRCUIT BREAKERS ON OPEN HOLES	008030	1
- 500	233A5522-582415		INOP INSTL-P18-2/D15 (ELECTRICAL POWER ONLY) FOR NHA/OTHER SYS DET SEE: 24-50-00-12C	008030	RF
505	10237-1		.COLLAR- SUPPLIER CODE: V1N6X0	008030	1

MISSING ITEM NUMBERS NOT APPLICABLE

- ITEM NOT ILLUSTRATED

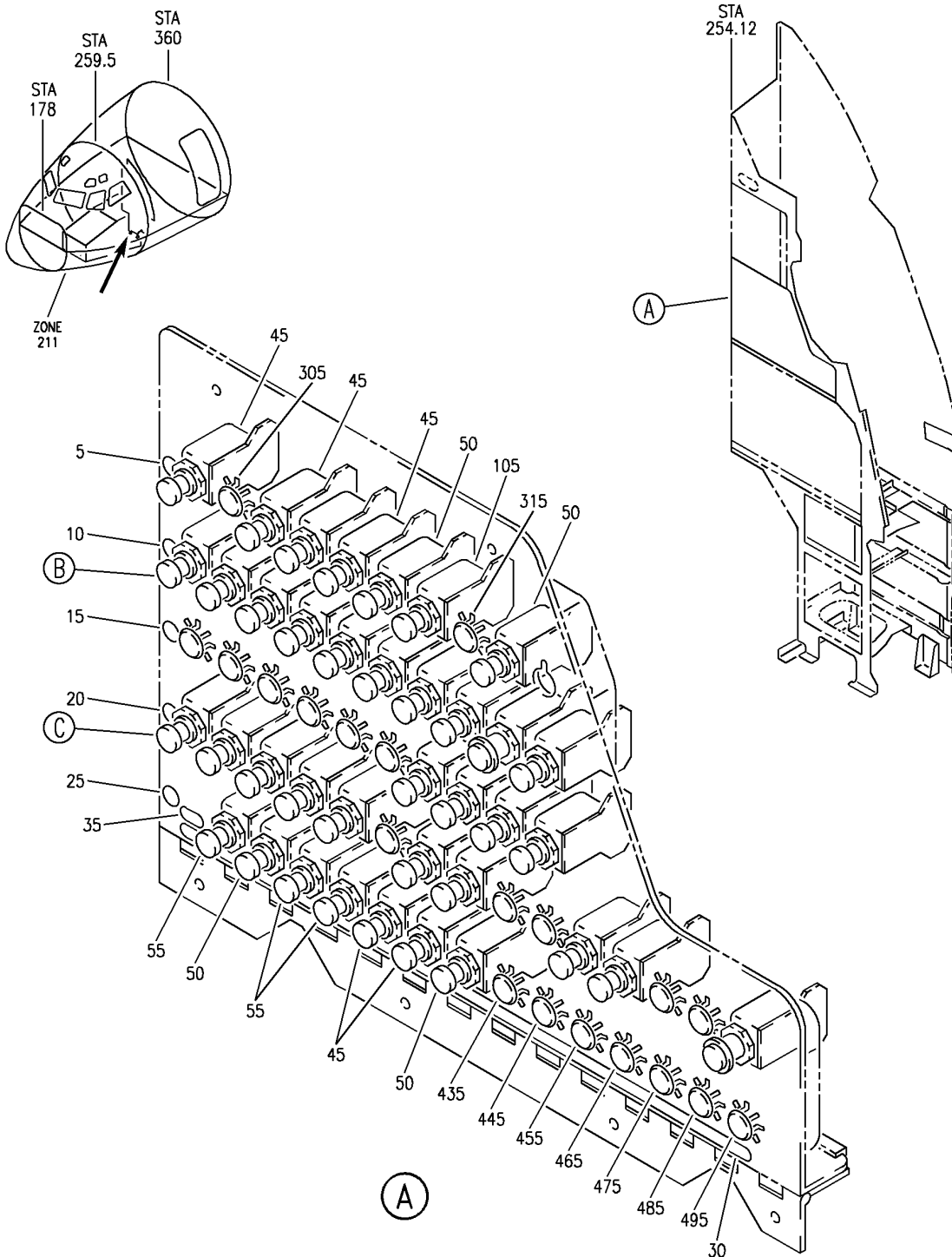
HAP

24-50-59-01P

BOEING PROPRIETARY - Copyright © - Unpublished Work - See title page for details.

24-50-59
FIG. 01P
PAGE 12
OCT 10/07

BOEING
737-600/700/800/900
PARTS CATALOG (MAINTENANCE)



E 24-50-59-52A SHT 1 REV 114

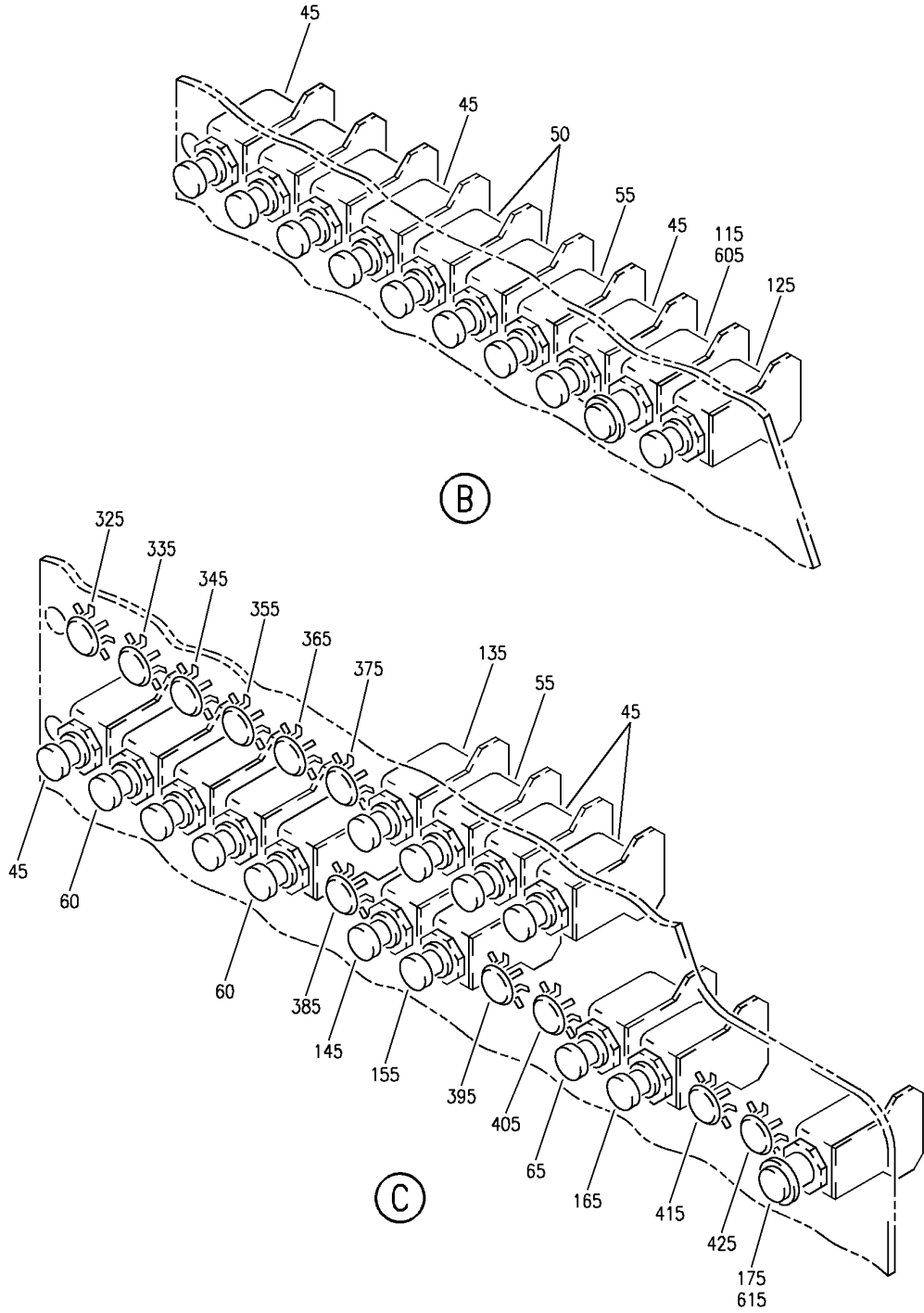
MARKER, CIRCUIT BREAKER, PLUG BUTTON AND INOP INSTL-P18-2 PNL (ELECTRICAL POWER ONLY)
 FIGURE 52A (SHEET 1)

HAP
 OCT 10/06

24-50-59-52A

24-50-59-52A
 PAGE 0

BOEING
 737-600/700/800/900
 PARTS CATALOG (MAINTENANCE)



E 24-50-59-52A SHT 2 REV 114

MARKER, CIRCUIT BREAKER, PLUG BUTTON AND INOP INSTL-P18-2 PNL (ELECTRICAL POWER ONLY)
 FIGURE 52A (SHEET 2)

HAP
 OCT 10/06

24-50-59-52A

24-50-59-52A
 PAGE 0A

BOEING
737-600/700/800/900
PARTS CATALOG (MAINTENANCE)

FIG ITEM	PART NUMBER	1 2 3 4 5 6 7	NOMENCLATURE	EFFECT FROM TO	UNITS PER ASSY
52A			MARKER, CIRCUIT BREAKER, PLUG BUTTON AND INOP INSTL-P18-2 PNL (ELECTRICAL POWER ONLY)	031036	
- 1	MODREF250524		MARKER INSTL-P18-2 PNL MODULE NUMBER: 233A5522-1 REV D	031036	1
5	BAC27DCC3065		.MARKER- PLACARD CONTENT: A	031036	1
10	BAC27DCC3066		.MARKER- PLACARD CONTENT: B	031036	1
15	BAC27DCC3067		.MARKER- PLACARD CONTENT: C	031036	1
20	BAC27DCC3068		.MARKER- PLACARD CONTENT: D	031036	1
25	BAC27DCC3069		.MARKER- PLACARD CONTENT: E	031036	1
30	BAC27DCC2748		.MARKER- PLACARD CONTENT: 1 THRU 15	031036	1
35	BAC27DCC3081		.MARKER- PLACARD CONTENT: P18-2	031036	1
- 40	MODREF250525		CIRCUIT BREAKER INSTL-P18-2 PNL MODULE NUMBER: 233A5522-2 REV B	031036	1

MISSING ITEM NUMBERS NOT APPLICABLE

- ITEM NOT ILLUSTRATED

HAP

24-50-59-52A

BOEING PROPRIETARY - Copyright © - Unpublished Work - See title page for details.

24-50-59
FIG. 52A
PAGE 1
OCT 10/06

BOEING
737-600/700/800/900
PARTS CATALOG (MAINTENANCE)

FIG ITEM	PART NUMBER	1 2 3 4 5 6 7	NOMENCLATURE	EFFECT FROM TO	UNITS PER ASSY
52A 45	2TC47-2-5		.CIRCUIT BREAKER- SUPPLIER CODE: V82647 SPECIFICATION NUMBER: BACC18AD2 OPTIONAL PART: 4310-029-205 V76374 ELECTRICAL EQUIP NUMBER: C00109 C00153 C00458 C00468 C01003 C01103 C01205 C01208 C01312 C01314 C01316 C01317 C01369 C01390	031036	14
50	2TC47-3		.CIRCUIT BREAKER- SUPPLIER CODE: V82647 SPECIFICATION NUMBER: BACC18AD3 OPTIONAL PART: 4310-029-3 V76374 ELECTRICAL EQUIP NUMBER: C00170 C00276 C00425 C00923 C01017 C01412	031036	6

MISSING ITEM NUMBERS NOT APPLICABLE

— ITEM NOT ILLUSTRATED

HAP

24-50-59-52A

BOEING PROPRIETARY - Copyright © - Unpublished Work - See title page for details.

24-50-59
FIG. 52A
PAGE 2
OCT 10/06

BOEING
737-600/700/800/900
PARTS CATALOG (MAINTENANCE)

FIG ITEM	PART NUMBER	1 2 3 4 5 6 7	NOMENCLATURE	EFFECT FROM TO	UNITS PER ASSY
52A 55	2TC47-5	.	CIRCUIT BREAKER- SUPPLIER CODE: V82647 SPECIFICATION NUMBER: BACC18AD5 OPTIONAL PART: 4310-029-5 V76374 ELECTRICAL EQUIP NUMBER: C00412 C00544 C01204 C01266 C01392	031036	5
60	4310-029-15	.	CIRCUIT BREAKER- SUPPLIER CODE: V76374 SPECIFICATION NUMBER: BACC18AD15 OPTIONAL PART: 2TC47-15 V82647 ELECTRICAL EQUIP NUMBER: C01359 C01363 C01365 C01372	031036	4
65	2TC47-10	.	CIRCUIT BREAKER- SUPPLIER CODE: V82647 SPECIFICATION NUMBER: BACC18AD10 OPTIONAL PART: 4310-029-10 V76374 ELECTRICAL EQUIP NUMBER: C00165	031036	1
- 100	MODREF250534		CIRCUIT BREAKER INSTL-FMCS MCDU 1 P18-2/A7 MODULE NUMBER: 233A5522-201238 REV B	031036	1

MISSING ITEM NUMBERS NOT APPLICABLE

- ITEM NOT ILLUSTRATED

HAP

24-50-59-52A

BOEING PROPRIETARY - Copyright © - Unpublished Work - See title page for details.

24-50-59
FIG. 52A
PAGE 3
OCT 10/06

BOEING
737-600/700/800/900
PARTS CATALOG (MAINTENANCE)

FIG ITEM	PART NUMBER	1 2 3 4 5 6 7	NOMENCLATURE	EFFECT FROM TO	UNITS PER ASSY
52A 105	2TC47-3		.CIRCUIT BREAKER- SUPPLIER CODE: V82647 SPECIFICATION NUMBER: BACC18AD3 OPTIONAL PART: 4310-029-3 V76374 ELECTRICAL EQUIP NUMBER: C01238	031036	1
- 110	MODREF278459		CIRCUIT BREAKER INSTL- FLIGHT VU SYSTEM 28V DC P18-2/B9 MODULE NUMBER: 233A5522-201677 REV A	031036	1
115	2TC47-2-5		.CIRCUIT BREAKER- SUPPLIER CODE: V82647 SPECIFICATION NUMBER: BACC18AD2 OPTIONAL PART: 4310-029-205 V76374 ELECTRICAL EQUIP NUMBER: C01677	031036	1
- 120	MODREF250533		CIRCUIT BREAKER INSTL- FMCS BITE DC P18-2/B10 MODULE NUMBER: 233A5522-201192 REV B	031036	1
125	2TC47-3		.CIRCUIT BREAKER- SUPPLIER CODE: V82647 SPECIFICATION NUMBER: BACC18AD3 OPTIONAL PART: 4310-029-3 V76374 ELECTRICAL EQUIP NUMBER: C01192	031036	1
- 130	MODREF250546		CIRCUIT BREAKER INSTL- VOICE RCDR RELAY P18-2/C7 MODULE NUMBER: 233A5522-201537 REV B	031036	1

MISSING ITEM NUMBERS NOT APPLICABLE

- ITEM NOT ILLUSTRATED

HAP

24-50-59-52A

BOEING PROPRIETARY - Copyright © - Unpublished Work - See title page for details.

24-50-59
FIG. 52A
PAGE 4
OCT 10/06

BOEING
737-600/700/800/900
PARTS CATALOG (MAINTENANCE)

FIG ITEM	PART NUMBER	1 2 3 4 5 6 7	NOMENCLATURE	EFFECT FROM TO	UNITS PER ASSY
52A 135	2TC47-2-5	.	CIRCUIT BREAKER- SUPPLIER CODE: V82647 SPECIFICATION NUMBER: BACC18AD2 OPTIONAL PART: 4310-029-205 V76374 ELECTRICAL EQUIP NUMBER: C01537	031036	1
- 140	MODREF250527		CIRCUIT BREAKER INSTL- VOICE RCDR P18-2/D7 MODULE NUMBER: 233A5522-200107 REV B	031036	1
145	2TC47-2-5	.	CIRCUIT BREAKER- SUPPLIER CODE: V82647 SPECIFICATION NUMBER: BACC18AD2 OPTIONAL PART: 4310-029-205 V76374 ELECTRICAL EQUIP NUMBER: C00107	031036	1
- 150	MODREF250547		CIRCUIT BREAKER INSTL- ISFD P18-2/D8 MODULE NUMBER: 233A5522-201551 REV B	031036	1
155	2TC47-5	.	CIRCUIT BREAKER- SUPPLIER CODE: V82647 SPECIFICATION NUMBER: BACC18AD5 OPTIONAL PART: 4310-029-5 V76374 ELECTRICAL EQUIP NUMBER: C01551	031036	1
- 160	MODREF250529		CIRCUIT BREAKER INSTL- COMMUNICATIONS VHF 3 P18-2/D12 MODULE NUMBER: 233A5522-200471 REV B	031036	1

MISSING ITEM NUMBERS NOT APPLICABLE

- ITEM NOT ILLUSTRATED

HAP

24-50-59-52A

BOEING PROPRIETARY - Copyright © - Unpublished Work - See title page for details.

24-50-59
FIG. 52A
PAGE 5
OCT 10/06

BOEING
737-600/700/800/900
PARTS CATALOG (MAINTENANCE)

FIG ITEM	PART NUMBER	1 2 3 4 5 6 7	NOMENCLATURE	EFFECT FROM TO	UNITS PER ASSY
52A 165	2TC47-10		.CIRCUIT BREAKER- SUPPLIER CODE: V82647 SPECIFICATION NUMBER: BACC18AD10 OPTIONAL PART: 4310-029-10 V76374 ELECTRICAL EQUIP NUMBER: C00471	031036	1
- 170	MODREF250526		CIRCUIT BREAKER INSTL- COMMUNICATIONS SECAL P18-2/D15 MODULE NUMBER: 233A5522-200058 REV B	031036	1
175	2TC47-3		.CIRCUIT BREAKER- SUPPLIER CODE: V82647 SPECIFICATION NUMBER: BACC18AD3 OPTIONAL PART: 4310-029-3 V76374 ELECTRICAL EQUIP NUMBER: C00058	031036	1
- 300	MODREF250561		PLUG BUTTON INSTL- P18-2/A2 MODULE NUMBER: 233A5522-382102 REV B	031036	1
305	BS51338D5003		.PLUG- SUPPLIER CODE: V83058 SPECIFICATION NUMBER: BACP20B63B OPTIONAL PART: 51338 V83058 MISCELLANEOUS DATA: USE IN PLACE OF CIRCUIT BREAKERS ON OPEN HOLES	031036	1
- 310	MODREF250562		PLUG BUTTON INSTL- P18-2/A8 MODULE NUMBER: 233A5522-382108 REV B	031036	1

MISSING ITEM NUMBERS NOT APPLICABLE

- ITEM NOT ILLUSTRATED

HAP

24-50-59-52A

BOEING PROPRIETARY - Copyright © - Unpublished Work - See title page for details.

24-50-59
FIG. 52A
PAGE 6
OCT 10/06

BOEING
737-600/700/800/900
PARTS CATALOG (MAINTENANCE)

FIG ITEM	PART NUMBER	1 2 3 4 5 6 7	NOMENCLATURE	EFFECT FROM TO	UNITS PER ASSY
52A 315	BS51338D5003		.PLUG- SUPPLIER CODE: V83058 SPECIFICATION NUMBER: BACP20B63B OPTIONAL PART: 51338 V83058 MISCELLANEOUS DATA: USE IN PLACE OF CIRCUIT BREAKERS ON OPEN HOLES	031036	1
- 320	MODREF250565		PLUG BUTTON INSTL- P18-2/C1 MODULE NUMBER: 233A5522-382301 REV B	031036	1
325	BS51338D5003		.PLUG- SUPPLIER CODE: V83058 SPECIFICATION NUMBER: BACP20B63B OPTIONAL PART: 51338 V83058 MISCELLANEOUS DATA: USE IN PLACE OF CIRCUIT BREAKERS ON OPEN HOLES	031036	1
- 330	MODREF250566		PLUG BUTTON INSTL- P18-2/C2 MODULE NUMBER: 233A5522-382302 REV B	031036	1
335	BS51338D5003		.PLUG- SUPPLIER CODE: V83058 SPECIFICATION NUMBER: BACP20B63B OPTIONAL PART: 51338 V83058 MISCELLANEOUS DATA: USE IN PLACE OF CIRCUIT BREAKERS ON OPEN HOLES	031036	1
- 340	MODREF250567		PLUG BUTTON INSTL- P18-2/C3 MODULE NUMBER: 233A5522-382303 REV B	031036	1

MISSING ITEM NUMBERS NOT APPLICABLE

- ITEM NOT ILLUSTRATED

HAP

24-50-59-52A

BOEING PROPRIETARY - Copyright © - Unpublished Work - See title page for details.

24-50-59
FIG. 52A
PAGE 7
OCT 10/06

BOEING
737-600/700/800/900
PARTS CATALOG (MAINTENANCE)

FIG ITEM	PART NUMBER	1 2 3 4 5 6 7	NOMENCLATURE	EFFECT FROM TO	UNITS PER ASSY
52A 345	BS51338D5003		.PLUG- SUPPLIER CODE: V83058 SPECIFICATION NUMBER: BACP20B63B OPTIONAL PART: 51338 V83058 MISCELLANEOUS DATA: USE IN PLACE OF CIRCUIT BREAKERS ON OPEN HOLES	031036	1
- 350	MODREF250568		PLUG BUTTON INSTL- P18-2/C4 MODULE NUMBER: 233A5522-382304 REV B	031036	1
355	BS51338D5003		.PLUG- SUPPLIER CODE: V83058 SPECIFICATION NUMBER: BACP20B63B OPTIONAL PART: 51338 V83058 MISCELLANEOUS DATA: USE IN PLACE OF CIRCUIT BREAKERS ON OPEN HOLES	031036	1
- 360	MODREF250569		PLUG BUTTON INSTL- P18-2/C5 MODULE NUMBER: 233A5522-382305 REV B	031036	1
365	BS51338D5003		.PLUG- SUPPLIER CODE: V83058 SPECIFICATION NUMBER: BACP20B63B OPTIONAL PART: 51338 V83058 MISCELLANEOUS DATA: USE IN PLACE OF CIRCUIT BREAKERS ON OPEN HOLES	031036	1
- 370	MODREF250570		PLUG BUTTON INSTL- P18-2/C6 MODULE NUMBER: 233A5522-382306 REV B	031036	1

MISSING ITEM NUMBERS NOT APPLICABLE

- ITEM NOT ILLUSTRATED

HAP

24-50-59-52A

BOEING PROPRIETARY - Copyright © - Unpublished Work - See title page for details.

24-50-59
FIG. 52A
PAGE 8
OCT 10/06

BOEING
737-600/700/800/900
PARTS CATALOG (MAINTENANCE)

FIG ITEM	PART NUMBER	1 2 3 4 5 6 7	NOMENCLATURE	EFFECT FROM TO	UNITS PER ASSY
52A 375	BS51338D5003		.PLUG- SUPPLIER CODE: V83058 SPECIFICATION NUMBER: BACP20B63B OPTIONAL PART: 51338 V83058 MISCELLANEOUS DATA: USE IN PLACE OF CIRCUIT BREAKERS ON OPEN HOLES	031036	1
- 380	MODREF250572		PLUG BUTTON INSTL- P18-2/D6 MODULE NUMBER: 233A5522-382406 REV B	031036	1
385	BS51338D5003		.PLUG- SUPPLIER CODE: V83058 SPECIFICATION NUMBER: BACP20B63B OPTIONAL PART: 51338 V83058 MISCELLANEOUS DATA: USE IN PLACE OF CIRCUIT BREAKERS ON OPEN HOLES	031036	1
- 390	MODREF250574		PLUG BUTTON INSTL- P18-2/D9 MODULE NUMBER: 233A5522-382409 REV B	031036	1
395	BS51338D5003		.PLUG- SUPPLIER CODE: V83058 SPECIFICATION NUMBER: BACP20B63B OPTIONAL PART: 51338 V83058 MISCELLANEOUS DATA: USE IN PLACE OF CIRCUIT BREAKERS ON OPEN HOLES	031036	1
- 400	MODREF250575		PLUG BUTTON INSTL- P18-2/D10 MODULE NUMBER: 233A5522-382410 REV B	031036	1

MISSING ITEM NUMBERS NOT APPLICABLE

- ITEM NOT ILLUSTRATED

HAP

24-50-59-52A

BOEING PROPRIETARY - Copyright © - Unpublished Work - See title page for details.

24-50-59
FIG. 52A
PAGE 9
OCT 10/06

BOEING
737-600/700/800/900
PARTS CATALOG (MAINTENANCE)

FIG ITEM	PART NUMBER	1 2 3 4 5 6 7	NOMENCLATURE	EFFECT FROM TO	UNITS PER ASSY
52A 405	BS51338D5003		.PLUG- SUPPLIER CODE: V83058 SPECIFICATION NUMBER: BACP20B63B OPTIONAL PART: 51338 V83058 MISCELLANEOUS DATA: USE IN PLACE OF CIRCUIT BREAKERS ON OPEN HOLES	031036	1
- 410	MODREF250577		PLUG BUTTON INSTL- P18-2/D13 MODULE NUMBER: 233A5522-382413 REV B	031036	1
415	BS51338D5003		.PLUG- SUPPLIER CODE: V83058 SPECIFICATION NUMBER: BACP20B63B OPTIONAL PART: 51338 V83058 MISCELLANEOUS DATA: USE IN PLACE OF CIRCUIT BREAKERS ON OPEN HOLES	031036	1
- 420	MODREF250578		PLUG BUTTON INSTL- P18-2/D14 MODULE NUMBER: 233A5522-382414 REV B	031036	1
425	BS51338D5003		.PLUG- SUPPLIER CODE: V83058 SPECIFICATION NUMBER: BACP20B63B OPTIONAL PART: 51338 V83058 MISCELLANEOUS DATA: USE IN PLACE OF CIRCUIT BREAKERS ON OPEN HOLES	031036	1
- 430	MODREF250580		PLUG BUTTON INSTL- P18-2/E9 MODULE NUMBER: 233A5522-382509 REV B	031036	1

MISSING ITEM NUMBERS NOT APPLICABLE

- ITEM NOT ILLUSTRATED

HAP

24-50-59-52A

BOEING PROPRIETARY - Copyright © - Unpublished Work - See title page for details.

24-50-59
FIG. 52A
PAGE 10
OCT 10/06

BOEING
737-600/700/800/900
PARTS CATALOG (MAINTENANCE)

FIG ITEM	PART NUMBER	1 2 3 4 5 6 7	NOMENCLATURE	EFFECT FROM TO	UNITS PER ASSY
52A 435	BS51338D5003		.PLUG- SUPPLIER CODE: V83058 SPECIFICATION NUMBER: BACP20B63B OPTIONAL PART: 51338 V83058 MISCELLANEOUS DATA: USE IN PLACE OF CIRCUIT BREAKERS ON OPEN HOLES	031036	1
- 440	MODREF250581		PLUG BUTTON INSTL- P18-2/E10 MODULE NUMBER: 233A5522-382510 REV B	031036	1
445	BS51338D5003		.PLUG- SUPPLIER CODE: V83058 SPECIFICATION NUMBER: BACP20B63B OPTIONAL PART: 51338 V83058 MISCELLANEOUS DATA: USE IN PLACE OF CIRCUIT BREAKERS ON OPEN HOLES	031036	1
- 450	MODREF250582		PLUG BUTTON INSTL- P18-2/E11 MODULE NUMBER: 233A5522-382511 REV B	031036	1
455	BS51338D5003		.PLUG- SUPPLIER CODE: V83058 SPECIFICATION NUMBER: BACP20B63B OPTIONAL PART: 51338 V83058 MISCELLANEOUS DATA: USE IN PLACE OF CIRCUIT BREAKERS ON OPEN HOLES	031036	1
- 460	MODREF250583		PLUG BUTTON INSTL- P18-2/E12 MODULE NUMBER: 233A5522-382512 REV B	031036	1

MISSING ITEM NUMBERS NOT APPLICABLE

- ITEM NOT ILLUSTRATED

HAP

24-50-59-52A

BOEING PROPRIETARY - Copyright © - Unpublished Work - See title page for details.

24-50-59
FIG. 52A
PAGE 11
OCT 10/06

BOEING
737-600/700/800/900
PARTS CATALOG (MAINTENANCE)

FIG ITEM	PART NUMBER	1 2 3 4 5 6 7	NOMENCLATURE	EFFECT FROM TO	UNITS PER ASSY
52A 465	BS51338D5003		.PLUG- SUPPLIER CODE: V83058 SPECIFICATION NUMBER: BACP20B63B OPTIONAL PART: 51338 V83058 MISCELLANEOUS DATA: USE IN PLACE OF CIRCUIT BREAKERS ON OPEN HOLES	031036	1
- 470	MODREF250584		PLUG BUTTON INSTL- P18-2/E13 MODULE NUMBER: 233A5522-382513 REV B	031036	1
475	BS51338D5003		.PLUG- SUPPLIER CODE: V83058 SPECIFICATION NUMBER: BACP20B63B OPTIONAL PART: 51338 V83058 MISCELLANEOUS DATA: USE IN PLACE OF CIRCUIT BREAKERS ON OPEN HOLES	031036	1
- 480	MODREF250585		PLUG BUTTON INSTL- P18-2/E14 MODULE NUMBER: 233A5522-382514 REV B	031036	1
485	BS51338D5003		.PLUG- SUPPLIER CODE: V83058 SPECIFICATION NUMBER: BACP20B63B OPTIONAL PART: 51338 V83058 MISCELLANEOUS DATA: USE IN PLACE OF CIRCUIT BREAKERS ON OPEN HOLES	031036	1
- 490	MODREF250586		PLUG BUTTON INSTL- P18-2/E15 MODULE NUMBER: 233A5522-382515 REV B	031036	1

MISSING ITEM NUMBERS NOT APPLICABLE

- ITEM NOT ILLUSTRATED

HAP

24-50-59-52A

BOEING PROPRIETARY - Copyright © - Unpublished Work - See title page for details.

24-50-59
FIG. 52A
PAGE 12
OCT 10/06

BOEING
737-600/700/800/900
PARTS CATALOG (MAINTENANCE)

FIG ITEM	PART NUMBER	1 2 3 4 5 6 7	NOMENCLATURE	EFFECT FROM TO	UNITS PER ASSY
52A 495	BS51338D5003		.PLUG- SUPPLIER CODE: V83058 SPECIFICATION NUMBER: BACP20B63B OPTIONAL PART: 51338 V83058 MISCELLANEOUS DATA: USE IN PLACE OF CIRCUIT BREAKERS ON OPEN HOLES	031036	1
- 600	MODREF250614		INOP INSTL-P18-2/B9 (ELECTRICAL POWER ONLY) MODULE NUMBER: 233A5522-582209 REV B FOR OTHER SYS DETAILS SEE: 11-31-59-52A	031036	1
605	10237-1		.COLLAR- SUPPLIER CODE: V1N6X0	031036	1
- 610	MODREF250628		INOP INSTL-P18-2/D15 (ELECTRICAL POWER ONLY) MODULE NUMBER: 233A5522-582415 REV B FOR OTHER SYS DETAILS SEE: 11-31-59-52A	031036	1
615	10237-1		.COLLAR- SUPPLIER CODE: V1N6X0	031036	1

MISSING ITEM NUMBERS NOT APPLICABLE

- ITEM NOT ILLUSTRATED

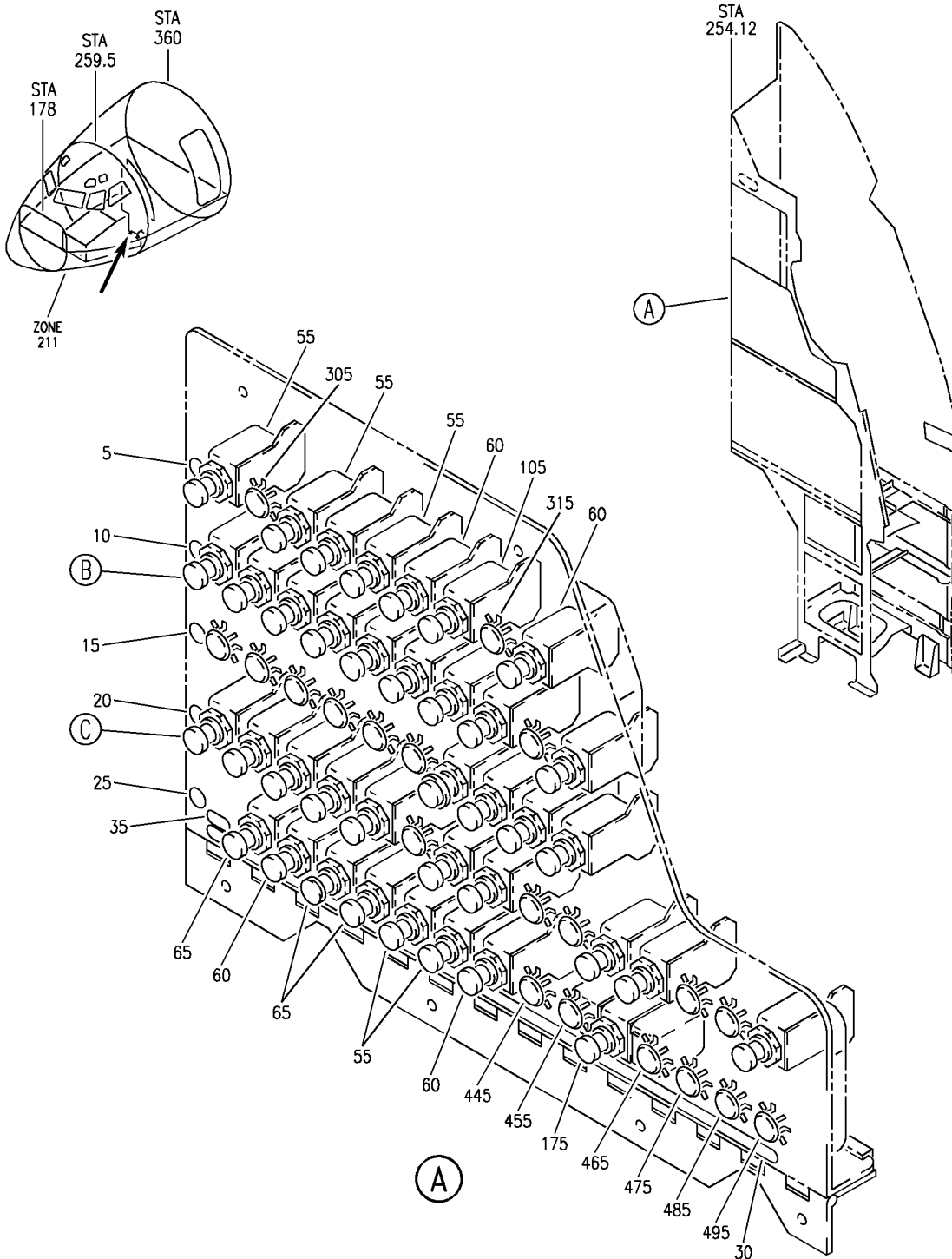
HAP

24-50-59-52A

BOEING PROPRIETARY - Copyright © - Unpublished Work - See title page for details.

24-50-59
FIG. 52A
PAGE 13
FEB 10/07

BOEING
 737-600/700/800/900
 PARTS CATALOG (MAINTENANCE)



E 24-50-59-53 SHT 1 REV 135

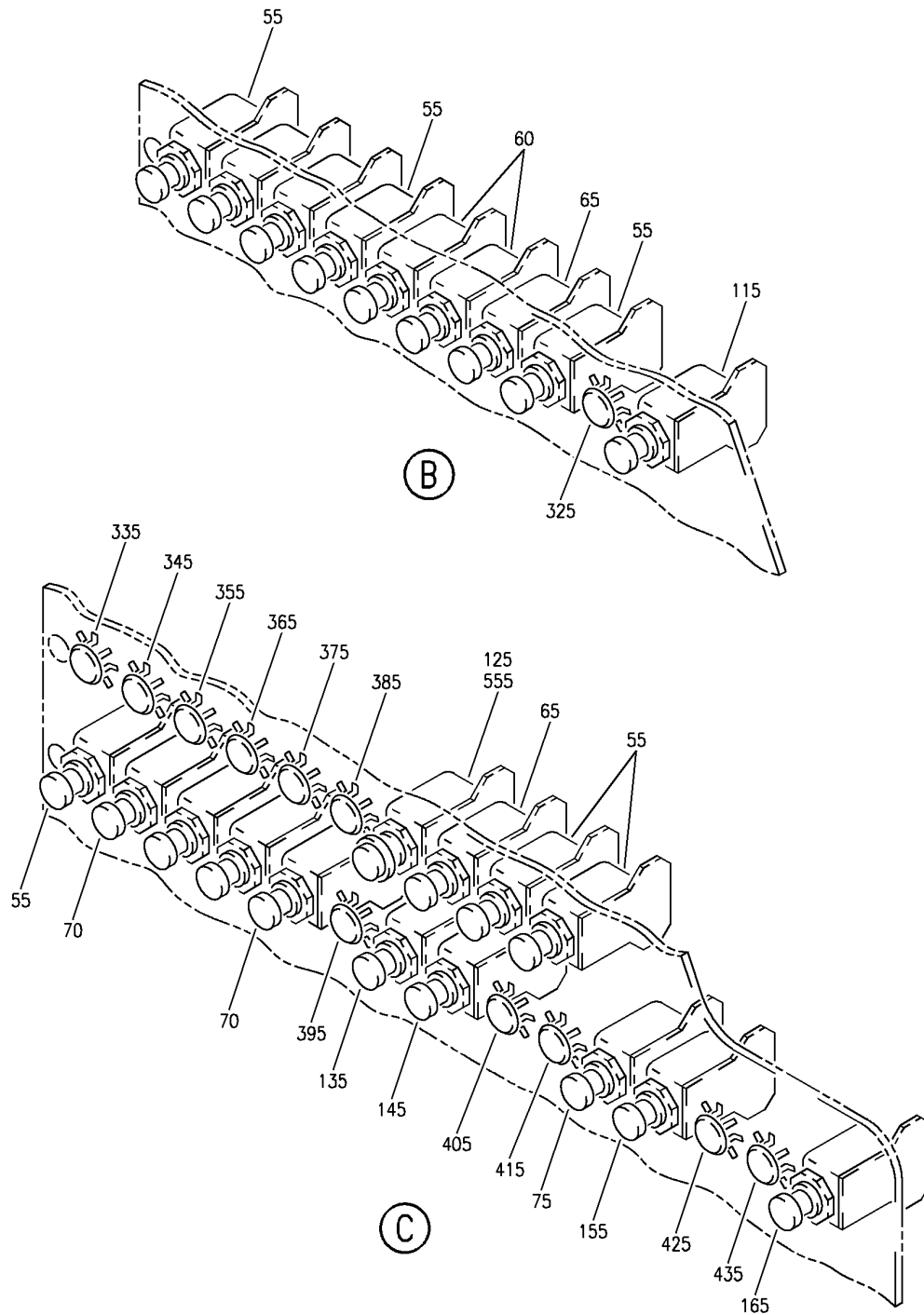
MARKER, CIRCUIT BREAKER, PLUG BUTTON AND INOP INSTL-P18-2 PNL (ELECTRICAL POWER ONLY)
 FIGURE 53 (SHEET 1)

HAP
 OCT 10/07

24-50-59-53

24-50-59-53
 PAGE 0

BOEING
 737-600/700/800/900
 PARTS CATALOG (MAINTENANCE)



E 24-50-59-53 SHT 2 REV 135

MARKER, CIRCUIT BREAKER, PLUG BUTTON AND INOP INSTL-P18-2 PNL (ELECTRICAL POWER ONLY)
 FIGURE 53 (SHEET 2)

HAP
 OCT 10/07

24-50-59-53

24-50-59-53
 PAGE 0A

BOEING
737-600/700/800/900
PARTS CATALOG (MAINTENANCE)

FIG ITEM	PART NUMBER	1 2 3 4 5 6 7	NOMENCLATURE	EFFECT FROM TO	UNITS PER ASSY
53			MARKER, CIRCUIT BREAKER, PLUG BUTTON AND INOP INSTL-P18-2 PNL (ELECTRICAL POWER ONLY)	044046 050100	
- 1	MODREF250524		MARKER INSTL-P18-2 PNL MODULE NUMBER: 233A5522-1 REV D	044046 050100	1
5	BAC27DCC3065		.MARKER- PLACARD CONTENT: A	044046 050100	1
10	BAC27DCC3066		.MARKER- PLACARD CONTENT: B	044046 050100	1
15	BAC27DCC3067		.MARKER- PLACARD CONTENT: C	044046 050100	1
20	BAC27DCC3068		.MARKER- PLACARD CONTENT: D	044046 050100	1
25	BAC27DCC3069		.MARKER- PLACARD CONTENT: E	044046 050100	1
30	BAC27DCC2748		.MARKER- PLACARD CONTENT: 1 THRU 15	044046 050100	1
35	BAC27DCC3081		.MARKER- PLACARD CONTENT: P18-2	044046 050100	1
- 50	MODREF250525		CIRCUIT BREAKER INSTL-P18-2 PNL MODULE NUMBER: 233A5522-2 REV B	044046 050100	1

MISSING ITEM NUMBERS NOT APPLICABLE

- ITEM NOT ILLUSTRATED

HAP

24-50-59-53

BOEING PROPRIETARY - Copyright © - Unpublished Work - See title page for details.

24-50-59
FIG. 53
PAGE 1
OCT 15/08

BOEING
737-600/700/800/900
PARTS CATALOG (MAINTENANCE)

FIG ITEM	PART NUMBER	1 2 3 4 5 6 7	NOMENCLATURE	EFFECT FROM TO	UNITS PER ASSY
53 55	2TC47-2-5		.CIRCUIT BREAKER- SUPPLIER CODE: V82647 SPECIFICATION NUMBER: BACC18AD2 OPTIONAL PART: 4310-029-205 V76374 ELECTRICAL EQUIP NUMBER: C00109 C00153 C00458 C00468 C01003 C01103 C01205 C01208 C01312 C01314 C01316 C01317 C01369 C01390	044046 050100	14
60	2TC47-3		.CIRCUIT BREAKER- SUPPLIER CODE: V82647 SPECIFICATION NUMBER: BACC18AD3 OPTIONAL PART: 4310-029-3 V76374 ELECTRICAL EQUIP NUMBER: C00170 C00276 C00425 C00923 C01017 C01412	044046 050100	6

MISSING ITEM NUMBERS NOT APPLICABLE

— ITEM NOT ILLUSTRATED

HAP

24-50-59-53

BOEING PROPRIETARY - Copyright © - Unpublished Work - See title page for details.

24-50-59
FIG. 53
PAGE 2
OCT 15/08

BOEING
737-600/700/800/900
PARTS CATALOG (MAINTENANCE)

FIG ITEM	PART NUMBER	1 2 3 4 5 6 7	NOMENCLATURE	EFFECT FROM TO	UNITS PER ASSY
53 65	2TC47-5		.CIRCUIT BREAKER- SUPPLIER CODE: V82647 SPECIFICATION NUMBER: BACC18AD5 OPTIONAL PART: 4310-029-5 V76374 ELECTRICAL EQUIP NUMBER: C00412 C00544 C01204 C01266 C01392	044046 050100	5
70	4310-029-15		.CIRCUIT BREAKER- SUPPLIER CODE: V76374 SPECIFICATION NUMBER: BACC18AD15 OPTIONAL PART: 2TC47-15 V82647 ELECTRICAL EQUIP NUMBER: C01359 C01363 C01365 C01372	044046 050100	4
75	2TC47-10		.CIRCUIT BREAKER- SUPPLIER CODE: V82647 SPECIFICATION NUMBER: BACC18AD10 OPTIONAL PART: 4310-029-10 V76374 ELECTRICAL EQUIP NUMBER: C00165	044046 050100	1
- 100	MODREF250534		CIRCUIT BREAKER INSTL-FMCS MCDU 1 P18-2/A7 MODULE NUMBER: 233A5522-201238 REV B	044046 050100	1

MISSING ITEM NUMBERS NOT APPLICABLE

- ITEM NOT ILLUSTRATED

HAP

24-50-59-53

BOEING PROPRIETARY - Copyright © - Unpublished Work - See title page for details.

24-50-59
FIG. 53
PAGE 3
OCT 15/08

BOEING
737-600/700/800/900
PARTS CATALOG (MAINTENANCE)

FIG ITEM	PART NUMBER	1 2 3 4 5 6 7	NOMENCLATURE	EFFECT FROM TO	UNITS PER ASSY
53 105	2TC47-3		.CIRCUIT BREAKER- SUPPLIER CODE: V82647 SPECIFICATION NUMBER: BACC18AD3 OPTIONAL PART: 4310-029-3 V76374 ELECTRICAL EQUIP NUMBER: C01238	044046 050100	1
- 110	MODREF250533		CIRCUIT BREAKER INSTL-FMCS BITE DC P18-2/B10 MODULE NUMBER: 233A5522-201192 REV B	044046 050100	1
115	2TC47-3		.CIRCUIT BREAKER- SUPPLIER CODE: V82647 SPECIFICATION NUMBER: BACC18AD3 OPTIONAL PART: 4310-029-3 V76374 ELECTRICAL EQUIP NUMBER: C01192	044046 050100	1
- 120	MODREF250546		CIRCUIT BREAKER INSTL- VOICE RCDR RELAY P18-2/C7 MODULE NUMBER: 233A5522-201537 REV B	044046 050100	1
125	2TC47-2-5		.CIRCUIT BREAKER- SUPPLIER CODE: V82647 SPECIFICATION NUMBER: BACC18AD2 OPTIONAL PART: 4310-029-205 V76374 ELECTRICAL EQUIP NUMBER: C01537	044046 050100	1
- 130	MODREF250527		CIRCUIT BREAKER INSTL-VOICE RCDR P18-2/D7 MODULE NUMBER: 233A5522-200107 REV B	044046 050100	1

MISSING ITEM NUMBERS NOT APPLICABLE

- ITEM NOT ILLUSTRATED

HAP

24-50-59-53

BOEING PROPRIETARY - Copyright © - Unpublished Work - See title page for details.

24-50-59
FIG. 53
PAGE 4
OCT 15/08

BOEING
737-600/700/800/900
PARTS CATALOG (MAINTENANCE)

FIG ITEM	PART NUMBER	1 2 3 4 5 6 7	NOMENCLATURE	EFFECT FROM TO	UNITS PER ASSY
53 135	2TC47-2-5		.CIRCUIT BREAKER- SUPPLIER CODE: V82647 SPECIFICATION NUMBER: BACC18AD2 OPTIONAL PART: 4310-029-205 V76374 ELECTRICAL EQUIP NUMBER: C00107	044046 050100	1
- 140	MODREF250547		CIRCUIT BREAKER INSTL- ISFD P18-2/D8 MODULE NUMBER: 233A5522-201551 REV B	044046 050100	1
145	2TC47-5		.CIRCUIT BREAKER- SUPPLIER CODE: V82647 SPECIFICATION NUMBER: BACC18AD5 OPTIONAL PART: 4310-029-5 V76374 ELECTRICAL EQUIP NUMBER: C01551	044046 050100	1
- 150	MODREF250529		CIRCUIT BREAKER INSTL- COMMUNICATIONS VHF 3 P18-2/D12 MODULE NUMBER: 233A5522-200471 REV B	044046 050100	1
155	2TC47-10		.CIRCUIT BREAKER- SUPPLIER CODE: V82647 SPECIFICATION NUMBER: BACC18AD10 OPTIONAL PART: 4310-029-10 V76374 ELECTRICAL EQUIP NUMBER: C00471	044046 050100	1
- 160	MODREF250526		CIRCUIT BREAKER INSTL- COMMUNICATIONS SECAL P18-2/D15 MODULE NUMBER: 233A5522-200058 REV B	044046 050100	1

MISSING ITEM NUMBERS NOT APPLICABLE

- ITEM NOT ILLUSTRATED

HAP

24-50-59-53

BOEING PROPRIETARY - Copyright © - Unpublished Work - See title page for details.

24-50-59
FIG. 53
PAGE 5
OCT 15/08

BOEING
737-600/700/800/900
PARTS CATALOG (MAINTENANCE)

FIG ITEM	PART NUMBER	1 2 3 4 5 6 7	NOMENCLATURE	EFFECT FROM TO	UNITS PER ASSY
53 165	2TC47-3		.CIRCUIT BREAKER- SUPPLIER CODE: V82647 SPECIFICATION NUMBER: BACC18AD3 OPTIONAL PART: 4310-029-3 V76374 ELECTRICAL EQUIP NUMBER: C00058	044046 050100	1
- 170	MODREF250530		CIRCUIT BREAKER INSTL- COMMUNICATIONS HF 1 P18-2/E11 MODULE NUMBER: 233A5522-200839 REV B	044046 050100	1
175	6TC6-5		.CIRCUIT BREAKER- SUPPLIER CODE: V82647 SPECIFICATION NUMBER: BACC18AC5 OPTIONAL PART: 4330-004-5 V76374 ELECTRICAL EQUIP NUMBER: C00839	044046 050100	1
- 300	MODREF250561		PLUG BUTTON INSTL- P18-2/A2 MODULE NUMBER: 233A5522-382102 REV B	044046 050100	1
305	BS51338D5003		.PLUG- SUPPLIER CODE: V83058 SPECIFICATION NUMBER: BACP20B63B OPTIONAL PART: 51338 V83058 MISCELLANEOUS DATA: USE IN PLACE OF CIRCUIT BREAKERS ON OPEN HOLES	044046 050100	1
- 310	MODREF250562		PLUG BUTTON INSTL- P18-2/A8 MODULE NUMBER: 233A5522-382108 REV B	044046 050100	1

MISSING ITEM NUMBERS NOT APPLICABLE

- ITEM NOT ILLUSTRATED

HAP

24-50-59-53

BOEING PROPRIETARY - Copyright © - Unpublished Work - See title page for details.

24-50-59
FIG. 53
PAGE 6
OCT 15/08

BOEING
737-600/700/800/900
PARTS CATALOG (MAINTENANCE)

FIG ITEM	PART NUMBER	1 2 3 4 5 6 7	NOMENCLATURE	EFFECT FROM TO	UNITS PER ASSY
53 315	BS51338D5003		.PLUG- SUPPLIER CODE: V83058 SPECIFICATION NUMBER: BACP20B63B OPTIONAL PART: 51338 V83058 MISCELLANEOUS DATA: USE IN PLACE OF CIRCUIT BREAKERS ON OPEN HOLES	044046 050100	1
- 320	MODREF250563		PLUG BUTTON INSTL- P18-2/B9 MODULE NUMBER: 233A5522-382209 REV B	044046 050100	1
325	BS51338D5003		.PLUG- SUPPLIER CODE: V83058 SPECIFICATION NUMBER: BACP20B63B OPTIONAL PART: 51338 V83058 MISCELLANEOUS DATA: USE IN PLACE OF CIRCUIT BREAKERS ON OPEN HOLES	044046 050100	1
- 330	MODREF250565		PLUG BUTTON INSTL- P18-2/C1 MODULE NUMBER: 233A5522-382301 REV B	044046 050100	1
335	BS51338D5003		.PLUG- SUPPLIER CODE: V83058 SPECIFICATION NUMBER: BACP20B63B OPTIONAL PART: 51338 V83058 MISCELLANEOUS DATA: USE IN PLACE OF CIRCUIT BREAKERS ON OPEN HOLES	044046 050100	1
- 340	MODREF250566		PLUG BUTTON INSTL- P18-2/C2 MODULE NUMBER: 233A5522-382302 REV B	044046 050100	1

MISSING ITEM NUMBERS NOT APPLICABLE

- ITEM NOT ILLUSTRATED

HAP

24-50-59-53

BOEING PROPRIETARY - Copyright © - Unpublished Work - See title page for details.

24-50-59
FIG. 53
PAGE 7
OCT 15/08

BOEING
737-600/700/800/900
PARTS CATALOG (MAINTENANCE)

FIG ITEM	PART NUMBER	1 2 3 4 5 6 7	NOMENCLATURE	EFFECT FROM TO	UNITS PER ASSY
53 345	BS51338D5003		.PLUG- SUPPLIER CODE: V83058 SPECIFICATION NUMBER: BACP20B63B OPTIONAL PART: 51338 V83058 MISCELLANEOUS DATA: USE IN PLACE OF CIRCUIT BREAKERS ON OPEN HOLES	044046 050100	1
- 350	MODREF250567		PLUG BUTTON INSTL- P18-2/C3 MODULE NUMBER: 233A5522-382303 REV B	044046 050100	1
355	BS51338D5003		.PLUG- SUPPLIER CODE: V83058 SPECIFICATION NUMBER: BACP20B63B OPTIONAL PART: 51338 V83058 MISCELLANEOUS DATA: USE IN PLACE OF CIRCUIT BREAKERS ON OPEN HOLES	044046 050100	1
- 360	MODREF250568		PLUG BUTTON INSTL- P18-2/C4 MODULE NUMBER: 233A5522-382304 REV B	044046 050100	1
365	BS51338D5003		.PLUG- SUPPLIER CODE: V83058 SPECIFICATION NUMBER: BACP20B63B OPTIONAL PART: 51338 V83058 MISCELLANEOUS DATA: USE IN PLACE OF CIRCUIT BREAKERS ON OPEN HOLES	044046 050100	1
- 370	MODREF250569		PLUG BUTTON INSTL- P18-2/C5 MODULE NUMBER: 233A5522-382305 REV B	044046 050100	1

MISSING ITEM NUMBERS NOT APPLICABLE

- ITEM NOT ILLUSTRATED

HAP

24-50-59-53

BOEING PROPRIETARY - Copyright © - Unpublished Work - See title page for details.

24-50-59
FIG. 53
PAGE 8
OCT 15/08

BOEING
737-600/700/800/900
PARTS CATALOG (MAINTENANCE)

FIG ITEM	PART NUMBER	1 2 3 4 5 6 7	NOMENCLATURE	EFFECT FROM TO	UNITS PER ASSY
53 375	BS51338D5003		.PLUG- SUPPLIER CODE: V83058 SPECIFICATION NUMBER: BACP20B63B OPTIONAL PART: 51338 V83058 MISCELLANEOUS DATA: USE IN PLACE OF CIRCUIT BREAKERS ON OPEN HOLES	044046 050100	1
- 380	MODREF250570		PLUG BUTTON INSTL- P18-2/C6 MODULE NUMBER: 233A5522-382306 REV B	044046 050100	1
385	BS51338D5003		.PLUG- SUPPLIER CODE: V83058 SPECIFICATION NUMBER: BACP20B63B OPTIONAL PART: 51338 V83058 MISCELLANEOUS DATA: USE IN PLACE OF CIRCUIT BREAKERS ON OPEN HOLES	044046 050100	1
- 390	MODREF250572		PLUG BUTTON INSTL- P18-2/D6 MODULE NUMBER: 233A5522-382406 REV B	044046 050100	1
395	BS51338D5003		.PLUG- SUPPLIER CODE: V83058 SPECIFICATION NUMBER: BACP20B63B OPTIONAL PART: 51338 V83058 MISCELLANEOUS DATA: USE IN PLACE OF CIRCUIT BREAKERS ON OPEN HOLES	044046 050100	1
- 400	MODREF250574		PLUG BUTTON INSTL- P18-2/D9 MODULE NUMBER: 233A5522-382409 REV B	044046 050100	1

MISSING ITEM NUMBERS NOT APPLICABLE

- ITEM NOT ILLUSTRATED

HAP

24-50-59-53

BOEING PROPRIETARY - Copyright © - Unpublished Work - See title page for details.

24-50-59
FIG. 53
PAGE 9
OCT 15/08

BOEING
737-600/700/800/900
PARTS CATALOG (MAINTENANCE)

FIG ITEM	PART NUMBER	1 2 3 4 5 6 7	NOMENCLATURE	EFFECT FROM TO	UNITS PER ASSY
53 405	BS51338D5003		.PLUG- SUPPLIER CODE: V83058 SPECIFICATION NUMBER: BACP20B63B OPTIONAL PART: 51338 V83058 MISCELLANEOUS DATA: USE IN PLACE OF CIRCUIT BREAKERS ON OPEN HOLES	044046 050100	1
- 410	MODREF250575		PLUG BUTTON INSTL- P18-2/D10 MODULE NUMBER: 233A5522-382410 REV B	044046 050100	1
415	BS51338D5003		.PLUG- SUPPLIER CODE: V83058 SPECIFICATION NUMBER: BACP20B63B OPTIONAL PART: 51338 V83058 MISCELLANEOUS DATA: USE IN PLACE OF CIRCUIT BREAKERS ON OPEN HOLES	044046 050100	1
- 420	MODREF250577		PLUG BUTTON INSTL- P18-2/D13 MODULE NUMBER: 233A5522-382413 REV B	044046 050100	1
425	BS51338D5003		.PLUG- SUPPLIER CODE: V83058 SPECIFICATION NUMBER: BACP20B63B OPTIONAL PART: 51338 V83058 MISCELLANEOUS DATA: USE IN PLACE OF CIRCUIT BREAKERS ON OPEN HOLES	044046 050100	1
- 430	MODREF250578		PLUG BUTTON INSTL- P18-2/D14 MODULE NUMBER: 233A5522-382414 REV B	044046 050100	1

MISSING ITEM NUMBERS NOT APPLICABLE

- ITEM NOT ILLUSTRATED

HAP

24-50-59-53

BOEING PROPRIETARY - Copyright © - Unpublished Work - See title page for details.

24-50-59
FIG. 53
PAGE 10
OCT 15/08

BOEING
737-600/700/800/900
PARTS CATALOG (MAINTENANCE)

FIG ITEM	PART NUMBER	1 2 3 4 5 6 7	NOMENCLATURE	EFFECT FROM TO	UNITS PER ASSY
53 435	BS51338D5003		.PLUG- SUPPLIER CODE: V83058 SPECIFICATION NUMBER: BACP20B63B OPTIONAL PART: 51338 V83058 MISCELLANEOUS DATA: USE IN PLACE OF CIRCUIT BREAKERS ON OPEN HOLES	044046 050100	1
- 440	MODREF250580		PLUG BUTTON INSTL- P18-2/E9 MODULE NUMBER: 233A5522-382509 REV B	044046 050100	1
445	BS51338D5003		.PLUG- SUPPLIER CODE: V83058 SPECIFICATION NUMBER: BACP20B63B OPTIONAL PART: 51338 V83058 MISCELLANEOUS DATA: USE IN PLACE OF CIRCUIT BREAKERS ON OPEN HOLES	044046 050100	1
- 450	MODREF250581		PLUG BUTTON INSTL- P18-2/E10 MODULE NUMBER: 233A5522-382510 REV B	044046 050100	1
455	BS51338D5003		.PLUG- SUPPLIER CODE: V83058 SPECIFICATION NUMBER: BACP20B63B OPTIONAL PART: 51338 V83058 MISCELLANEOUS DATA: USE IN PLACE OF CIRCUIT BREAKERS ON OPEN HOLES	044046 050100	1
- 460	MODREF250583		PLUG BUTTON INSTL- P18-2/E12 MODULE NUMBER: 233A5522-382512 REV B	044046 050100	1

MISSING ITEM NUMBERS NOT APPLICABLE

- ITEM NOT ILLUSTRATED

HAP

24-50-59-53

BOEING PROPRIETARY - Copyright © - Unpublished Work - See title page for details.

24-50-59
FIG. 53
PAGE 11
OCT 15/08

BOEING
737-600/700/800/900
PARTS CATALOG (MAINTENANCE)

FIG ITEM	PART NUMBER	1 2 3 4 5 6 7	NOMENCLATURE	EFFECT FROM TO	UNITS PER ASSY
53 465	BS51338D5003		.PLUG- SUPPLIER CODE: V83058 SPECIFICATION NUMBER: BACP20B63B OPTIONAL PART: 51338 V83058 MISCELLANEOUS DATA: USE IN PLACE OF CIRCUIT BREAKERS ON OPEN HOLES	044046 050100	1
- 470	MODREF250584		PLUG BUTTON INSTL- P18-2/E13 MODULE NUMBER: 233A5522-382513 REV B	044046 050100	1
475	BS51338D5003		.PLUG- SUPPLIER CODE: V83058 SPECIFICATION NUMBER: BACP20B63B OPTIONAL PART: 51338 V83058 MISCELLANEOUS DATA: USE IN PLACE OF CIRCUIT BREAKERS ON OPEN HOLES	044046 050100	1
- 480	MODREF250585		PLUG BUTTON INSTL- P18-2/E14 MODULE NUMBER: 233A5522-382514 REV B	044046 050100	1
485	BS51338D5003		.PLUG- SUPPLIER CODE: V83058 SPECIFICATION NUMBER: BACP20B63B OPTIONAL PART: 51338 V83058 MISCELLANEOUS DATA: USE IN PLACE OF CIRCUIT BREAKERS ON OPEN HOLES	044046 050100	1
- 490	MODREF250586		PLUG BUTTON INSTL- P18-2/E15 MODULE NUMBER: 233A5522-382515 REV B	044046 050100	1

MISSING ITEM NUMBERS NOT APPLICABLE

- ITEM NOT ILLUSTRATED

HAP

24-50-59-53

BOEING PROPRIETARY - Copyright © - Unpublished Work - See title page for details.

24-50-59
FIG. 53
PAGE 12
OCT 15/08


BOEING
 737-600/700/800/900
PARTS CATALOG (MAINTENANCE)

FIG ITEM	PART NUMBER	1 2 3 4 5 6 7 NOMENCLATURE	EFFECT FROM TO	UNITS PER ASSY
53 495	BS51338D5003	.PLUG- SUPPLIER CODE: V83058 SPECIFICATION NUMBER: BACP20B63B OPTIONAL PART: 51338 V83058 MISCELLANEOUS DATA: USE IN PLACE OF CIRCUIT BREAKERS ON OPEN HOLES	044046 050100	1

MISSING ITEM NUMBERS NOT APPLICABLE

— ITEM NOT ILLUSTRATED

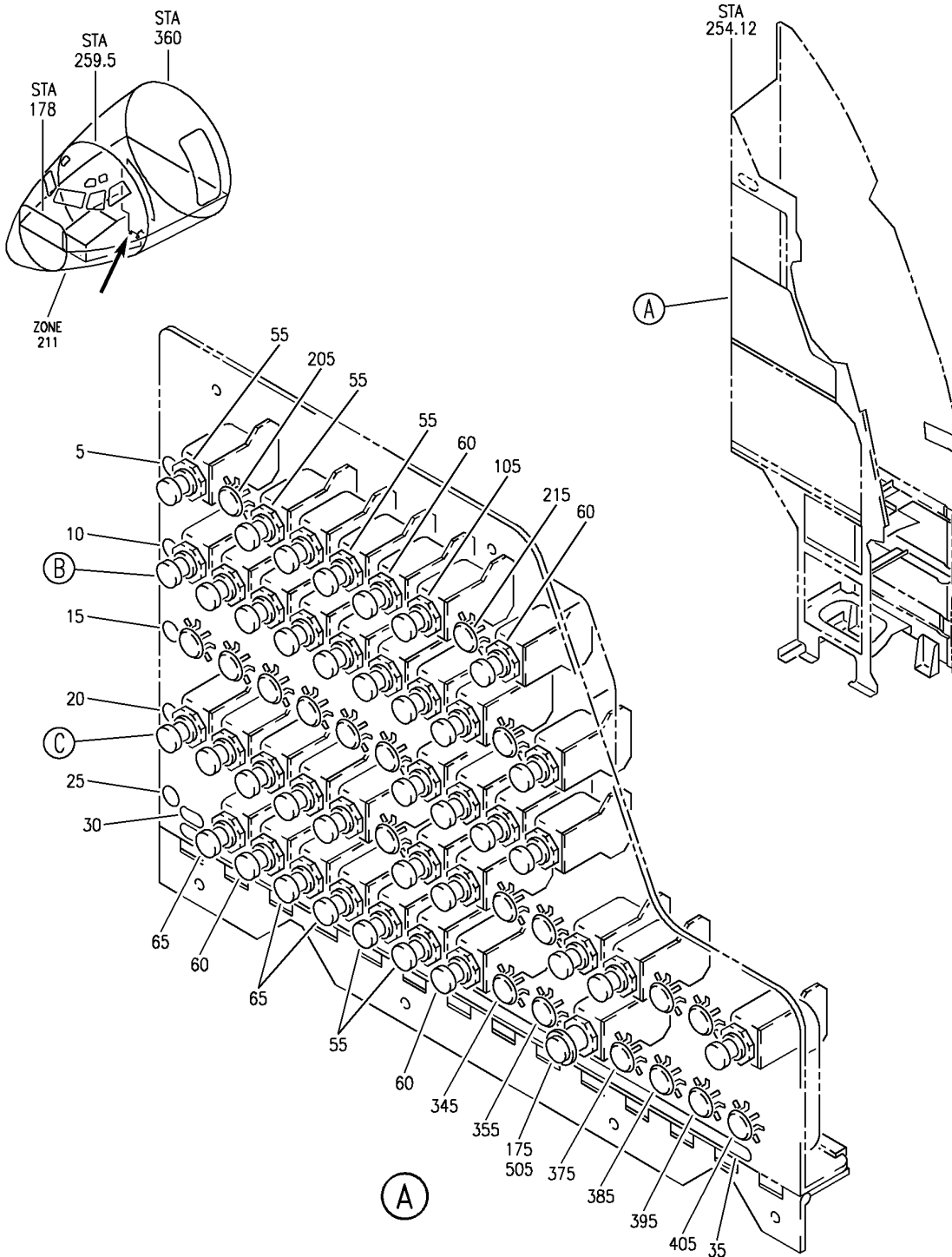
HAP

24-50-59-53

BOEING PROPRIETARY - Copyright © - Unpublished Work - See title page for details.

24-50-59
 FIG. 53
 PAGE 13
 OCT 15/08

BOEING
737-600/700/800/900
PARTS CATALOG (MAINTENANCE)



E 24-50-59-57 SHT 1 REV 136

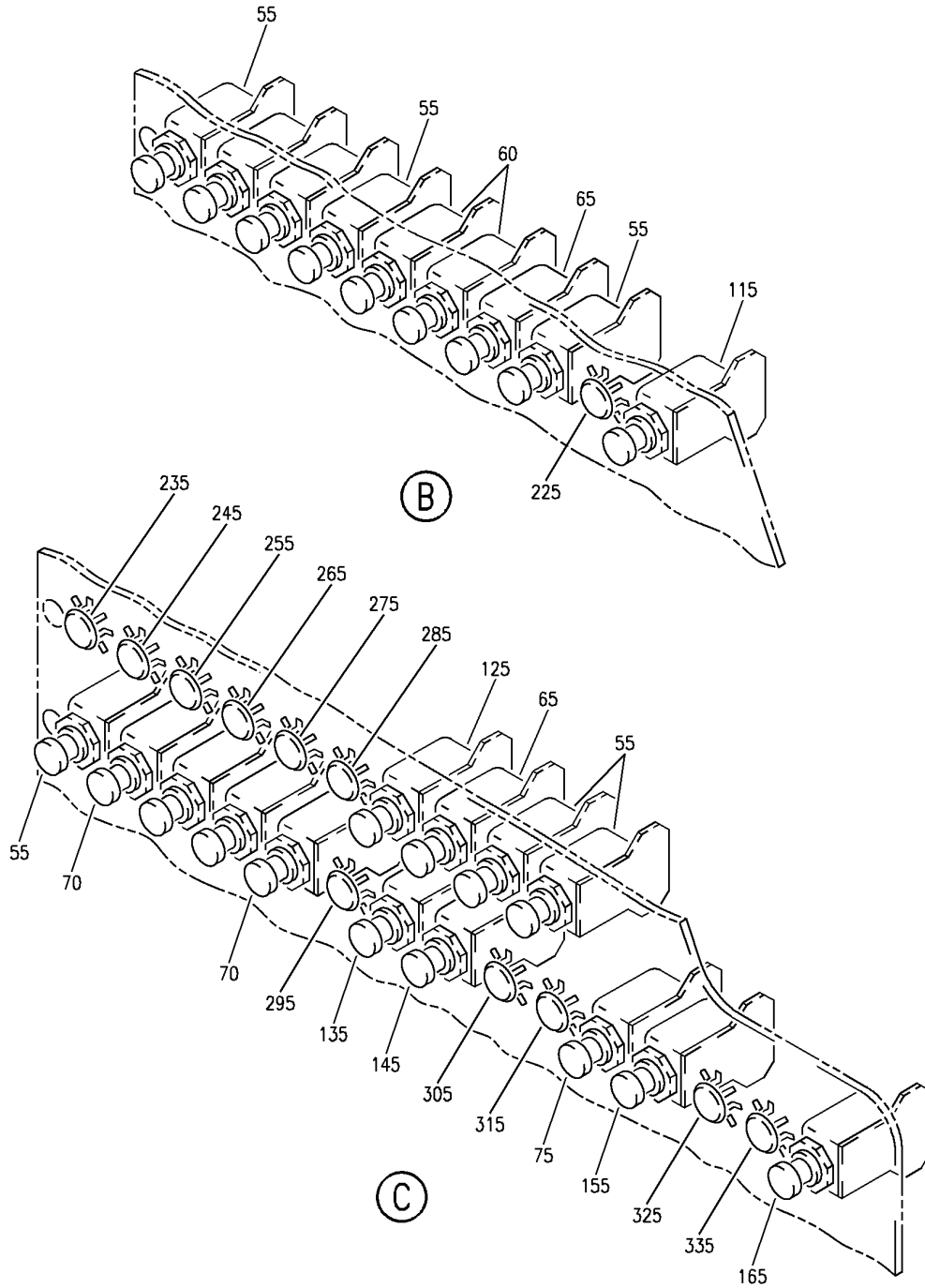
MARKER, CIRCUIT BREAKER, PLUG BUTTON AND INOP INSTL-P18-2 (ELECTRICAL POWER ONLY)
 FIGURE 57 (SHEET 1)

HAP
 FEB 15/08

24-50-59-57

24-50-59-57
 PAGE 0

BOEING
737-600/700/800/900
PARTS CATALOG (MAINTENANCE)



E 24-50-59-57 SHT 2 REV 133

MARKER, CIRCUIT BREAKER, PLUG BUTTON AND INOP INSTL-P18-2 (ELECTRICAL POWER ONLY)
 FIGURE 57 (SHEET 2)

24-50-59-57

HAP
 FEB 15/08

24-50-59-57
 PAGE 0A

BOEING
737-600/700/800/900
PARTS CATALOG (MAINTENANCE)

FIG ITEM	PART NUMBER	1 2 3 4 5 6 7	NOMENCLATURE	EFFECT FROM TO	UNITS PER ASSY
57			MARKER, CIRCUIT BREAKER, PLUG BUTTON AND INOP INSTL-P18-2 (ELECTRICAL POWER ONLY)	048048 102200 972999	
- 1	MODREF250524		MARKER INSTL-P18-2 PNL MODULE NUMBER: 233A5522-1 REV D	048048 102200 972999	1
5	BAC27DCC3065		.MARKER- PLACARD CONTENT: A	048048 102200 972999	1
10	BAC27DCC3066		.MARKER- PLACARD CONTENT: B	048048 102200 972999	1
15	BAC27DCC3067		.MARKER- PLACARD CONTENT: C	048048 102200 972999	1
20	BAC27DCC3068		.MARKER- PLACARD CONTENT: D	048048 102200 972999	1
25	BAC27DCC3069		.MARKER- PLACARD CONTENT: E	048048 102200 972999	1
30	BAC27DCC3081		.MARKER- PLACARD CONTENT: P18-2	048048 102200 972999	1
35	BAC27DCC2748		.MARKER- PLACARD CONTENT: 1 THRU 15	048048 102200 972999	1
- 50	MODREF250525		CIRCUIT BREAKER INSTL-P18-2 PNL MODULE NUMBER: 233A5522-2 REV B	048048 102200 972999	1

MISSING ITEM NUMBERS NOT APPLICABLE

- ITEM NOT ILLUSTRATED

HAP

24-50-59-57

BOEING PROPRIETARY - Copyright © - Unpublished Work - See title page for details.

24-50-59
FIG. 57
PAGE 1
OCT 15/08

BOEING
737-600/700/800/900
PARTS CATALOG (MAINTENANCE)

FIG ITEM	PART NUMBER	1 2 3 4 5 6 7	NOMENCLATURE	EFFECT FROM TO	UNITS PER ASSY
57 55	2TC47-2-5		.CIRCUIT BREAKER- SUPPLIER CODE: V82647 SPECIFICATION NUMBER: BACC18AD2 OPTIONAL PART: 4310-029-205 V76374 ELECTRICAL EQUIP NUMBER: C00109 C00153 C00458 C00468 C01003 C01103 C01205 C01208 C01312 C01314 C01316 C01317 C01369 C01390	048048 102200 972999	14
60	2TC47-3		.CIRCUIT BREAKER- SUPPLIER CODE: V82647 SPECIFICATION NUMBER: BACC18AD3 OPTIONAL PART: 4310-029-3 V76374 ELECTRICAL EQUIP NUMBER: C00170 C00276 C00425 C00923 C01017 C01412	048048 102200 972999	6

MISSING ITEM NUMBERS NOT APPLICABLE

— ITEM NOT ILLUSTRATED

HAP

24-50-59-57

BOEING PROPRIETARY - Copyright © - Unpublished Work - See title page for details.

24-50-59
FIG. 57
PAGE 2
OCT 15/08

BOEING
737-600/700/800/900
PARTS CATALOG (MAINTENANCE)

FIG ITEM	PART NUMBER	1 2 3 4 5 6 7	NOMENCLATURE	EFFECT FROM TO	UNITS PER ASSY
57 65	2TC47-5	.	CIRCUIT BREAKER- SUPPLIER CODE: V82647 SPECIFICATION NUMBER: BACC18AD5 OPTIONAL PART: 4310-029-5 V76374 ELECTRICAL EQUIP NUMBER: C00412 C00544 C01204 C01266 C01392	048048 102200 972999	5
70	4310-029-15	.	CIRCUIT BREAKER- SUPPLIER CODE: V76374 SPECIFICATION NUMBER: BACC18AD15 OPTIONAL PART: 2TC47-15 V82647 ELECTRICAL EQUIP NUMBER: C01359 C01363 C01365 C01372	048048 102200 972999	4
75	2TC47-10	.	CIRCUIT BREAKER- SUPPLIER CODE: V82647 SPECIFICATION NUMBER: BACC18AD10 OPTIONAL PART: 4310-029-10 V76374 ELECTRICAL EQUIP NUMBER: C00165	048048 102200 972999	1
- 100	MODREF250534		CIRCUIT BREAKER INSTL-FMCS MCDU 1 P18-2/A7 MODULE NUMBER: 233A5522-201238 REV B	048048 102200 972999	1

MISSING ITEM NUMBERS NOT APPLICABLE

- ITEM NOT ILLUSTRATED

HAP

24-50-59-57

BOEING PROPRIETARY - Copyright © - Unpublished Work - See title page for details.

24-50-59
FIG. 57
PAGE 3
OCT 15/08

BOEING
737-600/700/800/900
PARTS CATALOG (MAINTENANCE)

FIG ITEM	PART NUMBER	1 2 3 4 5 6 7	NOMENCLATURE	EFFECT FROM TO	UNITS PER ASSY
57 105	2TC47-3		.CIRCUIT BREAKER- SUPPLIER CODE: V82647 SPECIFICATION NUMBER: BACC18AD3 OPTIONAL PART: 4310-029-3 V76374 ELECTRICAL EQUIP NUMBER: C01238	048048 102200 972999	1
- 110	MODREF250533		CIRCUIT BREAKER INSTL-FMCS BITE DC P18-2/B10 MODULE NUMBER: 233A5522-201192 REV B	048048 102200 972999	1
115	2TC47-3		.CIRCUIT BREAKER- SUPPLIER CODE: V82647 SPECIFICATION NUMBER: BACC18AD3 OPTIONAL PART: 4310-029-3 V76374 ELECTRICAL EQUIP NUMBER: C01192	048048 102200 972999	1
- 120	MODREF250546		CIRCUIT BREAKER INSTL- VOICE RC DR RELAY P18-2/C7 MODULE NUMBER: 233A5522-201537 REV B	048048 102200 972999	1
125	2TC47-2-5		.CIRCUIT BREAKER- SUPPLIER CODE: V82647 SPECIFICATION NUMBER: BACC18AD2 OPTIONAL PART: 4310-029-205 V76374 ELECTRICAL EQUIP NUMBER: C01537	048048 102200 972999	1
- 130	MODREF250527		CIRCUIT BREAKER INSTL-VOICE RC DR P18-2/D7 MODULE NUMBER: 233A5522-200107 REV B	048048 102200 972999	1

MISSING ITEM NUMBERS NOT APPLICABLE

- ITEM NOT ILLUSTRATED

HAP

24-50-59-57

BOEING PROPRIETARY - Copyright © - Unpublished Work - See title page for details.

24-50-59
FIG. 57
PAGE 4
OCT 15/08

BOEING
737-600/700/800/900
PARTS CATALOG (MAINTENANCE)

FIG ITEM	PART NUMBER	1 2 3 4 5 6 7	NOMENCLATURE	EFFECT FROM TO	UNITS PER ASSY
57 135	2TC47-2-5		.CIRCUIT BREAKER- SUPPLIER CODE: V82647 SPECIFICATION NUMBER: BACC18AD2 OPTIONAL PART: 4310-029-205 V76374 ELECTRICAL EQUIP NUMBER: C00107	048048 102200 972999	1
- 140	MODREF250547		CIRCUIT BREAKER INSTL- ISFD P18-2/D8 MODULE NUMBER: 233A5522-201551 REV B	048048 102200 972999	1
145	2TC47-5		.CIRCUIT BREAKER- SUPPLIER CODE: V82647 SPECIFICATION NUMBER: BACC18AD5 OPTIONAL PART: 4310-029-5 V76374 ELECTRICAL EQUIP NUMBER: C01551	048048 102200 972999	1
- 150	MODREF250529		CIRCUIT BREAKER INSTL- COMMUNICATIONS VHF 3 P18-2/D12 MODULE NUMBER: 233A5522-200471 REV B	048048 102200 972999	1
155	2TC47-10		.CIRCUIT BREAKER- SUPPLIER CODE: V82647 SPECIFICATION NUMBER: BACC18AD10 OPTIONAL PART: 4310-029-10 V76374 ELECTRICAL EQUIP NUMBER: C00471	048048 102200 972999	1
- 160	MODREF250526		CIRCUIT BREAKER INSTL- COMMUNICATIONS SECAL P18-2/D15 MODULE NUMBER: 233A5522-200058 REV B	048048 102200 972999	1

MISSING ITEM NUMBERS NOT APPLICABLE

- ITEM NOT ILLUSTRATED

HAP

24-50-59-57

BOEING PROPRIETARY - Copyright © - Unpublished Work - See title page for details.

24-50-59
FIG. 57
PAGE 5
OCT 15/08

BOEING
737-600/700/800/900
PARTS CATALOG (MAINTENANCE)

FIG ITEM	PART NUMBER	1 2 3 4 5 6 7	NOMENCLATURE	EFFECT FROM TO	UNITS PER ASSY
57 165	2TC47-3		.CIRCUIT BREAKER- SUPPLIER CODE: V82647 SPECIFICATION NUMBER: BACC18AD3 OPTIONAL PART: 4310-029-3 V76374 ELECTRICAL EQUIP NUMBER: C00058	048048 102200 972999	1
- 170	MODREF250530		CIRCUIT BREAKER INSTL- COMMUNICATIONS HF 1 P18-2/E11 MODULE NUMBER: 233A5522-200839 REV B	048048 102200 972999	1
175	6TC6-5		.CIRCUIT BREAKER- SUPPLIER CODE: V82647 SPECIFICATION NUMBER: BACC18AC5 OPTIONAL PART: 4330-004-5 V76374 ELECTRICAL EQUIP NUMBER: C00839	048048 102200 972999	1
- 200	MODREF250561		PLUG BUTTON INSTL- P18-2/A2 MODULE NUMBER: 233A5522-382102 REV B	048048 102200 972999	1
205	BS51338D5003		.PLUG- SUPPLIER CODE: V83058 SPECIFICATION NUMBER: BACP20B63B OPTIONAL PART: 51338 V83058 MISCELLANEOUS DATA: USE IN PLACE OF CIRCUIT BREAKERS ON OPEN HOLES	048048 102200 972999	1
- 210	MODREF250562		PLUG BUTTON INSTL- P18-2/A8 MODULE NUMBER: 233A5522-382108 REV B	048048 102200 972999	1

MISSING ITEM NUMBERS NOT APPLICABLE

- ITEM NOT ILLUSTRATED

HAP

24-50-59-57

BOEING PROPRIETARY - Copyright © - Unpublished Work - See title page for details.

24-50-59
FIG. 57
PAGE 6
OCT 15/08

BOEING
737-600/700/800/900
PARTS CATALOG (MAINTENANCE)

FIG ITEM	PART NUMBER	1 2 3 4 5 6 7	NOMENCLATURE	EFFECT FROM TO	UNITS PER ASSY
57 215	BS51338D5003		.PLUG- SUPPLIER CODE: V83058 SPECIFICATION NUMBER: BACP20B63B OPTIONAL PART: 51338 V83058 MISCELLANEOUS DATA: USE IN PLACE OF CIRCUIT BREAKERS ON OPEN HOLES	048048 102200 972999	1
- 220	MODREF250563		PLUG BUTTON INSTL- P18-2/B9 MODULE NUMBER: 233A5522-382209 REV B	048048 102200 972999	1
225	BS51338D5003		.PLUG- SUPPLIER CODE: V83058 SPECIFICATION NUMBER: BACP20B63B OPTIONAL PART: 51338 V83058 MISCELLANEOUS DATA: USE IN PLACE OF CIRCUIT BREAKERS ON OPEN HOLES	048048 102200 972999	1
- 230	MODREF250565		PLUG BUTTON INSTL- P18-2/C1 MODULE NUMBER: 233A5522-382301 REV B	048048 102200 972999	1
235	BS51338D5003		.PLUG- SUPPLIER CODE: V83058 SPECIFICATION NUMBER: BACP20B63B OPTIONAL PART: 51338 V83058 MISCELLANEOUS DATA: USE IN PLACE OF CIRCUIT BREAKERS ON OPEN HOLES	048048 102200 972999	1
- 240	MODREF250566		PLUG BUTTON INSTL- P18-2/C2 MODULE NUMBER: 233A5522-382302 REV B	048048 102200 972999	1

MISSING ITEM NUMBERS NOT APPLICABLE

- ITEM NOT ILLUSTRATED

HAP

24-50-59-57

BOEING PROPRIETARY - Copyright © - Unpublished Work - See title page for details.

24-50-59
FIG. 57
PAGE 7
OCT 15/08

BOEING
737-600/700/800/900
PARTS CATALOG (MAINTENANCE)

FIG ITEM	PART NUMBER	1 2 3 4 5 6 7	NOMENCLATURE	EFFECT FROM TO	UNITS PER ASSY
57 245	BS51338D5003		.PLUG- SUPPLIER CODE: V83058 SPECIFICATION NUMBER: BACP20B63B OPTIONAL PART: 51338 V83058 MISCELLANEOUS DATA: USE IN PLACE OF CIRCUIT BREAKERS ON OPEN HOLES	048048 102200 972999	1
- 250	MODREF250567		PLUG BUTTON INSTL- P18-2/C3 MODULE NUMBER: 233A5522-382303 REV B	048048 102200 972999	1
255	BS51338D5003		.PLUG- SUPPLIER CODE: V83058 SPECIFICATION NUMBER: BACP20B63B OPTIONAL PART: 51338 V83058 MISCELLANEOUS DATA: USE IN PLACE OF CIRCUIT BREAKERS ON OPEN HOLES	048048 102200 972999	1
- 260	MODREF250568		PLUG BUTTON INSTL- P18-2/C4 MODULE NUMBER: 233A5522-382304 REV B	048048 102200 972999	1
265	BS51338D5003		.PLUG- SUPPLIER CODE: V83058 SPECIFICATION NUMBER: BACP20B63B OPTIONAL PART: 51338 V83058 MISCELLANEOUS DATA: USE IN PLACE OF CIRCUIT BREAKERS ON OPEN HOLES	048048 102200 972999	1
- 270	MODREF250569		PLUG BUTTON INSTL- P18-2/C5 MODULE NUMBER: 233A5522-382305 REV B	048048 102200 972999	1

MISSING ITEM NUMBERS NOT APPLICABLE

- ITEM NOT ILLUSTRATED

HAP

24-50-59-57

BOEING PROPRIETARY - Copyright © - Unpublished Work - See title page for details.

24-50-59
FIG. 57
PAGE 8
OCT 15/08

BOEING
737-600/700/800/900
PARTS CATALOG (MAINTENANCE)

FIG ITEM	PART NUMBER	1 2 3 4 5 6 7	NOMENCLATURE	EFFECT FROM TO	UNITS PER ASSY
57 275	BS51338D5003		.PLUG- SUPPLIER CODE: V83058 SPECIFICATION NUMBER: BACP20B63B OPTIONAL PART: 51338 V83058 MISCELLANEOUS DATA: USE IN PLACE OF CIRCUIT BREAKERS ON OPEN HOLES	048048 102200 972999	1
- 280	MODREF250570		PLUG BUTTON INSTL- P18-2/C6 MODULE NUMBER: 233A5522-382306 REV B	048048 102200 972999	1
285	BS51338D5003		.PLUG- SUPPLIER CODE: V83058 SPECIFICATION NUMBER: BACP20B63B OPTIONAL PART: 51338 V83058 MISCELLANEOUS DATA: USE IN PLACE OF CIRCUIT BREAKERS ON OPEN HOLES	048048 102200 972999	1
- 290	MODREF250572		PLUG BUTTON INSTL- P18-2/D6 MODULE NUMBER: 233A5522-382406 REV B	048048 102200 972999	1
295	BS51338D5003		.PLUG- SUPPLIER CODE: V83058 SPECIFICATION NUMBER: BACP20B63B OPTIONAL PART: 51338 V83058 MISCELLANEOUS DATA: USE IN PLACE OF CIRCUIT BREAKERS ON OPEN HOLES	048048 102200 972999	1
- 300	MODREF250574		PLUG BUTTON INSTL- P18-2/D9 MODULE NUMBER: 233A5522-382409 REV B	048048 102200 972999	1

MISSING ITEM NUMBERS NOT APPLICABLE

- ITEM NOT ILLUSTRATED

HAP

24-50-59-57

BOEING PROPRIETARY - Copyright © - Unpublished Work - See title page for details.

24-50-59
FIG. 57
PAGE 9
OCT 15/08

BOEING
737-600/700/800/900
PARTS CATALOG (MAINTENANCE)

FIG ITEM	PART NUMBER	1 2 3 4 5 6 7	NOMENCLATURE	EFFECT FROM TO	UNITS PER ASSY
57 305	BS51338D5003		.PLUG- SUPPLIER CODE: V83058 SPECIFICATION NUMBER: BACP20B63B OPTIONAL PART: 51338 V83058 MISCELLANEOUS DATA: USE IN PLACE OF CIRCUIT BREAKERS ON OPEN HOLES	048048 102200 972999	1
- 310	MODREF250575		PLUG BUTTON INSTL- P18-2/D10 MODULE NUMBER: 233A5522-382410 REV B	048048 102200 972999	1
315	BS51338D5003		.PLUG- SUPPLIER CODE: V83058 SPECIFICATION NUMBER: BACP20B63B OPTIONAL PART: 51338 V83058 MISCELLANEOUS DATA: USE IN PLACE OF CIRCUIT BREAKERS ON OPEN HOLES	048048 102200 972999	1
- 320	MODREF250577		PLUG BUTTON INSTL- P18-2/D13 MODULE NUMBER: 233A5522-382413 REV B	048048 102200 972999	1
325	BS51338D5003		.PLUG- SUPPLIER CODE: V83058 SPECIFICATION NUMBER: BACP20B63B OPTIONAL PART: 51338 V83058 MISCELLANEOUS DATA: USE IN PLACE OF CIRCUIT BREAKERS ON OPEN HOLES	048048 102200 972999	1
- 330	MODREF250578		PLUG BUTTON INSTL- P18-2/D14 MODULE NUMBER: 233A5522-382414 REV B	048048 102200 972999	1

MISSING ITEM NUMBERS NOT APPLICABLE

- ITEM NOT ILLUSTRATED

HAP

24-50-59-57

BOEING PROPRIETARY - Copyright © - Unpublished Work - See title page for details.

24-50-59
FIG. 57
PAGE 10
OCT 15/08

BOEING
737-600/700/800/900
PARTS CATALOG (MAINTENANCE)

FIG ITEM	PART NUMBER	1 2 3 4 5 6 7	NOMENCLATURE	EFFECT FROM TO	UNITS PER ASSY
57 335	BS51338D5003		.PLUG- SUPPLIER CODE: V83058 SPECIFICATION NUMBER: BACP20B63B OPTIONAL PART: 51338 V83058 MISCELLANEOUS DATA: USE IN PLACE OF CIRCUIT BREAKERS ON OPEN HOLES	048048 102200 972999	1
- 340	MODREF250580		PLUG BUTTON INSTL- P18-2/E9 MODULE NUMBER: 233A5522-382509 REV B	048048 102200 972999	1
345	BS51338D5003		.PLUG- SUPPLIER CODE: V83058 SPECIFICATION NUMBER: BACP20B63B OPTIONAL PART: 51338 V83058 MISCELLANEOUS DATA: USE IN PLACE OF CIRCUIT BREAKERS ON OPEN HOLES	048048 102200 972999	1
- 350	MODREF250581		PLUG BUTTON INSTL- P18-2/E10 MODULE NUMBER: 233A5522-382510 REV B	048048 102200 972999	1
355	BS51338D5003		.PLUG- SUPPLIER CODE: V83058 SPECIFICATION NUMBER: BACP20B63B OPTIONAL PART: 51338 V83058 MISCELLANEOUS DATA: USE IN PLACE OF CIRCUIT BREAKERS ON OPEN HOLES	048048 102200 972999	1
- 370	MODREF250583		PLUG BUTTON INSTL- P18-2/E12 MODULE NUMBER: 233A5522-382512 REV B	048048 102200 972999	1

MISSING ITEM NUMBERS NOT APPLICABLE

- ITEM NOT ILLUSTRATED

HAP

24-50-59-57

24-50-59
FIG. 57
PAGE 11
OCT 15/08

BOEING
737-600/700/800/900
PARTS CATALOG (MAINTENANCE)

FIG ITEM	PART NUMBER	1 2 3 4 5 6 7	NOMENCLATURE	EFFECT FROM TO	UNITS PER ASSY
57 375	BS51338D5003		.PLUG- SUPPLIER CODE: V83058 SPECIFICATION NUMBER: BACP20B63B OPTIONAL PART: 51338 V83058 MISCELLANEOUS DATA: USE IN PLACE OF CIRCUIT BREAKERS ON OPEN HOLES	048048 102200 972999	1
- 380	MODREF250584		PLUG BUTTON INSTL- P18-2/E13 MODULE NUMBER: 233A5522-382513 REV B	048048 102200 972999	1
385	BS51338D5003		.PLUG- SUPPLIER CODE: V83058 SPECIFICATION NUMBER: BACP20B63B OPTIONAL PART: 51338 V83058 MISCELLANEOUS DATA: USE IN PLACE OF CIRCUIT BREAKERS ON OPEN HOLES	048048 102200 972999	1
- 390	MODREF250585		PLUG BUTTON INSTL- P18-2/E14 MODULE NUMBER: 233A5522-382514 REV B	048048 102200 972999	1
395	BS51338D5003		.PLUG- SUPPLIER CODE: V83058 SPECIFICATION NUMBER: BACP20B63B OPTIONAL PART: 51338 V83058 MISCELLANEOUS DATA: USE IN PLACE OF CIRCUIT BREAKERS ON OPEN HOLES	048048 102200 972999	1
- 400	MODREF250586		PLUG BUTTON INSTL- P18-2/E15 MODULE NUMBER: 233A5522-382515 REV B	048048 102200 972999	1

MISSING ITEM NUMBERS NOT APPLICABLE

- ITEM NOT ILLUSTRATED

HAP

24-50-59-57

24-50-59
FIG. 57
PAGE 12
OCT 15/08

BOEING
737-600/700/800/900
PARTS CATALOG (MAINTENANCE)

FIG ITEM	PART NUMBER	1 2 3 4 5 6 7	NOMENCLATURE	EFFECT FROM TO	UNITS PER ASSY
57 405	BS51338D5003		.PLUG- SUPPLIER CODE: V83058 SPECIFICATION NUMBER: BACP20B63B OPTIONAL PART: 51338 V83058 MISCELLANEOUS DATA: USE IN PLACE OF CIRCUIT BREAKERS ON OPEN HOLES	048048 102200 972999	1
R R R R R R R R R R	- 500 MODREF250629		INOP INSTL-P18-2/E11 (ELECTRICAL POWER ONLY) MODULE NUMBER: 233A5522-582511 REV B POST RAPID REVISION: RR97237-21B FOR OTHER SYS DETAILS SEE: 11-31-59-57	048048 102200 972999	1
	505 10237-1		.COLLAR- SUPPLIER CODE: V1N6X0 POST RAPID REVISION: RR97237-21B	048048 102200 972999	1

MISSING ITEM NUMBERS NOT APPLICABLE

- ITEM NOT ILLUSTRATED

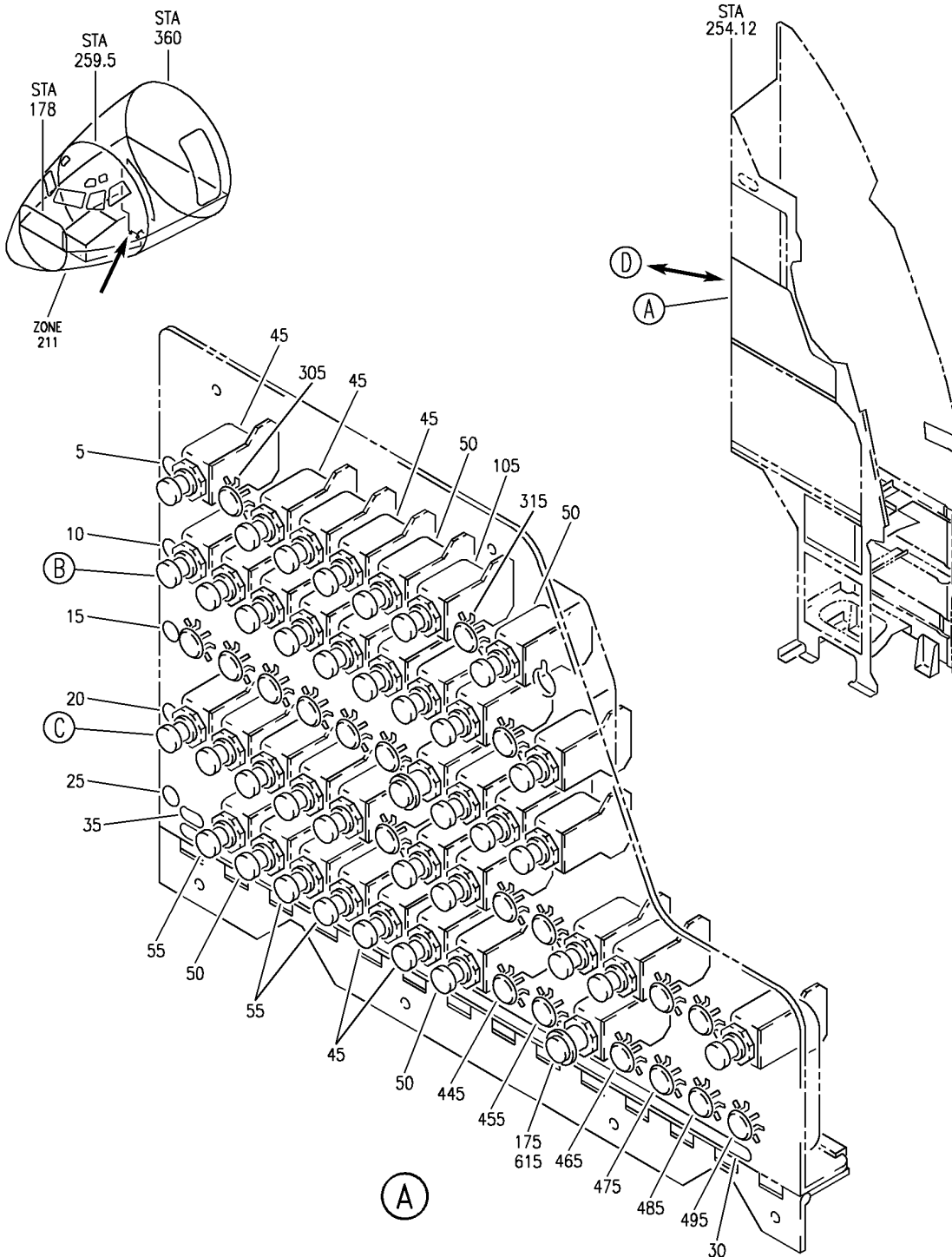
HAP

24-50-59-57

BOEING PROPRIETARY - Copyright © - Unpublished Work - See title page for details.

24-50-59
FIG. 57
PAGE 13
JUN 15/09

BOEING
 737-600/700/800/900
 PARTS CATALOG (MAINTENANCE)



E 24-50-59-66 SHT 1 REV 116

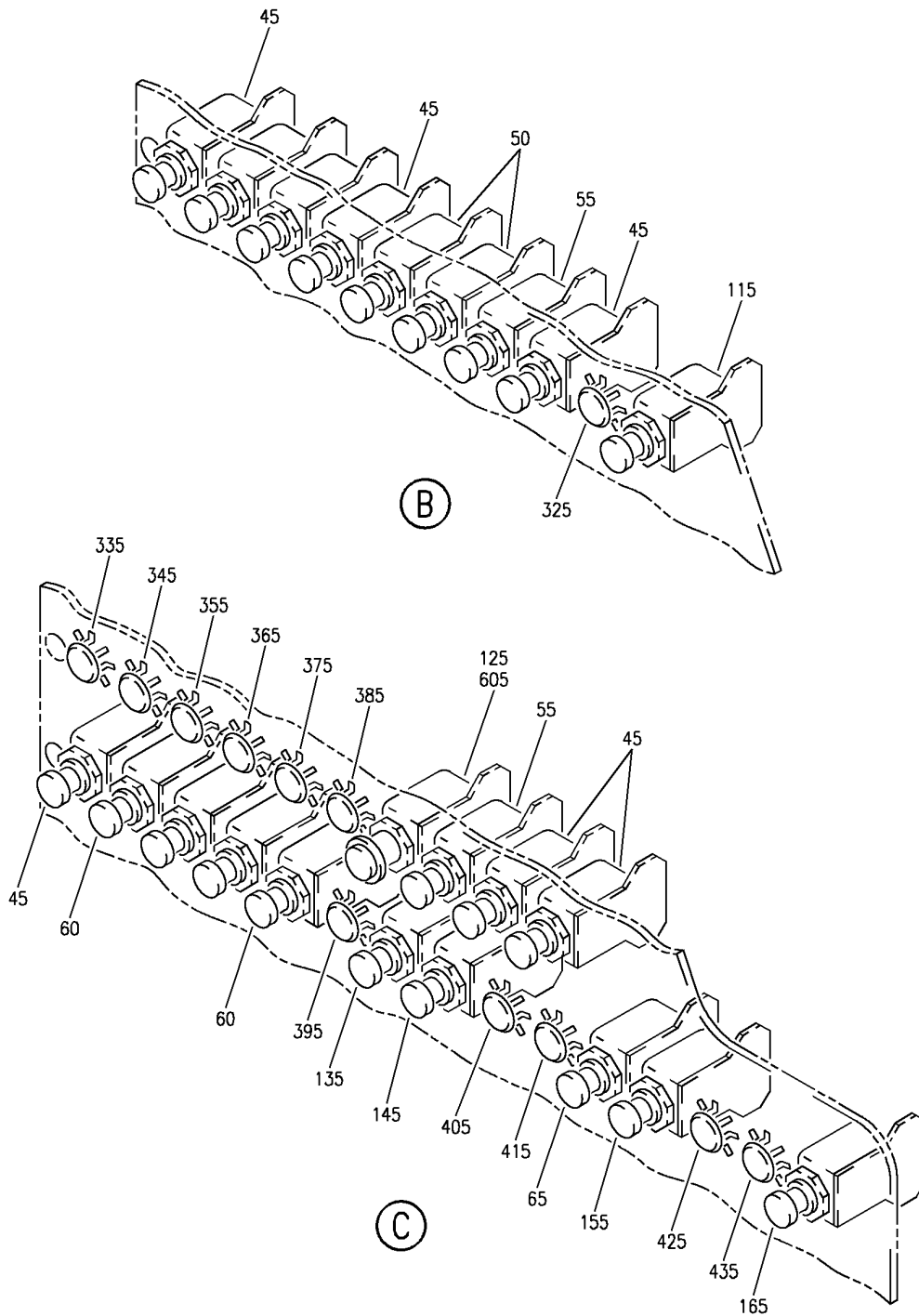
MARKER, CIRCUIT BREAKER, PLUG BUTTON AND INOP INSTL-P18-2 PNL (ELECTRICAL POWER ONLY)
 FIGURE 66 (SHEET 1)

HAP
 FEB 10/07

24-50-59-66

24-50-59-66
 PAGE 0

BOEING
 737-600/700/800/900
 PARTS CATALOG (MAINTENANCE)



E 24-50-59-66 SHT 2 REV 111

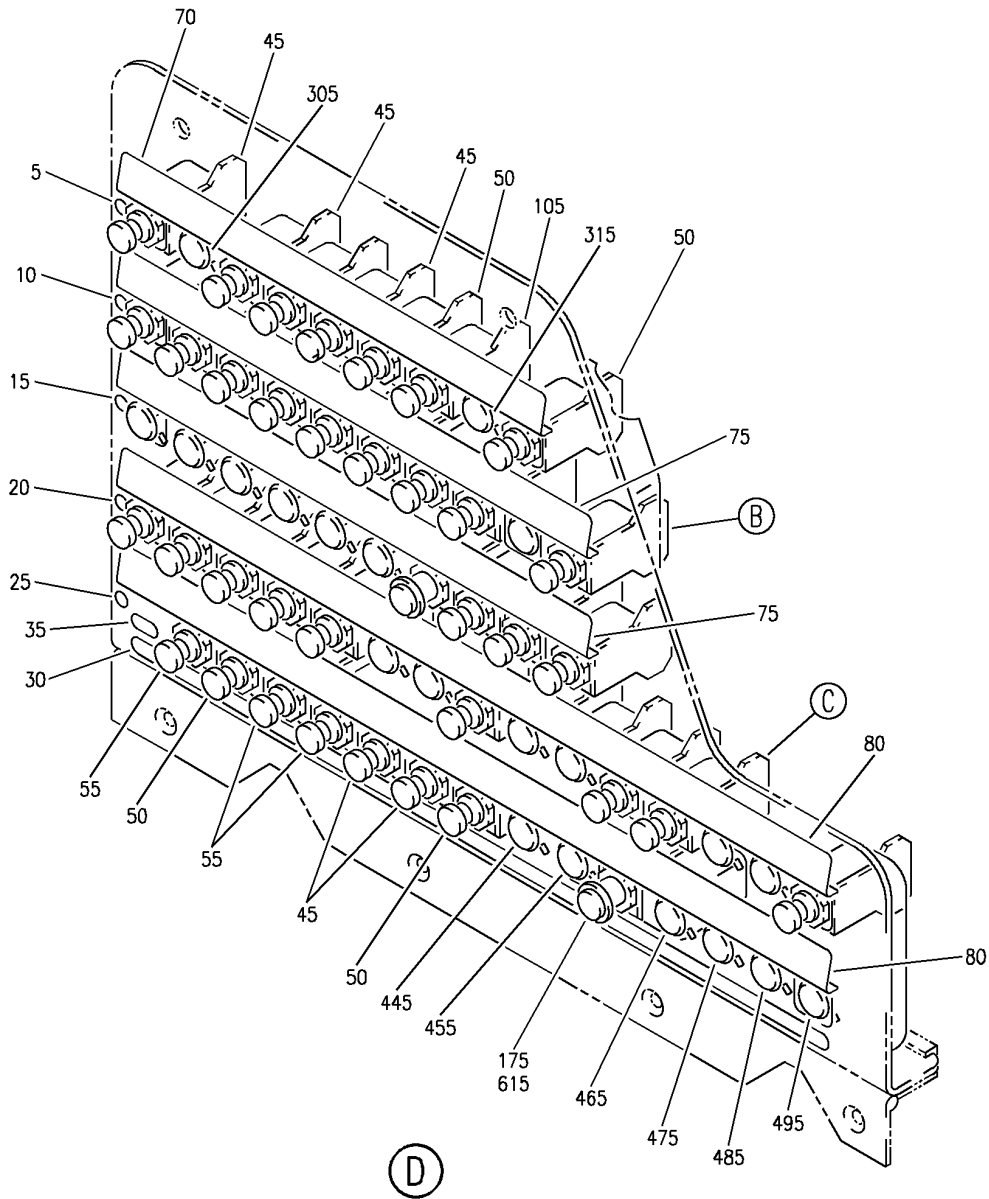
MARKER, CIRCUIT BREAKER, PLUG BUTTON AND INOP INSTL-P18-2 PNL (ELECTRICAL POWER ONLY)
 FIGURE 66 (SHEET 2)

24-50-59-66

HAP
 FEB 10/07

24-50-59-66
 PAGE 0A

BOEING
 737-600/700/800/900
 PARTS CATALOG (MAINTENANCE)



E 24-50-5966 SHT 3 REV 116

MARKER, CIRCUIT BREAKER, PLUG BUTTON AND INOP INSTL-P18-2 PNL (ELECTRICAL POWER ONLY)
 FIGURE 66 (SHEET 3)

24-50-59-66

HAP
 FEB 10/07

24-50-59-66
 PAGE 0B

BOEING
737-600/700/800/900
PARTS CATALOG (MAINTENANCE)

FIG ITEM	PART NUMBER	1 2 3 4 5 6 7	NOMENCLATURE	EFFECT FROM TO	UNITS PER ASSY
66			MARKER, CIRCUIT BREAKER, PLUG BUTTON AND INOP INSTL-P18-2 PNL (ELECTRICAL POWER ONLY)	038038 041043 047047 049049 101101 968971	
- 1	MODREF250524		MARKER INSTL-P18-2 PNL MODULE NUMBER: 233A5522-1 REV D	038038 041043 047047 049049 101101 968971	1
5	BAC27DCC3065		.MARKER- PLACARD CONTENT: A	038038 041043 047047 049049 101101 968971	1
10	BAC27DCC3066		.MARKER- PLACARD CONTENT: B	038038 041043 047047 049049 101101 968971	1
15	BAC27DCC3067		.MARKER- PLACARD CONTENT: C	038038 041043 047047 049049 101101 968971	1
20	BAC27DCC3068		.MARKER- PLACARD CONTENT: D	038038 041043 047047 049049 101101 968971	1
25	BAC27DCC3069		.MARKER- PLACARD CONTENT: E	038038 041043 047047 049049 101101 968971	1
30	BAC27DCC2748		.MARKER- PLACARD CONTENT: 1 THRU 15	038038 041043 047047 049049 101101 968971	1

MISSING ITEM NUMBERS NOT APPLICABLE

- ITEM NOT ILLUSTRATED

HAP

24-50-59-66

BOEING PROPRIETARY - Copyright © - Unpublished Work - See title page for details.

24-50-59
FIG. 66
PAGE 1
OCT 15/08

BOEING
737-600/700/800/900
PARTS CATALOG (MAINTENANCE)

FIG ITEM	PART NUMBER	1 2 3 4 5 6 7	NOMENCLATURE	EFFECT FROM TO	UNITS PER ASSY
66 35	BAC27DCC3081		.MARKER- PLACARD CONTENT: P18-2	038038 041043 047047 049049 101101 968971	1
- 40	MODREF250525		CIRCUIT BREAKER INSTL-P18-2 PNL MODULE NUMBER: 233A5522-2 REV B	038038 041043 047047 049049 101101 968971	1
45	2TC47-2-5		.CIRCUIT BREAKER- SUPPLIER CODE: V82647 SPECIFICATION NUMBER: BACC18AD2 OPTIONAL PART: 4310-029-205 V76374 ELECTRICAL EQUIP NUMBER: C00109 C00153 C00458 C00468 C01003 C01103 C01205 C01208 C01312 C01314 C01316 C01317 C01369 C01390	038038 041043 047047 049049 101101 968971	14

MISSING ITEM NUMBERS NOT APPLICABLE

- ITEM NOT ILLUSTRATED

HAP

24-50-59-66

BOEING PROPRIETARY - Copyright © - Unpublished Work - See title page for details.

24-50-59
FIG. 66
PAGE 2
OCT 15/08

BOEING
737-600/700/800/900
PARTS CATALOG (MAINTENANCE)

FIG ITEM	PART NUMBER	1 2 3 4 5 6 7	NOMENCLATURE	EFFECT FROM TO	UNITS PER ASSY
66 50	2TC47-3		.CIRCUIT BREAKER- SUPPLIER CODE: V82647 SPECIFICATION NUMBER: BACC18AD3 OPTIONAL PART: 4310-029-3 V76374 ELECTRICAL EQUIP NUMBER: C00170 C00276 C00425 C00923 C01017 C01412	038038 041043 047047 049049 101101 968971	6
55	2TC47-5		.CIRCUIT BREAKER- SUPPLIER CODE: V82647 SPECIFICATION NUMBER: BACC18AD5 OPTIONAL PART: 4310-029-5 V76374 ELECTRICAL EQUIP NUMBER: C00412 C00544 C01204 C01266 C01392	038038 041043 047047 049049 101101 968971	5
60	4310-029-15		.CIRCUIT BREAKER- SUPPLIER CODE: V76374 SPECIFICATION NUMBER: BACC18AD15 OPTIONAL PART: 2TC47-15 V82647 ELECTRICAL EQUIP NUMBER: C01359 C01363 C01365 C01372	038038 041043 047047 049049 101101 968971	4

MISSING ITEM NUMBERS NOT APPLICABLE

— ITEM NOT ILLUSTRATED

HAP

24-50-59-66

BOEING PROPRIETARY - Copyright © - Unpublished Work - See title page for details.

24-50-59
FIG. 66
PAGE 3
OCT 15/08

BOEING
737-600/700/800/900
PARTS CATALOG (MAINTENANCE)

FIG ITEM	PART NUMBER	1 2 3 4 5 6 7	NOMENCLATURE	EFFECT FROM TO	UNITS PER ASSY
66 65	2TC47-10		.CIRCUIT BREAKER- SUPPLIER CODE: V82647 SPECIFICATION NUMBER: BACC18AD10 OPTIONAL PART: 4310-029-10 V76374 ELECTRICAL EQUIP NUMBER: C00165	038038 041043 047047 049049 101101 968971	1
- 100	MODREF250534		CIRCUIT BREAKER INSTL-FMCS MCDU 1 P18-2/A7 MODULE NUMBER: 233A5522-201238 REV B	038038 041043 047047 049049 101101 968971	1
105	2TC47-3		.CIRCUIT BREAKER- SUPPLIER CODE: V82647 SPECIFICATION NUMBER: BACC18AD3 OPTIONAL PART: 4310-029-3 V76374 ELECTRICAL EQUIP NUMBER: C01238	038038 041043 047047 049049 101101 968971	1
- 110	MODREF250533		CIRCUIT BREAKER INSTL- FMCS BITE DC P18-2/B10 MODULE NUMBER: 233A5522-201192 REV B	038038 041043 047047 049049 101101 968971	1
115	2TC47-3		.CIRCUIT BREAKER- SUPPLIER CODE: V82647 SPECIFICATION NUMBER: BACC18AD3 OPTIONAL PART: 4310-029-3 V76374 ELECTRICAL EQUIP NUMBER: C01192	038038 041043 047047 049049 101101 968971	1
- 120	MODREF250546		CIRCUIT BREAKER INSTL- VOICE RCDR RELAY P18-2/C7 MODULE NUMBER: 233A5522-201537 REV B	038038 041043 047047 049049 101101 968971	1

MISSING ITEM NUMBERS NOT APPLICABLE

- ITEM NOT ILLUSTRATED

HAP

24-50-59-66

BOEING PROPRIETARY - Copyright © - Unpublished Work - See title page for details.

24-50-59
FIG. 66
PAGE 4
OCT 15/08

BOEING
737-600/700/800/900
PARTS CATALOG (MAINTENANCE)

FIG ITEM	PART NUMBER	1 2 3 4 5 6 7	NOMENCLATURE	EFFECT FROM TO	UNITS PER ASSY
66 125	2TC47-2-5		.CIRCUIT BREAKER- SUPPLIER CODE: V82647 SPECIFICATION NUMBER: BACC18AD2 OPTIONAL PART: 4310-029-205 V76374 ELECTRICAL EQUIP NUMBER: C01537	038038 041043 047047 049049 101101 968971	1
- 130	MODREF250527		CIRCUIT BREAKER INSTL- VOICE RCDR P18-2/D7 MODULE NUMBER: 233A5522-200107 REV B	038038 041043 047047 049049 101101 968971	1
135	2TC47-2-5		.CIRCUIT BREAKER- SUPPLIER CODE: V82647 SPECIFICATION NUMBER: BACC18AD2 OPTIONAL PART: 4310-029-205 V76374 ELECTRICAL EQUIP NUMBER: C00107	038038 041043 047047 049049 101101 968971	1
- 140	MODREF250547		CIRCUIT BREAKER INSTL- ISFD P18-2/D8 MODULE NUMBER: 233A5522-201551 REV B	038038 041043 047047 049049 101101 968971	1
145	2TC47-5		.CIRCUIT BREAKER- SUPPLIER CODE: V82647 SPECIFICATION NUMBER: BACC18AD5 OPTIONAL PART: 4310-029-5 V76374 ELECTRICAL EQUIP NUMBER: C01551	038038 041043 047047 049049 101101 968971	1
- 150	MODREF250529		CIRCUIT BREAKER INSTL- COMMUNICATIONS VHF 3 P18-2/D12 MODULE NUMBER: 233A5522-200471 REV B	038038 041043 047047 049049 101101 968971	1

MISSING ITEM NUMBERS NOT APPLICABLE

- ITEM NOT ILLUSTRATED

HAP

24-50-59-66

BOEING PROPRIETARY - Copyright © - Unpublished Work - See title page for details.

24-50-59
FIG. 66
PAGE 5
OCT 15/08

BOEING
737-600/700/800/900
PARTS CATALOG (MAINTENANCE)

FIG ITEM	PART NUMBER	1 2 3 4 5 6 7	NOMENCLATURE	EFFECT FROM TO	UNITS PER ASSY
66 155	2TC47-10		.CIRCUIT BREAKER- SUPPLIER CODE: V82647 SPECIFICATION NUMBER: BACC18AD10 OPTIONAL PART: 4310-029-10 V76374 ELECTRICAL EQUIP NUMBER: C00471	038038 041043 047047 049049 101101 968971	1
- 160	MODREF250526		CIRCUIT BREAKER INSTL- COMMUNICATIONS SECAL P18-2/D15 MODULE NUMBER: 233A5522-200058 REV B	038038 041043 047047 049049 101101 968971	1
165	2TC47-3		.CIRCUIT BREAKER- SUPPLIER CODE: V82647 SPECIFICATION NUMBER: BACC18AD3 OPTIONAL PART: 4310-029-3 V76374 ELECTRICAL EQUIP NUMBER: C00058	038038 041043 047047 049049 101101 968971	1
- 170	MODREF250530		CIRCUIT BREAKER INSTL- COMMUNICATIONS HF 1 P18-2/E11 MODULE NUMBER: 233A5522-200839 REV B	038038 041043 047047 049049 101101 968971	1
175	6TC6-5		.CIRCUIT BREAKER- SUPPLIER CODE: V82647 SPECIFICATION NUMBER: BACC18AC5 OPTIONAL PART: 4330-004-5 V76374 ELECTRICAL EQUIP NUMBER: C00839	038038 041043 047047 049049 101101 968971	1
- 300	MODREF250561		PLUG BUTTON INSTL- P18-2/A2 MODULE NUMBER: 233A5522-382102 REV B	038038 041043 047047 049049 101101 968971	1

MISSING ITEM NUMBERS NOT APPLICABLE

- ITEM NOT ILLUSTRATED

HAP

24-50-59-66

BOEING PROPRIETARY - Copyright © - Unpublished Work - See title page for details.

24-50-59
FIG. 66
PAGE 6
OCT 15/08

BOEING
737-600/700/800/900
PARTS CATALOG (MAINTENANCE)

FIG ITEM	PART NUMBER	1 2 3 4 5 6 7	NOMENCLATURE	EFFECT FROM TO	UNITS PER ASSY
66 305	BS51338D5003		.PLUG- SUPPLIER CODE: V83058 SPECIFICATION NUMBER: BACP20B63B OPTIONAL PART: 51338 V83058 MISCELLANEOUS DATA: USE IN PLACE OF CIRCUIT BREAKERS ON OPEN HOLES	038038 041043 047047 049049 101101 968971	1
- 310	MODREF250562		PLUG BUTTON INSTL- P18-2/A8 MODULE NUMBER: 233A5522-382108 REV B	038038 041043 047047 049049 101101 968971	1
315	BS51338D5003		.PLUG- SUPPLIER CODE: V83058 SPECIFICATION NUMBER: BACP20B63B OPTIONAL PART: 51338 V83058 MISCELLANEOUS DATA: USE IN PLACE OF CIRCUIT BREAKERS ON OPEN HOLES	038038 041043 047047 049049 101101 968971	1
- 320	MODREF250563		PLUG BUTTON INSTL- P18-2/B9 MODULE NUMBER: 233A5522-382209 REV B	038038 041043 047047 049049 101101 968971	1
325	BS51338D5003		.PLUG- SUPPLIER CODE: V83058 SPECIFICATION NUMBER: BACP20B63B OPTIONAL PART: 51338 V83058 MISCELLANEOUS DATA: USE IN PLACE OF CIRCUIT BREAKERS ON OPEN HOLES	038038 041043 047047 049049 101101 968971	1

MISSING ITEM NUMBERS NOT APPLICABLE

- ITEM NOT ILLUSTRATED

HAP

24-50-59-66

BOEING PROPRIETARY - Copyright © - Unpublished Work - See title page for details.

24-50-59
FIG. 66
PAGE 7
OCT 15/08

BOEING
737-600/700/800/900
PARTS CATALOG (MAINTENANCE)

FIG ITEM	PART NUMBER	1 2 3 4 5 6 7	NOMENCLATURE	EFFECT FROM TO	UNITS PER ASSY
66 - 330	MODREF250565		PLUG BUTTON INSTL- P18-2/C1 MODULE NUMBER: 233A5522-382301 REV B	038038 041043 047047 049049 101101 968971	1
335	BS51338D5003		.PLUG- SUPPLIER CODE: V83058 SPECIFICATION NUMBER: BACP20B63B OPTIONAL PART: 51338 V83058 MISCELLANEOUS DATA: USE IN PLACE OF CIRCUIT BREAKERS ON OPEN HOLES	038038 041043 047047 049049 101101 968971	1
- 340	MODREF250566		PLUG BUTTON INSTL- P18-2/C2 MODULE NUMBER: 233A5522-382302 REV B	038038 041043 047047 049049 101101 968971	1
345	BS51338D5003		.PLUG- SUPPLIER CODE: V83058 SPECIFICATION NUMBER: BACP20B63B OPTIONAL PART: 51338 V83058 MISCELLANEOUS DATA: USE IN PLACE OF CIRCUIT BREAKERS ON OPEN HOLES	038038 041043 047047 049049 101101 968971	1
- 350	MODREF250567		PLUG BUTTON INSTL- P18-2/C3 MODULE NUMBER: 233A5522-382303 REV B	038038 041043 047047 049049 101101 968971	1

MISSING ITEM NUMBERS NOT APPLICABLE

- ITEM NOT ILLUSTRATED

HAP

24-50-59-66

BOEING PROPRIETARY - Copyright © - Unpublished Work - See title page for details.

24-50-59
FIG. 66
PAGE 8
OCT 15/08

BOEING
737-600/700/800/900
PARTS CATALOG (MAINTENANCE)

FIG ITEM	PART NUMBER	1 2 3 4 5 6 7	NOMENCLATURE	EFFECT FROM TO	UNITS PER ASSY
66 355	BS51338D5003		.PLUG- SUPPLIER CODE: V83058 SPECIFICATION NUMBER: BACP20B63B OPTIONAL PART: 51338 V83058 MISCELLANEOUS DATA: USE IN PLACE OF CIRCUIT BREAKERS ON OPEN HOLES	038038 041043 047047 049049 101101 968971	1
- 360	MODREF250568		PLUG BUTTON INSTL- P18-2/C4 MODULE NUMBER: 233A5522-382304 REV B	038038 041043 047047 049049 101101 968971	1
365	BS51338D5003		.PLUG- SUPPLIER CODE: V83058 SPECIFICATION NUMBER: BACP20B63B OPTIONAL PART: 51338 V83058 MISCELLANEOUS DATA: USE IN PLACE OF CIRCUIT BREAKERS ON OPEN HOLES	038038 041043 047047 049049 101101 968971	1
- 370	MODREF250569		PLUG BUTTON INSTL- P18-2/C5 MODULE NUMBER: 233A5522-382305 REV B	038038 041043 047047 049049 101101 968971	1
375	BS51338D5003		.PLUG- SUPPLIER CODE: V83058 SPECIFICATION NUMBER: BACP20B63B OPTIONAL PART: 51338 V83058 MISCELLANEOUS DATA: USE IN PLACE OF CIRCUIT BREAKERS ON OPEN HOLES	038038 041043 047047 049049 101101 968971	1

MISSING ITEM NUMBERS NOT APPLICABLE

- ITEM NOT ILLUSTRATED

HAP

24-50-59-66

BOEING PROPRIETARY - Copyright © - Unpublished Work - See title page for details.

24-50-59
FIG. 66
PAGE 9
OCT 15/08

BOEING
737-600/700/800/900
PARTS CATALOG (MAINTENANCE)

FIG ITEM	PART NUMBER	1 2 3 4 5 6 7	NOMENCLATURE	EFFECT FROM TO	UNITS PER ASSY
66 - 380	MODREF250570		PLUG BUTTON INSTL- P18-2/C6 MODULE NUMBER: 233A5522-382306 REV B	038038 041043 047047 049049 101101 968971	1
385	BS51338D5003		.PLUG- SUPPLIER CODE: V83058 SPECIFICATION NUMBER: BACP20B63B OPTIONAL PART: 51338 V83058 MISCELLANEOUS DATA: USE IN PLACE OF CIRCUIT BREAKERS ON OPEN HOLES	038038 041043 047047 049049 101101 968971	1
- 390	MODREF250572		PLUG BUTTON INSTL- P18-2/D6 MODULE NUMBER: 233A5522-382406 REV B	038038 041043 047047 049049 101101 968971	1
395	BS51338D5003		.PLUG- SUPPLIER CODE: V83058 SPECIFICATION NUMBER: BACP20B63B OPTIONAL PART: 51338 V83058 MISCELLANEOUS DATA: USE IN PLACE OF CIRCUIT BREAKERS ON OPEN HOLES	038038 041043 047047 049049 101101 968971	1
- 400	MODREF250574		PLUG BUTTON INSTL- P18-2/D9 MODULE NUMBER: 233A5522-382409 REV B	038038 041043 047047 049049 101101 968971	1

MISSING ITEM NUMBERS NOT APPLICABLE

- ITEM NOT ILLUSTRATED

HAP

24-50-59-66

BOEING PROPRIETARY - Copyright © - Unpublished Work - See title page for details.

24-50-59
FIG. 66
PAGE 10
OCT 15/08

BOEING
737-600/700/800/900
PARTS CATALOG (MAINTENANCE)

FIG ITEM	PART NUMBER	1 2 3 4 5 6 7	NOMENCLATURE	EFFECT FROM TO	UNITS PER ASSY
66 405	BS51338D5003		.PLUG- SUPPLIER CODE: V83058 SPECIFICATION NUMBER: BACP20B63B OPTIONAL PART: 51338 V83058 MISCELLANEOUS DATA: USE IN PLACE OF CIRCUIT BREAKERS ON OPEN HOLES	038038 041043 047047 049049 101101 968971	1
- 410	MODREF250575		PLUG BUTTON INSTL- P18-2/D10 MODULE NUMBER: 233A5522-382410 REV B	038038 041043 047047 049049 101101 968971	1
415	BS51338D5003		.PLUG- SUPPLIER CODE: V83058 SPECIFICATION NUMBER: BACP20B63B OPTIONAL PART: 51338 V83058 MISCELLANEOUS DATA: USE IN PLACE OF CIRCUIT BREAKERS ON OPEN HOLES	038038 041043 047047 049049 101101 968971	1
- 420	MODREF250577		PLUG BUTTON INSTL- P18-2/D13 MODULE NUMBER: 233A5522-382413 REV B	038038 041043 047047 049049 101101 968971	1
425	BS51338D5003		.PLUG- SUPPLIER CODE: V83058 SPECIFICATION NUMBER: BACP20B63B OPTIONAL PART: 51338 V83058 MISCELLANEOUS DATA: USE IN PLACE OF CIRCUIT BREAKERS ON OPEN HOLES	038038 041043 047047 049049 101101 968971	1

MISSING ITEM NUMBERS NOT APPLICABLE

- ITEM NOT ILLUSTRATED

HAP

24-50-59-66

BOEING PROPRIETARY - Copyright © - Unpublished Work - See title page for details.

24-50-59
FIG. 66
PAGE 11
OCT 15/08

BOEING
737-600/700/800/900
PARTS CATALOG (MAINTENANCE)

FIG ITEM	PART NUMBER	1 2 3 4 5 6 7	NOMENCLATURE	EFFECT FROM TO	UNITS PER ASSY
66 - 430	MODREF250578		PLUG BUTTON INSTL- P18-2/D14 MODULE NUMBER: 233A5522-382414 REV B	038038 041043 047047 049049 101101 968971	1
435	BS51338D5003		.PLUG- SUPPLIER CODE: V83058 SPECIFICATION NUMBER: BACP20B63B OPTIONAL PART: 51338 V83058 MISCELLANEOUS DATA: USE IN PLACE OF CIRCUIT BREAKERS ON OPEN HOLES	038038 041043 047047 049049 101101 968971	1
- 440	MODREF250580		PLUG BUTTON INSTL- P18-2/E9 MODULE NUMBER: 233A5522-382509 REV B	038038 041043 047047 049049 101101 968971	1
445	BS51338D5003		.PLUG- SUPPLIER CODE: V83058 SPECIFICATION NUMBER: BACP20B63B OPTIONAL PART: 51338 V83058 MISCELLANEOUS DATA: USE IN PLACE OF CIRCUIT BREAKERS ON OPEN HOLES	038038 041043 047047 049049 101101 968971	1
- 450	MODREF250581		PLUG BUTTON INSTL- P18-2/E10 MODULE NUMBER: 233A5522-382510 REV B	038038 041043 047047 049049 101101 968971	1

MISSING ITEM NUMBERS NOT APPLICABLE

- ITEM NOT ILLUSTRATED

HAP

24-50-59-66

BOEING PROPRIETARY - Copyright © - Unpublished Work - See title page for details.

24-50-59
FIG. 66
PAGE 12
OCT 15/08

BOEING
737-600/700/800/900
PARTS CATALOG (MAINTENANCE)

FIG ITEM	PART NUMBER	1 2 3 4 5 6 7	NOMENCLATURE	EFFECT FROM TO	UNITS PER ASSY
66 455	BS51338D5003		.PLUG- SUPPLIER CODE: V83058 SPECIFICATION NUMBER: BACP20B63B OPTIONAL PART: 51338 V83058 MISCELLANEOUS DATA: USE IN PLACE OF CIRCUIT BREAKERS ON OPEN HOLES	038038 041043 047047 049049 101101 968971	1
- 460	MODREF250583		PLUG BUTTON INSTL- P18-2/E12 MODULE NUMBER: 233A5522-382512 REV B	038038 041043 047047 049049 101101 968971	1
465	BS51338D5003		.PLUG- SUPPLIER CODE: V83058 SPECIFICATION NUMBER: BACP20B63B OPTIONAL PART: 51338 V83058 MISCELLANEOUS DATA: USE IN PLACE OF CIRCUIT BREAKERS ON OPEN HOLES	038038 041043 047047 049049 101101 968971	1
- 470	MODREF250584		PLUG BUTTON INSTL- P18-2/E13 MODULE NUMBER: 233A5522-382513 REV B	038038 041043 047047 049049 101101 968971	1
475	BS51338D5003		.PLUG- SUPPLIER CODE: V83058 SPECIFICATION NUMBER: BACP20B63B OPTIONAL PART: 51338 V83058 MISCELLANEOUS DATA: USE IN PLACE OF CIRCUIT BREAKERS ON OPEN HOLES	038038 041043 047047 049049 101101 968971	1

MISSING ITEM NUMBERS NOT APPLICABLE

- ITEM NOT ILLUSTRATED

HAP

24-50-59-66

24-50-59
FIG. 66
PAGE 13
OCT 15/08

BOEING
737-600/700/800/900
PARTS CATALOG (MAINTENANCE)

FIG ITEM	PART NUMBER	1 2 3 4 5 6 7	NOMENCLATURE	EFFECT FROM TO	UNITS PER ASSY
66 - 480	MODREF250585		PLUG BUTTON INSTL- P18-2/E14 MODULE NUMBER: 233A5522-382514 REV B	038038 041043 047047 049049 101101 968971	1
485	BS51338D5003		.PLUG- SUPPLIER CODE: V83058 SPECIFICATION NUMBER: BACP20B63B OPTIONAL PART: 51338 V83058 MISCELLANEOUS DATA: USE IN PLACE OF CIRCUIT BREAKERS ON OPEN HOLES	038038 041043 047047 049049 101101 968971	1
- 490	MODREF250586		PLUG BUTTON INSTL- P18-2/E15 MODULE NUMBER: 233A5522-382515 REV B	038038 041043 047047 049049 101101 968971	1
495	BS51338D5003		.PLUG- SUPPLIER CODE: V83058 SPECIFICATION NUMBER: BACP20B63B OPTIONAL PART: 51338 V83058 MISCELLANEOUS DATA: USE IN PLACE OF CIRCUIT BREAKERS ON OPEN HOLES	038038 041043 047047 049049 101101 968971	1
- 610	MODREF250629		INOP INSTL-P18-2/E11 (ELECTRICAL POWER ONLY) MODULE NUMBER: 233A5522-582511 REV B FOR OTHER SYS DETAILS SEE: 11-31-59-66B	101101 968971	1
615	10237-1		.COLLAR- SUPPLIER CODE: V1N6X0	101101 968971	1

MISSING ITEM NUMBERS NOT APPLICABLE

- ITEM NOT ILLUSTRATED

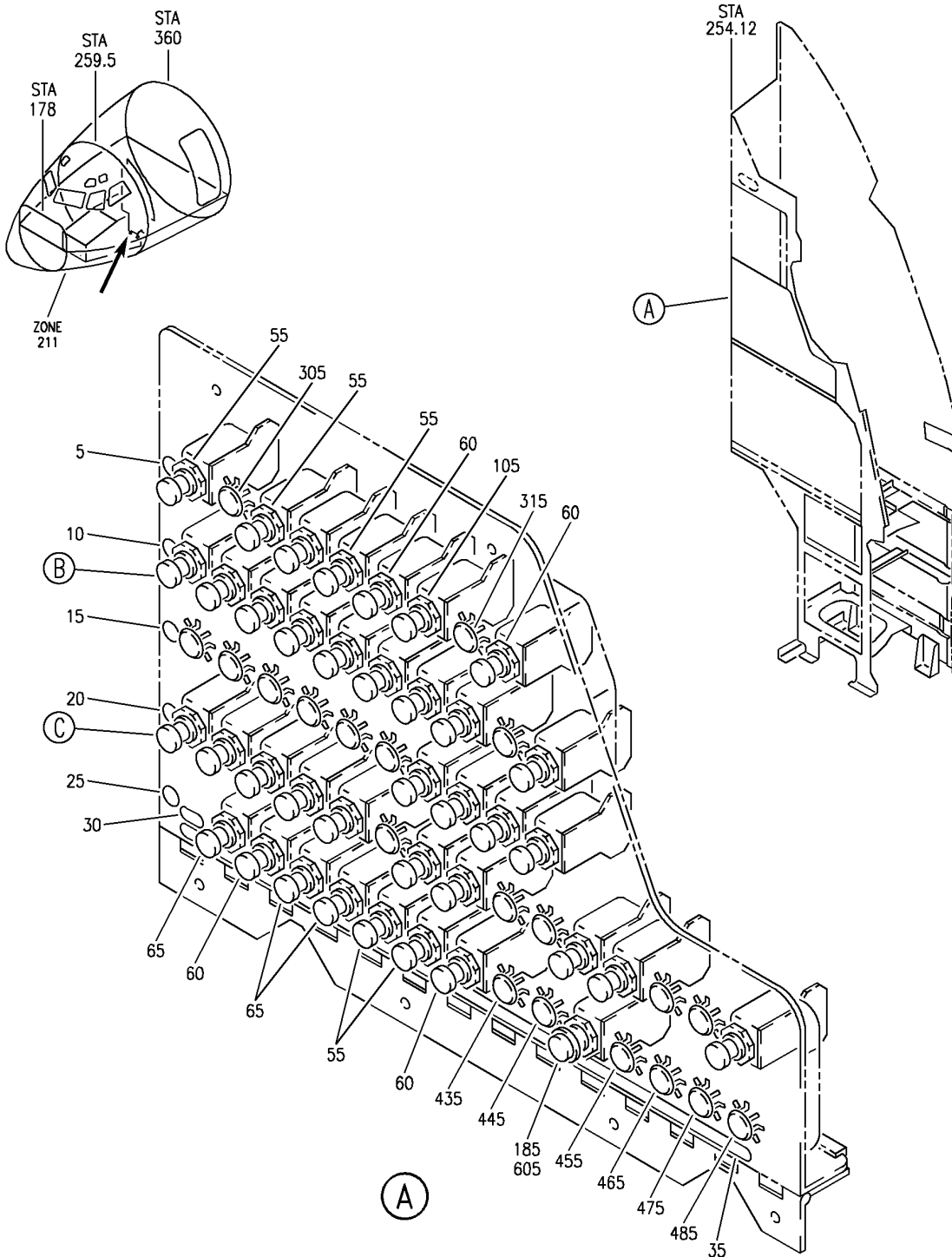
HAP

24-50-59-66

BOEING PROPRIETARY - Copyright © - Unpublished Work - See title page for details.

24-50-59
FIG. 66
PAGE 14
OCT 15/08

BOEING
 737-600/700/800/900
 PARTS CATALOG (MAINTENANCE)



E 24-50-59-78 SHT 1 REV 126

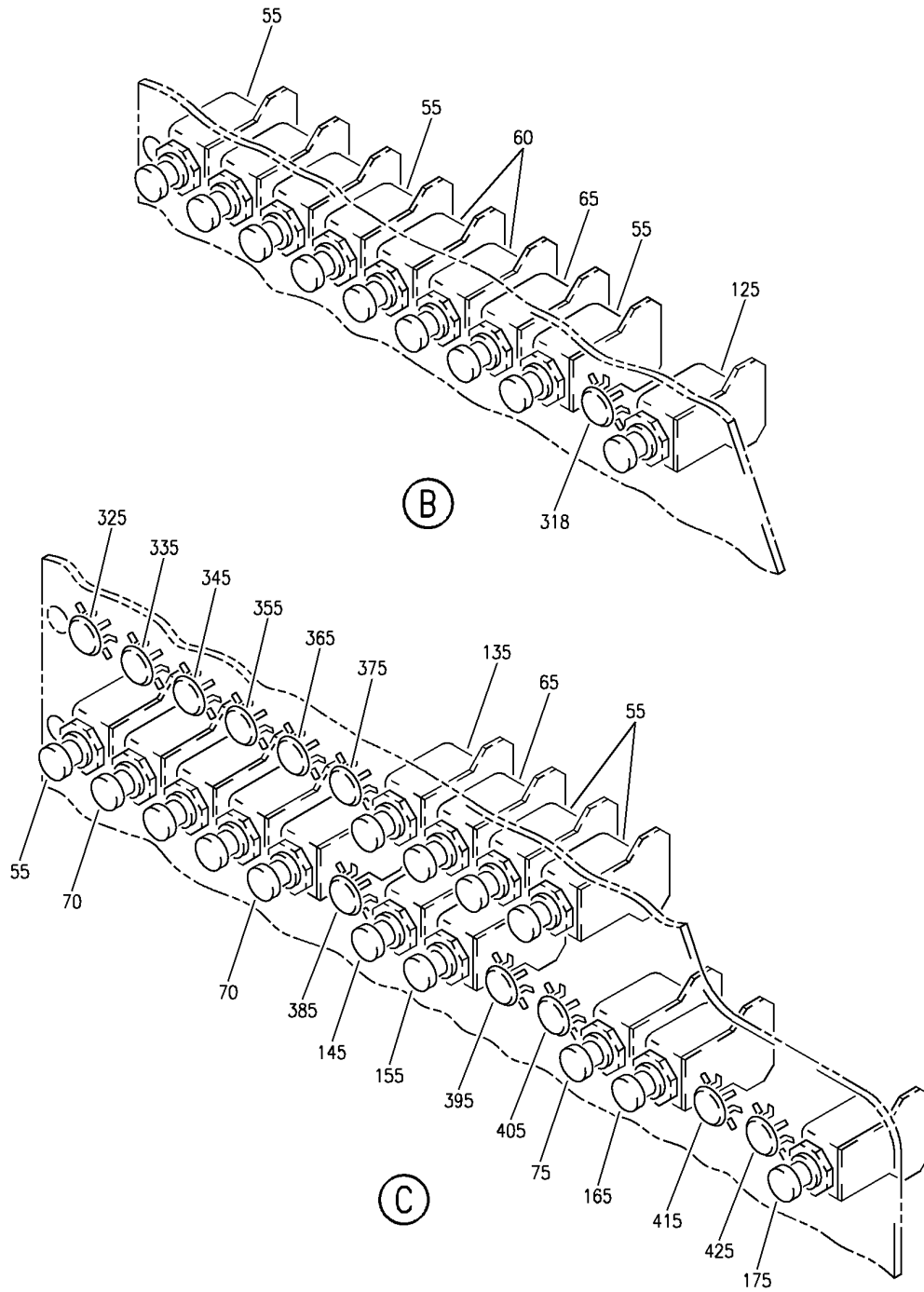
MARKER, CIRCUIT BREAKER, PLUG BUTTON AND INOP INSTL-P18-2 PNL (ELECTRICAL POWER ONLY)
 FIGURE 78 (SHEET 1)

HAP
 FEB 10/07

24-50-59-78

24-50-59-78
 PAGE 0

BOEING
737-600/700/800/900
PARTS CATALOG (MAINTENANCE)



E 24-50-59-78 SHT 2 REV 123

MARKER, CIRCUIT BREAKER, PLUG BUTTON AND INOP INSTL-P18-2 PNL (ELECTRICAL POWER ONLY)
 FIGURE 78 (SHEET 2)

HAP
 FEB 10/07

24-50-59-78

24-50-59-78
 PAGE 0A

BOEING
737-600/700/800/900
PARTS CATALOG (MAINTENANCE)

FIG ITEM	PART NUMBER	1 2 3 4 5 6 7	NOMENCLATURE	EFFECT FROM TO	UNITS PER ASSY
78			MARKER, CIRCUIT BREAKER, PLUG BUTTON AND INOP INSTL-P18-2 PNL (ELECTRICAL POWER ONLY)	037037 039040	
- 1	MODREF250524		MARKER INSTL-P18-2 MODULE NUMBER: 233A5522-1 REV D	037037 039040	1
5	BAC27DCC3065		.MARKER- PLACARD CONTENT: A	037037 039040	1
10	BAC27DCC3066		.MARKER- PLACARD CONTENT: B	037037 039040	1
15	BAC27DCC3067		.MARKER- PLACARD CONTENT: C	037037 039040	1
20	BAC27DCC3068		.MARKER- PLACARD CONTENT: D	037037 039040	1
25	BAC27DCC3069		.MARKER- PLACARD CONTENT: E	037037 039040	1
30	BAC27DCC3081		.MARKER- PLACARD CONTENT: P18-2	037037 039040	1
35	BAC27DCC2748		.MARKER- PLACARD CONTENT: 1 THRU 15	037037 039040	1
- 50	MODREF250525		CIRCUIT BREAKER INSTL-P18-2 MODULE NUMBER: 233A5522-2 REV B	037037 039040	1

MISSING ITEM NUMBERS NOT APPLICABLE

- ITEM NOT ILLUSTRATED

HAP

24-50-59-78

BOEING PROPRIETARY - Copyright © - Unpublished Work - See title page for details.

24-50-59
FIG. 78
PAGE 1
FEB 10/07

BOEING
737-600/700/800/900
PARTS CATALOG (MAINTENANCE)

FIG ITEM	PART NUMBER	1 2 3 4 5 6 7	NOMENCLATURE	EFFECT FROM TO	UNITS PER ASSY
78 55	2TC47-2-5		.CIRCUIT BREAKER- SUPPLIER CODE: V82647 SPECIFICATION NUMBER: BACC18AD2 OPTIONAL PART: 4310-029-205 V76374 ELECTRICAL EQUIP NUMBER: C00109 C00153 C00458 C00468 C01003 C01103 C01205 C01208 C01312 C01314 C01316 C01317 C01369 C01390	037037 039040	14
60	2TC47-3		.CIRCUIT BREAKER- SUPPLIER CODE: V82647 SPECIFICATION NUMBER: BACC18AD3 OPTIONAL PART: 4310-029-3 V76374 ELECTRICAL EQUIP NUMBER: C00170 C00276 C00425 C00923 C01017 C01412	037037 039040	6

MISSING ITEM NUMBERS NOT APPLICABLE

— ITEM NOT ILLUSTRATED

HAP

24-50-59-78

BOEING PROPRIETARY - Copyright © - Unpublished Work - See title page for details.

24-50-59
FIG. 78
PAGE 2
FEB 10/07

BOEING
737-600/700/800/900
PARTS CATALOG (MAINTENANCE)

FIG ITEM	PART NUMBER	1 2 3 4 5 6 7	NOMENCLATURE	EFFECT FROM TO	UNITS PER ASSY
78 65	2TC47-5	.	CIRCUIT BREAKER- SUPPLIER CODE: V82647 SPECIFICATION NUMBER: BACC18AD5 OPTIONAL PART: 4310-029-5 V76374 ELECTRICAL EQUIP NUMBER: C00412 C00544 C01204 C01266 C01392	037037 039040	5
70	4310-029-15	.	CIRCUIT BREAKER- SUPPLIER CODE: V76374 SPECIFICATION NUMBER: BACC18AD15 OPTIONAL PART: 2TC47-15 V82647 ELECTRICAL EQUIP NUMBER: C01359 C01363 C01365 C01372	037037 039040	4
75	2TC47-10	.	CIRCUIT BREAKER- SUPPLIER CODE: V82647 SPECIFICATION NUMBER: BACC18AD10 OPTIONAL PART: 4310-029-10 V76374 ELECTRICAL EQUIP NUMBER: C00165	037037 039040	1
- 100	MODREF250534		CIRCUIT BREAKER INSTL-FMCS MCDU 1 P18-2/A7 MODULE NUMBER: 233A5522-201238 REV B	037037 039040	1

MISSING ITEM NUMBERS NOT APPLICABLE

- ITEM NOT ILLUSTRATED

HAP

24-50-59-78

BOEING PROPRIETARY - Copyright © - Unpublished Work - See title page for details.

24-50-59
FIG. 78
PAGE 3
FEB 10/07

BOEING
737-600/700/800/900
PARTS CATALOG (MAINTENANCE)

FIG ITEM	PART NUMBER	1 2 3 4 5 6 7	NOMENCLATURE	EFFECT FROM TO	UNITS PER ASSY
78 105	2TC47-3		.CIRCUIT BREAKER- SUPPLIER CODE: V82647 SPECIFICATION NUMBER: BACC18AD3 OPTIONAL PART: 4310-029-3 V76374 ELECTRICAL EQUIP NUMBER: C01238	037037 039040	1
- 120	MODREF250533		CIRCUIT BREAKER INSTL-FMCS BITE DC P18-2/B10 MODULE NUMBER: 233A5522-201192 REV B	037037 039040	1
125	2TC47-3		.CIRCUIT BREAKER- SUPPLIER CODE: V82647 SPECIFICATION NUMBER: BACC18AD3 OPTIONAL PART: 4310-029-3 V76374 ELECTRICAL EQUIP NUMBER: C01192	037037 039040	1
- 130	MODREF250546		CIRCUIT BREAKER INSTL- VOICE RCDR RELAY P18-2/C7 MODULE NUMBER: 233A5522-201537 REV B	037037 039040	1
135	2TC47-2-5		.CIRCUIT BREAKER- SUPPLIER CODE: V82647 SPECIFICATION NUMBER: BACC18AD2 OPTIONAL PART: 4310-029-205 V76374 ELECTRICAL EQUIP NUMBER: C01537	037037 039040	1
- 140	MODREF250527		CIRCUIT BREAKER INSTL-VOICE RCDR P18-2/D7 MODULE NUMBER: 233A5522-200107 REV B	037037 039040	1

MISSING ITEM NUMBERS NOT APPLICABLE

- ITEM NOT ILLUSTRATED

HAP

24-50-59-78

BOEING PROPRIETARY - Copyright © - Unpublished Work - See title page for details.

24-50-59
FIG. 78
PAGE 4
FEB 10/07

BOEING
737-600/700/800/900
PARTS CATALOG (MAINTENANCE)

FIG ITEM	PART NUMBER	1 2 3 4 5 6 7	NOMENCLATURE	EFFECT FROM TO	UNITS PER ASSY
78 145	2TC47-2-5		.CIRCUIT BREAKER- SUPPLIER CODE: V82647 SPECIFICATION NUMBER: BACC18AD2 OPTIONAL PART: 4310-029-205 V76374 ELECTRICAL EQUIP NUMBER: C00107	037037 039040	1
- 150	MODREF250547		CIRCUIT BREAKER INSTL- ISFD P18-2/D8 MODULE NUMBER: 233A5522-201551 REV B	037037 039040	1
155	2TC47-5		.CIRCUIT BREAKER- SUPPLIER CODE: V82647 SPECIFICATION NUMBER: BACC18AD5 OPTIONAL PART: 4310-029-5 V76374 ELECTRICAL EQUIP NUMBER: C01551	037037 039040	1
- 160	MODREF250529		CIRCUIT BREAKER INSTL- COMMUNICATIONS VHF 3 P18-2/D12 MODULE NUMBER: 233A5522-200471 REV B	037037 039040	1
165	2TC47-10		.CIRCUIT BREAKER- SUPPLIER CODE: V82647 SPECIFICATION NUMBER: BACC18AD10 OPTIONAL PART: 4310-029-10 V76374 ELECTRICAL EQUIP NUMBER: C00471	037037 039040	1
- 170	MODREF250526		CIRCUIT BREAKER INSTL- COMMUNICATIONS SECAL P18-2/D15 MODULE NUMBER: 233A5522-200058 REV B	037037 039040	1

MISSING ITEM NUMBERS NOT APPLICABLE

- ITEM NOT ILLUSTRATED

HAP

24-50-59-78

BOEING PROPRIETARY - Copyright © - Unpublished Work - See title page for details.

24-50-59
FIG. 78
PAGE 5
FEB 10/07

BOEING
737-600/700/800/900
PARTS CATALOG (MAINTENANCE)

FIG ITEM	PART NUMBER	1 2 3 4 5 6 7	NOMENCLATURE	EFFECT FROM TO	UNITS PER ASSY
78 175	2TC47-3		.CIRCUIT BREAKER- SUPPLIER CODE: V82647 SPECIFICATION NUMBER: BACC18AD3 OPTIONAL PART: 4310-029-3 V76374 ELECTRICAL EQUIP NUMBER: C00058	037037 039040	1
- 180	MODREF250530		CIRCUIT BREAKER INSTL- COMMUNICATIONS HF 1 P18-2/E11 MODULE NUMBER: 233A5522-200839 REV B	037037 039040	1
185	6TC6-5		.CIRCUIT BREAKER- SUPPLIER CODE: V82647 SPECIFICATION NUMBER: BACC18AC5 OPTIONAL PART: 4330-004-5 V76374 ELECTRICAL EQUIP NUMBER: C00839	037037 039040	1
- 300	MODREF250561		PLUG BUTTON INSTL- P18-2/A2 MODULE NUMBER: 233A5522-382102 REV B	037037 039040	1
305	BS51338D5003		.PLUG- SUPPLIER CODE: V83058 SPECIFICATION NUMBER: BACP20B63B OPTIONAL PART: 51338 V83058 MISCELLANEOUS DATA: USE IN PLACE OF CIRCUIT BREAKERS ON OPEN HOLES	037037 039040	1
- 310	MODREF250562		PLUG BUTTON INSTL- P18-2/A8 MODULE NUMBER: 233A5522-382108 REV B	037037 039040	1

MISSING ITEM NUMBERS NOT APPLICABLE

- ITEM NOT ILLUSTRATED

HAP

24-50-59-78

BOEING PROPRIETARY - Copyright © - Unpublished Work - See title page for details.

24-50-59
FIG. 78
PAGE 6
FEB 10/07

BOEING
737-600/700/800/900
PARTS CATALOG (MAINTENANCE)

FIG ITEM	PART NUMBER	1 2 3 4 5 6 7	NOMENCLATURE	EFFECT FROM TO	UNITS PER ASSY
78 315	BS51338D5003		.PLUG- SUPPLIER CODE: V83058 SPECIFICATION NUMBER: BACP20B63B OPTIONAL PART: 51338 V83058 MISCELLANEOUS DATA: USE IN PLACE OF CIRCUIT BREAKERS ON OPEN HOLES	037037 039040	1
- 317	MODREF250563		PLUG BUTTON INSTL- P18-2/B9 MODULE NUMBER: 233A5522-382209 REV B	037037 039040	1
318	BS51338D5003		.PLUG- SUPPLIER CODE: V83058 SPECIFICATION NUMBER: BACP20B63B OPTIONAL PART: 51338 V83058 MISCELLANEOUS DATA: USE IN PLACE OF CIRCUIT BREAKERS ON OPEN HOLES	037037 039040	1
- 320	MODREF250565		PLUG BUTTON INSTL- P18-2/C1 MODULE NUMBER: 233A5522-382301 REV B	037037 039040	1
325	BS51338D5003		.PLUG- SUPPLIER CODE: V83058 SPECIFICATION NUMBER: BACP20B63B OPTIONAL PART: 51338 V83058 MISCELLANEOUS DATA: USE IN PLACE OF CIRCUIT BREAKERS ON OPEN HOLES	037037 039040	1
- 330	MODREF250566		PLUG BUTTON INSTL- P18-2/C2 MODULE NUMBER: 233A5522-382302 REV B	037037 039040	1

MISSING ITEM NUMBERS NOT APPLICABLE

- ITEM NOT ILLUSTRATED

HAP

24-50-59-78

BOEING PROPRIETARY - Copyright © - Unpublished Work - See title page for details.

24-50-59
FIG. 78
PAGE 7
FEB 10/07

BOEING
737-600/700/800/900
PARTS CATALOG (MAINTENANCE)

FIG ITEM	PART NUMBER	1 2 3 4 5 6 7	NOMENCLATURE	EFFECT FROM TO	UNITS PER ASSY
78 335	BS51338D5003		.PLUG- SUPPLIER CODE: V83058 SPECIFICATION NUMBER: BACP20B63B OPTIONAL PART: 51338 V83058 MISCELLANEOUS DATA: USE IN PLACE OF CIRCUIT BREAKERS ON OPEN HOLES	037037 039040	1
- 340	MODREF250567		PLUG BUTTON INSTL- P18-2/C3 MODULE NUMBER: 233A5522-382303 REV B	037037 039040	1
345	BS51338D5003		.PLUG- SUPPLIER CODE: V83058 SPECIFICATION NUMBER: BACP20B63B OPTIONAL PART: 51338 V83058 MISCELLANEOUS DATA: USE IN PLACE OF CIRCUIT BREAKERS ON OPEN HOLES	037037 039040	1
- 350	MODREF250568		PLUG BUTTON INSTL- P18-2/C4 MODULE NUMBER: 233A5522-382304 REV B	037037 039040	1
355	BS51338D5003		.PLUG- SUPPLIER CODE: V83058 SPECIFICATION NUMBER: BACP20B63B OPTIONAL PART: 51338 V83058 MISCELLANEOUS DATA: USE IN PLACE OF CIRCUIT BREAKERS ON OPEN HOLES	037037 039040	1
- 360	MODREF250569		PLUG BUTTON INSTL- P18-2/C5 MODULE NUMBER: 233A5522-382305 REV B	037037 039040	1

MISSING ITEM NUMBERS NOT APPLICABLE

- ITEM NOT ILLUSTRATED

HAP

24-50-59-78

BOEING PROPRIETARY - Copyright © - Unpublished Work - See title page for details.

24-50-59
FIG. 78
PAGE 8
FEB 10/07

BOEING
737-600/700/800/900
PARTS CATALOG (MAINTENANCE)

FIG ITEM	PART NUMBER	1 2 3 4 5 6 7	NOMENCLATURE	EFFECT FROM TO	UNITS PER ASSY
78 365	BS51338D5003		.PLUG- SUPPLIER CODE: V83058 SPECIFICATION NUMBER: BACP20B63B OPTIONAL PART: 51338 V83058 MISCELLANEOUS DATA: USE IN PLACE OF CIRCUIT BREAKERS ON OPEN HOLES	037037 039040	1
- 370	MODREF250570		PLUG BUTTON INSTL- P18-2/C6 MODULE NUMBER: 233A5522-382306 REV B	037037 039040	1
375	BS51338D5003		.PLUG- SUPPLIER CODE: V83058 SPECIFICATION NUMBER: BACP20B63B OPTIONAL PART: 51338 V83058 MISCELLANEOUS DATA: USE IN PLACE OF CIRCUIT BREAKERS ON OPEN HOLES	037037 039040	1
- 380	MODREF250572		PLUG BUTTON INSTL- P18-2/D6 MODULE NUMBER: 233A5522-382406 REV B	037037 039040	1
385	BS51338D5003		.PLUG- SUPPLIER CODE: V83058 SPECIFICATION NUMBER: BACP20B63B OPTIONAL PART: 51338 V83058 MISCELLANEOUS DATA: USE IN PLACE OF CIRCUIT BREAKERS ON OPEN HOLES	037037 039040	1
- 390	MODREF250574		PLUG BUTTON INSTL- P18-2/D9 MODULE NUMBER: 233A5522-382409 REV B	037037 039040	1

MISSING ITEM NUMBERS NOT APPLICABLE

- ITEM NOT ILLUSTRATED

HAP

24-50-59-78

BOEING PROPRIETARY - Copyright © - Unpublished Work - See title page for details.

24-50-59
FIG. 78
PAGE 9
FEB 10/07

BOEING
737-600/700/800/900
PARTS CATALOG (MAINTENANCE)

FIG ITEM	PART NUMBER	1 2 3 4 5 6 7	NOMENCLATURE	EFFECT FROM TO	UNITS PER ASSY
78 395	BS51338D5003		.PLUG- SUPPLIER CODE: V83058 SPECIFICATION NUMBER: BACP20B63B OPTIONAL PART: 51338 V83058 MISCELLANEOUS DATA: USE IN PLACE OF CIRCUIT BREAKERS ON OPEN HOLES	037037 039040	1
- 400	MODREF250575		PLUG BUTTON INSTL- P18-2/D10 MODULE NUMBER: 233A5522-382410 REV B	037037 039040	1
405	BS51338D5003		.PLUG- SUPPLIER CODE: V83058 SPECIFICATION NUMBER: BACP20B63B OPTIONAL PART: 51338 V83058 MISCELLANEOUS DATA: USE IN PLACE OF CIRCUIT BREAKERS ON OPEN HOLES	037037 039040	1
- 410	MODREF250577		PLUG BUTTON INSTL- P18-2/D13 MODULE NUMBER: 233A5522-382413 REV B	037037 039040	1
415	BS51338D5003		.PLUG- SUPPLIER CODE: V83058 SPECIFICATION NUMBER: BACP20B63B OPTIONAL PART: 51338 V83058 MISCELLANEOUS DATA: USE IN PLACE OF CIRCUIT BREAKERS ON OPEN HOLES	037037 039040	1
- 420	MODREF250578		PLUG BUTTON INSTL- P18-2/D14 MODULE NUMBER: 233A5522-382414 REV B	037037 039040	1

MISSING ITEM NUMBERS NOT APPLICABLE

- ITEM NOT ILLUSTRATED

HAP

24-50-59-78

BOEING PROPRIETARY - Copyright © - Unpublished Work - See title page for details.

24-50-59
FIG. 78
PAGE 10
FEB 10/07

BOEING
737-600/700/800/900
PARTS CATALOG (MAINTENANCE)

FIG ITEM	PART NUMBER	1 2 3 4 5 6 7	NOMENCLATURE	EFFECT FROM TO	UNITS PER ASSY
78 425	BS51338D5003		.PLUG- SUPPLIER CODE: V83058 SPECIFICATION NUMBER: BACP20B63B OPTIONAL PART: 51338 V83058 MISCELLANEOUS DATA: USE IN PLACE OF CIRCUIT BREAKERS ON OPEN HOLES	037037 039040	1
- 430	MODREF250580		PLUG BUTTON INSTL- P18-2/E9 MODULE NUMBER: 233A5522-382509 REV B	037037 039040	1
435	BS51338D5003		.PLUG- SUPPLIER CODE: V83058 SPECIFICATION NUMBER: BACP20B63B OPTIONAL PART: 51338 V83058 MISCELLANEOUS DATA: USE IN PLACE OF CIRCUIT BREAKERS ON OPEN HOLES	037037 039040	1
- 440	MODREF250581		PLUG BUTTON INSTL- P18-2/E10 MODULE NUMBER: 233A5522-382510 REV B	037037 039040	1
445	BS51338D5003		.PLUG- SUPPLIER CODE: V83058 SPECIFICATION NUMBER: BACP20B63B OPTIONAL PART: 51338 V83058 MISCELLANEOUS DATA: USE IN PLACE OF CIRCUIT BREAKERS ON OPEN HOLES	037037 039040	1
- 450	MODREF250583		PLUG BUTTON INSTL- P18-2/E12 MODULE NUMBER: 233A5522-382512 REV B	037037 039040	1

MISSING ITEM NUMBERS NOT APPLICABLE

- ITEM NOT ILLUSTRATED

HAP

24-50-59-78

BOEING PROPRIETARY - Copyright © - Unpublished Work - See title page for details.

24-50-59
FIG. 78
PAGE 11
FEB 10/07

BOEING
737-600/700/800/900
PARTS CATALOG (MAINTENANCE)

FIG ITEM	PART NUMBER	1 2 3 4 5 6 7	NOMENCLATURE	EFFECT FROM TO	UNITS PER ASSY
78 455	BS51338D5003		.PLUG- SUPPLIER CODE: V83058 SPECIFICATION NUMBER: BACP20B63B OPTIONAL PART: 51338 V83058 MISCELLANEOUS DATA: USE IN PLACE OF CIRCUIT BREAKERS ON OPEN HOLES	037037 039040	1
- 460	MODREF250584		PLUG BUTTON INSTL- P18-2/E13 MODULE NUMBER: 233A5522-382513 REV B	037037 039040	1
465	BS51338D5003		.PLUG- SUPPLIER CODE: V83058 SPECIFICATION NUMBER: BACP20B63B OPTIONAL PART: 51338 V83058 MISCELLANEOUS DATA: USE IN PLACE OF CIRCUIT BREAKERS ON OPEN HOLES	037037 039040	1
- 470	MODREF250585		PLUG BUTTON INSTL- P18-2/E14 MODULE NUMBER: 233A5522-382514 REV B	037037 039040	1
475	BS51338D5003		.PLUG- SUPPLIER CODE: V83058 SPECIFICATION NUMBER: BACP20B63B OPTIONAL PART: 51338 V83058 MISCELLANEOUS DATA: USE IN PLACE OF CIRCUIT BREAKERS ON OPEN HOLES	037037 039040	1
- 480	MODREF250586		PLUG BUTTON INSTL- P18-2/E15 MODULE NUMBER: 233A5522-382515 REV B	037037 039040	1

MISSING ITEM NUMBERS NOT APPLICABLE

- ITEM NOT ILLUSTRATED

HAP

24-50-59-78

BOEING PROPRIETARY - Copyright © - Unpublished Work - See title page for details.

24-50-59
FIG. 78
PAGE 12
FEB 10/07

BOEING
737-600/700/800/900
PARTS CATALOG (MAINTENANCE)

FIG ITEM	PART NUMBER	1 2 3 4 5 6 7	NOMENCLATURE	EFFECT FROM TO	UNITS PER ASSY
78 485	BS51338D5003		.PLUG- SUPPLIER CODE: V83058 SPECIFICATION NUMBER: BACP20B63B OPTIONAL PART: 51338 V83058 MISCELLANEOUS DATA: USE IN PLACE OF CIRCUIT BREAKERS ON OPEN HOLES	037037 039040	1
- 600	MODREF250629		INOP INSTL-P18-2/E11 (ELECTRICAL POWER ONLY) MODULE NUMBER: 233A5522-582511 REV B FOR OTHER SYS DETAILS SEE: 11-31-59-78	037037 039040	1
605	10237-1		.COLLAR- SUPPLIER CODE: V07RZ7	037037 039040	1

MISSING ITEM NUMBERS NOT APPLICABLE

- ITEM NOT ILLUSTRATED

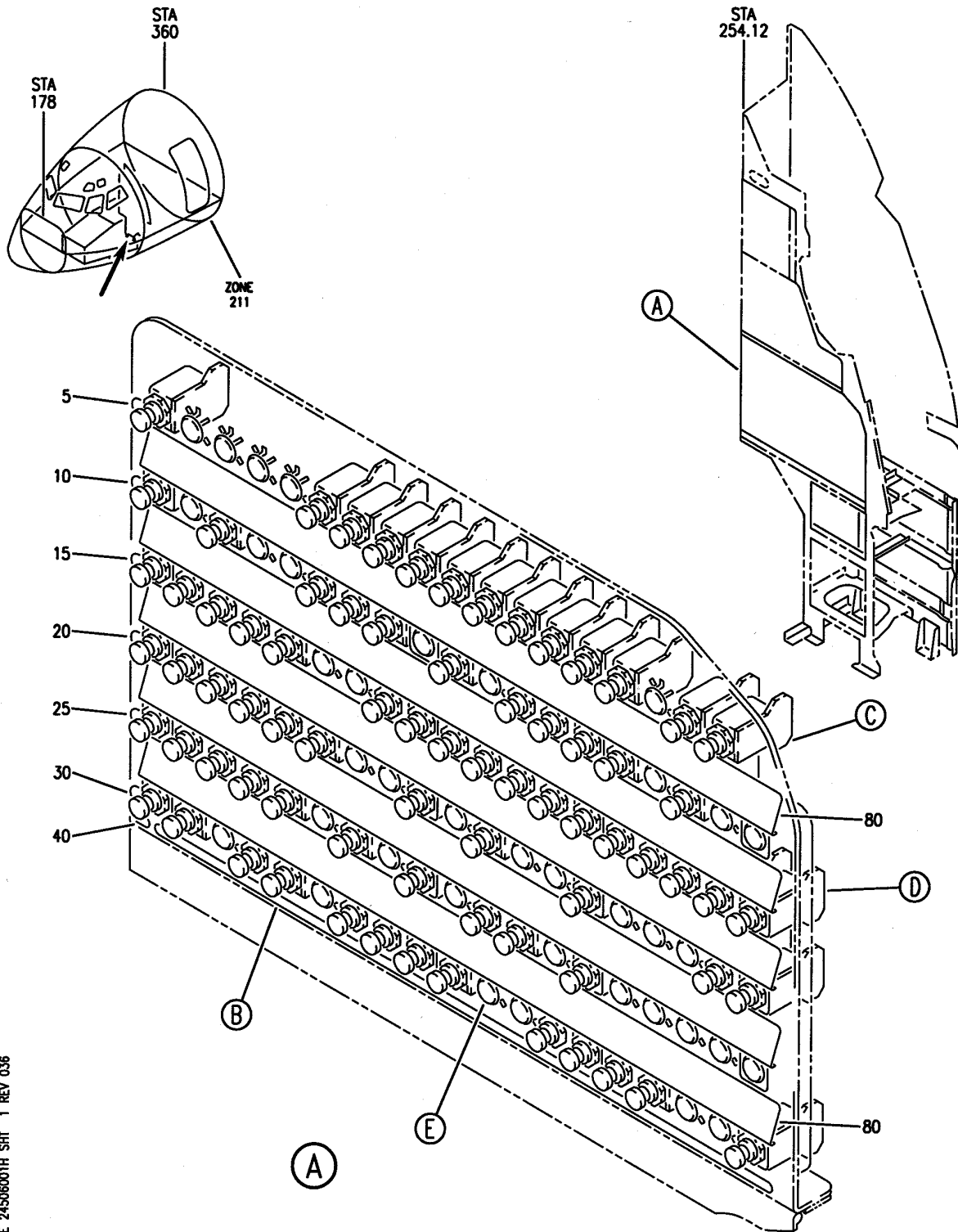
HAP

24-50-59-78

BOEING PROPRIETARY - Copyright © - Unpublished Work - See title page for details.

24-50-59
FIG. 78
PAGE 13
FEB 10/07

BOEING
 737-600/700/800/900
 PARTS CATALOG (MAINTENANCE)



E 24-50-60-01H SHT 1 REV 035

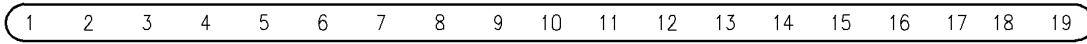
CIRCUIT BREAKER AND MARKER AND PLUG BUTTON INSTL-P18-3
 FIGURE 1H (SHEET 1)

24-50-60-01H

HAP
 OCT 10/06

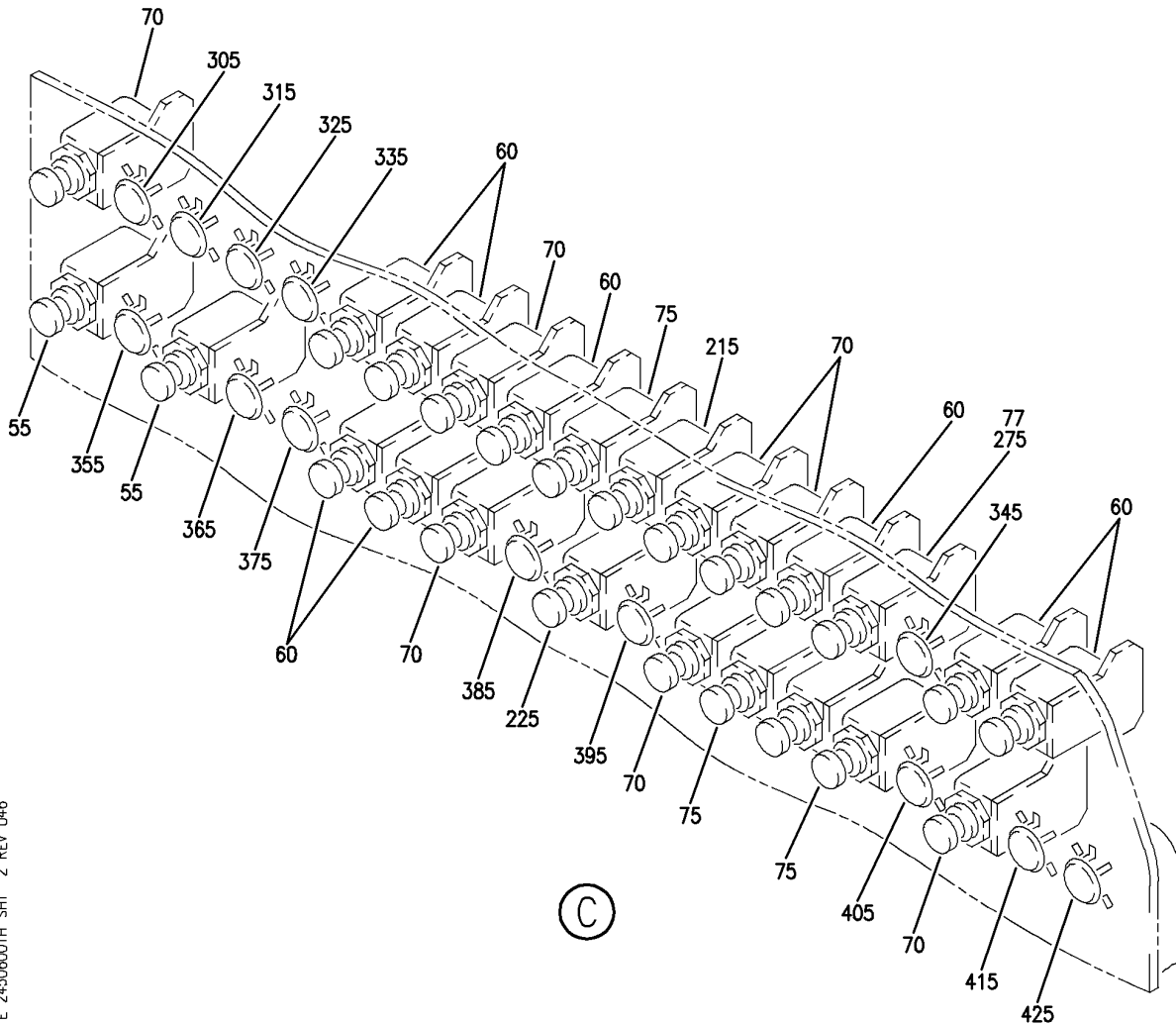
24-50-60-01H
 PAGE 0

BOEING
737-600/700/800/900
PARTS CATALOG (MAINTENANCE)



35

(B)



(C)

E 24506001H SHT 2 REV 046

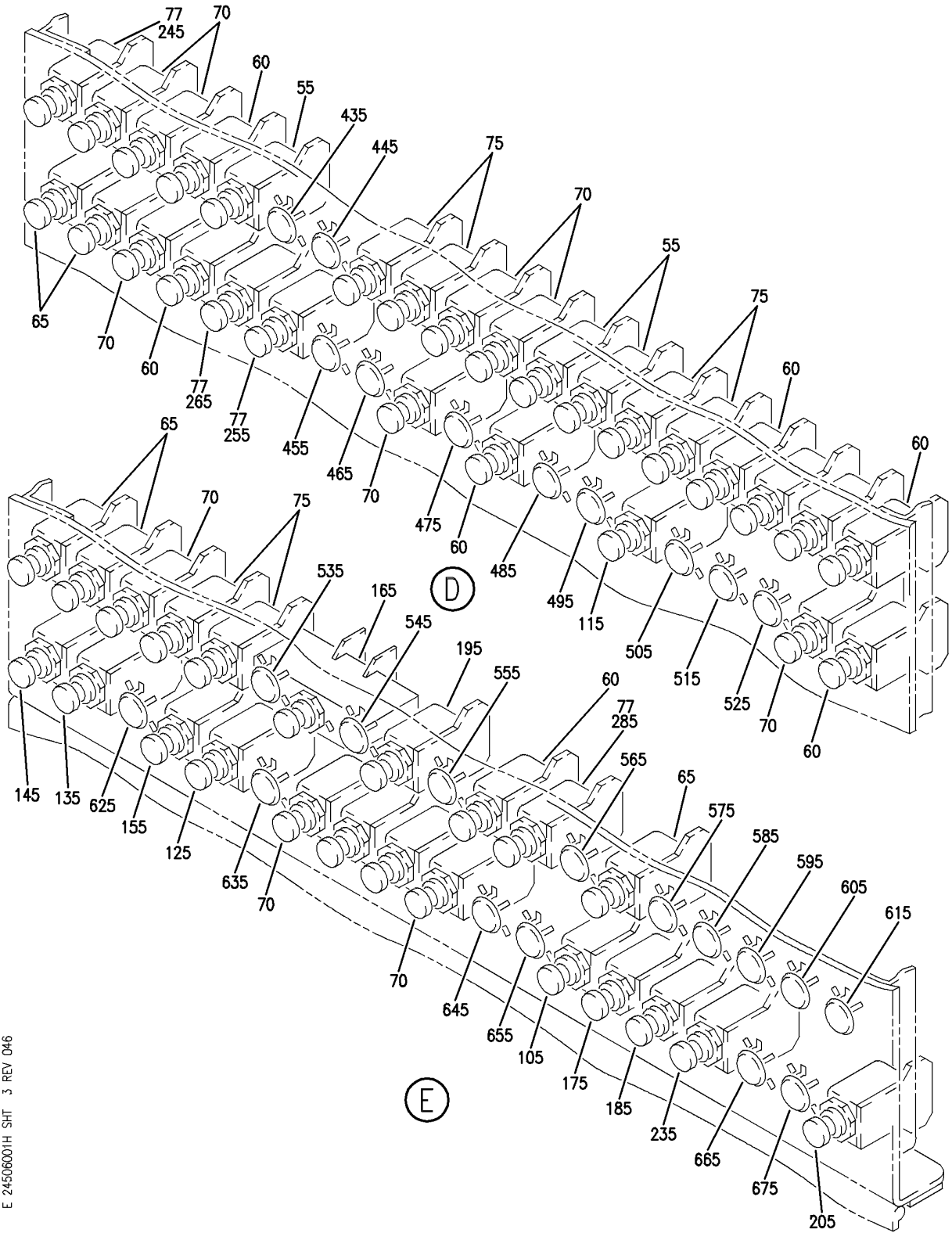
CIRCUIT BREAKER AND MARKER AND PLUG BUTTON INSTL-P18-3
 FIGURE 1H (SHEET 2)

24-50-60-01H

HAP
 OCT 10/06

24-50-60-01H
 PAGE 0A


BOEING
 737-600/700/800/900
PARTS CATALOG (MAINTENANCE)



E 24506001H SHT 3 REV 046

CIRCUIT BREAKER AND MARKER AND PLUG BUTTON INSTL-P18-3
FIGURE 1H (SHEET 3)

24-50-60-01H

HAP
OCT 10/06

24-50-60-01H
PAGE 0B

BOEING
737-600/700/800/900
PARTS CATALOG (MAINTENANCE)

FIG ITEM	PART NUMBER	1 2 3 4 5 6 7	NOMENCLATURE	EFFECT FROM TO	UNITS PER ASSY
1H			CIRCUIT BREAKER AND MARKER AND PLUG BUTTON INSTL- P18-3	008030	
- 1	233A5523-1		MARKER INSTL-P18-3 FOR NHA SEE: 24-50-00-13C	008030	RF
5	BAC27DCC3065		.MARKER- PLACARD CONTENT: A	008030	1
10	BAC27DCC3066		.MARKER- PLACARD CONTENT: B	008030	1
15	BAC27DCC3067		.MARKER- PLACARD CONTENT: C	008030	1
20	BAC27DCC3068		.MARKER- PLACARD CONTENT: D	008030	1
25	BAC27DCC3069		.MARKER- PLACARD CONTENT: E	008030	1
30	BAC27DCC3070		.MARKER- PLACARD CONTENT: F	008030	1
35	BAC27DCC2764		.DECAL	008030	1
40	BAC27DCC3082		.MARKER- PLACARD CONTENT: P18-3	008030	1
- 50	233A5523-2		CIRCUIT BREAKER INSTL- P18-3 FOR NHA SEE: 24-50-00-13C	008014	RF
- 50	233A5523-4		CIRCUIT BREAKER INSTL- P18-3 FOR NHA SEE: 24-50-00-13C	015030	RF

MISSING ITEM NUMBERS NOT APPLICABLE

- ITEM NOT ILLUSTRATED

HAP

24-50-60-01H

BOEING PROPRIETARY - Copyright © - Unpublished Work - See title page for details.

24-50-60
FIG. 01H
PAGE 1
OCT 10/06

BOEING
737-600/700/800/900
PARTS CATALOG (MAINTENANCE)

FIG ITEM	PART NUMBER	1 2 3 4 5 6 7	NOMENCLATURE	EFFECT FROM TO	UNITS PER ASSY
1H 55	2TC47-10		.CIRCUIT BREAKER- SUPPLIER CODE: V82647 SPECIFICATION NUMBER: BACC18AD10 OPTIONAL PART: 4310-029-10 V76374 ELECTRICAL EQUIP NUMBER: C00055 C00054 C02046 C00245 C00244	008030	5
60	2TC47-2-5		.CIRCUIT BREAKER- SUPPLIER CODE: V82647 SPECIFICATION NUMBER: BACC18AD2 OPTIONAL PART: 4310-029-205 V76374 ELECTRICAL EQUIP NUMBER: C00148 C01001 C00073 C00110 C01433 C01434 C00149 C01002 C00236 C01523 C01522 C01525 C01524 C00237 C00442 C01423 C01274	008030	17

MISSING ITEM NUMBERS NOT APPLICABLE

— ITEM NOT ILLUSTRATED

HAP

24-50-60-01H

BOEING PROPRIETARY - Copyright © - Unpublished Work - See title page for details.

24-50-60
FIG. 01H
PAGE 2
OCT 10/06

BOEING
737-600/700/800/900
PARTS CATALOG (MAINTENANCE)

FIG ITEM	PART NUMBER	1 2 3 4 5 6 7	NOMENCLATURE	EFFECT FROM TO	UNITS PER ASSY
1H 65	2TC47-3		.CIRCUIT BREAKER- SUPPLIER CODE: V82647 SPECIFICATION NUMBER: BACC18AD3 OPTIONAL PART: 4310-029-3 V76374 ELECTRICAL EQUIP NUMBER: C00226 C00225 C00224 C00227 C00163	008030	5
70	2TC47-5		.CIRCUIT BREAKER- SUPPLIER CODE: V82647 SPECIFICATION NUMBER: BACC18AD5 OPTIONAL PART: 4310-029-5 V76374 ELECTRICAL EQUIP NUMBER: C00146 C01403 C00113 C00114 C01404 C00111 C01526 C00238 C01072 C01408 C01407 C01071 C01217 C01463 C00234 C00156 C00785 C00784 C00783	008030	19

MISSING ITEM NUMBERS NOT APPLICABLE

— ITEM NOT ILLUSTRATED

HAP

24-50-60-01H

BOEING PROPRIETARY - Copyright © - Unpublished Work - See title page for details.

24-50-60
FIG. 01H
PAGE 3
OCT 10/06

BOEING
737-600/700/800/900
PARTS CATALOG (MAINTENANCE)

FIG ITEM	PART NUMBER	1 2 3 4 5 6 7	NOMENCLATURE	EFFECT FROM TO	UNITS PER ASSY
1H 75	2TC47-7-5		.CIRCUIT BREAKER- SUPPLIER CODE: V82647 SPECIFICATION NUMBER: BACC18AD7 OPTIONAL PART: 4310-029-705 V76374 ELECTRICAL EQUIP NUMBER: C01357 C00115 C00274 C00271 C01406 C01405 C00272 C00273 C00700 C00233	008030	10
77	2TC47-2-5		.CIRCUIT BREAKER- SUPPLIER CODE: V82647 SPECIFICATION NUMBER: BACC18AD2 OPTIONAL PART: 4310-029-205 V76374 ELECTRICAL EQUIP NUMBER: C00523 C00524 C00525 C00644 C01125	008014	5
80 - 100	233A5511-11 233A5523-200104		.SUPPORT-MARKER CIRCUIT BREAKER INSTL- P18-3 FOR NHA SEE: 24-50-00-13C	008030 008030	5 RF
105	2TC47-5		.CIRCUIT BREAKER- SUPPLIER CODE: V82647 SPECIFICATION NUMBER: BACC18AD5 OPTIONAL PART: 4310-029-5 V76374 ELECTRICAL EQUIP NUMBER: C00104	008030	1

MISSING ITEM NUMBERS NOT APPLICABLE

- ITEM NOT ILLUSTRATED

HAP

24-50-60-01H

BOEING PROPRIETARY - Copyright © - Unpublished Work - See title page for details.

24-50-60
FIG. 01H
PAGE 4
OCT 10/06

BOEING
737-600/700/800/900
PARTS CATALOG (MAINTENANCE)

FIG ITEM	PART NUMBER	1 2 3 4 5 6 7	NOMENCLATURE	EFFECT FROM TO	UNITS PER ASSY
1H - 110	233A5523-200123		CIRCUIT BREAKER INSTL- P18-3 FOR NHA SEE: 24-50-00-13C	008030	RF
115	2TC47-10		.CIRCUIT BREAKER- SUPPLIER CODE: V82647 SPECIFICATION NUMBER: BACC18AD10 OPTIONAL PART: 4310-029-10 V76374 ELECTRICAL EQUIP NUMBER: C00123	008030	1
- 120	233A5523-200220		CIRCUIT BREAKER INSTL- P18-3 FOR NHA SEE: 24-50-00-13C	008030	RF
125	2TC47-2-5		.CIRCUIT BREAKER- SUPPLIER CODE: V82647 SPECIFICATION NUMBER: BACC18AD2 OPTIONAL PART: 4310-029-205 V76374 ELECTRICAL EQUIP NUMBER: C00220	008030	1
- 130	233A5523-200221		CIRCUIT BREAKER INSTL- P18-3 FOR NHA SEE: 24-50-00-13C	008030	RF
135	2TC47-2-5		.CIRCUIT BREAKER- SUPPLIER CODE: V82647 SPECIFICATION NUMBER: BACC18AD2 OPTIONAL PART: 4310-029-205 V76374 ELECTRICAL EQUIP NUMBER: C00221	008030	1
- 140	233A5523-200222		CIRCUIT BREAKER INSTL- P18-3 FOR NHA SEE: 24-50-00-13C	008030	RF

MISSING ITEM NUMBERS NOT APPLICABLE

- ITEM NOT ILLUSTRATED

HAP

24-50-60-01H

BOEING PROPRIETARY - Copyright © - Unpublished Work - See title page for details.

24-50-60
FIG. 01H
PAGE 5
OCT 10/06

BOEING
737-600/700/800/900
PARTS CATALOG (MAINTENANCE)

FIG ITEM	PART NUMBER	1 2 3 4 5 6 7	NOMENCLATURE	EFFECT FROM TO	UNITS PER ASSY
1H 145	2TC47-2-5		.CIRCUIT BREAKER- SUPPLIER CODE: V82647 SPECIFICATION NUMBER: BACC18AD2 OPTIONAL PART: 4310-029-205 V76374 ELECTRICAL EQUIP NUMBER: C00222	008030	1
- 150	233A5523-200223		CIRCUIT BREAKER INSTL- P18-3 FOR NHA SEE: 24-50-00-13C	008030	RF
155	2TC47-2-5		.CIRCUIT BREAKER- SUPPLIER CODE: V82647 SPECIFICATION NUMBER: BACC18AD2 OPTIONAL PART: 4310-029-205 V76374 ELECTRICAL EQUIP NUMBER: C00223	008030	1
- 160	233A5523-200911		CIRCUIT BREAKER INSTL- P18-3 FOR NHA SEE: 24-50-00-13C	008030	RF
165	9TC620		.CIRCUIT BREAKER- SUPPLIER CODE: V82647 SPECIFICATION NUMBER: BACC18AE20 ELECTRICAL EQUIP NUMBER: C00911	008030	1
- 170	233A5523-201073		CIRCUIT BREAKER INSTL- P18-3 FOR NHA SEE: 24-50-00-13C	008030	RF
175	2TC47-5		.CIRCUIT BREAKER- SUPPLIER CODE: V82647 SPECIFICATION NUMBER: BACC18AD5 OPTIONAL PART: 4310-029-5 V76374 ELECTRICAL EQUIP NUMBER: C01073	008030	1

MISSING ITEM NUMBERS NOT APPLICABLE

- ITEM NOT ILLUSTRATED

HAP

24-50-60-01H

BOEING PROPRIETARY - Copyright © - Unpublished Work - See title page for details.

24-50-60
FIG. 01H
PAGE 6
OCT 10/06

BOEING
737-600/700/800/900
PARTS CATALOG (MAINTENANCE)

FIG ITEM	PART NUMBER	1 2 3 4 5 6 7	NOMENCLATURE	EFFECT FROM TO	UNITS PER ASSY
1H - 180	233A5523-201096		CIRCUIT BREAKER INSTL- P18-3 FOR NHA SEE: 24-50-00-13C	008030	RF
185	2TC47-5		.CIRCUIT BREAKER- SUPPLIER CODE: V82647 SPECIFICATION NUMBER: BACC18AD5 OPTIONAL PART: 4310-029-5 V76374 ELECTRICAL EQUIP NUMBER: C01096	008030	1
- 190	233A5523-201156		CIRCUIT BREAKER INSTL- P18-3 FOR NHA SEE: 24-50-00-13C	008030	RF
195	2TC47-2-5		.CIRCUIT BREAKER- SUPPLIER CODE: V82647 SPECIFICATION NUMBER: BACC18AD2 OPTIONAL PART: 4310-029-205 V76374 ELECTRICAL EQUIP NUMBER: C01156	008030	1
- 200	233A5523-201460		CIRCUIT BREAKER INSTL- P18-3 FOR NHA SEE: 24-50-00-13C	008030	RF
205	4310-029-15		.CIRCUIT BREAKER- SUPPLIER CODE: V76374 SPECIFICATION NUMBER: BACC18AD15 OPTIONAL PART: 2TC47-15 V82647 ELECTRICAL EQUIP NUMBER: C01460	008030	1
- 210	233A5523-210250		CIRCUIT BREAKER INSTL- P18-3 FOR NHA SEE: 24-50-00-13C	008030	RF

MISSING ITEM NUMBERS NOT APPLICABLE

- ITEM NOT ILLUSTRATED

HAP

24-50-60-01H

BOEING PROPRIETARY - Copyright © - Unpublished Work - See title page for details.

24-50-60
FIG. 01H
PAGE 7
OCT 10/06


BOEING
 737-600/700/800/900
PARTS CATALOG (MAINTENANCE)

FIG ITEM	PART NUMBER	1 2 3 4 5 6 7	NOMENCLATURE	EFFECT FROM TO	UNITS PER ASSY
1H 215	2TC47-7-5		.CIRCUIT BREAKER- SUPPLIER CODE: V82647 SPECIFICATION NUMBER: BACC18AD7 OPTIONAL PART: 4310-029-705 V76374 ELECTRICAL EQUIP NUMBER: C00250	008030	1
- 220	233A5523-211358		CIRCUIT BREAKER INSTL- P18-3 FOR NHA SEE: 24-50-00-13C	008030	RF
225	2TC47-7-5		.CIRCUIT BREAKER- SUPPLIER CODE: V82647 SPECIFICATION NUMBER: BACC18AD7 OPTIONAL PART: 4310-029-705 V76374 ELECTRICAL EQUIP NUMBER: C01358	008030	1
- 230	233A5523-211473		CIRCUIT BREAKER INSTL- P18-3 FOR NHA SEE: 24-50-00-13C	008030	RF
235	2TC47-5		.CIRCUIT BREAKER- SUPPLIER CODE: V82647 SPECIFICATION NUMBER: BACC18AD5 OPTIONAL PART: 4310-029-5 V76374 ELECTRICAL EQUIP NUMBER: C01473	008030	1
- 240	233A5523-200523		CIRCUIT BREAKER INSTL- P18-3 FOR NHA SEE: 24-50-00-13C	015030	RF

MISSING ITEM NUMBERS NOT APPLICABLE

- ITEM NOT ILLUSTRATED

HAP

24-50-60-01H

BOEING PROPRIETARY - Copyright © - Unpublished Work - See title page for details.

24-50-60
 FIG. 01H
 PAGE 8
 OCT 10/06

BOEING
737-600/700/800/900
PARTS CATALOG (MAINTENANCE)

FIG ITEM	PART NUMBER	1 2 3 4 5 6 7	NOMENCLATURE	EFFECT FROM TO	UNITS PER ASSY
1H 245	2TC47-2-5		.CIRCUIT BREAKER- SUPPLIER CODE: V82647 SPECIFICATION NUMBER: BACC18AD2 OPTIONAL PART: 4310-029-205 V76374 ELECTRICAL EQUIP NUMBER: C00523	015030	1
- 250	233A5523-200524		CIRCUIT BREAKER INSTL- P18-3 FOR NHA SEE: 24-50-00-13C	015030	RF
255	2TC47-2-5		.CIRCUIT BREAKER- SUPPLIER CODE: V82647 SPECIFICATION NUMBER: BACC18AD2 OPTIONAL PART: 4310-029-205 V76374 ELECTRICAL EQUIP NUMBER: C00524	015030	1
- 260	233A5523-200525		CIRCUIT BREAKER INSTL- P18-3 FOR NHA SEE: 24-50-00-13C	015030	RF
265	2TC47-2-5		.CIRCUIT BREAKER- SUPPLIER CODE: V82647 SPECIFICATION NUMBER: BACC18AD2 OPTIONAL PART: 4310-029-205 V76374 ELECTRICAL EQUIP NUMBER: C00525	015030	1
- 270	233A5523-200644		CIRCUIT BREAKER INSTL- P18-3 FOR NHA SEE: 24-50-00-13C	015030	RF

MISSING ITEM NUMBERS NOT APPLICABLE

- ITEM NOT ILLUSTRATED

HAP

24-50-60-01H

BOEING PROPRIETARY - Copyright © - Unpublished Work - See title page for details.

24-50-60
FIG. 01H
PAGE 9
OCT 10/06

BOEING
737-600/700/800/900
PARTS CATALOG (MAINTENANCE)

FIG ITEM	PART NUMBER	1 2 3 4 5 6 7	NOMENCLATURE	EFFECT FROM TO	UNITS PER ASSY
1H 275	2TC47-2-5		.CIRCUIT BREAKER- SUPPLIER CODE: V82647 SPECIFICATION NUMBER: BACC18AD2 OPTIONAL PART: 4310-029-205 V76374 ELECTRICAL EQUIP NUMBER: C00644	015030	1
- 280	233A5523-201125		CIRCUIT BREAKER INSTL- P18-3 FOR NHA SEE: 24-50-00-13C	015030	RF
285	2TC47-2-5		.CIRCUIT BREAKER- SUPPLIER CODE: V82647 SPECIFICATION NUMBER: BACC18AD2 OPTIONAL PART: 4310-029-205 V76374 ELECTRICAL EQUIP NUMBER: C01125	015030	1
- 300	233A5523-383102		PLUG BUTTON INSTL- P18-3/A2 FOR NHA SEE: 24-50-00-13C	008030	RF
305	BS51338D5003		.PLUG SUPPLIER CODE: V83058 SPECIFICATION NUMBER: BACP20B63B OPTIONAL PART: 51338 V83058	008030	1
- 310	233A5523-383103		PLUG BUTTON INSTL- P18-3/A3 FOR NHA SEE: 24-50-00-13C	008030	RF
315	BS51338D5003		.PLUG SUPPLIER CODE: V83058 SPECIFICATION NUMBER: BACP20B63B OPTIONAL PART: 51338 V83058	008030	1

MISSING ITEM NUMBERS NOT APPLICABLE

- ITEM NOT ILLUSTRATED

HAP

24-50-60-01H

BOEING PROPRIETARY - Copyright © - Unpublished Work - See title page for details.

24-50-60
FIG. 01H
PAGE 10
OCT 10/06

 **BOEING**
737-600/700/800/900
PARTS CATALOG (MAINTENANCE)

FIG ITEM	PART NUMBER	1 2 3 4 5 6 7	NOMENCLATURE	EFFECT FROM TO	UNITS PER ASSY
1H - 320	233A5523-383104		PLUG BUTTON INSTL- P18-3/A4 FOR NHA SEE: 24-50-00-13C	008030	RF
325	BS51338D5003		.PLUG SUPPLIER CODE: V83058 SPECIFICATION NUMBER: BACP20B63B OPTIONAL PART: 51338 V83058	008030	1
- 330	233A5523-383105		PLUG BUTTON INSTL- P18-3/A5 FOR NHA SEE: 24-50-00-13C	008030	RF
335	BS51338D5003		.PLUG SUPPLIER CODE: V83058 SPECIFICATION NUMBER: BACP20B63B OPTIONAL PART: 51338 V83058	008030	1
- 340	233A5523-383116		PLUG BUTTON INSTL- P18-3/A16 FOR NHA SEE: 24-50-00-13C	008030	RF
345	BS51338D5003		.PLUG SUPPLIER CODE: V83058 SPECIFICATION NUMBER: BACP20B63B OPTIONAL PART: 51338 V83058	008030	1
- 350	233A5523-383202		PLUG BUTTON INSTL- P18-3/B2 FOR NHA SEE: 24-50-00-13C	008030	RF
355	BS51338D5003		.PLUG SUPPLIER CODE: V83058 SPECIFICATION NUMBER: BACP20B63B OPTIONAL PART: 51338 V83058	008030	1

MISSING ITEM NUMBERS NOT APPLICABLE

- ITEM NOT ILLUSTRATED

HAP

24-50-60-01H

BOEING PROPRIETARY - Copyright © - Unpublished Work - See title page for details.

24-50-60
FIG. 01H
PAGE 11
OCT 10/06

 **BOEING**
737-600/700/800/900
PARTS CATALOG (MAINTENANCE)

FIG ITEM	PART NUMBER	1 2 3 4 5 6 7	NOMENCLATURE	EFFECT FROM TO	UNITS PER ASSY
1H - 360	233A5523-383204		PLUG BUTTON INSTL- P18-3/B4 FOR NHA SEE: 24-50-00-13C	008030	RF
365	BS51338D5003		.PLUG SUPPLIER CODE: V83058 SPECIFICATION NUMBER: BACP20B63B OPTIONAL PART: 51338 V83058	008030	1
- 370	233A5523-383205		PLUG BUTTON INSTL- P18-3/B5 FOR NHA SEE: 24-50-00-13C	008030	RF
375	BS51338D5003		.PLUG SUPPLIER CODE: V83058 SPECIFICATION NUMBER: BACP20B63B OPTIONAL PART: 51338 V83058	008030	1
- 380	233A5523-383209		PLUG BUTTON INSTL- P18-3/B9 FOR NHA SEE: 24-50-00-13C	008030	RF
385	BS51338D5003		.PLUG SUPPLIER CODE: V83058 SPECIFICATION NUMBER: BACP20B63B OPTIONAL PART: 51338 V83058	008030	1
- 390	233A5523-383211		PLUG BUTTON INSTL- P18-3/B11 FOR NHA SEE: 24-50-00-13C	008030	RF
395	BS51338D5003		.PLUG SUPPLIER CODE: V83058 SPECIFICATION NUMBER: BACP20B63B OPTIONAL PART: 51338 V83058	008030	1

MISSING ITEM NUMBERS NOT APPLICABLE

- ITEM NOT ILLUSTRATED

HAP

24-50-60-01H

BOEING PROPRIETARY - Copyright © - Unpublished Work - See title page for details.

24-50-60
FIG. 01H
PAGE 12
OCT 10/06

 **BOEING**
737-600/700/800/900
PARTS CATALOG (MAINTENANCE)

FIG ITEM	PART NUMBER	1 2 3 4 5 6 7	NOMENCLATURE	EFFECT FROM TO	UNITS PER ASSY
1H					
- 400	233A5523-383216		PLUG BUTTON INSTL- P18-3/B16 FOR NHA SEE: 24-50-00-13C	008030	RF
405	BS51338D5003		.PLUG SUPPLIER CODE: V83058 SPECIFICATION NUMBER: BACP20B63B OPTIONAL PART: 51338 V83058	008030	1
- 410	233A5523-383218		PLUG BUTTON INSTL- P18-3/B18 FOR NHA SEE: 24-50-00-13C	008030	RF
415	BS51338D5003		.PLUG SUPPLIER CODE: V83058 SPECIFICATION NUMBER: BACP20B63B OPTIONAL PART: 51338 V83058	008030	1
- 420	233A5523-383219		PLUG BUTTON INSTL- P18-3/B19 FOR NHA SEE: 24-50-00-13C	008030	RF
425	BS51338D5003		.PLUG SUPPLIER CODE: V83058 SPECIFICATION NUMBER: BACP20B63B OPTIONAL PART: 51338 V83058	008030	1
- 430	233A5523-383306		PLUG BUTTON INSTL- P18-3/C6 FOR NHA SEE: 24-50-00-13C	008030	RF
435	BS51338D5003		.PLUG SUPPLIER CODE: V83058 SPECIFICATION NUMBER: BACP20B63B OPTIONAL PART: 51338 V83058	008030	1

MISSING ITEM NUMBERS NOT APPLICABLE

- ITEM NOT ILLUSTRATED

HAP

24-50-60-01H

BOEING PROPRIETARY - Copyright © - Unpublished Work - See title page for details.

24-50-60
FIG. 01H
PAGE 13
OCT 10/06

BOEING
737-600/700/800/900
PARTS CATALOG (MAINTENANCE)

FIG ITEM	PART NUMBER	1 2 3 4 5 6 7	NOMENCLATURE	EFFECT FROM TO	UNITS PER ASSY
1H					
- 440	233A5523-383307		PLUG BUTTON INSTL- P18-3/C7 FOR NHA SEE: 24-50-00-13C	008030	RF
445	BS51338D5003		.PLUG SUPPLIER CODE: V83058 SPECIFICATION NUMBER: BACP20B63B OPTIONAL PART: 51338 V83058	008030	1
- 450	233A5523-383407		PLUG BUTTON INSTL- P18-3/D7 FOR NHA SEE: 24-50-00-13C	008030	RF
455	BS51338D5003		.PLUG SUPPLIER CODE: V83058 SPECIFICATION NUMBER: BACP20B63B OPTIONAL PART: 51338 V83058	008030	1
- 460	233A5523-383408		PLUG BUTTON INSTL- P18-3/D8 FOR NHA SEE: 24-50-00-13C	008030	RF
465	BS51338D5003		.PLUG SUPPLIER CODE: V83058 SPECIFICATION NUMBER: BACP20B63B OPTIONAL PART: 51338 V83058	008030	1
- 470	233A5523-383410		PLUG BUTTON INSTL- P18-3/D10 FOR NHA SEE: 24-50-00-13C	008030	RF
475	BS51338D5003		.PLUG SUPPLIER CODE: V83058 SPECIFICATION NUMBER: BACP20B63B OPTIONAL PART: 51338 V83058	008030	1

MISSING ITEM NUMBERS NOT APPLICABLE

- ITEM NOT ILLUSTRATED

HAP

24-50-60-01H

BOEING PROPRIETARY - Copyright © - Unpublished Work - See title page for details.

24-50-60
FIG. 01H
PAGE 14
OCT 10/06

BOEING
737-600/700/800/900
PARTS CATALOG (MAINTENANCE)

FIG ITEM	PART NUMBER	1 2 3 4 5 6 7	NOMENCLATURE	EFFECT FROM TO	UNITS PER ASSY
1H - 480	233A5523-383412		PLUG BUTTON INSTL- P18-3/D12 FOR NHA SEE: 24-50-00-13C	008030	RF
485	BS51338D5003		.PLUG SUPPLIER CODE: V83058 SPECIFICATION NUMBER: BACP20B63B OPTIONAL PART: 51338 V83058	008030	1
- 490	233A5523-383413		PLUG BUTTON INSTL- P18-3/D13 FOR NHA SEE: 24-50-00-13C	008030	RF
495	BS51338D5003		.PLUG SUPPLIER CODE: V83058 SPECIFICATION NUMBER: BACP20B63B OPTIONAL PART: 51338 V83058	008030	1
- 500	233A5523-383415		PLUG BUTTON INSTL- P18-3/D15 FOR NHA SEE: 24-50-00-13C	008030	RF
505	BS51338D5003		.PLUG SUPPLIER CODE: V83058 SPECIFICATION NUMBER: BACP20B63B OPTIONAL PART: 51338 V83058	008030	1
- 510	233A5523-383416		PLUG BUTTON INSTL- P18-3/D16 FOR NHA SEE: 24-50-00-13C	008030	RF
515	BS51338D5003		.PLUG SUPPLIER CODE: V83058 SPECIFICATION NUMBER: BACP20B63B OPTIONAL PART: 51338 V83058	008030	1

MISSING ITEM NUMBERS NOT APPLICABLE

- ITEM NOT ILLUSTRATED

HAP

24-50-60-01H

BOEING PROPRIETARY - Copyright © - Unpublished Work - See title page for details.

24-50-60
FIG. 01H
PAGE 15
OCT 10/06

BOEING
737-600/700/800/900
PARTS CATALOG (MAINTENANCE)

FIG ITEM	PART NUMBER	1 2 3 4 5 6 7	NOMENCLATURE	EFFECT FROM TO	UNITS PER ASSY
1H - 520	233A5523-383417		PLUG BUTTON INSTL- P18-3/D17 FOR NHA SEE: 24-50-00-13C	008030	RF
525	BS51338D5003		.PLUG SUPPLIER CODE: V83058 SPECIFICATION NUMBER: BACP20B63B OPTIONAL PART: 51338 V83058	008030	1
- 530	233A5523-383506		PLUG BUTTON INSTL- P18-3/E6 FOR NHA SEE: 24-50-00-13C	008030	RF
535	BS51338D5003		.PLUG SUPPLIER CODE: V83058 SPECIFICATION NUMBER: BACP20B63B OPTIONAL PART: 51338 V83058	008030	1
- 540	233A5523-383508		PLUG BUTTON INSTL- P18-3/E8 FOR NHA SEE: 24-50-00-13C	008030	RF
545	BS51338D5003		.PLUG SUPPLIER CODE: V83058 SPECIFICATION NUMBER: BACP20B63B OPTIONAL PART: 51338 V83058	008030	1
- 550	233A5523-383510		PLUG BUTTON INSTL- P18-3/E10 FOR NHA SEE: 24-50-00-13C	008030	RF
555	BS51338D5003		.PLUG SUPPLIER CODE: V83058 SPECIFICATION NUMBER: BACP20B63B OPTIONAL PART: 51338 V83058	008030	1

MISSING ITEM NUMBERS NOT APPLICABLE

- ITEM NOT ILLUSTRATED

HAP

24-50-60-01H

BOEING PROPRIETARY - Copyright © - Unpublished Work - See title page for details.

24-50-60
FIG. 01H
PAGE 16
OCT 10/06

BOEING
737-600/700/800/900
PARTS CATALOG (MAINTENANCE)

FIG ITEM	PART NUMBER	1 2 3 4 5 6 7	NOMENCLATURE	EFFECT FROM TO	UNITS PER ASSY
1H - 560	233A5523-383513		PLUG BUTTON INSTL- P18-3/E13 FOR NHA SEE: 24-50-00-13C	008030	RF
565	BS51338D5003		.PLUG SUPPLIER CODE: V83058 SPECIFICATION NUMBER: BACP20B63B OPTIONAL PART: 51338 V83058	008030	1
- 570	233A5523-383515		PLUG BUTTON INSTL- P18-3/E15 FOR NHA SEE: 24-50-00-13C	008030	RF
575	BS51338D5003		.PLUG SUPPLIER CODE: V83058 SPECIFICATION NUMBER: BACP20B63B OPTIONAL PART: 51338 V83058	008030	1
- 580	233A5523-383516		PLUG BUTTON INSTL- P18-3/E16 FOR NHA SEE: 24-50-00-13C	008030	RF
585	BS51338D5003		.PLUG SUPPLIER CODE: V83058 SPECIFICATION NUMBER: BACP20B63B OPTIONAL PART: 51338 V83058	008030	1
- 590	233A5523-383517		PLUG BUTTON INSTL- P18-3/E17 FOR NHA SEE: 24-50-00-13C	008030	RF
595	BS51338D5003		.PLUG SUPPLIER CODE: V83058 SPECIFICATION NUMBER: BACP20B63B OPTIONAL PART: 51338 V83058	008030	1

MISSING ITEM NUMBERS NOT APPLICABLE

- ITEM NOT ILLUSTRATED

HAP

24-50-60-01H

BOEING PROPRIETARY - Copyright © - Unpublished Work - See title page for details.

24-50-60
FIG. 01H
PAGE 17
OCT 10/06

BOEING
737-600/700/800/900
PARTS CATALOG (MAINTENANCE)

FIG ITEM	PART NUMBER	1 2 3 4 5 6 7	NOMENCLATURE	EFFECT FROM TO	UNITS PER ASSY
1H - 600	233A5523-383518		PLUG BUTTON INSTL- P18-3/E18 FOR NHA SEE: 24-50-00-13C	008030	RF
605	BS51338D5003		.PLUG SUPPLIER CODE: V83058 SPECIFICATION NUMBER: BACP20B63B OPTIONAL PART: 51338 V83058	008030	1
- 610	233A5523-383519		PLUG BUTTON INSTL- P18-3/E19 FOR NHA SEE: 24-50-00-13C	008030	RF
615	BS51338D5003		.PLUG SUPPLIER CODE: V83058 SPECIFICATION NUMBER: BACP20B63B OPTIONAL PART: 51338 V83058	008030	1
- 620	233A5523-383603		PLUG BUTTON INSTL- P18-3/F3 FOR NHA SEE: 24-50-00-13C	008030	RF
625	BS51338D5003		.PLUG SUPPLIER CODE: V83058 SPECIFICATION NUMBER: BACP20B63B OPTIONAL PART: 51338 V83058	008030	1
- 630	233A5523-383606		PLUG BUTTON INSTL- P18-3/F6 FOR NHA SEE: 24-50-00-13C	008030	RF
635	BS51338D5003		.PLUG SUPPLIER CODE: V83058 SPECIFICATION NUMBER: BACP20B63B OPTIONAL PART: 51338 V83058	008030	1

MISSING ITEM NUMBERS NOT APPLICABLE

- ITEM NOT ILLUSTRATED

HAP

24-50-60-01H

BOEING PROPRIETARY - Copyright © - Unpublished Work - See title page for details.

24-50-60
FIG. 01H
PAGE 18
OCT 10/06

BOEING
737-600/700/800/900
PARTS CATALOG (MAINTENANCE)

FIG ITEM	PART NUMBER	1 2 3 4 5 6 7	NOMENCLATURE	EFFECT FROM TO	UNITS PER ASSY
1H - 640	233A5523-383611		PLUG BUTTON INSTL- P18-3/F11 FOR NHA SEE: 24-50-00-13C	008030	RF
645	BS51338D5003		.PLUG SUPPLIER CODE: V83058 SPECIFICATION NUMBER: BACP20B63B OPTIONAL PART: 51338 V83058	008030	1
- 650	233A5523-383612		PLUG BUTTON INSTL- P18-3/F12 FOR NHA SEE: 24-50-00-13C	008030	RF
655	BS51338D5003		.PLUG SUPPLIER CODE: V83058 SPECIFICATION NUMBER: BACP20B63B OPTIONAL PART: 51338 V83058	008030	1
- 660	233A5523-383617		PLUG BUTTON INSTL- P18-3/F17 FOR NHA SEE: 24-50-00-13C	008030	RF
665	BS51338D5003		.PLUG SUPPLIER CODE: V83058 SPECIFICATION NUMBER: BACP20B63B OPTIONAL PART: 51338 V83058	008030	1
- 670	233A5523-383618		PLUG BUTTON INSTL- P18-3/F18 FOR NHA SEE: 24-50-00-13C	008030	RF
675	BS51338D5003		.PLUG SUPPLIER CODE: V83058 SPECIFICATION NUMBER: BACP20B63B OPTIONAL PART: 51338 V83058	008030	1

MISSING ITEM NUMBERS NOT APPLICABLE

- ITEM NOT ILLUSTRATED

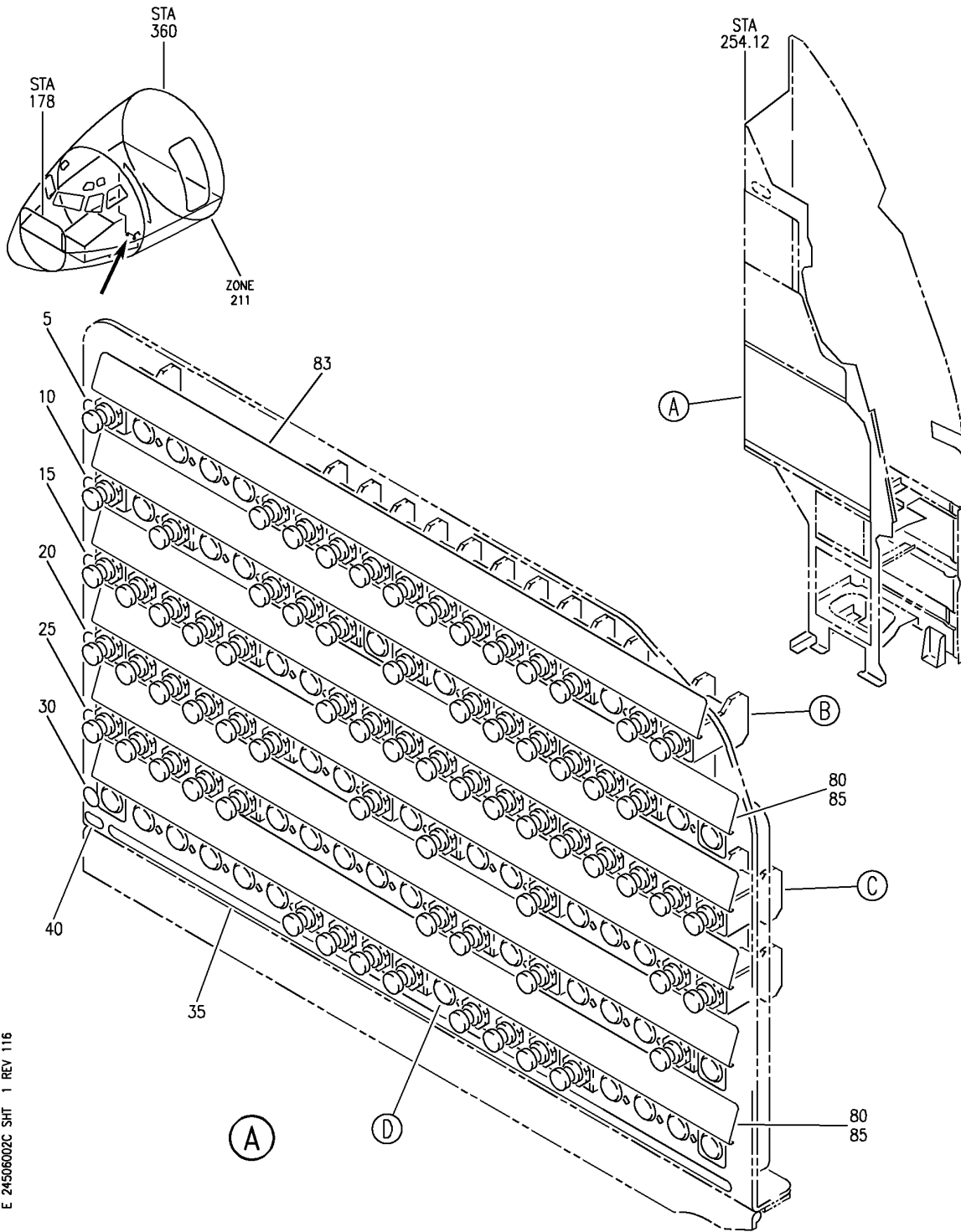
HAP

24-50-60-01H

BOEING PROPRIETARY - Copyright © - Unpublished Work - See title page for details.

24-50-60
FIG. 01H
PAGE 19
OCT 10/06

BOEING
 737-600/700/800/900
 PARTS CATALOG (MAINTENANCE)



E 24-50-60-02C SHT 1 REV 116

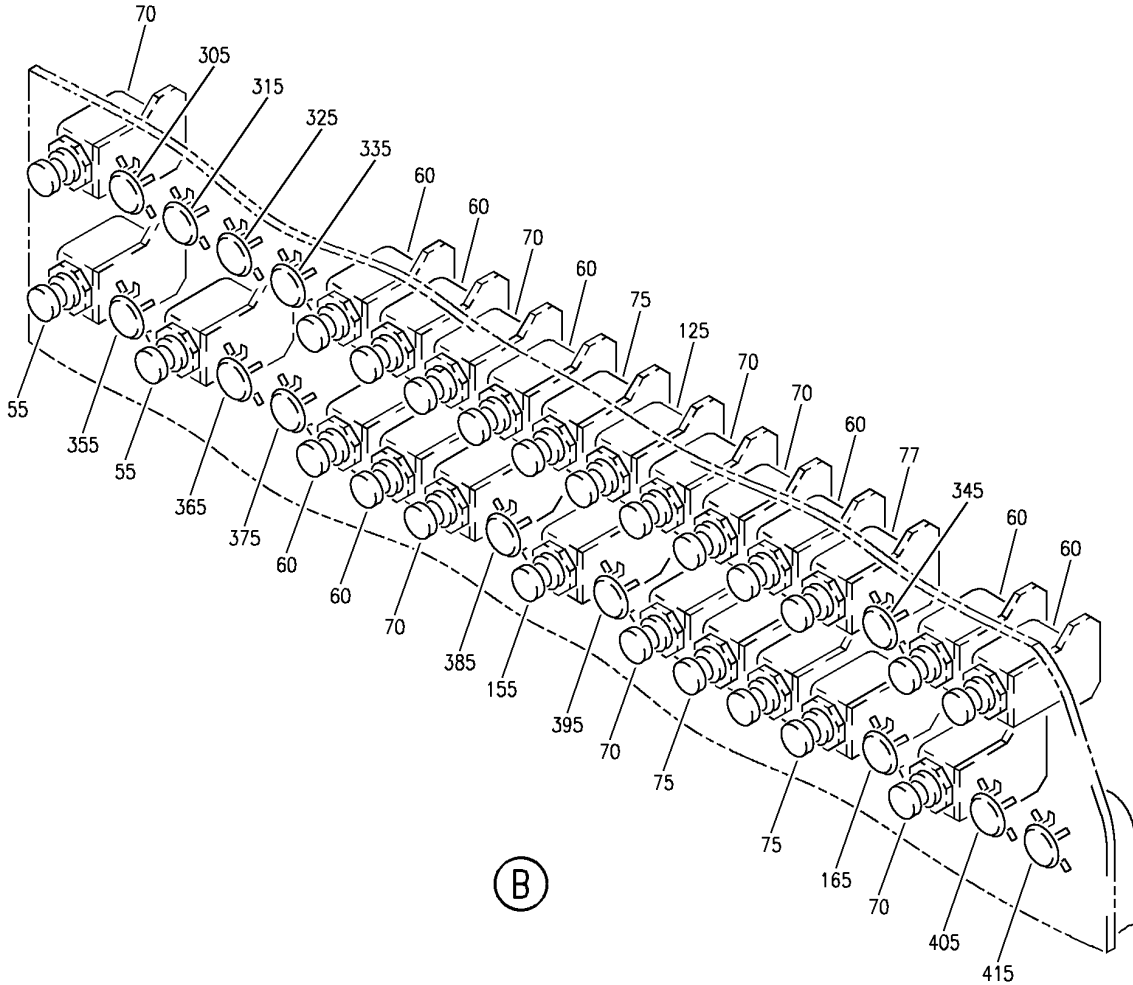
CIRCUIT BREAKER AND MARKER AND PLUG BUTTON INSTL-P18-3
 FIGURE 2C (SHEET 1)

24-50-60-02C

HAP
 OCT 15/08

24-50-60-02C
 PAGE 0

BOEING
737-600/700/800/900
PARTS CATALOG (MAINTENANCE)



E 24-50-60-02C SHT 2 REV 113

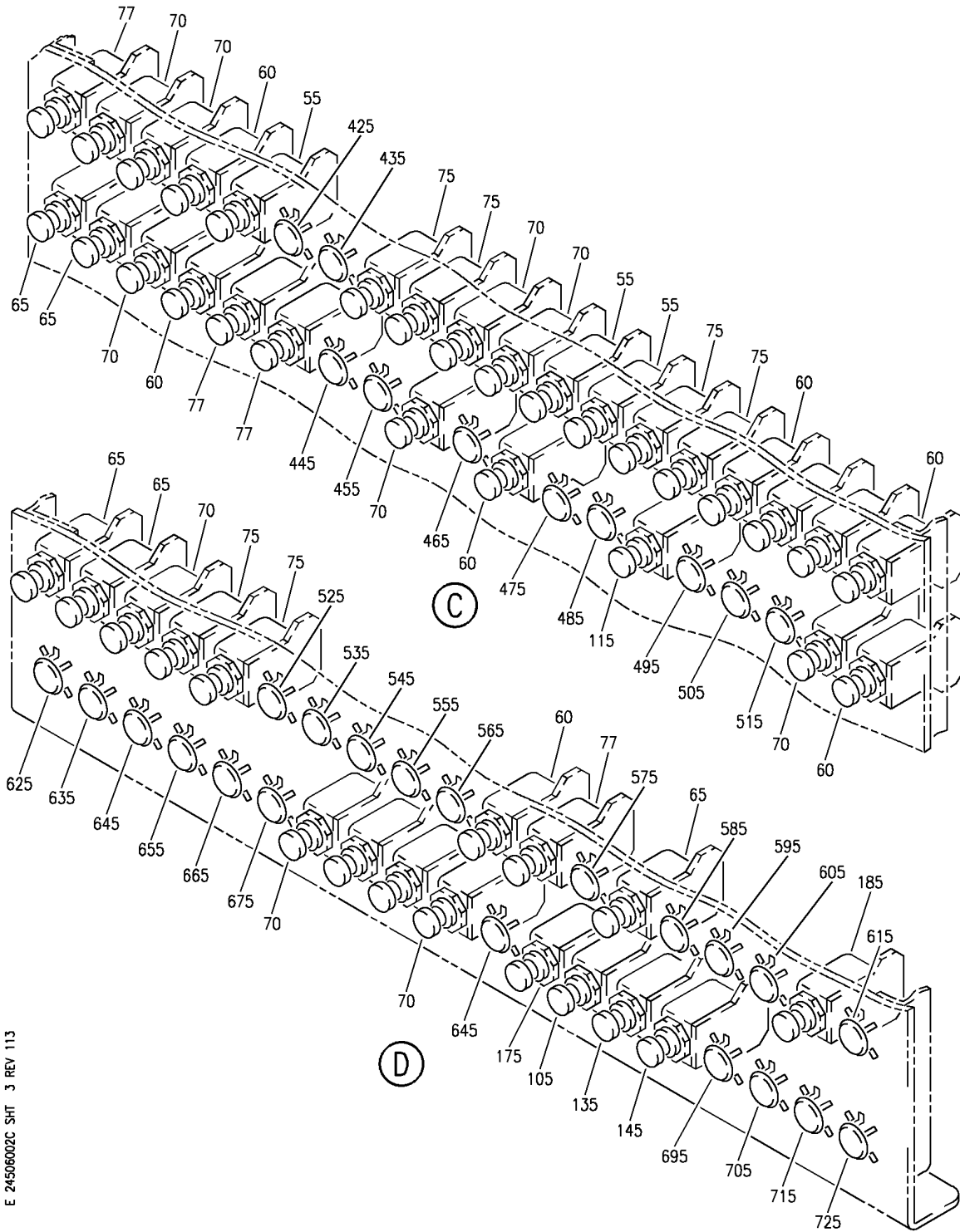
CIRCUIT BREAKER AND MARKER AND PLUG BUTTON INSTL-P18-3
FIGURE 2C (SHEET 2)

24-50-60-02C

HAP
OCT 15/08

24-50-60-02C
PAGE 0A

BOEING
 737-600/700/800/900
 PARTS CATALOG (MAINTENANCE)



E 24-50-60-02C SHT 3 REV 113

CIRCUIT BREAKER AND MARKER AND PLUG BUTTON INSTL-P18-3
 FIGURE 2C (SHEET 3)

24-50-60-02C

HAP
 OCT 15/08

24-50-60-02C
 PAGE 0B

BOEING
737-600/700/800/900
PARTS CATALOG (MAINTENANCE)

FIG ITEM	PART NUMBER	1 2 3 4 5 6 7	NOMENCLATURE	EFFECT FROM TO	UNITS PER ASSY
2C			CIRCUIT BREAKER AND MARKER AND PLUG BUTTON INSTL-P18-3	201967	
- 1	233A5523-1		MARKER INSTL-P18-3 FOR NHA SEE: 24-50-00-13B	201967	RF
	5 BAC27DCC3065		.MARKER- PLACARD CONTENT: A	201967	1
	10 BAC27DCC3066		.MARKER- PLACARD CONTENT: B	201967	1
	15 BAC27DCC3067		.MARKER- PLACARD CONTENT: C	201967	1
	20 BAC27DCC3068		.MARKER- PLACARD CONTENT: D	201967	1
	25 BAC27DCC3069		.MARKER- PLACARD CONTENT: E	201967	1
	30 BAC27DCC3070		.MARKER- PLACARD CONTENT: F	201967	1
	35 BAC27DCC2764		.DECAL- PLACARD CONTENT: 1 THRU 19	201967	1
	40 BAC27DCC3082		.MARKER- PLACARD CONTENT: P18-3	201967	1
- 50	233A5523-2		CIRCUIT BREAKER INSTL-P18-3 FOR NHA SEE: 24-50-00-13B	201967	RF
	55 2TC47-10		.CIRCUIT BREAKER- SUPPLIER CODE: V82647 SPECIFICATION NUMBER: BACC18AD10 OPTIONAL PART: 4310-029-10 V76374 ELECTRICAL EQUIP NUMBER: C00055 C00054 C02046 C00245 C00244	201967	5

MISSING ITEM NUMBERS NOT APPLICABLE

- ITEM NOT ILLUSTRATED

HAP

24-50-60-02C

BOEING PROPRIETARY - Copyright © - Unpublished Work - See title page for details.

24-50-60
FIG. 02C
PAGE 1
OCT 15/08

BOEING
737-600/700/800/900
PARTS CATALOG (MAINTENANCE)

FIG ITEM	PART NUMBER	1 2 3 4 5 6 7	NOMENCLATURE	EFFECT FROM TO	UNITS PER ASSY
2C 60	2TC47-2-5		.CIRCUIT BREAKER- SUPPLIER CODE: V82647 SPECIFICATION NUMBER: BACC18AD2 OPTIONAL PART: 4310-029-205 V76374 ELECTRICAL EQUIP NUMBER: C00148 C01001 C00073 C00110 C01433 C01434 C00149 C01002 C00236 C01523 C01522 C01525 C01524 C00237 C00442 C01423 C01274	201967	17
65	2TC47-3		.CIRCUIT BREAKER- SUPPLIER CODE: V82647 SPECIFICATION NUMBER: BACC18AD3 OPTIONAL PART: 4310-029-3 V76374 ELECTRICAL EQUIP NUMBER: C00226 C00225 C00224 C00227 C00163	201967	5

MISSING ITEM NUMBERS NOT APPLICABLE

— ITEM NOT ILLUSTRATED

HAP

24-50-60-02C

BOEING PROPRIETARY - Copyright © - Unpublished Work - See title page for details.

24-50-60
FIG. 02C
PAGE 2
OCT 15/08

BOEING
737-600/700/800/900
PARTS CATALOG (MAINTENANCE)

FIG ITEM	PART NUMBER	1 2 3 4 5 6 7	NOMENCLATURE	EFFECT FROM TO	UNITS PER ASSY
2C 70	2TC47-5		.CIRCUIT BREAKER- SUPPLIER CODE: V82647 SPECIFICATION NUMBER: BACC18AD5 OPTIONAL PART: 4310-029-5 V76374 ELECTRICAL EQUIP NUMBER: C00146 C01403 C00113 C00114 C01404 C00111 C01526 C00238 C01072 C01408 C01407 C01071 C01217 C01463 C00234 C00156 C00785 C00784 C00783	201967	19
75	2TC47-7-5		.CIRCUIT BREAKER- SUPPLIER CODE: V82647 SPECIFICATION NUMBER: BACC18AD7 OPTIONAL PART: 4310-029-705 V76374 ELECTRICAL EQUIP NUMBER: C01357 C00115 C00274 C00271 C01406 C01405 C00272 C00273 C00700 C00233	201967	10

MISSING ITEM NUMBERS NOT APPLICABLE

— ITEM NOT ILLUSTRATED

HAP

24-50-60-02C

BOEING PROPRIETARY - Copyright © - Unpublished Work - See title page for details.

24-50-60
FIG. 02C
PAGE 3
OCT 15/08

BOEING
737-600/700/800/900
PARTS CATALOG (MAINTENANCE)

FIG ITEM	PART NUMBER	1 2 3 4 5 6 7	NOMENCLATURE	EFFECT FROM TO	UNITS PER ASSY
2C 77	2TC47-2-5		.CIRCUIT BREAKER- SUPPLIER CODE: V82647 SPECIFICATION NUMBER: BACC18AD2 OPTIONAL PART: 4310-029-205 V76374 ELECTRICAL EQUIP NUMBER: C00523 C00524 C00525 C00644 C01125	201967	5
80	233A5511-11		.SUPPORT-MARKER PRE SERVICE BULLETIN: 24-1161	201967	5
83	233A5511-18		.GUARD-MARKER POST SERVICE BULLETIN: 24-1161	201967	1
85	233A5511-19		.GUARD-MARKER POST SERVICE BULLETIN: 24-1161	201967	5
- 100	233A5523-200104		CIRCUIT BREAKER INSTL- P18-3 FOR NHA SEE: 24-50-00-13B	201967	RF
105	2TC47-5		.CIRCUIT BREAKER- SUPPLIER CODE: V82647 SPECIFICATION NUMBER: BACC18AD5 OPTIONAL PART: 4310-029-5 V76374 ELECTRICAL EQUIP NUMBER: C00104	201967	1
- 110	233A5523-200123		CIRCUIT BREAKER INSTL- P18-3 FOR NHA SEE: 24-50-00-13B	201967	RF

MISSING ITEM NUMBERS NOT APPLICABLE

- ITEM NOT ILLUSTRATED

HAP

24-50-60-02C

BOEING PROPRIETARY - Copyright © - Unpublished Work - See title page for details.

24-50-60
FIG. 02C
PAGE 4
OCT 15/08

BOEING
737-600/700/800/900
PARTS CATALOG (MAINTENANCE)

FIG ITEM	PART NUMBER	1 2 3 4 5 6 7	NOMENCLATURE	EFFECT FROM TO	UNITS PER ASSY
2C 115	2TC47-10		.CIRCUIT BREAKER- SUPPLIER CODE: V82647 SPECIFICATION NUMBER: BACC18AD10 OPTIONAL PART: 4310-029-10 V76374 ELECTRICAL EQUIP NUMBER: C00123	201967	1
- 120	233A5523-200250		CIRCUIT BREAKER INSTL- P18-3 FOR NHA SEE: 24-50-00-13B	201967	RF
125	2TC47-5		.CIRCUIT BREAKER- SUPPLIER CODE: V82647 SPECIFICATION NUMBER: BACC18AD5 OPTIONAL PART: 4310-029-5 V76374 ELECTRICAL EQUIP NUMBER: C00250	201967	1
- 130	233A5523-201073		CIRCUIT BREAKER INSTL- P18-3 FOR NHA SEE: 24-50-00-13B	201967	RF
135	2TC47-5		.CIRCUIT BREAKER- SUPPLIER CODE: V82647 SPECIFICATION NUMBER: BACC18AD5 OPTIONAL PART: 4310-029-5 V76374 ELECTRICAL EQUIP NUMBER: C01073	201967	1
- 140	233A5523-201096		CIRCUIT BREAKER INSTL- P18-3 FOR NHA SEE: 24-50-00-13B	201967	RF

MISSING ITEM NUMBERS NOT APPLICABLE

- ITEM NOT ILLUSTRATED

HAP

24-50-60-02C

BOEING PROPRIETARY - Copyright © - Unpublished Work - See title page for details.

24-50-60
FIG. 02C
PAGE 5
OCT 15/08

BOEING
737-600/700/800/900
PARTS CATALOG (MAINTENANCE)

FIG ITEM	PART NUMBER	1 2 3 4 5 6 7	NOMENCLATURE	EFFECT FROM TO	UNITS PER ASSY
2C 145	2TC47-5		.CIRCUIT BREAKER- SUPPLIER CODE: V82647 SPECIFICATION NUMBER: BACC18AD5 OPTIONAL PART: 4310-029-5 V76374 ELECTRICAL EQUIP NUMBER: C01096	201967	1
- 150	233A5523-201358		CIRCUIT BREAKER INSTL- P18-3 FOR NHA SEE: 24-50-00-13B	201967	RF
155	2TC47-5		.CIRCUIT BREAKER- SUPPLIER CODE: V82647 SPECIFICATION NUMBER: BACC18AD5 OPTIONAL PART: 4310-029-5 V76374 ELECTRICAL EQUIP NUMBER: C01358	201967	1
- 160	233A5523-201528		CIRCUIT BREAKER INSTL- P18-3 FOR NHA SEE: 24-50-00-13B	201967	RF
165	2TC47-5		.CIRCUIT BREAKER- SUPPLIER CODE: V82647 SPECIFICATION NUMBER: BACC18AD5 OPTIONAL PART: 4310-029-5 V76374 ELECTRICAL EQUIP NUMBER: C01528	201967	1
- 170	233A5523-200103		CIRCUIT BREAKER INSTL- P18-3 FOR NHA SEE: 24-50-00-13B	201967	RF

MISSING ITEM NUMBERS NOT APPLICABLE

- ITEM NOT ILLUSTRATED

HAP

24-50-60-02C

BOEING PROPRIETARY - Copyright © - Unpublished Work - See title page for details.

24-50-60
FIG. 02C
PAGE 6
OCT 15/08

 **BOEING**
737-600/700/800/900
PARTS CATALOG (MAINTENANCE)

FIG ITEM	PART NUMBER	1 2 3 4 5 6 7	NOMENCLATURE	EFFECT FROM TO	UNITS PER ASSY
2C 175	2TC47-3		.CIRCUIT BREAKER- SUPPLIER CODE: V82647 SPECIFICATION NUMBER: BACC18AD3 OPTIONAL PART: 4310-029-3 V76374 ELECTRICAL EQUIP NUMBER: C00103	201967	1
- 180	233A5523-201473		CIRCUIT BREAKER INSTL- P18-3 FOR NHA SEE: 24-50-00-13B	201967	RF
185	2TC47-5		.CIRCUIT BREAKER- SUPPLIER CODE: V82647 SPECIFICATION NUMBER: BACC18AD5 OPTIONAL PART: 4310-029-5 V76374 ELECTRICAL EQUIP NUMBER: C01473	201967	1
- 300	233A5523-383102		PLUG BUTTON INSTL- P18-3/A2 FOR NHA SEE: 24-50-00-13B	201967	RF
305	BS51338D5003		.PLUG SUPPLIER CODE: V83058 SPECIFICATION NUMBER: BACP20B63B OPTIONAL PART: 51338 V83058	201967	1
- 310	233A5523-383103		PLUG BUTTON INSTL- P18-3/A3 FOR NHA SEE: 24-50-00-13B	201967	RF
315	BS51338D5003		.PLUG SUPPLIER CODE: V83058 SPECIFICATION NUMBER: BACP20B63B OPTIONAL PART: 51338 V83058	201967	1

MISSING ITEM NUMBERS NOT APPLICABLE

- ITEM NOT ILLUSTRATED

HAP

24-50-60-02C

BOEING PROPRIETARY - Copyright © - Unpublished Work - See title page for details.

24-50-60
FIG. 02C
PAGE 7
OCT 15/08

BOEING
737-600/700/800/900
PARTS CATALOG (MAINTENANCE)

FIG ITEM	PART NUMBER	1 2 3 4 5 6 7	NOMENCLATURE	EFFECT FROM TO	UNITS PER ASSY
2C - 320	233A5523-383104		PLUG BUTTON INSTL- P18-3/A4 FOR NHA SEE: 24-50-00-13B	201967	RF
325	BS51338D5003		.PLUG SUPPLIER CODE: V83058 SPECIFICATION NUMBER: BACP20B63B OPTIONAL PART: 51338 V83058	201967	1
- 330	233A5523-383105		PLUG BUTTON INSTL- P18-3/A5 FOR NHA SEE: 24-50-00-13B	201967	RF
335	BS51338D5003		.PLUG SUPPLIER CODE: V83058 SPECIFICATION NUMBER: BACP20B63B OPTIONAL PART: 51338 V83058	201967	1
- 340	233A5523-383116		PLUG BUTTON INSTL- P18-3/A16 FOR NHA SEE: 24-50-00-13B	201967	RF
345	BS51338D5003		.PLUG SUPPLIER CODE: V83058 SPECIFICATION NUMBER: BACP20B63B OPTIONAL PART: 51338 V83058	201967	1
- 350	233A5523-383202		PLUG BUTTON INSTL- P18-3/B2 FOR NHA SEE: 24-50-00-13B	201967	RF
355	BS51338D5003		.PLUG SUPPLIER CODE: V83058 SPECIFICATION NUMBER: BACP20B63B OPTIONAL PART: 51338 V83058	201967	1

MISSING ITEM NUMBERS NOT APPLICABLE

- ITEM NOT ILLUSTRATED

HAP

24-50-60-02C

BOEING PROPRIETARY - Copyright © - Unpublished Work - See title page for details.

24-50-60
FIG. 02C
PAGE 8
OCT 15/08

BOEING
737-600/700/800/900
PARTS CATALOG (MAINTENANCE)

FIG ITEM	PART NUMBER	1 2 3 4 5 6 7	NOMENCLATURE	EFFECT FROM TO	UNITS PER ASSY
2C - 360	233A5523-383204		PLUG BUTTON INSTL- P18-3/B4 FOR NHA SEE: 24-50-00-13B	201967	RF
365	BS51338D5003		.PLUG SUPPLIER CODE: V83058 SPECIFICATION NUMBER: BACP20B63B OPTIONAL PART: 51338 V83058	201967	1
- 370	233A5523-383205		PLUG BUTTON INSTL- P18-3/B5 FOR NHA SEE: 24-50-00-13B	201967	RF
375	BS51338D5003		.PLUG SUPPLIER CODE: V83058 SPECIFICATION NUMBER: BACP20B63B OPTIONAL PART: 51338 V83058	201967	1
- 380	233A5523-383209		PLUG BUTTON INSTL- P18-3/B9 FOR NHA SEE: 24-50-00-13B	201967	RF
385	BS51338D5003		.PLUG SUPPLIER CODE: V83058 SPECIFICATION NUMBER: BACP20B63B OPTIONAL PART: 51338 V83058	201967	1
- 390	233A5523-383211		PLUG BUTTON INSTL- P18-3/B11 FOR NHA SEE: 24-50-00-13B	201967	RF
395	BS51338D5003		.PLUG SUPPLIER CODE: V83058 SPECIFICATION NUMBER: BACP20B63B OPTIONAL PART: 51338 V83058	201967	1

MISSING ITEM NUMBERS NOT APPLICABLE

- ITEM NOT ILLUSTRATED

HAP

24-50-60-02C

BOEING PROPRIETARY - Copyright © - Unpublished Work - See title page for details.

24-50-60
FIG. 02C
PAGE 9
OCT 15/08

BOEING
737-600/700/800/900
PARTS CATALOG (MAINTENANCE)

FIG ITEM	PART NUMBER	1 2 3 4 5 6 7	NOMENCLATURE	EFFECT FROM TO	UNITS PER ASSY
2C - 400	233A5523-383218		PLUG BUTTON INSTL- P18-3/B18 FOR NHA SEE: 24-50-00-13B	201967	RF
405	BS51338D5003		.PLUG SUPPLIER CODE: V83058 SPECIFICATION NUMBER: BACP20B63B OPTIONAL PART: 51338 V83058	201967	1
- 410	233A5523-383219		PLUG BUTTON INSTL- P18-3/B19 FOR NHA SEE: 24-50-00-13B	201967	RF
415	BS51338D5003		.PLUG SUPPLIER CODE: V83058 SPECIFICATION NUMBER: BACP20B63B OPTIONAL PART: 51338 V83058	201967	1
- 420	233A5523-383306		PLUG BUTTON INSTL- P18-3/C6 FOR NHA SEE: 24-50-00-13B	201967	RF
425	BS51338D5003		.PLUG SUPPLIER CODE: V83058 SPECIFICATION NUMBER: BACP20B63B OPTIONAL PART: 51338 V83058	201967	1
- 430	233A5523-383307		PLUG BUTTON INSTL- P18-3/C7 FOR NHA SEE: 24-50-00-13B	201967	RF
435	BS51338D5003		.PLUG SUPPLIER CODE: V83058 SPECIFICATION NUMBER: BACP20B63B OPTIONAL PART: 51338 V83058	201967	1

MISSING ITEM NUMBERS NOT APPLICABLE

- ITEM NOT ILLUSTRATED

HAP

24-50-60-02C

BOEING PROPRIETARY - Copyright © - Unpublished Work - See title page for details.

24-50-60
FIG. 02C
PAGE 10
OCT 15/08

BOEING
737-600/700/800/900
PARTS CATALOG (MAINTENANCE)

FIG ITEM	PART NUMBER	1 2 3 4 5 6 7	NOMENCLATURE	EFFECT FROM TO	UNITS PER ASSY
2C - 440	233A5523-383407		PLUG BUTTON INSTL- P18-3/D7 FOR NHA SEE: 24-50-00-13B	201967	RF
445	BS51338D5003		.PLUG SUPPLIER CODE: V83058 SPECIFICATION NUMBER: BACP20B63B OPTIONAL PART: 51338 V83058	201967	1
- 450	233A5523-383408		PLUG BUTTON INSTL- P18-3/D8 FOR NHA SEE: 24-50-00-13B	201967	RF
455	BS51338D5003		.PLUG SUPPLIER CODE: V83058 SPECIFICATION NUMBER: BACP20B63B OPTIONAL PART: 51338 V83058	201967	1
- 460	233A5523-383410		PLUG BUTTON INSTL- P18-3/D10 FOR NHA SEE: 24-50-00-13B	201967	RF
465	BS51338D5003		.PLUG SUPPLIER CODE: V83058 SPECIFICATION NUMBER: BACP20B63B OPTIONAL PART: 51338 V83058	201967	1
- 470	233A5523-383412		PLUG BUTTON INSTL- P18-3/D12 FOR NHA SEE: 24-50-00-13B	201967	RF
475	BS51338D5003		.PLUG SUPPLIER CODE: V83058 SPECIFICATION NUMBER: BACP20B63B OPTIONAL PART: 51338 V83058	201967	1

MISSING ITEM NUMBERS NOT APPLICABLE

- ITEM NOT ILLUSTRATED

HAP

24-50-60-02C

BOEING PROPRIETARY - Copyright © - Unpublished Work - See title page for details.

24-50-60
FIG. 02C
PAGE 11
OCT 15/08

BOEING
737-600/700/800/900
PARTS CATALOG (MAINTENANCE)

FIG ITEM	PART NUMBER	1 2 3 4 5 6 7	NOMENCLATURE	EFFECT FROM TO	UNITS PER ASSY
2C - 480	233A5523-383413		PLUG BUTTON INSTL- P18-3/D13 FOR NHA SEE: 24-50-00-13B	201967	RF
485	BS51338D5003		.PLUG SUPPLIER CODE: V83058 SPECIFICATION NUMBER: BACP20B63B OPTIONAL PART: 51338 V83058	201967	1
- 490	233A5523-383415		PLUG BUTTON INSTL- P18-3/D15 FOR NHA SEE: 24-50-00-13B	201967	RF
495	BS51338D5003		.PLUG SUPPLIER CODE: V83058 SPECIFICATION NUMBER: BACP20B63B OPTIONAL PART: 51338 V83058	201967	1
- 500	233A5523-383416		PLUG BUTTON INSTL- P18-3/D16 FOR NHA SEE: 24-50-00-13B	201967	RF
505	BS51338D5003		.PLUG SUPPLIER CODE: V83058 SPECIFICATION NUMBER: BACP20B63B OPTIONAL PART: 51338 V83058	201967	1
- 510	233A5523-383417		PLUG BUTTON INSTL- P18-3/D17 FOR NHA SEE: 24-50-00-13B	201967	RF
515	BS51338D5003		.PLUG SUPPLIER CODE: V83058 SPECIFICATION NUMBER: BACP20B63B OPTIONAL PART: 51338 V83058	201967	1

MISSING ITEM NUMBERS NOT APPLICABLE

- ITEM NOT ILLUSTRATED

HAP

24-50-60-02C

BOEING PROPRIETARY - Copyright © - Unpublished Work - See title page for details.

24-50-60
FIG. 02C
PAGE 12
OCT 15/08

 **BOEING**
737-600/700/800/900
PARTS CATALOG (MAINTENANCE)

FIG ITEM	PART NUMBER	1 2 3 4 5 6 7	NOMENCLATURE	EFFECT FROM TO	UNITS PER ASSY
2C - 520	233A5523-383506		PLUG BUTTON INSTL- P18-3/E6 FOR NHA SEE: 24-50-00-13B	201967	RF
525	BS51338D5003		.PLUG SUPPLIER CODE: V83058 SPECIFICATION NUMBER: BACP20B63B OPTIONAL PART: 51338 V83058	201967	1
- 530	233A5523-383507		PLUG BUTTON INSTL- P18-3/E7 FOR NHA SEE: 24-50-00-13B	201967	RF
535	BS51338D5003		.PLUG SUPPLIER CODE: V83058 SPECIFICATION NUMBER: BACP20B63B OPTIONAL PART: 51338 V83058	201967	1
- 540	233A5523-383508		PLUG BUTTON INSTL- P18-3/E8 FOR NHA SEE: 24-50-00-13B	201967	RF
545	BS51338D5003		.PLUG SUPPLIER CODE: V83058 SPECIFICATION NUMBER: BACP20B63B OPTIONAL PART: 51338 V83058	201967	1
- 550	233A5523-383509		PLUG BUTTON INSTL- P18-3/E9 FOR NHA SEE: 24-50-00-13B	201967	RF
555	BS51338D5003		.PLUG SUPPLIER CODE: V83058 SPECIFICATION NUMBER: BACP20B63B OPTIONAL PART: 51338 V83058	201967	1

MISSING ITEM NUMBERS NOT APPLICABLE

- ITEM NOT ILLUSTRATED

HAP

24-50-60-02C

BOEING PROPRIETARY - Copyright © - Unpublished Work - See title page for details.

24-50-60
FIG. 02C
PAGE 13
OCT 15/08

BOEING
737-600/700/800/900
PARTS CATALOG (MAINTENANCE)

FIG ITEM	PART NUMBER	1 2 3 4 5 6 7	NOMENCLATURE	EFFECT FROM TO	UNITS PER ASSY
2C - 560	233A5523-383510		PLUG BUTTON INSTL- P18-3/E10 FOR NHA SEE: 24-50-00-13B	201967	RF
565	BS51338D5003		.PLUG SUPPLIER CODE: V83058 SPECIFICATION NUMBER: BACP20B63B OPTIONAL PART: 51338 V83058	201967	1
- 570	233A5523-383513		PLUG BUTTON INSTL- P18-3/E13 FOR NHA SEE: 24-50-00-13B	201967	RF
575	BS51338D5003		.PLUG SUPPLIER CODE: V83058 SPECIFICATION NUMBER: BACP20B63B OPTIONAL PART: 51338 V83058	201967	1
- 580	233A5523-383515		PLUG BUTTON INSTL- P18-3/E15 FOR NHA SEE: 24-50-00-13B	201967	RF
585	BS51338D5003		.PLUG SUPPLIER CODE: V83058 SPECIFICATION NUMBER: BACP20B63B OPTIONAL PART: 51338 V83058	201967	1
- 590	233A5523-383516		PLUG BUTTON INSTL- P18-3/E16 FOR NHA SEE: 24-50-00-13B	201967	RF
595	BS51338D5003		.PLUG SUPPLIER CODE: V83058 SPECIFICATION NUMBER: BACP20B63B OPTIONAL PART: 51338 V83058	201967	1

MISSING ITEM NUMBERS NOT APPLICABLE

- ITEM NOT ILLUSTRATED

HAP

24-50-60-02C

BOEING PROPRIETARY - Copyright © - Unpublished Work - See title page for details.

24-50-60
FIG. 02C
PAGE 14
OCT 15/08

BOEING
737-600/700/800/900
PARTS CATALOG (MAINTENANCE)

FIG ITEM	PART NUMBER	1 2 3 4 5 6 7	NOMENCLATURE	EFFECT FROM TO	UNITS PER ASSY
2C - 600	233A5523-383517		PLUG BUTTON INSTL- P18-3/E17 FOR NHA SEE: 24-50-00-13B	201967	RF
605	BS51338D5003		.PLUG SUPPLIER CODE: V83058 SPECIFICATION NUMBER: BACP20B63B OPTIONAL PART: 51338 V83058	201967	1
- 610	233A5523-383519		PLUG BUTTON INSTL- P18-3/E19 FOR NHA SEE: 24-50-00-13B	201967	RF
615	BS51338D5003		.PLUG SUPPLIER CODE: V83058 SPECIFICATION NUMBER: BACP20B63B OPTIONAL PART: 51338 V83058	201967	1
- 620	233A5523-383601		PLUG BUTTON INSTL- P18-3/F1 FOR NHA SEE: 24-50-00-13B	201967	RF
625	BS51338D5003		.PLUG SUPPLIER CODE: V83058 SPECIFICATION NUMBER: BACP20B63B OPTIONAL PART: 51338 V83058	201967	1
- 630	233A5523-383602		PLUG BUTTON INSTL- P18-3/F2 FOR NHA SEE: 24-50-00-13B	201967	RF
635	BS51338D5003		.PLUG SUPPLIER CODE: V83058 SPECIFICATION NUMBER: BACP20B63B OPTIONAL PART: 51338 V83058	201967	1

MISSING ITEM NUMBERS NOT APPLICABLE

- ITEM NOT ILLUSTRATED

HAP

24-50-60-02C

BOEING PROPRIETARY - Copyright © - Unpublished Work - See title page for details.

24-50-60
FIG. 02C
PAGE 15
OCT 15/08

 **BOEING**
737-600/700/800/900
PARTS CATALOG (MAINTENANCE)

FIG ITEM	PART NUMBER	1 2 3 4 5 6 7	NOMENCLATURE	EFFECT FROM TO	UNITS PER ASSY
2C - 640	233A5523-383603		PLUG BUTTON INSTL- P18-3/F3 FOR NHA SEE: 24-50-00-13B	201967	RF
645	BS51338D5003		.PLUG SUPPLIER CODE: V83058 SPECIFICATION NUMBER: BACP20B63B OPTIONAL PART: 51338 V83058	201967	1
- 650	233A5523-383604		PLUG BUTTON INSTL- P18-3/F4 FOR NHA SEE: 24-50-00-13B	201967	RF
655	BS51338D5003		.PLUG SUPPLIER CODE: V83058 SPECIFICATION NUMBER: BACP20B63B OPTIONAL PART: 51338 V83058	201967	1
- 660	233A5523-383605		PLUG BUTTON INSTL- P18-3/F5 FOR NHA SEE: 24-50-00-13B	201967	RF
665	BS51338D5003		.PLUG SUPPLIER CODE: V83058 SPECIFICATION NUMBER: BACP20B63B OPTIONAL PART: 51338 V83058	201967	1
- 670	233A5523-383606		PLUG BUTTON INSTL- P18-3/F6 FOR NHA SEE: 24-50-00-13B	201967	RF
675	BS51338D5003		.PLUG SUPPLIER CODE: V83058 SPECIFICATION NUMBER: BACP20B63B OPTIONAL PART: 51338 V83058	201967	1

MISSING ITEM NUMBERS NOT APPLICABLE

- ITEM NOT ILLUSTRATED

HAP

24-50-60-02C

BOEING PROPRIETARY - Copyright © - Unpublished Work - See title page for details.

24-50-60
FIG. 02C
PAGE 16
OCT 15/08

BOEING
737-600/700/800/900
PARTS CATALOG (MAINTENANCE)

FIG ITEM	PART NUMBER	1 2 3 4 5 6 7	NOMENCLATURE	EFFECT FROM TO	UNITS PER ASSY
2C - 680	233A5523-383611		PLUG BUTTON INSTL- P18-3/F11 FOR NHA SEE: 24-50-00-13B	201967	RF
685	BS51338D5003		.PLUG SUPPLIER CODE: V83058 SPECIFICATION NUMBER: BACP20B63B OPTIONAL PART: 51338 V83058	201967	1
- 690	233A5523-383616		PLUG BUTTON INSTL- P18-3/F16 FOR NHA SEE: 24-50-00-13B	201967	RF
695	BS51338D5003		.PLUG SUPPLIER CODE: V83058 SPECIFICATION NUMBER: BACP20B63B OPTIONAL PART: 51338 V83058	201967	1
- 700	233A5523-383617		PLUG BUTTON INSTL- P18-3/F17 FOR NHA SEE: 24-50-00-13B	201967	RF
705	BS51338D5003		.PLUG SUPPLIER CODE: V83058 SPECIFICATION NUMBER: BACP20B63B OPTIONAL PART: 51338 V83058	201967	1
- 710	233A5523-383618		PLUG BUTTON INSTL- P18-3/F18 FOR NHA SEE: 24-50-00-13B	201967	RF
715	BS51338D5003		.PLUG SUPPLIER CODE: V83058 SPECIFICATION NUMBER: BACP20B63B OPTIONAL PART: 51338 V83058	201967	1

MISSING ITEM NUMBERS NOT APPLICABLE

- ITEM NOT ILLUSTRATED

HAP

24-50-60-02C

BOEING PROPRIETARY - Copyright © - Unpublished Work - See title page for details.

24-50-60
FIG. 02C
PAGE 17
OCT 15/08

BOEING
737-600/700/800/900
PARTS CATALOG (MAINTENANCE)

FIG ITEM	PART NUMBER	1 2 3 4 5 6 7	NOMENCLATURE	EFFECT FROM TO	UNITS PER ASSY
2C - 720	233A5523-383619		PLUG BUTTON INSTL- P18-3/F19 FOR NHA SEE: 24-50-00-13B	201967	RF
725	BS51338D5003		.PLUG SUPPLIER CODE: V83058 SPECIFICATION NUMBER: BACP20B63B OPTIONAL PART: 51338 V83058	201967	1

MISSING ITEM NUMBERS NOT APPLICABLE

- ITEM NOT ILLUSTRATED

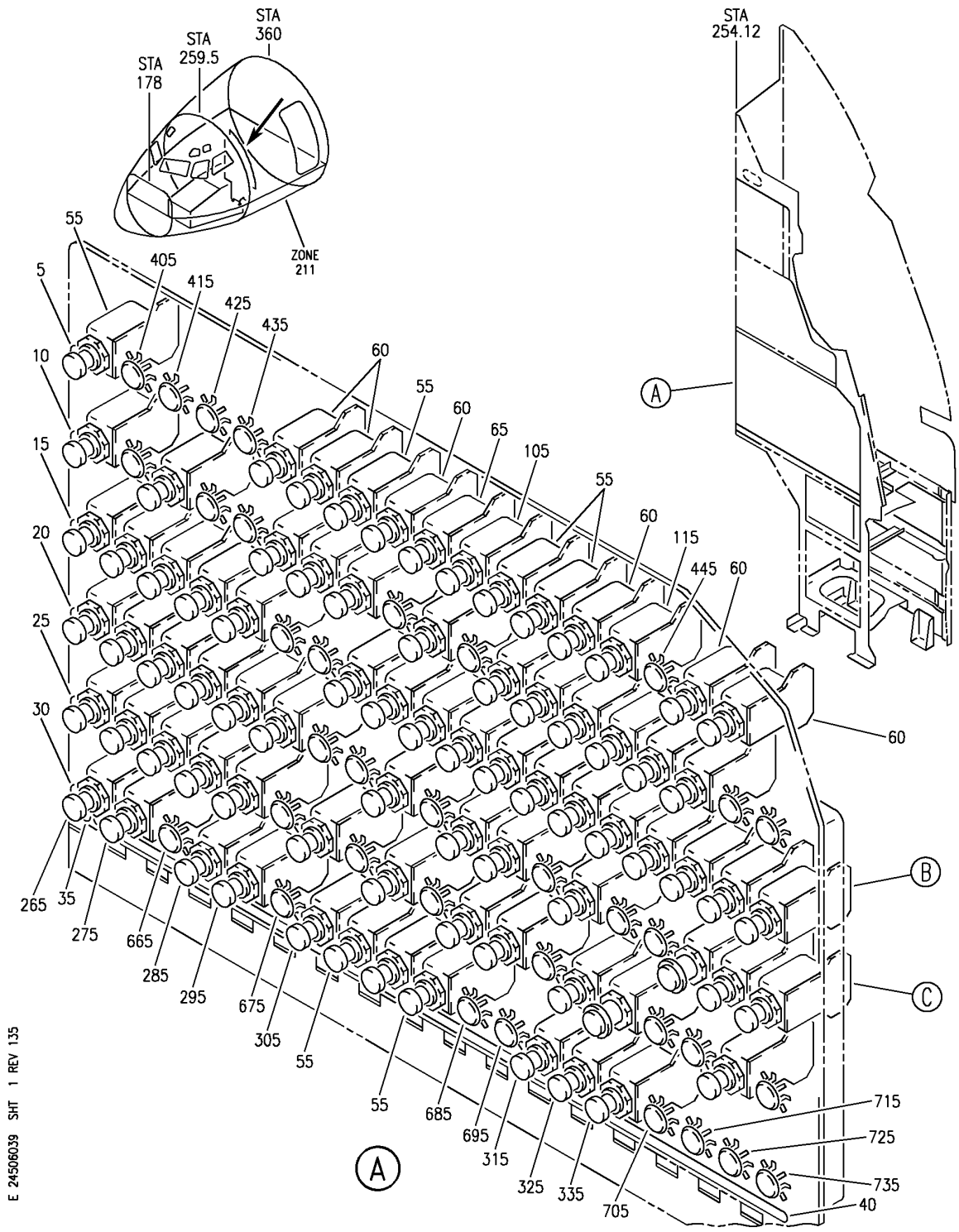
HAP

24-50-60-02C

BOEING PROPRIETARY - Copyright © - Unpublished Work - See title page for details.

24-50-60
FIG. 02C
PAGE 18
OCT 15/08

BOEING
737-600/700/800/900
PARTS CATALOG (MAINTENANCE)



E 24-50-60-39 SHT 1 REV 135

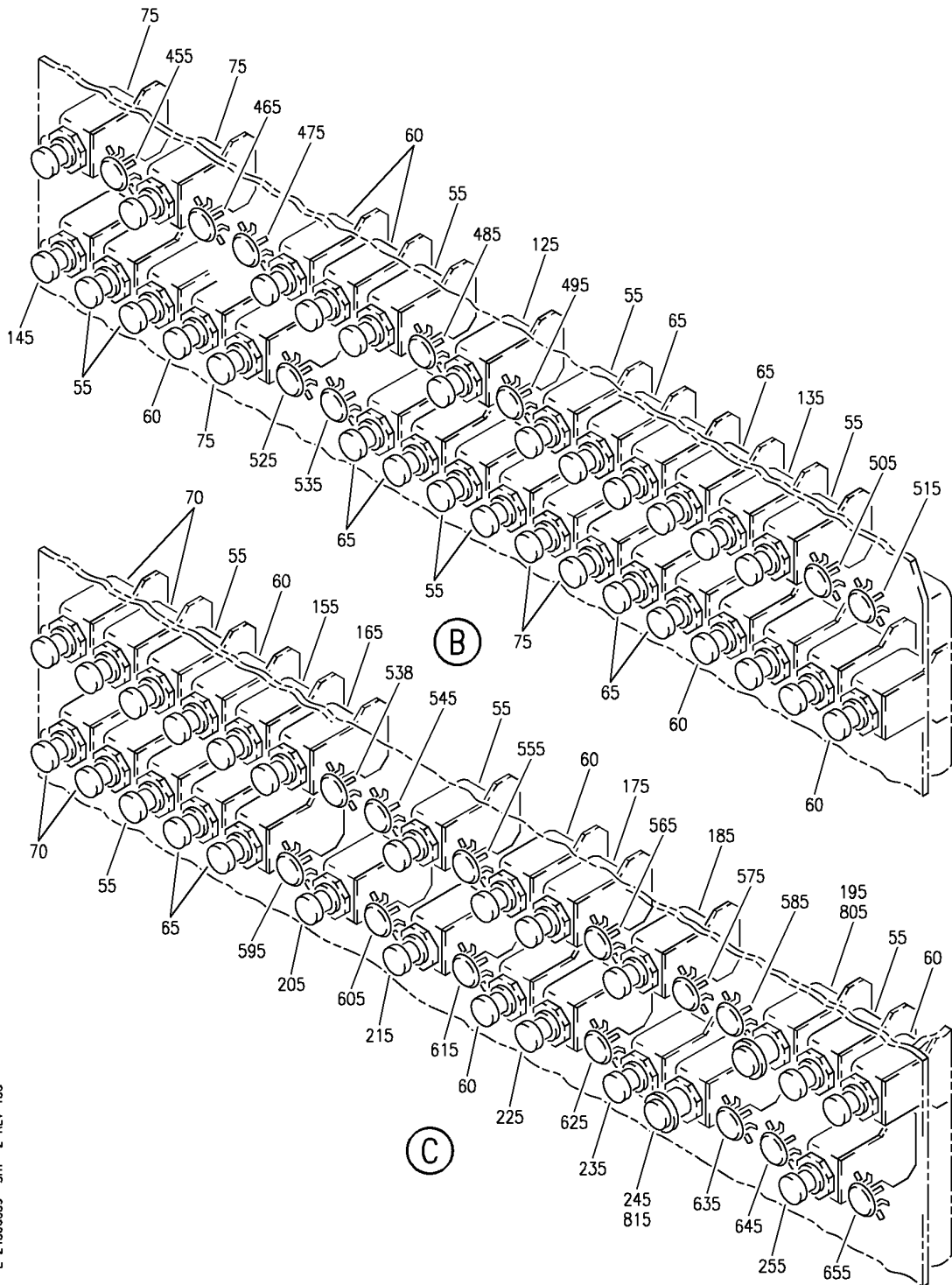
MARKER, CIRCUIT BREAKER, PLUG BUTTON AND INOP INSTL-P18-3 PNL (ELECTRICAL POWER ONLY)
 FIGURE 39 (SHEET 1)

24-50-60-39

HAP
 OCT 15/08

24-50-60-39
 PAGE 0

BOEING
 737-600/700/800/900
 PARTS CATALOG (MAINTENANCE)



E 24-50-60-39 SHT 2 REV 135

MARKER, CIRCUIT BREAKER, PLUG BUTTON AND INOP INSTL-P18-3 PNL (ELECTRICAL POWER ONLY)
 FIGURE 39 (SHEET 2)

HAP
 OCT 15/08

24-50-60-39

24-50-60-39
 PAGE 0A

BOEING
737-600/700/800/900
PARTS CATALOG (MAINTENANCE)

FIG ITEM	PART NUMBER	1 2 3 4 5 6 7	NOMENCLATURE	EFFECT FROM TO	UNITS PER ASSY
39			MARKER, CIRCUIT BREAKER, PLUG BUTTON AND INOP INSTL-P18-3 PNL (ELECTRICAL POWER ONLY)	048048 050050 053100	
- 1	MODREF250632		MARKER INSTL-P18-3 PNL MODULE NUMBER: 233A5523-1 REV D	048048 050050 053100	1
5	BAC27DCC3065		.MARKER- PLACARD CONTENT: A	048048 050050 053100	1
10	BAC27DCC3066		.MARKER- PLACARD CONTENT: B	048048 050050 053100	1
15	BAC27DCC3067		.MARKER- PLACARD CONTENT: C	048048 050050 053100	1
20	BAC27DCC3068		.MARKER- PLACARD CONTENT: D	048048 050050 053100	1
25	BAC27DCC3069		.MARKER- PLACARD CONTENT: E	048048 050050 053100	1
30	BAC27DCC3070		.MARKER- PLACARD CONTENT: F	048048 050050 053100	1
35	BAC27DCC3082		.MARKER- PLACARD CONTENT: P18-3	048048 050050 053100	1
40	BAC27DCC2764		.DECAL- PLACARD CONTENT: 1 THRU 19	048048 050050 053100	1
- 50	MODREF254584		CIRCUIT BREAKER INSTL-P18-3 PNL MODULE NUMBER: 233A5523-5 REV B	048048 050050 053100	1

MISSING ITEM NUMBERS NOT APPLICABLE

- ITEM NOT ILLUSTRATED

HAP

24-50-60-39

BOEING PROPRIETARY - Copyright © - Unpublished Work - See title page for details.

24-50-60
FIG. 39
PAGE 1
FEB 15/09

BOEING
737-600/700/800/900
PARTS CATALOG (MAINTENANCE)

FIG ITEM	PART NUMBER	1 2 3 4 5 6 7	NOMENCLATURE	EFFECT FROM TO	UNITS PER ASSY
39 55	2TC47-5	.	CIRCUIT BREAKER- SUPPLIER CODE: V82647 SPECIFICATION NUMBER: BACC18AD5 OPTIONAL PART: 4310-029-5 V76374 ELECTRICAL EQUIP NUMBER: C00111 C00113 C00114 C00146 C00234 C00238 C00783 C00784 C00785 C01071 C01072 C01217 C01403 C01404 C01407 C01408 C01463 C01526	048048 050050 053100	18

MISSING ITEM NUMBERS NOT APPLICABLE

— ITEM NOT ILLUSTRATED

HAP

24-50-60-39

BOEING PROPRIETARY - Copyright © - Unpublished Work - See title page for details.

24-50-60
FIG. 39
PAGE 2
FEB 15/09

BOEING
737-600/700/800/900
PARTS CATALOG (MAINTENANCE)

FIG ITEM	PART NUMBER	1 2 3 4 5 6 7	NOMENCLATURE	EFFECT FROM TO	UNITS PER ASSY
39 60	2TC47-2-5		.CIRCUIT BREAKER- SUPPLIER CODE: V82647 SPECIFICATION NUMBER: BACC18AD2 OPTIONAL PART: 4310-029-205 V76374 ELECTRICAL EQUIP NUMBER: C00073 C00110 C00148 C00149 C00236 C00237 C00442 C01001 C01002 C01274 C01423 C01433 C01434 C01522 C01523 C01424 C01525	048048 050050 053100	17
65	2TC47-7-5		.CIRCUIT BREAKER- SUPPLIER CODE: V82647 SPECIFICATION NUMBER: BACC18AD7 OPTIONAL PART: 4310-029-705 V76374 ELECTRICAL EQUIP NUMBER: C00115 C00233 C00271 C00272 C00273 C00274 C00700 C01357 C01405 C01406	048048 050050 053100	10

MISSING ITEM NUMBERS NOT APPLICABLE

— ITEM NOT ILLUSTRATED

HAP

24-50-60-39

BOEING PROPRIETARY - Copyright © - Unpublished Work - See title page for details.

24-50-60
FIG. 39
PAGE 3
FEB 15/09

BOEING
737-600/700/800/900
PARTS CATALOG (MAINTENANCE)

FIG ITEM	PART NUMBER	1 2 3 4 5 6 7	NOMENCLATURE	EFFECT FROM TO	UNITS PER ASSY
39 70	2TC47-3		.CIRCUIT BREAKER- SUPPLIER CODE: V82647 SPECIFICATION NUMBER: BACC18AD3 OPTIONAL PART: 4310-029-3 V76374 ELECTRICAL EQUIP NUMBER: C00224 C00225 C00226 C00227	048048 050050 053100	4
75	2TC47-10		.CIRCUIT BREAKER- SUPPLIER CODE: V82647 SPECIFICATION NUMBER: BACC18AD10 OPTIONAL PART: 4310-029-10 V76374 ELECTRICAL EQUIP NUMBER: C00054 C00055 C00244 C00245 C02046	048048 050050 053100	5
- 100	MODREF250688		CIRCUIT BREAKER INSTL-PASS. CAB. LIGHTING EMER CHGR FWD P18-3/A11 MODULE NUMBER: 233A5523-210250 REV B	048048 050050 053100	1
105	2TC47-7-5		.CIRCUIT BREAKER- SUPPLIER CODE: V82647 SPECIFICATION NUMBER: BACC18AD7 OPTIONAL PART: 4310-029-705 V76374 ELECTRICAL EQUIP NUMBER: C00250	048048 050050 053100	1
- 110	MODREF250647		CIRCUIT BREAKER INSTL-EXT LIGHTING LOGO ILLUM P18-3/A15 MODULE NUMBER: 233A5523-200644 REV B	048048 050050 053100	1

MISSING ITEM NUMBERS NOT APPLICABLE

- ITEM NOT ILLUSTRATED

HAP

24-50-60-39

BOEING PROPRIETARY - Copyright © - Unpublished Work - See title page for details.

24-50-60
FIG. 39
PAGE 4
FEB 15/09

BOEING
737-600/700/800/900
PARTS CATALOG (MAINTENANCE)

FIG ITEM	PART NUMBER	1 2 3 4 5 6 7	NOMENCLATURE	EFFECT FROM TO	UNITS PER ASSY
39 115	2TC47-2-5		.CIRCUIT BREAKER- SUPPLIER CODE: V82647 SPECIFICATION NUMBER: BACC18AD2 OPTIONAL PART: 4310-029-205 V76374 ELECTRICAL EQUIP NUMBER: C00644	048048 050050 053100	1
- 120	MODREF250689		CIRCUIT BREAKER INSTL-PASS. CAB. LIGHTING EMER CHGR R AFT P18-3/B10 MODULE NUMBER: 233A5523-211358 REV B	048048 050050 053100	1
125	2TC47-7-5		.CIRCUIT BREAKER- SUPPLIER CODE: V82647 SPECIFICATION NUMBER: BACC18AD7 OPTIONAL PART: 4310-029-705 V76374 ELECTRICAL EQUIP NUMBER: C01358	048048 050050 053100	1
- 130	MODREF250668		CIRCUIT BREAKER INSTL-CARGO FIRE EXT 2 P18-3/B16 MODULE NUMBER: 233A5523-201528 REV B	048048 050050 053100	1
135	2TC47-5		.CIRCUIT BREAKER- SUPPLIER CODE: V82647 SPECIFICATION NUMBER: BACC18AD5 OPTIONAL PART: 4310-029-5 V76374 ELECTRICAL EQUIP NUMBER: C01528	048048 050050 053100	1
- 140	MODREF250644		CIRCUIT BREAKER INSTL- HEATERS CAPT PITOT P18-3/C1 MODULE NUMBER: 233A5523-200523 REV B	048048 050050 053100	1

MISSING ITEM NUMBERS NOT APPLICABLE

- ITEM NOT ILLUSTRATED

HAP

24-50-60-39

BOEING PROPRIETARY - Copyright © - Unpublished Work - See title page for details.

24-50-60
FIG. 39
PAGE 5
FEB 15/09

BOEING
737-600/700/800/900
PARTS CATALOG (MAINTENANCE)

FIG ITEM	PART NUMBER	1 2 3 4 5 6 7	NOMENCLATURE	EFFECT FROM TO	UNITS PER ASSY
39 145	2TC47-2-5		.CIRCUIT BREAKER- SUPPLIER CODE: V82647 SPECIFICATION NUMBER: BACC18AD2 OPTIONAL PART: 4310-029-205 V76374 ELECTRICAL EQUIP NUMBER: C00523	048048 050050 053100	1
- 150	MODREF250646		CIRCUIT BREAKER INSTL- HEATERS F/O PITOT P18-3/D5 MODULE NUMBER: 233A5523-200525 REV B	048048 050050 053100	1
155	2TC47-2-5		.CIRCUIT BREAKER- SUPPLIER CODE: V82647 SPECIFICATION NUMBER: BACC18AD2 OPTIONAL PART: 4310-029-205 V76374 ELECTRICAL EQUIP NUMBER: C00525	048048 050050 053100	1
- 160	MODREF250645		CIRCUIT BREAKER INSTL- HEATERS AUX PITOT P18-3/D6 MODULE NUMBER: 233A5523-200524 REV B	048048 050050 053100	1
165	2TC47-2-5		.CIRCUIT BREAKER- SUPPLIER CODE: V82647 SPECIFICATION NUMBER: BACC18AD2 OPTIONAL PART: 4310-029-205 V76374 ELECTRICAL EQUIP NUMBER: C00524	048048 050050 053100	1
- 170	MODREF250666		CIRCUIT BREAKER INSTL-EXT LIGHTING GENERAL LT CONT P18-3/D12 MODULE NUMBER: 233A5523-201518 REV B	048048 050050 053100	1

MISSING ITEM NUMBERS NOT APPLICABLE

- ITEM NOT ILLUSTRATED

HAP

24-50-60-39

BOEING PROPRIETARY - Copyright © - Unpublished Work - See title page for details.

24-50-60
FIG. 39
PAGE 6
FEB 15/09

BOEING
737-600/700/800/900
PARTS CATALOG (MAINTENANCE)

FIG ITEM	PART NUMBER	1 2 3 4 5 6 7	NOMENCLATURE	EFFECT FROM TO	UNITS PER ASSY
39 175	2TC47-3		.CIRCUIT BREAKER- SUPPLIER CODE: V82647 SPECIFICATION NUMBER: BACC18AD3 OPTIONAL PART: 4310-029-3 V76374 ELECTRICAL EQUIP NUMBER: C01518	048048 050050 053100	1
- 180	MODREF250637		CIRCUIT BREAKER INSTL- EXT LIGHTING NOSE GR TAXI P18-3/D14 MODULE NUMBER: 233A5523-200123 REV B	048048 050050 053100	1
185	2TC47-10		.CIRCUIT BREAKER- SUPPLIER CODE: V82647 SPECIFICATION NUMBER: BACC18AD10 OPTIONAL PART: 4310-029-10 V76374 ELECTRICAL EQUIP NUMBER: C00123	048048 050050 053100	1
- 190	MODREF267102		CIRCUIT BREAKER INSTL- NITROGEN GEN CONT P18-3/D17 MODULE NUMBER: 233A5523-201657 REV A	048048 050050 053100	1
195	2TC47-7-5		.CIRCUIT BREAKER- SUPPLIER CODE: V82647 SPECIFICATION NUMBER: BACC18AD7 OPTIONAL PART: 4310-029-705 V76374 ELECTRICAL EQUIP NUMBER: C01657	048048 050050 053100	1
- 200	MODREF250648		CIRCUIT BREAKER INSTL-AIR CONDITIONING RECIRC FAN L CAB. AIR P18-3/E7 MODULE NUMBER: 233A5523-200911 REV B	048048 050050 053100	1

MISSING ITEM NUMBERS NOT APPLICABLE

- ITEM NOT ILLUSTRATED

HAP

24-50-60-39

BOEING PROPRIETARY - Copyright © - Unpublished Work - See title page for details.

24-50-60
FIG. 39
PAGE 7
FEB 15/09

BOEING
737-600/700/800/900
PARTS CATALOG (MAINTENANCE)

FIG ITEM	PART NUMBER	1 2 3 4 5 6 7	NOMENCLATURE	EFFECT FROM TO	UNITS PER ASSY
39 205	9TC620		.CIRCUIT BREAKER- SUPPLIER CODE: V82647 SPECIFICATION NUMBER: BACC18AE20 ELECTRICAL EQUIP NUMBER: C00911	048048 050050 053100	1
- 210	MODREF250653		CIRCUIT BREAKER INSTL-AIR CONDITIONING RECIRC FAN L CONT P18-3/E9 MODULE NUMBER: 233A5523-201156 REV B	048048 050050 053100	1
215	2TC47-2-5		.CIRCUIT BREAKER- SUPPLIER CODE: V82647 SPECIFICATION NUMBER: BACC18AD2 OPTIONAL PART: 4310-029-205 V76374 ELECTRICAL EQUIP NUMBER: C01156	048048 050050 053100	1
- 220	MODREF250651		CIRCUIT BREAKER INSTL-LAV SMOKE P18-3/E12 MODULE NUMBER: 233A5523-201125 REV B	048048 050050 053100	1
225	2TC47-2-5		.CIRCUIT BREAKER- SUPPLIER CODE: V82647 SPECIFICATION NUMBER: BACC18AD2 OPTIONAL PART: 4310-029-205 V76374 ELECTRICAL EQUIP NUMBER: C01125	048048 050050 053100	1
- 230	MODREF250638		CIRCUIT BREAKER INSTL-LAV MIRROR LT P18-3/E14 MODULE NUMBER: 233A5523-200163 REV B	048048 050050 053100	1

MISSING ITEM NUMBERS NOT APPLICABLE

- ITEM NOT ILLUSTRATED

HAP

24-50-60-39

BOEING PROPRIETARY - Copyright © - Unpublished Work - See title page for details.

24-50-60
FIG. 39
PAGE 8
FEB 15/09

BOEING
737-600/700/800/900
PARTS CATALOG (MAINTENANCE)

FIG ITEM	PART NUMBER	1 2 3 4 5 6 7	NOMENCLATURE	EFFECT FROM TO	UNITS PER ASSY
39 235	2TC47-3		.CIRCUIT BREAKER- SUPPLIER CODE: V82647 SPECIFICATION NUMBER: BACC18AD3 OPTIONAL PART: 4310-029-3 V76374 ELECTRICAL EQUIP NUMBER: C00163	048048 050050 053100	1
- 240	MODREF280402		CIRCUIT BREAKER INSTL- NGS ALT PWR P18-3/E15 MODULE NUMBER: 233A5523-201680 REV A	048048 050050 053100	1
245	2TC47-7-5		.CIRCUIT BREAKER- SUPPLIER CODE: V82647 SPECIFICATION NUMBER: BACC18AD7 OPTIONAL PART: 4310-029-705 V76374 ELECTRICAL EQUIP NUMBER: C01680	048048 050050 053100	1
- 250	MODREF250659		CIRCUIT BREAKER INSTL-HOSE HEATERS P18-3/E18 MODULE NUMBER: 233A5523-201473 REV B	048048 050050 053100	1
255	2TC47-5		.CIRCUIT BREAKER- SUPPLIER CODE: V82647 SPECIFICATION NUMBER: BACC18AD5 OPTIONAL PART: 4310-029-5 V76374 ELECTRICAL EQUIP NUMBER: C01473	048048 050050 053100	1
- 260	MODREF250641		CIRCUIT BREAKER INSTL- WINDOW HEAT CONTROL RIGHT FRONT DC P18-3/F1 MODULE NUMBER: 233A5523-200222 REV B	048048 050050 053100	1

MISSING ITEM NUMBERS NOT APPLICABLE

- ITEM NOT ILLUSTRATED

HAP

24-50-60-39

BOEING PROPRIETARY - Copyright © - Unpublished Work - See title page for details.

24-50-60
FIG. 39
PAGE 9
FEB 15/09

BOEING
737-600/700/800/900
PARTS CATALOG (MAINTENANCE)

FIG ITEM	PART NUMBER	1 2 3 4 5 6 7	NOMENCLATURE	EFFECT FROM TO	UNITS PER ASSY
39 265	2TC47-2-5		.CIRCUIT BREAKER- SUPPLIER CODE: V82647 SPECIFICATION NUMBER: BACC18AD2 OPTIONAL PART: 4310-029-205 V76374 ELECTRICAL EQUIP NUMBER: C00222	048048 050050 053100	1
- 270	MODREF250640		CIRCUIT BREAKER INSTL- WINDOW HEAT CONTROL LEFT SIDE DC P18-3/F2 MODULE NUMBER: 233A5523-200221 REV B	048048 050050 053100	1
275	2TC47-2-5		.CIRCUIT BREAKER- SUPPLIER CODE: V82647 SPECIFICATION NUMBER: BACC18AD2 OPTIONAL PART: 4310-029-205 V76374 ELECTRICAL EQUIP NUMBER: C00221	048048 050050 053100	1
- 280	MODREF250642		CIRCUIT BREAKER INSTL- WINDOW HEAT CONTROL RIGHT SIDE DC P18-3/F4 MODULE NUMBER: 233A5523-200223 REV B	048048 050050 053100	1
285	2TC47-2-5		.CIRCUIT BREAKER- SUPPLIER CODE: V82647 SPECIFICATION NUMBER: BACC18AD2 OPTIONAL PART: 4310-029-205 V76374 ELECTRICAL EQUIP NUMBER: C00223	048048 050050 053100	1
- 290	MODREF250639		CIRCUIT BREAKER INSTL- WINDOW HEAT CONTROL LEFT FRONT DC P18-3/F5 MODULE NUMBER: 233A5523-200220 REV B	048048 050050 053100	1

MISSING ITEM NUMBERS NOT APPLICABLE

- ITEM NOT ILLUSTRATED

HAP

24-50-60-39

BOEING PROPRIETARY - Copyright © - Unpublished Work - See title page for details.

24-50-60
FIG. 39
PAGE 10
FEB 15/09

BOEING
737-600/700/800/900
PARTS CATALOG (MAINTENANCE)

FIG ITEM	PART NUMBER	1 2 3 4 5 6 7	NOMENCLATURE	EFFECT FROM TO	UNITS PER ASSY
39 295	2TC47-2-5		.CIRCUIT BREAKER- SUPPLIER CODE: V82647 SPECIFICATION NUMBER: BACC18AD2 OPTIONAL PART: 4310-029-205 V76374 ELECTRICAL EQUIP NUMBER: C00220	048048 050050 053100	1
- 300	MODREF251820		CIRCUIT BREAKER INSTL- OXYGEN IND P18-3/F7 MODULE NUMBER: 233A5523-200156 REV A	048048 050050 053100	1
305	2TC47-5		.CIRCUIT BREAKER- SUPPLIER CODE: V82647 SPECIFICATION NUMBER: BACC18AD5 OPTIONAL PART: 4310-029-5 V76374 ELECTRICAL EQUIP NUMBER: C00156	048048 050050 053100	1
- 310	MODREF250634		CIRCUIT BREAKER INSTL-LAV WATER HEATER A P18-3/F13 MODULE NUMBER: 233A5523-200104 REV B	048048 050050 053100	1
315	2TC47-5		.CIRCUIT BREAKER- SUPPLIER CODE: V82647 SPECIFICATION NUMBER: BACC18AD5 OPTIONAL PART: 4310-029-5 V76374 ELECTRICAL EQUIP NUMBER: C00104	048048 050050 053100	1
- 320	MODREF250649		CIRCUIT BREAKER INSTL-LAV WATER HEATER D P18-3/F14 MODULE NUMBER: 233A5523-201073 REV B	048048 050050 053100	1

MISSING ITEM NUMBERS NOT APPLICABLE

- ITEM NOT ILLUSTRATED

HAP

24-50-60-39

BOEING PROPRIETARY - Copyright © - Unpublished Work - See title page for details.

24-50-60
FIG. 39
PAGE 11
FEB 15/09

BOEING
737-600/700/800/900
PARTS CATALOG (MAINTENANCE)

FIG ITEM	PART NUMBER	1 2 3 4 5 6 7	NOMENCLATURE	EFFECT FROM TO	UNITS PER ASSY
39 325	2TC47-5		.CIRCUIT BREAKER- SUPPLIER CODE: V82647 SPECIFICATION NUMBER: BACC18AD5 OPTIONAL PART: 4310-029-5 V76374 ELECTRICAL EQUIP NUMBER: C01073	048048 050050 053100	1
- 330	MODREF250650		CIRCUIT BREAKER INSTL-LAV WATER HEATER E P18-3/F15 MODULE NUMBER: 233A5523-201096 REV B	048048 050050 053100	1
335	2TC47-5		.CIRCUIT BREAKER- SUPPLIER CODE: V82647 SPECIFICATION NUMBER: BACC18AD5 OPTIONAL PART: 4310-029-5 V76374 ELECTRICAL EQUIP NUMBER: C01096	048048 050050 053100	1
- 400	MODREF250691		PLUG BUTTON INSTL-P18-3/A2 MODULE NUMBER: 233A5523-383102 REV B	048048 050050 053100	1
405	BS51338D5003		.PLUG- SUPPLIER CODE: V83058 SPECIFICATION NUMBER: BACP20B63B OPTIONAL PART: 51338 V83058 MISCELLANEOUS DATA: USE IN PLACE OF CIRCUIT BREAKERS ON OPEN HOLES	048048 050050 053100	1
- 410	MODREF250692		PLUG BUTTON INSTL-P18-3/A3 MODULE NUMBER: 233A5523-383103 REV B	048048 050050 053100	1

MISSING ITEM NUMBERS NOT APPLICABLE

- ITEM NOT ILLUSTRATED

HAP

24-50-60-39

BOEING PROPRIETARY - Copyright © - Unpublished Work - See title page for details.

24-50-60
FIG. 39
PAGE 12
FEB 15/09

BOEING
737-600/700/800/900
PARTS CATALOG (MAINTENANCE)

FIG ITEM	PART NUMBER	1 2 3 4 5 6 7	NOMENCLATURE	EFFECT FROM TO	UNITS PER ASSY
39 415	BS51338D5003		.PLUG- SUPPLIER CODE: V83058 SPECIFICATION NUMBER: BACP20B63B OPTIONAL PART: 51338 V83058 MISCELLANEOUS DATA: USE IN PLACE OF CIRCUIT BREAKERS ON OPEN HOLES	048048 050050 053100	1
- 420	MODREF250693		PLUG BUTTON INSTL-P18-3/A4 MODULE NUMBER: 233A5523-383104 REV B	048048 050050 053100	1
425	BS51338D5003		.PLUG- SUPPLIER CODE: V83058 SPECIFICATION NUMBER: BACP20B63B OPTIONAL PART: 51338 V83058 MISCELLANEOUS DATA: USE IN PLACE OF CIRCUIT BREAKERS ON OPEN HOLES	048048 050050 053100	1
- 430	MODREF250694		PLUG BUTTON INSTL-P18-3/A5 MODULE NUMBER: 233A5523-383105 REV B	048048 050050 053100	1
435	BS51338D5003		.PLUG- SUPPLIER CODE: V83058 SPECIFICATION NUMBER: BACP20B63B OPTIONAL PART: 51338 V83058 MISCELLANEOUS DATA: USE IN PLACE OF CIRCUIT BREAKERS ON OPEN HOLES	048048 050050 053100	1
- 440	MODREF250696		PLUG BUTTON INSTL-P18-3/A16 MODULE NUMBER: 233A5523-383116 REV B	048048 050050 053100	1

MISSING ITEM NUMBERS NOT APPLICABLE

- ITEM NOT ILLUSTRATED

HAP

24-50-60-39

BOEING PROPRIETARY - Copyright © - Unpublished Work - See title page for details.

24-50-60
FIG. 39
PAGE 13
FEB 15/09

BOEING
737-600/700/800/900
PARTS CATALOG (MAINTENANCE)

FIG ITEM	PART NUMBER	1 2 3 4 5 6 7	NOMENCLATURE	EFFECT FROM TO	UNITS PER ASSY
39 445	BS51338D5003		.PLUG- SUPPLIER CODE: V83058 SPECIFICATION NUMBER: BACP20B63B OPTIONAL PART: 51338 V83058 MISCELLANEOUS DATA: USE IN PLACE OF CIRCUIT BREAKERS ON OPEN HOLES	048048 050050 053100	1
- 450	MODREF250697		PLUG BUTTON INSTL-P18-3/B2 MODULE NUMBER: 233A5523-383202 REV B	048048 050050 053100	1
455	BS51338D5003		.PLUG- SUPPLIER CODE: V83058 SPECIFICATION NUMBER: BACP20B63B OPTIONAL PART: 51338 V83058 MISCELLANEOUS DATA: USE IN PLACE OF CIRCUIT BREAKERS ON OPEN HOLES	048048 050050 053100	1
- 460	MODREF250698		PLUG BUTTON INSTL-P18-3/B4 MODULE NUMBER: 233A5523-383204 REV B	048048 050050 053100	1
465	BS51338D5003		.PLUG- SUPPLIER CODE: V83058 SPECIFICATION NUMBER: BACP20B63B OPTIONAL PART: 51338 V83058 MISCELLANEOUS DATA: USE IN PLACE OF CIRCUIT BREAKERS ON OPEN HOLES	048048 050050 053100	1
- 470	MODREF250699		PLUG BUTTON INSTL-P18-3/B5 MODULE NUMBER: 233A5523-383205 REV B	048048 050050 053100	1

MISSING ITEM NUMBERS NOT APPLICABLE

- ITEM NOT ILLUSTRATED

HAP

24-50-60-39

BOEING PROPRIETARY - Copyright © - Unpublished Work - See title page for details.

24-50-60
FIG. 39
PAGE 14
FEB 15/09

BOEING
737-600/700/800/900
PARTS CATALOG (MAINTENANCE)

FIG ITEM	PART NUMBER	1 2 3 4 5 6 7	NOMENCLATURE	EFFECT FROM TO	UNITS PER ASSY
39 475	BS51338D5003		.PLUG- SUPPLIER CODE: V83058 SPECIFICATION NUMBER: BACP20B63B OPTIONAL PART: 51338 V83058 MISCELLANEOUS DATA: USE IN PLACE OF CIRCUIT BREAKERS ON OPEN HOLES	048048 050050 053100	1
- 480	MODREF250700		PLUG BUTTON INSTL-P18-3/B9 MODULE NUMBER: 233A5523-383209 REV B	048048 050050 053100	1
485	BS51338D5003		.PLUG- SUPPLIER CODE: V83058 SPECIFICATION NUMBER: BACP20B63B OPTIONAL PART: 51338 V83058 MISCELLANEOUS DATA: USE IN PLACE OF CIRCUIT BREAKERS ON OPEN HOLES	048048 050050 053100	1
- 490	MODREF250701		PLUG BUTTON INSTL-P18-3/B11 MODULE NUMBER: 233A5523-383211 REV B	048048 050050 053100	1
495	BS51338D5003		.PLUG- SUPPLIER CODE: V83058 SPECIFICATION NUMBER: BACP20B63B OPTIONAL PART: 51338 V83058 MISCELLANEOUS DATA: USE IN PLACE OF CIRCUIT BREAKERS ON OPEN HOLES	048048 050050 053100	1
- 500	MODREF250703		PLUG BUTTON INSTL-P18-3/B18 MODULE NUMBER: 233A5523-383218 REV B	048048 050050 053100	1

MISSING ITEM NUMBERS NOT APPLICABLE

- ITEM NOT ILLUSTRATED

HAP

24-50-60-39

BOEING PROPRIETARY - Copyright © - Unpublished Work - See title page for details.

24-50-60
FIG. 39
PAGE 15
FEB 15/09

BOEING
737-600/700/800/900
PARTS CATALOG (MAINTENANCE)

FIG ITEM	PART NUMBER	1 2 3 4 5 6 7	NOMENCLATURE	EFFECT FROM TO	UNITS PER ASSY
39 505	BS51338D5003		.PLUG- SUPPLIER CODE: V83058 SPECIFICATION NUMBER: BACP20B63B OPTIONAL PART: 51338 V83058 MISCELLANEOUS DATA: USE IN PLACE OF CIRCUIT BREAKERS ON OPEN HOLES	048048 050050 053100	1
- 510	MODREF250704		PLUG BUTTON INSTL-P18-3/B19 MODULE NUMBER: 233A5523-383219 REV B	048048 050050 053100	1
515	BS51338D5003		.PLUG- SUPPLIER CODE: V83058 SPECIFICATION NUMBER: BACP20B63B OPTIONAL PART: 51338 V83058 MISCELLANEOUS DATA: USE IN PLACE OF CIRCUIT BREAKERS ON OPEN HOLES	048048 050050 053100	1
- 520	MODREF250705		PLUG BUTTON INSTL-P18-3/C6 MODULE NUMBER: 233A5523-383306 REV B	048048 050050 053100	1
525	BS51338D5003		.PLUG- SUPPLIER CODE: V83058 SPECIFICATION NUMBER: BACP20B63B OPTIONAL PART: 51338 V83058 MISCELLANEOUS DATA: USE IN PLACE OF CIRCUIT BREAKERS ON OPEN HOLES	048048 050050 053100	1
- 530	MODREF250706		PLUG BUTTON INSTL-P18-3/C7 MODULE NUMBER: 233A5523-383307 REV B	048048 050050 053100	1

MISSING ITEM NUMBERS NOT APPLICABLE

- ITEM NOT ILLUSTRATED

HAP

24-50-60-39

BOEING PROPRIETARY - Copyright © - Unpublished Work - See title page for details.

24-50-60
FIG. 39
PAGE 16
FEB 15/09

BOEING
737-600/700/800/900
PARTS CATALOG (MAINTENANCE)

FIG ITEM	PART NUMBER	1 2 3 4 5 6 7	NOMENCLATURE	EFFECT FROM TO	UNITS PER ASSY
39					
535	BS51338D5003		.PLUG- SUPPLIER CODE: V83058 SPECIFICATION NUMBER: BACP20B63B OPTIONAL PART: 51338 V83058 MISCELLANEOUS DATA: USE IN PLACE OF CIRCUIT BREAKERS ON OPEN HOLES	048048 050050 053100	1
- 537	MODREF250707		PLUG BUTTON INSTL-P18-3/D7 MODULE NUMBER: 233A5523-383407 REV B	048048 050050 053100	1
538	BS51338D5003		.PLUG- SUPPLIER CODE: V83058 SPECIFICATION NUMBER: BACP20B63B OPTIONAL PART: 51338 V83058 MISCELLANEOUS DATA: USE IN PLACE OF CIRCUIT BREAKERS ON OPEN HOLES	048048 050050 053100	1
- 540	MODREF250708		PLUG BUTTON INSTL-P18-3/D8 MODULE NUMBER: 233A5523-383408 REV B	048048 050050 053100	1
545	BS51338D5003		.PLUG- SUPPLIER CODE: V83058 SPECIFICATION NUMBER: BACP20B63B OPTIONAL PART: 51338 V83058 MISCELLANEOUS DATA: USE IN PLACE OF CIRCUIT BREAKERS ON OPEN HOLES	048048 050050 053100	1
- 550	MODREF250709		PLUG BUTTON INSTL-P18-3/D10 MODULE NUMBER: 233A5523-383410 REV B	048048 050050 053100	1

MISSING ITEM NUMBERS NOT APPLICABLE

- ITEM NOT ILLUSTRATED

HAP

24-50-60-39

BOEING PROPRIETARY - Copyright © - Unpublished Work - See title page for details.

24-50-60
FIG. 39
PAGE 17
FEB 15/09

BOEING
737-600/700/800/900
PARTS CATALOG (MAINTENANCE)

FIG ITEM	PART NUMBER	1 2 3 4 5 6 7	NOMENCLATURE	EFFECT FROM TO	UNITS PER ASSY
39 555	BS51338D5003		.PLUG- SUPPLIER CODE: V83058 SPECIFICATION NUMBER: BACP20B63B OPTIONAL PART: 51338 V83058 MISCELLANEOUS DATA: USE IN PLACE OF CIRCUIT BREAKERS ON OPEN HOLES	048048 050050 053100	1
- 560	MODREF250711		PLUG BUTTON INSTL-P18-3/D13 MODULE NUMBER: 233A5523-383413 REV B	048048 050050 053100	1
565	BS51338D5003		.PLUG- SUPPLIER CODE: V83058 SPECIFICATION NUMBER: BACP20B63B OPTIONAL PART: 51338 V83058 MISCELLANEOUS DATA: USE IN PLACE OF CIRCUIT BREAKERS ON OPEN HOLES	048048 050050 053100	1
- 570	MODREF250712		PLUG BUTTON INSTL-P18-3/D15 MODULE NUMBER: 233A5523-383415 REV B	048048 050050 053100	1
575	BS51338D5003		.PLUG- SUPPLIER CODE: V83058 SPECIFICATION NUMBER: BACP20B63B OPTIONAL PART: 51338 V83058 MISCELLANEOUS DATA: USE IN PLACE OF CIRCUIT BREAKERS ON OPEN HOLES	048048 050050 053100	1
- 580	MODREF250713		PLUG BUTTON INSTL-P18-3/D16 MODULE NUMBER: 233A5523-383416 REV B	048048 050050 053100	1

MISSING ITEM NUMBERS NOT APPLICABLE

- ITEM NOT ILLUSTRATED

HAP

24-50-60-39

BOEING PROPRIETARY - Copyright © - Unpublished Work - See title page for details.

24-50-60
FIG. 39
PAGE 18
FEB 15/09

BOEING
737-600/700/800/900
PARTS CATALOG (MAINTENANCE)

FIG ITEM	PART NUMBER	1 2 3 4 5 6 7	NOMENCLATURE	EFFECT FROM TO	UNITS PER ASSY
39 585	BS51338D5003		.PLUG- SUPPLIER CODE: V83058 SPECIFICATION NUMBER: BACP20B63B OPTIONAL PART: 51338 V83058 MISCELLANEOUS DATA: USE IN PLACE OF CIRCUIT BREAKERS ON OPEN HOLES	048048 050050 053100	1
- 590	MODREF250715		PLUG BUTTON INSTL-P18-3/E6 MODULE NUMBER: 233A5523-383506 REV B	048048 050050 053100	1
595	BS51338D5003		.PLUG- SUPPLIER CODE: V83058 SPECIFICATION NUMBER: BACP20B63B OPTIONAL PART: 51338 V83058 MISCELLANEOUS DATA: USE IN PLACE OF CIRCUIT BREAKERS ON OPEN HOLES	048048 050050 053100	1
- 600	MODREF250717		PLUG BUTTON INSTL-P18-3/E8 MODULE NUMBER: 233A5523-383508 REV B	048048 050050 053100	1
605	BS51338D5003		.PLUG- SUPPLIER CODE: V83058 SPECIFICATION NUMBER: BACP20B63B OPTIONAL PART: 51338 V83058 MISCELLANEOUS DATA: USE IN PLACE OF CIRCUIT BREAKERS ON OPEN HOLES	048048 050050 053100	1
- 610	MODREF250719		PLUG BUTTON INSTL-P18-3/E10 MODULE NUMBER: 233A5523-383510 REV B	048048 050050 053100	1

MISSING ITEM NUMBERS NOT APPLICABLE

- ITEM NOT ILLUSTRATED

HAP

24-50-60-39

BOEING PROPRIETARY - Copyright © - Unpublished Work - See title page for details.

24-50-60
FIG. 39
PAGE 19
FEB 15/09

BOEING
737-600/700/800/900
PARTS CATALOG (MAINTENANCE)

FIG ITEM	PART NUMBER	1 2 3 4 5 6 7	NOMENCLATURE	EFFECT FROM TO	UNITS PER ASSY
39 615	BS51338D5003		.PLUG- SUPPLIER CODE: V83058 SPECIFICATION NUMBER: BACP20B63B OPTIONAL PART: 51338 V83058 MISCELLANEOUS DATA: USE IN PLACE OF CIRCUIT BREAKERS ON OPEN HOLES	048048 050050 053100	1
- 620	MODREF250720		PLUG BUTTON INSTL-P18-3/E13 MODULE NUMBER: 233A5523-383513 REV B	048048 050050 053100	1
625	BS51338D5003		.PLUG- SUPPLIER CODE: V83058 SPECIFICATION NUMBER: BACP20B63B OPTIONAL PART: 51338 V83058 MISCELLANEOUS DATA: USE IN PLACE OF CIRCUIT BREAKERS ON OPEN HOLES	048048 050050 053100	1
- 630	MODREF250722		PLUG BUTTON INSTL-P18-3/E16 MODULE NUMBER: 233A5523-383516 REV B	048048 050050 053100	1
635	BS51338D5003		.PLUG- SUPPLIER CODE: V83058 SPECIFICATION NUMBER: BACP20B63B OPTIONAL PART: 51338 V83058 MISCELLANEOUS DATA: USE IN PLACE OF CIRCUIT BREAKERS ON OPEN HOLES	048048 050050 053100	1
- 640	MODREF250723		PLUG BUTTON INSTL-P18-3/E17 MODULE NUMBER: 233A5523-383517 REV B	048048 050050 053100	1

MISSING ITEM NUMBERS NOT APPLICABLE

- ITEM NOT ILLUSTRATED

HAP

24-50-60-39

BOEING PROPRIETARY - Copyright © - Unpublished Work - See title page for details.

24-50-60
FIG. 39
PAGE 20
FEB 15/09

BOEING
737-600/700/800/900
PARTS CATALOG (MAINTENANCE)

FIG ITEM	PART NUMBER	1 2 3 4 5 6 7	NOMENCLATURE	EFFECT FROM TO	UNITS PER ASSY
39 645	BS51338D5003		.PLUG- SUPPLIER CODE: V83058 SPECIFICATION NUMBER: BACP20B63B OPTIONAL PART: 51338 V83058 MISCELLANEOUS DATA: USE IN PLACE OF CIRCUIT BREAKERS ON OPEN HOLES	048048 050050 053100	1
- 650	MODREF250725		PLUG BUTTON INSTL-P18-3/E19 MODULE NUMBER: 233A5523-383519 REV B	048048 050050 053100	1
655	BS51338D5003		.PLUG- SUPPLIER CODE: V83058 SPECIFICATION NUMBER: BACP20B63B OPTIONAL PART: 51338 V83058 MISCELLANEOUS DATA: USE IN PLACE OF CIRCUIT BREAKERS ON OPEN HOLES	048048 050050 053100	1
- 660	MODREF250728		PLUG BUTTON INSTL-P18-3/F3 MODULE NUMBER: 233A5523-383603 REV B	048048 050050 053100	1
665	BS51338D5003		.PLUG- SUPPLIER CODE: V83058 SPECIFICATION NUMBER: BACP20B63B OPTIONAL PART: 51338 V83058 MISCELLANEOUS DATA: USE IN PLACE OF CIRCUIT BREAKERS ON OPEN HOLES	048048 050050 053100	1
- 670	MODREF250731		PLUG BUTTON INSTL-P18-3/F6 MODULE NUMBER: 233A5523-383606 REV B	048048 050050 053100	1

MISSING ITEM NUMBERS NOT APPLICABLE

- ITEM NOT ILLUSTRATED

HAP

24-50-60-39

BOEING PROPRIETARY - Copyright © - Unpublished Work - See title page for details.

24-50-60
FIG. 39
PAGE 21
FEB 15/09

BOEING
737-600/700/800/900
PARTS CATALOG (MAINTENANCE)

FIG ITEM	PART NUMBER	1 2 3 4 5 6 7	NOMENCLATURE	EFFECT FROM TO	UNITS PER ASSY
39 675	BS51338D5003		.PLUG- SUPPLIER CODE: V83058 SPECIFICATION NUMBER: BACP20B63B OPTIONAL PART: 51338 V83058 MISCELLANEOUS DATA: USE IN PLACE OF CIRCUIT BREAKERS ON OPEN HOLES	048048 050050 053100	1
- 680	MODREF250732		PLUG BUTTON INSTL-P18-3/F11 MODULE NUMBER: 233A5523-383611 REV B	048048 050050 053100	1
685	BS51338D5003		.PLUG- SUPPLIER CODE: V83058 SPECIFICATION NUMBER: BACP20B63B OPTIONAL PART: 51338 V83058 MISCELLANEOUS DATA: USE IN PLACE OF CIRCUIT BREAKERS ON OPEN HOLES	048048 050050 053100	1
- 690	MODREF250733		PLUG BUTTON INSTL-P18-3/F12 MODULE NUMBER: 233A5523-383612 REV B	048048 050050 053100	1
695	BS51338D5003		.PLUG- SUPPLIER CODE: V83058 SPECIFICATION NUMBER: BACP20B63B OPTIONAL PART: 51338 V83058 MISCELLANEOUS DATA: USE IN PLACE OF CIRCUIT BREAKERS ON OPEN HOLES	048048 050050 053100	1
- 700	MODREF250736		PLUG BUTTON INSTL-P18-3/F16 MODULE NUMBER: 233A5523-383616 REV B	048048 050050 053100	1

MISSING ITEM NUMBERS NOT APPLICABLE

- ITEM NOT ILLUSTRATED

HAP

24-50-60-39

BOEING PROPRIETARY - Copyright © - Unpublished Work - See title page for details.

24-50-60
FIG. 39
PAGE 22
FEB 15/09

BOEING
737-600/700/800/900
PARTS CATALOG (MAINTENANCE)

FIG ITEM	PART NUMBER	1 2 3 4 5 6 7	NOMENCLATURE	EFFECT FROM TO	UNITS PER ASSY
39 705	BS51338D5003		.PLUG- SUPPLIER CODE: V83058 SPECIFICATION NUMBER: BACP20B63B OPTIONAL PART: 51338 V83058 MISCELLANEOUS DATA: USE IN PLACE OF CIRCUIT BREAKERS ON OPEN HOLES	048048 050050 053100	1
- 710	MODREF250737		PLUG BUTTON INSTL-P18-3/F17 MODULE NUMBER: 233A5523-383617 REV B	048048 050050 053100	1
715	BS51338D5003		.PLUG- SUPPLIER CODE: V83058 SPECIFICATION NUMBER: BACP20B63B OPTIONAL PART: 51338 V83058 MISCELLANEOUS DATA: USE IN PLACE OF CIRCUIT BREAKERS ON OPEN HOLES	048048 050050 053100	1
- 720	MODREF250738		PLUG BUTTON INSTL-P18-3/F18 MODULE NUMBER: 233A5523-383618 REV B	048048 050050 053100	1
725	BS51338D5003		.PLUG- SUPPLIER CODE: V83058 SPECIFICATION NUMBER: BACP20B63B OPTIONAL PART: 51338 V83058 MISCELLANEOUS DATA: USE IN PLACE OF CIRCUIT BREAKERS ON OPEN HOLES	048048 050050 053100	1
- 730	MODREF250739		PLUG BUTTON INSTL-P18-3/F19 MODULE NUMBER: 233A5523-383619 REV B	048048 050050 053100	1

MISSING ITEM NUMBERS NOT APPLICABLE

- ITEM NOT ILLUSTRATED

HAP

24-50-60-39

BOEING PROPRIETARY - Copyright © - Unpublished Work - See title page for details.

24-50-60
FIG. 39
PAGE 23
FEB 15/09

BOEING
737-600/700/800/900
PARTS CATALOG (MAINTENANCE)

FIG ITEM	PART NUMBER	1 2 3 4 5 6 7	NOMENCLATURE	EFFECT FROM TO	UNITS PER ASSY
39 735	BS51338D5003		.PLUG- SUPPLIER CODE: V83058 SPECIFICATION NUMBER: BACP20B63B OPTIONAL PART: 51338 V83058 MISCELLANEOUS DATA: USE IN PLACE OF CIRCUIT BREAKERS ON OPEN HOLES	048048 050050 053100	1
- 800	MODREF267107		INOP INSTL-P18-3/D17 (ELECTRICAL POWER ONLY) MODULE NUMBER: 233A5523-583417 REV A FOR OTHER SYS DETAILS SEE: 11-31-60-39	054100	1
805	10237-1		.COLLAR- SUPPLIER CODE: V1N6X0	054100	1
- 810	MODREF280419		INOP INSTL-P18-3/E15 (ELECTRICAL POWER ONLY) MODULE NUMBER: 233A5523-583515 REV A FOR OTHER SYS DETAILS SEE: 11-31-60-39	054100	1
815	10237-1		.COLLAR- SUPPLIER CODE: V1N6X0	054100	1

MISSING ITEM NUMBERS NOT APPLICABLE

- ITEM NOT ILLUSTRATED

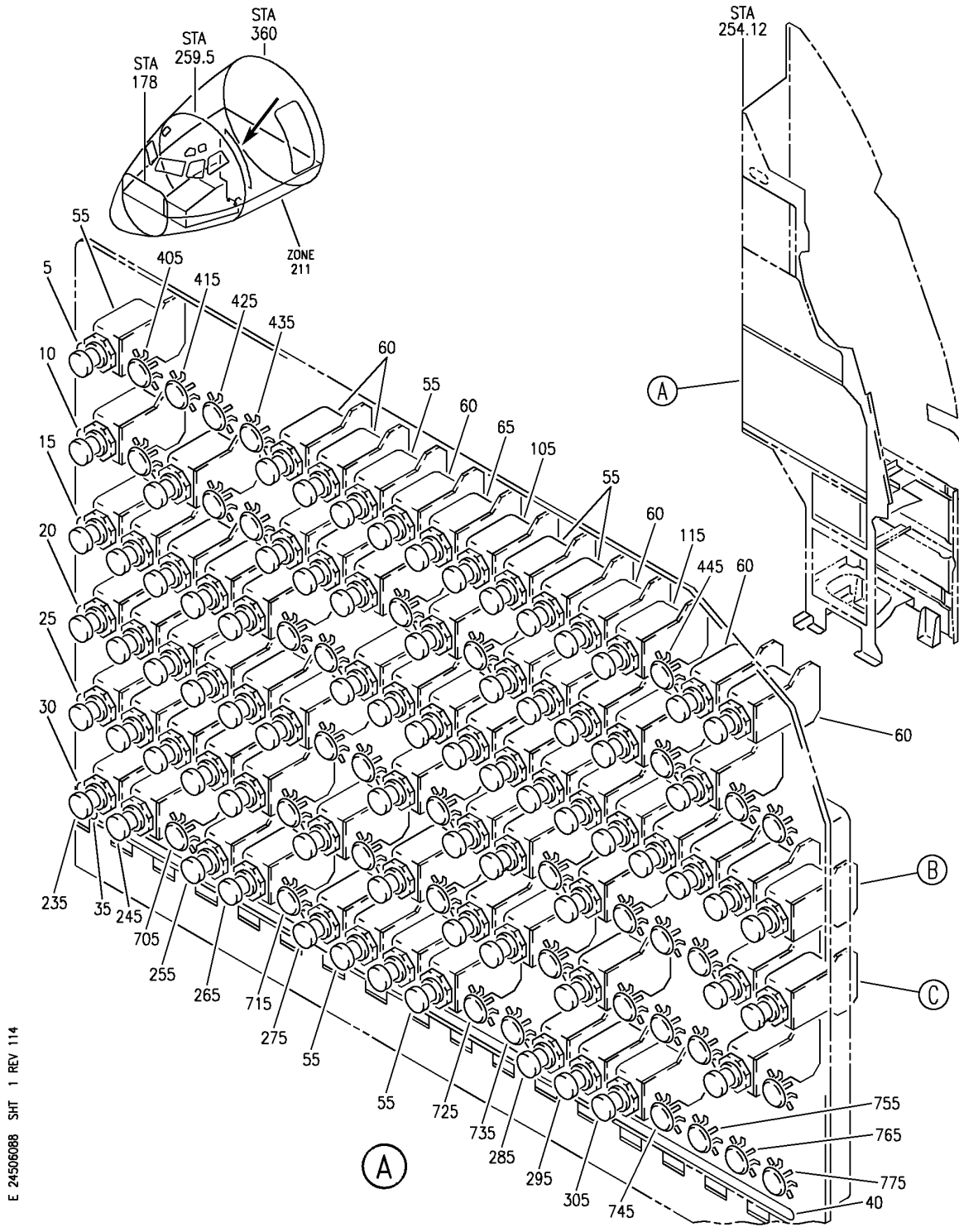
HAP

24-50-60-39

BOEING PROPRIETARY - Copyright © - Unpublished Work - See title page for details.

24-50-60
FIG. 39
PAGE 24
FEB 15/09

BOEING
737-600/700/800/900
PARTS CATALOG (MAINTENANCE)



E 24-50-60-88 SHT 1 REV 114

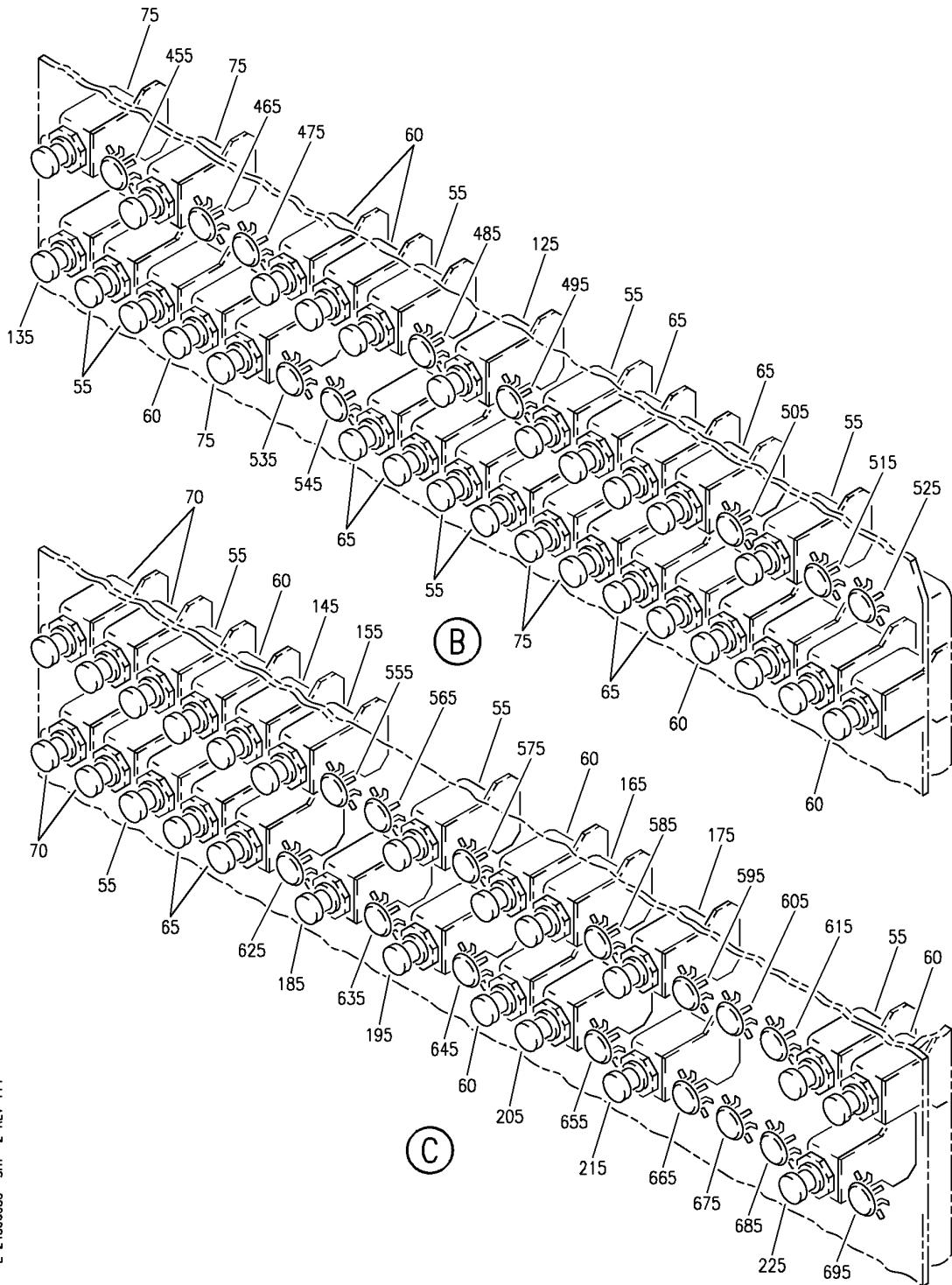
MARKER, CIRCUIT BREAKER, AND PLUG BUTTON INSTL P18-3 PNL
 FIGURE 88 (SHEET 1)

24-50-60-88

HAP
 OCT 10/06

24-50-60-88
 PAGE 0


BOEING
 737-600/700/800/900
PARTS CATALOG (MAINTENANCE)



E 24-506088 SHT 2 REV 114

MARKER, CIRCUIT BREAKER, AND PLUG BUTTON INSTL P18-3 PNL
 FIGURE 88 (SHEET 2)

24-50-60-88

HAP
OCT 10/06

24-50-60-88
 PAGE 0A

BOEING
737-600/700/800/900
PARTS CATALOG (MAINTENANCE)

FIG ITEM	PART NUMBER	1 2 3 4 5 6 7	NOMENCLATURE	EFFECT FROM TO	UNITS PER ASSY
88			MARKER, CIRCUIT BREAKER, AND PLUG BUTTON INSTL P18-3 PNL	031035	
- 1	MODREF250632		MARKER INSTL-P18-3 PNL MODULE NUMBER: 233A5523-1 REV D	031035	1
5	BAC27DCC3065		.MARKER- PLACARD CONTENT: A	031035	1
10	BAC27DCC3066		.MARKER- PLACARD CONTENT: B	031035	1
15	BAC27DCC3067		.MARKER- PLACARD CONTENT: C	031035	1
20	BAC27DCC3068		.MARKER- PLACARD CONTENT: D	031035	1
25	BAC27DCC3069		.MARKER- PLACARD CONTENT: E	031035	1
30	BAC27DCC3070		.MARKER- PLACARD CONTENT: F	031035	1
35	BAC27DCC3082		.MARKER- PLACARD CONTENT: P18-3	031035	1
40	BAC27DCC2764		.DECAL- PLACARD CONTENT: 1 THRU 19	031035	1
- 50	MODREF254584		CIRCUIT BREAKER INSTL-P18-3 PNL MODULE NUMBER: 233A5523-5 REV B	031035	1

MISSING ITEM NUMBERS NOT APPLICABLE

- ITEM NOT ILLUSTRATED

HAP

24-50-60-88

BOEING PROPRIETARY - Copyright © - Unpublished Work - See title page for details.

24-50-60
FIG. 88
PAGE 1
OCT 10/06

BOEING
737-600/700/800/900
PARTS CATALOG (MAINTENANCE)

FIG ITEM	PART NUMBER	1 2 3 4 5 6 7	NOMENCLATURE	EFFECT FROM TO	UNITS PER ASSY
88 55	2TC47-5		.CIRCUIT BREAKER- SUPPLIER CODE: V82647 SPECIFICATION NUMBER: BACC18AD5 OPTIONAL PART: 4310-029-5 V76374 ELECTRICAL EQUIP NUMBER: C00111 C00113 C00114 C00146 C00234 C00238 C00783 C00784 C00785 C01071 C01072 C01217 C01403 C01404 C01407 C01408 C01463 C01526	031035	18

MISSING ITEM NUMBERS NOT APPLICABLE

— ITEM NOT ILLUSTRATED

HAP

24-50-60-88

BOEING PROPRIETARY - Copyright © - Unpublished Work - See title page for details.

24-50-60
FIG. 88
PAGE 2
OCT 10/06

BOEING
737-600/700/800/900
PARTS CATALOG (MAINTENANCE)

FIG ITEM	PART NUMBER	1 2 3 4 5 6 7	NOMENCLATURE	EFFECT FROM TO	UNITS PER ASSY
88 60	2TC47-2-5		.CIRCUIT BREAKER- SUPPLIER CODE: V82647 SPECIFICATION NUMBER: BACC18AD2 OPTIONAL PART: 4310-029-205 V76374 ELECTRICAL EQUIP NUMBER: C00073 C00110 C00148 C00149 C00236 C00237 C00442 C01001 C01002 C01274 C01423 C01433 C01434 C01522 C01523 C01424 C01525	031035	17
65	2TC47-7-5		.CIRCUIT BREAKER- SUPPLIER CODE: V82647 SPECIFICATION NUMBER: BACC18AD7 OPTIONAL PART: 4310-029-705 V76374 ELECTRICAL EQUIP NUMBER: C00115 C00233 C00271 C00272 C00273 C00274 C00700 C01357 C01405 C01406	031035	10

MISSING ITEM NUMBERS NOT APPLICABLE

— ITEM NOT ILLUSTRATED

HAP

24-50-60-88

BOEING PROPRIETARY - Copyright © - Unpublished Work - See title page for details.

24-50-60
FIG. 88
PAGE 3
OCT 10/06

BOEING
737-600/700/800/900
PARTS CATALOG (MAINTENANCE)

FIG ITEM	PART NUMBER	1 2 3 4 5 6 7	NOMENCLATURE	EFFECT FROM TO	UNITS PER ASSY
88 70	2TC47-3		.CIRCUIT BREAKER- SUPPLIER CODE: V82647 SPECIFICATION NUMBER: BACC18AD3 OPTIONAL PART: 4310-029-3 V76374 ELECTRICAL EQUIP NUMBER: C00224 C00225 C00226 C00227	031035	4
75	2TC47-10		.CIRCUIT BREAKER- SUPPLIER CODE: V82647 SPECIFICATION NUMBER: BACC18AD10 OPTIONAL PART: 4310-029-10 V76374 ELECTRICAL EQUIP NUMBER: C00054 C00055 C00244 C00245 C02046	031035	5
- 100	MODREF250688		CIRCUIT BREAKER INSTL-PASS. CAB. LIGHTING EMER CHGR FWD P18-3/A11 MODULE NUMBER: 233A5523-210250 REV B	031035	1
105	2TC47-7-5		.CIRCUIT BREAKER- SUPPLIER CODE: V82647 SPECIFICATION NUMBER: BACC18AD7 OPTIONAL PART: 4310-029-705 V76374 ELECTRICAL EQUIP NUMBER: C00250	031035	1
- 110	MODREF250647		CIRCUIT BREAKER INSTL-EXT LIGHTING LOGO ILLUM P18-3/A15 MODULE NUMBER: 233A5523-200644 REV B	031035	1

MISSING ITEM NUMBERS NOT APPLICABLE

- ITEM NOT ILLUSTRATED

HAP

24-50-60-88

BOEING PROPRIETARY - Copyright © - Unpublished Work - See title page for details.

24-50-60
FIG. 88
PAGE 4
OCT 10/06

BOEING
737-600/700/800/900
PARTS CATALOG (MAINTENANCE)

FIG ITEM	PART NUMBER	1 2 3 4 5 6 7	NOMENCLATURE	EFFECT FROM TO	UNITS PER ASSY
88 115	2TC47-2-5		.CIRCUIT BREAKER- SUPPLIER CODE: V82647 SPECIFICATION NUMBER: BACC18AD2 OPTIONAL PART: 4310-029-205 V76374 ELECTRICAL EQUIP NUMBER: C00644	031035	1
- 120	MODREF250689		CIRCUIT BREAKER INSTL-PASS. CAB. LIGHTING EMER CHGR R AFT P18-3/B10 MODULE NUMBER: 233A5523-211358 REV B	031035	1
125	2TC47-7-5		.CIRCUIT BREAKER- SUPPLIER CODE: V82647 SPECIFICATION NUMBER: BACC18AD7 OPTIONAL PART: 4310-029-705 V76374 ELECTRICAL EQUIP NUMBER: C01358	031035	1
- 130	MODREF250644		CIRCUIT BREAKER INSTL- HEATERS CAPT PITOT P18-3/C1 MODULE NUMBER: 233A5523-200523 REV B	031035	1
135	2TC47-2-5		.CIRCUIT BREAKER- SUPPLIER CODE: V82647 SPECIFICATION NUMBER: BACC18AD2 OPTIONAL PART: 4310-029-205 V76374 ELECTRICAL EQUIP NUMBER: C00523	031035	1
- 140	MODREF250646		CIRCUIT BREAKER INSTL- HEATERS F/O PITOT P18-3/D5 MODULE NUMBER: 233A5523-200525 REV B	031035	1

MISSING ITEM NUMBERS NOT APPLICABLE

- ITEM NOT ILLUSTRATED

HAP

24-50-60-88

BOEING PROPRIETARY - Copyright © - Unpublished Work - See title page for details.

24-50-60
FIG. 88
PAGE 5
OCT 10/06

BOEING
737-600/700/800/900
PARTS CATALOG (MAINTENANCE)

FIG ITEM	PART NUMBER	1 2 3 4 5 6 7	NOMENCLATURE	EFFECT FROM TO	UNITS PER ASSY
88 145	2TC47-2-5		.CIRCUIT BREAKER- SUPPLIER CODE: V82647 SPECIFICATION NUMBER: BACC18AD2 OPTIONAL PART: 4310-029-205 V76374 ELECTRICAL EQUIP NUMBER: C00525	031035	1
- 150	MODREF250645		CIRCUIT BREAKER INSTL- HEATERS AUX PITOT P18-3/D6 MODULE NUMBER: 233A5523-200524 REV B	031035	1
155	2TC47-2-5		.CIRCUIT BREAKER- SUPPLIER CODE: V82647 SPECIFICATION NUMBER: BACC18AD2 OPTIONAL PART: 4310-029-205 V76374 ELECTRICAL EQUIP NUMBER: C00524	031035	1
- 160	MODREF250666		CIRCUIT BREAKER INSTL-EXT LIGHTING GENERAL LIGHT CONT P18-3/D12 MODULE NUMBER: 233A5523-201518 REV B	031035	1
165	2TC47-3		.CIRCUIT BREAKER- SUPPLIER CODE: V82647 SPECIFICATION NUMBER: BACC18AD3 OPTIONAL PART: 4310-029-3 V76374 ELECTRICAL EQUIP NUMBER: C01518	031035	1
- 170	MODREF250637		CIRCUIT BREAKER INSTL- EXT LIGHTING NOSE GEAR TAXI P18-3/D14 MODULE NUMBER: 233A5523-200123 REV B	031035	1

MISSING ITEM NUMBERS NOT APPLICABLE

- ITEM NOT ILLUSTRATED

HAP

24-50-60-88

BOEING PROPRIETARY - Copyright © - Unpublished Work - See title page for details.

24-50-60
FIG. 88
PAGE 6
OCT 10/06

BOEING
737-600/700/800/900
PARTS CATALOG (MAINTENANCE)

FIG ITEM	PART NUMBER	1 2 3 4 5 6 7	NOMENCLATURE	EFFECT FROM TO	UNITS PER ASSY
88 175	2TC47-10		.CIRCUIT BREAKER- SUPPLIER CODE: V82647 SPECIFICATION NUMBER: BACC18AD10 OPTIONAL PART: 4310-029-10 V76374 ELECTRICAL EQUIP NUMBER: C00123	031035	1
- 180	MODREF250648		CIRCUIT BREAKER INSTL-AIR CONDITIONING RECIRC FAN L CAB. AIR P18-3/E7 MODULE NUMBER: 233A5523-200911 REV B	031035	1
185	9TC620		.CIRCUIT BREAKER- SUPPLIER CODE: V82647 SPECIFICATION NUMBER: BACC18AE20 ELECTRICAL EQUIP NUMBER: C00911	031035	1
- 190	MODREF250653		CIRCUIT BREAKER INSTL-AIR CONDITIONING RECIRC FAN L CONT P18-3/E9 MODULE NUMBER: 233A5523-201156 REV B	031035	1
195	2TC47-2-5		.CIRCUIT BREAKER- SUPPLIER CODE: V82647 SPECIFICATION NUMBER: BACC18AD2 OPTIONAL PART: 4310-029-205 V76374 ELECTRICAL EQUIP NUMBER: C01156	031035	1
- 200	MODREF250651		CIRCUIT BREAKER INSTL-LAV SMOKE P18-3/E12 MODULE NUMBER: 233A5523-201125 REV B	031035	1

MISSING ITEM NUMBERS NOT APPLICABLE

- ITEM NOT ILLUSTRATED

HAP

24-50-60-88

BOEING PROPRIETARY - Copyright © - Unpublished Work - See title page for details.

24-50-60
FIG. 88
PAGE 7
OCT 10/06

BOEING
737-600/700/800/900
PARTS CATALOG (MAINTENANCE)

FIG ITEM	PART NUMBER	1 2 3 4 5 6 7	NOMENCLATURE	EFFECT FROM TO	UNITS PER ASSY
88 205	2TC47-2-5		.CIRCUIT BREAKER- SUPPLIER CODE: V82647 SPECIFICATION NUMBER: BACC18AD2 OPTIONAL PART: 4310-029-205 V76374 ELECTRICAL EQUIP NUMBER: C01125	031035	1
- 210	MODREF250638		CIRCUIT BREAKER INSTL-LAV MIRROR LIGHT P18-3/E14 MODULE NUMBER: 233A5523-200163 REV B	031035	1
215	2TC47-3		.CIRCUIT BREAKER- SUPPLIER CODE: V82647 SPECIFICATION NUMBER: BACC18AD3 OPTIONAL PART: 4310-029-3 V76374 ELECTRICAL EQUIP NUMBER: C00163	031035	1
- 220	MODREF250659		CIRCUIT BREAKER INSTL-HOSE HEATERS P18-3/E18 MODULE NUMBER: 233A5523-201473 REV B	031035	1
225	2TC47-5		.CIRCUIT BREAKER- SUPPLIER CODE: V82647 SPECIFICATION NUMBER: BACC18AD5 OPTIONAL PART: 4310-029-5 V76374 ELECTRICAL EQUIP NUMBER: C01473	031035	1
- 230	MODREF250641		CIRCUIT BREAKER INSTL- WINDOW HEAT CONTROL RIGHT FRONT DC P18-3/F1 MODULE NUMBER: 233A5523-200222 REV B	031035	1

MISSING ITEM NUMBERS NOT APPLICABLE

- ITEM NOT ILLUSTRATED

HAP

24-50-60-88

BOEING PROPRIETARY - Copyright © - Unpublished Work - See title page for details.

24-50-60
FIG. 88
PAGE 8
OCT 10/06

BOEING
737-600/700/800/900
PARTS CATALOG (MAINTENANCE)

FIG ITEM	PART NUMBER	1 2 3 4 5 6 7	NOMENCLATURE	EFFECT FROM TO	UNITS PER ASSY
88 235	2TC47-2-5		.CIRCUIT BREAKER- SUPPLIER CODE: V82647 SPECIFICATION NUMBER: BACC18AD2 OPTIONAL PART: 4310-029-205 V76374 ELECTRICAL EQUIP NUMBER: C00222	031035	1
- 240	MODREF250640		CIRCUIT BREAKER INSTL- WINDOW HEAT CONTROL LEFT SIDE DC P18-3/F2 MODULE NUMBER: 233A5523-200221 REV B	031035	1
245	2TC47-2-5		.CIRCUIT BREAKER- SUPPLIER CODE: V82647 SPECIFICATION NUMBER: BACC18AD2 OPTIONAL PART: 4310-029-205 V76374 ELECTRICAL EQUIP NUMBER: C00221	031035	1
- 250	MODREF250642		CIRCUIT BREAKER INSTL- WINDOW HEAT CONTROL RIGHT SIDE DC P18-3/F4 MODULE NUMBER: 233A5523-200223 REV B	031035	1
255	2TC47-2-5		.CIRCUIT BREAKER- SUPPLIER CODE: V82647 SPECIFICATION NUMBER: BACC18AD2 OPTIONAL PART: 4310-029-205 V76374 ELECTRICAL EQUIP NUMBER: C00223	031035	1
- 260	MODREF250639		CIRCUIT BREAKER INSTL- WINDOW HEAT CONTROL LEFT FRONT DC P18-3/F5 MODULE NUMBER: 233A5523-200220 REV B	031035	1

MISSING ITEM NUMBERS NOT APPLICABLE

- ITEM NOT ILLUSTRATED

HAP

24-50-60-88

BOEING PROPRIETARY - Copyright © - Unpublished Work - See title page for details.

24-50-60
FIG. 88
PAGE 9
OCT 10/06

BOEING
737-600/700/800/900
PARTS CATALOG (MAINTENANCE)

FIG ITEM	PART NUMBER	1 2 3 4 5 6 7	NOMENCLATURE	EFFECT FROM TO	UNITS PER ASSY
88 265	2TC47-2-5		.CIRCUIT BREAKER- SUPPLIER CODE: V82647 SPECIFICATION NUMBER: BACC18AD2 OPTIONAL PART: 4310-029-205 V76374 ELECTRICAL EQUIP NUMBER: C00220	031035	1
- 270	MODREF251820		CIRCUIT BREAKER INSTL- OXYGEN IND P18-3/F7 MODULE NUMBER: 233A5523-200156 REV A	031035	1
275	2TC47-5		.CIRCUIT BREAKER- SUPPLIER CODE: V82647 SPECIFICATION NUMBER: BACC18AD5 OPTIONAL PART: 4310-029-5 V76374 ELECTRICAL EQUIP NUMBER: C00156	031035	1
- 280	MODREF250634		CIRCUIT BREAKER INSTL-LAV WATER HEATER A P18-3/F13 MODULE NUMBER: 233A5523-200104 REV B	031035	1
285	2TC47-5		.CIRCUIT BREAKER- SUPPLIER CODE: V82647 SPECIFICATION NUMBER: BACC18AD5 OPTIONAL PART: 4310-029-5 V76374 ELECTRICAL EQUIP NUMBER: C00104	031035	1
- 290	MODREF250649		CIRCUIT BREAKER INSTL-LAV WATER HEATER D P18-3/F14 MODULE NUMBER: 233A5523-201073 REV B	031035	1

MISSING ITEM NUMBERS NOT APPLICABLE

- ITEM NOT ILLUSTRATED

HAP

24-50-60-88

BOEING PROPRIETARY - Copyright © - Unpublished Work - See title page for details.

24-50-60
FIG. 88
PAGE 10
OCT 10/06

BOEING
737-600/700/800/900
PARTS CATALOG (MAINTENANCE)

FIG ITEM	PART NUMBER	1 2 3 4 5 6 7	NOMENCLATURE	EFFECT FROM TO	UNITS PER ASSY
88 295	2TC47-5		.CIRCUIT BREAKER- SUPPLIER CODE: V82647 SPECIFICATION NUMBER: BACC18AD5 OPTIONAL PART: 4310-029-5 V76374 ELECTRICAL EQUIP NUMBER: C01073	031035	1
- 300	MODREF250650		CIRCUIT BREAKER INSTL-LAV WATER HEATER E P18-3/F15 MODULE NUMBER: 233A5523-201096 REV B	031035	1
305	2TC47-5		.CIRCUIT BREAKER- SUPPLIER CODE: V82647 SPECIFICATION NUMBER: BACC18AD5 OPTIONAL PART: 4310-029-5 V76374 ELECTRICAL EQUIP NUMBER: C01096	031035	1
- 400	MODREF250691		PLUG BUTTON INSTL-P18-3/A2 MODULE NUMBER: 233A5523-383102 REV B	031035	1
405	BS51338D5003		.PLUG- SUPPLIER CODE: V83058 SPECIFICATION NUMBER: BACP20B63B OPTIONAL PART: 51338 V83058 MISCELLANEOUS DATA: USE IN PLACE OF CIRCUIT BREAKERS ON OPEN HOLES	031035	1
- 410	MODREF250692		PLUG BUTTON INSTL-P18-3/A3 MODULE NUMBER: 233A5523-383103 REV B	031035	1

MISSING ITEM NUMBERS NOT APPLICABLE

- ITEM NOT ILLUSTRATED

HAP

24-50-60-88

BOEING PROPRIETARY - Copyright © - Unpublished Work - See title page for details.

24-50-60
FIG. 88
PAGE 11
OCT 10/06

BOEING
737-600/700/800/900
PARTS CATALOG (MAINTENANCE)

FIG ITEM	PART NUMBER	1 2 3 4 5 6 7	NOMENCLATURE	EFFECT FROM TO	UNITS PER ASSY
88 415	BS51338D5003		.PLUG- SUPPLIER CODE: V83058 SPECIFICATION NUMBER: BACP20B63B OPTIONAL PART: 51338 V83058 MISCELLANEOUS DATA: USE IN PLACE OF CIRCUIT BREAKERS ON OPEN HOLES	031035	1
- 420	MODREF250693		PLUG BUTTON INSTL-P18-3/A4 MODULE NUMBER: 233A5523-383104 REV B	031035	1
425	BS51338D5003		.PLUG- SUPPLIER CODE: V83058 SPECIFICATION NUMBER: BACP20B63B OPTIONAL PART: 51338 V83058 MISCELLANEOUS DATA: USE IN PLACE OF CIRCUIT BREAKERS ON OPEN HOLES	031035	1
- 430	MODREF250694		PLUG BUTTON INSTL-P18-3/A5 MODULE NUMBER: 233A5523-383105 REV B	031035	1
435	BS51338D5003		.PLUG- SUPPLIER CODE: V83058 SPECIFICATION NUMBER: BACP20B63B OPTIONAL PART: 51338 V83058 MISCELLANEOUS DATA: USE IN PLACE OF CIRCUIT BREAKERS ON OPEN HOLES	031035	1
- 440	MODREF250696		PLUG BUTTON INSTL-P18-3/A16 MODULE NUMBER: 233A5523-383116 REV B	031035	1

MISSING ITEM NUMBERS NOT APPLICABLE

- ITEM NOT ILLUSTRATED

HAP

24-50-60-88

BOEING PROPRIETARY - Copyright © - Unpublished Work - See title page for details.

24-50-60
FIG. 88
PAGE 12
OCT 10/06

BOEING
737-600/700/800/900
PARTS CATALOG (MAINTENANCE)

FIG ITEM	PART NUMBER	1 2 3 4 5 6 7	NOMENCLATURE	EFFECT FROM TO	UNITS PER ASSY
88 445	BS51338D5003		.PLUG- SUPPLIER CODE: V83058 SPECIFICATION NUMBER: BACP20B63B OPTIONAL PART: 51338 V83058 MISCELLANEOUS DATA: USE IN PLACE OF CIRCUIT BREAKERS ON OPEN HOLES	031035	1
- 450	MODREF250697		PLUG BUTTON INSTL-P18-3/B2 MODULE NUMBER: 233A5523-383202 REV B	031035	1
455	BS51338D5003		.PLUG- SUPPLIER CODE: V83058 SPECIFICATION NUMBER: BACP20B63B OPTIONAL PART: 51338 V83058 MISCELLANEOUS DATA: USE IN PLACE OF CIRCUIT BREAKERS ON OPEN HOLES	031035	1
- 460	MODREF250698		PLUG BUTTON INSTL-P18-3/B4 MODULE NUMBER: 233A5523-383204 REV B	031035	1
465	BS51338D5003		.PLUG- SUPPLIER CODE: V83058 SPECIFICATION NUMBER: BACP20B63B OPTIONAL PART: 51338 V83058 MISCELLANEOUS DATA: USE IN PLACE OF CIRCUIT BREAKERS ON OPEN HOLES	031035	1
- 470	MODREF250699		PLUG BUTTON INSTL-P18-3/B5 MODULE NUMBER: 233A5523-383205 REV B	031035	1

MISSING ITEM NUMBERS NOT APPLICABLE

- ITEM NOT ILLUSTRATED

HAP

24-50-60-88

BOEING PROPRIETARY - Copyright © - Unpublished Work - See title page for details.

24-50-60
FIG. 88
PAGE 13
OCT 10/06

BOEING
737-600/700/800/900
PARTS CATALOG (MAINTENANCE)

FIG ITEM	PART NUMBER	1 2 3 4 5 6 7	NOMENCLATURE	EFFECT FROM TO	UNITS PER ASSY
88 475	BS51338D5003		.PLUG- SUPPLIER CODE: V83058 SPECIFICATION NUMBER: BACP20B63B OPTIONAL PART: 51338 V83058 MISCELLANEOUS DATA: USE IN PLACE OF CIRCUIT BREAKERS ON OPEN HOLES	031035	1
- 480	MODREF250700		PLUG BUTTON INSTL-P18-3/B9 MODULE NUMBER: 233A5523-383209 REV B	031035	1
485	BS51338D5003		.PLUG- SUPPLIER CODE: V83058 SPECIFICATION NUMBER: BACP20B63B OPTIONAL PART: 51338 V83058 MISCELLANEOUS DATA: USE IN PLACE OF CIRCUIT BREAKERS ON OPEN HOLES	031035	1
- 490	MODREF250701		PLUG BUTTON INSTL-P18-3/B11 MODULE NUMBER: 233A5523-383211 REV B	031035	1
495	BS51338D5003		.PLUG- SUPPLIER CODE: V83058 SPECIFICATION NUMBER: BACP20B63B OPTIONAL PART: 51338 V83058 MISCELLANEOUS DATA: USE IN PLACE OF CIRCUIT BREAKERS ON OPEN HOLES	031035	1
- 500	MODREF250702		PLUG BUTTON INSTL-P18-3/B16 MODULE NUMBER: 233A5523-383216 REV B	031035	1

MISSING ITEM NUMBERS NOT APPLICABLE

- ITEM NOT ILLUSTRATED

HAP

24-50-60-88

BOEING PROPRIETARY - Copyright © - Unpublished Work - See title page for details.

24-50-60
FIG. 88
PAGE 14
OCT 10/06

BOEING
737-600/700/800/900
PARTS CATALOG (MAINTENANCE)

FIG ITEM	PART NUMBER	1 2 3 4 5 6 7	NOMENCLATURE	EFFECT FROM TO	UNITS PER ASSY
88 505	BS51338D5003		.PLUG- SUPPLIER CODE: V83058 SPECIFICATION NUMBER: BACP20B63B OPTIONAL PART: 51338 V83058 MISCELLANEOUS DATA: USE IN PLACE OF CIRCUIT BREAKERS ON OPEN HOLES	031035	1
- 510	MODREF250703		PLUG BUTTON INSTL-P18-3/B18 MODULE NUMBER: 233A5523-383218 REV B	031035	1
515	BS51338D5003		.PLUG- SUPPLIER CODE: V83058 SPECIFICATION NUMBER: BACP20B63B OPTIONAL PART: 51338 V83058 MISCELLANEOUS DATA: USE IN PLACE OF CIRCUIT BREAKERS ON OPEN HOLES	031035	1
- 520	MODREF250704		PLUG BUTTON INSTL-P18-3/B19 MODULE NUMBER: 233A5523-383219 REV B	031035	1
525	BS51338D5003		.PLUG- SUPPLIER CODE: V83058 SPECIFICATION NUMBER: BACP20B63B OPTIONAL PART: 51338 V83058 MISCELLANEOUS DATA: USE IN PLACE OF CIRCUIT BREAKERS ON OPEN HOLES	031035	1
- 530	MODREF250705		PLUG BUTTON INSTL-P18-3/C6 MODULE NUMBER: 233A5523-383306 REV B	031035	1

MISSING ITEM NUMBERS NOT APPLICABLE

- ITEM NOT ILLUSTRATED

HAP

24-50-60-88

BOEING PROPRIETARY - Copyright © - Unpublished Work - See title page for details.

24-50-60
FIG. 88
PAGE 15
OCT 10/06

BOEING
737-600/700/800/900
PARTS CATALOG (MAINTENANCE)

FIG ITEM	PART NUMBER	1 2 3 4 5 6 7	NOMENCLATURE	EFFECT FROM TO	UNITS PER ASSY
88 535	BS51338D5003		.PLUG- SUPPLIER CODE: V83058 SPECIFICATION NUMBER: BACP20B63B OPTIONAL PART: 51338 V83058 MISCELLANEOUS DATA: USE IN PLACE OF CIRCUIT BREAKERS ON OPEN HOLES	031035	1
- 540	MODREF250706		PLUG BUTTON INSTL-P18-3/C7 MODULE NUMBER: 233A5523-383307 REV B	031035	1
545	BS51338D5003		.PLUG- SUPPLIER CODE: V83058 SPECIFICATION NUMBER: BACP20B63B OPTIONAL PART: 51338 V83058 MISCELLANEOUS DATA: USE IN PLACE OF CIRCUIT BREAKERS ON OPEN HOLES	031035	1
- 550	MODREF250707		PLUG BUTTON INSTL-P18-3/D7 MODULE NUMBER: 233A5523-383407 REV B	031035	1
555	BS51338D5003		.PLUG- SUPPLIER CODE: V83058 SPECIFICATION NUMBER: BACP20B63B OPTIONAL PART: 51338 V83058 MISCELLANEOUS DATA: USE IN PLACE OF CIRCUIT BREAKERS ON OPEN HOLES	031035	1
- 560	MODREF250708		PLUG BUTTON INSTL-P18-3/D8 MODULE NUMBER: 233A5523-383408 REV B	031035	1

MISSING ITEM NUMBERS NOT APPLICABLE

- ITEM NOT ILLUSTRATED

HAP

24-50-60-88

BOEING PROPRIETARY - Copyright © - Unpublished Work - See title page for details.

24-50-60
FIG. 88
PAGE 16
OCT 10/06

BOEING
737-600/700/800/900
PARTS CATALOG (MAINTENANCE)

FIG ITEM	PART NUMBER	1 2 3 4 5 6 7	NOMENCLATURE	EFFECT FROM TO	UNITS PER ASSY
88 565	BS51338D5003		.PLUG- SUPPLIER CODE: V83058 SPECIFICATION NUMBER: BACP20B63B OPTIONAL PART: 51338 V83058 MISCELLANEOUS DATA: USE IN PLACE OF CIRCUIT BREAKERS ON OPEN HOLES	031035	1
- 570	MODREF250709		PLUG BUTTON INSTL-P18-3/D10 MODULE NUMBER: 233A5523-383410 REV B	031035	1
575	BS51338D5003		.PLUG- SUPPLIER CODE: V83058 SPECIFICATION NUMBER: BACP20B63B OPTIONAL PART: 51338 V83058 MISCELLANEOUS DATA: USE IN PLACE OF CIRCUIT BREAKERS ON OPEN HOLES	031035	1
- 580	MODREF250711		PLUG BUTTON INSTL-P18-3/D13 MODULE NUMBER: 233A5523-383413 REV B	031035	1
585	BS51338D5003		.PLUG- SUPPLIER CODE: V83058 SPECIFICATION NUMBER: BACP20B63B OPTIONAL PART: 51338 V83058 MISCELLANEOUS DATA: USE IN PLACE OF CIRCUIT BREAKERS ON OPEN HOLES	031035	1
- 590	MODREF250712		PLUG BUTTON INSTL-P18-3/D15 MODULE NUMBER: 233A5523-383415 REV B	031035	1

MISSING ITEM NUMBERS NOT APPLICABLE

- ITEM NOT ILLUSTRATED

HAP

24-50-60-88

BOEING PROPRIETARY - Copyright © - Unpublished Work - See title page for details.

24-50-60
FIG. 88
PAGE 17
OCT 10/06

BOEING
737-600/700/800/900
PARTS CATALOG (MAINTENANCE)

FIG ITEM	PART NUMBER	1 2 3 4 5 6 7	NOMENCLATURE	EFFECT FROM TO	UNITS PER ASSY
88 595	BS51338D5003		.PLUG- SUPPLIER CODE: V83058 SPECIFICATION NUMBER: BACP20B63B OPTIONAL PART: 51338 V83058 MISCELLANEOUS DATA: USE IN PLACE OF CIRCUIT BREAKERS ON OPEN HOLES	031035	1
- 600	MODREF250713		PLUG BUTTON INSTL-P18-3/D16 MODULE NUMBER: 233A5523-383416 REV B	031035	1
605	BS51338D5003		.PLUG- SUPPLIER CODE: V83058 SPECIFICATION NUMBER: BACP20B63B OPTIONAL PART: 51338 V83058 MISCELLANEOUS DATA: USE IN PLACE OF CIRCUIT BREAKERS ON OPEN HOLES	031035	1
- 610	MODREF250714		PLUG BUTTON INSTL-P18-3/D17 MODULE NUMBER: 233A5523-383417 REV B	031035	1
615	BS51338D5003		.PLUG- SUPPLIER CODE: V83058 SPECIFICATION NUMBER: BACP20B63B OPTIONAL PART: 51338 V83058 MISCELLANEOUS DATA: USE IN PLACE OF CIRCUIT BREAKERS ON OPEN HOLES	031035	1
- 620	MODREF250715		PLUG BUTTON INSTL-P18-3/E6 MODULE NUMBER: 233A5523-383506 REV B	031035	1

MISSING ITEM NUMBERS NOT APPLICABLE

- ITEM NOT ILLUSTRATED

HAP

24-50-60-88

BOEING PROPRIETARY - Copyright © - Unpublished Work - See title page for details.

24-50-60
FIG. 88
PAGE 18
OCT 10/06

BOEING
737-600/700/800/900
PARTS CATALOG (MAINTENANCE)

FIG ITEM	PART NUMBER	1 2 3 4 5 6 7	NOMENCLATURE	EFFECT FROM TO	UNITS PER ASSY
88 625	BS51338D5003		.PLUG- SUPPLIER CODE: V83058 SPECIFICATION NUMBER: BACP20B63B OPTIONAL PART: 51338 V83058 MISCELLANEOUS DATA: USE IN PLACE OF CIRCUIT BREAKERS ON OPEN HOLES	031035	1
- 630	MODREF250717		PLUG BUTTON INSTL-P18-3/E8 MODULE NUMBER: 233A5523-383508 REV B	031035	1
635	BS51338D5003		.PLUG- SUPPLIER CODE: V83058 SPECIFICATION NUMBER: BACP20B63B OPTIONAL PART: 51338 V83058 MISCELLANEOUS DATA: USE IN PLACE OF CIRCUIT BREAKERS ON OPEN HOLES	031035	1
- 640	MODREF250719		PLUG BUTTON INSTL-P18-3/E10 MODULE NUMBER: 233A5523-383510 REV B	031035	1
645	BS51338D5003		.PLUG- SUPPLIER CODE: V83058 SPECIFICATION NUMBER: BACP20B63B OPTIONAL PART: 51338 V83058 MISCELLANEOUS DATA: USE IN PLACE OF CIRCUIT BREAKERS ON OPEN HOLES	031035	1
- 650	MODREF250720		PLUG BUTTON INSTL-P18-3/E13 MODULE NUMBER: 233A5523-383513 REV B	031035	1

MISSING ITEM NUMBERS NOT APPLICABLE

- ITEM NOT ILLUSTRATED

HAP

24-50-60-88

BOEING PROPRIETARY - Copyright © - Unpublished Work - See title page for details.

24-50-60
FIG. 88
PAGE 19
OCT 10/06

BOEING
737-600/700/800/900
PARTS CATALOG (MAINTENANCE)

FIG ITEM	PART NUMBER	1 2 3 4 5 6 7	NOMENCLATURE	EFFECT FROM TO	UNITS PER ASSY
88 655	BS51338D5003		.PLUG- SUPPLIER CODE: V83058 SPECIFICATION NUMBER: BACP20B63B OPTIONAL PART: 51338 V83058 MISCELLANEOUS DATA: USE IN PLACE OF CIRCUIT BREAKERS ON OPEN HOLES	031035	1
- 660	MODREF250721		PLUG BUTTON INSTL-P18-3/E15 MODULE NUMBER: 233A5523-383515 REV B	031035	1
665	BS51338D5003		.PLUG- SUPPLIER CODE: V83058 SPECIFICATION NUMBER: BACP20B63B OPTIONAL PART: 51338 V83058 MISCELLANEOUS DATA: USE IN PLACE OF CIRCUIT BREAKERS ON OPEN HOLES	031035	1
- 670	MODREF250722		PLUG BUTTON INSTL-P18-3/E16 MODULE NUMBER: 233A5523-383516 REV B	031035	1
675	BS51338D5003		.PLUG- SUPPLIER CODE: V83058 SPECIFICATION NUMBER: BACP20B63B OPTIONAL PART: 51338 V83058 MISCELLANEOUS DATA: USE IN PLACE OF CIRCUIT BREAKERS ON OPEN HOLES	031035	1
- 680	MODREF250723		PLUG BUTTON INSTL-P18-3/E17 MODULE NUMBER: 233A5523-383517 REV B	031035	1

MISSING ITEM NUMBERS NOT APPLICABLE

- ITEM NOT ILLUSTRATED

HAP

24-50-60-88

BOEING PROPRIETARY - Copyright © - Unpublished Work - See title page for details.

24-50-60
FIG. 88
PAGE 20
OCT 10/06

BOEING
737-600/700/800/900
PARTS CATALOG (MAINTENANCE)

FIG ITEM	PART NUMBER	1 2 3 4 5 6 7	NOMENCLATURE	EFFECT FROM TO	UNITS PER ASSY
88 685	BS51338D5003		.PLUG- SUPPLIER CODE: V83058 SPECIFICATION NUMBER: BACP20B63B OPTIONAL PART: 51338 V83058 MISCELLANEOUS DATA: USE IN PLACE OF CIRCUIT BREAKERS ON OPEN HOLES	031035	1
- 690	MODREF250725		PLUG BUTTON INSTL-P18-3/E19 MODULE NUMBER: 233A5523-383519 REV B	031035	1
695	BS51338D5003		.PLUG- SUPPLIER CODE: V83058 SPECIFICATION NUMBER: BACP20B63B OPTIONAL PART: 51338 V83058 MISCELLANEOUS DATA: USE IN PLACE OF CIRCUIT BREAKERS ON OPEN HOLES	031035	1
- 700	MODREF250728		PLUG BUTTON INSTL-P18-3/F3 MODULE NUMBER: 233A5523-383603 REV B	031035	1
705	BS51338D5003		.PLUG- SUPPLIER CODE: V83058 SPECIFICATION NUMBER: BACP20B63B OPTIONAL PART: 51338 V83058 MISCELLANEOUS DATA: USE IN PLACE OF CIRCUIT BREAKERS ON OPEN HOLES	031035	1
- 710	MODREF250731		PLUG BUTTON INSTL-P18-3/F6 MODULE NUMBER: 233A5523-383606 REV B	031035	1

MISSING ITEM NUMBERS NOT APPLICABLE

- ITEM NOT ILLUSTRATED

HAP

24-50-60-88

BOEING PROPRIETARY - Copyright © - Unpublished Work - See title page for details.

24-50-60
FIG. 88
PAGE 21
OCT 10/06

BOEING
737-600/700/800/900
PARTS CATALOG (MAINTENANCE)

FIG ITEM	PART NUMBER	1 2 3 4 5 6 7	NOMENCLATURE	EFFECT FROM TO	UNITS PER ASSY
88 715	BS51338D5003		.PLUG- SUPPLIER CODE: V83058 SPECIFICATION NUMBER: BACP20B63B OPTIONAL PART: 51338 V83058 MISCELLANEOUS DATA: USE IN PLACE OF CIRCUIT BREAKERS ON OPEN HOLES	031035	1
- 720	MODREF250732		PLUG BUTTON INSTL-P18-3/F11 MODULE NUMBER: 233A5523-383611 REV B	031035	1
725	BS51338D5003		.PLUG- SUPPLIER CODE: V83058 SPECIFICATION NUMBER: BACP20B63B OPTIONAL PART: 51338 V83058 MISCELLANEOUS DATA: USE IN PLACE OF CIRCUIT BREAKERS ON OPEN HOLES	031035	1
- 730	MODREF250733		PLUG BUTTON INSTL-P18-3/F12 MODULE NUMBER: 233A5523-383612 REV B	031035	1
735	BS51338D5003		.PLUG- SUPPLIER CODE: V83058 SPECIFICATION NUMBER: BACP20B63B OPTIONAL PART: 51338 V83058 MISCELLANEOUS DATA: USE IN PLACE OF CIRCUIT BREAKERS ON OPEN HOLES	031035	1
- 740	MODREF250736		PLUG BUTTON INSTL-P18-3/F16 MODULE NUMBER: 233A5523-383616 REV B	031035	1

MISSING ITEM NUMBERS NOT APPLICABLE

- ITEM NOT ILLUSTRATED

HAP

24-50-60-88

BOEING PROPRIETARY - Copyright © - Unpublished Work - See title page for details.

24-50-60
FIG. 88
PAGE 22
OCT 10/06

BOEING
737-600/700/800/900
PARTS CATALOG (MAINTENANCE)

FIG ITEM	PART NUMBER	1 2 3 4 5 6 7	NOMENCLATURE	EFFECT FROM TO	UNITS PER ASSY
88 745	BS51338D5003		.PLUG- SUPPLIER CODE: V83058 SPECIFICATION NUMBER: BACP20B63B OPTIONAL PART: 51338 V83058 MISCELLANEOUS DATA: USE IN PLACE OF CIRCUIT BREAKERS ON OPEN HOLES	031035	1
- 750	MODREF250737		PLUG BUTTON INSTL-P18-3/F17 MODULE NUMBER: 233A5523-383617 REV B	031035	1
755	BS51338D5003		.PLUG- SUPPLIER CODE: V83058 SPECIFICATION NUMBER: BACP20B63B OPTIONAL PART: 51338 V83058 MISCELLANEOUS DATA: USE IN PLACE OF CIRCUIT BREAKERS ON OPEN HOLES	031035	1
- 760	MODREF250738		PLUG BUTTON INSTL-P18-3/F18 MODULE NUMBER: 233A5523-383618 REV B	031035	1
765	BS51338D5003		.PLUG- SUPPLIER CODE: V83058 SPECIFICATION NUMBER: BACP20B63B OPTIONAL PART: 51338 V83058 MISCELLANEOUS DATA: USE IN PLACE OF CIRCUIT BREAKERS ON OPEN HOLES	031035	1
- 770	MODREF250739		PLUG BUTTON INSTL-P18-3/F19 MODULE NUMBER: 233A5523-383619 REV B	031035	1

MISSING ITEM NUMBERS NOT APPLICABLE

- ITEM NOT ILLUSTRATED

HAP

24-50-60-88

BOEING PROPRIETARY - Copyright © - Unpublished Work - See title page for details.

24-50-60
FIG. 88
PAGE 23
OCT 10/06


BOEING
 737-600/700/800/900
PARTS CATALOG (MAINTENANCE)

FIG ITEM	PART NUMBER	1 2 3 4 5 6 7 NOMENCLATURE	EFFECT FROM TO	UNITS PER ASSY
88 775	BS51338D5003	.PLUG- SUPPLIER CODE: V83058 SPECIFICATION NUMBER: BACP20B63B OPTIONAL PART: 51338 V83058 MISCELLANEOUS DATA: USE IN PLACE OF CIRCUIT BREAKERS ON OPEN HOLES	031035	1

MISSING ITEM NUMBERS NOT APPLICABLE

— ITEM NOT ILLUSTRATED

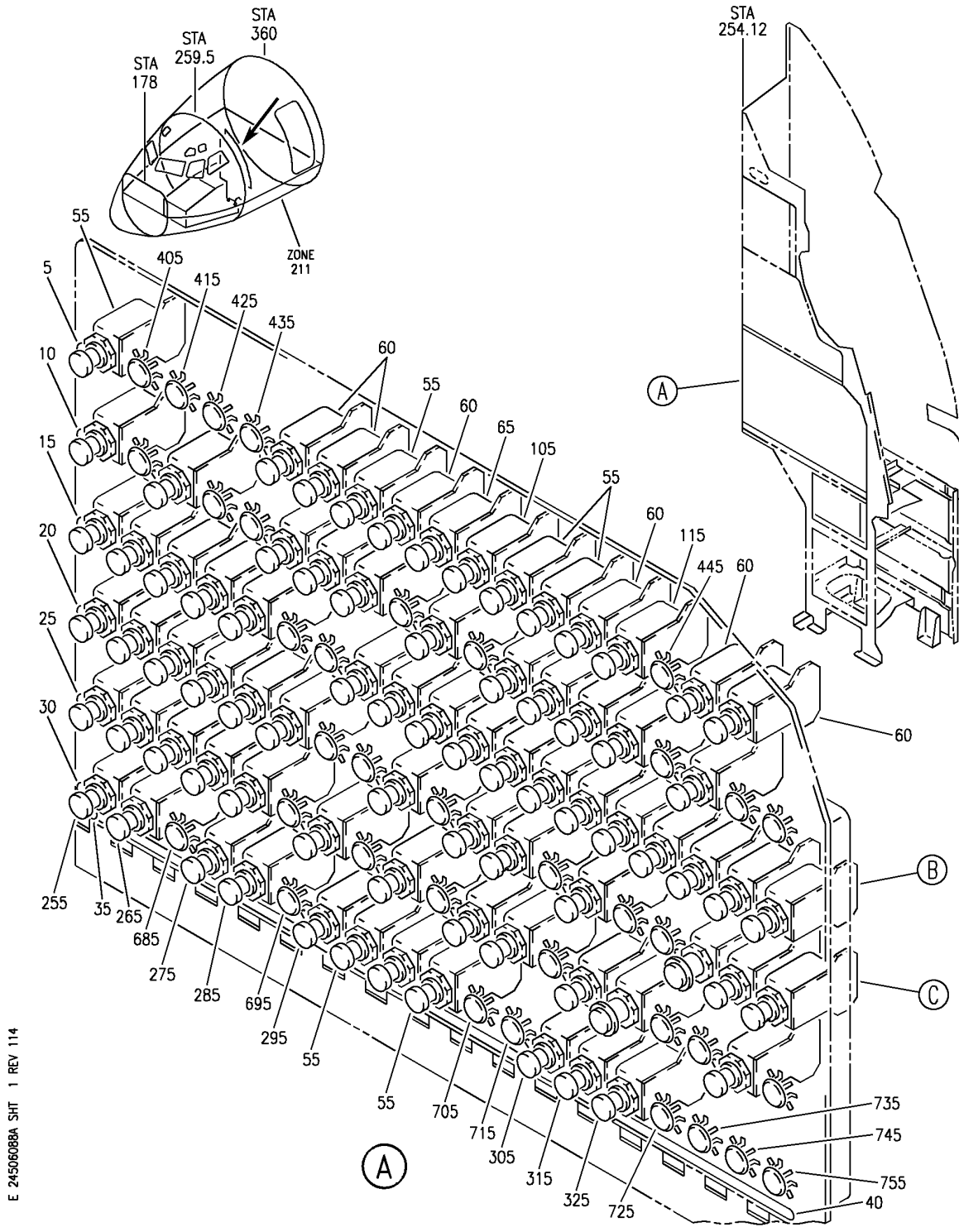
HAP

24-50-60-88

BOEING PROPRIETARY - Copyright © - Unpublished Work - See title page for details.

24-50-60
 FIG. 88
 PAGE 24
 OCT 10/06

BOEING
737-600/700/800/900
PARTS CATALOG (MAINTENANCE)



E 24-50-60-88A SHT 1 REV 114

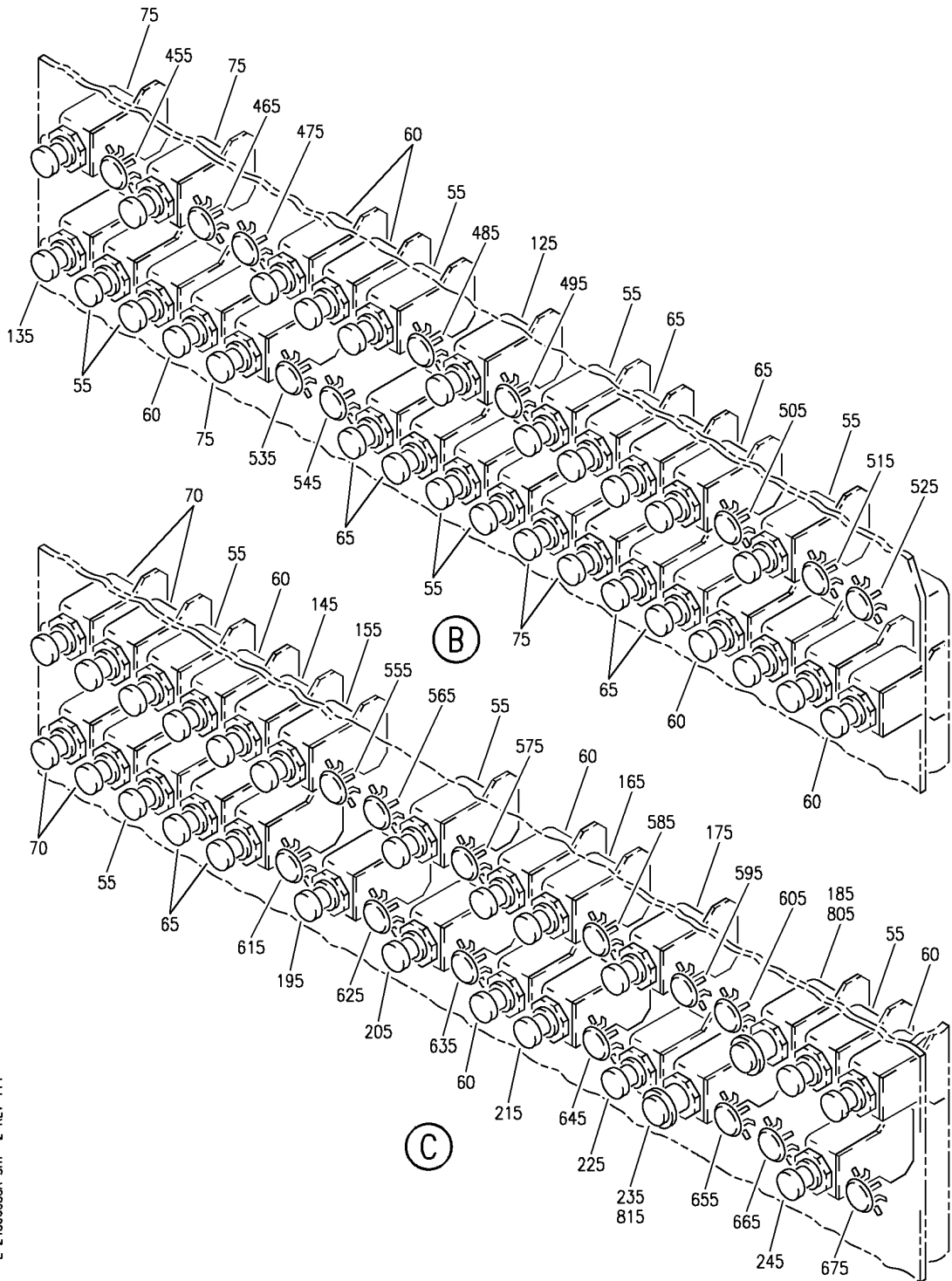
MARKER, CIRCUIT BREAKER, PLUG BUTTON AND INOP INSTL-P18-3 PNL (ELECTRICAL POWER ONLY)
 FIGURE 88A (SHEET 1)

HAP
 OCT 10/06

24-50-60-88A

24-50-60-88A
 PAGE 0


BOEING
737-600/700/800/900
PARTS CATALOG (MAINTENANCE)



E 24-50-60-88A SHT 2 REV 114

MARKER, CIRCUIT BREAKER, PLUG BUTTON AND INOP INSTL-P18-3 PNL (ELECTRICAL POWER ONLY)
 FIGURE 88A (SHEET 2)

HAP
OCT 10/06

24-50-60-88A

24-50-60-88A
PAGE 0A

BOEING
737-600/700/800/900
PARTS CATALOG (MAINTENANCE)

FIG ITEM	PART NUMBER	1 2 3 4 5 6 7	NOMENCLATURE	EFFECT FROM TO	UNITS PER ASSY
88A			MARKER, CIRCUIT BREAKER, PLUG BUTTON AND INOP INSTL-P18-3 PNL (ELECTRICAL POWER ONLY)	036047 049049 051052	
- 1	MODREF250632		MARKER INSTL-P18-3 PNL MODULE NUMBER: 233A5523-1 REV D	036047 049049 051052	1
5	BAC27DCC3065		.MARKER- PLACARD CONTENT: A	036047 049049 051052	1
10	BAC27DCC3066		.MARKER- PLACARD CONTENT: B	036047 049049 051052	1
15	BAC27DCC3067		.MARKER- PLACARD CONTENT: C	036047 049049 051052	1
20	BAC27DCC3068		.MARKER- PLACARD CONTENT: D	036047 049049 051052	1
25	BAC27DCC3069		.MARKER- PLACARD CONTENT: E	036047 049049 051052	1
30	BAC27DCC3070		.MARKER- PLACARD CONTENT: F	036047 049049 051052	1
35	BAC27DCC3082		.MARKER- PLACARD CONTENT: P18-3	036047 049049 051052	1
40	BAC27DCC2764		.DECAL- PLACARD CONTENT: 1 THRU 19	036047 049049 051052	1
- 50	MODREF254584		CIRCUIT BREAKER INSTL-P18-3 PNL MODULE NUMBER: 233A5523-5 REV B	036047 049049 051052	1

MISSING ITEM NUMBERS NOT APPLICABLE

- ITEM NOT ILLUSTRATED

HAP

24-50-60-88A

BOEING PROPRIETARY - Copyright © - Unpublished Work - See title page for details.

24-50-60
FIG. 88A
PAGE 1
FEB 15/09

BOEING
737-600/700/800/900
PARTS CATALOG (MAINTENANCE)

FIG ITEM	PART NUMBER	1 2 3 4 5 6 7 NOMENCLATURE	EFFECT FROM TO	UNITS PER ASSY
88A 55	2TC47-5	.CIRCUIT BREAKER- SUPPLIER CODE: V82647 SPECIFICATION NUMBER: BACC18AD5 OPTIONAL PART: 4310-029-5 V76374 ELECTRICAL EQUIP NUMBER: C00111 C00113 C00114 C00146 C00234 C00238 C00783 C00784 C00785 C01071 C01072 C01217 C01403 C01404 C01407 C01408 C01463 C01526	036047 049049 051052	18

MISSING ITEM NUMBERS NOT APPLICABLE

— ITEM NOT ILLUSTRATED

HAP

24-50-60-88A

BOEING PROPRIETARY - Copyright © - Unpublished Work - See title page for details.

24-50-60
FIG. 88A
PAGE 2
FEB 15/09

BOEING
737-600/700/800/900
PARTS CATALOG (MAINTENANCE)

FIG ITEM	PART NUMBER	1 2 3 4 5 6 7	NOMENCLATURE	EFFECT FROM TO	UNITS PER ASSY
88A 60	2TC47-2-5		.CIRCUIT BREAKER- SUPPLIER CODE: V82647 SPECIFICATION NUMBER: BACC18AD2 OPTIONAL PART: 4310-029-205 V76374 ELECTRICAL EQUIP NUMBER: C00073 C00110 C00148 C00149 C00236 C00237 C00442 C01001 C01002 C01274 C01423 C01433 C01434 C01522 C01523 C01424 C01525	036047 049049 051052	17
65	2TC47-7-5		.CIRCUIT BREAKER- SUPPLIER CODE: V82647 SPECIFICATION NUMBER: BACC18AD7 OPTIONAL PART: 4310-029-705 V76374 ELECTRICAL EQUIP NUMBER: C00115 C00233 C00271 C00272 C00273 C00274 C00700 C01357 C01405 C01406	036047 049049 051052	10

MISSING ITEM NUMBERS NOT APPLICABLE

— ITEM NOT ILLUSTRATED

HAP

24-50-60-88A

BOEING PROPRIETARY - Copyright © - Unpublished Work - See title page for details.

24-50-60
FIG. 88A
PAGE 3
FEB 15/09

BOEING
737-600/700/800/900
PARTS CATALOG (MAINTENANCE)

FIG ITEM	PART NUMBER	1 2 3 4 5 6 7	NOMENCLATURE	EFFECT FROM TO	UNITS PER ASSY
88A 70	2TC47-3	.	CIRCUIT BREAKER- SUPPLIER CODE: V82647 SPECIFICATION NUMBER: BACC18AD3 OPTIONAL PART: 4310-029-3 V76374 ELECTRICAL EQUIP NUMBER: C00224 C00225 C00226 C00227	036047 049049 051052	4
75	2TC47-10	.	CIRCUIT BREAKER- SUPPLIER CODE: V82647 SPECIFICATION NUMBER: BACC18AD10 OPTIONAL PART: 4310-029-10 V76374 ELECTRICAL EQUIP NUMBER: C00054 C00055 C00244 C00245 C02046	036047 049049 051052	5
- 100	MODREF250688		CIRCUIT BREAKER INSTL-PASS. CAB. LIGHTING EMER CHGR FWD P18-3/A11 MODULE NUMBER: 233A5523-210250 REV B	036047 049049 051052	1
105	2TC47-7-5	.	CIRCUIT BREAKER- SUPPLIER CODE: V82647 SPECIFICATION NUMBER: BACC18AD7 OPTIONAL PART: 4310-029-705 V76374 ELECTRICAL EQUIP NUMBER: C00250	036047 049049 051052	1
- 110	MODREF250647		CIRCUIT BREAKER INSTL-EXT LIGHTING LOGO ILLUM P18-3/A15 MODULE NUMBER: 233A5523-200644 REV B	036047 049049 051052	1

MISSING ITEM NUMBERS NOT APPLICABLE

- ITEM NOT ILLUSTRATED

HAP

24-50-60-88A

BOEING PROPRIETARY - Copyright © - Unpublished Work - See title page for details.

24-50-60
FIG. 88A
PAGE 4
FEB 15/09

BOEING
737-600/700/800/900
PARTS CATALOG (MAINTENANCE)

FIG ITEM	PART NUMBER	1 2 3 4 5 6 7	NOMENCLATURE	EFFECT FROM TO	UNITS PER ASSY
88A 115	2TC47-2-5		.CIRCUIT BREAKER- SUPPLIER CODE: V82647 SPECIFICATION NUMBER: BACC18AD2 OPTIONAL PART: 4310-029-205 V76374 ELECTRICAL EQUIP NUMBER: C00644	036047 049049 051052	1
- 120	MODREF250689		CIRCUIT BREAKER INSTL-PASS. CAB. LIGHTING EMER CHGR R AFT P18-3/B10 MODULE NUMBER: 233A5523-211358 REV B	036047 049049 051052	1
125	2TC47-7-5		.CIRCUIT BREAKER- SUPPLIER CODE: V82647 SPECIFICATION NUMBER: BACC18AD7 OPTIONAL PART: 4310-029-705 V76374 ELECTRICAL EQUIP NUMBER: C01358	036047 049049 051052	1
- 130	MODREF250644		CIRCUIT BREAKER INSTL- HEATERS CAPT PITOT P18-3/C1 MODULE NUMBER: 233A5523-200523 REV B	036047 049049 051052	1
135	2TC47-2-5		.CIRCUIT BREAKER- SUPPLIER CODE: V82647 SPECIFICATION NUMBER: BACC18AD2 OPTIONAL PART: 4310-029-205 V76374 ELECTRICAL EQUIP NUMBER: C00523	036047 049049 051052	1
- 140	MODREF250646		CIRCUIT BREAKER INSTL- HEATERS F/O PITOT P18-3/D5 MODULE NUMBER: 233A5523-200525 REV B	036047 049049 051052	1

MISSING ITEM NUMBERS NOT APPLICABLE

- ITEM NOT ILLUSTRATED

HAP

24-50-60-88A

BOEING PROPRIETARY - Copyright © - Unpublished Work - See title page for details.

24-50-60
FIG. 88A
PAGE 5
FEB 15/09

BOEING
737-600/700/800/900
PARTS CATALOG (MAINTENANCE)

FIG ITEM	PART NUMBER	1 2 3 4 5 6 7	NOMENCLATURE	EFFECT FROM TO	UNITS PER ASSY
88A 145	2TC47-2-5		.CIRCUIT BREAKER- SUPPLIER CODE: V82647 SPECIFICATION NUMBER: BACC18AD2 OPTIONAL PART: 4310-029-205 V76374 ELECTRICAL EQUIP NUMBER: C00525	036047 049049 051052	1
- 150	MODREF250645		CIRCUIT BREAKER INSTL- HEATERS AUX PITOT P18-3/D6 MODULE NUMBER: 233A5523-200524 REV B	036047 049049 051052	1
155	2TC47-2-5		.CIRCUIT BREAKER- SUPPLIER CODE: V82647 SPECIFICATION NUMBER: BACC18AD2 OPTIONAL PART: 4310-029-205 V76374 ELECTRICAL EQUIP NUMBER: C00524	036047 049049 051052	1
- 160	MODREF250666		CIRCUIT BREAKER INSTL-EXT LIGHTING GENERAL LIGHT CONT P18-3/D12 MODULE NUMBER: 233A5523-201518 REV B	036047 049049 051052	1
165	2TC47-3		.CIRCUIT BREAKER- SUPPLIER CODE: V82647 SPECIFICATION NUMBER: BACC18AD3 OPTIONAL PART: 4310-029-3 V76374 ELECTRICAL EQUIP NUMBER: C01518	036047 049049 051052	1
- 170	MODREF250637		CIRCUIT BREAKER INSTL- EXT LIGHTING NOSE GEAR TAXI P18-3/D14 MODULE NUMBER: 233A5523-200123 REV B	036047 049049 051052	1

MISSING ITEM NUMBERS NOT APPLICABLE

- ITEM NOT ILLUSTRATED

HAP

24-50-60-88A

BOEING PROPRIETARY - Copyright © - Unpublished Work - See title page for details.

24-50-60
FIG. 88A
PAGE 6
FEB 15/09

BOEING
737-600/700/800/900
PARTS CATALOG (MAINTENANCE)

FIG ITEM	PART NUMBER	1 2 3 4 5 6 7	NOMENCLATURE	EFFECT FROM TO	UNITS PER ASSY
88A 175	2TC47-10	.	CIRCUIT BREAKER- SUPPLIER CODE: V82647 SPECIFICATION NUMBER: BACC18AD10 OPTIONAL PART: 4310-029-10 V76374 ELECTRICAL EQUIP NUMBER: C00123	036047 049049 051052	1
- 180	MODREF267102		CIRCUIT BREAKER INSTL- NITROGEN GEN CONT P18-3/D17 MODULE NUMBER: 233A5523-201657 REV A	036047 049049 051052	1
185	2TC47-7-5	.	CIRCUIT BREAKER- SUPPLIER CODE: V82647 SPECIFICATION NUMBER: BACC18AD7 OPTIONAL PART: 4310-029-705 V76374 ELECTRICAL EQUIP NUMBER: C01657	036047 049049 051052	1
- 190	MODREF250648		CIRCUIT BREAKER INSTL-AIR CONDITIONING RECIRC FAN L CAB. AIR P18-3/E7 MODULE NUMBER: 233A5523-200911 REV B	036047 049049 051052	1
195	9TC620	.	CIRCUIT BREAKER- SUPPLIER CODE: V82647 SPECIFICATION NUMBER: BACC18AE20 ELECTRICAL EQUIP NUMBER: C00911	036047 049049 051052	1
- 200	MODREF250653		CIRCUIT BREAKER INSTL-AIR CONDITIONING RECIRC FAN L CONT P18-3/E9 MODULE NUMBER: 233A5523-201156 REV B	036047 049049 051052	1

MISSING ITEM NUMBERS NOT APPLICABLE

- ITEM NOT ILLUSTRATED

HAP

24-50-60-88A

BOEING PROPRIETARY - Copyright © - Unpublished Work - See title page for details.

24-50-60
FIG. 88A
PAGE 7
FEB 15/09

BOEING
737-600/700/800/900
PARTS CATALOG (MAINTENANCE)

FIG ITEM	PART NUMBER	1 2 3 4 5 6 7	NOMENCLATURE	EFFECT FROM TO	UNITS PER ASSY
88A 205	2TC47-2-5		.CIRCUIT BREAKER- SUPPLIER CODE: V82647 SPECIFICATION NUMBER: BACC18AD2 OPTIONAL PART: 4310-029-205 V76374 ELECTRICAL EQUIP NUMBER: C01156	036047 049049 051052	1
- 210	MODREF250651		CIRCUIT BREAKER INSTL-LAV SMOKE P18-3/E12 MODULE NUMBER: 233A5523-201125 REV B	036047 049049 051052	1
215	2TC47-2-5		.CIRCUIT BREAKER- SUPPLIER CODE: V82647 SPECIFICATION NUMBER: BACC18AD2 OPTIONAL PART: 4310-029-205 V76374 ELECTRICAL EQUIP NUMBER: C01125	036047 049049 051052	1
- 220	MODREF250638		CIRCUIT BREAKER INSTL-LAV MIRROR LIGHT P18-3/E14 MODULE NUMBER: 233A5523-200163 REV B	036047 049049 051052	1
225	2TC47-3		.CIRCUIT BREAKER- SUPPLIER CODE: V82647 SPECIFICATION NUMBER: BACC18AD3 OPTIONAL PART: 4310-029-3 V76374 ELECTRICAL EQUIP NUMBER: C00163	036047 049049 051052	1
- 230	MODREF280402		CIRCUIT BREAKER INSTL- NGS ALT PWR P18-3/E15 MODULE NUMBER: 233A5523-201680 REV A	036047 049049 051052	1

MISSING ITEM NUMBERS NOT APPLICABLE

- ITEM NOT ILLUSTRATED

HAP

24-50-60-88A

BOEING PROPRIETARY - Copyright © - Unpublished Work - See title page for details.

24-50-60
FIG. 88A
PAGE 8
FEB 15/09

BOEING
737-600/700/800/900
PARTS CATALOG (MAINTENANCE)

FIG ITEM	PART NUMBER	1 2 3 4 5 6 7	NOMENCLATURE	EFFECT FROM TO	UNITS PER ASSY
88A 235	2TC47-7-5	.	CIRCUIT BREAKER- SUPPLIER CODE: V82647 SPECIFICATION NUMBER: BACC18AD7 OPTIONAL PART: 4310-029-705 V76374 ELECTRICAL EQUIP NUMBER: C01680	036047 049049 051052	1
- 240	MODREF250659		CIRCUIT BREAKER INSTL-HOSE HEATERS P18-3/E18 MODULE NUMBER: 233A5523-201473 REV B	036047 049049 051052	1
245	2TC47-5	.	CIRCUIT BREAKER- SUPPLIER CODE: V82647 SPECIFICATION NUMBER: BACC18AD5 OPTIONAL PART: 4310-029-5 V76374 ELECTRICAL EQUIP NUMBER: C01473	036047 049049 051052	1
- 250	MODREF250641		CIRCUIT BREAKER INSTL- WINDOW HEAT CONTROL RIGHT FRONT DC P18-3/F1 MODULE NUMBER: 233A5523-200222 REV B	036047 049049 051052	1
255	2TC47-2-5	.	CIRCUIT BREAKER- SUPPLIER CODE: V82647 SPECIFICATION NUMBER: BACC18AD2 OPTIONAL PART: 4310-029-205 V76374 ELECTRICAL EQUIP NUMBER: C0022	036047 049049 051052	1
- 260	MODREF250640		CIRCUIT BREAKER INSTL- WINDOW HEAT CONTROL LEFT SIDE DC P18-3/F2 MODULE NUMBER: 233A5523-200221 REV B	036047 049049 051052	1

MISSING ITEM NUMBERS NOT APPLICABLE

- ITEM NOT ILLUSTRATED

HAP

24-50-60-88A

BOEING PROPRIETARY - Copyright © - Unpublished Work - See title page for details.

24-50-60
FIG. 88A
PAGE 9
FEB 15/09

BOEING
737-600/700/800/900
PARTS CATALOG (MAINTENANCE)

FIG ITEM	PART NUMBER	1 2 3 4 5 6 7	NOMENCLATURE	EFFECT FROM TO	UNITS PER ASSY
88A 265	2TC47-2-5		.CIRCUIT BREAKER- SUPPLIER CODE: V82647 SPECIFICATION NUMBER: BACC18AD2 OPTIONAL PART: 4310-029-205 V76374 ELECTRICAL EQUIP NUMBER: C00221	036047 049049 051052	1
- 270	MODREF250642		CIRCUIT BREAKER INSTL- WINDOW HEAT CONTROL RIGHT SIDE DC P18-3/F4 MODULE NUMBER: 233A5523-200223 REV B	036047 049049 051052	1
275	2TC47-2-5		.CIRCUIT BREAKER- SUPPLIER CODE: V82647 SPECIFICATION NUMBER: BACC18AD2 OPTIONAL PART: 4310-029-205 V76374 ELECTRICAL EQUIP NUMBER: C00223	036047 049049 051052	1
- 280	MODREF250639		CIRCUIT BREAKER INSTL- WINDOW HEAT CONTROL LEFT FRONT DC P18-3/F5 MODULE NUMBER: 233A5523-200220 REV B	036047 049049 051052	1
285	2TC47-2-5		.CIRCUIT BREAKER- SUPPLIER CODE: V82647 SPECIFICATION NUMBER: BACC18AD2 OPTIONAL PART: 4310-029-205 V76374 ELECTRICAL EQUIP NUMBER: C00220	036047 049049 051052	1
- 290	MODREF251820		CIRCUIT BREAKER INSTL- OXYGEN IND P18-3/F7 MODULE NUMBER: 233A5523-200156 REV A	036047 049049 051052	1

MISSING ITEM NUMBERS NOT APPLICABLE

- ITEM NOT ILLUSTRATED

HAP

24-50-60-88A

BOEING PROPRIETARY - Copyright © - Unpublished Work - See title page for details.

24-50-60
FIG. 88A
PAGE 10
FEB 15/09

BOEING
737-600/700/800/900
PARTS CATALOG (MAINTENANCE)

FIG ITEM	PART NUMBER	1 2 3 4 5 6 7	NOMENCLATURE	EFFECT FROM TO	UNITS PER ASSY
88A 295	2TC47-5	.	CIRCUIT BREAKER- SUPPLIER CODE: V82647 SPECIFICATION NUMBER: BACC18AD5 OPTIONAL PART: 4310-029-5 V76374 ELECTRICAL EQUIP NUMBER: C00156	036047 049049 051052	1
- 300	MODREF250634		CIRCUIT BREAKER INSTL-LAV WATER HEATER A P18-3/F13 MODULE NUMBER: 233A5523-200104 REV B	036047 049049 051052	1
305	2TC47-5	.	CIRCUIT BREAKER- SUPPLIER CODE: V82647 SPECIFICATION NUMBER: BACC18AD5 OPTIONAL PART: 4310-029-5 V76374 ELECTRICAL EQUIP NUMBER: C00104	036047 049049 051052	1
- 310	MODREF250649		CIRCUIT BREAKER INSTL-LAV WATER HEATER D P18-3/F14 MODULE NUMBER: 233A5523-201073 REV B	036047 049049 051052	1
315	2TC47-5	.	CIRCUIT BREAKER- SUPPLIER CODE: V82647 SPECIFICATION NUMBER: BACC18AD5 OPTIONAL PART: 4310-029-5 V76374 ELECTRICAL EQUIP NUMBER: C01073	036047 049049 051052	1
- 320	MODREF250650		CIRCUIT BREAKER INSTL-LAV WATER HEATER E P18-3/F15 MODULE NUMBER: 233A5523-201096 REV B	036047 049049 051052	1

MISSING ITEM NUMBERS NOT APPLICABLE

- ITEM NOT ILLUSTRATED

HAP

24-50-60-88A

BOEING PROPRIETARY - Copyright © - Unpublished Work - See title page for details.

24-50-60
FIG. 88A
PAGE 11
FEB 15/09

BOEING
737-600/700/800/900
PARTS CATALOG (MAINTENANCE)

FIG ITEM	PART NUMBER	1 2 3 4 5 6 7	NOMENCLATURE	EFFECT FROM TO	UNITS PER ASSY
88A 325	2TC47-5		.CIRCUIT BREAKER- SUPPLIER CODE: V82647 SPECIFICATION NUMBER: BACC18AD5 OPTIONAL PART: 4310-029-5 V76374 ELECTRICAL EQUIP NUMBER: C01096	036047 049049 051052	1
- 400	MODREF250691		PLUG BUTTON INSTL-P18-3/A2 MODULE NUMBER: 233A5523-383102 REV B	036047 049049 051052	1
405	BS51338D5003		.PLUG- SUPPLIER CODE: V83058 SPECIFICATION NUMBER: BACP20B63B OPTIONAL PART: 51338 V83058 MISCELLANEOUS DATA: USE IN PLACE OF CIRCUIT BREAKERS ON OPEN HOLES	036047 049049 051052	1
- 410	MODREF250692		PLUG BUTTON INSTL-P18-3/A3 MODULE NUMBER: 233A5523-383103 REV B	036047 049049 051052	1
415	BS51338D5003		.PLUG- SUPPLIER CODE: V83058 SPECIFICATION NUMBER: BACP20B63B OPTIONAL PART: 51338 V83058 MISCELLANEOUS DATA: USE IN PLACE OF CIRCUIT BREAKERS ON OPEN HOLES	036047 049049 051052	1
- 420	MODREF250693		PLUG BUTTON INSTL-P18-3/A4 MODULE NUMBER: 233A5523-383104 REV B	036047 049049 051052	1

MISSING ITEM NUMBERS NOT APPLICABLE

- ITEM NOT ILLUSTRATED

HAP

24-50-60-88A

BOEING PROPRIETARY - Copyright © - Unpublished Work - See title page for details.

24-50-60
FIG. 88A
PAGE 12
FEB 15/09

BOEING
737-600/700/800/900
PARTS CATALOG (MAINTENANCE)

FIG ITEM	PART NUMBER	1 2 3 4 5 6 7	NOMENCLATURE	EFFECT FROM TO	UNITS PER ASSY
88A 425	BS51338D5003		.PLUG- SUPPLIER CODE: V83058 SPECIFICATION NUMBER: BACP20B63B OPTIONAL PART: 51338 V83058 MISCELLANEOUS DATA: USE IN PLACE OF CIRCUIT BREAKERS ON OPEN HOLES	036047 049049 051052	1
- 430	MODREF250694		PLUG BUTTON INSTL-P18-3/A5 MODULE NUMBER: 233A5523-383105 REV B	036047 049049 051052	1
435	BS51338D5003		.PLUG- SUPPLIER CODE: V83058 SPECIFICATION NUMBER: BACP20B63B OPTIONAL PART: 51338 V83058 MISCELLANEOUS DATA: USE IN PLACE OF CIRCUIT BREAKERS ON OPEN HOLES	036047 049049 051052	1
- 440	MODREF250696		PLUG BUTTON INSTL-P18-3/A16 MODULE NUMBER: 233A5523-383116 REV B	036047 049049 051052	1
445	BS51338D5003		.PLUG- SUPPLIER CODE: V83058 SPECIFICATION NUMBER: BACP20B63B OPTIONAL PART: 51338 V83058 MISCELLANEOUS DATA: USE IN PLACE OF CIRCUIT BREAKERS ON OPEN HOLES	036047 049049 051052	1
- 450	MODREF250697		PLUG BUTTON INSTL-P18-3/B2 MODULE NUMBER: 233A5523-383202 REV B	036047 049049 051052	1

MISSING ITEM NUMBERS NOT APPLICABLE

- ITEM NOT ILLUSTRATED

HAP

24-50-60-88A

BOEING PROPRIETARY - Copyright © - Unpublished Work - See title page for details.

24-50-60
FIG. 88A
PAGE 13
FEB 15/09

BOEING
737-600/700/800/900
PARTS CATALOG (MAINTENANCE)

FIG ITEM	PART NUMBER	1 2 3 4 5 6 7	NOMENCLATURE	EFFECT FROM TO	UNITS PER ASSY
88A 455	BS51338D5003		.PLUG- SUPPLIER CODE: V83058 SPECIFICATION NUMBER: BACP20B63B OPTIONAL PART: 51338 V83058 MISCELLANEOUS DATA: USE IN PLACE OF CIRCUIT BREAKERS ON OPEN HOLES	036047 049049 051052	1
- 460	MODREF250698		PLUG BUTTON INSTL-P18-3/B4 MODULE NUMBER: 233A5523-383204 REV B	036047 049049 051052	1
465	BS51338D5003		.PLUG- SUPPLIER CODE: V83058 SPECIFICATION NUMBER: BACP20B63B OPTIONAL PART: 51338 V83058 MISCELLANEOUS DATA: USE IN PLACE OF CIRCUIT BREAKERS ON OPEN HOLES	036047 049049 051052	1
- 470	MODREF250699		PLUG BUTTON INSTL-P18-3/B5 MODULE NUMBER: 233A5523-383205 REV B	036047 049049 051052	1
475	BS51338D5003		.PLUG- SUPPLIER CODE: V83058 SPECIFICATION NUMBER: BACP20B63B OPTIONAL PART: 51338 V83058 MISCELLANEOUS DATA: USE IN PLACE OF CIRCUIT BREAKERS ON OPEN HOLES	036047 049049 051052	1
- 480	MODREF250700		PLUG BUTTON INSTL-P18-3/B9 MODULE NUMBER: 233A5523-383209 REV B	036047 049049 051052	1

MISSING ITEM NUMBERS NOT APPLICABLE

- ITEM NOT ILLUSTRATED

HAP

24-50-60-88A

BOEING PROPRIETARY - Copyright © - Unpublished Work - See title page for details.

24-50-60
FIG. 88A
PAGE 14
FEB 15/09

BOEING
737-600/700/800/900
PARTS CATALOG (MAINTENANCE)

FIG ITEM	PART NUMBER	1 2 3 4 5 6 7	NOMENCLATURE	EFFECT FROM TO	UNITS PER ASSY
88A 485	BS51338D5003		.PLUG- SUPPLIER CODE: V83058 SPECIFICATION NUMBER: BACP20B63B OPTIONAL PART: 51338 V83058 MISCELLANEOUS DATA: USE IN PLACE OF CIRCUIT BREAKERS ON OPEN HOLES	036047 049049 051052	1
- 490	MODREF250701		PLUG BUTTON INSTL-P18-3/B11 MODULE NUMBER: 233A5523-383211 REV B	036047 049049 051052	1
495	BS51338D5003		.PLUG- SUPPLIER CODE: V83058 SPECIFICATION NUMBER: BACP20B63B OPTIONAL PART: 51338 V83058 MISCELLANEOUS DATA: USE IN PLACE OF CIRCUIT BREAKERS ON OPEN HOLES	036047 049049 051052	1
- 500	MODREF250702		PLUG BUTTON INSTL-P18-3/B16 MODULE NUMBER: 233A5523-383216 REV B	036047 049049 051052	1
505	BS51338D5003		.PLUG- SUPPLIER CODE: V83058 SPECIFICATION NUMBER: BACP20B63B OPTIONAL PART: 51338 V83058 MISCELLANEOUS DATA: USE IN PLACE OF CIRCUIT BREAKERS ON OPEN HOLES	036047 049049 051052	1
- 510	MODREF250703		PLUG BUTTON INSTL-P18-3/B18 MODULE NUMBER: 233A5523-383218 REV B	036047 049049 051052	1

MISSING ITEM NUMBERS NOT APPLICABLE

- ITEM NOT ILLUSTRATED

HAP

24-50-60-88A

BOEING PROPRIETARY - Copyright © - Unpublished Work - See title page for details.

24-50-60
FIG. 88A
PAGE 15
FEB 15/09

BOEING
737-600/700/800/900
PARTS CATALOG (MAINTENANCE)

FIG ITEM	PART NUMBER	1 2 3 4 5 6 7	NOMENCLATURE	EFFECT FROM TO	UNITS PER ASSY
88A 515	BS51338D5003		.PLUG- SUPPLIER CODE: V83058 SPECIFICATION NUMBER: BACP20B63B OPTIONAL PART: 51338 V83058 MISCELLANEOUS DATA: USE IN PLACE OF CIRCUIT BREAKERS ON OPEN HOLES	036047 049049 051052	1
- 520	MODREF250704		PLUG BUTTON INSTL-P18-3/B19 MODULE NUMBER: 233A5523-383219 REV B	036047 049049 051052	1
525	BS51338D5003		.PLUG- SUPPLIER CODE: V83058 SPECIFICATION NUMBER: BACP20B63B OPTIONAL PART: 51338 V83058 MISCELLANEOUS DATA: USE IN PLACE OF CIRCUIT BREAKERS ON OPEN HOLES	036047 049049 051052	1
- 530	MODREF250705		PLUG BUTTON INSTL-P18-3/C6 MODULE NUMBER: 233A5523-383306 REV B	036047 049049 051052	1
535	BS51338D5003		.PLUG- SUPPLIER CODE: V83058 SPECIFICATION NUMBER: BACP20B63B OPTIONAL PART: 51338 V83058 MISCELLANEOUS DATA: USE IN PLACE OF CIRCUIT BREAKERS ON OPEN HOLES	036047 049049 051052	1
- 540	MODREF250706		PLUG BUTTON INSTL-P18-3/C7 MODULE NUMBER: 233A5523-383307 REV B	036047 049049 051052	1

MISSING ITEM NUMBERS NOT APPLICABLE

- ITEM NOT ILLUSTRATED

HAP

24-50-60-88A

BOEING PROPRIETARY - Copyright © - Unpublished Work - See title page for details.

24-50-60
FIG. 88A
PAGE 16
FEB 15/09

BOEING
737-600/700/800/900
PARTS CATALOG (MAINTENANCE)

FIG ITEM	PART NUMBER	1 2 3 4 5 6 7	NOMENCLATURE	EFFECT FROM TO	UNITS PER ASSY
88A 545	BS51338D5003		.PLUG- SUPPLIER CODE: V83058 SPECIFICATION NUMBER: BACP20B63B OPTIONAL PART: 51338 V83058 MISCELLANEOUS DATA: USE IN PLACE OF CIRCUIT BREAKERS ON OPEN HOLES	036047 049049 051052	1
- 550	MODREF250707		PLUG BUTTON INSTL-P18-3/D7 MODULE NUMBER: 233A5523-383407 REV B	036047 049049 051052	1
555	BS51338D5003		.PLUG- SUPPLIER CODE: V83058 SPECIFICATION NUMBER: BACP20B63B OPTIONAL PART: 51338 V83058 MISCELLANEOUS DATA: USE IN PLACE OF CIRCUIT BREAKERS ON OPEN HOLES	036047 049049 051052	1
- 560	MODREF250708		PLUG BUTTON INSTL-P18-3/D8 MODULE NUMBER: 233A5523-383408 REV B	036047 049049 051052	1
565	BS51338D5003		.PLUG- SUPPLIER CODE: V83058 SPECIFICATION NUMBER: BACP20B63B OPTIONAL PART: 51338 V83058 MISCELLANEOUS DATA: USE IN PLACE OF CIRCUIT BREAKERS ON OPEN HOLES	036047 049049 051052	1
- 570	MODREF250709		PLUG BUTTON INSTL-P18-3/D10 MODULE NUMBER: 233A5523-383410 REV B	036047 049049 051052	1

MISSING ITEM NUMBERS NOT APPLICABLE

- ITEM NOT ILLUSTRATED

HAP

24-50-60-88A

BOEING PROPRIETARY - Copyright © - Unpublished Work - See title page for details.

24-50-60
FIG. 88A
PAGE 17
FEB 15/09

BOEING
737-600/700/800/900
PARTS CATALOG (MAINTENANCE)

FIG ITEM	PART NUMBER	1 2 3 4 5 6 7	NOMENCLATURE	EFFECT FROM TO	UNITS PER ASSY
88A 575	BS51338D5003		.PLUG- SUPPLIER CODE: V83058 SPECIFICATION NUMBER: BACP20B63B OPTIONAL PART: 51338 V83058 MISCELLANEOUS DATA: USE IN PLACE OF CIRCUIT BREAKERS ON OPEN HOLES	036047 049049 051052	1
- 580	MODREF250711		PLUG BUTTON INSTL-P18-3/D13 MODULE NUMBER: 233A5523-383413 REV B	036047 049049 051052	1
585	BS51338D5003		.PLUG- SUPPLIER CODE: V83058 SPECIFICATION NUMBER: BACP20B63B OPTIONAL PART: 51338 V83058 MISCELLANEOUS DATA: USE IN PLACE OF CIRCUIT BREAKERS ON OPEN HOLES	036047 049049 051052	1
- 590	MODREF250712		PLUG BUTTON INSTL-P18-3/D15 MODULE NUMBER: 233A5523-383415 REV B	036047 049049 051052	1
595	BS51338D5003		.PLUG- SUPPLIER CODE: V83058 SPECIFICATION NUMBER: BACP20B63B OPTIONAL PART: 51338 V83058 MISCELLANEOUS DATA: USE IN PLACE OF CIRCUIT BREAKERS ON OPEN HOLES	036047 049049 051052	1
- 600	MODREF250713		PLUG BUTTON INSTL-P18-3/D16 MODULE NUMBER: 233A5523-383416 REV B	036047 049049 051052	1

MISSING ITEM NUMBERS NOT APPLICABLE

- ITEM NOT ILLUSTRATED

HAP

24-50-60-88A

BOEING PROPRIETARY - Copyright © - Unpublished Work - See title page for details.

24-50-60
FIG. 88A
PAGE 18
FEB 15/09

BOEING
737-600/700/800/900
PARTS CATALOG (MAINTENANCE)

FIG ITEM	PART NUMBER	1 2 3 4 5 6 7	NOMENCLATURE	EFFECT FROM TO	UNITS PER ASSY
88A 605	BS51338D5003		.PLUG- SUPPLIER CODE: V83058 SPECIFICATION NUMBER: BACP20B63B OPTIONAL PART: 51338 V83058 MISCELLANEOUS DATA: USE IN PLACE OF CIRCUIT BREAKERS ON OPEN HOLES	036047 049049 051052	1
- 610	MODREF250715		PLUG BUTTON INSTL-P18-3/E6 MODULE NUMBER: 233A5523-383506 REV B	036047 049049 051052	1
615	BS51338D5003		.PLUG- SUPPLIER CODE: V83058 SPECIFICATION NUMBER: BACP20B63B OPTIONAL PART: 51338 V83058 MISCELLANEOUS DATA: USE IN PLACE OF CIRCUIT BREAKERS ON OPEN HOLES	036047 049049 051052	1
- 620	MODREF250717		PLUG BUTTON INSTL-P18-3/E8 MODULE NUMBER: 233A5523-383508 REV B	036047 049049 051052	1
625	BS51338D5003		.PLUG- SUPPLIER CODE: V83058 SPECIFICATION NUMBER: BACP20B63B OPTIONAL PART: 51338 V83058 MISCELLANEOUS DATA: USE IN PLACE OF CIRCUIT BREAKERS ON OPEN HOLES	036047 049049 051052	1
- 630	MODREF250719		PLUG BUTTON INSTL-P18-3/E10 MODULE NUMBER: 233A5523-383510 REV B	036047 049049 051052	1

MISSING ITEM NUMBERS NOT APPLICABLE

- ITEM NOT ILLUSTRATED

HAP

24-50-60-88A

BOEING PROPRIETARY - Copyright © - Unpublished Work - See title page for details.

24-50-60
FIG. 88A
PAGE 19
FEB 15/09

BOEING
737-600/700/800/900
PARTS CATALOG (MAINTENANCE)

FIG ITEM	PART NUMBER	1 2 3 4 5 6 7	NOMENCLATURE	EFFECT FROM TO	UNITS PER ASSY
88A 635	BS51338D5003		.PLUG- SUPPLIER CODE: V83058 SPECIFICATION NUMBER: BACP20B63B OPTIONAL PART: 51338 V83058 MISCELLANEOUS DATA: USE IN PLACE OF CIRCUIT BREAKERS ON OPEN HOLES	036047 049049 051052	1
- 640	MODREF250720		PLUG BUTTON INSTL-P18-3/E13 MODULE NUMBER: 233A5523-383513 REV B	036047 049049 051052	1
645	BS51338D5003		.PLUG- SUPPLIER CODE: V83058 SPECIFICATION NUMBER: BACP20B63B OPTIONAL PART: 51338 V83058 MISCELLANEOUS DATA: USE IN PLACE OF CIRCUIT BREAKERS ON OPEN HOLES	036047 049049 051052	1
- 650	MODREF250722		PLUG BUTTON INSTL-P18-3/E16 MODULE NUMBER: 233A5523-383516 REV B	036047 049049 051052	1
655	BS51338D5003		.PLUG- SUPPLIER CODE: V83058 SPECIFICATION NUMBER: BACP20B63B OPTIONAL PART: 51338 V83058 MISCELLANEOUS DATA: USE IN PLACE OF CIRCUIT BREAKERS ON OPEN HOLES	036047 049049 051052	1
- 660	MODREF250723		PLUG BUTTON INSTL-P18-3/E17 MODULE NUMBER: 233A5523-383517 REV B	036047 049049 051052	1

MISSING ITEM NUMBERS NOT APPLICABLE

- ITEM NOT ILLUSTRATED

HAP

24-50-60-88A

BOEING PROPRIETARY - Copyright © - Unpublished Work - See title page for details.

24-50-60
FIG. 88A
PAGE 20
FEB 15/09

BOEING
737-600/700/800/900
PARTS CATALOG (MAINTENANCE)

FIG ITEM	PART NUMBER	1 2 3 4 5 6 7	NOMENCLATURE	EFFECT FROM TO	UNITS PER ASSY
88A 665	BS51338D5003		.PLUG- SUPPLIER CODE: V83058 SPECIFICATION NUMBER: BACP20B63B OPTIONAL PART: 51338 V83058 MISCELLANEOUS DATA: USE IN PLACE OF CIRCUIT BREAKERS ON OPEN HOLES	036047 049049 051052	1
- 670	MODREF250725		PLUG BUTTON INSTL-P18-3/E19 MODULE NUMBER: 233A5523-383519 REV B	036047 049049 051052	1
675	BS51338D5003		.PLUG- SUPPLIER CODE: V83058 SPECIFICATION NUMBER: BACP20B63B OPTIONAL PART: 51338 V83058 MISCELLANEOUS DATA: USE IN PLACE OF CIRCUIT BREAKERS ON OPEN HOLES	036047 049049 051052	1
- 680	MODREF250728		PLUG BUTTON INSTL-P18-3/F3 MODULE NUMBER: 233A5523-383603 REV B	036047 049049 051052	1
685	BS51338D5003		.PLUG- SUPPLIER CODE: V83058 SPECIFICATION NUMBER: BACP20B63B OPTIONAL PART: 51338 V83058 MISCELLANEOUS DATA: USE IN PLACE OF CIRCUIT BREAKERS ON OPEN HOLES	036047 049049 051052	1
- 690	MODREF250731		PLUG BUTTON INSTL-P18-3/F6 MODULE NUMBER: 233A5523-383606 REV B	036047 049049 051052	1

MISSING ITEM NUMBERS NOT APPLICABLE

- ITEM NOT ILLUSTRATED

HAP

24-50-60-88A

BOEING PROPRIETARY - Copyright © - Unpublished Work - See title page for details.

24-50-60
FIG. 88A
PAGE 21
FEB 15/09

BOEING
737-600/700/800/900
PARTS CATALOG (MAINTENANCE)

FIG ITEM	PART NUMBER	1 2 3 4 5 6 7	NOMENCLATURE	EFFECT FROM TO	UNITS PER ASSY
88A 695	BS51338D5003		.PLUG- SUPPLIER CODE: V83058 SPECIFICATION NUMBER: BACP20B63B OPTIONAL PART: 51338 V83058 MISCELLANEOUS DATA: USE IN PLACE OF CIRCUIT BREAKERS ON OPEN HOLES	036047 049049 051052	1
- 700	MODREF250732		PLUG BUTTON INSTL-P18-3/F11 MODULE NUMBER: 233A5523-383611 REV B	036047 049049 051052	1
705	BS51338D5003		.PLUG- SUPPLIER CODE: V83058 SPECIFICATION NUMBER: BACP20B63B OPTIONAL PART: 51338 V83058 MISCELLANEOUS DATA: USE IN PLACE OF CIRCUIT BREAKERS ON OPEN HOLES	036047 049049 051052	1
- 710	MODREF250733		PLUG BUTTON INSTL-P18-3/F12 MODULE NUMBER: 233A5523-383612 REV B	036047 049049 051052	1
715	BS51338D5003		.PLUG- SUPPLIER CODE: V83058 SPECIFICATION NUMBER: BACP20B63B OPTIONAL PART: 51338 V83058 MISCELLANEOUS DATA: USE IN PLACE OF CIRCUIT BREAKERS ON OPEN HOLES	036047 049049 051052	1
- 720	MODREF250736		PLUG BUTTON INSTL-P18-3/F16 MODULE NUMBER: 233A5523-383616 REV B	036047 049049 051052	1

MISSING ITEM NUMBERS NOT APPLICABLE

- ITEM NOT ILLUSTRATED

HAP

24-50-60-88A

BOEING PROPRIETARY - Copyright © - Unpublished Work - See title page for details.

24-50-60
FIG. 88A
PAGE 22
FEB 15/09

BOEING
737-600/700/800/900
PARTS CATALOG (MAINTENANCE)

FIG ITEM	PART NUMBER	1 2 3 4 5 6 7	NOMENCLATURE	EFFECT FROM TO	UNITS PER ASSY
88A 725	BS51338D5003		.PLUG- SUPPLIER CODE: V83058 SPECIFICATION NUMBER: BACP20B63B OPTIONAL PART: 51338 V83058 MISCELLANEOUS DATA: USE IN PLACE OF CIRCUIT BREAKERS ON OPEN HOLES	036047 049049 051052	1
- 730	MODREF250737		PLUG BUTTON INSTL-P18-3/F17 MODULE NUMBER: 233A5523-383617 REV B	036047 049049 051052	1
735	BS51338D5003		.PLUG- SUPPLIER CODE: V83058 SPECIFICATION NUMBER: BACP20B63B OPTIONAL PART: 51338 V83058 MISCELLANEOUS DATA: USE IN PLACE OF CIRCUIT BREAKERS ON OPEN HOLES	036047 049049 051052	1
- 740	MODREF250738		PLUG BUTTON INSTL-P18-3/F18 MODULE NUMBER: 233A5523-383618 REV B	036047 049049 051052	1
745	BS51338D5003		.PLUG- SUPPLIER CODE: V83058 SPECIFICATION NUMBER: BACP20B63B OPTIONAL PART: 51338 V83058 MISCELLANEOUS DATA: USE IN PLACE OF CIRCUIT BREAKERS ON OPEN HOLES	036047 049049 051052	1
- 750	MODREF250739		PLUG BUTTON INSTL-P18-3/F19 MODULE NUMBER: 233A5523-383619 REV B	036047 049049 051052	1

MISSING ITEM NUMBERS NOT APPLICABLE

- ITEM NOT ILLUSTRATED

HAP

24-50-60-88A

BOEING PROPRIETARY - Copyright © - Unpublished Work - See title page for details.

24-50-60
FIG. 88A
PAGE 23
FEB 15/09

BOEING
737-600/700/800/900
PARTS CATALOG (MAINTENANCE)

FIG ITEM	PART NUMBER	1 2 3 4 5 6 7	NOMENCLATURE	EFFECT FROM TO	UNITS PER ASSY
88A 755	BS51338D5003		.PLUG- SUPPLIER CODE: V83058 SPECIFICATION NUMBER: BACP20B63B OPTIONAL PART: 51338 V83058 MISCELLANEOUS DATA: USE IN PLACE OF CIRCUIT BREAKERS ON OPEN HOLES	036047 049049 051052	1
- 800	MODREF267107		INOP INSTL-P18-3/D17 (ELECTRICAL POWER ONLY) MODULE NUMBER: 233A5523-583417 REV A FOR OTHER SYS DETAILS SEE: 11-31-60-88A 11-31-60-88C	036046	1
805	10237-1		.COLLAR- SUPPLIER CODE: V1N6X0	036046	1
- 810	MODREF280419		INOP INSTL-P18-3/E15 (ELECTRICAL POWER ONLY) MODULE NUMBER: 233A5523-583515 REV A FOR OTHER SYS DETAILS SEE: 11-31-60-88A 11-31-60-88C	036046	1
815	10237-1		.COLLAR- SUPPLIER CODE: V1N6X0	036046	1

MISSING ITEM NUMBERS NOT APPLICABLE

- ITEM NOT ILLUSTRATED

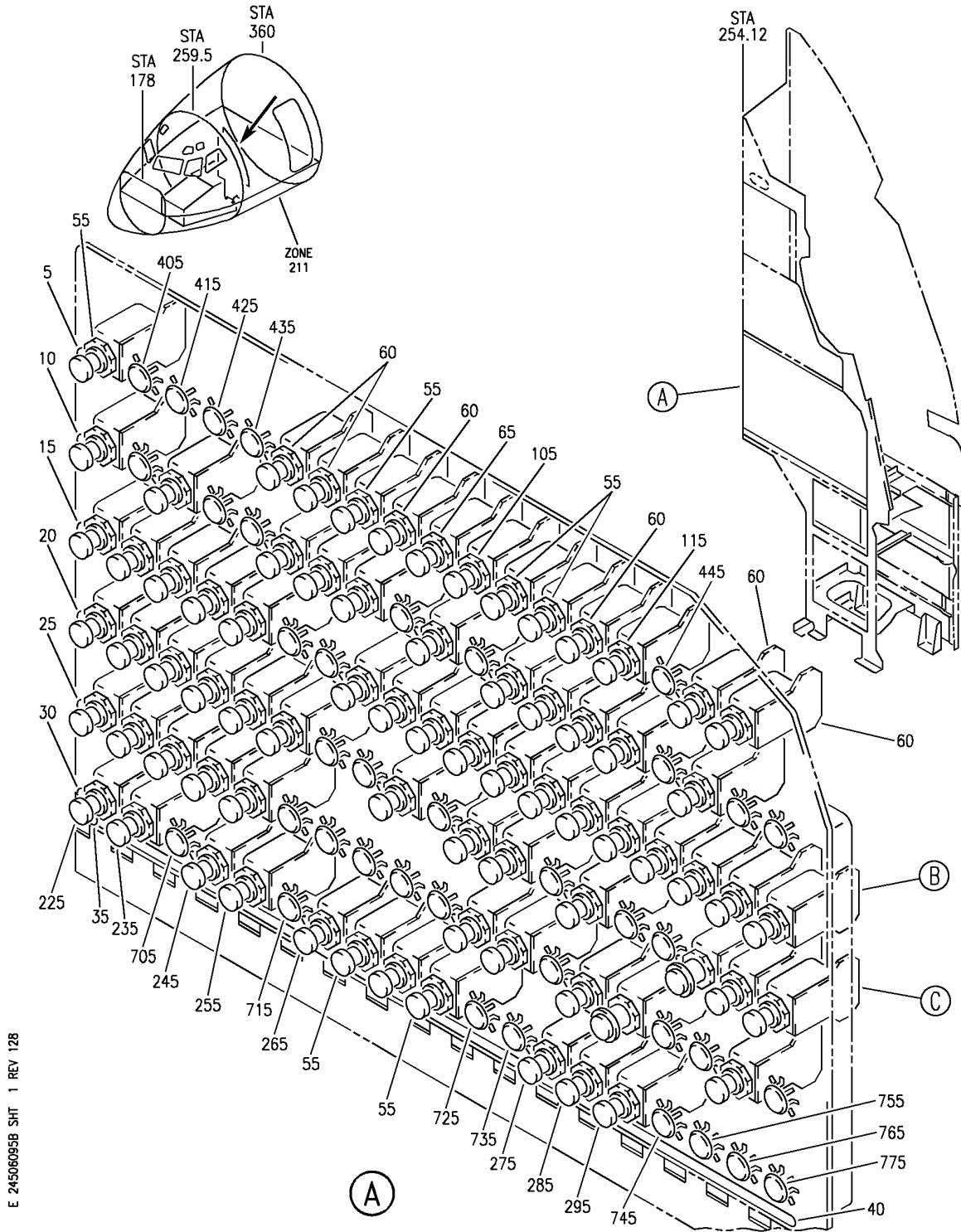
HAP

24-50-60-88A

BOEING PROPRIETARY - Copyright © - Unpublished Work - See title page for details.

24-50-60
FIG. 88A
PAGE 24
FEB 15/09

BOEING
737-600/700/800/900
PARTS CATALOG (MAINTENANCE)



E 24-50-60-95B SHT 1 REV 128

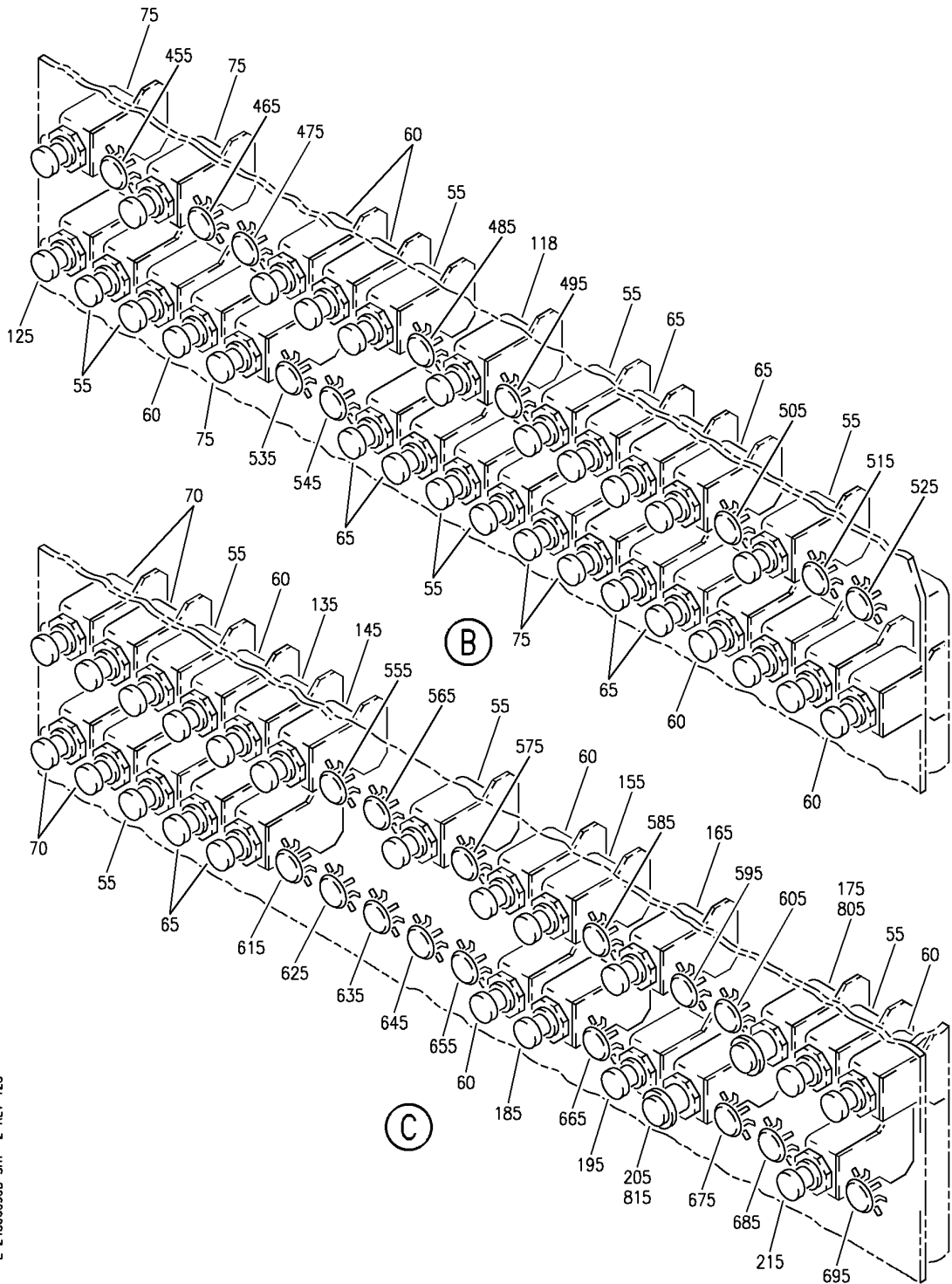
MARKER, CIRCUIT BREAKER, PLUG BUTTON AND INOP INSTL-P18-3 PNL (ELECTRICAL POWER ONLY)
 FIGURE 95B (SHEET 1)

HAP
 JUN 10/07

24-50-60-95B

24-50-60-95B
 PAGE 0

BOEING
737-600/700/800/900
PARTS CATALOG (MAINTENANCE)



E 24-50-60-95B SHT 2 REV 128

MARKER, CIRCUIT BREAKER, PLUG BUTTON AND INOP INSTL-P18-3 PNL (ELECTRICAL POWER ONLY)
 FIGURE 95B (SHEET 2)

24-50-60-95B

HAP
 JUN 10/07

24-50-60-95B
 PAGE 0A

BOEING
737-600/700/800/900
PARTS CATALOG (MAINTENANCE)

FIG ITEM	PART NUMBER	1 2 3 4 5 6 7	NOMENCLATURE	EFFECT FROM TO	UNITS PER ASSY
95B			MARKER, CIRCUIT BREAKER, PLUG BUTTON AND INOP INSTL-P18-3 PNL (ELECTRICAL POWER ONLY)	101200 968999	
- 1	MODREF250632		MARKER INSTL-P18-3 PNL MODULE NUMBER: 233A5523-1 REV D	101200 968999	1
5	BAC27DCC3065		.MARKER- PLACARD CONTENT: A	101200 968999	1
10	BAC27DCC3066		.MARKER- PLACARD CONTENT: B	101200 968999	1
15	BAC27DCC3067		.MARKER- PLACARD CONTENT: C	101200 968999	1
20	BAC27DCC3068		.MARKER- PLACARD CONTENT: D	101200 968999	1
25	BAC27DCC3069		.MARKER- PLACARD CONTENT: E	101200 968999	1
30	BAC27DCC3070		.MARKER- PLACARD CONTENT: F	101200 968999	1
35	BAC27DCC3082		.MARKER- PLACARD CONTENT: P18-3	101200 968999	1
40	BAC27DCC2764		.DECAL- PLACARD CONTENT: 1 THRU 19	101200 968999	1
- 50	MODREF254584		CIRCUIT BREAKER INSTL-P18-3 PNL MODULE NUMBER: 233A5523-5 REV B	101200 968999	1

MISSING ITEM NUMBERS NOT APPLICABLE

- ITEM NOT ILLUSTRATED

HAP

24-50-60-95B

BOEING PROPRIETARY - Copyright © - Unpublished Work - See title page for details.

24-50-60
FIG. 95B
PAGE 1
OCT 15/08


BOEING
 737-600/700/800/900
PARTS CATALOG (MAINTENANCE)

FIG ITEM	PART NUMBER	1 2 3 4 5 6 7 NOMENCLATURE	EFFECT FROM TO	UNITS PER ASSY
95B 55	2TC47-5	.CIRCUIT BREAKER- SUPPLIER CODE: V82647 SPECIFICATION NUMBER: BACC18AD5 OPTIONAL PART: 4310-029-5 V76374 ELECTRICAL EQUIP NUMBER: C00111 C00113 C00114 C00146 C00234 C00238 C00783 C00784 C00785 C01071 C01072 C01217 C01403 C01404 C01407 C01408 C01463 C01526	101200 968999	18

MISSING ITEM NUMBERS NOT APPLICABLE

— ITEM NOT ILLUSTRATED

HAP

24-50-60-95B

BOEING PROPRIETARY - Copyright © - Unpublished Work - See title page for details.

24-50-60
 FIG. 95B
 PAGE 2
 OCT 15/08


BOEING
 737-600/700/800/900
PARTS CATALOG (MAINTENANCE)

FIG ITEM	PART NUMBER	1 2 3 4 5 6 7	NOMENCLATURE	EFFECT FROM TO	UNITS PER ASSY
95B 60	2TC47-2-5		.CIRCUIT BREAKER- SUPPLIER CODE: V82647 SPECIFICATION NUMBER: BACC18AD2 OPTIONAL PART: 4310-029-205 V76374 ELECTRICAL EQUIP NUMBER: C00073 C00110 C00148 C00149 C00236 C00237 C00442 C01001 C01002 C01274 C01423 C01433 C01434 C01522 C01523 C01424 C01525	101200 968999	17
65	2TC47-7-5		.CIRCUIT BREAKER- SUPPLIER CODE: V82647 SPECIFICATION NUMBER: BACC18AD7 OPTIONAL PART: 4310-029-705 V76374 ELECTRICAL EQUIP NUMBER: C00115 C00233 C00271 C00272 C00273 C00274 C00700 C01357 C01405 C01406	101200 968999	10

MISSING ITEM NUMBERS NOT APPLICABLE

- ITEM NOT ILLUSTRATED

HAP

24-50-60-95B

BOEING PROPRIETARY - Copyright © - Unpublished Work - See title page for details.

24-50-60
 FIG. 95B
 PAGE 3
 OCT 15/08

BOEING
737-600/700/800/900
PARTS CATALOG (MAINTENANCE)

FIG ITEM	PART NUMBER	1 2 3 4 5 6 7	NOMENCLATURE	EFFECT FROM TO	UNITS PER ASSY
95B 70	2TC47-3		.CIRCUIT BREAKER- SUPPLIER CODE: V82647 SPECIFICATION NUMBER: BACC18AD3 OPTIONAL PART: 4310-029-3 V76374 ELECTRICAL EQUIP NUMBER: C00224 C00225 C00226 C00227	101200 968999	4
75	2TC47-10		.CIRCUIT BREAKER- SUPPLIER CODE: V82647 SPECIFICATION NUMBER: BACC18AD10 OPTIONAL PART: 4310-029-10 V76374 ELECTRICAL EQUIP NUMBER: C00054 C00055 C00244 C00245 C02046	101200 968999	5
- 100	MODREF250688		CIRCUIT BREAKER INSTL-PASS. CAB. LIGHTING EMER CHGR FWD P18-3/A11 MODULE NUMBER: 233A5523-210250 REV B	101200 968999	1
105	2TC47-7-5		.CIRCUIT BREAKER- SUPPLIER CODE: V82647 SPECIFICATION NUMBER: BACC18AD7 OPTIONAL PART: 4310-029-705 V76374 ELECTRICAL EQUIP NUMBER: C00250	101200 968999	1
- 110	MODREF250647		CIRCUIT BREAKER INSTL-EXT LIGHTING LOGO ILLUM P18-3/A15 MODULE NUMBER: 233A5523-200644 REV B	101200 968999	1

MISSING ITEM NUMBERS NOT APPLICABLE

- ITEM NOT ILLUSTRATED

HAP

24-50-60-95B

BOEING PROPRIETARY - Copyright © - Unpublished Work - See title page for details.

24-50-60
FIG. 95B
PAGE 4
OCT 15/08

BOEING
737-600/700/800/900
PARTS CATALOG (MAINTENANCE)

FIG ITEM	PART NUMBER	1 2 3 4 5 6 7	NOMENCLATURE	EFFECT FROM TO	UNITS PER ASSY
95B 115	2TC47-2-5		.CIRCUIT BREAKER- SUPPLIER CODE: V82647 SPECIFICATION NUMBER: BACC18AD2 OPTIONAL PART: 4310-029-205 V76374 ELECTRICAL EQUIP NUMBER: C00644	101200 968999	1
- 117	MODREF250656		CIRCUIT BREAKER INSTL-PASS. CAB. LIGHTING EMER CHGR RIGHT AFT P18-3/B10 MODULE NUMBER: 233A5523-201358 REV B	101200 968999	1
118	2TC47-5		.CIRCUIT BREAKER- SUPPLIER CODE: V82647 SPECIFICATION NUMBER: BACC18AD5 OPTIONAL PART: 4310-029-5 V76374 ELECTRICAL EQUIP NUMBER: C01358	101200 968999	1
- 120	MODREF250644		CIRCUIT BREAKER INSTL- HEATERS CAPT PITOT P18-3/C1 MODULE NUMBER: 233A5523-200523 REV B	101200 968999	1
125	2TC47-2-5		.CIRCUIT BREAKER- SUPPLIER CODE: V82647 SPECIFICATION NUMBER: BACC18AD2 OPTIONAL PART: 4310-029-205 V76374 ELECTRICAL EQUIP NUMBER: C00523	101200 968999	1
- 130	MODREF250646		CIRCUIT BREAKER INSTL- HEATERS F/O PITOT P18-3/D5 MODULE NUMBER: 233A5523-200525 REV B	101200 968999	1

MISSING ITEM NUMBERS NOT APPLICABLE

- ITEM NOT ILLUSTRATED

HAP

24-50-60-95B

BOEING PROPRIETARY - Copyright © - Unpublished Work - See title page for details.

24-50-60
FIG. 95B
PAGE 5
OCT 15/08

BOEING
737-600/700/800/900
PARTS CATALOG (MAINTENANCE)

FIG ITEM	PART NUMBER	1 2 3 4 5 6 7	NOMENCLATURE	EFFECT FROM TO	UNITS PER ASSY
95B 135	2TC47-2-5		.CIRCUIT BREAKER- SUPPLIER CODE: V82647 SPECIFICATION NUMBER: BACC18AD2 OPTIONAL PART: 4310-029-205 V76374 ELECTRICAL EQUIP NUMBER: C00525	101200 968999	1
- 140	MODREF250645		CIRCUIT BREAKER INSTL- HEATERS AUX PITOT P18-3/D6 MODULE NUMBER: 233A5523-200524 REV B	101200 968999	1
145	2TC47-2-5		.CIRCUIT BREAKER- SUPPLIER CODE: V82647 SPECIFICATION NUMBER: BACC18AD2 OPTIONAL PART: 4310-029-205 V76374 ELECTRICAL EQUIP NUMBER: C00524	101200 968999	1
- 150	MODREF250666		CIRCUIT BREAKER INSTL-EXT LIGHTING GENERAL LIGHT CONT P18-3/D12 MODULE NUMBER: 233A5523-201518 REV B	101200 968999	1
155	2TC47-3		.CIRCUIT BREAKER- SUPPLIER CODE: V82647 SPECIFICATION NUMBER: BACC18AD3 OPTIONAL PART: 4310-029-3 V76374 ELECTRICAL EQUIP NUMBER: C01518	101200 968999	1
- 160	MODREF250637		CIRCUIT BREAKER INSTL- EXT LIGHTING NOSE GR TAXI P18-3/D14 MODULE NUMBER: 233A5523-200123 REV B	101200 968999	1

MISSING ITEM NUMBERS NOT APPLICABLE

- ITEM NOT ILLUSTRATED

HAP

24-50-60-95B

BOEING PROPRIETARY - Copyright © - Unpublished Work - See title page for details.

24-50-60
FIG. 95B
PAGE 6
OCT 15/08

BOEING
737-600/700/800/900
PARTS CATALOG (MAINTENANCE)

FIG ITEM	PART NUMBER	1 2 3 4 5 6 7	NOMENCLATURE	EFFECT FROM TO	UNITS PER ASSY
95B 165	2TC47-10		.CIRCUIT BREAKER- SUPPLIER CODE: V82647 SPECIFICATION NUMBER: BACC18AD10 OPTIONAL PART: 4310-029-10 V76374 ELECTRICAL EQUIP NUMBER: C00123	101200 968999	1
- 170	MODREF267102		CIRCUIT BREAKER INSTL- NITROGEN GEN CONT P18-3/D17 MODULE NUMBER: 233A5523-201657 REV A	101200 968999	1
175	2TC47-7-5		.CIRCUIT BREAKER- SUPPLIER CODE: V82647 SPECIFICATION NUMBER: BACC18AD7 OPTIONAL PART: 4310-029-705 V76374 ELECTRICAL EQUIP NUMBER: C01657	101200 968999	1
- 180	MODREF250651		CIRCUIT BREAKER INSTL-LAV SMOKE P18-3/E12 MODULE NUMBER: 233A5523-201125 REV B	101200 968999	1
185	2TC47-2-5		.CIRCUIT BREAKER- SUPPLIER CODE: V82647 SPECIFICATION NUMBER: BACC18AD2 OPTIONAL PART: 4310-029-205 V76374 ELECTRICAL EQUIP NUMBER: C01125	101200 968999	1
- 190	MODREF250638		CIRCUIT BREAKER INSTL-LAV MIRROR LIGHT P18-3/E14 MODULE NUMBER: 233A5523-200163 REV B	101200 968999	1

MISSING ITEM NUMBERS NOT APPLICABLE

- ITEM NOT ILLUSTRATED

HAP

24-50-60-95B

BOEING PROPRIETARY - Copyright © - Unpublished Work - See title page for details.

24-50-60
FIG. 95B
PAGE 7
OCT 15/08

BOEING
737-600/700/800/900
PARTS CATALOG (MAINTENANCE)

FIG ITEM	PART NUMBER	1 2 3 4 5 6 7	NOMENCLATURE	EFFECT FROM TO	UNITS PER ASSY
95B 195	2TC47-3		.CIRCUIT BREAKER- SUPPLIER CODE: V82647 SPECIFICATION NUMBER: BACC18AD3 OPTIONAL PART: 4310-029-3 V76374 ELECTRICAL EQUIP NUMBER: C00163	101200 968999	1
- 200	MODREF280402		CIRCUIT BREAKER INSTL- NGS ALT PWR P18-3/E15 MODULE NUMBER: 233A5523-201680 REV A	101200 968999	1
205	2TC47-7-5		.CIRCUIT BREAKER- SUPPLIER CODE: V82647 SPECIFICATION NUMBER: BACC18AD7 OPTIONAL PART: 4310-029-705 V76374 ELECTRICAL EQUIP NUMBER: C01680	101200 968999	1
- 210	MODREF250659		CIRCUIT BREAKER INSTL-HOSE HEATERS P18-3/E18 MODULE NUMBER: 233A5523-201473 REV B	101200 968999	1
215	2TC47-5		.CIRCUIT BREAKER- SUPPLIER CODE: V82647 SPECIFICATION NUMBER: BACC18AD5 OPTIONAL PART: 4310-029-5 V76374 ELECTRICAL EQUIP NUMBER: C01473	101200 968999	1
- 220	MODREF250641		CIRCUIT BREAKER INSTL- WINDOW HEAT CONTROL RIGHT FRONT DC P18-3/F1 MODULE NUMBER: 233A5523-200222 REV B	101200 968999	1

MISSING ITEM NUMBERS NOT APPLICABLE

- ITEM NOT ILLUSTRATED

HAP

24-50-60-95B

BOEING PROPRIETARY - Copyright © - Unpublished Work - See title page for details.

24-50-60
FIG. 95B
PAGE 8
OCT 15/08

BOEING
737-600/700/800/900
PARTS CATALOG (MAINTENANCE)

FIG ITEM	PART NUMBER	1 2 3 4 5 6 7	NOMENCLATURE	EFFECT FROM TO	UNITS PER ASSY
95B 225	2TC47-2-5		.CIRCUIT BREAKER- SUPPLIER CODE: V82647 SPECIFICATION NUMBER: BACC18AD2 OPTIONAL PART: 4310-029-205 V76374 ELECTRICAL EQUIP NUMBER: C00222	101200 968999	1
- 230	MODREF250640		CIRCUIT BREAKER INSTL- WINDOW HEAT CONTROL LEFT SIDE DC P18-3/F2 MODULE NUMBER: 233A5523-200221 REV B	101200 968999	1
235	2TC47-2-5		.CIRCUIT BREAKER- SUPPLIER CODE: V82647 SPECIFICATION NUMBER: BACC18AD2 OPTIONAL PART: 4310-029-205 V76374 ELECTRICAL EQUIP NUMBER: C00221	101200 968999	1
- 240	MODREF250642		CIRCUIT BREAKER INSTL- WINDOW HEAT CONTROL RIGHT SIDE DC P18-3/F4 MODULE NUMBER: 233A5523-200223 REV B	101200 968999	1
245	2TC47-2-5		.CIRCUIT BREAKER- SUPPLIER CODE: V82647 SPECIFICATION NUMBER: BACC18AD2 OPTIONAL PART: 4310-029-205 V76374 ELECTRICAL EQUIP NUMBER: C00223	101200 968999	1
- 250	MODREF250639		CIRCUIT BREAKER INSTL- WINDOW HEAT CONTROL LEFT FRONT DC P18-3/F5 MODULE NUMBER: 233A5523-200220 REV B	101200 968999	1

MISSING ITEM NUMBERS NOT APPLICABLE

- ITEM NOT ILLUSTRATED

HAP

24-50-60-95B

BOEING PROPRIETARY - Copyright © - Unpublished Work - See title page for details.

24-50-60
FIG. 95B
PAGE 9
OCT 15/08

BOEING
737-600/700/800/900
PARTS CATALOG (MAINTENANCE)

FIG ITEM	PART NUMBER	1 2 3 4 5 6 7	NOMENCLATURE	EFFECT FROM TO	UNITS PER ASSY
95B 255	2TC47-2-5	.	CIRCUIT BREAKER- SUPPLIER CODE: V82647 SPECIFICATION NUMBER: BACC18AD2 OPTIONAL PART: 4310-029-205 V76374 ELECTRICAL EQUIP NUMBER: C00220	101200 968999	1
- 260	MODREF251820		CIRCUIT BREAKER INSTL- OXYGEN IND P18-3/F7 MODULE NUMBER: 233A5523-200156 REV A	101200 968999	1
265	2TC47-5	.	CIRCUIT BREAKER- SUPPLIER CODE: V82647 SPECIFICATION NUMBER: BACC18AD5 OPTIONAL PART: 4310-029-5 V76374 ELECTRICAL EQUIP NUMBER: C00156	101200 968999	1
- 270	MODREF250634		CIRCUIT BREAKER INSTL-LAV WATER HEATER A P18-3/F13 MODULE NUMBER: 233A5523-200104 REV B	101200 968999	1
275	2TC47-5	.	CIRCUIT BREAKER- SUPPLIER CODE: V82647 SPECIFICATION NUMBER: BACC18AD5 OPTIONAL PART: 4310-029-5 V76374 ELECTRICAL EQUIP NUMBER: C00104	101200 968999	1
- 280	MODREF250649		CIRCUIT BREAKER INSTL-LAV WATER HEATER D P18-3/F14 MODULE NUMBER: 233A5523-201073 REV B	101200 968999	1

MISSING ITEM NUMBERS NOT APPLICABLE

- ITEM NOT ILLUSTRATED

HAP

24-50-60-95B

BOEING PROPRIETARY - Copyright © - Unpublished Work - See title page for details.

24-50-60
FIG. 95B
PAGE 10
OCT 15/08

BOEING
737-600/700/800/900
PARTS CATALOG (MAINTENANCE)

FIG ITEM	PART NUMBER	1 2 3 4 5 6 7	NOMENCLATURE	EFFECT FROM TO	UNITS PER ASSY
95B 285	2TC47-5		.CIRCUIT BREAKER- SUPPLIER CODE: V82647 SPECIFICATION NUMBER: BACC18AD5 OPTIONAL PART: 4310-029-5 V76374 ELECTRICAL EQUIP NUMBER: C01073	101200 968999	1
- 290	MODREF250650		CIRCUIT BREAKER INSTL-LAV WATER HEATER E P18-3/F15 MODULE NUMBER: 233A5523-201096 REV B	101200 968999	1
295	2TC47-5		.CIRCUIT BREAKER- SUPPLIER CODE: V82647 SPECIFICATION NUMBER: BACC18AD5 OPTIONAL PART: 4310-029-5 V76374 ELECTRICAL EQUIP NUMBER: C01096	101200 968999	1
- 400	MODREF250691		PLUG BUTTON INSTL-P18-3/A2 MODULE NUMBER: 233A5523-383102 REV B	101200 968999	1
405	BS51338D5003		.PLUG- SUPPLIER CODE: V83058 SPECIFICATION NUMBER: BACP20B63B OPTIONAL PART: 51338 V83058 MISCELLANEOUS DATA: USE IN PLACE OF CIRCUIT BREAKERS ON OPEN HOLES	101200 968999	1
- 410	MODREF250692		PLUG BUTTON INSTL-P18-3/A3 MODULE NUMBER: 233A5523-383103 REV B	101200 968999	1

MISSING ITEM NUMBERS NOT APPLICABLE

- ITEM NOT ILLUSTRATED

HAP

24-50-60-95B

BOEING PROPRIETARY - Copyright © - Unpublished Work - See title page for details.

24-50-60
FIG. 95B
PAGE 11
OCT 15/08

BOEING
737-600/700/800/900
PARTS CATALOG (MAINTENANCE)

FIG ITEM	PART NUMBER	1 2 3 4 5 6 7	NOMENCLATURE	EFFECT FROM TO	UNITS PER ASSY
95B 415	BS51338D5003		.PLUG- SUPPLIER CODE: V83058 SPECIFICATION NUMBER: BACP20B63B OPTIONAL PART: 51338 V83058 MISCELLANEOUS DATA: USE IN PLACE OF CIRCUIT BREAKERS ON OPEN HOLES	101200 968999	1
- 420	MODREF250693		PLUG BUTTON INSTL-P18-3/A4 MODULE NUMBER: 233A5523-383104 REV B	101200 968999	1
425	BS51338D5003		.PLUG- SUPPLIER CODE: V83058 SPECIFICATION NUMBER: BACP20B63B OPTIONAL PART: 51338 V83058 MISCELLANEOUS DATA: USE IN PLACE OF CIRCUIT BREAKERS ON OPEN HOLES	101200 968999	1
- 430	MODREF250694		PLUG BUTTON INSTL-P18-3/A5 MODULE NUMBER: 233A5523-383105 REV B	101200 968999	1
435	BS51338D5003		.PLUG- SUPPLIER CODE: V83058 SPECIFICATION NUMBER: BACP20B63B OPTIONAL PART: 51338 V83058 MISCELLANEOUS DATA: USE IN PLACE OF CIRCUIT BREAKERS ON OPEN HOLES	101200 968999	1
- 440	MODREF250696		PLUG BUTTON INSTL-P18-3/A16 MODULE NUMBER: 233A5523-383116 REV B	101200 968999	1

MISSING ITEM NUMBERS NOT APPLICABLE

- ITEM NOT ILLUSTRATED

HAP

24-50-60-95B

BOEING PROPRIETARY - Copyright © - Unpublished Work - See title page for details.

24-50-60
FIG. 95B
PAGE 12
OCT 15/08

BOEING
737-600/700/800/900
PARTS CATALOG (MAINTENANCE)

FIG ITEM	PART NUMBER	1 2 3 4 5 6 7	NOMENCLATURE	EFFECT FROM TO	UNITS PER ASSY
95B 445	BS51338D5003		.PLUG- SUPPLIER CODE: V83058 SPECIFICATION NUMBER: BACP20B63B OPTIONAL PART: 51338 V83058 MISCELLANEOUS DATA: USE IN PLACE OF CIRCUIT BREAKERS ON OPEN HOLES	101200 968999	1
- 450	MODREF250697		PLUG BUTTON INSTL-P18-3/B2 MODULE NUMBER: 233A5523-383202 REV B	101200 968999	1
455	BS51338D5003		.PLUG- SUPPLIER CODE: V83058 SPECIFICATION NUMBER: BACP20B63B OPTIONAL PART: 51338 V83058 MISCELLANEOUS DATA: USE IN PLACE OF CIRCUIT BREAKERS ON OPEN HOLES	101200 968999	1
- 460	MODREF250698		PLUG BUTTON INSTL-P18-3/B4 MODULE NUMBER: 233A5523-383204 REV B	101200 968999	1
465	BS51338D5003		.PLUG- SUPPLIER CODE: V83058 SPECIFICATION NUMBER: BACP20B63B OPTIONAL PART: 51338 V83058 MISCELLANEOUS DATA: USE IN PLACE OF CIRCUIT BREAKERS ON OPEN HOLES	101200 968999	1
- 470	MODREF250699		PLUG BUTTON INSTL-P18-3/B5 MODULE NUMBER: 233A5523-383205 REV B	101200 968999	1

MISSING ITEM NUMBERS NOT APPLICABLE

- ITEM NOT ILLUSTRATED

HAP

24-50-60-95B

BOEING PROPRIETARY - Copyright © - Unpublished Work - See title page for details.

24-50-60
FIG. 95B
PAGE 13
OCT 15/08

BOEING
737-600/700/800/900
PARTS CATALOG (MAINTENANCE)

FIG ITEM	PART NUMBER	1 2 3 4 5 6 7	NOMENCLATURE	EFFECT FROM TO	UNITS PER ASSY
95B 475	BS51338D5003		.PLUG- SUPPLIER CODE: V83058 SPECIFICATION NUMBER: BACP20B63B OPTIONAL PART: 51338 V83058 MISCELLANEOUS DATA: USE IN PLACE OF CIRCUIT BREAKERS ON OPEN HOLES	101200 968999	1
- 480	MODREF250700		PLUG BUTTON INSTL-P18-3/B9 MODULE NUMBER: 233A5523-383209 REV B	101200 968999	1
485	BS51338D5003		.PLUG- SUPPLIER CODE: V83058 SPECIFICATION NUMBER: BACP20B63B OPTIONAL PART: 51338 V83058 MISCELLANEOUS DATA: USE IN PLACE OF CIRCUIT BREAKERS ON OPEN HOLES	101200 968999	1
- 490	MODREF250701		PLUG BUTTON INSTL-P18-3/B11 MODULE NUMBER: 233A5523-383211 REV B	101200 968999	1
495	BS51338D5003		.PLUG- SUPPLIER CODE: V83058 SPECIFICATION NUMBER: BACP20B63B OPTIONAL PART: 51338 V83058 MISCELLANEOUS DATA: USE IN PLACE OF CIRCUIT BREAKERS ON OPEN HOLES	101200 968999	1
- 500	MODREF250702		PLUG BUTTON INSTL-P18-3/B16 MODULE NUMBER: 233A5523-383216 REV B	101200 968999	1

MISSING ITEM NUMBERS NOT APPLICABLE

- ITEM NOT ILLUSTRATED

HAP

24-50-60-95B

BOEING PROPRIETARY - Copyright © - Unpublished Work - See title page for details.

24-50-60
FIG. 95B
PAGE 14
OCT 15/08

BOEING
737-600/700/800/900
PARTS CATALOG (MAINTENANCE)

FIG ITEM	PART NUMBER	1 2 3 4 5 6 7	NOMENCLATURE	EFFECT FROM TO	UNITS PER ASSY
95B 505	BS51338D5003		.PLUG- SUPPLIER CODE: V83058 SPECIFICATION NUMBER: BACP20B63B OPTIONAL PART: 51338 V83058 MISCELLANEOUS DATA: USE IN PLACE OF CIRCUIT BREAKERS ON OPEN HOLES	101200 968999	1
- 510	MODREF250703		PLUG BUTTON INSTL-P18-3/B18 MODULE NUMBER: 233A5523-383218 REV B	101200 968999	1
515	BS51338D5003		.PLUG- SUPPLIER CODE: V83058 SPECIFICATION NUMBER: BACP20B63B OPTIONAL PART: 51338 V83058 MISCELLANEOUS DATA: USE IN PLACE OF CIRCUIT BREAKERS ON OPEN HOLES	101200 968999	1
- 520	MODREF250704		PLUG BUTTON INSTL-P18-3/B19 MODULE NUMBER: 233A5523-383219 REV B	101200 968999	1
525	BS51338D5003		.PLUG- SUPPLIER CODE: V83058 SPECIFICATION NUMBER: BACP20B63B OPTIONAL PART: 51338 V83058 MISCELLANEOUS DATA: USE IN PLACE OF CIRCUIT BREAKERS ON OPEN HOLES	101200 968999	1
- 530	MODREF250705		PLUG BUTTON INSTL-P18-3/C6 MODULE NUMBER: 233A5523-383306 REV B	101200 968999	1

MISSING ITEM NUMBERS NOT APPLICABLE

- ITEM NOT ILLUSTRATED

HAP

24-50-60-95B

BOEING PROPRIETARY - Copyright © - Unpublished Work - See title page for details.

24-50-60
FIG. 95B
PAGE 15
OCT 15/08

BOEING
737-600/700/800/900
PARTS CATALOG (MAINTENANCE)

FIG ITEM	PART NUMBER	1 2 3 4 5 6 7	NOMENCLATURE	EFFECT FROM TO	UNITS PER ASSY
95B 535	BS51338D5003		.PLUG- SUPPLIER CODE: V83058 SPECIFICATION NUMBER: BACP20B63B OPTIONAL PART: 51338 V83058 MISCELLANEOUS DATA: USE IN PLACE OF CIRCUIT BREAKERS ON OPEN HOLES	101200 968999	1
- 540	MODREF250706		PLUG BUTTON INSTL-P18-3/C7 MODULE NUMBER: 233A5523-383307 REV B	101200 968999	1
545	BS51338D5003		.PLUG- SUPPLIER CODE: V83058 SPECIFICATION NUMBER: BACP20B63B OPTIONAL PART: 51338 V83058 MISCELLANEOUS DATA: USE IN PLACE OF CIRCUIT BREAKERS ON OPEN HOLES	101200 968999	1
- 550	MODREF250707		PLUG BUTTON INSTL-P18-3/D7 MODULE NUMBER: 233A5523-383407 REV B	101200 968999	1
555	BS51338D5003		.PLUG- SUPPLIER CODE: V83058 SPECIFICATION NUMBER: BACP20B63B OPTIONAL PART: 51338 V83058 MISCELLANEOUS DATA: USE IN PLACE OF CIRCUIT BREAKERS ON OPEN HOLES	101200 968999	1
- 560	MODREF250708		PLUG BUTTON INSTL-P18-3/D8 MODULE NUMBER: 233A5523-383408 REV B	101200 968999	1

MISSING ITEM NUMBERS NOT APPLICABLE

- ITEM NOT ILLUSTRATED

HAP

24-50-60-95B

BOEING PROPRIETARY - Copyright © - Unpublished Work - See title page for details.

24-50-60
FIG. 95B
PAGE 16
OCT 15/08

BOEING
737-600/700/800/900
PARTS CATALOG (MAINTENANCE)

FIG ITEM	PART NUMBER	1 2 3 4 5 6 7	NOMENCLATURE	EFFECT FROM TO	UNITS PER ASSY
95B 565	BS51338D5003		.PLUG- SUPPLIER CODE: V83058 SPECIFICATION NUMBER: BACP20B63B OPTIONAL PART: 51338 V83058 MISCELLANEOUS DATA: USE IN PLACE OF CIRCUIT BREAKERS ON OPEN HOLES	101200 968999	1
- 570	MODREF250709		PLUG BUTTON INSTL-P18-3/D10 MODULE NUMBER: 233A5523-383410 REV B	101200 968999	1
575	BS51338D5003		.PLUG- SUPPLIER CODE: V83058 SPECIFICATION NUMBER: BACP20B63B OPTIONAL PART: 51338 V83058 MISCELLANEOUS DATA: USE IN PLACE OF CIRCUIT BREAKERS ON OPEN HOLES	101200 968999	1
- 580	MODREF250711		PLUG BUTTON INSTL-P18-3/D13 MODULE NUMBER: 233A5523-383413 REV B	101200 968999	1
585	BS51338D5003		.PLUG- SUPPLIER CODE: V83058 SPECIFICATION NUMBER: BACP20B63B OPTIONAL PART: 51338 V83058 MISCELLANEOUS DATA: USE IN PLACE OF CIRCUIT BREAKERS ON OPEN HOLES	101200 968999	1
- 590	MODREF250712		PLUG BUTTON INSTL-P18-3/D15 MODULE NUMBER: 233A5523-383415 REV B	101200 968999	1

MISSING ITEM NUMBERS NOT APPLICABLE

- ITEM NOT ILLUSTRATED

HAP

24-50-60-95B

BOEING PROPRIETARY - Copyright © - Unpublished Work - See title page for details.

24-50-60
FIG. 95B
PAGE 17
OCT 15/08


BOEING
 737-600/700/800/900
PARTS CATALOG (MAINTENANCE)

FIG ITEM	PART NUMBER	1 2 3 4 5 6 7	NOMENCLATURE	EFFECT FROM TO	UNITS PER ASSY
95B 595	BS51338D5003		.PLUG- SUPPLIER CODE: V83058 SPECIFICATION NUMBER: BACP20B63B OPTIONAL PART: 51338 V83058 MISCELLANEOUS DATA: USE IN PLACE OF CIRCUIT BREAKERS ON OPEN HOLES	101200 968999	1
- 600	MODREF250713		PLUG BUTTON INSTL-P18-3/D16 MODULE NUMBER: 233A5523-383416 REV B	101200 968999	1
605	BS51338D5003		.PLUG- SUPPLIER CODE: V83058 SPECIFICATION NUMBER: BACP20B63B OPTIONAL PART: 51338 V83058 MISCELLANEOUS DATA: USE IN PLACE OF CIRCUIT BREAKERS ON OPEN HOLES	101200 968999	1
- 610	MODREF250715		PLUG BUTTON INSTL-P18-3/E6 MODULE NUMBER: 233A5523-383506 REV B	101200 968999	1
615	BS51338D5003		.PLUG- SUPPLIER CODE: V83058 SPECIFICATION NUMBER: BACP20B63B OPTIONAL PART: 51338 V83058 MISCELLANEOUS DATA: USE IN PLACE OF CIRCUIT BREAKERS ON OPEN HOLES	101200 968999	1
- 620	MODREF250716		PLUG BUTTON INSTL-P18-3/E7 MODULE NUMBER: 233A5523-383507 REV B	101200 968999	1

MISSING ITEM NUMBERS NOT APPLICABLE

- ITEM NOT ILLUSTRATED

HAP

24-50-60-95B

BOEING PROPRIETARY - Copyright © - Unpublished Work - See title page for details.

24-50-60
 FIG. 95B
 PAGE 18
 OCT 15/08

BOEING
737-600/700/800/900
PARTS CATALOG (MAINTENANCE)

FIG ITEM	PART NUMBER	1 2 3 4 5 6 7	NOMENCLATURE	EFFECT FROM TO	UNITS PER ASSY
95B 625	BS51338D5003		.PLUG- SUPPLIER CODE: V83058 SPECIFICATION NUMBER: BACP20B63B OPTIONAL PART: 51338 V83058 MISCELLANEOUS DATA: USE IN PLACE OF CIRCUIT BREAKERS ON OPEN HOLES	101200 968999	1
- 630	MODREF250717		PLUG BUTTON INSTL-P18-3/E8 MODULE NUMBER: 233A5523-383508 REV B	101200 968999	1
635	BS51338D5003		.PLUG- SUPPLIER CODE: V83058 SPECIFICATION NUMBER: BACP20B63B OPTIONAL PART: 51338 V83058 MISCELLANEOUS DATA: USE IN PLACE OF CIRCUIT BREAKERS ON OPEN HOLES	101200 968999	1
- 640	MODREF250718		PLUG BUTTON INSTL-P18-3/E9 MODULE NUMBER: 233A5523-383509 REV B	101200 968999	1
645	BS51338D5003		.PLUG- SUPPLIER CODE: V83058 SPECIFICATION NUMBER: BACP20B63B OPTIONAL PART: 51338 V83058 MISCELLANEOUS DATA: USE IN PLACE OF CIRCUIT BREAKERS ON OPEN HOLES	101200 968999	1
- 650	MODREF250719		PLUG BUTTON INSTL-P18-3/E10 MODULE NUMBER: 233A5523-383510 REV B	101200 968999	1

MISSING ITEM NUMBERS NOT APPLICABLE

- ITEM NOT ILLUSTRATED

HAP

24-50-60-95B

BOEING PROPRIETARY - Copyright © - Unpublished Work - See title page for details.

24-50-60
FIG. 95B
PAGE 19
OCT 15/08

BOEING
737-600/700/800/900
PARTS CATALOG (MAINTENANCE)

FIG ITEM	PART NUMBER	1 2 3 4 5 6 7	NOMENCLATURE	EFFECT FROM TO	UNITS PER ASSY
95B 655	BS51338D5003		.PLUG- SUPPLIER CODE: V83058 SPECIFICATION NUMBER: BACP20B63B OPTIONAL PART: 51338 V83058 MISCELLANEOUS DATA: USE IN PLACE OF CIRCUIT BREAKERS ON OPEN HOLES	101200 968999	1
- 660	MODREF250720		PLUG BUTTON INSTL-P18-3/E13 MODULE NUMBER: 233A5523-383513 REV B	101200 968999	1
665	BS51338D5003		.PLUG- SUPPLIER CODE: V83058 SPECIFICATION NUMBER: BACP20B63B OPTIONAL PART: 51338 V83058 MISCELLANEOUS DATA: USE IN PLACE OF CIRCUIT BREAKERS ON OPEN HOLES	101200 968999	1
- 670	MODREF250722		PLUG BUTTON INSTL-P18-3/E16 MODULE NUMBER: 233A5523-383516 REV B	101200 968999	1
675	BS51338D5003		.PLUG- SUPPLIER CODE: V83058 SPECIFICATION NUMBER: BACP20B63B OPTIONAL PART: 51338 V83058 MISCELLANEOUS DATA: USE IN PLACE OF CIRCUIT BREAKERS ON OPEN HOLES	101200 968999	1
- 680	MODREF250723		PLUG BUTTON INSTL-P18-3/E17 MODULE NUMBER: 233A5523-383517 REV B	101200 968999	1

MISSING ITEM NUMBERS NOT APPLICABLE

- ITEM NOT ILLUSTRATED

HAP

24-50-60-95B

BOEING PROPRIETARY - Copyright © - Unpublished Work - See title page for details.

24-50-60
FIG. 95B
PAGE 20
OCT 15/08

BOEING
737-600/700/800/900
PARTS CATALOG (MAINTENANCE)

FIG ITEM	PART NUMBER	1 2 3 4 5 6 7	NOMENCLATURE	EFFECT FROM TO	UNITS PER ASSY
95B 685	BS51338D5003		.PLUG- SUPPLIER CODE: V83058 SPECIFICATION NUMBER: BACP20B63B OPTIONAL PART: 51338 V83058 MISCELLANEOUS DATA: USE IN PLACE OF CIRCUIT BREAKERS ON OPEN HOLES	101200 968999	1
- 690	MODREF250725		PLUG BUTTON INSTL-P18-3/E19 MODULE NUMBER: 233A5523-383519 REV B	101200 968999	1
695	BS51338D5003		.PLUG- SUPPLIER CODE: V83058 SPECIFICATION NUMBER: BACP20B63B OPTIONAL PART: 51338 V83058 MISCELLANEOUS DATA: USE IN PLACE OF CIRCUIT BREAKERS ON OPEN HOLES	101200 968999	1
- 700	MODREF250728		PLUG BUTTON INSTL-P18-3/F3 MODULE NUMBER: 233A5523-383603 REV B	101200 968999	1
705	BS51338D5003		.PLUG- SUPPLIER CODE: V83058 SPECIFICATION NUMBER: BACP20B63B OPTIONAL PART: 51338 V83058 MISCELLANEOUS DATA: USE IN PLACE OF CIRCUIT BREAKERS ON OPEN HOLES	101200 968999	1
- 710	MODREF250731		PLUG BUTTON INSTL-P18-3/F6 MODULE NUMBER: 233A5523-383606 REV B	101200 968999	1

MISSING ITEM NUMBERS NOT APPLICABLE

- ITEM NOT ILLUSTRATED

HAP

24-50-60-95B

BOEING PROPRIETARY - Copyright © - Unpublished Work - See title page for details.

24-50-60
FIG. 95B
PAGE 21
OCT 15/08

BOEING
737-600/700/800/900
PARTS CATALOG (MAINTENANCE)

FIG ITEM	PART NUMBER	1 2 3 4 5 6 7	NOMENCLATURE	EFFECT FROM TO	UNITS PER ASSY
95B 715	BS51338D5003		.PLUG- SUPPLIER CODE: V83058 SPECIFICATION NUMBER: BACP20B63B OPTIONAL PART: 51338 V83058 MISCELLANEOUS DATA: USE IN PLACE OF CIRCUIT BREAKERS ON OPEN HOLES	101200 968999	1
- 720	MODREF250732		PLUG BUTTON INSTL-P18-3/F11 MODULE NUMBER: 233A5523-383611 REV B	101200 968999	1
725	BS51338D5003		.PLUG- SUPPLIER CODE: V83058 SPECIFICATION NUMBER: BACP20B63B OPTIONAL PART: 51338 V83058 MISCELLANEOUS DATA: USE IN PLACE OF CIRCUIT BREAKERS ON OPEN HOLES	101200 968999	1
- 730	MODREF250733		PLUG BUTTON INSTL-P18-3/F12 MODULE NUMBER: 233A5523-383612 REV B	101200 968999	1
735	BS51338D5003		.PLUG- SUPPLIER CODE: V83058 SPECIFICATION NUMBER: BACP20B63B OPTIONAL PART: 51338 V83058 MISCELLANEOUS DATA: USE IN PLACE OF CIRCUIT BREAKERS ON OPEN HOLES	101200 968999	1
- 740	MODREF250736		PLUG BUTTON INSTL-P18-3/F16 MODULE NUMBER: 233A5523-383616 REV B	101200 968999	1

MISSING ITEM NUMBERS NOT APPLICABLE

- ITEM NOT ILLUSTRATED

HAP

24-50-60-95B

BOEING PROPRIETARY - Copyright © - Unpublished Work - See title page for details.

24-50-60
FIG. 95B
PAGE 22
OCT 15/08

BOEING
737-600/700/800/900
PARTS CATALOG (MAINTENANCE)

FIG ITEM	PART NUMBER	1 2 3 4 5 6 7	NOMENCLATURE	EFFECT FROM TO	UNITS PER ASSY
95B 745	BS51338D5003		.PLUG- SUPPLIER CODE: V83058 SPECIFICATION NUMBER: BACP20B63B OPTIONAL PART: 51338 V83058 MISCELLANEOUS DATA: USE IN PLACE OF CIRCUIT BREAKERS ON OPEN HOLES	101200 968999	1
- 750	MODREF250737		PLUG BUTTON INSTL-P18-3/F17 MODULE NUMBER: 233A5523-383617 REV B	101200 968999	1
755	BS51338D5003		.PLUG- SUPPLIER CODE: V83058 SPECIFICATION NUMBER: BACP20B63B OPTIONAL PART: 51338 V83058 MISCELLANEOUS DATA: USE IN PLACE OF CIRCUIT BREAKERS ON OPEN HOLES	101200 968999	1
- 760	MODREF250738		PLUG BUTTON INSTL-P18-3/F18 MODULE NUMBER: 233A5523-383618 REV B	101200 968999	1
765	BS51338D5003		.PLUG- SUPPLIER CODE: V83058 SPECIFICATION NUMBER: BACP20B63B OPTIONAL PART: 51338 V83058 MISCELLANEOUS DATA: USE IN PLACE OF CIRCUIT BREAKERS ON OPEN HOLES	101200 968999	1
- 770	MODREF250739		PLUG BUTTON INSTL-P18-3/F19 MODULE NUMBER: 233A5523-383619 REV B	101200 968999	1

MISSING ITEM NUMBERS NOT APPLICABLE

- ITEM NOT ILLUSTRATED

HAP

24-50-60-95B

BOEING PROPRIETARY - Copyright © - Unpublished Work - See title page for details.

24-50-60
FIG. 95B
PAGE 23
OCT 15/08

BOEING
737-600/700/800/900
PARTS CATALOG (MAINTENANCE)

FIG ITEM	PART NUMBER	1 2 3 4 5 6 7	NOMENCLATURE	EFFECT FROM TO	UNITS PER ASSY
95B 775	BS51338D5003		.PLUG- SUPPLIER CODE: V83058 SPECIFICATION NUMBER: BACP20B63B OPTIONAL PART: 51338 V83058 MISCELLANEOUS DATA: USE IN PLACE OF CIRCUIT BREAKERS ON OPEN HOLES	101200 968999	1
- 800	MODREF267107		INOP INSTL-P18-3/D17 (ELECTRICAL POWER ONLY) MODULE NUMBER: 233A5523-583417 REV A FOR OTHER SYS DETAILS SEE: 11-31-60-95B	101105 968999	1
805	10237-1		.COLLAR- SUPPLIER CODE: V1N6X0	101105 968999	1
- 810	MODREF280419		INOP INSTL-P18-3/E15 (ELECTRICAL POWER ONLY) MODULE NUMBER: 233A5523-583515 REV A FOR OTHER SYS DETAILS SEE: 11-31-60-95B	101105 968999	1
815	10237-1		.COLLAR- SUPPLIER CODE: V1N6X0	101105 968999	1

MISSING ITEM NUMBERS NOT APPLICABLE

- ITEM NOT ILLUSTRATED

HAP

24-50-60-95B

BOEING PROPRIETARY - Copyright © - Unpublished Work - See title page for details.

24-50-60
FIG. 95B
PAGE 24
OCT 15/08