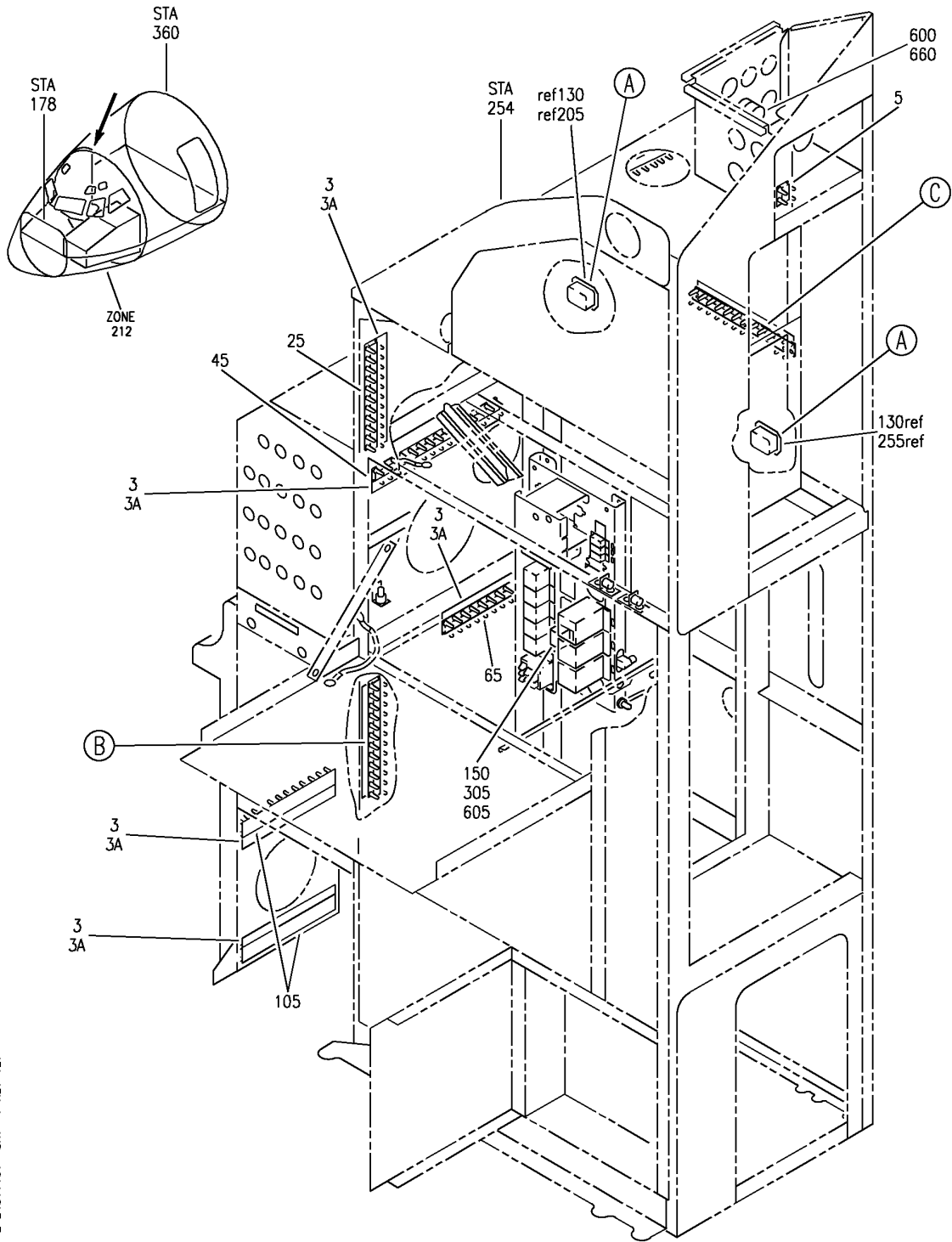


MAIN 115-VOLT AC POWER DISTRIBUTION

HAP
OCT 10/06

24-51-00
SECTION TITLE
PAGE 1

BOEING
 737-600/700/800/900
 PARTS CATALOG (MAINTENANCE)



E 24511101 SHT 1 REV 127

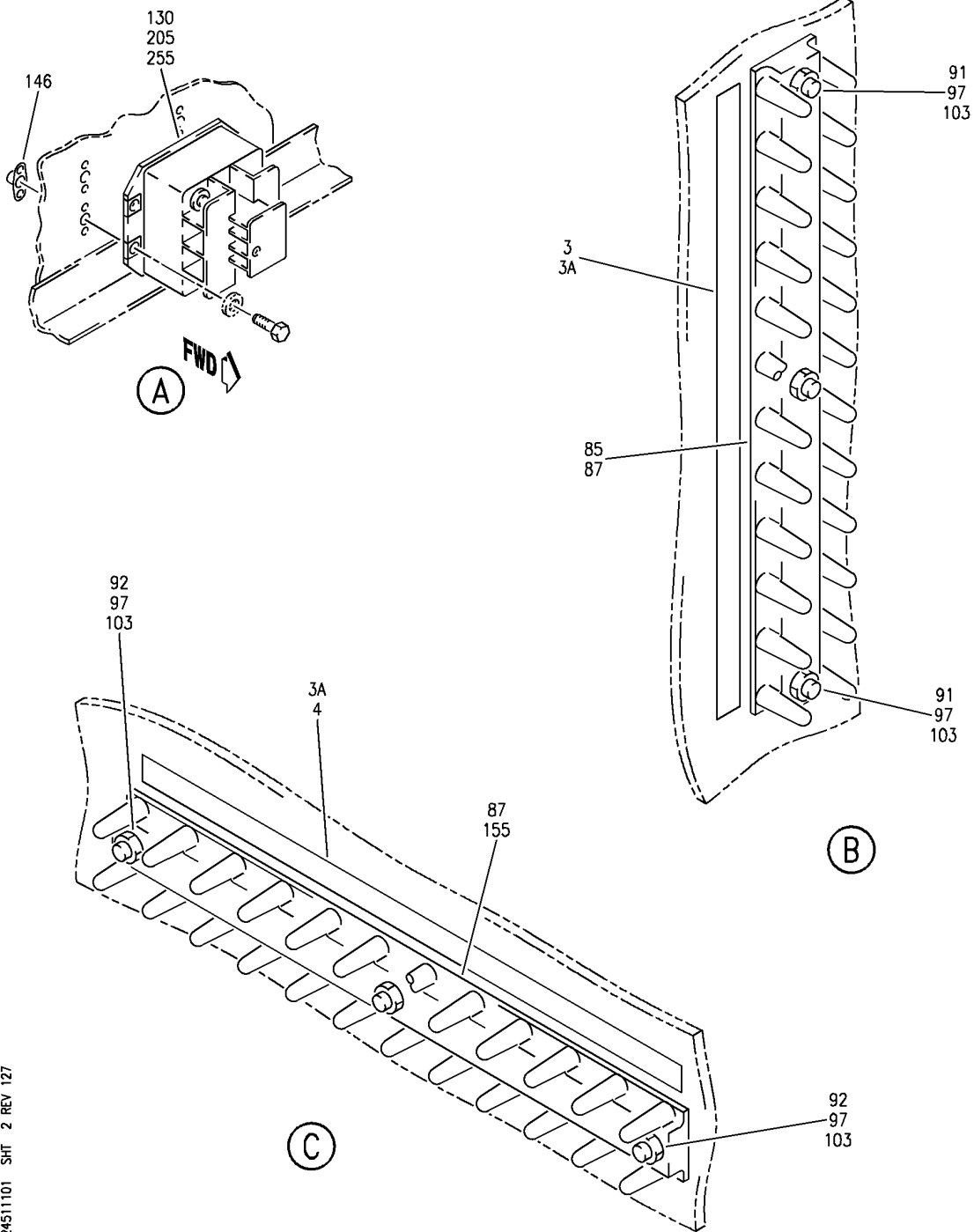
EQUIPMENT INSTL-P6 CB PNL (LOAD SHED RELAY ONLY)
 FIGURE 1

24-51-11-01

HAP
 FEB 10/07

24-51-11-01
 PAGE 0

BOEING
 737-600/700/800/900
 PARTS CATALOG (MAINTENANCE)



E 24511101 SHT 2 REV 127

EQUIPMENT INSTL-P6 CB PNL (LOAD SHED RELAY ONLY)
 FIGURE 1

24-51-11-01

HAP
 FEB 10/07

24-51-11-01
 PAGE 0A

BOEING
737-600/700/800/900
PARTS CATALOG (MAINTENANCE)

FIG ITEM	PART NUMBER	1 2 3 4 5 6 7	NOMENCLATURE	EFFECT FROM TO	UNITS PER ASSY
1			EQUIPMENT INSTL-P6 CB PNL (LOAD SHED RELAY ONLY)	008030 201967	
- 1	233A5220-1		EQUIPMENT INSTL-P6 CB PNL (LOAD SHED RELAY ONLY) FOR NHA/OTHER SYS DET SEE: 24-30-00-01B 24-30-00-01C	008009 202967	RF
- 1	233A5220-2		EQUIPMENT INSTL-P6 CB PNL (LOAD SHED RELAY ONLY) FOR NHA/OTHER SYS DET SEE: 24-30-00-01B 24-30-00-01C	010020 201201	RF
- 1	233A5220-5		EQUIPMENT INSTL-P6 CB PNL (LOAD SHED RELAY ONLY) FOR NHA/OTHER SYS DET SEE: 24-30-00-01C	021027	RF
- 1	233A5220-7		EQUIPMENT INSTL-P6 CB PNL (LOAD SHED RELAY ONLY) FOR NHA/OTHER SYS DET SEE: 24-30-00-01C	028029	RF
- 1	233A5220-9		EQUIPMENT INSTL-P6 CB PNL (LOAD SHED RELAY ONLY) FOR NHA/OTHER SYS DET SEE: 24-30-00-01C	030030	RF
	3 BAC27DEX5115		.DECAL-	008030 201967	6
	5 MS27212-2-1		.BOARD ASSY-TERM. ELECTRICAL EQUIP NUMBER: TB5060J ATTACHING PARTS	008030 201967	1
- 10	BACS12CK04H7		.SCREW	008030 201967	2
- 15	NAS1149CN432B		.WASHER	008030 201967	2
- 20	BRH10C04D		.NUT SUPPLIER CODE: V52828 SPECIFICATION NUMBER: BACN10JCO4CD OPTIONAL PART: H51650-04BAC V15653 102LH9075-40W V72962 NS202486-40 V80539 T6C440JCD V11815 -----*-----	008030 201967	2

MISSING ITEM NUMBERS NOT APPLICABLE

- ITEM NOT ILLUSTRATED

HAP

24-51-11-01

24-51-11
FIG. 01
PAGE 1
FEB 15/09

BOEING
737-600/700/800/900
PARTS CATALOG (MAINTENANCE)

FIG ITEM	PART NUMBER	1 2 3 4 5 6 7	NOMENCLATURE	EFFECT FROM TO	UNITS PER ASSY
1					
25	MS27212-2-10		.BOARD ASSY-TERM. ELECTRICAL EQUIP NUMBER: TB5060C ATTACHING PARTS	008030 201967	1
- 30	NAS1801-04-7		.SCREW	008030 201967	2
- 35	NAS1149DN432J		.WASHER- OPTIONAL PART: NAS1149DN416J	008030 201967	2
- 35	NAS1149DN416J		.WASHER- OPTIONAL PART: NAS1149DN432J	008030 201967	2
- 40	BRH10C04D		.NUT SUPPLIER CODE: V52828 SPECIFICATION NUMBER: BACN10JCO4CD OPTIONAL PART: H51650-04BAC V15653 102LH9075-40W V72962 NS202486-40 V80539 T6C440JCD V11815 -----*-----	008030 201967	2
45	MS27212-2-14		.BOARD ASSY-TERM. ELECTRICAL EQUIP NUMBER: TB5060D ATTACHING PARTS	008030 201967	1
- 50	NAS1801-04-7		.SCREW	008030 201967	3
- 55	NAS1149DN416J		.WASHER- OPTIONAL PART: NAS1149DN432J	008030 201967	3
- 55	NAS1149DN432J		.WASHER- OPTIONAL PART: NAS1149DN416J	008030 201967	3

MISSING ITEM NUMBERS NOT APPLICABLE

- ITEM NOT ILLUSTRATED

HAP

24-51-11-01

BOEING PROPRIETARY - Copyright © - Unpublished Work - See title page for details.

24-51-11
FIG. 01
PAGE 2
FEB 15/09

BOEING
737-600/700/800/900
PARTS CATALOG (MAINTENANCE)

FIG ITEM	PART NUMBER	1 2 3 4 5 6 7	NOMENCLATURE	EFFECT FROM TO	UNITS PER ASSY
1					
- 60	BRH10C04D	.	NUT SUPPLIER CODE: V52828 SPECIFICATION NUMBER: BACN10JC04CD OPTIONAL PART: H51650-04BAC V15653 102LH9075-40W V72962 NS202486-40 V80539 T6C440JCD V11815 -----*-----	008030 201967	3
65	MS27212-2-11	.	BOARD ASSY-TERM. ELECTRICAL EQUIP NUMBER: TB5060E ATTACHING PARTS	008030 201967	1
- 70	BACS12CK04H7	.	SCREW	008030 201967	2
- 75	NAS1149CN432B	.	WASHER	008030 201967	2
- 80	BRH10C04D	.	NUT SUPPLIER CODE: V52828 SPECIFICATION NUMBER: BACN10JC04CD OPTIONAL PART: H51650-04BAC V15653 102LH9075-40W V72962 NS202486-40 V80539 T6C440JCD V11815 -----*-----	008030 201967	2
85	MS27212-2-12	.	BOARD ASSY-TERM. ELECTRICAL EQUIP NUMBER: TB5060F ATTACHING PARTS	008030 201967	1
- 90	BACS12CK04H7	.	SCREW	008030 201967	3
- 95	NAS1149CN432B	.	WASHER	008030 201967	3

MISSING ITEM NUMBERS NOT APPLICABLE

- ITEM NOT ILLUSTRATED

HAP

24-51-11-01

BOEING PROPRIETARY - Copyright © - Unpublished Work - See title page for details.

24-51-11
FIG. 01
PAGE 3
FEB 15/09

BOEING
737-600/700/800/900
PARTS CATALOG (MAINTENANCE)

FIG ITEM	PART NUMBER	1 2 3 4 5 6 7	NOMENCLATURE	EFFECT FROM TO	UNITS PER ASSY
1 - 100	BRH10C04D		.NUT SUPPLIER CODE: V52828 SPECIFICATION NUMBER: BACN10JC04CD OPTIONAL PART: H51650-04BAC V15653 102LH9075-40W V72962 NS202486-40 V80539 T6C440JCD V11815 -----*-----	008030 201967	3
105	MS27212-2-8		.BLOCK-TERM. ELECTRICAL EQUIP NUMBER: TB5060G TB5060H ATTACHING PARTS	008030 201967	2
- 110	NAS1801-04-7		.SCREW- POSITION DATA: FAR SIDE	008030 201967	6
- 115	NAS1149DN432J		.WASHER- POSITION DATA: FAR SIDE OPTIONAL PART: NAS1149DN416J	008030 201967	6
- 115	NAS1149DN416J		.WASHER- POSITION DATA: FAR SIDE OPTIONAL PART: NAS1149DN432J	008030 201967	6

MISSING ITEM NUMBERS NOT APPLICABLE

- ITEM NOT ILLUSTRATED

HAP

24-51-11-01

BOEING PROPRIETARY - Copyright © - Unpublished Work - See title page for details.

24-51-11
FIG. 01
PAGE 4
FEB 15/09

BOEING
737-600/700/800/900
PARTS CATALOG (MAINTENANCE)

FIG ITEM	PART NUMBER	1 2 3 4 5 6 7	NOMENCLATURE	EFFECT FROM TO	UNITS PER ASSY
1 - 120	BRH10C04D		.NUT- SUPPLIER CODE: V52828 SPECIFICATION NUMBER: BACN10JC04CD OPTIONAL PART: H51650-04BAC V15653 102LH9075-40W V72962 NS202486-40 V80539 T6C440JCD V11815 POSITION DATA: NEAR SIDE -----*-----	008030 201967	6
- 125	MS25226-4-2		.LINK- POST SERVICE BULLETIN: 24-1142	008017 019019	1
- 650	286A6110-16		WIRE BUNDLE ASSY	008013 015019	RF
- 651	286A6110-31		WIRE BUNDLE ASSY	030030	RF
- 651	286A6110-42		WIRE BUNDLE ASSY	014014	RF
- 651	286A6110-48		WIRE BUNDLE ASSY	201967	RF
- 653	286A6110-76		WIRE BUNDLE ASSY	020029	RF
660	BACC45FT16-24P9		.PLUG- ELECTRICAL EQUIP NUMBER: D40368P WIRING DIAGRAM REF: 243211	008030 201967	1

MISSING ITEM NUMBERS NOT APPLICABLE

- ITEM NOT ILLUSTRATED

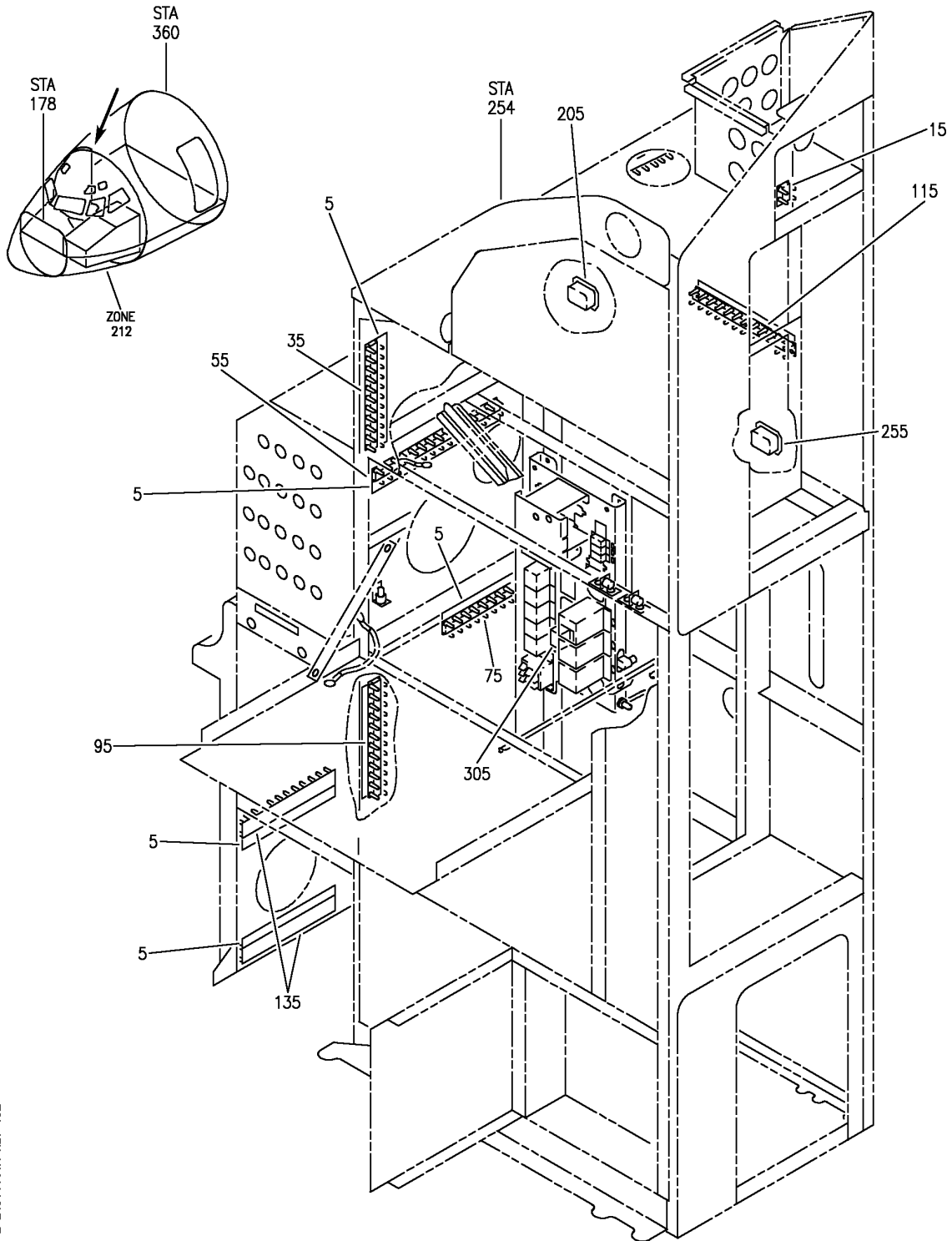
HAP

24-51-11-01

BOEING PROPRIETARY - Copyright © - Unpublished Work - See title page for details.

24-51-11
FIG. 01
PAGE 5
FEB 15/09

BOEING
 737-600/700/800/900
 PARTS CATALOG (MAINTENANCE)



E 2451101A REV 152

EQUIPMENT INSTL-P6 CB PNL (LOAD SHED RELAY ONLY)
 FIGURE 1A

24-51-11-01A

HAP
 JUN 15/09

24-51-11-01A
 PAGE 0

BOEING
737-600/700/800/900
PARTS CATALOG (MAINTENANCE)

FIG ITEM	PART NUMBER	1 2 3 4 5 6 7	NOMENCLATURE	EFFECT FROM TO	UNITS PER ASSY
1 A			EQUIPMENT INSTL-P6 CB PNL (LOAD SHED RELAY ONLY)	031200 968999	
- 2	MODREF267101		EQUIPMENT INSTL-P6 CB PNL (LOAD SHED RELAY ONLY) MODULE NUMBER: 233A5220-11 REV P FOR OTHER SYS DETAILS SEE: 11-31-01-53A 21-25-02-02A 21-31-00-02 23-51-00-31 24-34-11-03 24-52-00-02 24-61-00-03 28-21-21-01A 28-21-81-03 31-11-98-09 33-11-00-04A 33-18-00-03 33-25-00-02A 33-29-00-03A	031043 101101 968971	1
- 2	MODREF351279		EQUIPMENT INSTL-P6 CB PNL (LOAD SHED RELAY ONLY) MODULE NUMBER: 233A5220-11 REV R FOR OTHER SYS DETAILS SEE: 11-31-01-53A 21-25-02-02A 21-31-00-02 23-51-00-31 24-34-11-03 24-52-00-02 24-61-00-03 28-21-21-01A 28-21-81-03 31-11-98-09 33-11-00-04A 33-18-00-03 33-25-00-02A 33-29-00-03A	044046 054100 102104 972972	1

MISSING ITEM NUMBERS NOT APPLICABLE

- ITEM NOT ILLUSTRATED

HAP

24-51-11-01A

BOEING PROPRIETARY - Copyright © - Unpublished Work - See title page for details.

24-51-11
FIG. 01A
PAGE 1
FEB 15/09

BOEING
737-600/700/800/900
PARTS CATALOG (MAINTENANCE)

FIG ITEM	PART NUMBER	1 2 3 4 5 6 7	NOMENCLATURE	EFFECT FROM TO	UNITS PER ASSY	
R R R R R R R R R R	1 A					
	- 2	MODREF371110	EQUIPMENT INSTL-P6 CB PNL (LOAD SHED RELAY ONLY) MODULE NUMBER: 233A5220-11 REV T FOR OTHER SYS DETAILS SEE: 11-31-01-53A 21-25-02-02A 21-31-00-02 23-51-00-31 24-34-11-03 24-52-00-02 24-61-00-03 28-21-21-01A 28-21-81-03 31-11-98-09 33-11-00-04A 33-18-00-03 33-25-00-02A 33-29-00-03A	047051 105200 973999	1	
	- 2	MODREF409888	EQUIPMENT INSTL-P6 CB PNL (LOAD SHED RELAY ONLY) MODULE NUMBER: 233A5220-11 REV U FOR OTHER SYS DETAILS SEE: 11-31-01-53A 21-25-02-02A 21-31-00-02 23-51-00-31 24-34-11-03 24-52-00-02 24-61-00-03 28-21-21-01A 28-21-81-03 31-11-98-09 33-11-00-04A 33-18-00-03 33-25-00-02A 33-29-00-03A	052053	1	
	5	BAC27DEX5115	.DECAL	031200 968999	7	
	15	MS27212-2-1	.BOARD ASSY-TERM. ELECTRICAL EQUIP NUMBER: TB5060J	031200 968999	1	
	R R R	- 20	BAC12CK04H6	ATTACHING PARTS .SCREW	031051 054200 968999	2
	MISSING ITEM NUMBERS NOT APPLICABLE					

- ITEM NOT ILLUSTRATED

HAP

24-51-11-01A

BOEING PROPRIETARY - Copyright © - Unpublished Work - See title page for details.

24-51-11
FIG. 01A
PAGE 2
JUN 15/09

BOEING
737-600/700/800/900
PARTS CATALOG (MAINTENANCE)

FIG ITEM	PART NUMBER	1 2 3 4 5 6 7	NOMENCLATURE	EFFECT FROM TO	UNITS PER ASSY
1 A					
R R R R R R R	- 25 NAS1149DN432J		.WASHER- OPTIONAL PART: NAS1149DN416J	031051 054200 968999	2
	- 25 NAS1149DN416J		.WASHER- OPTIONAL PART: NAS1149DN432J	031051 054200 968999	2
	- 30 BRH10C04D		.NUT SUPPLIER CODE: V52828 SPECIFICATION NUMBER: BACN10JC04CD OPTIONAL PART: H51650-04BAC V15653 102LH9075-40W V72962 NS202486-40 V80539 T6C440JCD V11815 -----*-----	031200 968999	2
	35 MS27212-2-10		.BOARD ASSY-TERM. ELECTRICAL EQUIP NUMBER: TB5060C ATTACHING PARTS	031200 968999	1
R R R	- 40 BACS12CK04H6		.SCREW	031051 054200 968999	2
	- 45 NAS1149DN432J		.WASHER- OPTIONAL PART: NAS1149DN416J	031200 968999	2
	- 45 NAS1149DN416J		.WASHER- OPTIONAL PART: NAS1149DN432J	031200 968999	2
	- 50 BRH10C04D		.NUT SUPPLIER CODE: V52828 SPECIFICATION NUMBER: BACN10JC04CD OPTIONAL PART: H51650-04BAC V15653 102LH9075-40W V72962 NS202486-40 V80539 T6C440JCD V11815 -----*-----	031200 968999	2

MISSING ITEM NUMBERS NOT APPLICABLE

- ITEM NOT ILLUSTRATED

HAP

24-51-11-01A

BOEING PROPRIETARY - Copyright © - Unpublished Work - See title page for details.

24-51-11
FIG. 01A
PAGE 3
JUN 15/09

BOEING
737-600/700/800/900
PARTS CATALOG (MAINTENANCE)

FIG ITEM	PART NUMBER	1 2 3 4 5 6 7	NOMENCLATURE	EFFECT FROM TO	UNITS PER ASSY
1A					
55	MS27212-2-14		.BOARD ASSY-TERM. ELECTRICAL EQUIP NUMBER: TB5060D ATTACHING PARTS	031200 968999	1
R -	60	BACS12CK04H6	.SCREW	031051 054200 968999	2
R -	65	NAS1149DN416J	.WASHER- OPTIONAL PART: NAS1149DN432J	031200 968999	3
R -	65	NAS1149DN432J	.WASHER- OPTIONAL PART: NAS1149DN416J	031200 968999	3
R -	70	BRH10C04D	.NUT SUPPLIER CODE: V52828 SPECIFICATION NUMBER: BACN10JC04CD OPTIONAL PART: H51650-04BAC V15653 102LH9075-40W V72962 NS202486-40 V80539 T6C440JCD V11815 -----*-----	031200 968999	3
	75	MS27212-2-11	.BOARD ASSY-TERM. ELECTRICAL EQUIP NUMBER: TB5060E ATTACHING PARTS	031200 968999	1
R -	80	BACS12CK04H6	.SCREW	031051 054200 968999	2
R -	85	NAS1149DN432J	.WASHER- OPTIONAL PART: NAS1149DN416J	031051 054200 968999	2
R -	85	NAS1149DN416J	.WASHER- OPTIONAL PART: NAS1149DN432J	031051 054200 968999	2

MISSING ITEM NUMBERS NOT APPLICABLE

- ITEM NOT ILLUSTRATED

HAP

24-51-11-01A

BOEING PROPRIETARY - Copyright © - Unpublished Work - See title page for details.

24-51-11
FIG. 01A
PAGE 4
JUN 15/09

BOEING
737-600/700/800/900
PARTS CATALOG (MAINTENANCE)

FIG ITEM	PART NUMBER	1 2 3 4 5 6 7	NOMENCLATURE	EFFECT FROM TO	UNITS PER ASSY
1 A					
- 90	BRH10C04D		.NUT SUPPLIER CODE: V52828 SPECIFICATION NUMBER: BACN10JC04CD OPTIONAL PART: H51650-04BAC V15653 102LH9075-40W V72962 NS202486-40 V80539 T6C440JCD V11815 -----*-----	031200 968999	3
	95 MS27212-2-12		.BOARD ASSY-TERM. ELECTRICAL EQUIP NUMBER: TB5060F ATTACHING PARTS	031200 968999	1
R R R R R R R R	- 100 BACS12CK04H6		.SCREW	031051 054200 968999	3
	- 105 NAS1149DN432J		.WASHER- OPTIONAL PART: NAS1149DN416J	031051 054200 968999	3
	- 105 NAS1149DN416J		.WASHER- OPTIONAL PART: NAS1149DN432J	031051 054200 968999	3
	- 110 BRH10C04D		.NUT SUPPLIER CODE: V52828 SPECIFICATION NUMBER: BACN10JC04CD OPTIONAL PART: H51650-04BAC V15653 102LH9075-40W V72962 NS202486-40 V80539 T6C440JCD V11815 -----*-----	031200 968999	3
	115 MS27212-2-12		.BOARD ASSY-TERM. ELECTRICAL EQUIP NUMBER: TB5060K	031200 968999	1

MISSING ITEM NUMBERS NOT APPLICABLE

- ITEM NOT ILLUSTRATED

HAP

24-51-11-01A

BOEING PROPRIETARY - Copyright © - Unpublished Work - See title page for details.

24-51-11
FIG. 01A
PAGE 5
JUN 15/09

BOEING
737-600/700/800/900
PARTS CATALOG (MAINTENANCE)

FIG ITEM	PART NUMBER	1 2 3 4 5 6 7	NOMENCLATURE	EFFECT FROM TO	UNITS PER ASSY
R R R	1A		ATTACHING PARTS		
	- 120	BACS12CK04H6	.SCREW	031051 054200 968999	3
	- 125	NAS1149DN432J	.WASHER- OPTIONAL PART: NAS1149DN416J	031200 968999	3
	- 125	NAS1149DN416J	.WASHER- OPTIONAL PART: NAS1149DN432J	031200 968999	3
- 130	BRH10C04D	.NUT SUPPLIER CODE: V52828 SPECIFICATION NUMBER: BACN10JC04CD OPTIONAL PART: H51650-04BAC V15653 102LH9075-40W V72962 NS202486-40 V80539 T6C440JCD V11815 -----*-----	031200 968999	3	
	135	MS27212-2-8	.BLOCK-TERM. ELECTRICAL EQUIP NUMBER: TB5060G TB5060H	031200 968999	2
R R R	- 140	BACS12CK04H6	ATTACHING PARTS .SCREW	031051 054200 968999	6
	- 145	NAS1149DN432J	.WASHER- OPTIONAL PART: NAS1149DN416J	031200 968999	6
	- 145	NAS1149DN416J	.WASHER- OPTIONAL PART: NAS1149DN432J	031200 968999	6

MISSING ITEM NUMBERS NOT APPLICABLE

- ITEM NOT ILLUSTRATED

HAP

24-51-11-01A

BOEING PROPRIETARY - Copyright © - Unpublished Work - See title page for details.

24-51-11
FIG. 01A
PAGE 6
JUN 15/09

BOEING
737-600/700/800/900
PARTS CATALOG (MAINTENANCE)

FIG ITEM	PART NUMBER	1 2 3 4 5 6 7	NOMENCLATURE	EFFECT FROM TO	UNITS PER ASSY
1 A - 150	BRH10C04D	.NUT	SUPPLIER CODE: V52828 SPECIFICATION NUMBER: BACN10JC04CD OPTIONAL PART: H51650-04BAC V15653 102LH9075-40W V72962 NS202486-40 V80539 T6C440JCD V11815	031200 968999	6
- 200	MODREF82505	RELAY INSTL-	MODULE NUMBER: 233A5220-20916 REV A	031200 968999	1
205	HTC7N060	.CONNECTOR-	SUPPLIER CODE: V58657 ELECTRICAL EQUIP NUMBER: R00916 ATTACHING PARTS	031200 968999	1
- 210	NAS1801-3-6	.SCREW		031200 968999	4
- 250	MODREF82506	RELAY INSTL-	MODULE NUMBER: 233A5220-20917 REV A	031200 968999	1
255	HTC7N060	.CONNECTOR-	SUPPLIER CODE: V58657 ELECTRICAL EQUIP NUMBER: R00917 ATTACHING PARTS	031200 968999	1
- 260	NAS1801-3-6	.SCREW		031200 968999	4
- 300	MODREF82507	RELAY INSTL-	MODULE NUMBER: 233A5220-20918 REV A	031200 968999	1

MISSING ITEM NUMBERS NOT APPLICABLE

- ITEM NOT ILLUSTRATED

HAP

24-51-11-01A

BOEING PROPRIETARY - Copyright © - Unpublished Work - See title page for details.

24-51-11
FIG. 01A
PAGE 7
JUN 15/09


BOEING
 737-600/700/800/900
PARTS CATALOG (MAINTENANCE)

FIG ITEM	PART NUMBER	1 2 3 4 5 6 7 NOMENCLATURE	EFFECT FROM TO	UNITS PER ASSY
1 A 305	ES410-1538	.RELAY- SUPPLIER CODE: V99699 SPECIFICATION NUMBER: BACR13CG2AB OPTIONAL PART: KD4L018 V35344 BR230DS0115 V56623 KD4L036 V58657 FCA410-63 V78290 ELECTRICAL EQUIP NUMBER: R00918	031200 968999	1

MISSING ITEM NUMBERS NOT APPLICABLE

— ITEM NOT ILLUSTRATED

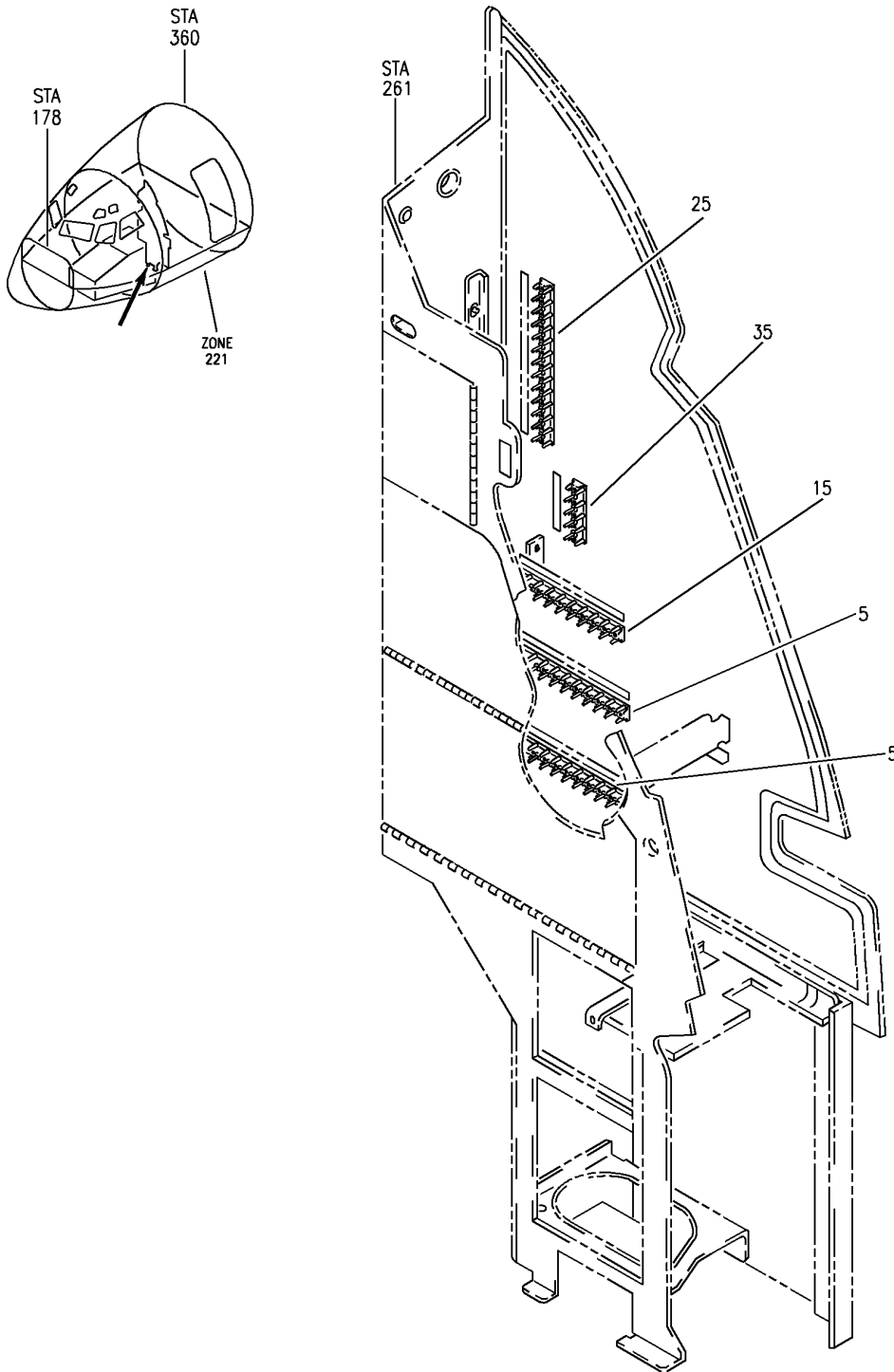
HAP

24-51-11-01A

BOEING PROPRIETARY - Copyright © - Unpublished Work - See title page for details.

24-51-11
 FIG. 01A
 PAGE 8
 JUN 15/09

BOEING
737-600/700/800/900
PARTS CATALOG (MAINTENANCE)



E 24511111 REV 102

EQUIPMENT INSTL-P18 CB PNL (MAIN 115-VOLT AC POWER DISTRIBUTION ONLY)
FIGURE 11

HAP
OCT 10/06

24-51-11-11

24-51-11-11
PAGE 0

BOEING
737-600/700/800/900
PARTS CATALOG (MAINTENANCE)

FIG ITEM	PART NUMBER	1 2 3 4 5 6 7	NOMENCLATURE	EFFECT FROM TO	UNITS PER ASSY
11			EQUIPMENT INSTL-P18 CB PNL (MAIN 115-VOLT AC POWER DISTRIBUTION ONLY)	001030 201967	
- 1	233A5501-2		EQUIPMENT INSTL-P18 CB PNL (MAIN 115-VOLT AC POWER DISTRIBUTION ONLY) FOR NHA/OTHER SYS DET SEE: 24-30-00-02B 24-30-00-02C 31-11-00-01C	002005 008020 201967	RF
- 1	233A5501-1		EQUIPMENT INSTL-P18 CB PNL (MAIN 115-VOLT AC POWER DISTRIBUTION ONLY) FOR NHA/OTHER SYS DET SEE: 31-11-00-01C	001001 006007	RF
- 1	233A5501-4		EQUIPMENT INSTL-P18 CB PNL (MAIN 115-VOLT AC POWER DISTRIBUTION ONLY) FOR NHA/OTHER SYS DET SEE: 24-30-00-02C	021027	RF
- 1	233A5501-5		EQUIPMENT INSTL-P18 CB PNL (MAIN 115-VOLT AC POWER DISTRIBUTION ONLY) FOR NHA/OTHER SYS DET SEE: 24-30-00-02C	028030	RF
	5 MS27212-2-10		.BOARD ASSY-TERM. P18 ELECTRICAL EQUIP NUMBER: TB5180D TB5180E ATTACHING PARTS	001030 201967	2
- 10	NAS600-4P		.SCREW	001030 201967	4
	15 MS27212-2-9		.BOARD ASSY-TERM. P18 ELECTRICAL EQUIP NUMBER: TB5180C ATTACHING PARTS	001030 201967	1
- 20	NAS600-4P		.SCREW	001030 201967	2
	25 MS27212-2-12		.BOARD ASSY-TERM. P18 ELECTRICAL EQUIP NUMBER: TB5180B ATTACHING PARTS	001030 201967	1
- 30	NAS600-4P		.SCREW	001030 201967	3

MISSING ITEM NUMBERS NOT APPLICABLE

- ITEM NOT ILLUSTRATED

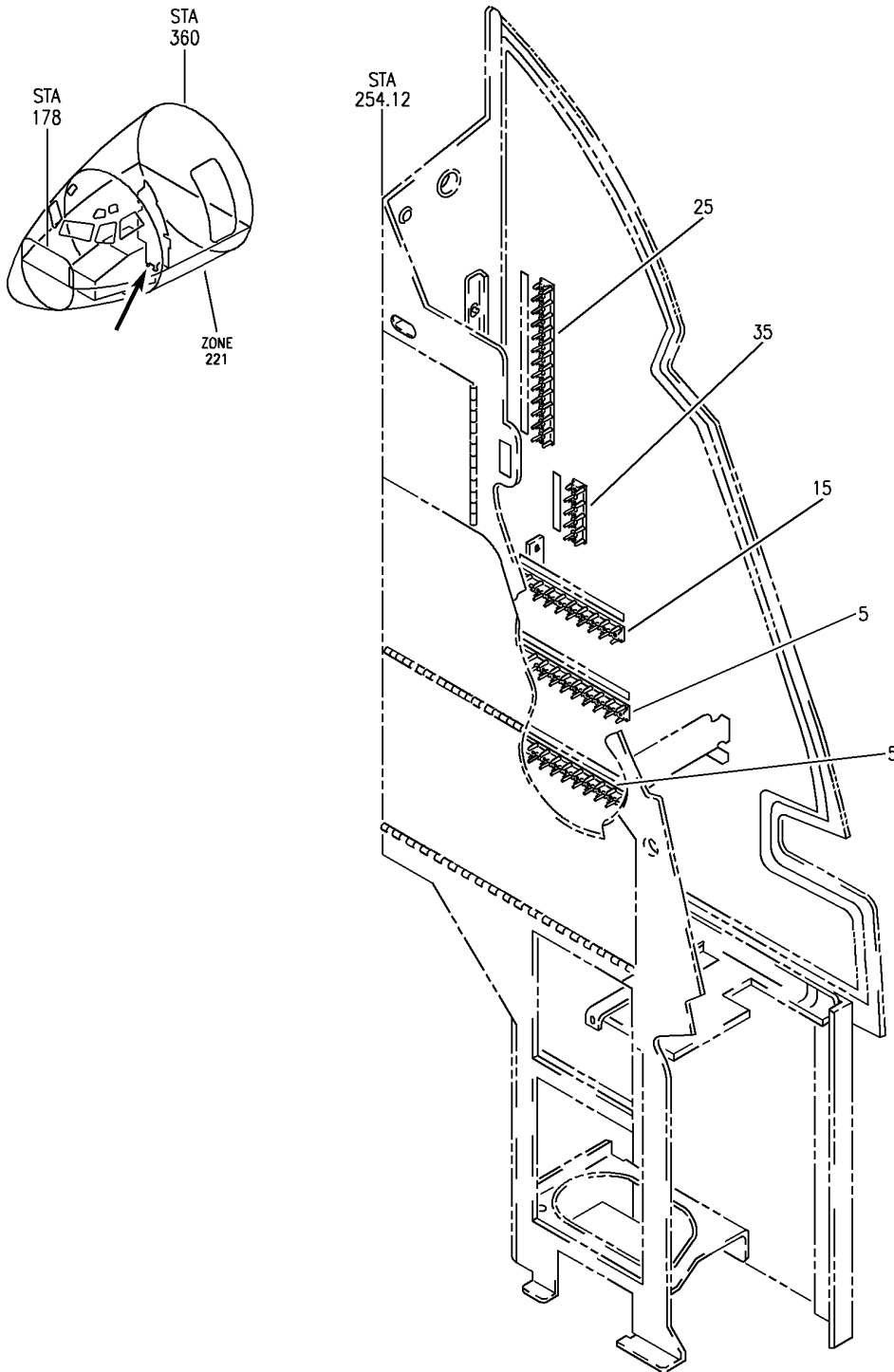
HAP

24-51-11-11

BOEING PROPRIETARY - Copyright © - Unpublished Work - See title page for details.

24-51-11
FIG. 11
PAGE 1
OCT 15/08

BOEING
737-600/700/800/900
PARTS CATALOG (MAINTENANCE)



E 2451111A REV 121

EQUIPMENT INSTL-P18 CB PNL (MAIN 115-VOLT AC POWER DISTRIBUTION ONLY)
FIGURE 11A

HAP
OCT 10/06

24-51-11-11A

24-51-11-11A
PAGE 0

BOEING
737-600/700/800/900
PARTS CATALOG (MAINTENANCE)

FIG ITEM	PART NUMBER	1 2 3 4 5 6 7	NOMENCLATURE	EFFECT FROM TO	UNITS PER ASSY
11A			EQUIPMENT INSTL-P18 CB PNL (MAIN 115-VOLT AC POWER DISTRIBUTION ONLY)	031200 968999	
- 1	MODREF261748		EQUIPMENT INSTL-P18 CB PNL (MAIN 115-VOLT AC POWER DISTRIBUTION ONLY) MODULE NUMBER: 233A5501-6 REV F FOR OTHER SYS DETAILS SEE: 24-52-00-11A 31-11-98-11A 33-17-00-11A	031046 054104 968972	1
- 1	MODREF363702		EQUIPMENT INSTL-P18 CB PNL (MAIN 115-VOLT AC POWER DISTRIBUTION ONLY) MODULE NUMBER: 233A5501-6 REV G FOR OTHER SYS DETAILS SEE: 24-52-00-11A 31-11-98-11A 33-17-00-11A	047053 105200 973999	1
5	MS27212-2-10		.BOARD ASSY-TERM. P18 ELECTRICAL EQUIP NUMBER: TB5180D TB5180E ATTACHING PARTS	031200 968999	2
- 10	NAS600-4P		.SCREW	031046 054104 968972	4
- 10	BACS12CK04-4		.SCREW	047053 105200 973999	4
15	MS27212-2-9		-----*----- .BOARD ASSY-TERM. P18 ELECTRICAL EQUIP NUMBER: TB5180C ATTACHING PARTS	031200 968999	1
- 20	NAS600-4P		.SCREW	031046 054104 968972	2
- 20	BACS12CK04-4		.SCREW	047053 105200 973999	2
25	MS27212-2-12		-----*----- .BOARD ASSY-TERM. P18 ELECTRICAL EQUIP NUMBER: TB5180B	031200 968999	1

MISSING ITEM NUMBERS NOT APPLICABLE

- ITEM NOT ILLUSTRATED

HAP

24-51-11-11A

BOEING PROPRIETARY - Copyright © - Unpublished Work - See title page for details.

24-51-11
FIG. 11A
PAGE 1
FEB 15/09

BOEING
737-600/700/800/900
PARTS CATALOG (MAINTENANCE)

FIG ITEM	PART NUMBER	1 2 3 4 5 6 7	NOMENCLATURE	EFFECT FROM TO	UNITS PER ASSY
11A			ATTACHING PARTS		
- 30	NAS600-4P		.SCREW	031046 054104 968972	3
- 30	BACS12CK04-4		.SCREW	047053 105200 973999	3
			-----*-----		
35	MS27212-2-4		.TERMINAL-TERM. P18 ELECTRICAL EQUIP NUMBER: TB5180F	031200 968999	1
- 40	NAS600-4P		ATTACHING PARTS .SCREW	031046 054104 968972	2
- 40	BACS12CK04-4		.SCREW	047053 105200 973999	2
			-----*-----		

MISSING ITEM NUMBERS NOT APPLICABLE

- ITEM NOT ILLUSTRATED

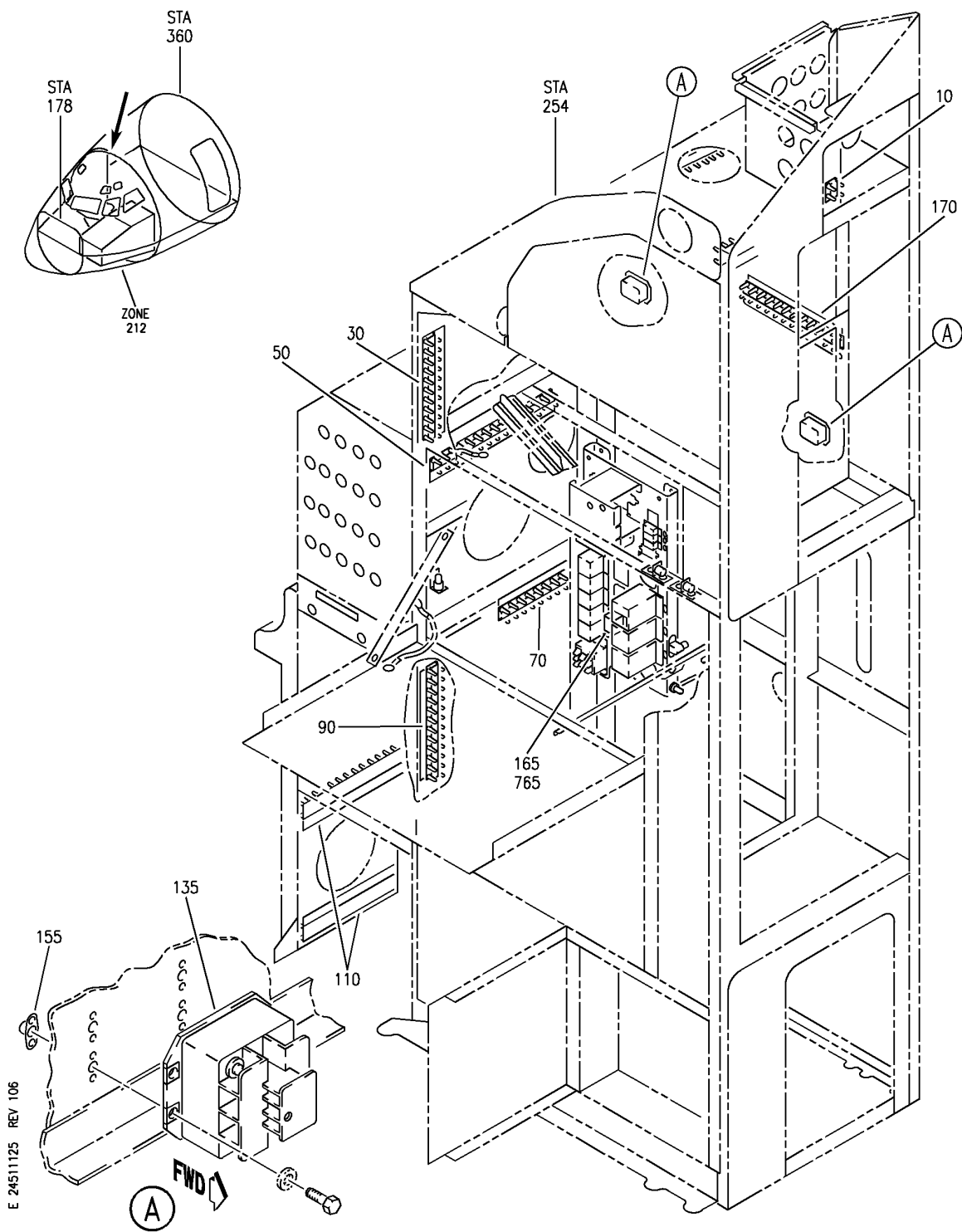
HAP

24-51-11-11A

BOEING PROPRIETARY - Copyright © - Unpublished Work - See title page for details.

24-51-11
FIG. 11A
PAGE 2
FEB 15/09

BOEING
 737-600/700/800/900
 PARTS CATALOG (MAINTENANCE)



E 2451125 REV 106

EQUIPMENT INSTL-P6 CB PNL (LOAD SHED RELAY ONLY)
 FIGURE 25

24-51-11-25

HAP
 OCT 10/06

24-51-11-25
 PAGE 0

BOEING
737-600/700/800/900
PARTS CATALOG (MAINTENANCE)

FIG ITEM	PART NUMBER	1 2 3 4 5 6 7	NOMENCLATURE	EFFECT FROM TO	UNITS PER ASSY
25			EQUIPMENT INSTL-P6 CB PNL (LOAD SHED RELAY ONLY)	001007	
- 1	233A5201-1		EQUIPMENT INSTL-P6 CB PNL (LOAD SHED RELAY ONLY) FOR NHA/OTHER SYS DET SEE: 31-11-00-01C	001005	RF
- 1	233A5201-9		EQUIPMENT INSTL-P6 CB PNL (LOAD SHED RELAY ONLY) FOR NHA/OTHER SYS DET SEE: 31-11-00-01C	006007	RF
10	MS27212-2-1		.BOARD ASSY-TERM. ELECTRICAL EQUIP NUMBER: TB5060 ATTACHING PARTS	001007	1
- 15	BACS12CK04H7		.SCREW	001007	2
- 20	NAS1149CN432B		.WASHER	001007	2
- 25	BRH10C04D		.NUT	001007	2
			SUPPLIER CODE: V52828 SPECIFICATION NUMBER: BACN10JCO4CD OPTIONAL PART: H51650-04BAC V15653 102LH9075-40W V72962 NS202486-40 V80539 T6C440JCD V11815 -----*-----		
30	MS27212-2-10		.BOARD ASSY-TERM. ELECTRICAL EQUIP NUMBER: TB5060C ATTACHING PARTS	001007	1
- 35	NAS1801-04-7		.SCREW	001007	2
- 40	NAS1149DN432J		.WASHER	001007	2

MISSING ITEM NUMBERS NOT APPLICABLE

- ITEM NOT ILLUSTRATED

HAP

24-51-11-25

BOEING PROPRIETARY - Copyright © - Unpublished Work - See title page for details.

24-51-11
FIG. 25
PAGE 1
FEB 15/09

BOEING
737-600/700/800/900
PARTS CATALOG (MAINTENANCE)

FIG ITEM	PART NUMBER	1 2 3 4 5 6 7	NOMENCLATURE	EFFECT FROM TO	UNITS PER ASSY
25					
- 45	BRH10C04D		.NUT SUPPLIER CODE: V52828 SPECIFICATION NUMBER: BACN10JCO4CD OPTIONAL PART: H51650-04BAC V15653 102LH9075-40W V72962 NS202486-40 V80539 T6C440JCD V11815	001007	2
			-----*-----		
50	MS27212-2-14		.BOARD ASSY-TERM. ELECTRICAL EQUIP NUMBER: TB5060D ATTACHING PARTS	001007	1
- 55	NAS1801-04-7		.SCREW	001007	2
- 60	NAS1149DN416J		.WASHER	001007	2
- 65	BRH10C04D		.NUT SUPPLIER CODE: V52828 SPECIFICATION NUMBER: BACN10JCO4CD OPTIONAL PART: H51650-04BAC V15653 102LH9075-40W V72962 NS202486-40 V80539 T6C440JCD V11815	001007	2
			-----*-----		
70	MS27212-2-11		.BOARD ASSY-TERM. ELECTRICAL EQUIP NUMBER: TB5060E ATTACHING PARTS	001007	1
- 75	BACS12CK04H7		.SCREW	001007	2
- 80	NAS1149CN432B		.WASHER	001007	2

MISSING ITEM NUMBERS NOT APPLICABLE

- ITEM NOT ILLUSTRATED

HAP

24-51-11-25

BOEING PROPRIETARY - Copyright © - Unpublished Work - See title page for details.

24-51-11
FIG. 25
PAGE 2
FEB 15/09

BOEING
737-600/700/800/900
PARTS CATALOG (MAINTENANCE)

FIG ITEM	PART NUMBER	1 2 3 4 5 6 7	NOMENCLATURE	EFFECT FROM TO	UNITS PER ASSY
25					
- 85	BRH10C04D		.NUT SUPPLIER CODE: V52828 SPECIFICATION NUMBER: BACN10JCO4CD OPTIONAL PART: H51650-04BAC V15653 102LH9075-40W V72962 NS202486-40 V80539 T6C440JCD V11815 -----*-----	001007	2
	90 MS27212-2-12		.BOARD ASSY-TERM. ELECTRICAL EQUIP NUMBER: TB5060F ATTACHING PARTS	001007	1
- 95	BACS12CK04H7		.SCREW	001007	2
- 100	NAS1149CN432B		.WASHER	001007	2
- 105	BRH10C04D		.NUT SUPPLIER CODE: V52828 SPECIFICATION NUMBER: BACN10JCO4CD OPTIONAL PART: H51650-04BAC V15653 102LH9075-40W V72962 NS202486-40 V80539 T6C440JCD V11815 -----*-----	001007	2
	110 MS27212-2-8		.BLOCK-TERM. ELECTRICAL EQUIP NUMBER: TB5060G TB5060H ATTACHING PARTS	001007	2
- 115	NAS1801-04-7		.SCREW- POSITION DATA: FAR SIDE	001007	6
- 120	NAS1149DN432J		.WASHER- POSITION DATA: FAR SIDE	001007	6

MISSING ITEM NUMBERS NOT APPLICABLE

- ITEM NOT ILLUSTRATED

HAP

24-51-11-25

BOEING PROPRIETARY - Copyright © - Unpublished Work - See title page for details.

24-51-11
FIG. 25
PAGE 3
FEB 15/09

BOEING
737-600/700/800/900
PARTS CATALOG (MAINTENANCE)

FIG ITEM	PART NUMBER	1 2 3 4 5 6 7	NOMENCLATURE	EFFECT FROM TO	UNITS PER ASSY
25 - 125	BRH10C04D		.NUT- SUPPLIER CODE: V52828 SPECIFICATION NUMBER: BACN10JC04CD OPTIONAL PART: H51650-04BAC V15653 102LH9075-40W V72962 NS202486-40 V80539 T6C440JCD V11815 POSITION DATA: NEAR SIDE -----*-----	001007	6
- 130	MS25226-4-2		.LINK- POST SERVICE BULLETIN: 24-1142	001007	1

MISSING ITEM NUMBERS NOT APPLICABLE

- ITEM NOT ILLUSTRATED

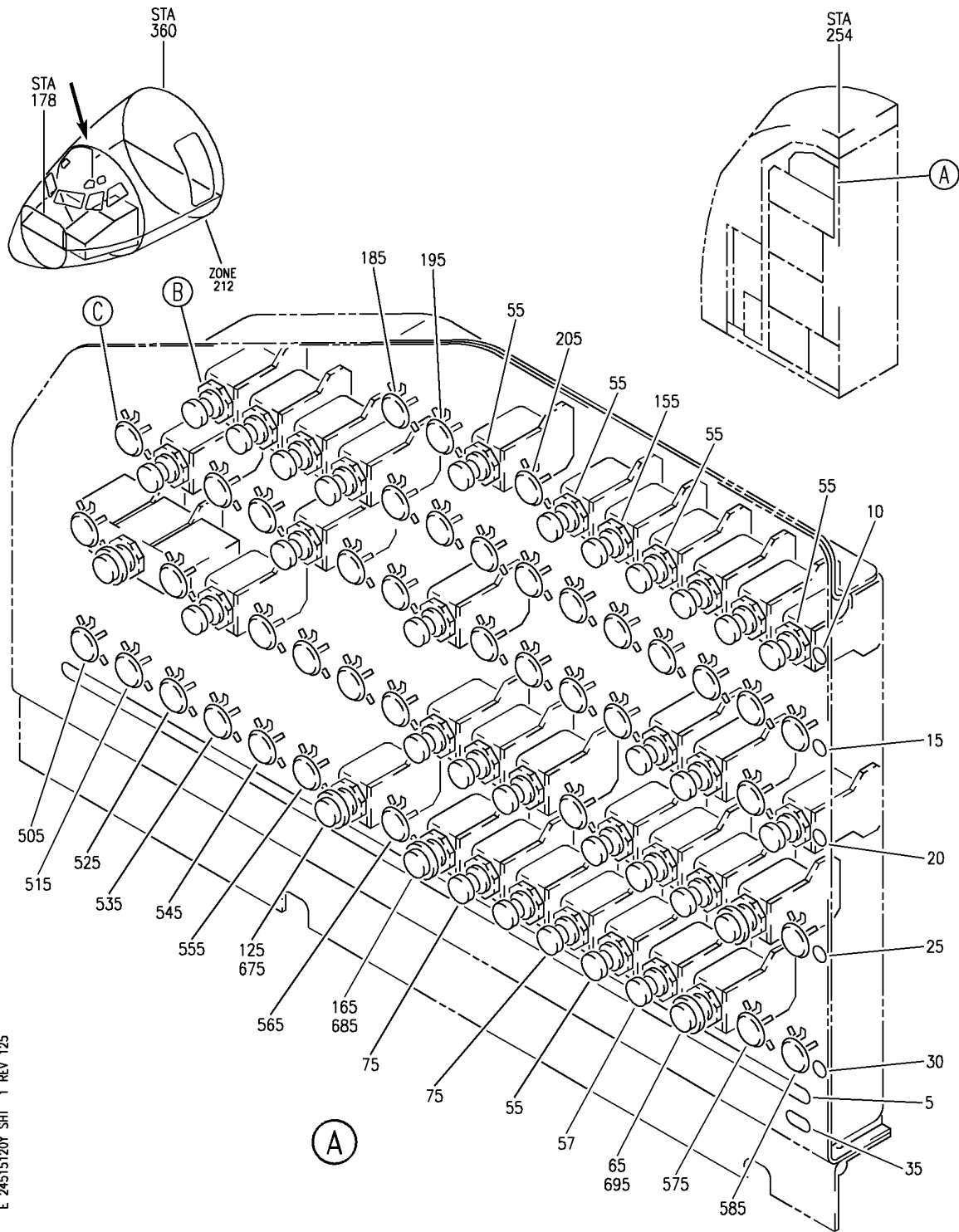
HAP

24-51-11-25

BOEING PROPRIETARY - Copyright © - Unpublished Work - See title page for details.

24-51-11
FIG. 25
PAGE 4
FEB 15/09

BOEING
 737-600/700/800/900
 PARTS CATALOG (MAINTENANCE)



E 24515120Y SHT 1 REV 125

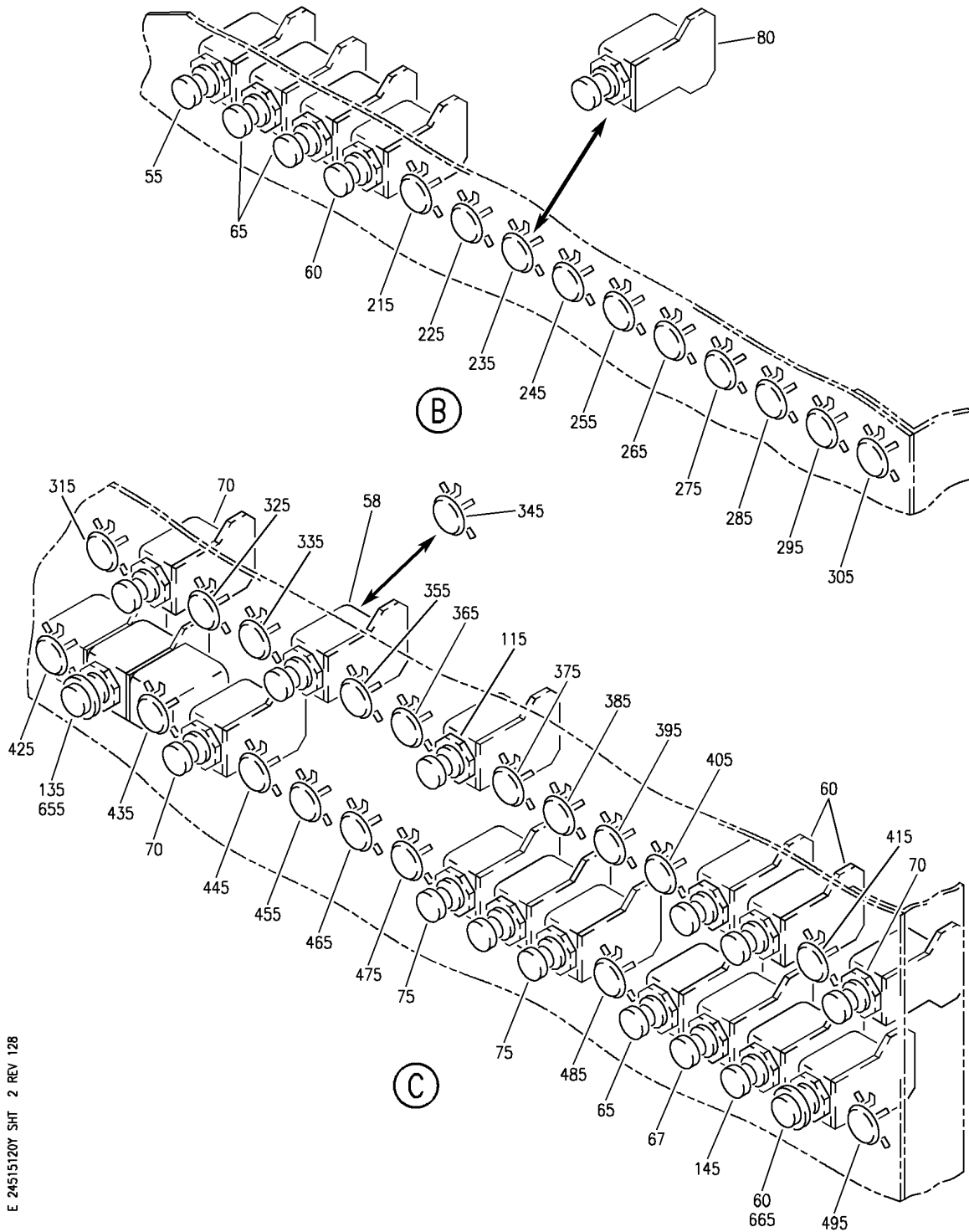
MARKER, CIRCUIT BREAKER, PLUG BUTTON AND INOP INSTL-P6-1 PNL (ELECTRICAL POWER ONLY)
 FIGURE 20Y (SHEET 1)

24-51-51-20Y

HAP
 OCT 15/08

24-51-51-20Y
 PAGE 0

BOEING
737-600/700/800/900
PARTS CATALOG (MAINTENANCE)



E 24515120Y SHT 2 REV 128

MARKER, CIRCUIT BREAKER, PLUG BUTTON AND INOP INSTL-P6-1 PNL (ELECTRICAL POWER ONLY)
 FIGURE 20Y (SHEET 2)

HAP
 OCT 15/08

24-51-51-20Y

24-51-51-20Y
 PAGE 0A

BOEING
737-600/700/800/900
PARTS CATALOG (MAINTENANCE)

FIG ITEM	PART NUMBER	1 2 3 4 5 6 7	NOMENCLATURE	EFFECT FROM TO	UNITS PER ASSY
20Y			MARKER, CIRCUIT BREAKER, PLUG BUTTON AND INOP INSTL-P6-1 PNL (ELECTRICAL POWER ONLY)	201967	
- 1	233A5221-1		MARKER INSTL-P6-1 FOR NHA SEE: 24-50-00-03B	201967	RF
5	BAC27DCC2719		.MARKER	201967	1
10	BAC27DCC3065		.MARKER- PLACARD CONTENT: A	201967	1
15	BAC27DCC3066		.MARKER- PLACARD CONTENT: B	201967	1
20	BAC27DCC3067		.MARKER- PLACARD CONTENT: C	201967	1
25	BAC27DCC3068		.MARKER- PLACARD CONTENT: D	201967	1
30	BAC27DCC3069		.MARKER- PLACARD CONTENT: E	201967	1
35	BAC27DCC3074		.MARKER- PLACARD CONTENT: P6-1	201967	1
- 50	233A5221-2		CIRCUIT BREAKER INSTL-P6-1 FOR NHA SEE: 24-50-00-03B	201967	RF
55	2TC47-2-5		.CIRCUIT BREAKER- SUPPLIER CODE: V82647 SPECIFICATION NUMBER: BACC18AD2 OPTIONAL PART: 4310-029-205 V76374 ELECTRICAL EQUIP NUMBER: C01377 C01375 C00192 C01379 C01385 C01383 C01207 C01370	201967	8

MISSING ITEM NUMBERS NOT APPLICABLE

- ITEM NOT ILLUSTRATED

HAP

24-51-51-20Y

BOEING PROPRIETARY - Copyright © - Unpublished Work - See title page for details.

24-51-51
FIG. 20Y
PAGE 1
OCT 15/08


BOEING
 737-600/700/800/900
PARTS CATALOG (MAINTENANCE)

FIG ITEM	PART NUMBER	1 2 3 4 5 6 7	NOMENCLATURE	EFFECT FROM TO	UNITS PER ASSY
20Y 57	2TC47-2-5		.CIRCUIT BREAKER- SUPPLIER CODE: V82647 SPECIFICATION NUMBER: BACC18AD2 OPTIONAL PART: 4310-029-205 V76374 ELECTRICAL EQUIP NUMBER: C01194	201967	1
58	2TC47-2-5		.CIRCUIT BREAKER- SUPPLIER CODE: V82647 SPECIFICATION NUMBER: BACC18AD2 OPTIONAL PART: 4310-029-205 V76374 ELECTRICAL EQUIP NUMBER: C01583 POST SERVICE BULLETIN: 23-1139	201967	1
60	2TC47-3		.CIRCUIT BREAKER- SUPPLIER CODE: V82647 SPECIFICATION NUMBER: BACC18AD3 OPTIONAL PART: 4310-029-3 V76374 ELECTRICAL EQUIP NUMBER: C00549 C01008 C00426 C01262	201967	4
65	2TC47-5		.CIRCUIT BREAKER- SUPPLIER CODE: V82647 SPECIFICATION NUMBER: BACC18AD5 OPTIONAL PART: 4310-029-5 V76374 ELECTRICAL EQUIP NUMBER: C01206 C01393 C01263 C00120	201967	4

MISSING ITEM NUMBERS NOT APPLICABLE

- ITEM NOT ILLUSTRATED

HAP

24-51-51-20Y

BOEING PROPRIETARY - Copyright © - Unpublished Work - See title page for details.

24-51-51
 FIG. 20Y
 PAGE 2
 OCT 15/08

BOEING
737-600/700/800/900
PARTS CATALOG (MAINTENANCE)

FIG ITEM	PART NUMBER	1 2 3 4 5 6 7	NOMENCLATURE	EFFECT FROM TO	UNITS PER ASSY
20Y 67	2TC47-5		.CIRCUIT BREAKER- SUPPLIER CODE: V82647 SPECIFICATION NUMBER: BACC18AD5 OPTIONAL PART: 4310-029-5 V76374 ELECTRICAL EQUIP NUMBER: C00120	201967	1
70	2TC47-10		.CIRCUIT BREAKER- SUPPLIER CODE: V82647 SPECIFICATION NUMBER: BACC18AD10 OPTIONAL PART: 4310-029-10 V76374 ELECTRICAL EQUIP NUMBER: C00166 C01010 C00082	201967	3
75	4310-029-15		.CIRCUIT BREAKER- SUPPLIER CODE: V76374 SPECIFICATION NUMBER: BACC18AD15 OPTIONAL PART: 2TC47-15 V82647 ELECTRICAL EQUIP NUMBER: C01360 C01361 C01362 C01364 C01366 C01373	201967	6
80	2TC47-3		.CIRCUIT BREAKER- SUPPLIER CODE: V82647 SPECIFICATION NUMBER: BACC18AD3 OPTIONAL PART: 4310-029-3 V76374 ELECTRICAL EQUIP NUMBER: C01584 POST SERVICE BULLETIN: 23-1139R1	202967	1

MISSING ITEM NUMBERS NOT APPLICABLE

— ITEM NOT ILLUSTRATED

HAP

24-51-51-20Y

BOEING PROPRIETARY - Copyright © - Unpublished Work - See title page for details.

24-51-51
FIG. 20Y
PAGE 3
OCT 15/08

BOEING
737-600/700/800/900
PARTS CATALOG (MAINTENANCE)

FIG ITEM	PART NUMBER	1 2 3 4 5 6 7	NOMENCLATURE	EFFECT FROM TO	UNITS PER ASSY
20Y - 110	233A5221-200080		CIRCUIT BREAKER INSTL- P6-1/C9 FOR NHA SEE: 24-50-00-03B	201967	RF
115	2TC47-3		.CIRCUIT BREAKER- SUPPLIER CODE: V82647 SPECIFICATION NUMBER: BACC18AD3 OPTIONAL PART: 4310-029-3 V76374 ELECTRICAL EQUIP NUMBER: C00080	201967	1
- 120	233A5221-200744		CIRCUIT BREAKER INSTL- P6-1/E7 FOR NHA SEE: 24-50-00-03B	201967	RF
125	2TC47-2-5		.CIRCUIT BREAKER- SUPPLIER CODE: V82647 SPECIFICATION NUMBER: BACC18AD2 OPTIONAL PART: 4310-029-205 V76374 ELECTRICAL EQUIP NUMBER: C00744	201967	1
- 130	233A5221-200857		CIRCUIT BREAKER INSTL- P6-1/D2 FOR NHA SEE: 24-50-00-03B	201967	RF
135	6TC6-5		.CIRCUIT BREAKER- SUPPLIER CODE: V82647 SPECIFICATION NUMBER: BACC18AC5 OPTIONAL PART: 4330-004-5 V76374 ELECTRICAL EQUIP NUMBER: C00857	201967	1
- 140	233A5221-201050		CIRCUIT BREAKER INSTL- P6-1/D15 FOR NHA SEE: 24-50-00-03B	201967	RF

MISSING ITEM NUMBERS NOT APPLICABLE

- ITEM NOT ILLUSTRATED

HAP

24-51-51-20Y

BOEING PROPRIETARY - Copyright © - Unpublished Work - See title page for details.

24-51-51
FIG. 20Y
PAGE 4
OCT 15/08

BOEING
737-600/700/800/900
PARTS CATALOG (MAINTENANCE)

FIG ITEM	PART NUMBER	1 2 3 4 5 6 7	NOMENCLATURE	EFFECT FROM TO	UNITS PER ASSY
20Y 145	2TC47-3		.CIRCUIT BREAKER- SUPPLIER CODE: V82647 SPECIFICATION NUMBER: BACC18AD3 OPTIONAL PART: 4310-029-3 V76374 ELECTRICAL EQUIP NUMBER: C01050	201967	1
- 150	233A5221-201480		CIRCUIT BREAKER INSTL- P6-1/A13 FOR NHA SEE: 24-50-00-03B	201967	RF
155	2TC47-2-5		.CIRCUIT BREAKER- SUPPLIER CODE: V82647 SPECIFICATION NUMBER: BACC18AD2 OPTIONAL PART: 4310-029-205 V76374 ELECTRICAL EQUIP NUMBER: C01480	201967	1
- 160	233A5221-201500		CIRCUIT BREAKER INSTL- P6-1/E9 FOR NHA SEE: 24-50-00-03B	201967	RF
165	2TC47-2-5		.CIRCUIT BREAKER- SUPPLIER CODE: V82647 SPECIFICATION NUMBER: BACC18AD2 OPTIONAL PART: 4310-029-205 V76374 ELECTRICAL EQUIP NUMBER: C01500	201967	1
- 180	233A5221-301108		PLUG BUTTON INSTL-P6-1/A8 FOR NHA SEE: 24-50-00-03B	201967	RF
185	BS51338D5003		.PLUG SUPPLIER CODE: V83058 SPECIFICATION NUMBER: BACP20B63B OPTIONAL PART: 51338 V83058	201967	1

MISSING ITEM NUMBERS NOT APPLICABLE

- ITEM NOT ILLUSTRATED

HAP

24-51-51-20Y

BOEING PROPRIETARY - Copyright © - Unpublished Work - See title page for details.

24-51-51
FIG. 20Y
PAGE 5
OCT 15/08

 **BOEING**
737-600/700/800/900
PARTS CATALOG (MAINTENANCE)

FIG ITEM	PART NUMBER	1 2 3 4 5 6 7	NOMENCLATURE	EFFECT FROM TO	UNITS PER ASSY
20Y - 190	233A5221-301109		PLUG BUTTON INSTL-P6-1/A9 FOR NHA SEE: 24-50-00-03B	201967	RF
195	BS51338D5003		.PLUG SUPPLIER CODE: V83058 SPECIFICATION NUMBER: BACP20B63B OPTIONAL PART: 51338 V83058	201967	1
- 200	233A5221-301111		PLUG BUTTON INSTL-P6-1/A11 FOR NHA SEE: 24-50-00-03B	201967	RF
205	BS51338D5003		.PLUG SUPPLIER CODE: V83058 SPECIFICATION NUMBER: BACP20B63B OPTIONAL PART: 51338 V83058	201967	1
- 210	233A5221-301208		PLUG BUTTON INSTL-P6-1/B8 FOR NHA SEE: 24-50-00-03B	201967	RF
215	BS51338D5003		.PLUG SUPPLIER CODE: V83058 SPECIFICATION NUMBER: BACP20B63B OPTIONAL PART: 51338 V83058	201967	1
- 220	233A5221-301209		PLUG BUTTON INSTL-P6-1/B9 FOR NHA SEE: 24-50-00-03B	201967	RF
225	BS51338D5003		.PLUG SUPPLIER CODE: V83058 SPECIFICATION NUMBER: BACP20B63B OPTIONAL PART: 51338 V83058	201967	1
- 230	233A5221-301210		PLUG BUTTON INSTL-P6-1/B10 PRE SERVICE BULLETIN: 23-1139 FOR NHA SEE: 24-50-00-03B	201201	RF

MISSING ITEM NUMBERS NOT APPLICABLE

- ITEM NOT ILLUSTRATED

HAP

24-51-51-20Y

BOEING PROPRIETARY - Copyright © - Unpublished Work - See title page for details.

24-51-51
FIG. 20Y
PAGE 6
OCT 15/08

BOEING
737-600/700/800/900
PARTS CATALOG (MAINTENANCE)

FIG ITEM	PART NUMBER	1 2 3 4 5 6 7	NOMENCLATURE	EFFECT FROM TO	UNITS PER ASSY
20Y 235	BS51338D5003		.PLUG- SUPPLIER CODE: V83058 SPECIFICATION NUMBER: BACP20B63B OPTIONAL PART: 51338 V83058 PRE SERVICE BULLETIN: 23-1139	201201	1
- 240	233A5221-301211		PLUG BUTTON INSTL-P6-1/B11 FOR NHA SEE: 24-50-00-03B	201967	RF
245	BS51338D5003		.PLUG SUPPLIER CODE: V83058 SPECIFICATION NUMBER: BACP20B63B OPTIONAL PART: 51338 V83058	201967	1
- 250	233A5221-301212		PLUG BUTTON INSTL-P6-1/B12 FOR NHA SEE: 24-50-00-03B	201967	RF
255	BS51338D5003		.PLUG SUPPLIER CODE: V83058 SPECIFICATION NUMBER: BACP20B63B OPTIONAL PART: 51338 V83058	201967	1
- 260	233A5221-301213		PLUG BUTTON INSTL-P6-1/B13 FOR NHA SEE: 24-50-00-03B	201967	RF
265	BS51338D5003		.PLUG SUPPLIER CODE: V83058 SPECIFICATION NUMBER: BACP20B63B OPTIONAL PART: 51338 V83058	201967	1
- 270	233A5221-301214		PLUG BUTTON INSTL-P6-1/B14 FOR NHA SEE: 24-50-00-03B	201967	RF

MISSING ITEM NUMBERS NOT APPLICABLE

- ITEM NOT ILLUSTRATED

HAP

24-51-51-20Y

BOEING PROPRIETARY - Copyright © - Unpublished Work - See title page for details.

24-51-51
FIG. 20Y
PAGE 7
OCT 15/08

 **BOEING**
737-600/700/800/900
PARTS CATALOG (MAINTENANCE)

FIG ITEM	PART NUMBER	1 2 3 4 5 6 7	NOMENCLATURE	EFFECT FROM TO	UNITS PER ASSY
20Y 275	BS51338D5003		.PLUG SUPPLIER CODE: V83058 SPECIFICATION NUMBER: BACP20B63B OPTIONAL PART: 51338 V83058	201967	1
- 280	233A5221-301215		PLUG BUTTON INSTL-P6-1/B15 FOR NHA SEE: 24-50-00-03B	201967	RF
285	BS51338D5003		.PLUG SUPPLIER CODE: V83058 SPECIFICATION NUMBER: BACP20B63B OPTIONAL PART: 51338 V83058	201967	1
- 290	233A5221-301216		PLUG BUTTON INSTL-P6-1/B16 FOR NHA SEE: 24-50-00-03B	201967	RF
295	BS51338D5003		.PLUG SUPPLIER CODE: V83058 SPECIFICATION NUMBER: BACP20B63B OPTIONAL PART: 51338 V83058	201967	1
- 300	233A5221-301217		PLUG BUTTON INSTL-P6-1/B17 FOR NHA SEE: 24-50-00-03B	201967	RF
305	BS51338D5003		.PLUG SUPPLIER CODE: V83058 SPECIFICATION NUMBER: BACP20B63B OPTIONAL PART: 51338 V83058	201967	1
- 310	233A5221-301302		PLUG BUTTON INSTL-P6-1/C2 FOR NHA SEE: 24-50-00-03B	201967	RF

MISSING ITEM NUMBERS NOT APPLICABLE

- ITEM NOT ILLUSTRATED

HAP

24-51-51-20Y

BOEING PROPRIETARY - Copyright © - Unpublished Work - See title page for details.

24-51-51
FIG. 20Y
PAGE 8
OCT 15/08

 **BOEING**
737-600/700/800/900
PARTS CATALOG (MAINTENANCE)

FIG ITEM	PART NUMBER	1 2 3 4 5 6 7	NOMENCLATURE	EFFECT FROM TO	UNITS PER ASSY
20Y 315	BS51338D5003		.PLUG SUPPLIER CODE: V83058 SPECIFICATION NUMBER: BACP20B63B OPTIONAL PART: 51338 V83058	201967	1
- 320	233A5221-301304		PLUG BUTTON INSTL-P6-1/C4 FOR NHA SEE: 24-50-00-03B	201967	RF
325	BS51338D5003		.PLUG SUPPLIER CODE: V83058 SPECIFICATION NUMBER: BACP20B63B OPTIONAL PART: 51338 V83058	201967	1
- 330	233A5221-301305		PLUG BUTTON INSTL-P6-1/C5 FOR NHA SEE: 24-50-00-03B	201967	RF
335	BS51338D5003		.PLUG SUPPLIER CODE: V83058 SPECIFICATION NUMBER: BACP20B63B OPTIONAL PART: 51338 V83058	201967	1
- 340	233A5221-301306		PLUG BUTTON INSTL-P6-1/C6 PRE SERVICE BULLETIN: 23-1139 FOR NHA SEE: 24-50-00-03B	202967	RF
345	BS51338D5003		.PLUG- SUPPLIER CODE: V83058 SPECIFICATION NUMBER: BACP20B63B OPTIONAL PART: 51338 V83058 PRE SERVICE BULLETIN: 23-1139	202967	1
- 350	233A5221-301307		PLUG BUTTON INSTL-P6-1/C7 FOR NHA SEE: 24-50-00-03B	201967	RF

MISSING ITEM NUMBERS NOT APPLICABLE

- ITEM NOT ILLUSTRATED

HAP

24-51-51-20Y

BOEING PROPRIETARY - Copyright © - Unpublished Work - See title page for details.

24-51-51
FIG. 20Y
PAGE 9
OCT 15/08

 **BOEING**
737-600/700/800/900
PARTS CATALOG (MAINTENANCE)

FIG ITEM	PART NUMBER	1 2 3 4 5 6 7	NOMENCLATURE	EFFECT FROM TO	UNITS PER ASSY
20Y 355	BS51338D5003		.PLUG SUPPLIER CODE: V83058 SPECIFICATION NUMBER: BACP20B63B OPTIONAL PART: 51338 V83058	201967	1
- 360	233A5221-301308		PLUG BUTTON INSTL-P6-1/C8 FOR NHA SEE: 24-50-00-03B	201967	RF
365	BS51338D5003		.PLUG SUPPLIER CODE: V83058 SPECIFICATION NUMBER: BACP20B63B OPTIONAL PART: 51338 V83058	201967	1
- 370	233A5221-301310		PLUG BUTTON INSTL-P6-1/C10 FOR NHA SEE: 24-50-00-03B	201967	RF
375	BS51338D5003		.PLUG SUPPLIER CODE: V83058 SPECIFICATION NUMBER: BACP20B63B OPTIONAL PART: 51338 V83058	201967	1
- 380	233A5221-301311		PLUG BUTTON INSTL-P6-1/C11 FOR NHA SEE: 24-50-00-03B	201967	RF
385	BS51338D5003		.PLUG SUPPLIER CODE: V83058 SPECIFICATION NUMBER: BACP20B63B OPTIONAL PART: 51338 V83058	201967	1
- 390	233A5221-301312		PLUG BUTTON INSTL-P6-1/C12 FOR NHA SEE: 24-50-00-03B	201967	RF

MISSING ITEM NUMBERS NOT APPLICABLE

- ITEM NOT ILLUSTRATED

HAP

24-51-51-20Y

BOEING PROPRIETARY - Copyright © - Unpublished Work - See title page for details.

24-51-51
FIG. 20Y
PAGE 10
OCT 15/08

BOEING
737-600/700/800/900
PARTS CATALOG (MAINTENANCE)

FIG ITEM	PART NUMBER	1 2 3 4 5 6 7	NOMENCLATURE	EFFECT FROM TO	UNITS PER ASSY
20Y 395	BS51338D5003		.PLUG SUPPLIER CODE: V83058 SPECIFICATION NUMBER: BACP20B63B OPTIONAL PART: 51338 V83058	201967	1
- 400	233A5221-301313		PLUG BUTTON INSTL-P6-1/C13 FOR NHA SEE: 24-50-00-03B	201967	RF
405	BS51338D5003		.PLUG SUPPLIER CODE: V83058 SPECIFICATION NUMBER: BACP20B63B OPTIONAL PART: 51338 V83058	201967	1
- 410	233A5221-301316		PLUG BUTTON INSTL-P6-1/C16 FOR NHA SEE: 24-50-00-03B	201967	RF
415	BS51338D5003		.PLUG SUPPLIER CODE: V83058 SPECIFICATION NUMBER: BACP20B63B OPTIONAL PART: 51338 V83058	201967	1
- 420	233A5221-301401		PLUG BUTTON INSTL-P6-1/D1 FOR NHA SEE: 24-50-00-03B	201967	RF
425	BS51338D5003		.PLUG SUPPLIER CODE: V83058 SPECIFICATION NUMBER: BACP20B63B OPTIONAL PART: 51338 V83058	201967	1
- 430	233A5221-301403		PLUG BUTTON INSTL-P6-1/D3 FOR NHA SEE: 24-50-00-03B	201967	RF

MISSING ITEM NUMBERS NOT APPLICABLE

- ITEM NOT ILLUSTRATED

HAP

24-51-51-20Y

BOEING PROPRIETARY - Copyright © - Unpublished Work - See title page for details.

24-51-51
FIG. 20Y
PAGE 11
OCT 15/08

 **BOEING**
737-600/700/800/900
PARTS CATALOG (MAINTENANCE)

FIG ITEM	PART NUMBER	1 2 3 4 5 6 7	NOMENCLATURE	EFFECT FROM TO	UNITS PER ASSY
20Y 435	BS51338D5003		.PLUG SUPPLIER CODE: V83058 SPECIFICATION NUMBER: BACP20B63B OPTIONAL PART: 51338 V83058	201967	1
- 440	233A5221-301405		PLUG BUTTON INSTL-P6-1/D5 FOR NHA SEE: 24-50-00-03B	201967	RF
445	BS51338D5003		.PLUG SUPPLIER CODE: V83058 SPECIFICATION NUMBER: BACP20B63B OPTIONAL PART: 51338 V83058	201967	1
- 450	233A5221-301406		PLUG BUTTON INSTL-P6-1/D6 FOR NHA SEE: 24-50-00-03B	201967	RF
455	BS51338D5003		.PLUG SUPPLIER CODE: V83058 SPECIFICATION NUMBER: BACP20B63B OPTIONAL PART: 51338 V83058	201967	1
- 460	233A5221-301407		PLUG BUTTON INSTL-P6-1/D7 FOR NHA SEE: 24-50-00-03B	201967	RF
465	BS51338D5003		.PLUG SUPPLIER CODE: V83058 SPECIFICATION NUMBER: BACP20B63B OPTIONAL PART: 51338 V83058	201967	1
- 470	233A5221-301408		PLUG BUTTON INSTL-P6-1/D8 FOR NHA SEE: 24-50-00-03B	201967	RF

MISSING ITEM NUMBERS NOT APPLICABLE

- ITEM NOT ILLUSTRATED

HAP

24-51-51-20Y

BOEING PROPRIETARY - Copyright © - Unpublished Work - See title page for details.

24-51-51
FIG. 20Y
PAGE 12
OCT 15/08

 **BOEING**
737-600/700/800/900
PARTS CATALOG (MAINTENANCE)

FIG ITEM	PART NUMBER	1 2 3 4 5 6 7	NOMENCLATURE	EFFECT FROM TO	UNITS PER ASSY
20Y 475	BS51338D5003		.PLUG SUPPLIER CODE: V83058 SPECIFICATION NUMBER: BACP20B63B OPTIONAL PART: 51338 V83058	201967	1
- 480	233A5221-301412		PLUG BUTTON INSTL-P6-1/D12 FOR NHA SEE: 24-50-00-03B	201967	RF
485	BS51338D5003		.PLUG SUPPLIER CODE: V83058 SPECIFICATION NUMBER: BACP20B63B OPTIONAL PART: 51338 V83058	201967	1
- 490	233A5221-301417		PLUG BUTTON INSTL-P6-1/D17 FOR NHA SEE: 24-50-00-03B	201967	RF
495	BS51338D5003		.PLUG SUPPLIER CODE: V83058 SPECIFICATION NUMBER: BACP20B63B OPTIONAL PART: 51338 V83058	201967	1
- 500	233A5221-301501		PLUG BUTTON INSTL-P6-1/E1 FOR NHA SEE: 24-50-00-03B	201967	RF
505	BS51338D5003		.PLUG SUPPLIER CODE: V83058 SPECIFICATION NUMBER: BACP20B63B OPTIONAL PART: 51338 V83058	201967	1
- 510	233A5221-301502		PLUG BUTTON INSTL-P6-1/E2 FOR NHA SEE: 24-50-00-03B	201967	RF

MISSING ITEM NUMBERS NOT APPLICABLE

- ITEM NOT ILLUSTRATED

HAP

24-51-51-20Y

BOEING PROPRIETARY - Copyright © - Unpublished Work - See title page for details.

24-51-51
FIG. 20Y
PAGE 13
OCT 15/08

 **BOEING**
737-600/700/800/900
PARTS CATALOG (MAINTENANCE)

FIG ITEM	PART NUMBER	1 2 3 4 5 6 7	NOMENCLATURE	EFFECT FROM TO	UNITS PER ASSY
20Y 515	BS51338D5003		.PLUG SUPPLIER CODE: V83058 SPECIFICATION NUMBER: BACP20B63B OPTIONAL PART: 51338 V83058	201967	1
- 520	233A5221-301503		PLUG BUTTON INSTL-P6-1/E3 FOR NHA SEE: 24-50-00-03B	201967	RF
525	BS51338D5003		.PLUG SUPPLIER CODE: V83058 SPECIFICATION NUMBER: BACP20B63B OPTIONAL PART: 51338 V83058	201967	1
- 530	233A5221-301504		PLUG BUTTON INSTL-P6-1/E4 FOR NHA SEE: 24-50-00-03B	201967	RF
535	BS51338D5003		.PLUG SUPPLIER CODE: V83058 SPECIFICATION NUMBER: BACP20B63B OPTIONAL PART: 51338 V83058	201967	1
- 540	233A5221-301505		PLUG BUTTON INSTL-P6-1/E5 FOR NHA SEE: 24-50-00-03B	201967	RF
545	BS51338D5003		.PLUG SUPPLIER CODE: V83058 SPECIFICATION NUMBER: BACP20B63B OPTIONAL PART: 51338 V83058	201967	1
- 550	233A5221-301506		PLUG BUTTON INSTL-P6-1/E6 FOR NHA SEE: 24-50-00-03B	201967	RF

MISSING ITEM NUMBERS NOT APPLICABLE

- ITEM NOT ILLUSTRATED

HAP

24-51-51-20Y

BOEING PROPRIETARY - Copyright © - Unpublished Work - See title page for details.

24-51-51
FIG. 20Y
PAGE 14
OCT 15/08

 **BOEING**
737-600/700/800/900
PARTS CATALOG (MAINTENANCE)

FIG ITEM	PART NUMBER	1 2 3 4 5 6 7	NOMENCLATURE	EFFECT FROM TO	UNITS PER ASSY
20Y 555	BS51338D5003		.PLUG SUPPLIER CODE: V83058 SPECIFICATION NUMBER: BACP20B63B OPTIONAL PART: 51338 V83058	201967	1
- 560	233A5221-301508		PLUG BUTTON INSTL-P6-1/E8 FOR NHA SEE: 24-50-00-03B	201967	RF
565	BS51338D5003		.PLUG SUPPLIER CODE: V83058 SPECIFICATION NUMBER: BACP20B63B OPTIONAL PART: 51338 V83058	201967	1
- 570	233A5221-301516		PLUG BUTTON INSTL-P6-1/E16 FOR NHA SEE: 24-50-00-03B	201967	RF
575	BS51338D5003		.PLUG SUPPLIER CODE: V83058 SPECIFICATION NUMBER: BACP20B63B OPTIONAL PART: 51338 V83058	201967	1
- 580	233A5221-301517		PLUG BUTTON INSTL-P6-1/E17 FOR NHA SEE: 24-50-00-03B	201967	RF
585	BS51338D5003		.PLUG SUPPLIER CODE: V83058 SPECIFICATION NUMBER: BACP20B63B OPTIONAL PART: 51338 V83058	201967	1
- 650	233A5221-501402		INOP INSTL-P6-1/D2 (ELECTRICAL POWER ONLY) FOR NHA/OTHER SYS DET SEE: 24-50-00-03B	201967	RF
655	10237-1		.COLLAR- SUPPLIER CODE: V1N6X0	201967	1

MISSING ITEM NUMBERS NOT APPLICABLE

- ITEM NOT ILLUSTRATED

HAP

24-51-51-20Y

BOEING PROPRIETARY - Copyright © - Unpublished Work - See title page for details.

24-51-51
FIG. 20Y
PAGE 15
OCT 15/08

BOEING
737-600/700/800/900
PARTS CATALOG (MAINTENANCE)

FIG ITEM	PART NUMBER	1 2 3 4 5 6 7	NOMENCLATURE	EFFECT FROM TO	UNITS PER ASSY
20Y - 660	233A5221-501416		INOP INSTL-P6-1/D16 (ELECTRICAL POWER ONLY) FOR NHA/OTHER SYS DET SEE: 24-50-00-03B	201967	RF
665	10237-1		.COLLAR- SUPPLIER CODE: V1N6X0	201967	1
- 670	233A5221-501507		INOP INSTL-P6-1/E7 (ELECTRICAL POWER ONLY) FOR NHA/OTHER SYS DET SEE: 24-50-00-03B	201967	RF
675	10237-1		.COLLAR- SUPPLIER CODE: V1N6X0	201967	1
- 680	233A5221-501509		INOP INSTL-P6-1/E9 (ELECTRICAL POWER ONLY) FOR NHA/OTHER SYS DET SEE: 24-50-00-03B	201967	RF
685	10237-1		.COLLAR- SUPPLIER CODE: V1N6X0	201967	1
- 690	233A5221-501515		INOP INSTL-P6-1/E15 (ELECTRICAL POWER ONLY) FOR NHA/OTHER SYS DET SEE: 24-50-00-03B	201967	RF
695	10237-1		.COLLAR- SUPPLIER CODE: V1N6X0	201967	1

MISSING ITEM NUMBERS NOT APPLICABLE

- ITEM NOT ILLUSTRATED

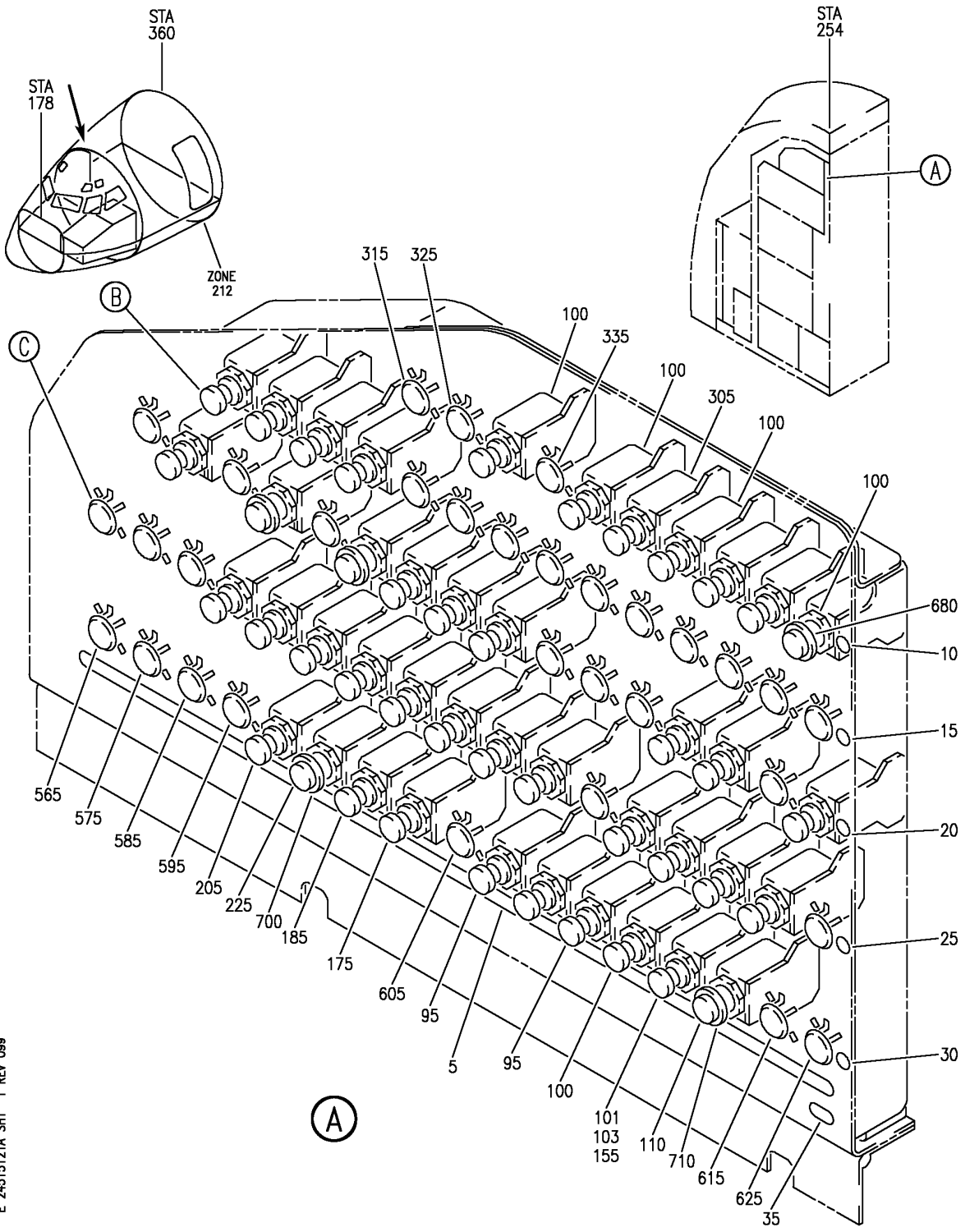
HAP

24-51-51-20Y

BOEING PROPRIETARY - Copyright © - Unpublished Work - See title page for details.

24-51-51
FIG. 20Y
PAGE 16
OCT 15/08

BOEING
 737-600/700/800/900
 PARTS CATALOG (MAINTENANCE)



E 24515121A SHT 1 REV 099

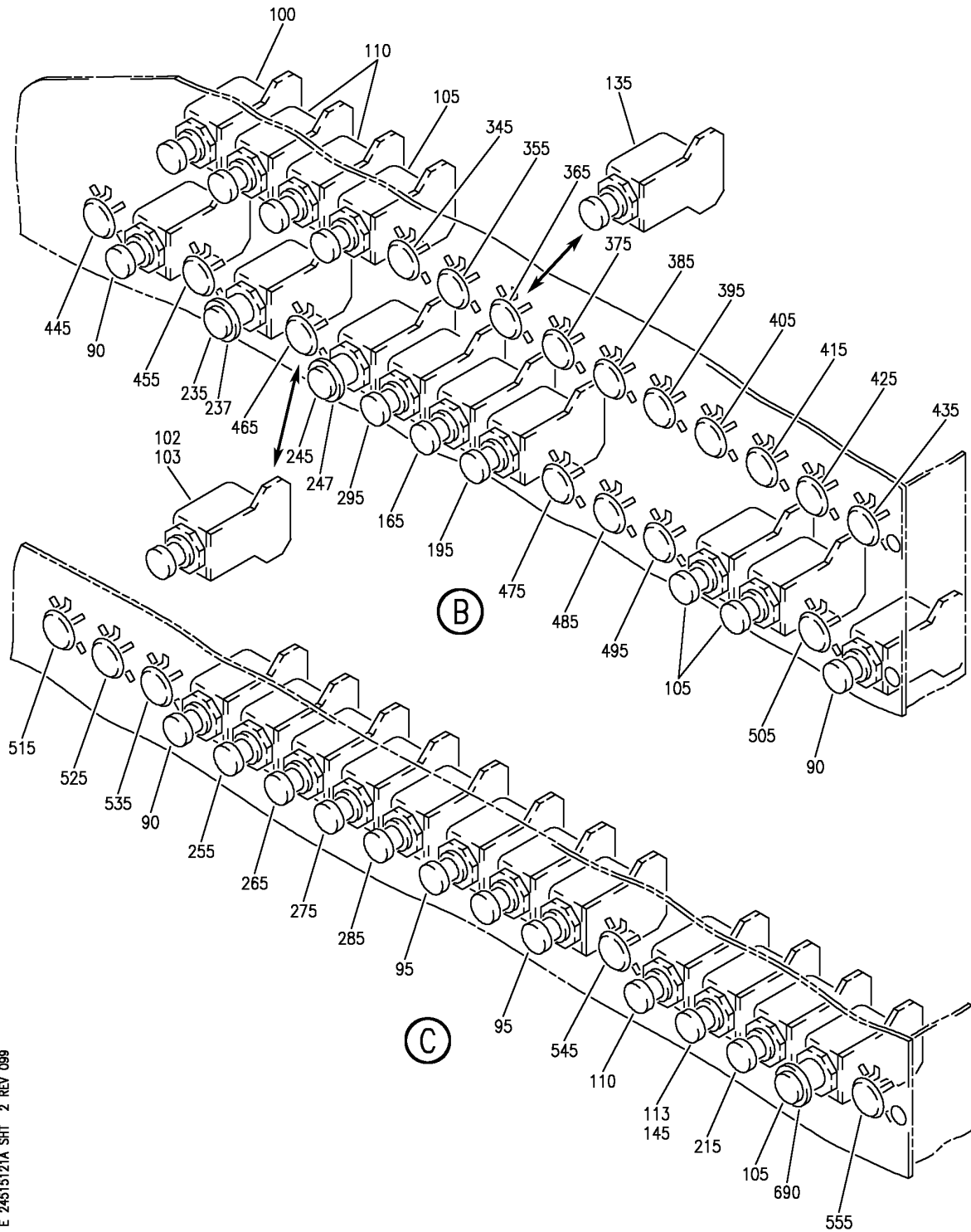
MARKER, CIRCUIT BREAKER, PLUG BUTTON AND INOP INSTL-P6-1 PNL (ELECTRICAL POWER ONLY)
 FIGURE 21A (SHEET 1)

24-51-51-21A

HAP
 FEB 10/07

24-51-51-21A
 PAGE 0


BOEING
737-600/700/800/900
PARTS CATALOG (MAINTENANCE)



E 24515121A SHT 2 REV 099

MARKER, CIRCUIT BREAKER, PLUG BUTTON AND INOP INSTL-P6-1 PNL (ELECTRICAL POWER ONLY)
 FIGURE 21A (SHEET 2)

HAP
FEB 10/07

24-51-51-21A

24-51-51-21A
PAGE 0A

BOEING
737-600/700/800/900
PARTS CATALOG (MAINTENANCE)

FIG ITEM	PART NUMBER	1 2 3 4 5 6 7	NOMENCLATURE	EFFECT FROM TO	UNITS PER ASSY
21A			MARKER, CIRCUIT BREAKER, PLUG BUTTON AND INOP INSTL-P6-1 PNL (ELECTRICAL POWER ONLY)	008030	
- 1	233A5221-1		MARKER INSTL-P6-1 FOR NHA SEE: 24-50-00-03C	008030	RF
5	BAC27DCC2719		.MARKER- PLACARD CONTENT: 1 THRU 17	008030	1
10	BAC27DCC3065		.MARKER- PLACARD CONTENT: A	008030	1
15	BAC27DCC3066		.MARKER- PLACARD CONTENT: B	008030	1
20	BAC27DCC3067		.MARKER- PLACARD CONTENT: C	008030	1
25	BAC27DCC3068		.MARKER- PLACARD CONTENT: D	008030	1
30	BAC27DCC3069		.MARKER- PLACARD CONTENT: E	008030	1
35	BAC27DCC3074		.MARKER- PLACARD CONTENT: P6-1	008030	1
- 85	233A5221-2		CIRCUIT BREAKER INSTL-P6-1 FOR NHA SEE: 24-50-00-03C	008013	RF
- 85	233A5221-3		CIRCUIT BREAKER INSTL-P6-1 FOR NHA SEE: 24-50-00-03C	014014	RF
- 85	233A5221-4		CIRCUIT BREAKER INSTL-P6-1 FOR NHA SEE: 24-50-00-03C	015030	RF
90	2TC47-10		.CIRCUIT BREAKER- SUPPLIER CODE: V82647 SPECIFICATION NUMBER: BACC18AD10 OPTIONAL PART: 4310-029-10 V76374 ELECTRICAL EQUIP NUMBER: C00166 C01010 C00082	008030	3

MISSING ITEM NUMBERS NOT APPLICABLE

- ITEM NOT ILLUSTRATED

HAP

24-51-51-21A

BOEING PROPRIETARY - Copyright © - Unpublished Work - See title page for details.

24-51-51
FIG. 21A
PAGE 1
FEB 10/07

BOEING
737-600/700/800/900
PARTS CATALOG (MAINTENANCE)

FIG ITEM	PART NUMBER	1 2 3 4 5 6 7	NOMENCLATURE	EFFECT FROM TO	UNITS PER ASSY
21A 95	4310-029-15		.CIRCUIT BREAKER- SUPPLIER CODE: V76374 SPECIFICATION NUMBER: BACC18AD15 OPTIONAL PART: 2TC47-15 V82647 ELECTRICAL EQUIP NUMBER: C01360 C01361 C01362 C01364 C01366 C01373	008030	6
100	2TC47-2-5		.CIRCUIT BREAKER- SUPPLIER CODE: V82647 SPECIFICATION NUMBER: BACC18AD2 OPTIONAL PART: 4310-029-205 V76374 ELECTRICAL EQUIP NUMBER: C01377 C01375 C00192 C01379 C01385 C01383 C01207 C01370	008030	8
101	2TC47-2-5		.CIRCUIT BREAKER- SUPPLIER CODE: V82647 SPECIFICATION NUMBER: BACC18AD2 OPTIONAL PART: 4310-029-205 V76374 ELECTRICAL EQUIP NUMBER: C01194	008013	1

MISSING ITEM NUMBERS NOT APPLICABLE

— ITEM NOT ILLUSTRATED

HAP

24-51-51-21A

BOEING PROPRIETARY - Copyright © - Unpublished Work - See title page for details.

24-51-51
FIG. 21A
PAGE 2
OCT 10/06

BOEING
737-600/700/800/900
PARTS CATALOG (MAINTENANCE)

FIG ITEM	PART NUMBER	1 2 3 4 5 6 7	NOMENCLATURE	EFFECT FROM TO	UNITS PER ASSY
21A 102	2TC47-2-5		.CIRCUIT BREAKER- SUPPLIER CODE: V82647 SPECIFICATION NUMBER: BACC18AD2 OPTIONAL PART: 4310-029-205 V76374 ELECTRICAL EQUIP NUMBER: C01583 POST SERVICE BULLETIN: 23-1139R1	009009 015030	1
103	2TC47-2-5		.CIRCUIT BREAKER- SUPPLIER CODE: V82647 SPECIFICATION NUMBER: BACC18AD2 OPTIONAL PART: 4310-029-205 V76374 ELECTRICAL EQUIP NUMBER: C01583 C01194	014014	2
105	2TC47-3		.CIRCUIT BREAKER- SUPPLIER CODE: V82647 SPECIFICATION NUMBER: BACC18AD3 OPTIONAL PART: 4310-029-3 V76374 ELECTRICAL EQUIP NUMBER: C00549 C01008 C00426 C01262	008030	4
110	2TC47-5		.CIRCUIT BREAKER- SUPPLIER CODE: V82647 SPECIFICATION NUMBER: BACC18AD5 OPTIONAL PART: 4310-029-5 V76374 ELECTRICAL EQUIP NUMBER: C01206 C01393 C01263 C00120	008030	4

MISSING ITEM NUMBERS NOT APPLICABLE

— ITEM NOT ILLUSTRATED

HAP

24-51-51-21A

BOEING PROPRIETARY - Copyright © - Unpublished Work - See title page for details.

24-51-51
FIG. 21A
PAGE 3
JUN 10/07

BOEING
737-600/700/800/900
PARTS CATALOG (MAINTENANCE)

FIG ITEM	PART NUMBER	1 2 3 4 5 6 7	NOMENCLATURE	EFFECT FROM TO	UNITS PER ASSY
21A 113	2TC47-5		.CIRCUIT BREAKER- SUPPLIER CODE: V82647 SPECIFICATION NUMBER: BACC18AD5 OPTIONAL PART: 4310-029-5 V76374 ELECTRICAL EQUIP NUMBER: C00120	008014	1
- 130	233A5221-201584		CIRCUIT BREAKER INSTL-P6-1 B10 POST SERVICE BULLETIN: 23-1139R1 FOR NHA SEE: 24-50-00-03C	009009 014030	RF
135	2TC47-3		.CIRCUIT BREAKER- SUPPLIER CODE: V82647 SPECIFICATION NUMBER: BACC18AD3 OPTIONAL PART: 4310-029-3 V76374 ELECTRICAL EQUIP NUMBER: C01584 POST SERVICE BULLETIN: 23-1139R1	009009 014030	1
- 140	233A5221-200188		CIRCUIT BREAKER INSTL-P6-1 D14 FOR NHA SEE: 24-50-00-03C	015030	RF
145	2TC47-5		.CIRCUIT BREAKER- SUPPLIER CODE: V82647 SPECIFICATION NUMBER: BACC18AD5 OPTIONAL PART: 4310-029-5 V76374 ELECTRICAL EQUIP NUMBER: C00188	015030	1
- 150	233A5221-201194		CIRCUIT BREAKER INSTL-P6-1 E14 FOR NHA SEE: 24-50-00-03C	015030	RF

MISSING ITEM NUMBERS NOT APPLICABLE

- ITEM NOT ILLUSTRATED

HAP

24-51-51-21A

BOEING PROPRIETARY - Copyright © - Unpublished Work - See title page for details.

24-51-51
FIG. 21A
PAGE 4
JUN 10/07

BOEING
737-600/700/800/900
PARTS CATALOG (MAINTENANCE)

FIG ITEM	PART NUMBER	1 2 3 4 5 6 7	NOMENCLATURE	EFFECT FROM TO	UNITS PER ASSY
21A 155	2TC47-2-5		.CIRCUIT BREAKER- SUPPLIER CODE: V82647 SPECIFICATION NUMBER: BACC18AD2 OPTIONAL PART: 4310-029-205 V76374 ELECTRICAL EQUIP NUMBER: C01194	015030	1
- 160	233A5221-200080		CIRCUIT BREAKER INSTL-P6-1 C9 FOR NHA SEE: 24-50-00-03C	008030	RF
165	2TC47-3		.CIRCUIT BREAKER- SUPPLIER CODE: V82647 SPECIFICATION NUMBER: BACC18AD3 OPTIONAL PART: 4310-029-3 V76374 ELECTRICAL EQUIP NUMBER: C00080	008030	1
- 170	233A5221-200743		CIRCUIT BREAKER INSTL-P6-1 E8 FOR NHA SEE: 24-50-00-03C	008030	RF
175	2TC47-2-5		.CIRCUIT BREAKER- SUPPLIER CODE: V82647 SPECIFICATION NUMBER: BACC18AD2 OPTIONAL PART: 4310-029-205 V76374 ELECTRICAL EQUIP NUMBER: C00743	008030	1
- 180	233A5221-200744		CIRCUIT BREAKER INSTL-P6-1 E7 FOR NHA SEE: 24-50-00-03C	008030	RF

MISSING ITEM NUMBERS NOT APPLICABLE

- ITEM NOT ILLUSTRATED

HAP

24-51-51-21A

BOEING PROPRIETARY - Copyright © - Unpublished Work - See title page for details.

24-51-51
FIG. 21A
PAGE 5
OCT 10/06

BOEING
737-600/700/800/900
PARTS CATALOG (MAINTENANCE)

FIG ITEM	PART NUMBER	1 2 3 4 5 6 7	NOMENCLATURE	EFFECT FROM TO	UNITS PER ASSY
21A 185	2TC47-2-5		.CIRCUIT BREAKER- SUPPLIER CODE: V82647 SPECIFICATION NUMBER: BACC18AD2 OPTIONAL PART: 4310-029-205 V76374 ELECTRICAL EQUIP NUMBER: C00744	008030	1
- 190	233A5221-201101		CIRCUIT BREAKER INSTL-P6-1 C10 FOR NHA SEE: 24-50-00-03C	008030	RF
195	2TC47-7-5		.CIRCUIT BREAKER- SUPPLIER CODE: V82647 SPECIFICATION NUMBER: BACC18AD7 OPTIONAL PART: 4310-029-705 V76374 ELECTRICAL EQUIP NUMBER: C01101	008030	1
- 200	233A5221-201216		CIRCUIT BREAKER INSTL-P6-1 E5 FOR NHA SEE: 24-50-00-03C	008030	RF
205	2TC47-2-5		.CIRCUIT BREAKER- SUPPLIER CODE: V82647 SPECIFICATION NUMBER: BACC18AD2 OPTIONAL PART: 4310-029-205 V76374 ELECTRICAL EQUIP NUMBER: C01216	008030	1
- 210	233A5221-201239		CIRCUIT BREAKER INSTL-P6-1 D15 FOR NHA SEE: 24-50-00-03C	008030	RF

MISSING ITEM NUMBERS NOT APPLICABLE

- ITEM NOT ILLUSTRATED

HAP

24-51-51-21A

BOEING PROPRIETARY - Copyright © - Unpublished Work - See title page for details.

24-51-51
FIG. 21A
PAGE 6
OCT 10/06

BOEING
737-600/700/800/900
PARTS CATALOG (MAINTENANCE)

FIG ITEM	PART NUMBER	1 2 3 4 5 6 7	NOMENCLATURE	EFFECT FROM TO	UNITS PER ASSY
21A 215	2TC47-3		.CIRCUIT BREAKER- SUPPLIER CODE: V82647 SPECIFICATION NUMBER: BACC18AD3 OPTIONAL PART: 4310-029-3 V76374 ELECTRICAL EQUIP NUMBER: C01239	008030	1
- 220	233A5221-201255		CIRCUIT BREAKER INSTL-P6-1 E6 FOR NHA SEE: 24-50-00-03C	008030	RF
225	2TC47-2-5		.CIRCUIT BREAKER- SUPPLIER CODE: V82647 SPECIFICATION NUMBER: BACC18AD2 OPTIONAL PART: 4310-029-205 V76374 ELECTRICAL EQUIP NUMBER: C01255	008030	1
- 230	233A5221-201450		CIRCUIT BREAKER INSTL-P6-1 C5 FOR NHA SEE: 24-50-00-03C	008030	RF
235	2TC47-5		.CIRCUIT BREAKER- SUPPLIER CODE: V82647 SPECIFICATION NUMBER: BACC18AD5 OPTIONAL PART: 4310-029-5 V76374 ELECTRICAL EQUIP NUMBER: C01450	008030	1
237	10237-1		.COLLAR- SUPPLIER CODE: V1N6X0 POST SERVICE BULLETIN: 25-1542	008014 016017 019030	1
- 240	233A5221-201451		CIRCUIT BREAKER INSTL-P6-1 C7 FOR NHA SEE: 24-50-00-03C	008030	RF

MISSING ITEM NUMBERS NOT APPLICABLE

- ITEM NOT ILLUSTRATED

HAP

24-51-51-21A

BOEING PROPRIETARY - Copyright © - Unpublished Work - See title page for details.

24-51-51
FIG. 21A
PAGE 7
FEB 10/07

BOEING
737-600/700/800/900
PARTS CATALOG (MAINTENANCE)

FIG ITEM	PART NUMBER	1 2 3 4 5 6 7	NOMENCLATURE	EFFECT FROM TO	UNITS PER ASSY
21A 245	2TC47-7-5		.CIRCUIT BREAKER- SUPPLIER CODE: V82647 SPECIFICATION NUMBER: BACC18AD7 OPTIONAL PART: 4310-029-705 V76374 ELECTRICAL EQUIP NUMBER: C01451	008030	1
247	10237-1		.COLLAR- SUPPLIER CODE: V1N6X0 POST SERVICE BULLETIN: 25-1542	008014 016017 019030	1
- 250	233A5221-201452		CIRCUIT BREAKER INSTL-P6-1 D5 FOR NHA SEE: 24-50-00-03C	008030	RF
255	2TC47-7-5		.CIRCUIT BREAKER- SUPPLIER CODE: V82647 SPECIFICATION NUMBER: BACC18AD7 OPTIONAL PART: 4310-029-705 V76374 ELECTRICAL EQUIP NUMBER: C01452	008030	1
- 260	233A5221-201453		CIRCUIT BREAKER INSTL-P6-1 D6 FOR NHA SEE: 24-50-00-03C	008030	RF
265	2TC47-7-5		.CIRCUIT BREAKER- SUPPLIER CODE: V82647 SPECIFICATION NUMBER: BACC18AD7 OPTIONAL PART: 4310-029-705 V76374 ELECTRICAL EQUIP NUMBER: C01453	008030	1
- 270	233A5221-201454		CIRCUIT BREAKER INSTL-P6-1 D7 FOR NHA SEE: 24-50-00-03C	008030	RF

MISSING ITEM NUMBERS NOT APPLICABLE

- ITEM NOT ILLUSTRATED

HAP

24-51-51-21A

BOEING PROPRIETARY - Copyright © - Unpublished Work - See title page for details.

24-51-51
FIG. 21A
PAGE 8
FEB 10/07

BOEING
737-600/700/800/900
PARTS CATALOG (MAINTENANCE)

FIG ITEM	PART NUMBER	1 2 3 4 5 6 7	NOMENCLATURE	EFFECT FROM TO	UNITS PER ASSY
21A 275	2TC47-7-5		.CIRCUIT BREAKER- SUPPLIER CODE: V82647 SPECIFICATION NUMBER: BACC18AD7 OPTIONAL PART: 4310-029-705 V76374 ELECTRICAL EQUIP NUMBER: C01454	008030	1
- 280	233A5221-201455		CIRCUIT BREAKER INSTL-P6-1 D8 FOR NHA SEE: 24-50-00-03C	008030	RF
285	2TC47-7-5		.CIRCUIT BREAKER- SUPPLIER CODE: V82647 SPECIFICATION NUMBER: BACC18AD7 OPTIONAL PART: 4310-029-705 V76374 ELECTRICAL EQUIP NUMBER: C01455	008030	1
- 290	233A5221-201456		CIRCUIT BREAKER INSTL-P6-1 C8 FOR NHA SEE: 24-50-00-03C	008030	RF
295	2TC47-7-5		.CIRCUIT BREAKER- SUPPLIER CODE: V82647 SPECIFICATION NUMBER: BACC18AD7 OPTIONAL PART: 4310-029-705 V76374 ELECTRICAL EQUIP NUMBER: C01456	008030	1
- 300	233A5221-201480		CIRCUIT BREAKER INSTL-P6-1 A13 FOR NHA SEE: 24-50-00-03C	008030	RF

MISSING ITEM NUMBERS NOT APPLICABLE

- ITEM NOT ILLUSTRATED

HAP

24-51-51-21A

BOEING PROPRIETARY - Copyright © - Unpublished Work - See title page for details.

24-51-51
FIG. 21A
PAGE 9
OCT 10/06

BOEING
737-600/700/800/900
PARTS CATALOG (MAINTENANCE)

FIG ITEM	PART NUMBER	1 2 3 4 5 6 7	NOMENCLATURE	EFFECT FROM TO	UNITS PER ASSY
21A 305	2TC47-2-5		.CIRCUIT BREAKER- SUPPLIER CODE: V82647 SPECIFICATION NUMBER: BACC18AD2 OPTIONAL PART: 4310-029-205 V76374 ELECTRICAL EQUIP NUMBER: C01480	008030	1
- 310	233A5221-301108		PLUG BUTTON INSTL-P6-1/A8 FOR NHA SEE: 24-50-00-03C	008030	RF
315	BS51338D5003		.PLUG SUPPLIER CODE: V83058 SPECIFICATION NUMBER: BACP20B63B OPTIONAL PART: 51338 V83058	008030	1
- 320	233A5221-301109		PLUG BUTTON INSTL-P6-1/A9 FOR NHA SEE: 24-50-00-03C	008030	RF
325	BS51338D5003		.PLUG SUPPLIER CODE: V83058 SPECIFICATION NUMBER: BACP20B63B OPTIONAL PART: 51338 V83058	008030	1
- 330	233A5221-301111		PLUG BUTTON INSTL-P6-1/A11 FOR NHA SEE: 24-50-00-03C	008030	RF
335	BS51338D5003		.PLUG SUPPLIER CODE: V83058 SPECIFICATION NUMBER: BACP20B63B OPTIONAL PART: 51338 V83058	008030	1
- 340	233A5221-301208		PLUG BUTTON INSTL-P6-1/B8 FOR NHA SEE: 24-50-00-03C	008030	RF

MISSING ITEM NUMBERS NOT APPLICABLE

- ITEM NOT ILLUSTRATED

HAP

24-51-51-21A

BOEING PROPRIETARY - Copyright © - Unpublished Work - See title page for details.

24-51-51
FIG. 21A
PAGE 10
OCT 10/06

BOEING
737-600/700/800/900
PARTS CATALOG (MAINTENANCE)

FIG ITEM	PART NUMBER	1 2 3 4 5 6 7	NOMENCLATURE	EFFECT FROM TO	UNITS PER ASSY
21A 345	BS51338D5003		.PLUG SUPPLIER CODE: V83058 SPECIFICATION NUMBER: BACP20B63B OPTIONAL PART: 51338 V83058	008030	1
- 350	233A5221-301209		PLUG BUTTON INSTL-P6-1/B9 FOR NHA SEE: 24-50-00-03C	008030	RF
355	BS51338D5003		.PLUG SUPPLIER CODE: V83058 SPECIFICATION NUMBER: BACP20B63B OPTIONAL PART: 51338 V83058	008030	1
- 360	233A5221-301210		PLUG BUTTON INSTL-P6-1/B10 FOR NHA SEE: 24-50-00-03C	008008 010013	RF
365	BS51338D5003		.PLUG- SUPPLIER CODE: V83058 SPECIFICATION NUMBER: BACP20B63B OPTIONAL PART: 51338 V83058	008008 010013	1
- 370	233A5221-301211		PLUG BUTTON INSTL-P6-1/B11 FOR NHA SEE: 24-50-00-03C	008030	RF
375	BS51338D5003		.PLUG SUPPLIER CODE: V83058 SPECIFICATION NUMBER: BACP20B63B OPTIONAL PART: 51338 V83058	008030	1
- 380	233A5221-301212		PLUG BUTTON INSTL-P6-1/B12 FOR NHA SEE: 24-50-00-03C	008030	RF

MISSING ITEM NUMBERS NOT APPLICABLE

- ITEM NOT ILLUSTRATED

HAP

24-51-51-21A

BOEING PROPRIETARY - Copyright © - Unpublished Work - See title page for details.

24-51-51
FIG. 21A
PAGE 11
JUN 10/07

 **BOEING**
737-600/700/800/900
PARTS CATALOG (MAINTENANCE)

FIG ITEM	PART NUMBER	1 2 3 4 5 6 7	NOMENCLATURE	EFFECT FROM TO	UNITS PER ASSY
21A 385	BS51338D5003		.PLUG SUPPLIER CODE: V83058 SPECIFICATION NUMBER: BACP20B63B OPTIONAL PART: 51338 V83058	008030	1
- 390	233A5221-301213		PLUG BUTTON INSTL-P6-1/B13 FOR NHA SEE: 24-50-00-03C	008030	RF
395	BS51338D5003		.PLUG SUPPLIER CODE: V83058 SPECIFICATION NUMBER: BACP20B63B OPTIONAL PART: 51338 V83058	008030	1
- 400	233A5221-301214		PLUG BUTTON INSTL-P6-1/B14 FOR NHA SEE: 24-50-00-03C	008030	RF
405	BS51338D5003		.PLUG SUPPLIER CODE: V83058 SPECIFICATION NUMBER: BACP20B63B OPTIONAL PART: 51338 V83058	008030	1
- 410	233A5221-301215		PLUG BUTTON INSTL-P6-1/B15 FOR NHA SEE: 24-50-00-03C	008030	RF
415	BS51338D5003		.PLUG SUPPLIER CODE: V83058 SPECIFICATION NUMBER: BACP20B63B OPTIONAL PART: 51338 V83058	008030	1
- 420	233A5221-301216		PLUG BUTTON INSTL-P6-1/B16 FOR NHA SEE: 24-50-00-03C	008030	RF

MISSING ITEM NUMBERS NOT APPLICABLE

- ITEM NOT ILLUSTRATED

HAP

24-51-51-21A

BOEING PROPRIETARY - Copyright © - Unpublished Work - See title page for details.

24-51-51
FIG. 21A
PAGE 12
OCT 10/06

 **BOEING**
737-600/700/800/900
PARTS CATALOG (MAINTENANCE)

FIG ITEM	PART NUMBER	1 2 3 4 5 6 7	NOMENCLATURE	EFFECT FROM TO	UNITS PER ASSY
21A 425	BS51338D5003		.PLUG SUPPLIER CODE: V83058 SPECIFICATION NUMBER: BACP20B63B OPTIONAL PART: 51338 V83058	008030	1
- 430	233A5221-301217		PLUG BUTTON INSTL-P6-1/B17 FOR NHA SEE: 24-50-00-03C	008030	RF
435	BS51338D5003		.PLUG SUPPLIER CODE: V83058 SPECIFICATION NUMBER: BACP20B63B OPTIONAL PART: 51338 V83058	008030	1
- 440	233A5221-301302		PLUG BUTTON INSTL-P6-1/C2 FOR NHA SEE: 24-50-00-03C	008030	RF
445	BS51338D5003		.PLUG SUPPLIER CODE: V83058 SPECIFICATION NUMBER: BACP20B63B OPTIONAL PART: 51338 V83058	008030	1
- 450	233A5221-301304		PLUG BUTTON INSTL-P6-1/C4 FOR NHA SEE: 24-50-00-03C	008030	RF
455	BS51338D5003		.PLUG SUPPLIER CODE: V83058 SPECIFICATION NUMBER: BACP20B63B OPTIONAL PART: 51338 V83058	008030	1
- 460	233A5221-301306		PLUG BUTTON INSTL-P6-1/C6 FOR NHA SEE: 24-50-00-03C	008008 010013	RF

MISSING ITEM NUMBERS NOT APPLICABLE

- ITEM NOT ILLUSTRATED

HAP

24-51-51-21A

BOEING PROPRIETARY - Copyright © - Unpublished Work - See title page for details.

24-51-51
FIG. 21A
PAGE 13
JUN 10/07

 **BOEING**
737-600/700/800/900
PARTS CATALOG (MAINTENANCE)

FIG ITEM	PART NUMBER	1 2 3 4 5 6 7	NOMENCLATURE	EFFECT FROM TO	UNITS PER ASSY
21A 465	BS51338D5003		.PLUG- SUPPLIER CODE: V83058 SPECIFICATION NUMBER: BACP20B63B OPTIONAL PART: 51338 V83058	008008 010013	1
- 470	233A5221-301311		PLUG BUTTON INSTL-P6-1/C11 FOR NHA SEE: 24-50-00-03C	008030	RF
475	BS51338D5003		.PLUG SUPPLIER CODE: V83058 SPECIFICATION NUMBER: BACP20B63B OPTIONAL PART: 51338 V83058	008030	1
- 480	233A5221-301312		PLUG BUTTON INSTL-P6-1/C12 FOR NHA SEE: 24-50-00-03C	008030	RF
485	BS51338D5003		.PLUG SUPPLIER CODE: V83058 SPECIFICATION NUMBER: BACP20B63B OPTIONAL PART: 51338 V83058	008030	1
- 490	233A5221-301313		PLUG BUTTON INSTL-P6-1/C13 FOR NHA SEE: 24-50-00-03C	008030	RF
495	BS51338D5003		.PLUG SUPPLIER CODE: V83058 SPECIFICATION NUMBER: BACP20B63B OPTIONAL PART: 51338 V83058	008030	1
- 500	233A5221-301316		PLUG BUTTON INSTL-P6-1/C16 FOR NHA SEE: 24-50-00-03C	008030	RF

MISSING ITEM NUMBERS NOT APPLICABLE

- ITEM NOT ILLUSTRATED

HAP

24-51-51-21A

BOEING PROPRIETARY - Copyright © - Unpublished Work - See title page for details.

24-51-51
FIG. 21A
PAGE 14
JUN 10/07

 **BOEING**
737-600/700/800/900
PARTS CATALOG (MAINTENANCE)

FIG ITEM	PART NUMBER	1 2 3 4 5 6 7	NOMENCLATURE	EFFECT FROM TO	UNITS PER ASSY
21A 505	BS51338D5003		.PLUG SUPPLIER CODE: V83058 SPECIFICATION NUMBER: BACP20B63B OPTIONAL PART: 51338 V83058	008030	1
- 510	233A5221-301401		PLUG BUTTON INSTL-P6-1/D1 FOR NHA SEE: 24-50-00-03C	008030	RF
515	BS51338D5003		.PLUG SUPPLIER CODE: V83058 SPECIFICATION NUMBER: BACP20B63B OPTIONAL PART: 51338 V83058	008030	1
- 520	233A5221-301402		PLUG BUTTON INSTL-P6-1/D2 FOR NHA SEE: 24-50-00-03C	008030	RF
525	BS51338D5003		.PLUG SUPPLIER CODE: V83058 SPECIFICATION NUMBER: BACP20B63B OPTIONAL PART: 51338 V83058	008030	1
- 530	233A5221-301403		PLUG BUTTON INSTL-P6-1/D3 FOR NHA SEE: 24-50-00-03C	008030	RF
535	BS51338D5003		.PLUG SUPPLIER CODE: V83058 SPECIFICATION NUMBER: BACP20B63B OPTIONAL PART: 51338 V83058	008030	1
- 540	233A5221-301412		PLUG BUTTON INSTL-P6-1/D12 FOR NHA SEE: 24-50-00-03C	008030	RF

MISSING ITEM NUMBERS NOT APPLICABLE

- ITEM NOT ILLUSTRATED

HAP

24-51-51-21A

BOEING PROPRIETARY - Copyright © - Unpublished Work - See title page for details.

24-51-51
FIG. 21A
PAGE 15
OCT 10/06

 **BOEING**
737-600/700/800/900
PARTS CATALOG (MAINTENANCE)

FIG ITEM	PART NUMBER	1 2 3 4 5 6 7	NOMENCLATURE	EFFECT FROM TO	UNITS PER ASSY
21A 545	BS51338D5003		.PLUG SUPPLIER CODE: V83058 SPECIFICATION NUMBER: BACP20B63B OPTIONAL PART: 51338 V83058	008030	1
- 550	233A5221-301417		PLUG BUTTON INSTL-P6-1/D17 FOR NHA SEE: 24-50-00-03C	008030	RF
555	BS51338D5003		.PLUG SUPPLIER CODE: V83058 SPECIFICATION NUMBER: BACP20B63B OPTIONAL PART: 51338 V83058	008030	1
- 560	233A5221-301501		PLUG BUTTON INSTL-P6-1/E1 FOR NHA SEE: 24-50-00-03C	008030	RF
565	BS51338D5003		.PLUG SUPPLIER CODE: V83058 SPECIFICATION NUMBER: BACP20B63B OPTIONAL PART: 51338 V83058	008030	1
- 570	233A5221-301502		PLUG BUTTON INSTL-P6-1/E2 FOR NHA SEE: 24-50-00-03C	008030	RF
575	BS51338D5003		.PLUG SUPPLIER CODE: V83058 SPECIFICATION NUMBER: BACP20B63B OPTIONAL PART: 51338 V83058	008030	1
- 580	233A5221-301503		PLUG BUTTON INSTL-P6-1/E3 FOR NHA SEE: 24-50-00-03C	008030	RF

MISSING ITEM NUMBERS NOT APPLICABLE

- ITEM NOT ILLUSTRATED

HAP

24-51-51-21A

BOEING PROPRIETARY - Copyright © - Unpublished Work - See title page for details.

24-51-51
FIG. 21A
PAGE 16
OCT 10/06

 **BOEING**
737-600/700/800/900
PARTS CATALOG (MAINTENANCE)

FIG ITEM	PART NUMBER	1 2 3 4 5 6 7	NOMENCLATURE	EFFECT FROM TO	UNITS PER ASSY
21A 585	BS51338D5003		.PLUG SUPPLIER CODE: V83058 SPECIFICATION NUMBER: BACP20B63B OPTIONAL PART: 51338 V83058	008030	1
- 590	233A5221-301504		PLUG BUTTON INSTL-P6-1/E4 FOR NHA SEE: 24-50-00-03C	008030	RF
595	BS51338D5003		.PLUG SUPPLIER CODE: V83058 SPECIFICATION NUMBER: BACP20B63B OPTIONAL PART: 51338 V83058	008030	1
- 600	233A5221-301509		PLUG BUTTON INSTL-P6-1/E9 FOR NHA SEE: 24-50-00-03C	008030	RF
605	BS51338D5003		.PLUG SUPPLIER CODE: V83058 SPECIFICATION NUMBER: BACP20B63B OPTIONAL PART: 51338 V83058	008030	1
- 610	233A5221-301516		PLUG BUTTON INSTL-P6-1/E16 FOR NHA SEE: 24-50-00-03C	008030	RF
615	BS51338D5003		.PLUG SUPPLIER CODE: V83058 SPECIFICATION NUMBER: BACP20B63B OPTIONAL PART: 51338 V83058	008030	1
- 620	233A5221-301517		PLUG BUTTON INSTL-P6-1/E17 FOR NHA SEE: 24-50-00-03C	008030	RF

MISSING ITEM NUMBERS NOT APPLICABLE

- ITEM NOT ILLUSTRATED

HAP

24-51-51-21A

BOEING PROPRIETARY - Copyright © - Unpublished Work - See title page for details.

24-51-51
FIG. 21A
PAGE 17
OCT 10/06

BOEING
737-600/700/800/900
PARTS CATALOG (MAINTENANCE)

FIG ITEM	PART NUMBER	1 2 3 4 5 6 7	NOMENCLATURE	EFFECT FROM TO	UNITS PER ASSY
21A 625	BS51338D5003		.PLUG SUPPLIER CODE: V83058 SPECIFICATION NUMBER: BACP20B63B OPTIONAL PART: 51338 V83058	008030	1
- 675	233A5221-501117		INOP INSTL-P6-1/A17 (ELECTRICAL POWER ONLY) FOR NHA/OTHER SYS DET SEE: 24-50-00-03C	008030	RF
680	10237-1		.COLLAR- SUPPLIER CODE: V1N6X0	008030	1
- 685	233A5221-501416		INOP INSTL-P6-1/D16 (ELECTRICAL POWER ONLY) FOR NHA/OTHER SYS DET SEE: 24-50-00-03C	008030	RF
690	10237-1		.COLLAR- SUPPLIER CODE: V1N6X0	008030	1
- 695	233A5221-501506		INOP INSTL-P6-1/E6 (ELECTRICAL POWER ONLY) FOR NHA/OTHER SYS DET SEE: 24-50-00-03C	008030	RF
700	10237-1		.COLLAR- SUPPLIER CODE: V1N6X0	008030	1
- 705	233A5221-501515		INOP INSTL-P6-1/E15 (ELECTRICAL POWER ONLY) FOR NHA/OTHER SYS DET SEE: 24-50-00-03C	008030	RF
710	10237-1		.COLLAR- SUPPLIER CODE: V1N6X0	008030	1

MISSING ITEM NUMBERS NOT APPLICABLE

- ITEM NOT ILLUSTRATED

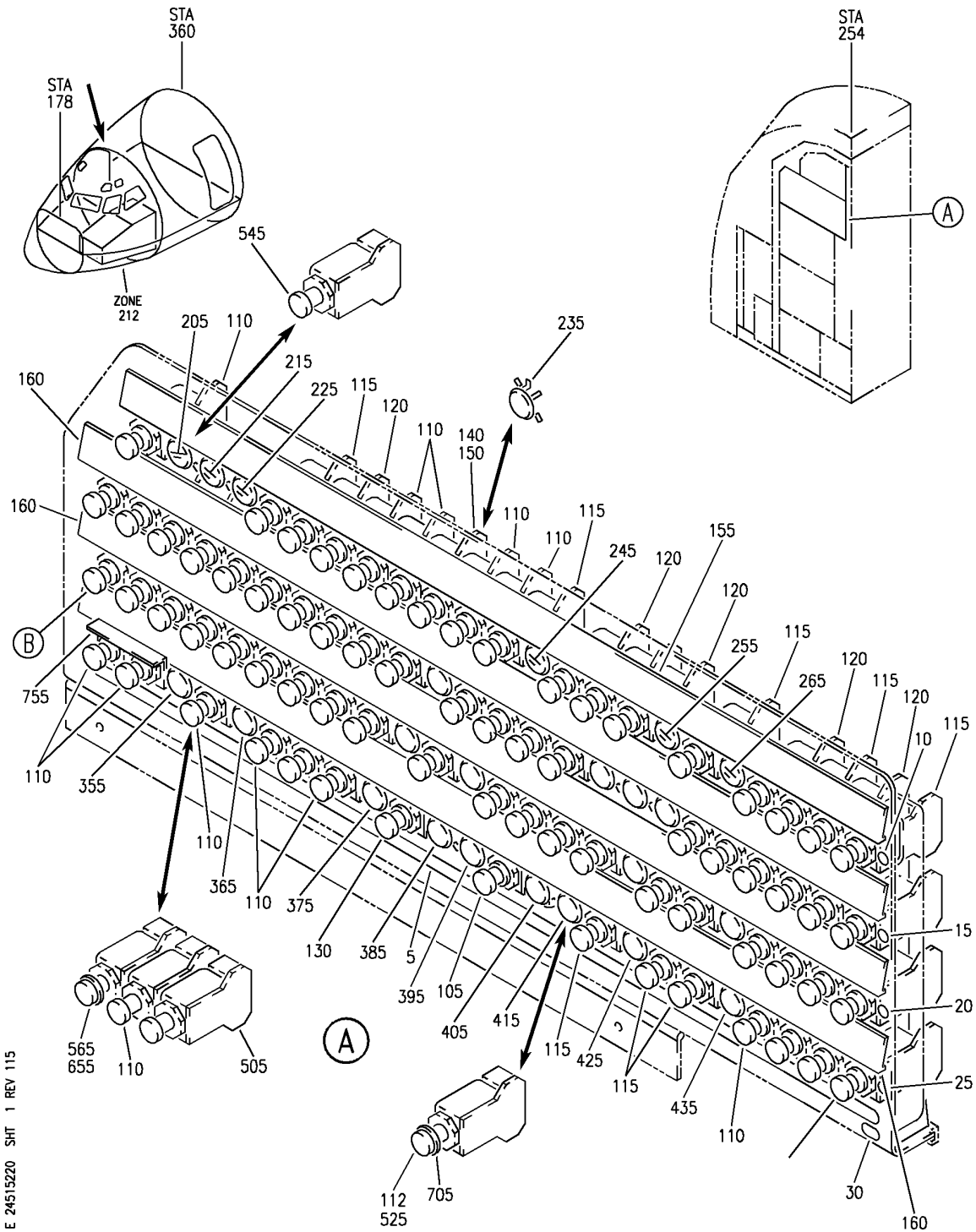
HAP

24-51-51-21A

BOEING PROPRIETARY - Copyright © - Unpublished Work - See title page for details.

24-51-51
FIG. 21A
PAGE 18
OCT 10/07

BOEING
737-600/700/800/900
PARTS CATALOG (MAINTENANCE)



E 24-51-52-20 SHT 1 REV 115

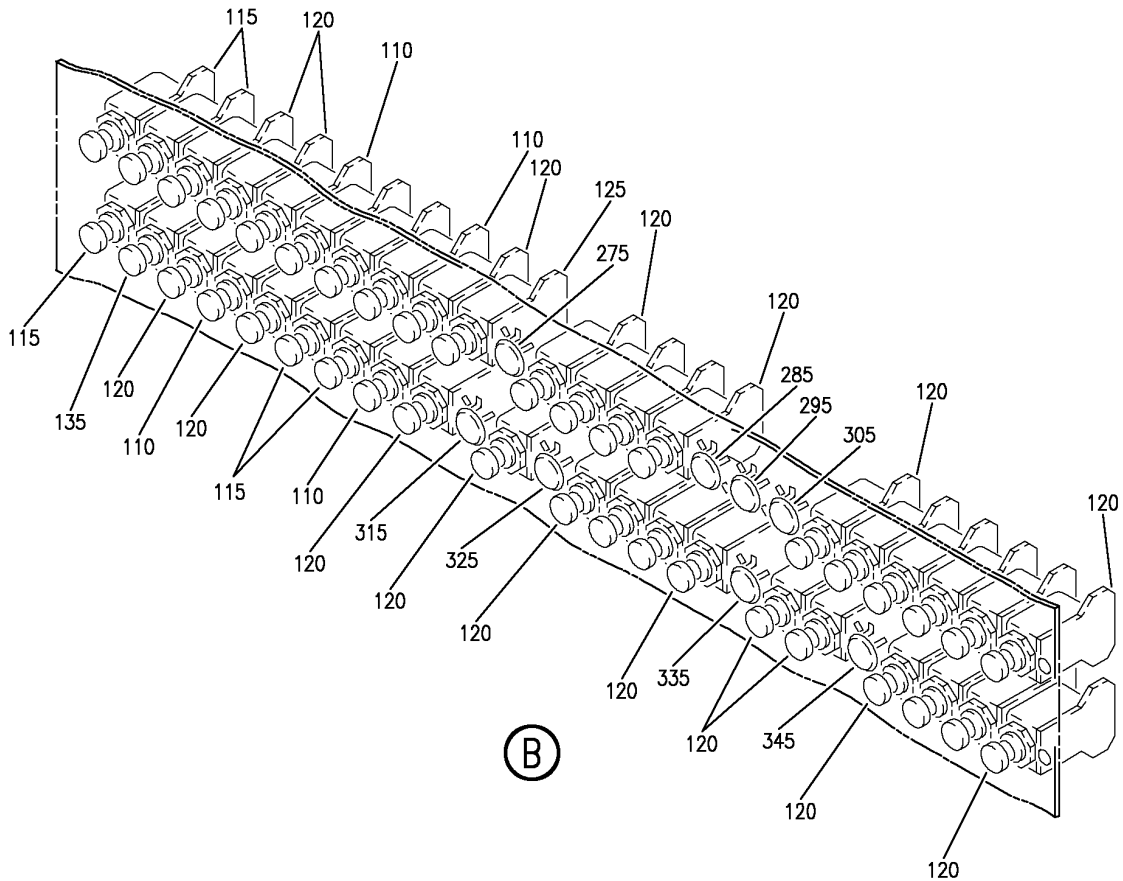
MARKER, CIRCUIT BREAKER, PLUG BUTTON, INOP AND GUARD INSTL-P6-2 PNL (ELECTRICAL POWER ONLY)
 FIGURE 20 (SHEET 1)

24-51-52-20

HAP
 FEB 10/07

24-51-52-20
 PAGE 0

BOEING
737-600/700/800/900
PARTS CATALOG (MAINTENANCE)



E 24515220 SH1 2 REV 077

MARKER, CIRCUIT BREAKER, PLUG BUTTON, INOP AND GUARD INSTL-P6-2 PNL (ELECTRICAL POWER ONLY)
 FIGURE 20 (SHEET 2)

HAP
 FEB 10/07

24-51-52-20

24-51-52-20
 PAGE 0A

BOEING
737-600/700/800/900
PARTS CATALOG (MAINTENANCE)

FIG ITEM	PART NUMBER	1 2 3 4 5 6 7	NOMENCLATURE	EFFECT FROM TO	UNITS PER ASSY
20			MARKER, CIRCUIT BREAKER, PLUG BUTTON, INOP AND GUARD INSTL-P6-2 PNL (ELECTRICAL POWER ONLY)	008030 201967	
- 1	233A5222-1		MARKER INSTL-P6-2 PNL FOR NHA SEE: 24-50-00-04B 24-50-00-04C	008030 201967	RF
5	BAC27DCC2731		.MARKER- PLACARD CONTENT: 1 THRU 24	008030 201967	1
10	BAC27DCC3065		.MARKER- PLACARD CONTENT: A	008030 201967	1
15	BAC27DCC3066		.MARKER- PLACARD CONTENT: B	008030 201967	1
20	BAC27DCC3067		.MARKER- PLACARD CONTENT: C	008030 201967	1
25	BAC27DCC3068		.MARKER- PLACARD CONTENT: D	008030 201967	1
30	BAC27DCC3075		.MARKER- PLACARD CONTENT: P6-2	008030 201967	1
- 100	233A5222-2		CIRCUIT BREAKER INSTL-P6-2 (ELECTRICAL POWER ONLY) MODIFICATION DRAWING REF: 737-8901-1 737-8901-5 737-8901-9 737-8901-11 737-8902-3 737-8922-1 REFERENCE AIRLINE MOD: E.O.APB737-8007 VHAP FOR NHA/OTHER SYS DET SEE: 24-50-00-04C	008023	RF
- 100	233A5222-3		CIRCUIT BREAKER INSTL-P6-2 (ELECTRICAL POWER ONLY) FOR NHA/OTHER SYS DET SEE: 24-50-00-04C	030030	RF
- 100	233A5222-2		CIRCUIT BREAKER INSTL-P6-2 (ELECTRICAL POWER ONLY) FOR NHA/OTHER SYS DET SEE: 24-50-00-04B 24-50-00-04C	024029 201967	RF

MISSING ITEM NUMBERS NOT APPLICABLE

- ITEM NOT ILLUSTRATED

HAP

24-51-52-20

BOEING PROPRIETARY - Copyright © - Unpublished Work - See title page for details.

24-51-52
FIG. 20
PAGE 1
FEB 15/09

BOEING
737-600/700/800/900
PARTS CATALOG (MAINTENANCE)

FIG ITEM	PART NUMBER	1 2 3 4 5 6 7	NOMENCLATURE	EFFECT FROM TO	UNITS PER ASSY
20 105	6TC6-10		.CIRCUIT BREAKER- SUPPLIER CODE: V82647 SPECIFICATION NUMBER: BACC18AC10 OPTIONAL PART: 4330-004-10 V76374 ELECTRICAL EQUIP NUMBER: C00841	008030 201967	1
110	2TC47-2-5		.CIRCUIT BREAKER- SUPPLIER CODE: V82647 SPECIFICATION NUMBER: BACC18AD2 OPTIONAL PART: 4310-029-205 V76374 ELECTRICAL EQUIP NUMBER: C01076 C00211 C01468 C01443 C00213 C01313 C01318 C01319 C01464 C00154 C01004 C01515 C01514 C00459 C00151 C01391 C01315 C00084 C00086 C00083 C00085	008030 201967	21

MISSING ITEM NUMBERS NOT APPLICABLE

— ITEM NOT ILLUSTRATED

HAP

24-51-52-20

BOEING PROPRIETARY - Copyright © - Unpublished Work - See title page for details.

24-51-52
FIG. 20
PAGE 2
FEB 15/09

BOEING
737-600/700/800/900
PARTS CATALOG (MAINTENANCE)

FIG ITEM	PART NUMBER	1 2 3 4 5 6 7	NOMENCLATURE	EFFECT FROM TO	UNITS PER ASSY
20 112	2TC47-2-5		.CIRCUIT BREAKER- SUPPLIER CODE: V82647 SPECIFICATION NUMBER: BACC18AD2 OPTIONAL PART: 4310-029-205 V76374 ELECTRICAL EQUIP NUMBER: C01628 POST SERVICE BULLETIN: 27-1253R1 27-1253R3	008029 201967	1
115	2TC47-3		.CIRCUIT BREAKER- SUPPLIER CODE: V82647 SPECIFICATION NUMBER: BACC18AD3 OPTIONAL PART: 4310-029-3 V76374 ELECTRICAL EQUIP NUMBER: C00566 C00306 C00388 C00407 C00405 C00374 C01064 C01037 C01413 C00277 C00788 C00786 C00787	008030 201967	13

MISSING ITEM NUMBERS NOT APPLICABLE

— ITEM NOT ILLUSTRATED

HAP

24-51-52-20

BOEING PROPRIETARY - Copyright © - Unpublished Work - See title page for details.

24-51-52
FIG. 20
PAGE 3
FEB 15/09

BOEING
737-600/700/800/900
PARTS CATALOG (MAINTENANCE)

FIG ITEM	PART NUMBER	1 2 3 4 5 6 7	NOMENCLATURE	EFFECT FROM TO	UNITS PER ASSY
20 120	2TC47-5		.CIRCUIT BREAKER- SUPPLIER CODE: V82647 SPECIFICATION NUMBER: BACC18AD5 OPTIONAL PART: 4310-029-5 V76374 ELECTRICAL EQUIP NUMBER: C00210 C01081 C01085 C00780 C00396 C00403 C01046 C00716 C00440 C00204 C00363 C01070 C00779 C01344 C00297 C00452 C00296 C01022 C01021 C01047 C01267 C01447 C00362 C01074 C01068 C00799 C00781 C00348 C00347 C00560 C00561 C00239 C00240	008030 201967	33

MISSING ITEM NUMBERS NOT APPLICABLE

— ITEM NOT ILLUSTRATED

HAP

24-51-52-20

BOEING PROPRIETARY - Copyright © - Unpublished Work - See title page for details.

24-51-52
FIG. 20
PAGE 4
FEB 15/09

BOEING
737-600/700/800/900
PARTS CATALOG (MAINTENANCE)

FIG ITEM	PART NUMBER	1 2 3 4 5 6 7	NOMENCLATURE	EFFECT FROM TO	UNITS PER ASSY
20 125	2TC47-7-5		.CIRCUIT BREAKER- SUPPLIER CODE: V82647 SPECIFICATION NUMBER: BACC18AD7 OPTIONAL PART: 4310-029-705 V76374 ELECTRICAL EQUIP NUMBER: C00207	008030 201967	1
130	9TC615		.CIRCUIT BREAKER- SUPPLIER CODE: V82647 SPECIFICATION NUMBER: BACC18AE15 ELECTRICAL EQUIP NUMBER: C00840	008030 201967	1
135	2TC6-1		.CIRCUIT BREAKER- SUPPLIER CODE: V82647 SPECIFICATION NUMBER: BACC18Z1R OPTIONAL PART: 4310-002-1 V76374 ELECTRICAL EQUIP NUMBER: C01042	008030 201967	1
140	2TC47-5		.CIRCUIT BREAKER- SUPPLIER CODE: V82647 SPECIFICATION NUMBER: BACC18AD5 OPTIONAL PART: 4310-029-5 V76374 ELECTRICAL EQUIP NUMBER: C01611 POST AIRLINE MOD: E.O.APB737-8007 VHAP	008023	1
150	RBEJ40K5A5A3		.JUMPER- SUPPLIER CODE: V1GK47 SPECIFICATION NUMBER: BACJ40K5A5A3 POST AIRLINE MOD: E.O.APB737-8007 VHAP	008023	1

MISSING ITEM NUMBERS NOT APPLICABLE

— ITEM NOT ILLUSTRATED

HAP

24-51-52-20

BOEING PROPRIETARY - Copyright © - Unpublished Work - See title page for details.

24-51-52
FIG. 20
PAGE 5
FEB 15/09

BOEING
737-600/700/800/900
PARTS CATALOG (MAINTENANCE)

FIG ITEM	PART NUMBER	1 2 3 4 5 6 7	NOMENCLATURE	EFFECT FROM TO	UNITS PER ASSY
20 155	233A5511-13		. GUARD-MARKER POST SERVICE BULLETIN: 24-1161	201967	1
160	233A5511-14		. GUARD-MARKER POST SERVICE BULLETIN: 24-1161	201967	3
- 200	233A5222-302103		PLUG BUTTON INSTL-P6-2/A3 FOR NHA SEE: 24-50-00-04B 24-50-00-04C	008030 201967	RF
205	BS51338D5003		. PLUG- SUPPLIER CODE: V83058 SPECIFICATION NUMBER: BACP20B63B OPTIONAL PART: 51338 V83058 MISCELLANEOUS DATA: USE IN PLACE OF CIRCUIT BREAKERS ON OPEN HOLES	008030 201967	1
- 210	233A5222-302104		PLUG BUTTON INSTL-P6-2/A4 FOR NHA SEE: 24-50-00-04B 24-50-00-04C	008030 201967	RF
215	BS51338D5003		. PLUG- SUPPLIER CODE: V83058 SPECIFICATION NUMBER: BACP20B63B OPTIONAL PART: 51338 V83058 MISCELLANEOUS DATA: USE IN PLACE OF CIRCUIT BREAKERS ON OPEN HOLES	008030 201967	1
- 220	233A5222-302105		PLUG BUTTON INSTL-P6-2/A5 FOR NHA SEE: 24-50-00-04B 24-50-00-04C	008030 201967	RF

MISSING ITEM NUMBERS NOT APPLICABLE

- ITEM NOT ILLUSTRATED

HAP

24-51-52-20

BOEING PROPRIETARY - Copyright © - Unpublished Work - See title page for details.

24-51-52
FIG. 20
PAGE 6
FEB 15/09

BOEING
737-600/700/800/900
PARTS CATALOG (MAINTENANCE)

FIG ITEM	PART NUMBER	1 2 3 4 5 6 7	NOMENCLATURE	EFFECT FROM TO	UNITS PER ASSY
20 225	BS51338D5003		.PLUG- SUPPLIER CODE: V83058 SPECIFICATION NUMBER: BACP20B63B OPTIONAL PART: 51338 V83058 MISCELLANEOUS DATA: USE IN PLACE OF CIRCUIT BREAKERS ON OPEN HOLES	008030 201967	1
- 230	233A5222-302110		PLUG BUTTON INSTL-P6-2/A10 PRE AIRLINE MOD: E.O.APB737-8007 VHAP FOR NHA SEE: 24-50-00-04C	008023	RF
- 230	233A5222-302110		PLUG BUTTON INSTL-P6-2/A10 FOR NHA SEE: 24-50-00-04B 24-50-00-04C	024030 201967	RF
235	BS51338D5003		.PLUG- SUPPLIER CODE: V83058 SPECIFICATION NUMBER: BACP20B63B OPTIONAL PART: 51338 V83058 MISCELLANEOUS DATA: USE IN PLACE OF CIRCUIT BREAKERS ON OPEN HOLES PRE AIRLINE MOD: E.O.APB737-8007 VHAP	008023	1
235	BS51338D5003		.PLUG- SUPPLIER CODE: V83058 SPECIFICATION NUMBER: BACP20B63B OPTIONAL PART: 51338 V83058 MISCELLANEOUS DATA: USE IN PLACE OF CIRCUIT BREAKERS ON OPEN HOLES	024030 201967	1

MISSING ITEM NUMBERS NOT APPLICABLE

- ITEM NOT ILLUSTRATED

HAP

24-51-52-20

BOEING PROPRIETARY - Copyright © - Unpublished Work - See title page for details.

24-51-52
FIG. 20
PAGE 7
FEB 15/09

 **BOEING**
737-600/700/800/900
PARTS CATALOG (MAINTENANCE)

FIG ITEM	PART NUMBER	1 2 3 4 5 6 7	NOMENCLATURE	EFFECT FROM TO	UNITS PER ASSY
20					
- 240	233A5222-302114		PLUG BUTTON INSTL-P6-2/A14 FOR NHA SEE: 24-50-00-04B 24-50-00-04C	008030 201967	RF
245	BS51338D5003		.PLUG- SUPPLIER CODE: V83058 SPECIFICATION NUMBER: BACP20B63B OPTIONAL PART: 51338 V83058 MISCELLANEOUS DATA: USE IN PLACE OF CIRCUIT BREAKERS ON OPEN HOLES	008030 201967	1
- 250	233A5222-302118		PLUG BUTTON INSTL-P6-2/A18 FOR NHA SEE: 24-50-00-04B 24-50-00-04C	008030 201967	RF
255	BS51338D5003		.PLUG- SUPPLIER CODE: V83058 SPECIFICATION NUMBER: BACP20B63B OPTIONAL PART: 51338 V83058 MISCELLANEOUS DATA: USE IN PLACE OF CIRCUIT BREAKERS ON OPEN HOLES	008030 201967	1
- 260	233A5222-302120		PLUG BUTTON INSTL-P6-2/A20 FOR NHA SEE: 24-50-00-04B 24-50-00-04C	008030 201967	RF
265	BS51338D5003		.PLUG- SUPPLIER CODE: V83058 SPECIFICATION NUMBER: BACP20B63B OPTIONAL PART: 51338 V83058 MISCELLANEOUS DATA: USE IN PLACE OF CIRCUIT BREAKERS ON OPEN HOLES	008030 201967	1
- 270	233A5222-302211		PLUG BUTTON INSTL-P6-2/B11 FOR NHA SEE: 24-50-00-04B 24-50-00-04C	008030 201967	RF

MISSING ITEM NUMBERS NOT APPLICABLE

- ITEM NOT ILLUSTRATED

HAP

24-51-52-20

BOEING PROPRIETARY - Copyright © - Unpublished Work - See title page for details.

24-51-52
FIG. 20
PAGE 8
FEB 15/09

BOEING
737-600/700/800/900
PARTS CATALOG (MAINTENANCE)

FIG ITEM	PART NUMBER	1 2 3 4 5 6 7	NOMENCLATURE	EFFECT FROM TO	UNITS PER ASSY
20 275	BS51338D5003		.PLUG- SUPPLIER CODE: V83058 SPECIFICATION NUMBER: BACP20B63B OPTIONAL PART: 51338 V83058 MISCELLANEOUS DATA: USE IN PLACE OF CIRCUIT BREAKERS ON OPEN HOLES	008030 201967	1
- 280	233A5222-302216		PLUG BUTTON INSTL-P6-2/B16 FOR NHA SEE: 24-50-00-04B 24-50-00-04C	008030 201967	RF
285	BS51338D5003		.PLUG- SUPPLIER CODE: V83058 SPECIFICATION NUMBER: BACP20B63B OPTIONAL PART: 51338 V83058 MISCELLANEOUS DATA: USE IN PLACE OF CIRCUIT BREAKERS ON OPEN HOLES	008030 201967	1
- 290	233A5222-302217		PLUG BUTTON INSTL-P6-2/B17 FOR NHA SEE: 24-50-00-04B 24-50-00-04C	008030 201967	RF
295	BS51338D5003		.PLUG- SUPPLIER CODE: V83058 SPECIFICATION NUMBER: BACP20B63B OPTIONAL PART: 51338 V83058 MISCELLANEOUS DATA: USE IN PLACE OF CIRCUIT BREAKERS ON OPEN HOLES	008030 201967	1
- 300	233A5222-302218		PLUG BUTTON INSTL-P6-2/B18 FOR NHA SEE: 24-50-00-04B 24-50-00-04C	008030 201967	RF

MISSING ITEM NUMBERS NOT APPLICABLE

- ITEM NOT ILLUSTRATED

HAP

24-51-52-20

BOEING PROPRIETARY - Copyright © - Unpublished Work - See title page for details.

24-51-52
FIG. 20
PAGE 9
FEB 15/09

BOEING
737-600/700/800/900
PARTS CATALOG (MAINTENANCE)

FIG ITEM	PART NUMBER	1 2 3 4 5 6 7	NOMENCLATURE	EFFECT FROM TO	UNITS PER ASSY
20 305	BS51338D5003		.PLUG- SUPPLIER CODE: V83058 SPECIFICATION NUMBER: BACP20B63B OPTIONAL PART: 51338 V83058 MISCELLANEOUS DATA: USE IN PLACE OF CIRCUIT BREAKERS ON OPEN HOLES	008030 201967	1
- 310	233A5222-302310		PLUG BUTTON INSTL-P6-2/C10 FOR NHA SEE: 24-50-00-04B 24-50-00-04C	008030 201967	RF
315	BS51338D5003		.PLUG- SUPPLIER CODE: V83058 SPECIFICATION NUMBER: BACP20B63B OPTIONAL PART: 51338 V83058 MISCELLANEOUS DATA: USE IN PLACE OF CIRCUIT BREAKERS ON OPEN HOLES	008030 201967	1
- 320	233A5222-302312		PLUG BUTTON INSTL-P6-2/C12 FOR NHA SEE: 24-50-00-04B 24-50-00-04C	008030 201967	RF
325	BS51338D5003		.PLUG- SUPPLIER CODE: V83058 SPECIFICATION NUMBER: BACP20B63B OPTIONAL PART: 51338 V83058 MISCELLANEOUS DATA: USE IN PLACE OF CIRCUIT BREAKERS ON OPEN HOLES	008030 201967	1
- 330	233A5222-302317		PLUG BUTTON INSTL-P6-2/C17 FOR NHA SEE: 24-50-00-04B 24-50-00-04C	008030 201967	RF

MISSING ITEM NUMBERS NOT APPLICABLE

- ITEM NOT ILLUSTRATED

HAP

24-51-52-20

BOEING PROPRIETARY - Copyright © - Unpublished Work - See title page for details.

24-51-52
FIG. 20
PAGE 10
FEB 15/09

BOEING
737-600/700/800/900
PARTS CATALOG (MAINTENANCE)

FIG ITEM	PART NUMBER	1 2 3 4 5 6 7	NOMENCLATURE	EFFECT FROM TO	UNITS PER ASSY
20 335	BS51338D5003		.PLUG- SUPPLIER CODE: V83058 SPECIFICATION NUMBER: BACP20B63B OPTIONAL PART: 51338 V83058 MISCELLANEOUS DATA: USE IN PLACE OF CIRCUIT BREAKERS ON OPEN HOLES	008030 201967	1
- 340	233A5222-302320		PLUG BUTTON INSTL-P6-2/C20 FOR NHA SEE: 24-50-00-04B 24-50-00-04C	008030 201967	RF
345	BS51338D5003		.PLUG- SUPPLIER CODE: V83058 SPECIFICATION NUMBER: BACP20B63B OPTIONAL PART: 51338 V83058 MISCELLANEOUS DATA: USE IN PLACE OF CIRCUIT BREAKERS ON OPEN HOLES	008030 201967	1
- 350	233A5222-302403		PLUG BUTTON INSTL-P6-2/D3 FOR NHA SEE: 24-50-00-04B 24-50-00-04C	008030 201967	RF
355	BS51338D5003		.PLUG- SUPPLIER CODE: V83058 SPECIFICATION NUMBER: BACP20B63B OPTIONAL PART: 51338 V83058 MISCELLANEOUS DATA: USE IN PLACE OF CIRCUIT BREAKERS ON OPEN HOLES	008030 201967	1
- 360	233A5222-302405		PLUG BUTTON INSTL-P6-2/D5 FOR NHA SEE: 24-50-00-04B 24-50-00-04C	008030 201967	RF

MISSING ITEM NUMBERS NOT APPLICABLE

- ITEM NOT ILLUSTRATED

HAP

24-51-52-20

BOEING PROPRIETARY - Copyright © - Unpublished Work - See title page for details.

24-51-52
FIG. 20
PAGE 11
FEB 15/09

BOEING
737-600/700/800/900
PARTS CATALOG (MAINTENANCE)

FIG ITEM	PART NUMBER	1 2 3 4 5 6 7	NOMENCLATURE	EFFECT FROM TO	UNITS PER ASSY
20 365	BS51338D5003		.PLUG- SUPPLIER CODE: V83058 SPECIFICATION NUMBER: BACP20B63B OPTIONAL PART: 51338 V83058 MISCELLANEOUS DATA: USE IN PLACE OF CIRCUIT BREAKERS ON OPEN HOLES	008030 201967	1
- 370	233A5222-302409		PLUG BUTTON INSTL-P6-2/D9 FOR NHA SEE: 24-50-00-04B 24-50-00-04C	008030 201967	RF
375	BS51338D5003		.PLUG- SUPPLIER CODE: V83058 SPECIFICATION NUMBER: BACP20B63B OPTIONAL PART: 51338 V83058 MISCELLANEOUS DATA: USE IN PLACE OF CIRCUIT BREAKERS ON OPEN HOLES	008030 201967	1
- 380	233A5222-302411		PLUG BUTTON INSTL-P6-2/D11 FOR NHA SEE: 24-50-00-04B 24-50-00-04C	008030 201967	RF
385	BS51338D5003		.PLUG- SUPPLIER CODE: V83058 SPECIFICATION NUMBER: BACP20B63B OPTIONAL PART: 51338 V83058 MISCELLANEOUS DATA: USE IN PLACE OF CIRCUIT BREAKERS ON OPEN HOLES	008030 201967	1
- 390	233A5222-302412		PLUG BUTTON INSTL-P6-2/D12 FOR NHA SEE: 24-50-00-04B 24-50-00-04C	008030 201967	RF

MISSING ITEM NUMBERS NOT APPLICABLE

- ITEM NOT ILLUSTRATED

HAP

24-51-52-20

BOEING PROPRIETARY - Copyright © - Unpublished Work - See title page for details.

24-51-52
FIG. 20
PAGE 12
FEB 15/09

BOEING
737-600/700/800/900
PARTS CATALOG (MAINTENANCE)

FIG ITEM	PART NUMBER	1 2 3 4 5 6 7	NOMENCLATURE	EFFECT FROM TO	UNITS PER ASSY
20 395	BS51338D5003		.PLUG- SUPPLIER CODE: V83058 SPECIFICATION NUMBER: BACP20B63B OPTIONAL PART: 51338 V83058 MISCELLANEOUS DATA: USE IN PLACE OF CIRCUIT BREAKERS ON OPEN HOLES	008030 201967	1
- 400	233A5222-302414		PLUG BUTTON INSTL-P6-2/D14 FOR NHA SEE: 24-50-00-04B 24-50-00-04C	008030 201967	RF
405	BS51338D5003		.PLUG- SUPPLIER CODE: V83058 SPECIFICATION NUMBER: BACP20B63B OPTIONAL PART: 51338 V83058 MISCELLANEOUS DATA: USE IN PLACE OF CIRCUIT BREAKERS ON OPEN HOLES	008030 201967	1
R R	- 410	233A5222-302415	PLUG BUTTON INSTL-P6-2/D15 PRE SERVICE BULLETIN: 27-1253R1 27-1253R3 FOR NHA SEE: 24-50-00-04B 24-50-00-04C	014014 202967	RF
415	BS51338D5003		.PLUG- SUPPLIER CODE: V83058 SPECIFICATION NUMBER: BACP20B63B OPTIONAL PART: 51338 V83058 MISCELLANEOUS DATA: USE IN PLACE OF CIRCUIT BREAKERS ON OPEN HOLES PRE SERVICE BULLETIN: 27-1253R1 27-1253R3	014014 202967	1

MISSING ITEM NUMBERS NOT APPLICABLE

- ITEM NOT ILLUSTRATED

HAP

24-51-52-20

BOEING PROPRIETARY - Copyright © - Unpublished Work - See title page for details.

24-51-52
FIG. 20
PAGE 13
JUN 15/09

BOEING
737-600/700/800/900
PARTS CATALOG (MAINTENANCE)

FIG ITEM	PART NUMBER	1 2 3 4 5 6 7	NOMENCLATURE	EFFECT FROM TO	UNITS PER ASSY
20					
- 420	233A5222-302417		PLUG BUTTON INSTL-P6-2/D17 FOR NHA SEE: 24-50-00-04B 24-50-00-04C	008030 201967	RF
425	BS51338D5003		.PLUG- SUPPLIER CODE: V83058 SPECIFICATION NUMBER: BACP20B63B OPTIONAL PART: 51338 V83058 MISCELLANEOUS DATA: USE IN PLACE OF CIRCUIT BREAKERS ON OPEN HOLES	008030 201967	1
- 430	233A5222-302420		PLUG BUTTON INSTL-P6-2/D20 FOR NHA SEE: 24-50-00-04B 24-50-00-04C	008030 201967	RF
435	BS51338D5003		.PLUG- SUPPLIER CODE: V83058 SPECIFICATION NUMBER: BACP20B63B OPTIONAL PART: 51338 V83058 MISCELLANEOUS DATA: USE IN PLACE OF CIRCUIT BREAKERS ON OPEN HOLES	008030 201967	1
- 520	233A5222-201628		CIRCUIT BREAKER INSTL- FLIGHT CONT FORCE FIGHT MON P6-2/D15 FOR NHA SEE: 24-50-00-04C	030030	RF
525	2TC47-2-5		.CIRCUIT BREAKER- SUPPLIER CODE: V82647 SPECIFICATION NUMBER: BACC18AD2 OPTIONAL PART: 4310-029-205 V76374 ELECTRICAL EQUIP NUMBER: C01628	030030	1
- 700	233A5222-502415		INOP INSTL-P6-2/D15 (ELECTRICAL POWER ONLY) FOR NHA/OTHER SYS DET SEE: 24-50-00-04C	030030	RF

MISSING ITEM NUMBERS NOT APPLICABLE

- ITEM NOT ILLUSTRATED

HAP

24-51-52-20

BOEING PROPRIETARY - Copyright © - Unpublished Work - See title page for details.

24-51-52
FIG. 20
PAGE 14
FEB 15/09


BOEING
 737-600/700/800/900
PARTS CATALOG (MAINTENANCE)

FIG ITEM	PART NUMBER	1 2 3 4 5 6 7 NOMENCLATURE	EFFECT FROM TO	UNITS PER ASSY
20 705	10237-1	. COLLAR- SUPPLIER CODE: V1N6X0	030030	1

MISSING ITEM NUMBERS NOT APPLICABLE

— ITEM NOT ILLUSTRATED

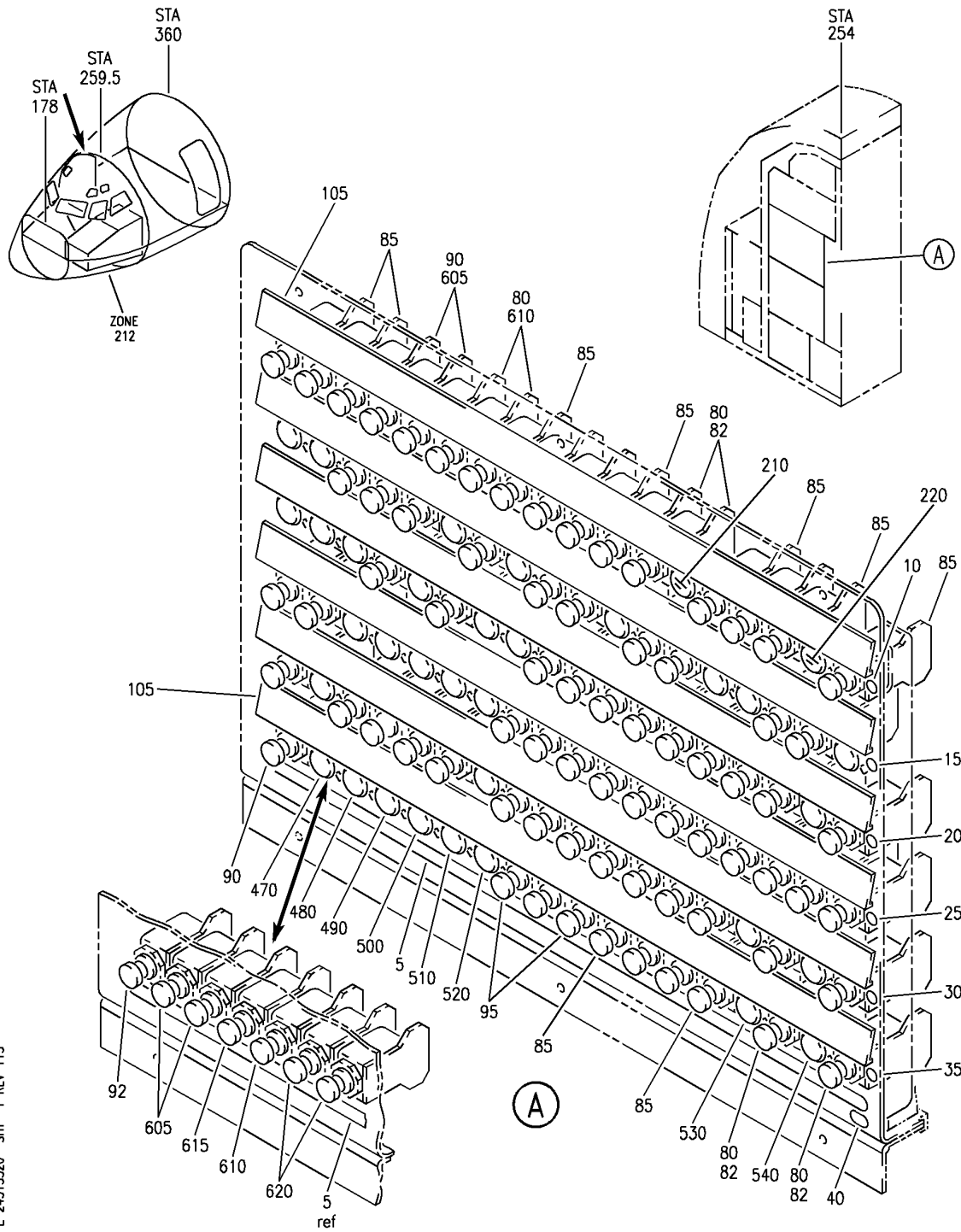
HAP

24-51-52-20

BOEING PROPRIETARY - Copyright © - Unpublished Work - See title page for details.

24-51-52
 FIG. 20
 PAGE 15
 FEB 15/09

BOEING
737-600/700/800/900
PARTS CATALOG (MAINTENANCE)



E 24-51-53-20 SHT 1 REV 115

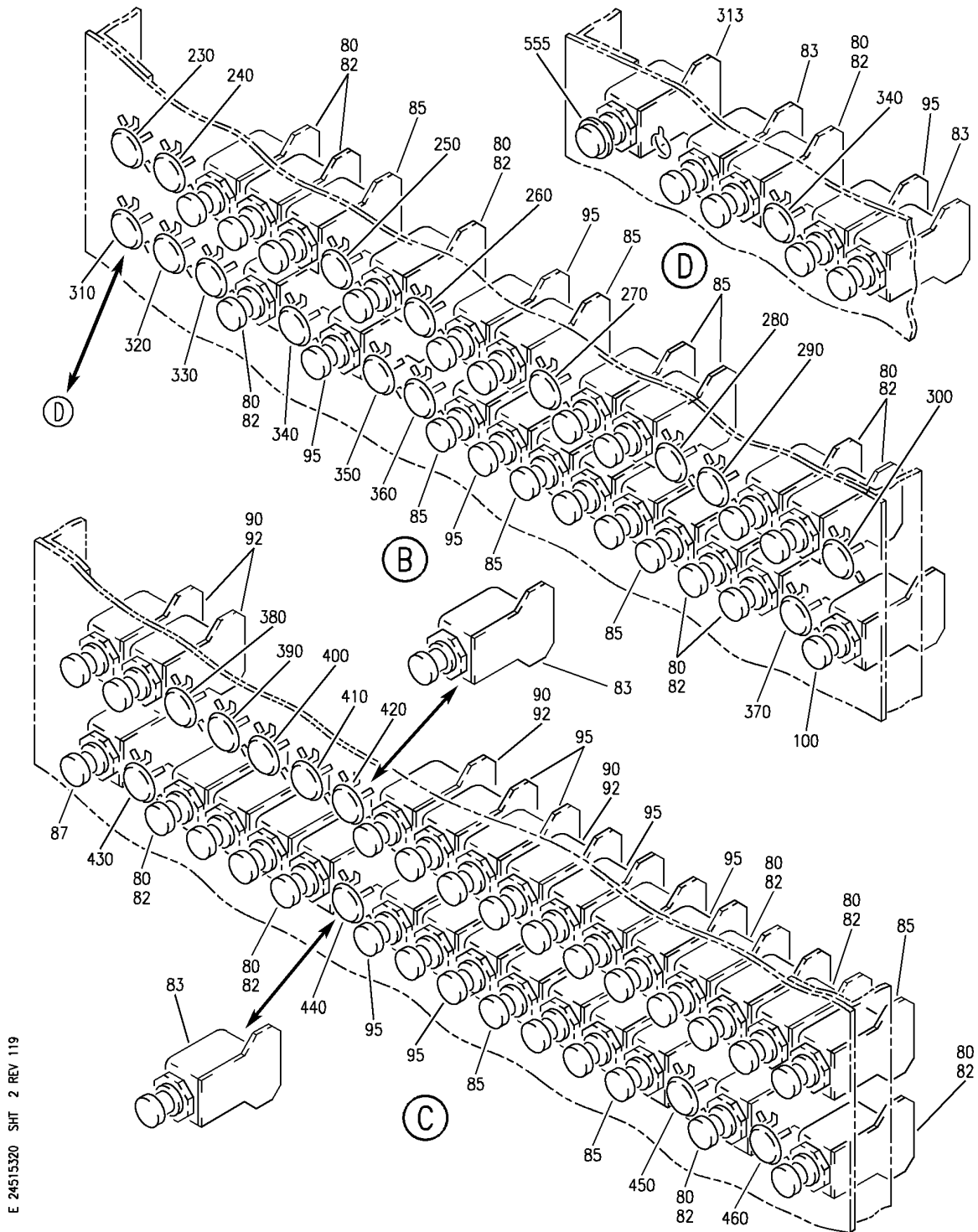
MARKER, CIRCUIT BREAKER, PLUG BUTTON AND INOP INSTL-P6-3 PNL (ELECTRICAL POWER ONLY)
 FIGURE 20 (SHEET 1)

24-51-53-20

HAP
 OCT 15/08

24-51-53-20
 PAGE 0


BOEING
737-600/700/800/900
PARTS CATALOG (MAINTENANCE)



E 24515320 SHT 2 REV 119

MARKER, CIRCUIT BREAKER, PLUG BUTTON AND INOP INSTL-P6-3 PNL (ELECTRICAL POWER ONLY)
 FIGURE 20 (SHEET 2)

24-51-53-20

HAP
OCT 15/08

24-51-53-20
 PAGE 0A

 **BOEING**
737-600/700/800/900
PARTS CATALOG (MAINTENANCE)

FIG ITEM	PART NUMBER	1 2 3 4 5 6 7	NOMENCLATURE	EFFECT FROM TO	UNITS PER ASSY
20			MARKER, CIRCUIT BREAKER, PLUG BUTTON AND INOP INSTL-P6-3 PNL (ELECTRICAL POWER ONLY)	201967	
- 1	233A5223-1		MARKER INSTL-P6-3 FOR NHA SEE: 24-50-00-05B	201967	RF
5	BAC27DCC2744		.MARKER- PLACARD CONTENT: 1 THRU 18	201967	1
10	BAC27DCC3065		.MARKER- PLACARD CONTENT: A	201967	1
15	BAC27DCC3066		.MARKER- PLACARD CONTENT: B	201967	1
20	BAC27DCC3067		.MARKER- PLACARD CONTENT: C	201967	1
25	BAC27DCC3068		.MARKER- PLACARD CONTENT: D	201967	1
30	BAC27DCC3069		.MARKER- PLACARD CONTENT: E	201967	1
35	BAC27DCC3070		.MARKER- PLACARD CONTENT: F	201967	1
40	BAC27DCC3076		.MARKER- PLACARD CONTENT: P6-3	201967	1
- 75	233A5223-2		CIRCUIT BREAKER INSTL-P6-3 (ELECTRICAL POWER ONLY) FOR NHA/OTHER SYS DET SEE: 24-50-00-05B	201967	RF

MISSING ITEM NUMBERS NOT APPLICABLE

- ITEM NOT ILLUSTRATED

HAP

24-51-53-20

BOEING PROPRIETARY - Copyright © - Unpublished Work - See title page for details.

24-51-53
FIG. 20
PAGE 1
OCT 15/08

BOEING
737-600/700/800/900
PARTS CATALOG (MAINTENANCE)

FIG ITEM	PART NUMBER	1 2 3 4 5 6 7	NOMENCLATURE	EFFECT FROM TO	UNITS PER ASSY
20 80	2TC47-2-5		.CIRCUIT BREAKER- SUPPLIER CODE: V82647 SPECIFICATION NUMBER: BACC18AD2 OPTIONAL PART: 4310-029-205 V76374 ELECTRICAL EQUIP NUMBER: C00398 C00397 C00751 C01425 C00360 C00359 C00361 C01346 C00129 C01471 C01355 C01356 C01401 C01432 C01027 C01321 C01396 C01320 C01395 C00196 C00195 C00570 C00569	201967	23
83	2TC47-2-5		.CIRCUIT BREAKER- SUPPLIER CODE: V82647 SPECIFICATION NUMBER: BACC18AD2 OPTIONAL PART: 4310-029-205 V76374 ELECTRICAL EQUIP NUMBER: C01637 C01638 C01639 C01640 POST ALERT SB: 28A1206	201967	4

MISSING ITEM NUMBERS NOT APPLICABLE

— ITEM NOT ILLUSTRATED

HAP

24-51-53-20

BOEING PROPRIETARY - Copyright © - Unpublished Work - See title page for details.

24-51-53
FIG. 20
PAGE 2
OCT 15/08

BOEING
737-600/700/800/900
PARTS CATALOG (MAINTENANCE)

FIG ITEM	PART NUMBER	1 2 3 4 5 6 7	NOMENCLATURE	EFFECT FROM TO	UNITS PER ASSY
20 85	2TC47-3		.CIRCUIT BREAKER- SUPPLIER CODE: V82647 SPECIFICATION NUMBER: BACC18AD3 OPTIONAL PART: 4310-029-3 V76374 ELECTRICAL EQUIP NUMBER: C00736 C00737 C00355 C00283 C00308 C00309 C00161 C00282 C01345 C00583 C00540 C00335 C00132 C00131 C00219 C01275 C01276 C01277 C01278 C00451 C00313 C00314 C00315 C00316 C00317 C00318 C01179 C01180	201967	28
87	2TC47-3		.CIRCUIT BREAKER- SUPPLIER CODE: V82647 SPECIFICATION NUMBER: BACC18AD3 OPTIONAL PART: 4310-029-3 V76374 ELECTRICAL EQUIP NUMBER: C00137	201967	1

MISSING ITEM NUMBERS NOT APPLICABLE

— ITEM NOT ILLUSTRATED

HAP

24-51-53-20

BOEING PROPRIETARY - Copyright © - Unpublished Work - See title page for details.

24-51-53
FIG. 20
PAGE 3
OCT 15/08

BOEING
737-600/700/800/900
PARTS CATALOG (MAINTENANCE)

FIG ITEM	PART NUMBER	1 2 3 4 5 6 7	NOMENCLATURE	EFFECT FROM TO	UNITS PER ASSY
20 90	2TC47-5		.CIRCUIT BREAKER- SUPPLIER CODE: V82647 SPECIFICATION NUMBER: BACC18AD5 OPTIONAL PART: 4310-029-5 V76374 ELECTRICAL EQUIP NUMBER: C00032 C01441 C01399 C01400 C00701 C00133 C00117	201967	7
95	2TC47-7-5		.CIRCUIT BREAKER- SUPPLIER CODE: V82647 SPECIFICATION NUMBER: BACC18AD7 OPTIONAL PART: 4310-029-705 V76374 ELECTRICAL EQUIP NUMBER: C00331 C01472 C00284 C00323 C00325 C00310 C00311 C00312 C00326 C00329 C00328 C00327 C00330 C00390	201967	14

MISSING ITEM NUMBERS NOT APPLICABLE

— ITEM NOT ILLUSTRATED

HAP

24-51-53-20

BOEING PROPRIETARY - Copyright © - Unpublished Work - See title page for details.

24-51-53
FIG. 20
PAGE 4
OCT 15/08

BOEING
737-600/700/800/900
PARTS CATALOG (MAINTENANCE)

FIG ITEM	PART NUMBER	1 2 3 4 5 6 7	NOMENCLATURE	EFFECT FROM TO	UNITS PER ASSY
20 100	2TC6-1		.CIRCUIT BREAKER- SUPPLIER CODE: V82647 SPECIFICATION NUMBER: BACC18Z1R OPTIONAL PART: 4310-002-1 V76374 P6-3/C18 ELECTRICAL EQUIP NUMBER: C01398	201967	1
105	233A5511-12		.GUARD-MARKER POST SERVICE BULLETIN: 24-1161	201967	6
- 205	233A5223-303113		PLUG BUTTON INSTL-P6-3/A13 FOR NHA SEE: 24-50-00-05B	201967	RF
210	BS51338D5003		.PLUG- SUPPLIER CODE: V83058 SPECIFICATION NUMBER: BACP20B63B OPTIONAL PART: 51338 V83058 MISCELLANEOUS DATA: USE IN PLACE OF CIRCUIT BREAKERS ON OPEN HOLES	201967	1
- 215	233A5223-303117		PLUG BUTTON INSTL-P6-3/A17 FOR NHA SEE: 24-50-00-05B	201967	RF
220	BS51338D5003		.PLUG- SUPPLIER CODE: V83058 SPECIFICATION NUMBER: BACP20B63B OPTIONAL PART: 51338 V83058 MISCELLANEOUS DATA: USE IN PLACE OF CIRCUIT BREAKERS ON OPEN HOLES	201967	1
- 225	233A5223-303201		PLUG BUTTON INSTL-P6-3/B1 FOR NHA SEE: 24-50-00-05B	201967	RF

MISSING ITEM NUMBERS NOT APPLICABLE

- ITEM NOT ILLUSTRATED

HAP

24-51-53-20

BOEING PROPRIETARY - Copyright © - Unpublished Work - See title page for details.

24-51-53
FIG. 20
PAGE 5
OCT 15/08

BOEING
737-600/700/800/900
PARTS CATALOG (MAINTENANCE)

FIG ITEM	PART NUMBER	1 2 3 4 5 6 7	NOMENCLATURE	EFFECT FROM TO	UNITS PER ASSY
20 230	BS51338D5003		.PLUG- SUPPLIER CODE: V83058 SPECIFICATION NUMBER: BACP20B63B OPTIONAL PART: 51338 V83058 MISCELLANEOUS DATA: USE IN PLACE OF CIRCUIT BREAKERS ON OPEN HOLES	201967	1
- 235	233A5223-303202		PLUG BUTTON INSTL-P6-3/B2 FOR NHA SEE: 24-50-00-05B	201967	RF
240	BS51338D5003		.PLUG- SUPPLIER CODE: V83058 SPECIFICATION NUMBER: BACP20B63B OPTIONAL PART: 51338 V83058 MISCELLANEOUS DATA: USE IN PLACE OF CIRCUIT BREAKERS ON OPEN HOLES	201967	1
- 245	233A5223-303206		PLUG BUTTON INSTL-P6-3/B6 FOR NHA SEE: 24-50-00-05B	201967	RF
250	BS51338D5003		.PLUG- SUPPLIER CODE: V83058 SPECIFICATION NUMBER: BACP20B63B OPTIONAL PART: 51338 V83058 MISCELLANEOUS DATA: USE IN PLACE OF CIRCUIT BREAKERS ON OPEN HOLES	201967	1
- 255	233A5223-303208		PLUG BUTTON INSTL-P6-3/B8 FOR NHA SEE: 24-50-00-05B	201967	RF

MISSING ITEM NUMBERS NOT APPLICABLE

- ITEM NOT ILLUSTRATED

HAP

24-51-53-20

BOEING PROPRIETARY - Copyright © - Unpublished Work - See title page for details.

24-51-53
FIG. 20
PAGE 6
OCT 15/08

BOEING
737-600/700/800/900
PARTS CATALOG (MAINTENANCE)

FIG ITEM	PART NUMBER	1 2 3 4 5 6 7	NOMENCLATURE	EFFECT FROM TO	UNITS PER ASSY
20 260	BS51338D5003		.PLUG- SUPPLIER CODE: V83058 SPECIFICATION NUMBER: BACP20B63B OPTIONAL PART: 51338 V83058 MISCELLANEOUS DATA: USE IN PLACE OF CIRCUIT BREAKERS ON OPEN HOLES	201967	1
- 265	233A5223-303211		PLUG BUTTON INSTL-P6-3/B11 FOR NHA SEE: 24-50-00-05B	201967	RF
270	BS51338D5003		.PLUG- SUPPLIER CODE: V83058 SPECIFICATION NUMBER: BACP20B63B OPTIONAL PART: 51338 V83058 MISCELLANEOUS DATA: USE IN PLACE OF CIRCUIT BREAKERS ON OPEN HOLES	201967	1
- 275	233A5223-303214		PLUG BUTTON INSTL-P6-3/B14 FOR NHA SEE: 24-50-00-05B	201967	RF
280	BS51338D5003		.PLUG- SUPPLIER CODE: V83058 SPECIFICATION NUMBER: BACP20B63B OPTIONAL PART: 51338 V83058 MISCELLANEOUS DATA: USE IN PLACE OF CIRCUIT BREAKERS ON OPEN HOLES	201967	1
- 285	233A5223-303215		PLUG BUTTON INSTL-P6-3/B15 FOR NHA SEE: 24-50-00-05B	201967	RF

MISSING ITEM NUMBERS NOT APPLICABLE

- ITEM NOT ILLUSTRATED

HAP

24-51-53-20

BOEING PROPRIETARY - Copyright © - Unpublished Work - See title page for details.

24-51-53
FIG. 20
PAGE 7
OCT 15/08

BOEING
737-600/700/800/900
PARTS CATALOG (MAINTENANCE)

FIG ITEM	PART NUMBER	1 2 3 4 5 6 7	NOMENCLATURE	EFFECT FROM TO	UNITS PER ASSY
20 290	BS51338D5003		.PLUG- SUPPLIER CODE: V83058 SPECIFICATION NUMBER: BACP20B63B OPTIONAL PART: 51338 V83058 MISCELLANEOUS DATA: USE IN PLACE OF CIRCUIT BREAKERS ON OPEN HOLES	201967	1
- 295	233A5223-303218		PLUG BUTTON INSTL-P6-3/B18 FOR NHA SEE: 24-50-00-05B	201967	RF
300	BS51338D5003		.PLUG- SUPPLIER CODE: V83058 SPECIFICATION NUMBER: BACP20B63B OPTIONAL PART: 51338 V83058 MISCELLANEOUS DATA: USE IN PLACE OF CIRCUIT BREAKERS ON OPEN HOLES	201967	1
- 305	233A5223-303301		PLUG BUTTON INSTL-P6-3/C1 FOR NHA SEE: 24-50-00-05B	201967	RF
310	BS51338D5003		.PLUG- SUPPLIER CODE: V83058 SPECIFICATION NUMBER: BACP20B63B OPTIONAL PART: 51338 V83058 MISCELLANEOUS DATA: USE IN PLACE OF CIRCUIT BREAKERS ON OPEN HOLES	201967	1
- 315	233A5223-303302		PLUG BUTTON INSTL-P6-3/C2 FOR NHA SEE: 24-50-00-05B	201967	RF

MISSING ITEM NUMBERS NOT APPLICABLE

- ITEM NOT ILLUSTRATED

HAP

24-51-53-20

BOEING PROPRIETARY - Copyright © - Unpublished Work - See title page for details.

24-51-53
FIG. 20
PAGE 8
OCT 15/08

BOEING
737-600/700/800/900
PARTS CATALOG (MAINTENANCE)

FIG ITEM	PART NUMBER	1 2 3 4 5 6 7	NOMENCLATURE	EFFECT FROM TO	UNITS PER ASSY
20 320	BS51338D5003		.PLUG- SUPPLIER CODE: V83058 SPECIFICATION NUMBER: BACP20B63B OPTIONAL PART: 51338 V83058 MISCELLANEOUS DATA: USE IN PLACE OF CIRCUIT BREAKERS ON OPEN HOLES	201967	1
- 325	233A5223-303303		PLUG BUTTON INSTL-P6-3/C3 PRE ALERT SB: 28A1206 FOR NHA SEE: 24-50-00-05B	201967	RF
330	BS51338D5003		.PLUG- SUPPLIER CODE: V83058 SPECIFICATION NUMBER: BACP20B63B OPTIONAL PART: 51338 V83058 MISCELLANEOUS DATA: USE IN PLACE OF CIRCUIT BREAKERS ON OPEN HOLES	201967	1
- 335	233A5223-303305		PLUG BUTTON INSTL-P6-3/C5 FOR NHA SEE: 24-50-00-05B	201967	RF
340	BS51338D5003		.PLUG- SUPPLIER CODE: V83058 SPECIFICATION NUMBER: BACP20B63B OPTIONAL PART: 51338 V83058 MISCELLANEOUS DATA: USE IN PLACE OF CIRCUIT BREAKERS ON OPEN HOLES	201967	1
- 345	233A5223-303307		PLUG BUTTON INSTL-P6-3/C7 PRE ALERT SB: 28A1206 FOR NHA SEE: 24-50-00-05B	201967	RF

MISSING ITEM NUMBERS NOT APPLICABLE

- ITEM NOT ILLUSTRATED

HAP

24-51-53-20

BOEING PROPRIETARY - Copyright © - Unpublished Work - See title page for details.

24-51-53
FIG. 20
PAGE 9
OCT 15/08

BOEING
737-600/700/800/900
PARTS CATALOG (MAINTENANCE)

FIG ITEM	PART NUMBER	1 2 3 4 5 6 7	NOMENCLATURE	EFFECT FROM TO	UNITS PER ASSY
20 350	BS51338D5003		.PLUG- SUPPLIER CODE: V83058 SPECIFICATION NUMBER: BACP20B63B OPTIONAL PART: 51338 V83058 MISCELLANEOUS DATA: USE IN PLACE OF CIRCUIT BREAKERS ON OPEN HOLES PRE ALERT SB: 28A1206	201967	1
- 355	233A5223-303308		PLUG BUTTON INSTL-P6-3/C8 FOR NHA SEE: 24-50-00-05B	201967	RF
360	BS51338D5003		.PLUG- SUPPLIER CODE: V83058 SPECIFICATION NUMBER: BACP20B63B OPTIONAL PART: 51338 V83058 MISCELLANEOUS DATA: USE IN PLACE OF CIRCUIT BREAKERS ON OPEN HOLES	201967	1
- 365	233A5223-303317		PLUG BUTTON INSTL-P6-3/C17 FOR NHA SEE: 24-50-00-05B	201967	RF
370	BS51338D5003		.PLUG- SUPPLIER CODE: V83058 SPECIFICATION NUMBER: BACP20B63B OPTIONAL PART: 51338 V83058 MISCELLANEOUS DATA: USE IN PLACE OF CIRCUIT BREAKERS ON OPEN HOLES	201967	1
- 375	233A5223-303403		PLUG BUTTON INSTL-P6-3/D3 FOR NHA SEE: 24-50-00-05B	201967	RF

MISSING ITEM NUMBERS NOT APPLICABLE

- ITEM NOT ILLUSTRATED

HAP

24-51-53-20

BOEING PROPRIETARY - Copyright © - Unpublished Work - See title page for details.

24-51-53
FIG. 20
PAGE 10
OCT 15/08

BOEING
737-600/700/800/900
PARTS CATALOG (MAINTENANCE)

FIG ITEM	PART NUMBER	1 2 3 4 5 6 7	NOMENCLATURE	EFFECT FROM TO	UNITS PER ASSY
20 380	BS51338D5003		.PLUG- SUPPLIER CODE: V83058 SPECIFICATION NUMBER: BACP20B63B OPTIONAL PART: 51338 V83058 MISCELLANEOUS DATA: USE IN PLACE OF CIRCUIT BREAKERS ON OPEN HOLES	201967	1
- 385	233A5223-303404		PLUG BUTTON INSTL-P6-3/D4 FOR NHA SEE: 24-50-00-05B	201967	RF
390	BS51338D5003		.PLUG- SUPPLIER CODE: V83058 SPECIFICATION NUMBER: BACP20B63B OPTIONAL PART: 51338 V83058 MISCELLANEOUS DATA: USE IN PLACE OF CIRCUIT BREAKERS ON OPEN HOLES	201967	1
- 395	233A5223-303405		PLUG BUTTON INSTL-P6-3/D5 FOR NHA SEE: 24-50-00-05B	201967	RF
400	BS51338D5003		.PLUG- SUPPLIER CODE: V83058 SPECIFICATION NUMBER: BACP20B63B OPTIONAL PART: 51338 V83058 MISCELLANEOUS DATA: USE IN PLACE OF CIRCUIT BREAKERS ON OPEN HOLES	201967	1
- 405	233A5223-303406		PLUG BUTTON INSTL-P6-3/D6 FOR NHA SEE: 24-50-00-05B	201967	RF

MISSING ITEM NUMBERS NOT APPLICABLE

- ITEM NOT ILLUSTRATED

HAP

24-51-53-20

BOEING PROPRIETARY - Copyright © - Unpublished Work - See title page for details.

24-51-53
FIG. 20
PAGE 11
OCT 15/08

BOEING
737-600/700/800/900
PARTS CATALOG (MAINTENANCE)

FIG ITEM	PART NUMBER	1 2 3 4 5 6 7	NOMENCLATURE	EFFECT FROM TO	UNITS PER ASSY
20 410	BS51338D5003		.PLUG- SUPPLIER CODE: V83058 SPECIFICATION NUMBER: BACP20B63B OPTIONAL PART: 51338 V83058 MISCELLANEOUS DATA: USE IN PLACE OF CIRCUIT BREAKERS ON OPEN HOLES	201967	1
- 415	233A5223-303407		PLUG BUTTON INSTL-P6-3/D7 PRE ALERT SB: 28A1206 FOR NHA SEE: 24-50-00-05B	201967	RF
420	BS51338D5003		.PLUG- SUPPLIER CODE: V83058 SPECIFICATION NUMBER: BACP20B63B OPTIONAL PART: 51338 V83058 MISCELLANEOUS DATA: USE IN PLACE OF CIRCUIT BREAKERS ON OPEN HOLES	201967	1
- 425	233A5223-303502		PLUG BUTTON INSTL-P6-3/E2 FOR NHA SEE: 24-50-00-05B	201967	RF
430	BS51338D5003		.PLUG- SUPPLIER CODE: V83058 SPECIFICATION NUMBER: BACP20B63B OPTIONAL PART: 51338 V83058 MISCELLANEOUS DATA: USE IN PLACE OF CIRCUIT BREAKERS ON OPEN HOLES	201967	1
- 435	233A5223-303507		PLUG BUTTON INSTL-P6-3/E7 PRE ALERT SB: 28A1206 FOR NHA SEE: 24-50-00-05B	201967	RF

MISSING ITEM NUMBERS NOT APPLICABLE

- ITEM NOT ILLUSTRATED

HAP

24-51-53-20

BOEING PROPRIETARY - Copyright © - Unpublished Work - See title page for details.

24-51-53
FIG. 20
PAGE 12
OCT 15/08

BOEING
737-600/700/800/900
PARTS CATALOG (MAINTENANCE)

FIG ITEM	PART NUMBER	1 2 3 4 5 6 7	NOMENCLATURE	EFFECT FROM TO	UNITS PER ASSY
20 440	BS51338D5003		.PLUG- SUPPLIER CODE: V83058 SPECIFICATION NUMBER: BACP20B63B OPTIONAL PART: 51338 V83058 MISCELLANEOUS DATA: USE IN PLACE OF CIRCUIT BREAKERS ON OPEN HOLES PRE ALERT SB: 28A1206	201967	1
- 445	233A5223-303515		PLUG BUTTON INSTL-P6-3/E15 FOR NHA SEE: 24-50-00-05B	201967	RF
450	BS51338D5003		.PLUG- SUPPLIER CODE: V83058 SPECIFICATION NUMBER: BACP20B63B OPTIONAL PART: 51338 V83058 MISCELLANEOUS DATA: USE IN PLACE OF CIRCUIT BREAKERS ON OPEN HOLES	201967	1
- 455	233A5223-303517		PLUG BUTTON INSTL-P6-3/E17 FOR NHA SEE: 24-50-00-05B	201967	RF
460	BS51338D5003		.PLUG- SUPPLIER CODE: V83058 SPECIFICATION NUMBER: BACP20B63B OPTIONAL PART: 51338 V83058 MISCELLANEOUS DATA: USE IN PLACE OF CIRCUIT BREAKERS ON OPEN HOLES	201967	1
- 465	233A5223-303602		PLUG BUTTON INSTL-P6-3/F2 FOR NHA SEE: 24-50-00-05B	201967	RF

MISSING ITEM NUMBERS NOT APPLICABLE

- ITEM NOT ILLUSTRATED

HAP

24-51-53-20

BOEING PROPRIETARY - Copyright © - Unpublished Work - See title page for details.

24-51-53
FIG. 20
PAGE 13
OCT 15/08

BOEING
737-600/700/800/900
PARTS CATALOG (MAINTENANCE)

FIG ITEM	PART NUMBER	1 2 3 4 5 6 7	NOMENCLATURE	EFFECT FROM TO	UNITS PER ASSY
20 470	BS51338D5003		.PLUG- SUPPLIER CODE: V83058 SPECIFICATION NUMBER: BACP20B63B OPTIONAL PART: 51338 V83058 MISCELLANEOUS DATA: USE IN PLACE OF CIRCUIT BREAKERS ON OPEN HOLES	201967	1
- 475	233A5223-303603		PLUG BUTTON INSTL-P6-3/F3 FOR NHA SEE: 24-50-00-05B	201967	RF
480	BS51338D5003		.PLUG- SUPPLIER CODE: V83058 SPECIFICATION NUMBER: BACP20B63B OPTIONAL PART: 51338 V83058 MISCELLANEOUS DATA: USE IN PLACE OF CIRCUIT BREAKERS ON OPEN HOLES	201967	1
- 485	233A5223-303604		PLUG BUTTON INSTL-P6-3/F4 FOR NHA SEE: 24-50-00-05B	201967	RF
490	BS51338D5003		.PLUG- SUPPLIER CODE: V83058 SPECIFICATION NUMBER: BACP20B63B OPTIONAL PART: 51338 V83058 MISCELLANEOUS DATA: USE IN PLACE OF CIRCUIT BREAKERS ON OPEN HOLES	201967	1
- 495	233A5223-303605		PLUG BUTTON INSTL-P6-3/F5 FOR NHA SEE: 24-50-00-05B	201967	RF

MISSING ITEM NUMBERS NOT APPLICABLE

- ITEM NOT ILLUSTRATED

HAP

24-51-53-20

BOEING PROPRIETARY - Copyright © - Unpublished Work - See title page for details.

24-51-53
FIG. 20
PAGE 14
OCT 15/08

BOEING
737-600/700/800/900
PARTS CATALOG (MAINTENANCE)

FIG ITEM	PART NUMBER	1 2 3 4 5 6 7	NOMENCLATURE	EFFECT FROM TO	UNITS PER ASSY
20 500	BS51338D5003		.PLUG- SUPPLIER CODE: V83058 SPECIFICATION NUMBER: BACP20B63B OPTIONAL PART: 51338 V83058 MISCELLANEOUS DATA: USE IN PLACE OF CIRCUIT BREAKERS ON OPEN HOLES	201967	1
- 505	233A5223-303606		PLUG BUTTON INSTL-P6-3/F6 FOR NHA SEE: 24-50-00-05B	201967	RF
510	BS51338D5003		.PLUG- SUPPLIER CODE: V83058 SPECIFICATION NUMBER: BACP20B63B OPTIONAL PART: 51338 V83058 MISCELLANEOUS DATA: USE IN PLACE OF CIRCUIT BREAKERS ON OPEN HOLES	201967	1
- 515	233A5223-303607		PLUG BUTTON INSTL-P6-3/F7 PRE ALERT SB: 28A1206 FOR NHA SEE: 24-50-00-05B	201967	RF
520	BS51338D5003		.PLUG- SUPPLIER CODE: V83058 SPECIFICATION NUMBER: BACP20B63B OPTIONAL PART: 51338 V83058 MISCELLANEOUS DATA: USE IN PLACE OF CIRCUIT BREAKERS ON OPEN HOLES PRE ALERT SB: 28A1206	201967	1
- 525	233A5223-303615		PLUG BUTTON INSTL-P6-3/F15 FOR NHA SEE: 24-50-00-05B	201967	RF

MISSING ITEM NUMBERS NOT APPLICABLE

- ITEM NOT ILLUSTRATED

HAP

24-51-53-20

BOEING PROPRIETARY - Copyright © - Unpublished Work - See title page for details.

24-51-53
FIG. 20
PAGE 15
OCT 15/08

BOEING
737-600/700/800/900
PARTS CATALOG (MAINTENANCE)

FIG ITEM	PART NUMBER	1 2 3 4 5 6 7	NOMENCLATURE	EFFECT FROM TO	UNITS PER ASSY
20 530	BS51338D5003		.PLUG- SUPPLIER CODE: V83058 SPECIFICATION NUMBER: BACP20B63B OPTIONAL PART: 51338 V83058 MISCELLANEOUS DATA: USE IN PLACE OF CIRCUIT BREAKERS ON OPEN HOLES	201967	1
- 535	233A5223-303617		PLUG BUTTON INSTL-P6-3/F17 FOR NHA SEE: 24-50-00-05B	201967	RF
540	BS51338D5003		.PLUG- SUPPLIER CODE: V83058 SPECIFICATION NUMBER: BACP20B63B OPTIONAL PART: 51338 V83058 MISCELLANEOUS DATA: USE IN PLACE OF CIRCUIT BREAKERS ON OPEN HOLES	201967	1

MISSING ITEM NUMBERS NOT APPLICABLE

- ITEM NOT ILLUSTRATED

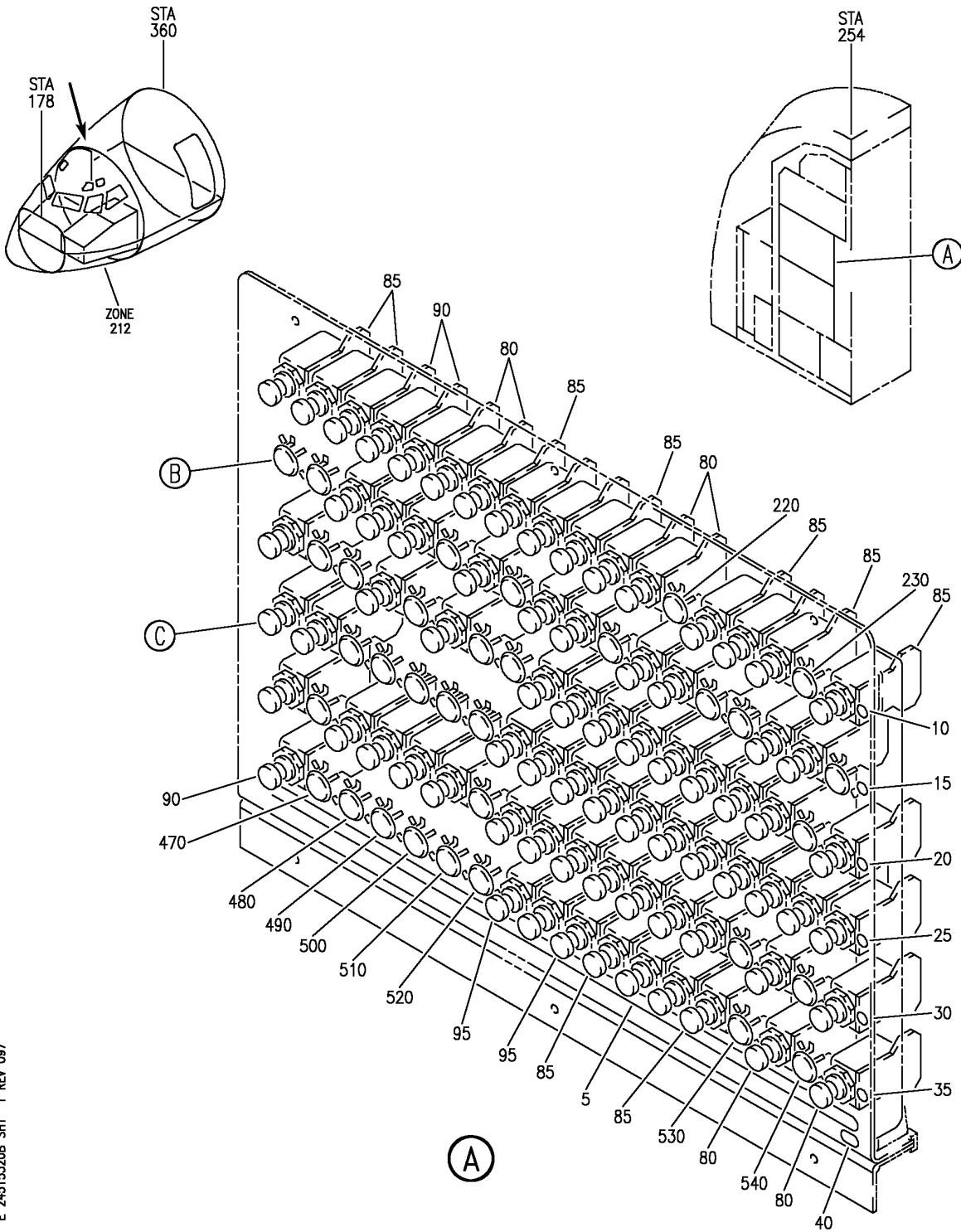
HAP

24-51-53-20

BOEING PROPRIETARY - Copyright © - Unpublished Work - See title page for details.

24-51-53
FIG. 20
PAGE 16
OCT 15/08

BOEING
 737-600/700/800/900
 PARTS CATALOG (MAINTENANCE)



E 24515320B SHT 1 REV 087

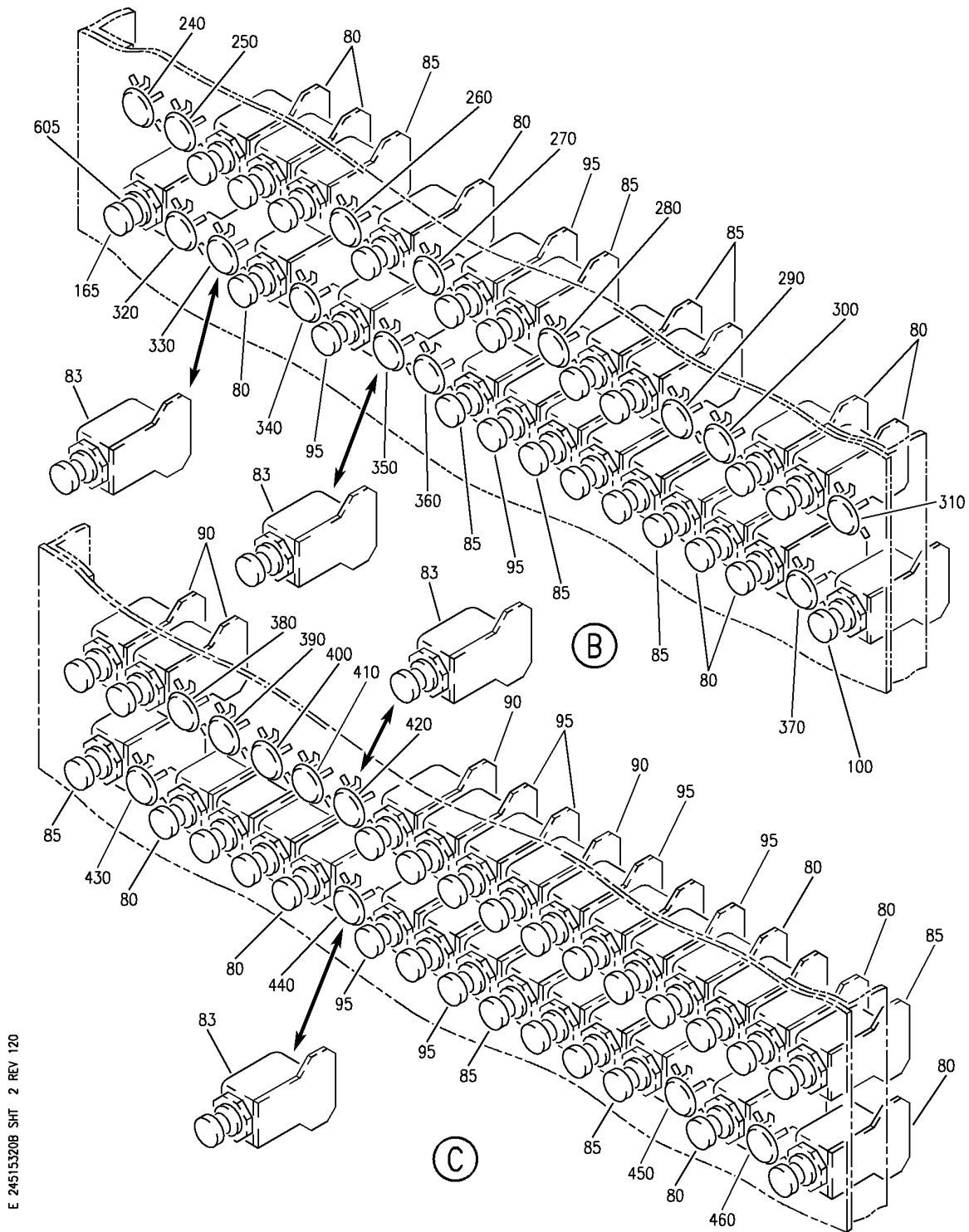
MARKER, CIRCUIT BREAKER, PLUG BUTTON AND INOP INSTL-P6-3 PNL (ELECTRICAL POWER ONLY)
 FIGURE 20B (SHEET 1)

24-51-53-20B

HAP
 FEB 10/07

24-51-53-20B
 PAGE 0

BOEING
 737-600/700/800/900
 PARTS CATALOG (MAINTENANCE)



E 24515320B SHT 2 REV 120

MARKER, CIRCUIT BREAKER, PLUG BUTTON AND INOP INSTL-P6-3 PNL (ELECTRICAL POWER ONLY)
 FIGURE 20B (SHEET 2)

24-51-53-20B

HAP
 FEB 10/07

24-51-53-20B
 PAGE 0A

BOEING
737-600/700/800/900
PARTS CATALOG (MAINTENANCE)

FIG ITEM	PART NUMBER	1 2 3 4 5 6 7	NOMENCLATURE	EFFECT FROM TO	UNITS PER ASSY
20B			MARKER, CIRCUIT BREAKER, PLUG BUTTON AND INOP INSTL-P6-3 PNL (ELECTRICAL POWER ONLY)	008030	
- 1	233A5223-1		MARKER INSTL-P6-3 FOR NHA SEE: 24-50-00-05C	008030	RF
5	BAC27DCC2744		.MARKER- PLACARD CONTENT: 1 THRU 18	008030	1
10	BAC27DCC3065		.MARKER- PLACARD CONTENT: A	008030	1
15	BAC27DCC3066		.MARKER- PLACARD CONTENT: B	008030	1
20	BAC27DCC3067		.MARKER- PLACARD CONTENT: C	008030	1
25	BAC27DCC3068		.MARKER- PLACARD CONTENT: D	008030	1
30	BAC27DCC3069		.MARKER- PLACARD CONTENT: E	008030	1
35	BAC27DCC3070		.MARKER- PLACARD CONTENT: F	008030	1
40	BAC27DCC3076		.MARKER- PLACARD CONTENT: P6-3	008030	1
- 75	233A5223-2		CIRCUIT BREAKER INSTL-P6-3 (ELECTRICAL POWER ONLY) FOR NHA/OTHER SYS DET SEE: 24-50-00-05C	008030	RF

MISSING ITEM NUMBERS NOT APPLICABLE

- ITEM NOT ILLUSTRATED

HAP

24-51-53-20B

BOEING PROPRIETARY - Copyright © - Unpublished Work - See title page for details.

24-51-53
FIG. 20B
PAGE 1
FEB 10/07

BOEING
737-600/700/800/900
PARTS CATALOG (MAINTENANCE)

FIG ITEM	PART NUMBER	1 2 3 4 5 6 7	NOMENCLATURE	EFFECT FROM TO	UNITS PER ASSY
20B 80	2TC47-2-5		.CIRCUIT BREAKER- SUPPLIER CODE: V82647 SPECIFICATION NUMBER: BACC18AD2 OPTIONAL PART: 4310-029-205 V76374 ELECTRICAL EQUIP NUMBER: C00398 C00397 C00751 C01425 C00360 C00359 C00361 C01346 C00129 C01471 C01355 C01356 C01401 C01432 C01027 C01321 C01396 C01320 C01395 C00196 C00195 C00570 C00569	008030	23
83	2TC47-2-5		.CIRCUIT BREAKER- SUPPLIER CODE: V82647 SPECIFICATION NUMBER: BACC18AD2 OPTIONAL PART: 4310-029-205 V76374 ELECTRICAL EQUIP NUMBER: C01637 C01638 C01639 C01640 POST ALERT SB: 28A1206	008030	4

MISSING ITEM NUMBERS NOT APPLICABLE

— ITEM NOT ILLUSTRATED

HAP

24-51-53-20B

BOEING PROPRIETARY - Copyright © - Unpublished Work - See title page for details.

24-51-53
FIG. 20B
PAGE 2
OCT 10/06


BOEING
 737-600/700/800/900
PARTS CATALOG (MAINTENANCE)

FIG ITEM	PART NUMBER	1 2 3 4 5 6 7	NOMENCLATURE	EFFECT FROM TO	UNITS PER ASSY
20B 85	2TC47-3	.	CIRCUIT BREAKER- SUPPLIER CODE: V82647 SPECIFICATION NUMBER: BACC18AD3 OPTIONAL PART: 4310-029-3 V76374 ELECTRICAL EQUIP NUMBER: C00736 C00737 C00355 C00283 C00308 C00309 C00161 C00282 C01345 C00583 C00540 C00335 C00132 C00131 C00219 C01275 C01276 C01277 C01278 C00451 C00137 C00313 C00314 C00315 C00316 C00317 C00318 C01179 C01180	008030	29

MISSING ITEM NUMBERS NOT APPLICABLE

— ITEM NOT ILLUSTRATED

HAP

24-51-53-20B

BOEING PROPRIETARY - Copyright © - Unpublished Work - See title page for details.

24-51-53
 FIG. 20B
 PAGE 3
 OCT 10/06

BOEING
737-600/700/800/900
PARTS CATALOG (MAINTENANCE)

FIG ITEM	PART NUMBER	1 2 3 4 5 6 7	NOMENCLATURE	EFFECT FROM TO	UNITS PER ASSY
20B 90	2TC47-5		.CIRCUIT BREAKER- SUPPLIER CODE: V82647 SPECIFICATION NUMBER: BACC18AD5 OPTIONAL PART: 4310-029-5 V76374 ELECTRICAL EQUIP NUMBER: C00032 C01441 C01399 C01400 C00701 C00133 C00117	008030	7
95	2TC47-7-5		.CIRCUIT BREAKER- SUPPLIER CODE: V82647 SPECIFICATION NUMBER: BACC18AD7 OPTIONAL PART: 4310-029-705 V76374 ELECTRICAL EQUIP NUMBER: C00331 C01472 C00284 C00323 C00325 C00310 C00311 C00312 C00326 C00329 C00328 C00327 C00330 C00390	008030	14
100	2TC6-1		.CIRCUIT BREAKER- SUPPLIER CODE: V82647 SPECIFICATION NUMBER: BACC18Z1R OPTIONAL PART: 4310-002-1 V76374 ELECTRICAL EQUIP NUMBER: C01398	008030	1

MISSING ITEM NUMBERS NOT APPLICABLE

— ITEM NOT ILLUSTRATED

HAP

24-51-53-20B

BOEING PROPRIETARY - Copyright © - Unpublished Work - See title page for details.

24-51-53
FIG. 20B
PAGE 4
OCT 10/06

BOEING
737-600/700/800/900
PARTS CATALOG (MAINTENANCE)

FIG ITEM	PART NUMBER	1 2 3 4 5 6 7	NOMENCLATURE	EFFECT FROM TO	UNITS PER ASSY
20B - 160	233A5223-201495		CIRCUIT BREAKER INSTL-ELT INTERFACE UNIT P6-3/C1 FOR NHA SEE: 24-50-00-05C	008030	RF
165	2TC47-2-5		.CIRCUIT BREAKER- SUPPLIER CODE: V82647 SPECIFICATION NUMBER: BACC18AD2 OPTIONAL PART: 4310-029-205 V76374 ELECTRICAL EQUIP NUMBER: C01495	008030	1
- 215	233A5223-303113		PLUG BUTTON INSTL-P6-3/A13 FOR NHA SEE: 24-50-00-05C	008030	RF
220	BS51338D5003		.PLUG- SUPPLIER CODE: V83058 SPECIFICATION NUMBER: BACP20B63B OPTIONAL PART: 51338 V83058 MISCELLANEOUS DATA: USE IN PLACE OF CIRCUIT BREAKERS ON OPEN HOLES	008030	1
- 225	233A5223-303117		PLUG BUTTON INSTL-P6-3/A17 FOR NHA SEE: 24-50-00-05C	008030	RF
230	BS51338D5003		.PLUG- SUPPLIER CODE: V83058 SPECIFICATION NUMBER: BACP20B63B OPTIONAL PART: 51338 V83058 MISCELLANEOUS DATA: USE IN PLACE OF CIRCUIT BREAKERS ON OPEN HOLES	008030	1
- 235	233A5223-303201		PLUG BUTTON INSTL-P6-3/B1 FOR NHA SEE: 24-50-00-05C	008030	RF

MISSING ITEM NUMBERS NOT APPLICABLE

- ITEM NOT ILLUSTRATED

HAP

24-51-53-20B

BOEING PROPRIETARY - Copyright © - Unpublished Work - See title page for details.

24-51-53
FIG. 20B
PAGE 5
OCT 10/06

BOEING
737-600/700/800/900
PARTS CATALOG (MAINTENANCE)

FIG ITEM	PART NUMBER	1 2 3 4 5 6 7	NOMENCLATURE	EFFECT FROM TO	UNITS PER ASSY
20B 240	BS51338D5003		.PLUG- SUPPLIER CODE: V83058 SPECIFICATION NUMBER: BACP20B63B OPTIONAL PART: 51338 V83058 MISCELLANEOUS DATA: USE IN PLACE OF CIRCUIT BREAKERS ON OPEN HOLES	008030	1
- 245	233A5223-303202		PLUG BUTTON INSTL-P6-3/B2 FOR NHA SEE: 24-50-00-05C	008030	RF
250	BS51338D5003		.PLUG- SUPPLIER CODE: V83058 SPECIFICATION NUMBER: BACP20B63B OPTIONAL PART: 51338 V83058 MISCELLANEOUS DATA: USE IN PLACE OF CIRCUIT BREAKERS ON OPEN HOLES	008030	1
- 255	233A5223-303206		PLUG BUTTON INSTL-P6-3/B6 FOR NHA SEE: 24-50-00-05C	008030	RF
260	BS51338D5003		.PLUG- SUPPLIER CODE: V83058 SPECIFICATION NUMBER: BACP20B63B OPTIONAL PART: 51338 V83058 MISCELLANEOUS DATA: USE IN PLACE OF CIRCUIT BREAKERS ON OPEN HOLES	008030	1
- 265	233A5223-303208		PLUG BUTTON INSTL-P6-3/B8 FOR NHA SEE: 24-50-00-05C	008030	RF

MISSING ITEM NUMBERS NOT APPLICABLE

- ITEM NOT ILLUSTRATED

HAP

24-51-53-20B

BOEING PROPRIETARY - Copyright © - Unpublished Work - See title page for details.

24-51-53
FIG. 20B
PAGE 6
OCT 10/06

BOEING
737-600/700/800/900
PARTS CATALOG (MAINTENANCE)

FIG ITEM	PART NUMBER	1 2 3 4 5 6 7	NOMENCLATURE	EFFECT FROM TO	UNITS PER ASSY
20B 270	BS51338D5003		.PLUG- SUPPLIER CODE: V83058 SPECIFICATION NUMBER: BACP20B63B OPTIONAL PART: 51338 V83058 MISCELLANEOUS DATA: USE IN PLACE OF CIRCUIT BREAKERS ON OPEN HOLES	008030	1
- 275	233A5223-303211		PLUG BUTTON INSTL-P6-3/B11 FOR NHA SEE: 24-50-00-05C	008030	RF
280	BS51338D5003		.PLUG- SUPPLIER CODE: V83058 SPECIFICATION NUMBER: BACP20B63B OPTIONAL PART: 51338 V83058 MISCELLANEOUS DATA: USE IN PLACE OF CIRCUIT BREAKERS ON OPEN HOLES	008030	1
- 285	233A5223-303214		PLUG BUTTON INSTL-P6-3/B14 FOR NHA SEE: 24-50-00-05C	008030	RF
290	BS51338D5003		.PLUG- SUPPLIER CODE: V83058 SPECIFICATION NUMBER: BACP20B63B OPTIONAL PART: 51338 V83058 MISCELLANEOUS DATA: USE IN PLACE OF CIRCUIT BREAKERS ON OPEN HOLES	008030	1
- 295	233A5223-303215		PLUG BUTTON INSTL-P6-3/B15 FOR NHA SEE: 24-50-00-05C	008030	RF

MISSING ITEM NUMBERS NOT APPLICABLE

- ITEM NOT ILLUSTRATED

HAP

24-51-53-20B

BOEING PROPRIETARY - Copyright © - Unpublished Work - See title page for details.

24-51-53
FIG. 20B
PAGE 7
OCT 10/06

BOEING
737-600/700/800/900
PARTS CATALOG (MAINTENANCE)

FIG ITEM	PART NUMBER	1 2 3 4 5 6 7	NOMENCLATURE	EFFECT FROM TO	UNITS PER ASSY
20B 300	BS51338D5003		.PLUG- SUPPLIER CODE: V83058 SPECIFICATION NUMBER: BACP20B63B OPTIONAL PART: 51338 V83058 MISCELLANEOUS DATA: USE IN PLACE OF CIRCUIT BREAKERS ON OPEN HOLES	008030	1
- 305	233A5223-303218		PLUG BUTTON INSTL-P6-3/B18 FOR NHA SEE: 24-50-00-05C	008030	RF
310	BS51338D5003		.PLUG- SUPPLIER CODE: V83058 SPECIFICATION NUMBER: BACP20B63B OPTIONAL PART: 51338 V83058 MISCELLANEOUS DATA: USE IN PLACE OF CIRCUIT BREAKERS ON OPEN HOLES	008030	1
- 315	233A5223-303302		PLUG BUTTON INSTL-P6-3/C2 FOR NHA SEE: 24-50-00-05C	008030	RF
320	BS51338D5003		.PLUG- SUPPLIER CODE: V83058 SPECIFICATION NUMBER: BACP20B63B OPTIONAL PART: 51338 V83058 MISCELLANEOUS DATA: USE IN PLACE OF CIRCUIT BREAKERS ON OPEN HOLES	008030	1
- 325	233A5223-303303		PLUG BUTTON INSTL-P6-3/C3 PRE ALERT SB: 28A1206 FOR NHA SEE: 24-50-00-05C	008030	RF

MISSING ITEM NUMBERS NOT APPLICABLE

- ITEM NOT ILLUSTRATED

HAP

24-51-53-20B

BOEING PROPRIETARY - Copyright © - Unpublished Work - See title page for details.

24-51-53
FIG. 20B
PAGE 8
OCT 10/06

BOEING
737-600/700/800/900
PARTS CATALOG (MAINTENANCE)

FIG ITEM	PART NUMBER	1 2 3 4 5 6 7	NOMENCLATURE	EFFECT FROM TO	UNITS PER ASSY
20B 330	BS51338D5003		.PLUG- SUPPLIER CODE: V83058 SPECIFICATION NUMBER: BACP20B63B OPTIONAL PART: 51338 V83058 MISCELLANEOUS DATA: USE IN PLACE OF CIRCUIT BREAKERS ON OPEN HOLES PRE ALERT SB: 28A1206	008030	1
- 335	233A5223-303305		PLUG BUTTON INSTL-P6-3/C5 FOR NHA SEE: 24-50-00-05C	008030	RF
340	BS51338D5003		.PLUG- SUPPLIER CODE: V83058 SPECIFICATION NUMBER: BACP20B63B OPTIONAL PART: 51338 V83058 MISCELLANEOUS DATA: USE IN PLACE OF CIRCUIT BREAKERS ON OPEN HOLES	008030	1
- 345	233A5223-303307		PLUG BUTTON INSTL-P6-3/C7 PRE ALERT SB: 28A1206 FOR NHA SEE: 24-50-00-05C	008030	RF
350	BS51338D5003		.PLUG- SUPPLIER CODE: V83058 SPECIFICATION NUMBER: BACP20B63B OPTIONAL PART: 51338 V83058 MISCELLANEOUS DATA: USE IN PLACE OF CIRCUIT BREAKERS ON OPEN HOLES PRE ALERT SB: 28A1206	008030	1
- 355	233A5223-303308		PLUG BUTTON INSTL-P6-3/C8 FOR NHA SEE: 24-50-00-05C	008030	RF

MISSING ITEM NUMBERS NOT APPLICABLE

- ITEM NOT ILLUSTRATED

HAP

24-51-53-20B

BOEING PROPRIETARY - Copyright © - Unpublished Work - See title page for details.

24-51-53
FIG. 20B
PAGE 9
OCT 10/06

BOEING
737-600/700/800/900
PARTS CATALOG (MAINTENANCE)

FIG ITEM	PART NUMBER	1 2 3 4 5 6 7	NOMENCLATURE	EFFECT FROM TO	UNITS PER ASSY
20B 360	BS51338D5003		.PLUG- SUPPLIER CODE: V83058 SPECIFICATION NUMBER: BACP20B63B OPTIONAL PART: 51338 V83058 MISCELLANEOUS DATA: USE IN PLACE OF CIRCUIT BREAKERS ON OPEN HOLES	008030	1
- 365	233A5223-303317		PLUG BUTTON INSTL-P6-3/C17 FOR NHA SEE: 24-50-00-05C	008030	RF
370	BS51338D5003		.PLUG- SUPPLIER CODE: V83058 SPECIFICATION NUMBER: BACP20B63B OPTIONAL PART: 51338 V83058 MISCELLANEOUS DATA: USE IN PLACE OF CIRCUIT BREAKERS ON OPEN HOLES	008030	1
- 375	233A5223-303403		PLUG BUTTON INSTL-P6-3/D3 FOR NHA SEE: 24-50-00-05C	008030	RF
380	BS51338D5003		.PLUG- SUPPLIER CODE: V83058 SPECIFICATION NUMBER: BACP20B63B OPTIONAL PART: 51338 V83058 MISCELLANEOUS DATA: USE IN PLACE OF CIRCUIT BREAKERS ON OPEN HOLES	008030	1
- 385	233A5223-303404		PLUG BUTTON INSTL-P6-3/D4 FOR NHA SEE: 24-50-00-05C	008030	RF

MISSING ITEM NUMBERS NOT APPLICABLE

- ITEM NOT ILLUSTRATED

HAP

24-51-53-20B

BOEING PROPRIETARY - Copyright © - Unpublished Work - See title page for details.

24-51-53
FIG. 20B
PAGE 10
OCT 10/06

BOEING
737-600/700/800/900
PARTS CATALOG (MAINTENANCE)

FIG ITEM	PART NUMBER	1 2 3 4 5 6 7	NOMENCLATURE	EFFECT FROM TO	UNITS PER ASSY
20B 390	BS51338D5003		.PLUG- SUPPLIER CODE: V83058 SPECIFICATION NUMBER: BACP20B63B OPTIONAL PART: 51338 V83058 MISCELLANEOUS DATA: USE IN PLACE OF CIRCUIT BREAKERS ON OPEN HOLES	008030	1
- 395	233A5223-303405		PLUG BUTTON INSTL-P6-3/D5 FOR NHA SEE: 24-50-00-05C	008030	RF
400	BS51338D5003		.PLUG- SUPPLIER CODE: V83058 SPECIFICATION NUMBER: BACP20B63B OPTIONAL PART: 51338 V83058 MISCELLANEOUS DATA: USE IN PLACE OF CIRCUIT BREAKERS ON OPEN HOLES	008030	1
- 405	233A5223-303406		PLUG BUTTON INSTL-P6-3/D6 FOR NHA SEE: 24-50-00-05C	008030	RF
410	BS51338D5003		.PLUG- SUPPLIER CODE: V83058 SPECIFICATION NUMBER: BACP20B63B OPTIONAL PART: 51338 V83058 MISCELLANEOUS DATA: USE IN PLACE OF CIRCUIT BREAKERS ON OPEN HOLES	008030	1
- 415	233A5223-303407		PLUG BUTTON INSTL-P6-3/D7 PRE ALERT SB: 28A1206 FOR NHA SEE: 24-50-00-05C	008030	RF

MISSING ITEM NUMBERS NOT APPLICABLE

- ITEM NOT ILLUSTRATED

HAP

24-51-53-20B

BOEING PROPRIETARY - Copyright © - Unpublished Work - See title page for details.

24-51-53
FIG. 20B
PAGE 11
OCT 10/06

BOEING
737-600/700/800/900
PARTS CATALOG (MAINTENANCE)

FIG ITEM	PART NUMBER	1 2 3 4 5 6 7	NOMENCLATURE	EFFECT FROM TO	UNITS PER ASSY
20B 420	BS51338D5003		.PLUG- SUPPLIER CODE: V83058 SPECIFICATION NUMBER: BACP20B63B OPTIONAL PART: 51338 V83058 MISCELLANEOUS DATA: USE IN PLACE OF CIRCUIT BREAKERS ON OPEN HOLES PRE ALERT SB: 28A1206	008030	1
- 425	233A5223-303502		PLUG BUTTON INSTL-P6-3/E2 FOR NHA SEE: 24-50-00-05C	008030	RF
430	BS51338D5003		.PLUG- SUPPLIER CODE: V83058 SPECIFICATION NUMBER: BACP20B63B OPTIONAL PART: 51338 V83058 MISCELLANEOUS DATA: USE IN PLACE OF CIRCUIT BREAKERS ON OPEN HOLES	008030	1
- 435	233A5223-303507		PLUG BUTTON INSTL-P6-3/E7 PRE ALERT SB: 28A1206 FOR NHA SEE: 24-50-00-05C	008030	RF
440	BS51338D5003		.PLUG- SUPPLIER CODE: V83058 SPECIFICATION NUMBER: BACP20B63B OPTIONAL PART: 51338 V83058 MISCELLANEOUS DATA: USE IN PLACE OF CIRCUIT BREAKERS ON OPEN HOLES PRE ALERT SB: 28A1206	008030	1
- 445	233A5223-303515		PLUG BUTTON INSTL-P6-3/E15 FOR NHA SEE: 24-50-00-05C	008030	RF

MISSING ITEM NUMBERS NOT APPLICABLE

- ITEM NOT ILLUSTRATED

HAP

24-51-53-20B

BOEING PROPRIETARY - Copyright © - Unpublished Work - See title page for details.

24-51-53
FIG. 20B
PAGE 12
OCT 10/06

BOEING
737-600/700/800/900
PARTS CATALOG (MAINTENANCE)

FIG ITEM	PART NUMBER	1 2 3 4 5 6 7	NOMENCLATURE	EFFECT FROM TO	UNITS PER ASSY
20B 450	BS51338D5003		.PLUG- SUPPLIER CODE: V83058 SPECIFICATION NUMBER: BACP20B63B OPTIONAL PART: 51338 V83058 MISCELLANEOUS DATA: USE IN PLACE OF CIRCUIT BREAKERS ON OPEN HOLES	008030	1
- 455	233A5223-303517		PLUG BUTTON INSTL-P6-3/E17 FOR NHA SEE: 24-50-00-05C	008030	RF
460	BS51338D5003		.PLUG- SUPPLIER CODE: V83058 SPECIFICATION NUMBER: BACP20B63B OPTIONAL PART: 51338 V83058 MISCELLANEOUS DATA: USE IN PLACE OF CIRCUIT BREAKERS ON OPEN HOLES	008030	1
- 465	233A5223-303602		PLUG BUTTON INSTL-P6-3/F2 FOR NHA SEE: 24-50-00-05C	008030	RF
470	BS51338D5003		.PLUG- SUPPLIER CODE: V83058 SPECIFICATION NUMBER: BACP20B63B OPTIONAL PART: 51338 V83058 MISCELLANEOUS DATA: USE IN PLACE OF CIRCUIT BREAKERS ON OPEN HOLES	008030	1
- 475	233A5223-303603		PLUG BUTTON INSTL-P6-3/F3 FOR NHA SEE: 24-50-00-05C	008030	RF

MISSING ITEM NUMBERS NOT APPLICABLE

- ITEM NOT ILLUSTRATED

HAP

24-51-53-20B

BOEING PROPRIETARY - Copyright © - Unpublished Work - See title page for details.

24-51-53
FIG. 20B
PAGE 13
OCT 10/06

BOEING
737-600/700/800/900
PARTS CATALOG (MAINTENANCE)

FIG ITEM	PART NUMBER	1 2 3 4 5 6 7	NOMENCLATURE	EFFECT FROM TO	UNITS PER ASSY
20B 480	BS51338D5003		.PLUG- SUPPLIER CODE: V83058 SPECIFICATION NUMBER: BACP20B63B OPTIONAL PART: 51338 V83058 MISCELLANEOUS DATA: USE IN PLACE OF CIRCUIT BREAKERS ON OPEN HOLES	008030	1
- 485	233A5223-303604		PLUG BUTTON INSTL-P6-3/F4 FOR NHA SEE: 24-50-00-05C	008030	RF
490	BS51338D5003		.PLUG- SUPPLIER CODE: V83058 SPECIFICATION NUMBER: BACP20B63B OPTIONAL PART: 51338 V83058 MISCELLANEOUS DATA: USE IN PLACE OF CIRCUIT BREAKERS ON OPEN HOLES	008030	1
- 495	233A5223-303605		PLUG BUTTON INSTL-P6-3/F5 FOR NHA SEE: 24-50-00-05C	008030	RF
500	BS51338D5003		.PLUG- SUPPLIER CODE: V83058 SPECIFICATION NUMBER: BACP20B63B OPTIONAL PART: 51338 V83058 MISCELLANEOUS DATA: USE IN PLACE OF CIRCUIT BREAKERS ON OPEN HOLES	008030	1
- 505	233A5223-303606		PLUG BUTTON INSTL-P6-3/F6 FOR NHA SEE: 24-50-00-05C	008030	RF

MISSING ITEM NUMBERS NOT APPLICABLE

- ITEM NOT ILLUSTRATED

HAP

24-51-53-20B

BOEING PROPRIETARY - Copyright © - Unpublished Work - See title page for details.

24-51-53
FIG. 20B
PAGE 14
OCT 10/06

BOEING
737-600/700/800/900
PARTS CATALOG (MAINTENANCE)

FIG ITEM	PART NUMBER	1 2 3 4 5 6 7	NOMENCLATURE	EFFECT FROM TO	UNITS PER ASSY
20B 510	BS51338D5003		.PLUG- SUPPLIER CODE: V83058 SPECIFICATION NUMBER: BACP20B63B OPTIONAL PART: 51338 V83058 MISCELLANEOUS DATA: USE IN PLACE OF CIRCUIT BREAKERS ON OPEN HOLES	008030	1
- 515	233A5223-303607		PLUG BUTTON INSTL-P6-3/F7 FOR NHA SEE: 24-50-00-05C	008030	RF
520	BS51338D5003		.PLUG- SUPPLIER CODE: V83058 SPECIFICATION NUMBER: BACP20B63B OPTIONAL PART: 51338 V83058 MISCELLANEOUS DATA: USE IN PLACE OF CIRCUIT BREAKERS ON OPEN HOLES	008030	1
- 525	233A5223-303615		PLUG BUTTON INSTL-P6-3/F15 FOR NHA SEE: 24-50-00-05C	008030	RF
530	BS51338D5003		.PLUG- SUPPLIER CODE: V83058 SPECIFICATION NUMBER: BACP20B63B OPTIONAL PART: 51338 V83058 MISCELLANEOUS DATA: USE IN PLACE OF CIRCUIT BREAKERS ON OPEN HOLES	008030	1
- 535	233A5223-303617		PLUG BUTTON INSTL-P6-3/F17 FOR NHA SEE: 24-50-00-05C	008030	RF

MISSING ITEM NUMBERS NOT APPLICABLE

- ITEM NOT ILLUSTRATED

HAP

24-51-53-20B

BOEING PROPRIETARY - Copyright © - Unpublished Work - See title page for details.

24-51-53
FIG. 20B
PAGE 15
OCT 10/06

BOEING
737-600/700/800/900
PARTS CATALOG (MAINTENANCE)

FIG ITEM	PART NUMBER	1 2 3 4 5 6 7	NOMENCLATURE	EFFECT FROM TO	UNITS PER ASSY
20B 540	BS51338D5003		.PLUG- SUPPLIER CODE: V83058 SPECIFICATION NUMBER: BACP20B63B OPTIONAL PART: 51338 V83058 MISCELLANEOUS DATA: USE IN PLACE OF CIRCUIT BREAKERS ON OPEN HOLES	008030	1
- 600	233A5223-503301		INOP INSTL-P6-3/C1 (ELECTRICAL POWER ONLY) FOR NHA/OTHER SYS DET SEE: 24-50-00-05C	008030	RF
605	10237-1		.COLLAR- SUPPLIER CODE: V1N6X0	008030	1

MISSING ITEM NUMBERS NOT APPLICABLE

- ITEM NOT ILLUSTRATED

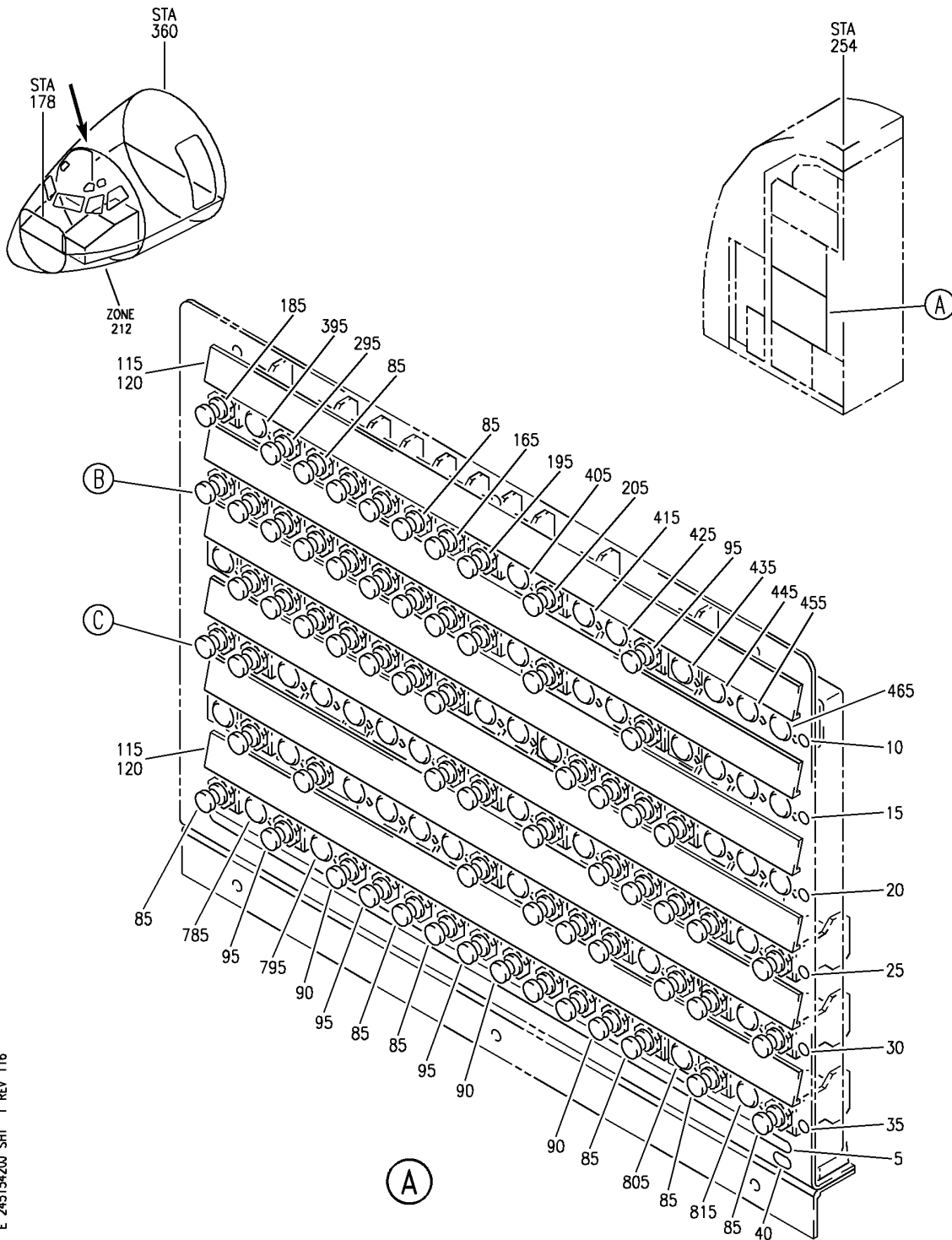
HAP

24-51-53-20B

BOEING PROPRIETARY - Copyright © - Unpublished Work - See title page for details.

24-51-53
FIG. 20B
PAGE 16
FEB 10/07

BOEING
737-600/700/800/900
PARTS CATALOG (MAINTENANCE)



E 24515420J SHT 1 REV 116

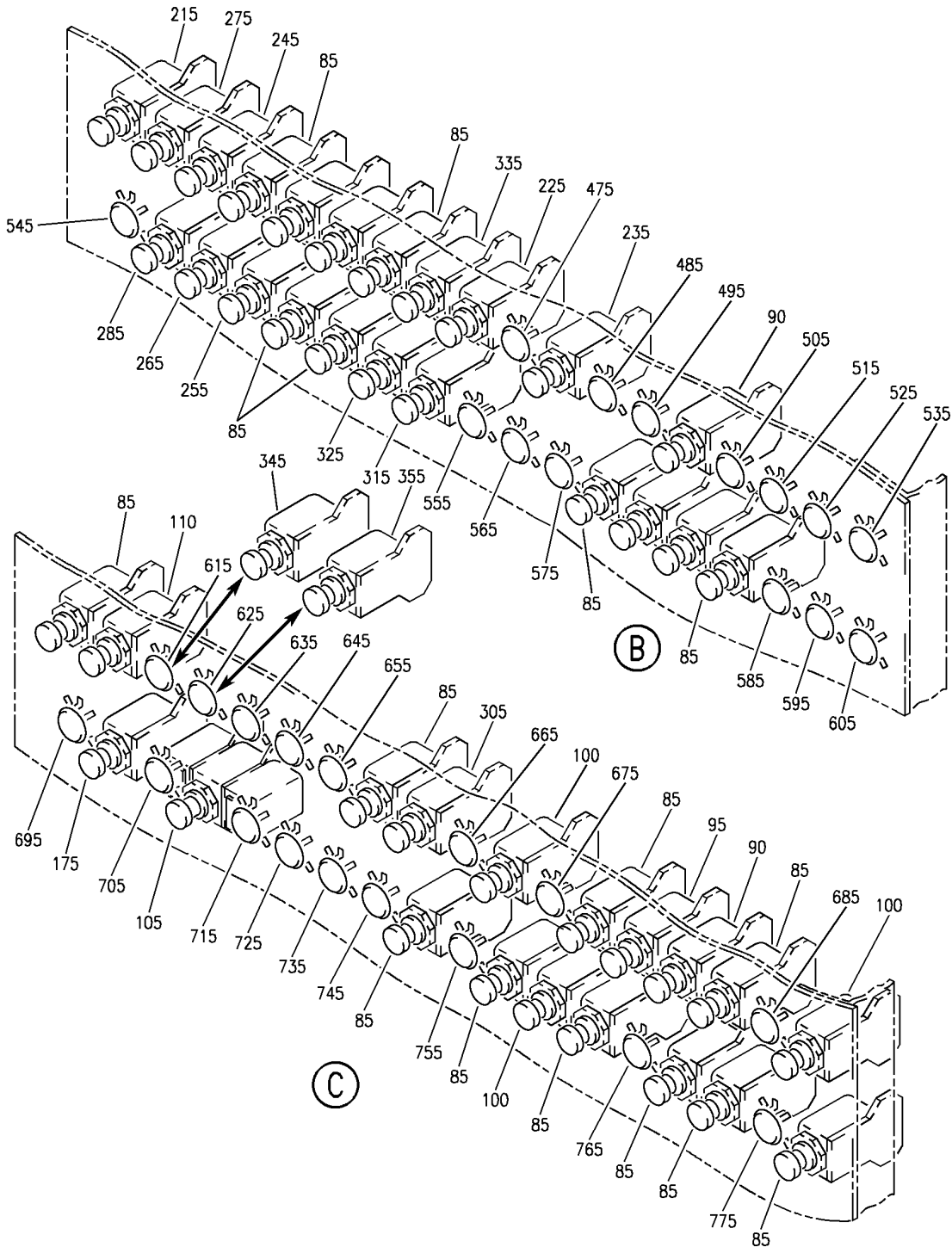
CIRCUIT BREAKER, MARKER AND PLUG BUTTON INSTL-P6-4 (ELECTRICAL POWER ONLY)
 FIGURE 20J (SHEET 1)

HAP
 OCT 10/06

24-51-54-20J

24-51-54-20J
 PAGE 0


BOEING
737-600/700/800/900
PARTS CATALOG (MAINTENANCE)



E 24515420J SHT 2 REV 120

CIRCUIT BREAKER, MARKER AND PLUG BUTTON INSTL-P6-4 (ELECTRICAL POWER ONLY)
 FIGURE 20J (SHEET 2)

24-51-54-20J

HAP
 OCT 10/06

24-51-54-20J
 PAGE 0A

BOEING
737-600/700/800/900
PARTS CATALOG (MAINTENANCE)

FIG ITEM	PART NUMBER	1 2 3 4 5 6 7	NOMENCLATURE	EFFECT FROM TO	UNITS PER ASSY
20J			CIRCUIT BREAKER, MARKER AND PLUG BUTTON INSTL- P6-4 (ELECTRICAL POWER ONLY)	008030	
- 1	233A5224-1		MARKER INSTL-P6-4 FOR NHA SEE: 24-50-00-06C	008030	RF
5	BAC27DCC2744		.MARKER	008030	1
10	BAC27DCC3065		.MARKER- PLACARD CONTENT: A	008030	1
15	BAC27DCC3066		.MARKER- PLACARD CONTENT: B	008030	1
20	BAC27DCC3067		.MARKER- PLACARD CONTENT: C	008030	1
25	BAC27DCC3068		.MARKER- PLACARD CONTENT: D	008030	1
30	BAC27DCC3069		.MARKER- PLACARD CONTENT: E	008030	1
35	BAC27DCC3070		.MARKER- PLACARD CONTENT: F	008030	1
40	BAC27DCC3077		.MARKER- PLACARD CONTENT: P6-4	008030	1
- 80	233A5224-2		CIRCUIT BREAKER INSTL-P6-4 (ELECTRICAL POWER ONLY) FOR NHA/OTHER SYS DET SEE: 24-50-00-06C	008030	RF

MISSING ITEM NUMBERS NOT APPLICABLE

- ITEM NOT ILLUSTRATED

HAP

24-51-54-20J

BOEING PROPRIETARY - Copyright © - Unpublished Work - See title page for details.

24-51-54
FIG. 20J
PAGE 1
OCT 10/06

BOEING
737-600/700/800/900
PARTS CATALOG (MAINTENANCE)

FIG ITEM	PART NUMBER	1 2 3 4 5 6 7	NOMENCLATURE	EFFECT FROM TO	UNITS PER ASSY
20J 85	2TC47-2-5		.CIRCUIT BREAKER- SUPPLIER CODE: V82647 SPECIFICATION NUMBER: BACC18AD2 OPTIONAL PART: 4310-029-205 V76374 ELECTRICAL EQUIP NUMBER: C00339 C00259 C01470 C00796 C00400 C00077 C01469 C00797 C00263 C00262 C01116 C01117 C01435 C01436 C01444 C00076 C01467 C00072 C00155 C01397 C01328 C00134 C01466 C00136 C01273 C01272 C00026 C00023 C01338	008030	29

MISSING ITEM NUMBERS NOT APPLICABLE

— ITEM NOT ILLUSTRATED

HAP

24-51-54-20J

BOEING PROPRIETARY - Copyright © - Unpublished Work - See title page for details.

24-51-54
FIG. 20J
PAGE 2
OCT 10/06

BOEING
737-600/700/800/900
PARTS CATALOG (MAINTENANCE)

FIG ITEM	PART NUMBER	1 2 3 4 5 6 7	NOMENCLATURE	EFFECT FROM TO	UNITS PER ASSY
20J 90	2TC47-5		.CIRCUIT BREAKER- SUPPLIER CODE: V82647 SPECIFICATION NUMBER: BACC18AD5 OPTIONAL PART: 4310-029-5 V76374 ELECTRICAL EQUIP NUMBER: C01424 C02047 C01271 C01283 C01284 C01285 C01290	008030	7
95	2TC47-7-5		.CIRCUIT BREAKER- SUPPLIER CODE: V82647 SPECIFICATION NUMBER: BACC18AD7 OPTIONAL PART: 4310-029-705 V76374 ELECTRICAL EQUIP NUMBER: C00033 C02043 C01270 C01269 C01286 C01287	008030	6
100	2TC47-10		.CIRCUIT BREAKER- SUPPLIER CODE: V82647 SPECIFICATION NUMBER: BACC18AD10 OPTIONAL PART: 4310-029-10 V76374 ELECTRICAL EQUIP NUMBER: C03064 C02029 C03065	008030	3

MISSING ITEM NUMBERS NOT APPLICABLE

— ITEM NOT ILLUSTRATED

HAP

24-51-54-20J

BOEING PROPRIETARY - Copyright © - Unpublished Work - See title page for details.

24-51-54
FIG. 20J
PAGE 3
OCT 10/06

BOEING
737-600/700/800/900
PARTS CATALOG (MAINTENANCE)

FIG ITEM	PART NUMBER	1 2 3 4 5 6 7	NOMENCLATURE	EFFECT FROM TO	UNITS PER ASSY
20J 105	9TC620		.CIRCUIT BREAKER- SUPPLIER CODE: V82647 SPECIFICATION NUMBER: BACC18AE20 ELECTRICAL EQUIP NUMBER: C00884	008030	1
110	2TC6-1		.CIRCUIT BREAKER- SUPPLIER CODE: V82647 SPECIFICATION NUMBER: BACC18Z1R OPTIONAL PART: 4310-002-1 V76374 ELECTRICAL EQUIP NUMBER: C01445	008030	1
115 - 160	233A5511-3 233A5224-200555		.SUPPORT-MARKER CIRCUIT BREAKER INSTL-AIR CONDITIONING RAM AIR MOD CONT L P6-4/A8 FOR NHA SEE: 24-50-00-06C	008030 008030	6 RF
165	2TC47-2-5		.CIRCUIT BREAKER- SUPPLIER CODE: V82647 SPECIFICATION NUMBER: BACC18AD2 OPTIONAL PART: 4310-029-205 V76374 ELECTRICAL EQUIP NUMBER: C00555	008030	1
- 170	233A5224-201023		CIRCUIT BREAKER INSTL-AIR CONDITIONING RECIRC FAN R CONT P6-4/E2 FOR NHA SEE: 24-50-00-06C	008030	RF
175	2TC47-2-5		.CIRCUIT BREAKER- SUPPLIER CODE: V82647 SPECIFICATION NUMBER: BACC18AD2 OPTIONAL PART: 4310-029-205 V76374 ELECTRICAL EQUIP NUMBER: C01023	008030	1

MISSING ITEM NUMBERS NOT APPLICABLE

- ITEM NOT ILLUSTRATED

HAP

24-51-54-20J

BOEING PROPRIETARY - Copyright © - Unpublished Work - See title page for details.

24-51-54
FIG. 20J
PAGE 4
OCT 10/06

BOEING
737-600/700/800/900
PARTS CATALOG (MAINTENANCE)

FIG ITEM	PART NUMBER	1 2 3 4 5 6 7	NOMENCLATURE	EFFECT FROM TO	UNITS PER ASSY
20J - 180	233A5224-201157		CIRCUIT BREAKER INSTL-AIR CONDITIONING TEMP CONT VALVE CLOSE LEFT P6-4/A1 FOR NHA SEE: 24-50-00-06C	008030	RF
185	2TC47-2-5		.CIRCUIT BREAKER- SUPPLIER CODE: V82647 SPECIFICATION NUMBER: BACC18AD2 OPTIONAL PART: 4310-029-205 V76374 ELECTRICAL EQUIP NUMBER: C01157	008030	1
- 190	233A5224-201158		CIRCUIT BREAKER INSTL-AIR CONDITIONING PACK CONT L DC P6-4/A9 FOR NHA SEE: 24-50-00-06C	008030	RF
195	2TC47-2-5		.CIRCUIT BREAKER- SUPPLIER CODE: V82647 SPECIFICATION NUMBER: BACC18AD2 OPTIONAL PART: 4310-029-205 V76374 ELECTRICAL EQUIP NUMBER: C01158	008030	1
- 200	233A5224-201159		CIRCUIT BREAKER INSTL-AIR CONDITIONING PACK CONT L AC P6-4/A11 FOR NHA SEE: 24-50-00-06C	008030	RF
205	2TC47-2-5		.CIRCUIT BREAKER- SUPPLIER CODE: V82647 SPECIFICATION NUMBER: BACC18AD2 OPTIONAL PART: 4310-029-205 V76374 ELECTRICAL EQUIP NUMBER: C01159	008030	1

MISSING ITEM NUMBERS NOT APPLICABLE

- ITEM NOT ILLUSTRATED

HAP

24-51-54-20J

BOEING PROPRIETARY - Copyright © - Unpublished Work - See title page for details.

24-51-54
FIG. 20J
PAGE 5
OCT 10/06

BOEING
737-600/700/800/900
PARTS CATALOG (MAINTENANCE)

FIG ITEM	PART NUMBER	1 2 3 4 5 6 7	NOMENCLATURE	EFFECT FROM TO	UNITS PER ASSY
20J - 210	233A5224-201160		CIRCUIT BREAKER INSTL-AIR CONDITIONING TEMP CONT VALVE CLOSE R P6-4/B1 FOR NHA SEE: 24-50-00-06C	008030	RF
215	2TC47-2-5		.CIRCUIT BREAKER- SUPPLIER CODE: V82647 SPECIFICATION NUMBER: BACC18AD2 OPTIONAL PART: 4310-029-205 V76374 ELECTRICAL EQUIP NUMBER: C01160	008030	1
- 220	233A5224-201161		CIRCUIT BREAKER INSTL-AIR CONDITIONING PACK CONT R DC P6-4/B9 FOR NHA SEE: 24-50-00-06C	008030	RF
225	2TC47-2-5		.CIRCUIT BREAKER- SUPPLIER CODE: V82647 SPECIFICATION NUMBER: BACC18AD2 OPTIONAL PART: 4310-029-205 V76374 ELECTRICAL EQUIP NUMBER: C01161	008030	1
- 230	233A5224-201162		CIRCUIT BREAKER INSTL-AIR CONDITIONING PACK CONT R AC P6-4/B11 FOR NHA SEE: 24-50-00-06C	008030	RF
235	2TC47-2-5		.CIRCUIT BREAKER- SUPPLIER CODE: V82647 SPECIFICATION NUMBER: BACC18AD2 OPTIONAL PART: 4310-029-205 V76374 ELECTRICAL EQUIP NUMBER: C01162	008030	1

MISSING ITEM NUMBERS NOT APPLICABLE

- ITEM NOT ILLUSTRATED

HAP

24-51-54-20J

BOEING PROPRIETARY - Copyright © - Unpublished Work - See title page for details.

24-51-54
FIG. 20J
PAGE 6
OCT 10/06

BOEING
737-600/700/800/900
PARTS CATALOG (MAINTENANCE)

FIG ITEM	PART NUMBER	1 2 3 4 5 6 7	NOMENCLATURE	EFFECT FROM TO	UNITS PER ASSY
20J - 240	233A5224-201163		CIRCUIT BREAKER INSTL-AIR CONDITIONING ZONE TEMP VALVE/FAN CONT FLT DK P6-4/B3 FOR NHA SEE: 24-50-00-06C	008030	RF
245	2TC47-2-5		.CIRCUIT BREAKER- SUPPLIER CODE: V82647 SPECIFICATION NUMBER: BACC18AD2 OPTIONAL PART: 4310-029-205 V76374 ELECTRICAL EQUIP NUMBER: C01163	008030	1
- 250	233A5224-201164		CIRCUIT BREAKER INSTL-AIR CONDITIONING ZONE TEMP DUCT OVHT FLT DECK P6-4/C4 FOR NHA SEE: 24-50-00-06C	008030	RF
255	2TC47-2-5		.CIRCUIT BREAKER- SUPPLIER CODE: V82647 SPECIFICATION NUMBER: BACC18AD2 OPTIONAL PART: 4310-029-205 V76374 ELECTRICAL EQUIP NUMBER: C01164	008030	1
- 260	233A5224-201166		CIRCUIT BREAKER INSTL-AIR CONDITIONING ZONE TEMP DUCT OVHT FWD PASS P6-4/C3 FOR NHA SEE: 24-50-00-06C	008030	RF
265	2TC47-2-5		.CIRCUIT BREAKER- SUPPLIER CODE: V82647 SPECIFICATION NUMBER: BACC18AD2 OPTIONAL PART: 4310-029-205 V76374 ELECTRICAL EQUIP NUMBER: C01166	008030	1

MISSING ITEM NUMBERS NOT APPLICABLE

- ITEM NOT ILLUSTRATED

HAP

24-51-54-20J

BOEING PROPRIETARY - Copyright © - Unpublished Work - See title page for details.

24-51-54
FIG. 20J
PAGE 7
OCT 10/06

BOEING
737-600/700/800/900
PARTS CATALOG (MAINTENANCE)

FIG ITEM	PART NUMBER	1 2 3 4 5 6 7	NOMENCLATURE	EFFECT FROM TO	UNITS PER ASSY
20J - 270	233A5224-201167		CIRCUIT BREAKER INSTL-AIR CONDITIONING ZONE TEMP VALVE/FAN CONT FWD PASS P6-4/B2 FOR NHA SEE: 24-50-00-06C	008030	RF
275	2TC47-2-5		.CIRCUIT BREAKER- SUPPLIER CODE: V82647 SPECIFICATION NUMBER: BACC18AD2 OPTIONAL PART: 4310-029-205 V76374 ELECTRICAL EQUIP NUMBER: C01167	008030	1
- 280	233A5224-201169		CIRCUIT BREAKER INSTL-AIR CONDITIONING ZONE TEMP DUCT OVHT AFT PASS P6-4/C2 FOR NHA SEE: 24-50-00-06C	008030	RF
285	2TC47-2-5		.CIRCUIT BREAKER- SUPPLIER CODE: V82647 SPECIFICATION NUMBER: BACC18AD2 OPTIONAL PART: 4310-029-205 V76374 ELECTRICAL EQUIP NUMBER: C01169	008030	1
- 290	233A5224-201170		CIRCUIT BREAKER INSTL-AIR CONDITIONING ZONE TEMP VALVE/FAN CONT AFT PASS P6-4/A3 FOR NHA SEE: 24-50-00-06C	008030	RF
295	2TC47-2-5		.CIRCUIT BREAKER- SUPPLIER CODE: V82647 SPECIFICATION NUMBER: BACC18AD2 OPTIONAL PART: 4310-029-205 V76374 ELECTRICAL EQUIP NUMBER: C01170	008030	1

MISSING ITEM NUMBERS NOT APPLICABLE

- ITEM NOT ILLUSTRATED

HAP

24-51-54-20J

BOEING PROPRIETARY - Copyright © - Unpublished Work - See title page for details.

24-51-54
FIG. 20J
PAGE 8
OCT 10/06

BOEING
737-600/700/800/900
PARTS CATALOG (MAINTENANCE)

FIG ITEM	PART NUMBER	1 2 3 4 5 6 7	NOMENCLATURE	EFFECT FROM TO	UNITS PER ASSY
20J - 300	233A5224-201172		CIRCUIT BREAKER INSTL-AIR CONDITIONING TRIM AIR PRESS P6-4/D9 FOR NHA SEE: 24-50-00-06C	008030	RF
305	2TC47-5		.CIRCUIT BREAKER- SUPPLIER CODE: V82647 SPECIFICATION NUMBER: BACC18AD5 OPTIONAL PART: 4310-029-5 V76374 ELECTRICAL EQUIP NUMBER: C01172	008030	1
- 310	233A5224-201176		CIRCUIT BREAKER INSTL-AIR CONDITIONING PACK/ENG BLEED AIR OVHT LEFT P6-4/C8 FOR NHA SEE: 24-50-00-06C	008030	RF
315	2TC47-2-5		.CIRCUIT BREAKER- SUPPLIER CODE: V82647 SPECIFICATION NUMBER: BACC18AD2 OPTIONAL PART: 4310-029-205 V76374 ELECTRICAL EQUIP NUMBER: C01176	008030	1
- 320	233A5224-201177		CIRCUIT BREAKER INSTL-AIR CONDITIONING PACK/ENG BLEED AIR OVHT RIGHT P6-4/C7 FOR NHA SEE: 24-50-00-06C	008030	RF
325	2TC47-2-5		.CIRCUIT BREAKER- SUPPLIER CODE: V82647 SPECIFICATION NUMBER: BACC18AD2 OPTIONAL PART: 4310-029-205 V76374 ELECTRICAL EQUIP NUMBER: C01177	008030	1

MISSING ITEM NUMBERS NOT APPLICABLE

- ITEM NOT ILLUSTRATED

HAP

24-51-54-20J

BOEING PROPRIETARY - Copyright © - Unpublished Work - See title page for details.

24-51-54
FIG. 20J
PAGE 9
OCT 10/06

BOEING
737-600/700/800/900
PARTS CATALOG (MAINTENANCE)

FIG ITEM	PART NUMBER	1 2 3 4 5 6 7	NOMENCLATURE	EFFECT FROM TO	UNITS PER ASSY
20J - 330	233A5224-201178		CIRCUIT BREAKER INSTL-AIR CONDITIONING RAM AIR MOD CONT R P6-4/B8 FOR NHA SEE: 24-50-00-06C	008030	RF
335	2TC47-2-5		.CIRCUIT BREAKER- SUPPLIER CODE: V82647 SPECIFICATION NUMBER: BACC18AD2 OPTIONAL PART: 4310-029-205 V76374 ELECTRICAL EQUIP NUMBER: C01178	008030	1
- 340	233A5224-201613		CIRCUIT BREAKER INSTL-AIR CONDITIONING PACK CONT VALVES L ALT P6-4/D3 FOR NHA SEE: 24-50-00-06C	023030	RF
345	2TC47-2-5		.CIRCUIT BREAKER- SUPPLIER CODE: V82647 SPECIFICATION NUMBER: BACC18AD2 OPTIONAL PART: 4310-029-205 V76374 ELECTRICAL EQUIP NUMBER: C01613	023030	1
- 350	233A5224-201614		CIRCUIT BREAKER INSTL-AIR CONDITIONING PACK CONT VALVES R ALT P6-4/D4 P6-4/D4 FOR NHA SEE: 24-50-00-06C	023030	RF
355	2TC47-2-5		.CIRCUIT BREAKER- SUPPLIER CODE: V82647 SPECIFICATION NUMBER: BACC18AD2 OPTIONAL PART: 4310-029-205 V76374 ELECTRICAL EQUIP NUMBER: C01614	023030	1
- 390	233A5224-304102		PLUG BUTTON INSTL-P6-4/A2 FOR NHA SEE: 24-50-00-06C	008030	RF

MISSING ITEM NUMBERS NOT APPLICABLE

- ITEM NOT ILLUSTRATED

HAP

24-51-54-20J

BOEING PROPRIETARY - Copyright © - Unpublished Work - See title page for details.

24-51-54
FIG. 20J
PAGE 10
OCT 10/06

BOEING
737-600/700/800/900
PARTS CATALOG (MAINTENANCE)

FIG ITEM	PART NUMBER	1 2 3 4 5 6 7	NOMENCLATURE	EFFECT FROM TO	UNITS PER ASSY
20J 395	BS51338D5003		.PLUG- SUPPLIER CODE: V83058 SPECIFICATION NUMBER: BACP20B63B OPTIONAL PART: 51338 V83058 MISCELLANEOUS DATA: USE IN PLACE OF CIRCUIT BREAKERS ON OPEN HOLES	008030	1
- 400	233A5224-304110		PLUG BUTTON INSTL-P6-4/A10 FOR NHA SEE: 24-50-00-06C	008030	RF
405	BS51338D5003		.PLUG- SUPPLIER CODE: V83058 SPECIFICATION NUMBER: BACP20B63B OPTIONAL PART: 51338 V83058 MISCELLANEOUS DATA: USE IN PLACE OF CIRCUIT BREAKERS ON OPEN HOLES	008030	1
- 410	233A5224-304112		PLUG BUTTON INSTL-P6-4/A12 FOR NHA SEE: 24-50-00-06C	008030	RF
415	BS51338D5003		.PLUG- SUPPLIER CODE: V83058 SPECIFICATION NUMBER: BACP20B63B OPTIONAL PART: 51338 V83058 MISCELLANEOUS DATA: USE IN PLACE OF CIRCUIT BREAKERS ON OPEN HOLES	008030	1
- 420	233A5224-304113		PLUG BUTTON INSTL-P6-4/A13 FOR NHA SEE: 24-50-00-06C	008030	RF

MISSING ITEM NUMBERS NOT APPLICABLE

- ITEM NOT ILLUSTRATED

HAP

24-51-54-20J

BOEING PROPRIETARY - Copyright © - Unpublished Work - See title page for details.

24-51-54
FIG. 20J
PAGE 11
OCT 10/06

BOEING
737-600/700/800/900
PARTS CATALOG (MAINTENANCE)

FIG ITEM	PART NUMBER	1 2 3 4 5 6 7	NOMENCLATURE	EFFECT FROM TO	UNITS PER ASSY
20J 425	BS51338D5003		.PLUG- SUPPLIER CODE: V83058 SPECIFICATION NUMBER: BACP20B63B OPTIONAL PART: 51338 V83058 MISCELLANEOUS DATA: USE IN PLACE OF CIRCUIT BREAKERS ON OPEN HOLES	008030	1
- 430	233A5224-304115		PLUG BUTTON INSTL-P6-4/A15 FOR NHA SEE: 24-50-00-06C	008030	RF
435	BS51338D5003		.PLUG- SUPPLIER CODE: V83058 SPECIFICATION NUMBER: BACP20B63B OPTIONAL PART: 51338 V83058 MISCELLANEOUS DATA: USE IN PLACE OF CIRCUIT BREAKERS ON OPEN HOLES	008030	1
- 440	233A5224-304116		PLUG BUTTON INSTL-P6-4/A16 FOR NHA SEE: 24-50-00-06C	008030	RF
445	BS51338D5003		.PLUG- SUPPLIER CODE: V83058 SPECIFICATION NUMBER: BACP20B63B OPTIONAL PART: 51338 V83058 MISCELLANEOUS DATA: USE IN PLACE OF CIRCUIT BREAKERS ON OPEN HOLES	008030	1
- 450	233A5224-304117		PLUG BUTTON INSTL-P6-4/A17 FOR NHA SEE: 24-50-00-06C	008030	RF

MISSING ITEM NUMBERS NOT APPLICABLE

- ITEM NOT ILLUSTRATED

HAP

24-51-54-20J

BOEING PROPRIETARY - Copyright © - Unpublished Work - See title page for details.

24-51-54
FIG. 20J
PAGE 12
OCT 10/06

BOEING
737-600/700/800/900
PARTS CATALOG (MAINTENANCE)

FIG ITEM	PART NUMBER	1 2 3 4 5 6 7	NOMENCLATURE	EFFECT FROM TO	UNITS PER ASSY
20J 455	BS51338D5003		.PLUG- SUPPLIER CODE: V83058 SPECIFICATION NUMBER: BACP20B63B OPTIONAL PART: 51338 V83058 MISCELLANEOUS DATA: USE IN PLACE OF CIRCUIT BREAKERS ON OPEN HOLES	008030	1
- 460	233A5224-304118		PLUG BUTTON INSTL-P6-4/A18 FOR NHA SEE: 24-50-00-06C	008030	RF
465	BS51338D5003		.PLUG- SUPPLIER CODE: V83058 SPECIFICATION NUMBER: BACP20B63B OPTIONAL PART: 51338 V83058 MISCELLANEOUS DATA: USE IN PLACE OF CIRCUIT BREAKERS ON OPEN HOLES	008030	1
- 470	233A5224-304210		PLUG BUTTON INSTL-P6-4/B10 FOR NHA SEE: 24-50-00-06C	008030	RF
475	BS51338D5003		.PLUG- SUPPLIER CODE: V83058 SPECIFICATION NUMBER: BACP20B63B OPTIONAL PART: 51338 V83058 MISCELLANEOUS DATA: USE IN PLACE OF CIRCUIT BREAKERS ON OPEN HOLES	008030	1
- 480	233A5224-304212		PLUG BUTTON INSTL-P6-4/B12 FOR NHA SEE: 24-50-00-06C	008030	RF

MISSING ITEM NUMBERS NOT APPLICABLE

- ITEM NOT ILLUSTRATED

HAP

24-51-54-20J

BOEING PROPRIETARY - Copyright © - Unpublished Work - See title page for details.

24-51-54
FIG. 20J
PAGE 13
OCT 10/06

BOEING
737-600/700/800/900
PARTS CATALOG (MAINTENANCE)

FIG ITEM	PART NUMBER	1 2 3 4 5 6 7	NOMENCLATURE	EFFECT FROM TO	UNITS PER ASSY
20J 485	BS51338D5003		.PLUG- SUPPLIER CODE: V83058 SPECIFICATION NUMBER: BACP20B63B OPTIONAL PART: 51338 V83058 MISCELLANEOUS DATA: USE IN PLACE OF CIRCUIT BREAKERS ON OPEN HOLES	008030	1
- 490	233A5224-304213		PLUG BUTTON INSTL-P6-4/B13 FOR NHA SEE: 24-50-00-06C	008030	RF
495	BS51338D5003		.PLUG- SUPPLIER CODE: V83058 SPECIFICATION NUMBER: BACP20B63B OPTIONAL PART: 51338 V83058 MISCELLANEOUS DATA: USE IN PLACE OF CIRCUIT BREAKERS ON OPEN HOLES	008030	1
- 500	233A5224-304215		PLUG BUTTON INSTL-P6-4/B15 FOR NHA SEE: 24-50-00-06C	008030	RF
505	BS51338D5003		.PLUG- SUPPLIER CODE: V83058 SPECIFICATION NUMBER: BACP20B63B OPTIONAL PART: 51338 V83058 MISCELLANEOUS DATA: USE IN PLACE OF CIRCUIT BREAKERS ON OPEN HOLES	008030	1
- 510	233A5224-304216		PLUG BUTTON INSTL-P6-4/B16 FOR NHA SEE: 24-50-00-06C	008030	RF

MISSING ITEM NUMBERS NOT APPLICABLE

- ITEM NOT ILLUSTRATED

HAP

24-51-54-20J

BOEING PROPRIETARY - Copyright © - Unpublished Work - See title page for details.

24-51-54
FIG. 20J
PAGE 14
OCT 10/06

BOEING
737-600/700/800/900
PARTS CATALOG (MAINTENANCE)

FIG ITEM	PART NUMBER	1 2 3 4 5 6 7	NOMENCLATURE	EFFECT FROM TO	UNITS PER ASSY
20J 515	BS51338D5003		.PLUG- SUPPLIER CODE: V83058 SPECIFICATION NUMBER: BACP20B63B OPTIONAL PART: 51338 V83058 MISCELLANEOUS DATA: USE IN PLACE OF CIRCUIT BREAKERS ON OPEN HOLES	008030	1
- 520	233A5224-304217		PLUG BUTTON INSTL-P6-4/B17 FOR NHA SEE: 24-50-00-06C	008030	RF
525	BS51338D5003		.PLUG- SUPPLIER CODE: V83058 SPECIFICATION NUMBER: BACP20B63B OPTIONAL PART: 51338 V83058 MISCELLANEOUS DATA: USE IN PLACE OF CIRCUIT BREAKERS ON OPEN HOLES	008030	1
- 530	233A5224-304218		PLUG BUTTON INSTL-P6-4/B18 FOR NHA SEE: 24-50-00-06C	008030	RF
535	BS51338D5003		.PLUG- SUPPLIER CODE: V83058 SPECIFICATION NUMBER: BACP20B63B OPTIONAL PART: 51338 V83058 MISCELLANEOUS DATA: USE IN PLACE OF CIRCUIT BREAKERS ON OPEN HOLES	008030	1
- 540	233A5224-304301		PLUG BUTTON INSTL-P6-4/C1 FOR NHA SEE: 24-50-00-06C	008030	RF

MISSING ITEM NUMBERS NOT APPLICABLE

- ITEM NOT ILLUSTRATED

HAP

24-51-54-20J

BOEING PROPRIETARY - Copyright © - Unpublished Work - See title page for details.

24-51-54
FIG. 20J
PAGE 15
OCT 10/06

BOEING
737-600/700/800/900
PARTS CATALOG (MAINTENANCE)

FIG ITEM	PART NUMBER	1 2 3 4 5 6 7	NOMENCLATURE	EFFECT FROM TO	UNITS PER ASSY
20J 545	BS51338D5003		.PLUG- SUPPLIER CODE: V83058 SPECIFICATION NUMBER: BACP20B63B OPTIONAL PART: 51338 V83058 MISCELLANEOUS DATA: USE IN PLACE OF CIRCUIT BREAKERS ON OPEN HOLES	008030	1
- 550	233A5224-304309		PLUG BUTTON INSTL-P6-4/C9 FOR NHA SEE: 24-50-00-06C	008030	RF
555	BS51338D5003		.PLUG- SUPPLIER CODE: V83058 SPECIFICATION NUMBER: BACP20B63B OPTIONAL PART: 51338 V83058 MISCELLANEOUS DATA: USE IN PLACE OF CIRCUIT BREAKERS ON OPEN HOLES	008030	1
- 560	233A5224-304310		PLUG BUTTON INSTL-P6-4/C10 FOR NHA SEE: 24-50-00-06C	008030	RF
565	BS51338D5003		.PLUG- SUPPLIER CODE: V83058 SPECIFICATION NUMBER: BACP20B63B OPTIONAL PART: 51338 V83058 MISCELLANEOUS DATA: USE IN PLACE OF CIRCUIT BREAKERS ON OPEN HOLES	008030	1
- 570	233A5224-304311		PLUG BUTTON INSTL-P6-4/C11 FOR NHA SEE: 24-50-00-06C	008030	RF

MISSING ITEM NUMBERS NOT APPLICABLE

- ITEM NOT ILLUSTRATED

HAP

24-51-54-20J

BOEING PROPRIETARY - Copyright © - Unpublished Work - See title page for details.

24-51-54
FIG. 20J
PAGE 16
OCT 10/06

BOEING
737-600/700/800/900
PARTS CATALOG (MAINTENANCE)

FIG ITEM	PART NUMBER	1 2 3 4 5 6 7	NOMENCLATURE	EFFECT FROM TO	UNITS PER ASSY
20J 575	BS51338D5003		.PLUG- SUPPLIER CODE: V83058 SPECIFICATION NUMBER: BACP20B63B OPTIONAL PART: 51338 V83058 MISCELLANEOUS DATA: USE IN PLACE OF CIRCUIT BREAKERS ON OPEN HOLES	008030	1
- 580	233A5224-304316		PLUG BUTTON INSTL-P6-4/C16 FOR NHA SEE: 24-50-00-06C	008030	RF
585	BS51338D5003		.PLUG- SUPPLIER CODE: V83058 SPECIFICATION NUMBER: BACP20B63B OPTIONAL PART: 51338 V83058 MISCELLANEOUS DATA: USE IN PLACE OF CIRCUIT BREAKERS ON OPEN HOLES	008030	1
- 590	233A5224-304317		PLUG BUTTON INSTL-P6-4/C17 FOR NHA SEE: 24-50-00-06C	008030	RF
595	BS51338D5003		.PLUG- SUPPLIER CODE: V83058 SPECIFICATION NUMBER: BACP20B63B OPTIONAL PART: 51338 V83058 MISCELLANEOUS DATA: USE IN PLACE OF CIRCUIT BREAKERS ON OPEN HOLES	008030	1
- 600	233A5224-304318		PLUG BUTTON INSTL-P6-4/C18 FOR NHA SEE: 24-50-00-06C	008030	RF

MISSING ITEM NUMBERS NOT APPLICABLE

- ITEM NOT ILLUSTRATED

HAP

24-51-54-20J

BOEING PROPRIETARY - Copyright © - Unpublished Work - See title page for details.

24-51-54
FIG. 20J
PAGE 17
OCT 10/06

BOEING
737-600/700/800/900
PARTS CATALOG (MAINTENANCE)

FIG ITEM	PART NUMBER	1 2 3 4 5 6 7	NOMENCLATURE	EFFECT FROM TO	UNITS PER ASSY
20J 605	BS51338D5003		.PLUG- SUPPLIER CODE: V83058 SPECIFICATION NUMBER: BACP20B63B OPTIONAL PART: 51338 V83058 MISCELLANEOUS DATA: USE IN PLACE OF CIRCUIT BREAKERS ON OPEN HOLES	008030	1
- 610	233A5224-304403		PLUG BUTTON INSTL-P6-4/D3 FOR NHA SEE: 24-50-00-06C	008022	RF
615	BS51338D5003		.PLUG- SUPPLIER CODE: V83058 SPECIFICATION NUMBER: BACP20B63B OPTIONAL PART: 51338 V83058 MISCELLANEOUS DATA: USE IN PLACE OF CIRCUIT BREAKERS ON OPEN HOLES	008022	1
- 620	233A5224-304404		PLUG BUTTON INSTL-P6-4/D4 FOR NHA SEE: 24-50-00-06C	008022	RF
625	BS51338D5003		.PLUG- SUPPLIER CODE: V83058 SPECIFICATION NUMBER: BACP20B63B OPTIONAL PART: 51338 V83058 MISCELLANEOUS DATA: USE IN PLACE OF CIRCUIT BREAKERS ON OPEN HOLES	008022	1
- 630	233A5224-304405		PLUG BUTTON INSTL-P6-4/D5 FOR NHA SEE: 24-50-00-06C	008030	RF

MISSING ITEM NUMBERS NOT APPLICABLE

- ITEM NOT ILLUSTRATED

HAP

24-51-54-20J

BOEING PROPRIETARY - Copyright © - Unpublished Work - See title page for details.

24-51-54
FIG. 20J
PAGE 18
OCT 10/06

BOEING
737-600/700/800/900
PARTS CATALOG (MAINTENANCE)

FIG ITEM	PART NUMBER	1 2 3 4 5 6 7	NOMENCLATURE	EFFECT FROM TO	UNITS PER ASSY
20J 635	BS51338D5003		.PLUG- SUPPLIER CODE: V83058 SPECIFICATION NUMBER: BACP20B63B OPTIONAL PART: 51338 V83058 MISCELLANEOUS DATA: USE IN PLACE OF CIRCUIT BREAKERS ON OPEN HOLES	008030	1
- 640	233A5224-304406		PLUG BUTTON INSTL-P6-4/D6 FOR NHA SEE: 24-50-00-06C	008030	RF
645	BS51338D5003		.PLUG- SUPPLIER CODE: V83058 SPECIFICATION NUMBER: BACP20B63B OPTIONAL PART: 51338 V83058 MISCELLANEOUS DATA: USE IN PLACE OF CIRCUIT BREAKERS ON OPEN HOLES	008030	1
- 650	233A5224-304407		PLUG BUTTON INSTL-P6-4/D7 FOR NHA SEE: 24-50-00-06C	008030	RF
655	BS51338D5003		.PLUG- SUPPLIER CODE: V83058 SPECIFICATION NUMBER: BACP20B63B OPTIONAL PART: 51338 V83058 MISCELLANEOUS DATA: USE IN PLACE OF CIRCUIT BREAKERS ON OPEN HOLES	008030	1
- 660	233A5224-304410		PLUG BUTTON INSTL-P6-4/D10 FOR NHA SEE: 24-50-00-06C	008030	RF

MISSING ITEM NUMBERS NOT APPLICABLE

- ITEM NOT ILLUSTRATED

HAP

24-51-54-20J

BOEING PROPRIETARY - Copyright © - Unpublished Work - See title page for details.

24-51-54
FIG. 20J
PAGE 19
OCT 10/06

BOEING
737-600/700/800/900
PARTS CATALOG (MAINTENANCE)

FIG ITEM	PART NUMBER	1 2 3 4 5 6 7	NOMENCLATURE	EFFECT FROM TO	UNITS PER ASSY
20J 665	BS51338D5003		.PLUG- SUPPLIER CODE: V83058 SPECIFICATION NUMBER: BACP20B63B OPTIONAL PART: 51338 V83058 MISCELLANEOUS DATA: USE IN PLACE OF CIRCUIT BREAKERS ON OPEN HOLES	008030	1
- 670	233A5224-304412		PLUG BUTTON INSTL-P6-4/D12 FOR NHA SEE: 24-50-00-06C	008030	RF
675	BS51338D5003		.PLUG- SUPPLIER CODE: V83058 SPECIFICATION NUMBER: BACP20B63B OPTIONAL PART: 51338 V83058 MISCELLANEOUS DATA: USE IN PLACE OF CIRCUIT BREAKERS ON OPEN HOLES	008030	1
- 680	233A5224-304417		PLUG BUTTON INSTL-P6-4/D17 FOR NHA SEE: 24-50-00-06C	008030	RF
685	BS51338D5003		.PLUG- SUPPLIER CODE: V83058 SPECIFICATION NUMBER: BACP20B63B OPTIONAL PART: 51338 V83058 MISCELLANEOUS DATA: USE IN PLACE OF CIRCUIT BREAKERS ON OPEN HOLES	008030	1
- 690	233A5224-304501		PLUG BUTTON INSTL-P6-4/E1 FOR NHA SEE: 24-50-00-06C	008030	RF

MISSING ITEM NUMBERS NOT APPLICABLE

- ITEM NOT ILLUSTRATED

HAP

24-51-54-20J

BOEING PROPRIETARY - Copyright © - Unpublished Work - See title page for details.

24-51-54
FIG. 20J
PAGE 20
OCT 10/06

BOEING
737-600/700/800/900
PARTS CATALOG (MAINTENANCE)

FIG ITEM	PART NUMBER	1 2 3 4 5 6 7	NOMENCLATURE	EFFECT FROM TO	UNITS PER ASSY
20J 695	BS51338D5003		.PLUG- SUPPLIER CODE: V83058 SPECIFICATION NUMBER: BACP20B63B OPTIONAL PART: 51338 V83058 MISCELLANEOUS DATA: USE IN PLACE OF CIRCUIT BREAKERS ON OPEN HOLES	008030	1
- 700	233A5224-304503		PLUG BUTTON INSTL-P6-4/E3 FOR NHA SEE: 24-50-00-06C	008030	RF
705	BS51338D5003		.PLUG- SUPPLIER CODE: V83058 SPECIFICATION NUMBER: BACP20B63B OPTIONAL PART: 51338 V83058 MISCELLANEOUS DATA: USE IN PLACE OF CIRCUIT BREAKERS ON OPEN HOLES	008030	1
- 710	233A5224-304505		PLUG BUTTON INSTL-P6-4/E5 FOR NHA SEE: 24-50-00-06C	008030	RF
715	BS51338D5003		.PLUG- SUPPLIER CODE: V83058 SPECIFICATION NUMBER: BACP20B63B OPTIONAL PART: 51338 V83058 MISCELLANEOUS DATA: USE IN PLACE OF CIRCUIT BREAKERS ON OPEN HOLES	008030	1
- 720	233A5224-304506		PLUG BUTTON INSTL-P6-4/E6 FOR NHA SEE: 24-50-00-06C	008030	RF

MISSING ITEM NUMBERS NOT APPLICABLE

- ITEM NOT ILLUSTRATED

HAP

24-51-54-20J

BOEING PROPRIETARY - Copyright © - Unpublished Work - See title page for details.

24-51-54
FIG. 20J
PAGE 21
OCT 10/06


BOEING
 737-600/700/800/900
PARTS CATALOG (MAINTENANCE)

FIG ITEM	PART NUMBER	1 2 3 4 5 6 7	NOMENCLATURE	EFFECT FROM TO	UNITS PER ASSY
20J 725	BS51338D5003		.PLUG- SUPPLIER CODE: V83058 SPECIFICATION NUMBER: BACP20B63B OPTIONAL PART: 51338 V83058 MISCELLANEOUS DATA: USE IN PLACE OF CIRCUIT BREAKERS ON OPEN HOLES	008030	1
- 730	233A5224-304507		PLUG BUTTON INSTL-P6-4/E7 FOR NHA SEE: 24-50-00-06C	008030	RF
735	BS51338D5003		.PLUG- SUPPLIER CODE: V83058 SPECIFICATION NUMBER: BACP20B63B OPTIONAL PART: 51338 V83058 MISCELLANEOUS DATA: USE IN PLACE OF CIRCUIT BREAKERS ON OPEN HOLES	008030	1
- 740	233A5224-304508		PLUG BUTTON INSTL-P6-4/E8 FOR NHA SEE: 24-50-00-06C	008030	RF
745	BS51338D5003		.PLUG- SUPPLIER CODE: V83058 SPECIFICATION NUMBER: BACP20B63B OPTIONAL PART: 51338 V83058 MISCELLANEOUS DATA: USE IN PLACE OF CIRCUIT BREAKERS ON OPEN HOLES	008030	1
- 750	233A5224-304510		PLUG BUTTON INSTL-P6-4/E10 FOR NHA SEE: 24-50-00-06C	008030	RF

MISSING ITEM NUMBERS NOT APPLICABLE

- ITEM NOT ILLUSTRATED

HAP

24-51-54-20J

BOEING PROPRIETARY - Copyright © - Unpublished Work - See title page for details.

24-51-54
 FIG. 20J
 PAGE 22
 OCT 10/06

BOEING
737-600/700/800/900
PARTS CATALOG (MAINTENANCE)

FIG ITEM	PART NUMBER	1 2 3 4 5 6 7	NOMENCLATURE	EFFECT FROM TO	UNITS PER ASSY
20J 755	BS51338D5003		.PLUG- SUPPLIER CODE: V83058 SPECIFICATION NUMBER: BACP20B63B OPTIONAL PART: 51338 V83058 MISCELLANEOUS DATA: USE IN PLACE OF CIRCUIT BREAKERS ON OPEN HOLES	008030	1
- 760	233A5224-304514		PLUG BUTTON INSTL-P6-4/E14 FOR NHA SEE: 24-50-00-06C	008030	RF
765	BS51338D5003		.PLUG- SUPPLIER CODE: V83058 SPECIFICATION NUMBER: BACP20B63B OPTIONAL PART: 51338 V83058 MISCELLANEOUS DATA: USE IN PLACE OF CIRCUIT BREAKERS ON OPEN HOLES	008030	1
- 770	233A5224-304517		PLUG BUTTON INSTL-P6-4/E17 FOR NHA SEE: 24-50-00-06C	008030	RF
775	BS51338D5003		.PLUG- SUPPLIER CODE: V83058 SPECIFICATION NUMBER: BACP20B63B OPTIONAL PART: 51338 V83058 MISCELLANEOUS DATA: USE IN PLACE OF CIRCUIT BREAKERS ON OPEN HOLES	008030	1
- 780	233A5224-304602		PLUG BUTTON INSTL-P6-4/F2 FOR NHA SEE: 24-50-00-06C	008030	RF

MISSING ITEM NUMBERS NOT APPLICABLE

- ITEM NOT ILLUSTRATED

HAP

24-51-54-20J

BOEING PROPRIETARY - Copyright © - Unpublished Work - See title page for details.

24-51-54
FIG. 20J
PAGE 23
OCT 10/06

BOEING
737-600/700/800/900
PARTS CATALOG (MAINTENANCE)

FIG ITEM	PART NUMBER	1 2 3 4 5 6 7	NOMENCLATURE	EFFECT FROM TO	UNITS PER ASSY
20J 785	BS51338D5003		.PLUG- SUPPLIER CODE: V83058 SPECIFICATION NUMBER: BACP20B63B OPTIONAL PART: 51338 V83058 MISCELLANEOUS DATA: USE IN PLACE OF CIRCUIT BREAKERS ON OPEN HOLES	008030	1
- 790	233A5224-304604		PLUG BUTTON INSTL-P6-4/F4 FOR NHA SEE: 24-50-00-06C	008030	RF
795	BS51338D5003		.PLUG- SUPPLIER CODE: V83058 SPECIFICATION NUMBER: BACP20B63B OPTIONAL PART: 51338 V83058 MISCELLANEOUS DATA: USE IN PLACE OF CIRCUIT BREAKERS ON OPEN HOLES	008030	1
- 800	233A5224-304615		PLUG BUTTON INSTL-P6-4/F15 FOR NHA SEE: 24-50-00-06C	008030	RF
805	BS51338D5003		.PLUG- SUPPLIER CODE: V83058 SPECIFICATION NUMBER: BACP20B63B OPTIONAL PART: 51338 V83058 MISCELLANEOUS DATA: USE IN PLACE OF CIRCUIT BREAKERS ON OPEN HOLES	008030	1
- 810	233A5224-304617		PLUG BUTTON INSTL-P6-4/F17 FOR NHA SEE: 24-50-00-06C	008030	RF

MISSING ITEM NUMBERS NOT APPLICABLE

- ITEM NOT ILLUSTRATED

HAP

24-51-54-20J

BOEING PROPRIETARY - Copyright © - Unpublished Work - See title page for details.

24-51-54
FIG. 20J
PAGE 24
OCT 10/06

BOEING
737-600/700/800/900
PARTS CATALOG (MAINTENANCE)

FIG ITEM	PART NUMBER	1 2 3 4 5 6 7 NOMENCLATURE	EFFECT FROM TO	UNITS PER ASSY
20J 815	BS51338D5003	.PLUG- SUPPLIER CODE: V83058 SPECIFICATION NUMBER: BACP20B63B OPTIONAL PART: 51338 V83058 MISCELLANEOUS DATA: USE IN PLACE OF CIRCUIT BREAKERS ON OPEN HOLES	008030	1

MISSING ITEM NUMBERS NOT APPLICABLE

— ITEM NOT ILLUSTRATED

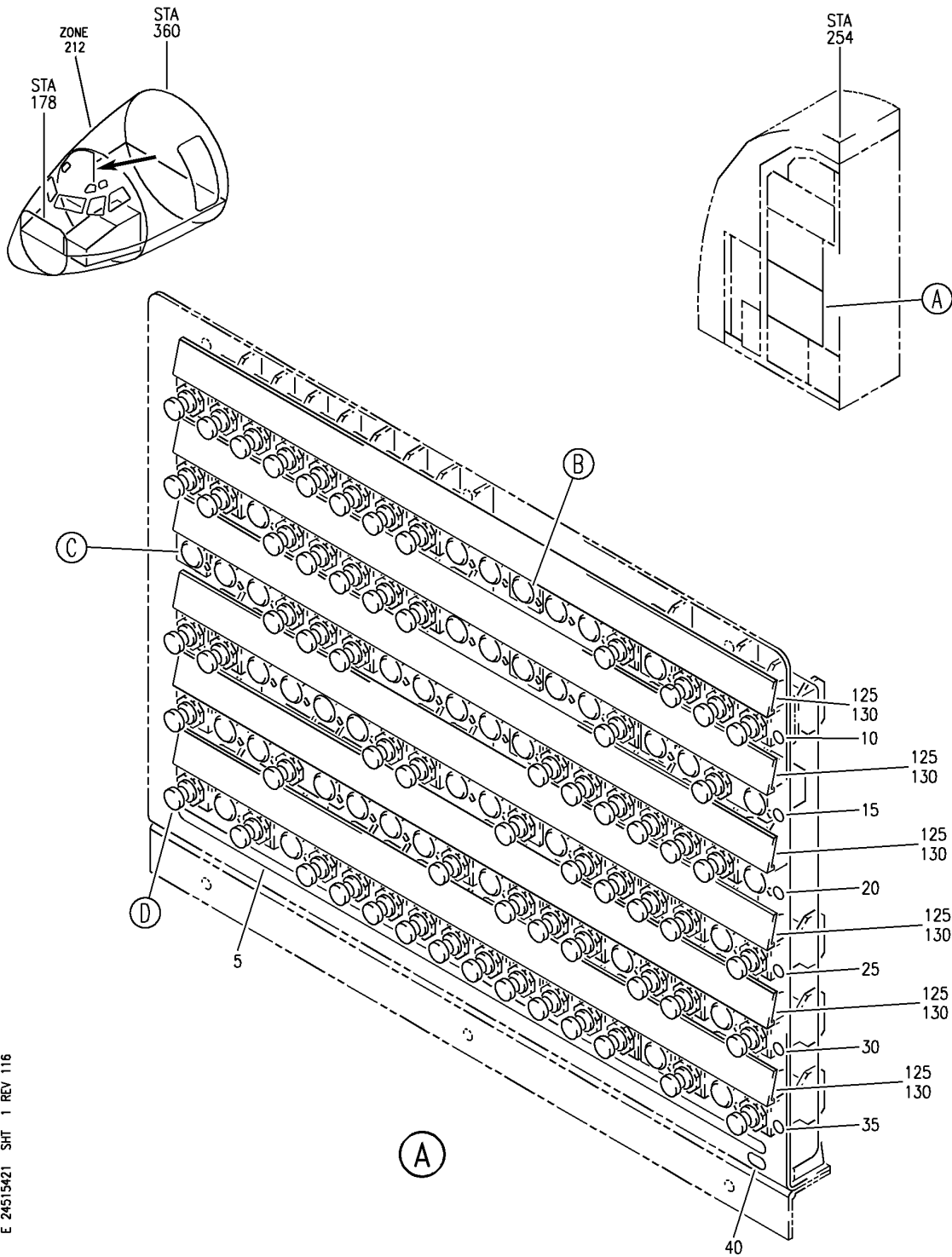
HAP

24-51-54-20J

BOEING PROPRIETARY - Copyright © - Unpublished Work - See title page for details.

24-51-54
FIG. 20J
PAGE 25
OCT 10/06

BOEING
 737-600/700/800/900
 PARTS CATALOG (MAINTENANCE)



E 24515421 SHT 1 REV 116

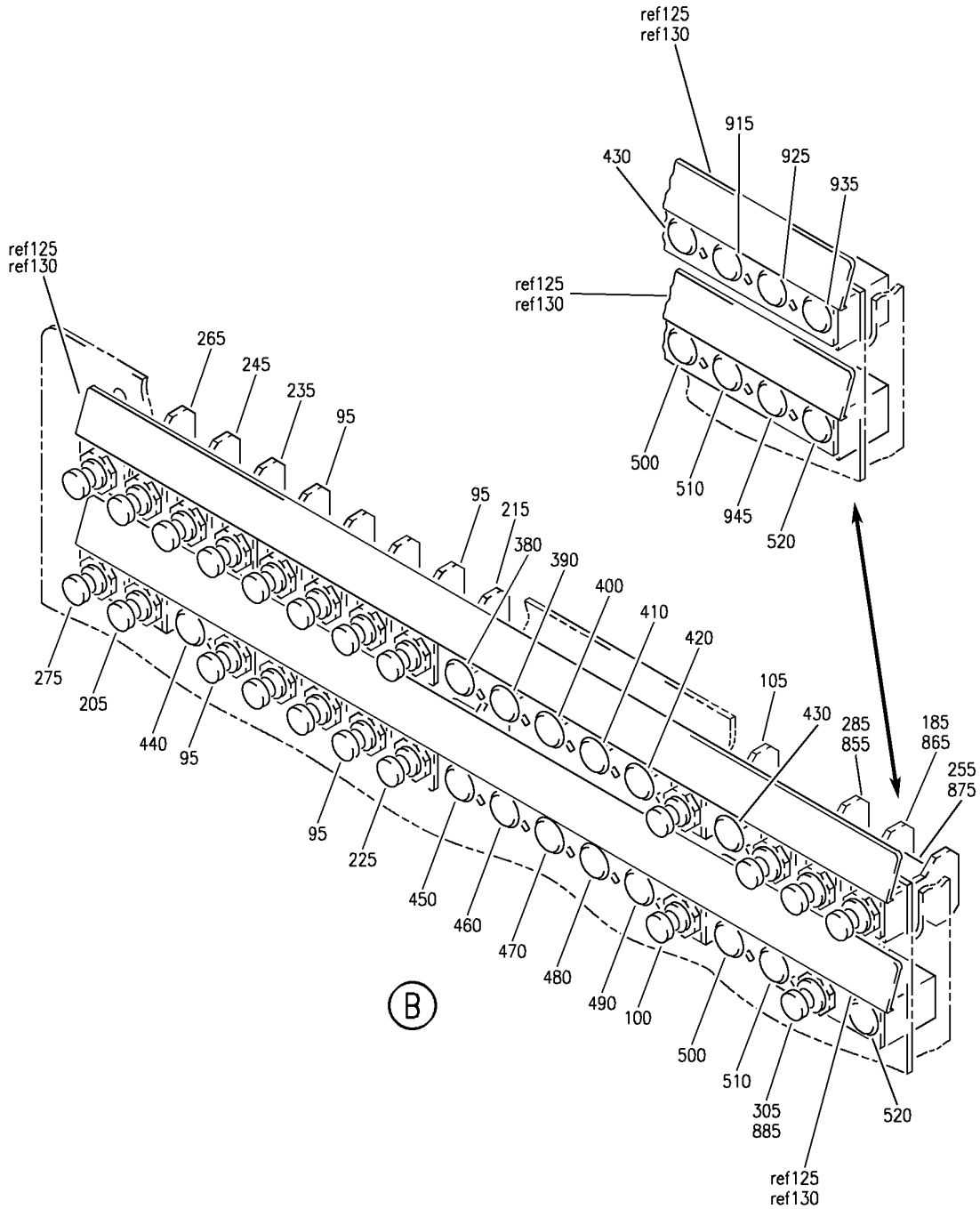
MARKER, CIRCUIT BREAKER, PLUG BUTTON AND INOP INSTL-P6-4 (ELECTRICAL POWER ONLY)
 FIGURE 21 (SHEET 1)

24-51-54-21

HAP
 OCT 15/08

24-51-54-21
 PAGE 0

BOEING
 737-600/700/800/900
 PARTS CATALOG (MAINTENANCE)



E 24515421 SHT 2 REV 116

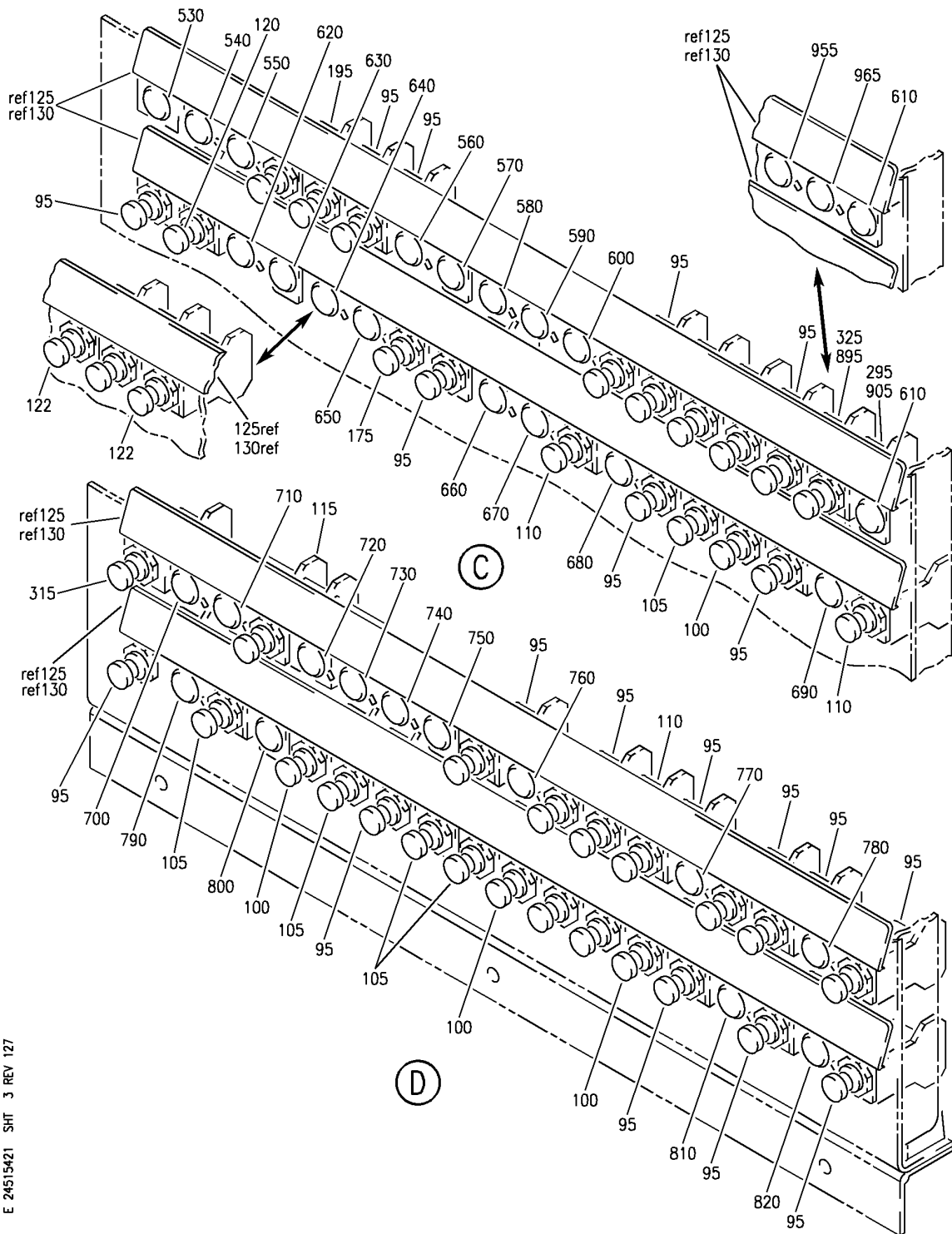
MARKER, CIRCUIT BREAKER, PLUG BUTTON AND INOP INSTL-P6-4 (ELECTRICAL POWER ONLY)
 FIGURE 21 (SHEET 2)

24-51-54-21

HAP
 OCT 15/08

24-51-54-21
 PAGE 0A


BOEING
737-600/700/800/900
PARTS CATALOG (MAINTENANCE)



E 24515421 SHT 3 REV 127

MARKER, CIRCUIT BREAKER, PLUG BUTTON AND INOP INSTL-P6-4 (ELECTRICAL POWER ONLY)
 FIGURE 21 (SHEET 3)

24-51-54-21

HAP
OCT 15/08

24-51-54-21
PAGE 0B

BOEING
737-600/700/800/900
PARTS CATALOG (MAINTENANCE)

FIG ITEM	PART NUMBER	1 2 3 4 5 6 7	NOMENCLATURE	EFFECT FROM TO	UNITS PER ASSY
21			MARKER, CIRCUIT BREAKER, PLUG BUTTON AND INOP INSTL-P6-4 (ELECTRICAL POWER ONLY)	201967	
- 1	233A5224-1		MARKER INSTL-P6-4 FOR NHA SEE: 24-50-00-06B	201967	RF
5	BAC27DCC2744		.MARKER- PLACARD CONTENT: 1 THRU 18	201967	1
10	BAC27DCC3065		.MARKER- PLACARD CONTENT: A	201967	1
15	BAC27DCC3066		.MARKER- PLACARD CONTENT: B	201967	1
20	BAC27DCC3067		.MARKER- PLACARD CONTENT: C	201967	1
25	BAC27DCC3068		.MARKER- PLACARD CONTENT: D	201967	1
30	BAC27DCC3069		.MARKER- PLACARD CONTENT: E	201967	1
35	BAC27DCC3070		.MARKER- PLACARD CONTENT: F	201967	1
40	BAC27DCC3077		.MARKER- PLACARD CONTENT: P6-4	201967	1
- 90	233A5224-2		CIRCUIT BREAKER INSTL-P6-4 (ELECTRICAL POWER ONLY) FOR NHA/OTHER SYS DET SEE: 24-50-00-06B	201967	RF

MISSING ITEM NUMBERS NOT APPLICABLE

- ITEM NOT ILLUSTRATED

HAP

24-51-54-21

BOEING PROPRIETARY - Copyright © - Unpublished Work - See title page for details.

24-51-54
FIG. 21
PAGE 1
OCT 15/08

BOEING
737-600/700/800/900
PARTS CATALOG (MAINTENANCE)

FIG ITEM	PART NUMBER	1 2 3 4 5 6 7	NOMENCLATURE	EFFECT FROM TO	UNITS PER ASSY
21 95	2TC47-2-5		.CIRCUIT BREAKER- SUPPLIER CODE: V82647 SPECIFICATION NUMBER: BACC18AD2 OPTIONAL PART: 4310-029-205 V76374 ELECTRICAL EQUIP NUMBER: C00339 C00259 C01470 C00796 C00400 C00077 C01469 C00797 C00263 C00262 C01116 C01117 C01435 C01436 C01444 C00076 C01467 C00072 C00155 C01397 C01328 C00134 C01466 C00136 C01273 C01272 C00026 C00023 C01338	201967	29

MISSING ITEM NUMBERS NOT APPLICABLE

— ITEM NOT ILLUSTRATED

HAP

24-51-54-21

BOEING PROPRIETARY - Copyright © - Unpublished Work - See title page for details.

24-51-54
FIG. 21
PAGE 2
OCT 15/08

BOEING
737-600/700/800/900
PARTS CATALOG (MAINTENANCE)

FIG ITEM	PART NUMBER	1 2 3 4 5 6 7	NOMENCLATURE	EFFECT FROM TO	UNITS PER ASSY
21 100	2TC47-5		.CIRCUIT BREAKER- SUPPLIER CODE: V82647 SPECIFICATION NUMBER: BACC18AD5 OPTIONAL PART: 4310-029-5 V76374 ELECTRICAL EQUIP NUMBER: C01424 C02047 C01271 C01283 C01284 C01285 C01290	201967	7
105	2TC47-7-5		.CIRCUIT BREAKER- SUPPLIER CODE: V82647 SPECIFICATION NUMBER: BACC18AD7 OPTIONAL PART: 4310-029-705 V76374 ELECTRICAL EQUIP NUMBER: C00033 C02043 C01270 C01269 C01286 C01287	201967	6
110	2TC47-10		.CIRCUIT BREAKER- SUPPLIER CODE: V82647 SPECIFICATION NUMBER: BACC18AD10 OPTIONAL PART: 4310-029-10 V76374 ELECTRICAL EQUIP NUMBER: C03064 C02029 C03065	201967	3

MISSING ITEM NUMBERS NOT APPLICABLE

— ITEM NOT ILLUSTRATED

HAP

24-51-54-21

BOEING PROPRIETARY - Copyright © - Unpublished Work - See title page for details.

24-51-54
FIG. 21
PAGE 3
OCT 15/08

BOEING
737-600/700/800/900
PARTS CATALOG (MAINTENANCE)

FIG ITEM	PART NUMBER	1 2 3 4 5 6 7	NOMENCLATURE	EFFECT FROM TO	UNITS PER ASSY
21 115	9TC620		.CIRCUIT BREAKER- SUPPLIER CODE: V82647 SPECIFICATION NUMBER: BACC18AE20 ELECTRICAL EQUIP NUMBER: C00884	201967	1
120	2TC6-1		.CIRCUIT BREAKER- SUPPLIER CODE: V82647 SPECIFICATION NUMBER: BACC18Z1R OPTIONAL PART: 4310-002-1 V76374 ELECTRICAL EQUIP NUMBER: C01445	201967	1
125	233A5511-3		.SUPPORT-MARKER PRE SERVICE BULLETIN: 24-1161	201967	6
130	233A5511-12		.GUARD-MARKER POST SERVICE BULLETIN: 24-1161	201967	6
- 170	233A5224-200124		CIRCUIT BREAKER INSTL-AIR CONDITIONING MIX VALVE VALVE POS IND P6-4/D7 FOR NHA SEE: 24-50-00-06B	201967	RF
175	2TC47-2-5		.CIRCUIT BREAKER- SUPPLIER CODE: V82647 SPECIFICATION NUMBER: BACC18AD2 OPTIONAL PART: 4310-029-205 V76374 ELECTRICAL EQUIP NUMBER: C00124	201967	1
- 180	233A5224-200246		CIRCUIT BREAKER INSTL-FWD AIRSTAIR CONT NORMAL P6-4/A17 FOR NHA SEE: 24-50-00-06B	201967	RF

MISSING ITEM NUMBERS NOT APPLICABLE

- ITEM NOT ILLUSTRATED

HAP

24-51-54-21

BOEING PROPRIETARY - Copyright © - Unpublished Work - See title page for details.

24-51-54
FIG. 21
PAGE 4
OCT 15/08

BOEING
737-600/700/800/900
PARTS CATALOG (MAINTENANCE)

FIG ITEM	PART NUMBER	1 2 3 4 5 6 7	NOMENCLATURE	EFFECT FROM TO	UNITS PER ASSY
21 185	2TC47-5		.CIRCUIT BREAKER- SUPPLIER CODE: V82647 SPECIFICATION NUMBER: BACC18AD5 OPTIONAL PART: 4310-029-5 V76374 ELECTRICAL EQUIP NUMBER: C00246	201967	1
- 190	233A5224-200257		CIRCUIT BREAKER INSTL-AIR CONDITIONING OVER HEAT P6-4/C4 FOR NHA SEE: 24-50-00-06B	201967	RF
195	2TC47-2-5		.CIRCUIT BREAKER- SUPPLIER CODE: V82647 SPECIFICATION NUMBER: BACC18AD2 OPTIONAL PART: 4310-029-205 V76374 ELECTRICAL EQUIP NUMBER: C00257	201967	1
- 200	233A5224-200258		CIRCUIT BREAKER INSTL-AIR CONDITIONING TEMP CONT AUTO R P6-4/B2 FOR NHA SEE: 24-50-00-06B	201967	RF
205	2TC47-2-5		.CIRCUIT BREAKER- SUPPLIER CODE: V82647 SPECIFICATION NUMBER: BACC18AD2 OPTIONAL PART: 4310-029-205 V76374 ELECTRICAL EQUIP NUMBER: C00258	201967	1
- 210	233A5224-200265		CIRCUIT BREAKER INSTL-AIR CONDITIONING RAM AIR MOD CONT L P6-4/A8 FOR NHA SEE: 24-50-00-06B	201967	RF

MISSING ITEM NUMBERS NOT APPLICABLE

- ITEM NOT ILLUSTRATED

HAP

24-51-54-21

BOEING PROPRIETARY - Copyright © - Unpublished Work - See title page for details.

24-51-54
FIG. 21
PAGE 5
OCT 15/08

BOEING
737-600/700/800/900
PARTS CATALOG (MAINTENANCE)

FIG ITEM	PART NUMBER	1 2 3 4 5 6 7	NOMENCLATURE	EFFECT FROM TO	UNITS PER ASSY
21 215	2TC47-2-5		.CIRCUIT BREAKER- SUPPLIER CODE: V82647 SPECIFICATION NUMBER: BACC18AD2 OPTIONAL PART: 4310-029-205 V76374 ELECTRICAL EQUIP NUMBER: C00265	201967	1
- 220	233A5224-200266		CIRCUIT BREAKER INSTL-AIR CONDITIONING RAM AIR MOD CONT R P6-4/B8 FOR NHA SEE: 24-50-00-06B	201967	RF
225	2TC47-2-5		.CIRCUIT BREAKER- SUPPLIER CODE: V82647 SPECIFICATION NUMBER: BACC18AD2 OPTIONAL PART: 4310-029-205 V76374 ELECTRICAL EQUIP NUMBER: C00266	201967	1
- 230	233A5224-200267		CIRCUIT BREAKER INSTL-AIR CONDITIONING TEMP CONT MANUAL P6-4/A3 FOR NHA SEE: 24-50-00-06B	201967	RF
235	2TC47-2-5		.CIRCUIT BREAKER- SUPPLIER CODE: V82647 SPECIFICATION NUMBER: BACC18AD2 OPTIONAL PART: 4310-029-205 V76374 ELECTRICAL EQUIP NUMBER: C00267	201967	1
- 240	233A5224-200268		CIRCUIT BREAKER INSTL-AIR CONDITIONING TEMP CONT AUTO L P6-4/A2 FOR NHA SEE: 24-50-00-06B	201967	RF

MISSING ITEM NUMBERS NOT APPLICABLE

- ITEM NOT ILLUSTRATED

HAP

24-51-54-21

BOEING PROPRIETARY - Copyright © - Unpublished Work - See title page for details.

24-51-54
FIG. 21
PAGE 6
OCT 15/08

BOEING
737-600/700/800/900
PARTS CATALOG (MAINTENANCE)

FIG ITEM	PART NUMBER	1 2 3 4 5 6 7	NOMENCLATURE	EFFECT FROM TO	UNITS PER ASSY
21 245	2TC47-2-5		.CIRCUIT BREAKER- SUPPLIER CODE: V82647 SPECIFICATION NUMBER: BACC18AD2 OPTIONAL PART: 4310-029-205 V76374 ELECTRICAL EQUIP NUMBER: C00268	201967	1
- 250	233A5224-200270		CIRCUIT BREAKER INSTL-FWD AIRSTAIR TREAD LT P6-4/A18 FOR NHA SEE: 24-50-00-06B	201967	RF
255	2TC47-5		.CIRCUIT BREAKER- SUPPLIER CODE: V82647 SPECIFICATION NUMBER: BACC18AD5 OPTIONAL PART: 4310-029-5 V76374 ELECTRICAL EQUIP NUMBER: C00270	201967	1
- 260	233A5224-200344		CIRCUIT BREAKER INSTL-AIR CONDITIONING TEMP CONT 35 F L P6-4/A1 FOR NHA SEE: 24-50-00-06B	201967	RF
265	2TC47-2-5		.CIRCUIT BREAKER- SUPPLIER CODE: V82647 SPECIFICATION NUMBER: BACC18AD2 OPTIONAL PART: 4310-029-205 V76374 ELECTRICAL EQUIP NUMBER: C00344	201967	1
- 270	233A5224-200345		CIRCUIT BREAKER INSTL-AIR CONDITIONING TEMP CONT 35 F R P6-4/A1 FOR NHA SEE: 24-50-00-06B	201967	RF

MISSING ITEM NUMBERS NOT APPLICABLE

- ITEM NOT ILLUSTRATED

HAP

24-51-54-21

BOEING PROPRIETARY - Copyright © - Unpublished Work - See title page for details.

24-51-54
FIG. 21
PAGE 7
OCT 15/08

BOEING
737-600/700/800/900
PARTS CATALOG (MAINTENANCE)

FIG ITEM	PART NUMBER	1 2 3 4 5 6 7	NOMENCLATURE	EFFECT FROM TO	UNITS PER ASSY
21 275	2TC47-2-5		.CIRCUIT BREAKER- SUPPLIER CODE: V82647 SPECIFICATION NUMBER: BACC18AD2 OPTIONAL PART: 4310-029-205 V76374 ELECTRICAL EQUIP NUMBER: C00345	201967	1
- 280	233A5224-200409		CIRCUIT BREAKER INSTL-FWD AIRSTAIR DOOR P6-4/A16 FOR NHA SEE: 24-50-00-06B	201967	RF
285	2TC47-10		.CIRCUIT BREAKER- SUPPLIER CODE: V82647 SPECIFICATION NUMBER: BACC18AD10 OPTIONAL PART: 4310-029-10 V76374 ELECTRICAL EQUIP NUMBER: C00409	201967	1
- 290	233A5224-200411		CIRCUIT BREAKER INSTL-FWD AIRSTAIR STBY DOOR ACTR P6-4/C17 FOR NHA SEE: 24-50-00-06B	201967	RF
295	4310-029-15		.CIRCUIT BREAKER- SUPPLIER CODE: V76374 SPECIFICATION NUMBER: BACC18AD15 OPTIONAL PART: 2TC47-15 V82647 ELECTRICAL EQUIP NUMBER: C00411	201967	1
- 300	233A5224-200850		CIRCUIT BREAKER INSTL-FWD AIRSTAIR ACTR P6-4/B17 FOR NHA SEE: 24-50-00-06B	201967	RF

MISSING ITEM NUMBERS NOT APPLICABLE

- ITEM NOT ILLUSTRATED

HAP

24-51-54-21

BOEING PROPRIETARY - Copyright © - Unpublished Work - See title page for details.

24-51-54
FIG. 21
PAGE 8
OCT 15/08

BOEING
737-600/700/800/900
PARTS CATALOG (MAINTENANCE)

FIG ITEM	PART NUMBER	1 2 3 4 5 6 7	NOMENCLATURE	EFFECT FROM TO	UNITS PER ASSY
21 305	6TC6-3		.CIRCUIT BREAKER- SUPPLIER CODE: V82647 SPECIFICATION NUMBER: BACC18AC3 OPTIONAL PART: 4330-004-3 V76374 ELECTRICAL EQUIP NUMBER: C00850	201967	1
- 310	233A5224-201015		CIRCUIT BREAKER INSTL-AIR CONDITIONING RECIRC FAN CONT P6-4/E1 FOR NHA SEE: 24-50-00-06B	201967	RF
315	2TC47-2-5		.CIRCUIT BREAKER- SUPPLIER CODE: V82647 SPECIFICATION NUMBER: BACC18AD2 OPTIONAL PART: 4310-029-205 V76374 ELECTRICAL EQUIP NUMBER: C01015	201967	1
- 320	233A5224-201254		CIRCUIT BREAKER INSTL-FWD AIRSTAIR CONT STBY P6-4/C16 FOR NHA SEE: 24-50-00-06B	201967	RF
325	2TC47-5		.CIRCUIT BREAKER- SUPPLIER CODE: V82647 SPECIFICATION NUMBER: BACC18AD5 OPTIONAL PART: 4310-029-5 V76374 ELECTRICAL EQUIP NUMBER: C01254	201967	1
- 375	233A5224-304109		PLUG BUTTON INSTL-P6-4/A9 FOR NHA SEE: 24-50-00-06B	201967	RF

MISSING ITEM NUMBERS NOT APPLICABLE

- ITEM NOT ILLUSTRATED

HAP

24-51-54-21

BOEING PROPRIETARY - Copyright © - Unpublished Work - See title page for details.

24-51-54
FIG. 21
PAGE 9
OCT 15/08

BOEING
737-600/700/800/900
PARTS CATALOG (MAINTENANCE)

FIG ITEM	PART NUMBER	1 2 3 4 5 6 7	NOMENCLATURE	EFFECT FROM TO	UNITS PER ASSY
21 380	BS51338D5003		.PLUG- SUPPLIER CODE: V83058 SPECIFICATION NUMBER: BACP20B63B OPTIONAL PART: 51338 V83058 MISCELLANEOUS DATA: USE IN PLACE OF CIRCUIT BREAKERS ON OPEN HOLES	201967	1
- 385	233A5224-304110		PLUG BUTTON INSTL-P6-4/A10 FOR NHA SEE: 24-50-00-06B	201967	RF
390	BS51338D5003		.PLUG- SUPPLIER CODE: V83058 SPECIFICATION NUMBER: BACP20B63B OPTIONAL PART: 51338 V83058 MISCELLANEOUS DATA: USE IN PLACE OF CIRCUIT BREAKERS ON OPEN HOLES	201967	1
- 395	233A5224-304111		PLUG BUTTON INSTL-P6-4/A11 FOR NHA SEE: 24-50-00-06B	201967	RF
400	BS51338D5003		.PLUG- SUPPLIER CODE: V83058 SPECIFICATION NUMBER: BACP20B63B OPTIONAL PART: 51338 V83058 MISCELLANEOUS DATA: USE IN PLACE OF CIRCUIT BREAKERS ON OPEN HOLES	201967	1
- 405	233A5224-304112		PLUG BUTTON INSTL-P6-4/A12 FOR NHA SEE: 24-50-00-06B	201967	RF

MISSING ITEM NUMBERS NOT APPLICABLE

- ITEM NOT ILLUSTRATED

HAP

24-51-54-21

BOEING PROPRIETARY - Copyright © - Unpublished Work - See title page for details.

24-51-54
FIG. 21
PAGE 10
OCT 15/08

BOEING
737-600/700/800/900
PARTS CATALOG (MAINTENANCE)

FIG ITEM	PART NUMBER	1 2 3 4 5 6 7	NOMENCLATURE	EFFECT FROM TO	UNITS PER ASSY
21 410	BS51338D5003		.PLUG- SUPPLIER CODE: V83058 SPECIFICATION NUMBER: BACP20B63B OPTIONAL PART: 51338 V83058 MISCELLANEOUS DATA: USE IN PLACE OF CIRCUIT BREAKERS ON OPEN HOLES	201967	1
- 415	233A5224-304113		PLUG BUTTON INSTL-P6-4/A13 FOR NHA SEE: 24-50-00-06B	201967	RF
420	BS51338D5003		.PLUG- SUPPLIER CODE: V83058 SPECIFICATION NUMBER: BACP20B63B OPTIONAL PART: 51338 V83058 MISCELLANEOUS DATA: USE IN PLACE OF CIRCUIT BREAKERS ON OPEN HOLES	201967	1
- 425	233A5224-304115		PLUG BUTTON INSTL-P6-4/A15 FOR NHA SEE: 24-50-00-06B	201967	RF
430	BS51338D5003		.PLUG- SUPPLIER CODE: V83058 SPECIFICATION NUMBER: BACP20B63B OPTIONAL PART: 51338 V83058 MISCELLANEOUS DATA: USE IN PLACE OF CIRCUIT BREAKERS ON OPEN HOLES	201967	1
- 435	233A5224-304203		PLUG BUTTON INSTL-P6-4/B3 FOR NHA SEE: 24-50-00-06B	201967	RF

MISSING ITEM NUMBERS NOT APPLICABLE

- ITEM NOT ILLUSTRATED

HAP

24-51-54-21

BOEING PROPRIETARY - Copyright © - Unpublished Work - See title page for details.

24-51-54
FIG. 21
PAGE 11
OCT 15/08

BOEING
737-600/700/800/900
PARTS CATALOG (MAINTENANCE)

FIG ITEM	PART NUMBER	1 2 3 4 5 6 7	NOMENCLATURE	EFFECT FROM TO	UNITS PER ASSY
21 440	BS51338D5003		.PLUG- SUPPLIER CODE: V83058 SPECIFICATION NUMBER: BACP20B63B OPTIONAL PART: 51338 V83058 MISCELLANEOUS DATA: USE IN PLACE OF CIRCUIT BREAKERS ON OPEN HOLES	201967	1
- 445	233A5224-304209		PLUG BUTTON INSTL-P6-4/B9 FOR NHA SEE: 24-50-00-06B	201967	RF
450	BS51338D5003		.PLUG- SUPPLIER CODE: V83058 SPECIFICATION NUMBER: BACP20B63B OPTIONAL PART: 51338 V83058 MISCELLANEOUS DATA: USE IN PLACE OF CIRCUIT BREAKERS ON OPEN HOLES	201967	1
- 455	233A5224-304210		PLUG BUTTON INSTL-P6-4/B10 FOR NHA SEE: 24-50-00-06B	201967	RF
460	BS51338D5003		.PLUG- SUPPLIER CODE: V83058 SPECIFICATION NUMBER: BACP20B63B OPTIONAL PART: 51338 V83058 MISCELLANEOUS DATA: USE IN PLACE OF CIRCUIT BREAKERS ON OPEN HOLES	201967	1
- 465	233A5224-304211		PLUG BUTTON INSTL-P6-4/B11 FOR NHA SEE: 24-50-00-06B	201967	RF

MISSING ITEM NUMBERS NOT APPLICABLE

- ITEM NOT ILLUSTRATED

HAP

24-51-54-21

BOEING PROPRIETARY - Copyright © - Unpublished Work - See title page for details.

24-51-54
FIG. 21
PAGE 12
OCT 15/08

BOEING
737-600/700/800/900
PARTS CATALOG (MAINTENANCE)

FIG ITEM	PART NUMBER	1 2 3 4 5 6 7	NOMENCLATURE	EFFECT FROM TO	UNITS PER ASSY
21 470	BS51338D5003		.PLUG- SUPPLIER CODE: V83058 SPECIFICATION NUMBER: BACP20B63B OPTIONAL PART: 51338 V83058 MISCELLANEOUS DATA: USE IN PLACE OF CIRCUIT BREAKERS ON OPEN HOLES	201967	1
- 475	233A5224-304212		PLUG BUTTON INSTL-P6-4/B12 FOR NHA SEE: 24-50-00-06B	201967	RF
480	BS51338D5003		.PLUG- SUPPLIER CODE: V83058 SPECIFICATION NUMBER: BACP20B63B OPTIONAL PART: 51338 V83058 MISCELLANEOUS DATA: USE IN PLACE OF CIRCUIT BREAKERS ON OPEN HOLES	201967	1
- 485	233A5224-304213		PLUG BUTTON INSTL-P6-4/B13 FOR NHA SEE: 24-50-00-06B	201967	RF
490	BS51338D5003		.PLUG- SUPPLIER CODE: V83058 SPECIFICATION NUMBER: BACP20B63B OPTIONAL PART: 51338 V83058 MISCELLANEOUS DATA: USE IN PLACE OF CIRCUIT BREAKERS ON OPEN HOLES	201967	1
- 495	233A5224-304215		PLUG BUTTON INSTL-P6-4/B15 FOR NHA SEE: 24-50-00-06B	201967	RF

MISSING ITEM NUMBERS NOT APPLICABLE

- ITEM NOT ILLUSTRATED

HAP

24-51-54-21

BOEING PROPRIETARY - Copyright © - Unpublished Work - See title page for details.

24-51-54
FIG. 21
PAGE 13
OCT 15/08

BOEING
737-600/700/800/900
PARTS CATALOG (MAINTENANCE)

FIG ITEM	PART NUMBER	1 2 3 4 5 6 7	NOMENCLATURE	EFFECT FROM TO	UNITS PER ASSY
21 500	BS51338D5003		.PLUG- SUPPLIER CODE: V83058 SPECIFICATION NUMBER: BACP20B63B OPTIONAL PART: 51338 V83058 MISCELLANEOUS DATA: USE IN PLACE OF CIRCUIT BREAKERS ON OPEN HOLES	201967	1
- 505	233A5224-304216		PLUG BUTTON INSTL-P6-4/B16 FOR NHA SEE: 24-50-00-06B	201967	RF
510	BS51338D5003		.PLUG- SUPPLIER CODE: V83058 SPECIFICATION NUMBER: BACP20B63B OPTIONAL PART: 51338 V83058 MISCELLANEOUS DATA: USE IN PLACE OF CIRCUIT BREAKERS ON OPEN HOLES	201967	1
- 515	233A5224-304218		PLUG BUTTON INSTL-P6-4/B18 FOR NHA SEE: 24-50-00-06B	201967	RF
520	BS51338D5003		.PLUG- SUPPLIER CODE: V83058 SPECIFICATION NUMBER: BACP20B63B OPTIONAL PART: 51338 V83058 MISCELLANEOUS DATA: USE IN PLACE OF CIRCUIT BREAKERS ON OPEN HOLES	201967	1
- 525	233A5224-304301		PLUG BUTTON INSTL-P6-4/C1 FOR NHA SEE: 24-50-00-06B	201967	RF

MISSING ITEM NUMBERS NOT APPLICABLE

- ITEM NOT ILLUSTRATED

HAP

24-51-54-21

BOEING PROPRIETARY - Copyright © - Unpublished Work - See title page for details.

24-51-54
FIG. 21
PAGE 14
OCT 15/08

BOEING
737-600/700/800/900
PARTS CATALOG (MAINTENANCE)

FIG ITEM	PART NUMBER	1 2 3 4 5 6 7	NOMENCLATURE	EFFECT FROM TO	UNITS PER ASSY
21 530	BS51338D5003		.PLUG- SUPPLIER CODE: V83058 SPECIFICATION NUMBER: BACP20B63B OPTIONAL PART: 51338 V83058 MISCELLANEOUS DATA: USE IN PLACE OF CIRCUIT BREAKERS ON OPEN HOLES	201967	1
- 535	233A5224-304302		PLUG BUTTON INSTL-P6-4/C2 FOR NHA SEE: 24-50-00-06B	201967	RF
540	BS51338D5003		.PLUG- SUPPLIER CODE: V83058 SPECIFICATION NUMBER: BACP20B63B OPTIONAL PART: 51338 V83058 MISCELLANEOUS DATA: USE IN PLACE OF CIRCUIT BREAKERS ON OPEN HOLES	201967	1
- 545	233A5224-304303		PLUG BUTTON INSTL-P6-4/C3 FOR NHA SEE: 24-50-00-06B	201967	RF
550	BS51338D5003		.PLUG- SUPPLIER CODE: V83058 SPECIFICATION NUMBER: BACP20B63B OPTIONAL PART: 51338 V83058 MISCELLANEOUS DATA: USE IN PLACE OF CIRCUIT BREAKERS ON OPEN HOLES	201967	1
- 555	233A5224-304307		PLUG BUTTON INSTL-P6-4/C7 FOR NHA SEE: 24-50-00-06B	201967	RF

MISSING ITEM NUMBERS NOT APPLICABLE

- ITEM NOT ILLUSTRATED

HAP

24-51-54-21

BOEING PROPRIETARY - Copyright © - Unpublished Work - See title page for details.

24-51-54
FIG. 21
PAGE 15
OCT 15/08

BOEING
737-600/700/800/900
PARTS CATALOG (MAINTENANCE)

FIG ITEM	PART NUMBER	1 2 3 4 5 6 7	NOMENCLATURE	EFFECT FROM TO	UNITS PER ASSY
21 560	BS51338D5003		.PLUG- SUPPLIER CODE: V83058 SPECIFICATION NUMBER: BACP20B63B OPTIONAL PART: 51338 V83058 MISCELLANEOUS DATA: USE IN PLACE OF CIRCUIT BREAKERS ON OPEN HOLES	201967	1
- 565	233A5224-304308		PLUG BUTTON INSTL-P6-4/C8 FOR NHA SEE: 24-50-00-06B	201967	RF
570	BS51338D5003		.PLUG- SUPPLIER CODE: V83058 SPECIFICATION NUMBER: BACP20B63B OPTIONAL PART: 51338 V83058 MISCELLANEOUS DATA: USE IN PLACE OF CIRCUIT BREAKERS ON OPEN HOLES	201967	1
- 575	233A5224-304309		PLUG BUTTON INSTL-P6-4/C9 FOR NHA SEE: 24-50-00-06B	201967	RF
580	BS51338D5003		.PLUG- SUPPLIER CODE: V83058 SPECIFICATION NUMBER: BACP20B63B OPTIONAL PART: 51338 V83058 MISCELLANEOUS DATA: USE IN PLACE OF CIRCUIT BREAKERS ON OPEN HOLES	201967	1
- 585	233A5224-304310		PLUG BUTTON INSTL-P6-4/C10 FOR NHA SEE: 24-50-00-06B	201967	RF

MISSING ITEM NUMBERS NOT APPLICABLE

- ITEM NOT ILLUSTRATED

HAP

24-51-54-21

BOEING PROPRIETARY - Copyright © - Unpublished Work - See title page for details.

24-51-54
FIG. 21
PAGE 16
OCT 15/08

BOEING
737-600/700/800/900
PARTS CATALOG (MAINTENANCE)

FIG ITEM	PART NUMBER	1 2 3 4 5 6 7	NOMENCLATURE	EFFECT FROM TO	UNITS PER ASSY
21 590	BS51338D5003		.PLUG- SUPPLIER CODE: V83058 SPECIFICATION NUMBER: BACP20B63B OPTIONAL PART: 51338 V83058 MISCELLANEOUS DATA: USE IN PLACE OF CIRCUIT BREAKERS ON OPEN HOLES	201967	1
- 595	233A5224-304311		PLUG BUTTON INSTL-P6-4/C11 FOR NHA SEE: 24-50-00-06B	201967	RF
600	BS51338D5003		.PLUG- SUPPLIER CODE: V83058 SPECIFICATION NUMBER: BACP20B63B OPTIONAL PART: 51338 V83058 MISCELLANEOUS DATA: USE IN PLACE OF CIRCUIT BREAKERS ON OPEN HOLES	201967	1
- 605	233A5224-304318		PLUG BUTTON INSTL-P6-4/C18 FOR NHA SEE: 24-50-00-06B	201967	RF
610	BS51338D5003		.PLUG- SUPPLIER CODE: V83058 SPECIFICATION NUMBER: BACP20B63B OPTIONAL PART: 51338 V83058 MISCELLANEOUS DATA: USE IN PLACE OF CIRCUIT BREAKERS ON OPEN HOLES	201967	1
- 615	233A5224-304403		PLUG BUTTON INSTL-P6-4/D3 FOR NHA SEE: 24-50-00-06B	201967	RF

MISSING ITEM NUMBERS NOT APPLICABLE

- ITEM NOT ILLUSTRATED

HAP

24-51-54-21

BOEING PROPRIETARY - Copyright © - Unpublished Work - See title page for details.

24-51-54
FIG. 21
PAGE 17
OCT 15/08

BOEING
737-600/700/800/900
PARTS CATALOG (MAINTENANCE)

FIG ITEM	PART NUMBER	1 2 3 4 5 6 7	NOMENCLATURE	EFFECT FROM TO	UNITS PER ASSY
21 620	BS51338D5003		.PLUG- SUPPLIER CODE: V83058 SPECIFICATION NUMBER: BACP20B63B OPTIONAL PART: 51338 V83058 MISCELLANEOUS DATA: USE IN PLACE OF CIRCUIT BREAKERS ON OPEN HOLES	201967	1
- 625	233A5224-304404		PLUG BUTTON INSTL-P6-4/D4 FOR NHA SEE: 24-50-00-06B	201967	RF
630	BS51338D5003		.PLUG- SUPPLIER CODE: V83058 SPECIFICATION NUMBER: BACP20B63B OPTIONAL PART: 51338 V83058 MISCELLANEOUS DATA: USE IN PLACE OF CIRCUIT BREAKERS ON OPEN HOLES	201967	1
- 635	233A5224-304405		PLUG BUTTON INSTL-P6-4/D5 FOR NHA SEE: 24-50-00-06B	201967	RF
640	BS51338D5003		.PLUG- SUPPLIER CODE: V83058 SPECIFICATION NUMBER: BACP20B63B OPTIONAL PART: 51338 V83058 MISCELLANEOUS DATA: USE IN PLACE OF CIRCUIT BREAKERS ON OPEN HOLES	201967	1
- 645	233A5224-304406		PLUG BUTTON INSTL-P6-4/D6 FOR NHA SEE: 24-50-00-06B	201967	RF

MISSING ITEM NUMBERS NOT APPLICABLE

- ITEM NOT ILLUSTRATED

HAP

24-51-54-21

BOEING PROPRIETARY - Copyright © - Unpublished Work - See title page for details.

24-51-54
FIG. 21
PAGE 18
OCT 15/08

BOEING
737-600/700/800/900
PARTS CATALOG (MAINTENANCE)

FIG ITEM	PART NUMBER	1 2 3 4 5 6 7	NOMENCLATURE	EFFECT FROM TO	UNITS PER ASSY
21 650	BS51338D5003		.PLUG- SUPPLIER CODE: V83058 SPECIFICATION NUMBER: BACP20B63B OPTIONAL PART: 51338 V83058 MISCELLANEOUS DATA: USE IN PLACE OF CIRCUIT BREAKERS ON OPEN HOLES	201967	1
- 655	233A5224-304409		PLUG BUTTON INSTL-P6-4/D9 FOR NHA SEE: 24-50-00-06B	201967	RF
660	BS51338D5003		.PLUG- SUPPLIER CODE: V83058 SPECIFICATION NUMBER: BACP20B63B OPTIONAL PART: 51338 V83058 MISCELLANEOUS DATA: USE IN PLACE OF CIRCUIT BREAKERS ON OPEN HOLES	201967	1
- 665	233A5224-304410		PLUG BUTTON INSTL-P6-4/D10 FOR NHA SEE: 24-50-00-06B	201967	RF
670	BS51338D5003		.PLUG- SUPPLIER CODE: V83058 SPECIFICATION NUMBER: BACP20B63B OPTIONAL PART: 51338 V83058 MISCELLANEOUS DATA: USE IN PLACE OF CIRCUIT BREAKERS ON OPEN HOLES	201967	1
- 675	233A5224-304412		PLUG BUTTON INSTL-P6-4/D12 FOR NHA SEE: 24-50-00-06B	201967	RF

MISSING ITEM NUMBERS NOT APPLICABLE

- ITEM NOT ILLUSTRATED

HAP

24-51-54-21

BOEING PROPRIETARY - Copyright © - Unpublished Work - See title page for details.

24-51-54
FIG. 21
PAGE 19
OCT 15/08

BOEING
737-600/700/800/900
PARTS CATALOG (MAINTENANCE)

FIG ITEM	PART NUMBER	1 2 3 4 5 6 7	NOMENCLATURE	EFFECT FROM TO	UNITS PER ASSY
21 680	BS51338D5003		.PLUG- SUPPLIER CODE: V83058 SPECIFICATION NUMBER: BACP20B63B OPTIONAL PART: 51338 V83058 MISCELLANEOUS DATA: USE IN PLACE OF CIRCUIT BREAKERS ON OPEN HOLES	201967	1
- 685	233A5224-304417		PLUG BUTTON INSTL-P6-4/D17 FOR NHA SEE: 24-50-00-06B	201967	RF
690	BS51338D5003		.PLUG- SUPPLIER CODE: V83058 SPECIFICATION NUMBER: BACP20B63B OPTIONAL PART: 51338 V83058 MISCELLANEOUS DATA: USE IN PLACE OF CIRCUIT BREAKERS ON OPEN HOLES	201967	1
- 695	233A5224-304502		PLUG BUTTON INSTL-P6-4/E2 FOR NHA SEE: 24-50-00-06B	201967	RF
700	BS51338D5003		.PLUG- SUPPLIER CODE: V83058 SPECIFICATION NUMBER: BACP20B63B OPTIONAL PART: 51338 V83058 MISCELLANEOUS DATA: USE IN PLACE OF CIRCUIT BREAKERS ON OPEN HOLES	201967	1
- 705	233A5224-304503		PLUG BUTTON INSTL-P6-4/E3 FOR NHA SEE: 24-50-00-06B	201967	RF

MISSING ITEM NUMBERS NOT APPLICABLE

- ITEM NOT ILLUSTRATED

HAP

24-51-54-21

BOEING PROPRIETARY - Copyright © - Unpublished Work - See title page for details.

24-51-54
FIG. 21
PAGE 20
OCT 15/08

BOEING
737-600/700/800/900
PARTS CATALOG (MAINTENANCE)

FIG ITEM	PART NUMBER	1 2 3 4 5 6 7	NOMENCLATURE	EFFECT FROM TO	UNITS PER ASSY
21 710	BS51338D5003		.PLUG- SUPPLIER CODE: V83058 SPECIFICATION NUMBER: BACP20B63B OPTIONAL PART: 51338 V83058 MISCELLANEOUS DATA: USE IN PLACE OF CIRCUIT BREAKERS ON OPEN HOLES	201967	1
- 715	233A5224-304505		PLUG BUTTON INSTL-P6-4/E5 FOR NHA SEE: 24-50-00-06B	201967	RF
720	BS51338D5003		.PLUG- SUPPLIER CODE: V83058 SPECIFICATION NUMBER: BACP20B63B OPTIONAL PART: 51338 V83058 MISCELLANEOUS DATA: USE IN PLACE OF CIRCUIT BREAKERS ON OPEN HOLES	201967	1
- 725	233A5224-304506		PLUG BUTTON INSTL-P6-4/E6 FOR NHA SEE: 24-50-00-06B	201967	RF
730	BS51338D5003		.PLUG- SUPPLIER CODE: V83058 SPECIFICATION NUMBER: BACP20B63B OPTIONAL PART: 51338 V83058 MISCELLANEOUS DATA: USE IN PLACE OF CIRCUIT BREAKERS ON OPEN HOLES	201967	1
- 735	233A5224-304507		PLUG BUTTON INSTL-P6-4/E7 FOR NHA SEE: 24-50-00-06B	201967	RF

MISSING ITEM NUMBERS NOT APPLICABLE

- ITEM NOT ILLUSTRATED

HAP

24-51-54-21

BOEING PROPRIETARY - Copyright © - Unpublished Work - See title page for details.

24-51-54
FIG. 21
PAGE 21
OCT 15/08

BOEING
737-600/700/800/900
PARTS CATALOG (MAINTENANCE)

FIG ITEM	PART NUMBER	1 2 3 4 5 6 7	NOMENCLATURE	EFFECT FROM TO	UNITS PER ASSY
21 740	BS51338D5003		.PLUG- SUPPLIER CODE: V83058 SPECIFICATION NUMBER: BACP20B63B OPTIONAL PART: 51338 V83058 MISCELLANEOUS DATA: USE IN PLACE OF CIRCUIT BREAKERS ON OPEN HOLES	201967	1
- 745	233A5224-304508		PLUG BUTTON INSTL-P6-4/E8 FOR NHA SEE: 24-50-00-06B	201967	RF
750	BS51338D5003		.PLUG- SUPPLIER CODE: V83058 SPECIFICATION NUMBER: BACP20B63B OPTIONAL PART: 51338 V83058 MISCELLANEOUS DATA: USE IN PLACE OF CIRCUIT BREAKERS ON OPEN HOLES	201967	1
- 755	233A5224-304510		PLUG BUTTON INSTL-P6-4/E10 FOR NHA SEE: 24-50-00-06B	201967	RF
760	BS51338D5003		.PLUG- SUPPLIER CODE: V83058 SPECIFICATION NUMBER: BACP20B63B OPTIONAL PART: 51338 V83058 MISCELLANEOUS DATA: USE IN PLACE OF CIRCUIT BREAKERS ON OPEN HOLES	201967	1
- 765	233A5224-304514		PLUG BUTTON INSTL-P6-4/E14 FOR NHA SEE: 24-50-00-06B	201967	RF

MISSING ITEM NUMBERS NOT APPLICABLE

- ITEM NOT ILLUSTRATED

HAP

24-51-54-21

BOEING PROPRIETARY - Copyright © - Unpublished Work - See title page for details.

24-51-54
FIG. 21
PAGE 22
OCT 15/08

BOEING
737-600/700/800/900
PARTS CATALOG (MAINTENANCE)

FIG ITEM	PART NUMBER	1 2 3 4 5 6 7	NOMENCLATURE	EFFECT FROM TO	UNITS PER ASSY
21 770	BS51338D5003		.PLUG- SUPPLIER CODE: V83058 SPECIFICATION NUMBER: BACP20B63B OPTIONAL PART: 51338 V83058 MISCELLANEOUS DATA: USE IN PLACE OF CIRCUIT BREAKERS ON OPEN HOLES	201967	1
- 775	233A5224-304517		PLUG BUTTON INSTL-P6-4/E17 FOR NHA SEE: 24-50-00-06B	201967	RF
780	BS51338D5003		.PLUG- SUPPLIER CODE: V83058 SPECIFICATION NUMBER: BACP20B63B OPTIONAL PART: 51338 V83058 MISCELLANEOUS DATA: USE IN PLACE OF CIRCUIT BREAKERS ON OPEN HOLES	201967	1
- 785	233A5224-304602		PLUG BUTTON INSTL-P6-4/F2 FOR NHA SEE: 24-50-00-06B	201967	RF
790	BS51338D5003		.PLUG- SUPPLIER CODE: V83058 SPECIFICATION NUMBER: BACP20B63B OPTIONAL PART: 51338 V83058 MISCELLANEOUS DATA: USE IN PLACE OF CIRCUIT BREAKERS ON OPEN HOLES	201967	1
- 795	233A5224-304604		PLUG BUTTON INSTL-P6-4/F4 FOR NHA SEE: 24-50-00-06B	201967	RF

MISSING ITEM NUMBERS NOT APPLICABLE

- ITEM NOT ILLUSTRATED

HAP

24-51-54-21

BOEING PROPRIETARY - Copyright © - Unpublished Work - See title page for details.

24-51-54
FIG. 21
PAGE 23
OCT 15/08

BOEING
737-600/700/800/900
PARTS CATALOG (MAINTENANCE)

FIG ITEM	PART NUMBER	1 2 3 4 5 6 7	NOMENCLATURE	EFFECT FROM TO	UNITS PER ASSY
21 800	BS51338D5003		.PLUG- SUPPLIER CODE: V83058 SPECIFICATION NUMBER: BACP20B63B OPTIONAL PART: 51338 V83058 MISCELLANEOUS DATA: USE IN PLACE OF CIRCUIT BREAKERS ON OPEN HOLES	201967	1
- 805	233A5224-304615		PLUG BUTTON INSTL-P6-4/F15 FOR NHA SEE: 24-50-00-06B	201967	RF
810	BS51338D5003		.PLUG- SUPPLIER CODE: V83058 SPECIFICATION NUMBER: BACP20B63B OPTIONAL PART: 51338 V83058 MISCELLANEOUS DATA: USE IN PLACE OF CIRCUIT BREAKERS ON OPEN HOLES	201967	1
- 815	233A5224-304617		PLUG BUTTON INSTL-P6-4/F17 FOR NHA SEE: 24-50-00-06B	201967	RF
820	BS51338D5003		.PLUG- SUPPLIER CODE: V83058 SPECIFICATION NUMBER: BACP20B63B OPTIONAL PART: 51338 V83058 MISCELLANEOUS DATA: USE IN PLACE OF CIRCUIT BREAKERS ON OPEN HOLES	201967	1
- 850	233A5224-504116		INOP INSTL-P6-4/A16 (ELECTRICAL POWER ONLY) FOR NHA/OTHER SYS DET SEE: 24-50-00-06B	201967	RF
855	10237-1		.COLLAR- SUPPLIER CODE: V1N6X0	201967	1

MISSING ITEM NUMBERS NOT APPLICABLE

- ITEM NOT ILLUSTRATED

HAP

24-51-54-21

BOEING PROPRIETARY - Copyright © - Unpublished Work - See title page for details.

24-51-54
FIG. 21
PAGE 24
OCT 15/08

BOEING
737-600/700/800/900
PARTS CATALOG (MAINTENANCE)

FIG ITEM	PART NUMBER	1 2 3 4 5 6 7	NOMENCLATURE	EFFECT FROM TO	UNITS PER ASSY
21					
- 860	233A5224-504117		INOP INSTL-P6-4/A17 (ELECTRICAL POWER ONLY) FOR NHA/OTHER SYS DET SEE: 24-50-00-06B	201967	RF
865	10237-1		.COLLAR- SUPPLIER CODE: V1N6X0	201967	1
- 870	233A5224-504118		INOP INSTL-P6-4/A18 (ELECTRICAL POWER ONLY) FOR NHA/OTHER SYS DET SEE: 24-50-00-06B	201967	RF
875	10237-1		.COLLAR- SUPPLIER CODE: V1N6X0	201967	1
- 880	233A5224-504217		INOP INSTL-P6-4/B17 (ELECTRICAL POWER ONLY) FOR NHA/OTHER SYS DET SEE: 24-50-00-06B	201967	RF
885	10237-1		.COLLAR- SUPPLIER CODE: V1N6X0	201967	1
- 890	233A5224-504316		INOP INSTL-P6-4/C16 (ELECTRICAL POWER ONLY) FOR NHA/OTHER SYS DET SEE: 24-50-00-06B	201967	RF
895	10237-1		.COLLAR- SUPPLIER CODE: V1N6X0	201967	1
- 900	233A5224-504317		INOP INSTL-P6-4/C17 (ELECTRICAL POWER ONLY) FOR NHA/OTHER SYS DET SEE: 24-50-00-06B	201967	RF
905	10237-1		.COLLAR- SUPPLIER CODE: V1N6X0	201967	1

MISSING ITEM NUMBERS NOT APPLICABLE

- ITEM NOT ILLUSTRATED

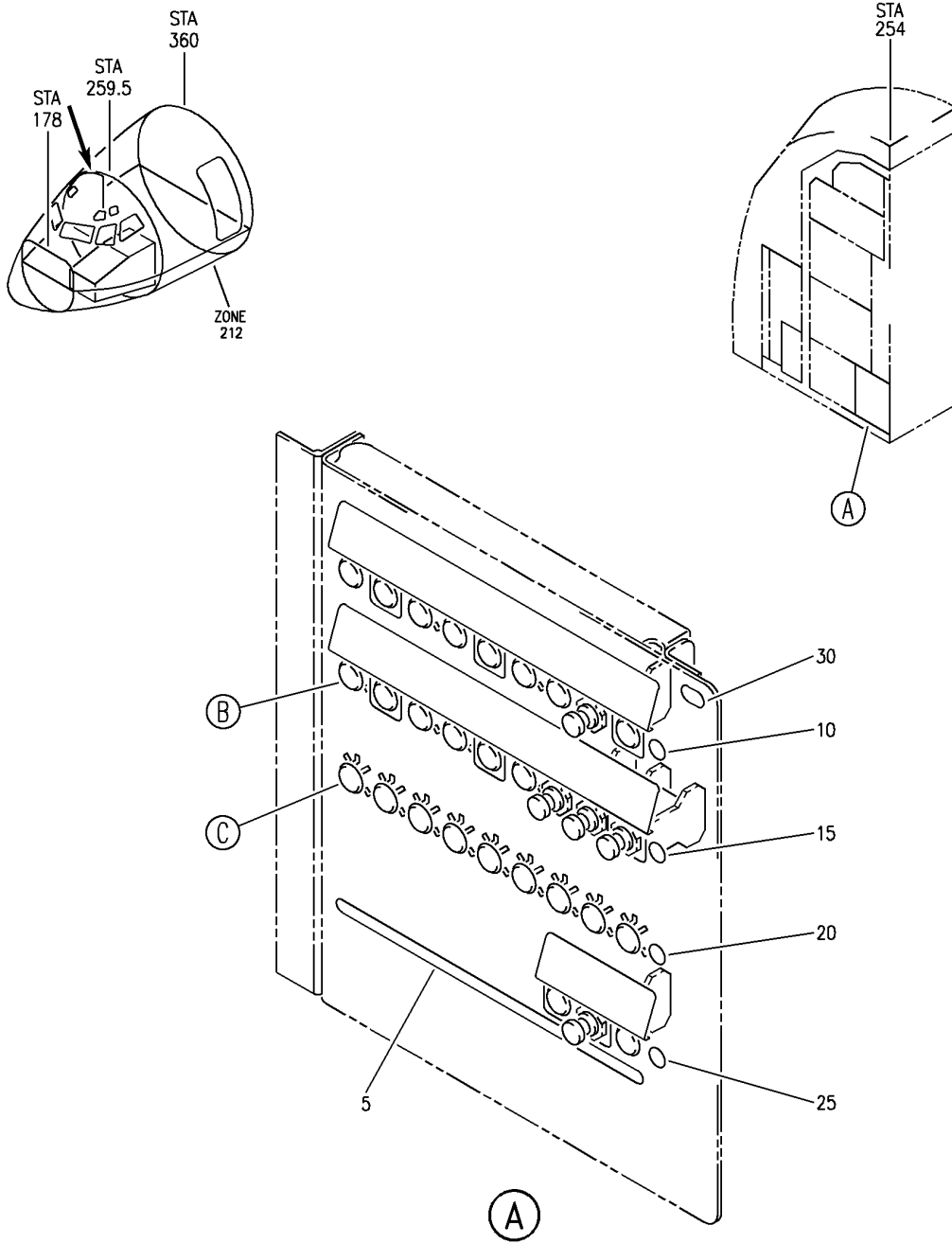
HAP

24-51-54-21

BOEING PROPRIETARY - Copyright © - Unpublished Work - See title page for details.

24-51-54
FIG. 21
PAGE 25
OCT 15/08

BOEING
 737-600/700/800/900
 PARTS CATALOG (MAINTENANCE)



E 24515520 SHT 1 REV 109

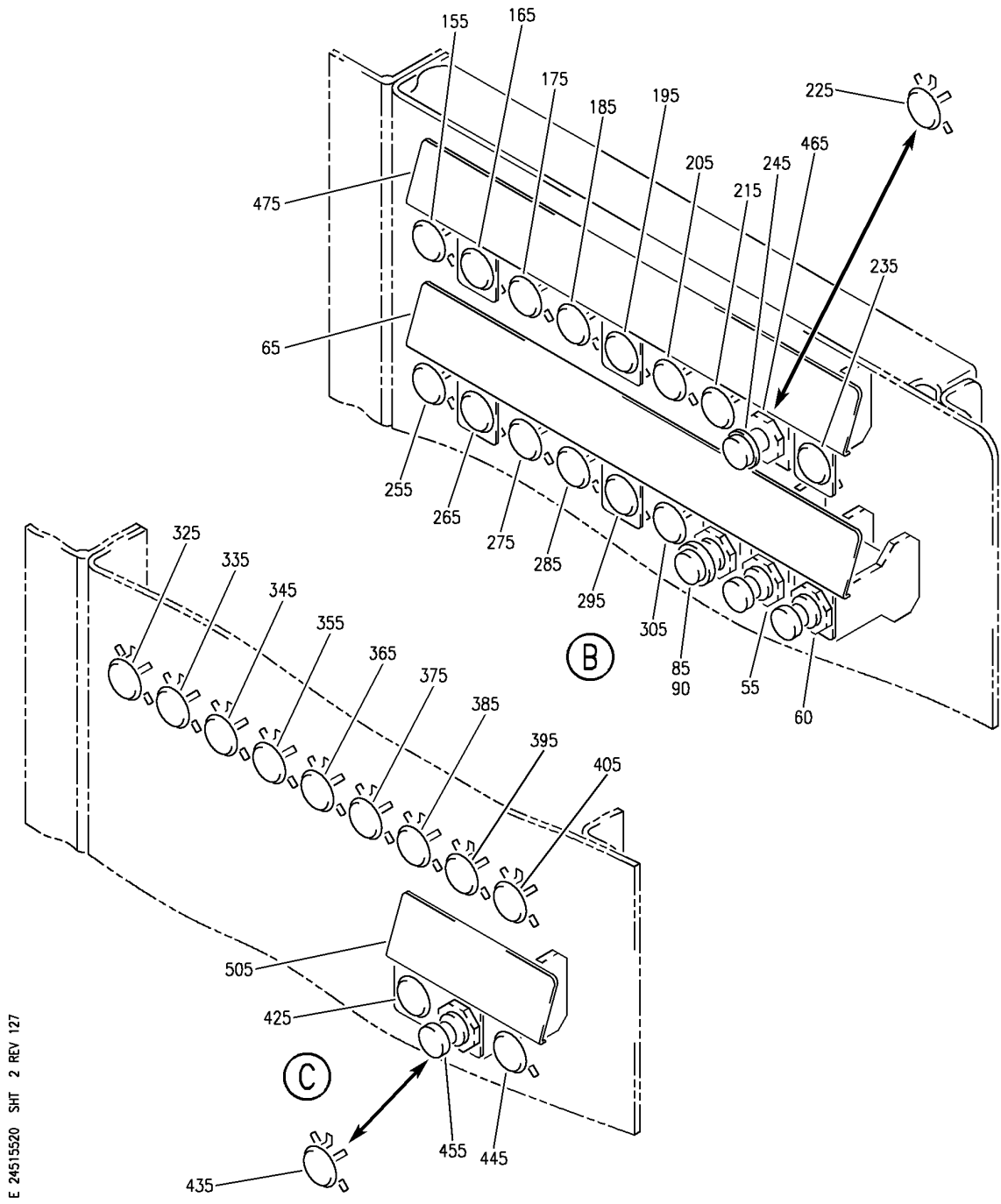
MARKER, CIRCUIT BREAKER, PLUG BUTTON, SUPPORT AND INOP INSTL-P6-11 PNL (ELECTRICAL POWER ONLY)
 FIGURE 20 (SHEET 1)

HAP
 OCT 15/08

24-51-55-20

24-51-55-20
 PAGE 0

BOEING
 737-600/700/800/900
 PARTS CATALOG (MAINTENANCE)



E 24515520 SHT 2 REV 127

MARKER, CIRCUIT BREAKER, PLUG BUTTON, SUPPORT AND INOP INSTL-P6-11 PNL (ELECTRICAL POWER ONLY)
 FIGURE 20 (SHEET 2)

24-51-55-20

HAP
 OCT 15/08

24-51-55-20
 PAGE 0A

BOEING
737-600/700/800/900
PARTS CATALOG (MAINTENANCE)

FIG ITEM	PART NUMBER	1 2 3 4 5 6 7	NOMENCLATURE	EFFECT FROM TO	UNITS PER ASSY
20			MARKER, CIRCUIT BREAKER, PLUG BUTTON, SUPPORT AND INOP INSTL-P6-11 PNL (ELECTRICAL POWER ONLY)	201967	
- 1	233A5225-1		MARKER INSTL-P6-11 FOR NHA SEE: 24-50-00-07B	201967	RF
5	BAC27DCC2755		.MARKER- PLACARD CONTENT: 1 THRU 9	201967	1
10	BAC27DCC3065		.MARKER- PLACARD CONTENT: A	201967	1
15	BAC27DCC3066		.MARKER- PLACARD CONTENT: B	201967	1
20	BAC27DCC3067		.MARKER- PLACARD CONTENT: C	201967	1
25	BAC27DCC3068		.MARKER- PLACARD CONTENT: D	201967	1
30	BAC27DCC3078		.MARKER- PLACARD CONTENT: P6-11	201967	1
- 50	233A5225-2		CIRCUIT BREAKER INSTL-P6-11 FOR NHA SEE: 24-50-00-07B	201967	RF
55	4310-029-15		.CIRCUIT BREAKER- SUPPLIER CODE: V76374 SPECIFICATION NUMBER: BACC18AD15 OPTIONAL PART: 2TC47-15 V82647 ELECTRICAL EQUIP NUMBER: C00393	201967	1

MISSING ITEM NUMBERS NOT APPLICABLE

- ITEM NOT ILLUSTRATED

HAP

24-51-55-20

BOEING PROPRIETARY - Copyright © - Unpublished Work - See title page for details.

24-51-55
FIG. 20
PAGE 1
OCT 15/08

BOEING
737-600/700/800/900
PARTS CATALOG (MAINTENANCE)

FIG ITEM	PART NUMBER	1 2 3 4 5 6 7	NOMENCLATURE	EFFECT FROM TO	UNITS PER ASSY
20 60	700-038-25		.CIRCUIT BREAKER- SUPPLIER CODE: V76374 SPECIFICATION NUMBER: BACC18X25 OPTIONAL PART: 492-225-103 V79405 492-225-104 V79405 ELECTRICAL EQUIP NUMBER: C00228	201967	1
65 - 80	233A5511-9 233A5225-200229		.SUPPORT-ROW B MARKER CIRCUIT BREAKER INSTL- WINDOW HEAT POWER L4 & L5 P6-11/B7 FOR NHA SEE: 24-50-00-07B	201967 201967	1 RF
85	2TC47-3		.CIRCUIT BREAKER- SUPPLIER CODE: V82647 SPECIFICATION NUMBER: BACC18AD3 OPTIONAL PART: 4310-029-3 V76374 ELECTRICAL EQUIP NUMBER: C00229	201967	1
- 150	233A5225-311101		PLUG BUTTON INSTL-P6-11/A1 FOR NHA SEE: 24-50-00-07B	201967	RF
155	BS51338D5003		.PLUG- SUPPLIER CODE: V83058 SPECIFICATION NUMBER: BACP20B63B OPTIONAL PART: 51338 V83058 MISCELLANEOUS DATA: USE IN PLACE OF CIRCUIT BREAKERS ON OPEN HOLES	201967	1
- 160	233A5225-311102		PLUG BUTTON INSTL-P6-11/A2 FOR NHA SEE: 24-50-00-07B	201967	RF

MISSING ITEM NUMBERS NOT APPLICABLE

- ITEM NOT ILLUSTRATED

HAP

24-51-55-20

BOEING PROPRIETARY - Copyright © - Unpublished Work - See title page for details.

24-51-55
FIG. 20
PAGE 2
OCT 15/08

BOEING
737-600/700/800/900
PARTS CATALOG (MAINTENANCE)

FIG ITEM	PART NUMBER	1 2 3 4 5 6 7	NOMENCLATURE	EFFECT FROM TO	UNITS PER ASSY
20 165	BS51338D5003		.PLUG- SUPPLIER CODE: V83058 SPECIFICATION NUMBER: BACP20B63B OPTIONAL PART: 51338 V83058 MISCELLANEOUS DATA: USE IN PLACE OF CIRCUIT BREAKERS ON OPEN HOLES	201967	1
- 170	233A5225-311103		PLUG BUTTON INSTL-P6-11/A3 FOR NHA SEE: 24-50-00-07B	201967	RF
175	BS51338D5003		.PLUG- SUPPLIER CODE: V83058 SPECIFICATION NUMBER: BACP20B63B OPTIONAL PART: 51338 V83058 MISCELLANEOUS DATA: USE IN PLACE OF CIRCUIT BREAKERS ON OPEN HOLES	201967	1
- 180	233A5225-311104		PLUG BUTTON INSTL-P6-11/A4 FOR NHA SEE: 24-50-00-07B	201967	RF
185	BS51338D5003		.PLUG- SUPPLIER CODE: V83058 SPECIFICATION NUMBER: BACP20B63B OPTIONAL PART: 51338 V83058 MISCELLANEOUS DATA: USE IN PLACE OF CIRCUIT BREAKERS ON OPEN HOLES	201967	1
- 190	233A5225-311105		PLUG BUTTON INSTL-P6-11/A5 FOR NHA SEE: 24-50-00-07B	201967	RF

MISSING ITEM NUMBERS NOT APPLICABLE

- ITEM NOT ILLUSTRATED

HAP

24-51-55-20

BOEING PROPRIETARY - Copyright © - Unpublished Work - See title page for details.

24-51-55
FIG. 20
PAGE 3
OCT 15/08

BOEING
737-600/700/800/900
PARTS CATALOG (MAINTENANCE)

FIG ITEM	PART NUMBER	1 2 3 4 5 6 7	NOMENCLATURE	EFFECT FROM TO	UNITS PER ASSY
20 195	BS51338D5003		.PLUG- SUPPLIER CODE: V83058 SPECIFICATION NUMBER: BACP20B63B OPTIONAL PART: 51338 V83058 MISCELLANEOUS DATA: USE IN PLACE OF CIRCUIT BREAKERS ON OPEN HOLES	201967	1
- 200	233A5225-311106		PLUG BUTTON INSTL-P6-11/A6 FOR NHA SEE: 24-50-00-07B	201967	RF
205	BS51338D5003		.PLUG- SUPPLIER CODE: V83058 SPECIFICATION NUMBER: BACP20B63B OPTIONAL PART: 51338 V83058 MISCELLANEOUS DATA: USE IN PLACE OF CIRCUIT BREAKERS ON OPEN HOLES	201967	1
- 210	233A5225-311107		PLUG BUTTON INSTL-P6-11/A7 FOR NHA SEE: 24-50-00-07B	201967	RF
215	BS51338D5003		.PLUG- SUPPLIER CODE: V83058 SPECIFICATION NUMBER: BACP20B63B OPTIONAL PART: 51338 V83058 MISCELLANEOUS DATA: USE IN PLACE OF CIRCUIT BREAKERS ON OPEN HOLES	201967	1
- 220	233A5225-311108		PLUG BUTTON INSTL-P6-11/A8 FOR NHA SEE: 24-50-00-07B	201967	RF

MISSING ITEM NUMBERS NOT APPLICABLE

- ITEM NOT ILLUSTRATED

HAP

24-51-55-20

BOEING PROPRIETARY - Copyright © - Unpublished Work - See title page for details.

24-51-55
FIG. 20
PAGE 4
OCT 15/08

BOEING
737-600/700/800/900
PARTS CATALOG (MAINTENANCE)

FIG ITEM	PART NUMBER	1 2 3 4 5 6 7	NOMENCLATURE	EFFECT FROM TO	UNITS PER ASSY
20 225	BS51338D5003		.PLUG- SUPPLIER CODE: V83058 SPECIFICATION NUMBER: BACP20B63B OPTIONAL PART: 51338 V83058 MISCELLANEOUS DATA: USE IN PLACE OF CIRCUIT BREAKERS ON OPEN HOLES	201967	1
- 230	233A5225-311109		PLUG BUTTON INSTL-P6-11/A9 FOR NHA SEE: 24-50-00-07B	201967	RF
235	BS51338D5003		.PLUG- SUPPLIER CODE: V83058 SPECIFICATION NUMBER: BACP20B63B OPTIONAL PART: 51338 V83058 MISCELLANEOUS DATA: USE IN PLACE OF CIRCUIT BREAKERS ON OPEN HOLES	201967	1
- 250	233A5225-311201		PLUG BUTTON INSTL-P6-11/B1 FOR NHA SEE: 24-50-00-07B	201967	RF
255	BS51338D5003		.PLUG- SUPPLIER CODE: V83058 SPECIFICATION NUMBER: BACP20B63B OPTIONAL PART: 51338 V83058 MISCELLANEOUS DATA: USE IN PLACE OF CIRCUIT BREAKERS ON OPEN HOLES	201967	1
- 260	233A5225-311202		PLUG BUTTON INSTL-P6-11/B2 FOR NHA SEE: 24-50-00-07B	201967	RF

MISSING ITEM NUMBERS NOT APPLICABLE

- ITEM NOT ILLUSTRATED

HAP

24-51-55-20

BOEING PROPRIETARY - Copyright © - Unpublished Work - See title page for details.

24-51-55
FIG. 20
PAGE 5
OCT 15/08

BOEING
737-600/700/800/900
PARTS CATALOG (MAINTENANCE)

FIG ITEM	PART NUMBER	1 2 3 4 5 6 7	NOMENCLATURE	EFFECT FROM TO	UNITS PER ASSY
20 265	BS51338D5003		.PLUG- SUPPLIER CODE: V83058 SPECIFICATION NUMBER: BACP20B63B OPTIONAL PART: 51338 V83058 MISCELLANEOUS DATA: USE IN PLACE OF CIRCUIT BREAKERS ON OPEN HOLES	201967	1
- 270	233A5225-311203		PLUG BUTTON INSTL-P6-11/B3 FOR NHA SEE: 24-50-00-07B	201967	RF
275	BS51338D5003		.PLUG- SUPPLIER CODE: V83058 SPECIFICATION NUMBER: BACP20B63B OPTIONAL PART: 51338 V83058 MISCELLANEOUS DATA: USE IN PLACE OF CIRCUIT BREAKERS ON OPEN HOLES	201967	1
- 280	233A5225-311204		PLUG BUTTON INSTL-P6-11/B4 FOR NHA SEE: 24-50-00-07B	201967	RF
285	BS51338D5003		.PLUG- SUPPLIER CODE: V83058 SPECIFICATION NUMBER: BACP20B63B OPTIONAL PART: 51338 V83058 MISCELLANEOUS DATA: USE IN PLACE OF CIRCUIT BREAKERS ON OPEN HOLES	201967	1
- 290	233A5225-311205		PLUG BUTTON INSTL-P6-11/B5 FOR NHA SEE: 24-50-00-07B	201967	RF

MISSING ITEM NUMBERS NOT APPLICABLE

- ITEM NOT ILLUSTRATED

HAP

24-51-55-20

BOEING PROPRIETARY - Copyright © - Unpublished Work - See title page for details.

24-51-55
FIG. 20
PAGE 6
OCT 15/08

BOEING
737-600/700/800/900
PARTS CATALOG (MAINTENANCE)

FIG ITEM	PART NUMBER	1 2 3 4 5 6 7	NOMENCLATURE	EFFECT FROM TO	UNITS PER ASSY
20 295	BS51338D5003		.PLUG- SUPPLIER CODE: V83058 SPECIFICATION NUMBER: BACP20B63B OPTIONAL PART: 51338 V83058 MISCELLANEOUS DATA: USE IN PLACE OF CIRCUIT BREAKERS ON OPEN HOLES	201967	1
- 300	233A5225-311206		PLUG BUTTON INSTL-P6-11/B6 FOR NHA SEE: 24-50-00-07B	201967	RF
305	BS51338D5003		.PLUG- SUPPLIER CODE: V83058 SPECIFICATION NUMBER: BACP20B63B OPTIONAL PART: 51338 V83058 MISCELLANEOUS DATA: USE IN PLACE OF CIRCUIT BREAKERS ON OPEN HOLES	201967	1
- 320	233A5225-311301		PLUG BUTTON INSTL-P6-11/C1 FOR NHA SEE: 24-50-00-07B	201967	RF
325	BS51338D5003		.PLUG- SUPPLIER CODE: V83058 SPECIFICATION NUMBER: BACP20B63B OPTIONAL PART: 51338 V83058 MISCELLANEOUS DATA: USE IN PLACE OF CIRCUIT BREAKERS ON OPEN HOLES	201967	1
- 330	233A5225-311302		PLUG BUTTON INSTL-P6-11/C2 FOR NHA SEE: 24-50-00-07B	201967	RF

MISSING ITEM NUMBERS NOT APPLICABLE

- ITEM NOT ILLUSTRATED

HAP

24-51-55-20

BOEING PROPRIETARY - Copyright © - Unpublished Work - See title page for details.

24-51-55
FIG. 20
PAGE 7
OCT 15/08

BOEING
737-600/700/800/900
PARTS CATALOG (MAINTENANCE)

FIG ITEM	PART NUMBER	1 2 3 4 5 6 7	NOMENCLATURE	EFFECT FROM TO	UNITS PER ASSY
20 335	BS51338D5003		.PLUG- SUPPLIER CODE: V83058 SPECIFICATION NUMBER: BACP20B63B OPTIONAL PART: 51338 V83058 MISCELLANEOUS DATA: USE IN PLACE OF CIRCUIT BREAKERS ON OPEN HOLES	201967	1
- 340	233A5225-311303		PLUG BUTTON INSTL-P6-11/C3 FOR NHA SEE: 24-50-00-07B	201967	RF
345	BS51338D5003		.PLUG- SUPPLIER CODE: V83058 SPECIFICATION NUMBER: BACP20B63B OPTIONAL PART: 51338 V83058 MISCELLANEOUS DATA: USE IN PLACE OF CIRCUIT BREAKERS ON OPEN HOLES	201967	1
- 350	233A5225-311304		PLUG BUTTON INSTL-P6-11/C4 FOR NHA SEE: 24-50-00-07B	201967	RF
355	BS51338D5003		.PLUG- SUPPLIER CODE: V83058 SPECIFICATION NUMBER: BACP20B63B OPTIONAL PART: 51338 V83058 MISCELLANEOUS DATA: USE IN PLACE OF CIRCUIT BREAKERS ON OPEN HOLES	201967	1
- 360	233A5225-311305		PLUG BUTTON INSTL-P6-11/C5 FOR NHA SEE: 24-50-00-07B	201967	RF

MISSING ITEM NUMBERS NOT APPLICABLE

- ITEM NOT ILLUSTRATED

HAP

24-51-55-20

BOEING PROPRIETARY - Copyright © - Unpublished Work - See title page for details.

24-51-55
FIG. 20
PAGE 8
OCT 15/08

BOEING
737-600/700/800/900
PARTS CATALOG (MAINTENANCE)

FIG ITEM	PART NUMBER	1 2 3 4 5 6 7	NOMENCLATURE	EFFECT FROM TO	UNITS PER ASSY
20 365	BS51338D5003		.PLUG- SUPPLIER CODE: V83058 SPECIFICATION NUMBER: BACP20B63B OPTIONAL PART: 51338 V83058 MISCELLANEOUS DATA: USE IN PLACE OF CIRCUIT BREAKERS ON OPEN HOLES	201967	1
- 370	233A5225-311306		PLUG BUTTON INSTL-P6-11/C6 FOR NHA SEE: 24-50-00-07B	201967	RF
375	BS51338D5003		.PLUG- SUPPLIER CODE: V83058 SPECIFICATION NUMBER: BACP20B63B OPTIONAL PART: 51338 V83058 MISCELLANEOUS DATA: USE IN PLACE OF CIRCUIT BREAKERS ON OPEN HOLES	201967	1
- 380	233A5225-311307		PLUG BUTTON INSTL-P6-11/C7 FOR NHA SEE: 24-50-00-07B	201967	RF
385	BS51338D5003		.PLUG- SUPPLIER CODE: V83058 SPECIFICATION NUMBER: BACP20B63B OPTIONAL PART: 51338 V83058 MISCELLANEOUS DATA: USE IN PLACE OF CIRCUIT BREAKERS ON OPEN HOLES	201967	1
- 390	233A5225-311308		PLUG BUTTON INSTL-P6-11/C8 FOR NHA SEE: 24-50-00-07B	201967	RF

MISSING ITEM NUMBERS NOT APPLICABLE

- ITEM NOT ILLUSTRATED

HAP

24-51-55-20

BOEING PROPRIETARY - Copyright © - Unpublished Work - See title page for details.

24-51-55
FIG. 20
PAGE 9
OCT 15/08

BOEING
737-600/700/800/900
PARTS CATALOG (MAINTENANCE)

FIG ITEM	PART NUMBER	1 2 3 4 5 6 7	NOMENCLATURE	EFFECT FROM TO	UNITS PER ASSY
20 395	BS51338D5003		.PLUG- SUPPLIER CODE: V83058 SPECIFICATION NUMBER: BACP20B63B OPTIONAL PART: 51338 V83058 MISCELLANEOUS DATA: USE IN PLACE OF CIRCUIT BREAKERS ON OPEN HOLES	201967	1
- 400	233A5225-311309		PLUG BUTTON INSTL-P6-11/C9 FOR NHA SEE: 24-50-00-07B	201967	RF
405	BS51338D5003		.PLUG- SUPPLIER CODE: V83058 SPECIFICATION NUMBER: BACP20B63B OPTIONAL PART: 51338 V83058 MISCELLANEOUS DATA: USE IN PLACE OF CIRCUIT BREAKERS ON OPEN HOLES	201967	1
- 420	233A5225-311407		PLUG BUTTON INSTL-P6-11/D7 FOR NHA SEE: 24-50-00-07B	201967	RF
425	BS51338D5003		.PLUG- SUPPLIER CODE: V83058 SPECIFICATION NUMBER: BACP20B63B OPTIONAL PART: 51338 V83058 MISCELLANEOUS DATA: USE IN PLACE OF CIRCUIT BREAKERS ON OPEN HOLES	201967	1
- 430	233A5225-311408		PLUG BUTTON INSTL-P6-11/D8 FOR NHA SEE: 24-50-00-07B	201967	RF

MISSING ITEM NUMBERS NOT APPLICABLE

- ITEM NOT ILLUSTRATED

HAP

24-51-55-20

BOEING PROPRIETARY - Copyright © - Unpublished Work - See title page for details.

24-51-55
FIG. 20
PAGE 10
OCT 15/08

 **BOEING**
737-600/700/800/900
PARTS CATALOG (MAINTENANCE)

FIG ITEM	PART NUMBER	1 2 3 4 5 6 7	NOMENCLATURE	EFFECT FROM TO	UNITS PER ASSY
20 435	BS51338D5003		.PLUG- SUPPLIER CODE: V83058 SPECIFICATION NUMBER: BACP20B63B OPTIONAL PART: 51338 V83058 MISCELLANEOUS DATA: USE IN PLACE OF CIRCUIT BREAKERS ON OPEN HOLES	201967	1
- 440	233A5225-311409		PLUG BUTTON INSTL-P6-11/D9 FOR NHA SEE: 24-50-00-07B	201967	RF
445	BS51338D5003		.PLUG- SUPPLIER CODE: V83058 SPECIFICATION NUMBER: BACP20B63B OPTIONAL PART: 51338 V83058 MISCELLANEOUS DATA: USE IN PLACE OF CIRCUIT BREAKERS ON OPEN HOLES	201967	1

MISSING ITEM NUMBERS NOT APPLICABLE

- ITEM NOT ILLUSTRATED

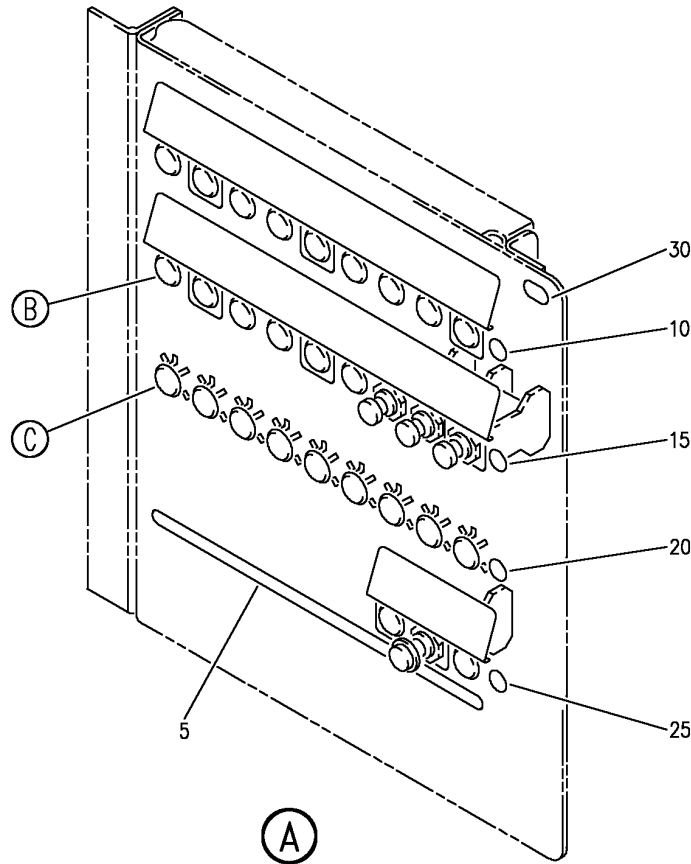
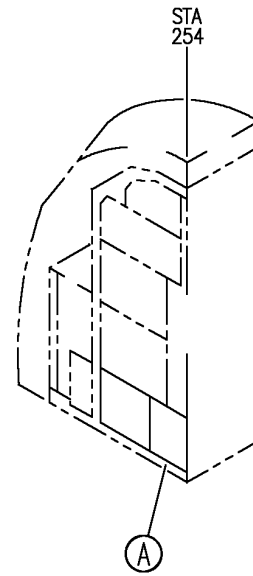
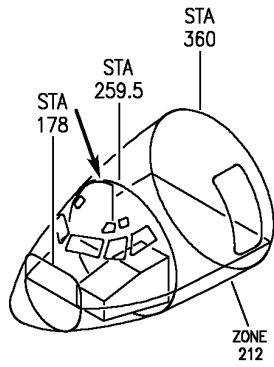
HAP

24-51-55-20

BOEING PROPRIETARY - Copyright © - Unpublished Work - See title page for details.

24-51-55
FIG. 20
PAGE 11
OCT 15/08

BOEING
 737-600/700/800/900
 PARTS CATALOG (MAINTENANCE)



E 24515520E SHT 1 REV 087

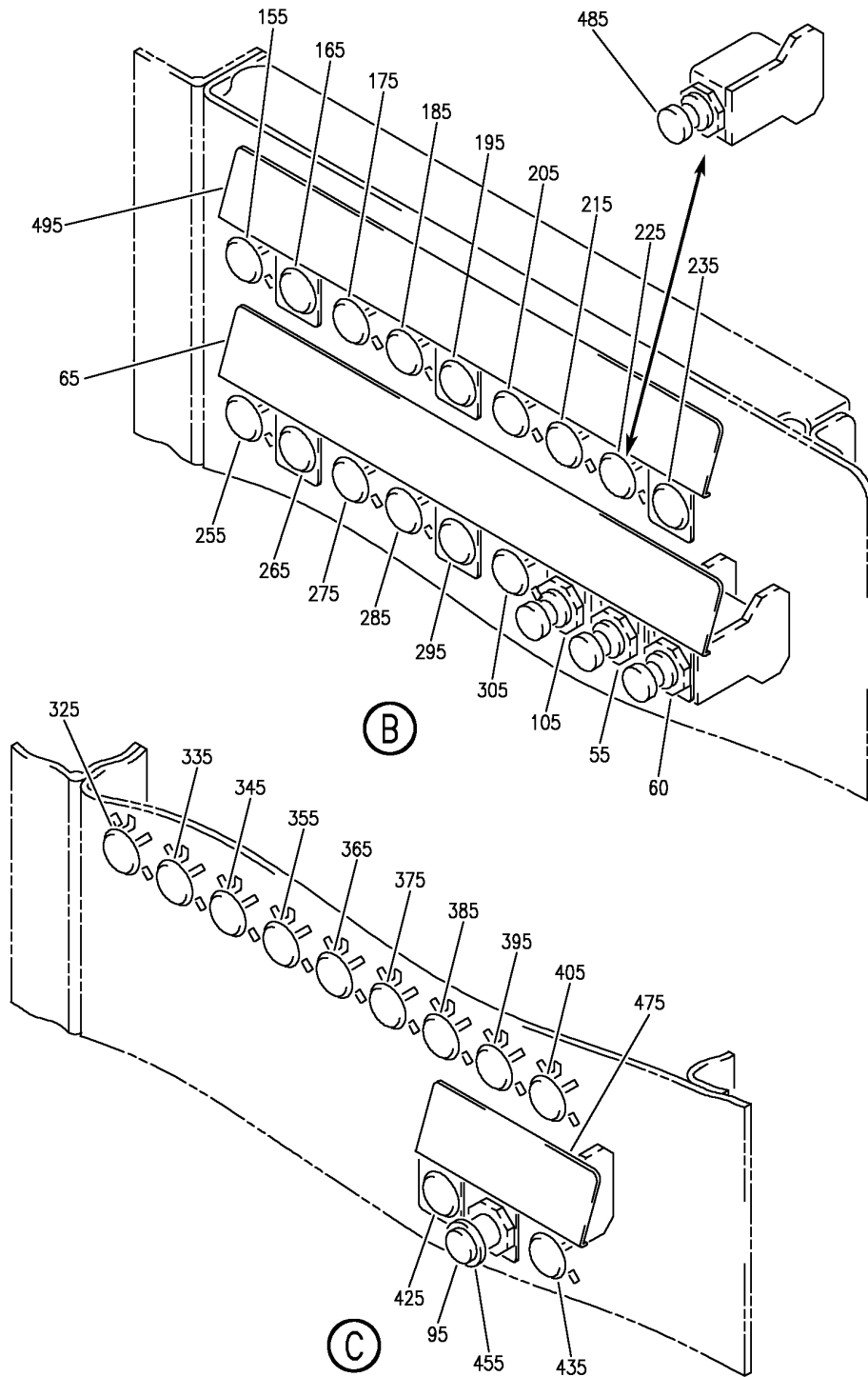
MARKER, CIRCUIT BREAKER, PLUG BUTTON, INOP AND SUPPORT INSTL-P6-11 PNL (ELECTRICAL POWER ONLY)
 FIGURE 20E (SHEET 1)

HAP
 FEB 10/07

24-51-55-20E

24-51-55-20E
 PAGE 0

BOEING
737-600/700/800/900
PARTS CATALOG (MAINTENANCE)



E 24515520E SHT 2 REV 087

MARKER, CIRCUIT BREAKER, PLUG BUTTON, INOP AND SUPPORT INSTL-P6-11 PNL (ELECTRICAL POWER ONLY)
 FIGURE 20E (SHEET 2)

HAP
 FEB 10/07

24-51-55-20E

24-51-55-20E
 PAGE 0A

BOEING
737-600/700/800/900
PARTS CATALOG (MAINTENANCE)

FIG ITEM	PART NUMBER	1 2 3 4 5 6 7	NOMENCLATURE	EFFECT FROM TO	UNITS PER ASSY
20E			MARKER, CIRCUIT BREAKER, PLUG BUTTON, INOP AND SUPPORT INSTL-P6-11 PNL (ELECTRICAL POWER ONLY)	008030	
- 1	233A5225-1		MARKER INSTL-P6-11 FOR NHA SEE: 24-50-00-07C	008030	RF
5	BAC27DCC2755		.MARKER	008030	1
10	BAC27DCC3065		.MARKER- PLACARD CONTENT: A	008030	1
15	BAC27DCC3066		.MARKER- PLACARD CONTENT: B	008030	1
20	BAC27DCC3067		.MARKER- PLACARD CONTENT: C	008030	1
25	BAC27DCC3068		.MARKER- PLACARD CONTENT: D	008030	1
30	BAC27DCC3078		.MARKER- PLACARD CONTENT: P6-11	008030	1
- 50	233A5225-2		CIRCUIT BREAKER INSTL-P6-11 FOR NHA SEE: 24-50-00-07C	008030	RF
55	4310-029-15		.CIRCUIT BREAKER- SUPPLIER CODE: V76374 SPECIFICATION NUMBER: BACC18AD15 OPTIONAL PART: 2TC47-15 V82647 ELECTRICAL EQUIP NUMBER: C00393	008030	1
60	700-038-25		.CIRCUIT BREAKER- SUPPLIER CODE: V76374 SPECIFICATION NUMBER: BACC18X25 OPTIONAL PART: 492-225-103 V79405 492-225-104 V79405 ELECTRICAL EQUIP NUMBER: C00228	008030	1
65	233A5511-9		.SUPPORT-ROW B MARKER	008030	1

MISSING ITEM NUMBERS NOT APPLICABLE

- ITEM NOT ILLUSTRATED

HAP

24-51-55-20E

BOEING PROPRIETARY - Copyright © - Unpublished Work - See title page for details.

24-51-55
FIG. 20E
PAGE 1
FEB 10/07

BOEING
737-600/700/800/900
PARTS CATALOG (MAINTENANCE)

FIG ITEM	PART NUMBER	1 2 3 4 5 6 7	NOMENCLATURE	EFFECT FROM TO	UNITS PER ASSY
20E - 90	233A5225-201139		CIRCUIT BREAKER INSTL-AFT CARGO LOADER CONT P6-11/D8 FOR NHA SEE: 24-50-00-07C	008030	RF
	95 2TC47-2-5		.CIRCUIT BREAKER- SUPPLIER CODE: V82647 SPECIFICATION NUMBER: BACC18AD2 OPTIONAL PART: 4310-029-205 V76374 ELECTRICAL EQUIP NUMBER: C01139	008030	1
- 100	233A5225-210229		CIRCUIT BREAKER INSTL- WINDOW HEAT PWR L3, L4 & L5 P6-11/B7 FOR NHA SEE: 24-50-00-07C	008030	RF
	105 2TC47-5		.CIRCUIT BREAKER- SUPPLIER CODE: V82647 SPECIFICATION NUMBER: BACC18AD5 OPTIONAL PART: 4310-029-5 V76374 ELECTRICAL EQUIP NUMBER: C00229	008030	1
- 150	233A5225-311101		PLUG BUTTON INSTL-P6-11/A1 FOR NHA SEE: 24-50-00-07C	008030	RF
	155 BS51338D5003		.PLUG- SUPPLIER CODE: V83058 SPECIFICATION NUMBER: BACP20B63B OPTIONAL PART: 51338 V83058 MISCELLANEOUS DATA: USE IN PLACE OF CIRCUIT BREAKERS ON OPEN HOLES	008030	1
- 160	233A5225-311102		PLUG BUTTON INSTL-P6-11/A2 FOR NHA SEE: 24-50-00-07C	008030	RF

MISSING ITEM NUMBERS NOT APPLICABLE

- ITEM NOT ILLUSTRATED

HAP

24-51-55-20E

BOEING PROPRIETARY - Copyright © - Unpublished Work - See title page for details.

24-51-55
FIG. 20E
PAGE 2
OCT 10/06

BOEING
737-600/700/800/900
PARTS CATALOG (MAINTENANCE)

FIG ITEM	PART NUMBER	1 2 3 4 5 6 7	NOMENCLATURE	EFFECT FROM TO	UNITS PER ASSY
20E 165	BS51338D5003		.PLUG- SUPPLIER CODE: V83058 SPECIFICATION NUMBER: BACP20B63B OPTIONAL PART: 51338 V83058 MISCELLANEOUS DATA: USE IN PLACE OF CIRCUIT BREAKERS ON OPEN HOLES	008030	1
- 170	233A5225-311103		PLUG BUTTON INSTL-P6-11/A3 FOR NHA SEE: 24-50-00-07C	008030	RF
175	BS51338D5003		.PLUG- SUPPLIER CODE: V83058 SPECIFICATION NUMBER: BACP20B63B OPTIONAL PART: 51338 V83058 MISCELLANEOUS DATA: USE IN PLACE OF CIRCUIT BREAKERS ON OPEN HOLES	008030	1
- 180	233A5225-311104		PLUG BUTTON INSTL-P6-11/A4 FOR NHA SEE: 24-50-00-07C	008030	RF
185	BS51338D5003		.PLUG- SUPPLIER CODE: V83058 SPECIFICATION NUMBER: BACP20B63B OPTIONAL PART: 51338 V83058 MISCELLANEOUS DATA: USE IN PLACE OF CIRCUIT BREAKERS ON OPEN HOLES	008030	1
- 190	233A5225-311105		PLUG BUTTON INSTL-P6-11/A5 FOR NHA SEE: 24-50-00-07C	008030	RF

MISSING ITEM NUMBERS NOT APPLICABLE

- ITEM NOT ILLUSTRATED

HAP

24-51-55-20E

BOEING PROPRIETARY - Copyright © - Unpublished Work - See title page for details.

24-51-55
FIG. 20E
PAGE 3
OCT 10/06

 **BOEING**
737-600/700/800/900
PARTS CATALOG (MAINTENANCE)

FIG ITEM	PART NUMBER	1 2 3 4 5 6 7	NOMENCLATURE	EFFECT FROM TO	UNITS PER ASSY
20E 195	BS51338D5003		.PLUG- SUPPLIER CODE: V83058 SPECIFICATION NUMBER: BACP20B63B OPTIONAL PART: 51338 V83058 MISCELLANEOUS DATA: USE IN PLACE OF CIRCUIT BREAKERS ON OPEN HOLES	008030	1
- 200	233A5225-311106		PLUG BUTTON INSTL-P6-11/A6 FOR NHA SEE: 24-50-00-07C	008030	RF
205	BS51338D5003		.PLUG- SUPPLIER CODE: V83058 SPECIFICATION NUMBER: BACP20B63B OPTIONAL PART: 51338 V83058 MISCELLANEOUS DATA: USE IN PLACE OF CIRCUIT BREAKERS ON OPEN HOLES	008030	1
- 210	233A5225-311107		PLUG BUTTON INSTL-P6-11/A7 FOR NHA SEE: 24-50-00-07C	008030	RF
215	BS51338D5003		.PLUG- SUPPLIER CODE: V83058 SPECIFICATION NUMBER: BACP20B63B OPTIONAL PART: 51338 V83058 MISCELLANEOUS DATA: USE IN PLACE OF CIRCUIT BREAKERS ON OPEN HOLES	008030	1
- 220	233A5225-311108		PLUG BUTTON INSTL-P6-11/A8 FOR NHA SEE: 24-50-00-07C	008030	RF

MISSING ITEM NUMBERS NOT APPLICABLE

- ITEM NOT ILLUSTRATED

HAP

24-51-55-20E

BOEING PROPRIETARY - Copyright © - Unpublished Work - See title page for details.

24-51-55
FIG. 20E
PAGE 4
OCT 10/06

BOEING
737-600/700/800/900
PARTS CATALOG (MAINTENANCE)

FIG ITEM	PART NUMBER	1 2 3 4 5 6 7	NOMENCLATURE	EFFECT FROM TO	UNITS PER ASSY
20E 225	BS51338D5003		.PLUG- SUPPLIER CODE: V83058 SPECIFICATION NUMBER: BACP20B63B OPTIONAL PART: 51338 V83058 MISCELLANEOUS DATA: USE IN PLACE OF CIRCUIT BREAKERS ON OPEN HOLES	008030	1
- 230	233A5225-311109		PLUG BUTTON INSTL-P6-11/A9 FOR NHA SEE: 24-50-00-07C	008030	RF
235	BS51338D5003		.PLUG- SUPPLIER CODE: V83058 SPECIFICATION NUMBER: BACP20B63B OPTIONAL PART: 51338 V83058 MISCELLANEOUS DATA: USE IN PLACE OF CIRCUIT BREAKERS ON OPEN HOLES	008030	1
- 250	233A5225-311201		PLUG BUTTON INSTL-P6-11/B1 FOR NHA SEE: 24-50-00-07C	008030	RF
255	BS51338D5003		.PLUG- SUPPLIER CODE: V83058 SPECIFICATION NUMBER: BACP20B63B OPTIONAL PART: 51338 V83058 MISCELLANEOUS DATA: USE IN PLACE OF CIRCUIT BREAKERS ON OPEN HOLES	008030	1
- 260	233A5225-311202		PLUG BUTTON INSTL-P6-11/B2 FOR NHA SEE: 24-50-00-07C	008030	RF

MISSING ITEM NUMBERS NOT APPLICABLE

- ITEM NOT ILLUSTRATED

HAP

24-51-55-20E

BOEING PROPRIETARY - Copyright © - Unpublished Work - See title page for details.

24-51-55
FIG. 20E
PAGE 5
OCT 10/06

BOEING
737-600/700/800/900
PARTS CATALOG (MAINTENANCE)

FIG ITEM	PART NUMBER	1 2 3 4 5 6 7	NOMENCLATURE	EFFECT FROM TO	UNITS PER ASSY
20E 265	BS51338D5003		.PLUG- SUPPLIER CODE: V83058 SPECIFICATION NUMBER: BACP20B63B OPTIONAL PART: 51338 V83058 MISCELLANEOUS DATA: USE IN PLACE OF CIRCUIT BREAKERS ON OPEN HOLES	008030	1
- 270	233A5225-311203		PLUG BUTTON INSTL-P6-11/B3 FOR NHA SEE: 24-50-00-07C	008030	RF
275	BS51338D5003		.PLUG- SUPPLIER CODE: V83058 SPECIFICATION NUMBER: BACP20B63B OPTIONAL PART: 51338 V83058 MISCELLANEOUS DATA: USE IN PLACE OF CIRCUIT BREAKERS ON OPEN HOLES	008030	1
- 280	233A5225-311204		PLUG BUTTON INSTL-P6-11/B4 FOR NHA SEE: 24-50-00-07C	008030	RF
285	BS51338D5003		.PLUG- SUPPLIER CODE: V83058 SPECIFICATION NUMBER: BACP20B63B OPTIONAL PART: 51338 V83058 MISCELLANEOUS DATA: USE IN PLACE OF CIRCUIT BREAKERS ON OPEN HOLES	008030	1
- 290	233A5225-311205		PLUG BUTTON INSTL-P6-11/B5 FOR NHA SEE: 24-50-00-07C	008030	RF

MISSING ITEM NUMBERS NOT APPLICABLE

- ITEM NOT ILLUSTRATED

HAP

24-51-55-20E

BOEING PROPRIETARY - Copyright © - Unpublished Work - See title page for details.

24-51-55
FIG. 20E
PAGE 6
OCT 10/06

BOEING
737-600/700/800/900
PARTS CATALOG (MAINTENANCE)

FIG ITEM	PART NUMBER	1 2 3 4 5 6 7	NOMENCLATURE	EFFECT FROM TO	UNITS PER ASSY
20E 295	BS51338D5003		.PLUG- SUPPLIER CODE: V83058 SPECIFICATION NUMBER: BACP20B63B OPTIONAL PART: 51338 V83058 MISCELLANEOUS DATA: USE IN PLACE OF CIRCUIT BREAKERS ON OPEN HOLES	008030	1
- 300	233A5225-311206		PLUG BUTTON INSTL-P6-11/B6 FOR NHA SEE: 24-50-00-07C	008030	RF
305	BS51338D5003		.PLUG- SUPPLIER CODE: V83058 SPECIFICATION NUMBER: BACP20B63B OPTIONAL PART: 51338 V83058 MISCELLANEOUS DATA: USE IN PLACE OF CIRCUIT BREAKERS ON OPEN HOLES	008030	1
- 320	233A5225-311301		PLUG BUTTON INSTL-P6-11/C1 FOR NHA SEE: 24-50-00-07C	008030	RF
325	BS51338D5003		.PLUG- SUPPLIER CODE: V83058 SPECIFICATION NUMBER: BACP20B63B OPTIONAL PART: 51338 V83058 MISCELLANEOUS DATA: USE IN PLACE OF CIRCUIT BREAKERS ON OPEN HOLES	008030	1
- 330	233A5225-311302		PLUG BUTTON INSTL-P6-11/C2 FOR NHA SEE: 24-50-00-07C	008030	RF

MISSING ITEM NUMBERS NOT APPLICABLE

- ITEM NOT ILLUSTRATED

HAP

24-51-55-20E

BOEING PROPRIETARY - Copyright © - Unpublished Work - See title page for details.

24-51-55
FIG. 20E
PAGE 7
OCT 10/06

BOEING
737-600/700/800/900
PARTS CATALOG (MAINTENANCE)

FIG ITEM	PART NUMBER	1 2 3 4 5 6 7	NOMENCLATURE	EFFECT FROM TO	UNITS PER ASSY
20E 335	BS51338D5003		.PLUG- SUPPLIER CODE: V83058 SPECIFICATION NUMBER: BACP20B63B OPTIONAL PART: 51338 V83058 MISCELLANEOUS DATA: USE IN PLACE OF CIRCUIT BREAKERS ON OPEN HOLES	008030	1
- 340	233A5225-311303		PLUG BUTTON INSTL-P6-11/C3 FOR NHA SEE: 24-50-00-07C	008030	RF
345	BS51338D5003		.PLUG- SUPPLIER CODE: V83058 SPECIFICATION NUMBER: BACP20B63B OPTIONAL PART: 51338 V83058 MISCELLANEOUS DATA: USE IN PLACE OF CIRCUIT BREAKERS ON OPEN HOLES	008030	1
- 350	233A5225-311304		PLUG BUTTON INSTL-P6-11/C4 FOR NHA SEE: 24-50-00-07C	008030	RF
355	BS51338D5003		.PLUG- SUPPLIER CODE: V83058 SPECIFICATION NUMBER: BACP20B63B OPTIONAL PART: 51338 V83058 MISCELLANEOUS DATA: USE IN PLACE OF CIRCUIT BREAKERS ON OPEN HOLES	008030	1
- 360	233A5225-311305		PLUG BUTTON INSTL-P6-11/C5 FOR NHA SEE: 24-50-00-07C	008030	RF

MISSING ITEM NUMBERS NOT APPLICABLE

- ITEM NOT ILLUSTRATED

HAP

24-51-55-20E

BOEING PROPRIETARY - Copyright © - Unpublished Work - See title page for details.

24-51-55
FIG. 20E
PAGE 8
OCT 10/06

BOEING
737-600/700/800/900
PARTS CATALOG (MAINTENANCE)

FIG ITEM	PART NUMBER	1 2 3 4 5 6 7	NOMENCLATURE	EFFECT FROM TO	UNITS PER ASSY
20E 365	BS51338D5003		.PLUG- SUPPLIER CODE: V83058 SPECIFICATION NUMBER: BACP20B63B OPTIONAL PART: 51338 V83058 MISCELLANEOUS DATA: USE IN PLACE OF CIRCUIT BREAKERS ON OPEN HOLES	008030	1
- 370	233A5225-311306		PLUG BUTTON INSTL-P6-11/C6 FOR NHA SEE: 24-50-00-07C	008030	RF
375	BS51338D5003		.PLUG- SUPPLIER CODE: V83058 SPECIFICATION NUMBER: BACP20B63B OPTIONAL PART: 51338 V83058 MISCELLANEOUS DATA: USE IN PLACE OF CIRCUIT BREAKERS ON OPEN HOLES	008030	1
- 380	233A5225-311307		PLUG BUTTON INSTL-P6-11/C7 FOR NHA SEE: 24-50-00-07C	008030	RF
385	BS51338D5003		.PLUG- SUPPLIER CODE: V83058 SPECIFICATION NUMBER: BACP20B63B OPTIONAL PART: 51338 V83058 MISCELLANEOUS DATA: USE IN PLACE OF CIRCUIT BREAKERS ON OPEN HOLES	008030	1
- 390	233A5225-311308		PLUG BUTTON INSTL-P6-11/C8 FOR NHA SEE: 24-50-00-07C	008030	RF

MISSING ITEM NUMBERS NOT APPLICABLE

- ITEM NOT ILLUSTRATED

HAP

24-51-55-20E

BOEING PROPRIETARY - Copyright © - Unpublished Work - See title page for details.

24-51-55
FIG. 20E
PAGE 9
OCT 10/06

BOEING
737-600/700/800/900
PARTS CATALOG (MAINTENANCE)

FIG ITEM	PART NUMBER	1 2 3 4 5 6 7	NOMENCLATURE	EFFECT FROM TO	UNITS PER ASSY
20E 395	BS51338D5003		.PLUG- SUPPLIER CODE: V83058 SPECIFICATION NUMBER: BACP20B63B OPTIONAL PART: 51338 V83058 MISCELLANEOUS DATA: USE IN PLACE OF CIRCUIT BREAKERS ON OPEN HOLES	008030	1
- 400	233A5225-311309		PLUG BUTTON INSTL-P6-11/C9 FOR NHA SEE: 24-50-00-07C	008030	RF
405	BS51338D5003		.PLUG- SUPPLIER CODE: V83058 SPECIFICATION NUMBER: BACP20B63B OPTIONAL PART: 51338 V83058 MISCELLANEOUS DATA: USE IN PLACE OF CIRCUIT BREAKERS ON OPEN HOLES	008030	1
- 420	233A5225-311407		PLUG BUTTON INSTL-P6-11/D7 FOR NHA SEE: 24-50-00-07C	008030	RF
425	BS51338D5003		.PLUG- SUPPLIER CODE: V83058 SPECIFICATION NUMBER: BACP20B63B OPTIONAL PART: 51338 V83058 MISCELLANEOUS DATA: USE IN PLACE OF CIRCUIT BREAKERS ON OPEN HOLES	008030	1
- 430	233A5225-311409		PLUG BUTTON INSTL-P6-11/D9 FOR NHA SEE: 24-50-00-07C	008030	RF

MISSING ITEM NUMBERS NOT APPLICABLE

- ITEM NOT ILLUSTRATED

HAP

24-51-55-20E

BOEING PROPRIETARY - Copyright © - Unpublished Work - See title page for details.

24-51-55
FIG. 20E
PAGE 10
OCT 10/06

BOEING
737-600/700/800/900
PARTS CATALOG (MAINTENANCE)

FIG ITEM	PART NUMBER	1 2 3 4 5 6 7	NOMENCLATURE	EFFECT FROM TO	UNITS PER ASSY
20E 435	BS51338D5003		.PLUG- SUPPLIER CODE: V83058 SPECIFICATION NUMBER: BACP20B63B OPTIONAL PART: 51338 V83058 MISCELLANEOUS DATA: USE IN PLACE OF CIRCUIT BREAKERS ON OPEN HOLES	008030	1
- 470	233A5225-611400		SUPPORT INSTL-MARKER P6-11/ROW D FOR NHA SEE: 24-50-00-07C	008030	RF
475	233A5511-7		.SUPPORT	008030	1

MISSING ITEM NUMBERS NOT APPLICABLE

- ITEM NOT ILLUSTRATED

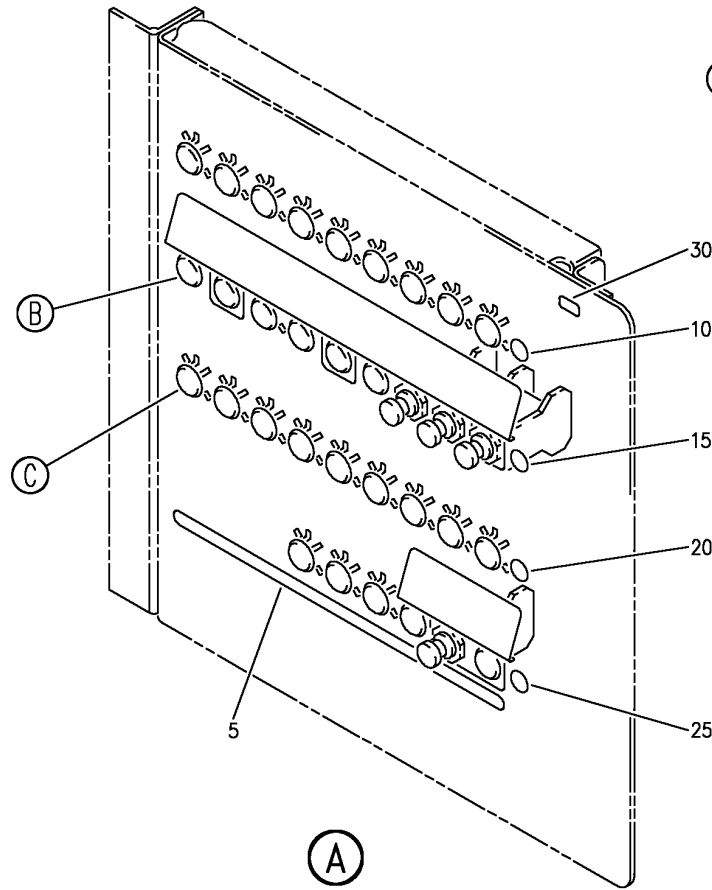
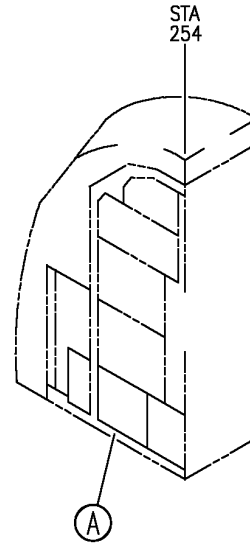
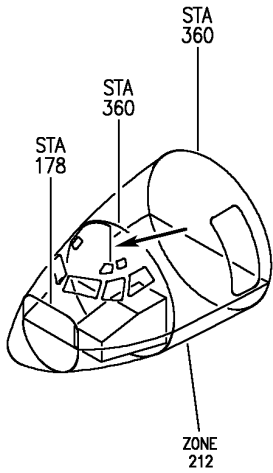
HAP

24-51-55-20E

BOEING PROPRIETARY - Copyright © - Unpublished Work - See title page for details.

24-51-55
FIG. 20E
PAGE 11
OCT 10/06

BOEING
 737-600/700/800/900
 PARTS CATALOG (MAINTENANCE)



E 24515620A SHT 1 REV 086

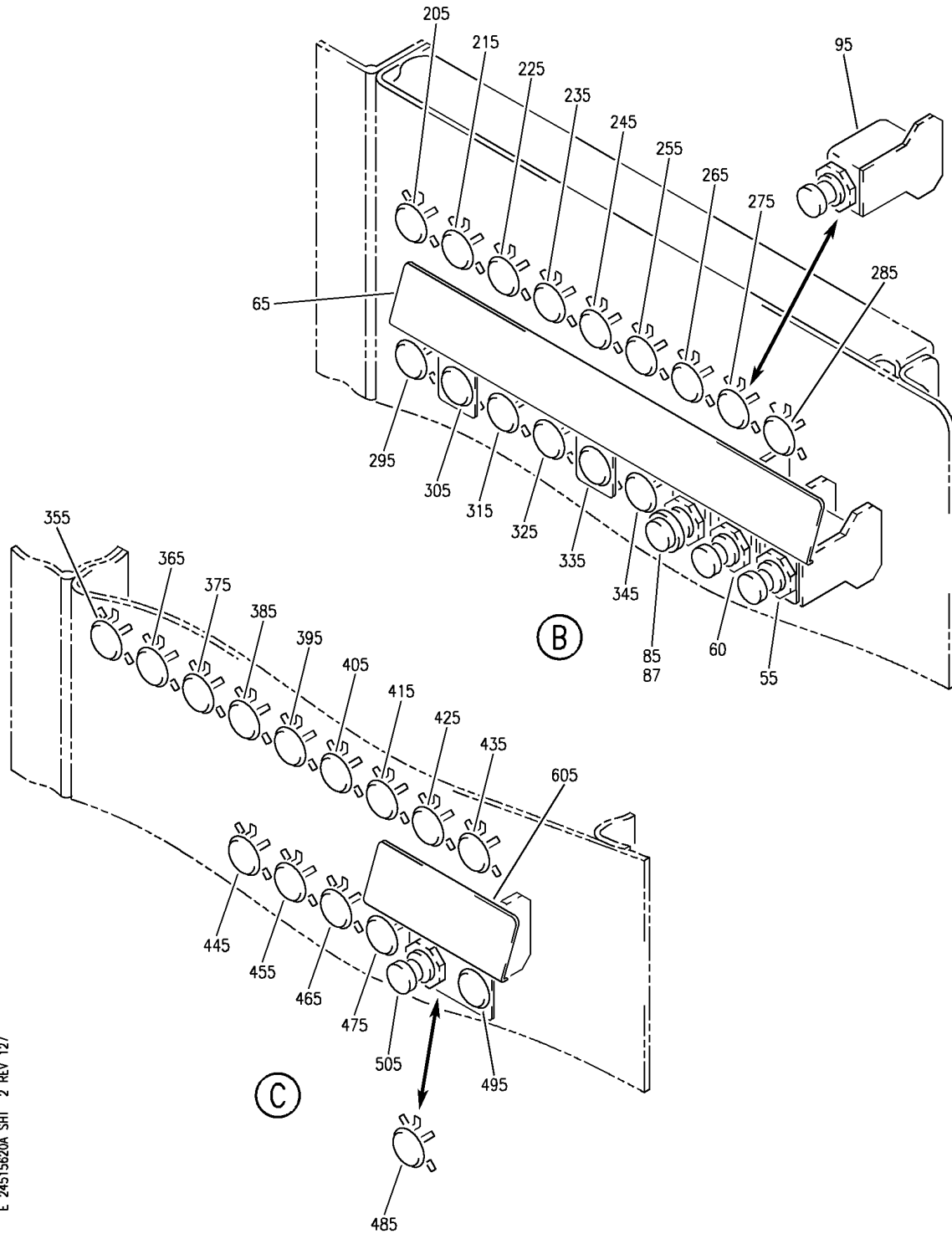
MARKER, CIRCUIT BREAKER, PLUG BUTTON AND SUPPORT INSTL-P6-12 PNL
 FIGURE 20A (SHEET 1)

24-51-56-20A

HAP
 OCT 15/08

24-51-56-20A
 PAGE 0

BOEING
 737-600/700/800/900
 PARTS CATALOG (MAINTENANCE)



E 24515620A SHT 2 REV 127

MARKER, CIRCUIT BREAKER, PLUG BUTTON AND SUPPORT INSTL-P6-12 PNL
 FIGURE 20A (SHEET 2)

24-51-56-20A

HAP
 OCT 15/08

24-51-56-20A
 PAGE 0A

BOEING
737-600/700/800/900
PARTS CATALOG (MAINTENANCE)

FIG ITEM	PART NUMBER	1 2 3 4 5 6 7	NOMENCLATURE	EFFECT FROM TO	UNITS PER ASSY
20A			MARKER, CIRCUIT BREAKER, PLUG BUTTON AND SUPPORT INSTL-P6-12 PNL	201967	
- 1	233A5226-1		MARKER INSTL-P6-12 FOR NHA SEE: 24-50-00-08B	201967	RF
	5 BAC27DCC2755		.MARKER- PLACARD CONTENT: 1 THRU 9	201967	1
	10 BAC27DCC3065		.MARKER- PLACARD CONTENT: A	201967	1
	15 BAC27DCC3066		.MARKER- PLACARD CONTENT: B	201967	1
	20 BAC27DCC3067		.MARKER- PLACARD CONTENT: C	201967	1
	25 BAC27DCC3068		.MARKER- PLACARD CONTENT: D	201967	1
	30 BAC27DCC3079		.MARKER- PLACARD CONTENT: P6-12	201967	1
- 50	233A5226-2		CIRCUIT BREAKER INSTL-P6-12 FOR NHA SEE: 24-50-00-08B	201967	RF
	55 4310-029-15		.CIRCUIT BREAKER- SUPPLIER CODE: V76374 SPECIFICATION NUMBER: BACC18AD15 OPTIONAL PART: 2TC47-15 V82647 ELECTRICAL EQUIP NUMBER: C00392	201967	1
	60 700-038-25		.CIRCUIT BREAKER- SUPPLIER CODE: V76374 SPECIFICATION NUMBER: BACC18X25 OPTIONAL PART: 492-225-103 V79405 492-225-104 V79405 ELECTRICAL EQUIP NUMBER: C00394	201967	1

MISSING ITEM NUMBERS NOT APPLICABLE

- ITEM NOT ILLUSTRATED

HAP

24-51-56-20A

BOEING PROPRIETARY - Copyright © - Unpublished Work - See title page for details.

24-51-56
FIG. 20A
PAGE 1
OCT 15/08

BOEING
737-600/700/800/900
PARTS CATALOG (MAINTENANCE)

FIG ITEM	PART NUMBER	1 2 3 4 5 6 7	NOMENCLATURE	EFFECT FROM TO	UNITS PER ASSY
20A					
65	233A5511-9		.SUPPORT-MARKER	201967	1
- 80	233A5226-200395		CIRCUIT BREAKER INSTL- P6-12/B7 FOR NHA SEE: 24-50-00-08B	201967	RF
85	2TC47-3		.CIRCUIT BREAKER- SUPPLIER CODE: V82647 SPECIFICATION NUMBER: BACC18AD3 OPTIONAL PART: 4310-029-3 V76374 ELECTRICAL EQUIP NUMBER: C00395	201967	1
- 200	233A5226-312101		PLUG BUTTON INSTL-P6-12/A1 FOR NHA SEE: 24-50-00-08B	201967	RF
205	BS51338D5003		.PLUG- SUPPLIER CODE: V83058 SPECIFICATION NUMBER: BACP20B63B OPTIONAL PART: 51338 V83058 MISCELLANEOUS DATA: USE IN PLACE OF CIRCUIT BREAKERS ON OPEN HOLES	201967	1
- 210	233A5226-312102		PLUG BUTTON INSTL-P6-12/A2 FOR NHA SEE: 24-50-00-08B	201967	RF
215	BS51338D5003		.PLUG- SUPPLIER CODE: V83058 SPECIFICATION NUMBER: BACP20B63B OPTIONAL PART: 51338 V83058 MISCELLANEOUS DATA: USE IN PLACE OF CIRCUIT BREAKERS ON OPEN HOLES	201967	1
- 220	233A5226-312103		PLUG BUTTON INSTL-P6-12/A3 FOR NHA SEE: 24-50-00-08B	201967	RF

MISSING ITEM NUMBERS NOT APPLICABLE

- ITEM NOT ILLUSTRATED

HAP

24-51-56-20A

BOEING PROPRIETARY - Copyright © - Unpublished Work - See title page for details.

24-51-56
FIG. 20A
PAGE 2
OCT 15/08

BOEING
737-600/700/800/900
PARTS CATALOG (MAINTENANCE)

FIG ITEM	PART NUMBER	1 2 3 4 5 6 7	NOMENCLATURE	EFFECT FROM TO	UNITS PER ASSY
20A 225	BS51338D5003		.PLUG- SUPPLIER CODE: V83058 SPECIFICATION NUMBER: BACP20B63B OPTIONAL PART: 51338 V83058 MISCELLANEOUS DATA: USE IN PLACE OF CIRCUIT BREAKERS ON OPEN HOLES	201967	1
- 230	233A5226-312104		PLUG BUTTON INSTL-P6-12/A4 FOR NHA SEE: 24-50-00-08B	201967	RF
235	BS51338D5003		.PLUG- SUPPLIER CODE: V83058 SPECIFICATION NUMBER: BACP20B63B OPTIONAL PART: 51338 V83058 MISCELLANEOUS DATA: USE IN PLACE OF CIRCUIT BREAKERS ON OPEN HOLES	201967	1
- 240	233A5226-312105		PLUG BUTTON INSTL-P6-12/A5 FOR NHA SEE: 24-50-00-08B	201967	RF
245	BS51338D5003		.PLUG- SUPPLIER CODE: V83058 SPECIFICATION NUMBER: BACP20B63B OPTIONAL PART: 51338 V83058 MISCELLANEOUS DATA: USE IN PLACE OF CIRCUIT BREAKERS ON OPEN HOLES	201967	1
- 250	233A5226-312106		PLUG BUTTON INSTL-P6-12/A6 FOR NHA SEE: 24-50-00-08B	201967	RF

MISSING ITEM NUMBERS NOT APPLICABLE

- ITEM NOT ILLUSTRATED

HAP

24-51-56-20A

BOEING PROPRIETARY - Copyright © - Unpublished Work - See title page for details.

24-51-56
FIG. 20A
PAGE 3
OCT 15/08

BOEING
737-600/700/800/900
PARTS CATALOG (MAINTENANCE)

FIG ITEM	PART NUMBER	1 2 3 4 5 6 7	NOMENCLATURE	EFFECT FROM TO	UNITS PER ASSY
20A 255	BS51338D5003		.PLUG- SUPPLIER CODE: V83058 SPECIFICATION NUMBER: BACP20B63B OPTIONAL PART: 51338 V83058 MISCELLANEOUS DATA: USE IN PLACE OF CIRCUIT BREAKERS ON OPEN HOLES	201967	1
- 260	233A5226-312107		PLUG BUTTON INSTL-P6-12/A7 FOR NHA SEE: 24-50-00-08B	201967	RF
265	BS51338D5003		.PLUG- SUPPLIER CODE: V83058 SPECIFICATION NUMBER: BACP20B63B OPTIONAL PART: 51338 V83058 MISCELLANEOUS DATA: USE IN PLACE OF CIRCUIT BREAKERS ON OPEN HOLES	201967	1
- 270	233A5226-312108		PLUG BUTTON INSTL-P6-12/A8 FOR NHA SEE: 24-50-00-08B	201967	RF
275	BS51338D5003		.PLUG- SUPPLIER CODE: V83058 SPECIFICATION NUMBER: BACP20B63B OPTIONAL PART: 51338 V83058 MISCELLANEOUS DATA: USE IN PLACE OF CIRCUIT BREAKERS ON OPEN HOLES	201967	1
- 280	233A5226-312109		PLUG BUTTON INSTL-P6-12/A9 FOR NHA SEE: 24-50-00-08B	201967	RF

MISSING ITEM NUMBERS NOT APPLICABLE

- ITEM NOT ILLUSTRATED

HAP

24-51-56-20A

BOEING PROPRIETARY - Copyright © - Unpublished Work - See title page for details.

24-51-56
FIG. 20A
PAGE 4
OCT 15/08

BOEING
737-600/700/800/900
PARTS CATALOG (MAINTENANCE)

FIG ITEM	PART NUMBER	1 2 3 4 5 6 7	NOMENCLATURE	EFFECT FROM TO	UNITS PER ASSY
20A 285	BS51338D5003		.PLUG- SUPPLIER CODE: V83058 SPECIFICATION NUMBER: BACP20B63B OPTIONAL PART: 51338 V83058 MISCELLANEOUS DATA: USE IN PLACE OF CIRCUIT BREAKERS ON OPEN HOLES	201967	1
- 290	233A5226-312201		PLUG BUTTON INSTL-P6-12/B1 FOR NHA SEE: 24-50-00-08B	201967	RF
295	BS51338D5003		.PLUG- SUPPLIER CODE: V83058 SPECIFICATION NUMBER: BACP20B63B OPTIONAL PART: 51338 V83058 MISCELLANEOUS DATA: USE IN PLACE OF CIRCUIT BREAKERS ON OPEN HOLES	201967	1
- 300	233A5226-312202		PLUG BUTTON INSTL-P6-12/B2 FOR NHA SEE: 24-50-00-08B	201967	RF
305	BS51338D5003		.PLUG- SUPPLIER CODE: V83058 SPECIFICATION NUMBER: BACP20B63B OPTIONAL PART: 51338 V83058 MISCELLANEOUS DATA: USE IN PLACE OF CIRCUIT BREAKERS ON OPEN HOLES	201967	1
- 310	233A5226-312203		PLUG BUTTON INSTL-P6-12/B3 FOR NHA SEE: 24-50-00-08B	201967	RF

MISSING ITEM NUMBERS NOT APPLICABLE

- ITEM NOT ILLUSTRATED

HAP

24-51-56-20A

BOEING PROPRIETARY - Copyright © - Unpublished Work - See title page for details.

24-51-56
FIG. 20A
PAGE 5
OCT 15/08

BOEING
737-600/700/800/900
PARTS CATALOG (MAINTENANCE)

FIG ITEM	PART NUMBER	1 2 3 4 5 6 7	NOMENCLATURE	EFFECT FROM TO	UNITS PER ASSY
20A 315	BS51338D5003		.PLUG- SUPPLIER CODE: V83058 SPECIFICATION NUMBER: BACP20B63B OPTIONAL PART: 51338 V83058 MISCELLANEOUS DATA: USE IN PLACE OF CIRCUIT BREAKERS ON OPEN HOLES	201967	1
- 320	233A5226-312204		PLUG BUTTON INSTL-P6-12/B4 FOR NHA SEE: 24-50-00-08B	201967	RF
325	BS51338D5003		.PLUG- SUPPLIER CODE: V83058 SPECIFICATION NUMBER: BACP20B63B OPTIONAL PART: 51338 V83058 MISCELLANEOUS DATA: USE IN PLACE OF CIRCUIT BREAKERS ON OPEN HOLES	201967	1
- 330	233A5226-312205		PLUG BUTTON INSTL-P6-12/B5 FOR NHA SEE: 24-50-00-08B	201967	RF
335	BS51338D5003		.PLUG- SUPPLIER CODE: V83058 SPECIFICATION NUMBER: BACP20B63B OPTIONAL PART: 51338 V83058 MISCELLANEOUS DATA: USE IN PLACE OF CIRCUIT BREAKERS ON OPEN HOLES	201967	1
- 340	233A5226-312206		PLUG BUTTON INSTL-P6-12/B6 FOR NHA SEE: 24-50-00-08B	201967	RF

MISSING ITEM NUMBERS NOT APPLICABLE

- ITEM NOT ILLUSTRATED

HAP

24-51-56-20A

BOEING PROPRIETARY - Copyright © - Unpublished Work - See title page for details.

24-51-56
FIG. 20A
PAGE 6
OCT 15/08

BOEING
737-600/700/800/900
PARTS CATALOG (MAINTENANCE)

FIG ITEM	PART NUMBER	1 2 3 4 5 6 7	NOMENCLATURE	EFFECT FROM TO	UNITS PER ASSY
20A 345	BS51338D5003		.PLUG- SUPPLIER CODE: V83058 SPECIFICATION NUMBER: BACP20B63B OPTIONAL PART: 51338 V83058 MISCELLANEOUS DATA: USE IN PLACE OF CIRCUIT BREAKERS ON OPEN HOLES	201967	1
- 350	233A5226-312301		PLUG BUTTON INSTL-P6-12/C1 FOR NHA SEE: 24-50-00-08B	201967	RF
355	BS51338D5003		.PLUG- SUPPLIER CODE: V83058 SPECIFICATION NUMBER: BACP20B63B OPTIONAL PART: 51338 V83058 MISCELLANEOUS DATA: USE IN PLACE OF CIRCUIT BREAKERS ON OPEN HOLES	201967	1
- 360	233A5226-312302		PLUG BUTTON INSTL-P6-12/C2 FOR NHA SEE: 24-50-00-08B	201967	RF
365	BS51338D5003		.PLUG- SUPPLIER CODE: V83058 SPECIFICATION NUMBER: BACP20B63B OPTIONAL PART: 51338 V83058 MISCELLANEOUS DATA: USE IN PLACE OF CIRCUIT BREAKERS ON OPEN HOLES	201967	1
- 370	233A5226-312303		PLUG BUTTON INSTL-P6-12/C3 FOR NHA SEE: 24-50-00-08B	201967	RF

MISSING ITEM NUMBERS NOT APPLICABLE

- ITEM NOT ILLUSTRATED

HAP

24-51-56-20A

BOEING PROPRIETARY - Copyright © - Unpublished Work - See title page for details.

24-51-56
FIG. 20A
PAGE 7
OCT 15/08

BOEING
737-600/700/800/900
PARTS CATALOG (MAINTENANCE)

FIG ITEM	PART NUMBER	1 2 3 4 5 6 7	NOMENCLATURE	EFFECT FROM TO	UNITS PER ASSY
20A 375	BS51338D5003		.PLUG- SUPPLIER CODE: V83058 SPECIFICATION NUMBER: BACP20B63B OPTIONAL PART: 51338 V83058 MISCELLANEOUS DATA: USE IN PLACE OF CIRCUIT BREAKERS ON OPEN HOLES	201967	1
- 380	233A5226-312304		PLUG BUTTON INSTL-P6-12/C4 FOR NHA SEE: 24-50-00-08B	201967	RF
385	BS51338D5003		.PLUG- SUPPLIER CODE: V83058 SPECIFICATION NUMBER: BACP20B63B OPTIONAL PART: 51338 V83058 MISCELLANEOUS DATA: USE IN PLACE OF CIRCUIT BREAKERS ON OPEN HOLES	201967	1
- 390	233A5226-312305		PLUG BUTTON INSTL-P6-12/C5 FOR NHA SEE: 24-50-00-08B	201967	RF
395	BS51338D5003		.PLUG- SUPPLIER CODE: V83058 SPECIFICATION NUMBER: BACP20B63B OPTIONAL PART: 51338 V83058 MISCELLANEOUS DATA: USE IN PLACE OF CIRCUIT BREAKERS ON OPEN HOLES	201967	1
- 400	233A5226-312306		PLUG BUTTON INSTL-P6-12/C6 FOR NHA SEE: 24-50-00-08B	201967	RF

MISSING ITEM NUMBERS NOT APPLICABLE

- ITEM NOT ILLUSTRATED

HAP

24-51-56-20A

BOEING PROPRIETARY - Copyright © - Unpublished Work - See title page for details.

24-51-56
FIG. 20A
PAGE 8
OCT 15/08

 **BOEING**
737-600/700/800/900
PARTS CATALOG (MAINTENANCE)

FIG ITEM	PART NUMBER	1 2 3 4 5 6 7	NOMENCLATURE	EFFECT FROM TO	UNITS PER ASSY
20A 405	BS51338D5003		.PLUG- SUPPLIER CODE: V83058 SPECIFICATION NUMBER: BACP20B63B OPTIONAL PART: 51338 V83058 MISCELLANEOUS DATA: USE IN PLACE OF CIRCUIT BREAKERS ON OPEN HOLES	201967	1
- 410	233A5226-312307		PLUG BUTTON INSTL-P6-12/C7 FOR NHA SEE: 24-50-00-08B	201967	RF
415	BS51338D5003		.PLUG- SUPPLIER CODE: V83058 SPECIFICATION NUMBER: BACP20B63B OPTIONAL PART: 51338 V83058 MISCELLANEOUS DATA: USE IN PLACE OF CIRCUIT BREAKERS ON OPEN HOLES	201967	1
- 420	233A5226-312308		PLUG BUTTON INSTL-P6-12/C8 FOR NHA SEE: 24-50-00-08B	201967	RF
425	BS51338D5003		.PLUG- SUPPLIER CODE: V83058 SPECIFICATION NUMBER: BACP20B63B OPTIONAL PART: 51338 V83058 MISCELLANEOUS DATA: USE IN PLACE OF CIRCUIT BREAKERS ON OPEN HOLES	201967	1
- 430	233A5226-312309		PLUG BUTTON INSTL-P6-12/C9 FOR NHA SEE: 24-50-00-08B	201967	RF

MISSING ITEM NUMBERS NOT APPLICABLE

- ITEM NOT ILLUSTRATED

HAP

24-51-56-20A

BOEING PROPRIETARY - Copyright © - Unpublished Work - See title page for details.

24-51-56
FIG. 20A
PAGE 9
OCT 15/08

BOEING
737-600/700/800/900
PARTS CATALOG (MAINTENANCE)

FIG ITEM	PART NUMBER	1 2 3 4 5 6 7	NOMENCLATURE	EFFECT FROM TO	UNITS PER ASSY
20A 435	BS51338D5003		.PLUG- SUPPLIER CODE: V83058 SPECIFICATION NUMBER: BACP20B63B OPTIONAL PART: 51338 V83058 MISCELLANEOUS DATA: USE IN PLACE OF CIRCUIT BREAKERS ON OPEN HOLES	201967	1
- 440	233A5226-312404		PLUG BUTTON INSTL-P6-12/D4 FOR NHA SEE: 24-50-00-08B	201967	RF
445	BS51338D5003		.PLUG- SUPPLIER CODE: V83058 SPECIFICATION NUMBER: BACP20B63B OPTIONAL PART: 51338 V83058 MISCELLANEOUS DATA: USE IN PLACE OF CIRCUIT BREAKERS ON OPEN HOLES	201967	1
- 450	233A5226-312405		PLUG BUTTON INSTL-P6-12/D5 FOR NHA SEE: 24-50-00-08B	201967	RF
455	BS51338D5003		.PLUG- SUPPLIER CODE: V83058 SPECIFICATION NUMBER: BACP20B63B OPTIONAL PART: 51338 V83058 MISCELLANEOUS DATA: USE IN PLACE OF CIRCUIT BREAKERS ON OPEN HOLES	201967	1
- 460	233A5226-312406		PLUG BUTTON INSTL-P6-12/D6 FOR NHA SEE: 24-50-00-08B	201967	RF

MISSING ITEM NUMBERS NOT APPLICABLE

- ITEM NOT ILLUSTRATED

HAP

24-51-56-20A

BOEING PROPRIETARY - Copyright © - Unpublished Work - See title page for details.

24-51-56
FIG. 20A
PAGE 10
OCT 15/08

BOEING
737-600/700/800/900
PARTS CATALOG (MAINTENANCE)

FIG ITEM	PART NUMBER	1 2 3 4 5 6 7	NOMENCLATURE	EFFECT FROM TO	UNITS PER ASSY
20A 465	BS51338D5003		.PLUG- SUPPLIER CODE: V83058 SPECIFICATION NUMBER: BACP20B63B OPTIONAL PART: 51338 V83058 MISCELLANEOUS DATA: USE IN PLACE OF CIRCUIT BREAKERS ON OPEN HOLES	201967	1
- 470	233A5226-312407		PLUG BUTTON INSTL-P6-12/D7 FOR NHA SEE: 24-50-00-08B	201967	RF
475	BS51338D5003		.PLUG- SUPPLIER CODE: V83058 SPECIFICATION NUMBER: BACP20B63B OPTIONAL PART: 51338 V83058 MISCELLANEOUS DATA: USE IN PLACE OF CIRCUIT BREAKERS ON OPEN HOLES	201967	1
- 480	233A5226-312408		PLUG BUTTON INSTL-P6-12/D8 FOR NHA SEE: 24-50-00-08B	201967	RF
485	BS51338D5003		.PLUG- SUPPLIER CODE: V83058 SPECIFICATION NUMBER: BACP20B63B OPTIONAL PART: 51338 V83058 MISCELLANEOUS DATA: USE IN PLACE OF CIRCUIT BREAKERS ON OPEN HOLES	201967	1
- 490	233A5226-312409		PLUG BUTTON INSTL-P6-12/D9 FOR NHA SEE: 24-50-00-08B	201967	RF

MISSING ITEM NUMBERS NOT APPLICABLE

- ITEM NOT ILLUSTRATED

HAP

24-51-56-20A

BOEING PROPRIETARY - Copyright © - Unpublished Work - See title page for details.

24-51-56
FIG. 20A
PAGE 11
OCT 15/08


BOEING
 737-600/700/800/900
PARTS CATALOG (MAINTENANCE)

FIG ITEM	PART NUMBER	1 2 3 4 5 6 7 NOMENCLATURE	EFFECT FROM TO	UNITS PER ASSY
20A 495	BS51338D5003	.PLUG- SUPPLIER CODE: V83058 SPECIFICATION NUMBER: BACP20B63B OPTIONAL PART: 51338 V83058 MISCELLANEOUS DATA: USE IN PLACE OF CIRCUIT BREAKERS ON OPEN HOLES	201967	1

MISSING ITEM NUMBERS NOT APPLICABLE

— ITEM NOT ILLUSTRATED

HAP

24-51-56-20A

BOEING PROPRIETARY - Copyright © - Unpublished Work - See title page for details.

24-51-56
 FIG. 20A
 PAGE 12
 OCT 15/08