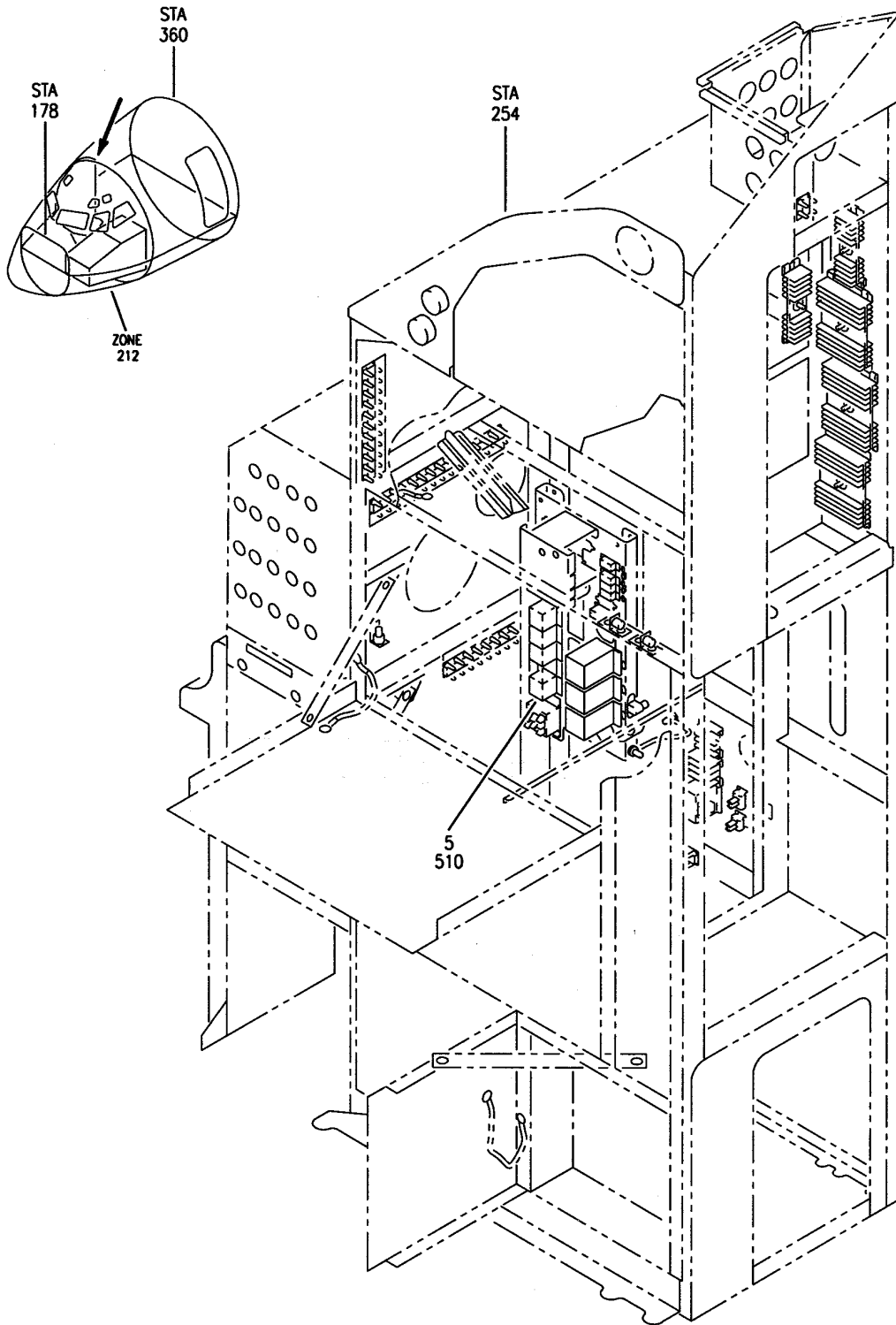


DC POWER DISTRIBUTION

HAP
OCT 10/06

24-61-00
SECTION TITLE
PAGE 1

BOEING
737-600/700/800/900
PARTS CATALOG (MAINTENANCE)



E 24610001 REV 036

EQUIPMENT INSTL-P6 CB PNL (DC POWER DISTRIBUTION ONLY)
FIGURE 1

24-61-00-01

HAP
OCT 10/06

24-61-00-01
PAGE 0

BOEING
737-600/700/800/900
PARTS CATALOG (MAINTENANCE)

FIG ITEM	PART NUMBER	1 2 3 4 5 6 7	NOMENCLATURE	EFFECT FROM TO	UNITS PER ASSY
1			EQUIPMENT INSTL-P6 CB PNL (DC POWER DISTRIBUTION ONLY)	008030 201967	
- 1	233A5220-1		EQUIPMENT INSTL-P6 CB PNL (DC POWER DISTRIBUTION ONLY) FOR NHA/OTHER SYS DET SEE: 24-30-00-01B 24-30-00-01C	008009 202967	RF
- 1	233A5220-2		EQUIPMENT INSTL-P6 CB PNL (DC POWER DISTRIBUTION ONLY) FOR NHA/OTHER SYS DET SEE: 24-30-00-01B 24-30-00-01C	010020 201201	RF
- 1	233A5220-5		EQUIPMENT INSTL-P6 CB PNL (DC POWER DISTRIBUTION ONLY) FOR NHA/OTHER SYS DET SEE: 24-30-00-01C	021027	RF
- 1	233A5220-7		EQUIPMENT INSTL-P6 CB PNL (DC POWER DISTRIBUTION ONLY) FOR NHA/OTHER SYS DET SEE: 24-30-00-01C	028029	RF
- 1	233A5220-9		EQUIPMENT INSTL-P6 CB PNL (DC POWER DISTRIBUTION ONLY) FOR NHA/OTHER SYS DET SEE: 24-30-00-01C	030030	RF
5	ES410-1538		.RELAY- SUPPLIER CODE: V99699 SPECIFICATION NUMBER: BACR13CG2AB OPTIONAL PART: KD4L018 V35344 BR230DS0115 V56623 KD4L036 V58657 FCA410-63 V78290 ELECTRICAL EQUIP NUMBER: R00634	008030 201967	1
- 500	286A0044-033		WIRE BUNDLE ASSY	202967	RF
- 501	286A0044-071		WIRE BUNDLE ASSY	201201	RF
- 502	286A0044-315		WIRE BUNDLE ASSY	008009	RF

MISSING ITEM NUMBERS NOT APPLICABLE

- ITEM NOT ILLUSTRATED

HAP

24-61-00-01

BOEING PROPRIETARY - Copyright © - Unpublished Work - See title page for details.

24-61-00
FIG. 01
PAGE 1
OCT 15/08

BOEING
737-600/700/800/900
PARTS CATALOG (MAINTENANCE)

FIG ITEM	PART NUMBER	1 2 3 4 5 6 7	NOMENCLATURE	EFFECT FROM TO	UNITS PER ASSY
1					
- 503	286A0044-351		WIRE BUNDLE ASSY	010011	RF
- 505	286A0044-374		WIRE BUNDLE ASSY	012013	RF
- 506	286A0044-385		WIRE BUNDLE ASSY	014030	RF
510	RSF116400		.SOCKET-RELAY	008030	1
			SUPPLIER CODE: V58982	201967	
			SPECIFICATION NUMBER: BACS16W1A		
			OPTIONAL PART: 102-009-1		
			V09922		
			000300-1539		
			V05574		
			ELECTRICAL EQUIP NUMBER: D11756		
			WIRING DIAGRAM REF: 242351		

MISSING ITEM NUMBERS NOT APPLICABLE

- ITEM NOT ILLUSTRATED

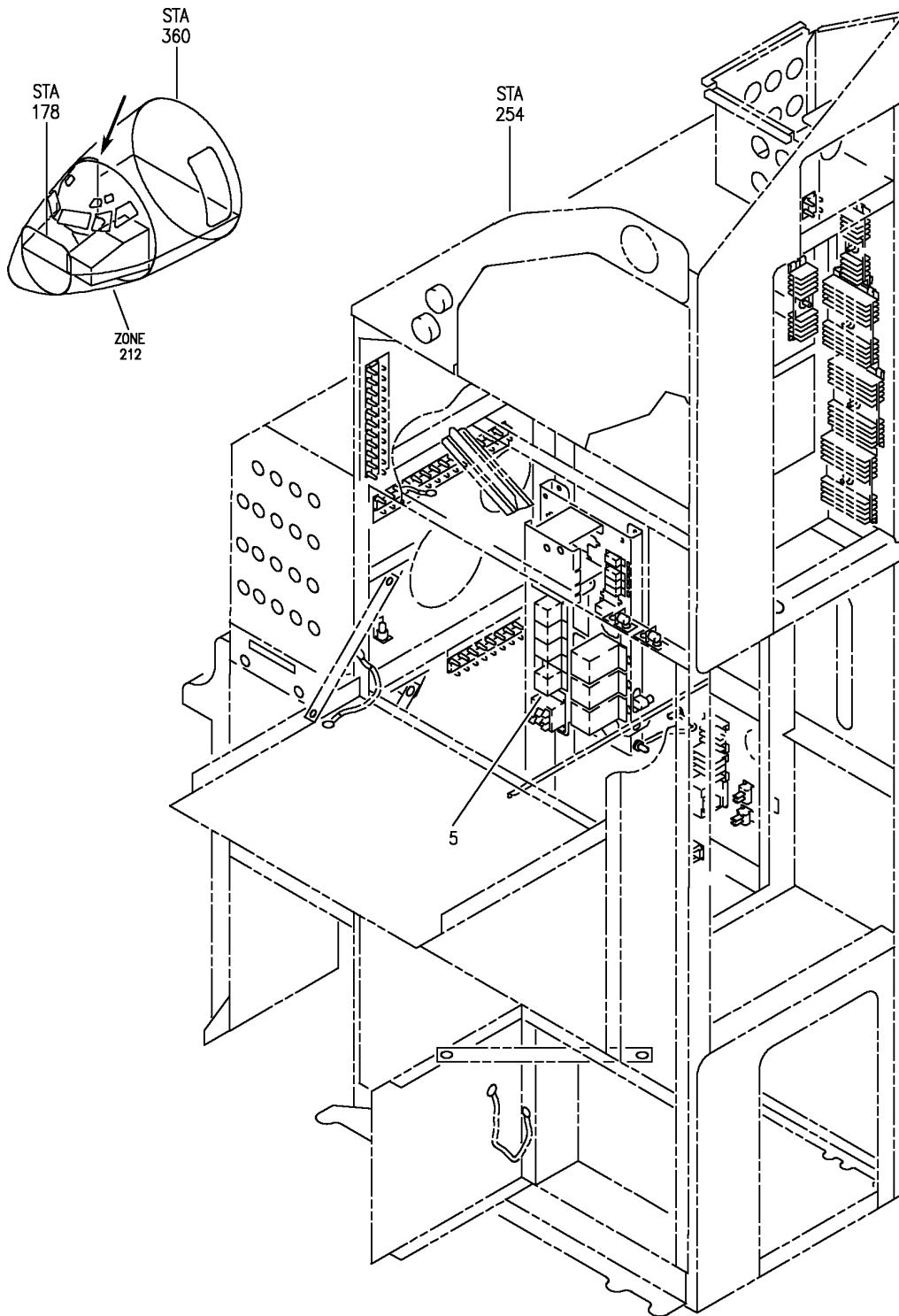
HAP

24-61-00-01

BOEING PROPRIETARY - Copyright © - Unpublished Work - See title page for details.

24-61-00
FIG. 01
PAGE 2
OCT 15/08

BOEING
737-600/700/800/900
PARTS CATALOG (MAINTENANCE)



E 24610003 REV 152

EQUIPMENT INSTL-P6 CB PNL (DC POWER DISTRIBUTION ONLY)
FIGURE 3

24-61-00-03

HAP
JUN 15/09

24-61-00-03
PAGE 0

BOEING
737-600/700/800/900
PARTS CATALOG (MAINTENANCE)

FIG ITEM	PART NUMBER	1 2 3 4 5 6 7	NOMENCLATURE	EFFECT FROM TO	UNITS PER ASSY
3			EQUIPMENT INSTL-P6 CB PNL (DC POWER DISTRIBUTION ONLY)	031200 968999	
- 2	MODREF267101		EQUIPMENT INSTL-P6 CB PNL (DC POWER DISTRIBUTION ONLY) MODULE NUMBER: 233A5220-11 REV P FOR OTHER SYS DETAILS SEE: 11-31-01-53A 21-25-02-02A 21-31-00-02 23-51-00-31 24-34-11-03 24-51-11-01A 24-52-00-02 28-21-21-01A 28-21-81-03 31-11-98-09 33-11-00-04A 33-18-00-03 33-25-00-02A 33-29-00-03A	031043 101101 968971	1
- 2	MODREF351279		EQUIPMENT INSTL-P6 CB PNL (DC POWER DISTRIBUTION ONLY) MODULE NUMBER: 233A5220-11 REV R FOR OTHER SYS DETAILS SEE: 11-31-01-53A 21-25-02-02A 21-31-00-02 23-51-00-31 24-34-11-03 24-51-11-01A 24-52-00-02 28-21-21-01A 28-21-81-03 31-11-98-09 33-11-00-04A 33-18-00-03 33-25-00-02A 33-29-00-03A	044046 054100 102104 972972	1

MISSING ITEM NUMBERS NOT APPLICABLE

- ITEM NOT ILLUSTRATED

HAP

24-61-00-03

BOEING PROPRIETARY - Copyright © - Unpublished Work - See title page for details.

24-61-00
FIG. 03
PAGE 1
FEB 15/09


BOEING
 737-600/700/800/900
PARTS CATALOG (MAINTENANCE)

FIG ITEM	PART NUMBER	1 2 3 4 5 6 7	NOMENCLATURE	EFFECT FROM TO	UNITS PER ASSY
3 5	ES410-1538		.RELAY- SUPPLIER CODE: V99699 SPECIFICATION NUMBER: BACR13CG2AB OPTIONAL PART: KD4L018 V35344 BR230DS0115 V56623 KD4L036 V58657 FCA410-63 V78290 ELECTRICAL EQUIP NUMBER: R00634	031200 968999	1

MISSING ITEM NUMBERS NOT APPLICABLE

— ITEM NOT ILLUSTRATED

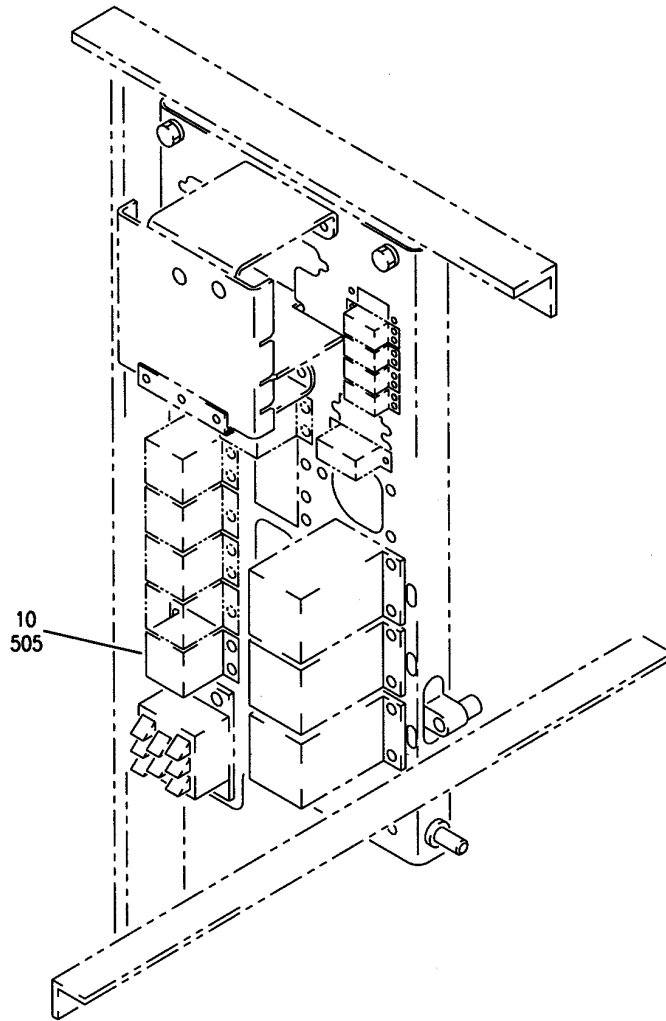
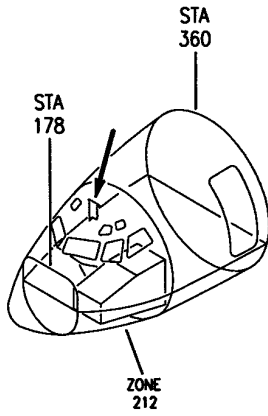
HAP

24-61-00-03

BOEING PROPRIETARY - Copyright © - Unpublished Work - See title page for details.

24-61-00
 FIG. 03
 PAGE 3
 JUN 15/09

BOEING
737-600/700/800/900
PARTS CATALOG (MAINTENANCE)



E 24610025 REV 038

EQUIPMENT INSTL AND WIRE BUNDLE ASSY -P6 CB PNL (DC POWER DISTRIBUTION ONLY)
FIGURE 25

HAP
OCT 10/06

24-61-00-25

24-61-00-25
PAGE 0

BOEING
737-600/700/800/900
PARTS CATALOG (MAINTENANCE)

FIG ITEM	PART NUMBER	1 2 3 4 5 6 7	NOMENCLATURE	EFFECT FROM TO	UNITS PER ASSY
25			EQUIPMENT INSTL AND WIRE BUNDLE ASSY -P6 CB PNL (DC POWER DISTRIBUTION ONLY)	001007	
- 1	233A5201-1		EQUIPMENT INSTL-P6 CB PNL (DC POWER DISTRIBUTION ONLY) FOR NHA/OTHER SYS DET SEE: 31-11-00-01C	001005	RF
- 1	233A5201-9		EQUIPMENT INSTL-P6 CB PNL (DC POWER DISTRIBUTION ONLY) FOR NHA/OTHER SYS DET SEE: 31-11-00-01C	006007	RF
10	ES410-1538		.RELAY- SUPPLIER CODE: V99699 SPECIFICATION NUMBER: BACR13CG2AB OPTIONAL PART: KD4L018 V35344 BR230DS0115 V56623 KD4L036 V58657 FCA410-63 V78290 ELECTRICAL EQUIP NUMBER: R00634	001007	1
- 502	286A0044-304		WIRE BUNDLE ASSY-P6 LOAD WIRES	002004	RF
- 502	286A0044-305		WIRE BUNDLE ASSY-P6 LOAD WIRES	001001	RF
- 503	286A0044-315		WIRE BUNDLE ASSY-P6 LOAD WIRES	005005	RF
- 503	286A0044-317		WIRE BUNDLE ASSY-P6 LOAD WIRES	006007	RF

MISSING ITEM NUMBERS NOT APPLICABLE

- ITEM NOT ILLUSTRATED

HAP

24-61-00-25

BOEING PROPRIETARY - Copyright © - Unpublished Work - See title page for details.

24-61-00
FIG. 25
PAGE 1
OCT 10/06

BOEING
737-600/700/800/900
PARTS CATALOG (MAINTENANCE)

FIG ITEM	PART NUMBER	1 2 3 4 5 6 7 NOMENCLATURE	EFFECT FROM TO	UNITS PER ASSY
25 505	RSF116400	. SOCKET-RELAY SUPPLIER CODE: V58982 SPECIFICATION NUMBER: BACS16W1A OPTIONAL PART: 102-009-1 V09922 000300-1539 V05574 ELECTRICAL EQUIP NUMBER: D11756 WIRING DIAGRAM REF: 242351	001007	1

MISSING ITEM NUMBERS NOT APPLICABLE

— ITEM NOT ILLUSTRATED

HAP

24-61-00-25

BOEING PROPRIETARY - Copyright © - Unpublished Work - See title page for details.

24-61-00
FIG. 25
PAGE 2
OCT 10/06