

EQUIPMENT/FURNISHINGS (GENERAL)

HAP
OCT 10/06

25-00-00
SECTION TITLE
PAGE 1

NON-ILLUSTRATED FIGURE

THE ITEMS REFLECTED IN THIS FIGURE ARE INTENTIONALLY
NON-ILLUSTRATED. THEY ARE REFERENCED TO EITHER A
NEXT HIGHER OR NEXT LOWER ASSEMBLY/INSTALLATION FIGURE.

PRODUCT COLLECTOR-MAJOR MODEL BASIC AND STABLE (EQUIPMENT AND FURNISHINGS ONLY)

FIGURE 1

25-00-00-01

HAP
OCT 10/06

25-00-00-01
PAGE 0

BOEING
737-600/700/800/900
PARTS CATALOG (MAINTENANCE)

FIG ITEM	PART NUMBER	1 2 3 4 5 6 7	NOMENCLATURE	EFFECT FROM TO	UNITS PER ASSY
1			PRODUCT COLLECTOR-MAJOR MODEL BASIC AND STABLE (EQUIPMENT AND FURNISHINGS ONLY)	001030 201967	
- 1	001A0101-678		PRODUCT COLLECTOR-MAJOR MODEL BASIC AND STABLE (EQUIPMENT/FURNISHINGS ONLY) FOR OTHER SYS DETAILS SEE: 11-00-00-11 21-00-00-33 23-00-00-07 24-00-00-05 26-00-00-10 27-00-00-17 28-00-00-01A 29-00-00-11 30-00-00-01A 31-00-00-03 32-00-00-17 33-00-00-10C 34-00-00-11 35-00-00-06 36-00-00-02 38-00-00-01C 49-00-00-01A 51-00-00-08 52-00-00-01 53-00-00-14 54-00-00-01 55-00-00-06 56-00-00-05C 57-00-00-17 78-00-00-03	001030 201967	RF
- 10	012A8101-678		.FUNCTIONAL COLLECTOR- FOR DETAILS SEE: 25-10-00-11	001030 201967	1
- 20	200A0001-678		.FUNCTIONAL COLLECTOR- FOR DETAILS SEE: 25-10-00-02 25-10-00-06	001030 201967	1
- 30	230A0001-678		.FUNCTIONAL COLLECTOR- FLIGHT DECK FINAL ASSY FOR DETAILS SEE: 25-10-00-03 25-60-00-15	001030 201967	1
- 40	284A0012-678		.FUNCTIONAL COLLECTOR- FOR DETAILS SEE: 25-50-00-08	001030 201967	RF

MISSING ITEM NUMBERS NOT APPLICABLE

- ITEM NOT ILLUSTRATED

HAP

25-00-00-01

BOEING PROPRIETARY - Copyright © - Unpublished Work - See title page for details.

25-00-00
FIG. 01
PAGE 1
OCT 15/08

BOEING
737-600/700/800/900
PARTS CATALOG (MAINTENANCE)

FIG ITEM	PART NUMBER	1 2 3 4 5 6 7	NOMENCLATURE	EFFECT FROM TO	UNITS PER ASSY
1					
- 50	400A0000-678		.FUNCTIONAL COLLECTOR- FOR DETAILS SEE: 25-21-00-03 25-27-00-04D 25-52-00-09 25-66-00-18	018018 020030	1
- 60	400A9101-678		.FUNCTIONAL COLLECTOR- FOR DETAILS SEE: 25-21-00-03 25-27-00-04D 25-52-00-09 25-66-00-18	001017 019019 201967	1
- 70	400A9401-678		.FUNCTIONAL COLLECTOR- FOR DETAILS SEE: 25-80-00-01M	001030 201967	1
- 80	200A0007-678		.FUNCTIONAL COLLECTOR	001030 201967	1
- 85	200A0100-1		..HOLDER INSTL-DISKETTE FOR DETAILS SEE: 25-13-51-01	001027 201967	1
- 85	200A0100-2		..HOLDER INSTL-DISKETTE FOR DETAILS SEE: 25-13-51-01	028030	1

MISSING ITEM NUMBERS NOT APPLICABLE

- ITEM NOT ILLUSTRATED

HAP

25-00-00-01

BOEING PROPRIETARY - Copyright © - Unpublished Work - See title page for details.

25-00-00
FIG. 01
PAGE 2
OCT 15/08

NON-ILLUSTRATED FIGURE

THE ITEMS REFLECTED IN THIS FIGURE ARE INTENTIONALLY
NON-ILLUSTRATED. THEY ARE REFERENCED TO EITHER A
NEXT HIGHER OR NEXT LOWER ASSEMBLY/INSTALLATION FIGURE.

PRODUCT COLLECTOR-CUSTOMER UNIQUE (EQUIPMENT/ FURNISHINGS ONLY)
FIGURE 2B

25-00-00-02B

HAP
OCT 15/08

25-00-00-02B
PAGE 0

BOEING
737-600/700/800/900
PARTS CATALOG (MAINTENANCE)

FIG ITEM	PART NUMBER	1 2 3 4 5 6 7	NOMENCLATURE	EFFECT FROM TO	UNITS PER ASSY
2B			PRODUCT COLLECTOR-CUSTOMER UNIQUE (EQUIPMENT/ FURNISHINGS ONLY)	201967	
- 60	001A0101-2610		PRODUCT COLLECTOR-CUSTOMER UNIQUE (EQUIPMENT/ FURNISHINGS ONLY) FOR OTHER SYS DETAILS SEE: 11-00-00-01A 21-00-00-42 23-00-00-02 24-00-00-04 26-00-00-08 30-00-00-04 31-00-00-01A 33-00-00-10A 34-00-00-08 35-00-00-10 38-00-00-01A 52-00-00-03 53-00-00-01B 71-00-00-03 77-00-00-01	201967	RF
- 140	230A0001-2610		.FUNCTIONAL COLLECTOR- FOR DETAILS SEE: 25-10-00-05B 25-60-00-15B	201967	1
- 165	230A0020-2610		.FUNCTIONAL COLLECTOR- FOR DETAILS SEE: 25-10-00-10B	201967	RF
- 190	230A0050-2610		.FUNCTIONAL COLLECTOR- FOR DETAILS SEE: 25-10-00-11B	201967	RF
- 280	400A9101-2610		.FUNCTIONAL COLLECTOR- FOR DETAILS SEE: 25-20-00-03A 25-21-00-01A 25-22-00-01D 25-24-00-15A 25-25-00-01A 25-27-00-03A 25-30-00-10A 25-40-00-01A 25-50-00-04A 25-60-00-40A 25-66-00-17A 25-23-00-02	201967	RF
- 345	400A0401-2610		.FUNCTIONAL COLLECTOR	201967	1

MISSING ITEM NUMBERS NOT APPLICABLE

- ITEM NOT ILLUSTRATED

HAP

25-00-00-02B

BOEING PROPRIETARY - Copyright © - Unpublished Work - See title page for details.

25-00-00
FIG. 02B
PAGE 1
OCT 15/08


BOEING
 737-600/700/800/900
PARTS CATALOG (MAINTENANCE)

FIG ITEM	PART NUMBER	1 2 3 4 5 6 7	NOMENCLATURE	EFFECT FROM TO	UNITS PER ASSY
2B - 790	400A9401-2610		.FUNCTIONAL COLLECTOR- FOR DETAILS SEE: 25-80-00-01E	201967	1
- 806	200A0005-2610		.FUNCTIONAL COLLECTOR- FOR DETAILS SEE: 25-10-00-06	201967	1
- 827	284A0012-2610		.FUNCTIONAL COLLECTOR- FOR DETAILS SEE: 25-40-00-11 25-50-00-12 25-70-00-02	201967	RF

MISSING ITEM NUMBERS NOT APPLICABLE

- ITEM NOT ILLUSTRATED

HAP

25-00-00-02B

BOEING PROPRIETARY - Copyright © - Unpublished Work - See title page for details.

25-00-00
 FIG. 02B
 PAGE 2
 OCT 15/08

NON-ILLUSTRATED FIGURE

THE ITEMS REFLECTED IN THIS FIGURE ARE INTENTIONALLY
NON-ILLUSTRATED. THEY ARE REFERENCED TO EITHER A
NEXT HIGHER OR NEXT LOWER ASSEMBLY/INSTALLATION FIGURE.

PRODUCT COLLECTOR-CUSTOMER UNIQUE (EQUIPMENT/ FURNISHINGS ONLY)
FIGURE 2C

25-00-00-02C

HAP
OCT 10/06

25-00-00-02C
PAGE 0

BOEING
737-600/700/800/900
PARTS CATALOG (MAINTENANCE)

FIG ITEM	PART NUMBER	1 2 3 4 5 6 7	NOMENCLATURE	EFFECT FROM TO	UNITS PER ASSY
2C			PRODUCT COLLECTOR-CUSTOMER UNIQUE (EQUIPMENT/ FURNISHINGS ONLY)	001030	
- 1	001A0101-3001		PRODUCT COLLECTOR-CUSTOMER UNIQUE (EQUIPMENT/ FURNISHINGS ONLY) FOR OTHER SYS DETAILS SEE: 11-00-00-01B 21-00-00-43 23-00-00-03 24-00-00-08 26-00-00-09 27-00-00-03A 30-00-00-05 31-00-00-01C 33-00-00-10B 34-00-00-09 35-00-00-15 38-00-00-01B 52-00-00-03A 53-00-00-01C 71-00-00-05 77-00-00-02	001030	RF
- 200	400A9101-3001		.FUNCTIONAL COLLECTOR- FOR DETAILS SEE: 25-20-00-03B 25-21-00-01D 25-22-00-01E 25-23-00-03 25-24-00-13A 25-24-00-13B 25-25-00-01B 25-27-00-03B 25-29-00-01B 25-30-00-10B 25-40-00-01B 25-50-00-04D 25-60-00-40B 25-66-00-17B	001017 019019	RF

MISSING ITEM NUMBERS NOT APPLICABLE

- ITEM NOT ILLUSTRATED

HAP

25-00-00-02C

BOEING PROPRIETARY - Copyright © - Unpublished Work - See title page for details.

25-00-00
FIG. 02C
PAGE 1
OCT 10/06

BOEING
737-600/700/800/900
PARTS CATALOG (MAINTENANCE)

FIG ITEM	PART NUMBER	1 2 3 4 5 6 7	NOMENCLATURE	EFFECT FROM TO	UNITS PER ASSY
R R R R R R R R R R	2C - 215	400A0028-3001	.FUNCTIONAL COLLECTOR- FOR DETAILS SEE: 25-20-00-03B 25-21-00-01D 25-22-00-01E 25-23-00-03 25-24-00-13A 25-24-00-13B 25-25-00-01B 25-27-00-03B 25-29-00-01B 25-30-00-10B 25-40-00-01B 25-50-00-04D 25-60-00-40B 25-66-00-17B	018018 020030	RF
	- 260	400A9401-3001	.FUNCTIONAL COLLECTOR- FOR DETAILS SEE: 25-80-00-01F	001030	1
	- 290	200A0005-3001	.FUNCTIONAL COLLECTOR- FOR DETAILS SEE: 25-10-00-02	001030	1
	- 320	284A0012-3001	.FUNCTIONAL COLLECTOR- FOR DETAILS SEE: 25-50-00-13 25-70-00-03	001030	RF
	- 350	230A0001-3001	.FUNCTIONAL COLLECTOR- FOR DETAILS SEE: 25-10-00-05C 25-60-00-15C	001030	RF
	- 380	230A0020-3001	.FUNCTIONAL COLLECTOR- FOR DETAILS SEE: 25-10-00-10C	001030	RF
	- 405	230A0050-3001	.FUNCTIONAL COLLECTOR- FOR DETAILS SEE: 25-10-00-11C	001030	RF
	MISSING ITEM NUMBERS NOT APPLICABLE				

- ITEM NOT ILLUSTRATED

HAP

25-00-00-02C

BOEING PROPRIETARY - Copyright © - Unpublished Work - See title page for details.

25-00-00
FIG. 02C
PAGE 2
JUN 15/09

NON-ILLUSTRATED FIGURE

THE ITEMS REFLECTED IN THIS FIGURE ARE INTENTIONALLY
NON-ILLUSTRATED. THEY ARE REFERENCED TO EITHER A
NEXT HIGHER OR NEXT LOWER ASSEMBLY/INSTALLATION FIGURE.

PRODUCT COLLECTOR-OPT FEATURE (EQUIPMENT/ FURNISHINGS ONLY)
FIGURE 5

25-00-00-05

HAP
OCT 10/06

25-00-00-05
PAGE 0

BOEING
737-600/700/800/900
PARTS CATALOG (MAINTENANCE)

FIG ITEM	PART NUMBER	1 2 3 4 5 6 7	NOMENCLATURE	EFFECT FROM TO	UNITS PER ASSY
5			PRODUCT COLLECTOR-OPT FEATURE (EQUIPMENT/ FURNISHINGS ONLY)	001030 201967	
- 20	001A0101-6162		PRODUCT COLLECTOR-OPT FEATURE 2550CG3208 CARGO COMPT NETS WITH NYLON WEB TYPE SUPRTS	201967	1
- 25	400A9401-6162		.FUNCTIONAL COLLECTOR- FOR DETAILS SEE: 25-80-00-01C	201967	1
- 30	001A0101-6164		PRODUCT COLLECTOR-OPT FEATURE 2550CG3210 CARGO COMPT NETS WITH NYLON WEB TYPE SUPRTS	001030	1
- 35	400A9101-6164		.FUNCTIONAL COLLECTOR- FOR DETAILS SEE: 25-50-00-05B	001030	1
- 40	400A9401-6164		.FUNCTIONAL COLLECTOR- FOR DETAILS SEE: 25-80-00-01C	001030	1
- 55	001A0101-6168		PRODUCT COLLECTOR-OPT FEATURE 2550CG3215 CARGO CARGO COMPT FLOOR PNL REVISION - FIBERGLASS POSITION DATA: FWD AND AFT	201967	1
- 60	400A9101-6168		.FUNCTIONAL COLLECTOR- FOR DETAILS SEE: 25-50-00-05A	201967	1
- 85	001A0101-6175		PRODUCT COLLECTOR-OPT FEATURE 2550CG3223 CARGO CARGO LINING AND FLOOR PNL - INSTL POSITION DATA: FWD AND AFT	201967	1
- 90	400A9101-6175		.FUNCTIONAL COLLECTOR- FOR DETAILS SEE: 25-50-00-05A	201967	1
- 105	001A0101-6190		PRODUCT COLLECTOR-OPT FEATURE 3040CG3040 FLIGHT COMPT HEATING NO. 3 WINDOW	001030	1
- 110	230A0001-6190		.FUNCTIONAL COLLECTOR- FOR DETAILS SEE: 25-10-00-05E	001030	1

MISSING ITEM NUMBERS NOT APPLICABLE

- ITEM NOT ILLUSTRATED

HAP

25-00-00-05

BOEING PROPRIETARY - Copyright © - Unpublished Work - See title page for details.

25-00-00
FIG. 05
PAGE 1
OCT 15/08

BOEING
737-600/700/800/900
PARTS CATALOG (MAINTENANCE)

FIG ITEM	PART NUMBER	1 2 3 4 5 6 7	NOMENCLATURE	EFFECT FROM TO	UNITS PER ASSY
5					
- 155	001A0101-6268		PRODUCT COLLECTOR-OPT FEATURE 7110CG3009 INCLUDE HAND PUMP FOR THRUST REVERSER COWL D-DUCTS AS FLYAWAY EQPT	201967	1
- 160	012A8101-6268		.FUNCTIONAL COLLECTOR-	201967	1
- 165	001A0101-6278		PRODUCT COLLECTOR-OPT FEATURE 2550CG3192 SBC LOADING SYS INSTL BFE STC CERTIFIED CARGO COMPT FOR 737-800 POSITION DATA: AFT	001030	1
- 170	400A9101-6278		.FUNCTIONAL COLLECTOR- FOR DETAILS SEE: 25-50-00-05B	001030	1
- 185	001A0101-6284		PRODUCT COLLECTOR-OPT FEATURE 2530CG3V22 FWD GALLEY G1 INSTL FOOTPRINT POSITION DATA: AFT STA 304.00	001030	1
- 185	001A0101-6285		PRODUCT COLLECTOR-OPT FEATURE 2530CG3V22 FWD GALLEY G1 INSTL FOOTPRINT POSITION DATA: AFT STA 293.00	201967	1
- 190	400A9101-6284		.FUNCTIONAL COLLECTOR- FOR DETAILS SEE: 25-30-00-10C	001030	1
- 190	400A9101-6285		.FUNCTIONAL COLLECTOR- FOR DETAILS SEE: 25-30-00-10C	201967	1
- 195	001A0101-6286		PRODUCT COLLECTOR-OPT FEATURE 2530CG3V23 FWD GALLEY G2 INSTL FOOTPRINT POSITION DATA: AFT STA 350.00	201967	1
- 195	001A0101-6289		PRODUCT COLLECTOR-OPT FEATURE 2530CG3V26 FWD GALLEY G2 INSTL FOOTPRINT POSITION DATA: AFT STA 368.00	001030	1
- 200	400A9101-6286		.FUNCTIONAL COLLECTOR- FOR DETAILS SEE: 25-30-00-10C	201967	1
- 200	400A9101-6289		.FUNCTIONAL COLLECTOR- FOR DETAILS SEE: 25-30-00-10C	001030	1

MISSING ITEM NUMBERS NOT APPLICABLE

- ITEM NOT ILLUSTRATED

HAP

25-00-00-05

BOEING PROPRIETARY - Copyright © - Unpublished Work - See title page for details.

25-00-00
FIG. 05
PAGE 2
OCT 15/08

BOEING
737-600/700/800/900
PARTS CATALOG (MAINTENANCE)

FIG ITEM	PART NUMBER	1 2 3 4 5 6 7	NOMENCLATURE	EFFECT FROM TO	UNITS PER ASSY
5					
- 205	400A9401-6286		.FUNCTIONAL COLLECTOR- FOR DETAILS SEE: 25-80-00-01C	201967	1
- 205	400A9401-6289		.FUNCTIONAL COLLECTOR- FOR DETAILS SEE: 25-80-00-01C	001030	1
- 210	001A0101-6292		PRODUCT COLLECTOR-OPT FEATURE 2530CG3V31 GALLEY G4B INSTL	001030 201967	1
- 215	400A9101-6292		.FUNCTIONAL COLLECTOR- FOR DETAILS SEE: 25-30-00-10C	001030 201967	1
- 220	001A0101-6326		PRODUCT COLLECTOR-OPT FEATURE 2540CG3V08 LAV LA ADDITION (EQUIPMENT/FURNISHING ONLY) FOR OTHER SYS DETAILS SEE: 38-00-00-01F	201967	1
- 225	400A9101-6326		.FUNCTIONAL COLLECTOR- FOR DETAILS SEE: 25-40-00-02	201967	1
- 230	001A0101-6327		PRODUCT COLLECTOR-OPT FEATURE 2530CG3V37 FWD SEAT TRACK MOUNTED GALLEY G7 INSTL	001030	1
- 235	400A9101-6327		.FUNCTIONAL COLLECTOR- FOR DETAILS SEE: 25-30-00-10C	001030	1
- 240	001A0101-6328		PRODUCT COLLECTOR-OPT FEATURE 2540CG3V03 LAV LE ADDITION	001030 201967	1
- 245	400A9101-6328		.FUNCTIONAL COLLECTOR- FOR DETAILS SEE: 25-40-00-02	001030 201967	1
- 250	400A9401-6328		.FUNCTIONAL COLLECTOR- FOR DETAILS SEE: 25-80-00-01C	001030 201967	1
- 270	001A0101-6331		PRODUCT COLLECTOR-OPT FEATURE 2540CG3V05 LAV LD ADDITION	001030 201967	1
- 275	400A9101-6331		.FUNCTIONAL COLLECTOR- FOR DETAILS SEE: 25-40-00-02	001030 201967	1
- 280	400A9401-6331		.FUNCTIONAL COLLECTOR- FOR DETAILS SEE: 25-80-00-01C	001030 201967	1

MISSING ITEM NUMBERS NOT APPLICABLE

- ITEM NOT ILLUSTRATED

HAP

25-00-00-05

25-00-00
FIG. 05
PAGE 3
OCT 15/08

BOEING
737-600/700/800/900
PARTS CATALOG (MAINTENANCE)

FIG ITEM	PART NUMBER	1 2 3 4 5 6 7	NOMENCLATURE	EFFECT FROM TO	UNITS PER ASSY
5					
- 330	001A0101-6443		PRODUCT COLLECTOR-OPT FEATURE 2511CG3076 SECOND OBSERVERS SEAT ADDITION	001030 201967	1
- 335	230A0001-6443		.FUNCTIONAL COLLECTOR- FOR DETAILS SEE: 25-10-00-05E	001030 201967	1
- 340	001A0101-6444		PRODUCT COLLECTOR-OPT FEATURE 2511CG3077 SECOND OBSERVERS SPRTS EQPT ADDITION FOR OTHER SYS DETAILS SEE: 23-00-00-05 33-00-00-11 35-00-00-20	201967	1
- 345	230A0001-6444		.FUNCTIONAL COLLECTOR- FOR DETAILS SEE: 25-10-00-05E 25-60-00-15E	201967	1
- 360	001A0101-6477		PRODUCT COLLECTOR-OPT FEATURE 3250DM3010 NO NOSE GEAR STEERING CONT WHL - FIRST OFFICER (NO OPT SELECTION)	001030 201967	1
- 365	230A0001-6477		.FUNCTIONAL COLLECTOR- FOR DETAILS SEE: 25-10-00-05E	001030 201967	1
- 370	400A9401-6477		.FUNCTIONAL COLLECTOR- FOR DETAILS SEE: 25-80-00-01C	001030 201967	1
- 375	001A0101-6478		PRODUCT COLLECTOR-OPT FEATURE 5260DM3053 NO FWD AIRSTAIRE (NO OPT SELECTION)	001030	1
- 380	400A9401-6478		.FUNCTIONAL COLLECTOR- FOR DETAILS SEE: 25-80-00-01C	001030	1
- 385	001A0101-6479		PRODUCT COLLECTOR-OPT FEATURE 3040DM3048 NO FLIGHT COMPT HEADING NO. 3 WINDOWS (NO OPT SELECTION)	201967	1
- 390	230A0001-6479		.FUNCTIONAL COLLECTOR- FOR DETAILS SEE: 25-10-00-05E	201967	1

MISSING ITEM NUMBERS NOT APPLICABLE

- ITEM NOT ILLUSTRATED

HAP

25-00-00-05

BOEING PROPRIETARY - Copyright © - Unpublished Work - See title page for details.

25-00-00
FIG. 05
PAGE 4
OCT 15/08

BOEING
737-600/700/800/900
PARTS CATALOG (MAINTENANCE)

FIG ITEM	PART NUMBER	1 2 3 4 5 6 7	NOMENCLATURE	EFFECT FROM TO	UNITS PER ASSY
5					
- 395	001A0101-6487		PRODUCT COLLECTOR-OPT FEATURE 2322DM3360 CUPHOLDER INSTL- F/O SIDEWALL WITH NO ACARS PROVISIONS INSTL	001030 201967	1
- 400	230A0001-6487		.FUNCTIONAL COLLECTOR- FOR DETAILS SEE: 25-10-00-05E	001030 201967	1
- 435	001A0101-6526		PRODUCT COLLECTOR-OPT FEATURE 2540DM3205 ENVIROVAC TOILET - INSTL LAV A	201967	1
- 440	400A9101-6526		.FUNCTIONAL COLLECTOR- FOR DETAILS SEE: 25-40-00-02	201967	1
- 445	001A0101-6529		PRODUCT COLLECTOR-OPT FEATURE 2540DM3208 ENVIROVAC TOILET - INSTL LAV D	201967	1
- 450	400A9101-6529		.FUNCTIONAL COLLECTOR- FOR DETAILS SEE: 25-40-00-02	201967	1
- 455	001A0101-6530		PRODUCT COLLECTOR-OPT FEATURE 2540DM3209 ENVIROVAC TOILET - INSTL LAV E	201967	1
- 460	400A9101-6530		.FUNCTIONAL COLLECTOR- FOR DETAILS SEE: 25-40-00-02	201967	1
- 475	001A0101-6539		PRODUCT COLLECTOR-OPT FEATURE 3810CG3V28 POTABLE WATER TANK - 40 U.S. GALLON CAPACITY/40 U.S. GALLONS OF USEABLE VOL	201967	1
- 480	400A9401-6539		.FUNCTIONAL COLLECTOR- FOR DETAILS SEE: 25-80-00-01C	201967	1
- 485	001A0101-6540		PRODUCT COLLECTOR-OPT FEATURE 3810CG3V29 POTABLE WATER TANK - 60 U.S. GALLON CAPACITY/40 U.S. GALLONS OF USEABLE VOL	001030	1
- 490	400A9401-6540		.FUNCTIONAL COLLECTOR- FOR DETAILS SEE: 25-80-00-01C	001030	1

MISSING ITEM NUMBERS NOT APPLICABLE

- ITEM NOT ILLUSTRATED

HAP

25-00-00-05

BOEING PROPRIETARY - Copyright © - Unpublished Work - See title page for details.

25-00-00
FIG. 05
PAGE 5
OCT 15/08


BOEING
 737-600/700/800/900
PARTS CATALOG (MAINTENANCE)

FIG ITEM	PART NUMBER	1 2 3 4 5 6 7	NOMENCLATURE	EFFECT FROM TO	UNITS PER ASSY
5 - 535	001A0101-6250		PRODUCT COLLECTOR-OPT FEATURE 3510CG3102 CREW OXYGEN BFE OXYGEN MASK AND SMOKE GOGGLES (EQUIPMENT/FURNISHINGS ONLY) FOR OTHER SYS DETAILS SEE: 35-00-00-20	201967	1
- 540	230A0001-6250		.FUNCTIONAL COLLECTOR- FOR DETAILS SEE: 25-60-00-15E	201967	1

MISSING ITEM NUMBERS NOT APPLICABLE

- ITEM NOT ILLUSTRATED

HAP

25-00-00-05

BOEING PROPRIETARY - Copyright © - Unpublished Work - See title page for details.

25-00-00
 FIG. 05
 PAGE 6
 OCT 15/08

NON-ILLUSTRATED FIGURE

THE ITEMS REFLECTED IN THIS FIGURE ARE INTENTIONALLY
NON-ILLUSTRATED. THEY ARE REFERENCED TO EITHER A
NEXT HIGHER OR NEXT LOWER ASSEMBLY/INSTALLATION FIGURE.

PRODUCT COLLECTOR-MINOR MODEL BASIC AND STABLE (EQUIPMENT/FURNISHINGS ONLY)
FIGURE 6B

HAP
OCT 10/06

25-00-00-06B

25-00-00-06B
PAGE 0

BOEING
737-600/700/800/900
PARTS CATALOG (MAINTENANCE)

FIG ITEM	PART NUMBER	1 2 3 4 5 6 7	NOMENCLATURE	EFFECT FROM TO	UNITS PER ASSY
6B			PRODUCT COLLECTOR-MINOR MODEL BASIC AND STABLE (EQUIPMENT/FURNISHINGS ONLY)	001030	
- 1	001A0101-800		PRODUCT COLLECTOR-MINOR MODEL BASIC AND STABLE (EQUIPMENT/FURNISHINGS ONLY) FOR OTHER SYS DETAILS SEE: 11-00-00-07B 21-00-00-38 23-00-00-06B 26-00-00-12B 27-00-00-32 28-00-00-01F 29-00-00-13 31-00-00-07 32-00-00-21 33-00-00-10F 34-00-00-11C 35-00-00-03 36-00-00-01C 38-00-00-01E 51-00-00-11 52-00-00-08 53-00-00-04 54-00-00-05 57-00-00-17C	001030	RF
- 50	400A9101-800		.FUNCTIONAL COLLECTOR- FOR DETAILS SEE: 25-50-00-06B 25-21-00-02B 25-24-00-13F 25-27-00-04B 25-60-00-12B	001017 019019	1
- 55	400A0000-800		.FUNCTIONAL COLLECTOR- FOR DETAILS SEE: 25-50-00-06B 25-21-00-02B 25-27-00-04B 25-24-00-13F 25-30-00-15D 25-60-00-12B	018018 020030	1
- 60	400A9401-800		.FUNCTIONAL COLLECTOR- FOR DETAILS SEE: 25-80-00-01K	001030	1

MISSING ITEM NUMBERS NOT APPLICABLE

- ITEM NOT ILLUSTRATED

HAP

25-00-00-06B

BOEING PROPRIETARY - Copyright © - Unpublished Work - See title page for details.

25-00-00
FIG. 06B
PAGE 1
OCT 10/06

BOEING
737-600/700/800/900
PARTS CATALOG (MAINTENANCE)

FIG ITEM	PART NUMBER	1 2 3 4 5 6 7	NOMENCLATURE	EFFECT FROM TO	UNITS PER ASSY
6B					
- 65	200A0003-800		.FUNCTIONAL COLLECTOR- SOFTWARE, OPT FOR DETAILS SEE: 25-10-00-02	001030	1
- 70	230A0001-800		.FUNCTIONAL COLLECTOR- FOR DETAILS SEE: 25-10-00-03C	001030	1
- 75	284A0012-800		.FUNCTIONAL COLLECTOR- FOR DETAILS SEE: 25-50-00-13A	001030	RF
- 90	254A1200-800		.FUNCTIONAL COLLECTOR- POSITION DATA: SECT 41 FOR DETAILS SEE: 25-10-00-12C	001030	1

MISSING ITEM NUMBERS NOT APPLICABLE

- ITEM NOT ILLUSTRATED

HAP

25-00-00-06B

BOEING PROPRIETARY - Copyright © - Unpublished Work - See title page for details.

25-00-00
FIG. 06B
PAGE 2
OCT 10/06

NON-ILLUSTRATED FIGURE

THE ITEMS REFLECTED IN THIS FIGURE ARE INTENTIONALLY
NON-ILLUSTRATED. THEY ARE REFERENCED TO EITHER A
NEXT HIGHER OR NEXT LOWER ASSEMBLY/INSTALLATION FIGURE.

PRODUCT COLLECTOR-MINOR MODEL BASIC AND STABLE (EQUIPMENT/FURNISHINGS ONLY)
FIGURE 6D

HAP
OCT 15/08

25-00-00-06D

25-00-00-06D
PAGE 0

BOEING
737-600/700/800/900
PARTS CATALOG (MAINTENANCE)

FIG ITEM	PART NUMBER	1 2 3 4 5 6 7	NOMENCLATURE	EFFECT FROM TO	UNITS PER ASSY
6D			PRODUCT COLLECTOR-MINOR MODEL BASIC AND STABLE (EQUIPMENT/FURNISHINGS ONLY)	201967	
- 1	001A0101-700		PRODUCT COLLECTOR-MINOR MODEL BASIC AND STABLE (EQUIPMENT/FURNISHINGS ONLY) FOR OTHER SYS DETAILS SEE: 11-00-00-07A 21-00-00-37 23-00-00-06A 26-00-00-12A 27-00-00-30 28-00-00-06 29-00-00-05A 31-00-00-06 32-00-00-21A 33-00-00-10E 34-00-00-11B 35-00-00-02 36-00-00-01B 38-00-00-01D 51-00-00-03 52-00-00-22 53-00-00-01 54-00-00-03 57-00-00-17B	201967	RF
- 50	400A9101-700		.FUNCTIONAL COLLECTOR- FOR DETAILS SEE: 25-21-00-02A 25-24-00-13E 25-27-00-04A 25-50-00-06A 25-60-00-12A	201967	1
- 60	400A9401-700		.FUNCTIONAL COLLECTOR- FOR DETAILS SEE: 25-80-00-01J	201967	1
- 65	200A0003-700		.FUNCTIONAL COLLECTOR- SOFTWARE OPT FOR DETAILS SEE: 25-10-00-06	201967	1
- 70	230A0001-700		.FUNCTIONAL COLLECTOR- FOR DETAILS SEE: 25-10-00-03B	201967	1
- 75	284A0012-700		.FUNCTIONAL COLLECTOR- FOR DETAILS SEE: 25-50-00-12A	201967	RF

MISSING ITEM NUMBERS NOT APPLICABLE

- ITEM NOT ILLUSTRATED

HAP

25-00-00-06D

BOEING PROPRIETARY - Copyright © - Unpublished Work - See title page for details.

25-00-00
FIG. 06D
PAGE 1
OCT 15/08


BOEING
 737-600/700/800/900
PARTS CATALOG (MAINTENANCE)

FIG ITEM	PART NUMBER	1 2 3 4 5 6 7 NOMENCLATURE	EFFECT FROM TO	UNITS PER ASSY
6D - 85	254A1200-700	.FUNCTIONAL COLLECTOR- POSITION DATA: SECT 41 FOR DETAILS SEE: 25-10-00-12B	201967	1

MISSING ITEM NUMBERS NOT APPLICABLE

- ITEM NOT ILLUSTRATED

HAP

25-00-00-06D

BOEING PROPRIETARY - Copyright © - Unpublished Work - See title page for details.

25-00-00
 FIG. 06D
 PAGE 2
 OCT 15/08

 **BOEING**
737-600/700/800/900
PARTS CATALOG (MAINTENANCE)

NON-ILLUSTRATED FIGURE

THE ITEMS REFLECTED IN THIS FIGURE ARE INTENTIONALLY
NON-ILLUSTRATED. THEY ARE REFERENCED TO EITHER A
NEXT HIGHER OR NEXT LOWER ASSEMBLY/INSTALLATION FIGURE.

PRODUCT COLLECTOR-CUSTOMER UNIQUE (EQUIPMENT/ FURNISHINGS ONLY)
FIGURE 7D

25-00-00-07D

HAP
OCT 15/08

25-00-00-07D
PAGE 0

BOEING
737-600/700/800/900
PARTS CATALOG (MAINTENANCE)

FIG ITEM	PART NUMBER	1 2 3 4 5 6 7	NOMENCLATURE	EFFECT FROM TO	UNITS PER ASSY
7D			PRODUCT COLLECTOR-CUSTOMER UNIQUE (EQUIPMENT/ FURNISHINGS ONLY)	201967	
- 20	001A4001-2610		PRODUCT COLLECTOR-CUSTOMER UNIQUE (EQUIPMENT/ FURNISHINGS ONLY) FOR OTHER SYS DETAILS SEE: 31-00-00-09 38-00-00-02A 52-00-00-21 53-00-00-02A 56-00-00-02A	201967	1
- 120	400A9201-2610		.FUNCTIONAL COLLECTOR- FOR DETAILS SEE: 25-50-00-07A	201967	1
- 181	400A9301-2610		.FUNCTIONAL COLLECTOR- FOR DETAILS SEE: 25-80-00-01L	201967	1
- 252	284A0001-2610		.FUNCTIONAL COLLECTOR- FOR DETAILS SEE: 25-50-00-10A	201967	1
- 262	288A4001-2610		.FUNCTIONAL COLLECTOR- FOR DETAILS SEE: 25-11-00-13A 25-20-00-11A 25-50-00-15A	201967	1
- 360	288A4002-2610		.FUNCTIONAL COLLECTOR- FOR DETAILS SEE: 25-50-00-16A	201967	1

MISSING ITEM NUMBERS NOT APPLICABLE

- ITEM NOT ILLUSTRATED

HAP

25-00-00-07D

BOEING PROPRIETARY - Copyright © - Unpublished Work - See title page for details.

25-00-00
FIG. 07D
PAGE 1
OCT 15/08

 **BOEING**
737-600/700/800/900
PARTS CATALOG (MAINTENANCE)

NON-ILLUSTRATED FIGURE

THE ITEMS REFLECTED IN THIS FIGURE ARE INTENTIONALLY
NON-ILLUSTRATED. THEY ARE REFERENCED TO EITHER A
NEXT HIGHER OR NEXT LOWER ASSEMBLY/INSTALLATION FIGURE.

PRODUCT COLLECTOR-CUSTOMER UNIQUE (EQUIPMENT/ FURNISHINGS ONLY)
FIGURE 7E

25-00-00-07E

HAP
OCT 10/06

25-00-00-07E
PAGE 0

BOEING
737-600/700/800/900
PARTS CATALOG (MAINTENANCE)

FIG ITEM	PART NUMBER	1 2 3 4 5 6 7	NOMENCLATURE	EFFECT FROM TO	UNITS PER ASSY
7E			PRODUCT COLLECTOR-CUSTOMER UNIQUE (EQUIPMENT/ FURNISHINGS ONLY)	001030	
- 5	001A4001-3001		PRODUCT COLLECTOR-CUSTOMER UNIQUE (EQUIPMENT/ FURNISHINGS ONLY) FOR OTHER SYS DETAILS SEE: 21-00-00-43A 31-00-00-10 38-00-00-02B 52-00-00-20F 53-00-00-01E 56-00-00-04A	001030	RF
- 105	400A9201-3001		.FUNCTIONAL COLLECTOR- FOR DETAILS SEE: 25-50-00-07B	001030	1
- 215	284A0001-3001		.FUNCTIONAL COLLECTOR- FOR DETAILS SEE: 25-50-00-10D	001030	1
- 250	288A4001-3001		.FUNCTIONAL COLLECTOR- FOR DETAILS SEE: 25-11-00-13B 25-20-00-11B 25-50-00-15B	001030	1
- 300	288A4002-3001		.FUNCTIONAL COLLECTOR- FOR DETAILS SEE: 25-50-00-16B	001030	1

MISSING ITEM NUMBERS NOT APPLICABLE

- ITEM NOT ILLUSTRATED

HAP

25-00-00-07E

BOEING PROPRIETARY - Copyright © - Unpublished Work - See title page for details.

25-00-00
FIG. 07E
PAGE 1
OCT 10/06

NON-ILLUSTRATED FIGURE

THE ITEMS REFLECTED IN THIS FIGURE ARE INTENTIONALLY
NON-ILLUSTRATED. THEY ARE REFERENCED TO EITHER A
NEXT HIGHER OR NEXT LOWER ASSEMBLY/INSTALLATION FIGURE.

PRODUCT COLLECTOR-OPT FEATURE (EQUIPMENT AND FURNISHINGS ONLY)
FIGURE 8A

25-00-00-08A

HAP
OCT 10/06

25-00-00-08A
PAGE 0

BOEING
737-600/700/800/900
PARTS CATALOG (MAINTENANCE)

FIG ITEM	PART NUMBER	1 2 3 4 5 6 7	NOMENCLATURE	EFFECT FROM TO	UNITS PER ASSY
8A			PRODUCT COLLECTOR-OPT FEATURE (EQUIPMENT AND FURNISHINGS ONLY)	001030 201967	
- 15	001A4001-6162		PRODUCT COLLECTOR-OPT FEATURE (EQUIPMENT AND FURNISHINGS ONLY)	201967	1
- 20	400A9301-6162		2550CG3208 CARGO NET TIEDOWN VAR (-700) .FUNCTIONAL COLLECTOR- FOR DETAILS SEE: 25-80-00-01Q	201967	1
- 25	001A4001-6164		PRODUCT COLLECTOR-OPT FEATURE (EQUIPMENT AND FURNISHINGS ONLY)	001030	1
- 30	400A9301-6164		2550CG3210 CARGO NETS FOR -800 .FUNCTIONAL COLLECTOR- FOR DETAILS SEE: 25-80-00-01Q	001030	1
- 55	001A4001-6278		PRODUCT COLLECTOR-OPT FEATURE (EQUIPMENT AND FURNISHINGS ONLY)	001030	1
- 60	400A9201-6278		.FUNCTIONAL COLLECTOR- FOR DETAILS SEE: 25-50-00-08B	001030	1
- 75	001A4001-6286		PRODUCT COLLECTOR-OPT FEATURE (EQUIPMENT AND FURNISHINGS ONLY)	201967	RF
- 80	400A9201-6286		2530CG3V23 FLOOR PNL HOLE INSTL VAR .FUNCTIONAL COLLECTOR- FOR DETAILS SEE: 25-30-00-26C	201967	1
- 105	001A4001-6289		PRODUCT COLLECTOR-OPT FEATURE (EQUIPMENT AND FURNISHINGS ONLY)	001030	1
- 110	400A9201-6289		2530GC3V26 FLOOR GRID INSTL, SECT 41, VAR .FUNCTIONAL COLLECTOR	001030	1
- 115	001A4001-6327		PRODUCT COLLECTOR-OPT FEATURE (EQUIPMENT AND FURNISHINGS ONLY)	001030	1
- 120	400A9201-6327		2530CG3V37 FLOOR GRID INSTL, SECT 41, VAR .FUNCTIONAL COLLECTOR- FOR DETAILS SEE: 25-30-00-26C	001030	1

MISSING ITEM NUMBERS NOT APPLICABLE

- ITEM NOT ILLUSTRATED

HAP

25-00-00-08A

BOEING PROPRIETARY - Copyright © - Unpublished Work - See title page for details.

25-00-00
FIG. 08A
PAGE 1
OCT 15/08

BOEING
737-600/700/800/900
PARTS CATALOG (MAINTENANCE)

FIG ITEM	PART NUMBER	1 2 3 4 5 6 7	NOMENCLATURE	EFFECT FROM TO	UNITS PER ASSY
8A					
- 145	001A4001-6477		PRODUCT COLLECTOR-OPT FEATURE (EQUIPMENT AND FURNISHINGS ONLY)	001030 201967	1
- 150	400A9301-6477		.FUNCTIONAL COLLECTOR- FOR DETAILS SEE: 25-80-00-01Q	001030 201967	1
- 155	001A4001-6600		PRODUCT COLLECTOR-OPT FEATURE (EQUIPMENT AND FURNISHINGS ONLY) 3920DM3125 - NON E6 RACK SUPPLEMENT FOR OTHER SYS DETAILS SEE: 53-00-00-02C	002005 008030 201967	RF
- 160	140A4700-6600		.FUNCTIONAL COLLECTOR- FOR DETAILS SEE: 25-52-00-12	002005 008030 201967	1

MISSING ITEM NUMBERS NOT APPLICABLE

- ITEM NOT ILLUSTRATED

HAP

25-00-00-08A

BOEING PROPRIETARY - Copyright © - Unpublished Work - See title page for details.

25-00-00
FIG. 08A
PAGE 2
OCT 15/08

NON-ILLUSTRATED FIGURE

THE ITEMS REFLECTED IN THIS FIGURE ARE INTENTIONALLY
NON-ILLUSTRATED. THEY ARE REFERENCED TO EITHER A
NEXT HIGHER OR NEXT LOWER ASSEMBLY/INSTALLATION FIGURE.

FUNCTIONAL COLLECTOR-E/E EQPT INSTL
FIGURE 17A

25-00-00-17A

HAP
OCT 10/06

25-00-00-17A
PAGE 0

BOEING
737-600/700/800/900
PARTS CATALOG (MAINTENANCE)

FIG ITEM	PART NUMBER	1 2 3 4 5 6 7	NOMENCLATURE	EFFECT FROM TO	UNITS PER ASSY
17A			FUNCTIONAL COLLECTOR-E/E EQPT INSTL	001030 201967	
- 1	284A0001-700		FUNCTIONAL COLLECTOR- E/E EQPT INSTL FOR NHA SEE: 25-00-00-68E	201967	RF
- 1	284A0001-800		FUNCTIONAL COLLECTOR- E/E EQPT INSTL FOR NHA SEE: 25-00-00-50B	001030	RF
- 5	284A0331-1		.SENSOR INSTL-WARNING CARGO DOOR POSITION DATA: FWD FOR DETAILS SEE: 52-71-31-01	001019 201967	1
- 5	284A0331-3		.SENSOR INSTL-WARNING CARGO DOOR POSITION DATA: FWD FOR DETAILS SEE: 52-71-31-01	020030	1
- 10	284A0603-10		.RACK INSTL- POSITION DATA: E2/E3/E4 FOR DETAILS SEE: 25-50-52-80	001001 006007	1
- 10	284A0603-15		.RACK INSTL- POSITION DATA: E2/E3/E4 FOR DETAILS SEE: 25-50-52-80	008011 201967	1
- 10	284A0603-19		.RACK INSTL- POSITION DATA: E2/E3/E4 FOR DETAILS SEE: 25-50-52-80	002004	1
- 10	284A0603-20		.RACK INSTL- POSITION DATA: E2/E3/E4 FOR DETAILS SEE: 25-50-52-80	005005	1
- 11	284A0603-27		.RACK INSTL- POSITION DATA: E2/E3/E4 FOR DETAILS SEE: 25-50-52-80	012030	1

MISSING ITEM NUMBERS NOT APPLICABLE

- ITEM NOT ILLUSTRATED

HAP

25-00-00-17A

BOEING PROPRIETARY - Copyright © - Unpublished Work - See title page for details.

25-00-00
FIG. 17A
PAGE 1
OCT 15/08

BOEING
737-600/700/800/900
PARTS CATALOG (MAINTENANCE)

FIG ITEM	PART NUMBER	1 2 3 4 5 6 7	NOMENCLATURE	EFFECT FROM TO	UNITS PER ASSY
17A - 35	284A0817-4		.SUPPORT INSTL-MAIN BATTERY ELEC EQPT COMPT FOR DETAILS SEE: 25-50-51-73	012030	1
- 40	284A0835-4		.DECAL INSTL- POSITION DATA: SECT. 44 AIR AIR CONDITIONING COMPT FOR DETAILS SEE: 33-33-00-02	201967	1
- 40	284A0835-11		.DECAL INSTL- POSITION DATA: SECT. 44 AIR CONDITIONING COMPT FOR DETAILS SEE: 33-33-00-02	001030	1
- 43	284A0835-2		.DECAL INSTL- POSITION DATA: SECT. 43 FOR DETAILS SEE: 11-21-13-06	201967	1
- 43	284A0835-9		.DECAL INSTL- POSITION DATA: SECT. 43 FOR DETAILS SEE: 11-30-01-37	001027	1
- 43	284A0835-27		.DECAL INSTL- POSITION DATA: SECT. 43 FOR DETAILS SEE: 11-30-01-37	028030	1
- 45	284A0835-12		.DECAL INSTL- POSITION DATA: SECT. 46 FUNCTIONAL REFERENCE: LIGHTS FOR DETAILS SEE 33-51-04-05 PLACARDS AND MARKINGS FOR DETAILS SEE 11-37-02-20	001030	1

MISSING ITEM NUMBERS NOT APPLICABLE

- ITEM NOT ILLUSTRATED

HAP

25-00-00-17A

BOEING PROPRIETARY - Copyright © - Unpublished Work - See title page for details.

25-00-00
FIG. 17A
PAGE 2
OCT 15/08

BOEING
737-600/700/800/900
PARTS CATALOG (MAINTENANCE)

FIG ITEM	PART NUMBER	1 2 3 4 5 6 7	NOMENCLATURE	EFFECT FROM TO	UNITS PER ASSY
17A - 45	284A0835-5		.DECAL INSTL- POSITION DATA: SECT. 46 FUNCTIONAL REFERENCE: LIGHTS FOR DETAILS SEE 33-51-04-05 PLACARDS AND MARKINGS FOR DETAILS SEE 11-37-02-20	201967	1
- 48	284A0835-10		.DECAL INSTL- POSITION DATA: SECT. 44 FOR DETAILS SEE: 33-44-01-01 33-32-00-02 33-51-00-03	001007	1
- 48	284A0835-16		.DECAL INSTL- POSITION DATA: SECT. 44 FUNCTIONAL REFERENCE: INDICATING/RECORDING FOR DETAILS SEE 31-31-81-01 LIGHTS FOR DETAILS SEE 33-32-00-02 33-44-01-01 33-51-00-01	201967	1
- 48	284A0835-18		.DECAL INSTL- POSITION DATA: SECT. 44 FUNCTIONAL REFERENCE: INDICATING/RECORDING FOR DETAILS SEE 31-31-81-01 LIGHTS FOR DETAILS SEE 33-32-00-02 33-44-01-01 33-51-00-03	008020	1

MISSING ITEM NUMBERS NOT APPLICABLE

- ITEM NOT ILLUSTRATED

HAP

25-00-00-17A

BOEING PROPRIETARY - Copyright © - Unpublished Work - See title page for details.

25-00-00
FIG. 17A
PAGE 3
OCT 15/08

BOEING
737-600/700/800/900
PARTS CATALOG (MAINTENANCE)

FIG ITEM	PART NUMBER	1 2 3 4 5 6 7	NOMENCLATURE	EFFECT FROM TO	UNITS PER ASSY
17A - 48	284A0835-23		.DECAL INSTL- POSITION DATA: SECT. 44 FUNCTIONAL REFERENCE: INDICATING/RECORDING FOR DETAILS SEE 31-31-81-01 LIGHTS FOR DETAILS SEE 33-32-00-02 33-44-01-01 33-51-00-03	021030	1
- 50	284A0839-4		.SUPPORT INSTL-E/E COMPT FLOOR FOR DETAILS SEE: 52-11-51-10	010030	1

MISSING ITEM NUMBERS NOT APPLICABLE

- ITEM NOT ILLUSTRATED

HAP

25-00-00-17A

BOEING PROPRIETARY - Copyright © - Unpublished Work - See title page for details.

25-00-00
FIG. 17A
PAGE 4
OCT 15/08

NON-ILLUSTRATED FIGURE

THE ITEMS REFLECTED IN THIS FIGURE ARE INTENTIONALLY
NON-ILLUSTRATED. THEY ARE REFERENCED TO EITHER A
NEXT HIGHER OR NEXT LOWER ASSEMBLY/INSTALLATION FIGURE.

FUNCTIONAL COLLECTOR-E/E EQPT INSTL
FIGURE 34A

25-00-00-34A

HAP
OCT 10/06

25-00-00-34A
PAGE 0

BOEING
737-600/700/800/900
PARTS CATALOG (MAINTENANCE)

FIG ITEM	PART NUMBER	1 2 3 4 5 6 7	NOMENCLATURE	EFFECT FROM TO	UNITS PER ASSY
34A			FUNCTIONAL COLLECTOR-E/E EQPT INSTL	001030 201967	
- 1	284A0001-678		FUNCTIONAL COLLECTOR-E/E EQPT INSTL	001030 201967	RF
- 35	284A0602-5		.RACK INSTL- POSITION DATA: E5 FOR DETAILS SEE: 25-00-00-68H	001001 006007	1
- 35	284A0602-6		.RACK INSTL- POSITION DATA: E5 FOR DETAILS SEE: 25-50-51-45	002005	1
- 35	284A0602-9		.RACK INSTL- POSITION DATA: E5 FOR DETAILS SEE: 25-50-51-45	008027 201967	1
- 35	284A0602-10		.RACK INSTL- POSITION DATA: E5 FOR DETAILS SEE: 25-50-51-45	028030	1
- 40	284A0839-1		.SUPPORT INSTL-E/E COMPT FLOOR FOR DETAILS SEE: 52-11-51-10	001030 201967	1
- 45	284A0839-3		.SUPPORT INSTL-E/E COMPT FLOOR FOR DETAILS SEE: 52-11-51-10	001009 201967	1
- 55	284A0835-6		.DECAL INSTL-BODY FUNCTIONAL REFERENCE: LIGHTS FOR DETAILS SEE 33-51-04-02 DOORS FOR DETAILS SEE 52-71-11-02 52-71-11-03	001030 201967	1

MISSING ITEM NUMBERS NOT APPLICABLE

- ITEM NOT ILLUSTRATED

HAP

25-00-00-34A

BOEING PROPRIETARY - Copyright © - Unpublished Work - See title page for details.

25-00-00
FIG. 34A
PAGE 1
OCT 15/08

NON-ILLUSTRATED FIGURE

THE ITEMS REFLECTED IN THIS FIGURE ARE INTENTIONALLY
NON-ILLUSTRATED. THEY ARE REFERENCED TO EITHER A
NEXT HIGHER OR NEXT LOWER ASSEMBLY/INSTALLATION FIGURE.

FUNCTIONAL COLLECTOR-E/E EQPT INSTL
FIGURE 48

25-00-00-48

HAP
OCT 10/06

25-00-00-48
PAGE 0

BOEING
737-600/700/800/900
PARTS CATALOG (MAINTENANCE)

FIG ITEM	PART NUMBER	1 2 3 4 5 6 7	NOMENCLATURE	EFFECT FROM TO	UNITS PER ASSY
48			FUNCTIONAL COLLECTOR-E/E EQPT INSTL	001030 201967	
- 5	284A0001-678		FUNCTIONAL COLLECTOR-E/E EQPT INSTL FOR NHA/ADDITIONAL DET SEE: 25-00-00-68H	001030 201967	RF
- 10	284A0110-1		.BRACKET INSTL-MAIN ELECTRONIC COMPT FOR DETAILS SEE: 25-50-51-68	001030 201967	1
- 15	284A0601-4		.RACK INSTL- POSITION DATA: E1 FOR DETAILS SEE: 25-50-51-51A	001001 006007	1
- 15	284A0601-5		.RACK INSTL- POSITION DATA: E1 FOR DETAILS SEE: 25-50-51-51A	002005 008030 201967	1
- 20	284A0603-1		.SUPPORT INSTL- FOR DETAILS SEE: 25-50-52-42	001019 201967	1
- 20	284A0603-23		.SUPPORT INSTL- FOR DETAILS SEE: 25-50-52-65	020030	1
- 25	284A0609-1		.POST INSTL-MISC SYS SPRT FOR DETAILS SEE: 25-50-51-96C	001014 201967	1
- 25	284A0609-5		.POST INSTL-MISC SYS SPRT FOR DETAILS SEE: 25-50-51-96C	015030	1
- 30	284A0609-2		.INTERCOSTAL INSTL-MISC SYS SPRT FOR DETAILS SEE: 25-50-51-96A	001030 201967	1
- 35	284A0823-3		.RACK INSTL-VOICE RECORDER FOR DETAILS SEE: 25-50-52-80F	001030 201967	1

MISSING ITEM NUMBERS NOT APPLICABLE

- ITEM NOT ILLUSTRATED

HAP

25-00-00-48

25-00-00
FIG. 48
PAGE 1
OCT 15/08

NON-ILLUSTRATED FIGURE

THE ITEMS REFLECTED IN THIS FIGURE ARE INTENTIONALLY
NON-ILLUSTRATED. THEY ARE REFERENCED TO EITHER A
NEXT HIGHER OR NEXT LOWER ASSEMBLY/INSTALLATION FIGURE.

PRODUCT COLLECTOR-MINOR MODEL BASIC AND STABLE (CARGO COMPT ONLY)
FIGURE 50B

25-00-00-50B

HAP
OCT 10/06

25-00-00-50B
PAGE 0

BOEING
737-600/700/800/900
PARTS CATALOG (MAINTENANCE)

FIG ITEM	PART NUMBER	1 2 3 4 5 6 7	NOMENCLATURE	EFFECT FROM TO	UNITS PER ASSY
50B			PRODUCT COLLECTOR-MINOR MODEL BASIC AND STABLE (CARGO COMPT ONLY)	001030	
- 5	001A4001-800		PRODUCT COLLECTOR-MINOR MODEL BASIC AND STABLE (CARGO COMPT ONLY) FOR OTHER SYS DETAILS SEE: 11-00-00-09 26-00-00-04A 27-00-00-26 31-00-00-07 32-00-00-45 33-00-00-07 38-00-00-02G 51-00-00-06 52-00-00-11 53-00-00-02G 56-00-00-04 57-00-00-14B	001030	RF
- 55	400A9301-800		.FUNCTIONAL COLLECTOR- FOR DETAILS SEE: 25-80-00-01K	001030	1
- 65	284A0001-800		.FUNCTIONAL COLLECTOR- FOR DETAILS SEE: 25-00-00-17A	001030	1
- 75	288A4002-800		.FUNCTIONAL COLLECTOR-	001030	1
- 80	140A4320-800		.FUNCTIONAL COLLECTOR- FOR DETAILS SEE: 25-50-00-25A	001030	1

MISSING ITEM NUMBERS NOT APPLICABLE

- ITEM NOT ILLUSTRATED

HAP

25-00-00-50B

BOEING PROPRIETARY - Copyright © - Unpublished Work - See title page for details.

25-00-00
FIG. 50B
PAGE 1
OCT 10/06

 **BOEING**
737-600/700/800/900
PARTS CATALOG (MAINTENANCE)

NON-ILLUSTRATED FIGURE

THE ITEMS REFLECTED IN THIS FIGURE ARE INTENTIONALLY
NON-ILLUSTRATED. THEY ARE REFERENCED TO EITHER A
NEXT HIGHER OR NEXT LOWER ASSEMBLY/INSTALLATION FIGURE.

PRODUCT COLLECTOR-MINOR MODEL BASIC AND STABLE (EQUIPMENT AND FURNISHINGS ONLY)
FIGURE 68E

HAP
OCT 15/08

25-00-00-68E

25-00-00-68E
PAGE 0

BOEING
737-600/700/800/900
PARTS CATALOG (MAINTENANCE)

FIG ITEM	PART NUMBER	1 2 3 4 5 6 7	NOMENCLATURE	EFFECT FROM TO	UNITS PER ASSY
68E			PRODUCT COLLECTOR-MINOR MODEL BASIC AND STABLE (EQUIPMENT AND FURNISHINGS ONLY)	201967	
- 1	001A4001-700		PRODUCT COLLECTOR-MINOR MODEL BAISC AND STABLE (EQUIPMENT AND FURNISHINGS ONLY) FOR OTHER SYS DETAILS SEE: 11-00-00-06 26-00-00-04 27-00-00-25 31-00-00-06 32-00-00-43 33-00-00-02 34-00-00-03 38-00-00-02F 51-00-00-04 52-00-00-20C 53-00-00-01D 56-00-00-02 57-00-00-14A	201967	RF
- 20	140A4320-700		.FUNCTIONAL COLLECTOR- FOR DETAILS SEE: 25-50-00-25C	201967	1
- 40	284A0001-700		.FUNCTIONAL COLLECTOR- FOR DETAILS SEE: 25-00-00-17A	201967	RF
- 50	288A4002-700		.FUNCTIONAL COLLECTOR-	201967	1
- 100	400A9301-700		.FUNCTIONAL COLLECTOR- FOR DETAILS SEE: 25-80-00-01J	201967	1

MISSING ITEM NUMBERS NOT APPLICABLE

- ITEM NOT ILLUSTRATED

HAP

25-00-00-68E

BOEING PROPRIETARY - Copyright © - Unpublished Work - See title page for details.

25-00-00
FIG. 68E
PAGE 1
OCT 15/08

 **BOEING**
737-600/700/800/900
PARTS CATALOG (MAINTENANCE)

NON-ILLUSTRATED FIGURE

THE ITEMS REFLECTED IN THIS FIGURE ARE INTENTIONALLY
NON-ILLUSTRATED. THEY ARE REFERENCED TO EITHER A
NEXT HIGHER OR NEXT LOWER ASSEMBLY/INSTALLATION FIGURE.

PRODUCT COLLECTOR-MAJOR MODEL BASIC AND STABLE (EQUIPMENT/FURNISHINGS ONLY)
FIGURE 68H

HAP
OCT 10/06

25-00-00-68H

25-00-00-68H
PAGE 0

BOEING
737-600/700/800/900
PARTS CATALOG (MAINTENANCE)

FIG ITEM	PART NUMBER	1 2 3 4 5 6 7	NOMENCLATURE	EFFECT FROM TO	UNITS PER ASSY
68H			PRODUCT COLLECTOR-MAJOR MODEL BASIC AND STABLE (EQUIPMENT/FURNISHINGS ONLY)	001030 201967	
- 1	001A4001-678		PRODUCT COLLECTOR-MAJOR MODEL BASIC AND STABLE (EQUIPMENT/FURNISHINGS ONLY) FOR OTHER SYS DETAILS SEE: 11-00-00-10 21-00-00-33A 26-00-00-06 27-00-00-24 29-00-00-01 30-00-00-01 31-00-00-02 32-00-00-40 33-00-00-08 34-00-00-05 38-00-00-02D 49-00-00-01F 51-00-00-07 52-00-00-20A 53-00-00-02D 55-00-00-13 56-00-00-05C 57-00-00-15	001030 201967	RF
- 100	400A9301-678		.FUNCTIONAL COLLECTOR- FOR DETAILS SEE: 25-80-00-01M	001030 201967	1
- 150	284A0001-678		.FUNCTIONAL COLLECTOR- FOR DETAILS SEE: 25-00-00-34A 25-00-00-48	001030 201967	1
- 200	288A4002-678		.FUNCTIONAL COLLECTOR- FOR DETAILS SEE: 25-50-00-18	001030 201967	1
- 250	288A4001-678		.FUNCTIONAL COLLECTOR- FOR DETAILS SEE: 25-50-00-15D	001030 201967	1
- 300	140A4700-678		.FUNCTIONAL COLLECTOR- FOR DETAILS SEE: 25-52-00-17	001030 201967	1

MISSING ITEM NUMBERS NOT APPLICABLE

- ITEM NOT ILLUSTRATED

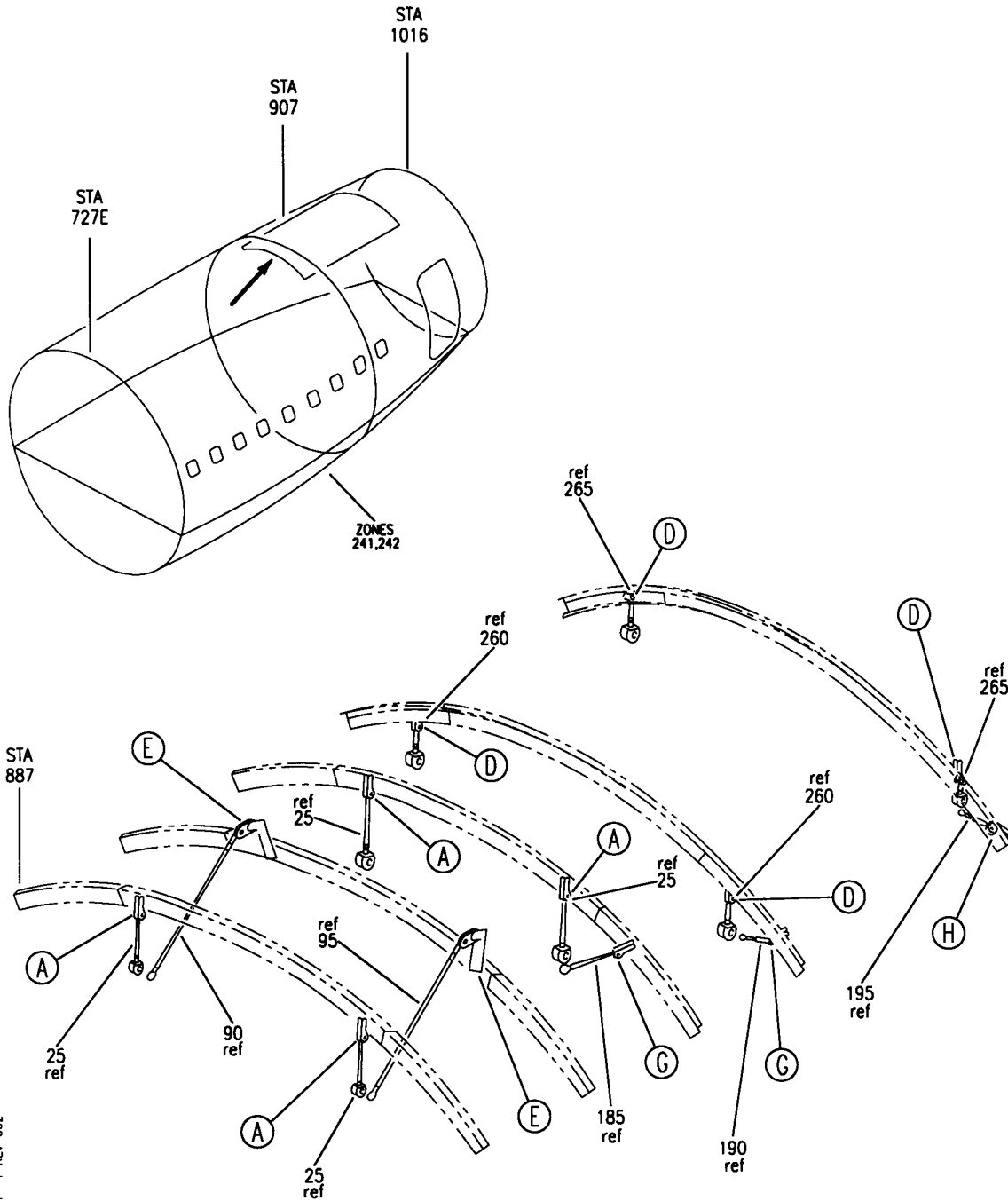
HAP

25-00-00-68H

BOEING PROPRIETARY - Copyright © - Unpublished Work - See title page for details.

25-00-00
FIG. 68H
PAGE 1
OCT 15/08

BOEING
 737-600/700/800/900
 PARTS CATALOG (MAINTENANCE)



E 25005101 SHT 1 REV 002

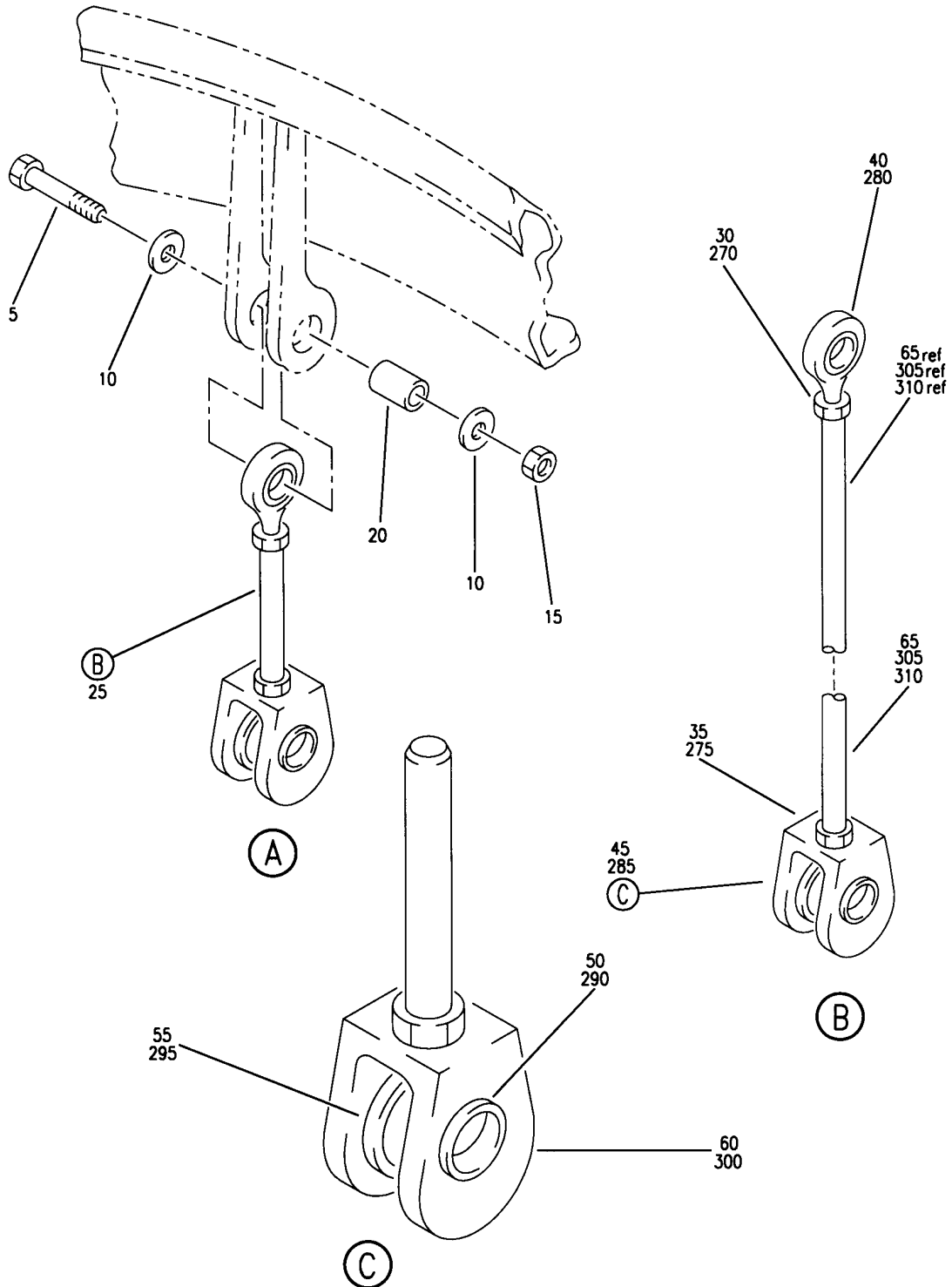
ROD INSTL-TIE
 FIGURE 1 (SHEET 1)

25-00-51-01

HAP
 OCT 10/06

25-00-51-01
 PAGE 0

BOEING
 737-600/700/800/900
 PARTS CATALOG (MAINTENANCE)



E 25005101 SH1 2 REV 002

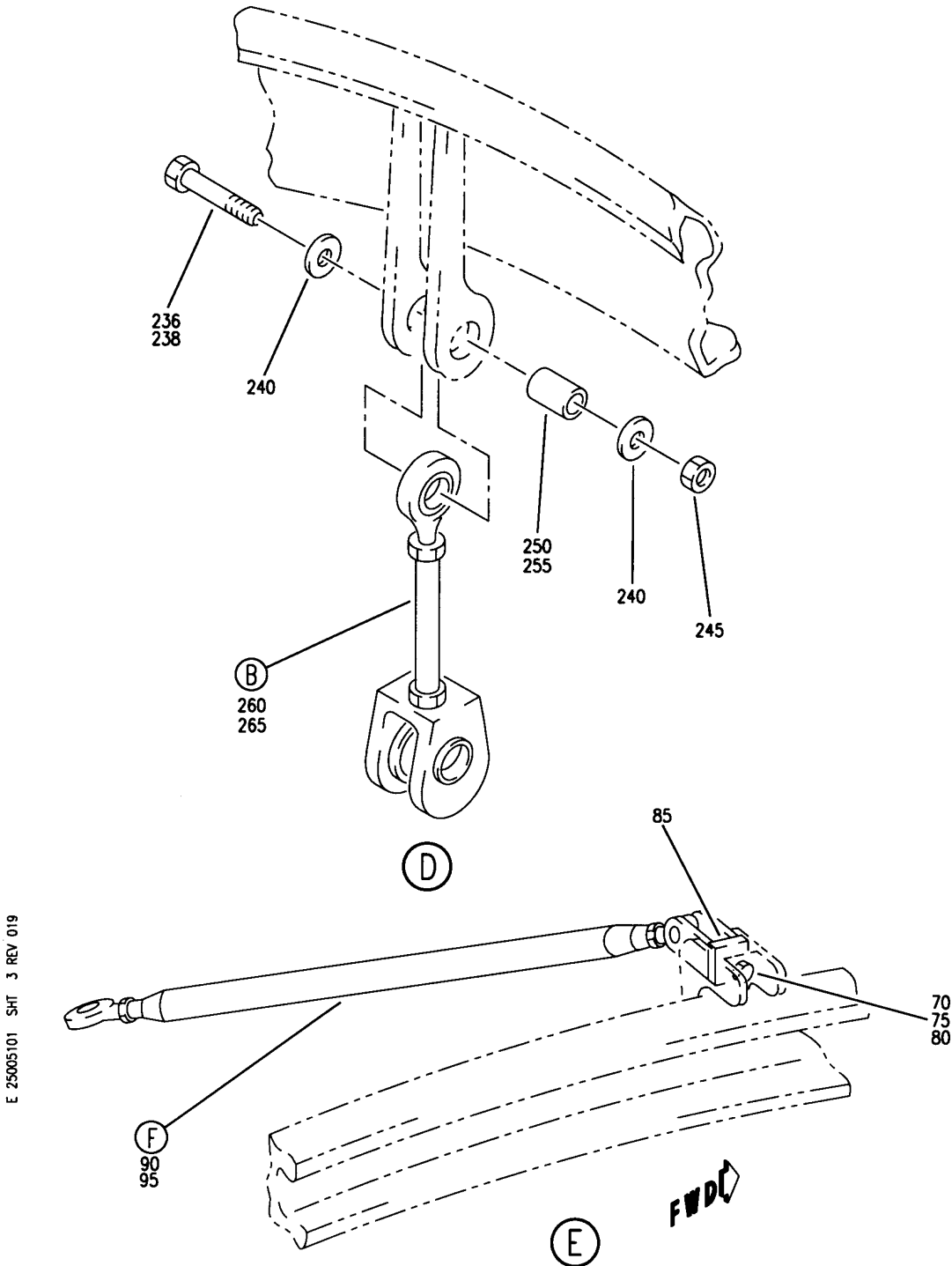
ROD INSTL-TIE
 FIGURE 1 (SHEET 2)

25-00-51-01

HAP
 OCT 10/06

25-00-51-01
 PAGE 0A

BOEING
 737-600/700/800/900
 PARTS CATALOG (MAINTENANCE)



E 25005101 SHT 3 REV 019

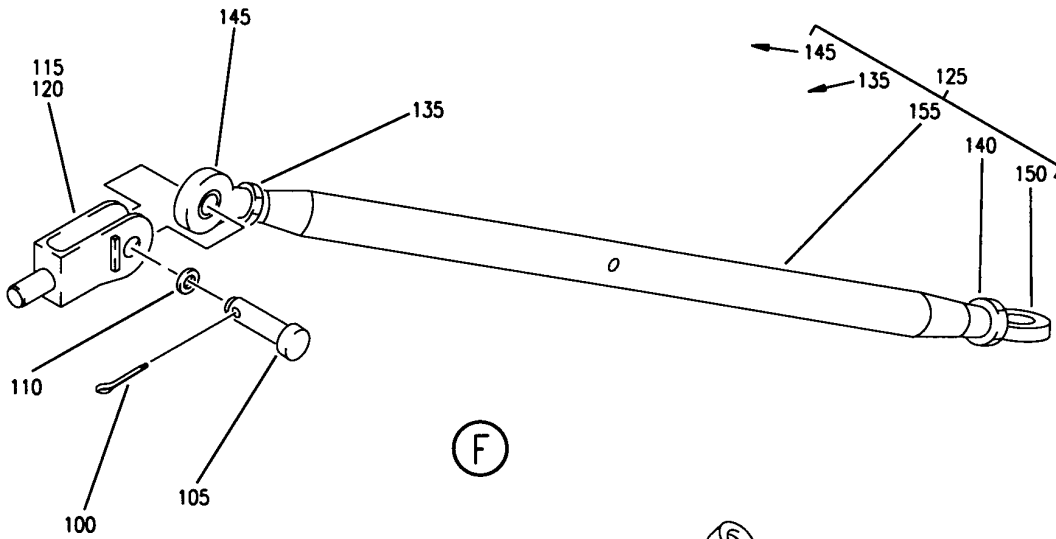
ROD INSTL-TIE
 FIGURE 1 (SHEET 3)

25-00-51-01

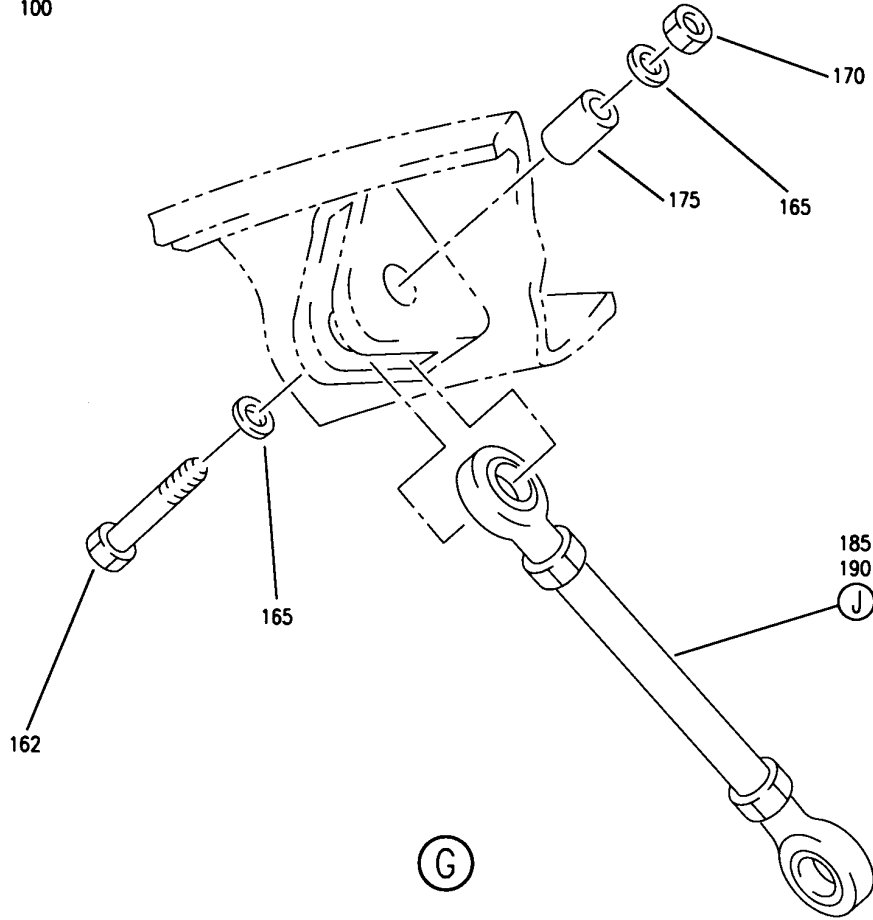
HAP
 OCT 10/06

25-00-51-01
 PAGE 0B

BOEING
 737-600/700/800/900
 PARTS CATALOG (MAINTENANCE)



(F)



(G)

E 25005101 SHT 4 REV 019

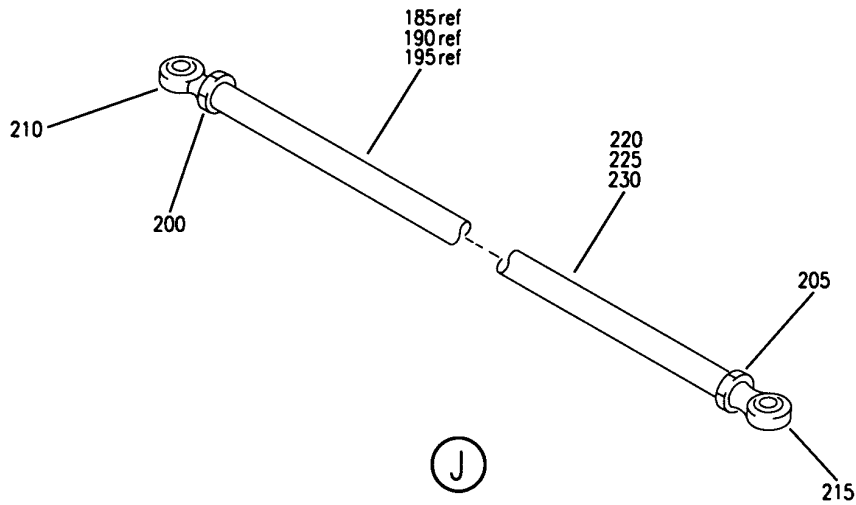
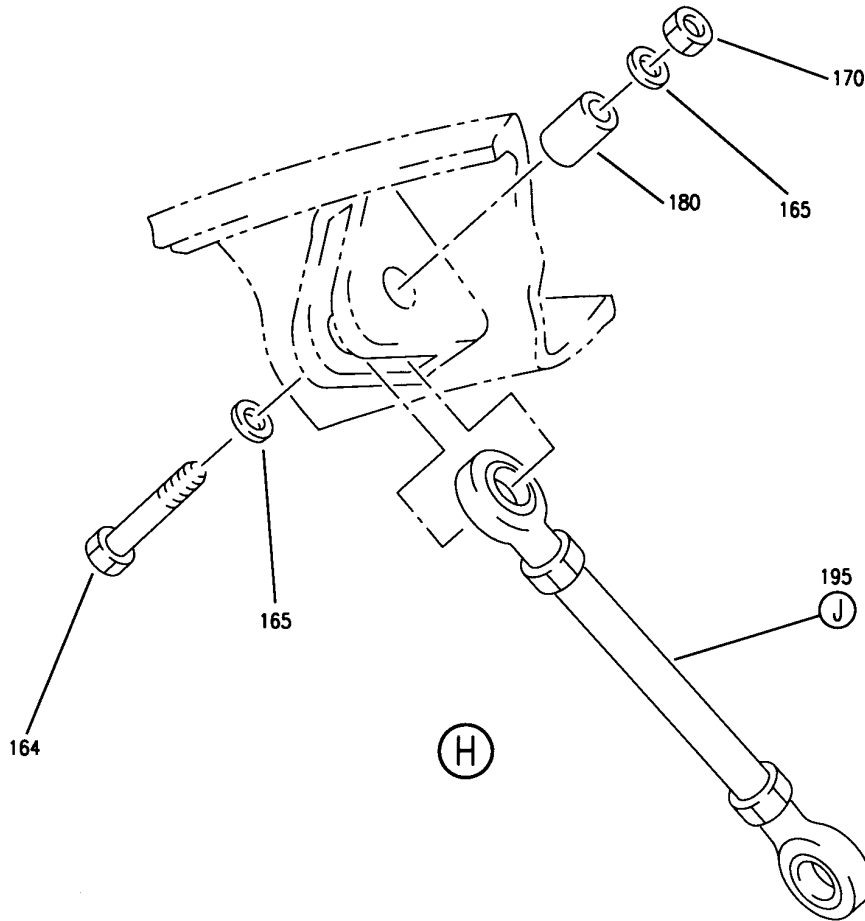
ROD INSTL-TIE
 FIGURE 1 (SHEET 4)

25-00-51-01

HAP
 OCT 10/06

25-00-51-01
 PAGE 0C

BOEING
 737-600/700/800/900
 PARTS CATALOG (MAINTENANCE)



E 25005101 SHT 5 REV 019

ROD INSTL-TIE
 FIGURE 1 (SHEET 5)

25-00-51-01

HAP
 OCT 10/06

25-00-51-01
 PAGE 00

BOEING
737-600/700/800/900
PARTS CATALOG (MAINTENANCE)

FIG ITEM	PART NUMBER	1 2 3 4 5 6 7	NOMENCLATURE	EFFECT FROM TO	UNITS PER ASSY
1			ROD INSTL-TIE		
- 1	411A3401-1		ROD INSTL-TIE POSITION DATA: AFT FOR NHA SEE: 25-21-00-03	001030 201967	RF
- 1	MODREF90340		ROD INSTL-TIE MODULE NUMBER: 411A3401-1 REV A POSITION DATA: AFT	031036	1
- 1	MODREF273780		ROD INSTL-TIE MODULE NUMBER: 411A3401-1 REV B POSITION DATA: AFT	037200 968999	1
5	BACB30NR4K13		.BOLT-		4
15	PLH54CD		.NUT SUPPLIER CODE: VF0224 SPECIFICATION NUMBER: BACN10YR4CD OPTIONAL PART: H52732-4CD V15653		4
20	BACB28AK04-032		.BUSHING		4
25	411A3270-9		.ROD ASSY-	001043 054103 201971	4
25	411A3270-103		.ROD ASSY-	037200 968999	4
30	AN316-4L		..NUT-	001043 054103 201971	1
30	BACN11U4CD2LN		..NUT-	037200 968999	1
35	MS35691-5		..NUT		1
40	1254-1L		..BEARING- SUPPLIER CODE: V34742 OPTIONAL PART: 411A1254-101	001043 054103 201971	1
40	411A1254-101		..BEARING- OPTIONAL PART: 1254-1L V34742	001043 054103 201971	1

MISSING ITEM NUMBERS NOT APPLICABLE

- ITEM NOT ILLUSTRATED

HAP

25-00-51-01

BOEING PROPRIETARY - Copyright © - Unpublished Work - See title page for details.

25-00-51
FIG. 01
PAGE 1
FEB 15/09

BOEING
737-600/700/800/900
PARTS CATALOG (MAINTENANCE)

FIG ITEM	PART NUMBER	1 2 3 4 5 6 7	NOMENCLATURE	EFFECT FROM TO	UNITS PER ASSY
1					
40	ARL4EDU102		.. BEARING- SUPPLIER CODE: VS0352 SPECIFICATION NUMBER: 60B10024-3 OPTIONAL PART: ABL4E40 V15860 HBL4EDU119 V02758	037200 968999	1
45	411A3272-1		.. END ASSY		1
50	BACB28AP04P010		... BUSHING		1
55	BACB28AT06B010C		... BUSHING		1
60	411A3272-2		... END		1
65	65B67822-15		.. TUBE		1
70	NAS1149D0532J		. WASHER-		2
75	BACW10P175L		. WASHER		2
80	PLH55CD		. NUT SUPPLIER CODE: VF0224 SPECIFICATION NUMBER: BACN10YR5CD OPTIONAL PART: H52732-5CD V15653		2
85	412N2032-3		. INSULATOR- MANUFACTURED FROM: FIN F-6.10 COMPRESSION MOLDED PHENOLIC, GLASS FIBER FILLED PER BMS8-271A, TYPE 1 OPTIONAL PART: 412N2032-4		2
90	411A3270-20		. ROD ASSY-		1
90	411A3270-68		. ROD ASSY- OPTIONAL PART: 411A3270-20	037200 968999	1
95	411A3270-19		. ROD ASSY-		1
95	411A3270-67		. ROD ASSY- OPTIONAL PART: 411A3270-19	037200 968999	1
100	BACP18BC02C06P		.. PIN-		1
105	MS20392-3C17		.. PIN-	001043 054103 201971	1
105	BACP18BD3C17		.. PIN-	037200 968999	1
110	NAS1149D0416J		.. WASHER		1

MISSING ITEM NUMBERS NOT APPLICABLE

— ITEM NOT ILLUSTRATED

HAP

25-00-51-01

BOEING PROPRIETARY - Copyright © - Unpublished Work - See title page for details.

25-00-51
FIG. 01
PAGE 2
FEB 15/09

BOEING
737-600/700/800/900
PARTS CATALOG (MAINTENANCE)

FIG ITEM	PART NUMBER	1 2 3 4 5 6 7	NOMENCLATURE	EFFECT FROM TO	UNITS PER ASSY
1					
115	411A3081-26	..	CLEVIS- USED ON: 411A3270-20 411A3270-68		1
120	411A3081-25	..	CLEVIS- USED ON: 411A3270-19 411A3270-67		1
125	411A3270-10	..	ROD ASSY-	001043 054103 201971	1
125	411A3270-102	..	ROD ASSY-	037200 968999	1
135	AN316-5L	...	NUT-	001043 054103 201971	1
135	BACN11U5CD2LN	...	NUT-	037200 968999	1
140	MS35691-13	...	NUT		1
145	1290-1L	...	END-		1
			SUPPLIER CODE: V34742 OPTIONAL PART: 411A1290-101		
145	411A1290-101	...	END-		1
			OPTIONAL PART: 1290-1L V34742		
150	1290-1	...	ROD END-	001043 054103 201971	1
			SUPPLIER CODE: V34742 OPTIONAL PART: 411A1290-201		
150	411A1290-201	...	END ASSY-	001043 054103 201971	1
			OPTIONAL PART: 1290-1 V34742		
150	411A1290-401	...	END ASSY	037200 968999	1
155	411A3271-4	...	TUBE		1
162	BACB30NR4K13	.	BOLT-		2
			USED WITH: 411A3270-12 411A3270-13		
164	BACB30NR4K14	.	BOLT-		1
			USED WITH: 411A3270-14		
165	NAS1149D0463J	.	WASHER-		6

MISSING ITEM NUMBERS NOT APPLICABLE

— ITEM NOT ILLUSTRATED

HAP

25-00-51-01

BOEING PROPRIETARY - Copyright © - Unpublished Work - See title page for details.

25-00-51
FIG. 01
PAGE 3
FEB 15/09

 **BOEING**
737-600/700/800/900
PARTS CATALOG (MAINTENANCE)

FIG ITEM	PART NUMBER	1 2 3 4 5 6 7	NOMENCLATURE	EFFECT FROM TO	UNITS PER ASSY
1					
170	PLH54CD	.NUT	SUPPLIER CODE: VF0224 SPECIFICATION NUMBER: BACN10YR4CD OPTIONAL PART: H52732-4CD V15653		3
175	BACB28AK04-032	.BUSHING			2
180	BACB28AK04-040	.BUSHING			1
185	411A3270-11	.ROD ASSY			1
190	411A3270-12	.ROD ASSY			1
195	411A3270-14	.ROD ASSY			1
200	AN316-4L	..NUT			1
205	MS35691-5	..NUT			1
210	1254-1L	..BEARING-	SUPPLIER CODE: V34742 OPTIONAL PART: 411A1254-101	001043 054103 201971	1
210	411A1254-101	..BEARING-	OPTIONAL PART: 1254-1L V34742	001043 054103 201971	1
215	1254-1	..BEARING-	SUPPLIER CODE: V34742 OPTIONAL PART: 411A1254-201	001043 054103 201971	1
215	411A1254-201	..BEARING-	OPTIONAL PART: 1254-1 V34742	001043 054103 201971	1
220	411A3271-5	..TUBE-	USED ON: 411A3270-11		1
225	65B67822-35	..TUBE-	USED ON: 411A3270-12		1
230	65B67822-50	..TUBE-	USED ON: 411A3270-14		1
236	BACB30NR4K13	.BOLT-	USED WITH: 411A3270-13		2
238	BACB30NR4K14	.BOLT-	USED WITH: 411A3270-15		2
240	NAS1149D0463J	.WASHER-			8

MISSING ITEM NUMBERS NOT APPLICABLE

— ITEM NOT ILLUSTRATED

HAP

25-00-51-01

25-00-51
FIG. 01
PAGE 4
FEB 15/09

BOEING
737-600/700/800/900
PARTS CATALOG (MAINTENANCE)

FIG ITEM	PART NUMBER	1 2 3 4 5 6 7	NOMENCLATURE	EFFECT FROM TO	UNITS PER ASSY
1					
245	PLH54CD	.NUT	SUPPLIER CODE: VF0224 SPECIFICATION NUMBER: BACN10YR4CD OPTIONAL PART: H52732-4CD V15653		4
250	BACB28AK04-032	.BUSHING-	USED WITH: 411A3270-13		2
255	BACB28AK04-040	.BUSHING-	USED WITH: 411A3270-15		2
260	411A3270-13	.ROD ASSY			2
265	411A3270-15	.ROD ASSY			2
270	AN316-4L	..NUT			1
275	MS35691-5	..NUT			1
280	1254-1L	..BEARING-	SUPPLIER CODE: V34742 OPTIONAL PART: 411A1254-101	001043 054103 201971	1
280	411A1254-101	..BEARING-	OPTIONAL PART: 1254-1L V34742	001043 054103 201971	1
285	411A3272-1	..END ASSY			1
290	BACB28AP04P010	...BUSHING			1
295	BACB28AT06B010C	...BUSHING			1
300	411A3272-2	...END			1
305	65B67822-10	..TUBE-	USED ON: 411A3270-13		1
310	65B67822-11	..TUBE-	USED ON: 411A3270-15		1

MISSING ITEM NUMBERS NOT APPLICABLE

— ITEM NOT ILLUSTRATED

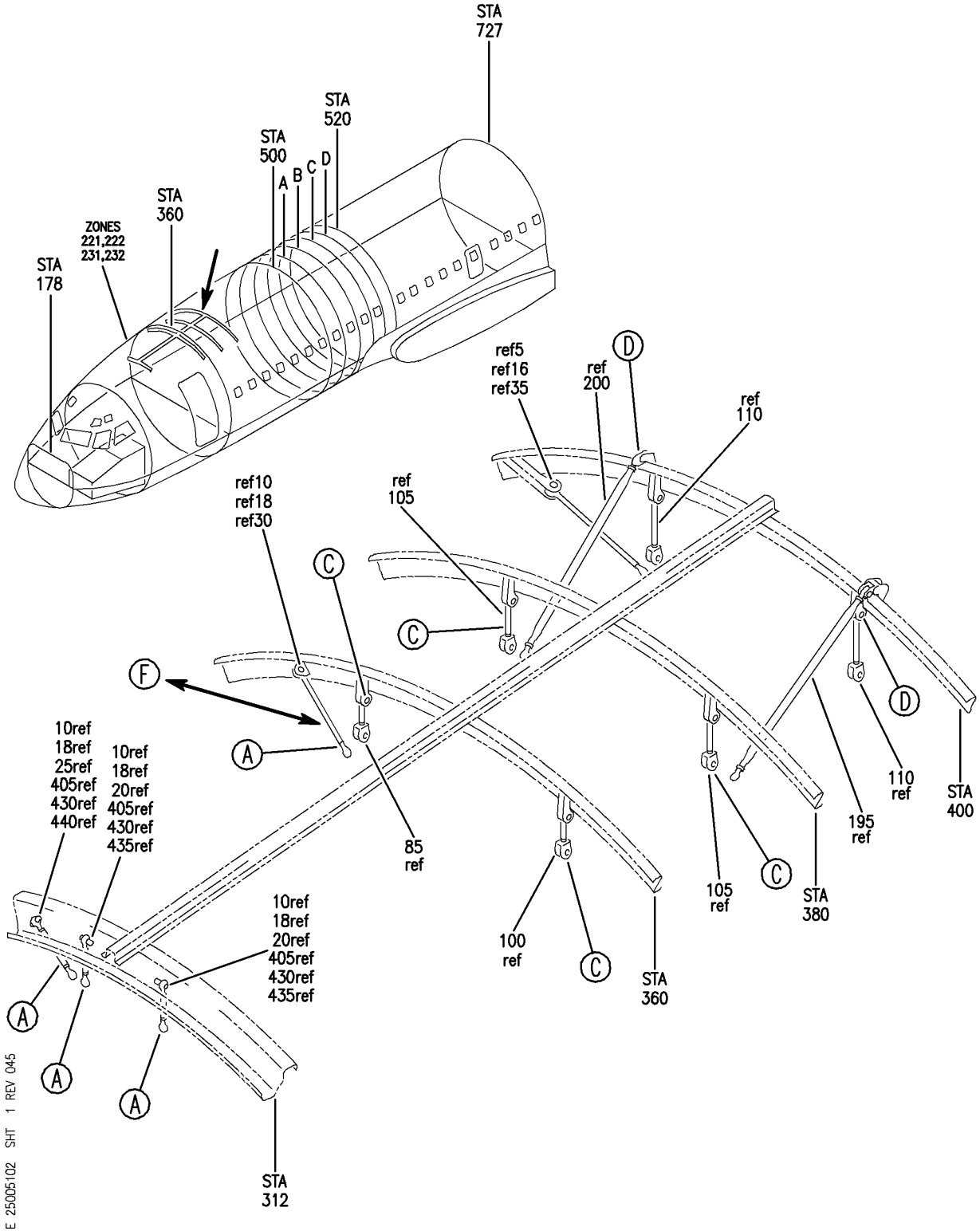
HAP

25-00-51-01

BOEING PROPRIETARY - Copyright © - Unpublished Work - See title page for details.

25-00-51
FIG. 01
PAGE 5
FEB 15/09


BOEING
 737-600/700/800/900
PARTS CATALOG (MAINTENANCE)



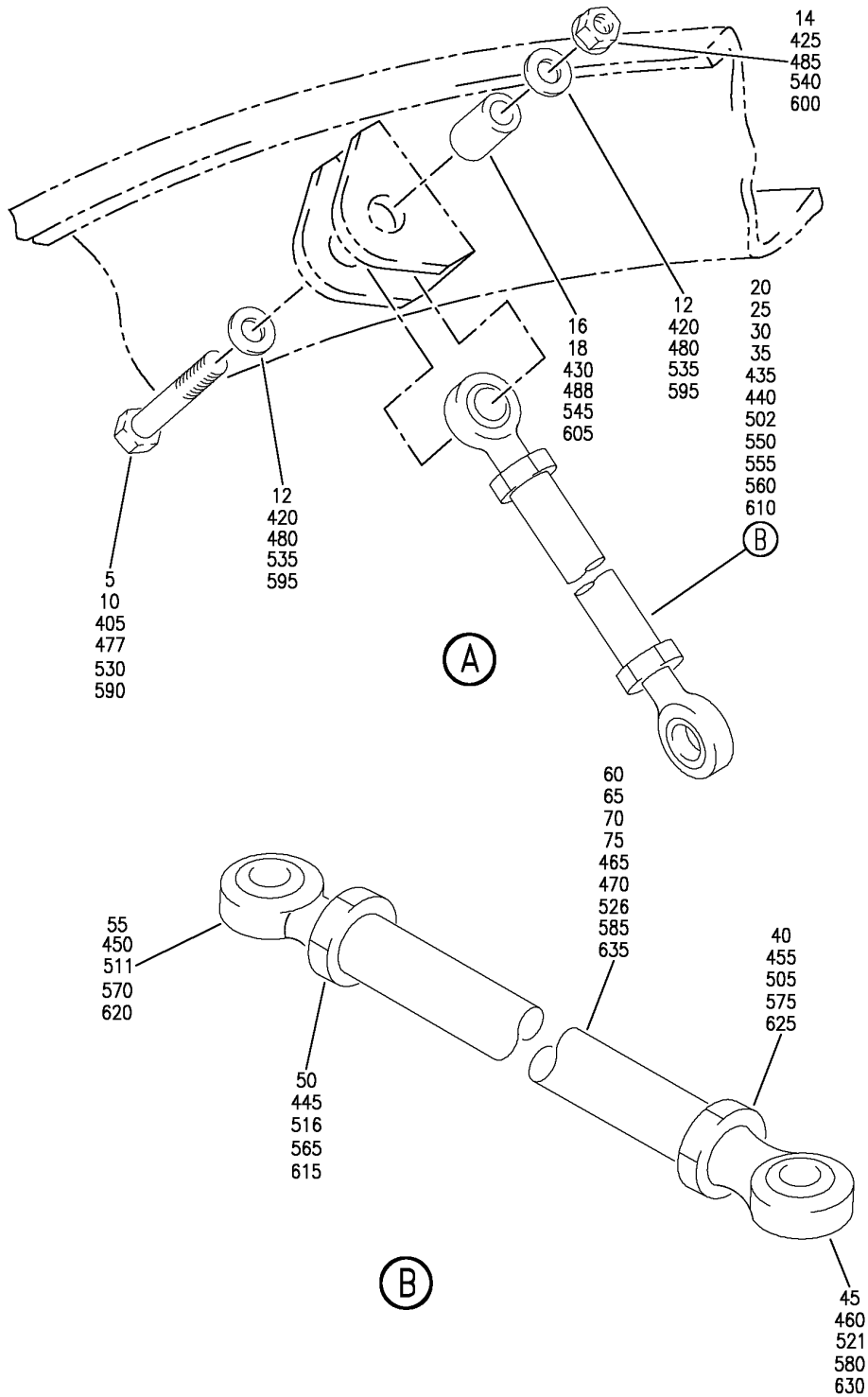
ROD INSTL-TIE
 FIGURE 2 (SHEET 1)

25-00-51-02

HAP
 OCT 10/06

25-00-51-02
 PAGE 0

BOEING
 737-600/700/800/900
 PARTS CATALOG (MAINTENANCE)



E 25005102 SHT 2 REV 066

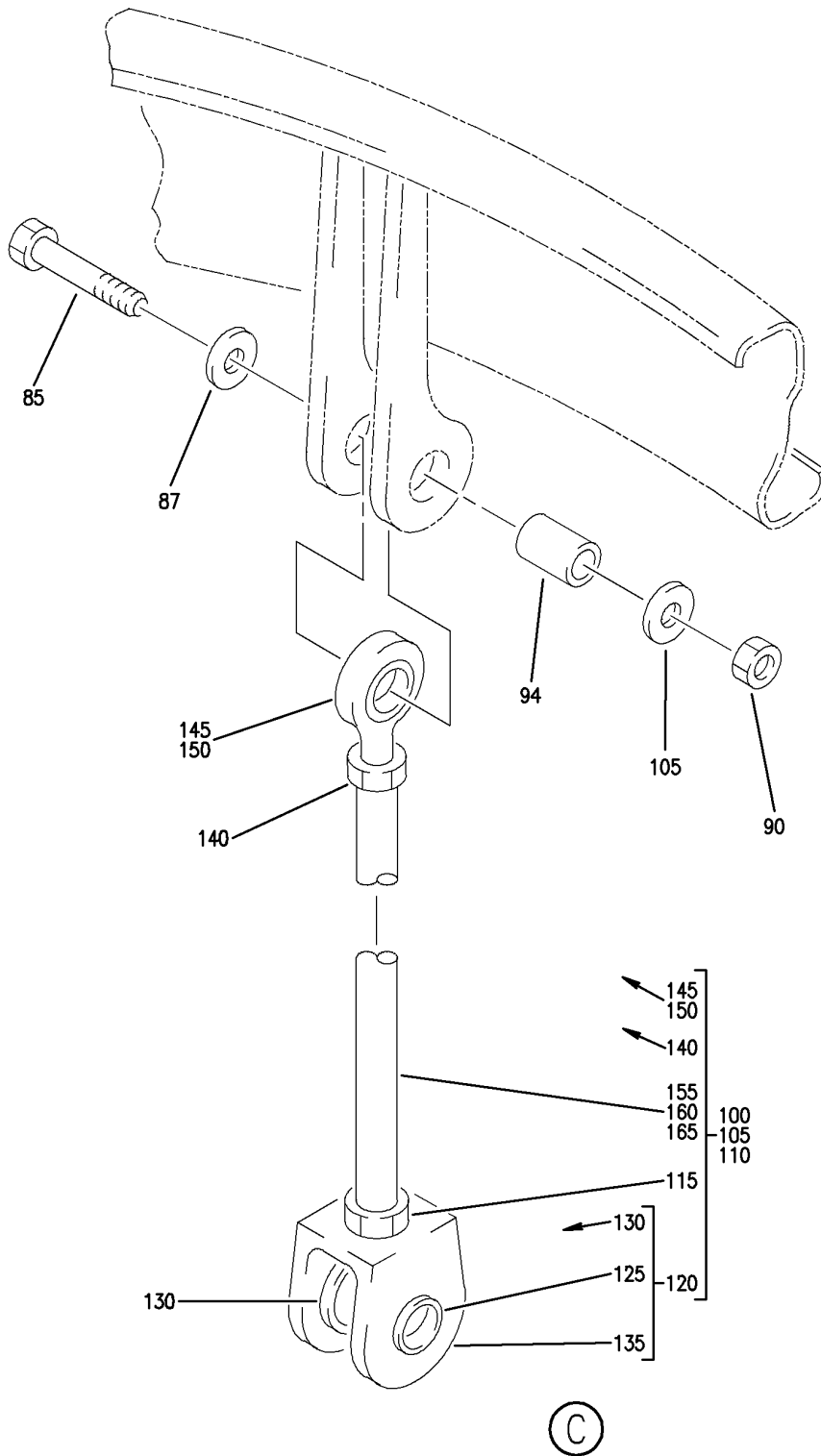
ROD INSTL-TIE
 FIGURE 2 (SHEET 2)

25-00-51-02

HAP
 OCT 10/06

25-00-51-02
 PAGE 0A

BOEING
 737-600/700/800/900
 PARTS CATALOG (MAINTENANCE)



E 25005102 SHT 3 REV 045

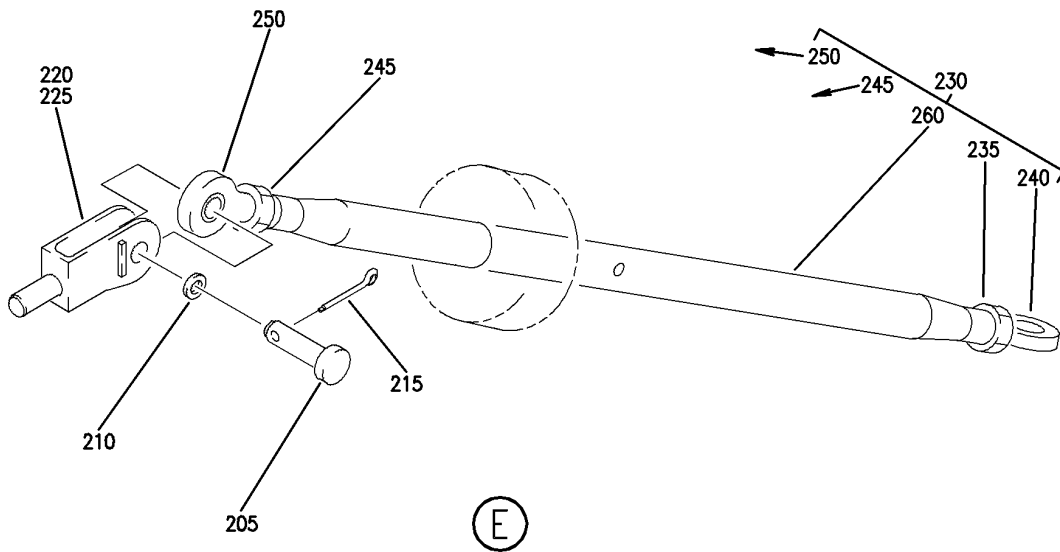
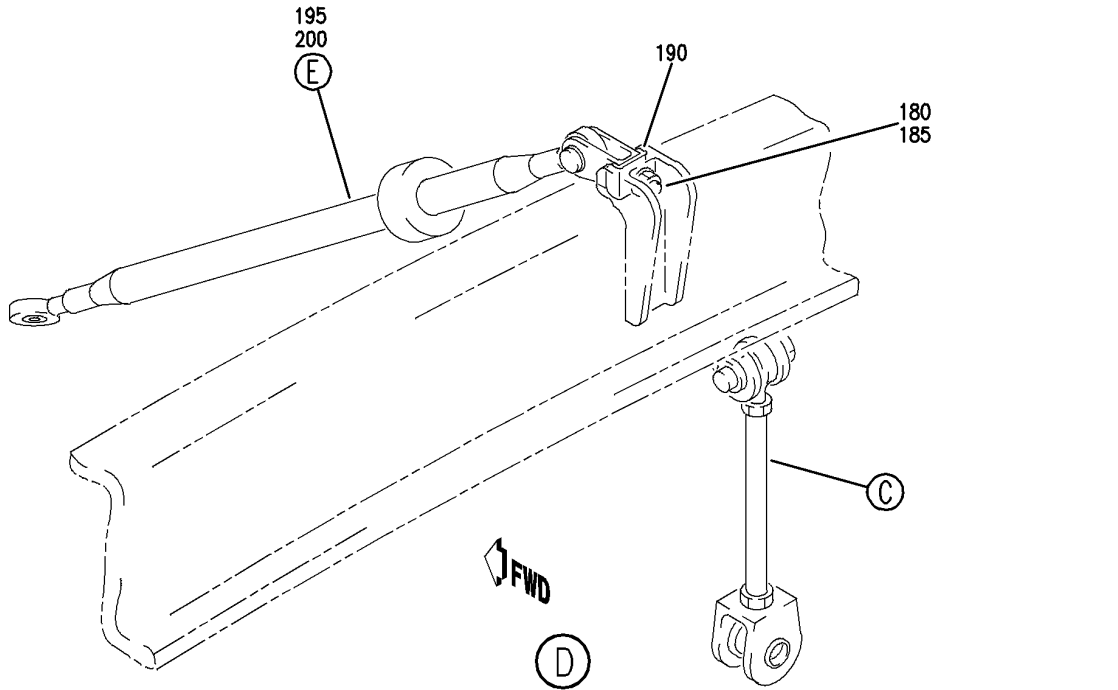
ROD INSTL-TIE
 FIGURE 2 (SHEET 3)

25-00-51-02

HAP
 OCT 10/06

25-00-51-02
 PAGE 0B

BOEING
 737-600/700/800/900
 PARTS CATALOG (MAINTENANCE)



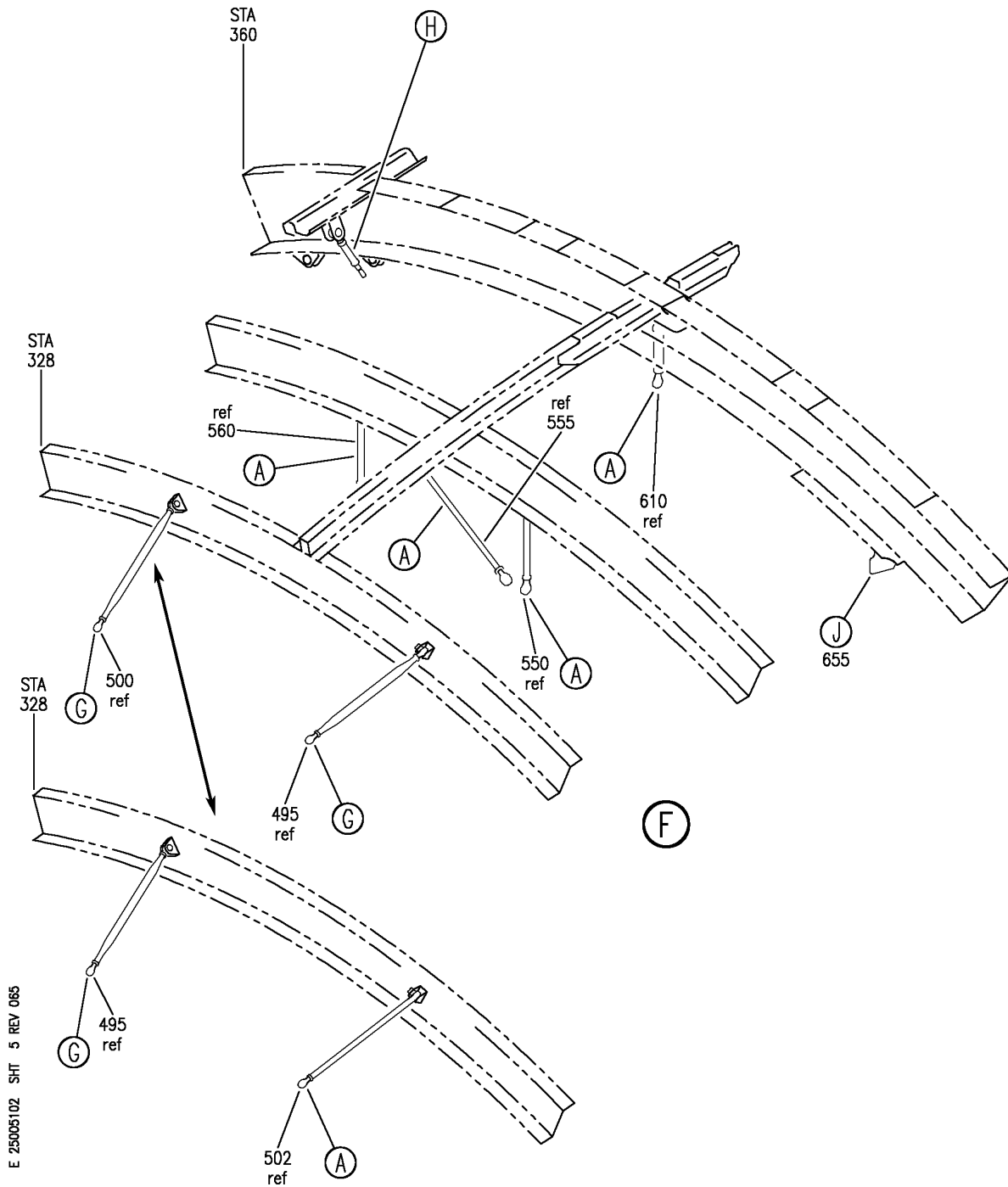
E 25005102 SHT 4 REV 068

ROD INSTL-TIE
 FIGURE 2 (SHEET 4)

25-00-51-02

HAP
 OCT 10/06

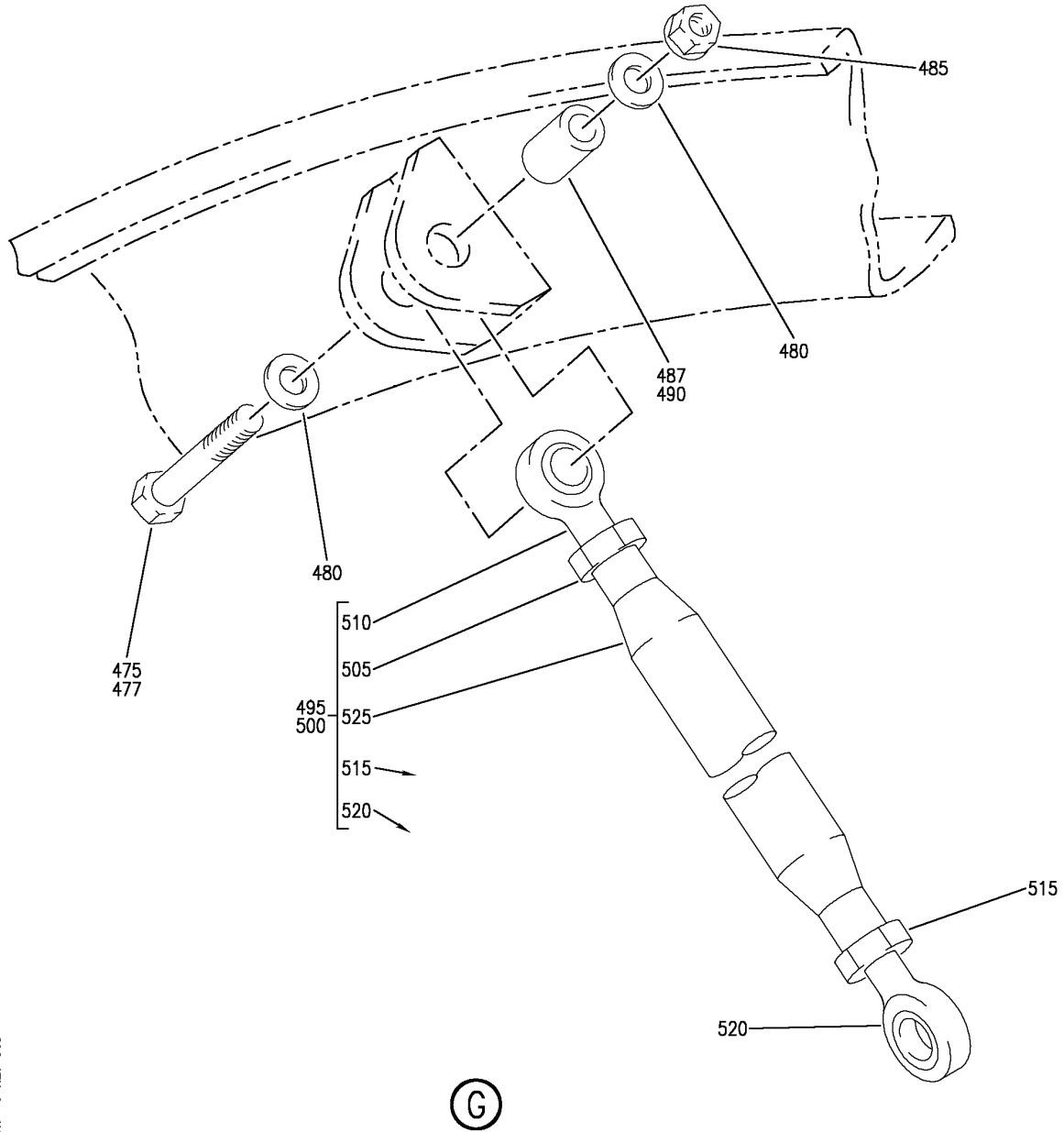
25-00-51-02
 PAGE 0C



ROD INSTL-TIE
 FIGURE 2 (SHEET 5)

25-00-51-02

BOEING
 737-600/700/800/900
 PARTS CATALOG (MAINTENANCE)



E 25005102 SH1 6 REV 065

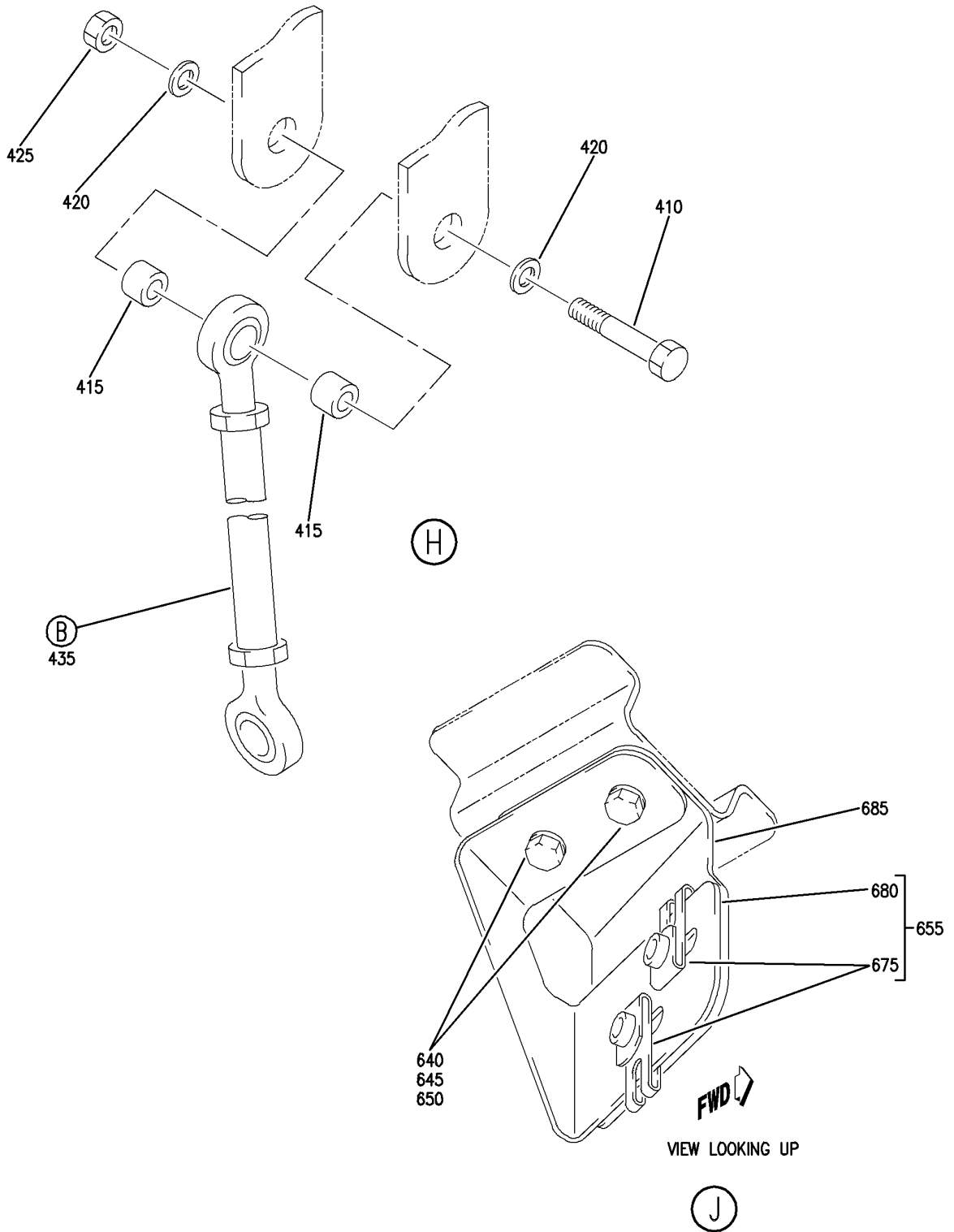
ROD INSTL-TIE
 FIGURE 2 (SHEET 6)

25-00-51-02

HAP
 OCT 10/06

25-00-51-02
 PAGE 0E

BOEING
 737-600/700/800/900
 PARTS CATALOG (MAINTENANCE)



E 25005102 SHT 7 REV 045

ROD INSTL-TIE
 FIGURE 2 (SHEET 7)

25-00-51-02

HAP
 OCT 10/06

25-00-51-02
 PAGE OF

BOEING
737-600/700/800/900
PARTS CATALOG (MAINTENANCE)

FIG ITEM	PART NUMBER	1 2 3 4 5 6 7	NOMENCLATURE	EFFECT FROM TO	UNITS PER ASSY
2			ROD INSTL-TIE		
- 1	411A3201-1		ROD INSTL-TIE POSITION DATA: FWD FOR NHA SEE: 25-21-00-02A 25-21-00-02B	001030 201967	RF
- 1	MODREF90262		ROD INSTL-TIE MODULE NUMBER: 411A3201-1 REV A POSITION DATA: FWD	031200 968999	1
5	BACB30NR4K13		.BOLT- USED WITH: 411A3270-8		1
10	BACB30NR4K14		.BOLT- USED WITH: 411A3270-1 411A3270-2 411A3270-4		4
12	NAS1149D0463J		.WASHER		10
14	PLH54CD		.NUT- SUPPLIER CODE: VF0224 SPECIFICATION NUMBER: BACN10YR4CD OPTIONAL PART: H52732-4CD V15653 POSITION DATA: FAR SIDE		5
16	BACB28AK04-036		.BUSHING- USED WITH: 411A3201-8		1
18	BACB28AK04-040		.BUSHING- USED WITH: 411A3270-1 411A3270-2 411A3270-4		4
20	411A3270-1		.ROD ASSY-TIE		2
25	411A3270-2		.ROD ASSY-TIE		1
30	411A3270-4		.ROD ASSY-TIE		1
35	411A3270-8		.ROD ASSY-TIE		1
40	MS35691-5		..NUT		1
45	1254-1		..BEARING-ROD END SUPPLIER CODE: V34742 OPTIONAL PART: 411A1254-201		1

MISSING ITEM NUMBERS NOT APPLICABLE

- ITEM NOT ILLUSTRATED

HAP

25-00-51-02

BOEING PROPRIETARY - Copyright © - Unpublished Work - See title page for details.

25-00-51
FIG. 02
PAGE 1
FEB 15/09

BOEING
737-600/700/800/900
PARTS CATALOG (MAINTENANCE)

FIG ITEM	PART NUMBER	1 2 3 4 5 6 7	NOMENCLATURE	EFFECT FROM TO	UNITS PER ASSY
2					
45	411A1254-201	..	BEARING-ROD END OPTIONAL PART: 1254-1 V34742		1
50	AN316-4L	..	NUT		1
55	1254-1L	..	BEARING-ROD END SUPPLIER CODE: V34742 OPTIONAL PART: 411A1254-101		1
55	411A1254-101	..	BEARING-ROD END OPTIONAL PART: 1254-1L V34742		1
60	411A3271-2	..	TUBE- USED ON: 411A3270-1		1
65	65B67822-79	..	TUBE- USED ON: 411A3270-2		1
70	65B67822-95	..	TUBE- USED ON: 411A3270-4		1
75	65B67822-109	..	TUBE- USED ON: 411A3270-8		1
85	BACB30NR4K13	.	BOLT		6
87	NAS1149D0416J	.	WASHER		12
90	PLH54CD	.	NUT- SUPPLIER CODE: VF0224 SPECIFICATION NUMBER: BACN10YR4CD OPTIONAL PART: H52732-4CD V15653 POSITION DATA: FAR SIDE		6
94	BACB28AK04-038	.	BUSHING		6
100	411A3270-3	.	ROD ASSY-TIE		2
105	411A3270-5	.	ROD ASSY-TIE		2
110	411A3270-7	.	ROD ASSY-TIE		2
115	MS35691-5	..	NUT		1
120	411A3272-1	..	END ASSY		1
125	BACB28AP04P010	...	BUSHING		1
130	BACB28AT06B010C	...	BUSHING		1
135	411A3272-2	...	END		1
140	AN316-4L	..	NUT		1

MISSING ITEM NUMBERS NOT APPLICABLE

— ITEM NOT ILLUSTRATED

HAP

25-00-51-02

BOEING PROPRIETARY - Copyright © - Unpublished Work - See title page for details.

25-00-51
FIG. 02
PAGE 2
FEB 15/09

BOEING
737-600/700/800/900
PARTS CATALOG (MAINTENANCE)

FIG ITEM	PART NUMBER	1 2 3 4 5 6 7	NOMENCLATURE	EFFECT FROM TO	UNITS PER ASSY
2					
145	1254-1L	..	BEARING-ROD END SUPPLIER CODE: V34742 OPTIONAL PART: 411A1254-101 USED ON: 411A3270-5 411A3270-7		1
145	411A1254-101	..	BEARING-ROD END OPTIONAL PART: 1254-1L V34742 USED ON: 411A3270-5 411A3270-7		1
150	1254-3L	..	BEARING-ROD END SUPPLIER CODE: V34742 OPTIONAL PART: 411A1254-103 USED ON: 411A3270-3		1
150	411A1254-103	..	BEARING-ROD END OPTIONAL PART: 1254-3L V34742 USED ON: 411A3270-3		1
155	411A3271-3	..	TUBE- USED ON: 411A3270-3		1
160	65-81149-23	..	TUBE- USED ON: 411A3270-5		1
165	65B67822-85	..	TUBE- USED ON: 411A3270-7		1
180	NAS1149D0563J	.	WASHER		2
185	PLH55CD	.	NUT SUPPLIER CODE: VF0224 SPECIFICATION NUMBER: BACN10YR5CD OPTIONAL PART: H52732-5CD V15653		2

MISSING ITEM NUMBERS NOT APPLICABLE

— ITEM NOT ILLUSTRATED

HAP

25-00-51-02

BOEING PROPRIETARY - Copyright © - Unpublished Work - See title page for details.

25-00-51
FIG. 02
PAGE 3
FEB 15/09

 **BOEING**
737-600/700/800/900
PARTS CATALOG (MAINTENANCE)

FIG ITEM	PART NUMBER	1 2 3 4 5 6 7	NOMENCLATURE	EFFECT FROM TO	UNITS PER ASSY
2					
190	412N2032-3		.INSULATOR-CLEVIS MANUFACTURED FROM: FIN F-6.10 COMPRESSION MOLDED PHENOLIC, GLASS FIBER FILLED PER BMS8-271A, TYPE 1 OPTIONAL PART: 412N2032-4		2
195	411A3270-17		.ROD ASSY-TIE		1
200	411A3270-18		.ROD ASSY-TIE		1
205	MS20392-3C17		..PIN		1
210	NAS1149D0416J		..WASHER		1
215	BACP18BC02C06P		..PIN		1
220	411A3081-25		..CLEVIS- USED ON: 411A3270-17		1
225	411A3081-26		..CLEVIS- USED ON: 411A3270-18		1
230	411A3270-6		..ROD ASSY-TIE		1
235	MS35691-13		...NUT		1
240	1290-1		...ROD END- SUPPLIER CODE: V34742 OPTIONAL PART: 411A1290-201		1
240	411A1290-101		...END- OPTIONAL PART: 1290-1 V34742		1
245	AN316-5L		...NUT		1
250	1290-1L		...END- SUPPLIER CODE: V34742 OPTIONAL PART: 411A1290-101		1
250	411A1290-201		...END ASSY- OPTIONAL PART: 1290-1L V34742		1
260	411A3271-1		...TUBE		1

MISSING ITEM NUMBERS NOT APPLICABLE

— ITEM NOT ILLUSTRATED

HAP

25-00-51-02

BOEING PROPRIETARY - Copyright © - Unpublished Work - See title page for details.

25-00-51
FIG. 02
PAGE 4
JUN 15/08