

FLIGHT COMPARTMENT

HAP
OCT 10/06

25-10-00
SECTION TITLE
PAGE 1

NON-ILLUSTRATED FIGURE

THE ITEMS REFLECTED IN THIS FIGURE ARE INTENTIONALLY
NON-ILLUSTRATED. THEY ARE REFERENCED TO EITHER A
NEXT HIGHER OR NEXT LOWER ASSEMBLY/INSTALLATION FIGURE.

EQUIPMENT INSTL-GND SPRT FLYAWAY
FIGURE 1

25-10-00-01

HAP
OCT 10/06

25-10-00-01
PAGE 0

BOEING
737-600/700/800/900
PARTS CATALOG (MAINTENANCE)

FIG ITEM	PART NUMBER	1 2 3 4 5 6 7	NOMENCLATURE	EFFECT FROM TO	UNITS PER ASSY
1			EQUIPMENT INSTL-GND SPRT FLYAWAY	001007	
- 1	012A8102-1		EQUIPMENT INSTL-GND SPRT FLYAWAY FOR NHA SEE: 25-10-00-11	001007	RF
- 5	012A8102-2		.BAG ASSY	001007	1
- 10	315A2258-2		..PIN-DEACTIVATION, THRUST REVERSER MAINTENANCE MANUAL REF: 78-00-00	001007	4
- 15	A09003-1		..LOCK PIN-NOSE GEAR STEERING VALVE SUPPLIER CODE: VOP9C7	001007	1
- 15	A09003-2		..LOCK PIN-NOSE GEAR STEERING VALVE SUPPLIER CODE: VOP9C7	001007	1
- 20	HTC75-77PP		..COVER-PITOT STATIC SUPPLIER CODE: V1031B	001007	5
- 25	BACB48A11-8A		..BAG	001007	1
- 30	C32026-1		..LOCK ASSY-GND DOWNLOCK EQPT NLG AND MLG SUPPLIER CODE: V1031B	001007	1
- 35	C78004-1		..LOCKPIN-THRUST REVERSER ACTUATION MODULE LOCKOUT, CFM56-3-7 ENG SUPPLIER CODE: V1031B	001007	1
- 40	F72719-500		..BOLT ASSY-TOWING EYE MLG SUPPLIER CODE: V1031B	001007	2

MISSING ITEM NUMBERS NOT APPLICABLE

- ITEM NOT ILLUSTRATED

HAP

25-10-00-01

BOEING PROPRIETARY - Copyright © - Unpublished Work - See title page for details.

25-10-00
FIG. 01
PAGE 1
JUN 15/09

NON-ILLUSTRATED FIGURE

THE ITEMS REFLECTED IN THIS FIGURE ARE INTENTIONALLY
NON-ILLUSTRATED. THEY ARE REFERENCED TO EITHER A
NEXT HIGHER OR NEXT LOWER ASSEMBLY/INSTALLATION FIGURE.

FUNCTIONAL COLLECTOR SOFTWARE, BASIC AND STABLE OPT, OR VAR
FIGURE 2

25-10-00-02

HAP
OCT 10/06

25-10-00-02
PAGE 0

BOEING
737-600/700/800/900
PARTS CATALOG (MAINTENANCE)

FIG ITEM	PART NUMBER	1 2 3 4 5 6 7	NOMENCLATURE	EFFECT FROM TO	UNITS PER ASSY
2			FUNCTIONAL COLLECTOR SOFTWARE, BASIC AND STABLE OPT, OR VAR	001030	
- 1	200A0001-678		FUNCTIONAL COLLECTOR- FUNCTIONAL, SOFTWARE, BASIC AND STABLE FOR NHA SEE: 25-00-00-01	001030	RF
- 10	241A1001-10		.SOFTWARE INSTL-DIGITAL FLIGHT CONT COMPUTER (DFCS) OPERATIONAL PROGRAM SOFTWARE (OPS) FOR DETAILS SEE: 22-11-33-01	001007	1
- 10	241A1001-30		.SOFTWARE INSTL-DIGITAL FLIGHT CONT COMPUTER (DFCS) OPERATIONAL PROGRAM SOFTWARE (OPS) FOR DETAILS SEE: 22-11-33-01	008014	1
- 10	241A1001-40		.SOFTWARE INSTL-DIGITAL FLIGHT CONT COMPUTER (DFCS) OPERATIONAL PROGRAM SOFTWARE (OPS) FOR DETAILS SEE: 22-11-33-02A	015027	1
- 10	241A1001-50		.SOFTWARE INSTL-DIGITAL FLIGHT CONT COMPUTER (DFCS) OPERATIONAL PROGRAM SOFTWARE (OPS) FOR DETAILS SEE: 22-11-33-02A	028030	1
- 20	242A6001-40		.SOFTWARE INSTL-FMCS OPS FOR DETAILS SEE: 34-61-02-03	001007	1
- 20	242A6001-60		.SOFTWARE INSTL-FMCS OPS FOR DETAILS SEE: 34-61-02-03	008014 017019	1
- 20	242A6001-70		.SOFTWARE INSTL-FMCS OPS FOR DETAILS SEE: 34-61-02-03	015016	1
- 20	242A6001-80		.SOFTWARE INSTL-FMCS OPS FOR DETAILS SEE: 34-61-02-03	020027	1
- 20	242A6001-90		.SOFTWARE INSTL-FMCS OPS FOR DETAILS SEE: 34-61-02-03	028029	1

MISSING ITEM NUMBERS NOT APPLICABLE

- ITEM NOT ILLUSTRATED

HAP

25-10-00-02

25-10-00
FIG. 02
PAGE 1
FEB 15/08

 **BOEING**
737-600/700/800/900
PARTS CATALOG (MAINTENANCE)

FIG ITEM	PART NUMBER	1 2 3 4 5 6 7	NOMENCLATURE	EFFECT FROM TO	UNITS PER ASSY
2					
- 20	242A6001-200		.SOFTWARE INSTL-FMCS OPS FOR DETAILS SEE: 34-61-02-03	030030	1
- 30	242A8010-20		.SOFTWARE INSTL-CDS DEU OPS FOR DETAILS SEE: 31-62-21-01	001007	1
- 30	242A8010-30		.SOFTWARE INSTL-CDS DEU OPS FOR DETAILS SEE: 31-62-21-01	008011	1
- 30	242A8010-40		.SOFTWARE INSTL-CDS DEU OPS FOR DETAILS SEE: 31-62-21-03	012030	1
- 40	242A8030-10		.SOFTWARE INSTL-CDS DU DATABASE FOR DETAILS SEE: 31-62-21-01	001007	1
- 40	242A8030-20		.SOFTWARE INSTL-CDS DU DATABASE FOR DETAILS SEE: 31-62-21-01 31-62-21-04	008027	1
- 40	242A8030-30		.SOFTWARE INSTL-CDS DU DATABASE FOR DETAILS SEE: 31-62-21-04	028030	1
- 50	350A0200-10		.SOFTWARE INSTL-PREMODULE DATABASE FOR DETAILS SEE: 49-61-12-01	001030	1
- 60	242A6004-10		.SOFTWARE INSTL-CONT DISPLAY UNIT (CDU) OPS FOR DETAILS SEE: 34-61-01-02B	006011	1
- 60	242A6004-20		.SOFTWARE INSTL-CONT DISPLAY UNIT (CDU) OPS FOR DETAILS SEE: 34-61-01-02B	012030	1
- 150	200A0003-800		FUNCTIONAL COLLECTOR- SOFTWARE, OPT FOR NHA SEE: 25-00-00-06B	001030	RF
- 165	242A6002-20		.SOFTWARE INSTL-FMCS OPS FOR DETAILS SEE: 34-61-02-04	001007	1
- 165	242A6002-60		.SOFTWARE INSTL-FMCS MEDB FOR DETAILS SEE: 34-61-02-04	008011	1

MISSING ITEM NUMBERS NOT APPLICABLE

- ITEM NOT ILLUSTRATED

HAP

25-10-00-02

BOEING PROPRIETARY - Copyright © - Unpublished Work - See title page for details.

25-10-00
FIG. 02
PAGE 2
OCT 10/06

 **BOEING**
737-600/700/800/900
PARTS CATALOG (MAINTENANCE)

FIG ITEM	PART NUMBER	1 2 3 4 5 6 7	NOMENCLATURE	EFFECT FROM TO	UNITS PER ASSY
2					
- 165	242A6002-80		.SOFTWARE INSTL-FMCS MEDB FOR DETAILS SEE: 34-61-02-04	012014 017019	1
- 165	242A6002-90		.SOFTWARE INSTL-FMCS MEDB FOR DETAILS SEE: 34-61-02-04	015016 020023	1
- 170	242A6002-200		.SOFTWARE INSTL-FMCS MEDB FOR DETAILS SEE: 34-61-02-04	024030	1
- 250	200A0005-3001		FUNCTIONAL COLLECTOR- SOFTWARE, VAR FOR NHA SEE: 25-00-00-02C	001030	RF
- 285	242A6003-90		.SOFTWARE INSTL-FMCS OPC FOR DETAILS SEE: 34-61-02-05	001011	1
- 287	242A6003-880		.SOFTWARE INSTL-FMCS OPC FOR DETAILS SEE: 34-61-02-05	012030	1
- 290	242A8020-30		.SOFTWARE INSTL-CDS DEU OPC FOR DETAILS SEE: 31-62-21-01	001007	1
- 291	242A8020-600		.SOFTWARE INSTL-CDS DEU OPC FOR DETAILS SEE: 31-62-21-02 31-62-21-01	008011 017020	1
- 293	242A8020-1710		.SOFTWARE INSTL-CDS DEU OPC FOR DETAILS SEE: 31-62-21-02	021030	1
- 293	242A8020-1450		.SOFTWARE INSTL-CDS DEU OPC FOR DETAILS SEE: 31-62-21-02	012016	1
- 295	226A1001-1000		.SOFTWARE INSTL-FLIGHT DATA RECORDER SYS FOR DETAILS SEE: 31-31-22-03	001011	1
- 296	226A1001-1030		.SOFTWARE INSTL-FLIGHT DATA RECORDER SYS FOR DETAILS SEE: 31-31-22-03	012019	1
- 296	226A1001-1050		.SOFTWARE INSTL-FLIGHT DATA RECORDER SYS FOR DETAILS SEE: 31-31-22-03	020030	1
- 300	221A3001-30		.SOFTWARE INSTL-PREMODULE FOR DETAILS SEE: 23-27-32-01 23-27-32-02	001011 014014 018018	1

MISSING ITEM NUMBERS NOT APPLICABLE

- ITEM NOT ILLUSTRATED

HAP

25-10-00-02

BOEING PROPRIETARY - Copyright © - Unpublished Work - See title page for details.

25-10-00
FIG. 02
PAGE 3
OCT 10/06

BOEING
737-600/700/800/900
PARTS CATALOG (MAINTENANCE)

FIG ITEM	PART NUMBER	1 2 3 4 5 6 7	NOMENCLATURE	EFFECT FROM TO	UNITS PER ASSY
2					
- 300	221A3001-40		.SOFTWARE INSTL-PREMODULE FOR DETAILS SEE: 23-27-32-01 23-27-32-02	001011 014014 018018	1
- 300	221A3001-200		.SOFTWARE INSTL-PREMODULE FOR DETAILS SEE: 23-27-32-02	012013 015017 019027	1
- 301	221A3001-400		.SOFTWARE INSTL- FOR DETAILS SEE: 23-27-32-02	028030	1
- 303	221A3001-210		.SOFTWARE INSTL-PREMODULE FOR DETAILS SEE: 23-27-32-02	012013 015017 019027	1
- 303	221A3001-390		.SOFTWARE INSTL- FOR DETAILS SEE: 23-27-32-02	028030	1

MISSING ITEM NUMBERS NOT APPLICABLE

- ITEM NOT ILLUSTRATED

HAP

25-10-00-02

BOEING PROPRIETARY - Copyright © - Unpublished Work - See title page for details.

25-10-00
FIG. 02
PAGE 4
OCT 10/06

NON-ILLUSTRATED FIGURE

THE ITEMS REFLECTED IN THIS FIGURE ARE INTENTIONALLY
NON-ILLUSTRATED. THEY ARE REFERENCED TO EITHER A
NEXT HIGHER OR NEXT LOWER ASSEMBLY/INSTALLATION FIGURE.

E 25100003 REV 054

FUNCTIONAL COLLECTOR-MAJOR MODEL BASIC AND STABLE FLIGHT DECK FINAL ASSY (FLIGHT COMPARTMENT ONLY)

FIGURE 3

25-10-00-03

HAP
OCT 10/06

25-10-00-03
PAGE 0

BOEING
737-600/700/800/900
PARTS CATALOG (MAINTENANCE)

FIG ITEM	PART NUMBER	1 2 3 4 5 6 7	NOMENCLATURE	EFFECT FROM TO	UNITS PER ASSY
3			FUNCTIONAL COLLECTOR-MAJOR MODEL BASIC AND STABLE FLIGHT DECK FINAL ASSY (FLIGHT COMPARTMENT ONLY)	001030 201967	
- 1	230A0001-678		FUNCTIONAL COLLECTOR-MAJOR MODEL BASIC AND STABLE FLIGHT DECK FINAL ASSY (FLIGHT COMPARTMENT ONLY) FOR NHA/OTHER SYS DET SEE: 25-00-00-01	001030 201967	RF
- 5	232A1201-1		.INSULATION INSTL-FLIGHT DECK POSITION DATA: LH FOR DETAILS SEE: 25-11-21-14A	001030 201967	1
- 10	232A1201-2		.INSULATION INSTL-FLIGHT DECK POSITION DATA: RH FOR DETAILS SEE: 25-11-21-14A	001030 201967	1
- 15	232A1201-3		.INSULATION INSTL-FLIGHT DECK FOR DETAILS SEE: 25-11-21-15A	001004 006007	1
- 15	232A1201-5		.INSULATION INSTL-FLIGHT DECK FOR DETAILS SEE: 25-11-21-15A	005005 008030 201967	1
- 20	232A1201-4		.INSULATION INSTL-FLIGHT DECK FOR DETAILS SEE: 25-11-21-16A	001007	1
- 20	232A1201-6		.INSULATION INSTL-FLIGHT DECK FOR DETAILS SEE: 25-11-21-16A	008014 201967	1
- 25	232A1203-1		.ATTACHMENT INSTL-FLIGHT DECK INSULATION FOR DETAILS SEE: 53-41-00-17	001014 201967	1
- 30	232A1301-1		.DRIPSHIELD INSTL-OVHD PRE SERVICE BULLETIN: 34-1676 FOR DETAILS SEE: 25-11-21-10	001011 201967	1

MISSING ITEM NUMBERS NOT APPLICABLE

- ITEM NOT ILLUSTRATED

HAP

25-10-00-03

25-10-00
FIG. 03
PAGE 1
OCT 15/08

BOEING
737-600/700/800/900
PARTS CATALOG (MAINTENANCE)

FIG ITEM	PART NUMBER	1 2 3 4 5 6 7	NOMENCLATURE	EFFECT FROM TO	UNITS PER ASSY
3					
- 30	232A1301-3		.DRIPSHIELD INSTL-OVHD FOR DETAILS SEE: 25-11-21-10	012019	1
- 30	232A1301-4		.DRIPSHIELD INSTL-OVHD FOR DETAILS SEE: 25-11-21-10	020020	1
- 30	232A1301-5		.DRIPSHIELD INSTL-OVHD FOR DETAILS SEE: 25-11-21-10	021027	1
- 30	232A1301-6		.DRIPSHIELD INSTL-OVHD FOR DETAILS SEE: 25-11-21-10	028030	1
- 35	232A1400-2		.LINING INSTL-CLG AND EYEBROW PAD POSITION DATA: FWD RH FOR DETAILS SEE: 25-11-21-35	001011 201967	1
- 35	232A1400-10		.LINING INSTL-CLG AND EYEBROW PAD POSITION DATA: FWD RH FOR DETAILS SEE: 25-11-21-35	012023	1
- 35	232A1400-18		.LINING INSTL-CLG AND EYEBROW PAD POSITION DATA: FWD RH FOR DETAILS SEE: 25-11-21-35	024027	1
- 35	232A1400-21		.LINING INSTL-CLG AND EYEBROW PAD POSITION DATA: FWD RH FOR DETAILS SEE: 25-11-21-35	028030	1
- 40	232A1430-1		.SEAL INSTL-LINING FOR DETAILS SEE: 25-11-00-45A	001011 201967	1
- 40	232A1430-2		.SEAL INSTL-LINING FOR DETAILS SEE: 25-11-00-45A	012030	1
- 45	232A1500-2		.LINING INSTL-NO. 2 WINDOW POSITION DATA: RH FOR DETAILS SEE: 25-11-21-12A	001001 006007	1

MISSING ITEM NUMBERS NOT APPLICABLE

- ITEM NOT ILLUSTRATED

HAP

25-10-00-03

25-10-00
FIG. 03
PAGE 2
OCT 15/08

 **BOEING**
737-600/700/800/900
PARTS CATALOG (MAINTENANCE)

FIG ITEM	PART NUMBER	1 2 3 4 5 6 7	NOMENCLATURE	EFFECT FROM TO	UNITS PER ASSY
3					
- 50	232A1500-13		.LINING INSTL-NO. 2 WINDOW POSITION DATA: LH FOR DETAILS SEE: 25-11-21-12A	012012 014014	1
- 55	232A1500-14		.LINING INSTL-NO. 2 WINDOW POSITION DATA: RH FOR DETAILS SEE: 25-11-21-12A	012012 014014	1
- 60	232A1500-45		.LINING INSTL-NO. 2 WINDOW POSITION DATA: LH FOR DETAILS SEE: 25-11-21-12A	013013 015020	1
- 60	232A1500-47		.LINING INSTL-NO. 2 WINDOW POSITION DATA: LH FOR DETAILS SEE: 25-11-21-12A	021022	1
- 60	232A1500-51		.LINING INSTL-NO. 2 WINDOW POSITION DATA: LH FOR DETAILS SEE: 25-11-21-12A	023027	1
- 60	232A1500-55		.LINING INSTL-NO. 2 WINDOW POSITION DATA: LH FOR DETAILS SEE: 25-11-21-12A	028030	1
- 65	232A1500-46		.LINING INSTL-NO. 2 WINDOW POSITION DATA: RH FOR DETAILS SEE: 25-11-21-12A	013013 015020	1
- 65	232A1500-48		.LINING INSTL-NO. 2 WINDOW POSITION DATA: RH FOR DETAILS SEE: 25-11-21-12A	021022	1
- 65	232A1500-52		.LINING INSTL-NO. 2 WINDOW POSITION DATA: RH FOR DETAILS SEE: 25-11-21-12A	023027	1

MISSING ITEM NUMBERS NOT APPLICABLE

- ITEM NOT ILLUSTRATED

HAP

25-10-00-03

BOEING PROPRIETARY - Copyright © - Unpublished Work - See title page for details.

25-10-00
FIG. 03
PAGE 3
JUN 10/07

BOEING
737-600/700/800/900
PARTS CATALOG (MAINTENANCE)

FIG ITEM	PART NUMBER	1 2 3 4 5 6 7	NOMENCLATURE	EFFECT FROM TO	UNITS PER ASSY
3					
- 65	232A1500-56		.LINING INSTL-NO. 2 WINDOW POSITION DATA: RH FOR DETAILS SEE: 25-11-21-12A	028030	1
- 70	232A1500-50		.LINING INSTL-NO. 2 WINDOW POSITION DATA: RH FOR DETAILS SEE: 25-11-21-12A	021030	1
- 75	232A1530-1		.LINING INSTL-NO. 1 WINDOW FOR DETAILS SEE: 25-11-21-19A	001030 201967	1
- 80	232A1600-3		.PLATE INSTL-SIDE POSITION DATA: LH FOR DETAILS SEE: 25-11-00-32A	001004 006007	1
- 80	232A1600-9		.PLATE INSTL-SIDE POSITION DATA: LH FOR DETAILS SEE: 25-11-00-32A	005005 008030 201967	1
- 85	232A1620-1		.LINING INSTL-CLOSET FOR DETAILS SEE: 25-11-21-20A	001001 006007	1
- 85	232A1620-2		.LINING INSTL-CLOSET FOR DETAILS SEE: 25-11-21-20A	002005 008030 201967	1
- 90	232A1630-1		.LINING INSTL-CONT STAND SIDE FOR DETAILS SEE: 25-11-21-21A	001001 006007	1
- 90	232A1630-2		.LINING INSTL-CONT STAND SIDE FOR DETAILS SEE: 25-11-21-21A	002005	1
- 90	232A1630-3		.LINING INSTL-CONT STAND SIDE FOR DETAILS SEE: 25-11-21-21A	008019 201967	1
- 90	232A1630-4		.LINING INSTL-CONT STAND SIDE FOR DETAILS SEE: 25-11-21-21A	020027	1
- 90	232A1630-5		.LINING INSTL-CONT STAND SIDE FOR DETAILS SEE: 25-11-21-21A	028030	1

MISSING ITEM NUMBERS NOT APPLICABLE

- ITEM NOT ILLUSTRATED

HAP

25-10-00-03

25-10-00
FIG. 03
PAGE 4
OCT 15/08

BOEING
737-600/700/800/900
PARTS CATALOG (MAINTENANCE)

FIG ITEM	PART NUMBER	1 2 3 4 5 6 7	NOMENCLATURE	EFFECT FROM TO	UNITS PER ASSY
3					
- 95	232A1640-1		.RACEWAY INSTL-CONT CAB. FLOOR POSITION DATA: FWD LH FOR DETAILS SEE: 25-11-51-06A	001030 201967	1
- 100	232A1640-2		.RACEWAY INSTL-CONT CAB. FLOOR POSITION DATA: FWD RH FOR DETAILS SEE: 25-11-51-06A	001030 201967	1
- 105	232A1640-4		.COVER INSTL-CONT CAB. FLOOR RACEWAY POSITION DATA: FWD RH FOR DETAILS SEE: 25-11-51-06A	001016 201967	1
- 105	232A1640-12		.COVER INSTL-CONT CAB. FLOOR RACEWAY POSITION DATA: FWD RH FOR DETAILS SEE: 25-11-51-08	017030	1
- 110	232A1640-5		.COVER INSTL-CONT CAB. FLOOR RACEWAY POSITION DATA: FWD FOR DETAILS SEE: 25-11-51-08	001007	1
- 110	232A1640-8		.COVER INSTL-CONT CAB. FLOOR RACEWAY POSITION DATA: FWD FOR DETAILS SEE: 25-11-51-08	008030 201967	1
- 115	232A1700-1		.MODULE INSTL- POSITION DATA: SECOND OBSERVER FOR DETAILS SEE: 25-11-00-16A	001004 006007	1
- 115	232A1700-2		.MODULE INSTL- POSITION DATA: SECOND OBSERVER FOR DETAILS SEE: 25-11-00-16A	005005 008011 201967	1

MISSING ITEM NUMBERS NOT APPLICABLE

- ITEM NOT ILLUSTRATED

HAP

25-10-00-03

BOEING PROPRIETARY - Copyright © - Unpublished Work - See title page for details.

25-10-00
FIG. 03
PAGE 5
OCT 15/08

BOEING
737-600/700/800/900
PARTS CATALOG (MAINTENANCE)

FIG ITEM	PART NUMBER	1 2 3 4 5 6 7	NOMENCLATURE	EFFECT FROM TO	UNITS PER ASSY
3					
- 115	232A1700-3		.MODULE INSTL- POSITION DATA: SECOND OBSERVER FOR DETAILS SEE: 25-11-00-16A	012030	1
- 120	232A3201-1		.TRACK INSTL-CAPT AND FIRST OFFICER FUNCTIONAL REFERENCE: EQUIPMENT/FURNISHINGS FOR DETAILS SEE 25-11-51-09A PLACARDS AND MARKINGS FOR DETAILS SEE 11-31-01-45A	001027 201967	1
- 125	232A3201-2		.SEAT INSTL-CAPT AND FIRST OFFICER FOR DETAILS SEE: 25-11-51-09A	001027 201967	1
- 125	232A3201-5		.SEAT INSTL-CAPT AND FIRST OFFICER FUNCTIONAL REFERENCE: EQUIPMENT/FURNISHINGS FOR DETAILS SEE 25-11-51-09A PLACARDS AND MARKINGS FOR DETAILS SEE 11-31-01-45A	028030	1
- 130	232A3401-1		.SUPPORT INSTL-FIRST OBSERVER FOR DETAILS SEE: 25-11-50-03	001007	1
- 130	232A3401-3		.SUPPORT INSTL-FIRST OBSERVER FOR DETAILS SEE: 25-11-50-03	008030 201967	1
- 135	232A3401-2		.SEAT INSTL-FIRST OBSERVER FOR DETAILS SEE: 25-11-50-03	001007	1
- 135	232A3401-4		.SEAT INSTL-FIRST OBSERVER FOR DETAILS SEE: 25-11-50-03	008022 201967	1
- 135	232A3401-6		.SEAT INSTL-FIRST OBSERVER FOR DETAILS SEE: 25-11-50-03	023030	1
- 140	232A3502-1		.STRUCTURE INSTL-SEAT SECOND OBSERVER FOR DETAILS SEE: 25-11-51-10	001030 201967	1

MISSING ITEM NUMBERS NOT APPLICABLE

- ITEM NOT ILLUSTRATED

HAP

25-10-00-03

25-10-00
FIG. 03
PAGE 6
OCT 15/08

 **BOEING**
737-600/700/800/900
PARTS CATALOG (MAINTENANCE)

FIG ITEM	PART NUMBER	1 2 3 4 5 6 7	NOMENCLATURE	EFFECT FROM TO	UNITS PER ASSY
3					
- 145	232A4202-4		.SUNSHADE INSTL- POSITION DATA: FIRST OFFICER FOR DETAILS SEE: 25-11-21-26	001030 201967	1
- 147	232A4202-23		.SUNSHADE INSTL-WINDOW #4 AND #5 POSITION DATA: CAPT FOR DETAILS SEE: 25-11-21-26	028030	1
- 150	232A4202-10		.RAIL INSTL-FIRST OFFICER SIDE FOR DETAILS SEE: 25-11-21-28A	001030 201967	1
- 155	232A4202-8		.SUNVISOR INSTL-CAPT/FIRST OFFICER FOR DETAILS SEE: 25-11-21-27A	001009 201967	1
- 155	232A4202-12		.SUNVISOR INSTL-CAPT/FIRST OFFICER FOR DETAILS SEE: 25-11-21-27A	010030	1
- 157	232A4202-27		.SUNSHADE INSTL-CAPT, NO. 4 WINDOW FOR DETAILS SEE: 25-11-21-26	028030	1
- 160	232A4204-1		.ASHTRAY INSTL-CAPT FOR DETAILS SEE: 25-11-00-01A	001030 201967	1
- 165	232A4204-2		.ASHTRAY INSTL-FIRST OFFICER FOR DETAILS SEE: 25-11-00-01A	001030 201967	1
- 170	232A4204-4		.ASHTRAY INSTL-FIRST OBSERVER FOR DETAILS SEE: 25-11-00-01A	001030 201967	1
- 175	232A4206-6		.TUBING INSTL-CONT CAB. OVHD DRAIN FOR DETAILS SEE: 25-11-51-14A	001011 201967	1
- 175	232A4206-8		.TUBING INSTL-CONT CAB. OVHD DRAIN FOR DETAILS SEE: 25-11-51-14A	012016	1

MISSING ITEM NUMBERS NOT APPLICABLE

- ITEM NOT ILLUSTRATED

HAP

25-10-00-03

25-10-00
FIG. 03
PAGE 7
OCT 15/08

BOEING
737-600/700/800/900
PARTS CATALOG (MAINTENANCE)

FIG ITEM	PART NUMBER	1 2 3 4 5 6 7	NOMENCLATURE	EFFECT FROM TO	UNITS PER ASSY
3					
- 175	232A4206-10		.TUBING INSTL-CONT CAB. OVHD DRAIN FOR DETAILS SEE: 25-11-51-14A	017027	1
- 175	232A4206-18		.TUBING INSTL-CONT CAB. OVHD DRAIN FOR DETAILS SEE: 25-11-51-14A	028030	1
- 177	232A4206-17		.TUBING INSTL-CONT CAB. OVHD DRAIN FOR DETAILS SEE: 25-11-51-14A	028030	1
- 180	232A4210-1		.CLIP INSTL-MISC FLIGHT DECK FOR DETAILS SEE: 25-11-00-42A	001030 201967	1
- 185	232A4220-1		.HOLDER INSTL-CHECKLIST CONT WHL FLIGHT DECK FOR DETAILS SEE: 25-11-00-43A	001027 201967	1
- 185	232A4220-5		.HOLDER INSTL-CHECKLIST CONT WHL FLIGHT DECK FOR DETAILS SEE: 25-11-00-43A	028030	1
- 190	232A4222-1		.CUPHOLDER INSTL- POSITION DATA: AISLESTAND CAPT FOR DETAILS SEE: 25-11-00-03A	001030 201967	1
- 195	232A4222-2		.CUPHOLDER INSTL- POSITION DATA: AISLESTAND FIRST OFFICER FOR DETAILS SEE: 25-11-00-03A	001030 201967	1
- 200	232A4222-3		.CUPHOLDER INSTL-FLIGHT DECK SIDE CONSOLE POSITION DATA: CAPT SIDE FOR DETAILS SEE: 25-11-00-03A	001011 201967	1
- 200	232A4222-7		.CUPHOLDER INSTL-FLIGHT DECK SIDE CONSOLE POSITION DATA: CAPT SIDE FOR DETAILS SEE: 25-11-00-03A	012030	1

MISSING ITEM NUMBERS NOT APPLICABLE

- ITEM NOT ILLUSTRATED

HAP

25-10-00-03

BOEING PROPRIETARY - Copyright © - Unpublished Work - See title page for details.

25-10-00
FIG. 03
PAGE 8
OCT 15/08

 **BOEING**
737-600/700/800/900
PARTS CATALOG (MAINTENANCE)

FIG ITEM	PART NUMBER	1 2 3 4 5 6 7	NOMENCLATURE	EFFECT FROM TO	UNITS PER ASSY
3					
- 205	232A4222-5		.CUPHOLDER INSTL-FLIGHT DECK POSITION DATA: FIRST OBSERVER FOR DETAILS SEE: 25-11-00-03A	001030 201967	1
- 210	232A4300-1		.STOWAGE INSTL-SPARE BULB FOR DETAILS SEE: 33-14-00-01	001016 201967	1
- 210	232A4300-2		.STOWAGE INSTL-SPARE BULB FOR DETAILS SEE: 33-14-00-01	017023	1
- 210	232A4300-3		.STOWAGE INSTL-XPARE BULB FOR DETAILS SEE: 33-14-00-02	024030	1
- 215	232A4340-1		.CLIP INSTL-HAT FOR DETAILS SEE: 25-11-00-38A	001030 201967	1
- 220	232A4350-1		.STOWAGE INSTL-BOOK FOR DETAILS SEE: 25-11-00-11A	001030 201967	1
- 225	232A4350-3		.STOWAGE INSTL-BOOK FOR DETAILS SEE: 25-11-00-19A	001001 006007	1
- 225	232A4350-5		.STOWAGE INSTL-BOOK FOR DETAILS SEE: 25-11-00-19A	002005 008030 201967	1
- 230	232A4360-1		.STRAP INSTL-SUITCASE RESTRAINT FUNCTIONAL REFERENCE: EQUIPMENT/FURNISHINGS FOR DETAILS SEE 25-11-00-39A PLACARDS AND MARKINGS FOR DETAILS SEE 11-31-01-51A	001027 201967	1
- 230	232A4360-3		.STRAP INSTL-SUITCASE RESTRAINT FUNCTIONAL REFERENCE: EQUIPMENT/FURNISHINGS FOR DETAILS SEE 25-11-00-39A PLACARDS AND MARKINGS FOR DETAILS SEE 11-31-01-51A	028030	1
- 235	232A4370-1		.STOWAGE INSTL-SUNVISOR FOR DETAILS SEE: 25-11-00-44A	001030 201967	1

MISSING ITEM NUMBERS NOT APPLICABLE

- ITEM NOT ILLUSTRATED

HAP

25-10-00-03

25-10-00
FIG. 03
PAGE 9
OCT 15/08

 **BOEING**
737-600/700/800/900
PARTS CATALOG (MAINTENANCE)

FIG ITEM	PART NUMBER	1 2 3 4 5 6 7	NOMENCLATURE	EFFECT FROM TO	UNITS PER ASSY
3					
- 240	232A4370-2		.STOWAGE INSTL-SUNVISOR FOR DETAILS SEE: 25-11-00-44A	001030 201967	1
- 245	233A8100-2		.GLARESHIELD INSTL-PILOTS FOR DETAILS SEE: 25-11-00-15A	001012 014014 201967	1
- 245	233A8100-3		.GLARESHIELD INSTL-PILOTS FOR DETAILS SEE: 25-11-00-15A	013013 015023	1
- 245	233A8100-4		.GLARESHIELD INSTL-PILOTS FOR DETAILS SEE: 25-11-00-15A	024030	1
- 250	233A8101-1		.COVER INSTL-LWR PNL POSITION DATA: FWD PRE ALERT SB: 53A1222R1 FOR DETAILS SEE: 25-11-21-13	001019 201967	1
- 250	233A8101-2		.COVER INSTL-LWR PNL POSITION DATA: FWD POST ALERT SB: 53A1222R1 FOR DETAILS SEE: 25-11-21-13	001027 201967	1
- 250	233A8101-3		.COVER INSTL-LWR PNL POSITION DATA: FWD FOR DETAILS SEE: 25-11-21-13	028028	1
- 250	233A8101-4		.COVER INSTL-LWR PNL POSITION DATA: FWD FOR DETAILS SEE: 25-11-21-13	029030	1
- 255	233A8102-1		.SUPPORT INSTL-PILOTS GLARESHIELD FUNCTIONAL REFERENCE: EQUIPMENT/FURNISHINGS FOR DETAILS SEE 25-11-00-18 LIGHTS FOR DETAILS SEE 33-11-90-04 33-14-00-09A	001007	1

MISSING ITEM NUMBERS NOT APPLICABLE

- ITEM NOT ILLUSTRATED

HAP

25-10-00-03

25-10-00
FIG. 03
PAGE 10
OCT 15/08

BOEING
737-600/700/800/900
PARTS CATALOG (MAINTENANCE)

FIG ITEM	PART NUMBER	1 2 3 4 5 6 7	NOMENCLATURE	EFFECT FROM TO	UNITS PER ASSY
3					
- 255	233A8102-400		.SUPPORT INSTL-PILOTS GLARESHIELD FOR DETAILS SEE: 25-11-00-18	008030 201967	1
- 260	233A8200-300		.SUPPORT INSTL-E/E BASELINE PILOTS GLARESHIELD FUNCTIONAL REFERENCE: EQUIPMENT/FURNISHINGS FOR DETAILS SEE 25-11-00-49A LIGHTS FOR DETAILS SEE 33-14-00-09A	008021 201967	1
- 260	233A8200-304		.SUPPORT INSTL-E/E BASELINE PILOTS GLARESHIELD FUNCTIONAL REFERENCE: EQUIPMENT/FURNISHINGS FOR DETAILS SEE 25-11-00-49A LIGHTS FOR DETAILS SEE 33-14-00-09A	022030	1
- 265	287A4107-3		.PANEL INSTL- FOR DETAILS SEE: 25-50-51-85A	008030 201967	1
- 270	233A5401-1		.PANEL INSTL-P18 CB FOR DETAILS SEE: 25-11-51-07	001030 201967	1
- 275	233A2100-6		.PLACARD INSTL-IN FLIGHT SPEEDBRAKE DETENT LIMITATION FOR DETAILS SEE: 11-31-01-23	028030	1

MISSING ITEM NUMBERS NOT APPLICABLE

- ITEM NOT ILLUSTRATED

HAP

25-10-00-03

BOEING PROPRIETARY - Copyright © - Unpublished Work - See title page for details.

25-10-00
FIG. 03
PAGE 11
OCT 15/08

NON-ILLUSTRATED FIGURE

THE ITEMS REFLECTED IN THIS FIGURE ARE INTENTIONALLY
NON-ILLUSTRATED. THEY ARE REFERENCED TO EITHER A
NEXT HIGHER OR NEXT LOWER ASSEMBLY/INSTALLATION FIGURE.

E 25100003B REV 054

FUNCTIONAL COLLECTOR-MINOR MODEL BASIC AND STABLE FLIGHT DECK FINAL ASSY (FLIGHT COMPARTMENT ONLY)
FIGURE 3B

HAP
OCT 15/08

25-10-00-03B

25-10-00-03B
PAGE 0

BOEING
737-600/700/800/900
PARTS CATALOG (MAINTENANCE)

FIG ITEM	PART NUMBER	1 2 3 4 5 6 7	NOMENCLATURE	EFFECT FROM TO	UNITS PER ASSY
3B			FUNCTIONAL COLLECTOR-MINOR MODEL BASIC AND STABLE FLIGHT DECK FINAL ASSY (FLIGHT COMPARTMENT ONLY)	201967	
- 1	230A0001-700		FUNCTIONAL COLLECTOR-MINOR MODEL BASIC AND STABLE FLIGHT DECK FINAL ASSY FOR NHA SEE: 25-00-00-06D	201967	RF
- 15	232A1410-1		.LINING INSTL-CLG HALL FOR DETAILS SEE: 25-11-21-18	201967	1
- 20	232A1600-1		.CONSOLE INSTL-SIDE POSITION DATA: LH FOR DETAILS SEE: 25-11-00-31A	201967	1
- 25	232A1600-2		.CONSOLE INSTL-SIDE POSITION DATA: RH FOR DETAILS SEE: 25-11-00-31A	201967	1

MISSING ITEM NUMBERS NOT APPLICABLE

- ITEM NOT ILLUSTRATED

HAP

25-10-00-03B

BOEING PROPRIETARY - Copyright © - Unpublished Work - See title page for details.

25-10-00
FIG. 03B
PAGE 1
OCT 15/08

NON-ILLUSTRATED FIGURE

THE ITEMS REFLECTED IN THIS FIGURE ARE INTENTIONALLY
NON-ILLUSTRATED. THEY ARE REFERENCED TO EITHER A
NEXT HIGHER OR NEXT LOWER ASSEMBLY/INSTALLATION FIGURE.

E 25100003C REV 054

FUNCTIONAL COLLECTOR-MINOR MODEL BASIC AND STABLE FLIGHT DECK FINAL ASSY (FLIGHT COMPARTMENT ONLY)
FIGURE 3C

HAP
OCT 10/06

25-10-00-03C

25-10-00-03C
PAGE 0

BOEING
737-600/700/800/900
PARTS CATALOG (MAINTENANCE)

FIG ITEM	PART NUMBER	1 2 3 4 5 6 7	NOMENCLATURE	EFFECT FROM TO	UNITS PER ASSY
3C			FUNCTIONAL COLLECTOR-MINOR MODEL BASIC AND STABLE FLIGHT DECK FINAL ASSY (FLIGHT COMPARTMENT ONLY)	001030	
- 1	230A0001-800		FUNCTIONAL COLLECTOR-MINOR MODEL BASIC AND STABLE FLIGHT DECK FINAL ASSY FOR NHA SEE: 25-00-00-06B	001030	RF
- 5	232A1201-6		.INSULATION INSTL- FOR DETAILS SEE: 25-11-21-16A	015027	1
- 5	232A1201-11		.INSULATION INSTL- FOR DETAILS SEE: 25-11-21-16A	028030	1
- 10	232A1203-1		.ATTACHMENT INSTL-FLIGHT DECK INSULATION FOR DETAILS SEE: 53-41-00-17	015029	1
- 10	232A1203-4		.ATTACHMENT INSTL-FLIGHT DECK INSULATION FOR DETAILS SEE: 53-41-00-17A	030030	1
- 15	232A1410-2		.LINING INSTL-CLG HALL FOR DETAILS SEE: 25-11-21-18	001011	1
- 15	232A1410-4		.LINING INSTL-CLG HALL FOR DETAILS SEE: 25-11-21-18	012020	1
- 15	232A1410-6		.LINING INSTL-CLG HALL FOR DETAILS SEE: 25-11-21-18	021030	1
- 20	232A1600-1		.CONSOLE INSTL-SIDE POSITION DATA: LH FOR DETAILS SEE: 25-11-00-31A	001020	1
- 20	232A1600-17		.CONSOLE INSTL-SIDE POSITION DATA: LH FOR DETAILS SEE: 25-11-00-31A	021028	1
- 20	232A1600-21		.CONSOLE INSTL-SIDE POSITION DATA: LH FOR DETAILS SEE: 25-11-00-31A	029030	1

MISSING ITEM NUMBERS NOT APPLICABLE

- ITEM NOT ILLUSTRATED

HAP

25-10-00-03C

BOEING PROPRIETARY - Copyright © - Unpublished Work - See title page for details.

25-10-00
FIG. 03C
PAGE 1
JUN 15/08


BOEING
 737-600/700/800/900
PARTS CATALOG (MAINTENANCE)

FIG ITEM	PART NUMBER	1 2 3 4 5 6 7	NOMENCLATURE	EFFECT FROM TO	UNITS PER ASSY
3C					
- 25	232A1600-2		.CONSOLE INSTL-SIDE POSITION DATA: RH FOR DETAILS SEE: 25-11-00-31A	001020	1
- 25	232A1600-18		.CONSOLE INSTL-SIDE POSITION DATA: RH FOR DETAILS SEE: 25-11-00-31A	021028	1
- 25	232A1600-22		.CONSOLE INSTL-SIDE POSITION DATA: RH FOR DETAILS SEE: 25-11-00-31A	029030	1

MISSING ITEM NUMBERS NOT APPLICABLE

- ITEM NOT ILLUSTRATED

HAP

25-10-00-03C

BOEING PROPRIETARY - Copyright © - Unpublished Work - See title page for details.

25-10-00
 FIG. 03C
 PAGE 2
 FEB 10/07

NON-ILLUSTRATED FIGURE

THE ITEMS REFLECTED IN THIS FIGURE ARE INTENTIONALLY
NON-ILLUSTRATED. THEY ARE REFERENCED TO EITHER A
NEXT HIGHER OR NEXT LOWER ASSEMBLY/INSTALLATION FIGURE.

E 25100005B REV 054

FUNCTIONAL COLLECTOR-FLIGHT DECK FINAL ASSY CUSTOMER UNIQUE (FLIGHT COMPARTMENT ONLY)
FIGURE 5B

HAP
OCT 15/08

25-10-00-05B

25-10-00-05B
PAGE 0

BOEING
737-600/700/800/900
PARTS CATALOG (MAINTENANCE)

FIG ITEM	PART NUMBER	1 2 3 4 5 6 7	NOMENCLATURE	EFFECT FROM TO	UNITS PER ASSY
5B			FUNCTIONAL COLLECTOR-FLIGHT DECK FINAL ASSY CUSTOMER UNIQUE (FLIGHT COMPARTMENT ONLY)	201967	
- 10	230A0001-2610		FUNCTIONAL COLLECTOR-FLIGHT DECK FINAL ASSY CUSTOMER UNIQUE (FLIGHT COMPARTMENT ONLY)	201967	RF
- 70	232A1400-1		.LINING INSTL-CLG AND EYEBROW PAD POSITION DATA: FWD LH FOR DETAILS SEE: 25-11-21-02	201967	1
- 80	232A1500-7		.LINING INSTL-NO. 2 SLIDING POSITION DATA: LH FOR DETAILS SEE: 25-11-21-02	201967	1
- 95	232A1500-8		.LINING INSTL-NO. 2 SLIDING WINDOW POSITION DATA: RH FOR DETAILS SEE: 25-11-21-12A	201967	1
- 120	232A1530-2		.LINING INSTL-NO. 1 WINDOW FOR DETAILS SEE: 25-11-21-19A	201967	1
- 140	232A1640-3		.COVER INSTL-CONT CAB. FLOOR RACEWAY POSITION DATA: FWD LH FOR DETAILS SEE: 25-11-51-08	201967	1
- 180	232A4202-5		.SUNSHADE INSTL-CAPT FOR DETAILS SEE: 25-11-21-26	201967	1
- 185	232A4202-9		.RAIL INSTL-CAPT SIDE FOR DETAILS SEE: 25-11-21-28A	201967	1
- 205	232A4206-1		.TUBING INSTL-CONT CAB. OVHD DRAIN FOR DETAILS SEE: 25-11-51-13A	201967	1

MISSING ITEM NUMBERS NOT APPLICABLE

- ITEM NOT ILLUSTRATED

HAP

25-10-00-05B

BOEING PROPRIETARY - Copyright © - Unpublished Work - See title page for details.

25-10-00
FIG. 05B
PAGE 1
OCT 15/08


BOEING
 737-600/700/800/900
PARTS CATALOG (MAINTENANCE)

FIG ITEM	PART NUMBER	1 2 3 4 5 6 7	NOMENCLATURE	EFFECT FROM TO	UNITS PER ASSY
5B - 240	232A4220-2		.CHECKLIST INSTL-CONT WHL FLIGHT DECK FOR DETAILS SEE: 11-31-01-16	201967	1
- 300	233A5101-8		.PANEL INSTL-P6 CB FOR DETAILS SEE: 25-11-00-04	201967	1

MISSING ITEM NUMBERS NOT APPLICABLE

- ITEM NOT ILLUSTRATED

HAP

25-10-00-05B

BOEING PROPRIETARY - Copyright © - Unpublished Work - See title page for details.

25-10-00
 FIG. 05B
 PAGE 2
 OCT 15/08

NON-ILLUSTRATED FIGURE

THE ITEMS REFLECTED IN THIS FIGURE ARE INTENTIONALLY
NON-ILLUSTRATED. THEY ARE REFERENCED TO EITHER A
NEXT HIGHER OR NEXT LOWER ASSEMBLY/INSTALLATION FIGURE.

E 25100005C REV 054

FUNCTIONAL COLLECTOR-FLIGHT DECK FINAL ASSY CUSTOMER UNIQUE (FLIGHT COMPARTMENT ONLY)
FIGURE 5C

HAP
OCT 10/06

25-10-00-05C

25-10-00-05C
PAGE 0

BOEING
737-600/700/800/900
PARTS CATALOG (MAINTENANCE)

FIG ITEM	PART NUMBER	1 2 3 4 5 6 7	NOMENCLATURE	EFFECT FROM TO	UNITS PER ASSY
5C			FUNCTIONAL COLLECTOR-FLIGHT DECK FINAL ASSY CUSTOMER UNIQUE (FLIGHT COMPARTMENT ONLY)	001030	
- 1	230A0001-3001		FUNCTIONAL COLLECTOR-FLIGHT DECK FINAL ASSY CUSTOMER UNIQUE (FLIGHT COMPARTMENT ONLY)	001030	RF
- 80	232A1400-1		.LINING INSTL-CLG AND EYEBROW PAD POSITION DATA: FWD LH FOR DETAILS SEE: 25-00-00-02C	001020	1
- 80	232A1400-14		.LINING INSTL-CLG AND EYEBROW PAD POSITION DATA: FWD LH FOR DETAILS SEE: 25-11-21-02	021027	1
- 80	232A1400-25		.LINING INSTL-CLG AND EYEBROW PAD POSITION DATA: FWD LH FOR DETAILS SEE: 25-11-21-02	028030	1
- 90	232A1500-1		.LINING INSTL-NO. 2 SLIDING WINDOW POSITION DATA: LH FOR DETAILS SEE: 25-11-21-12A	001001 006007	1
- 90	232A1500-25		.LINING INSTL-NO. 2 SLIDING WINDOW WITHOUT SUNSHADE PROVISIONS POSITION DATA: LH FOR DETAILS SEE: 25-11-21-12A	012012 014014	1
- 90	232A1500-40		.LINING INSTL-NO. 2 SLIDING WINDOW WITHOUT HEADS UP DISPLAY PROVISIONS POSITION DATA: LH UPR LINING FOR DETAILS SEE: 25-11-21-12A	013013 015030	1

MISSING ITEM NUMBERS NOT APPLICABLE

- ITEM NOT ILLUSTRATED

HAP

25-10-00-05C

BOEING PROPRIETARY - Copyright © - Unpublished Work - See title page for details.

25-10-00
FIG. 05C
PAGE 1
OCT 15/08

BOEING
737-600/700/800/900
PARTS CATALOG (MAINTENANCE)

FIG ITEM	PART NUMBER	1 2 3 4 5 6 7	NOMENCLATURE	EFFECT FROM TO	UNITS PER ASSY
5C - 90	232A1500-7		.LINING INSTL-NO. 2 SLIDING SLIDING POSITION DATA: LH FOR DETAILS SEE: 25-11-21-12A	002005 008011	1
- 95	232A1500-26		.LINING INSTL-NO. 2 SLIDING WINDOW WITHOUT SUNSHADE PROVISIONS POSITION DATA: RH FOR DETAILS SEE: 25-11-21-12A	012012 014014	1
- 95	232A1500-8		.LINING INSTL-NO. 2 SLIDING WINDOW POSITION DATA: RH FOR DETAILS SEE: 25-11-21-12A	002005 008011	1
- 95	232A1500-42		.LINING INSTL-NO. 2 SLIDING WINDOW WITHOUT SUNSHADE PROVISIONS POSITION DATA: RH FOR DETAILS SEE: 25-11-21-12A	013013 015030	1
- 100	232A1500-41		.LINING INSTL-NO. 2 SLIDING WINDOW WITHOUT SUNSHADE PROVISIONS POSITION DATA: LH FOR DETAILS SEE: 25-11-21-12A	013013 015030	1
- 100	232A1500-21		.LINING INSTL-NO. 2 SLIDING WINDOW WITHOUT HEADS UP DISPLAY PROVISIONS POSITION DATA: LH FOR DETAILS SEE: 25-11-21-12A	012012 014014	1

MISSING ITEM NUMBERS NOT APPLICABLE

- ITEM NOT ILLUSTRATED

HAP

25-10-00-05C

BOEING PROPRIETARY - Copyright © - Unpublished Work - See title page for details.

25-10-00
FIG. 05C
PAGE 2
OCT 15/08

BOEING
737-600/700/800/900
PARTS CATALOG (MAINTENANCE)

FIG ITEM	PART NUMBER	1 2 3 4 5 6 7	NOMENCLATURE	EFFECT FROM TO	UNITS PER ASSY
5C - 115	232A1510-25		.LINING INSTL-NO SUNSHADE PROVISIONS AND WITH WINDOW HEAT PROVISIONS POSITION DATA: LH FUNCTIONAL REFERENCE: PLACARDS AND MARKINGS FOR DETAILS SEE 11-31-01-18A EQUIPMENT/FURNISHINGS FOR DETAILS SEE 25-11-21-09	023030	1
- 120	232A1510-26		.LINING INSTL-NO SUNSHADE PROVISIONS AND WITH WINDOW HEAT PROVISIONS POSITION DATA: RH FUNCTIONAL REFERENCE: PLACARDS AND MARKINGS FOR DETAILS SEE 11-31-01-18A EQUIPMENT/FURNISHINGS FOR DETAILS SEE 25-11-21-11	023030	1
- 130	232A1530-2		.LINING INSTL-NO. 1 WINDOW FOR DETAILS SEE: 25-11-21-19A	001027	1
- 130	232A1530-6		.LINING INSTL-NO. 1 WINDOW FOR DETAILS SEE: 25-11-21-19A	028030	1
- 150	232A1640-11		.COVER INSTL-CONT CAB. FLOOR RACEWAY POSITION DATA: FWD LH FOR DETAILS SEE: 25-11-51-08	017030	1
- 150	232A1640-3		.COVER INSTL-CONT CAB FLOOR RACEWAY POSITION DATA: FWD LH FOR DETAILS SEE: 25-11-51-08	001016	1
- 165	232A1710-2		.PANEL INSTL-CLOSURE SECOND OBSERVER FOR DETAILS SEE: 25-11-00-30	001030	1
- 195	232A4202-5		.SUNSHADE INSTL-CAPT FOR DETAILS SEE: 25-11-21-26	001027	1

MISSING ITEM NUMBERS NOT APPLICABLE

- ITEM NOT ILLUSTRATED

HAP

25-10-00-05C

BOEING PROPRIETARY - Copyright © - Unpublished Work - See title page for details.

25-10-00
FIG. 05C
PAGE 3
JUN 10/07

 **BOEING**
737-600/700/800/900
PARTS CATALOG (MAINTENANCE)

FIG ITEM	PART NUMBER	1 2 3 4 5 6 7	NOMENCLATURE	EFFECT FROM TO	UNITS PER ASSY
5C					
- 200	232A4202-9		.RAIL INSTL-CAPT SIDE FOR DETAILS SEE: 25-11-21-28A	001027	1
- 200	232A4202-21		.RAIL INSTL-CAPT SIDE FOR DETAILS SEE: 25-11-21-28A	028030	1
- 230	232A4206-1		.TUBING INSTL-CONT CAB. OVHD DRAIN FOR DETAILS SEE: 25-11-51-13A	001011	1
- 230	232A4206-7		.TUBING INSTL-CONT CAB. OVHD DRAIN FOR DETAILS SEE: 25-11-51-13A	012016	1
- 230	232A4206-9		.TUBING INSTL-CONT CAB. OVHD DRAIN FOR DETAILS SEE: 25-11-51-13A	017027	1
- 265	232A4222-8		.CUPHOLDER INSTL-SIDE CONSOLE FOR DETAILS SEE: 25-11-00-03A	012030	1
- 330	233A5101-5		.PANEL INSTL-P6 CB FOR DETAILS SEE: 25-11-00-04	001004 006007	1
- 330	233A5101-8		.PANEL INSTL-P6 CB FOR DETAILS SEE: 25-11-00-04	005005 008009	1
- 330	233A5101-9		.PANEL INSTL-P6 CB FOR DETAILS SEE: 25-11-00-04	010030	1
- 340	233A5210-1		.GUARD INSTL-P6 CB DOOR FOR DETAILS SEE: 25-11-00-27	001007	1
- 345	233A5510-1		.GUARD INSTL-P6 CB DOOR FOR DETAILS SEE: 25-11-00-20	001007	1
- 375	232A4220-2		.CHECKLIST INSTL-CONT WHL FLIGHT DECK FOR DETAILS SEE: 11-31-01-16	001019	1
- 375	232A4220-4		.CHECKLIST INSTL-CONT WHL FOR DETAILS SEE: 11-31-01-16	020030	1
- 390	232A1440-1		.BRACKET INSTL- FOR DETAILS SEE: 25-11-21-10	028030	1

MISSING ITEM NUMBERS NOT APPLICABLE

- ITEM NOT ILLUSTRATED

HAP

25-10-00-05C

BOEING PROPRIETARY - Copyright © - Unpublished Work - See title page for details.

25-10-00
FIG. 05C
PAGE 4
FEB 10/07

NON-ILLUSTRATED FIGURE

THE ITEMS REFLECTED IN THIS FIGURE ARE INTENTIONALLY
NON-ILLUSTRATED. THEY ARE REFERENCED TO EITHER A
NEXT HIGHER OR NEXT LOWER ASSEMBLY/INSTALLATION FIGURE.

E 25100005E REV 054

FUNCTIONAL COLLECTOR-FLIGHT DECK FINAL ASSY OPT FEATURE
FIGURE 5E

25-10-00-05E

HAP
OCT 10/06

25-10-00-05E
PAGE 0

BOEING
737-600/700/800/900
PARTS CATALOG (MAINTENANCE)

FIG ITEM	PART NUMBER	1 2 3 4 5 6 7	NOMENCLATURE	EFFECT FROM TO	UNITS PER ASSY
5E			FUNCTIONAL COLLECTOR-FLIGHT DECK FINAL ASSY OPT FEATURE	001030 201967	
- 1	230A0001-6479		FUNCTIONAL COLLECTOR-FLIGHT DECK FINAL ASSY OPT FEATURE NO FLIGHT COMPT HEADING NO. 3 WINDOWS FOR NHA SEE: 25-00-00-05	201967	RF
- 1	230A0001-6190		FUNCTIONAL COLLECTOR-FLIGHT DECK FINAL ASSY OPT FEATURE NO FLIGHT COMPT HEADING NO. 3 WINDOWS FOR NHA SEE: 25-00-00-05	001022	RF
- 5	232A1510-1		.LINING INSTL-NO. 3 WINDOW AREA POSITION DATA: LH FUNCTIONAL REFERENCE: EQUIPMENT/FURNISHINGS FOR DETAILS SEE 25-11-21-07 PLACARDS AND MARKINGS FOR DETAILS SEE 11-31-01-18A	201967	1
- 5	232A1510-15		.LINING INSTL-NO SUNSHADE PROVISIONS WITH WINDOW HEAT PROVISIONS POSITION DATA: LH FUNCTIONAL REFERENCE: EQUIPMENT/FURNISHINGS FOR DETAILS SEE 25-11-21-09 PLACARDS AND MARKINGS FOR DETAILS SEE 11-31-01-18A	020022	1
- 5	232A1510-3		.LINING INSTL-NO. 3 WINDOW AREA POSITION DATA: LH FUNCTIONAL REFERENCE: EQUIPMENT/FURNISHINGS FOR DETAILS SEE 25-11-21-09 PLACARDS AND MARKINGS FOR DETAILS SEE 11-31-01-18A	001019	1

MISSING ITEM NUMBERS NOT APPLICABLE

- ITEM NOT ILLUSTRATED

HAP

25-10-00-05E

BOEING PROPRIETARY - Copyright © - Unpublished Work - See title page for details.

25-10-00
FIG. 05E
PAGE 1
OCT 15/08

BOEING
737-600/700/800/900
PARTS CATALOG (MAINTENANCE)

FIG ITEM	PART NUMBER	1 2 3 4 5 6 7	NOMENCLATURE	EFFECT FROM TO	UNITS PER ASSY
5E - 10	232A1510-16		.LINING INSTL-NO SUNSHADE PROVISIONS AND WITH WINDOW HEAT PROVISIONS POSITION DATA: RH FUNCTIONAL REFERENCE: EQUIPMENT/FURNISHINGS FOR DETAILS SEE 25-11-21-11 PLACARDS AND MARKINGS FOR DETAILS SEE 11-31-01-18A	020022	1
- 10	232A1510-2		.LINING INSTL-NO. 3 WINDOW AREA POSITION DATA: RH FUNCTIONAL REFERENCE: EQUIPMENT/FURNISHINGS FOR DETAILS SEE 25-11-21-08 PLACARDS AND MARKINGS FOR DETAILS SEE 11-31-01-18A	201967	1
- 10	232A1510-4		.LINING INSTL-NO. 3 WINDOW AREA POSITION DATA: RH FUNCTIONAL REFERENCE: EQUIPMENT/FURNISHINGS FOR DETAILS SEE 25-11-21-11 PLACARDS AND MARKINGS FOR DETAILS SEE 11-31-01-18A	001019	1
- 30	230A0001-6477		FUNCTIONAL COLLECTOR-FLIGHT DECK FINAL ASSY OPT FEATURE NO NOSE GEAR STEERING CONT WHEEL FIRST OFFICER FOR NHA SEE: 25-00-00-05	001030 201967	RF
- 35	232A1600-6		.PLATE INSTL-COVER FOR DETAILS SEE: 25-11-00-32A	001030 201967	1

MISSING ITEM NUMBERS NOT APPLICABLE

- ITEM NOT ILLUSTRATED

HAP

25-10-00-05E

BOEING PROPRIETARY - Copyright © - Unpublished Work - See title page for details.

25-10-00
FIG. 05E
PAGE 2
OCT 15/08

BOEING
737-600/700/800/900
PARTS CATALOG (MAINTENANCE)

FIG ITEM	PART NUMBER	1 2 3 4 5 6 7	NOMENCLATURE	EFFECT FROM TO	UNITS PER ASSY
5E - 90	230A0001-6487		FUNCTIONAL COLLECTOR-FLIGHT DECK FINAL ASSY OPT FEATURE CUPHOLDER INSTL F/O SIDEWALL WITH NO ACARS PROVISIONS INSTL FOR NHA SEE: 25-00-00-05	001011 201967	RF
- 100	230A0001-6444		FUNCTIONAL COLLECTOR-FLIGHT DECK FINAL ASSY OPT FEATURE SECOND OBSERVER SPRT EQPT (FLIGHT COMPARTMENT ONLY) FOR NHA/OTHER SYS DET SEE: 25-00-00-05	201967	RF
- 110	232A1710-1		.PANEL INSTL-CLOSURE SECOND OBSERVER FOR DETAILS SEE: 25-11-00-29	201967	1
- 115	232A4204-3		.ASHTRAY INSTL-CONT CAB. FOR DETAILS SEE: 25-11-00-01A	201967	1
- 120	232A4222-4		.CUPHOLDER INSTL-SIDE CONSOLE FOR DETAILS SEE: 25-11-00-03A	001011 201967	1
- 125	232A4222-6		.CUPHOLDER INSTL-SECOND OBSERVER FOR DETAILS SEE: 25-11-00-03A	201967	1
- 145	230A0001-6443		FUNCTIONAL COLLECTOR-FLIGHT DECK FINAL ASSY OPT FEATURE SECOND OBSERVERS SPRT EQPT (FLIGHT COMPARTMENT ONLY) FOR NHA SEE: 25-00-00-05	001030 201967	RF
- 150	232A3501-1		.SEAT INSTL-SECOND OBSERVER FOR DETAILS SEE: 25-11-00-37	001030 201967	1

MISSING ITEM NUMBERS NOT APPLICABLE

- ITEM NOT ILLUSTRATED

HAP

25-10-00-05E

BOEING PROPRIETARY - Copyright © - Unpublished Work - See title page for details.

25-10-00
FIG. 05E
PAGE 3
OCT 15/08

NON-ILLUSTRATED FIGURE

THE ITEMS REFLECTED IN THIS FIGURE ARE INTENTIONALLY
NON-ILLUSTRATED. THEY ARE REFERENCED TO EITHER A
NEXT HIGHER OR NEXT LOWER ASSEMBLY/INSTALLATION FIGURE.

FUNCTIONAL COLLECTOR SOFTWARE, BASIC AND STABLE OPT, OR VAR
FIGURE 6

25-10-00-06

HAP
OCT 15/08

25-10-00-06
PAGE 0

BOEING
737-600/700/800/900
PARTS CATALOG (MAINTENANCE)

FIG ITEM	PART NUMBER	1 2 3 4 5 6 7	NOMENCLATURE	EFFECT FROM TO	UNITS PER ASSY
6			FUNCTIONAL COLLECTOR SOFTWARE, BASIC AND STABLE OPT, OR VAR	201967	
- 5	200A0005-2610		FUNCTIONAL COLLECTOR- SOFTWARE, VAR FOR NHA SEE: 25-00-00-02B	201967	RF
- 34	242A8020-310		.SOFTWARE INSTL-CDS DEU OPC FOR DETAILS SEE: 31-62-21-01	201967	1
- 85	226A1001-3010		.SOFTWARE INSTL-FLIGHT DATA RECORDER SYS FOR DETAILS SEE: 31-31-22-03	201967	1
- 100	242A6003-440		.SOFTWARE INSTL-FMCS OPC FOR DETAILS SEE: 34-61-02-05	201967	1
- 275	200A0001-678		FUNCTIONAL COLLECTOR- SOFTWARE BASIC AND STABLE FOR NHA SEE: 25-00-00-01	201967	RF
- 280	241A1001-30		.SOFTWARE INSTL-DIGITAL FLIGHT CONTROL COMPUTER (DFCS) OPERATIONAL PROGRAM SOFTWARE (OPS) FOR DETAILS SEE: 22-11-33-01	201967	1
- 285	242A6001-60		.SOFTWARE INSTL-FMCS OPS FOR DETAILS SEE: 34-61-02-03	201967	1
- 290	242A6004-10		.SOFTWARE INSTL-CONT DISPLAY UNIT (CDU) OPS FOR DETAILS SEE: 34-61-01-02	201967	1
- 300	242A8010-30		.SOFTWARE INSTL-CDS DEU OPS FOR DETAILS SEE: 31-62-21-01	201967	1
- 305	242A8030-20		.SOFTWARE INSTL-CDS DU DATABASE FOR DETAILS SEE: 31-62-21-01	201967	1
- 310	350A0200-10		.SOFTWARE INSTL-PREMODULE FOR DETAILS SEE: 49-61-12-01	201967	1
- 400	200A0003-700		FUNCTIONAL COLLECTOR- SOFTWARE OPT FOR NHA SEE: 25-00-00-06D	201967	1

MISSING ITEM NUMBERS NOT APPLICABLE

- ITEM NOT ILLUSTRATED

HAP

25-10-00-06

25-10-00
FIG. 06
PAGE 1
OCT 15/08


BOEING
 737-600/700/800/900
PARTS CATALOG (MAINTENANCE)

FIG ITEM	PART NUMBER	1 2 3 4 5 6 7 NOMENCLATURE	EFFECT FROM TO	UNITS PER ASSY
6 - 405	242A6002-60	.SOFTWARE INSTL-FMCS MEDB FOR DETAILS SEE: 34-61-02-04	201967	1

MISSING ITEM NUMBERS NOT APPLICABLE

- ITEM NOT ILLUSTRATED

HAP

25-10-00-06

BOEING PROPRIETARY - Copyright © - Unpublished Work - See title page for details.

25-10-00
 FIG. 06
 PAGE 2
 OCT 15/08

NON-ILLUSTRATED FIGURE

THE ITEMS REFLECTED IN THIS FIGURE ARE INTENTIONALLY
NON-ILLUSTRATED. THEY ARE REFERENCED TO EITHER A
NEXT HIGHER OR NEXT LOWER ASSEMBLY/INSTALLATION FIGURE.

E 25100010B REV 055

FUNCTIONAL COLLECTOR-P6 CB E/E EQPT FINAL ASSY CUSTOMER UNIQUE
FIGURE 10B

25-10-00-10B

HAP
OCT 15/08

25-10-00-10B
PAGE 0

BOEING
737-600/700/800/900
PARTS CATALOG (MAINTENANCE)

FIG ITEM	PART NUMBER	1 2 3 4 5 6 7	NOMENCLATURE	EFFECT FROM TO	UNITS PER ASSY
10B			FUNCTIONAL COLLECTOR-P6 CB E/E EQPT FINAL ASSY CUSTOMER UNIQUE	201967	
- 3	230A0020-2610		FUNCTIONAL COLLECTOR-P6 CB E/E EQPT FINAL ASSY CUSTOMER UNIQUE	201967	RF
- 20	233A5210-1		FOR NHA SEE: 25-00-00-02B .GUARD INSTL-P6 CB DOOR FOR DETAILS SEE: 25-11-00-27	201967	1

MISSING ITEM NUMBERS NOT APPLICABLE

- ITEM NOT ILLUSTRATED

HAP

25-10-00-10B

BOEING PROPRIETARY - Copyright © - Unpublished Work - See title page for details.

25-10-00
FIG. 10B
PAGE 1
OCT 15/08

NON-ILLUSTRATED FIGURE

THE ITEMS REFLECTED IN THIS FIGURE ARE INTENTIONALLY
NON-ILLUSTRATED. THEY ARE REFERENCED TO EITHER A
NEXT HIGHER OR NEXT LOWER ASSEMBLY/INSTALLATION FIGURE.

E 25100010C REV 055

FUNCTIONAL COLLECTOR-P6 CB E/E EQPT FINAL ASSY CUSTOMER UNIQUE
FIGURE 10C

25-10-00-10C

HAP
OCT 10/06

25-10-00-10C
PAGE 0

BOEING
737-600/700/800/900
PARTS CATALOG (MAINTENANCE)

FIG ITEM	PART NUMBER	1 2 3 4 5 6 7	NOMENCLATURE	EFFECT FROM TO	UNITS PER ASSY
10C			FUNCTIONAL COLLECTOR-P6 CB E/E EQPT FINAL ASSY CUSTOMER UNIQUE	008030	
- 1	230A0020-3001		FUNCTIONAL COLLECTOR-P6 CB E/E EQPT FINAL ASSY CUSTOMER UNIQUE	008030	RF
- 50	233A5210-1		FOR NHA SEE: 25-00-00-02C .GUARD INSTL-P6 CB PNL FOR DETAILS SEE: 25-11-00-27	008030	1

MISSING ITEM NUMBERS NOT APPLICABLE

- ITEM NOT ILLUSTRATED

HAP

25-10-00-10C

BOEING PROPRIETARY - Copyright © - Unpublished Work - See title page for details.

25-10-00
FIG. 10C
PAGE 1
OCT 10/06

NON-ILLUSTRATED FIGURE

THE ITEMS REFLECTED IN THIS FIGURE ARE INTENTIONALLY
NON-ILLUSTRATED. THEY ARE REFERENCED TO EITHER A
NEXT HIGHER OR NEXT LOWER ASSEMBLY/INSTALLATION FIGURE.

E 25100011 REV 059

FUNCTIONAL COLLECTOR-MAJOR MODEL BASIC AND STABLE CERTIFIED FLYAWAY
FIGURE 11

HAP
OCT 10/06

25-10-00-11

25-10-00-11
PAGE 0


BOEING
 737-600/700/800/900
PARTS CATALOG (MAINTENANCE)

FIG ITEM	PART NUMBER	1 2 3 4 5 6 7	NOMENCLATURE	EFFECT FROM TO	UNITS PER ASSY
11			FUNCTIONAL COLLECTOR-MAJOR MODEL BASIC AND STABLE CERTIFIED FLYAWAY	001007	
- 1	012A8101-678		FUNCTIONAL COLLECTOR-MAJOR MODEL BASIC AND STABLE CERTIFIED FLYAWAY	001007	RF
- 20	012A8102-1		FOR NHA SEE: 25-00-00-01 EQUIPMENT INSTL-GND SPRT FOR DETAILS SEE: 25-10-00-01	001007	1

MISSING ITEM NUMBERS NOT APPLICABLE

- ITEM NOT ILLUSTRATED

HAP

25-10-00-11

BOEING PROPRIETARY - Copyright © - Unpublished Work - See title page for details.

25-10-00
 FIG. 11
 PAGE 1
 OCT 10/06

NON-ILLUSTRATED FIGURE

THE ITEMS REFLECTED IN THIS FIGURE ARE INTENTIONALLY
NON-ILLUSTRATED. THEY ARE REFERENCED TO EITHER A
NEXT HIGHER OR NEXT LOWER ASSEMBLY/INSTALLATION FIGURE.

E 25100011B REV 057

FUNCTIONAL COLLECTOR-P18 CB E/E EQPT FINAL ASSY CUSTOMER UNIQUE
FIGURE 11B

25-10-00-11B

HAP
OCT 15/08

25-10-00-11B
PAGE 0

BOEING
737-600/700/800/900
PARTS CATALOG (MAINTENANCE)

FIG ITEM	PART NUMBER	1 2 3 4 5 6 7	NOMENCLATURE	EFFECT FROM TO	UNITS PER ASSY
11B			FUNCTIONAL COLLECTOR-P18 CB E/E EQPT FINAL ASSY CUSTOMER UNIQUE	201967	
- 10	230A0050-2610		FUNCTIONAL COLLECTOR-P18 CB E/E EQPT FINAL ASSY CUSTOMER UNIQUE	201967	RF
- 50	233A5510-1		FOR NHA SEE: 25-00-00-02B .GUARD INSTL-P18 CB PANEL FOR DETAILS SEE: 25-11-00-20	201967	1

MISSING ITEM NUMBERS NOT APPLICABLE

- ITEM NOT ILLUSTRATED

HAP

25-10-00-11B

BOEING PROPRIETARY - Copyright © - Unpublished Work - See title page for details.

25-10-00
FIG. 11B
PAGE 1
OCT 15/08

NON-ILLUSTRATED FIGURE

THE ITEMS REFLECTED IN THIS FIGURE ARE INTENTIONALLY
NON-ILLUSTRATED. THEY ARE REFERENCED TO EITHER A
NEXT HIGHER OR NEXT LOWER ASSEMBLY/INSTALLATION FIGURE.

E 25100011C REV 057

FUNCTIONAL COLLECTOR-P18 CB E/E EQPT FINAL ASSY CUSTOMER UNIQUE
FIGURE 11C

25-10-00-11C

HAP
OCT 10/06

25-10-00-11C
PAGE 0

BOEING
737-600/700/800/900
PARTS CATALOG (MAINTENANCE)

FIG ITEM	PART NUMBER	1 2 3 4 5 6 7	NOMENCLATURE	EFFECT FROM TO	UNITS PER ASSY
11C			FUNCTIONAL COLLECTOR-P18 CB E/E EQPT FINAL ASSY CUSTOMER UNIQUE	008030	
- 1	230A0050-3001		FUNCTIONAL COLLECTOR-P18 CB E/E EQPT FINAL ASSY CUSTOMER UNIQUE	008030	RF
- 50	233A5510-1		FOR NHA SEE: 25-00-00-02C .GUARD INSTL-P18 CB DOOR FOR DETAILS SEE: 25-11-00-20	008030	1

MISSING ITEM NUMBERS NOT APPLICABLE

- ITEM NOT ILLUSTRATED

HAP

25-10-00-11C

BOEING PROPRIETARY - Copyright © - Unpublished Work - See title page for details.

25-10-00
FIG. 11C
PAGE 1
OCT 10/06

NON-ILLUSTRATED FIGURE

THE ITEMS REFLECTED IN THIS FIGURE ARE INTENTIONALLY
NON-ILLUSTRATED. THEY ARE REFERENCED TO EITHER A
NEXT HIGHER OR NEXT LOWER ASSEMBLY/INSTALLATION FIGURE.

E 25100012B REV 058

FUNCTIONAL COLLECTOR-SECT 41 ENG CONTROLS SYS FINAL ASSY
FIGURE 12B

25-10-00-12B

HAP
OCT 15/08

25-10-00-12B
PAGE 0

BOEING
737-600/700/800/900
PARTS CATALOG (MAINTENANCE)

FIG ITEM	PART NUMBER	1 2 3 4 5 6 7	NOMENCLATURE	EFFECT FROM TO	UNITS PER ASSY
12B			FUNCTIONAL COLLECTOR-SECT 41 ENG CONTROLS SYS FINAL ASSY	201967	
- 1	254A1200-700		FUNCTIONAL COLLECTOR-ENG CONTROLS SYS FINAL ASSY POSITION DATA: SECT 41 FOR NHA SEE: 25-00-00-06D	201967	RF
- 20	254A1210-6		STAND INSTL-CONT FOR DETAILS SEE: 25-11-00-40	201967	1

MISSING ITEM NUMBERS NOT APPLICABLE

- ITEM NOT ILLUSTRATED

HAP

25-10-00-12B

BOEING PROPRIETARY - Copyright © - Unpublished Work - See title page for details.

25-10-00
FIG. 12B
PAGE 1
OCT 15/08

NON-ILLUSTRATED FIGURE

THE ITEMS REFLECTED IN THIS FIGURE ARE INTENTIONALLY
NON-ILLUSTRATED. THEY ARE REFERENCED TO EITHER A
NEXT HIGHER OR NEXT LOWER ASSEMBLY/INSTALLATION FIGURE.

E 25100012C REV 058

FUNCTIONAL COLLECTOR-SECT 41 ENG CONTROLS SYS FINAL ASSY
FIGURE 12C

25-10-00-12C

HAP
OCT 10/06

25-10-00-12C
PAGE 0

BOEING
737-600/700/800/900
PARTS CATALOG (MAINTENANCE)

FIG ITEM	PART NUMBER	1 2 3 4 5 6 7	NOMENCLATURE	EFFECT FROM TO	UNITS PER ASSY
12C			FUNCTIONAL COLLECTOR-SECT 41 ENG CONTROLS SYS FINAL ASSY	001030	
- 1	254A1200-800		FUNCTIONAL COLLECTOR-ENG CONTROLS SYS FINAL ASSY POSITION DATA: SECT 41 FOR NHA SEE: 25-00-00-06B	001030	RF
- 20	254A1210-8		.STAND INSTL-CONT FOR DETAILS SEE: 25-11-00-40	001001	1
- 20	254A1210-5		.STAND INSTL-CONT FOR DETAILS SEE: 25-11-00-40	002030	1

MISSING ITEM NUMBERS NOT APPLICABLE

- ITEM NOT ILLUSTRATED

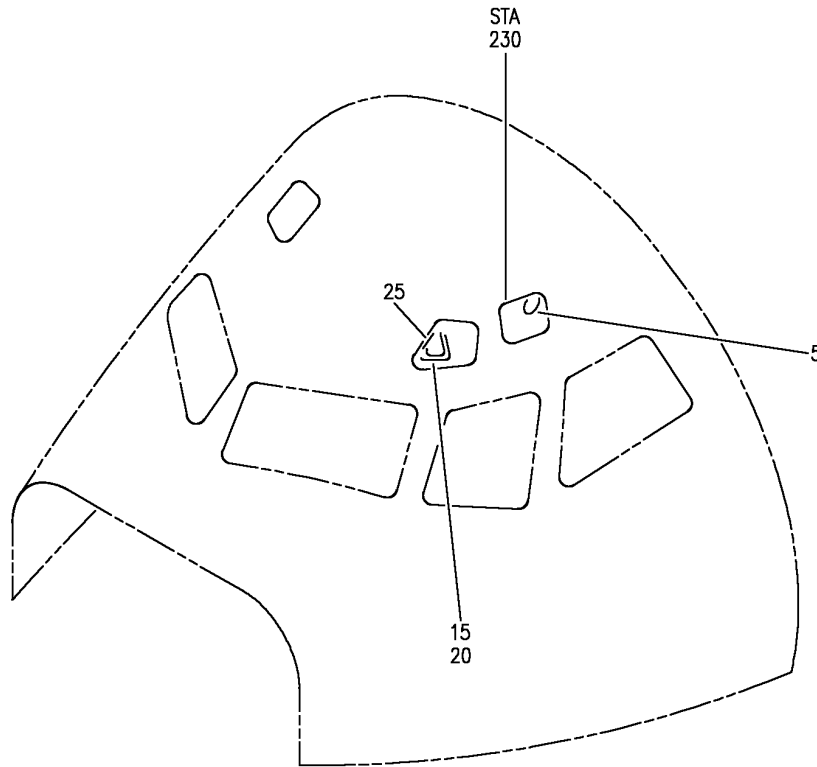
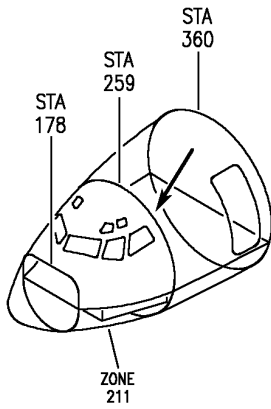
HAP

25-10-00-12C

BOEING PROPRIETARY - Copyright © - Unpublished Work - See title page for details.

25-10-00
FIG. 12C
PAGE 1
OCT 10/06

BOEING
737-600/700/800/900
PARTS CATALOG (MAINTENANCE)



E 25105101 REV 149

BARRIER INSTL
FIGURE 1

25-10-51-01

HAP
FEB 15/09

25-10-51-01
PAGE 0


BOEING
 737-600/700/800/900
PARTS CATALOG (MAINTENANCE)

FIG ITEM	PART NUMBER	1 2 3 4 5 6 7	NOMENCLATURE	EFFECT FROM TO	UNITS PER ASSY
1			BARRIER INSTL	031200 968999	
- 1	MODREF81719		BARRIER INSTL- MODULE NUMBER: 232A1310-2 REV A	031049 054106 968999	1
- 1	MODREF402525		BARRIER INSTL- MODULE NUMBER: 232A1310-2 REV B	050053 107200	1
5	232A1311-1		.BARRIER-MOISTURE	031200 968999	1
15	232A1311-3		.BARRIER-MOISTURE	031049 054106 968999	1
20	232A1311-4		.BARRIER-MOISTURE	031200 968999	1
25	232A1311-5		.BARRIER-MOISTURE	050053 107200	1

MISSING ITEM NUMBERS NOT APPLICABLE

- ITEM NOT ILLUSTRATED

HAP

25-10-51-01

BOEING PROPRIETARY - Copyright © - Unpublished Work - See title page for details.

25-10-51
 FIG. 01
 PAGE 1
 FEB 15/09