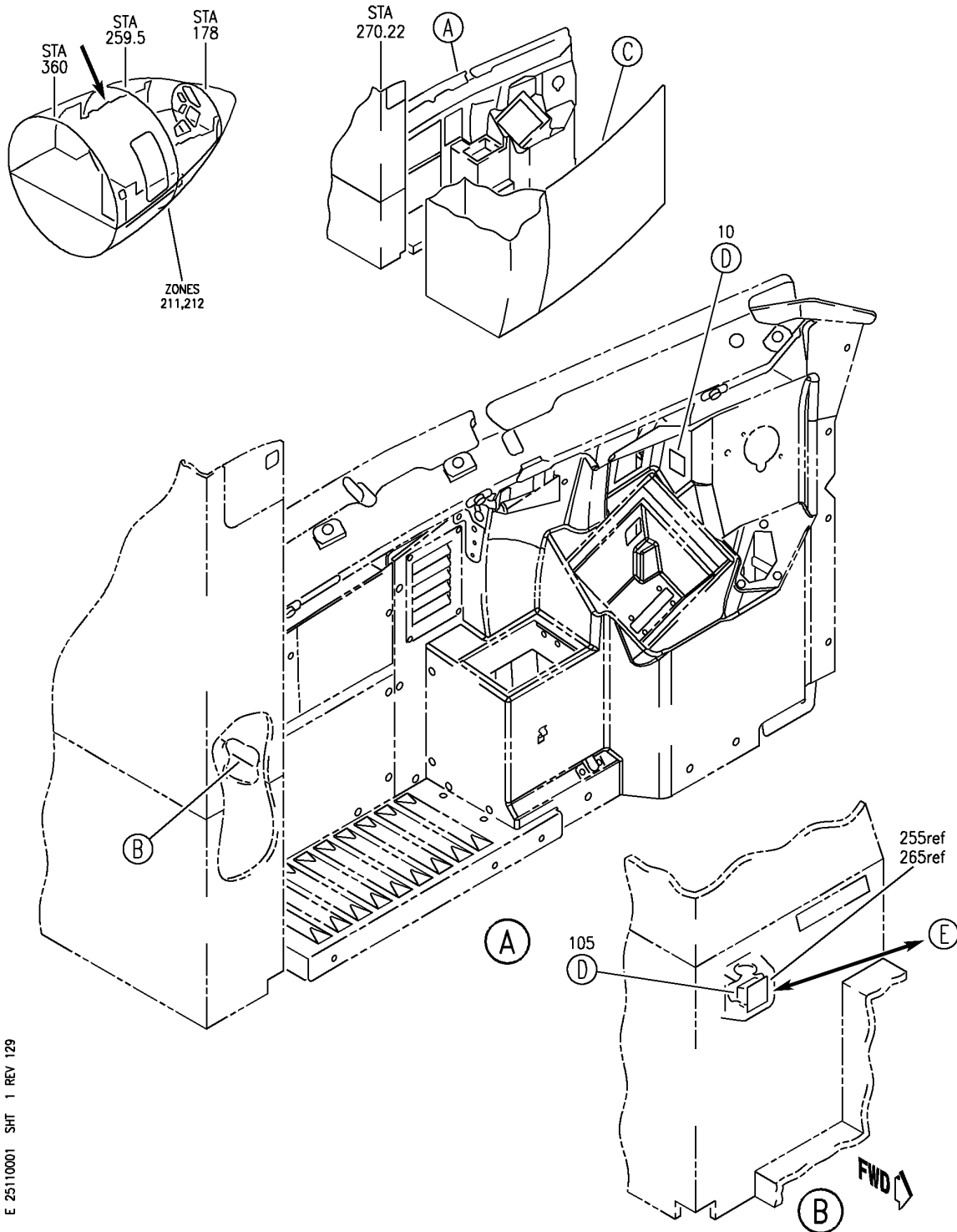


FLIGHT COMPARTMENT EQUIPMENT

HAP
OCT 10/06

25-11-00
SECTION TITLE
PAGE 1

BOEING
 737-600/700/800/900
 PARTS CATALOG (MAINTENANCE)



E 25110001 SHT 1 REV 129

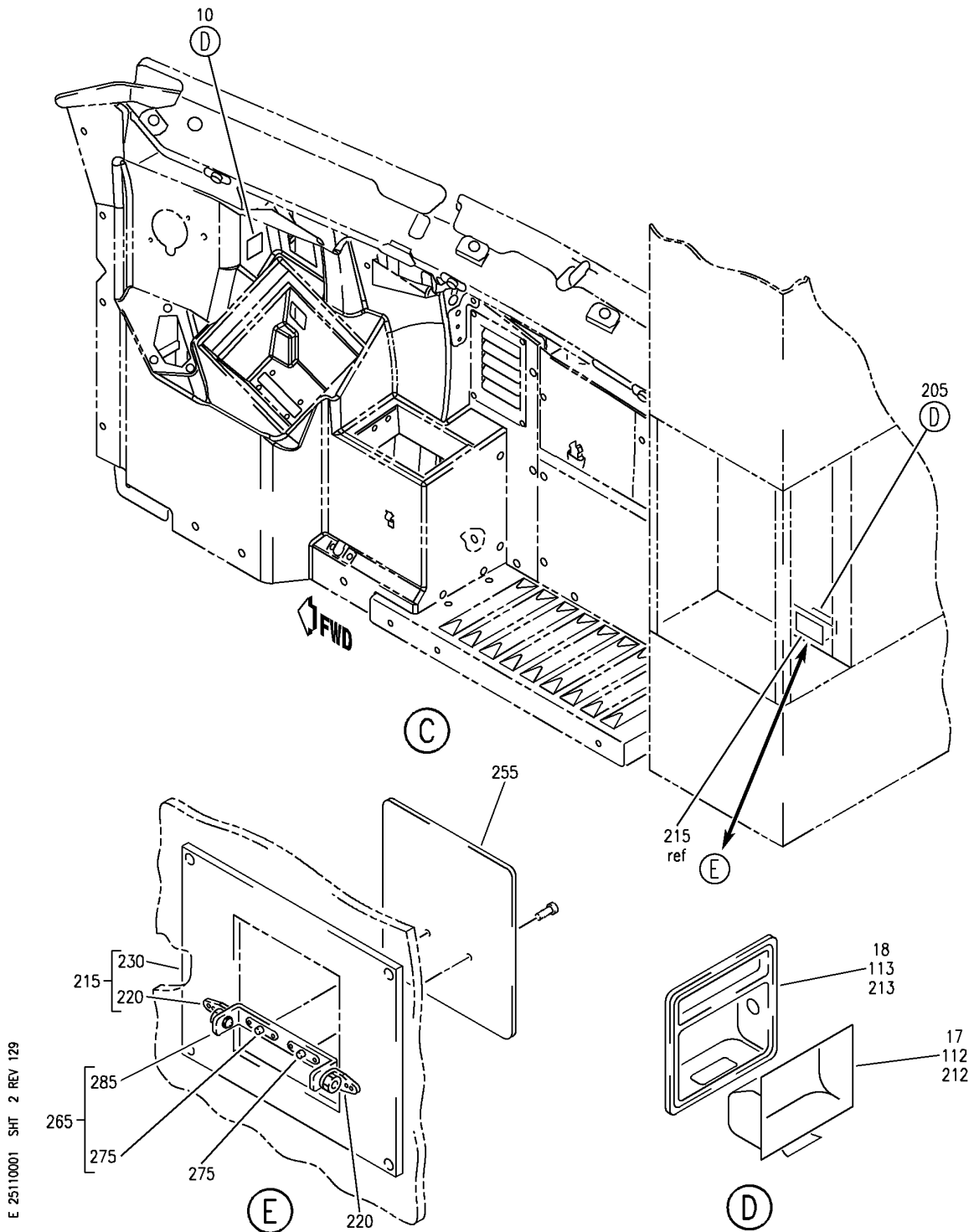
COVER AND ASHTRAY INSTL-CONT CABIN (EQUIPMENT/ FURNISHINGS ONLY)
 FIGURE 1

25-11-00-01

HAP
 JUN 10/07

25-11-00-01
 PAGE 0

BOEING
 737-600/700/800/900
 PARTS CATALOG (MAINTENANCE)



E 25110001 SHT 2 REV 129

COVER AND ASHTRAY INSTL-CONT CABIN (EQUIPMENT/ FURNISHINGS ONLY)
 FIGURE 1

25-11-00-01

HAP
 JUN 10/07

25-11-00-01
 PAGE 0A

BOEING
737-600/700/800/900
PARTS CATALOG (MAINTENANCE)

FIG ITEM	PART NUMBER	1 2 3 4 5 6 7	NOMENCLATURE	EFFECT FROM TO	UNITS PER ASSY
1			COVER AND ASHTRAY INSTL- CONT CABIN (EQUIPMENT/ FURNISHINGS ONLY)	031200 968999	
- 1	MODREF81891		ASHTRAY INSTL-CAPTAIN MODULE NUMBER: 232A4204-1 REV A	031200 968999	1
- 5	MODREF81895		ASHTRAY INSTL-FIRST OFFICER MODULE NUMBER: 232A4204-2 REV A	031200 968999	1
10	RGS2425-001		.ASHTRAY ASSY- SUPPLIER CODE: VU3384	031200 968999	1
- 15	BACS12ER08K9		ATTACHING PARTS .SCREW	031200 968999	2
			-----*-----		
17	RGS2425-101		..LINER- SUPPLIER CODE: VU3384	031200 968999	1
18	RGS2425-103		..BODY- SUPPLIER CODE: VU3384	031200 968999	1
- 100	MODREF81896		ASHTRAY INSTL-SECOND OBSERVER MODULE NUMBER: 232A4204-3 REV A	041041 047047 049050 054100	1
105	RGS2425-001		.ASHTRAY ASSY- SUPPLIER CODE: VU3384	041041 047047 049050 054100	1
- 110	BACS12ER08K9		ATTACHING PARTS .SCREW	041041 047047 049050 054100	2
			-----*-----		
112	RGS2425-101		..LINER- SUPPLIER CODE: VU3384	041041 047047 049050 054100	1
113	RGS2425-103		..BODY- SUPPLIER CODE: VU3384	041041 047047 049050 054100	1
- 200	MODREF81897		ASHTRAY INSTL-FIRST OBSERVER MODULE NUMBER: 232A4204-4 REV A	031200 968999	1

MISSING ITEM NUMBERS NOT APPLICABLE

- ITEM NOT ILLUSTRATED

HAP

25-11-00-01

BOEING PROPRIETARY - Copyright © - Unpublished Work - See title page for details.

25-11-00
FIG. 01
PAGE 1
FEB 15/09

BOEING
737-600/700/800/900
PARTS CATALOG (MAINTENANCE)

FIG ITEM	PART NUMBER	1 2 3 4 5 6 7	NOMENCLATURE	EFFECT FROM TO	UNITS PER ASSY
1 205	RGS2425-001		.ASHTRAY ASSY- SUPPLIER CODE: VU3384 ATTACHING PARTS	031200 968999	1
- 210	BACS12ER08K9		.SCREW	031200 968999	2
			-----*-----		
212	RGS2425-101		..LINER- SUPPLIER CODE: VU3384	031200 968999	1
213	RGS2425-103		..BODY- SUPPLIER CODE: VU3384	031200 968999	1
215	232A4255-31		.PANEL ASSY	031200 968999	1
220	AN256-8		..NUTPLATE	031200 968999	2
			ATTACHING PARTS		
- 225	BACR15BA3AD		..RIVET- SIZE DETERMINED ON INSTL.	031200 968999	4
			-----*-----		
230	232A4255-17		..PANEL	031200 968999	1

MISSING ITEM NUMBERS NOT APPLICABLE

- ITEM NOT ILLUSTRATED

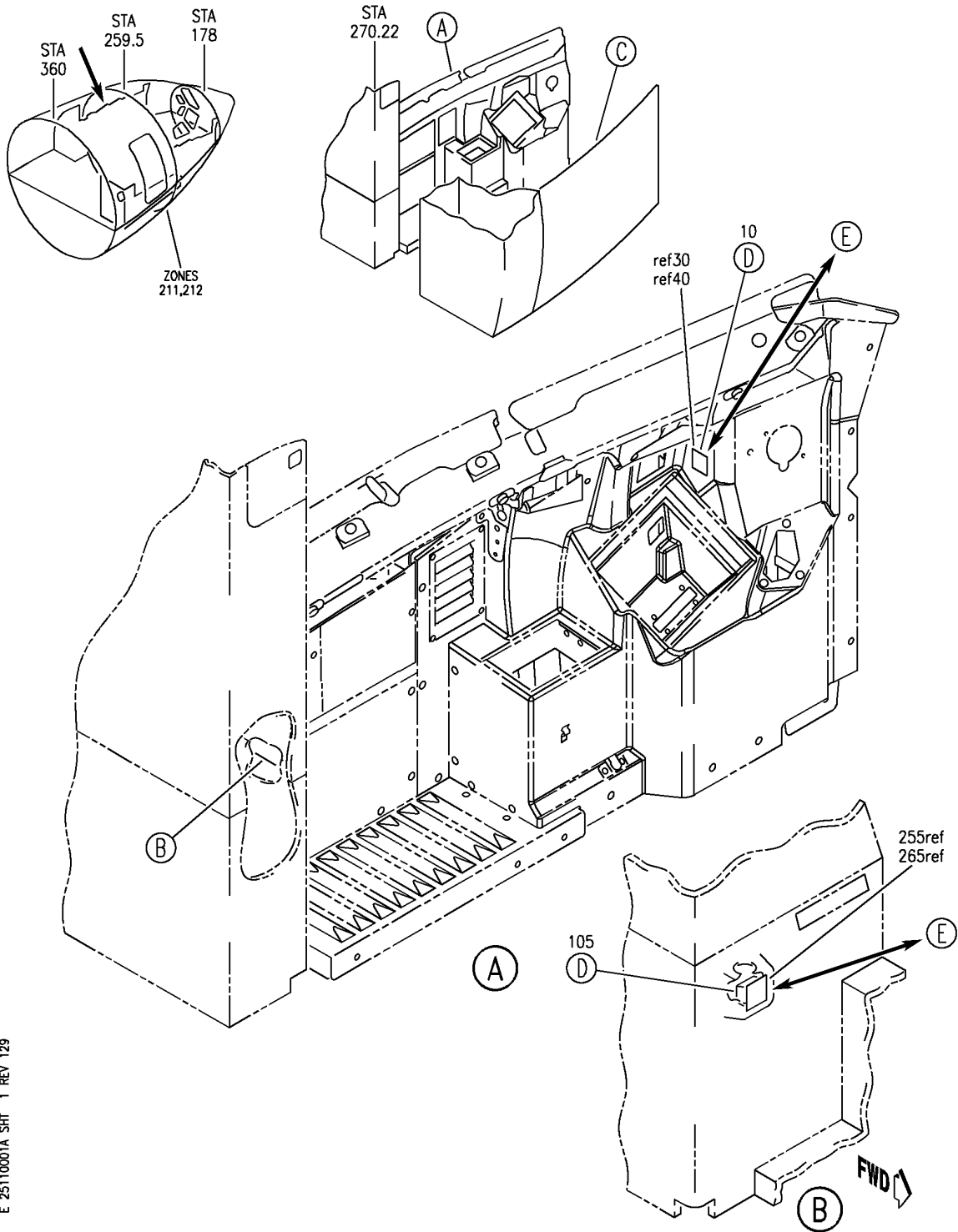
HAP

25-11-00-01

BOEING PROPRIETARY - Copyright © - Unpublished Work - See title page for details.

25-11-00
FIG. 01
PAGE 2
FEB 15/09

BOEING
 737-600/700/800/900
 PARTS CATALOG (MAINTENANCE)



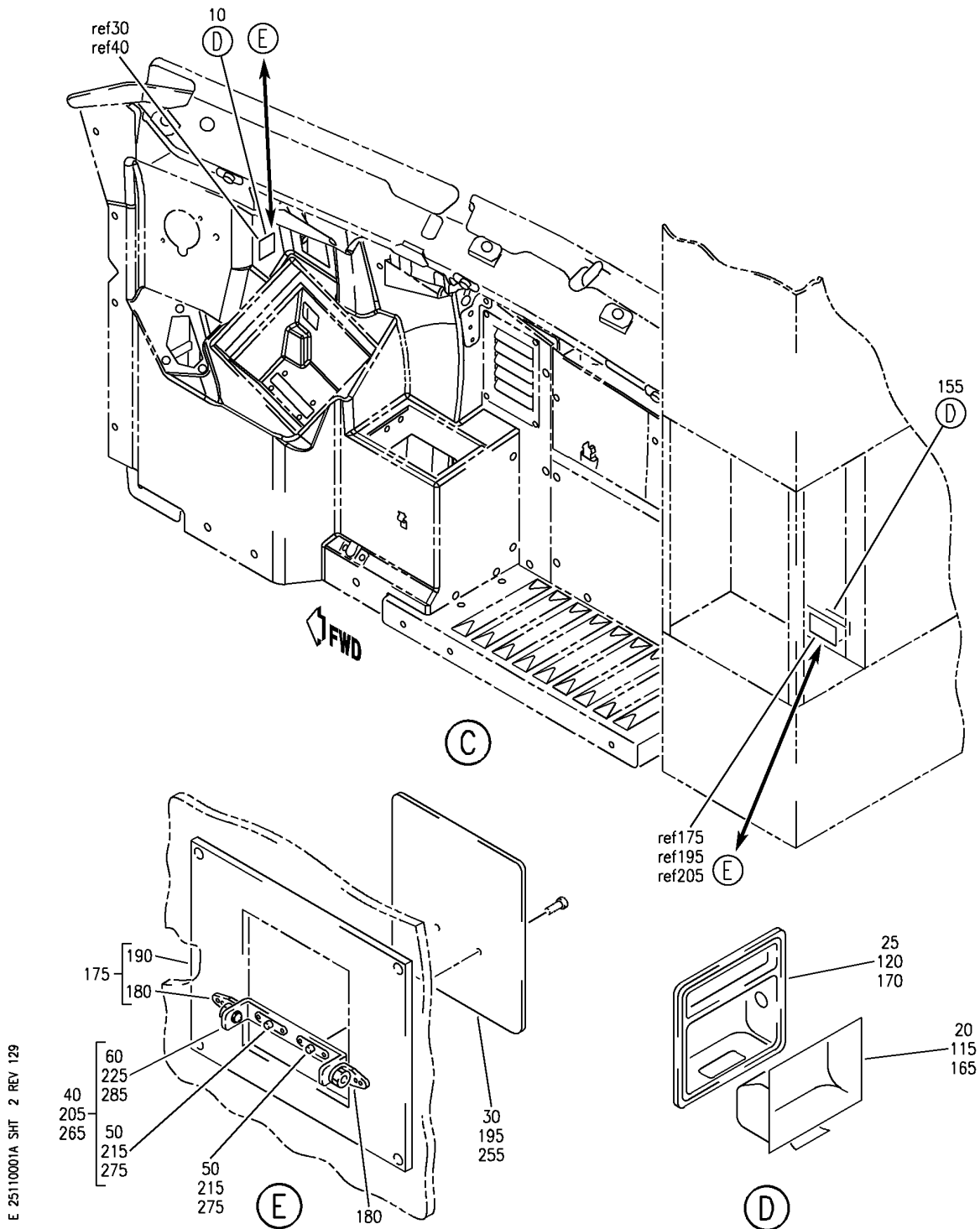
COVER AND ASHTRAY INSTL-CONT CABIN (EQUIPMENT/ FURNISHINGS ONLY)
 FIGURE 1A

HAP
 JUN 10/07

25-11-00-01A

25-11-00-01A
 PAGE 0

BOEING
 737-600/700/800/900
 PARTS CATALOG (MAINTENANCE)



E 25110001A SHT 2 REV 129

COVER AND ASHTRAY INSTL-CONT CABIN (EQUIPMENT/ FURNISHINGS ONLY)
 FIGURE 1A

25-11-00-01A

HAP
 JUN 10/07

25-11-00-01A
 PAGE 0A

BOEING
737-600/700/800/900
PARTS CATALOG (MAINTENANCE)

FIG ITEM	PART NUMBER	1 2 3 4 5 6 7	NOMENCLATURE	EFFECT FROM TO	UNITS PER ASSY
1A			COVER AND ASHTRAY INSTL- CONT CABIN (EQUIPMENT/ FURNISHINGS ONLY)	001030 201967	
- 1	232A4204-1		ASHTRAY INSTL-CAPTAIN FOR NHA SEE: 25-10-00-03	001030 201967	RF
- 5	232A4204-2		ASHTRAY INSTL-FIRST OFFICER FOR NHA SEE: 25-10-00-03	001030 201967	RF
10	RGS2425-001		.ASHTRAY ASSY- SUPPLIER CODE: VU3384	001030 201967	1
- 15	BACS12ER08K9		ATTACHING PARTS .SCREW-	001030 201967	2
20	RGS2425-101		-----*----- ..LINER- SUPPLIER CODE: VU3384	001030 201967	1
25	RGS2425-103		..BODY- SUPPLIER CODE: VU3384	001030 201967	1
- 100	232A4204-3		ASHTRAY INSTL-SECOND OBSERVER FOR NHA SEE: 25-10-00-05E	201967	RF
105	RGS2425-001		.ASHTRAY ASSY- SUPPLIER CODE: VU3384	201967	1
- 110	BACS12ER08K9		ATTACHING PARTS .SCREW	201967	2
115	RGS2425-101		-----*----- ..LINER- SUPPLIER CODE: VU3384	201967	1
120	RGS2425-103		..BODY- SUPPLIER CODE: VU3384	201967	1
- 150	232A4204-4		ASHTRAY INSTL-FIRST OBSERVER FOR NHA SEE: 25-10-00-03	001030 201967	RF
155	RGS2425-001		.ASHTRAY ASSY- SUPPLIER CODE: VU3384	001030 201967	1
- 160	BACS12ER08K9		ATTACHING PARTS .SCREW-	001030 201967	2
			-----*-----		

MISSING ITEM NUMBERS NOT APPLICABLE

- ITEM NOT ILLUSTRATED

HAP

25-11-00-01A

BOEING PROPRIETARY - Copyright © - Unpublished Work - See title page for details.

25-11-00
FIG. 01A
PAGE 1
OCT 15/08

BOEING
737-600/700/800/900
PARTS CATALOG (MAINTENANCE)

FIG ITEM	PART NUMBER	1 2 3 4 5 6 7	NOMENCLATURE	EFFECT FROM TO	UNITS PER ASSY
1A					
165	RGS2425-101	..	LINER- SUPPLIER CODE: VU3384	001030 201967	1
170	RGS2425-103	..	BODY- SUPPLIER CODE: VU3384	001030 201967	1
175	232A4255-31	.	PANEL ASSY-	001030 201967	1
180	AN256-8	..	NUTPLATE	001030 201967	2
			ATTACHING PARTS		
- 185	BACR15BA3AD	..	RIVET- SIZE DETERMINED ON INSTL. -----*-----	001030 201967	4
190	232A4255-17	..	PANEL	001030 201967	1

MISSING ITEM NUMBERS NOT APPLICABLE

- ITEM NOT ILLUSTRATED

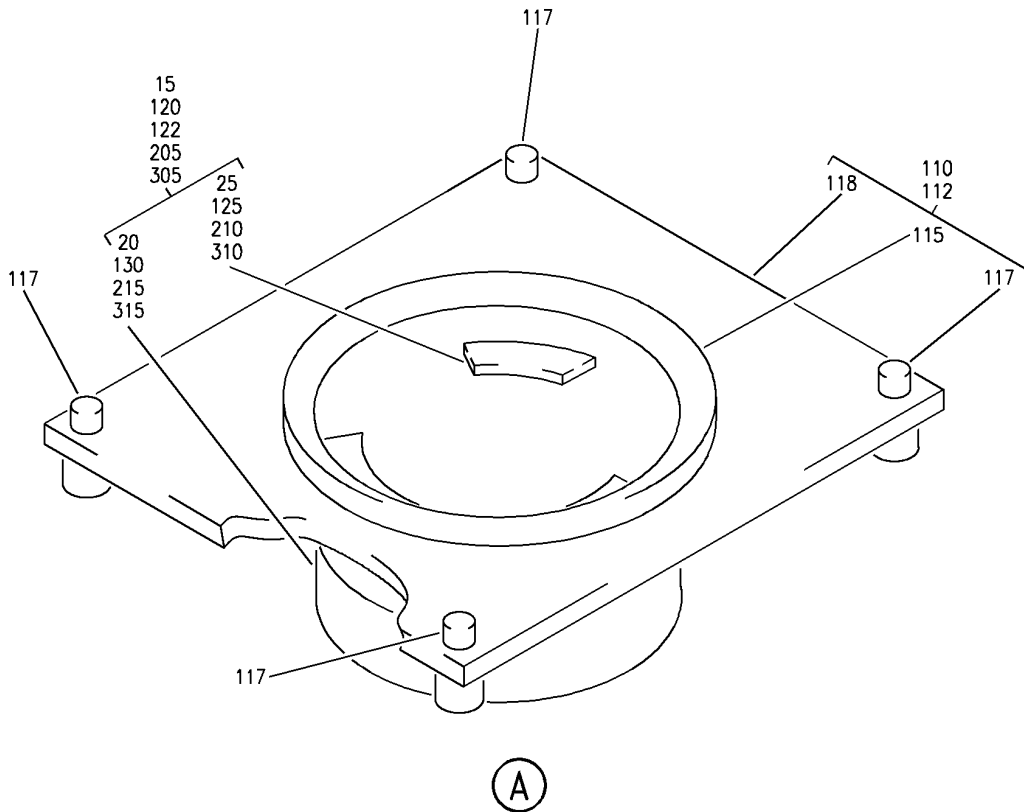
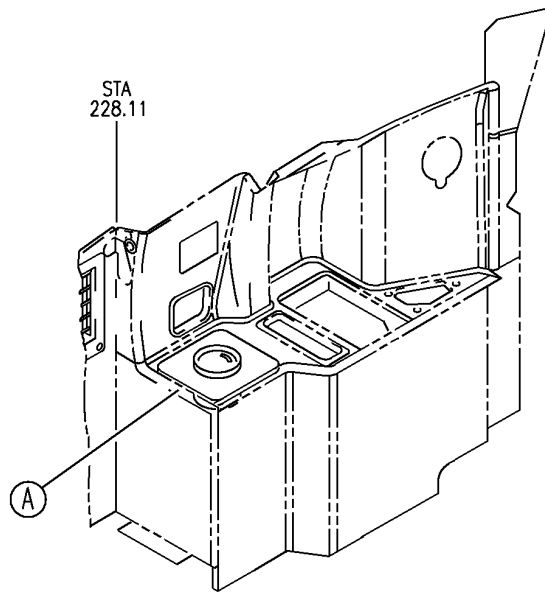
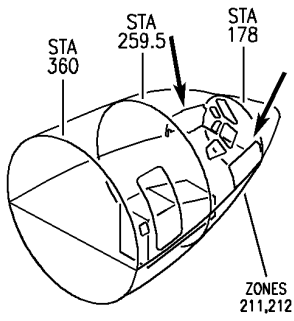
HAP

25-11-00-01A

BOEING PROPRIETARY - Copyright © - Unpublished Work - See title page for details.

25-11-00
FIG. 01A
PAGE 2
OCT 15/08

BOEING
 737-600/700/800/900
 PARTS CATALOG (MAINTENANCE)



E 25110003 REV 134

CUPHOLDER INSTL-FLIGHT DECK
 FIGURE 3

25-11-00-03

HAP
 OCT 10/07

25-11-00-03
 PAGE 0

BOEING
737-600/700/800/900
PARTS CATALOG (MAINTENANCE)

FIG ITEM	PART NUMBER	1 2 3 4 5 6 7	NOMENCLATURE	EFFECT FROM TO	UNITS PER ASSY
3			CUPHOLDER INSTL-FLIGHT DECK	031200 968999	
- 1	MODREF81939		CUPHOLDER INSTL-FLIGHT DECK MODULE NUMBER: 232A4222-1 REV A POSITION DATA: AISLESTAND, CAPT	031200 968999	1
- 5	MODREF81940		CUPHOLDER INSTL-FLIGHT DECK MODULE NUMBER: 232A4222-2 REV A POSITION DATA: AISLESTAND, FIRST OFFICER	031200 968999	1
15	232A4262-1		.CUPHOLDER ASSY	031200 968999	1
20	232A4280-5		..CUPHOLDER	031200 968999	1
25	232A4295-1		..RETAINER	031200 968999	1
- 100	MODREF81943		CUPHOLDER INSTL-FLIGHT DECK SIDE CONSOLE MODULE NUMBER: 232A4222-7 REV A POSITION DATA: CAPT SIDE	031200 968999	1
- 105	MODREF81944		CUPHOLDER INSTL-FLIGHT DECK SIDE CONSOLE MODULE NUMBER: 232A4222-8 REV A POSITION DATA: FIRST OFFICERS SIDE	031200 968999	1
110	232A4255-39		.PANEL ASSY-	031200 968999	1
110	232A4255-39		.PANEL ASSY- POSITION DATA: CAPT SIDE	049053 107200	1
112	232A4255-39		.PANEL ASSY- POSITION DATA: FIRST OFFICER SIDE	049053 107200	1
115	232A4295-3		..RING-RTNR	031200 968999	1
115	232A4295-3		..RING-RTNR	049053 107200	1

MISSING ITEM NUMBERS NOT APPLICABLE

- ITEM NOT ILLUSTRATED

HAP

25-11-00-03

25-11-00
FIG. 03
PAGE 1
FEB 15/09

BOEING
737-600/700/800/900
PARTS CATALOG (MAINTENANCE)

FIG ITEM	PART NUMBER	1 2 3 4 5 6 7	NOMENCLATURE	EFFECT FROM TO	UNITS PER ASSY
3					
117	PFSC35-38AZBB	..	STUD ASSY SUPPLIER CODE: V72794 SPECIFICATION NUMBER: BACS21DX1 OPTIONAL PART: PFSC35-38ACBB V72794	031200 968999	4
117	PFSC35-38AZBB	..	STUD ASSY SUPPLIER CODE: V72794 SPECIFICATION NUMBER: BACS21DX1 OPTIONAL PART: PFSC35-38ACBB V72794	049053 107200	4
118	232A4255-40	..	FILLER PANEL	031200 968999	1
118	232A4255-40	..	FILLER PANEL	049053 107200	1
120	232A4262-1	.	CUPHOLDER ASSY	031200 968999	1
120	232A4262-1	.	CUPHOLDER ASSY- POSITION DATA: CAPT SIDE	049053 107200	1
122	232A4262-1	.	CUPHOLDER ASSY- POSITION DATA: FIRST OFFICER SIDE	049053 107200	1
125	232A4295-2	..	RETAINER-	031200 968999	1
125	232A4295-2	..	RETAINER	049053 107200	1
130	232A4280-5	..	CUPHOLDER	031200 968999	1
130	232A4280-5	..	CUPHOLDER	049053 107200	1
- 200	MODREF81941		CUPHOLDER INSTL-FLIGHT DECK MODULE NUMBER: 232A4222-5 REV A POSITION DATA: FIRST OBSERVER	031200 968999	1
205	232A4262-1	.	CUPHOLDER ASSY	031200 968999	1
210	232A4295-2	..	RETAINER-	031200 968999	1
215	232A4280-5	..	CUPHOLDER	031200 968999	1

MISSING ITEM NUMBERS NOT APPLICABLE

- ITEM NOT ILLUSTRATED

HAP

25-11-00-03

25-11-00
FIG. 03
PAGE 2
FEB 15/09


BOEING
 737-600/700/800/900
PARTS CATALOG (MAINTENANCE)

FIG ITEM	PART NUMBER	1 2 3 4 5 6 7	NOMENCLATURE	EFFECT FROM TO	UNITS PER ASSY
3					
- 300	MODREF81942		CUPHOLDER INSTL-FLIGHT DECK MODULE NUMBER: 232A4222-6 REV A POSITION DATA: SECOND OBSERVER	041041 047047 049050 054100	1
305	232A4262-1		.CUPHOLDER ASSY-	041041 047047 049050 054100	1
310	232A4295-2		..RETAINER-	041041 047047 049050 054100	1
315	232A4280-5		..CUPHOLDER	041041 047047 049050 054100	1

MISSING ITEM NUMBERS NOT APPLICABLE

- ITEM NOT ILLUSTRATED

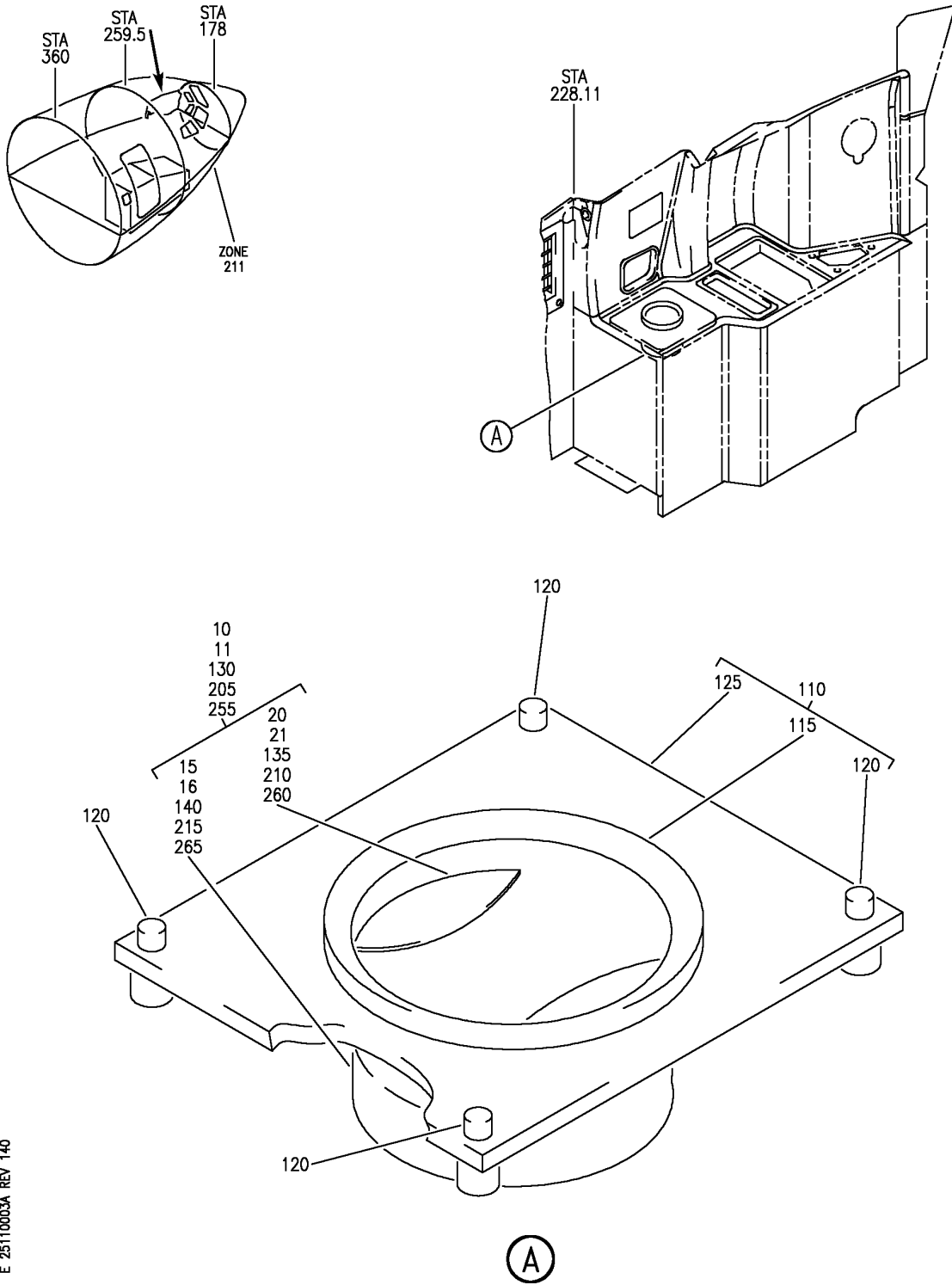
HAP

25-11-00-03

BOEING PROPRIETARY - Copyright © - Unpublished Work - See title page for details.

25-11-00
 FIG. 03
 PAGE 3
 FEB 15/09

BOEING
 737-600/700/800/900
 PARTS CATALOG (MAINTENANCE)



E 25110003A REV 140

CUPHOLDER INSTL-FLIGHT DECK
 FIGURE 3A

25-11-00-03A

HAP
 JUN 15/08

25-11-00-03A
 PAGE 0

BOEING
737-600/700/800/900
PARTS CATALOG (MAINTENANCE)

FIG ITEM	PART NUMBER	1 2 3 4 5 6 7	NOMENCLATURE	EFFECT FROM TO	UNITS PER ASSY
3A			CUPHOLDER INSTL-FLIGHT DECK	001030 201967	
- 1	232A4222-1		CUPHOLDER INSTL-FLIGHT DECK POSITION DATA: AISLESTAND, CAPT FOR NHA SEE: 25-10-00-03	001030 201967	RF
- 5	232A4222-2		CUPHOLDER INSTL-FLIGHT DECK POSITION DATA: AISLESTAND, FIRST OFFICER FOR NHA SEE: 25-10-00-03	001030 201967	RF
10	232A4262-1		.CUPHOLDER ASSY	001030 201967	1
15	232A4280-5		..CUPHOLDER	001030 201967	1
20	232A4295-1		..RETAINER	001030 201967	1
- 100	232A4222-3		CUPHOLDER INSTL-FLIGHT DECK SIDE CONSOLE POSITION DATA: CAPT SIDE FOR NHA SEE: 25-10-00-03	001011 201967	RF
- 100	232A4222-7		CUPHOLDER INSTL-FLIGHT DECK SIDE CONSOLE POSITION DATA: CAPT SIDE FOR NHA SEE: 25-10-00-03	012030	RF
- 105	232A4222-4		CUPHOLDER INSTL-FLIGHT DECK SIDE CONSOLE POSITION DATA: FIRST OFFICERS SIDE FOR NHA SEE: 25-10-00-05E	001011 201967	RF
- 105	232A4222-8		CUPHOLDER INSTL-FLIGHT DECK SIDE CONSOLE POSITION DATA: FIRST OFFICERS SIDE FOR NHA SEE: 25-10-00-05C	012030	RF
110	232A4255-24		.PANEL ASSY	001011 201967	1
110	232A4255-39		.PANEL ASSY-	012030	1
115	232A4295-3		..RING-RTNR	001030 201967	1

MISSING ITEM NUMBERS NOT APPLICABLE

- ITEM NOT ILLUSTRATED

HAP

25-11-00-03A

BOEING PROPRIETARY - Copyright © - Unpublished Work - See title page for details.

25-11-00
FIG. 03A
PAGE 1
OCT 15/08

BOEING
737-600/700/800/900
PARTS CATALOG (MAINTENANCE)

FIG ITEM	PART NUMBER	1 2 3 4 5 6 7	NOMENCLATURE	EFFECT FROM TO	UNITS PER ASSY
3A 120	PFSC35-38AZBB	..	STUD ASSY SUPPLIER CODE: V72794 SPECIFICATION NUMBER: BACS21DX1 OPTIONAL PART: PFSC35-38ACBB V72794	001030 201967	4
125	232A4255-40	..	FILLER PANEL	001030 201967	1
130	232A4262-1	.	CUPHOLDER ASSY-	001030 201967	1
135	232A4295-2	..	RETAINER	001030 201967	1
140	232A4280-5	..	CUPHOLDER	001030 201967	1
- 200	232A4222-5		CUPHOLDER INSTL-FLIGHT DECK POSITION DATA: FIRST OBSERVER FOR NHA SEE: 25-10-00-03	001030 201967	RF
205	232A4262-1	.	CUPHOLDER ASSY	001030 201967	1
210	232A4295-2	..	RETAINER	001030 201967	1
215	232A4280-5	..	CUPHOLDER	001030 201967	1
- 250	232A4222-6		CUPHOLDER INSTL-FLIGHT DECK POSITION DATA: SECOND OBSERVER FOR NHA SEE: 25-10-00-05E	201967	RF
255	232A4262-1	.	CUPHOLDER ASSY-	201967	1
260	232A4295-2	..	RETAINER	201967	1
265	232A4280-5	..	CUPHOLDER	201967	1

MISSING ITEM NUMBERS NOT APPLICABLE

- ITEM NOT ILLUSTRATED

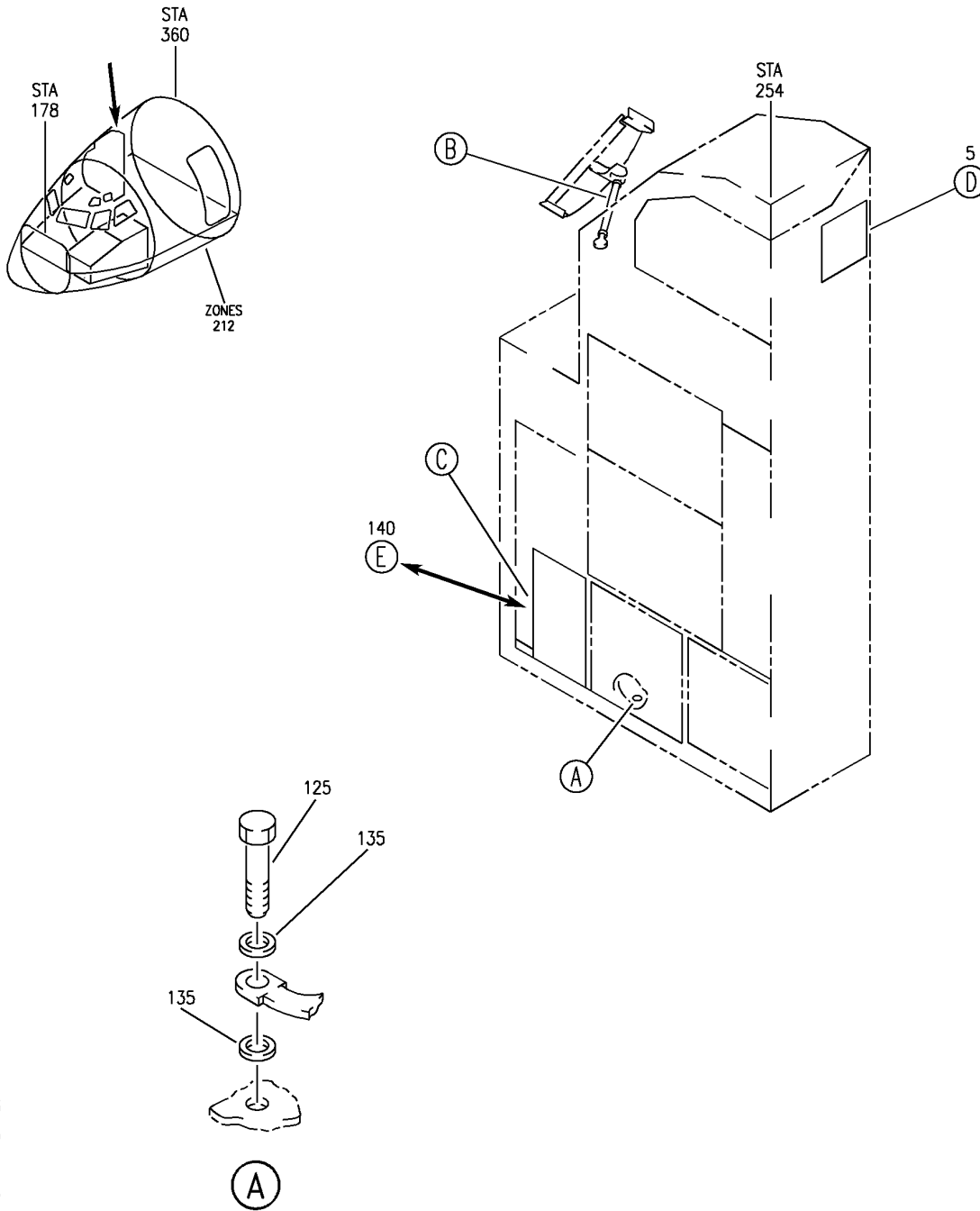
HAP

25-11-00-03A

BOEING PROPRIETARY - Copyright © - Unpublished Work - See title page for details.

25-11-00
FIG. 03A
PAGE 2
OCT 15/08

BOEING
 737-600/700/800/900
 PARTS CATALOG (MAINTENANCE)



E 25110004 SH1 1 REV 126

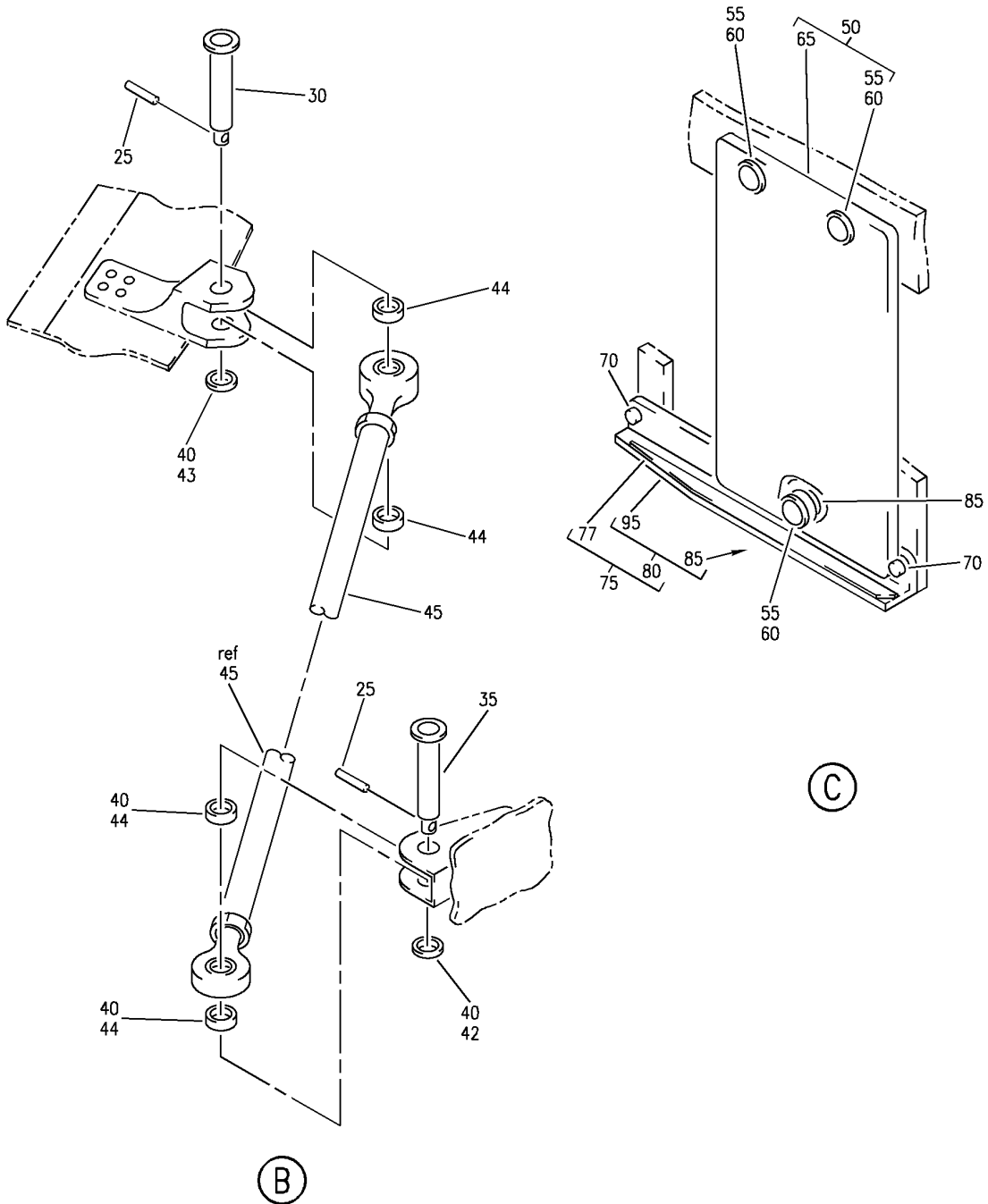
PANEL INSTL-P6 CIRCUIT BREAKER
 FIGURE 4 (SHEET 1)

25-11-00-04

HAP
 FEB 10/07

25-11-00-04
 PAGE 0

BOEING
 737-600/700/800/900
 PARTS CATALOG (MAINTENANCE)



E 25110004 SHT 2 REV 126

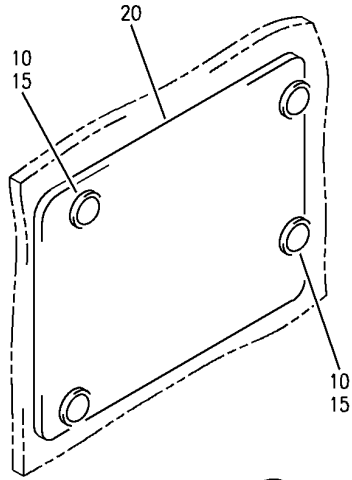
PANEL INSTL-P6 CIRCUIT BREAKER
 FIGURE 4 (SHEET 2)

25-11-00-04

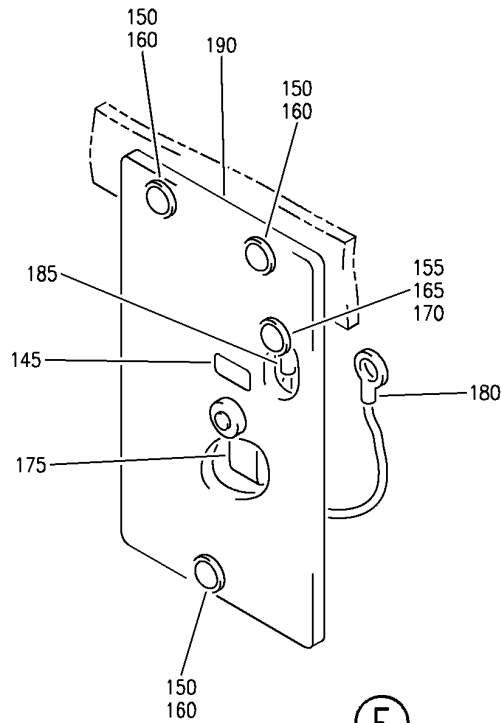
HAP
 FEB 10/07

25-11-00-04
 PAGE 0A

BOEING
 737-600/700/800/900
 PARTS CATALOG (MAINTENANCE)



(D)



(E)

E 25110004 SHT 3 REV 126

PANEL INSTL-P6 CIRCUIT BREAKER
 FIGURE 4 (SHEET 3)

25-11-00-04

HAP
 FEB 10/07

25-11-00-04
 PAGE 0B

 **BOEING**
737-600/700/800/900
PARTS CATALOG (MAINTENANCE)

FIG ITEM	PART NUMBER	1 2 3 4 5 6 7	NOMENCLATURE	EFFECT FROM TO	UNITS PER ASSY
4			PANEL INSTL-P6 CIRCUIT BREAKER	001030 201967	
- 1	233A5101-5		PANEL INSTL-P6 CB FOR NHA SEE: 25-10-00-05C	001004 006007	RF
- 1	233A5101-8		PANEL INSTL-P6 CB FOR NHA SEE: 25-10-00-05B 25-10-00-05C	005005 008009 201967	RF
- 1	233A5101-9		PANEL INSTL-P6 CB FOR NHA SEE: 25-10-00-05C	010030	RF
5	233A5105-7		.COVER ASSY-	001004 006007	1
5	233A5105-10		.COVER ASSY	005005 008030 201967	1
10	BACS21EE4R		..STUD ASSY	001004 006007	4
10	BACS21EE3R		..STUD	005005 008030 201967	4
15	1127723		..WASHER SUPPLIER CODE: V60119 SPECIFICATION NUMBER: BACW10X2S OPTIONAL PART: 2600SW2 V71286	001004 006007	4
15	1127700		..WASHER SUPPLIER CODE: V60119 SPECIFICATION NUMBER: BACW10X4 OPTIONAL PART: 2600LW V71286	005005 008030 201967	4
20	233A5105-8		..COVER-	001030 201967	1
25	BACP18BC02C06P		.PIN	001030 201967	2
30	MS20392-2C25		.PIN	001030 201967	1
35	MS20392-2C27		.PIN	001030 201967	1
40	NAS1149D0363J		.WASHER	001030 201967	4

MISSING ITEM NUMBERS NOT APPLICABLE

- ITEM NOT ILLUSTRATED

HAP

25-11-00-04

BOEING PROPRIETARY - Copyright © - Unpublished Work - See title page for details.

25-11-00
FIG. 04
PAGE 1
OCT 15/08

BOEING
737-600/700/800/900
PARTS CATALOG (MAINTENANCE)

FIG ITEM	PART NUMBER	1 2 3 4 5 6 7	NOMENCLATURE	EFFECT FROM TO	UNITS PER ASSY
4					
45	BACR24N1B117	.	ROD ASSY	001030 201967	1
50	233A5105-9	.	COVER ASSY	001009 201967	1
50	233A5105-11	.	COVER ASSY	010030	1
55	BACS21EE3RB	..	STUD	001030 201967	3
60	1127700	..	WASHER SUPPLIER CODE: V60119 SPECIFICATION NUMBER: BACW10X4 OPTIONAL PART: 2600LW V71286	001030 201967	3
65	233A5105-2	..	COVER	001030 201967	1
70	BACS12FA3K6BK	.	SCREW	001030 201967	2
75	233A5102-1	.	SUPPORT ASSY	001030 201967	1
77	233A5108-1	..	CUSHION	001030 201967	1
80	233A5106-1	..	BRACKET ASSY	001030 201967	1
85	BACR11AW2K	...	RECEPTACLE	001030 201967	1
			ATTACHING PARTS		
- 90	BACR15BA3ADC	...	RIVET- SIZE DETERMINED ON INSTL. -----*-----	001030 201967	2
95	233A5106-2	...	BRACKET	001030 201967	1
125	BACS12HN5-10	.	SCREW	001030 201967	1
135	NAS1149D0516H	.	WASHER	001030 201967	2

MISSING ITEM NUMBERS NOT APPLICABLE

- ITEM NOT ILLUSTRATED

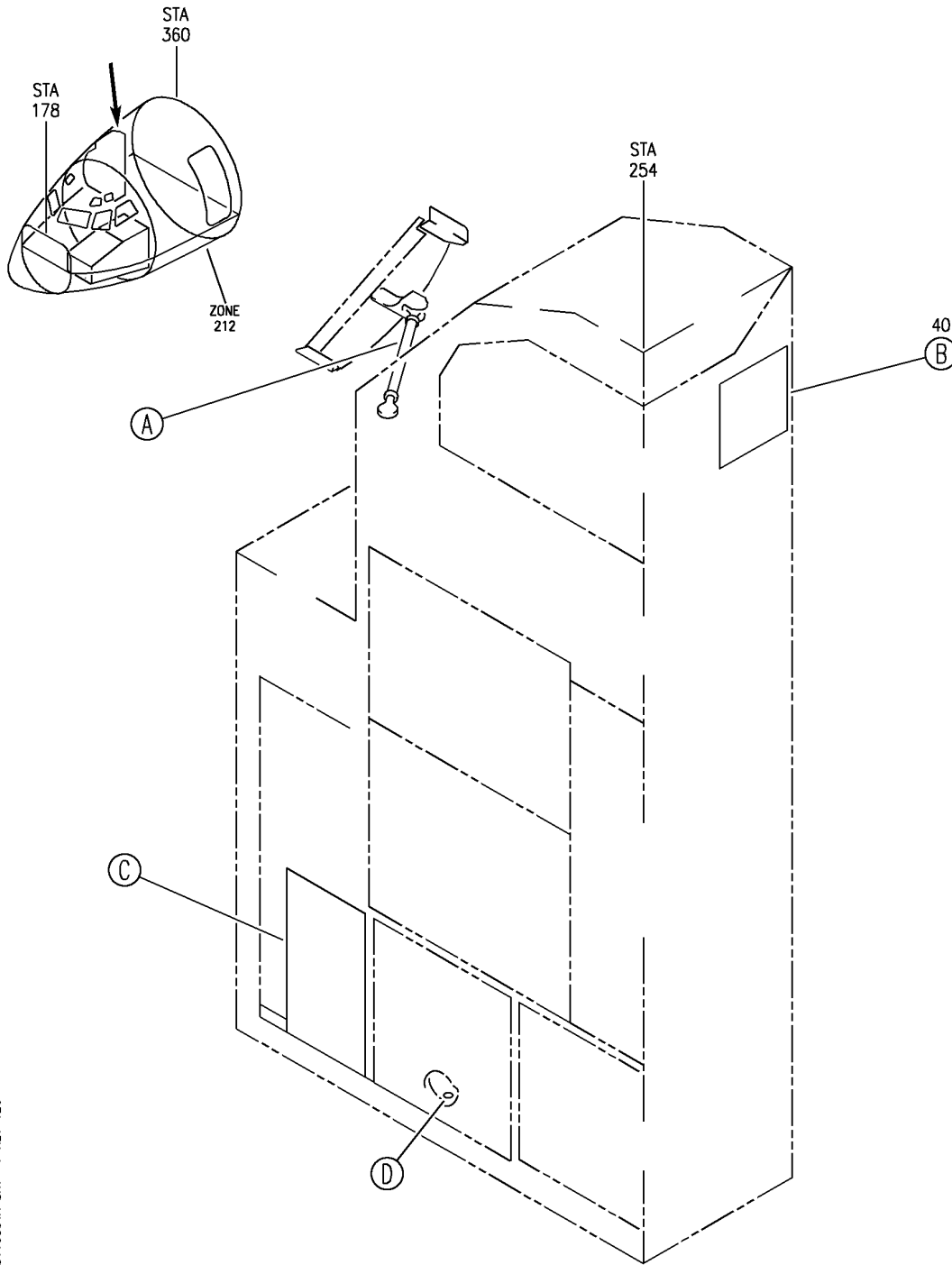
HAP

25-11-00-04

BOEING PROPRIETARY - Copyright © - Unpublished Work - See title page for details.

25-11-00
FIG. 04
PAGE 2
OCT 15/08

BOEING
737-600/700/800/900
PARTS CATALOG (MAINTENANCE)



E 25110004A SHT 1 REV 126

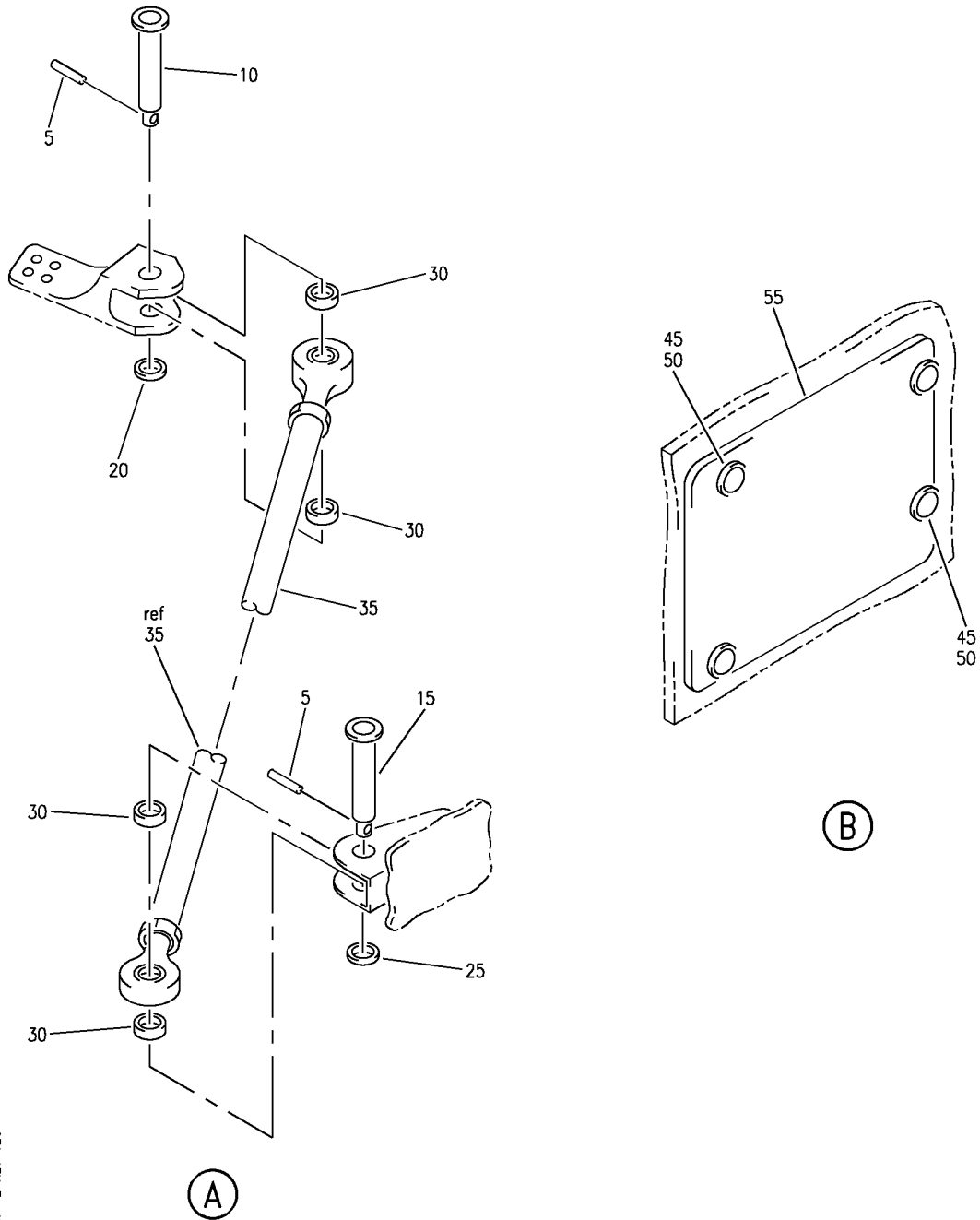
PANEL INSTL-P6 CIRCUIT BREAKER
FIGURE 4A (SHEET 1)

25-11-00-04A

HAP
FEB 10/07

25-11-00-04A
PAGE 0

BOEING
 737-600/700/800/900
 PARTS CATALOG (MAINTENANCE)



E 25110004A SHT 2 REV 126

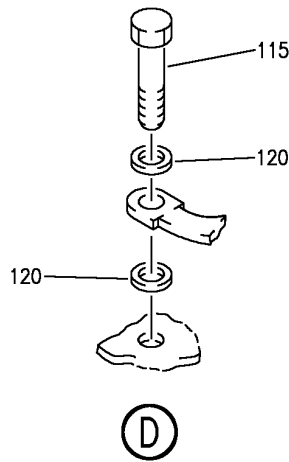
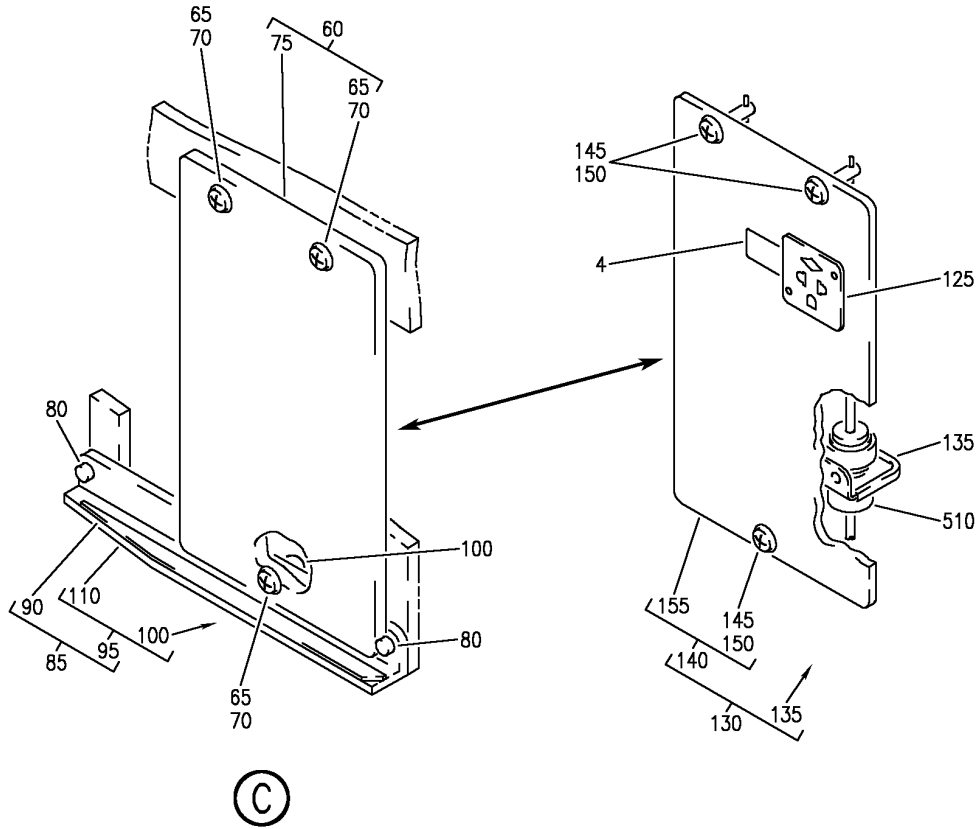
PANEL INSTL-P6 CIRCUIT BREAKER
 FIGURE 4A (SHEET 2)

25-11-00-04A

HAP
 FEB 10/07

25-11-00-04A
 PAGE 0A

BOEING
 737-600/700/800/900
 PARTS CATALOG (MAINTENANCE)



E 25110004A SHT 3 REV 146

PANEL INSTL-P6 CIRCUIT BREAKER
 FIGURE 4A (SHEET 3)

25-11-00-04A

HAP
 OCT 15/08

25-11-00-04A
 PAGE 0B

BOEING
737-600/700/800/900
PARTS CATALOG (MAINTENANCE)

FIG ITEM	PART NUMBER	1 2 3 4 5 6 7	NOMENCLATURE	EFFECT FROM TO	UNITS PER ASSY
4 A			PANEL INSTL-P6 CIRCUIT BREAKER	031037 039041 054104 968972	
- 1	MODREF82497		PANEL INSTL-P6 CB MODULE NUMBER: 233A5101-10 REV A	031036	1
- 1	MODREF323427		PANEL INSTL-P6 CB MODULE NUMBER: 233A5101-10 REV C	037037 039041 101101 968971	1
- 1	MODREF346399		PANEL INSTL-P6 CB MODULE NUMBER: 233A5101-10 REV D	054100 102104 972972	1
4	BAC27DCC3476		.MARKER- PLACARD CONTENT: PC ONLY 110V AC 60 HZ POST SERVICE BULLETIN: 24-1180	037037 039040	1
5	BACP18BC02C06P		.PIN	031037 039041 054104 968972	2
10	BACP18BD2C31		.PIN	031037 039041 054104 968972	1
15	BACP18BD2C29		.PIN	031037 039041 054104 968972	1
20	NAS1149D0363J		.WASHER	031037 039041 054104 968972	1
25	NAS1149D0316J		.WASHER	031037 039041 054104 968972	1
30	NAS43HT3-6		.SPACER	031037 039041 054104 968972	4
35	BACR24N1B117		.ROD ASSY	031037 039041 054104 968972	1

MISSING ITEM NUMBERS NOT APPLICABLE

- ITEM NOT ILLUSTRATED

HAP

25-11-00-04A

BOEING PROPRIETARY - Copyright © - Unpublished Work - See title page for details.

25-11-00
FIG. 04A
PAGE 1
FEB 15/09

BOEING
737-600/700/800/900
PARTS CATALOG (MAINTENANCE)

FIG ITEM	PART NUMBER	1 2 3 4 5 6 7	NOMENCLATURE	EFFECT FROM TO	UNITS PER ASSY
4 A					
40	233A5105-10	.	COVER ASSY	031037 039041 054104 968972	1
45	BACS21EE3R	..	STUD	031037 039041 054104 968972	4
50	1127700	..	WASHER SUPPLIER CODE: V60119 SPECIFICATION NUMBER: BACW10X4 OPTIONAL PART: 2600LW V71286	031037 039041 054104 968972	4
55	233A5105-8	..	COVER	031037 039041 054104 968972	1
60	233A5105-11	.	COVER ASSY- PRE SERVICE BULLETIN: 24-1180	031037 039041 054104 968972	1
65	BACS21EE3RB	..	STUD	031037 039041 054104 968972	3
70	1127700	..	WASHER SUPPLIER CODE: V60119 SPECIFICATION NUMBER: BACW10X4 OPTIONAL PART: 2600LW V71286	031037 039041 054104 968972	3
75	233A5105-2	..	COVER	031037 039041 054104 968972	1
80	BACS12FA3K6BK	.	SCREW	031037 039041 054104 968972	2
85	233A5102-1	.	SUPPORT ASSY	031037 039041 054104 968972	1

MISSING ITEM NUMBERS NOT APPLICABLE

— ITEM NOT ILLUSTRATED

HAP

25-11-00-04A

BOEING PROPRIETARY - Copyright © - Unpublished Work - See title page for details.

25-11-00
FIG. 04A
PAGE 2
FEB 15/09

BOEING
737-600/700/800/900
PARTS CATALOG (MAINTENANCE)

FIG ITEM	PART NUMBER	1 2 3 4 5 6 7	NOMENCLATURE	EFFECT FROM TO	UNITS PER ASSY
4 A					
90	233A5108-1	..	CUSHION	031037 039041 054104 968972	1
95	233A5106-1	..	BRACKET ASSY	031037 039041 054104 968972	1
100	BACR11AW2K	...	RECEPTACLE	031037 039041 054104 968972	1
- 105	BACR15BA3ADC	...	ATTACHING PARTS RIVET- SIZE DETERMINED ON INSTL.	031037 039041 054104 968972	2
			-----*-----		
110	233A5106-2	...	BRACKET	031037 039041 054104 968972	1
115	NAS1801-5-10	.	SCREW	031037 039041 054104 968972	1
120	NAS1149D0516H	.	WASHER	031037 039041 054104 968972	2
125	1235-4-5	.	OUTLET- IN-SEAT POWER SUPPLY SUPPLIER CODE: V3E2Y8 ELECTRICAL EQUIP NUMBER: M02621 POST SERVICE BULLETIN: 24-1180	037037 039040	1
130	233A5105-16	.	COVER ASSY- POST SERVICE BULLETIN: 24-1180	037037 039040	1
135	BACG20ZA000485	..	GROMMET	037037 039040	1
140	233A5105-17	..	COVER ASSY	037037 039040	1
145	BACS21EE3RB	...	STUD	037037 039040	3

MISSING ITEM NUMBERS NOT APPLICABLE

- ITEM NOT ILLUSTRATED

HAP

25-11-00-04A

BOEING PROPRIETARY - Copyright © - Unpublished Work - See title page for details.

25-11-00
FIG. 04A
PAGE 3
FEB 15/09

BOEING
737-600/700/800/900
PARTS CATALOG (MAINTENANCE)

FIG ITEM	PART NUMBER	1 2 3 4 5 6 7	NOMENCLATURE	EFFECT FROM TO	UNITS PER ASSY
4 A 150	1127723		...WASHER SUPPLIER CODE: V60119 SPECIFICATION NUMBER: BACW10X2S OPTIONAL PART: 2600SW2 V71286	037037 039040	3
155	233A5105-18		...PLATE	037037 039040	1
- 500	286A6182-0AA		WIRE BUNDLE ASSY- POST SERVICE BULLETIN: 24-1180	037037 039040	RF
- 505	826A6182-00103		.ID TAPE-CONN. POST SERVICE BULLETIN: 24-1180	037037 039040	1
510	D38999-24MB35SN		.CONNECTOR- SUPPLIER CODE: V96906 ELECTRICAL EQUIP NUMBER: D14010 POST SERVICE BULLETIN: 24-1180	037037 039040	1

MISSING ITEM NUMBERS NOT APPLICABLE

- ITEM NOT ILLUSTRATED

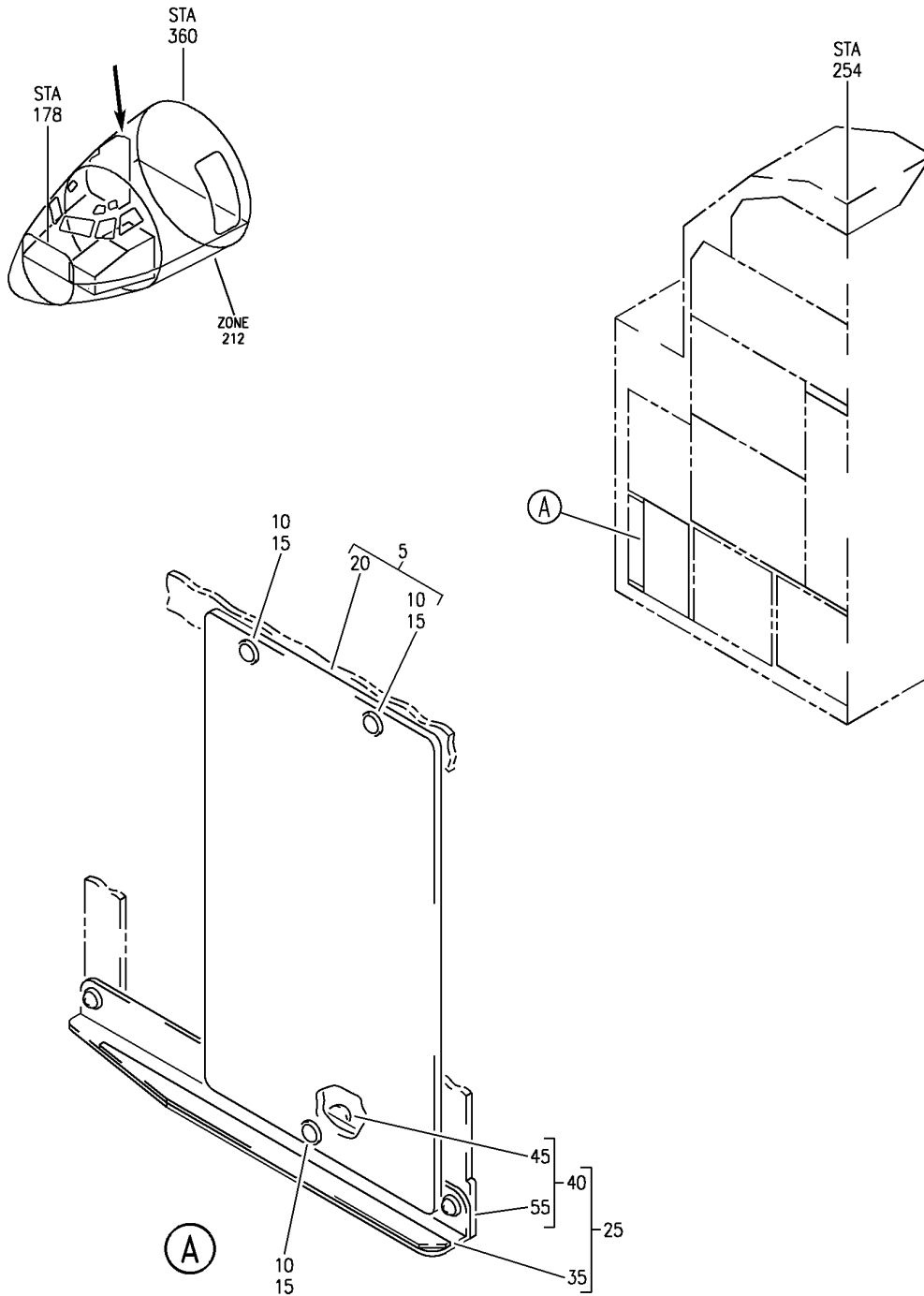
HAP

25-11-00-04A

BOEING PROPRIETARY - Copyright © - Unpublished Work - See title page for details.

25-11-00
FIG. 04A
PAGE 4
OCT 15/08

BOEING
 737-600/700/800/900
 PARTS CATALOG (MAINTENANCE)



E 25110004C REV 135

PANEL INSTL-P6 CIRCUIT BREAKER
 FIGURE 4C

25-11-00-04C

HAP
 FEB 15/08

25-11-00-04C
 PAGE 0

BOEING
737-600/700/800/900
PARTS CATALOG (MAINTENANCE)

FIG ITEM	PART NUMBER	1 2 3 4 5 6 7	NOMENCLATURE	EFFECT FROM TO	UNITS PER ASSY
4C			PANEL INSTL-P6 CIRCUIT BREAKER	047050 105200 973999	
- 1	MODREF348819		PANEL INSTL-P6 CB MODULE NUMBER: 233A5101-20 REV A	047050 105200 973999	1
5	233A5105-11		.COVER ASSY	047050 105200 973999	1
10	BACS21EE3RB		..STUD	047050 105200 973999	3
15	1127700		..WASHER SUPPLIER CODE: V60119 SPECIFICATION NUMBER: BACW10X4 OPTIONAL PART: 2600LW V71286	047050 105200 973999	3
20	233A5105-2		..COVER	047050 105200 973999	1
25	233A5102-1		.SUPPORT ASSY	047050 105200 973999	1
- 30	BACS12FA3K6BK		ATTACHING PARTS .SCREW	047050 105200 973999	2
35	233A5108-1		-----*----- ..CUSHION	047050 105200 973999	1
40	233A5106-1		..BRACKET ASSY	047050 105200 973999	1
45	BACR11AW2K		...RECEPTACLE	047050 105200 973999	1
- 50	BACR15BA3ADC		ATTACHING PARTS ...RIVET- SIZE DETERMINED ON INSTL.	047050 105200 973999	2
55	233A5106-2		-----*----- ...BRACKET	047050 105200 973999	1

MISSING ITEM NUMBERS NOT APPLICABLE

- ITEM NOT ILLUSTRATED

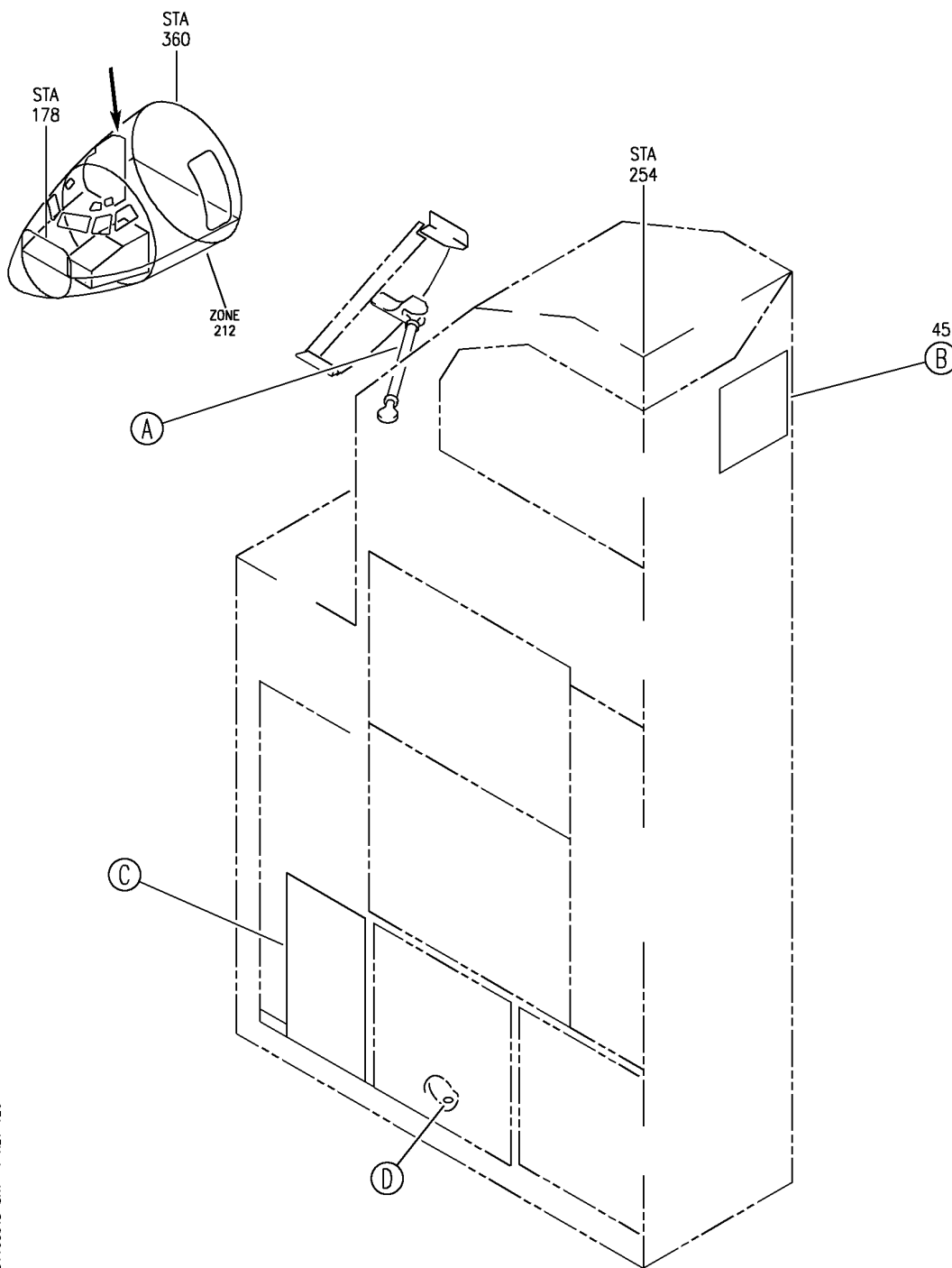
HAP

25-11-00-04C

BOEING PROPRIETARY - Copyright © - Unpublished Work - See title page for details.

25-11-00
FIG. 04C
PAGE 1
OCT 15/08

BOEING
737-600/700/800/900
PARTS CATALOG (MAINTENANCE)



E 25110004D SHT 1 REV 126

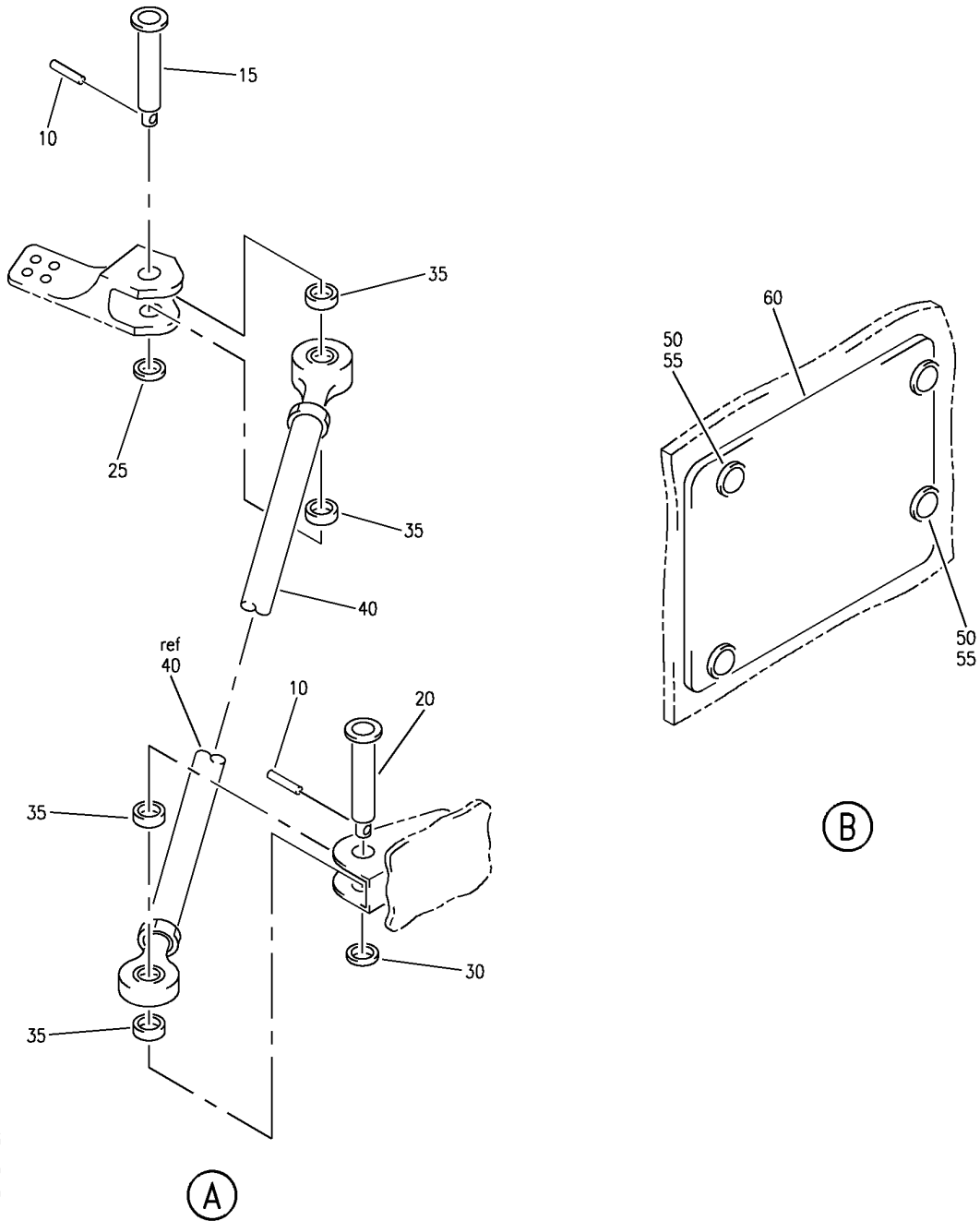
PANEL INSTL-P6 CIRCUIT BREAKER
FIGURE 4D (SHEET 1)

25-11-00-04D

HAP
FEB 10/07

25-11-00-04D
PAGE 0

BOEING
 737-600/700/800/900
 PARTS CATALOG (MAINTENANCE)



E 25110004D SHT 2 REV 126

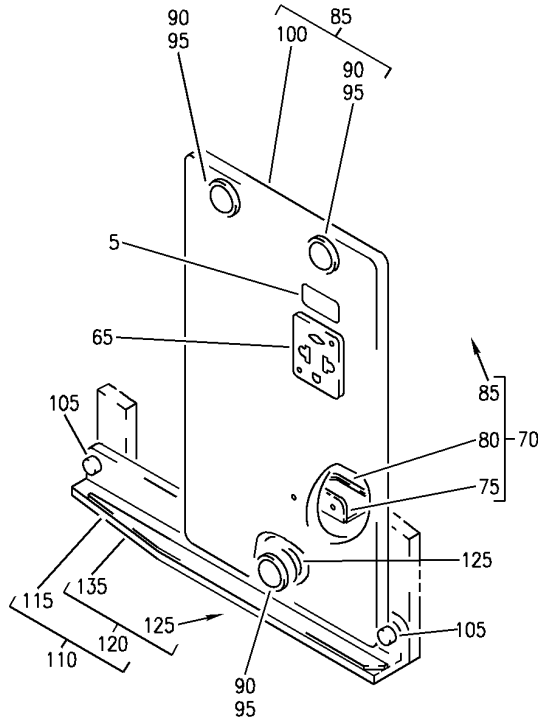
PANEL INSTL-P6 CIRCUIT BREAKER
 FIGURE 4D (SHEET 2)

25-11-00-04D

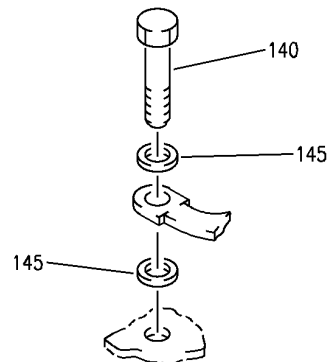
HAP
 FEB 10/07

25-11-00-04D
 PAGE 0A

BOEING
 737-600/700/800/900
 PARTS CATALOG (MAINTENANCE)



(C)



(D)

E 25110004D SHT 3 REV 126

PANEL INSTL-P6 CIRCUIT BREAKER
 FIGURE 4D (SHEET 3)

25-11-00-04D

HAP
 FEB 10/07

25-11-00-04D
 PAGE 0B

BOEING
737-600/700/800/900
PARTS CATALOG (MAINTENANCE)

FIG ITEM	PART NUMBER	1 2 3 4 5 6 7	NOMENCLATURE	EFFECT FROM TO	UNITS PER ASSY
R R R - R R R R R R R R R R R R R R R R R R	4D		PANEL INSTL-P6 CIRCUIT BREAKER	038038 042046 051051	
	1	MODREF316732	PANEL INSTL-P6 CB MODULE NUMBER: 233A5101-15 REV A	038038	1
	1	MODREF337758	PANEL INSTL-P6 CB MODULE NUMBER: 233A5101-15 REV B	042046 051051	1
	5	BAC27DCC3476	.MARKER- PLACARD CONTENT: PC ONLY 110V AC 60 HZ	038038 042046 051051	1
	10	BACP18BC02C06P	.PIN	038038 042046 051051	2
	15	BACP18BD2C31	.PIN	038038 042046 051051	1
	20	BACP18BD2C29	.PIN	038038 042046 051051	1
	25	NAS1149D0363J	.WASHER	038038 042046 051051	1
	30	NAS1149D0316J	.WASHER	038038 042046 051051	1
	35	NAS43HT3-6	.SPACER	038038 042046 051051	4
	40	BACR24N1B117	.ROD ASSY	038038 042046 051051	1
	45	233A5105-10	.COVER ASSY	042046 051051	1
	50	BACS21EE3R	..STUD	042046 051051	4
	55	1127700	..WASHER SUPPLIER CODE: V60119 SPECIFICATION NUMBER: BACW10X4 OPTIONAL PART: 2600LW V71286	042046 051051	4
	60	233A5105-8	..COVER	042046 051051	1

MISSING ITEM NUMBERS NOT APPLICABLE

- ITEM NOT ILLUSTRATED

HAP

25-11-00-04D

BOEING PROPRIETARY - Copyright © - Unpublished Work - See title page for details.

25-11-00
FIG. 04D
PAGE 1
JUN 15/09

BOEING
737-600/700/800/900
PARTS CATALOG (MAINTENANCE)

FIG ITEM	PART NUMBER	1 2 3 4 5 6 7	NOMENCLATURE	EFFECT FROM TO	UNITS PER ASSY
4D					
R	65	1235-4-5	.OUTLET- IN-SEAT POWER SUPPLY SUPPLIER CODE: V3E2Y8	038038 042046 051051	1
R	70	233A5105-16	.COVER ASSY	038038 042046 051051	1
R	75	233A5306-150	..BRACKET ASSY	038038 042046 051051	1
R	80	BACG20ZA000485	..GROMMET	038038 042046 051051	1
R	85	233A5105-17	..COVER ASSY	038038 042046 051051	1
R	90	BACS21EE3RB	...STUD	038038 042046 051051	3
R	95	1127723	...WASHER SUPPLIER CODE: V60119 SPECIFICATION NUMBER: BACW10X2S OPTIONAL PART: 2600SW2 V71286	038038 042046 051051	3
R	100	233A5105-18	...PLATE	038038 042046 051051	1
R	105	BACS12FA3K6BK	.SCREW	038038 042046 051051	2
R	110	233A5102-1	.SUPPORT ASSY	038038 042046 051051	1
R	115	233A5108-1	..CUSHION	038038 042046 051051	1
R	120	233A5106-1	..BRACKET ASSY	038038 042046 051051	1
R	125	BACR11AW2K	...RECEPTACLE	038038 042046 051051	1

MISSING ITEM NUMBERS NOT APPLICABLE

— ITEM NOT ILLUSTRATED

HAP

25-11-00-04D

BOEING PROPRIETARY - Copyright © - Unpublished Work - See title page for details.

25-11-00
FIG. 04D
PAGE 2
JUN 15/09

BOEING
737-600/700/800/900
PARTS CATALOG (MAINTENANCE)

FIG ITEM	PART NUMBER	1 2 3 4 5 6 7	NOMENCLATURE	EFFECT FROM TO	UNITS PER ASSY
4D			ATTACHING PARTS		
R - 130	BACR15BA3ADC	...	RIVET- SIZE DETERMINED ON INSTL.	038038 042046 051051	2
R			-----*-----		
R	135	233A5106-2	...BRACKET	038038 042046 051051	1
R					
R	140	BACS12HN5-10	.SCREW	038038 042046 051051	1
R					
R	145	NAS1149D0516H	.WASHER	038038 042046 051051	2
R					
R - 150	BACS12GU3K6		.SCREW	038038 042046 051051	1
R					
R - 155	NAS1149D332J		.WASHER	038038 042046 051051	1
R					
R - 160	BACC10DK4		.CLAMP	038038 042046 051051	1
R					

MISSING ITEM NUMBERS NOT APPLICABLE

- ITEM NOT ILLUSTRATED

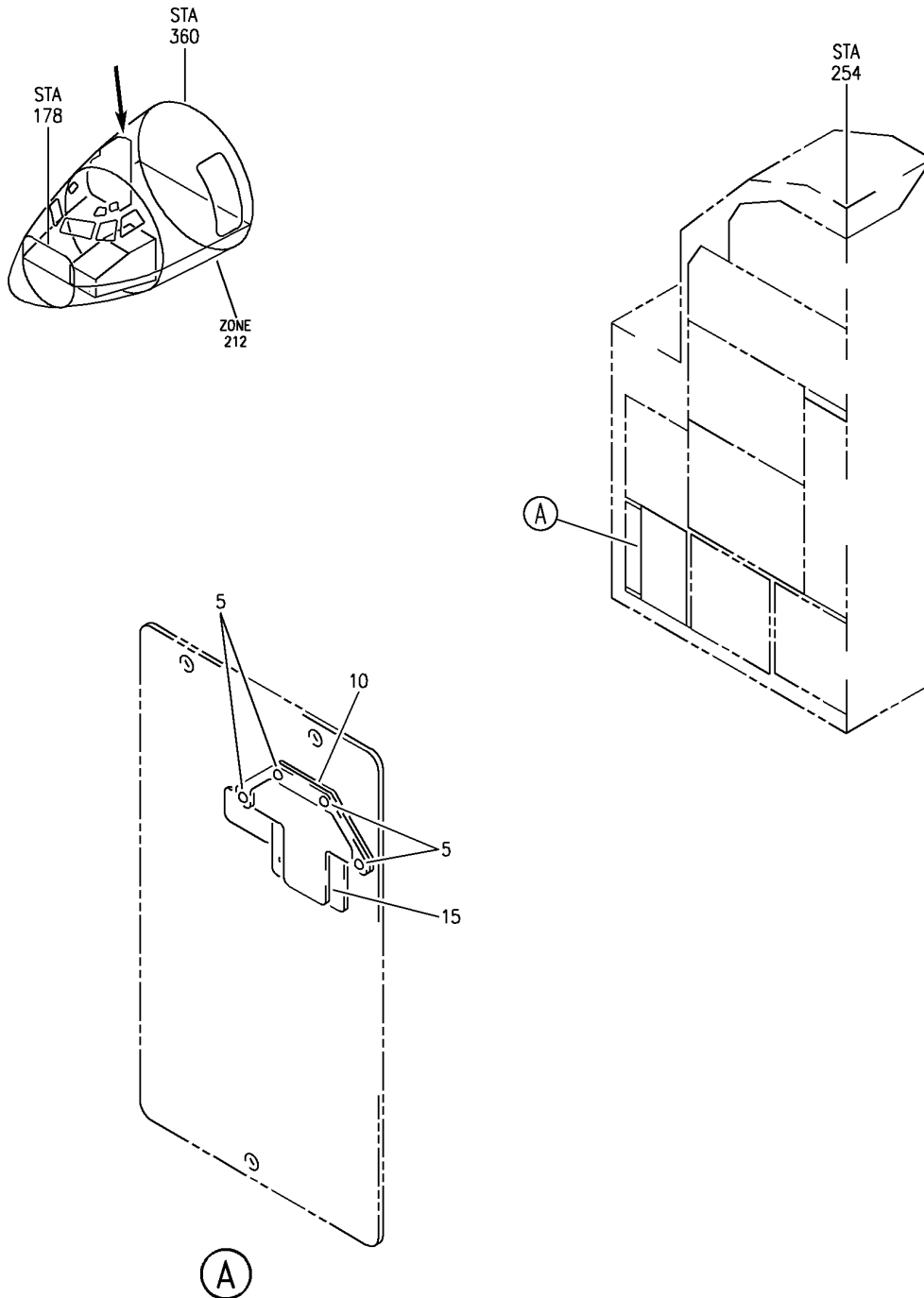
HAP

25-11-00-04D

BOEING PROPRIETARY - Copyright © - Unpublished Work - See title page for details.

25-11-00
FIG. 04D
PAGE 3
JUN 15/09

BOEING
737-600/700/800/900
PARTS CATALOG (MAINTENANCE)



E 25110004E REV 130

PANEL INSTL-P6 CIRCUIT BREAKER
FIGURE 4E

25-11-00-04E

HAP
JUN 10/07

25-11-00-04E
PAGE 0

BOEING
737-600/700/800/900
PARTS CATALOG (MAINTENANCE)

FIG ITEM	PART NUMBER	1 2 3 4 5 6 7	NOMENCLATURE	EFFECT FROM TO	UNITS PER ASSY
4 E			PANEL INSTL-P6 CIRCUIT BREAKER	038038 042046 051053	
- 1	MODREF331960		PANEL INSTL-P6 CB MODULE NUMBER: 233A5101-16 REV A	038038 042046 051053	1
5	NAS1097AD4-3		.RIVET	038038 042046 051053	4
10	232A1712-17		.PLATE-COVER	038038 042046 051053	1
15	232A1712-15		.PLATE-COVER	038038 042046 051053	1

MISSING ITEM NUMBERS NOT APPLICABLE

- ITEM NOT ILLUSTRATED

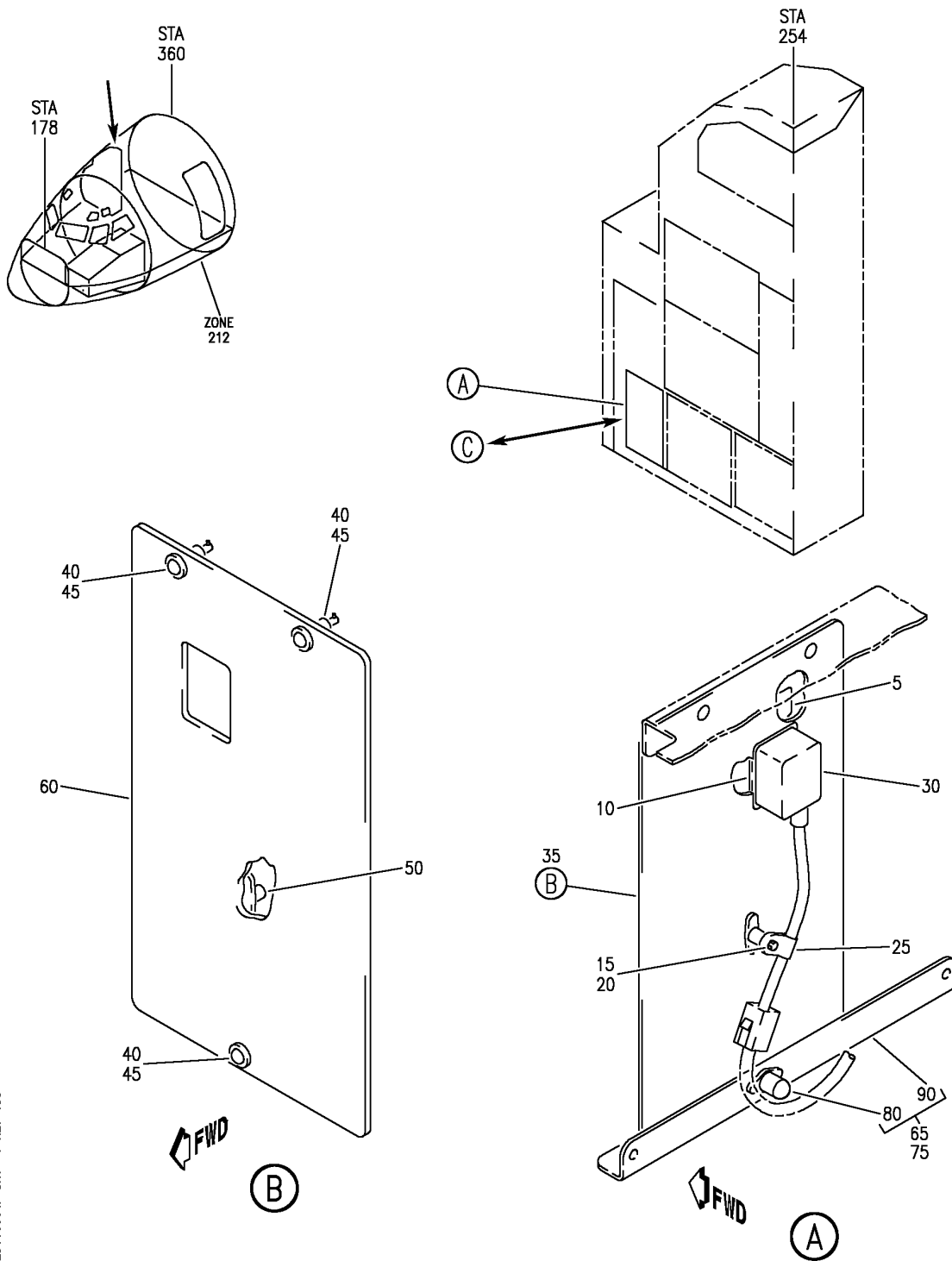
HAP

25-11-00-04E

BOEING PROPRIETARY - Copyright © - Unpublished Work - See title page for details.

25-11-00
FIG. 04E
PAGE 1
FEB 15/09

BOEING
 737-600/700/800/900
 PARTS CATALOG (MAINTENANCE)



E 25110004F SHT 1 REV 155

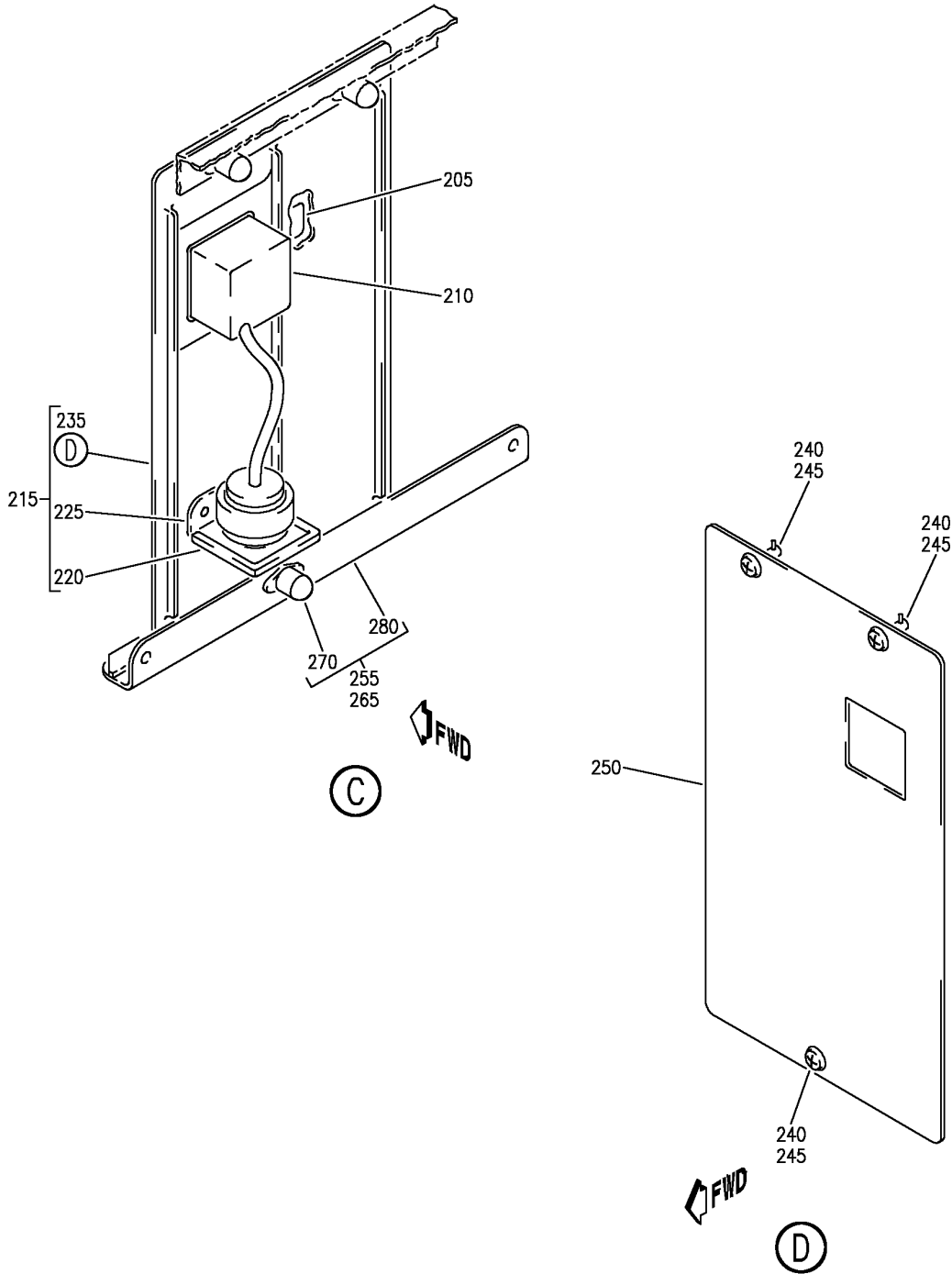
PANEL INSTL-P6 CIRCUIT BREAKER
 FIGURE 4F

25-11-00-04F

HAP
 JUN 15/09

25-11-00-04F
 PAGE 0

BOEING
 737-600/700/800/900
 PARTS CATALOG (MAINTENANCE)



E 25110004F SHT 2 REV 155

PANEL INSTL-P6 CIRCUIT BREAKER
 FIGURE 4F

25-11-00-04F

HAP
 JUN 15/09

25-11-00-04F
 PAGE 0A

BOEING
737-600/700/800/900
PARTS CATALOG (MAINTENANCE)

FIG ITEM	PART NUMBER	1 2 3 4 5 6 7	NOMENCLATURE	EFFECT FROM TO	UNITS PER ASSY
4 F			PANEL INSTL-P6 CIRCUIT BREAKER	052053	
R					
R					
R	- 200	MODREF419383	PANEL INSTL-P6 CB	052053	1
R			MODULE NUMBER:		
R			233A5101-23 REV A		
R	205	BAC27DCC3476	.MARKER-	052053	1
R			PLACARD CONTENT:		
R			PC ONLY 110V AC 60 HZ		
R	210	1235-4-5	.OUTLET-	052053	1
R			IN-SEAT POWER SUPPLY		
R			SUPPLIER CODE:		
R			V3E2Y8		
R	215	233A5105-16	.COVER ASSY	052053	1
R	220	BACG20ZA000485	..GROMMET	052053	1
R	225	233A5306-150	..BRACKET ASSY	052053	1
			ATTACHING PARTS		
R	- 230	BACR15BA4ADC	..RIVET-	052053	2
R			SIZE DETERMINED ON INSTL.		
			-----*-----		
R	235	233A5105-17	..COVER ASSY	052053	1
R	240	BACCS21EE3RB	...STUD	052053	3
R	245	1127723	...WASHER	052053	3
			SUPPLIER CODE:		
			V60119		
			SPECIFICATION NUMBER:		
			BACW10X2S		
			OPTIONAL PART:		
			2600SW2		
			V71286		
R	250	233A5105-18	...PLATE	052053	1
R	255	233A5102-1	.SUPPORT ASSY	052053	1
			ATTACHING PARTS		
R	- 260	BACCS12FA3K6BK	.SCREW	052053	2
			-----*-----		
R	265	233A5106-1	..BRACKET ASSY	052053	1
R	270	BACR11AW2K	...RECEPTACLE	052053	1
			ATTACHING PARTS		
R	- 275	BACR15BA3ADC	...RIVET-	052053	2
R			SIZE DETERMINED ON INSTL.		
			-----*-----		
R	280	233A5106-2	...BRACKET	052053	1

MISSING ITEM NUMBERS NOT APPLICABLE

- ITEM NOT ILLUSTRATED

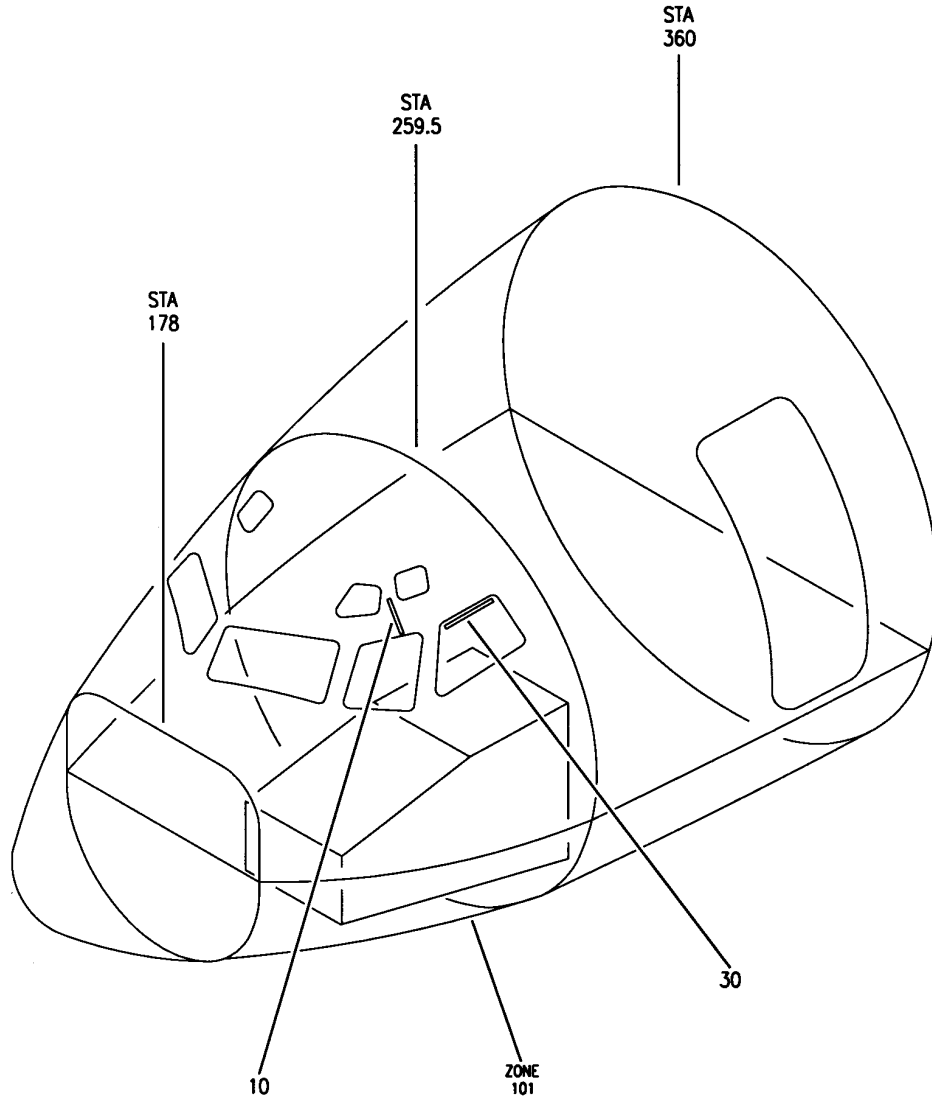
HAP

25-11-00-04F

BOEING PROPRIETARY - Copyright © - Unpublished Work - See title page for details.

25-11-00
FIG. 04F
PAGE 1
JUN 15/09

BOEING
737-600/700/800/900
PARTS CATALOG (MAINTENANCE)



E 25110010 REV 025

SUNSHADE INSTL-FLIGHT DECK ROLLER
FIGURE 10

25-11-00-10

HAP
OCT 10/06

25-11-00-10
PAGE 0

BOEING
737-600/700/800/900
PARTS CATALOG (MAINTENANCE)

FIG ITEM	PART NUMBER	1 2 3 4 5 6 7	NOMENCLATURE	EFFECT FROM TO	UNITS PER ASSY
10			SUNSHADE INSTL-FLIGHT DECK ROLLER	031200 968999	
- 1	MODREF81934		SUNSHADE INSTL-FLIGHT DECK ROLLER MODULE NUMBER: 232A4215-1 REV A POSITION DATA: LH	031200 968999	1
- 5	MODREF81935		SUNSHADE INSTL-FLIGHT DECK ROLLER MODULE NUMBER: 232A4215-2 REV A POSITION DATA: RH	031200 968999	1
10	170-14458-990		.SUNSHADE ASSY-NO. 2 WINDOW SUPPLIER CODE: VF3853 POSITION DATA: LH SIDE	031200 968999	1
- 15	170-14460-990		.SUNSHADE ASSY-NO. 2 WINDOW SUPPLIER CODE: VF3853 POSITION DATA: RH SIDE ATTACHING PARTS	031200 968999	1
- 20	BACB30LK3-5		.BOLT-	031200 968999	2
- 25	BRC600-8-3		.NUT- SUPPLIER CODE: V52828 SPECIFICATION NUMBER: BACN10YD1 OPTIONAL PART: 130120 V60119 -----*-----	031200 968999	2
30	170-14459-990		.SUNSHADE ASSY-NO. 3 WINDOW SUPPLIER CODE: VF3853 POSITION DATA: LH SIDE	031200 968999	1
- 35	170-14461-990		.SUNSHADE ASSY-NO. 3 WINDOW SUPPLIER CODE: VF3853 POSITION DATA: RH SIDE ATTACHING PARTS	031200 968999	1
- 40	BACB30LK3-5		.BOLT-	031200 968999	2

MISSING ITEM NUMBERS NOT APPLICABLE

- ITEM NOT ILLUSTRATED

HAP

25-11-00-10

BOEING PROPRIETARY - Copyright © - Unpublished Work - See title page for details.

25-11-00
FIG. 10
PAGE 1
OCT 15/08


BOEING
 737-600/700/800/900
PARTS CATALOG (MAINTENANCE)

FIG ITEM	PART NUMBER	1 2 3 4 5 6 7 NOMENCLATURE	EFFECT FROM TO	UNITS PER ASSY
10 - 45	BRC600-8-3	.NUT- SUPPLIER CODE: V52828 SPECIFICATION NUMBER: BACN10YD1 OPTIONAL PART: 130120 V60119 -----*-----	031200 968999	2

MISSING ITEM NUMBERS NOT APPLICABLE

- ITEM NOT ILLUSTRATED

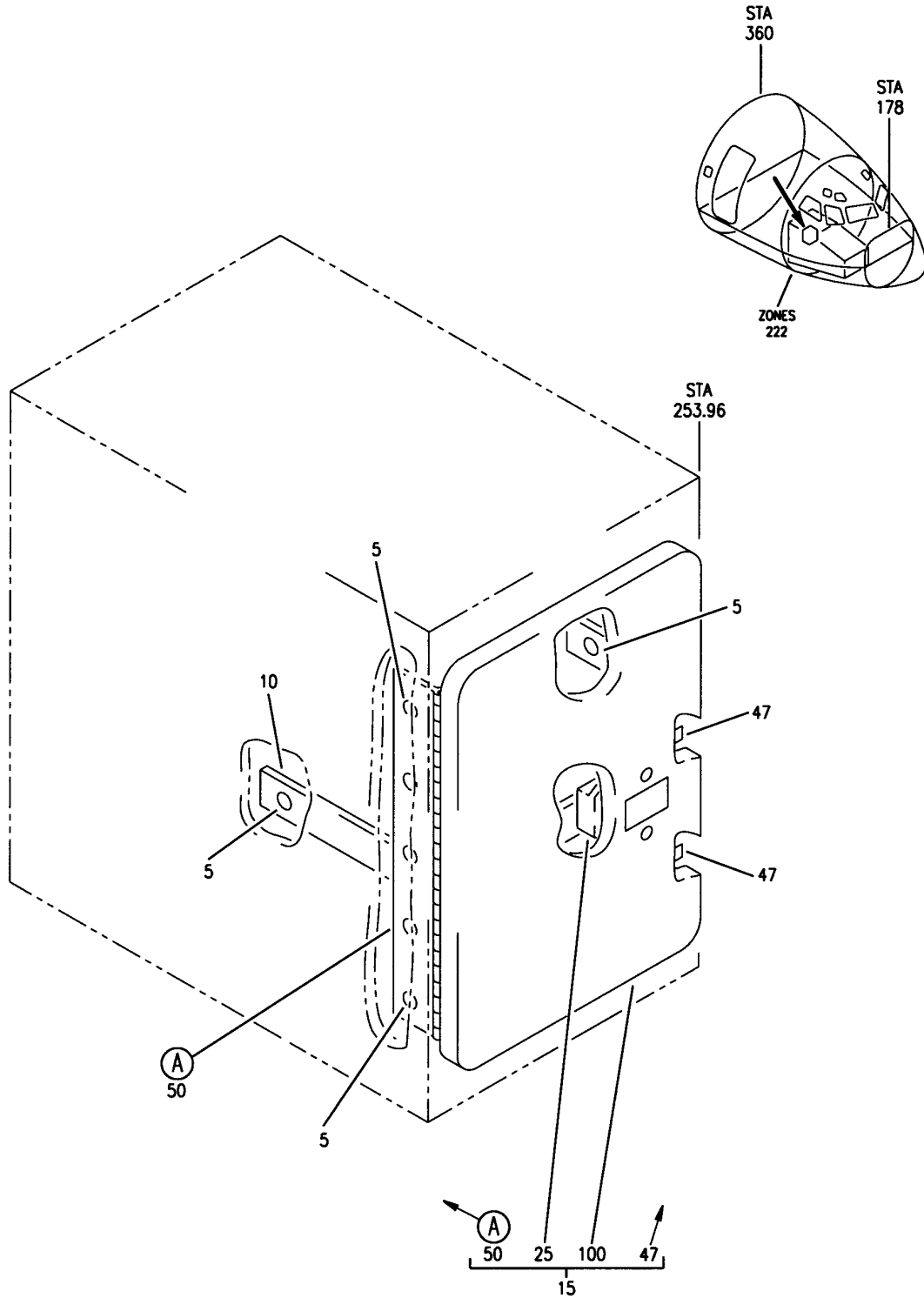
HAP

25-11-00-10

BOEING PROPRIETARY - Copyright © - Unpublished Work - See title page for details.

25-11-00
 FIG. 10
 PAGE 2
 OCT 15/08

BOEING
 737-600/700/800/900
 PARTS CATALOG (MAINTENANCE)



E 25110011 SHT 1 REV 013

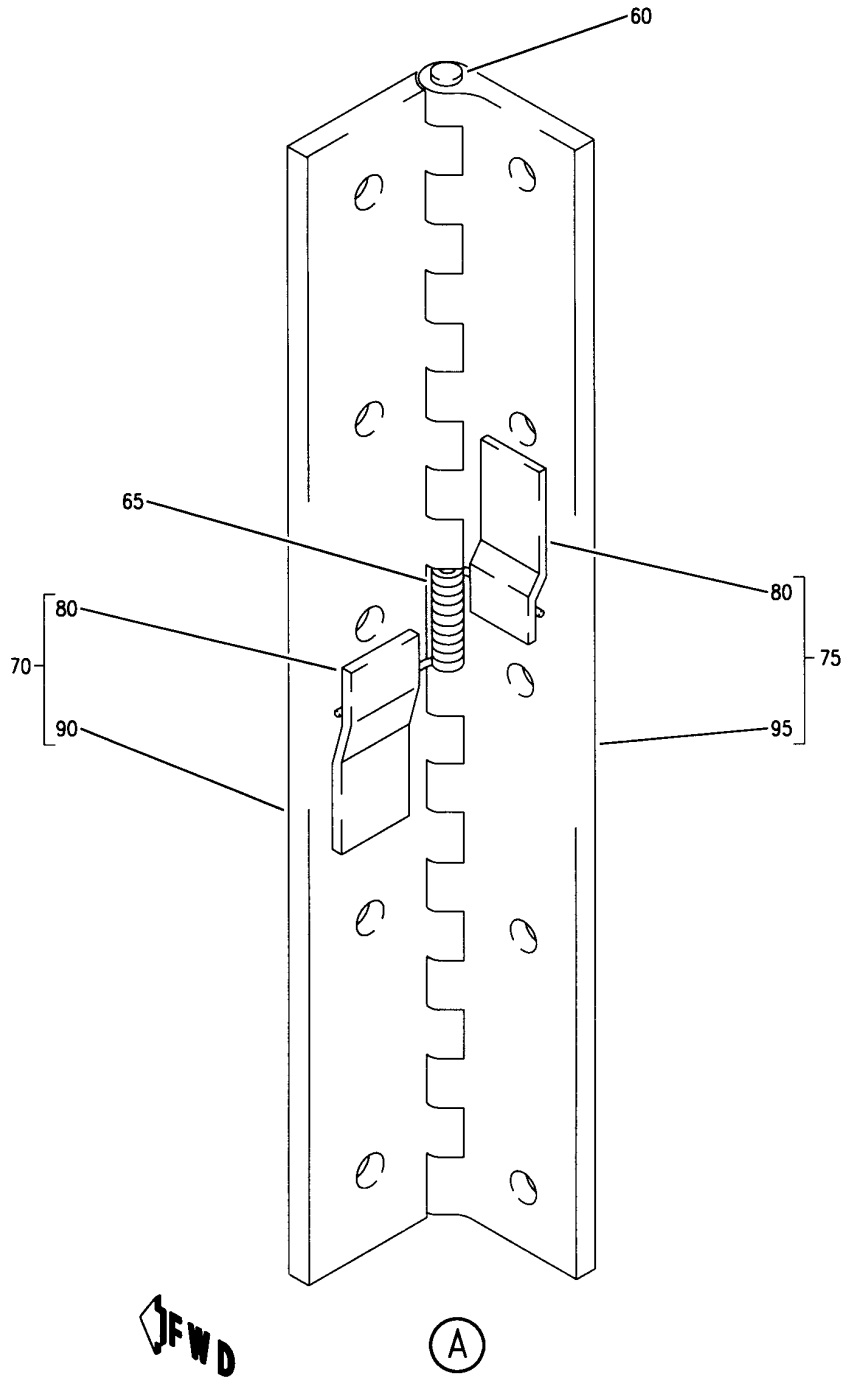
STOWAGE INSTL-BOOK
 FIGURE 11 (SHEET 1)

25-11-00-11

HAP
 OCT 10/06

25-11-00-11
 PAGE 0

BOEING
737-600/700/800/900
PARTS CATALOG (MAINTENANCE)



E 25110011 SH1 2 REV 001

STOWAGE INSTL-BOOK
FIGURE 11 (SHEET 2)

25-11-00-11

HAP
OCT 10/06

25-11-00-11
PAGE 0A

BOEING
737-600/700/800/900
PARTS CATALOG (MAINTENANCE)

FIG ITEM	PART NUMBER	1 2 3 4 5 6 7	NOMENCLATURE	EFFECT FROM TO	UNITS PER ASSY
11			STOWAGE INSTL-BOOK	031200 968999	
- 1	MODREF81953		STOWAGE INSTL-BOOK MODULE NUMBER: 232A4350-1 REV A	031200 968999	1
5	WHS10F6TPKL01BK		.SCREW-WASHER HEAD SUPPLIER CODE: V12324 OPTIONAL PART: WHS10F8TPKL01BK V12324	031200 968999	7
5	WHS10F8TPKL01BK		.SCREW-WASHER HEAD SUPPLIER CODE: V12324 OPTIONAL PART: WHS10F6TPKL01BK V12324	031200 968999	7
10	567-105		.STRAP- SUPPLIER CODE: V45402	031200 968999	1
15	232A4351-2		.DOOR ASSY- FUNCTIONAL REFERENCE: PLACARDS AND MARKINGS FOR DETAILS SEE 11-30-00-22	031200 968999	1
25	SAM226-5		..LATCH- SUPPLIER CODE: V31845 ATTACHING PARTS	031200 968999	1
- 30	FH8C10TPKL01BK		..SCREW- SUPPLIER CODE: V12324 OPTIONAL PART: FH8C10CPL01BK V12324	031200 968999	2
- 30	FH8C10CPL01BK		..SCREW- SUPPLIER CODE: V12324 OPTIONAL PART: FH8C10TPKL01BK V12324	031200 968999	2
- 35	232A1702-10		..SPACER-	031200 968999	2
- 40	NAS1149DN832J		..WASHER	031200 968999	2

MISSING ITEM NUMBERS NOT APPLICABLE

- ITEM NOT ILLUSTRATED

HAP

25-11-00-11

BOEING PROPRIETARY - Copyright © - Unpublished Work - See title page for details.

25-11-00
FIG. 11
PAGE 1
OCT 15/08

BOEING
737-600/700/800/900
PARTS CATALOG (MAINTENANCE)

FIG ITEM	PART NUMBER	1 2 3 4 5 6 7	NOMENCLATURE	EFFECT FROM TO	UNITS PER ASSY
11					
- 45	PLH508CD	..	NUT SUPPLIER CODE: VFO224 SPECIFICATION NUMBER: BACN10YR08CD OPTIONAL PART: H52732-08CD V15653 -----*-----	031200 968999	2
47	232A1705-2	..	PAD-FELT	031200 968999	2
50	232A4352-1	..	HINGE ASSY ATTACHING PARTS	031200 968999	1
- 55	232A4351-5	..	RIVET -----*-----	031200 968999	5
60	MS20253P2-1125L	...	PIN	031200 968999	1
65	RCS5500	...	SPRING- SUPPLIER CODE: V08205	031200 968999	1
70	232A4352-2	...	HINGE ASSY-HALF	031200 968999	1
75	232A4352-3	...	HINGE ASSY-HALF	031200 968999	1
80	232A4354-2	RETAINER-SPRING ATTACHING PARTS	031200 968999	1
- 85	BACR15BA4D4C	RIVET -----*-----	031200 968999	2
90	232A4355-2	HINGE- USED ON: 232A4352-2	031200 968999	1
95	232A4355-1	HINGE HALF- USED ON: 232A4352-3	031200 968999	1
100	232A4353-1	..	DOOR	031200 968999	1

MISSING ITEM NUMBERS NOT APPLICABLE

- ITEM NOT ILLUSTRATED

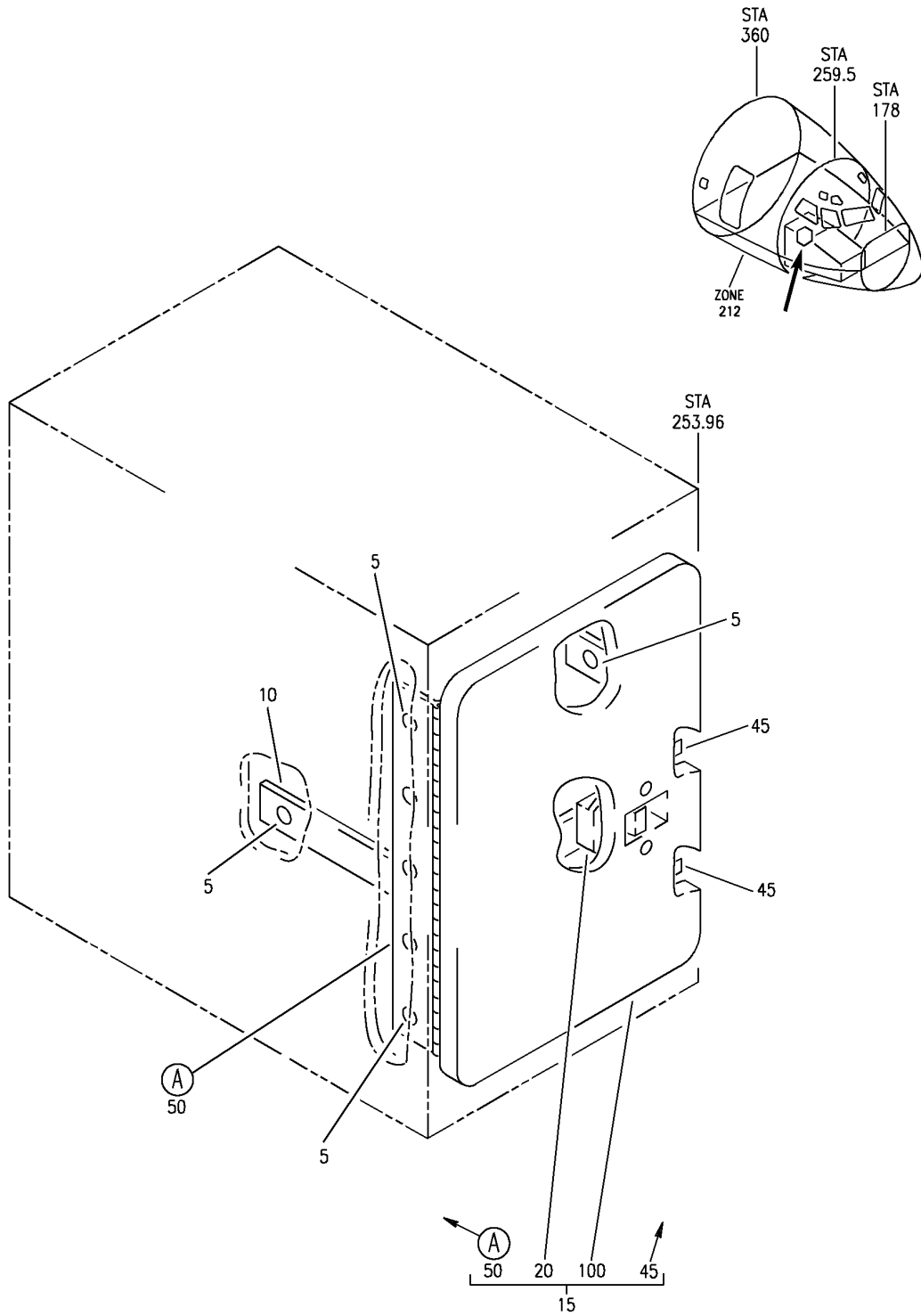
HAP

25-11-00-11

BOEING PROPRIETARY - Copyright © - Unpublished Work - See title page for details.

25-11-00
FIG. 11
PAGE 2
FEB 15/09

BOEING
 737-600/700/800/900
 PARTS CATALOG (MAINTENANCE)



E 25110011A SHT 1 REV 123

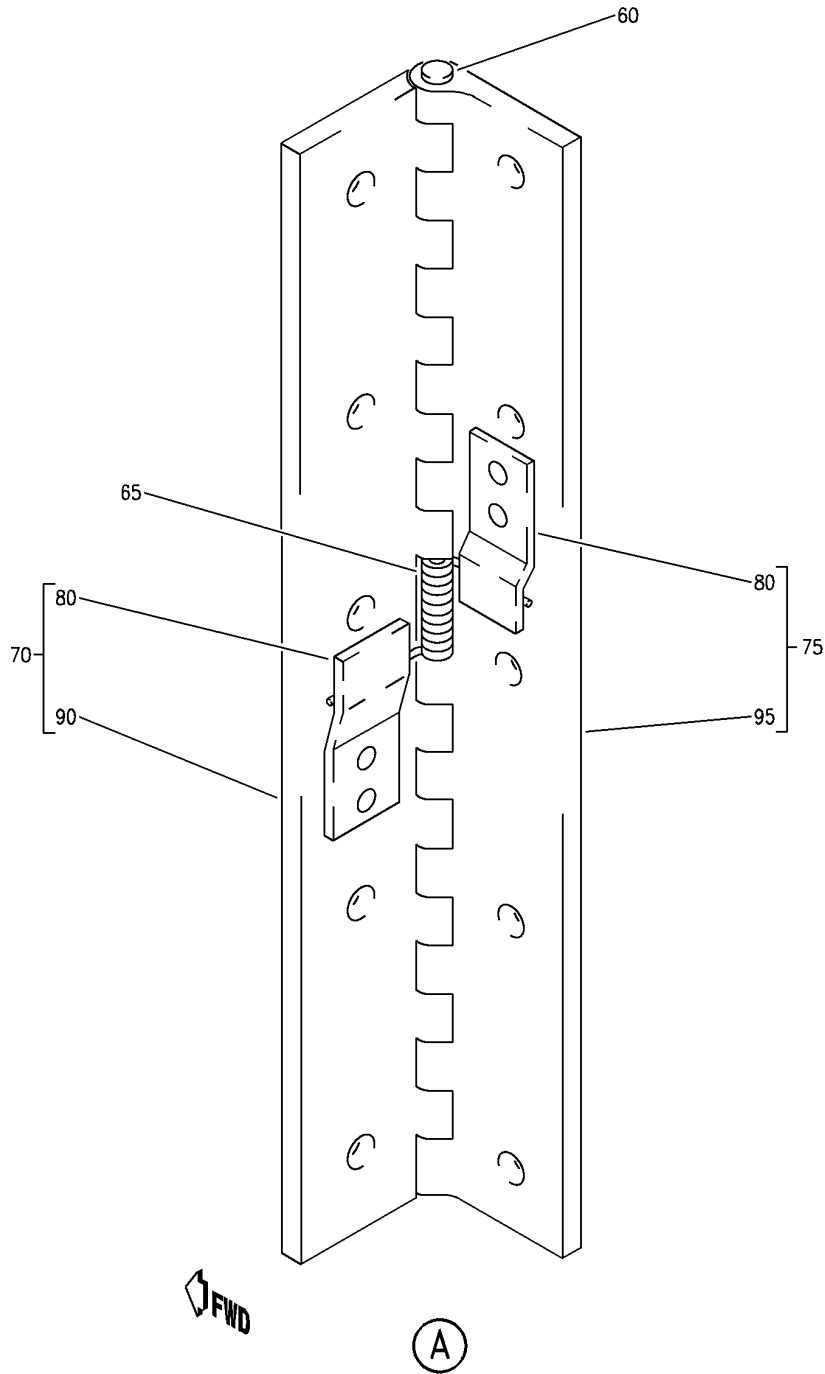
STOWAGE INSTL-BOOK
 FIGURE 11A (SHEET 1)

25-11-00-11A

HAP
 OCT 10/06

25-11-00-11A
 PAGE 0

BOEING
737-600/700/800/900
PARTS CATALOG (MAINTENANCE)



E 25110011A SHT 2 REV 123

STOWAGE INSTL-BOOK
FIGURE 11A (SHEET 2)

25-11-00-11A

HAP
OCT 10/06

25-11-00-11A
PAGE 0A

BOEING
737-600/700/800/900
PARTS CATALOG (MAINTENANCE)

FIG ITEM	PART NUMBER	1 2 3 4 5 6 7	NOMENCLATURE	EFFECT FROM TO	UNITS PER ASSY
11A			STOWAGE INSTL-BOOK	001030 201967	
- 1	232A4350-1		STOWAGE INSTL-BOOK FOR NHA SEE: 25-10-00-03	001030 201967	RF
5	WHS10F6TPKL01BK		.SCREW-WASHER HEAD SUPPLIER CODE: V12324 OPTIONAL PART: WHS10F8TPKL01BK V12324	001030 201967	7
5	WHS10F8TPKL01BK		.SCREW-WASHER HEAD SUPPLIER CODE: V12324 OPTIONAL PART: WHS10F6TPKL01BK V12324	001030 201967	7
10	567-105		.STRAP- SUPPLIER CODE: V45402	001030 201967	1
15	232A4351-2		.DOOR ASSY- FUNCTIONAL REFERENCE: PLACARDS AND MARKINGS FOR DETAILS SEE 11-30-00-22A	001030 201967	1
20	SAM226-5		..LATCH- SUPPLIER CODE: V31845 ATTACHING PARTS	001030 201967	1
- 25	FH8C10TPKL01BK		..SCREW- SUPPLIER CODE: V12324 OPTIONAL PART: FH8C10CPL01BK V12324	001030 201967	2
- 25	FH8C10CPL01BK		..SCREW- SUPPLIER CODE: V12324 OPTIONAL PART: FH8C10TPKL01BK V12324	001030 201967	2
- 30	232A1702-10		..SPACER	001030 201967	2
- 35	NAS1149DN832J		..WASHER	001030 201967	2

MISSING ITEM NUMBERS NOT APPLICABLE

- ITEM NOT ILLUSTRATED

HAP

25-11-00-11A

BOEING PROPRIETARY - Copyright © - Unpublished Work - See title page for details.

25-11-00
FIG. 11A
PAGE 1
OCT 15/08

BOEING
737-600/700/800/900
PARTS CATALOG (MAINTENANCE)

FIG ITEM	PART NUMBER	1 2 3 4 5 6 7	NOMENCLATURE	EFFECT FROM TO	UNITS PER ASSY
11A - 40	PLH508CD	..	NUT SUPPLIER CODE: VF0224 SPECIFICATION NUMBER: BACN10YR08CD OPTIONAL PART: H52732-08CD V15653 -----*-----	001030 201967	2
45	232A1705-2	..	PAD-FELT	001030 201967	2
50	232A4352-1	..	HINGE ASSY ATTACHING PARTS	001030 201967	1
- 55	232A4351-4	..	RIVET -----*-----	001030 201967	5
60	MS20253P2-1125L	...	PIN	001030 201967	1
65	RCS5500	...	SPRING- SUPPLIER CODE: V08205	001030 201967	1
70	232A4352-2	...	HINGE ASSY-HALF	001030 201967	1
75	232A4352-3	...	HINGE ASSY-HALF	001030 201967	1
80	232A4354-2	RETAINER-SPRING ATTACHING PARTS	001030 201967	1
- 85	BACR15BA4D4C	RIVET -----*-----	001030 201967	2
90	232A4355-2	HINGE- USED ON: 232A4352-2	001030 201967	1
95	232A4355-1	HINGE HALF- USED ON: 232A4352-3	001030 201967	1
100	232A4353-1	..	DOOR	001030 201967	1

MISSING ITEM NUMBERS NOT APPLICABLE

- ITEM NOT ILLUSTRATED

HAP

25-11-00-11A

BOEING PROPRIETARY - Copyright © - Unpublished Work - See title page for details.

25-11-00
FIG. 11A
PAGE 2
FEB 15/09

NON-ILLUSTRATED FIGURE

THE ITEMS REFLECTED IN THIS FIGURE ARE INTENTIONALLY
NON-ILLUSTRATED. THEY ARE REFERENCED TO EITHER A
NEXT HIGHER OR NEXT LOWER ASSEMBLY/INSTALLATION FIGURE.

E 25110013A REV 057

FUNCTIONAL COLLECTOR CUSTOMER UNIQUE (FLIGHT COMPARTMENT EQUIPMENT ONLY)
FIGURE 13A

25-11-00-13A

HAP
OCT 15/08

25-11-00-13A
PAGE 0

BOEING
737-600/700/800/900
PARTS CATALOG (MAINTENANCE)

FIG ITEM	PART NUMBER	1 2 3 4 5 6 7	NOMENCLATURE	EFFECT FROM TO	UNITS PER ASSY
13A			FUNCTIONAL COLLECTOR CUSTOMER UNIQUE (FLIGHT COMPARTMENT EQUIPMENT ONLY)	201967	
- 3	288A4001-2610		FUNCTIONAL COLLECTOR- CUSTOMER UNIQUE (FLIGHT COMPARTMENT EQUIPMENT ONLY) FOR NHA/OTHER SYS DET SEE: 25-00-00-07D	201967	RF
- 15	288A4101-163		.WIRE BUNDLE INSTL-FLIGHT DECK SIDEWALLS POSITION DATA: LH FOR DETAILS SEE: 25-11-51-02	201967	1
- 25	288A4101-164		.WIRE BUNDLE INSTL-FLIGHT DECK SIDEWALLS POSITION DATA: RH FOR DETAILS SEE: 25-11-51-02	201967	1

MISSING ITEM NUMBERS NOT APPLICABLE

- ITEM NOT ILLUSTRATED

HAP

25-11-00-13A

BOEING PROPRIETARY - Copyright © - Unpublished Work - See title page for details.

25-11-00
FIG. 13A
PAGE 1
OCT 15/08

NON-ILLUSTRATED FIGURE

THE ITEMS REFLECTED IN THIS FIGURE ARE INTENTIONALLY
NON-ILLUSTRATED. THEY ARE REFERENCED TO EITHER A
NEXT HIGHER OR NEXT LOWER ASSEMBLY/INSTALLATION FIGURE.

E 25110013B REV 057

FUNCTIONAL COLLECTOR CUSTOMER UNIQUE (FLIGHT COMPARTMENT EQUIPMENT ONLY)
FIGURE 13B

25-11-00-13B

HAP
OCT 10/06

25-11-00-13B
PAGE 0

BOEING
737-600/700/800/900
PARTS CATALOG (MAINTENANCE)

FIG ITEM	PART NUMBER	1 2 3 4 5 6 7	NOMENCLATURE	EFFECT FROM TO	UNITS PER ASSY
13B			FUNCTIONAL COLLECTOR CUSTOMER UNIQUE (FLIGHT COMPARTMENT EQUIPMENT ONLY)	001030	
- 1	288A4001-3001		FUNCTIONAL COLLECTOR- CUSTOMER UNIQUE (FLIGHT COMPARTMENT EQUIPMENT ONLY) FOR NHA/OTHER SYS DET SEE: 25-00-00-07E	001030	RF
- 20	288A4101-111		.WIRE BUNDLE INSTL-FLIGHT DECK SIDEWALLS POSITION DATA: LH FOR DETAILS SEE: 25-11-51-02	008027	1
- 20	288A4101-135		.WIRE BUNDLE INSTL-FLIGHT DECK SIDEWALLS POSITION DATA: LH FOR DETAILS SEE: 25-11-51-02	006007	1
- 21	288A4101-17		.WIRE BUNDLE INSTL-FLIGHT DECK SIDEWALLS POSITION DATA: LH FOR DETAILS SEE: 25-11-51-02	001001	1
- 23	288A4101-29		.WIRE BUNDLE INSTL-FLIGHT DECK SIDEWALLS POSITION DATA: LH FOR DETAILS SEE: 25-11-51-02	002005	1
- 26	288A4101-447		.WIRE BUNDLE INSTL-FLIGHT DECK SIDEWALLS POSITION DATA: LH FOR DETAILS SEE: 25-11-51-02	028030	1
- 30	288A4101-112		.WIRE BUNDLE INSTL-FLIGHT DECK SIDEWALLS POSITION DATA: RH FOR DETAILS SEE: 25-11-51-02	008027	1

MISSING ITEM NUMBERS NOT APPLICABLE

- ITEM NOT ILLUSTRATED

HAP

25-11-00-13B

BOEING PROPRIETARY - Copyright © - Unpublished Work - See title page for details.

25-11-00
FIG. 13B
PAGE 1
OCT 10/06

BOEING
737-600/700/800/900
PARTS CATALOG (MAINTENANCE)

FIG ITEM	PART NUMBER	1 2 3 4 5 6 7	NOMENCLATURE	EFFECT FROM TO	UNITS PER ASSY
13B - 30	288A4101-136		.WIRE BUNDLE INSTL-FLIGHT DECK SIDEWALLS POSITION DATA: RH FOR DETAILS SEE: 25-11-51-02	006007	1
- 31	288A4101-18		.WIRE BUNDLE INSTL-FLIGHT DECK SIDEWALLS POSITION DATA: RH FOR DETAILS SEE: 25-11-51-02	001001	1
- 33	288A4101-30		.WIRE BUNDLE INSTL-FLIGHT DECK SIDEWALLS POSITION DATA: RH FOR DETAILS SEE: 25-11-51-02	002005	1
- 36	288A4101-448		.WIRE BUNDLE INSTL-FLIGHT DECK SIDEWALLS POSITION DATA: RH FOR DETAILS SEE: 25-11-51-02	028030	1

MISSING ITEM NUMBERS NOT APPLICABLE

- ITEM NOT ILLUSTRATED

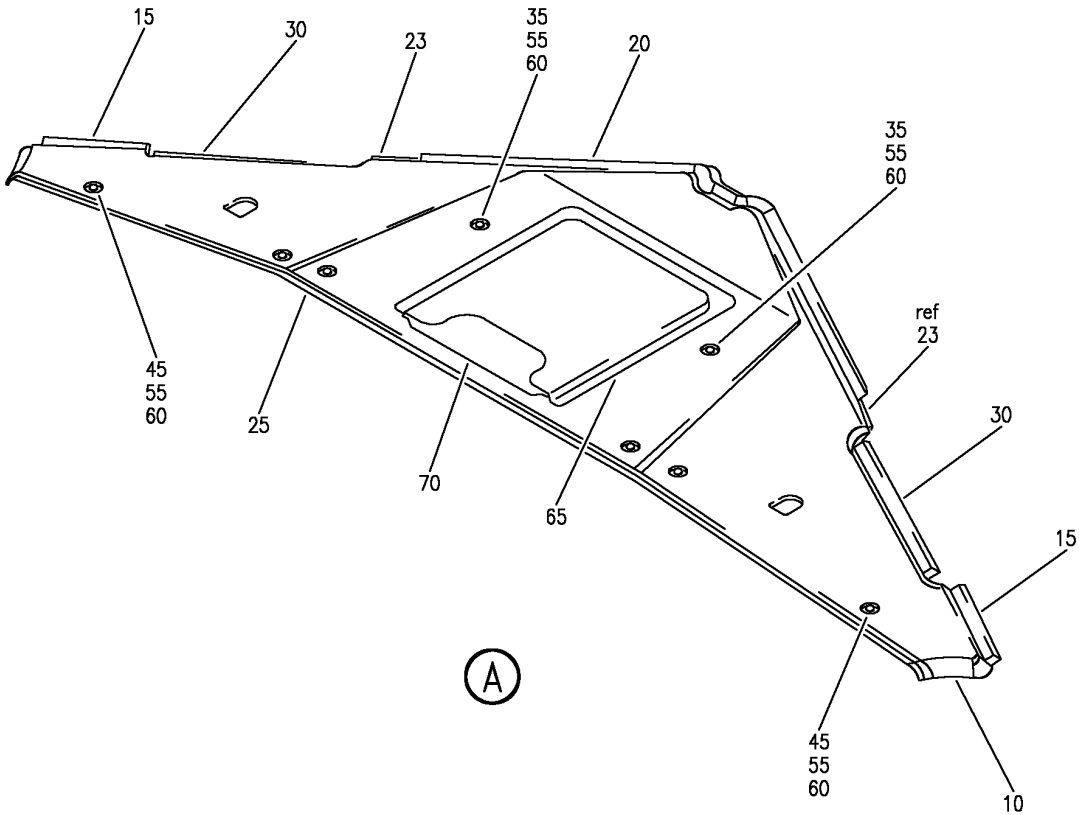
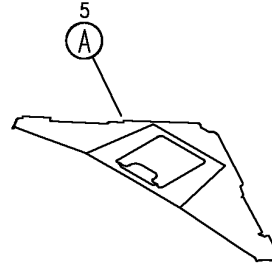
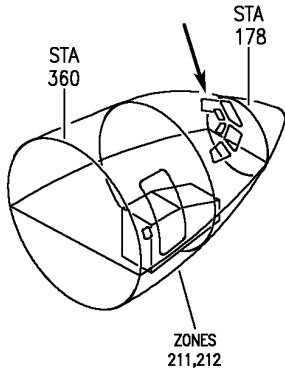
HAP

25-11-00-13B

BOEING PROPRIETARY - Copyright © - Unpublished Work - See title page for details.

25-11-00
FIG. 13B
PAGE 2
OCT 10/06

BOEING
 737-600/700/800/900
 PARTS CATALOG (MAINTENANCE)



E 25110015 REV 136

GLARESHIELD INSTL-PILOTS
 FIGURE 15

25-11-00-15

HAP
 FEB 15/08

25-11-00-15
 PAGE 0

BOEING
737-600/700/800/900
PARTS CATALOG (MAINTENANCE)

FIG ITEM	PART NUMBER	1 2 3 4 5 6 7	NOMENCLATURE	EFFECT FROM TO	UNITS PER ASSY
15			GLARESHIELD INSTL-PILOTS	031200 968999	
- 1	MODREF354208		GLARESHIELD INSTL- MODULE NUMBER: 233A8100-5 REV A POSITION DATA: PILOTS SIDE	046053 104200 972999	1
- 1	MODREF83485		GLARESHIELD INSTL- MODULE NUMBER: 233A8100-4 REV A POSITION DATA: PILOTS SIDE	031045 054103 968971	1
5	233A8300-19		.GLARESHIELD ASSY- POSITION DATA: PILOTS SIDE	046053 104200 972999	1
5	233A8300-18		.GLARESHIELD ASSY- POSITION DATA: PILOTS SIDE	031045 054103 968971	1
10	233A8300-2		..PANEL ASSY	031200 968999	1
15	233A8300-22		..SEAL- POSITION DATA: OUTBD, FWD EDGE	046053 104200 972999	2
15	233A8300-4		..SEAL- POSITION DATA: OUTBD, FWD EDGE	031045 054103 968971	2
20	233A8300-20		..SEAL- POSITION DATA: CTR, FWD EDGE	046053 104200 972999	1
20	233A8300-5		..SEAL- POSITION DATA: CTR, FWD EDGE	031045 054103 968971	1
23	233A8300-21		..SEAL- POSITION DATA: INBD, FWD EDGE	046053 104200 972999	1
25	233A8300-15		..SEAL- POSITION DATA: AFT EDGE	031200 968999	1
30	233A8300-7		..SEAL- POSITION DATA: FWD EDGE	031200 968999	2
35	233A8300-13		..FASTENER ASSY-	031200 968999	2
R - 40	82-19-220-20		...STUD- SUPPLIER CODE: V94222	031200 968999	1
R - 45	233A8300-14		..FASTENER ASSY-	031200 968999	6

MISSING ITEM NUMBERS NOT APPLICABLE

- ITEM NOT ILLUSTRATED

HAP

25-11-00-15

25-11-00
FIG. 15
PAGE 1
JUN 15/09

BOEING
737-600/700/800/900
PARTS CATALOG (MAINTENANCE)

FIG ITEM	PART NUMBER	1 2 3 4 5 6 7	NOMENCLATURE	EFFECT FROM TO	UNITS PER ASSY
R R R	15 - 50	82-19-240-20	...STUD- SUPPLIER CODE: V94222	031200 968999	1
	55	82-46-101-41	..WASHER- SUPPLIER CODE: V94222	031200 968999	8
	60	82-32-201-20	..RETAINER- SUPPLIER CODE: V94222	031200 968999	8
	65	233A8204-1	..HOLDER-CHART	031200 968999	1
	70	69-57771-1	..TRAY	031200 968999	1

MISSING ITEM NUMBERS NOT APPLICABLE

- ITEM NOT ILLUSTRATED

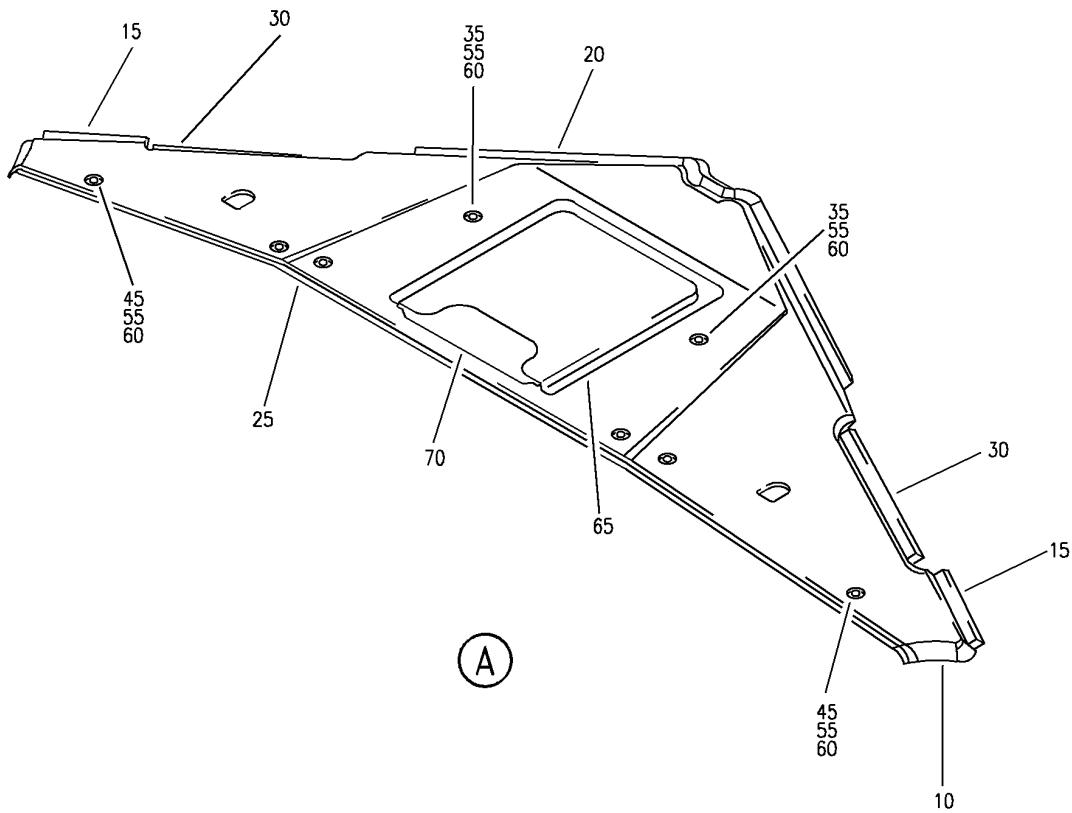
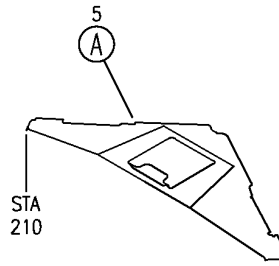
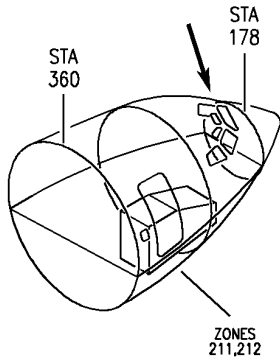
HAP

25-11-00-15

BOEING PROPRIETARY - Copyright © - Unpublished Work - See title page for details.

25-11-00
FIG. 15
PAGE 2
JUN 15/09

BOEING
 737-600/700/800/900
 PARTS CATALOG (MAINTENANCE)



E 25110015A REV 123

GLARESHIELD INSTL-PILOTS
 FIGURE 15A

25-11-00-15A

HAP
 OCT 10/06

25-11-00-15A
 PAGE 0

BOEING
737-600/700/800/900
PARTS CATALOG (MAINTENANCE)

FIG ITEM	PART NUMBER	1 2 3 4 5 6 7	NOMENCLATURE	EFFECT FROM TO	UNITS PER ASSY
15A			GLARESHIELD INSTL-PILOTS	001030 201967	
- 1	233A8100-2		GLARESHIELD INSTL- POSITION DATA: PILOTS SIDE FOR NHA SEE: 25-10-00-03	001012 014014 201967	RF
- 1	233A8100-3		GLARESHIELD INSTL- POSITION DATA: PILOTS SIDE FOR NHA SEE: 25-10-00-03	013013 015023	RF
- 1	233A8100-4		GLARESHIELD INSTL- POSITION DATA: PILOTS SIDE FOR NHA SEE: 25-10-00-03	024030	RF
5	233A8300-16		.GLARESHIELD ASSY-	001023 201967	1
5	233A8300-17		.GLARESHIELD ASSY-	001023 201967	1
5	233A8300-18		.GLARESHIELD ASSY-	001030 201967	1
10	233A8300-2		..PANEL ASSY	001030 201967	1
15	233A8300-4		..SEAL- POSITION DATA: OUTBD, FWD EDGE	001030 201967	2
20	233A8300-5		..SEAL- POSITION DATA: CTR, FWD EDGE	001030 201967	1
25	233A8300-15		..SEAL- POSITION DATA: AFT EDGE	001030 201967	1
30	233A8300-7		..SEAL- POSITION DATA: FWD EDGE	001030 201967	2
35	233A8300-13		..FASTENER ASSY	001030 201967	2
R - 40	82-19-220-20		...STUD- SUPPLIER CODE: V94222	001030 201967	1
R - 45	233A8300-14		..FASTENER ASSY	001030 201967	6
R - 50	82-19-240-20		...STUD- SUPPLIER CODE: V94222	001030 201967	1

MISSING ITEM NUMBERS NOT APPLICABLE

- ITEM NOT ILLUSTRATED

HAP

25-11-00-15A

BOEING PROPRIETARY - Copyright © - Unpublished Work - See title page for details.

25-11-00
FIG. 15A
PAGE 1
JUN 15/09

BOEING
737-600/700/800/900
PARTS CATALOG (MAINTENANCE)

FIG ITEM	PART NUMBER	1 2 3 4 5 6 7	NOMENCLATURE	EFFECT FROM TO	UNITS PER ASSY
15A 55	82-46-101-41		.. WASHER- SUPPLIER CODE: V94222	001030 201967	8
60	82-32-201-20		.. RETAINER- SUPPLIER CODE: V94222	001030 201967	8
65	69-3595-7		.. HOLDER-CHART USED ON: 233A8300-16	001023 201967	1
65	69-3595-8		.. HOLDER-CHART USED ON: 233A8300-17	001023 201967	1
65	233A8204-1		.. HOLDER-CHART USED ON: 233A8300-18	001030 201967	1
70	69-57771-1		.. TRAY	001030 201967	1

MISSING ITEM NUMBERS NOT APPLICABLE

— ITEM NOT ILLUSTRATED

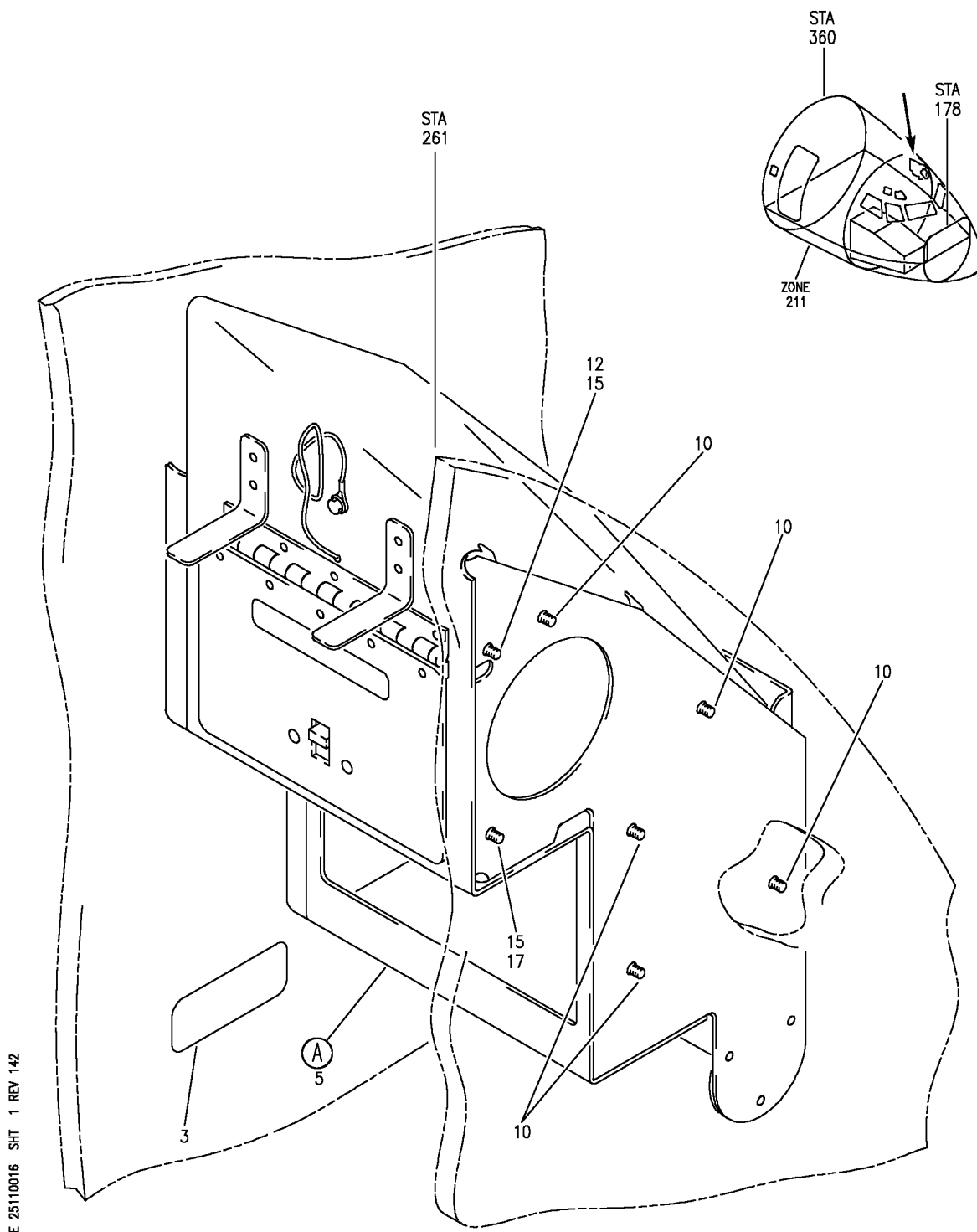
HAP

25-11-00-15A

BOEING PROPRIETARY - Copyright © - Unpublished Work - See title page for details.

25-11-00
FIG. 15A
PAGE 2
JUN 15/09

BOEING
 737-600/700/800/900
 PARTS CATALOG (MAINTENANCE)



E 25110016 SHT 1 REV 142

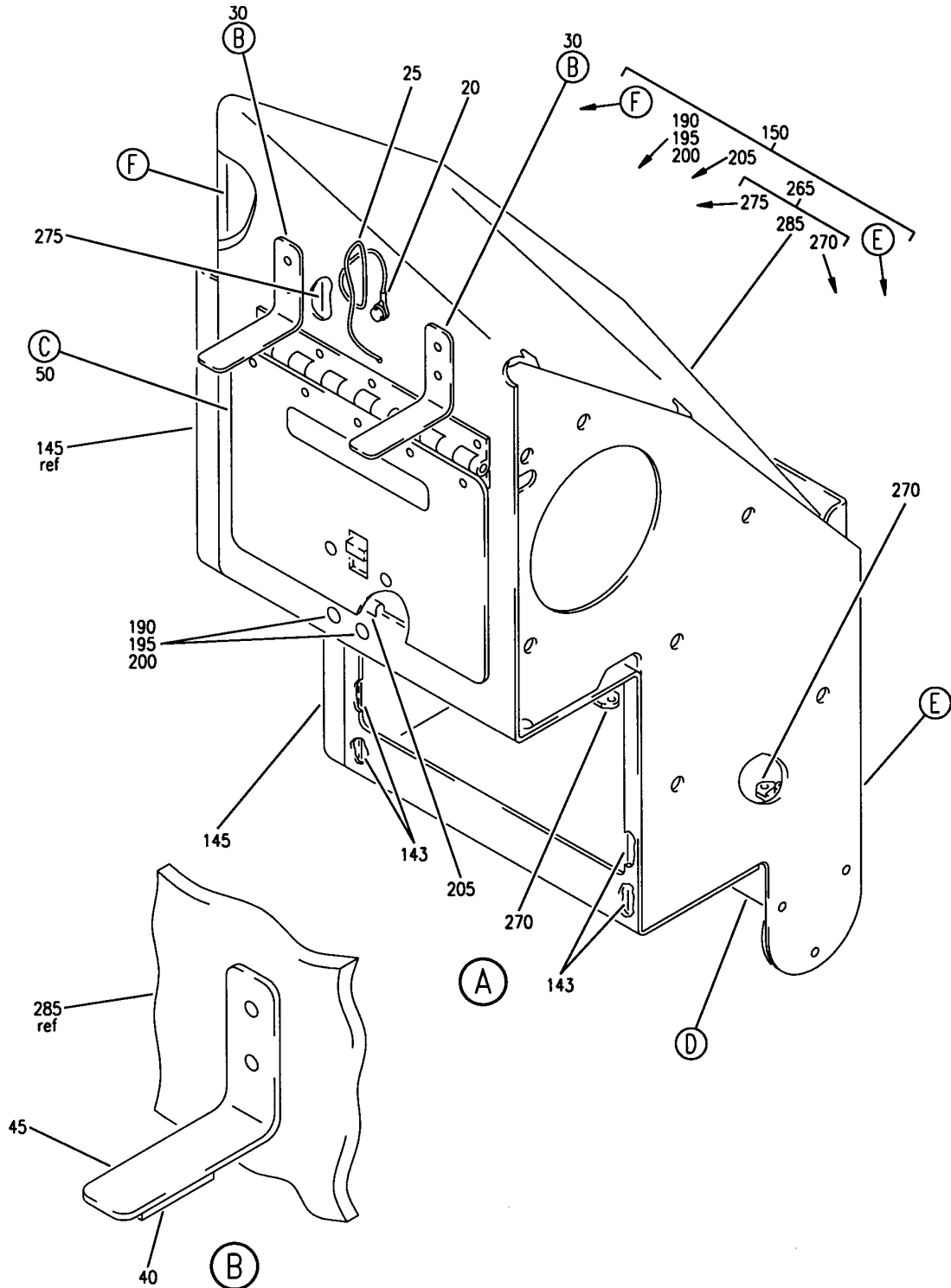
MODULE INSTL-SECOND OBSERVER
 FIGURE 16 (SHEET 1)

25-11-00-16

HAP
 JUN 15/08

25-11-00-16
 PAGE 0

BOEING
 737-600/700/800/900
 PARTS CATALOG (MAINTENANCE)



E 25110016 SH1 2 REV 029

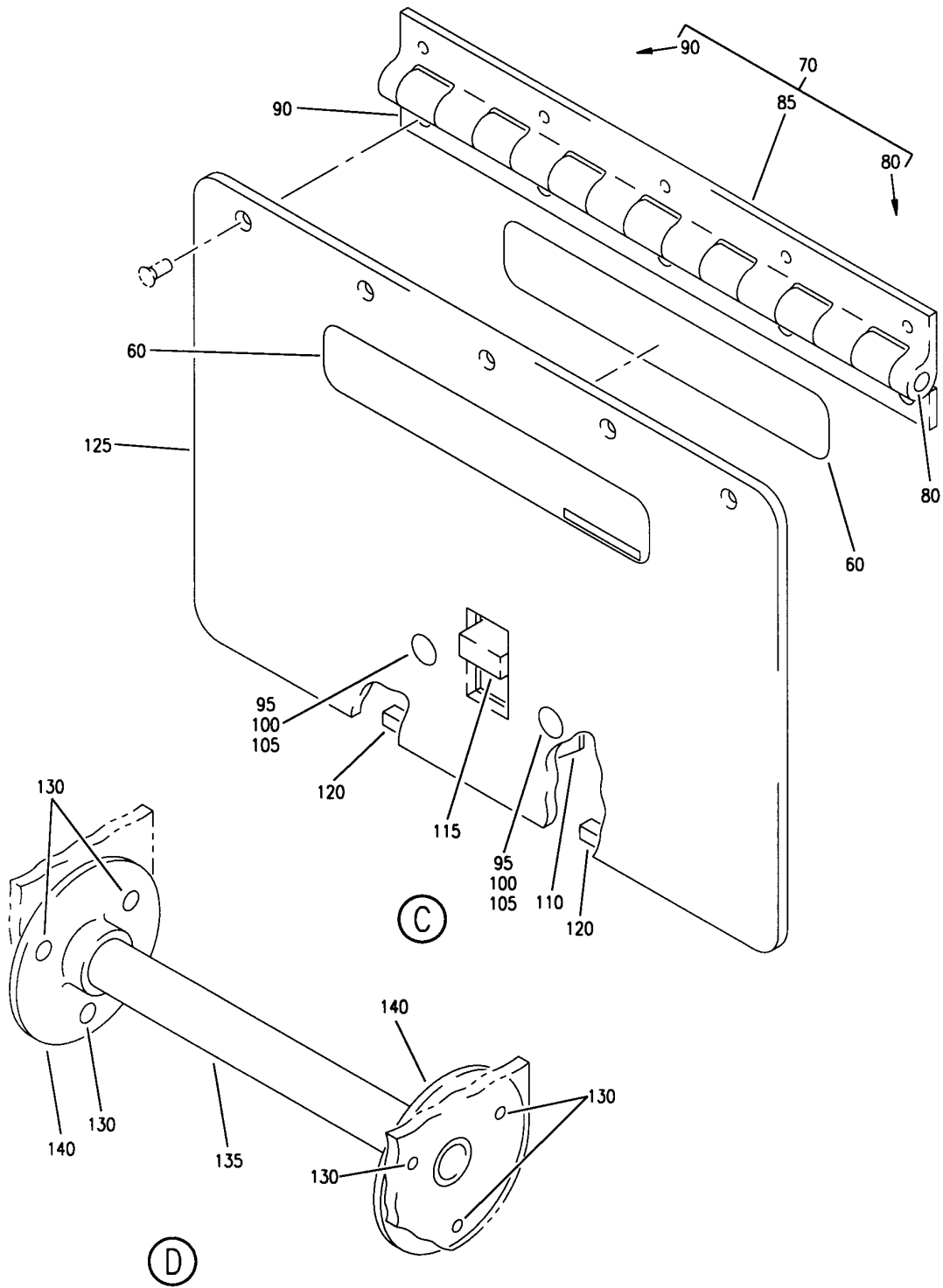
MODULE INSTL-SECOND OBSERVER
 FIGURE 16 (SHEET 2)

25-11-00-16

HAP
 OCT 10/06

25-11-00-16
 PAGE 0A

BOEING
 737-600/700/800/900
 PARTS CATALOG (MAINTENANCE)



E 25110016 SHT 3 REV 001

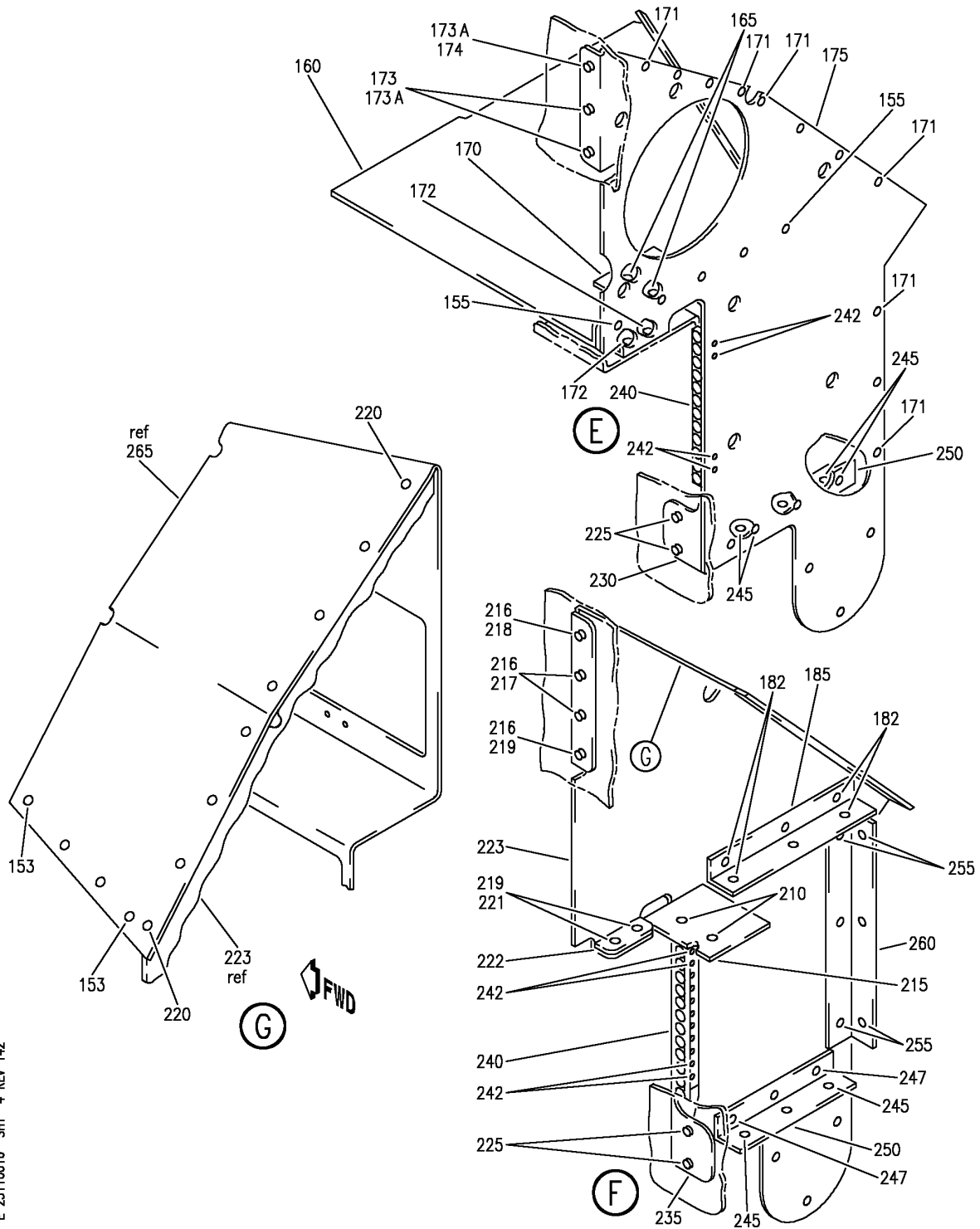
MODULE INSTL-SECOND OBSERVER
 FIGURE 16 (SHEET 3)

25-11-00-16

HAP
 OCT 10/06

25-11-00-16
 PAGE 0B

BOEING
 737-600/700/800/900
 PARTS CATALOG (MAINTENANCE)



E 25110016 SH1 4 REV 142

MODULE INSTL-SECOND OBSERVER
 FIGURE 16 (SHEET 4)

25-11-00-16

HAP
 JUN 15/08

25-11-00-16
 PAGE 0C

BOEING
737-600/700/800/900
PARTS CATALOG (MAINTENANCE)

FIG ITEM	PART NUMBER	1 2 3 4 5 6 7	NOMENCLATURE	EFFECT FROM TO	UNITS PER ASSY
16			MODULE INSTL-SECOND OBSERVER	031200 968999	
- 1	MODREF374902		MODULE INSTL- MODULE NUMBER: 232A1700-7 REV A POSITION DATA: SECOND OBSERVER	048053 107200	1
- 1	MODREF81768		MODULE INSTL- MODULE NUMBER: 232A1700-3 REV A POSITION DATA: SECOND OBSERVER	032036	1
- 1	MODREF264299		FOR OTHER SYS DETAILS SEE: 11-30-00-57 MODULE INSTL- MODULE NUMBER: 232A1700-4 REV A POSITION DATA: SECOND OBSERVER	031031 037047 054106 968999	1
	5 232A1701-3		.MODULE ASSY- OPTIONAL PART: 232A1701-5	031047 054106 968999	1
	5 232A1701-5		.MODULE ASSY- OPTIONAL PART: 232A1701-3	031047 054106 968999	1
	5 232A1701-9		.MODULE ASSY	048053 107200	1
			ATTACHING PARTS		
10	BACS12GU3K4		.SCREW	031200 968999	5
12	BACS12GU3K4		.SCREW	048053 107200	1
15	BACS12GU3K8		.SCREW	031047 054106 968999	2
17	BACS12GU3K12		.SCREW	048053 107200	1
			-----*-----		
20	BACS12FA3K6		..SCREW	031200 968999	1
25	79-02		..LANYARD- SUPPLIER CODE: VOPXJ7	031200 968999	1
30	232A1702-6		..BRACKET ASSY	031200 968999	2

MISSING ITEM NUMBERS NOT APPLICABLE

- ITEM NOT ILLUSTRATED

HAP

25-11-00-16

25-11-00
FIG. 16
PAGE 1
FEB 15/09

BOEING
737-600/700/800/900
PARTS CATALOG (MAINTENANCE)

FIG ITEM	PART NUMBER	1 2 3 4 5 6 7	NOMENCLATURE	EFFECT FROM TO	UNITS PER ASSY
16			ATTACHING PARTS		
- 35	BACR15FR5MPR		..RIVET- SIZE DETERMINED ON INSTL. -----*-----	031200 968999	4
40	232A1702-9		...TAPE-HOOK	031200 968999	1
45	232A1702-7		...BRACKET	031200 968999	1
50	232A1705-3		..DOOR ASSY- USED ON: 232A1701-3 FUNCTIONAL REFERENCE: PLACARDS AND MARKINGS FOR DETAILS SEE 11-30-00-57	031047 054106 968999	1
50	232A1705-5		..DOOR ASSY- USED ON: 232A1701-5 FUNCTIONAL REFERENCE: PLACARDS AND MARKINGS FOR DETAILS SEE 11-30-00-57	031047 054106 968999	1
50	232A1705-7		..DOOR ASSY	048053 107200	1
- 55	BACR15BA4DC		ATTACHING PARTS ..RIVET- SIZE DETERMINED ON INSTL. -----*-----	031200 968999	5
70	232A1707-4		...HINGE ASSY-	031200 968999	1
- 75	232A1705-4		ATTACHING PARTS ...RIVET- OPTIONAL PART: 232A1705-6 USED ON: 232A1705-5 232A1705-7	031200 968999	5
- 75	BACR15BA4AC		...RIVET- SIZE DETERMINED ON INSTL. USED ON: 232A1705-3	031047 054106 968999	5
- 75	232A1705-6		...RIVET- OPTIONAL PART: 232A1705-4 USED ON: 232A1705-5 232A1705-7 -----*-----	031200 968999	5

MISSING ITEM NUMBERS NOT APPLICABLE

- ITEM NOT ILLUSTRATED

HAP

25-11-00-16

25-11-00
FIG. 16
PAGE 2
FEB 15/09

BOEING
737-600/700/800/900
PARTS CATALOG (MAINTENANCE)

FIG ITEM	PART NUMBER	1 2 3 4 5 6 7	NOMENCLATURE	EFFECT FROM TO	UNITS PER ASSY
16					
80	MS20253P2-675L	PIN	031200 968999	1
85	232A1707-5	HINGE-HALF	031200 968999	1
90	232A1707-6	HINGE-HALF	031200 968999	1
95	FH8C8TPKL01BK	...S	SCREW- SUPPLIER CODE: V12324 MISCELLANEOUS DATA: NEAR SIDE	031200 968999	2
100	NAS1149DN832J	...W	WASHER- MISCELLANEOUS DATA: FAR SIDE	031200 968999	2
105	BRH10C08D	...N	NUT- SUPPLIER CODE: V52828 SPECIFICATION NUMBER: BACN10JC08CD OPTIONAL PART: H51650-08BAC V15653 102LH9075-82W V72962 NS202486-82 V80539 T6C832JCD V11815 MISCELLANEOUS DATA: FAR SIDE	031200 968999	2
110	232A1702-10	...S	SPACER-	031200 968999	1
115	SAM226-5	...L	LATCH- SUPPLIER CODE: V31845	031200 968999	1
120	232A1705-2	...P	PAD-FELT	031200 968999	2
125	232A1708-1	...D	DOOR- USED ON: 232A1705-3	031047 054106 968999	1
125	232A1708-2	...D	DOOR- USED ON: 232A1705-5 232A1705-7	031200 968999	1
130	BACR15BA5AC	..R	RIVET- SIZE DETERMINED ON INSTL. USED ON: 232A1701-3	031047 054106 968999	6

MISSING ITEM NUMBERS NOT APPLICABLE

— ITEM NOT ILLUSTRATED

HAP

25-11-00-16

BOEING PROPRIETARY - Copyright © - Unpublished Work - See title page for details.

25-11-00
FIG. 16
PAGE 3
FEB 15/09

BOEING
737-600/700/800/900
PARTS CATALOG (MAINTENANCE)

FIG ITEM	PART NUMBER	1 2 3 4 5 6 7	NOMENCLATURE	EFFECT FROM TO	UNITS PER ASSY
16					
130	BACR15CE5B	..	RIVET- SIZE DETERMINED ON INSTL. USED ON: 232A1701-5 232A1701-7	031200 968999	6
135	232A1704-2	..	ROD-COAT USED ON: 232A1701-3	031047 054106 968999	1
135	232A1704-3	..	ROD-COAT	031200 968999	1
140	232A1704-1	..	SUPPORT-ROD	031200 968999	2
143	232A1706-3	..	SEAL	031200 968999	4
145	232A1706-1	..	SEAL- OPTIONAL PART: 232A1701-7	031047 054106 968999	1
145	232A1701-7	..	SEAL- OPTIONAL PART: 232A1706-1	031200 968999	1
150	232A1701-6	..	MODULE ASSY- USED ON: 232A1701-5	031047 054106 968999	1
150	232A1701-4	..	MODULE ASSY- USED ON: 232A1701-3	031047 054106 968999	1
150	232A1701-8	..	MODULE ASSY	048053 107200	1
153	BACR15FR5MPR	...	RIVET- SIZE DETERMINED ON INSTL.	031200 968999	4
155	BACR15BA5DC	...	RIVET- SIZE DETERMINED ON INSTL. USED ON: 232A1701-4	031047 054106 968999	5
155	BACR15CE5D	...	RIVET- SIZE DETERMINED ON INSTL. USED ON: 232A1701-6 232A1701-8	031200 968999	5
160	232A1702-8	...	SHELF	031047 054106 968999	1
160	232A1702-22	...	SHELF	048053 107200	1
165	BACR15BA5DC	...	RIVET- SIZE DETERMINED ON INSTL. USED ON: 232A1701-4	031047 054106 968999	2

MISSING ITEM NUMBERS NOT APPLICABLE

— ITEM NOT ILLUSTRATED

HAP

25-11-00-16

BOEING PROPRIETARY - Copyright © - Unpublished Work - See title page for details.

25-11-00
FIG. 16
PAGE 4
FEB 15/09

 **BOEING**
737-600/700/800/900
PARTS CATALOG (MAINTENANCE)

FIG ITEM	PART NUMBER	1 2 3 4 5 6 7	NOMENCLATURE	EFFECT FROM TO	UNITS PER ASSY
16					
165	BACR15CE5D	...	RIVET- SIZE DETERMINED ON INSTL. USED ON: 232A1701-6 232A1701-8	031200 968999	2
170	232A1703-2	...	BRACKET- USED ON: 232A1701-4	031047 054106 968999	1
170	232A1703-1	...	BRACKET- USED ON: 232A1701-6 232A1701-8	031200 968999	1
171	BACR15BA5DC	...	RIVET- SIZE DETERMINED ON INSTL. USED ON: 232A1701-4	031047 054106 968999	11
171	BACR15FR5MPR	...	RIVET- SIZE DETERMINED ON INSTL. USED ON: 232A1701-6 232A1701-8	031200 968999	11
172	BACR15BA5DC	...	RIVET- SIZE DETERMINED ON INSTL. USED ON: 232A1701-4	031047 054106 968999	2
172	BACR15CE5D	...	RIVET- SIZE DETERMINED ON INSTL. USED ON: 232A1701-6 232A1701-8	031200 968999	2
173	BACR15BB5DC	...	RIVET- SIZE DETERMINED ON INSTL. USED ON: 232A1701-4	031047 054106 968999	2
173A	BACR15FR5MPR	...	RIVET- SIZE DETERMINED ON INSTL. USED ON: 232A1701-6 232A1701-8	031200 968999	3
174	BACR15FR5MPR	...	RIVET- SIZE DETERMINED ON INSTL. USED ON: 232A1701-4	031047 054106 968999	1
175	232A1702-11	...	WEB-SHEAR	031047 054106 968999	1
175	232A1702-18	...	WEB-SHEAR	048053 107200	1

MISSING ITEM NUMBERS NOT APPLICABLE

— ITEM NOT ILLUSTRATED

HAP

25-11-00-16

25-11-00
FIG. 16
PAGE 5
FEB 15/09

BOEING
737-600/700/800/900
PARTS CATALOG (MAINTENANCE)

FIG ITEM	PART NUMBER	1 2 3 4 5 6 7	NOMENCLATURE	EFFECT FROM TO	UNITS PER ASSY
16					
182	BACR15FR5MPR	...	RIVET- SIZE DETERMINED ON INSTL.	031200 968999	6
185	232A1703-7	...	BRACKET	031200 968999	1
190	BACS12ER04K5	...	SCREW- USED ON: 232A1701-6 232A1701-8	031200 968999	2
190	FH4C4DG15GY	...	SCREW- SUPPLIER CODE: V12324 OPTIONAL PART: BACS12ER04K4 USED ON: 232A1701-4	031047 054106 968999	2
190	BACS12ER04K4	...	SCREW- OPTIONAL PART: FH4C4DG15GY 12324 USED ON: 232A1701-4	031047 054106 968999	2
195	NAS1149FN416P	...	WASHER-	031200 968999	2
200	PLH504CD	...	NUT SUPPLIER CODE: VFO224 SPECIFICATION NUMBER: BACN10YR04CD OPTIONAL PART: H52732-04CD V15653	031200 968999	2
205	S1031-18	...	PLATE-STRIKER SUPPLIER CODE: V31845	031200 968999	1
210	BACR15BA5DC	...	RIVET- SIZE DETERMINED ON INSTL. USED ON: 232A1701-4	031047 054106 968999	2
210	BACR15CE5D	...	RIVET- SIZE DETERMINED ON INSTL. USED ON: 232A1701-6 232A1701-8	031200 968999	2
215	232A1703-1	...	BRACKET- USED ON: 232A1701-4	031047 054106 968999	1

MISSING ITEM NUMBERS NOT APPLICABLE

- ITEM NOT ILLUSTRATED

HAP

25-11-00-16

BOEING PROPRIETARY - Copyright © - Unpublished Work - See title page for details.

25-11-00
FIG. 16
PAGE 6
FEB 15/09

BOEING
737-600/700/800/900
PARTS CATALOG (MAINTENANCE)

FIG ITEM	PART NUMBER	1 2 3 4 5 6 7	NOMENCLATURE	EFFECT FROM TO	UNITS PER ASSY
16					
215	232A1703-2	...	BRACKET- USED ON: 232A1701-6 232A1701-8	031200 968999	1
216	BACR15FR5MPR	...	RIVET- SIZE DETERMINED ON INSTL. USED ON: 232A1701-6 232A1701-8	031200 968999	4
217	BACR15BB5DC	...	RIVET- SIZE DETERMINED ON INSTL. USED ON: 232A1701-4	031047 054106 968999	2
218	BACR15FR5MPR	...	RIVET- SIZE DETERMINED ON INSTL. USED ON: 232A1701-4	031047 054106 968999	1
219	BACR15BA5DC	...	RIVET- SIZE DETERMINED ON INSTL. USED ON: 232A1701-4	031047 054106 968999	3
220	BACR15FR5MPR	...	RIVET- SIZE DETERMINED ON INSTL.	031200 968999	8
221	BACR15CE5D	...	RIVET- SIZE DETERMINED ON INSTL. USED ON: 232A1701-6 232A1701-8	031200 968999	2
222	BACF3F005X020NN	...	FILLER	031200 968999	1
223	232A1702-5	...	WEB-SHEAR	031047 054106 968999	1
223	232A1702-19	...	WEB-SHEAR	048053 107200	1
225	BACR15BA5DC	...	RIVET- SIZE DETERMINED ON INSTL. USED ON: 232A1701-4	031047 054106 968999	4
225	BACR15CE5D	...	RIVET- SIZE DETERMINED ON INSTL. USED ON: 232A1701-6 232A1701-8	031200 968999	4
230	232A1703-4	...	BRACKET	031200 968999	1
235	232A1703-3	...	BRACKET	031200 968999	1

MISSING ITEM NUMBERS NOT APPLICABLE

— ITEM NOT ILLUSTRATED

HAP

25-11-00-16

BOEING PROPRIETARY - Copyright © - Unpublished Work - See title page for details.

25-11-00
FIG. 16
PAGE 7
FEB 15/09

BOEING
737-600/700/800/900
PARTS CATALOG (MAINTENANCE)

FIG ITEM	PART NUMBER	1 2 3 4 5 6 7	NOMENCLATURE	EFFECT FROM TO	UNITS PER ASSY
16 240	BACS22A12	...	STRIP	031200 968999	2
242	BACR15BB4DC	...	RIVET- ATTACHING PARTS SIZE DETERMINED ON INSTL. USED ON: 232A1701-4	031047 054106 968999	8
242	BACR15FR4MPR	...	RIVET- SIZE DETERMINED ON INSTL. USED ON: 232A1701-6 232A1701-8	031200 968999	8
245	BACR15BA5DC	...	RIVET- SIZE DETERMINED ON INSTL. USED ON: 232A1701-4	031047 054106 968999	9
245	BACR15CE5D	...	RIVET- SIZE DETERMINED ON INSTL. USED ON: 232A1701-6 232A1701-8	031200 968999	9
247	BACR15FR5MPR	...	RIVET- SIZE DETERMINED ON INSTL.	031200 968999	3
250	232A1703-5	...	BRACKET- OPTIONAL PART: 232A1703-8 USED ON: 232A1701-4 232A1701-8	031200 968999	2
250	232A1703-8	...	BRACKET- OPTIONAL PART: 232A1703-5 USED ON: 232A1701-6 232A1701-8	031200 968999	2
255	BACR15FR5MPR	...	RIVET-	031200 968999	6
260	232A1703-6	...	BRACKET	031200 968999	1
265	232A1702-15	...	BRACKET ASSY- USED ON: 232A1701-4	031047 054106 968999	1
265	232A1702-17	...	BRACKET ASSY- USED ON: 232A1701-6	031047 054106 968999	1
265	232A1702-21	...	BRACKET ASSY	048053 107200	1

MISSING ITEM NUMBERS NOT APPLICABLE

— ITEM NOT ILLUSTRATED

HAP

25-11-00-16

25-11-00
FIG. 16
PAGE 8
FEB 15/09

BOEING
737-600/700/800/900
PARTS CATALOG (MAINTENANCE)

FIG ITEM	PART NUMBER	1 2 3 4 5 6 7	NOMENCLATURE	EFFECT FROM TO	UNITS PER ASSY
16 270	MF53049-3	NUTPLATE SUPPLIER CODE: V15653 SPECIFICATION NUMBER: BACN10JN3 OPTIONAL PART: BRFM20A3 V52828 MF1000-3BAC V15653 NS103218-02 V80539 RMF9201M3 V72962 VN252A02 V92215 T8124S3S V11815	031200 968999	2
275	NS103223-02	NUTPLATE SUPPLIER CODE: V80539 SPECIFICATION NUMBER: BACN10JY3 OPTIONAL PART: RMK9457-3 V72962 ATTACHING PARTS	031200 968999	1
- 280	BACR15BA3ADC	RIVET- SIZE DETERMINED ON INSTL. -----*-----	031200 968999	6
285	232A1702-14	BRACKET- USED ON: 232A1702-15	031047 054106 968999	1
285	232A1702-16	BRACKET- USED ON: 232A1702-17	031047 054106 968999	1
285	232A1702-20	BRACKET	048053 107200	1

MISSING ITEM NUMBERS NOT APPLICABLE

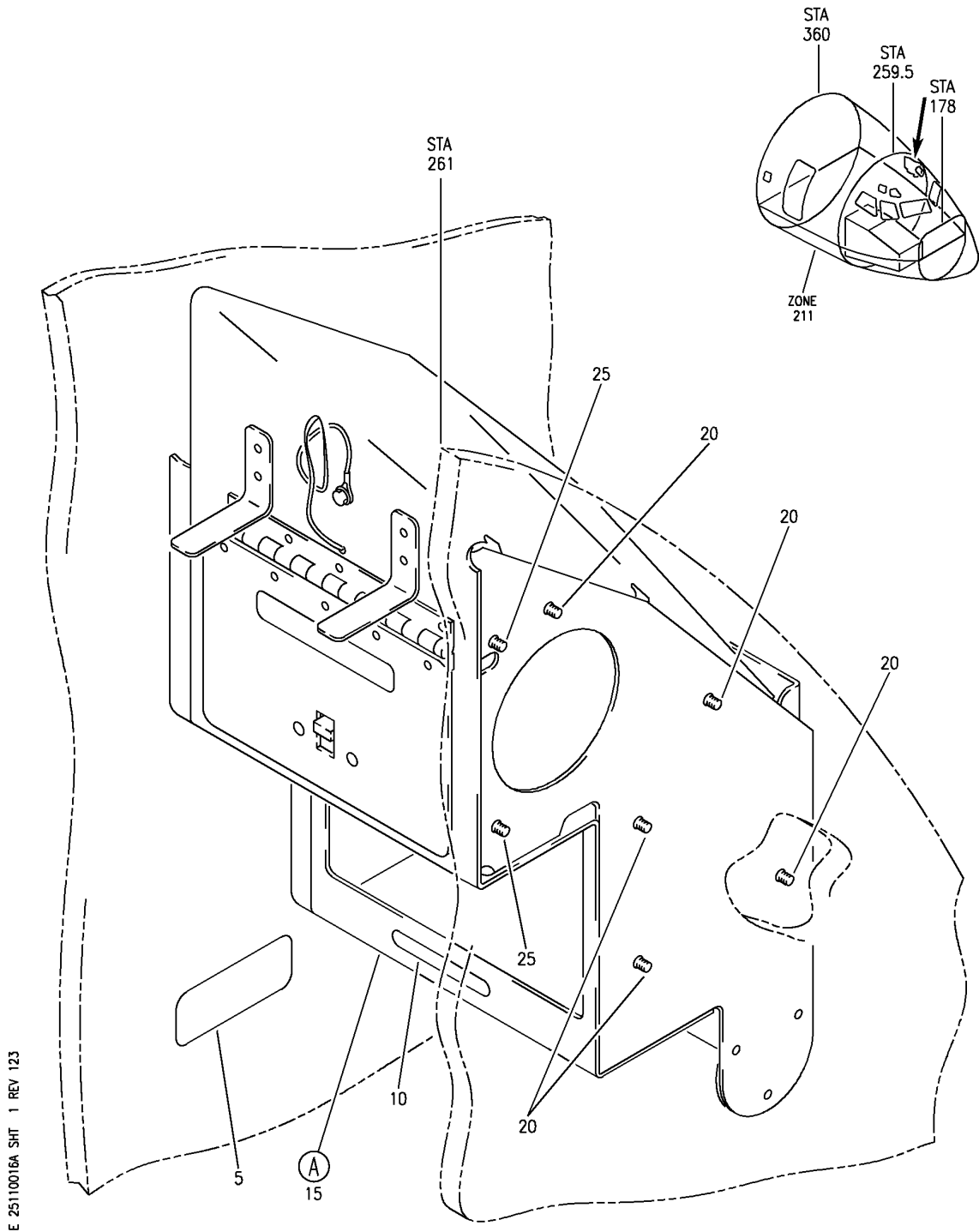
- ITEM NOT ILLUSTRATED

HAP

25-11-00-16

BOEING PROPRIETARY - Copyright © - Unpublished Work - See title page for details.

25-11-00
FIG. 16
PAGE 9
FEB 15/09



E 25110016A SHT 1 REV 123

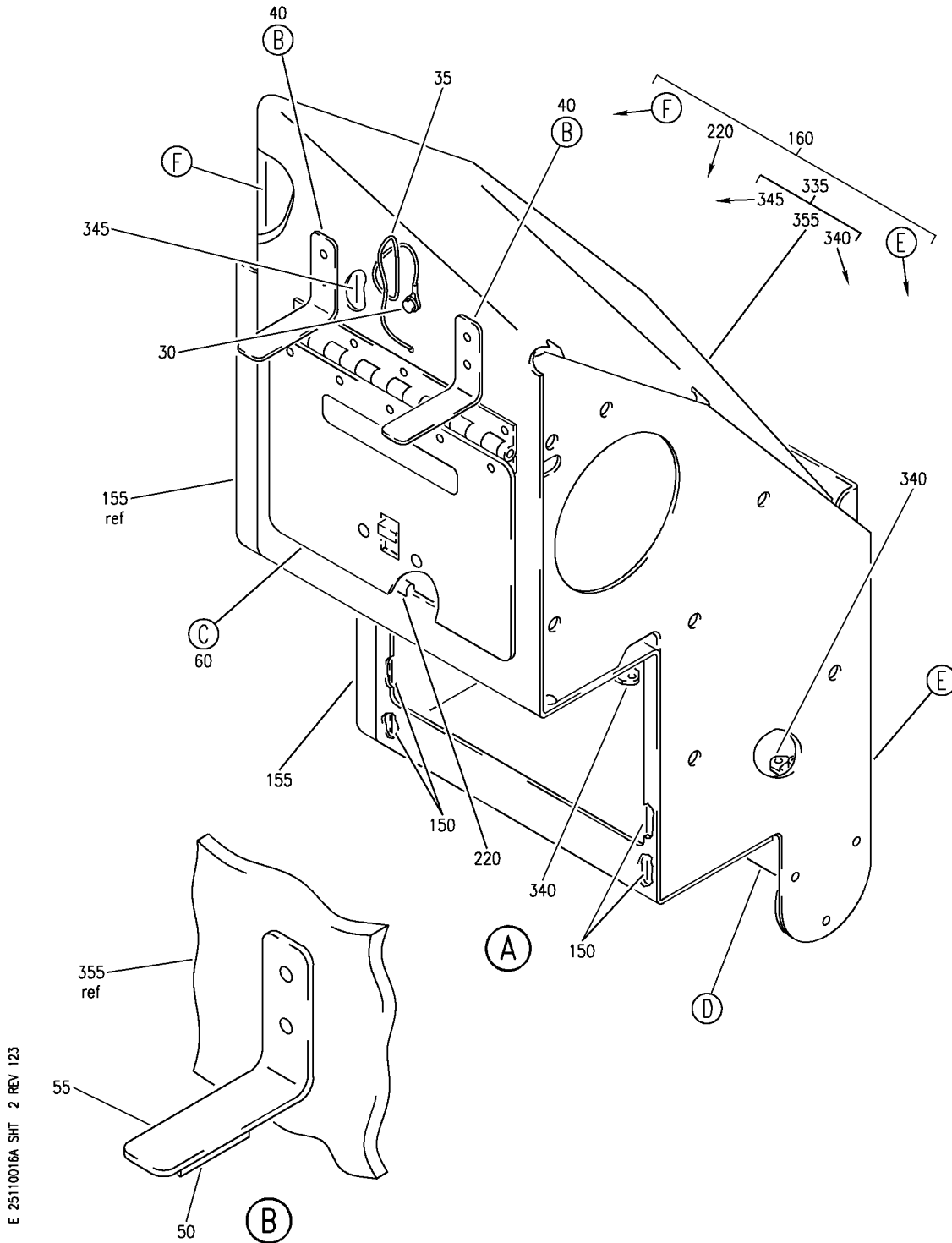
MODULE INSTL-SECOND OBSERVER
FIGURE 16A (SHEET 1)

25-11-00-16A

HAP
OCT 10/06

25-11-00-16A
PAGE 0

BOEING
 737-600/700/800/900
 PARTS CATALOG (MAINTENANCE)



E 25110016A SHT 2 REV 123

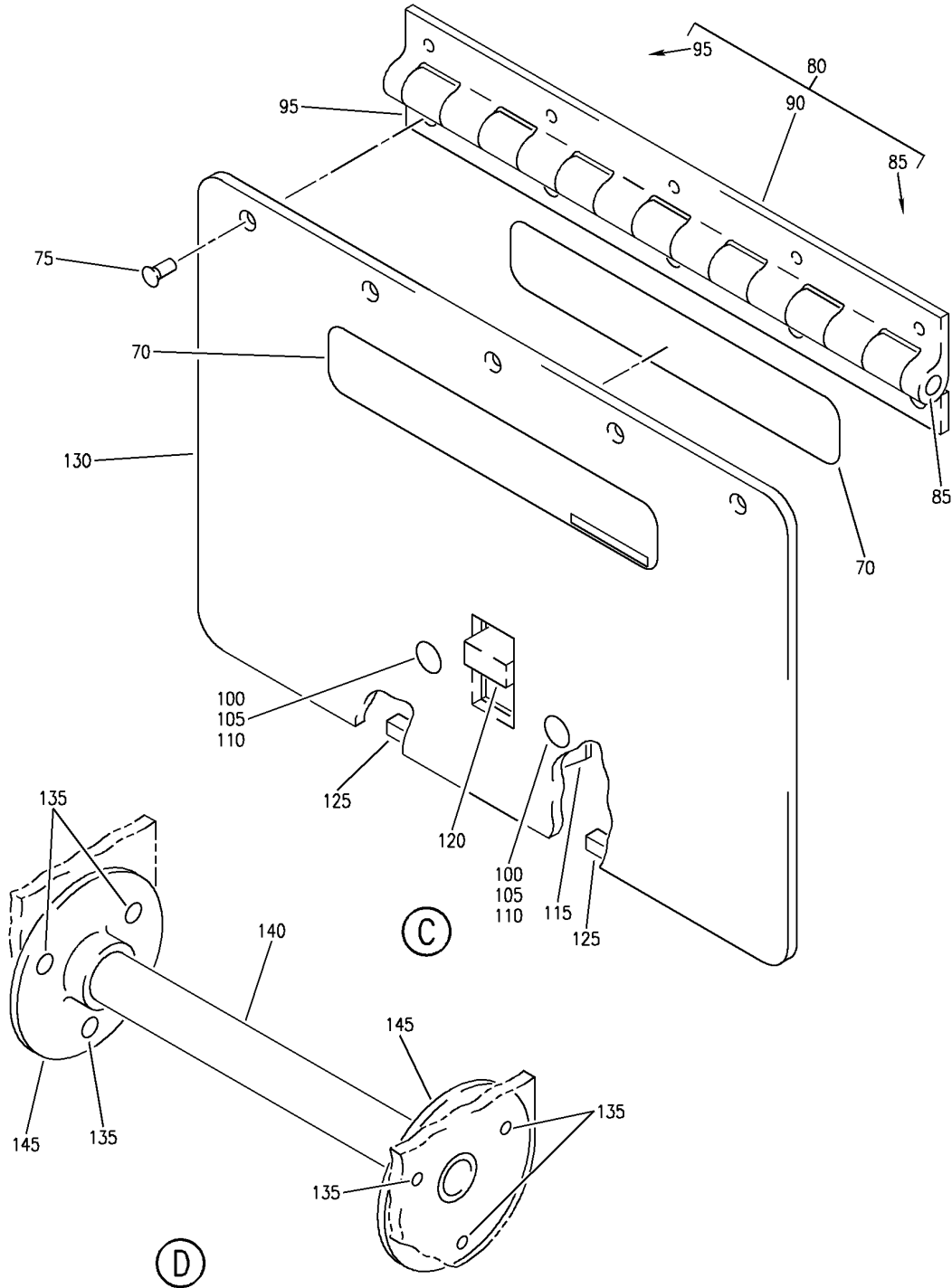
MODULE INSTL-SECOND OBSERVER
 FIGURE 16A (SHEET 2)

25-11-00-16A

HAP
 OCT 10/06

25-11-00-16A
 PAGE 0A

BOEING
 737-600/700/800/900
 PARTS CATALOG (MAINTENANCE)



E 25110016A SHT 3 REV 123

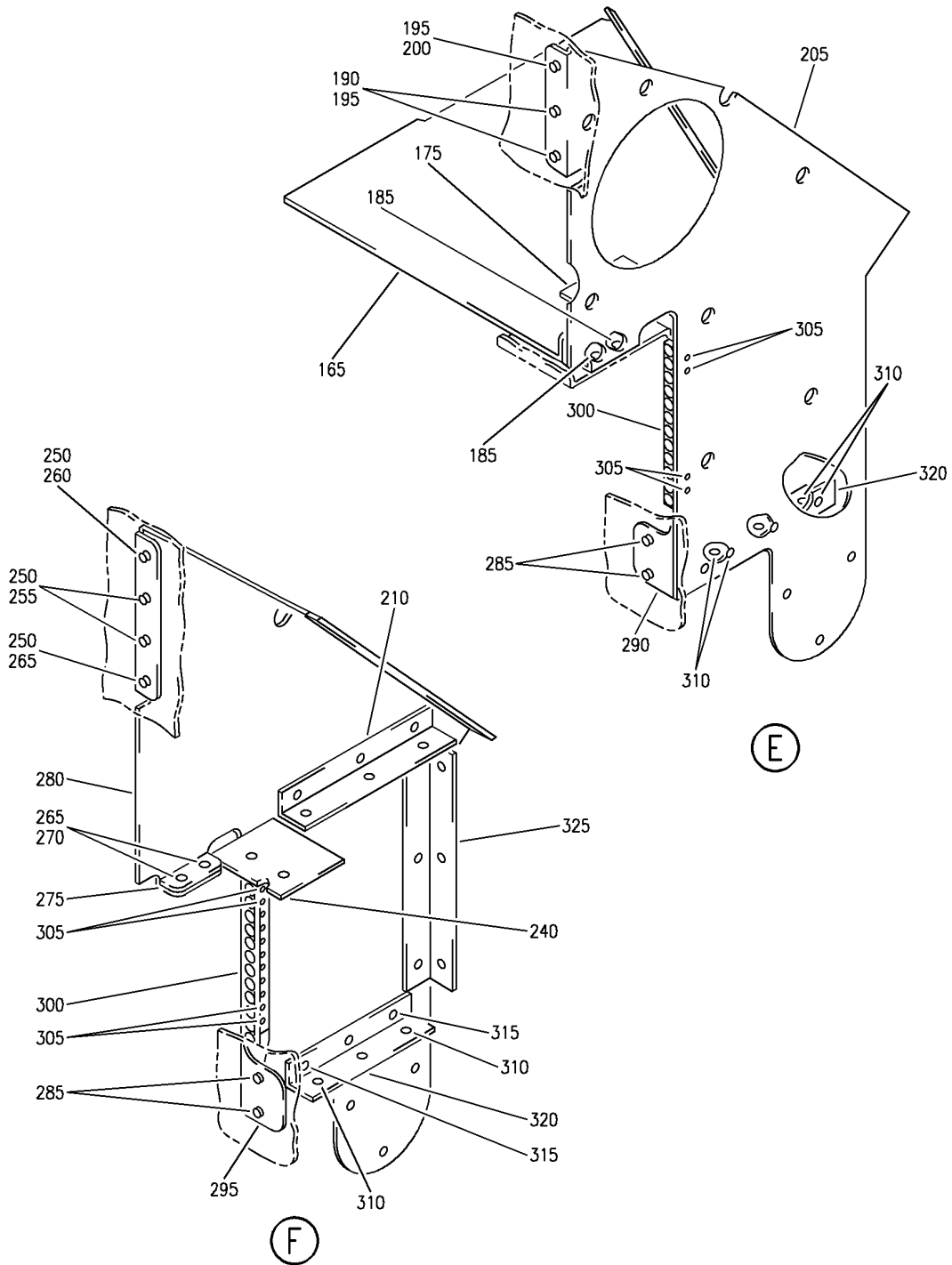
MODULE INSTL-SECOND OBSERVER
 FIGURE 16A (SHEET 3)

25-11-00-16A

HAP
 OCT 10/06

25-11-00-16A
 PAGE 0B

BOEING
 737-600/700/800/900
 PARTS CATALOG (MAINTENANCE)



E 25110016A SHT 4 REV 123

MODULE INSTL-SECOND OBSERVER
 FIGURE 16A (SHEET 4)

25-11-00-16A

HAP
 OCT 10/06

25-11-00-16A
 PAGE 0C

BOEING
737-600/700/800/900
PARTS CATALOG (MAINTENANCE)

FIG ITEM	PART NUMBER	1 2 3 4 5 6 7	NOMENCLATURE	EFFECT FROM TO	UNITS PER ASSY
16A			MODULE INSTL-SECOND OBSERVER	001030 201967	
- 1	232A1700-1		MODULE INSTL- POSITION DATA: SECOND OBSERVER FOR NHA SEE: 25-10-00-03	001004 006007	RF
- 1	232A1700-2		MODULE INSTL- POSITION DATA: SECOND OBSERVER FOR NHA SEE: 25-10-00-03	005005 008011 201967	RF
- 1	232A1700-3		MODULE INSTL- POSITION DATA: SECOND OBSERVER FOR NHA SEE: 25-10-00-03	012030	RF
5	BAC29PPS14611		.MARKER- PLACARD CONTENT: ROD LOAD LIMIT 25 LB/11 KG	001030 201967	1
10	BAC27WFDE146		.MARKER- PLACARD CONTENT: LOAD LIMIT 5 LBS	001004 006007	1
15	232A1701-3		.MODULE ASSY- OPTIONAL PART: 232A1701-5	001030 201967	1
15	232A1701-5		.MODULE ASSY- OPTIONAL PART: 232A1701-3 ATTACHING PARTS	001030 201967	1
20	BACS12GU3K4		.SCREW	001030 201967	5
25	BACS12GU3K8		.SCREW	001030 201967	2
30	BACS12FA3K6		-----*----- ..SCREW	001030 201967	1
35	79-02		..LANYARD- SUPPLIER CODE: VOPXJ7	001030 201967	1
40	232A1702-6		..BRACKET ASSY ATTACHING PARTS	001030 201967	2
- 45	BACR15FR5MPR		..RIVET- SIZE DETERMINED ON INSTL. -----*-----	001030 201967	4
50	232A1702-9		...TAPE-HOOK	001030 201967	1

MISSING ITEM NUMBERS NOT APPLICABLE

- ITEM NOT ILLUSTRATED

HAP

25-11-00-16A

BOEING PROPRIETARY - Copyright © - Unpublished Work - See title page for details.

25-11-00
FIG. 16A
PAGE 1
OCT 15/08

BOEING
737-600/700/800/900
PARTS CATALOG (MAINTENANCE)

FIG ITEM	PART NUMBER	1 2 3 4 5 6 7	NOMENCLATURE	EFFECT FROM TO	UNITS PER ASSY
16A					
55	232A1702-7	...	BRACKET	001030 201967	1
60	232A1705-3	..	DOOR ASSY- USED ON: 232A1701-3 FUNCTIONAL REFERENCE: PLACARDS AND MARKINGS FOR DETAILS SEE 11-30-00-57A	001030 201967	1
60	232A1705-5	..	DOOR ASSY- USED ON: 232A1701-5 FUNCTIONAL REFERENCE: PLACARDS AND MARKINGS FOR DETAILS SEE 11-30-00-57A	001030 201967	1
- 65	BACR15BA4DC	..	RIVET- SIZE DETERMINED ON INSTL. -----*-----	001030 201967	5
70	BAC27DCC2703	...	MARKER-ALUMINUM FOIL POSITION DATA: NEAR SIDE AND FAR SIDE PLACARD CONTENT: LATCH DOOR CLOSED	001030 201967	2
75	232A1705-4	...	RIVET- OPTIONAL PART: 232A1705-6 USED ON: 232A1705-5	001030 201967	5
75	BACR15BA4AC	...	RIVET- SIZE DETERMINED ON INSTL. USED ON: 232A1705-3	001030 201967	5
75	232A1705-6	...	RIVET- OPTIONAL PART: 232A1705-4 USED ON: 232A1705-5	001030 201967	5
80	232A1707-4	...	HINGE ASSY	001030 201967	1
85	MS20253P2-675L	PIN	001030 201967	1
90	232A1707-5	HINGE-HALF	001030 201967	1
95	232A1707-6	HINGE-HALF	001030 201967	1

MISSING ITEM NUMBERS NOT APPLICABLE

- ITEM NOT ILLUSTRATED

HAP

25-11-00-16A

BOEING PROPRIETARY - Copyright © - Unpublished Work - See title page for details.

25-11-00
FIG. 16A
PAGE 2
OCT 15/08

BOEING
737-600/700/800/900
PARTS CATALOG (MAINTENANCE)

FIG ITEM	PART NUMBER	1 2 3 4 5 6 7	NOMENCLATURE	EFFECT FROM TO	UNITS PER ASSY
16A 100	FH8C8TPKL01BK	...	SCREW- SUPPLIER CODE: V12324 POSITION DATA: NEAR SIDE	001030 201967	2
105	NAS1149DN832J	...	WASHER- POSITION DATA: FAR SIDE	001030 201967	2
110	BRH10C08D	...	NUT- SUPPLIER CODE: V52828 SPECIFICATION NUMBER: BACN10JC08CD OPTIONAL PART: H51650-08BAC V15653 102LH9075-82W V72962 NS202486-82 V80539 T6C832JCD V11815 POSITION DATA: FAR SIDE	001030 201967	2
115	232A1702-10	...	SPACER	001030 201967	1
120	SAM226-5	...	LATCH- SUPPLIER CODE: V31845	001030 201967	1
125	232A1705-2	...	PAD-FELT	001030 201967	2
130	232A1708-1	...	DOOR- USED ON: 232A1705-3	001030 201967	1
130	232A1708-2	...	DOOR- USED ON: 232A1705-5	001030 201967	1
135	BACR15BA5AC	..	RIVET- SIZE DETERMINED ON INSTL. USED ON: 232A1701-3	001030 201967	6
135	BACR15CE5B	..	RIVET- SIZE DETERMINED ON INSTL. USED ON: 232A1701-5	001030 201967	6
140	232A1704-2	..	ROD-COAT USED ON: 232A1701-3	001030 201967	1

MISSING ITEM NUMBERS NOT APPLICABLE

— ITEM NOT ILLUSTRATED

HAP

25-11-00-16A

BOEING PROPRIETARY - Copyright © - Unpublished Work - See title page for details.

25-11-00
FIG. 16A
PAGE 3
FEB 15/09

BOEING
737-600/700/800/900
PARTS CATALOG (MAINTENANCE)

FIG ITEM	PART NUMBER	1 2 3 4 5 6 7	NOMENCLATURE	EFFECT FROM TO	UNITS PER ASSY
16A					
140	232A1704-3	..	ROD-COAT USED ON: 232A1701-5	001030 201967	1
145	232A1704-1	..	SUPPORT-ROD	001030 201967	2
150	232A1706-3	..	SEAL	001030 201967	4
155	232A1706-1	..	SEAL- OPTIONAL PART: 232A1701-7	001030 201967	1
155	232A1701-7	..	SEAL- OPTIONAL PART: 232A1706-1	001030 201967	1
160	232A1701-6	..	MODULE ASSY- USED ON: 232A1701-5	001030 201967	1
160	232A1701-4	..	MODULE ASSY- USED ON: 232A1701-3	001030 201967	1
165	232A1702-8	...	SHELF	001030 201967	1
			ATTACHING PARTS		
- 170	BACR15BA5DC	...	RIVET- SIZE DETERMINED ON INSTL. USED ON: 232A1701-4	001030 201967	5
- 170	BACR15CE5D	...	RIVET- SIZE DETERMINED ON INSTL. USED ON: 232A1701-6	001030 201967	5
			-----*-----		
175	232A1703-2	...	BRACKET- USED ON: 232A1701-4	001030 201967	1
175	232A1703-1	...	BRACKET- USED ON: 232A1701-6	001030 201967	1
			ATTACHING PARTS		
- 180	BACR15BA5DC	...	RIVET- SIZE DETERMINED ON INSTL. USED ON: 232A1701-4	001030 201967	2
- 180	BACR15CE5D	...	RIVET- SIZE DETERMINED ON INSTL. USED ON: 232A1701-6	001030 201967	2
			-----*-----		

MISSING ITEM NUMBERS NOT APPLICABLE

- ITEM NOT ILLUSTRATED

HAP

25-11-00-16A

BOEING PROPRIETARY - Copyright © - Unpublished Work - See title page for details.

25-11-00
FIG. 16A
PAGE 4
FEB 15/09

BOEING
737-600/700/800/900
PARTS CATALOG (MAINTENANCE)

FIG ITEM	PART NUMBER	1 2 3 4 5 6 7	NOMENCLATURE	EFFECT FROM TO	UNITS PER ASSY
16A 185	BACR15BA5DC	...	RIVET- SIZE DETERMINED ON INSTL. USED ON: 232A1701-4	001030 201967	2
185	BACR15CE5D	...	RIVET- SIZE DETERMINED ON INSTL. USED ON: 232A1701-6	001030 201967	2
190	BACR15BB5DC	...	RIVET- SIZE DETERMINED ON INSTL. USED ON: 232A1701-4	001030 201967	2
195	BACR15FR5MPR	...	RIVET- SIZE DETERMINED ON INSTL. USED ON: 232A1701-6	001030 201967	3
200	BACR15FR5MPR	...	RIVET- SIZE DETERMINED ON INSTL. USED ON: 232A1701-4	001030 201967	1
205	232A1702-11	...	WEB-SHEAR	001030 201967	1
210	232A1703-7	...	BRACKET	001030 201967	1
			ATTACHING PARTS		
- 215	BACR15FR5MPR	...	RIVET- SIZE DETERMINED ON INSTL. -----*-----	001030 201967	6
220	S1031-18	...	PLATE-STRIKER SUPPLIER CODE: V31845	001030 201967	1
			ATTACHING PARTS		
- 225	BACS12ER04K5	...	SCREW- USED ON: 232A1701-6	001030 201967	2
- 225	FH4C4DG15GY	...	SCREW- SUPPLIER CODE: V12324 OPTIONAL PART: BACS12ER04K4 USED ON: 232A1701-4	001030 201967	2
- 225	BACS12ER04K4	...	SCREW- OPTIONAL PART: FH4C4DG15GY V12324 USED ON: 232A1701-4	001030 201967	2

MISSING ITEM NUMBERS NOT APPLICABLE

- ITEM NOT ILLUSTRATED

HAP

25-11-00-16A

BOEING PROPRIETARY - Copyright © - Unpublished Work - See title page for details.

25-11-00
FIG. 16A
PAGE 5
FEB 15/09

BOEING
737-600/700/800/900
PARTS CATALOG (MAINTENANCE)

FIG ITEM	PART NUMBER	1 2 3 4 5 6 7	NOMENCLATURE	EFFECT FROM TO	UNITS PER ASSY
16A					
- 230	NAS1149FN416P	...	WASHER	001030 201967	2
- 235	PLH504CD	...	NUT- SUPPLIER CODE: VFO224 SPECIFICATION NUMBER: BACN10YR04CD OPTIONAL PART: H52732-04CD V15653 -----*-----	001030 201967	2
240	232A1703-1	...	BRACKET- USED ON: 232A1701-4	001030 201967	1
240	232A1703-2	...	BRACKET- USED ON: 232A1701-6 ATTACHING PARTS	001030 201967	1
- 245	BACR15BA5DC	...	RIVET- SIZE DETERMINED ON INSTL. USED ON: 232A1701-4	001030 201967	2
- 245	BACR15CE5D	...	RIVET- SIZE DETERMINED ON INSTL. USED ON: 232A1701-6 -----*-----	001030 201967	2
250	BACR15FR5MPR	...	RIVET- SIZE DETERMINED ON INSTL. USED ON: 232A1701-6	001030 201967	4
255	BACR15BB5DC	...	RIVET- SIZE DETERMINED ON INSTL. USED ON: 232A1701-4	001030 201967	2
260	BACR15FR5MPR	...	RIVET- SIZE DETERMINED ON INSTL. USED ON: 232A1701-4	001030 201967	1
265	BACR15BA5DC	...	RIVET- SIZE DETERMINED ON INSTL. USED ON: 232A1701-4	001030 201967	3
270	BACR15CE5D	...	RIVET- SIZE DETERMINED ON INSTL. USED ON: 232A1701-6	001030 201967	2
275	BACF3F005X020NN	...	FILLER	001030 201967	1

MISSING ITEM NUMBERS NOT APPLICABLE

- ITEM NOT ILLUSTRATED

HAP

25-11-00-16A

BOEING PROPRIETARY - Copyright © - Unpublished Work - See title page for details.

25-11-00
FIG. 16A
PAGE 6
FEB 15/09

BOEING
737-600/700/800/900
PARTS CATALOG (MAINTENANCE)

FIG ITEM	PART NUMBER	1 2 3 4 5 6 7	NOMENCLATURE	EFFECT FROM TO	UNITS PER ASSY
16A 280	232A1702-5	...	WEB-SHEAR	001030 201967	1
285	BACR15BA5DC	...	RIVET- SIZE DETERMINED ON INSTL. USED ON: 232A1701-4	001030 201967	4
285	BACR15CE5D	...	RIVET- SIZE DETERMINED ON INSTL. USED ON: 232A1701-6	001030 201967	4
290	232A1703-4	...	BRACKET	001030 201967	1
295	232A1703-3	...	BRACKET	001030 201967	1
300	BACS22A12	...	STRIP	001030 201967	2
305	BACR15BB4DC	...	ATTACHING PARTS RIVET- SIZE DETERMINED ON INSTL. USED ON: 232A1701-4	001030 201967	8
305	BACR15FR4MPR	...	RIVET- SIZE DETERMINED ON INSTL. USED ON: 232A1701-6	001030 201967	8
310	BACR15BA5DC	...	-----*----- RIVET- SIZE DETERMINED ON INSTL. USED ON: 232A1701-4	001030 201967	9
310	BACR15CE5D	...	RIVET- SIZE DETERMINED ON INSTL. USED ON: 232A1701-6	001030 201967	9
315	BACR15FR5MPR	...	RIVET- SIZE DETERMINED ON INSTL.	001030 201967	3
320	232A1703-5	...	BRACKET- USED ON: 232A1701-4	001030 201967	2
320	232A1703-8	...	BRACKET- USED ON: 232A1701-6	001030 201967	2
325	232A1703-6	...	BRACKET	001030 201967	1
- 330	BACR15FR5MPR	...	ATTACHING PARTS RIVET- SIZE DETERMINED ON INSTL. -----*-----	001030 201967	6

MISSING ITEM NUMBERS NOT APPLICABLE

- ITEM NOT ILLUSTRATED

HAP

25-11-00-16A

BOEING PROPRIETARY - Copyright © - Unpublished Work - See title page for details.

25-11-00
FIG. 16A
PAGE 7
FEB 15/09

BOEING
737-600/700/800/900
PARTS CATALOG (MAINTENANCE)

FIG ITEM	PART NUMBER	1 2 3 4 5 6 7	NOMENCLATURE	EFFECT FROM TO	UNITS PER ASSY
16A 335	232A1702-15	...	BRACKET ASSY- USED ON: 232A1701-4	001030 201967	1
335	232A1702-17	...	BRACKET ASSY- USED ON: 232A1701-6	001030 201967	1
340	MF53049-3	NUTPLATE- SUPPLIER CODE: V15653 SPECIFICATION NUMBER: BACN10JN3 OPTIONAL PART: BRFM20A3 V52828 MF1000-3BAC V15653 NS103218-02 V80539 RMF9201M3 V72962 VN252A02 V92215 T8124S3S V11815	001030 201967	2
345	NS103223-02	NUTPLATE- SUPPLIER CODE: V80539 SPECIFICATION NUMBER: BACN10JY3 OPTIONAL PART: RMK9457-3 V72962 ATTACHING PARTS	001030 201967	1
- 350	BACR15BA3ADC	RIVET- SIZE DETERMINED ON INSTL. -----*-----	001030 201967	6
355	232A1702-14	BRACKET- USED ON: 232A1702-15	001030 201967	1
355	232A1702-16	BRACKET- USED ON: 232A1702-17	001030 201967	1

MISSING ITEM NUMBERS NOT APPLICABLE

- ITEM NOT ILLUSTRATED

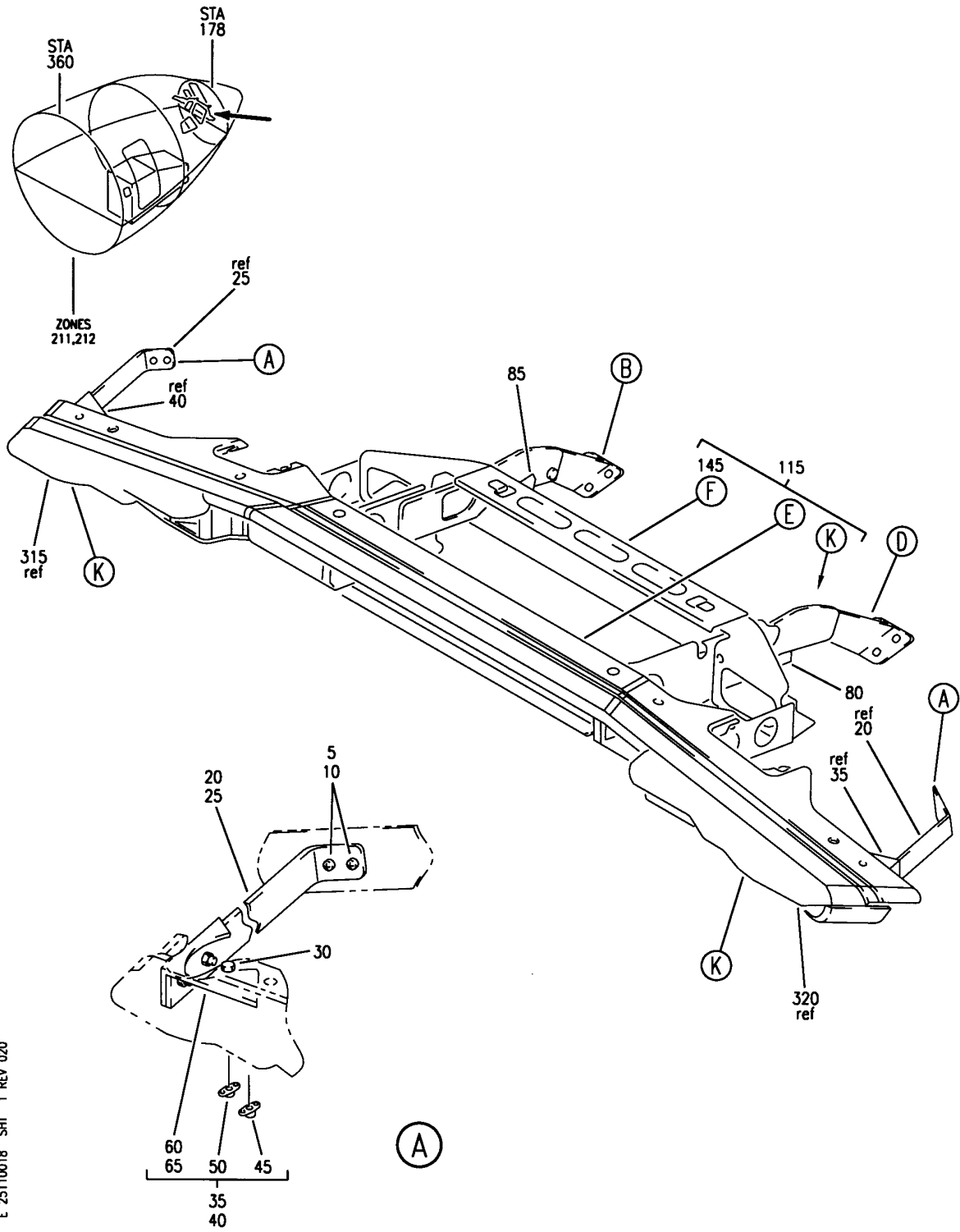
HAP

25-11-00-16A

BOEING PROPRIETARY - Copyright © - Unpublished Work - See title page for details.

25-11-00
FIG. 16A
PAGE 8
FEB 15/09

BOEING
 737-600/700/800/900
 PARTS CATALOG (MAINTENANCE)



E 25110018 SH1 1 REV 020

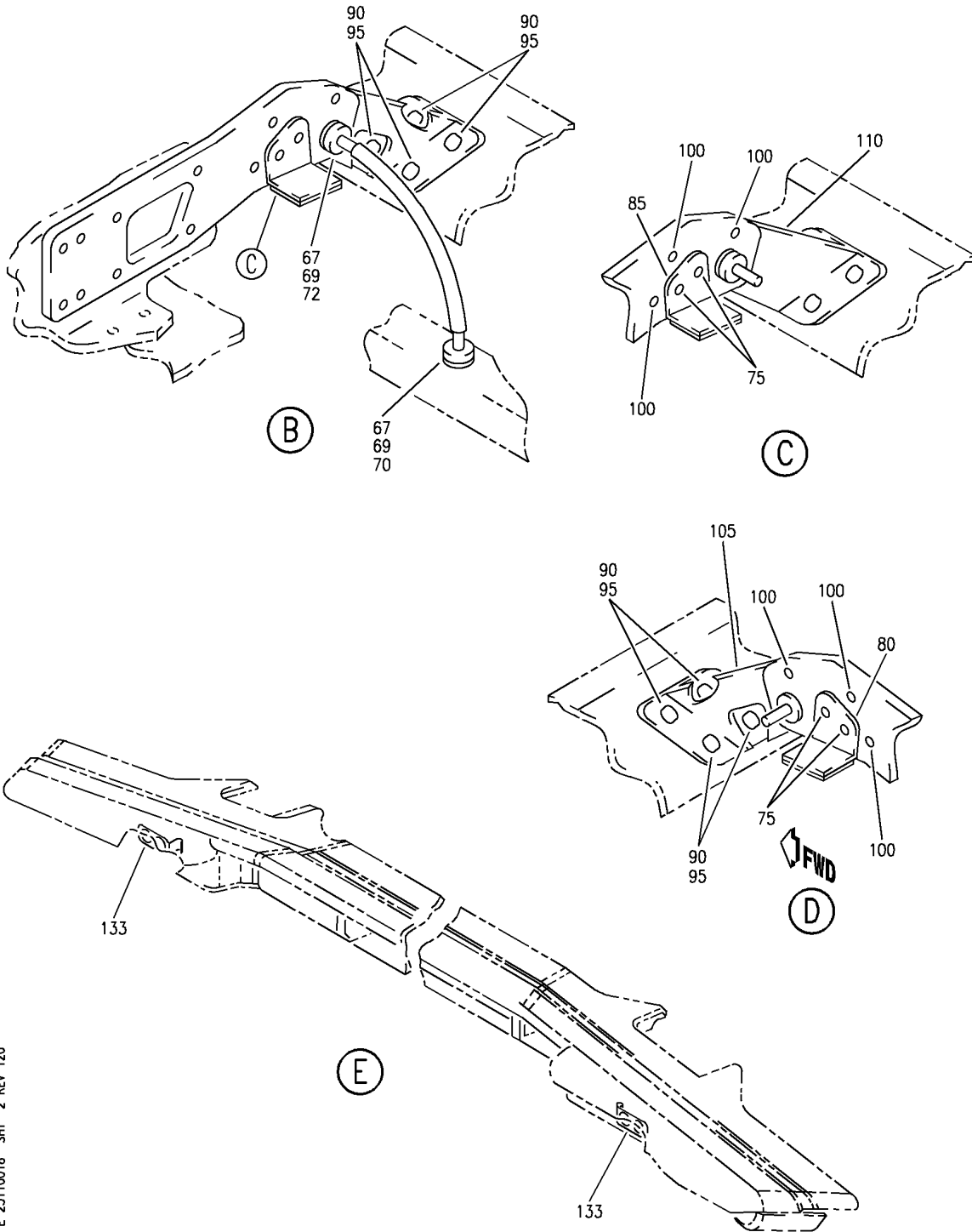
SUPPORT INSTL-PILOTS GLARESHIELD
 FIGURE 18 (SHEET 1)

25-11-00-18

HAP
 OCT 10/06

25-11-00-18
 PAGE 0

BOEING
 737-600/700/800/900
 PARTS CATALOG (MAINTENANCE)



E 25110018 SHT 2 REV 120

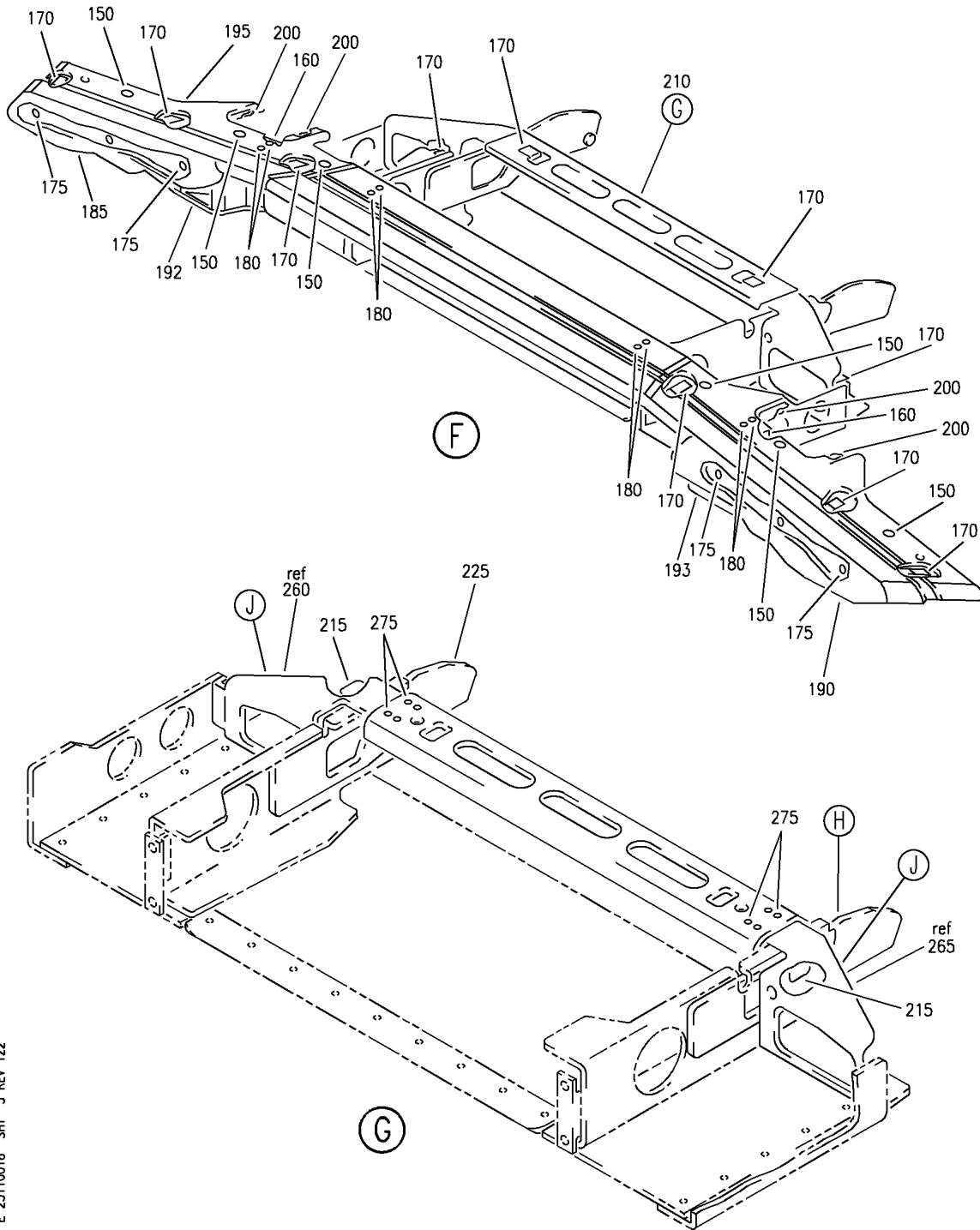
SUPPORT INSTL-PILOTS GLARESHIELD
 FIGURE 18 (SHEET 2)

25-11-00-18

HAP
 OCT 10/06

25-11-00-18
 PAGE 0A

BOEING
737-600/700/800/900
PARTS CATALOG (MAINTENANCE)



E 25110018 SHT 3 REV 122

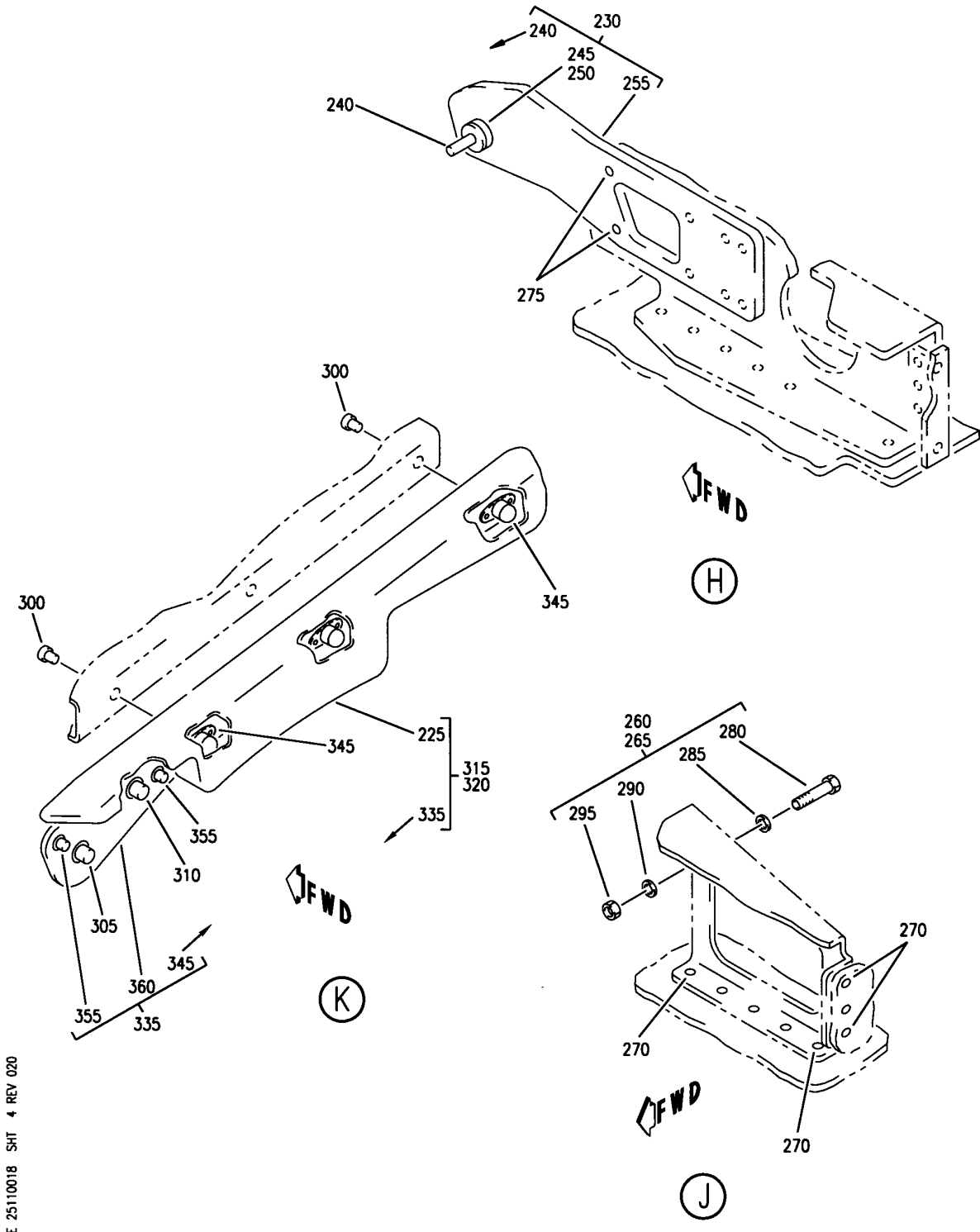
SUPPORT INSTL-PILOTS GLARESHIELD
 FIGURE 18 (SHEET 3)

25-11-00-18

HAP
 OCT 10/06

25-11-00-18
 PAGE 0B

BOEING
 737-600/700/800/900
 PARTS CATALOG (MAINTENANCE)



E 25110018 SH 4 REV 020

SUPPORT INSTL-PILOTS GLARESHIELD
 FIGURE 18 (SHEET 4)

25-11-00-18

HAP
 OCT 10/06

25-11-00-18
 PAGE 0C

BOEING
737-600/700/800/900
PARTS CATALOG (MAINTENANCE)

FIG ITEM	PART NUMBER	1 2 3 4 5 6 7	NOMENCLATURE	EFFECT FROM TO	UNITS PER ASSY
18			SUPPORT INSTL-PILOTS GLARESHIELD		
- 1	233A8102-1		SUPPORT INSTL-PILOTS GLARESHIELD FOR NHA/OTHER SYS DET SEE: 25-10-00-03	001007	RF
- 1	233A8102-400		SUPPORT INSTL-PILOTS GLARESHIELD FOR NHA/OTHER SYS DET SEE: 25-10-00-03	008030 201967	RF
- 1	MODREF83487		SUPPORT INSTL-PILOTS GLARESHIELD MODULE NUMBER: 233A8102-400 REV A	031045 054103 968971	1
- 1	MODREF365507		SUPPORT INSTL-PILOTS GLARESHIELD MODULE NUMBER: 233A8102-400 REV B	046053 104200 972999	1
5	BACB30NM3K6		.BOLT		4
10	BACW10P136AL		.WASHER		4
15	HST10AG6-5		.BOLT SUPPLIER CODE: VOPTK6 SPECIFICATION NUMBER: BACB30VT6K5 OPTIONAL PART: HST10AG6-5 V06725 HST10AG6-5 V56878 HST10AG6-5 V73197 WC10K6-5 V60516		4
20	233A8203-2		.BRACKET-OUTBD		1
25	233A8203-1		.BRACKET-OUTBD		1
30	BACS12ER3K8		.SCREW		2
35	233A8203-6		.BRACKET ASSY		1
40	233A8203-5		.BRACKET ASSY		1
45	NS103223SE02		..NUTPLATE SUPPLIER CODE: V80539 SPECIFICATION NUMBER: BACN10JY3CM OPTIONAL PART: 109K9457-3 V72962		1

MISSING ITEM NUMBERS NOT APPLICABLE

- ITEM NOT ILLUSTRATED

HAP

25-11-00-18

BOEING PROPRIETARY - Copyright © - Unpublished Work - See title page for details.

25-11-00
FIG. 18
PAGE 1
FEB 15/09

BOEING
737-600/700/800/900
PARTS CATALOG (MAINTENANCE)

FIG ITEM	PART NUMBER	1 2 3 4 5 6 7	NOMENCLATURE	EFFECT FROM TO	UNITS PER ASSY
18					
50	WSI4-3		..NUTPLATE SUPPLIER CODE: V04169 SPECIFICATION NUMBER: BACN10TL3-3 ATTACHING PARTS		1
- 55	BACR15BA3AC		..RIVET- SIZE DETERMINED ON INSTL. -----*-----		4
60	233A8203-4		..BRACKET- USED ON: 233A8203-6		1
65	233A8203-3		..BRACKET- USED ON: 233A8203-5		1
67	NAS1149D0316J		.WASHER		2
69	PLH53CM		.NUT SUPPLIER CODE: VF0224 SPECIFICATION NUMBER: BACN10YR3CM OPTIONAL PART: H52732-3CM V15653		2
70	M83413-8F006BX		.JUMPER	046053 104200 972999	1
70	MS25083-3PB6		.JUMPER-GND STRAP QUICK DISCONNECT	001045 054103 201971	1
72	MS25083-3SB		.JUMPER-GND STRAP QUICK DISCONNECT	001045 054103 201971	1
72	M83413-8E00BX		.JUMPER	046053 104200 972999	1

MISSING ITEM NUMBERS NOT APPLICABLE

- ITEM NOT ILLUSTRATED

HAP

25-11-00-18

BOEING PROPRIETARY - Copyright © - Unpublished Work - See title page for details.

25-11-00
FIG. 18
PAGE 2
FEB 15/09

BOEING
737-600/700/800/900
PARTS CATALOG (MAINTENANCE)

FIG ITEM	PART NUMBER	1 2 3 4 5 6 7	NOMENCLATURE	EFFECT FROM TO	UNITS PER ASSY
18					
75	HST10AG6-7		.BOLT SUPPLIER CODE: VOPTK6 SPECIFICATION NUMBER: BACB30VT6K7 OPTIONAL PART: HST10AG6-7 V06725 HST10AG6-7 V56878 HST10AG6-7 V73197 WC10K6-7 V60516		4
80	233A6330-7		.BRACKET ASSY		1
85	233A6330-6		.BRACKET ASSY		1
90	BACB30NM3K7		.BOLT		8
95	BACW10P136AL		.WASHER		8
100	HST10AG6-5		.BOLT SUPPLIER CODE: VOPTK6 SPECIFICATION NUMBER: BACB30VT6K5 OPTIONAL PART: HST10AG6-5 V06725 HST10AG6-5 V56878 HST10AG6-5 V73197 WC10K6-5 V60516		6
105	233A6330-11		.ANGLE		1
110	233A6330-10		.ANGLE		1
115	233A8200-5		.SUPPORT ASSY-	001007	1
133	233A8205-19		..BRACKET-RETAINING	001007	2
145	233A8201-8		..SUPPORT ASSY-	001007	1
150	82-35-295-20		...RECEPTACLE-SPRING SUPPLIER CODE: V94222 ATTACHING PARTS	001007	6
- 155	BACR15BA3D		...RIVET- SIZE DETERMINED ON INSTL. -----*-----	001007	12
160	233A8205-1		...CLIP ATTACHING PARTS	001007	2
- 165	BACR15BA3AD		...RIVET- SIZE DETERMINED ON INSTL. -----*-----	001007	4

MISSING ITEM NUMBERS NOT APPLICABLE

- ITEM NOT ILLUSTRATED

HAP

25-11-00-18

BOEING PROPRIETARY - Copyright © - Unpublished Work - See title page for details.

25-11-00
FIG. 18
PAGE 3
JUN 15/08

 **BOEING**
737-600/700/800/900
PARTS CATALOG (MAINTENANCE)

FIG ITEM	PART NUMBER	1 2 3 4 5 6 7	NOMENCLATURE	EFFECT FROM TO	UNITS PER ASSY
18					
170	82-47-113-20		...RECEPTACLE-1/4 TURN SUPPLIER CODE: V94222	001007	10
175	NAS1351N3-6P		...SCREW	001007	6
180	BACR15BA3AD		...RIVET- SIZE DETERMINED ON INSTL.	001007	8
185	233A8303-1		...PAD ASSY-CRASH OPTIONAL PART: 233A8303-13	001007	1
185	233A8303-13		...PAD ASSY-CRASH OPTIONAL PART: 233A8303-1	001007	1
190	233A8303-2		...PAD ASSY-CRASH OPTIONAL PART: 233A8303-14	001007	1
190	233A8303-14		...PAD ASSY-CRASH OPTIONAL PART: 233A8303-2	001007	1
192	233A8302-15		...POCKET-P7 POSITION DATA: LH SIDE POST SERVICE BULLETIN: 31-1284	001007	1
193	233A8302-14		...POCKET-P7 POSITION DATA: RH SIDE POST SERVICE BULLETIN: 31-1284	001007	1
195	233A8302-2		...PANEL ASSY-P7 CAP	001007	1
200	MF53049-06	NUTPLATE SUPPLIER CODE: V15653 SPECIFICATION NUMBER: BACN10JN06 OPTIONAL PART: MF1000-06BAC V15653 NS103218-62 V80539 RMF9201M62 V72962 VN252A62L V92215 T8124S06S V11815 BRFM20A06L V52828	001007	4

MISSING ITEM NUMBERS NOT APPLICABLE

— ITEM NOT ILLUSTRATED

HAP

25-11-00-18

BOEING PROPRIETARY - Copyright © - Unpublished Work - See title page for details.

25-11-00
FIG. 18
PAGE 4
JUN 15/08

BOEING
737-600/700/800/900
PARTS CATALOG (MAINTENANCE)

FIG ITEM	PART NUMBER	1 2 3 4 5 6 7	NOMENCLATURE	EFFECT FROM TO	UNITS PER ASSY
18			ATTACHING PARTS		
- 205	BACR15DR3	RIVET- SIZE DETERMINED ON INSTL. -----*-----	001007	8
210	233A8202-1	...	SUPPORT ASSY	001007	1
215	233A8205-1	CLIP	001007	2
			ATTACHING PARTS		
- 220	BACR15BA4DC	RIVET- SIZE DETERMINED ON INSTL. -----*-----	001007	4
225	233A8205-12	GUSSET	001007	1
230	233A8205-11	GUSSET ASSY	001007	1
			ATTACHING PARTS		
- 235	BACR15BA5DC	RIVET- SIZE DETERMINED ON INSTL. -----*-----	001007	16
240	NAS514P1032-10	SCREW	001007	1
245	NAS1149D0316H	WASHER	001007	1
250	MS35650-305T	NUT	001007	1
255	233A8205-12	GUSSET	001007	1
260	233A8205-7	BRACE ASSY	001007	1
265	233A8205-8	BRACE ASSY	001007	1
			ATTACHING PARTS		
270	BACR15BA4DC	RIVET- SIZE DETERMINED ON INSTL.	001007	16
275	BACR15BA5DC	RIVET- SIZE DETERMINED ON INSTL. -----*-----	001007	10
280	NAS514P1032-10	SCREW	001007	1
285	NAS1149D0416H	WASHER	001007	1
290	NAS1149D0316H	WASHER	001007	1
295	MS35650-305T	NUT	001007	1

MISSING ITEM NUMBERS NOT APPLICABLE

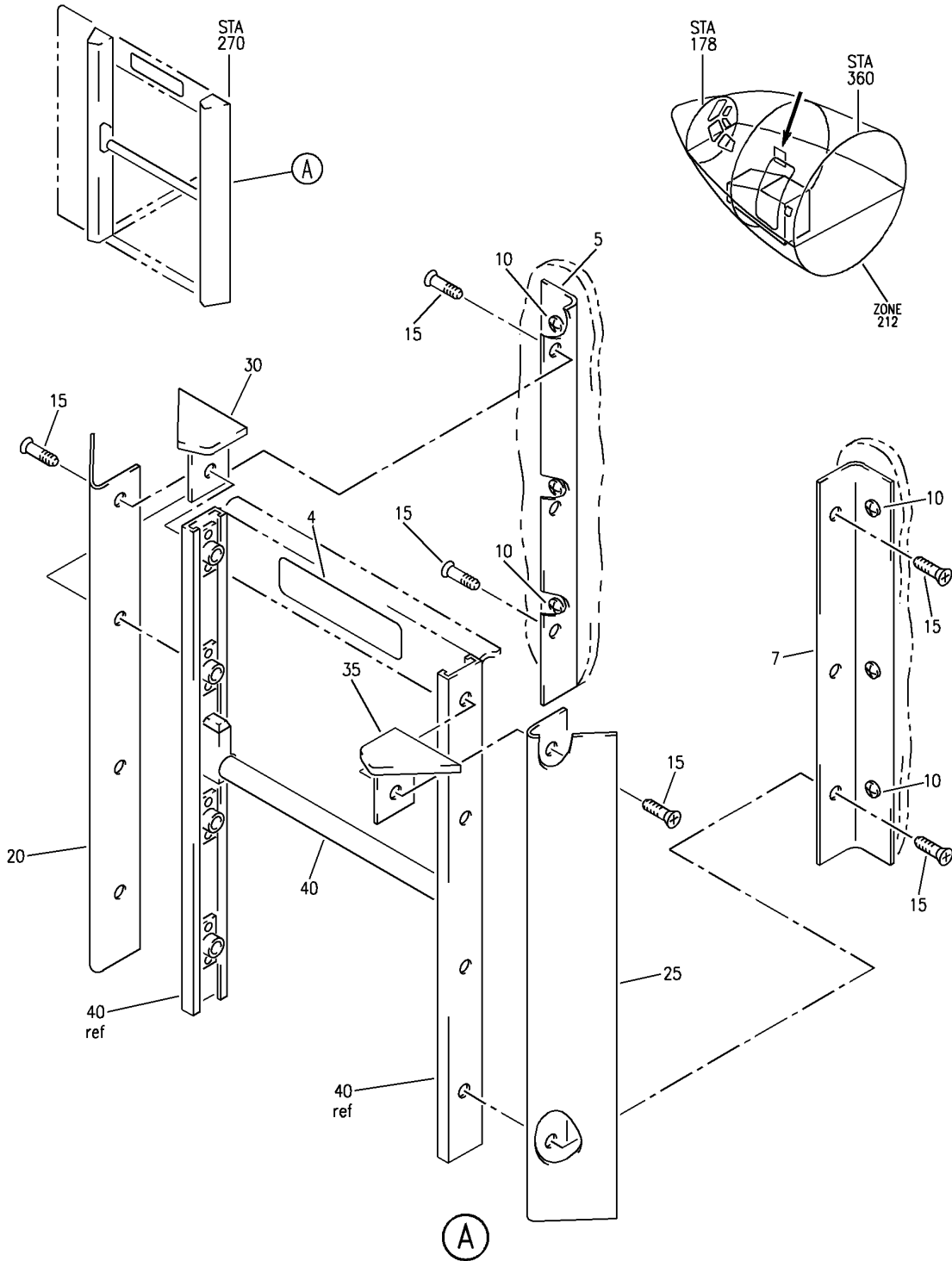
- ITEM NOT ILLUSTRATED

HAP

25-11-00-18

25-11-00
FIG. 18
PAGE 5
JUN 15/08

BOEING
 737-600/700/800/900
 PARTS CATALOG (MAINTENANCE)



E 25110019 REV 129

STOWAGE INSTL-BOOK
 FIGURE 19

25-11-00-19

HAP
 JUN 10/07

25-11-00-19
 PAGE 0

BOEING
737-600/700/800/900
PARTS CATALOG (MAINTENANCE)

FIG ITEM	PART NUMBER	1 2 3 4 5 6 7	NOMENCLATURE	EFFECT FROM TO	UNITS PER ASSY
19			STOWAGE INSTL-BOOK	031200 968999	
- 1	MODREF81954		STOWAGE INSTL-BOOK MODULE NUMBER: 232A4350-5 REV A	031200 968999	1
4	BAC27DCC3004		.PLACARD- PLACARD CONTENT: LOAD LIMIT 40 LBS/18KGS DO NOT STOW SMALL ITEMS CONTENTS MUST BE RESTRAINED BY BAR	031200 968999	1
5	232A4358-1		.BRACKET ASSY-RESTRAINT	031200 968999	1
7	232A4358-2		.BRACKET ASSY-RESTRAINT	031200 968999	1
10	BACS12FA3K8		.SCREW	031200 968999	6
15	BACS12ER08K8		.SCREW-	031200 968999	8
20	232A4358-7		.BRACKET RESTRAINT-	031200 968999	1
25	232A4358-8		.BRACKET RESTRAINT-	031200 968999	1
30	232A4356-3		.ENDCAP ASSY-	031200 968999	1
35	232A4356-4		.ENDCAP ASSY-	031200 968999	1
40	BCREF14275		.RETAINER ASSY-SLIDE SUPPLIER CODE: V62063 OVERLENGTH PART NUMBER: G5000-0920-1442-0400	031200 968999	1

MISSING ITEM NUMBERS NOT APPLICABLE

- ITEM NOT ILLUSTRATED

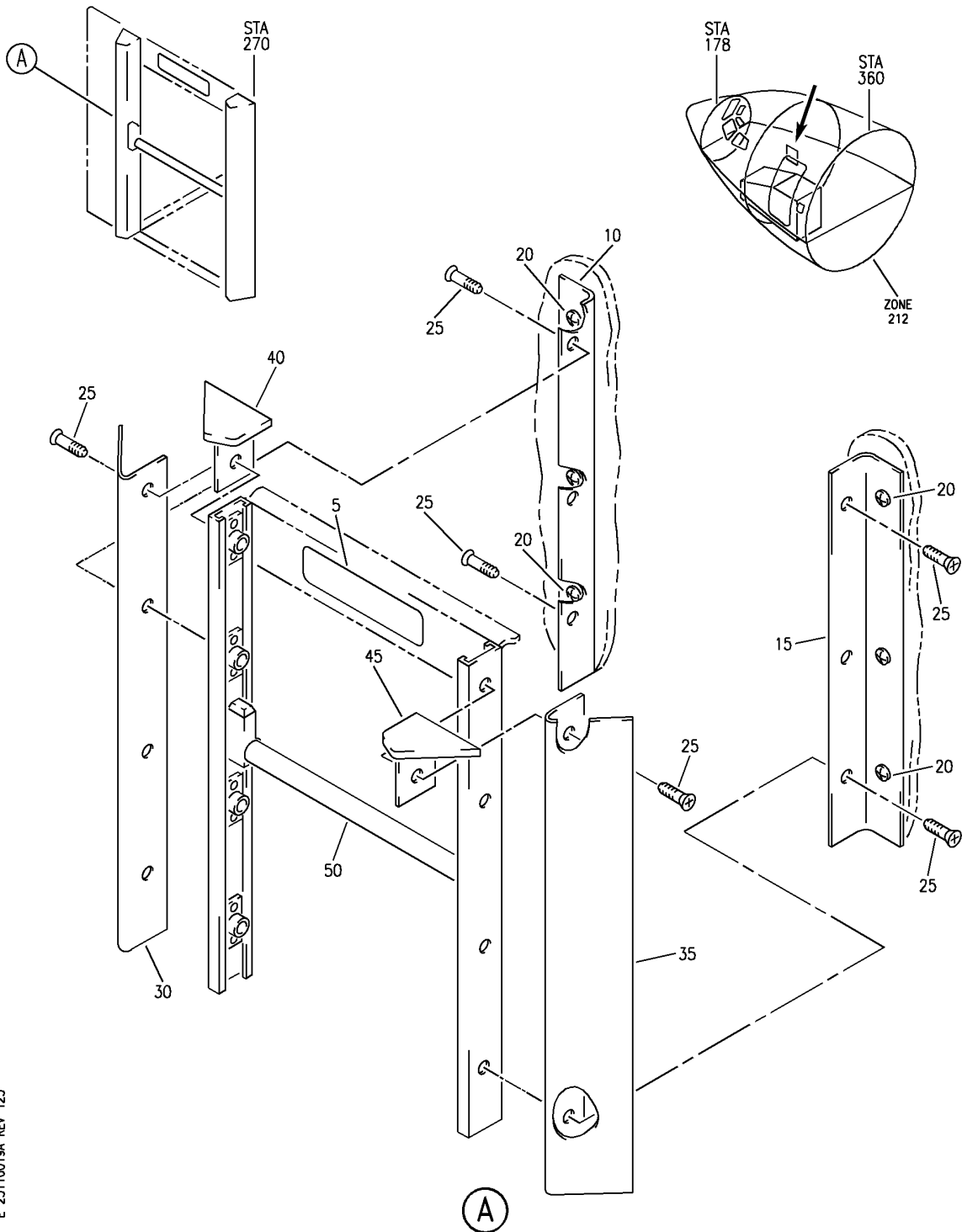
HAP

25-11-00-19

BOEING PROPRIETARY - Copyright © - Unpublished Work - See title page for details.

25-11-00
FIG. 19
PAGE 1
OCT 15/08

BOEING
737-600/700/800/900
PARTS CATALOG (MAINTENANCE)



E 25110019A REV 123

STOWAGE INSTL-BOOK
FIGURE 19A

25-11-00-19A

HAP
OCT 10/06

25-11-00-19A
PAGE 0

BOEING
737-600/700/800/900
PARTS CATALOG (MAINTENANCE)

FIG ITEM	PART NUMBER	1 2 3 4 5 6 7	NOMENCLATURE	EFFECT FROM TO	UNITS PER ASSY
19A			STOWAGE INSTL-BOOK	001030 201967	
- 1	232A4350-3		STOWAGE INSTL-BOOK FOR NHA SEE: 25-10-00-03	001001 006007	RF
- 1	232A4350-5		STOWAGE INSTL-BOOK FOR NHA SEE: 25-10-00-03	002005 008030 201967	RF
5	BAC27DCC3004		.PLACARD- PLACARD CONTENT: LOAD LIMIT 40 LBS/18KGS DO NOT STOW SMALL ITEMS CONTENTS MUST BE RESTRAINED BY BAR	001030 201967	1
10	232A4358-1		.BRACKET ASSY-RESTRAINT	001030 201967	1
15	232A4358-2		.BRACKET ASSY-RESTRAINT	001030 201967	1
20	BACS12FA3K8		.SCREW	001030 201967	6
25	BACS12ER08K8		.SCREW	001030 201967	8
30	232A4358-5		.BRACKET RESTRAINT	001001 006007	1
30	232A4358-7		.BRACKET RESTRAINT	002005 008030 201967	1
35	232A4358-6		.BRACKET RESTRAINT	001001 006007	1
35	232A4358-8		.BRACKET RESTRAINT	002005 008030 201967	1
40	232A4356-3		.ENDCAP ASSY	001030 201967	1
45	232A4356-4		.ENDCAP ASSY	001030 201967	1
50	BCREF14275		.RETAINER ASSY-SLIDE SUPPLIER CODE: V62063 OVERLENGTH PART NUMBER: G5000-0920-1442-0400	001030 201967	1

MISSING ITEM NUMBERS NOT APPLICABLE

- ITEM NOT ILLUSTRATED

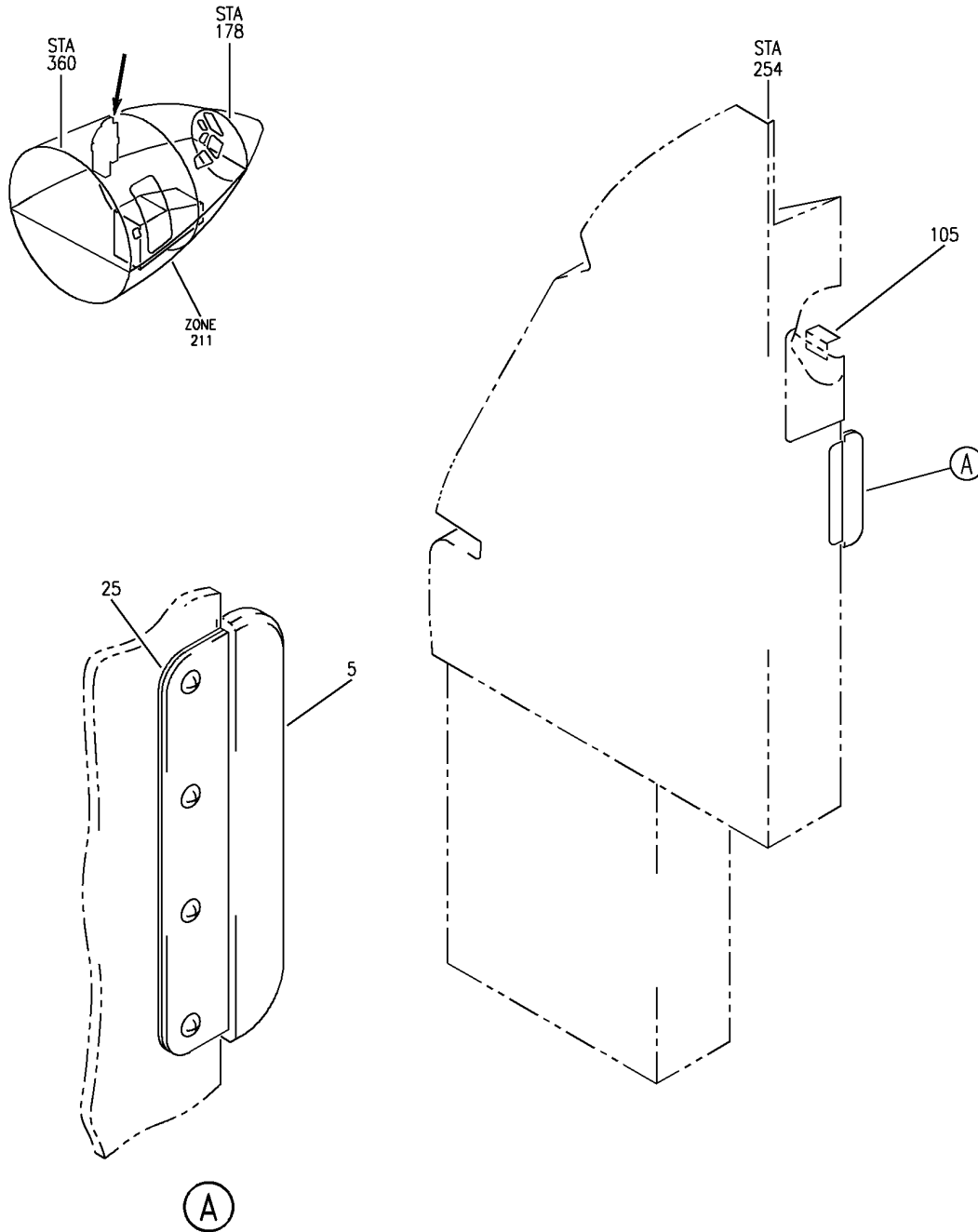
HAP

25-11-00-19A

BOEING PROPRIETARY - Copyright © - Unpublished Work - See title page for details.

25-11-00
FIG. 19A
PAGE 1
OCT 15/08

BOEING
737-600/700/800/900
PARTS CATALOG (MAINTENANCE)



E 25110020 REV 105

GUARD INSTL-P18 CB PNL
FIGURE 20

25-11-00-20

HAP
OCT 10/06

25-11-00-20
PAGE 0

BOEING
737-600/700/800/900
PARTS CATALOG (MAINTENANCE)

FIG ITEM	PART NUMBER	1 2 3 4 5 6 7	NOMENCLATURE	EFFECT FROM TO	UNITS PER ASSY
20					
- 1	233A5510-1		GUARD INSTL-P18 CB PNL GUARD INSTL-P18 CB PNL FOR NHA SEE: 25-10-00-05C 25-10-00-11B 25-10-00-11C	001030 201967	RF
- 1	MODREF83050		GUARD INSTL-P18 CB PNL MODULE NUMBER: 233A5510-1 REV A	031200 968999	1
5	65C32259-52		.GUARD ASSY-SEAT ATTACHING PARTS		1
- 10	BACS12FA3K8GR		.SCREW- OPTIONAL PART: WHS10F8TPKL10GY V12324		4
- 10	WHS10F8TPKL10GY		.SCREW- SUPPLIER CODE: V12324 OPTIONAL PART: BACS12FA3K8GR		4
- 15	NAS1149D0332J		.WASHER		4
- 20	PLH53CD		.NUT SUPPLIER CODE: VF0224 SPECIFICATION NUMBER: BACN10YR3CD OPTIONAL PART: H52732-3CD V15653 -----*-----		4
25	233A5512-1		.SHIM		1
- 100	MODREF232780		GUARD INSTL-P18 CB PNL MODULE NUMBER: 233A5510-2 REV A	031200 968999	1
105	69-77090-16		.GUARD ASSY	031200 968999	1

MISSING ITEM NUMBERS NOT APPLICABLE

- ITEM NOT ILLUSTRATED

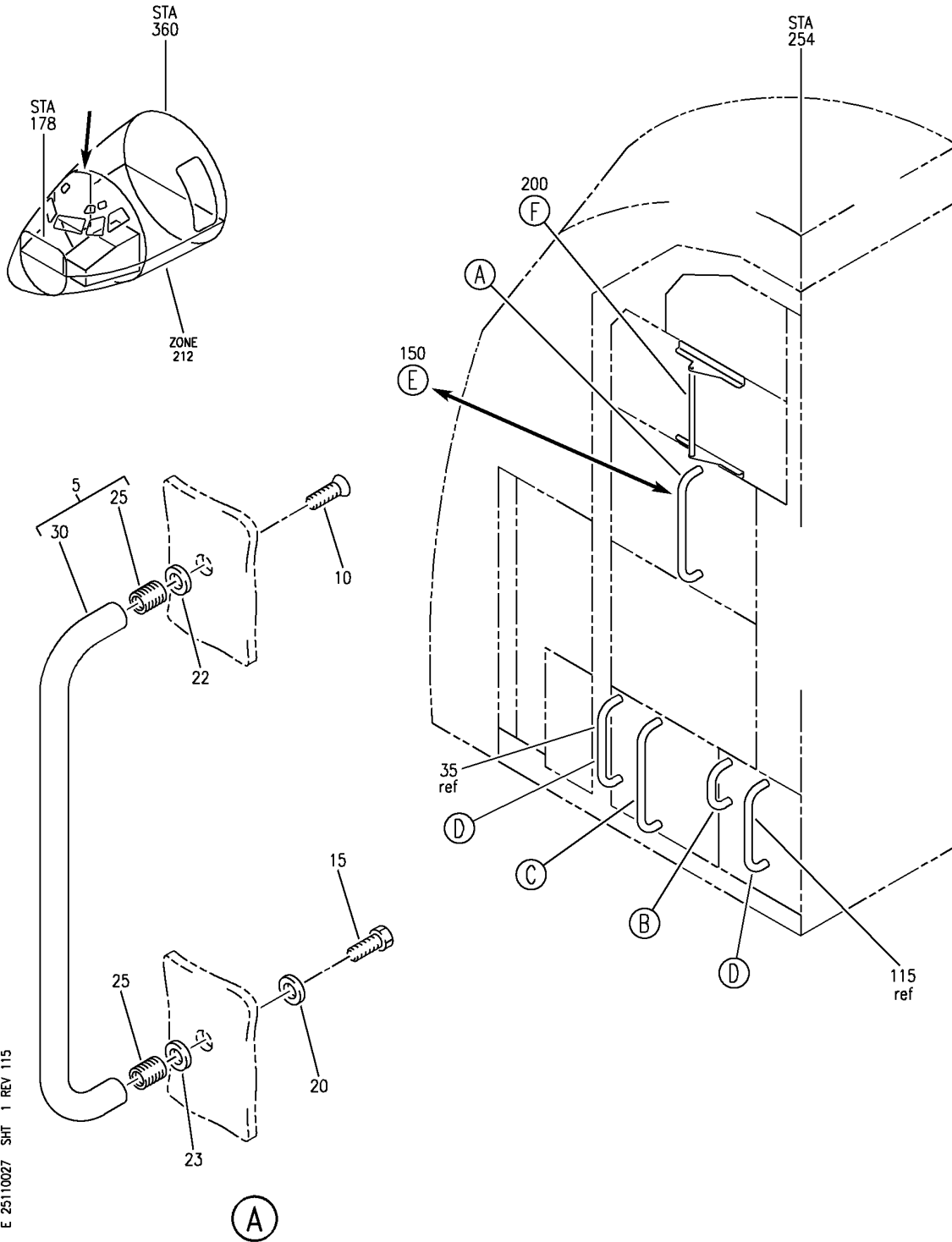
HAP

25-11-00-20

BOEING PROPRIETARY - Copyright © - Unpublished Work - See title page for details.

25-11-00
FIG. 20
PAGE 1
FEB 15/09

BOEING
 737-600/700/800/900
 PARTS CATALOG (MAINTENANCE)



E 25110027 SHT 1 REV 115

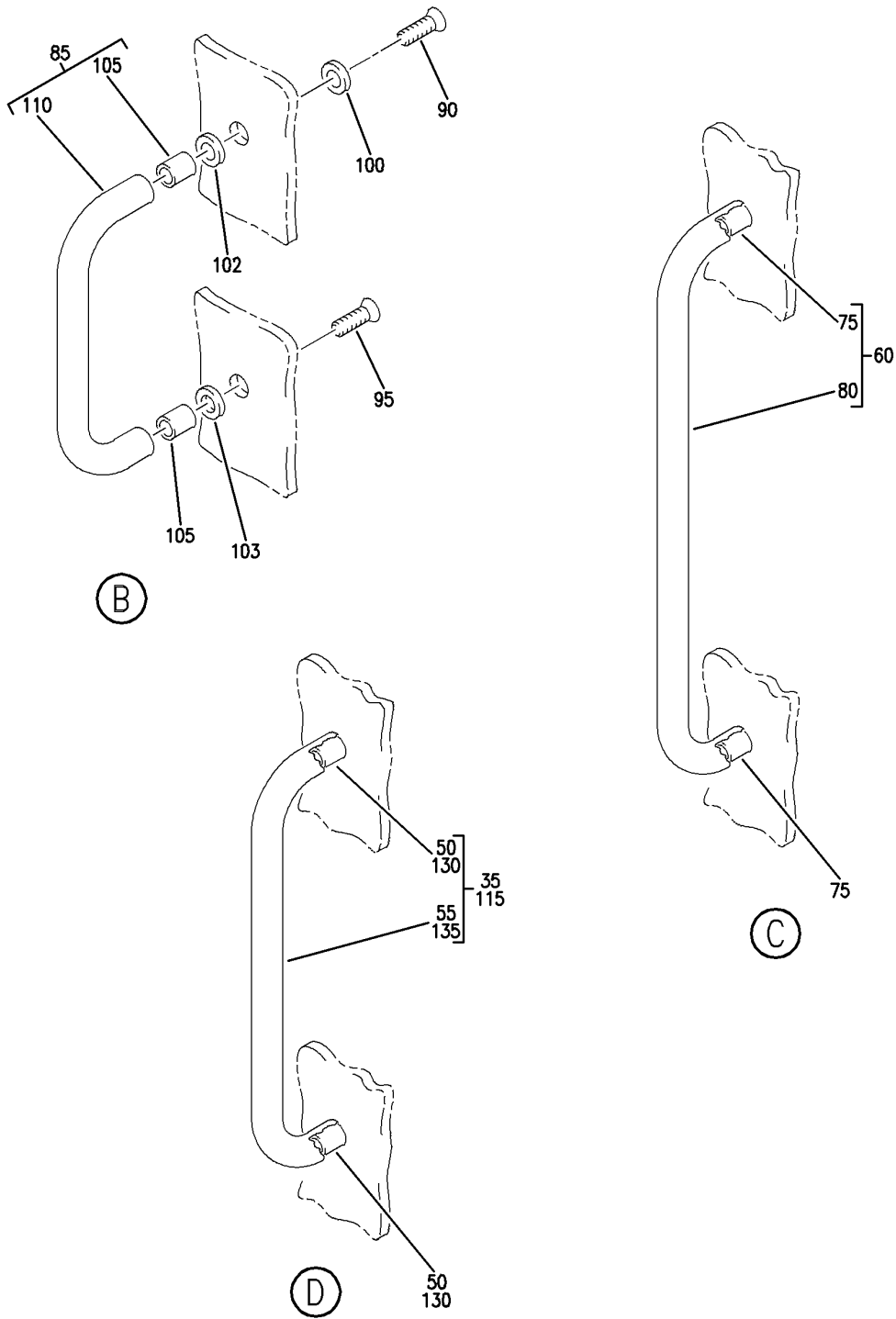
GUARD INSTL-P6 CB DOOR
 FIGURE 27 (SHEET 1)

25-11-00-27

HAP
 OCT 10/06

25-11-00-27
 PAGE 0

BOEING
 737-600/700/800/900
 PARTS CATALOG (MAINTENANCE)



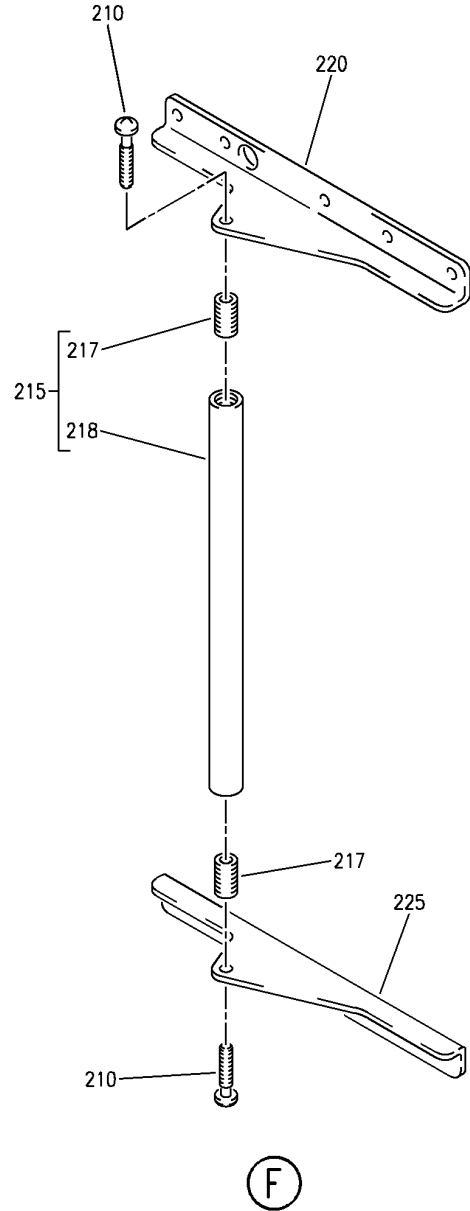
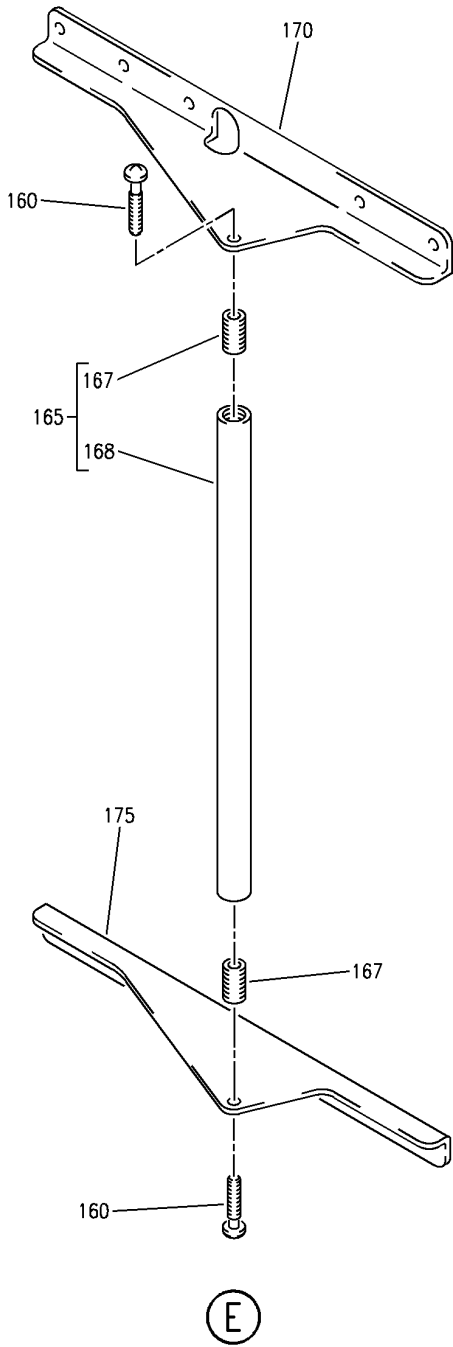
E 25110027 SHT 2 REV 059

GUARD INSTL-P6 CB DOOR
 FIGURE 27 (SHEET 2)

25-11-00-27

HAP
 OCT 10/06

25-11-00-27
 PAGE 0A



E 25110027 SHT 3 REV 115

GUARD INSTL-P6 CB DOOR
 FIGURE 27 (SHEET 3)

25-11-00-27

HAP
 OCT 10/06

25-11-00-27
 PAGE 0B

BOEING
737-600/700/800/900
PARTS CATALOG (MAINTENANCE)

FIG ITEM	PART NUMBER	1 2 3 4 5 6 7	NOMENCLATURE	EFFECT FROM TO	UNITS PER ASSY
27					
- 1	233A5210-1		GUARD INSTL-P6 CB DOOR GUARD INSTL-P6 CB DOOR FOR NHA SEE: 25-10-00-05C 25-10-00-10B 25-10-00-10C	001030 201967	RF
- 1	MODREF233386		GUARD INSTL-P6 CB DOOR MODULE NUMBER: 233A5210-1 REV B	031200 968999	1
5	69-77090-4		.GUARD ASSY- PRE SERVICE BULLETIN: 24-1161	001030 201967	1
10	BACS12ER3K7		ATTACHING PARTS .SCREW- POSITION DATA: FAR SIDE	001030 201967	1
15	BACS12GU3K7		.SCREW- POSITION DATA: FAR SIDE	001030 201967	1
20	NAS1149D0316J		.WASHER- POSITION DATA: FAR SIDE	001030 201967	1
22	BACW10BP3CD		.WASHER- POSITION DATA: NEAR SIDE	001030 201967	1
23	BACW10BP3DP		.WASHER- POSITION DATA: NEAR SIDE	001030 201967	1
25	MS21209F1-30		-----*----- .. INSERT	001030 201967	2
30	69-77090-5		.. GUARD	001030 201967	1
35	69-77090-14		.GUARD ASSY ATTACHING PARTS		1
- 40	BACS12GU3K6		.SCREW- POSITION DATA: FAR SIDE		2
- 45	NAS1149D0316J		.WASHER- POSITION DATA: FAR SIDE		2
50	MS21209F1-30		-----*----- .. INSERT		2
55	69-77090-15		.. GUARD		1
60	69-77090-8		.GUARD ASSY ATTACHING PARTS		1
- 65	BACS12GU3K6		.SCREW- POSITION DATA: FAR SIDE		2

MISSING ITEM NUMBERS NOT APPLICABLE

- ITEM NOT ILLUSTRATED

HAP

25-11-00-27

BOEING PROPRIETARY - Copyright © - Unpublished Work - See title page for details.

25-11-00
FIG. 27
PAGE 1
OCT 15/08

BOEING
737-600/700/800/900
PARTS CATALOG (MAINTENANCE)

FIG ITEM	PART NUMBER	1 2 3 4 5 6 7	NOMENCLATURE	EFFECT FROM TO	UNITS PER ASSY
27					
- 70	NAS1149D0316J		.WASHER- POSITION DATA: FAR SIDE -----*-----		2
75	MS21209F1-30		..INSERT		2
80	69-77090-9		..GUARD		1
85	69-77090-10		.GUARD ASSY ATTACHING PARTS		1
90	BACS12GU3K7		.SCREW- POSITION DATA: FAR SIDE		1
95	BACS12ER3K7		.SCREW- POSITION DATA: FAR SIDE		1
100	NAS1149D0316J		.WASHER- POSITION DATA: FAR SIDE		1
102	BACW10BP3DP		.WASHER- POSITION DATA: NEAR SIDE		1
103	BACW10BP3CD		.WASHER- POSITION DATA: NEAR SIDE -----*-----		1
105	MS21209F1-30		..INSERT		2
110	69-77090-11		..GUARD		1
115	69-77090-12		.GUARD ASSY ATTACHING PARTS		1
- 120	BACS12GU3K6		.SCREW- POSITION DATA: FAR SIDE		2
- 125	NAS1149D0316J		.WASHER- POSITION DATA: FAR SIDE -----*-----		2
130	MS21209F1-30		..INSERT		2
135	69-77090-13		..GUARD		1
150	233A5316-2		.BRACKET ASSY-P6-3 POST SERVICE BULLETIN: 24-1161 ATTACHING PARTS	201967	1
- 155	BACR15BA4AD4C		.RIVET -----*-----	201967	10
160	BACS12HJ3K7		..SCREW	201967	2
165	233A5315-3		..GUARD ASSY	201967	1
167	BACI12AEF1-30L		...INSERT	201967	2
168	233A5315-4		...GUARD	201967	1
170	233A5311-42		..BRACKET	201967	1
175	233A5311-43		..BRACKET	201967	1

MISSING ITEM NUMBERS NOT APPLICABLE

- ITEM NOT ILLUSTRATED

HAP

25-11-00-27

25-11-00
FIG. 27
PAGE 2
OCT 15/08

BOEING
737-600/700/800/900
PARTS CATALOG (MAINTENANCE)

FIG ITEM	PART NUMBER	1 2 3 4 5 6 7	NOMENCLATURE	EFFECT FROM TO	UNITS PER ASSY
27 200	233A5316-1		.BRACKET ASSY-P6-2 POST SERVICE BULLETIN: 24-1161 ATTACHING PARTS	201967	1
- 205	BACR15BA4AD4C		.RIVET -----*-----	201967	10
210	BACS12HJ3K7		..SCREW	201967	2
215	233A5315-1		..GUARD ASSY	201967	1
217	BACI12AEF1-30P		...INSERT	201967	2
218	233A5315-2		...GUARD	201967	1
220	233A5311-40		..BRACKET	201967	1
225	233A5311-41		..BRACKET	201967	1

MISSING ITEM NUMBERS NOT APPLICABLE

- ITEM NOT ILLUSTRATED

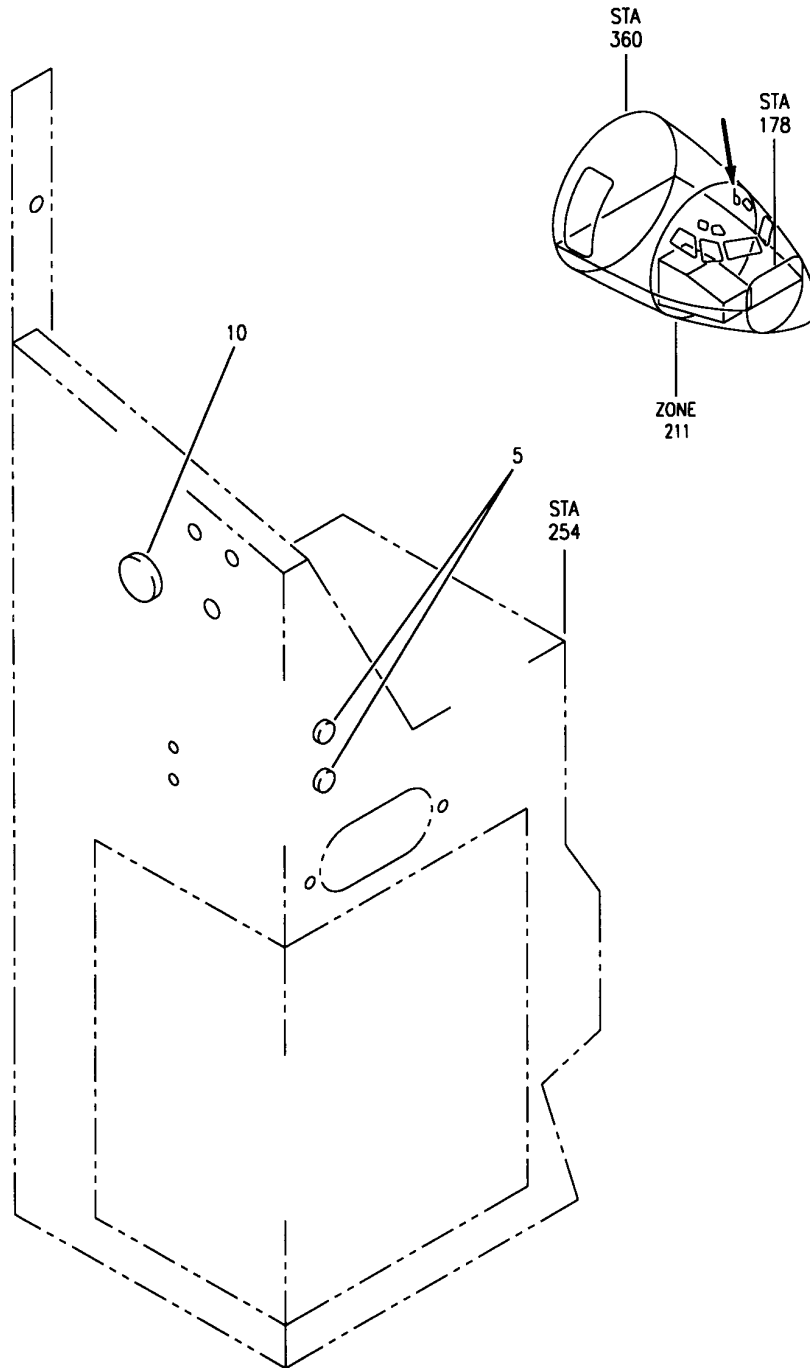
HAP

25-11-00-27

BOEING PROPRIETARY - Copyright © - Unpublished Work - See title page for details.

25-11-00
FIG. 27
PAGE 3
OCT 15/08

BOEING
737-600/700/800/900
PARTS CATALOG (MAINTENANCE)



E 25110028 REV 001

PLUG INSTL-CREW CONT CAB.
FIGURE 28

25-11-00-28

HAP
OCT 10/06

25-11-00-28
PAGE 0

BOEING
737-600/700/800/900
PARTS CATALOG (MAINTENANCE)

FIG ITEM	PART NUMBER	1 2 3 4 5 6 7	NOMENCLATURE	EFFECT FROM TO	UNITS PER ASSY
28			PLUG INSTL-CREW CONT CAB.	031040 042046 048048 051053 101200 968999	
- 1	MODREF82076		PLUG INSTL-CREW CONT CAB. MODULE NUMBER: 232A5110-9 REV A	031040 042046 101104 968972	1
- 1	MODREF351262		PLUG INSTL-CREW CONT CAB. MODULE NUMBER: 232A5110-9 REV B	048048 051053 105200 973999	1
5	S10F9TPKL01BK		.SCREW- SUPPLIER CODE: V12324	031040 042046 048048 051053 101200 968999	2
10	SS51156P5003		.PLUG- SUPPLIER CODE: V83058 SPECIFICATION NUMBER: BACP20B70B	031040 042046 048048 051053 101200 968999	1

MISSING ITEM NUMBERS NOT APPLICABLE

- ITEM NOT ILLUSTRATED

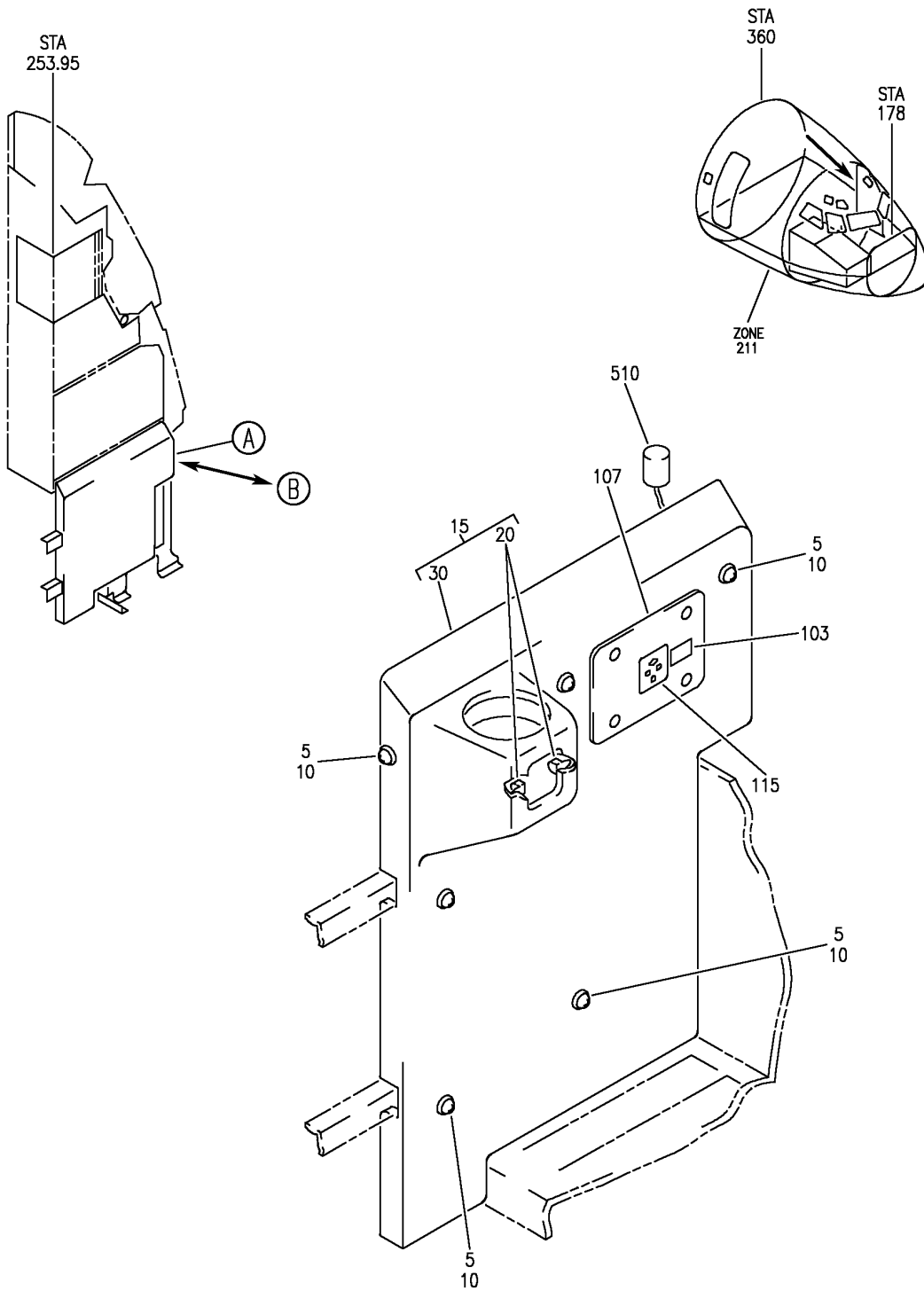
HAP

25-11-00-28

BOEING PROPRIETARY - Copyright © - Unpublished Work - See title page for details.

25-11-00
FIG. 28
PAGE 1
FEB 15/09

BOEING
 737-600/700/800/900
 PARTS CATALOG (MAINTENANCE)



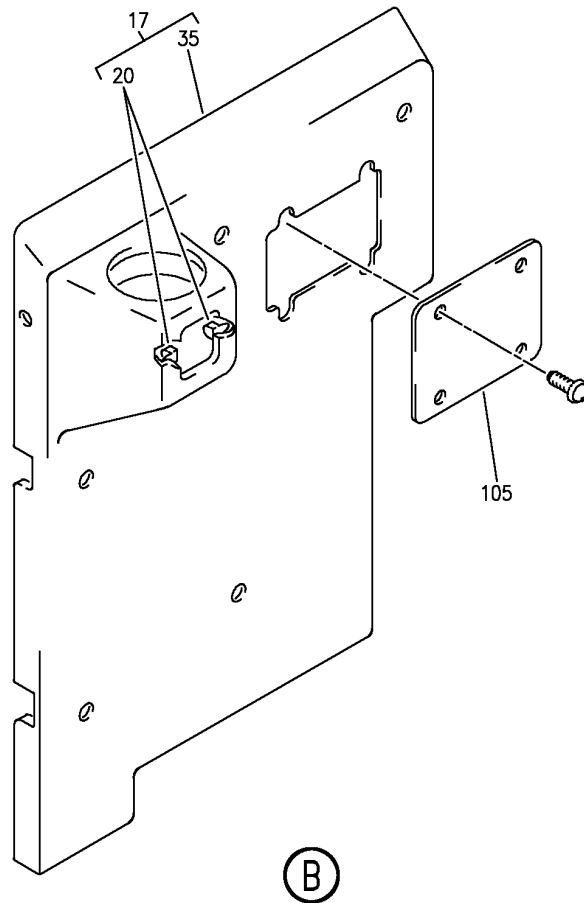
E 25110029 REV 146

PANEL INSTL-CLOSURE, SECOND OBSERVER
 FIGURE 29 (SHEET 1)

25-11-00-29

HAP
 OCT 15/08

25-11-00-29
 PAGE 0



E 25110029 SH1 2 REV 143

PANEL INSTL-CLOSURE, SECOND OBSERVER
FIGURE 29 (SHEET 2)

25-11-00-29

HAP
JUN 15/08

25-11-00-29
PAGE 0A

BOEING
737-600/700/800/900
PARTS CATALOG (MAINTENANCE)

FIG ITEM	PART NUMBER	1 2 3 4 5 6 7	NOMENCLATURE	EFFECT FROM TO	UNITS PER ASSY
29			PANEL INSTL-CLOSURE, SECOND OBSERVER	031037 039041 047050 054999 201967	
- 1	232A1710-1		PANEL INSTL-CLOSURE SECOND OBSERVER FOR NHA SEE: 25-10-00-05E		RF
- 1	MODREF229772		PANEL INSTL-CLOSURE SECOND OBSERVER MODULE NUMBER: 232A1710-3 REV B	041041 047047 049050 054100	1
5	BACS12FA3K8BK		.SCREW	041041 047047 049050 054100 201967	6
10	BRC600-10G3		.NUT SUPPLIER CODE: V52828 SPECIFICATION NUMBER: BACN10YD3 OPTIONAL PART: 130122 V60119	041041 047047 049050 054100 201967	6
15	232A1711-4		.PANEL ASSY-	201967	1
17	232A1711-7		.PANEL ASSY-	041041 047047 049050 054100	1
20	AN256-8		..NUTPLATE	201967	2
20	BACN11AB08		..NUT	041041 047047 049050 054100	2
- 25	AF5141-3C3		ATTACHING PARTS ..RIVET SUPPLIER CODE: V53551 SPECIFICATION NUMBER: BACR15DR3AC3 OPTIONAL PART: CCR264CS3-3IT V11815 RV541A3C3 V98996 -----*-----	041041 047047 049050 054100 201967	4
30	232A1712-3		..PANEL-	201967	1

MISSING ITEM NUMBERS NOT APPLICABLE

- ITEM NOT ILLUSTRATED

HAP

25-11-00-29

BOEING PROPRIETARY - Copyright © - Unpublished Work - See title page for details.

25-11-00
FIG. 29
PAGE 1
FEB 15/09

BOEING
737-600/700/800/900
PARTS CATALOG (MAINTENANCE)

FIG ITEM	PART NUMBER	1 2 3 4 5 6 7	NOMENCLATURE	EFFECT FROM TO	UNITS PER ASSY
29					
35	232A1712-6		. . PANEL-	041041 047047 049050 054100	1
- 100	MODREF229773		PANEL INSTL-CLOSURE SECOND OBSERVER MODULE NUMBER: 232A1710-6 REV A	031037 039041 047050 054200 968999	1
103	BAC27DCC3476		. MARKER- PLACARD CONTENT: 110V AC 60 HZ POST SERVICE BULLETIN: 24-1180	037037 039040	1
105	232A1712-7		. PANEL- PRE SERVICE BULLETIN: 24-1180	031037 039041 047050 054200 968999	1
107	232A1712-13		. PLATE-COVER POST SERVICE BULLETIN: 24-1180 ATTACHING PARTS	037037 039040	1
- 110	BACS12FA08K9BK		. SCREW- OPTIONAL PART: BACS12FA08K9	031037 039041 047050 054200 968999	4
- 110	BACS12FA08K9		. SCREW- OPTIONAL PART: BACS12FA08K9BK	031037 039041 047050 054200 968999	4
115	1235-4-5		-----*----- . OUTLET- SUPPLIER CODE: VC6253 ELECTRICAL EQUIP NUMBER: M02622 POST SERVICE BULLETIN: 24-1180	037037 039040	1
- 500	286A5182-0AA		WIRE BUNDLE ASSY- POST SERVICE BULLETIN: 24-1180	037037 039040	RF
- 505	826A5182-00103		. ID TAPE-CONN. POST SERVICE BULLETIN: 24-1180	037037 039040	1

MISSING ITEM NUMBERS NOT APPLICABLE

- ITEM NOT ILLUSTRATED

HAP

25-11-00-29

BOEING PROPRIETARY - Copyright © - Unpublished Work - See title page for details.

25-11-00
FIG. 29
PAGE 2
FEB 15/09


BOEING
 737-600/700/800/900
PARTS CATALOG (MAINTENANCE)

FIG ITEM	PART NUMBER	1 2 3 4 5 6 7 NOMENCLATURE	EFFECT FROM TO	UNITS PER ASSY
29 510	D38999-24MB35SN	.CONNECTOR- SUPPLIER CODE: V96906 ELECTRICAL EQUIP NUMBER: D14012 POST SERVICE BULLETIN: 24-1180	037037 039040	1

MISSING ITEM NUMBERS NOT APPLICABLE

— ITEM NOT ILLUSTRATED

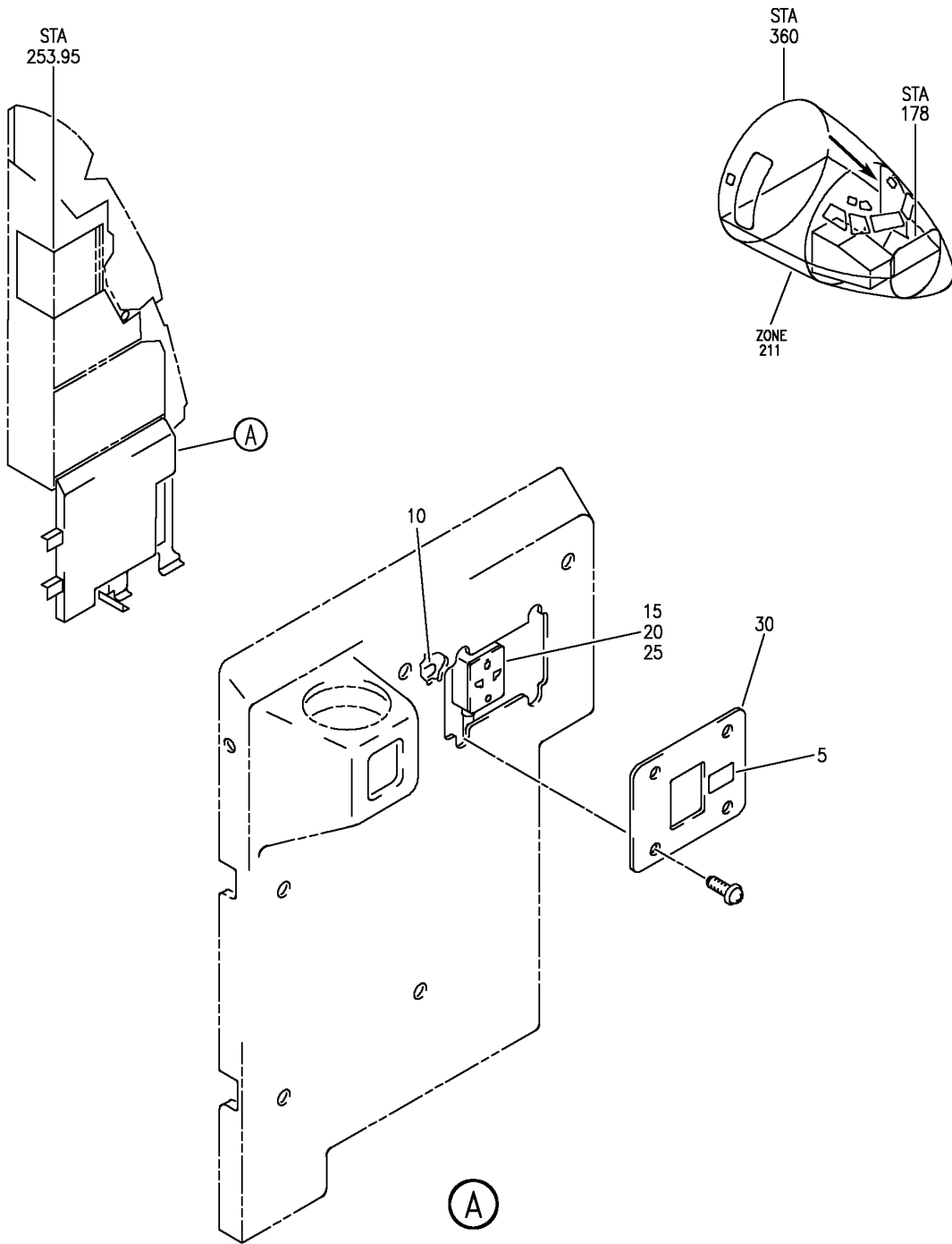
HAP

25-11-00-29

BOEING PROPRIETARY - Copyright © - Unpublished Work - See title page for details.

25-11-00
 FIG. 29
 PAGE 3
 OCT 15/08

BOEING
737-600/700/800/900
PARTS CATALOG (MAINTENANCE)



E 25110029B REV 143

PANEL INSTL-CLOSURE, SECOND OBSERVER
FIGURE 29B

25-11-00-29B

HAP
JUN 15/08

25-11-00-29B
PAGE 0

BOEING
737-600/700/800/900
PARTS CATALOG (MAINTENANCE)

FIG ITEM	PART NUMBER	1 2 3 4 5 6 7	NOMENCLATURE	EFFECT FROM TO	UNITS PER ASSY
29B			PANEL INSTL-CLOSURE, SECOND OBSERVER	038038 042045	
- 1	MODREF313096		PANEL INSTL-CLOSURE SECOND OBSERVER MODULE NUMBER: 232A1710-9 REV A	038038 042043	1
- 1	MODREF343754		PANEL INSTL-CLOSURE SECOND OBSERVER MODULE NUMBER: 232A1710-9 REV B	044045	1
5	BAC27DCC3476		.MARKER- PLACARD CONTENT: 110V AC 60 HZ	038038 042045	1
10	TTVF7525WE10		.LABEL- SUPPLIER CODE: VOKWOO SPECIFICATION NUMBER: BACT19J4 OPTIONAL PART: THT1-437W10 V85480 PLACARD CONTENT: M2588	038038 042045	1
25	1235-4-5		.OUTLET- SUPPLIER CODE: VC6253	038038 042045	1
30	232A1712-12		.PLATE-COVER	038038 042043	1
30	232A1712-13		.PLATE-COVER ATTACHING PARTS	044045	1
- 35	BACS12FA08K9BK		.SCREW- OPTIONAL PART: BACS12FA08K9	038038 042045	4
- 35	BACS12FA08K9		.SCREW- OPTIONAL PART: BACS12FA08K9BK -----*-----	038038 042045	4

MISSING ITEM NUMBERS NOT APPLICABLE

- ITEM NOT ILLUSTRATED

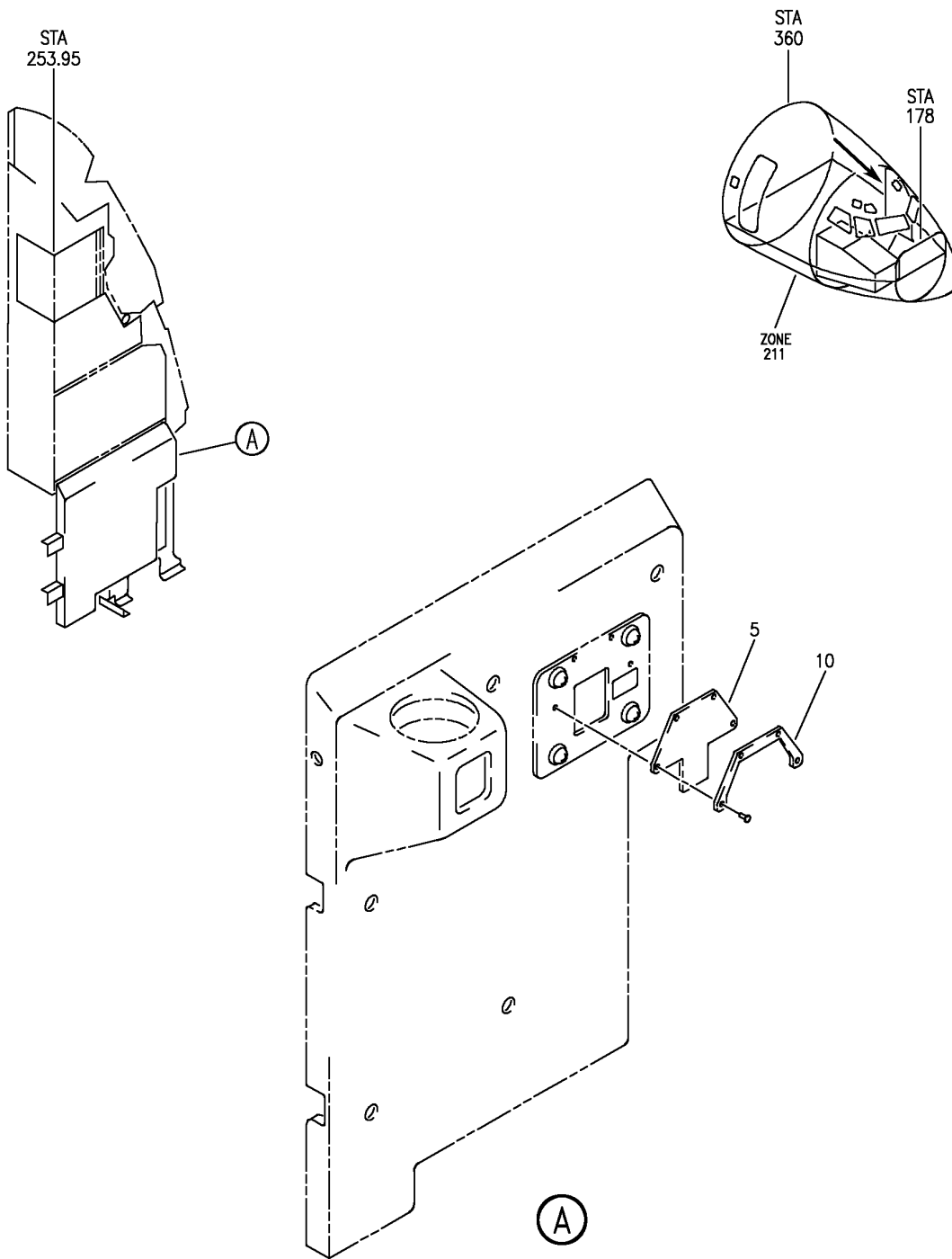
HAP

25-11-00-29B

BOEING PROPRIETARY - Copyright © - Unpublished Work - See title page for details.

25-11-00
FIG. 29B
PAGE 1
JUN 15/08

BOEING
737-600/700/800/900
PARTS CATALOG (MAINTENANCE)



E 25110029C REV 143

PANEL INSTL-CLOSURE, SECOND OBSERVER
FIGURE 29C

25-11-00-29C

HAP
JUN 15/08

25-11-00-29C
PAGE 0

BOEING
737-600/700/800/900
PARTS CATALOG (MAINTENANCE)

FIG ITEM	PART NUMBER	1 2 3 4 5 6 7	NOMENCLATURE	EFFECT FROM TO	UNITS PER ASSY
29C			PANEL INSTL-CLOSURE, SECOND OBSERVER	038038 042045	
- 1	MODREF331948		PANEL INSTL-CLOSURE SECOND OBSERVER MODULE NUMBER: 232A1710-11 REV A	038038 042045	1
5	232A1712-15		.PLATE-COVER	038038 042045	1
10	232A1712-17		.PLATE-COVER	038038 042045	1
- 15	NAS1097AD4-3		ATTACHING PARTS .RIVET	038038 042045	4
			-----*-----		

MISSING ITEM NUMBERS NOT APPLICABLE

- ITEM NOT ILLUSTRATED

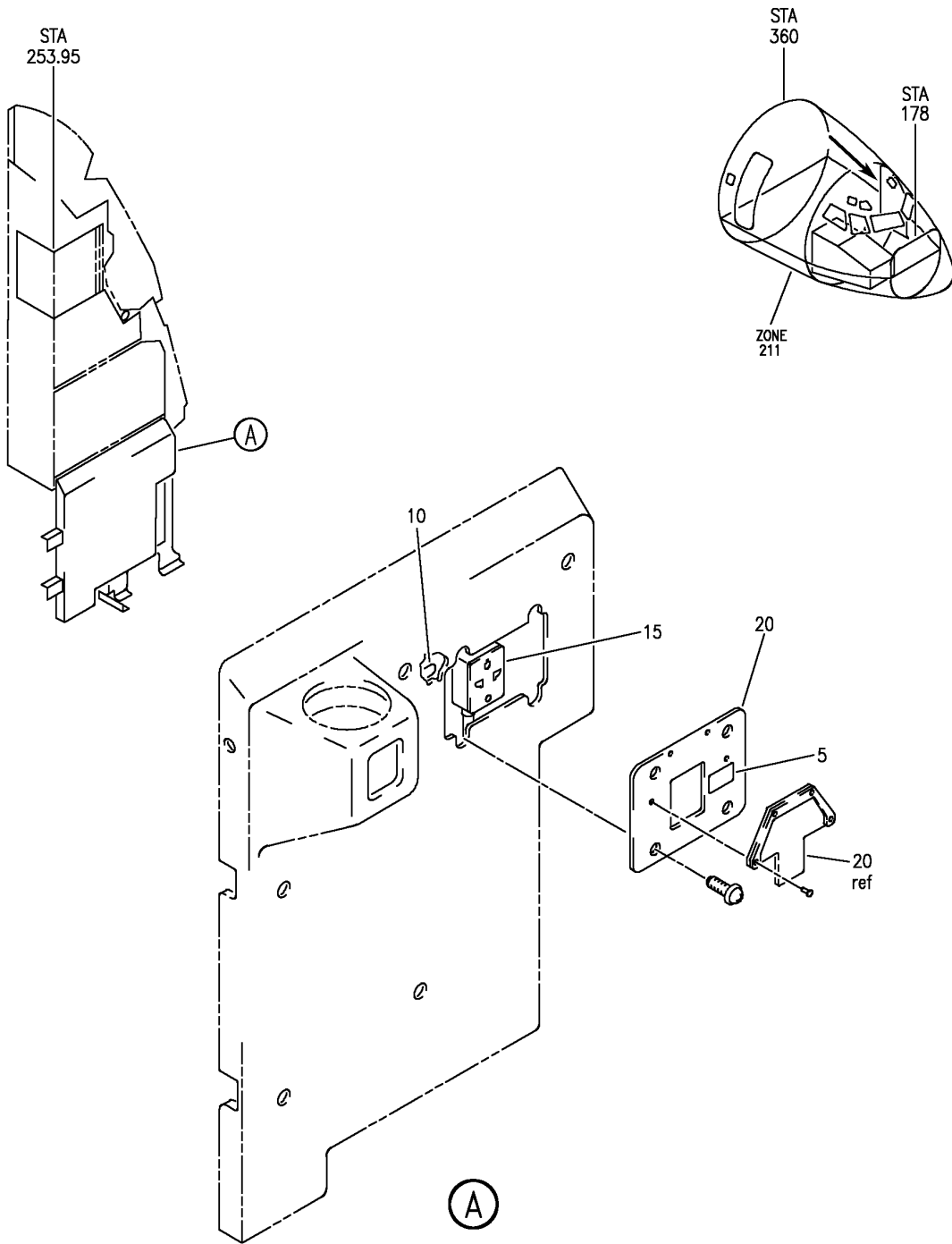
HAP

25-11-00-29C

BOEING PROPRIETARY - Copyright © - Unpublished Work - See title page for details.

25-11-00
FIG. 29C
PAGE 1
JUN 15/08

BOEING
 737-600/700/800/900
 PARTS CATALOG (MAINTENANCE)



E 25110029D REV 143

PANEL INSTL-CLOSURE, SECOND OBSERVER
 FIGURE 29D

25-11-00-29D

HAP
 OCT 15/08

25-11-00-29D
 PAGE 0

BOEING
737-600/700/800/900
PARTS CATALOG (MAINTENANCE)

FIG ITEM	PART NUMBER	1 2 3 4 5 6 7	NOMENCLATURE	EFFECT FROM TO	UNITS PER ASSY
29D			PANEL INSTL-CLOSURE, SECOND OBSERVER	051053	
- 1	MODREF376980		PANEL INSTL-CLOSURE SECOND OBSERVER MODULE NUMBER: 232A1710-12 REV A	051053	1
5	BAC27DCC3476		.MARKER- PLACARD CONTENT: 110V AC 60 HZ	051053	1
10	TTVF7525WE10		.LABEL- SUPPLIER CODE: VOKW00 SPECIFICATION NUMBER: BACT19J4 OPTIONAL PART: THT1-437W10 V85480 PLACARD CONTENT: M2588	051053	1
15	1235-4-5		.OUTLET- SUPPLIER CODE: VC6253	051053	1
20	232A1712-16		.PLATE-COVER ATTACHING PARTS	051053	1
- 25	BACS12FA08K9BK		.SCREW- OPTIONAL PART: BACS12FA08K9	051053	4
- 25	BACS12FA08K9		.SCREW- OPTIONAL PART: BACS12FA08K9BK -----*-----	051053	4

MISSING ITEM NUMBERS NOT APPLICABLE

- ITEM NOT ILLUSTRATED

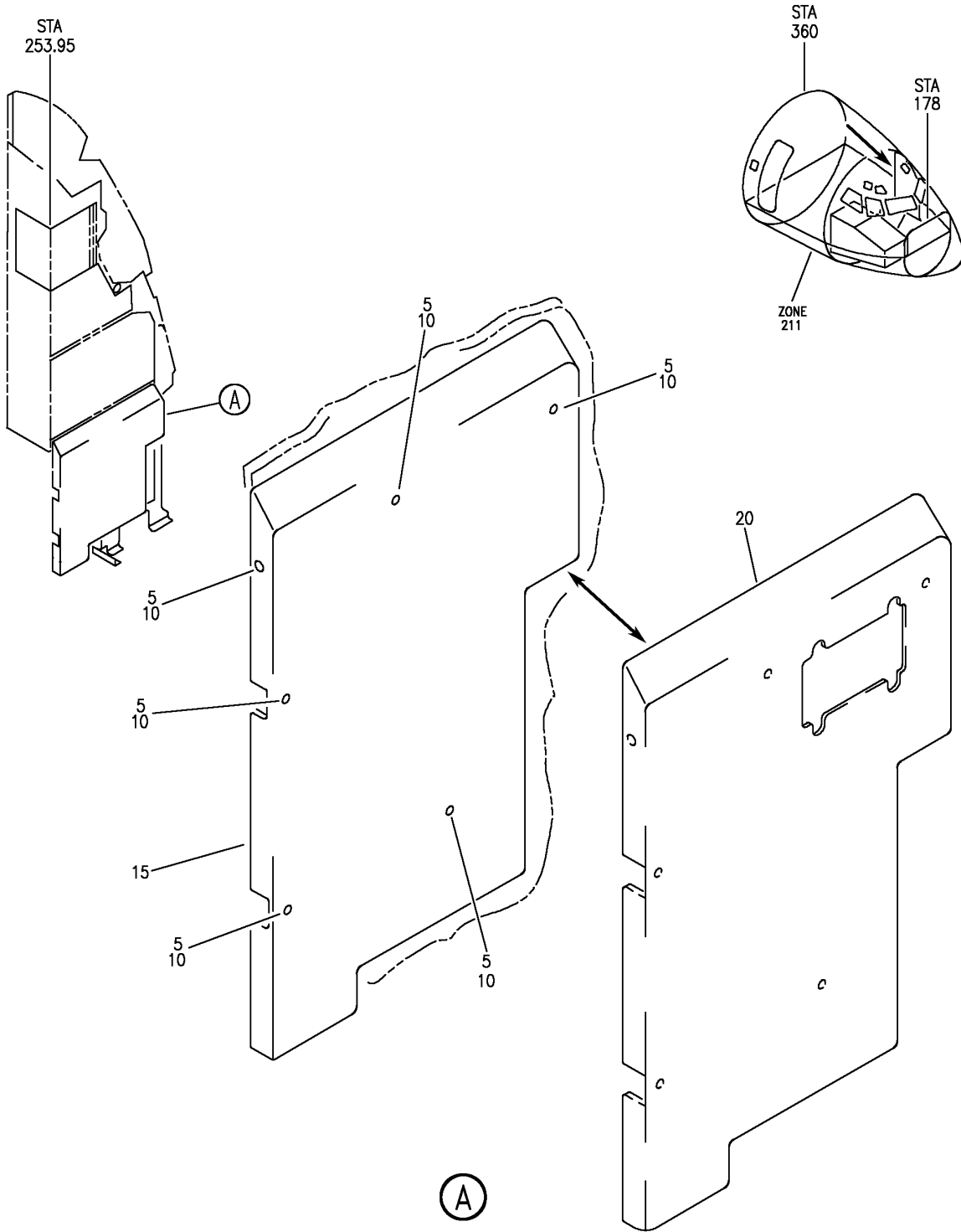
HAP

25-11-00-29D

BOEING PROPRIETARY - Copyright © - Unpublished Work - See title page for details.

25-11-00
FIG. 29D
PAGE 1
FEB 15/09

BOEING
 737-600/700/800/900
 PARTS CATALOG (MAINTENANCE)



E 25110030 REV 100

PANEL INSTL-CLOSURE, SECOND OBSERVER
 FIGURE 30

25-11-00-30

HAP
 OCT 10/06

25-11-00-30
 PAGE 0

BOEING
737-600/700/800/900
PARTS CATALOG (MAINTENANCE)

FIG ITEM	PART NUMBER	1 2 3 4 5 6 7	NOMENCLATURE	EFFECT FROM TO	UNITS PER ASSY
30			PANEL INSTL-CLOSURE, SECOND OBSERVER	001040 042046 048048 051053 101200 968999	
- 1	232A1710-2		PANEL INSTL-CLOSURE, SECOND OBSERVER FOR NHA SEE: 25-10-00-05C	001030	RF
- 1	MODREF229771		PANEL INSTL-CLOSURE, SECOND OBSERVER MODULE NUMBER: 232A1710-2 REV B	031040 042043 101101 968971	1
- 1	MODREF354753		PANEL INSTL-CLOSURE, SECOND OBSERVER MODULE NUMBER: 232A1710-2 REV C	044046 048048 051053 102200 972999	1
5	BACS12FA3K8BK		.SCREW	001040 042046 048048 051053 101200 968999	6
10	BRC600-10G3		.NUT SUPPLIER CODE: V52828 SPECIFICATION NUMBER: BACN10YD3 OPTIONAL PART: 130122 V60119	001040 042046 048048 051053 101200 968999	6
15	232A1711-3		.PANEL ASSY-	001030	1
20	232A1711-6		.PANEL ASSY-	031040 042046 048048 051053 101200 968999	1

MISSING ITEM NUMBERS NOT APPLICABLE

- ITEM NOT ILLUSTRATED

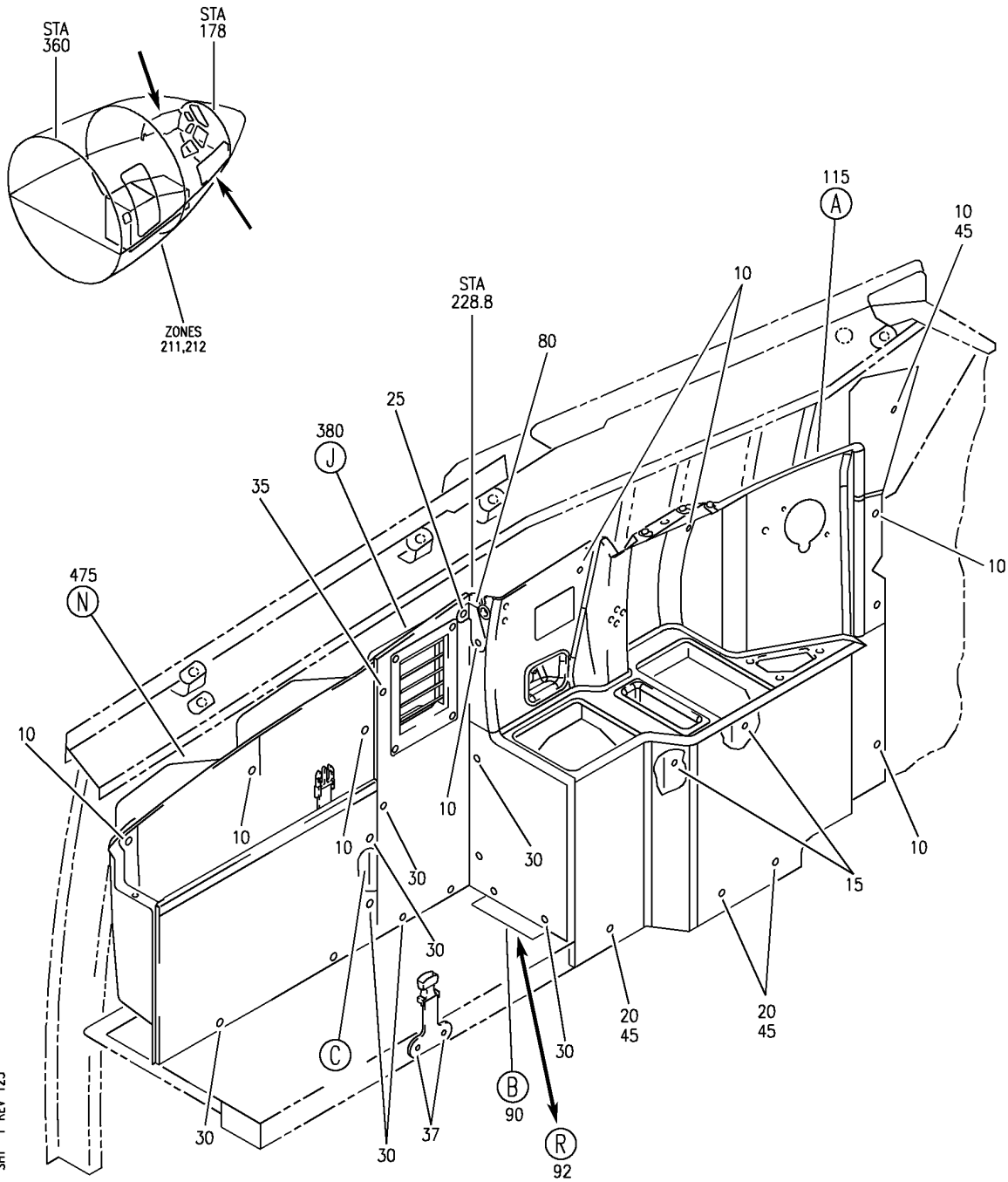
HAP

25-11-00-30

BOEING PROPRIETARY - Copyright © - Unpublished Work - See title page for details.

25-11-00
FIG. 30
PAGE 1
FEB 15/09

BOEING
 737-600/700/800/900
 PARTS CATALOG (MAINTENANCE)



E 25110031 SHT 1 REV 125

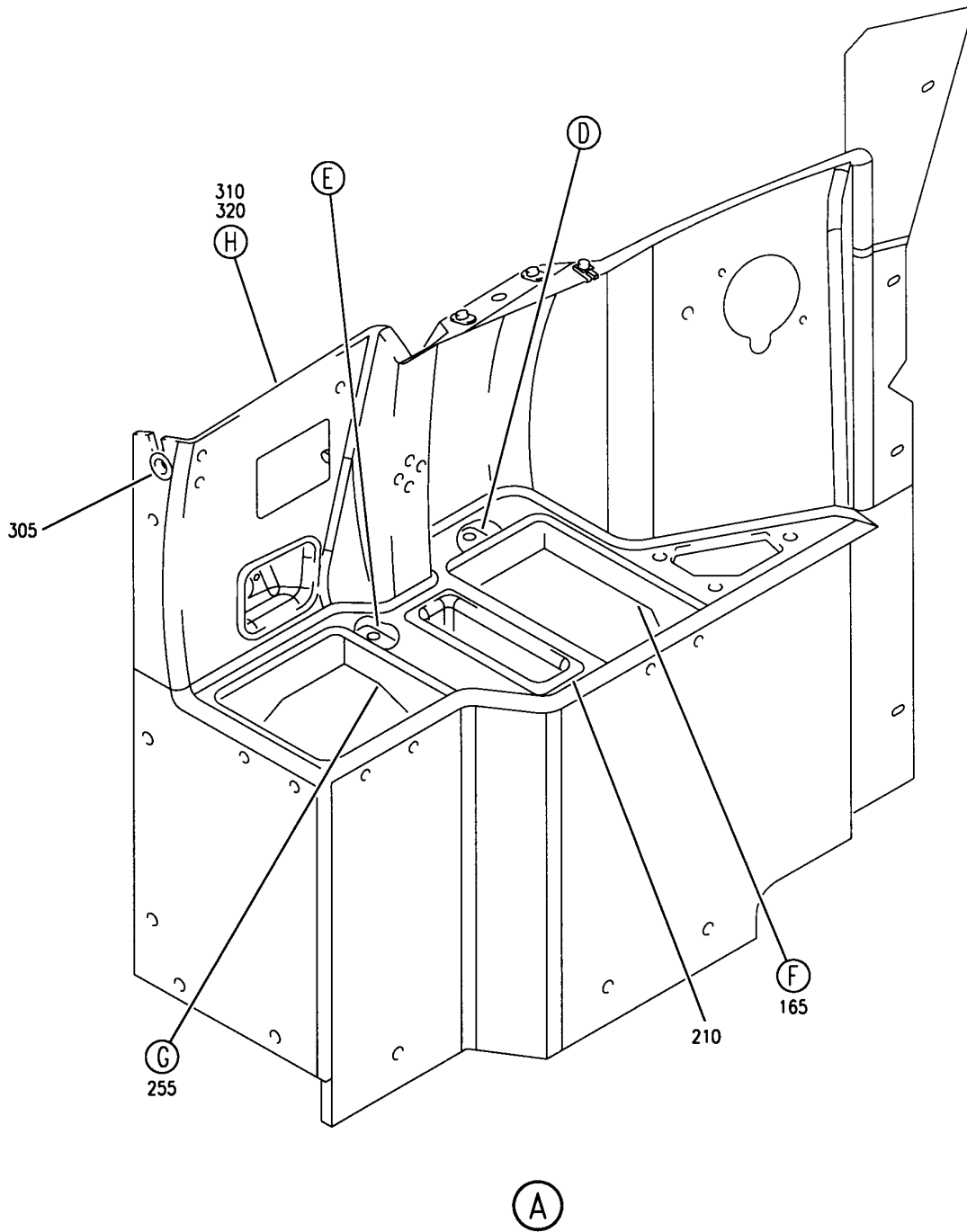
CONSOLE INSTL-SIDE
 FIGURE 31 (SHEET 1)

25-11-00-31

HAP
 FEB 10/07

25-11-00-31
 PAGE 0

BOEING
737-600/700/800/900
PARTS CATALOG (MAINTENANCE)



E 25110031 SH1 2 REV 003

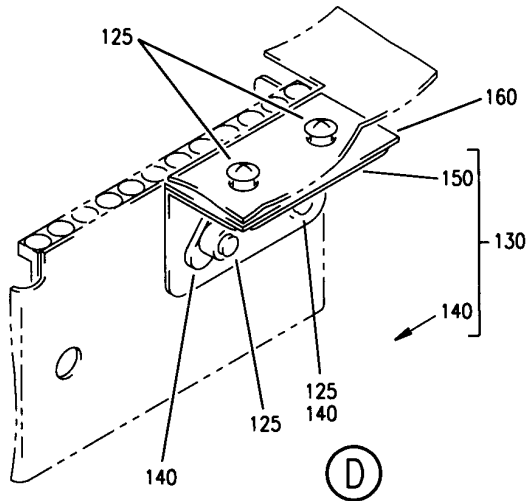
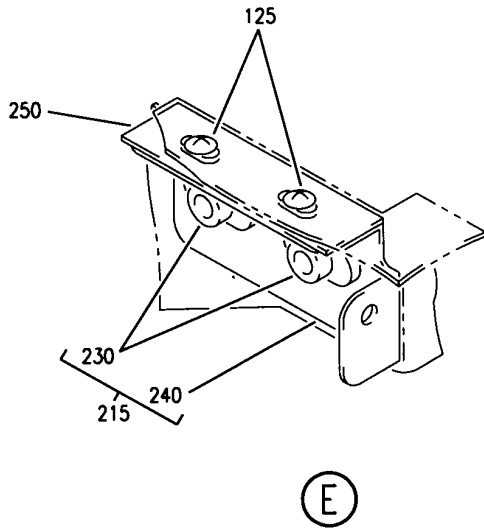
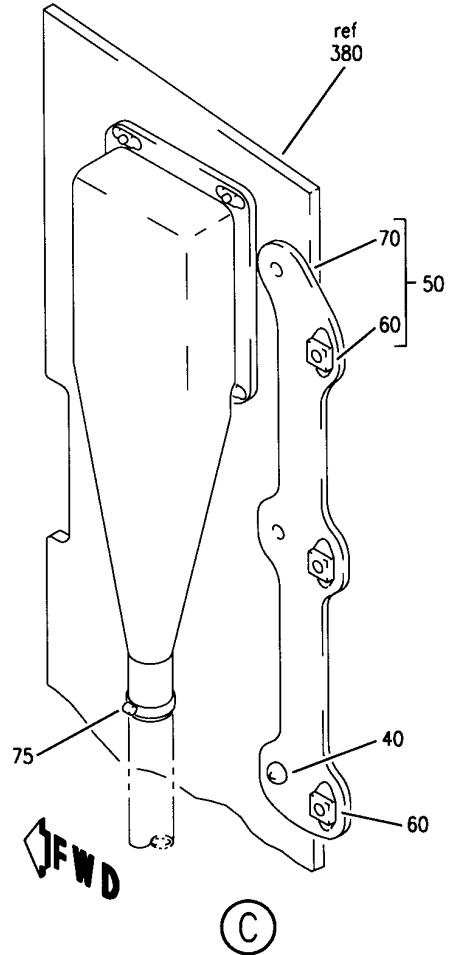
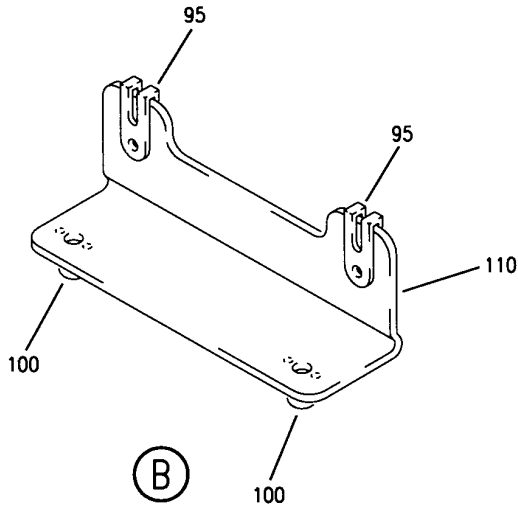
CONSOLE INSTL-SIDE
FIGURE 31 (SHEET 2)

25-11-00-31

HAP
OCT 10/06

25-11-00-31
PAGE 0A

BOEING
 737-600/700/800/900
 PARTS CATALOG (MAINTENANCE)



E 25110031 SH1 3 REV 003

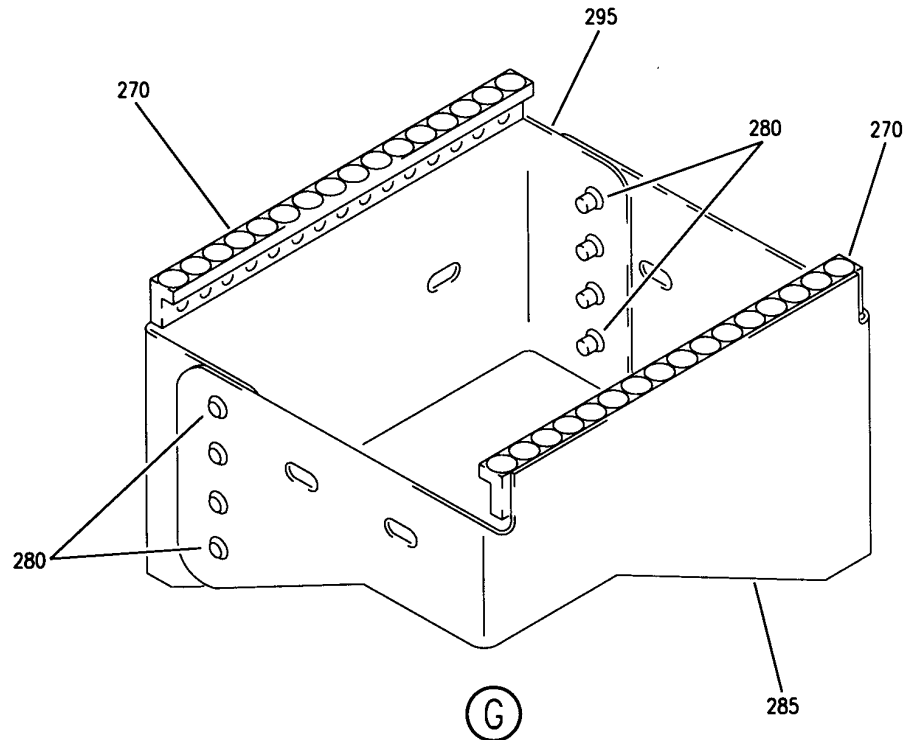
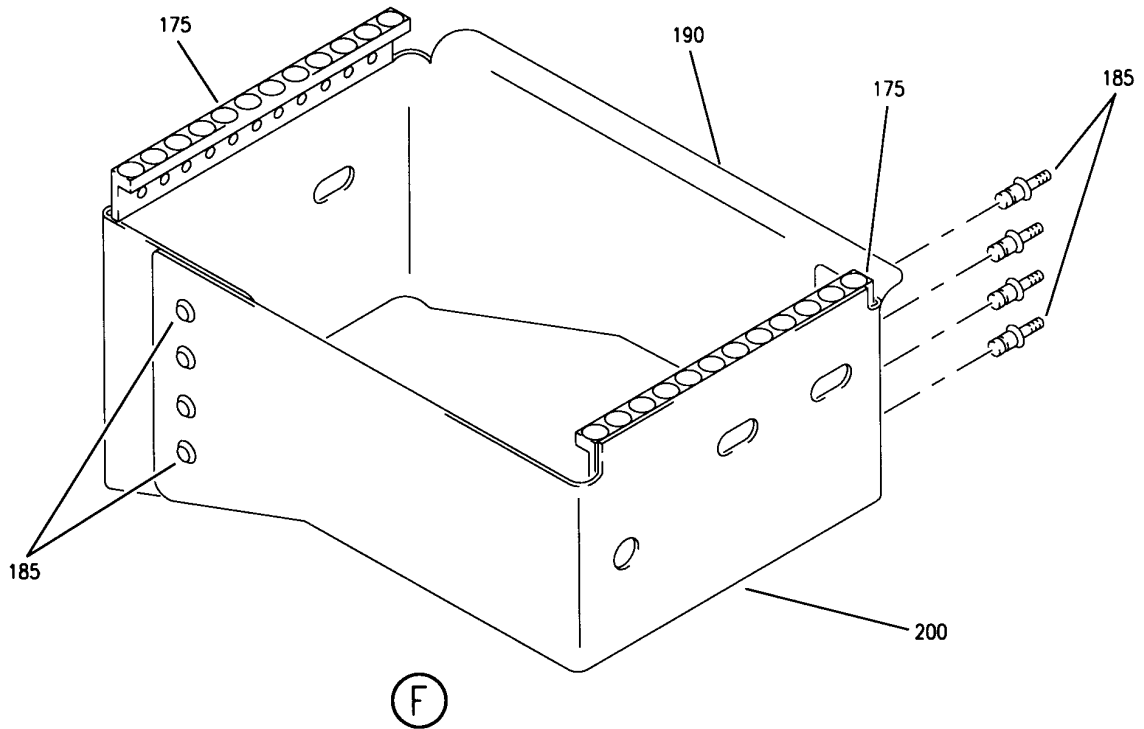
CONSOLE INSTL-SIDE
 FIGURE 31 (SHEET 3)

25-11-00-31

HAP
 OCT 10/06

25-11-00-31
 PAGE 0B

BOEING
 737-600/700/800/900
 PARTS CATALOG (MAINTENANCE)



E 25110031 SH1 4 REV 003

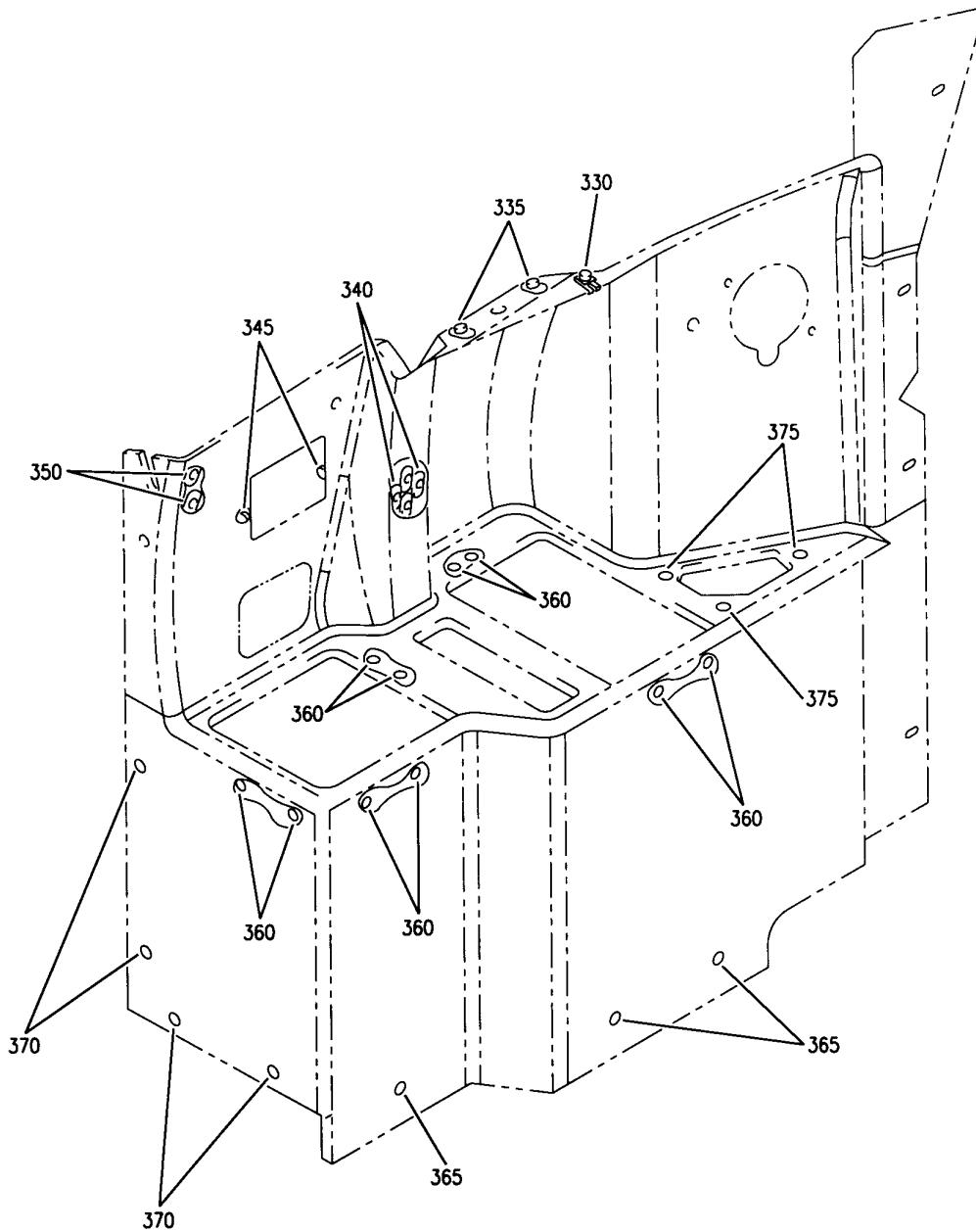
CONSOLE INSTL-SIDE
 FIGURE 31 (SHEET 4)

25-11-00-31

HAP
 OCT 10/06

25-11-00-31
 PAGE 0C

BOEING
737-600/700/800/900
PARTS CATALOG (MAINTENANCE)



(H)

E 25110031 SHT 5 REV 003

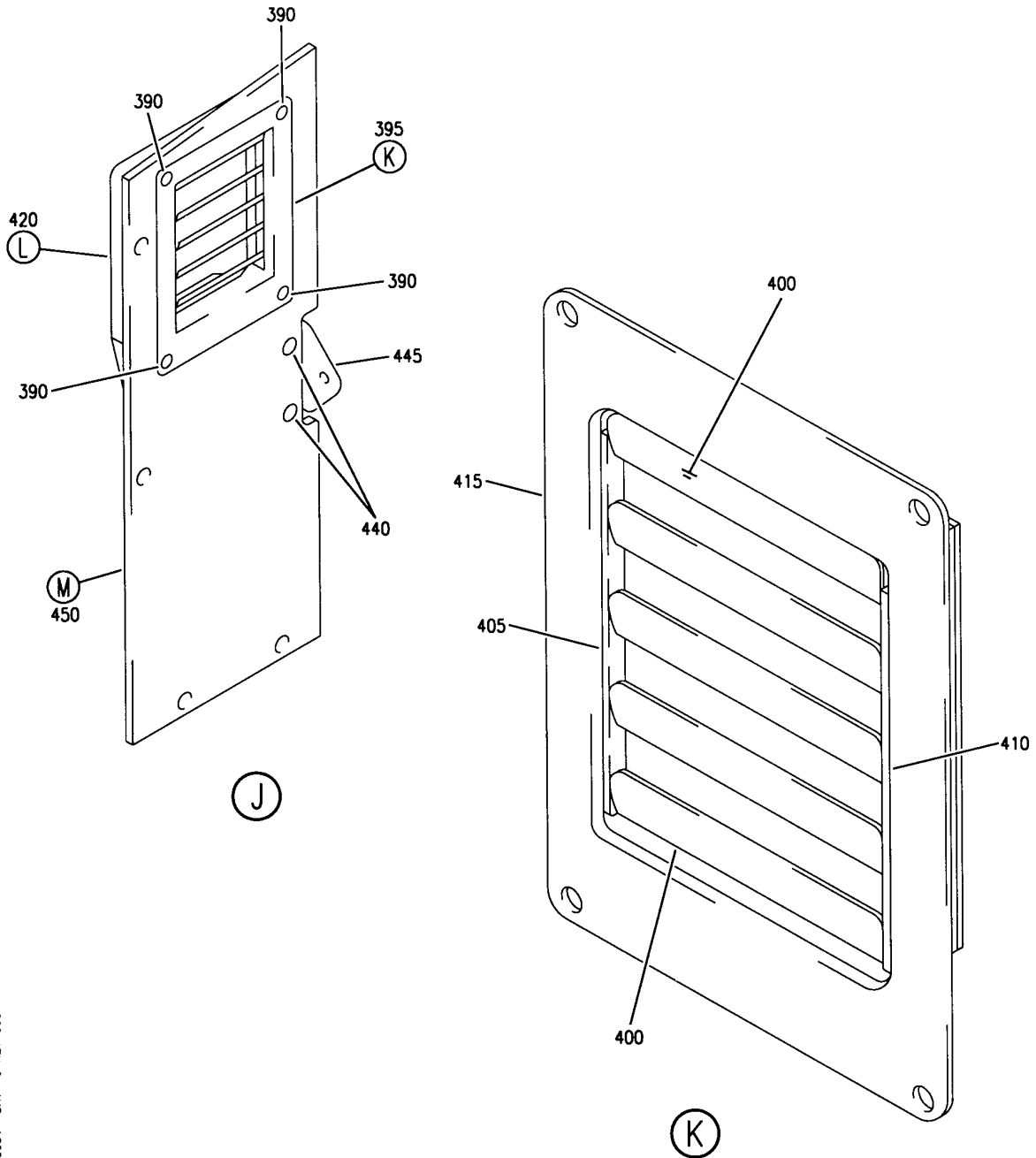
CONSOLE INSTL-SIDE
FIGURE 31 (SHEET 5)

25-11-00-31

HAP
OCT 10/06

25-11-00-31
PAGE 0D

BOEING
 737-600/700/800/900
 PARTS CATALOG (MAINTENANCE)



E 25110031 SH1 6 REV 003

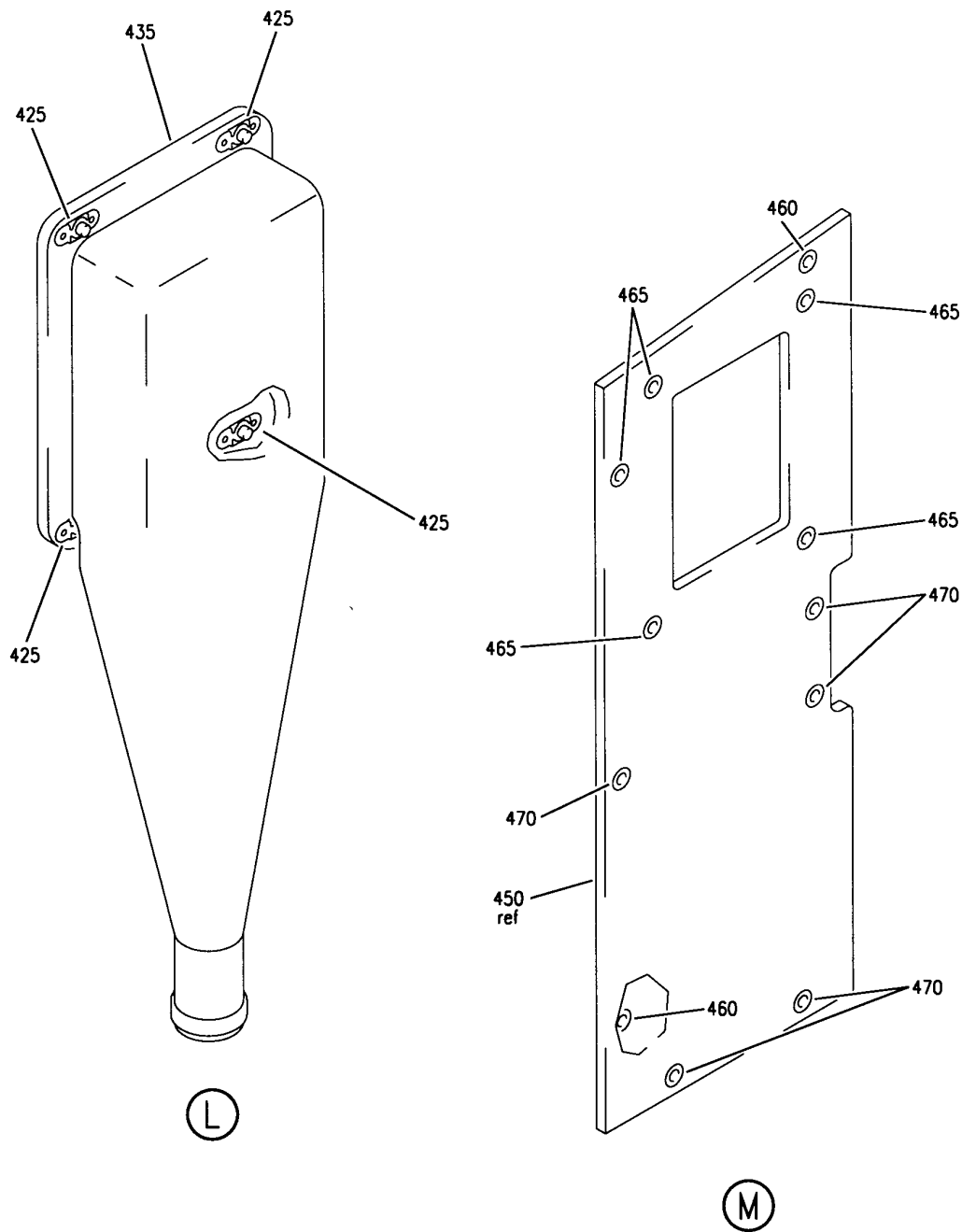
CONSOLE INSTL-SIDE
 FIGURE 31 (SHEET 6)

25-11-00-31

HAP
 OCT 10/06

25-11-00-31
 PAGE 0E

BOEING
 737-600/700/800/900
 PARTS CATALOG (MAINTENANCE)



E 25110031 SH1 7 REV 003

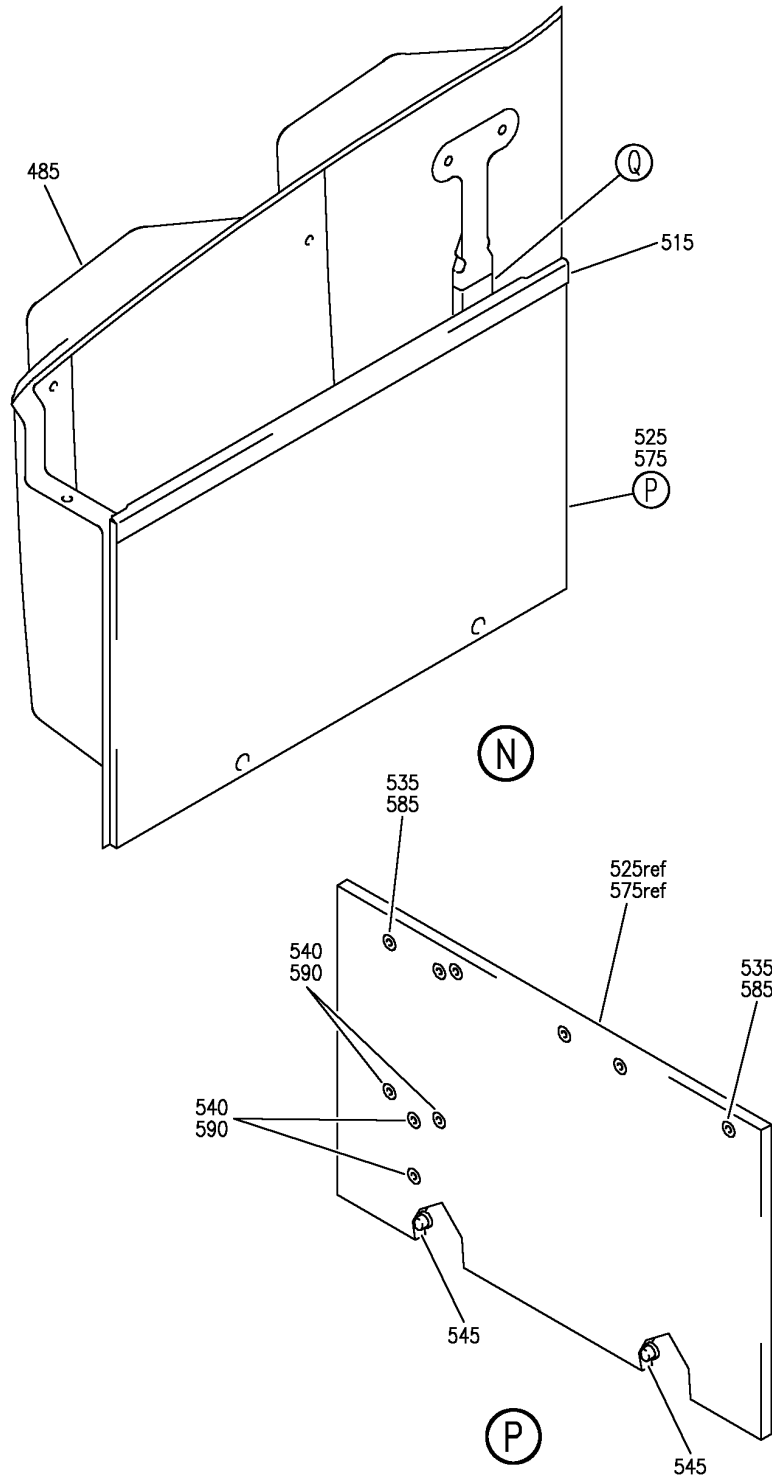
CONSOLE INSTL-SIDE
 FIGURE 31 (SHEET 7)

25-11-00-31

HAP
 OCT 10/06

25-11-00-31
 PAGE OF

BOEING
 737-600/700/800/900
 PARTS CATALOG (MAINTENANCE)



E 25110031 SH1 8 REV 081

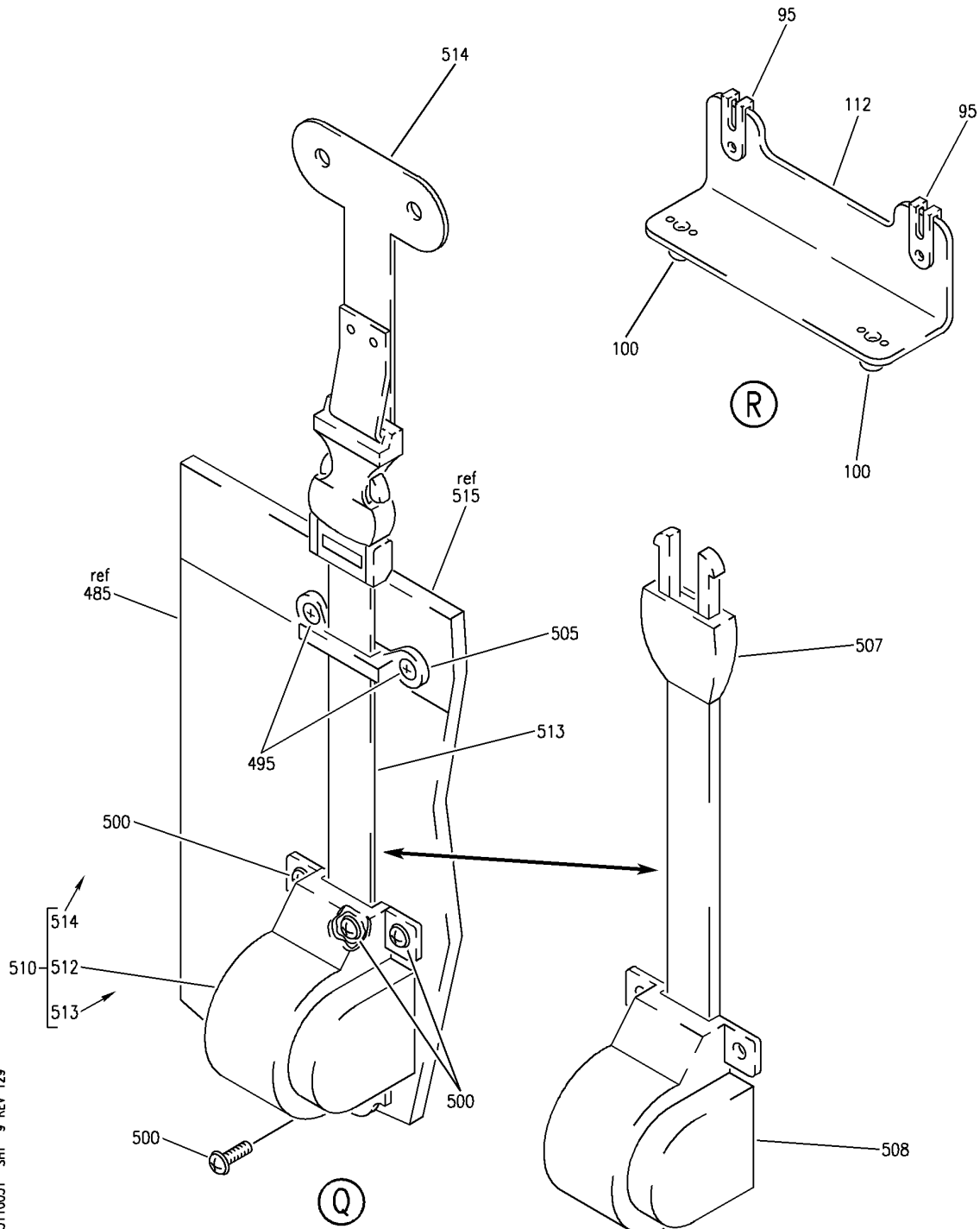
CONSOLE INSTL-SIDE
 FIGURE 31 (SHEET 8)

25-11-00-31

HAP
 OCT 10/06

25-11-00-31
 PAGE 06

BOEING
 737-600/700/800/900
 PARTS CATALOG (MAINTENANCE)



E 25110031 SHT 9 REV 129

CONSOLE INSTL-SIDE
 FIGURE 31 (SHEET 9)

25-11-00-31

HAP
 JUN 10/07

25-11-00-31
 PAGE 0H

BOEING
737-600/700/800/900
PARTS CATALOG (MAINTENANCE)

FIG ITEM	PART NUMBER	1 2 3 4 5 6 7	NOMENCLATURE	EFFECT FROM TO	UNITS PER ASSY
31			CONSOLE INSTL-SIDE	031200 968999	
- 1	MODREF245871		CONSOLE INSTL-SIDE MODULE NUMBER: 232A1600-21 REV B POSITION DATA: LH	031050 054200 968999	1
- 1	MODREF394104		CONSOLE INSTL-SIDE MODULE NUMBER: 232A1600-21 REV C POSITION DATA: LH	051053	1
- 5	MODREF245872		CONSOLE INSTL-SIDE MODULE NUMBER: 232A1600-22 REV B POSITION DATA: RH	031050 054200 968999	1
- 5	MODREF394105		CONSOLE INSTL-SIDE MODULE NUMBER: 232A1600-22 REV C POSITION DATA: RH	051053	1
10	WHS10F6TPKL16GY		.SCREW- SUPPLIER CODE: V12324	031200 968999	10
15	BACS12FA3K6		.SCREW	031200 968999	2
20	BCREF132054		.SCREW- SUPPLIER CODE: V12324 OVERLENGTH PART NUMBER: WHS10F14TPKL16GY OPTIONAL PART: BACS12FA3K14	031200 968999	3
20	BACS12FA3K14		.SCREW- OPTIONAL PART: BCREF132054 V12324	031200 968999	3
25	WHS10F4TPKL16GY		.SCREW- SUPPLIER CODE: V12324	031200 968999	1
30	FH10F12TPKL16GY		.SCREW- SUPPLIER CODE: V12324	031200 968999	11
35	WHS10F8TPKL16GY		.SCREW- SUPPLIER CODE: V12324	031200 968999	1
40	BACS12FA3K4		.SCREW	031200 968999	1

MISSING ITEM NUMBERS NOT APPLICABLE

- ITEM NOT ILLUSTRATED

HAP

25-11-00-31

25-11-00
FIG. 31
PAGE 1
FEB 15/09

BOEING
737-600/700/800/900
PARTS CATALOG (MAINTENANCE)

FIG ITEM	PART NUMBER	1 2 3 4 5 6 7	NOMENCLATURE	EFFECT FROM TO	UNITS PER ASSY
31					
45	BRC600-10-3	.NUT	SUPPLIER CODE: V52828 SPECIFICATION NUMBER: BACN10YD2 OPTIONAL PART: 130121 V60119	031200 968999	4
50	232A1651-22	.PLATE ASSY-	POSITION DATA: LH SIDE	031200 968999	1
- 55	232A1651-21	.PLATE ASSY-	POSITION DATA: RH SIDE	031200 968999	1
60	BRF200C3D	..NUTPLATE	SUPPLIER CODE: V52828 SPECIFICATION NUMBER: BACN10JR3CFD OPTIONAL PART: K51602-3BAC V15653 NS202476-02 V80539 102F9201-3 V72962 T8092C1032CD V11815 ATTACHING PARTS	031200 968999	3
- 65	BACR15BA3ADC	..RIVET-	SIZE DETERMINED ON INSTL. -----*-----	031200 968999	6
70	232A1651-19	..PLATE		031200 968999	1
75	NAS1922-0150-3	.CLAMP		031200 968999	1
80	232A1652-19	.BRACKET-	POSITION DATA: LH SIDE	031200 968999	1
- 85	232A1652-20	.BRACKET-	POSITION DATA: RH SIDE	031200 968999	1
90	232A1652-10	.BRACKET ASSY-	OPTIONAL PART: 232A1652-40	031200 968999	1
92	232A1652-40	.BRACKET ASSY-	OPTIONAL PART: 232A1652-10	031200 968999	1

MISSING ITEM NUMBERS NOT APPLICABLE

- ITEM NOT ILLUSTRATED

HAP

25-11-00-31

BOEING PROPRIETARY - Copyright © - Unpublished Work - See title page for details.

25-11-00
FIG. 31
PAGE 2
OCT 15/08

BOEING
737-600/700/800/900
PARTS CATALOG (MAINTENANCE)

FIG ITEM	PART NUMBER	1 2 3 4 5 6 7	NOMENCLATURE	EFFECT FROM TO	UNITS PER ASSY
31					
95	BRC600-10-3	..	NUT SUPPLIER CODE: V52828 SPECIFICATION NUMBER: BACN10YD2 OPTIONAL PART: 130121 V60119	031200 968999	2
100	NS103223-02	..	NUTPLATE SUPPLIER CODE: V80539 SPECIFICATION NUMBER: BACN10JY3 OPTIONAL PART: RMK9457-3 V72962 ATTACHING PARTS	031200 968999	2
- 105	BACR15BA3ADC	..	RIVET- SIZE DETERMINED ON INSTL. -----*-----	031200 968999	4
110	232A1652-9	..	BRACKET- USED ON: 232A1652-10	031200 968999	1
112	232A1652-39	..	BRACKET- USED ON: 232A1652-40	031200 968999	1
115	232A1601-17	.	CONSOLE ASSY- POSITION DATA: FWD LH SIDE	031050 054200 968999	1
115	232A1601-25	.	CONSOLE ASSY- POSITION DATA: FWD LH SIDE	051053	1
- 120	232A1601-18	.	CONSOLE ASSY- POSITION DATA: FWD RH SIDE	031050 054200 968999	1
- 120	232A1601-26	.	CONSOLE ASSY- POSITION DATA: FWD RH SIDE	051053	1
125	BACS12FA3K6	..	SCREW	031200 968999	6
130	232A1651-13	..	BRACKET ASSY- POSITION DATA: LH SIDE	031200 968999	1
- 135	232A1651-14	..	BRACKET ASSY- POSITION DATA: RH SIDE	031200 968999	1

MISSING ITEM NUMBERS NOT APPLICABLE

- ITEM NOT ILLUSTRATED

HAP

25-11-00-31

25-11-00
FIG. 31
PAGE 3
FEB 15/09

BOEING
737-600/700/800/900
PARTS CATALOG (MAINTENANCE)

FIG ITEM	PART NUMBER	1 2 3 4 5 6 7	NOMENCLATURE	EFFECT FROM TO	UNITS PER ASSY
31 140	BRF200C3D		...NUTPLATE SUPPLIER CODE: V52828 SPECIFICATION NUMBER: BACN10JR3CFD OPTIONAL PART: K51602-3BAC V15653 NS202476-02 V80539 102F9201-3 V72962 T8092C1032CD V11815 ATTACHING PARTS	031200 968999	2
- 145	BACR15BA3ADC		...RIVET- SIZE DETERMINED ON INSTL. -----*-----	031200 968999	4
150	232A1651-15		...BRACKET- POSITION DATA: LH SIDE	031200 968999	1
- 155	232A1651-16		...BRACKET- POSITION DATA: RH SIDE	031200 968999	1
160	BACS4OR026F010F		..SHIM	031200 968999	1
165	232A1604-1		..SUPPORT ASSY- POSITION DATA: LH SIDE	031200 968999	1
- 170	232A1604-2		..SUPPORT ASSY- POSITION DATA: RH SIDE	031200 968999	1
175	BACS22A12		...STRIP ATTACHING PARTS	031200 968999	2
- 180	BACR15BA4ADC		...RIVET- SIZE DETERMINED ON INSTL. -----*-----	031200 968999	10
185	NAS1398D5A		...RIVET- SIZE DETERMINED ON INSTL.	031200 968999	8
190	232A1651-3		...BRACKET- POSITION DATA: LH SIDE	031200 968999	1
- 195	232A1651-4		...BRACKET- POSITION DATA: RH SIDE	031200 968999	1
200	232A1651-1		...BRACKET- POSITION DATA: LH SIDE	031200 968999	1

MISSING ITEM NUMBERS NOT APPLICABLE

- ITEM NOT ILLUSTRATED

HAP

25-11-00-31

25-11-00
FIG. 31
PAGE 4
OCT 15/08

BOEING
737-600/700/800/900
PARTS CATALOG (MAINTENANCE)

FIG ITEM	PART NUMBER	1 2 3 4 5 6 7	NOMENCLATURE	EFFECT FROM TO	UNITS PER ASSY
31					
- 205	232A1651-2	...	BRACKET- POSITION DATA: RH SIDE	031200 968999	1
210	232A1609-1	..	POCKET ASSY-CHART	031050 054200 968999	1
210	232A1609-15	..	POCKET ASSY-CHART	051053	1
215	232A1651-9	..	BRACKET ASSY- POSITION DATA: LH SIDE	031200 968999	1
- 220	232A1651-10	..	BRACKET ASSY- POSITION DATA: RH SIDE	031200 968999	1
- 225	BACS12FA3K6	..	SCREW	031200 968999	4
230	BRF200C3D	-----*-----	...NUTPLATE SUPPLIER CODE: V52828 SPECIFICATION NUMBER: BACN10JR3CFD OPTIONAL PART: K51602-3BAC V15653 NS202476-02 V80539 102F9201-3 V72962 T8092C1032CD V11815 ATTACHING PARTS	031200 968999	2
- 235	BACR15BA3ADC	...	RIVET- SIZE DETERMINED ON INSTL. -----*-----	031200 968999	4
240	232A1651-11	...	BRACKET- POSITION DATA: LH SIDE	031200 968999	1
- 245	232A1651-12	...	BRACKET- POSITION DATA: RH SIDE	031200 968999	1
250	BACS40R038F010F	..	SHIM	031200 968999	1
255	232A1604-3	..	SUPPORT ASSY- POSITION DATA: LH SIDE	031200 968999	1
- 260	232A1604-4	..	SUPPORT ASSY- POSITION DATA: RH SIDE	031200 968999	1

MISSING ITEM NUMBERS NOT APPLICABLE

- ITEM NOT ILLUSTRATED

HAP

25-11-00-31

25-11-00
FIG. 31
PAGE 5
FEB 15/09

BOEING
737-600/700/800/900
PARTS CATALOG (MAINTENANCE)

FIG ITEM	PART NUMBER	1 2 3 4 5 6 7	NOMENCLATURE	EFFECT FROM TO	UNITS PER ASSY
31			ATTACHING PARTS		
- 265	BAC S12FA3K6	..	SCREW	031200 968999	4
			-----*-----		
270	BAC S22A16	...	STRIP	031200 968999	2
			ATTACHING PARTS		
- 275	BAC R15BA4ADC	...	RIVET- SIZE DETERMINED ON INSTL.	031200 968999	10
			-----*-----		
280	NAS1398D5A	...	RIVET- SIZE DETERMINED ON INSTL.	031200 968999	8
285	232A1651-5	...	BRACKET- POSITION DATA: LH SIDE	031200 968999	1
- 290	232A1651-6	...	BRACKET- POSITION DATA: RH SIDE	031200 968999	1
295	232A1651-7	...	BRACKET- POSITION DATA: LH SIDE	031200 968999	1
- 300	232A1651-8	...	BRACKET- POSITION DATA: RH SIDE	031200 968999	1
305	MS35489-9	..	GROMMET	031200 968999	1
310	232A1601-19	..	PANEL ASSY- POSITION DATA: LH SIDE	031200 968999	1
- 315	232A1601-20	..	PANEL ASSY- POSITION DATA: RH SIDE	031200 968999	1
320	232A1607-7	...	PANEL ASSY- POSITION DATA: LH SIDE	031200 968999	1
- 325	232A1607-8	...	PANEL ASSY- POSITION DATA: RH SIDE	031200 968999	1
330	BAC N10YDIG	NUT	031200 968999	1

MISSING ITEM NUMBERS NOT APPLICABLE

- ITEM NOT ILLUSTRATED

HAP

25-11-00-31

25-11-00
FIG. 31
PAGE 6
OCT 15/08

BOEING
737-600/700/800/900
PARTS CATALOG (MAINTENANCE)

FIG ITEM	PART NUMBER	1 2 3 4 5 6 7	NOMENCLATURE	EFFECT FROM TO	UNITS PER ASSY
31 335	MF53049-06	NUTPLATE SUPPLIER CODE: V15653 SPECIFICATION NUMBER: BACN10JN06 OPTIONAL PART: MF1000-06BAC V15653 NS103218-62 V80539 RMF9201M62 V72962 VN252A62L V92215 T8124S06S V11815 BRFM20A06L V52828	031200 968999	2
340	BRF200A06	NUTPLATE- SUPPLIER CODE: V52828 SPECIFICATION NUMBER: BACN10JR06F OPTIONAL PART: NS103203-62 V80539 RMF9201-62 V72962 VN152A1-62 V92215 T8091S632 V11815 F5000-06BAC V15653	031200 968999	4
345	AN256-8	NUTPLATE	031200 968999	2

MISSING ITEM NUMBERS NOT APPLICABLE

— ITEM NOT ILLUSTRATED

HAP

25-11-00-31

BOEING PROPRIETARY - Copyright © - Unpublished Work - See title page for details.

25-11-00
FIG. 31
PAGE 7
OCT 15/08

BOEING
737-600/700/800/900
PARTS CATALOG (MAINTENANCE)

FIG ITEM	PART NUMBER	1 2 3 4 5 6 7	NOMENCLATURE	EFFECT FROM TO	UNITS PER ASSY
31 350	BRF200A3	NUTPLATE SUPPLIER CODE: V52828 SPECIFICATION NUMBER: BACN10JR3F OPTIONAL PART: NS103203-02 V80539 RMF9201-3 V72962 VN152A1-02 V92215 T8091S1032 V11815 F5000-3BAC V15653	031200 968999	2
- 355	AF5141-3C	ATTACHING PARTS RIVET- SUPPLIER CODE: V53551 SPECIFICATION NUMBER: BACR15DR3AC -----*-----	031200 968999	20
360	SL2334-3A1	INSERT- SUPPLIER CODE: V97393	031200 968999	10
365	NAS1834A3-410	INSERT	031200 968999	3
370	NAS1834A3K410	INSERT	031200 968999	4
375	82-99-583-55	INSERT- SUPPLIER CODE: V94222	031200 968999	3
380	232A1603-5	CONSOLE ASSY- POSITION DATA: MID LH SIDE	031200 968999	1
- 385	232A1603-6	CONSOLE ASSY- POSITION DATA: MID RH SIDE	031200 968999	1
390	BCREF128116	SCREW- SUPPLIER CODE: V12324 OVERLENGTH PART NUMBER: WHS10F12TPKL16GY	031200 968999	4
395	214A1118-7	OUTLET ASSY-	031200 968999	1
400	214A1118-3	LOUVER	031200 968999	5

MISSING ITEM NUMBERS NOT APPLICABLE

- ITEM NOT ILLUSTRATED

HAP

25-11-00-31

BOEING PROPRIETARY - Copyright © - Unpublished Work - See title page for details.

25-11-00
FIG. 31
PAGE 8
OCT 15/08

BOEING
737-600/700/800/900
PARTS CATALOG (MAINTENANCE)

FIG ITEM	PART NUMBER	1 2 3 4 5 6 7	NOMENCLATURE	EFFECT FROM TO	UNITS PER ASSY
31					
405	214A1118-10	...	LINKAGE-	031200 968999	1
410	214A1118-11	...	LINKAGE-	031200 968999	1
415	214A1118-8	...	FRAME-	031200 968999	1
420	214A1142-1	..	PLENUM ASSY	031200 968999	1
425	BRF200C3M	...	NUTPLATE SUPPLIER CODE: V52828 SPECIFICATION NUMBER: BACN10JR3CFM OPTIONAL PART: F5001-3BAC V15653 NS103203SE02 V80539 VN152D1-02 V92215 109F9201-3 V72962 T8092C1032 V11815	031200 968999	4
- 430	AF5171-3-3	...	ATTACHING PARTS RIVET- SUPPLIER CODE: V53551 SPECIFICATION NUMBER: BACR15DR3-3 OPTIONAL PART: CCR264SS3-3 V11815 RV571A3-3 V98996 -----*-----	031200 968999	8
435	214A1142-2	...	PLENUM	031200 968999	1
440	FH10F12TPKL16GY	..	SCREW- SUPPLIER CODE: V12324 OPTIONAL PART: FH10F12DL16GY V12324	031200 968999	2

MISSING ITEM NUMBERS NOT APPLICABLE

- ITEM NOT ILLUSTRATED

HAP

25-11-00-31

BOEING PROPRIETARY - Copyright © - Unpublished Work - See title page for details.

25-11-00
FIG. 31
PAGE 9
OCT 15/08

BOEING
737-600/700/800/900
PARTS CATALOG (MAINTENANCE)

FIG ITEM	PART NUMBER	1 2 3 4 5 6 7	NOMENCLATURE	EFFECT FROM TO	UNITS PER ASSY
31					
440	FH10F12DL16GY	..	SCREW- SUPPLIER CODE: V12324 OPTIONAL PART: FH10F12TPKL16GY V12324	031200 968999	2
445	232A1651-23	..	BRACKET-	031200 968999	1
450	232A1606-3	..	PANEL ASSY- POSITION DATA: LH SIDE	031200 968999	1
- 455	232A1606-4	..	PANEL ASSY- POSITION DATA: RH SIDE	031200 968999	1
460	SL6224-3A	...	INSERT- SUPPLIER CODE: V97393	031200 968999	2
465	NAS1834A3-290	...	INSERT	031200 968999	5
470	NAS1834A3K290	...	INSERT	031200 968999	5
475	232A1602-23	.	CONSOLE ASSY- POSITION DATA: AFT LH SIDE	031200 968999	1
- 480	232A1602-24	.	CONSOLE ASSY- POSITION DATA: AFT RH SIDE	031200 968999	1
485	232A1612-3	..	POCKET- POSITION DATA: LH SIDE	031200 968999	1
- 490	232A1612-4	..	POCKET- POSITION DATA: RH SIDE	031200 968999	1
495	BACS12ER3K6GR	..	SCREW- OPTIONAL PART: BACS12ER3K6	031200 968999	2
495	BACS12ER3K6	..	SCREW- OPTIONAL PART: BACS12ER3K6GR	031200 968999	2
500	BACS12FA08K4GR	..	SCREW- OPTIONAL PART: MS51957-41 BACS12FA08K4	031200 968999	4
500	MS51957-41	..	SCREW- OPTIONAL PART: BACS12FA08K4 BACS12FA08K4GR	031200 968999	4

MISSING ITEM NUMBERS NOT APPLICABLE

- ITEM NOT ILLUSTRATED

HAP

25-11-00-31

25-11-00
FIG. 31
PAGE 10
OCT 15/08

BOEING
737-600/700/800/900
PARTS CATALOG (MAINTENANCE)

FIG ITEM	PART NUMBER	1 2 3 4 5 6 7	NOMENCLATURE	EFFECT FROM TO	UNITS PER ASSY
31					
500	BACS12FA08K4	..	SCREW- OPTIONAL PART: MS51957-41 BACS12FA08K4GR	031200 968999	4
505	MML20AE	..	LOOP SUPPLIER CODE: V9H468 SPECIFICATION NUMBER: BACL20AE	031200 968999	1
507	1106198-02	..	REEL ASSY- SUPPLIER CODE: V45402	031200 968999	1
508	1106198-04	..	COVER- SUPPLIER CODE: V45402	031200 968999	1
515	232A1651-17	..	BRACKET- POSITION DATA: LH SIDE	031200 968999	1
- 520	232A1651-18	..	BRACKET- POSITION DATA: RH SIDE	031200 968999	1
525	232A1606-5	..	PANEL ASSY- POSITION DATA: LH SIDE	031200 968999	1
- 530	232A1606-6	..	PANEL ASSY- POSITION DATA: RH SIDE	031200 968999	1
535	SL6224-3A	...	INSERT- SUPPLIER CODE: V97393	031200 968999	6
540	SL6224-08A	...	INSERT- SUPPLIER CODE: V97393	031200 968999	4
545	NAS1834A3K290	...	INSERT	031200 968999	2
575	232A1606-9	..	PANEL ASSY-LINING POSITION DATA: LH SIDE	031200 968999	1
- 580	232A1606-10	..	PANEL ASSY-LINING POSITION DATA: RH SIDE	031200 968999	1
585	SL6224-3A	...	INSERT- SUPPLIER CODE: V97393	031200 968999	6
590	SL6224-08A	...	INSERT- SUPPLIER CODE: V97393	031200 968999	4

MISSING ITEM NUMBERS NOT APPLICABLE

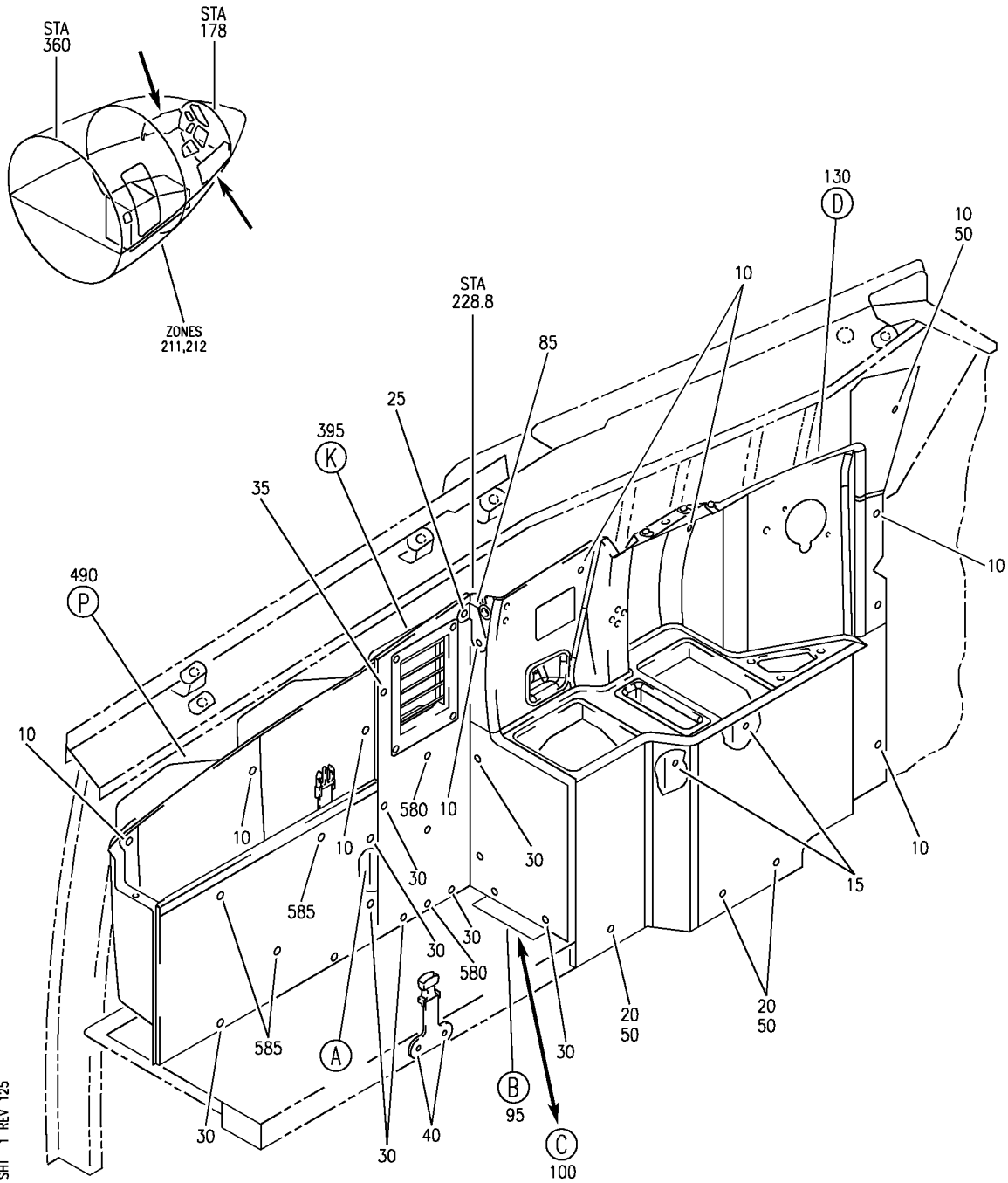
- ITEM NOT ILLUSTRATED

HAP

25-11-00-31

25-11-00
FIG. 31
PAGE 11
OCT 15/08

BOEING
 737-600/700/800/900
 PARTS CATALOG (MAINTENANCE)



E 25110031A SHT 1 REV 125

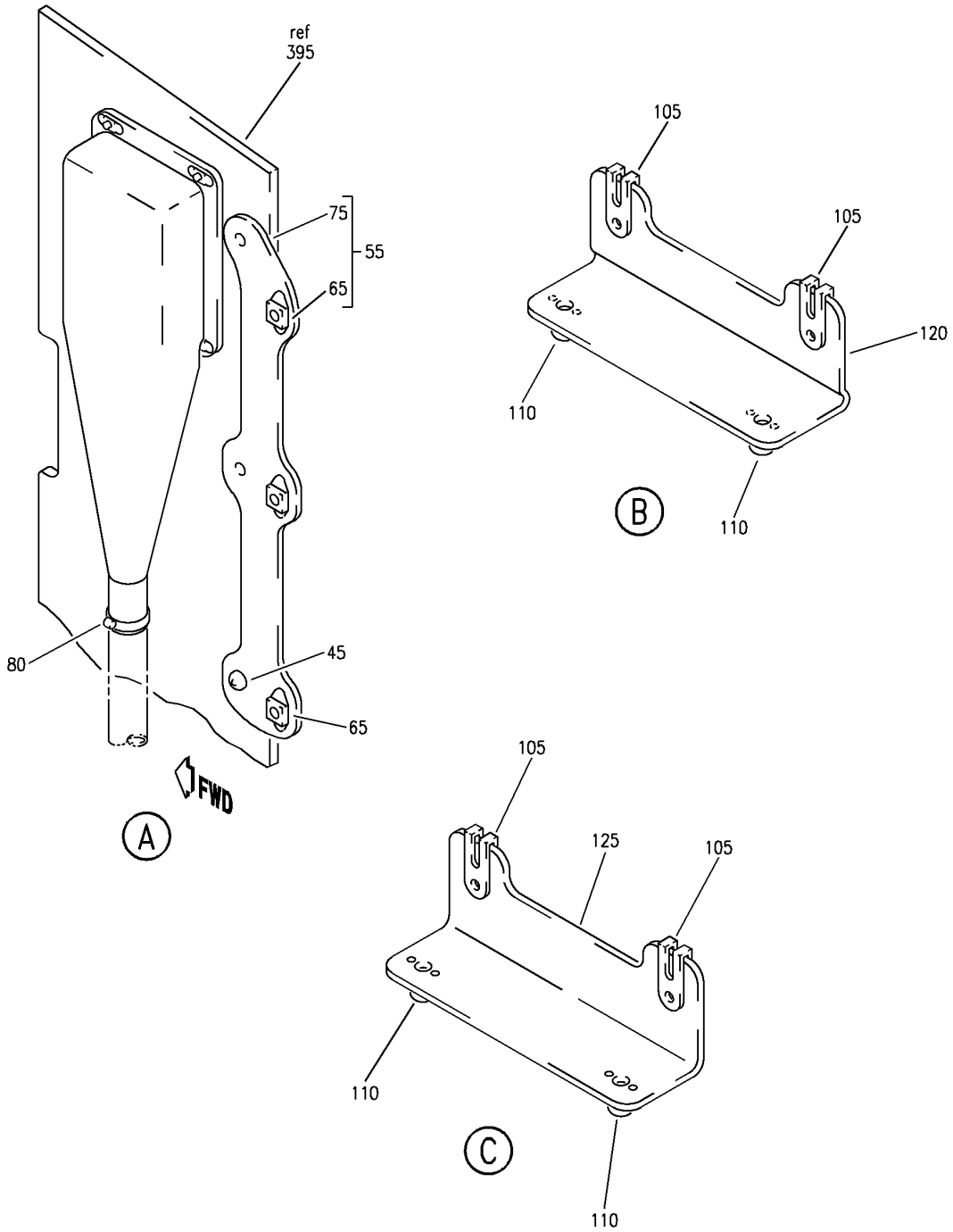
CONSOLE INSTL-SIDE
 FIGURE 31A (SHEET 1)

25-11-00-31A

HAP
 FEB 10/07

25-11-00-31A
 PAGE 0

BOEING
 737-600/700/800/900
 PARTS CATALOG (MAINTENANCE)



E 25110031A SHT 2 REV 125

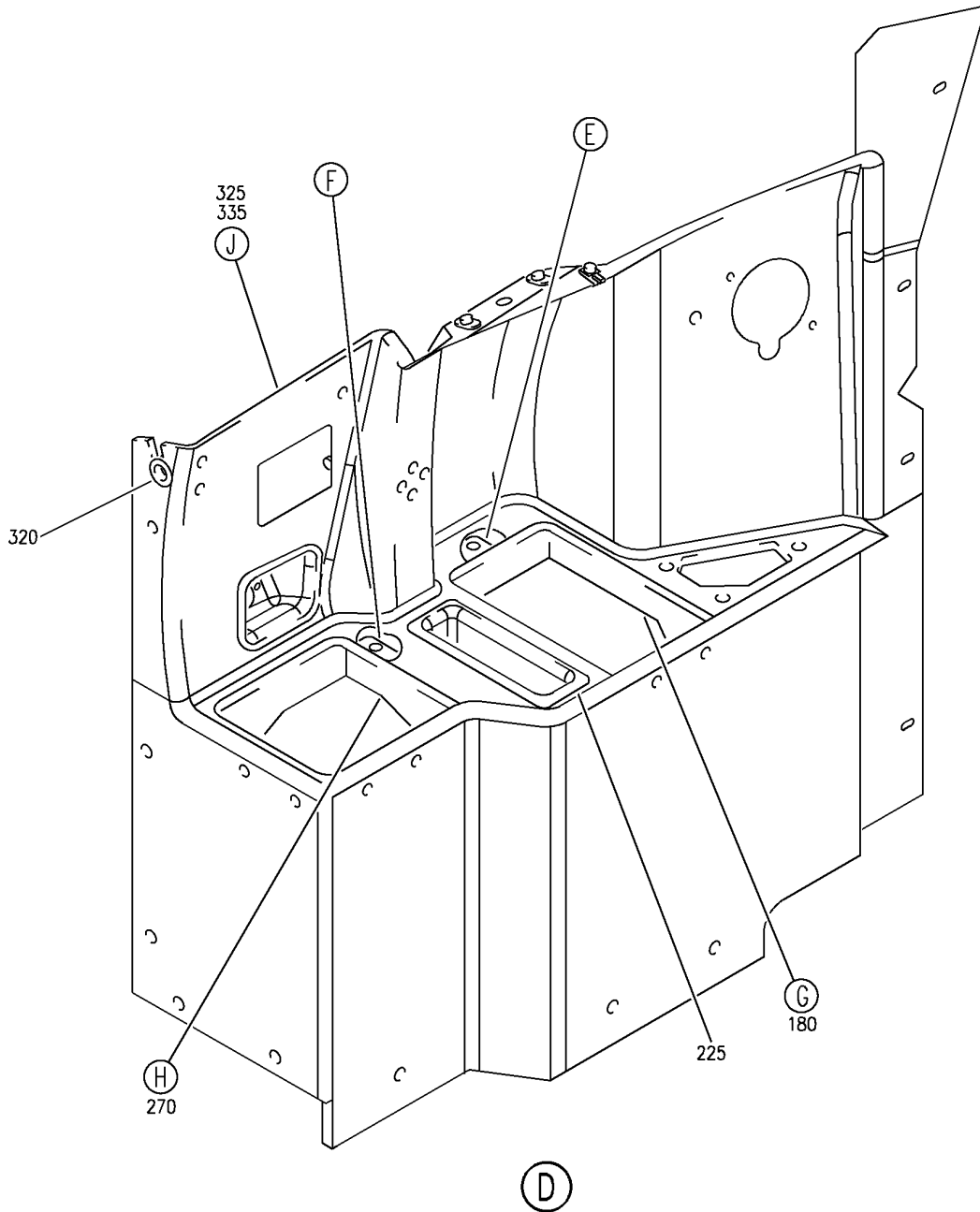
CONSOLE INSTL-SIDE
 FIGURE 31A (SHEET 2)

25-11-00-31A

HAP
 FEB 10/07

25-11-00-31A
 PAGE 0A

BOEING
737-600/700/800/900
PARTS CATALOG (MAINTENANCE)



E 25110031A SHT 3 REV 125

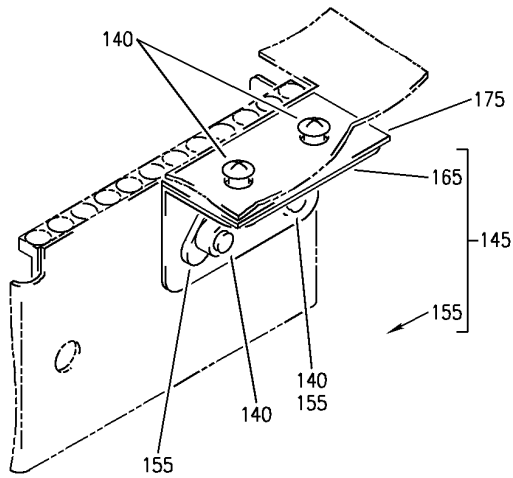
CONSOLE INSTL-SIDE
FIGURE 31A (SHEET 3)

25-11-00-31A

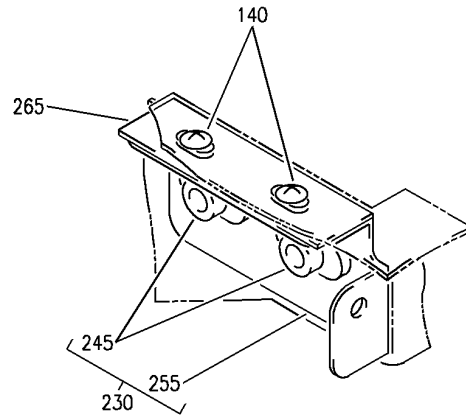
HAP
FEB 10/07

25-11-00-31A
PAGE 0B

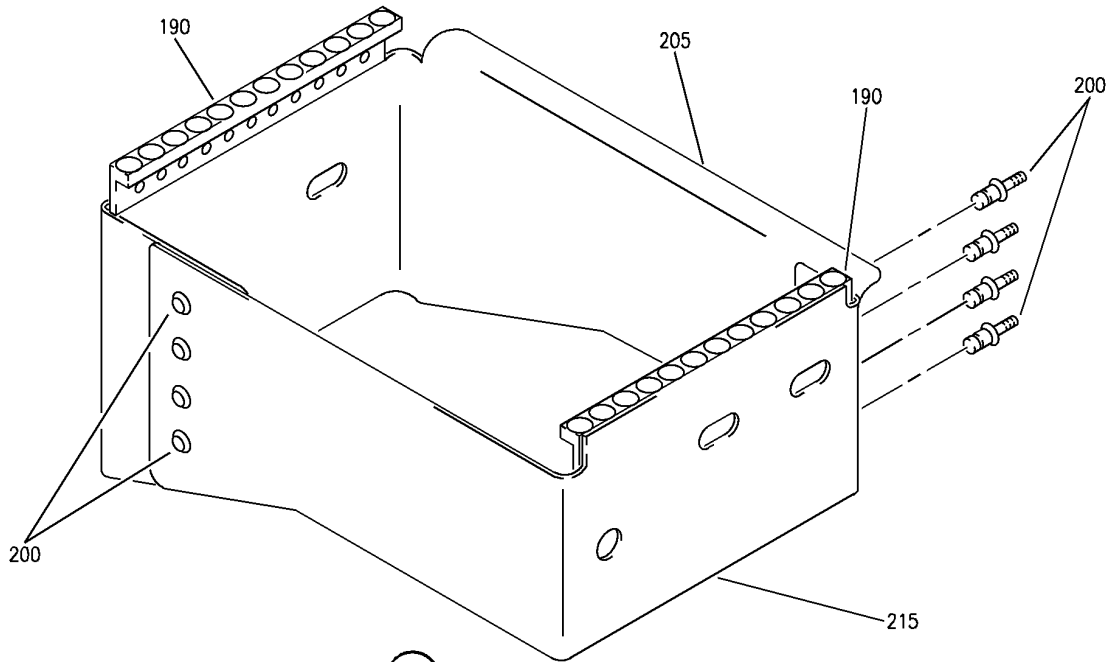
BOEING
 737-600/700/800/900
 PARTS CATALOG (MAINTENANCE)



(E)



(F)



(G)

E 25110031A SHT 4 REV 125

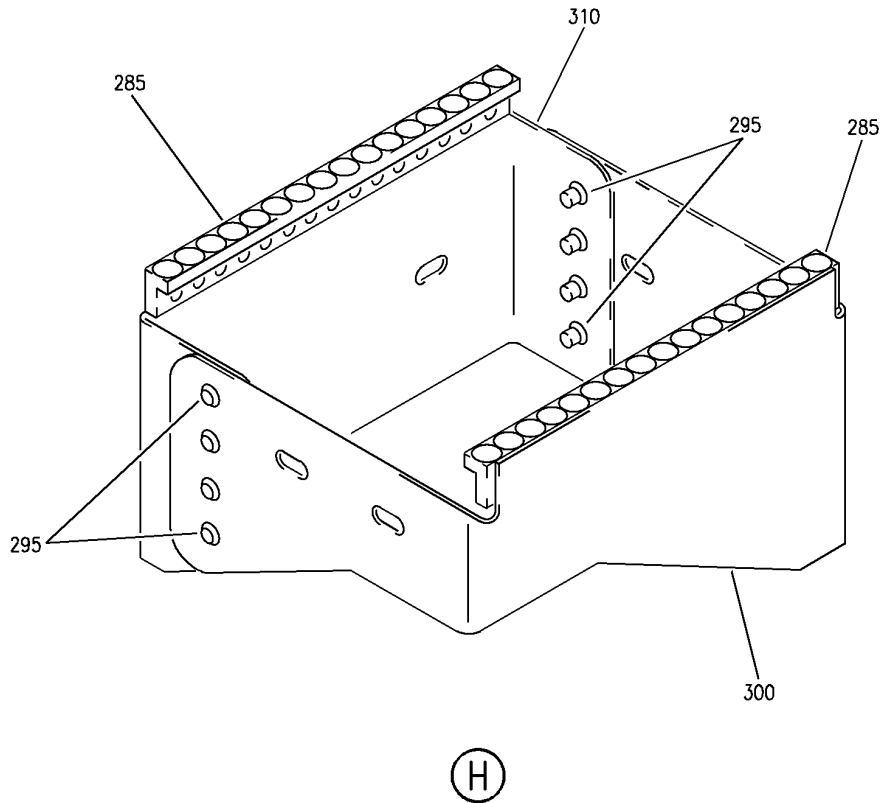
CONSOLE INSTL-SIDE
 FIGURE 31A (SHEET 4)

25-11-00-31A

HAP
 FEB 10/07

25-11-00-31A
 PAGE 0C

BOEING
737-600/700/800/900
PARTS CATALOG (MAINTENANCE)



E 25110031A SHT 5 REV 125

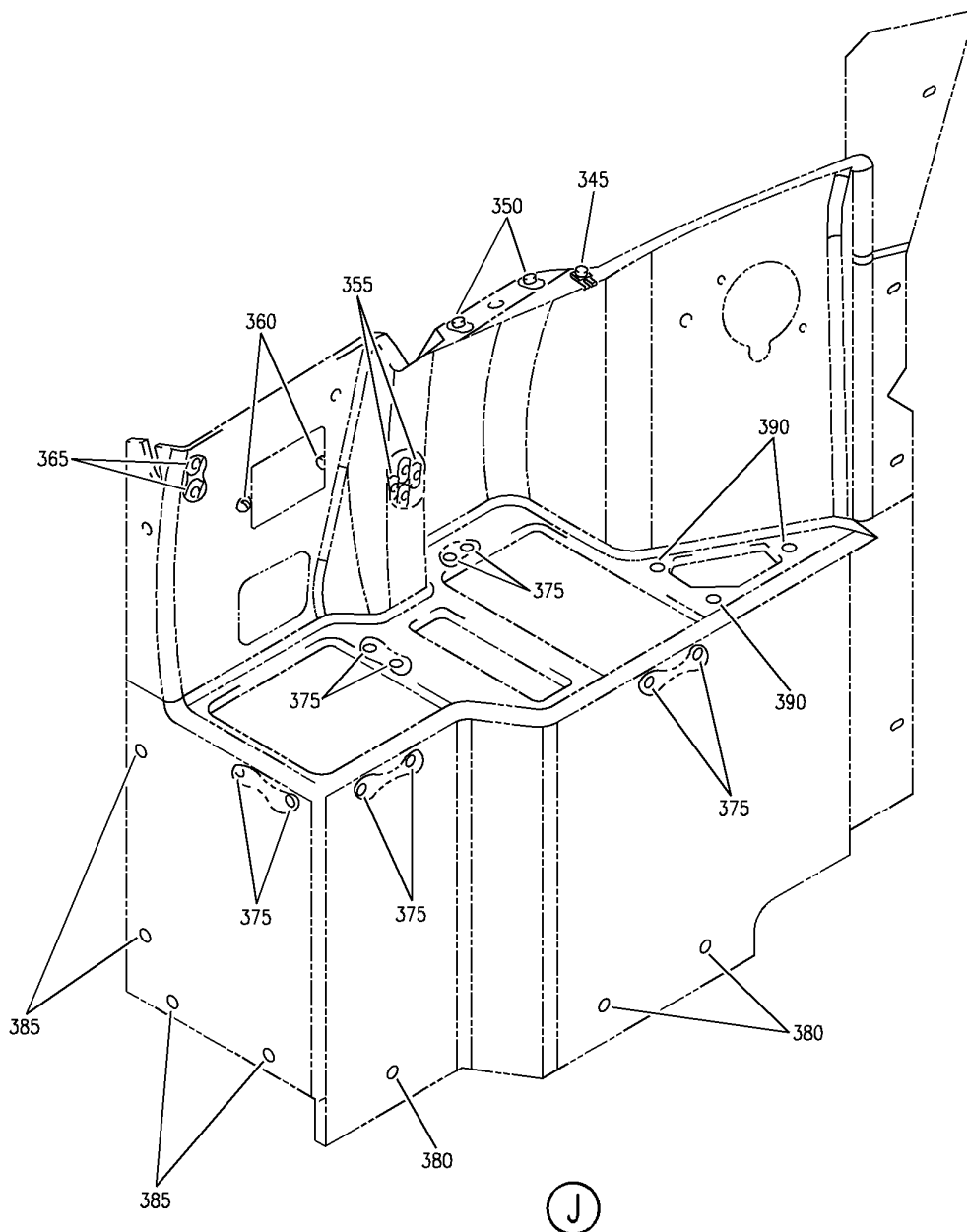
CONSOLE INSTL-SIDE
FIGURE 31A (SHEET 5)

25-11-00-31A

HAP
FEB 10/07

25-11-00-31A
PAGE 0D

BOEING
737-600/700/800/900
PARTS CATALOG (MAINTENANCE)



E 25110031A SHT 6 REV 125

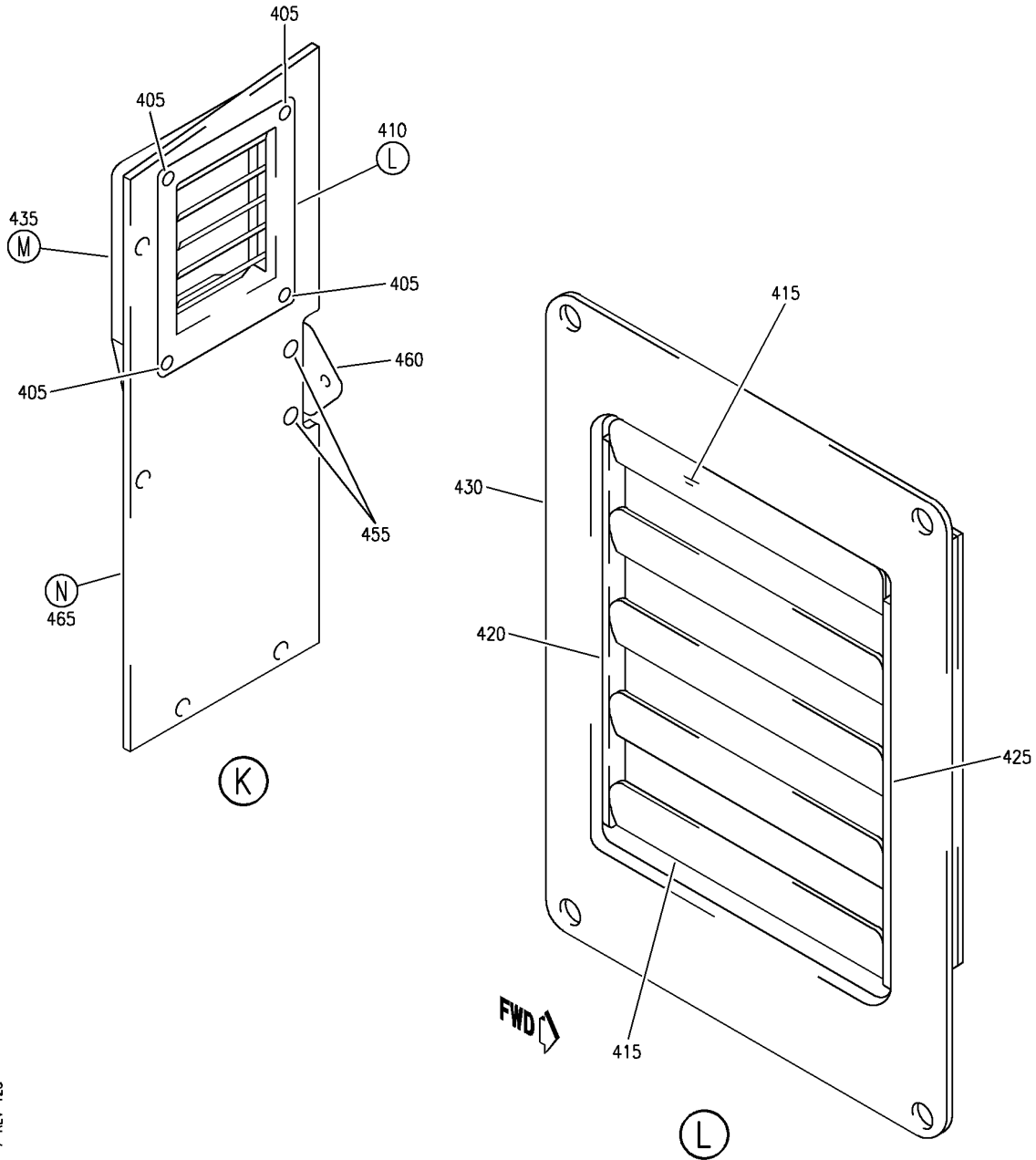
CONSOLE INSTL-SIDE
FIGURE 31A (SHEET 6)

25-11-00-31A

HAP
FEB 10/07

25-11-00-31A
PAGE 0E

BOEING
 737-600/700/800/900
 PARTS CATALOG (MAINTENANCE)



E 25110031A SHT 7 REV 125

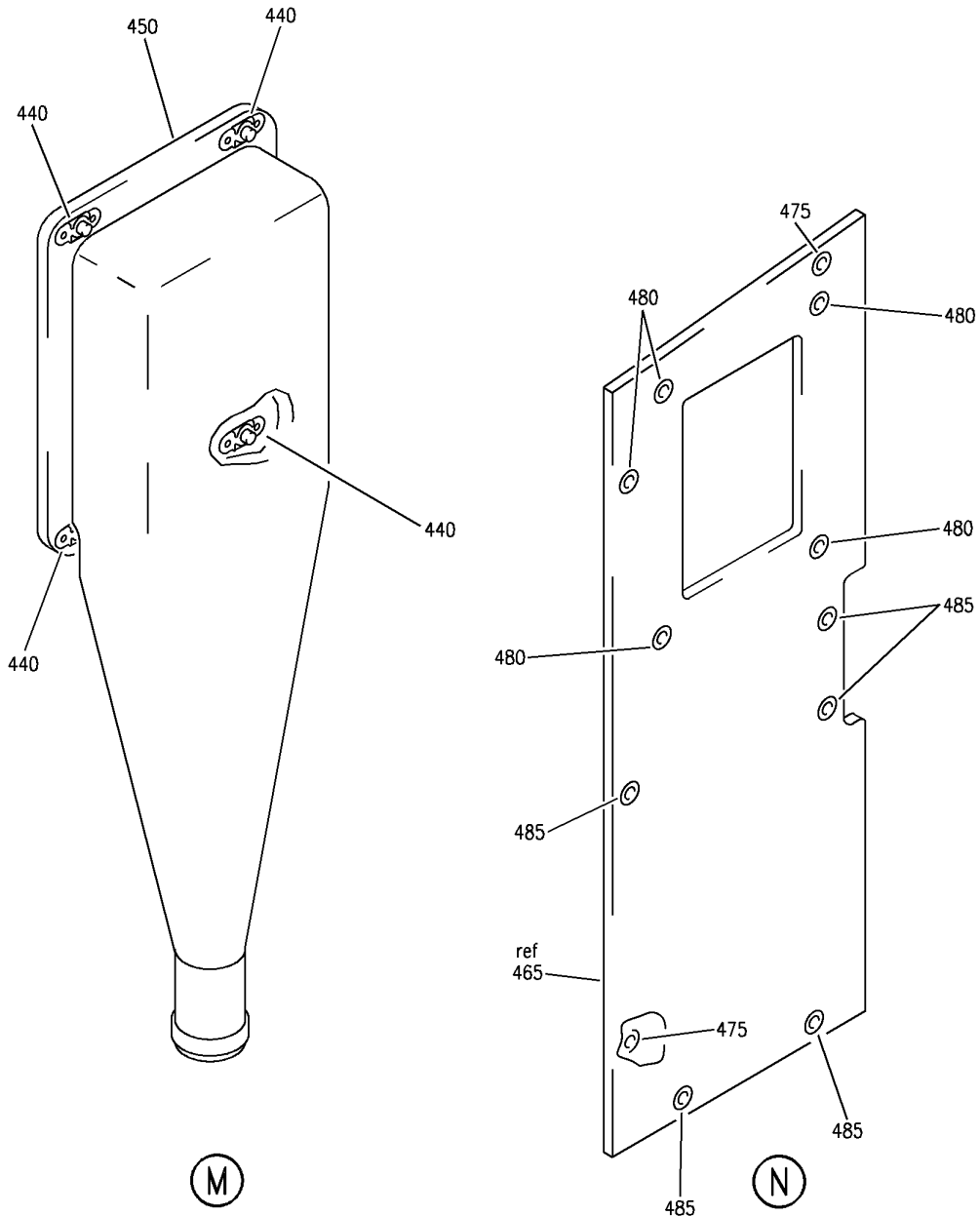
CONSOLE INSTL-SIDE
 FIGURE 31A (SHEET 7)

25-11-00-31A

HAP
 FEB 10/07

25-11-00-31A
 PAGE OF

BOEING
737-600/700/800/900
PARTS CATALOG (MAINTENANCE)



E 25110031A SHT 8 REV 125

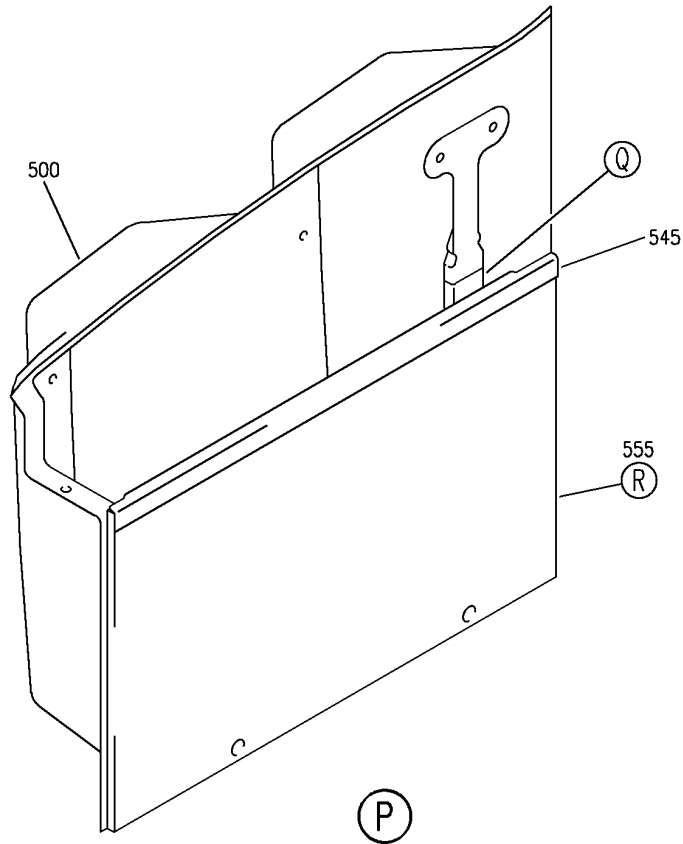
CONSOLE INSTL-SIDE
FIGURE 31A (SHEET 8)

25-11-00-31A

HAP
FEB 10/07

25-11-00-31A
PAGE 06

BOEING
737-600/700/800/900
PARTS CATALOG (MAINTENANCE)



E 25110031A SHT 9 REV 125

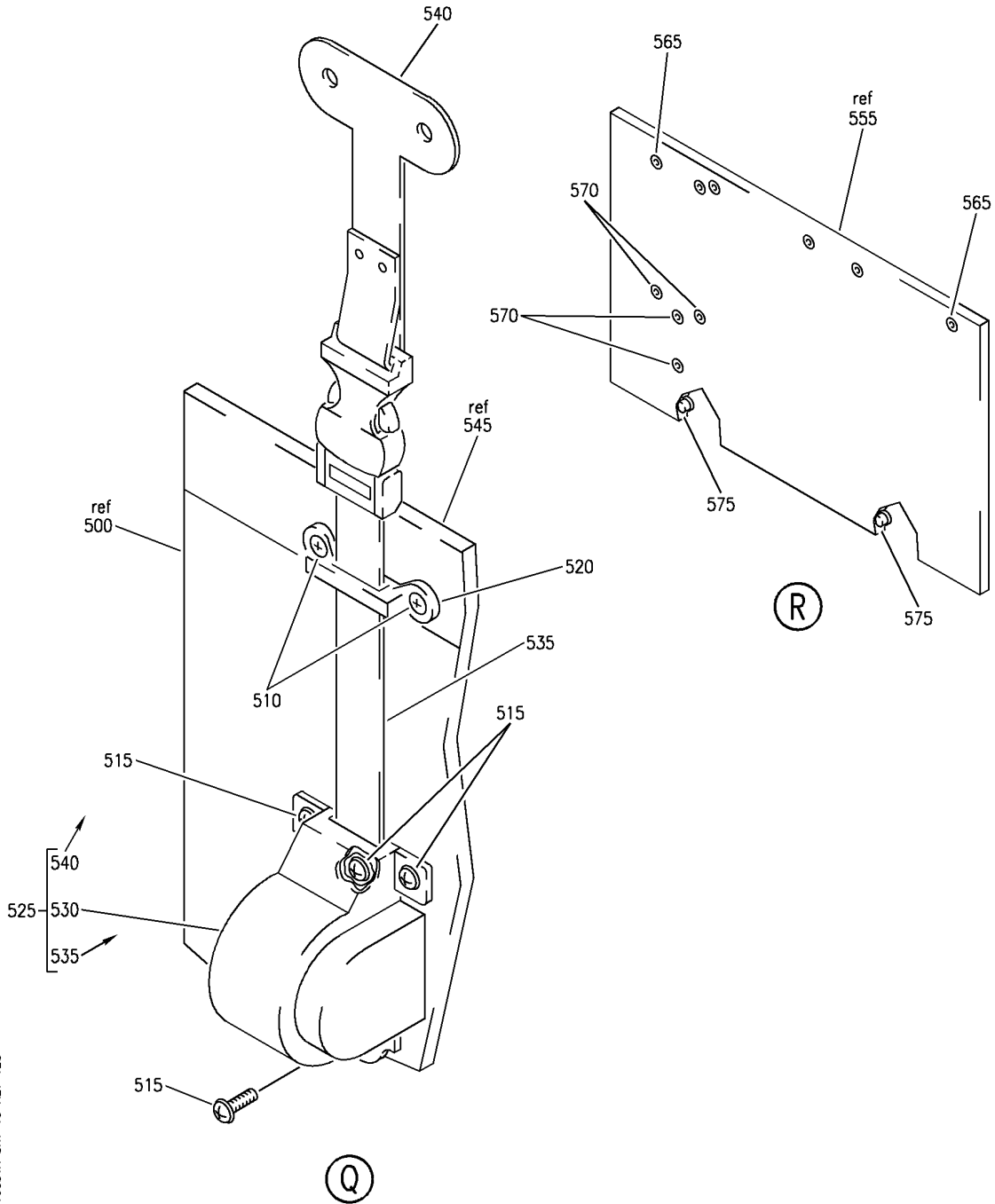
CONSOLE INSTL-SIDE
FIGURE 31A (SHEET 9)

25-11-00-31A

HAP
FEB 10/07

25-11-00-31A
PAGE 0H

BOEING
737-600/700/800/900
PARTS CATALOG (MAINTENANCE)



E 25110031A SHT 10 REV 125

CONSOLE INSTL-SIDE
FIGURE 31A (SHEET 10)

25-11-00-31A

HAP
FEB 10/07

25-11-00-31A
PAGE 01

BOEING
737-600/700/800/900
PARTS CATALOG (MAINTENANCE)

FIG ITEM	PART NUMBER	1 2 3 4 5 6 7	NOMENCLATURE	EFFECT FROM TO	UNITS PER ASSY
31A			CONSOLE INSTL-SIDE	001030 201967	
- 1	232A1600-1		CONSOLE INSTL-SIDE POSITION DATA: LH FOR NHA SEE: 25-10-00-03B 25-10-00-03C	001020 201967	RF
- 1	232A1600-21		CONSOLE INSTL-SIDE POSITION DATA: LH FOR NHA SEE: 25-10-00-03C	029030	RF
- 1	232A1600-17		CONSOLE INSTL-SIDE POSITION DATA: LH FOR NHA SEE: 25-10-00-03C	021028	RF
- 5	232A1600-2		CONSOLE INSTL-SIDE POSITION DATA: RH FOR NHA SEE: 25-10-00-03B 25-10-00-03C	001020 201967	RF
- 5	232A1600-22		CONSOLE INSTL-SIDE POSITION DATA: RH FOR NHA SEE: 25-10-00-03C	029030	RF
- 5	232A1600-18		CONSOLE INSTL-SIDE POSITION DATA: RH FOR NHA SEE: 25-10-00-03C	021028	RF
10	WHS10F6TPKL16GY		.SCREW- SUPPLIER CODE: V12324	001030 201967	10
15	BACS12FA3K6		.SCREW	001030 201967	2
20	BCREF132054		.SCREW- SUPPLIER CODE: V12324 OVERLENGTH PART NUMBER: WHS10F14TPKL16GY OPTIONAL PART: BACS12FA3K14	001030 201967	3

MISSING ITEM NUMBERS NOT APPLICABLE

- ITEM NOT ILLUSTRATED

HAP

25-11-00-31A

BOEING PROPRIETARY - Copyright © - Unpublished Work - See title page for details.

25-11-00
FIG. 31A
PAGE 1
OCT 15/08

BOEING
737-600/700/800/900
PARTS CATALOG (MAINTENANCE)

FIG ITEM	PART NUMBER	1 2 3 4 5 6 7	NOMENCLATURE	EFFECT FROM TO	UNITS PER ASSY
31A					
20	BACS12FA3K14	.SCREW-	OPTIONAL PART: BCREF132054 V12324	001030 201967	3
25	WHS10F4TPKL16GY	.SCREW-	SUPPLIER CODE: V12324	001030 201967	1
30	FH10F12TPKL16GY	.SCREW-	SUPPLIER CODE: V12324	001030 201967	11
35	WHS10F8TPKL16GY	.SCREW-	SUPPLIER CODE: V12324	001030 201967	1
40	WHS10F8TPKL01BK	.SCREW-	SUPPLIER CODE: V12324	001030 201967	2
45	BACS12FA3K4	.SCREW		001030 201967	1
50	BRC600-10-3	.NUT	SUPPLIER CODE: V52828 SPECIFICATION NUMBER: BACN10YD2 OPTIONAL PART: 130121 V60119	001030 201967	4
55	232A1651-22	.PLATE ASSY-	POSITION DATA: LH SIDE	001030 201967	1
- 60	232A1651-21	.PLATE ASSY-	POSITION DATA: RH SIDE	001030 201967	1
65	BRF200C3D	..NUTPLATE	SUPPLIER CODE: V52828 SPECIFICATION NUMBER: BACN10JR3CFD OPTIONAL PART: K51602-3BAC V15653 NS202476-02 V80539 102F9201-3 V72962 T8092C1032CD V11815	001030 201967	3

MISSING ITEM NUMBERS NOT APPLICABLE

- ITEM NOT ILLUSTRATED

HAP

25-11-00-31A

BOEING PROPRIETARY - Copyright © - Unpublished Work - See title page for details.

25-11-00
FIG. 31A
PAGE 2
OCT 15/08

BOEING
737-600/700/800/900
PARTS CATALOG (MAINTENANCE)

FIG ITEM	PART NUMBER	1 2 3 4 5 6 7	NOMENCLATURE	EFFECT FROM TO	UNITS PER ASSY
31A			ATTACHING PARTS		
- 70	BACR15BA3ADC	..	RIVET- SIZE DETERMINED ON INSTL. -----*-----	001030 201967	6
75	232A1651-19	..	PLATE	001030 201967	1
80	NAS1922-0150-1	.	CLAMP	001030 201967	1
85	232A1652-19	.	BRACKET- POSITION DATA: LH SIDE	001030 201967	1
- 90	232A1652-20	.	BRACKET- POSITION DATA: RH SIDE	001030 201967	1
95	232A1652-10	.	BRACKET ASSY- OPTIONAL PART: 232A1652-40	001030 201967	1
100	232A1652-40	.	BRACKET ASSY- OPTIONAL PART: 232A1652-10	029030	1
105	BRC600-10-3	..	NUT SUPPLIER CODE: V52828 SPECIFICATION NUMBER: BACN10YD2 OPTIONAL PART: 130121 V60119	001030 201967	2
110	NS103223-02	..	NUTPLATE SUPPLIER CODE: V80539 SPECIFICATION NUMBER: BACN10JY3 OPTIONAL PART: RMK9457-3 V72962 ATTACHING PARTS	001030 201967	2
- 115	BACR15BA3ADC	..	RIVET- SIZE DETERMINED ON INSTL. -----*-----	001030 201967	4
120	232A1652-9	..	BRACKET- USED ON: 232A1652-10	001030 201967	1
125	232A1652-39	..	BRACKET- USED ON: 232A1652-40	029030	1
130	232A1601-17	.	CONSOLE ASSY- POSITION DATA: FWD LH SIDE	001030 201967	1

MISSING ITEM NUMBERS NOT APPLICABLE

- ITEM NOT ILLUSTRATED

HAP

25-11-00-31A

BOEING PROPRIETARY - Copyright © - Unpublished Work - See title page for details.

25-11-00
FIG. 31A
PAGE 3
OCT 15/08

BOEING
737-600/700/800/900
PARTS CATALOG (MAINTENANCE)

FIG ITEM	PART NUMBER	1 2 3 4 5 6 7	NOMENCLATURE	EFFECT FROM TO	UNITS PER ASSY
31A					
- 135	232A1601-18	.	CONSOLE ASSY- POSITION DATA: FWD RH SIDE	001030 201967	1
140	BACS12FA3K6	..	SCREW	001030 201967	6
145	232A1651-13	..	BRACKET ASSY- POSITION DATA: LH SIDE	001030 201967	1
- 150	232A1651-14	..	BRACKET ASSY- POSITION DATA: RH SIDE	001030 201967	1
155	BRF200C3D	...	NUTPLATE SUPPLIER CODE: V52828 SPECIFICATION NUMBER: BACN10JR3CFD OPTIONAL PART: K51602-3BAC V15653 NS202476-02 V80539 102F9201-3 V72962 T8092C1032CD V11815 ATTACHING PARTS	001030 201967	2
- 160	BACR15BA3ADC	...	RIVET- SIZE DETERMINED ON INSTL. -----*-----	001030 201967	4
165	232A1651-15	...	BRACKET- POSITION DATA: LH SIDE	001030 201967	1
- 170	232A1651-16	...	BRACKET- POSITION DATA: RH SIDE	001030 201967	1
175	BACS40R026F010F	..	SHIM	001030 201967	1
180	232A1604-1	..	SUPPORT ASSY- POSITION DATA: LH SIDE	001030 201967	1
- 185	232A1604-2	..	SUPPORT ASSY- POSITION DATA: RH SIDE	001030 201967	1
190	BACS22A12	...	STRIP	001030 201967	2
- 195	BACR15BA4ADC	...	RIVET- SIZE DETERMINED ON INSTL. -----*-----	001030 201967	10

MISSING ITEM NUMBERS NOT APPLICABLE

- ITEM NOT ILLUSTRATED

HAP

25-11-00-31A

BOEING PROPRIETARY - Copyright © - Unpublished Work - See title page for details.

25-11-00
FIG. 31A
PAGE 4
OCT 15/08

BOEING
737-600/700/800/900
PARTS CATALOG (MAINTENANCE)

FIG ITEM	PART NUMBER	1 2 3 4 5 6 7	NOMENCLATURE	EFFECT FROM TO	UNITS PER ASSY
31A					
200	NAS1398D5A	...	RIVET- SIZE DETERMINED ON INSTL.	001030 201967	8
205	232A1651-3	...	BRACKET- POSITION DATA: LH SIDE	001030 201967	1
- 210	232A1651-4	...	BRACKET- POSITION DATA: RH SIDE	001030 201967	1
215	232A1651-1	...	BRACKET- POSITION DATA: LH SIDE	001030 201967	1
- 220	232A1651-2	...	BRACKET- POSITION DATA: RH SIDE	001030 201967	1
225	232A1609-1	..	POCKET ASSY-CHART	001030 201967	1
230	232A1651-9	..	BRACKET ASSY- POSITION DATA: LH SIDE	001030 201967	1
- 235	232A1651-10	..	BRACKET ASSY- POSITION DATA: RH SIDE ATTACHING PARTS	001030 201967	1
- 240	BACS12FA3K6	..	SCREW	001030 201967	4
			-----*-----		
245	BRF200C3D	...	NUTPLATE SUPPLIER CODE: V52828 SPECIFICATION NUMBER: BACN10JR3CFD OPTIONAL PART: K51602-3BAC V15653 NS202476-02 V80539 102F9201-3 V72962 T8092C1032CD V11815 ATTACHING PARTS	001030 201967	2
- 250	BACR15BA3ADC	...	RIVET- SIZE DETERMINED ON INSTL.	001030 201967	4
			-----*-----		
255	232A1651-11	...	BRACKET- POSITION DATA: LH SIDE	001030 201967	1

MISSING ITEM NUMBERS NOT APPLICABLE

- ITEM NOT ILLUSTRATED

HAP

25-11-00-31A

BOEING PROPRIETARY - Copyright © - Unpublished Work - See title page for details.

25-11-00
FIG. 31A
PAGE 5
OCT 15/08

BOEING
737-600/700/800/900
PARTS CATALOG (MAINTENANCE)

FIG ITEM	PART NUMBER	1 2 3 4 5 6 7	NOMENCLATURE	EFFECT FROM TO	UNITS PER ASSY
31A					
- 260	232A1651-12	...	BRACKET- POSITION DATA: RH SIDE	001030 201967	1
265	BACS40R038F010F	..	SHIM	001030 201967	1
270	232A1604-3	..	SUPPORT ASSY- POSITION DATA: LH SIDE	001030 201967	1
- 275	232A1604-4	..	SUPPORT ASSY- POSITION DATA: RH SIDE	001030 201967	1
- 280	BACS12FA3K6	..	SCREW ATTACHING PARTS	001030 201967	4
285	BACS22A16	...	STRIP -----*----- ATTACHING PARTS	001030 201967	2
- 290	BACR15BA4ADC	...	RIVET- SIZE DETERMINED ON INSTL. -----*-----	001030 201967	10
295	NAS1398D5A	...	RIVET- SIZE DETERMINED ON INSTL.	001030 201967	8
300	232A1651-5	...	BRACKET- POSITION DATA: LH SIDE	001030 201967	1
- 305	232A1651-6	...	BRACKET- POSITION DATA: RH SIDE	001030 201967	1
310	232A1651-7	...	BRACKET- POSITION DATA: LH SIDE	001030 201967	1
- 315	232A1651-8	...	BRACKET- POSITION DATA: RH SIDE	001030 201967	1
320	MS35489-9	..	GROMMET	001030 201967	1
325	232A1601-19	..	PANEL ASSY- POSITION DATA: LH SIDE	001030 201967	1
- 330	232A1601-20	..	PANEL ASSY- POSITION DATA: RH SIDE	001030 201967	1
335	232A1607-7	...	PANEL ASSY- POSITION DATA: LH SIDE	001030 201967	1
- 340	232A1651-8	...	BRACKET- POSITION DATA: RH SIDE	001030 201967	1

MISSING ITEM NUMBERS NOT APPLICABLE

- ITEM NOT ILLUSTRATED

HAP

25-11-00-31A

BOEING PROPRIETARY - Copyright © - Unpublished Work - See title page for details.

25-11-00
FIG. 31A
PAGE 6
OCT 15/08

BOEING
737-600/700/800/900
PARTS CATALOG (MAINTENANCE)

FIG ITEM	PART NUMBER	1 2 3 4 5 6 7	NOMENCLATURE	EFFECT FROM TO	UNITS PER ASSY
31A					
345	BACN10YDIG	NUT	001030 201967	1
350	MF53049-06	NUTPLATE	001030 201967	2
			SUPPLIER CODE: V15653		
			SPECIFICATION NUMBER: BACN10JN06		
			OPTIONAL PART: MF1000-06BAC		
			V15653		
			NS103218-62		
			V80539		
			RMF9201M62		
			V72962		
			VN252A62L		
			V92215		
			T8124S06S		
			V11815		
			BRFM20A06L		
			V52828		
355	BRF200A06	NUTPLATE	001030 201967	4
			SUPPLIER CODE: V52828		
			SPECIFICATION NUMBER: BACN10JR06F		
			OPTIONAL PART: NS103203-62		
			V80539		
			RMF9201-62		
			V72962		
			VN152A1-62		
			V92215		
			T8091S632		
			V11815		
			F5000-06BAC		
			V15653		
360	AN256-8	NUTPLATE	001030 201967	2

MISSING ITEM NUMBERS NOT APPLICABLE

— ITEM NOT ILLUSTRATED

HAP

25-11-00-31A

BOEING PROPRIETARY - Copyright © - Unpublished Work - See title page for details.

25-11-00
FIG. 31A
PAGE 7
OCT 15/08

BOEING
737-600/700/800/900
PARTS CATALOG (MAINTENANCE)

FIG ITEM	PART NUMBER	1 2 3 4 5 6 7	NOMENCLATURE	EFFECT FROM TO	UNITS PER ASSY
31A 365	BRF200A3	NUTPLATE SUPPLIER CODE: V52828 SPECIFICATION NUMBER: BACN10JR3F OPTIONAL PART: NS103203-02 V80539 RMF9201-3 V72962 VN152A1-02 V92215 T8091S1032 V11815 F5000-3BAC V15653 ATTACHING PARTS	001030 201967	2
- 370	AF5141-3C	RIVET SUPPLIER CODE: V53551 SPECIFICATION NUMBER: BACR15DR3AC -----*-----	001030 201967	20
375	SL2334-3A1	INSERT- SUPPLIER CODE: V97393	001030 201967	10
380	NAS1834A3-410	INSERT	001030 201967	3
385	NAS1834A3K410	INSERT	001030 201967	4
390	82-99-583-55	INSERT- SUPPLIER CODE: V94222	001030 201967	3
395	232A1603-5	CONSOLE ASSY- POSITION DATA: MID LH SIDE	001030 201967	1
- 400	232A1603-6	CONSOLE ASSY- POSITION DATA: MID RH SIDE	001030 201967	1
405	BCREF128116	SCREW- SUPPLIER CODE: V12324 OVERLENGTH PART NUMBER: WHS10F12TPKL16GY	001030 201967	4
410	214A1118-7	OUTLET ASSY	001030 201967	1
415	214A1118-3	LOUVER	001030 201967	5

MISSING ITEM NUMBERS NOT APPLICABLE

- ITEM NOT ILLUSTRATED

HAP

25-11-00-31A

BOEING PROPRIETARY - Copyright © - Unpublished Work - See title page for details.

25-11-00
FIG. 31A
PAGE 8
OCT 15/08

BOEING
737-600/700/800/900
PARTS CATALOG (MAINTENANCE)

FIG ITEM	PART NUMBER	1 2 3 4 5 6 7	NOMENCLATURE	EFFECT FROM TO	UNITS PER ASSY
31A					
420	214A1118-10	...	LINKAGE	001030 201967	1
425	214A1118-11	...	LINKAGE	001030 201967	1
430	214A1118-8	...	FRAME	001030 201967	1
435	214A1142-1	..	PLENUM ASSY	001030 201967	1
440	BRF200C3M	...	NUTPLATE SUPPLIER CODE: V52828 SPECIFICATION NUMBER: BACN10JR3CFM OPTIONAL PART: F5001-3BAC V15653 NS103203SE02 V80539 VN152D1-02 V92215 109F9201-3 V72962 T8092C1032 V11815	001030 201967	4
- 445	AF5171-3-3	...	ATTACHING PARTS RIVET SUPPLIER CODE: V53551 SPECIFICATION NUMBER: BACR15DR3-3 OPTIONAL PART: CCR264SS3-3 V11815 RV571A3-3 V98996 -----*-----	001030 201967	8
450	214A1142-2	...	PLENUM	001030 201967	1
455	FH10F12TPKL16GY	..	SCREW- SUPPLIER CODE: V12324 OPTIONAL PART: FH10F12DL16GY V12324	001030 201967	2

MISSING ITEM NUMBERS NOT APPLICABLE

- ITEM NOT ILLUSTRATED

HAP

25-11-00-31A

BOEING PROPRIETARY - Copyright © - Unpublished Work - See title page for details.

25-11-00
FIG. 31A
PAGE 9
OCT 15/08

BOEING
737-600/700/800/900
PARTS CATALOG (MAINTENANCE)

FIG ITEM	PART NUMBER	1 2 3 4 5 6 7	NOMENCLATURE	EFFECT FROM TO	UNITS PER ASSY
31A 455	FH10F12DL16GY	..	SCREW- SUPPLIER CODE: V12324 OPTIONAL PART: FH10F12TPKL16GY V12324	001030 201967	2
460	232A1651-23	..	BRACKET-	001030 201967	1
465	232A1606-3	..	PANEL ASSY- POSITION DATA: LH SIDE	001030 201967	1
- 470	232A1606-4	..	PANEL ASSY- POSITION DATA: RH SIDE	001030 201967	1
475	SL6224-3A	...	INSERT- SUPPLIER CODE: V97393	001030 201967	2
480	NAS1834A3-290	...	INSERT	001030 201967	5
485	NAS1834A3K290	...	INSERT	001030 201967	5
490	232A1602-3	.	CONSOLE ASSY- POSITION DATA: AFT LH SIDE	001020 201967	1
490	232A1602-13	.	CONSOLE ASSY- POSITION DATA: AFT LH SIDE	021028	1
490	232A1602-19	.	CONSOLE ASSY- POSITION DATA: AFT LH SIDE	029030	1
- 495	232A1602-4	.	CONSOLE ASSY- POSITION DATA: AFT RH SIDE	001020 201967	1
- 495	232A1602-14	.	CONSOLE ASSY- POSITION DATA: AFT RH SIDE	021028	1
- 495	232A1602-20	.	CONSOLE ASSY- POSITION DATA: AFT RH SIDE	029030	1
500	232A1612-3	..	POCKET- POSITION DATA: LH SIDE	001030 201967	1
- 505	232A1612-4	..	POCKET- POSITION DATA: RH SIDE	001030 201967	1
510	BACS12ER3K6GR	..	SCREW- OPTIONAL PART: BACS12ER3K6	001030 201967	2

MISSING ITEM NUMBERS NOT APPLICABLE

- ITEM NOT ILLUSTRATED

HAP

25-11-00-31A

BOEING PROPRIETARY - Copyright © - Unpublished Work - See title page for details.

25-11-00
FIG. 31A
PAGE 10
OCT 15/08

BOEING
737-600/700/800/900
PARTS CATALOG (MAINTENANCE)

FIG ITEM	PART NUMBER	1 2 3 4 5 6 7	NOMENCLATURE	EFFECT FROM TO	UNITS PER ASSY
31A					
510	BACS12ER3K6	..	SCREW- OPTIONAL PART: BACS12ER3K6GR	001030 201967	2
515	BACS12FA08K4GR	..	SCREW- OPTIONAL PART: MS51957-41 BACS12FA08K4	001030 201967	4
515	MS51957-41	..	SCREW- OPTIONAL PART: BACS12FA08K4 BACS12FA08K4GR	001030 201967	4
515	BACS12FA08K4	..	SCREW- OPTIONAL PART: MS51957-41 BACS12FA08K4GR	001030 201967	4
520	MML20AE	..	LOOP SUPPLIER CODE: V9H468 SPECIFICATION NUMBER: BACL20AE	001030 201967	1
525	1106198-01	..	STRAP ASSY- SUPPLIER CODE: V45402	001030 201967	1
530	1106198-04	...	COVER- SUPPLIER CODE: V45402	001030 201967	1
535	1106198-02	...	REEL ASSY- SUPPLIER CODE: V45402	001030 201967	1
540	1106198-03	...	BRACKET- SUPPLIER CODE: V45402	001030 201967	1
545	232A1651-17	..	BRACKET- POSITION DATA: LH SIDE	001030 201967	1
- 550	232A1651-18	..	BRACKET- POSITION DATA: RH SIDE	001030 201967	1
555	232A1606-5	..	PANEL ASSY- POSITION DATA: LH SIDE	001028 201967	1
555	232A1606-9	..	PANEL ASSY-LINING POSITION DATA: LH SIDE	029030	1
- 560	232A1606-6	..	PANEL ASSY- POSITION DATA: RH SIDE	001028 201967	1

MISSING ITEM NUMBERS NOT APPLICABLE

- ITEM NOT ILLUSTRATED

HAP

25-11-00-31A

BOEING PROPRIETARY - Copyright © - Unpublished Work - See title page for details.

25-11-00
FIG. 31A
PAGE 11
OCT 15/08


BOEING
 737-600/700/800/900
PARTS CATALOG (MAINTENANCE)

FIG ITEM	PART NUMBER	1 2 3 4 5 6 7	NOMENCLATURE	EFFECT FROM TO	UNITS PER ASSY
31A - 560	232A1606-10		..PANEL ASSY-LINING POSITION DATA: RH SIDE	029030	1
565	SL6224-3A		...INSERT- SUPPLIER CODE: V97393	001030 201967	6
570	SL6224-08A		...INSERT- SUPPLIER CODE: V97393	001030 201967	4
575	NAS1834A3K290		...INSERT	001030 201967	2

MISSING ITEM NUMBERS NOT APPLICABLE

- ITEM NOT ILLUSTRATED

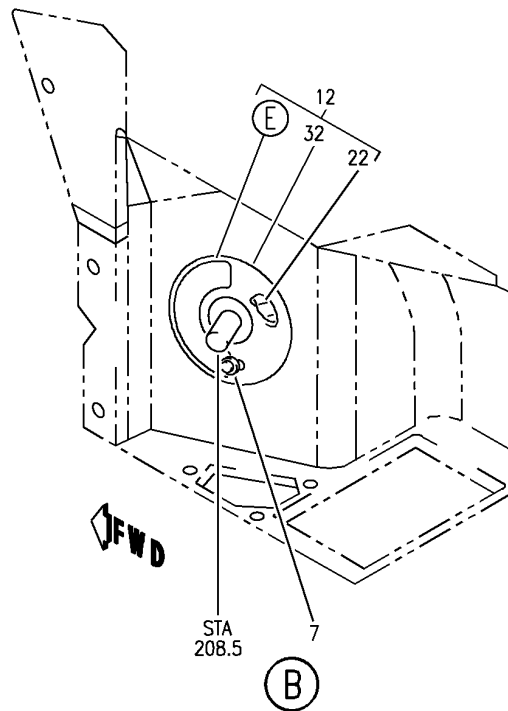
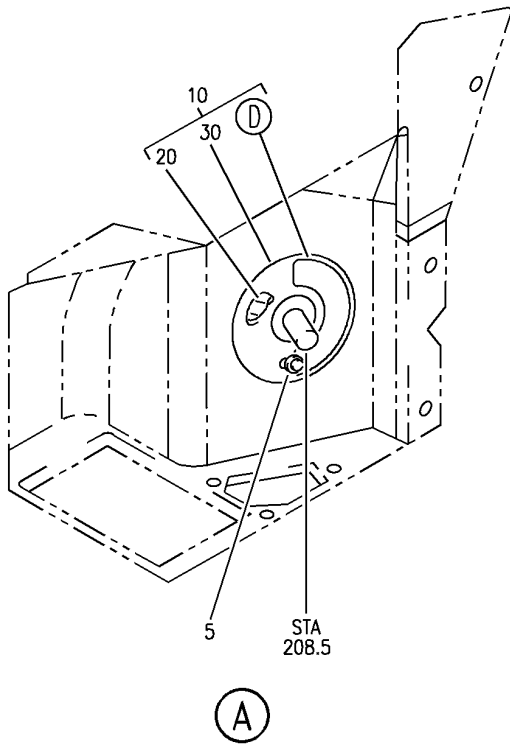
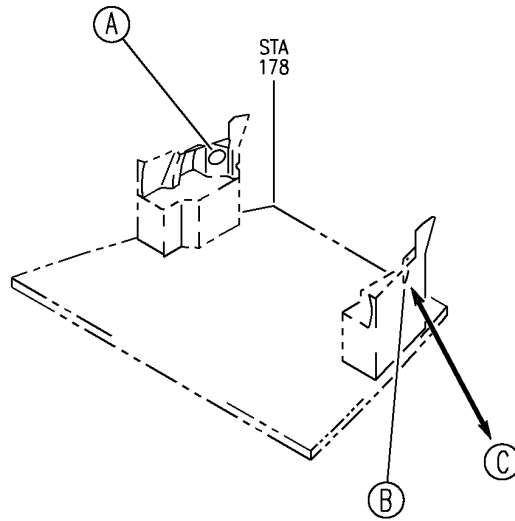
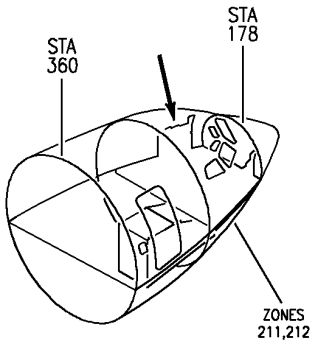
HAP

25-11-00-31A

BOEING PROPRIETARY - Copyright © - Unpublished Work - See title page for details.

25-11-00
 FIG. 31A
 PAGE 12
 OCT 15/08

BOEING
 737-600/700/800/900
 PARTS CATALOG (MAINTENANCE)



E 25110032 SHT 1 REV 132

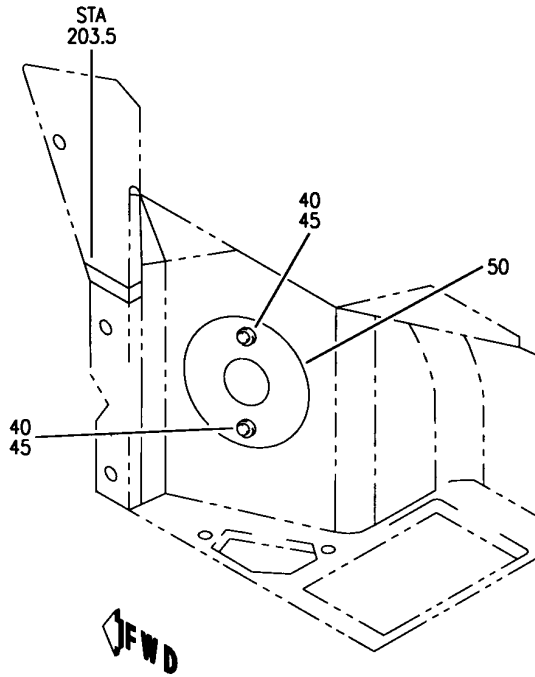
PLATE INSTL-SIDE
 FIGURE 32 (SHEET 1)

25-11-00-32

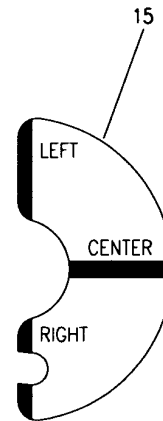
HAP
 OCT 10/07

25-11-00-32
 PAGE 0

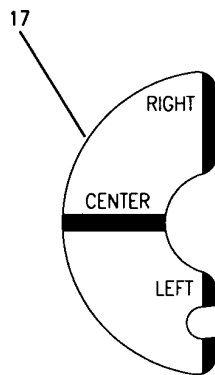
BOEING
 737-600/700/800/900
 PARTS CATALOG (MAINTENANCE)



(C)



(D)



(E)

E 25110032 SH1 2 REV 015

PLATE INSTL-SIDE
 FIGURE 32 (SHEET 2)

25-11-00-32

HAP
 OCT 10/06

25-11-00-32
 PAGE 0A

BOEING
737-600/700/800/900
PARTS CATALOG (MAINTENANCE)

FIG ITEM	PART NUMBER	1 2 3 4 5 6 7	NOMENCLATURE	EFFECT FROM TO	UNITS PER ASSY
32			PLATE INSTL-SIDE	031200 968999	
- 1	MODREF81759		PLATE INSTL-SIDE MODULE NUMBER: 232A1600-9 REV A POSITION DATA: LH	031200 968999	1
5	WHS10F8TPKL16GY		.SCREW-WASHER HEAD SUPPLIER CODE: V12324 POSITION DATA: LH SIDE	031200 968999	1
10	232A1605-13		.PLATE ASSY- POSITION DATA: LH SIDE	031200 968999	1
15	BAC27DCC2701		..DECAL-ALUMINUM FOIL POSITION DATA: LH SIDE	031200 968999	1
20	232A1652-33		..BRACKET- POSITION DATA: LH SIDE	031200 968999	1
- 25	BACR15BA3ADC		ATTACHING PARTS ..RIVET- POSITION DATA: LH SIDE SIZE DETERMINED ON INSTL. -----*-----	031200 968999	3
30	232A1605-11		..PLATE- POSITION DATA: LH SIDE	031200 968999	1
- 35	MODREF81758		PLATE INSTL-SIDE MODULE NUMBER: 232A1600-6 REV A POSITION DATA: RH	031200 968999	1
40	WHS10F8TPKL16GY		.SCREW-WASHER HEAD SUPPLIER CODE: V12324	031200 968999	2
45	BRC600-10-3		.NUT SUPPLIER CODE: V52828 SPECIFICATION NUMBER: BACN10YD2 OPTIONAL PART: 130121 V60119	031200 968999	2
50	232A1605-4		.PLATE	031200 968999	1

MISSING ITEM NUMBERS NOT APPLICABLE

- ITEM NOT ILLUSTRATED

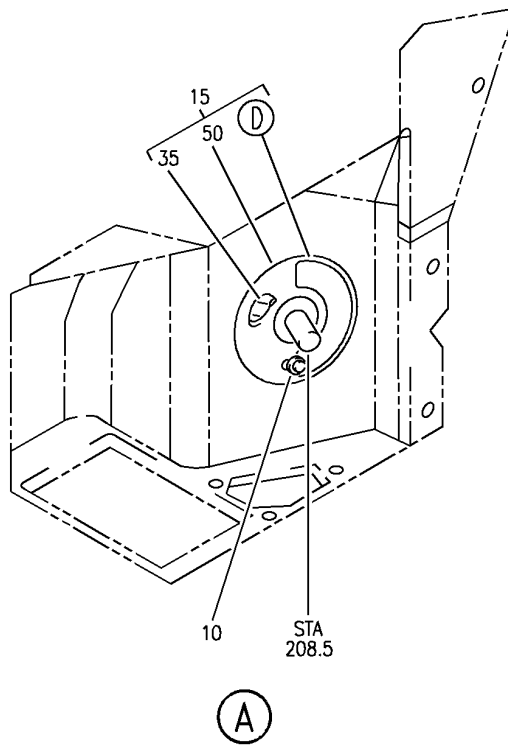
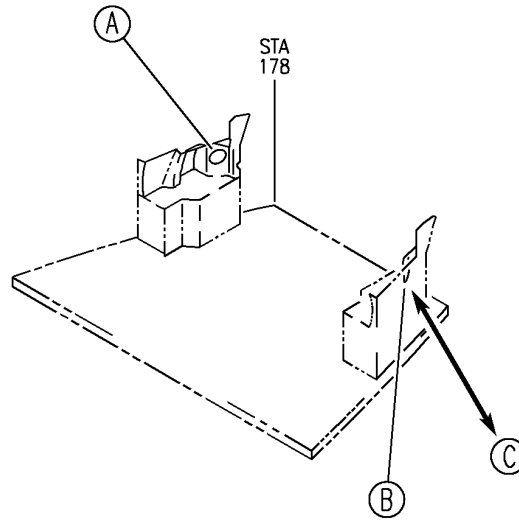
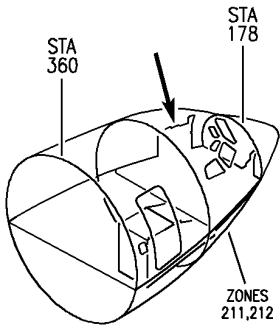
HAP

25-11-00-32

25-11-00
FIG. 32
PAGE 1
OCT 15/08

BOEING PROPRIETARY - Copyright © - Unpublished Work - See title page for details.

BOEING
 737-600/700/800/900
 PARTS CATALOG (MAINTENANCE)



E 25110032A SHT 1 REV 122

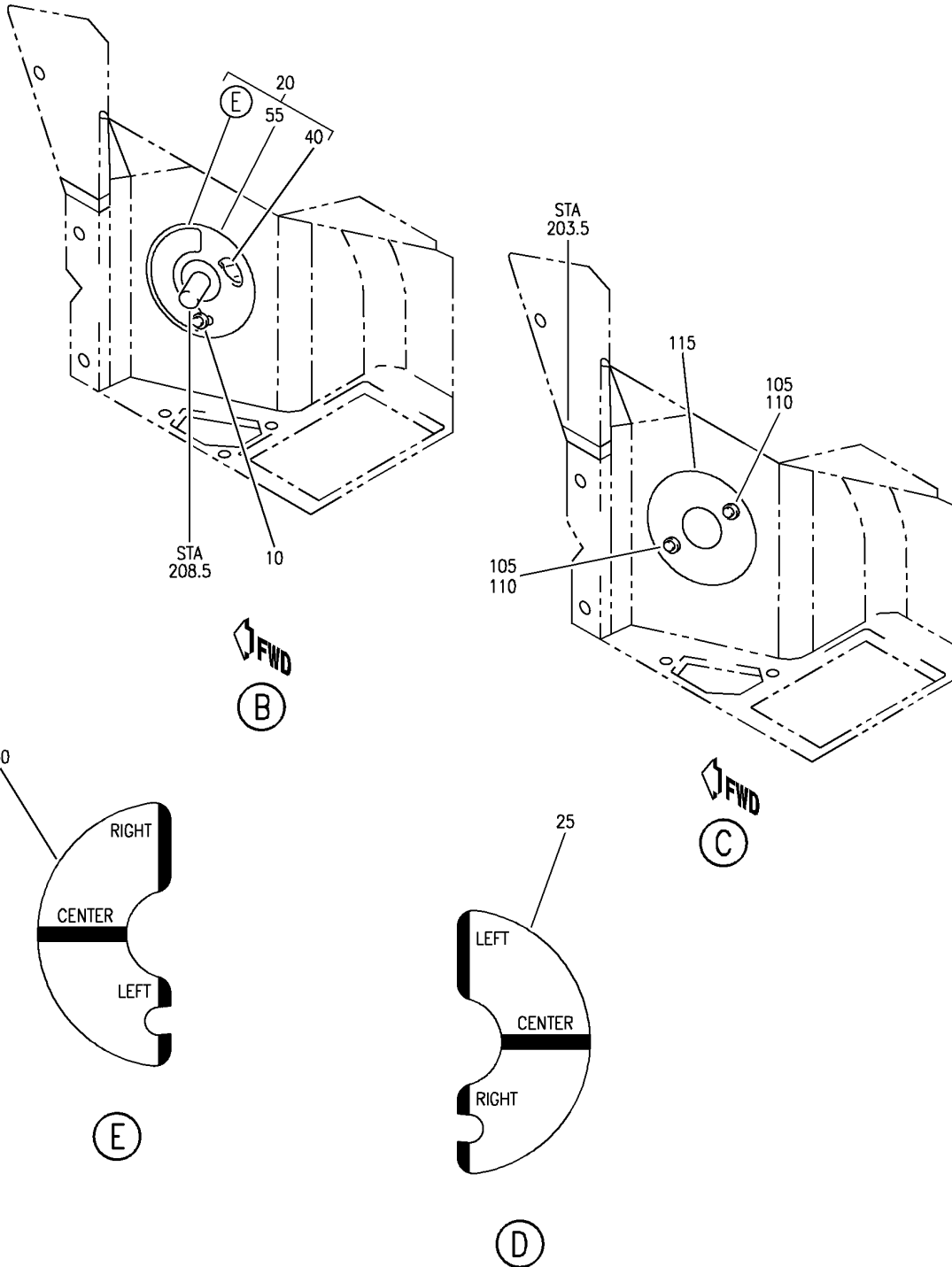
PLATE INSTL-SIDE
 FIGURE 32A (SHEET 1)

25-11-00-32A

HAP
 OCT 10/06

25-11-00-32A
 PAGE 0

BOEING
 737-600/700/800/900
 PARTS CATALOG (MAINTENANCE)



E 25110032A SHT 2 REV 122

PLATE INSTL-SIDE
 FIGURE 32A (SHEET 2)

25-11-00-32A

HAP
 OCT 10/06

25-11-00-32A
 PAGE 0A

BOEING
737-600/700/800/900
PARTS CATALOG (MAINTENANCE)

FIG ITEM	PART NUMBER	1 2 3 4 5 6 7	NOMENCLATURE	EFFECT FROM TO	UNITS PER ASSY
32A			PLATE INSTL-SIDE	001030 201967	
- 1	232A1600-3		PLATE INSTL-SIDE POSITION DATA: LH FOR NHA SEE: 25-10-00-03	001004 006007	RF
- 1	232A1600-9		PLATE INSTL-SIDE POSITION DATA: LH FOR NHA SEE: 25-10-00-03	005005 008030 201967	RF
10	WHS10F8TPKL16GY		.SCREW-WASHER HEAD SUPPLIER CODE: V12324	001030 201967	1
15	232A1605-13		.PLATE ASSY- POSITION DATA: LH SIDE	005005 008030 201967	1
15	232A1605-6		.PLATE ASSY- POSITION DATA: LH SIDE	001004 006007	1
25	BAC27DCC2701		..DECAL-ALUMINUM FOIL POSITION DATA: LH SIDE	001030 201967	1
35	232A1652-33		..BRACKET- POSITION DATA: LH SIDE	005005 008030 201967	1
35	232A1652-25		..BRACKET- POSITION DATA: LH SIDE	001004 006007	1
- 45	BACR15BA3ADC		ATTACHING PARTS ..RIVET- SIZE DETERMINED ON INSTL. -----*-----	001030 201967	3
50	232A1605-11		..PLATE- POSITION DATA: LH SIDE	005005 008030 201967	1
50	232A1605-5		..PLATE- POSITION DATA: LH SIDE	001004 006007	1
- 100	232A1600-6		PLATE INSTL-SIDE POSITION DATA: RH FOR NHA SEE: 25-10-00-05E	001030 201967	RF
105	WHS10F8TPKL16GY		.SCREW-WASHER HEAD SUPPLIER CODE: V12324	001030 201967	2

MISSING ITEM NUMBERS NOT APPLICABLE

- ITEM NOT ILLUSTRATED

HAP

25-11-00-32A

BOEING PROPRIETARY - Copyright © - Unpublished Work - See title page for details.

25-11-00
FIG. 32A
PAGE 1
OCT 15/08


BOEING
 737-600/700/800/900
PARTS CATALOG (MAINTENANCE)

FIG ITEM	PART NUMBER	1 2 3 4 5 6 7	NOMENCLATURE	EFFECT FROM TO	UNITS PER ASSY
32A 110	BRC600-10-3	.	NUT SUPPLIER CODE: V52828 SPECIFICATION NUMBER: BACN10YD2 OPTIONAL PART: 130121 V60119	001030 201967	2
115	232A1605-4	.	PLATE	001030 201967	1

MISSING ITEM NUMBERS NOT APPLICABLE

— ITEM NOT ILLUSTRATED

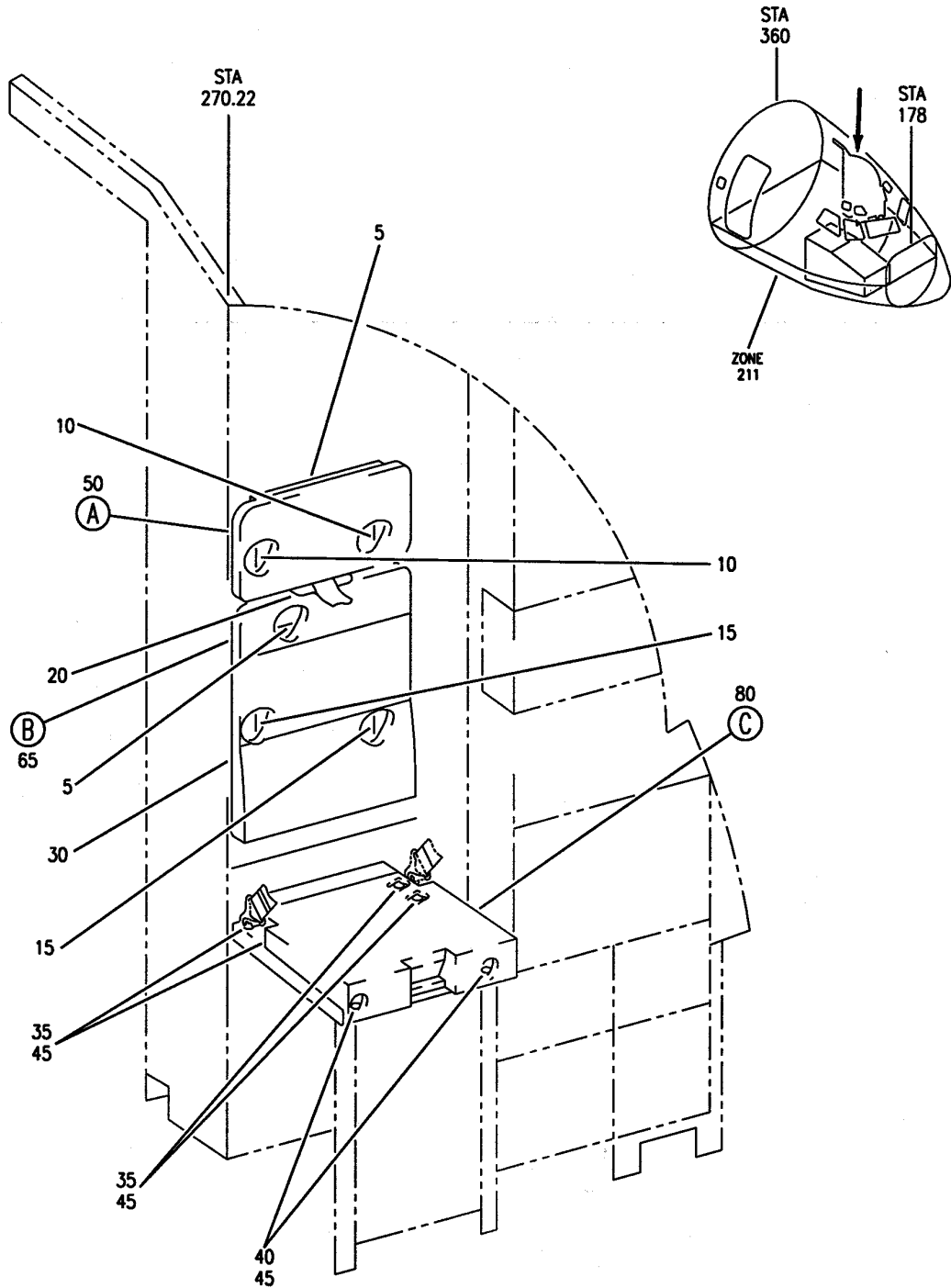
HAP

25-11-00-32A

BOEING PROPRIETARY - Copyright © - Unpublished Work - See title page for details.

25-11-00
 FIG. 32A
 PAGE 2
 OCT 15/08

BOEING
737-600/700/800/900
PARTS CATALOG (MAINTENANCE)



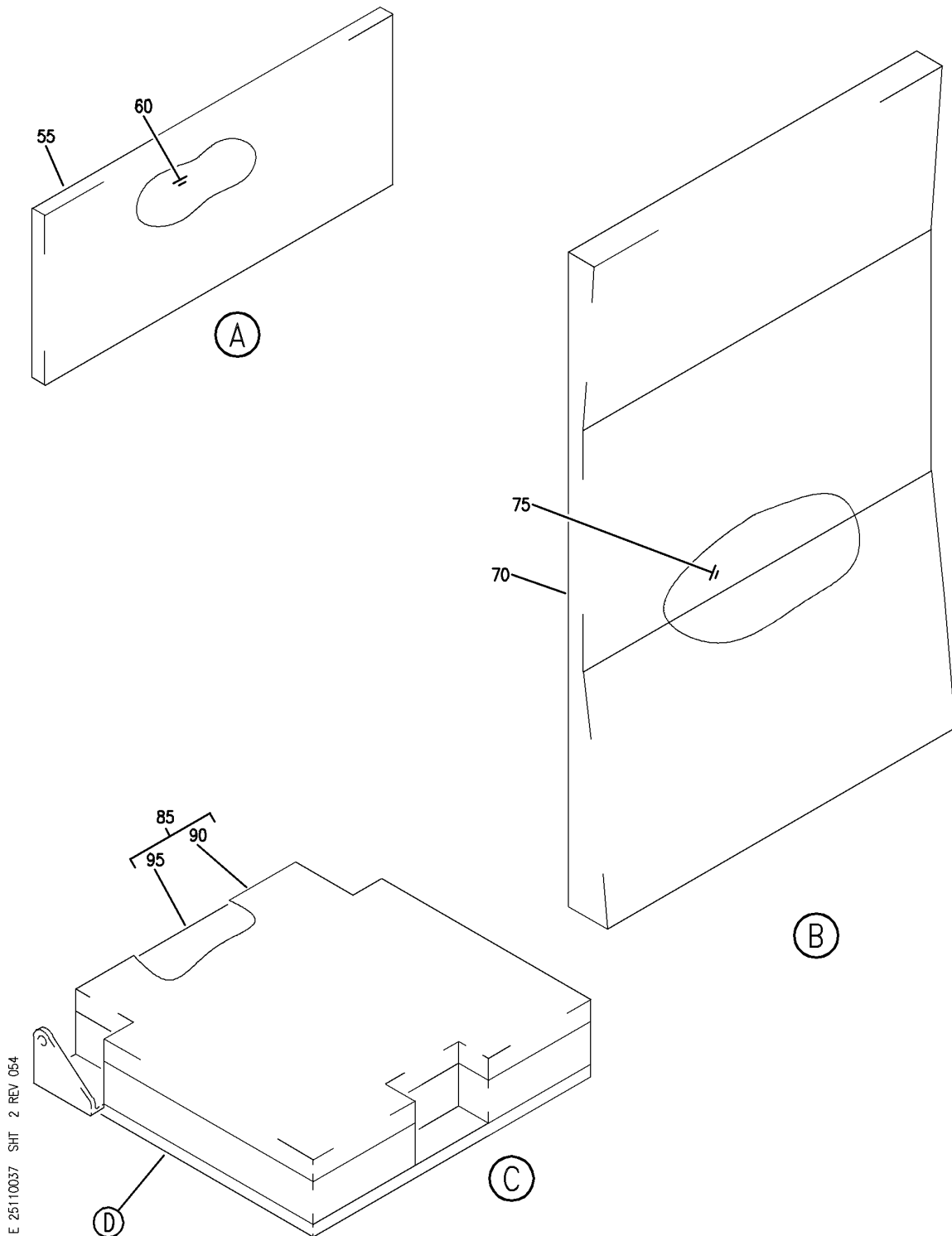
E 25110037 SHT 1 REV 036

SEAT INSTL-SECOND OBSERVER
FIGURE 37 (SHEET 1)

25-11-00-37

HAP
OCT 10/06

25-11-00-37
PAGE 0



E 25110037 SHT 2 REV 064

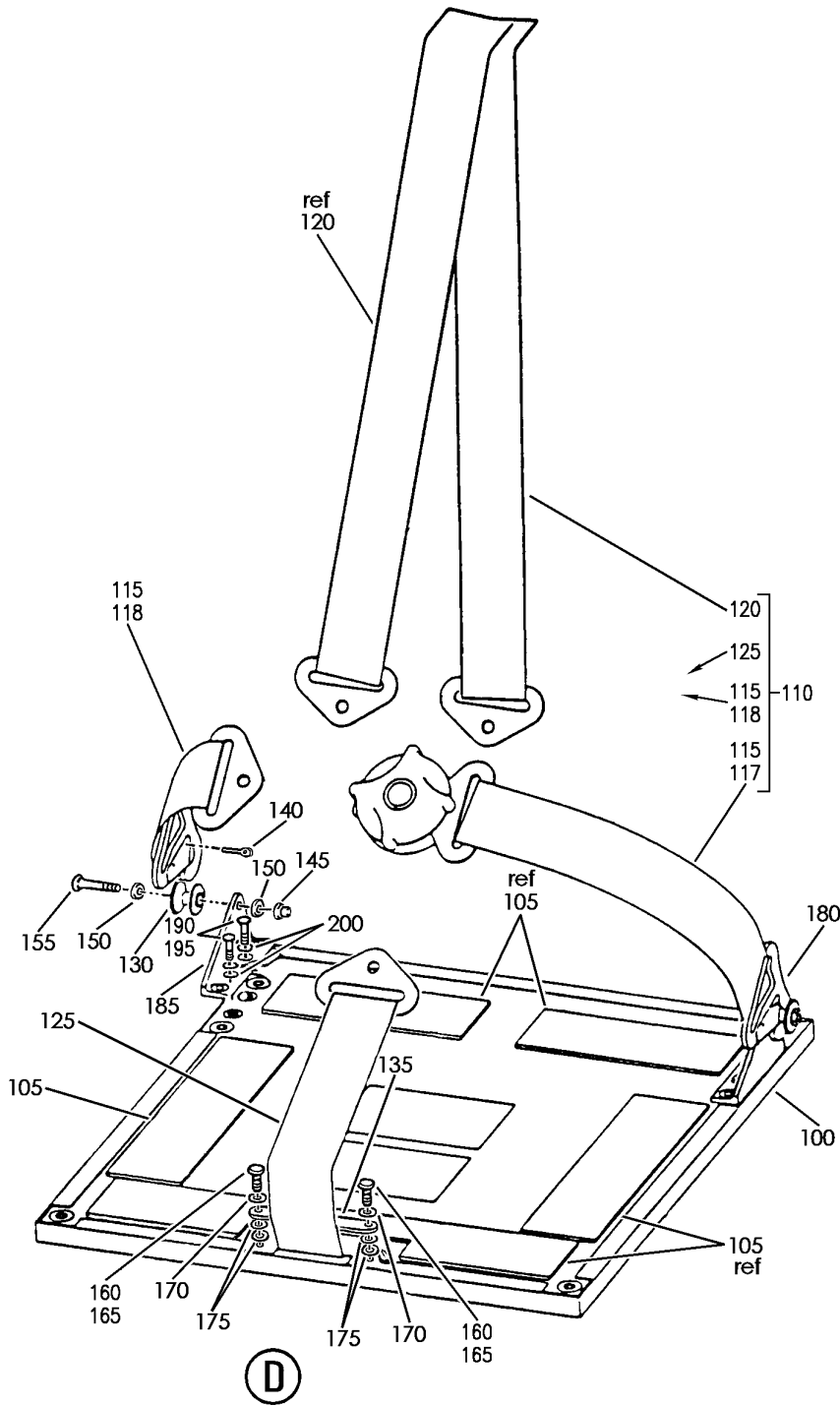
SEAT INSTL-SECOND OBSERVER
FIGURE 37 (SHEET 2)

25-11-00-37

HAP
OCT 10/06

25-11-00-37
PAGE 0A

BOEING
 737-600/700/800/900
 PARTS CATALOG (MAINTENANCE)



E 25110037 SHT 3 REV 107

SEAT INSTL-SECOND OBSERVER
 FIGURE 37 (SHEET 3)

25-11-00-37

HAP
 OCT 10/06

25-11-00-37
 PAGE 0B

BOEING
737-600/700/800/900
PARTS CATALOG (MAINTENANCE)

FIG ITEM	PART NUMBER	1 2 3 4 5 6 7	NOMENCLATURE	EFFECT FROM TO	UNITS PER ASSY
37			SEAT INSTL-SECOND OBSERVER	001030 041041 047047 049050 054100 201967	
- 1	232A3501-1		SEAT INSTL-SECOND OBSERVER FOR NHA SEE: 25-10-00-05E	001030 201967	RF
- 1	MODREF81804		SEAT INSTL-SECOND OBSERVER MODULE NUMBER: 232A3501-1 REV A	041041 047047 049050 054100	1
5	232A3501-3		.TAPE-VELCRO	001030 041041 047047 049050 054100 201967	2
10	232A3501-4		.TAPE-VELCRO	001030 041041 047047 049050 054100 201967	2
15	232A3501-2		.TAPE-VELCRO	001030 041041 047047 049050 054100 201967	2
20	69-43995-1		.STRAP-LOOP	001030 041041 047047 049050 054100 201967	1
- 25	BACS12ER4K12		ATTACHING PARTS .SCREW-	001030 041041 047047 049050 054100 201967	2
			-----*		

MISSING ITEM NUMBERS NOT APPLICABLE

- ITEM NOT ILLUSTRATED

HAP

25-11-00-37

BOEING PROPRIETARY - Copyright © - Unpublished Work - See title page for details.

25-11-00
FIG. 37
PAGE 1
FEB 15/09

BOEING
737-600/700/800/900
PARTS CATALOG (MAINTENANCE)

FIG ITEM	PART NUMBER	1 2 3 4 5 6 7	NOMENCLATURE	EFFECT FROM TO	UNITS PER ASSY
37					
30	1097-1AA		.SEAT ASSY-SECOND OBSERVER SUPPLIER CODE: V31218 SPECIFICATION NUMBER: S232A312-10 COMPONENT MAINT MANUAL REF: 25-10-98 ATTACHING PARTS	001030 041041 047047 049050 054100 201967	1
35	BACB30NM3K12		.BOLT	001030 041041 047047 049050 054100 201967	4
40	BACB30NM3K10		.BOLT	001030 041041 047047 049050 054100 201967	2
45	NAS1149D0316J		.WASHER	001030 041041 047047 049050 054100 201967	6
50	1C7007-1ABE		-----*----- ..CUSHION AND COVER ASSY- SUPPLIER CODE: V31218	001030 041041 047047 049050 054100 201967	1
55	1C7007-11ABE		...COVER- SUPPLIER CODE: V31218	001030 041041 047047 049050 054100 201967	1
60	1C7013-1		...CUSHION- SUPPLIER CODE: V31218	001030 041041 047047 049050 054100 201967	1

MISSING ITEM NUMBERS NOT APPLICABLE

— ITEM NOT ILLUSTRATED

HAP

25-11-00-37

BOEING PROPRIETARY - Copyright © - Unpublished Work - See title page for details.

25-11-00
FIG. 37
PAGE 2
FEB 15/09

BOEING
737-600/700/800/900
PARTS CATALOG (MAINTENANCE)

FIG ITEM	PART NUMBER	1 2 3 4 5 6 7	NOMENCLATURE	EFFECT FROM TO	UNITS PER ASSY
37					
65	1C7006-1ABE		..CUSHION AND COVER ASSY- SUPPLIER CODE: V31218	001030 041041 047047 049050 054100 201967	1
70	1C7006-11ABE		...COVER- SUPPLIER CODE: V31218	001030 041041 047047 049050 054100 201967	1
75	1C7012-1		...CUSHION- SUPPLIER CODE: V31218	001030 041041 047047 049050 054100 201967	1
80	1C2000-1ALG		..SEAT ASSY- SUPPLIER CODE: V31218	001030 041041 047047 049050 054100 201967	1
85	1C7005-1ABE		...CUSHION AND COVER ASSY- SUPPLIER CODE: V31218	001030 041041 047047 049050 054100 201967	1
90	1C7005-11ABE	COVER- SUPPLIER CODE: V31218	001030 041041 047047 049050 054100 201967	1
95	1C7005-21	CUSHION- SUPPLIER CODE: V31218	001030 041041 047047 049050 054100 201967	1
100	1C2001-1ALF		...PANEL ASSY- SUPPLIER CODE: V31218	001030 041041 047047 049050 054100 201967	1

MISSING ITEM NUMBERS NOT APPLICABLE

- ITEM NOT ILLUSTRATED

HAP

25-11-00-37

BOEING PROPRIETARY - Copyright © - Unpublished Work - See title page for details.

25-11-00
FIG. 37
PAGE 3
FEB 15/09

BOEING
737-600/700/800/900
PARTS CATALOG (MAINTENANCE)

FIG ITEM	PART NUMBER	1 2 3 4 5 6 7	NOMENCLATURE	EFFECT FROM TO	UNITS PER ASSY
37 105	SJ3526GRY2ADH	HOOK-VELCRO SUPPLIER CODE: V5J466	001030 041041 047047 049050 054100 201967	AR
110	1111131-03	...	RESTRAINT SYS ASSY- SUPPLIER CODE: V45402	001030 041041 047047 049050 054100 201967	1
115	1111492-53	LAP BELT ASSY- SUPPLIER CODE: V45402	001030 041041 047047 049050 054100 201967	2
120	1111538-01	SHOULDER HARNESS ASSY- SUPPLIER CODE: V31218	001030 041041 047047 049050 054100 201967	1
125	1111462-09	CROTCH STRAP ASSY- SUPPLIER CODE: V45402	001030 041041 047047 049050 054100 201967	1
130	2C1009-1	...	FITTING-LAP BELT SUPPLIER CODE: V31218	001030 041041 047047 049050 054100 201967	2
135	1B1146-1	...	CLAMP-BELT SUPPLIER CODE: V31218	001030 041041 047047 049050 054100 201967	1
140	MS24665-283	ATTACHING PARTS PIN	001030 041041 047047 049050 054100 201967	2

MISSING ITEM NUMBERS NOT APPLICABLE

— ITEM NOT ILLUSTRATED

HAP

25-11-00-37

BOEING PROPRIETARY - Copyright © - Unpublished Work - See title page for details.

25-11-00
FIG. 37
PAGE 4
FEB 15/09

BOEING
737-600/700/800/900
PARTS CATALOG (MAINTENANCE)

FIG ITEM	PART NUMBER	1 2 3 4 5 6 7	NOMENCLATURE	EFFECT FROM TO	UNITS PER ASSY
37 145	22K1-02		...NUT-CAP SUPPLIER CODE: V72962	001030 041041 047047 049050 054100 201967	2
150	NAS1149F0332P		...WASHER	001030 041041 047047 049050 054100 201967	4
155	NAS6203-12		...BOLT	001030 041041 047047 049050 054100 201967	2
160	NAS6203-3		...BOLT	001030 041041 047047 049050 054100 201967	2
165	242		...LOCTITE- SUPPLIER CODE: V05972	001030 041041 047047 049050 054100 201967	AR
170	NAS1149F0316P		...WASHER	001030 041041 047047 049050 054100 201967	2
175	NAS1149F0363P		...WASHER	001030 041041 047047 049050 054100 201967	4
180	1C2003-1AKP		-----*----- ...FITTING-LAP BELT SUPPLIER CODE: V31218	001030 041041 047047 049050 054100 201967	1

MISSING ITEM NUMBERS NOT APPLICABLE

— ITEM NOT ILLUSTRATED

HAP

25-11-00-37

25-11-00
FIG. 37
PAGE 5
FEB 15/09

BOEING
737-600/700/800/900
PARTS CATALOG (MAINTENANCE)

FIG ITEM	PART NUMBER	1 2 3 4 5 6 7	NOMENCLATURE	EFFECT FROM TO	UNITS PER ASSY
37 185	1C2003-2AKP		... FITTING-LAP BELT SUPPLIER CODE: V31218	001030 041041 047047 049050 054100 201967	1
190	NAS623-2-5		ATTACHING PARTS ... SCREW	001030 041041 047047 049050 054100 201967	4
195	242		... LOCTITE- SUPPLIER CODE: V05972	001030 041041 047047 049050 054100 201967	AR
200	NAS1149FN832P		... WASHER	001030 041041 047047 049050 054100 201967	4
-----*-----					

MISSING ITEM NUMBERS NOT APPLICABLE

— ITEM NOT ILLUSTRATED

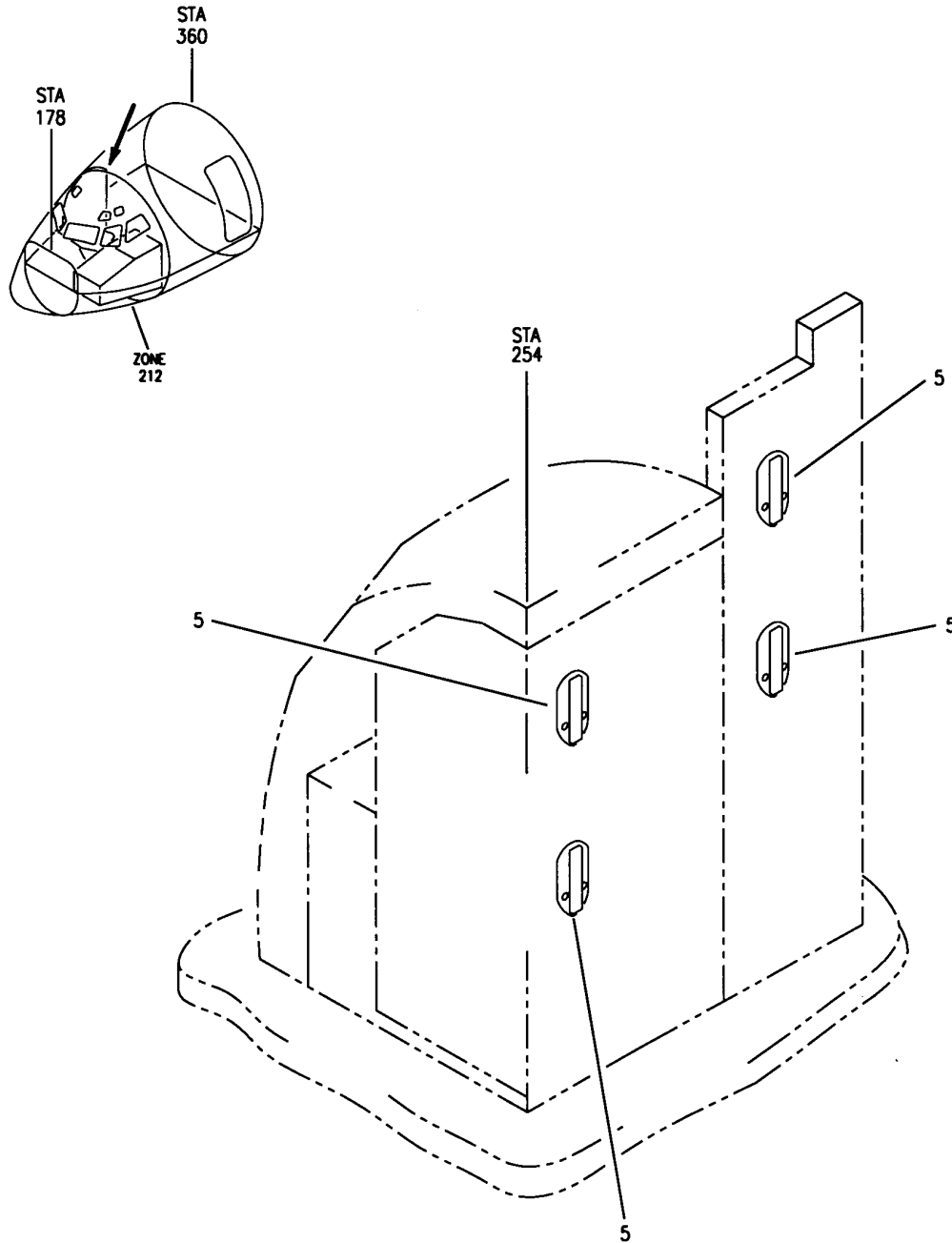
HAP

25-11-00-37

BOEING PROPRIETARY - Copyright © - Unpublished Work - See title page for details.

25-11-00
FIG. 37
PAGE 6
FEB 15/09

BOEING
737-600/700/800/900
PARTS CATALOG (MAINTENANCE)



E 25110038 REV 005

CLIP INSTL-HAT
FIGURE 38

25-11-00-38

HAP
OCT 10/06

25-11-00-38
PAGE 0

BOEING
737-600/700/800/900
PARTS CATALOG (MAINTENANCE)

FIG ITEM	PART NUMBER	1 2 3 4 5 6 7	NOMENCLATURE	EFFECT FROM TO	UNITS PER ASSY
38			CLIP INSTL-HAT	031200 968999	
- 1	MODREF81952		CLIP INSTL-HAT MODULE NUMBER: 232A4340-1 REV A	031200 968999	1
5	H3-1220-1		.CLIP- SUPPLIER CODE: V34941 OPTIONAL PART: CD205K V63204 H3-1625-1A V34941	031200 968999	4
5	H3-1625-1A		.CLIP- SUPPLIER CODE: V34941 OPTIONAL PART: CD205K V63204 H3-1220-1 V34941	031200 968999	4
5	CD205K		.CLIP- SUPPLIER CODE: V63204 OPTIONAL PART: H3-1220-1 V34941 H3-1625-1A V34941	031200 968999	4
- 10	NAS514P632-6		ATTACHING PARTS .SCREW -----*-----	031200 968999	8

MISSING ITEM NUMBERS NOT APPLICABLE

- ITEM NOT ILLUSTRATED

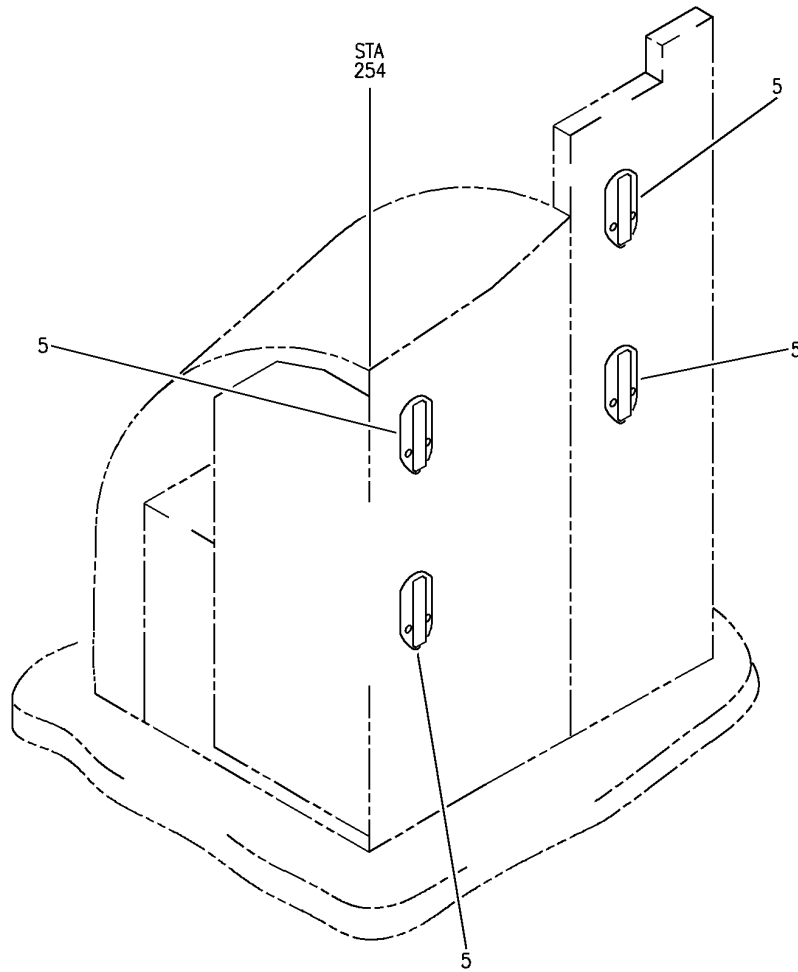
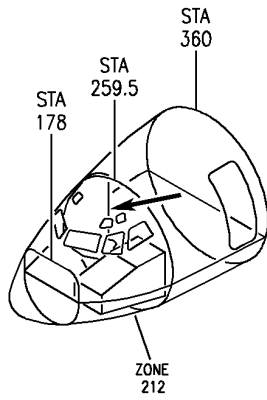
HAP

25-11-00-38

BOEING PROPRIETARY - Copyright © - Unpublished Work - See title page for details.

25-11-00
FIG. 38
PAGE 1
OCT 15/08

BOEING
737-600/700/800/900
PARTS CATALOG (MAINTENANCE)



E 25110038A REV 123

CLIP INSTL-HAT
FIGURE 38A

25-11-00-38A

HAP
OCT 10/06

25-11-00-38A
PAGE 0

BOEING
737-600/700/800/900
PARTS CATALOG (MAINTENANCE)

FIG ITEM	PART NUMBER	1 2 3 4 5 6 7	NOMENCLATURE	EFFECT FROM TO	UNITS PER ASSY
38A			CLIP INSTL-HAT	001030 201967	
- 1	232A4340-1		CLIP INSTL-HAT FOR NHA SEE: 25-10-00-03	001030 201967	RF
5	H3-1220-1		.CLIP- SUPPLIER CODE: V34941 OPTIONAL PART: CD205K V63204 H3-1625-1A V34941	001030 201967	4
5	H3-1625-1A		.CLIP- SUPPLIER CODE: V34941 OPTIONAL PART: CD205K V63204 H3-1220-1 V34941	001030 201967	4
5	CD205K		.CLIP- SUPPLIER CODE: V63204 OPTIONAL PART: H3-1220-1 V34941 H3-1625-1A V34941	001030 201967	4
- 10	NAS514P632-6		ATTACHING PARTS .SCREW -----*-----	001030 201967	8

MISSING ITEM NUMBERS NOT APPLICABLE

- ITEM NOT ILLUSTRATED

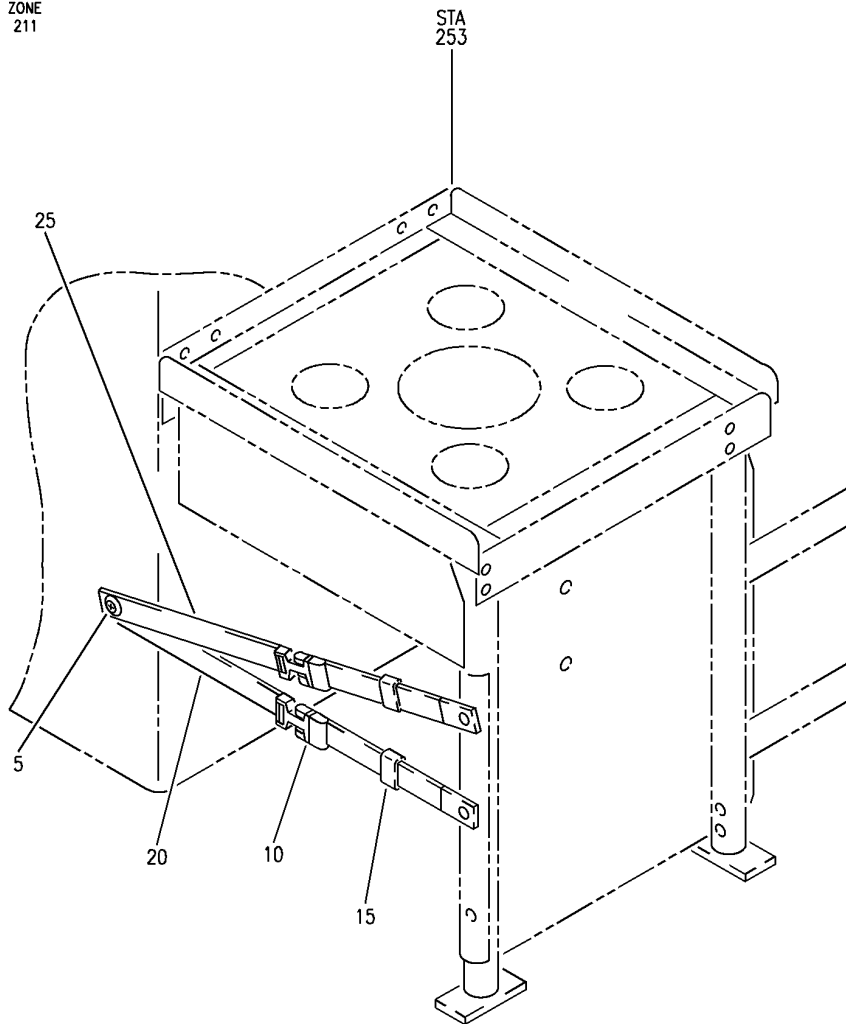
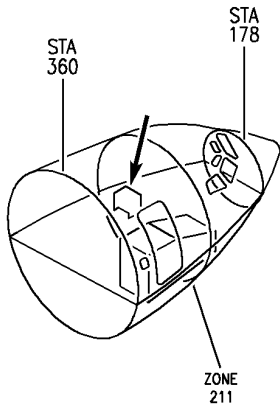
HAP

25-11-00-38A

BOEING PROPRIETARY - Copyright © - Unpublished Work - See title page for details.

25-11-00
FIG. 38A
PAGE 1
OCT 15/08

BOEING
737-600/700/800/900
PARTS CATALOG (MAINTENANCE)



E 25110039A SHT 1 REV 122

STRAP INSTL-SUITCASE RESTRAINT (EQUIPMENT/ FURNISHINGS ONLY)
FIGURE 39A

HAP
OCT 10/06

25-11-00-39A

25-11-00-39A
PAGE 0

BOEING PROPRIETARY - Copyright © - Unpublished Work - See title page for details.

BOEING
737-600/700/800/900
PARTS CATALOG (MAINTENANCE)

FIG ITEM	PART NUMBER	1 2 3 4 5 6 7	NOMENCLATURE	EFFECT FROM TO	UNITS PER ASSY
39A			STRAP INSTL-SUITCASE RESTRAINT (EQUIPMENT/ FURNISHINGS ONLY)	001030 201967	
- 1	232A4360-1		STRAP INSTL-SUITCASE RESTRAINT (EQUIPMENT/ FURNISHINGS ONLY)	001027 201967	RF
- 1	232A4360-3		FOR NHA/OTHER SYS DET SEE: 25-10-00-03 STRAP INSTL-SUITCASE RESTRAINT (EQUIPMENT/ FURNISHINGS ONLY)	028030	RF
	5 BACS12FA3K8BK		.SCREW-	001030 201967	1
	10 567-106		.STRAP-BUCKLE SUPPLIER CODE: V12324	001027 201967	1
	20 567-114		.STRAP- SUPPLIER CODE: V12324	001030 201967	1

MISSING ITEM NUMBERS NOT APPLICABLE

- ITEM NOT ILLUSTRATED

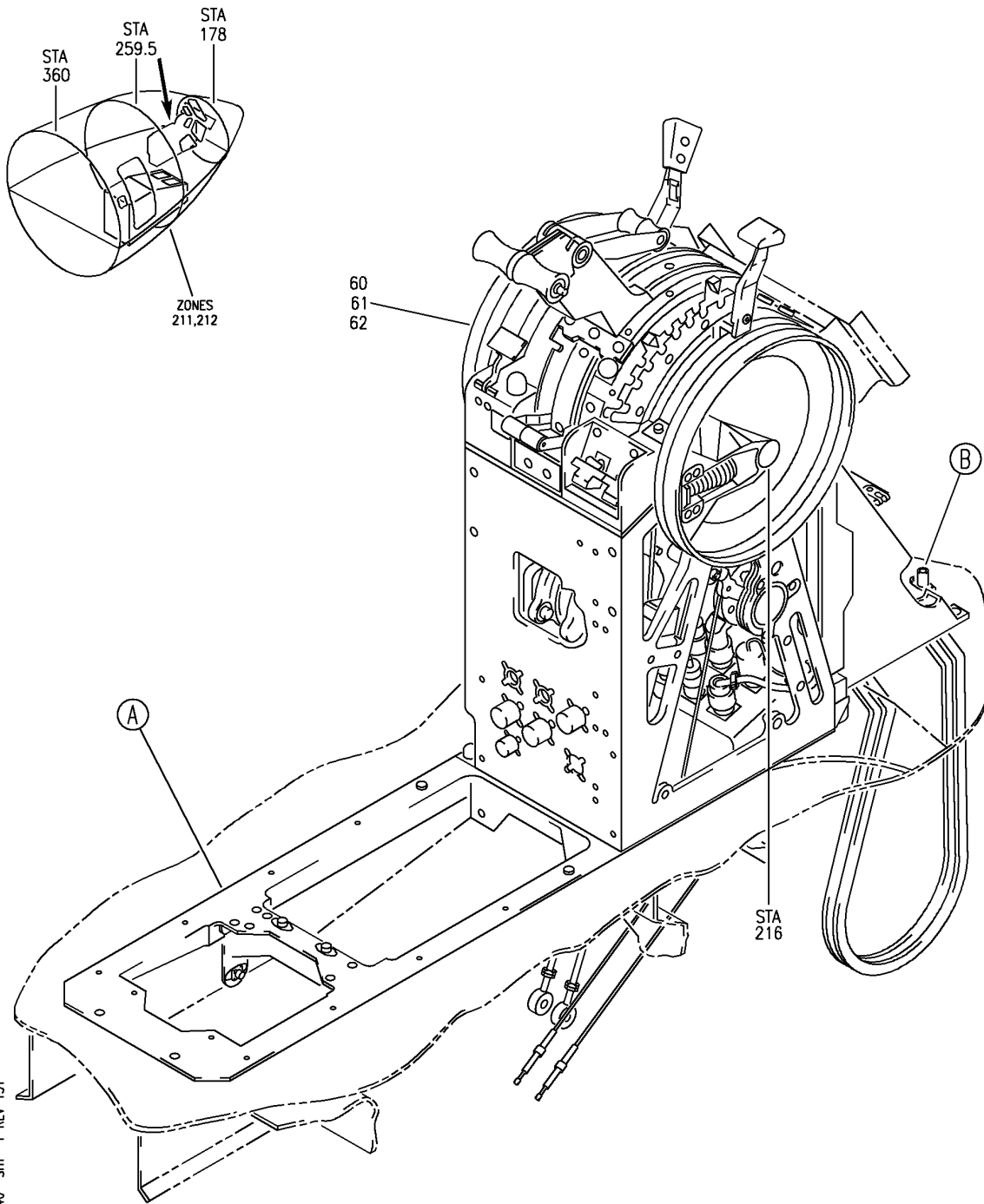
HAP

25-11-00-39A

BOEING PROPRIETARY - Copyright © - Unpublished Work - See title page for details.

25-11-00
FIG. 39A
PAGE 1
OCT 15/08

BOEING
737-600/700/800/900
PARTS CATALOG (MAINTENANCE)



E 25110040 SHT 1 REV 131

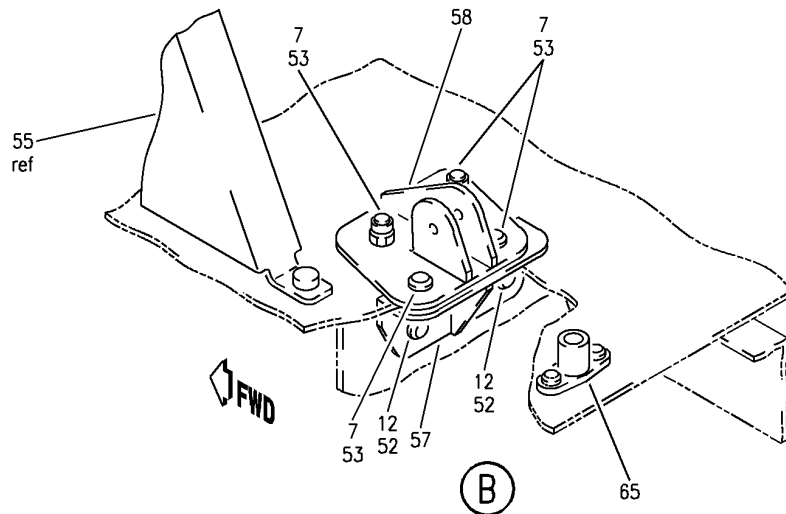
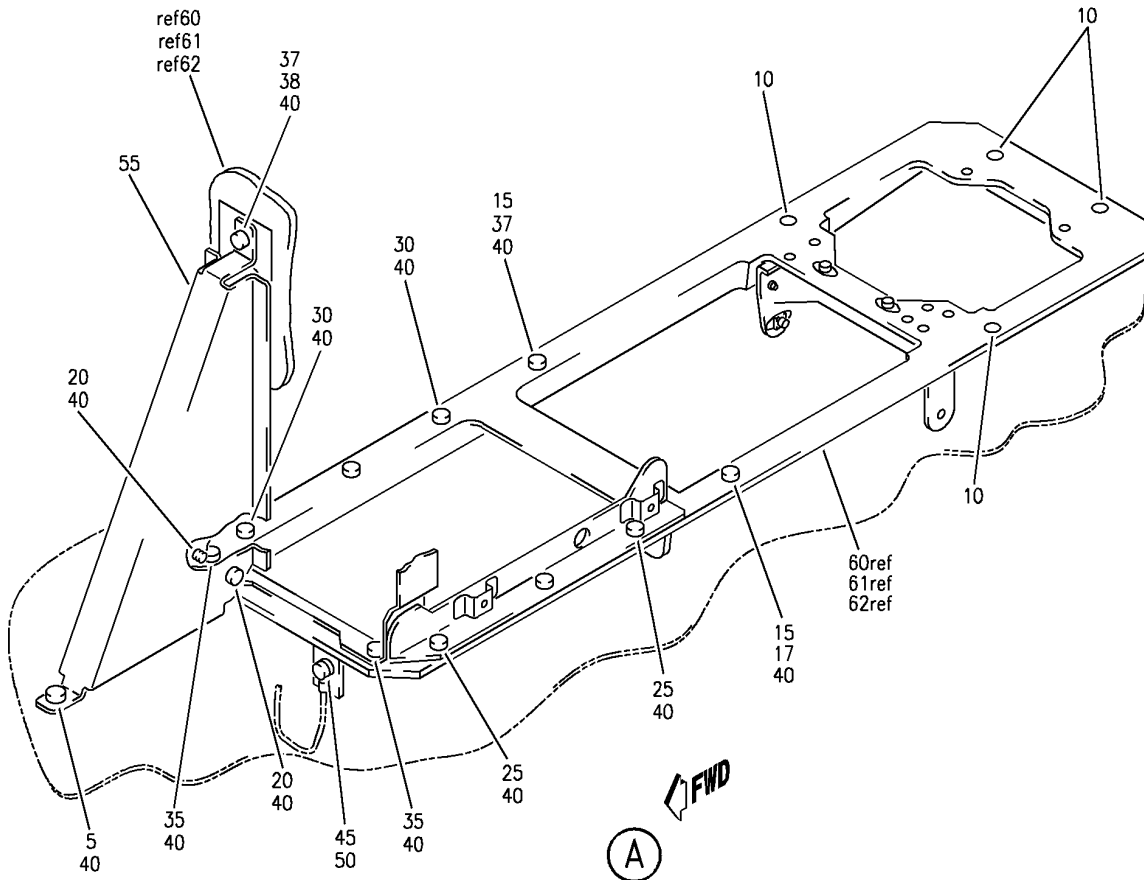
STAND INSTL-CAPT AND FIRST OFFICER CONT
FIGURE 40 (SHEET 1)

25-11-00-40

HAP
JUN 10/07

25-11-00-40
PAGE 0

BOEING
 737-600/700/800/900
 PARTS CATALOG (MAINTENANCE)



E 25110040 SHT 2 REV 131

STAND INSTL-CAPT AND FIRST OFFICER CONT
 FIGURE 40 (SHEET 2)

25-11-00-40

HAP
 JUN 10/07

25-11-00-40
 PAGE 0A

BOEING
737-600/700/800/900
PARTS CATALOG (MAINTENANCE)

FIG ITEM	PART NUMBER	1 2 3 4 5 6 7	NOMENCLATURE	EFFECT FROM TO	UNITS PER ASSY
40					
- 1	254A1210-5		STAND INSTL-CAPT AND FIRST OFFICER CONT STAND INSTL-CONT CAPT AND FIRST OFFICER REWORKED BY AIRLINE MOD: E.O.APB737-8009 VHAP E.O.APB737-8007 VHAP FOR NHA SEE: 25-10-00-12C	001100 201967 002030	RF
- 1	254A1210-6		STAND INSTL-CONT CAPT AND FIRST OFFICER FOR NHA SEE: 25-10-00-12B	201967	RF
- 1	254A1210-8		STAND INSTL-CONT CAPT AND FIRST OFFICER REWORKED BY AIRLINE MOD: E.O.APB737-8007 VHAP FOR NHA SEE: 25-10-00-12C	001001	RF
- 2	MODREF280551		STAND INSTL-CONT CAPT AND FIRST OFFICER MODULE NUMBER: 254A1210-6 REV B	031036	1
- 3	MODREF290441		STAND INSTL-CONT CAPT AND FIRST OFFICER MODULE NUMBER: 254A1210-23 REV C	037051 054100	1
- 4	MODREF391859		STAND INSTL-CONT CAPT AND FIRST OFFICER MODULE NUMBER: 254A1210-23 REV D	052053	1
5	BACB30NM3K3		.BOLT	001100 201967	1

MISSING ITEM NUMBERS NOT APPLICABLE

- ITEM NOT ILLUSTRATED

HAP

25-11-00-40

BOEING PROPRIETARY - Copyright © - Unpublished Work - See title page for details.

25-11-00
FIG. 40
PAGE 1
FEB 15/09

BOEING
737-600/700/800/900
PARTS CATALOG (MAINTENANCE)

FIG ITEM	PART NUMBER	1 2 3 4 5 6 7	NOMENCLATURE	EFFECT FROM TO	UNITS PER ASSY
40 7	HL1012AZ6-5		.BOLT- SUPPLIER CODE: V97928 SPECIFICATION NUMBER: BACB30NX6K5 OPTIONAL PART: HL12VAZ6-5 V73197 HL12VAZ6-5 V92215 HL12VAZ6-5 V97928 L802-6K5 V06725 HL12VAZ6-5 V56878 HL1012AZ6-5 VOPTK6 HL1012AZ6-5 V06725 HL1012AZ6-5 V06950 HL1012AZ6-5 V17446 HL1012AZ6-5 V56878 HL1012AZ6-5 V60516 HL1012AZ6-5 V73197 POST AIRLINE MOD: E.O. APB737-8007 VHAP	001023	4
10	BACB30VF3K6		.BOLT	001100 201967	4

MISSING ITEM NUMBERS NOT APPLICABLE

— ITEM NOT ILLUSTRATED

HAP

25-11-00-40

BOEING PROPRIETARY - Copyright © - Unpublished Work - See title page for details.

25-11-00
FIG. 40
PAGE 2
FEB 15/09

BOEING
737-600/700/800/900
PARTS CATALOG (MAINTENANCE)

FIG ITEM	PART NUMBER	1 2 3 4 5 6 7	NOMENCLATURE	EFFECT FROM TO	UNITS PER ASSY
40					
12	HST10AG6-4		.BOLT- SUPPLIER CODE: V06725 SPECIFICATION NUMBER: BACB30VT6K4 OPTIONAL PART: HST10AG6-4 V73197 HST10AG6-4 V56878 HST10AG6-4 VOPTK6 WC10K6-4 V60516 POST AIRLINE MOD: E.O.APB737-8007 VHAP	001023	2
15	BACB30NM3K6		.BOLT	031100 201967	2
17	BACB30NM3K6		.BOLT	001030 037052 054100	1
20	BACB30NM3K2		.BOLT	001100 201967	2
25	BACB30NM3K8		.BOLT	001100 201967	3
30	BACB30NM3K9		.BOLT	001100 201967	3
35	BACB30NM3K10		.BOLT	001100 201967	2
37	BACB30NM3K4		.BOLT	001030 037052 054100	2
38	BACB30NM3K4		.BOLT	031100 201967	1
40	NAS1149D0332J		.WASHER	001100 201967	14
45	NAS1149D0316H		.WASHER	001100 201967	1
50	PLH53CD		.NUT SUPPLIER CODE: VF0224 SPECIFICATION NUMBER: BACN10YR3CD OPTIONAL PART: H52732-3CD V15653	001100 201967	1

MISSING ITEM NUMBERS NOT APPLICABLE

— ITEM NOT ILLUSTRATED

HAP

25-11-00-40

BOEING PROPRIETARY - Copyright © - Unpublished Work - See title page for details.

25-11-00
FIG. 40
PAGE 3
FEB 15/09

BOEING
737-600/700/800/900
PARTS CATALOG (MAINTENANCE)

FIG ITEM	PART NUMBER	1 2 3 4 5 6 7	NOMENCLATURE	EFFECT FROM TO	UNITS PER ASSY
40					
52	BACC30BL6		.COLLAR- POST AIRLINE MOD: E.O.APB737-8007 VHAP	001023	2
53	HL1087-6		.COLLAR- SUPPLIER CODE: V73197 SPECIFICATION NUMBER: BACC30BH6 OPTIONAL PART: HL1087-6 V56878 HL1087-6 V92215 HL1087-6 V9N513 POST AIRLINE MOD: E.O.APB737-8007 VHAP	001023	4
55	254A1211-1		.GUARD	001100 201967	1
57	737-8914-5		.FITTING- POST AIRLINE MOD: E.O.APB737-8007 VHAP	001023	1
58	737-8914-1		.CLEVIS- POST AIRLINE MOD: E.O.APB737-8007 VHAP	001023	1

MISSING ITEM NUMBERS NOT APPLICABLE

— ITEM NOT ILLUSTRATED

HAP

25-11-00-40

BOEING PROPRIETARY - Copyright © - Unpublished Work - See title page for details.

25-11-00
FIG. 40
PAGE 4
FEB 15/09

BOEING
737-600/700/800/900
PARTS CATALOG (MAINTENANCE)

FIG ITEM	PART NUMBER	1 2 3 4 5 6 7	NOMENCLATURE	EFFECT FROM TO	UNITS PER ASSY
40 60	254A1220-5		.CONTROL STAND ASSY- COMPONENT MAINT MANUAL REF: 25-11-13 MODIFICATION DRAWING REF: 737-8904-1 737-8904-5 737-8961-1 737-8961-5 USED ON: 254A1210-5 MODREF84190 REFERENCE AIRLINE MOD: E.O.APB737-8009 VHAP E.O.APB737-8007 VHAP FUNCTIONAL REFERENCE: PLACARDS AND MARKINGS FOR DETAILS SEE 11-30-00-75 ENGINE CONTROLS FOR DETAILS SEE 76-11-01-02 76-11-03-01 76-11-10-02 EQUIPMENT/FURNISHINGS FOR DETAILS SEE 25-11-00-50 FLIGHT CONTROL FOR DETAILS SEE 27-00-51-04 27-41-91-01 27-51-06-01 27-51-08-01 INDICATING/RECORDING FOR DETAILS SEE 31-51-03-01 LANDING GEAR FOR DETAILS SEE 32-44-11-05	001030	1

MISSING ITEM NUMBERS NOT APPLICABLE

— ITEM NOT ILLUSTRATED

HAP

25-11-00-40

BOEING PROPRIETARY - Copyright © - Unpublished Work - See title page for details.

25-11-00
FIG. 40
PAGE 5
FEB 15/09

BOEING
737-600/700/800/900
PARTS CATALOG (MAINTENANCE)

FIG ITEM	PART NUMBER	1 2 3 4 5 6 7	NOMENCLATURE	EFFECT FROM TO	UNITS PER ASSY
40 60	254A1220-8		.CONTROL STAND ASSY- COMPONENT MAINT MANUAL REF: 25-11-13 MODIFICATION DRAWING REF: 737-8904-1 737-8904-5 737-8961-1 REFERENCE AIRLINE MOD: E.O.APB737-8007 VHAP FUNCTIONAL REFERENCE: PLACARDS AND MARKINGS FOR DETAILS SEE 11-30-00-75 ENGINE CONTROLS FOR DETAILS SEE 76-11-01-01 76-11-03-01 76-11-10-02 EQUIPMENT/FURNISHINGS FOR DETAILS SEE 25-11-00-50 FLIGHT CONTROL FOR DETAILS SEE 27-00-51-04 27-41-91-01 27-41-91-01 27-51-06-01 27-51-08-01 INDICATING/RECORDING FOR DETAILS SEE 31-51-03-01 LANDING GEAR FOR DETAILS SEE 32-44-11-05	001001	1

MISSING ITEM NUMBERS NOT APPLICABLE

— ITEM NOT ILLUSTRATED

HAP

25-11-00-40

BOEING PROPRIETARY - Copyright © - Unpublished Work - See title page for details.

25-11-00
FIG. 40
PAGE 6
JUN 15/08

BOEING
737-600/700/800/900
PARTS CATALOG (MAINTENANCE)

FIG ITEM	PART NUMBER	1 2 3 4 5 6 7	NOMENCLATURE	EFFECT FROM TO	UNITS PER ASSY
40 61	254A1220-106		.CONTROL STAND ASSY- COMPONENT MAINT MANUAL REF: 25-11-13 FUNCTIONAL REFERENCE: ENGINE CONTROLS FOR DETAILS SEE 76-11-01-02 76-11-03-01 76-11-10-02 EQUIPMENT/FURNISHINGS FOR DETAILS SEE 25-11-00-50 FLIGHT CONTROL FOR DETAILS SEE 27-00-51-04 27-41-91-01 27-51-06-01 27-51-08-01 INDICATING/RECORDING FOR DETAILS SEE 31-51-03-01 LANDING GEAR FOR DETAILS SEE 32-44-11-05 PLACARDS AND MARKINGS FOR DETAILS SEE 11-30-00-75	031036 201967	1

MISSING ITEM NUMBERS NOT APPLICABLE

— ITEM NOT ILLUSTRATED

HAP

25-11-00-40

BOEING PROPRIETARY - Copyright © - Unpublished Work - See title page for details.

25-11-00
FIG. 40
PAGE 7
FEB 15/09

BOEING
737-600/700/800/900
PARTS CATALOG (MAINTENANCE)

FIG ITEM	PART NUMBER	1 2 3 4 5 6 7	NOMENCLATURE	EFFECT FROM TO	UNITS PER ASSY
40 61	254A1220-123		.CONTROL STAND ASSY- COMPONENT MAINT MANUAL REF: 25-11-13 FUNCTIONAL REFERENCE: ENGINE CONTROLS FOR DETAILS SEE 76-11-01-02 76-11-03-01 76-11-10-02 EQUIPMENT/FURNISHINGS FOR DETAILS SEE 25-11-00-50 FLIGHT CONTROL FOR DETAILS SEE 27-00-51-04 27-41-91-01 27-51-06-01 27-51-08-01 INDICATING/RECORDING FOR DETAILS SEE 31-51-03-01 LANDING GEAR FOR DETAILS SEE 32-44-11-05 PLACARDS AND MARKINGS FOR DETAILS SEE 11-30-00-75	037051 054100	1

MISSING ITEM NUMBERS NOT APPLICABLE

— ITEM NOT ILLUSTRATED

HAP

25-11-00-40

BOEING PROPRIETARY - Copyright © - Unpublished Work - See title page for details.

25-11-00
FIG. 40
PAGE 8
FEB 15/09

BOEING
737-600/700/800/900
PARTS CATALOG (MAINTENANCE)

FIG ITEM	PART NUMBER	1 2 3 4 5 6 7	NOMENCLATURE	EFFECT FROM TO	UNITS PER ASSY
40 62	254A1220-206	.	CONTROL STAND ASSY- COMPONENT MAINT MANUAL REF: 25-11-13 FUNCTIONAL REFERENCE: ENGINE CONTROLS FOR DETAILS SEE 76-11-01-02 76-11-03-01 76-11-10-02 EQUIPMENT/FURNISHINGS FOR DETAILS SEE 25-11-00-50 FLIGHT CONTROL FOR DETAILS SEE 27-00-51-04 27-41-91-01 27-51-06-01 27-51-08-01 INDICATING/RECORDING FOR DETAILS SEE 31-51-03-01 LANDING GEAR FOR DETAILS SEE 32-44-11-05 PLACARDS AND MARKINGS FOR DETAILS SEE 11-30-00-75	031036 201967	1

MISSING ITEM NUMBERS NOT APPLICABLE

— ITEM NOT ILLUSTRATED

HAP

25-11-00-40

BOEING PROPRIETARY - Copyright © - Unpublished Work - See title page for details.

25-11-00
FIG. 40
PAGE 9
FEB 15/09

BOEING
737-600/700/800/900
PARTS CATALOG (MAINTENANCE)

FIG ITEM	PART NUMBER	1 2 3 4 5 6 7	NOMENCLATURE	EFFECT FROM TO	UNITS PER ASSY
40 62	254A1220-6		.CONTROL STAND ASSY- COMPONENT MAINT MANUAL REF: 25-11-13 USED ON: 254A1210-6 MODREF84191 MODREF280551 FUNCTIONAL REFERENCE: PLACARDS AND MARKINGS FOR DETAILS SEE 11-30-00-75 ENGINE CONTROLS FOR DETAILS SEE 76-11-01-02 76-11-03-01 76-11-10-02 EQUIPMENT/FURNISHINGS FOR DETAILS SEE 25-11-00-50 FLIGHT CONTROL FOR DETAILS SEE 27-00-51-04 27-41-91-01 27-51-06-01 27-51-08-01 INDICATING/RECORDING FOR DETAILS SEE 31-51-03-01 LANDING GEAR FOR DETAILS SEE 32-44-11-05	031036 201967	1

MISSING ITEM NUMBERS NOT APPLICABLE

— ITEM NOT ILLUSTRATED

HAP

25-11-00-40

BOEING PROPRIETARY - Copyright © - Unpublished Work - See title page for details.

25-11-00
FIG. 40
PAGE 10
FEB 15/09

BOEING
737-600/700/800/900
PARTS CATALOG (MAINTENANCE)

FIG ITEM	PART NUMBER	1 2 3 4 5 6 7	NOMENCLATURE	EFFECT FROM TO	UNITS PER ASSY
40 62	254A1220-223		.CONTROL STAND ASSY- COMPONENT MAINT MANUAL REF: 25-11-13 FUNCTIONAL REFERENCE: ENGINE CONTROLS FOR DETAILS SEE 76-11-01-02 76-11-03-01 76-11-10-02 EQUIPMENT/FURNISHINGS FOR DETAILS SEE 25-11-00-50 FLIGHT CONTROL FOR DETAILS SEE 27-00-51-04 27-41-91-01 27-51-06-01 27-51-08-01 INDICATING/RECORDING FOR DETAILS SEE 31-51-03-01 LANDING GEAR FOR DETAILS SEE 32-44-11-05 PLACARDS AND MARKINGS FOR DETAILS SEE 11-30-00-75	052053	1
65	WSI4A4		.NUTPLATE- SUPPLIER CODE: V04169 SPECIFICATION NUMBER: BACN10TL3A4 POST AIRLINE MOD: E.O.APB737-8007 VHAP ATTACHING PARTS	001023	1
- 70	NAS1398D4A5		.RIVET -----*-----	001023	2

MISSING ITEM NUMBERS NOT APPLICABLE

- ITEM NOT ILLUSTRATED

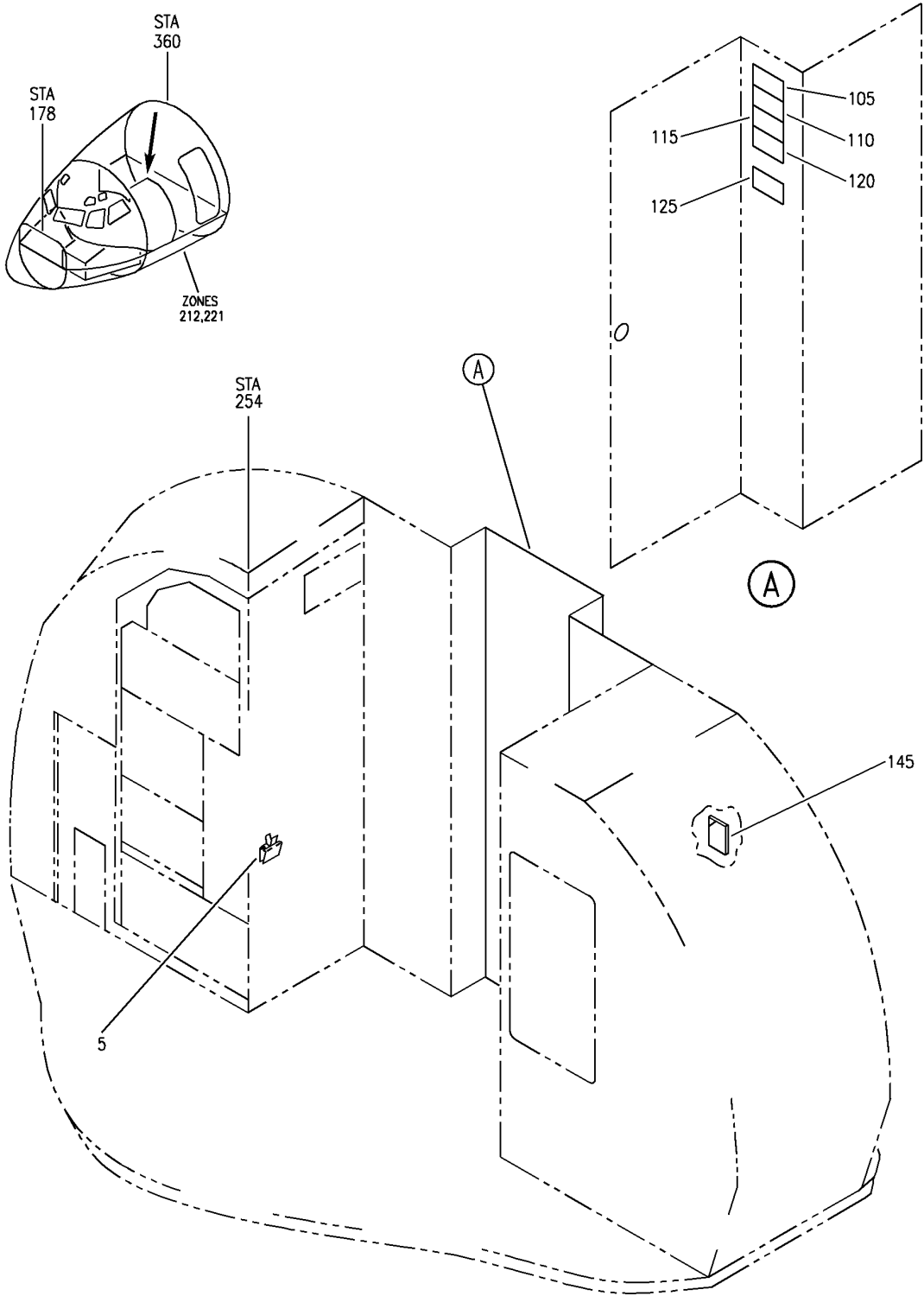
HAP

25-11-00-40

BOEING PROPRIETARY - Copyright © - Unpublished Work - See title page for details.

25-11-00
FIG. 40
PAGE 11
JUN 15/09

BOEING
 737-600/700/800/900
 PARTS CATALOG (MAINTENANCE)



E 25110042 REV 123

CLIP INSTL-MISC FLIGHT DECK CERTIFICATE INSTL
 FIGURE 42

25-11-00-42

HAP
 OCT 10/06

25-11-00-42
 PAGE 0


BOEING
 737-600/700/800/900
PARTS CATALOG (MAINTENANCE)

FIG ITEM	PART NUMBER	1 2 3 4 5 6 7	NOMENCLATURE	EFFECT FROM TO	UNITS PER ASSY
42			CLIP INSTL-MISC FLIGHT DECK CERTIFICATE INSTL	031200 968999	
- 1	MODREF81908		CLIP INSTL-MISC FLIGHT DECK MODULE NUMBER: 232A4210-1 REV A	031046 054104 968972	1
- 1	MODREF380923		CLIP INSTL-MISC FLIGHT DECK MODULE NUMBER: 232A4210-1 REV C	047053 105200 973999	1
5	11230		.CLIP- SUPPLIER CODE: V5F555	031200 968999	1
- 10	BACS12FA3K8		ATTACHING PARTS .SCREW -----*-----	031200 968999	1

MISSING ITEM NUMBERS NOT APPLICABLE

- ITEM NOT ILLUSTRATED

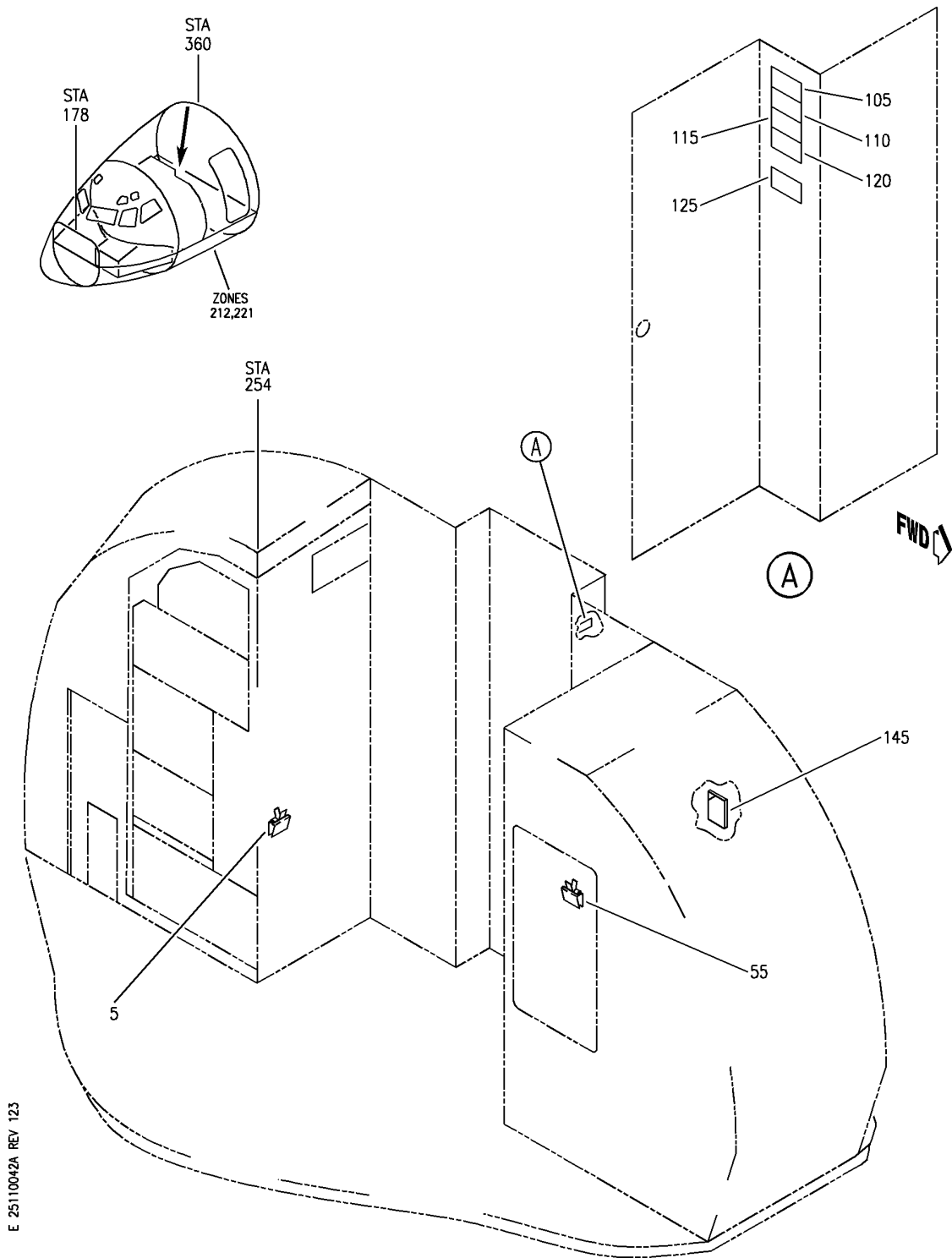
HAP

25-11-00-42

BOEING PROPRIETARY - Copyright © - Unpublished Work - See title page for details.

25-11-00
 FIG. 42
 PAGE 1
 FEB 15/09

BOEING
 737-600/700/800/900
 PARTS CATALOG (MAINTENANCE)



E 25110042A REV 123

CLIP AND CERTIFICATE HOLDER INSTL-MISC FLIGHT DECK
 FIGURE 42A

25-11-00-42A

HAP
 FEB 10/07

25-11-00-42A
 PAGE 0

BOEING
737-600/700/800/900
PARTS CATALOG (MAINTENANCE)

FIG ITEM	PART NUMBER	1 2 3 4 5 6 7	NOMENCLATURE	EFFECT FROM TO	UNITS PER ASSY
42A			CLIP AND CERTIFICATE HOLDER	001030	
			INSTL-MISC FLIGHT DECK	201967	
- 1	232A4210-1		CLIP INSTL-MISC FLIGHT DECK	001030	RF
			FOR NHA SEE:	201967	
			25-10-00-03		
	5 11230		.CLIP-	001030	1
			SUPPLIER CODE:	201967	
			V5F555		
			ATTACHING PARTS		
- 10	BACS12FA3K8		.SCREW	001030	1
			-----*-----	201967	

MISSING ITEM NUMBERS NOT APPLICABLE

- ITEM NOT ILLUSTRATED

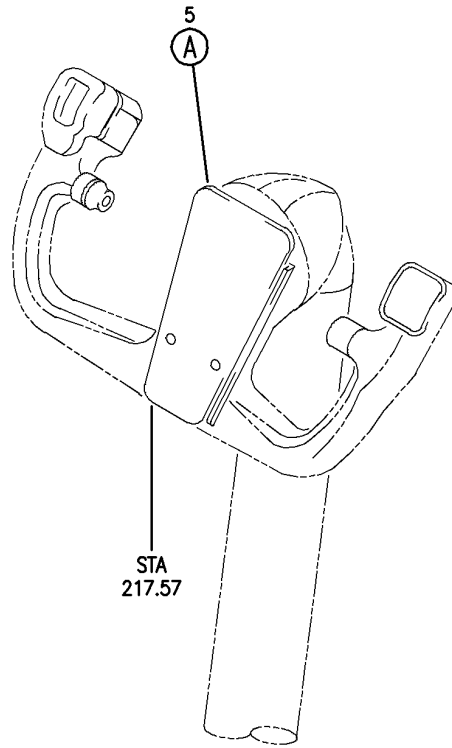
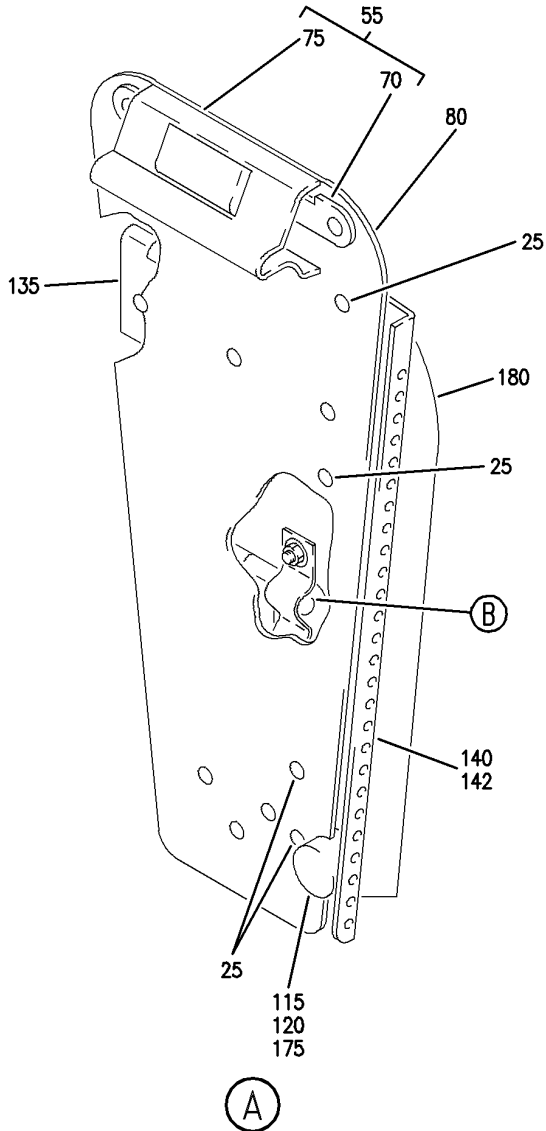
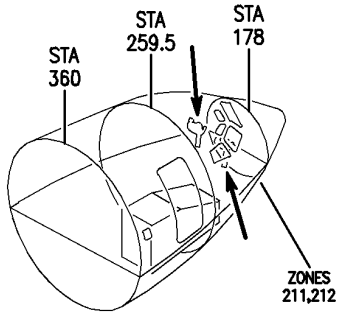
HAP

25-11-00-42A

BOEING PROPRIETARY - Copyright © - Unpublished Work - See title page for details.

25-11-00
FIG. 42A
PAGE 1
OCT 15/08

BOEING
 737-600/700/800/900
 PARTS CATALOG (MAINTENANCE)



E 25110043 SHT 1 REV 061

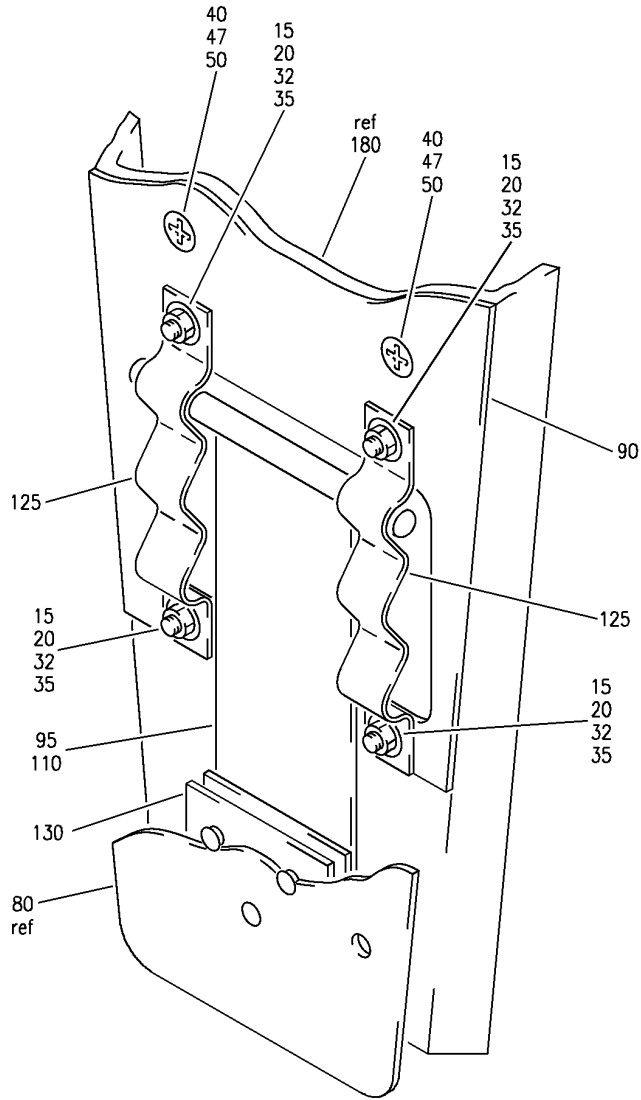
HOLDER INSTL-CHECKLIST CONT WHL FLIGHT DECK
 FIGURE 43 (SHEET 1)

25-11-00-43

HAP
 OCT 10/06

25-11-00-43
 PAGE 0

BOEING
 737-600/700/800/900
 PARTS CATALOG (MAINTENANCE)



(B)

E 25110043 SH1 2 REV 123

HOLDER INSTL-CHECKLIST CONT WHL FLIGHT DECK
 FIGURE 43 (SHEET 2)

25-11-00-43

HAP
 OCT 10/06

25-11-00-43
 PAGE 0A

BOEING
737-600/700/800/900
PARTS CATALOG (MAINTENANCE)

FIG ITEM	PART NUMBER	1 2 3 4 5 6 7	NOMENCLATURE	EFFECT FROM TO	UNITS PER ASSY
43			HOLDER INSTL-CHECKLIST CONT WHL FLIGHT DECK	031200 968999	
- 1	MODREF81937		HOLDER INSTL-CHECKLIST CONT WHL FLIGHT DECK	031200 968999	1
	5 69-42136-31		MODULE NUMBER: 232A4220-5 REV A .HOLDER ASSY-MAP VARIABLE	031200 968999	2
	5 69-42136-32		OPTIONAL PART: 69-42136-32 .HOLDER ASSY-MAP VARIABLE	031200 968999	2
- 10	NAS602-22P		OPTIONAL PART: 69-42136-31 ATTACHING PARTS .BOLT	031200 968999	6
	15 NAS514P440-5		-----*----- .. SCREW	031200 968999	4
	20 NAS43DD0-4FC		.. SPACER- USED ON: 69-42136-31 69-42136-32	031200 968999	4
	25 NAS42DD3-18FC		.. SPACER- USED ON: 69-42136-31 69-42136-32	031200 968999	4
	32 NAS1149DN416J		.. WASHER	031200 968999	4
	35 BRH10A04		.. NUT SUPPLIER CODE: V52828 SPECIFICATION NUMBER: BACN10JCO4 OPTIONAL PART: NS202101-40 V80539 RMLH9075-40W V72962 VN303A40 V92215 96-40 V80539 T6S440J V11815 H10-04BAC V15653	031200 968999	4
	40 NAS514P1032-8		.. SCREW	031200 968999	2

MISSING ITEM NUMBERS NOT APPLICABLE

- ITEM NOT ILLUSTRATED

HAP

25-11-00-43

BOEING PROPRIETARY - Copyright © - Unpublished Work - See title page for details.

25-11-00
FIG. 43
PAGE 1
OCT 15/08

BOEING
737-600/700/800/900
PARTS CATALOG (MAINTENANCE)

FIG ITEM	PART NUMBER	1 2 3 4 5 6 7	NOMENCLATURE	EFFECT FROM TO	UNITS PER ASSY
43					
47	NAS1149D0316J	..	WASHER	031200 968999	2
50	PLH53CD	..	NUT SUPPLIER CODE: VFO224 SPECIFICATION NUMBER: BACN10YR3CD OPTIONAL PART: H52732-3CD V15653	031200 968999	2
55	69-38947-13	..	CLIP ASSY- OPTIONAL PART: 69-38947-7	031200 968999	1
55	69-38947-7	..	CLIP ASSY- OPTIONAL PART: 69-38947-13 ATTACHING PARTS	031200 968999	1
- 60	BACR15BB3D	..	RIVET- SIZE DETERMINED ON INSTL. OPTIONAL PART: BACR15BB4D BACR15BB5D BACR15BB6D	031200 968999	2
- 60	BACR15BB4D	..	RIVET- SIZE DETERMINED ON INSTL. OPTIONAL PART: BACR15BB3D BACR15BB5D BACR15BB6D	031200 968999	2
- 60	BACR15BB5D	..	RIVET- SIZE DETERMINED ON INSTL. OPTIONAL PART: BACR15BB3D BACR15BB4D BACR15BB6D	031200 968999	2
- 60	BACR15BB6D	..	RIVET- SIZE DETERMINED ON INSTL. OPTIONAL PART: BACR15BB3D BACR15BB4D BACR15BB5D	031200 968999	2
- 65	BACR15BA3B	..	RIVET- SIZE DETERMINED ON INSTL. -----*-----	031200 968999	5
70	69-38947-3	...	CLIP	031200 968999	1
75	69-38947-6	...	CLIP-COVER	031200 968999	1

MISSING ITEM NUMBERS NOT APPLICABLE

- ITEM NOT ILLUSTRATED

HAP

25-11-00-43

25-11-00
FIG. 43
PAGE 2
FEB 15/09

BOEING
737-600/700/800/900
PARTS CATALOG (MAINTENANCE)

FIG ITEM	PART NUMBER	1 2 3 4 5 6 7	NOMENCLATURE	EFFECT FROM TO	UNITS PER ASSY
43					
80	69-42135-1	..	PLATE	031200 968999	1
			ATTACHING PARTS		
- 85	BACR15BA3D	..	RIVET- SIZE DETERMINED ON INSTL. -----*-----	031200 968999	3
90	69-42135-6	..	STRAP	031200 968999	1
95	69-43972-2	..	STRAP ASSY	031200 968999	1
110	69-43972-3	...	STRAP	031200 968999	1
			ATTACHING PARTS		
- 112	BACR15FT5D14	...	RIVET	031200 968999	2
- 114	NAS42HT5-24	...	SPACER- -----*-----	031200 968999	2
115	BACB10TC2-12A	..	BALL- OPTIONAL PART: BACB10TM2-12A	031200 968999	1
115	BACB10TM2-12A	..	BALL- OPTIONAL PART: BACB10TC2-12A	031200 968999	1
120	MS24585-1001	..	SPRING	031200 968999	1
125	69-43972-1	..	SPRING	031200 968999	2
130	MS20001P8-100	..	HINGE	031200 968999	1
135	69-42136-2	..	HINGE	031200 968999	1
140	69-43447-22	..	BRACKET ASSY- OPTIONAL PART: 69-43447-23 USED ON: 69-42136-31 69-42136-32	031200 968999	1
140	69-43447-23	..	BRACKET ASSY- OPTIONAL PART: 69-43447-22 USED ON: 69-42136-32	031200 968999	1
142	69-43447-16	...	BRACKET- OPTIONAL PART: 69-43447-18	031200 968999	1

MISSING ITEM NUMBERS NOT APPLICABLE

- ITEM NOT ILLUSTRATED

HAP

25-11-00-43

25-11-00
FIG. 43
PAGE 3
OCT 15/08

BOEING
737-600/700/800/900
PARTS CATALOG (MAINTENANCE)

FIG ITEM	PART NUMBER	1 2 3 4 5 6 7	NOMENCLATURE	EFFECT FROM TO	UNITS PER ASSY
43 142	69-43447-18		...BRACKET- OPTIONAL PART: 69-43447-16 USED ON: 69-43447-21 69-43447-23 ATTACHING PARTS	031200 968999	1
- 150	BACR15BB3D4C		...RIVET- SIZE DETERMINED ON INSTL.	031200 968999	1
- 155	NAS42DD3-6FC		...SPACER	031200 968999	1
- 160	NAS42DD3-6		...SPACER	031200 968999	1
			-----*-----		
175	69-43447-8		..INDICATOR	031200 968999	1
180	65-45119-8		..MEDALLION ASSY	031200 968999	1

MISSING ITEM NUMBERS NOT APPLICABLE

- ITEM NOT ILLUSTRATED

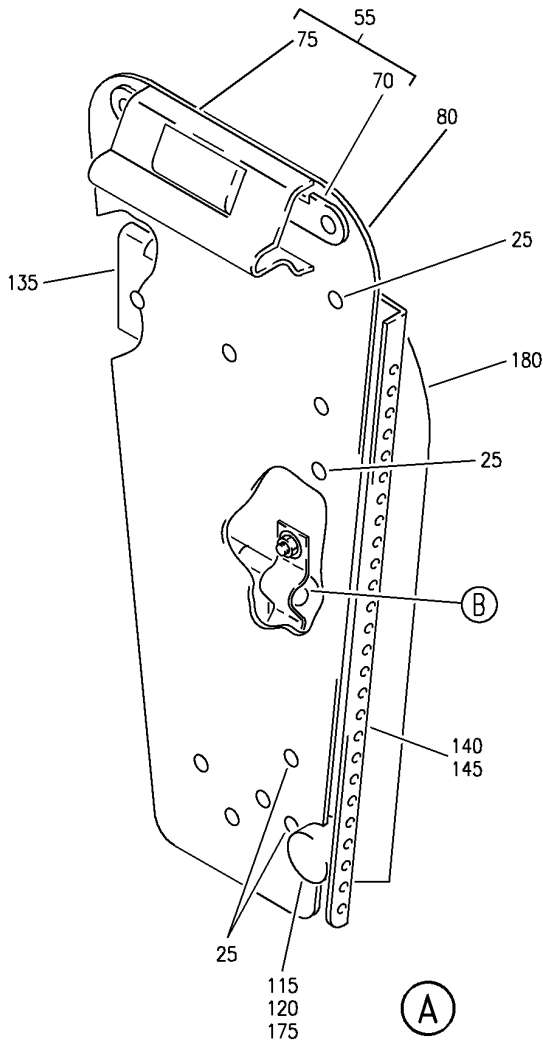
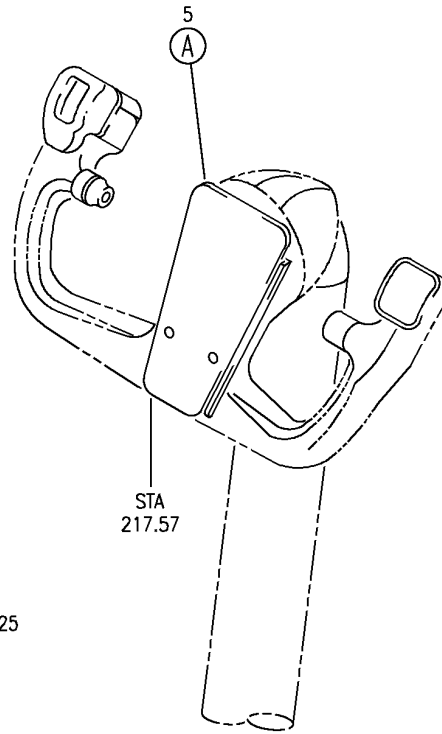
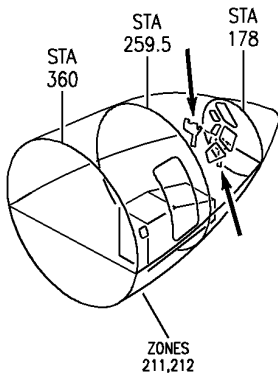
HAP

25-11-00-43

BOEING PROPRIETARY - Copyright © - Unpublished Work - See title page for details.

25-11-00
FIG. 43
PAGE 4
OCT 15/08

BOEING
 737-600/700/800/900
 PARTS CATALOG (MAINTENANCE)



E 25110043A SHT 1 REV 123

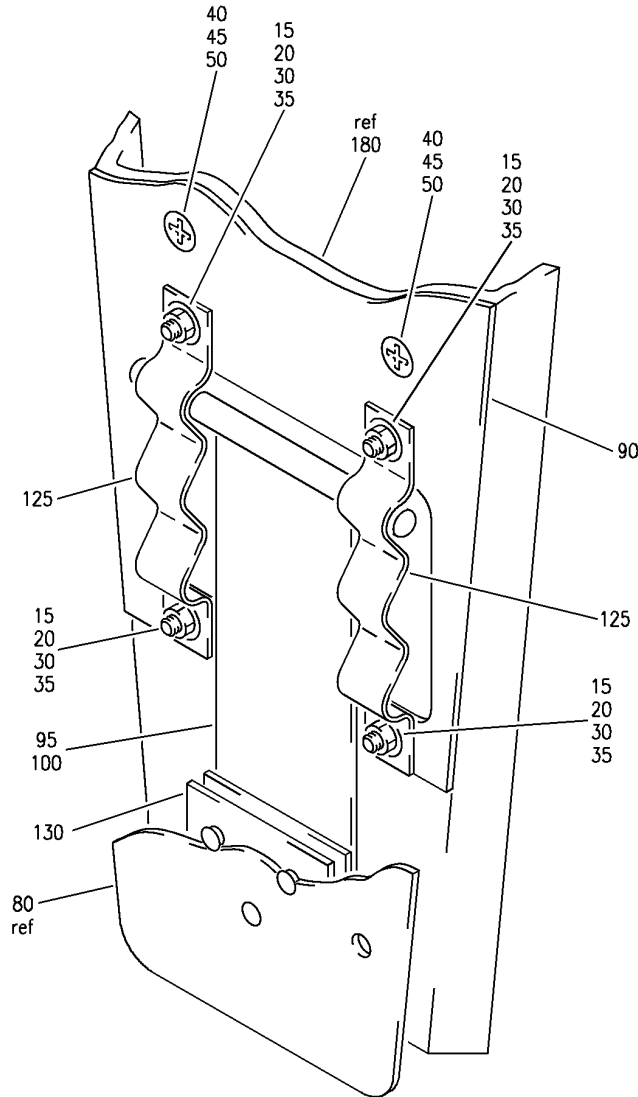
HOLDER INSTL-CHECKLIST CONT WHL FLIGHT DECK
 FIGURE 43A (SHEET 1)

25-11-00-43A

HAP
 OCT 10/06

25-11-00-43A
 PAGE 0

BOEING
 737-600/700/800/900
 PARTS CATALOG (MAINTENANCE)



(B)

E 25110043A SHT 2 REV 123

HOLDER INSTL-CHECKLIST CONT WHL FLIGHT DECK
 FIGURE 43A (SHEET 2)

25-11-00-43A

HAP
 OCT 10/06

25-11-00-43A
 PAGE 0A

BOEING
737-600/700/800/900
PARTS CATALOG (MAINTENANCE)

FIG ITEM	PART NUMBER	1 2 3 4 5 6 7	NOMENCLATURE	EFFECT FROM TO	UNITS PER ASSY
43A			HOLDER INSTL-CHECKLIST CONT WHL FLIGHT DECK	001030 201967	
- 1	232A4220-1		HOLDER INSTL-CHECKLIST CONT WHL FLIGHT DECK FOR NHA SEE: 25-10-00-03	001027 201967	RF
- 1	232A4220-5		HOLDER INSTL-CHECKLIST CONT WHL FLIGHT DECK FOR NHA SEE: 25-10-00-03	028030	RF
5	69-42136-29		.HOLDER ASSY-MAP VARIABLE OPTIONAL PART: 69-42136-30	001027 201967	2
5	69-42136-30		.HOLDER ASSY-MAP VARIABLE OPTIONAL PART: 69-42136-29	001027 201967	2
5	69-42136-31		.HOLDER ASSY-MAP VARIABLE OPTIONAL PART: 69-42136-32	001030 201967	2
5	69-42136-32		.HOLDER ASSY-MAP VARIABLE OPTIONAL PART: 69-42136-31	001030 201967	2
- 10	NAS602-22P		ATTACHING PARTS .BOLT	001030 201967	6
			-----*-----		
15	NAS514P440-5		.. SCREW	001030 201967	4
20	NAS43DD0-4		.. SPACER	001027 201967	4
20	NAS43DD0-4FC		.. SPACER- USED ON: 69-42136-31 69-42136-32	001030 201967	4
25	NAS42DD3-18		.. SPACER	001027 201967	4
25	NAS42DD3-18FC		.. SPACER- USED ON: 69-42136-31 69-42136-32	001030 201967	4
30	AN960PD4L		.. WASHER	001027 201967	4
30	NAS1149DN416J		.. WASHER- USED ON: 69-42136-31 69-42136-32	001030 201967	4

MISSING ITEM NUMBERS NOT APPLICABLE

- ITEM NOT ILLUSTRATED

HAP

25-11-00-43A

BOEING PROPRIETARY - Copyright © - Unpublished Work - See title page for details.

25-11-00
FIG. 43A
PAGE 1
OCT 15/08

BOEING
737-600/700/800/900
PARTS CATALOG (MAINTENANCE)

FIG ITEM	PART NUMBER	1 2 3 4 5 6 7	NOMENCLATURE	EFFECT FROM TO	UNITS PER ASSY
43A 35	BRH10A04	..	NUT SUPPLIER CODE: V52828 SPECIFICATION NUMBER: BACN10JCO4 OPTIONAL PART: NS202101-40 V80539 RMLH9075-40W V72962 VN303A40 V92215 96-40 V80539 T6S440J V11815 H10-04BAC V15653	001030 201967	4
40	NAS514P1032-8	..	SCREW	001030 201967	2
45	AN960PD10L	..	WASHER	001027 201967	2
45	NAS1149D0316J	..	WASHER- USED ON: 69-42136-31 69-42136-32	001030 201967	2
50	PLH53CD	..	NUT SUPPLIER CODE: VFO224 SPECIFICATION NUMBER: BACN10YR3CD OPTIONAL PART: H52732-3CD V15653	001030 201967	2
55	69-38947-13	..	CLIP ASSY- OPTIONAL PART: 69-38947-7	001030 201967	1
55	69-38947-7	..	CLIP ASSY- OPTIONAL PART: 69-38947-13	001030 201967	1
- 60	BACR15BB3D	..	RIVET- SIZE DETERMINED ON INSTL. OPTIONAL PART: BACR15BB4D BACR15BB5D BACR15BB6D	001030 201967	2

MISSING ITEM NUMBERS NOT APPLICABLE

- ITEM NOT ILLUSTRATED

HAP

25-11-00-43A

BOEING PROPRIETARY - Copyright © - Unpublished Work - See title page for details.

25-11-00
FIG. 43A
PAGE 2
FEB 15/09

BOEING
737-600/700/800/900
PARTS CATALOG (MAINTENANCE)

FIG ITEM	PART NUMBER	1 2 3 4 5 6 7	NOMENCLATURE	EFFECT FROM TO	UNITS PER ASSY
43A - 60	BACR15BB4D	..	RIVET- SIZE DETERMINED ON INSTL. OPTIONAL PART: BACR15BB3D BACR15BB5D BACR15BB6D	001030 201967	2
- 60	BACR15BB5D	..	RIVET- SIZE DETERMINED ON INSTL. OPTIONAL PART: BACR15BB3D BACR15BB4D BACR15BB6D	001030 201967	2
- 60	BACR15BB6D	..	RIVET- SIZE DETERMINED ON INSTL. OPTIONAL PART: BACR15BB3D BACR15BB4D BACR15BB5D	001030 201967	2
- 65	BACR15BA3B	..	RIVET- SIZE DETERMINED ON INSTL. -----*-----	001030 201967	5
70	69-38947-3	...	CLIP	001030 201967	1
75	69-38947-6	...	CLIP-COVER	001030 201967	1
80	69-42135-1	..	PLATE	001030 201967	1
- 85	BACR15BA3D	..	RIVET- SIZE DETERMINED ON INSTL. -----*-----	001030 201967	3
90	69-42135-6	..	STRAP	001030 201967	1
95	69-43972-2	..	STRAP ASSY	001030 201967	1
100	69-43972-3	...	STRAP	001030 201967	1
- 105	BACR15FT5D14	...	RIVET	001030 201967	2
- 110	NAS42HT5-24	...	SPACER	001030 201967	2
115	BACB10TC2-12A	..	BALL- OPTIONAL PART: BACB10TM2-12A	001030 201967	1
115	BACB10TM2-12A	..	BALL- OPTIONAL PART: BACB10TC2-12A	001030 201967	1

MISSING ITEM NUMBERS NOT APPLICABLE

- ITEM NOT ILLUSTRATED

HAP

25-11-00-43A

BOEING PROPRIETARY - Copyright © - Unpublished Work - See title page for details.

25-11-00
FIG. 43A
PAGE 3
OCT 15/08

BOEING
737-600/700/800/900
PARTS CATALOG (MAINTENANCE)

FIG ITEM	PART NUMBER	1 2 3 4 5 6 7	NOMENCLATURE	EFFECT FROM TO	UNITS PER ASSY
43A					
120	MS24585-1001	..	SPRING	001030 201967	1
125	69-43972-1	..	SPRING	001030 201967	2
130	MS20001P8-100	..	HINGE	001030 201967	1
135	69-42136-2	..	HINGE	001030 201967	1
140	69-43447-20	..	BRACKET ASSY- OPTIONAL PART: 69-43447-21 USED ON: 69-42136-29 69-42136-30	001027 201967	1
140	69-43447-21	..	BRACKET ASSY- OPTIONAL PART: 69-43447-20 USED ON: 69-42136-32	001027 201967	1
140	69-43447-22	..	BRACKET ASSY- OPTIONAL PART: 69-43447-23 USED ON: 69-42136-31 69-42136-32	001030 201967	1
140	69-43447-23	..	BRACKET ASSY- OPTIONAL PART: 69-43447-22 USED ON: 69-42136-32	001030 201967	1
145	69-43447-16	...	BRACKET- OPTIONAL PART: 69-43447-18	001030 201967	1
145	69-43447-18	...	BRACKET- OPTIONAL PART: 69-43447-16 USED ON: 69-43447-21 69-43447-23	001030 201967	1
- 150	NAS600-5P	...	SCREW	001027 201967	1
- 155	BACR15BB3D	...	RIVET- SIZE DETERMINED ON INSTL.	001027 201967	1
- 155	BACR15BB3D4C	...	RIVET- SIZE DETERMINED ON INSTL. USED ON: 69-43447-22 69-43447-23	001030 201967	1

MISSING ITEM NUMBERS NOT APPLICABLE

- ITEM NOT ILLUSTRATED

HAP

25-11-00-43A

BOEING PROPRIETARY - Copyright © - Unpublished Work - See title page for details.

25-11-00
FIG. 43A
PAGE 4
OCT 15/08

BOEING
737-600/700/800/900
PARTS CATALOG (MAINTENANCE)

FIG ITEM	PART NUMBER	1 2 3 4 5 6 7	NOMENCLATURE	EFFECT FROM TO	UNITS PER ASSY
43A					
- 160	NAS43DD0-6	...	SPACER	001027 201967	1
- 160	NAS42DD3-6FC	...	SPACER- USED ON: 69-43447-22 69-43447-23	001030 201967	1
- 165	NAS42DD3-6	...	SPACER	001030 201967	1
- 170	BRH10A04	...	NUT SUPPLIER CODE: V52828 SPECIFICATION NUMBER: BACN10JC04 OPTIONAL PART: NS202101-40 V80539 RMLH9075-40W V72962 VN303A40 V92215 96-40 V80539 T6S440J V11815 H10-04BAC V15653 -----*-----	001027 201967	1
175	69-43447-8	..	INDICATOR	001030 201967	1
180	65-45119-8	..	MEDALLION ASSY	001030 201967	1

MISSING ITEM NUMBERS NOT APPLICABLE

- ITEM NOT ILLUSTRATED

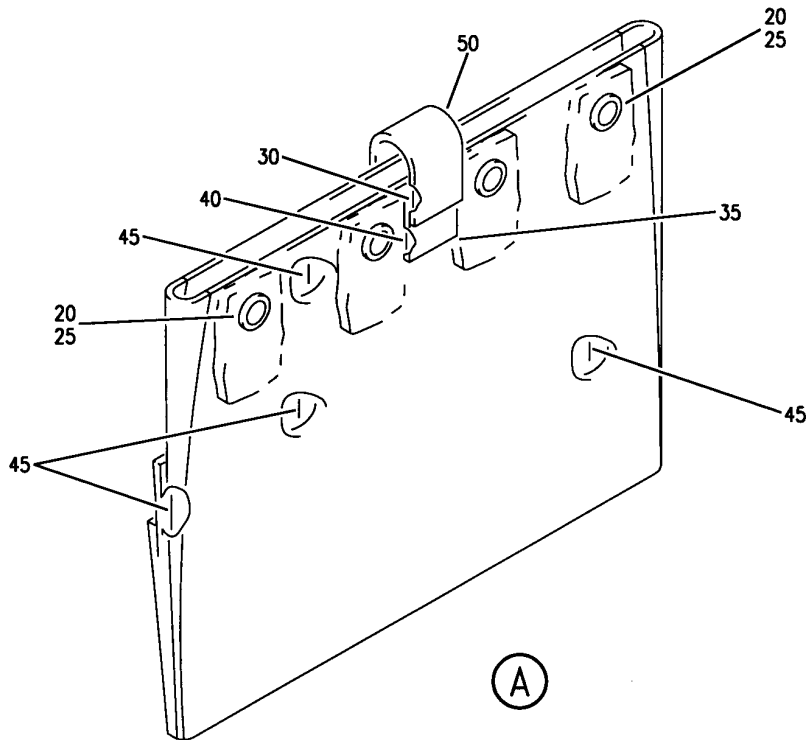
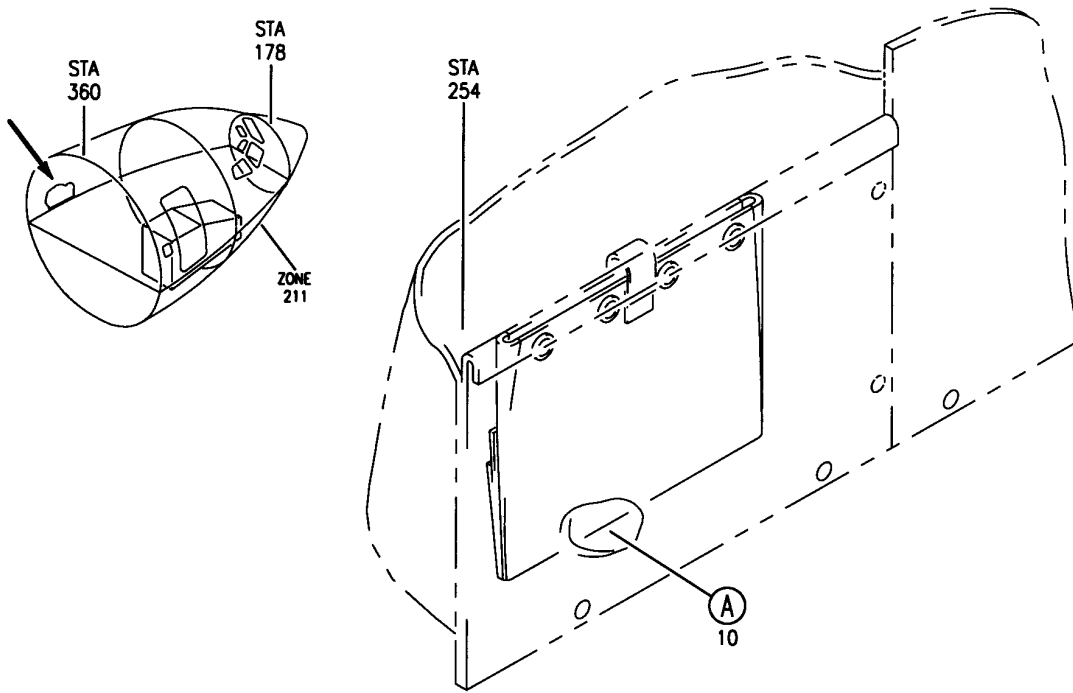
HAP

25-11-00-43A

BOEING PROPRIETARY - Copyright © - Unpublished Work - See title page for details.

25-11-00
FIG. 43A
PAGE 5
OCT 15/08

BOEING
 737-600/700/800/900
 PARTS CATALOG (MAINTENANCE)



E 25110044 REV 012

STOWAGE INSTL-SUNVISOR
 FIGURE 44

25-11-00-44

HAP
 OCT 10/06

25-11-00-44
 PAGE 0

BOEING
737-600/700/800/900
PARTS CATALOG (MAINTENANCE)

FIG ITEM	PART NUMBER	1 2 3 4 5 6 7	NOMENCLATURE	EFFECT FROM TO	UNITS PER ASSY
44			STOWAGE INSTL-SUNVISOR	031200 968999	
- 1	MODREF81957		STOWAGE INSTL-SUNVISOR MODULE NUMBER: 232A4370-1 REV A	031200 968999	1
- 5	MODREF81958		STOWAGE INSTL-SUNVISOR MODULE NUMBER: 232A4370-2 REV A	031200 968999	1
10	232A4371-10		.POUCH ASSY-	031200 968999	1
- 15	BACS12FA3K4		ATTACHING PARTS .SCREW-	031200 968999	4
- 15	BACS12FA3K6		OPTIONAL PART: BACS12FA3K6 .SCREW-	031200 968999	4
			OPTIONAL PART: BACS12FA3K4 -----*-----		
20	MS20230GBP10		..GROMMET	031200 968999	4
25	MS20230WBP10		..GROMMET	031200 968999	4
30	MS27980-1N		..BUTTON	031200 968999	1
35	MS27980-6N		..SOCKET	031200 968999	1
40	MS27980-8N		..EYELET	031200 968999	1
- 45	MS27980-7N		..STUD	031200 968999	1
50	232A4371-9		..POCKET ASSY-	031200 968999	AR

MISSING ITEM NUMBERS NOT APPLICABLE

- ITEM NOT ILLUSTRATED

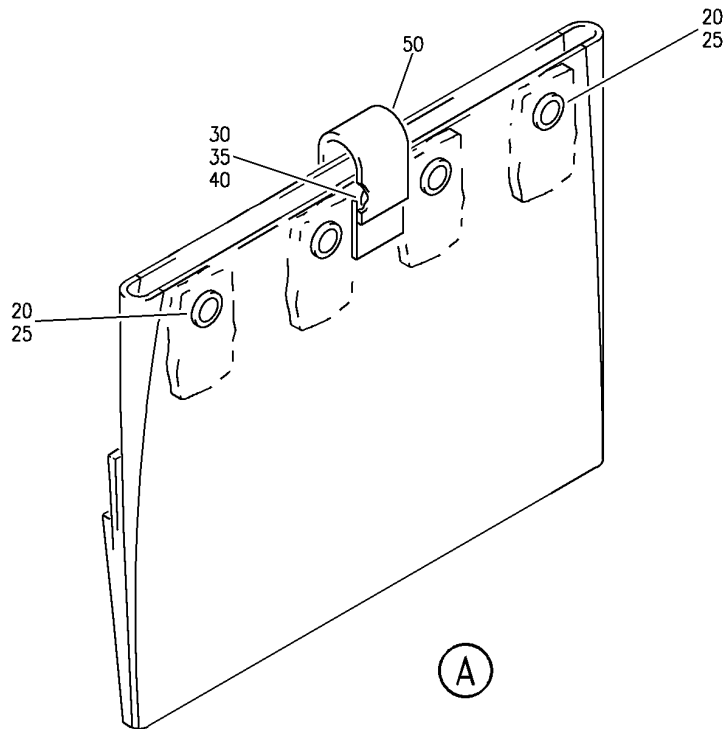
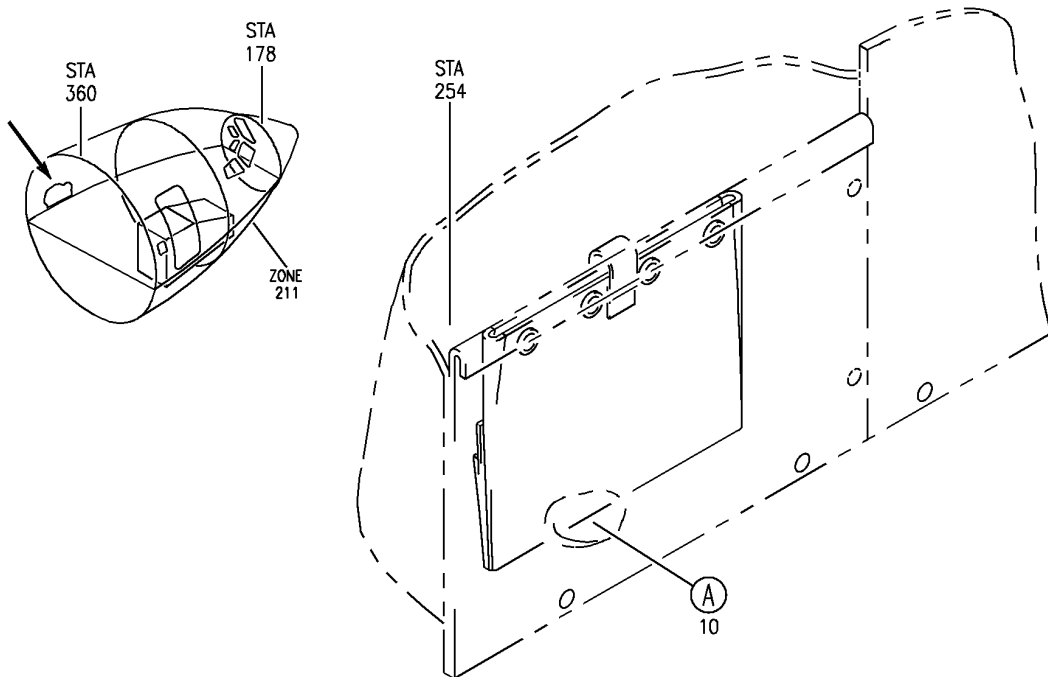
HAP

25-11-00-44

BOEING PROPRIETARY - Copyright © - Unpublished Work - See title page for details.

25-11-00
FIG. 44
PAGE 1
OCT 15/08

BOEING
737-600/700/800/900
PARTS CATALOG (MAINTENANCE)



E 25110044A REV 123

STOWAGE INSTL-SUNVISOR
FIGURE 44A

25-11-00-44A

HAP
OCT 10/06

25-11-00-44A
PAGE 0

BOEING
737-600/700/800/900
PARTS CATALOG (MAINTENANCE)

FIG ITEM	PART NUMBER	1 2 3 4 5 6 7	NOMENCLATURE	EFFECT FROM TO	UNITS PER ASSY
44A			STOWAGE INSTL-SUNVISOR	001030 201967	
- 1	232A4370-1		STOWAGE INSTL-SUNVISOR FOR NHA SEE: 25-10-00-03	001030 201967	RF
- 5	232A4370-2		STOWAGE INSTL-SUNVISOR FOR NHA SEE: 25-10-00-03	001030 201967	RF
10	232A4371-10		.POUCH ASSY	001030 201967	1
- 15	BACS12FA3K4		ATTACHING PARTS .SCREW- OPTIONAL PART: BACS12FA3K6	001030 201967	4
- 15	BACS12FA3K6		.SCREW- OPTIONAL PART: BACS12FA3K4	001030 201967	4
			-----*-----		
20	MS20230GBP10		..GROMMET	001030 201967	4
25	MS20230WBP10		..GROMMET	001030 201967	4
30	MS27980-1N		..BUTTON	001030 201967	1
35	MS27980-6N		..SOCKET	001030 201967	1
40	MS27980-8N		..EYELET	001030 201967	1
- 45	MS27980-7N		..STUD	001030 201967	1
50	232A4371-9		..POCKET ASSY	001030 201967	AR

MISSING ITEM NUMBERS NOT APPLICABLE

- ITEM NOT ILLUSTRATED

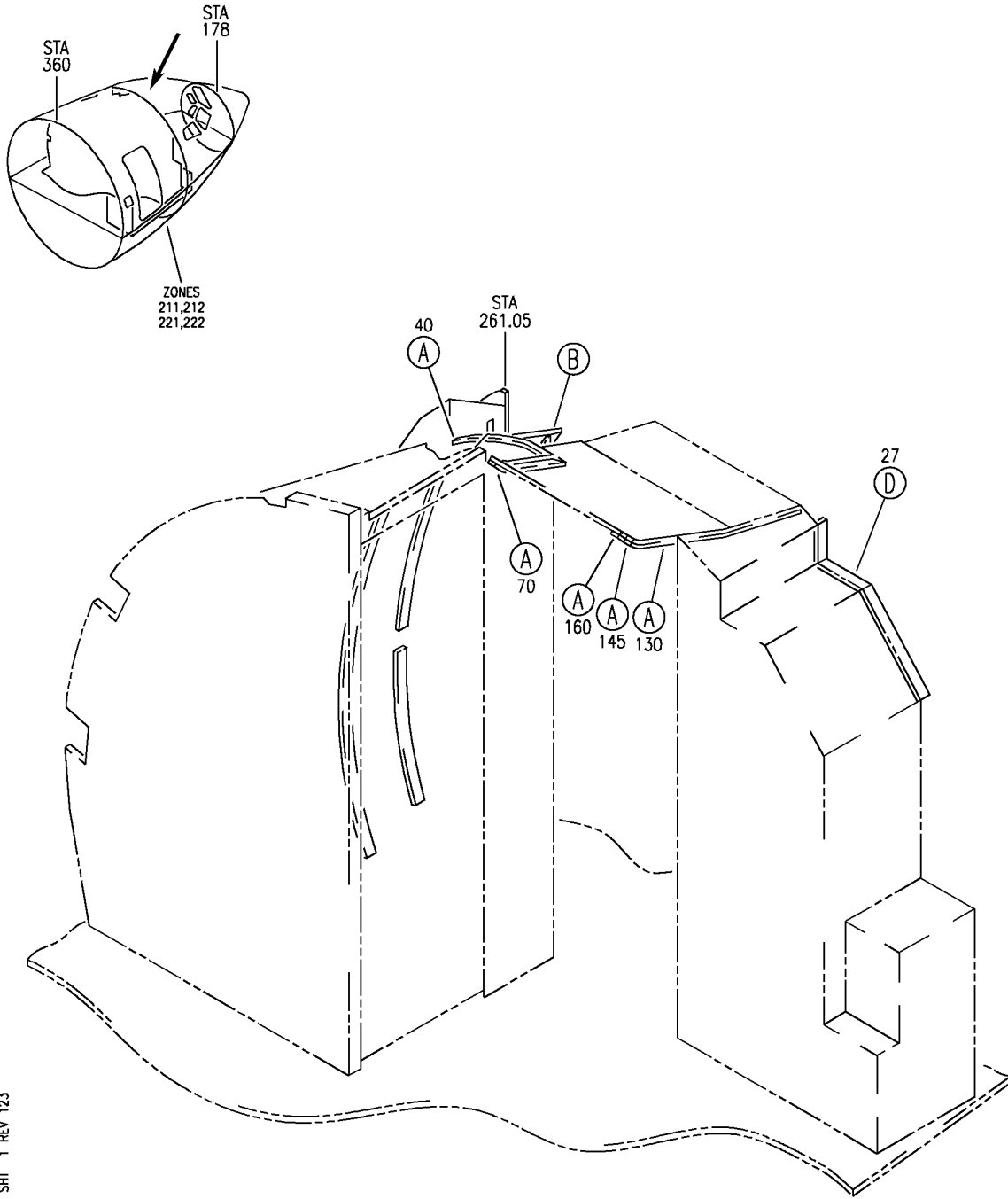
HAP

25-11-00-44A

BOEING PROPRIETARY - Copyright © - Unpublished Work - See title page for details.

25-11-00
FIG. 44A
PAGE 1
OCT 15/08

BOEING
737-600/700/800/900
PARTS CATALOG (MAINTENANCE)



E 25110045 SHT 1 REV 123

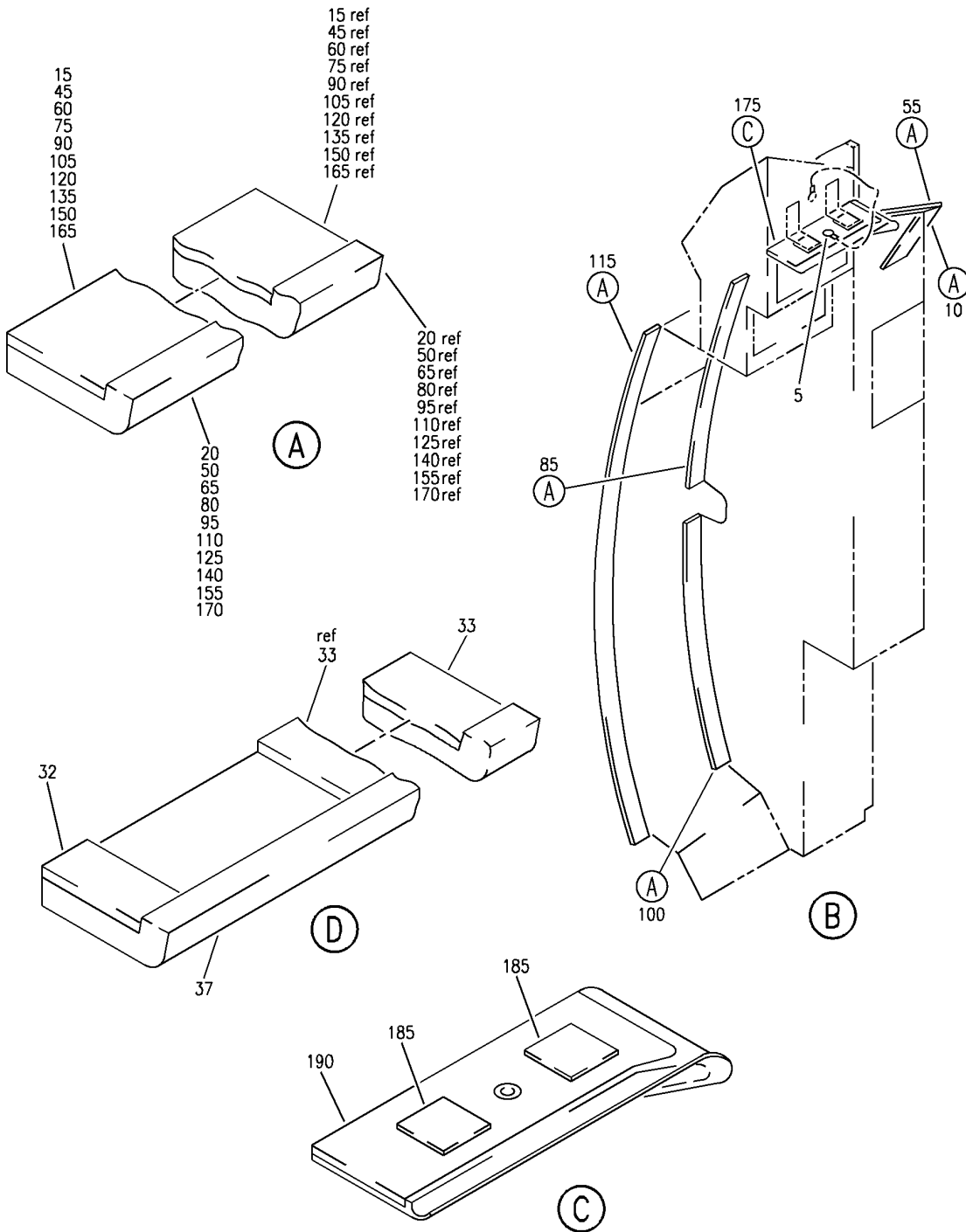
SEAL INSTL-LINING
FIGURE 45 (SHEET 1)

25-11-00-45

HAP
OCT 10/06

25-11-00-45
PAGE 0

BOEING
 737-600/700/800/900
 PARTS CATALOG (MAINTENANCE)



E 25110045 SHT 2 REV 123

SEAL INSTL-LINING
 FIGURE 45 (SHEET 2)

25-11-00-45

HAP
 OCT 10/06

25-11-00-45
 PAGE 0A

BOEING
737-600/700/800/900
PARTS CATALOG (MAINTENANCE)

FIG ITEM	PART NUMBER	1 2 3 4 5 6 7	NOMENCLATURE	EFFECT FROM TO	UNITS PER ASSY
45			SEAL INSTL-LINING	031200 968999	
- 1	MODREF81728		SEAL INSTL-LINING MODULE NUMBER: 232A1430-3 REV A	031043 101101 968971	1
- 1	MODREF349155		SEAL INSTL-LINING MODULE NUMBER: 232A1430-3 REV B	044100 102200 972999	1
5	NAS8203A3		.SCREW- POSITION DATA: FAR SIDE	031043 101101 968971	1
5	BACS12HJ3K3		.SCREW- POSITION DATA: FAR SIDE	044100 102200 972999	1
10	232A1431-4		.SEAL ASSY	031200 968999	1
15	232A1431-204		..PILE-TAPE	031200 968999	1
20	232A1431-104		..SEAL	031200 968999	1
27	232A1431-13		.SEAL ASSY-	031200 968999	1
32	232A1431-212		..PILE-TAPE	031200 968999	1
33	232A1431-214		..PILE-TAPE	031200 968999	1
37	232A1431-112		..SEAL-	031200 968999	1
40	232A1431-7		.SEAL ASSY	031200 968999	1
45	232A1431-207		..PILE-TAPE	031200 968999	1
50	232A1431-107		..SEAL	031200 968999	1
55	232A1431-5		.SEAL ASSY	031200 968999	1
60	232A1431-205		..PILE-TAPE	031200 968999	1
65	232A1431-105		..SEAL	031200 968999	1
70	232A1431-6		.SEAL ASSY	031200 968999	1
75	232A1431-206		..PILE-TAPE	031200 968999	1
80	232A1431-106		..SEAL	031200 968999	1
85	232A1431-3		.SEAL ASSY	031200 968999	1

MISSING ITEM NUMBERS NOT APPLICABLE

- ITEM NOT ILLUSTRATED

HAP

25-11-00-45

25-11-00
FIG. 45
PAGE 1
OCT 15/08

BOEING
737-600/700/800/900
PARTS CATALOG (MAINTENANCE)

FIG ITEM	PART NUMBER	1 2 3 4 5 6 7	NOMENCLATURE	EFFECT FROM TO	UNITS PER ASSY
45					
90	232A1431-203	..	PILE-TAPE	031200 968999	1
95	232A1431-103	..	SEAL	031200 968999	1
100	232A1431-2	.SEAL	ASSY	031200 968999	1
105	232A1431-202	..	PILE-TAPE	031200 968999	1
110	232A1431-102	..	SEAL	031200 968999	1
115	232A1431-1	.SEAL	ASSY	031200 968999	1
120	232A1431-201	..	PILE-TAPE	031200 968999	1
125	232A1431-101	..	SEAL	031200 968999	1
130	232A1431-10	.SEAL	ASSY	031200 968999	1
135	232A1431-210	..	PILE-TAPE	031200 968999	1
140	232A1431-110	..	SEAL	031200 968999	1
145	232A1431-14	.SEAL	ASSY-	031200 968999	1
150	232A1431-213	..	PILE-TAPE	031200 968999	1
155	232A1431-113	..	SEAL-	031200 968999	1
160	232A1431-8	.SEAL	ASSY	031200 968999	1
165	232A1431-208	..	PILE-TAPE	031200 968999	1
170	232A1431-108	..	SEAL	031200 968999	1
175	232A1432-7	.PAD	ASSY-TRIM	031200 968999	1
- 180	SL618-3A	..	INSERT- SUPPLIER CODE: V97393	031200 968999	1
185	232A1432-3	..	PILE-TAPE	031200 968999	2
190	232A1433-1	..	FILLER	031200 968999	1

MISSING ITEM NUMBERS NOT APPLICABLE

- ITEM NOT ILLUSTRATED

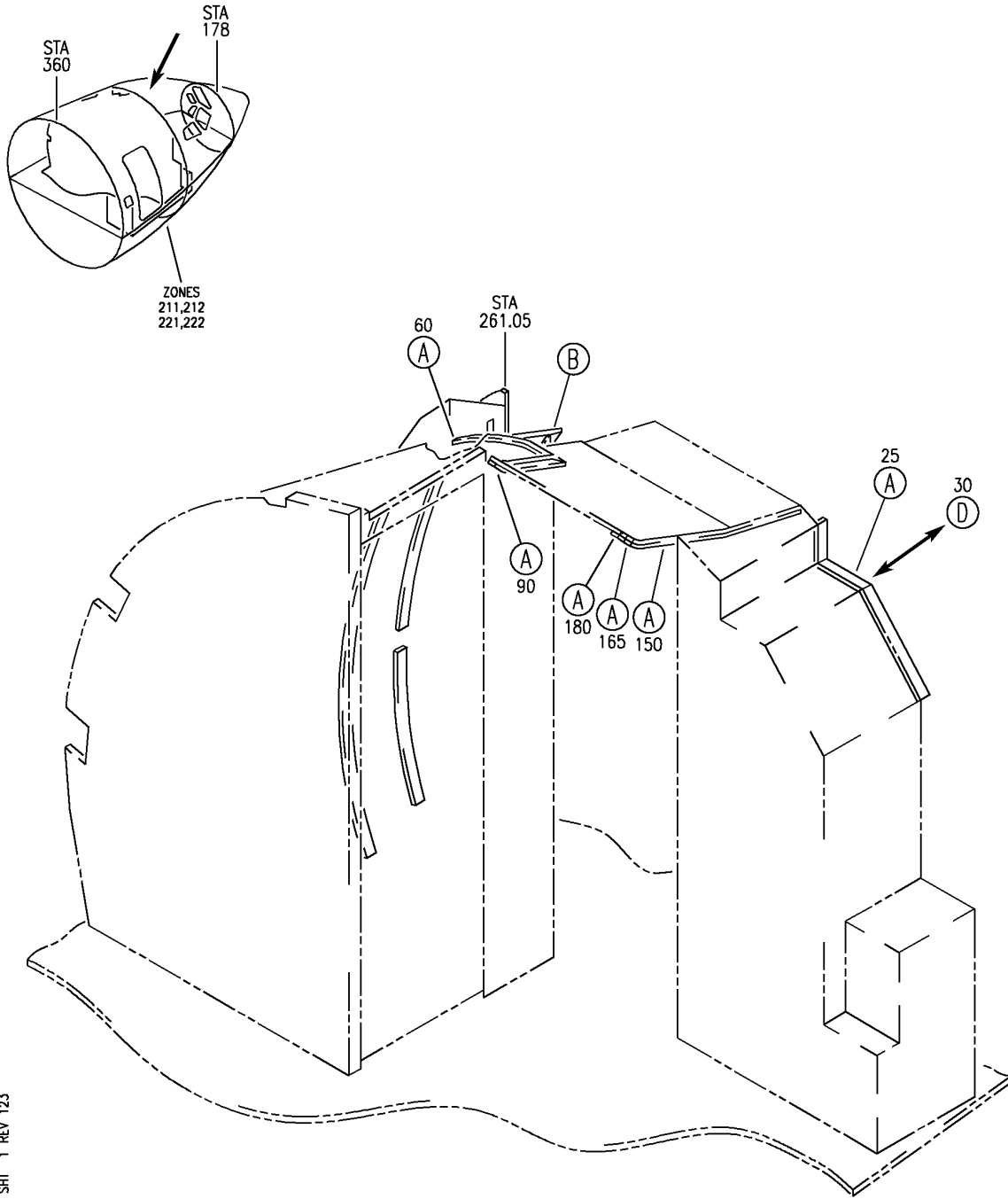
HAP

25-11-00-45

BOEING PROPRIETARY - Copyright © - Unpublished Work - See title page for details.

25-11-00
FIG. 45
PAGE 2
OCT 15/08

BOEING
737-600/700/800/900
PARTS CATALOG (MAINTENANCE)



E 25110045A SHT 1 REV 123

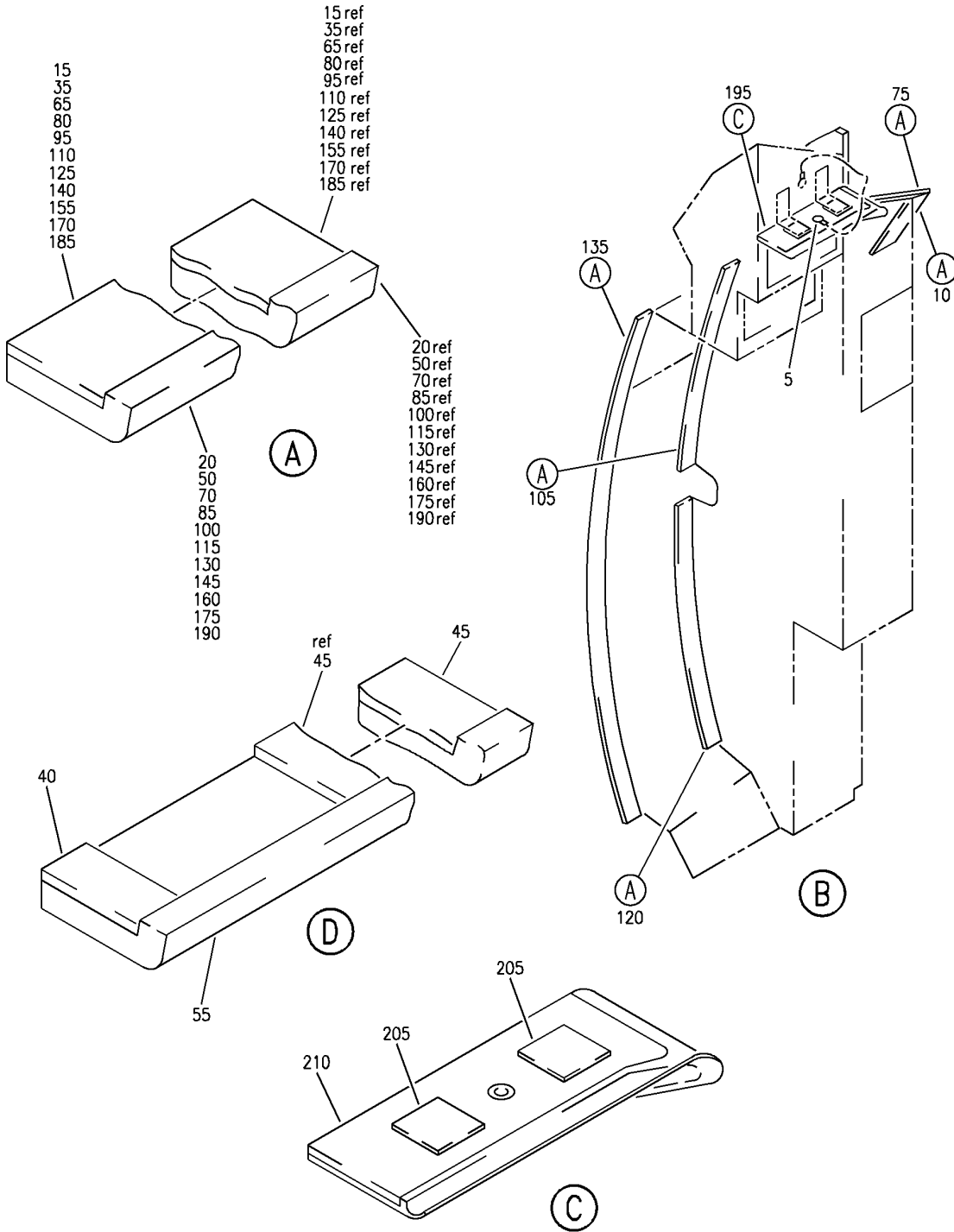
SEAL INSTL-LINING
FIGURE 45A (SHEET 1)

25-11-00-45A

HAP
OCT 10/06

25-11-00-45A
PAGE 0

BOEING
 737-600/700/800/900
 PARTS CATALOG (MAINTENANCE)



E 25110045A SHT 2 REV 123

SEAL INSTL-LINING
 FIGURE 45A (SHEET 2)

25-11-00-45A

HAP
 OCT 10/06

25-11-00-45A
 PAGE 0A

BOEING
737-600/700/800/900
PARTS CATALOG (MAINTENANCE)

FIG ITEM	PART NUMBER	1 2 3 4 5 6 7	NOMENCLATURE	EFFECT FROM TO	UNITS PER ASSY
45A			SEAL INSTL-LINING	001030 201967	
- 1	232A1430-1		SEAL INSTL-LINING FOR NHA SEE: 25-10-00-03	001011 201967	RF
- 1	232A1430-2		SEAL INSTL-LINING FOR NHA SEE: 25-10-00-03	012030	RF
5	BACS12HJ31C3		.SCREW- POSITION DATA: FAR SIDE	001030 201967	1
10	232A1431-4		.SEAL ASSY	001030 201967	1
15	232A1431-204		..PILE-TAPE	001030 201967	1
20	232A1431-104		..SEAL	001030 201967	1
25	232A1431-11		.SEAL ASSY	001011 201967	1
30	232A1431-12		.SEAL ASSY	012030	1
35	232A1431-211		..PILE-TAPE	001011 201967	1
40	232A1431-212		..PILE-TAPE	012030	1
45	232A1431-214		..PILE-TAPE	012030	1
50	232A1431-111		..SEAL	001011 201967	1
55	232A1431-112		..SEAL	012030	1
60	232A1431-7		.SEAL ASSY	001030 201967	1
65	232A1431-207		..PILE-TAPE	001030 201967	1
70	232A1431-107		..SEAL	001030 201967	1
75	232A1431-5		.SEAL ASSY	001030 201967	1
80	232A1431-205		..PILE-TAPE	001030 201967	1
85	232A1431-105		..SEAL	001030 201967	1
90	232A1431-6		.SEAL ASSY	001030 201967	1
95	232A1431-206		..PILE-TAPE	001030 201967	1
100	232A1431-106		..SEAL	001030 201967	1
105	232A1431-3		.SEAL ASSY	001030 201967	1
110	232A1431-203		..PILE-TAPE	001030 201967	1

MISSING ITEM NUMBERS NOT APPLICABLE

- ITEM NOT ILLUSTRATED

HAP

25-11-00-45A

BOEING PROPRIETARY - Copyright © - Unpublished Work - See title page for details.

25-11-00
FIG. 45A
PAGE 1
OCT 15/08

BOEING
737-600/700/800/900
PARTS CATALOG (MAINTENANCE)

FIG ITEM	PART NUMBER	1 2 3 4 5 6 7	NOMENCLATURE	EFFECT FROM TO	UNITS PER ASSY
45A					
115	232A1431-103	..	SEAL	001030 201967	1
120	232A1431-2	.SEAL	ASSY	001030 201967	1
125	232A1431-202	..	PILE-TAPE	001030 201967	1
130	232A1431-102	..	SEAL	001030 201967	1
135	232A1431-1	.SEAL	ASSY	001030 201967	1
140	232A1431-201	..	PILE-TAPE	001030 201967	1
145	232A1431-101	..	SEAL	001030 201967	1
150	232A1431-10	.SEAL	ASSY	001030 201967	1
155	232A1431-210	..	PILE-TAPE	001030 201967	1
160	232A1431-110	..	SEAL	001030 201967	1
165	232A1431-9	.SEAL	ASSY	001030 201967	1
170	232A1431-209	..	PILE-TAPE	001030 201967	1
175	232A1431-109	..	SEAL	001030 201967	1
180	232A1431-8	.SEAL	ASSY	001030 201967	1
185	232A1431-208	..	PILE-TAPE	001030 201967	1
190	232A1431-108	..	SEAL	001030 201967	1
195	232A1432-7	.PAD	ASSY-TRIM	001030 201967	1
- 200	SL618-3A	..	INSERT- SUPPLIER CODE: V97393	001030 201967	1
205	232A1432-3	..	PILE-TAPE	001030 201967	2
210	232A1433-1	..	FILLER	001030 201967	1

MISSING ITEM NUMBERS NOT APPLICABLE

- ITEM NOT ILLUSTRATED

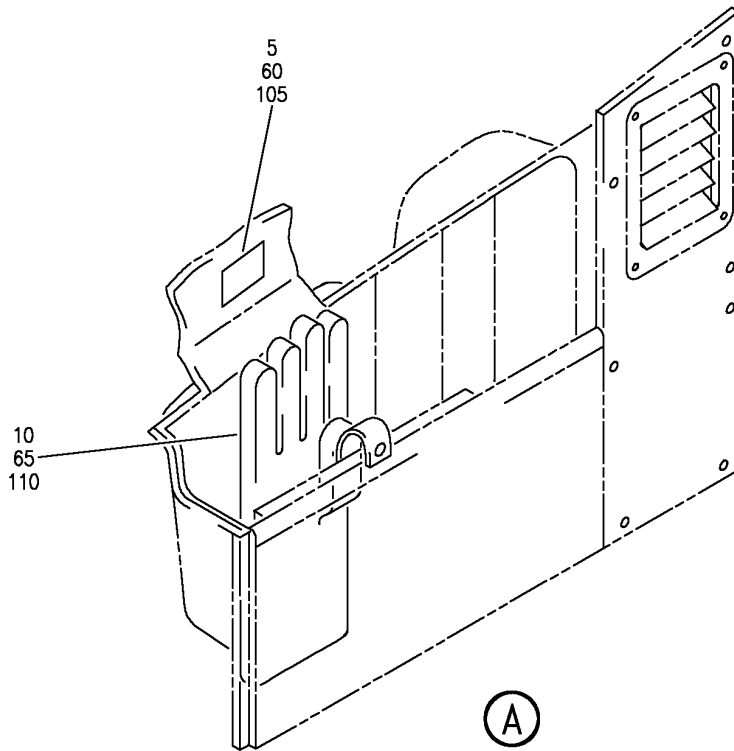
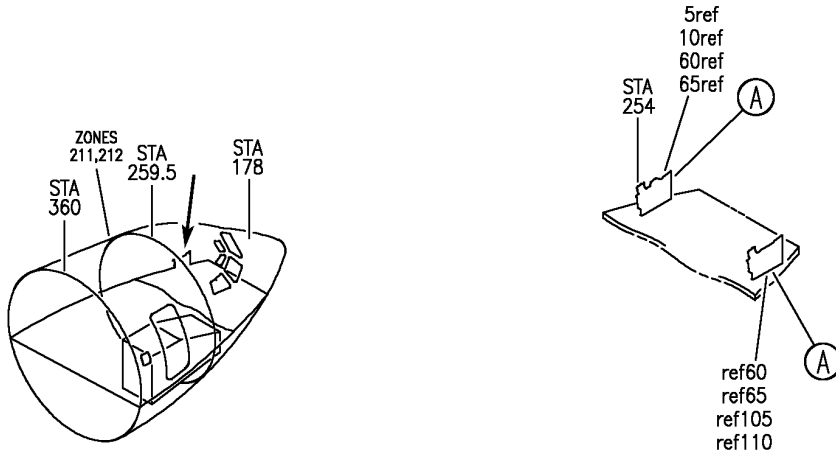
HAP

25-11-00-45A

BOEING PROPRIETARY - Copyright © - Unpublished Work - See title page for details.

25-11-00
FIG. 45A
PAGE 2
OCT 15/08

BOEING
 737-600/700/800/900
 PARTS CATALOG (MAINTENANCE)



E 25110048 REV 089

GLOVES INSTL-PROTECTIVE
 FIGURE 48

25-11-00-48

HAP
 FEB 10/07

25-11-00-48
 PAGE 0

BOEING
737-600/700/800/900
PARTS CATALOG (MAINTENANCE)

FIG ITEM	PART NUMBER	1 2 3 4 5 6 7	NOMENCLATURE	EFFECT FROM TO	UNITS PER ASSY
R R R R R R R R R R	48		GLOVES INSTL-PROTECTIVE	038038 041041 047047 049050 053100 107200	
	- 1	MODREF81875	GLOVES INSTL-PROTECTIVE MODULE NUMBER: 232A4107-5 REV A	038038	1
	- 3	MODREF284855	GLOVES INSTL-PROTECTIVE MODULE NUMBER: 232A4107-6 REV D POST RAPID REVISION: RR97237-27B	041041 047047 049050 053100 107200	1
	5	BAC27DCC2873	.MARKER- PLACARD CONTENT: PROTECTIVE GLOVES POST RAPID REVISION: RR97237-27B	038038 041041 047047 049050 053100 107200	1
	10	767-1464	.GLOVES-FIRE SUPPLIER CODE: V0969B	038038	1
	10	2993	.GLOVES-FIRE SUPPLIER CODE: V1025B POST RAPID REVISION: RR97237-27B	041041 047047 049050 053100 107200	1

MISSING ITEM NUMBERS NOT APPLICABLE

- ITEM NOT ILLUSTRATED

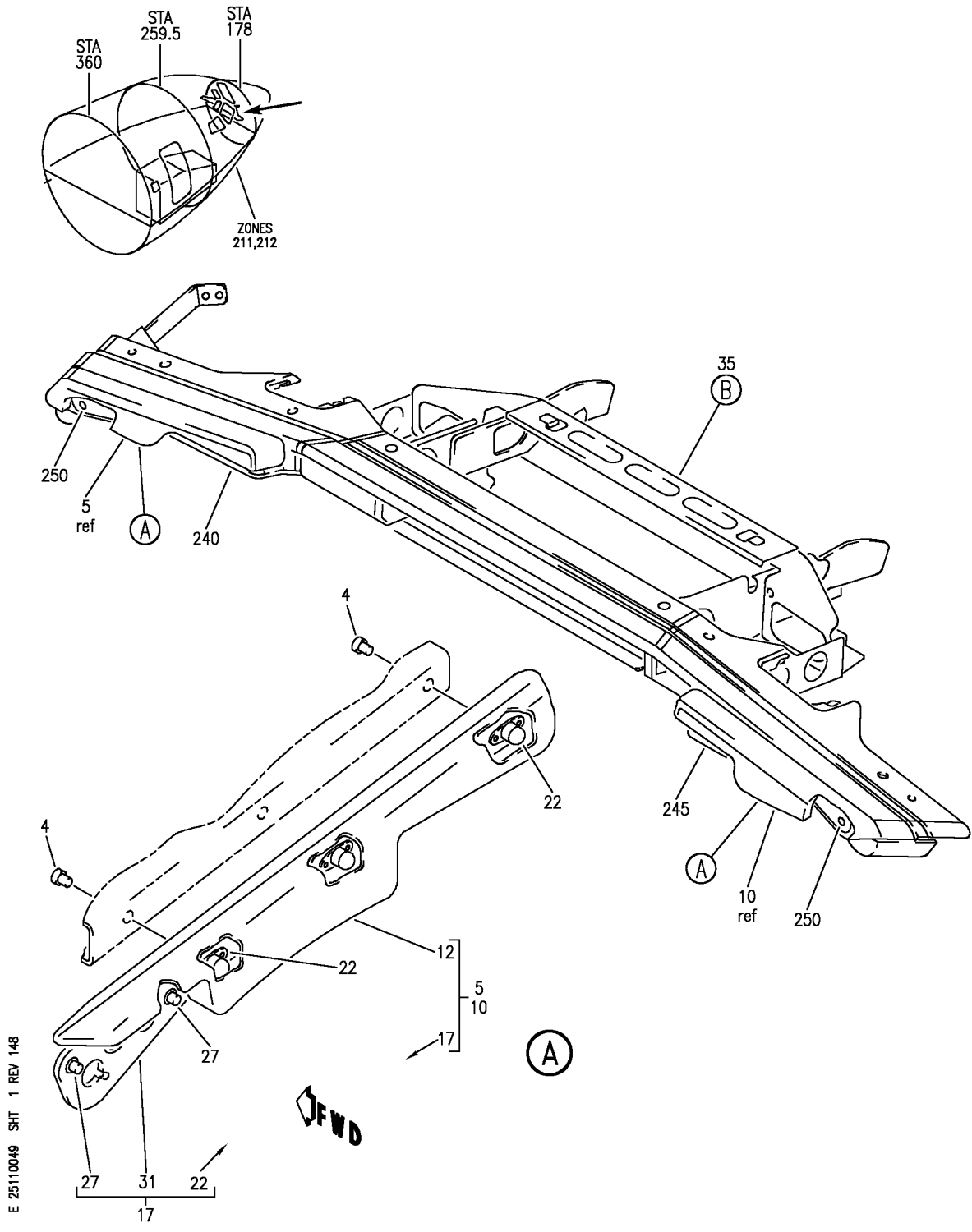
HAP

25-11-00-48

BOEING PROPRIETARY - Copyright © - Unpublished Work - See title page for details.

25-11-00
FIG. 48
PAGE 1
JUN 15/09

BOEING
 737-600/700/800/900
 PARTS CATALOG (MAINTENANCE)



E 25110049 SHT 1 REV 148

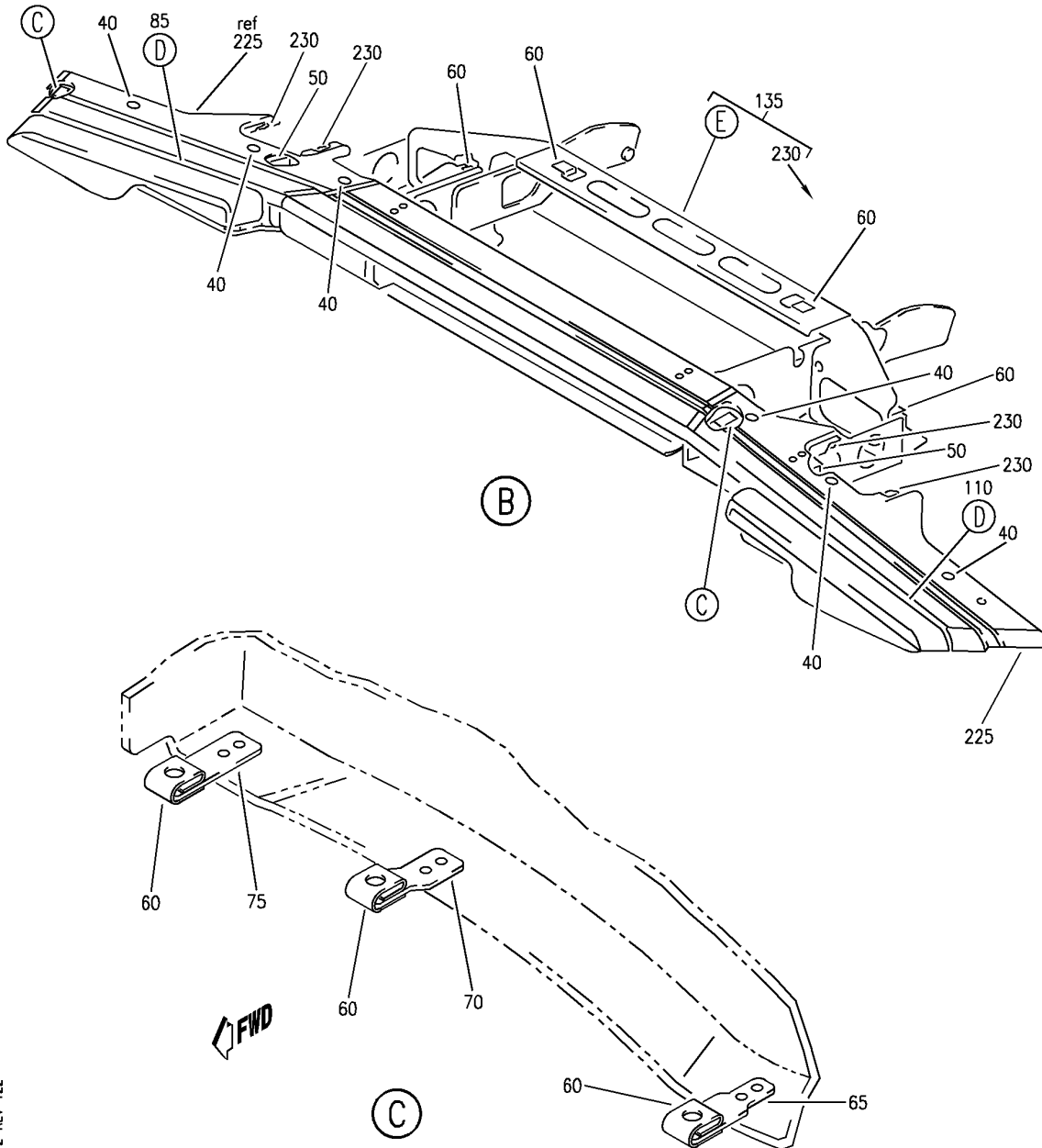
SUPPORT INSTL AND ASSY E/E BASELINE (EQUIPMENT/ FURNISHINGS ONLY)
 FIGURE 49 (SHEET 1)

25-11-00-49

HAP
 FEB 15/09

25-11-00-49
 PAGE 0

BOEING
 737-600/700/800/900
 PARTS CATALOG (MAINTENANCE)



E 25110049 SHT 2 REV 122

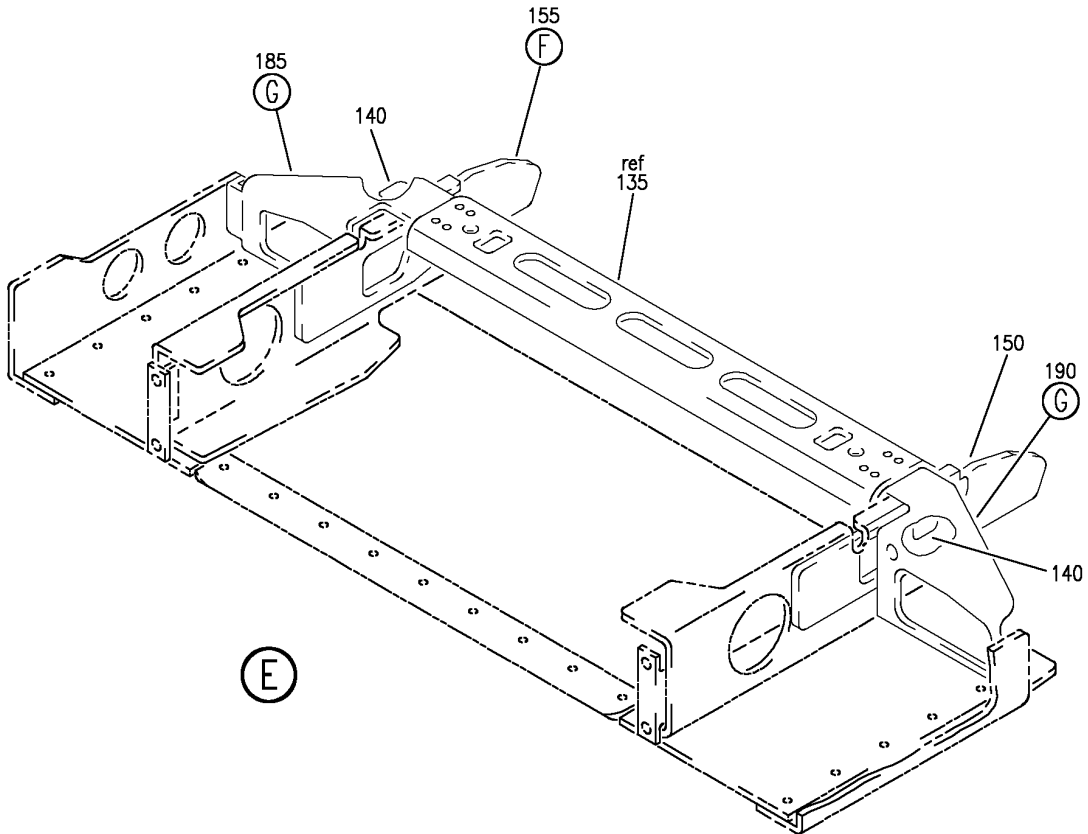
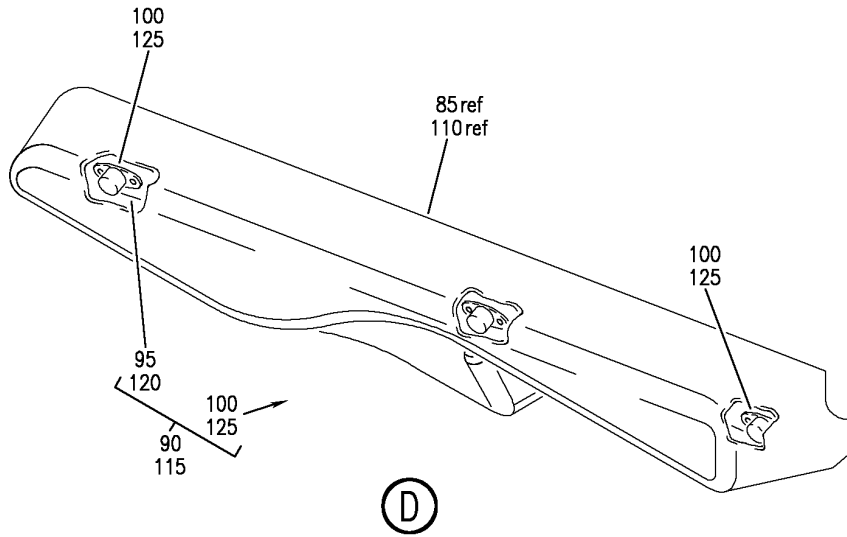
SUPPORT INSTL AND ASSY E/E BASELINE (EQUIPMENT/ FURNISHINGS ONLY)
 FIGURE 49 (SHEET 2)

25-11-00-49

HAP
 OCT 10/06

25-11-00-49
 PAGE 0A

BOEING
 737-600/700/800/900
 PARTS CATALOG (MAINTENANCE)



E 25110049 SH1 3 REV 076

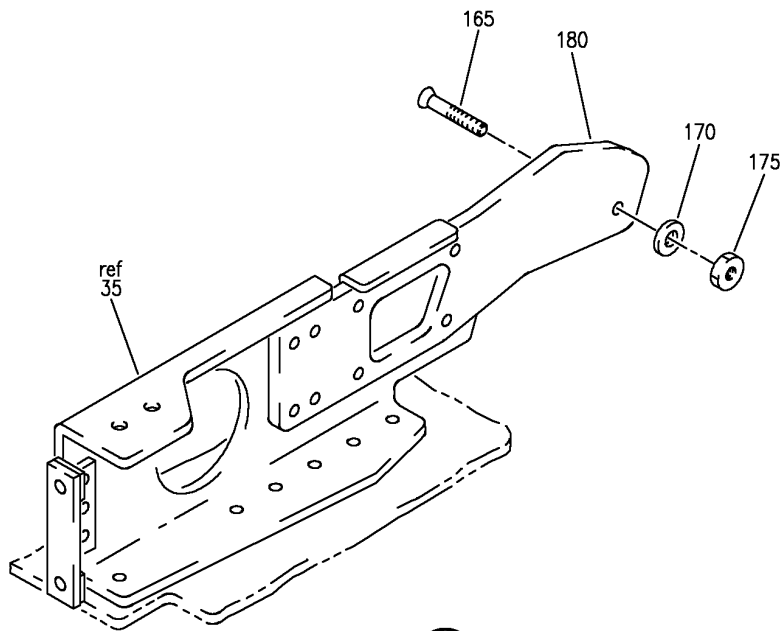
SUPPORT INSTL AND ASSY E/E BASELINE (EQUIPMENT/ FURNISHINGS ONLY)
 FIGURE 49 (SHEET 3)

25-11-00-49

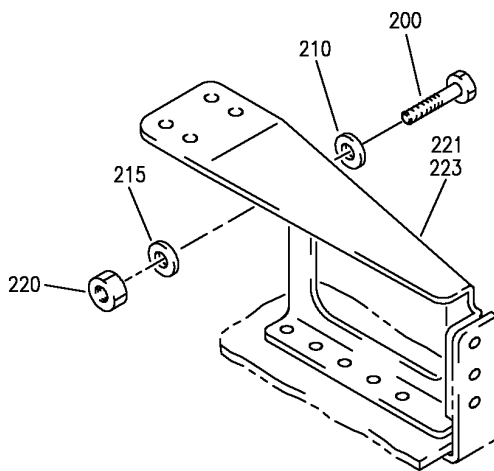
HAP
 OCT 10/06

25-11-00-49
 PAGE 0B

BOEING
 737-600/700/800/900
 PARTS CATALOG (MAINTENANCE)



(F)



FWD

(G)

E 25110049 SH1 4 REV 155

SUPPORT INSTL AND ASSY E/E BASELINE (EQUIPMENT/ FURNISHINGS ONLY)
 FIGURE 49 (SHEET 4)

25-11-00-49

HAP
 JUN 15/09

25-11-00-49
 PAGE 0C

BOEING
737-600/700/800/900
PARTS CATALOG (MAINTENANCE)

FIG ITEM	PART NUMBER	1 2 3 4 5 6 7	NOMENCLATURE	EFFECT FROM TO	UNITS PER ASSY
49			SUPPORT INSTL AND ASSY E/E BASELINE (EQUIPMENT/ FURNISHINGS ONLY)	031200 968999	
- 2	MODREF272840		SUPPORT INSTL-E/E PUSH-TO TALK SWITCH (EQUIPMENT/ FURNISHINGS ONLY) MODULE NUMBER: 233A8200-307 REV D FOR OTHER SYS DETAILS SEE: 33-11-90-04 33-14-00-09	031036	1
- 2	MODREF296582		SUPPORT INSTL-E/E PUSH-TO TALK SWITCH (EQUIPMENT/ FURNISHINGS ONLY) MODULE NUMBER: 233A8200-307 REV E FOR OTHER SYS DETAILS SEE: 33-11-90-04 33-14-00-09	037200 968999	1
R 4	BACS12HL3A6		.SCREW	031200 968999	6
R 5	233A8303-23		.PAD ASSY- POSITION DATA: L	031200 968999	1
10	233A8303-24		.PAD ASSY- POSITION DATA: R	031200 968999	1
12	233A8303-21		..PAD- POSITION DATA: LH SIDE	031200 968999	1
- 15	233A8303-22		..PAD- POSITION DATA: RH SIDE	031200 968999	1
17	233A8303-17		..PLATE ASSY- POSITION DATA: LH SIDE	031200 968999	1
- 20	233A8303-18		..PLATE ASSY- POSITION DATA: RH SIDE	031200 968999	1
22	NS103223SE02		...NUTPLATE SUPPLIER CODE: V80539 SPECIFICATION NUMBER: BACN10JY3CM OPTIONAL PART: 109K9457-3 V72962	031200 968999	3

MISSING ITEM NUMBERS NOT APPLICABLE

- ITEM NOT ILLUSTRATED

HAP

25-11-00-49

25-11-00
FIG. 49
PAGE 1
JUN 15/09

BOEING
737-600/700/800/900
PARTS CATALOG (MAINTENANCE)

FIG ITEM	PART NUMBER	1 2 3 4 5 6 7	NOMENCLATURE	EFFECT FROM TO	UNITS PER ASSY
49			ATTACHING PARTS		
- 25	BACR15BA3AD	...	RIVET- SIZE DETERMINED ON INSTL. -----*-----	031200 968999	6
27	SF6G6CBB5D	...	NUT-PRESS SUPPLIER CODE: V12324	031200 968999	2
31	233A8303-15	...	PLATE- POSITION DATA: LH SIDE	031200 968999	1
- 33	233A8303-16	...	PLATE- POSITION DATA: RH SIDE	031200 968999	1
35	233A8201-15	.	SUPPORT ASSY-	031036	1
35	233A8201-18	.	SUPPORT ASSY-	037200 968999	1
40	82-35-295-20	..	RECEPTACLE-SPR SUPPLIER CODE: V94222	031200 968999	6
- 45	BACR15BA3DC	..	ATTACHING PARTS RIVET- SIZE DETERMINED ON INSTL. -----*-----	031200 968999	12
50	233A8205-1	..	CLIP	031200 968999	2
- 55	BACR15BA3ADC	..	ATTACHING PARTS RIVET- SIZE DETERMINED ON INSTL. -----*-----	031200 968999	4
60	82-47-113-20	..	RECEPTACLE-1/4 TURN SUPPLIER CODE: V94222	031200 968999	10
65	233A8205-15	..	CLIP	031200 968999	2
70	233A8205-13	..	CLIP	031200 968999	2
75	233A8205-14	..	CLIP	031200 968999	2
- 80	BACR15BA3ADC	..	ATTACHING PARTS RIVET- SIZE DETERMINED ON INSTL. -----*-----	031200 968999	12
135	233A8202-1	..	SUPPORT ASSY	031200 968999	1
140	233A8205-1	...	CLIP	031200 968999	2

MISSING ITEM NUMBERS NOT APPLICABLE

- ITEM NOT ILLUSTRATED

HAP

25-11-00-49

25-11-00
FIG. 49
PAGE 2
FEB 15/09

BOEING
737-600/700/800/900
PARTS CATALOG (MAINTENANCE)

FIG ITEM	PART NUMBER	1 2 3 4 5 6 7	NOMENCLATURE	EFFECT FROM TO	UNITS PER ASSY
49			ATTACHING PARTS		
- 145	BACR15BA4DC	...	RIVET- SIZE DETERMINED ON INSTL. -----*-----	031200 968999	4
150	233A8205-12	...	GUSSET	031200 968999	1
155	233A8205-11	...	GUSSET ASSY	031200 968999	1
- 160	BACR15BA5DC	...	ATTACHING PARTS RIVET- SIZE DETERMINED ON INSTL. -----*-----	031200 968999	16
165	NAS514P1032-10	SCREW	031200 968999	1
170	NAS1149D0316H	WASHER	031200 968999	1
175	MS35650-305T	NUT	031200 968999	1
180	233A8205-12	GUSSET	031200 968999	1
185	233A8205-7	...	BRACE ASSY	031200 968999	1
190	233A8205-8	...	BRACE ASSY	031200 968999	1
- 195	BACR15BA4DC	...	ATTACHING PARTS RIVET- SIZE DETERMINED ON INSTL. -----*-----	031200 968999	10
200	NAS514P1032-10	SCREW	031200 968999	1
210	NAS1149D0316H	WASHER	031200 968999	1
215	NAS1149D0416H	WASHER	031200 968999	1
220	MS35650-305T	NUT	031200 968999	1
225	233A8302-11	..	PANEL ASSY-P7 CAP	031200 968999	1

MISSING ITEM NUMBERS NOT APPLICABLE

- ITEM NOT ILLUSTRATED

HAP

25-11-00-49

BOEING PROPRIETARY - Copyright © - Unpublished Work - See title page for details.

25-11-00
FIG. 49
PAGE 3
FEB 15/09

BOEING
737-600/700/800/900
PARTS CATALOG (MAINTENANCE)

FIG ITEM	PART NUMBER	1 2 3 4 5 6 7	NOMENCLATURE	EFFECT FROM TO	UNITS PER ASSY
49 230	MF53049-06		. . . NUTPLATE SUPPLIER CODE: V15653 SPECIFICATION NUMBER: BACN10JN06 OPTIONAL PART: MF1000-06BAC V15653 NS103218-62 V80539 RMF9201M62 V72962 VN252A62L V92215 T8124S06S V11815 BRFM20A06L V52828 ATTACHING PARTS	031200 968999	4
- 235	BACR15DR3		. . . RIVET- SIZE DETERMINED ON INSTL. -----*-----	031200 968999	8
240	233A8302-12		.. POCKET-P7 POSITION DATA: LH SIDE	031036	1
240	233A8302-16		.. POCKET-P7 POSITION DATA: LH SIDE	037200 968999	1
245	233A8302-13		.. POCKET-P7 POSITION DATA: RH SIDE	031036	1
245	233A8302-17		.. POCKET-P7 POSITION DATA: RH SIDE	037200 968999	1
R R R 250	2PB11H58		. SWITCH-PUSHBUTTON SUPPLIER CODE: V91929	031200 968999	2

MISSING ITEM NUMBERS NOT APPLICABLE

- ITEM NOT ILLUSTRATED

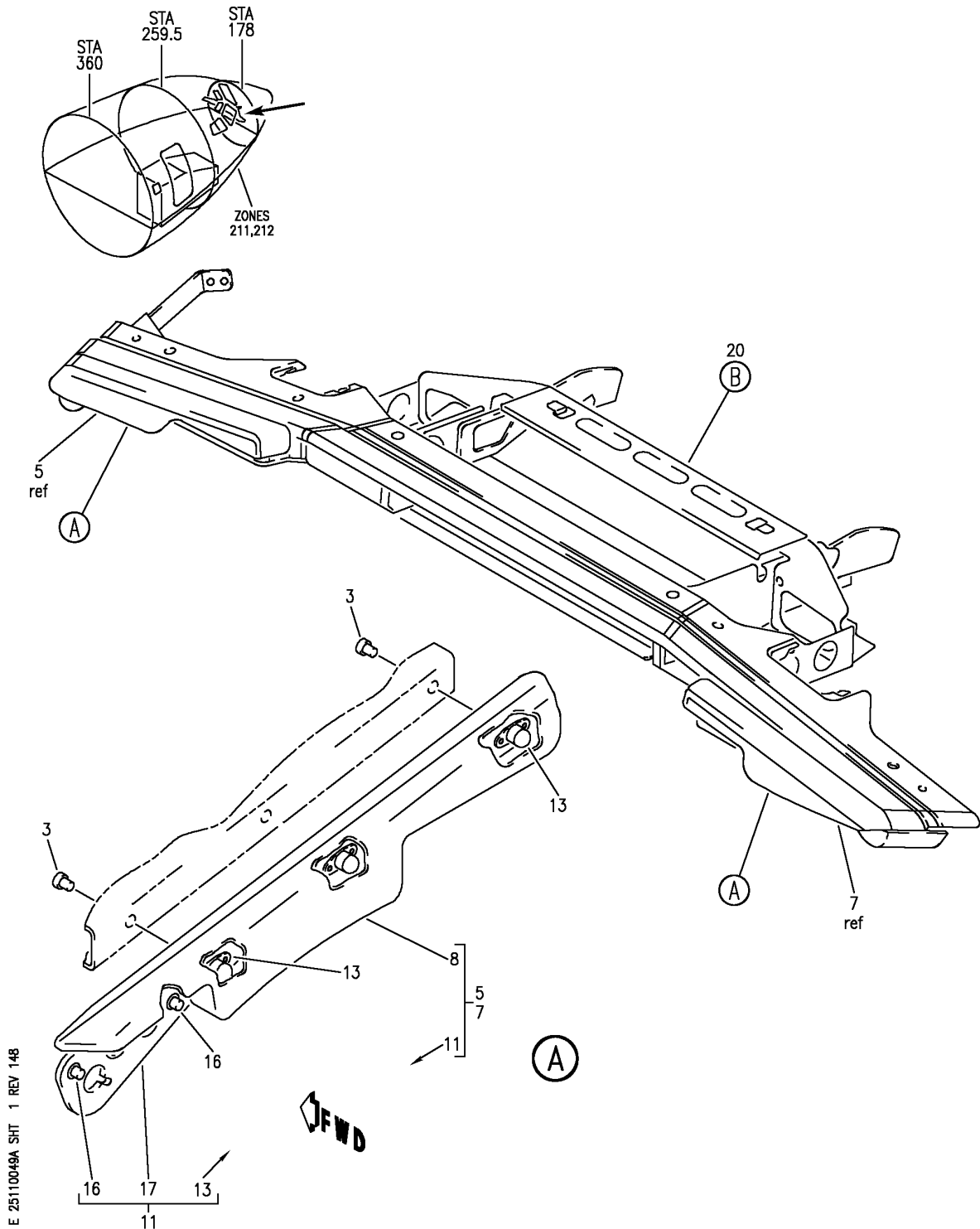
HAP

25-11-00-49

BOEING PROPRIETARY - Copyright © - Unpublished Work - See title page for details.

25-11-00
FIG. 49
PAGE 4
JUN 15/09

BOEING
 737-600/700/800/900
 PARTS CATALOG (MAINTENANCE)



E 25110049A SHT 1 REV 148

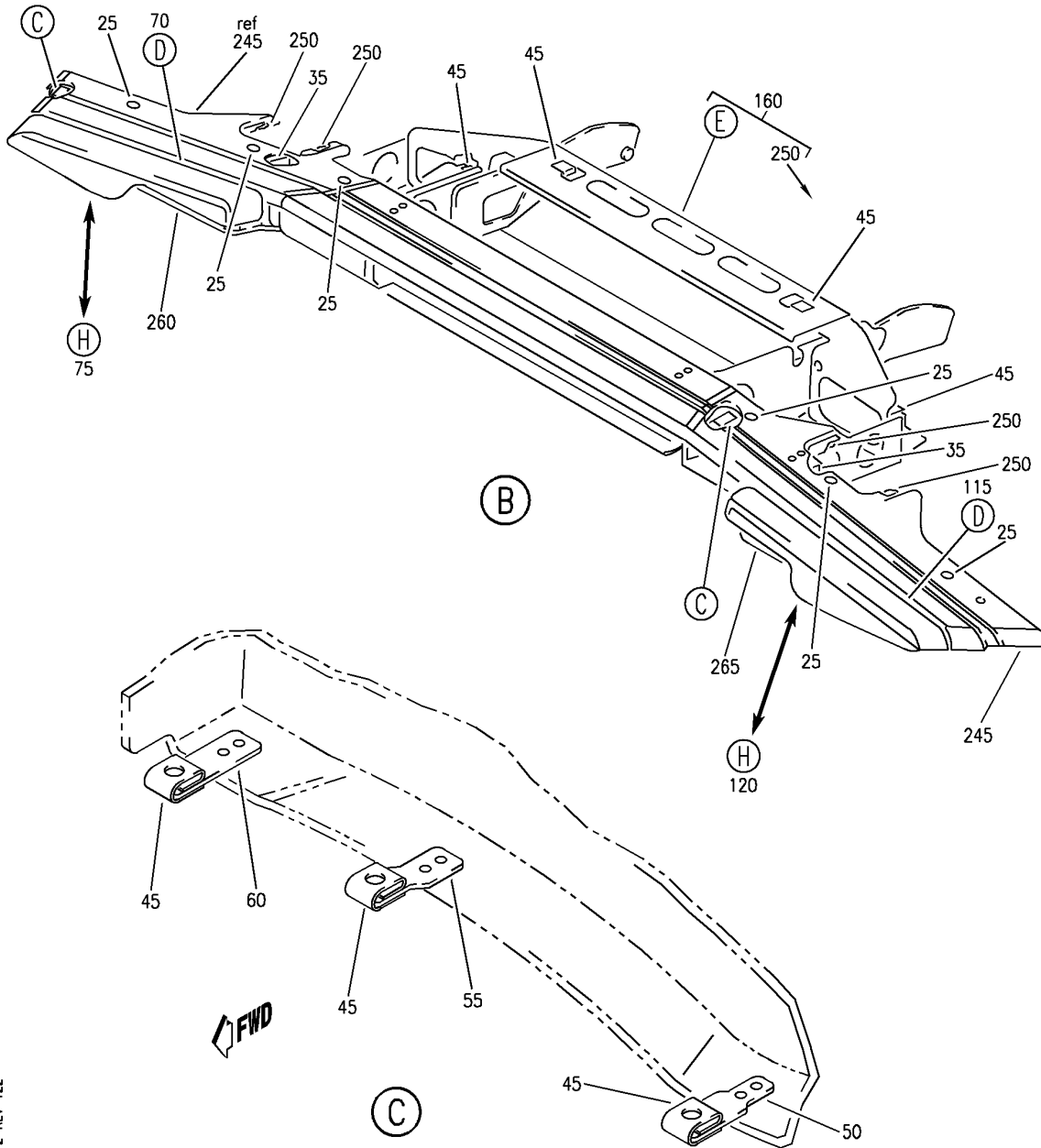
SUPPORT INSTL AND ASSY E/E BASELINE (EQUIPMENT/ FURNISHINGS ONLY)
 FIGURE 49A (SHEET 1)

25-11-00-49A

HAP
 FEB 15/09

25-11-00-49A
 PAGE 0

BOEING
 737-600/700/800/900
 PARTS CATALOG (MAINTENANCE)



E 25110049A SHT 2 REV 122

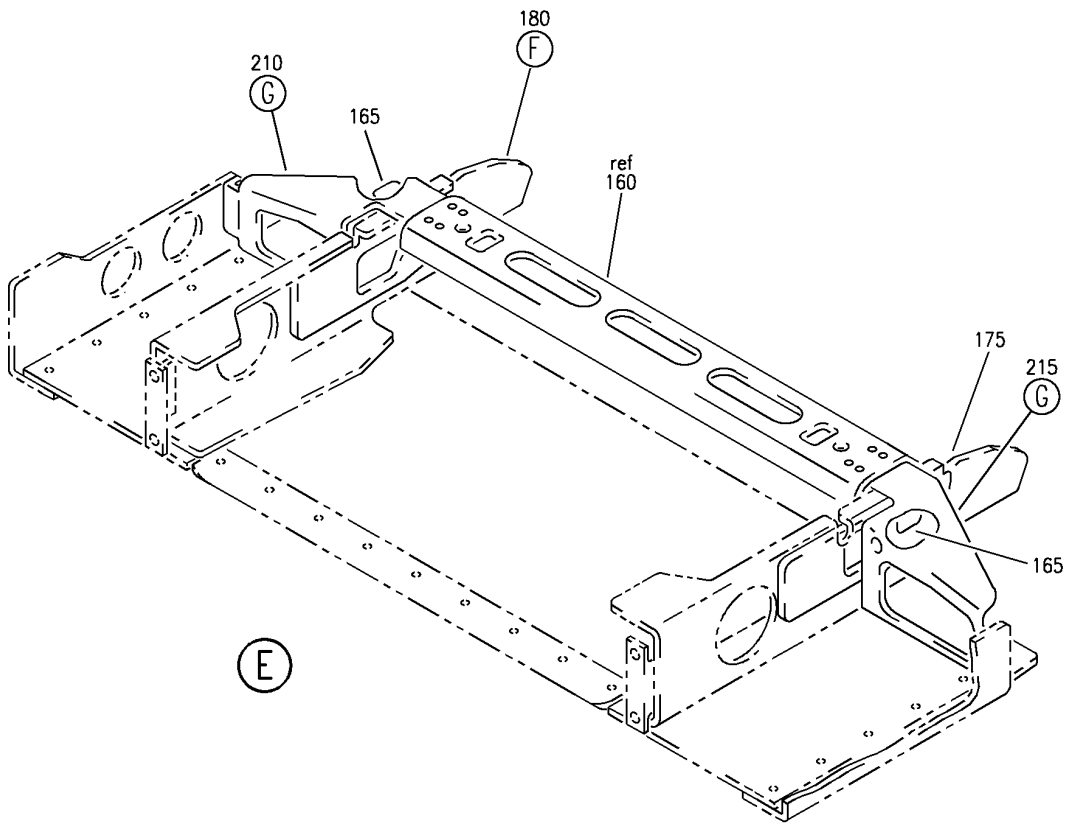
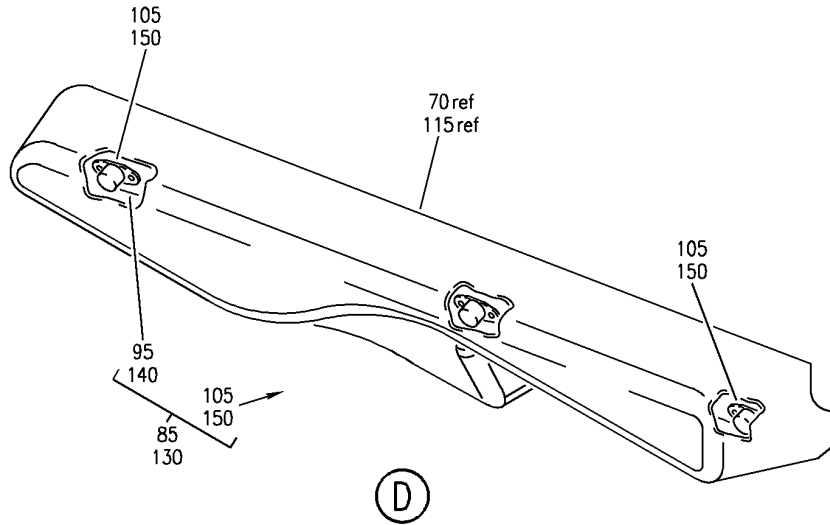
SUPPORT INSTL AND ASSY E/E BASELINE (EQUIPMENT/ FURNISHINGS ONLY)
 FIGURE 49A (SHEET 2)

25-11-00-49A

HAP
 OCT 10/06

25-11-00-49A
 PAGE 0A

BOEING
 737-600/700/800/900
 PARTS CATALOG (MAINTENANCE)



E 25110049A SHT 3 REV 122

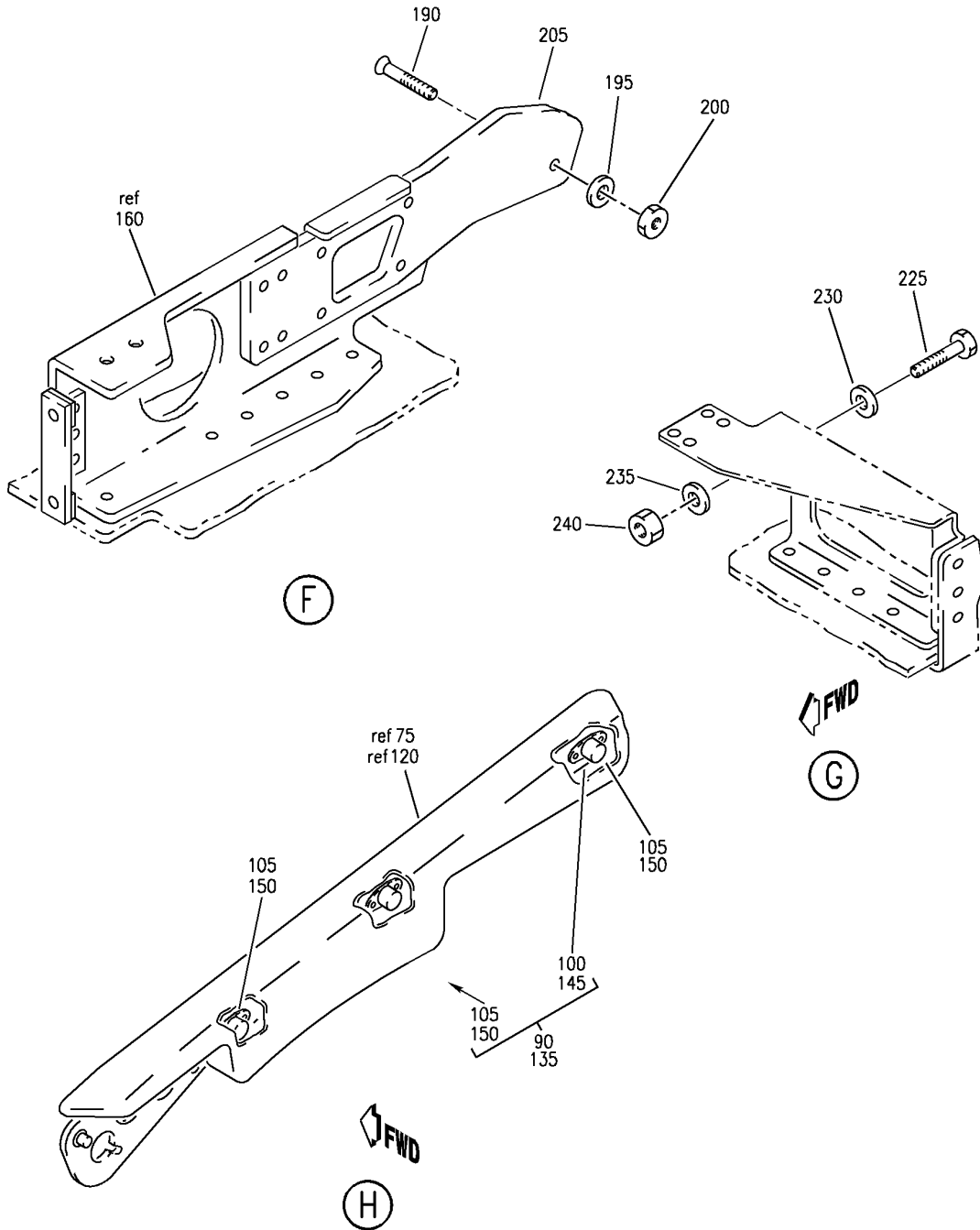
SUPPORT INSTL AND ASSY E/E BASELINE (EQUIPMENT/ FURNISHINGS ONLY)
 FIGURE 49A (SHEET 3)

25-11-00-49A

HAP
 OCT 10/06

25-11-00-49A
 PAGE 0B

BOEING
 737-600/700/800/900
 PARTS CATALOG (MAINTENANCE)



E 25110049A SHT 4 REV 122

SUPPORT INSTL AND ASSY E/E BASELINE (EQUIPMENT/ FURNISHINGS ONLY)
 FIGURE 49A (SHEET 4)

25-11-00-49A

HAP
 OCT 10/06

25-11-00-49A
 PAGE 0C

BOEING
737-600/700/800/900
PARTS CATALOG (MAINTENANCE)

FIG ITEM	PART NUMBER	1 2 3 4 5 6 7	NOMENCLATURE	EFFECT FROM TO	UNITS PER ASSY
49A			SUPPORT INSTL AND ASSY E/E BASELINE (EQUIPMENT/ FURNISHINGS ONLY)	008030 201967	
- 1	233A8200-300		SUPPORT INSTL-E/E BASELINE (EQUIPMENT/FURNISHINGS ONLY) FOR NHA/OTHER SYS DET SEE: 25-10-00-03	008021 201967	RF
- 1	233A8200-304		SUPPORT INSTL-E/E BASELINE (EQUIPMENT/FURNISHINGS ONLY) FOR NHA/OTHER SYS DET SEE: 25-10-00-03	022030	RF
20	233A8201-8		.SUPPORT ASSY	008021 201967	1
20	233A8201-13		.SUPPORT ASSY	022030	1
25	82-35-295-20		..RECEPTACLE-SPR SUPPLIER CODE: V94222 ATTACHING PARTS	008030 201967	6
- 30	BACR15BA3DC		..RIVET- SIZE DETERMINED ON INSTL. -----*-----	008030 201967	12
35	233A8205-1		..CLIP	008030 201967	2
- 40	BACR15BA3ADC		ATTACHING PARTS ..RIVET- SIZE DETERMINED ON INSTL. -----*-----	008030 201967	4
45	82-47-113-20		..RECEPTACLE-1/4 TURN SUPPLIER CODE: V94222	008030 201967	10
50	233A8205-15		..CLIP	008030 201967	2
55	233A8205-13		..CLIP	008030 201967	2
60	233A8205-14		..CLIP	008030 201967	2
- 65	BACR15BA3ADC		ATTACHING PARTS ..RIVET- SIZE DETERMINED ON INSTL. -----*-----	008030 201967	12
70	233A8303-13		..PAD ASSY- POSITION DATA: L	008030 201967	1
- 80	NAS1351N3-6P		ATTACHING PARTS ..SCREW- -----*-----	008030 201967	3

MISSING ITEM NUMBERS NOT APPLICABLE

- ITEM NOT ILLUSTRATED

HAP

25-11-00-49A

BOEING PROPRIETARY - Copyright © - Unpublished Work - See title page for details.

25-11-00
FIG. 49A
PAGE 1
OCT 15/08

BOEING
737-600/700/800/900
PARTS CATALOG (MAINTENANCE)

FIG ITEM	PART NUMBER	1 2 3 4 5 6 7	NOMENCLATURE	EFFECT FROM TO	UNITS PER ASSY
49A					
85	233A8303-3	...	PLATE ASSY- POSITION DATA: L	008030 201967	1
95	233A8303-7	PLATE-	008030 201967	1
105	NS103223SE02	NUTPLATE SUPPLIER CODE: V80539 SPECIFICATION NUMBER: BACN10JY3CM OPTIONAL PART: 109K9457-3 V72962 ATTACHING PARTS	008030 201967	3
- 110	BACR15BA3AD	RIVET- SIZE DETERMINED ON INSTL. -----*-----	008030 201967	6
115	233A8303-14	..	PAD ASSY- POSITION DATA: R ATTACHING PARTS	008030 201967	1
- 125	NAS1351N3-6P	..	SCREW-	008030 201967	3
130	233A8303-4	...	PLATE ASSY- POSITION DATA: R	008030 201967	1
140	233A8303-8	PLATE-	008030 201967	1
150	NS103223SE02	NUTPLATE SUPPLIER CODE: V80539 SPECIFICATION NUMBER: BACN10JY3CM OPTIONAL PART: 109K9457-3 V72962 ATTACHING PARTS	008030 201967	3
- 155	BACR15BA3AD	RIVET- SIZE DETERMINED ON INSTL. -----*-----	008030 201967	6
160	233A8202-1	..	SUPPORT ASSY	008030 201967	1
165	233A8205-1	...	CLIP ATTACHING PARTS	008030 201967	2
- 170	BACR15BA4DC	...	RIVET- SIZE DETERMINED ON INSTL. -----*-----	008030 201967	4

MISSING ITEM NUMBERS NOT APPLICABLE

- ITEM NOT ILLUSTRATED

HAP

25-11-00-49A

BOEING PROPRIETARY - Copyright © - Unpublished Work - See title page for details.

25-11-00
FIG. 49A
PAGE 2
OCT 15/08

BOEING
737-600/700/800/900
PARTS CATALOG (MAINTENANCE)

FIG ITEM	PART NUMBER	1 2 3 4 5 6 7	NOMENCLATURE	EFFECT FROM TO	UNITS PER ASSY
49A					
175	233A8205-12	...	GUSSET	008030 201967	1
180	233A8205-11	...	GUSSET ASSY	008030 201967	1
- 185	BACR15BA5DC		ATTACHING PARTS ...RIVET- SIZE DETERMINED ON INSTL. -----*-----	008030 201967	16
190	NAS514P1032-10	SCREW	008030 201967	1
195	NAS1149D0316H	WASHER	008030 201967	1
200	MS35650-305T	NUT	008030 201967	1
205	233A8205-12	GUSSET	008030 201967	1
210	233A8205-7	...	BRACE ASSY	008030 201967	1
215	233A8205-8	...	BRACE ASSY	008030 201967	1
- 220	BACR15BA4DC		ATTACHING PARTS ...RIVET- SIZE DETERMINED ON INSTL. -----*-----	008030 201967	10
225	NAS514P1032-10	SCREW	008030 201967	1
230	NAS1149D0316H	WASHER	008030 201967	1
235	NAS1149D0416H	WASHER	008030 201967	1
240	MS35650-305T	NUT	008030 201967	1
245	233A8302-2	..	PANEL ASSY-P7 CAP	008030 201967	1

MISSING ITEM NUMBERS NOT APPLICABLE

- ITEM NOT ILLUSTRATED

HAP

25-11-00-49A

BOEING PROPRIETARY - Copyright © - Unpublished Work - See title page for details.

25-11-00
FIG. 49A
PAGE 3
OCT 15/08

BOEING
737-600/700/800/900
PARTS CATALOG (MAINTENANCE)

FIG ITEM	PART NUMBER	1 2 3 4 5 6 7	NOMENCLATURE	EFFECT FROM TO	UNITS PER ASSY
49A 250	MF53049-06		...NUTPLATE SUPPLIER CODE: V15653 SPECIFICATION NUMBER: BACN10JN06 OPTIONAL PART: MF1000-06BAC V15653 NS103218-62 V80539 RMF9201M62 V72962 VN252A62L V92215 T8124S06S V11815 BRFM20A06L V52828 ATTACHING PARTS	008030 201967	4
- 255	BACR15DR3		...RIVET- SIZE DETERMINED ON INSTL. -----*-----	008030 201967	8
260	233A8302-3		..POCKET-P7 POSITION DATA: LH SIDE	201967	1
260	233A8302-15		..POCKET-P7 POSITION DATA: LH SIDE POST SERVICE BULLETIN: 31-1284	008030	1
265	233A8302-4		..POCKET-P7 POSITION DATA: RH SIDE	201967	1
265	233A8302-14		..POCKET-P7 POSITION DATA: RH SIDE POST SERVICE BULLETIN: 31-1284	008030	1

MISSING ITEM NUMBERS NOT APPLICABLE

- ITEM NOT ILLUSTRATED

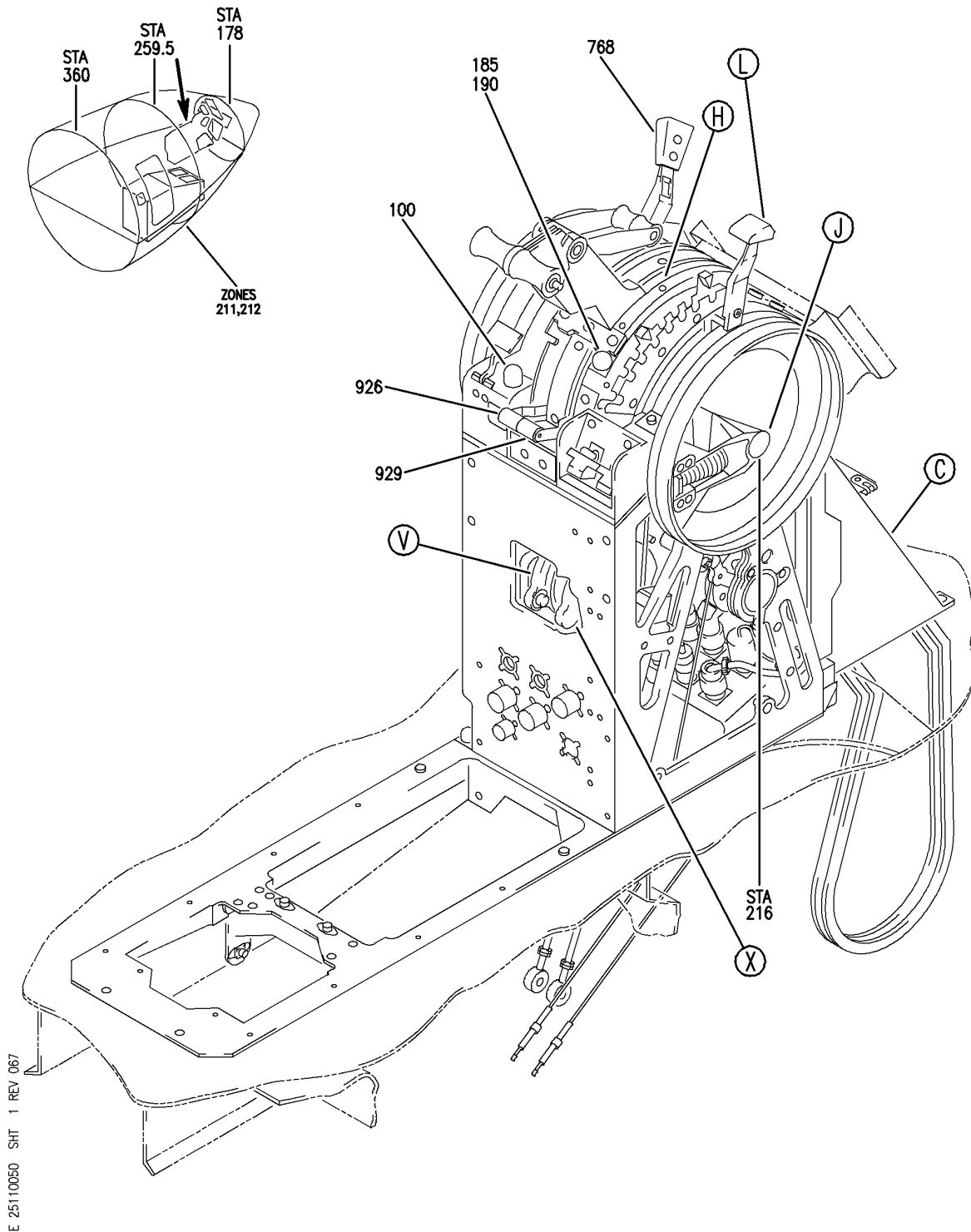
HAP

25-11-00-49A

BOEING PROPRIETARY - Copyright © - Unpublished Work - See title page for details.

25-11-00
FIG. 49A
PAGE 4
OCT 15/08

BOEING
 737-600/700/800/900
 PARTS CATALOG (MAINTENANCE)



E 25110050 SHT 1 REV 067

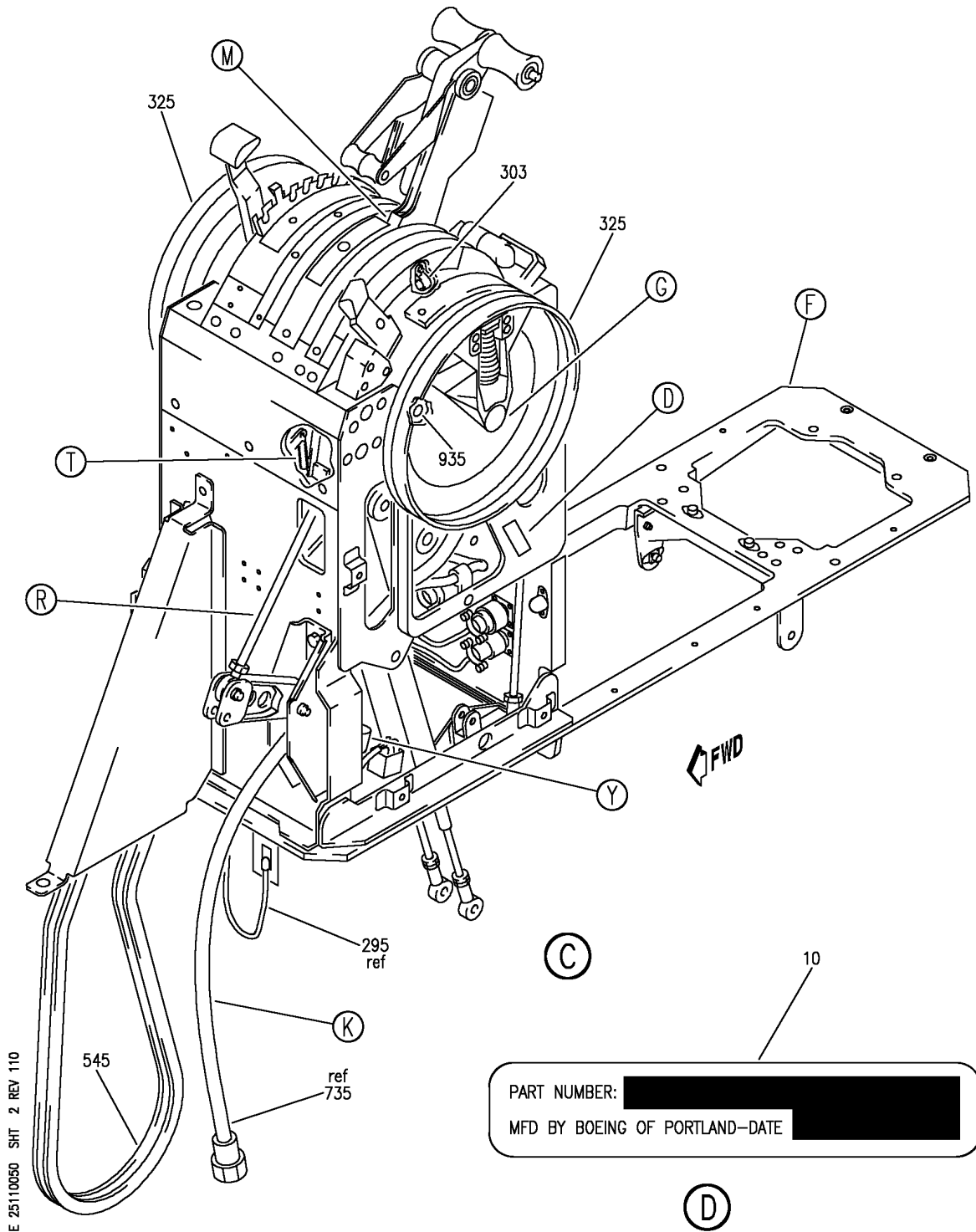
STAND ASSY / CONTROL INSTL-CAPT AND FIRST OFFICER STAB TRIM (EQUIPMENT/FURNISHINGS ONLY)
 FIGURE 50 (SHEET 1)

HAP
 OCT 15/08

25-11-00-50

25-11-00-50
 PAGE 0

BOEING
 737-600/700/800/900
 PARTS CATALOG (MAINTENANCE)



E 25110050 SHT 2 REV 110

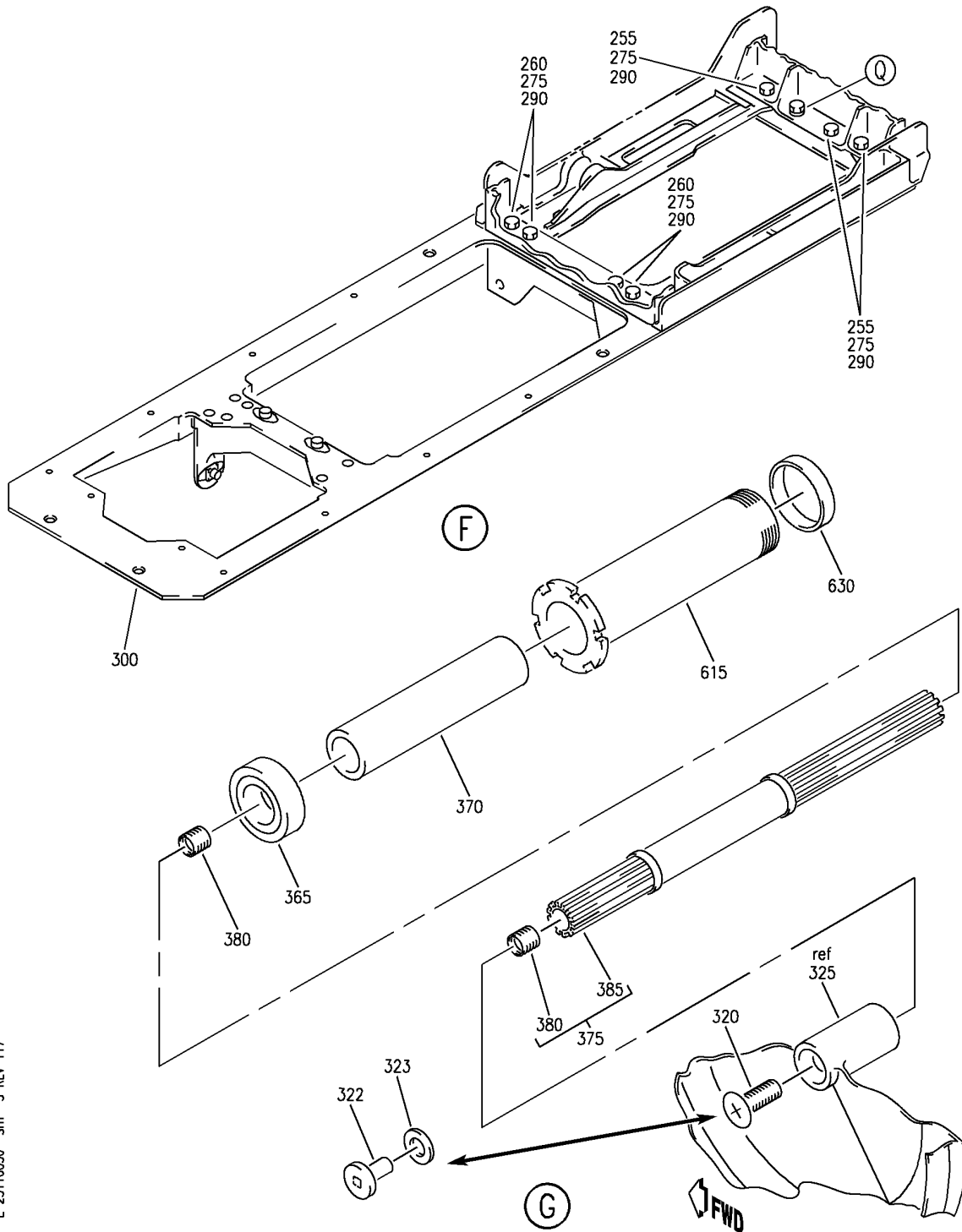
STAND ASSY / CONTROL INSTL-CAPT AND FIRST OFFICER STAB TRIM (EQUIPMENT/FURNISHINGS ONLY)
 FIGURE 50 (SHEET 2)

25-11-00-50

HAP
 OCT 15/08

25-11-00-50
 PAGE 0A

BOEING
 737-600/700/800/900
 PARTS CATALOG (MAINTENANCE)



E 25110050 SHT 3 REV 117

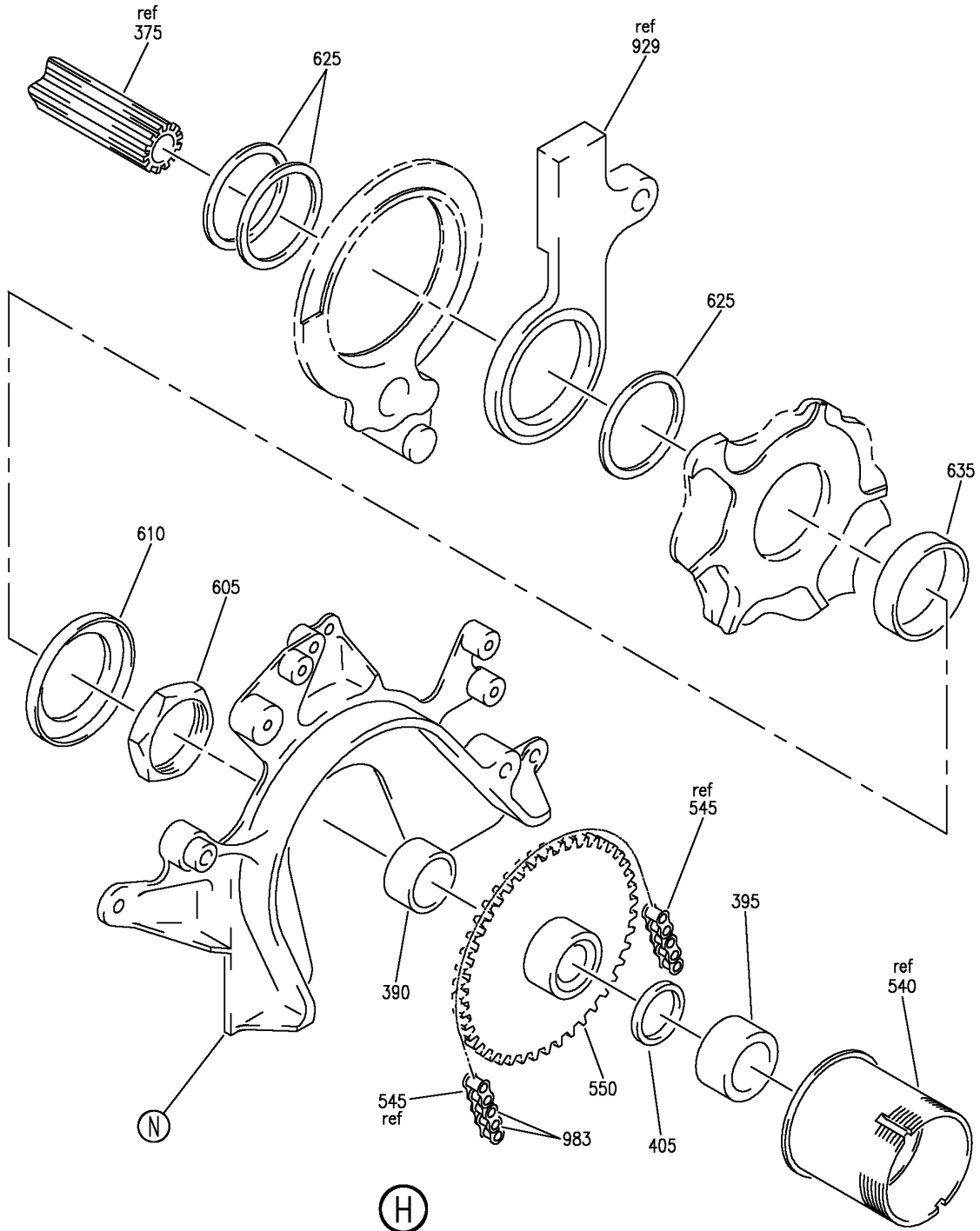
STAND ASSY / CONTROL INSTL-CAPT AND FIRST OFFICER STAB TRIM (EQUIPMENT/FURNISHINGS ONLY)
 FIGURE 50 (SHEET 3)

25-11-00-50

HAP
 OCT 15/08

25-11-00-50
 PAGE 0B

BOEING
 737-600/700/800/900
 PARTS CATALOG (MAINTENANCE)



E 25110050 SHT 4 REV 145

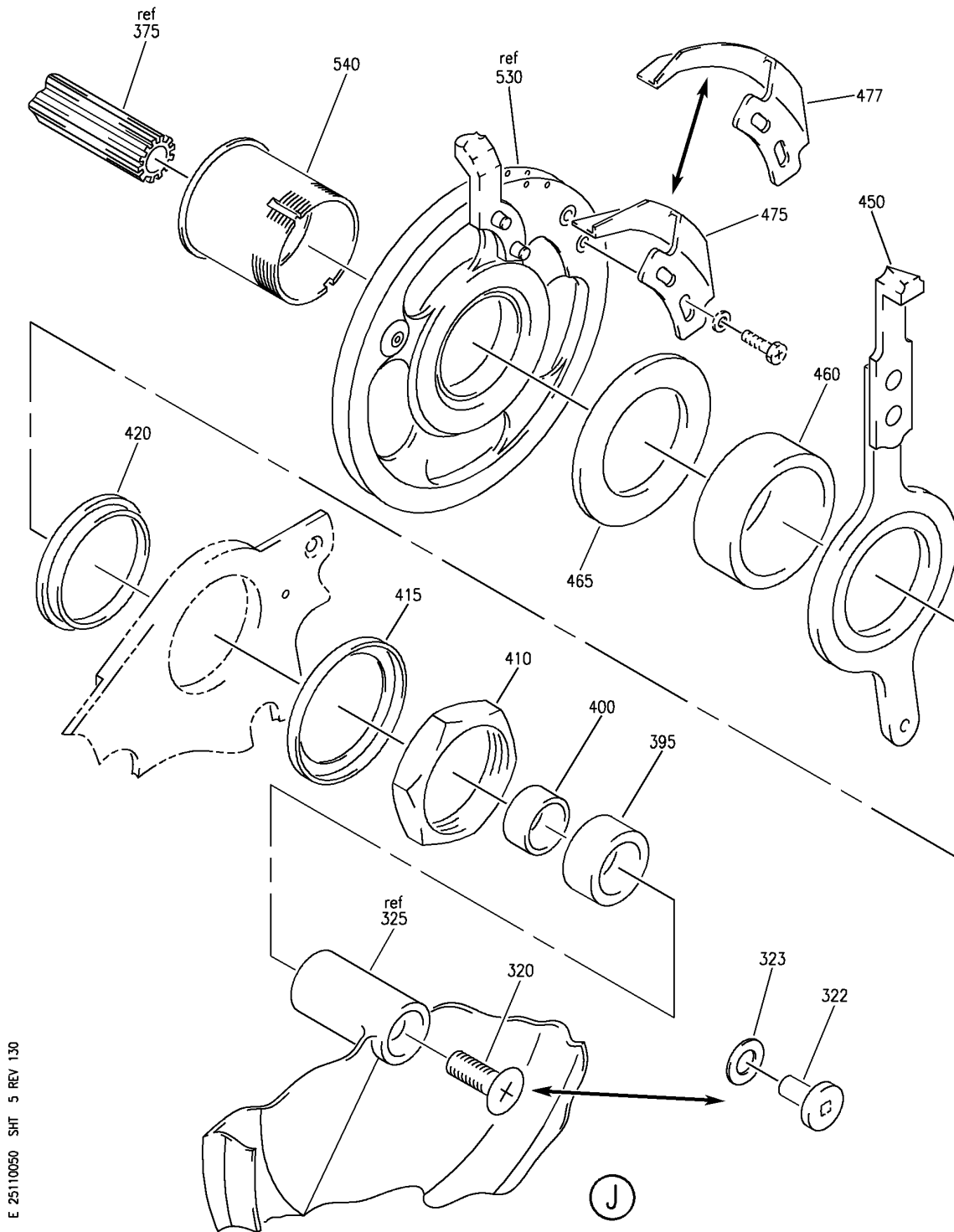
STAND ASSY / CONTROL INSTL-CAPT AND FIRST OFFICER STAB TRIM (EQUIPMENT/FURNISHINGS ONLY)
 FIGURE 50 (SHEET 4)

25-11-00-50

HAP
 OCT 15/08

25-11-00-50
 PAGE 0C

BOEING
 737-600/700/800/900
 PARTS CATALOG (MAINTENANCE)



E 25110050 SHT 5 REV 130

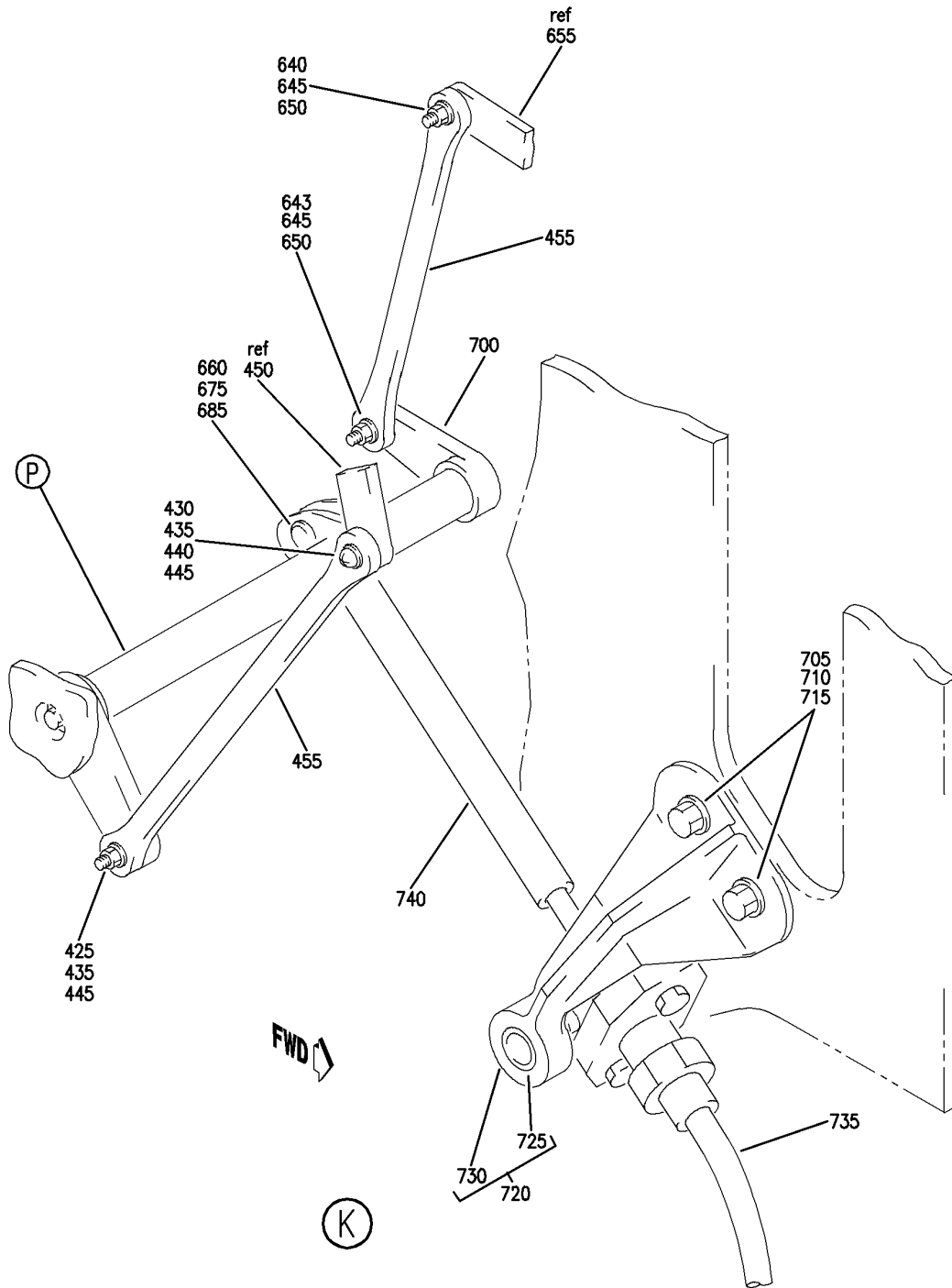
STAND ASSY / CONTROL INSTL-CAPT AND FIRST OFFICER STAB TRIM (EQUIPMENT/FURNISHINGS ONLY)
 FIGURE 50 (SHEET 5)

25-11-00-50

HAP
 OCT 15/08

25-11-00-50
 PAGE 0D

BOEING
 737-600/700/800/900
 PARTS CATALOG (MAINTENANCE)



E 25110050 SH 6 REV 067

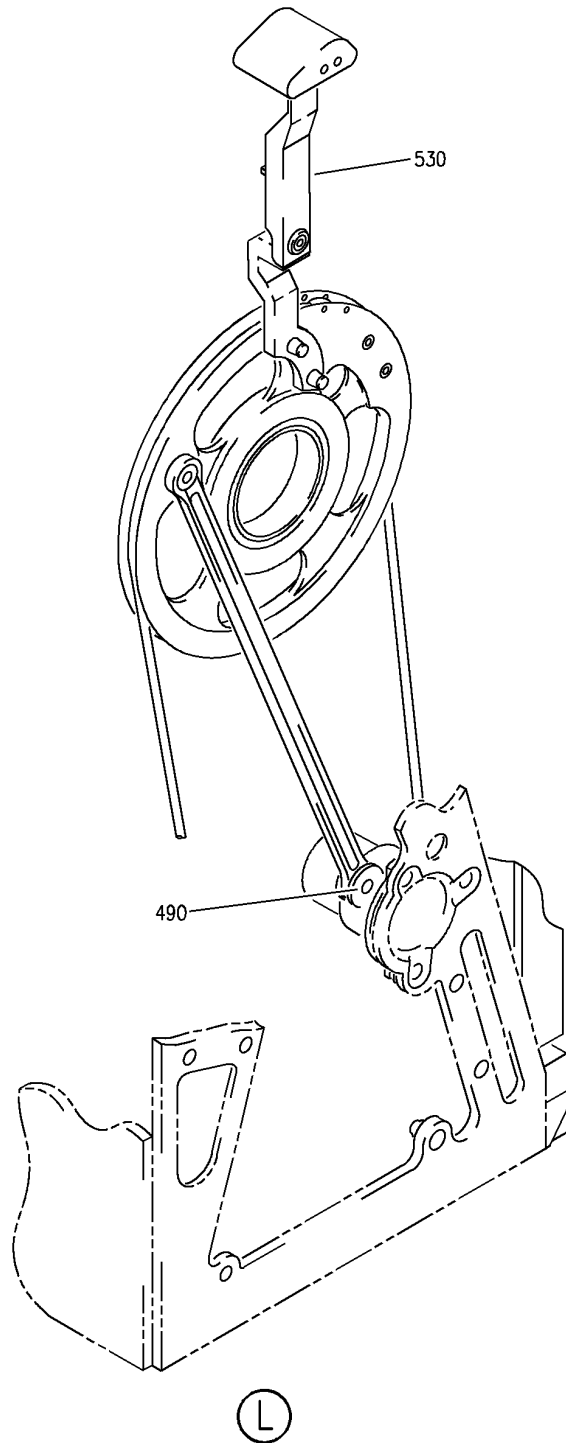
STAND ASSY / CONTROL INSTL-CAPT AND FIRST OFFICER STAB TRIM (EQUIPMENT/FURNISHINGS ONLY)
 FIGURE 50 (SHEET 6)

25-11-00-50

HAP
 OCT 15/08

25-11-00-50
 PAGE 0E

BOEING
737-600/700/800/900
PARTS CATALOG (MAINTENANCE)



E 25110050 SHT 7 REV 116

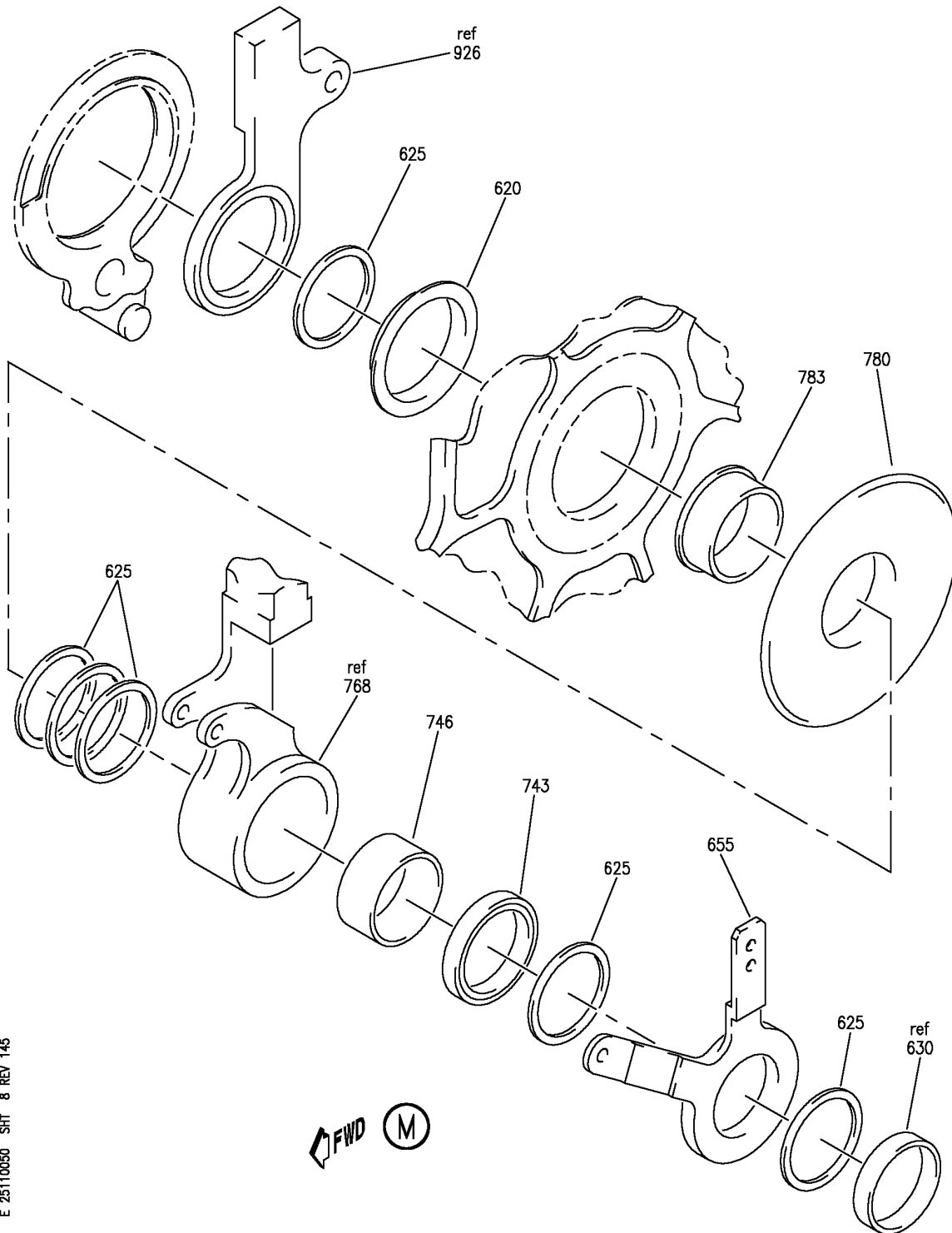
STAND ASSY / CONTROL INSTL-CAPT AND FIRST OFFICER STAB TRIM (EQUIPMENT/FURNISHINGS ONLY)
FIGURE 50 (SHEET 7)

HAP
OCT 15/08

25-11-00-50

25-11-00-50
PAGE OF

BOEING
 737-600/700/800/900
 PARTS CATALOG (MAINTENANCE)



E 25110050 SHT 8 REV 145

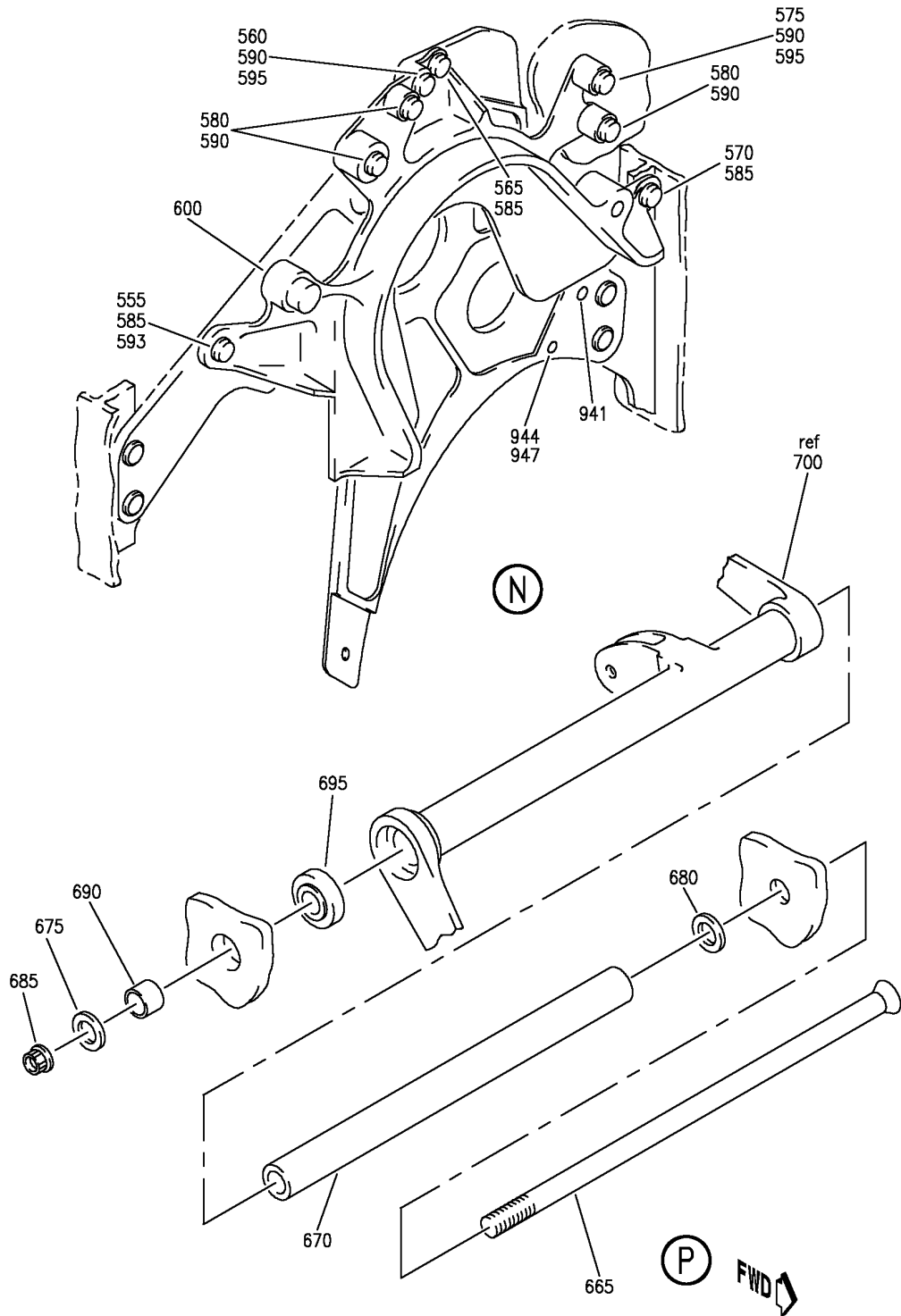
STAND ASSY / CONTROL INSTL-CAPT AND FIRST OFFICER STAB TRIM (EQUIPMENT/FURNISHINGS ONLY)
 FIGURE 50 (SHEET 8)

25-11-00-50

HAP
 OCT 15/08

25-11-00-50
 PAGE 08

BOEING
 737-600/700/800/900
 PARTS CATALOG (MAINTENANCE)



E 25110050 SHT 9 REV 145

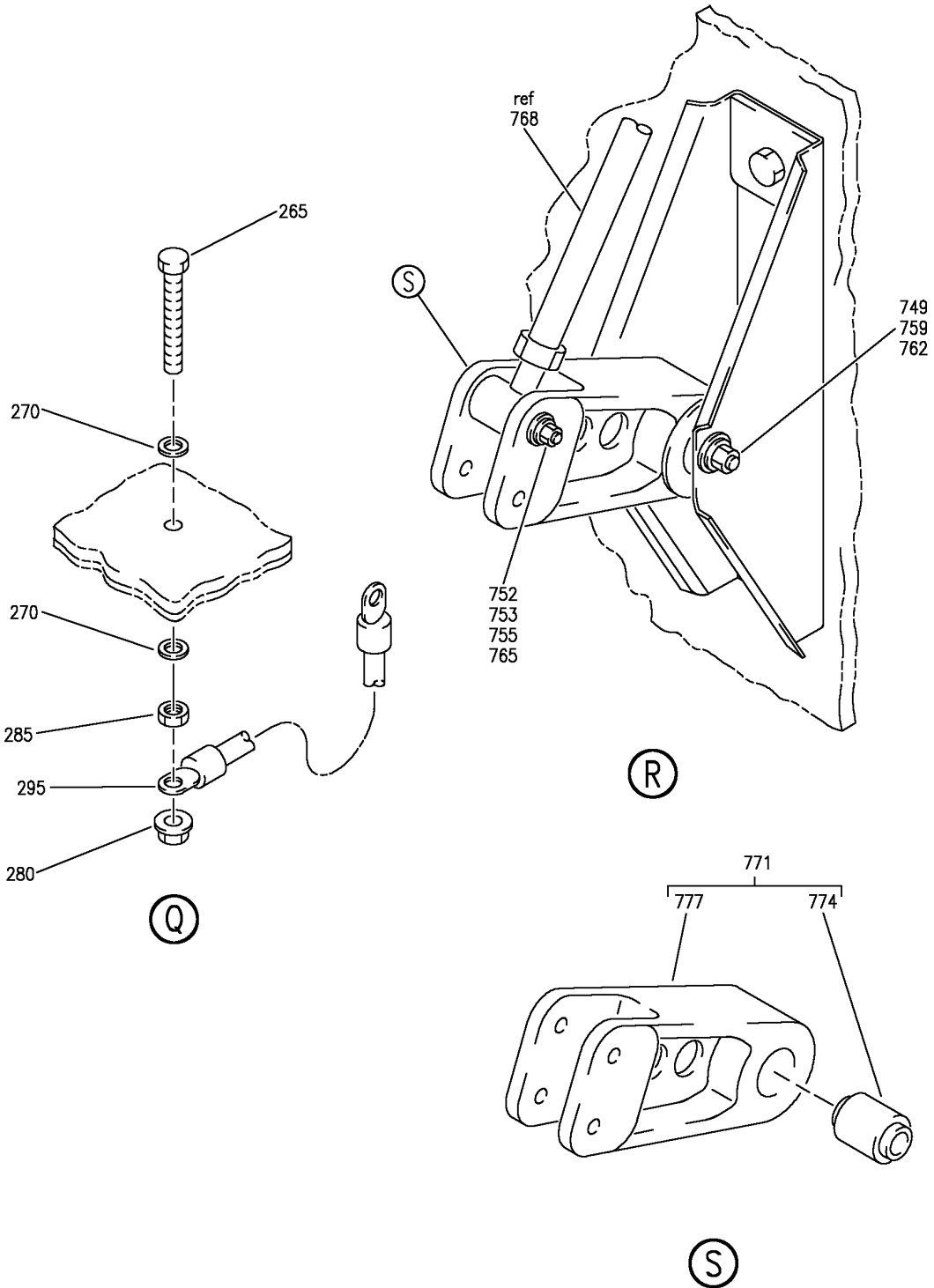
STAND ASSY / CONTROL INSTL-CAPT AND FIRST OFFICER STAB TRIM (EQUIPMENT/FURNISHINGS ONLY)
 FIGURE 50 (SHEET 9)

25-11-00-50

HAP
 OCT 15/08

25-11-00-50
 PAGE 0H

BOEING
 737-600/700/800/900
 PARTS CATALOG (MAINTENANCE)



E 25110050 SHT 10 REV 152

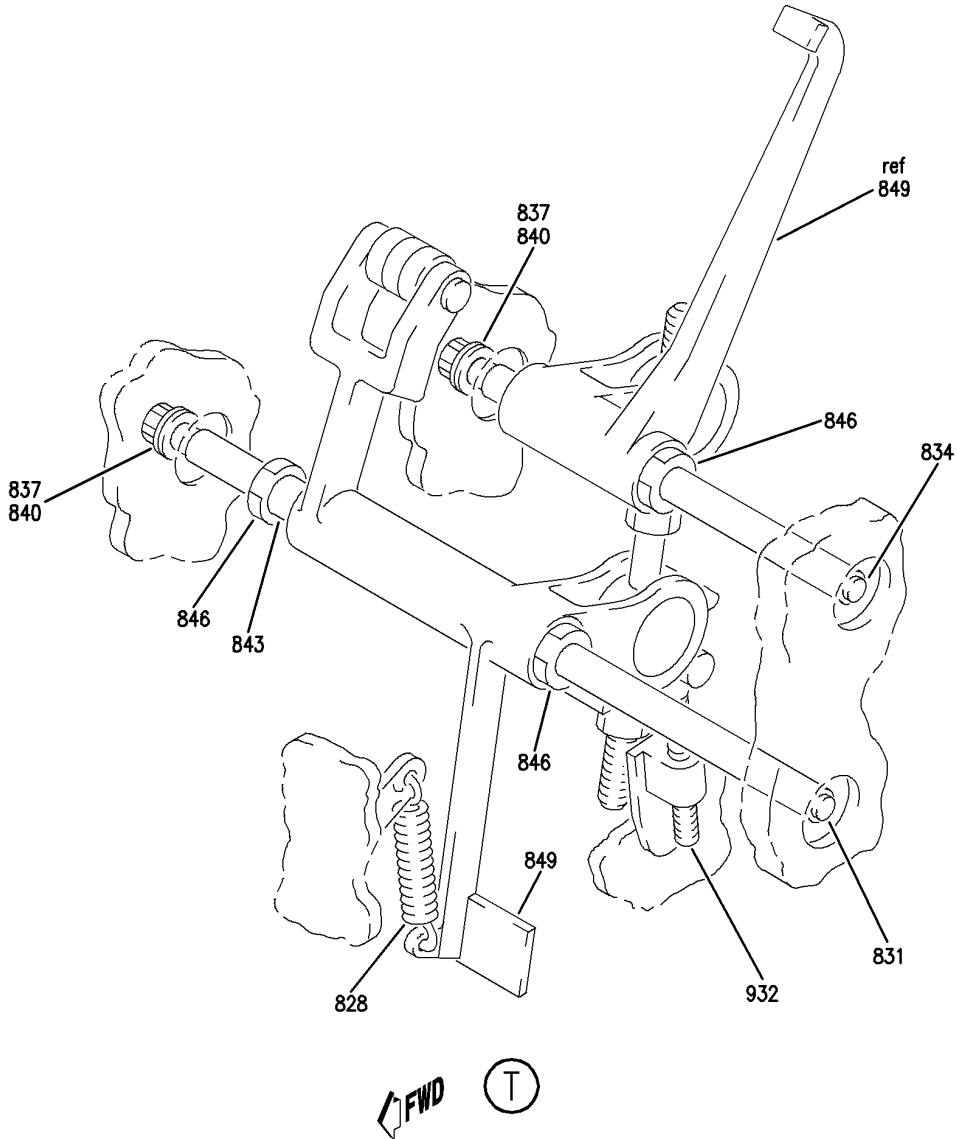
STAND ASSY / CONTROL INSTL-CAPT AND FIRST OFFICER STAB TRIM (EQUIPMENT/FURNISHINGS ONLY)
 FIGURE 50 (SHEET 10)

25-11-00-50

HAP
 JUN 15/09

25-11-00-50
 PAGE 01

BOEING
 737-600/700/800/900
 PARTS CATALOG (MAINTENANCE)



E 25110050 SHT 11 REV 067

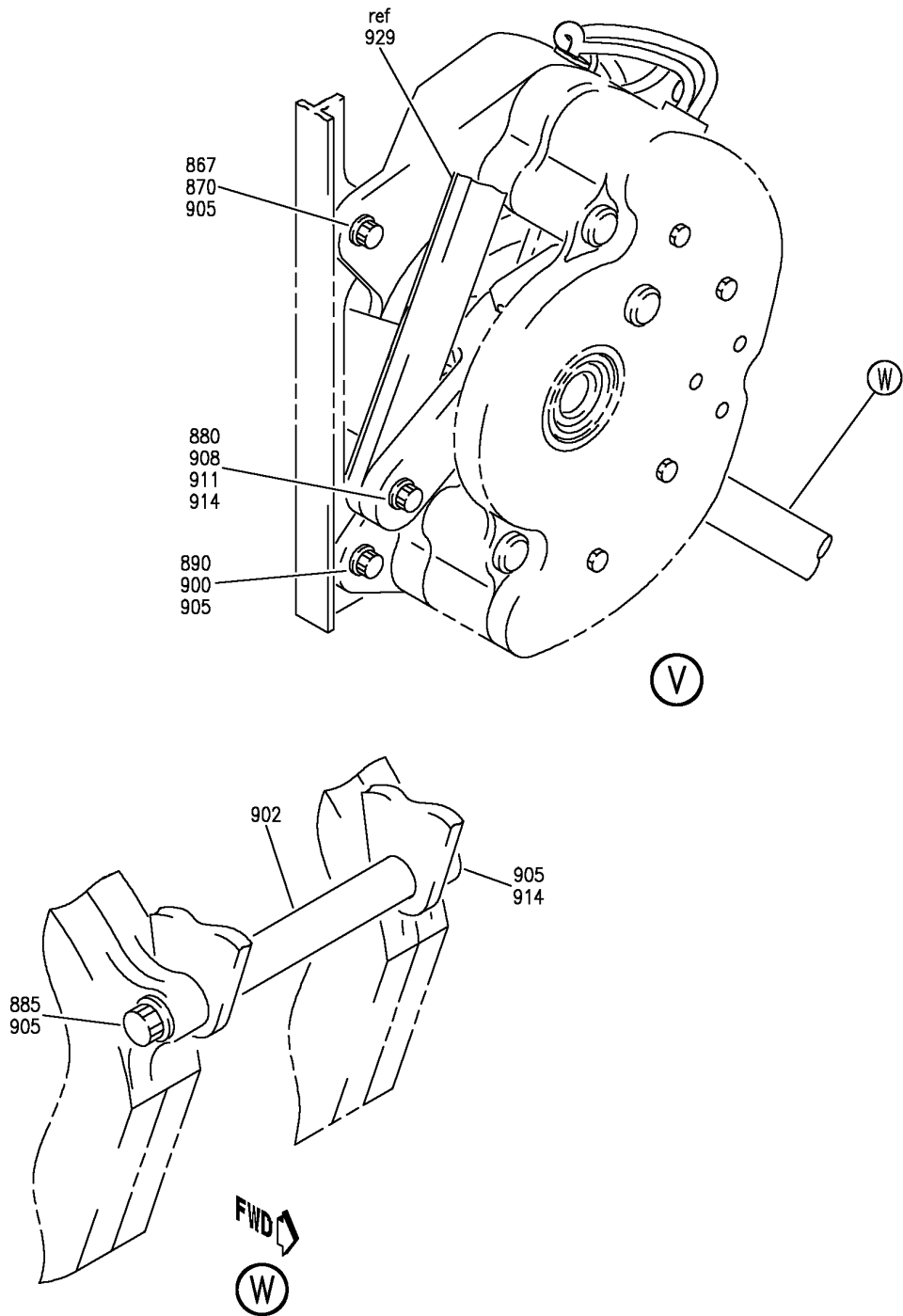
STAND ASSY / CONTROL INSTL-CAPT AND FIRST OFFICER STAB TRIM (EQUIPMENT/FURNISHINGS ONLY)
 FIGURE 50 (SHEET 11)

HAP
 OCT 15/08

25-11-00-50

25-11-00-50
 PAGE 0J

BOEING
 737-600/700/800/900
 PARTS CATALOG (MAINTENANCE)



E 25110050 SH12 REV 152

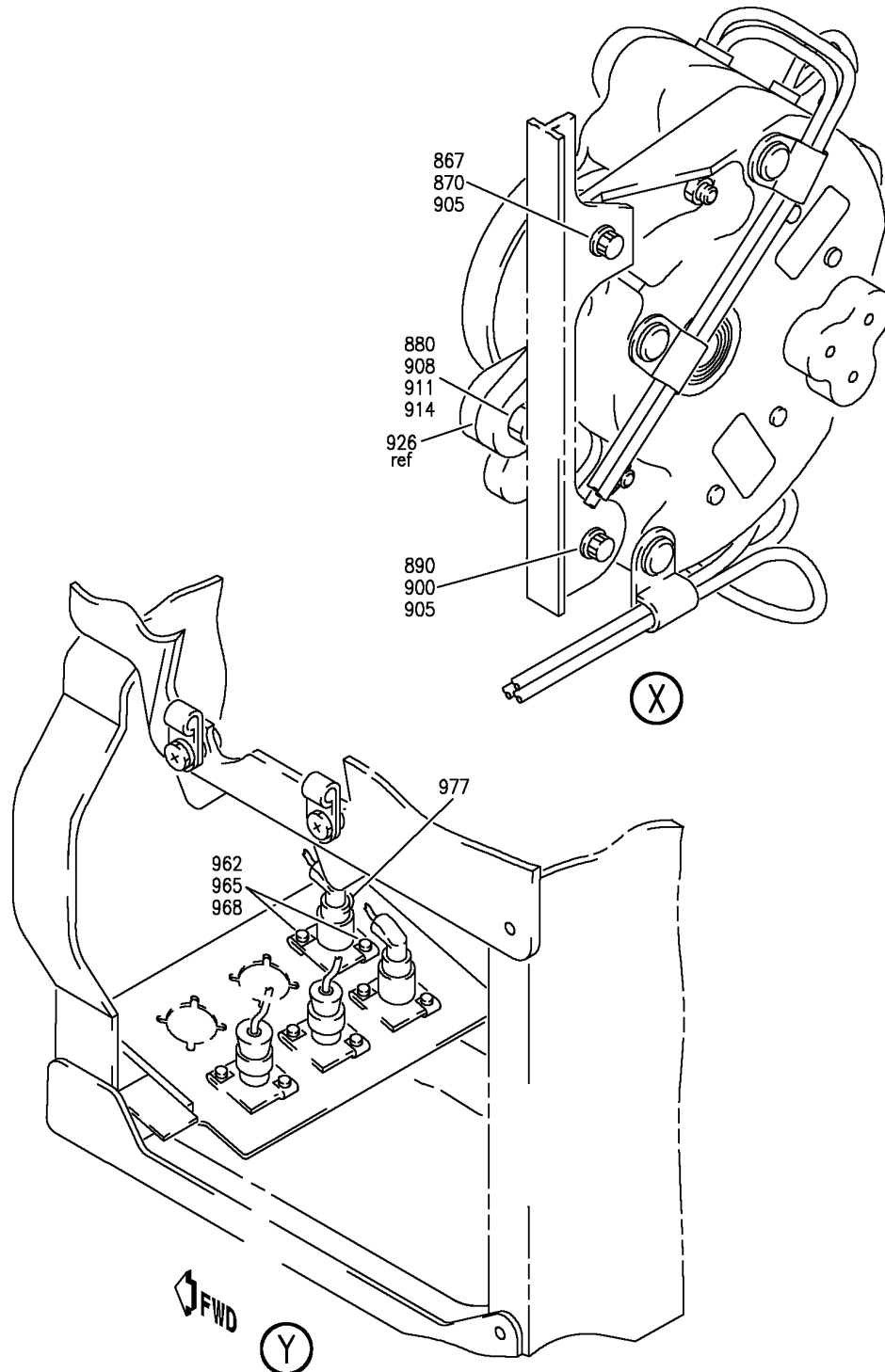
STAND ASSY / CONTROL INSTL-CAPT AND FIRST OFFICER STAB TRIM (EQUIPMENT/FURNISHINGS ONLY)
 FIGURE 50 (SHEET 12)

HAP
 JUN 15/09

25-11-00-50

25-11-00-50
 PAGE OK

BOEING
 737-600/700/800/900
 PARTS CATALOG (MAINTENANCE)



E 25110050 SHT 13 REV 152

STAND ASSY / CONTROL INSTL-CAPT AND FIRST OFFICER STAB TRIM (EQUIPMENT/FURNISHINGS ONLY)
 FIGURE 50 (SHEET 13)

HAP
 JUN 15/09

25-11-00-50

25-11-00-50
 PAGE 01

BOEING
737-600/700/800/900
PARTS CATALOG (MAINTENANCE)

FIG ITEM	PART NUMBER	1 2 3 4 5 6 7	NOMENCLATURE	EFFECT FROM TO	UNITS PER ASSY
50			STAND ASSY / CONTROL INSTL- CAPT AND FIRST OFFICER STAB TRIM (EQUIPMENT/FURNISHINGS ONLY)	001100 201967	
- 1	254A1220-5		CONTROL STAND ASSY-CAPT AND FIRST OFFICER (EQUIPMENT/FURNISHINGS ONLY) COMPONENT MAINT MANUAL REF: 25-11-13 MODIFICATION DRAWING REF: 737-8904-1 737-8904-5 737-8961-1 737-8961-5 REFERENCE AIRLINE MOD: E.O.APB737-8009 VHAP E.O.APB737-8007 VHAP FOR NHA/OTHER SYS DET SEE: 25-11-00-40	001030	RF
- 1	254A1220-8		CONTROL STAND ASSY-CAPT AND FIRST OFFICER (EQUIPMENT/FURNISHINGS ONLY) COMPONENT MAINT MANUAL REF: 25-11-13 MODIFICATION DRAWING REF: 737-8904-1 737-8904-5 737-8961-1 REFERENCE AIRLINE MOD: E.O.APB737-8007 VHAP FOR NHA/OTHER SYS DET SEE: 25-11-00-40	001001	RF
- 2	254A1220-106		CONTROL STAND ASSY-CAPT AND FIRST OFFICER (EQUIPMENT/FURNISHINGS ONLY) COMPONENT MAINT MANUAL REF: 25-11-13 FOR NHA/OTHER SYS DET SEE: 25-11-00-40	031036 201967	RF

MISSING ITEM NUMBERS NOT APPLICABLE

- ITEM NOT ILLUSTRATED

HAP

25-11-00-50

BOEING PROPRIETARY - Copyright © - Unpublished Work - See title page for details.

25-11-00
FIG. 50
PAGE 1
FEB 15/09

BOEING
737-600/700/800/900
PARTS CATALOG (MAINTENANCE)

FIG ITEM	PART NUMBER	1 2 3 4 5 6 7	NOMENCLATURE	EFFECT FROM TO	UNITS PER ASSY
50					
- 2	254A1220-123		CONTROL STAND ASSY-CAPT AND FIRST OFFICER (EQUIPMENT/FURNISHINGS ONLY) COMPONENT MAINT MANUAL REF: 25-11-13 FOR NHA/OTHER SYS DET SEE: 25-11-00-40	037051 054100	RF
- 3	254A1220-206		CONTROL STAND ASSY-CAPT AND FIRST OFFICER (EQUIPMENT/FURNISHINGS ONLY) COMPONENT MAINT MANUAL REF: 25-11-13 FOR NHA/OTHER SYS DET SEE: 25-11-00-40	031036 201967	RF
- 3	254A1220-6		CONTROL STAND ASSY-CAPT AND FIRST OFFICER (EQUIPMENT/FURNISHINGS ONLY) COMPONENT MAINT MANUAL REF: 25-11-13 FOR NHA/OTHER SYS DET SEE: 25-11-00-40	031036 201967	RF
- 3	254A1220-223		CONTROL STAND ASSY-CAPT AND FIRST OFFICER (EQUIPMENT/FURNISHINGS ONLY) COMPONENT MAINT MANUAL REF: 25-11-13 FOR NHA/OTHER SYS DET SEE: 25-11-00-40	052053	RF
10	BAC27DCT0462		.MARKER-ALUMINUM FOIL	001100 201967	1
100	STB130-4ARP		.CAP- SUPPLIER CODE: V30221 USED ON: 254A1220-8	001001	1
185	6C3		.NUT-FACE SUPPLIER CODE: V91929 OPTIONAL PART: 19PA6-2 V91929 USED ON: 254A1220-5	001030	1

R
R
R
R
R
R
R
R
R
R
R

MISSING ITEM NUMBERS NOT APPLICABLE

- ITEM NOT ILLUSTRATED

HAP

25-11-00-50

25-11-00
FIG. 50
PAGE 2
JUN 15/09

BOEING
737-600/700/800/900
PARTS CATALOG (MAINTENANCE)

FIG ITEM	PART NUMBER	1 2 3 4 5 6 7	NOMENCLATURE	EFFECT FROM TO	UNITS PER ASSY
R R R R R R R R R R R R R R	50 185	19PA6-2	.NUT-FACE SUPPLIER CODE: V91929 OPTIONAL PART: 6C3 V91929 USED ON: 254A1220-5	001030	1
	185	6C3	.NUT-FACE SUPPLIER CODE: V91929 USED ON: 254A1220-8	001001	1
	185	19PA6-2	.NUT-FACE SUPPLIER CODE: V91929 OPTIONAL PART: 6C3 V91929	031100 201967	1
	185	6C3	.NUT-FACE SUPPLIER CODE: V91929 OPTIONAL PART: 19PA6-2 V91929	031100 201967	1
	190	6A49	.PUSHBUTTON- SUPPLIER CODE: V91929	001100 201967	1
	255	BACB30NM3K6	.BOLT	001100 201967	3
	260	BACB30NM3K7	.BOLT	001100 201967	4
	265	NAS1801-3-12	.SCREW- OPTIONAL PART: BACS12HN3-12 USED ON: 254A1220-5	001030	1
	265	BACS12HN3-12	.SCREW- OPTIONAL PART: NAS1801-3-12 USED ON: 254A1220-5	001030	1
	265	NAS1801-3-12	.SCREW- USED ON: 254A1220-8	001001	1
	265	BACS12HN3-12	.SCREW- OPTIONAL PART: NAS1801-3-12	031100 201967	1

MISSING ITEM NUMBERS NOT APPLICABLE

— ITEM NOT ILLUSTRATED

HAP

25-11-00-50

BOEING PROPRIETARY - Copyright © - Unpublished Work - See title page for details.

25-11-00
FIG. 50
PAGE 3
JUN 15/09

BOEING
737-600/700/800/900
PARTS CATALOG (MAINTENANCE)

FIG ITEM	PART NUMBER	1 2 3 4 5 6 7	NOMENCLATURE	EFFECT FROM TO	UNITS PER ASSY
50					
R	265	NAS1801-3-12	.SCREW- OPTIONAL PART: BACS12HN3-12	031100 201967	1
R	270	NAS1149D0316H	.WASHER	001100 201967	2
R	275	BACW10BP3DP	.WASHER	001100 201967	7
	280	PLH53CD	.NUT SUPPLIER CODE: VF0224 SPECIFICATION NUMBER: BACN10YR3CD OPTIONAL PART: H52732-3CD V15653	001100 201967	1
	285	MS35650-305T	.NUT	001100 201967	1
R	290	NAS1805-3L	.NUT- OPTIONAL PART: BACN11Z3CD USED ON: 254A1220-5	001030	7
R					
R	290	BACN11Z3CD	.NUT- OPTIONAL PART: NAS1805-3L USED ON: 254A1220-5	001030	7
R					
R	290	NAS1805-3L	.NUT- USED ON: 254A1220-8	001001	7
R					
R	290	BACN11Z3CD	.NUT- OPTIONAL PART: NAS1805-3L	031100 201967	7
R					
R	290	NAS1805-3L	.NUT- OPTIONAL PART: BACN11Z3CD	031100 201967	7
R					
R	295	740A20-4	.JUMPER ASSY- SUPPLIER CODE: V91812 SPECIFICATION NUMBER: BACJ40A20-4 OPTIONAL PART: TJEJ40A20-4 V33483 RBEJ20-4 V1GK47 USED ON: 254A1220-6	001036 201967	1

MISSING ITEM NUMBERS NOT APPLICABLE

- ITEM NOT ILLUSTRATED

HAP

25-11-00-50

25-11-00
FIG. 50
PAGE 4
JUN 15/09

 **BOEING**
737-600/700/800/900
PARTS CATALOG (MAINTENANCE)

FIG ITEM	PART NUMBER	1 2 3 4 5 6 7	NOMENCLATURE	EFFECT FROM TO	UNITS PER ASSY
50					
R R R R R R R	300 254A1231-3		.FRAME ASSY-CONT STAND POSITION DATA: LWR OPTIONAL PART: 254A1231-2 FOR DETAILS SEE: 25-11-00-51	031100 201967	1
R R R R R	303 BACC10DK		.CLAMP- SIZE DETERMINED ON INSTL. OPTIONAL PART: 287T0011	001100 201967	1
R R R R R R	303 287T0011		.CLAMP- SIZE DETERMINED ON INSTL. OPTIONAL PART: BACC10DK USED ON: 254A1220-5	001100 201967	1
R R R R R R	- 306 BACB30LU3P2		ATTACHING PARTS .BOLT- OPTIONAL PART: BACB30LH3P2 USED ON: 254A1220-5	001030	1
R R R R R R	- 306 BACB30LH3P2		.BOLT- OPTIONAL PART: BACB30LU3P2 USED ON: 254A1220-5	001030	1
R R R R R R	- 306 BACB30LU3P2		.BOLT- USED ON: 254A1220-8	001001	1
R R R R R R	- 306 BACB30LH3P2		.BOLT- OPTIONAL PART: BACB30LU3P2	031100 201967	1
R R R R	- 306 BACB30LU3P2		.BOLT- OPTIONAL PART: BACB30LH3P2	031100 201967	1
R R R R	- 311 NAS1149D0316J		.WASHER	001100 201967	1
R R R R	- 315 PLH53CD		.NUT SUPPLIER CODE: VF0224 SPECIFICATION NUMBER: BACN10YR3CD OPTIONAL PART: H52732-3CD V15653 -----*-----	001100 201967	1

MISSING ITEM NUMBERS NOT APPLICABLE

- ITEM NOT ILLUSTRATED

HAP

25-11-00-50

25-11-00
FIG. 50
PAGE 6
JUN 15/09

BOEING
737-600/700/800/900
PARTS CATALOG (MAINTENANCE)

FIG ITEM	PART NUMBER	1 2 3 4 5 6 7	NOMENCLATURE	EFFECT FROM TO	UNITS PER ASSY
50					
320	BACB30LU8-4	.BOLT-	OPTIONAL PART: BACB30LR8-4 USED ON: 254A1220-5 254A1220-6	001036 201967	2
320	BACB30LR8-4	.BOLT-	OPTIONAL PART: BACB30LU8-4 USED ON: 254A1220-5 254A1220-6	001036 201967	2
320	BACB30LU8-4	.BOLT-	USED ON: 254A1220-8	001001	2
322	254A1280-1	.BOLT-STAB. TRIM CONT	USED ON: 254A1220-106 254A1220-206	031100 201967	2
323	254A1279-1	.SPACER-STAB. TRIM CONT	USED ON: 254A1220-106 254A1220-206	031100 201967	2
325	254A1370-1	.WHEEL ASSY-STAB. TRIM	USED ON: 254A1220-3 254A1220-5 254A1220-6 254A1220-8 254A1220-23 FOR DETAILS SEE: 27-41-00-19	001100 201967	2
325	254A1370-3	.WHEEL ASSY-STAB. TRIM	USED ON: 254A1220-103 254A1220-105 254A1220-106 254A1220-123 254A1220-205 254A1220-206 FOR DETAILS SEE: 27-41-00-19	001100 201967	2

R
R
R

R
R
R
R
R
R
R
R

MISSING ITEM NUMBERS NOT APPLICABLE

- ITEM NOT ILLUSTRATED

HAP

25-11-00-50

BOEING PROPRIETARY - Copyright © - Unpublished Work - See title page for details.

25-11-00
FIG. 50
PAGE 7
JUN 15/09

BOEING
737-600/700/800/900
PARTS CATALOG (MAINTENANCE)

FIG ITEM	PART NUMBER	1 2 3 4 5 6 7	NOMENCLATURE	EFFECT FROM TO	UNITS PER ASSY
50 365	B5540WZZFS428	.BEARING-	SUPPLIER CODE: V21335 OPTIONAL PART: B5540WZZFS464 V21335 B5540WZZSD610 V83806	001100 201967	1
365	B5540WZZFS464	.BEARING-	SUPPLIER CODE: V21335 OPTIONAL PART: B5540WZZFS428 V21335 B5540WZZSD610 V83806	001100 201967	1
365	B5540WZZSD610	.BEARING-	SUPPLIER CODE: V21335 OPTIONAL PART: B5540WZZFS428 V21335 B5540WZZFS464 V21335	001100 201967	1
370	254A1226-2	.BUSHING		001100 201967	1
375	254A1275-3	.SHAFT ASSY-		001100 201967	1
380	MS21209F8-15P	..INSERT		001100 201967	2
385	254A1275-4	..SHAFT		001100 201967	1
390	254A1225-4	.BUSHING		001100 201967	1
395	S9KDDFS160	.BEARING-	SUPPLIER CODE: V21335	001100 201967	2
400	254A1225-2	.BUSHING		001100 201967	1
405	254A1225-3	.BUSHING		001100 201967	1
410	254A1228-1	.NUT		001100 201967	1
415	254A1229-1	.LOCKWASHER	MAINTENANCE MANUAL REF: 76-11-01 76-11-02	001100 201967	1
420	254A1226-1	.BUSHING		001100 201967	1

MISSING ITEM NUMBERS NOT APPLICABLE

— ITEM NOT ILLUSTRATED

HAP

25-11-00-50

25-11-00
FIG. 50
PAGE 8
JUN 15/09

BOEING
737-600/700/800/900
PARTS CATALOG (MAINTENANCE)

FIG ITEM	PART NUMBER	1 2 3 4 5 6 7	NOMENCLATURE	EFFECT FROM TO	UNITS PER ASSY
50					
R	425	BACB30LU3-6	.BOLT- OPTIONAL PART: BACB30LH3-6 USED ON: 254A1220-5	001030	1
R					
R					
R	425	BACB30LH3-6	.BOLT- OPTIONAL PART: BACB30LU3-6 USED ON: 254A1220-5	001030	1
R					
R					
R	425	BACB30LU3-6	.BOLT- USED ON: 254A1220-8	001001	1
R					
R	425	BACB30LH3-6	.BOLT- OPTIONAL PART: BACB30LU3-6 USED ON: 254A1220-5	031100 201967	1
R					
R	425	BACB30LU3-6	.BOLT- OPTIONAL PART: BACB30LH3-6 USED ON: 254A1220-5	031100 201967	1
R					
R	430	NAS623-3-6	.BOLT- OPTIONAL PART: BACB30ZG3-6 USED ON: 254A1220-5 254A1220-6	001036 201967	1
	430	BACB30ZG3-6	.BOLT- OPTIONAL PART: NAS623-3-6 USED ON: 254A1220-5 254A1220-6	001036 201967	1
R	430	NAS623-3-6	.BOLT- USED ON: 254A1220-8	001001	1
R					
R	430	BACB30LK3-6	.BOLT- USED ON: 254A1220-106 254A1220-206	031100 201967	1
	435	BACW10P63AL	.WASHER	001100 201967	2
	440	NAS1149D0316J	.WASHER	001100 201967	1

MISSING ITEM NUMBERS NOT APPLICABLE

— ITEM NOT ILLUSTRATED

HAP

25-11-00-50

BOEING PROPRIETARY - Copyright © - Unpublished Work - See title page for details.

25-11-00
FIG. 50
PAGE 9
JUN 15/09

BOEING
737-600/700/800/900
PARTS CATALOG (MAINTENANCE)

FIG ITEM	PART NUMBER	1 2 3 4 5 6 7	NOMENCLATURE	EFFECT FROM TO	UNITS PER ASSY
50					
445	PLH53CD		.NUT SUPPLIER CODE: VF0224 SPECIFICATION NUMBER: BACN10YR3CD OPTIONAL PART: H52732-3CD V15653	001100 201967	2
450	254A1274-6		.INDICATOR ASSY-CONT STAND STAB. TRIM FOR DETAILS SEE: 27-41-00-16	001100 201967	1
455	6-63610-3000		.LINK ASSY-CONT STAND STAB. TRIM FOR DETAILS SEE: 27-41-00-07	001100 201967	2
460	254A1225-1		.BUSHING	001100 201967	1
465	254A1309-1		.WASHER	001100 201967	1
475	254A1262-1		.CAM	001036 201967	1
477	254A1262-3		.CAM- ALTERED FROM PART NUMBER: 254A1262-2 ATTACHING PARTS	037100	1
R -	480	NAS1802-3-6	.SCREW- OPTIONAL PART: BACS12HN3U6 BACS12HN3U6 USED ON: 254A1220-5	001030	2
R -	480	BACS12HN3U6	.SCREW- OPTIONAL PART: NAS1802-3-6 USED ON: 254A1220-5	001030	2
R -	480	NAS1802-3-6	.SCREW- USED ON: 254A1220-8	001001	2
R -	480	BACS12HN3U6	.SCREW- OPTIONAL PART: NAS1802-3-6	031100 201967	2
R -	480	NAS1802-3-6	.SCREW- OPTIONAL PART: BACS12HN3U6	031100 201967	2
R -	485	NAS1149D0363J	.WASHER- USED ON: 254A1220-6	001036 201967	2

MISSING ITEM NUMBERS NOT APPLICABLE

- ITEM NOT ILLUSTRATED

HAP

25-11-00-50

25-11-00
FIG. 50
PAGE 10
JUN 15/09

BOEING
737-600/700/800/900
PARTS CATALOG (MAINTENANCE)

FIG ITEM	PART NUMBER	1 2 3 4 5 6 7	NOMENCLATURE	EFFECT FROM TO	UNITS PER ASSY
50 - 485	NAS1149E0363P		.WASHER- USED ON: 254A1220-106 254A1220-206 -----*-----	031100 201967	2
490	HST10AG6-5		.BOLT SUPPLIER CODE: VOPTK6 SPECIFICATION NUMBER: BACB30VT6K5 OPTIONAL PART: HST10AG6-5 V06725 HST10AG6-5 V56878 HST10AG6-5 V73197 WC10K6-5 V60516	001100 201967	1
R R R R R	530 254A1260-2		.HANDLE ASSY-DRUM CONT USED ON: 254A1220-9 FOR DETAILS SEE: 27-51-05-01	001100 201967	1
	540 254A1227-1		.SHAFT	001100 201967	1
	545 50-5560-11		.CHAIN ASSY	001100 201967	1
	550 254A1222-1		.SPROCKET	001100 201967	1
	555 NAS623-3-6		.BOLT- OPTIONAL PART: BACB30ZG3-6 USED ON: 254A1220-5 254A1220-6	001036 201967	1
	555 BACB30ZG3-6		.BOLT- OPTIONAL PART: NAS623-3-6 USED ON: 254A1220-5 254A1220-6	001036 201967	1
R R R	555 NAS623-3-6		.BOLT- USED ON: 254A1220-8	001001	1
	555 BACB30LK3-6		.BOLT- USED ON: 254A1220-106 254A1220-206	031100 201967	1

MISSING ITEM NUMBERS NOT APPLICABLE

- ITEM NOT ILLUSTRATED

HAP

25-11-00-50

BOEING PROPRIETARY - Copyright © - Unpublished Work - See title page for details.

25-11-00
FIG. 50
PAGE 11
JUN 15/09

BOEING
737-600/700/800/900
PARTS CATALOG (MAINTENANCE)

FIG ITEM	PART NUMBER	1 2 3 4 5 6 7	NOMENCLATURE	EFFECT FROM TO	UNITS PER ASSY
50					
560	NAS623-2-2	.SCREW-	OPTIONAL PART: BACB30ZG2-2 USED ON: 254A1220-6	031036 201967	1
560	BACB30ZG2-2	.BOLT-	OPTIONAL PART: NAS623-2-2 USED ON: 254A1220-6	031036 201967	1
560	BACB30ZG2-2	.BOLT-	USED ON: 254A1220-5	001030	1
560	NAS623-2-2	.SCREW-	USED ON: 254A1220-8	001001	1
560	BACB30LK2-2	.BOLT-	USED ON: 254A1220-106 254A1220-206	031100 201967	1
565	NAS623-3-1	.SCREW-	OPTIONAL PART: BACB30ZG3-1 USED ON: 254A1220-6	031036 201967	1
565	BACB30ZG3-1	.BOLT-	OPTIONAL PART: NAS623-3-1 USED ON: 254A1220-6	031036 201967	1
565	BACB30ZG3-1	.BOLT-	USED ON: 254A1220-5	001030	1
565	NAS623-3-1	.SCREW-	USED ON: 254A1220-8	001001	1
565	BACB30LK3-1	.BOLT-	USED ON: 254A1220-106 254A1220-206	031100 201967	1
570	NAS623-3-5	.SCREW-	OPTIONAL PART: BACB30ZG3-5 USED ON: 254A1220-6	031036 201967	1

MISSING ITEM NUMBERS NOT APPLICABLE

— ITEM NOT ILLUSTRATED

HAP

25-11-00-50

BOEING PROPRIETARY - Copyright © - Unpublished Work - See title page for details.

25-11-00
FIG. 50
PAGE 12
JUN 15/09

BOEING
737-600/700/800/900
PARTS CATALOG (MAINTENANCE)

FIG ITEM	PART NUMBER	1 2 3 4 5 6 7	NOMENCLATURE	EFFECT FROM TO	UNITS PER ASSY
50					
570	BACB30ZG3-5	.BOLT-	OPTIONAL PART: NAS623-3-5 USED ON: 254A1220-6	031036 201967	1
570	BACB30ZG3-5	.BOLT-	USED ON: 254A1220-5	001030	1
570	NAS623-3-5	.SCREW-	USED ON: 254A1220-8	001001	1
570	BACB30LK3-5	.BOLT-	USED ON: 254A1220-106 254A1220-206	031100 201967	1
575	NAS623-2-6	.SCREW-	OPTIONAL PART: BACB30ZG2-6 USED ON: 254A1220-6	031036 201967	1
575	BACB30ZG2-6	.BOLT-	OPTIONAL PART: NAS623-2-6 USED ON: 254A1220-6	031036 201967	1
575	BACB30ZG2-6	.BOLT-	USED ON: 254A1220-5	001030	1
575	NAS623-2-6	.SCREW-	USED ON: 254A1220-8	001001	1
575	BACB30LK2-6	.BOLT-	USED ON: 254A1220-106 254A1220-206	031100 201967	1
580	NAS623-2-4	.SCREW-	OPTIONAL PART: BACB30ZG2-4 USED ON: 254A1220-5 254A1220-6	001036 201967	3
580	BACB30ZG2-4	.BOLT-	OPTIONAL PART: NAS623-2-4 USED ON: 254A1220-5 254A1220-6	001036 201967	3

MISSING ITEM NUMBERS NOT APPLICABLE

— ITEM NOT ILLUSTRATED

HAP

25-11-00-50

25-11-00
FIG. 50
PAGE 13
JUN 15/09


BOEING
 737-600/700/800/900
PARTS CATALOG (MAINTENANCE)

FIG ITEM	PART NUMBER	1 2 3 4 5 6 7	NOMENCLATURE	EFFECT FROM TO	UNITS PER ASSY
50					
R R R	580	NAS623-2-4	.SCREW- USED ON: 254A1220-8	001001	3
	580	BACB30LK2-4	.BOLT- USED ON: 254A1220-106 254A1220-206	031100 201967	3
	585	NAS1149D0316J	.WASHER	001100 201967	3
	590	NAS1149DN816J	.WASHER	001100 201967	5
	593	PLH53CD	.NUT SUPPLIER CODE: VF0224 SPECIFICATION NUMBER: BACN10YR3CD OPTIONAL PART: H52732-3CD V15653	001100 201967	1
	595	BACC10DK2	.CLAMP	001100 201967	2
	600	254A1224-4	.GUARD ASSY-CHAIN FOR DETAILS SEE: 27-41-00-03	001100 201967	1
	605	69-76358-1	.NUT	001100 201967	1
	610	69-76366-1	.LOCKWASHER MAINTENANCE MANUAL REF: 76-11-01 76-11-02	001100 201967	1
	615	69-76356-1	.SHAFT	001100 201967	1
	620	69-76354-1	.SPACER	001100 201967	1
	625	69-76355-1	.WASHER MAINTENANCE MANUAL REF: 76-11-01 76-11-02	001100 201967	9
	630	69-76353-1	.BUSHING	001100 201967	1
	635	69-76353-2	.BUSHING	001100 201967	1
R R R R R	640	BACB30LU3-6	.BOLT- OPTIONAL PART: BACB30LH3-6 USED ON: 254A1220-5	001030	1

MISSING ITEM NUMBERS NOT APPLICABLE

- ITEM NOT ILLUSTRATED

HAP

25-11-00-50

25-11-00
 FIG. 50
 PAGE 14
 JUN 15/09

BOEING
737-600/700/800/900
PARTS CATALOG (MAINTENANCE)

FIG ITEM	PART NUMBER	1 2 3 4 5 6 7	NOMENCLATURE	EFFECT FROM TO	UNITS PER ASSY
50					
R	640	BACB30LH3-6	.BOLT- OPTIONAL PART: BACB30JU3-6 USED ON: 254A1220-5	001030	1
R					
R	640	BACB30LU3-6	.BOLT- USED ON: 254A1220-8	001001	1
R					
R	640	BACB30LH3-6	.BOLT- OPTIONAL PART: BACB30LU3-6	031100 201967	1
R					
R	640	BACB30LU3-6	.BOLT- OPTIONAL PART: BACB30LH3-6	031100 201967	1
R					
R	643	BACB30LU3-7	.BOLT- OPTIONAL PART: BACB30LH3-7 USED ON: 254A1220-5	001030	1
R					
R	643	BACB30LH3-7	.BOLT- OPTIONAL PART: BACB30LU3-7 USED ON: 254A1220-5	001030	1
R					
R	643	BACB30LU3-7	.BOLT- USED ON: 254A1220-8	001001	1
R					
R	643	BACB30LH3-7	.BOLT- OPTIONAL PART: BACB30LU3-7	031100 201967	1
R					
R	643	BACB30LU3-7	.BOLT- OPTIONAL PART: BACB30LH3-7	031100 201967	1
R					
R	645	BACW10P63AL	.WASHER	001100 201967	2
	650	PLH53CD	.NUT SUPPLIER CODE: VF0224 SPECIFICATION NUMBER: BACN10YR3CD OPTIONAL PART: H52732-3CD V15653	001100 201967	2
	655	254A1273-6	.INDICATOR ASSY-CONT STAND STAB. TRIM FOR DETAILS SEE: 27-41-00-16	001100 201967	1

MISSING ITEM NUMBERS NOT APPLICABLE

— ITEM NOT ILLUSTRATED

HAP

25-11-00-50

BOEING PROPRIETARY - Copyright © - Unpublished Work - See title page for details.

25-11-00
FIG. 50
PAGE 15
JUN 15/09

BOEING
737-600/700/800/900
PARTS CATALOG (MAINTENANCE)

FIG ITEM	PART NUMBER	1 2 3 4 5 6 7	NOMENCLATURE	EFFECT FROM TO	UNITS PER ASSY
50					
660	HST10AG6-8	.BOLT	SUPPLIER CODE: VOPTK6 SPECIFICATION NUMBER: BACB30VT6K8 OPTIONAL PART: HST10AG6-8 V06725 HST10AG6-8 V56878 HST10AG6-8 V73197 WC10K6-6 V60516	001100 201967	1
665	66-2605	.BOLT		001100 201967	1
670	NAS43DD3-472FC	.SPACER		001100 201967	1
675	NAS1149D0332J	.WASHER		001100 201967	2
680	NAS1149D0316J	.WASHER		001100 201967	1
685	PLH53CD	.NUT	SUPPLIER CODE: VF0224 SPECIFICATION NUMBER: BACN10YR3CD OPTIONAL PART: H52732-3CD V15653	001100 201967	2
690	BACB28Y3C022	.BUSHING		001100 201967	1
695	SSMKP3ASD524	.BEARING-	SUPPLIER CODE: V50294 SPECIFICATION NUMBER: BACB10FS03J OPTIONAL PART: PACMKP3AFS428 V21335 SSMKP3AP V21760 BACB10BX03	031100 201967	1

R
R
R
R
R
R
R
R
R
R

MISSING ITEM NUMBERS NOT APPLICABLE

- ITEM NOT ILLUSTRATED

HAP

25-11-00-50

BOEING PROPRIETARY - Copyright © - Unpublished Work - See title page for details.

25-11-00
FIG. 50
PAGE 16
JUN 15/09


737-600/700/800/900
PARTS CATALOG (MAINTENANCE)

FIG ITEM	PART NUMBER	1 2 3 4 5 6 7	NOMENCLATURE	EFFECT FROM TO	UNITS PER ASSY
50 695	KP03AFS428		.BEARING- SUPPLIER CODE: V06144 SPECIFICATION NUMBER: BACB10BX03 OPTIONAL PART: KP03ALY196 V40920 KP03A V38443 LLKP03A V38443 KP03A2TS V43991 KP03AFS428 V21335 KP3AP V21760 KP3AE V21760 KP03ANJC V06144 KP03ASD610 V83086 KP3AFS428 V21335 BACB10FS03J	031100 201967	1
MISSING ITEM NUMBERS NOT APPLICABLE					

R
R
R
R
R
R
R
R
R
R
R
R
R
R
R
R
R
R
R
R
R
R
R

— ITEM NOT ILLUSTRATED

HAP

25-11-00-50

BOEING PROPRIETARY - Copyright © - Unpublished Work - See title page for details.

25-11-00
FIG. 50
PAGE 17
JUN 15/09

BOEING
737-600/700/800/900
PARTS CATALOG (MAINTENANCE)

FIG ITEM	PART NUMBER	1 2 3 4 5 6 7	NOMENCLATURE	EFFECT FROM TO	UNITS PER ASSY
50 695	KP03AFS428		.BEARING- SUPPLIER CODE: V06144 SPECIFICATION NUMBER: BACB10BX03 OPTIONAL PART: KP03ALY196 V40920 KP03A V38443 LLKP03A V38443 KP03A2TS V43991 KP03AFS428 V21335 KP3AP V21760 KP3AE V21760 KP03ANJC V06144 KP03ASD610 V83086 KP3AFS428 V21335 BACB10FS03J USED ON: 254A1220-5	001030	1
	695 SSMKP3ASD524		.BEARING- SUPPLIER CODE: V50294 SPECIFICATION NUMBER: BACB10FS03J OPTIONAL PART: PACMKP3AFS428 V21335 SSMKP3AP V21760 BACB10BX03 USED ON: 254A1220-5	001030	1

MISSING ITEM NUMBERS NOT APPLICABLE

— ITEM NOT ILLUSTRATED

HAP

25-11-00-50

BOEING PROPRIETARY - Copyright © - Unpublished Work - See title page for details.

25-11-00
FIG. 50
PAGE 18
JUN 15/09

BOEING
737-600/700/800/900
PARTS CATALOG (MAINTENANCE)

FIG ITEM	PART NUMBER	1 2 3 4 5 6 7	NOMENCLATURE	EFFECT FROM TO	UNITS PER ASSY	
R R R R R R R R R R	50 695	KP3AFS428	.BEARING- SUPPLIER CODE: V06144 SPECIFICATION NUMBER: BACB10BX3 OPTIONAL PART: KP3AFS428 V21335 KP3A2TS V43991 LLKP3A V38443 KP3AG27 V30163 KP3A V38443 KP3ALY196 V40920 KP3ASD610 V83086 CS203E VK8455 KP3A V21760 KP3ANJC V06144 USED ON: 254A1220-8	001001	1	
	700	254A1272-1	.CRANK ASSY- FOR DETAILS SEE: 27-41-00-15	001100 201967	1	
	R R R R R R R	705	BACB30LU3-6	.BOLT- OPTIONAL PART: BACB30LH3-6 USED ON: 254A1220-5	001030	2
	R R R R R R	705	BACB30LH3-6	.BOLT- OPTIONAL PART: BACB30LU3-6 USED ON: 254A1220-5	001030	2
	R R R	705	BACB30LU3-6	.BOLT- USED ON: 254A1220-7 254A1220-8 254A1220-9	001001 031036 201967	1
	R R R	705	BACB30LH3-6	.BOLT- OPTIONAL PART: BACB30LU3-6	031100 201967	1

MISSING ITEM NUMBERS NOT APPLICABLE

— ITEM NOT ILLUSTRATED

HAP

25-11-00-50

BOEING PROPRIETARY - Copyright © - Unpublished Work - See title page for details.

25-11-00
FIG. 50
PAGE 19
JUN 15/09

BOEING
737-600/700/800/900
PARTS CATALOG (MAINTENANCE)

FIG ITEM	PART NUMBER	1 2 3 4 5 6 7	NOMENCLATURE	EFFECT FROM TO	UNITS PER ASSY
R R R	50				
	705	BACB30LU3-6	.BOLT- OPTIONAL PART: BACB30LH3-6	031100 201967	1
	710	NAS1149D0332J	.WASHER	001100 201967	2
	715	PLH53CD	.NUT SUPPLIER CODE: VF0224 SPECIFICATION NUMBER: BACN10YR3CD OPTIONAL PART: H52732-3CD V15653	001100 201967	2
	720	69-76365-1	.SUPPORT ASSY-SHAFT	001100 201967	1
	725	NAS538B4P024	..BUSHING	001100 201967	1
	730	69-76365-2	..SUPPORT	001100 201967	1
	735	140357-1	.SHAFT-FLEX IND SUPPLIER CODE: V72166 SPECIFICATION NUMBER: 10-60017-1	001100 201967	1
	740	254A1276-1	.JACK ASSY- FOR DETAILS SEE: 27-41-00-15	001100 201967	1
	MISSING ITEM NUMBERS NOT APPLICABLE				

— ITEM NOT ILLUSTRATED

HAP

25-11-00-50

BOEING PROPRIETARY - Copyright © - Unpublished Work - See title page for details.

25-11-00
FIG. 50
PAGE 20
JUN 15/09

BOEING
737-600/700/800/900
PARTS CATALOG (MAINTENANCE)

FIG ITEM	PART NUMBER	1 2 3 4 5 6 7	NOMENCLATURE	EFFECT FROM TO	UNITS PER ASSY
50 743	MB543DDFS428		.BEARING- SUPPLIER CODE: V06144 SPECIFICATION NUMBER: BACB10AS25 OPTIONAL PART: LLMB543 V38443 MB543-2TS V43991 MB543DDFS428 V21335 MB543TT V43991 MB543DDG20 V38443 MT343E VK8455 MB543DDL196 V40920 MB543DD V06144 MB543DDNJC V06144 MB541DDSD610 V83086 BACB10FU25RJ USED ON: 254A1220-5	001030	1
	743 ACMB543DDFS428		.BEARING- SUPPLIER CODE: V21335 SPECIFICATION NUMBER: BACB10FU25RJ OPTIONAL PART: AMB543DDRJC V06144 BACB10AS25 USED ON: 254A1220-5	001030	1

MISSING ITEM NUMBERS NOT APPLICABLE

— ITEM NOT ILLUSTRATED

HAP

25-11-00-50

BOEING PROPRIETARY - Copyright © - Unpublished Work - See title page for details.

25-11-00
FIG. 50
PAGE 21
JUN 15/09

BOEING
737-600/700/800/900
PARTS CATALOG (MAINTENANCE)

FIG ITEM	PART NUMBER	1 2 3 4 5 6 7	NOMENCLATURE	EFFECT FROM TO	UNITS PER ASSY
50 743	MB543DDFS428		.BEARING- SUPPLIER CODE: V06144 SPECIFICATION NUMBER: BACB10AS25 OPTIONAL PART: LLMB543 V38443 MB543-2TS V43991 MB543DDFS428 V21335 MB543TT V43991 MB543DDG20 V38443 MT343E VK8455 MB543DDL196 V40920 MB543DD V06144 MB543DDNJC V06144 MB541DDSD610 V83086 USED ON: 254A1220-8	001001	1
	743 ACMB543DDFS428		.BEARING- SUPPLIER CODE: V21335 SPECIFICATION NUMBER: BACB10FU25RJ OPTIONAL PART: AMB543DDRJC V06144 BACB10AS25	031100 201967	1

MISSING ITEM NUMBERS NOT APPLICABLE

- ITEM NOT ILLUSTRATED

HAP

25-11-00-50

BOEING PROPRIETARY - Copyright © - Unpublished Work - See title page for details.

25-11-00
FIG. 50
PAGE 22
JUN 15/09

BOEING
737-600/700/800/900
PARTS CATALOG (MAINTENANCE)

FIG ITEM	PART NUMBER	1 2 3 4 5 6 7	NOMENCLATURE	EFFECT FROM TO	UNITS PER ASSY
50					
R	743	MB543DDFS428	.BEARING- SUPPLIER CODE: V06144 SPECIFICATION NUMBER: BACB10AS25 OPTIONAL PART: LLMB543 V38443 MB543-2TS V43991 MB543DDFS428 V21335 MB543TT V43991 MB543DDG20 V38443 MT343E VK8455 MB543DDL196 V40920 MB543DD V06144 MB543DDNJC V06144 MB541DDSD610 V83086 BACB10FU25RJ	031100 201967	1
R	746	69-76350-1	.SPACER	001100 201967	1
R	749	BACB30NF4-16	.BOLT- OPTIONAL PART: BACB30LJ4-16 USED ON: 254A1220-5	001030	1
R	749	BACB30LJ4-16	.BOLT- OPTIONAL PART: BACB30NF4-16 USED ON: 254A1220-5	001030	1
R	749	BACB30NF4-16	.BOLT- USED ON: 254A1220-8	001001	1
R	749	BACB30LJ4-16	.BOLT- OPTIONAL PART: BACB30NF4-16	031100 201967	1
R	749	BACB30NF4-16	.BOLT- OPTIONAL PART: BACB30LJ4-16	031100 201967	1

MISSING ITEM NUMBERS NOT APPLICABLE

— ITEM NOT ILLUSTRATED

HAP

25-11-00-50

BOEING PROPRIETARY - Copyright © - Unpublished Work - See title page for details.

25-11-00
FIG. 50
PAGE 23
JUN 15/09

BOEING
737-600/700/800/900
PARTS CATALOG (MAINTENANCE)

FIG ITEM	PART NUMBER	1 2 3 4 5 6 7	NOMENCLATURE	EFFECT FROM TO	UNITS PER ASSY
R R R R R R R R R R R R R R	50 752	BACB30LM3-12	.BOLT- OPTIONAL PART: NAS603-12 USED ON: 254A1220-5	001030	1
	752	BACB30LM3-12	.BOLT- OPTIONAL PART: NAS603-12	031100 201967	1
	753	NAS603-12	.SCREW- OPTIONAL PART: BACB30LM3-12 USED ON: 254A1220-5	001030	1
	753	NAS603-12	.SCREW- USED ON: 254A1220-8	001001	1
	753	NAS603-12	.SCREW- OPTIONAL PART: BACB30LM3-12	031100 201967	1
	755	NAS1149D0316J	.WASHER	001100 201967	1
	759	NAS1149D0463J	.WASHER	001100 201967	1
	762	MS21042L4	.NUT- OPTIONAL PART: BACN11AG4 USED ON: 254A1220-5 254A1220-6	001036 201967	1
	762	BACN11AG4	.NUT- OPTIONAL PART: MS21042L4 USED ON: 254A1220-5 254A1220-6	001036 201967	1
	762	PLH54CD	.NUT- SUPPLIER CODE: VF0224 SPECIFICATION NUMBER: BACN10YR4CD OPTIONAL PART: H52732-4CD V15653 USED ON: 254A1220-106 254A1220-206	031100 201967	1

MISSING ITEM NUMBERS NOT APPLICABLE

— ITEM NOT ILLUSTRATED

HAP

25-11-00-50

BOEING PROPRIETARY - Copyright © - Unpublished Work - See title page for details.

25-11-00
FIG. 50
PAGE 24
JUN 15/09

BOEING
737-600/700/800/900
PARTS CATALOG (MAINTENANCE)

FIG ITEM	PART NUMBER	1 2 3 4 5 6 7	NOMENCLATURE	EFFECT FROM TO	UNITS PER ASSY
50 765	PLH53CD	.	NUT SUPPLIER CODE: VF0224 SPECIFICATION NUMBER: BACN10YR3CD OPTIONAL PART: H52732-3CD V15653	001100 201967	1
768	254A1250-1	.	HANDLE ASSY- FUNCTIONAL REFERENCE: PLACARDS AND MARKINGS FOR DETAILS SEE 11-30-00-04 FLIGHT CONTROL FOR DETAILS SEE 27-62-51-01	001100 201967	1
771	69-15907-4	.	LINK ASSY-IDLE PRE AIRLINE MOD: E.O.APB737-8007 VHAP	001023	1
771	69-15907-4	.	LINK ASSY-IDLE	024100 201967	1
774	GDW4KSD610	..	BEARING- SUPPLIER CODE: V83086 SPECIFICATION NUMBER: BACB10CG4A OPTIONAL PART: GDW4KTT V43991 DW4K1 V38443 GDW4KFS428 V21335 BACB10FY04A	001100 201967	1
774	BACB10FY04A	..	BEARING- OPTIONAL PART: BACB10CG4A	001100 201967	1
777	69-15907-5	..	LINK	001100 201967	1
780	69-76397-2	.	GUIDE-WIRE	001100 201967	1
783	69-76352-1	.	BUSHING	001100 201967	1
828	MS24586-524	.	SPRING	001100 201967	1
831	69-76375-1	.	BOLT	001100 201967	1

MISSING ITEM NUMBERS NOT APPLICABLE

- ITEM NOT ILLUSTRATED

HAP

25-11-00-50

BOEING PROPRIETARY - Copyright © - Unpublished Work - See title page for details.

25-11-00
FIG. 50
PAGE 25
JUN 15/09

BOEING
737-600/700/800/900
PARTS CATALOG (MAINTENANCE)

FIG ITEM	PART NUMBER	1 2 3 4 5 6 7	NOMENCLATURE	EFFECT FROM TO	UNITS PER ASSY
50					
834	69-76375-2	.	BOLT	001100 201967	1
837	NAS1149D0332J	.	WASHER	001100 201967	2
840	PLH53CD	.	NUT	001100 201967	2
			SUPPLIER CODE: VF0224		
			SPECIFICATION NUMBER: BACN10YR3CD		
			OPTIONAL PART: H52732-3CD		
			V15653		
843	H19700P4	.	NUT	001100 201967	1
			SUPPLIER CODE: V15653		
			SPECIFICATION NUMBER: BACN10MT4		
			OPTIONAL PART: 52LH6073-048		
			V72962		
			53488N428		
			V56878		
			TLN1020L4N		
			V97928		
846	NAS1423-4	.	NUT-	001030	3
			OPTIONAL PART: BACN11U4CD2		
			USED ON: 254A1220-5		
846	BACN11U4CD2	.	NUT-	001030	3
			OPTIONAL PART: NAS1423-4		
			USED ON: 254A1220-5		
846	NAS1423-4	.	NUT-	001001	1
			USED ON: 254A1220-8		
846	BACN11U4CD2	.	NUT-	031100 201967	3
			OPTIONAL PART: NAS1423-4		
846	NAS1423-4	.	NUT-	031100 201967	3
			OPTIONAL PART: BACN11U4CD2		
849	65C25404-3	.	FOLLOWER ASSY-AND ARM	001100 201967	1
			FOR DETAILS SEE: 27-62-00-03		
867	BACB30LM3-1	.	BOLT-	031036 201967	2
			OPTIONAL PART: NAS603-1		

MISSING ITEM NUMBERS NOT APPLICABLE

- ITEM NOT ILLUSTRATED

HAP

25-11-00-50

BOEING PROPRIETARY - Copyright © - Unpublished Work - See title page for details.

25-11-00
FIG. 50
PAGE 26
JUN 15/09

BOEING
737-600/700/800/900
PARTS CATALOG (MAINTENANCE)

FIG ITEM	PART NUMBER	1 2 3 4 5 6 7	NOMENCLATURE	EFFECT FROM TO	UNITS PER ASSY
50					
R	867	BACB30LM3-1	.BOLT- USED ON: 254A1220-5	001030	2
R	867	BACB30LM3-1	.BOLT	037100	2
R	870	NAS603-1	.SCREW- OPTIONAL PART: BACB30LM3-1	031036 201967	2
R	870	NAS603-12	.SCREW- USED ON: 254A1220-8	001001	2
R	880	NAS6703-8	.BOLT- OPTIONAL PART: BACB30LM3-8	031036 201967	2
R	880	BACB30LM3-8	.BOLT- OPTIONAL PART: NAS6703-8	031036 201967	2
R	880	BACB30LM3-8	.BOLT- USED ON: 254A1220-5	001030	2
R	880	NAS6703-8	.BOLT- USED ON: 254A1220-8	001001	2
R	880	BACB30LM3-8	.BOLT	037100	2
R	885	NAS6703-50	.SCREW- OPTIONAL PART: BACB30LM3-50	031036 201967	1
R	885	BACB30LM3-50	.SCREW- OPTIONAL PART: NAS6703-50	031036 201967	1
R	885	BACB30LM3-50	.SCREW- USED ON: 254A1220-5	001030	1
R	885	NAS6703-50	.SCREW- USED ON: 254A1220-8	001001	1
R	885	BACB30LM3-50	.SCREW	037100	1
R	890	BACB30LM3-4	.BOLT- OPTIONAL PART: NAS603-4	031036 201967	2
R	890	BACB30LM3-4	.BOLT- USED ON: 254A1220-5	001030	2
R	890	BACB30LM3-4	.BOLT	037100	2
R	900	NAS603-4	.SCREW- OPTIONAL PART: BACB30LM3-4	031036 201967	2
R	900	NAS603-4	.SCREW- USED ON: 254A1220-8	001001	2

MISSING ITEM NUMBERS NOT APPLICABLE

— ITEM NOT ILLUSTRATED

HAP

25-11-00-50

25-11-00
FIG. 50
PAGE 27
JUN 15/09

BOEING
737-600/700/800/900
PARTS CATALOG (MAINTENANCE)

FIG ITEM	PART NUMBER	1 2 3 4 5 6 7	NOMENCLATURE	EFFECT FROM TO	UNITS PER ASSY
50					
902	NAS43DD3-168FC	.	SPACER	001100 201967	1
905	NAS1149F0316P	.	WASHER	001100 201967	6
908	NAS1149E0316P	.	WASHER	001100 201967	2
911	AN970-3	.	WASHER	001100 201967	2
914	PLH53CD	.	NUT SUPPLIER CODE: VF0224 SPECIFICATION NUMBER: BACN10YR3CD OPTIONAL PART: H52732-3CD V15653	001100 201967	3
926	254A1295-1	.	LEVER ASSY-ENG NO.1 COMPONENT MAINT MANUAL REF: 25-11-13 MAINTENANCE MANUAL REF: 76-11-01 76-11-02 FOR DETAILS SEE: 76-11-02-01	001100 201967	1
929	254A1295-2	.	LEVER ASSY-ENG NO.2 COMPONENT MAINT MANUAL REF: 25-11-13 MAINTENANCE MANUAL REF: 76-11-01 76-11-02 FOR DETAILS SEE: 76-11-02-01	001100 201967	1
932	69-76383-1	.T	BOLT- USED ON: 254A1220-6	001036 201967	1
932	69-76383-2	.T	BOLT- USED ON: 254A1220-106 254A1220-206	031100 201967	1
935	BACB30LU3P2	.	BOLT- OPTIONAL PART: BACB30LH3P2 USED ON: 254A1220-5	001030	1
935	BACB30LH3P2	.	BOLT- OPTIONAL PART: BACB30LU3P2 USED ON: 254A1220-5	001030	1

MISSING ITEM NUMBERS NOT APPLICABLE

— ITEM NOT ILLUSTRATED

HAP

25-11-00-50

BOEING PROPRIETARY - Copyright © - Unpublished Work - See title page for details.

25-11-00
FIG. 50
PAGE 28
JUN 15/09

BOEING
737-600/700/800/900
PARTS CATALOG (MAINTENANCE)

FIG ITEM	PART NUMBER	1 2 3 4 5 6 7	NOMENCLATURE	EFFECT FROM TO	UNITS PER ASSY
50					
R	935	BACB30LU3P2	.BOLT- USED ON: 254A1220-8	001001	1
R					
R	935	BACB30LH3P2	.BOLT- OPTIONAL PART: BACB30LU3P2	031100 201967	1
R					
R	935	BACB30LU3P2	.BOLT- OPTIONAL PART: BACB30LH3P2	031100 201967	1
R					
R	941	NAS514P832-4P	.SCREW	001100 201967	1
R					
R	944	NAS602-4P	.SCREW- OPTIONAL PART: BACS12CK08-4 USED ON: 254A1220-5	001030	1
R					
R	944	BACS12CK08-4	.SCREW- OPTIONAL PART: NAS602-4P USED ON: 254A1220-5	001030	1
R					
R	944	NAS602-4P	.SCREW- USED ON: 254A1220-8	001001	1
R					
R	944	BACS12CK08-4	.SCREW- OPTIONAL PART: NAS602-4P	031100 201967	1
R					
R	944	NAS602-4P	.SCREW- OPTIONAL PART: BACS12CK08-4	031100 201967	1
R					
R	947	NAS1149DN816J	.WASHER	001100 201967	1
R					
R	962	NAS1801-04-5	.SCREW- OPTIONAL PART: BACS12HN04-5 USED ON: 254A1220-5	001030	2
R					
R	962	BACS12HN04-5	.SCREW- OPTIONAL PART: NAS1801-04-5 USED ON: 254A1220-5	001030	2
R					
R	962	NAS1801-04-5	.SCREW- USED ON: 254A1220-8	001001	2
R					
R	962	BACS12HN04-5	.SCREW- OPTIONAL PART: NAS1801-04-5	031100 201967	2

MISSING ITEM NUMBERS NOT APPLICABLE

— ITEM NOT ILLUSTRATED

HAP

25-11-00-50

25-11-00
FIG. 50
PAGE 29
JUN 15/09

BOEING
737-600/700/800/900
PARTS CATALOG (MAINTENANCE)

FIG ITEM	PART NUMBER	1 2 3 4 5 6 7	NOMENCLATURE	EFFECT FROM TO	UNITS PER ASSY
R R R	50				
	962	NAS1801-04-5	.SCREW- OPTIONAL PART: BACS12HNO4-5	031100 201967	2
	965	NAS1149DN416J	.WASHER-	001100 201967	2
	968	K19798-04	.NUT- SUPPLIER CODE: V15653 SPECIFICATION NUMBER: BACN10NW1 OPTIONAL PART: RMA4812-160-40 V72962 293162 V60119	001100 201967	2
	977	254A1221-2	.WIRE BUNDLE ASSY- FUNCTIONAL REFERENCE: FLIGHT CONTROL FOR DETAILS SEE 27-41-00-17 27-62-32-01 LIGHTS FOR DETAILS SEE 33-14-51-01	001100 201967	1
	- 980	MODREF232789	CONTROL INSTL-STAB. TRIM MODULE NUMBER: 251A4004-5 REV B	031036	1
	- 980	MODREF309446	CONTROL INSTL-STAB. TRIM MODULE NUMBER: 251A4004-5 REV C	038038	1
	- 980	MODREF309564	CONTROL INSTL-STAB. TRIM MODULE NUMBER: 251A4004-5 REV D	037037 039100	1
	983	BACP18BC02A03P	.PIN	031100	2

MISSING ITEM NUMBERS NOT APPLICABLE

- ITEM NOT ILLUSTRATED

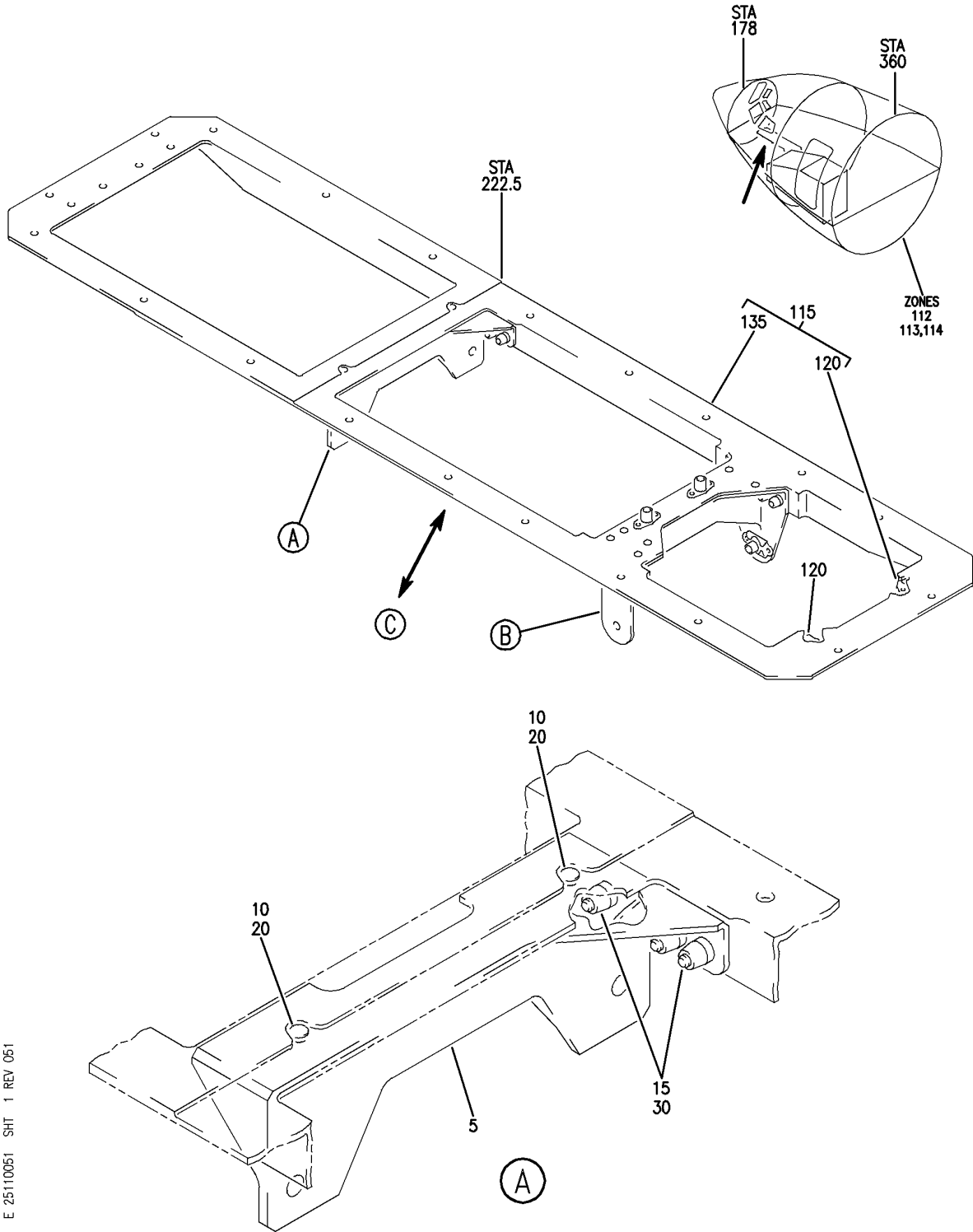
HAP

25-11-00-50

BOEING PROPRIETARY - Copyright © - Unpublished Work - See title page for details.

25-11-00
FIG. 50
PAGE 30
JUN 15/09

BOEING
 737-600/700/800/900
 PARTS CATALOG (MAINTENANCE)



E 25110051 SHT 1 REV 051

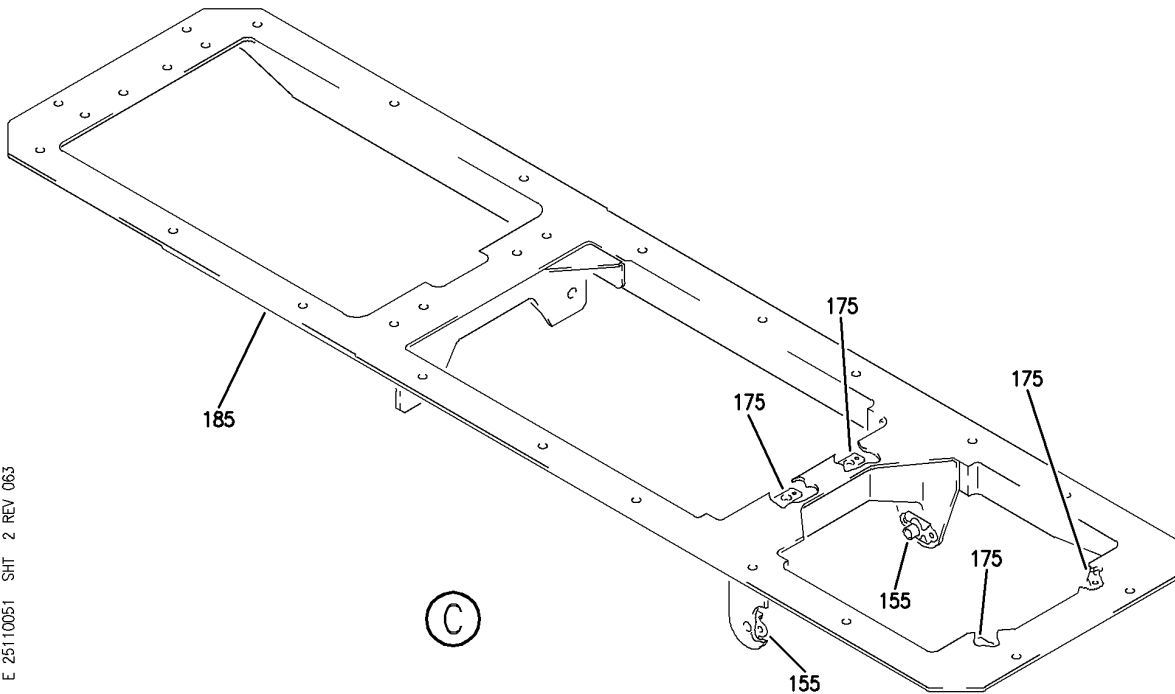
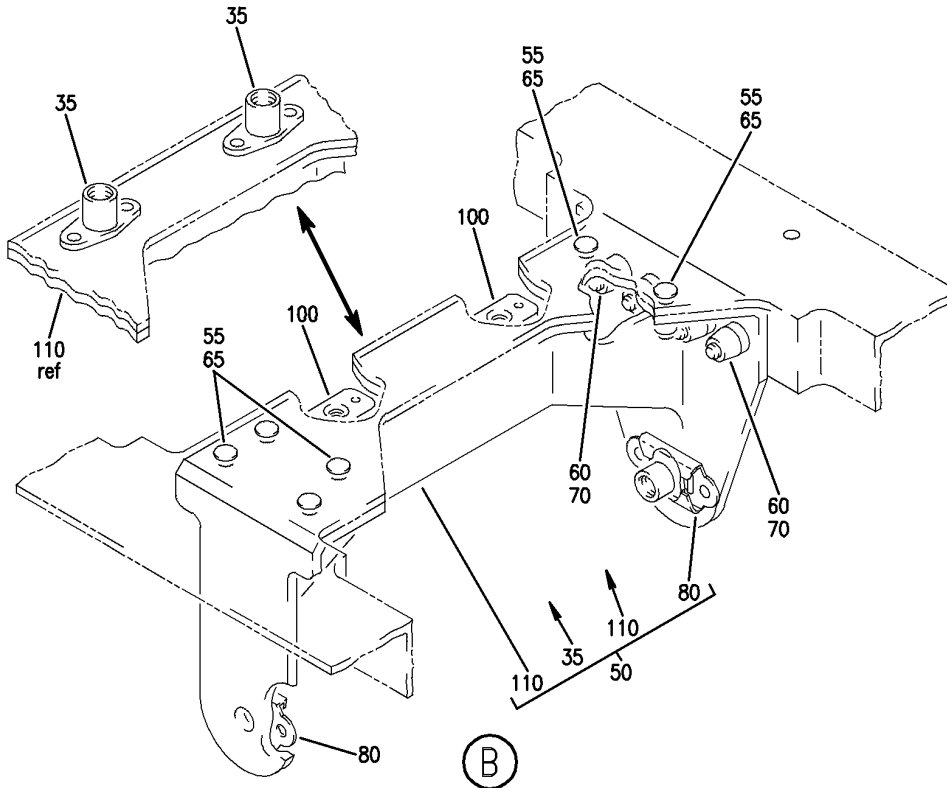
FRAME ASSY-LWR CONT STAND
 FIGURE 51 (SHEET 1)

25-11-00-51

HAP
 OCT 10/06

25-11-00-51
 PAGE 0

BOEING
 737-600/700/800/900
 PARTS CATALOG (MAINTENANCE)



E 25110051 SHT 2 REV 063

FRAME ASSY-LWR CONT STAND
 FIGURE 51 (SHEET 2)

25-11-00-51

HAP
 OCT 10/06

25-11-00-51
 PAGE 0A

BOEING
737-600/700/800/900
PARTS CATALOG (MAINTENANCE)

FIG ITEM	PART NUMBER	1 2 3 4 5 6 7	NOMENCLATURE	EFFECT FROM TO	UNITS PER ASSY
51			FRAME ASSY-LWR CONT STAND		
- 1	254A1231-2		FRAME ASSY-CONT STAND POSITION DATA: LWR OPTIONAL PART: 254A1231-3 FOR NHA SEE: 25-11-00-50 25-11-00-53		RF
5	254A1233-1		.BRACKET		1
10	HL13VAZ5-3		ATTACHING PARTS .BOLT SUPPLIER CODE: V56878 SPECIFICATION NUMBER: BACB30NY5K3 OPTIONAL PART: HL13VAZ5-3 V73197 HL13VAZ5-3 V92215 HL13VAZ5-3 V97928 L801-5K3 V06725 HL13VAZ5-3 V60516 L801-5K3 VOPTK6 HL13VAZ5-3 V17446		2
15	BACB30VU5HK3		.BOLT		3
20	HL1087-5		.COLLAR- SUPPLIER CODE: V73197 SPECIFICATION NUMBER: BACC30BH5 OPTIONAL PART: HL1087-5 V56878 HL1087-5 V9N513 HL1087-5 V5M902 USED ON: 254A1231-2		2
30	BACC30BL5		.COLLAR -----*-----		3

MISSING ITEM NUMBERS NOT APPLICABLE

- ITEM NOT ILLUSTRATED

HAP

25-11-00-51

BOEING PROPRIETARY - Copyright © - Unpublished Work - See title page for details.

25-11-00
FIG. 51
PAGE 1
JUN 15/09

BOEING
737-600/700/800/900
PARTS CATALOG (MAINTENANCE)

FIG ITEM	PART NUMBER	1 2 3 4 5 6 7	NOMENCLATURE	EFFECT FROM TO	UNITS PER ASSY
51					
50	254A1234-3		.BRACKET ASSY- USED ON: 254A1231-2 ATTACHING PARTS		1
55	HL13VAZ5-4		.BOLT SUPPLIER CODE: V56878 SPECIFICATION NUMBER: BACB30NY5K4 OPTIONAL PART: HL13VAZ5-4 V73197 HL13VAZ5-4 V92215 HL13VAZ5-4 V97928 L801-5K4 V06725 HL13VAZ5-4 V60516 L801-5K4 VOPTK6 HL13VAZ5-4 V17446		6
60	VL310AG5-4		.BOLT SUPPLIER CODE: V06950 SPECIFICATION NUMBER: BACB30VT5HK4 OPTIONAL PART: VL310AG5-4 V9N513 VL310AG5-4 V97928 WC10K5-4 V60516		4

MISSING ITEM NUMBERS NOT APPLICABLE

— ITEM NOT ILLUSTRATED

HAP

25-11-00-51

BOEING PROPRIETARY - Copyright © - Unpublished Work - See title page for details.

25-11-00
FIG. 51
PAGE 2
JUN 15/09

BOEING
737-600/700/800/900
PARTS CATALOG (MAINTENANCE)

FIG ITEM	PART NUMBER	1 2 3 4 5 6 7	NOMENCLATURE	EFFECT FROM TO	UNITS PER ASSY
51 65	HL1087-5		. COLLAR- SUPPLIER CODE: V73197 SPECIFICATION NUMBER: BACC30BH5 OPTIONAL PART: HL1087-5 V56878 HL1087-5 V9N513 HL1087-5 V5M902 USED ON: 254A1231-2		6
70	BACC30BL5		. COLLAR -----*-----		4
80	102F171-4		. . NUTPLATE- SUPPLIER CODE: V72962 SPECIFICATION NUMBER: BACN10JB4CD OPTIONAL PART: BRF210C4D V52828 BRF270C4D V52828 NS202485-048 V80539 USED ON: 254A1231-2		2
- 90	AF5141-3C		ATTACHING PARTS . . RIVET- SUPPLIER CODE: V53551 SPECIFICATION NUMBER: BACR15DR3AC SIZE DETERMINED ON INSTL. USED ON: 254A1231-2 -----*-----		4

MISSING ITEM NUMBERS NOT APPLICABLE

- ITEM NOT ILLUSTRATED

HAP

25-11-00-51

BOEING PROPRIETARY - Copyright © - Unpublished Work - See title page for details.

25-11-00
FIG. 51
PAGE 3
JUN 15/09

BOEING
737-600/700/800/900
PARTS CATALOG (MAINTENANCE)

FIG ITEM	PART NUMBER	1 2 3 4 5 6 7	NOMENCLATURE	EFFECT FROM TO	UNITS PER ASSY
51 100	MF53050-3CD		..NUTPLATE- SUPPLIER CODE: V15653 SPECIFICATION NUMBER: BACN10JN3CD OPTIONAL PART: BRFM20C3D V52828 102F9201M3 V72962 NS202487-02 V80539 MF51637-3 V15653 USED ON: 254A1231-2		2
- 105	AF5141-3C		ATTACHING PARTS ..RIVET- SUPPLIER CODE: V53551 SPECIFICATION NUMBER: BACR15DR3AC SIZE DETERMINED ON INSTL. USED ON: 254A1231-2 -----*-----		4
110	254A1234-4		..BRACKET- USED ON: 254A1231-2		1
115	254A1232-3		.FRAME ASSY- USED ON: 254A1231-2		1
120	102F171-3		..NUTPLATE- SUPPLIER CODE: V72962 SPECIFICATION NUMBER: BACN10JB3CD OPTIONAL PART: BRF210C3D V52828 BRF2703D V52828 NS202485-02 V80539 USED ON: 254A1231-2		2

MISSING ITEM NUMBERS NOT APPLICABLE

- ITEM NOT ILLUSTRATED

HAP

25-11-00-51

BOEING PROPRIETARY - Copyright © - Unpublished Work - See title page for details.

25-11-00
FIG. 51
PAGE 4
JUN 15/09

BOEING
737-600/700/800/900
PARTS CATALOG (MAINTENANCE)

FIG ITEM	PART NUMBER	1 2 3 4 5 6 7	NOMENCLATURE	EFFECT FROM TO	UNITS PER ASSY
51			ATTACHING PARTS		
- 130	AF5141-3C		..RIVET- SUPPLIER CODE: V53551 SPECIFICATION NUMBER: BACR15DR3AC SIZE DETERMINED ON INSTL. USED ON: 254A1231-2 -----*-----		4
135	254A1232-4		..FRAME- USED ON: 254A1231-2		1
- 150	254A1231-3		FRAME ASSY-CONT STAND POSITION DATA: LWR OPTIONAL PART: 254A1231-2 FOR NHA SEE: 25-11-00-50 25-11-00-53		RF
155	102F171-4		.NUTPLATE SUPPLIER CODE: V72962 SPECIFICATION NUMBER: BACN10JB4CD OPTIONAL PART: BRF210C4D V52828 BRF270C4D V52828 NS202485-048 V80539		2
- 160	AF5141-3C3		ATTACHING PARTS .RIVET- SUPPLIER CODE: V53551 SPECIFICATION NUMBER: BACR15DR3AC3 OPTIONAL PART: CCR264CS3-3IT V11815 RV541A3C3 V98996 SIZE DETERMINED ON INSTL. -----*-----		4

MISSING ITEM NUMBERS NOT APPLICABLE

- ITEM NOT ILLUSTRATED

HAP

25-11-00-51

BOEING PROPRIETARY - Copyright © - Unpublished Work - See title page for details.

25-11-00
FIG. 51
PAGE 5
JUN 15/09

BOEING
737-600/700/800/900
PARTS CATALOG (MAINTENANCE)

FIG ITEM	PART NUMBER	1 2 3 4 5 6 7	NOMENCLATURE	EFFECT FROM TO	UNITS PER ASSY
51 175	102F171-3		.NUTPLATE- SUPPLIER CODE: V72962 SPECIFICATION NUMBER: BACN10JB3CD OPTIONAL PART: BRF210C3D V52828 BRF2703D V52828 NS202485-02 V80539 ATTACHING PARTS		4
- 180	AF5141-3C3		.RIVET- SUPPLIER CODE: V53551 SPECIFICATION NUMBER: BACR15DR3AC3 OPTIONAL PART: CCR264CS3-3IT V11815 RV541A3C3 V98996 SIZE DETERMINED ON INSTL. -----*-----		8
185	254A1233-4		.BRACKET		1

MISSING ITEM NUMBERS NOT APPLICABLE

- ITEM NOT ILLUSTRATED

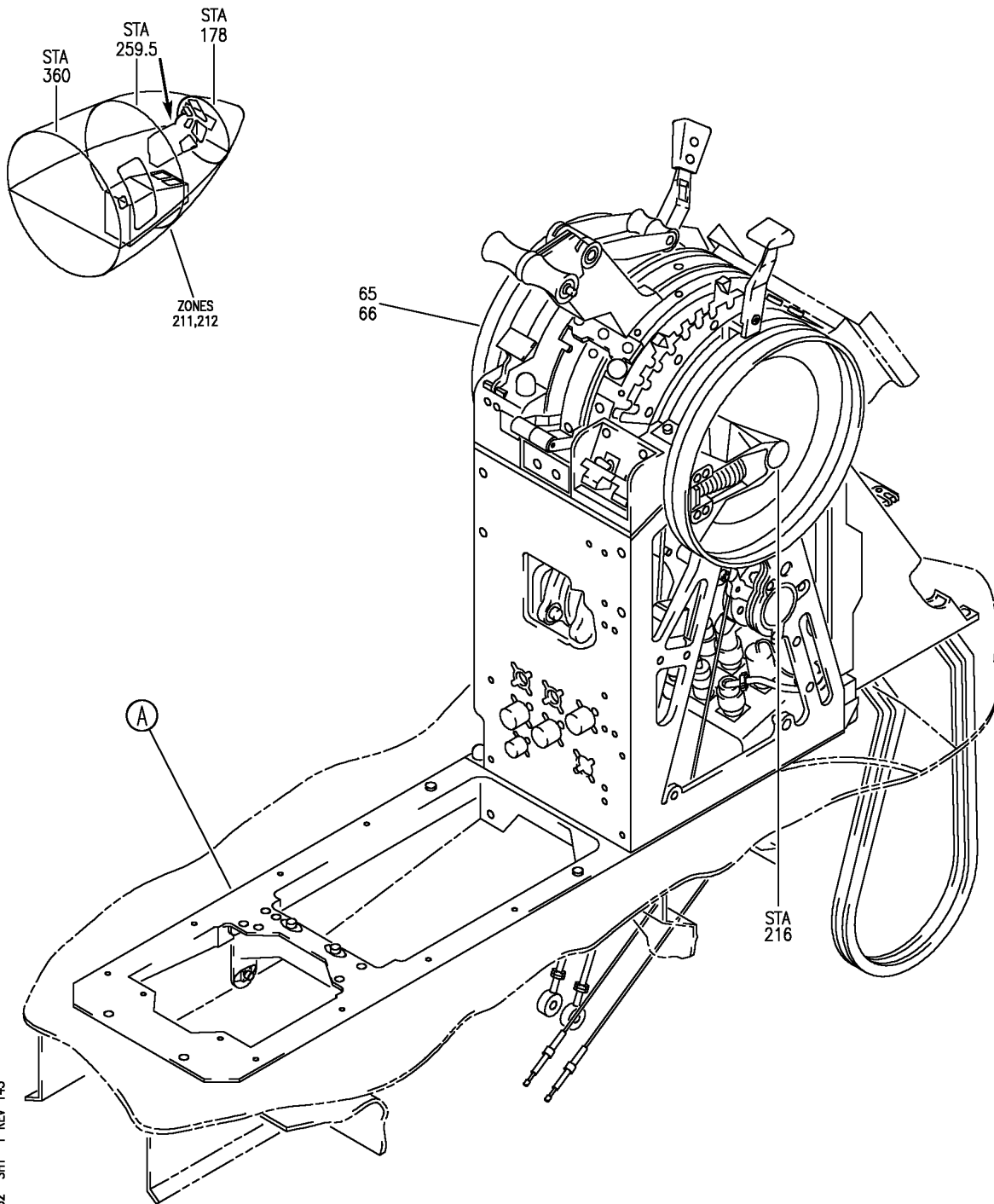
HAP

25-11-00-51

BOEING PROPRIETARY - Copyright © - Unpublished Work - See title page for details.

25-11-00
FIG. 51
PAGE 6
JUN 15/09

BOEING
737-600/700/800/900
PARTS CATALOG (MAINTENANCE)



E 25110052 SH1 1 REV 145

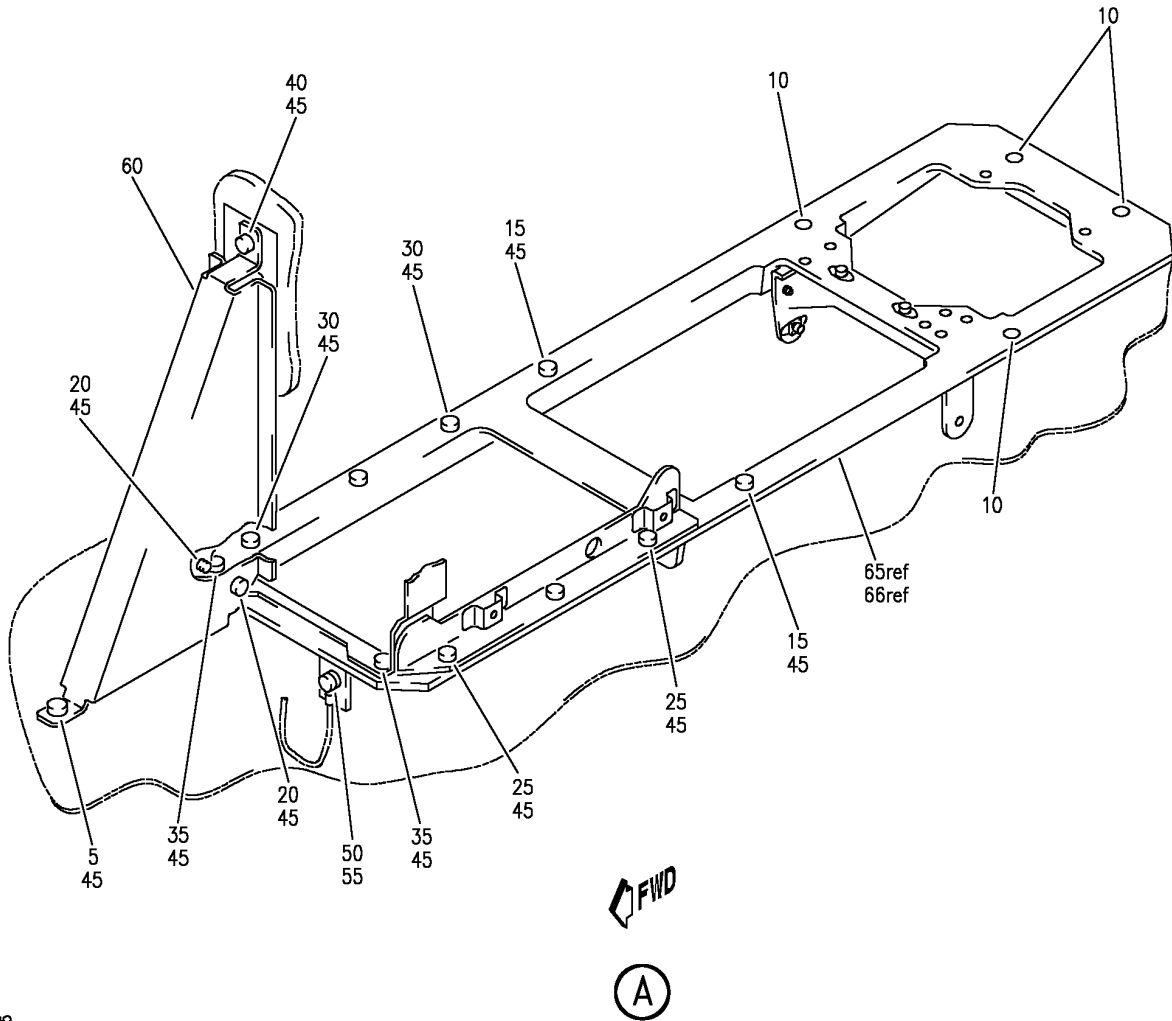
STAND INSTL-CAPT AND FIRST OFFICER CONT
FIGURE 52 (SHEET 1)

25-11-00-52

HAP
OCT 15/08

25-11-00-52
PAGE 0

BOEING
 737-600/700/800/900
 PARTS CATALOG (MAINTENANCE)



E 25110052 SH1 2 REV 145

STAND INSTL-CAPT AND FIRST OFFICER CONT
 FIGURE 52 (SHEET 2)

25-11-00-52

HAP
 OCT 15/08

25-11-00-52
 PAGE 0A

BOEING
737-600/700/800/900
PARTS CATALOG (MAINTENANCE)

FIG ITEM	PART NUMBER	1 2 3 4 5 6 7	NOMENCLATURE	EFFECT FROM TO	UNITS PER ASSY
52			STAND INSTL-CAPT AND FIRST OFFICER CONT	101200 968999	
- 2	MODREF311223		STAND INSTL-CONT CAPT AND FIRST OFFICER MODULE NUMBER: 254A1210-14 REV D	101106 968999	1
- 2	MODREF324761		STAND INSTL-CONT CAPT AND FIRST OFFICER MODULE NUMBER: 254A1210-12 REV F	107200	1
5	BACB30NM3K3		.BOLT	101200 968999	1
10	BACB30VF3K6		.BOLT	101200 968999	4
15	BACB30NM3K6		.BOLT	101200 968999	2
20	BACB30NM3K2		.BOLT	101200 968999	2
25	BACB30NM3K8		.BOLT	101200 968999	3
30	BACB30NM3K9		.BOLT	101200 968999	3
35	BACB30NM3K10		.BOLT	101200 968999	2
40	BACB30NM3K4		.BOLT	101200 968999	1
45	NAS1149D0332J		.WASHER	101200 968999	14
50	NAS1149D0316H		.WASHER	101200 968999	1
55	PLH53CD		.NUT SUPPLIER CODE: VF0224 SPECIFICATION NUMBER: BACN10YR3CD OPTIONAL PART: H52732-3CD V15653	101200 968999	1
60	254A1211-1		.GUARD	101200 968999	1

MISSING ITEM NUMBERS NOT APPLICABLE

- ITEM NOT ILLUSTRATED

HAP

25-11-00-52

BOEING PROPRIETARY - Copyright © - Unpublished Work - See title page for details.

25-11-00
FIG. 52
PAGE 1
FEB 15/09

BOEING
737-600/700/800/900
PARTS CATALOG (MAINTENANCE)

FIG ITEM	PART NUMBER	1 2 3 4 5 6 7	NOMENCLATURE	EFFECT FROM TO	UNITS PER ASSY
52 66	254A1220-114		.CONTROL STAND ASSY- COMPONENT MAINT MANUAL REF: 25-11-13 FUNCTIONAL REFERENCE: ENGINE CONTROLS FOR DETAILS SEE 76-11-01-02 76-11-03-02 76-11-10-02 EQUIPMENT/FURNISHINGS FOR DETAILS SEE 25-11-00-53 FLIGHT CONTROL FOR DETAILS SEE 27-00-51-04 27-41-91-01 27-51-06-01 27-51-08-01 INDICATING/RECORDING FOR DETAILS SEE 31-51-03-01 LANDING GEAR FOR DETAILS SEE 32-44-11-05 PLACARDS AND MARKINGS FOR DETAILS SEE 11-30-00-75	101106 968999	1

MISSING ITEM NUMBERS NOT APPLICABLE

— ITEM NOT ILLUSTRATED

HAP

25-11-00-52

BOEING PROPRIETARY - Copyright © - Unpublished Work - See title page for details.

25-11-00
FIG. 52
PAGE 2
OCT 15/08

BOEING
737-600/700/800/900
PARTS CATALOG (MAINTENANCE)

FIG ITEM	PART NUMBER	1 2 3 4 5 6 7	NOMENCLATURE	EFFECT FROM TO	UNITS PER ASSY
52 66	254A1220-212		.CONTROL STAND ASSY- COMPONENT MAINT MANUAL REF: 25-11-13 FUNCTIONAL REFERENCE: ENGINE CONTROLS FOR DETAILS SEE 76-11-01-02 76-11-03-02 76-11-10-02 EQUIPMENT/FURNISHINGS FOR DETAILS SEE 25-11-00-53 FLIGHT CONTROL FOR DETAILS SEE 27-00-51-04 27-41-91-01 27-51-06-01 27-51-08-01 INDICATING/RECORDING FOR DETAILS SEE 31-51-03-01 LANDING GEAR FOR DETAILS SEE 32-44-11-05 PLACARDS AND MARKINGS FOR DETAILS SEE 11-30-00-75	107200	1
- 100	B3-700-3A3		.KIT INSTL-SPEEDBRAKE AUTOSTOW ACTR SUPPLIER CODE: V3F4Z0 FOR DETAILS SEE: 27-62-51-02	101200 968999	1

MISSING ITEM NUMBERS NOT APPLICABLE

- ITEM NOT ILLUSTRATED

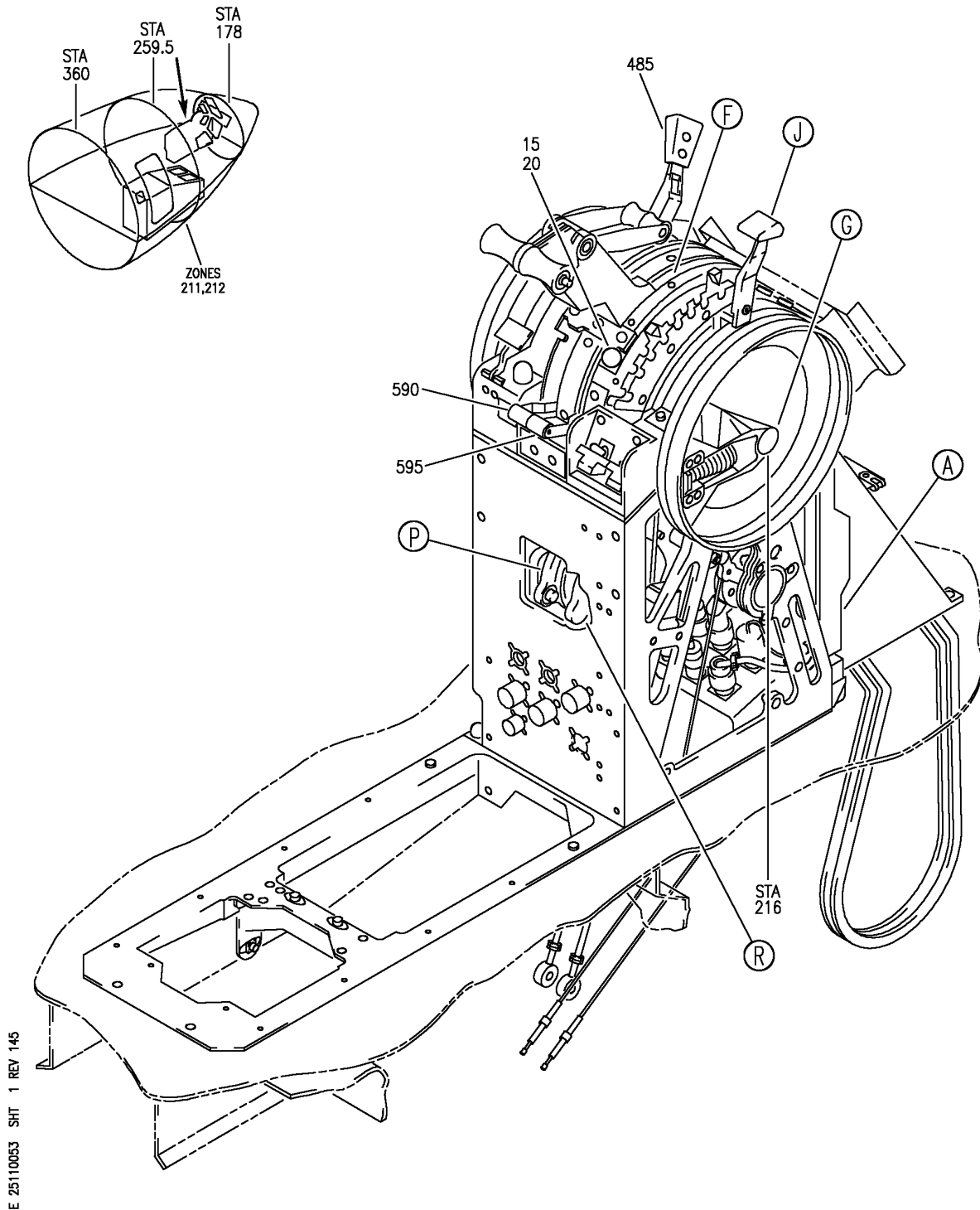
HAP

25-11-00-52

BOEING PROPRIETARY - Copyright © - Unpublished Work - See title page for details.

25-11-00
FIG. 52
PAGE 3
OCT 15/08

BOEING
737-600/700/800/900
PARTS CATALOG (MAINTENANCE)



E 25110053 SHT 1 REV 145

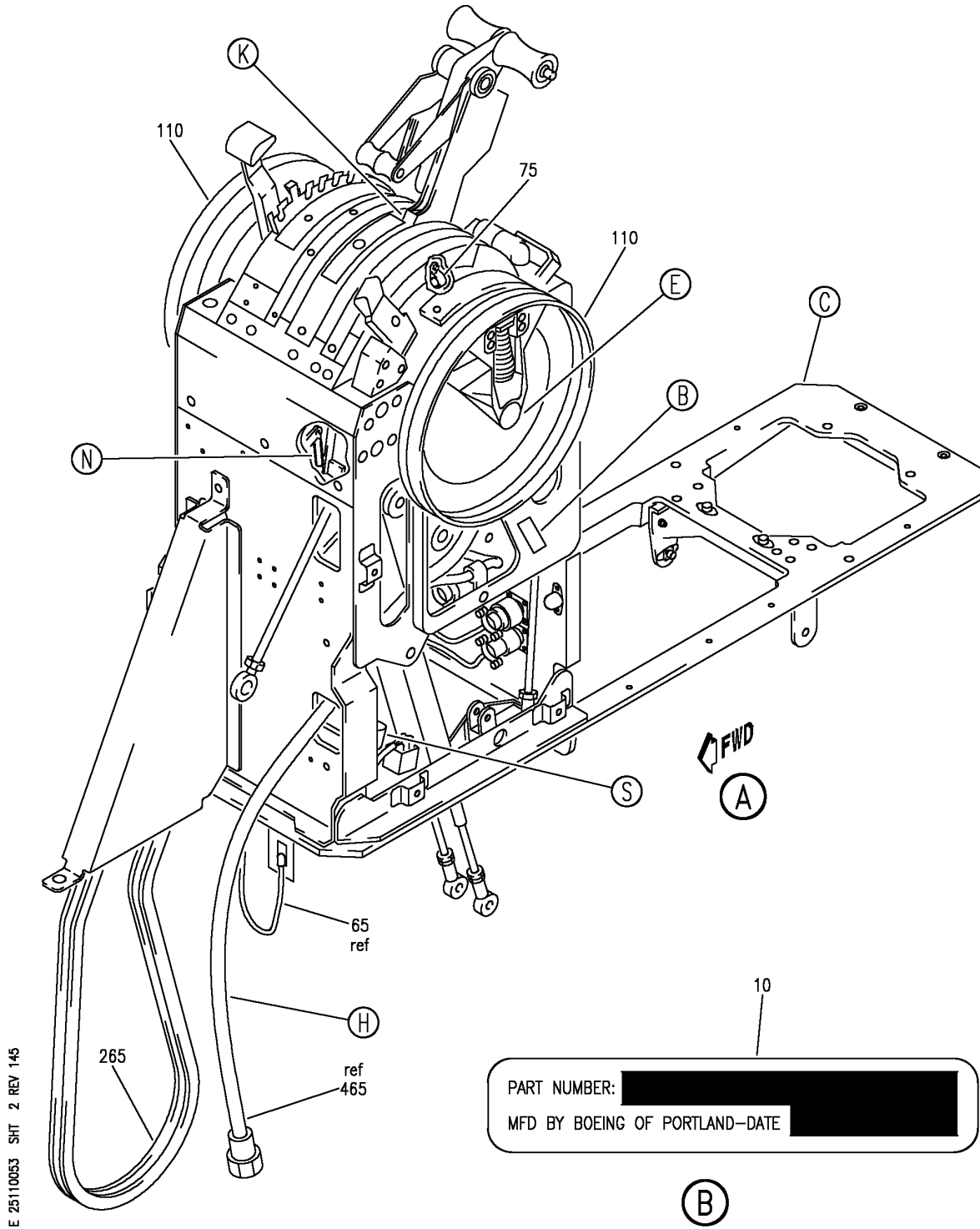
STAND ASSY / CONTROL INSTL-CAPT AND FIRST OFFICER STAB TRIM (EQUIPMENT/FURNISHINGS ONLY)
FIGURE 53 (SHEET 1)

HAP
OCT 15/08

25-11-00-53

25-11-00-53
PAGE 0

BOEING
 737-600/700/800/900
 PARTS CATALOG (MAINTENANCE)



E 25110053 SHT 2 REV 145

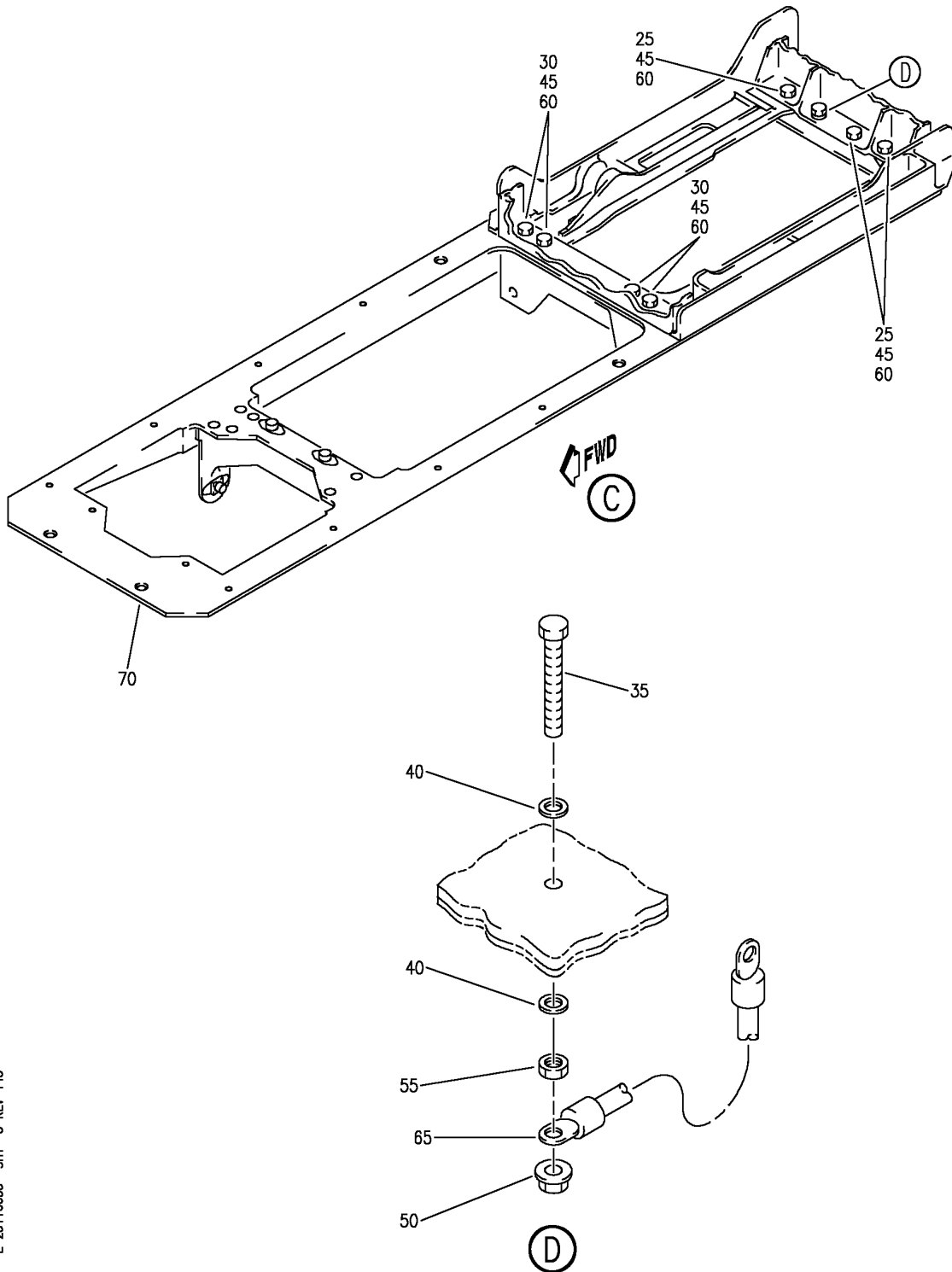
STAND ASSY / CONTROL INSTL-CAPT AND FIRST OFFICER STAB TRIM (EQUIPMENT/FURNISHINGS ONLY)
 FIGURE 53 (SHEET 2)

HAP
 OCT 15/08

25-11-00-53

25-11-00-53
 PAGE 0A

BOEING
 737-600/700/800/900
 PARTS CATALOG (MAINTENANCE)



E 25110053 SHT 3 REV 145

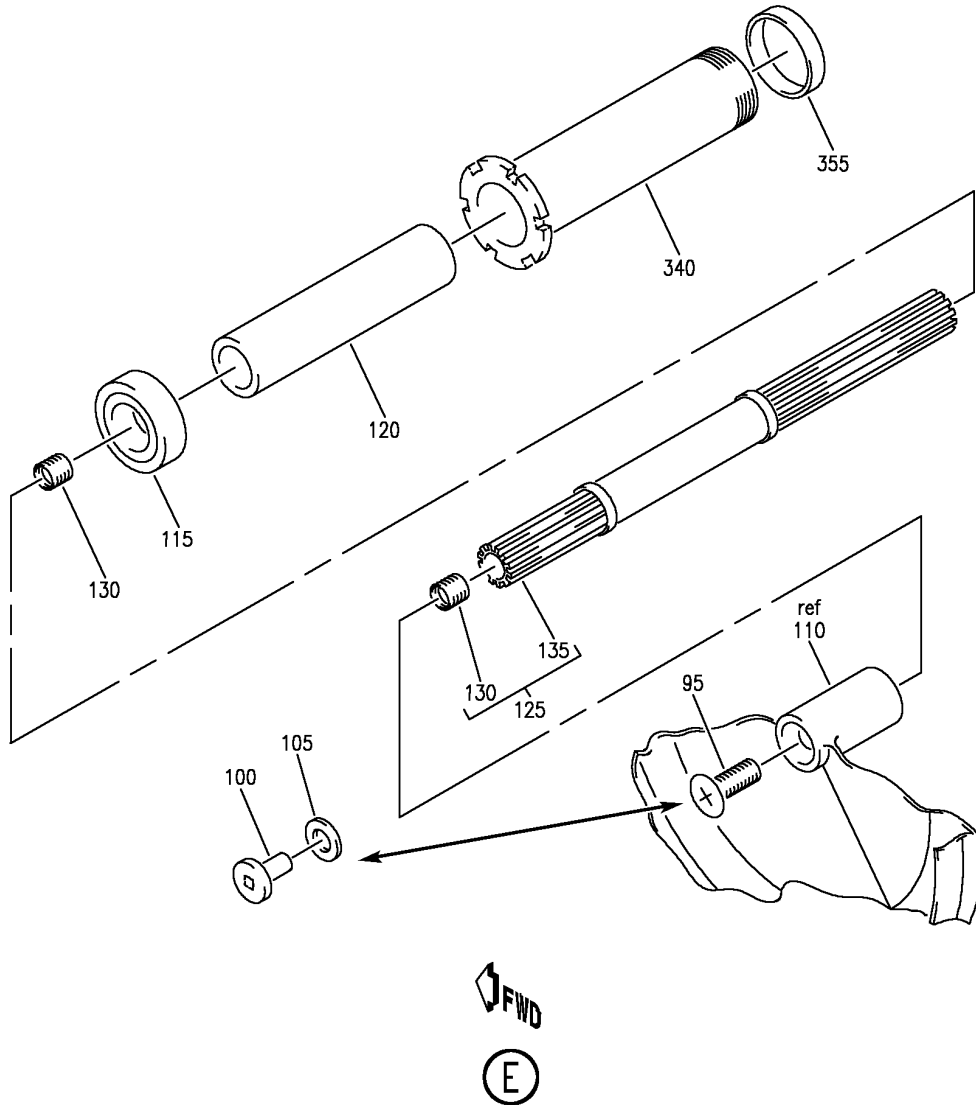
STAND ASSY / CONTROL INSTL-CAPT AND FIRST OFFICER STAB TRIM (EQUIPMENT/FURNISHINGS ONLY)
 FIGURE 53 (SHEET 3)

HAP
 OCT 15/08

25-11-00-53

25-11-00-53
 PAGE 0B

BOEING
 737-600/700/800/900
 PARTS CATALOG (MAINTENANCE)



E 25110053 SHT 4 REV 145

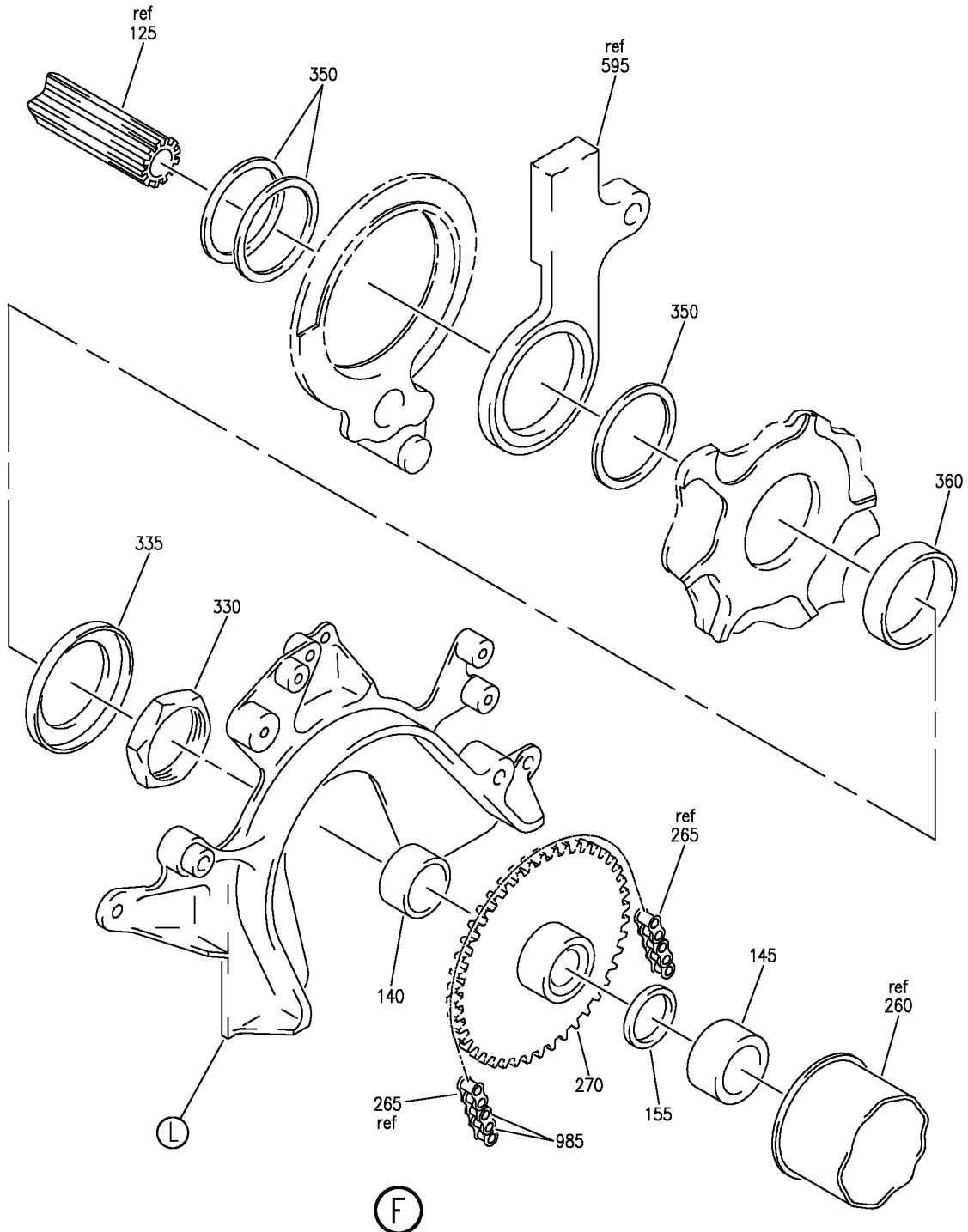
STAND ASSY / CONTROL INSTL-CAPT AND FIRST OFFICER STAB TRIM (EQUIPMENT/FURNISHINGS ONLY)
 FIGURE 53 (SHEET 4)

HAP
 OCT 15/08

25-11-00-53

25-11-00-53
 PAGE 0C

BOEING
 737-600/700/800/900
 PARTS CATALOG (MAINTENANCE)



E 25110053 SHT 5 REV 145

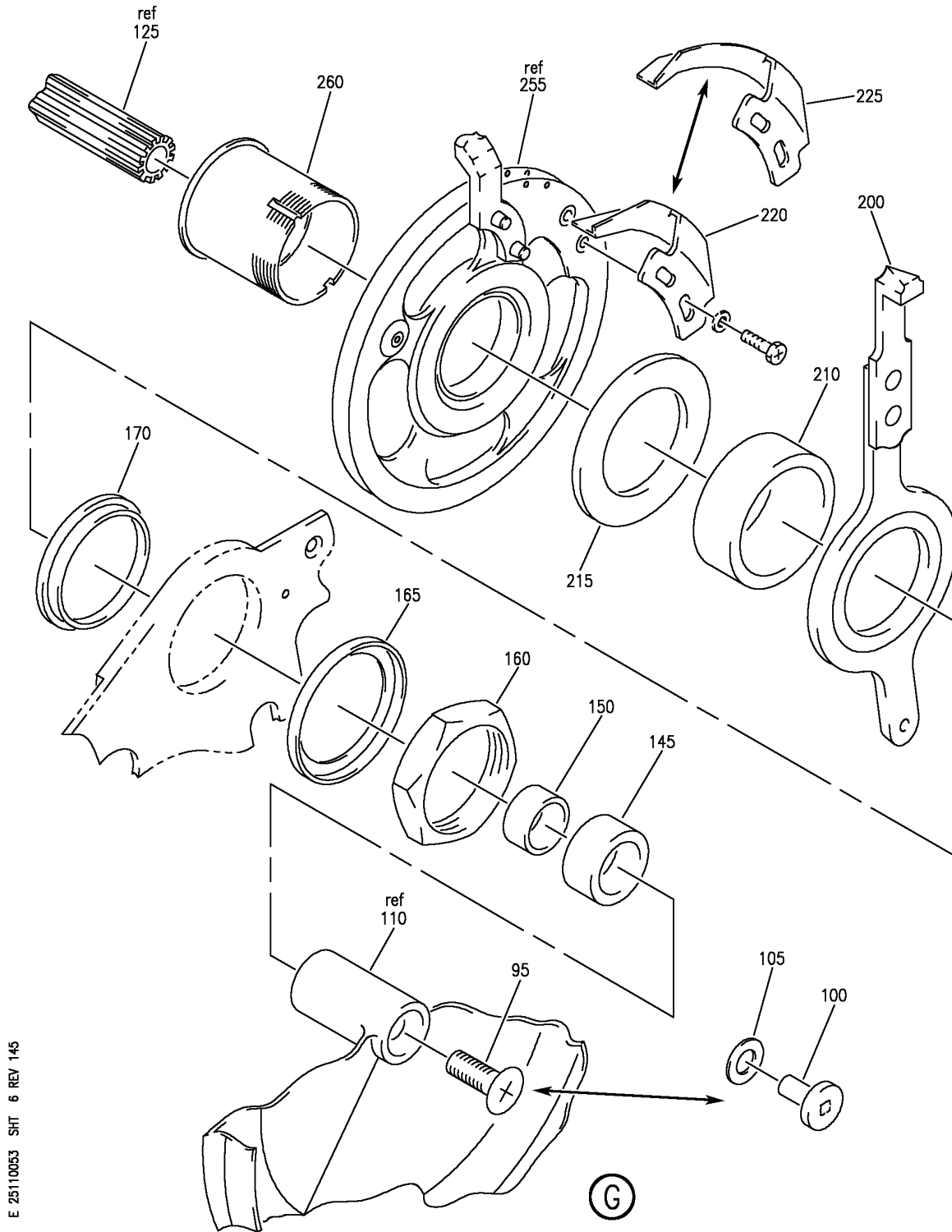
STAND ASSY / CONTROL INSTL-CAPT AND FIRST OFFICER STAB TRIM (EQUIPMENT/FURNISHINGS ONLY)
 FIGURE 53 (SHEET 5)

25-11-00-53

HAP
 OCT 15/08

25-11-00-53
 PAGE 0D

BOEING
 737-600/700/800/900
 PARTS CATALOG (MAINTENANCE)



E 25110053 SHT 6 REV 145

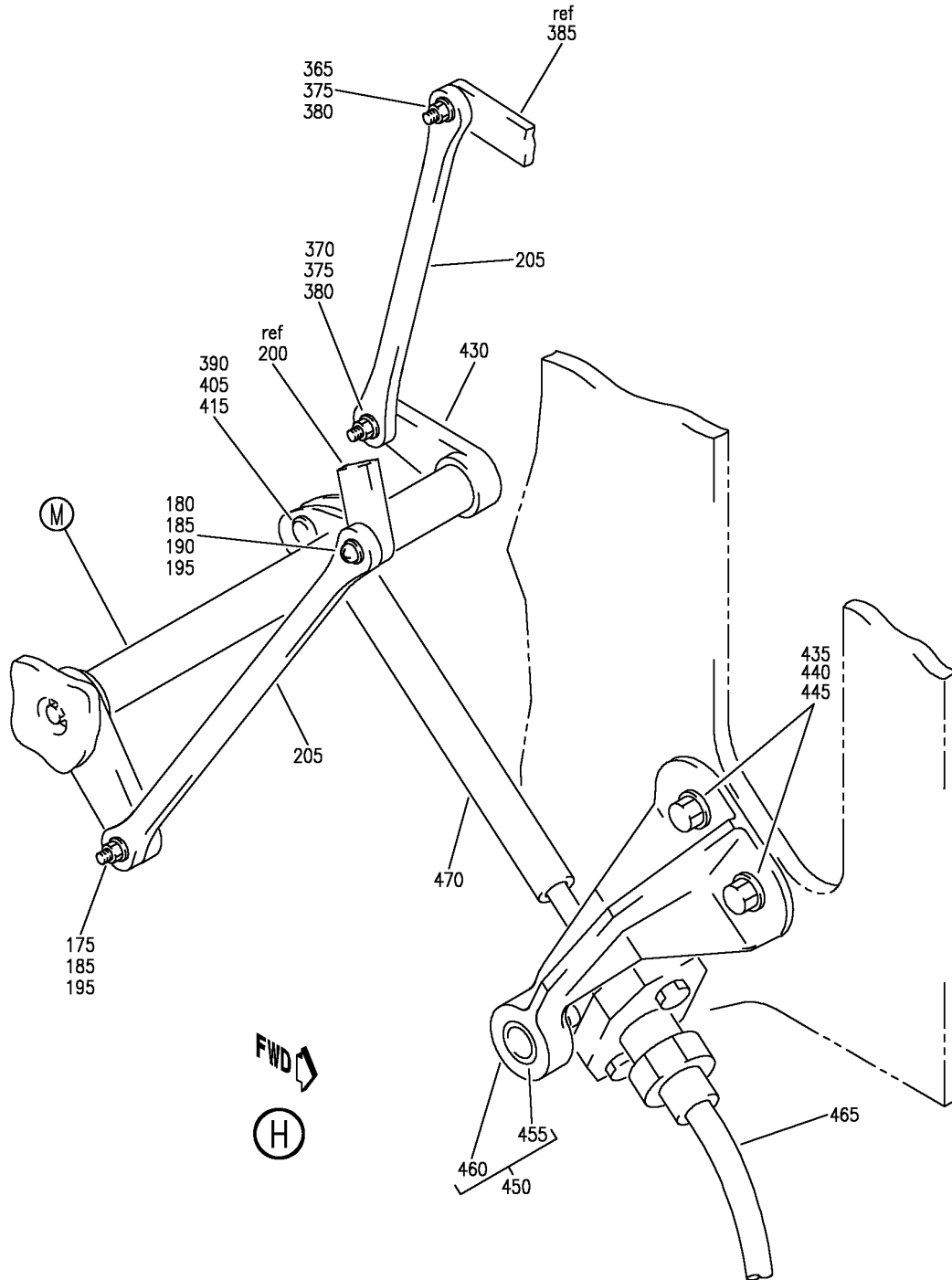
STAND ASSY / CONTROL INSTL-CAPT AND FIRST OFFICER STAB TRIM (EQUIPMENT/FURNISHINGS ONLY)
 FIGURE 53 (SHEET 6)

25-11-00-53

HAP
 OCT 15/08

25-11-00-53
 PAGE 0E

BOEING
 737-600/700/800/900
 PARTS CATALOG (MAINTENANCE)



E 25110053 SH1 7 REV 145

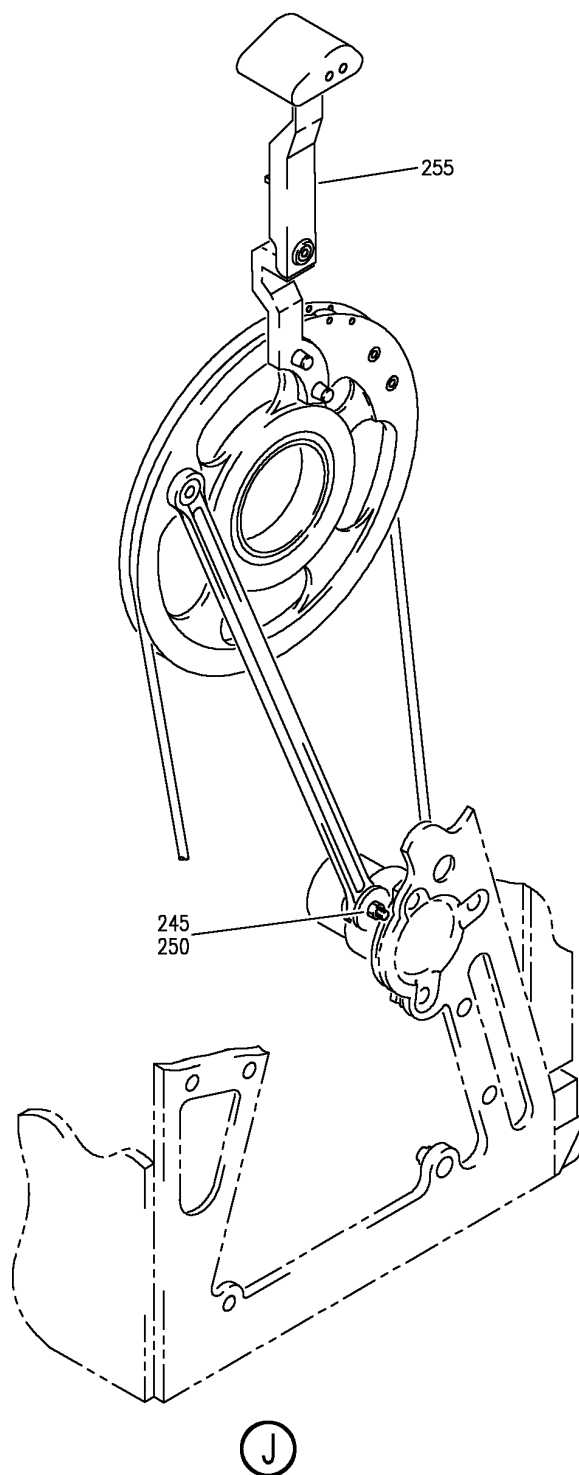
STAND ASSY / CONTROL INSTL-CAPT AND FIRST OFFICER STAB TRIM (EQUIPMENT/FURNISHINGS ONLY)
 FIGURE 53 (SHEET 7)

HAP
 OCT 15/08

25-11-00-53

25-11-00-53
 PAGE OF

BOEING
737-600/700/800/900
PARTS CATALOG (MAINTENANCE)



E 25110053 SH1 8 REV 145

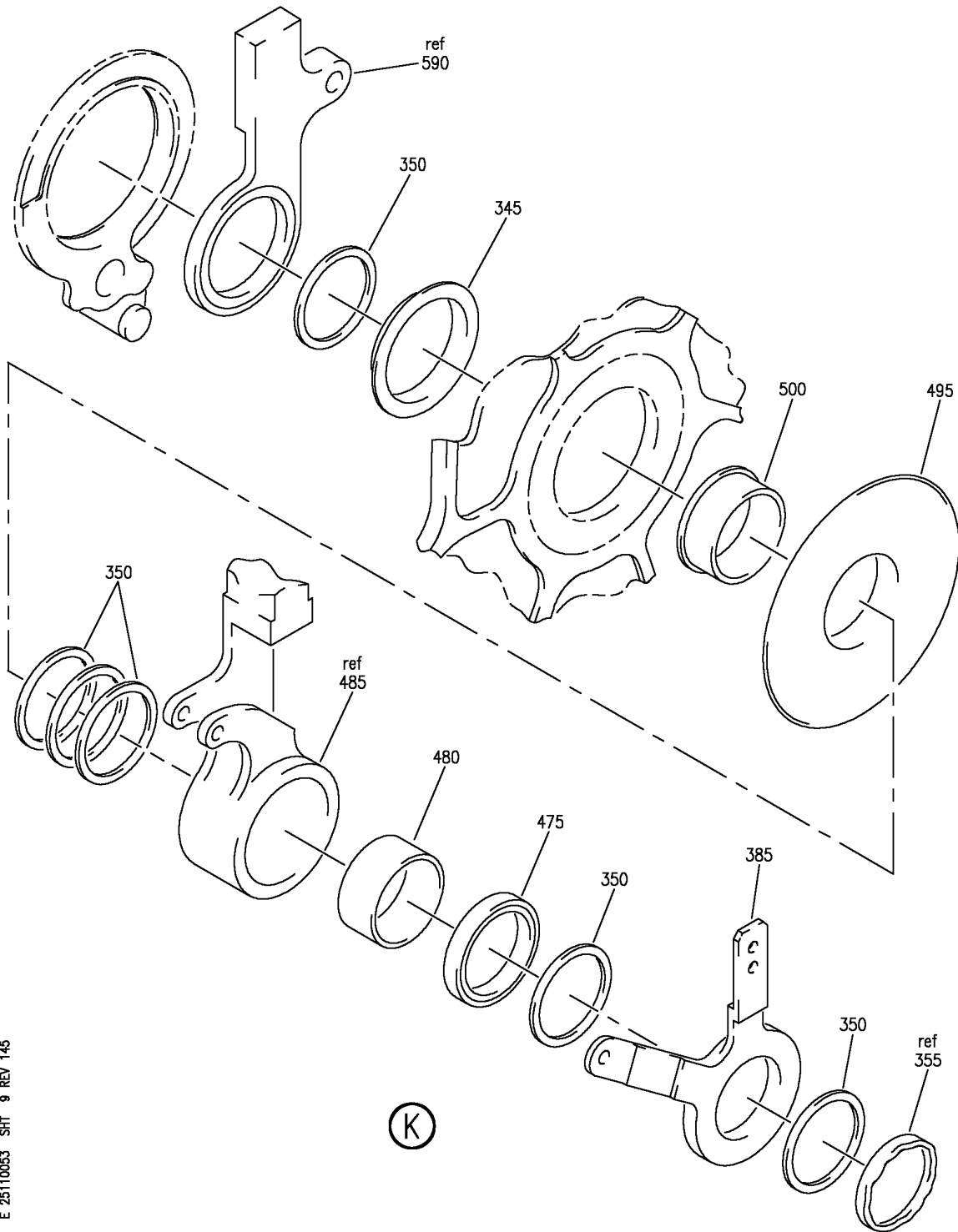
STAND ASSY / CONTROL INSTL-CAPT AND FIRST OFFICER STAB TRIM (EQUIPMENT/FURNISHINGS ONLY)
FIGURE 53 (SHEET 8)

HAP
OCT 15/08

25-11-00-53

25-11-00-53
PAGE 06

BOEING
 737-600/700/800/900
 PARTS CATALOG (MAINTENANCE)



E 25110053 SH1 9 REV 145

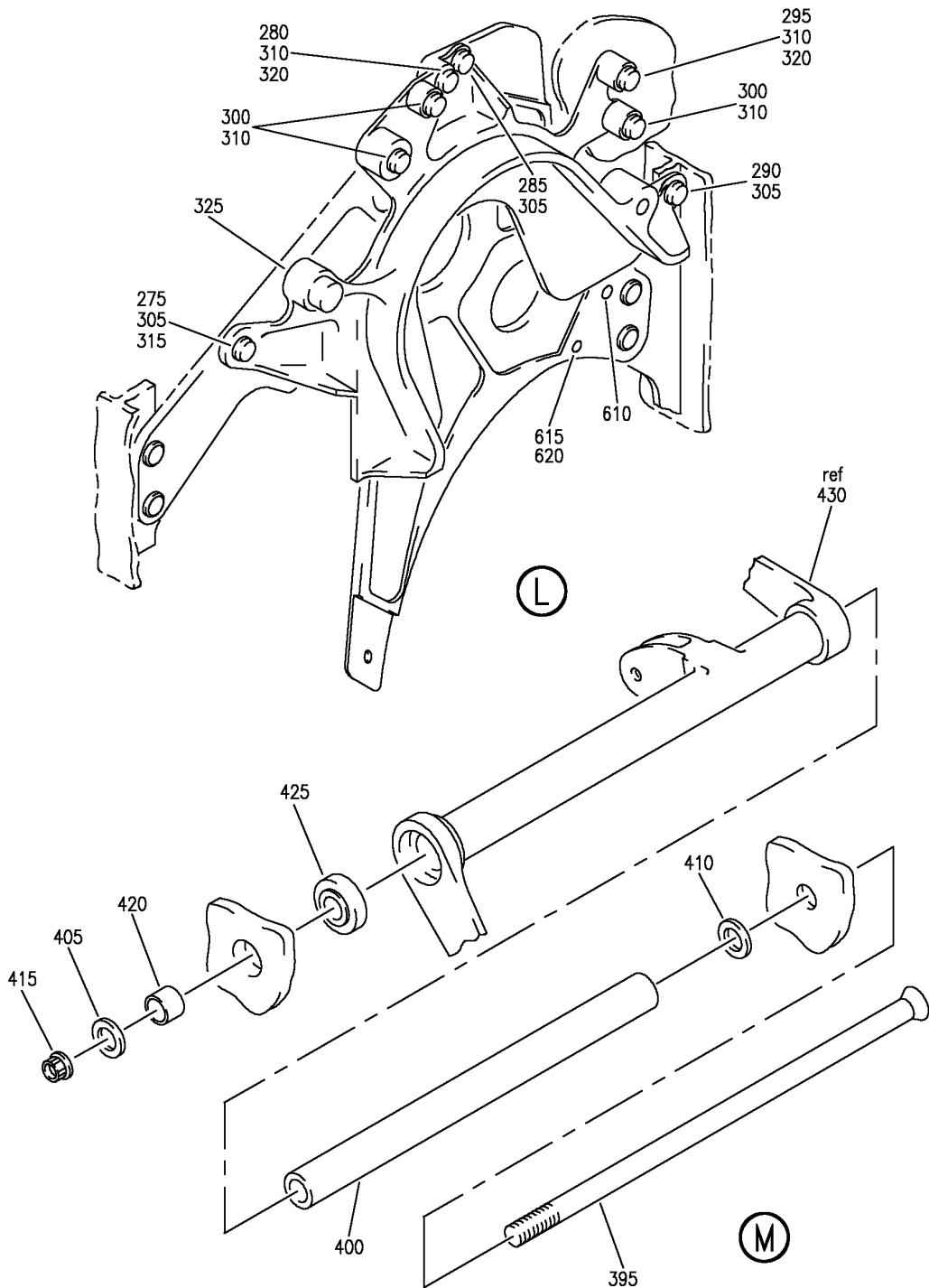
STAND ASSY / CONTROL INSTL-CAPT AND FIRST OFFICER STAB TRIM (EQUIPMENT/FURNISHINGS ONLY)
 FIGURE 53 (SHEET 9)

HAP
 OCT 15/08

25-11-00-53

25-11-00-53
 PAGE 0H

BOEING
 737-600/700/800/900
 PARTS CATALOG (MAINTENANCE)



E 25110053 SHT 10 REV 145

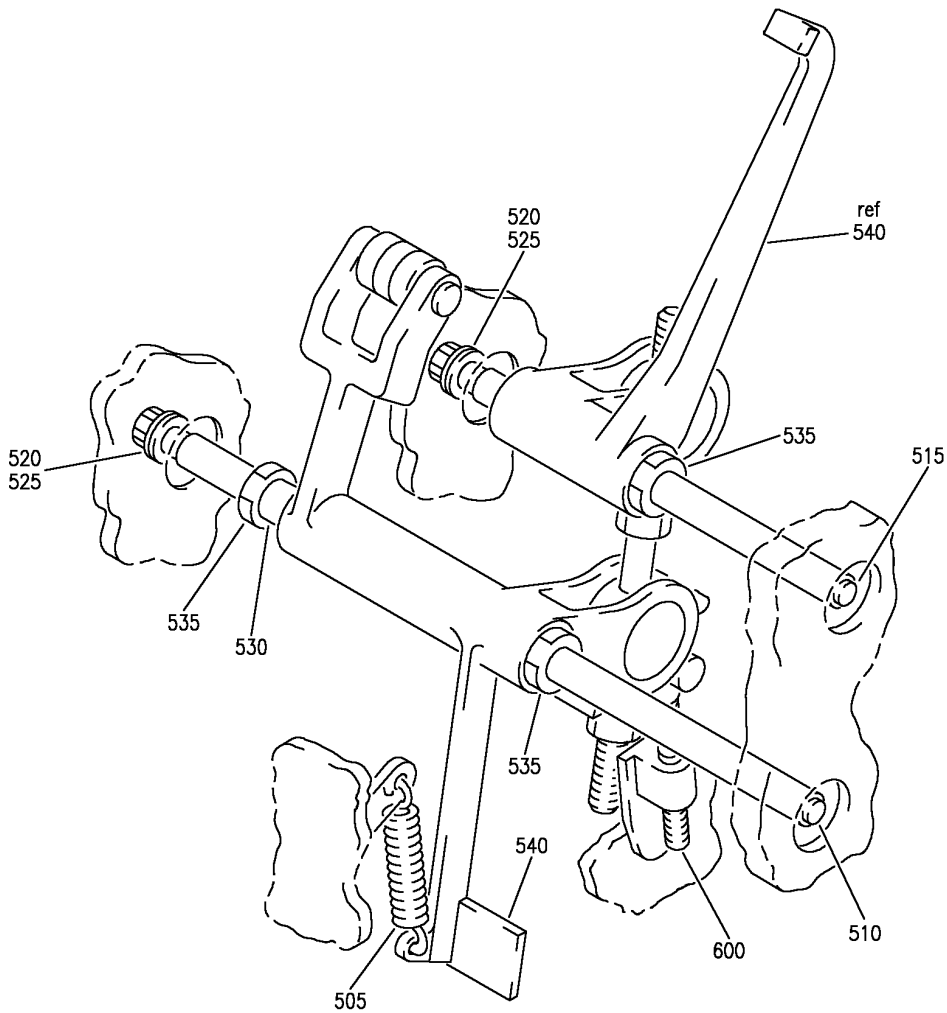
STAND ASSY / CONTROL INSTL-CAPT AND FIRST OFFICER STAB TRIM (EQUIPMENT/FURNISHINGS ONLY)
 FIGURE 53 (SHEET 10)

25-11-00-53

HAP
 OCT 15/08

25-11-00-53
 PAGE 01

BOEING
737-600/700/800/900
PARTS CATALOG (MAINTENANCE)



(N)

E 25110053 SH1 11 REV 145

STAND ASSY / CONTROL INSTL-CAPT AND FIRST OFFICER STAB TRIM (EQUIPMENT/FURNISHINGS ONLY)
FIGURE 53 (SHEET 11)

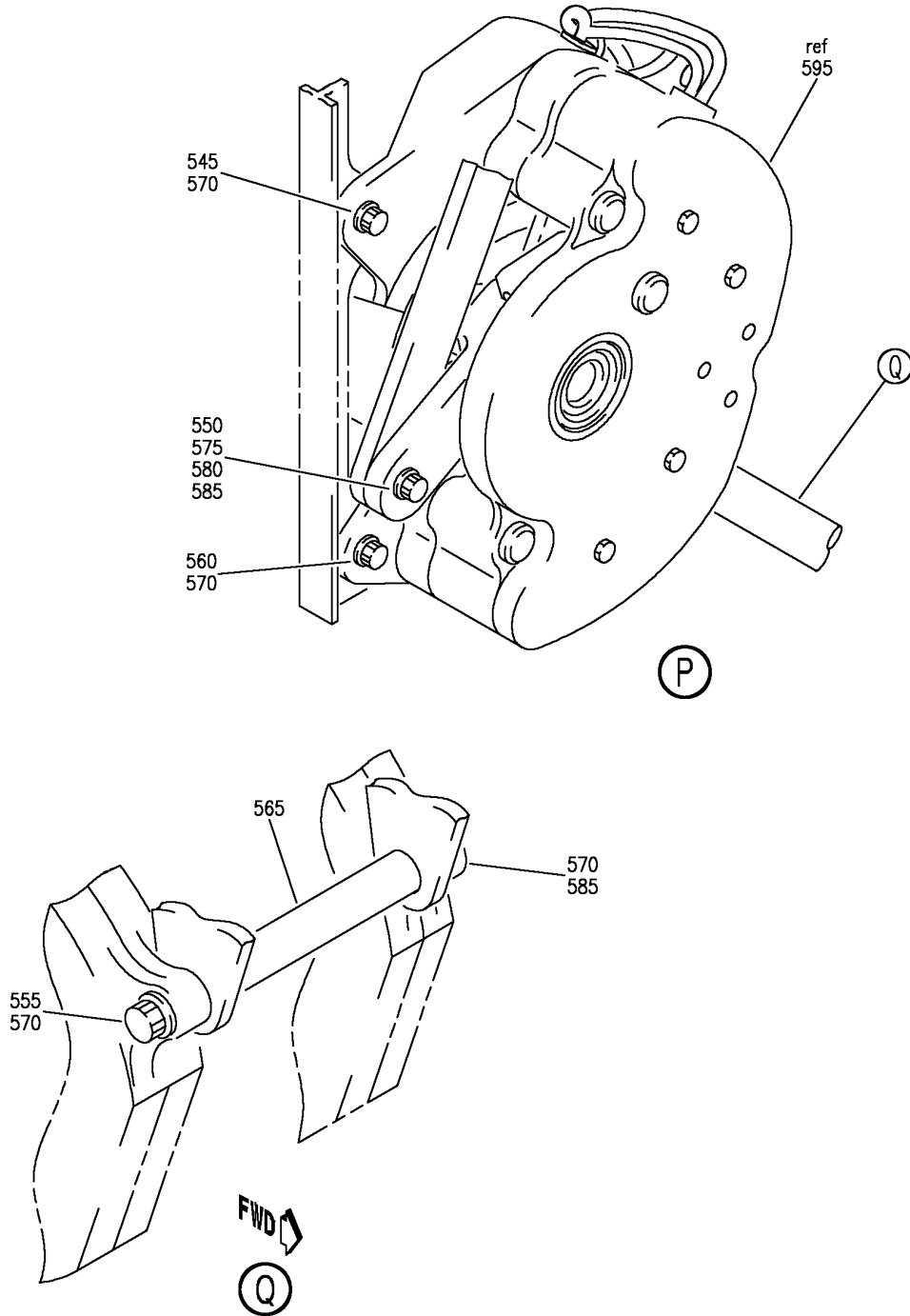
HAP
OCT 15/08

25-11-00-53

25-11-00-53
PAGE 0J

BOEING PROPRIETARY - Copyright © - Unpublished Work - See title page for details.

BOEING
 737-600/700/800/900
 PARTS CATALOG (MAINTENANCE)



E 25110053 SH12 REV 145

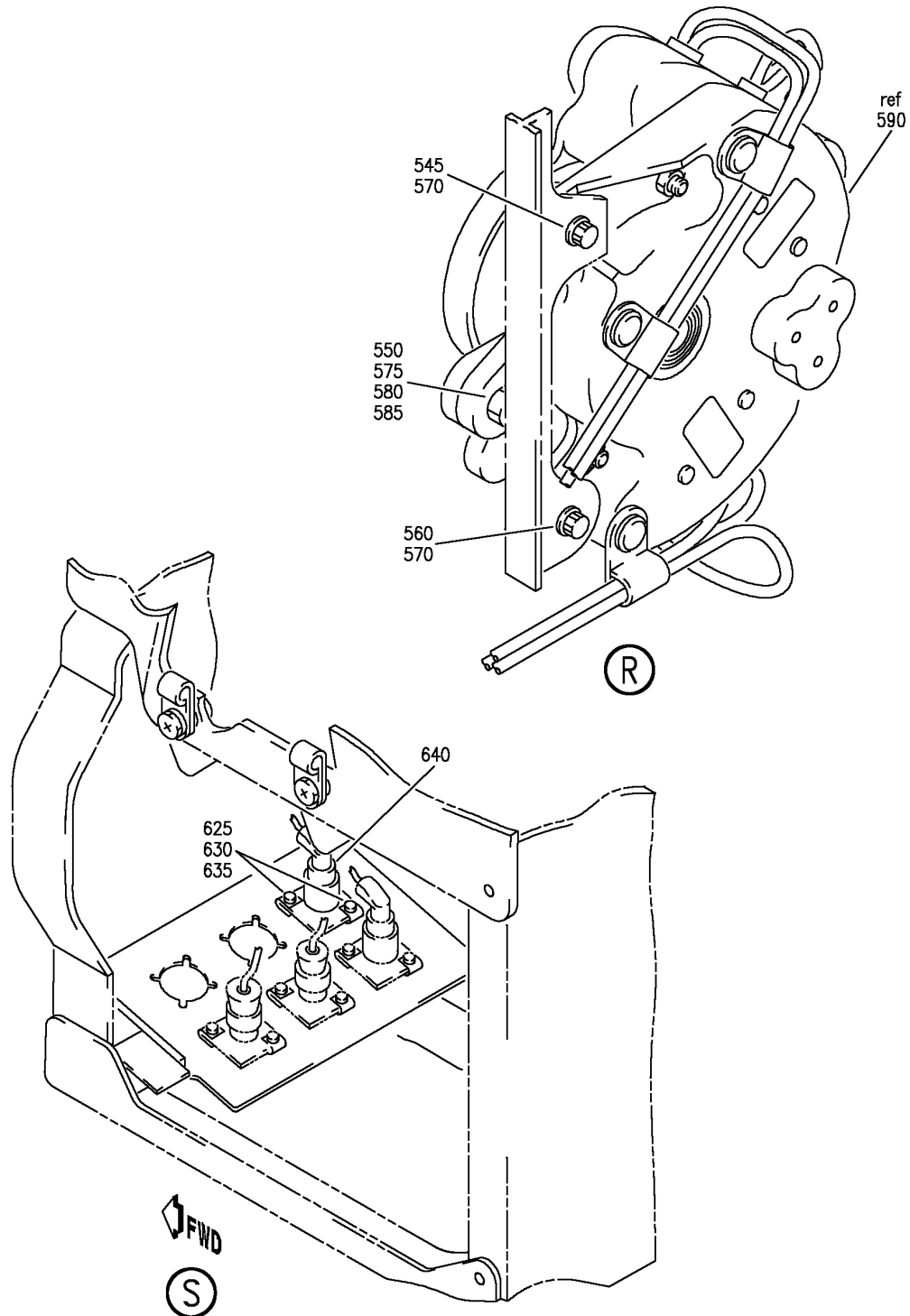
STAND ASSY / CONTROL INSTL-CAPT AND FIRST OFFICER STAB TRIM (EQUIPMENT/FURNISHINGS ONLY)
 FIGURE 53 (SHEET 12)

HAP
 OCT 15/08

25-11-00-53

25-11-00-53
 PAGE OK

BOEING
 737-600/700/800/900
 PARTS CATALOG (MAINTENANCE)



E 25110053 SH1 13 REV 145

STAND ASSY / CONTROL INSTL-CAPT AND FIRST OFFICER STAB TRIM (EQUIPMENT/FURNISHINGS ONLY)
 FIGURE 53 (SHEET 13)

HAP
 OCT 15/08

25-11-00-53

25-11-00-53
 PAGE 01

BOEING
737-600/700/800/900
PARTS CATALOG (MAINTENANCE)

FIG ITEM	PART NUMBER	1 2 3 4 5 6 7	NOMENCLATURE	EFFECT FROM TO	UNITS PER ASSY
53			STAND ASSY / CONTROL INSTL- CAPT AND FIRST OFFICER STAB TRIM (EQUIPMENT/FURNISHINGS ONLY)	101200 968999	
- 2	254A1220-114		CONTROL STAND ASSY-CAPT AND FIRST OFFICER (EQUIPMENT/FURNISHINGS ONLY) COMPONENT MAINT MANUAL REF: 25-11-13 FOR NHA/OTHER SYS DET SEE: 25-11-00-52	101106 968999	RF
- 2	254A1220-212		CONTROL STAND ASSY-CAPT AND FIRST OFFICER (EQUIPMENT/FURNISHINGS ONLY) COMPONENT MAINT MANUAL REF: 25-11-13 FOR NHA/OTHER SYS DET SEE: 25-11-00-52	107200	RF
10	BAC27DCT0462		.MARKER-ALUMINUM FOIL	101200 968999	1
15	19PA6-2		.NUT-FACE SUPPLIER CODE: V91929 OPTIONAL PART: 6C3 V91929	101200 968999	1
15	6C3		.NUT-FACE SUPPLIER CODE: V91929 OPTIONAL PART: 19PA6-2 V91929	101200 968999	1
20	6A49		.PUSHBUTTON- SUPPLIER CODE: V91929	101200 968999	1
25	BACB30NM3K6		.BOLT	101200 968999	3
30	BACB30NM3K7		.BOLT	101200 968999	4
35	BACS12HN3-12		.SCREW- OPTIONAL PART: NAS1801-3-12	101200 968999	1
35	NAS1801-3-12		.SCREW- OPTIONAL PART: BACS12HN3-12	101200 968999	1

MISSING ITEM NUMBERS NOT APPLICABLE

- ITEM NOT ILLUSTRATED

HAP

25-11-00-53

25-11-00
FIG. 53
PAGE 1
OCT 15/08

BOEING
737-600/700/800/900
PARTS CATALOG (MAINTENANCE)

FIG ITEM	PART NUMBER	1 2 3 4 5 6 7	NOMENCLATURE	EFFECT FROM TO	UNITS PER ASSY
53					
40	NAS1149D0316H	.	WASHER	101200 968999	2
45	BACW10BP3DP	.	WASHER	101200 968999	7
50	PLH53CD	.	NUT	101200 968999	1
			SUPPLIER CODE: VF0224		
			SPECIFICATION NUMBER: BACN10YR3CD		
			OPTIONAL PART: H52732-3CD V15653		
55	MS35650-305T	.	NUT	101200 968999	1
60	BACN11Z3CD	.	NUT-	101200 968999	7
			OPTIONAL PART: NAS1805-3L		
60	NAS1805-3L	.	NUT-	101200 968999	7
			OPTIONAL PART: BACN11Z3CD		
65	940CW20-4	.	JUMPER	101200 968999	1
			SUPPLIER CODE: V91812		
			SPECIFICATION NUMBER: BACJ40AB20-4		
			OPTIONAL PART: 100220-4 V1FF12 RBEJ40AB20-4 V1GK47		
70	254A1231-2	.	FRAME ASSY-CONT STAND	101200 968999	1
			POSITION DATA: LWR		
			OPTIONAL PART: 254A1231-3		
			FOR DETAILS SEE: 25-11-00-51		
70	254A1231-3	.	FRAME ASSY-CONT STAND	101200 968999	1
			POSITION DATA: LWR		
			OPTIONAL PART: 254A1231-2		
			FOR DETAILS SEE: 25-11-00-51		
75	BACC10DK	.	CLAMP-	101200 968999	1
			SIZE DETERMINED ON INSTL. OPTIONAL PART: 287T0011		

MISSING ITEM NUMBERS NOT APPLICABLE

— ITEM NOT ILLUSTRATED

HAP

25-11-00-53

25-11-00
FIG. 53
PAGE 2
FEB 15/09

BOEING
737-600/700/800/900
PARTS CATALOG (MAINTENANCE)

FIG ITEM	PART NUMBER	1 2 3 4 5 6 7	NOMENCLATURE	EFFECT FROM TO	UNITS PER ASSY
53					
75	287T0011		.CLAMP- SIZE DETERMINED ON INSTL. OPTIONAL PART: BACC10DK ATTACHING PARTS	101200 968999	1
- 80	BACB30LH3P2		.BOLT- OPTIONAL PART: BACB30LU3P2	101200 968999	1
- 80	BACB30LU3P2		.BOLT- OPTIONAL PART: BACB30LH3P2	101200 968999	1
- 85	NAS1149D0316J		.WASHER	101200 968999	1
- 90	PLH53CD		.NUT SUPPLIER CODE: VF0224 SPECIFICATION NUMBER: BACN10YR3CD OPTIONAL PART: H52732-3CD V15653 -----*-----	101200 968999	1
100	254A1280-1		.BOLT-STAB. TRIM CONT	101200 968999	2
105	254A1279-1		.SPACER-STAB. TRIM CONT	101200 968999	2
110	254A1370-1		.WHEEL ASSY-STAB. TRIM FOR DETAILS SEE: 27-41-00-19	101200 968999	2
110	254A1370-3		.WHEEL ASSY-STAB. TRIM FOR DETAILS SEE: 27-41-00-19	101200 968999	2
115	B5540WZZFS428		.BEARING- SUPPLIER CODE: V21335 OPTIONAL PART: B5540WZZFS464 V21335 B5540WZZSD610 V83806	101200 968999	1
115	B5540WZZFS464		.BEARING- SUPPLIER CODE: V21335 OPTIONAL PART: B5540WZZFS428 V21335 B5540WZZSD610 V83806	101200 968999	1

MISSING ITEM NUMBERS NOT APPLICABLE

- ITEM NOT ILLUSTRATED

HAP

25-11-00-53

BOEING PROPRIETARY - Copyright © - Unpublished Work - See title page for details.

25-11-00
FIG. 53
PAGE 3
FEB 15/09

BOEING
737-600/700/800/900
PARTS CATALOG (MAINTENANCE)

FIG ITEM	PART NUMBER	1 2 3 4 5 6 7	NOMENCLATURE	EFFECT FROM TO	UNITS PER ASSY
53					
115	B5540WZZSD610		.BEARING- SUPPLIER CODE: V21335 OPTIONAL PART: B5540WZZFS428 V21335 B5540WZZFS464 V21335	101200 968999	1
120	254A1226-2		.BUSHING	101200 968999	1
125	254A1275-3		.SHAFT ASSY-	101200 968999	1
130	MS21209F8-15P		..INSERT	101200 968999	2
135	254A1275-4		..SHAFT	101200 968999	1
140	254A1225-4		.BUSHING	101200 968999	1
145	S9KDDFS160		.BEARING- SUPPLIER CODE: V21335	101200 968999	2
150	254A1225-2		.BUSHING	101200 968999	1
155	254A1225-3		.BUSHING	101200 968999	1
160	254A1228-1		.NUT	101200 968999	1
165	254A1229-1		.LOCKWASHER	101200 968999	1
170	254A1226-1		.BUSHING	101200 968999	1
175	BACB30LH3-6		.BOLT- OPTIONAL PART: BACB30LU3-6	101200 968999	1
175	BACB30LU3-6		.BOLT- OPTIONAL PART: BACB30LH3-6	101200 968999	1
180	BACB30LK3-6		.BOLT	101200 968999	1
185	BACW10P63AL		.WASHER	101200 968999	2
190	NAS1149D0316J		.WASHER	101200 968999	1

MISSING ITEM NUMBERS NOT APPLICABLE

— ITEM NOT ILLUSTRATED

HAP

25-11-00-53

BOEING PROPRIETARY - Copyright © - Unpublished Work - See title page for details.

25-11-00
FIG. 53
PAGE 4
OCT 15/08

BOEING
737-600/700/800/900
PARTS CATALOG (MAINTENANCE)

FIG ITEM	PART NUMBER	1 2 3 4 5 6 7	NOMENCLATURE	EFFECT FROM TO	UNITS PER ASSY
53 195	PLH53CD		.NUT SUPPLIER CODE: VF0224 SPECIFICATION NUMBER: BACN10YR3CD OPTIONAL PART: H52732-3CD V15653	101200 968999	2
200	254A1274-6		.INDICATOR ASSY-CONT STAND STAB. TRIM FOR DETAILS SEE: 27-41-00-16	101200 968999	1
205	6-63610-3000		.LINK ASSY-CONT STAND STAB. TRIM FOR DETAILS SEE: 27-41-00-07	101200 968999	2
210	254A1225-1		.BUSHING	101200 968999	1
215	254A1309-1		.WASHER	101200 968999	1
220	254A1262-1		.CAM	101200 968999	1
- 230	BACS12HN3U6		ATTACHING PARTS .SCREW- OPTIONAL PART: NAS1802-3-6	101200 968999	2
- 235	NAS1802-3-6		.SCREW- OPTIONAL PART: BACS12HN3U6	101200 968999	2
- 240	NAS1149E0363P		.WASHER	101200 968999	2
245	HST10AG6-5		-----*----- .BOLT SUPPLIER CODE: VOPTK6 SPECIFICATION NUMBER: BACB30VT6K5 OPTIONAL PART: HST10AG6-5 V06725 HST10AG6-5 V56878 HST10AG6-5 V73197 WC10K6-5 V60516	101200 968999	1

MISSING ITEM NUMBERS NOT APPLICABLE

- ITEM NOT ILLUSTRATED

HAP

25-11-00-53

BOEING PROPRIETARY - Copyright © - Unpublished Work - See title page for details.

25-11-00
FIG. 53
PAGE 5
FEB 15/09

BOEING
737-600/700/800/900
PARTS CATALOG (MAINTENANCE)

FIG ITEM	PART NUMBER	1 2 3 4 5 6 7	NOMENCLATURE	EFFECT FROM TO	UNITS PER ASSY
53					
250	PLH53CD		.NUT SUPPLIER CODE: VF0224 SPECIFICATION NUMBER: BACN10YR3CD OPTIONAL PART: H52732-3CD V15653	101200 968999	1
255	254A1260-2		.HANDLE ASSY-DRUM CONT FOR DETAILS SEE: 27-51-05-01	101200 968999	1
260	254A1227-1		.SHAFT	101200 968999	1
265	50-5560-11		.CHAIN ASSY	101200 968999	1
270	254A1222-1		.SPROCKET	101200 968999	1
275	BACB30LK3-6		.BOLT	101200 968999	1
280	BACB30LK2-2		.BOLT	101200 968999	1
285	BACB30LK3-1		.BOLT	101200 968999	1
290	BACB30LK3-5		.BOLT	101200 968999	1
295	BACB30LK2-6		.BOLT	101200 968999	1
300	BACB30LK2-4		.BOLT	101200 968999	3
305	NAS1149D0316J		.WASHER	101200 968999	3
310	NAS1149DN816J		.WASHER	101200 968999	5
315	PLH53CD		.NUT SUPPLIER CODE: VF0224 SPECIFICATION NUMBER: BACN10YR3CD OPTIONAL PART: H52732-3CD V15653	101200 968999	1
320	BACC10DK		.CLAMP- SIZE DETERMINED ON INSTL. OPTIONAL PART: 287T0011	101200 968999	2
325	254A1224-4		.GUARD ASSY-CHAIN FOR DETAILS SEE: 27-41-00-03	101200 968999	1

MISSING ITEM NUMBERS NOT APPLICABLE

— ITEM NOT ILLUSTRATED

HAP

25-11-00-53

BOEING PROPRIETARY - Copyright © - Unpublished Work - See title page for details.

25-11-00
FIG. 53
PAGE 6
FEB 15/09

BOEING
737-600/700/800/900
PARTS CATALOG (MAINTENANCE)

FIG ITEM	PART NUMBER	1 2 3 4 5 6 7	NOMENCLATURE	EFFECT FROM TO	UNITS PER ASSY
53					
330	69-76358-1	.	NUT	101200 968999	1
335	69-76366-1	.	LOCKWASHER	101200 968999	1
340	69-76356-1	.	SHAFT	101200 968999	1
345	69-76354-1	.	SPACER	101200 968999	1
350	69-76355-1	.	WASHER	101200 968999	9
355	69-76353-1	.	BUSHING	101200 968999	1
360	69-76353-2	.	BUSHING	101200 968999	1
365	BACB30LH3-6	.	BOLT- OPTIONAL PART: BACB30LU3-6	101200 968999	1
365	BACB30LU3-6	.	BOLT- OPTIONAL PART: BACB30LH3-6	101200 968999	1
370	BACB30LH3-7	.	BOLT- OPTIONAL PART: BACB30LU3-7	101200 968999	1
370	BACB30LU3-7	.	BOLT- OPTIONAL PART: BACB30LH3-7	101200 968999	1
375	BACW10P63AL	.	WASHER	101200 968999	2
380	PLH53CD	.	NUT SUPPLIER CODE: VF0224 SPECIFICATION NUMBER: BACN10YR3CD OPTIONAL PART: H52732-3CD V15653	101200 968999	2
385	254A1273-6	.	INDICATOR ASSY-CONT STAND STAB. TRIM FOR DETAILS SEE: 27-41-00-16	101200 968999	1

MISSING ITEM NUMBERS NOT APPLICABLE

— ITEM NOT ILLUSTRATED

HAP

25-11-00-53

25-11-00
FIG. 53
PAGE 7
FEB 15/09

BOEING
737-600/700/800/900
PARTS CATALOG (MAINTENANCE)

FIG ITEM	PART NUMBER	1 2 3 4 5 6 7	NOMENCLATURE	EFFECT FROM TO	UNITS PER ASSY
53 390	HST10AG6-8	.BOLT	SUPPLIER CODE: VOPTK6 SPECIFICATION NUMBER: BACB30VT6K8 OPTIONAL PART: HST10AG6-8 V06725 HST10AG6-8 V56878 HST10AG6-8 V73197 WC10K6-6 V60516	101200 968999	1
395	66-2605	.BOLT		101200 968999	1
400	NAS43DD3-472FC	.SPACER		101200 968999	1
405	NAS1149D0332J	.WASHER		101200 968999	2
410	NAS1149D0316J	.WASHER		101200 968999	1
415	PLH53CD	.NUT	SUPPLIER CODE: VF0224 SPECIFICATION NUMBER: BACN10YR3CD OPTIONAL PART: H52732-3CD V15653	101200 968999	2
420	BACB28Y3C022	.BUSHING		101200 968999	1
425	SSMKP3ASD524	.BEARING-	SUPPLIER CODE: V50294 SPECIFICATION NUMBER: BACB10FS03J OPTIONAL PART: PACMKP3AFS428 V21335 SSMKP3AP V21760 BACB10BX03	101200 968999	1

MISSING ITEM NUMBERS NOT APPLICABLE

— ITEM NOT ILLUSTRATED

HAP

25-11-00-53

BOEING PROPRIETARY - Copyright © - Unpublished Work - See title page for details.

25-11-00
FIG. 53
PAGE 8
FEB 15/09

BOEING
737-600/700/800/900
PARTS CATALOG (MAINTENANCE)

FIG ITEM	PART NUMBER	1 2 3 4 5 6 7	NOMENCLATURE	EFFECT FROM TO	UNITS PER ASSY	
R R	53 425	KP03AFS428	.BEARING- SUPPLIER CODE: V06144 SPECIFICATION NUMBER: BACB10BX03 OPTIONAL PART: KP03ALY196 V40920 KP03A V38443 LLKP03A V38443 KP03A2TS V43991 KP03AFS428 V21335 KP3AP V21760 KP3AE V21760 KP03ANJC V06144 KP03ASD610 V83086 KP3AFS428 V21335 BACB10FS03J	101200 968999	1	
	430	254A1272-1	.CRANK ASSY- FOR DETAILS SEE: 27-41-00-15	101200 968999	1	
	435	BACB30LH3-6	.BOLT- OPTIONAL PART: BACB30LU3-6	101200 968999	2	
	435	BACB30LU3-6	.BOLT- OPTIONAL PART: BACB30LH3-6	101200 968999	2	
	440	NAS1149D0332J	.WASHER	101200 968999	2	
	445	PLH53CD	.NUT SUPPLIER CODE: VF0224 SPECIFICATION NUMBER: BACN10YR3CD OPTIONAL PART: H52732-3CD V15653	101200 968999	2	
	450	69-76365-1	.SUPPORT ASSY-SHAFT	101200 968999	1	
	MISSING ITEM NUMBERS NOT APPLICABLE					

- ITEM NOT ILLUSTRATED

HAP

25-11-00-53

BOEING PROPRIETARY - Copyright © - Unpublished Work - See title page for details.

25-11-00
FIG. 53
PAGE 9
JUN 15/09

BOEING
737-600/700/800/900
PARTS CATALOG (MAINTENANCE)

FIG ITEM	PART NUMBER	1 2 3 4 5 6 7	NOMENCLATURE	EFFECT FROM TO	UNITS PER ASSY
53					
455	NAS538B4P024	..	BUSHING	101200 968999	1
460	69-76365-2	..	SUPPORT	101200 968999	1
465	140357-1	.SHAFT-FLEX IND		101200	1
		SUPPLIER CODE:		968999	
		V72166			
		SPECIFICATION NUMBER:			
		10-60017-1			
470	254A1276-1	.JACK ASSY-		101200	1
		FOR DETAILS SEE:		968999	
		27-41-00-15			
475	ACMB543DDFS428	.BEARING-		101200	1
		SUPPLIER CODE:		968999	
		V21335			
		SPECIFICATION NUMBER:			
		BACB10FU25RJ			
		OPTIONAL PART:			
		AMB543DDRJC			
		V06144			
		BACB10AS25			
475	MB543DDFS428	.BEARING-		101200	1
		SUPPLIER CODE:		968999	
		V06144			
		SPECIFICATION NUMBER:			
		BACB10AS25			
		OPTIONAL PART:			
		LLMB543			
		V38443			
		MB543-2TS			
		V43991			
		MB543DDFS428			
		V21335			
		MB543TT			
		V43991			
		MB543DDG20			
		V38443			
		MT343E			
		VK8455			
		MB543DDL196			
		V40920			
		MB543DD			
		V06144			
		MB543DDNJC			
		V06144			
		MB541DDSD610			
		V83086			
		BACB10FU25RJ			

MISSING ITEM NUMBERS NOT APPLICABLE

— ITEM NOT ILLUSTRATED

HAP

25-11-00-53

BOEING PROPRIETARY - Copyright © - Unpublished Work - See title page for details.

25-11-00
FIG. 53
PAGE 10
JUN 15/09

BOEING
737-600/700/800/900
PARTS CATALOG (MAINTENANCE)

FIG ITEM	PART NUMBER	1 2 3 4 5 6 7	NOMENCLATURE	EFFECT FROM TO	UNITS PER ASSY
53					
480	69-76350-1	.	SPACER	101200 968999	1
485	254A1250-1	.	HANDLE ASSY- FUNCTIONAL REFERENCE: PLACARDS AND MARKINGS FOR DETAILS SEE 11-30-00-04 FLIGHT CONTROL FOR DETAILS SEE 27-62-51-01	101200 968999	1
495	69-76397-2	.	GUIDE-WIRE	101200 968999	1
500	69-76352-1	.	BUSHING	101200 968999	1
505	MS24586-524	.	SPRING	101200 968999	1
510	69-76375-1	.	BOLT	101200 968999	1
515	69-76375-2	.	BOLT	101200 968999	1
520	NAS1149D0332J	.	WASHER	101200 968999	2
525	PLH53CD	.	NUT SUPPLIER CODE: VF0224 SPECIFICATION NUMBER: BACN10YR3CD OPTIONAL PART: H52732-3CD V15653	101200 968999	2
530	H19700P4	.	NUT SUPPLIER CODE: V15653 SPECIFICATION NUMBER: BACN10MT4 OPTIONAL PART: 52LH6073-048 V72962 53488N428 V56878 TLN1020L4N V97928	101200 968999	1
535	BACN11U4CD2	.	NUT- OPTIONAL PART: NAS1423-4	101200 968999	3
535	NAS1423-4	.	NUT- OPTIONAL PART: BACN11U4CD2	101200 968999	3

MISSING ITEM NUMBERS NOT APPLICABLE

— ITEM NOT ILLUSTRATED

HAP

25-11-00-53

BOEING PROPRIETARY - Copyright © - Unpublished Work - See title page for details.

25-11-00
FIG. 53
PAGE 11
JUN 15/09

BOEING
737-600/700/800/900
PARTS CATALOG (MAINTENANCE)

FIG ITEM	PART NUMBER	1 2 3 4 5 6 7	NOMENCLATURE	EFFECT FROM TO	UNITS PER ASSY
53					
540	65C25404-3		. FOLLOWER ASSY-AND ARM FOR DETAILS SEE: 27-62-00-03	101200 968999	1
545	BACB30LM3-1		.BOLT	101200 968999	2
550	BACB30LM3-8		.BOLT	101200 968999	2
555	BACB30LM3-50		.SCREW	101200 968999	1
560	BACB30LM3-4		.BOLT	101200 968999	2
565	NAS43DD3-168FC		.SPACER	101200 968999	1
570	NAS1149F0316P		.WASHER	101200 968999	6
575	NAS1149E0316P		.WASHER	101200 968999	2
580	AN970-3		.WASHER	101200 968999	2
585	PLH53CD		.NUT SUPPLIER CODE: VF0224 SPECIFICATION NUMBER: BACN10YR3CD OPTIONAL PART: H52732-3CD V15653	101200 968999	3
590	254A1295-1		.LEVER ASSY-ENG NO.1 COMPONENT MAINT MANUAL REF: 25-11-13 FOR DETAILS SEE: 76-11-02-01	101200 968999	1
595	254A1295-2		.LEVER ASSY-ENG NO.2 COMPONENT MAINT MANUAL REF: 25-11-13 FOR DETAILS SEE: 76-11-02-01	101200 968999	1
600	69-76383-2		.T BOLT	101200 968999	1
610	NAS514P832-4P		.SCREW	101200 968999	1
615	BACS12CK08-4		.SCREW- OPTIONAL PART: NAS602-4P	101200 968999	1
615	NAS602-4P		.SCREW- OPTIONAL PART: BACS12CK08-4	101200 968999	1
620	NAS1149DN816J		.WASHER	101200 968999	1

MISSING ITEM NUMBERS NOT APPLICABLE

- ITEM NOT ILLUSTRATED

HAP

25-11-00-53

25-11-00
FIG. 53
PAGE 12
JUN 15/09

BOEING
737-600/700/800/900
PARTS CATALOG (MAINTENANCE)

FIG ITEM	PART NUMBER	1 2 3 4 5 6 7	NOMENCLATURE	EFFECT FROM TO	UNITS PER ASSY
53					
625	BACS12HN04-5	.SCREW-		101200	2
		OPTIONAL PART:		968999	
		NAS1801-04-5			
625	NAS1801-04-5	.SCREW-		101200	2
		OPTIONAL PART:		968999	
		BACS12HN04-5			
630	NAS1149DN416J	.WASHER-		101200	2
				968999	
635	K19798-04	.NUT-		101200	2
		SUPPLIER CODE:		968999	
		V15653			
		SPECIFICATION NUMBER:			
		BACN10NW1			
		OPTIONAL PART:			
		RMA4812-160-40			
		V72962			
		293162			
		V60119			
640	254A1221-2	.WIRE BUNDLE ASSY-		101200	1
		FUNCTIONAL REFERENCE:		968999	
		FLIGHT CONTROL			
		FOR DETAILS SEE			
		27-41-00-17			
		27-62-32-01			
		LIGHTS			
		FOR DETAILS SEE			
		33-14-51-01			
- 980	MODREF309565	CONTROL INSTL-STAB. TRIM		101200	1
		MODULE NUMBER:		968999	
		251A4004-6 REV C			
985	BACP18BC02A03P	.PIN		101200	2
				968999	

MISSING ITEM NUMBERS NOT APPLICABLE

- ITEM NOT ILLUSTRATED

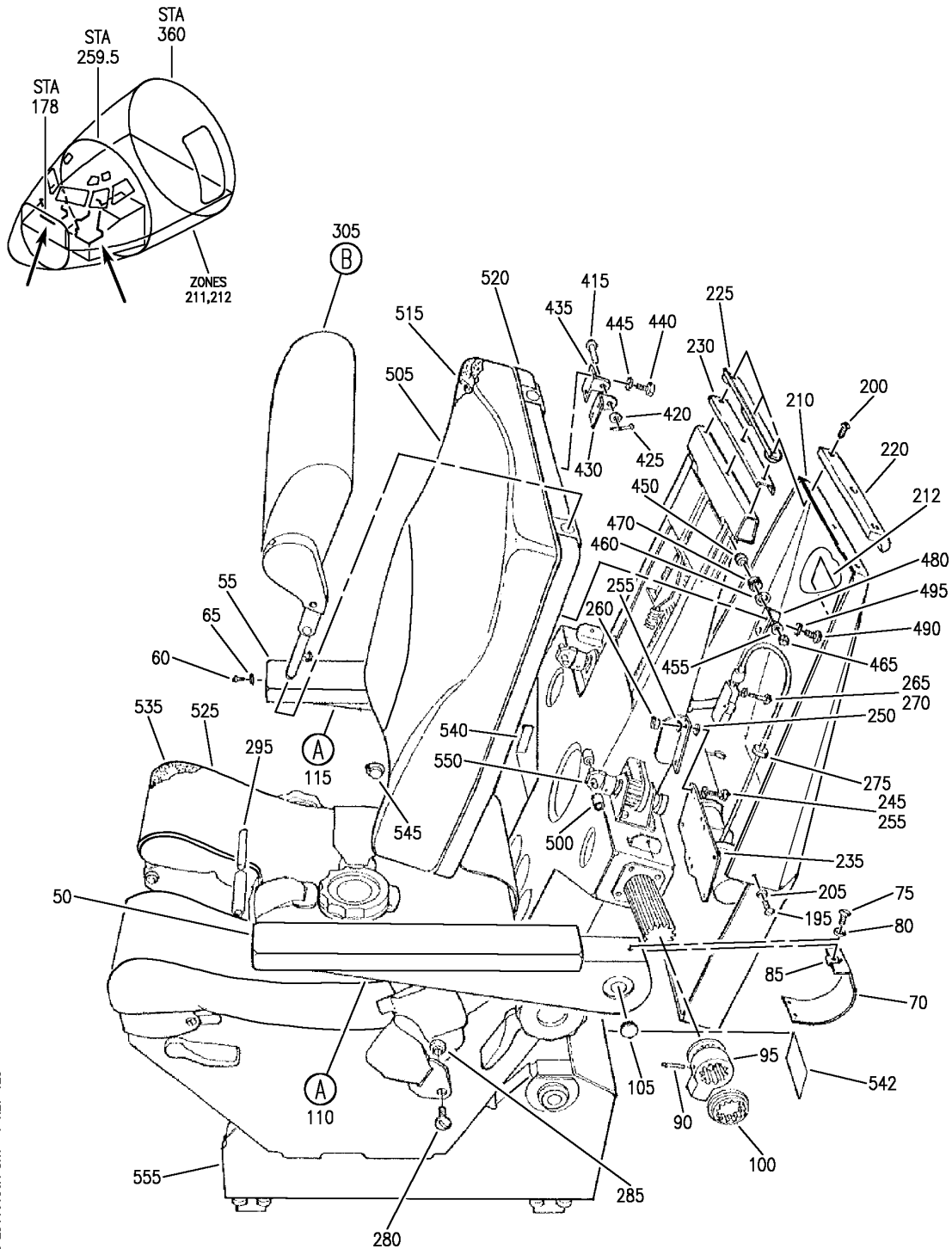
HAP

25-11-00-53

BOEING PROPRIETARY - Copyright © - Unpublished Work - See title page for details.

25-11-00
FIG. 53
PAGE 13
JUN 15/09

BOEING
 737-600/700/800/900
 PARTS CATALOG (MAINTENANCE)



E 25110150A SHT 1 REV 125

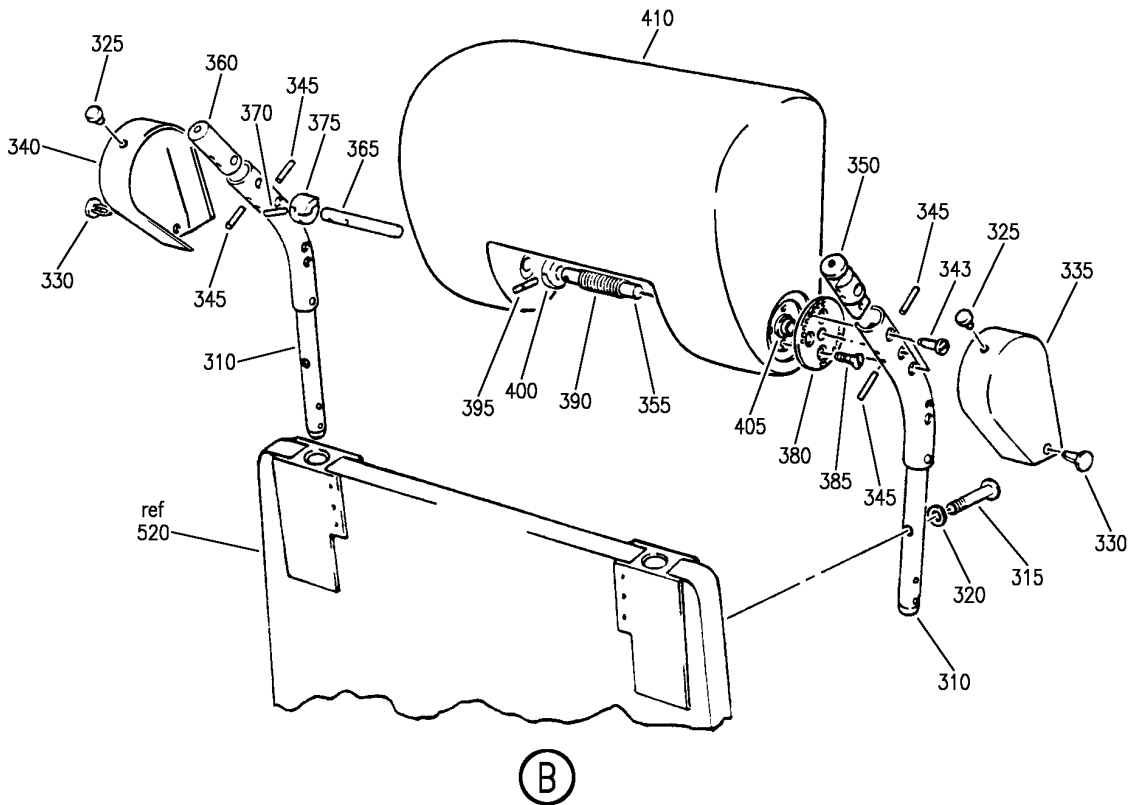
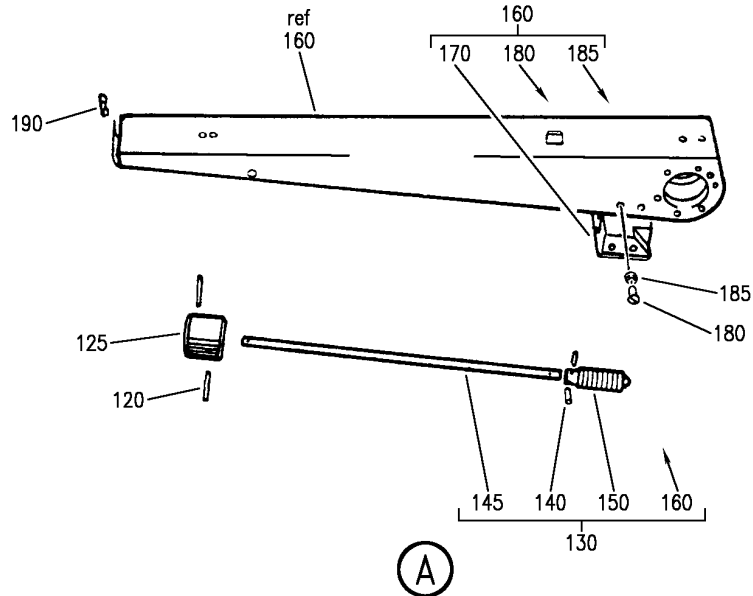
SEAT ASSY-CAPT AND FIRST OFFICER
 FIGURE 50A (SHEET 1)

25-11-01-50A

HAP
 FEB 10/07

25-11-01-50A
 PAGE 0

BOEING
 737-600/700/800/900
 PARTS CATALOG (MAINTENANCE)



E 25110150A SHT 2 REV 125

SEAT ASSY-CAPT AND FIRST OFFICER
 FIGURE 50A (SHEET 2)

25-11-01-50A

HAP
 FEB 10/07

25-11-01-50A
 PAGE 0A

BOEING
737-600/700/800/900
PARTS CATALOG (MAINTENANCE)

FIG ITEM	PART NUMBER	1 2 3 4 5 6 7	NOMENCLATURE	EFFECT FROM TO	UNITS PER ASSY
50A			SEAT ASSY-CAPT AND FIRST OFFICER	001027 201967	
- 1	3A226-0007-01-1		SEAT ASSY-CAPT SUPPLIER CODE: VK9075 SPECIFICATION NUMBER: S232A311-1 COMPONENT MAINT MANUAL REF: 25-11-02 QUALIFIED I/W DATA: PN 3A296-0007-01-1 CAN REPLACED OR BE REPLACED BY PN 3A226-0007-01-1 IF A LIFE VEST IS ADDED TO THE 3A296-0007-01-1. 3A296-0007-01-1 DOES NOT HAVE A FLOATATION BACK CUSHION. FOR NHA SEE: 25-11-51-09A	001027 201967	RF
- 5	3A226-0008-01-1		SEAT ASSY-FIRST OFFICER SUPPLIER CODE: VK9075 SPECIFICATION NUMBER: S232A311-2 COMPONENT MAINT MANUAL REF: 25-11-02 QUALIFIED I/W DATA: PN 3A296-0008-01-1 CAN REPLACED OR BE REPLACED BY PN 3A226-0008-01-1 IF A LIFE VEST IS ADDED TO THE 3A296-0008-01-1. 3A296-0008-01-1 DOES NOT HAVE A FLOATATION BACK CUSHION. FOR NHA SEE: 25-11-51-09A	001027 201967	RF
50	1A090-0129AJ		.UPHOLSTERY-ARMREST SUPPLIER CODE: VK9075 POSITION DATA: LH	001027 201967	1
55	1A090-0130AJ		.UPHOLSTERY-ARMREST SUPPLIER CODE: VK9075 POSITION DATA: RH	001027 201967	1

MISSING ITEM NUMBERS NOT APPLICABLE

- ITEM NOT ILLUSTRATED

HAP

25-11-01-50A

BOEING PROPRIETARY - Copyright © - Unpublished Work - See title page for details.

25-11-01
FIG. 50A
PAGE 1
OCT 15/08

BOEING
737-600/700/800/900
PARTS CATALOG (MAINTENANCE)

FIG ITEM	PART NUMBER	1 2 3 4 5 6 7	NOMENCLATURE	EFFECT FROM TO	UNITS PER ASSY
50A			ATTACHING PARTS		
60	3A500-0583		.SCREW-CSK HD SELF TAP NO. 8 X 0.63 SUPPLIER CODE: VK9075	001027 201967	1
65	3A500-0325		.WASHER-CUP NO. 8 SUPPLIER CODE: VK9075	001027 201967	1
			-----*-----		
70	3A090-0301A		.COVER-ARMREST SUPPLIER CODE: VK9075	001027 201967	2
			ATTACHING PARTS		
75	3A500-0583		.SCREW-CSK HD SELF TAP NO. 8 X 0.63 SUPPLIER CODE: VK9075	001027 201967	6
80	3A500-0325		.WASHER-CUP NO. 8 SUPPLIER CODE: VK9075	001027 201967	6
			-----*-----		
85	SNJ0116-17-4-5		.NUT-J TYPE CAPTIVE SUPPLIER CODE: VK0800	001027 201967	2
90	1A500-0667		.PIN-SPIROL SPR, 5 X 32 X 1.50 SUPPLIER CODE: VK9075	001027 201967	2
95	3A090-0469		.STOP-ARMREST SUPPLIER CODE: VK9075	001027 201967	2
100	3A090-0471		.BEARING-ARMREST TUBE SUPPLIER CODE: VK9075	001027 201967	4
105	430-2663		.PLUG- SUPPLIER CODE: VK7817	001027 201967	2
110	1A102-0441A		.ARMREST ASSY- SUPPLIER CODE: VK9075 POSITION DATA: LH	001027 201967	1
115	1A102-0442A		.ARMREST ASSY- SUPPLIER CODE: VK9075 POSITION DATA: RH	001027 201967	1

MISSING ITEM NUMBERS NOT APPLICABLE

— ITEM NOT ILLUSTRATED

HAP

25-11-01-50A

BOEING PROPRIETARY - Copyright © - Unpublished Work - See title page for details.

25-11-01
FIG. 50A
PAGE 2
OCT 15/08

BOEING
737-600/700/800/900
PARTS CATALOG (MAINTENANCE)

FIG ITEM	PART NUMBER	1 2 3 4 5 6 7	NOMENCLATURE	EFFECT FROM TO	UNITS PER ASSY
50A 120	1A500-0061	..	PIN-SEL-LOK, 3 X 32 X 1.00 SUPPLIER CODE: VK9075	001027 201967	2
125	3A090-0189	..	KNOB-ADJUSTING SUPPLIER CODE: VK9075	001027 201967	1
130	3A102-0445	..	SHAFT ASSY-DRIVE SUPPLIER CODE: VK9075 POSITION DATA: LH	001027 201967	1
- 135	3A102-0446	..	SHAFT ASSY-DRIVE SUPPLIER CODE: VK9075 POSITION DATA: RH	001027 201967	1
140	1A500-0071	...	PIN-SEL-LOK, 3 X 32 X 0.38 SUPPLIER CODE: VU1811	001027 201967	2
145	3A090-0279	...	SHAFT- SUPPLIER CODE: VK9075	001027 201967	1
150	3A102-0447	...	SCREW-ADJUSTMENT SUPPLIER CODE: VK9075 POSITION DATA: LH	001027 201967	1
- 155	3A102-0448	...	SCREW-ADJUSTMENT SUPPLIER CODE: VK9075 POSITION DATA: RH	001027 201967	1
160	1A102-0443A	..	STRUCTURE ASSY- SUPPLIER CODE: VK9075 POSITION DATA: LH	001027 201967	1
- 165	1A102-0444A	..	STRUCTURE ASSY- SUPPLIER CODE: VK9075 POSITION DATA: RH	001027 201967	1
170	3A102-0449	...	BLOCK-THREADED SUPPLIER CODE: VK9075 POSITION DATA: LH	001027 201967	1

MISSING ITEM NUMBERS NOT APPLICABLE

- ITEM NOT ILLUSTRATED

HAP

25-11-01-50A

BOEING PROPRIETARY - Copyright © - Unpublished Work - See title page for details.

25-11-01
FIG. 50A
PAGE 3
OCT 15/08

BOEING
737-600/700/800/900
PARTS CATALOG (MAINTENANCE)

FIG ITEM	PART NUMBER	1 2 3 4 5 6 7	NOMENCLATURE	EFFECT FROM TO	UNITS PER ASSY
50A - 175	3A102-0450		...BLOCK-THREADED SUPPLIER CODE: VK9075 POSITION DATA: RH ATTACHING PARTS	001027 201967	1
180	NAS623-3-1		...SCREW	001027 201967	4
185	MS35333-39		...WASHER	001027 201967	4
190	SNJ0116-17-4-5		-----*----- ..NUT-J TYPE CAPTIVE SUPPLIER CODE: VK0800	001027 201967	1
195	NAS517-3-3		.SCREW	001027 201967	2
200	NAS517-3-12		.SCREW	001027 201967	3
205	3A500-0325		.WASHER-CUP NO. 8 SUPPLIER CODE: VK9075	001027 201967	2
210	0A226-0299		.STOWAGE-BACKFAIRING AND LIFEVEST SUPPLIER CODE: VK9075	001027 201967	1
212	3A090-0655		..LABEL- SUPPLIER CODE: VK9075	001027 201967	1
- 215	430-2643		.PLUG-HOLE SUPPLIER CODE: VK7817	001027 201967	1
220	2A090-0681		.BAR-BUMP SUPPLIER CODE: VK9075 CONFIG CHG DATA FROM A CMM: SUPSD BY 2A090-0817	001027 201967	1
220	2A090-0817		.BAR-BUMP SUPPLIER CODE: VK9075 CONFIG CHG DATA FROM A CMM: SUPERSEDES 2A090-0681	001027 201967	1
225	2A090-0761		.STRAP-GUIDE SUPPLIER CODE: VK9075 POSITION DATA: UPR	001027 201967	1

MISSING ITEM NUMBERS NOT APPLICABLE

- ITEM NOT ILLUSTRATED

HAP

25-11-01-50A

BOEING PROPRIETARY - Copyright © - Unpublished Work - See title page for details.

25-11-01
FIG. 50A
PAGE 4
OCT 15/08

BOEING
737-600/700/800/900
PARTS CATALOG (MAINTENANCE)

FIG ITEM	PART NUMBER	1 2 3 4 5 6 7	NOMENCLATURE	EFFECT FROM TO	UNITS PER ASSY
50A 230	2A090-0763	.	STRAP-GUIDE SUPPLIER CODE: VK9075 POSITION DATA: LWR	001027 201967	1
235	1180003-424-100	.	RESTRAINT ASSY- SUPPLIER CODE: VU9460 COMPONENT MAINT MANUAL REF: 25-12-02 USED ON: 3A226-0007-01-1 FOR DETAILS SEE: 25-11-01-56	001027 201967	1
- 240	1180003-425-100	.	RESTRAINT ASSY- SUPPLIER CODE: VU9460 COMPONENT MAINT MANUAL REF: 25-12-02 USED ON: 3A226-0008-01-1 FOR DETAILS SEE: 25-11-01-56	001027 201967	1
245	A102-1D	.	BOLT-HEX HD, 10-32 UNF X 0.60 SUPPLIER CODE: VK7766	001027 201967	6
250	SP122D	.	WASHER	001027 201967	6
255	SP126D	.	WASHER	001027 201967	10
260	H14-3	.	NUT-LOCK, 10-32 UNF SUPPLIER CODE: V15653	001027 201967	4
265	NAS623-3-9	.	SCREW	001027 201967	2
270	SP126D	.	WASHER	001027 201967	2
275	3110AF	.	GROMMET-OPEN SUPPLIER CODE: VK5616	001027 201967	1
280	NAS6604-6	.	SCREW- CONFIG CHG DATA FROM A CMM: SUPERSEDES A113-2E	001027 201967	2
280	A113-2E	.	BOLT- CONFIG CHG DATA FROM A CMM: SUPSD BY NAS6604-3	001027 201967	2

MISSING ITEM NUMBERS NOT APPLICABLE

- ITEM NOT ILLUSTRATED

HAP

25-11-01-50A

BOEING PROPRIETARY - Copyright © - Unpublished Work - See title page for details.

25-11-01
FIG. 50A
PAGE 5
OCT 15/08

BOEING
737-600/700/800/900
PARTS CATALOG (MAINTENANCE)

FIG ITEM	PART NUMBER	1 2 3 4 5 6 7	NOMENCLATURE	EFFECT FROM TO	UNITS PER ASSY
50A 285	3A218-0431	.	SPACER-STEPPED SUPPLIER CODE: VK9075	001027 201967	2
- 290	SP126E	.	WASHER	001027 201967	2
295	3A001-1361	.	SHAFT-CROTCH STRAP ANCHOR SUPPLIER CODE: VK9075	001027 201967	1
305	0A220-0271	.	HEADREST ASSY- SUPPLIER CODE: VK9075	001027 201967	1
310	2A220-0303	..	TUBE-SPRT SUPPLIER CODE: VK9075 ATTACHING PARTS	001027 201967	2
315	A113-2D	..	BOLT- CONFIG CHG DATA FROM A CMM: SUPSD BY A113-1D	001027 201967	2
315	A113-1D	..	BOLT- CONFIG CHG DATA FROM A CMM: SUPERSEDES A113-2D	001027 201967	2
320	SP126D	..	WASHER	001027 201967	2
325	1A500-0821	..	RIVET-PUSH SUPPLIER CODE: VK9075 CONFIG CHG DATA FROM A CMM: REPLD BY 1A508-0001	001027 201967	2
325	1A508-0001	..	RIVET-PUSH SUPPLIER CODE: VK9075 CONFIG CHG DATA FROM A CMM: REPLS 1A500-0821	001027 201967	2
330	064-5711	..	FASTENER-PUSH SUPPLIER CODE: VU0859 CONFIG CHG DATA FROM A CMM: REPLD BY 1A508-0011	001027 201967	2
330	1A508-0011	..	RIVET-PUSH SUPPLIER CODE: VK9075 CONFIG CHG DATA FROM A CMM: REPLS 064-5711	001027 201967	2
335	3A090-0475	..	COVER-SPRT TUBE SUPPLIER CODE: VK9075 POSITION DATA: LH	001027 201967	1

MISSING ITEM NUMBERS NOT APPLICABLE

- ITEM NOT ILLUSTRATED

HAP

25-11-01-50A

BOEING PROPRIETARY - Copyright © - Unpublished Work - See title page for details.

25-11-01
FIG. 50A
PAGE 6
OCT 15/08

BOEING
737-600/700/800/900
PARTS CATALOG (MAINTENANCE)

FIG ITEM	PART NUMBER	1 2 3 4 5 6 7	NOMENCLATURE	EFFECT FROM TO	UNITS PER ASSY
50A 340	3A090-0476		..COVER-SPRT TUBE SUPPLIER CODE: VK9075 POSITION DATA: RH	001027 201967	1
343	3A020-0219		..SCREW- SUPPLIER CODE: VK9075	001027 201967	2
345	1A500-0653		..PIN-SPIROL SPR, 1 X 8 X 0.88 SUPPLIER CODE: VK9075	001027 201967	4
350	3A090-0449		..PLUG- SUPPLIER CODE: VK9075 POSITION DATA: LH	001027 201967	1
355	3A001-1873		..SPINDLE- SUPPLIER CODE: VK9075 POSITION DATA: LH	001027 201967	1
360	3A090-0477		..PLUG- SUPPLIER CODE: VK9075 POSITION DATA: RH	001027 201967	1
365	3A001-1875		..SPINDLE- SUPPLIER CODE: VK9075 POSITION DATA: RH	001027 201967	1
370	1A500-0650		..PIN-SPIROL SPR, 1 X 8 X 0.63 SUPPLIER CODE: VK9075	001027 201967	1
375	3A001-1871		..COLLAR-STOP SUPPLIER CODE: VK9075	001027 201967	1
380	3A001-1863		..PLATE-CATCH SUPPLIER CODE: VK9075	001027 201967	1
385	NAS517-3-4		..SCREW	001027 201967	3
390	ENTEX73		..SPRING-CPRSN SUPPLIER CODE: VK6217 CONFIG CHG DATA FROM A CMM: REPLD BY 1A527-0117	001027 201967	1

MISSING ITEM NUMBERS NOT APPLICABLE

— ITEM NOT ILLUSTRATED

HAP

25-11-01-50A

BOEING PROPRIETARY - Copyright © - Unpublished Work - See title page for details.

25-11-01
FIG. 50A
PAGE 7
OCT 15/08

BOEING
737-600/700/800/900
PARTS CATALOG (MAINTENANCE)

FIG ITEM	PART NUMBER	1 2 3 4 5 6 7	NOMENCLATURE	EFFECT FROM TO	UNITS PER ASSY
50A 390	1A527-0117	..	SPRING-CPRSN SUPPLIER CODE: VK9075 CONFIG CHG DATA FROM A CMM: REPLS ENTEX73	001027 201967	1
395	1A500-0650	..	PIN-SPIROL SPR, 1 X 8 X 0.63 SUPPLIER CODE: VK9075	001027 201967	1
400	3A008-0355	..	COLLAR- SUPPLIER CODE: VK9075	001027 201967	1
405	3A090-0443	..	BEARING- SUPPLIER CODE: VK9075	001027 201967	1
410	1A090-0591	..	UPHOLSTERY- SUPPLIER CODE: VK9075	001027 201967	1
415	SP113E7	.	PIN	001027 201967	1
420	SP126E	.	WASHER	001027 201967	1
425	SP90C4	.	PIN	001027 201967	1
430	3A090-0433	.	BRACKET-PIVOT SUPPLIER CODE: VK9075 POSITION DATA: LH	001027 201967	1
435	3A090-0434	.	BRACKET-PIVOT SUPPLIER CODE: VK9075 POSITION DATA: RH	001027 201967	1
440	NAS603-3	.	SCREW	001027 201967	2
445	SP122D	.	WASHER	001027 201967	2
450	3A090-0411	.	PIN-ROLLER SUPPLIER CODE: VK9075	001027 201967	2
455	SP23C	.	WASHER	001027 201967	2
460	SP126G	.	WASHER	001027 201967	4
465	H14-3	.	NUT-LOCK, 10-32 UNF SUPPLIER CODE: V15653	001027 201967	2

MISSING ITEM NUMBERS NOT APPLICABLE

— ITEM NOT ILLUSTRATED

HAP

25-11-01-50A

BOEING PROPRIETARY - Copyright © - Unpublished Work - See title page for details.

25-11-01
FIG. 50A
PAGE 8
JUN 15/09

BOEING
737-600/700/800/900
PARTS CATALOG (MAINTENANCE)

FIG ITEM	PART NUMBER	1 2 3 4 5 6 7	NOMENCLATURE	EFFECT FROM TO	UNITS PER ASSY
50A 470	3A090-0413		.ROLLER- SUPPLIER CODE: VK9075	001027 201967	2
480	3A090-0409		.BRACKET-ANGLE SUPPLIER CODE: VK9075 POSITION DATA: LH	001027 201967	1
- 485	3A090-0410		.BRACKET-ANGLE SUPPLIER CODE: VK9075 POSITION DATA: RH	001027 201967	1
490	NAS623-3-12		.SCREW	001027 201967	2
495	SP23C		.WASHER	001027 201967	2
500	3A090-0255		.ROLLER- SUPPLIER CODE: VK9075	001027 201967	4
505	1A220-0269CK		.COVER-BACK CUSHION SUPPLIER CODE: VK9075 USED ON: 3A226-0007-01-1	001027 201967	1
- 510	1A220-0270CK		.COVER-BACK CUSHION SUPPLIER CODE: VK9075 USED ON: 3A226-0008-01-1	001027 201967	1
515	0A220-0267		.CUSHION-BACK SUPPLIER CODE: VK9075	001027 201967	1
520	0A220-265CH		.BACKBOARD-COVERED SUPPLIER CODE: VK9075	001027 201967	1
525	0A226-0359CK		.COVER-PAN CUSHION SUPPLIER CODE: VK9075 USED ON: 3A226-0007-01-1	001027 201967	1
- 530	0A226-0360CK		.COVER-PAN CUSHION SUPPLIER CODE: VK9075 USED ON: 3A226-0008-01-1	001027 201967	1
535	0A090-0649		.CUSHION-PAN SUPPLIER CODE: VK9075	001027 201967	1

MISSING ITEM NUMBERS NOT APPLICABLE

- ITEM NOT ILLUSTRATED

HAP

25-11-01-50A

BOEING PROPRIETARY - Copyright © - Unpublished Work - See title page for details.

25-11-01
FIG. 50A
PAGE 9
OCT 15/08

BOEING
737-600/700/800/900
PARTS CATALOG (MAINTENANCE)

FIG ITEM	PART NUMBER	1 2 3 4 5 6 7	NOMENCLATURE	EFFECT FROM TO	UNITS PER ASSY
50A 540	3A090-0383	.	LABEL-LOCK SUPPLIER CODE: VK9075	001027 201967	1
542	3A226-0381	.	LABEL-TSO SUPPLIER CODE: VK9075	001027 201967	1
545	6064F	.	GROMMET- SUPPLIER CODE: VK5616	001027 201967	1
550	3A090-0291	.	CARRIER-ROLLER SUPPLIER CODE: VK9075	001027 201967	RF
555	0A226-0031A	.	SEAT ASSY-BASIC SUPPLIER CODE: VK9075 FOR DETAILS SEE: 25-11-01-51	001027 201967	1
- 560	0A226-0032A	.	SEAT ASSY-BASIC SUPPLIER CODE: VK9075 FOR DETAILS SEE: 25-11-01-51	001027 201967	1

MISSING ITEM NUMBERS NOT APPLICABLE

- ITEM NOT ILLUSTRATED

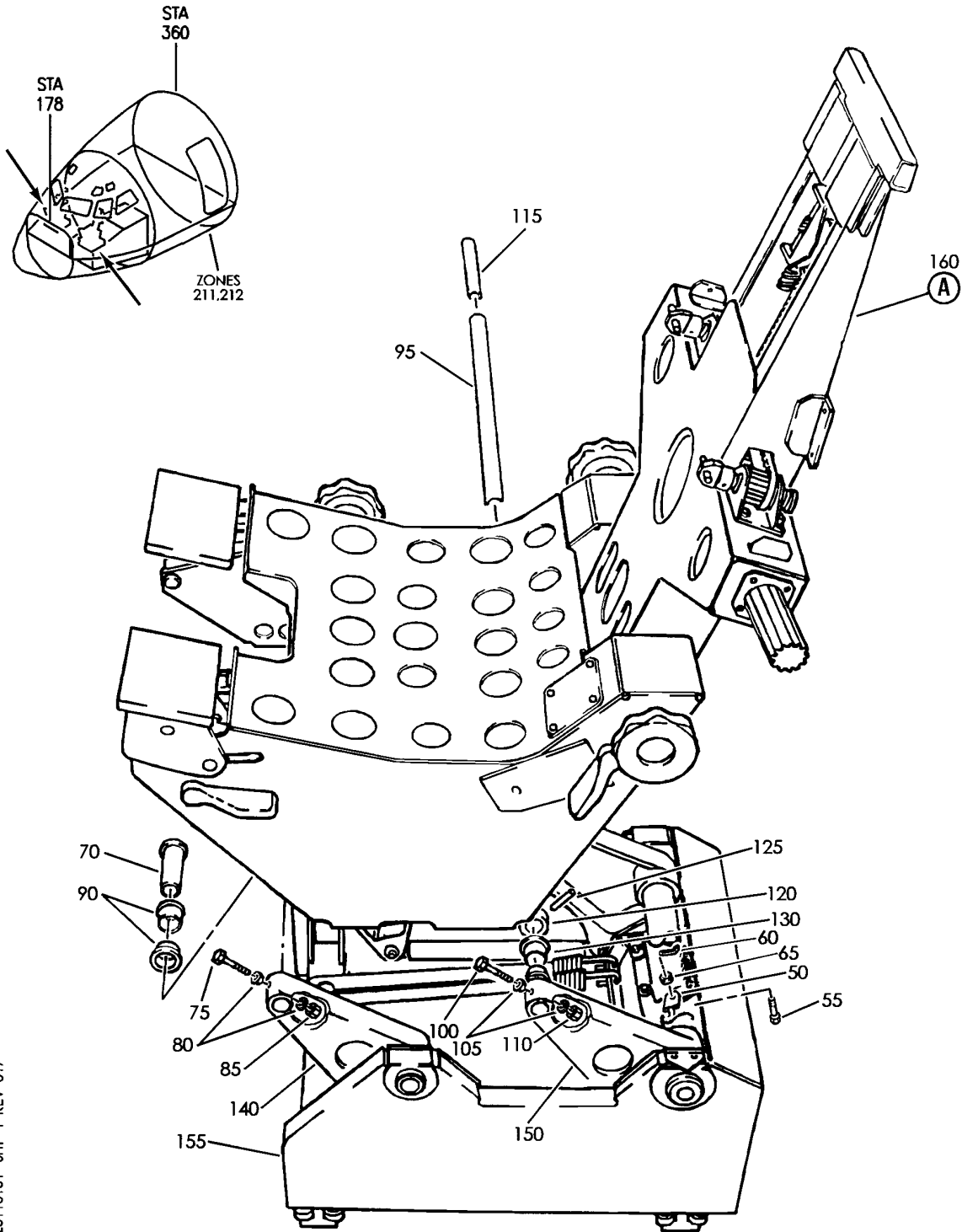
HAP

25-11-01-50A

BOEING PROPRIETARY - Copyright © - Unpublished Work - See title page for details.

25-11-01
FIG. 50A
PAGE 10
OCT 15/08

BOEING
 737-600/700/800/900
 PARTS CATALOG (MAINTENANCE)



E 25110151 SHT 1 REV 017

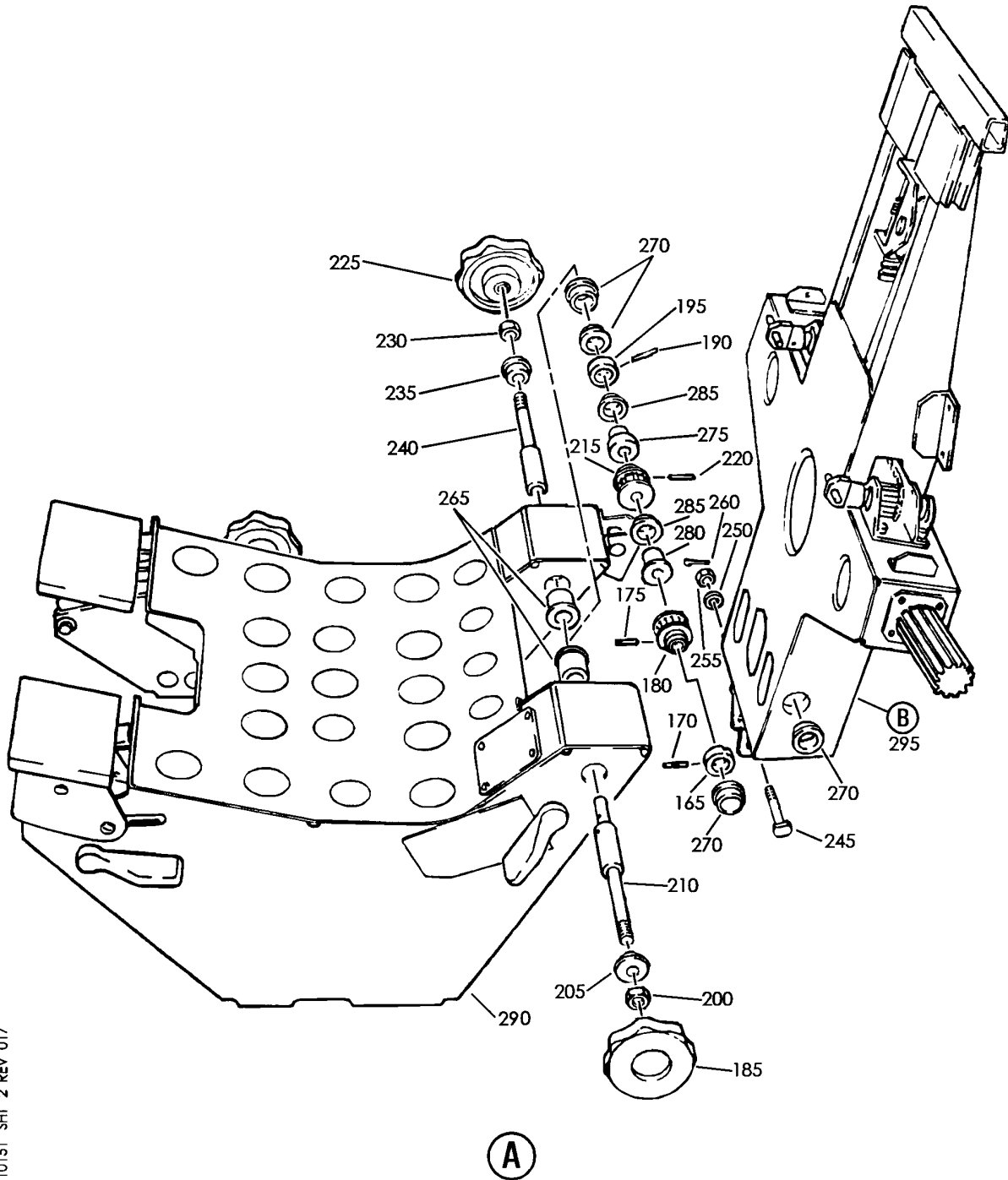
SEAT ASSY-BASIC, CAPT AND FIRST OFFICER
 FIGURE 51 (SHEET 1)

25-11-01-51

HAP
 OCT 10/06

25-11-01-51
 PAGE 0

BOEING
 737-600/700/800/900
 PARTS CATALOG (MAINTENANCE)



E 25110151 SHT 2 REV 017

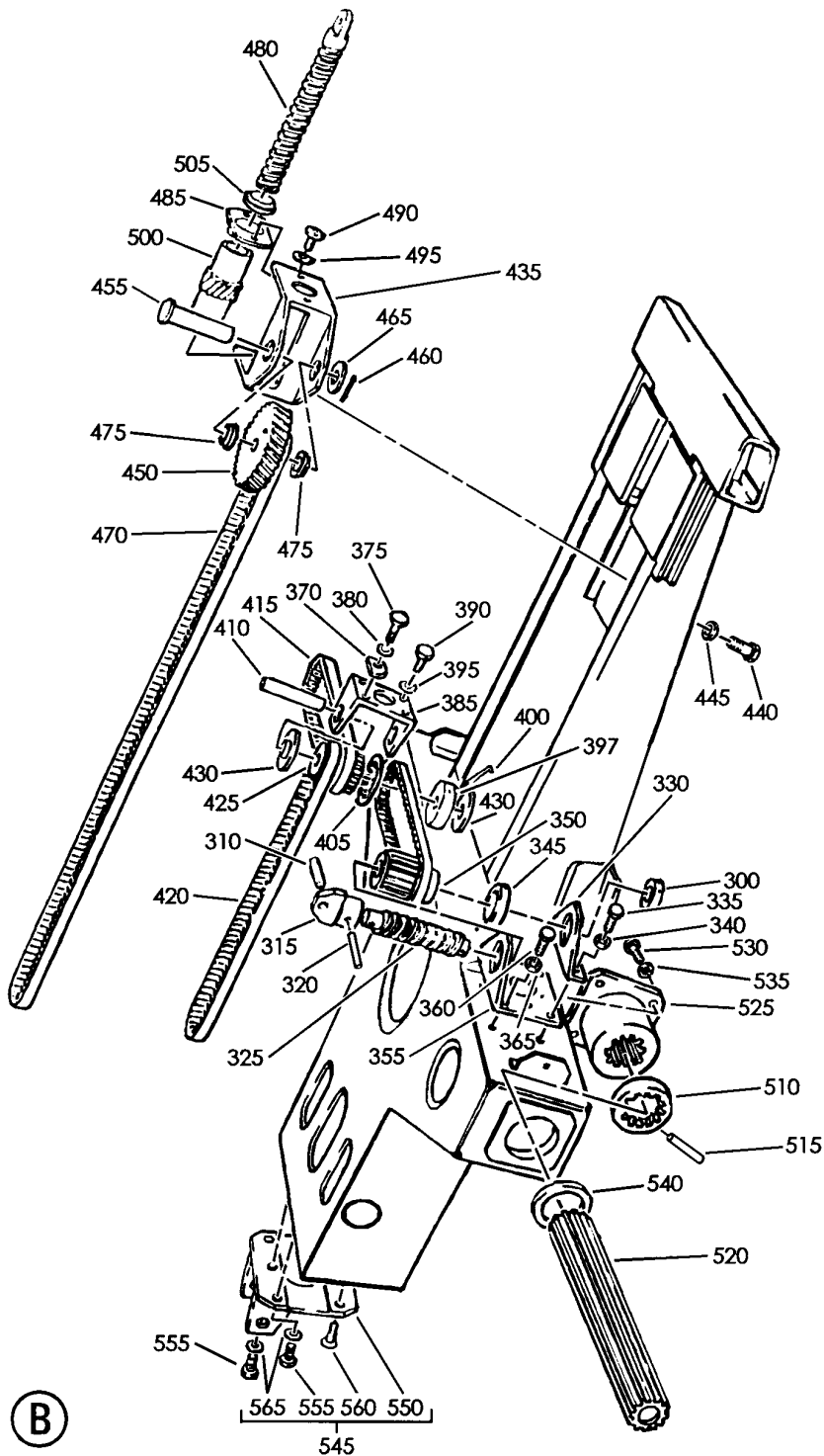
SEAT ASSY-BASIC, CAPT AND FIRST OFFICER
 FIGURE 51 (SHEET 2)

25-11-01-51

HAP
 OCT 10/06

25-11-01-51
 PAGE 0A

BOEING
 737-600/700/800/900
 PARTS CATALOG (MAINTENANCE)



E 25110151 SHT 3 REV 017

SEAT ASSY-BASIC, CAPT AND FIRST OFFICER
 FIGURE 51 (SHEET 3)

25-11-01-51

HAP
 OCT 10/06

25-11-01-51
 PAGE 0B

BOEING
737-600/700/800/900
PARTS CATALOG (MAINTENANCE)

FIG ITEM	PART NUMBER	1 2 3 4 5 6 7	NOMENCLATURE	EFFECT FROM TO	UNITS PER ASSY
51			SEAT ASSY-BASIC, CAPT AND FIRST OFFICER	001027 201967	
- 1	0A226-0031A		SEAT ASSY-BASIC, CAPT SUPPLIER CODE: VK9075 FOR NHA SEE: 25-11-01-50A	001027 201967	RF
- 5	0A226-0032A		SEAT ASSY-BASIC, FIRST OFFICER SUPPLIER CODE: VK9075 FOR NHA SEE: 25-11-01-50A	001027 201967	RF
50	2A165-0657		.CABLE- SUPPLIER CODE: VK9075	001027 201967	RF
55	SP113C4-1-2		ATTACHING PARTS .PIN	001027 201967	1
60	SP90C3		.PIN	001027 201967	1
65	SP122D		.WASHER-	001027 201967	1
70	3A058-0277		-----*----- .PIN-PIVOT SUPPLIER CODE: VK9075 ATTACHING PARTS	001027 201967	2
75	NAS603-16		.SCREW	001027 201967	2
80	SP126D		.WASHER-	001027 201967	4
85	H14-3		.NUT-LOCK SUPPLIER CODE: V15653	001027 201967	2
90	3A058-0455		-----*----- .BEARING- SUPPLIER CODE: VK9075	001027 201967	4
95	3A188-0419		.TUBE- SUPPLIER CODE: VK9075 ATTACHING PARTS	001027 201967	1
100	NAS603-16		.SCREW	001027 201967	2
105	SP126D		.WASHER-	001027 201967	4

MISSING ITEM NUMBERS NOT APPLICABLE

- ITEM NOT ILLUSTRATED

HAP

25-11-01-51

25-11-01
FIG. 51
PAGE 1
JUN 15/09

BOEING
737-600/700/800/900
PARTS CATALOG (MAINTENANCE)

FIG ITEM	PART NUMBER	1 2 3 4 5 6 7	NOMENCLATURE	EFFECT FROM TO	UNITS PER ASSY
51 110	H14-3		.NUT-LOCK SUPPLIER CODE: V15653 -----*-----	001027 201967	2
115	3A188-0417		.SLEEVE- SUPPLIER CODE: VK9075	001027 201967	2
120	3A058-0501		.COLLAR- SUPPLIER CODE: VK9075	001027 201967	2
125	1A500-0654		.PIN-SPR SUPPLIER CODE: VK9075 -----*-----	001027 201967	2
130	3A058-0457		.BEARING- SUPPLIER CODE: VK9075	001027 201967	4
- 135	1A201-0424A		.ARM-LIFT SUPPLIER CODE: VK9075 POSITION DATA: RH FWD	001027 201967	RF
140	1A201-0423A		.ARM-LIFT SUPPLIER CODE: VK9075 POSITION DATA: LH FWD	001027 201967	RF
- 145	1A226-0298A		.ARM-LIFT SUPPLIER CODE: VK9075 POSITION DATA: RH REAR	001027 201967	RF
150	1A226-0297A		.ARM-LIFT SUPPLIER CODE: VK9075 POSITION DATA: LH REAR	001027 201967	RF
155	0A226-0017A		.MECHANISM ASSY-BASE AND LIFT SUPPLIER CODE: VK9075 USED ON: 0A226-0031A FOR DETAILS SEE: 25-11-01-53	001027 201967	1

MISSING ITEM NUMBERS NOT APPLICABLE

- ITEM NOT ILLUSTRATED

HAP

25-11-01-51

BOEING PROPRIETARY - Copyright © - Unpublished Work - See title page for details.

25-11-01
FIG. 51
PAGE 2
OCT 15/08

BOEING
737-600/700/800/900
PARTS CATALOG (MAINTENANCE)

FIG ITEM	PART NUMBER	1 2 3 4 5 6 7	NOMENCLATURE	EFFECT FROM TO	UNITS PER ASSY
51 155	OA226-0018A		.MECHANISM ASSY-BASE AND LIFT SUPPLIER CODE: VK9075 USED ON: OA226-0032A FOR DETAILS SEE: 25-11-01-53	001027 201967	1
160	OA226-0030A		.SEAT ASSY- SUPPLIER CODE: VK9075 POSITION DATA: UPR USED ON: OA226-0031A	001027 201967	RF
160	OA226-0029A		.SEAT ASSY- SUPPLIER CODE: VK9075 POSITION DATA: UPR USED ON: OA226-0032A	001027 201967	RF
165	3A168-0343		..COLLAR- SUPPLIER CODE: VK9075 ATTACHING PARTS	001027 201967	1
170	1A500-0646		..PIN-SPR SUPPLIER CODE: VK9075	001027 201967	1
175	1A500-0651		..PIN-SPR SUPPLIER CODE: VK9075	001027 201967	1
180	3A090-0287		..WHEEL-PULLEY SUPPLIER CODE: VK9075	001027 201967	1
185	2A201-0631		..WHEEL-HAND UP/DOWN SUPPLIER CODE: VK9075	001027 201967	1
190	1A500-0646		..PIN-SPR SUPPLIER CODE: VK9075	001027 201967	1
195	3A168-0343		..COLLAR- SUPPLIER CODE: VK9075	001027 201967	1
200	A103JT		..NUT	001027 201967	1

MISSING ITEM NUMBERS NOT APPLICABLE

— ITEM NOT ILLUSTRATED

HAP

25-11-01-51

BOEING PROPRIETARY - Copyright © - Unpublished Work - See title page for details.

25-11-01
FIG. 51
PAGE 3
OCT 15/08

BOEING
737-600/700/800/900
PARTS CATALOG (MAINTENANCE)

FIG ITEM	PART NUMBER	1 2 3 4 5 6 7	NOMENCLATURE	EFFECT FROM TO	UNITS PER ASSY
51					
205	400-2090	..	BUSH-SNAP SUPPLIER CODE: VK7817	001027 201967	1
210	2A199-0355	..	SHAFT-DRIVE UP/DOWN SUPPLIER CODE: VK9075	001027 201967	1
215	3A090-0287	..	WHEEL-PULLEY SUPPLIER CODE: VK9075	001027 201967	1
220	1A500-0651	..	PIN-SPR SUPPLIER CODE: VK9075 -----*-----	001027 201967	1
225	2A201-0629	..	WHEEL-HAND IN/OUT SUPPLIER CODE: VK9075	001027 201967	1
230	A103JT	..	NUT	001027 201967	1
235	400-2090	..	BUSH-SNAP SUPPLIER CODE: VK7817	001027 201967	1
240	2A199-0353	..	SHAFT-DRIVE IN/OUT SUPPLIER CODE: VK9075	001027 201967	1
245	3A090-0375	..	BOLT- SUPPLIER CODE: VK9075	001027 201967	1
250	SP126E	..	WASHER-	001027 201967	1
255	A103EC	..	NUT	001027 201967	1
260	SP90E6	..	PIN	001027 201967	1
265	3A090-0295	..	BEARING-PIVOT SUPPLIER CODE: VK9075	001027 201967	2
270	3A090-0233	..	BEARING- SUPPLIER CODE: VK9075	001027 201967	4
275	3A090-0263	..	BEARING- SUPPLIER CODE: VK9075	001027 201967	1
280	3A090-0265	..	BEARING- SUPPLIER CODE: VK9075	001027 201967	1
285	3A090-0333	..	BEARING-HSG SUPPLIER CODE: VK9075	001027 201967	2

MISSING ITEM NUMBERS NOT APPLICABLE

— ITEM NOT ILLUSTRATED

HAP

25-11-01-51

25-11-01
FIG. 51
PAGE 4
OCT 15/08

BOEING
737-600/700/800/900
PARTS CATALOG (MAINTENANCE)

FIG ITEM	PART NUMBER	1 2 3 4 5 6 7	NOMENCLATURE	EFFECT FROM TO	UNITS PER ASSY
51					
290	0A226-0021A		..MECHANISM ASSY-SEAT PAN SUPPLIER CODE: VK9075 USED ON: 0A226-0029A FOR DETAILS SEE: 25-11-01-52	001027 201967	1
290	0A226-0022A		..MECHANISM ASSY-SEAT PAN SUPPLIER CODE: VK9075 USED ON: 0A226-0030A FOR DETAILS SEE: 25-11-01-52	001027 201967	1
295	0A220-0027A		..MECHANISM ASSY-BACK STRUCTURE SUPPLIER CODE: VK9075	001027 201967	RF
300	3A090-0249		...COLLAR-STOP SUPPLIER CODE: VK9075 ATTACHING PARTS	001027 201967	2
305	1A500-0651		...PIN-SPR SUPPLIER CODE: VK9075 -----*-----	001027 201967	2
310	3A090-0259		...PIN-ROLLER SUPPLIER CODE: VK9075	001027 201967	2
315	3A090-0291		...CARRIER-ROLLER SUPPLIER CODE: VK9075 CONFIG CHG DATA FROM A CMM: REPLD BY 3A090-0805	001027 201967	2
315	3A090-0805		...CARRIER-ROLLER SUPPLIER CODE: VK9075 CONFIG CHG DATA FROM A CMM: REPLS 3A090-0291 ATTACHING PARTS	001027 201967	2
320	1A500-0651		...PIN-SPR SUPPLIER CODE: VK9075 -----*-----	001027 201967	2
325	3A090-0271		...SCREW-IN/OUT SUPPLIER CODE: VK9075	001027 201967	2

MISSING ITEM NUMBERS NOT APPLICABLE

— ITEM NOT ILLUSTRATED

HAP

25-11-01-51

25-11-01
FIG. 51
PAGE 5
OCT 15/08

BOEING
737-600/700/800/900
PARTS CATALOG (MAINTENANCE)

FIG ITEM	PART NUMBER	1 2 3 4 5 6 7	NOMENCLATURE	EFFECT FROM TO	UNITS PER ASSY
51					
330	3A090-0215	...	BRACKET-LUMBAR SUPPLIER CODE: VK9075	001027 201967	2
335	A113-2C	...	BOLT	001027 201967	4
340	SP126C	...	WASHER-	001027 201967	4
345	3A090-0313	...	WASHER- SUPPLIER CODE: VK9075	001027 201967	2
350	3A090-0105	...	PULLEY-LUMBAR SUPPLIER CODE: VK9075	001027 201967	2
355	3A090-0213	...	BRACKET-LUMBAR SUPPLIER CODE: VK9075	001027 201967	2
360	A113-1-2C	...	BOLT ATTACHING PARTS	001027 201967	4
365	SP126C	...	WASHER-	001027 201967	4
370	3A201-0789	-----*	GUIDE-BELT SUPPLIER CODE: VK9075	001027 201967	1
375	A102-3C	...	BOLT ATTACHING PARTS	001027 201967	1
380	SP126C	...	WASHER-	001027 201967	1
385	3A090-0203	-----*	BRACKET-CTR PULLEY SUPPLIER CODE: VK9075	001027 201967	1
390	A102-1C	...	BOLT ATTACHING PARTS	001027 201967	3
395	SP126C	...	WASHER-	001027 201967	3
397	3A090-2053	-----*	COLLAR- SUPPLIER CODE: VK9075	001027 201967	1
400	1A500-0647	...	PIN-SPR SUPPLIER CODE: VK9075	001027 201967	1
405	3A090-0613	...	SPACER-BELT SUPPLIER CODE: VK9075	001027 201967	2

MISSING ITEM NUMBERS NOT APPLICABLE

— ITEM NOT ILLUSTRATED

HAP

25-11-01-51

BOEING PROPRIETARY - Copyright © - Unpublished Work - See title page for details.

25-11-01
FIG. 51
PAGE 6
OCT 15/08

BOEING
737-600/700/800/900
PARTS CATALOG (MAINTENANCE)

FIG ITEM	PART NUMBER	1 2 3 4 5 6 7	NOMENCLATURE	EFFECT FROM TO	UNITS PER ASSY
51					
410	3A090-0257	...	SPINDLE- SUPPLIER CODE: VK9075	001027 201967	1
415	2A506-0011	...	BELT- SUPPLIER CODE: VK9075	001027 201967	2
420	2A506-0013	...	BELT- SUPPLIER CODE: VK9075	001027 201967	1
425	3A090-0107	...	PULLEY-CTR SUPPLIER CODE: VK9075	001027 201967	1
430	3A090-0251	...	BEARING- SUPPLIER CODE: VK9075	001027 201967	2
435	1A090-0791	...	GEARBOX- SUPPLIER CODE: VK9075 CONFIG CHG DATA FROM A CMM: REPLD BY 1A090-0821	001027 201967	1
435	1A090-0821	...	GEARBOX- SUPPLIER CODE: VK9075 CONFIG CHG DATA FROM A CMM: REPLS 1A090-0791 ATTACHING PARTS	001027 201967	1
440	A113-1C	...	BOLT	001027 201967	4
445	SP126C	...	WASHER-	001027 201967	4
450	3A090-0101	...	GEAR-VERT DRIVE SUPPLIER CODE: VK9075 ATTACHING PARTS	001027 201967	1
455	3A090-0377	...	PIN- SUPPLIER CODE: VK9075	001027 201967	1
460	SP90E5	...	PIN	001027 201967	1
465	SP126G	...	WASHER	001027 201967	1
470	2A506-0020	...	BELT- SUPPLIER CODE: VK9075	001027 201967	1
475	3A090-0373	...	BEARING- SUPPLIER CODE: VK9075	001027 201967	2

MISSING ITEM NUMBERS NOT APPLICABLE

— ITEM NOT ILLUSTRATED

HAP

25-11-01-51

BOEING PROPRIETARY - Copyright © - Unpublished Work - See title page for details.

25-11-01
FIG. 51
PAGE 7
OCT 15/08

BOEING
737-600/700/800/900
PARTS CATALOG (MAINTENANCE)

FIG ITEM	PART NUMBER	1 2 3 4 5 6 7	NOMENCLATURE	EFFECT FROM TO	UNITS PER ASSY
51					
480	3A090-0403	...	SCREW-UP/DOWN SUPPLIER CODE: VK9075	001027 201967	1
485	3A090-0367	...	GUIDE-BRG SUPPLIER CODE: VK9075	001027 201967	2
490	A113-1-2C	...	BOLT	001027 201967	4
495	SP126C	...	WASHER-	001027 201967	4
			-----*-----		
500	3A090-0103	...	GEAR-NUT, VERT SUPPLIER CODE: VK9075	001027 201967	1
505	3A090-0311	...	BEARING- SUPPLIER CODE: VK9075	001027 201967	2
510	3A090-0523	...	ARMREST-STOP SUPPLIER CODE: VK9075	001027 201967	2
			ATTACHING PARTS		
515	1A500-0657	...	PIN-SPR SUPPLIER CODE: VK9075	001027 201967	2
			-----*-----		
520	3A090-0467	...	TUBE- SUPPLIER CODE: VK9075	001027 201967	2
525	2A090-0473	...	BOSS-SPLINED SUPPLIER CODE: VK9075	001027 201967	2
			ATTACHING PARTS		
530	NAS603-15	...	SCREW	001027 201967	8
535	SP126D	...	WASHER-	001027 201967	8
			-----*-----		
540	3A090-0521	...	BEARING-SPLIT SUPPLIER CODE: VK9075	001027 201967	2
545	0A220-0025A	...	STRUCTURE ASSY-BACK SUPPLIER CODE: VK9075	001027 201967	1
550	2A090-0675	BRACKET-RECLINE SUPPLIER CODE: VK9075	001027 201967	1

MISSING ITEM NUMBERS NOT APPLICABLE

— ITEM NOT ILLUSTRATED

HAP

25-11-01-51

25-11-01
FIG. 51
PAGE 8
JUN 15/09

BOEING
737-600/700/800/900
PARTS CATALOG (MAINTENANCE)

FIG ITEM	PART NUMBER	1 2 3 4 5 6 7	NOMENCLATURE	EFFECT FROM TO	UNITS PER ASSY
51			ATTACHING PARTS		
R R R R	555	NAS603-7SCREW	001027 201967	2
	555	NAS603-4SCREW	001027 201967	2
	560	NAS517-3-6SCREW	001027 201967	2
	565	SP126DWASHER-	001027 201967	2
			-----*		

MISSING ITEM NUMBERS NOT APPLICABLE

— ITEM NOT ILLUSTRATED

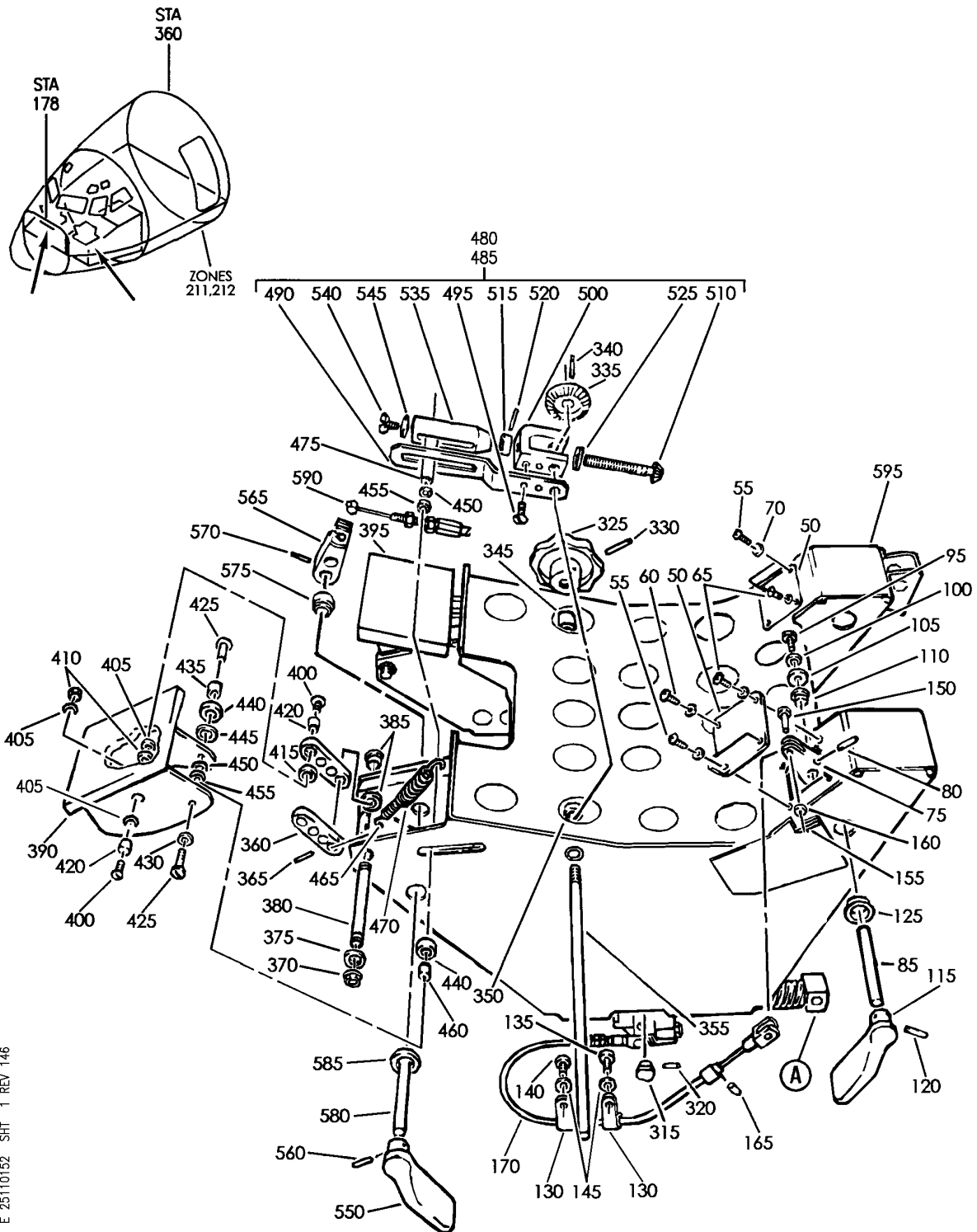
HAP

25-11-01-51

BOEING PROPRIETARY - Copyright © - Unpublished Work - See title page for details.

25-11-01
FIG. 51
PAGE 9
JUN 15/09

BOEING
 737-600/700/800/900
 PARTS CATALOG (MAINTENANCE)



E 25110152 SHT 1 REV 146

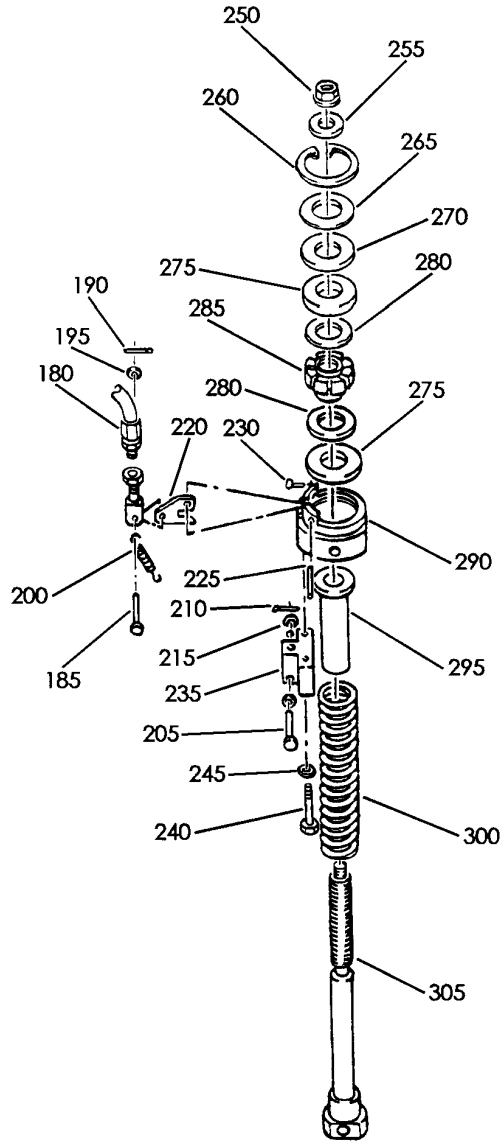
MECHANISM ASSY-PAN,CAPT AND FIRST OFFICERS SEAT
 FIGURE 52 (SHEET 1)

25-11-01-52

HAP
 OCT 15/08

25-11-01-52
 PAGE 0

BOEING
 737-600/700/800/900
 PARTS CATALOG (MAINTENANCE)



(A)

E 25110152 SHT 2 REV 146

MECHANISM ASSY-PAN, CAPT AND FIRST OFFICERS SEAT
 FIGURE 52 (SHEET 2)

25-11-01-52

HAP
 OCT 15/08

25-11-01-52
 PAGE 0A

BOEING
737-600/700/800/900
PARTS CATALOG (MAINTENANCE)

FIG ITEM	PART NUMBER	1 2 3 4 5 6 7	NOMENCLATURE	EFFECT FROM TO	UNITS PER ASSY
52			MECHANISM ASSY-PAN, CAPT AND FIRST OFFICERS SEAT	001027 201967	
- 1	0A226-0021A		MECHANISM ASSY-PAN, CAPT SEAT SUPPLIER CODE: VK9075 FOR NHA SEE: 25-11-01-51	001027 201967	RF
- 5	0A226-0022A		MECHANISM ASSY-PAN, FIRST OFFICERS SEAT SUPPLIER CODE: VK9075 FOR NHA SEE: 25-11-01-51	001027 201967	RF
50	3A090-0187A		.PLATE-COVER SUPPLIER CODE: VK9075 ATTACHING PARTS	001027 201967	2
55	NAS623-2-2		.SCREW	001027 201967	4
60	NAS623-2-5		.SCREW	001027 201967	2
65	NAS623-2-3		.SCREW	001027 201967	2
70	SP126C		.WASHER-	001027 201967	8
			-----*-----		
75	3A097-0209		.LEVER- SUPPLIER CODE: VK9075 ATTACHING PARTS	001027 201967	1
80	1A500-0658		.PIN- SUPPLIER CODE: VK9075	001027 201967	1
			-----*-----		
85	3A090-0229		.SHAFT- SUPPLIER CODE: VK9075 USED ON: 0A226-0021A	001027 201967	1
- 90	3A090-0230		.SHAFT- SUPPLIER CODE: VK9075 USED ON: 0A226-0022A	001027 201967	1
95	A102-1-2C		ATTACHING PARTS .BOLT	001027 201967	1

MISSING ITEM NUMBERS NOT APPLICABLE

- ITEM NOT ILLUSTRATED

HAP

25-11-01-52

25-11-01
FIG. 52
PAGE 1
OCT 15/08

BOEING
737-600/700/800/900
PARTS CATALOG (MAINTENANCE)

FIG ITEM	PART NUMBER	1 2 3 4 5 6 7	NOMENCLATURE	EFFECT FROM TO	UNITS PER ASSY
52					
100	SP126C		.WASHER-	001027 201967	1
105	3A090-0407		.WASHER- SUPPLIER CODE: VK9075	001027 201967	1
			-----*-----		
110	3A090-0405		.BEARING- SUPPLIER CODE: VK9075	001027 201967	1
115	1A514-0061		.LEVER- SUPPLIER CODE: VK9075	001027 201967	1
			USED ON: OA226-0021A		
115	1A514-0062		.LEVER- SUPPLIER CODE: VK9075	001027 201967	1
			USED ON: OA226-0022A		
			ATTACHING PARTS		
120	1A500-0666		.PIN- SUPPLIER CODE: VK9075	001027 201967	1
			-----*-----		
125	3A035-0645		.BEARING- SUPPLIER CODE: VK9075	001027 201967	1
130	2A503-0003		.CLAMP-PLASTIC WIRE SPRT LOOP SUPPLIER CODE: VK9075	001027 201967	2
			ATTACHING PARTS		
135	A102-1C		.BOLT	001027 201967	1
140	A102-2C		.BOLT-	001027 201967	1
145	SP126C		.WASHER-	001027 201967	2
			-----*-----		
150	SP4YB9		.PIN	001027 201967	1
155	SP90C3		.PIN	001027 201967	1
160	SP122D		.WASHER-	001027 201967	1
165	N1500-0018APP		.CIRCLIP- SUPPLIER CODE: VK0745	001027 201967	1

MISSING ITEM NUMBERS NOT APPLICABLE

— ITEM NOT ILLUSTRATED

HAP

25-11-01-52

BOEING PROPRIETARY - Copyright © - Unpublished Work - See title page for details.

25-11-01
FIG. 52
PAGE 2
OCT 15/08

BOEING
737-600/700/800/900
PARTS CATALOG (MAINTENANCE)

FIG ITEM	PART NUMBER	1 2 3 4 5 6 7	NOMENCLATURE	EFFECT FROM TO	UNITS PER ASSY
52					
170	2A090-0605	.	CABLE-RECLINE UNIT SUPPLIER CODE: VK9075 CONFIG CHG DATA FROM A CMM: SUPSD BY 2A226-0379	001027 201967	RF
170	2A226-0379	.	CABLE-RECLINE UNIT SUPPLIER CODE: VK9075 CONFIG CHG DATA FROM A CMM: SUPERSEDES 2A090-0605	001027 201967	RF
- 175	2A220-0293	.	RECLINE UNIT- SUPPLIER CODE: VK9075	001027 201967	RF
180	2A090-0605	..	CABLE- SUPPLIER CODE: VK9075 CONFIG CHG DATA FROM A CMM: SUPSD BY 2A226-0379	001027 201967	1
180	2A226-0379	..	CABLE- SUPPLIER CODE: VK9075 CONFIG CHG DATA FROM A CMM: SUPERSEDES 2A090-0605	001027 201967	1
185	SP113C8-1-2	..	PIN	001027 201967	1
190	SP90C3	..	PIN	001027 201967	1
195	SP126D	..	WASHER-	001027 201967	1
200	1A500-0733	..	-----*----- SPRING-EXTENSION SUPPLIER CODE: VK9075 ATTACHING PARTS	001027 201967	2
205	SP113A9	..	PIN	001027 201967	1
210	SP90C2	..	PIN	001027 201967	1
215	SP126B	..	WASHER-	001027 201967	2
220	3A103-0275	..	-----*----- PLATE-LATCH SUPPLIER CODE: VK9075 ATTACHING PARTS	001027 201967	1
225	3A020-0365	..	PIN-PIVOT SUPPLIER CODE: VK9075	001027 201967	1

MISSING ITEM NUMBERS NOT APPLICABLE

- ITEM NOT ILLUSTRATED

HAP

25-11-01-52

25-11-01
FIG. 52
PAGE 3
OCT 15/08

BOEING
737-600/700/800/900
PARTS CATALOG (MAINTENANCE)

FIG ITEM	PART NUMBER	1 2 3 4 5 6 7	NOMENCLATURE	EFFECT FROM TO	UNITS PER ASSY
52					
230	SP90B3	..	PIN	001027 201967	2
			-----*-----		
235	3A001-0975	..	BLOCK-PIVOT SUPPLIER CODE: VK9075 ATTACHING PARTS	001027 201967	1
240	A102-5C	..	BOLT	001027 201967	2
245	SP126C	..	WASHER-	001027 201967	2
			-----*-----		
250	H14-6	..	NUT-LOCK SUPPLIER CODE: VK1678	001027 201967	1
255	3A188-0415	..	SPACER- SUPPLIER CODE: VK9075	001027 201967	1
260	D1300-0360APP	..	CIRCLIP- SUPPLIER CODE: VK0745	001027 201967	1
265	3A001-0635	..	SPACER- SUPPLIER CODE: VK9075	001027 201967	1
270	3A001-0385	..	WASHER-SHIM SUPPLIER CODE: VK9075	001027 201967	1
275	AX20-35	..	BEARING-THRUST SUPPLIER CODE: VK6735	001027 201967	2
280	CP20-35	..	PLATE-THRUST SUPPLIER CODE: VK0018	001027 201967	2
285	3A066-0393	..	NUT-RECLINE SUPPLIER CODE: VK9075	001027 201967	1
290	2A001-0977	..	HOUSING- SUPPLIER CODE: VK9075	001027 201967	1
295	3A001-1559	..	TUBE-SPR GUIDE SUPPLIER CODE: VK9075	001027 201967	1
300	3A001-0375	..	SPRING-CPRSN SUPPLIER CODE: VK9075	001027 201967	1
305	2A188-0409	..	STRUT-RECLINE SUPPLIER CODE: VK9075	001027 201967	1

MISSING ITEM NUMBERS NOT APPLICABLE

— ITEM NOT ILLUSTRATED

HAP

25-11-01-52

25-11-01
FIG. 52
PAGE 4
OCT 15/08

BOEING
737-600/700/800/900
PARTS CATALOG (MAINTENANCE)

FIG ITEM	PART NUMBER	1 2 3 4 5 6 7	NOMENCLATURE	EFFECT FROM TO	UNITS PER ASSY
52					
315	3A168-0291		.PIN-PIVOT SUPPLIER CODE: VK9075	001027 201967	2
320	1A500-0644		.PIN-SPR SUPPLIER CODE: VK9075	001027 201967	2
325	2A201-0627		.WHEEL-HAND, THIGH SUPPLIER CODE: VK9075	001027 201967	1
330	1A500-0653		ATTACHING PARTS .PIN-SPR SUPPLIER CODE: VK9075	001027 201967	1
335	3A001-0829		-----*----- .GEAR-WHEEL SUPPLIER CODE: VK9075	001027 201967	2
340	1A500-0650		ATTACHING PARTS .PIN-SPR SUPPLIER CODE: VK9075	001027 201967	2
345	3A058-0113		-----*----- .BEARING-THIGH PAD LARGE SUPPLIER CODE: VK9075	001027 201967	2
350	3A058-0115		.BEARING-THIGH PAD SMALL SUPPLIER CODE: VK9075	001027 201967	2
355	3A220-0297		.SHAFT-CROSS SUPPLIER CODE: VK9075	001027 201967	1
360	3A165-0431		.LEVER-THIGHPAD SUPPLIER CODE: VK9075	001027 201967	4
365	1A500-0643		ATTACHING PARTS .PIN-SPR SUPPLIER CODE: VK9075	001027 201967	4
370	B1500A250APP		-----*----- .CIRCLIP- SUPPLIER CODE: VK0745	001027 201967	4
375	SP126G		.WASHER	001027 201967	4
380	3A035-0181		.SHAFT-PIVOT, THIGHPAD SUPPLIER CODE: VK9075	001027 201967	2

MISSING ITEM NUMBERS NOT APPLICABLE

— ITEM NOT ILLUSTRATED

HAP

25-11-01-52

25-11-01
FIG. 52
PAGE 5
OCT 15/08

BOEING
737-600/700/800/900
PARTS CATALOG (MAINTENANCE)

FIG ITEM	PART NUMBER	1 2 3 4 5 6 7	NOMENCLATURE	EFFECT FROM TO	UNITS PER ASSY
52					
385	3A035-0653		.BEARING-THIGH SUPPLIER CODE: VK9075	001027 201967	6
390	2A058-0241A		.BRACKET-THIGH SPRT SUPPLIER CODE: VK9075 POSITION DATA: LH	001027 201967	1
395	2A058-0242A		.BRACKET-THIGH SPRT SUPPLIER CODE: VK9075 POSITION DATA: RH	001027 201967	1
400	A113-1D		.ATTACHING PARTS .BOLT	001027 201967	4
405	SP126D		.WASHER-	001027 201967	6
410	H14-3		.NUT-LOCK SUPPLIER CODE: V15653	001027 201967	4
			-----*-----		
415	3A035-0657		.BEARING-THIGH LEVER SUPPLIER CODE: VK9075	001027 201967	4
420	3A035-0651		.SLEEVE-ROLLER SUPPLIER CODE: VK9075	001027 201967	4
425	A113-3D		.BOLT	001027 201967	4
430	SP126D		.WASHER-	001027 201967	2
435	3A035-0651		.SLEEVE-ROLLER SUPPLIER CODE: VK9075	001027 201967	2
440	3A001-0477		.ROLLER-GUIDE SUPPLIER CODE: VK9075	001027 201967	6
445	3A001-0483		.WASHER- SUPPLIER CODE: VK9075	001027 201967	2
450	SP122D		.WASHER-	001027 201967	4
455	H14-3		.NUT-LOCK SUPPLIER CODE: V15653	001027 201967	4
460	3A035-0177		.SLEEVE-ROLLER SUPPLIER CODE: VK9075	001027 201967	2

MISSING ITEM NUMBERS NOT APPLICABLE

— ITEM NOT ILLUSTRATED

HAP

25-11-01-52

25-11-01
FIG. 52
PAGE 6
OCT 15/08

BOEING
737-600/700/800/900
PARTS CATALOG (MAINTENANCE)

FIG ITEM	PART NUMBER	1 2 3 4 5 6 7	NOMENCLATURE	EFFECT FROM TO	UNITS PER ASSY
52 465	ENTEX553		. SPRING-EXTENSION SMALL SUPPLIER CODE: VK6217 CONFIG CHG DATA FROM A CMM: REPLD BY 1A527-0034	001027 201967	2
465	1A527-0034		. SPRING-EXTENSION SMALL SUPPLIER CODE: VK9075 CONFIG CHG DATA FROM A CMM: REPLS ENTEX553	001027 201967	2
470	XLSH2832		. SPRING-EXTENSION LARGE SUPPLIER CODE: VU2500 CONFIG CHG DATA FROM A CMM: REPLD BY 1A527-0051	001027 201967	2
470	1A527-0051		. SPRING-EXTENSION LARGE SUPPLIER CODE: VK9075 CONFIG CHG DATA FROM A CMM: REPLS XLSH2832	001027 201967	2
475	3A058-0101		. SHAFT-SPR ANCHOR SUPPLIER CODE: VK9075	001027 201967	2
480	2A165-0429		. MECHANISM ASSY-ADJUSTMENT THIGH PAD SUPPLIER CODE: VK9075 POSITION DATA: LH	001027 201967	1
485	2A165-0430		. MECHANISM ASSY-ADJUSTMENT THIGH PAD SUPPLIER CODE: VK9075 POSITION DATA: RH	001027 201967	1
490	3A165-0421		.. PLATE- SUPPLIER CODE: VK9075	001027 201967	1
495	3A500-0247		.. SCREW- SUPPLIER CODE: VK9075 -----*-----	001027 201967	2

MISSING ITEM NUMBERS NOT APPLICABLE

— ITEM NOT ILLUSTRATED

HAP

25-11-01-52

25-11-01
FIG. 52
PAGE 7
OCT 15/08

BOEING
737-600/700/800/900
PARTS CATALOG (MAINTENANCE)

FIG ITEM	PART NUMBER	1 2 3 4 5 6 7	NOMENCLATURE	EFFECT FROM TO	UNITS PER ASSY
52					
500	3A058-0109	..	HOUSING- SUPPLIER CODE: VK9075	001027 201967	1
- 505	3A165-0425	..	SHAFT-DRIVE SUPPLIER CODE: VK9075	001027 201967	1
510	3A165-0426	..	SHAFT-DRIVE SUPPLIER CODE: VK9075	001027 201967	1
515	3A001-1123	..	COLLAR- SUPPLIER CODE: VK9075	001027 201967	1
			ATTACHING PARTS		
520	1A500-0643	..	PIN-SPR SUPPLIER CODE: VK9075	001027 201967	1
			-----*-----		
525	3A001-1129	..	SPACER- SUPPLIER CODE: VK9075	001027 201967	1
- 530	3A165-0423	..	ADJUSTER- SUPPLIER CODE: VK9075	001027 201967	1
535	3A165-0424	..	ADJUSTER- SUPPLIER CODE: VK9075	001027 201967	1
			ATTACHING PARTS		
540	3A026-0631	..	SCREW- SUPPLIER CODE: VK9075	001027 201967	1
545	SP23C	..	WASHER	001027 201967	1
			-----*-----		
550	1A514-0070	.LEVER-VERT CONT SUPPLIER CODE: VK9075		001027 201967	1
		USED ON: OA226-0021A			
- 555	1A514-0071	.LEVER-VERT CONT SUPPLIER CODE: VK9075		001027 201967	1
		USED ON: OA226-0022A			
		ATTACHING PARTS			
560	1A500-0666	.PIN-SPR SUPPLIER CODE: VK9075		001027 201967	1
			-----*-----		

MISSING ITEM NUMBERS NOT APPLICABLE

- ITEM NOT ILLUSTRATED

HAP

25-11-01-52

25-11-01
FIG. 52
PAGE 8
OCT 15/08

BOEING
737-600/700/800/900
PARTS CATALOG (MAINTENANCE)

FIG ITEM	PART NUMBER	1 2 3 4 5 6 7	NOMENCLATURE	EFFECT FROM TO	UNITS PER ASSY
52					
565	3A165-0451		. LEVER- SUPPLIER CODE: VK9075	001027 201967	1
570	1A500-0658		. PIN-SPR SUPPLIER CODE: VK9075	001027 201967	1
575	3A035-0191		. BEARING- SUPPLIER CODE: VK9075	001027 201967	1
580	3A097-0219		. SHAFT-CONT SUPPLIER CODE: VK9075	001027 201967	1
585	3A035-0645		. BEARING- SUPPLIER CODE: VK9075	001027 201967	1
590	2A165-0657		. CABLE-VERT SUPPLIER CODE: VK9075	001027 201967	1
595	0A226-0019A		. STRUCTURE-SEAT PAN SUPPLIER CODE: VK9075 USED ON: 0A226-0021A	001027 201967	1
- 600	0A226-0020A		. STRUCTURE-SEAT PAN SUPPLIER CODE: VK9075 USED ON: 0A226-0022A	001027 201967	1

MISSING ITEM NUMBERS NOT APPLICABLE

- ITEM NOT ILLUSTRATED

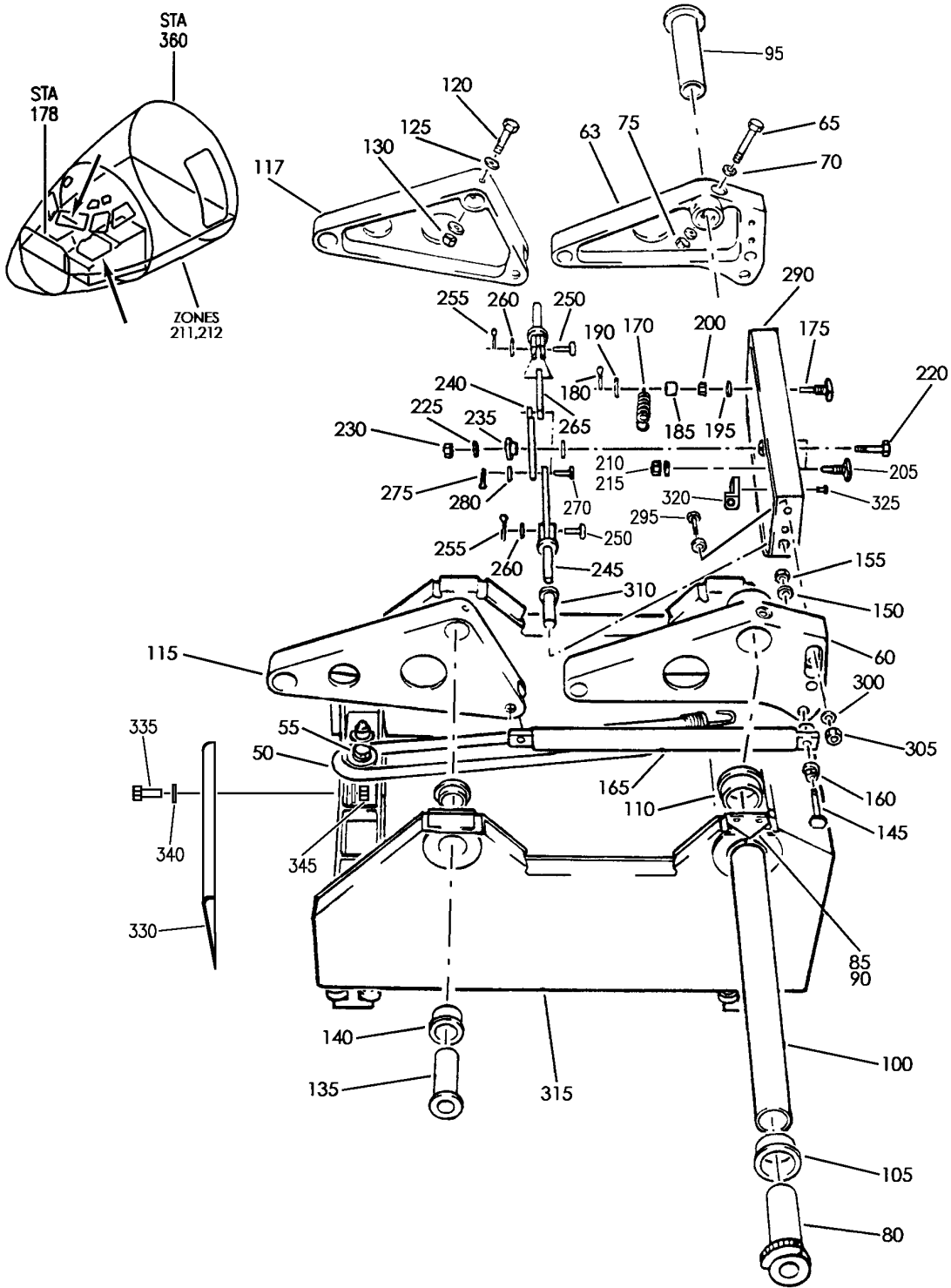
HAP

25-11-01-52

BOEING PROPRIETARY - Copyright © - Unpublished Work - See title page for details.

25-11-01
FIG. 52
PAGE 9
OCT 15/08

BOEING
 737-600/700/800/900
 PARTS CATALOG (MAINTENANCE)



E 25110153 REV 146

MECHANISM ASSY-BASE AND LIFT, CAPT AND FIRST OFFICER SEAT
 FIGURE 53

25-11-01-53

HAP
 OCT 15/08

25-11-01-53
 PAGE 0

BOEING
737-600/700/800/900
PARTS CATALOG (MAINTENANCE)

FIG ITEM	PART NUMBER	1 2 3 4 5 6 7	NOMENCLATURE	EFFECT FROM TO	UNITS PER ASSY
53			MECHANISM ASSY-BASE AND LIFT, CAPT AND FIRST OFFICER SEAT	001027 201967	
- 1	0A226-0017A		MECHANISM ASSY-BASE AND LIFT, CAPT SEAT SUPPLIER CODE: VK9075 FOR NHA SEE: 25-11-01-51	001027 201967	RF
- 5	0A226-0018A		MECHANISM ASSY-BASE AND LIFT, FIRST OFFICER SEAT SUPPLIER CODE: VK9075 FOR NHA SEE: 25-11-01-51	001027 201967	RF
50	3A226-0323		.CORD- SUPPLIER CODE: VK9075	001027 201967	2
55	3A058-0213		.ROLLER-BUNGEE SUPPLIER CODE: VK9075	001027 201967	RF
60	1A226-0297A		.ARM-LIFT SUPPLIER CODE: VK9075 POSITION DATA: LH REAR	001027 201967	1
63	1A226-0298A		.ARM-LIFT SUPPLIER CODE: VK9075 POSITION DATA: RH REAR ATTACHING PARTS	001027 201967	1
65	NAS603-22		.SCREW	001027 201967	2
70	SP122D		.WASHER-	001027 201967	4
75	H14-3		.NUT- SUPPLIER CODE: V15653	001027 201967	2
80	3A226-0331		-----*----- .INDICATOR-VERT SUPPLIER CODE: VK9075 USED ON: 0A226-0017A	001027 201967	1

MISSING ITEM NUMBERS NOT APPLICABLE

- ITEM NOT ILLUSTRATED

HAP

25-11-01-53

25-11-01
FIG. 53
PAGE 1
JUN 15/09

BOEING
737-600/700/800/900
PARTS CATALOG (MAINTENANCE)

FIG ITEM	PART NUMBER	1 2 3 4 5 6 7	NOMENCLATURE	EFFECT FROM TO	UNITS PER ASSY
53					
80	3A226-0332		.INDICATOR-VERT SUPPLIER CODE: VK9075 USED ON: 0A226-0018A	001027 201967	1
85	3A201-0687A		.POINTER-VERT IND SUPPLIER CODE: VK9075	001027 201967	1
90	NAS1720H4-2A		ATTACHING PARTS .RIVET	001027 201967	2
			-----*-----		
95	3A165-0531		.SLEEVE- SUPPLIER CODE: VK9075	001027 201967	1
100	2A165-0549		.TUBE- SUPPLIER CODE: VK9075	001027 201967	1
105	3A188-0347		.BEARING- SUPPLIER CODE: VK9075	001027 201967	2
110	3A026-0457		.BEARING- SUPPLIER CODE: VK9075	001027 201967	2
115	1A201-0423A		.ARM-LIFT SUPPLIER CODE: VK9075 POSITION DATA: LH FWD	001027 201967	1
115	1A201-0424A		.ARM-LIFT SUPPLIER CODE: VK9075 POSITION DATA: RH FWD	001027 201967	1
120	NAS603-16		ATTACHING PARTS .SCREW	001027 201967	1
125	SP126D		.WASHER-	001027 201967	2
130	H14-3		.NUT- SUPPLIER CODE: V15653	001027 201967	1
			-----*-----		
135	3A090-0163		.PIN-PIVOT SUPPLIER CODE: VK9075 POSITION DATA: FWD	001027 201967	2

MISSING ITEM NUMBERS NOT APPLICABLE

— ITEM NOT ILLUSTRATED

HAP

25-11-01-53

BOEING PROPRIETARY - Copyright © - Unpublished Work - See title page for details.

25-11-01
FIG. 53
PAGE 2
JUN 15/09

BOEING
737-600/700/800/900
PARTS CATALOG (MAINTENANCE)

FIG ITEM	PART NUMBER	1 2 3 4 5 6 7	NOMENCLATURE	EFFECT FROM TO	UNITS PER ASSY
53					
140	3A217-0551		.BEARING- SUPPLIER CODE: VK9075	001027 201967	4
145	3A168-0333		.BOLT- SUPPLIER CODE: VK9075	001027 201967	4
150	SP23C		.WASHER	001027 201967	4
155	H14-3		.NUT- SUPPLIER CODE: V15653	001027 201967	4
160	3A168-0341		.BEARING- SUPPLIER CODE: VK9075	001027 201967	8
165	3A035-0579A		.BAR-OPERATING SUPPLIER CODE: VK9075	001027 201967	2
170	LE046DE5		.SPRING-EXTENSION SUPPLIER CODE: VU2500	001027 201967	1
170	1A527-0015		CONFIG CHG DATA FROM A CMM: REPLD BY 1A527-0015 .SPRING-EXTENSION SUPPLIER CODE: VK9075	001027 201967	1
170	1A527-0043		CONFIG CHG DATA FROM A CMM: REPLD BY 1A527-0043 REPLS LE046DE5 .SPRING-EXTENSION SUPPLIER CODE: VK9075	001027 201967	1
170	1A527-0043		CONFIG CHG DATA FROM A CMM: REPLS 1A527-0015 ATTACHING PARTS .SPRING-EXTENSION SUPPLIER CODE: VK9075	001027 201967	1
175	3A168-0327		.BOLT- SUPPLIER CODE: VK9075	001027 201967	1
180	SP90C3		.PIN	001027 201967	1
185	3A168-0331		.SPACER- SUPPLIER CODE: VK9075	001027 201967	1
190	SP126D		.WASHER-	001027 201967	1
195	SP126E		.WASHER-	001027 201967	1

MISSING ITEM NUMBERS NOT APPLICABLE

— ITEM NOT ILLUSTRATED

HAP

25-11-01-53

BOEING PROPRIETARY - Copyright © - Unpublished Work - See title page for details.

25-11-01
FIG. 53
PAGE 3
OCT 15/08

BOEING
737-600/700/800/900
PARTS CATALOG (MAINTENANCE)

FIG ITEM	PART NUMBER	1 2 3 4 5 6 7	NOMENCLATURE	EFFECT FROM TO	UNITS PER ASSY
53					
200	H14-4		.NUT- SUPPLIER CODE: V15653 -----*-----	001027 201967	1
205	3A168-0327		.BOLT- SUPPLIER CODE: VK9075	001027 201967	2
210	SP126E		.WASHER-	001027 201967	2
215	H14-4		.NUT- SUPPLIER CODE: V15653	001027 201967	2
220	NAS603-11		.SCREW	001027 201967	1
225	SP126D		.WASHER-	001027 201967	2
230	H14-3		.NUT- SUPPLIER CODE: V15653	001027 201967	1
235	3A168-0325		.BEARING- SUPPLIER CODE: VK9075	001027 201967	1
240	3A168-0317		.BELLCRANK- SUPPLIER CODE: VK9075	001027 201967	1
245	3A165-0827		.PIN-HEIGHTLOCK SUPPLIER CODE: VK9075 ATTACHING PARTS	001027 201967	2
250	SP113C4		.PIN	001027 201967	2
255	SP90C3		.PIN	001027 201967	2
260	SP126D		.WASHER-	001027 201967	2
265	3A168-0319		.LINK- SUPPLIER CODE: VK9075 ATTACHING PARTS	001027 201967	2
270	SP113C3		.PIN	001027 201967	2
275	SP90C3		.PIN	001027 201967	2
280	SP112D		.WASHER -----*-----	001027 201967	2

MISSING ITEM NUMBERS NOT APPLICABLE

— ITEM NOT ILLUSTRATED

HAP

25-11-01-53

25-11-01
FIG. 53
PAGE 4
JUN 15/09

BOEING
737-600/700/800/900
PARTS CATALOG (MAINTENANCE)

FIG ITEM	PART NUMBER	1 2 3 4 5 6 7	NOMENCLATURE	EFFECT FROM TO	UNITS PER ASSY
R R	53 - 285	1A168-0315	.HOUSING-HEIGHTLOCK SUPPLIER CODE: VK9075 USED ON: OA226-0018A	001027 201967	1
	290	1A168-0316	.HOUSING-HEIGHTLOCK SUPPLIER CODE: VK9075 USED ON: OA226-0017A	001027 201967	1
	295	NAS603-4	.SCREW	001027 201967	4
	300	SP126D	.WASHER-	001027 201967	8
	305	H14-3	.NUT- SUPPLIER CODE: V15653	001027 201967	4
	310	3A168-0323	-----*----- .BUSH- SUPPLIER CODE: VK9075	001027 201967	2
	315	OA226-0015A	.MECHANISM ASSY-BASE AND TRACK SUPPLIER CODE: VK9075 USED ON: OA226-0018A	001027 201967	1
	315	OA226-0016A	FOR DETAILS SEE: 25-11-01-54 .MECHANISM ASSY-BASE AND TRACK SUPPLIER CODE: VK9075 USED ON: OA226-0017A	001027 201967	1
	320	3A168-0329	FOR DETAILS SEE: 25-11-01-54 .BRACKET- SUPPLIER CODE: VK9075	001027 201967	1
	325	NAS1720H4-4A	ATTACHING PARTS .RIVET	001027 201967	2
	330	2A226-0385A	-----*----- .COVER- SUPPLIER CODE: VK9075	001027 201967	1

MISSING ITEM NUMBERS NOT APPLICABLE

- ITEM NOT ILLUSTRATED

HAP

25-11-01-53

25-11-01
FIG. 53
PAGE 5
JUN 15/09


BOEING
 737-600/700/800/900
PARTS CATALOG (MAINTENANCE)

FIG ITEM	PART NUMBER	1 2 3 4 5 6 7	NOMENCLATURE	EFFECT FROM TO	UNITS PER ASSY
53			ATTACHING PARTS		
335	A102-1-2C		.BOLT	001027 201967	4
340	SP126C		.WASHER	001027 201967	8
345	H14L08		.NUT-LOCK SUPPLIER CODE: VK1678 -----*-----	001027 201967	4
MISSING ITEM NUMBERS NOT APPLICABLE					

— ITEM NOT ILLUSTRATED

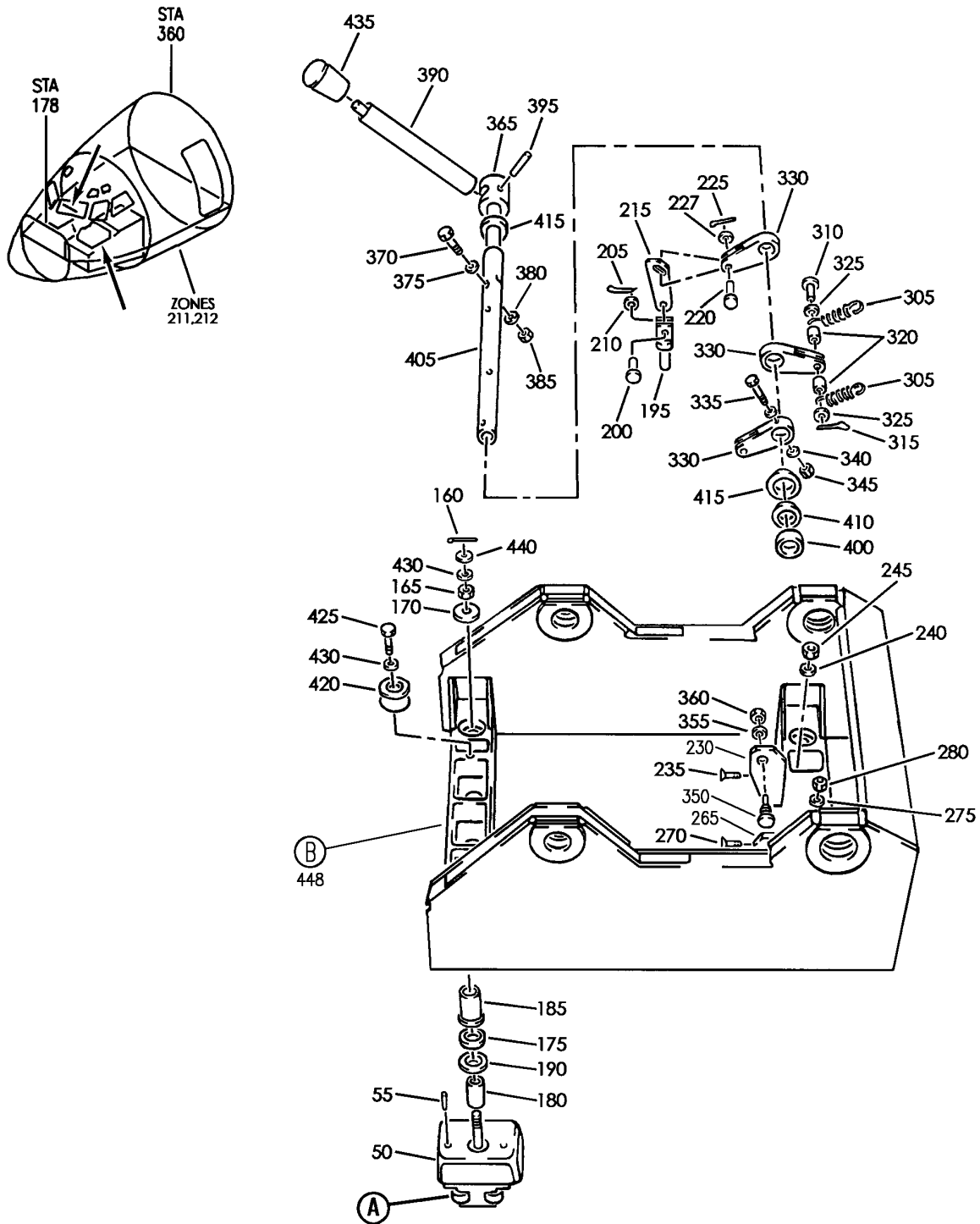
HAP

25-11-01-53

BOEING PROPRIETARY - Copyright © - Unpublished Work - See title page for details.

25-11-01
 FIG. 53
 PAGE 6
 OCT 15/08

BOEING
 737-600/700/800/900
 PARTS CATALOG (MAINTENANCE)



E 25110154 SHT 1 REV 146

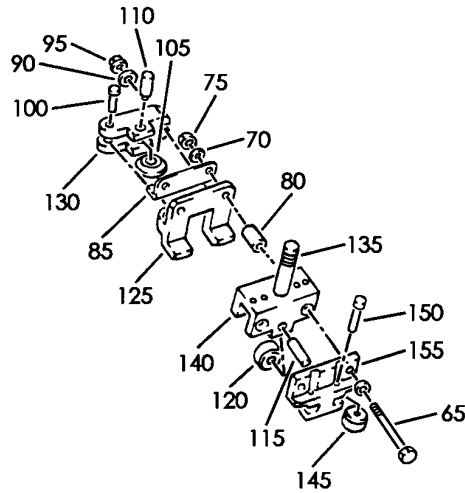
MECHANISM ASSY-BASE AND TRACK, CAPT AND FIRST OFFICERS SEAT
 FIGURE 54 (SHEET 1)

25-11-01-54

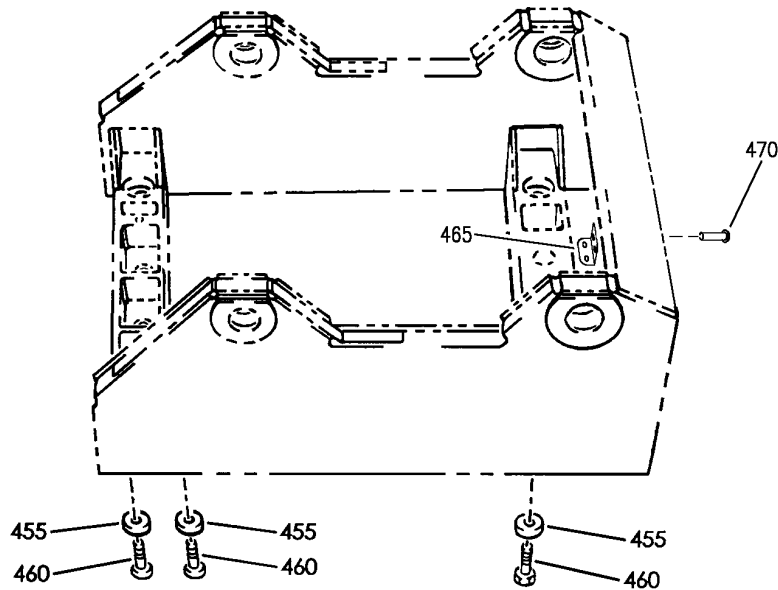
HAP
 OCT 15/08

25-11-01-54
 PAGE 0

BOEING
 737-600/700/800/900
 PARTS CATALOG (MAINTENANCE)



(A)



(B)

E 25110154 SHT 2 REV 146

MECHANISM ASSY-BASE AND TRACK, CAPT AND FIRST OFFICERS SEAT
 FIGURE 54 (SHEET 2)

25-11-01-54

HAP
 OCT 15/08

25-11-01-54
 PAGE 0A

BOEING
737-600/700/800/900
PARTS CATALOG (MAINTENANCE)

FIG ITEM	PART NUMBER	1 2 3 4 5 6 7	NOMENCLATURE	EFFECT FROM TO	UNITS PER ASSY
54			MECHANISM ASSY-BASE AND TRACK, CAPT AND FIRST OFFICERS SEAT	001027 201967	
- 1	0A226-0015A		MECHANISM ASSY-BASE AND TRACK, CAPT SEAT SUPPLIER CODE: VK9075 FOR NHA SEE: 25-11-01-53	001027 201967	RF
- 5	0A226-0016A		MECHANISM ASSY-BASE AND TRACK, FIRST OFFICER SEAT SUPPLIER CODE: VK9075 FOR NHA SEE: 25-11-01-53	001027 201967	RF
50	2A044-0135		. FAIRING-BOGIE SUPPLIER CODE: VK9075	001027 201967	4
55	1A500-0648		. PIN-SPR SUPPLIER CODE: VK9075	001027 201967	6
- 60	2A226-0317		. BOGIE ASSY- SUPPLIER CODE: VK9075	001027 201967	RF
R 65	NAS603-23		.. SCREW	001027 201967	2
R 70	SP126D		.. WASHER-	001027 201967	4
75	H14-3		.. NUT-LOCK SUPPLIER CODE: V15653	001027 201967	2
80	3A044-0157		.. SPACER- SUPPLIER CODE: VK9075	001027 201967	2
85	3A044-0169		.. ANGLE-RETAINING SUPPLIER CODE: VK9075	001027 201967	1
90	SP126D		.. WASHER-	001027 201967	1
95	H14-3		.. NUT- SUPPLIER CODE: V15653	001027 201967	1
100	3A044-0167		.. PIN- SUPPLIER CODE: VK9075	001027 201967	1
105	3A020-0119		.. ROLLER-TAPERED SUPPLIER CODE: VK9075	001027 201967	1

MISSING ITEM NUMBERS NOT APPLICABLE

- ITEM NOT ILLUSTRATED

HAP

25-11-01-54

25-11-01
FIG. 54
PAGE 1
JUN 15/09

BOEING
737-600/700/800/900
PARTS CATALOG (MAINTENANCE)

FIG ITEM	PART NUMBER	1 2 3 4 5 6 7	NOMENCLATURE	EFFECT FROM TO	UNITS PER ASSY
54					
110	3A044-0165	..	SPINDLE- SUPPLIER CODE: VK9075	001027 201967	1
115	3A020-0125	..	SHAFT- SUPPLIER CODE: VK9075	001027 201967	1
120	FG619EE	..	FOLLOWER-CAM SUPPLIER CODE: VK0018 CONFIG CHG DATA FROM A CMM: REPLD BY 3A500-0959	001027 201967	1
120	3A500-0959	..	FOLLOWER-CAM SUPPLIER CODE: VK9075 CONFIG CHG DATA FROM A CMM: REPLS FG619EE	001027 201967	1
125	3A090-0123	..	PLATE ASSY-CLAW SUPPLIER CODE: VK9075	001027 201967	1
130	3A020-0115	..	SUPPORT- SUPPLIER CODE: VK9075	001027 201967	1
135	3A226-0319	..	BOLT- SUPPLIER CODE: VK9075	001027 201967	1
140	2A090-0119	..	BODY-BOGIE SUPPLIER CODE: VK9075	001027 201967	1
145	3A090-0115	..	ROLLER- SUPPLIER CODE: VK9075 ATTACHING PARTS	001027 201967	2
150	3A020-0131	..	PIN-PIVOT SUPPLIER CODE: VK9075 -----*-----	001027 201967	2
155	2A020-0129	..	BRACKET-ROLLER SUPPLIER CODE: VK9075	001027 201967	1
160	SP90D7	.	PIN	001027 201967	4
165	H14-4	.	NUT-LOCK SUPPLIER CODE: V15653	001027 201967	4
170	3A090-0131	.	WASHER- SUPPLIER CODE: VK9075	001027 201967	4

MISSING ITEM NUMBERS NOT APPLICABLE

— ITEM NOT ILLUSTRATED

HAP

25-11-01-54

25-11-01
FIG. 54
PAGE 2
OCT 15/08

BOEING
737-600/700/800/900
PARTS CATALOG (MAINTENANCE)

FIG ITEM	PART NUMBER	1 2 3 4 5 6 7	NOMENCLATURE	EFFECT FROM TO	UNITS PER ASSY
54					
175	3A064-0173		.SPACER- SUPPLIER CODE: VK9075	001027 201967	4
180	3A090-0117		.SPACER- SUPPLIER CODE: VK9075	001027 201967	4
185	FCT39-3-4		.BUSH-FLANGED SUPPLIER CODE: VK0029	001027 201967	4
190	3A090-0653		.WASHER- SUPPLIER CODE: VK9075	001027 201967	4
195	3A226-0365		.PIN- SUPPLIER CODE: VK9075 ATTACHING PARTS	001027 201967	2
200	SP4YB7		.PIN	001027 201967	2
205	SP90C3		.PIN	001027 201967	2
210	SP126D		.WASHER-	001027 201967	2
215	3A226-0295		-----*----- .LINK-SLOTTED SUPPLIER CODE: VK9075 SB DATA FROM A CMM: PRE SB-226-25-08	001027 201967	2
215	3A226-0393		.LINK-SLOTTED SUPPLIER CODE: VK9075 SB DATA FROM A CMM: POST SB-226-25-08 ATTACHING PARTS	001027 201967	2
220	SP4YB5		.PIN	001027 201967	2
225	SP90C3		.PIN	001027 201967	2
227	SP126D		.WASHER-	001027 201967	2
230	3A226-0293		-----*----- .BRACKET ASSY- TRACKLOCK SUPPLIER CODE: VK9075 POSITION DATA: INBD USED ON: 0A226-0015A	001027 201967	1

MISSING ITEM NUMBERS NOT APPLICABLE

— ITEM NOT ILLUSTRATED

HAP

25-11-01-54

BOEING PROPRIETARY - Copyright © - Unpublished Work - See title page for details.

25-11-01
FIG. 54
PAGE 3
OCT 15/08

BOEING
737-600/700/800/900
PARTS CATALOG (MAINTENANCE)

FIG ITEM	PART NUMBER	1 2 3 4 5 6 7	NOMENCLATURE	EFFECT FROM TO	UNITS PER ASSY
54 230	3A226-0294		.BRACKET ASSY- TRACKLOCK SUPPLIER CODE: VK9075 POSITION DATA: INBD USED ON: 0A226-0016A ATTACHING PARTS	001027 201967	1
235	NAS517-3-3		.SCREW	001027 201967	5
240	SP126D		.WASHER-	001027 201967	5
245	H14-3		.NUT- SUPPLIER CODE: V15653	001027 201967	5
			-----*-----		
265	3A226-0291		.BRACKET ASSY- TRACKLOCK SUPPLIER CODE: VK9075 POSITION DATA: OUTBD USED ON: 0A226-0015A	001027 201967	1
265	3A226-0292		.BRACKET ASSY- TRACKLOCK SUPPLIER CODE: VK9075 POSITION DATA: OUTBD USED ON: 0A226-0016A ATTACHING PARTS	001027 201967	1
270	NAS517-3-3		.SCREW	001027 201967	5
275	SP126D		.WASHER-	001027 201967	5
280	H14-3		.NUT- SUPPLIER CODE: V15653	001027 201967	5
			-----*-----		
305	ENTEX547		.SPRING-EXTENSION SUPPLIER CODE: VK6217 CONFIG CHG DATA FROM A CMM: SUPSD BY 3A500-0925	001027 201967	2

MISSING ITEM NUMBERS NOT APPLICABLE

— ITEM NOT ILLUSTRATED

HAP

25-11-01-54

BOEING PROPRIETARY - Copyright © - Unpublished Work - See title page for details.

25-11-01
FIG. 54
PAGE 4
OCT 15/08

BOEING
737-600/700/800/900
PARTS CATALOG (MAINTENANCE)

FIG ITEM	PART NUMBER	1 2 3 4 5 6 7	NOMENCLATURE	EFFECT FROM TO	UNITS PER ASSY
54					
305	3A500-0931		.SPRING-EXTENSION SUPPLIER CODE: VK9075 CONFIG CHG DATA FROM A CMM: SUPERSEDES 3A500-0925 ATTACHING PARTS	001027 201967	2
310	SP4YB15		.PIN- CONFIG CHG DATA FROM A CMM: SUPSD BY SP4YB17	001027 201967	1
310	SP4YB17		.PIN- CONFIG CHG DATA FROM A CMM: SUPERSEDES SP4YB15	001027 201967	1
315	SP90C3		.PIN	001027 201967	1
320	3A053-0179		.SPACER- SUPPLIER CODE: VK9075	001027 201967	2
325	SP126D		.WASHER-	001027 201967	2
			-----*-----		
330	3A058-0297		.LEVER- SUPPLIER CODE: VK9075 SB DATA FROM A CMM: PRE SB-226-25-08	001027 201967	3
- 333	3A058-0297		.LEVER- SUPPLIER CODE: VK9075 SB DATA FROM A CMM: POST SB-226-25-07 ATTACHING PARTS	001027 201967	2
335	A102-7C		.BOLT	001027 201967	3
340	SP126C		.WASHER-	001027 201967	6
345	H14L08		.NUT-LOCK SUPPLIER CODE: V15653	001027 201967	3
350	3A168-0327		.BOLT- SUPPLIER CODE: VK9075	001027 201967	2
355	SP126E		.WASHER-	001027 201967	2
360	H14-4		.NUT-LOCK SUPPLIER CODE: V15653 -----*-----	001027 201967	2

MISSING ITEM NUMBERS NOT APPLICABLE

- ITEM NOT ILLUSTRATED

HAP

25-11-01-54

25-11-01
FIG. 54
PAGE 5
OCT 15/08

BOEING
737-600/700/800/900
PARTS CATALOG (MAINTENANCE)

FIG ITEM	PART NUMBER	1 2 3 4 5 6 7	NOMENCLATURE	EFFECT FROM TO	UNITS PER ASSY
54					
365	3A226-0287		.PIVOT-TRACKLOCK HANDLE SUPPLIER CODE: VK9075 ATTACHING PARTS	001027 201967	1
370	A102-5C		.BOLT	001027 201967	2
375	SP122C		.WASHER-	001027 201967	2
380	SP126C		.WASHER-	001027 201967	2
385	H14L08		.NUT-LOCK SUPPLIER CODE: V15653 -----*-----	001027 201967	2
390	3A090-0155		.HANDLE- SUPPLIER CODE: VK9075 ATTACHING PARTS	001027 201967	1
395	1A500-0670		.PIN-SPR SUPPLIER CODE: VK9075 -----*-----	001027 201967	1
400	3A001-0903		.COLLAR- SUPPLIER CODE: VK9075	001027 201967	1
405	1A226-0285		.TUBE- SUPPLIER CODE: VK9075 USED ON: OA226-0015A	001027 201967	1
405	1A226-0286		.TUBE- SUPPLIER CODE: VK9075 USED ON: OA226-0016A	001027 201967	1
410	3A059-0157		.BEARING- SUPPLIER CODE: VK9075	001027 201967	2
415	3A090-0177		.HOUSING- BEARING SUPPLIER CODE: VK9075	001027 201967	2
420	3A226-0361		.ROLLER-BUNGEE SUPPLIER CODE: VK9075 ATTACHING PARTS	001027 201967	2
425	NAS603-16		.SCREW-	001027 201967	2

R
R

MISSING ITEM NUMBERS NOT APPLICABLE

- ITEM NOT ILLUSTRATED

HAP

25-11-01-54

25-11-01
FIG. 54
PAGE 6
JUN 15/09

BOEING
737-600/700/800/900
PARTS CATALOG (MAINTENANCE)

FIG ITEM	PART NUMBER	1 2 3 4 5 6 7	NOMENCLATURE	EFFECT FROM TO	UNITS PER ASSY
54					
430	SP126D		.WASHER-	001027 201967	2
			-----*-----		
435	3A059-0211		.KNOB- SUPPLIER CODE: VK9075	001027 201967	1
440	SP122E		.WASHER-	001027 201967	4
445	SP126E		.WASHER-	001027 201967	4
448	OA226-0013A		.STRUCTURE ASSY-BASE SUPPLIER CODE: VK9075 USED ON: OA226-0015A	001027 201967	1
- 450	OA226-0014A		.STRUCTURE ASSY-BASE SUPPLIER CODE: VK9075 USED ON: OA226-0016A	001027 201967	1
455	3A094-0159		..STOP- SUPPLIER CODE: VK9075 ATTACHING PARTS	001027 201967	3
460	A113-1-2D		..BOLT	001027 201967	3
			-----*-----		
465	3A226-0383		..BRACKET-SPR SUPPLIER CODE: VK9075 ATTACHING PARTS	001027 201967	1
470	NAS1720H5-1A		..RIVET	001027 201967	2
			-----*-----		
- 475	3A226-0395		.LEVER- SUPPLIER CODE: VK9075 SB DATA FROM A CMM: POST SB-226-25-08 ATTACHING PARTS	001027 201967	1
- 480	SP4YB21		.PIN- SB DATA FROM A CMM: POST SB-226-25-08	001027 201967	1
- 485	SP90C3		.PIN- SB DATA FROM A CMM: POST SB-226-25-08	001027 201967	1

MISSING ITEM NUMBERS NOT APPLICABLE

- ITEM NOT ILLUSTRATED

HAP

25-11-01-54

BOEING PROPRIETARY - Copyright © - Unpublished Work - See title page for details.

25-11-01
FIG. 54
PAGE 7
OCT 15/08

BOEING
737-600/700/800/900
PARTS CATALOG (MAINTENANCE)

FIG ITEM	PART NUMBER	1 2 3 4 5 6 7 NOMENCLATURE	EFFECT FROM TO	UNITS PER ASSY
54 - 490	SP126D	.WASHER- SB DATA FROM A CMM: POST SB-226-25-08 -----*-----	001027 201967	2

MISSING ITEM NUMBERS NOT APPLICABLE

- ITEM NOT ILLUSTRATED

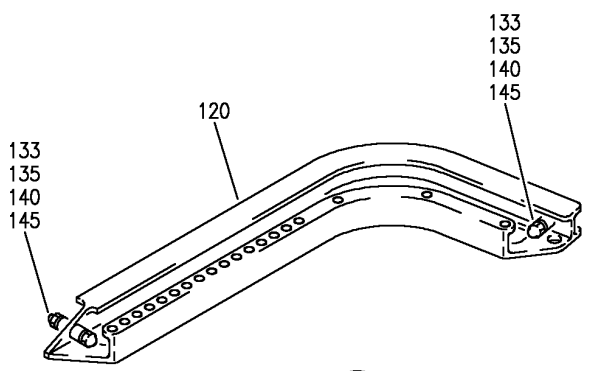
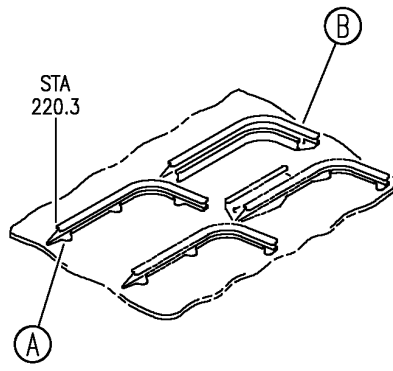
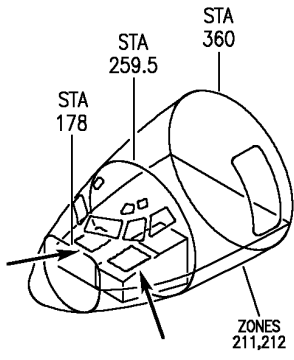
HAP

25-11-01-54

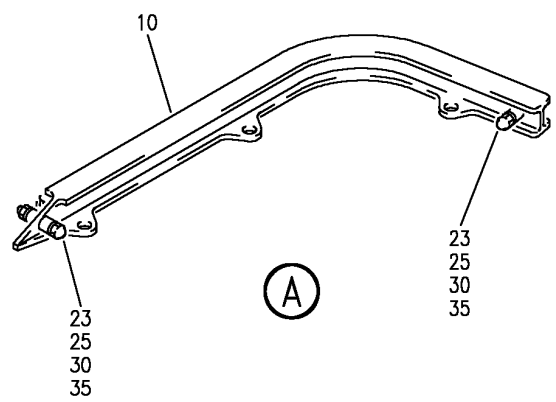
BOEING PROPRIETARY - Copyright © - Unpublished Work - See title page for details.

25-11-01
FIG. 54
PAGE 8
OCT 15/08

BOEING
 737-600/700/800/900
 PARTS CATALOG (MAINTENANCE)



(B)



(A)

E 25110155 REV 155

TRACK ASSY-CAPT AND FIRST OFFICER SEAT
 FIGURE 55 (SHEET 1)

25-11-01-55

HAP
 JUN 15/09

25-11-01-55
 PAGE 0

BOEING
737-600/700/800/900
PARTS CATALOG (MAINTENANCE)

FIG ITEM	PART NUMBER	1 2 3 4 5 6 7	NOMENCLATURE	EFFECT FROM TO	UNITS PER ASSY
55			TRACK ASSY-CAPT AND FIRST OFFICER SEAT	031200 968999	
- 1	1A226-0203		TRACK ASSY-CAPT SEAT SUPPLIER CODE: VK9075 POSITION DATA: INBD FWD SPECIFICATION NUMBER: S232A311-5 COMPONENT MAINT MANUAL REF: 53-01-02 FOR NHA SEE: 25-11-51-09	031200 968999	RF
- 5	1A226-0204		TRACK ASSY-FIRST OFFICER SEAT SUPPLIER CODE: VK9075 POSITION DATA: INBD FWD SPECIFICATION NUMBER: S232A311-6 COMPONENT MAINT MANUAL REF: 53-01-02 FOR NHA SEE: 25-11-51-09	031200 968999	RF
10	1A226-0217		.TRACK- SUPPLIER CODE: VK9075 USED ON: 1A226-0203	031200 968999	1
R R R R R R R R R R	- 15	1A226-0218	.TRACK- SUPPLIER CODE: VK9075 USED ON: 1A226-0204	031200 968999	1
- 20	3A044-0231		.BLOCK-STOP, FLOOR RAIL SUPPLIER CODE: VK9075	031200 968999	2
23	3A296-0303		.BLOCK-STOP, FLOOR RAIL SUPPLIER CODE: VK9075	031200 968999	2
25	NAS603-17		.SCREW	031200 968999	2
30	SP122D		.WASHER-	031200 968999	4
35	MS51865-6		.NUT	031200 968999	2

MISSING ITEM NUMBERS NOT APPLICABLE

- ITEM NOT ILLUSTRATED

HAP

25-11-01-55

BOEING PROPRIETARY - Copyright © - Unpublished Work - See title page for details.

25-11-01
FIG. 55
PAGE 1
JUN 15/09

BOEING
737-600/700/800/900
PARTS CATALOG (MAINTENANCE)

FIG ITEM	PART NUMBER	1 2 3 4 5 6 7	NOMENCLATURE	EFFECT FROM TO	UNITS PER ASSY
55 - 100	1A226-0207		TRACK ASSY-CAPT SEAT SUPPLIER CODE: VK9075 POSITION DATA: INBD AFT SPECIFICATION NUMBER: S232A311-9 COMPONENT MAINT MANUAL REF: 53-01-02 FOR NHA SEE: 25-11-51-09	031200 968999	RF
- 100	1A226-0387		TRACK ASSY-CAPT SEAT SUPPLIER CODE: VK9075 POSITION DATA: INBD AFT SPECIFICATION NUMBER: S232A311-19 COMPONENT MAINT MANUAL REF: 53-01-02 FOR NHA SEE: 25-11-51-09	031200 968999	RF
- 105	1A226-0208		TRACK ASSY-FIRST OFFICER SUPPLIER CODE: VK9075 POSITION DATA: INBD AFT SPECIFICATION NUMBER: S232A311-10 COMPONENT MAINT MANUAL REF: 53-01-02 FOR NHA SEE: 25-11-51-09	031200 968999	RF
- 105	1A226-0388		TRACK ASSY-FIRST OFFICER SUPPLIER CODE: VK9075 POSITION DATA: INBD AFT SPECIFICATION NUMBER: S232A311-20 COMPONENT MAINT MANUAL REF: 53-01-02 FOR NHA SEE: 25-11-51-09	031200 968999	RF
120	1A226-0219		.TRACK- SUPPLIER CODE: VK9075 USED ON: 1A226-0207	031200 968999	1

MISSING ITEM NUMBERS NOT APPLICABLE

- ITEM NOT ILLUSTRATED

HAP

25-11-01-55

BOEING PROPRIETARY - Copyright © - Unpublished Work - See title page for details.

25-11-01
FIG. 55
PAGE 2
OCT 15/08

BOEING
737-600/700/800/900
PARTS CATALOG (MAINTENANCE)

FIG ITEM	PART NUMBER	1 2 3 4 5 6 7	NOMENCLATURE	EFFECT FROM TO	UNITS PER ASSY
55					
120	1A226-0389		.TRACK- SUPPLIER CODE: VK9075 USED ON: 1A226-0387	031200 968999	1
R	- 125	1A226-0220	.TRACK- SUPPLIER CODE: VK9075 USED ON: 1A226-0208	031200 968999	1
R					
R					
R					
R	- 125	1A226-0390	.TRACK- SUPPLIER CODE: VK9075 USED ON: 1A226-0388	031200 968999	1
R					
R					
R	- 130	3A044-0231	.BLOCK-STOP, FLOOR RAIL SUPPLIER CODE: VK9075	031200 968999	2
R					
R	133	3A296-0303	.BLOCK-STOP, FLOOR RAIL SUPPLIER CODE: VK9075	031200 968999	2
R					
R	135	NAS603-17	.SCREW	031200 968999	2
R					
R	140	SP122D	.WASHER-	031200 968999	4
R					
R	145	MS51865-6	.NUT	031200 968999	2

MISSING ITEM NUMBERS NOT APPLICABLE

- ITEM NOT ILLUSTRATED

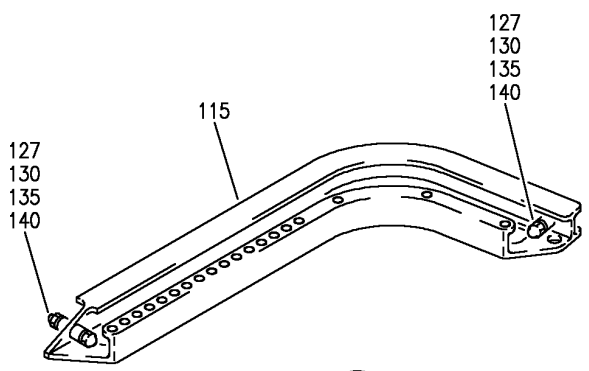
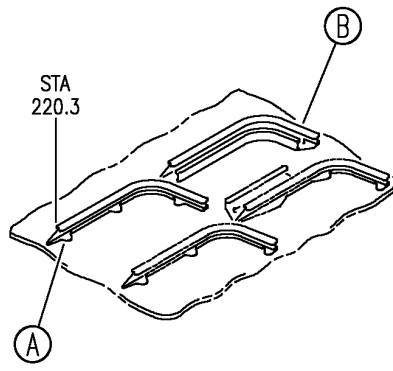
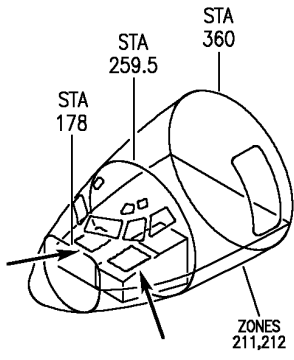
HAP

25-11-01-55

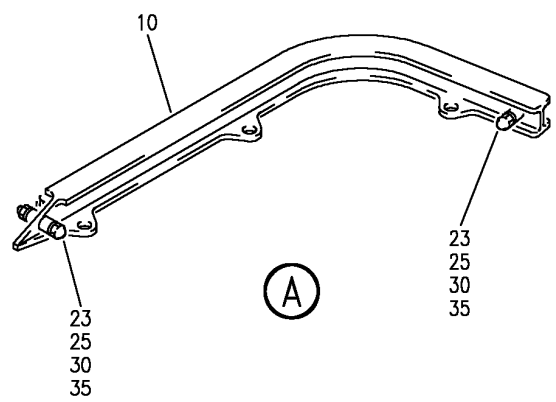
BOEING PROPRIETARY - Copyright © - Unpublished Work - See title page for details.

25-11-01
FIG. 55
PAGE 3
JUN 15/09

BOEING
 737-600/700/800/900
 PARTS CATALOG (MAINTENANCE)



(B)



(A)

E 25110155A REV 155

TRACK ASSY-CAPT AND FIRST OFFICER SEAT
 FIGURE 55A

25-11-01-55A

HAP
 JUN 15/09

25-11-01-55A
 PAGE 0

BOEING
737-600/700/800/900
PARTS CATALOG (MAINTENANCE)

FIG ITEM	PART NUMBER	1 2 3 4 5 6 7	NOMENCLATURE	EFFECT FROM TO	UNITS PER ASSY
55A			TRACK ASSY-CAPT AND FIRST OFFICER SEAT	001030 201967	
- 1	1A226-0203		TRACK ASSY-CAPT SEAT SUPPLIER CODE: VK9075 POSITION DATA: INBD FWD SPECIFICATION NUMBER: S232A311-5 COMPONENT MAINT MANUAL REF: 53-01-02 FOR NHA SEE: 25-11-51-09A	001030 201967	RF
- 5	1A226-0204		TRACK ASSY-FIRST OFFICER SEAT SUPPLIER CODE: VK9075 POSITION DATA: INBD FWD SPECIFICATION NUMBER: S232A311-6 COMPONENT MAINT MANUAL REF: 53-01-02 FOR NHA SEE: 25-11-51-09A	001030 201967	RF
10	1A226-0217		.TRACK- SUPPLIER CODE: VK9075 USED ON: 1A226-0203	001030 201967	1
R R R R R R R R R R R R	- 15	1A226-0218	.TRACK- SUPPLIER CODE: VK9075 USED ON: 1A226-0204	001030 201967	1
- 20	3A044-0231		.BLOCK-STOP, FLOOR RAIL SUPPLIER CODE: VK9075	001030 201967	2
23	3A296-0303		.BLOCK-STOP, FLOOR RAIL SUPPLIER CODE: VK9075	001030 201967	2
25	NAS603-17		.SCREW	001030 201967	2
30	SP122D		.WASHER	001030 201967	4
35	MS51865-6		.NUT	001030 201967	2

MISSING ITEM NUMBERS NOT APPLICABLE

- ITEM NOT ILLUSTRATED

HAP

25-11-01-55A

BOEING PROPRIETARY - Copyright © - Unpublished Work - See title page for details.

25-11-01
FIG. 55A
PAGE 1
JUN 15/09

BOEING
737-600/700/800/900
PARTS CATALOG (MAINTENANCE)

FIG ITEM	PART NUMBER	1 2 3 4 5 6 7	NOMENCLATURE	EFFECT FROM TO	UNITS PER ASSY
55A - 100	1A226-0207		TRACK ASSY-CAPT SEAT SUPPLIER CODE: VK9075 POSITION DATA: INBD AFT SPECIFICATION NUMBER: S232A311-9 COMPONENT MAINT MANUAL REF: 53-01-02 FOR NHA SEE: 25-11-51-09A	001027 201967	RF
- 100	1A226-0387		TRACK ASSY-CAPT SEAT SUPPLIER CODE: VK9075 POSITION DATA: INBD AFT SPECIFICATION NUMBER: S232A311-19 COMPONENT MAINT MANUAL REF: 53-01-02 FOR NHA SEE: 25-11-51-09A	001030 201967	RF
- 105	1A226-0208		TRACK ASSY-FIRST OFFICER SUPPLIER CODE: VK9075 POSITION DATA: INBD AFT SPECIFICATION NUMBER: S232A311-10 COMPONENT MAINT MANUAL REF: 53-01-02 FOR NHA SEE: 25-11-51-09A	001027 201967	RF
- 105	1A226-0388		TRACK ASSY-FIRST OFFICER SUPPLIER CODE: VK9075 POSITION DATA: INBD AFT SPECIFICATION NUMBER: S232A311-20 COMPONENT MAINT MANUAL REF: 53-01-02 FOR NHA SEE: 25-11-51-09A	001030 201967	RF
115	1A226-0219		.TRACK- SUPPLIER CODE: VK9075 USED ON: 1A226-0207	001027 201967	1

MISSING ITEM NUMBERS NOT APPLICABLE

- ITEM NOT ILLUSTRATED

HAP

25-11-01-55A

BOEING PROPRIETARY - Copyright © - Unpublished Work - See title page for details.

25-11-01
FIG. 55A
PAGE 2
FEB 15/09

BOEING
737-600/700/800/900
PARTS CATALOG (MAINTENANCE)

FIG ITEM	PART NUMBER	1 2 3 4 5 6 7	NOMENCLATURE	EFFECT FROM TO	UNITS PER ASSY
55A 115	1A226-0389		.TRACK- SUPPLIER CODE: VK9075 USED ON: 1A226-0387	001030 201967	1
R - 120	1A226-0220		.TRACK- SUPPLIER CODE: VK9075 USED ON: 1A226-0208	001027 201967	1
R - 120	1A226-0390		.TRACK- SUPPLIER CODE: VK9075 USED ON: 1A226-0388	001030 201967	1
R - 125	3A044-0231		.BLOCK-STOP, FLOOR RAIL SUPPLIER CODE: VK9075	001027 201967	2
R 127	3A296-0303		.BLOCK-STOP, FLOOR RAIL SUPPLIER CODE: VK9075	001030 201967	2
R 130	NAS603-17		.SCREW	001030 201967	2
R 135	SP122D		.WASHER	001030 201967	4
R 140	MS51865-6		.NUT	001030 201967	2

MISSING ITEM NUMBERS NOT APPLICABLE

- ITEM NOT ILLUSTRATED

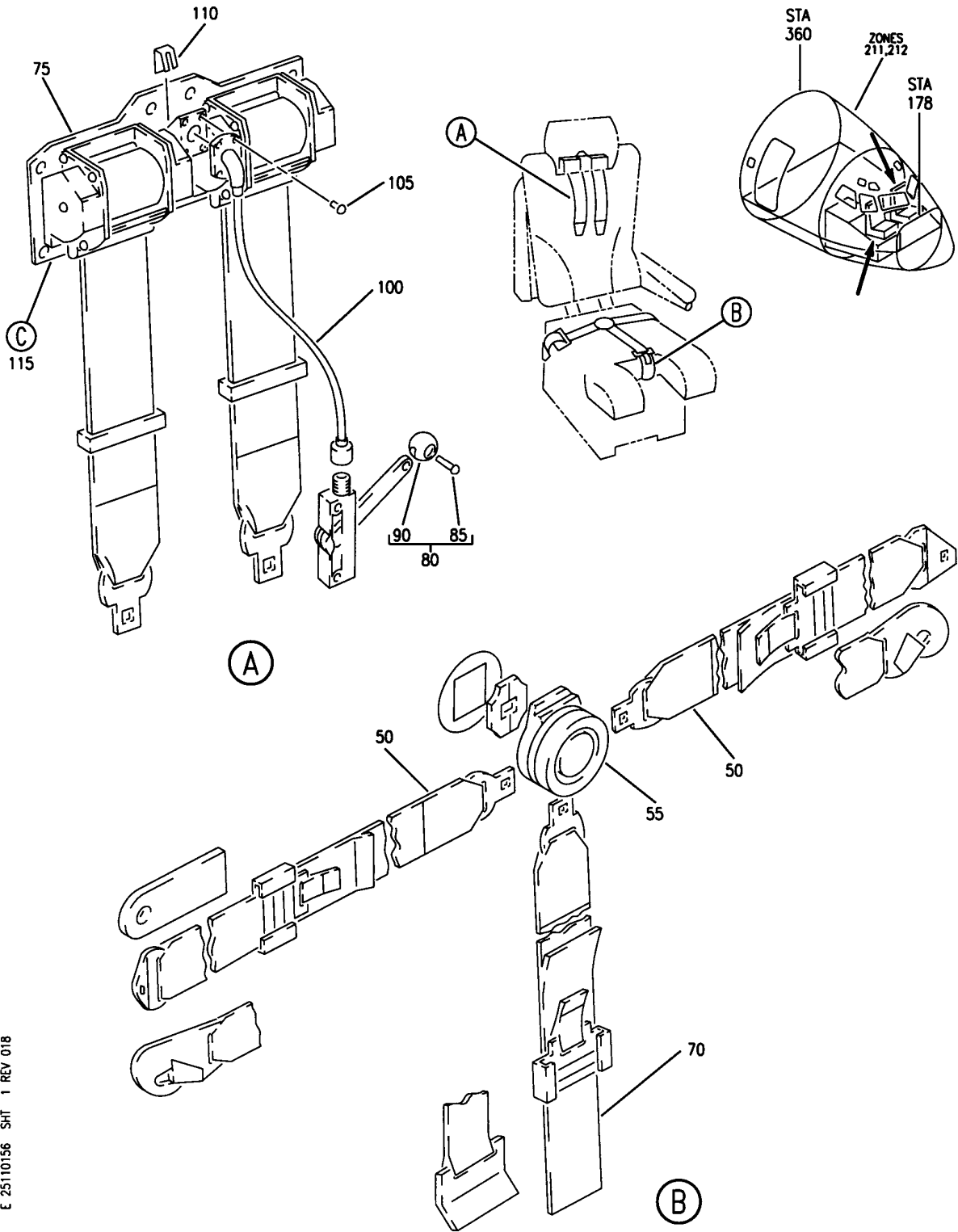
HAP

25-11-01-55A

BOEING PROPRIETARY - Copyright © - Unpublished Work - See title page for details.

25-11-01
FIG. 55A
PAGE 3
JUN 15/09

BOEING
 737-600/700/800/900
 PARTS CATALOG (MAINTENANCE)



E 25110156 SHT 1 REV 01B

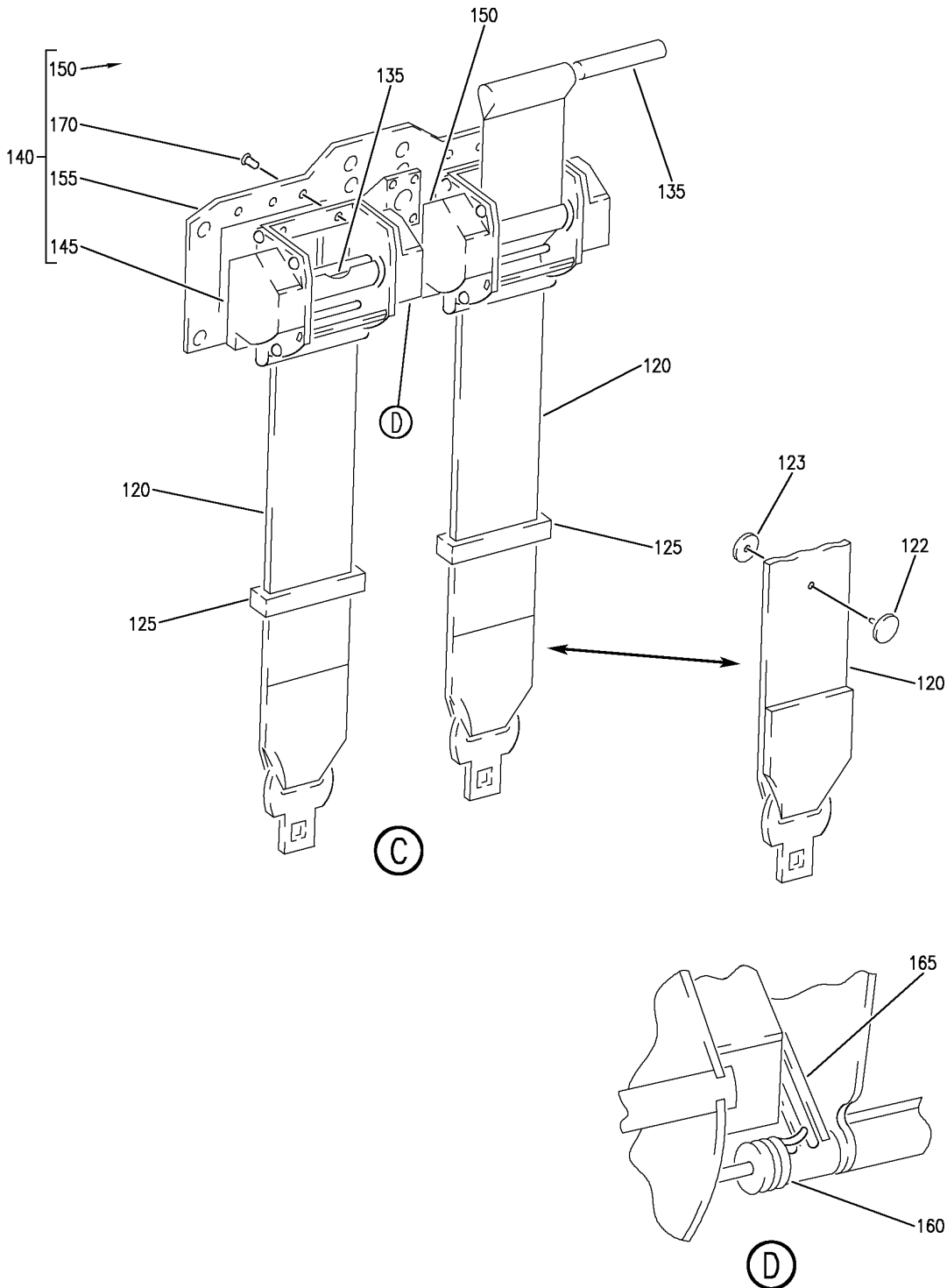
RESTRAINT ASSY-CAPT AND FIRST OFFICERS SEATS
 FIGURE 56 (SHEET 1)

25-11-01-56

HAP
 OCT 10/06

25-11-01-56
 PAGE 0

BOEING
 737-600/700/800/900
 PARTS CATALOG (MAINTENANCE)



E 25110156 SH1 2 REV 070

RESTRAINT ASSY-CAPT AND FIRST OFFICERS SEATS
 FIGURE 56 (SHEET 2)

25-11-01-56

HAP
 OCT 10/06

25-11-01-56
 PAGE 0A

BOEING
737-600/700/800/900
PARTS CATALOG (MAINTENANCE)

FIG ITEM	PART NUMBER	1 2 3 4 5 6 7	NOMENCLATURE	EFFECT FROM TO	UNITS PER ASSY
56			RESTRAINT ASSY-CAPT AND FIRST OFFICERS SEATS	001027 201967	
- 1	1180003-424-100		RESTRAINT ASSY-CAPT SEAT SUPPLIER CODE: VU9460 COMPONENT MAINT MANUAL REF: 25-12-02 FOR NHA SEE: 25-11-01-50A	001027 201967	RF
- 5	1180003-425-100		RESTRAINT ASSY-FIRST OFFICERS SEAT SUPPLIER CODE: VU9460 COMPONENT MAINT MANUAL REF: 25-12-02 FOR NHA SEE: 25-11-01-50A	001027 201967	RF
50	1150011-601-010		.BELT ASSY- SUPPLIER CODE: VU9460	001027 201967	2
55	1150004-607-000		.BUCKLE ASSY- SUPPLIER CODE: VU9460 USED ON: 1180003-424-100	001027 201967	1
60	1150004-608-000		.BUCKLE ASSY- SUPPLIER CODE: VU9460 USED ON: 1180003-425-100	001027 201967	1
70	1150002-604-010		.STRAP- SUPPLIER CODE: VU9460	001027 201967	1
80	2150007-601-000		.HANDLE ASSY-MANUAL LOCK SUPPLIER CODE: VU9460	001027 201967	1
85	DIN7991M4X12		..SCREW	001027 201967	1
90	3100055-000-000		..KNOB- SUPPLIER CODE: VU9460	001027 201967	1
100	2150004-623-000		.CABLE- SUPPLIER CODE: VU9460	001027 201967	1
105	DIN965A2-50		.SCREW	001027 201967	4
110	3100042-000-000		.RETAINER- SUPPLIER CODE: VU9460	001027 201967	1

MISSING ITEM NUMBERS NOT APPLICABLE

- ITEM NOT ILLUSTRATED

HAP

25-11-01-56

25-11-01
FIG. 56
PAGE 1
OCT 15/08

BOEING
737-600/700/800/900
PARTS CATALOG (MAINTENANCE)

FIG ITEM	PART NUMBER	1 2 3 4 5 6 7	NOMENCLATURE	EFFECT FROM TO	UNITS PER ASSY
56					
115	1150003-609-001	.	HARNASS ASSY- SUPPLIER CODE: VU9460	001027 201967	1
120	1150005-601-001	..	STRAP- SUPPLIER CODE: VU9460	001027 201967	2
122	6142150600	..	STOP-BOTTOM MALE SUPPLIER CODE: VU9460	001027 201967	1
123	6142160600	..	STOP-BOTTOM FEMALE SUPPLIER CODE: VU9460	001027 201967	1
125	1100011-011-000	..	STOP- SUPPLIER CODE: VU9460	001027 201967	2
135	3100054-000-000	..	RETAINER-SHOULDER STRAP SUPPLIER CODE: VU9460	001027 201967	2
140	1150008-601-000	..	REEL ASSY- SUPPLIER CODE: VU9460	001027 201967	1
145	2150005-601-000	...	REEL- SUPPLIER CODE: VU9460 POSITION DATA: LH SIDE	001027 201967	1
150	2150006-601-000	...	REEL- SUPPLIER CODE: VU9460 POSITION DATA: RH SIDE	001027 201967	1
155	3150006-601-000	...	PLATE-BACK SUPPLIER CODE: VU9460	001027 201967	1
160	3100028-000-000	...	SPRING-SHAFT SUPPLIER CODE: VU9460	001027 201967	1
165	3100046-000-000	...	LEVER-SHAFT SUPPLIER CODE: VU9460	001027 201967	1
170	LN9438A	...	SCREW	001027 201967	12

MISSING ITEM NUMBERS NOT APPLICABLE

— ITEM NOT ILLUSTRATED

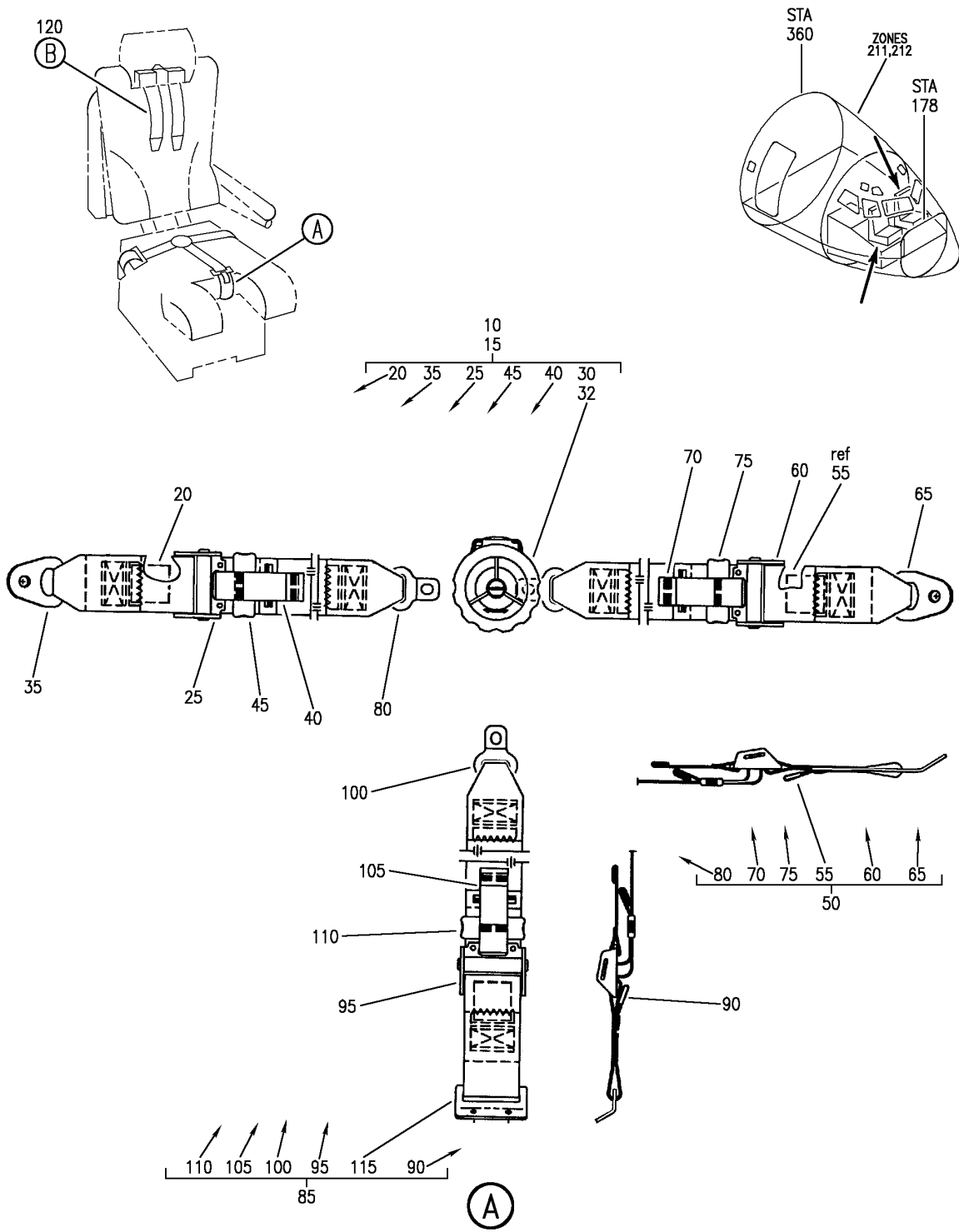
HAP

25-11-01-56

BOEING PROPRIETARY - Copyright © - Unpublished Work - See title page for details.

25-11-01
FIG. 56
PAGE 2
OCT 15/08

BOEING
 737-600/700/800/900
 PARTS CATALOG (MAINTENANCE)



E 25110156A SHT 1 REV 108

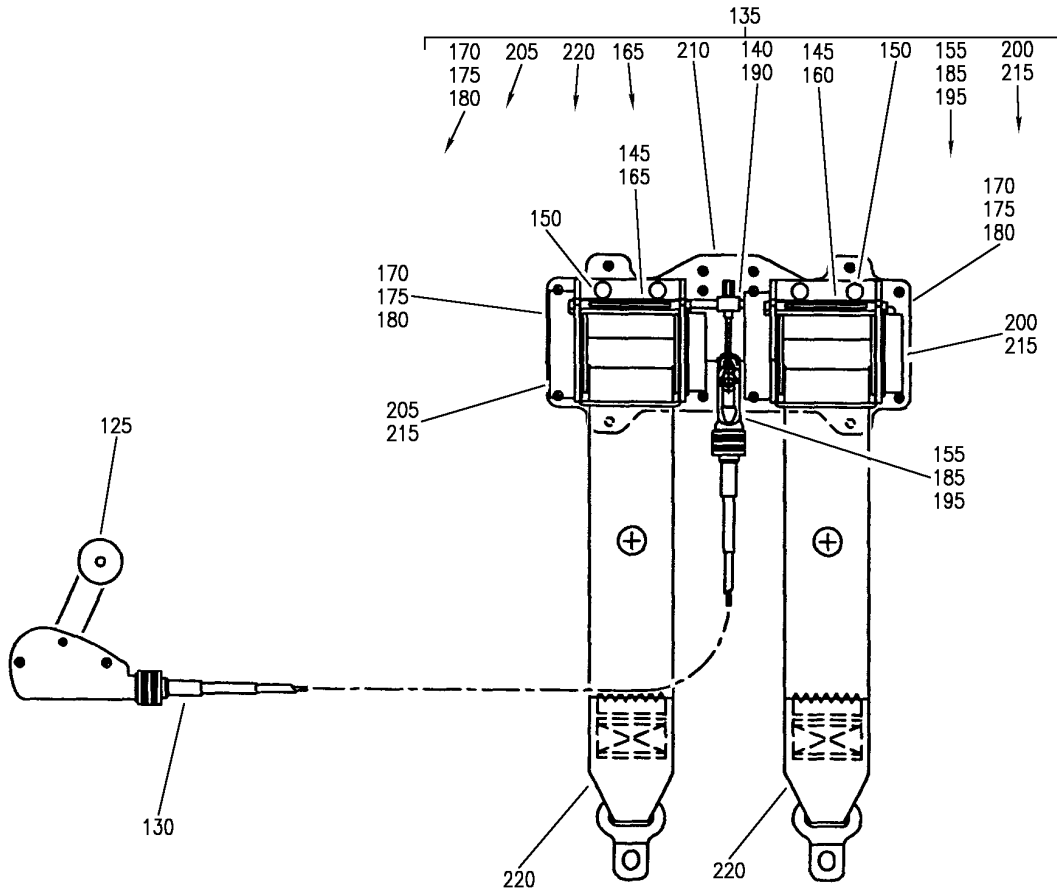
RESTRAINT ASSY-CAPT AND FIRST OFFICER SEAT
 FIGURE 56A (SHEET 1)

25-11-01-56A

HAP
 OCT 10/06

25-11-01-56A
 PAGE 0

BOEING
 737-600/700/800/900
 PARTS CATALOG (MAINTENANCE)



(B)

E 25110156A SHT 2 REV 108

RESTRAINT ASSY-CAPT AND FIRST OFFICER SEAT
 FIGURE 56A (SHEET 2)

25-11-01-56A

HAP
 OCT 10/06

25-11-01-56A
 PAGE 0A

BOEING
737-600/700/800/900
PARTS CATALOG (MAINTENANCE)

FIG ITEM	PART NUMBER	1 2 3 4 5 6 7	NOMENCLATURE	EFFECT FROM TO	UNITS PER ASSY	
R R R R R R R R R R	56A					
	- 1	5000-1-01A2396	RESTRAINT ASSY-CAPT AND FIRST OFFICER SEAT RESTRAINT ASSY-CAPT SEAT SUPPLIER CODE: V35FB9 COMPONENT MAINT MANUAL REF: 25-11-34 USED ON: 3A296-0007-01-1 FOR NHA SEE: 25-11-51-57 25-11-51-57A	028200 968999 028200 968999	RF	
	- 5	5000-1-02A2396	RESTRAINT ASSY-FIRST OFFICER SEAT SUPPLIER CODE: V35FB9 COMPONENT MAINT MANUAL REF: 25-11-34 USED ON: 3A296-0008-01-1 3A296-0008-02-1 FOR NHA SEE: 25-11-51-57 25-11-51-57A	028200 968999	RF	
	10	5000-201-2396	.BUCKLE ASSY-HALF CAPT SUPPLIER CODE: VOFWE1 USED ON: 5000-1-01A2396 5000-1-08A2396	028200 968999	1	
	15	5000-202-2396	.BUCKLE ASSY-HALF FIRST OFFICER SUPPLIER CODE: VOFWE1 USED ON: 5000-1-02A2396 5000-1-09A2396	028200 968999	1	
	20	505150-1	.. LABEL- SUPPLIER CODE: VOFWE1	028200 968999	1	
	25	503050-411	.. ADJUSTER- SUPPLIER CODE: VOFWE1	028200 968999	1	
	30	504928-401	.. BUCKLE-FIX CAPT SUPPLIER CODE: VOFWE1 USED ON: 5000-1-01A2396 5000-1-08A2396	028200 968999	1	
	MISSING ITEM NUMBERS NOT APPLICABLE					

- ITEM NOT ILLUSTRATED

HAP

25-11-01-56A

BOEING PROPRIETARY - Copyright © - Unpublished Work - See title page for details.

25-11-01
FIG. 56A
PAGE 1
JUN 15/09

BOEING
737-600/700/800/900
PARTS CATALOG (MAINTENANCE)

FIG ITEM	PART NUMBER	1 2 3 4 5 6 7	NOMENCLATURE	EFFECT FROM TO	UNITS PER ASSY
56A					
32	504928-402		..BUCKLE-FIX FIRST OFFICER SUPPLIER CODE: VOFWE1 USED ON: 5000-1-02A2396 5000-1-09A2396	028200 968999	1
35	500782-85-149		..FITTING-END SUPPLIER CODE: VOFWE1	028200 968999	1
40	500976-425		..TAB-PULL SUPPLIER CODE: VOFWE1	028200 968999	1
45	503964-1		..SLIDE-WEB SUPPLIER CODE: VOFWE1	028200 968999	1
50	5000-203-2396		.CONNECTOR ASSY-HALF SUPPLIER CODE: VOFWE1	028200 968999	1
55	505150-1		..LABEL- SUPPLIER CODE: VOFWE1	028200 968999	1
60	503050-411		..ADJUSTER- SUPPLIER CODE: VOFWE1	028200 968999	1
65	500782-85-149		..FITTING-END SUPPLIER CODE: VOFWE1	028200 968999	1
70	500976-425		..TAB-PULL SUPPLIER CODE: VOFWE1	028200 968999	1
75	503964-1		..SLIDE-WEB SUPPLIER CODE: VOFWE1	028200 968999	1
80	502199-9		..CONNECTOR- SUPPLIER CODE: VOFWE1	028200 968999	1
85	5000-205-2396		.STRAP ASSY-CROTCH SUPPLIER CODE: VOFWE1	028200 968999	1
90	505150-1		..LABEL- SUPPLIER CODE: VOFWE1	028200 968999	1
95	503050-411		..ADJUSTER- SUPPLIER CODE: VOFWE1	028200 968999	1
100	502199-9		..CONNECTOR- SUPPLIER CODE: VOFWE1	028200 968999	1

MISSING ITEM NUMBERS NOT APPLICABLE

— ITEM NOT ILLUSTRATED

HAP

25-11-01-56A

BOEING PROPRIETARY - Copyright © - Unpublished Work - See title page for details.

25-11-01
FIG. 56A
PAGE 2
OCT 15/08

BOEING
737-600/700/800/900
PARTS CATALOG (MAINTENANCE)

FIG ITEM	PART NUMBER	1 2 3 4 5 6 7	NOMENCLATURE	EFFECT FROM TO	UNITS PER ASSY
56A 105	500976-425	..	TAB-PULL SUPPLIER CODE: VOFWE1	028200 968999	1
110	503964-1	..	SLIDE- SUPPLIER CODE: VOFWE1	028200 968999	1
115	501842-11	..	FITTING-END SUPPLIER CODE: VOFWE1	028200 968999	1
120	5000-207-2396	.H	HARNASS ASSY-SHOULDER SUPPLIER CODE: VOFWE1	028200 968999	1
125	501947-401	..	HANDLE- SUPPLIER CODE: VOFWE1	028200 968999	1
130	502527-403	..	CABLE- SUPPLIER CODE: VOFWE1	028200 968999	1
135	5000-253-2396	..	HARNASS SUB ASSY- SUPPLIER CODE: VOFWE1	028200 968999	1
140	502537	...	ARM- SUPPLIER CODE: VOFWE1	028200 968999	1
145	502009	...	RING-E SUPPLIER CODE: VOFWE1	028200 968999	2
150	502335-1	...	RIVET- SUPPLIER CODE: VOFWE1	028200 968999	8
155	502539-1	...	BRACKET- SUPPLIER CODE: VOFWE1	028200 968999	1
160	502529	...	ROD- SUPPLIER CODE: VOFWE1 POSITION DATA: LH	028200 968999	1
165	502528	...	ROD- SUPPLIER CODE: VOFWE1 POSITION DATA: RH	028200 968999	1
170	502273	...	PIN-ROLL SUPPLIER CODE: VOFWE1	028200 968999	2
175	502253	...	PAWL- SUPPLIER CODE: VOFWE1	028200 968999	2

MISSING ITEM NUMBERS NOT APPLICABLE

— ITEM NOT ILLUSTRATED

HAP

25-11-01-56A

BOEING PROPRIETARY - Copyright © - Unpublished Work - See title page for details.

25-11-01
FIG. 56A
PAGE 3
OCT 15/08

BOEING
737-600/700/800/900
PARTS CATALOG (MAINTENANCE)

FIG ITEM	PART NUMBER	1 2 3 4 5 6 7	NOMENCLATURE	EFFECT FROM TO	UNITS PER ASSY
56A 180	502252	...	SPRING- SUPPLIER CODE: VOFWE1	028200 968999	2
185	502547	...	SCREW- SUPPLIER CODE: VOFWE1	028200 968999	2
190	502085-1	...	PIN-COTTER SUPPLIER CODE: VOFWE1	028200 968999	1
195	502593	...	SPACER-BRKT SUPPLIER CODE: VOFWE1	028200 968999	2
200	504945-401	...	REEL-INERTIA SUPPLIER CODE: VOFWE1	028200 968999	1
205	504945-403	...	REEL-INERTIA SUPPLIER CODE: VOFWE1	028200 968999	1
210	506019-1	...	PLATE-MTG SUPPLIER CODE: VOFWE1	028200 968999	1
215	476211-7	...	PIN- SUPPLIER CODE: VOFWE1	028200 968999	2
220	5000-229-2396	...	STRAP- SUPPLIER CODE: VOFWE1	028200 968999	2

MISSING ITEM NUMBERS NOT APPLICABLE

— ITEM NOT ILLUSTRATED

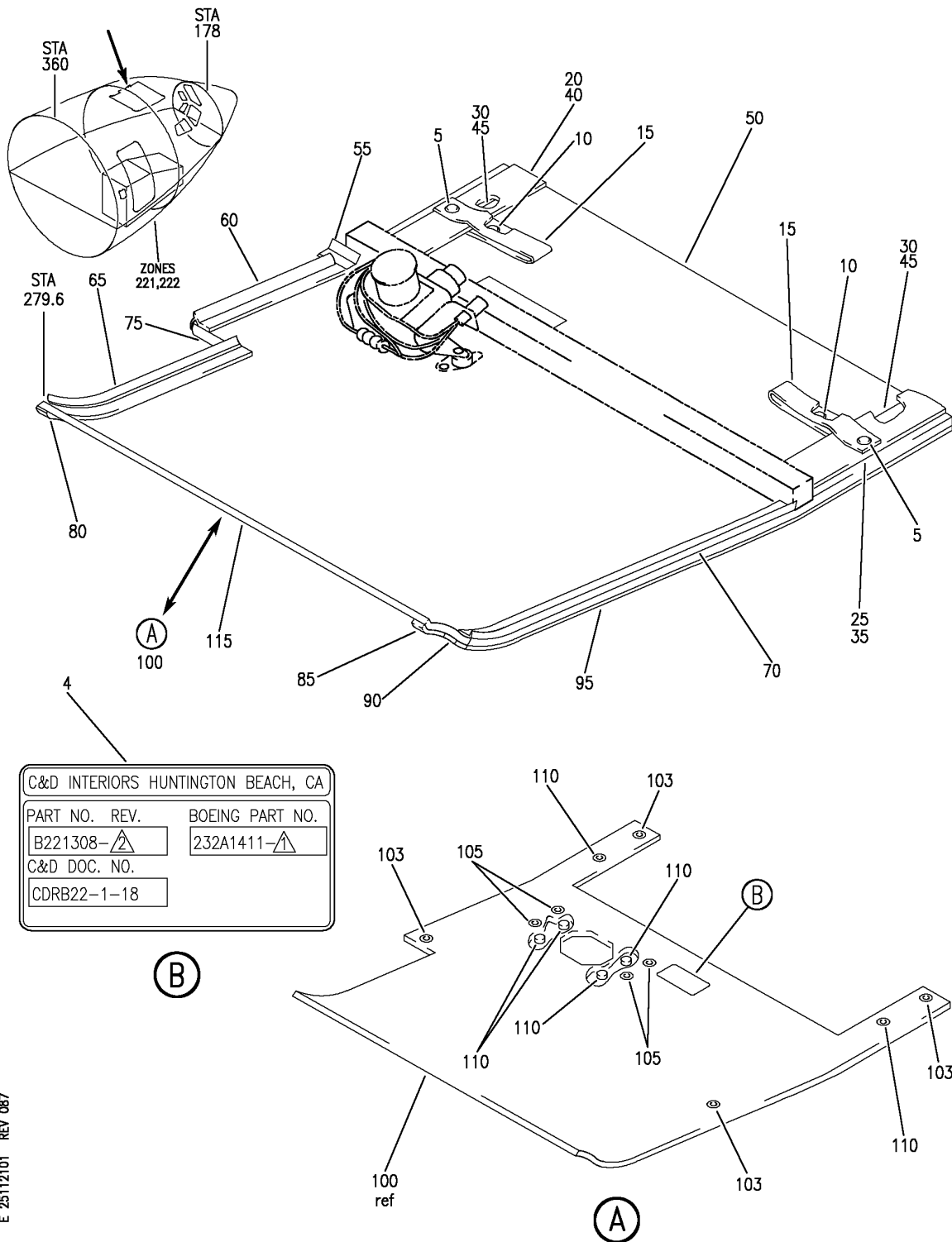
HAP

25-11-01-56A

BOEING PROPRIETARY - Copyright © - Unpublished Work - See title page for details.

25-11-01
FIG. 56A
PAGE 4
OCT 15/08

BOEING
 737-600/700/800/900
 PARTS CATALOG (MAINTENANCE)



E 25112101 REV 087

LINING ASSY-AFT CLG (EQUIPMENT AND FURNISHINGS ONLY)
 FIGURE 1

25-11-21-01

HAP
 OCT 10/06

25-11-21-01
 PAGE 0

BOEING
737-600/700/800/900
PARTS CATALOG (MAINTENANCE)

FIG ITEM	PART NUMBER	1 2 3 4 5 6 7	NOMENCLATURE	EFFECT FROM TO	UNITS PER ASSY
1			LINING ASSY-AFT CLG (EQUIPMENT AND FURNISHINGS ONLY)	001030 201967	
- 1	232A1411-15		LINING ASSY-AFT CLG (EQUIPMENT AND FURNISHINGS ONLY) FOR NHA/OTHER SYS DET SEE: 25-11-21-18	201967	RF
- 1	232A1411-16		LINING ASSY-AFT CLG (EQUIPMENT AND FURNISHINGS ONLY) FOR NHA/OTHER SYS DET SEE: 25-11-21-18	001011	RF
- 1	232A1411-19		LINING ASSY-AFT CLG (EQUIPMENT AND FURNISHINGS ONLY) FOR NHA/OTHER SYS DET SEE: 25-11-21-18	012030	RF
5	BACS12FA3K8		.SCREW	001030 201967	2
10	BACS12FA3K4		.SCREW-	001030 201967	2
15	BACS38A301A9N		.STRAP	001030 201967	2
20	232A1414-1		.BRACKET	001030 201967	1
25	232A1414-2		.BRACKET	001030 201967	1
30	232A1411-5		.TAPE-LOOP	001011 201967	2
30	232A1411-25		.TAPE-LOOP	012030	2
35	232A1413-2		.FILLER	001030 201967	1
40	232A1413-1		.FILLER	001030 201967	1
45	232A1411-6		.TAPE-HOOK	001011 201967	2
45	232A1411-26		.TAPE-HOOK	012030	2
50	232A1412-2		.PANEL ASSY	001030 201967	1
55	232A1411-10		.SEAL	001030 201967	1
60	232A1411-4		.SEAL	001030 201967	1
65	232A1411-3		.SEAL	001030 201967	1
70	232A1411-2		.SEAL	001030 201967	1

MISSING ITEM NUMBERS NOT APPLICABLE

- ITEM NOT ILLUSTRATED

HAP

25-11-21-01

25-11-21
FIG. 01
PAGE 1
OCT 15/08

BOEING
737-600/700/800/900
PARTS CATALOG (MAINTENANCE)

FIG ITEM	PART NUMBER	1 2 3 4 5 6 7	NOMENCLATURE	EFFECT FROM TO	UNITS PER ASSY
1					
75	232A1411-7		.TAPE-HOOK	001011 201967	1
75	232A1411-20		.TAPE-HOOK	012030	1
80	232A1411-9		.TAPE-HOOK	001011 201967	1
80	232A1411-22		.TAPE-HOOK	012030	1
85	232A1411-13		.TAPE-HOOK	001011 201967	1
85	232A1411-24		.TAPE-HOOK	012030	1
90	232A1411-12		.TAPE-HOOK	001011 201967	1
90	232A1411-23		.TAPE-HOOK	012030	1
95	232A1411-8		.TAPE-HOOK	001030 201967	1
100	232A1412-1		.PANEL ASSY-	201967	1
103	NAS1834A3K290		..INSERT	201967	4
105	SL6224-06A		..INSERT-BLIND SUPPLIER CODE: V97393	201967	4
110	SL6224-3A		..INSERT-BLIND SUPPLIER CODE: V97393	201967	6
115	B221308-601		.PANEL ASSY- SUPPLIER CODE: V56135 POST SERVICE BULLETIN: 25-1496 POST SERVICE BULLETIN: STC1335LA V56135	001030	1

R
R
R
R
R
R
R

MISSING ITEM NUMBERS NOT APPLICABLE

- ITEM NOT ILLUSTRATED

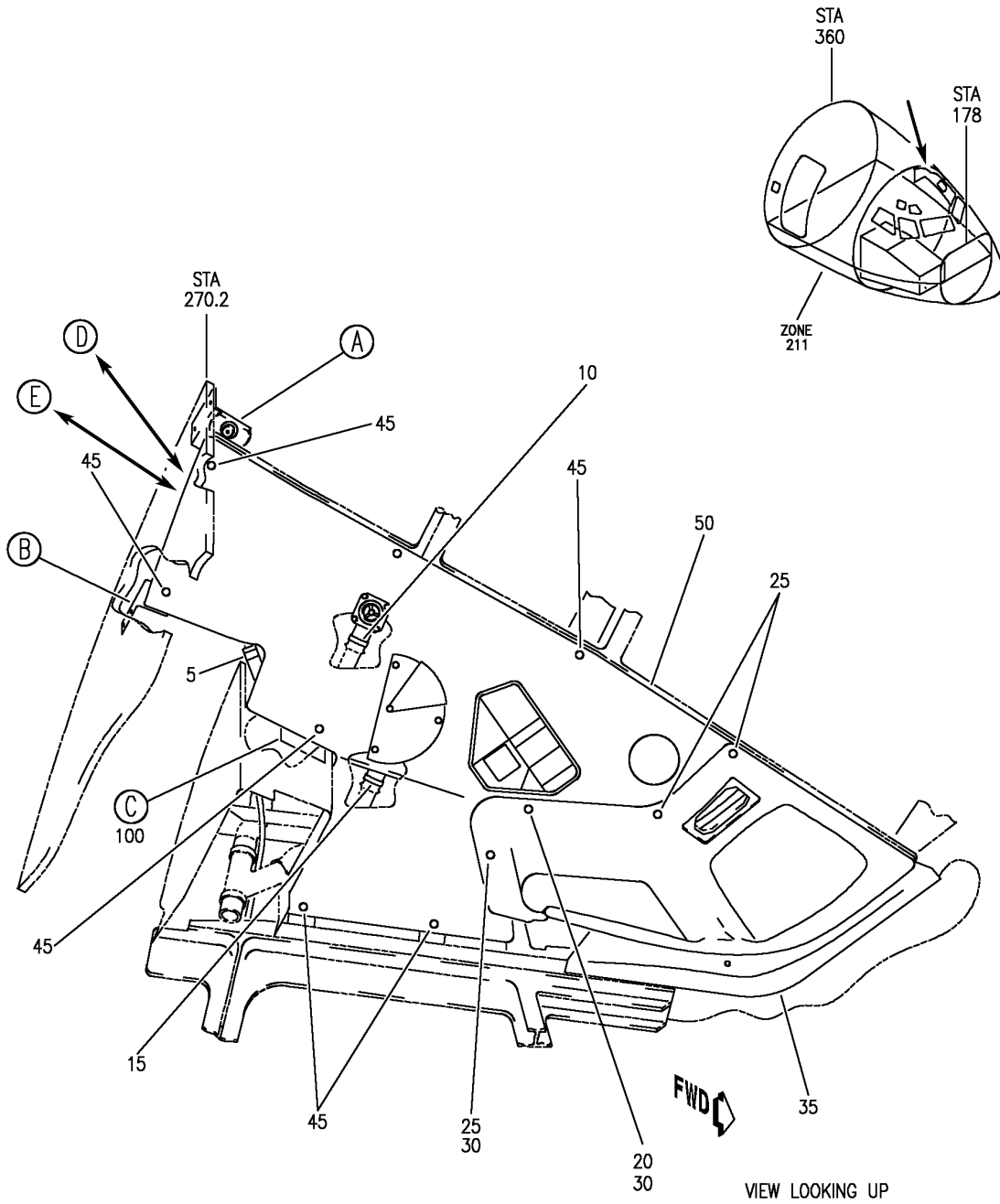
HAP

25-11-21-01

BOEING PROPRIETARY - Copyright © - Unpublished Work - See title page for details.

25-11-21
FIG. 01
PAGE 2
JUN 15/09

BOEING
 737-600/700/800/900
 PARTS CATALOG (MAINTENANCE)



E 25112102 SHT 1 REV 081

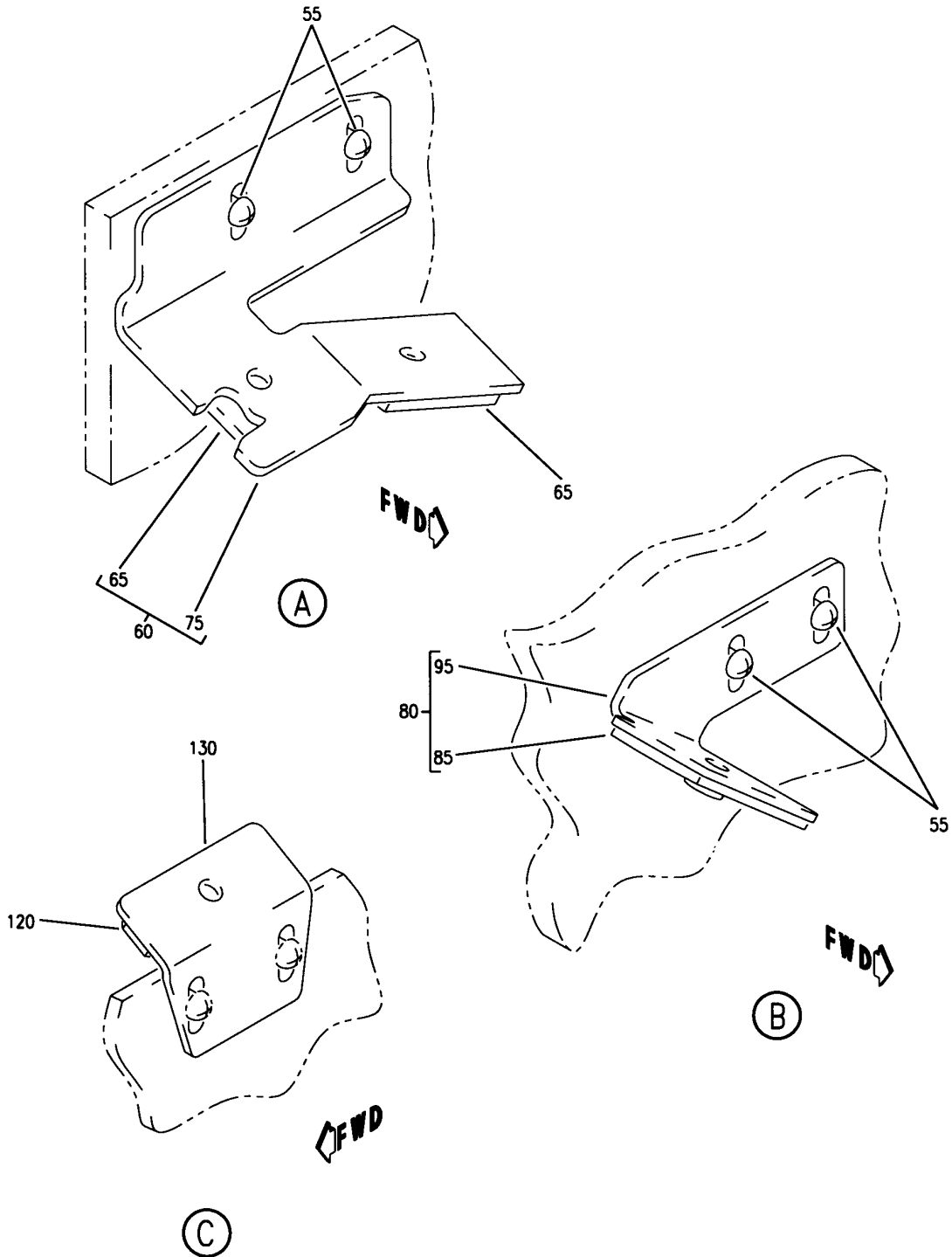
LINING INSTL-FWD CLG AND EYEBROW PAD
 FIGURE 2 (SHEET 1)

25-11-21-02

HAP
 OCT 10/06

25-11-21-02
 PAGE 0

BOEING
737-600/700/800/900
PARTS CATALOG (MAINTENANCE)



E 25112102 SH1 2 REV 019

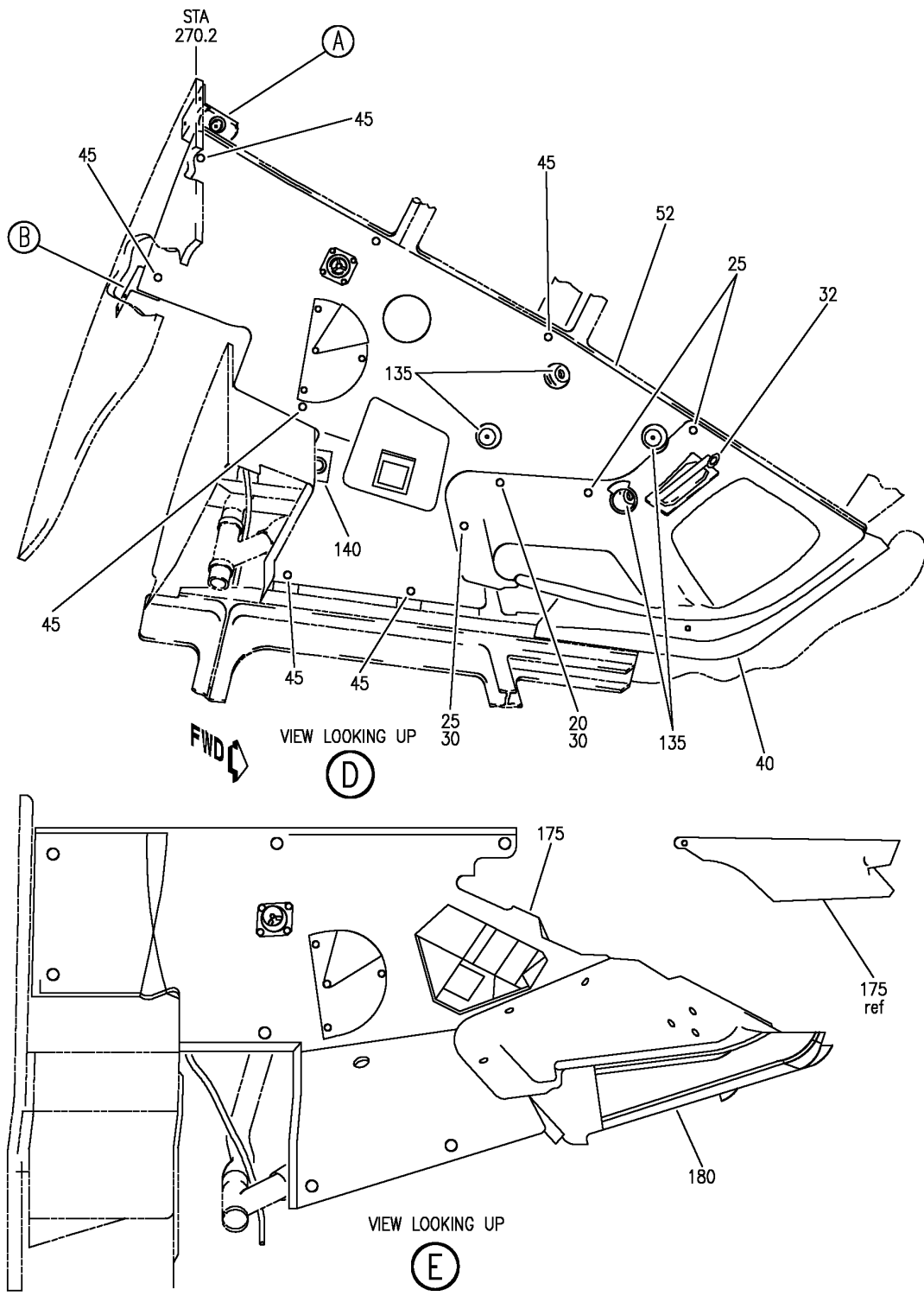
LINING INSTL-FWD CLG AND EYEBROW PAD
FIGURE 2 (SHEET 2)

25-11-21-02

HAP
OCT 10/06

25-11-21-02
PAGE 0A

BOEING
 737-600/700/800/900
 PARTS CATALOG (MAINTENANCE)



E 25112102 SHT 3 REV 081

LINING INSTL-FWD CLG AND EYEBROW PAD
 FIGURE 2 (SHEET 3)

25-11-21-02

HAP
 OCT 10/06

25-11-21-02
 PAGE 0B

BOEING
737-600/700/800/900
PARTS CATALOG (MAINTENANCE)

FIG ITEM	PART NUMBER	1 2 3 4 5 6 7	NOMENCLATURE	EFFECT FROM TO	UNITS PER ASSY
2			LINING INSTL-FWD CLG AND EYEBROW PAD	001027 201967	
- 1	232A1400-1		LINING INSTL-CLG AND EYEBROW PAD POSITION DATA: FWD LH FOR NHA SEE: 25-10-00-05B 25-10-00-05C	001020 201967	RF
- 1	232A1400-14		LINING INSTL-CLG AND EYEBROW PAD POSITION DATA: FWD LH FOR NHA SEE: 25-10-00-05C	021027	RF
5	BACS38K1A		.STRAP	001027 201967	1
10	NAS1922-0125-1		.CLAMP-HOSE	001020 201967	1
10	NAS1922-0125-3		.CLAMP-HOSE	021027	1
15	NAS1922-0150-1		.CLAMP-HOSE	001020 201967	1
15	NAS1922-0150-3		.CLAMP-HOSE	021027	1
20	BCREF128115		.SCREW-WASHERHEAD SUPPLIER CODE: V12324 OVERLENGTH PART NUMBER: WHS10F12TPKL10GY	001027 201967	1
25	BCREF12303		.SCREW-WASHERHEAD SUPPLIER CODE: V12324 OVERLENGTH PART NUMBER: WHS10F10TPKL10GY	001027 201967	3
30	NAS1057T3-020		.SPACER	001027 201967	2
35	232A1420-9		.PAD ASSY-EYEBROW FOR DETAILS SEE: 25-11-21-24	001027 201967	1
45	WHS10F8TPKL16GY		.SCREW-WASHERHEAD SUPPLIER CODE: V12324	001027 201967	7

MISSING ITEM NUMBERS NOT APPLICABLE

- ITEM NOT ILLUSTRATED

HAP

25-11-21-02

BOEING PROPRIETARY - Copyright © - Unpublished Work - See title page for details.

25-11-21
FIG. 02
PAGE 1
OCT 15/08

BOEING
737-600/700/800/900
PARTS CATALOG (MAINTENANCE)

FIG ITEM	PART NUMBER	1 2 3 4 5 6 7	NOMENCLATURE	EFFECT FROM TO	UNITS PER ASSY
2					
50	232A1401-28		.LINING ASSY- POSITION DATA: FWD LEFT FUNCTIONAL REFERENCE: AIR CONDITIONING FOR DETAILS SEE 21-22-00-10 COMMUNICATIONS FOR DETAILS SEE 23-51-03-01 EQUIPMENT/FURNISHINGS FOR DETAILS SEE 25-11-21-05	001027 201967	1
55	BACS12FA3K4		.SCREW	001027 201967	4
60	232A1404-17		.BRACKET ASSY-	001027 201967	1
65	DE893		..MOUNT-ISOLATOR SUPPLIER CODE: V71985 POSITION DATA: FAR SIDE SPECIFICATION NUMBER: S411T100-509 ATTACHING PARTS	001027 201967	2
- 70	BACR15BA5ADC		..RIVET- POSITION DATA: NEAR SIDE SIZE DETERMINED ON INSTL. -----*-----	001027 201967	4
75	232A1404-18		..BRACKET-	001027 201967	1
80	232A1404-3		.BRACKET ASSY	001027 201967	1
85	DE893		..MOUNT-ISOLATOR SUPPLIER CODE: V71985 POSITION DATA: FAR SIDE SPECIFICATION NUMBER: S411T100-509 ATTACHING PARTS	001027 201967	1
- 90	BACR15BA5ADC		..RIVET- SIZE DETERMINED ON INSTL. -----*-----	001027 201967	2
95	232A1404-4		..BRACKET	001027 201967	1
100	232A1404-15		.BRACKET ASSY-	001027 201967	1

MISSING ITEM NUMBERS NOT APPLICABLE

- ITEM NOT ILLUSTRATED

HAP

25-11-21-02

25-11-21
FIG. 02
PAGE 2
OCT 15/08

BOEING
737-600/700/800/900
PARTS CATALOG (MAINTENANCE)

FIG ITEM	PART NUMBER	1 2 3 4 5 6 7	NOMENCLATURE	EFFECT FROM TO	UNITS PER ASSY
2			ATTACHING PARTS		
- 105	WHS10F6TPKL26GY	.	SCREW-WASHERHEAD SUPPLIER CODE: V12324	001027 201967	2
- 110	NAS1149D0316J	.	WASHER	001027 201967	2
- 115	F22K1-02	.	NUT SUPPLIER CODE: V72962 SPECIFICATION NUMBER: BACN10R10L OPTIONAL PART: 22K1-02 V72962 26CLO2 V80539	001027 201967	2
120	DE893	..	MOUNT-ISOLATOR SUPPLIER CODE: V71985 SPECIFICATION NUMBER: S411T100-509	001027 201967	1
- 125	BACR15BA5ADC	..	ATTACHING PARTS RIVET- POSITION DATA: FAR SIDE SIZE DETERMINED ON INSTL.	001027 201967	2
130	232A1404-16	..	BRACKET	001027 201967	1

MISSING ITEM NUMBERS NOT APPLICABLE

- ITEM NOT ILLUSTRATED

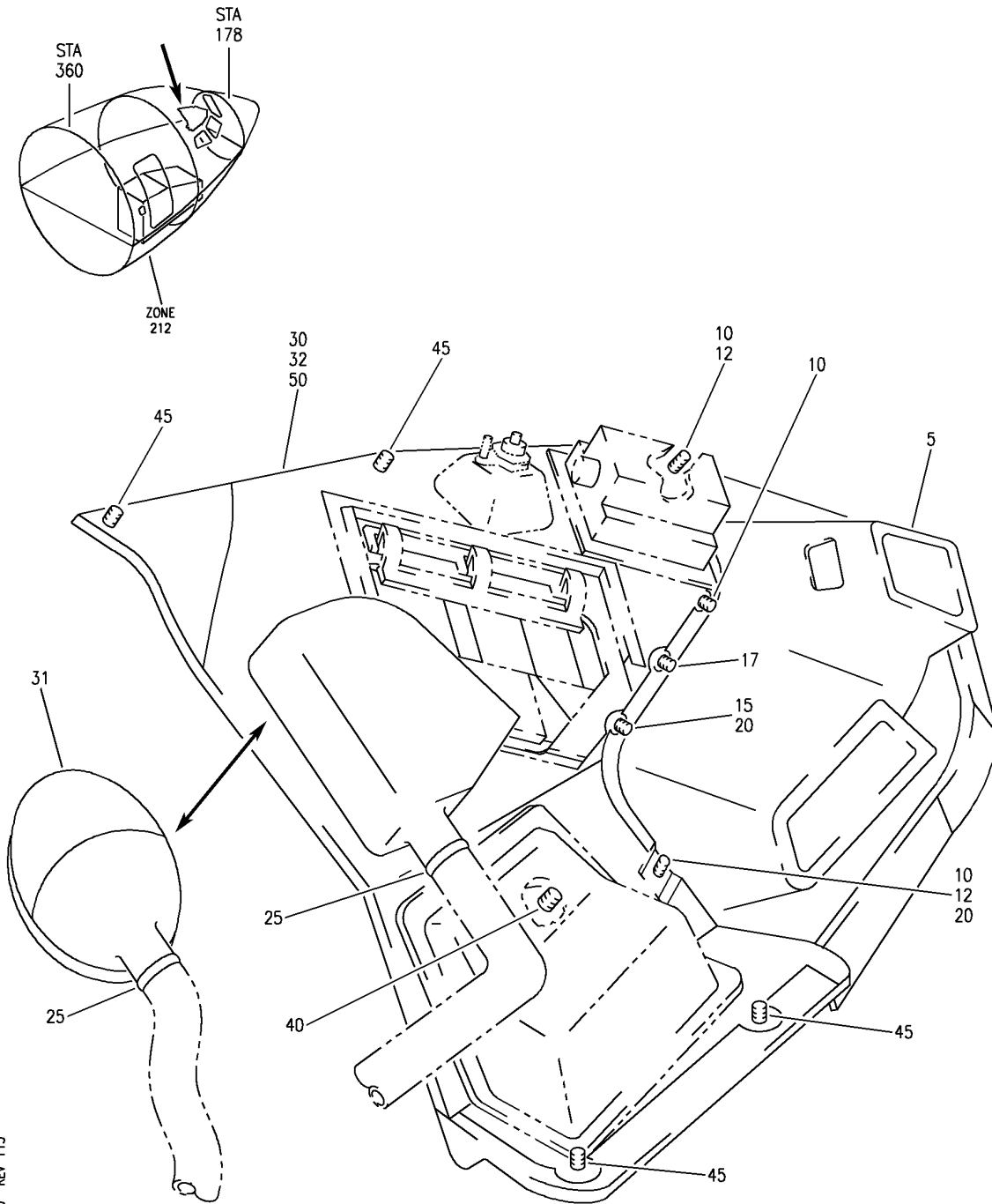
HAP

25-11-21-02

BOEING PROPRIETARY - Copyright © - Unpublished Work - See title page for details.

25-11-21
FIG. 02
PAGE 3
OCT 15/08

BOEING
 737-600/700/800/900
 PARTS CATALOG (MAINTENANCE)



E 25112103 REV 113

LINING INSTL-FWD CLG AND EYEBROW PAD
 FIGURE 3

25-11-21-03

HAP
 OCT 10/06

25-11-21-03
 PAGE 0

BOEING
737-600/700/800/900
PARTS CATALOG (MAINTENANCE)

FIG ITEM	PART NUMBER	1 2 3 4 5 6 7	NOMENCLATURE	EFFECT FROM TO	UNITS PER ASSY
3			LINING INSTL-FWD CLG AND EYEBROW PAD	031200 968999	
- 1	MODREF267850		LINING INSTL-CLG AND EYEBROW PAD	031200 968999	1
			MODULE NUMBER: 232A1400-28 REV B		
			POSITION DATA: FWD RH		
5	232A1420-22		.PAD ASSY-EYEBROW FOR DETAILS SEE: 25-11-21-29	031200 968999	1
10	BCREF12303		ATTACHING PARTS .SCREW-WASHERHEAD	031200 968999	3
			SUPPLIER CODE: V12324		
			OVERLENGTH PART NUMBER: WHS10F10TPKL10GY		
15	BCREF128115		.SCREW-WASHERHEAD	031200 968999	1
			SUPPLIER CODE: V12324		
			OVERLENGTH PART NUMBER: WHS10F12TPKL10GY		
20	NAS1057T3-020		.SPACER	031200 968999	2
			-----*-----		
25	NAS1922-0150-3		.CLAMP-	031200 968999	1
31	232A1401-63		.LINING ASSY-CLG	031200 968999	1
			FUNCTIONAL REFERENCE: AIR CONDITIONING FOR DETAILS SEE 21-22-00-11		
			COMMUNICATIONS FOR DETAILS SEE 23-51-03-02		
			EQUIPMENT/FURNISHINGS FOR DETAILS SEE 25-11-21-06		
			LIGHTS FOR DETAILS SEE 33-17-00-05		
40	WHS10F6TPKL16GY		ATTACHING PARTS .SCREW-WASHERHEAD	031200 968999	1
			SUPPLIER CODE: V12324		
45	WHS10F8TPKL16GY		.SCREW-WASHERHEAD	031200 968999	4
			SUPPLIER CODE: V12324		
			-----*-----		

MISSING ITEM NUMBERS NOT APPLICABLE

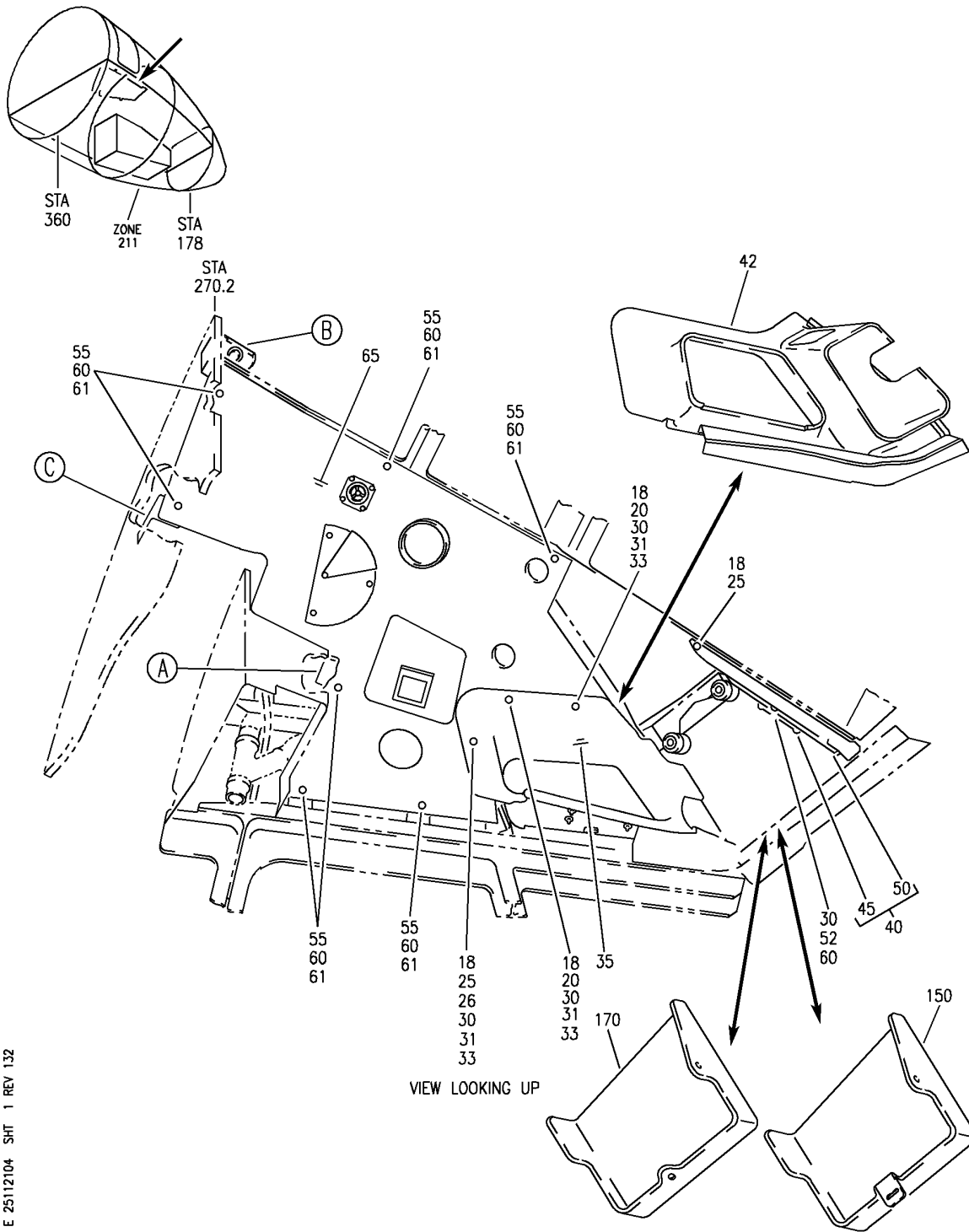
- ITEM NOT ILLUSTRATED

HAP

25-11-21-03

25-11-21
FIG. 03
PAGE 1
OCT 15/08

BOEING
 737-600/700/800/900
 PARTS CATALOG (MAINTENANCE)



E 25112104 SHT 1 REV 132

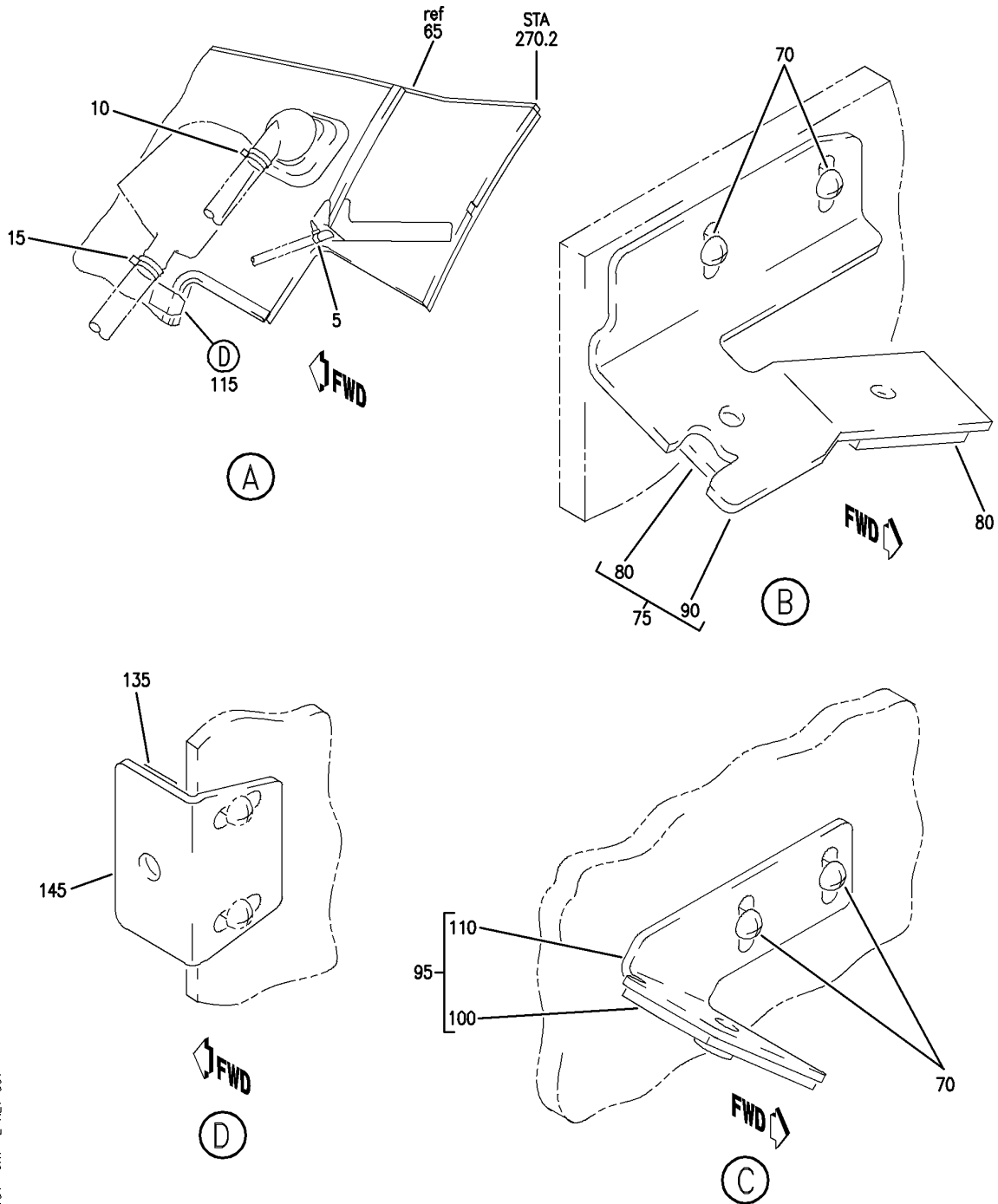
LINING INSTL-FWD CLG AND EYEBROW PAD
 FIGURE 4 (SHEET 1)

25-11-21-04

HAP
 OCT 10/07

25-11-21-04
 PAGE 0

BOEING
 737-600/700/800/900
 PARTS CATALOG (MAINTENANCE)



E 25112104 SH1 2 REV 061

LINING INSTL-FWD CLG AND EYEBROW PAD
 FIGURE 4 (SHEET 2)

25-11-21-04

HAP
 OCT 10/06

25-11-21-04
 PAGE 0A

BOEING
737-600/700/800/900
PARTS CATALOG (MAINTENANCE)

FIG ITEM	PART NUMBER	1 2 3 4 5 6 7	NOMENCLATURE	EFFECT FROM TO	UNITS PER ASSY
4			LINING INSTL-FWD CLG AND EYEBROW PAD	028200 968999	
- 1	232A1400-25		LINING INSTL-CLG AND EYEBROW PAD POSITION DATA: FWD LH FOR NHA SEE: 25-10-00-05C	028030	RF
- 1	MODREF267849		LINING INSTL-CLG AND EYEBROW PAD MODULE NUMBER: 232A1400-26 REV C POSITION DATA: FWD LH	031200 968999	1
5	BACS38K1A		.STRAP	028200 968999	1
10	NAS1922-0125-3		.CLAMP-HOSE	028200 968999	1
15	NAS1922-0150-3		.CLAMP-HOSE	028200 968999	1
18	BCREF12303		.SCREW-WASHERHEAD SUPPLIER CODE: V12324 OVERLENGTH PART NUMBER: WHS10F10TPKL10GY	028200 968999	4
33	NAS1149D0332J		.WASHER	028200 968999	3
35	232A1420-14		.PAD ASSY-EYEBROW FOR DETAILS SEE: 25-11-21-25	028030	1
35	232A1420-19		.PAD ASSY-EYEBROW FOR DETAILS SEE: 25-11-21-32	031200 968999	1
40	232A1420-15		.PAD ASSY-EYEBROW	028030	1
40	232A1420-20		.PAD ASSY-EYEBROW	031200 968999	1
45	232A1423-12		..CLIP-SPR PRE SERVICE BULLETIN: 56-1017	028030	1
50	232A1421-17		..PAD ASSY-	028200 968999	1
52	WHS10F8TPKL10GY		.SCREW-WASHERHEAD SUPPLIER CODE: V12324	028030	1
55	WHS10F8TPKL16GY		.SCREW-WASHERHEAD SUPPLIER CODE: V12324	028030	7

MISSING ITEM NUMBERS NOT APPLICABLE

- ITEM NOT ILLUSTRATED

HAP

25-11-21-04

BOEING PROPRIETARY - Copyright © - Unpublished Work - See title page for details.

25-11-21
FIG. 04
PAGE 1
OCT 15/08

BOEING
737-600/700/800/900
PARTS CATALOG (MAINTENANCE)

FIG ITEM	PART NUMBER	1 2 3 4 5 6 7	NOMENCLATURE	EFFECT FROM TO	UNITS PER ASSY
4	60	WHS10F8TPKL16GY	.SCREW-WASHERHEAD SUPPLIER CODE: V12324	031200 968999	8
	65	232A1401-41	.LINING ASSY- POSITION DATA: FWD LEFT FUNCTIONAL REFERENCE: AIR CONDITIONING FOR DETAILS SEE 21-22-00-09 COMMUNICATIONS FOR DETAILS SEE 23-51-03-01 EQUIPMENT/FURNISHINGS FOR DETAILS SEE 25-11-21-05A	028030	1
	65	232A1401-62	.LINING ASSY- POSITION DATA: FWD LEFT FUNCTIONAL REFERENCE: AIR CONDITIONING FOR DETAILS SEE 21-22-00-09 COMMUNICATIONS FOR DETAILS SEE 23-51-03-02 EQUIPMENT/FURNISHINGS FOR DETAILS SEE 25-11-21-05B	031200 968999	1
	70	BACS12FA3K4	.SCREW	028200 968999	4
	75	232A1404-17	.BRACKET ASSY	028200 968999	1
	80	DE893	..MOUNT-ISOLATOR SUPPLIER CODE: V71985 POSITION DATA: FAR SIDE SPECIFICATION NUMBER: S411T100-509 ATTACHING PARTS	028200 968999	2
-	85	BACR15BA5ADC	..RIVET- POSITION DATA: NEAR SIDE SIZE DETERMINED ON INSTL. -----*-----	028200 968999	4
	90	232A1404-18	..BRACKET	028200 968999	1

MISSING ITEM NUMBERS NOT APPLICABLE

- ITEM NOT ILLUSTRATED

HAP

25-11-21-04

BOEING PROPRIETARY - Copyright © - Unpublished Work - See title page for details.

25-11-21
FIG. 04
PAGE 2
OCT 15/08

BOEING
737-600/700/800/900
PARTS CATALOG (MAINTENANCE)

FIG ITEM	PART NUMBER	1 2 3 4 5 6 7	NOMENCLATURE	EFFECT FROM TO	UNITS PER ASSY
4					
95	232A1404-3		.BRACKET ASSY	028200 968999	1
100	DE893		..MOUNT-ISOLATOR SUPPLIER CODE: V71985 POSITION DATA: FAR SIDE SPECIFICATION NUMBER: S411T100-509 ATTACHING PARTS	028200 968999	1
- 105	BACR15BA5ADC		..RIVET- SIZE DETERMINED ON INSTL. -----*-----	028200 968999	2
110	232A1404-4		..BRACKET	028200 968999	1
115	232A1404-26		.BRACKET ASSY ATTACHING PARTS	028200 968999	1
- 120	WHS10F6TPKL26GY		.SCREW-WASHERHEAD SUPPLIER CODE: V12324	028200 968999	2
- 125	NAS1149D0316J		.WASHER	028200 968999	2
- 130	F22K1-02		.NUT SUPPLIER CODE: V72962 SPECIFICATION NUMBER: BACN10R10L OPTIONAL PART: 22K1-02 V72962 26CLO2 V80539 -----*-----	028200 968999	2
135	DE893		..MOUNT-ISOLATOR SUPPLIER CODE: V71985 SPECIFICATION NUMBER: S411T100-509 ATTACHING PARTS	028200 968999	1
- 140	BACR15BA5ADC		..RIVET- POSITION DATA: FAR SIDE SIZE DETERMINED ON INSTL. -----*-----	028200 968999	2
145	232A1404-27		..BRACKET	028200 968999	1

MISSING ITEM NUMBERS NOT APPLICABLE

- ITEM NOT ILLUSTRATED

HAP

25-11-21-04

BOEING PROPRIETARY - Copyright © - Unpublished Work - See title page for details.

25-11-21
FIG. 04
PAGE 3
OCT 15/08

BOEING
737-600/700/800/900
PARTS CATALOG (MAINTENANCE)

FIG ITEM	PART NUMBER	1 2 3 4 5 6 7	NOMENCLATURE	EFFECT FROM TO	UNITS PER ASSY
4 170	232A1426-2		.PLUG-WINDOW NO. 4 (NO HUD) POST SERVICE BULLETIN: 56-1017 ATTACHING PARTS	028028 031200 968999	1
- 175	WHS8C9TPKL10GY		.SCREW- SUPPLIER CODE: V12324	028028	1
- 175	BACS12FA3K12		.SCREW	028028 031200 968999	1
- 180	WHS8C18TPKL10GY		.SCREW- SUPPLIER CODE: V12324	028028	1
- 185	NAS42DD6-16FC		.SPACER	028028 031200 968999	1
			-----*-----		

MISSING ITEM NUMBERS NOT APPLICABLE

- ITEM NOT ILLUSTRATED

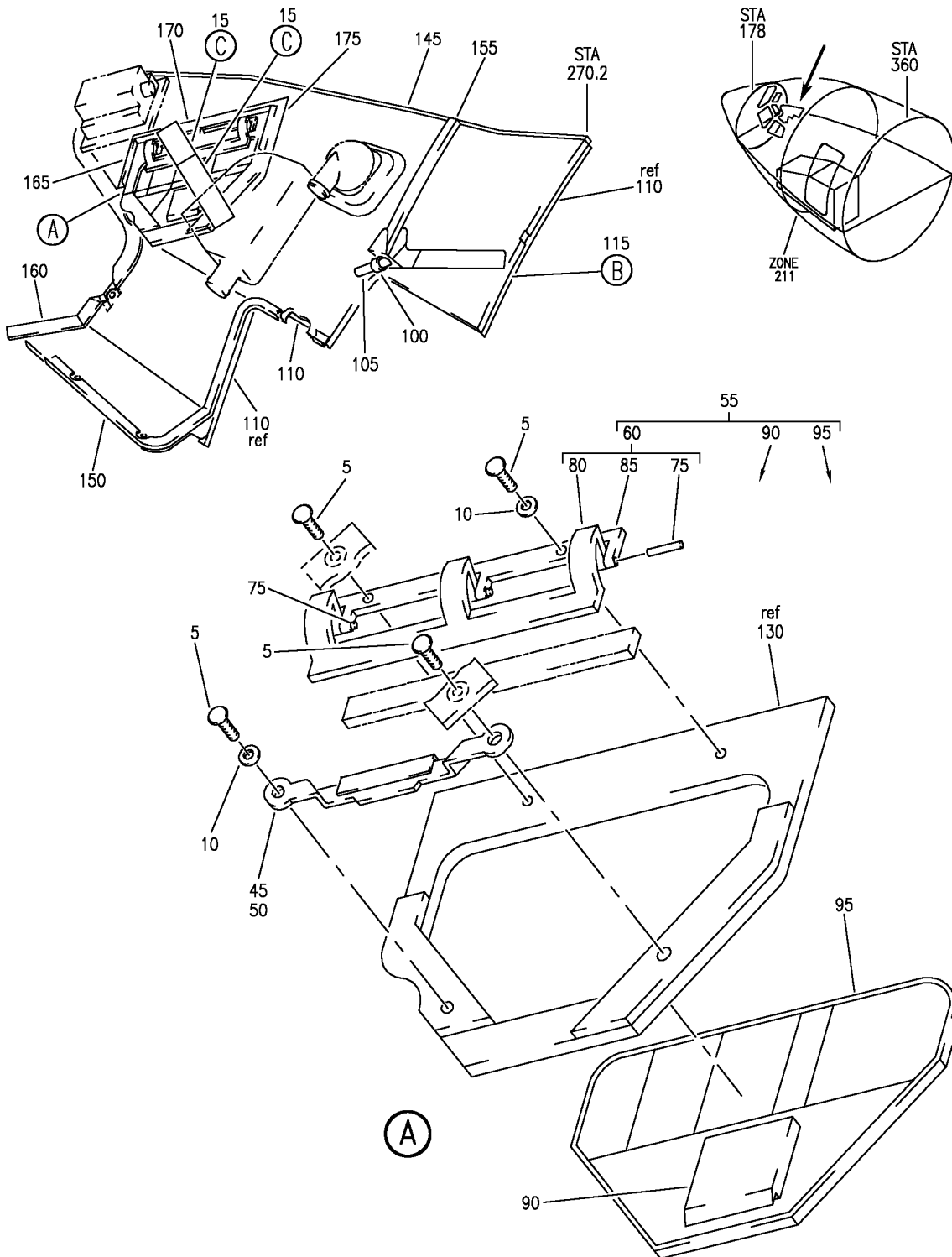
HAP

25-11-21-04

BOEING PROPRIETARY - Copyright © - Unpublished Work - See title page for details.

25-11-21
FIG. 04
PAGE 4
OCT 15/08

BOEING
737-600/700/800/900
PARTS CATALOG (MAINTENANCE)



E 25112105 SHT 1 REV 143

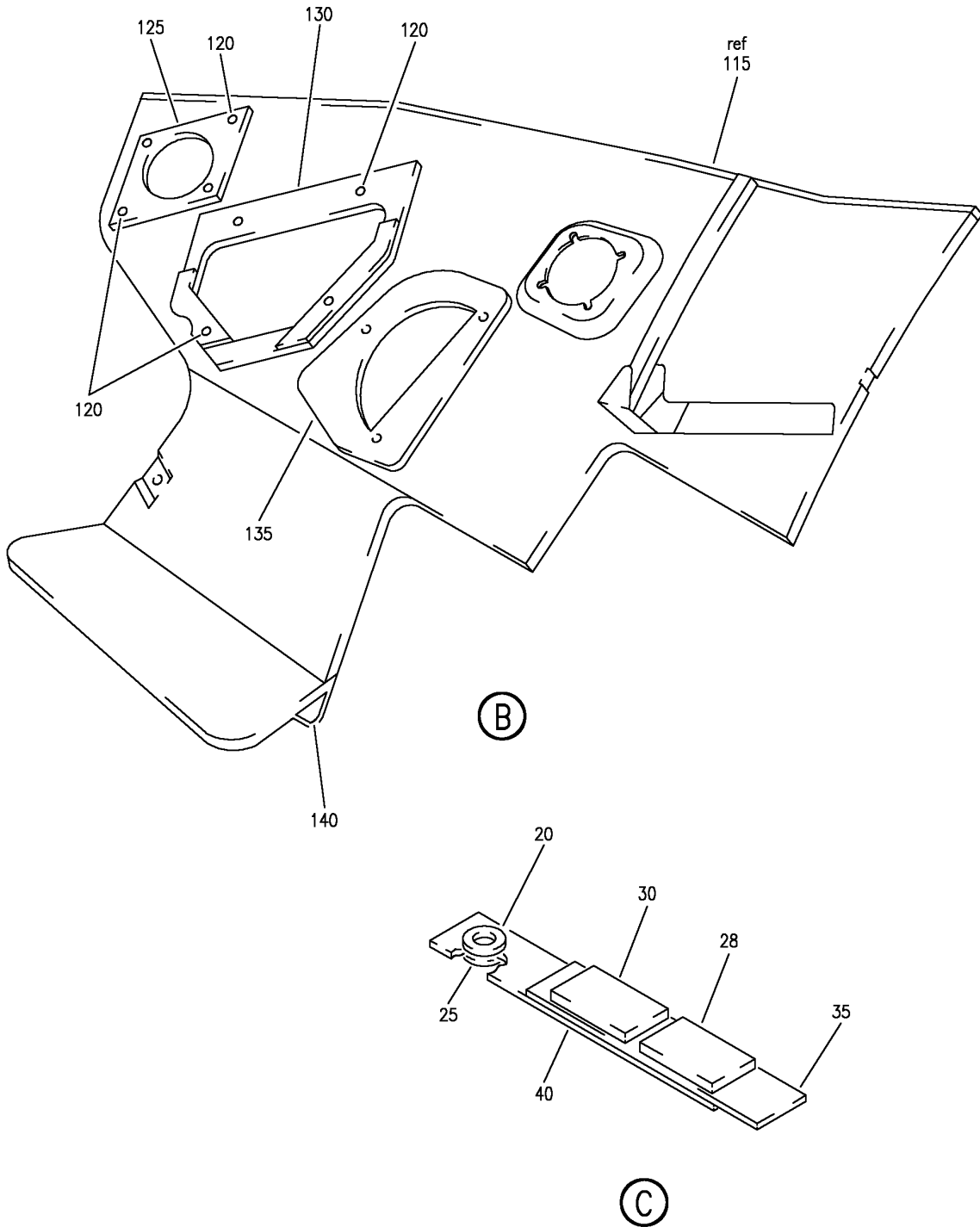
LINING ASSY-FWD LH CLG (EQUIPMENT/FURNISHINGS ONLY)
 FIGURE 5 (SHEET 1)

25-11-21-05

HAP
 JUN 15/08

25-11-21-05
 PAGE 0

BOEING
737-600/700/800/900
PARTS CATALOG (MAINTENANCE)



E 25112105 SH1 2 REV 143

LINING ASSY-FWD LH CLG (EQUIPMENT/FURNISHINGS ONLY)
FIGURE 5 (SHEET 2)

25-11-21-05

HAP
JUN 15/08

25-11-21-05
PAGE 0A

BOEING
737-600/700/800/900
PARTS CATALOG (MAINTENANCE)

FIG ITEM	PART NUMBER	1 2 3 4 5 6 7	NOMENCLATURE	EFFECT FROM TO	UNITS PER ASSY
5			LINING ASSY-FWD LH CLG (EQUIPMENT/FURNISHINGS ONLY)	001027 201967	
- 1	232A1401-28		LINING ASSY-CLG (EQUIPMENT/FURNISHINGS ONLY) POSITION DATA: FWD LH FOR NHA/OTHER SYS DET SEE: 25-11-21-02	001027 201967	RF
5	BACS12FA3K4		.SCREW	001027 201967	4
10	NAS1149D0463J		.WASHER	001027 201967	2
15	232A1405-5		.STRAP ASSY-ESCAPE	001027 201967	2
20	MS20230WBP10		..GROMMET	001027 201967	1
25	MS20230GBP10		..GROMMET	001027 201967	1
28	232A1405-8		..TAPE-LOOP	001027 201967	1
30	232A1405-9		..TAPE-HOOK	001027 201967	1
35	232A1405-7		..STRAP-	001027 201967	1
40	232A1405-6		..STRAP-	001027 201967	1
45	232A1404-5		.BRACKET ASSY	001027 201967	1
50	232A1404-7		..BRACKET	001027 201967	1
55	232A1415-1		.DOOR ASSY-ESCAPE (EQUIPMENT/FURNISHINGS ONLY) FUNCTIONAL REFERENCE: PLACARDS AND MARKINGS FOR DETAILS SEE 11-30-51-44	001027 201967	1
60	232A1415-3		..HINGE ASSY	001027 201967	1
- 65	BACR15BA4ADC		ATTACHING PARTS ..RIVET-	001027 201967	4
- 70	232A1415-5		SIZE DETERMINED ON INSTL. ..SPACER	001027 201967	1
75	MS20253P2-75		-----*----- ...PIN	001027 201967	3

MISSING ITEM NUMBERS NOT APPLICABLE

- ITEM NOT ILLUSTRATED

HAP

25-11-21-05

BOEING PROPRIETARY - Copyright © - Unpublished Work - See title page for details.

25-11-21
FIG. 05
PAGE 1
OCT 15/08

BOEING
737-600/700/800/900
PARTS CATALOG (MAINTENANCE)

FIG ITEM	PART NUMBER	1 2 3 4 5 6 7	NOMENCLATURE	EFFECT FROM TO	UNITS PER ASSY
5					
80	232A1415-4	. . .	HINGE-HALF	001027 201967	1
85	232A1415-7	. . .	HINGE-HALF	001027 201967	1
90	A3-50-925-12	. . .	LATCH- SUPPLIER CODE: V94222	001027 201967	1
95	232A1403-1	. . .	DOOR	001027 201967	1
100	BACS38K1A	. . .	STRAP	001027 201967	1
105	232A1401-27	. . .	TUBE-DRAIN	001027 201967	1
110	232A1401-35	. . .	TAPE-HOOK	001027 201967	AR
115	232A1402-1	. . .	PANEL ASSY	001027 201967	1
120	SL6224-3A	. . .	INSERT-BLIND SUPPLIER CODE: V97393	001027 201967	8
125	232A1402-3	. . .	COLLAR-FOAM	001027 201967	1
130	232A1402-5	. . .	COLLAR-FOAM	001027 201967	1
135	232A1402-9	. . .	COLLAR-FOAM	001027 201967	1
140	232A1402-7	. . .	FILLER-FOAM	001027 201967	1
145	232A1401-11	. . .	SEAL	001027 201967	1
150	232A1401-13	. . .	SEAL	001027 201967	1
155	232A1401-15	. . .	SEAL	001027 201967	1
160	232A1401-19	. . .	SEAL	001027 201967	1
165	232A1401-21	. . .	SEAL	001027 201967	1
170	232A1401-23	. . .	SEAL	001027 201967	1
175	232A1401-25	. . .	SEAL	001027 201967	1

MISSING ITEM NUMBERS NOT APPLICABLE

— ITEM NOT ILLUSTRATED

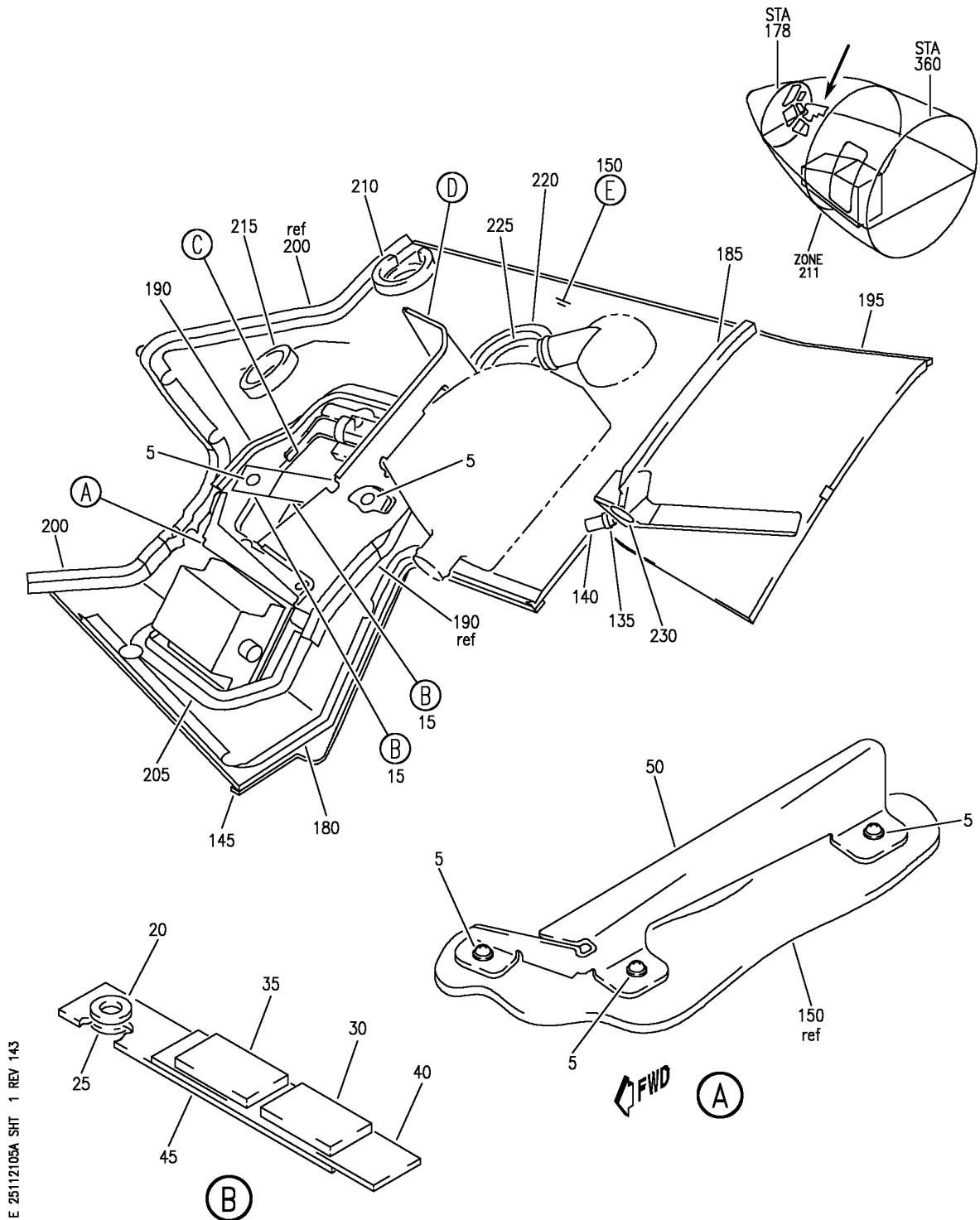
HAP

25-11-21-05

BOEING PROPRIETARY - Copyright © - Unpublished Work - See title page for details.

25-11-21
FIG. 05
PAGE 2
OCT 15/08

BOEING
 737-600/700/800/900
 PARTS CATALOG (MAINTENANCE)



E 25112105A SHT 1 REV 143

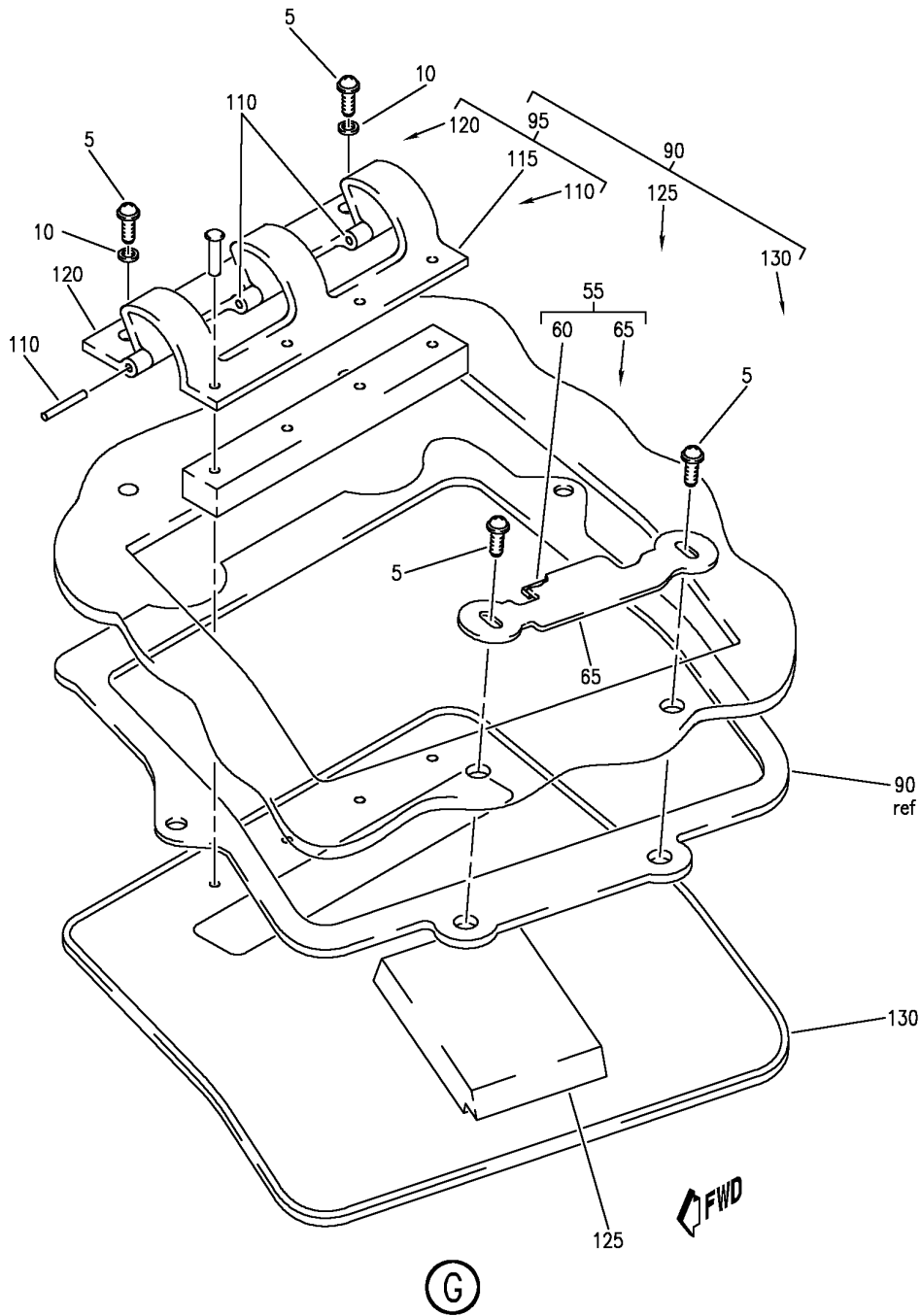
LINING ASSY-FWD LH CLG (EQUIPMENT/FURNISHINGS ONLY)
 FIGURE 5A (SHEET 1)

25-11-21-05A

HAP
 JUN 15/08

25-11-21-05A
 PAGE 0

BOEING
 737-600/700/800/900
 PARTS CATALOG (MAINTENANCE)



E 25112105A SHT 2 REV 143

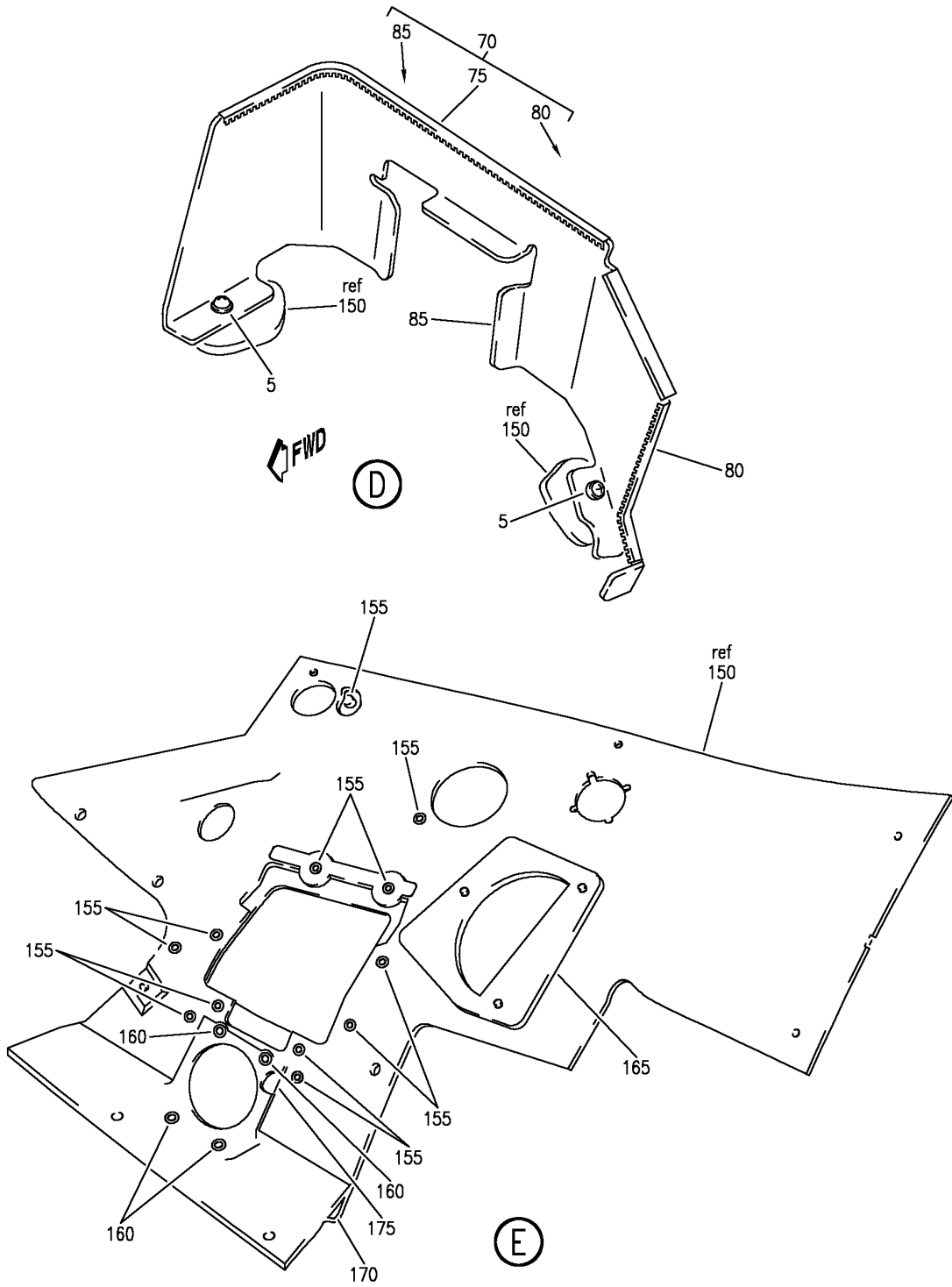
LINING ASSY-FWD LH CLG (EQUIPMENT/FURNISHINGS ONLY)
 FIGURE 5A (SHEET 2)

25-11-21-05A

HAP
 JUN 15/08

25-11-21-05A
 PAGE 0A

BOEING
 737-600/700/800/900
 PARTS CATALOG (MAINTENANCE)



E 25112105A SHT 3 REV 143

LINING ASSY-FWD LH CLG (EQUIPMENT/FURNISHINGS ONLY)
 FIGURE 5A (SHEET 3)

25-11-21-05A

HAP
 JUN 15/08

25-11-21-05A
 PAGE 0B

BOEING
737-600/700/800/900
PARTS CATALOG (MAINTENANCE)

FIG ITEM	PART NUMBER	1 2 3 4 5 6 7	NOMENCLATURE	EFFECT FROM TO	UNITS PER ASSY
5A			LINING ASSY-FWD LH CLG (EQUIPMENT/FURNISHINGS ONLY)	028030	
- 1	232A1401-41		LINING ASSY-CLG (EQUIPMENT/FURNISHINGS ONLY) POSITION DATA: FWD LH FOR NHA/OTHER SYS DET SEE: 25-11-21-04	028030	RF
	5 BACS12FA3K4		.SCREW	028030	11
	10 NAS1149D0463J		.WASHER	028030	2
	15 232A1405-5		.STRAP ASSY-ESCAPE	028030	2
	20 MS20230WBP10		..GROMMET	028030	1
	25 MS20230GBP10		..GROMMET	028030	1
	30 232A1405-8		..TAPE-LOOP	028030	1
	35 232A1405-9		..TAPE-HOOK	028030	1
	40 232A1405-7		..STRAP	028030	1
	45 232A1405-6		..STRAP	028030	1
	50 232A1404-28		.BRACKET-GUARD	028030	1
	55 232A1404-23		.BRACKET ASSY	028030	1
	60 232A1404-25		..STRIP-STRIKE	028030	1
	65 232A1404-24		..BRACKET-STRIKE	028030	1
	70 232A1404-21		.BRACKET ASSY	028030	1
	75 BACG20ZA001080		..GROMMET	028030	1
	80 BACG20ZA000471		..GROMMET	028030	1
	85 232A1404-22		..BRACKET	028030	1
	90 232A1415-8		.DOOR ASSY-ESCAPE (EQUIPMENT/FURNISHINGS ONLY) FUNCTIONAL REFERENCE: PLACARDS AND MARKINGS FOR DETAILS SEE 11-30-00-63	028030	1
	95 232A1415-9		..HINGE ASSY ATTACHING PARTS	028030	1
- 100	BACR15BA4ADC		..RIVET- SIZE DETERMINED ON INSTL.	028030	4
- 105	232A1415-12		..SPACER -----*-----	028030	1
	110 MS20253P2-75		...PIN	028030	3
	115 232A1415-10		...HINGE-HALF	028030	1
	120 232A1415-11		...HINGE-HALF	028030	1
	125 A3-50-925-12		..LATCH- SUPPLIER CODE: V94222	028030	1
	130 232A1403-14		..DOOR	028030	1
	135 BACS38K1A		.STRAP	028030	1
	140 232A1401-27		.TUBE-DRAIN	028030	1

MISSING ITEM NUMBERS NOT APPLICABLE

- ITEM NOT ILLUSTRATED

HAP

25-11-21-05A

25-11-21
FIG. 05A
PAGE 1
JUN 15/08

BOEING
737-600/700/800/900
PARTS CATALOG (MAINTENANCE)

FIG ITEM	PART NUMBER	1 2 3 4 5 6 7	NOMENCLATURE	EFFECT FROM TO	UNITS PER ASSY
5A					
145	232A1401-35	.	TAPE-HOOK	028030	1
			OPTIONAL PART: 232A1404-3		
145	232A1401-3	.	TAPE-HOOK	028030	1
			OPTIONAL PART: 232A1404-35		
150	232A1402-16	.	PANEL ASSY	028030	1
155	SL6224-3A	..	INSERT-BLIND	028030	12
			SUPPLIER CODE: V97393		
160	SL6224-08A	..	INSERT-	028030	4
			SUPPLIER CODE: V97393		
165	232A1402-9	..	COLLAR-FOAM	028030	1
170	232A1402-7	..	FILLER	028030	1
175	232A1402-17	..	FILLER	028030	1
180	232A1401-13	.	SEAL	028030	1
185	232A1401-15	.	SEAL	028030	1
190	232A1401-42	.	SEAL	028030	1
195	232A1401-43	.	SEAL	028030	1
200	232A1401-44	.	SEAL	028030	1
205	232A1401-45	.	SEAL	028030	1
210	232A1401-46	.	SEAL	028030	1
215	232A1401-46	.	SEAL	028030	1
220	232A1401-47	.	SEAL	028030	1
225	BACG20ZF001275	.	GROMMET	028030	1
230	232A1401-9	.	FUNNEL	028030	1

MISSING ITEM NUMBERS NOT APPLICABLE

— ITEM NOT ILLUSTRATED

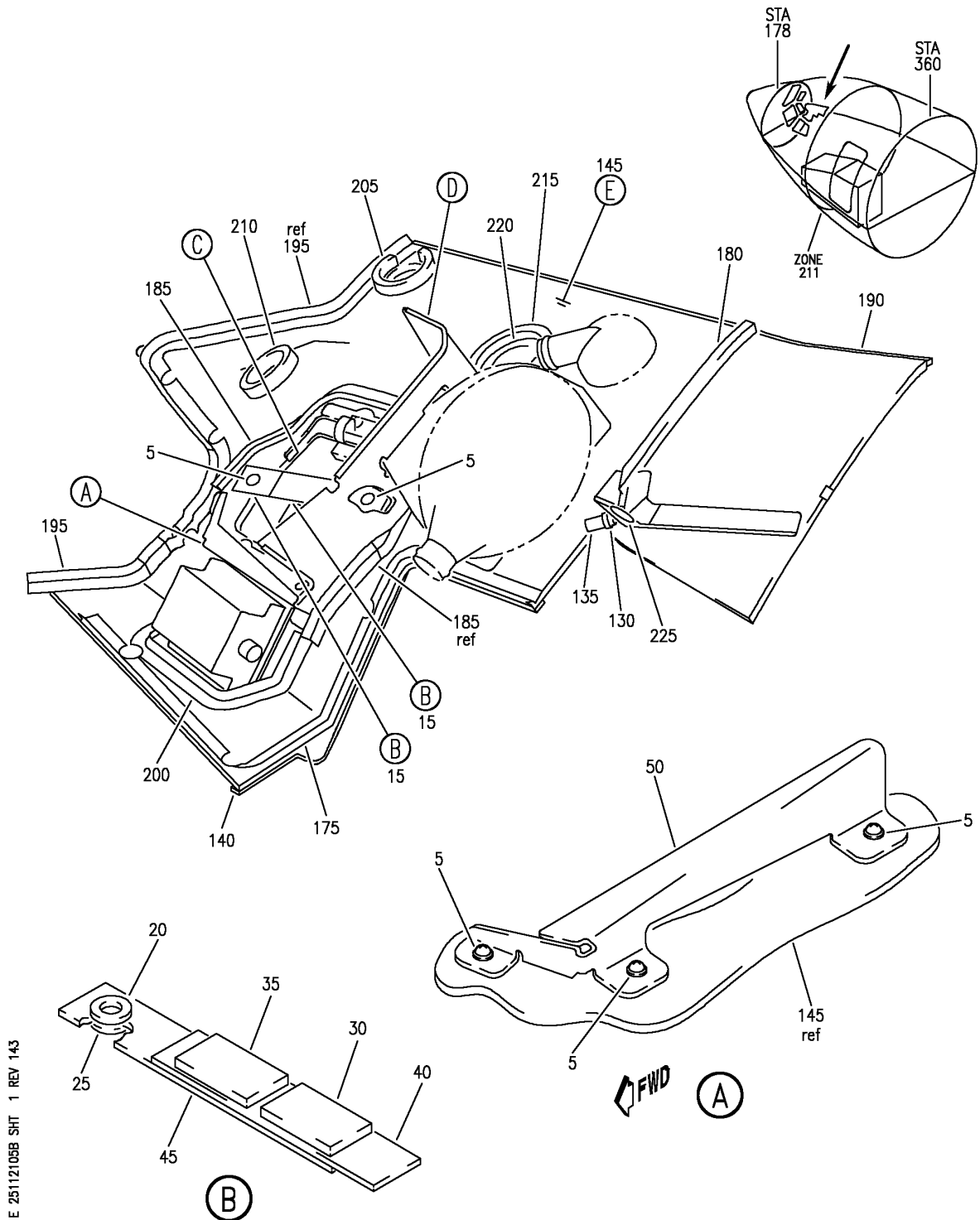
HAP

25-11-21-05A

BOEING PROPRIETARY - Copyright © - Unpublished Work - See title page for details.

25-11-21
FIG. 05A
PAGE 2
JUN 15/08

BOEING
 737-600/700/800/900
 PARTS CATALOG (MAINTENANCE)



E 25112105B SHT 1 REV 143

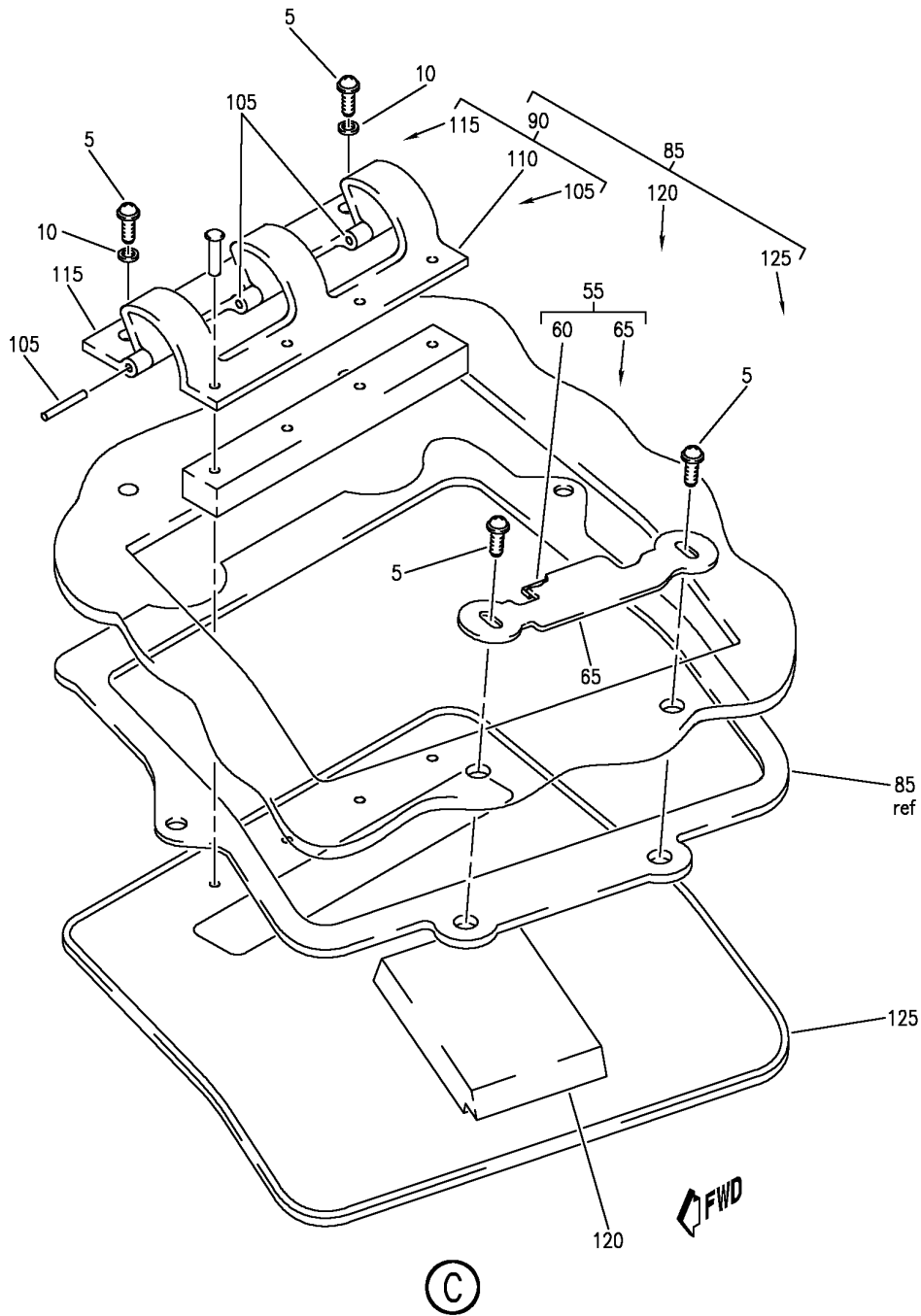
LINING ASSY-FWD LH CLG (EQUIPMENT/FURNISHINGS ONLY)
 FIGURE 5B (SHEET 1)

25-11-21-05B

HAP
 JUN 15/08

25-11-21-05B
 PAGE 0

BOEING
 737-600/700/800/900
 PARTS CATALOG (MAINTENANCE)



E 25112105B SHT 2 REV 143

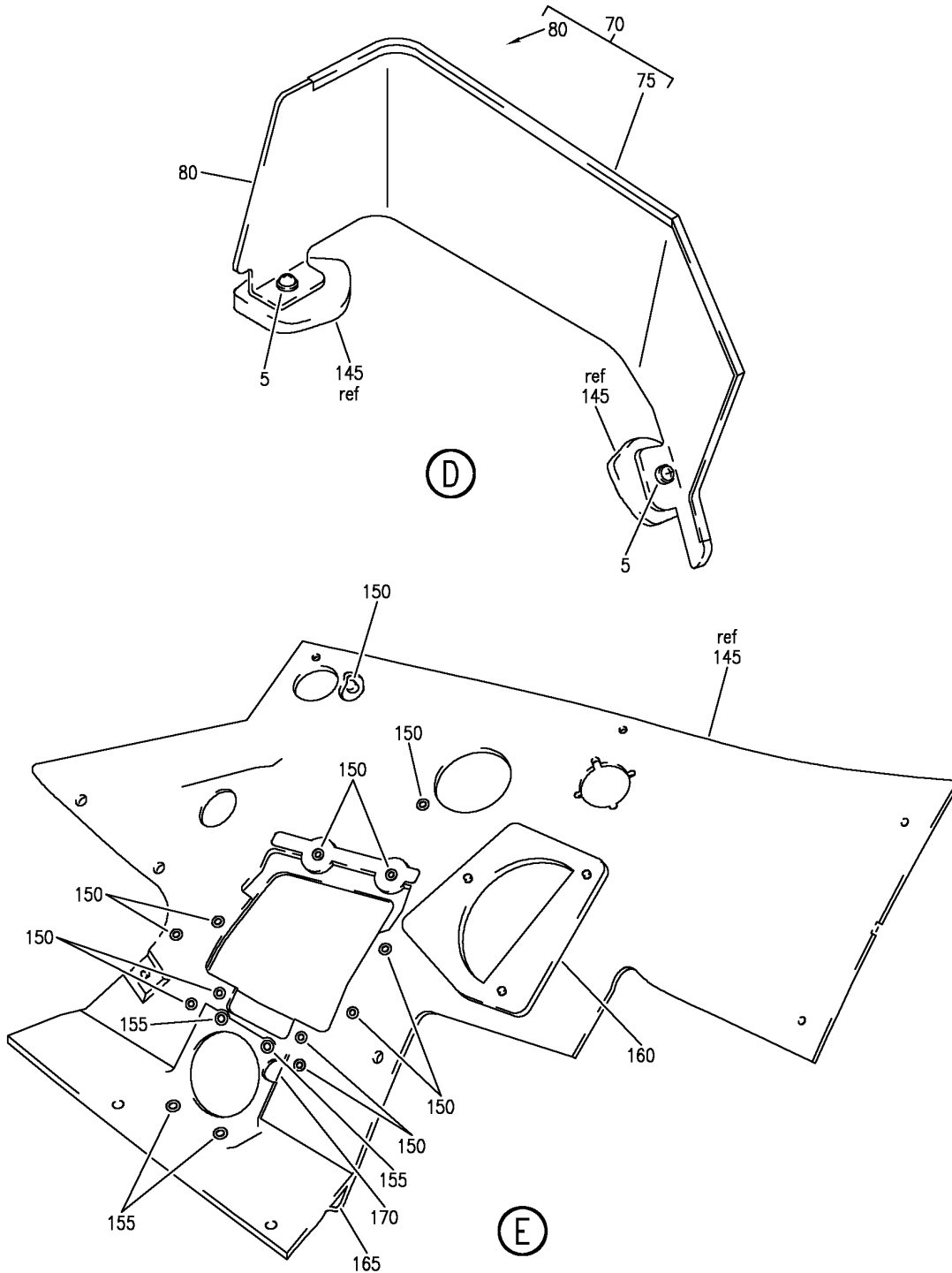
LINING ASSY-FWD LH CLG (EQUIPMENT/FURNISHINGS ONLY)
 FIGURE 5B (SHEET 2)

25-11-21-05B

HAP
 JUN 15/08

25-11-21-05B
 PAGE 0A

BOEING
 737-600/700/800/900
 PARTS CATALOG (MAINTENANCE)



E 25112105B SHT 3 REV 143

LINING ASSY-FWD LH CLG (EQUIPMENT/FURNISHINGS ONLY)
 FIGURE 5B (SHEET 3)

25-11-21-05B

HAP
 JUN 15/08

25-11-21-05B
 PAGE 0B

BOEING
737-600/700/800/900
PARTS CATALOG (MAINTENANCE)

FIG ITEM	PART NUMBER	1 2 3 4 5 6 7	NOMENCLATURE	EFFECT FROM TO	UNITS PER ASSY
5B			LINING ASSY-FWD LH CLG (EQUIPMENT/FURNISHINGS ONLY)	031200 968999	
- 1	232A1401-62		LINING ASSY-CLG (EQUIPMENT/FURNISHINGS ONLY) POSITION DATA: FWD LH FOR NHA/OTHER SYS DET SEE: 25-11-21-04	031200 968999	RF
5	BACS12FA3K4		.SCREW	031200 968999	11
10	NAS1149D0463J		.WASHER	031200 968999	2
15	232A1405-5		.STRAP ASSY-ESCAPE	031200 968999	2
20	MS20230WBP10		..GROMMET	031200 968999	1
25	MS20230GBP10		..GROMMET	031200 968999	1
30	232A1405-8		..TAPE-LOOP	031200 968999	1
35	232A1405-9		..TAPE-HOOK	031200 968999	1
40	232A1405-7		..STRAP	031200 968999	1
45	232A1405-6		..STRAP	031200 968999	1
50	232A1404-28		.BRACKET-GUARD	031200 968999	1
55	232A1404-23		.BRACKET ASSY	031200 968999	1
60	232A1404-25		..STRIP-STRIKE	031200 968999	1
65	232A1404-24		..BRACKET-STRIKE	031200 968999	1
70	232A1404-39		.BRACKET ASSY	031200 968999	1
75	BACG20ZB001900		..GROMMET	031200 968999	1
80	232A1404-40		..BRACKET	031200 968999	1
85	232A1415-8		.DOOR ASSY-ESCAPE (EQUIPMENT/FURNISHINGS ONLY) FUNCTIONAL REFERENCE: PLACARDS AND MARKINGS FOR DETAILS SEE 11-30-00-63	031200 968999	1

MISSING ITEM NUMBERS NOT APPLICABLE

- ITEM NOT ILLUSTRATED

HAP

25-11-21-05B

BOEING PROPRIETARY - Copyright © - Unpublished Work - See title page for details.

25-11-21
FIG. 05B
PAGE 1
OCT 15/08

BOEING
737-600/700/800/900
PARTS CATALOG (MAINTENANCE)

FIG ITEM	PART NUMBER	1 2 3 4 5 6 7	NOMENCLATURE	EFFECT FROM TO	UNITS PER ASSY
5B					
90	232A1415-9	..	HINGE ASSY	031200 968999	1
			ATTACHING PARTS		
- 95	BACR15BA4ADC	..	RIVET-	031200 968999	4
			SIZE DETERMINED ON INSTL.		
- 100	232A1415-12	..	SPACER	031200 968999	1
			-----*-----		
105	MS20253P2-75	...	PIN	031200 968999	3
110	232A1415-10	...	HINGE-HALF	031200 968999	1
115	232A1415-11	...	HINGE-HALF	031200 968999	1
120	A3-50-925-12	..	LATCH-	031200 968999	1
			SUPPLIER CODE: V94222		
125	232A1403-14	..	DOOR	031200 968999	1
130	BACS38K1A	.	STRAP	031200 968999	1
135	232A1401-27	.	TUBE-DRAIN	031200 968999	1
140	232A1401-35	.	TAPE-HOOK	031200 968999	1
145	232A1402-16	.	PANEL ASSY	031200 968999	1
150	SL6224-3A	..	INSERT-BLIND	031200 968999	12
			SUPPLIER CODE: V97393		
155	SL6224-08A	..	INSERT-	031200 968999	4
			SUPPLIER CODE: V97393		
160	232A1402-9	..	COLLAR-FOAM	031200 968999	1
165	232A1402-7	..	FILLER	031200 968999	1
170	232A1402-17	..	FILLER	031200 968999	1
175	232A1401-13	.	SEAL	031200 968999	1
180	232A1401-15	.	SEAL	031200 968999	1
185	232A1401-42	.	SEAL	031200 968999	1
190	232A1401-43	.	SEAL	031200 968999	1
195	232A1401-44	.	SEAL	031200 968999	1

MISSING ITEM NUMBERS NOT APPLICABLE

- ITEM NOT ILLUSTRATED

HAP

25-11-21-05B

25-11-21
FIG. 05B
PAGE 2
OCT 15/08

BOEING PROPRIETARY - Copyright © - Unpublished Work - See title page for details.

BOEING
737-600/700/800/900
PARTS CATALOG (MAINTENANCE)

FIG ITEM	PART NUMBER	1 2 3 4 5 6 7	NOMENCLATURE	EFFECT FROM TO	UNITS PER ASSY
5B					
200	232A1401-45	.	SEAL	031200 968999	1
205	232A1401-46	.	SEAL	031200 968999	1
210	232A1401-46	.	SEAL	031200 968999	1
215	232A1401-47	.	SEAL	031200 968999	1
220	BACG20ZF001275	.	GROMMET	031200 968999	1
225	232A1401-9	.	FUNNEL	031200 968999	1

MISSING ITEM NUMBERS NOT APPLICABLE

— ITEM NOT ILLUSTRATED

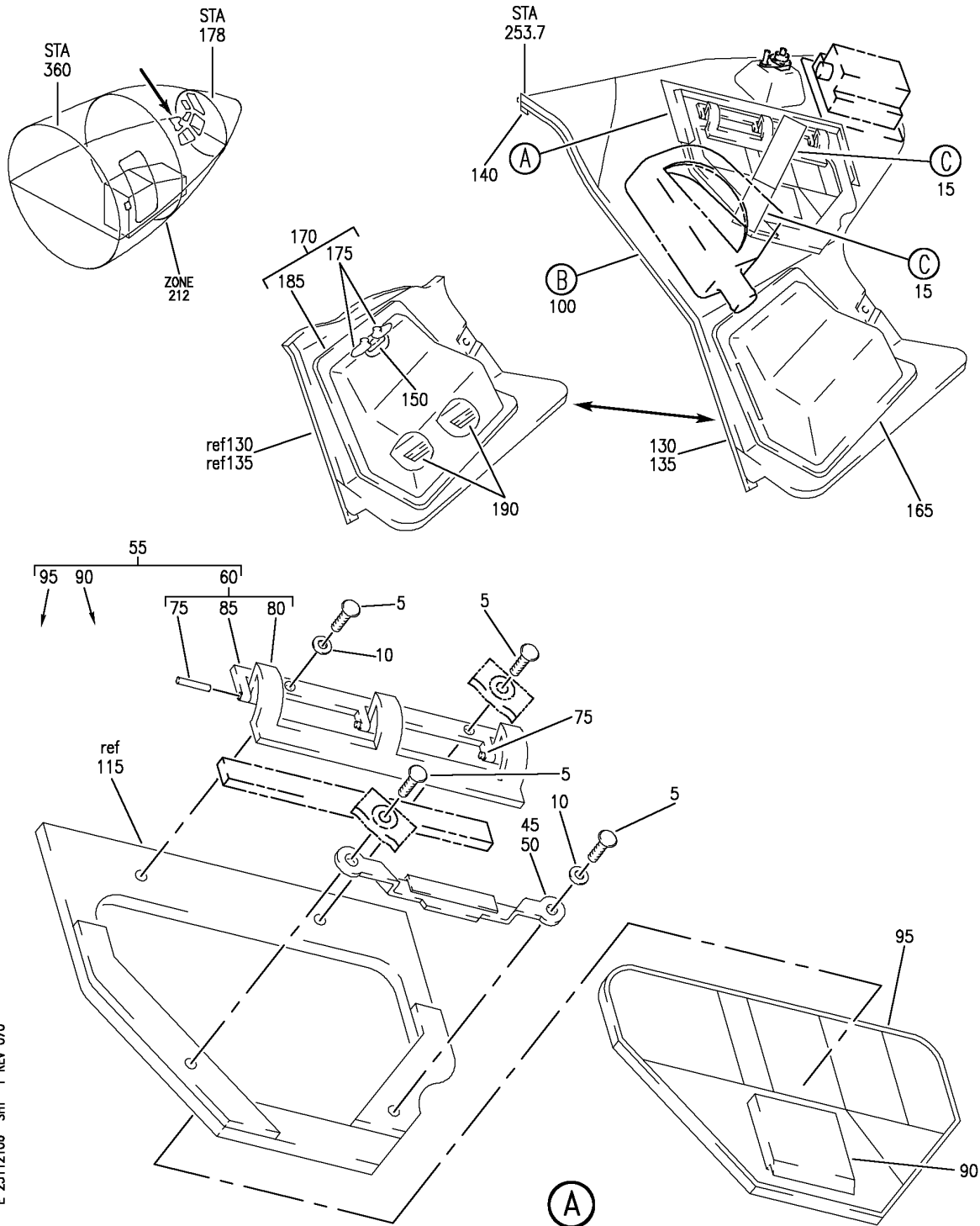
HAP

25-11-21-05B

BOEING PROPRIETARY - Copyright © - Unpublished Work - See title page for details.

25-11-21
FIG. 05B
PAGE 3
OCT 15/08

BOEING
 737-600/700/800/900
 PARTS CATALOG (MAINTENANCE)



E 25112106 SH1 1 REV 070

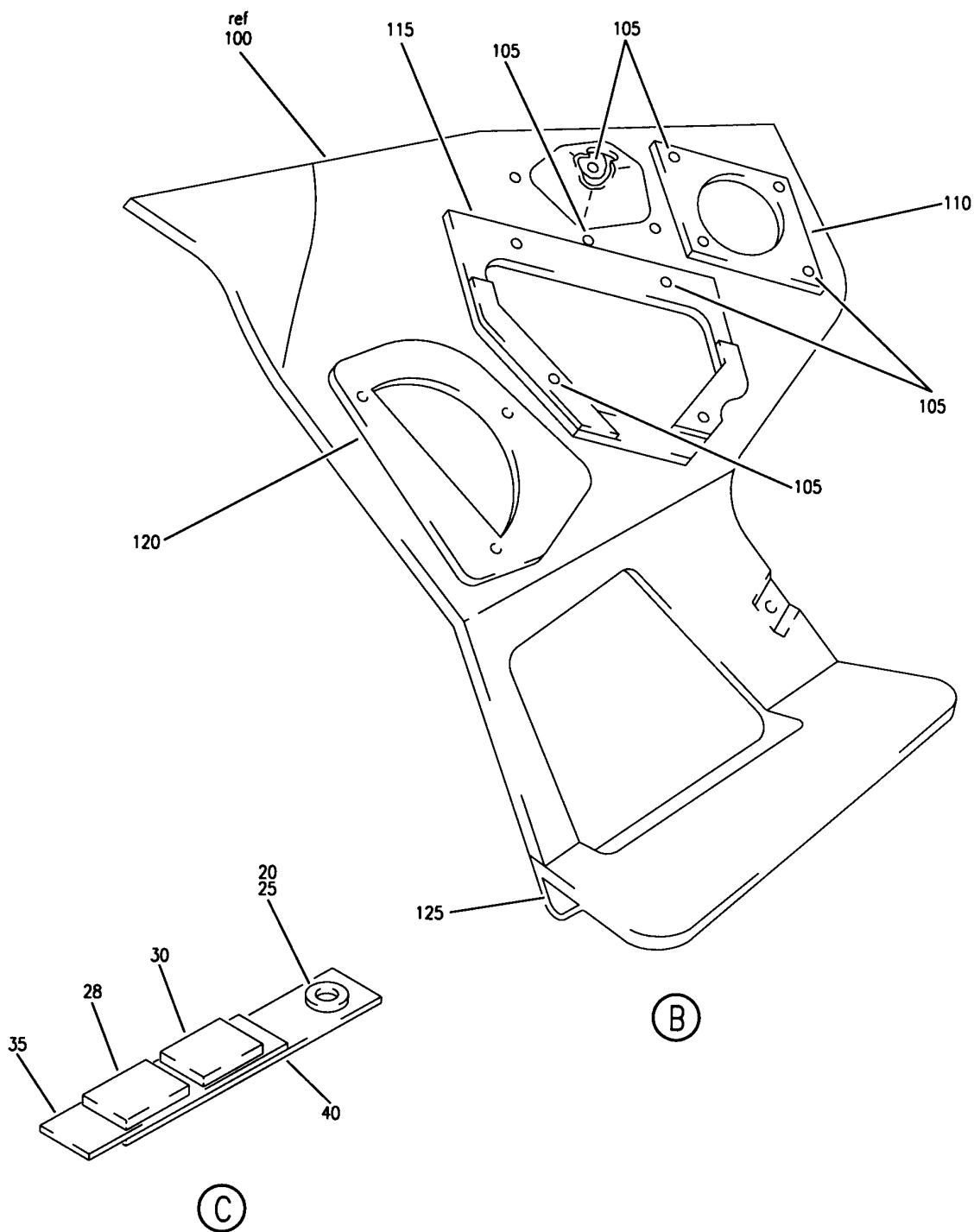
LINING ASSY-R FWD CLG (EQUIPMENT/FURNISHINGS ONLY)
 FIGURE 6 (SHEET 1)

25-11-21-06

HAP
 OCT 10/06

25-11-21-06
 PAGE 0

BOEING
 737-600/700/800/900
 PARTS CATALOG (MAINTENANCE)



E 25112106 SH1 2 REV 011

LINING ASSY-R FWD CLG (EQUIPMENT/FURNISHINGS ONLY)
 FIGURE 6 (SHEET 2)

25-11-21-06

HAP
 OCT 10/06

25-11-21-06
 PAGE 0A

BOEING
737-600/700/800/900
PARTS CATALOG (MAINTENANCE)

FIG ITEM	PART NUMBER	1 2 3 4 5 6 7	NOMENCLATURE	EFFECT FROM TO	UNITS PER ASSY
6			LINING ASSY-R FWD CLG (EQUIPMENT/FURNISHINGS ONLY)	031200 968999	
- 1	232A1401-63		LINING ASSY-CLG (EQUIPMENT/FURNISHINGS ONLY) POSITION DATA: R FWD FOR NHA/OTHER SYS DET SEE: 25-11-21-03	031200 968999	RF
5	BACS12FA3K4		.SCREW	031200 968999	4
10	NAS1149D0463J		.WASHER	031200 968999	2
15	232A1405-5		.STRAP ASSY-ESCAPE	031200 968999	2
20	MS20230WBP10		..GROMMET	031200 968999	1
25	MS20230GBP10		..GROMMET	031200 968999	1
28	232A1405-8		..TAPE-LOOP	031200 968999	1
30	232A1405-9		..TAPE-HOOK	031200 968999	1
35	232A1405-7		..STRAP-	031200 968999	1
40	232A1405-6		..STRAP-	031200 968999	1
45	232A1404-6		.BRACKET ASSY	031200 968999	1
50	232A1404-8		..BRACKET-STRIKE	031200 968999	1
55	232A1415-2		.DOOR ASSY-ESCAPE (EQUIPMENT/FURNISHINGS ONLY) FUNCTIONAL REFERENCE: PLACARDS AND MARKINGS FOR DETAILS SEE 11-30-00-63	031200 968999	1
60	232A1415-3		..HINGE ASSY	031200 968999	1
- 65	BACR15BA4ADC		ATTACHING PARTS ..RIVET-	031200 968999	4
- 70	232A1415-6		SIZE DETERMINED ON INSTL. ..SPACER	031200 968999	1
75	MS20253P2-75		-----*----- ...PIN	031200 968999	3

MISSING ITEM NUMBERS NOT APPLICABLE

- ITEM NOT ILLUSTRATED

HAP

25-11-21-06

BOEING PROPRIETARY - Copyright © - Unpublished Work - See title page for details.

25-11-21
FIG. 06
PAGE 1
OCT 15/08

BOEING
737-600/700/800/900
PARTS CATALOG (MAINTENANCE)

FIG ITEM	PART NUMBER	1 2 3 4 5 6 7	NOMENCLATURE	EFFECT FROM TO	UNITS PER ASSY
6					
80	232A1415-4	...	HINGE-HALF	031200 968999	1
85	232A1415-7	...	HINGE-HALF	031200 968999	1
90	A3-50-925-12	..	LATCH- SUPPLIER CODE: V94222	031200 968999	1
95	232A1403-2	..	DOOR	031200 968999	1
100	232A1402-15	.	PANEL ASSY-	031200 968999	1
105	SL6224-3A	..	INSERT-BLIND SUPPLIER CODE: V97393	031200 968999	12
110	232A1402-4	..	COLLAR-FOAM	031200 968999	1
115	232A1402-6	..	COLLAR-FOAM	031200 968999	1
120	232A1402-10	..	COLLAR-FOAM	031200 968999	1
125	232A1402-7	..	FILLER-FOAM	031200 968999	1
135	232A1401-34	.	TAPE-HOOK OPTIONAL PART: 232A1401-37	031200 968999	AR
135	232A1401-37	.	TAPE-HOOK OPTIONAL PART: 232A1401-34	031200 968999	AR
140	232A1401-32	.	TAPE-HOOK OPTIONAL PART: 232A1401-36	031200 968999	AR
140	232A1401-36	.	TAPE-HOOK OPTIONAL PART: 232A1401-32	031200 968999	AR
150	232A1404-19	.	BRACKET-STRIKE PLATE	031200 968999	1
			ATTACHING PARTS		
- 155	BACS12CK06-7	.	SCREW	031200 968999	2
- 160	NAS1149DN616J	.	WASHER	031200 968999	2
			-----*-----		
170	232A1403-10	.	SHROUD ASSY	031200 968999	1
175	BACN10KB06	..	NUTPLATE	031200 968999	2

MISSING ITEM NUMBERS NOT APPLICABLE

- ITEM NOT ILLUSTRATED

HAP

25-11-21-06

25-11-21
FIG. 06
PAGE 2
OCT 15/08

BOEING
737-600/700/800/900
PARTS CATALOG (MAINTENANCE)

FIG ITEM	PART NUMBER	1 2 3 4 5 6 7	NOMENCLATURE	EFFECT FROM TO	UNITS PER ASSY
6			ATTACHING PARTS		
- 180	BACR15BA3D5C		..RIVET	031200 968999	4
			-----*-----		
185	232A1403-11		..SHROUD- OPTIONAL PART: 232A1403-5	031200 968999	1
185	232A1403-5		..SHROUD- OPTIONAL PART: 232A1403-11	031200 968999	1
190	232A1404-20		.BRACKET	031200 968999	2

MISSING ITEM NUMBERS NOT APPLICABLE

- ITEM NOT ILLUSTRATED

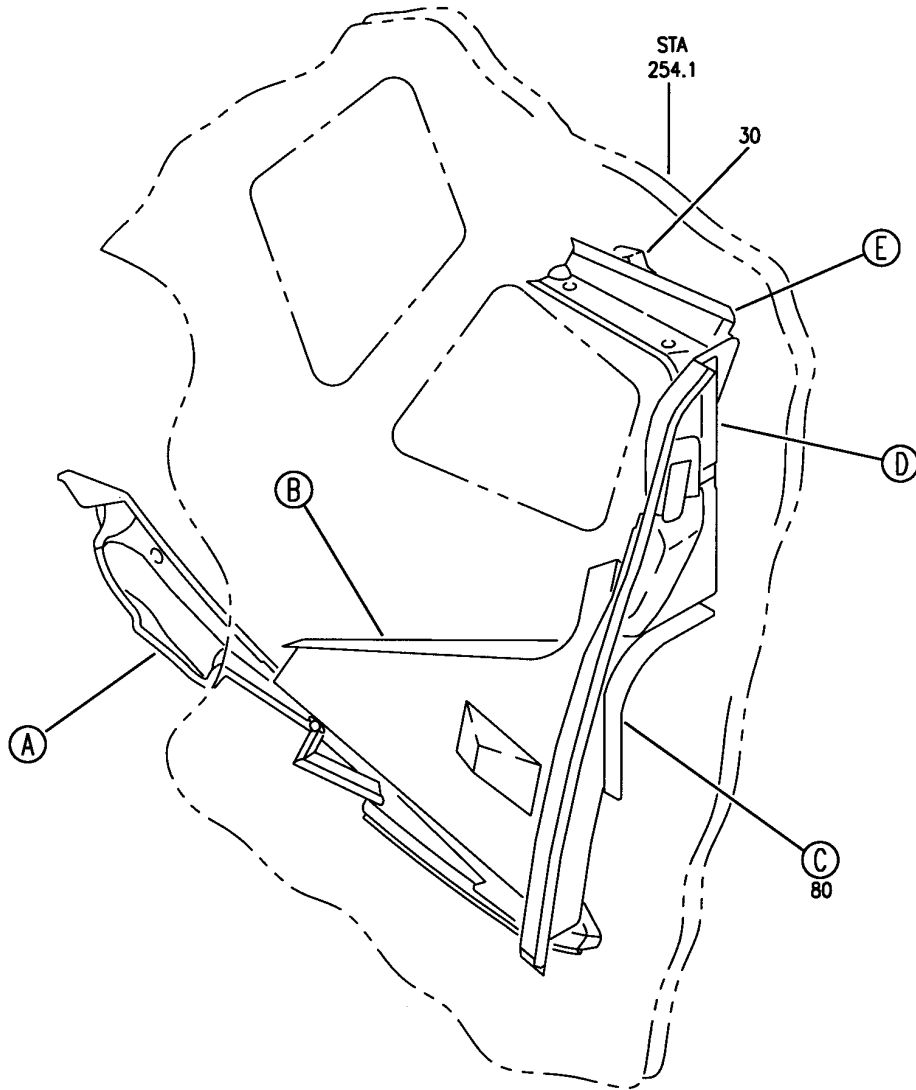
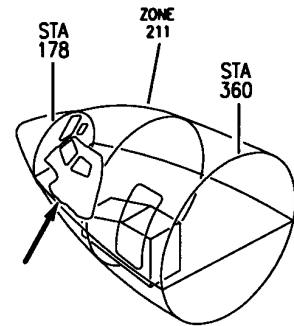
HAP

25-11-21-06

BOEING PROPRIETARY - Copyright © - Unpublished Work - See title page for details.

25-11-21
FIG. 06
PAGE 3
OCT 15/08

BOEING
737-600/700/800/900
PARTS CATALOG (MAINTENANCE)



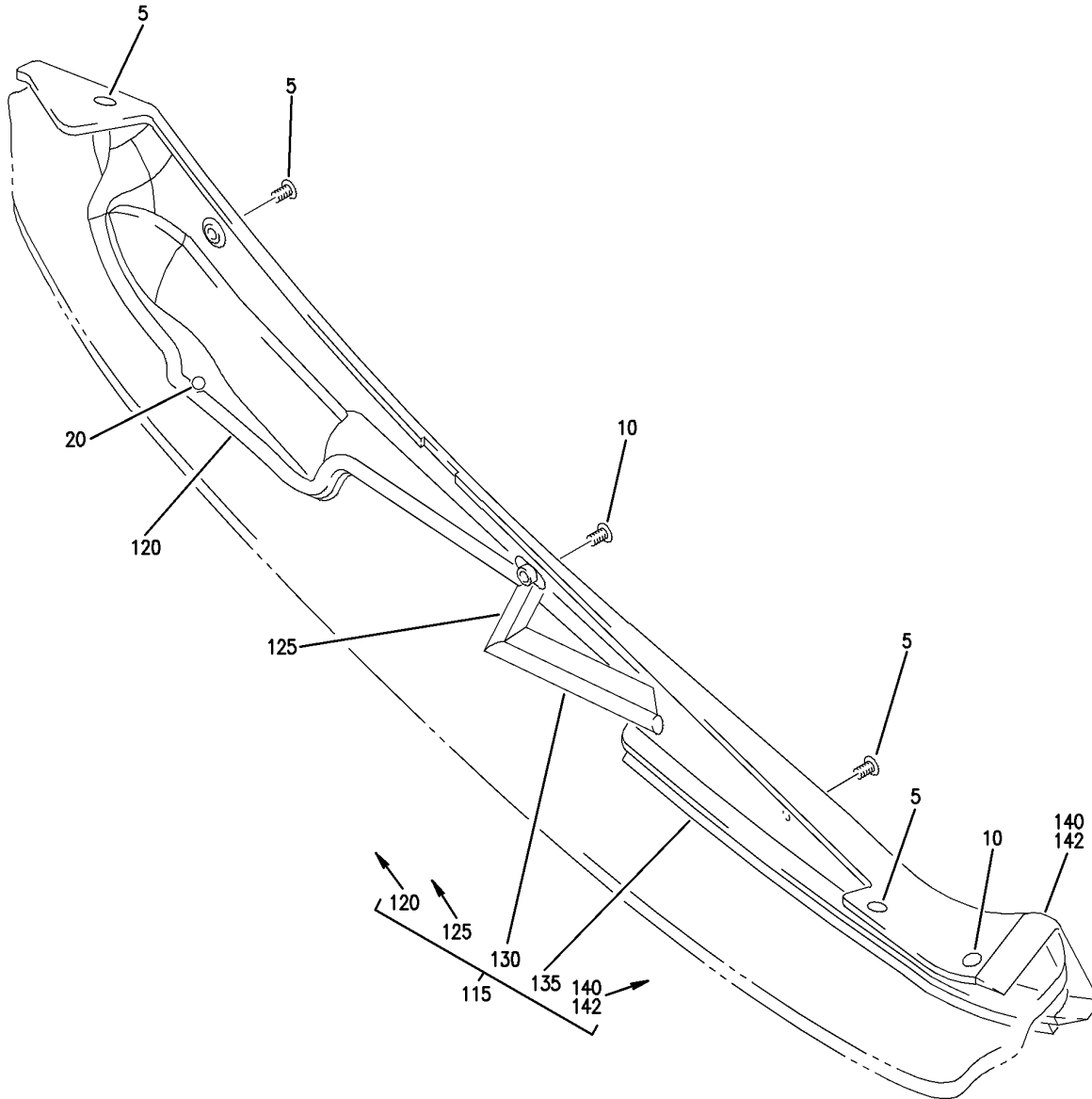
E 25112107 SHT 1 REV 024

LINING INSTL-NO. 3 WINDOW AREA AND WIRE SUPPORT INSTL (EQUIPMENT/ FURNISHINGS ONLY)
FIGURE 7 (SHEET 1)

HAP
OCT 10/06

25-11-21-07

25-11-21-07
PAGE 0



E 25112107 SH1 2 REV 049

(A)

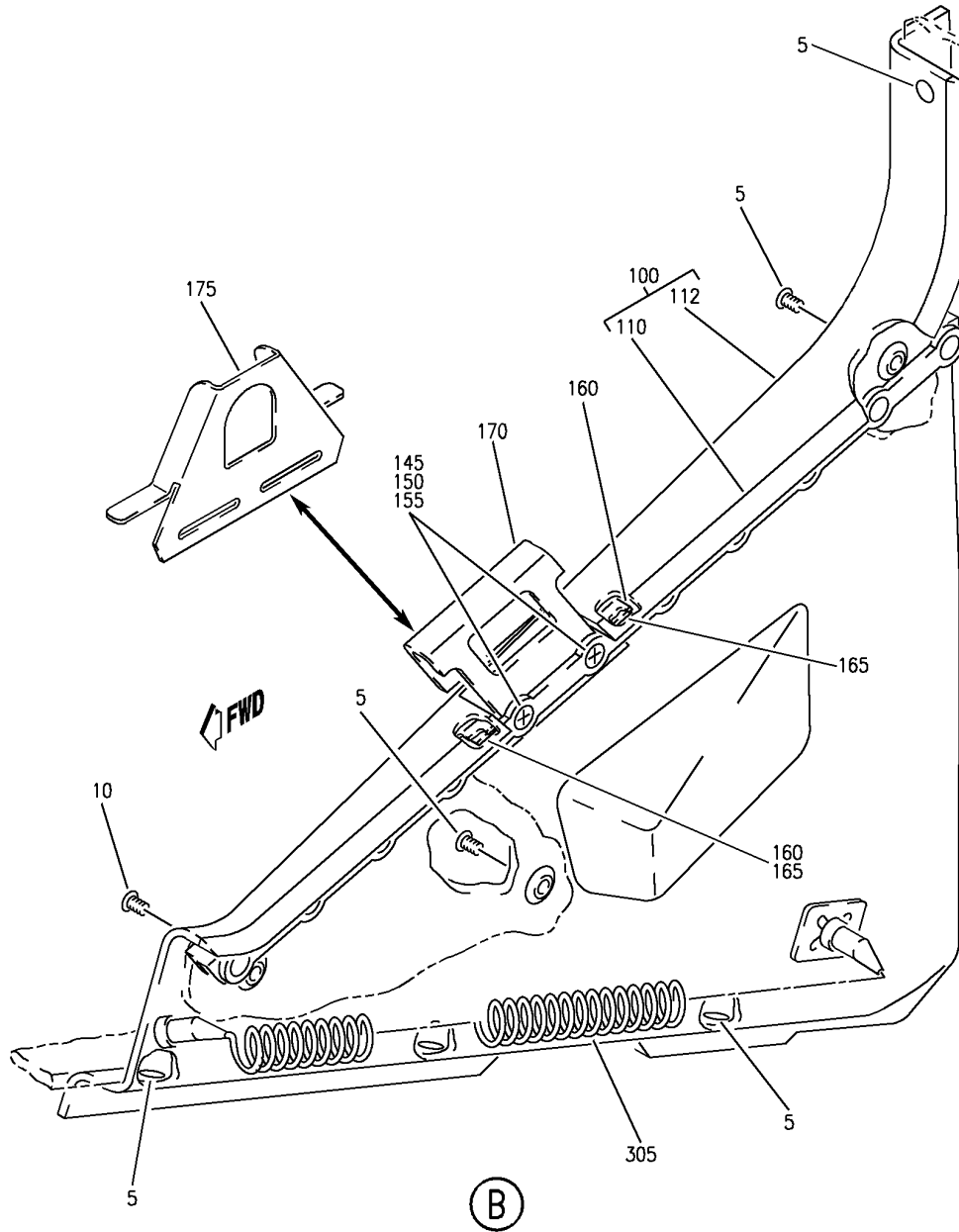
LINING INSTL-NO. 3 WINDOW AREA AND WIRE SUPPORT INSTL (EQUIPMENT/ FURNISHINGS ONLY)
 FIGURE 7 (SHEET 2)

HAP
 OCT 10/06

25-11-21-07

25-11-21-07
 PAGE 0A

BOEING
 737-600/700/800/900
 PARTS CATALOG (MAINTENANCE)



E 25112107 SHT 3 REV 120

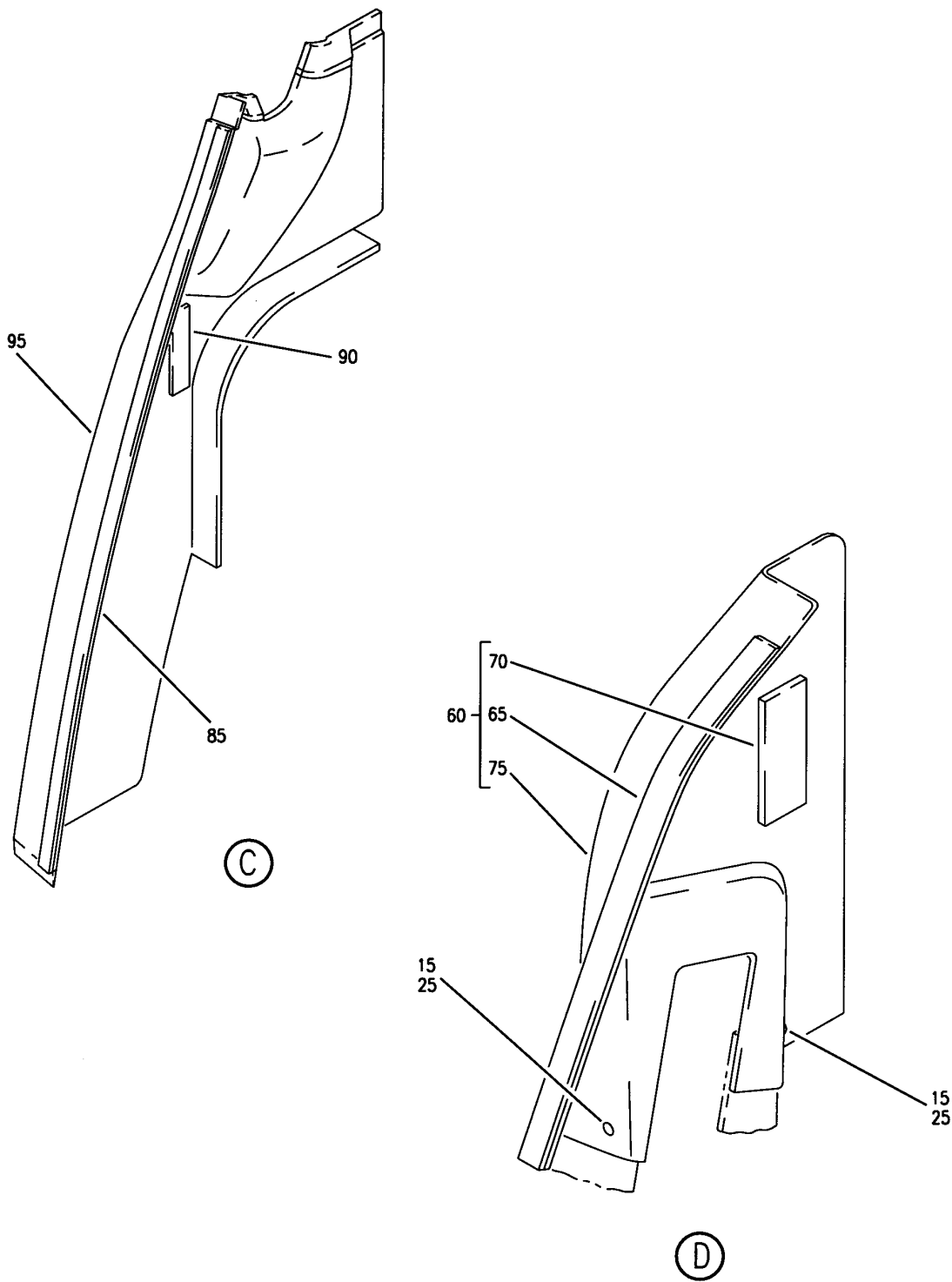
LINING INSTL-NO. 3 WINDOW AREA AND WIRE SUPPORT INSTL (EQUIPMENT/ FURNISHINGS ONLY)
 FIGURE 7 (SHEET 3)

25-11-21-07

HAP
 OCT 10/06

25-11-21-07
 PAGE 0B

BOEING
737-600/700/800/900
PARTS CATALOG (MAINTENANCE)



E 25112107 SHT 4 REV 024

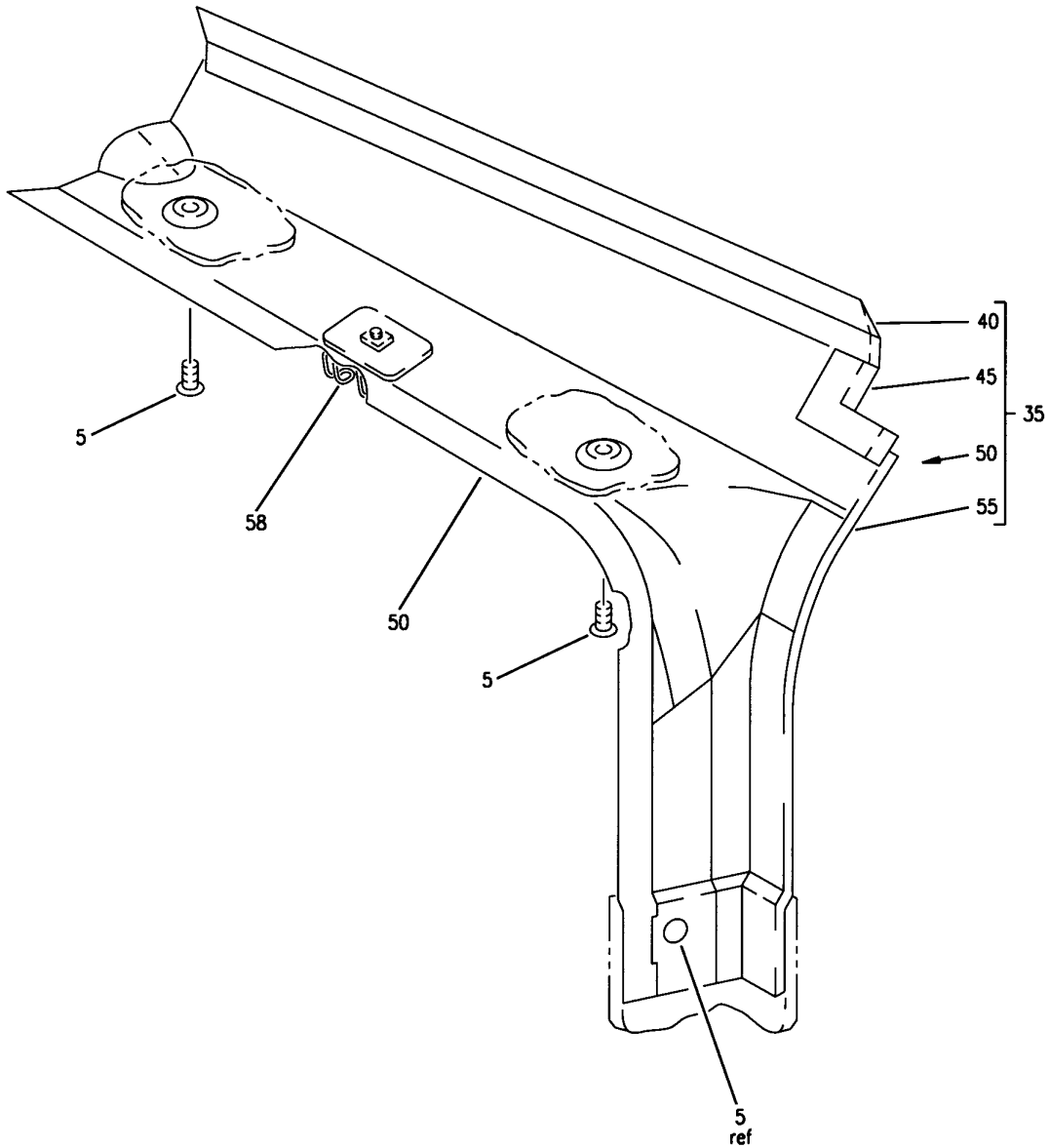
LINING INSTL-NO. 3 WINDOW AREA AND WIRE SUPPORT INSTL (EQUIPMENT/ FURNISHINGS ONLY)
FIGURE 7 (SHEET 4)

HAP
OCT 10/06

25-11-21-07

25-11-21-07
PAGE 0C

BOEING
 737-600/700/800/900
 PARTS CATALOG (MAINTENANCE)



E 25112107 SH1 5 REV 024

(E)

LINING INSTL-NO. 3 WINDOW AREA AND WIRE SUPPORT INSTL (EQUIPMENT/ FURNISHINGS ONLY)
 FIGURE 7 (SHEET 5)

HAP
 OCT 10/06

25-11-21-07

25-11-21-07
 PAGE 0D

BOEING
737-600/700/800/900
PARTS CATALOG (MAINTENANCE)

FIG ITEM	PART NUMBER	1 2 3 4 5 6 7	NOMENCLATURE	EFFECT FROM TO	UNITS PER ASSY
7			LINING INSTL-NO. 3 WINDOW AREA AND WIRE SUPPORT INSTL (EQUIPMENT/ FURNISHINGS ONLY)	031999	
- 1	232A1510-1		LINING INSTL-NO. 3 WINDOW AREA (EQUIPMENT/ FURNISHINGS ONLY) POSITION DATA: LH FOR NHA/OTHER SYS DET SEE: 25-10-00-05E	201967	RF
- 2	MODREF239924		LINING INSTL-NO. 3 WINDOW AREA (EQUIPMENT/ FURNISHINGS ONLY) MODULE NUMBER: 232A1510-33 REV B POSITION DATA: LH FOR OTHER SYS DETAILS SEE: 11-31-01-18	031200 968999	1
5	WHS10F6TPKL10GY		.SCREW-WASHER HEAD SUPPLIER CODE: V12324	031999	12
10	WHS10F8TPKL10GY		.SCREW-WASHER HEAD SUPPLIER CODE: V12324	031999	3
15	WHS10F6TPKL01BK		.SCREW-WASHER HEAD SUPPLIER CODE: V12324	031999	2
20	BCREF12303		.SCREW-WASHER HEAD SUPPLIER CODE: V12324 OVERLENGTH PART NUMBER: WHS10F10TPKL10GY	031999	1
25	130069		.NUT SUPPLIER CODE: V60119 SPECIFICATION NUMBER: BACN10FX16 OPTIONAL PART: A11330-6-3 V72962 A4972-6-02 V72962	031999	2
30	232A1515-9		.PAD ASSY-	031999	1
35	232A1512-1		.LINING ASSY- POSITION DATA: UPR	201967	1

MISSING ITEM NUMBERS NOT APPLICABLE

- ITEM NOT ILLUSTRATED

HAP

25-11-21-07

BOEING PROPRIETARY - Copyright © - Unpublished Work - See title page for details.

25-11-21
FIG. 07
PAGE 1
FEB 15/09

BOEING
737-600/700/800/900
PARTS CATALOG (MAINTENANCE)

FIG ITEM	PART NUMBER	1 2 3 4 5 6 7	NOMENCLATURE	EFFECT FROM TO	UNITS PER ASSY
7					
35	232A1512-7		.LINING ASSY- POSITION DATA: UPR	031200 968999	1
40	232A1524-9		..SEAL	031999	1
45	232A1524-10		..SEAL-BULB	031999	1
50	232A1524-7		..SEAL	031999	1
55	232A1521-3		..PANEL- POSITION DATA: LWR	201967	1
55	232A1521-17		..PANEL-	031200 968999	1
58	232W4568-11		..BRACKET	031200 968999	1
			ATTACHING PARTS		
- 59	FH10F7TPKL10GY		..SCREW- SUPPLIER CODE: V12324 OPTIONAL PART: BACS12ER3K8	031200 968999	1
- 59	BACS12ER3K8		..SCREW- OPTIONAL PART: FH10F7TPKL10GY V12324	031200 968999	1
			-----*-----		
60	232A1511-1		.CLOSURE ASSY-CB PNL POSITION DATA: UPR	031999	1
65	232A1511-3		..SEAL	031999	1
70	232A1511-2		..TAPE-LOOP	031999	1
75	232A1521-9		..PANEL	031999	1
80	232A1511-7		.CLOSURE ASSY-CB PNL POSITION DATA: LWR	031999	1
85	232A1511-9		..SEAL	031999	1
90	232A1511-2		..TAPE-LOOP	031999	2
95	232A1521-11		..PANEL	031999	1
100	232A1512-5		.LINING ASSY- POSITION DATA: LWR	201967	1
100	232A1512-19		.LINING ASSY- POSITION DATA: LWR	031200 968999	1
110	232A1524-11		..SEAL- OPTIONAL PART: 232A1512-13	201967	1
110	232A1512-13		..SEAL- OPTIONAL PART: 232A1524-11	031999	1
112	232A1521-5		..PANEL	201967	1

MISSING ITEM NUMBERS NOT APPLICABLE

- ITEM NOT ILLUSTRATED

HAP

25-11-21-07

25-11-21
FIG. 07
PAGE 2
FEB 15/09

BOEING
737-600/700/800/900
PARTS CATALOG (MAINTENANCE)

FIG ITEM	PART NUMBER	1 2 3 4 5 6 7	NOMENCLATURE	EFFECT FROM TO	UNITS PER ASSY
7					
112	232A1521-31	..	PANEL	031200 968999	1
115	232A1514-1	.COVER ASSY-	PRE ALERT SB: 53A1222R1	201967	1
115	232A1514-5	.COVER ASSY-	POST ALERT SB: 53A1222R1	031999	1
120	232A1514-3	..	SEAL	031999	1
125	232A1524-5	..	SEAL-BULB	031999	1
130	232A1524-3	..	SEAL-BULB	031999	1
135	232A1514-4	..	SEAL	031999	1
140	232A1524-1	..	SEAL	031999	1
142	232A1521-1	..	TRACK-PNL POSITION DATA: LWR PRE ALERT SB: 53A1222R1	201967	1
142	232A1521-21	..	TRACK-PNL POSITION DATA: LWR OPTIONAL PART: 232A1521-23 POST ALERT SB: 53A1222R1	031999	1
142	232A1521-23	..	TRACK-PNL POSITION DATA: LWR OPTIONAL PART: 232A1521-21	031999	1
145	BACB30NN3K18	.BOLT		031200 968999	2
150	BACW10P44AL	.WASHER		031200 968999	2
155	PLH53CD	.NUT SUPPLIER CODE: VF0224 SPECIFICATION NUMBER: BACN10YR3CD OPTIONAL PART: H52732-3CD V15653		031200 968999	2
160	232A1510-11	.TAPE-LOOP		031200 968999	2
165	232A1510-12	.TAPE-HOOK		031200 968999	2
175	232A1526-23	.PLATE ASSY-		031200 968999	1

MISSING ITEM NUMBERS NOT APPLICABLE

— ITEM NOT ILLUSTRATED

HAP

25-11-21-07

BOEING PROPRIETARY - Copyright © - Unpublished Work - See title page for details.

25-11-21
FIG. 07
PAGE 3
FEB 15/09

BOEING
737-600/700/800/900
PARTS CATALOG (MAINTENANCE)

FIG ITEM	PART NUMBER	1 2 3 4 5 6 7	NOMENCLATURE	EFFECT FROM TO	UNITS PER ASSY
7					
- 300	MODREF300586		SUPPORT INSTL-WIRE MODULE NUMBER: 287A4102-3 REV B	037200 968999	1
305	ABC57021		.CABLE ASSY- SUPPLIER CODE: V06324 SPECIFICATION NUMBER: S280A100-1 ELECTRICAL EQUIP NUMBER: M02675	037200 968999	1

MISSING ITEM NUMBERS NOT APPLICABLE

- ITEM NOT ILLUSTRATED

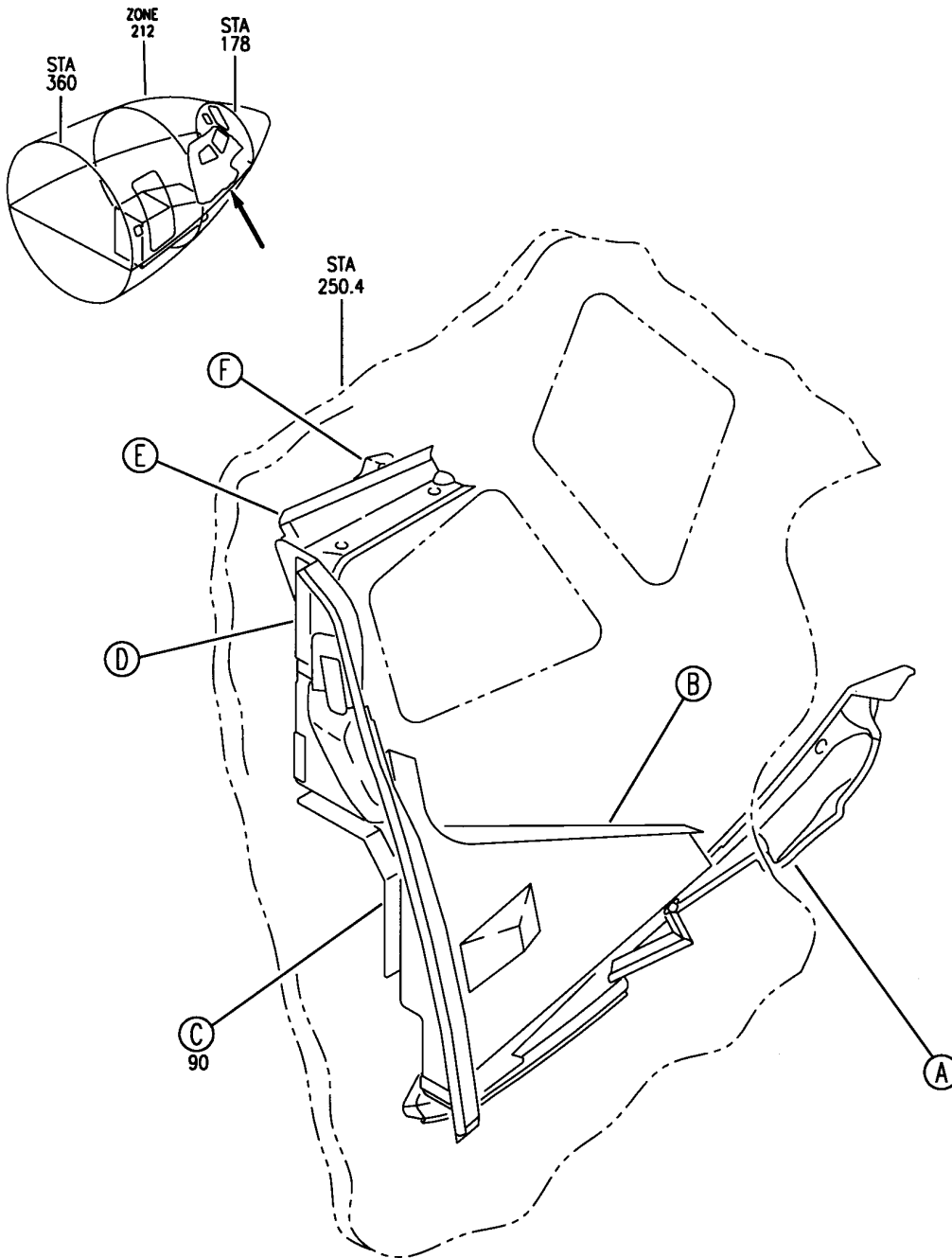
HAP

25-11-21-07

BOEING PROPRIETARY - Copyright © - Unpublished Work - See title page for details.

25-11-21
FIG. 07
PAGE 4
FEB 15/09

BOEING
737-600/700/800/900
PARTS CATALOG (MAINTENANCE)



E 25112108 SHT 1 REV 002

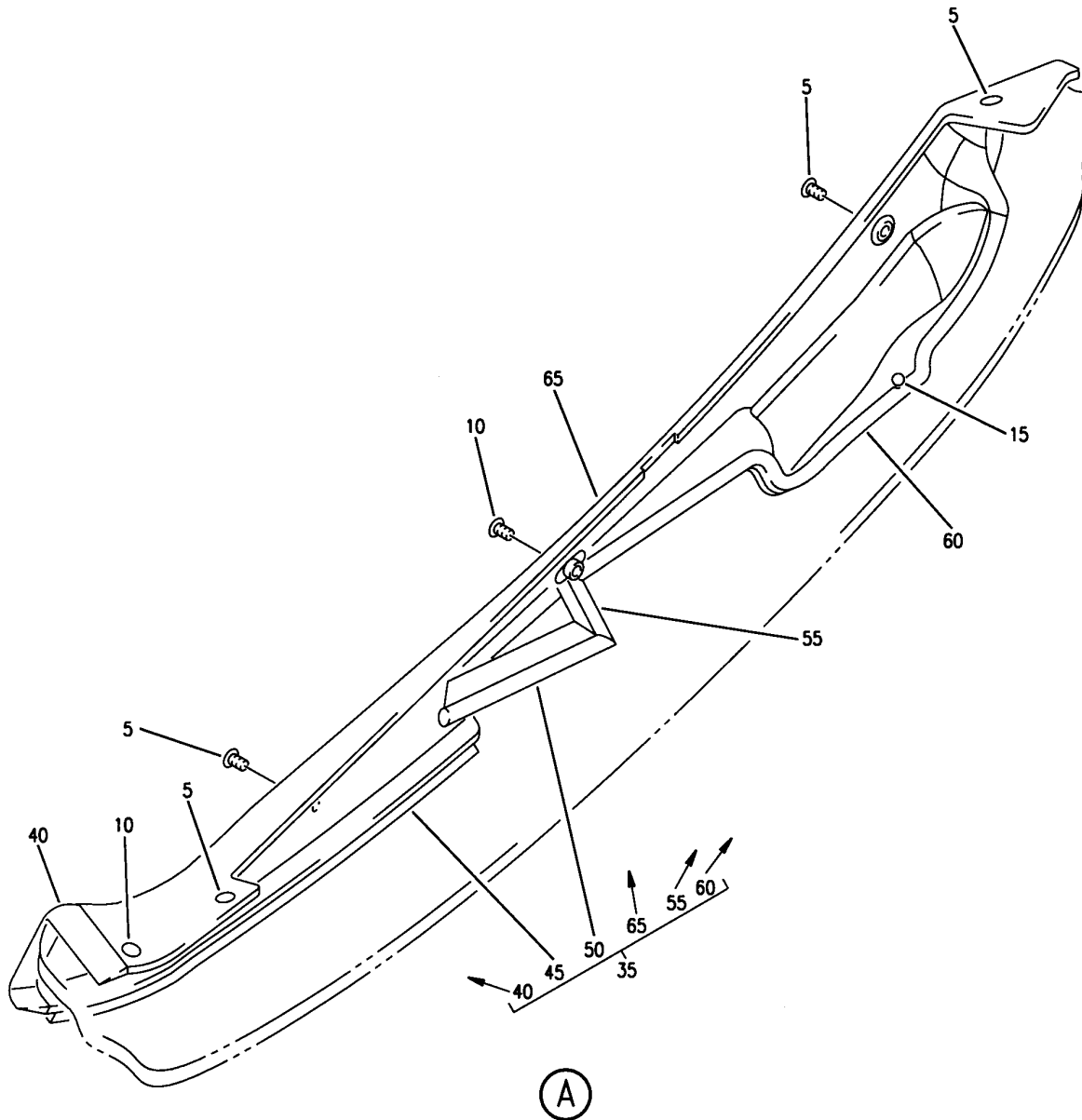
LINING INSTL-NO. 3 WINDOW AREA AND WIRE SUPPORT INSTL (EQUIPMENT/ FURNISHINGS ONLY)
FIGURE 8 (SHEET 1)

HAP
OCT 10/06

25-11-21-08

25-11-21-08
PAGE 0

BOEING
 737-600/700/800/900
 PARTS CATALOG (MAINTENANCE)



E 25112108 SH 2 REV 002

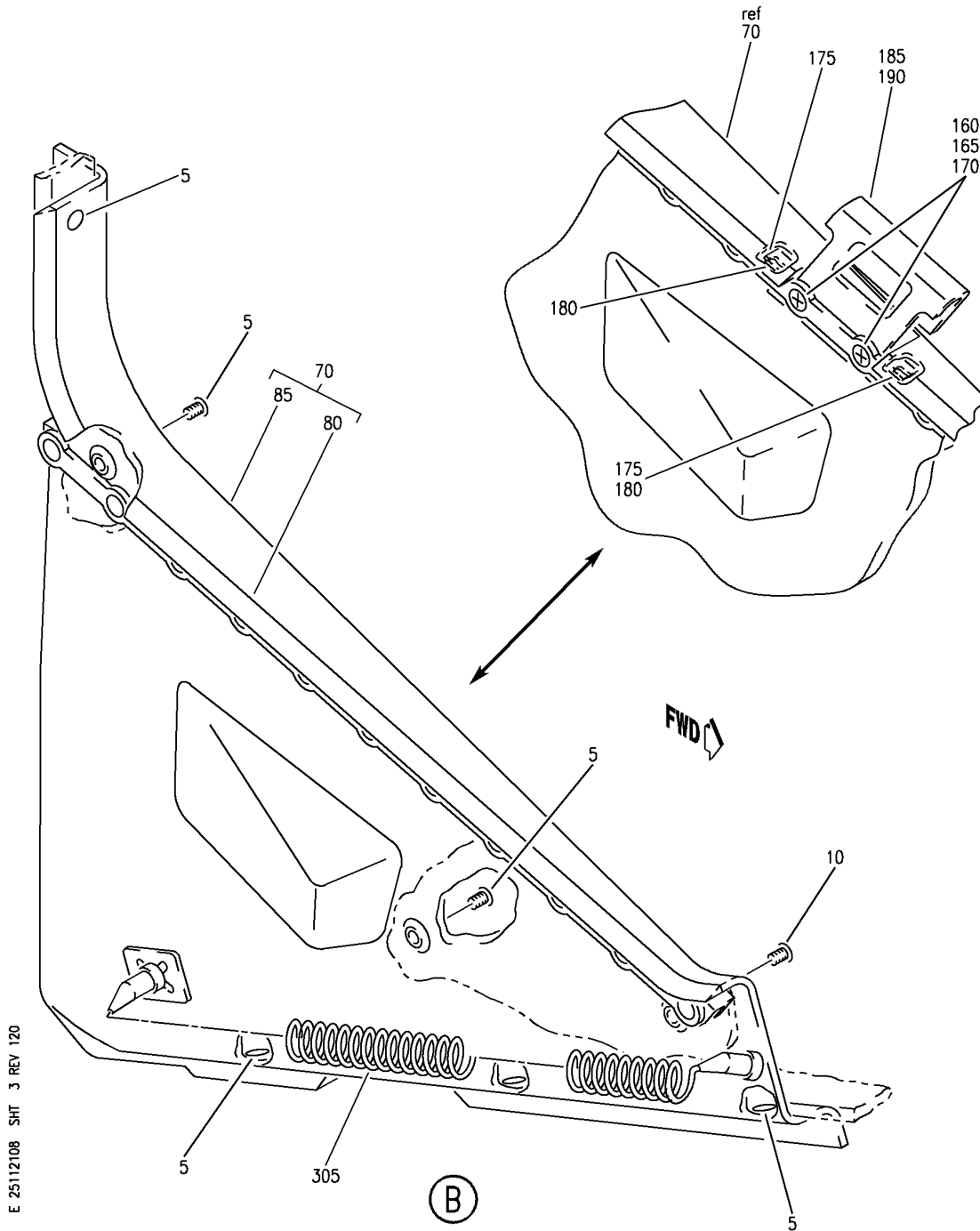
LINING INSTL-NO. 3 WINDOW AREA AND WIRE SUPPORT INSTL (EQUIPMENT/ FURNISHINGS ONLY)
 FIGURE 8 (SHEET 2)

HAP
 OCT 10/06

25-11-21-08

25-11-21-08
 PAGE 0A

BOEING
 737-600/700/800/900
 PARTS CATALOG (MAINTENANCE)



E 25112108 SHT 3 REV 120

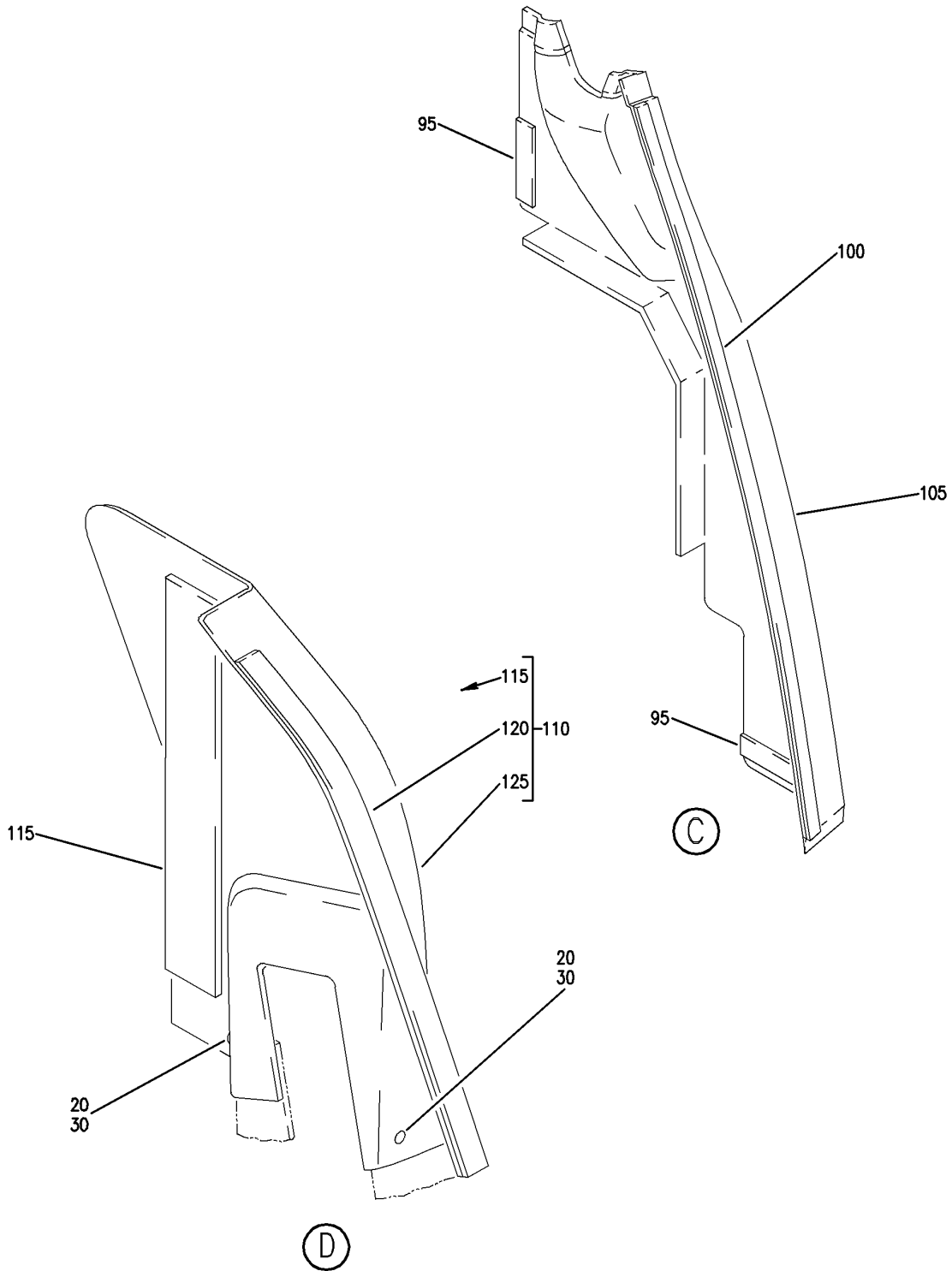
LINING INSTL-NO. 3 WINDOW AREA AND WIRE SUPPORT INSTL (EQUIPMENT/ FURNISHINGS ONLY)
 FIGURE 8 (SHEET 3)

25-11-21-08

HAP
 OCT 10/06

25-11-21-08
 PAGE 08

BOEING
 737-600/700/800/900
 PARTS CATALOG (MAINTENANCE)



E 25112108 SHT 4 REV 049

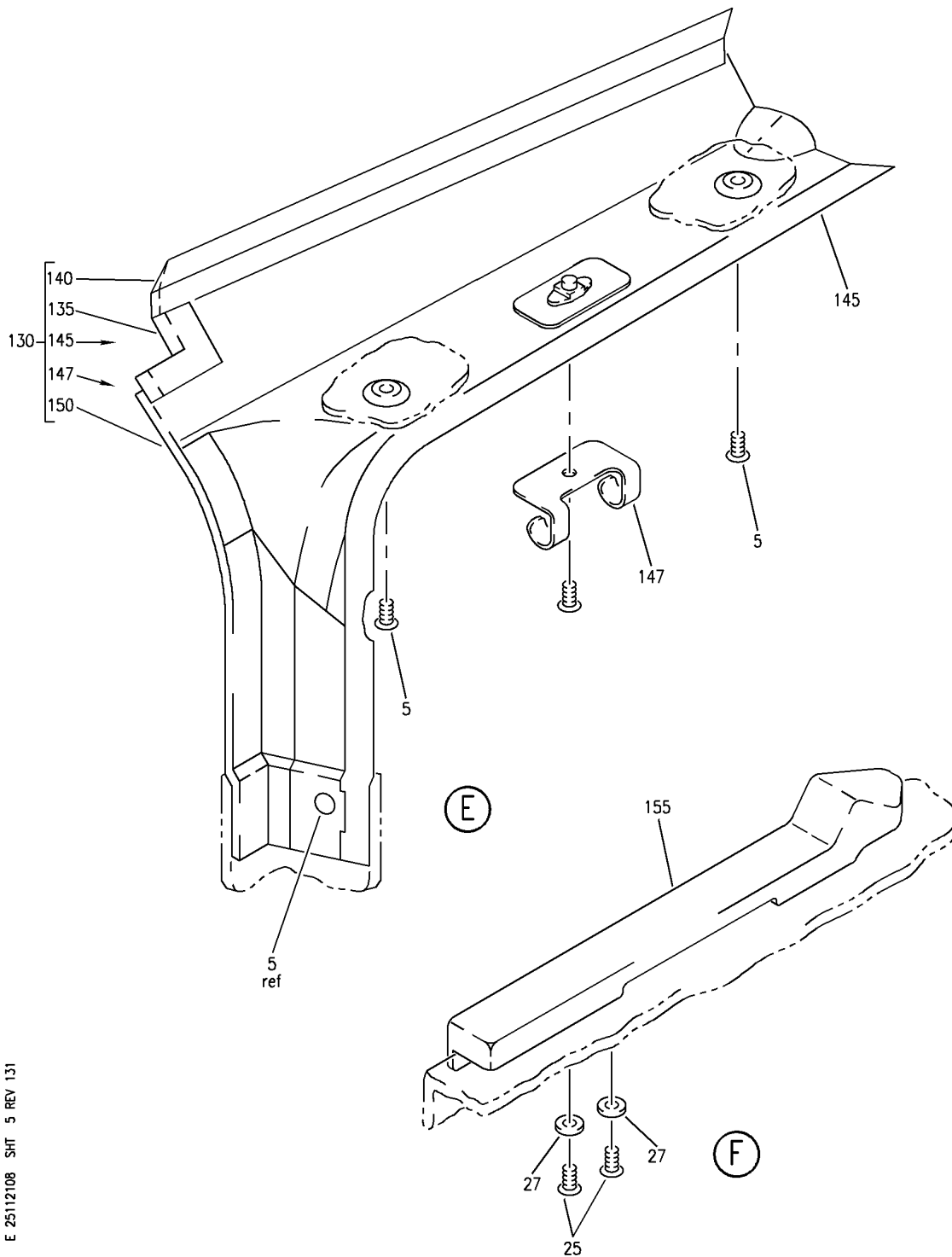
LINING INSTL-NO. 3 WINDOW AREA AND WIRE SUPPORT INSTL (EQUIPMENT/ FURNISHINGS ONLY)
 FIGURE 8 (SHEET 4)

25-11-21-08

HAP
 OCT 10/06

25-11-21-08
 PAGE 0C

BOEING
 737-600/700/800/900
 PARTS CATALOG (MAINTENANCE)



E 25112108 SHT 5 REV 131

LINING INSTL-NO. 3 WINDOW AREA AND WIRE SUPPORT INSTL (EQUIPMENT/ FURNISHINGS ONLY)
 FIGURE 8 (SHEET 5)

HAP
 JUN 10/07

25-11-21-08

25-11-21-08
 PAGE 0D

BOEING
737-600/700/800/900
PARTS CATALOG (MAINTENANCE)

FIG ITEM	PART NUMBER	1 2 3 4 5 6 7	NOMENCLATURE	EFFECT FROM TO	UNITS PER ASSY
8			LINING INSTL-NO. 3 WINDOW AREA AND WIRE SUPPORT INSTL (EQUIPMENT/ FURNISHINGS ONLY)	031999	
- 1	232A1510-2		LINING INSTL-NO. 3 WINDOW AREA (EQUIPMENT/ FURNISHINGS ONLY) POSITION DATA: RH FOR NHA/OTHER SYS DET SEE: 25-10-00-05E	201967	RF
- 2	MODREF239925		LINING INSTL-NO. 3 WINDOW AREA (EQUIPMENT/ FURNISHINGS ONLY) MODULE NUMBER: 232A1510-34 REV B POSITION DATA: RH FOR OTHER SYS DETAILS SEE: 11-31-01-18	031200 968999	1
5	WHS10F6TPKL10GY		.SCREW-WASHER HEAD SUPPLIER CODE: V12324	031999	12
10	WHS10F8TPKL10GY		.SCREW-WASHER HEAD SUPPLIER CODE: V12324	031999	3
15	BCREF12303		.SCREW-WASHER HEAD SUPPLIER CODE: V12324 OVERLENGTH PART NUMBER: WHS10F10TPKL10GY	031999	1
20	WHS10F6TPKL01BK		.SCREW-WASHER HEAD SUPPLIER CODE: V12324	031999	2
25	BACS12ER06K6		.SCREW	031999	2
27	BACW10P295L		.WASHER	031999	2
30	130069		.NUT SUPPLIER CODE: V60119 SPECIFICATION NUMBER: BACN10FX16 OPTIONAL PART: A11330-6-3 V72962 A4972-6-02 V72962	031999	2
35	232A1514-2		.COVER ASSY- PRE ALERT SB: 53A1222R1	201967	1

MISSING ITEM NUMBERS NOT APPLICABLE

- ITEM NOT ILLUSTRATED

HAP

25-11-21-08

BOEING PROPRIETARY - Copyright © - Unpublished Work - See title page for details.

25-11-21
FIG. 08
PAGE 1
FEB 15/09

BOEING
737-600/700/800/900
PARTS CATALOG (MAINTENANCE)

FIG ITEM	PART NUMBER	1 2 3 4 5 6 7	NOMENCLATURE	EFFECT FROM TO	UNITS PER ASSY
8					
35	232A1514-6		.COVER ASSY- POST ALERT SB: 53A1222R1	031999	1
40	232A1524-2		..SEAL	031999	1
45	232A1514-4		..SEAL	031999	1
50	232A1524-4		..SEAL-BULB	031999	1
55	232A1524-6		..SEAL-BULB	031999	1
60	232A1514-3		..SEAL	031999	1
65	232A1521-2		..TRACK-PNL POSITION DATA: LWR PRE ALERT SB: 53A1222R1	201967	1
65	232A1521-22		..TRACK-PNL POSITION DATA: LWR	031999	1
			OPTIONAL PART: 232A1521-24 POST ALERT SB: 53A1222R1		
65	232A1521-24		..TRACK-PNL POSITION DATA: LWR	031999	1
			OPTIONAL PART: 232A1521-22		
70	232A1512-6		.LINING ASSY- POSITION DATA: LWR	201967	1
70	232A1512-20		.LINING ASSY- POSITION DATA: LWR	031200 968999	1
80	232A1524-12		..SEAL- OPTIONAL PART: 232A1512-13	201967	1
80	232A1512-13		..SEAL- OPTIONAL PART: 232A1524-12	031999	1
85	232A1521-6		..PANEL-	201967	1
85	232A1521-32		..PANEL-	031200 968999	1
90	232A1511-10		.CLOSURE ASSY- POSITION DATA: LWR	031999	1
95	232A1511-11		..TAPE-LOOP	031999	2
100	232A1511-12		..SEAL	031999	1
105	232A1521-12		..PANEL	031999	1
110	232A1511-4		.CLOSURE ASSY-CB PNL POSITION DATA: UPR	031999	1

MISSING ITEM NUMBERS NOT APPLICABLE

— ITEM NOT ILLUSTRATED

HAP

25-11-21-08

25-11-21
FIG. 08
PAGE 2
FEB 15/09

BOEING
737-600/700/800/900
PARTS CATALOG (MAINTENANCE)

FIG ITEM	PART NUMBER	1 2 3 4 5 6 7	NOMENCLATURE	EFFECT FROM TO	UNITS PER ASSY
8					
115	232A1511-5	..	TAPE-LOOP	031999	1
120	232A1511-6	..	SEAL	031999	1
125	232A1521-10	..	PANEL	031999	1
130	232A1512-2	.L	LINING ASSY- POSITION DATA: UPR	201967	1
130	232A1512-8	.L	LINING ASSY- POSITION DATA: UPR	031200 968999	1
135	232A1524-10	..	SEAL-BULB	031999	1
140	232A1524-9	..	SEAL	031999	1
145	232A1524-8	..	SEAL	031999	1
147	232W4568-11	..	BRACKET	031200 968999	1
			ATTACHING PARTS		
- 148	FH10F7TPKL10GY	..	SCREW- SUPPLIER CODE: V12324 OPTIONAL PART: BACS12ER3K8	031200 968999	1
- 148	BACS12ER3K8	..	SCREW- OPTIONAL PART: FH10F7TPKL10GY V12324 -----*-----	031200 968999	1
150	232A1521-4	..	PANEL-	201967	1
150	232A1521-18	..	PANEL-	031200 968999	1
155	232A1515-10	.P	PAD ASSY- POSITION DATA: RH SIDE	031999	1
160	BACB30NN3K18	.B	BOLT	031200 968999	2
165	BACW10P44AL	.W	WASHER	031200 968999	2
170	PLH53CD	.N	NUT SUPPLIER CODE: VF0224 SPECIFICATION NUMBER: BACN10YR3CD OPTIONAL PART: H52732-3CD V15653	031200 968999	2
175	232A1510-11	.T	TAPE-LOOP	031200 968999	2
180	232A1510-12	.T	TAPE-HOOK	031200 968999	2
190	232A1526-23	.P	PLATE ASSY-	031200 968999	1

MISSING ITEM NUMBERS NOT APPLICABLE

- ITEM NOT ILLUSTRATED

HAP

25-11-21-08

BOEING PROPRIETARY - Copyright © - Unpublished Work - See title page for details.

25-11-21
FIG. 08
PAGE 3
FEB 15/09

BOEING
737-600/700/800/900
PARTS CATALOG (MAINTENANCE)

FIG ITEM	PART NUMBER	1 2 3 4 5 6 7	NOMENCLATURE	EFFECT FROM TO	UNITS PER ASSY
8					
- 300	MODREF300586		SUPPORT INSTL-WIRE MODULE NUMBER: 287A4102-3 REV B	037200 968999	1
305	ABC57021		.CABLE ASSY- SUPPLIER CODE: V06324 SPECIFICATION NUMBER: S280A100-1 ELECTRICAL EQUIP NUMBER: M02675	037200 968999	1

MISSING ITEM NUMBERS NOT APPLICABLE

- ITEM NOT ILLUSTRATED

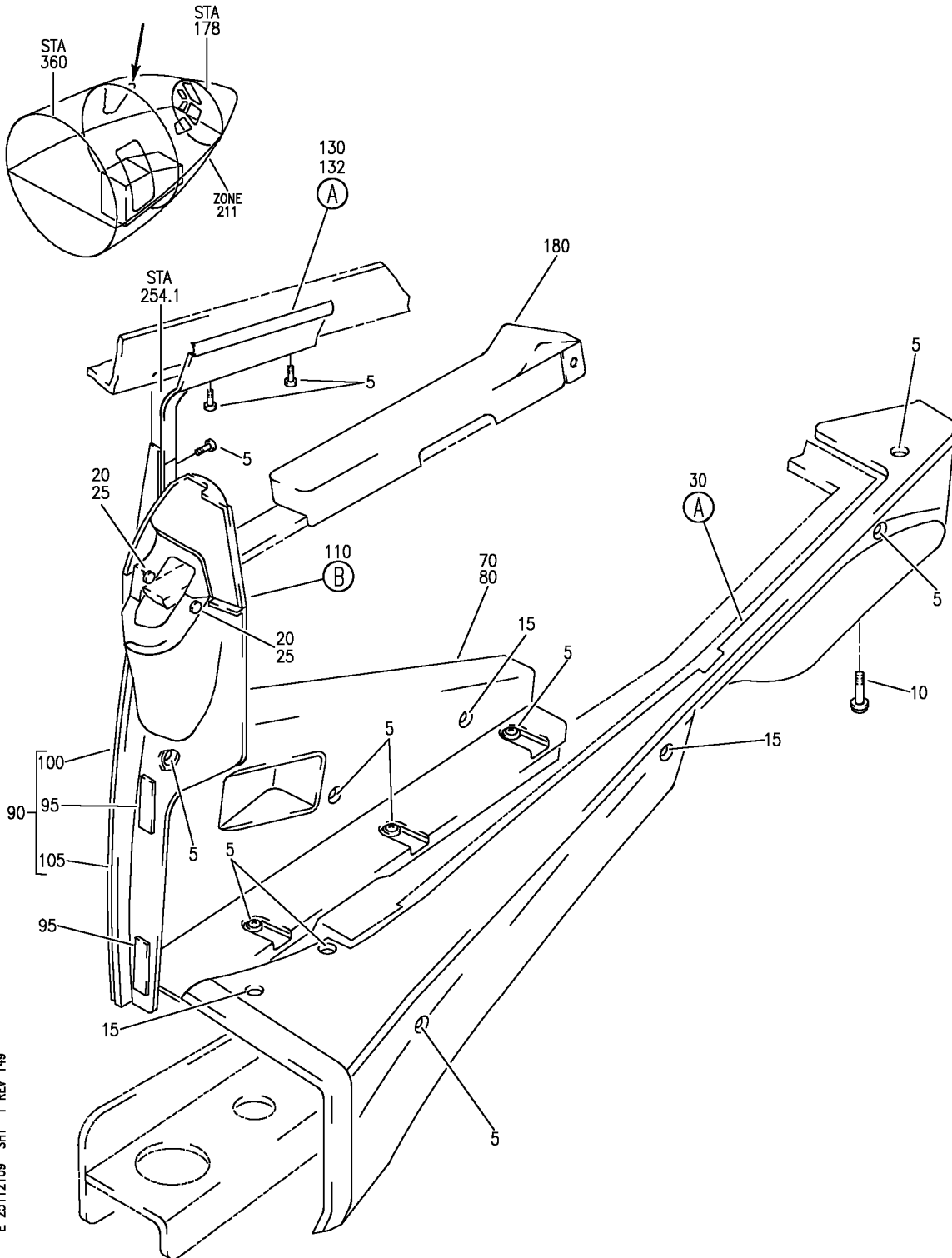
HAP

25-11-21-08

BOEING PROPRIETARY - Copyright © - Unpublished Work - See title page for details.

25-11-21
FIG. 08
PAGE 4
FEB 15/09

BOEING
 737-600/700/800/900
 PARTS CATALOG (MAINTENANCE)



E 25112109 SHT 1 REV 149

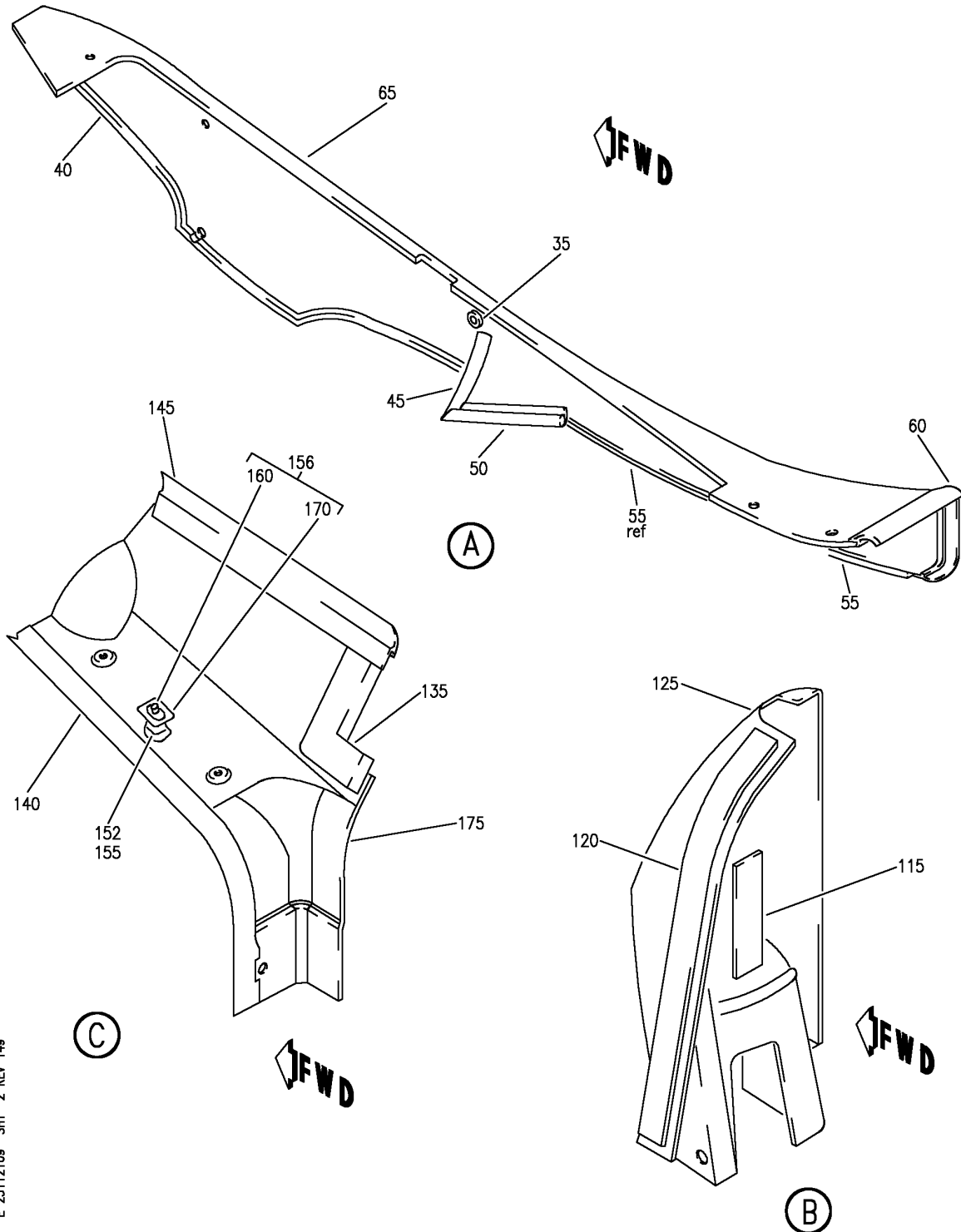
LINING INSTL-NO. 3 WINDOW AREA (EQUIPMENT/ FURNISHINGS ONLY)
 FIGURE 9 (SHEET 1)

25-11-21-09

HAP
 FEB 15/09

25-11-21-09
 PAGE 0

BOEING
 737-600/700/800/900
 PARTS CATALOG (MAINTENANCE)



E 25112109 SHT 2 REV 149

LINING INSTL-NO. 3 WINDOW AREA (EQUIPMENT/ FURNISHINGS ONLY)
 FIGURE 9 (SHEET 2)

25-11-21-09

HAP
 FEB 15/09

25-11-21-09
 PAGE 0A

BOEING
737-600/700/800/900
PARTS CATALOG (MAINTENANCE)

FIG ITEM	PART NUMBER	1 2 3 4 5 6 7	NOMENCLATURE	EFFECT FROM TO	UNITS PER ASSY
9			LINING INSTL-NO. 3 WINDOW AREA (EQUIPMENT/ FURNISHINGS ONLY)	001030	
- 1	232A1510-3		LINING INSTL-NO. 3 WINDOW AREA (EQUIPMENT/ FURNISHINGS ONLY) POSITION DATA: LH FOR NHA/OTHER SYS DET SEE: 25-10-00-05E	001019	RF
- 1	232A1510-15		LINING INSTL-NO. 3 WINDOW AREA (EQUIPMENT/ FURNISHINGS ONLY) POSITION DATA: LH FOR NHA/OTHER SYS DET SEE: 25-10-00-05E	020022	RF
- 1	232A1510-25		LINING INSTL-NO. 3 WINDOW AREA (EQUIPMENT/ FURNISHINGS ONLY) POSITION DATA: LH FOR NHA/OTHER SYS DET SEE: 25-10-00-05C	023030	RF
5	WHS10F6TPKL10GY		.SCREW-WASHER HEAD SUPPLIER CODE: V12324	001030	12
10	BCREF12303		.SCREW-WASHER HEAD SUPPLIER CODE: V12324 OVERLENGTH PART NUMBER: WHS10F10TPKL10GY	001030	1
15	WHS10F8TPKL10GY		.SCREW-WASHER HEAD SUPPLIER CODE: V12324	001030	3
20	WHS10F6TPKL01BK		.SCREW-WASHER HEAD SUPPLIER CODE: V12324	001030	2
25	130069		.NUT SUPPLIER CODE: V60119 SPECIFICATION NUMBER: BACN10FX16 OPTIONAL PART: A11330-6-3 V72962 A4972-6-02 V72962	001030	2

MISSING ITEM NUMBERS NOT APPLICABLE

- ITEM NOT ILLUSTRATED

HAP

25-11-21-09

BOEING PROPRIETARY - Copyright © - Unpublished Work - See title page for details.

25-11-21
FIG. 09
PAGE 1
FEB 15/09

BOEING
737-600/700/800/900
PARTS CATALOG (MAINTENANCE)

FIG ITEM	PART NUMBER	1 2 3 4 5 6 7	NOMENCLATURE	EFFECT FROM TO	UNITS PER ASSY
9					
30	232A1514-1		.COVER ASSY- PRE ALERT SB: 53A1222R1	001019	1
30	232A1514-5		.COVER ASSY- POST ALERT SB: 53A1222R1	001030	1
35	BACW10P296L		..WASHER	001019	1
35	BACW10P205L		..WASHER	001030	1
40	232A1514-3		..SEAL	001030	1
45	232A1524-5		..SEAL-BULB	001030	1
50	232A1524-3		..SEAL-BULB	001030	1
55	232A1514-4		..SEAL	001030	1
60	232A1524-1		..SEAL	001030	1
65	232A1521-1		..TRACK-PNL POSITION DATA: LWR PRE ALERT SB: 53A1222R1	001019	1
65	232A1521-21		..TRACK-PNL POSITION DATA: LWR OPTIONAL PART: 232A1521-23 POST ALERT SB: 53A1222R1	001030	1
65	232A1521-23		..TRACK-PNL POSITION DATA: LWR OPTIONAL PART: 232A1521-21	001030	1
70	232A1512-5		.LINING ASSY- POSITION DATA: LWR	001022	1
70	232A1512-15		.LINING ASSY- POSITION DATA: LWR	023030	1
80	232A1524-11		..SEAL- OPTIONAL PART: 232A1512-13	001022	1
80	232A1512-13		..SEAL- OPTIONAL PART: 232A1524-11	001030	1
90	232A1511-7		.CLOSURE ASSY-CB PNL POSITION DATA: LWR	001030	1
95	232A1511-2		..TAPE-LOOP	001030	2
100	232A1511-9		..SEAL	001030	1
105	232A1521-11		..PANEL	001030	1

MISSING ITEM NUMBERS NOT APPLICABLE

— ITEM NOT ILLUSTRATED

HAP

25-11-21-09

BOEING PROPRIETARY - Copyright © - Unpublished Work - See title page for details.

25-11-21
FIG. 09
PAGE 2
FEB 15/09

BOEING
737-600/700/800/900
PARTS CATALOG (MAINTENANCE)

FIG ITEM	PART NUMBER	1 2 3 4 5 6 7	NOMENCLATURE	EFFECT FROM TO	UNITS PER ASSY
9					
110	232A1511-1		.CLOSURE ASSY-CB PNL POSITION DATA: UPR	001030	1
115	232A1511-2		..TAPE-LOOP	001030	1
120	232A1511-3		..SEAL	001030	1
125	232A1521-9		..PANEL	001030	1
130	232A1512-1		.LINING ASSY- POSITION DATA: UPR	001030	1
135	232A1524-10		..SEAL	001030	1
140	232A1524-7		..SEAL	001030	1
145	232A1524-9		..SEAL	001030	1
175	232A1521-3		..PANEL	001030	1
180	232A1515-9		.PAD ASSY	001030	1

R
R

MISSING ITEM NUMBERS NOT APPLICABLE

- ITEM NOT ILLUSTRATED

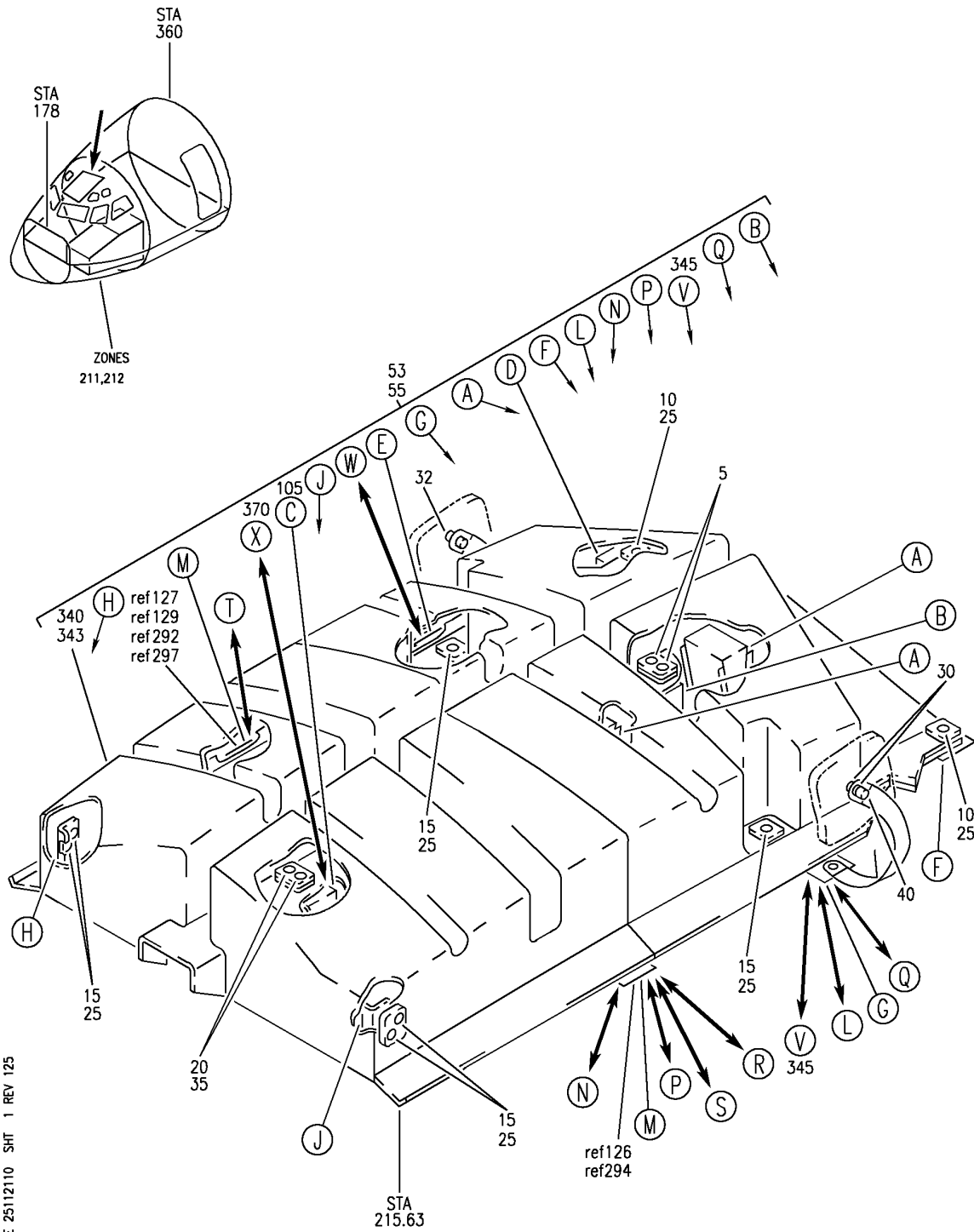
HAP

25-11-21-09

BOEING PROPRIETARY - Copyright © - Unpublished Work - See title page for details.

25-11-21
FIG. 09
PAGE 3
JUN 15/09

BOEING
 737-600/700/800/900
 PARTS CATALOG (MAINTENANCE)



E 25112110 SHT 1 REV 125

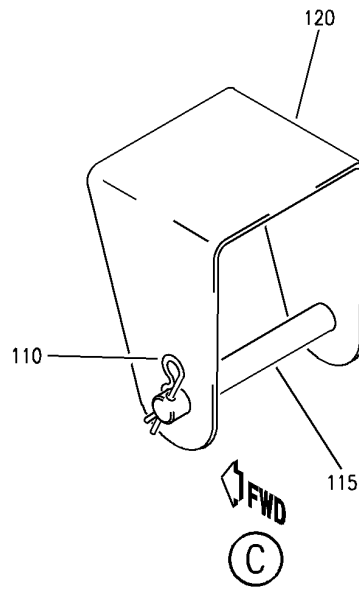
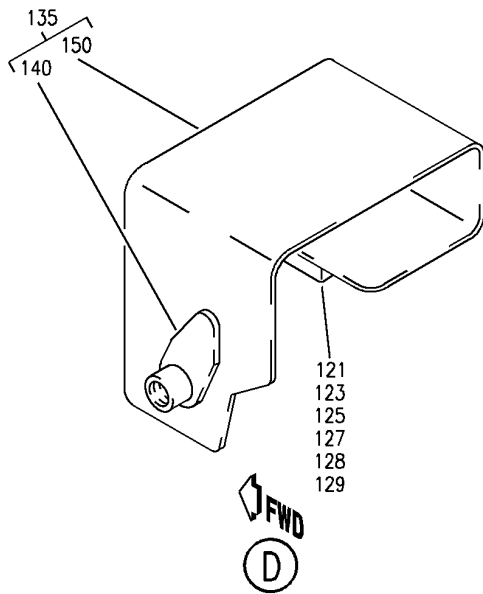
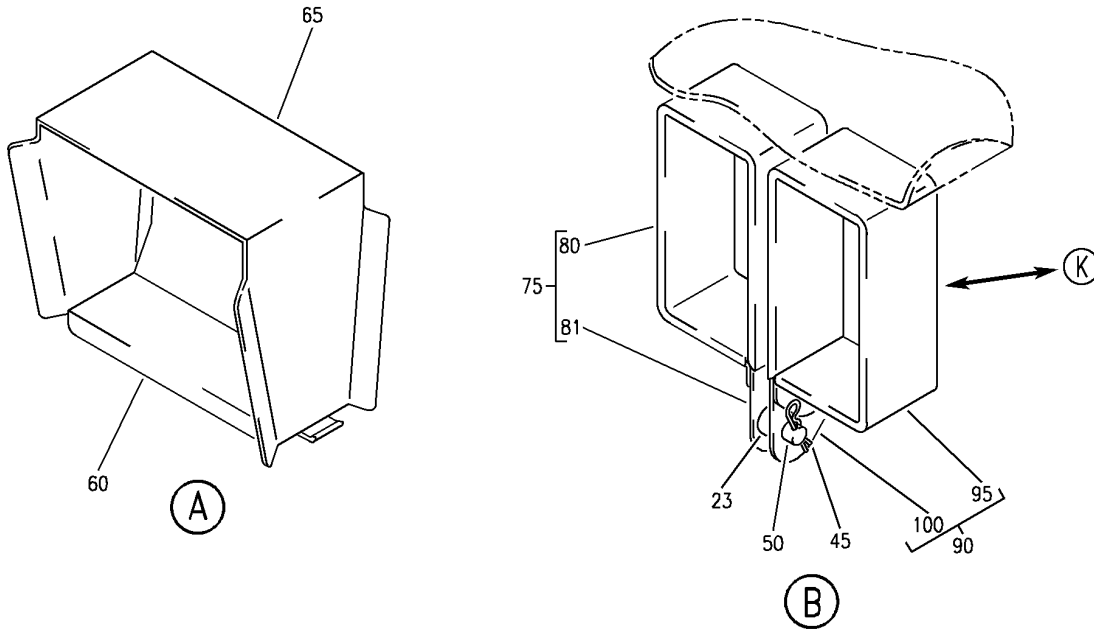
DRIPSHIELD AND BRACKET INSTL-OVHD
 FIGURE 10 (SHEET 1)

25-11-21-10

HAP
 FEB 10/07

25-11-21-10
 PAGE 0

BOEING
 737-600/700/800/900
 PARTS CATALOG (MAINTENANCE)



E 25112110 SH1 2 REV 125

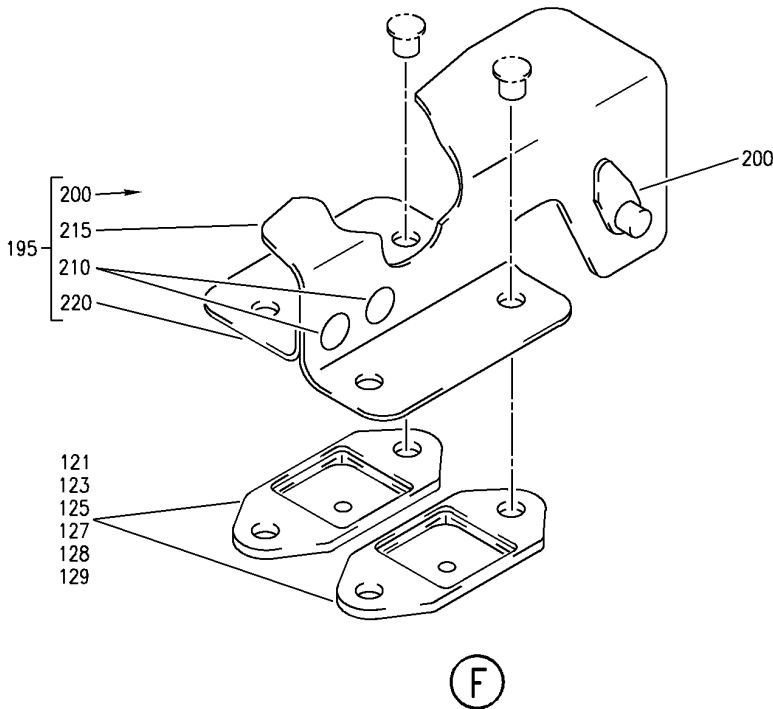
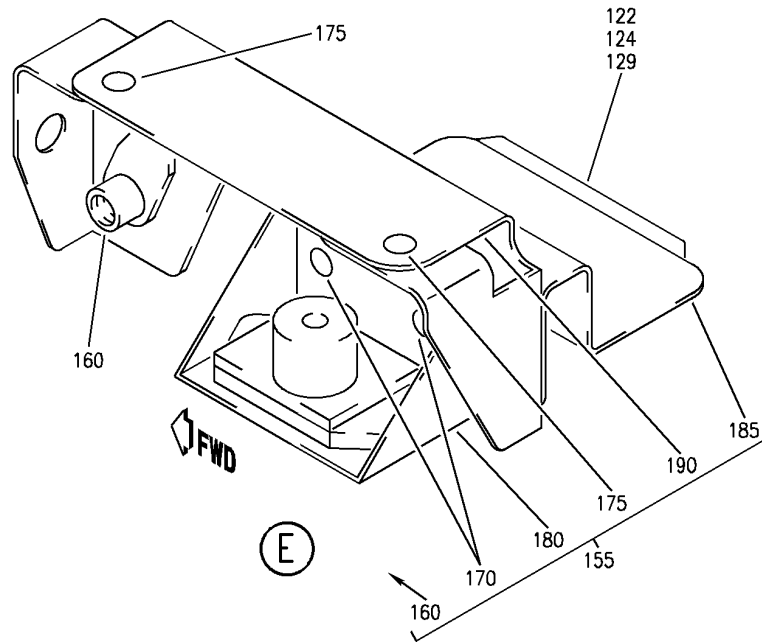
DRIPSHIELD AND BRACKET INSTL-OVHD
 FIGURE 10 (SHEET 2)

25-11-21-10

HAP
 FEB 10/07

25-11-21-10
 PAGE 0A

BOEING
 737-600/700/800/900
 PARTS CATALOG (MAINTENANCE)



E 25112110 SHT 3 REV 111

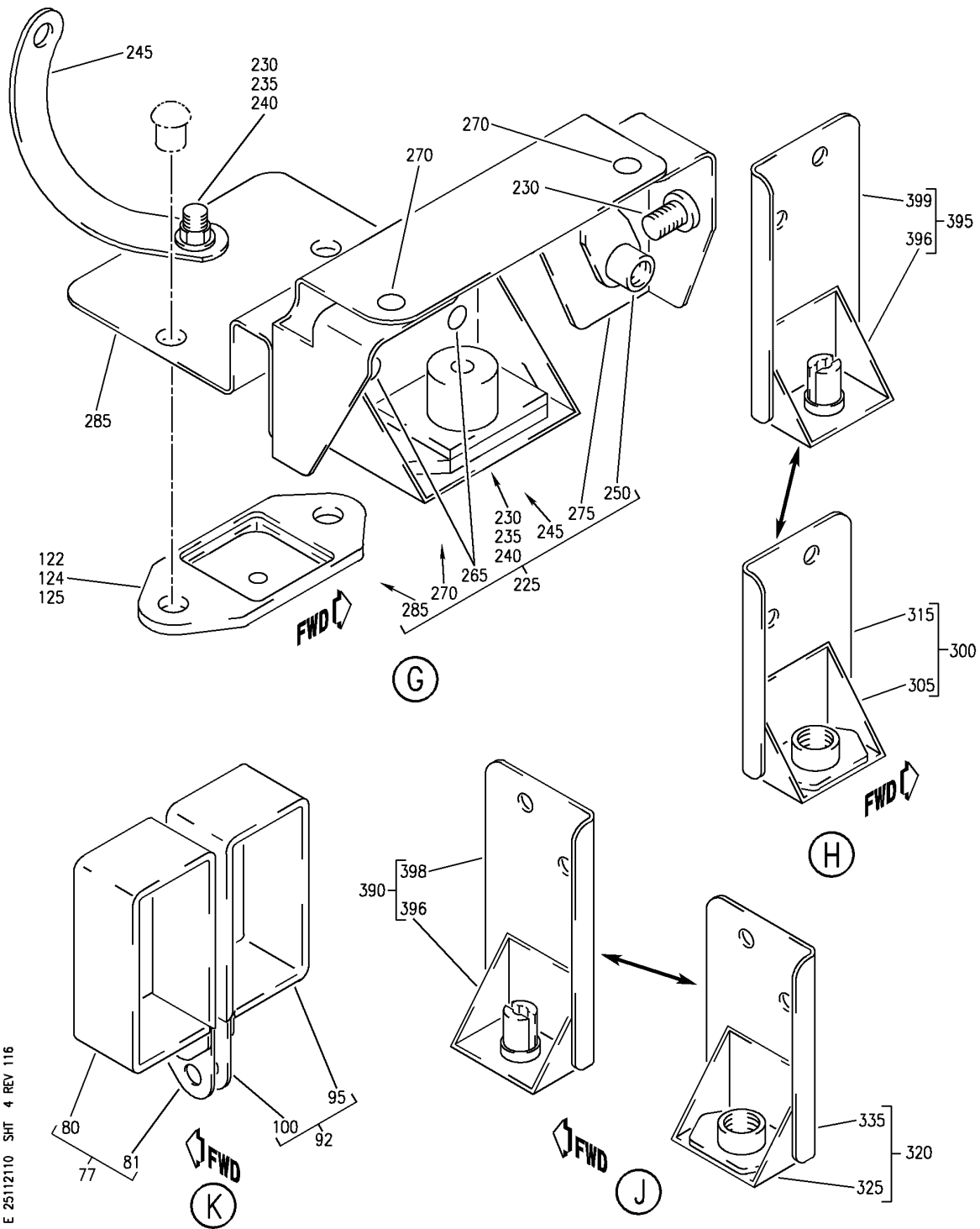
DRIPSHIELD AND BRACKET INSTL-OVHD
 FIGURE 10 (SHEET 3)

25-11-21-10

HAP
 OCT 10/06

25-11-21-10
 PAGE 0B

BOEING
 737-600/700/800/900
 PARTS CATALOG (MAINTENANCE)



E 25112110 SHT 4 REV 116

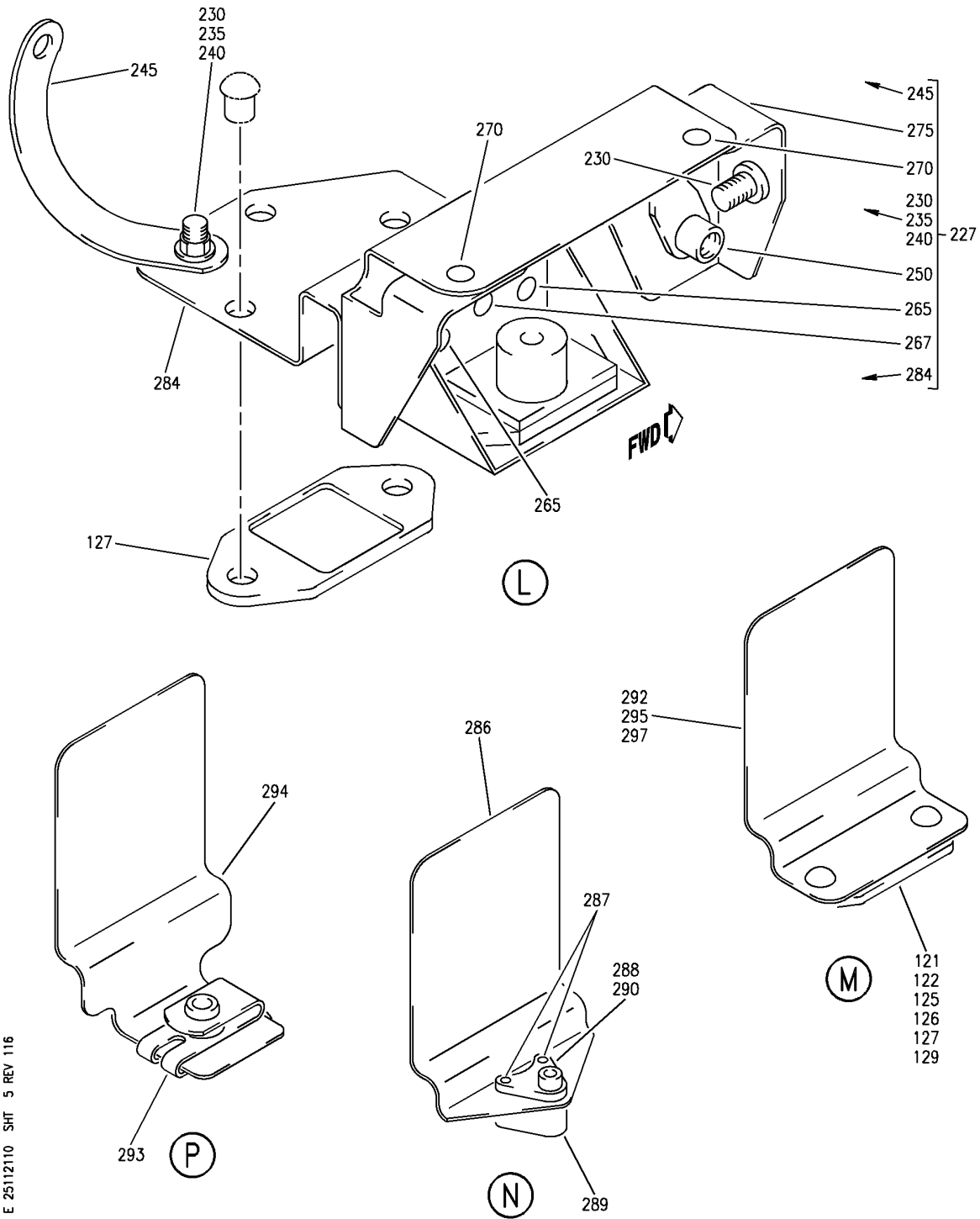
DRIPSHIELD AND BRACKET INSTL-OVHD
 FIGURE 10 (SHEET 4)

25-11-21-10

HAP
 OCT 10/06

25-11-21-10
 PAGE 0C

BOEING
 737-600/700/800/900
 PARTS CATALOG (MAINTENANCE)



E 25112110 SHT 5 REV 116

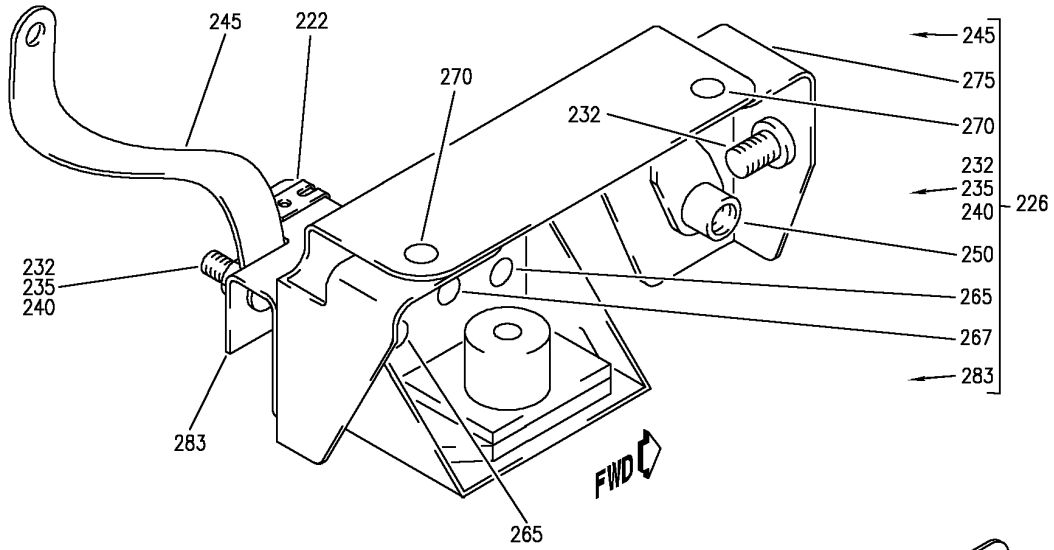
DRIPSHIELD AND BRACKET INSTL-OVHD
 FIGURE 10 (SHEET 5)

25-11-21-10

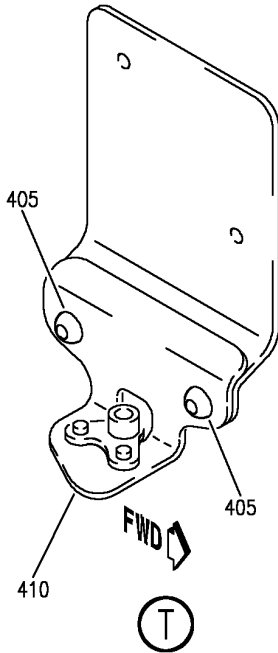
HAP
 OCT 10/06

25-11-21-10
 PAGE 0D

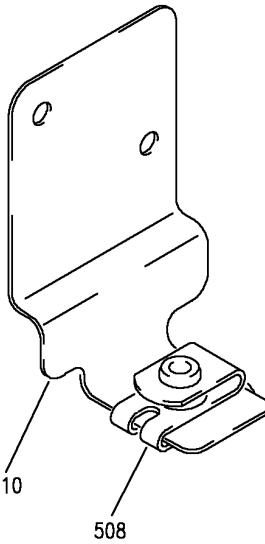
BOEING
 737-600/700/800/900
 PARTS CATALOG (MAINTENANCE)



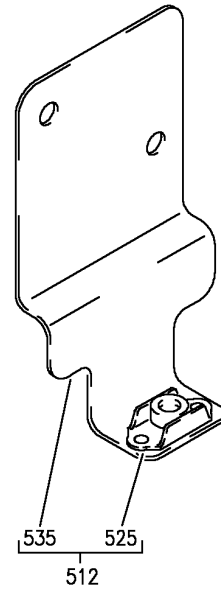
Q



T



S



R

E 25112110 SH1 6 REV 084

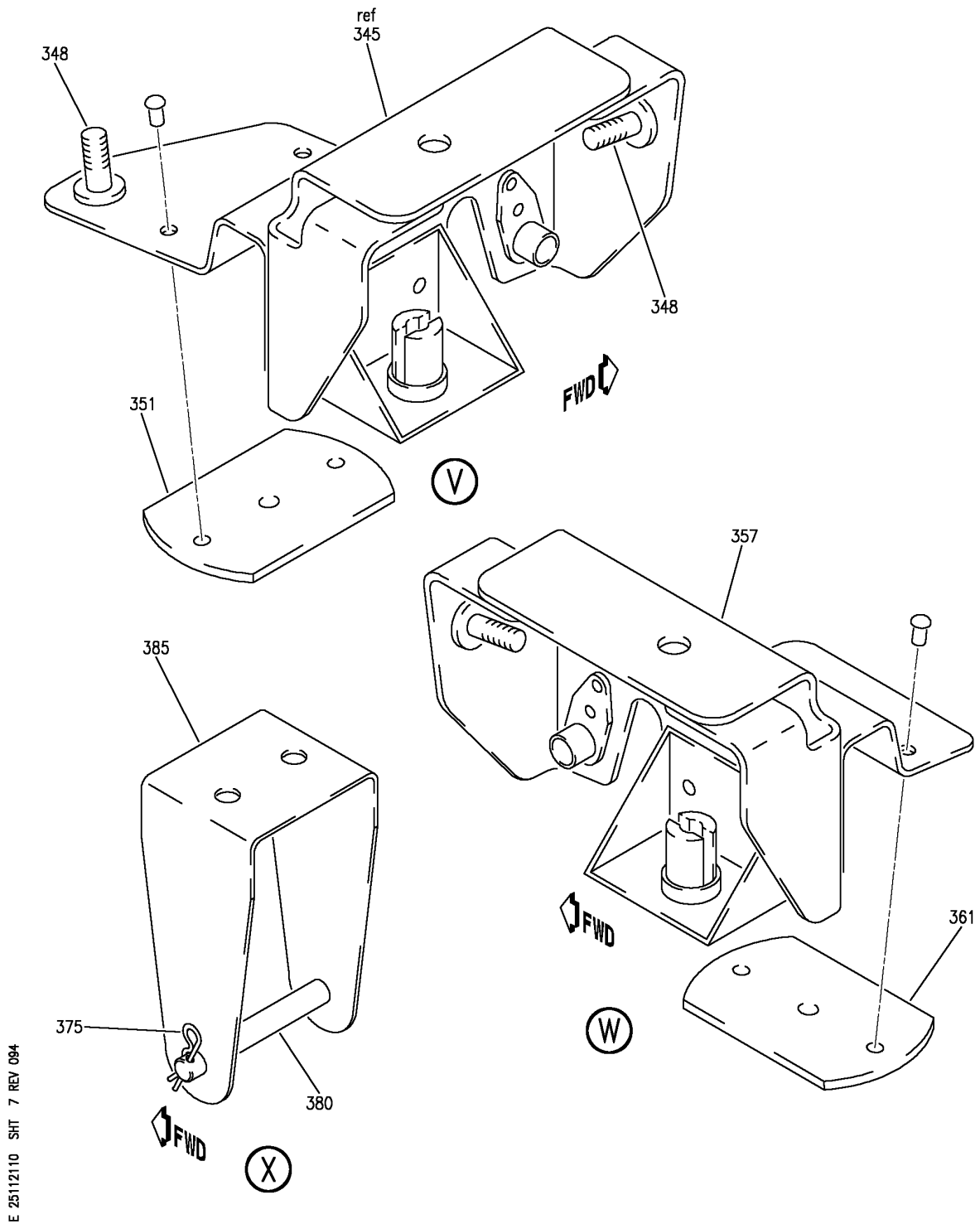
DRIPSHIELD AND BRACKET INSTL-OVHD
 FIGURE 10 (SHEET 6)

25-11-21-10

HAP
 OCT 10/06

25-11-21-10
 PAGE 0E

BOEING
 737-600/700/800/900
 PARTS CATALOG (MAINTENANCE)



E 25112110 SHT 7 REV 084

DRIPSHIELD AND BRACKET INSTL-OVHD
 FIGURE 10 (SHEET 7)

25-11-21-10

HAP
 OCT 10/06

25-11-21-10
 PAGE OF

BOEING
737-600/700/800/900
PARTS CATALOG (MAINTENANCE)

FIG ITEM	PART NUMBER	1 2 3 4 5 6 7	NOMENCLATURE	EFFECT FROM TO	UNITS PER ASSY
10			DRIPSHIELD AND BRACKET INSTL-OVHD	001030 201967	
- 1	232A1301-1		DRIPSHIELD INSTL-OVHD FOR NHA SEE: 25-10-00-03	001011 201967	RF
- 1	232A1301-3		DRIPSHIELD INSTL-OVHD FOR NHA SEE: 25-10-00-03	012019	RF
- 1	232A1301-4		DRIPSHIELD INSTL-OVHD FOR NHA SEE: 25-10-00-03	020020	RF
- 1	232A1301-5		DRIPSHIELD INSTL-OVHD FOR NHA SEE: 25-10-00-03	021027	RF
- 1	232A1301-6		DRIPSHIELD INSTL-OVHD FOR NHA SEE: 25-10-00-03	028030	RF
5	BACS12ER3K20		.SCREW	001030 201967	2
10	BACS12GU3K12		.SCREW	001030 201967	2
15	BACS12GU3K13		.SCREW	001030 201967	6
20	BACS12GU3K20		.SCREW	001030 201967	2
23	NAS43HT3-40		.SPACER-	001011 201967	1
23	NAS43HT3-32		.SPACER-	012030	1
25	MS15795-848		.WASHER	001030 201967	8
30	NAS1149D0316J		.WASHER	001019 201967	2
32	NAS1149D0316J		.WASHER	020030	1
35	NAS620-10		.WASHER	001030 201967	2
40	PLH53CD		.NUT SUPPLIER CODE: VF0224 SPECIFICATION NUMBER: BACN10YR3CD OPTIONAL PART: H52732-3CD V15653	001030 201967	1
45	AN415-4		.PIN	001030 201967	1
50	MS20392-2C29		.PIN-	012030	1
50	MS20392-2C33		.PIN-	001011 201967	1

MISSING ITEM NUMBERS NOT APPLICABLE

- ITEM NOT ILLUSTRATED

HAP

25-11-21-10

BOEING PROPRIETARY - Copyright © - Unpublished Work - See title page for details.

25-11-21
FIG. 10
PAGE 1
FEB 15/09

BOEING
737-600/700/800/900
PARTS CATALOG (MAINTENANCE)

FIG ITEM	PART NUMBER	1 2 3 4 5 6 7	NOMENCLATURE	EFFECT FROM TO	UNITS PER ASSY
10					
53	232A1302-4	.	DRIPSHIELD ASSY-	001011 201967	1
55	232A1302-7	.	DRIPSHIELD ASSY-	012019	1
55	232A1302-8	.	DRIPSHIELD ASSY-	020020	1
55	232A1302-9	.	DRIPSHIELD ASSY-	021027	1
55	232A1302-10	.	DRIPSHIELD ASSY-	028030	1
60	69-59016-4	..	BRACKET ASSY-SPRT	001030 201967	2
65	69-59016-1	..	BRACKET ASSY-SPRT	001030 201967	2
			ATTACHING PARTS		
- 70	BACS12ER3K8	..	SCREW-	001030 201967	4
			-----*-----		
75	69-59016-16	..	BRACKET ASSY-SPRT	001011 201967	1
77	69-59016-16	..	BRACKET ASSY-SPRT	012030	1
80	BACT63C06	...	TUBING-	001030	AR
			OPTIONAL PART: BACT63A59-0 69-59016-17	201967	
80	BACT63A59-0	...	TUBING-	001030	AR
			OPTIONAL PART: BACT63C06 69-59016-17	201967	
80	69-59016-17	...	SLEEVING-THERMOFIT	001030	AR
			OPTIONAL PART: BACT63C06 BACT63A59-0	201967	
81	69-59016-14	...	BRACKET	001030 201967	1
90	69-59016-10	..	BRACKET ASSY-SPRT	001011 201967	1
92	69-59016-10	..	BRACKET ASSY-SPRT	012030	1
95	BACT63C06	...	TUBING-	001030	AR
			OPTIONAL PART: BACT63A59-0 69-59016-17	201967	
95	BACT63A59-0	...	TUBING-	001030	AR
			OPTIONAL PART: BACT63C06 69-59016-17	201967	
95	69-59016-17	...	SLEEVING-THERMOFIT	001030	AR
			OPTIONAL PART: BACT63C06 BACT63A59-0	201967	
100	69-59016-11	...	BRACKET	001030 201967	1

MISSING ITEM NUMBERS NOT APPLICABLE

- ITEM NOT ILLUSTRATED

HAP

25-11-21-10

25-11-21
FIG. 10
PAGE 2
OCT 15/08

BOEING
737-600/700/800/900
PARTS CATALOG (MAINTENANCE)

FIG ITEM	PART NUMBER	1 2 3 4 5 6 7	NOMENCLATURE	EFFECT FROM TO	UNITS PER ASSY
10					
105	232A1304-7	..	BRACKET ASSY- PRE ALERT SB: 24A1141R1	001030 201967	1
110	AN415-4	...	PIN	001030 201967	1
115	MS20392-3C59	...	PIN	001030 201967	1
120	232A1305-14	...	BRACKET	001030 201967	1
125	DE791T	..	MOUNT- SUPPLIER CODE: V71985 SPECIFICATION NUMBER: S411T100-504	001011 201967	7
128	DE791T	..	MOUNT- SUPPLIER CODE: V71985 SPECIFICATION NUMBER: S411T100-504	012027	6
129	DE791T	..	MOUNT- SUPPLIER CODE: V71985 SPECIFICATION NUMBER: S411T100-504 ATTACHING PARTS	028030	5
- 131	BACR15BB4D	..	RIVET- SIZE DETERMINED ON INSTL.	001011 201967	10
-131A	BACR15BB4D	..	RIVET- SIZE DETERMINED ON INSTL.	001011 201967	4
- 133	BACR15BB4D	..	RIVET- SIZE DETERMINED ON INSTL.	012027	12
- 134	BACR15BB4D	..	RIVET- SIZE DETERMINED ON INSTL.	028030	10
			-----*-----		
135	232A1304-6	..	BRACKET ASSY	001030 201967	1

MISSING ITEM NUMBERS NOT APPLICABLE

- ITEM NOT ILLUSTRATED

HAP

25-11-21-10

BOEING PROPRIETARY - Copyright © - Unpublished Work - See title page for details.

25-11-21
FIG. 10
PAGE 3
OCT 15/08

BOEING
737-600/700/800/900
PARTS CATALOG (MAINTENANCE)

FIG ITEM	PART NUMBER	1 2 3 4 5 6 7	NOMENCLATURE	EFFECT FROM TO	UNITS PER ASSY
10 140	K2000-4		...NUTPLATE SUPPLIER CODE: V15653 SPECIFICATION NUMBER: BACN10KB4 OPTIONAL PART: NS103184-048 V80539 RMA9207-4 V72962 T8109S428 V11815 VN101A1-048 V92215 BR1000A4 V52828 ATTACHING PARTS	001030 201967	1
- 145	BACR15BA3D		...RIVET- SIZE DETERMINED ON INSTL. -----*-----	001030 201967	2
150	232A1305-13		...BRACKET	001030 201967	1
155	232A1304-11		..BRACKET ASSY- PRE ALERT SB: 24A1141R1	001030 201967	1
160	K2000-4		...NUTPLATE SUPPLIER CODE: V15653 SPECIFICATION NUMBER: BACN10KB4 OPTIONAL PART: NS103184-048 V80539 RMA9207-4 V72962 T8109S428 V11815 VN101A1-048 V92215 BR1000A4 V52828 ATTACHING PARTS	001030 201967	1
- 165	BACR15BA3D		...RIVET- SIZE DETERMINED ON INSTL. -----*-----	001030 201967	2
170	BACR15BA4D		...RIVET- SIZE DETERMINED ON INSTL.	001030 201967	2
175	BACR15BA6D		...RIVET- SIZE DETERMINED ON INSTL.	001030 201967	2

MISSING ITEM NUMBERS NOT APPLICABLE

- ITEM NOT ILLUSTRATED

HAP

25-11-21-10

BOEING PROPRIETARY - Copyright © - Unpublished Work - See title page for details.

25-11-21
FIG. 10
PAGE 4
OCT 15/08

BOEING
737-600/700/800/900
PARTS CATALOG (MAINTENANCE)

FIG ITEM	PART NUMBER	1 2 3 4 5 6 7	NOMENCLATURE	EFFECT FROM TO	UNITS PER ASSY
10					
180	BACR11X5R	...	RECEPTACLE-	001030 201967	1
185	232A1305-20	...	BRACKET-	001030 201967	1
190	232A1305-18	...	BRACKET-	001030 201967	1
195	232A1304-5	..	BRACKET ASSY	001030 201967	1
200	K2000-4	...	NUTPLATE SUPPLIER CODE: V15653 SPECIFICATION NUMBER: BACN10KB4 OPTIONAL PART: NS103184-048 V80539 RMA9207-4 V72962 T8109S428 V11815 VN101A1-048 V92215 BR1000A4 V52828	001030 201967	1
- 205	BACR15BA3D	...	RIVET- SIZE DETERMINED ON INSTL. -----*-----	001030 201967	2
210	BACR15CE6D	...	RIVET- SIZE DETERMINED ON INSTL.	001030 201967	2
215	232A1305-11	...	BRACKET	001030 201967	1
220	232A1305-12	...	BRACKET	001030 201967	1
222	BRC600-10G3	..	NUT SUPPLIER CODE: V52828 SPECIFICATION NUMBER: BACN10YD3 OPTIONAL PART: 130122 V60119	028030	1
225	232A1304-12	..	BRACKET ASSY- PRE ALERT SB: 24A1141R1	012019	1
225	232A1304-10	..	BRACKET ASSY- PRE ALERT SB: 24A1141R1	001011 201967	1

MISSING ITEM NUMBERS NOT APPLICABLE

- ITEM NOT ILLUSTRATED

HAP

25-11-21-10

BOEING PROPRIETARY - Copyright © - Unpublished Work - See title page for details.

25-11-21
FIG. 10
PAGE 5
OCT 15/08

BOEING
737-600/700/800/900
PARTS CATALOG (MAINTENANCE)

FIG ITEM	PART NUMBER	1 2 3 4 5 6 7	NOMENCLATURE	EFFECT FROM TO	UNITS PER ASSY
10					
225	232A1304-17	..	BRACKET ASSY- PRE ALERT SB: 24A1141R1	020027	1
226	232A1304-18	..	BRACKET ASSY-	028030	1
230	VNS1924CA1-8	...	STUD- SUPPLIER CODE: V5M902 SPECIFICATION NUMBER: BACS53B1EA1 OPTIONAL PART: VNS1924CA3-1-8 V92215	001027 201967	2
232	BACS53B1ES1	...	STUD-	028030	2
235	NAS1149D0316H	...	WASHER	001030 201967	1
240	MS21042L3	...	NUT	001030 201967	1
245	RBEJ40E10-21	...	JUMPER ASSY- SUPPLIER CODE: V1GK47 SPECIFICATION NUMBER: BACJ40E10-21 PRE ALERT SB: 24A1141R1	001030 201967	1
250	K2000-4	...	NUTPLATE SUPPLIER CODE: V15653 SPECIFICATION NUMBER: BACN10KB4 OPTIONAL PART: NS103184-048 V80539 RMA9207-4 V72962 T8109S428 V11815 VN101A1-048 V92215 BR1000A4 V52828	001030 201967	1
- 255	BACR15BA3D	...	ATTACHING PARTS RIVET- SIZE DETERMINED ON INSTL. -----*-----	001030 201967	2
260	BACR11X5R	...	RECEPTACLE- OPTIONAL PART: BACR11AV5R	001030 201967	1

MISSING ITEM NUMBERS NOT APPLICABLE

- ITEM NOT ILLUSTRATED

HAP

25-11-21-10

BOEING PROPRIETARY - Copyright © - Unpublished Work - See title page for details.

25-11-21
FIG. 10
PAGE 6
OCT 15/08

BOEING
737-600/700/800/900
PARTS CATALOG (MAINTENANCE)

FIG ITEM	PART NUMBER	1 2 3 4 5 6 7	NOMENCLATURE	EFFECT FROM TO	UNITS PER ASSY
10					
260	BACR11AV5R	...	RECEPTACLE- OPTIONAL PART: BACR11X5R ATTACHING PARTS	020030	1
265	BACR15BA4D	...	RIVET- SIZE DETERMINED ON INSTL.	001030 201967	2
267	BACR15BA4N	...	RIVET- SIZE DETERMINED ON INSTL. -----*-----	020030	1
270	BACR15BA6D	...	RIVET- SIZE DETERMINED ON INSTL.	001030 201967	2
275	232A1305-17	...	BRACKET-	001030 201967	1
283	232A1305-24	...	BRACKET-	028030	1
285	232A1305-22	...	BRACKET-	012027	1
285	232A1305-19	...	BRACKET-	001011 201967	1
292	232A1305-6	..	BRACKET	001011 201967	1
293	BRC600-10G3	..	NUT SUPPLIER CODE: V52828 SPECIFICATION NUMBER: BACN10YD3 OPTIONAL PART: 130122 V60119	012027	1
294	232A1305-23	..	BRACKET- ATTACHING PARTS	012027	1
- 296	BACR15BB4D	..	RIVET- SIZE DETERMINED ON INSTL. -----*-----	012027	2
297	232A1305-6	..	BRACKET- ATTACHING PARTS	001030 201967	1
- 298	BACR15BB4D	..	RIVET- SIZE DETERMINED ON INSTL. -----*-----	001030 201967	2
300	232A1304-9	..	BRACKET ASSY- PRE ALERT SB: 24A1141R1	001019 201967	1
300	232A1304-16	..	BRACKET ASSY- PRE ALERT SB: 24A1141R1	020030	1
305	BACR11X5R	...	RECEPTACLE- OPTIONAL PART: BACR11AV5R	001030 201967	1

MISSING ITEM NUMBERS NOT APPLICABLE

- ITEM NOT ILLUSTRATED

HAP

25-11-21-10

25-11-21
FIG. 10
PAGE 7
OCT 15/08

BOEING
737-600/700/800/900
PARTS CATALOG (MAINTENANCE)

FIG ITEM	PART NUMBER	1 2 3 4 5 6 7	NOMENCLATURE	EFFECT FROM TO	UNITS PER ASSY
10					
305	BACR11AV5R	...	RECEPTACLE- OPTIONAL PART: BACR11X5R ATTACHING PARTS	020030	1
- 310	BACR15BA4D	...	RIVET- SIZE DETERMINED ON INSTL.	001019 201967	2
- 310	BACR15BA4DC	...	RIVET- SIZE DETERMINED ON INSTL. -----*-----	020030	2
315	232A1305-25	...	BRACKET-	020030	1
315	232A1305-16	...	BRACKET-	001019 201967	1
320	232A1304-8	..	BRACKET ASSY- PRE ALERT SB: 24A1141R1	001019 201967	1
320	232A1304-15	..	BRACKET ASSY- PRE ALERT SB: 24A1141R1	020030	1
325	BACR11X5R	...	RECEPTACLE- OPTIONAL PART: BACR11AV5R	001030 201967	1
325	BACR11AV5R	...	RECEPTACLE- OPTIONAL PART: BACR11X5R ATTACHING PARTS	020030	1
- 330	BACR15BA4D	...	RIVET- SIZE DETERMINED ON INSTL.	001019 201967	2
- 330	BACR15BA4DC	...	RIVET- SIZE DETERMINED ON INSTL. -----*-----	020030	2
335	232A1305-15	...	BRACKET-	001019 201967	1
335	232A1305-25	...	BRACKET-	020030	1
340	232A1303-7	..	SHELL ASSY-	012027	1
340	232A1303-9	..	SHELL ASSY-	028030	1
343	232A1303-3	..	SHELL ASSY-	001011 201967	1
345	232A1304-21	..	BRACKET ASSY- POST ALERT SB: 24A1141R1	001022 201967	1
348	BACS53B1ES1	...	STUD	001022 201967	2
351	DE791T	...	MOUNT-ISOLATOR SUPPLIER CODE: V71985 SPECIFICATION NUMBER: S411T100-504	001022 201967	1

MISSING ITEM NUMBERS NOT APPLICABLE

- ITEM NOT ILLUSTRATED

HAP

25-11-21-10

25-11-21
FIG. 10
PAGE 8
OCT 15/08

BOEING
737-600/700/800/900
PARTS CATALOG (MAINTENANCE)

FIG ITEM	PART NUMBER	1 2 3 4 5 6 7	NOMENCLATURE	EFFECT FROM TO	UNITS PER ASSY
10			ATTACHING PARTS		
- 354	BACR15BB6D	...	RIVET- SIZE DETERMINED ON INSTL. -----*-----	001022 201967	2
357	232A1304-22	..	BRACKET ASSY- POST ALERT SB: 24A1141R1	001022 201967	1
361	DE791T	...	MOUNT-ISOLATOR SUPPLIER CODE: V71985 SPECIFICATION NUMBER: S411T100-504	001022 201967	1
- 365	BACR15BB6D	...	RIVET- SIZE DETERMINED ON INSTL. -----*-----	001022 201967	2
370	232A1304-23	..	BRACKET ASSY- POST ALERT SB: 24A1141R1	001022 201967	1
375	AN415-4	...	PIN	001022 201967	1
380	BACP18BD3C59	...	PIN	001022 201967	1
385	232A1305-30	...	BRACKET	001022 201967	1
390	232A1304-19	..	BRACKET ASSY- POST ALERT SB: 24A1141R1	001022 201967	1
395	232A1304-20	..	BRACKET ASSY- POST ALERT SB: 24A1141R1	001022 201967	1
396	BACR11AV5R	...	RECEPTACLE	001022 201967	1
- 397	BACR15BA4D	...	RIVET- SIZE DETERMINED ON INSTL. -----*-----	001022 201967	2
398	232A1305-31	...	BRACKET- USED ON: 232A1304-19	001022 201967	1
399	232A1305-32	...	BRACKET- USED ON: 232A1304-20	001022 201967	1
- 500	232A1440-1		BRACKET INSTL- FOR NHA SEE: 25-10-00-05C	028030	RF
512	232A1305-27	.	BRACKET ASSY-	028030	1

MISSING ITEM NUMBERS NOT APPLICABLE

- ITEM NOT ILLUSTRATED

HAP

25-11-21-10

BOEING PROPRIETARY - Copyright © - Unpublished Work - See title page for details.

25-11-21
FIG. 10
PAGE 9
OCT 15/08


BOEING
 737-600/700/800/900
PARTS CATALOG (MAINTENANCE)

FIG ITEM	PART NUMBER	1 2 3 4 5 6 7	NOMENCLATURE	EFFECT FROM TO	UNITS PER ASSY
10			ATTACHING PARTS		
- 515	BACS12ER04K6		.SCREW	028030	2
			-----*-----		
525	BACN11G3A1CD		..NUTPLATE	028030	1
			ATTACHING PARTS		
- 530	BACR15BA3ADC		..RIVET-	028030	2
			SIZE DETERMINED ON INSTL.		
			-----*-----		
535	232A1305-28		..BRACKET	028030	1

MISSING ITEM NUMBERS NOT APPLICABLE

- ITEM NOT ILLUSTRATED

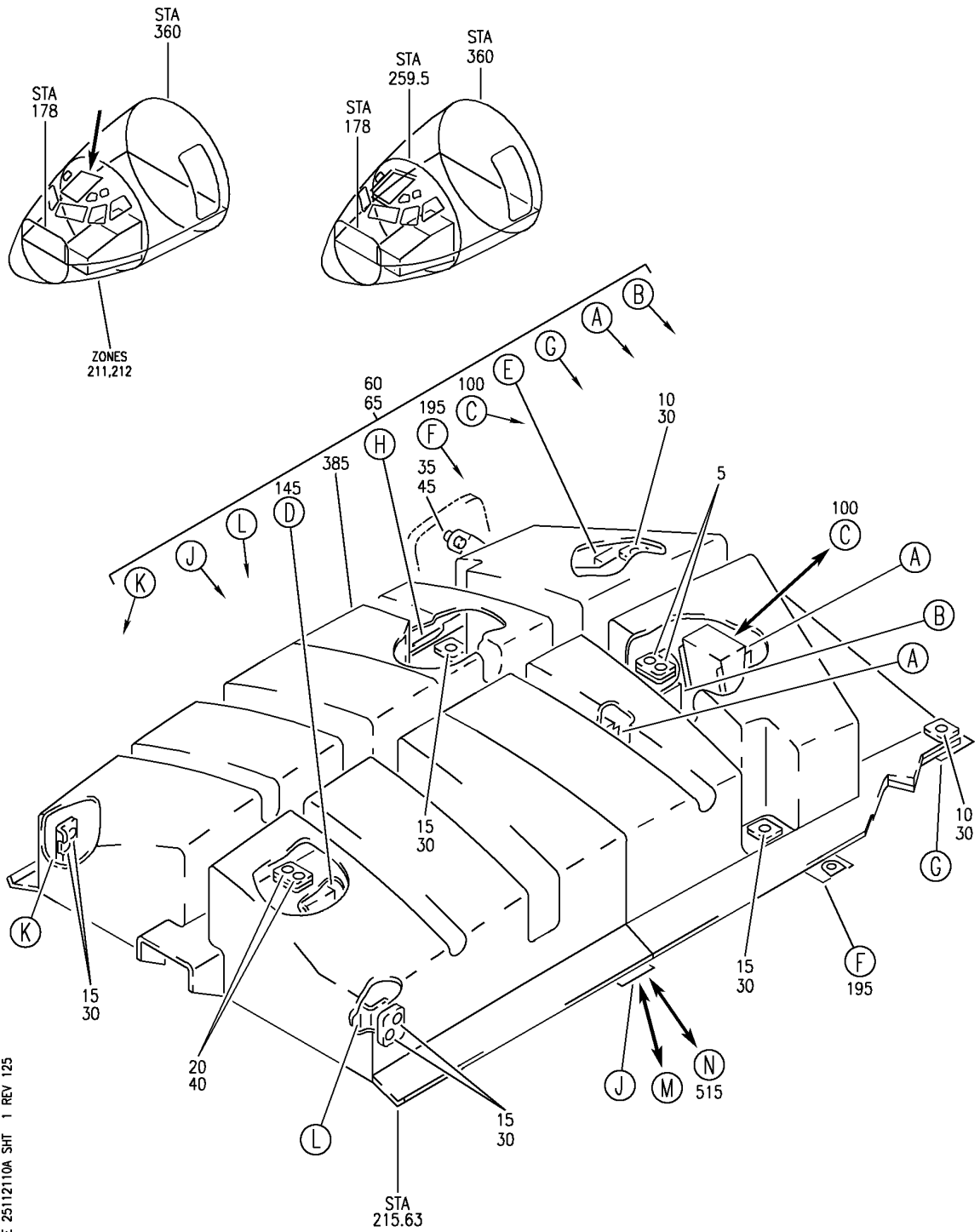
HAP

25-11-21-10

BOEING PROPRIETARY - Copyright © - Unpublished Work - See title page for details.

25-11-21
 FIG. 10
 PAGE 10
 OCT 15/08

BOEING
 737-600/700/800/900
 PARTS CATALOG (MAINTENANCE)



E 25112110A SHT 1 REV 125

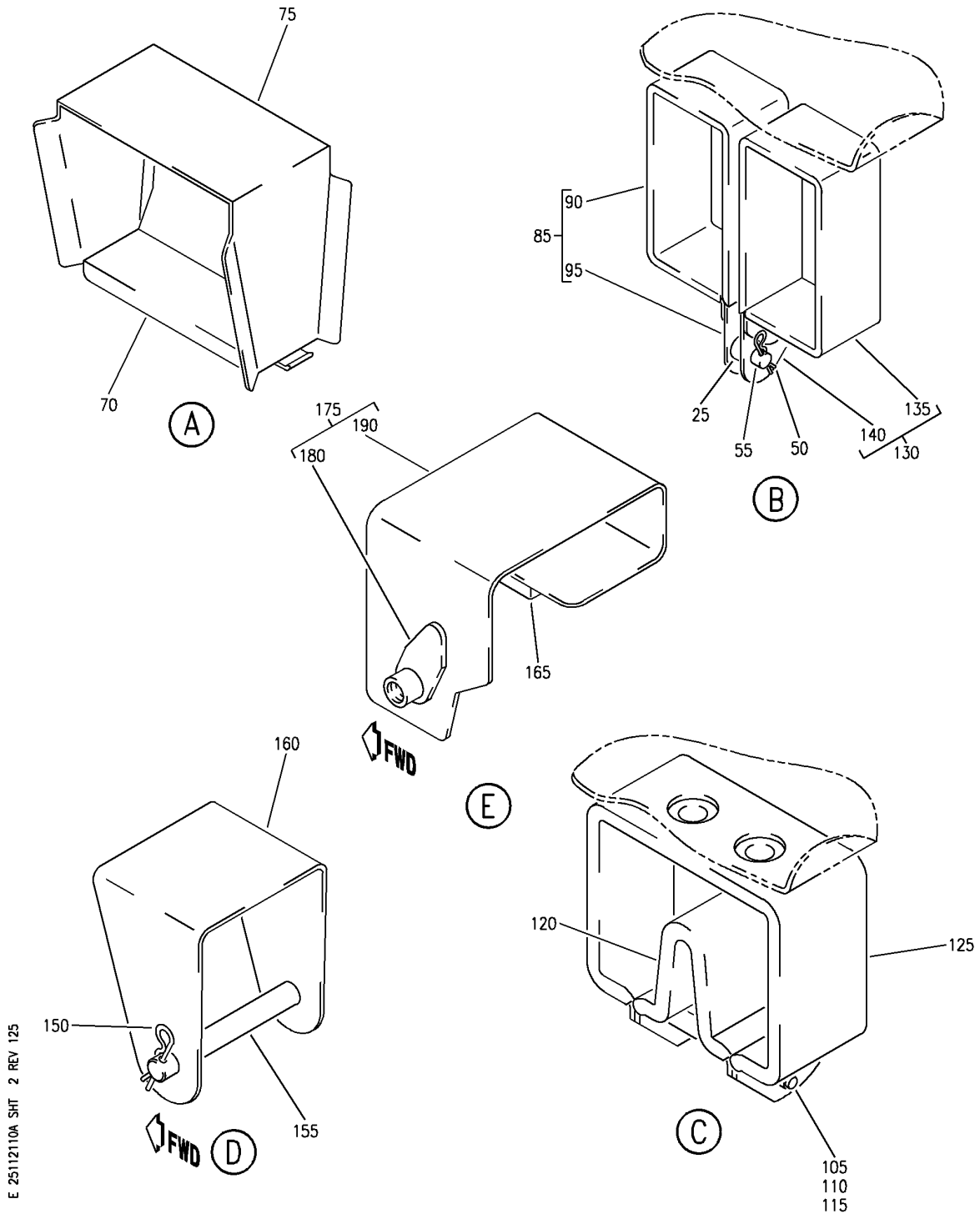
DRIPSHIELD AND BRACKET INSTL-OVHD
 FIGURE 10A (SHEET 1)

25-11-21-10A

HAP
 FEB 10/07

25-11-21-10A
 PAGE 0

BOEING
 737-600/700/800/900
 PARTS CATALOG (MAINTENANCE)



E 25112110A SHT 2 REV 125

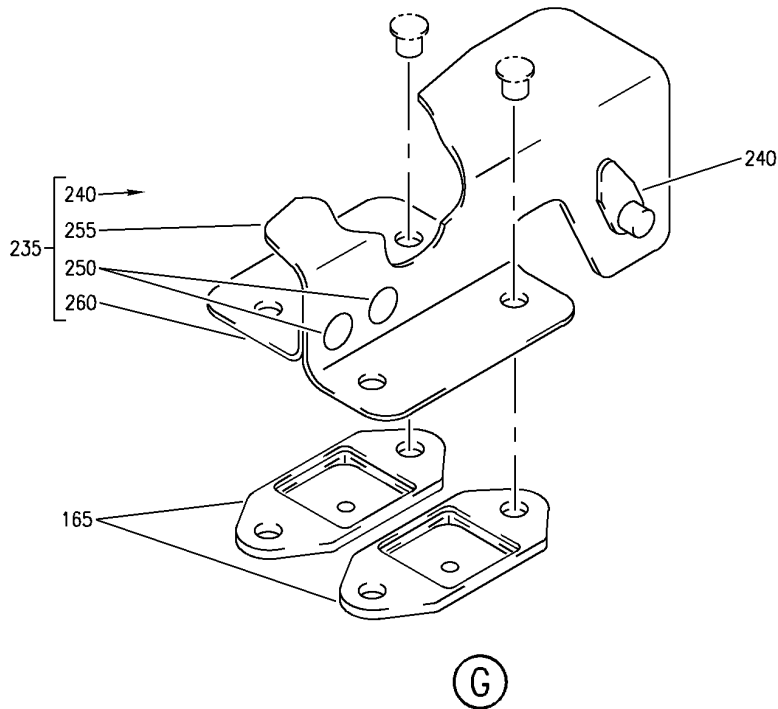
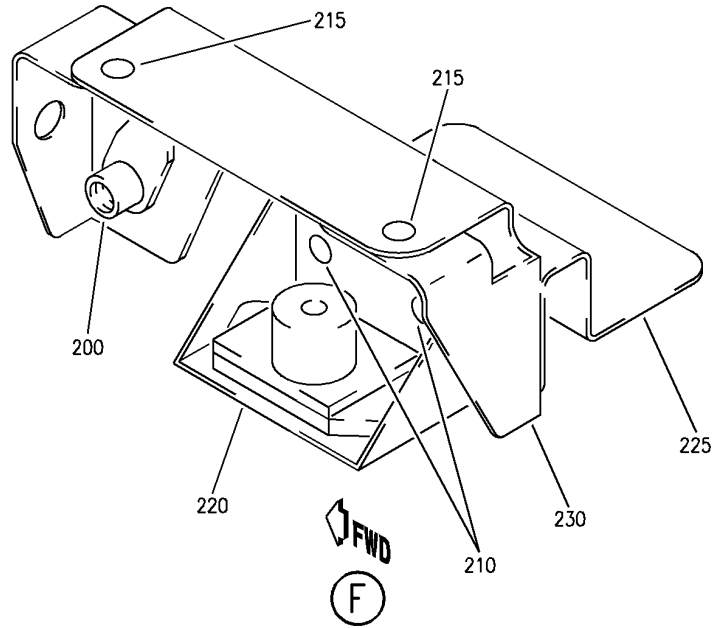
DRIPSHIELD AND BRACKET INSTL-OVHD
 FIGURE 10A (SHEET 2)

25-11-21-10A

HAP
 FEB 10/07

25-11-21-10A
 PAGE 0A

BOEING
 737-600/700/800/900
 PARTS CATALOG (MAINTENANCE)



E 25112110A SHT 3 REV 125

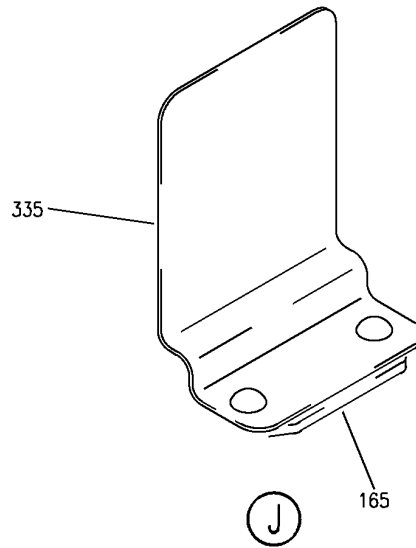
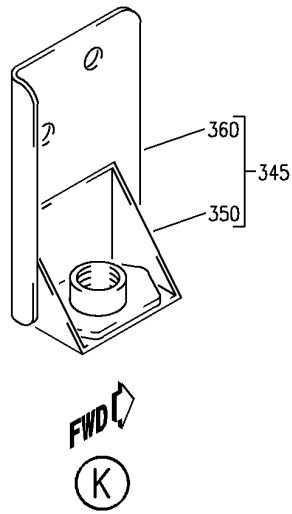
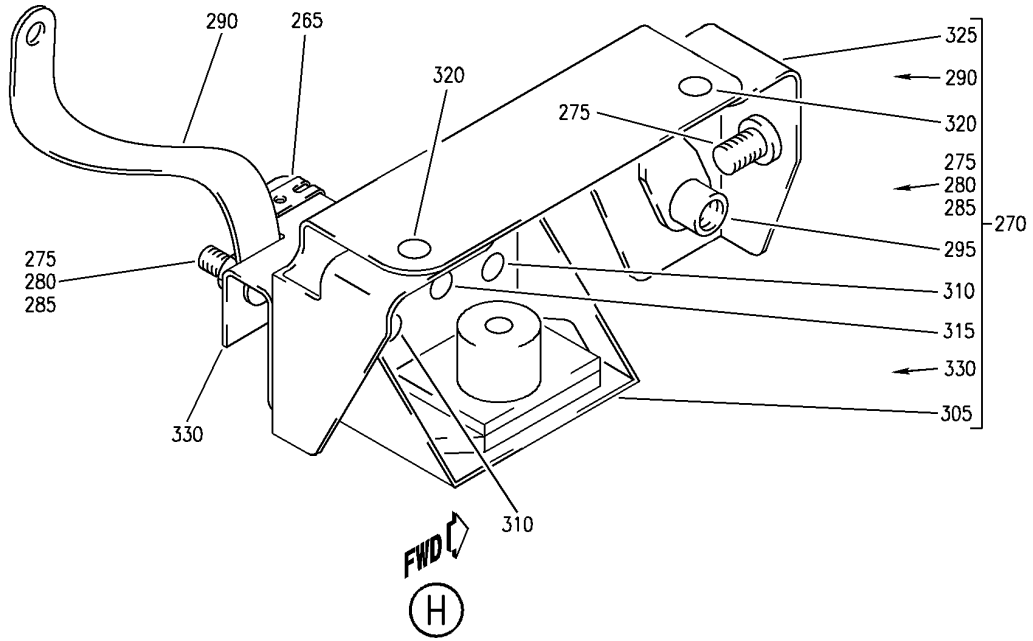
DRIPSHIELD AND BRACKET INSTL-OVHD
 FIGURE 10A (SHEET 3)

25-11-21-10A

HAP
 FEB 10/07

25-11-21-10A
 PAGE 0B

BOEING
 737-600/700/800/900
 PARTS CATALOG (MAINTENANCE)



E 25112110A SHT 4 REV 125

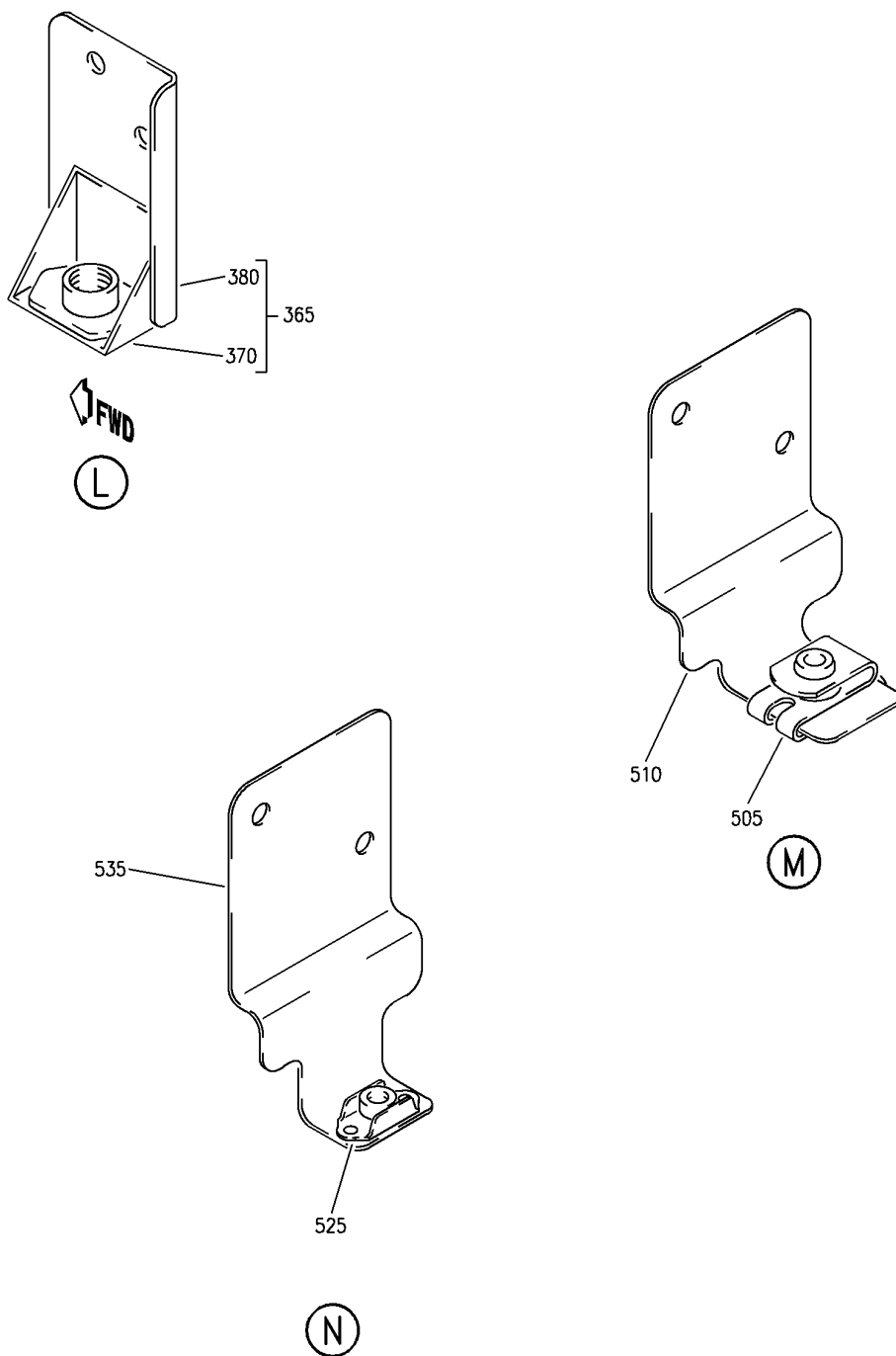
DRIPSHIELD AND BRACKET INSTL-OVHD
 FIGURE 10A (SHEET 4)

25-11-21-10A

HAP
 FEB 10/07

25-11-21-10A
 PAGE 0C

BOEING
737-600/700/800/900
PARTS CATALOG (MAINTENANCE)



E 25112110A SHT 5 REV 125

DRIPSHIELD AND BRACKET INSTL-OVHD
FIGURE 10A (SHEET 5)

25-11-21-10A

HAP
FEB 10/07

25-11-21-10A
PAGE 0D

BOEING
737-600/700/800/900
PARTS CATALOG (MAINTENANCE)

FIG ITEM	PART NUMBER	1 2 3 4 5 6 7	NOMENCLATURE	EFFECT FROM TO	UNITS PER ASSY
10A			DRIPSHIELD AND BRACKET INSTL-OVHD	031200 968999	
- 1	MODREF169769		DRIPSHIELD INSTL-OVHD MODULE NUMBER: 232A1301-7 REV A	031043 101101 968971	1
- 1	MODREF343462		DRIPSHIELD INSTL-OVHD MODULE NUMBER: 232A1301-7 REV B	044100 102200 972999	1
5	BACS12ER3K20		.SCREW	031043 101101 968971	2
5	BACS12ER3K24		.SCREW	044100 102200 972999	2
10	BACS12GU3K12		.SCREW	031200 968999	2
15	BACS12GU3K13		.SCREW	031200 968999	6
20	BACS12GU3K20		.SCREW	031043 101101 968971	2
20	BACS12GU3K24		.SCREW	044100 102200 972999	2
30	MS15795-848		.WASHER	031200 968999	8
35	NAS1149D0316J		.WASHER	031200 968999	1
40	NAS620-10		.WASHER	031200 968999	2
45	PLH53CD		.NUT SUPPLIER CODE: VF0224 SPECIFICATION NUMBER: BACN10YR3CD OPTIONAL PART: H52732-3CD V15653	031200 968999	1
65	232A1302-11		.DRIPSHIELD ASSY	031200 968999	1
70	69-59016-4		..BRACKET ASSY-SPRT	031200 968999	2
75	69-59016-1		..BRACKET ASSY-SPRT	031200 968999	2
- 80	BACS12ER3K8		ATTACHING PARTS ..SCREW -----*-----	031200 968999	4

MISSING ITEM NUMBERS NOT APPLICABLE

- ITEM NOT ILLUSTRATED

HAP

25-11-21-10A

BOEING PROPRIETARY - Copyright © - Unpublished Work - See title page for details.

25-11-21
FIG. 10A
PAGE 1
FEB 15/09

BOEING
737-600/700/800/900
PARTS CATALOG (MAINTENANCE)

FIG ITEM	PART NUMBER	1 2 3 4 5 6 7	NOMENCLATURE	EFFECT FROM TO	UNITS PER ASSY
10A					
100	232A1304-24	..	BRACKET ASSY-SPRT	031200 968999	1
105	BACB30NM3K27	...	BOLT	031200 968999	1
110	BACW10BN3AC	...	WASHER	031200 968999	1
115	NAS43DD3-89FC	...	SPACER	031200 968999	1
120	232A1305-39	...	BRACKET	031200 968999	1
125	232A1305-41	...	BRACKET	031200 968999	1
145	232A1304-7	..	BRACKET ASSY	031200 968999	1
150	AN415-4	...	PIN	031200 968999	1
155	MS20392-3C59	...	PIN	031200 968999	1
160	232A1305-14	...	BRACKET	031200 968999	1
165	DE791T	..	MOUNT- SUPPLIER CODE: V71985 SPECIFICATION NUMBER: S411T100-504 ATTACHING PARTS	031200 968999	5
- 170	BACR15BB4D	..	RIVET- SIZE DETERMINED ON INSTL. -----*-----	031200 968999	10
175	232A1304-6	..	BRACKET ASSY	031200 968999	1
180	K2000-4	...	NUTPLATE SUPPLIER CODE: V15653 SPECIFICATION NUMBER: BACN10KB4 OPTIONAL PART: NS103184-048 V80539 RMA9207-4 V72962 T8109S428 V11815 VN101A1-048 V92215 BR1000A4 V52828	031200 968999	1

MISSING ITEM NUMBERS NOT APPLICABLE

- ITEM NOT ILLUSTRATED

HAP

25-11-21-10A

BOEING PROPRIETARY - Copyright © - Unpublished Work - See title page for details.

25-11-21
FIG. 10A
PAGE 2
OCT 15/08

BOEING
737-600/700/800/900
PARTS CATALOG (MAINTENANCE)

FIG ITEM	PART NUMBER	1 2 3 4 5 6 7	NOMENCLATURE	EFFECT FROM TO	UNITS PER ASSY
10A			ATTACHING PARTS		
- 185	BACR15BA3D	...	RIVET- SIZE DETERMINED ON INSTL. -----*-----	031200 968999	2
190	232A1305-13	...	BRACKET	031200 968999	1
195	232A1304-11	..	BRACKET ASSY	031200 968999	1
200	K2000-4	...	NUTPLATE SUPPLIER CODE: V15653 SPECIFICATION NUMBER: BACN10KB4 OPTIONAL PART: NS103184-048 V80539 RMA9207-4 V72962 T8109S428 V11815 VN101A1-048 V92215 BR1000A4 V52828	031200 968999	1
- 205	BACR15BA3D	...	RIVET- SIZE DETERMINED ON INSTL. -----*-----	031200 968999	2
210	BACR15BA4D	...	RIVET- SIZE DETERMINED ON INSTL.	031200 968999	2
215	BACR15BA6D	...	RIVET- SIZE DETERMINED ON INSTL.	031200 968999	2
220	BACR11X5R	...	RECEPTACLE	031200 968999	1
225	232A1305-20	...	BRACKET	031200 968999	1
230	232A1305-18	...	BRACKET	031200 968999	1
235	232A1304-5	..	BRACKET ASSY	031200 968999	1

MISSING ITEM NUMBERS NOT APPLICABLE

- ITEM NOT ILLUSTRATED

HAP

25-11-21-10A

BOEING PROPRIETARY - Copyright © - Unpublished Work - See title page for details.

25-11-21
FIG. 10A
PAGE 3
OCT 15/08

BOEING
737-600/700/800/900
PARTS CATALOG (MAINTENANCE)

FIG ITEM	PART NUMBER	1 2 3 4 5 6 7	NOMENCLATURE	EFFECT FROM TO	UNITS PER ASSY
10A 240	K2000-4		...NUTPLATE SUPPLIER CODE: V15653 SPECIFICATION NUMBER: BACN10KB4 OPTIONAL PART: NS103184-048 V80539 RMA9207-4 V72962 T8109S428 V11815 VN101A1-048 V92215 BR1000A4 V52828 ATTACHING PARTS	031200 968999	1
- 245	BACR15BA3D		...RIVET- SIZE DETERMINED ON INSTL. -----*-----	031200 968999	2
250	BACR15CE6D		...RIVET- SIZE DETERMINED ON INSTL.	031200 968999	2
255	232A1305-11		...BRACKET	031200 968999	1
260	232A1305-12		...BRACKET	031200 968999	1
265	BRC600-10G3		..NUT SUPPLIER CODE: V52828 SPECIFICATION NUMBER: BACN10YD3 OPTIONAL PART: 130122 V60119	031200 968999	1
270	232A1304-18		..BRACKET ASSY	031200 968999	1
275	BACS53B1ES1		...STUD	031200 968999	2
280	NAS1149D0316H		...WASHER	031200 968999	1
285	MS21042L3		...NUT	031200 968999	1
290	RBEJ40E10-21		...JUMPER ASSY SUPPLIER CODE: V1GK47 SPECIFICATION NUMBER: BACJ40E10-21	031200 968999	1

MISSING ITEM NUMBERS NOT APPLICABLE

- ITEM NOT ILLUSTRATED

HAP

25-11-21-10A

BOEING PROPRIETARY - Copyright © - Unpublished Work - See title page for details.

25-11-21
FIG. 10A
PAGE 4
OCT 15/08

BOEING
737-600/700/800/900
PARTS CATALOG (MAINTENANCE)

FIG ITEM	PART NUMBER	1 2 3 4 5 6 7	NOMENCLATURE	EFFECT FROM TO	UNITS PER ASSY
10A 295	K2000-4		...NUTPLATE SUPPLIER CODE: V15653 SPECIFICATION NUMBER: BACN10KB4 OPTIONAL PART: NS103184-048 V80539 RMA9207-4 V72962 T8109S428 V11815 VN101A1-048 V92215 BR1000A4 V52828 ATTACHING PARTS	031200 968999	1
- 300	BACR15BA3D		...RIVET- SIZE DETERMINED ON INSTL. -----*-----	031200 968999	2
305	BACR11X5R		...RECEPTACLE- OPTIONAL PART: BACR11AV5R	031200 968999	1
305	BACR11AV5R		...RECEPTACLE- OPTIONAL PART: BACR11X5R ATTACHING PARTS	031200 968999	1
310	BACR15BA4D		...RIVET- SIZE DETERMINED ON INSTL.	031200 968999	2
315	BACR15BA4N		...RIVET- SIZE DETERMINED ON INSTL. -----*-----	031200 968999	1
320	BACR15BA6D		...RIVET- SIZE DETERMINED ON INSTL.	031200 968999	2
325	232A1305-17		...BRACKET	031200 968999	1
330	232A1305-24		...BRACKET	031200 968999	1
335	232A1305-6		..BRACKET	031200 968999	1
- 340	BACR15BB4D		ATTACHING PARTS ..RIVET- SIZE DETERMINED ON INSTL. -----*-----	031200 968999	2
345	232A1304-16		..BRACKET ASSY	031200 968999	1
350	BACR11X5R		...RECEPTACLE- OPTIONAL PART: BACR11AV5R	031200 968999	1

MISSING ITEM NUMBERS NOT APPLICABLE

- ITEM NOT ILLUSTRATED

HAP

25-11-21-10A

BOEING PROPRIETARY - Copyright © - Unpublished Work - See title page for details.

25-11-21
FIG. 10A
PAGE 5
OCT 15/08

BOEING
737-600/700/800/900
PARTS CATALOG (MAINTENANCE)

FIG ITEM	PART NUMBER	1 2 3 4 5 6 7	NOMENCLATURE	EFFECT FROM TO	UNITS PER ASSY
10A 350	BACR11AV5R	...	RECEPTACLE- OPTIONAL PART: BACR11X5R ATTACHING PARTS	031200 968999	1
- 355	BACR15BA4DC	...	RIVET- SIZE DETERMINED ON INSTL. -----*-----	031200 968999	2
360	232A1305-26	...	BRACKET	031200 968999	1
365	232A1304-15	..	BRACKET ASSY	031200 968999	1
370	BACR11X5R	...	RECEPTACLE- OPTIONAL PART: BACR11AV5R	031200 968999	1
370	BACR11AV5R	...	RECEPTACLE- OPTIONAL PART: BACR11X5R ATTACHING PARTS	031200 968999	1
- 375	BACR15BA4DC	...	RIVET- SIZE DETERMINED ON INSTL. -----*-----	031200 968999	2
380	232A1305-25	...	BRACKET	031200 968999	1
385	232A1303-9	..	SHELL ASSY	031200 968999	1
- 500	MODREF81730		BRACKET INSTL- MODULE NUMBER: 232A1440-1 REV A	031200 968999	1
515	232A1305-27	.BRACKET ASSY		031200 968999	1
- 520	BACS12ER04K6		ATTACHING PARTS .SCREW -----*-----	031200 968999	2
525	BACN11G3A1CD	..	NUTPLATE	031200 968999	1
- 530	BACR15BA3ADC	..	ATTACHING PARTS RIVET- SIZE DETERMINED ON INSTL. -----*-----	031200 968999	2
535	232A1305-28	..	BRACKET	031200 968999	1

MISSING ITEM NUMBERS NOT APPLICABLE

- ITEM NOT ILLUSTRATED

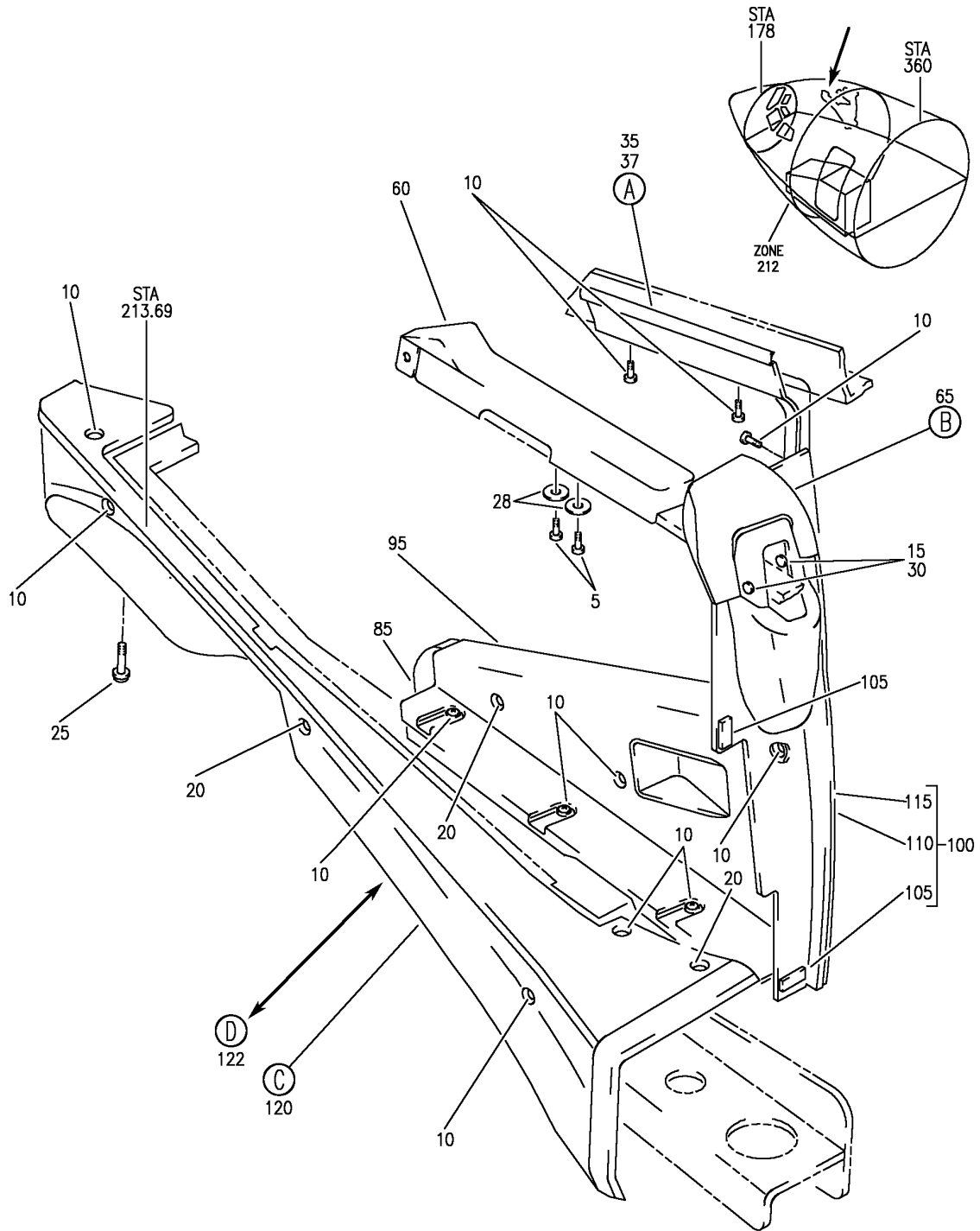
HAP

25-11-21-10A

BOEING PROPRIETARY - Copyright © - Unpublished Work - See title page for details.

25-11-21
FIG. 10A
PAGE 6
OCT 15/08

BOEING
 737-600/700/800/900
 PARTS CATALOG (MAINTENANCE)



E 25112111 SHT 1 REV 149

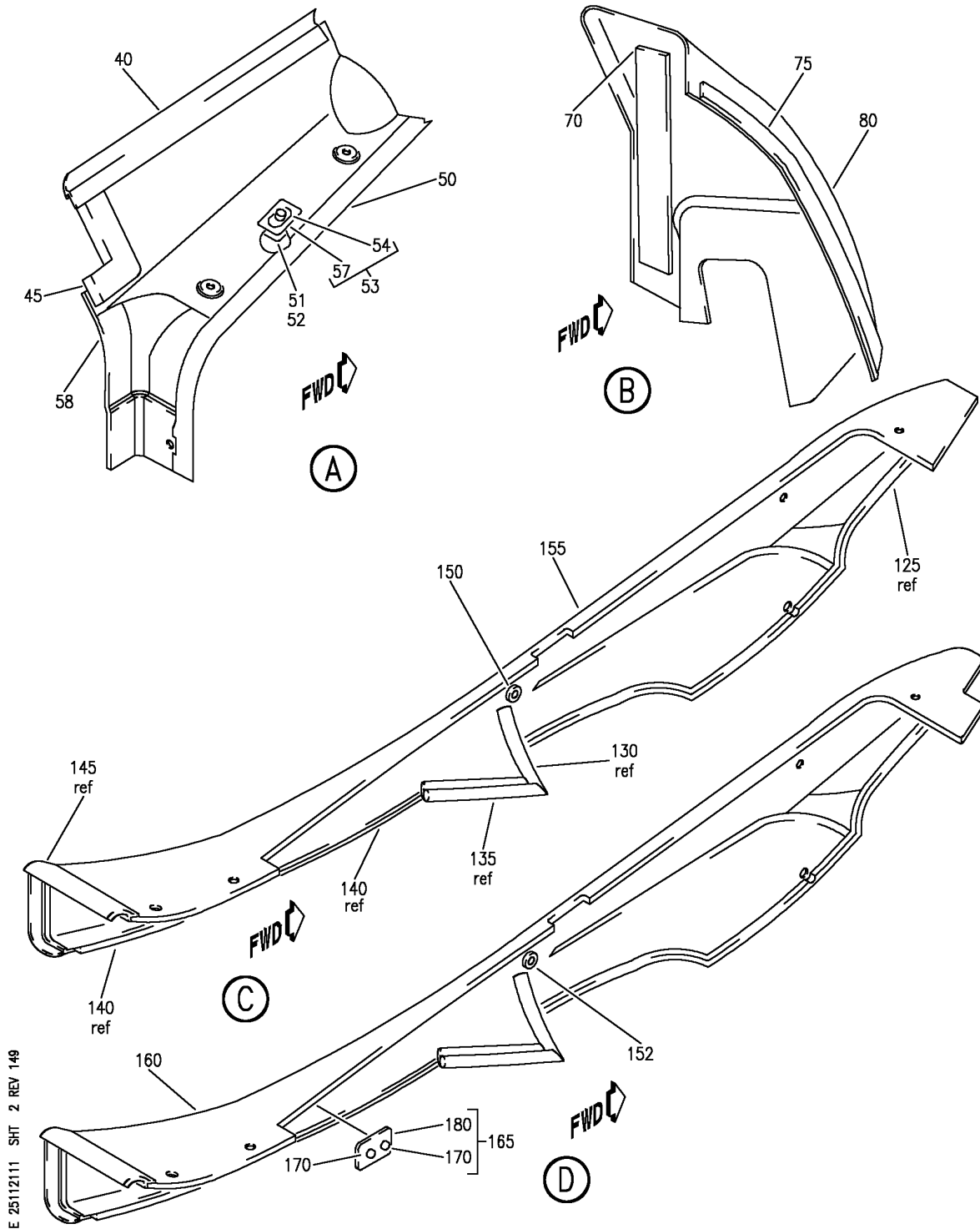
LINING INSTL-NO. 3 WINDOW AREA (EQUIPMENT/ FURNISHINGS ONLY)
 FIGURE 11 (SHEET 1)

25-11-21-11

HAP
 FEB 15/09

25-11-21-11
 PAGE 0

BOEING
 737-600/700/800/900
 PARTS CATALOG (MAINTENANCE)



E 25112111 SHT 2 REV 149

LINING INSTL-NO. 3 WINDOW AREA (EQUIPMENT/ FURNISHINGS ONLY)
 FIGURE 11 (SHEET 2)

25-11-21-11

HAP
 FEB 15/09

25-11-21-11
 PAGE 0A

BOEING
737-600/700/800/900
PARTS CATALOG (MAINTENANCE)

FIG ITEM	PART NUMBER	1 2 3 4 5 6 7	NOMENCLATURE	EFFECT FROM TO	UNITS PER ASSY
11			LINING INSTL-NO. 3 WINDOW AREA (EQUIPMENT/ FURNISHINGS ONLY)	001030	
- 1	232A1510-4		LINING INSTL-NO. 3 WINDOW AREA (EQUIPMENT/ FURNISHINGS ONLY) POSITION DATA: RH FOR NHA/OTHER SYS DET SEE: 25-10-00-05E	001019	RF
- 1	232A1510-16		LINING INSTL-NO. 3 WINDOW AREA (EQUIPMENT/ FURNISHINGS ONLY) POSITION DATA: RH FOR NHA/OTHER SYS DET SEE: 25-10-00-05E	020022	RF
- 1	232A1510-26		LINING INSTL-NO. 3 WINDOW AREA (EQUIPMENT/ FURNISHINGS ONLY) POSITION DATA: RH FOR NHA/OTHER SYS DET SEE: 25-10-00-05C	023030	RF
5	BACS12ER06K6		.SCREW	001030	2
10	WHS10F6TPKL10GY		.SCREW-WASHER HEAD SUPPLIER CODE: V12324	001030	12
15	WHS10F6TPKL01BK		.SCREW-WASHER HEAD SUPPLIER CODE: V12324	001030	2
20	WHS10F8TPKL10GY		.SCREW-WASHER HEAD SUPPLIER CODE: V12324	001030	3
25	BCREF12303		.SCREW-WASHER HEAD SUPPLIER CODE: V12324 OVERLENGTH PART NUMBER: WHS10F10TPKL10GY	001030	1
28	BACW10P295L		.WASHER	001030	2

MISSING ITEM NUMBERS NOT APPLICABLE

- ITEM NOT ILLUSTRATED

HAP

25-11-21-11

BOEING PROPRIETARY - Copyright © - Unpublished Work - See title page for details.

25-11-21
FIG. 11
PAGE 1
JUN 15/08

BOEING
737-600/700/800/900
PARTS CATALOG (MAINTENANCE)

FIG ITEM	PART NUMBER	1 2 3 4 5 6 7	NOMENCLATURE	EFFECT FROM TO	UNITS PER ASSY
11					
30	130069		.NUT SUPPLIER CODE: V60119 SPECIFICATION NUMBER: BACN10FX16 OPTIONAL PART: A11330-6-3 V72962 A4972-6-02 V72962	001030	2
35	232A1512-2		.LINING ASSY- POSITION DATA: UPR	001030	1
40	232A1524-9		..SEAL	001030	1
45	232A1524-10		..SEAL-BULB	001030	1
50	232A1524-8		..SEAL	001030	1
58	232A1521-4		..PANEL	001030	1
60	232A1515-10		.PAD ASSY- POSITION DATA: RH SIDE	001030	1
65	232A1511-4		.CLOSURE ASSY-CB PNL POSITION DATA: UPR	001030	1
70	232A1511-5		..TAPE-LOOP	001030	1
75	232A1511-6		..SEAL	001030	1
80	232A1521-10		..PANEL	001030	1
85	232A1512-6		.LINING ASSY- POSITION DATA: LWR	001022	1
85	232A1512-16		.LINING ASSY- POSITION DATA: LWR	023030	1
95	232A1524-12		..SEAL- OPTIONAL PART: 232A1512-13	001022	1
95	232A1512-13		..SEAL- OPTIONAL PART: 232A1524-12	001030	1
100	232A1511-10		.CLOSURE ASSY- POSITION DATA: LWR	001030	1
105	232A1511-11		..TAPE-LOOP	001030	2
110	232A1511-12		..SEAL	001030	1
115	232A1521-12		..PANEL	001030	1
120	232A1514-2		.COVER ASSY- PRE ALERT SB: 53A1222R1	001019	1

MISSING ITEM NUMBERS NOT APPLICABLE

— ITEM NOT ILLUSTRATED

HAP

25-11-21-11

25-11-21
FIG. 11
PAGE 2
JUN 15/09

BOEING
737-600/700/800/900
PARTS CATALOG (MAINTENANCE)

FIG ITEM	PART NUMBER	1 2 3 4 5 6 7	NOMENCLATURE	EFFECT FROM TO	UNITS PER ASSY
11					
122	232A1514-6		.COVER ASSY- POST ALERT SB: 53A1222R1	001030	1
125	232A1514-3		..SEAL	001030	1
130	232A1524-6		..SEAL-BULB	001030	1
135	232A1524-4		..SEAL-BULB	001030	1
140	232A1514-4		..SEAL	001030	1
145	232A1524-2		..SEAL	001030	1
150	BACW10P296L		..WASHER-	001019	1
152	BACW10P205L		..WASHER-	001030	1
155	232A1521-2		..TRACK-PNL POSITION DATA: LWR PRE ALERT SB: 53A1222R1	001019	1
160	232A1521-22		..TRACK-PNL POSITION DATA: LWR OPTIONAL PART: 232A1521-24 POST ALERT SB: 53A1222R1	001030	1
160	232A1521-24		..TRACK-PNL POSITION DATA: LWR OPTIONAL PART: 232A1521-22	001030	1

MISSING ITEM NUMBERS NOT APPLICABLE

— ITEM NOT ILLUSTRATED

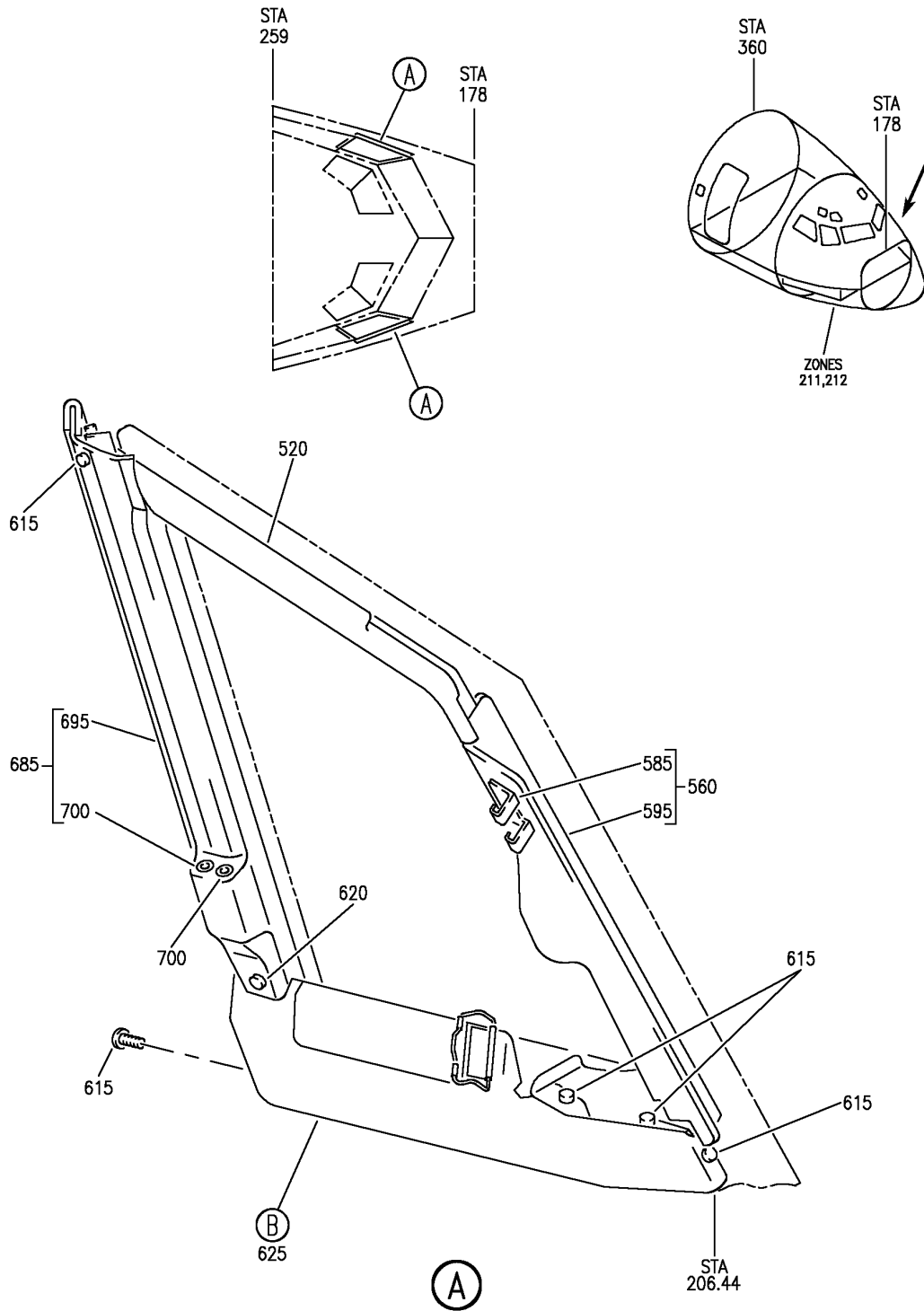
HAP

25-11-21-11

BOEING PROPRIETARY - Copyright © - Unpublished Work - See title page for details.

25-11-21
FIG. 11
PAGE 3
OCT 15/08

BOEING
 737-600/700/800/900
 PARTS CATALOG (MAINTENANCE)



E 25112112 SHT 1 REV 155

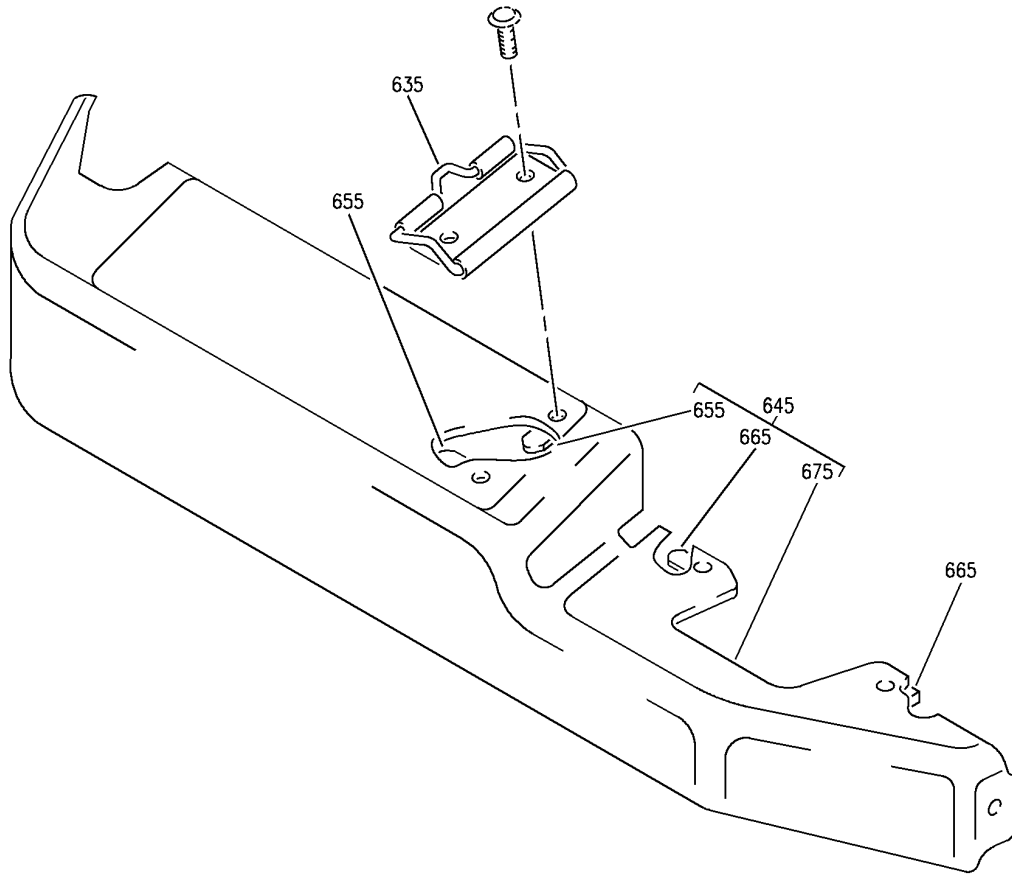
LINING INSTL-NO. 2 WINDOW
 FIGURE 12 (SHEET 1)

25-11-21-12

HAP
 JUN 15/09

25-11-21-12
 PAGE 0

BOEING
737-600/700/800/900
PARTS CATALOG (MAINTENANCE)



(B)

E 25112112 SH1 2 REV 125

LINING INSTL-NO. 2 WINDOW
FIGURE 12 (SHEET 2)

25-11-21-12

HAP
FEB 10/07

25-11-21-12
PAGE 0A

BOEING
737-600/700/800/900
PARTS CATALOG (MAINTENANCE)

FIG ITEM	PART NUMBER	1 2 3 4 5 6 7	NOMENCLATURE	EFFECT FROM TO	UNITS PER ASSY
12			LINING INSTL-NO. 2 WINDOW	031200 968999	
- 510	MODREF174756		LINING INSTL-NO. 2 WINDOW MODULE NUMBER: 232A1500-57 REV C POSITION DATA: LH	031200 968999	1
- 515	MODREF174757		LINING INSTL-NO. 2 WINDOW MODULE NUMBER: 232A1500-58 REV C POSITION DATA: RH	031200 968999	1
520	232A1501-23		.PAD ASSY- POSITION DATA: UPR LH SIDE	031200 968999	1
- 525	232A1501-24		.PAD ASSY- POSITION DATA: UPR RH SIDE	031200 968999	1
- 550	MODREF174754		LINING INSTL-NO. 2 WINDOW MODULE NUMBER: 232A1500-43 REV C POSITION DATA: LH	031200 968999	1
- 555	MODREF174755		LINING INSTL-NO. 2 WINDOW MODULE NUMBER: 232A1500-44 REV C POSITION DATA: RH	031200 968999	1
560	232A1504-27		.PAD ASSY- POSITION DATA: LH SIDE	031200 968999	1
- 565	232A1504-28		.PAD ASSY- POSITION DATA: RH SIDE	031200 968999	1
- 575	BACB30NN3K7		ATTACHING PARTS .BOLT	031200 968999	4
- 580	BACS18K10-14W		.SPACER	031200 968999	4
585	232W4568-11		-----*----- .BRACKET- USED ON: 232A1504-15 232A1504-16 232A1504-27 232A1504-28	031200 968999	1

MISSING ITEM NUMBERS NOT APPLICABLE

- ITEM NOT ILLUSTRATED

HAP

25-11-21-12

BOEING PROPRIETARY - Copyright © - Unpublished Work - See title page for details.

25-11-21
FIG. 12
PAGE 1
OCT 15/08

BOEING
737-600/700/800/900
PARTS CATALOG (MAINTENANCE)

FIG ITEM	PART NUMBER	1 2 3 4 5 6 7	NOMENCLATURE	EFFECT FROM TO	UNITS PER ASSY
12			ATTACHING PARTS		
- 590	FH10F5TPKL16GY	..	SCREW- SUPPLIER CODE: V12324 USED ON: 232A1504-15 232A1504-16 232A1504-27 232A1504-28 -----*-----	031200 968999	1
595	232A1504-23	..	PAD ASSY- USED ON: 232A1504-27	031200 968999	1
- 600	232A1504-24	..	PAD ASSY- USED ON: 232A1504-28	031200 968999	1
- 605	MODREF81739		LINING INSTL-NO. 2 WINDOW MODULE NUMBER: 232A1500-61 REV A POSITION DATA: LH	031200 968999	1
- 610	MODREF81740		LINING INSTL-NO. 2 WINDOW MODULE NUMBER: 232A1500-62 REV A POSITION DATA: RH	031200 968999	1
615	WHS10F8TPKL10GY	.S	SCREW- SUPPLIER CODE: V12324	031200 968999	5
620	BCREF12303	.S	SCREW-WASHERHEAD SUPPLIER CODE: V12324 OVERLENGTH PART NUMBER: WHS10F10TPKL10GY	031200 968999	1
625	232A1502-15	.C	COVER ASSY- (EQUIPMENT AND FURNISHINGS ONLY) POSITION DATA: LWR LH SIDE FUNCTIONAL REFERENCE: PLACARDS AND MARKINGS FOR DETAILS SEE 11-31-01-17	031200 968999	1

MISSING ITEM NUMBERS NOT APPLICABLE

- ITEM NOT ILLUSTRATED

HAP

25-11-21-12

BOEING PROPRIETARY - Copyright © - Unpublished Work - See title page for details.

25-11-21
FIG. 12
PAGE 2
OCT 15/08

BOEING
737-600/700/800/900
PARTS CATALOG (MAINTENANCE)

FIG ITEM	PART NUMBER	1 2 3 4 5 6 7	NOMENCLATURE	EFFECT FROM TO	UNITS PER ASSY
12 - 630	232A1502-16		.COVER ASSY- (EQUIPMENT AND FURNISHINGS ONLY) POSITION DATA: LWR RH SIDE FUNCTIONAL REFERENCE: PLACARDS AND MARKINGS FOR DETAILS SEE 11-31-01-17	031200 968999	1
635	232W4509-10		..CLIP ASSY- USED ON: 232A1502-15 232A1502-16 ATTACHING PARTS	031200 968999	1
- 640	BACS12FA08K8		..SCREW-	031200 968999	2
645	232A1520-9		-----*----- ..PANEL ASSY- POSITION DATA: LH SIDE	031200 968999	1
- 650	232A1520-10		..PANEL ASSY- POSITION DATA: RH SIDE	031200 968999	1
655	BRF100C08D		...NUTPLATE- SUPPLIER CODE: V52828 SPECIFICATION NUMBER: BACN10KB08CFD OPTIONAL PART: NS202478-82 V80539 102F9207P82 V72962 F51604-08 V15653 POSITION DATA: FAR SIDE ATTACHING PARTS	031200 968999	2
- 660	BACR15BA3AD		...RIVET- SIZE DETERMINED ON INSTL. -----*-----	031200 968999	4

MISSING ITEM NUMBERS NOT APPLICABLE

- ITEM NOT ILLUSTRATED

HAP

25-11-21-12

BOEING PROPRIETARY - Copyright © - Unpublished Work - See title page for details.

25-11-21
FIG. 12
PAGE 3
OCT 15/08

BOEING
737-600/700/800/900
PARTS CATALOG (MAINTENANCE)

FIG ITEM	PART NUMBER	1 2 3 4 5 6 7	NOMENCLATURE	EFFECT FROM TO	UNITS PER ASSY
12 665	BRF100C3D		...NUTPLATE- SUPPLIER CODE: V52828 SPECIFICATION NUMBER: BACN10KB3CFD OPTIONAL PART: NS202478-02 V80539 102F9207P3 V72962 F51604-3 V15653 POSITION DATA: FAR SIDE ATTACHING PARTS	031200 968999	2
- 670	BACR15BA3AD		...RIVET- SIZE DETERMINED ON INSTL. -----*-----	031200 968999	4
675	232A1520-11		...COVER ASSY- POSITION DATA: LWR LH SIDE	031200 968999	1
- 680	232A1520-12		...COVER ASSY- POSITION DATA: LWR RH SIDE	031200 968999	1
685	232A1503-7		.LINING ASSY- POSITION DATA: LH SIDE	031200 968999	1
685	232A1503-9		.LINING ASSY- POSITION DATA: LH SIDE	031200 968999	1
- 690	232A1503-8		.LINING ASSY- POSITION DATA: RH SIDE	031200 968999	1
- 690	232A1503-10		.LINING ASSY- POSITION DATA: RH SIDE	031200 968999	1
695	232A1524-13		..SEAL	031200 968999	1
700	232A1503-5		..TAPE-LOOP	031200 968999	AR

MISSING ITEM NUMBERS NOT APPLICABLE

- ITEM NOT ILLUSTRATED

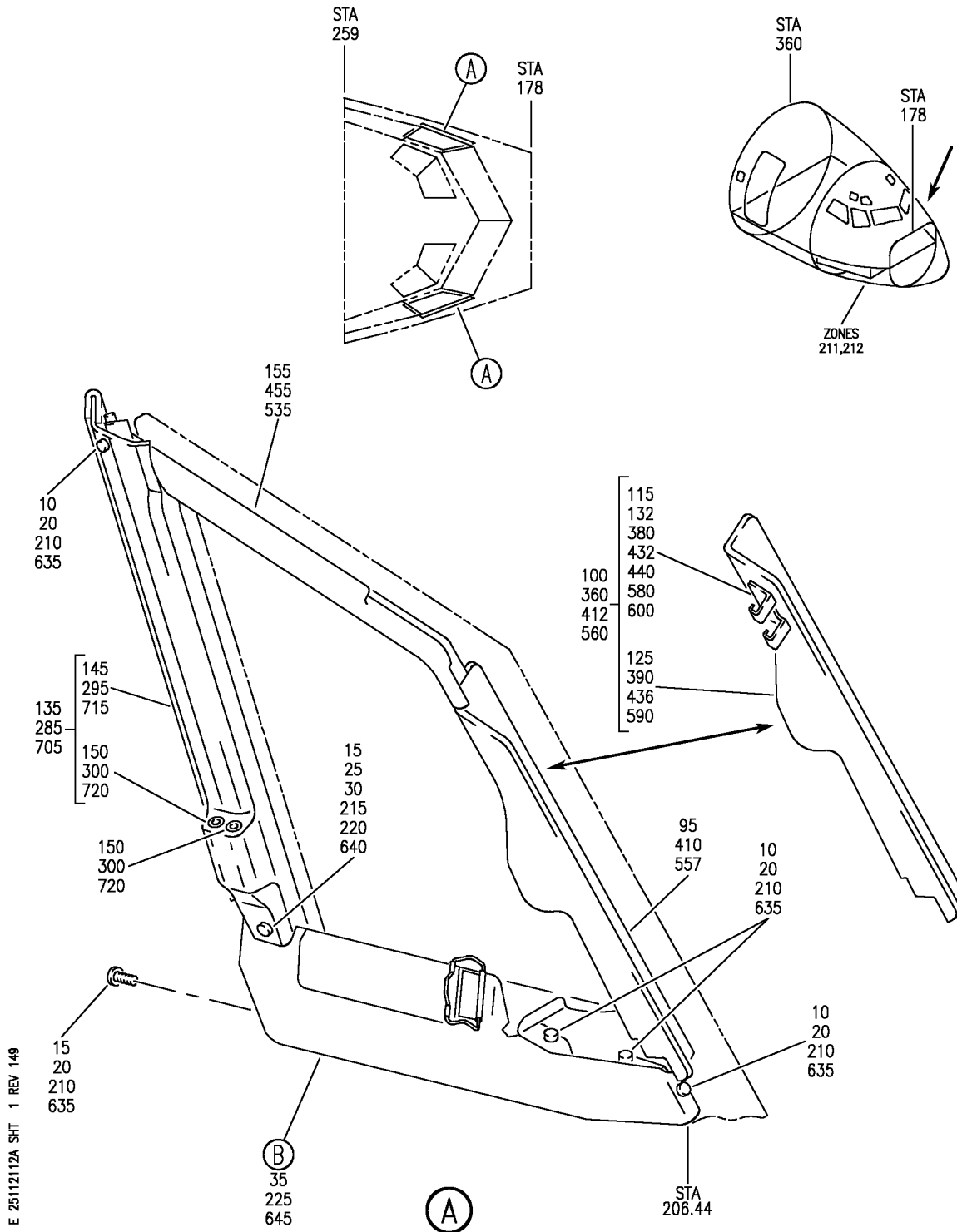
HAP

25-11-21-12

BOEING PROPRIETARY - Copyright © - Unpublished Work - See title page for details.

25-11-21
FIG. 12
PAGE 4
OCT 15/08

BOEING
 737-600/700/800/900
 PARTS CATALOG (MAINTENANCE)



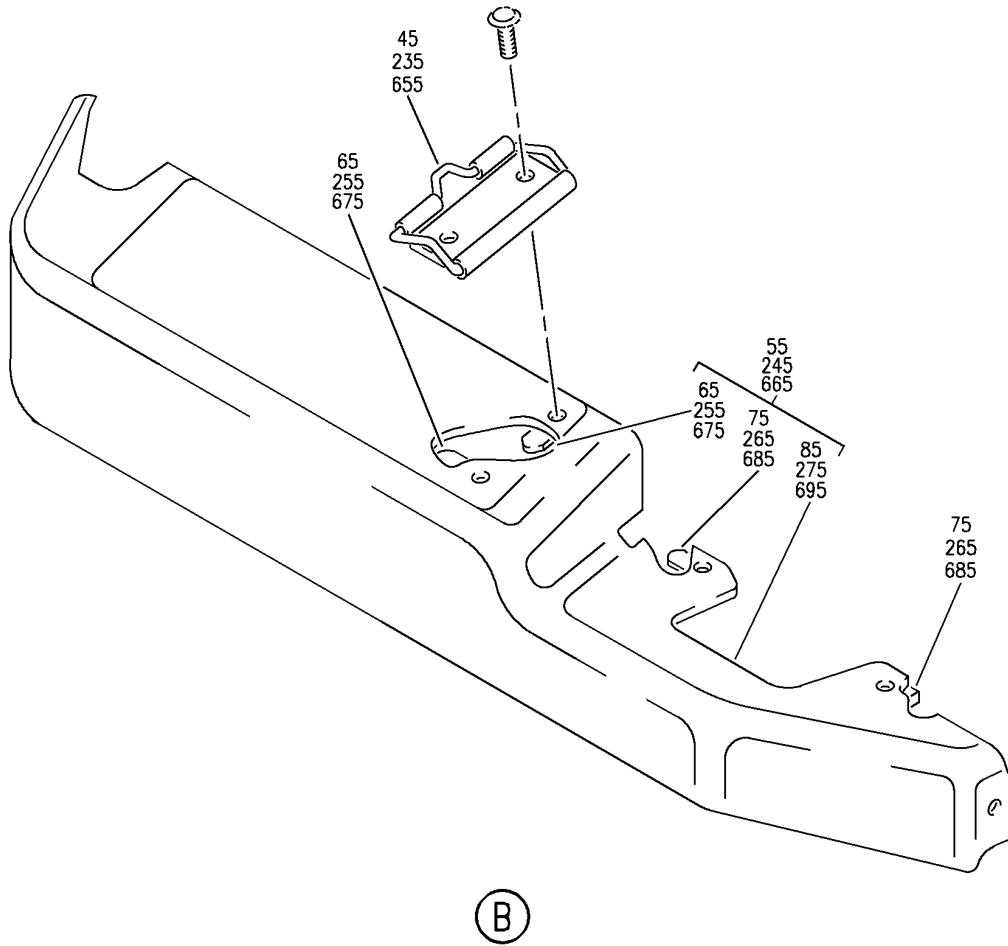
LINING INSTL-NO. 2 WINDOW
 FIGURE 12A (SHEET 1)

25-11-21-12A

HAP
 FEB 15/09

25-11-21-12A
 PAGE 0

BOEING
737-600/700/800/900
PARTS CATALOG (MAINTENANCE)



E 25112112A SHT 2 REV 125

LINING INSTL-NO. 2 WINDOW
FIGURE 12A (SHEET 2)

25-11-21-12A

HAP
FEB 10/07

25-11-21-12A
PAGE 0A

BOEING
737-600/700/800/900
PARTS CATALOG (MAINTENANCE)

FIG ITEM	PART NUMBER	1 2 3 4 5 6 7	NOMENCLATURE	EFFECT FROM TO	UNITS PER ASSY
12A			LINING INSTL-NO. 2 WINDOW	001030 201967	
- 1	232A1500-1		LINING INSTL-NO. 2 WINDOW POSITION DATA: LH FOR NHA SEE: 25-10-00-05C	001001 006007	RF
- 1	232A1500-7		LINING INSTL-NO. 2 WINDOW POSITION DATA: LH FOR NHA SEE: 25-10-00-05B 25-10-00-05C	002005 008011 201967	RF
- 5	232A1500-2		LINING INSTL-NO. 2 WINDOW POSITION DATA: RH FOR NHA SEE: 25-10-00-03	001001 006007	RF
- 5	232A1500-8		LINING INSTL-NO. 2 WINDOW POSITION DATA: RH FOR NHA SEE: 25-10-00-05B 25-10-00-05C	002005 008011 201967	RF
10	WHS10F6TPKL10GY		.SCREW- SUPPLIER CODE: V12324	001001 006007	4
15	WHS10F8TPKL10GY		.SCREW- SUPPLIER CODE: V12324	001001 006007	2
20	WHS10F8TPKL10GY		.SCREW- SUPPLIER CODE: V12324	002005 008011 201967	5
25	BCREF12303		.SCREW-WASHERHEAD SUPPLIER CODE: V12324 OVERLENGTH PART NUMBER: WHS10F10TPKL10GY	002005 008011 201967	1
30	BACW10P295L		.WASHER	002005 008011 201967	1

MISSING ITEM NUMBERS NOT APPLICABLE

- ITEM NOT ILLUSTRATED

HAP

25-11-21-12A

BOEING PROPRIETARY - Copyright © - Unpublished Work - See title page for details.

25-11-21
FIG. 12A
PAGE 1
OCT 15/08

BOEING
737-600/700/800/900
PARTS CATALOG (MAINTENANCE)

FIG ITEM	PART NUMBER	1 2 3 4 5 6 7	NOMENCLATURE	EFFECT FROM TO	UNITS PER ASSY
12A 35	232A1502-5		.COVER ASSY- (EQUIPMENT/FURNISHINGS ONLY) POSITION DATA: LWR LH SIDE FUNCTIONAL REFERENCE: PLACARDS AND MARKINGS FOR DETAILS SEE 11-31-01-17	001011 201967	1
- 40	232A1502-6		.COVER ASSY- (EQUIPMENT/FURNISHINGS ONLY) POSITION DATA: LWR RH SIDE FUNCTIONAL REFERENCE: PLACARDS AND MARKINGS FOR DETAILS SEE 11-31-01-17	001011 201967	1
45	232W4509-5		..CLIP ASSY-	001011 201967	1
45	232W4509-8		..CLIP ASSY-	001011 201967	1
45	232W4509-9		..CLIP ASSY-	001011 201967	1
45	232W4509-10		..CLIP ASSY-	001011 201967	1
- 50	BACS12FA08K8		ATTACHING PARTS ..SCREW	001011 201967	2
55	232A1520-1		-----*----- ..PANEL ASSY- POSITION DATA: LH SIDE	001011 201967	1
- 60	232A1520-2		..PANEL ASSY- POSITION DATA: RH SIDE	001011 201967	1

MISSING ITEM NUMBERS NOT APPLICABLE

- ITEM NOT ILLUSTRATED

HAP

25-11-21-12A

BOEING PROPRIETARY - Copyright © - Unpublished Work - See title page for details.

25-11-21
FIG. 12A
PAGE 2
OCT 15/08

BOEING
737-600/700/800/900
PARTS CATALOG (MAINTENANCE)

FIG ITEM	PART NUMBER	1 2 3 4 5 6 7	NOMENCLATURE	EFFECT FROM TO	UNITS PER ASSY
12A 65	BRF100C08D		...NUTPLATE- SUPPLIER CODE: V52828 SPECIFICATION NUMBER: BACN10KB08CFD OPTIONAL PART: NS202478-82 V80539 102F9207P82 V72962 F51604-08 V15653 POSITION DATA: FAR SIDE ATTACHING PARTS	001011 201967	2
- 70	BACR15BA3AD		...RIVET- SIZE DETERMINED ON INSTL. -----*-----	001011 201967	4
75	BRF100C3D		...NUTPLATE- SUPPLIER CODE: V52828 SPECIFICATION NUMBER: BACN10KB3CFD OPTIONAL PART: NS202478-02 V80539 102F9207P3 V72962 F51604-3 V15653 POSITION DATA: FAR SIDE ATTACHING PARTS	001011 201967	2
- 80	BACR15BA3AD		...RIVET- SIZE DETERMINED ON INSTL. -----*-----	001011 201967	4
85	232A1520-3		...COVER ASSY- POSITION DATA: LWR LH SIDE	001011 201967	1
- 90	232A1520-4		...COVER ASSY- POSITION DATA: LWR RH SIDE	001011 201967	1
95	232A1504-9		.PAD ASSY- POSITION DATA: LH SIDE	001011 201967	1
- 105	232A1504-10		.PAD ASSY- POSITION DATA: RH SIDE	001011 201967	1

MISSING ITEM NUMBERS NOT APPLICABLE

- ITEM NOT ILLUSTRATED

HAP

25-11-21-12A

BOEING PROPRIETARY - Copyright © - Unpublished Work - See title page for details.

25-11-21
FIG. 12A
PAGE 3
OCT 15/08

BOEING
737-600/700/800/900
PARTS CATALOG (MAINTENANCE)

FIG ITEM	PART NUMBER	1 2 3 4 5 6 7	NOMENCLATURE	EFFECT FROM TO	UNITS PER ASSY
12A 135	232A1503-7		.LINING ASSY- POSITION DATA: LH SIDE	001011 201967	1
135	232A1503-9		.LINING ASSY- POSITION DATA: LH SIDE	001011 201967	1
- 140	232A1503-8		.LINING ASSY- POSITION DATA: RH SIDE	001011 201967	1
- 140	232A1503-10		.LINING ASSY- POSITION DATA: RH SIDE	001011 201967	1
145	232A1524-13		..SEAL	001011 201967	1
150	232A1503-5		..TAPE-LOOP	001011 201967	AR
155	232A1501-9		.PAD ASSY- POSITION DATA: UPR LH SIDE	001011 201967	1
- 160	232A1501-10		.PAD ASSY- POSITION DATA: UPR RH SIDE	001011 201967	1
- 165	2500-5536-001		.PAD-EYEBROW SUPPLIER CODE: V28014 POSITION DATA: LH SIDE	001011 201967	1
- 200	232A1500-13		LINING INSTL-NO. 2 WINDOW POSITION DATA: LH FOR NHA SEE: 25-10-00-03	012012 014014	RF
- 205	232A1500-14		LINING INSTL-NO. 2 WINDOW POSITION DATA: RH FOR NHA SEE: 25-10-00-03	012012 014014	RF
210	WHS10F8TPKL10GY		.SCREW- SUPPLIER CODE: V12324	012012 014014	5
215	BCREF12303		.SCREW-WASHERHEAD SUPPLIER CODE: V12324 OVERLENGTH PART NUMBER: WHS10F10TPKL10GY	012012 014014	1
220	BACW10P295L		.WASHER	012012 014014	1

MISSING ITEM NUMBERS NOT APPLICABLE

- ITEM NOT ILLUSTRATED

HAP

25-11-21-12A

BOEING PROPRIETARY - Copyright © - Unpublished Work - See title page for details.

25-11-21
FIG. 12A
PAGE 4
OCT 15/08

BOEING
737-600/700/800/900
PARTS CATALOG (MAINTENANCE)

FIG ITEM	PART NUMBER	1 2 3 4 5 6 7	NOMENCLATURE	EFFECT FROM TO	UNITS PER ASSY
12A 225	232A1502-5		.COVER ASSY- (EQUIPMENT/FURNISHINGS ONLY) POSITION DATA: LWR LH SIDE FUNCTIONAL REFERENCE: PLACARDS AND MARKINGS FOR DETAILS SEE 11-31-01-17	012012 014014	1
- 230	232A1502-6		.COVER ASSY- (EQUIPMENT/FURNISHINGS ONLY) POSITION DATA: LWR RH SIDE FUNCTIONAL REFERENCE: PLACARDS AND MARKINGS FOR DETAILS SEE 11-31-01-17	012012 014014	1
235	232W4509-5		..CLIP ASSY-	012012 014014	1
235	232W4509-8		..CLIP ASSY-	012012 014014	1
235	232W4509-9		..CLIP ASSY-	012012 014014	1
235	232W4509-10		..CLIP ASSY-	012012 014014	1
- 240	BACS12FA08K8		ATTACHING PARTS ..SCREW	012012 014014	2
245	232A1520-1		-----*----- ..PANEL ASSY- POSITION DATA: LH SIDE	012012 014014	1
- 250	232A1520-2		..PANEL ASSY- POSITION DATA: RH SIDE	012012 014014	1

MISSING ITEM NUMBERS NOT APPLICABLE

- ITEM NOT ILLUSTRATED

HAP

25-11-21-12A

BOEING PROPRIETARY - Copyright © - Unpublished Work - See title page for details.

25-11-21
FIG. 12A
PAGE 5
OCT 15/08

BOEING
737-600/700/800/900
PARTS CATALOG (MAINTENANCE)

FIG ITEM	PART NUMBER	1 2 3 4 5 6 7	NOMENCLATURE	EFFECT FROM TO	UNITS PER ASSY
12A 255	BRF100C08D		...NUTPLATE- SUPPLIER CODE: V52828 SPECIFICATION NUMBER: BACN10KB08CFD OPTIONAL PART: NS202478-82 V80539 102F9207P82 V72962 F51604-08 V15653 POSITION DATA: FAR SIDE ATTACHING PARTS	012012 014014	2
- 260	BACR15BA3AD		...RIVET- SIZE DETERMINED ON INSTL. -----*-----	012012 014014	4
265	BRF100C3D		...NUTPLATE- SUPPLIER CODE: V52828 SPECIFICATION NUMBER: BACN10KB3CFD OPTIONAL PART: NS202478-02 V80539 102F9207P3 V72962 F51604-3 V15653 POSITION DATA: FAR SIDE ATTACHING PARTS	012012 014014	2
- 270	BACR15BA3AD		...RIVET- SIZE DETERMINED ON INSTL. -----*-----	012012 014014	4
275	232A1520-3		...COVER ASSY- POSITION DATA: LWR LH SIDE	012012 014014	1
- 280	232A1520-4		...COVER ASSY- POSITION DATA: LWR RH SIDE	012012 014014	1
285	232A1503-7		.LINING ASSY- POSITION DATA: LH SIDE	012012 014014	1
285	232A1503-9		.LINING ASSY- POSITION DATA: LH SIDE	012012 014014	1

MISSING ITEM NUMBERS NOT APPLICABLE

- ITEM NOT ILLUSTRATED

HAP

25-11-21-12A

BOEING PROPRIETARY - Copyright © - Unpublished Work - See title page for details.

25-11-21
FIG. 12A
PAGE 6
OCT 15/08

BOEING
737-600/700/800/900
PARTS CATALOG (MAINTENANCE)

FIG ITEM	PART NUMBER	1 2 3 4 5 6 7	NOMENCLATURE	EFFECT FROM TO	UNITS PER ASSY
12A					
- 290	232A1503-8		.LINING ASSY- POSITION DATA: RH SIDE	012012 014014	1
- 290	232A1503-10		.LINING ASSY- POSITION DATA: RH SIDE	012012 014014	1
295	232A1524-13		..SEAL	012012 014014	1
300	232A1503-5		..TAPE-LOOP	012012 014014	AR
- 305	232A1501-10		.PAD ASSY- POSITION DATA: UPR RH SIDE	012012 014014	1
- 400	232A1500-25		LINING INSTL-NO. 2 WINDOW POSITION DATA: LH FOR NHA SEE: 25-10-00-05C	012012 014014	RF
- 405	232A1500-26		LINING INSTL-NO. 2 WINDOW POSITION DATA: RH FOR NHA SEE: 25-10-00-05C	012012 014014	RF
410	232A1504-9		.PAD ASSY- POSITION DATA: LH SIDE	012012 014014	1
- 415	232A1504-10		.PAD ASSY- POSITION DATA: RH SIDE ATTACHING PARTS	012012 014014	1
- 420	BACB30NN3K7		.BOLT	012012 014014	4
- 425	BACS18K10-14W		.SPACER	012012 014014	4
- 430	BACN10VR2CG		.NUT	012012 014014	4
- 450	232A1500-21		-----*----- LINING INSTL-NO. 2 WINDOW POSITION DATA: LH FOR NHA SEE: 25-10-00-05C	012012 014014	RF
455	232A1501-9		.PAD ASSY- POSITION DATA: UPR LH SIDE	012012 014014	1

MISSING ITEM NUMBERS NOT APPLICABLE

- ITEM NOT ILLUSTRATED

HAP

25-11-21-12A

BOEING PROPRIETARY - Copyright © - Unpublished Work - See title page for details.

25-11-21
FIG. 12A
PAGE 7
FEB 15/09

BOEING
737-600/700/800/900
PARTS CATALOG (MAINTENANCE)

FIG ITEM	PART NUMBER	1 2 3 4 5 6 7	NOMENCLATURE	EFFECT FROM TO	UNITS PER ASSY
12A - 525	232A1500-40		LINING INSTL-NO. 2 WINDOW POSITION DATA: LH FOR NHA SEE: 25-10-00-05C	013013 015030	RF
- 530	232A1500-50		LINING INSTL-NO. 2 WINDOW POSITION DATA: RH FOR NHA SEE: 25-10-00-03	021030	RF
535	232A1501-9		.PAD ASSY- POSITION DATA: UPR LH SIDE	013013 015030	1
- 540	232A1501-10		.PAD ASSY- POSITION DATA: UPR RH SIDE	021030	1
- 550	232A1500-41		LINING INSTL-NO. 2 WINDOW POSITION DATA: LH FOR NHA SEE: 25-10-00-05C	013013 015030	RF
- 555	232A1500-42		LINING INSTL-NO. 2 WINDOW POSITION DATA: RH FOR NHA SEE: 25-10-00-05C	013013 015030	RF
557	232A1504-9		.PAD ASSY- POSITION DATA: LH SIDE	013013 015030	1
- 563	232A1504-10		.PAD ASSY- POSITION DATA: RH SIDE	013013 015030	1
- 570	BACB30NN3K7		ATTACHING PARTS .BOLT	013013 015030	4
- 575	BACS18K10-14W		.SPACER	013013 015030	4
- 577	BACN10VR2CG		.NUT	013013 015030	4
- 625	232A1500-45		-----*----- LINING INSTL-NO. 2 WINDOW POSITION DATA: LH FOR NHA SEE: 25-10-00-03	013013 015020	RF

MISSING ITEM NUMBERS NOT APPLICABLE

- ITEM NOT ILLUSTRATED

HAP

25-11-21-12A

BOEING PROPRIETARY - Copyright © - Unpublished Work - See title page for details.

25-11-21
FIG. 12A
PAGE 8
FEB 15/09

BOEING
737-600/700/800/900
PARTS CATALOG (MAINTENANCE)

FIG ITEM	PART NUMBER	1 2 3 4 5 6 7	NOMENCLATURE	EFFECT FROM TO	UNITS PER ASSY
12A - 625	232A1500-47		LINING INSTL-NO. 2 WINDOW POSITION DATA: LH FOR NHA SEE: 25-10-00-03	021022	RF
- 625	232A1500-51		LINING INSTL-NO. 2 WINDOW POSITION DATA: LH FOR NHA SEE: 25-10-00-03	023027	RF
- 625	232A1500-55		LINING INSTL-NO. 2 WINDOW POSITION DATA: LH FOR NHA SEE: 25-10-00-03	028030	RF
- 630	232A1500-46		LINING INSTL-NO. 2 WINDOW POSITION DATA: RH FOR NHA SEE: 25-10-00-03	013013 015020	RF
- 630	232A1500-48		LINING INSTL-NO. 2 WINDOW POSITION DATA: RH FOR NHA SEE: 25-10-00-03	021022	RF
- 630	232A1500-52		LINING INSTL-NO. 2 WINDOW POSITION DATA: RH FOR NHA SEE: 25-10-00-03	023027	RF
- 630	232A1500-56		LINING INSTL-NO. 2 WINDOW POSITION DATA: RH FOR NHA SEE: 25-10-00-03	028030	RF
635	WHS10F8TPKL10GY		.SCREW- SUPPLIER CODE: V12324	013013 015030	5
640	BCREF12303		.SCREW-WASHERHEAD SUPPLIER CODE: V12324 OVERLENGTH PART NUMBER: WHS10F10TPKL10GY	013013 015030	1

MISSING ITEM NUMBERS NOT APPLICABLE

- ITEM NOT ILLUSTRATED

HAP

25-11-21-12A

BOEING PROPRIETARY - Copyright © - Unpublished Work - See title page for details.

25-11-21
FIG. 12A
PAGE 9
FEB 15/09

BOEING
737-600/700/800/900
PARTS CATALOG (MAINTENANCE)

FIG ITEM	PART NUMBER	1 2 3 4 5 6 7	NOMENCLATURE	EFFECT FROM TO	UNITS PER ASSY
12A 645	232A1502-5		.COVER ASSY- (EQUIPMENT/FURNISHINGS ONLY) POSITION DATA: LWR LH SIDE FUNCTIONAL REFERENCE: PLACARDS AND MARKINGS FOR DETAILS SEE 11-31-01-17	021022	1
645	232A1502-7		.COVER ASSY- (EQUIPMENT/FURNISHINGS ONLY) POSITION DATA: LWR LH SIDE FUNCTIONAL REFERENCE: PLACARDS AND MARKINGS FOR DETAILS SEE 11-31-01-17	013013 015020	1
645	232A1502-9		.COVER ASSY- (EQUIPMENT/FURNISHINGS ONLY) POSITION DATA: LWR LH SIDE FUNCTIONAL REFERENCE: PLACARDS AND MARKINGS FOR DETAILS SEE 11-31-01-17	023027	1
645	232A1502-11		.COVER ASSY- (EQUIPMENT/FURNISHINGS ONLY) POSITION DATA: LWR LH SIDE FUNCTIONAL REFERENCE: PLACARDS AND MARKINGS FOR DETAILS SEE 11-31-01-17	028030	1
- 650	232A1502-6		.COVER ASSY- (EQUIPMENT/FURNISHINGS ONLY) POSITION DATA: LWR RH SIDE FUNCTIONAL REFERENCE: PLACARDS AND MARKINGS FOR DETAILS SEE 11-31-01-17	021022	1

MISSING ITEM NUMBERS NOT APPLICABLE

- ITEM NOT ILLUSTRATED

HAP

25-11-21-12A

BOEING PROPRIETARY - Copyright © - Unpublished Work - See title page for details.

25-11-21
FIG. 12A
PAGE 10
FEB 15/09

 **BOEING**
737-600/700/800/900
PARTS CATALOG (MAINTENANCE)

FIG ITEM	PART NUMBER	1 2 3 4 5 6 7	NOMENCLATURE	EFFECT FROM TO	UNITS PER ASSY
12A - 650	232A1502-8		.COVER ASSY- (EQUIPMENT/FURNISHINGS ONLY) POSITION DATA: LWR RH SIDE FUNCTIONAL REFERENCE: PLACARDS AND MARKINGS FOR DETAILS SEE 11-31-01-17	013013 015020	1
- 650	232A1502-10		.COVER ASSY- (EQUIPMENT/FURNISHINGS ONLY) POSITION DATA: LWR RH SIDE FUNCTIONAL REFERENCE: PLACARDS AND MARKINGS FOR DETAILS SEE 11-31-01-17	023027	1
- 650	232A1502-12		.COVER ASSY- (EQUIPMENT/FURNISHINGS ONLY) POSITION DATA: LWR RH SIDE FUNCTIONAL REFERENCE: PLACARDS AND MARKINGS FOR DETAILS SEE 11-31-01-17	028030	1
655	232W4509-5		..CLIP ASSY- USED ON: 232A1502-5 232A1502-6 232A1502-9 232A1502-10	013013 015030	1
655	232W4509-8		..CLIP ASSY- USED ON: 232A1502-7 232A1502-8	013013 015030	1
655	232W4509-9		..CLIP ASSY- USED ON: 232A1502-11 232A1502-12	013013 015030	1
655	232W4509-10		..CLIP ASSY- USED ON: 232A1502-13 232A1502-14 232A1502-15 232A1502-16	013013 015030	1

MISSING ITEM NUMBERS NOT APPLICABLE

- ITEM NOT ILLUSTRATED

HAP

25-11-21-12A

BOEING PROPRIETARY - Copyright © - Unpublished Work - See title page for details.

25-11-21
FIG. 12A
PAGE 11
FEB 15/09

BOEING
737-600/700/800/900
PARTS CATALOG (MAINTENANCE)

FIG ITEM	PART NUMBER	1 2 3 4 5 6 7	NOMENCLATURE	EFFECT FROM TO	UNITS PER ASSY
12A			ATTACHING PARTS		
- 660	BACS12FA08K8		.. SCREW	013013 015030	2
			-----*-----		
665	232A1520-1		.. PANEL ASSY- POSITION DATA: LH SIDE	013013 015022	1
665	232A1520-5		.. PANEL ASSY- POSITION DATA: LH SIDE	023030	1
- 670	232A1520-2		.. PANEL ASSY- POSITION DATA: RH SIDE	013013 015022	1
- 670	232A1520-6		.. PANEL ASSY- POSITION DATA: RH SIDE	023030	1
675	BRF100C08D		...NUTPLATE- SUPPLIER CODE: V52828 SPECIFICATION NUMBER: BACN10KB08CFD OPTIONAL PART: NS202478-82 V80539 102F9207P82 V72962 F51604-08 V15653 POSITION DATA: FAR SIDE	013013 015030	2
- 680	BACR15BA3AD		ATTACHING PARTS ...RIVET- SIZE DETERMINED ON INSTL. -----*-----	013013 015030	4
685	BRF100C3D		...NUTPLATE- SUPPLIER CODE: V52828 SPECIFICATION NUMBER: BACN10KB3CFD OPTIONAL PART: NS202478-02 V80539 102F9207P3 V72962 F51604-3 V15653 POSITION DATA: FAR SIDE	013013 015030	2

MISSING ITEM NUMBERS NOT APPLICABLE

- ITEM NOT ILLUSTRATED

HAP

25-11-21-12A

BOEING PROPRIETARY - Copyright © - Unpublished Work - See title page for details.

25-11-21
FIG. 12A
PAGE 12
FEB 15/09

BOEING
737-600/700/800/900
PARTS CATALOG (MAINTENANCE)

FIG ITEM	PART NUMBER	1 2 3 4 5 6 7	NOMENCLATURE	EFFECT FROM TO	UNITS PER ASSY
12A			ATTACHING PARTS		
- 690	BACR15BA3AD		...RIVET- SIZE DETERMINED ON INSTL. -----*-----	013013 015030	4
695	232A1520-3		...COVER ASSY- POSITION DATA: LWR LH SIDE	013013 015022	1
695	232A1520-7		...COVER ASSY- POSITION DATA: LWR LH SIDE	023030	1
- 700	232A1520-4		...COVER ASSY- POSITION DATA: LWR RH SIDE	013013 015022	1
- 700	232A1520-8		...COVER ASSY- POSITION DATA: LWR RH SIDE	023030	1
705	232A1503-7		.LINING ASSY- POSITION DATA: LH SIDE	013013 015030	1
705	232A1503-9		.LINING ASSY- POSITION DATA: LH SIDE	013013 015030	1
- 710	232A1503-8		.LINING ASSY- POSITION DATA: RH SIDE	013013 015030	1
- 710	232A1503-10		.LINING ASSY- POSITION DATA: RH SIDE	013013 015030	1
715	232A1524-13		..SEAL	013013 015030	1
720	232A1503-5		..TAPE-LOOP	013013 015030	AR
- 725	232A1501-10		.PAD ASSY- POSITION DATA: UPR RH SIDE	013013 015020	1

MISSING ITEM NUMBERS NOT APPLICABLE

- ITEM NOT ILLUSTRATED

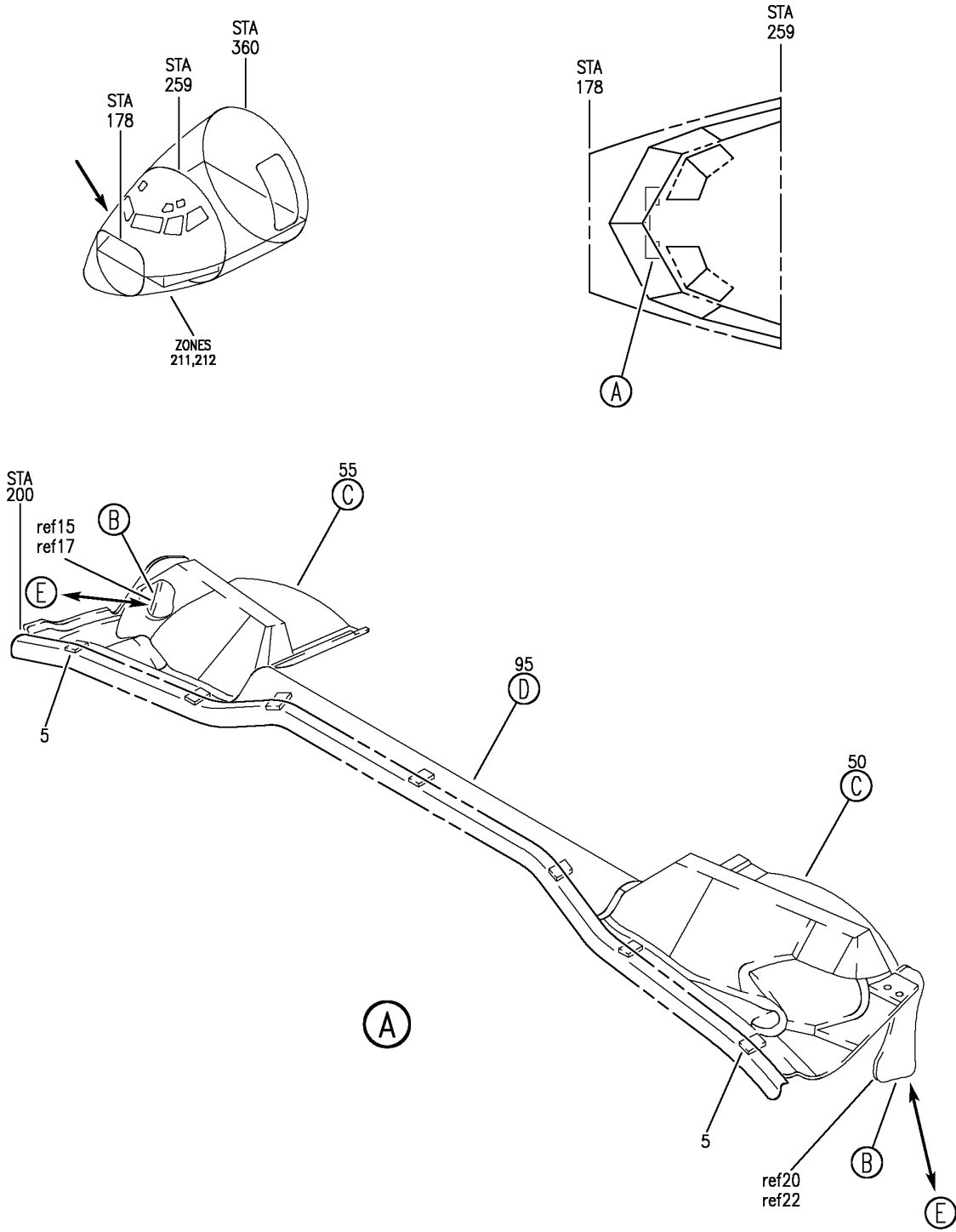
HAP

25-11-21-12A

BOEING PROPRIETARY - Copyright © - Unpublished Work - See title page for details.

25-11-21
FIG. 12A
PAGE 13
FEB 15/09

BOEING
 737-600/700/800/900
 PARTS CATALOG (MAINTENANCE)



E 25112113 SHT 1 REV 065

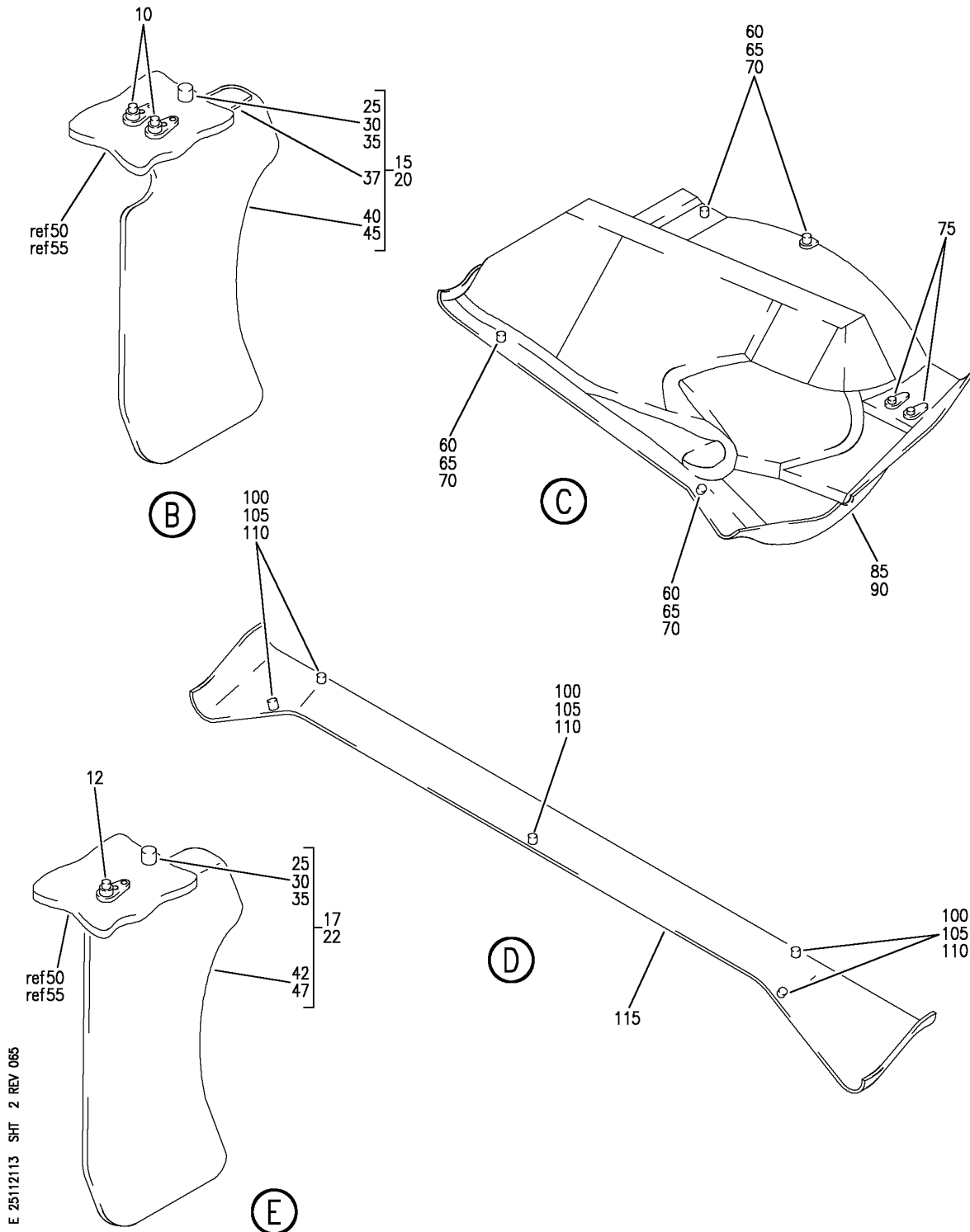
COVER INSTL-LWR FWD PNL
 FIGURE 13 (SHEET 1)

25-11-21-13

HAP
 OCT 10/06

25-11-21-13
 PAGE 0

BOEING
 737-600/700/800/900
 PARTS CATALOG (MAINTENANCE)



E 25112113 SHT 2 REV 065

COVER INSTL-LWR FWD PNL
 FIGURE 13 (SHEET 2)

25-11-21-13

HAP
 OCT 10/06

25-11-21-13
 PAGE 0A

BOEING
737-600/700/800/900
PARTS CATALOG (MAINTENANCE)

FIG ITEM	PART NUMBER	1 2 3 4 5 6 7	NOMENCLATURE	EFFECT FROM TO	UNITS PER ASSY
13			COVER INSTL-LWR FWD PNL	001030 201967	
- 1	233A8101-1		COVER INSTL-LWR PNL POSITION DATA: FWD PRE ALERT SB: 53A1222R1 FOR NHA SEE: 25-10-00-03	001019 201967	RF
- 1	233A8101-2		COVER INSTL-LWR PNL POSITION DATA: FWD POST ALERT SB: 53A1222R1 FOR NHA SEE: 25-10-00-03	001027 201967	RF
- 1	233A8101-3		COVER INSTL-LWR PNL POSITION DATA: FWD FOR NHA SEE: 25-10-00-03	028028	RF
- 1	233A8101-4		COVER INSTL-LWR PNL POSITION DATA: FWD FOR NHA SEE: 25-10-00-03	029030	RF
5	82-47-113-20		.RECEPTACLE-CLIP-ON SUPPLIER CODE: V94222	001030 201967	7
10	BACS12CK06H6		.SCREW	001028 201967	4
12	BACS12CK06H6		.SCREW	029030	2
15	233A8304-5		.LIGHTSHADE ASSY-	001027 201967	1
15	233A8304-11		.LIGHTSHADE ASSY-	001028 201967	1
17	233A8304-15		.LIGHTSHADE ASSY-	001030 201967	1
17	233A8304-17		.LIGHTSHADE ASSY-	001030 201967	1
20	233A8304-6		.LIGHTSHADE ASSY-	001027 201967	1
20	233A8304-12		.LIGHTSHADE ASSY-	001028 201967	1
22	233A8304-16		.LIGHTSHADE ASSY-	001030 201967	1
22	233A8304-18		.LIGHTSHADE ASSY-	001030 201967	1

MISSING ITEM NUMBERS NOT APPLICABLE

- ITEM NOT ILLUSTRATED

HAP

25-11-21-13

25-11-21
FIG. 13
PAGE 1
OCT 15/08

BOEING
737-600/700/800/900
PARTS CATALOG (MAINTENANCE)

FIG ITEM	PART NUMBER	1 2 3 4 5 6 7	NOMENCLATURE	EFFECT FROM TO	UNITS PER ASSY
13 25	82-99-604-280	..	STUD- SUPPLIER CODE: V94222 OPTIONAL PART: 82-19-280-20 V94222 USED ON: 233A8304-5 233A8304-6 233A8304-11 233A8304-12	001028 201967	1
25	82-19-280-20	..	STUD- SUPPLIER CODE: V94222 OPTIONAL PART: 82-99-604-280 V94222 USED ON: 233A8304-5 233A8304-6 233A8304-11 233A8304-12	001028 201967	1
25	82-99-341-20	..	STUD- SUPPLIER CODE: V94222 SPECIFICATION NUMBER: BACS21AP200RP OPTIONAL PART: 82-19-160-20 V94222 USED ON: 233A8304-17 233A8304-18	001030 201967	1
25	82-19-160-20	..	STUD- SUPPLIER CODE: V94222 OPTIONAL PART: BACS21AP200RP USED ON: 233A8304-17 233A8304-18	001030 201967	1
25	82-19-160-20	..	STUD- SUPPLIER CODE: V94222 USED ON: 233A8304-15 233A8304-16	001030 201967	1

MISSING ITEM NUMBERS NOT APPLICABLE

— ITEM NOT ILLUSTRATED

HAP

25-11-21-13

BOEING PROPRIETARY - Copyright © - Unpublished Work - See title page for details.

25-11-21
FIG. 13
PAGE 2
OCT 15/08

BOEING
737-600/700/800/900
PARTS CATALOG (MAINTENANCE)

FIG ITEM	PART NUMBER	1 2 3 4 5 6 7	NOMENCLATURE	EFFECT FROM TO	UNITS PER ASSY
13					
30	82-46-101-41	..	WASHER- SUPPLIER CODE: V94222	001030 201967	1
35	82-32-201-20	..	RETAINER- SUPPLIER CODE: V94222	001030 201967	1
37	233A8304-3	..	PLATE-BACKING	001027 201967	1
40	233A8304-1	..	LIGHTSHADE- USED ON: 233A8304-5	001027 201967	1
40	233A8304-9	..	LIGHTSHADE- USED ON: 233A8304-11	001028 201967	1
42	233A8304-13	..	LIGHTSHADE- USED ON: 233A8304-15	001030 201967	1
42	233A8304-19	..	LIGHTSHADE- USED ON: 233A8304-17	001030 201967	1
45	233A8304-2	..	LIGHTSHADE- USED ON: 233A8304-6	001027 201967	1
45	233A8304-10	..	LIGHTSHADE- USED ON: 233A8304-12	001028 201967	1
47	233A8304-14	..	LIGHTSHADE- USED ON: 233A8304-16	001030 201967	1
47	233A8304-20	..	LIGHTSHADE- USED ON: 233A8304-18	001030 201967	1
50	233A8301-1	.COVER ASSY- PRE ALERT SB: 53A1222R1		001019 201967	1
50	233A8301-11	.COVER ASSY- POST ALERT SB: 53A1222R1		001030 201967	1
55	233A8301-2	.COVER ASSY- PRE ALERT SB: 53A1222R1		001019 201967	1
55	233A8301-12	.COVER ASSY- POST ALERT SB: 53A1222R1		001030 201967	1
60	82-99-604-180	..	STUD- SUPPLIER CODE: V94222 PRE ALERT SB: 53A1222R1	001019 201967	4

MISSING ITEM NUMBERS NOT APPLICABLE

— ITEM NOT ILLUSTRATED

HAP

25-11-21-13

25-11-21
FIG. 13
PAGE 3
OCT 15/08

BOEING
737-600/700/800/900
PARTS CATALOG (MAINTENANCE)

FIG ITEM	PART NUMBER	1 2 3 4 5 6 7	NOMENCLATURE	EFFECT FROM TO	UNITS PER ASSY
13					
60	82-99-604-240	..	STUD- SUPPLIER CODE: V94222 POST ALERT SB: 53A1222R1	001030 201967	4
65	82-46-101-41	..	WASHER- SUPPLIER CODE: V94222	001030 201967	4
70	82-32-201-20	..	RETAINER- SUPPLIER CODE: V94222	001030 201967	4
75	K2001-06	..	NUTPLATE SUPPLIER CODE: V15653 SPECIFICATION NUMBER: BACN10KB06CM OPTIONAL PART: NS103184SE62 V80539 T8110C632 V11815 VN101D1-62 V92215 109A9207-62 V72962 BR1000C06M V52828	001030 201967	2
- 80	BACR15BA3AC	..	ATTACHING PARTS RIVET- SIZE DETERMINED ON INSTL. -----*-----	001030 201967	4
85	233A8301-3	..	COVER- PRE ALERT SB: 53A1222R1	001019 201967	1
85	233A8301-13	..	COVER- POST ALERT SB: 53A1222R1	001030 201967	1
90	233A8301-4	..	COVER- PRE ALERT SB: 53A1222R1	001019 201967	1
90	233A8301-14	..	COVER- POST ALERT SB: 53A1222R1	001030 201967	1
95	233A8301-9	.	COVER ASSY-MIDDLE	001030 201967	1
100	82-99-604-240	..	STUD- SUPPLIER CODE: V94222	001030 201967	5

MISSING ITEM NUMBERS NOT APPLICABLE

- ITEM NOT ILLUSTRATED

HAP

25-11-21-13

BOEING PROPRIETARY - Copyright © - Unpublished Work - See title page for details.

25-11-21
FIG. 13
PAGE 4
OCT 15/08

BOEING
737-600/700/800/900
PARTS CATALOG (MAINTENANCE)

FIG ITEM	PART NUMBER	1 2 3 4 5 6 7	NOMENCLATURE	EFFECT FROM TO	UNITS PER ASSY
13 105	82-46-101-41		.. WASHER- SUPPLIER CODE: V94222	001030 201967	5
110	82-32-201-20		.. RETAINER- SUPPLIER CODE: V94222	001030 201967	5
115	233A8301-8		.. COVER-	001030 201967	1

MISSING ITEM NUMBERS NOT APPLICABLE

— ITEM NOT ILLUSTRATED

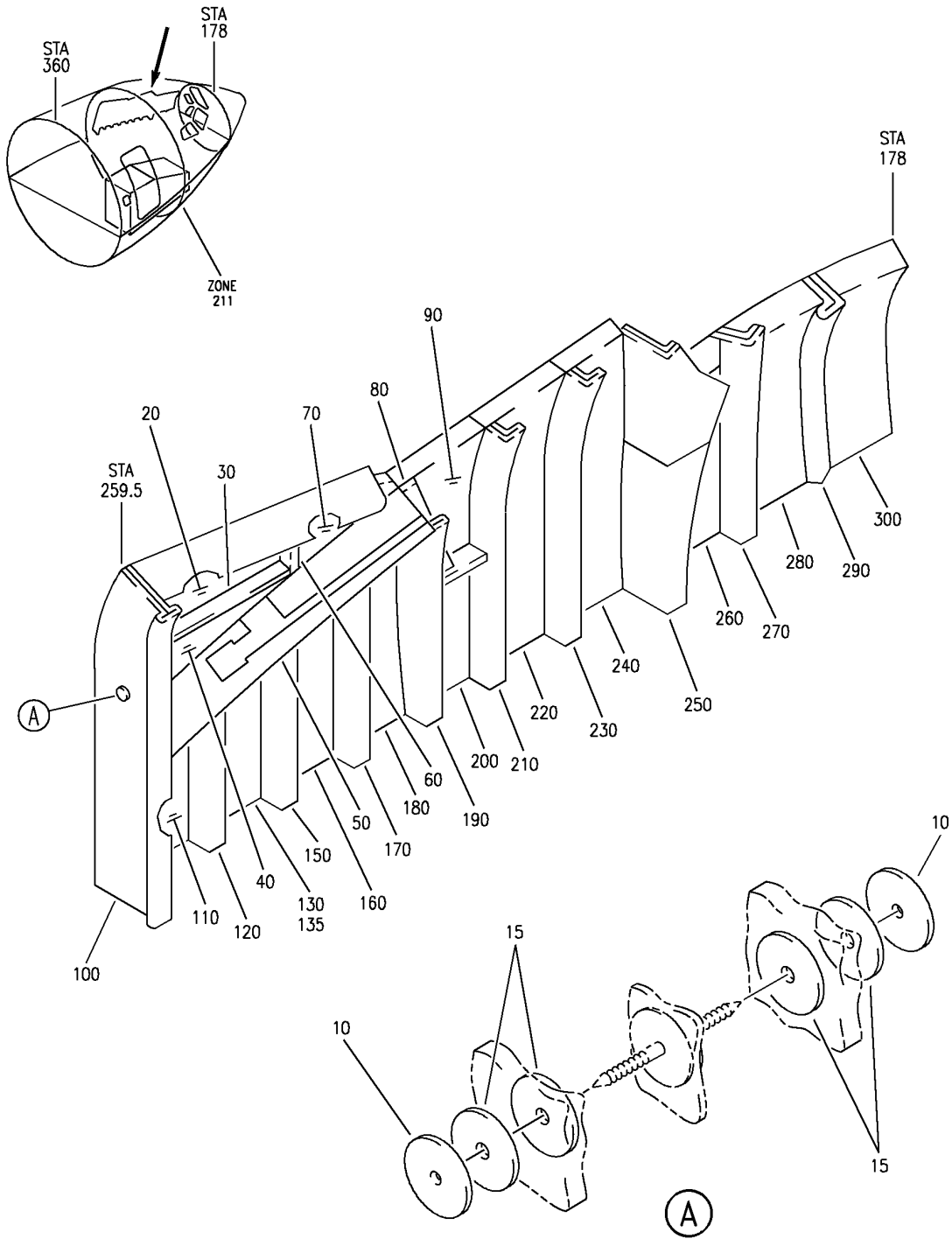
HAP

25-11-21-13

BOEING PROPRIETARY - Copyright © - Unpublished Work - See title page for details.

25-11-21
FIG. 13
PAGE 5
OCT 15/08

BOEING
 737-600/700/800/900
 PARTS CATALOG (MAINTENANCE)



E 25112114A REV 123

INSULATION INSTL-FLIGHT DECK
 FIGURE 14A

25-11-21-14A

HAP
 OCT 10/06

25-11-21-14A
 PAGE 0

BOEING
737-600/700/800/900
PARTS CATALOG (MAINTENANCE)

FIG ITEM	PART NUMBER	1 2 3 4 5 6 7	NOMENCLATURE	EFFECT FROM TO	UNITS PER ASSY
14A			INSULATION INSTL-FLIGHT DECK	001030 201967	
- 1	232A1201-1		INSULATION INSTL-FLIGHT DECK POSITION DATA: LH FOR NHA SEE: 25-10-00-03	001030 201967	RF
- 5	232A1201-2		INSULATION INSTL-FLIGHT DECK POSITION DATA: RH FOR NHA SEE: 25-10-00-03	001030 201967	RF
10	2055300		.DISK-RTNR SUPPLIER CODE: V04169 SPECIFICATION NUMBER: S415W001-1 OPTIONAL PART: BACC15AC3A	001030 201967	AR
10	BACC15AC3A		.DISK-RTNR OPTIONAL PART: 2055300 V04169	001030 201967	AR
15	1298-02		.WASHER-FOAM SUPPLIER CODE: VF2538 MISCELLANEOUS DATA: 1298-02 IS IDENTICAL TO 5150386000 RAW MATERIAL STOCK LISTED IN PDM.	001030 201967	AR
20	232A1202-49		.BLANKET ASSY- POSITION DATA: LH SIDE	001030 201967	1
20	232A1205-49		.INSULATION ASSY- POSITION DATA: LH SIDE	001030 201967	1
20	232A1206-49		.INSULATION ASSY- POSITION DATA: LH SIDE	001030 201967	1
- 25	232A1202-50		.BLANKET ASSY- POSITION DATA: RH SIDE	001030 201967	1
- 25	232A1205-50		.INSULATION ASSY- POSITION DATA: RH SIDE	001030 201967	1

MISSING ITEM NUMBERS NOT APPLICABLE

- ITEM NOT ILLUSTRATED

HAP

25-11-21-14A

BOEING PROPRIETARY - Copyright © - Unpublished Work - See title page for details.

25-11-21
FIG. 14A
PAGE 1
FEB 15/09

BOEING
737-600/700/800/900
PARTS CATALOG (MAINTENANCE)

FIG ITEM	PART NUMBER	1 2 3 4 5 6 7	NOMENCLATURE	EFFECT FROM TO	UNITS PER ASSY
14A					
- 25	232A1206-50		.INSULATION ASSY- POSITION DATA: RH SIDE	001030 201967	1
30	232A1202-51		.CAPSTRIP ASSY- POSITION DATA: LH SIDE	001030 201967	1
30	232A1205-51		.INSULATION ASSY- POSITION DATA: LH SIDE	001030 201967	1
30	232A1206-51		.INSULATION ASSY- POSITION DATA: LH SIDE	001030 201967	1
- 35	232A1202-52		.CAPSTRIP ASSY- POSITION DATA: RH SIDE	001030 201967	1
- 35	232A1205-52		.INSULATION ASSY- POSITION DATA: RH SIDE	001030 201967	1
- 35	232A1206-52		.INSULATION ASSY- POSITION DATA: RH SIDE	001030 201967	1
40	232A1202-53		.BLANKET ASSY- POSITION DATA: LH SIDE	001030 201967	1
40	232A1205-53		.INSULATION ASSY- POSITION DATA: LH SIDE	001030 201967	1
40	232A1206-53		.INSULATION ASSY- POSITION DATA: LH SIDE	001030 201967	1
- 45	232A1202-54		.BLANKET ASSY- POSITION DATA: RH SIDE	001030 201967	1
- 45	232A1205-54		.INSULATION ASSY- POSITION DATA: RH SIDE	001030 201967	1
- 45	232A1206-54		.INSULATION ASSY- POSITION DATA: RH SIDE	001030 201967	1
50	232A1202-55		.CAPSTRIP ASSY- POSITION DATA: LH SIDE	001030 201967	1
50	232A1205-55		.INSULATION ASSY- POSITION DATA: LH SIDE	001030 201967	1
50	232A1206-55		.INSULATION ASSY- POSITION DATA: LH SIDE	001030 201967	1

MISSING ITEM NUMBERS NOT APPLICABLE

- ITEM NOT ILLUSTRATED

HAP

25-11-21-14A

25-11-21
FIG. 14A
PAGE 2
FEB 15/09

BOEING
737-600/700/800/900
PARTS CATALOG (MAINTENANCE)

FIG ITEM	PART NUMBER	1 2 3 4 5 6 7	NOMENCLATURE	EFFECT FROM TO	UNITS PER ASSY
14A					
- 55	232A1202-56		.CAPSTRIP ASSY- POSITION DATA: RH SIDE	001030 201967	1
- 55	232A1205-56		.INSULATION ASSY- POSITION DATA: RH SIDE	001030 201967	1
- 55	232A1206-56		.INSULATION ASSY- POSITION DATA: RH SIDE	001030 201967	1
60	232A1202-47		.CAPSTRIP ASSY- POSITION DATA: LH SIDE	001030 201967	1
60	232A1205-47		.INSULATION ASSY- POSITION DATA: LH SIDE	001030 201967	1
60	232A1206-47		.INSULATION ASSY- POSITION DATA: LH SIDE	001030 201967	1
- 65	232A1202-48		.CAPSTRIP ASSY- POSITION DATA: RH SIDE	001030 201967	1
- 65	232A1205-48		.INSULATION ASSY- POSITION DATA: RH SIDE	001030 201967	1
- 65	232A1206-48		.INSULATION ASSY- POSITION DATA: RH SIDE	001030 201967	1
70	232A1202-45		.BLANKET ASSY- POSITION DATA: LH SIDE	001030 201967	1
70	232A1205-45		.INSULATION ASSY- POSITION DATA: LH SIDE	001030 201967	1
70	232A1206-45		.INSULATION ASSY- POSITION DATA: LH SIDE	001030 201967	1
- 75	232A1202-46		.BLANKET ASSY- POSITION DATA: RH SIDE	001030 201967	1
- 75	232A1205-46		.INSULATION ASSY- POSITION DATA: RH SIDE	001030 201967	1
- 75	232A1206-46		.INSULATION ASSY- POSITION DATA: RH SIDE	001030 201967	1
80	232A1202-43		.CAPSTRIP ASSY- POSITION DATA: LH SIDE	001030 201967	1

MISSING ITEM NUMBERS NOT APPLICABLE

- ITEM NOT ILLUSTRATED

HAP

25-11-21-14A

BOEING PROPRIETARY - Copyright © - Unpublished Work - See title page for details.

25-11-21
FIG. 14A
PAGE 3
FEB 15/09

BOEING
737-600/700/800/900
PARTS CATALOG (MAINTENANCE)

FIG ITEM	PART NUMBER	1 2 3 4 5 6 7	NOMENCLATURE	EFFECT FROM TO	UNITS PER ASSY
14A					
80	232A1205-43		.INSULATION ASSY- POSITION DATA: LH SIDE	001030 201967	1
80	232A1206-43		.INSULATION ASSY- POSITION DATA: LH SIDE	001030 201967	1
- 85	232A1202-44		.CAPSTRIP ASSY- POSITION DATA: RH SIDE	001030 201967	1
- 85	232A1205-44		.INSULATION ASSY- POSITION DATA: RH SIDE	001030 201967	1
- 85	232A1206-44		.INSULATION ASSY- POSITION DATA: RH SIDE	001030 201967	1
90	232A1202-41		.BLANKET ASSY- POSITION DATA: LH SIDE	001030 201967	1
90	232A1205-41		.INSULATION ASSY- POSITION DATA: LH SIDE	001030 201967	1
90	232A1206-41		.INSULATION ASSY- POSITION DATA: LH SIDE	001030 201967	1
- 95	232A1202-42		.BLANKET ASSY- POSITION DATA: RH SIDE	001030 201967	1
- 95	232A1205-42		.INSULATION ASSY- POSITION DATA: RH SIDE	001030 201967	1
- 95	232A1206-42		.INSULATION ASSY- POSITION DATA: RH SIDE	001030 201967	1
100	232A1202-39		.CAPSTRIP ASSY- POSITION DATA: LH SIDE	001030 201967	1
100	232A1205-39		.INSULATION ASSY- POSITION DATA: LH SIDE	001030 201967	1
100	232A1206-39		.INSULATION ASSY- POSITION DATA: LH SIDE	001030 201967	1
- 105	232A1202-40		.CAPSTRIP ASSY- POSITION DATA: RH SIDE	001030 201967	1
- 105	232A1205-40		.INSULATION ASSY- POSITION DATA: RH SIDE	001030 201967	1

MISSING ITEM NUMBERS NOT APPLICABLE

- ITEM NOT ILLUSTRATED

HAP

25-11-21-14A

25-11-21
FIG. 14A
PAGE 4
FEB 15/09

BOEING PROPRIETARY - Copyright © - Unpublished Work - See title page for details.

BOEING
737-600/700/800/900
PARTS CATALOG (MAINTENANCE)

FIG ITEM	PART NUMBER	1 2 3 4 5 6 7	NOMENCLATURE	EFFECT FROM TO	UNITS PER ASSY
14A					
- 105	232A1206-40		.INSULATION ASSY- POSITION DATA: RH SIDE	001030 201967	1
110	232A1202-37		.BLANKET ASSY- POSITION DATA: LH SIDE	001030 201967	1
110	232A1205-37		.INSULATION ASSY- POSITION DATA: LH SIDE	001030 201967	1
110	232A1206-37		.INSULATION ASSY- POSITION DATA: LH SIDE	001030 201967	1
- 115	232A1202-38		.BLANKET ASSY- POSITION DATA: RH SIDE	001030 201967	1
- 115	232A1205-38		.INSULATION ASSY- POSITION DATA: RH SIDE	001030 201967	1
- 115	232A1206-38		.INSULATION ASSY- POSITION DATA: RH SIDE	001030 201967	1
120	232A1202-35		.CAPSTRIP ASSY- POSITION DATA: LH SIDE	001030 201967	1
120	232A1205-35		.INSULATION ASSY- POSITION DATA: LH SIDE	001030 201967	1
120	232A1206-35		.INSULATION ASSY- POSITION DATA: LH SIDE	001030 201967	1
- 125	232A1202-36		.CAPSTRIP ASSY- POSITION DATA: RH SIDE	001030 201967	1
- 125	232A1205-36		.INSULATION ASSY- POSITION DATA: RH SIDE	001030 201967	1
- 125	232A1206-36		.INSULATION ASSY- POSITION DATA: RH SIDE	001030 201967	1
130	232A1202-33		.BLANKET ASSY- POSITION DATA: LH SIDE	001030 201967	1
- 140	232A1202-34		.BLANKET ASSY- POSITION DATA: RH SIDE	001030 201967	1
150	232A1202-31		.CAPSTRIP ASSY- POSITION DATA: LH SIDE	001030 201967	1

MISSING ITEM NUMBERS NOT APPLICABLE

- ITEM NOT ILLUSTRATED

HAP

25-11-21-14A

25-11-21
FIG. 14A
PAGE 5
FEB 15/09

BOEING PROPRIETARY - Copyright © - Unpublished Work - See title page for details.

BOEING
737-600/700/800/900
PARTS CATALOG (MAINTENANCE)

FIG ITEM	PART NUMBER	1 2 3 4 5 6 7	NOMENCLATURE	EFFECT FROM TO	UNITS PER ASSY
14A 150	232A1205-31		.INSULATION ASSY- POSITION DATA: LH SIDE	001030 201967	1
150	232A1206-31		.INSULATION ASSY- POSITION DATA: LH SIDE	001030 201967	1
- 155	232A1202-32		.CAPSTRIP ASSY- POSITION DATA: RH SIDE	001030 201967	1
- 155	232A1205-32		.INSULATION ASSY- POSITION DATA: RH SIDE	001030 201967	1
- 155	232A1206-32		.INSULATION ASSY- POSITION DATA: RH SIDE	001030 201967	1
160	232A1202-29		.BLANKET ASSY- POSITION DATA: LH SIDE	001030 201967	1
160	232A1205-29		.INSULATION ASSY- POSITION DATA: LH SIDE	001030 201967	1
160	232A1206-29		.INSULATION ASSY- POSITION DATA: LH SIDE	001030 201967	1
- 165	232A1202-30		.BLANKET ASSY- POSITION DATA: RH SIDE	001030 201967	1
- 165	232A1205-30		.INSULATION ASSY- POSITION DATA: RH SIDE	001030 201967	1
- 165	232A1206-30		.INSULATION ASSY- POSITION DATA: RH SIDE	001030 201967	1
170	232A1202-27		.CAPSTRIP ASSY- POSITION DATA: LH SIDE	001030 201967	1
170	232A1205-27		.INSULATION ASSY- POSITION DATA: LH SIDE	001030 201967	1
170	232A1206-27		.INSULATION ASSY- POSITION DATA: LH SIDE	001030 201967	1
- 175	232A1202-28		.CAPSTRIP ASSY- POSITION DATA: RH SIDE	001030 201967	1
- 175	232A1205-28		.INSULATION ASSY- POSITION DATA: RH SIDE	001030 201967	1

MISSING ITEM NUMBERS NOT APPLICABLE

- ITEM NOT ILLUSTRATED

HAP

25-11-21-14A

25-11-21
FIG. 14A
PAGE 6
FEB 15/09

BOEING
737-600/700/800/900
PARTS CATALOG (MAINTENANCE)

FIG ITEM	PART NUMBER	1 2 3 4 5 6 7	NOMENCLATURE	EFFECT FROM TO	UNITS PER ASSY
14A					
- 175	232A1206-28		.INSULATION ASSY- POSITION DATA: RH SIDE	001030 201967	1
180	232A1202-25		.BLANKET ASSY- POSITION DATA: LH SIDE	001030 201967	1
180	232A1205-25		.INSULATION ASSY- POSITION DATA: LH SIDE	001030 201967	1
180	232A1206-25		.INSULATION ASSY- POSITION DATA: LH SIDE	001030 201967	1
- 185	232A1202-26		.BLANKET ASSY- POSITION DATA: RH SIDE	001030 201967	1
- 185	232A1205-26		.INSULATION ASSY- POSITION DATA: RH SIDE	001030 201967	1
- 185	232A1206-26		.INSULATION ASSY- POSITION DATA: RH SIDE	001030 201967	1
190	232A1202-23		.CAPSTRIP ASSY- POSITION DATA: LH SIDE	001030 201967	1
190	232A1205-23		.INSULATION ASSY- POSITION DATA: LH SIDE	001030 201967	1
190	232A1206-23		.INSULATION ASSY- POSITION DATA: LH SIDE	001030 201967	1
- 195	232A1202-24		.CAPSTRIP ASSY- POSITION DATA: RH SIDE	001030 201967	1
- 195	232A1205-24		.INSULATION ASSY- POSITION DATA: RH SIDE	001030 201967	1
- 195	232A1206-24		.INSULATION ASSY- POSITION DATA: RH SIDE	001030 201967	1
200	232A1202-21		.BLANKET ASSY- POSITION DATA: LH SIDE	001030 201967	1
200	232A1205-21		.INSULATION ASSY- POSITION DATA: LH SIDE	001030 201967	1
200	232A1206-21		.INSULATION ASSY- POSITION DATA: LH SIDE	001030 201967	1

MISSING ITEM NUMBERS NOT APPLICABLE

- ITEM NOT ILLUSTRATED

HAP

25-11-21-14A

25-11-21
FIG. 14A
PAGE 7
FEB 15/09

 **BOEING**
737-600/700/800/900
PARTS CATALOG (MAINTENANCE)

FIG ITEM	PART NUMBER	1 2 3 4 5 6 7	NOMENCLATURE	EFFECT FROM TO	UNITS PER ASSY
14A					
- 205	232A1202-22		.BLANKET ASSY- POSITION DATA: RH SIDE	001030 201967	1
- 205	232A1205-22		.INSULATION ASSY- POSITION DATA: RH SIDE	001030 201967	1
- 205	232A1206-22		.INSULATION ASSY- POSITION DATA: RH SIDE	001030 201967	1
210	232A1202-19		.CAPSTRIP ASSY- POSITION DATA: LH SIDE	001030 201967	1
210	232A1205-19		.INSULATION ASSY- POSITION DATA: LH SIDE	001030 201967	1
210	232A1206-19		.INSULATION ASSY- POSITION DATA: LH SIDE	001030 201967	1
- 215	232A1202-20		.CAPSTRIP ASSY- POSITION DATA: RH SIDE	001030 201967	1
- 215	232A1205-20		.INSULATION ASSY- POSITION DATA: RH SIDE	001030 201967	1
- 215	232A1206-20		.INSULATION ASSY- POSITION DATA: RH SIDE	001030 201967	1
220	232A1202-17		.BLANKET ASSY- POSITION DATA: LH SIDE	001030 201967	1
220	232A1205-17		.INSULATION ASSY- POSITION DATA: LH SIDE	001030 201967	1
220	232A1206-17		.INSULATION ASSY- POSITION DATA: LH SIDE	001030 201967	1
- 225	232A1202-18		.BLANKET ASSY- POSITION DATA: RH SIDE	001030 201967	1
- 225	232A1205-18		.INSULATION ASSY- POSITION DATA: RH SIDE	001030 201967	1
- 225	232A1206-18		.INSULATION ASSY- POSITION DATA: RH SIDE	001030 201967	1
230	232A1202-15		.CAPSTRIP ASSY- POSITION DATA: LH SIDE	001030 201967	1

MISSING ITEM NUMBERS NOT APPLICABLE

- ITEM NOT ILLUSTRATED

HAP

25-11-21-14A

BOEING PROPRIETARY - Copyright © - Unpublished Work - See title page for details.

25-11-21
FIG. 14A
PAGE 8
FEB 15/09

BOEING
737-600/700/800/900
PARTS CATALOG (MAINTENANCE)

FIG ITEM	PART NUMBER	1 2 3 4 5 6 7	NOMENCLATURE	EFFECT FROM TO	UNITS PER ASSY
14A 230	232A1205-15		.INSULATION ASSY- POSITION DATA: LH SIDE	001030 201967	1
230	232A1206-15		.INSULATION ASSY- POSITION DATA: LH SIDE	001030 201967	1
- 235	232A1202-16		.CAPSTRIP ASSY- POSITION DATA: RH SIDE	001030 201967	1
- 235	232A1205-16		.INSULATION ASSY- POSITION DATA: RH SIDE	001030 201967	1
- 235	232A1206-16		.INSULATION ASSY- POSITION DATA: RH SIDE	001030 201967	1
240	232A1202-13		.BLANKET ASSY- POSITION DATA: LH SIDE	001030 201967	1
240	232A1205-13		.INSULATION ASSY- POSITION DATA: LH SIDE	001030 201967	1
240	232A1206-13		.INSULATION ASSY- POSITION DATA: LH SIDE	001030 201967	1
- 245	232A1202-14		.BLANKET ASSY- POSITION DATA: RH SIDE	001030 201967	1
- 245	232A1205-14		.INSULATION ASSY- POSITION DATA: RH SIDE	001030 201967	1
- 245	232A1206-14		.INSULATION ASSY- POSITION DATA: RH SIDE	001030 201967	1
250	232A1202-11		.CAPSTRIP ASSY- POSITION DATA: LH SIDE	001030 201967	1
250	232A1202-155		.CAPSTRIP ASSY- POSITION DATA: LH SIDE	001030 201967	1
250	232A1205-11		.INSULATION ASSY- POSITION DATA: LH SIDE	001030 201967	1
250	232A1206-11		.INSULATION ASSY- POSITION DATA: LH SIDE	001030 201967	1
- 255	232A1202-12		.CAPSTRIP ASSY- POSITION DATA: RH SIDE	001030 201967	1

MISSING ITEM NUMBERS NOT APPLICABLE

- ITEM NOT ILLUSTRATED

HAP

25-11-21-14A

BOEING PROPRIETARY - Copyright © - Unpublished Work - See title page for details.

25-11-21
FIG. 14A
PAGE 9
FEB 15/09

BOEING
737-600/700/800/900
PARTS CATALOG (MAINTENANCE)

FIG ITEM	PART NUMBER	1 2 3 4 5 6 7	NOMENCLATURE	EFFECT FROM TO	UNITS PER ASSY
14A					
- 255	232A1202-156		.CAPSTRIP ASSY- POSITION DATA: RH SIDE	001030 201967	1
- 255	232A1205-12		.INSULATION ASSY- POSITION DATA: RH SIDE	001030 201967	1
- 255	232A1206-12		.INSULATION ASSY- POSITION DATA: RH SIDE	001030 201967	1
260	232A1202-9		.BLANKET ASSY- POSITION DATA: LH SIDE	001030 201967	1
260	232A1205-9		.INSULATION ASSY- POSITION DATA: LH SIDE	001030 201967	1
260	232A1206-9		.INSULATION ASSY- POSITION DATA: LH SIDE	001030 201967	1
- 265	232A1202-10		.BLANKET ASSY- POSITION DATA: RH SIDE	001030 201967	1
- 265	232A1205-10		.INSULATION ASSY- POSITION DATA: RH SIDE	001030 201967	1
- 265	232A1206-10		.INSULATION ASSY- POSITION DATA: RH SIDE	001030 201967	1
270	232A1202-7		.CAPSTRIP ASSY- POSITION DATA: LH SIDE	001030 201967	1
270	232A1205-7		.INSULATION ASSY- POSITION DATA: LH SIDE	001030 201967	1
270	232A1206-7		.INSULATION ASSY- POSITION DATA: LH SIDE	001030 201967	1
- 275	232A1202-8		.CAPSTRIP ASSY- POSITION DATA: RH SIDE	001030 201967	1
- 275	232A1205-8		.INSULATION ASSY- POSITION DATA: RH SIDE	001030 201967	1
- 275	232A1206-8		.INSULATION ASSY- POSITION DATA: RH SIDE	001030 201967	1
280	232A1202-5		.BLANKET ASSY- POSITION DATA: LH SIDE	001030 201967	1

MISSING ITEM NUMBERS NOT APPLICABLE

- ITEM NOT ILLUSTRATED

HAP

25-11-21-14A

25-11-21
FIG. 14A
PAGE 10
FEB 15/09

BOEING PROPRIETARY - Copyright © - Unpublished Work - See title page for details.

 **BOEING**
737-600/700/800/900
PARTS CATALOG (MAINTENANCE)

FIG ITEM	PART NUMBER	1 2 3 4 5 6 7	NOMENCLATURE	EFFECT FROM TO	UNITS PER ASSY
14A 280	232A1205-5		.INSULATION ASSY- POSITION DATA: LH SIDE	001030 201967	1
280	232A1206-5		.INSULATION ASSY- POSITION DATA: LH SIDE	001030 201967	1
- 285	232A1202-6		.BLANKET ASSY- POSITION DATA: RH SIDE	001030 201967	1
- 285	232A1205-6		.INSULATION ASSY- POSITION DATA: RH SIDE	001030 201967	1
- 285	232A1206-6		.INSULATION ASSY- POSITION DATA: RH SIDE	001030 201967	1
290	232A1202-3		.CAPSTRIP ASSY- POSITION DATA: LH SIDE	001030 201967	1
290	232A1205-3		.INSULATION ASSY- POSITION DATA: LH SIDE	001030 201967	1
290	232A1206-3		.INSULATION ASSY- POSITION DATA: LH SIDE	001030 201967	1
- 295	232A1202-4		.CAPSTRIP ASSY- POSITION DATA: RH SIDE	001030 201967	1
- 295	232A1205-4		.INSULATION ASSY- POSITION DATA: RH SIDE	001030 201967	1
- 295	232A1206-4		.INSULATION ASSY- POSITION DATA: RH SIDE	001030 201967	1
300	232A1202-1		.BLANKET ASSY- POSITION DATA: LH SIDE	001030 201967	1
300	232A1205-1		.INSULATION ASSY- POSITION DATA: LH SIDE	001030 201967	1
300	232A1206-1		.INSULATION ASSY- POSITION DATA: LH SIDE	001030 201967	1
- 305	232A1202-2		.BLANKET ASSY- POSITION DATA: RH SIDE	001030 201967	1
- 305	232A1205-2		.INSULATION ASSY- POSITION DATA: RH SIDE	001030 201967	1

MISSING ITEM NUMBERS NOT APPLICABLE

- ITEM NOT ILLUSTRATED

HAP

25-11-21-14A

25-11-21
FIG. 14A
PAGE 11
FEB 15/09

BOEING
737-600/700/800/900
PARTS CATALOG (MAINTENANCE)

FIG ITEM	PART NUMBER	1 2 3 4 5 6 7 NOMENCLATURE	EFFECT FROM TO	UNITS PER ASSY
14A - 305	232A1206-2	.INSULATION ASSY- POSITION DATA: RH SIDE	001030 201967	1

MISSING ITEM NUMBERS NOT APPLICABLE

- ITEM NOT ILLUSTRATED

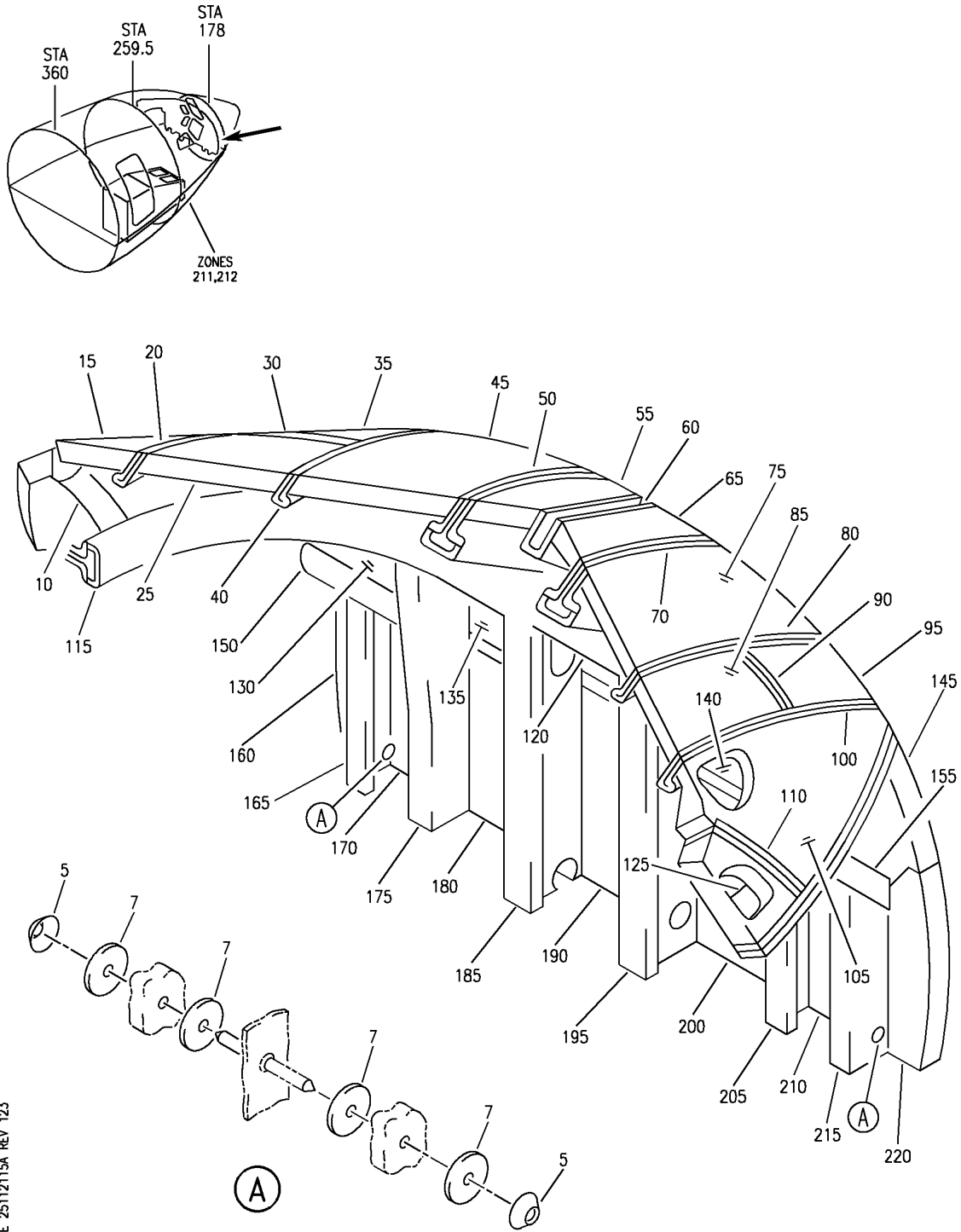
HAP

25-11-21-14A

BOEING PROPRIETARY - Copyright © - Unpublished Work - See title page for details.

25-11-21
FIG. 14A
PAGE 12
FEB 15/09

BOEING
 737-600/700/800/900
 PARTS CATALOG (MAINTENANCE)



E 25112115A REV 123

INSULATION INSTL-FLIGHT DECK
 FIGURE 15A

25-11-21-15A

HAP
 FEB 10/07

25-11-21-15A
 PAGE 0

BOEING
737-600/700/800/900
PARTS CATALOG (MAINTENANCE)

FIG ITEM	PART NUMBER	1 2 3 4 5 6 7	NOMENCLATURE	EFFECT FROM TO	UNITS PER ASSY
15A			INSULATION INSTL-FLIGHT DECK	001030 201967	
- 1	232A1201-3		INSULATION INSTL-FLIGHT DECK FOR NHA SEE: 25-10-00-03	001004 006007	RF
- 1	232A1201-5		INSULATION INSTL-FLIGHT DECK FOR NHA SEE: 25-10-00-03	005005 008030 201967	RF
5	2055300		.DISK-RTNR SUPPLIER CODE: V04169 SPECIFICATION NUMBER: S415W001-1 OPTIONAL PART: BACC15AC3A	001030 201967	AR
5	BACC15AC3A		.DISK-RTNR OPTIONAL PART: 2055300 V04169	001030 201967	AR
7	1298-02		.WASHER-FOAM SUPPLIER CODE: VF2538 MISCELLANEOUS DATA: 1298-02 IS IDENTICAL TO 5150386000 RAW MATERIAL STOCK LISTED IN PDM.	005005 008030 201967	AR
10	232A1202-97		.BLANKET ASSY-	001030 201967	1
10	232A1205-97		.INSULATION ASSY-	001030 201967	1
15	232A1202-95		.BLANKET ASSY-	001030 201967	1
15	232A1205-95		.INSULATION ASSY-	001030 201967	1
20	232A1202-93		.CAPSTRIP ASSY-	001030 201967	1
20	232A1205-93		.INSULATION ASSY-	001030 201967	1
20	232A1206-93		.INSULATION ASSY-	001030 201967	1
25	232A1202-91		.BLANKET ASSY-	001030 201967	1
25	232A1205-91		.INSULATION ASSY-	001030 201967	1
25	232A1206-91		.INSULATION ASSY-	001030 201967	1

MISSING ITEM NUMBERS NOT APPLICABLE

- ITEM NOT ILLUSTRATED

HAP

25-11-21-15A

BOEING PROPRIETARY - Copyright © - Unpublished Work - See title page for details.

25-11-21
FIG. 15A
PAGE 1
OCT 15/08

BOEING
737-600/700/800/900
PARTS CATALOG (MAINTENANCE)

FIG ITEM	PART NUMBER	1 2 3 4 5 6 7	NOMENCLATURE	EFFECT FROM TO	UNITS PER ASSY
15A					
30	232A1202-89	.	CAPSTRIP ASSY-	001030 201967	1
30	232A1205-89	.	INSULATION ASSY-	001030 201967	1
30	232A1206-89	.	INSULATION ASSY-	001030 201967	1
35	232A1202-87	.	BLANKET ASSY-	001030 201967	1
35	232A1205-87	.	INSULATION ASSY-	001030 201967	1
35	232A1206-87	.	INSULATION ASSY-	001030 201967	1
40	232A1202-85	.	CAPSTRIP ASSY-	001030 201967	1
40	232A1205-85	.	INSULATION ASSY-	001030 201967	1
40	232A1206-85	.	INSULATION ASSY-	001030 201967	1
45	232A1202-83	.	BLANKET ASSY-	001030 201967	1
45	232A1205-83	.	INSULATION ASSY-	001030 201967	1
45	232A1206-83	.	INSULATION ASSY-	001030 201967	1
50	232A1202-79	.	CAPSTRIP ASSY-	001030 201967	1
50	232A1205-79	.	INSULATION ASSY-	001030 201967	1
50	232A1206-79	.	INSULATION ASSY-	001030 201967	1
55	232A1202-77	.	BLANKET ASSY-	001030 201967	1
55	232A1205-77	.	INSULATION ASSY-	001030 201967	1
55	232A1206-77	.	INSULATION ASSY-	001030 201967	1
60	232A1202-99	.	CAPSTRIP ASSY-	001030 201967	1
60	232A1205-99	.	INSULATION ASSY-	001030 201967	1
65	232A1202-78	.	BLANKET ASSY-	001030 201967	1
65	232A1205-78	.	INSULATION ASSY-	001030 201967	1
65	232A1206-78	.	INSULATION ASSY-	001030 201967	1
70	232A1202-80	.	CAPSTRIP ASSY-	001030 201967	1

MISSING ITEM NUMBERS NOT APPLICABLE

— ITEM NOT ILLUSTRATED

HAP

25-11-21-15A

BOEING PROPRIETARY - Copyright © - Unpublished Work - See title page for details.

25-11-21
FIG. 15A
PAGE 2
OCT 15/08

 **BOEING**
737-600/700/800/900
PARTS CATALOG (MAINTENANCE)

FIG ITEM	PART NUMBER	1 2 3 4 5 6 7	NOMENCLATURE	EFFECT FROM TO	UNITS PER ASSY
15A					
70	232A1205-80	.	INSULATION ASSY-	001030 201967	1
70	232A1206-80	.	INSULATION ASSY-	001030 201967	1
75	232A1202-84	.	BLANKET ASSY-	001030 201967	1
75	232A1205-84	.	INSULATION ASSY-	001030 201967	1
75	232A1206-84	.	INSULATION ASSY-	001030 201967	1
80	232A1202-86	.	CAPSTRIP ASSY-	001030 201967	1
80	232A1205-86	.	INSULATION ASSY-	001030 201967	1
80	232A1206-86	.	INSULATION ASSY-	001030 201967	1
85	232A1202-92	.	BLANKET ASSY-	001030 201967	1
85	232A1205-92	.	INSULATION ASSY-	001030 201967	1
85	232A1206-92	.	INSULATION ASSY-	001030 201967	1
90	232A1202-90	.	CAPSTRIP ASSY	001004 006007	1
90	232A1202-135	.	CAPSTRIP ASSY-	005005 008030 201967	1
90	232A1205-90	.	INSULATION ASSY-	005005 008030 201967	1
90	232A1206-90	.	INSULATION ASSY-	005005 008030 201967	1
95	232A1202-88	.	BLANKET ASSY-	001030 201967	1
95	232A1205-88	.	INSULATION ASSY-	001030 201967	1
95	232A1206-88	.	INSULATION ASSY-	001030 201967	1
100	232A1202-94	.	CAPSTRIP ASSY-	001030 201967	1
100	232A1205-94	.	INSULATION ASSY-	001030 201967	1
105	232A1202-96	.	BLANKET ASSY-	001030 201967	1
105	232A1205-96	.	INSULATION ASSY-	001030 201967	1
110	232A1202-98	.	BLANKET ASSY-	001030 201967	1

MISSING ITEM NUMBERS NOT APPLICABLE

- ITEM NOT ILLUSTRATED

HAP

25-11-21-15A

BOEING PROPRIETARY - Copyright © - Unpublished Work - See title page for details.

25-11-21
FIG. 15A
PAGE 3
OCT 15/08

BOEING
737-600/700/800/900
PARTS CATALOG (MAINTENANCE)

FIG ITEM	PART NUMBER	1 2 3 4 5 6 7	NOMENCLATURE	EFFECT FROM TO	UNITS PER ASSY
15A					
110	232A1205-98	.	INSULATION ASSY-	001030 201967	1
115	232A1202-81	.	CAPSTRIP ASSY-	001030 201967	1
115	232A1205-81	.	INSULATION ASSY-	001030 201967	1
115	232A1206-81	.	INSULATION ASSY-	001030 201967	1
120	232A1202-58	.	CAPSTRIP ASSY-	001030 201967	1
120	232A1205-58	.	INSULATION ASSY-	001030 201967	1
120	232A1206-58	.	INSULATION ASSY-	001030 201967	1
125	232A1202-82	.	CAPSTRIP ASSY-	001030 201967	1
125	232A1205-82	.	INSULATION ASSY-	001030 201967	1
125	232A1206-82	.	INSULATION ASSY-	001030 201967	1
130	232A1202-73	.	BLANKET ASSY	001030 201967	1
135	232A1202-75	.	BLANKET ASSY	001030 201967	1
140	232A1202-76	.	BLANKET ASSY-	001030 201967	1
140	232A1205-76	.	INSULATION ASSY-	001030 201967	1
140	232A1206-76	.	INSULATION ASSY-	001030 201967	1
145	232A1202-74	.	BLANKET ASSY-	001030 201967	1
145	232A1205-74	.	INSULATION ASSY-	001030 201967	1
145	232A1206-74	.	INSULATION ASSY-	001030 201967	1
150	232A1202-71	.	CAPSTRIP ASSY-	001030 201967	1
150	232A1205-71	.	INSULATION ASSY-	001030 201967	1
150	232A1206-71	.	INSULATION ASSY-	001030 201967	1
155	232A1202-72	.	CAPSTRIP ASSY-	001030 201967	1
155	232A1205-72	.	INSULATION ASSY-	001030 201967	1
155	232A1206-72	.	INSULATION ASSY-	001030 201967	1

MISSING ITEM NUMBERS NOT APPLICABLE

- ITEM NOT ILLUSTRATED

HAP

25-11-21-15A

BOEING PROPRIETARY - Copyright © - Unpublished Work - See title page for details.

25-11-21
FIG. 15A
PAGE 4
OCT 15/08

BOEING
737-600/700/800/900
PARTS CATALOG (MAINTENANCE)

FIG ITEM	PART NUMBER	1 2 3 4 5 6 7	NOMENCLATURE	EFFECT FROM TO	UNITS PER ASSY
15A					
160	232A1202-69		.BLANKET ASSY-	001030 201967	1
160	232A1205-69		.INSULATION ASSY-	001030 201967	1
160	232A1206-69		.INSULATION ASSY-	001030 201967	1
165	232A1202-67		.CAPSTRIP ASSY-	001030 201967	1
165	232A1205-67		.INSULATION ASSY-	001030 201967	1
165	232A1206-67		.INSULATION ASSY-	001030 201967	1
170	232A1202-65		.BLANKET ASSY-	001030 201967	1
170	232A1205-65		.INSULATION ASSY-	001030 201967	1
170	232A1206-65		.INSULATION ASSY-	001030 201967	1
175	232A1202-63		.CAPSTRIP ASSY-	001030 201967	1
175	232A1205-63		.INSULATION ASSY-	001030 201967	1
175	232A1206-63		.INSULATION ASSY-	001030 201967	1
180	232A1202-61		.BLANKET ASSY-	001030 201967	1
180	232A1205-61		.INSULATION ASSY-	001030 201967	1
180	232A1206-61		.INSULATION ASSY-	001030 201967	1
185	232A1202-59		.CAPSTRIP ASSY-	001030 201967	1
185	232A1205-59		.INSULATION ASSY-	001030 201967	1
185	232A1206-59		.INSULATION ASSY-	001030 201967	1
190	232A1202-57		.BLANKET ASSY-	001030 201967	1
190	232A1205-57		.INSULATION ASSY-	001030 201967	1
190	232A1206-57		.INSULATION ASSY-	001030 201967	1
195	232A1202-60		.CAPSTRIP ASSY-	001030 201967	1
195	232A1205-60		.INSULATION ASSY-	001030 201967	1
195	232A1206-60		.INSULATION ASSY-	001030 201967	1

MISSING ITEM NUMBERS NOT APPLICABLE

- ITEM NOT ILLUSTRATED

HAP

25-11-21-15A

BOEING PROPRIETARY - Copyright © - Unpublished Work - See title page for details.

25-11-21
FIG. 15A
PAGE 5
OCT 15/08

BOEING
737-600/700/800/900
PARTS CATALOG (MAINTENANCE)

FIG ITEM	PART NUMBER	1 2 3 4 5 6 7	NOMENCLATURE	EFFECT FROM TO	UNITS PER ASSY
15A					
200	232A1202-62	.	BLANKET ASSY-	001030 201967	1
200	232A1205-62	.	INSULATION ASSY-	001030 201967	1
200	232A1206-62	.	INSULATION ASSY-	001030 201967	1
205	232A1202-64	.	CAPSTRIP ASSY-	001030 201967	1
205	232A1205-64	.	INSULATION ASSY-	001030 201967	1
205	232A1206-64	.	INSULATION ASSY-	001030 201967	1
210	232A1202-66	.	BLANKET ASSY-	001030 201967	1
210	232A1205-66	.	INSULATION ASSY-	001030 201967	1
210	232A1206-66	.	INSULATION ASSY-	001030 201967	1
215	232A1202-68	.	CAPSTRIP ASSY-	001030 201967	1
215	232A1205-68	.	INSULATION ASSY-	001030 201967	1
215	232A1206-68	.	INSULATION ASSY-	001030 201967	1
220	232A1202-70	.	BLANKET ASSY-	001030 201967	1
220	232A1205-70	.	INSULATION ASSY-	001030 201967	1
220	232A1206-70	.	INSULATION ASSY-	001030 201967	1

MISSING ITEM NUMBERS NOT APPLICABLE

— ITEM NOT ILLUSTRATED

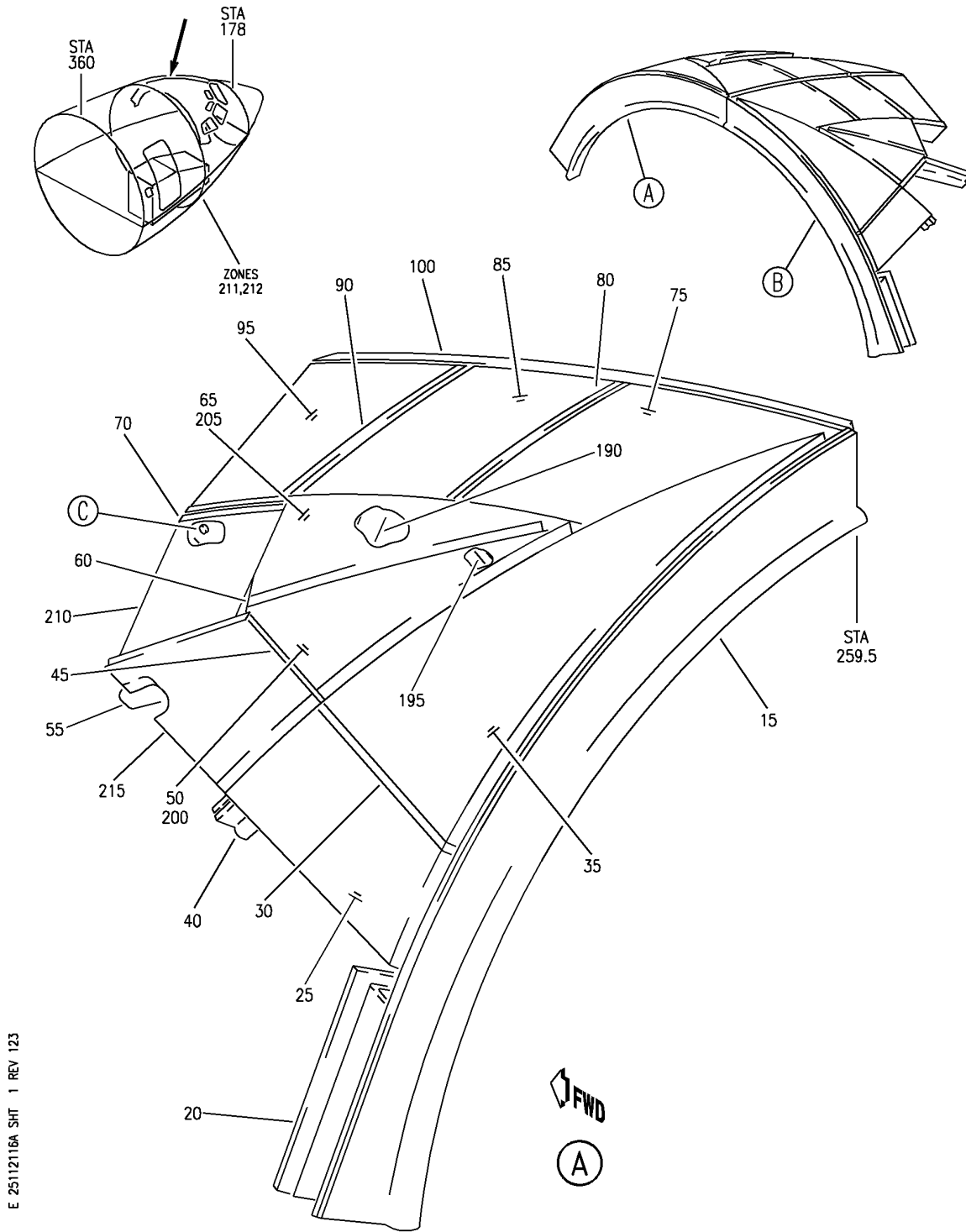
HAP

25-11-21-15A

BOEING PROPRIETARY - Copyright © - Unpublished Work - See title page for details.

25-11-21
FIG. 15A
PAGE 6
OCT 15/08

BOEING
 737-600/700/800/900
 PARTS CATALOG (MAINTENANCE)



E 25112116A SHT 1 REV 123

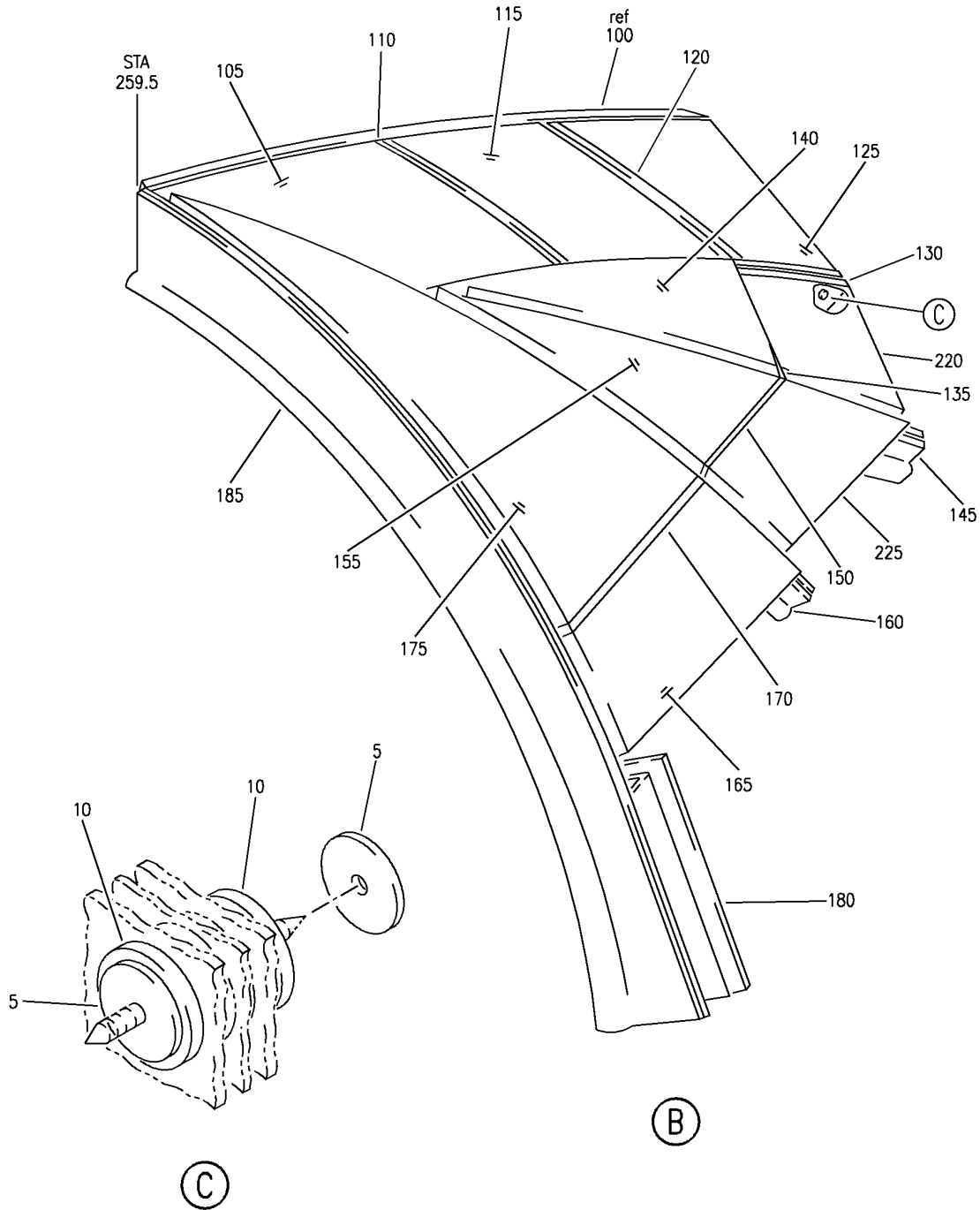
INSULATION INSTL-FLIGHT DECK
 FIGURE 16A (SHEET 1)

25-11-21-16A

HAP
 OCT 10/06

25-11-21-16A
 PAGE 0

BOEING
 737-600/700/800/900
 PARTS CATALOG (MAINTENANCE)



E 25112116A SHT 2 REV 123

INSULATION INSTL-FLIGHT DECK
 FIGURE 16A (SHEET 2)

25-11-21-16A

HAP
 OCT 10/06

25-11-21-16A
 PAGE 0A

BOEING
737-600/700/800/900
PARTS CATALOG (MAINTENANCE)

FIG ITEM	PART NUMBER	1 2 3 4 5 6 7	NOMENCLATURE	EFFECT FROM TO	UNITS PER ASSY
16A			INSULATION INSTL-FLIGHT DECK	001030 201967	
- 1	232A1201-4		INSULATION INSTL-FLIGHT DECK FOR NHA SEE: 25-10-00-03	001007	RF
- 1	232A1201-6		INSULATION INSTL-FLIGHT DECK FOR NHA SEE: 25-10-00-03 25-10-00-03C	008027 201967	RF
- 1	232A1201-11		INSULATION INSTL-FLIGHT DECK FOR NHA SEE: 25-10-00-03C	028030	RF
5	2055300		.DISK-RTNR SUPPLIER CODE: V04169 SPECIFICATION NUMBER: S415W001-1 OPTIONAL PART: BACC15AC3A	001027 201967	AR
5	BACC15AC3A		.DISK- OPTIONAL PART: 2055300 V04169	001027 201967	AR
5	2055300		.DISK-RTNR SUPPLIER CODE: V04169 SPECIFICATION NUMBER: S415W001-1 OPTIONAL PART: BACC15AC3A	028030	AR
5	BACC15AC3A		.DISK- OPTIONAL PART: 2055300 V04169	028030	AR
10	1298-02		.WASHER-FOAM SUPPLIER CODE: VF2538 MISCELLANEOUS DATA: 1298-02 IS IDENTICAL TO 5150386000 RAW MATERIAL STOCK LISTED IN PDM.	008027 201967	AR

MISSING ITEM NUMBERS NOT APPLICABLE

- ITEM NOT ILLUSTRATED

HAP

25-11-21-16A

BOEING PROPRIETARY - Copyright © - Unpublished Work - See title page for details.

25-11-21
FIG. 16A
PAGE 1
OCT 15/08

BOEING
737-600/700/800/900
PARTS CATALOG (MAINTENANCE)

FIG ITEM	PART NUMBER	1 2 3 4 5 6 7	NOMENCLATURE	EFFECT FROM TO	UNITS PER ASSY
16A 10	1298-02		.WASHER-FOAM SUPPLIER CODE: VF2538 MISCELLANEOUS DATA: 1298-02 IS IDENTICAL TO 5150386000 RAW MATERIAL STOCK LISTED IN PDM.	028030	AR
15	232A1202-133		.CAPSTRIP ASSY	001030 201967	1
20	232A1202-131		.BLANKET ASSY-	001030 201967	1
20	232A1205-131		.INSULATION ASSY-	001030 201967	1
20	232A1206-131		.INSULATION ASSY-	001030 201967	1
25	232A1202-129		.BLANKET ASSY-	001030 201967	1
25	232A1205-129		.INSULATION ASSY-	001030 201967	1
25	232A1206-129		.INSULATION ASSY-	001030 201967	1
30	232A1202-127		.CAPSTRIP ASSY-	001030 201967	1
30	232A1205-127		.INSULATION ASSY-	001030 201967	1
35	232A1202-125		.BLANKET ASSY-	001030 201967	1
35	232A1205-125		.INSULATION ASSY-	001030 201967	1
40	232A1202-123		.CAPSTRIP ASSY	001007	1
40	232A1202-136		.CAPSTRIP ASSY	008027 201967	1
40	232A1202-150		.CAPSTRIP ASSY-	028030	1
40	232A1205-123		.INSULATION ASSY-	028030	1
45	232A1202-121		.CAPSTRIP ASSY-	001030 201967	1
45	232A1205-121		.INSULATION ASSY-	001030 201967	1
50	232A1202-119		.BLANKET ASSY	001027 201967	1
55	232A1202-117		.CAPSTRIP ASSY	001027 201967	1
55	232A1202-149		.CAPSTRIP ASSY-	028030	1
55	232A1205-117		.INSULATION ASSY-	028030	1
60	232A1202-115		.CAPSTRIP ASSY-	001030 201967	1
60	232A1205-115		.INSULATION ASSY-	001030 201967	1

MISSING ITEM NUMBERS NOT APPLICABLE

— ITEM NOT ILLUSTRATED

HAP

25-11-21-16A

BOEING PROPRIETARY - Copyright © - Unpublished Work - See title page for details.

25-11-21
FIG. 16A
PAGE 2
OCT 15/08

BOEING
737-600/700/800/900
PARTS CATALOG (MAINTENANCE)

FIG ITEM	PART NUMBER	1 2 3 4 5 6 7	NOMENCLATURE	EFFECT FROM TO	UNITS PER ASSY
16A					
65	232A1202-113		.BLANKET ASSY	001027 201967	1
70	232A1202-111		.CAPSTRIP ASSY	001027 201967	1
70	232A1202-148		.CAPSTRIP ASSY-	028030	1
70	232A1205-111		.INSULATION ASSY-	028030	1
75	232A1202-109		.BLANKET ASSY-	001030 201967	1
75	232A1205-109		.INSULATION ASSY-	001030 201967	1
80	232A1202-107		.CAPSTRIP ASSY-	001030 201967	1
80	232A1205-107		.INSULATION ASSY-	001030 201967	1
85	232A1202-105		.BLANKET ASSY-	001030 201967	1
85	232A1205-105		.INSULATION ASSY-	001030 201967	1
90	232A1202-103		.CAPSTRIP ASSY-	001030 201967	1
90	232A1205-103		.INSULATION ASSY-	001030 201967	1
95	232A1202-101		.BLANKET ASSY-	001030 201967	1
95	232A1205-101		.INSULATION ASSY-	001030 201967	1
100	232A1202-100		.CAPSTRIP ASSY-	001030 201967	1
100	232A1205-100		.INSULATION ASSY-	001030 201967	1
105	232A1202-110		.BLANKET ASSY-	001030 201967	1
105	232A1205-110		.INSULATION ASSY-	001030 201967	1
110	232A1202-108		.CAPSTRIP ASSY-	001030 201967	1
110	232A1205-108		.INSULATION ASSY-	001030 201967	1
115	232A1202-106		.BLANKET ASSY-	001030 201967	1
115	232A1205-106		.INSULATION ASSY-	001030 201967	1
120	232A1202-104		.CAPSTRIP ASSY-	001030 201967	1
120	232A1205-104		.INSULATION ASSY-	001030 201967	1
125	232A1202-102		.BLANKET ASSY	001030 201967	1

MISSING ITEM NUMBERS NOT APPLICABLE

— ITEM NOT ILLUSTRATED

HAP

25-11-21-16A

BOEING PROPRIETARY - Copyright © - Unpublished Work - See title page for details.

25-11-21
FIG. 16A
PAGE 3
OCT 15/08

BOEING
737-600/700/800/900
PARTS CATALOG (MAINTENANCE)

FIG ITEM	PART NUMBER	1 2 3 4 5 6 7	NOMENCLATURE	EFFECT FROM TO	UNITS PER ASSY
16A					
130	232A1202-112	.	CAPSTRIP ASSY-	001030 201967	1
130	232A1205-112	.	INSULATION ASSY-	001030 201967	1
135	232A1202-116	.	CAPSTRIP ASSY-	001030 201967	1
135	232A1205-116	.	INSULATION ASSY-	001030 201967	1
140	232A1202-114	.	BLANKET ASSY-	001030 201967	1
140	232A1205-114	.	INSULATION ASSY-	001030 201967	1
145	232A1202-118	.	CAPSTRIP ASSY-	001030 201967	1
145	232A1205-118	.	INSULATION ASSY-	001030 201967	1
150	232A1202-122	.	CAPSTRIP ASSY-	001030 201967	1
150	232A1205-122	.	INSULATION ASSY-	001030 201967	1
155	232A1202-120	.	BLANKET ASSY-	001030 201967	1
155	232A1205-120	.	INSULATION ASSY-	001030 201967	1
160	232A1202-124	.	CAPSTRIP ASSY-	001030 201967	1
160	232A1205-124	.	INSULATION ASSY-	001030 201967	1
165	232A1202-130	.	BLANKET ASSY-	001030 201967	1
165	232A1205-130	.	INSULATION ASSY-	001030 201967	1
165	232A1206-130	.	INSULATION ASSY-	001030 201967	1
170	232A1202-128	.	CAPSTRIP ASSY-	001030 201967	1
170	232A1205-128	.	INSULATION ASSY-	001030 201967	1
175	232A1202-126	.	BLANKET ASSY-	001030 201967	1
175	232A1205-126	.	INSULATION ASSY-	001030 201967	1
180	232A1202-132	.	BLANKET ASSY-	001030 201967	1
180	232A1205-132	.	INSULATION ASSY-	001030 201967	1
180	232A1206-132	.	INSULATION ASSY-	001030 201967	1

MISSING ITEM NUMBERS NOT APPLICABLE

- ITEM NOT ILLUSTRATED

HAP

25-11-21-16A

BOEING PROPRIETARY - Copyright © - Unpublished Work - See title page for details.

25-11-21
FIG. 16A
PAGE 4
OCT 15/08

BOEING
737-600/700/800/900
PARTS CATALOG (MAINTENANCE)

FIG ITEM	PART NUMBER	1 2 3 4 5 6 7	NOMENCLATURE	EFFECT FROM TO	UNITS PER ASSY
16A					
185	232A1202-134	.	CAPSTRIP ASSY-	001030 201967	1
185	232A1205-134	.	INSULATION ASSY-	001030 201967	1
190	232A1202-153	.	CAPSTRIP ASSY	028030	1
195	232A1202-154	.	CAPSTRIP ASSY	028030	1
200	232A1202-151	.	BLANKET ASSY-	028030	1
200	232A1205-113	.	INSULATION ASSY-	028030	1
205	232A1202-152	.	BLANKET ASSY-	028030	1
205	232A1205-119	.	INSULATION ASSY-	028030	1
210	232A1206-135	.	INSULATION ASSY- POST SERVICE BULLETIN: 56-1017	001028	1
215	232A1206-137	.	INSULATION ASSY- POST SERVICE BULLETIN: 56-1017	001028	1
220	232A1206-136	.	INSULATION ASSY- POST SERVICE BULLETIN: 56-1017	001028	1
225	232A1206-138	.	INSULATION ASSY- POST SERVICE BULLETIN: 56-1017	001028	1

MISSING ITEM NUMBERS NOT APPLICABLE

— ITEM NOT ILLUSTRATED

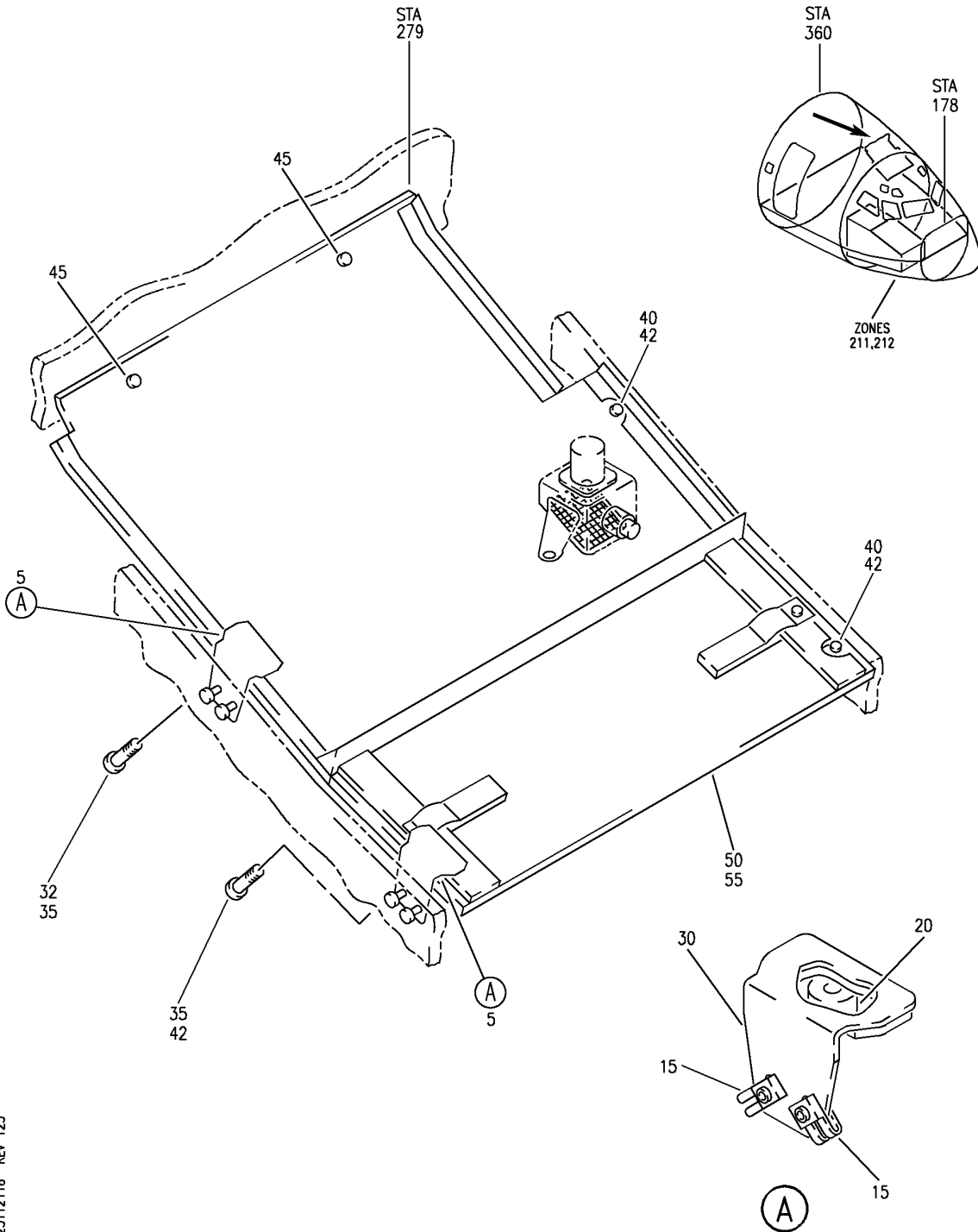
HAP

25-11-21-16A

BOEING PROPRIETARY - Copyright © - Unpublished Work - See title page for details.

25-11-21
FIG. 16A
PAGE 5
OCT 15/08

BOEING
 737-600/700/800/900
 PARTS CATALOG (MAINTENANCE)



E 25112118 REV 125

LINING INSTL-CLG, HALL
 FIGURE 18

25-11-21-18

HAP
 FEB 10/07

25-11-21-18
 PAGE 0

BOEING
737-600/700/800/900
PARTS CATALOG (MAINTENANCE)

FIG ITEM	PART NUMBER	1 2 3 4 5 6 7	NOMENCLATURE	EFFECT FROM TO	UNITS PER ASSY
18			LINING INSTL-CLG, HALL	001030 201967	
- 1	232A1410-2		LINING INSTL-CLG, HALL FOR NHA SEE: 25-10-00-03C	001011	RF
- 1	232A1410-1		LINING INSTL-CLG, HALL FOR NHA SEE: 25-10-00-03B	201967	RF
- 1	232A1410-4		LINING INSTL-CLG, HALL FOR NHA SEE: 25-10-00-03C	012020	RF
- 1	232A1410-6		LINING INSTL-CLG, HALL FOR NHA SEE: 25-10-00-03C	021030	RF
	5 232A1404-13		.BRACKET ASSY	001030 201967	2
- 10	WHS10F8TPKL26GY		ATTACHING PARTS .SCREW- SUPPLIER CODE: V12324 -----*-----	001030 201967	4
	15 BACN10VR1CG		..NUT	001030 201967	2
	20 DE893		..MOUNT-ISOLATOR SUPPLIER CODE: V71985 SPECIFICATION NUMBER: S411T100-509 ATTACHING PARTS	001030 201967	1
- 25	BACR15BA5ADC		..RIVET- SIZE DETERMINED ON INSTL. -----*-----	001030 201967	2
	30 232A1404-14		..BRACKET	001030 201967	1
	32 FH10F12TPKL16GY		.SCREW- SUPPLIER CODE: V12324	021030	1
	35 FH10F12TPKL16GY		.SCREW- SUPPLIER CODE: V12324	001020 201967	2
	40 FH10F8TPKL16GY		.SCREW- SUPPLIER CODE: V12324	001020 201967	2
	42 FH10F8TPKL16GY		.SCREW- SUPPLIER CODE: V12324	021030	3
	45 WHS10F8TPKL16GY		.SCREW-WASHER HEAD SUPPLIER CODE: V12324	001030 201967	2

MISSING ITEM NUMBERS NOT APPLICABLE

- ITEM NOT ILLUSTRATED

HAP

25-11-21-18

BOEING PROPRIETARY - Copyright © - Unpublished Work - See title page for details.

25-11-21
FIG. 18
PAGE 1
OCT 15/08

BOEING
737-600/700/800/900
PARTS CATALOG (MAINTENANCE)

FIG ITEM	PART NUMBER	1 2 3 4 5 6 7	NOMENCLATURE	EFFECT FROM TO	UNITS PER ASSY
18 50	232A1411-15		.LINING ASSY- FUNCTIONAL REFERENCE: AIR CONDITIONING FOR DETAILS SEE 21-61-51-05 EQUIPMENT/FURNISHINGS FOR DETAILS SEE 25-11-21-01	201967	1
50	232A1411-16		.LINING ASSY- FUNCTIONAL REFERENCE: AIR CONDITIONING FOR DETAILS SEE 21-61-51-05 EQUIPMENT/FURNISHINGS FOR DETAILS SEE 25-11-21-01	001011	1
50	232A1411-19		.LINING ASSY- FUNCTIONAL REFERENCE: AIR CONDITIONING FOR DETAILS SEE 21-61-51-05 EQUIPMENT/FURNISHINGS FOR DETAILS SEE 25-11-21-01	012030	1

MISSING ITEM NUMBERS NOT APPLICABLE

— ITEM NOT ILLUSTRATED

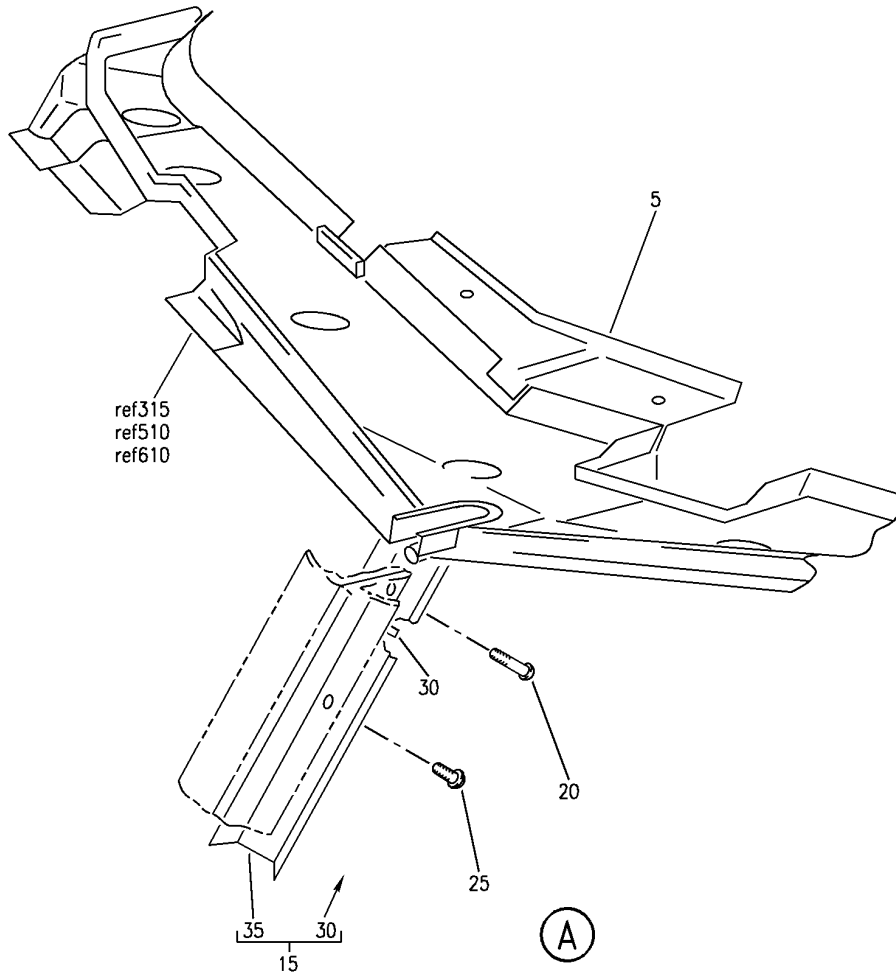
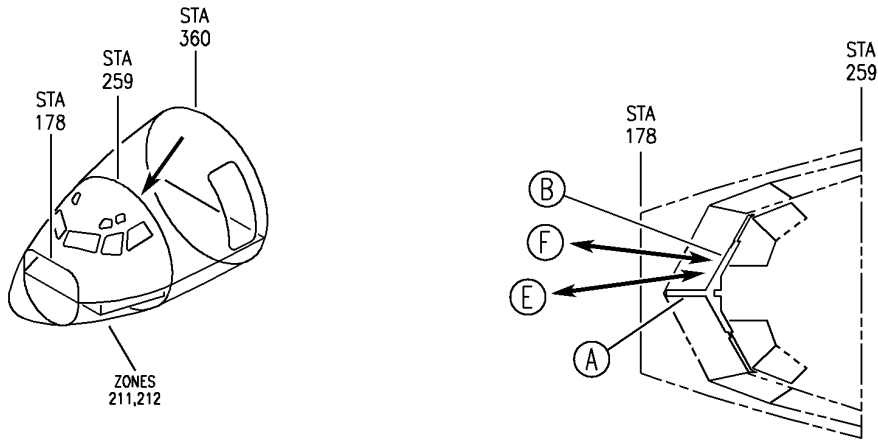
HAP

25-11-21-18

BOEING PROPRIETARY - Copyright © - Unpublished Work - See title page for details.

25-11-21
FIG. 18
PAGE 2
OCT 15/08

BOEING
 737-600/700/800/900
 PARTS CATALOG (MAINTENANCE)



E 25112119 SH1 1 REV 126

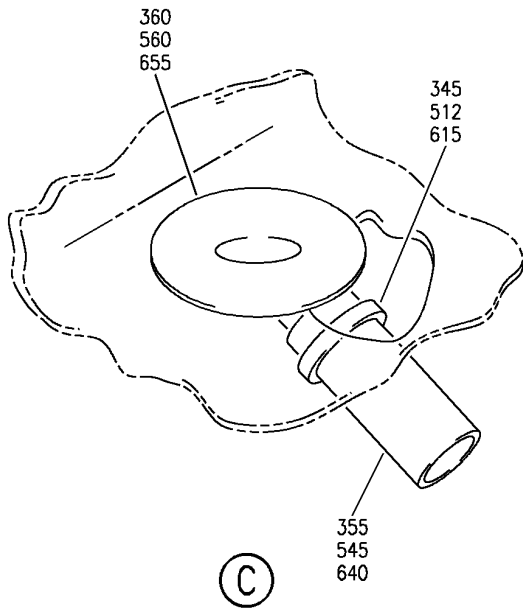
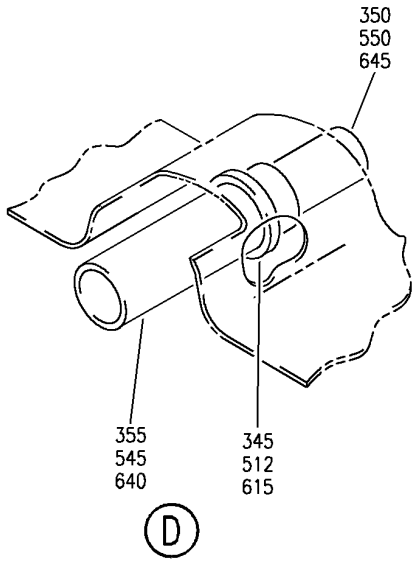
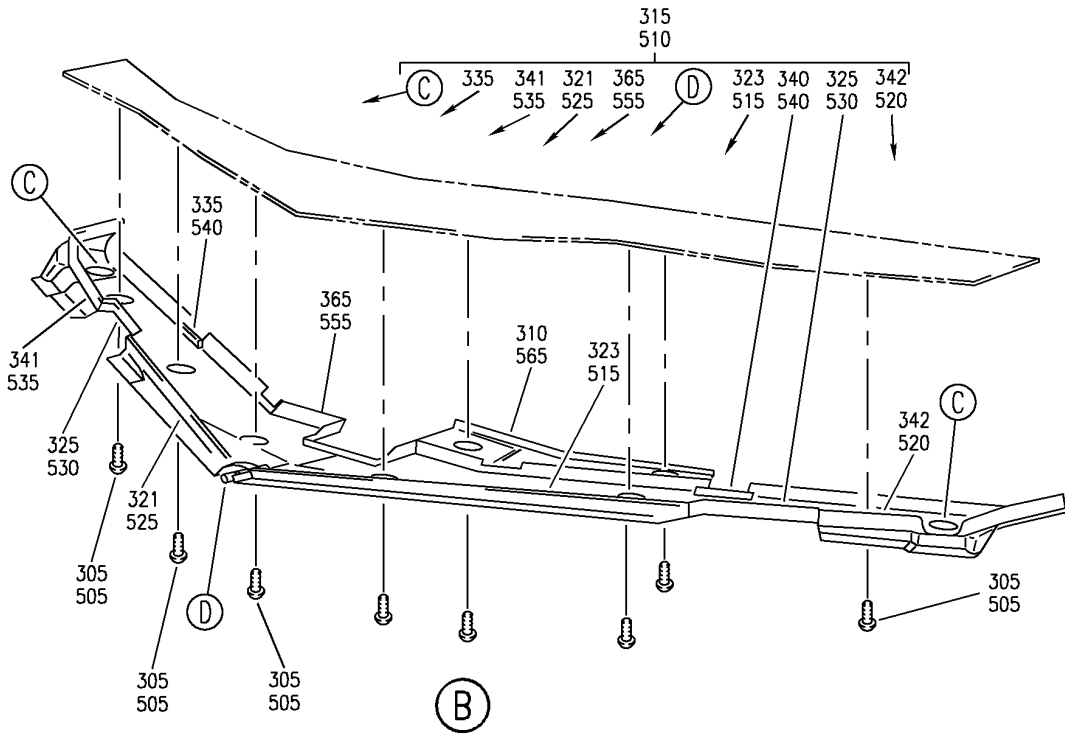
LINING INSTL-NO. 1 WINDOW
 FIGURE 19 (SHEET 1)

25-11-21-19

HAP
 FEB 10/07

25-11-21-19
 PAGE 0


BOEING
 737-600/700/800/900
 PARTS CATALOG (MAINTENANCE)



E 25112119 SHT 2 REV 126

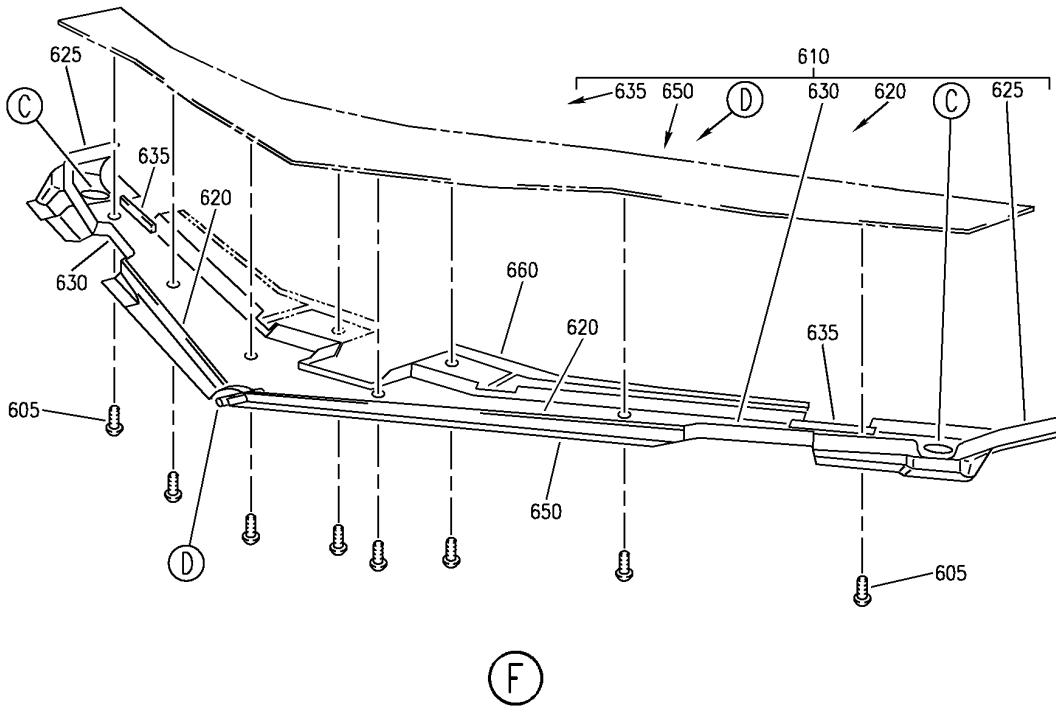
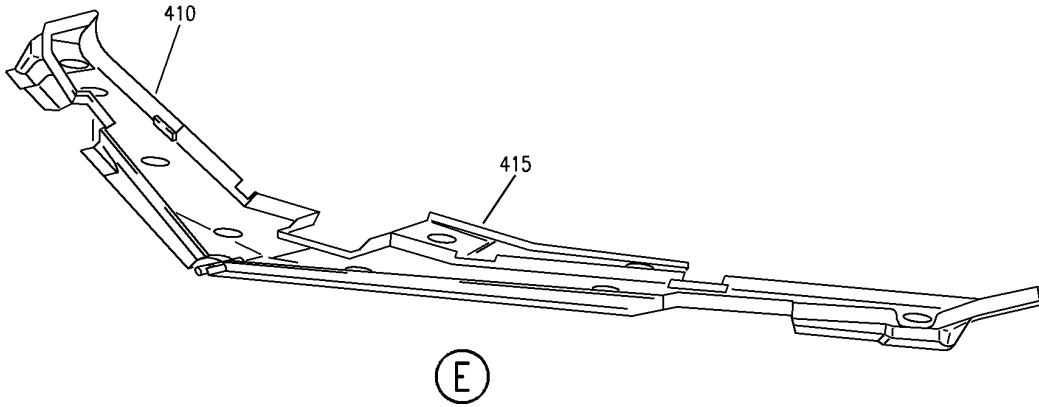
LINING INSTL-NO. 1 WINDOW
 FIGURE 19 (SHEET 2)

25-11-21-19

HAP
FEB 10/07

25-11-21-19
 PAGE 0A

BOEING
737-600/700/800/900
PARTS CATALOG (MAINTENANCE)



E 25112119 SHT 3 REV 126

LINING INSTL-NO. 1 WINDOW
FIGURE 19 (SHEET 3)

25-11-21-19

HAP
FEB 10/07

25-11-21-19
PAGE 0B

BOEING
737-600/700/800/900
PARTS CATALOG (MAINTENANCE)

FIG ITEM	PART NUMBER	1 2 3 4 5 6 7	NOMENCLATURE	EFFECT FROM TO	UNITS PER ASSY
19			LINING INSTL-NO. 1 WINDOW	031200 968999	
- 1	MODREF253055		LINING INSTL-NO. 1 WINDOW MODULE NUMBER: 232A1530-1 REV B	031200 968999	1
5	232A1531-14		.LINING ASSY- POSITION DATA: RIGHT	031200 968999	1
- 10	WHS10F8TPKL10GY		ATTACHING PARTS .SCREW-WASHER HEAD SUPPLIER CODE: V12324	031200 968999	2
15	232A1531-29		-----*----- .LINING ASSY- POSITION DATA: A-B POST	031200 968999	1
20	BACS12ER3K8		ATTACHING PARTS .SCREW- 100 DEG HEAD	031200 968999	1
25	WHS10F8TPKL10GY		.SCREW-WASHER HEAD SUPPLIER CODE: V12324	031200 968999	1
35	232A1532-5		-----*----- ..COVER- USED ON: 232A1531-16	031200 968999	1
- 300	MODREF172116		LINING INSTL-NO. 1 WINDOW MODULE NUMBER: 232A1530-7 REV B	031200 968999	1
305	WHS10F8TPKL10GY		.SCREW-WASHER HEAD SUPPLIER CODE: V12324	031200 968999	8
310	232A1531-13		.LINING ASSY- POSITION DATA: LEFT	031200 968999	1
315	232A1531-24		.LINING ASSY- POSITION DATA: FWD	031200 968999	1
321	232A1531-5		..SEAL	031200 968999	1
323	232A1531-26		..SEAL-	031200 968999	1
325	232A1531-6		..SEAL	031200 968999	2
335	232A1531-8		..SEAL	031200 968999	1
340	232A1531-19		..SEAL	031200 968999	1

MISSING ITEM NUMBERS NOT APPLICABLE

- ITEM NOT ILLUSTRATED

HAP

25-11-21-19

25-11-21
FIG. 19
PAGE 1
OCT 15/08

BOEING PROPRIETARY - Copyright © - Unpublished Work - See title page for details.

BOEING
737-600/700/800/900
PARTS CATALOG (MAINTENANCE)

FIG ITEM	PART NUMBER	1 2 3 4 5 6 7	NOMENCLATURE	EFFECT FROM TO	UNITS PER ASSY
19					
341	232A1531-7	..	SEAL	031200 968999	1
342	232A1531-27	..	SEAL-	031200 968999	1
345	BACS38K1A	..	STRAP	031200 968999	3
350	232A1531-9	..	TUBE	031200 968999	1
355	232A1531-12	..	TUBE	031200 968999	3
360	69B40285-4	..	FUNNEL	031200 968999	2
365	232A1532-9	..	COVER- POSITION DATA: FWD	031200 968999	1

MISSING ITEM NUMBERS NOT APPLICABLE

— ITEM NOT ILLUSTRATED

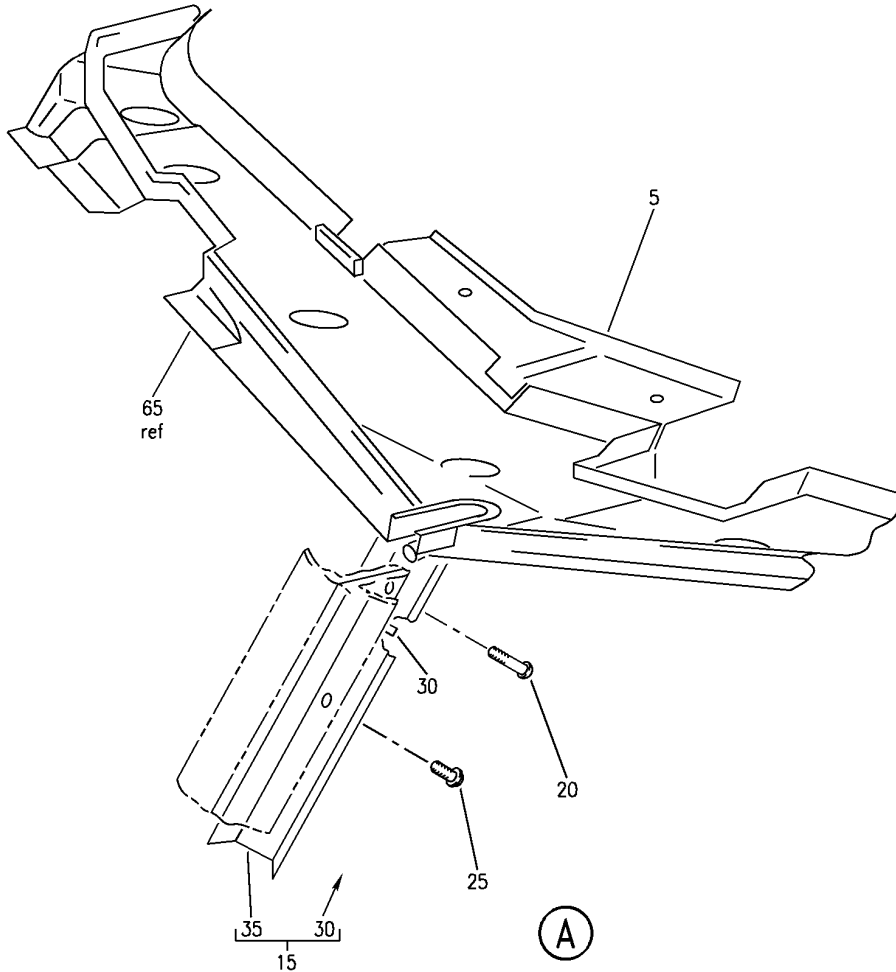
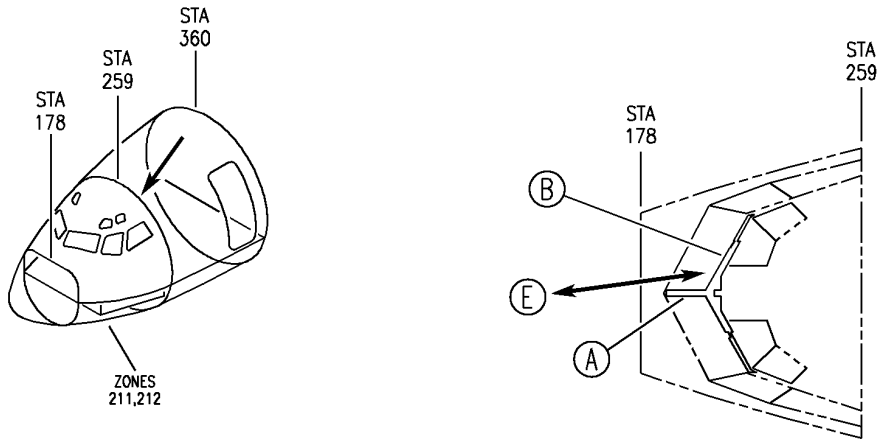
HAP

25-11-21-19

BOEING PROPRIETARY - Copyright © - Unpublished Work - See title page for details.

25-11-21
FIG. 19
PAGE 2
OCT 15/08

BOEING
 737-600/700/800/900
 PARTS CATALOG (MAINTENANCE)



E 25112119A SHT 1 REV 126

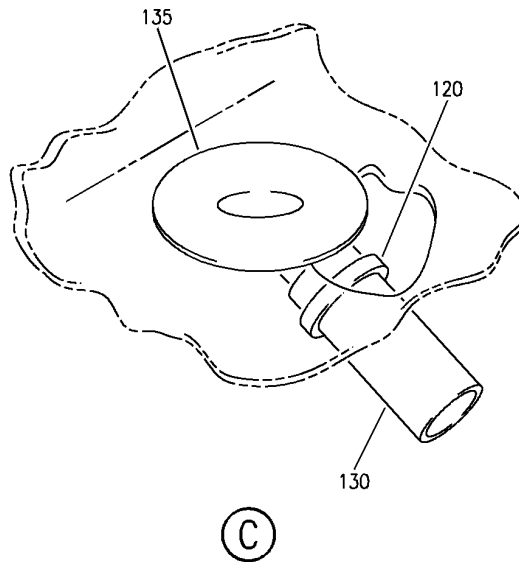
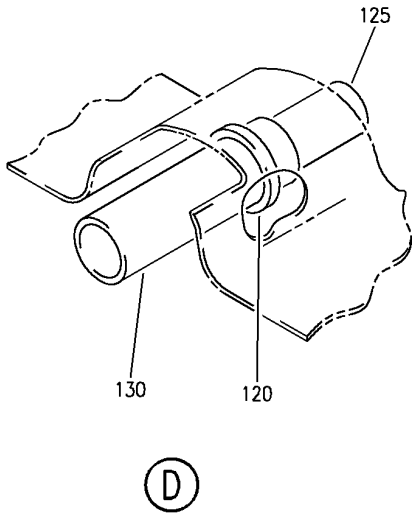
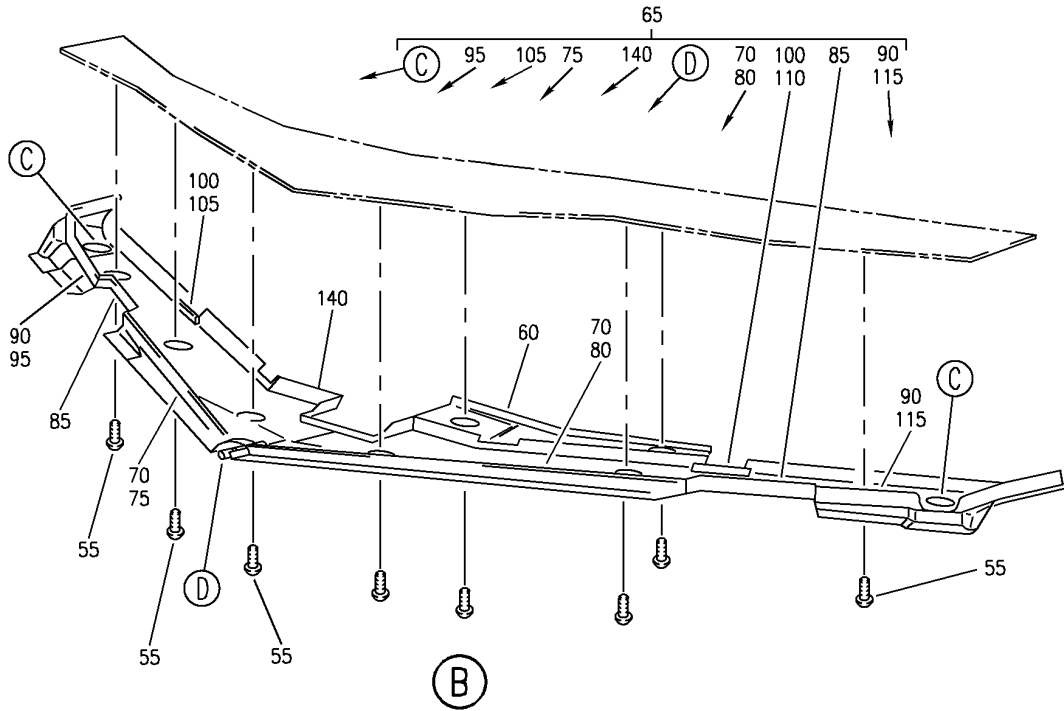
LINING INSTL-NO. 1 WINDOW
 FIGURE 19A (SHEET 1)

25-11-21-19A

HAP
 FEB 10/07

25-11-21-19A
 PAGE 0

BOEING
 737-600/700/800/900
 PARTS CATALOG (MAINTENANCE)



E 25112119A SHT 2 REV 126

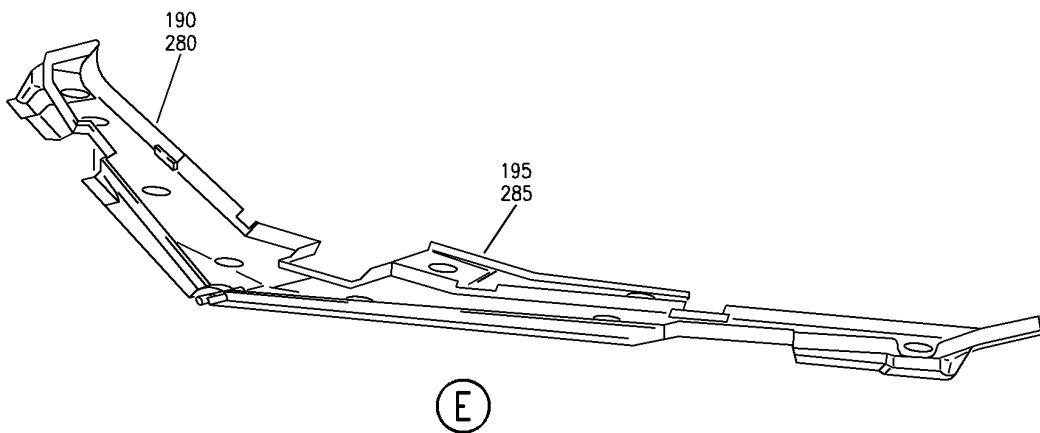
LINING INSTL-NO. 1 WINDOW
 FIGURE 19A (SHEET 2)

25-11-21-19A

HAP
 FEB 10/07

25-11-21-19A
 PAGE 0A

BOEING
737-600/700/800/900
PARTS CATALOG (MAINTENANCE)



E 25112119A SHT 3 REV 126

LINING INSTL-NO. 1 WINDOW
FIGURE 19A (SHEET 3)

HAP
FEB 10/07

25-11-21-19A

25-11-21-19A
PAGE 08

BOEING
737-600/700/800/900
PARTS CATALOG (MAINTENANCE)

FIG ITEM	PART NUMBER	1 2 3 4 5 6 7	NOMENCLATURE	EFFECT FROM TO	UNITS PER ASSY
19A			LINING INSTL-NO. 1 WINDOW	001030 201967	
- 1	232A1530-1		LINING INSTL-NO. 1 WINDOW FOR NHA SEE: 25-10-00-03	001030 201967	RF
5	232A1531-14		.LINING ASSY- POSITION DATA: RIGHT	001030 201967	1
- 10	WHS10F8TPKL10GY		ATTACHING PARTS .SCREW-WASHER HEAD SUPPLIER CODE: V12324	001030 201967	2
15	232A1531-4		-----*----- .LINING ASSY- POSITION DATA: A-B POST	001030 201967	1
15	232A1531-16		OPTIONAL PART: 232A1531-16 .LINING ASSY- POSITION DATA: A-B POST	001030 201967	1
20	BACS12ER3K8		OPTIONAL PART: 232A1531-4 ATTACHING PARTS .SCREW-	001030 201967	1
25	WHS10F8TPKL10GY		100 DEG HEAD .SCREW-WASHER HEAD SUPPLIER CODE: V12324	001030 201967	1
30	BAC27DCC707		-----*----- ..DECAL-MYLAR PLACARD CONTENT: RADIO RECEIVERS ON	001030 201967	1
35	232A1532-4		..COVER- USED ON: 232A1531-4	001030 201967	1
35	232A1532-5		..COVER- USED ON: 232A1531-16	001030 201967	1
- 50	232A1530-2		LINING INSTL-NO. 1 WINDOW FOR NHA SEE: 25-10-00-05B 25-10-00-05C	001027 201967	RF
- 50	232A1530-6		ATTACHING PARTS LINING INSTL-NO. 1 WINDOW FOR NHA SEE: 25-10-00-05C -----*-----	028030	RF

MISSING ITEM NUMBERS NOT APPLICABLE

- ITEM NOT ILLUSTRATED

HAP

25-11-21-19A

BOEING PROPRIETARY - Copyright © - Unpublished Work - See title page for details.

25-11-21
FIG. 19A
PAGE 1
OCT 15/08

BOEING
737-600/700/800/900
PARTS CATALOG (MAINTENANCE)

FIG ITEM	PART NUMBER	1 2 3 4 5 6 7	NOMENCLATURE	EFFECT FROM TO	UNITS PER ASSY
19A					
55	WHS10F8TPKL10GY	.	SCREW-WASHER HEAD SUPPLIER CODE: V12324	001030 201967	8
60	232A1531-13	.	LINING ASSY- POSITION DATA: LEFT	001030 201967	1
65	232A1531-3	.	LINING ASSY- POSITION DATA: FWD	001027 201967	1
65	232A1531-18	.	LINING ASSY- POSITION DATA: FWD	028030	1
70	232A1531-5	..	SEAL	001030 201967	2
85	232A1531-6	..	SEAL	001030 201967	2
90	232A1531-7	..	SEAL	001030 201967	2
100	232A1531-8	..	SEAL	001027 201967	2
105	232A1531-8	..	SEAL	028030	1
110	232A1531-19	..	SEAL	028030	1
120	BACS38K1A	..	STRAP	001030 201967	3
125	232A1531-9	..	TUBE	001030 201967	1
130	232A1531-12	..	TUBE	001030 201967	3
135	69B40285-4	..	FUNNEL	001030 201967	2
140	232A1532-3	..	COVER- POSITION DATA: FWD	001027 201967	1
140	232A1532-6	..	COVER- POSITION DATA: FWD	028030	1

MISSING ITEM NUMBERS NOT APPLICABLE

— ITEM NOT ILLUSTRATED

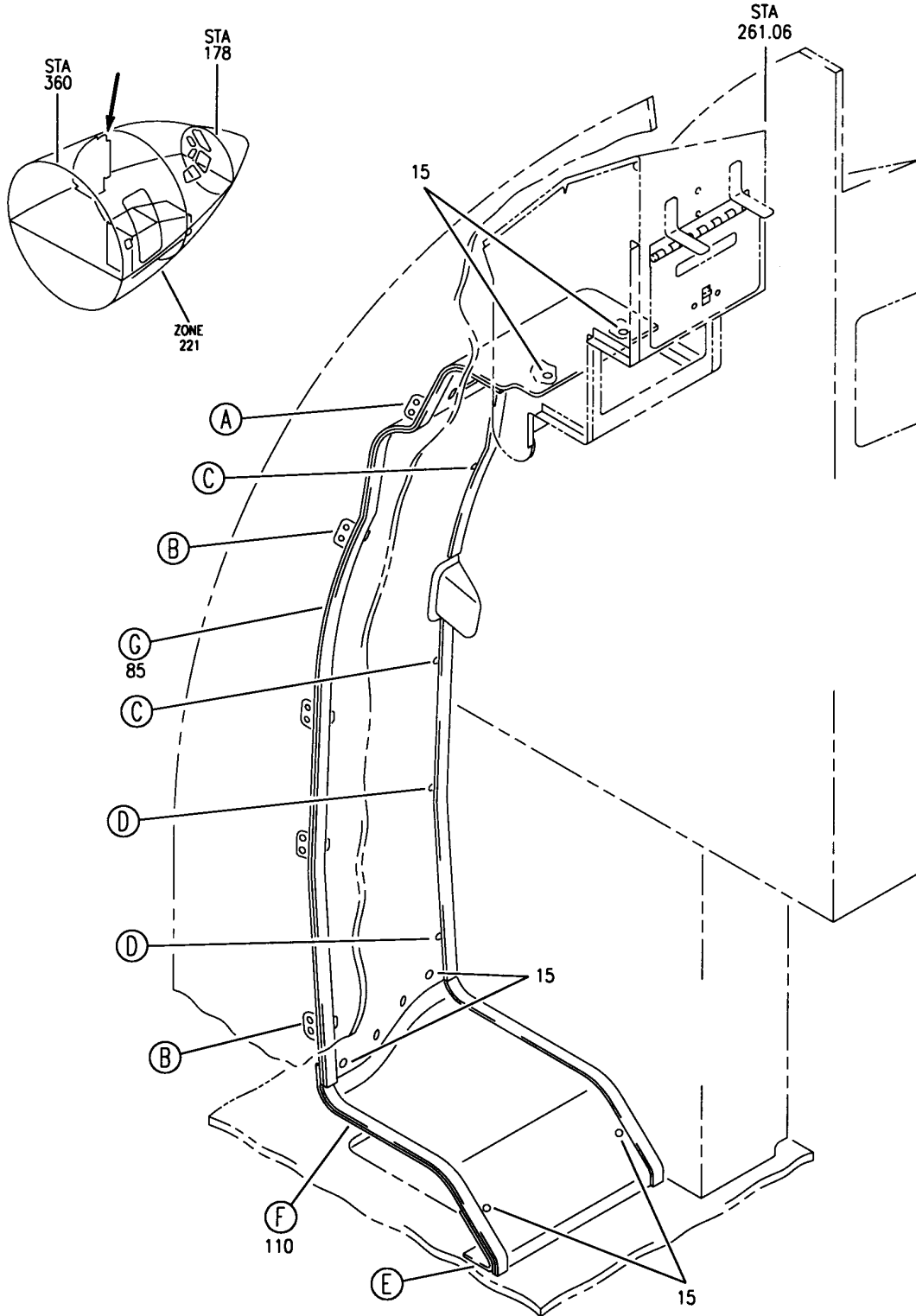
HAP

25-11-21-19A

BOEING PROPRIETARY - Copyright © - Unpublished Work - See title page for details.

25-11-21
FIG. 19A
PAGE 2
OCT 15/08

BOEING
 737-600/700/800/900
 PARTS CATALOG (MAINTENANCE)



E 25112120 SH1 1 REV 003

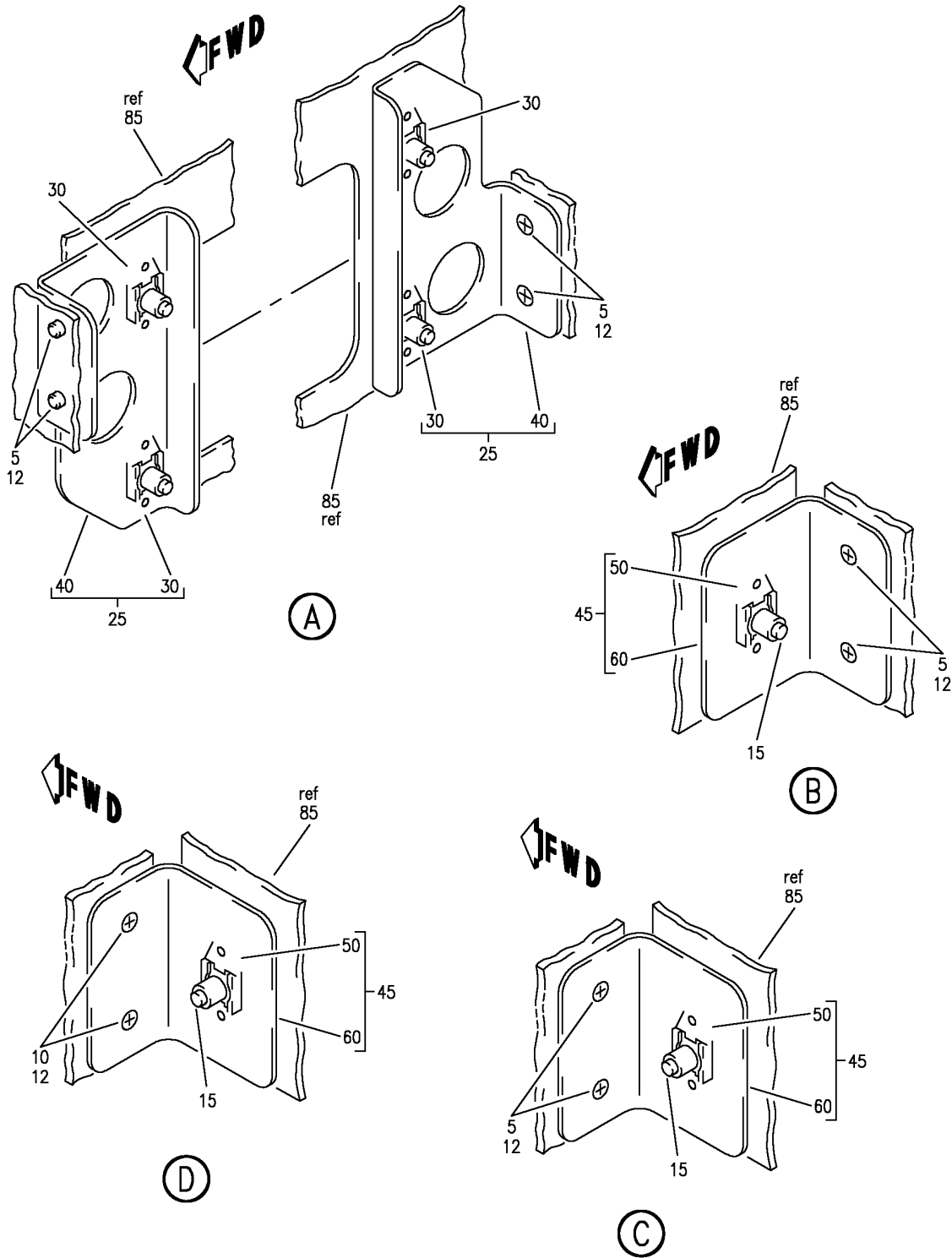
LINING INSTL-CLOSET
 FIGURE 20 (SHEET 1)

25-11-21-20

HAP
 OCT 10/06

25-11-21-20
 PAGE 0

BOEING
 737-600/700/800/900
 PARTS CATALOG (MAINTENANCE)



E 25112120 SHT 2 REV 144

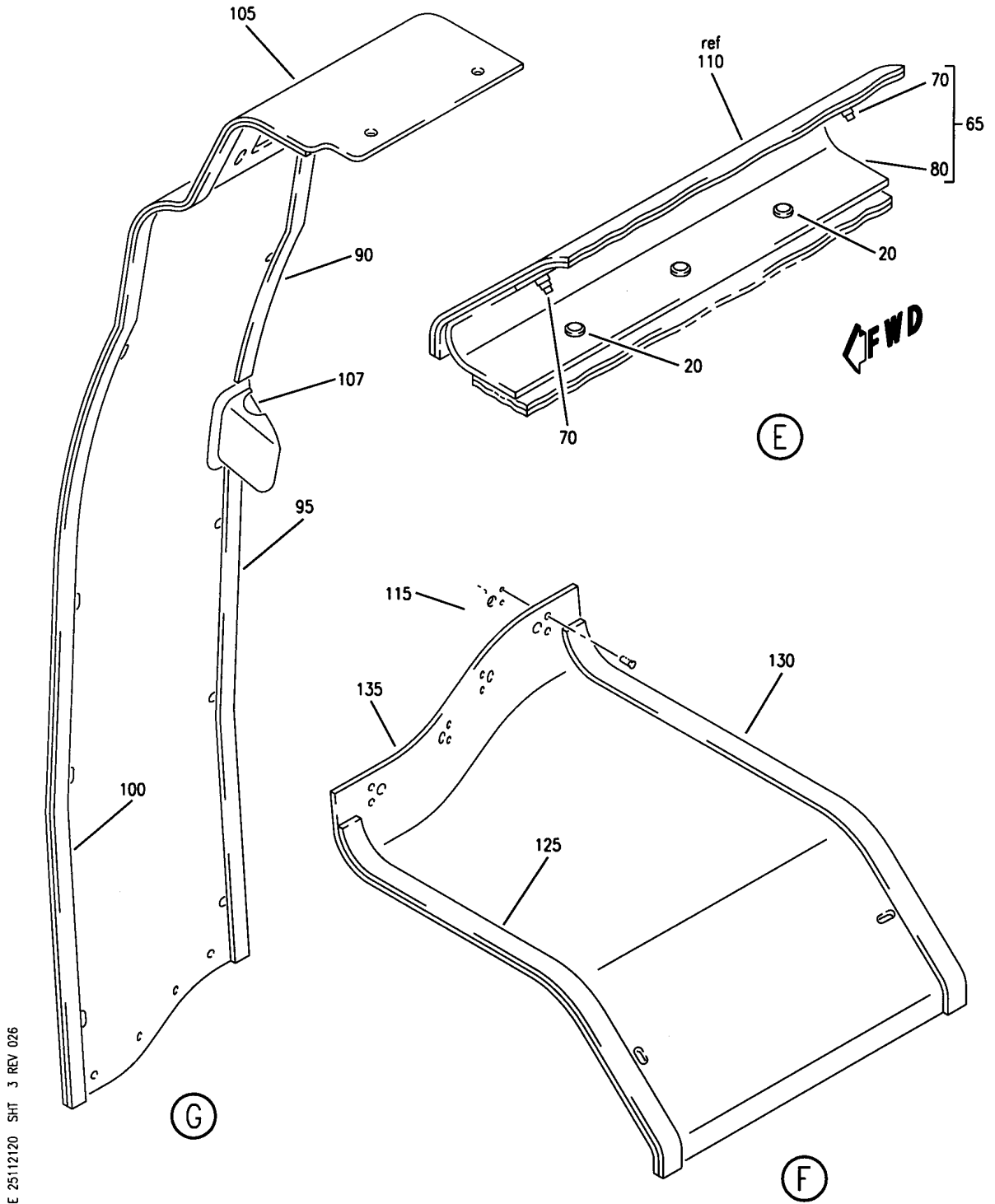
LINING INSTL-CLOSET
 FIGURE 20 (SHEET 2)

25-11-21-20

HAP
 OCT 15/08

25-11-21-20
 PAGE 0A

BOEING
 737-600/700/800/900
 PARTS CATALOG (MAINTENANCE)



E 25112120 SHT 3 REV 026

LINING INSTL-CLOSET
 FIGURE 20 (SHEET 3)

25-11-21-20

HAP
 OCT 10/06

25-11-21-20
 PAGE 0B

BOEING
737-600/700/800/900
PARTS CATALOG (MAINTENANCE)

FIG ITEM	PART NUMBER	1 2 3 4 5 6 7	NOMENCLATURE	EFFECT FROM TO	UNITS PER ASSY
20			LINING INSTL-CLOSET	031200 968999	
- 1	MODREF81760		LINING INSTL-CLOSET MODULE NUMBER: 232A1620-2 REV A	031046 054105 968999	1
- 1	MODREF384605		LINING INSTL-CLOSET MODULE NUMBER: 232A1620-2 REV B	047053 106200	1
5	BACS12FA3K4		.SCREW	031046 053105 968999	16
10	BACS12FA3K7		.SCREW	031046 053105 968999	4
12	BACS12FA3K4		.SCREW	047053 106200	20
15	WHS10F8TPKL26GY		.SCREW- SUPPLIER CODE: V12324	031200 968999	16
20	BACB30NT3K3		.BOLT	031200 968999	3
25	232A1623-3		.BRACKET ASSY	031200 968999	2
30	BRF200C3D		..NUTPLATE SUPPLIER CODE: V52828 SPECIFICATION NUMBER: BACN10JR3CFD OPTIONAL PART: K51602-3BAC V15653 NS202476-02 V80539 102F9201-3 V72962 T8092C1032CD V11815 ATTACHING PARTS	031200 968999	2
- 35	BACR15BA3ADC		..RIVET- SIZE DETERMINED ON INSTL. -----*-----	031200 968999	4
40	232A1623-6		..BRACKET	031200 968999	1
45	232A1623-1		.BRACKET ASSY	031200 968999	8

MISSING ITEM NUMBERS NOT APPLICABLE

- ITEM NOT ILLUSTRATED

HAP

25-11-21-20

BOEING PROPRIETARY - Copyright © - Unpublished Work - See title page for details.

25-11-21
FIG. 20
PAGE 1
FEB 15/09

BOEING
737-600/700/800/900
PARTS CATALOG (MAINTENANCE)

FIG ITEM	PART NUMBER	1 2 3 4 5 6 7	NOMENCLATURE	EFFECT FROM TO	UNITS PER ASSY
20					
50	BRF200C3D	..	NUTPLATE SUPPLIER CODE: V52828 SPECIFICATION NUMBER: BACN10JR3CFD OPTIONAL PART: K51602-3BAC V15653 NS202476-02 V80539 102F9201-3 V72962 T8092C1032CD V11815 ATTACHING PARTS	031200 968999	1
- 55	BACR15BA3ADC	..	RIVET- SIZE DETERMINED ON INSTL. -----*-----	031200 968999	2
60	232A1623-4	..	BRACKET	031200 968999	1
65	232A1623-2	.	BRACKET ASSY	031200 968999	1
70	BRF200C3D	..	NUTPLATE SUPPLIER CODE: V52828 SPECIFICATION NUMBER: BACN10JR3CFD OPTIONAL PART: K51602-3BAC V15653 NS202476-02 V80539 102F9201-3 V72962 T8092C1032CD V11815 ATTACHING PARTS	031200 968999	2
- 75	BACR15BA3ADC	..	RIVET- SIZE DETERMINED ON INSTL. -----*-----	031200 968999	4
80	232A1623-5	..	BRACKET	031200 968999	1
85	232A1621-10	.	LINING ASSY- POSITION DATA: UPR	031200 968999	1
90	232A1621-8	..	TAPE-HOOK	031200 968999	1
95	232A1621-9	..	TAPE-HOOK	031200 968999	1

MISSING ITEM NUMBERS NOT APPLICABLE

- ITEM NOT ILLUSTRATED

HAP

25-11-21-20

BOEING PROPRIETARY - Copyright © - Unpublished Work - See title page for details.

25-11-21
FIG. 20
PAGE 2
OCT 15/08

BOEING
737-600/700/800/900
PARTS CATALOG (MAINTENANCE)

FIG ITEM	PART NUMBER	1 2 3 4 5 6 7	NOMENCLATURE	EFFECT FROM TO	UNITS PER ASSY
20					
100	232A1621-7	..	TAPE-HOOK	031200 968999	1
105	232A1621-6	..	LINING	031200 968999	1
107	232A1621-11	..	SEAL	031200 968999	1
110	232A1621-1	.L	LINING ASSY	031200 968999	1
115	FS1651-3	..	NUTPLATE SUPPLIER CODE: V15653 SPECIFICATION NUMBER: BACN10KH3CD OPTIONAL PART: 102F9209M3 V72962 NS202496-02 V80539 ATTACHING PARTS	031200 968999	4
- 120	BACR15BA3AC	..	RIVET- SIZE DETERMINED ON INSTL. -----*-----	031200 968999	8
125	232A1621-3	..	TAPE-HOOK	031200 968999	1
130	232A1621-4	..	TAPE-HOOK	031200 968999	1
135	232A1621-2	..	LINING	031200 968999	1

MISSING ITEM NUMBERS NOT APPLICABLE

- ITEM NOT ILLUSTRATED

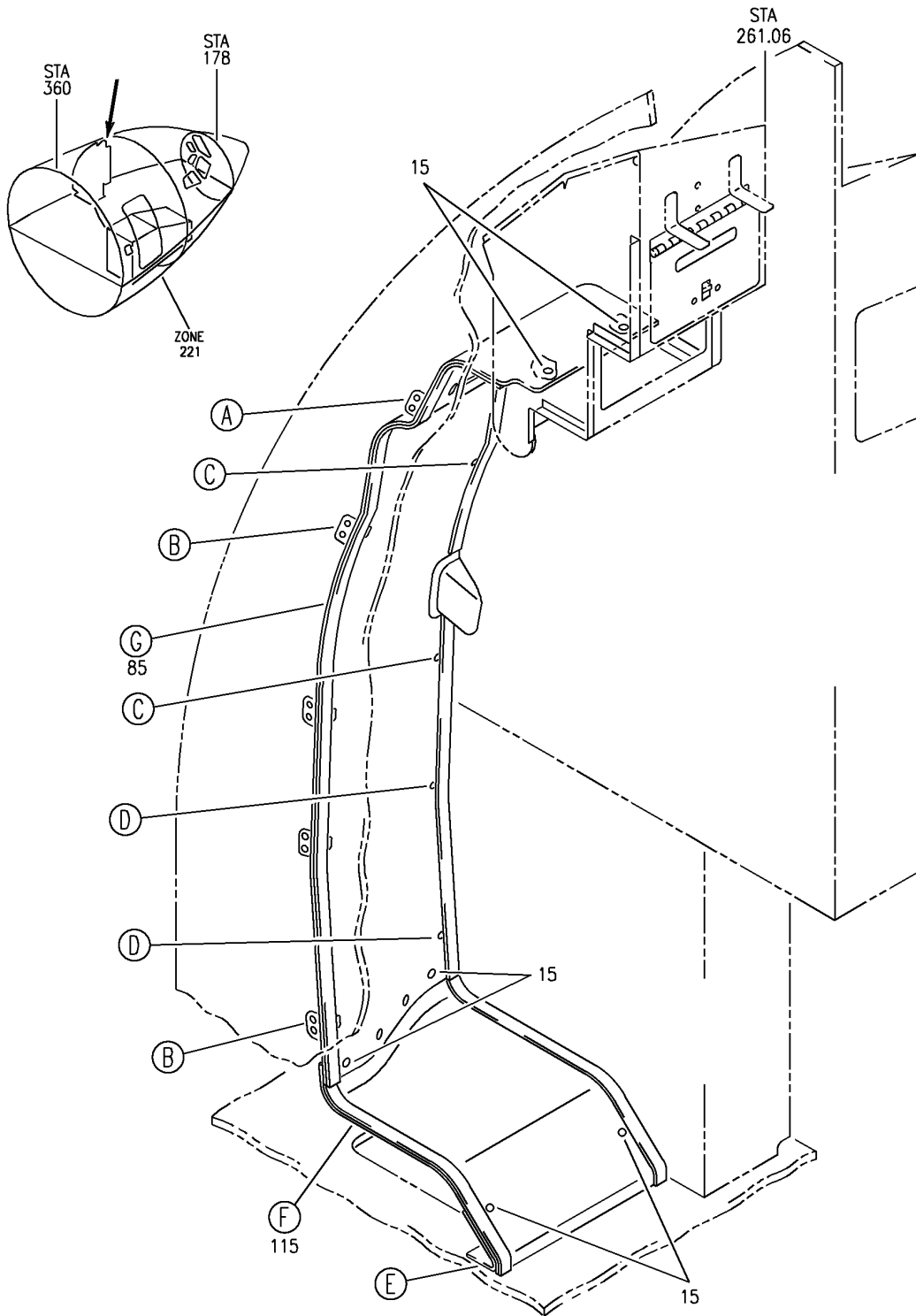
HAP

25-11-21-20

BOEING PROPRIETARY - Copyright © - Unpublished Work - See title page for details.

25-11-21
FIG. 20
PAGE 3
OCT 15/08

BOEING
737-600/700/800/900
PARTS CATALOG (MAINTENANCE)



E 25112120A SHT 1 REV 125

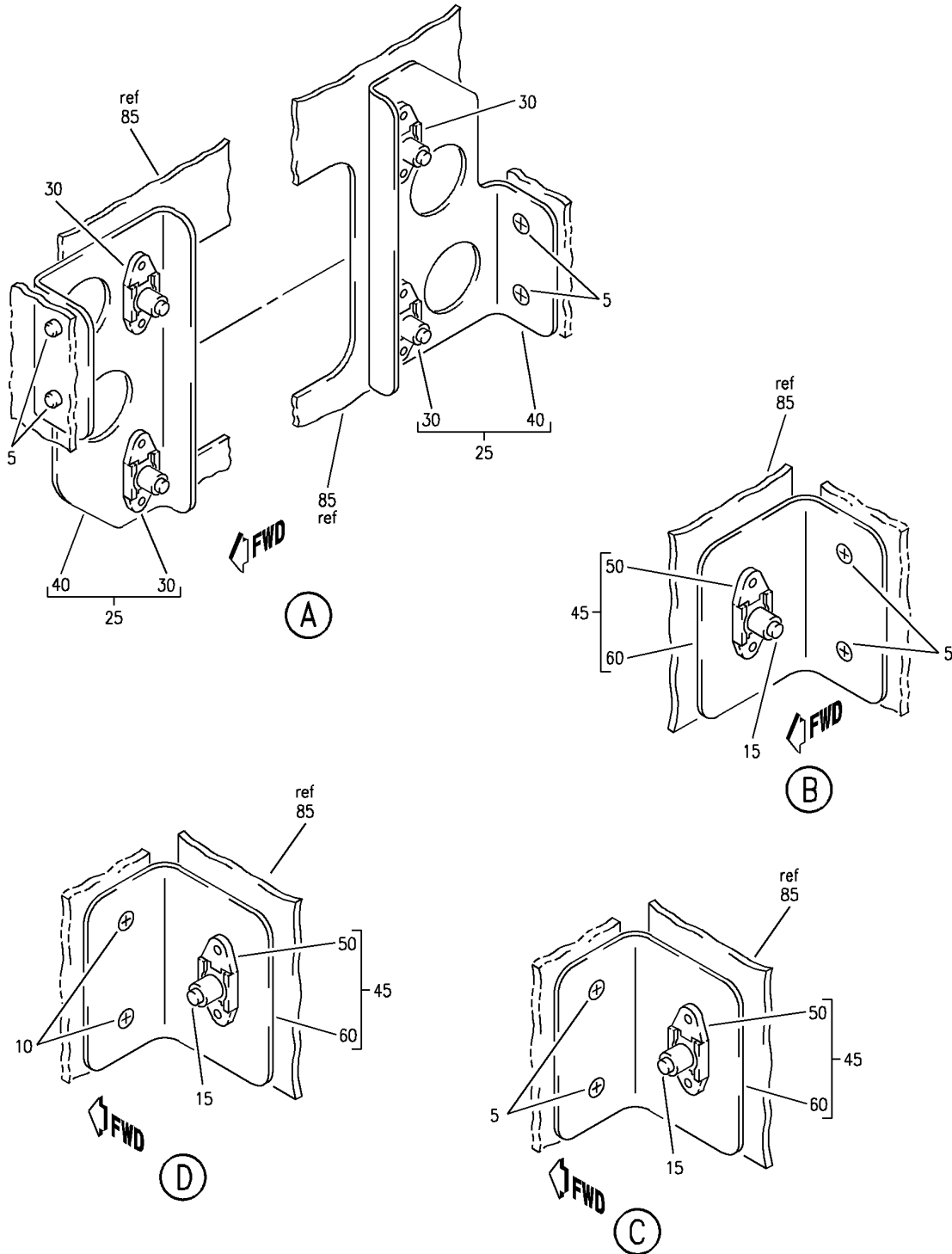
LINING INSTL-CLOSET
FIGURE 20A (SHEET 1)

25-11-21-20A

HAP
FEB 10/07

25-11-21-20A
PAGE 0

BOEING
 737-600/700/800/900
 PARTS CATALOG (MAINTENANCE)



E 25112120A SHT 2 REV 125

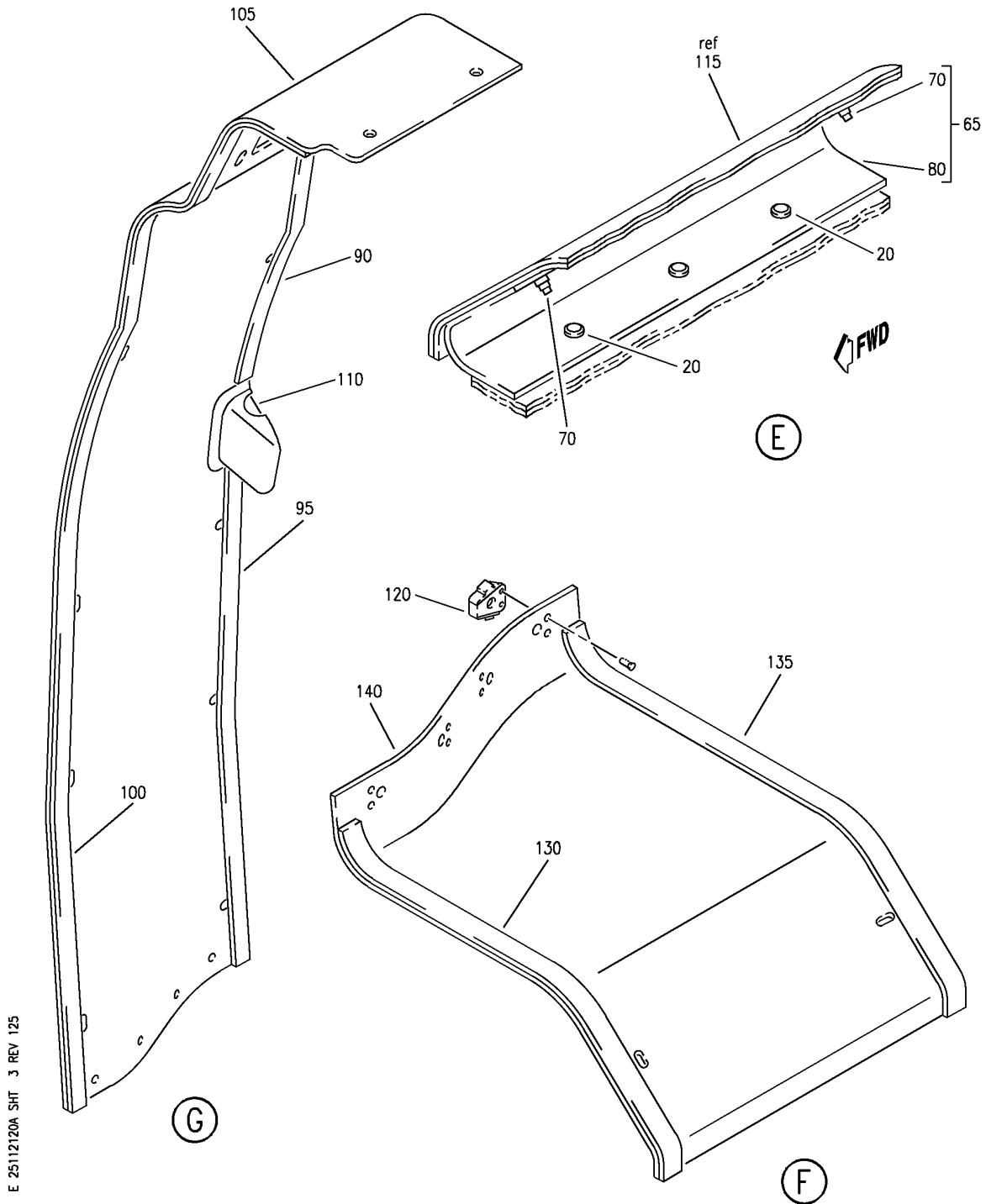
LINING INSTL-CLOSET
 FIGURE 20A (SHEET 2)

25-11-21-20A

HAP
 FEB 10/07

25-11-21-20A
 PAGE 0A

BOEING
 737-600/700/800/900
 PARTS CATALOG (MAINTENANCE)



E 25112120A SHT 3 REV 125

LINING INSTL-CLOSET
 FIGURE 20A (SHEET 3)

25-11-21-20A

HAP
 FEB 10/07

25-11-21-20A
 PAGE 0B

BOEING
737-600/700/800/900
PARTS CATALOG (MAINTENANCE)

FIG ITEM	PART NUMBER	1 2 3 4 5 6 7	NOMENCLATURE	EFFECT FROM TO	UNITS PER ASSY
20A			LINING INSTL-CLOSET	001030 201967	
- 1	232A1620-1		LINING INSTL-CLOSET FOR NHA SEE: 25-10-00-03	001001 006007	RF
- 1	232A1620-2		LINING INSTL-CLOSET FOR NHA SEE: 25-10-00-03	002005 008030 201967	RF
5	BACS12FA3K4		.SCREW	001030 201967	16
10	BACS12FA3K7		.SCREW	001030 201967	4
15	WHS10F8TPKL26GY		.SCREW- SUPPLIER CODE: V12324	001030 201967	16
20	BACB30NT3K3		.BOLT	001030 201967	3
25	232A1623-3		.BRACKET ASSY	001030 201967	2
30	BRF200C3D		..NUTPLATE SUPPLIER CODE: V52828 SPECIFICATION NUMBER: BACN10JR3CFD OPTIONAL PART: K51602-3BAC V15653 NS202476-02 V80539 102F9201-3 V72962 T8092C1032CD V11815 ATTACHING PARTS	001030 201967	2
- 35	BACR15BA3ADC		..RIVET- SIZE DETERMINED ON INSTL. -----*-----	001030 201967	4
40	232A1623-6		..BRACKET	001030 201967	1
45	232A1623-1		.BRACKET ASSY	001030 201967	8

MISSING ITEM NUMBERS NOT APPLICABLE

- ITEM NOT ILLUSTRATED

HAP

25-11-21-20A

BOEING PROPRIETARY - Copyright © - Unpublished Work - See title page for details.

25-11-21
FIG. 20A
PAGE 1
OCT 15/08

BOEING
737-600/700/800/900
PARTS CATALOG (MAINTENANCE)

FIG ITEM	PART NUMBER	1 2 3 4 5 6 7	NOMENCLATURE	EFFECT FROM TO	UNITS PER ASSY
20A 50	BRF200C3D		..NUTPLATE SUPPLIER CODE: V52828 SPECIFICATION NUMBER: BACN10JR3CFD OPTIONAL PART: K51602-3BAC V15653 NS202476-02 V80539 102F9201-3 V72962 T8092C1032CD V11815 ATTACHING PARTS	001030 201967	1
- 55	BACR15BA3ADC		..RIVET- SIZE DETERMINED ON INSTL. -----*-----	001030 201967	2
60	232A1623-4		..BRACKET	001030 201967	1
65	232A1623-2		.BRACKET ASSY	001030 201967	1
70	BRF200C3D		..NUTPLATE SUPPLIER CODE: V52828 SPECIFICATION NUMBER: BACN10JR3CFD OPTIONAL PART: K51602-3BAC V15653 NS202476-02 V80539 102F9201-3 V72962 T8092C1032CD V11815 ATTACHING PARTS	001030 201967	2
- 75	BACR15BA3ADC		..RIVET- SIZE DETERMINED ON INSTL. -----*-----	001030 201967	4
80	232A1623-5		..BRACKET	001030 201967	1
85	232A1621-5		.LINING ASSY- POSITION DATA: UPR	001001 006007	1
85	232A1621-10		.LINING ASSY- POSITION DATA: UPR	002005 008030 201967	1

MISSING ITEM NUMBERS NOT APPLICABLE

- ITEM NOT ILLUSTRATED

HAP

25-11-21-20A

BOEING PROPRIETARY - Copyright © - Unpublished Work - See title page for details.

25-11-21
FIG. 20A
PAGE 2
OCT 15/08

BOEING
737-600/700/800/900
PARTS CATALOG (MAINTENANCE)

FIG ITEM	PART NUMBER	1 2 3 4 5 6 7	NOMENCLATURE	EFFECT FROM TO	UNITS PER ASSY
20A					
90	232A1621-8	..	TAPE-HOOK	001030 201967	1
95	232A1621-9	..	TAPE-HOOK	001030 201967	1
100	232A1621-7	..	TAPE-HOOK	001030 201967	1
105	232A1621-6	..	LINING	001030 201967	1
110	232A1621-11	..	SEAL	002005 008030 201967	1
115	232A1621-1	.	LINING ASSY	001030 201967	1
120	FS1651-3	..	NUTPLATE SUPPLIER CODE: V15653 SPECIFICATION NUMBER: BACN10KH3CD OPTIONAL PART: 102F9209M3 V72962 NS202496-02 V80539 ATTACHING PARTS	001030 201967	4
- 125	BACR15BA3AC	..	RIVET- SIZE DETERMINED ON INSTL. -----*-----	001030 201967	8
130	232A1621-3	..	TAPE-HOOK	001030 201967	1
135	232A1621-4	..	TAPE-HOOK	001030 201967	1
140	232A1621-2	..	LINING	001030 201967	1

MISSING ITEM NUMBERS NOT APPLICABLE

- ITEM NOT ILLUSTRATED

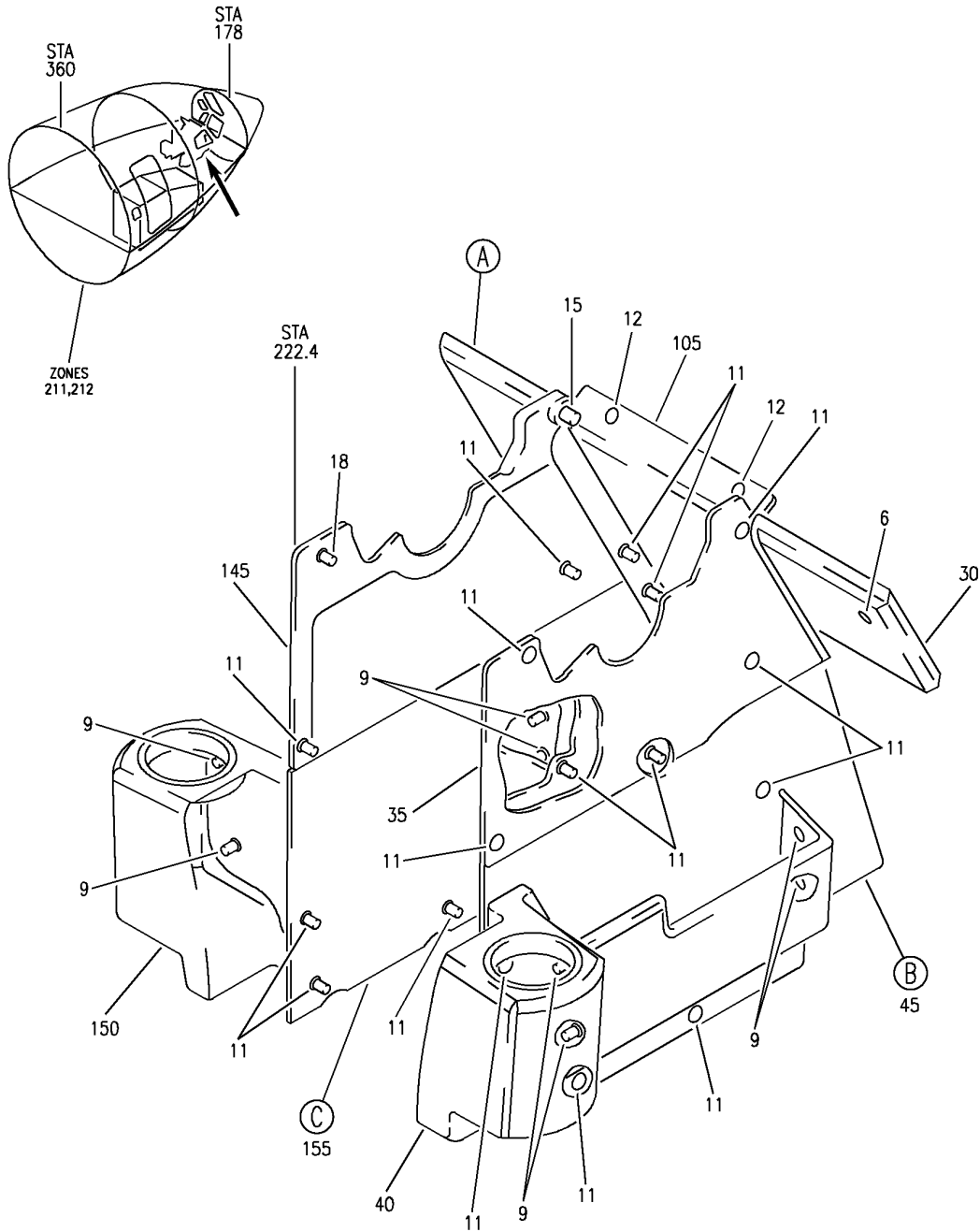
HAP

25-11-21-20A

BOEING PROPRIETARY - Copyright © - Unpublished Work - See title page for details.

25-11-21
FIG. 20A
PAGE 3
OCT 15/08

BOEING
 737-600/700/800/900
 PARTS CATALOG (MAINTENANCE)



E 25112121 SHT 1 REV 125

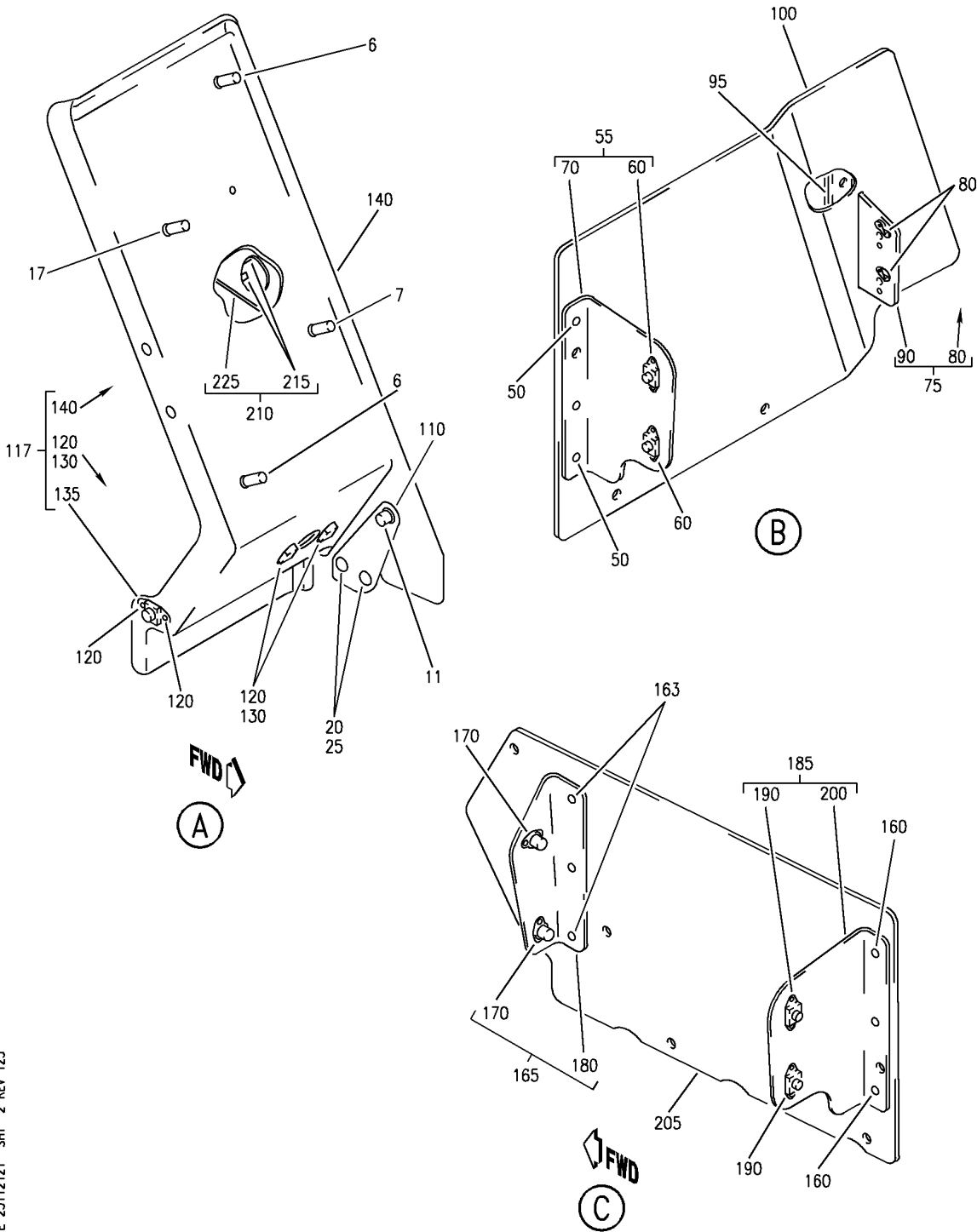
LINING INSTL-CONT STAND SIDE
 FIGURE 21 (SHEET 1)

25-11-21-21

HAP
 FEB 10/07

25-11-21-21
 PAGE 0

BOEING
 737-600/700/800/900
 PARTS CATALOG (MAINTENANCE)



E 25112121 SHT 2 REV 125

LINING INSTL-CONT STAND SIDE
 FIGURE 21 (SHEET 2)

25-11-21-21

HAP
 FEB 10/07

25-11-21-21
 PAGE 0A


BOEING
 737-600/700/800/900
PARTS CATALOG (MAINTENANCE)

FIG ITEM	PART NUMBER	1 2 3 4 5 6 7	NOMENCLATURE	EFFECT FROM TO	UNITS PER ASSY
R R R - R R R R R R R R R R R R R R R R R R	21		LINING INSTL-CONT STAND SIDE	031200 968999	
	1	MODREF265949	LINING INSTL-CONT STAND SIDE	031200 968999	1
	6	WHS10F8TPKL16GY	.SCREW- SUPPLIER CODE: V12324	031200 968999	3
	7	WHS10F8TPKL16GY	.SCREW- SUPPLIER CODE: V12324	031200 968999	1
	9	WHS10F8TPKL16GY	.SCREW- SUPPLIER CODE: V12324	031200 968999	8
	11	WHS10F8TPKL16GY	.SCREW- SUPPLIER CODE: V12324	031200 968999	18
	12	WHS10F8TPKL10GY	.SCREW- SUPPLIER CODE: V12324	031200 968999	2
	15	BCREF128117	.SCREW- SUPPLIER CODE: V12324	031200 968999	1
	17	BCREF135013	.SCREW- SUPPLIER CODE: V12324 OVERLENGTH PART NUMBER: WHS10F16TPKL16GY	031200 968999	1
	18	BCREF128116	.SCREW- SUPPLIER CODE: V12324 OVERLENGTH PART NUMBER: WHS10F10TPKL16GY	031200 968999	1
	20	BACS12FA3K8	.SCREW	031200 968999	2
	25	NAS1149D0463H	.WASHER	031200 968999	2
	30	232A1633-12	.COVER	031200 968999	1
	35	232A1631-2	.COVER ASSY	031200 968999	1
	40	232A1634-2	.POCKET ASSY-	031200 968999	1
	40	232A1634-4	.POCKET ASSY-	031200 968999	1

MISSING ITEM NUMBERS NOT APPLICABLE

- ITEM NOT ILLUSTRATED

HAP

25-11-21-21

25-11-21
 FIG. 21
 PAGE 1
 JUN 15/09

BOEING
737-600/700/800/900
PARTS CATALOG (MAINTENANCE)

FIG ITEM	PART NUMBER	1 2 3 4 5 6 7	NOMENCLATURE	EFFECT FROM TO	UNITS PER ASSY
21					
R	45	232A1631-10	.COVER ASSY-	031200	1
R				968999	
R	50	BACR15DR4AC2	..RIVET-	031200	3
R			SIZE DETERMINED ON INSTL.	968999	
R			OPTIONAL PART:		
R			BACR15BA4ADC		
R	50	BACR15BA4ADC	..RIVET-	031200	3
R			SIZE DETERMINED ON INSTL.	968999	
R			OPTIONAL PART:		
R			BACR15DR4AC2		
R	55	232A1652-36	..BRACKET ASSY-	031200	1
R				968999	
R	60	BRF200C3D	...NUTPLATE	031200	2
R			SUPPLIER CODE:	968999	
R			V52828		
R			SPECIFICATION NUMBER:		
R			BACN10JR3CFD		
R			OPTIONAL PART:		
R			K51602-3BAC		
R			V15653		
R			NS202476-02		
R			V80539		
R			102F9201-3		
R			V72962		
R			T8092C1032CD		
R			V11815		
R			ATTACHING PARTS		
R	- 65	BACR15BA3ADC	...RIVET-	031200	4
R			SIZE DETERMINED ON INSTL.	968999	
R			-----*-----		
R	70	232A1652-38	...BRACKET-	031200	1
R				968999	
R	75	232A1652-4	..BRACKET ASSY	031200	1
R				968999	
R	80	BRF200C3D	...NUTPLATE	031200	2
R			SUPPLIER CODE:	968999	
R			V52828		
R			SPECIFICATION NUMBER:		
R			BACN10JR3CFD		
R			OPTIONAL PART:		
R			K51602-3BAC		
R			V15653		
R			NS202476-02		
R			V80539		
R			102F9201-3		
R			V72962		
R			T8092C1032CD		
R			V11815		

MISSING ITEM NUMBERS NOT APPLICABLE

- ITEM NOT ILLUSTRATED

HAP

25-11-21-21

BOEING PROPRIETARY - Copyright © - Unpublished Work - See title page for details.

25-11-21
FIG. 21
PAGE 2
JUN 15/09

BOEING
737-600/700/800/900
PARTS CATALOG (MAINTENANCE)

FIG ITEM	PART NUMBER	1 2 3 4 5 6 7	NOMENCLATURE	EFFECT FROM TO	UNITS PER ASSY
21			ATTACHING PARTS		
R -	85 BACR15BA3ADC	...	RIVET- SIZE DETERMINED ON INSTL. -----*-----	031200 968999	4
R	90 232A1652-14	...	BRACKET	031200 968999	1
R	95 232A1633-10	..	SHIM	031200 968999	1
R	100 232A1633-4	..	COVER	031200 968999	1
R	105 232A1631-8	.	PLATE-	031200 968999	1
R	110 232A1652-24	.	BRACKET	031200 968999	1
R	117 232A1631-7	.	COVER ASSY	031200 968999	1
R	120 AF5141-3C2	..	RIVET- SUPPLIER CODE: V53551 SPECIFICATION NUMBER: BACR15DR3AC2 OPTIONAL PART: CCR264CS3-2IT V11815 RV541A3C2 V98996 SIZE DETERMINED ON INSTL. BACR15BA3ADC	031200 968999	6
R	120 BACR15BA3ADC	..	RIVET- SIZE DETERMINED ON INSTL. OPTIONAL PART: BACR15DR3AC2	031200 968999	6
R	130 BRF200C08D	..	NUTPLATE SUPPLIER CODE: V52828 SPECIFICATION NUMBER: BACN10JR08CFD OPTIONAL PART: NS202476-82 V80539 102F9201-82 V72962 T8092C832CD V11815 K51602-08BAC V15653	031200 968999	2

MISSING ITEM NUMBERS NOT APPLICABLE

- ITEM NOT ILLUSTRATED

HAP

25-11-21-21

25-11-21
FIG. 21
PAGE 3
JUN 15/09

BOEING
737-600/700/800/900
PARTS CATALOG (MAINTENANCE)

FIG ITEM	PART NUMBER	1 2 3 4 5 6 7	NOMENCLATURE	EFFECT FROM TO	UNITS PER ASSY
R	21				
R	180	232A1652-13	...BRACKET	031200 968999	1
R	185	232A1652-35	..BRACKET ASSY-	031200 968999	1
R	190	BRF200C3D	...NUTPLATE SUPPLIER CODE: V52828 SPECIFICATION NUMBER: BACN10JR3CFD OPTIONAL PART: K51602-3BAC V15653 NS202476-02 V80539 102F9201-3 V72962 T8092C1032CD V11815 ATTACHING PARTS	031200 968999	2
R	- 195	BACR15BA3ADC	...RIVET- SIZE DETERMINED ON INSTL. -----*-----	031200 968999	4
R	200	232A1652-37	...BRACKET-	031200 968999	1
R	205	232A1633-3	..COVER	031200 968999	1
R	210	232A1652-27	.PLATE ASSY	031200 968999	1
R	215	MF53050-06CD	..NUTPLATE SUPPLIER CODE: V15653 SPECIFICATION NUMBER: BACN10JN06CD OPTIONAL PART: T8301C632CD V11815 102F9201M62 V72962 NS202487-62 V80539 MF51637-06 V15653 BRFM20C06LD V52828 ATTACHING PARTS	031200 968999	2
R	- 220	BACR15BA3D	..RIVET -----*-----	031200 968999	4

MISSING ITEM NUMBERS NOT APPLICABLE

- ITEM NOT ILLUSTRATED

HAP

25-11-21-21

BOEING PROPRIETARY - Copyright © - Unpublished Work - See title page for details.

25-11-21
FIG. 21
PAGE 5
JUN 15/09


BOEING
 737-600/700/800/900
PARTS CATALOG (MAINTENANCE)

FIG ITEM	PART NUMBER	1 2 3 4 5 6 7	NOMENCLATURE	EFFECT FROM TO	UNITS PER ASSY
R R	21				
	225	232A1652-28	. . PLATE	031200 968999	1

MISSING ITEM NUMBERS NOT APPLICABLE

— ITEM NOT ILLUSTRATED

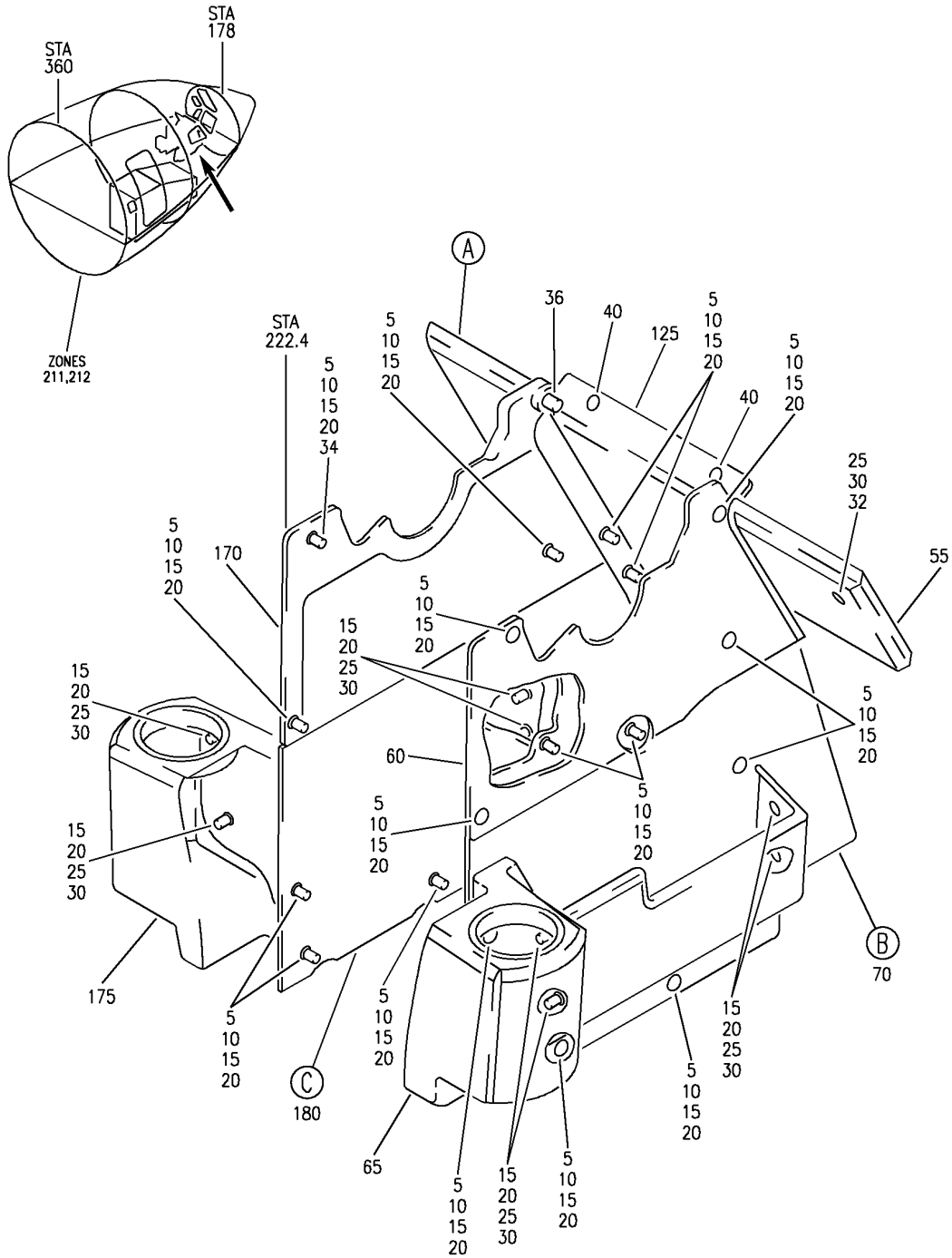
HAP

25-11-21-21

BOEING PROPRIETARY - Copyright © - Unpublished Work - See title page for details.

25-11-21
 FIG. 21
 PAGE 6
 JUN 15/09

BOEING
 737-600/700/800/900
 PARTS CATALOG (MAINTENANCE)



E 25112121A SHT 1 REV 125

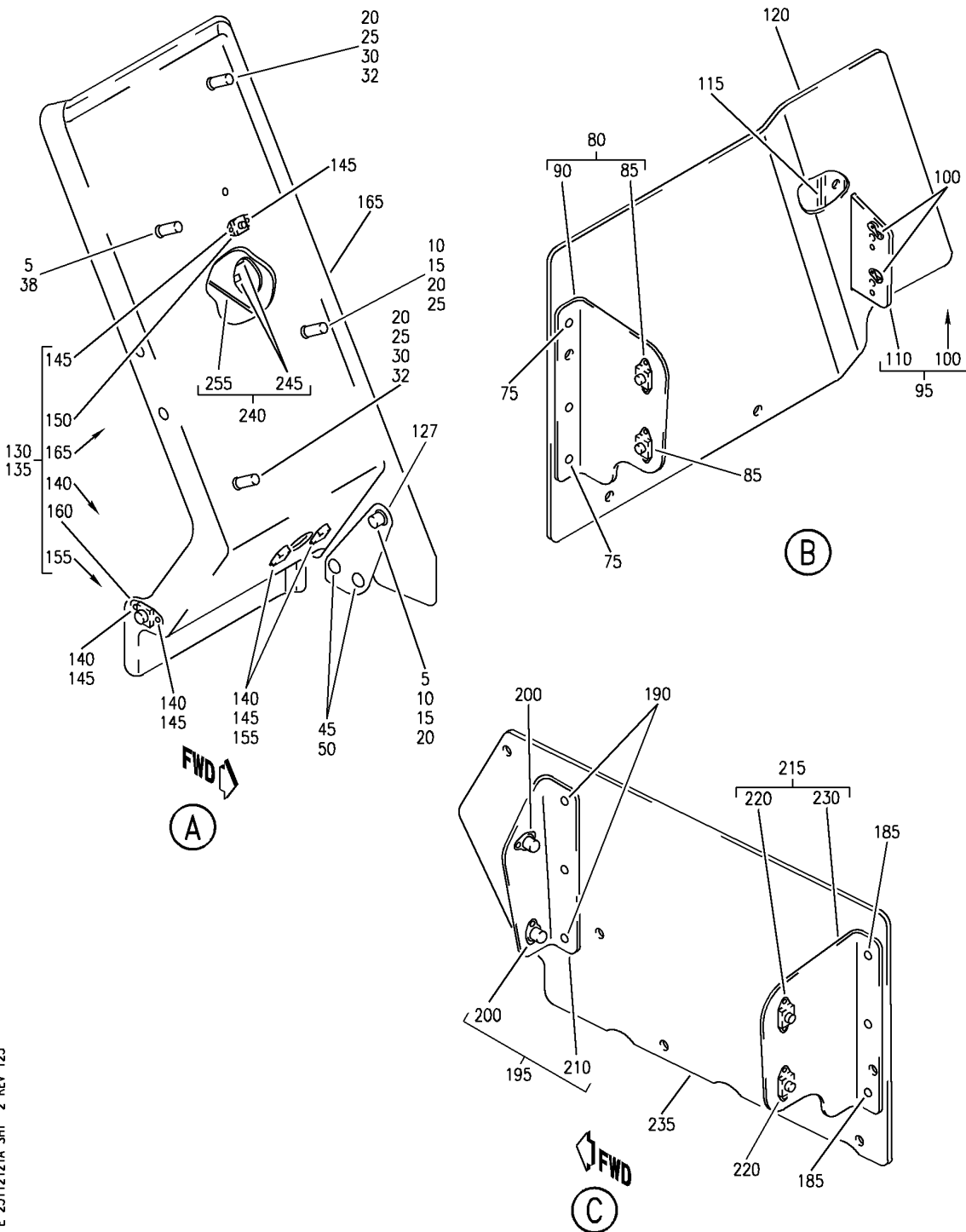
LINING INSTL-CONT STAND SIDE
 FIGURE 21A (SHEET 1)

25-11-21-21A

HAP
 FEB 10/07

25-11-21-21A
 PAGE 0

BOEING
 737-600/700/800/900
 PARTS CATALOG (MAINTENANCE)



E 251121A SHT 2 REV 125

LINING INSTL-CONT STAND SIDE
 FIGURE 21A (SHEET 2)

25-11-21-21A

HAP
 FEB 10/07

25-11-21-21A
 PAGE 0A

BOEING
737-600/700/800/900
PARTS CATALOG (MAINTENANCE)

FIG ITEM	PART NUMBER	1 2 3 4 5 6 7	NOMENCLATURE	EFFECT FROM TO	UNITS PER ASSY
21A			LINING INSTL-CONT STAND SIDE	001030 201967	
- 1	232A1630-1		LINING INSTL-CONT STAND SIDE FOR NHA SEE: 25-10-00-03	001001 006007	RF
- 1	232A1630-2		LINING INSTL-CONT STAND SIDE FOR NHA SEE: 25-10-00-03	002005	RF
- 1	232A1630-3		LINING INSTL-CONT STAND SIDE FOR NHA SEE: 25-10-00-03	008019 201967	RF
- 1	232A1630-4		LINING INSTL-CONT STAND SIDE FOR NHA SEE: 25-10-00-03	020027	RF
- 1	232A1630-5		LINING INSTL-CONT STAND SIDE FOR NHA SEE: 25-10-00-03	028030	RF
5	WHS10F8TPKL16GY		.SCREW- SUPPLIER CODE: V12324	001001 006007	20
10	WHS10F8TPKL16GY		.SCREW- SUPPLIER CODE: V12324	002005 008019 201967	20
15	WHS10F8TPKL16GY		.SCREW- SUPPLIER CODE: V12324	020027	28
20	WHS10F8TPKL16GY		.SCREW- SUPPLIER CODE: V12324	028030	30
25	WHS10F6TPKL16GY		.SCREW- SUPPLIER CODE: V12324	001001 006007	12
30	WHS10F6TPKL16GY		.SCREW- SUPPLIER CODE: V12324	002005 008019 201967	11
32	WHS10F6TPKL16GY		.SCREW- SUPPLIER CODE: V12324	020027	3
34	BCREF128116		.SCREW- SUPPLIER CODE: V12324 OVERLENGTH PART NUMBER: WHS10F12TPKL16GY	028030	1

MISSING ITEM NUMBERS NOT APPLICABLE

- ITEM NOT ILLUSTRATED

HAP

25-11-21-21A

BOEING PROPRIETARY - Copyright © - Unpublished Work - See title page for details.

25-11-21
FIG. 21A
PAGE 1
OCT 15/08

BOEING
737-600/700/800/900
PARTS CATALOG (MAINTENANCE)

FIG ITEM	PART NUMBER	1 2 3 4 5 6 7	NOMENCLATURE	EFFECT FROM TO	UNITS PER ASSY
21A					
36	BCCREF128117	.SCREW-	SUPPLIER CODE: V12324 OVERLENGTH PART NUMBER: WHS10F16TPKL16GY	001030 201967	1
38	BCCREF135013	.SCREW-	SUPPLIER CODE: V12324 OVERLENGTH PART NUMBER: WHS10F10TPKL16GY	002005 008030 201967	1
40	WHS10F8TPKL10GY	.SCREW-	SUPPLIER CODE: V12324	001030 201967	2
45	BACS12FA3K8	.SCREW		001030 201967	2
50	NAS1149D0463H	.WASHER		001030 201967	2
55	232A1633-12	.COVER		001030 201967	1
60	232A1631-2	.COVER ASSY		001030 201967	1
65	232A1634-2	.POCKET ASSY		001019 201967	1
65	232A1634-4	.POCKET ASSY		020030	1
70	232A1631-4	.COVER ASSY		001019 201967	1
70	232A1631-10	.COVER ASSY		020030	1
75	BACR15DR4AC	..RIVET-	SIZE DETERMINED ON INSTL.	001019 201967	3
75	BACR15DR4AC2	..RIVET-	SIZE DETERMINED ON INSTL. OPTIONAL PART: BACR15BA4ADC	020030	3
75	BACR15BA4ADC	..RIVET-	SIZE DETERMINED ON INSTL. OPTIONAL PART: BACR15DR4AC2	020030	3
80	232A1652-2	..BRACKET ASSY		001019 201967	1
80	232A1652-36	..BRACKET ASSY		020030	1

MISSING ITEM NUMBERS NOT APPLICABLE

— ITEM NOT ILLUSTRATED

HAP

25-11-21-21A

BOEING PROPRIETARY - Copyright © - Unpublished Work - See title page for details.

25-11-21
FIG. 21A
PAGE 2
OCT 15/08

BOEING
737-600/700/800/900
PARTS CATALOG (MAINTENANCE)

FIG ITEM	PART NUMBER	1 2 3 4 5 6 7	NOMENCLATURE	EFFECT FROM TO	UNITS PER ASSY
21A 85	BRF200C3D	...	NUTPLATE SUPPLIER CODE: V52828 SPECIFICATION NUMBER: BACN10JR3CFD OPTIONAL PART: K51602-3BAC V15653 NS202476-02 V80539 102F9201-3 V72962 T8092C1032CD V11815 ATTACHING PARTS	001030 201967	2
- 87	BACR15BA3ADC	...	RIVET- SIZE DETERMINED ON INSTL. -----*-----	001030 201967	4
90	232A1652-12	...	BRACKET	001019 201967	1
90	232A1652-38	...	BRACKET	020030	1
95	232A1652-4	..	BRACKET ASSY	001030 201967	1
100	BRF200C3D	...	NUTPLATE SUPPLIER CODE: V52828 SPECIFICATION NUMBER: BACN10JR3CFD OPTIONAL PART: K51602-3BAC V15653 NS202476-02 V80539 102F9201-3 V72962 T8092C1032CD V11815 ATTACHING PARTS	001030 201967	2
- 105	BACR15BA3ADC	...	RIVET- SIZE DETERMINED ON INSTL. -----*-----	001030 201967	4
110	232A1652-14	...	BRACKET	001030 201967	1
115	232A1633-10	..	SHIM	001030 201967	1
120	232A1633-4	..	COVER	001030 201967	1
125	232A1633-11	.	PLATE	001007	1

MISSING ITEM NUMBERS NOT APPLICABLE

- ITEM NOT ILLUSTRATED

HAP

25-11-21-21A

BOEING PROPRIETARY - Copyright © - Unpublished Work - See title page for details.

25-11-21
FIG. 21A
PAGE 3
OCT 15/08

BOEING
737-600/700/800/900
PARTS CATALOG (MAINTENANCE)

FIG ITEM	PART NUMBER	1 2 3 4 5 6 7	NOMENCLATURE	EFFECT FROM TO	UNITS PER ASSY
21A					
125	232A1631-8	.	PLATE	008030 201967	1
127	232A1652-24	.	BRACKET	001030 201967	1
130	232A1631-5	.	COVER ASSY	001001 006007	1
135	232A1631-7	.	COVER ASSY	002005 008030 201967	1
140	BACR15BA3ADC	..	RIVET- SIZE DETERMINED ON INSTL. OPTIONAL PART: BACR15DR3AC2	002005 008030 201967	6
140	AF5141-3C2	..	RIVET- SUPPLIER CODE: V53551 SPECIFICATION NUMBER: BACR15DR3AC2 OPTIONAL PART: CCR264CS3-2IT V11815 RV541A3C2 V98996 SIZE DETERMINED ON INSTL. BACR15BA3ADC	002005 008030 201967	6
145	AF5141-3C	..	RIVET- SUPPLIER CODE: V53551 SPECIFICATION NUMBER: BACR15DR3AC SIZE DETERMINED ON INSTL.	001001 006007	8
150	BRF200C06DD	..	NUTPLATE SUPPLIER CODE: V52828 SPECIFICATION NUMBER: BACN10JR06CFD OPTIONAL PART: K51602-06BAC V15653 NS202476-62 V80539 102F9201-62 V72962 T8092C632CD V11815	001001 006007	1

MISSING ITEM NUMBERS NOT APPLICABLE

— ITEM NOT ILLUSTRATED

HAP

25-11-21-21A

BOEING PROPRIETARY - Copyright © - Unpublished Work - See title page for details.

25-11-21
FIG. 21A
PAGE 4
OCT 15/08

BOEING
737-600/700/800/900
PARTS CATALOG (MAINTENANCE)

FIG ITEM	PART NUMBER	1 2 3 4 5 6 7	NOMENCLATURE	EFFECT FROM TO	UNITS PER ASSY
21A 155	BRF200C08D	..	NUTPLATE SUPPLIER CODE: V52828 SPECIFICATION NUMBER: BACN10JR08CFD OPTIONAL PART: NS202476-82 V80539 102F9201-82 V72962 T8092C832CD V11815 K51602-08BAC V15653	001030 201967	2
160	BRF200C3D	..	NUTPLATE SUPPLIER CODE: V52828 SPECIFICATION NUMBER: BACN10JR3CFD OPTIONAL PART: K51602-3BAC V15653 NS202476-02 V80539 102F9201-3 V72962 T8092C1032CD V11815	001030 201967	1
165	232A1633-7	..	COVER	001030 201967	1
170	232A1631-6	.	COVER ASSY	001030 201967	1
175	232A1634-1	.	POCKET ASSY	001019 201967	1
175	232A1634-3	.	POCKET ASSY	020030	1
180	232A1631-11	.	COVER ASSY-	001030 201967	1
180	232A1631-3	.	COVER ASSY-	001019 201967	1
185	BACR15DR4AC	..	RIVET- SIZE DETERMINED ON INSTL. OPTIONAL PART: BACR15BA4ADC	001030 201967	3
185	BACR15BA4ADC	..	RIVET- SIZE DETERMINED ON INSTL. OPTIONAL PART: BACR15DR4AC USED ON: 232A1631-11	001030 201967	3

MISSING ITEM NUMBERS NOT APPLICABLE

- ITEM NOT ILLUSTRATED

HAP

25-11-21-21A

BOEING PROPRIETARY - Copyright © - Unpublished Work - See title page for details.

25-11-21
FIG. 21A
PAGE 5
FEB 15/09

BOEING
737-600/700/800/900
PARTS CATALOG (MAINTENANCE)

FIG ITEM	PART NUMBER	1 2 3 4 5 6 7	NOMENCLATURE	EFFECT FROM TO	UNITS PER ASSY
21A					
190	BACR15BA4ADC	..	RIVET- SIZE DETERMINED ON INSTL.	001030 201967	3
195	232A1652-3	..	BRACKET ASSY	001030 201967	1
200	NS103223-02	...	NUTPLATE SUPPLIER CODE: V80539 SPECIFICATION NUMBER: BACN10JY3 OPTIONAL PART: RMK9457-3 V72962 ATTACHING PARTS	001030 201967	2
- 205	BACR15BA3ADC	...	RIVET- SIZE DETERMINED ON INSTL. -----*-----	001030 201967	4
210	232A1652-13	...	BRACKET	001030 201967	1
215	232A1652-35	..	BRACKET ASSY	001030 201967	1
215	232A1652-1	..	BRACKET ASSY	001019 201967	1
220	BRF200C3D	...	NUTPLATE SUPPLIER CODE: V52828 SPECIFICATION NUMBER: BACN10JR3CFD OPTIONAL PART: K51602-3BAC V15653 NS202476-02 V80539 102F9201-3 V72962 T8092C1032CD V11815 ATTACHING PARTS	001030 201967	2
- 225	BACR15BA3ADC	...	RIVET- SIZE DETERMINED ON INSTL. -----*-----	001030 201967	4
230	232A1652-37	...	BRACKET	001030 201967	1
230	232A1652-11	...	BRACKET	001019 201967	1
235	232A1633-3	..	COVER	001030 201967	1
240	232A1652-27	.	PLATE ASSY	002005 008030 201967	1

MISSING ITEM NUMBERS NOT APPLICABLE

- ITEM NOT ILLUSTRATED

HAP

25-11-21-21A

BOEING PROPRIETARY - Copyright © - Unpublished Work - See title page for details.

25-11-21
FIG. 21A
PAGE 6
FEB 15/09

BOEING
737-600/700/800/900
PARTS CATALOG (MAINTENANCE)

FIG ITEM	PART NUMBER	1 2 3 4 5 6 7	NOMENCLATURE	EFFECT FROM TO	UNITS PER ASSY
21A 245	MF53050-06CD		..NUTPLATE SUPPLIER CODE: V15653 SPECIFICATION NUMBER: BACN10JN06CD OPTIONAL PART: T8301C632CD V11815 102F9201M62 V72962 NS202487-62 V80539 MF51637-06 V15653 BRFM20C06LD V52828 ATTACHING PARTS	002005 008030 201967	2
- 250	BACR15BA3D		..RIVET	002005 008030 201967	4
255	232A1652-28		-----*----- ..PLATE	002005 008030 201967	1

MISSING ITEM NUMBERS NOT APPLICABLE

- ITEM NOT ILLUSTRATED

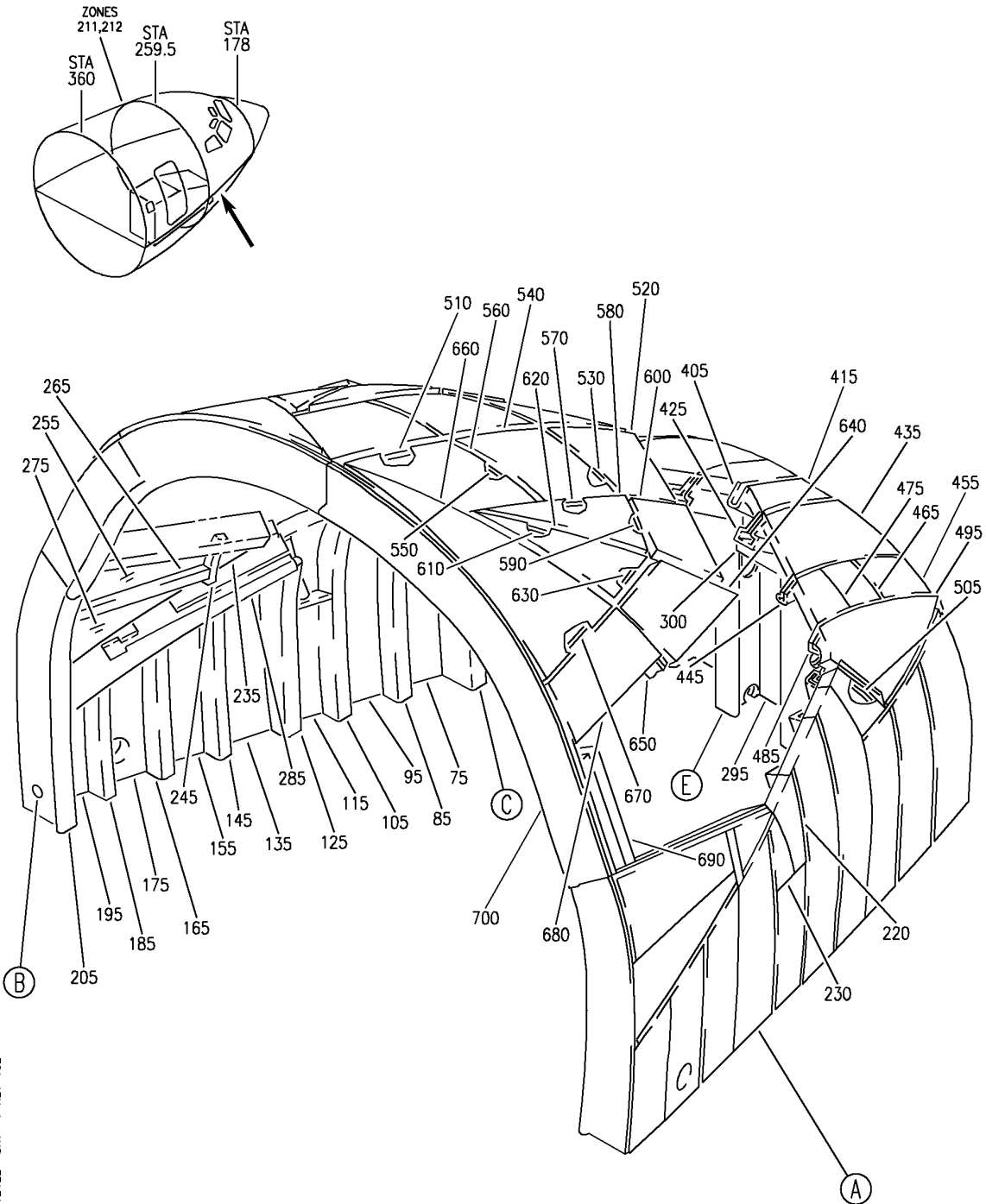
HAP

25-11-21-21A

BOEING PROPRIETARY - Copyright © - Unpublished Work - See title page for details.

25-11-21
FIG. 21A
PAGE 7
OCT 15/08

BOEING
 737-600/700/800/900
 PARTS CATALOG (MAINTENANCE)



E 25112122 SHT 1 REV 102

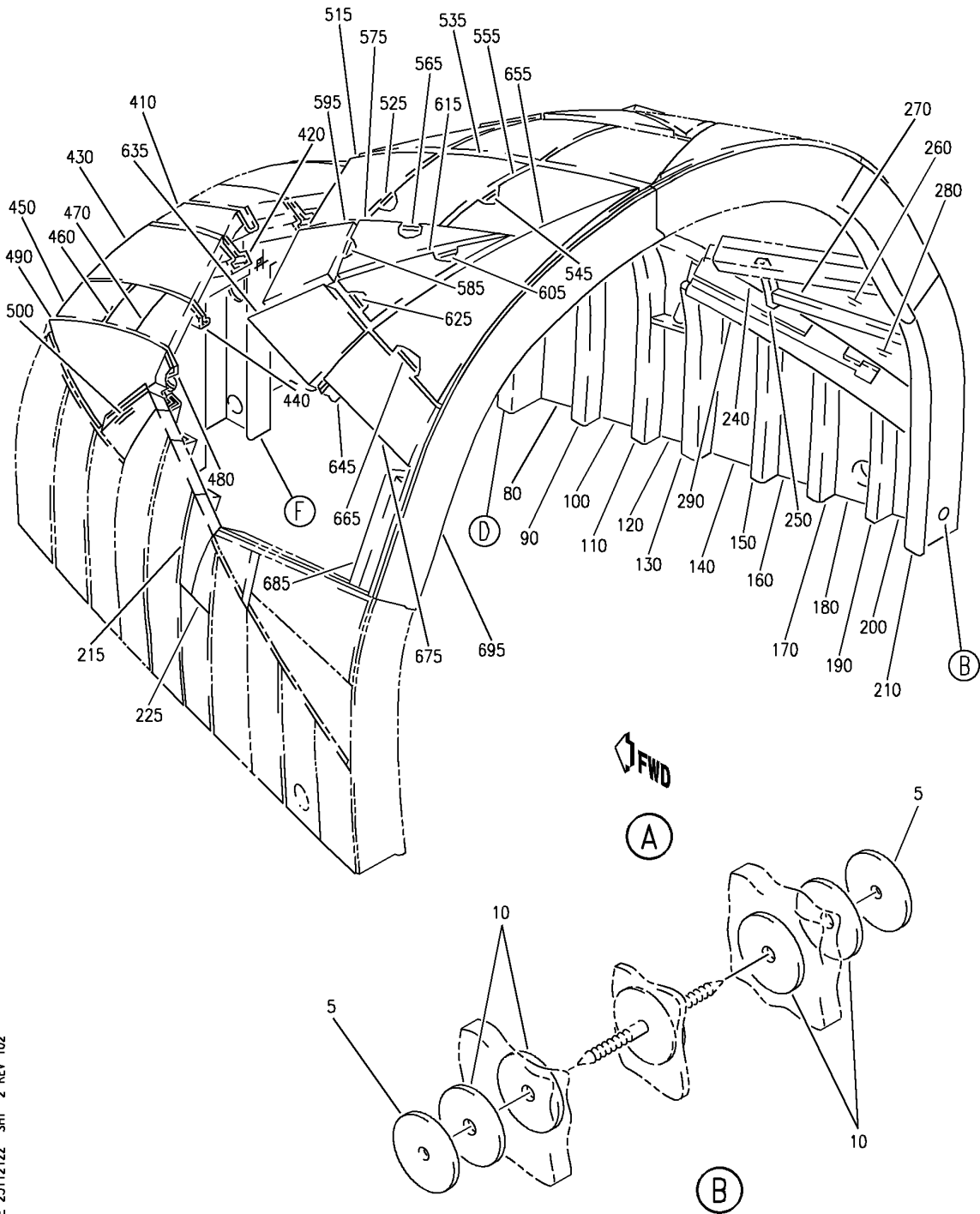
INSULATION INSTL-FLIGHT DECK
 FIGURE 22 (SHEET 1)

25-11-21-22

HAP
 OCT 10/06

25-11-21-22
 PAGE 0

BOEING
737-600/700/800/900
PARTS CATALOG (MAINTENANCE)



E 25112122 SH2 2 REV 102

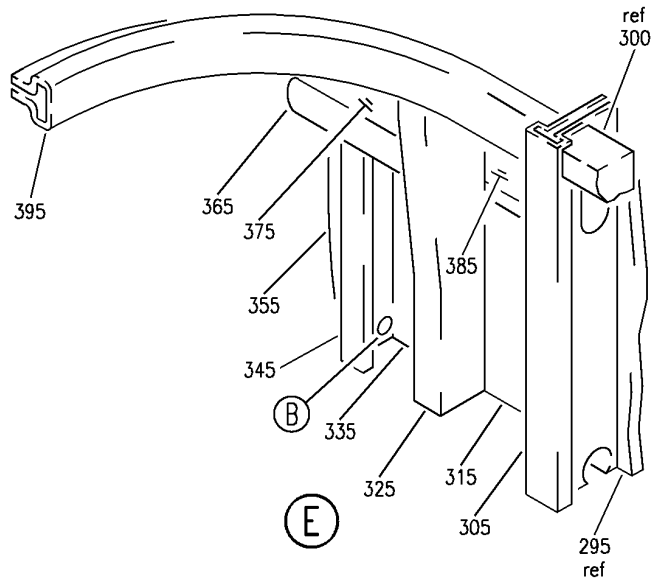
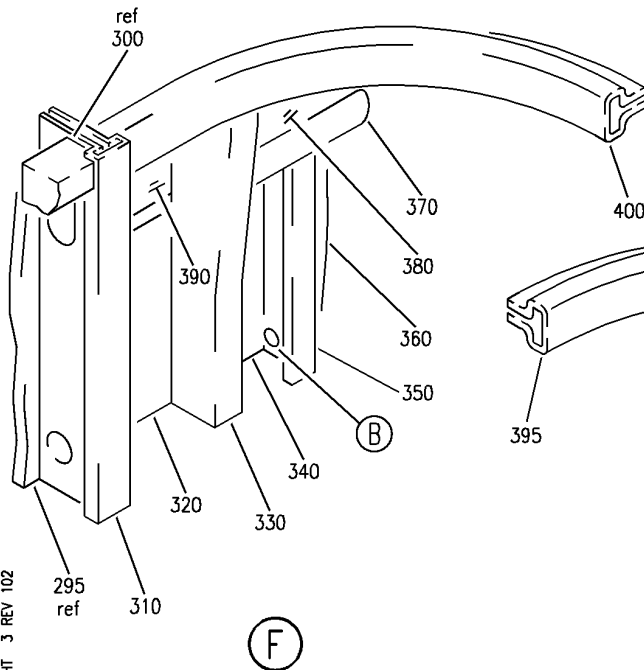
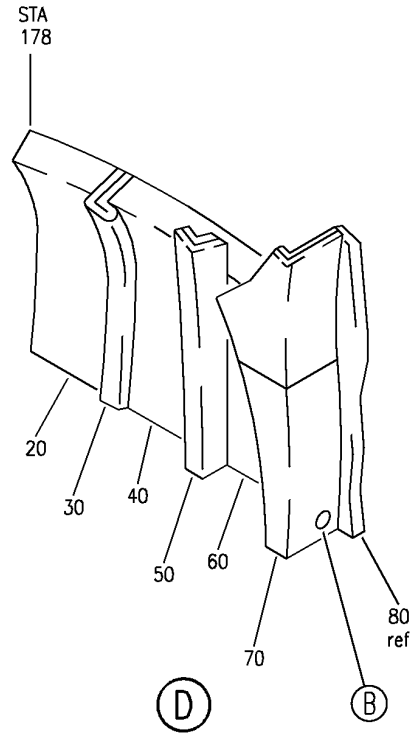
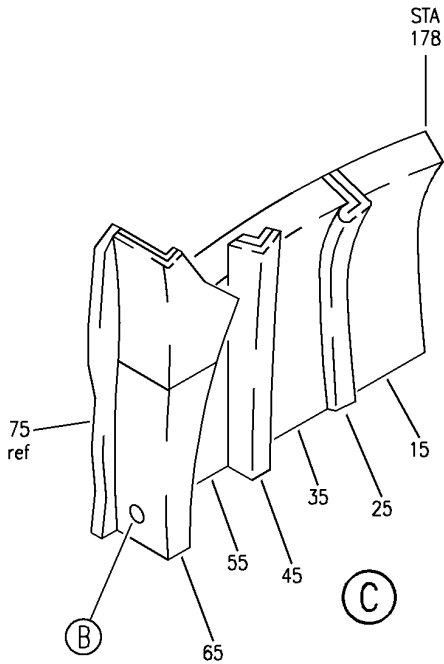
INSULATION INSTL-FLIGHT DECK
 FIGURE 22 (SHEET 2)

25-11-21-22

HAP
 OCT 10/06

25-11-21-22
 PAGE 0A

BOEING
 737-600/700/800/900
 PARTS CATALOG (MAINTENANCE)



E 25112122 SHT 3 REV 102

INSULATION INSTL-FLIGHT DECK
 FIGURE 22 (SHEET 3)

25-11-21-22

HAP
 OCT 10/06

25-11-21-22
 PAGE 0B

BOEING
737-600/700/800/900
PARTS CATALOG (MAINTENANCE)

FIG ITEM	PART NUMBER	1 2 3 4 5 6 7	NOMENCLATURE	EFFECT FROM TO	UNITS PER ASSY
22			INSULATION INSTL-FLIGHT DECK	031200 968999	
- 1	MODREF269861		INSULATION INSTL-FLIGHT DECK MODULE NUMBER: 232A1201-20 REV B	031043 054101 968971	1
- 1	MODREF352839		INSULATION INSTL-FLIGHT DECK MODULE NUMBER: 232A1201-20 REV C	044045 102103	1
- 1	MODREF359128		INSULATION INSTL-FLIGHT DECK MODULE NUMBER: 232A1201-20 REV D	046053 104200 972999	1
R 5	2055300		.DISK-RTNR SUPPLIER CODE: V04169 SPECIFICATION NUMBER: S415W001-1	031200 968999	AR
R 10	1298-02		.WASHER-FOAM SUPPLIER CODE: VF2538 MISCELLANEOUS DATA: 1298-02 IS IDENTICAL TO 5150386000 RAW MATERIAL STOCK LISTED IN PDM.	031200 968999	AR
R 15	232A1206-1		.INSULATION ASSY-	031200 968999	1
R 20	232A1206-2		.INSULATION ASSY-	031200 968999	1
R 25	232A1206-3		.INSULATION ASSY-	031200 968999	1
R 30	232A1206-4		.INSULATION ASSY-	031200 968999	1
R 35	232A1206-5		.INSULATION ASSY-	031200 968999	1
R 40	232A1206-6		.INSULATION ASSY-	031200 968999	1
R 45	232A1206-7		.INSULATION ASSY-	031200 968999	1
R 50	232A1206-8		.INSULATION ASSY-	031200 968999	1
R 55	232A1206-9		.INSULATION ASSY-	031200 968999	1
R 60	232A1206-10		.INSULATION ASSY-	031200 968999	1
R 65	232A1206-11		.INSULATION ASSY-	031200 968999	1

MISSING ITEM NUMBERS NOT APPLICABLE

- ITEM NOT ILLUSTRATED

HAP

25-11-21-22

25-11-21
FIG. 22
PAGE 1
JUN 15/09

BOEING
737-600/700/800/900
PARTS CATALOG (MAINTENANCE)

FIG ITEM	PART NUMBER	1 2 3 4 5 6 7	NOMENCLATURE	EFFECT FROM TO	UNITS PER ASSY
22					
R	70		. INSULATION ASSY-	031200	1
R				968999	
R	75		. INSULATION ASSY-	031200	1
R				968999	
R	80		. INSULATION ASSY-	031200	1
R				968999	
R	85		. INSULATION ASSY-	031200	1
R				968999	
R	90		. INSULATION ASSY-	031200	1
R				968999	
R	95		. INSULATION ASSY-	031200	1
R				968999	
R	100		. INSULATION ASSY-	031200	1
R				968999	
R	105		. INSULATION ASSY-	031200	1
R				968999	
R	110		. INSULATION ASSY-	031200	1
R				968999	
R	115		. INSULATION ASSY-	031200	1
R				968999	
R	120		. INSULATION ASSY-	031200	1
R				968999	
R	125		. INSULATION ASSY-	031200	1
R				968999	
R	130		. INSULATION ASSY-	031200	1
R				968999	
R	135		. INSULATION ASSY-	031200	1
R				968999	
R	140		. INSULATION ASSY-	031200	1
R				968999	
R	145		. INSULATION ASSY-	031200	1
R				968999	
R	150		. INSULATION ASSY-	031200	1
R				968999	
R	155		. INSULATION ASSY-	031200	1
R				968999	
R	160		. INSULATION ASSY-	031200	1
R				968999	
R	165		. INSULATION ASSY-	031200	1
R				968999	
R	170		. INSULATION ASSY-	031200	1
R				968999	
R	175		. INSULATION ASSY-	031200	1
R				968999	
R	180		. INSULATION ASSY-	031200	1
R				968999	
R	185		. INSULATION ASSY-	031200	1
R				968999	

MISSING ITEM NUMBERS NOT APPLICABLE

- ITEM NOT ILLUSTRATED

HAP

25-11-21-22

25-11-21
FIG. 22
PAGE 2
JUN 15/09

BOEING
737-600/700/800/900
PARTS CATALOG (MAINTENANCE)

FIG ITEM	PART NUMBER	1 2 3 4 5 6 7	NOMENCLATURE	EFFECT FROM TO	UNITS PER ASSY
22					
R	190		. INSULATION ASSY-	031200	1
R				968999	
R	195		. INSULATION ASSY-	031200	1
R				968999	
R	200		. INSULATION ASSY-	031200	1
R				968999	
R	205		. INSULATION ASSY-	031200	1
R				968999	
R	210		. INSULATION ASSY-	031200	1
R				968999	
R	215		. INSULATION ASSY-	031200	1
R				968999	
R	220		. INSULATION ASSY-	031200	1
R				968999	
R	225		. INSULATION ASSY-	031200	1
R				968999	
R	230		. INSULATION ASSY-	031200	1
R				968999	
R	235		. INSULATION ASSY-	031200	1
R				968999	
R	240		. INSULATION ASSY-	031200	1
R				968999	
R	245		. INSULATION ASSY-	031200	1
R				968999	
R	250		. INSULATION ASSY-	031200	1
R				968999	
R	255		. INSULATION ASSY-	031200	1
R				968999	
R	260		. INSULATION ASSY-	031200	1
R				968999	
R	265		. INSULATION ASSY-	031200	1
R				968999	
R	270		. INSULATION ASSY-	031200	1
R				968999	
R	275		. INSULATION ASSY-	031200	1
R				968999	
R	280		. INSULATION ASSY-	031200	1
R				968999	
R	285		. INSULATION ASSY-	031200	1
R				968999	
R	290		. INSULATION ASSY-	031200	1
R				968999	
R	295		. INSULATION ASSY-	031200	1
R				968999	
R	300		. INSULATION ASSY-	031200	1
R				968999	
R	305		. INSULATION ASSY-	031200	1
R				968999	

MISSING ITEM NUMBERS NOT APPLICABLE

— ITEM NOT ILLUSTRATED

HAP

25-11-21-22

25-11-21
FIG. 22
PAGE 3
JUN 15/09

BOEING
737-600/700/800/900
PARTS CATALOG (MAINTENANCE)

FIG ITEM	PART NUMBER	1 2 3 4 5 6 7	NOMENCLATURE	EFFECT FROM TO	UNITS PER ASSY
22					
R	310		. INSULATION ASSY-	031200	1
R				968999	
R	315		. INSULATION ASSY-	031200	1
R				968999	
R	320		. INSULATION ASSY-	031200	1
R				968999	
R	325		. INSULATION ASSY-	031200	1
R				968999	
R	330		. INSULATION ASSY-	031200	1
R				968999	
R	335		. INSULATION ASSY-	031200	1
R				968999	
R	340		. INSULATION ASSY-	031200	1
R				968999	
R	345		. INSULATION ASSY-	031200	1
R				968999	
R	350		. INSULATION ASSY-	031200	1
R				968999	
R	355		. INSULATION ASSY-	031200	1
R				968999	
R	360		. INSULATION ASSY-	031200	1
R				968999	
R	365		. INSULATION ASSY-	031200	1
R				968999	
R	370		. INSULATION ASSY-	031200	1
R				968999	
R	375		. INSULATION ASSY-	031200	1
R				968999	
R	380		. INSULATION ASSY-	031200	1
R				968999	
R	385		. INSULATION ASSY-	031200	1
R				968999	
R	390		. INSULATION ASSY-	031200	1
R				968999	
R	395		. INSULATION ASSY-	031200	1
R				968999	
R	400		. INSULATION ASSY-	031200	1
R				968999	
R	405		. INSULATION ASSY-	031200	1
R				968999	
R	410		. INSULATION ASSY-	031200	1
R				968999	
R	415		. INSULATION ASSY-	031200	1
R				968999	
R	420		. INSULATION ASSY-	031200	1
R				968999	
R	425		. INSULATION ASSY-	031200	1
R				968999	

MISSING ITEM NUMBERS NOT APPLICABLE

- ITEM NOT ILLUSTRATED

HAP

25-11-21-22

25-11-21
FIG. 22
PAGE 4
JUN 15/09

BOEING
737-600/700/800/900
PARTS CATALOG (MAINTENANCE)

FIG ITEM	PART NUMBER	1 2 3 4 5 6 7	NOMENCLATURE	EFFECT FROM TO	UNITS PER ASSY
22					
R	430	232A1206-83	.INSULATION ASSY-	031200 968999	1
R	435	232A1206-84	.INSULATION ASSY-	031200 968999	1
R	440	232A1206-85	.INSULATION ASSY-	031200 968999	1
R	445	232A1206-86	.INSULATION ASSY-	031200 968999	1
R	450	232A1206-87	.INSULATION ASSY-	031200 968999	1
R	455	232A1206-88	.INSULATION ASSY-	031200 968999	1
R	460	232A1206-89	.INSULATION ASSY-	031200 968999	1
R	465	232A1206-90	.INSULATION ASSY-	031200 968999	1
R	470	232A1206-91	.INSULATION ASSY-	031200 968999	1
R	475	232A1206-92	.INSULATION ASSY-	031200 968999	1
R	480	232A1206-93	.INSULATION ASSY-	031200 968999	1
R	485	232A1206-94	.INSULATION ASSY-	031200 968999	1
R	490	232A1206-95	.INSULATION ASSY-	031200 968999	1
R	495	232A1206-96	.INSULATION ASSY-	031200 968999	1
R	500	232A1206-97	.INSULATION ASSY-	031200 968999	1
R	505	232A1206-98	.INSULATION ASSY-	031200 968999	1
R	510	232A1206-100	.INSULATION ASSY-	031200 968999	1
R	515	232A1206-101	.INSULATION ASSY-	031200 968999	1
R	520	232A1206-102	.INSULATION ASSY-	031200 968999	1
R	525	232A1206-103	.INSULATION ASSY-	031200 968999	1
R	530	232A1206-104	.INSULATION ASSY-	031200 968999	1
R	535	232A1206-105	.INSULATION ASSY-	031200 968999	1
R	540	232A1206-106	.INSULATION ASSY-	031200 968999	1
R	545	232A1206-107	.INSULATION ASSY-	031200 968999	1

MISSING ITEM NUMBERS NOT APPLICABLE

— ITEM NOT ILLUSTRATED

HAP

25-11-21-22

25-11-21
FIG. 22
PAGE 5
JUN 15/09

BOEING
737-600/700/800/900
PARTS CATALOG (MAINTENANCE)

FIG ITEM	PART NUMBER	1 2 3 4 5 6 7	NOMENCLATURE	EFFECT FROM TO	UNITS PER ASSY
22					
R 550	232A1206-108	.	INSULATION ASSY-	031200 968999	1
R 555	232A1206-109	.	INSULATION ASSY-	031200 968999	1
R 560	232A1206-110	.	INSULATION ASSY-	031200 968999	1
R 565	232A1206-111	.	INSULATION ASSY-	031200 968999	1
R 570	232A1206-112	.	INSULATION ASSY-	031200 968999	1
R 575	232A1206-113	.	INSULATION ASSY-	031200 968999	1
R 580	232A1206-114	.	INSULATION ASSY-	031200 968999	1
R 585	232A1206-115	.	INSULATION ASSY-	031200 968999	1
R 590	232A1206-116	.	INSULATION ASSY-	031200 968999	1
R 595	232A1206-135	.	INSULATION ASSY-	031200 968999	1
R 600	232A1206-136	.	INSULATION ASSY-	031200 968999	1
R 605	232A1206-117	.	INSULATION ASSY-	031200 968999	1
R 610	232A1206-118	.	INSULATION ASSY-	031200 968999	1
R 615	232A1206-119	.	INSULATION ASSY-	031200 968999	1
R 620	232A1206-120	.	INSULATION ASSY-	031200 968999	1
R 625	232A1206-121	.	INSULATION ASSY-	031200 968999	1
R 630	232A1206-122	.	INSULATION ASSY-	031200 968999	1
R 635	232A1206-137	.	INSULATION ASSY-	031200 968999	1
R 640	232A1206-138	.	INSULATION ASSY-	031200 968999	1
R 645	232A1206-123	.	INSULATION ASSY-	031200 968999	1
R 650	232A1206-124	.	INSULATION ASSY-	031200 968999	1
R 655	232A1206-125	.	INSULATION ASSY-	031200 968999	1
R 660	232A1206-126	.	INSULATION ASSY-	031200 968999	1
R 665	232A1206-127	.	INSULATION ASSY-	031200 968999	1

MISSING ITEM NUMBERS NOT APPLICABLE

- ITEM NOT ILLUSTRATED

HAP

25-11-21-22

25-11-21
FIG. 22
PAGE 6
JUN 15/09

BOEING
737-600/700/800/900
PARTS CATALOG (MAINTENANCE)

FIG ITEM	PART NUMBER	1 2 3 4 5 6 7	NOMENCLATURE	EFFECT FROM TO	UNITS PER ASSY
22					
R 670	232A1206-128	.	INSULATION ASSY-	031200 968999	1
R 675	232A1206-129	.	INSULATION ASSY-	031200 968999	1
R 680	232A1206-130	.	INSULATION ASSY-	031200 968999	1
R 685	232A1206-131	.	INSULATION ASSY-	031200 968999	1
R 690	232A1206-132	.	INSULATION ASSY-	031200 968999	1
R 695	232A1206-133	.	INSULATION ASSY-	031200 968999	1
R 700	232A1206-134	.	INSULATION ASSY-	031200 968999	1

MISSING ITEM NUMBERS NOT APPLICABLE

— ITEM NOT ILLUSTRATED

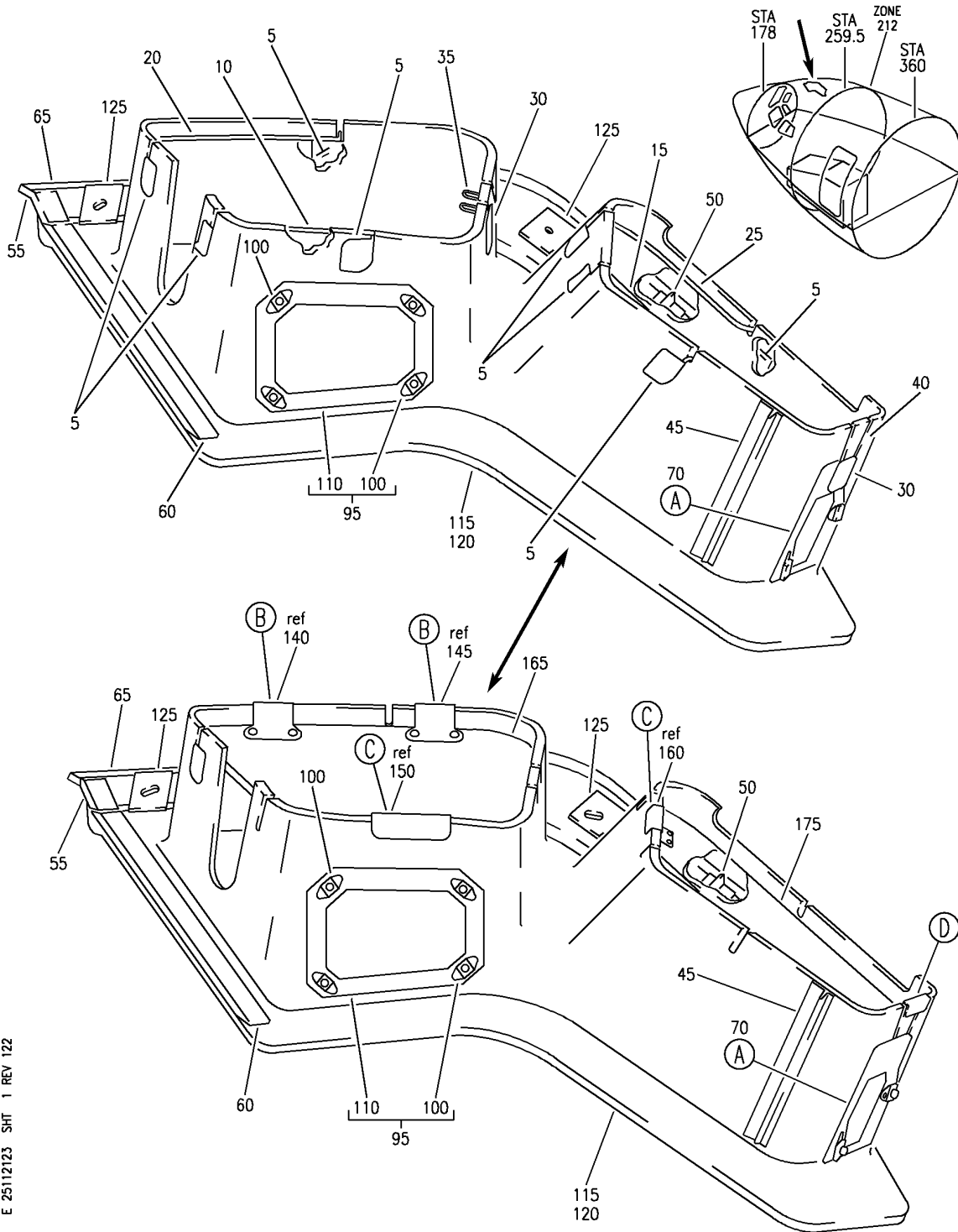
HAP

25-11-21-22

BOEING PROPRIETARY - Copyright © - Unpublished Work - See title page for details.

25-11-21
FIG. 22
PAGE 7
JUN 15/09


BOEING
 737-600/700/800/900
PARTS CATALOG (MAINTENANCE)



E 25112123 SHT 1 REV 122

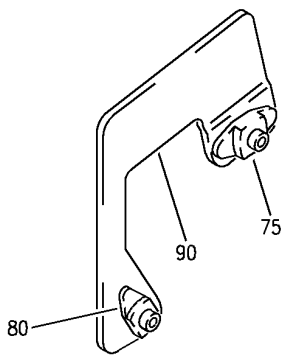
PAD ASSY-EYEBROW
 FIGURE 23 (SHEET 1)

25-11-21-23

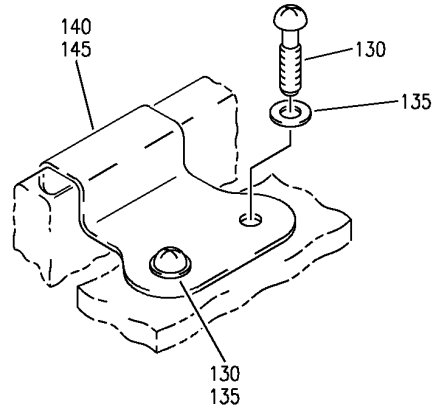
HAP
OCT 10/06

25-11-21-23
 PAGE 0

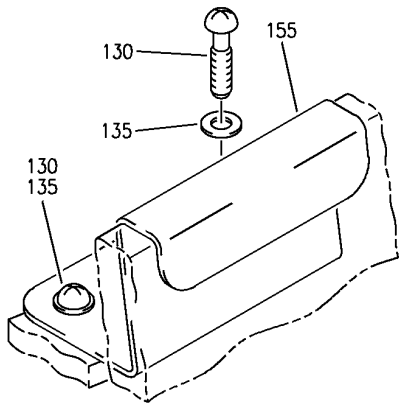
BOEING
 737-600/700/800/900
 PARTS CATALOG (MAINTENANCE)



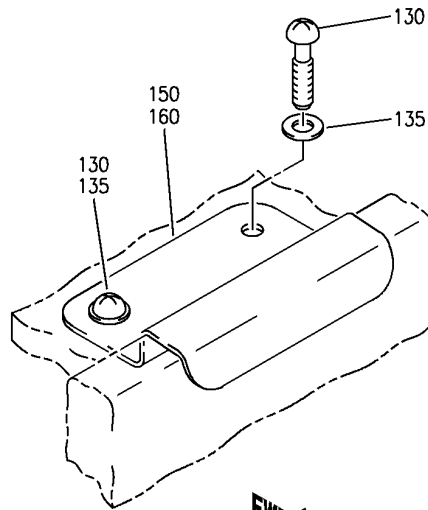
(A)



(B)



(D)



(C)

E 25112123 SH2 2 REV 122

PAD ASSY-EYEBROW
 FIGURE 23 (SHEET 2)

25-11-21-23

HAP
 OCT 10/06

25-11-21-23
 PAGE 0A

BOEING
737-600/700/800/900
PARTS CATALOG (MAINTENANCE)

FIG ITEM	PART NUMBER	1 2 3 4 5 6 7	NOMENCLATURE	EFFECT FROM TO	UNITS PER ASSY
23			PAD ASSY-EYEBROW	001030 201967	
- 1	232A1420-10		PAD ASSY-EYEBROW FOR NHA SEE: 25-11-21-35	001030 201967	RF
5	232A1424-2		.PLATE-RTNR PRE SERVICE BULLETIN: 56-1017	001030 201967	8
10	232A1423-4		.RETAINER- POSITION DATA: FWD, UPR PRE SERVICE BULLETIN: 56-1017	001030 201967	1
15	232A1423-8		.RETAINER- POSITION DATA: AFT, UPR PRE SERVICE BULLETIN: 56-1017	001030 201967	1
20	232A1423-2		.RETAINER- POSITION DATA: FWD, LWR PRE SERVICE BULLETIN: 56-1017	001030 201967	1
25	232A1423-6		.RETAINER- POSITION DATA: AFT, LWR PRE SERVICE BULLETIN: 56-1017	001030 201967	1
30	232A1424-1		.PLATE-RTNR PRE SERVICE BULLETIN: 56-1017	001030 201967	2
35	232A1423-9		.CLIP-SPR POSITION DATA: FWD PRE SERVICE BULLETIN: 56-1017	001030 201967	1
40	232A1423-10		.CLIP-SPR POSITION DATA: AFT PRE SERVICE BULLETIN: 56-1017	001030 201967	1
45	232A1420-6		.SEAL	001030 201967	1
50	232A1420-5		.SEAL	001030 201967	1
55	232A1420-4		.SEAL	001030 201967	1
60	232A1420-3		.SEAL	001030 201967	1

MISSING ITEM NUMBERS NOT APPLICABLE

- ITEM NOT ILLUSTRATED

HAP

25-11-21-23

25-11-21
FIG. 23
PAGE 1
OCT 15/08

BOEING
737-600/700/800/900
PARTS CATALOG (MAINTENANCE)

FIG ITEM	PART NUMBER	1 2 3 4 5 6 7	NOMENCLATURE	EFFECT FROM TO	UNITS PER ASSY
23					
65	232A1422-4		.TUNNEL ASSY	001030 201967	1
70	232A1424-10		.PLATE ASSY-BACKING	001030 201967	1
75	BRF200C08D		..NUTPLATE SUPPLIER CODE: V52828 SPECIFICATION NUMBER: BACN10JR08CFD OPTIONAL PART: NS202476-82 V80539 102F9201-82 V72962 T8092C832CD V11815 K51602-08BAC V15653	001030 201967	1
80	BRF100C08D		..NUTPLATE SUPPLIER CODE: V52828 SPECIFICATION NUMBER: BACN10KB08CFD OPTIONAL PART: NS202478-82 V80539 102F9207P82 V72962 F51604-08 V15653 ATTACHING PARTS	001030 201967	1
- 85	BACR15BA3ADC		..RIVET- SIZE DETERMINED ON INSTL. -----*-----	001030 201967	4
90	232A1424-8		..PLATE	001030 201967	1
95	232A1424-6		.PLATE ASSY-BACKING	001030 201967	1

MISSING ITEM NUMBERS NOT APPLICABLE

- ITEM NOT ILLUSTRATED

HAP

25-11-21-23

BOEING PROPRIETARY - Copyright © - Unpublished Work - See title page for details.

25-11-21
FIG. 23
PAGE 2
OCT 15/08

BOEING
737-600/700/800/900
PARTS CATALOG (MAINTENANCE)

FIG ITEM	PART NUMBER	1 2 3 4 5 6 7	NOMENCLATURE	EFFECT FROM TO	UNITS PER ASSY
23 100	102F171-3		..NUTPLATE SUPPLIER CODE: V72962 SPECIFICATION NUMBER: BACN10JB3CD OPTIONAL PART: BRF210C3D V52828 BRF2703D V52828 NS202485-02 V80539 ATTACHING PARTS	001030 201967	4
- 105	BACR15BA3ADC		..RIVET- SIZE DETERMINED ON INSTL. -----*-----	001030 201967	8
110	232A1424-4		..PLATE	001030 201967	1
115	232A1421-10		.PAD ASSY	001030 201967	1
120	232A1422-2		..STIFFENER ASSY	001030 201967	1
125	232A1425-1		.SPACER- OPTIONAL PART: 232A1425-2	001030 201967	2
125	232A1425-2		.SPACER- OPTIONAL PART: 232A1425-1	001030 201967	2
130	BACS12HJ06K3		.SCREW- SERVICE BULLETIN OPT DATA: BACS12CK06-3 BACS12HN06-3 POST SERVICE BULLETIN: 56-1017	001028	10
130	BACS12CK06-3		.SCREW- SERVICE BULLETIN OPT DATA: BACS12HJ06K3 BACS12HN06-3 POST SERVICE BULLETIN: 56-1017	001028	10
130	BACS12HN06-3		.SCREW- SERVICE BULLETIN OPT DATA: BACS12HJ06K3 BACS12CK06-3 POST SERVICE BULLETIN: 56-1017	001028	10

MISSING ITEM NUMBERS NOT APPLICABLE

- ITEM NOT ILLUSTRATED

HAP

25-11-21-23

BOEING PROPRIETARY - Copyright © - Unpublished Work - See title page for details.

25-11-21
FIG. 23
PAGE 3
OCT 15/08

BOEING
737-600/700/800/900
PARTS CATALOG (MAINTENANCE)

FIG ITEM	PART NUMBER	1 2 3 4 5 6 7	NOMENCLATURE	EFFECT FROM TO	UNITS PER ASSY
23 135	NAS1149DN616J	.	WASHER- SERVICE BULLETIN OPT DATA: NAS620A6L POST SERVICE BULLETIN: 56-1017	001028	10
135	NAS620A6L	.	WASHER- SERVICE BULLETIN OPT DATA: NAS1149DN616J POST SERVICE BULLETIN: 56-1017	001028	10
140	232A1404-31	.	BRACKET- POST SERVICE BULLETIN: 56-1017	001028	1
145	232A1404-32	.	BRACKET- POST SERVICE BULLETIN: 56-1017	001028	1
150	232A1404-33	.	BRACKET- POST SERVICE BULLETIN: 56-1017	001028	1
155	232A1404-34	.	BRACKET- POST SERVICE BULLETIN: 56-1017	001028	1
160	232A1404-36	.	BRACKET- POST SERVICE BULLETIN: 56-1017	001028	1
165	232A1401-52	.	HONEYCOMB ASSY-WINDOW PLUG POST SERVICE BULLETIN: 56-1017	001028	1
- 170	SL6224-06A	..	INSERT- SUPPLIER CODE: V97393	001028	6
175	232A1401-54	.	HONEYCOMB ASSY-WINDOW PLUG POST SERVICE BULLETIN: 56-1017	001028	1
- 180	SL6224-06A	..	INSERT- SUPPLIER CODE: V97393	001028	4

MISSING ITEM NUMBERS NOT APPLICABLE

- ITEM NOT ILLUSTRATED

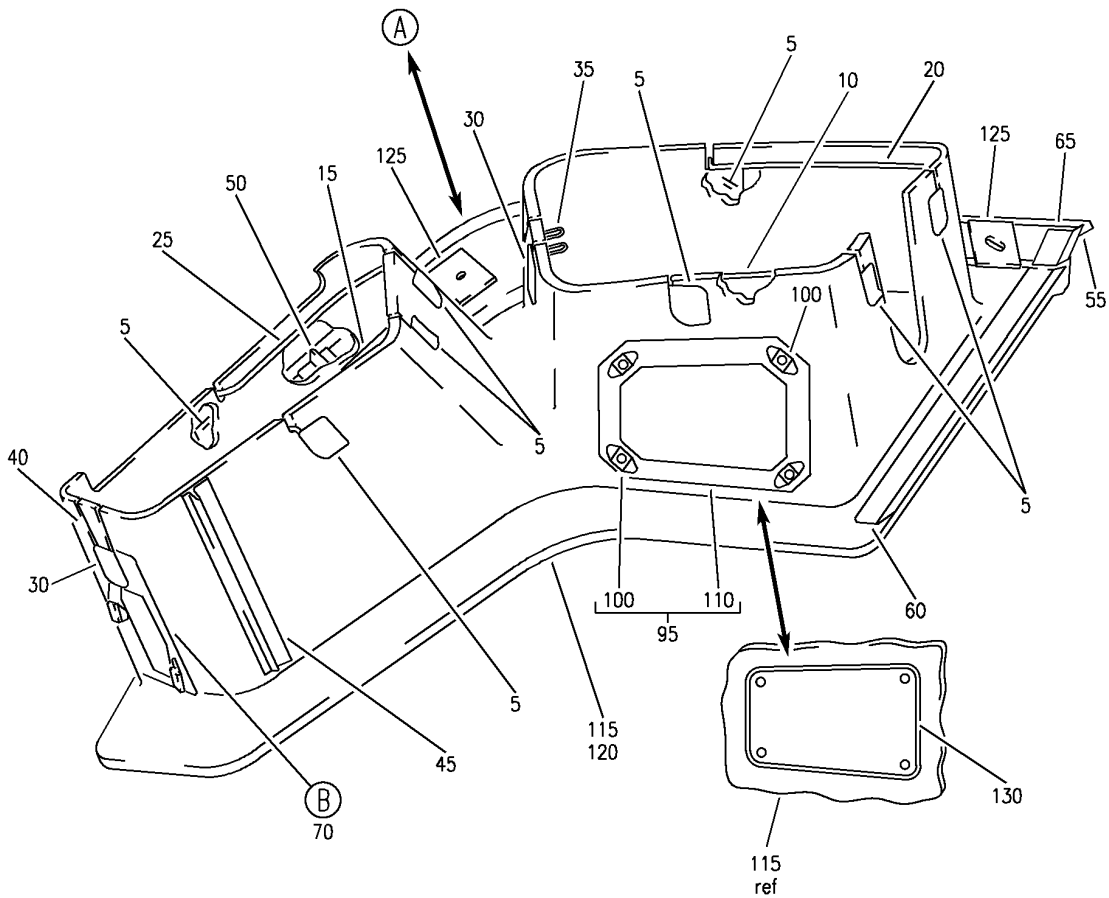
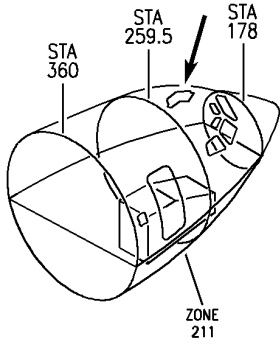
HAP

25-11-21-23

BOEING PROPRIETARY - Copyright © - Unpublished Work - See title page for details.

25-11-21
FIG. 23
PAGE 4
OCT 15/08

BOEING
 737-600/700/800/900
 PARTS CATALOG (MAINTENANCE)



E 25112124 SHT 1 REV 122

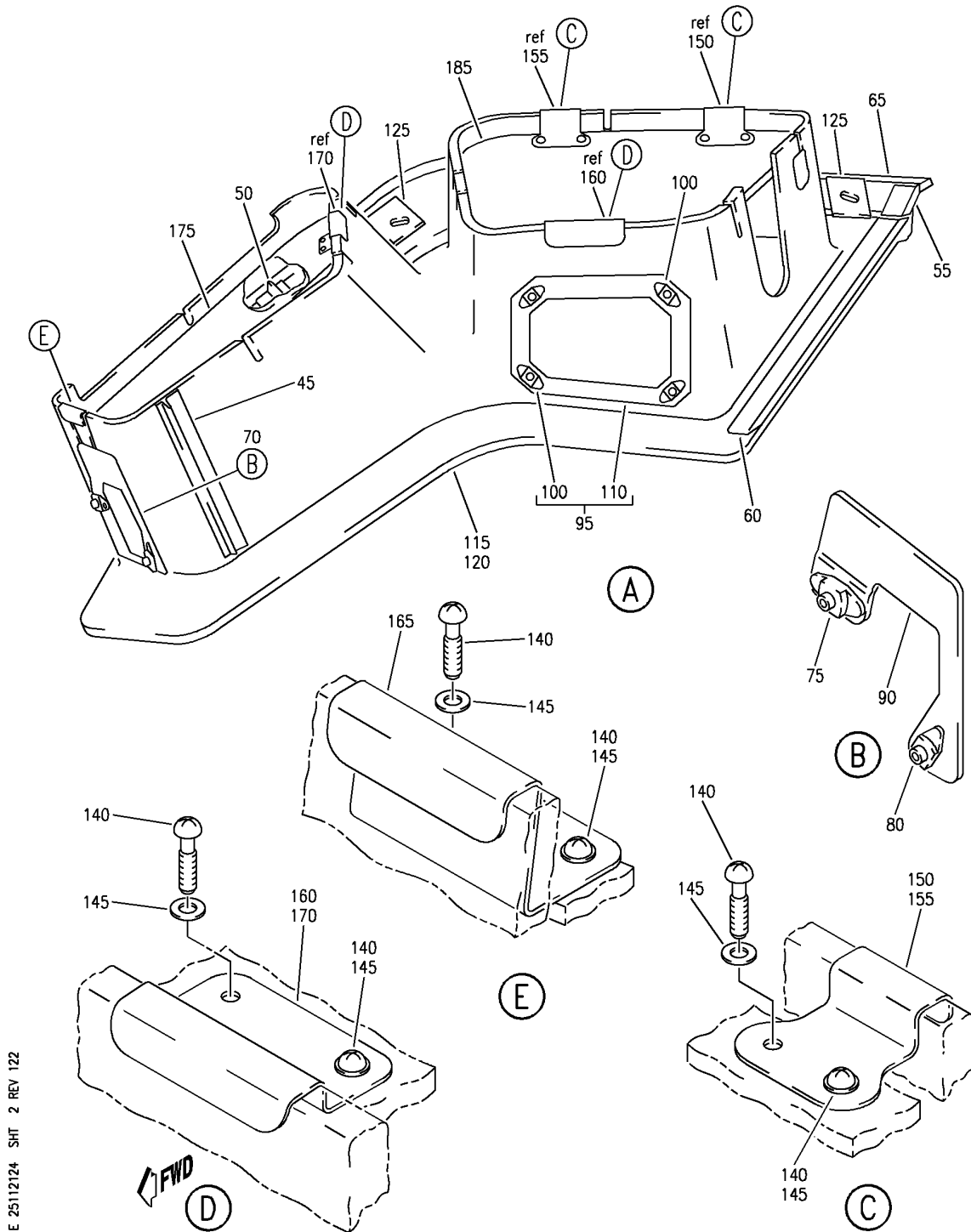
PAD ASSY-EYEBROW
 FIGURE 24 (SHEET 1)

25-11-21-24

HAP
 OCT 10/06

25-11-21-24
 PAGE 0


BOEING
 737-600/700/800/900
PARTS CATALOG (MAINTENANCE)



E 25112124 SHT 2 REV 122

PAD ASSY-EYEBROW
 FIGURE 24 (SHEET 2)

25-11-21-24

HAP
OCT 10/06

25-11-21-24
 PAGE 0A

BOEING
737-600/700/800/900
PARTS CATALOG (MAINTENANCE)

FIG ITEM	PART NUMBER	1 2 3 4 5 6 7	NOMENCLATURE	EFFECT FROM TO	UNITS PER ASSY
24			PAD ASSY-EYEBROW	001027 201967	
- 1	232A1420-9		PAD ASSY-EYEBROW FOR NHA SEE: 25-11-21-02	001027 201967	RF
5	232A1424-2		.PLATE-RTNR PRE SERVICE BULLETIN: 56-1017	001027 201967	8
10	232A1423-3		.RETAINER- POSITION DATA: FWD, UPR PRE SERVICE BULLETIN: 56-1017	001027 201967	1
15	232A1423-7		.RETAINER- POSITION DATA: AFT, UPR PRE SERVICE BULLETIN: 56-1017	001027 201967	1
20	232A1423-1		.RETAINER- POSITION DATA: FWD, LWR PRE SERVICE BULLETIN: 56-1017	001027 201967	1
25	232A1423-5		.RETAINER- POSITION DATA: AFT, LWR PRE SERVICE BULLETIN: 56-1017	001027 201967	1
30	232A1424-1		.PLATE-RTNR PRE SERVICE BULLETIN: 56-1017	001027 201967	2
35	232A1423-9		.CLIP-SPR POSITION DATA: FWD PRE SERVICE BULLETIN: 56-1017	001027 201967	1
40	232A1423-10		.CLIP-SPR POSITION DATA: AFT PRE SERVICE BULLETIN: 56-1017	001027 201967	1
45	232A1420-6		.SEAL	001027 201967	1
50	232A1420-5		.SEAL	001027 201967	1
55	232A1420-4		.SEAL	001027 201967	1
60	232A1420-3		.SEAL	001027 201967	1

MISSING ITEM NUMBERS NOT APPLICABLE

- ITEM NOT ILLUSTRATED

HAP

25-11-21-24

25-11-21
FIG. 24
PAGE 1
OCT 15/08

BOEING
737-600/700/800/900
PARTS CATALOG (MAINTENANCE)

FIG ITEM	PART NUMBER	1 2 3 4 5 6 7	NOMENCLATURE	EFFECT FROM TO	UNITS PER ASSY
24					
65	232A1422-3		.TUNNEL ASSY-	001027 201967	1
70	232A1424-9		.PLATE ASSY-BACKING	001027 201967	1
75	BRF200C08D		..NUTPLATE SUPPLIER CODE: V52828 SPECIFICATION NUMBER: BACN10JR08CFD OPTIONAL PART: NS202476-82 V80539 102F9201-82 V72962 T8092C832CD V11815 K51602-08BAC V15653	001027 201967	1
80	BRF100C08D		..NUTPLATE SUPPLIER CODE: V52828 SPECIFICATION NUMBER: BACN10KB08CFD OPTIONAL PART: NS202478-82 V80539 102F9207P82 V72962 F51604-08 V15653 ATTACHING PARTS	001027 201967	1
- 85	BACR15BA3ADC		..RIVET- SIZE DETERMINED ON INSTL. -----*-----	001027 201967	4
90	232A1424-7		..PLATE	001027 201967	1
95	232A1424-5		.PLATE ASSY-BACKING	001027 201967	1

MISSING ITEM NUMBERS NOT APPLICABLE

- ITEM NOT ILLUSTRATED

HAP

25-11-21-24

BOEING PROPRIETARY - Copyright © - Unpublished Work - See title page for details.

25-11-21
FIG. 24
PAGE 2
OCT 15/08

BOEING
737-600/700/800/900
PARTS CATALOG (MAINTENANCE)

FIG ITEM	PART NUMBER	1 2 3 4 5 6 7	NOMENCLATURE	EFFECT FROM TO	UNITS PER ASSY
24 100	102F171-3		..NUTPLATE SUPPLIER CODE: V72962 SPECIFICATION NUMBER: BACN10JB3CD OPTIONAL PART: BRF210C3D V52828 BRF2703D V52828 NS202485-02 V80539 ATTACHING PARTS	001027 201967	4
- 105	BACR15BA3ADC		..RIVET- SIZE DETERMINED ON INSTL. -----*-----	001027 201967	8
110	232A1424-3		..PLATE	001027 201967	1
115	232A1421-9		.PAD ASSY	001027 201967	1
120	232A1422-1		..STIFFENER ASSY	001027 201967	1
125	232A1425-1		.SPACER- OPTIONAL PART: 232A1425-2	001027 201967	2
125	232A1425-2		.SPACER- OPTIONAL PART: 232A1425-1	001027 201967	2
140	BACS12HJ06K3		.SCREW- SERVICE BULLETIN OPT DATA: BACS12CK06-3 BACS12HN06-3 POST SERVICE BULLETIN: 56-1017	001027	10
140	BACS12CK06-3		.SCREW- SERVICE BULLETIN OPT DATA: BACS12HJ06K3 BACS12HN06-3 POST SERVICE BULLETIN: 56-1017	001027	10
140	BACS12HN06-3		.SCREW- SERVICE BULLETIN OPT DATA: BACS12HJ06K3 BACS12CK06-3 POST SERVICE BULLETIN: 56-1017	001027	10

MISSING ITEM NUMBERS NOT APPLICABLE

- ITEM NOT ILLUSTRATED

HAP

25-11-21-24

25-11-21
FIG. 24
PAGE 3
OCT 15/08

BOEING
737-600/700/800/900
PARTS CATALOG (MAINTENANCE)

FIG ITEM	PART NUMBER	1 2 3 4 5 6 7	NOMENCLATURE	EFFECT FROM TO	UNITS PER ASSY
24 145	NAS1149DN616J	.	WASHER- SERVICE BULLETIN OPT DATA: NAS620A6L POST SERVICE BULLETIN: 56-1017	001027	10
145	NAS620A6L	.	WASHER- SERVICE BULLETIN OPT DATA: NAS1149DN616J POST SERVICE BULLETIN: 56-1017	001027	10
150	232A1404-31	.	BRACKET- POST SERVICE BULLETIN: 56-1017	001027	1
155	232A1404-32	.	BRACKET- POST SERVICE BULLETIN: 56-1017	001027	1
160	232A1404-33	.	BRACKET- POST SERVICE BULLETIN: 56-1017	001027	1
165	232A1404-34	.	BRACKET- POST SERVICE BULLETIN: 56-1017	001027	1
170	232A1404-35	.	BRACKET- POST SERVICE BULLETIN: 56-1017	001027	1
175	232A1401-53	.	HONEYCOMB ASSY-WINDOW PLUG POST SERVICE BULLETIN: 56-1017	001027	1
- 180	SL6224-06A	..	INSERT- SUPPLIER CODE: V97393	001027	4
185	232A1401-66	.	HONEYCOMB ASSY-WINDOW PLUG POST SERVICE BULLETIN: 56-1017	001027	1
- 190	SL6224-06A	..	INSERT- SUPPLIER CODE: V97393	001027	6

MISSING ITEM NUMBERS NOT APPLICABLE

- ITEM NOT ILLUSTRATED

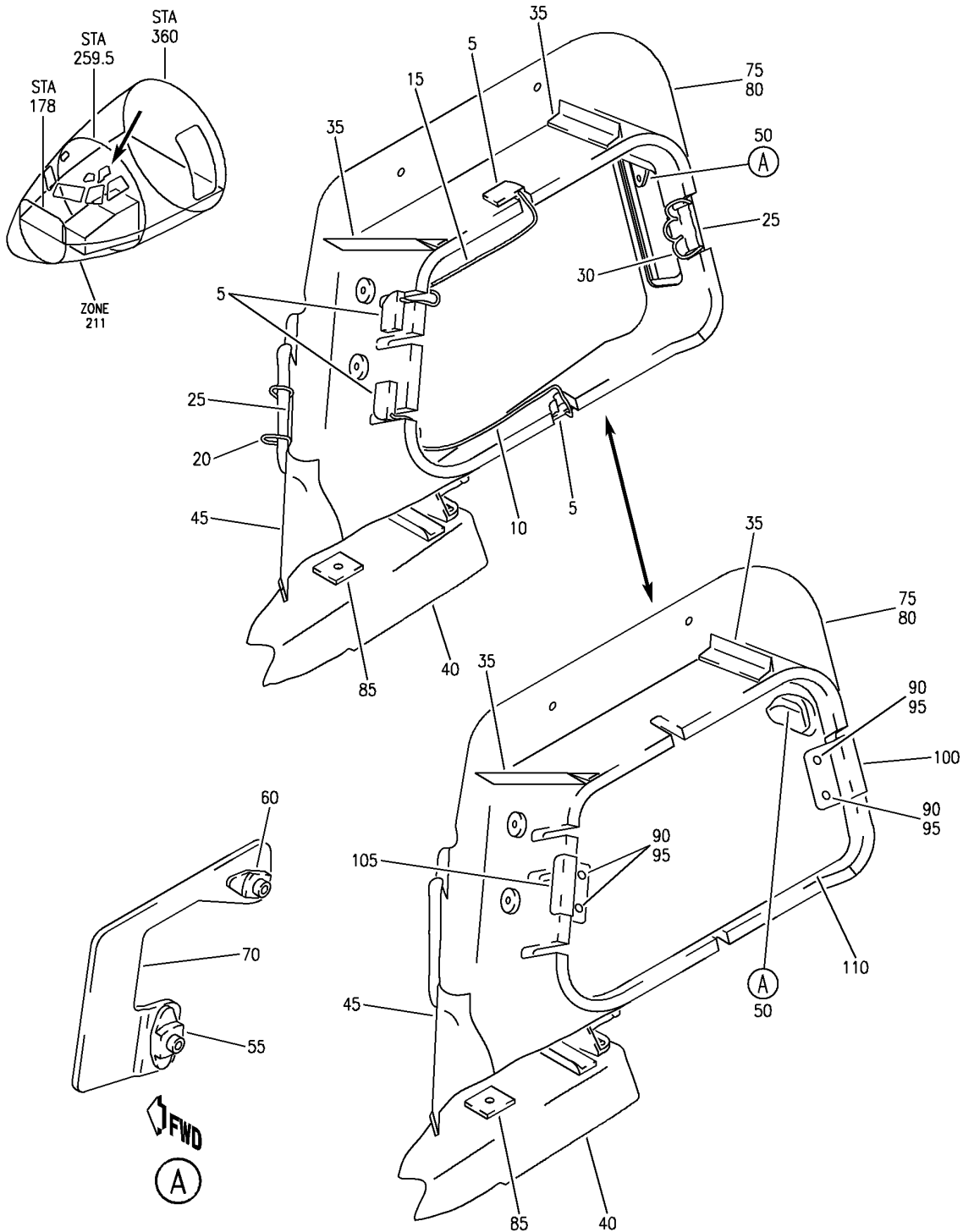
HAP

25-11-21-24

BOEING PROPRIETARY - Copyright © - Unpublished Work - See title page for details.

25-11-21
FIG. 24
PAGE 4
OCT 15/08

BOEING
 737-600/700/800/900
 PARTS CATALOG (MAINTENANCE)



E 25112125 REV 123

PAD ASSY-EYEBROW
 FIGURE 25

25-11-21-25

HAP
 FEB 10/07

25-11-21-25
 PAGE 0

BOEING
737-600/700/800/900
PARTS CATALOG (MAINTENANCE)

FIG ITEM	PART NUMBER	1 2 3 4 5 6 7	NOMENCLATURE	EFFECT FROM TO	UNITS PER ASSY
25			PAD ASSY-EYEBROW	028030	
- 1	232A1420-14		PAD ASSY-EYEBROW FOR NHA SEE: 25-11-21-04	028030	RF
5	232A1424-2		.PLATE-RTNR PRE SERVICE BULLETIN: 56-1017	028030	4
10	232A1423-5		.RETAINER- PRE SERVICE BULLETIN: 56-1017	028030	1
15	232A1423-7		.RETAINER- PRE SERVICE BULLETIN: 56-1017	028030	1
20	232A1423-11		.SUNSHADE- PRE SERVICE BULLETIN: 56-1017	028030	1
25	232A1424-1		.PLATE-RTNR PRE SERVICE BULLETIN: 56-1017	028030	2
30	232A1423-10		.CLIP- PRE SERVICE BULLETIN: 56-1017	028030	1
35	232A1420-6		.SEAL	028030	2
40	232A1422-7		.TUNNEL ASSY	028030	1
45	232A1422-9		.STIFFENER	028030	1
50	232A1424-9		.PLATE ASSY-BACKING	028030	1
55	BRF200C08D		..NUTPLATE SUPPLIER CODE: V52828 SPECIFICATION NUMBER: BACN10JR08CFD OPTIONAL PART: NS202476-82 V80539 102F9201-82 V72962 T8092C832CD V11815 K51602-08BAC V15653	028030	1

MISSING ITEM NUMBERS NOT APPLICABLE

- ITEM NOT ILLUSTRATED

HAP

25-11-21-25

25-11-21
FIG. 25
PAGE 1
JUN 15/08

BOEING
737-600/700/800/900
PARTS CATALOG (MAINTENANCE)

FIG ITEM	PART NUMBER	1 2 3 4 5 6 7	NOMENCLATURE	EFFECT FROM TO	UNITS PER ASSY
25 60	BRF100C08D	..	NUTPLATE SUPPLIER CODE: V52828 SPECIFICATION NUMBER: BACN10KB08CFD OPTIONAL PART: NS202478-82 V80539 102F9207P82 V72962 F51604-08 V15653 ATTACHING PARTS	028030	1
- 65	BACR15BA3ADC	..	RIVET- SIZE DETERMINED ON INSTL. -----*-----	028030	4
70	232A1424-7	..	PLATE	028030	1
75	232A1421-15	.PAD	ASSY	028030	1
80	232A1422-6	..	STIFFENER ASSY	028030	1
85	232A1425-1	.SPACER		028030	1
90	BACS12HJ06K3	.SCREW-	SERVICE BULLETIN OPT DATA: BACS12CK06-3 BACS12HN06-3 POST SERVICE BULLETIN: 56-1017	028028	4
90	BACS12CK06-3	.SCREW-	SERVICE BULLETIN OPT DATA: BACS12HJ06K3 BACS12HN06-3 POST SERVICE BULLETIN: 56-1017	028028	4
90	BACS12HN06-3	.SCREW-	SERVICE BULLETIN OPT DATA: BACS12HJ06K3 BACS12CK06-3 POST SERVICE BULLETIN: 56-1017	028028	4
95	NAS1149DN616J	.WASHER-	SERVICE BULLETIN OPT DATA: NAS620A6L POST SERVICE BULLETIN: 56-1017	028028	4
95	NAS620A6L	.WASHER-	SERVICE BULLETIN OPT DATA: NAS1149DN616J POST SERVICE BULLETIN: 56-1017	028028	4

MISSING ITEM NUMBERS NOT APPLICABLE

- ITEM NOT ILLUSTRATED

HAP

25-11-21-25

BOEING PROPRIETARY - Copyright © - Unpublished Work - See title page for details.

25-11-21
FIG. 25
PAGE 2
JUN 15/08


BOEING
 737-600/700/800/900
PARTS CATALOG (MAINTENANCE)

FIG ITEM	PART NUMBER	1 2 3 4 5 6 7	NOMENCLATURE	EFFECT FROM TO	UNITS PER ASSY
25 100	232A1404-34		.BRACKET- POST SERVICE BULLETIN: 56-1017	028028	1
105	232A1404-35		.BRACKET- POST SERVICE BULLETIN: 56-1017	028028	1
110	232A1401-53		.HONEYCOMB ASSY-WINDOW PLUG POST SERVICE BULLETIN: 56-1017	028028	1
- 115	SL6224-06A		..INSERT- SUPPLIER CODE: V97393	028028	4

MISSING ITEM NUMBERS NOT APPLICABLE

- ITEM NOT ILLUSTRATED

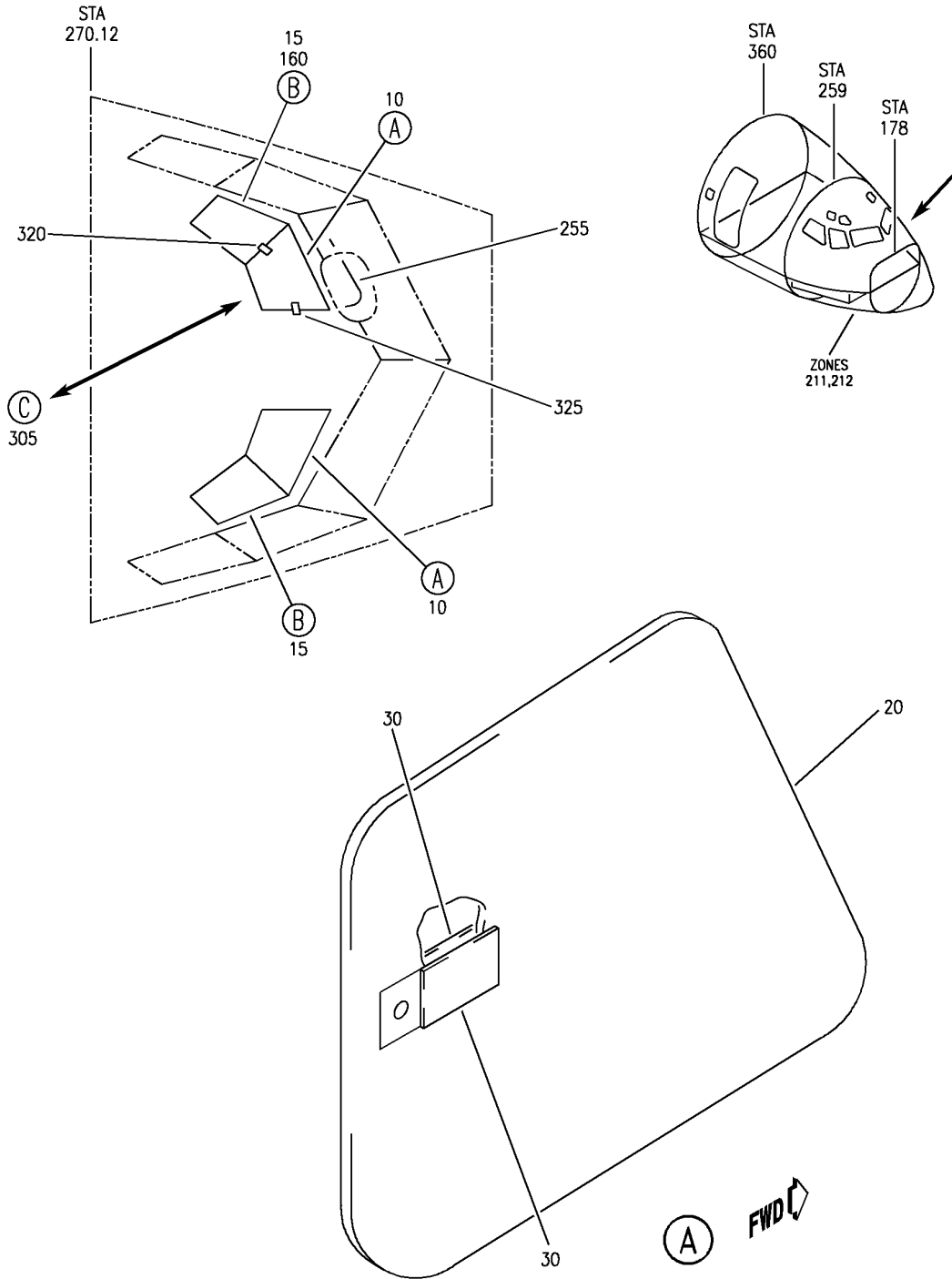
HAP

25-11-21-25

BOEING PROPRIETARY - Copyright © - Unpublished Work - See title page for details.

25-11-21
 FIG. 25
 PAGE 3
 JUN 15/08

BOEING
 737-600/700/800/900
 PARTS CATALOG (MAINTENANCE)



E 25112126 SH1 1 REV 122

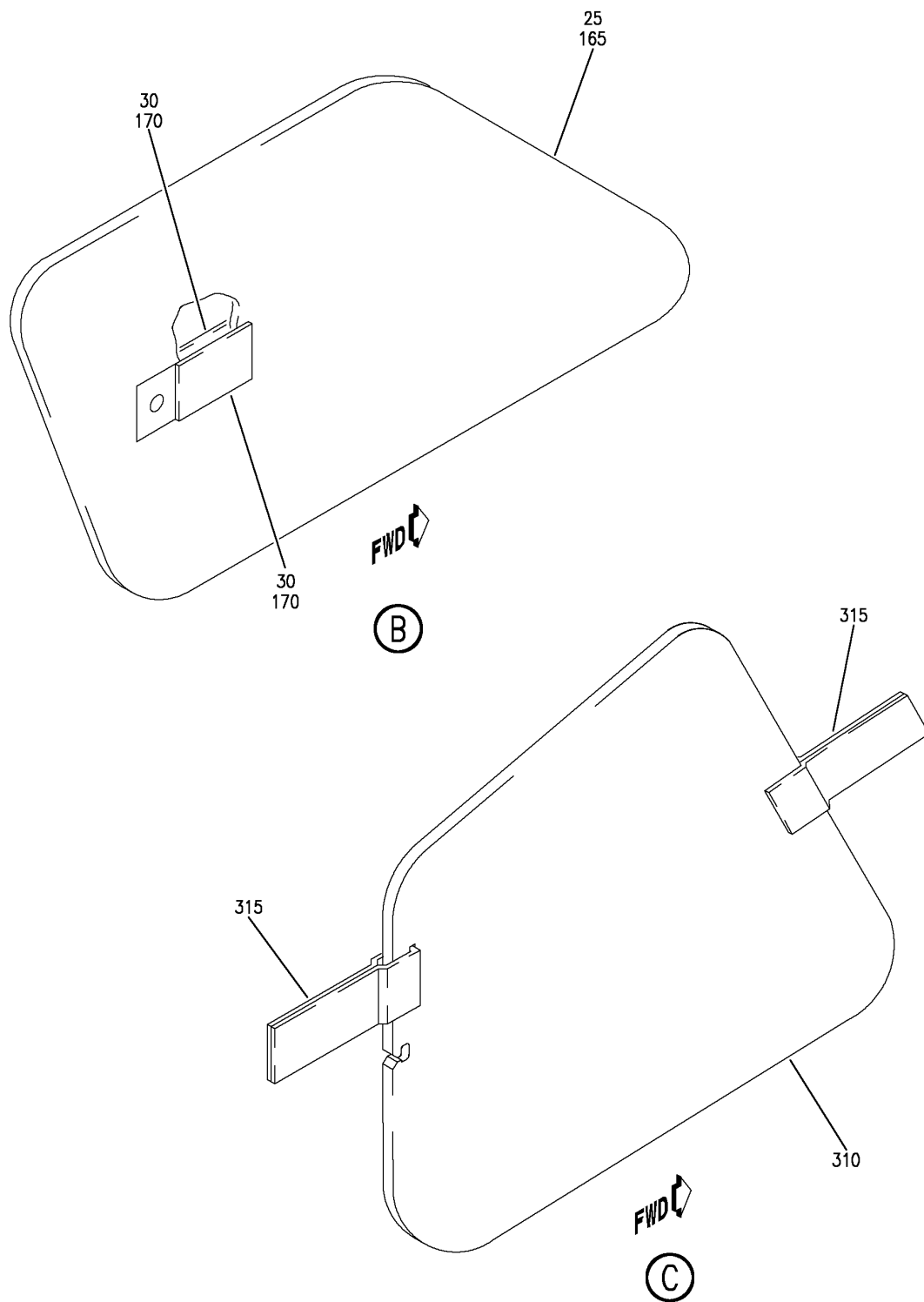
SUNSHADE AND SUNVISOR INSTL
 FIGURE 26 (SHEET 1)

25-11-21-26

HAP
 OCT 10/06

25-11-21-26
 PAGE 0

BOEING
737-600/700/800/900
PARTS CATALOG (MAINTENANCE)



E 25112126 SHT 2 REV 066

SUNSHADE AND SUNVISOR INSTL
FIGURE 26 (SHEET 2)

25-11-21-26

HAP
OCT 10/06

25-11-21-26
PAGE 0A

BOEING
737-600/700/800/900
PARTS CATALOG (MAINTENANCE)

FIG ITEM	PART NUMBER	1 2 3 4 5 6 7	NOMENCLATURE	EFFECT FROM TO	UNITS PER ASSY
26			SUNSHADE AND SUNVISOR INSTL	001030 201967	
- 1	232A4202-5		SUNSHADE INSTL- POSITION DATA: CAPT FOR NHA SEE: 25-10-00-05B 25-10-00-05C	001027 201967	RF
- 5	232A4202-4		SUNSHADE INSTL- POSITION DATA: FIRST OFFICER FOR NHA SEE: 25-10-00-03	001030 201967	RF
10	232A4242-3		.SUNSHADE ASSY-NO. 4 WINDOW	001027 201967	1
10	232A4242-3		.SUNSHADE ASSY-NO. 4 WINDOW	028030	1
15	232A4242-4		.SUNSHADE ASSY-NO. 5 WINDOW	001027 201967	1
15	232A4242-4		.SUNSHADE ASSY-NO. 5 WINDOW	028030	1
20	232A4242-1		..LENS- USED ON: 232A4242-3	001027 201967	1
20	232A4242-1		..LENS- USED ON: 232A4242-3	028030	1
25	232A4242-2		..LENS- USED ON: 232A4242-4	001027 201967	1
25	232A4242-2		..LENS- USED ON: 232A4242-4	028030	1
30	69-20263-3		..STRAP	001027 201967	2
30	69-20263-3		..STRAP	028030	2
- 35	BACR15BB4AC		ATTACHING PARTS ..RIVET-	001027 201967	1
- 35	BACR15BB4AC		..RIVET- SIZE DETERMINED ON INSTL.	028030	1
- 40	NAS1149DN516K		..WASHER	001027 201967	2
- 40	NAS1149DN516K		..WASHER	028030	2
- 150	232A4202-23		-----*----- SUNSHADE INSTL-NO. 5 WINDOW POSITION DATA: CAPT FOR NHA SEE: 25-10-00-03	028030	RF
160	232A4242-4		.SUNSHADE ASSY	028030	1

MISSING ITEM NUMBERS NOT APPLICABLE

- ITEM NOT ILLUSTRATED

HAP

25-11-21-26

BOEING PROPRIETARY - Copyright © - Unpublished Work - See title page for details.

25-11-21
FIG. 26
PAGE 1
OCT 15/08

BOEING
737-600/700/800/900
PARTS CATALOG (MAINTENANCE)

FIG ITEM	PART NUMBER	1 2 3 4 5 6 7	NOMENCLATURE	EFFECT FROM TO	UNITS PER ASSY
26					
165	232A4242-2	..	LENS	028030	1
170	69-20263-3	..	STRAP	028030	2
			ATTACHING PARTS		
- 175	BACR15BB4AC	..	RIVET-	028030	1
			SIZE DETERMINED ON INSTL.		
- 180	NAS1149DN516K	..	WASHER	028030	2
			-----*-----		
- 300	232A4202-27		SUNSHADE INSTL-NO. 4 WINDOW	028030	RF
			POSITION DATA:		
			CAPT		
			FOR NHA SEE:		
			25-10-00-03		
305	232A4242-11	.	SUNSHADE ASSY-	028030	1
310	232A4242-10	..	SUNSHADE	028030	1
315	232A4242-7	..	TAPE-VELCRO	028030	2
320	232A4242-5	.	TAPE-VELCRO	028030	1
325	232A4242-6	.	TAPE-VELCRO	028030	1

MISSING ITEM NUMBERS NOT APPLICABLE

- ITEM NOT ILLUSTRATED

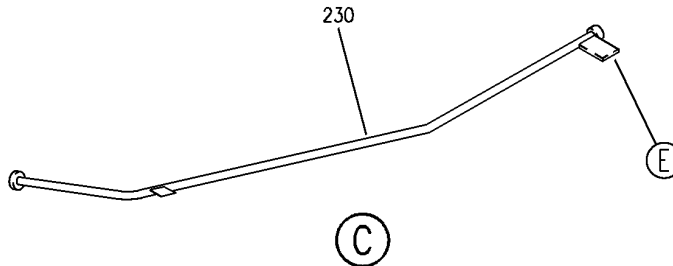
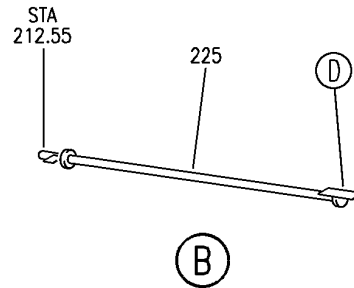
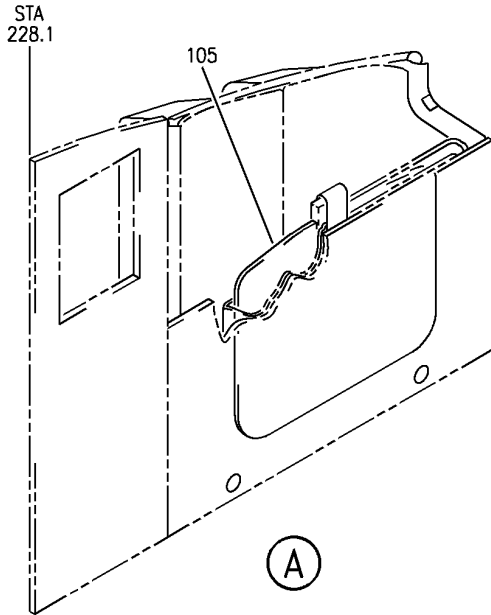
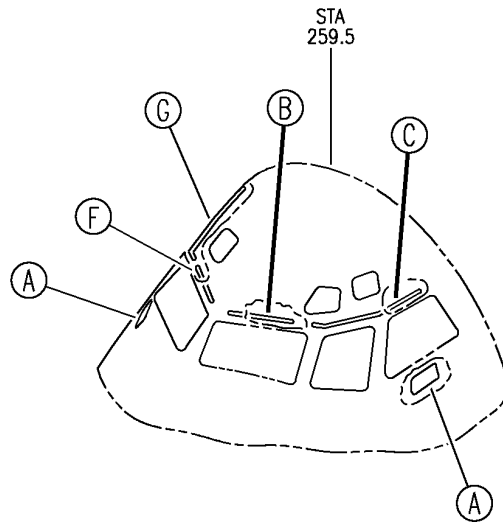
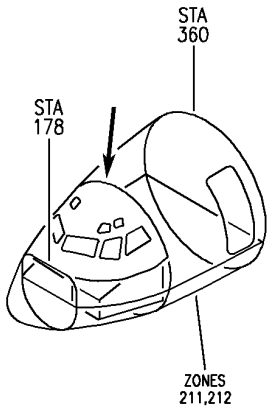
HAP

25-11-21-26

BOEING PROPRIETARY - Copyright © - Unpublished Work - See title page for details.

25-11-21
FIG. 26
PAGE 2
OCT 15/08

BOEING
 737-600/700/800/900
 PARTS CATALOG (MAINTENANCE)



E 25112127 SHT 1 REV 125

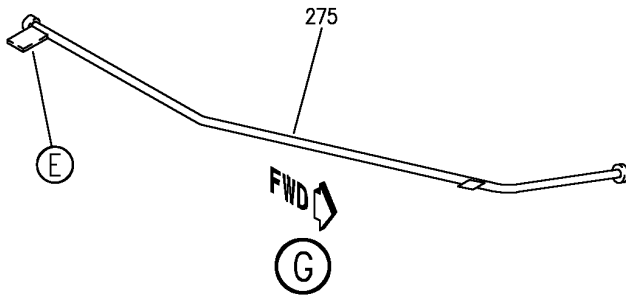
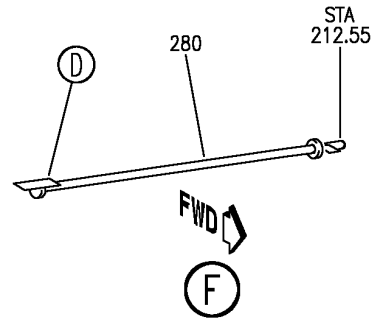
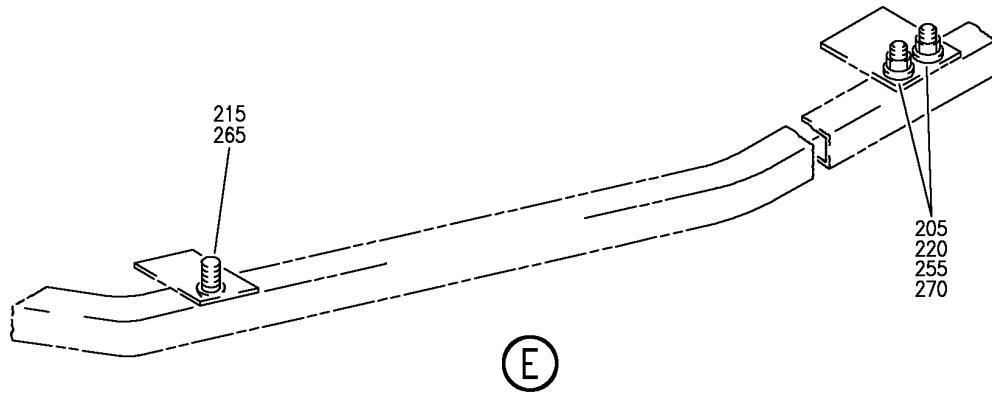
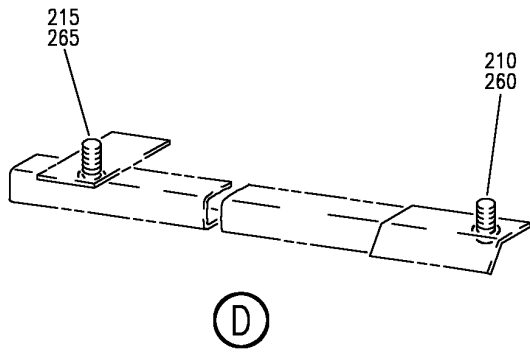
SUNVISOR INSTL-CAPT/FIRST OFFICER
 FIGURE 27 (SHEET 1)

25-11-21-27

HAP
 FEB 10/07

25-11-21-27
 PAGE 0

BOEING
 737-600/700/800/900
 PARTS CATALOG (MAINTENANCE)



E 25112127 SH1 2 REV 098

SUNVISOR INSTL-CAPT/FIRST OFFICER
 FIGURE 27 (SHEET 2)

25-11-21-27

HAP
 OCT 10/06

25-11-21-27
 PAGE 0A

BOEING
737-600/700/800/900
PARTS CATALOG (MAINTENANCE)

FIG ITEM	PART NUMBER	1 2 3 4 5 6 7	NOMENCLATURE	EFFECT FROM TO	UNITS PER ASSY
27			SUNVISOR INSTL-CAPT/FIRST OFFICER	031200 968999	
- 100	MODREF81880		SUNVISOR INSTL-CAPT/FIRST OFFICER	031200 968999	1
105	R1040900-004		MODULE NUMBER: 232A4202-12 REV A .LENS ASSY- SUPPLIER CODE: VOLN15	031200 968999	2

MISSING ITEM NUMBERS NOT APPLICABLE

- ITEM NOT ILLUSTRATED

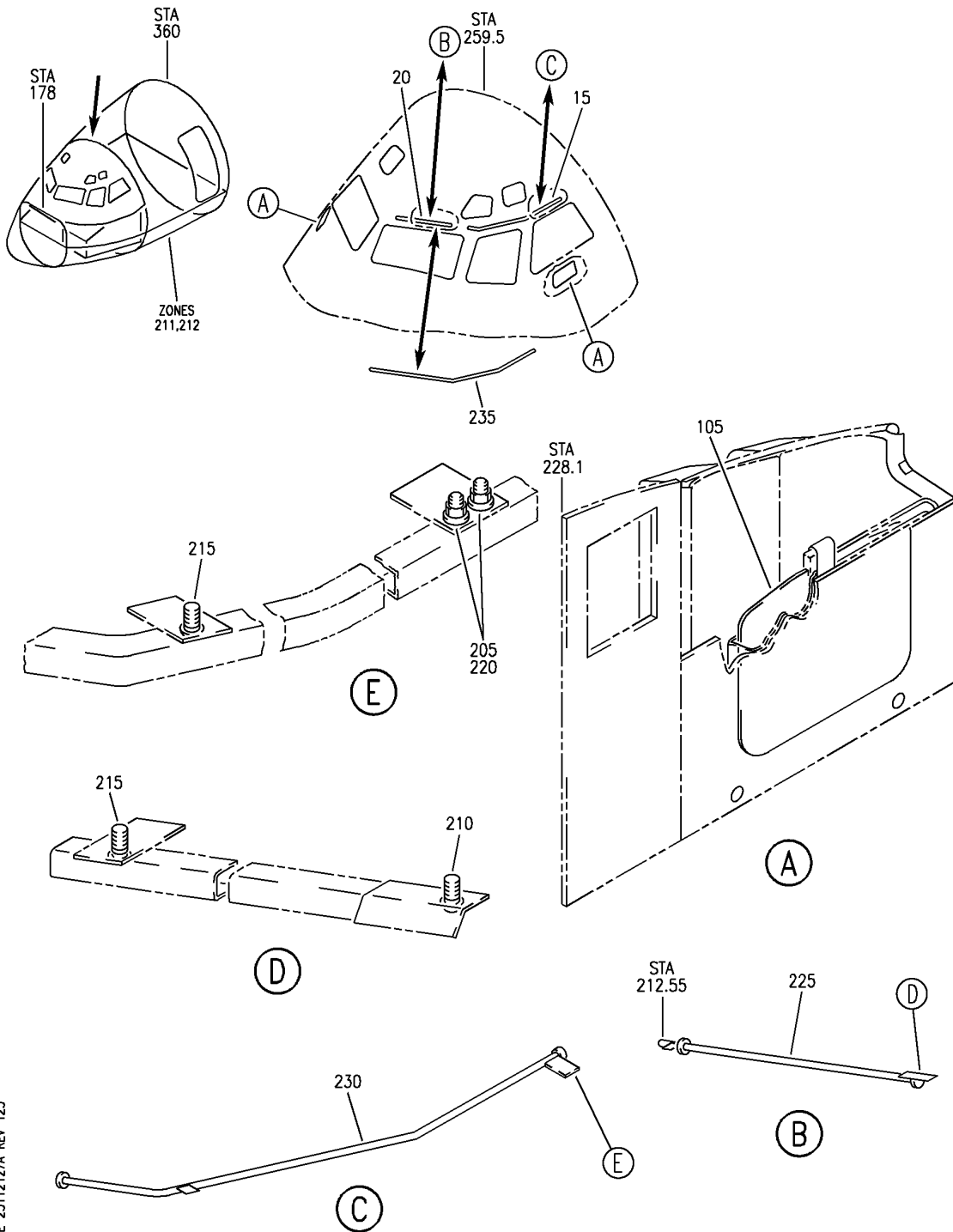
HAP

25-11-21-27

BOEING PROPRIETARY - Copyright © - Unpublished Work - See title page for details.

25-11-21
FIG. 27
PAGE 1
OCT 15/08

BOEING
 737-600/700/800/900
 PARTS CATALOG (MAINTENANCE)



E 25112127A REV 125

SUNVISOR INSTL-CAPT/FIRST OFFICER
 FIGURE 27A

25-11-21-27A

HAP
 JUN 10/07

25-11-21-27A
 PAGE 0

BOEING
737-600/700/800/900
PARTS CATALOG (MAINTENANCE)

FIG ITEM	PART NUMBER	1 2 3 4 5 6 7	NOMENCLATURE	EFFECT FROM TO	UNITS PER ASSY
27A			SUNVISOR INSTL-CAPT/FIRST OFFICER	001030 201967	
- 100	232A4202-8		SUNVISOR INSTL-CAPT/FIRST OFFICER FOR NHA SEE: 25-10-00-03	001009 201967	RF
- 100	232A4202-12		SUNVISOR INSTL-CAPT/FIRST OFFICER FOR NHA SEE: 25-10-00-03	010030	RF
105	R1040900-002		.LENS ASSY- SUPPLIER CODE: VOLN15 OPTIONAL PART: R1040900-003 V1024B	001030 201967	2
105	R1040900-003		.LENS ASSY- SUPPLIER CODE: VOLN15 OPTIONAL PART: R1040900-002 V1024B	001030 201967	2
105	R1040900-004		.LENS ASSY- SUPPLIER CODE: VOLN15	001030 201967	2

MISSING ITEM NUMBERS NOT APPLICABLE

- ITEM NOT ILLUSTRATED

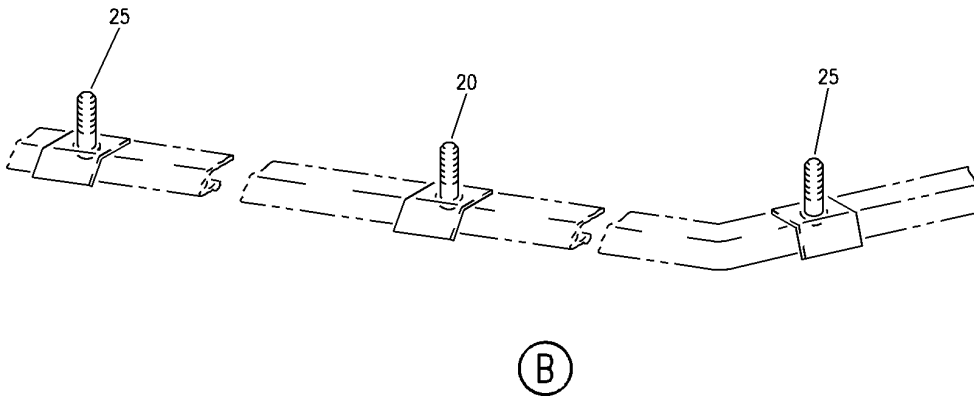
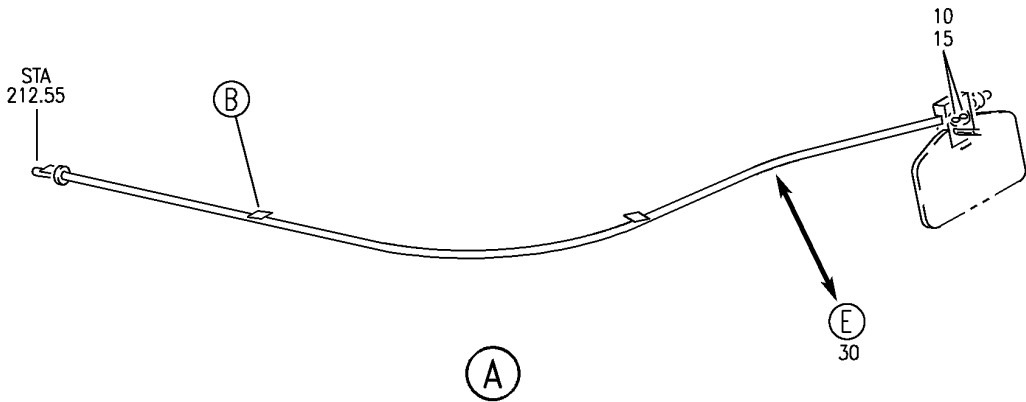
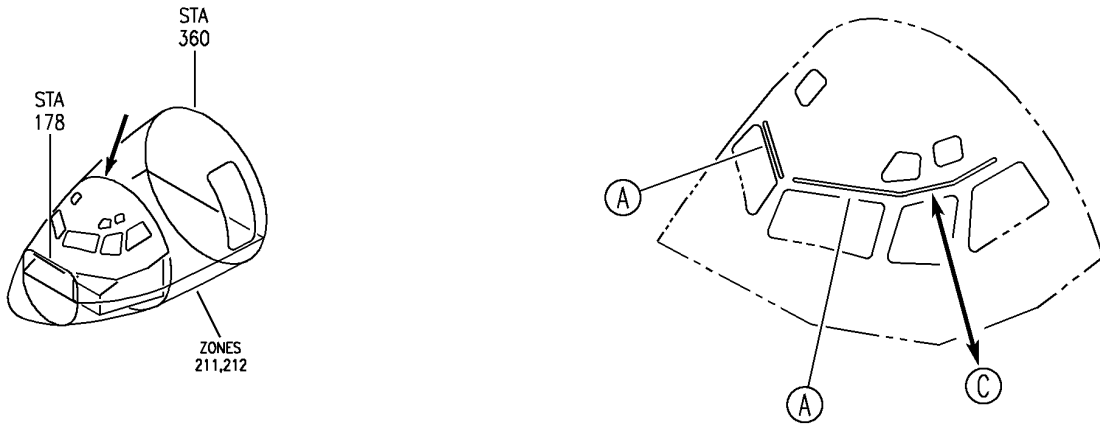
HAP

25-11-21-27A

BOEING PROPRIETARY - Copyright © - Unpublished Work - See title page for details.

25-11-21
FIG. 27A
PAGE 1
OCT 15/08

BOEING
 737-600/700/800/900
 PARTS CATALOG (MAINTENANCE)



E 25112128 SHT 1 REV 125

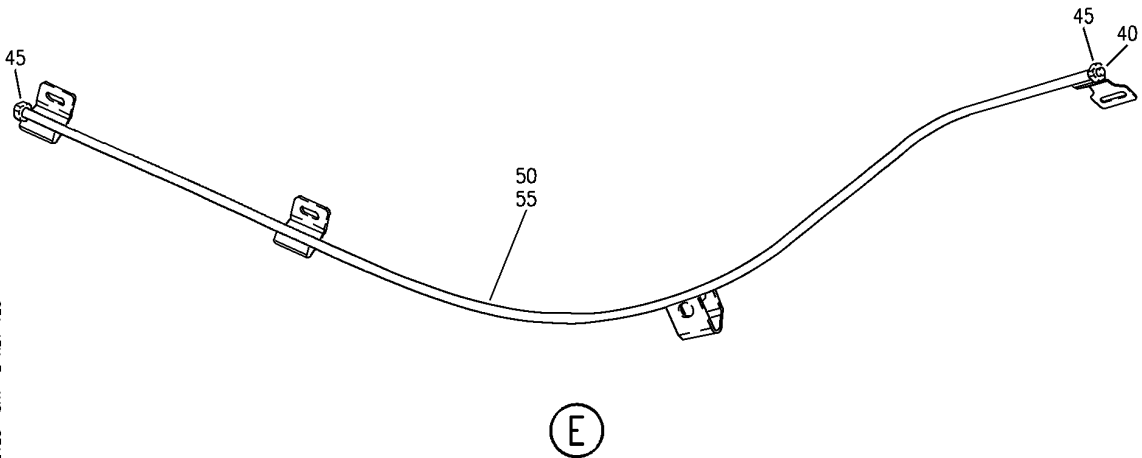
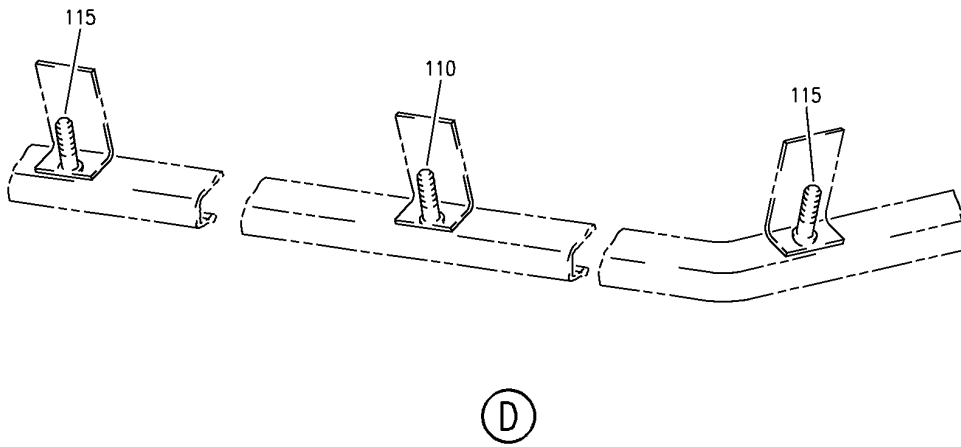
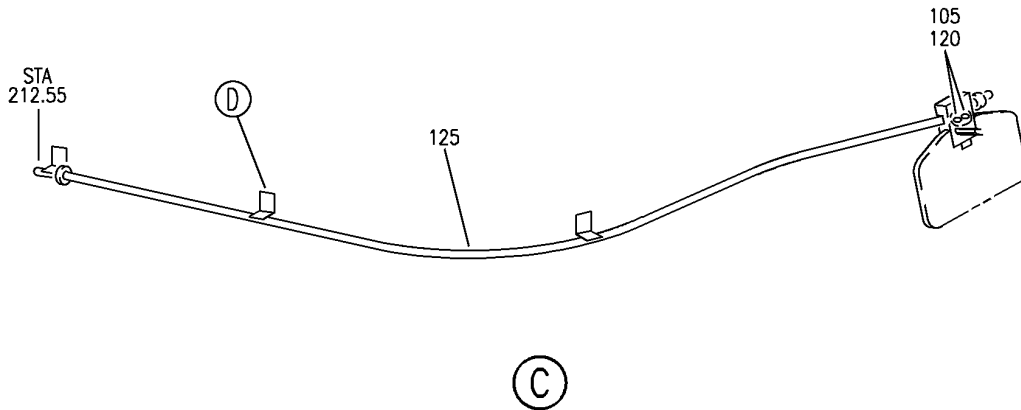
RAIL INSTL
 FIGURE 28 (SHEET 1)

25-11-21-28

HAP
 FEB 10/07

25-11-21-28
 PAGE 0

BOEING
 737-600/700/800/900
 PARTS CATALOG (MAINTENANCE)



E 25112128 SHT 2 REV 125

RAIL INSTL
 FIGURE 28 (SHEET 2)

25-11-21-28

HAP
 FEB 10/07

25-11-21-28
 PAGE 0A

BOEING
737-600/700/800/900
PARTS CATALOG (MAINTENANCE)

FIG ITEM	PART NUMBER	1 2 3 4 5 6 7	NOMENCLATURE	EFFECT FROM TO	UNITS PER ASSY
28			RAIL INSTL	031200 968999	
- 5	MODREF81879		RAIL INSTL- MODULE NUMBER: 232A4202-10 REV A POSITION DATA: FIRST OFFICERS SIDE	031200 968999	1
10	BACS12ER3K6		.SCREW	031200 968999	2
15	MS21042L3		.NUT	031200 968999	2
20	BACS12FA3K11BK		.SCREW	031200 968999	1
25	BACS12FA3K9BK		.SCREW	031200 968999	2
30	R1041300-004		.MONORAIL ASSY- SUPPLIER CODE: VOLN15 OPTIONAL PART: R1041300-006 V1024B USED ON: 232A4202-10 MODREF81879	031200 968999	1
30	R1041300-006		.MONORAIL ASSY- SUPPLIER CODE: VOLN15 OPTIONAL PART: R1041300-004 V1024B USED ON: 232A4202-10 MODREF81879	031200 968999	1
40	AN565C8-4		..SCREW- USED ON: R1041300-004	031200 968999	1
45	R1041200-002		..BLOCK-STOP SUPPLIER CODE: V1024B	031200 968999	2
50	R1041100-002		..MONORAIL ASSY- SUPPLIER CODE: V1024B USED ON: R1041300-004	031200 968999	1
55	R1041100-006		..MONORAIL ASSY- SUPPLIER CODE: V1024B USED ON: R1041300-006	031200 968999	1

MISSING ITEM NUMBERS NOT APPLICABLE

- ITEM NOT ILLUSTRATED

HAP

25-11-21-28

BOEING PROPRIETARY - Copyright © - Unpublished Work - See title page for details.

25-11-21
FIG. 28
PAGE 1
OCT 15/08

BOEING
737-600/700/800/900
PARTS CATALOG (MAINTENANCE)

FIG ITEM	PART NUMBER	1 2 3 4 5 6 7	NOMENCLATURE	EFFECT FROM TO	UNITS PER ASSY
28 - 100	MODREF81883		RAIL INSTL-MONO MODULE NUMBER: 232A4202-21 REV A POSITION DATA: CAPTAINS SIDE	031200 968999	1
105	BACS12ER3K6		.SCREW	031200 968999	2
110	BACS12FA3K7BK		.SCREW	031200 968999	1
115	BACS12FA3K9BK		.SCREW	031200 968999	2
120	PLH53CD		.NUT SUPPLIER CODE: VF0224 SPECIFICATION NUMBER: BACN10YR3CD OPTIONAL PART: H52732-3CD V15653	031200 968999	2
125	R1041000-010		.MONORAIL ASSY- SUPPLIER CODE: V1024B	031200 968999	1

MISSING ITEM NUMBERS NOT APPLICABLE

- ITEM NOT ILLUSTRATED

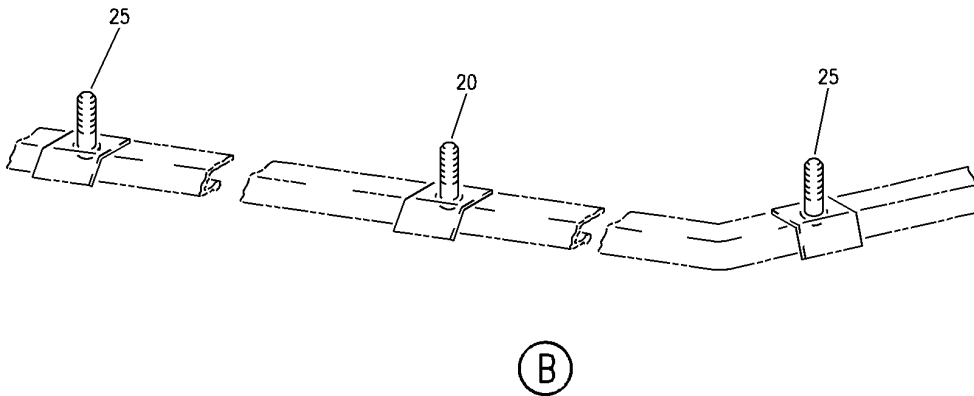
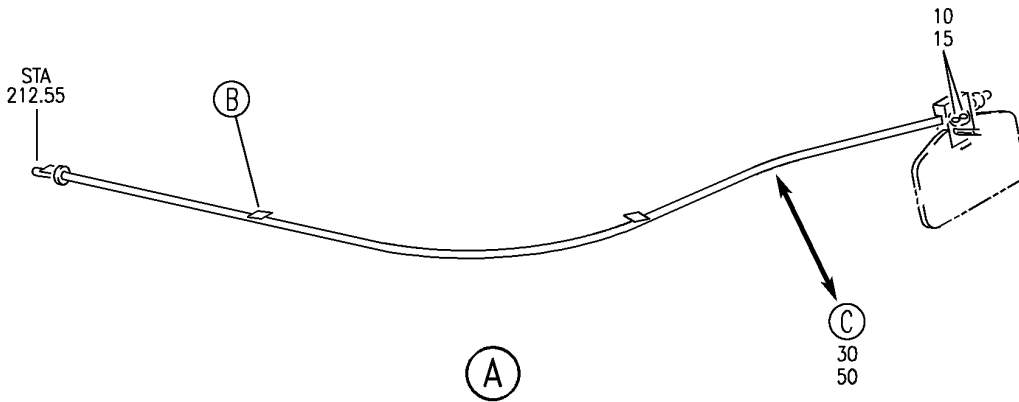
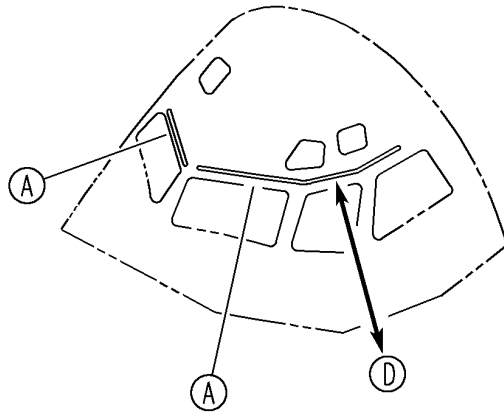
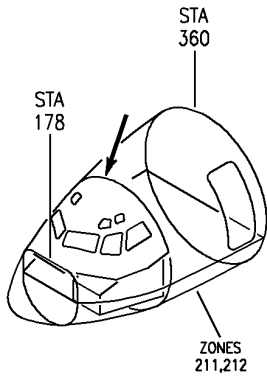
HAP

25-11-21-28

BOEING PROPRIETARY - Copyright © - Unpublished Work - See title page for details.

25-11-21
FIG. 28
PAGE 2
FEB 15/09

BOEING
 737-600/700/800/900
 PARTS CATALOG (MAINTENANCE)



E 25112128A SHT 1 REV 125

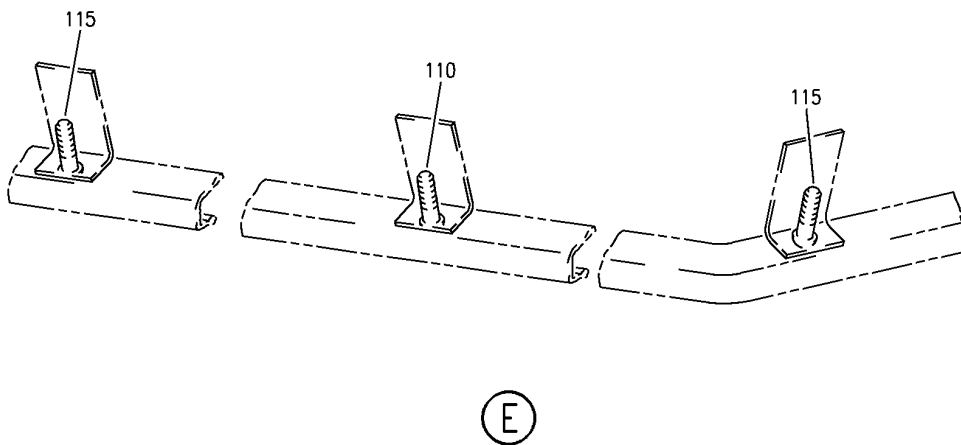
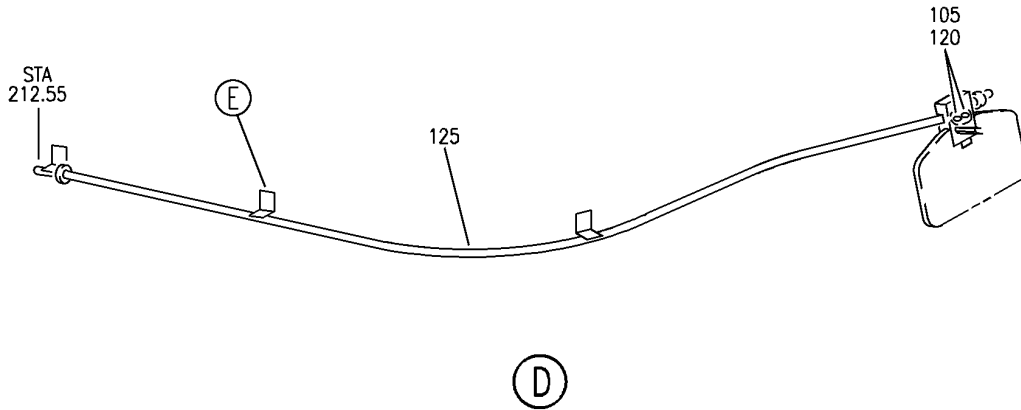
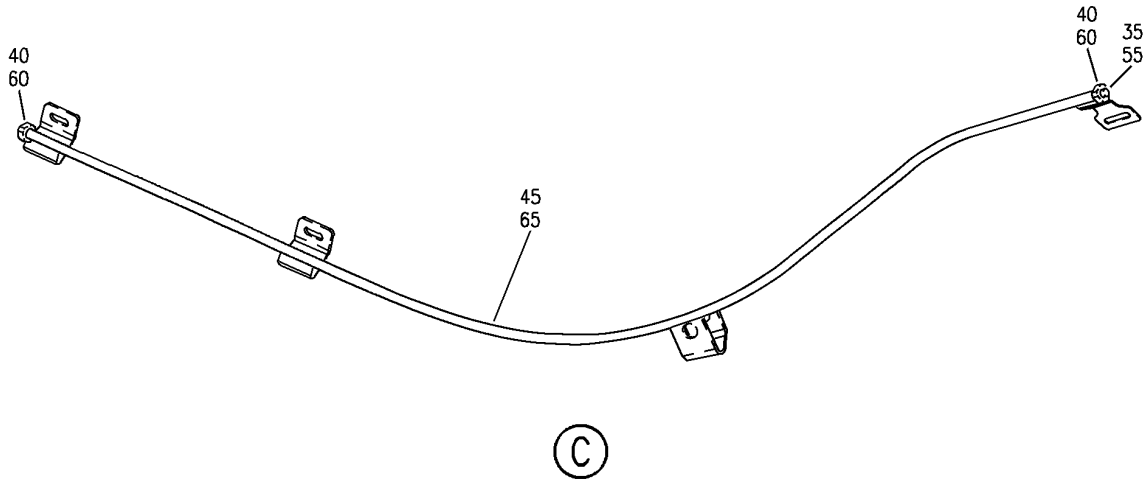
RAIL INSTL
 FIGURE 28A (SHEET 1)

25-11-21-28A

HAP
 FEB 10/07

25-11-21-28A
 PAGE 0

BOEING
 737-600/700/800/900
 PARTS CATALOG (MAINTENANCE)



E 25112128A SHT 2 REV 125

RAIL INSTL
 FIGURE 28A (SHEET 2)

25-11-21-28A

HAP
 FEB 10/07

25-11-21-28A
 PAGE 0A

BOEING
737-600/700/800/900
PARTS CATALOG (MAINTENANCE)

FIG ITEM	PART NUMBER	1 2 3 4 5 6 7	NOMENCLATURE	EFFECT FROM TO	UNITS PER ASSY
28A			RAIL INSTL	001030 201967	
- 1	232A4202-9		RAIL INSTL- POSITION DATA: CAPTAINS SIDE FOR NHA SEE: 25-10-00-05B 25-10-00-05C	001027 201967	RF
- 5	232A4202-10		RAIL INSTL- POSITION DATA: FIRST OFFICERS SIDE FWD LH FOR NHA SEE: 25-10-00-03	001030 201967	RF
10	BACS12ER3K6		.SCREW	001027 201967	2
10	BACS12ER3K6		.SCREW	028030	2
15	MS21042L3		.NUT	001027 201967	2
15	MS21042L3		.NUT	028030	2
20	BACS12FA3K11BK		.SCREW	001027 201967	1
20	BACS12FA3K11BK		.SCREW	028030	1
25	BACS12FA3K9BK		.SCREW	001027 201967	2
25	BACS12FA3K9BK		.SCREW	028030	2
30	R1041300-004		.MONORAIL ASSY- SUPPLIER CODE: VOLN15 OPTIONAL PART: R1041300-006 V1024B USED ON: 232A4202-10	001030 201967	1
30	R1041300-006		.MONORAIL ASSY- SUPPLIER CODE: VOLN15 OPTIONAL PART: R1041300-004 V1024B USED ON: 232A4202-10	001030 201967	1
35	AN565C8-4		..SCREW- USED ON: R1041300-004	001030 201967	1
40	R1041200-002		..BLOCK-STOP SUPPLIER CODE: V1024B	001030 201967	2

MISSING ITEM NUMBERS NOT APPLICABLE

- ITEM NOT ILLUSTRATED

HAP

25-11-21-28A

BOEING PROPRIETARY - Copyright © - Unpublished Work - See title page for details.

25-11-21
FIG. 28A
PAGE 1
OCT 15/08

BOEING
737-600/700/800/900
PARTS CATALOG (MAINTENANCE)

FIG ITEM	PART NUMBER	1 2 3 4 5 6 7	NOMENCLATURE	EFFECT FROM TO	UNITS PER ASSY
28A 45	R1041100-002	..	MONORAIL ASSY- SUPPLIER CODE: V1024B USED ON: R1041300-004	001030 201967	1
45	R1041100-006	..	MONORAIL ASSY- SUPPLIER CODE: V1024B USED ON: R1041300-006	001030 201967	1
50	R1041300-003	.MONORAIL ASSY- SUPPLIER CODE: VOLN15 OPTIONAL PART: R1041300-005 V1024B USED ON: 232A4202-9		001027 201967	1
50	R1041300-005	.MONORAIL ASSY- SUPPLIER CODE: VOLN15 OPTIONAL PART: R1041300-003 V1024B USED ON: 232A4202-9		001027 201967	1
55	AN565C8-4	..	SCREW- USED ON: R1041300-003	001027 201967	1
60	R1041200-002	..	BLOCK-STOP SUPPLIER CODE: V1024B	001027 201967	2
65	R1041100-001	..	MONORAIL ASSY- SUPPLIER CODE: V1024B USED ON: R1041300-003	001027 201967	1
65	R1041100-005	..	MONORAIL ASSY- SUPPLIER CODE: V1024B USED ON: R1041300-005	001027 201967	1
- 100	232A4202-21		RAIL INSTL-MONO POSITION DATA: CAPTAINS SIDE FOR NHA SEE: 25-10-00-05C	028030	RF
105	BACS12ER3K6	.	SCREW	028030	2
110	BACS12FA3K7BK	.	SCREW	028030	1

MISSING ITEM NUMBERS NOT APPLICABLE

- ITEM NOT ILLUSTRATED

HAP

25-11-21-28A

BOEING PROPRIETARY - Copyright © - Unpublished Work - See title page for details.

25-11-21
FIG. 28A
PAGE 2
OCT 15/08


BOEING
 737-600/700/800/900
PARTS CATALOG (MAINTENANCE)

FIG ITEM	PART NUMBER	1 2 3 4 5 6 7	NOMENCLATURE	EFFECT FROM TO	UNITS PER ASSY
28A					
115	BACS12FA3K9BK	.	SCREW	028030	2
120	PLH53CD	.	NUT	028030	2
			SUPPLIER CODE: VF0224		
			SPECIFICATION NUMBER: BACN10YR3CD		
			OPTIONAL PART: H52732-3CD		
			V15653		
125	R1041000-010	.	MONORAIL ASSY-	028030	1
			SUPPLIER CODE: V1024B		

MISSING ITEM NUMBERS NOT APPLICABLE

— ITEM NOT ILLUSTRATED

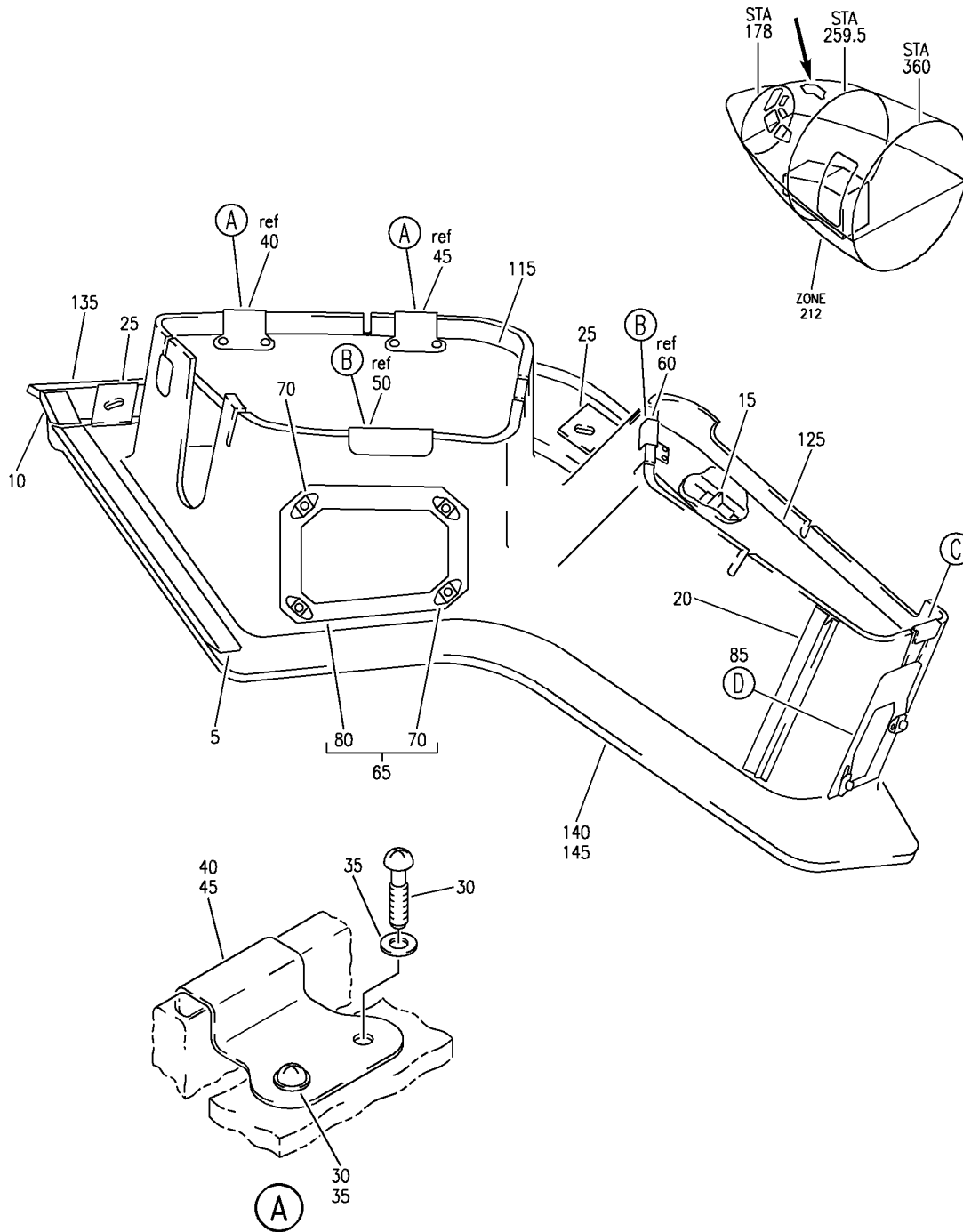
HAP

25-11-21-28A

BOEING PROPRIETARY - Copyright © - Unpublished Work - See title page for details.

25-11-21
 FIG. 28A
 PAGE 3
 FEB 15/09

BOEING
 737-600/700/800/900
 PARTS CATALOG (MAINTENANCE)



E 25112129 SHT 1 REV 110

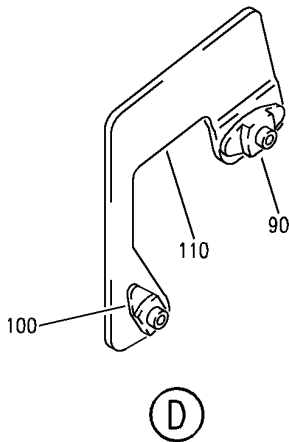
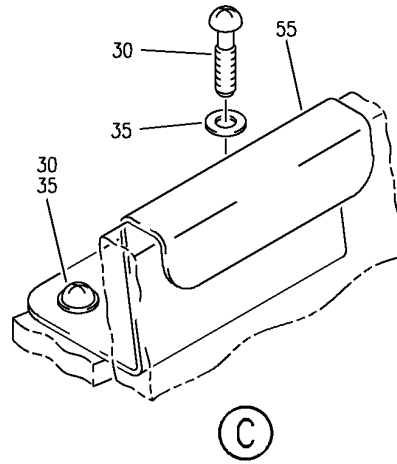
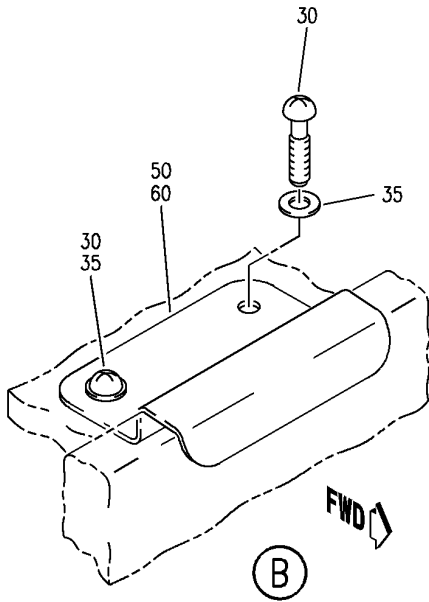
PAD ASSY-EYEBROW
 FIGURE 29 (SHEET 1)

25-11-21-29

HAP
 OCT 10/06

25-11-21-29
 PAGE 0

BOEING
 737-600/700/800/900
 PARTS CATALOG (MAINTENANCE)



E 25112129 SH1 2 REV 110

PAD ASSY-EYEBROW
 FIGURE 29 (SHEET 2)

25-11-21-29

HAP
 OCT 10/06

25-11-21-29
 PAGE 0A

BOEING
737-600/700/800/900
PARTS CATALOG (MAINTENANCE)

FIG ITEM	PART NUMBER	1 2 3 4 5 6 7	NOMENCLATURE	EFFECT FROM TO	UNITS PER ASSY
29			PAD ASSY-EYEBROW	031200 968999	
- 1	232A1420-22		PAD ASSY-EYEBROW POSITION DATA: RH FOR NHA SEE: 25-11-21-03	031200 968999	RF
5	232A1420-3		.SEAL	031200 968999	1
10	232A1420-4		.SEAL	031200 968999	1
15	232A1420-5		.SEAL	031200 968999	1
20	232A1420-6		.SEAL	031200 968999	1
25	232A1425-2		.SPACER	031200 968999	2
30	BACS12HJ06K3		.SCREW- OPTIONAL PART: BACS12CK06-3 NAS1801-06-3	031200 968999	10
30	BACS12CK06-3		.SCREW- OPTIONAL PART: BACS12HJ06K3 NAS1801-06-3	031200 968999	10
30	NAS1801-06-3		.SCREW- OPTIONAL PART: BACS12HJ06K3 BACS12CK06-3	031200 968999	10
35	NAS1149DN616J		.WASHER	031200 968999	10
40	232A1404-31		.BRACKET	031200 968999	1
45	232A1404-32		.BRACKET	031200 968999	1
50	232A1404-33		.BRACKET	031200 968999	1
55	232A1404-34		.BRACKET	031200 968999	1
60	232A1404-36		.BRACKET	031200 968999	1
65	232A1424-6		.PLATE ASSY-BACKING	031200 968999	1

MISSING ITEM NUMBERS NOT APPLICABLE

- ITEM NOT ILLUSTRATED

HAP

25-11-21-29

25-11-21
FIG. 29
PAGE 1
OCT 15/08

BOEING
737-600/700/800/900
PARTS CATALOG (MAINTENANCE)

FIG ITEM	PART NUMBER	1 2 3 4 5 6 7	NOMENCLATURE	EFFECT FROM TO	UNITS PER ASSY
29					
70	102F171-3		..NUTPLATE SUPPLIER CODE: V72962 SPECIFICATION NUMBER: BACN10JB3CD OPTIONAL PART: BRF210C3D V52828 BRF2703D V52828 NS202485-02 V80539 ATTACHING PARTS	031200 968999	4
- 75	BACR15BA3ADC		..RIVET- SIZE DETERMINED ON INSTL. -----*-----	031200 968999	8
80	232A1424-4		..PLATE	031200 968999	1
85	232A1424-10		.PLATE ASSY-BACKING	031200 968999	1
90	BRF200C08D		..NUTPLATE SUPPLIER CODE: V52828 SPECIFICATION NUMBER: BACN10JR08CFD OPTIONAL PART: NS202476-82 V80539 102F9201-82 V72962 T8092C832CD V11815 K51602-08BAC V15653 ATTACHING PARTS	031200 968999	1
- 95	BACR15BA3ADC		..RIVET- SIZE DETERMINED ON INSTL. -----*-----	031200 968999	2

MISSING ITEM NUMBERS NOT APPLICABLE

- ITEM NOT ILLUSTRATED

HAP

25-11-21-29

BOEING PROPRIETARY - Copyright © - Unpublished Work - See title page for details.

25-11-21
FIG. 29
PAGE 2
OCT 15/08

BOEING
737-600/700/800/900
PARTS CATALOG (MAINTENANCE)

FIG ITEM	PART NUMBER	1 2 3 4 5 6 7	NOMENCLATURE	EFFECT FROM TO	UNITS PER ASSY
29 100	BRF100C08D		..NUTPLATE SUPPLIER CODE: V52828 SPECIFICATION NUMBER: BACN10KB08CFD OPTIONAL PART: NS202478-82 V80539 102F9207P82 V72962 F51604-08 V15653 ATTACHING PARTS	031200 968999	1
- 105	BACR15BA3ADC		..RIVET- SIZE DETERMINED ON INSTL. -----*-----	031200 968999	2
110	232A1424-8		..PLATE	031200 968999	1
115	232A1401-52		.HONEYCOMB ASSY-WINDOW PLUG	031200 968999	1
- 120	SL6224-06A		..INSERT- SUPPLIER CODE: V97393	031200 968999	6
125	232A1401-54		.HONEYCOMB ASSY-WINDOW PLUG	031200 968999	1
- 130	SL6224-06A		..INSERT- SUPPLIER CODE: V97393	031200 968999	4
135	232A1422-4		.TUNNEL ASSY	031200 968999	1
140	232A1421-10		.PAD ASSY	031200 968999	1
145	232A1422-2		..STIFFENER ASSY	031200 968999	1

MISSING ITEM NUMBERS NOT APPLICABLE

- ITEM NOT ILLUSTRATED

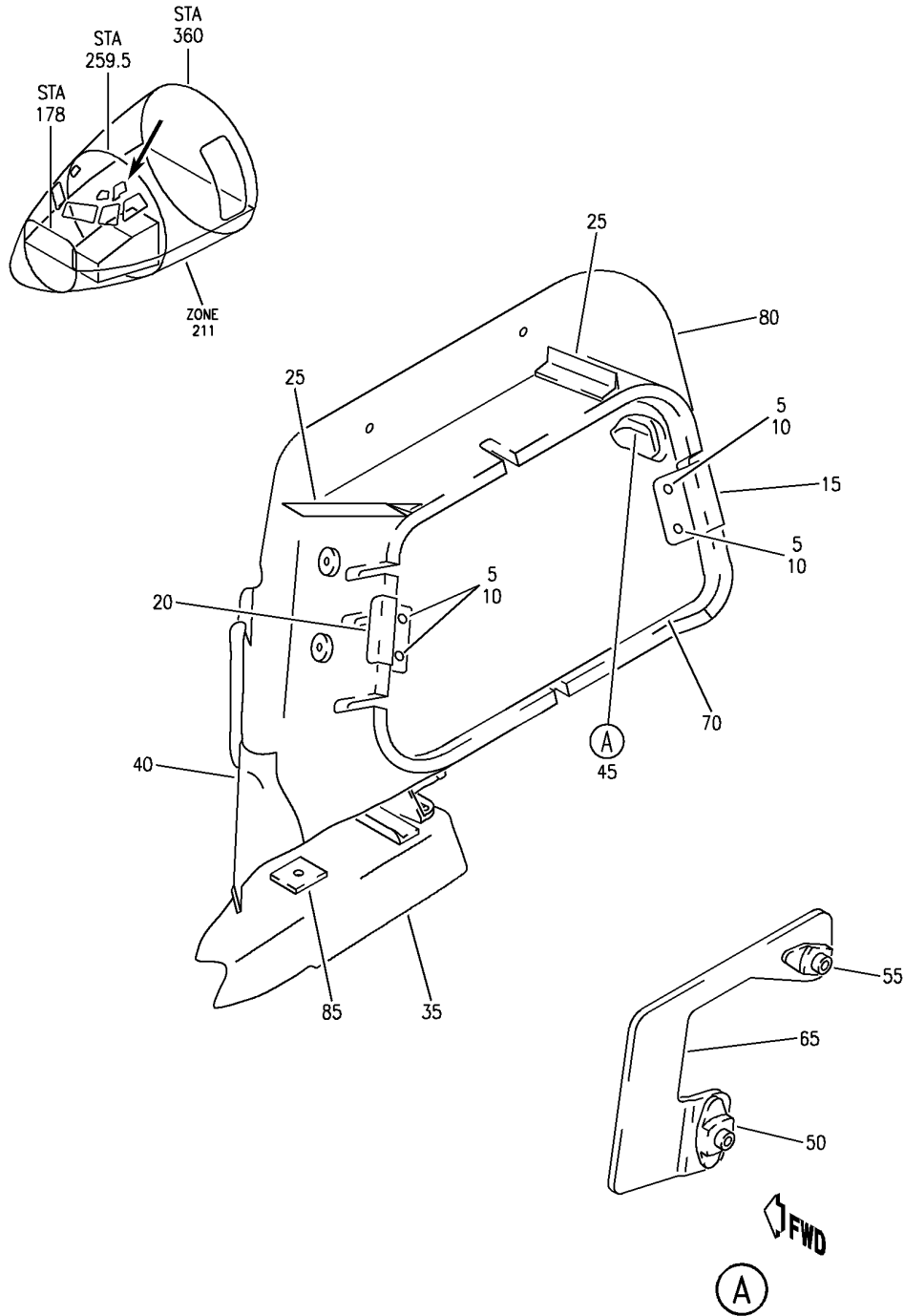
HAP

25-11-21-29

BOEING PROPRIETARY - Copyright © - Unpublished Work - See title page for details.

25-11-21
FIG. 29
PAGE 3
OCT 15/08

BOEING
 737-600/700/800/900
 PARTS CATALOG (MAINTENANCE)



E 25112132 REV 110

PAD ASSY-EYEBROW
 FIGURE 32

25-11-21-32

HAP
 OCT 10/06

25-11-21-32
 PAGE 0

BOEING
737-600/700/800/900
PARTS CATALOG (MAINTENANCE)

FIG ITEM	PART NUMBER	1 2 3 4 5 6 7	NOMENCLATURE	EFFECT FROM TO	UNITS PER ASSY
32			PAD ASSY-EYEBROW	031200 968999	
- 1	232A1420-19		PAD ASSY-EYEBROW FOR NHA SEE: 25-11-21-04	031200 968999	RF
5	BACS12HJ06K3		.SCREW- OPTIONAL PART: BACS12CK06-3 NAS1801-06-3	031200 968999	4
5	BACS12CK06-3		.SCREW- OPTIONAL PART: BACS12HJ06K3	031200 968999	4
5	NAS1801-06-3		.SCREW- OPTIONAL PART: BACS12HJ06K3	031200 968999	4
10	NAS1149DN616J		.WASHER	031200 968999	4
15	232A1404-34		.BRACKET	031200 968999	1
20	232A1404-35		.BRACKET	031200 968999	1
25	232A1420-6		.SEAL	031200 968999	2
35	232A1422-7		.TUNNEL ASSY	031200 968999	1
40	232A1422-9		.STIFFENER	031200 968999	1
45	232A1424-9		.PLATE ASSY-BACKING	031200 968999	1
50	BRF200C08D		..NUTPLATE SUPPLIER CODE: V52828 SPECIFICATION NUMBER: BACN10JR08CFD OPTIONAL PART: NS202476-82 V80539 102F9201-82 V72962 T8092C832CD V11815 K51602-08BAC V15653	031200 968999	1

MISSING ITEM NUMBERS NOT APPLICABLE

- ITEM NOT ILLUSTRATED

HAP

25-11-21-32

25-11-21
FIG. 32
PAGE 1
OCT 15/08

BOEING
737-600/700/800/900
PARTS CATALOG (MAINTENANCE)

FIG ITEM	PART NUMBER	1 2 3 4 5 6 7	NOMENCLATURE	EFFECT FROM TO	UNITS PER ASSY
32					
55	BRF100C08D	..	NUTPLATE SUPPLIER CODE: V52828 SPECIFICATION NUMBER: BACN10KB08CFD OPTIONAL PART: NS202478-82 V80539 102F9207P82 V72962 F51604-08 V15653 ATTACHING PARTS	031200 968999	1
- 60	BACR15BA3ADC	..	RIVET- SIZE DETERMINED ON INSTL. -----*-----	031200 968999	4
65	232A1424-7	..	PLATE	031200 968999	1
70	232A1401-53	.	HONEYCOMB ASSY-WINDOW PLUG	031200 968999	1
- 75	SL6224-06A	..	INSERT- SUPPLIER CODE: V97393	031200 968999	4
80	232A1421-15	.	PAD ASSY	031200 968999	1
85	232A1425-1	.	SPACER- OPTIONAL PART: 232A1425-2	031200 968999	1
85	232A1425-2	.	SPACER- OPTIONAL PART: 232A1425-1	031200 968999	1

MISSING ITEM NUMBERS NOT APPLICABLE

- ITEM NOT ILLUSTRATED

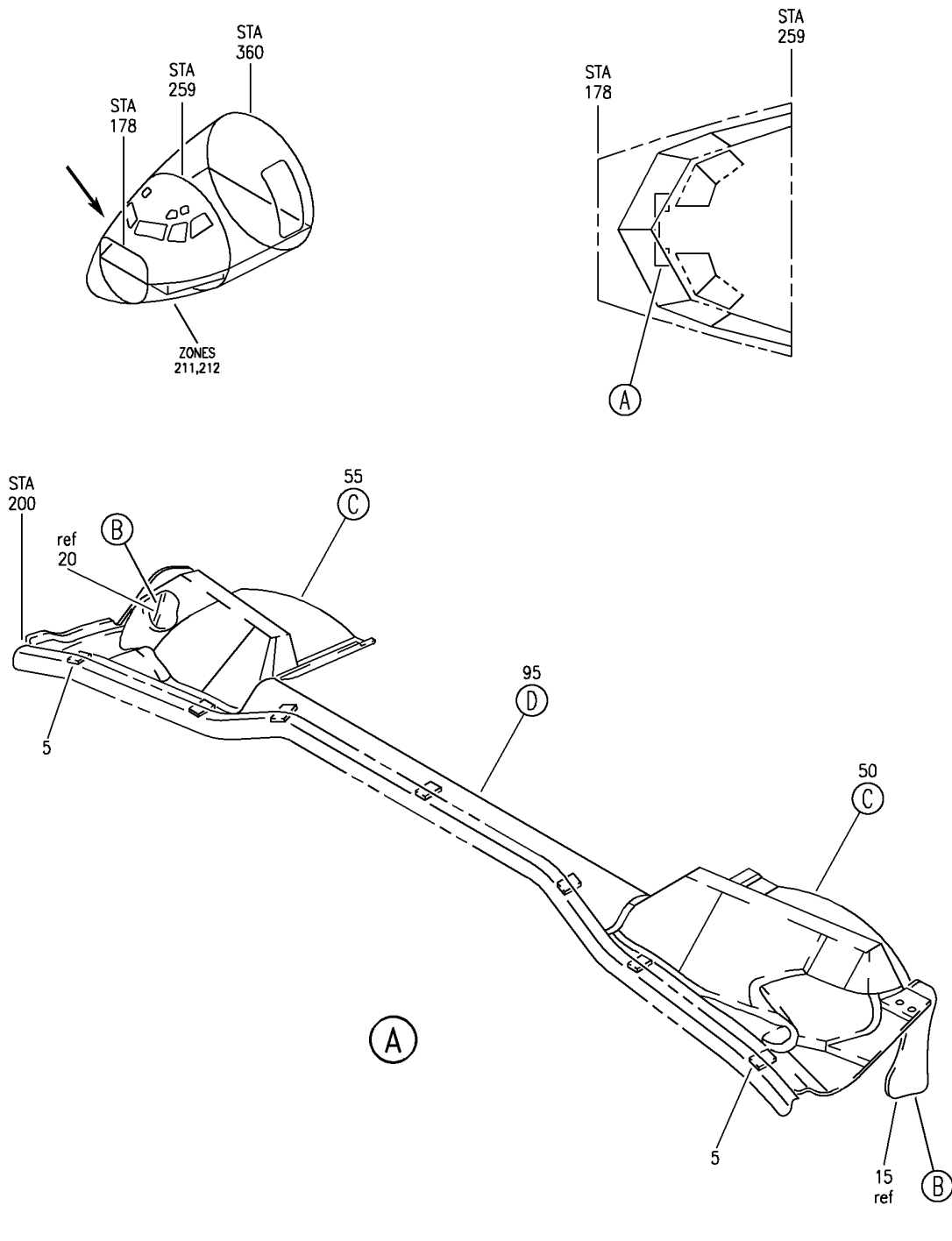
HAP

25-11-21-32

BOEING PROPRIETARY - Copyright © - Unpublished Work - See title page for details.

25-11-21
FIG. 32
PAGE 2
OCT 15/08

BOEING
 737-600/700/800/900
 PARTS CATALOG (MAINTENANCE)



E 25112133 SH1 1 REV 122

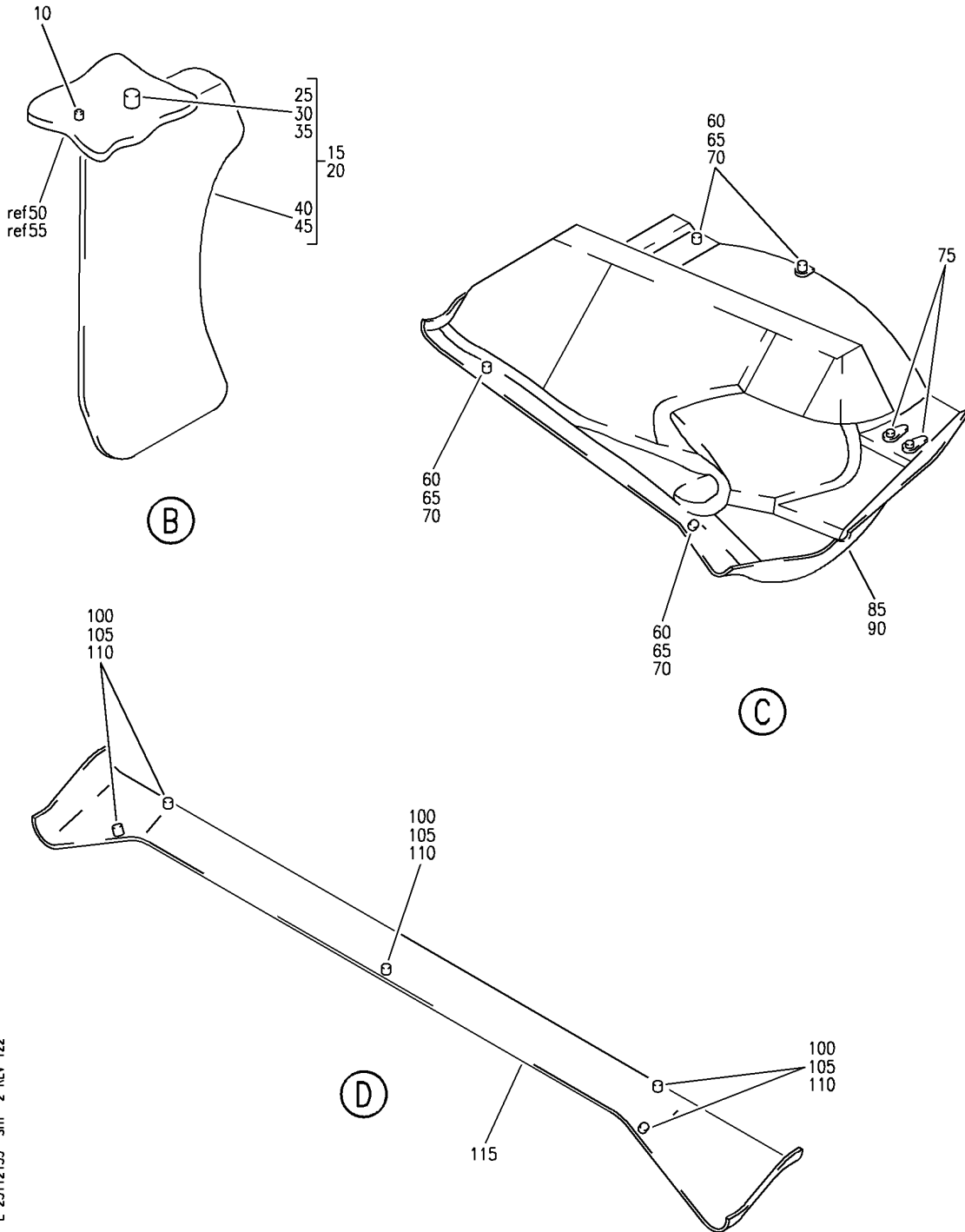
COVER INSTL-LWR FWD PNL
 FIGURE 33 (SHEET 1)

25-11-21-33

HAP
 OCT 10/06

25-11-21-33
 PAGE 0

BOEING
 737-600/700/800/900
 PARTS CATALOG (MAINTENANCE)



E 25112133 SH1 2 REV 122

COVER INSTL-LWR FWD PNL
 FIGURE 33 (SHEET 2)

25-11-21-33

HAP
 OCT 10/06

25-11-21-33
 PAGE 0A

BOEING
737-600/700/800/900
PARTS CATALOG (MAINTENANCE)

FIG ITEM	PART NUMBER	1 2 3 4 5 6 7	NOMENCLATURE	EFFECT FROM TO	UNITS PER ASSY
33			COVER INSTL-LWR FWD PNL	031200 968999	
- 1	MODREF83486		COVER INSTL-LWR PNL MODULE NUMBER: 233A8101-5 REV A POSITION DATA: FWD	031200 968999	1
5	82-47-113-20		.RECEPTACLE-CLIP-ON SUPPLIER CODE: V94222	031200 968999	7
10	BACS12CK06H6		.SCREW	031200 968999	2
15	233A8304-17		.LIGHTSHADE ASSY	031200 968999	1
20	233A8304-18		.LIGHTSHADE ASSY	031200 968999	1
25	82-19-160-20		..STUD- SUPPLIER CODE: V94222 OPTIONAL PART: BACS21AP20ORP	031200 968999	1
25	82-99-341-20		..STUD- SUPPLIER CODE: V94222 SPECIFICATION NUMBER: BACS21AP20ORP OPTIONAL PART: 82-19-160-20 V94222	031200 968999	1
30	82-46-101-41		..WASHER- SUPPLIER CODE: V94222	031200 968999	1
35	82-32-201-20		..RETAINER- SUPPLIER CODE: V94222	031200 968999	1
40	233A8304-19		..LIGHTSHADE- USED ON: 233A8304-17	031200 968999	1
45	233A8304-20		..LIGHTSHADE- USED ON: 233A8304-18	031200 968999	1
50	233A8301-11		.COVER ASSY	031200 968999	1
55	233A8301-12		.COVER ASSY	031200 968999	1
60	82-99-604-240		..STUD- SUPPLIER CODE: V94222	031200 968999	4

MISSING ITEM NUMBERS NOT APPLICABLE

- ITEM NOT ILLUSTRATED

HAP

25-11-21-33

25-11-21
FIG. 33
PAGE 1
OCT 15/08

BOEING
737-600/700/800/900
PARTS CATALOG (MAINTENANCE)

FIG ITEM	PART NUMBER	1 2 3 4 5 6 7	NOMENCLATURE	EFFECT FROM TO	UNITS PER ASSY
33					
65	82-46-101-41	..	WASHER- SUPPLIER CODE: V94222	031200 968999	4
70	82-32-201-20	..	RETAINER- SUPPLIER CODE: V94222	031200 968999	4
75	K2001-06	..	NUTPLATE SUPPLIER CODE: V15653 SPECIFICATION NUMBER: BACN10KB06CM OPTIONAL PART: NS103184SE62 V80539 T8110C632 V11815 VN101D1-62 V92215 109A9207-62 V72962 BR1000C06M V52828 ATTACHING PARTS	031200 968999	2
- 80	BACR15BA3AC	..	RIVET- SIZE DETERMINED ON INSTL. -----*-----	031200 968999	4
85	233A8301-13	..	COVER- USED ON: 233A8301-11	031200 968999	1
90	233A8301-14	..	COVER- USED ON: 233A8301-12	031200 968999	1
95	233A8301-9	.	COVER ASSY-MIDDLE	031200 968999	1
100	82-99-604-240	..	STUD- SUPPLIER CODE: V94222	031200 968999	5
105	82-46-101-41	..	WASHER- SUPPLIER CODE: V94222	031200 968999	5
110	82-32-201-20	..	RETAINER- SUPPLIER CODE: V94222	031200 968999	5
115	233A8301-8	..	COVER	031200 968999	1

MISSING ITEM NUMBERS NOT APPLICABLE

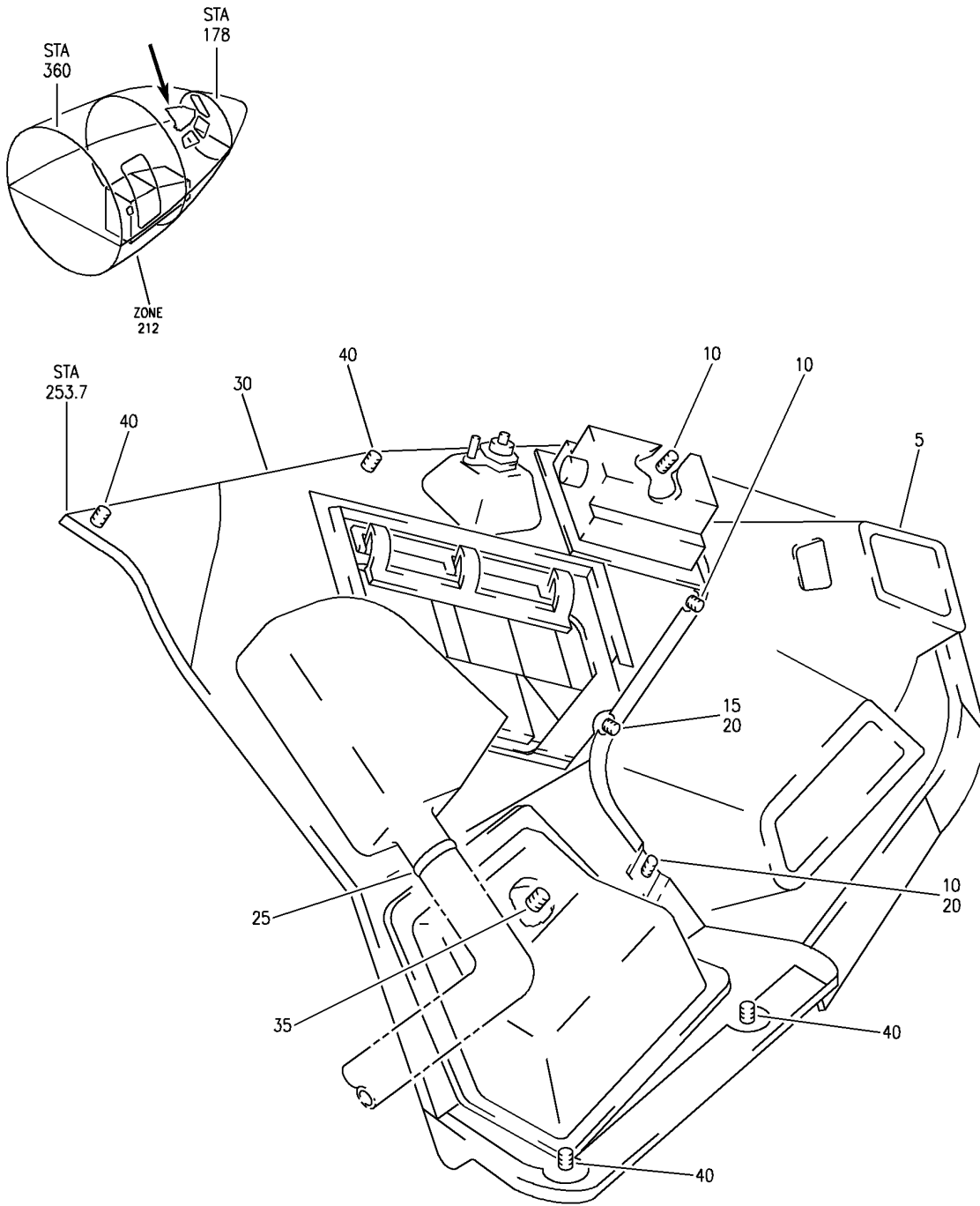
- ITEM NOT ILLUSTRATED

HAP

25-11-21-33

25-11-21
FIG. 33
PAGE 2
OCT 15/08

BOEING
737-600/700/800/900
PARTS CATALOG (MAINTENANCE)



E 25112135 REV 125

LINING INSTL-FWD CLG AND EYEBROW PAD
FIGURE 35

25-11-21-35

HAP
FEB 10/07

25-11-21-35
PAGE 0

BOEING
737-600/700/800/900
PARTS CATALOG (MAINTENANCE)

FIG ITEM	PART NUMBER	1 2 3 4 5 6 7	NOMENCLATURE	EFFECT FROM TO	UNITS PER ASSY
35			LINING INSTL-FWD CLG AND EYEBROW PAD	001030 201967	
- 1	232A1400-2		LINING INSTL-CLG AND EYEBROW PAD POSITION DATA: FWD RH FOR NHA SEE: 25-10-00-03	001011 201967	RF
- 1	232A1400-10		LINING INSTL-CLG AND EYEBROW PAD POSITION DATA: FWD RH FOR NHA SEE: 25-10-00-03	012023	RF
- 1	232A1400-18		LINING INSTL-CLG AND EYEBROW PAD POSITION DATA: FWD RH FOR NHA SEE: 25-10-00-03	024027	RF
- 1	232A1400-21		LINING INSTL-CLG AND EYEBROW PAD POSITION DATA: FWD RH FOR NHA SEE: 25-10-00-03	028030	RF
5	232A1420-10		.PAD ASSY-EYEBROW FOR DETAILS SEE: 25-11-21-23	001030 201967	1
10	BCREF12303		ATTACHING PARTS .SCREW- SUPPLIER CODE: V12324 OVERLENGTH PART NUMBER: WHS10F10TPKL10GY	001030 201967	3
15	BCREF128115		.SCREW- SUPPLIER CODE: V12324 OVERLENGTH PART NUMBER: WHS10F12TPKL10GY	001030 201967	1
20	NAS1057T3-020		.SPACER	001030 201967	2
25	NAS1922-0150-1		-----*----- .CLAMP	001030 201967	1

MISSING ITEM NUMBERS NOT APPLICABLE

- ITEM NOT ILLUSTRATED

HAP

25-11-21-35

BOEING PROPRIETARY - Copyright © - Unpublished Work - See title page for details.

25-11-21
FIG. 35
PAGE 1
OCT 15/08

BOEING
737-600/700/800/900
PARTS CATALOG (MAINTENANCE)

FIG ITEM	PART NUMBER	1 2 3 4 5 6 7	NOMENCLATURE	EFFECT FROM TO	UNITS PER ASSY
35 30	232A1401-2		.LINING ASSY-CLG FUNCTIONAL REFERENCE: AIR CONDITIONING FOR DETAILS SEE 21-22-00-11A COMMUNICATIONS FOR DETAILS SEE 23-51-03-01 EQUIPMENT/FURNISHINGS FOR DETAILS SEE 25-11-21-36 LIGHTS FOR DETAILS SEE 33-17-00-05A	001011 201967	1
30	232A1401-30		.LINING ASSY-CLG FUNCTIONAL REFERENCE: AIR CONDITIONING FOR DETAILS SEE 21-22-00-11A COMMUNICATIONS FOR DETAILS SEE 23-51-03-01 EQUIPMENT/FURNISHINGS FOR DETAILS SEE 25-11-21-36 LIGHTS FOR DETAILS SEE 33-17-00-05A	012023	1
30	232A1401-38		.LINING ASSY-CLG FUNCTIONAL REFERENCE: AIR CONDITIONING FOR DETAILS SEE 21-22-00-11A COMMUNICATIONS FOR DETAILS SEE 23-51-03-01 EQUIPMENT/FURNISHINGS FOR DETAILS SEE 25-11-21-36 LIGHTS FOR DETAILS SEE 33-17-00-05A	024027	1

MISSING ITEM NUMBERS NOT APPLICABLE

— ITEM NOT ILLUSTRATED

HAP

25-11-21-35

BOEING PROPRIETARY - Copyright © - Unpublished Work - See title page for details.

25-11-21
FIG. 35
PAGE 2
OCT 15/08

BOEING
737-600/700/800/900
PARTS CATALOG (MAINTENANCE)

FIG ITEM	PART NUMBER	1 2 3 4 5 6 7	NOMENCLATURE	EFFECT FROM TO	UNITS PER ASSY
35 30	232A1401-48		.LINING ASSY-CLG FUNCTIONAL REFERENCE: AIR CONDITIONING FOR DETAILS SEE 21-22-00-11A COMMUNICATIONS FOR DETAILS SEE 23-51-03-01 EQUIPMENT/FURNISHINGS FOR DETAILS SEE 25-11-21-36 LIGHTS FOR DETAILS SEE 33-17-00-05 ATTACHING PARTS	028030	1
35	WHS10F6TPKL16GY		.SCREW- SUPPLIER CODE: V12324	001030 201967	1
40	WHS10F8TPKL16GY		.SCREW- SUPPLIER CODE: V12324 -----*-----	001030 201967	4

MISSING ITEM NUMBERS NOT APPLICABLE

— ITEM NOT ILLUSTRATED

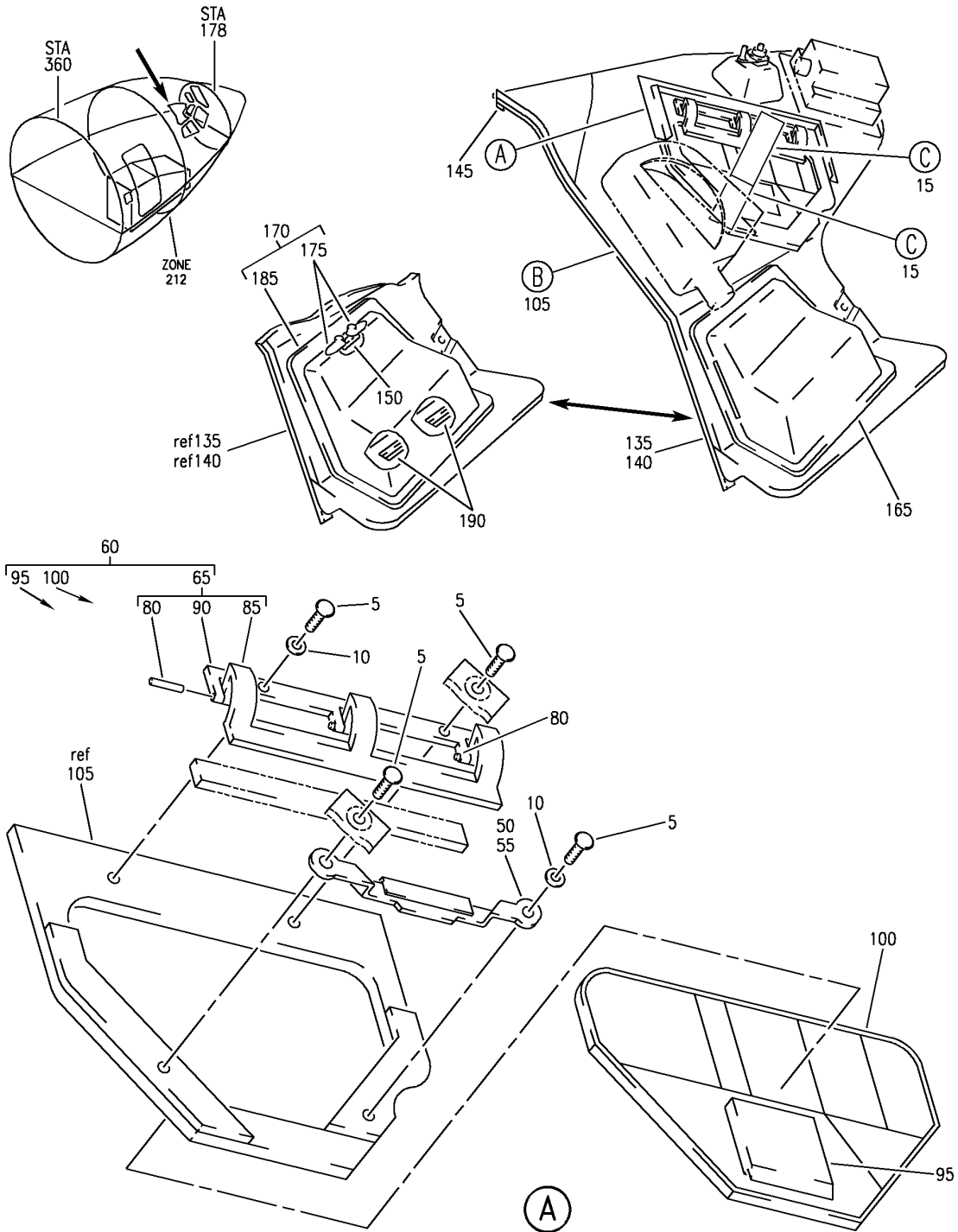
HAP

25-11-21-35

BOEING PROPRIETARY - Copyright © - Unpublished Work - See title page for details.

25-11-21
FIG. 35
PAGE 3
OCT 15/08

BOEING
 737-600/700/800/900
 PARTS CATALOG (MAINTENANCE)



E 25112136 SHT 1 REV 125

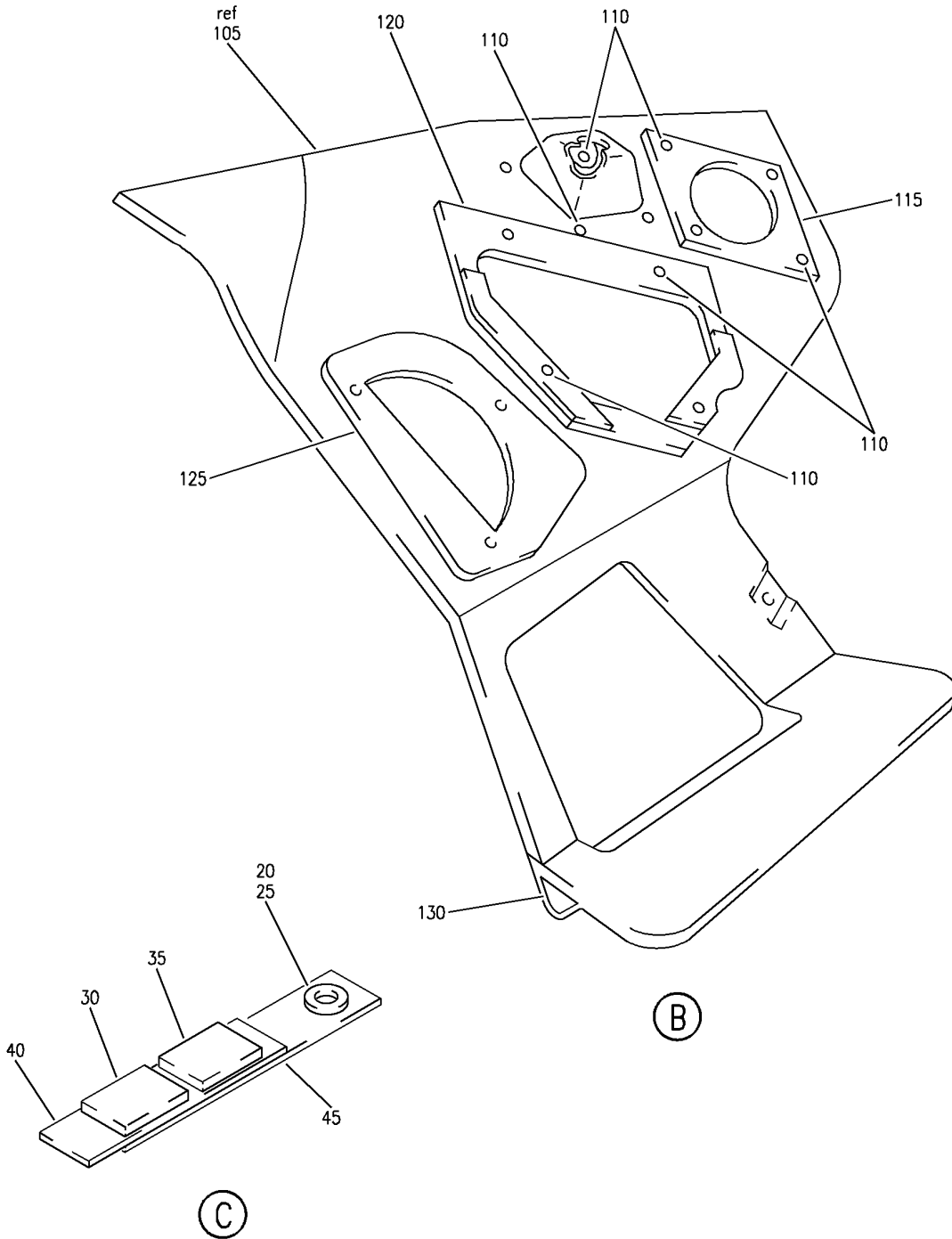
LINING ASSY-R FWD CLG (EQUIPMENT/FURNISHINGS ONLY)
 FIGURE 36 (SHEET 1)

25-11-21-36

HAP
 FEB 10/07

25-11-21-36
 PAGE 0

BOEING
 737-600/700/800/900
 PARTS CATALOG (MAINTENANCE)



E 25112136 SH1 2 REV 125

LINING ASSY-R FWD CLG (EQUIPMENT/FURNISHINGS ONLY)
 FIGURE 36 (SHEET 2)

25-11-21-36

HAP
 FEB 10/07

25-11-21-36
 PAGE 0A

BOEING
737-600/700/800/900
PARTS CATALOG (MAINTENANCE)

FIG ITEM	PART NUMBER	1 2 3 4 5 6 7	NOMENCLATURE	EFFECT FROM TO	UNITS PER ASSY
36			LINING ASSY-R FWD CLG (EQUIPMENT/FURNISHINGS ONLY)	001030 201967	
- 1	232A1401-2		LINING ASSY-CLG (EQUIPMENT/FURNISHINGS ONLY) POSITION DATA: R FWD FOR NHA/OTHER SYS DET SEE: 25-11-21-35	001011 201967	RF
- 1	232A1401-30		LINING ASSY-CLG (EQUIPMENT/FURNISHINGS ONLY) POSITION DATA: R FWD FOR NHA/OTHER SYS DET SEE: 25-11-21-35	012023	RF
- 1	232A1401-38		LINING ASSY-CLG (EQUIPMENT/FURNISHINGS ONLY) POSITION DATA: R FWD FOR NHA/OTHER SYS DET SEE: 25-11-21-35	024027	RF
- 1	232A1401-48		LINING ASSY-CLG (EQUIPMENT/FURNISHINGS ONLY) POSITION DATA: R FWD FOR NHA/OTHER SYS DET SEE: 25-11-21-35	028030	RF
5	BACS12FA3K4		.SCREW	001030 201967	4
10	NAS1149D0463J		.WASHER	001030 201967	2
15	232A1405-5		.STRAP ASSY-ESCAPE	001030 201967	2
20	MS20230WBP10		..GROMMET	001030 201967	1
25	MS20230GBP10		..GROMMET	001030 201967	1
30	232A1405-8		..TAPE-LOOP	001030 201967	1
35	232A1405-9		..TAPE-HOOK	001030 201967	1
40	232A1405-7		..STRAP	001030 201967	1
45	232A1405-6		..STRAP	001030 201967	1

MISSING ITEM NUMBERS NOT APPLICABLE

- ITEM NOT ILLUSTRATED

HAP

25-11-21-36

25-11-21
FIG. 36
PAGE 1
OCT 15/08

BOEING
737-600/700/800/900
PARTS CATALOG (MAINTENANCE)

FIG ITEM	PART NUMBER	1 2 3 4 5 6 7	NOMENCLATURE	EFFECT FROM TO	UNITS PER ASSY
36					
50	232A1404-6	.	BRACKET ASSY	001030 201967	1
55	232A1404-8	..	BRACKET-STRIKE	001030 201967	1
60	232A1415-2	.DOOR ASSY-ESCAPE (EQUIPMENT/FURNISHINGS ONLY) FUNCTIONAL REFERENCE: PLACARDS AND MARKINGS FOR DETAILS SEE 11-30-51-44		001030 201967	1
65	232A1415-3	..HINGE ASSY		001030 201967	1
- 70	BACR15BA4ADC	..RIVET-	ATTACHING PARTS SIZE DETERMINED ON INSTL.	001030 201967	4
- 75	232A1415-6	..SPACER		001030 201967	1
		-----*-----			
80	MS20253P2-75	...PIN		001030 201967	3
85	232A1415-4	...HINGE-HALF		001030 201967	1
90	232A1415-7	...HINGE-HALF		001030 201967	1
95	A3-50-925-12	..LATCH-	SUPPLIER CODE: V94222	001030 201967	1
100	232A1403-2	..DOOR		001030 201967	1
105	232A1402-2	.PANEL ASSY-		001011 201967	1
105	232A1402-14	.PANEL ASSY-		012023	1
105	232A1402-15	.PANEL ASSY-		024030	1
110	SL6224-3A	..INSERT-BLIND SUPPLIER CODE: V97393		001030 201967	12
115	232A1402-4	..COLLAR-FOAM		001030 201967	1
120	232A1402-6	..COLLAR-FOAM		001030 201967	1
125	232A1402-10	..COLLAR-FOAM		001030 201967	1
130	232A1402-7	..FILLER-FOAM		001030 201967	1
135	232A1401-4	.TAPE-HOOK		001011 201967	AR

MISSING ITEM NUMBERS NOT APPLICABLE

- ITEM NOT ILLUSTRATED

HAP

25-11-21-36

BOEING PROPRIETARY - Copyright © - Unpublished Work - See title page for details.

25-11-21
FIG. 36
PAGE 2
OCT 15/08

BOEING
737-600/700/800/900
PARTS CATALOG (MAINTENANCE)

FIG ITEM	PART NUMBER	1 2 3 4 5 6 7	NOMENCLATURE	EFFECT FROM TO	UNITS PER ASSY
36					
140	232A1401-34	.	TAPE-HOOK OPTIONAL PART: 232A1401-37	012030	AR
140	232A1401-37	.	TAPE-HOOK OPTIONAL PART: 232A1401-34	012030	AR
145	232A1401-32	.	TAPE-HOOK OPTIONAL PART: 232A1401-36	012030	AR
145	232A1401-36	.	TAPE-HOOK OPTIONAL PART: 232A1401-32	012030	AR
150	232A1404-19	.	BRACKET-STRIKE PLATE ATTACHING PARTS	024030	1
- 155	NAS601-7P	.	SCREW	024030	2
- 160	NAS1149DN616J	.	WASHER	024030	2
			-----*-----		
165	232A1403-5	.	SHROUD-	001023 201967	1
170	232A1403-10	.	SHROUD ASSY-	024030	1
175	BACN10KB06	..	NUTPLATE ATTACHING PARTS	024030	2
- 180	BACR15BA3D5C	..	RIVET	024030	4
			-----*-----		
185	232A1403-11	..	SHROUD- OPTIONAL PART: 232A1403-5	024030	1
185	232A1403-5	..	SHROUD- OPTIONAL PART: 232A1403-11	024030	1
190	232A1404-20	.	BRACKET-	024030	2

MISSING ITEM NUMBERS NOT APPLICABLE

- ITEM NOT ILLUSTRATED

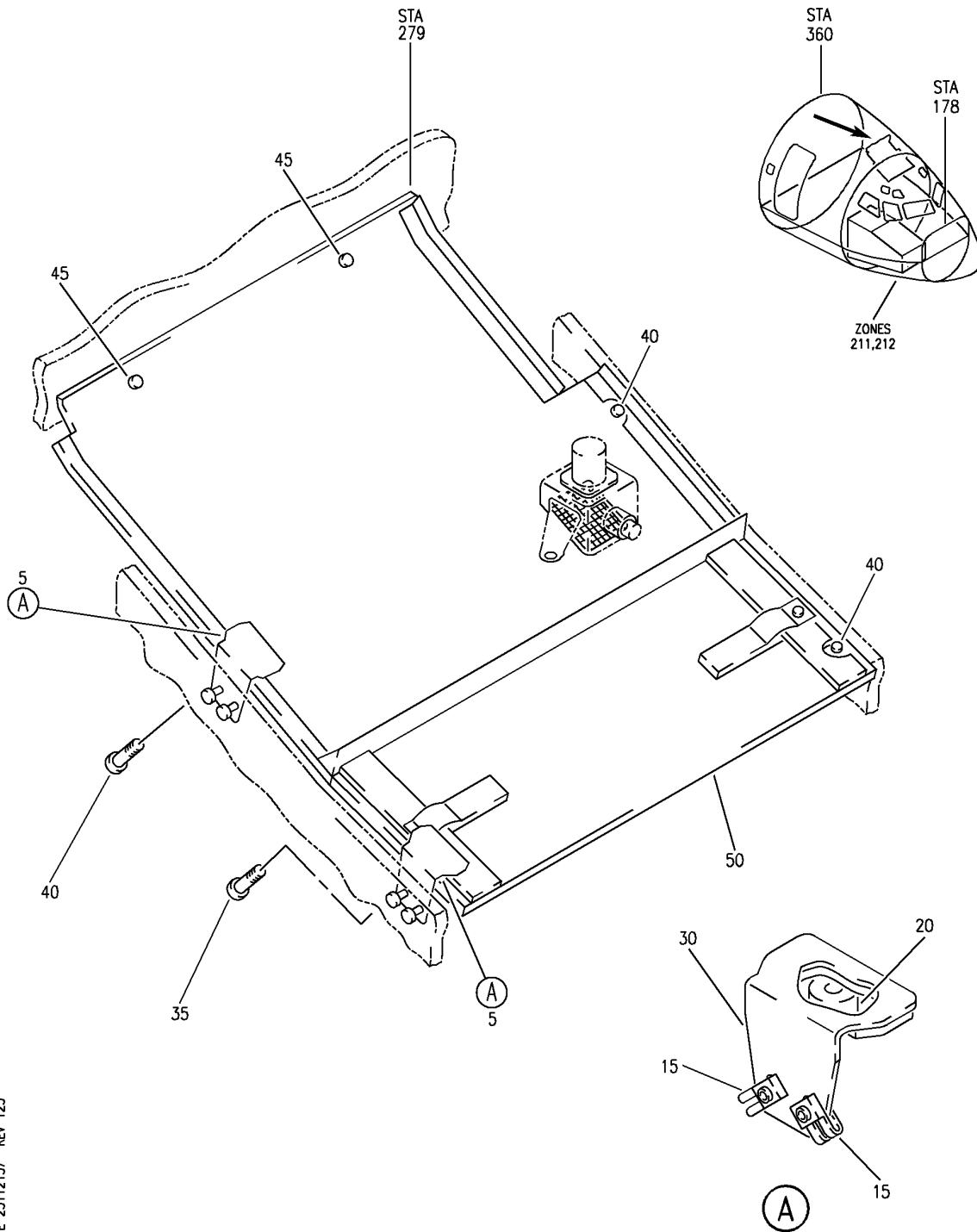
HAP

25-11-21-36

BOEING PROPRIETARY - Copyright © - Unpublished Work - See title page for details.

25-11-21
FIG. 36
PAGE 3
OCT 15/08

BOEING
 737-600/700/800/900
 PARTS CATALOG (MAINTENANCE)



E 25112137 REV 125

LINING INSTL-CLG, HALL
 FIGURE 37

25-11-21-37

HAP
 FEB 10/07

25-11-21-37
 PAGE 0

BOEING
737-600/700/800/900
PARTS CATALOG (MAINTENANCE)

FIG ITEM	PART NUMBER	1 2 3 4 5 6 7	NOMENCLATURE	EFFECT FROM TO	UNITS PER ASSY
37			LINING INSTL-CLG, HALL	031200 968999	
- 1	MODREF81726		LINING INSTL-CLG, HALL MODULE NUMBER: 232A1410-7 REV A	101200 968999	1
- 1	MODREF184439		LINING INSTL-CLG, HALL MODULE NUMBER: 232A1410-8 REV B	031046 054100	1
- 1	MODREF380111		LINING INSTL-CLG, HALL MODULE NUMBER: 232A1410-8 REV C	047053	1
5	232A1404-13		.BRACKET ASSY	031200 968999	2
- 10	WHS10F8TPKL26GY		ATTACHING PARTS .SCREW- SUPPLIER CODE: V12324 -----*-----	031200 968999	4
15	BACN10VR1CG		..NUT	031200 968999	2
20	DE893		..MOUNT-ISOLATOR SUPPLIER CODE: V71985 SPECIFICATION NUMBER: S411T100-509 ATTACHING PARTS	031200 968999	1
- 25	BACR15BA5ADC		..RIVET- SIZE DETERMINED ON INSTL. -----*-----	031200 968999	2
30	232A1404-14		..BRACKET	031200 968999	1
35	FH10F12TPKL16GY		.SCREW- SUPPLIER CODE: V12324	031200 968999	1
40	FH10F8TPKL16GY		.SCREW- SUPPLIER CODE: V12324	031200 968999	3
45	WHS10F8TPKL16GY		.SCREW-WASHER HEAD SUPPLIER CODE: V12324	031200 968999	2
50	232A1411-27		.LINING ASSY- FUNCTIONAL REFERENCE: AIR CONDITIONING FOR DETAILS SEE 21-61-51-02 EQUIPMENT/FURNISHINGS FOR DETAILS SEE 25-11-21-38	101200 968999	1

MISSING ITEM NUMBERS NOT APPLICABLE

- ITEM NOT ILLUSTRATED

HAP

25-11-21-37

25-11-21
FIG. 37
PAGE 1
JUN 15/09


BOEING
 737-600/700/800/900
PARTS CATALOG (MAINTENANCE)

FIG ITEM	PART NUMBER	1 2 3 4 5 6 7 NOMENCLATURE	EFFECT FROM TO	UNITS PER ASSY
37 50	232A1411-31	.LINING ASSY- FUNCTIONAL REFERENCE: AIR CONDITIONING FOR DETAILS SEE 21-61-51-02 EQUIPMENT/FURNISHINGS FOR DETAILS SEE 25-11-21-38	031100	1

MISSING ITEM NUMBERS NOT APPLICABLE

— ITEM NOT ILLUSTRATED

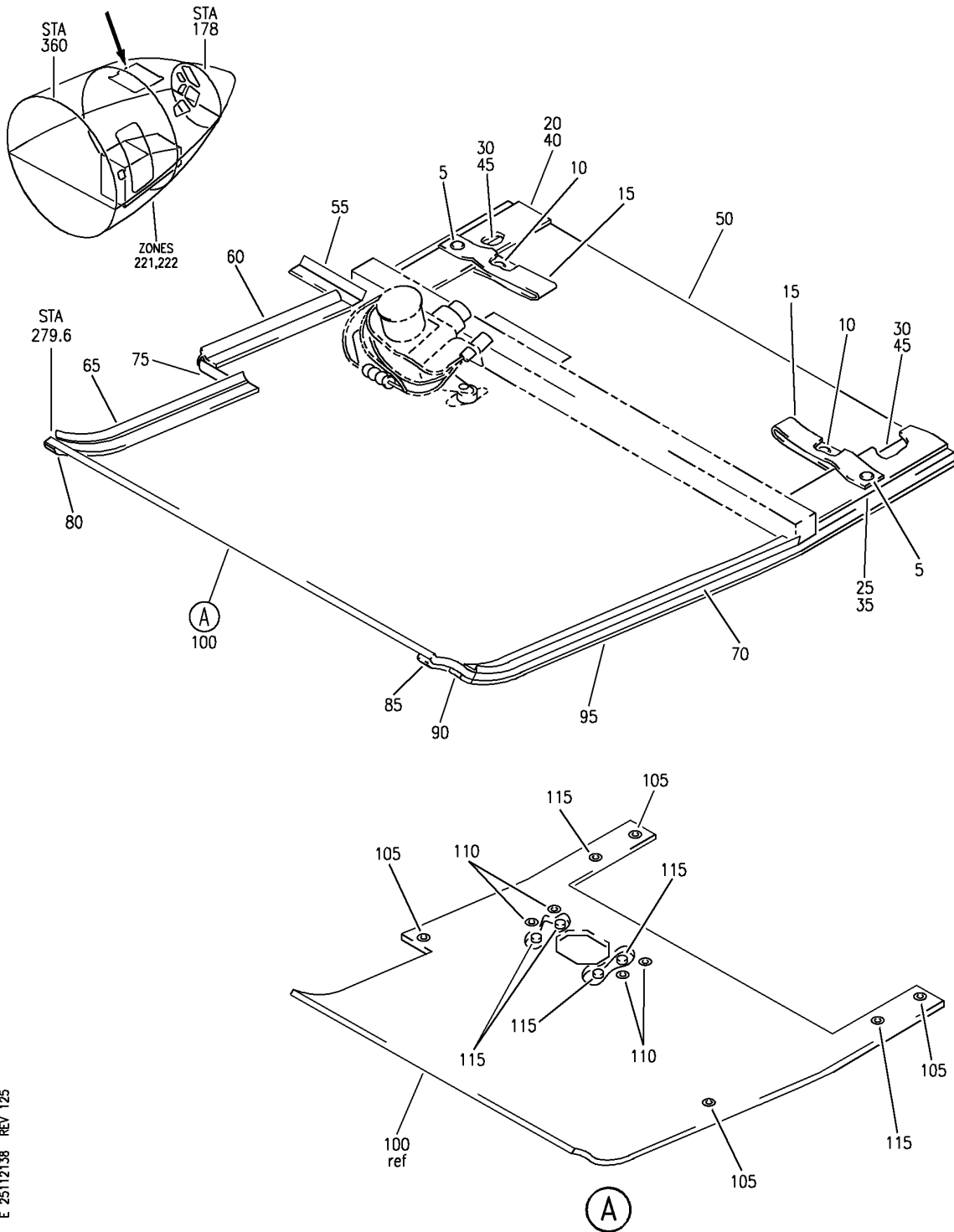
HAP

25-11-21-37

BOEING PROPRIETARY - Copyright © - Unpublished Work - See title page for details.

25-11-21
 FIG. 37
 PAGE 2
 JUN 15/08

BOEING
 737-600/700/800/900
 PARTS CATALOG (MAINTENANCE)



E 25112138 REV 125

LINING ASSY-AFT CLG (EQUIPMENT AND FURNISHINGS ONLY)
 FIGURE 38

25-11-21-38

HAP
 FEB 10/07

25-11-21-38
 PAGE 0

BOEING
737-600/700/800/900
PARTS CATALOG (MAINTENANCE)

FIG ITEM	PART NUMBER	1 2 3 4 5 6 7	NOMENCLATURE	EFFECT FROM TO	UNITS PER ASSY
38			LINING ASSY-AFT CLG (EQUIPMENT AND FURNISHINGS ONLY)	031200 968999	
- 1	232A1411-27		LINING ASSY-AFT CLG (EQUIPMENT AND FURNISHINGS ONLY) FOR NHA/OTHER SYS DET SEE: 25-11-21-37	101200 968999	RF
- 1	232A1411-31		LINING ASSY-AFT CLG (EQUIPMENT AND FURNISHINGS ONLY) FOR NHA/OTHER SYS DET SEE: 25-11-21-37	031100	RF
5	BACS12FA3K8		.SCREW	031200 968999	2
10	BACS12FA3K4		.SCREW	031200 968999	2
15	BACS38A301A9N		.STRAP	031200 968999	2
20	232A1414-1		.BRACKET	031200 968999	1
25	232A1414-2		.BRACKET	031200 968999	1
30	232A1411-5		.TAPE-LOOP OPTIONAL PART: 232A1411-25	031200 968999	2
30	232A1411-25		.TAPE-LOOP OPTIONAL PART: 232A1411-5	031200 968999	2
35	232A1413-2		.FILLER	031200 968999	1
40	232A1413-1		.FILLER	031200 968999	1
45	232A1411-6		.TAPE-HOOK OPTIONAL PART: 232A1411-26	031200 968999	2
45	232A1411-26		.TAPE-HOOK OPTIONAL PART: 232A1411-6	031200 968999	2
50	232A1412-2		.PANEL ASSY	031200 968999	1
55	232A1411-10		.SEAL	031200 968999	1
60	232A1411-4		.SEAL	031200 968999	1
65	232A1411-3		.SEAL	031200 968999	1
70	232A1411-2		.SEAL	031200 968999	1

MISSING ITEM NUMBERS NOT APPLICABLE

- ITEM NOT ILLUSTRATED

HAP

25-11-21-38

25-11-21
FIG. 38
PAGE 1
OCT 15/08

BOEING
737-600/700/800/900
PARTS CATALOG (MAINTENANCE)

FIG ITEM	PART NUMBER	1 2 3 4 5 6 7	NOMENCLATURE	EFFECT FROM TO	UNITS PER ASSY
38					
75	232A1411-7	. TAPE-HOOK		031200	1
		OPTIONAL PART:		968999	
		232A1411-20			
75	232A1411-20	. TAPE-HOOK		031200	1
		OPTIONAL PART:		968999	
		232A1411-7			
80	232A1411-9	. TAPE-HOOK		031200	1
		OPTIONAL PART:		968999	
		232A1411-22			
80	232A1411-22	. TAPE-HOOK		031200	1
		OPTIONAL PART:		968999	
		232A1411-9			
85	232A1411-13	. TAPE-HOOK		031200	1
		OPTIONAL PART:		968999	
		232A1411-24			
85	232A1411-24	. TAPE-HOOK		031200	1
		OPTIONAL PART:		968999	
		232A1411-13			
90	232A1411-29	. TAPE-HOOK		031200	1
		OPTIONAL PART:		968999	
		232A1411-30			
90	232A1411-30	. TAPE-HOOK		031200	1
		OPTIONAL PART:		968999	
		232A1411-29			
95	232A1411-8	. TAPE-HOOK		031200	1
		OPTIONAL PART:		968999	
		232A1411-21			
95	232A1411-21	. TAPE-HOOK		031200	1
		OPTIONAL PART:		968999	
		232A1411-8			
100	232A1412-3	. PANEL ASSY		031200	1
				968999	
105	NAS1834A3K290	.. INSERT		031200	4
				968999	
110	SL6224-06A	.. INSERT-BLIND		031200	4
		SUPPLIER CODE:		968999	
		V97393			
115	SL6224-3A	.. INSERT-BLIND		031200	6
		SUPPLIER CODE:		968999	
		V97393			

MISSING ITEM NUMBERS NOT APPLICABLE

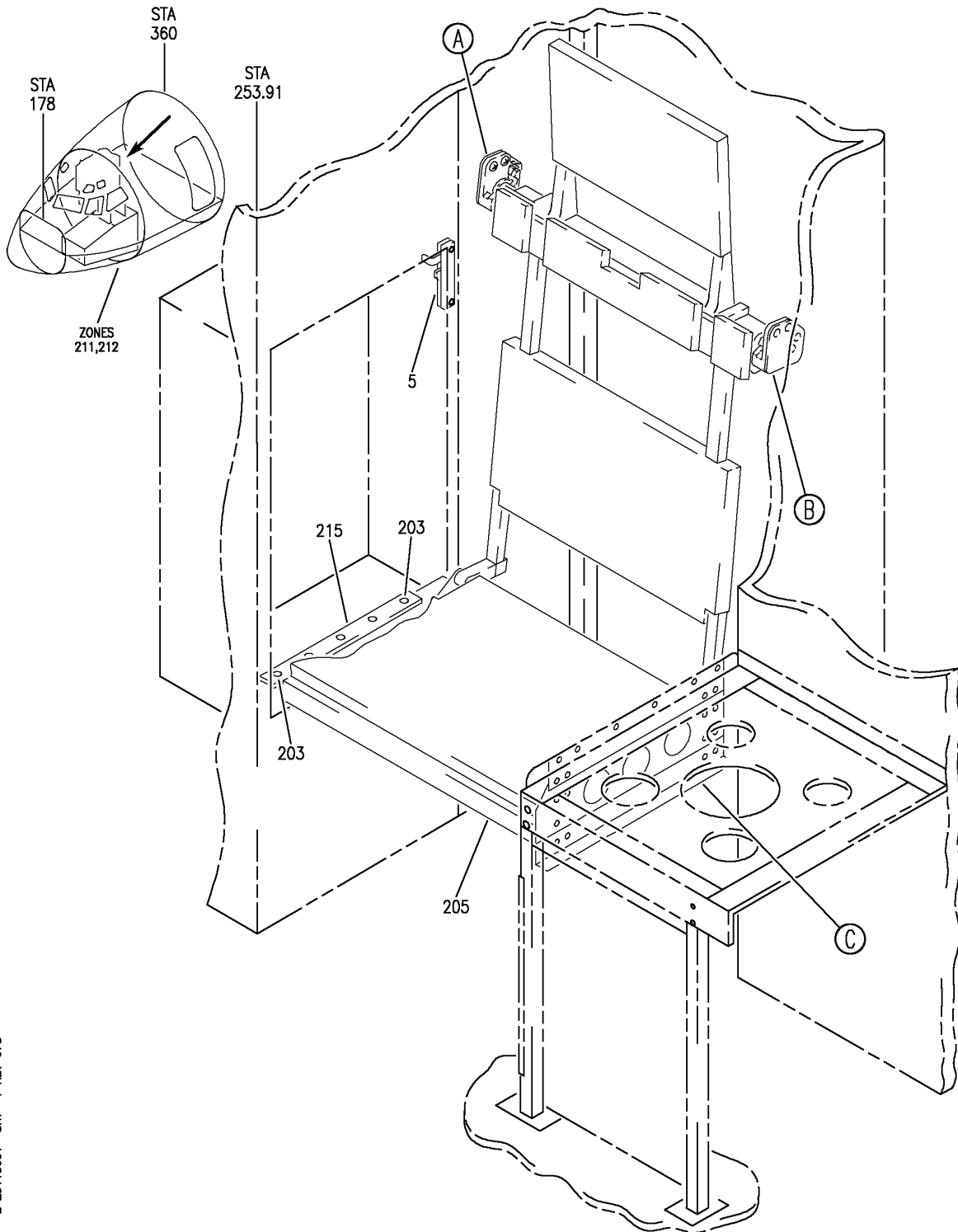
— ITEM NOT ILLUSTRATED

HAP

25-11-21-38

25-11-21
FIG. 38
PAGE 2
OCT 15/08

BOEING
737-600/700/800/900
PARTS CATALOG (MAINTENANCE)



E 25115001 SH1 1 REV 078

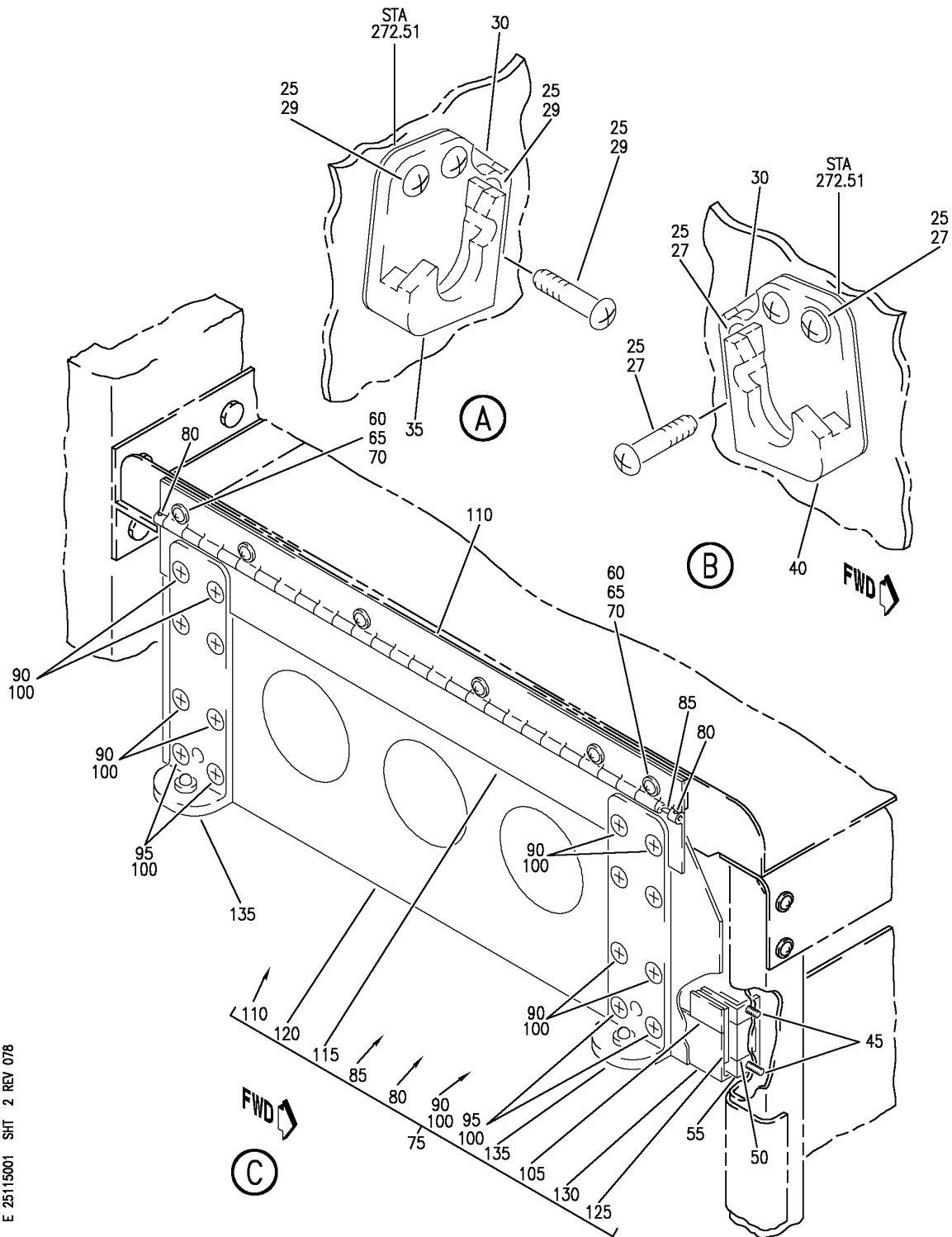
SUPPORT AND SEAT INSTL FIRST OBSERVER
FIGURE 1 (SHEET 1)

25-11-50-01

HAP
OCT 10/06

25-11-50-01
PAGE 0

BOEING
737-600/700/800/900
PARTS CATALOG (MAINTENANCE)



E 25115001 SH1 2 REV 078

SUPPORT AND SEAT INSTL FIRST OBSERVER
 FIGURE 1 (SHEET 2)

25-11-50-01

HAP
 OCT 10/06

25-11-50-01
 PAGE 0A

BOEING
737-600/700/800/900
PARTS CATALOG (MAINTENANCE)

FIG ITEM	PART NUMBER	1 2 3 4 5 6 7	NOMENCLATURE	EFFECT FROM TO	UNITS PER ASSY
1			SUPPORT AND SEAT INSTL FIRST OBSERVER	031200 968999	
- 1	MODREF274755		SUPPORT INSTL-FIRST OBSERVER	031200 968999	1
5	1C3038-1AKP		MODULE NUMBER: 232A3401-7 REV D .LATCH ASSY-	031200 968999	1
			SUPPLIER CODE: V31218 SPECIFICATION NUMBER: S232A312-2		
- 10	BACB30XD3K11		ATTACHING PARTS .BOLT	031200 968999	2
- 15	NAS1149D0316J		.WASHER	031200 968999	2
- 20	PLH53CD		.NUT	031200 968999	2
			SUPPLIER CODE: VF0224 SPECIFICATION NUMBER: BACN10YR3CD OPTIONAL PART: H52732-3CD V15653		
			-----*-----		
27	BACB30NT3K3		.BOLT	031200 968999	4
29	BACB30NT3K6		.BOLT	031200 968999	4
30	232A3403-1		.SHIM	031200 968999	AR
35	1C3018-2AKP		.FITTING-SHOULDER	031200 968999	1
			SUPPLIER CODE: V31218 SPECIFICATION NUMBER: S232A312-4		
40	1C3018-1AKP		.FITTING-SHOULDER	031200 968999	1
			SUPPLIER CODE: V31218 SPECIFICATION NUMBER: S232A312-3		
45	BACS12HJ04K7		.SCREW-	031200 968999	2
50	02-10-301-10		.MAGNET-	031200 968999	1
			SUPPLIER CODE: V94222		
55	232A3504-28		.BRACKET-	031200 968999	1

MISSING ITEM NUMBERS NOT APPLICABLE

- ITEM NOT ILLUSTRATED

HAP

25-11-50-01

25-11-50
FIG. 01
PAGE 1
FEB 15/09

BOEING
737-600/700/800/900
PARTS CATALOG (MAINTENANCE)

FIG ITEM	PART NUMBER	1 2 3 4 5 6 7	NOMENCLATURE	EFFECT FROM TO	UNITS PER ASSY
1					
60	WHS10F9TPKL26GY	.SCREW-	SUPPLIER CODE: V12324 OPTIONAL PART: BACS12FA3K9GR	031200 968999	6
60	BACS12FA3K9GR	.SCREW-	OPTIONAL PART: WHS10F9TPKL26GY V12324	031200 968999	6
65	NAS1149D0316J	.WASHER		031200 968999	6
70	PLH53CD	.NUT	SUPPLIER CODE: VF0224 SPECIFICATION NUMBER: BACN10YR3CD OPTIONAL PART: H52732-3CD V15653	031200 968999	6
75	232A3402-3	.SUPPORT ASSY-		031200 968999	1
80	MS16562-95	..PIN		031200 968999	2
85	MS20253P2-1345	..PIN		031200 968999	1
90	BACB30NN3K2	..BOLT		031200 968999	12
95	BACB30NN3K3	..BOLT		031200 968999	4
100	PLH53CD	..NUT	SUPPLIER CODE: VF0224 SPECIFICATION NUMBER: BACN10YR3CD OPTIONAL PART: H52732-3CD V15653	031200 968999	16
105	BACF3F005G008NC	..FILLER		031200 968999	1
110	65-52858-17	..HINGE-HALF		031200 968999	1
115	65-52858-5	..HINGE-HALF		031200 968999	1
120	65-52858-20	..WEB		031200 968999	1
125	02-14-101-14	..PLATE-STRIKE	SUPPLIER CODE: V94222	031200 968999	1

MISSING ITEM NUMBERS NOT APPLICABLE

- ITEM NOT ILLUSTRATED

HAP

25-11-50-01

BOEING PROPRIETARY - Copyright © - Unpublished Work - See title page for details.

25-11-50
FIG. 01
PAGE 2
FEB 15/09

BOEING
737-600/700/800/900
PARTS CATALOG (MAINTENANCE)

FIG ITEM	PART NUMBER	1 2 3 4 5 6 7	NOMENCLATURE	EFFECT FROM TO	UNITS PER ASSY
1					
130	65-52858-10	..	ANGLE	031200 968999	1
135	1C3035-3AKP	..	FITTING-LOCK SUPPLIER CODE: V31218 SPECIFICATION NUMBER: S232A312-12 QUALIFIED I/W DATA: S232A312-9 SEAT ASSY T/W QUANTITY 2 S232A312-5 FITTINGS REPLACED BY ONE-WAY FORWARD S232A312-11 SEAT ASSY T/W QUANTITY 2 S232A312-12 FITTINGS	031200 968999	2
- 200	MODREF380220		SEAT INSTL-FIRST OBSERVER MODULE NUMBER: 232A3401-6 REV B	047053 105200 973999	1
- 200	MODREF81802		SEAT INSTL-FIRST OBSERVER MODULE NUMBER: 232A3401-6 REV A	031046 054104 968972	1
203	BACB30LU3-3	.	BOLT	031046 054104 968972	5
203	BACB30LH3-4	.	BOLT	047053 105200 973999	5
205	1106-3AB	.	SEAT ASSY- SUPPLIER CODE: V31218 SPECIFICATION NUMBER: S232A312-11 COMPONENT MAINT MANUAL REF: 25-11-07 QUALIFIED I/W DATA: S232A312-9 SEAT ASSY T/W QUANTITY 2 S232A312-5 FITTINGS REPLACED BY ONE-WAY FORWARD S232A312-11 SEAT ASSY T/W QUANTITY 2 S232A312-12 FITTINGS	031200 968999	1
215	232A3403-2	.	SHIM-	031200 968999	1

MISSING ITEM NUMBERS NOT APPLICABLE

- ITEM NOT ILLUSTRATED

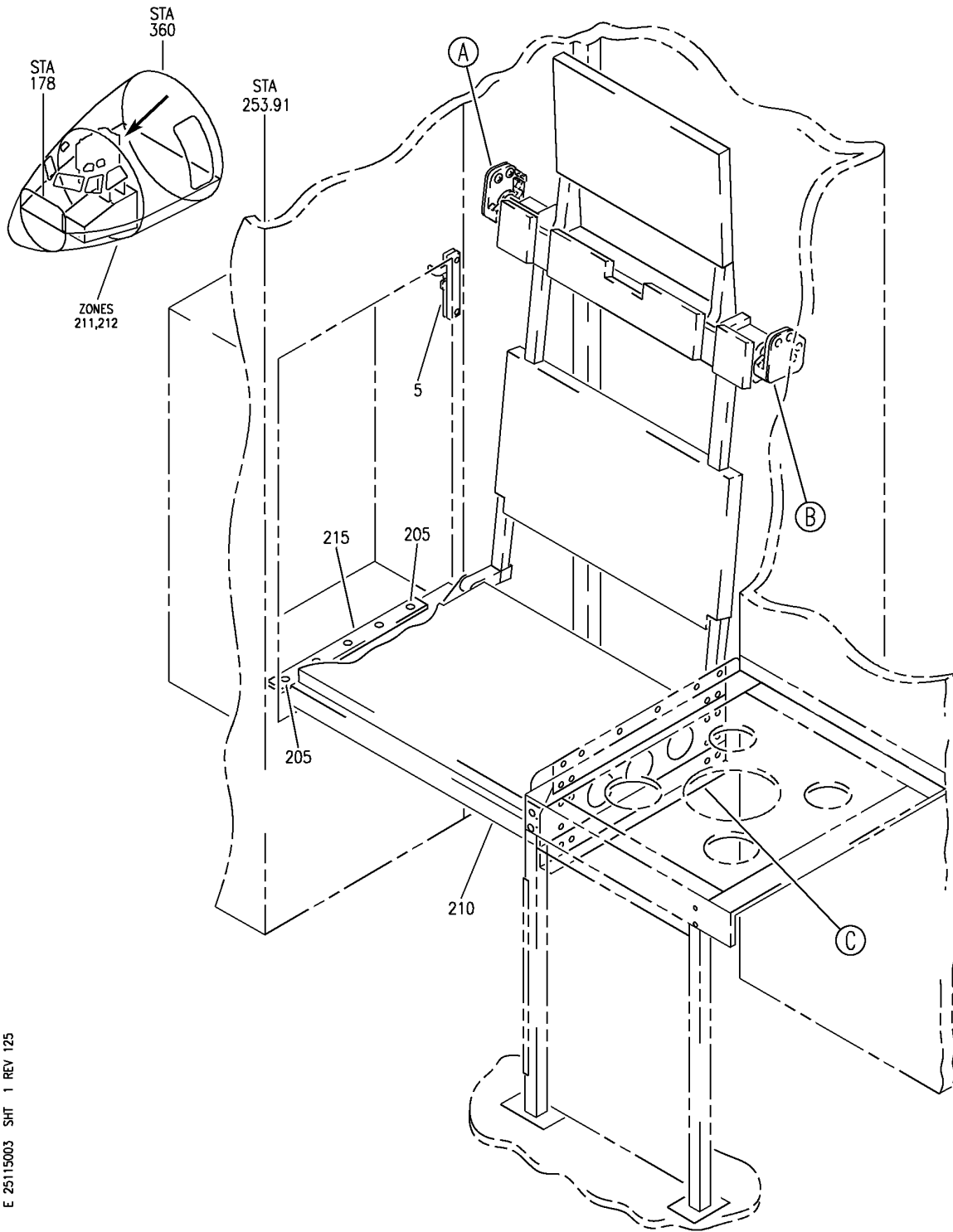
HAP

25-11-50-01

BOEING PROPRIETARY - Copyright © - Unpublished Work - See title page for details.

25-11-50
FIG. 01
PAGE 3
FEB 15/09

BOEING
737-600/700/800/900
PARTS CATALOG (MAINTENANCE)



E 25115003 SH1 1 REV 125

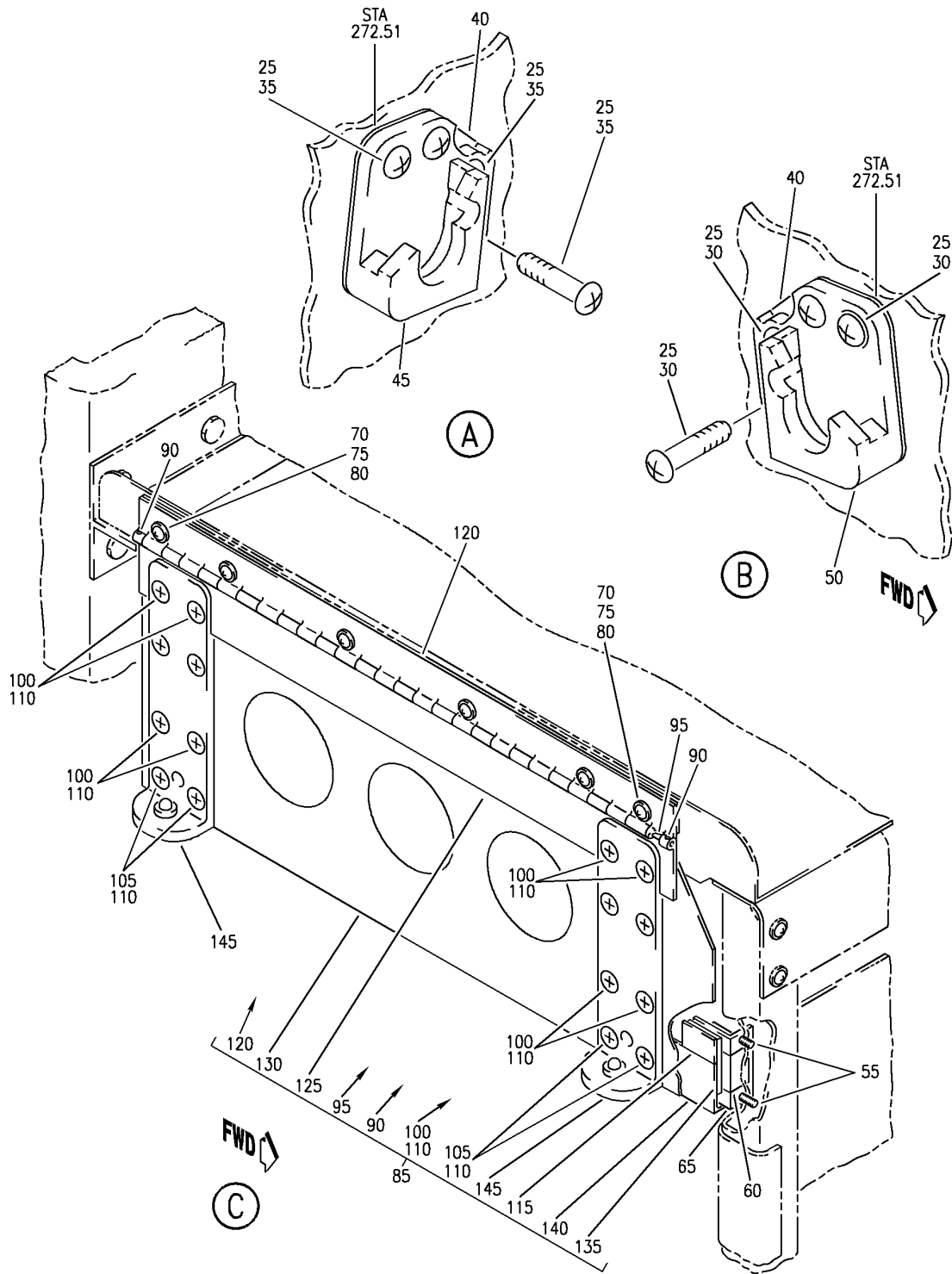
SUPPORT AND SEAT INSTL FIRST OBSERVER
FIGURE 3 (SHEET 1)

25-11-50-03

HAP
FEB 10/07

25-11-50-03
PAGE 0

BOEING
 737-600/700/800/900
 PARTS CATALOG (MAINTENANCE)



E 25115003 SHT 2 REV 125

SUPPORT AND SEAT INSTL FIRST OBSERVER
 FIGURE 3 (SHEET 2)

25-11-50-03

HAP
 FEB 10/07

25-11-50-03
 PAGE 0A

BOEING
737-600/700/800/900
PARTS CATALOG (MAINTENANCE)

FIG ITEM	PART NUMBER	1 2 3 4 5 6 7	NOMENCLATURE	EFFECT FROM TO	UNITS PER ASSY
3			SUPPORT AND SEAT INSTL FIRST OBSERVER	001030 201967	
- 1	232A3401-1		SUPPORT INSTL-FIRST OBSERVER FOR NHA SEE: 25-10-00-03	001007	RF
- 1	232A3401-3		SUPPORT INSTL-FIRST OBSERVER FOR NHA SEE: 25-10-00-03	008030 201967	RF
5	1C3038-1AKP		.LATCH ASSY- SUPPLIER CODE: V31218 SPECIFICATION NUMBER: S232A312-2	001030 201967	1
- 10	BACB30NN3K11		ATTACHING PARTS .BOLT	001030 201967	2
- 15	NAS1149D0316J		.WASHER	001030 201967	2
- 20	PLH53CD		.NUT SUPPLIER CODE: VF0224 SPECIFICATION NUMBER: BACN10YR3CD OPTIONAL PART: H52732-3CD V15653	001030 201967	2
25	BACB30NT3K3		-----*----- .BOLT	001030 201967	8
40	232A3403-1		.SHIM	001030 201967	AR
45	1C3018-2AKP		.FITTING-SHOULDER SUPPLIER CODE: V31218 SPECIFICATION NUMBER: S232A312-4	001030 201967	1
50	1C3018-1AKP		.FITTING-SHOULDER SUPPLIER CODE: V31218 SPECIFICATION NUMBER: S232A312-3	001030 201967	1
55	NAS8200A7		.SCREW	001030 201967	2
60	02-10-301-10		.MAGNET- SUPPLIER CODE: V94222	001030 201967	1

MISSING ITEM NUMBERS NOT APPLICABLE

- ITEM NOT ILLUSTRATED

HAP

25-11-50-03

BOEING PROPRIETARY - Copyright © - Unpublished Work - See title page for details.

25-11-50
FIG. 03
PAGE 1
FEB 15/09

BOEING
737-600/700/800/900
PARTS CATALOG (MAINTENANCE)

FIG ITEM	PART NUMBER	1 2 3 4 5 6 7	NOMENCLATURE	EFFECT FROM TO	UNITS PER ASSY
3					
65	02-16-301-11	.BRACKET-		001030	1
		SUPPLIER CODE:		201967	
		V94222			
70	BACS12FA3K8GR	.SCREW-		001007	6
		OPTIONAL PART:			
		WHS10F8TPKL26GY			
		V12324			
70	WHS10F8TPKL26GY	.SCREW-		008030	6
		SUPPLIER CODE:		201967	
		V12324			
		OPTIONAL PART:			
		BACS12FA3K8GR			
75	NAS1149D0316J	.WASHER		001030	6
				201967	
80	PLH53CD	.NUT		001030	6
		SUPPLIER CODE:		201967	
		VF0224			
		SPECIFICATION NUMBER:			
		BACN10YR3CD			
		OPTIONAL PART:			
		H52732-3CD			
		V15653			
85	232A3402-1	.SUPPORT ASSY		001007	1
85	232A3402-2	.SUPPORT ASSY		008030	1
				201967	
90	MS16562-95	..PIN		001030	2
				201967	
95	MS20253P2-1345	..PIN		001030	1
				201967	
100	BACB30NN3K2	..BOLT		001030	12
				201967	
105	BACB30NN3K3	..BOLT		001030	4
				201967	
110	PLH53CD	..NUT		001030	16
		SUPPLIER CODE:		201967	
		VF0224			
		SPECIFICATION NUMBER:			
		BACN10YR3CD			
		OPTIONAL PART:			
		H52732-3CD			
		V15653			
115	BACF3F005G008NC	..FILLER		001030	1
				201967	
120	65-52858-17	..HINGE-HALF		001030	1
				201967	
125	65-52858-5	..HINGE-HALF		001030	1
				201967	
130	65-52858-20	..WEB		001030	1
				201967	

MISSING ITEM NUMBERS NOT APPLICABLE

— ITEM NOT ILLUSTRATED

HAP

25-11-50-03

25-11-50
FIG. 03
PAGE 2
FEB 15/09

BOEING
737-600/700/800/900
PARTS CATALOG (MAINTENANCE)

FIG ITEM	PART NUMBER	1 2 3 4 5 6 7	NOMENCLATURE	EFFECT FROM TO	UNITS PER ASSY
3					
135	02-14-101-14	..	PLATE-STRIKE SUPPLIER CODE: V94222	001030 201967	1
140	65-52858-10	..	ANGLE	001030 201967	1
145	1C3035-1	..	FITTING-LOCK SUPPLIER CODE: V31218 SPECIFICATION NUMBER: S232A312-5 QUALIFIED I/W DATA: S232A312-9 SEAT ASSY T/W QUANTITY 2 S232A312-5 FITTINGS REPLACED BY ONE-WAY FORWARD S232A312-11 SEAT ASSY T/W QUANTITY 2 S232A312-12 FITTINGS	001007	2
145	1C3035-3AKP	..	FITTING-LOCK SUPPLIER CODE: V31218 SPECIFICATION NUMBER: S232A312-12 QUALIFIED I/W DATA: S232A312-9 SEAT ASSY T/W QUANTITY 2 S232A312-5 FITTINGS REPLACED BY ONE-WAY FORWARD S232A312-11 SEAT ASSY T/W QUANTITY 2 S232A312-12 FITTINGS	008030 201967	2
- 200	232A3401-2		SEAT INSTL-FIRST OBSERVER FOR NHA SEE: 25-10-00-03	001007	RF
- 200	232A3401-4		SEAT INSTL-FIRST OBSERVER FOR NHA SEE: 25-10-00-03	008022 201967	RF
- 200	232A3401-6		SEAT INSTL-FIRST OBSERVER FOR NHA SEE: 25-10-00-03	023030	RF
205	BACB30LU3-3	.	BOLT	001030 201967	5

MISSING ITEM NUMBERS NOT APPLICABLE

- ITEM NOT ILLUSTRATED

HAP

25-11-50-03

BOEING PROPRIETARY - Copyright © - Unpublished Work - See title page for details.

25-11-50
FIG. 03
PAGE 3
OCT 15/08

BOEING
737-600/700/800/900
PARTS CATALOG (MAINTENANCE)

FIG ITEM	PART NUMBER	1 2 3 4 5 6 7	NOMENCLATURE	EFFECT FROM TO	UNITS PER ASSY
3 210	1106-1AB		.SEAT ASSY- SUPPLIER CODE: V31218 SPECIFICATION NUMBER: S232A312-9 COMPONENT MAINT MANUAL REF: 25-11-07 QUALIFIED I/W DATA: S232A312-9 SEAT ASSY T/W QUANTITY 2 S232A312-5 FITTINGS REPLACED BY ONE-WAY FORWARD S232A312-11 SEAT ASSY T/W QUANTITY 2 S232A312-12 FITTINGS FOR DETAILS SEE: 25-11-50-04	001007	1
210	1106-3AB		.SEAT ASSY- SUPPLIER CODE: V31218 SPECIFICATION NUMBER: S232A312-11 COMPONENT MAINT MANUAL REF: 25-11-07 QUALIFIED I/W DATA: S232A312-9 SEAT ASSY T/W QUANTITY 2 S232A312-5 FITTINGS REPLACED BY ONE-WAY FORWARD S232A312-11 SEAT ASSY T/W QUANTITY 2 S232A312-12 FITTINGS FOR DETAILS SEE: 25-11-50-04A	008030 201967	1
215	BACF3T01D00-11		.SHIM	008022 201967	1
215	232A3403-2		.SHIM	023030	1

MISSING ITEM NUMBERS NOT APPLICABLE

— ITEM NOT ILLUSTRATED

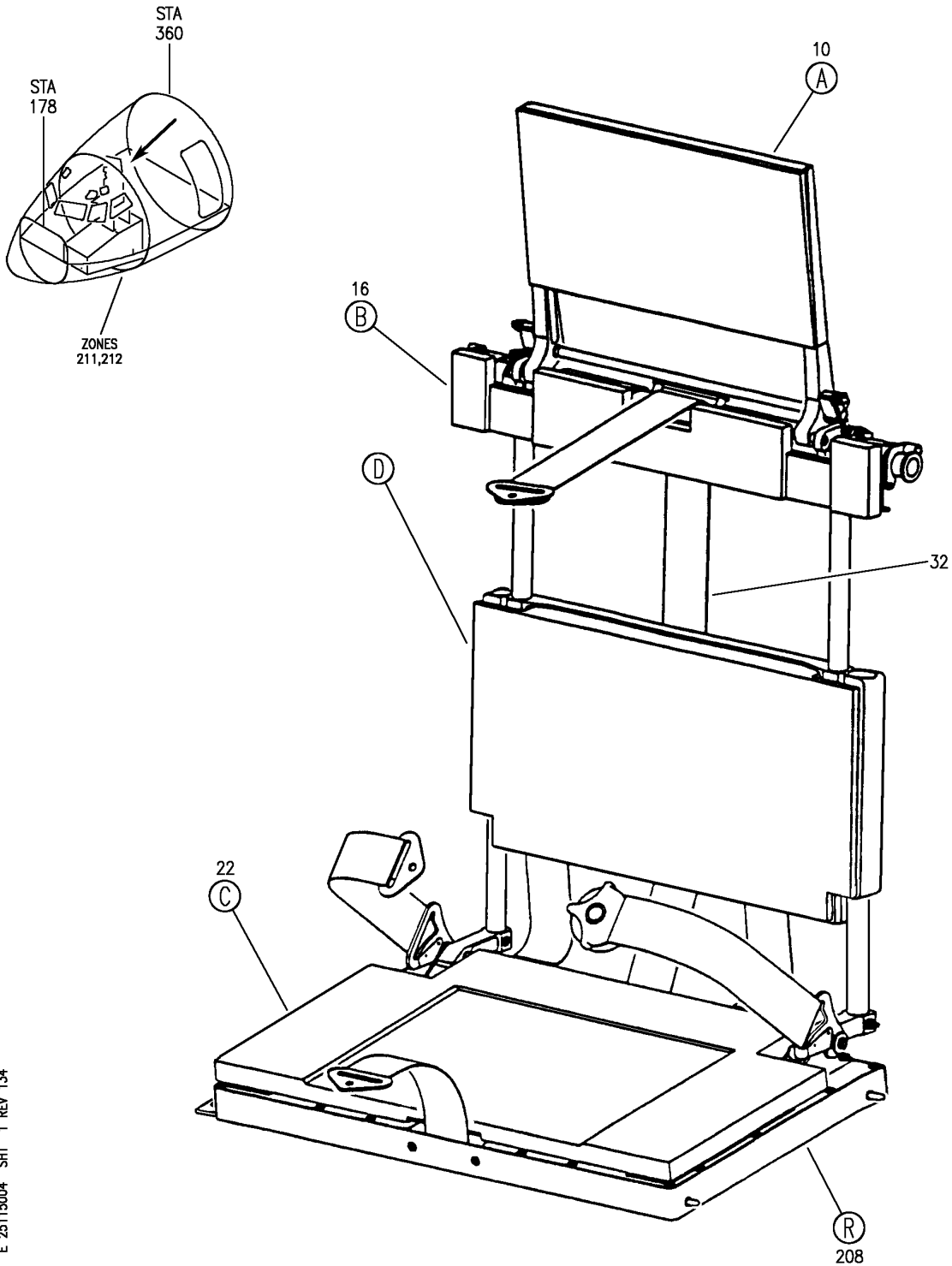
HAP

25-11-50-03

BOEING PROPRIETARY - Copyright © - Unpublished Work - See title page for details.

25-11-50
FIG. 03
PAGE 4
OCT 15/08

BOEING
737-600/700/800/900
PARTS CATALOG (MAINTENANCE)



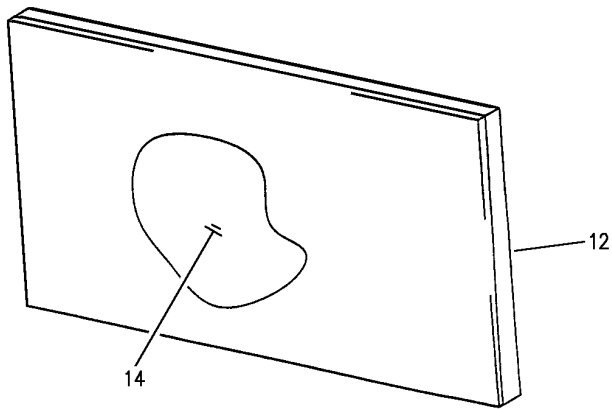
E 25115004 SH1 1 REV 134

SEAT ASSY-FIRST OBSERVER
FIGURE 4 (SHEET 1)

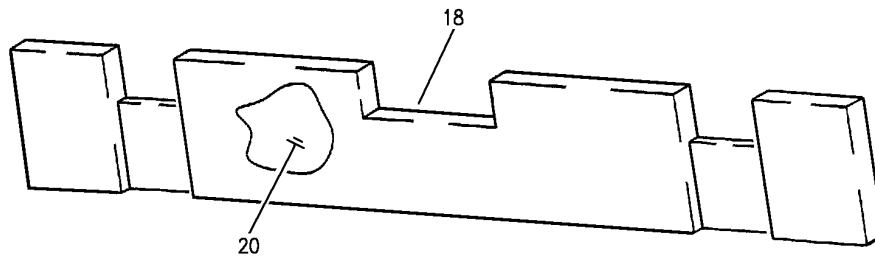
25-11-50-04

HAP
OCT 10/07

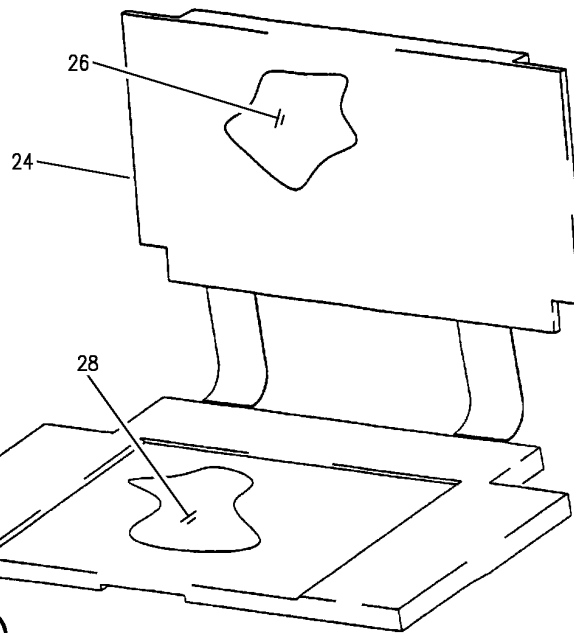
25-11-50-04
PAGE 0



(A)



(B)



(C)

E 25115004 SH1 2 REV 134

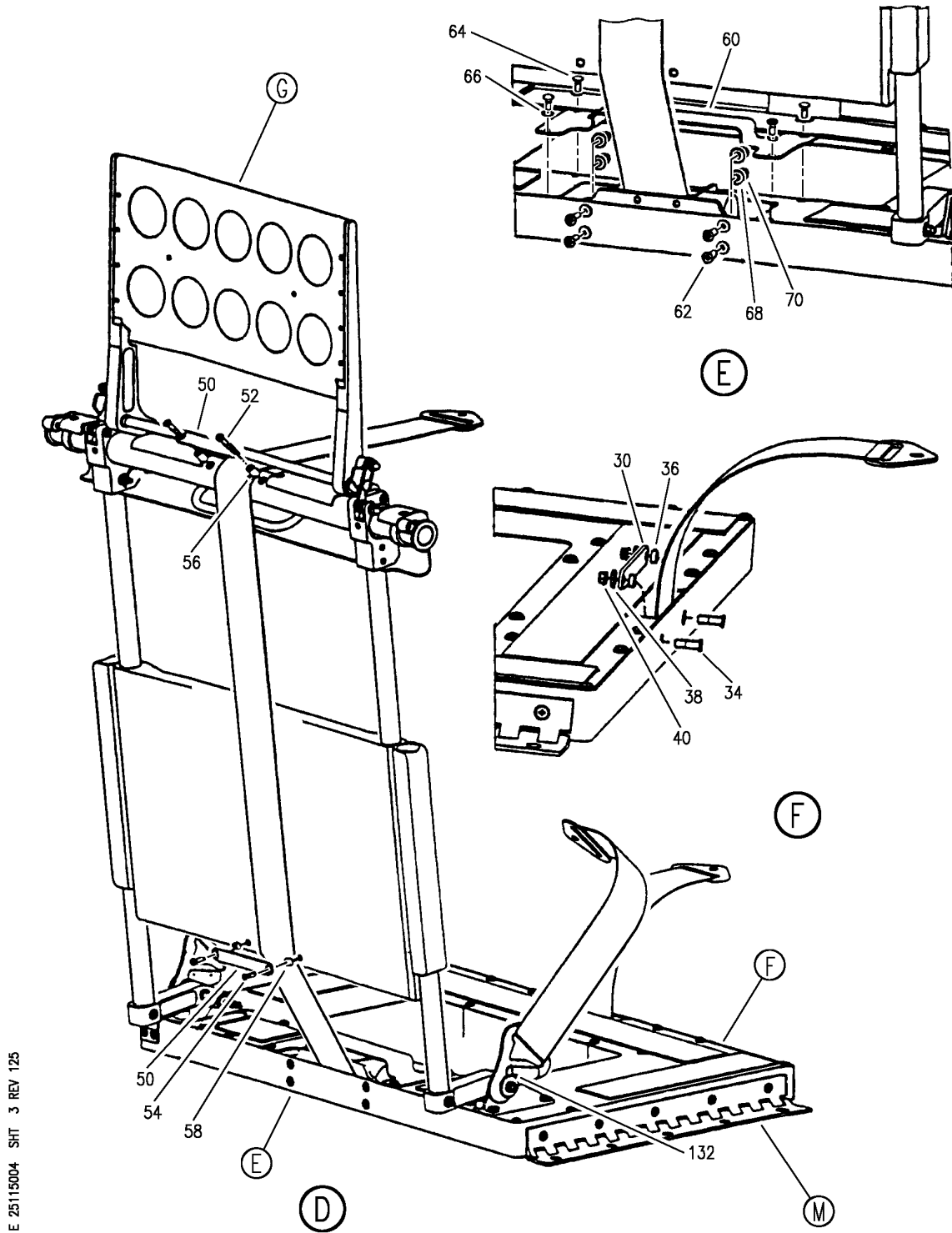
SEAT ASSY-FIRST OBSERVER
FIGURE 4 (SHEET 2)

25-11-50-04

HAP
OCT 10/07

25-11-50-04
PAGE 0A

BOEING
 737-600/700/800/900
 PARTS CATALOG (MAINTENANCE)



E 25115004 SHT 3 REV 125

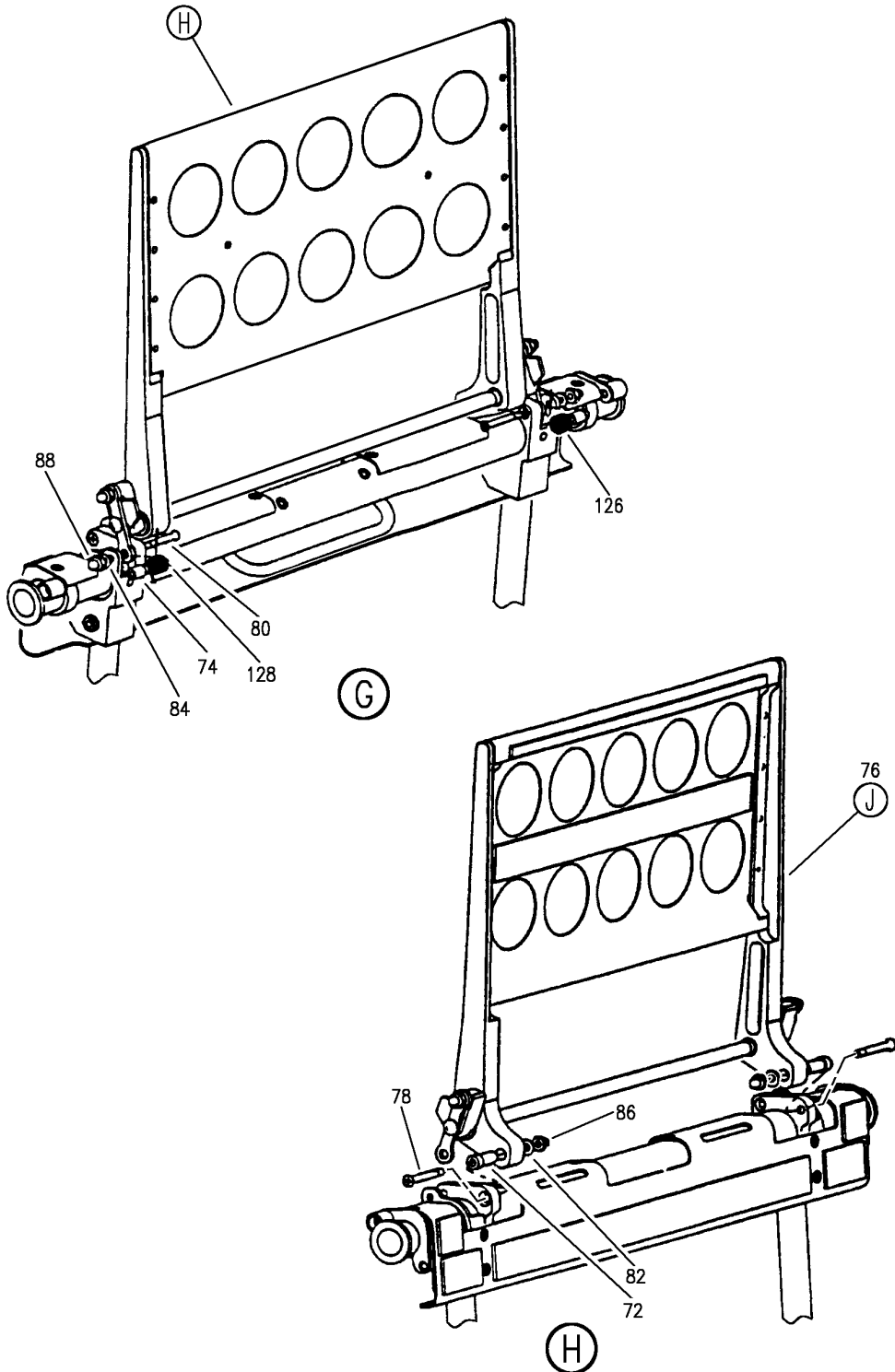
SEAT ASSY-FIRST OBSERVER
 FIGURE 4 (SHEET 3)

25-11-50-04

HAP
 FEB 10/07

25-11-50-04
 PAGE 0B

BOEING
 737-600/700/800/900
 PARTS CATALOG (MAINTENANCE)



E 25115004 SHT 4 REV 125

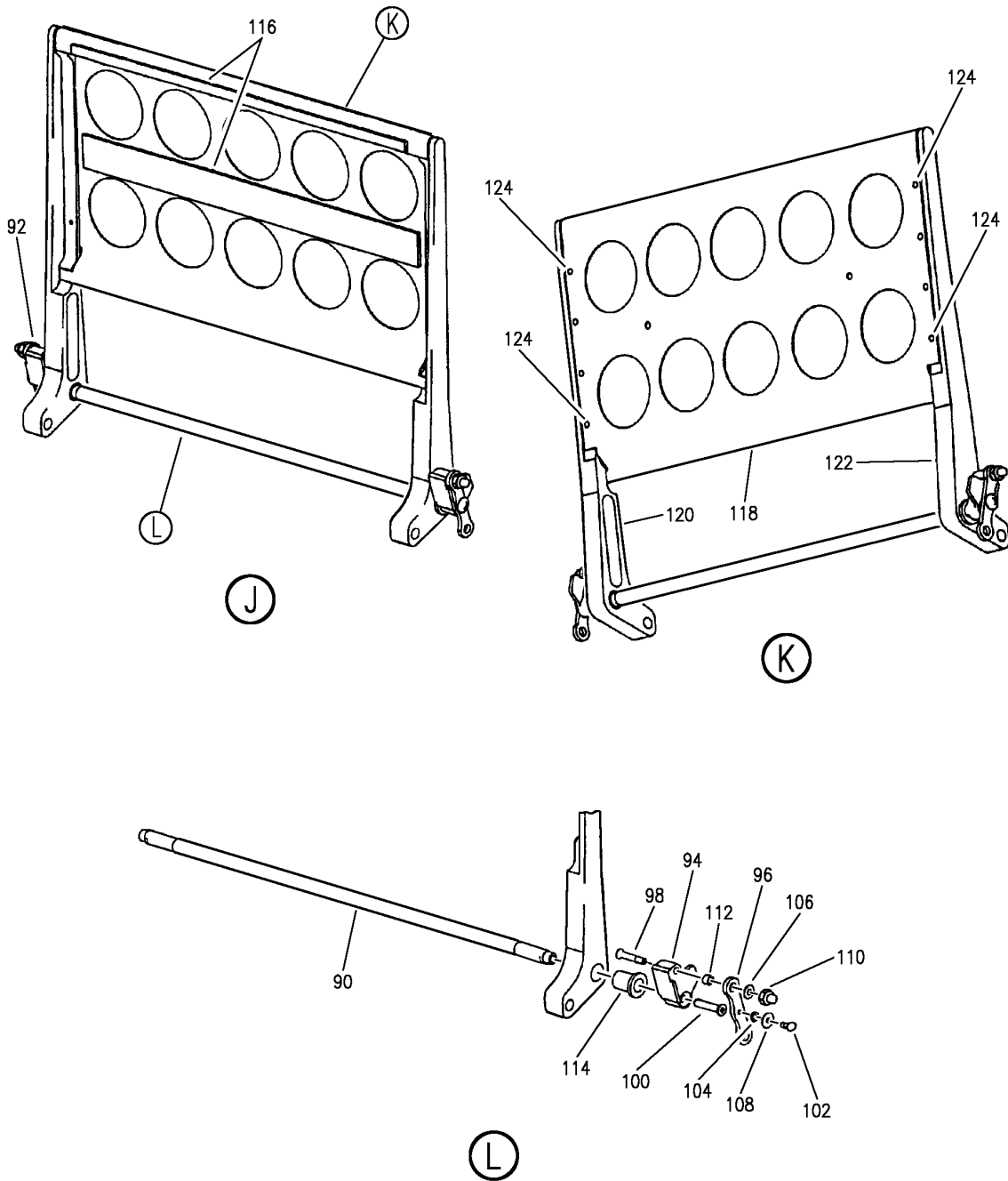
SEAT ASSY-FIRST OBSERVER
 FIGURE 4 (SHEET 4)

25-11-50-04

HAP
 FEB 10/07

25-11-50-04
 PAGE 0C

BOEING
 737-600/700/800/900
 PARTS CATALOG (MAINTENANCE)



E 25115004 SH1 5 REV 134

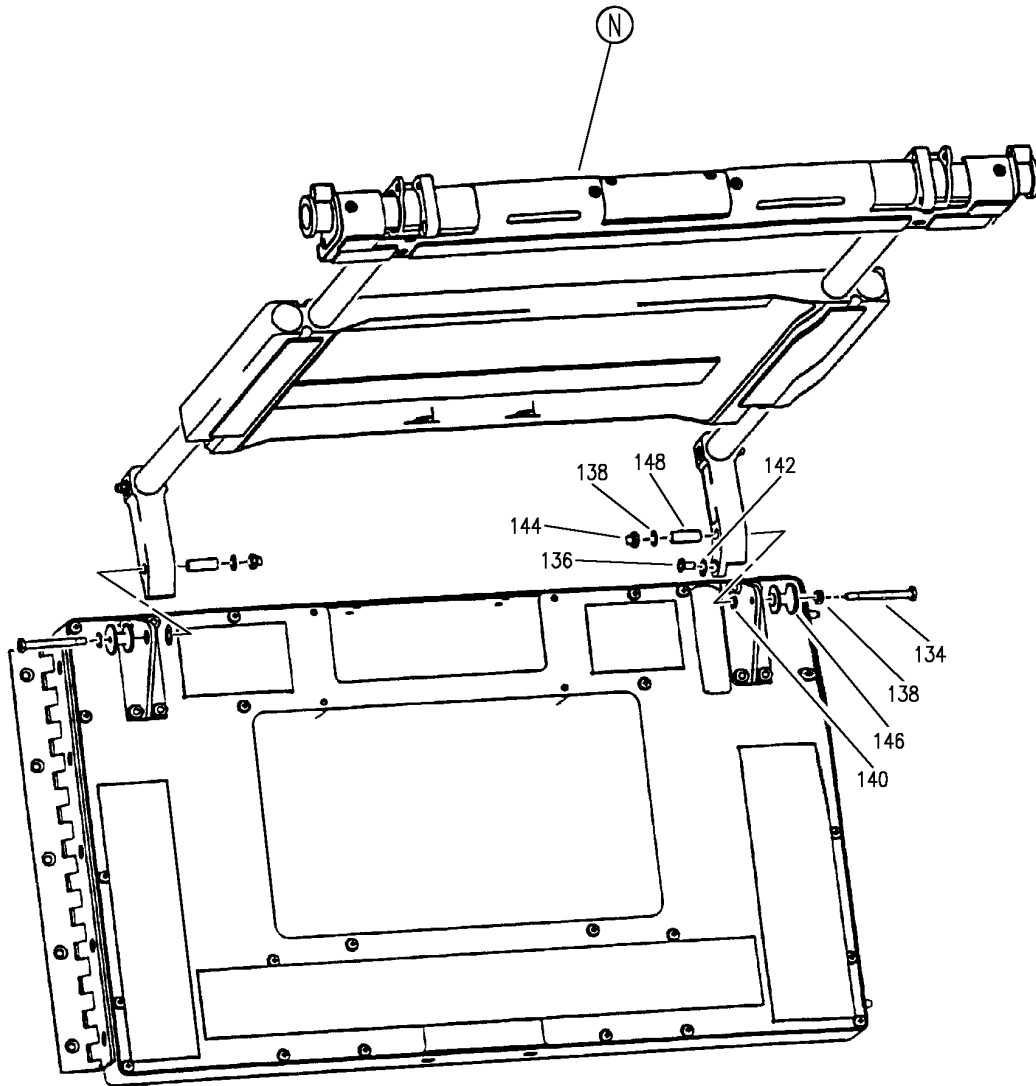
SEAT ASSY-FIRST OBSERVER
 FIGURE 4 (SHEET 5)

25-11-50-04

HAP
 OCT 10/07

25-11-50-04
 PAGE 0D

BOEING
737-600/700/800/900
PARTS CATALOG (MAINTENANCE)



(M)

E 25115004 SHT 6 REV 125

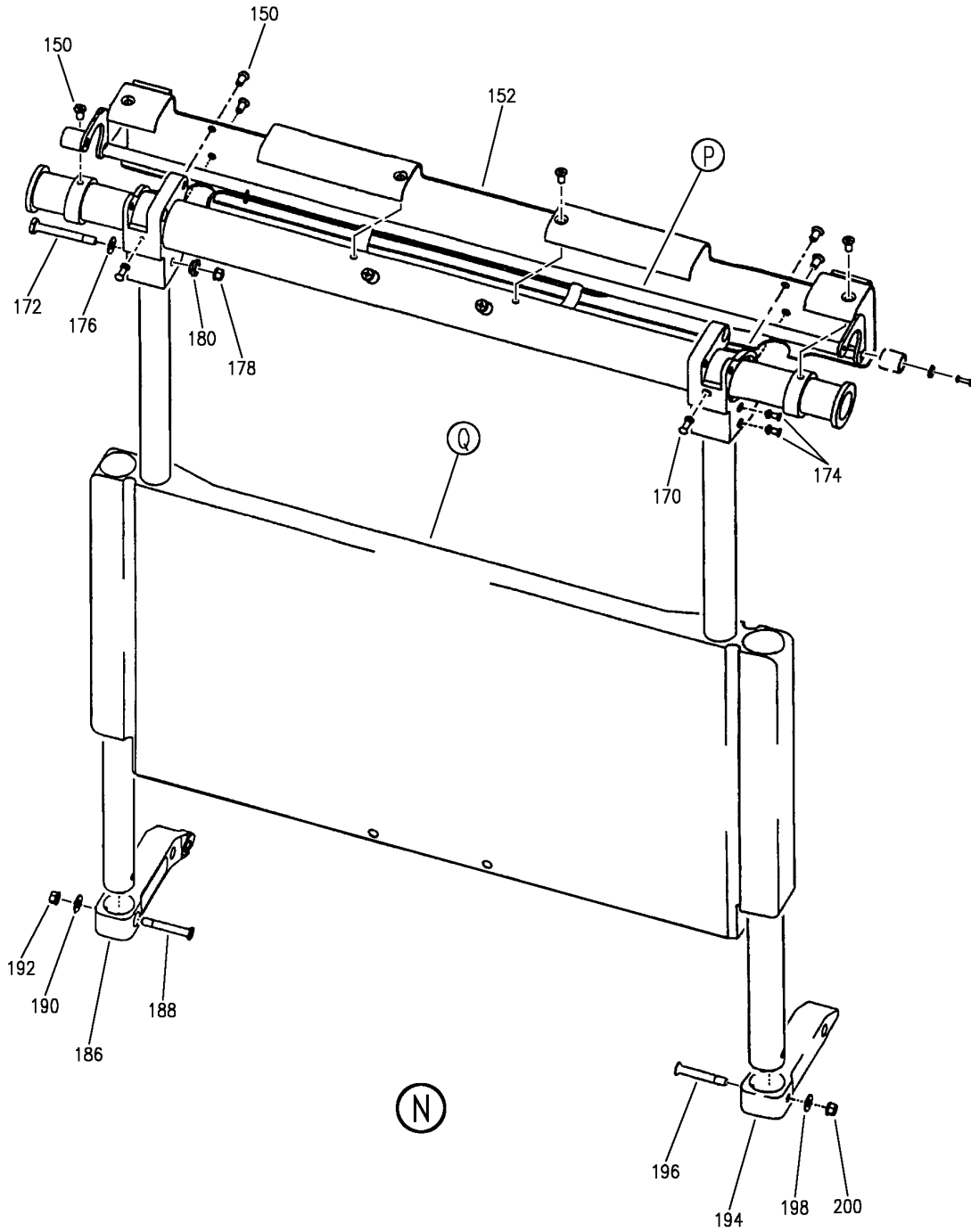
SEAT ASSY-FIRST OBSERVER
FIGURE 4 (SHEET 6)

25-11-50-04

HAP
FEB 10/07

25-11-50-04
PAGE 0E

BOEING
737-600/700/800/900
PARTS CATALOG (MAINTENANCE)



E 25115004 SHT 7 REV 134

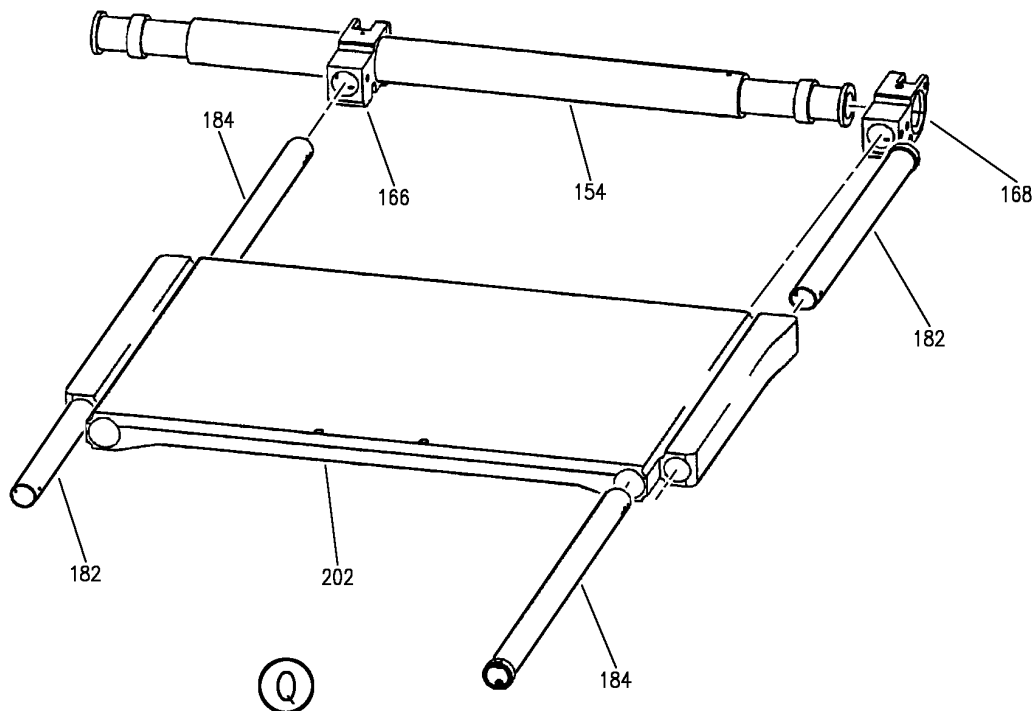
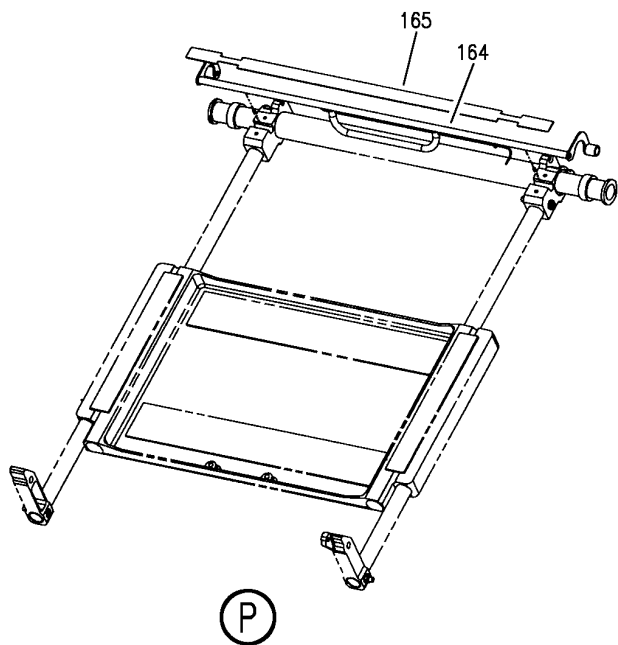
SEAT ASSY-FIRST OBSERVER
FIGURE 4 (SHEET 7)

25-11-50-04

HAP
OCT 10/07

25-11-50-04
PAGE OF

BOEING
737-600/700/800/900
PARTS CATALOG (MAINTENANCE)



E 25115004 SHT 8 REV 134

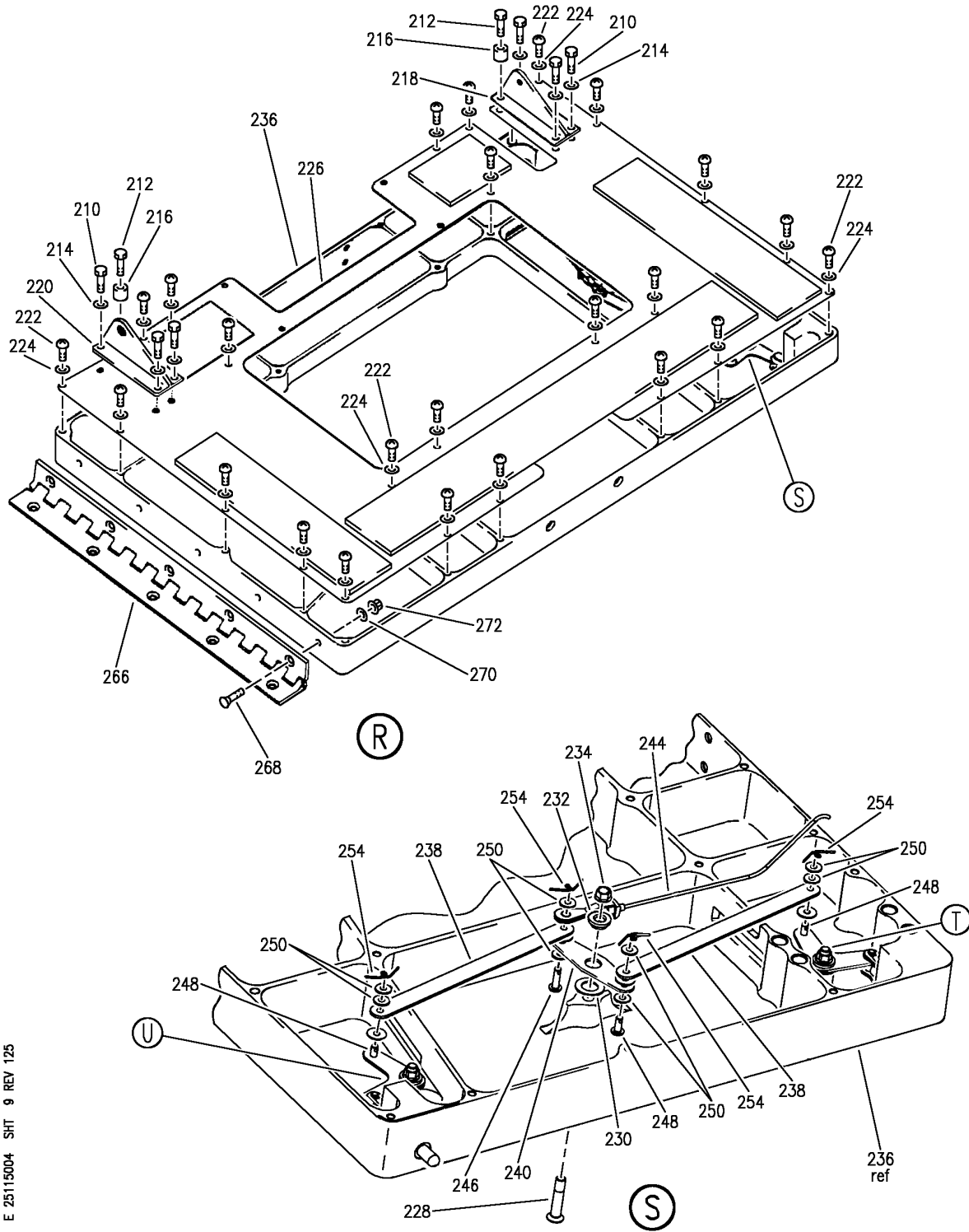
SEAT ASSY-FIRST OBSERVER
FIGURE 4 (SHEET 8)

25-11-50-04

HAP
OCT 10/07

25-11-50-04
PAGE 06

BOEING
737-600/700/800/900
PARTS CATALOG (MAINTENANCE)



E 25115004 SHT 9 REV 125

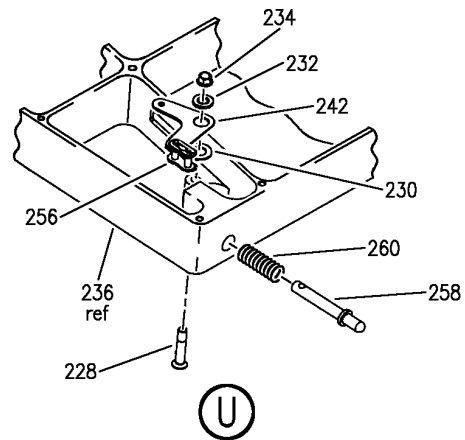
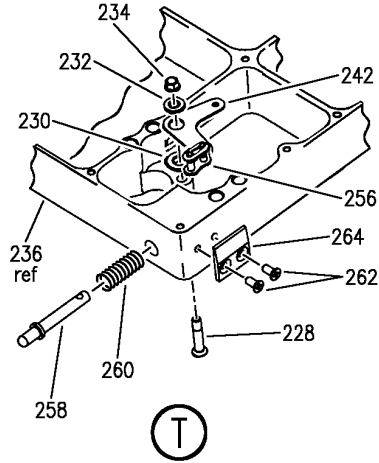
SEAT ASSY-FIRST OBSERVER
 FIGURE 4 (SHEET 9)

25-11-50-04

HAP
 FEB 10/07

25-11-50-04
 PAGE 0H

BOEING
 737-600/700/800/900
 PARTS CATALOG (MAINTENANCE)



E 25115004 SH1 10 REV 134

SEAT ASSY-FIRST OBSERVER
 FIGURE 4 (SHEET 10)

25-11-50-04

HAP
 OCT 10/07

25-11-50-04
 PAGE 01

BOEING
737-600/700/800/900
PARTS CATALOG (MAINTENANCE)

FIG ITEM	PART NUMBER	1 2 3 4 5 6 7	NOMENCLATURE	EFFECT FROM TO	UNITS PER ASSY
4			SEAT ASSY-FIRST OBSERVER	001007	
- 1	1106-1AB		SEAT ASSY-FIRST OBSERVER SUPPLIER CODE: V31218 SPECIFICATION NUMBER: S232A312-9 COMPONENT MAINT MANUAL REF: 25-11-07 QUALIFIED I/W DATA: S232A312-9 SEAT ASSY T/W QUANTITY 2 S232A312-5 FITTINGS REPLACED BY ONE-WAY FORWARD S232A312-11 SEAT ASSY T/W QUANTITY 2 S232A312-12 FITTINGS FOR NHA SEE: 25-11-50-03	001007	RF
10	1C7018-1ABE		.CUSHION AND COVER ASSY- HEADREST SUPPLIER CODE: V31218	001007	1
12	1C7018-11ABE		..COVER-HEADREST SUPPLIER CODE: V31218	001007	1
14	1C7014-1		..CUSHION-HEADREST SUPPLIER CODE: V31218	001007	1
16	1C7004-1ABE		.CUSHION AND COVER ASSY- BACKREST SUPPLIER CODE: V31218 POSITION DATA: UPR	001007	1
18	1C7004-11ABE		..COVER-BACKREST SUPPLIER CODE: V31218 POSITION DATA: UPR	001007	1
20	1C7015-1		..CUSHION-BACKREST SUPPLIER CODE: V31218 POSITION DATA: UPR	001007	1

MISSING ITEM NUMBERS NOT APPLICABLE

- ITEM NOT ILLUSTRATED

HAP

25-11-50-04

BOEING PROPRIETARY - Copyright © - Unpublished Work - See title page for details.

25-11-50
FIG. 04
PAGE 1
OCT 10/07

BOEING
737-600/700/800/900
PARTS CATALOG (MAINTENANCE)

FIG ITEM	PART NUMBER	1 2 3 4 5 6 7	NOMENCLATURE	EFFECT FROM TO	UNITS PER ASSY
4					
22	1C7003-1ABE	.	CUSHION AND COVER ASSY- BACKREST SUPPLIER CODE: V31218 POSITION DATA: BOTTOM	001007	1
24	1C7003-11ABE	..	COVER- SUPPLIER CODE: V31218 POSITION DATA: BOTTOM	001007	1
26	1C7003-31	..	CUSHION-FIREBLOCKED SUPPLIER CODE: V31218	001007	1
28	1C7003-21	..	CUSHION-FIREBLOCKED SUPPLIER CODE: V31218	001007	1
30	1B1146-1	.	CLAMP-BELT SUPPLIER CODE: V31218	001007	1
32	2100011-03	.	RESTRAINT SYSTEM ASSY- SUPPLIER CODE: V45402 ATTACHING PARTS	001007	1
34	NAS1203-6	.	BOLT	001007	2
36	NAS43DD3-8	.	SPACER	001007	2
38	NAS1149F0363P	.	WASHER	001007	2
40	MS21042-3	.	NUT	001007	2
			-----*-----		
50	1C3023-1AKP	.	RETAINER-WEBBING SUPPLIER CODE: V31218 ATTACHING PARTS	001007	2
52	NAS1202-7	.	BOLT	001007	2
54	NAS1202-3	.	BOLT	001007	2
56	NAS43DD3-28	.	SPACER	001007	2
58	NAS43DD3-10	.	SPACER	001007	2
			-----*-----		
60	1C2030-1AKP	.	COVER REEL- SUPPLIER CODE: V31218 ATTACHING PARTS	001007	1
62	NAS1203-5	.	BOLT	001007	4
64	NAS623-2-2	.	SCREW	001007	4
66	NAS1149FN832P	.	WASHER	001007	4
68	NAS1149F0332P	.	WASHER	001007	4
70	MS21042-3	.	NUT	001007	4
			-----*-----		

MISSING ITEM NUMBERS NOT APPLICABLE

— ITEM NOT ILLUSTRATED

HAP

25-11-50-04

25-11-50
FIG. 04
PAGE 2
OCT 10/07

BOEING
737-600/700/800/900
PARTS CATALOG (MAINTENANCE)

FIG ITEM	PART NUMBER	1 2 3 4 5 6 7	NOMENCLATURE	EFFECT FROM TO	UNITS PER ASSY
4					
72	1C5011-1	.	BUSHING-PIVOT SUPPLIER CODE: V31218	001007	2
74	1C3033-1	.	BUSHING-PIVOT SUPPLIER CODE: V31218	001007	2
76	1C5005-1AKP	.	HEADREST ASSY- SUPPLIER CODE: V31218 ATTACHING PARTS	001007	1
78	NAS1203-20	.	SCREW	001007	2
80	NAS1202-16	.	SCREW	001007	2
82	NAS1149F0332P	.	WASHER	001007	2
84	NAS1149FN832P	.	WASHER	001007	2
86	22K1-02	.	NUT-CAP METAL HEXAGON 250 SUPPLIER CODE: V72962	001007	2
88	22K1-82	.	NUT-CAP METAL SUPPLIER CODE: V72962 -----*-----	001007	2
90	1C5013-1	..	TUBE-LEVER HEADREST SUPPLIER CODE: V31218	001007	1
92	1C5012-1	..	LINK-HEADREST RELEASE SUPPLIER CODE: V31218	001007	1
94	1C5012-2	..	LINK-HEADREST RELEASE SUPPLIER CODE: V31218	001007	1
96	1C5014-1	..	LINK-HEADREST LONG SUPPLIER CODE: V31218 ATTACHING PARTS	001007	1
98	NAS1202-10	..	SCREW	001007	2
100	MS24694S51	..	SCREW	001007	2
102	MS20426AD45	..	RIVET	001007	2
104	NAS42DD4-4	..	SPACER	001007	2
106	NAS1149FN832P	..	WASHER	001007	2
108	NAS1149FN516P	..	WASHER	001007	2
110	22K1-82	..	NUT-CAP METAL SUPPLIER CODE: V72962 -----*-----	001007	2
112	1C5027-1	..	BUSHING- SUPPLIER CODE: V31218	001007	2

MISSING ITEM NUMBERS NOT APPLICABLE

— ITEM NOT ILLUSTRATED

HAP

25-11-50-04

BOEING PROPRIETARY - Copyright © - Unpublished Work - See title page for details.

25-11-50
FIG. 04
PAGE 3
OCT 10/07

BOEING
737-600/700/800/900
PARTS CATALOG (MAINTENANCE)

FIG ITEM	PART NUMBER	1 2 3 4 5 6 7	NOMENCLATURE	EFFECT FROM TO	UNITS PER ASSY
4					
114	FB68-5	..	BUSHING- SUPPLIER CODE: V31218	001007	2
116	SJ3526GRY1ADH	..	HOOK-ADH VELCRO GRAY SUPPLIER CODE: V5J466	001007	AR
118	1C5010-1	..	PANEL-HEADREST SUPPLIER CODE: V31218	001007	1
120	1C5009-1	..	SUPPORT-HEADREST SUPPLIER CODE: V31218	001007	1
122	1C5009-2	..	SUPPORT-HEADREST SUPPLIER CODE: V31218	001007	1
124	MS20600ADAW3	..	ATTACHING PARTS RIVET -----*-----	001007	8
126	T038-270-312L	.TORSION SPRING- SUPPLIER CODE: V31218		001007	1
128	T038-270-312R	.TORSION SPRING- SUPPLIER CODE: V31218		001007	1
132	MS24665-283	.PIN		001007	2
134	NAS6203-24	.BOLT		001007	1
136	NAS623-3-1	.SCREW		001007	1
138	NAS1149F0332P	.WASHER		001007	4
140	NAS1149F0516P	.WASHER		001007	2
142	S41038SAD065A	.WASHER- SUPPLIER CODE: V31218		001007	1
144	22K2-02	.NUT-CAP METAL HEXAGON 250 SUPPLIER CODE: V72962		001007	2
146	2C1009-1	.FITTING-LAP BELT SUPPLIER CODE: V31218		001007	2
148	S40104-8JPTAH	.BUSHING- SUPPLIER CODE: V31218		001007	1
- 149	1C3013-1AKP	.BACKREST ASSY- SUPPLIER CODE: V31218		001007	1
150	NAS1202-1	.. SCREW		001007	8
152	1C3020-1AKP	.. CHANNEL-BACKREST SUPPLIER CODE: V31218		001007	1

MISSING ITEM NUMBERS NOT APPLICABLE

- ITEM NOT ILLUSTRATED

HAP

25-11-50-04

25-11-50
FIG. 04
PAGE 4
OCT 10/07

BOEING
737-600/700/800/900
PARTS CATALOG (MAINTENANCE)

FIG ITEM	PART NUMBER	1 2 3 4 5 6 7	NOMENCLATURE	EFFECT FROM TO	UNITS PER ASSY
4					
154	1C3019-1AKP	..	TUBE-BACKREST SPRT SUPPLIER CODE: V31218	001007	1
164	1C3027-1	..	HANDLE-LOCK SUPPLIER CODE: V31218	001007	1
165	1C3103-1	..	BLOCK-RUB SUPPLIER CODE: V31218	001007	1
166	1C3026-1AKP	..	FITTING-BACKREST TUBE SUPPLIER CODE: V31218	001007	1
168	1C3073-1AKP	..	FITTING-BACKREST TUBE SUPPLIER CODE: V31218	001007	1
170	MS20601AD4W6	..	RIVET -----*-----	001007	2
172	NAS6203-17	..	BOLT	001007	1
174	MS20601AD4W4	..	RIVET	001007	2
176	NAS1149F0332P	..	WASHER	001007	1
178	22K1-02	..	NUT-CAP METAL HEXAGON 250 SUPPLIER CODE: V72962	001007	1
180	NAS77-3-9	..	BUSHING	001007	1
182	1C3016-1	..	TUBE- SUPPLIER CODE: V31218 POSITION DATA: LWR	001007	2
184	1C3015-1	..	TUBE- SUPPLIER CODE: V31218 POSITION DATA: UPR	001007	2
186	1C3005-1AKP	..	SUPPORT-L TUBE SUPPLIER CODE: V31218	001007	1
188	NAS1203-16	..	BOLT	001007	1
190	NAS1149F0332P	..	WASHER	001007	1
192	22K1-02	..	NUT-CAP METAL HEXAGON 250 SUPPLIER CODE: V72962	001007	1
194	1C3017-1AKP	..	SUPPORT-R TUBE SUPPLIER CODE: V31218	001007	1
196	NAS1203-16	..	BOLT	001007	1
198	NAS1149F0332P	..	WASHER	001007	1

MISSING ITEM NUMBERS NOT APPLICABLE

— ITEM NOT ILLUSTRATED

HAP

25-11-50-04

BOEING PROPRIETARY - Copyright © - Unpublished Work - See title page for details.

25-11-50
FIG. 04
PAGE 5
OCT 10/07

BOEING
737-600/700/800/900
PARTS CATALOG (MAINTENANCE)

FIG ITEM	PART NUMBER	1 2 3 4 5 6 7	NOMENCLATURE	EFFECT FROM TO	UNITS PER ASSY
4					
200	22K1-02	..	NUT-CAP METAL HEXAGON 250 SUPPLIER CODE: V72962	001007	1
202	1C3002-1AKP	..	BACKREST- SUPPLIER CODE: V31218 POSITION DATA: LWR	001007	1
208	1C2016-1AKP	.SEAT PAN ASSY-	SUPPLIER CODE: V31218	001007	1
210	NAS6203-3	..	BOLT	001007	6
212	NAS6203-7	..	BOLT	001007	2
214	NAS1149F0332P	..	WASHER	001007	6
216	S40000-3GLEOD	..	BUSHING- SUPPLIER CODE: V31218	001007	2
218	1C2018-1AKP	..	BRACKET-SEAT PAN SUPPLIER CODE: V31218	001007	1
220	1C2018-2AKP	..	BRACKET-SEAT PAN SUPPLIER CODE: V31218	001007	1
222	NAS623-2-1	..	SCREW	001007	23
224	NAS1149FN832P	..	WASHER	001007	23
226	1C2024-1AKP	..	SEAT PAN-SKIN SUPPLIER CODE: V31218	001007	1
228	NAS1203-11	..	SCREW	001007	3
230	NAS1149F0532P	..	WASHER	001007	3
232	1C2026-1	..	BUSHING- SUPPLIER CODE: V31218	001007	3
234	MS21042-3	..	NUT	001007	3
236	1C2017-1AKP	..	SEAT PAN- SUPPLIER CODE: V31218 POSITION DATA: BOTTOM	001007	1
238	1C2022-1	..	SEAT PAN-LINK SUPPLIER CODE: V31218	001007	2
240	1C2021-1	..	PIN-LOCKING BELLCRANK SUPPLIER CODE: V31218	001007	1
242	1C2027-1	..	BELLCRANK- SUPPLIER CODE: V31218	001007	2

MISSING ITEM NUMBERS NOT APPLICABLE

— ITEM NOT ILLUSTRATED

HAP

25-11-50-04

25-11-50
FIG. 04
PAGE 6
OCT 10/07

BOEING
737-600/700/800/900
PARTS CATALOG (MAINTENANCE)

FIG ITEM	PART NUMBER	1 2 3 4 5 6 7	NOMENCLATURE	EFFECT FROM TO	UNITS PER ASSY
4					
244	1C2028-1		.. CABLE- SUPPLIER CODE: V31218	001007	1
246	MS20392-1C11		.. PIN-STRAIGHT HEADED	001007	1
248	MS20392-1C7		.. PIN-STRAIGHT HEADED	001007	3
250	NAS1149FN432P		.. WASHER	001007	8
252	PT0125		.. WASHER-TEFLON SUPPLIER CODE: V31218	001007	4
254	MS24665-69		.. PIN-COTTER	001007	4
256	6264K51		.. LINK-CONNECTING SUPPLIER CODE: V31218	001007	2
258	1C2023-1		.. PIN-LOCKING SUPPLIER CODE: V31218	001007	2
260	10A16007M11		.. SPRING- SUPPLIER CODE: V84830	001007	2
262	NAS1202-1		.. SCREW	001007	2
264	1C2031-1		.. STRIKER-LATCH SUPPLIER CODE: V31218	001007	1
264	1C2031-3		.. STRIKER-LATCH SUPPLIER CODE: V31218 CONFIG CHG DATA FROM A CMM: REPLD BY 1C2031-3	001007	1
266	1C2019-1		.. HINGE-SEAT PAN SUPPLIER CODE: V31218	001007	1
268	NAS1203-4		ATTACHING PARTS .. BOLT	001007	5
270	NAS1149F0332P		.. WASHER	001007	5
272	MS21042-3		.. NUT	001007	5
			-----*		

MISSING ITEM NUMBERS NOT APPLICABLE

— ITEM NOT ILLUSTRATED

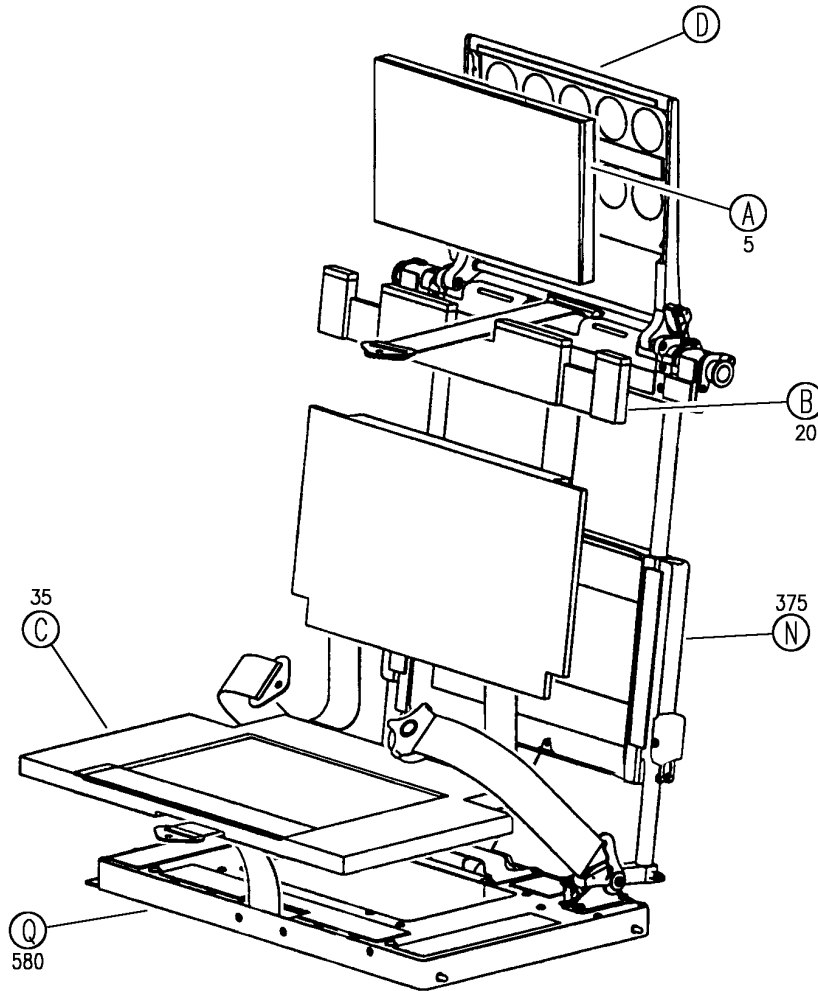
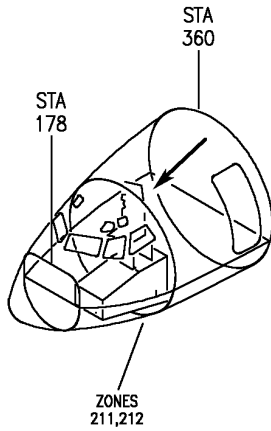
HAP

25-11-50-04

BOEING PROPRIETARY - Copyright © - Unpublished Work - See title page for details.

25-11-50
FIG. 04
PAGE 7
OCT 10/07

BOEING
737-600/700/800/900
PARTS CATALOG (MAINTENANCE)



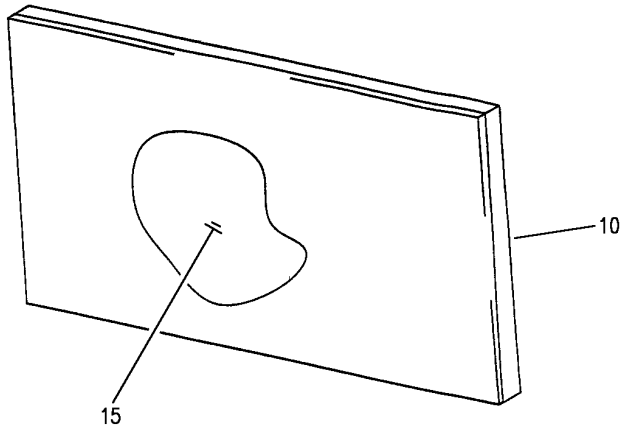
E 25115004A SHT 1 REV 134

SEAT ASSY-FIRST OBSERVER
FIGURE 4A (SHEET 1)

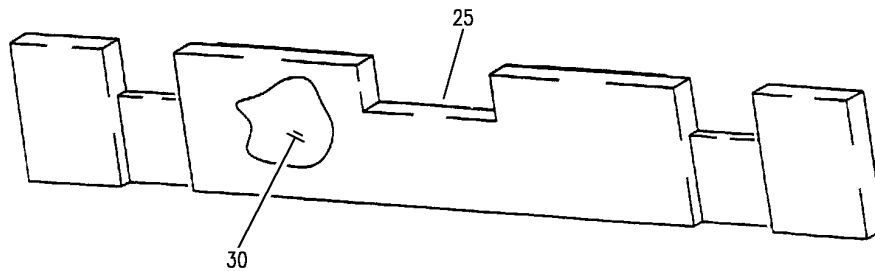
25-11-50-04A

HAP
OCT 10/07

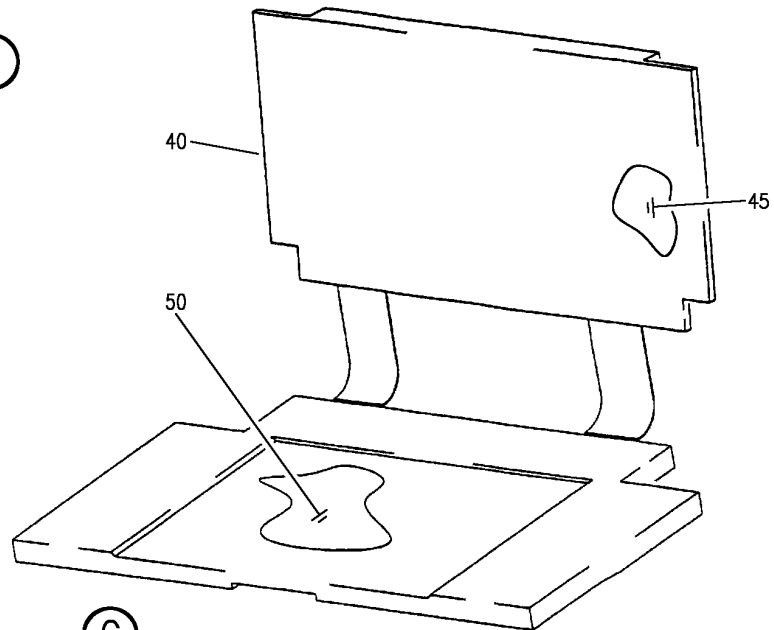
25-11-50-04A
PAGE 0



(A)



(B)



(C)

E 25115004A SHT 2 REV 134

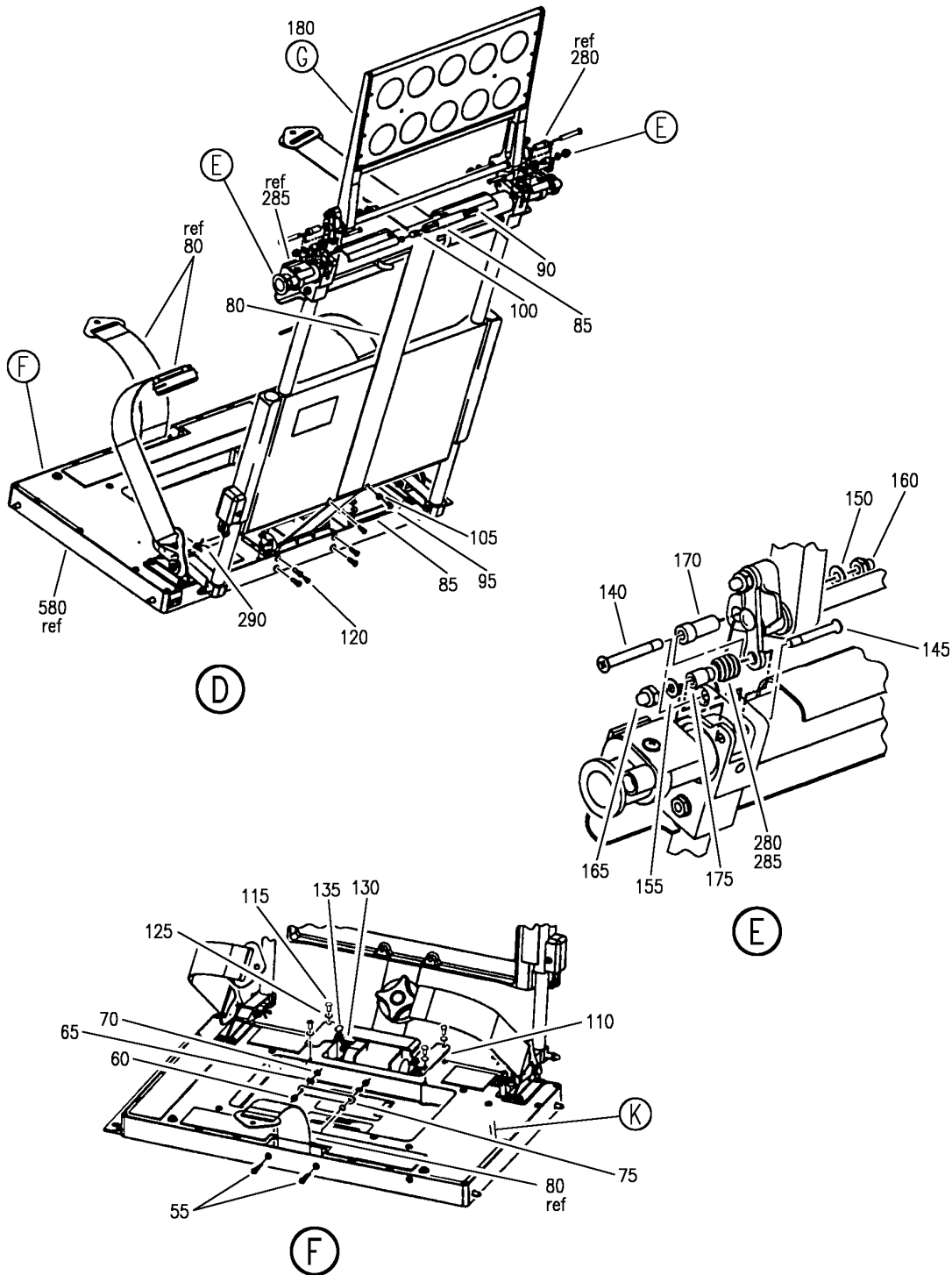
SEAT ASSY-FIRST OBSERVER
FIGURE 4A (SHEET 2)

25-11-50-04A

HAP
OCT 10/07

25-11-50-04A
PAGE 0A

BOEING
 737-600/700/800/900
 PARTS CATALOG (MAINTENANCE)



E 25115004A SHT. 3, REV 134

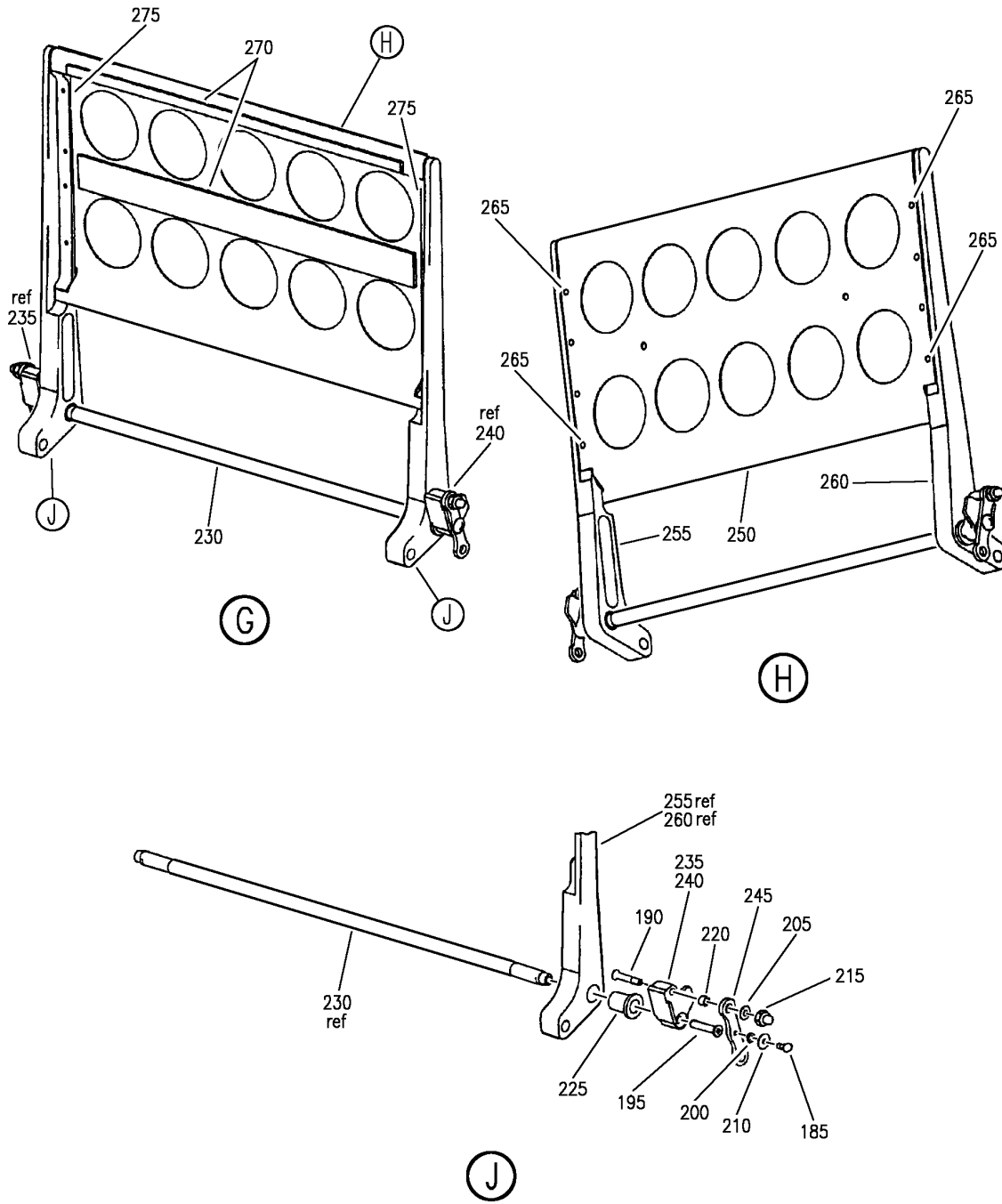
SEAT ASSY-FIRST OBSERVER
 FIGURE 4A (SHEET 3)

25-11-50-04A

HAP
 OCT 10/07

25-11-50-04A
 PAGE 0B


BOEING
 737-600/700/800/900
PARTS CATALOG (MAINTENANCE)



E 25115004A SHT 4 REV 134

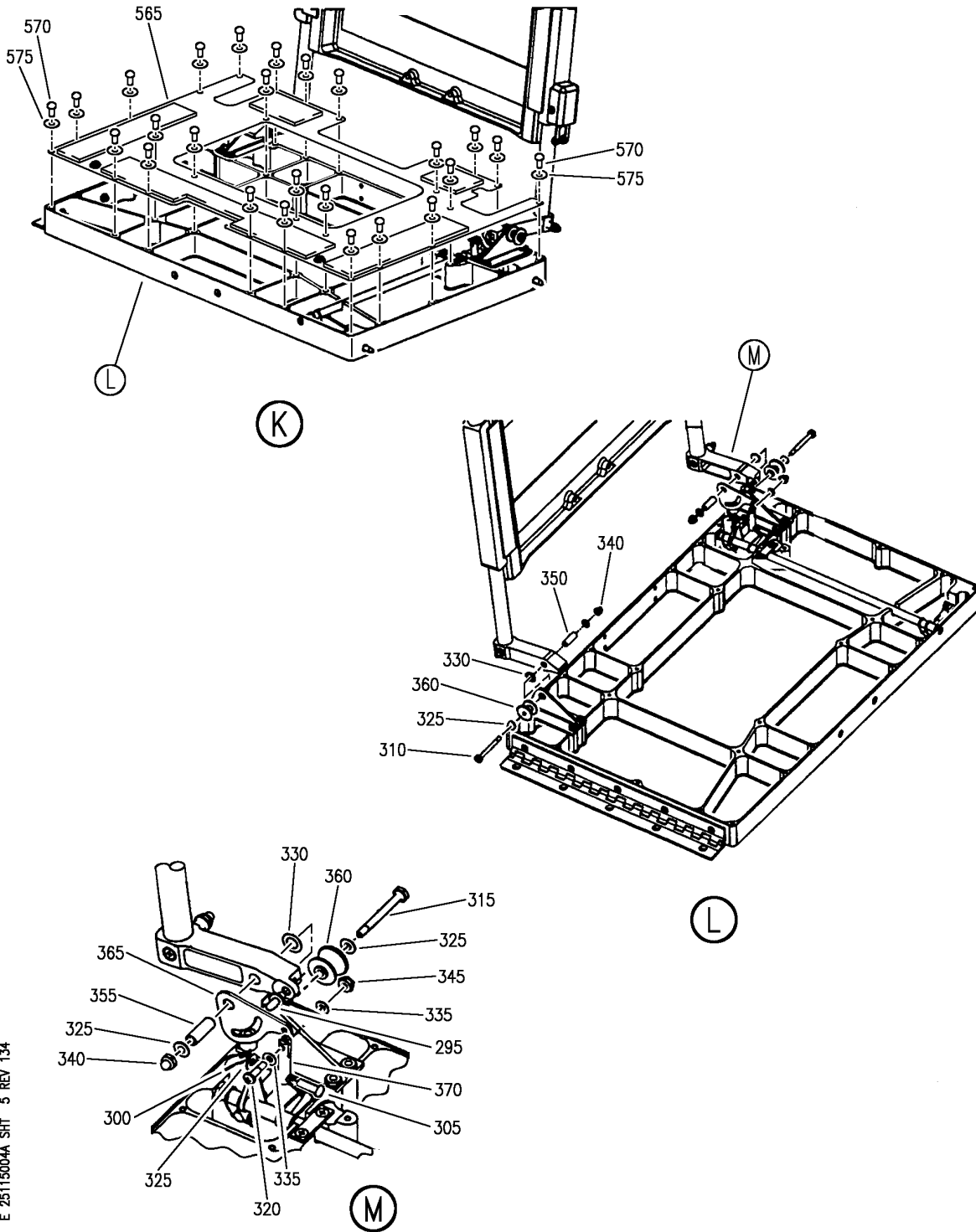
SEAT ASSY-FIRST OBSERVER
FIGURE 4A (SHEET 4)

25-11-50-04A

HAP
OCT 10/07

25-11-50-04A
PAGE 0C

BOEING
 737-600/700/800/900
 PARTS CATALOG (MAINTENANCE)



E 25115004A SHT 5 REV 134

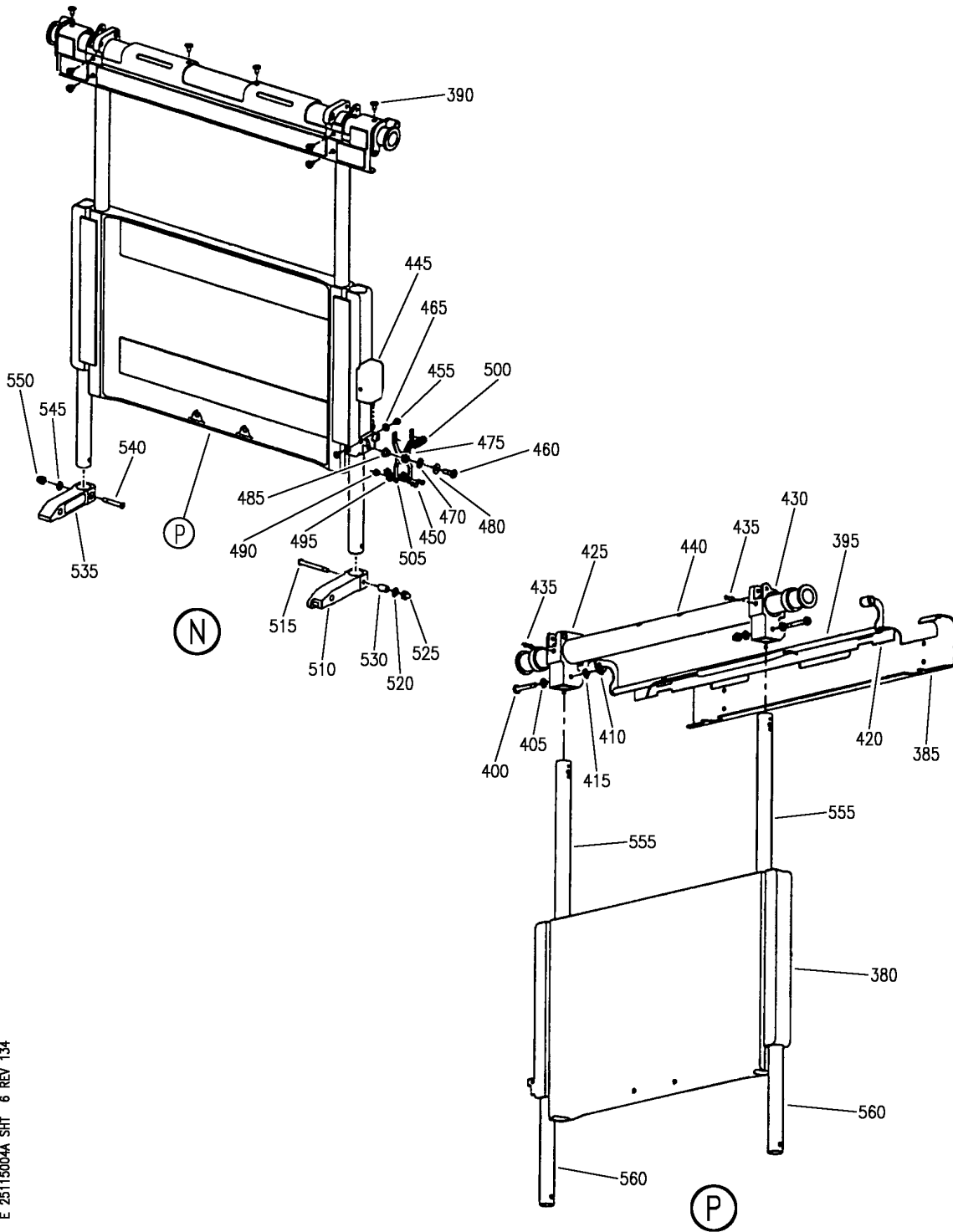
SEAT ASSY-FIRST OBSERVER
 FIGURE 4A (SHEET 5)

25-11-50-04A

HAP
 OCT 10/07

25-11-50-04A
 PAGE 0D

BOEING
 737-600/700/800/900
 PARTS CATALOG (MAINTENANCE)



E 25115004A SHT 6 REV 134

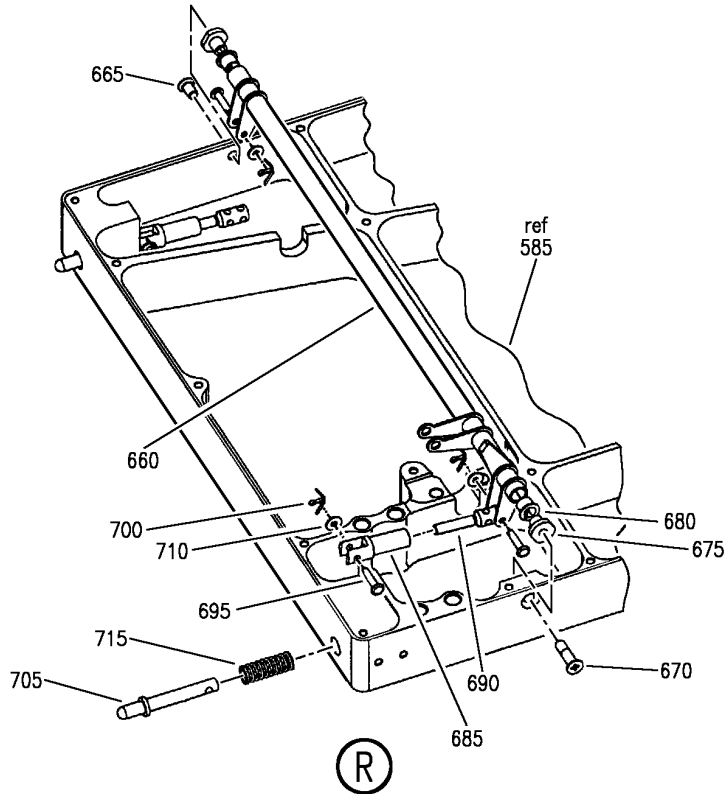
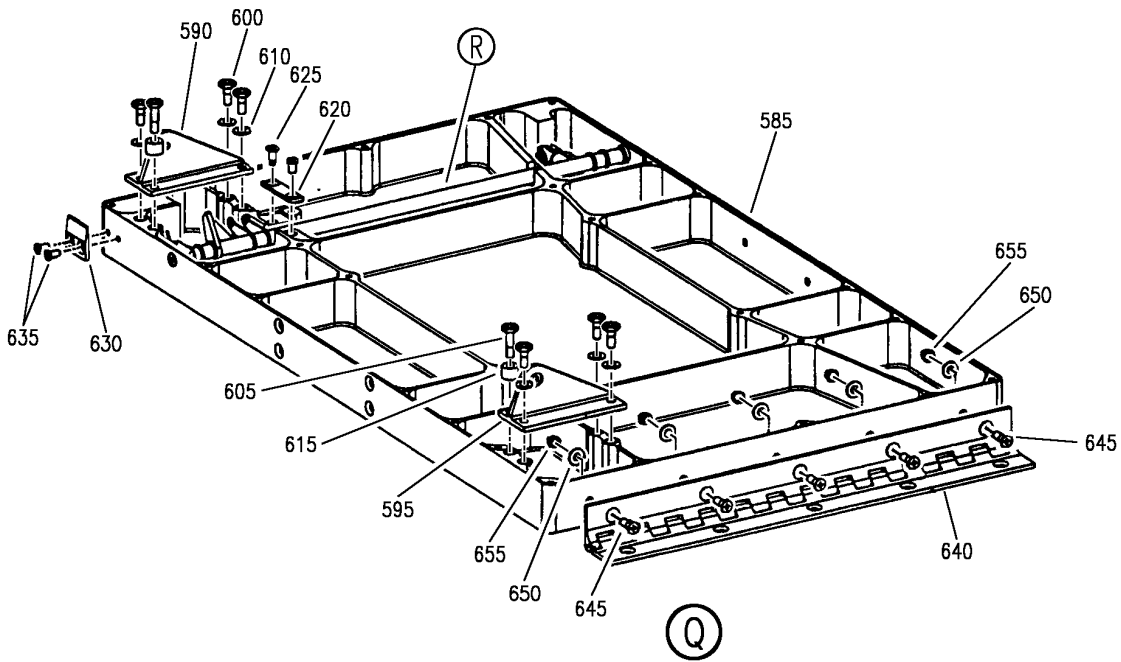
SEAT ASSY-FIRST OBSERVER
 FIGURE 4A (SHEET 6)

25-11-50-04A

HAP
 OCT 10/07

25-11-50-04A
 PAGE 0E

BOEING
 737-600/700/800/900
 PARTS CATALOG (MAINTENANCE)



E 25115004A SHT 7 REV 134

SEAT ASSY-FIRST OBSERVER
 FIGURE 4A (SHEET 7)

25-11-50-04A

HAP
 OCT 10/07

25-11-50-04A
 PAGE OF

BOEING
737-600/700/800/900
PARTS CATALOG (MAINTENANCE)

FIG ITEM	PART NUMBER	1 2 3 4 5 6 7	NOMENCLATURE	EFFECT FROM TO	UNITS PER ASSY
4 A			SEAT ASSY-FIRST OBSERVER	008030 201967	
- 1	1106-3AB		SEAT ASSY-FIRST OBSERVER SUPPLIER CODE: V31218 SPECIFICATION NUMBER: S232A312-11 COMPONENT MAINT MANUAL REF: 25-11-07 QUALIFIED I/W DATA: S232A312-9 SEAT ASSY T/W QUANTITY 2 S232A312-5 FITTINGS REPLACED BY ONE-WAY FORWARD S232A312-11 SEAT ASSY T/W QUANTITY 2 S232A312-12 FITTINGS FOR NHA SEE: 25-11-50-03	008030 201967	RF
	5 1C7018-1ABE		.CUSHION AND COVER ASSY- HEADREST SUPPLIER CODE: V31218	008030 201967	1
	10 1C7018-11ABE		..COVER-HEADREST SUPPLIER CODE: V31218	008030 201967	1
	15 1C7014-1		..CUSHION-HEADREST SUPPLIER CODE: V31218	008030 201967	1
	20 1C7004-1ABE		.CUSHION AND COVER ASSY- BACKREST SUPPLIER CODE: V31218 POSITION DATA: UPR	008030 201967	1
	25 1C7004-11ABE		..COVER-BACKREST SUPPLIER CODE: V31218 POSITION DATA: UPR	008030 201967	1
	30 1C7015-1		..CUSHION-BACKREST SUPPLIER CODE: V31218 POSITION DATA: UPR	008030 201967	1
	35 1C7003-3ABE		.CUSHION AND COVER ASSY- SUPPLIER CODE: V31218	008030 201967	1

MISSING ITEM NUMBERS NOT APPLICABLE

- ITEM NOT ILLUSTRATED

HAP

25-11-50-04A

BOEING PROPRIETARY - Copyright © - Unpublished Work - See title page for details.

25-11-50
FIG. 04A
PAGE 1
OCT 15/08

BOEING
737-600/700/800/900
PARTS CATALOG (MAINTENANCE)

FIG ITEM	PART NUMBER	1 2 3 4 5 6 7	NOMENCLATURE	EFFECT FROM TO	UNITS PER ASSY
4 A					
40	1C7003-41ABE	..	COVER- SUPPLIER CODE: V31218	008030 201967	1
45	1C7003-31	..	CUSHION-FIREBLOCKED SUPPLIER CODE: V31218	008030 201967	1
50	1C7003-51	..	CUSHION-FIREBLOCKED SUPPLIER CODE: V31218	008030 201967	1
55	NAS1203-6	.	BOLT	008030 201967	2
60	NAS43DD3-8	.	SPACER	008030 201967	2
65	NAS1149F0363P	.	WASHER	008030 201967	2
70	MS21042-3	.	NUT	008030 201967	2
75	1B1146-1	.	CLAMP-BELT SUPPLIER CODE: V31218	008030 201967	1
80	2100011-03	.	RESTRAINT SYSTEM ASSY- SUPPLIER CODE: V45402	008030 201967	1
85	1C3023-1AKP	.	RETAINER-WEBBING SUPPLIER CODE: V31218	008030 201967	2
90	NAS1202-7	.	ATTACHING PARTS BOLT	008030 201967	2
95	NAS1202-3	.	BOLT	008030 201967	2
100	NAS43DD3-28	.	SPACER	008030 201967	2
105	NAS43DD3-10	.	SPACER	008030 201967	2
110	1C2030-1AKP	-----*	COVER REEL- SUPPLIER CODE: V31218	008030 201967	1
115	NAS623-2-2	.	ATTACHING PARTS SCREW	008030 201967	4
120	NAS1203-5	.	BOLT	008030 201967	4
125	NAS1149FN832P	.	WASHER	008030 201967	4
130	NAS1149F0332P	.	WASHER	008030 201967	4

MISSING ITEM NUMBERS NOT APPLICABLE

— ITEM NOT ILLUSTRATED

HAP

25-11-50-04A

BOEING PROPRIETARY - Copyright © - Unpublished Work - See title page for details.

25-11-50
FIG. 04A
PAGE 2
OCT 15/08

BOEING
737-600/700/800/900
PARTS CATALOG (MAINTENANCE)

FIG ITEM	PART NUMBER	1 2 3 4 5 6 7	NOMENCLATURE	EFFECT FROM TO	UNITS PER ASSY
4 A					
135	MS21042-3	.	NUT	008030 201967	4
			-----*-----		
140	NAS1203-20	.	SCREW	008030 201967	2
145	NAS1202-16	.	SCREW	008030 201967	2
150	NAS1149F0332P	.	WASHER	008030 201967	2
155	NAS1149FN832P	.	WASHER	008030 201967	2
160	22K1-02	.	NUT-CAP METAL HEXAGON 250 SUPPLIER CODE: V72962	008030 201967	2
165	22K1-82	.	NUT-CAP METAL SUPPLIER CODE: V72962	008030 201967	2
170	1C5011-1	.	BUSHING-PIVOT SUPPLIER CODE: V31218	008030 201967	2
175	1C3033-1	.	BUSHING-PIVOT SUPPLIER CODE: V31218	008030 201967	2
180	1C5005-1AKP	.	HEADREST ASSY- SUPPLIER CODE: V31218	008030 201967	1
185	MS20426AD45	..	RIVET	008030 201967	2
190	NAS1202-10	..	SCREW	008030 201967	2
195	MS24694S51	..	SCREW	008030 201967	2
200	NAS42DD4-4	..	SPACER	008030 201967	2
205	NAS1149FN832P	..	WASHER	008030 201967	2
210	NAS1149FN516P	..	WASHER	008030 201967	2
215	22K1-82	..	NUT-CAP METAL SUPPLIER CODE: V72962	008030 201967	2
220	1C5027-1	..	BUSHING- SUPPLIER CODE: V31218	008030 201967	2
225	FB68-5	..	BUSHING- SUPPLIER CODE: V31218	008030 201967	2

MISSING ITEM NUMBERS NOT APPLICABLE

— ITEM NOT ILLUSTRATED

HAP

25-11-50-04A

BOEING PROPRIETARY - Copyright © - Unpublished Work - See title page for details.

25-11-50
FIG. 04A
PAGE 3
OCT 15/08

BOEING
737-600/700/800/900
PARTS CATALOG (MAINTENANCE)

FIG ITEM	PART NUMBER	1 2 3 4 5 6 7	NOMENCLATURE	EFFECT FROM TO	UNITS PER ASSY
4 A					
230	1C5013-1	..	TUBE-LEVER HEADREST SUPPLIER CODE: V31218	008030 201967	1
235	1C5012-1	..	LINK-HEADREST RELEASE SUPPLIER CODE: V31218	008030 201967	1
240	1C5012-2	..	LINK-HEADREST RELEASE SUPPLIER CODE: V31218	008030 201967	1
245	1C5014-1	..	LINK-HEADREST LONG SUPPLIER CODE: V31218	008030 201967	2
250	1C5010-1	..	PANEL-HEADREST SUPPLIER CODE: V31218	008030 201967	1
255	1C5009-1	..	SUPPORT-HEADREST SUPPLIER CODE: V31218	008030 201967	1
260	1C5009-2	..	SUPPORT-HEADREST SUPPLIER CODE: V31218	008030 201967	1
265	MS20600AD4W3	..	ATTACHING PARTS RIVET	008030 201967	8
			-----*-----		
270	SJ3526GRY1ADH	..	HOOK-ADH VELCRO GRAY SUPPLIER CODE: V5J466	008030 201967	AR
275	950-1000	..	TAPE-ADHESIVE TRANSFER SUPPLIER CODE: V5J466	008030 201967	AR
280	T038-270-312R	.TORSION SPRING-	SUPPLIER CODE: V31218	008030 201967	1
285	T038-270-312L	.TORSION SPRING-	SUPPLIER CODE: V31218	008030 201967	1
290	MS24665-283	.PIN		008030 201967	2
295	1C3109-1	.PIN-SHEAR	SUPPLIER CODE: V31218	008030 201967	1
300	MS24665-132	.PIN		008030 201967	1
305	MS20392-2C17	.PIN		008030 201967	1
310	NAS6203-24	.BOLT		008030 201967	1

MISSING ITEM NUMBERS NOT APPLICABLE

— ITEM NOT ILLUSTRATED

HAP

25-11-50-04A

BOEING PROPRIETARY - Copyright © - Unpublished Work - See title page for details.

25-11-50
FIG. 04A
PAGE 4
OCT 15/08

BOEING
737-600/700/800/900
PARTS CATALOG (MAINTENANCE)

FIG ITEM	PART NUMBER	1 2 3 4 5 6 7	NOMENCLATURE	EFFECT FROM TO	UNITS PER ASSY
4 A					
315	NAS6203-25	.	BOLT	008030 201967	1
320	NAS623-2-6	.	SCREW	008030 201967	1
325	NAS1149F0332P	.	WASHER	008030 201967	5
330	NAS1149F0516P	.	WASHER	008030 201967	2
335	NAS1149FN816P	.	WASHER	008030 201967	2
340	22K1-02	.	NUT-CAP METAL HEXAGON 250 SUPPLIER CODE: V72962	008030 201967	2
345	22K2-82	.	NUT-CAP METAL HEXAGON SUPPLIER CODE: V72962	008030 201967	1
350	S40104-8JPTAH	.	BUSHING- SUPPLIER CODE: V31218	008030 201967	2
355	1C3111-1	.	BUSHING- SUPPLIER CODE: V31218	008030 201967	1
360	2C1009-1	.	FITTING-LAP BELT SUPPLIER CODE: V31218	008030 201967	2
365	1C2110-1	.	FITTING-SLOTTED SUPPLIER CODE: V31218	008030 201967	1
370	2C2121-1	.	LINK-TORQUE TUBE SUPPLIER CODE: V31218	008030 201967	1
375	1C3013-3AKP	.	BACKREST ASSY- SUPPLIER CODE: V31218	008030 201967	1
380	1C3002-3AKP	..	BACKREST- SUPPLIER CODE: V31218 POSITION DATA: LWR	008030 201967	1
385	1C3020-1AKP	..	CHANNEL-BACKREST SUPPLIER CODE: V31218	008030 201967	1
390	AN525-832R5	..	SCREW	008030 201967	8
395	1C3027-1	..	HANDLE-LOCK SUPPLIER CODE: V31218	008030 201967	1

MISSING ITEM NUMBERS NOT APPLICABLE

— ITEM NOT ILLUSTRATED

HAP

25-11-50-04A

BOEING PROPRIETARY - Copyright © - Unpublished Work - See title page for details.

25-11-50
FIG. 04A
PAGE 5
OCT 15/08

BOEING
737-600/700/800/900
PARTS CATALOG (MAINTENANCE)

FIG ITEM	PART NUMBER	1 2 3 4 5 6 7	NOMENCLATURE	EFFECT FROM TO	UNITS PER ASSY
4 A			ATTACHING PARTS		
400	NAS6203-17	..	BOLT	008030 201967	2
405	NAS1149F0332P	..	WASHER	008030 201967	2
410	22K1-02	..	NUT-CAP METAL HEXAGON 250 SUPPLIER CODE: V72962 -----*-----	008030 201967	2
415	NAS77-3-9	..	BUSHING	008030 201967	2
420	1C3103-1	..	BLOCK-RUB SUPPLIER CODE: V31218	008030 201967	1
425	1C3026-1AKP	..	FITTING-BACKREST TUBE SUPPLIER CODE: V31218	008030 201967	1
430	1C3026-2AKP	..	FITTING-BACKREST TUBE SUPPLIER CODE: V31218	008030 201967	1
435	MS20601AD4W6	..	ATTACHING PARTS RIVET -----*-----	008030 201967	2
440	1C3019-1AKP	..	TUBE-BACKREST SPRT SUPPLIER CODE: V31218	008030 201967	1
445	1C3107-1ALF	..	COVER-CATCH MECHANISM SUPPLIER CODE: V31218	008030 201967	1
450	MS20426AD4-6	..	ATTACHING PARTS RIVET	008030 201967	2
455	NAS602-4P	..	SCREW	008030 201967	2
460	NAS6203-4	..	BOLT	008030 201967	1
465	NAS1149FN816P	..	WASHER	008030 201967	2
470	W0492-007S	..	WASHER-WAVE SUPPLIER CODE: V31218	008030 201967	1
475	PT0310	..	WASHER- SUPPLIER CODE: V1P230	008030 201967	1
480	NAS1149F0332P	..	WASHER -----*-----	008030 201967	1

MISSING ITEM NUMBERS NOT APPLICABLE

— ITEM NOT ILLUSTRATED

HAP

25-11-50-04A

BOEING PROPRIETARY - Copyright © - Unpublished Work - See title page for details.

25-11-50
FIG. 04A
PAGE 6
OCT 15/08

BOEING
737-600/700/800/900
PARTS CATALOG (MAINTENANCE)

FIG ITEM	PART NUMBER	1 2 3 4 5 6 7	NOMENCLATURE	EFFECT FROM TO	UNITS PER ASSY
4 A					
485	NAS77-3-016	..	BUSHING	008030 201967	1
490	1C3105-1	..	BUSHING-FLANGED SUPPLIER CODE: V31218	008030 201967	2
495	1C3106-1	..	ROLLER- SUPPLIER CODE: V31218	008030 201967	2
500	10A16007M11	..	SPRING- SUPPLIER CODE: V84830	008030 201967	1
505	1C3104-1	..	PIVOT-ARM SUPPLIER CODE: V31218	008030 201967	2
510	1C3108-1AKP	..	SUPPORT-TUBE SUPPLIER CODE: V31218 POSITION DATA: LWR ATTACHING PARTS	008030 201967	1
515	NAS1203-23	..	BOLT	008030 201967	1
520	NAS1149F0332P	..	WASHER	008030 201967	1
525	22K1-02	..	NUT-CAP METAL HEXAGON 250 SUPPLIER CODE: V72962 -----*-----	008030 201967	1
530	NAS43HT3-30	..	BUSHING- CONFIG CHG DATA FROM A CMM: REPLD BY NAS76A3-017	008030 201967	1
530	NAS76A3-017	..	BUSHING- CONFIG CHG DATA FROM A CMM: REPLS NAS43HT3-30	008030 201967	1
535	1C3017-1AKP	..	SUPPORT-R TUBE SUPPLIER CODE: V31218 ATTACHING PARTS	008030 201967	1
540	NAS1203-15	..	BOLT	008030 201967	1
545	NAS1149F0332P	..	WASHER	008030 201967	1
550	22K1-02	..	NUT-CAP METAL HEXAGON 250 SUPPLIER CODE: V72962 -----*-----	008030 201967	1

MISSING ITEM NUMBERS NOT APPLICABLE

— ITEM NOT ILLUSTRATED

HAP

25-11-50-04A

BOEING PROPRIETARY - Copyright © - Unpublished Work - See title page for details.

25-11-50
FIG. 04A
PAGE 7
OCT 15/08

BOEING
737-600/700/800/900
PARTS CATALOG (MAINTENANCE)

FIG ITEM	PART NUMBER	1 2 3 4 5 6 7	NOMENCLATURE	EFFECT FROM TO	UNITS PER ASSY
4 A					
555	1C3015-1	..	TUBE- SUPPLIER CODE: V31218 POSITION DATA: UPR	008030 201967	2
560	1C3016-1	..	TUBE- SUPPLIER CODE: V31218 POSITION DATA: LWR	008030 201967	2
565	1C2024-5AKP	.SKIN-SEAT PAN SUPPLIER CODE: V31218	ATTACHING PARTS	008030 201967	1
570	NAS623-2-1	.SCREW		008030 201967	25
575	NAS1149FN832P	.WASHER		008030 201967	25
580	1C2016-3AKP	..	SEAT PAN ASSY- SUPPLIER CODE: V31218	008030 201967	1
585	1C2017-3AKP	..	PAN-SEAT SUPPLIER CODE: V31218 POSITION DATA: BOTTOM	008030 201967	1
590	1C2018-1AKP	..	BRACKET-SEAT PAN SUPPLIER CODE: V31218	008030 201967	1
595	1C2018-2AKP	..	BRACKET-SEAT PAN SUPPLIER CODE: V31218 ATTACHING PARTS	008030 201967	1
600	NAS6203-2	..	BOLT	008030 201967	6
605	NAS6203-7	..	BOLT	008030 201967	2
610	NAS1149F0332P	..	WASHER	008030 201967	6
615	S40000-3GLEOD	..	BUSHING- SUPPLIER CODE: V31218	008030 201967	2
620	1C2123-1	..	COVER-LINK SUPPLIER CODE: V31218	008030 201967	1

MISSING ITEM NUMBERS NOT APPLICABLE

— ITEM NOT ILLUSTRATED

HAP

25-11-50-04A

BOEING PROPRIETARY - Copyright © - Unpublished Work - See title page for details.

25-11-50
FIG. 04A
PAGE 8
OCT 15/08

BOEING
737-600/700/800/900
PARTS CATALOG (MAINTENANCE)

FIG ITEM	PART NUMBER	1 2 3 4 5 6 7	NOMENCLATURE	EFFECT FROM TO	UNITS PER ASSY
4 A			ATTACHING PARTS		
625	NAS1202-1	..	SCREW	008030 201967	2
			-----*-----		
630	1C2031-1	..	STRIKER-LATCH SUPPLIER CODE: V31218 CONFIG CHG DATA FROM A CMM: REPLD BY 1C2031-3	008030 201967	1
630	1C2031-3	..	STRIKER-LATCH SUPPLIER CODE: V31218 CONFIG CHG DATA FROM A CMM: REPLS 1C2031-1	008030 201967	1
			ATTACHING PARTS		
635	NAS1202-1	..	SCREW	008030 201967	2
			-----*-----		
640	1C2019-1	..	HINGE-SEAT PAN SUPPLIER CODE: V31218	008030 201967	1
			ATTACHING PARTS		
645	NAS1203-4	..	BOLT	008030 201967	5
650	NAS1149F0332P	..	WASHER	008030 201967	5
655	MS21042-3	..	NUT	008030 201967	5
			-----*-----		
660	1C2114-1	..	TUBE-WELDED TORQUE SUPPLIER CODE: V31218	008030 201967	1
			ATTACHING PARTS		
665	NAS1203-1	..	BOLT	008030 201967	1
670	NAS1203-6	..	BOLT	008030 201967	1
			-----*-----		
675	1C2119-1	..	SUPPORT-TORQUE TUBE SUPPLIER CODE: V31218	008030 201967	2
680	4L4F	..	BUSHING-NYLINER SUPPLIER CODE: V21335	008030 201967	2
685	1C2120-1	..	LINK-PULL PIN SUPPLIER CODE: V31218	008030 201967	2

MISSING ITEM NUMBERS NOT APPLICABLE

— ITEM NOT ILLUSTRATED

HAP

25-11-50-04A

BOEING PROPRIETARY - Copyright © - Unpublished Work - See title page for details.

25-11-50
FIG. 04A
PAGE 9
OCT 15/08

BOEING
737-600/700/800/900
PARTS CATALOG (MAINTENANCE)

FIG ITEM	PART NUMBER	1 2 3 4 5 6 7	NOMENCLATURE	EFFECT FROM TO	UNITS PER ASSY
4 A					
690	1B1172-1		.. LINKAGE-ADJUSTER SUPPLIER CODE: V31218 ATTACHING PARTS	008030 201967	2
695	MS20392-1C15		.. PIN-STRAIGHT HEAD	008030 201967	4
700	MS24665-69		.. PIN-COTTER	008030 201967	4
705	1C2023-1		.. PIN-LOCKING SUPPLIER CODE: V31218	008030 201967	2
710	NAS1149FN432P		.. WASHER	008030 201967	4
			-----*-----		
715	10A16007M11		.. SPRING- SUPPLIER CODE: V84830	008030 201967	2

MISSING ITEM NUMBERS NOT APPLICABLE

— ITEM NOT ILLUSTRATED

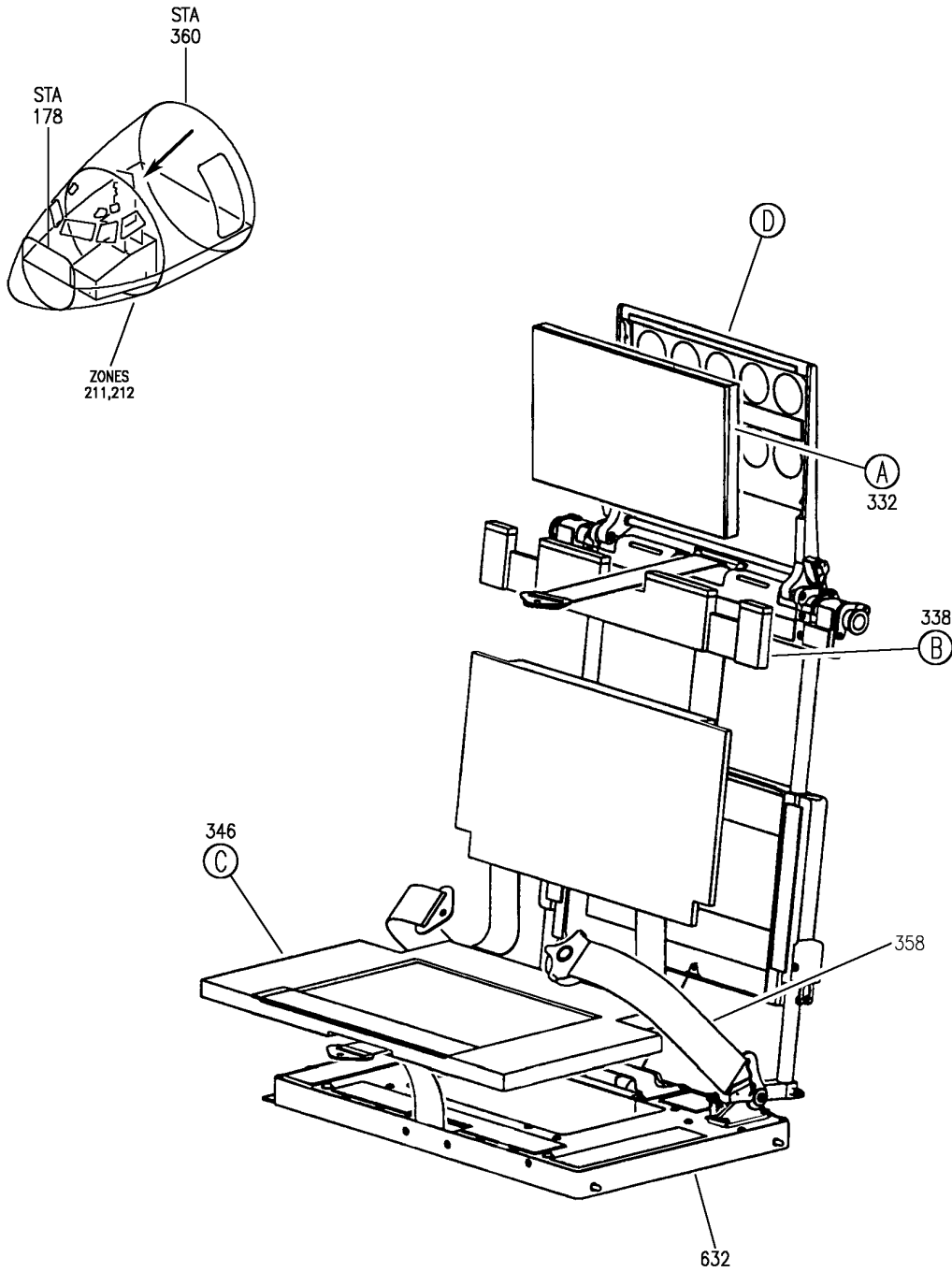
HAP

25-11-50-04A

BOEING PROPRIETARY - Copyright © - Unpublished Work - See title page for details.

25-11-50
FIG. 04A
PAGE 10
OCT 15/08

BOEING
737-600/700/800/900
PARTS CATALOG (MAINTENANCE)



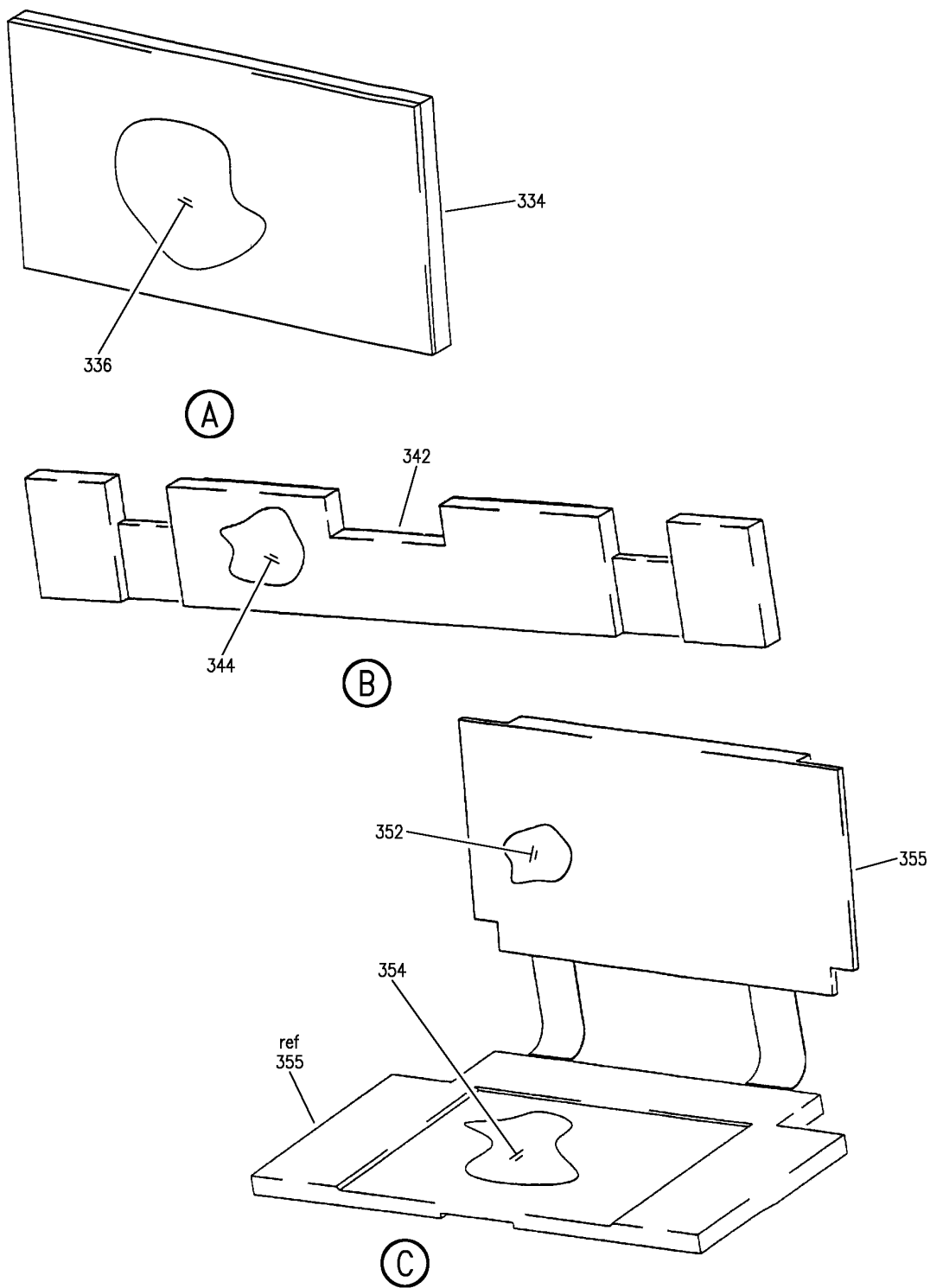
E 25115050 SHT 1 REV 147

SEAT ASSY
FIGURE 50 (SHEET 1)

25-11-50-50

HAP
OCT 15/08

25-11-50-50
PAGE 0



E 25115050 SH1 2 REV 134

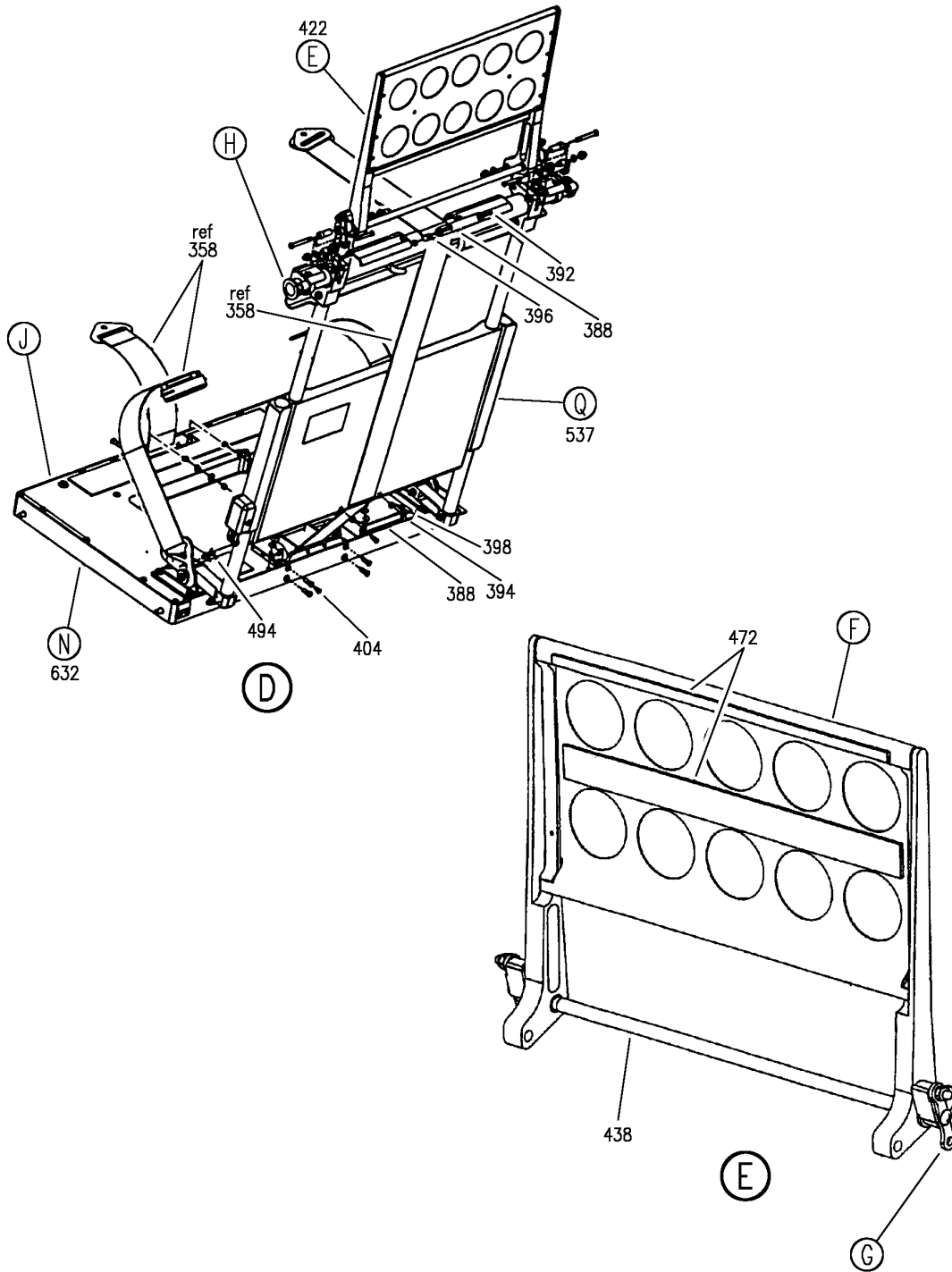
SEAT ASSY
FIGURE 50 (SHEET 2)

25-11-50-50

HAP
OCT 10/07

25-11-50-50
PAGE 0A

BOEING
 737-600/700/800/900
 PARTS CATALOG (MAINTENANCE)



E 25115050 SHT 3 REV 134

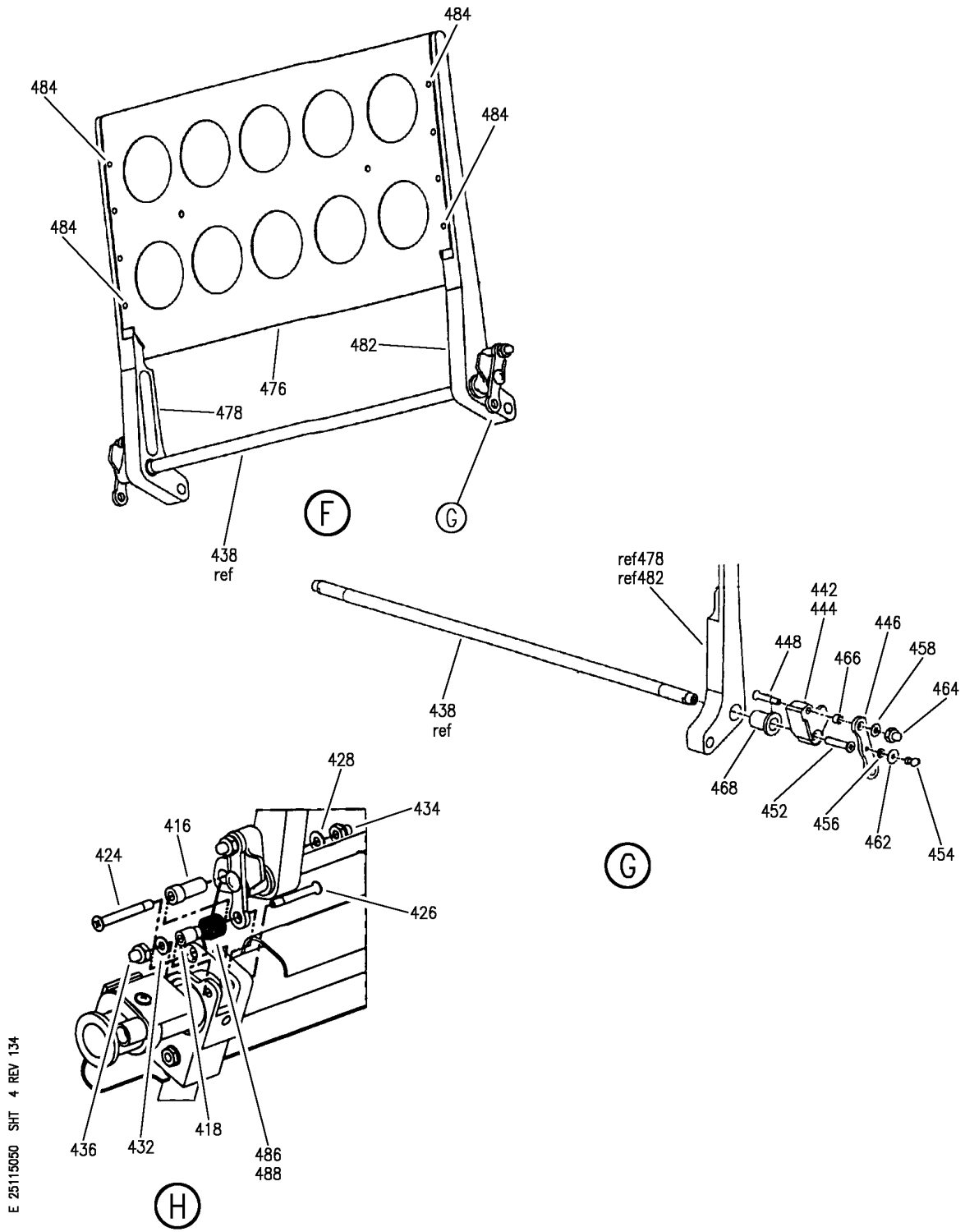
SEAT ASSY
 FIGURE 50 (SHEET 3)

25-11-50-50

HAP
 OCT 10/07

25-11-50-50
 PAGE 0B

BOEING
 737-600/700/800/900
 PARTS CATALOG (MAINTENANCE)



E 25115050 SHT 4 REV 134

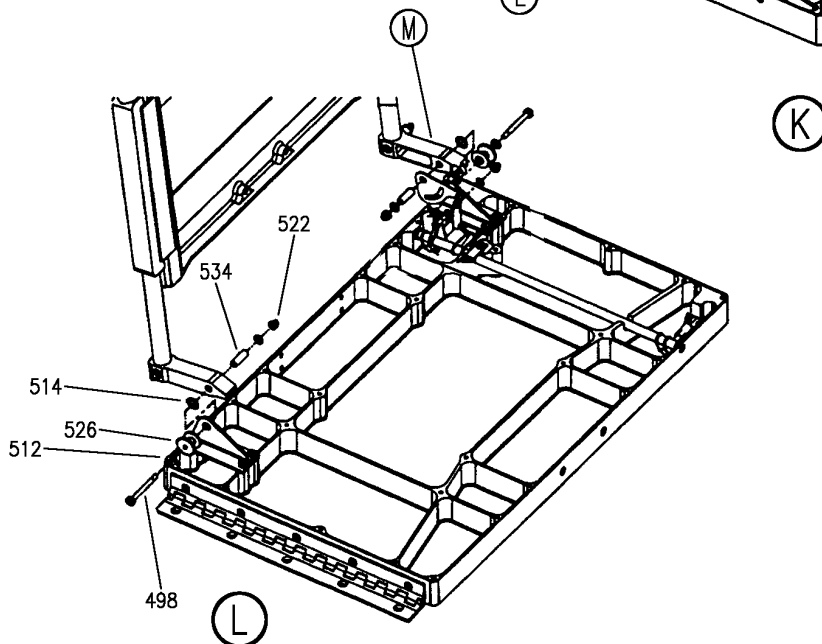
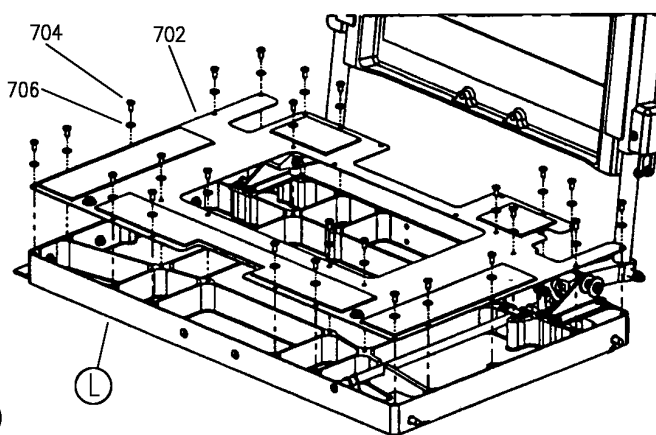
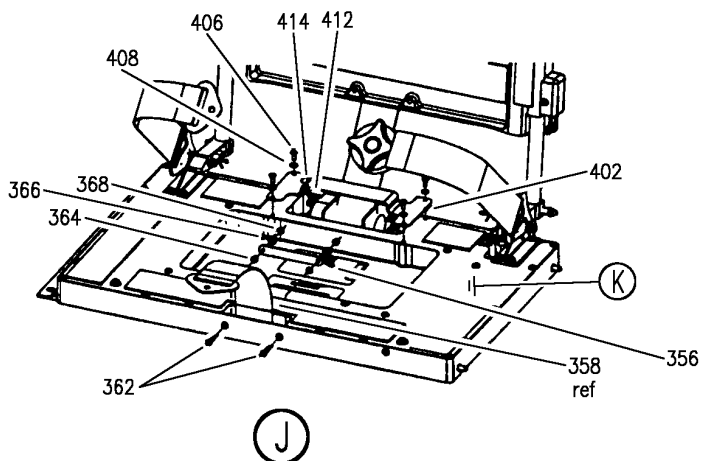
SEAT ASSY
 FIGURE 50 (SHEET 4)

25-11-50-50

HAP
 OCT 10/07

25-11-50-50
 PAGE 0C

BOEING
 737-600/700/800/900
 PARTS CATALOG (MAINTENANCE)



E 25115050 SHT 5 REV 125

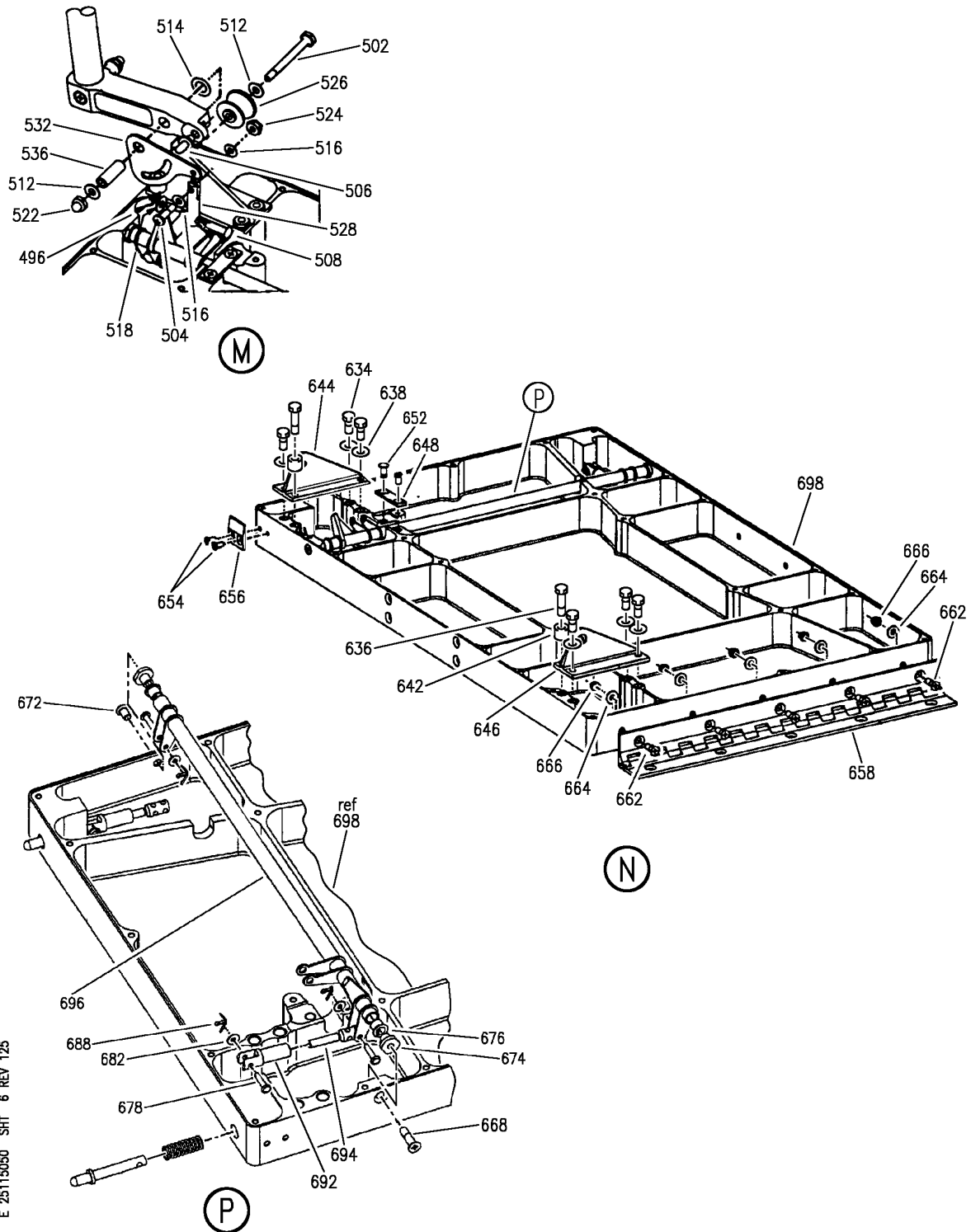
SEAT ASSY
 FIGURE 50 (SHEET 5)

25-11-50-50

HAP
 FEB 10/07

25-11-50-50
 PAGE 0D

BOEING
 737-600/700/800/900
 PARTS CATALOG (MAINTENANCE)



E 25115050 SHT 6 REV 125

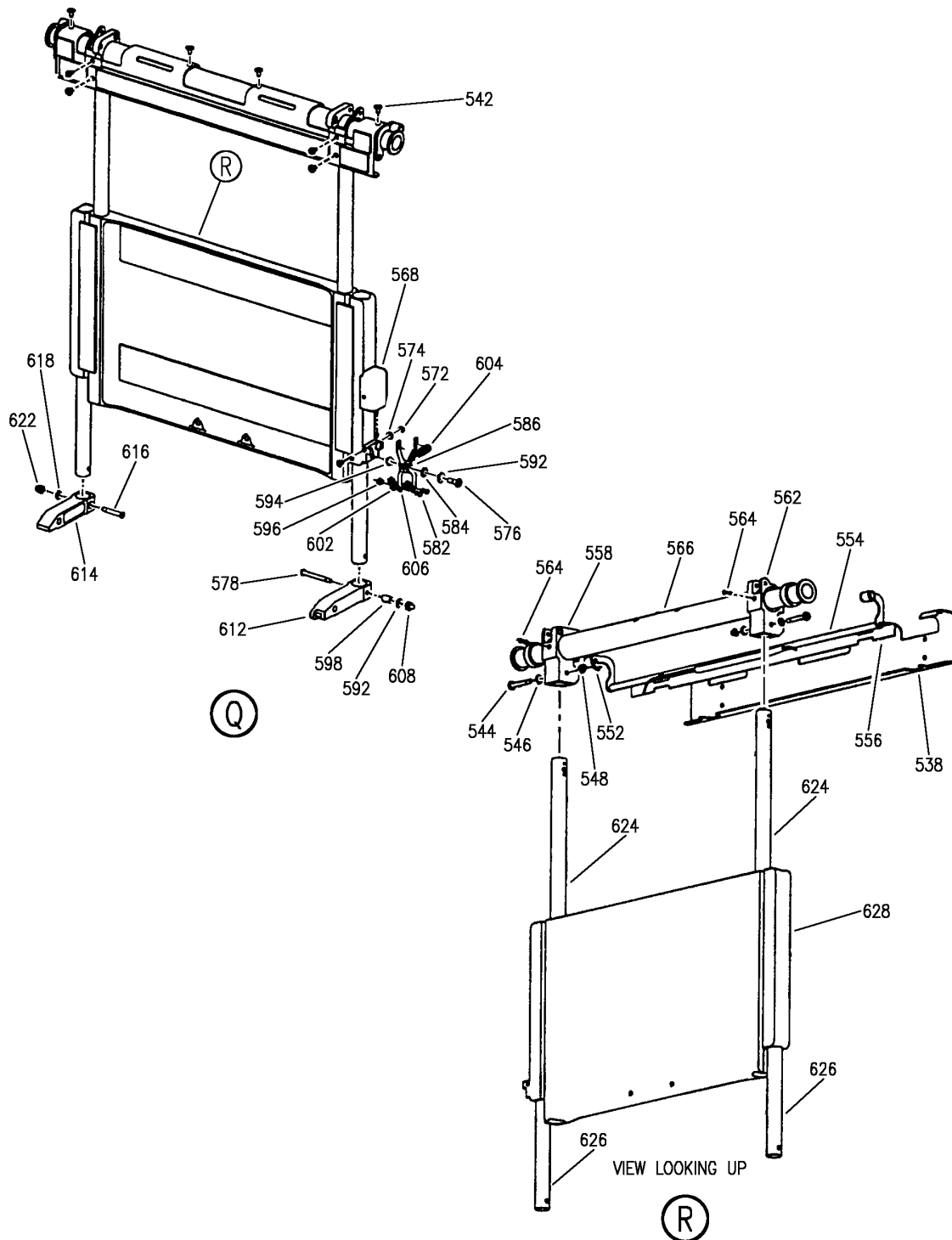
SEAT ASSY
 FIGURE 50 (SHEET 6)

25-11-50-50

HAP
 FEB 10/07

25-11-50-50
 PAGE 0E

BOEING
 737-600/700/800/900
 PARTS CATALOG (MAINTENANCE)



E 25115050 SH7 7 REV 134

SEAT ASSY
 FIGURE 50 (SHEET 7)

25-11-50-50

HAP
 OCT 10/07

25-11-50-50
 PAGE OF


BOEING
 737-600/700/800/900
PARTS CATALOG (MAINTENANCE)

FIG ITEM	PART NUMBER	1 2 3 4 5 6 7	NOMENCLATURE	EFFECT FROM TO	UNITS PER ASSY
50			SEAT ASSY	031200 968999	
- 328	1106-3AB		SEAT ASSY-FIRST OBSERVER SUPPLIER CODE: V31218 SPECIFICATION NUMBER: S232A312-11 COMPONENT MAINT MANUAL REF: 25-11-07 QUALIFIED I/W DATA: S232A312-9 SEAT ASSY T/W QUANTITY 2 S232A312-5 FITTINGS REPLACED BY ONE-WAY FORWARD S232A312-11 SEAT ASSY T/W QUANTITY 2 S232A312-12 FITTINGS FOR NHA SEE: 25-11-50-01	031200 968999	RF
332	1C7018-1ABE		.CUSHION AND COVER ASSY- HEADREST SUPPLIER CODE: V31218	031200 968999	1
334	1C7018-11ABE		..COVER- SUPPLIER CODE: V31218	031200 968999	1
336	1C7014-1		..CUSHION- SUPPLIER CODE: V31218	031200 968999	1
338	1C7004-1ABE		.CUSHION AND COVER ASSY- BACKREST SUPPLIER CODE: V31218	031200 968999	1
342	1C7004-11ABE		..COVER- SUPPLIER CODE: V31218	031200 968999	1
344	1C7015-1		..CUSHION- SUPPLIER CODE: V31218	031200 968999	1
346	1C7003-3ABE		.CUSHION AND COVER ASSY- SEAT PAN SUPPLIER CODE: V31218	031200 968999	1
352	1C7003-31		..CUSHION- SUPPLIER CODE: V31218	031200 968999	1
354	1C7003-51		..CUSHION- SUPPLIER CODE: V31218	031200 968999	1

MISSING ITEM NUMBERS NOT APPLICABLE

- ITEM NOT ILLUSTRATED

HAP

25-11-50-50

25-11-50
 FIG. 50
 PAGE 1
 JUN 15/09

BOEING
737-600/700/800/900
PARTS CATALOG (MAINTENANCE)

FIG ITEM	PART NUMBER	1 2 3 4 5 6 7	NOMENCLATURE	EFFECT FROM TO	UNITS PER ASSY
50					
R	355	1C7003-41ABE	. . COVER-	031200	1
R			SUPPLIER CODE:	968999	
R			V31218		
R	356	1B1146-1	. CLAMP-BELT	031200	1
R			SUPPLIER CODE:	968999	
R			V31218		
R	358	2100011-03	. RESTRAINT SYSTEM ASSY-	031200	1
R			SUPPLIER CODE:	968999	
R			V45402		
R			ATTACHING PARTS		
R	362	NAS1203-6	. BOLT	031200	2
R				968999	
R	364	NAS43DD3-8	. SPACER	031200	2
R				968999	
R	366	NAS1149F0363P	. WASHER	031200	2
R				968999	
R	368	MS21042-3	. NUT-	031200	2
R			CONFIG CHG DATA FROM A CMM:	968999	
R			REPLS 1C2110-1		
R			-----*-----		
R	370	1C2110-1	. FITTING-	031200	1
R			SUPPLIER CODE:	968999	
R			V31218		
R			CONFIG CHG DATA FROM A CMM:		
R			REPLD BY MS21042-3		
R	388	1C3023-1AKP	. RETAINER-WEBBING	031200	2
R			SUPPLIER CODE:	968999	
R			V31218		
R			ATTACHING PARTS		
R	392	NAS1202-7	. BOLT	031200	2
R				968999	
R	394	NAS1202-3	. BOLT	031200	2
R				968999	
R	396	NAS43DD3-28	. SPACER-SCREW BOLT	031200	2
R				968999	
R	398	NAS43DD3-10	. SPACER-SCREW BOLT	031200	2
R				968999	
R			-----*-----		
R	402	1C2030-1AKP	. COVER REEL-	031200	1
R			SUPPLIER CODE:	968999	
R			V31218		
R			ATTACHING PARTS		
R	404	NAS1203-5	. BOLT	031200	4
R				968999	
R	406	NAS623-2-2	. SCREW	031200	4
R				968999	
R	408	NAS1149FN832P	. WASHER	031200	4
R				968999	

MISSING ITEM NUMBERS NOT APPLICABLE

— ITEM NOT ILLUSTRATED

HAP

25-11-50-50

25-11-50
FIG. 50
PAGE 2
JUN 15/09

BOEING
737-600/700/800/900
PARTS CATALOG (MAINTENANCE)

FIG ITEM	PART NUMBER	1 2 3 4 5 6 7	NOMENCLATURE	EFFECT FROM TO	UNITS PER ASSY
50					
R	412	NAS1149F0332P	.WASHER	031200	4
R				968999	
R	414	MS21042-3	.NUT	031200	4
R				968999	
			-----*-----		
R	416	1C5011-1	.BUSHING-	031200	2
R			SUPPLIER CODE:	968999	
R			V31218		
R	418	1C3033-1	.BUSHING-	031200	2
R			SUPPLIER CODE:	968999	
R			V31218		
R	422	1C5005-1AKP	.HEADREST ASSY-	031200	1
R			SUPPLIER CODE:	968999	
R			V31218		
			ATTACHING PARTS		
R	424	NAS1203-20	.SCREW	031200	2
R				968999	
R	426	NAS1202-16	.SCREW	031200	2
R				968999	
R	428	NAS1149F0332P	.WASHER	031200	2
R				968999	
R	432	NAS1149FN832P	.WASHER	031200	2
R				968999	
R	434	22K1-02	.NUT-CAP	031200	2
R			SUPPLIER CODE:	968999	
R			V72962		
R	436	22K1-82	.NUT-	031200	2
R			SUPPLIER CODE:	968999	
R			V72962		
			-----*-----		
R	438	1C5013-1	..TUBE-LEVER RELEASE	031200	1
R			SUPPLIER CODE:	968999	
R			V31218		
R	442	1C5012-1	..LINK-LEVER RELEASE RIGHT	031200	1
R			SUPPLIER CODE:	968999	
R			V31218		
R	444	1C5012-2	..LINK-LEVER RELEASE LEFT	031200	1
R			SUPPLIER CODE:	968999	
R			V31218		
R	446	1C5014-1	..LINK-HEADREST LONG	031200	2
R			SUPPLIER CODE:	968999	
R			V31218		
			ATTACHING PARTS		
R	448	NAS1202-10	..SCREW	031200	2
R				968999	
R	452	MS24694S51	..SCREW	031200	2
R				968999	
R	454	MS20426AD45	..RIVET-	031200	2
R				968999	

MISSING ITEM NUMBERS NOT APPLICABLE

— ITEM NOT ILLUSTRATED

HAP

25-11-50-50

25-11-50
FIG. 50
PAGE 3
JUN 15/09

BOEING
737-600/700/800/900
PARTS CATALOG (MAINTENANCE)

FIG ITEM	PART NUMBER	1 2 3 4 5 6 7	NOMENCLATURE	EFFECT FROM TO	UNITS PER ASSY
50					
R	456	NAS42DD4-4	.. SPACER	031200 968999	2
R	458	NAS1149FN832P	.. WASHER	031200 968999	2
R	462	NAS1149FN516P	.. WASHER	031200 968999	2
R	464	22K1-82	.. NUT- SUPPLIER CODE: V72962 -----*-----	031200 968999	2
R	466	1C5027-1	.. BUSHING- SUPPLIER CODE: V31218	031200 968999	2
R	468	FB68-5	.. BUSHING- SUPPLIER CODE: V31218	031200 968999	2
R	472	SJ3526GRY1ADH	.. HOOK-ADH VELCRO GRAY SUPPLIER CODE: V5J466	031200 968999	2
R	476	1C5010-1	.. PANEL-HEADREST SUPPLIER CODE: V31218	031200 968999	1
R	478	1C5009-1	.. SUPPORT-HEADREST LEFT SUPPLIER CODE: V31218	031200 968999	1
R	482	1C5009-2	.. SUPPORT-HEADREST RIGHT SUPPLIER CODE: V31218	031200 968999	1
R	484	MS20600AD4W3	.. RIVET -----*-----	031200 968999	8
R	486	T038-270-312L	.TORSION SPRING-LEFT SUPPLIER CODE: V31218	031200 968999	1
R	488	T038-270-312R	.TORSION SPRING-RIGHT SUPPLIER CODE: V31218	031200 968999	1
R	494	MS24665-283	.PIN-COTTER	031200 968999	2
R	496	MS2465-132	.PIN-COTTER	031200 968999	1
R	498	NAS6203-24	.BOLT	031200 968999	1
R	502	NAS6203-25	ATTACHING PARTS .BOLT -----*-----	031200 968999	1

MISSING ITEM NUMBERS NOT APPLICABLE

— ITEM NOT ILLUSTRATED

HAP

25-11-50-50

25-11-50
FIG. 50
PAGE 4
JUN 15/09

BOEING
737-600/700/800/900
PARTS CATALOG (MAINTENANCE)

FIG ITEM	PART NUMBER	1 2 3 4 5 6 7	NOMENCLATURE	EFFECT FROM TO	UNITS PER ASSY
50					
R	504		. SCREW	031200	1
R				968999	
R	506		. PIN-SHEAR	031200	1
R			SUPPLIER CODE:	968999	
R			V31218		
R	508		. PIN-STRAIGHT	031200	1
R				968999	
R	512		. WASHER	031200	4
R				968999	
R	514		. WASHER	031200	2
R				968999	
R	516		. WASHER	031200	2
R				968999	
R	518		. WASHER	031200	1
R				968999	
R	522		. NUT-	031200	2
R			SUPPLIER CODE:	968999	
R			V72962		
R	524		. NUT-CAP	031200	1
R			SUPPLIER CODE:	968999	
R			V72962		
R	526		. FITTING-LAP BELT	031200	2
R			SUPPLIER CODE:	968999	
R			V31218		
R	528		. LINK-TORQUE TUBE	031200	1
R			SUPPLIER CODE:	968999	
R			V31218		
R	532		. FITTING-	031200	1
R			SUPPLIER CODE:	968999	
R			V31218		
R	534		. BUSHING-	031200	1
R			SUPPLIER CODE:	968999	
R			V31218		
R	536		. BUSHING-	031200	1
R			SUPPLIER CODE:	968999	
R			V31218		
R	537		. BACKREST ASSY-	031200	1
R			SUPPLIER CODE:	968999	
R			V31218		
R	538		. . CHANNEL-BACKREST	031200	1
R			SUPPLIER CODE:	968999	
R			V31218		
R			ATTACHING PARTS		
R	542		. . SCREW	031200	8
R				968999	
R	544		. . BOLT	031200	2
R				968999	

MISSING ITEM NUMBERS NOT APPLICABLE

— ITEM NOT ILLUSTRATED

HAP

25-11-50-50

25-11-50
FIG. 50
PAGE 5
JUN 15/09

BOEING
737-600/700/800/900
PARTS CATALOG (MAINTENANCE)

FIG ITEM	PART NUMBER	1 2 3 4 5 6 7	NOMENCLATURE	EFFECT FROM TO	UNITS PER ASSY
50					
R	546	NAS1149F0332P	.. WASHER	031200	3
R				968999	
R	548	NAS77-3-9	.. BUSHING	031200	1
R				968999	
R	552	22K1-02	.. NUT-CAP	031200	2
R			SUPPLIER CODE:	968999	
R			V72962		
R	554	1C3027-1	.. HANDLE-LOCK	031200	1
R			SUPPLIER CODE:	968999	
R			V31218		
R	556	1C3103-1	.. BLOCK-RUBBER	031200	1
R			SUPPLIER CODE:	968999	
R			V31218		
R	558	1C3026-1AKP	.. FITTING-BACKREST TUBE	031200	1
R			SUPPLIER CODE:	968999	
R			V31218		
R	562	1C3026-2AKP	.. FITTING-L	031200	1
R			SUPPLIER CODE:	968999	
R			V31218		
R			ATTACHING PARTS		
R	564	MS20601AD4W6	.. RIVET	031200	2
R				968999	
			-----*-----		
R	566	1C3019-1AKP	.. TUBE-BACKREST	031200	1
R			SUPPLIER CODE:	968999	
R			V31218		
R	568	1C3107-1ALF	.. COVER-	031200	1
R			SUPPLIER CODE:	968999	
R			V31218		
R			ATTACHING PARTS		
R	572	NAS602-4P	.. SCREW	031200	2
R				968999	
R	574	NAS1149FN816P	.. WASHER	031200	2
R				968999	
			-----*-----		
R	576	NAS6203-4	.. BOLT	031200	1
R				968999	
R	578	NAS1203-23	.. BOLT	031200	1
R				968999	
R	582	MS20426AD4-6	.. RIVET	031200	2
R				968999	
R	584	W0492-007S	.. WASHER-	031200	1
R			SUPPLIER CODE:	968999	
R			V31218		
R	586	PT0310	.. WASHER-	031200	1
R			SUPPLIER CODE:	968999	
R			V1P230		
R	592	NAS1149F0332P	.. WASHER	031200	2
R				968999	

MISSING ITEM NUMBERS NOT APPLICABLE

— ITEM NOT ILLUSTRATED

HAP

25-11-50-50

25-11-50
FIG. 50
PAGE 6
JUN 15/09

BOEING
737-600/700/800/900
PARTS CATALOG (MAINTENANCE)

FIG ITEM	PART NUMBER	1 2 3 4 5 6 7	NOMENCLATURE	EFFECT FROM TO	UNITS PER ASSY
50					
R	594		.. BUSHING	031200	1
R				968999	
R	596		.. BUSHING-	031200	2
R			SUPPLIER CODE:	968999	
R			V31218		
R	598		.. BUSHING-	031200	1
R			CONFIG CHG DATA FROM A CMM:	968999	
R			REPLD BY NAS76A3-017		
R	598		.. BUSHING-	031200	1
R			CONFIG CHG DATA FROM A CMM:	968999	
R			REPLS NAS43TH3-30		
R	602		.. ROLLER-	031200	2
R			SUPPLIER CODE:	968999	
R			V31218		
R	604		.. SPRING-	031200	1
R			SUPPLIER CODE:	968999	
R			V84830		
R	606		.. PIVOT-ARM	031200	2
R			SUPPLIER CODE:	968999	
R			V31218		
R	608		.. NUT-CAP	031200	1
R			SUPPLIER CODE:	968999	
R			V72962		
R	612		.. SUPPORT-LEFT	031200	1
R			SUPPLIER CODE:	968999	
R			V31218		
R	614		.. SUPPORT-R TUBE	031200	1
R			SUPPLIER CODE:	968999	
R			V31218		
R			ATTACHING PARTS		
R	616		.. BOLT	031200	1
R				968999	
R	618		.. WASHER	031200	1
R				968999	
R	622		.. NUT-CAP	031200	1
R			SUPPLIER CODE:	968999	
R			V72962		
R			-----*-----		
R	624		.. TUBE-UPPER	031200	2
R			SUPPLIER CODE:	968999	
R			V31218		
R	626		.. TUBE-LOWER	031200	2
R			SUPPLIER CODE:	968999	
R			V31218		
R	628		.. BACKREST-LOWER	031200	1
R			SUPPLIER CODE:	968999	
R			V31218		

MISSING ITEM NUMBERS NOT APPLICABLE

— ITEM NOT ILLUSTRATED

HAP

25-11-50-50

BOEING PROPRIETARY - Copyright © - Unpublished Work - See title page for details.

25-11-50
FIG. 50
PAGE 7
JUN 15/09

BOEING
737-600/700/800/900
PARTS CATALOG (MAINTENANCE)

FIG ITEM	PART NUMBER	1 2 3 4 5 6 7	NOMENCLATURE	EFFECT FROM TO	UNITS PER ASSY
50					
R	632	1C2016-3AKP	.SEAT PAN ASSY- SUPPLIER CODE: V31218	031200 968999	1
R	634	NAS6203-2	..BOLT	031200 968999	6
R	636	NAS6203-7	..BOLT	031200 968999	2
R	638	NAS1149F0332P	..WASHER	031200 968999	6
R	642	S40000-3GLEOD	..BUSHING- SUPPLIER CODE: V31218	031200 968999	2
R	644	1C2018-1AKP	..BRACKET-SEAT PAN SUPPLIER CODE: V31218	031200 968999	1
R	646	1C2018-2AKP	..BRACKET- SUPPLIER CODE: V31218	031200 968999	1
R	648	1C2123-1	..COVER-LINK SUPPLIER CODE: V31218	031200 968999	1
R	652	NAS1202-1	..SCREW -----*-----	031200 968999	2
R	654	NAS1202-1	..SCREW	031200 968999	2
R	656	1C2031-1	..STRIKER-LATCH SUPPLIER CODE: V31218	031200 968999	1
R			CONFIG CHG DATA FROM A CMM: REPLD BY 1C2031-3		
R	656	1C2031-3	..STRIKER-LATCH SUPPLIER CODE: V31218	031200 968999	1
R			CONFIG CHG DATA FROM A CMM: REPLS 1C2031-1		
R	658	1C2019-1	..HINGE- SUPPLIER CODE: V31218	031200 968999	1
R			ATTACHING PARTS		
R	662	NAS1203-4	..BOLT	031200 968999	5
R	664	NAS1149F0332P	..WASHER	031200 968999	5
R	666	MS21042-3	..NUT -----*-----	031200 968999	5

MISSING ITEM NUMBERS NOT APPLICABLE

— ITEM NOT ILLUSTRATED

HAP

25-11-50-50

25-11-50
FIG. 50
PAGE 8
JUN 15/09

BOEING
737-600/700/800/900
PARTS CATALOG (MAINTENANCE)

FIG ITEM	PART NUMBER	1 2 3 4 5 6 7	NOMENCLATURE	EFFECT FROM TO	UNITS PER ASSY
50					
R	668		.. BOLT	031200	1
R				968999	
R	672		.. BOLT	031200	1
R				968999	
R	674		.. SUPPORT-	031200	2
R			SUPPLIER CODE:	968999	
R			V31218		
R	676		.. BUSHING-	031200	2
R			SUPPLIER CODE:	968999	
R			VOPG89		
R	678		.. PIN-STRAIGHT	031200	4
R				968999	
R	682		.. WASHER	031200	4
R				968999	
R	684		.. PIN-LOCKING	031200	2
R			SUPPLIER CODE:	968999	
R			V31218		
R	686		.. SPRING-	031200	2
R			SUPPLIER CODE:	968999	
R			V84830		
R	688		.. PIN-COTTER	031200	4
R				968999	
R	692		.. LINK-PULL	031200	2
R			SUPPLIER CODE:	968999	
R			V31218		
R	694		.. LINKAGE-	031200	2
R			SUPPLIER CODE:	968999	
R			V31218		
R	696		.. TUBE-	031200	1
R			SUPPLIER CODE:	968999	
R			V31218		
R	698		.. PAN-BOTTOM	031200	1
R			SUPPLIER CODE:	968999	
R			V31218		
R	702		.SKIN-SEAT PAN	031200	1
R			SUPPLIER CODE:	968999	
R			V31218		
R	704		ATTACHING PARTS		
R			.SCREW	031200	25
R				968999	
R	706		.WASHER	031200	25
R				968999	
			-----*-----		

MISSING ITEM NUMBERS NOT APPLICABLE

— ITEM NOT ILLUSTRATED

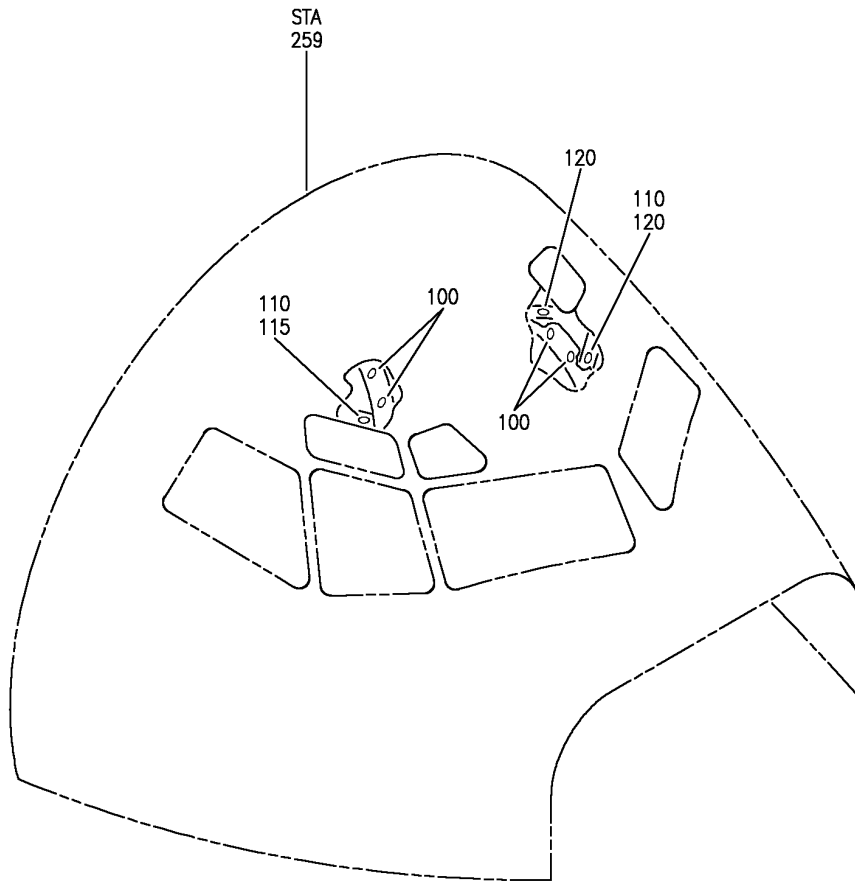
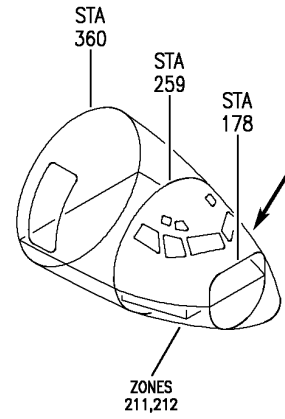
HAP

25-11-50-50

BOEING PROPRIETARY - Copyright © - Unpublished Work - See title page for details.

25-11-50
FIG. 50
PAGE 9
JUN 15/09

BOEING
737-600/700/800/900
PARTS CATALOG (MAINTENANCE)



E 25115102 REV 073

WIRE BUNDLE INSTL-FLIGHT DECK SIDEWALLS
FIGURE 2

25-11-51-02

HAP
OCT 10/06

25-11-51-02
PAGE 0

BOEING
737-600/700/800/900
PARTS CATALOG (MAINTENANCE)

FIG ITEM	PART NUMBER	1 2 3 4 5 6 7	NOMENCLATURE	EFFECT FROM TO	UNITS PER ASSY
2			WIRE BUNDLE INSTL-FLIGHT DECK SIDEWALLS	001030 201967	
- 1	288A4101-17		WIRE BUNDLE INSTL-FLIGHT DECK SIDEWALLS POSITION DATA: LH FOR NHA SEE: 25-11-00-13B	001001	RF
- 1	288A4101-29		WIRE BUNDLE INSTL-FLIGHT DECK SIDEWALLS POSITION DATA: LH FOR NHA SEE: 25-11-00-13B	002005	RF
- 3	288A4101-111		WIRE BUNDLE INSTL-FLIGHT DECK SIDEWALLS POSITION DATA: LH FOR NHA SEE: 25-11-00-13B	008027	RF
- 4	288A4101-135		WIRE BUNDLE INSTL-FLIGHT DECK SIDEWALLS POSITION DATA: LH FOR NHA SEE: 25-11-00-13B	006007	RF
- 5	288A4101-163		WIRE BUNDLE INSTL-FLIGHT DECK SIDEWALLS POSITION DATA: LH FOR NHA SEE: 25-11-00-13B	201967	RF
- 13	288A4101-447		WIRE BUNDLE INSTL-FLIGHT DECK SIDEWALLS POSITION DATA: LH FOR NHA SEE: 25-11-00-13A	028030	RF
- 15	288A4101-18		WIRE BUNDLE INSTL-FLIGHT DECK SIDEWALLS POSITION DATA: RH FOR NHA SEE: 25-11-00-13B	001001	RF

MISSING ITEM NUMBERS NOT APPLICABLE

- ITEM NOT ILLUSTRATED

HAP

25-11-51-02

BOEING PROPRIETARY - Copyright © - Unpublished Work - See title page for details.

25-11-51
FIG. 02
PAGE 1
OCT 15/08

 **BOEING**
737-600/700/800/900
PARTS CATALOG (MAINTENANCE)

FIG ITEM	PART NUMBER	1 2 3 4 5 6 7	NOMENCLATURE	EFFECT FROM TO	UNITS PER ASSY
2					
- 15	288A4101-30		WIRE BUNDLE INSTL-FLIGHT DECK SIDEWALLS POSITION DATA: RH FOR NHA SEE: 25-11-00-13B	002005	RF
- 17	288A4101-112		WIRE BUNDLE INSTL-FLIGHT DECK SIDEWALLS POSITION DATA: RH FOR NHA SEE: 25-11-00-13B	008027	RF
- 18	288A4101-136		WIRE BUNDLE INSTL-FLIGHT DECK SIDEWALLS POSITION DATA: RH FOR NHA SEE: 25-11-00-13B	006007	RF
- 19	288A4101-164		WIRE BUNDLE INSTL-FLIGHT DECK SIDEWALLS POSITION DATA: RH FOR NHA SEE: 25-11-00-13B	201967	RF
- 27	288A4101-448		WIRE BUNDLE INSTL-FLIGHT DECK SIDEWALLS POSITION DATA: RH FOR NHA SEE: 25-11-00-13B	028030	RF

MISSING ITEM NUMBERS NOT APPLICABLE

- ITEM NOT ILLUSTRATED

HAP

25-11-51-02

BOEING PROPRIETARY - Copyright © - Unpublished Work - See title page for details.

25-11-51
FIG. 02
PAGE 2
OCT 15/08

BOEING
737-600/700/800/900
PARTS CATALOG (MAINTENANCE)

FIG ITEM	PART NUMBER	1 2 3 4 5 6 7	NOMENCLATURE	EFFECT FROM TO	UNITS PER ASSY
2 100	RR2002-11C4AJ	.GROMMET	SUPPLIER CODE: V57268 SPECIFICATION NUMBER: BACG20AF11C4AJ OPTIONAL PART: SZ6924-11C4AJ V95272 701-11C4AJ V07096 E11C4AJ V60980 H11C4AJ V60980 H11C4AF V74687 H11C4AJ V74687 G6940-11C4AJ V75345	001030 201967	2
110	RR2002-14D1AJ	.GROMMET	SUPPLIER CODE: V57268 SPECIFICATION NUMBER: BACG20AF14D1AJ OPTIONAL PART: SZ6924-14D1AJ V95272 701-14D1AJ V07096 E14D1AJ V60980 H14D1AJ V60980 G6940-14D1AJ V75345	001030 201967	1

MISSING ITEM NUMBERS NOT APPLICABLE

— ITEM NOT ILLUSTRATED

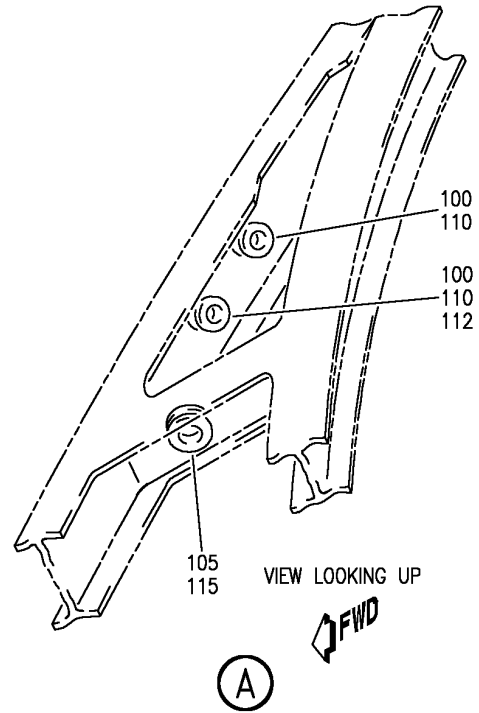
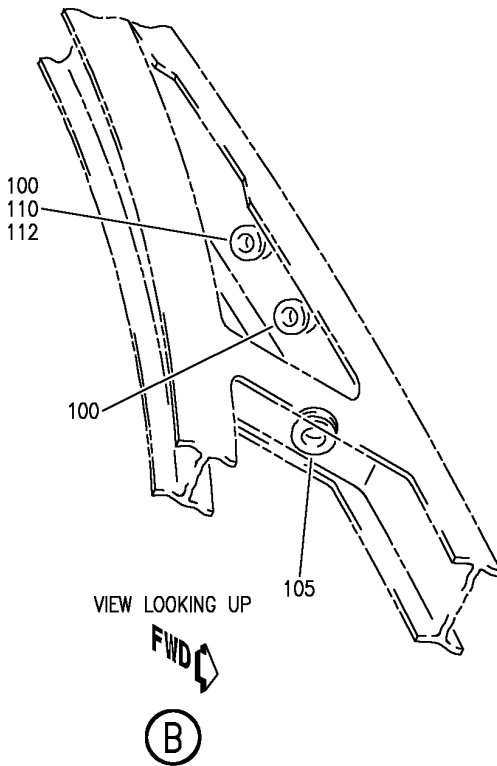
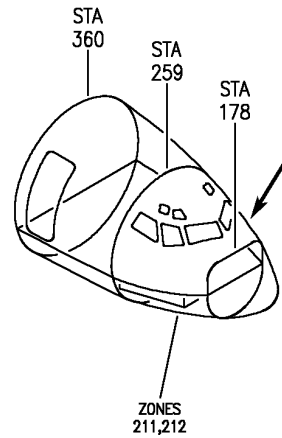
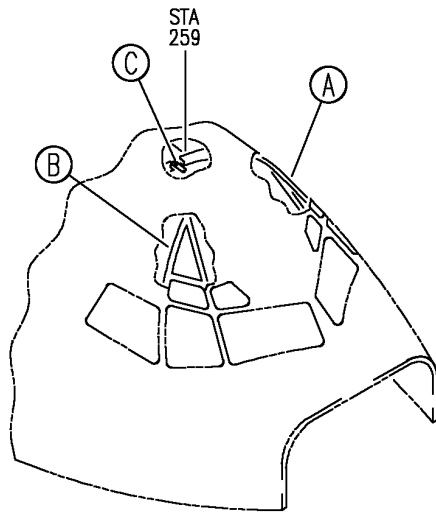
HAP

25-11-51-02

BOEING PROPRIETARY - Copyright © - Unpublished Work - See title page for details.

25-11-51
FIG. 02
PAGE 3
OCT 15/08

BOEING
 737-600/700/800/900
 PARTS CATALOG (MAINTENANCE)



E 25115102A SHT 1 REV 154

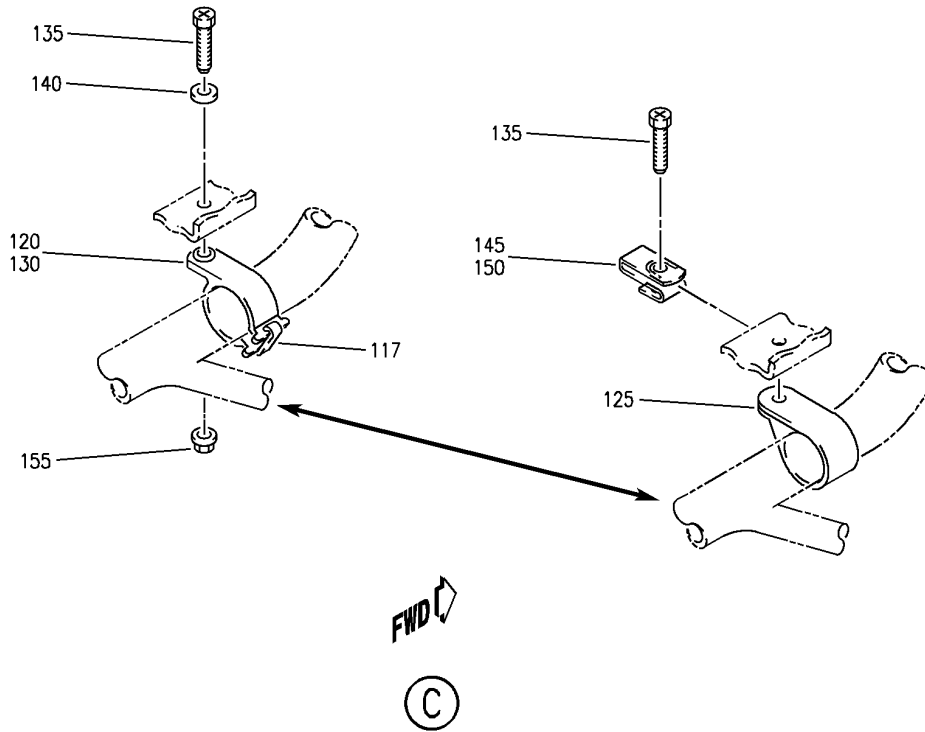
WIRE BUNDLE INSTL-FLIGHT DECK UPR CAB. AND FLOOR
 FIGURE 2A

25-11-51-02A

HAP
 JUN 15/09

25-11-51-02A
 PAGE 0

BOEING
737-600/700/800/900
PARTS CATALOG (MAINTENANCE)



E 25115102A SHT 2 REV 127

WIRE BUNDLE INSTL-FLIGHT DECK UPR CAB. AND FLOOR
FIGURE 2A

25-11-51-02A

HAP
FEB 10/07

25-11-51-02A
PAGE 0A

BOEING
737-600/700/800/900
PARTS CATALOG (MAINTENANCE)

FIG ITEM	PART NUMBER	1 2 3 4 5 6 7	NOMENCLATURE	EFFECT FROM TO	UNITS PER ASSY
2A			WIRE BUNDLE INSTL-FLIGHT DECK UPR CAB. AND FLOOR	031036 041041 047047 049050 054100 031036	
- 23	MODREF288820		WIRE BUNDLE INSTL-FLIGHT DECK UPR CAB. AND FLOOR MODULE NUMBER: 288A4101-1029 REV B	041041 054100	1
- 31	MODREF338930		WIRE BUNDLE INSTL-FLIGHT DECK UPR CAB. AND FLOOR MODULE NUMBER: 288A4101-1087 REV A	047047	1
- 32	MODREF386321		WIRE BUNDLE INSTL-FLIGHT DECK UPR CAB. AND FLOOR MODULE NUMBER: 288A4101-1087 REV A1	049049	1
- 33	MODREF396796		WIRE BUNDLE INSTL-FLIGHT DECK UPR CAB. AND FLOOR MODULE NUMBER: 288A4101-1087 REV C	050050	1
- 33	MODREF400484		WIRE BUNDLE INSTL-FLIGHT DECK UPR CAB. AND FLOOR MODULE NUMBER: 288A4101-1087 REV D		
110	RR2002-11C4AJ		.GROMMET SUPPLIER CODE: V57268 SPECIFICATION NUMBER: BACG20AF11C4AJ OPTIONAL PART: SZ6924-11C4AJ V95272 701-11C4AJ V07096 E11C4AJ V60980 H11C4AJ V60980 H11C4AF V74687 H11C4AJ V74687 G6940-11C4AJ V75345	031036 041041 047047 049050 054100	3

MISSING ITEM NUMBERS NOT APPLICABLE

- ITEM NOT ILLUSTRATED

HAP

25-11-51-02A

BOEING PROPRIETARY - Copyright © - Unpublished Work - See title page for details.

25-11-51
FIG. 02A
PAGE 1
FEB 15/09

BOEING
737-600/700/800/900
PARTS CATALOG (MAINTENANCE)

FIG ITEM	PART NUMBER	1 2 3 4 5 6 7	NOMENCLATURE	EFFECT FROM TO	UNITS PER ASSY
2A 115	RR2002-14D1AJ	.GROMMET	SUPPLIER CODE: V57268 SPECIFICATION NUMBER: BACG20AF14D1AJ OPTIONAL PART: SZ6924-14D1AJ V95272 701-14D1AJ V07096 E14D1AJ V60980 H14D1AJ V60980 G6940-14D1AJ V75345	031036 041041 047047 049050 054100	1
117	T05R0	.STRAP-	SUPPLIER CODE: V53421 SPECIFICATION NUMBER: BACS38K1 OPTIONAL PART: PLT2SM V06383 BACS38K10 USED WITH: 287T0011 NMC1005	041041 047047 049050 054100	1
117	PLT2IC	.STRAP-	SUPPLIER CODE: V06383 SPECIFICATION NUMBER: BACS38K10 OPTIONAL PART: BACS38K1 USED WITH: 287T0011 NMC1005	041041 047047 049050 054100	1

MISSING ITEM NUMBERS NOT APPLICABLE

— ITEM NOT ILLUSTRATED

HAP

25-11-51-02A

BOEING PROPRIETARY - Copyright © - Unpublished Work - See title page for details.

25-11-51
FIG. 02A
PAGE 2
FEB 15/09

BOEING
737-600/700/800/900
PARTS CATALOG (MAINTENANCE)

FIG ITEM	PART NUMBER	1 2 3 4 5 6 7	NOMENCLATURE	EFFECT FROM TO	UNITS PER ASSY
2A 120	287T0011		.CLAMP- SIZE DETERMINED ON INSTL. QUALIFIED OPTIONAL DATA: OPTIONAL USAGE IS NMC1005 WHEN 287T0011 OR BACC10DK ARE NOT AVAILABLE IN THE PROPER SIZE OPTIONAL PART: BACC10DK USED WITH: BACS38K1 BACS38K10	041041 047047 049050 054100	1
125	BACC10DK		.CLAMP- SIZE DETERMINED ON INSTL. QUALIFIED OPTIONAL DATA: OPTIONAL USAGE IS NMC1005 WHEN 287T0011 OR BACC10DK ARE NOT AVAILABLE IN THE PROPER SIZE OPTIONAL PART: 287T0011 USED WITH: NAS1149D0332J	041041 047047 049050 054100	1
130	NMC1005		.CLAMP- SUPPLIER CODE: V03296 SIZE DETERMINED ON INSTL. QUALIFIED OPTIONAL DATA: OPTIONAL USAGE IS NMC1005 WHEN 287T0011 OR BACC10DK ARE NOT AVAILABLE IN THE PROPER SIZE USED WITH: BACS38K10 BACS38K1 ATTACHING PARTS	041041 047047 049050 054100	1
135	BACS12GU3K		.SCREW- SIZE DETERMINED ON INSTL.	041041 047047 049050 054100	1

MISSING ITEM NUMBERS NOT APPLICABLE

— ITEM NOT ILLUSTRATED

HAP

25-11-51-02A

BOEING PROPRIETARY - Copyright © - Unpublished Work - See title page for details.

25-11-51
FIG. 02A
PAGE 3
FEB 15/09

BOEING
737-600/700/800/900
PARTS CATALOG (MAINTENANCE)

FIG ITEM	PART NUMBER	1 2 3 4 5 6 7	NOMENCLATURE	EFFECT FROM TO	UNITS PER ASSY
2A 140	NAS1149D0332J		.WASHER- QUALIFIED OPTIONAL DATA: BACN10FX16 OPTIONAL TO BACN10YD1, BACN10FX16 IS PREFERRED FOR EDGE MARGINS LESS THAN .38, OPTIONAL: BACN10YR3CD AND NAS1149D0332J	041041 047047 049050 054100	1
145	130069		.NUT- SUPPLIER CODE: V60119 SPECIFICATION NUMBER: BACN10FX16 OPTIONAL PART: A11330-6-3 V72962 A4972-6-02 V72962 QUALIFIED OPTIONAL DATA: BACN10FX16 OPTIONAL TO BACN10YD1, BACN10FX16 IS PREFERRED FOR EDGE MARGINS LESS THAN .38, OPTIONAL: BACN10YR3CD AND NAS1149D0332J	041041 047047 049050 054100	1
150	BRC600-8-3		.NUT- SUPPLIER CODE: V52828 SPECIFICATION NUMBER: BACN10YD1 OPTIONAL PART: 130120 V60119 QUALIFIED OPTIONAL DATA: BACN10FX16 OPTIONAL TO BACN10YD1, BACN10FX16 IS PREFERRED FOR EDGE MARGINS LESS THAN .38, OPTIONAL: BACN10YR3CD AND NAS1149D0332J	041041 047047 049050 054100	1

MISSING ITEM NUMBERS NOT APPLICABLE

— ITEM NOT ILLUSTRATED

HAP

25-11-51-02A

BOEING PROPRIETARY - Copyright © - Unpublished Work - See title page for details.

25-11-51
FIG. 02A
PAGE 4
FEB 15/09

BOEING
737-600/700/800/900
PARTS CATALOG (MAINTENANCE)

FIG ITEM	PART NUMBER	1 2 3 4 5 6 7 NOMENCLATURE	EFFECT FROM TO	UNITS PER ASSY
2A 155	PLH53CD	.NUT- SUPPLIER CODE: VF0224 SPECIFICATION NUMBER: BACN10YR3CD OPTIONAL PART: H52732-3CD V15653 QUALIFIED OPTIONAL DATA: BACN10FX16 OPTIONAL TO BACN10YD1, BACN10FX16 IS PREFERRED FOR EDGE MARGINS LESS THAN .38, OPTIONAL: BACN10YR3CD AND NAS1149D0332J -----*-----	041041 047047 049050 054100	1

MISSING ITEM NUMBERS NOT APPLICABLE

— ITEM NOT ILLUSTRATED

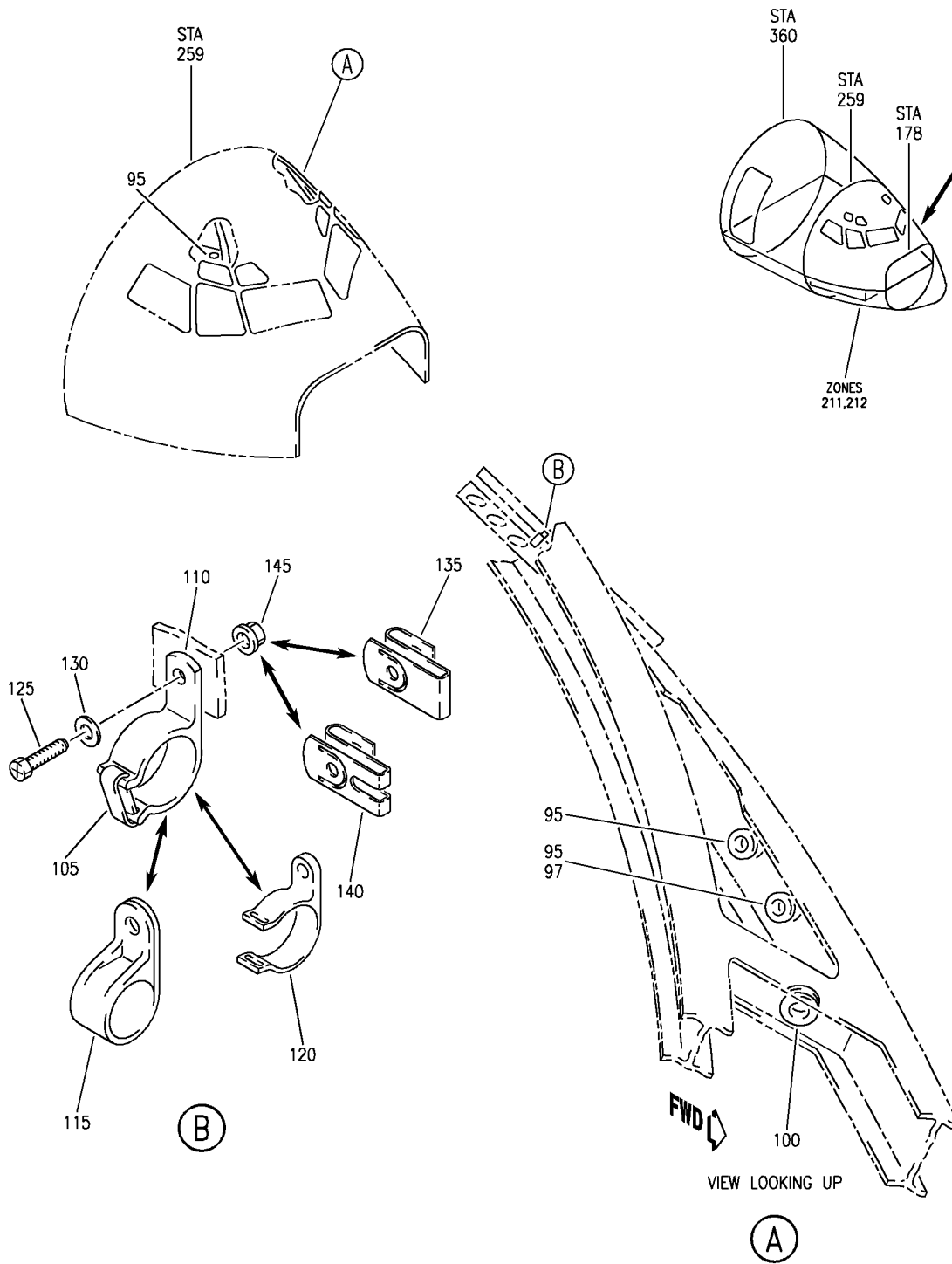
HAP

25-11-51-02A

BOEING PROPRIETARY - Copyright © - Unpublished Work - See title page for details.

25-11-51
FIG. 02A
PAGE 5
FEB 15/09

BOEING
 737-600/700/800/900
 PARTS CATALOG (MAINTENANCE)



E 25115102B REV 133

WIRE BUNDLE INSTL-FLIGHT DECK UPR CAB. AND FLOOR
 FIGURE 2B

25-11-51-02B

HAP
 OCT 10/07

25-11-51-02B
 PAGE 0

BOEING
737-600/700/800/900
PARTS CATALOG (MAINTENANCE)

FIG ITEM	PART NUMBER	1 2 3 4 5 6 7	NOMENCLATURE	EFFECT FROM TO	UNITS PER ASSY
2B			WIRE BUNDLE INSTL-FLIGHT DECK UPR CAB. AND FLOOR	037040 042046 048048 051053 101200 968999	
- 1	MODREF317540		WIRE BUNDLE INSTL-FLIGHT DECK UPR CAB. AND FLOOR MODULE NUMBER: 288A4101-1066 REV A	038038 042046	1
- 1	MODREF322525		WIRE BUNDLE INSTL-FLIGHT DECK UPR CAB. AND FLOOR MODULE NUMBER: 288A4101-1029 REV D	037037 039040	1
- 2	MODREF324893		WIRE BUNDLE INSTL-FLIGHT DECK UPR CAB. AND FLOOR MODULE NUMBER: 288A4101-1077 REV A	101105 968999	1
- 5	MODREF379977		WIRE BUNDLE INSTL-FLIGHT DECK UPR CAB. AND FLOOR MODULE NUMBER: 288A4101-1029 REV E	048048	1
- 7	MODREF386320		WIRE BUNDLE INSTL-FLIGHT DECK UPR CAB. AND FLOOR MODULE NUMBER: 288A4101-1077 REV A1	106106	1
- 8	MODREF396794		WIRE BUNDLE INSTL-FLIGHT DECK UPR CAB. AND FLOOR MODULE NUMBER: 288A4101-1066 REV C	051051	1
- 8	MODREF396795		WIRE BUNDLE INSTL-FLIGHT DECK UPR CAB. AND FLOOR MODULE NUMBER: 288A4101-1077 REV C	107200	1
- 9	MODREF405302		WIRE BUNDLE INSTL-FLIGHT DECK UPR CAB. AND FLOOR MODULE NUMBER: 288A4101-1066 REV D	052053	1

MISSING ITEM NUMBERS NOT APPLICABLE

- ITEM NOT ILLUSTRATED

HAP

25-11-51-02B

BOEING PROPRIETARY - Copyright © - Unpublished Work - See title page for details.

25-11-51
FIG. 02B
PAGE 1
FEB 15/09

BOEING
737-600/700/800/900
PARTS CATALOG (MAINTENANCE)

FIG ITEM	PART NUMBER	1 2 3 4 5 6 7	NOMENCLATURE	EFFECT FROM TO	UNITS PER ASSY
2B 95	RR2002-11C4AJ	.GROMMET	SUPPLIER CODE: V57268 SPECIFICATION NUMBER: BACG20AF11C4AJ OPTIONAL PART: SZ6924-11C4AJ V95272 701-11C4AJ V07096 E11C4AJ V60980 H11C4AJ V60980 H11C4AF V74687 H11C4AJ V74687 G6940-11C4AJ V75345	037040 042046 048048 051053 101200 968999	3
100	RR2002-14D1AJ	.GROMMET	SUPPLIER CODE: V57268 SPECIFICATION NUMBER: BACG20AF14D1AJ OPTIONAL PART: SZ6924-14D1AJ V95272 701-14D1AJ V07096 E14D1AJ V60980 H14D1AJ V60980 G6940-14D1AJ V75345	037040 042046 048048 051053 101200 968999	1
105	T05RO	.STRAP-	SUPPLIER CODE: V53421 SPECIFICATION NUMBER: BACS38K1 OPTIONAL PART: PLT2SM V06383 BACS38K10 USED WITH: 287T0011 NMC1005	037040 042046 048048 051053 101200 968999	1

MISSING ITEM NUMBERS NOT APPLICABLE

— ITEM NOT ILLUSTRATED

HAP

25-11-51-02B

BOEING PROPRIETARY - Copyright © - Unpublished Work - See title page for details.

25-11-51
FIG. 02B
PAGE 2
FEB 15/09

BOEING
737-600/700/800/900
PARTS CATALOG (MAINTENANCE)

FIG ITEM	PART NUMBER	1 2 3 4 5 6 7	NOMENCLATURE	EFFECT FROM TO	UNITS PER ASSY
2B 105	PLT2IC		.STRAP- SUPPLIER CODE: V06383 SPECIFICATION NUMBER: BACS38K10 OPTIONAL PART: BACS38K1 USED WITH: 287T0011 NMC1005	037040 042046 048048 051053 101200 968999	1
110	287T0011		.CLAMP- SIZE DETERMINED ON INSTL. QUALIFIED OPTIONAL DATA: OPTIONAL USAGE IS NMC1005 WHEN 287T0011 OR BACC10DK ARE NOT AVAILABLE IN THE PROPER SIZE OPTIONAL PART: BACC10DK USED WITH: BACS38K10 BACS38K1	037040 042046 048048 051053 101200 968999	1
115	BACC10DK		.CLAMP- SIZE DETERMINED ON INSTL. QUALIFIED OPTIONAL DATA: OPTIONAL USAGE IS NMC1005 WHEN 287T0011 OR BACC10DK ARE NOT AVAILABLE IN THE PROPER SIZE OPTIONAL PART: 287T0011 USED WITH: NAS1149D0332J	037040 042046 048048 051053 101200 968999	1
120	NMC1005		.CLAMP- SUPPLIER CODE: V03296 SIZE DETERMINED ON INSTL. QUALIFIED OPTIONAL DATA: OPTIONAL USAGE IS NMC1005 WHEN 287T0011 OR BACC10DK ARE NOT AVAILABLE IN THE PROPER SIZE USED WITH: BACS38K10 BACS38K1	037040 042046 048048 051053 101200 968999	1

MISSING ITEM NUMBERS NOT APPLICABLE

— ITEM NOT ILLUSTRATED

HAP

25-11-51-02B

BOEING PROPRIETARY - Copyright © - Unpublished Work - See title page for details.

25-11-51
FIG. 02B
PAGE 3
FEB 15/09

BOEING
737-600/700/800/900
PARTS CATALOG (MAINTENANCE)

FIG ITEM	PART NUMBER	1 2 3 4 5 6 7	NOMENCLATURE	EFFECT FROM TO	UNITS PER ASSY
2B			ATTACHING PARTS		
125	BACS12GU3K		.SCREW- SIZE DETERMINED ON INSTL.	037040 042046 048048 051053 101200 968999	1
130	NAS1149D0332J		.WASHER- QUALIFIED OPTIONAL DATA: BACN10FX16 OPTIONAL TO BACN10YD1, BACN10FX16 IS PREFERRED FOR EDGE MARGINS LESS THAN .38, OPTIONAL: BACN10YR3CD AND NAS1149D0332J	037040 042046 048048 051053 101200 968999	1
135	130069		.NUT- SUPPLIER CODE: V60119 SPECIFICATION NUMBER: BACN10FX16 OPTIONAL PART: A11330-6-3 V72962 A4972-6-02 V72962 QUALIFIED OPTIONAL DATA: BACN10FX16 OPTIONAL TO BACN10YD1, BACN10FX16 IS PREFERRED FOR EDGE MARGINS LESS THAN .38, OPTIONAL: BACN10YR3CD AND NAS1149D0332J	037040 042046 048048 051053 101200 968999	1
140	BRC600-8-3		.NUT- SUPPLIER CODE: V52828 SPECIFICATION NUMBER: BACN10YD1 OPTIONAL PART: 130120 V60119 QUALIFIED OPTIONAL DATA: BACN10FX16 OPTIONAL TO BACN10YD1, BACN10FX16 IS PREFERRED FOR EDGE MARGINS LESS THAN .38, OPTIONAL: BACN10YR3CD AND NAS1149D0332J	037040 042046 048048 051053 101200 968999	1

MISSING ITEM NUMBERS NOT APPLICABLE

— ITEM NOT ILLUSTRATED

HAP

25-11-51-02B

BOEING PROPRIETARY - Copyright © - Unpublished Work - See title page for details.

25-11-51
FIG. 02B
PAGE 4
FEB 15/09


BOEING
 737-600/700/800/900
PARTS CATALOG (MAINTENANCE)

FIG ITEM	PART NUMBER	1 2 3 4 5 6 7 NOMENCLATURE	EFFECT FROM TO	UNITS PER ASSY
2B 145	PLH53CD	.NUT- SUPPLIER CODE: VF0224 SPECIFICATION NUMBER: BACN10YR3CD OPTIONAL PART: H52732-3CD V15653 QUALIFIED OPTIONAL DATA: BACN10FX16 OPTIONAL TO BACN10YD1, BACN10FX16 IS PREFERRED FOR EDGE MARGINS LESS THAN .38, OPTIONAL: BACN10YR3CD AND NAS1149D0332J -----*-----	037040 042046 048048 051053 101200 968999	1

MISSING ITEM NUMBERS NOT APPLICABLE

— ITEM NOT ILLUSTRATED

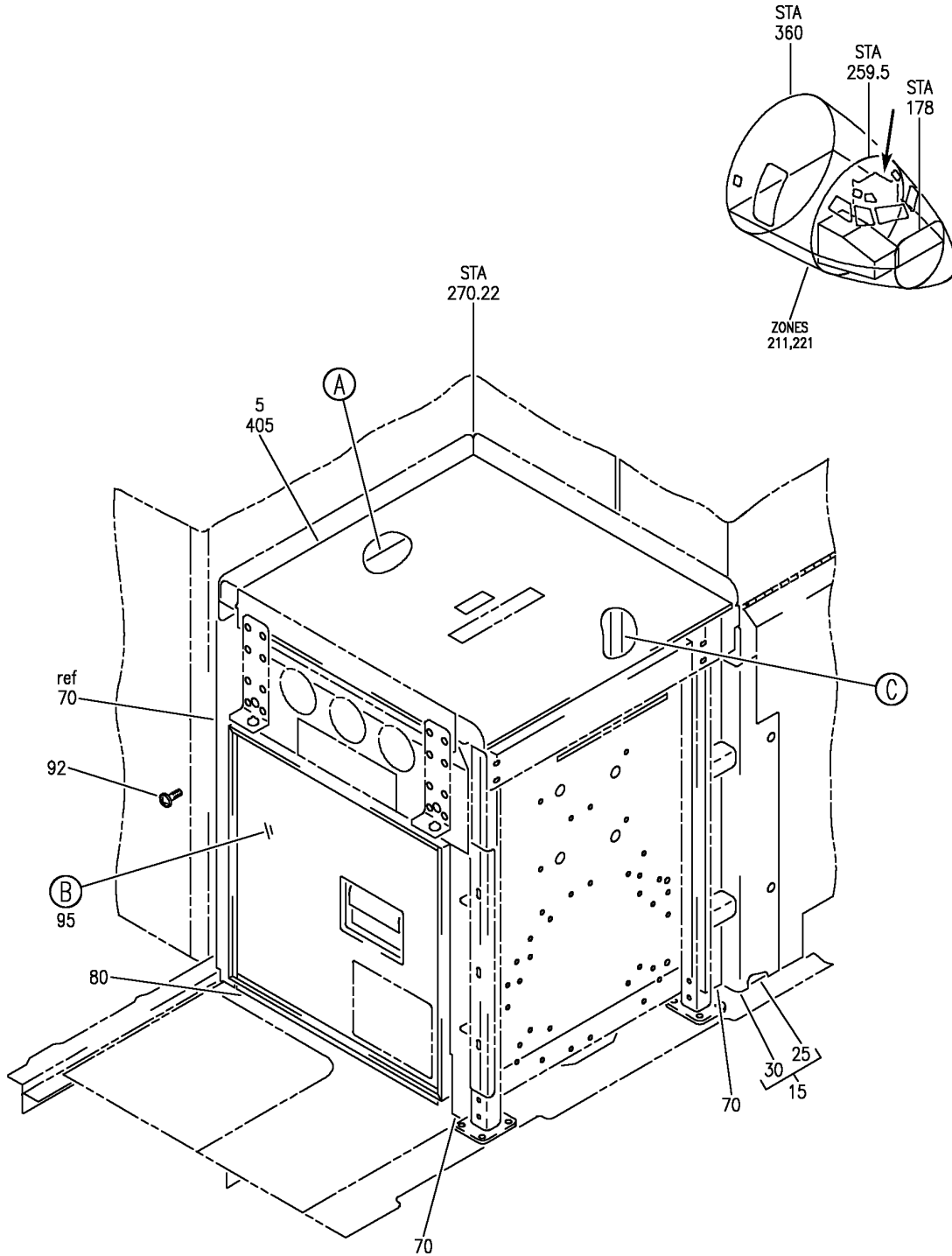
HAP

25-11-51-02B

BOEING PROPRIETARY - Copyright © - Unpublished Work - See title page for details.

25-11-51
 FIG. 02B
 PAGE 5
 FEB 15/09

BOEING
 737-600/700/800/900
 PARTS CATALOG (MAINTENANCE)



E 25115105 SHT 1 REV 141

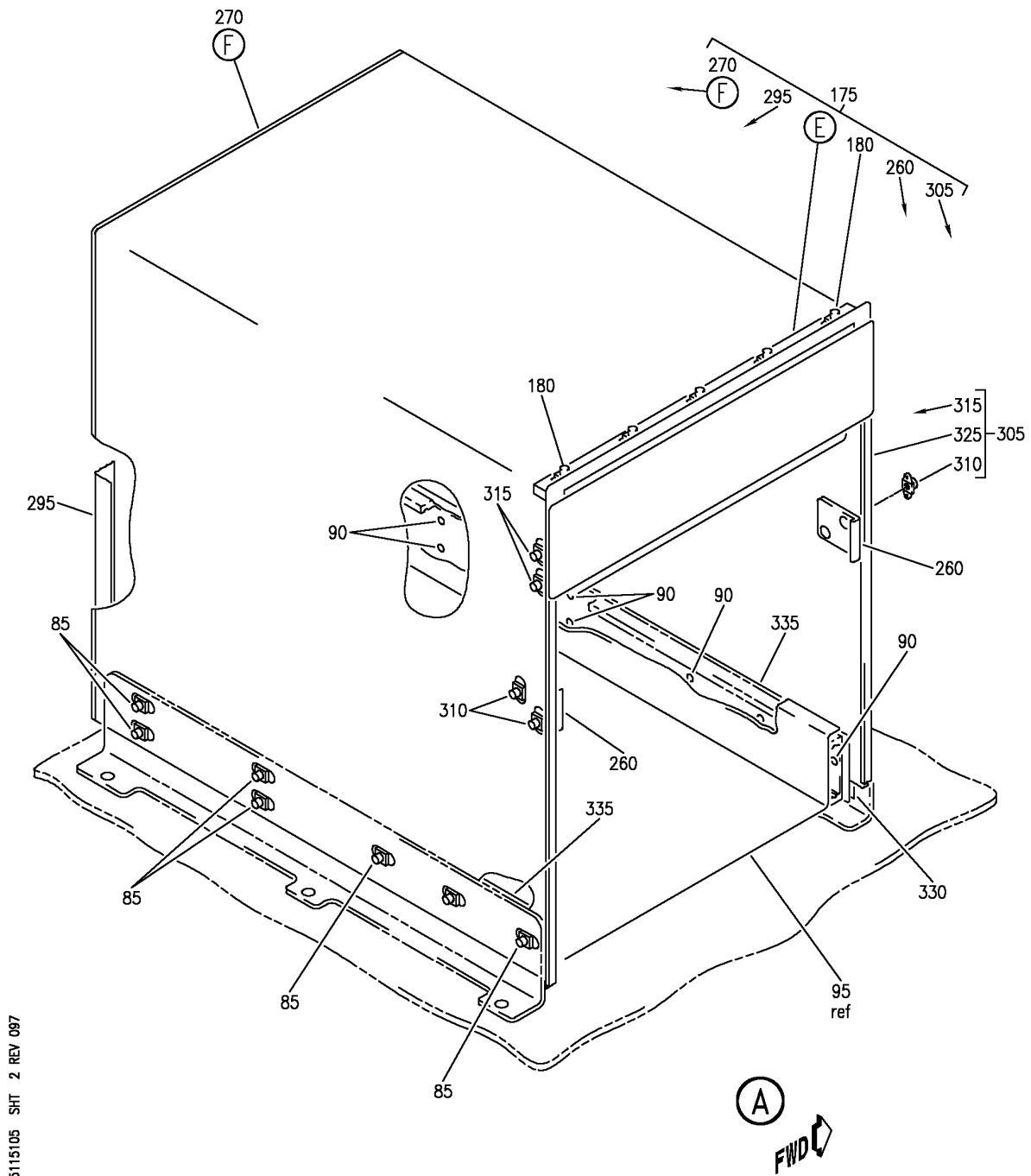
STOWAGE AND SEAT CLOSEOUT PLATE INSTL (EQUIPMENT/ FURNISHINGS ONLY)
 FIGURE 5 (SHEET 1)

25-11-51-05

HAP
 JUN 15/08

25-11-51-05
 PAGE 0


BOEING
 737-600/700/800/900
 PARTS CATALOG (MAINTENANCE)



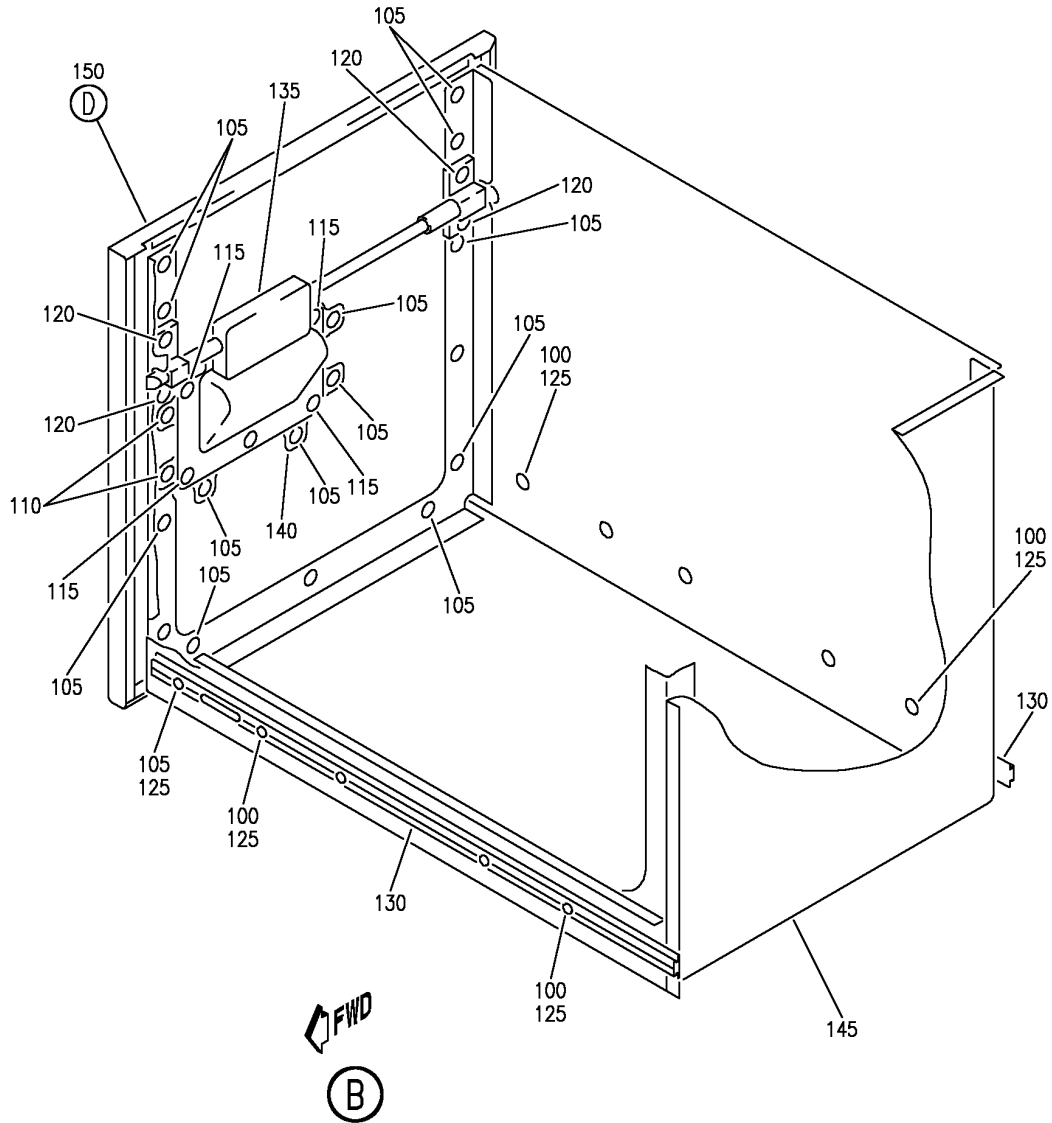
E 25115105 SHT 2 REV 087

STOWAGE AND SEAT CLOSEOUT PLATE INSTL (EQUIPMENT/ FURNISHINGS ONLY)
FIGURE 5 (SHEET 2)

25-11-51-05

HAP
OCT 10/06

25-11-51-05
PAGE 0A



E 25115105 SHT 3 REV 081

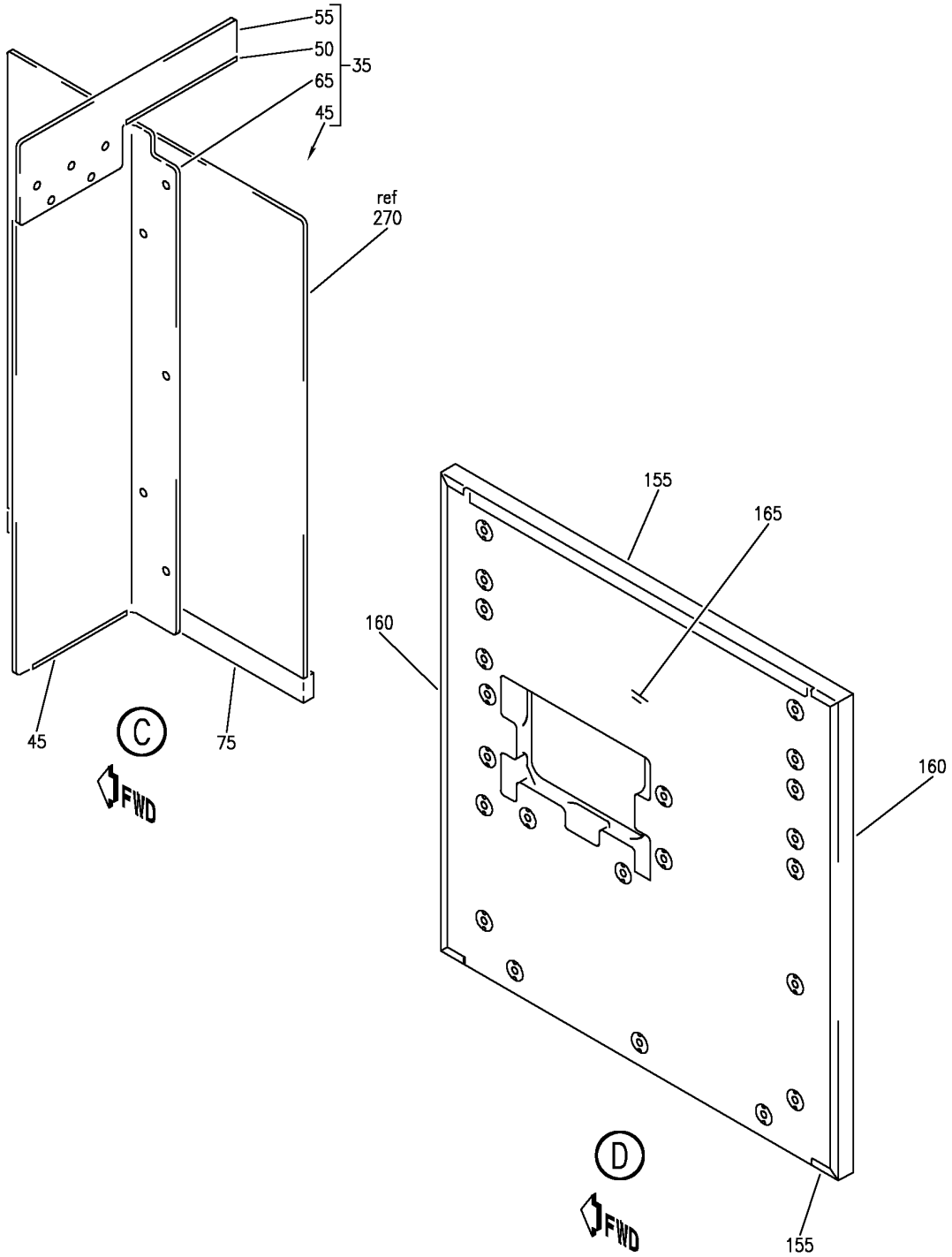
STOWAGE AND SEAT CLOSEOUT PLATE INSTL (EQUIPMENT/ FURNISHINGS ONLY)
 FIGURE 5 (SHEET 3)

25-11-51-05

HAP
 OCT 10/06

25-11-51-05
 PAGE 0B

BOEING
 737-600/700/800/900
 PARTS CATALOG (MAINTENANCE)



E 25115105 SHT 4 REV 091

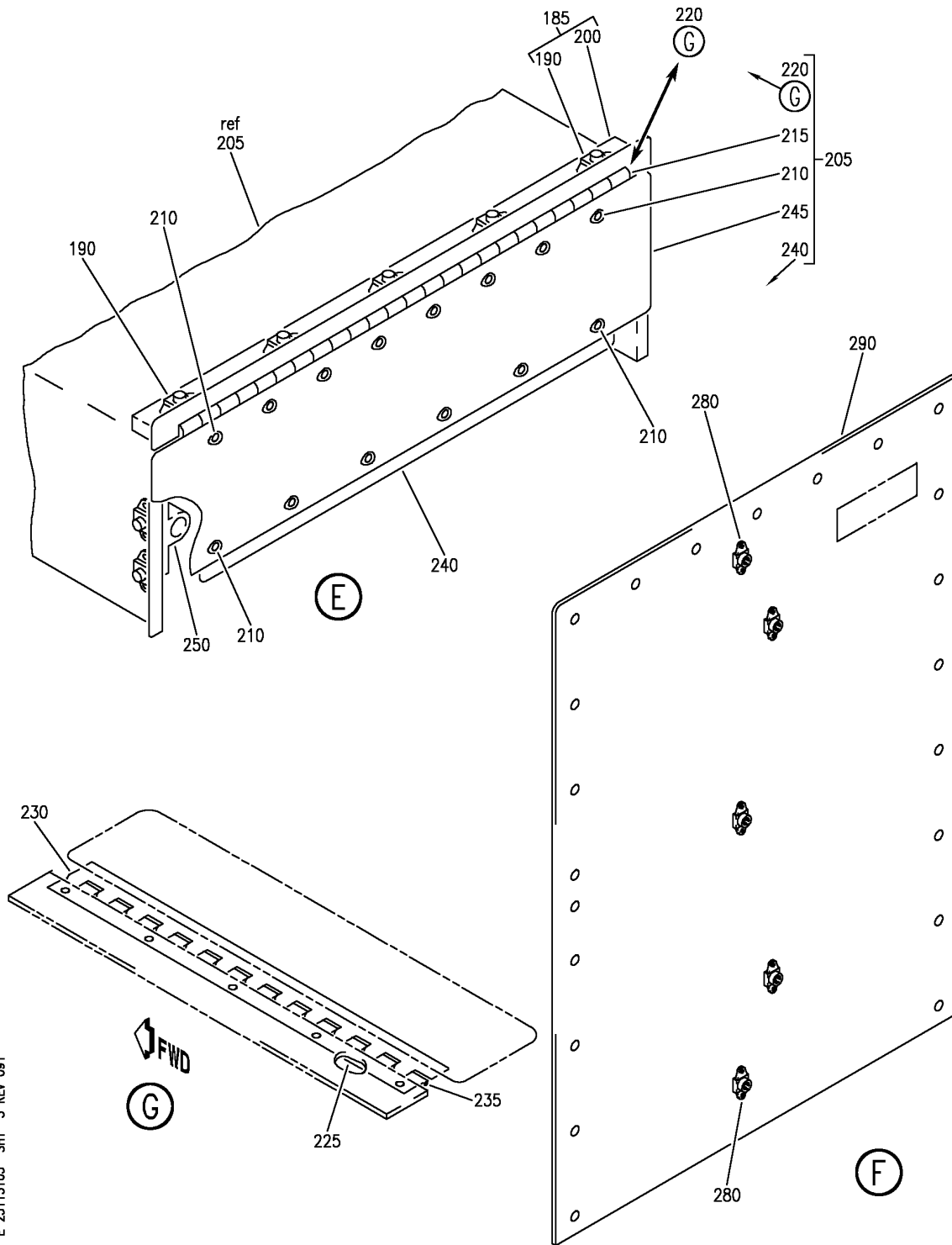
STOWAGE AND SEAT CLOSEOUT PLATE INSTL (EQUIPMENT/ FURNISHINGS ONLY)
 FIGURE 5 (SHEET 4)

25-11-51-05

HAP
 OCT 10/06

25-11-51-05
 PAGE 0C


BOEING
 737-600/700/800/900
PARTS CATALOG (MAINTENANCE)



E 25115105 SHT 5 REV 091

STOWAGE AND SEAT CLOSEOUT PLATE INSTL (EQUIPMENT/ FURNISHINGS ONLY)
 FIGURE 5 (SHEET 5)

25-11-51-05

HAP
 OCT 10/06

25-11-51-05
 PAGE 0D

BOEING
737-600/700/800/900
PARTS CATALOG (MAINTENANCE)

FIG ITEM	PART NUMBER	1 2 3 4 5 6 7	NOMENCLATURE	EFFECT FROM TO	UNITS PER ASSY
5			STOWAGE AND SEAT CLOSEOUT PLATE INSTL (EQUIPMENT/ FURNISHINGS ONLY)	031200 968999	
- 1	MODREF217321		STOWAGE INSTL-DRAWER (EQUIPMENT/FURNISHINGS ONLY) MODULE NUMBER: 232A4382-3 REV A FOR OTHER SYS DETAILS SEE: 11-31-01-27	032036	1
- 1	MODREF293680		STOWAGE INSTL-DRAWER (EQUIPMENT/FURNISHINGS ONLY) MODULE NUMBER: 232A4382-5 REV A FOR OTHER SYS DETAILS SEE: 11-31-01-27	031031 037200 968999	1
15	232A4383-4		.ENCLOSURE ASSY-	031200 968999	1
- 20	BACS12FA3K9BK		ATTACHING PARTS .SCREW-	031200 968999	2
25	232A4389-3		-----*----- ..SEAL	031200 968999	1
30	232A4385-16		..BRACKET	031200 968999	1
35	232A4383-3		.ENCLOSURE ASSY-	031200 968999	1
- 40	WHS8C8TPKL26GY		ATTACHING PARTS .SCREW- SUPPLIER CODE: V12324 OPTIONAL PART: BACS12FA08K8 BACS12FA08K8GR	032036 039045 101101 968971	5
- 40	BACS12FA08K8		.SCREW- OPTIONAL PART: WHS8C8TPKL26GY V12324 BACS12FA08K8GR	032036 039045 101101 968971	5
- 40	BACS12FA08K8GR		.SCREW- OPTIONAL PART: WHS8C8TPKL26GY V12324 BACS12FA08K8	032036 039045 101101 968971	5
45	BACG20ZA000410		-----*----- ..GROMMET	031200 968999	1

MISSING ITEM NUMBERS NOT APPLICABLE

- ITEM NOT ILLUSTRATED

HAP

25-11-51-05

25-11-51
FIG. 05
PAGE 1
OCT 15/08

BOEING
737-600/700/800/900
PARTS CATALOG (MAINTENANCE)

FIG ITEM	PART NUMBER	1 2 3 4 5 6 7	NOMENCLATURE	EFFECT FROM TO	UNITS PER ASSY
5	50 BACG20ZA000485	..	GROMMET	031200 968999	1
	55 232A4385-15	..	PLATE ASSY	031200 968999	1
			ATTACHING PARTS		
-	60 BACR15BB4DC	..	RIVET- SIZE DETERMINED ON INSTL. -----*-----	031200 968999	5
	65 232A4385-14	..	PLATE	031200 968999	1
	70 232A4389-1	.	SEAL-	031200 968999	2
	75 232A4389-2	.	SEAL-	031200 968999	1
	80 232A4389-4	.	SEAL-	031200 968999	1
	85 BACB30NN3K5	.	BOLT-	031200 968999	7
	90 BACB30NN3K6	.	BOLT-	031200 968999	7
	92 WHS10F4TPKL26GY	.	SCREW- SUPPLIER CODE: V12324 OPTIONAL PART: BACS12FA3K4GR BACS12FA3K4	032036 039048 054106 968999	1
	92 BACS12FA3K4GR	.	SCREW- OPTIONAL PART: WHS10F4TPKL16GY V12324 BACS12FA3K4	032036 039048 054106 968999	1
	92 BACS12FA3K4	.	SCREW- OPTIONAL PART: BACS12FA3K4GR WHS10F4TPKL26GY V12324	032036 039048 054106 968999	1
	95 232A4384-1	.	DRAWER ASSY-STOWAGE	031200 968999	1
	100 BACS12FA3K4GR	..	SCREW- POSITION DATA: NEAR SIDE OPTIONAL PART: WHS10F4TPKL16GY V12324 BACS12FA3K4	031200 968999	9

MISSING ITEM NUMBERS NOT APPLICABLE

- ITEM NOT ILLUSTRATED

HAP

25-11-51-05

BOEING PROPRIETARY - Copyright © - Unpublished Work - See title page for details.

25-11-51
FIG. 05
PAGE 2
FEB 15/09

BOEING
737-600/700/800/900
PARTS CATALOG (MAINTENANCE)

FIG ITEM	PART NUMBER	1 2 3 4 5 6 7	NOMENCLATURE	EFFECT FROM TO	UNITS PER ASSY
5 100	WHS10F4TPKL16GY	..	SCREW- SUPPLIER CODE: V12324 POSITION DATA: NEAR SIDE OPTIONAL PART: BACS12FA3K4GR	031200 968999	9
100	BACS12FA3K4	..	SCREW- POSITION DATA: NEAR SIDE OPTIONAL PART: BACS12FA3K4GR	031200 968999	9
105	BACS12FA3K5GR	..	SCREW- POSITION DATA: NEAR SIDE OPTIONAL PART: WHS10F5TPKL16GY V12324 WHS10F5TPKL26GY V12324 BACS12FA3K5	031200 968999	17
105	WHS10F5TPKL16GY	..	SCREW- SUPPLIER CODE: V12324 POSITION DATA: NEAR SIDE OPTIONAL PART: BACS12FA3K5GR WHS10F5TPKL26GY V12324 BACS12FA3K5	031200 968999	17
105	WHS10F5TPKL26GY	..	SCREW- SUPPLIER CODE: V12324 POSITION DATA: NEAR SIDE OPTIONAL PART: BACS12FA3K5GR WHS10F5TPKL16GY V12324 BACS12FA3K5	031200 968999	17

MISSING ITEM NUMBERS NOT APPLICABLE

— ITEM NOT ILLUSTRATED

HAP

25-11-51-05

BOEING PROPRIETARY - Copyright © - Unpublished Work - See title page for details.

25-11-51
FIG. 05
PAGE 3
OCT 15/08

BOEING
737-600/700/800/900
PARTS CATALOG (MAINTENANCE)

FIG ITEM	PART NUMBER	1 2 3 4 5 6 7	NOMENCLATURE	EFFECT FROM TO	UNITS PER ASSY
5 105	BACS12FA3K5	..	SCREW- POSITION DATA: NEAR SIDE OPTIONAL PART: WHS10F5TPKL16GY V12324 WHS10F5TPKL26GY V12324 BACS12FA3K5GR	031200 968999	17
110	BACS12FA3K6GR	..	SCREW- POSITION DATA: NEAR SIDE OPTIONAL PART: WHS10F6TPKL16GY V12324 BACS12FA3K6 WHS10F6TPKL26GY V12324	031200 968999	2
110	WHS10F6TPKL16GY	..	SCREW- SUPPLIER CODE: V12324 POSITION DATA: NEAR SIDE OPTIONAL PART: BACS12FA3K6GR WHS10F6TPKL26GY V12324 BACS12FA3K6	031200 968999	2
110	WHS10F6TPKL26GY	..	SCREW- SUPPLIER CODE: V12324 POSITION DATA: NEAR SIDE OPTIONAL PART: BACS12FA3K6GR WHS10F6TPKL16GY V12324 BACS12FA3K6	031200 968999	2
110	BACS12FA3K6	..	SCREW- POSITION DATA: NEAR SIDE OPTIONAL PART: WHS10F6TPKL16GY V12324 BACS12FA3K6GR WHS10F6TPKL26GY V12324	031200 968999	2

MISSING ITEM NUMBERS NOT APPLICABLE

— ITEM NOT ILLUSTRATED

HAP

25-11-51-05

BOEING PROPRIETARY - Copyright © - Unpublished Work - See title page for details.

25-11-51
FIG. 05
PAGE 4
OCT 15/08

BOEING
737-600/700/800/900
PARTS CATALOG (MAINTENANCE)

FIG ITEM	PART NUMBER	1 2 3 4 5 6 7	NOMENCLATURE	EFFECT FROM TO	UNITS PER ASSY
5					
115	BACS12FA3K7GR	..	SCREW- POSITION DATA: NEAR SIDE OPTIONAL PART: BACS12FA3K7 WHS10F7TPKL26GY V12324	031200 968999	5
115	BACS12FA3K7	..	SCREW- POSITION DATA: NEAR SIDE OPTIONAL PART: BACS12FA3K7GR WHS10F7TPKL26GY V12324	031200 968999	5
115	WHS10F7TPKL26GY	..	SCREW- SUPPLIER CODE: V12324 POSITION DATA: NEAR SIDE OPTIONAL PART: BACS12FA3K7GR BACS12FA3K7	031200 968999	5
120	BACS12FA3K8GR	..	SCREW- POSITION DATA: NEAR SIDE OPTIONAL PART: WHS10F8TPKL16GY V12324 BACS12FA3K8 WHS10F8TPKL26GY V12324	031200 968999	4
120	WHS10F8TPKL16GY	..	SCREW- SUPPLIER CODE: V12324 POSITION DATA: NEAR SIDE OPTIONAL PART: BACS12FA3K8GR WHS10F8TPKL26GY V12324 BACS12FA3K8	031200 968999	4

MISSING ITEM NUMBERS NOT APPLICABLE

— ITEM NOT ILLUSTRATED

HAP

25-11-51-05

BOEING PROPRIETARY - Copyright © - Unpublished Work - See title page for details.

25-11-51
FIG. 05
PAGE 5
OCT 15/08

BOEING
737-600/700/800/900
PARTS CATALOG (MAINTENANCE)

FIG ITEM	PART NUMBER	1 2 3 4 5 6 7	NOMENCLATURE	EFFECT FROM TO	UNITS PER ASSY
5					
120	WHS10F8TPKL26GY	..	SCREW- SUPPLIER CODE: V12324 POSITION DATA: NEAR SIDE OPTIONAL PART: BACS12FA3K8GR WHS10F8TPKL16GY V12324 BACS12FA3K8	031200 968999	4
120	BACS12FA3K8	..	SCREW- POSITION DATA: NEAR SIDE OPTIONAL PART: WHS10F8TPKL16GY V12324 BACS12FA3K8GR WHS10F8TPKL26GY V12324	031200 968999	4
125	NAS1149D0316J	..	WASHER- POSITION DATA: NEAR SIDE	031200 968999	10
130	A5510-0128-000	..	SLIDE ASSY	031200 968999	2
135	A39141-4	..	LATCH ASSY- SUPPLIER CODE: V52607	031200 968999	1
140	232A4387-10	..	EXTRUSION ASSY	031200 968999	1
145	232A4384-2	..	DRAWER ASSY	031200 968999	1
150	232A4384-3	..	DRAWER ASSY-FACE	031200 968999	1
155	232A4387-8	...	TRIM	031200 968999	2
160	232A4387-9	...	TRIM	031200 968999	2
165	232A4386-1	...	PANEL ASSY	031200 968999	1
- 170	SL2334-3A1	INSERT- SUPPLIER CODE: V97393	031200 968999	22
175	232A4383-1	.	DRAWER ASSY-ENCLOSURE	031200 968999	1
180	BACS12FA08K7GR	..	SCREW- OPTIONAL PART: WHS8C7TPKL16GY V12324 BACS12FA08K7	031200 968999	5

MISSING ITEM NUMBERS NOT APPLICABLE

- ITEM NOT ILLUSTRATED

HAP

25-11-51-05

BOEING PROPRIETARY - Copyright © - Unpublished Work - See title page for details.

25-11-51
FIG. 05
PAGE 6
OCT 15/08

BOEING
737-600/700/800/900
PARTS CATALOG (MAINTENANCE)

FIG ITEM	PART NUMBER	1 2 3 4 5 6 7	NOMENCLATURE	EFFECT FROM TO	UNITS PER ASSY
5	180	WHS8C7TPKL16GY	.. SCREW- SUPPLIER CODE: V12324 OPTIONAL PART: BACS12FA08K7GR BACS12FA08K7	031200 968999	5
	180	BACS12FA08K7	.. SCREW- OPTIONAL PART: WHS8C7TPKL16GY V12324 BACS12FA08K7GR	031200 968999	5
	185	232A4387-6	.. EXTRUSION ASSY	031200 968999	1
	190	BRF200C08D	... NUTPLATE SUPPLIER CODE: V52828 SPECIFICATION NUMBER: BACN10JR08CFD OPTIONAL PART: NS202476-82 V80539 102F9201-82 V72962 T8092C832CD V11815 K51602-08BAC V15653 ATTACHING PARTS	031200 968999	5
-	195	BACR15BA3ADC	... RIVET- SIZE DETERMINED ON INSTL. -----*-----	031200 968999	10
	200	232A4387-7	... BRACKET	031200 968999	1
	205	232A4383-2	.. PANEL ASSY-HINGED COVER	031200 968999	1
	210	BACR15BA4DC	... RIVET- SIZE DETERMINED ON INSTL.	031200 968999	14
	215	232A4387-5	... HINGE- OPTIONAL PART: 232A4387-12	031200 968999	1
	220	232A4387-12	... HINGE- OPTIONAL PART: 232A4387-5	031200 968999	1
	225	232A4387-13 HINGE	031200 968999	1
	230	232A4387-14 HINGE	031200 968999	1
	235	232A4387-15 PIN	031200 968999	1

MISSING ITEM NUMBERS NOT APPLICABLE

- ITEM NOT ILLUSTRATED

HAP

25-11-51-05

25-11-51
FIG. 05
PAGE 7
OCT 15/08

BOEING
737-600/700/800/900
PARTS CATALOG (MAINTENANCE)

FIG ITEM	PART NUMBER	1 2 3 4 5 6 7	NOMENCLATURE	EFFECT FROM TO	UNITS PER ASSY
5					
240	232A4385-4	...	HINGE PANEL	031200 968999	1
245	232A4385-3	...	HINGE PANEL	031200 968999	1
250	H2-1061-1	..	STOP- SUPPLIER CODE: V34941 ATTACHING PARTS	031200 968999	1
- 255	BACS12CK08D8	..	SCREW- OPTIONAL PART: BACS12CK08-8	031200 968999	2
- 255	BACS12CK08-8	..	BOLT- OPTIONAL PART: BACS12CK08D8	031200 968999	2
			-----*-----		
260	S1031-26	..	STRIKER- SUPPLIER CODE: V31845 ATTACHING PARTS	031200 968999	2
- 265	BACS12FA3K7GR	..	SCREW- OPTIONAL PART: WHS10F7TPKL26GY V12324 BACS12FA3K7	031200 968999	4
- 265	BACS12FA3K7	..	SCREW- OPTIONAL PART: WHS10F7TPKL26GY V12324 BACS12FA3K7GR	031200 968999	4
- 265	WHS10F7TPKL26GY	..	SCREW- SUPPLIER CODE: V12324 OPTIONAL PART: BACS12FA3K7 BACS12FA3K7GR	031200 968999	4
			-----*-----		
270	232A4385-6	..	COVER ASSY	031200 968999	1
- 275	BACR15FT5DC	..	RIVET- ATTACHING PARTS SIZE DETERMINED ON INSTL. -----*-----	031200 968999	21

MISSING ITEM NUMBERS NOT APPLICABLE

- ITEM NOT ILLUSTRATED

HAP

25-11-51-05

BOEING PROPRIETARY - Copyright © - Unpublished Work - See title page for details.

25-11-51
FIG. 05
PAGE 8
OCT 15/08

BOEING
737-600/700/800/900
PARTS CATALOG (MAINTENANCE)

FIG ITEM	PART NUMBER	1 2 3 4 5 6 7	NOMENCLATURE	EFFECT FROM TO	UNITS PER ASSY
5 280	BRF200C08D	...	NUTPLATE SUPPLIER CODE: V52828 SPECIFICATION NUMBER: BACN10JR08CFD OPTIONAL PART: NS202476-82 V80539 102F9201-82 V72962 T8092C832CD V11815 K51602-08BAC V15653 ATTACHING PARTS	031200 968999	5
- 285	BACR15BA3ADC	...	RIVET- SIZE DETERMINED ON INSTL. -----*-----	031200 968999	10
290	232A4385-7	...	COVER	031200 968999	1
295	232A4385-5	..	BRACKET ATTACHING PARTS	031200 968999	1
- 300	BACR15FT5DC	..	RIVET- SIZE DETERMINED ON INSTL. -----*-----	031200 968999	28
305	232A4385-1	..	BOX ASSY	031200 968999	1
310	102F171-3	...	NUTPLATE SUPPLIER CODE: V72962 SPECIFICATION NUMBER: BACN10JB3CD OPTIONAL PART: BRF210C3D V52828 BRF2703D V52828 NS202485-02 V80539	031200 968999	4

MISSING ITEM NUMBERS NOT APPLICABLE

- ITEM NOT ILLUSTRATED

HAP

25-11-51-05

BOEING PROPRIETARY - Copyright © - Unpublished Work - See title page for details.

25-11-51
FIG. 05
PAGE 9
OCT 15/08

BOEING
737-600/700/800/900
PARTS CATALOG (MAINTENANCE)

FIG ITEM	PART NUMBER	1 2 3 4 5 6 7	NOMENCLATURE	EFFECT FROM TO	UNITS PER ASSY
5 315	BRF200C08D		...NUTPLATE SUPPLIER CODE: V52828 SPECIFICATION NUMBER: BACN10JR08CFD OPTIONAL PART: NS202476-82 V80539 102F9201-82 V72962 T8092C832CD V11815 K51602-08BAC V15653 ATTACHING PARTS	031200 968999	2
- 320	BACR15BA3ADC		...RIVET- SIZE DETERMINED ON INSTL. -----*-----	031200 968999	12
325	232A4385-2		...BOX	031200 968999	1
330	232A4388-1		.SHIM-	031200 968999	AR
335	232A4388-2		.SHIM-	031200 968999	AR
- 400	MODREF244279		SEAT CLOSEOUT PLATE INSTL- (EQUIPMENT/FURNISHINGS ONLY) MODULE NUMBER: 232A4382-4 REV A FOR OTHER SYS DETAILS SEE: 11-31-01-27	031040 042046 048048 051053 101200 968999	1
405	232A4385-12		.PLATE ASSY-SEAT	031040 042046 048048 051053 101200 968999	1
- 410	BACS12FA3K9GR		ATTACHING PARTS .SCREW -----*-----	031040 042046 048048 051053 101200 968999	6

MISSING ITEM NUMBERS NOT APPLICABLE

- ITEM NOT ILLUSTRATED

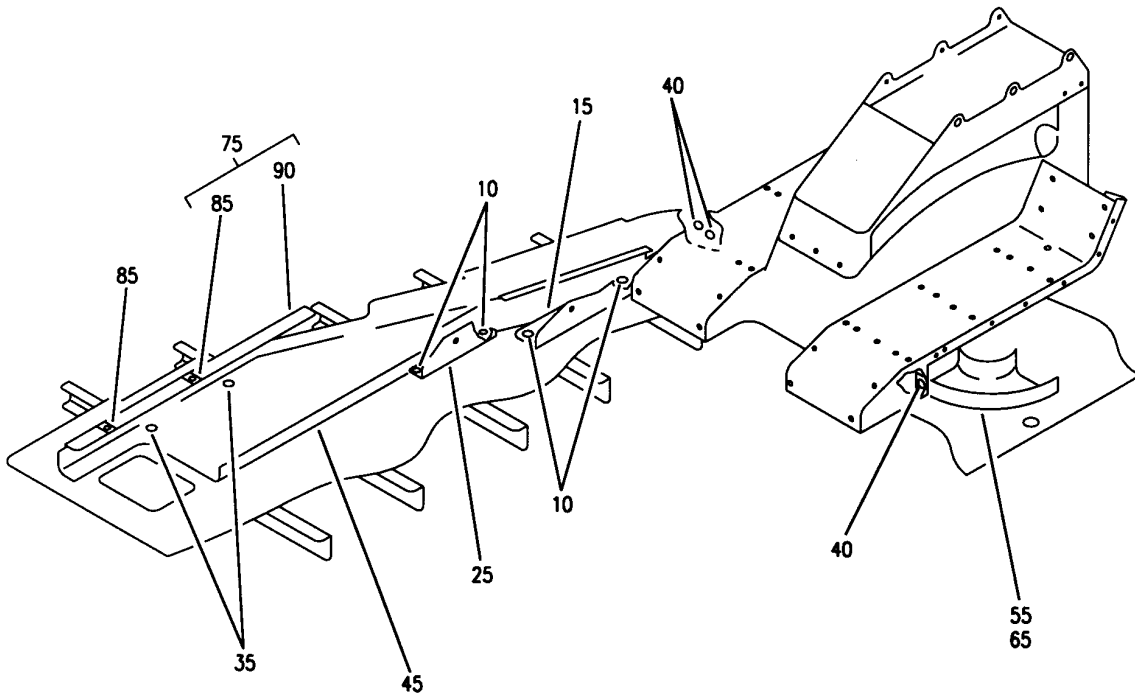
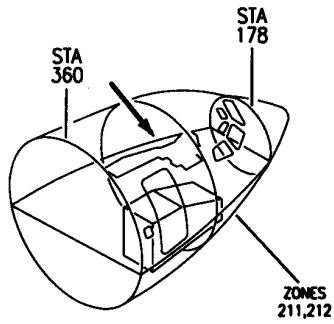
HAP

25-11-51-05

BOEING PROPRIETARY - Copyright © - Unpublished Work - See title page for details.

25-11-51
FIG. 05
PAGE 10
FEB 15/09

BOEING
 737-600/700/800/900
 PARTS CATALOG (MAINTENANCE)



E 25115106 REV 007

RACEWAY INSTL-FWD CONT CAB. FLOOR
 FIGURE 6

25-11-51-06

HAP
 OCT 10/06

25-11-51-06
 PAGE 0

BOEING
737-600/700/800/900
PARTS CATALOG (MAINTENANCE)

FIG ITEM	PART NUMBER	1 2 3 4 5 6 7	NOMENCLATURE	EFFECT FROM TO	UNITS PER ASSY
6			RACEWAY INSTL-FWD CONT CAB. FLOOR	031200 968999	
- 1	MODREF346868		RACEWAY INSTL-FWD CONT CAB. FLOOR	044100 102200	1
			MODULE NUMBER: 232A1640-1 REV B	972999	
			POSITION DATA: LH		
- 1	MODREF81762		RACEWAY INSTL-FWD CONT CAB. FLOOR	031043 101101	1
			MODULE NUMBER: 232A1640-1 REV A	968971	
			POSITION DATA: LH		
- 5	MODREF81766		RACEWAY INSTL-FWD CONT CAB. FLOOR	031043 101101	1
			MODULE NUMBER: 232A1640-2 REV A	968971	
			POSITION DATA: RH		
- 5	MODREF346869		RACEWAY INSTL-FWD CONT CAB. FLOOR	044100 102200	1
			MODULE NUMBER: 232A1640-2 REV B	972999	
			POSITION DATA: RH		
10	BACS12FA3K10		.SCREW	031200 968999	4
15	232A1652-21		.BRACKET- POSITION DATA: LH SIDE	031200 968999	1
			OPTIONAL PART: 232A1652-31		
15	232A1652-31		.BRACKET- POSITION DATA: LH SIDE	031200 968999	1
			OPTIONAL PART: 232A1652-21		
- 20	232A1652-22		.BRACKET- POSITION DATA: RH SIDE	031200 968999	1
			OPTIONAL PART: 232A1652-32		
- 20	232A1652-32		.BRACKET- POSITION DATA: RH SIDE	031200 968999	1
			OPTIONAL PART: 232A1652-22		

MISSING ITEM NUMBERS NOT APPLICABLE

- ITEM NOT ILLUSTRATED

HAP

25-11-51-06

25-11-51
FIG. 06
PAGE 1
OCT 15/08

BOEING
737-600/700/800/900
PARTS CATALOG (MAINTENANCE)

FIG ITEM	PART NUMBER	1 2 3 4 5 6 7	NOMENCLATURE	EFFECT FROM TO	UNITS PER ASSY
6	25 232A1652-29		.BRACKET- POSITION DATA: LH SIDE	031200 968999	1
-	30 232A1652-30		.BRACKET- POSITION DATA: RH SIDE	031200 968999	1
	35 BACS12FA3K8		.SCREW	031200 968999	2
	40 BACS12FA3K6		.SCREW	031200 968999	3
	45 232A1643-1		.TRAY- POSITION DATA: LH SIDE	031200 968999	1
-	50 232A1643-2		.TRAY- POSITION DATA: RH SIDE	031200 968999	1
	55 232A1643-3		.TRAY ASSY- POSITION DATA: LH SIDE	031043 101101 968971	1
	55 232A1643-9		.TRAY ASSY- POSITION DATA: LH SIDE	044100 102200 972999	1
-	60 232A1643-4		.TRAY ASSY- POSITION DATA: RH SIDE	031043 101101 968971	1
-	60 232A1643-10		.TRAY ASSY- POSITION DATA: RH SIDE	044100 102200 972999	1
	65 232A1643-5		..TRAY- POSITION DATA: LH SIDE	031200 968999	1
-	70 232A1643-6		..TRAY- POSITION DATA: RH SIDE	031200 968999	1
	75 232A1653-1		.CHANNEL ASSY- POSITION DATA: LH SIDE OPTIONAL PART: 232A1653-11	031200 968999	1
	75 232A1653-11		.CHANNEL ASSY- POSITION DATA: LH SIDE OPTIONAL PART: 232A1653-1	031200 968999	1
-	80 232A1653-2		.RACEWAY- POSITION DATA: RH SIDE OPTIONAL PART: 232A1653-12	031200 968999	1

MISSING ITEM NUMBERS NOT APPLICABLE

- ITEM NOT ILLUSTRATED

HAP

25-11-51-06

BOEING PROPRIETARY - Copyright © - Unpublished Work - See title page for details.

25-11-51
FIG. 06
PAGE 2
OCT 15/08


BOEING
 737-600/700/800/900
PARTS CATALOG (MAINTENANCE)

FIG ITEM	PART NUMBER	1 2 3 4 5 6 7	NOMENCLATURE	EFFECT FROM TO	UNITS PER ASSY
6					
- 80	232A1653-12		.RACEWAY- POSITION DATA: RH SIDE OPTIONAL PART: 232A1653-2	031200 968999	1
85	130069		..NUT SUPPLIER CODE: V60119 SPECIFICATION NUMBER: BACN10FX16 OPTIONAL PART: A11330-6-3 V72962 A4972-6-02 V72962	031200 968999	2
90	232A1653-3		..CHANNEL- POSITION DATA: LH SIDE	031200 968999	1
- 95	232A1653-4		..CHANNEL- POSITION DATA: RH SIDE	031200 968999	1

MISSING ITEM NUMBERS NOT APPLICABLE

- ITEM NOT ILLUSTRATED

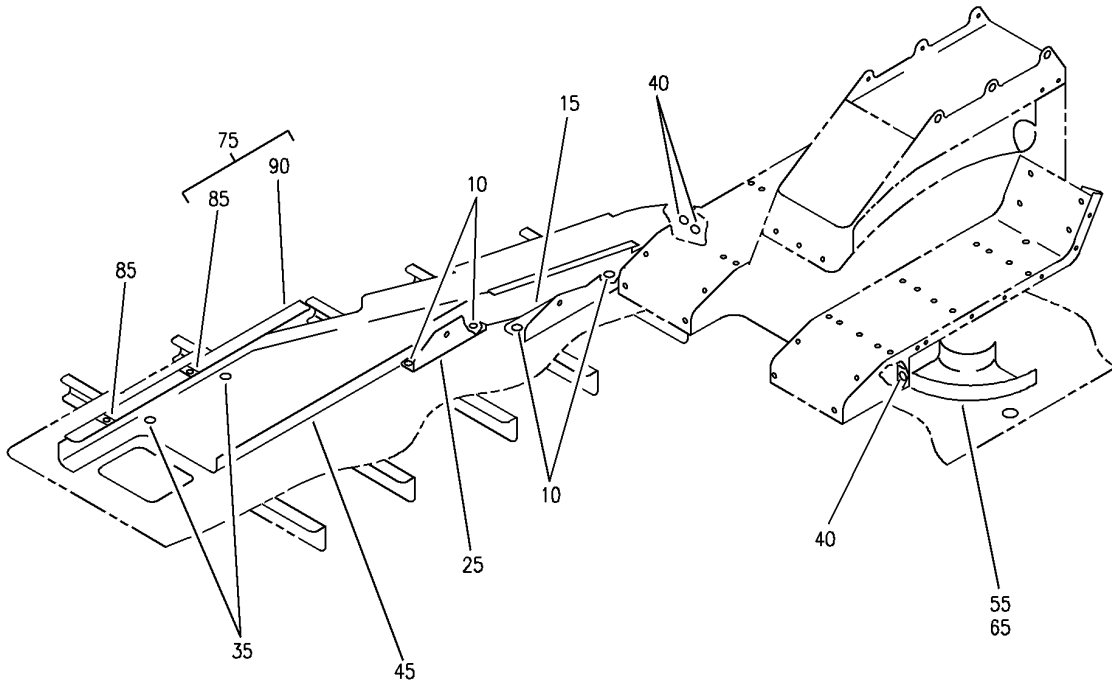
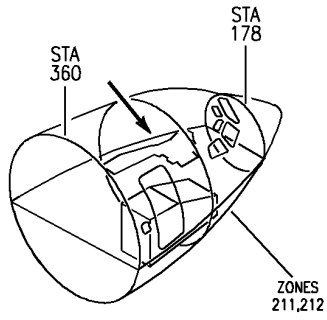
HAP

25-11-51-06

BOEING PROPRIETARY - Copyright © - Unpublished Work - See title page for details.

25-11-51
 FIG. 06
 PAGE 3
 FEB 15/09

BOEING
737-600/700/800/900
PARTS CATALOG (MAINTENANCE)



E 25115106A REV 123

RACEWAY INSTL-FWD CONT CAB. FLOOR
FIGURE 6A

HAP
OCT 10/06

25-11-51-06A

25-11-51-06A
PAGE 0

 **BOEING**
737-600/700/800/900
PARTS CATALOG (MAINTENANCE)

FIG ITEM	PART NUMBER	1 2 3 4 5 6 7	NOMENCLATURE	EFFECT FROM TO	UNITS PER ASSY
6A			RACEWAY INSTL-FWD CONT CAB. FLOOR	001030 201967	
- 1	232A1640-1		RACEWAY INSTL-FWD CONT CAB. FLOOR POSITION DATA: LH FOR NHA SEE: 25-10-00-03	001030 201967	RF
- 5	232A1640-2		RACEWAY INSTL-FWD CONT CAB. FLOOR POSITION DATA: RH FOR NHA SEE: 25-10-00-03	001030 201967	RF
10	BACS12FA3K10		.SCREW	001030 201967	4
15	232A1652-21		.BRACKET- POSITION DATA: LH SIDE OPTIONAL PART: 232A1652-31	001030 201967	1
15	232A1652-31		.BRACKET- POSITION DATA: LH SIDE OPTIONAL PART: 232A1652-21	001030 201967	1
- 20	232A1652-22		.BRACKET- POSITION DATA: RH SIDE OPTIONAL PART: 232A1652-32	001030 201967	1
- 20	232A1652-32		.BRACKET- POSITION DATA: RH SIDE OPTIONAL PART: 232A1652-22	001030 201967	1
25	232A1652-29		.BRACKET- POSITION DATA: LH SIDE	001030 201967	1
- 30	232A1652-30		.BRACKET- POSITION DATA: RH SIDE	001030 201967	1
35	BACS12FA3K8		.SCREW	001030 201967	2
40	BACS12FA3K6		.SCREW	001030 201967	3
45	232A1643-1		.TRAY- POSITION DATA: LH SIDE	001030 201967	1

MISSING ITEM NUMBERS NOT APPLICABLE

- ITEM NOT ILLUSTRATED

HAP

25-11-51-06A

BOEING PROPRIETARY - Copyright © - Unpublished Work - See title page for details.

25-11-51
FIG. 06A
PAGE 1
OCT 15/08

BOEING
737-600/700/800/900
PARTS CATALOG (MAINTENANCE)

FIG ITEM	PART NUMBER	1 2 3 4 5 6 7	NOMENCLATURE	EFFECT FROM TO	UNITS PER ASSY
6A					
- 50	232A1643-2		.TRAY- POSITION DATA: RH SIDE	001030 201967	1
55	232A1643-3		.TRAY ASSY- POSITION DATA: LH SIDE	001030 201967	1
- 60	232A1643-4		.TRAY ASSY- POSITION DATA: RH SIDE	001030 201967	1
65	232A1643-5		..TRAY- POSITION DATA: LH SIDE	001030 201967	1
- 70	232A1643-6		..TRAY- POSITION DATA: RH SIDE	001030 201967	1
75	232A1653-1		.CHANNEL ASSY- POSITION DATA: LH SIDE OPTIONAL PART: 232A1653-11	001030 201967	1
75	232A1653-11		.CHANNEL ASSY- POSITION DATA: LH SIDE OPTIONAL PART: 232A1653-1	001030 201967	1
- 80	232A1653-2		.RACEWAY- POSITION DATA: RH SIDE OPTIONAL PART: 232A1653-12	001030 201967	1
- 80	232A1653-12		.RACEWAY- POSITION DATA: RH SIDE OPTIONAL PART: 232A1653-2	001030 201967	1
85	130069		..NUT SUPPLIER CODE: V60119 SPECIFICATION NUMBER: BACN10FX16 OPTIONAL PART: A11330-6-3 V72962 A4972-6-02 V72962	001030 201967	2
90	232A1653-3		..CHANNEL- POSITION DATA: LH SIDE	001030 201967	1

MISSING ITEM NUMBERS NOT APPLICABLE

- ITEM NOT ILLUSTRATED

HAP

25-11-51-06A

BOEING PROPRIETARY - Copyright © - Unpublished Work - See title page for details.

25-11-51
FIG. 06A
PAGE 2
FEB 15/09


BOEING
 737-600/700/800/900
PARTS CATALOG (MAINTENANCE)

FIG ITEM	PART NUMBER	1 2 3 4 5 6 7 NOMENCLATURE	EFFECT FROM TO	UNITS PER ASSY
6A - 95	232A1653-4	.. CHANNEL- POSITION DATA: RH SIDE	001030 201967	1

MISSING ITEM NUMBERS NOT APPLICABLE

- ITEM NOT ILLUSTRATED

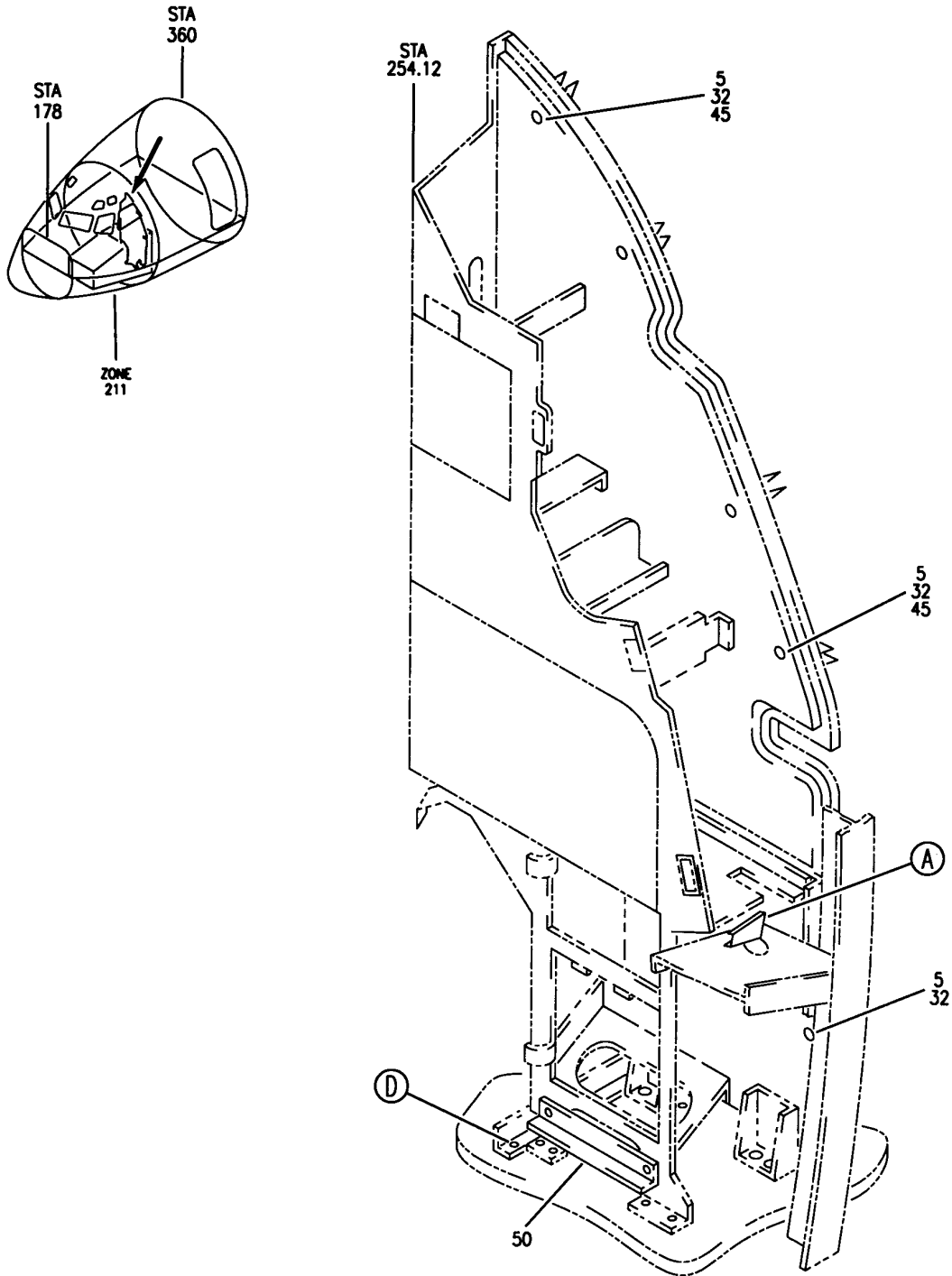
HAP

25-11-51-06A

BOEING PROPRIETARY - Copyright © - Unpublished Work - See title page for details.

25-11-51
 FIG. 06A
 PAGE 3
 FEB 15/09

BOEING
737-600/700/800/900
PARTS CATALOG (MAINTENANCE)



E 25115107 SHT 1 REV 011

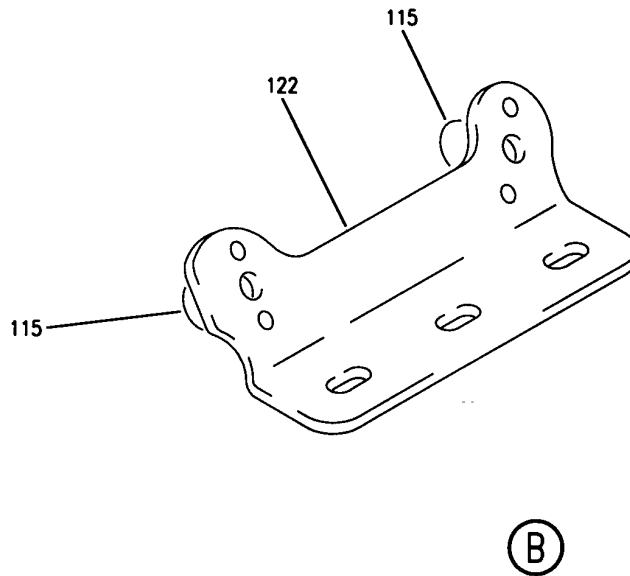
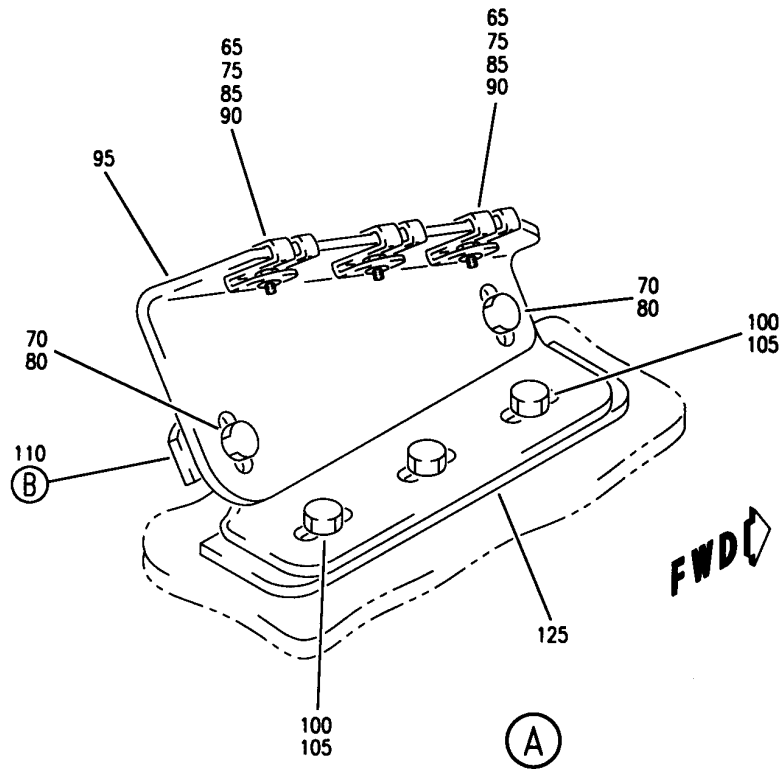
PANEL INSTL-P18 CB
FIGURE 7 (SHEET 1)

25-11-51-07

HAP
OCT 10/06

25-11-51-07
PAGE 0

BOEING
 737-600/700/800/900
 PARTS CATALOG (MAINTENANCE)



E 25115107 SH1 2 REV 008

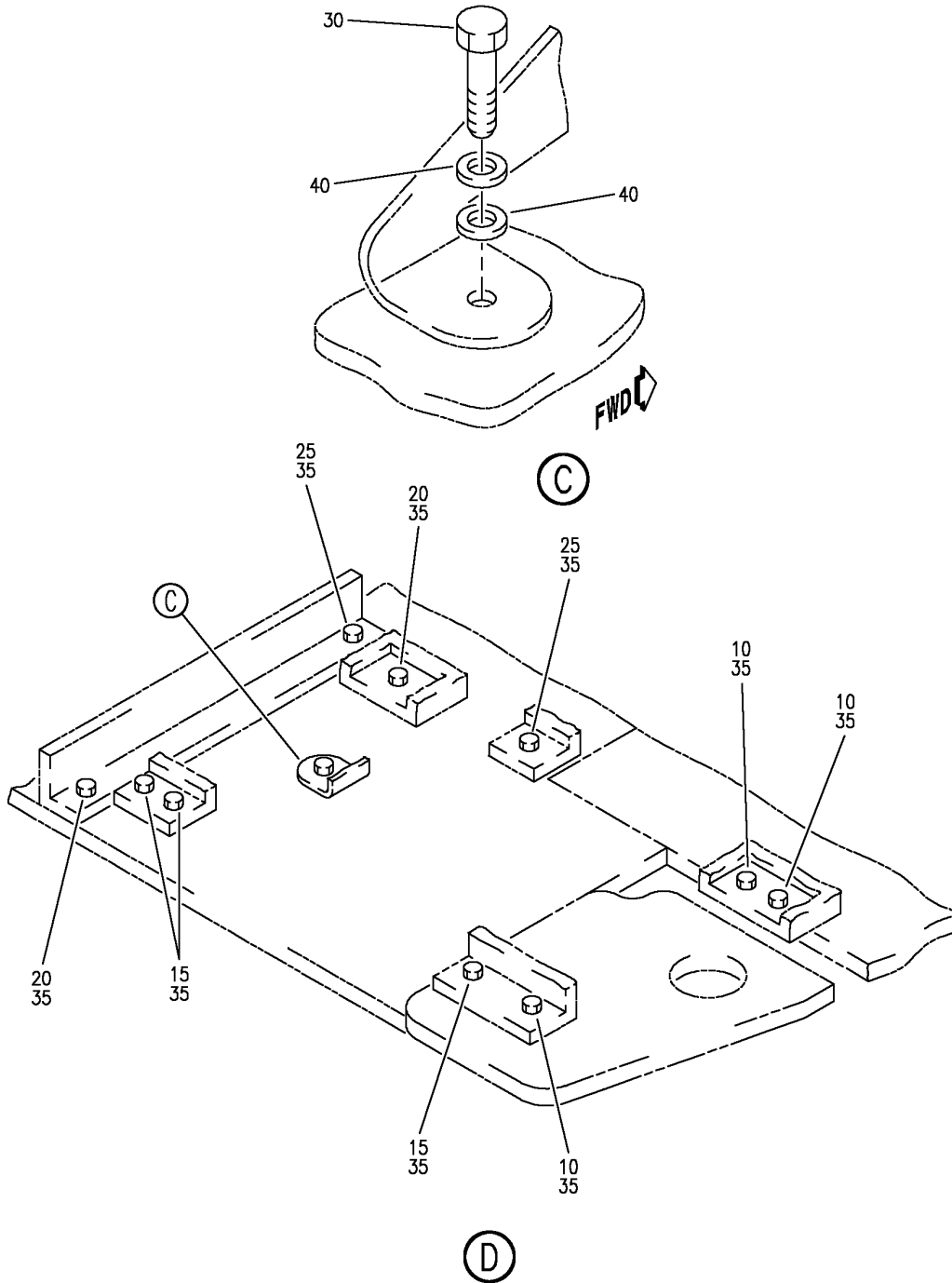
PANEL INSTL-P18 CB
 FIGURE 7 (SHEET 2)

25-11-51-07

HAP
 OCT 10/06

25-11-51-07
 PAGE 0A

BOEING
 737-600/700/800/900
 PARTS CATALOG (MAINTENANCE)



E 25115107 SHT 3 REV 080

PANEL INSTL-P18 CB
 FIGURE 7 (SHEET 3)

25-11-51-07

HAP
 OCT 10/06

25-11-51-07
 PAGE 0B

BOEING
737-600/700/800/900
PARTS CATALOG (MAINTENANCE)

FIG ITEM	PART NUMBER	1 2 3 4 5 6 7	NOMENCLATURE	EFFECT FROM TO	UNITS PER ASSY
7			PANEL INSTL-P18 CB	001030 201967	
- 1	233A5401-1		PANEL INSTL-P18 CB FOR NHA SEE: 25-10-00-03	001030 201967	RF
	5 BACB30NM3K3		.BOLT	001030 201967	5
	10 BACB30NM3K7		.BOLT	001030 201967	3
	15 BACB30NM3K4		.BOLT	001030 201967	3
	20 BACB30NM3K6		.BOLT	001030 201967	2
	25 BACB30NM3K8		.BOLT	001030 201967	2
	30 NAS1801-5-10		.SCREW-	001030 201967	1
	32 BACW10P42S		.WASHER	001030 201967	5
	35 NAS1149D0363J		.WASHER	001030 201967	10
	40 NAS1149D0516H		.WASHER	001030 201967	2
	45 BRC600-8-3GP		.CLIPNUT- SUPPLIER CODE: V52828 SPECIFICATION NUMBER: BACN10YD1G OPTIONAL PART: 130120G V60119	001030 201967	4
	50 233A5402-1		.SUPPORT ASSY	001030 201967	1
-	55 BACS12FA3K8		ATTACHING PARTS .SCREW	001030 201967	2
	65 BACB30NM3K4		-----*----- .BOLT	001030 201967	3
	70 BACB30NM3K3		.BOLT	001030 201967	2
	75 BACW10P42S		.WASHER	001030 201967	3
	80 NAS1149D0332J		.WASHER	001030 201967	2

MISSING ITEM NUMBERS NOT APPLICABLE

- ITEM NOT ILLUSTRATED

HAP

25-11-51-07

25-11-51
FIG. 07
PAGE 1
OCT 15/08

BOEING
737-600/700/800/900
PARTS CATALOG (MAINTENANCE)

FIG ITEM	PART NUMBER	1 2 3 4 5 6 7	NOMENCLATURE	EFFECT FROM TO	UNITS PER ASSY
7					
85	BRC600-8-3GP	.CLIPNUT-	SUPPLIER CODE: V52828 SPECIFICATION NUMBER: BACN10YD1G OPTIONAL PART: 130120G V60119	001030 201967	3
90	NAS73-3-002	.BUSHING		001030 201967	3
95	233A5405-1	.BRACKET		001030 201967	1
100	BACB30NM3K5	.BOLT		001030 201967	3
105	NAS1149D0332J	.WASHER		001030 201967	3
110	233A5409-1	.ANGLE ASSY		001030 201967	1
115	NS103223H02	..NUTPLATE	SUPPLIER CODE: V80539 SPECIFICATION NUMBER: BACN10JY3H OPTIONAL PART: RMHK9457-3 V72962 ATTACHING PARTS	001030 201967	2
- 120	BACR15DR3	..RIVET-	SIZE DETERMINED ON INSTL. -----*-----	001030 201967	4
122	233A5409-2	..ANGLE		001030 201967	1
125	233A5409-3	.PLATE		001030 201967	1

MISSING ITEM NUMBERS NOT APPLICABLE

- ITEM NOT ILLUSTRATED

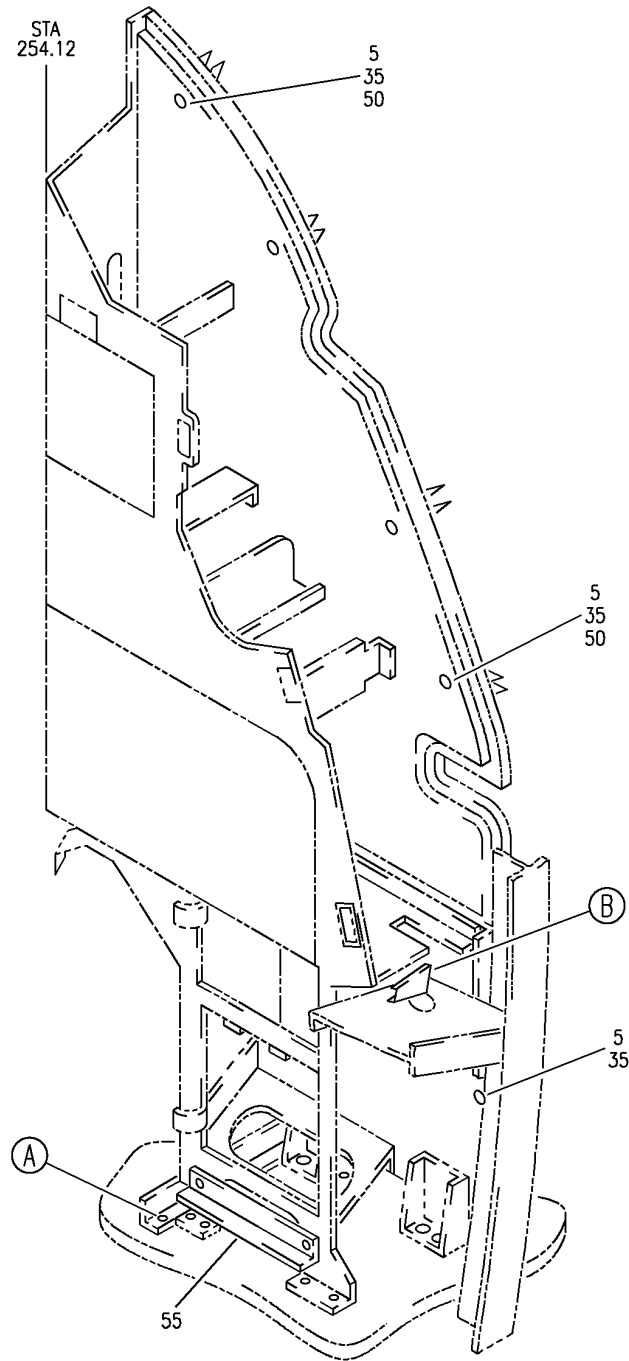
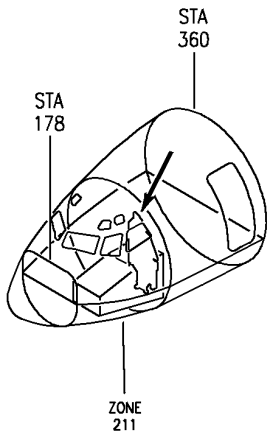
HAP

25-11-51-07

BOEING PROPRIETARY - Copyright © - Unpublished Work - See title page for details.

25-11-51
FIG. 07
PAGE 2
OCT 15/08

BOEING
737-600/700/800/900
PARTS CATALOG (MAINTENANCE)



E 25115107A SHT 1 REV 121

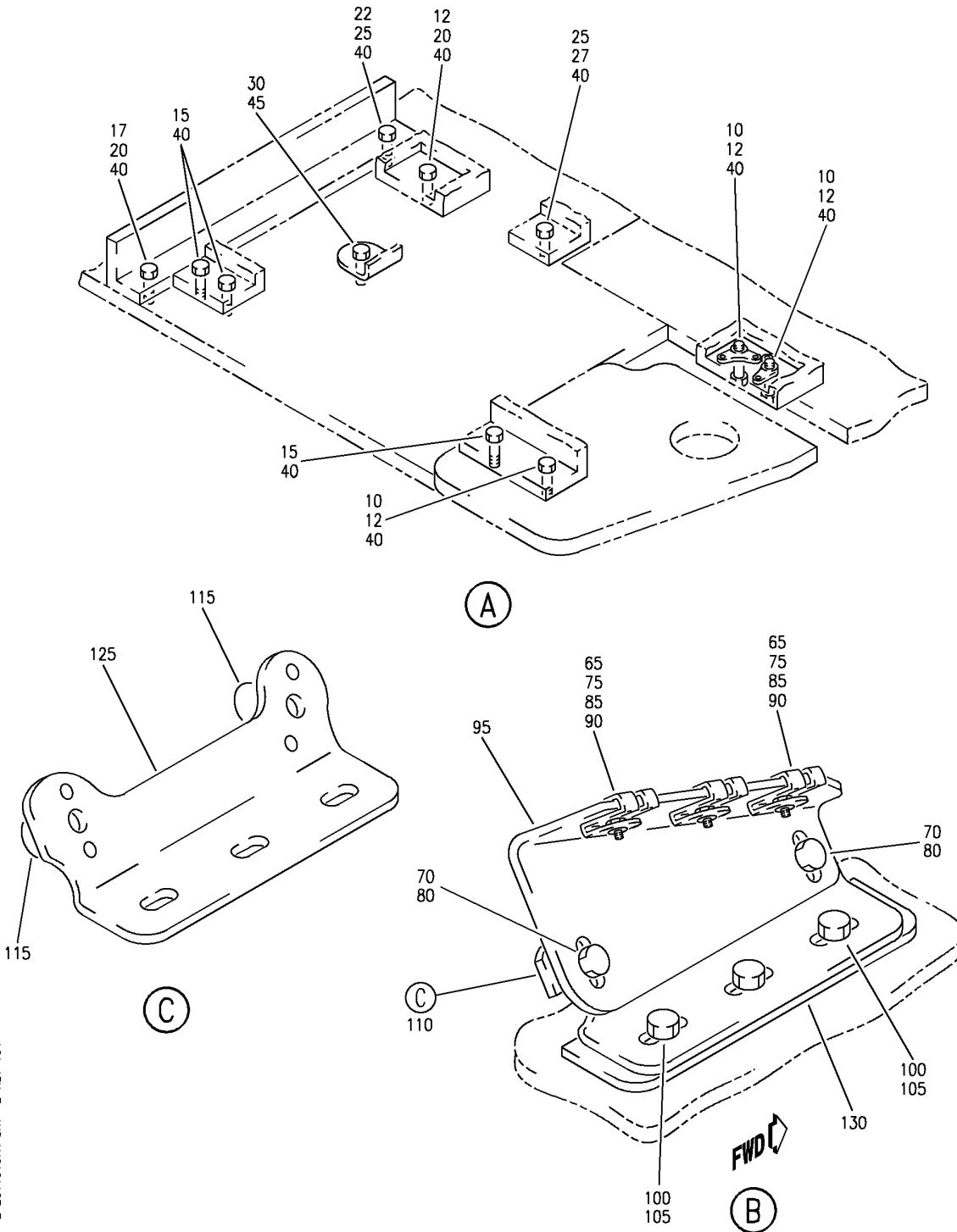
PANEL INSTL-P18 CB
FIGURE 7A (SHEET 1)

25-11-51-07A

HAP
OCT 10/06

25-11-51-07A
PAGE 0

BOEING
 737-600/700/800/900
 PARTS CATALOG (MAINTENANCE)



E 25115107A SHT 2 REV 134

PANEL INSTL-P18 CB
 FIGURE 7A (SHEET 2)

25-11-51-07A

HAP
 OCT 10/07

25-11-51-07A
 PAGE 0A

BOEING
737-600/700/800/900
PARTS CATALOG (MAINTENANCE)

FIG ITEM	PART NUMBER	1 2 3 4 5 6 7	NOMENCLATURE	EFFECT FROM TO	UNITS PER ASSY
7A			PANEL INSTL-P18 CB	031046 054104 968972	
- 1	MODREF258109		PANEL INSTL-P18 CB MODULE NUMBER: 233A5401-1 REV C	031043 101101 968971	1
- 1	MODREF346400		PANEL INSTL-P18 CB MODULE NUMBER: 233A5401-1 REV D	044046 054100 102104 972972	1
5	BACB30NM3K3		.BOLT	031046 054104 968972	5
10	BACB30NM3K7		.BOLT	031043 101101 968971	3
12	BACB30NM3K7		.BOLT	044046 054100 102104 972972	4
15	BACB30NM3K4		.BOLT	031046 054104 968972	3
17	BACB30NM3K6		.BOLT	044046 054100 102104 972972	1
20	BACB30NM3K6		.BOLT	031043 101101 968971	2
22	BACB30NM3K8		.BOLT	044046 054100 102104 972972	1
25	BACB30NM3K8		.BOLT	031043 101101 968971	2
27	BACB30NM3K9		.BOLT	044046 054100 102104 972972	1
30	NAS1801-5-10		.SCREW	031046 054104 968972	1
35	BACW10P42S		.WASHER	031046 054104 968972	5

MISSING ITEM NUMBERS NOT APPLICABLE

- ITEM NOT ILLUSTRATED

HAP

25-11-51-07A

BOEING PROPRIETARY - Copyright © - Unpublished Work - See title page for details.

25-11-51
FIG. 07A
PAGE 1
FEB 15/09

BOEING
737-600/700/800/900
PARTS CATALOG (MAINTENANCE)

FIG ITEM	PART NUMBER	1 2 3 4 5 6 7	NOMENCLATURE	EFFECT FROM TO	UNITS PER ASSY
7A					
40	NAS1149D0363J	.	WASHER	031046 054104 968972	10
45	NAS1149D0516H	.	WASHER	031046 054104 968972	2
50	BRC600-8-3GP	.	CLIPNUT SUPPLIER CODE: V52828 SPECIFICATION NUMBER: BACN10YD1G OPTIONAL PART: 130120G V60119	031046 054104 968972	4
55	233A5402-1	.	SUPPORT ASSY	031046 054104 968972	1
- 60	BACS12FA3K8	.	ATTACHING PARTS SCREW	031046 054104 968972	2
			-----*-----		
65	BACB30NM3K4	.	BOLT	031046 054104 968972	3
70	BACB30NM3K3	.	BOLT	031046 054104 968972	2
75	BACW10P42S	.	WASHER	031046 054104 968972	3
80	NAS1149D0332J	.	WASHER	031046 054104 968972	2
85	BRC600-8-3GP	.	CLIPNUT SUPPLIER CODE: V52828 SPECIFICATION NUMBER: BACN10YD1G OPTIONAL PART: 130120G V60119	031046 054104 968972	3
90	NAS73-3-002	.	BUSHING	031046 054104 968972	3
95	233A5405-1	.	BRACKET	031046 054104 968972	1

MISSING ITEM NUMBERS NOT APPLICABLE

- ITEM NOT ILLUSTRATED

HAP

25-11-51-07A

BOEING PROPRIETARY - Copyright © - Unpublished Work - See title page for details.

25-11-51
FIG. 07A
PAGE 2
FEB 15/09

BOEING
737-600/700/800/900
PARTS CATALOG (MAINTENANCE)

FIG ITEM	PART NUMBER	1 2 3 4 5 6 7	NOMENCLATURE	EFFECT FROM TO	UNITS PER ASSY
7A 100	BACB30NM3K5	.	BOLT	031046 054104 968972	3
105	NAS1149D0332J	.	WASHER	031046 054104 968972	3
110	233A5409-1	.	ANGLE ASSY	031046 054104 968972	1
115	NS103223H02	..	NUTPLATE SUPPLIER CODE: V80539 SPECIFICATION NUMBER: BACN10JY3H OPTIONAL PART: RMHK9457-3 V72962 ATTACHING PARTS	031046 054104 968972	2
- 120	BACR15DR3	..	RIVET- SIZE DETERMINED ON INSTL. -----*-----	031046 054104 968972	4
125	233A5409-2	..	ANGLE	031046 054104 968972	1
130	233A5409-3	.	PLATE	031046 054104 968972	1

MISSING ITEM NUMBERS NOT APPLICABLE

- ITEM NOT ILLUSTRATED

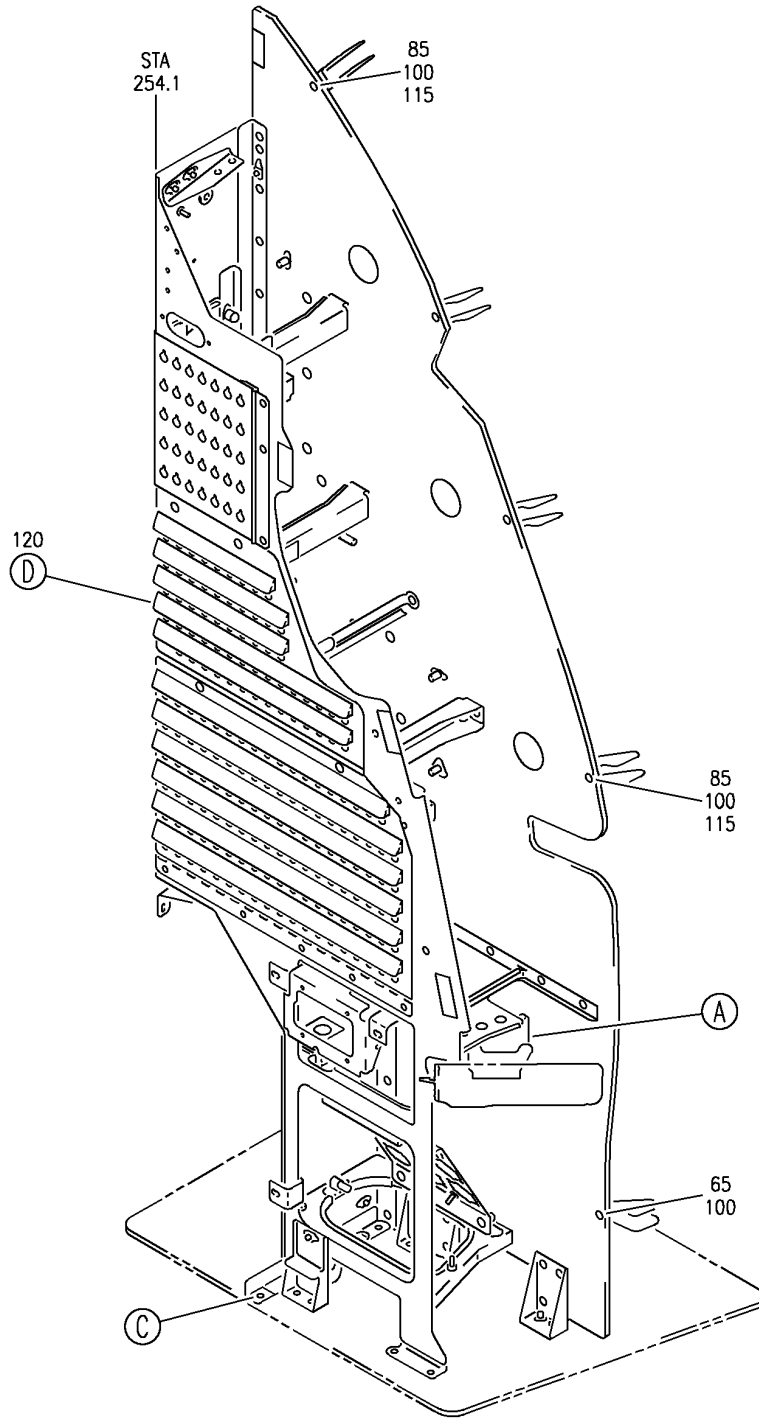
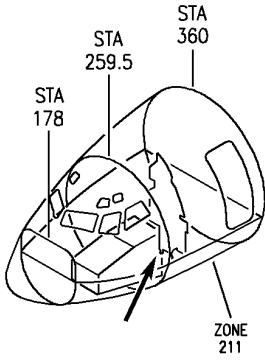
HAP

25-11-51-07A

BOEING PROPRIETARY - Copyright © - Unpublished Work - See title page for details.

25-11-51
FIG. 07A
PAGE 3
FEB 15/09

BOEING
 737-600/700/800/900
 PARTS CATALOG (MAINTENANCE)



E 25115107B SHT 1 REV 134

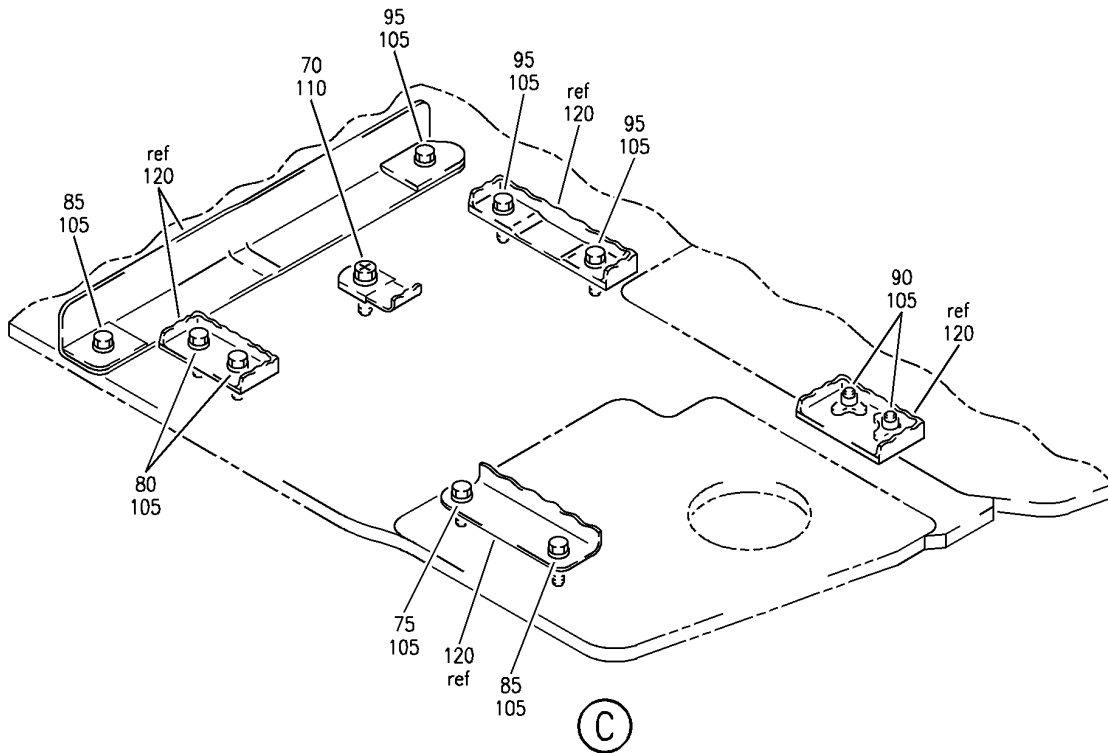
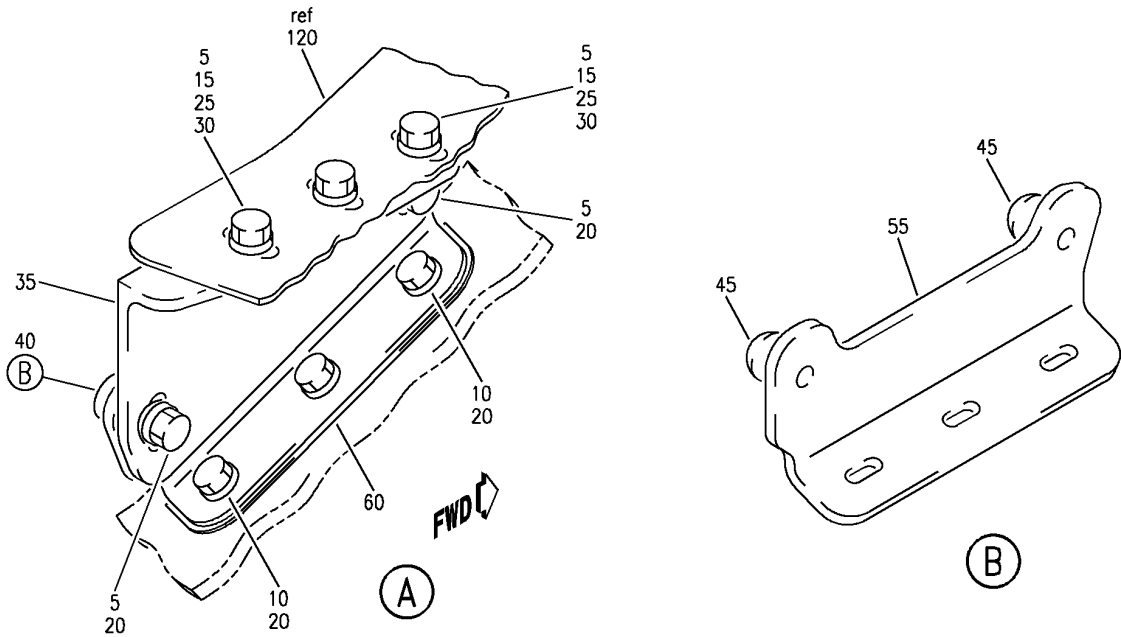
PANEL INSTL-FLIGHT DECK P18
 FIGURE 7B (SHEET 1)

25-11-51-07B

HAP
 FEB 15/08

25-11-51-07B
 PAGE 0

BOEING
 737-600/700/800/900
 PARTS CATALOG (MAINTENANCE)



E 25115107B SHT 2 REV 134

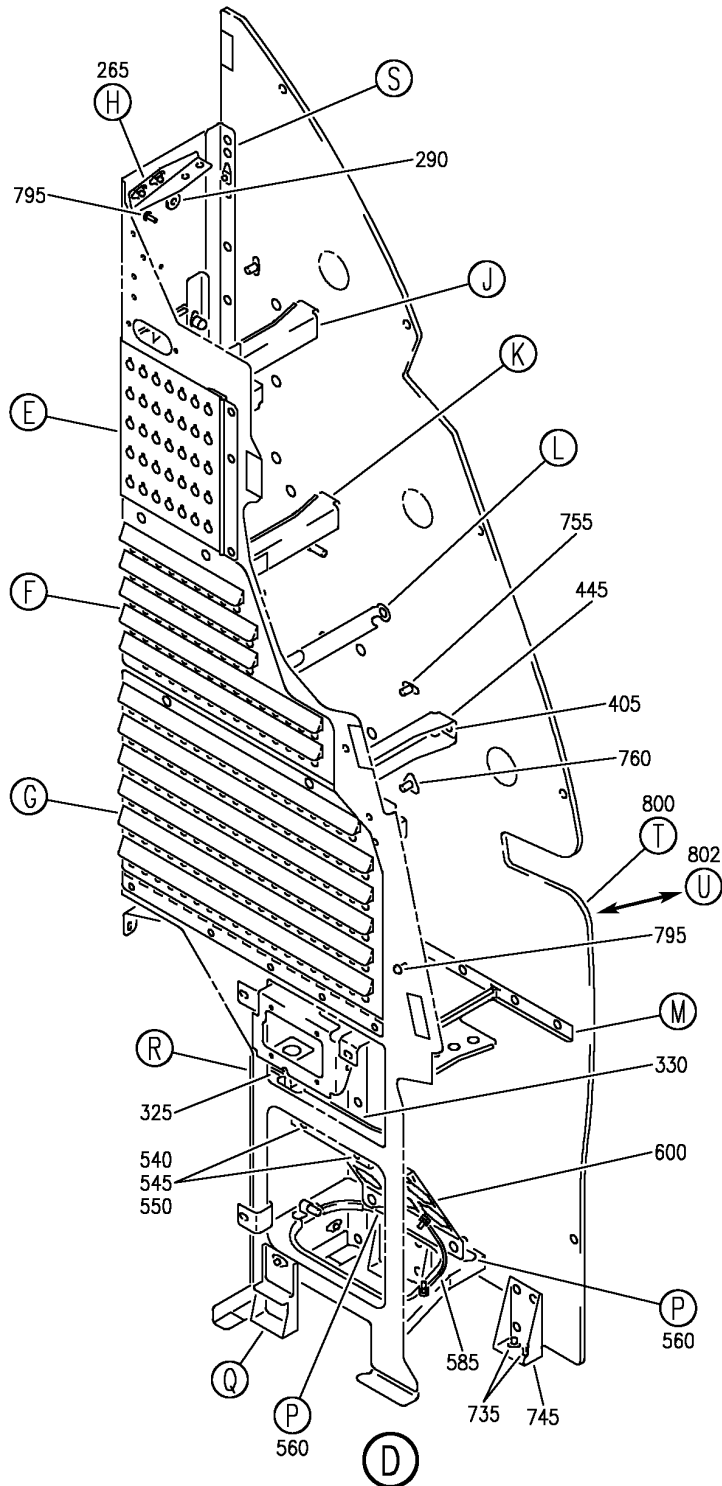
PANEL INSTL-FLIGHT DECK P18
 FIGURE 7B (SHEET 2)

25-11-51-07B

HAP
 FEB 15/08

25-11-51-07B
 PAGE 0A

BOEING
 737-600/700/800/900
 PARTS CATALOG (MAINTENANCE)



E 25115107B SHT 3 REV 154

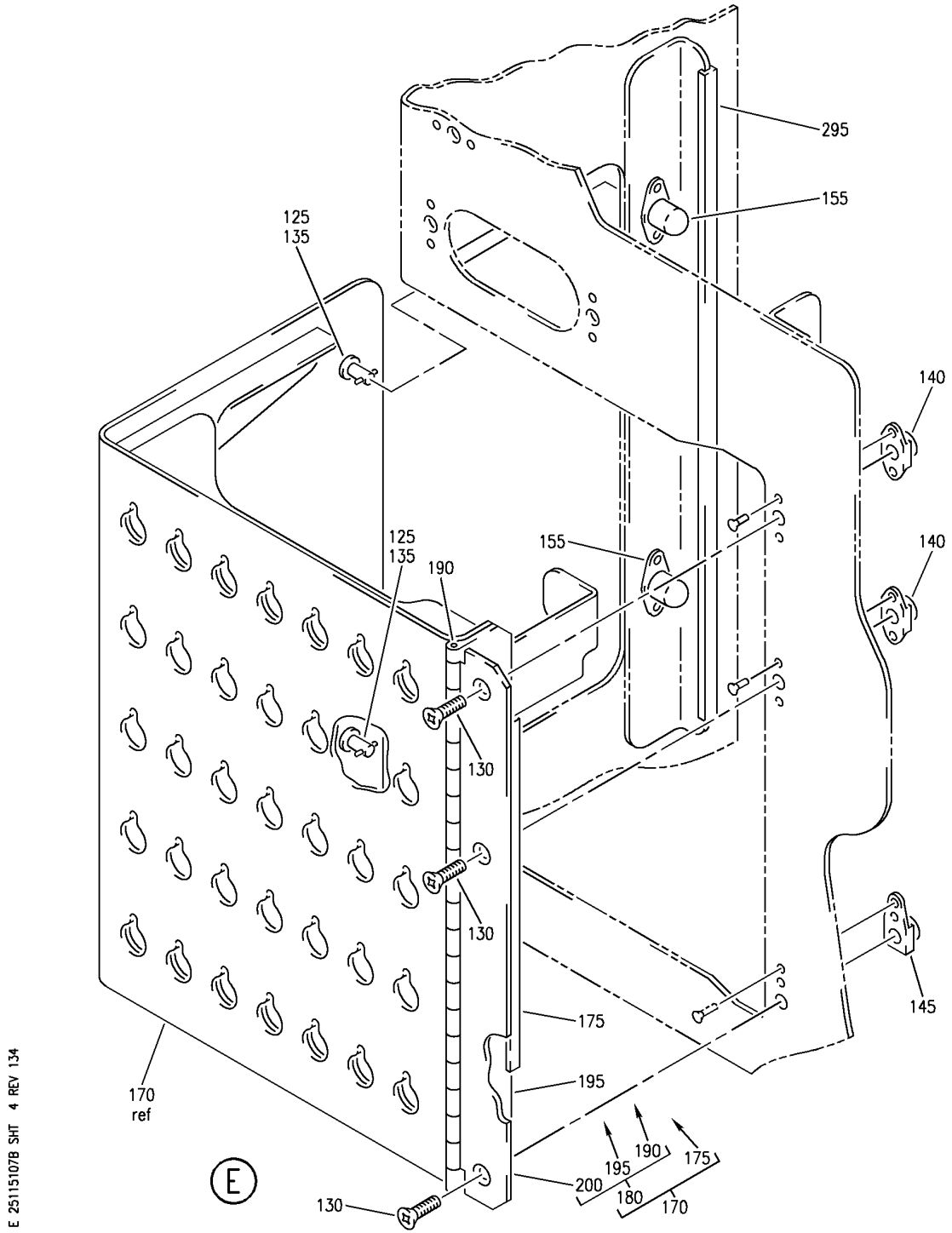
PANEL INSTL-FLIGHT DECK P18
 FIGURE 7B (SHEET 3)

25-11-51-07B

HAP
 JUN 15/09

25-11-51-07B
 PAGE 0B

BOEING
 737-600/700/800/900
 PARTS CATALOG (MAINTENANCE)



E 25115107B SHT 4 REV 134

170
ref

(E)

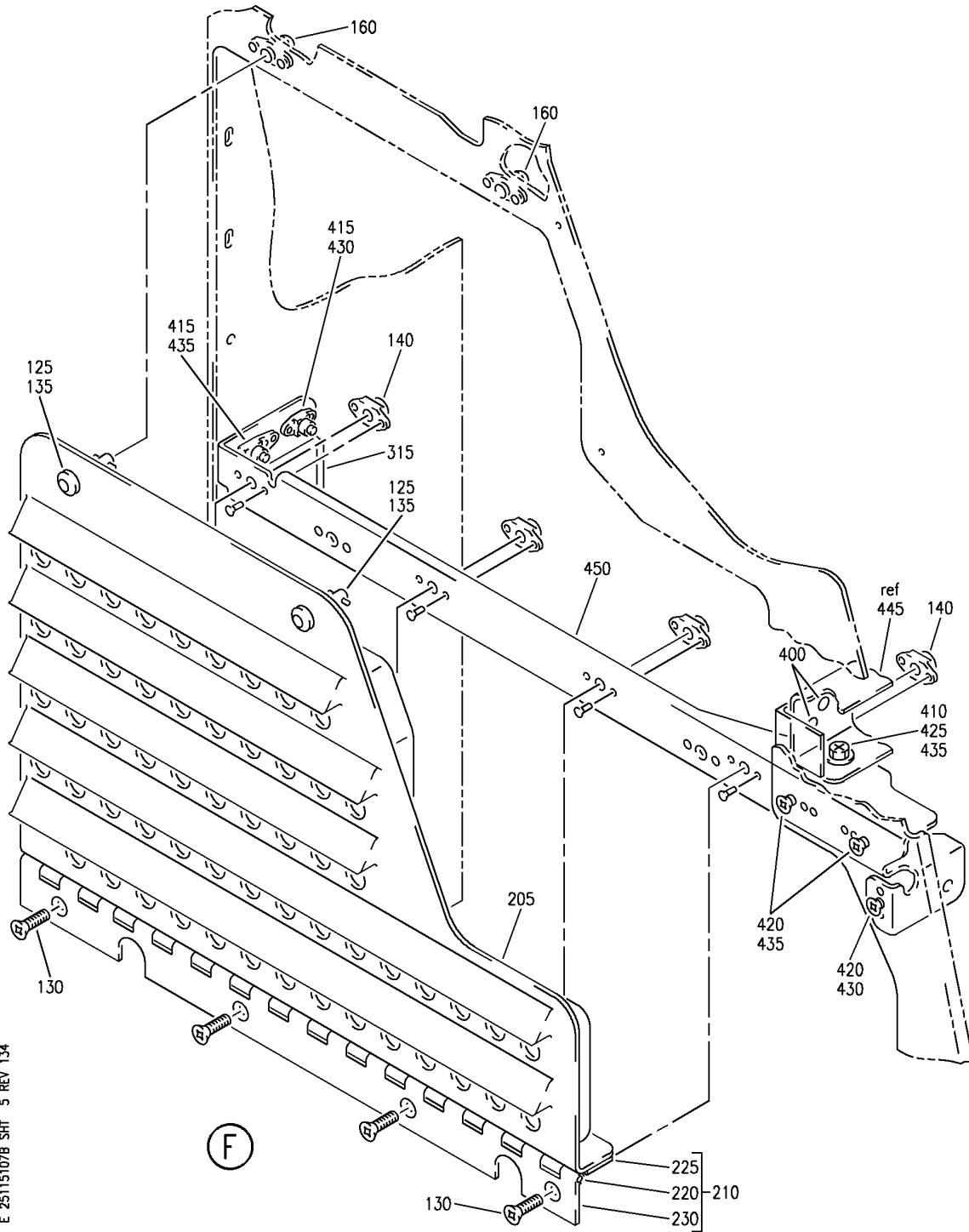
PANEL INSTL-FLIGHT DECK P18
 FIGURE 7B (SHEET 4)

25-11-51-07B

HAP
 FEB 15/08

25-11-51-07B
 PAGE 0C

BOEING
 737-600/700/800/900
 PARTS CATALOG (MAINTENANCE)



E 25115107B SHT 5 REV 134

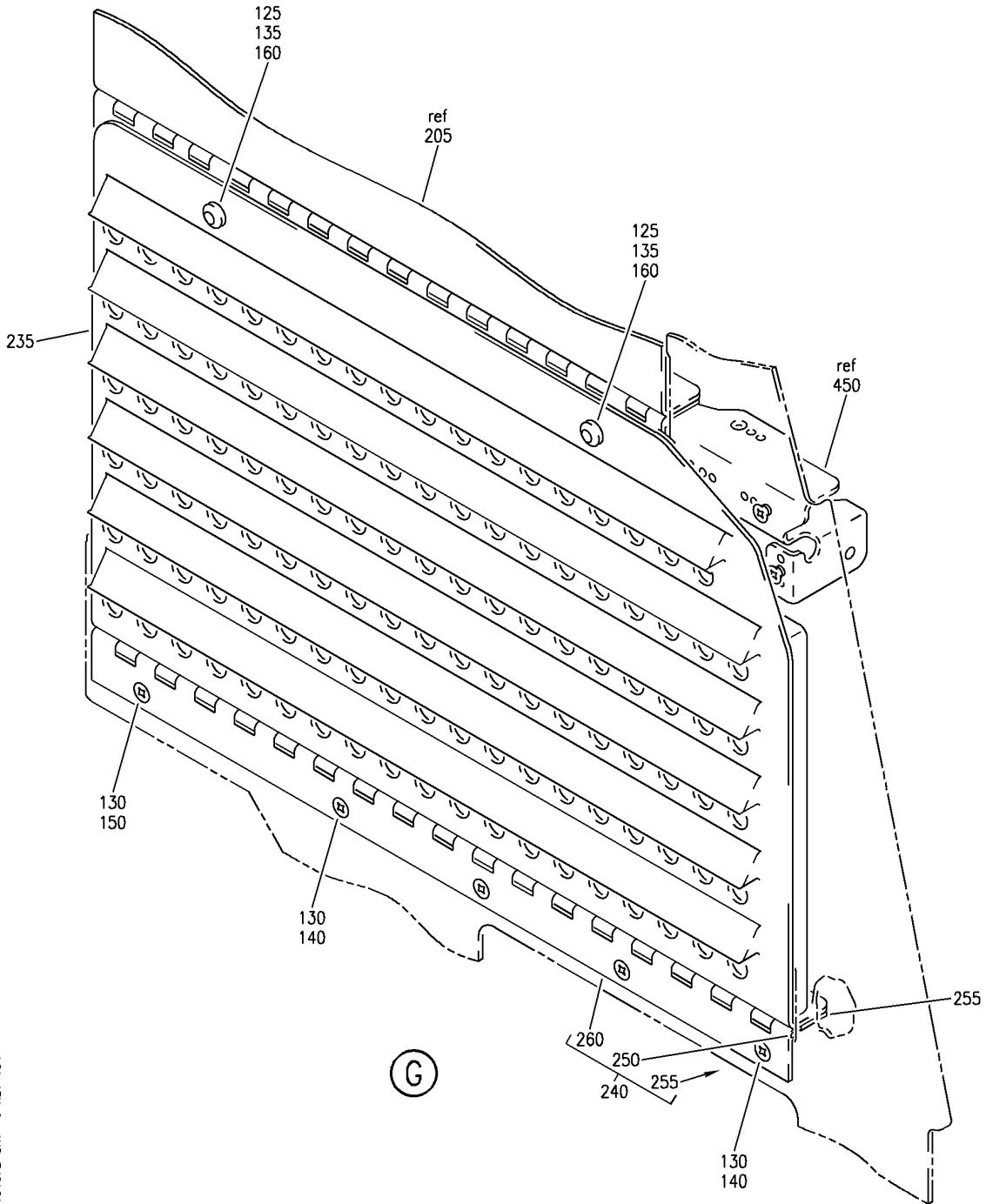
PANEL INSTL-FLIGHT DECK P18
 FIGURE 7B (SHEET 5)

25-11-51-07B

HAP
 FEB 15/08

25-11-51-07B
 PAGE 0D

BOEING
737-600/700/800/900
PARTS CATALOG (MAINTENANCE)



E 25115107B SHT 6 REV 134

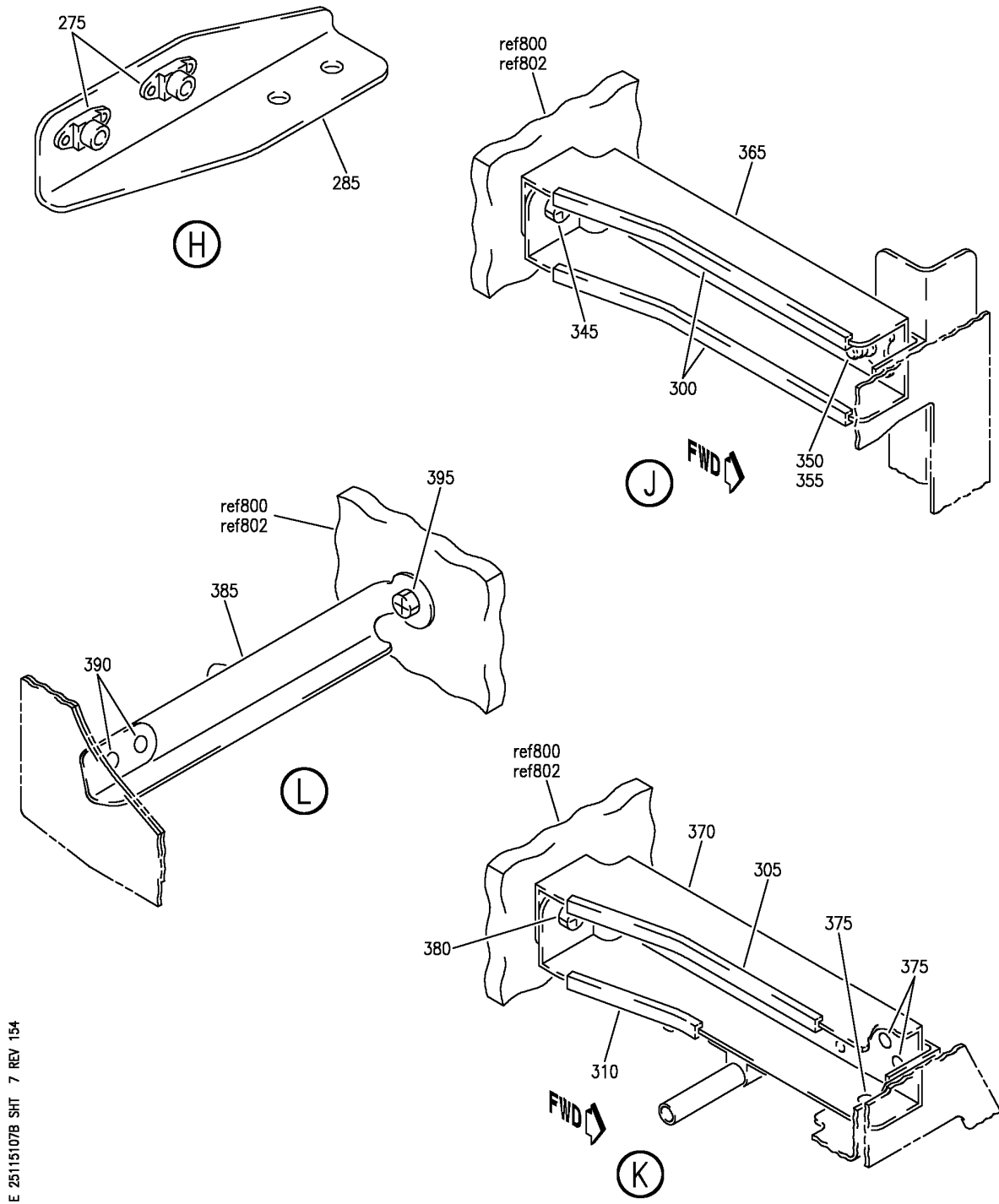
PANEL INSTL-FLIGHT DECK P18
FIGURE 7B (SHEET 6)

25-11-51-07B

HAP
FEB 15/08

25-11-51-07B
PAGE 0E

BOEING
 737-600/700/800/900
 PARTS CATALOG (MAINTENANCE)



E 25115107B SHT 7 REV 154

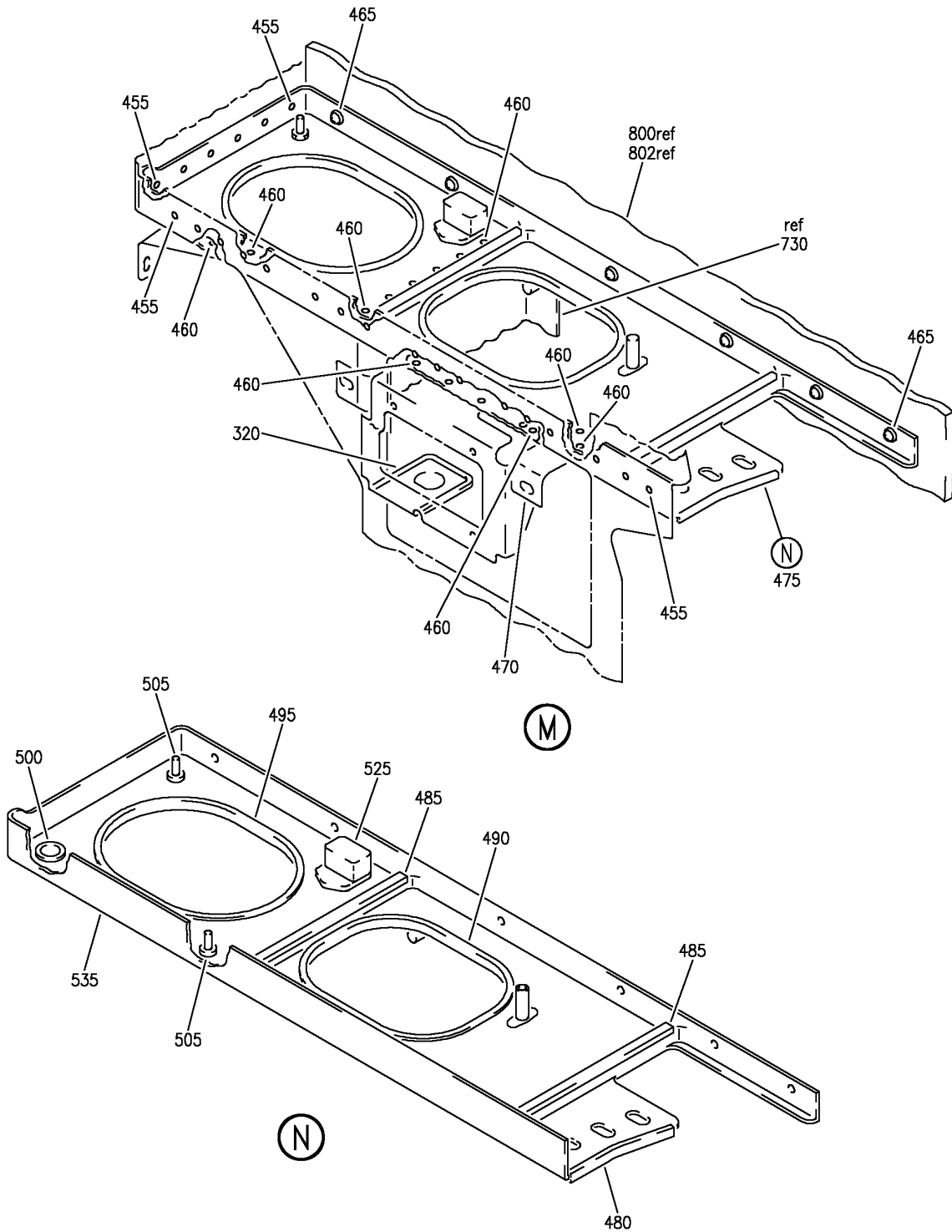
PANEL INSTL-FLIGHT DECK P18
 FIGURE 7B (SHEET 7)

25-11-51-07B

HAP
 JUN 15/09

25-11-51-07B
 PAGE OF

BOEING
 737-600/700/800/900
 PARTS CATALOG (MAINTENANCE)



E 25115107B SHT 8 REV 154

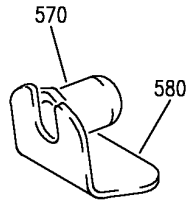
PANEL INSTL-FLIGHT DECK P18
 FIGURE 7B (SHEET 8)

25-11-51-07B

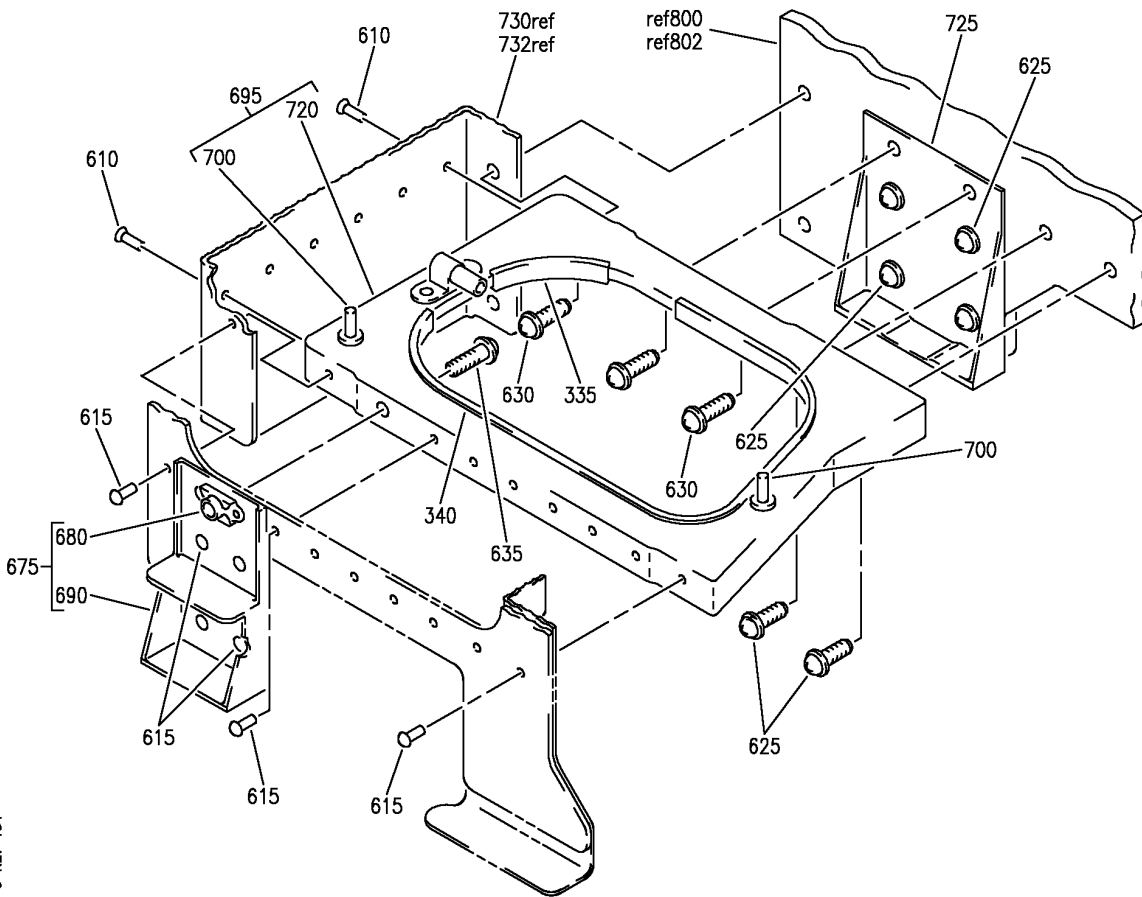
HAP
 JUN 15/09

25-11-51-07B
 PAGE 0G

BOEING
 737-600/700/800/900
 PARTS CATALOG (MAINTENANCE)



(P)



(Q)

E 25115107B SHT 9 REV 154

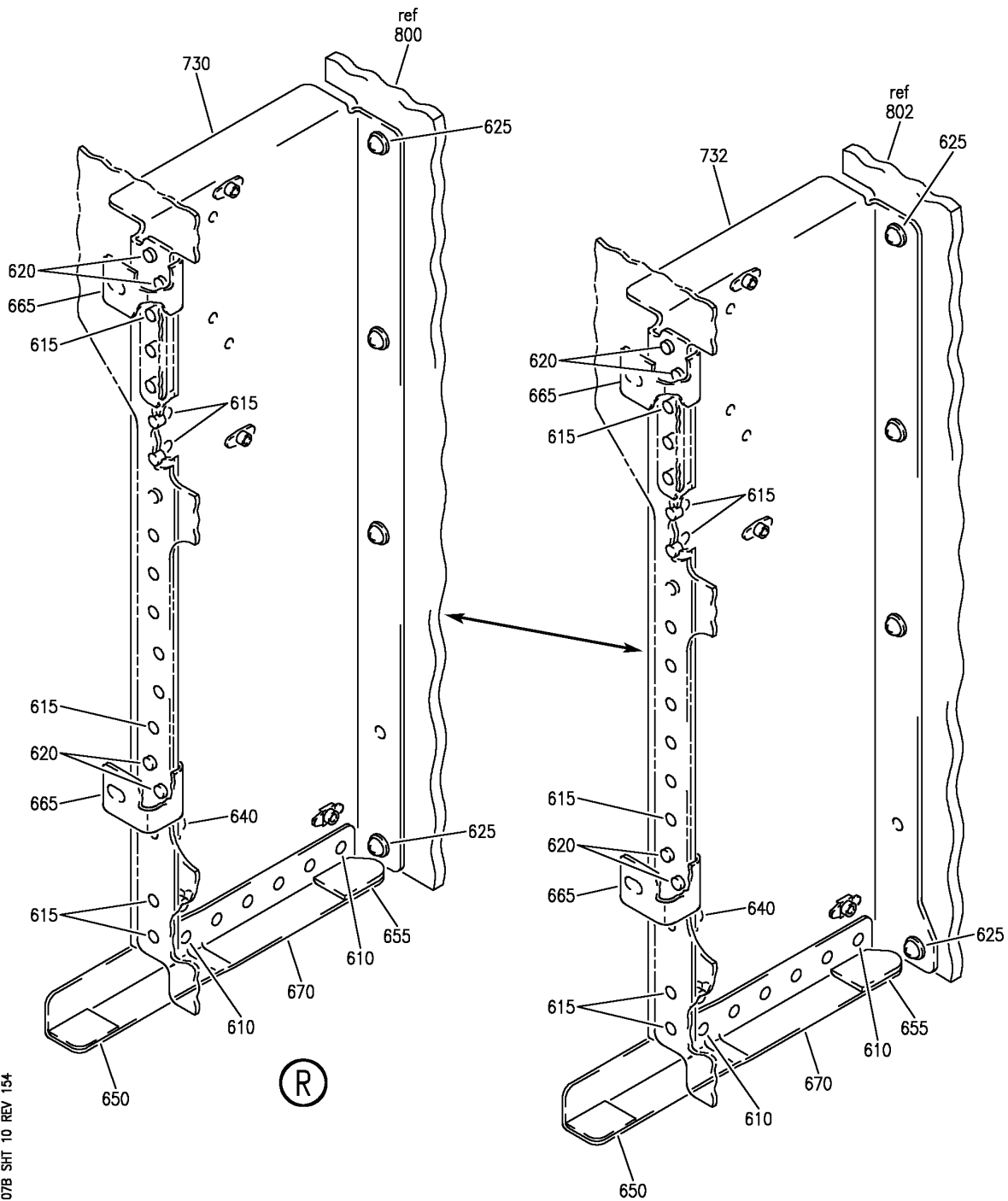
PANEL INSTL-FLIGHT DECK P18
 FIGURE 7B (SHEET 9)

25-11-51-07B

HAP
 JUN 15/09

25-11-51-07B
 PAGE 0H

BOEING
 737-600/700/800/900
 PARTS CATALOG (MAINTENANCE)



E 25115107B SHT 10 REV 154

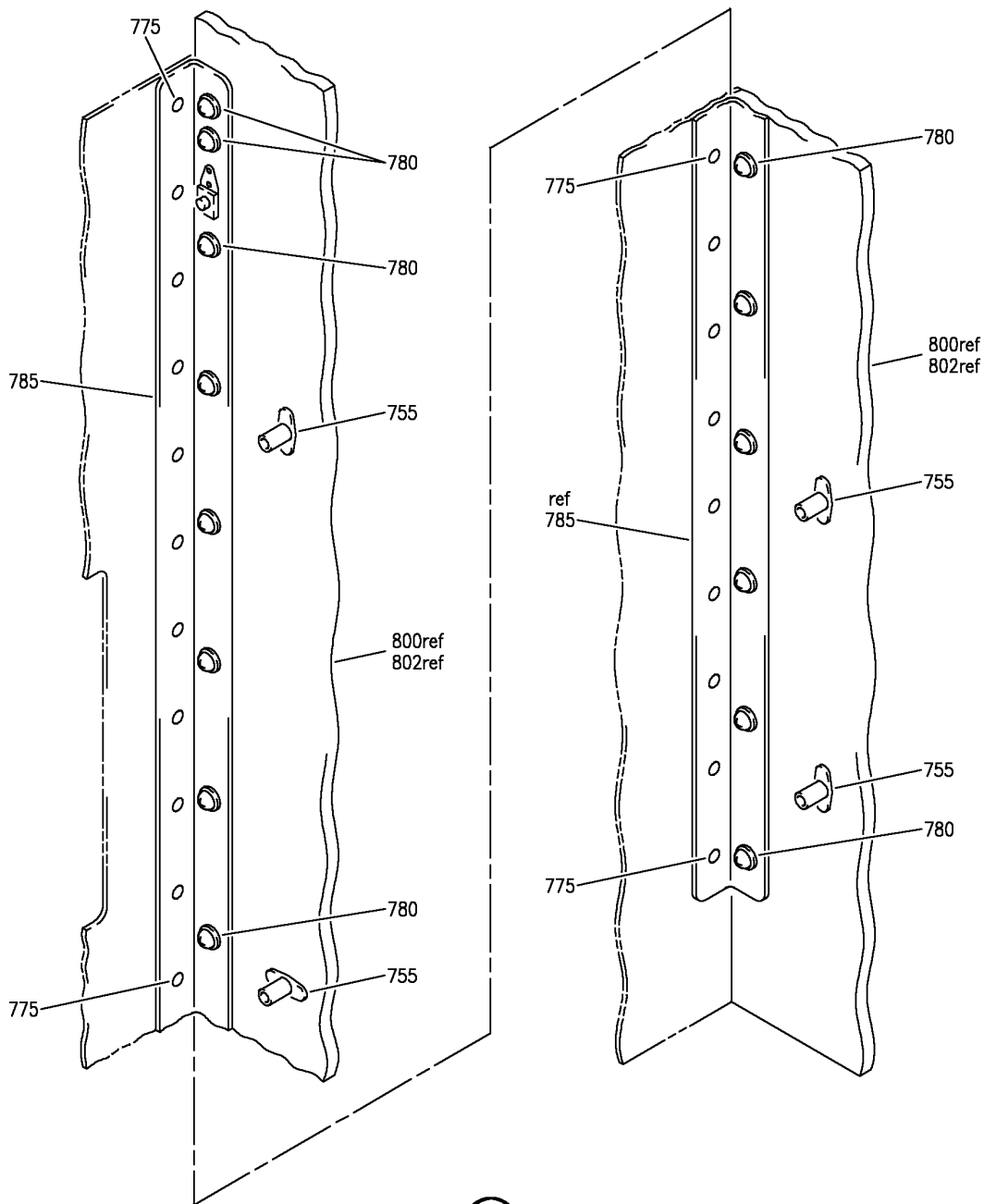
PANEL INSTL-FLIGHT DECK P18
 FIGURE 7B (SHEET 10)

25-11-51-07B

HAP
 JUN 15/09

25-11-51-07B
 PAGE 01

BOEING
 737-600/700/800/900
 PARTS CATALOG (MAINTENANCE)



(S)

E 25115107B SHT 11 REV 154

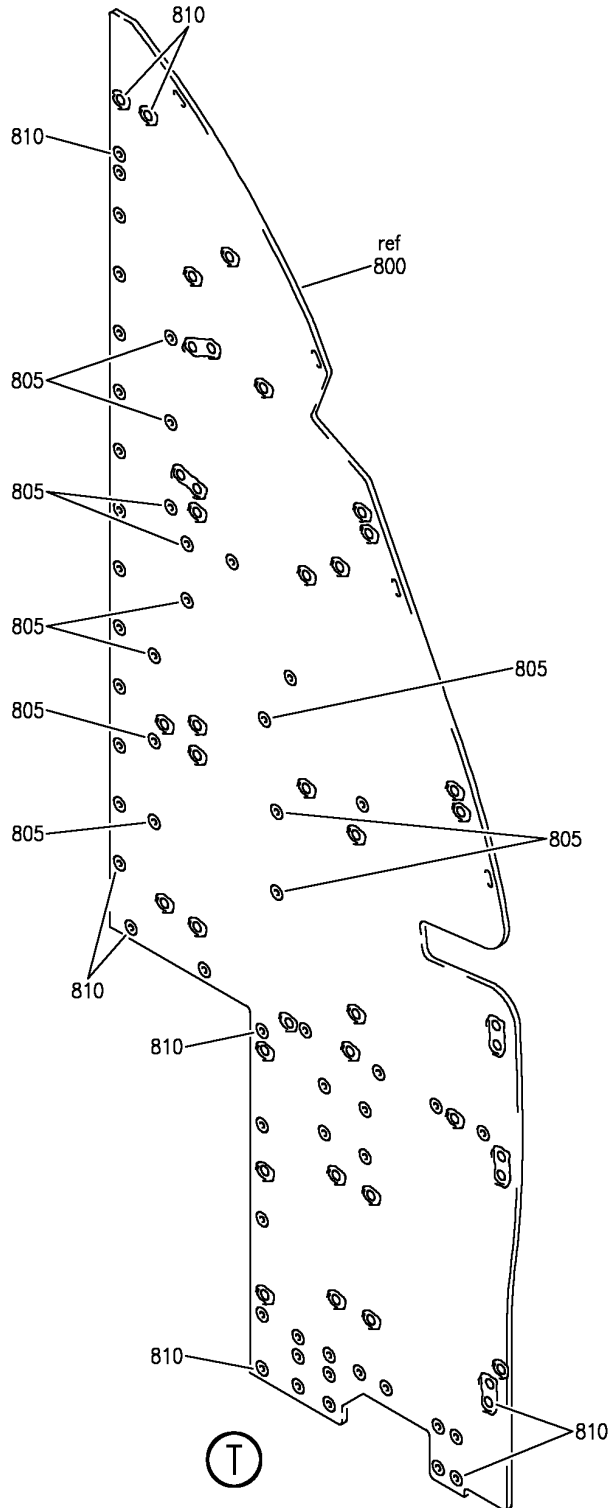
PANEL INSTL-FLIGHT DECK P18
 FIGURE 7B (SHEET 11)

25-11-51-07B

HAP
 JUN 15/09

25-11-51-07B
 PAGE 0J

BOEING
737-600/700/800/900
PARTS CATALOG (MAINTENANCE)



E 25115107B SHT 12 REV 154

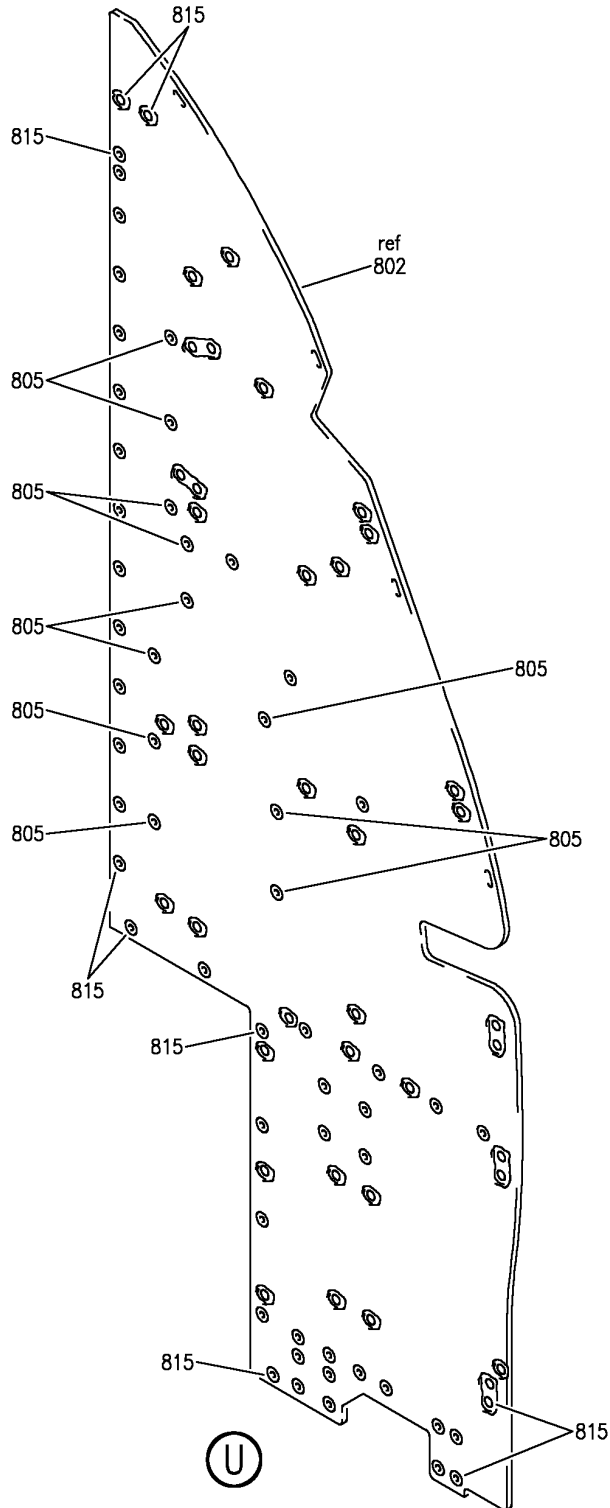
PANEL INSTL-FLIGHT DECK P18
FIGURE 7B (SHEET 12)

25-11-51-07B

HAP
JUN 15/09

25-11-51-07B
PAGE 0K

BOEING
737-600/700/800/900
PARTS CATALOG (MAINTENANCE)



E 25115107B SHT 13 REV 154

PANEL INSTL-FLIGHT DECK P18
FIGURE 7B (SHEET 13)

25-11-51-07B

HAP
JUN 15/09

25-11-51-07B
PAGE 01

BOEING
737-600/700/800/900
PARTS CATALOG (MAINTENANCE)

FIG ITEM	PART NUMBER	1 2 3 4 5 6 7	NOMENCLATURE	EFFECT FROM TO	UNITS PER ASSY
7B			PANEL INSTL-FLIGHT DECK P18	047053 105200 973999	
- 1	MODREF380166		PANEL INSTL-FLIGHT DECK P18 MODULE NUMBER: 233A5620-1 REV B	047053 105200 973999	1
5	BACB30NM3K4		.BOLT	047053 105200 973999	5
10	BACB30NM3K6		.BOLT	047053 105200 973999	3
15	BACW10P42S		.WASHER	047053 105200 973999	3
20	NAS1149D0332J		.WASHER	047053 105200 973999	5
25	BRC600-8G3GP		.CLIPNUT SUPPLIER CODE: V52828 SPECIFICATION NUMBER: BACN10YD4G OPTIONAL PART: 130123G V60119	047053 105200 973999	3
30	NAS73-3-002		.BUSHING	047053 105200 973999	3
35	233A5623-12		.BRACKET	047053 105200 973999	1
40	233A5623-10		.BRACKET ASSY	047053 105200 973999	1
45	NS103223H02		..NUTPLATE SUPPLIER CODE: V80539 SPECIFICATION NUMBER: BACN10JY3H OPTIONAL PART: RMHK9457-3 V72962 ATTACHING PARTS	047053 105200 973999	2
- 50	BACR15DR3		..RIVET- SIZE DETERMINED ON INSTL. -----*-----	047053 105200 973999	4

MISSING ITEM NUMBERS NOT APPLICABLE

- ITEM NOT ILLUSTRATED

HAP

25-11-51-07B

BOEING PROPRIETARY - Copyright © - Unpublished Work - See title page for details.

25-11-51
FIG. 07B
PAGE 1
FEB 15/09

BOEING
737-600/700/800/900
PARTS CATALOG (MAINTENANCE)

FIG ITEM	PART NUMBER	1 2 3 4 5 6 7	NOMENCLATURE	EFFECT FROM TO	UNITS PER ASSY
7B					
55	233A5623-11	. .	BRACKET	047053 105200 973999	1
60	233A5409-3	. PLATE		047053 105200 973999	1
65	BAC S12GU3K4	. SCREW		047053 105200 973999	1
70	BAC S12HN5-8	. SCREW		047053 105200 973999	1
75	BAC B30NM3K4	. BOLT		047053 105200 973999	1
80	BAC B30NM3K5	. BOLT		047053 105200 973999	2
85	BAC B30NM3K6	. BOLT		047053 105200 973999	6
90	BAC B30NM3K7	. BOLT		047053 105200 973999	2
95	BAC B30NM3K8	. BOLT		047053 105200 973999	3
100	BAC W10P42S	. WASHER		047053 105200 973999	5
105	NAS1149D0363J	. WASHER		047053 105200 973999	10
110	NAS1149D0516H	. WASHER		047053 105200 973999	2
115	BAC N11K3CD	. NUT		047053 105200 973999	4
120	233A5621-1	. PANEL ASSY-P18		047053 105200 973999	1
125	BAC S21EE5RB	. . STUD- POSITION DATA: NEAR SIDE		047053 105200 973999	6
130	BAC S12GX3H8	. . SCREW		047053 105200 973999	12

MISSING ITEM NUMBERS NOT APPLICABLE

— ITEM NOT ILLUSTRATED

HAP

25-11-51-07B

BOEING PROPRIETARY - Copyright © - Unpublished Work - See title page for details.

25-11-51
FIG. 07B
PAGE 2
FEB 15/09

BOEING
737-600/700/800/900
PARTS CATALOG (MAINTENANCE)

FIG ITEM	PART NUMBER	1 2 3 4 5 6 7	NOMENCLATURE	EFFECT FROM TO	UNITS PER ASSY
7B 135	1127722		.. WASHER- SUPPLIER CODE: V60119 SPECIFICATION NUMBER: BACW10X2 OPTIONAL PART: 2600SW V71286 POSITION DATA: FAR SIDE	047053 105200 973999	6
140	BRF200A3		.. NUTPLATE SUPPLIER CODE: V52828 SPECIFICATION NUMBER: BACN10JR3F OPTIONAL PART: NS103203-02 V80539 RMF9201-3 V72962 VN152A1-02 V92215 T8091S1032 V11815 F5000-3BAC V15653	047053 105200 973999	10
145	F2000-3		.. NUTPLATE SUPPLIER CODE: V15653 SPECIFICATION NUMBER: BACN10KB3F OPTIONAL PART: NS103185-02 V80539 RMF9207-3 V72962 T8114S1032S V11815 VN151A1-02 V92215 BRF100A3 V52828	047053 105200 973999	1

MISSING ITEM NUMBERS NOT APPLICABLE

— ITEM NOT ILLUSTRATED

HAP

25-11-51-07B

BOEING PROPRIETARY - Copyright © - Unpublished Work - See title page for details.

25-11-51
FIG. 07B
PAGE 3
FEB 15/09

BOEING
737-600/700/800/900
PARTS CATALOG (MAINTENANCE)

FIG ITEM	PART NUMBER	1 2 3 4 5 6 7	NOMENCLATURE	EFFECT FROM TO	UNITS PER ASSY
7B 150	T8078S1032	..	NUTPLATE SUPPLIER CODE: V11815 SPECIFICATION NUMBER: BACN10JP3C OPTIONAL PART: MK3000-3BAC V15653 NS103199-02 V80539 RMA9205M3 V72962 VN203A1-02 V92215 BRM300A3 V52828	047053 105200 973999	1
155	BACR11AW2K	..	RECEPTACLE	047053 105200 973999	2
160	BACR11AW2	..	RECEPTACLE	047053 105200 973999	4
- 165	BACR15DR3	..	ATTACHING PARTS RIVET- SIZE DETERMINED ON INSTL.	047053 105200 973999	36
170	233A5622-1	..	-----*----- DOOR ASSY-P18-1	047053 105200 973999	1
175	BACG20ZC000553	...	GROMMET- OPTIONAL PART: BACG20ZB000553	047053 105200 973999	1
175	BACG20ZB000553	...	GROMMET- OPTIONAL PART: BACG20ZC000553	047053 105200 973999	1
180	233A5612-1	...	HINGE ASSY	047053 105200 973999	1
- 185	BACR15BA4ADC	...	ATTACHING PARTS RIVET- SIZE DETERMINED ON INSTL.	047053 105200 973999	12
190	MS20253P2-0885L	-----*----- PIN	047053 105200 973999	1

MISSING ITEM NUMBERS NOT APPLICABLE

- ITEM NOT ILLUSTRATED

HAP

25-11-51-07B

BOEING PROPRIETARY - Copyright © - Unpublished Work - See title page for details.

25-11-51
FIG. 07B
PAGE 4
FEB 15/09

 **BOEING**
737-600/700/800/900
PARTS CATALOG (MAINTENANCE)

FIG ITEM	PART NUMBER	1 2 3 4 5 6 7	NOMENCLATURE	EFFECT FROM TO	UNITS PER ASSY
7B					
195	233A5612-2	HINGE-HALF	047053 105200 973999	1
200	233A5612-3	HINGE-HALF	047053 105200 973999	1
205	233A5622-2	..	DOOR ASSY-P18-2	047053 105200 973999	1
210	233A5612-15	...	HINGE ASSY	047053 105200 973999	1
- 215	BACR15BB4ADC	...	ATTACHING PARTS RIVET- SIZE DETERMINED ON INSTL.	047053 105200 973999	8
			-----*-----		
220	MS20253P2-1407L	PIN	047053 105200 973999	1
225	233A5612-16	HINGE-HALF	047053 105200 973999	1
230	233A5612-17	HINGE-HALF	047053 105200 973999	1
235	233A5622-3	..	DOOR ASSY-P18-3	047053 105200 973999	1
240	233A5612-19	...	HINGE ASSY	047053 105200 973999	1
- 245	BACR15BB4ADC	...	ATTACHING PARTS RIVET- SIZE DETERMINED ON INSTL.	047053 105200 973999	9
			-----*-----		
250	MS20253P2-1743L	PIN	047053 105200 973999	1
255	233A5612-20	HINGE-HALF	047053 105200 973999	1
260	233A5612-21	HINGE-HALF	047053 105200 973999	1
265	233A5624-26	..	BRACKET ASSY	047053 105200 973999	1

MISSING ITEM NUMBERS NOT APPLICABLE

- ITEM NOT ILLUSTRATED

HAP

25-11-51-07B

BOEING PROPRIETARY - Copyright © - Unpublished Work - See title page for details.

25-11-51
FIG. 07B
PAGE 5
FEB 15/09

BOEING
737-600/700/800/900
PARTS CATALOG (MAINTENANCE)

FIG ITEM	PART NUMBER	1 2 3 4 5 6 7	NOMENCLATURE	EFFECT FROM TO	UNITS PER ASSY
7B			ATTACHING PARTS		
- 270	BACS12FA3K8GR	..	SCREW	047053 105200 973999	2
			-----*-----		
275	BRF200C3D	...	NUTPLATE	047053	2
			SUPPLIER CODE: V52828	105200	
			SPECIFICATION NUMBER: BACN10JR3CFD	973999	
			OPTIONAL PART: K51602-3BAC		
			V15653		
			NS202476-02		
			V80539		
			102F9201-3		
			V72962		
			T8092C1032CD		
			V11815		
			ATTACHING PARTS		
- 280	BACR15BA3ADC	...	RIVET-	047053	4
			SIZE DETERMINED ON INSTL.	105200	
			-----*-----	973999	
285	233A5624-27	...	BRACKET	047053	1
				105200	
				973999	
290	MS35489-9	..	GROMMET	047053	1
				105200	
				973999	
295	BACG20ZA001212	..	GROMMET	047053	1
				105200	
				973999	
300	BACG20ZB000561	..	GROMMET	047053	2
				105200	
				973999	
305	BACG20ZB000521	..	GROMMET	047053	1
				105200	
				973999	
310	BACG20ZB000235	..	GROMMET	047053	1
				105200	
				973999	
315	BACG20ZA000192	..	GROMMET	047053	1
				105200	
				973999	
320	BACG20ZA000595	..	GROMMET	047053	1
				105200	
				973999	

MISSING ITEM NUMBERS NOT APPLICABLE

- ITEM NOT ILLUSTRATED

HAP

25-11-51-07B

BOEING PROPRIETARY - Copyright © - Unpublished Work - See title page for details.

25-11-51
FIG. 07B
PAGE 6
FEB 15/09

BOEING
737-600/700/800/900
PARTS CATALOG (MAINTENANCE)

FIG ITEM	PART NUMBER	1 2 3 4 5 6 7	NOMENCLATURE	EFFECT FROM TO	UNITS PER ASSY
7B					
325	BACG20ZA000100	..	GROMMET	047053 105200 973999	1
330	BACG20ZA000570	..	GROMMET	047053 105200 973999	1
335	BACG20ZE000200	..	GROMMET	047053 105200 973999	1
340	BACG20ZE001745	..	GROMMET	047053 105200 973999	1
345	BACS12GU3K5	..	SCREW	047053 105200 973999	1
350	BACS12FA3K8	..	SCREW	047053 105200 973999	1
355	F51753-3CD	..	NUTPLATE SUPPLIER CODE: V15653 SPECIFICATION NUMBER: BACN10KE3DCD OPTIONAL PART: NS202495-02 V80539	047053 105200 973999	1
- 360	BACR15DR3	..	RIVET- ATTACHING PARTS SIZE DETERMINED ON INSTL.	047053 105200 973999	2
			-----*-----		
365	233A5624-12	..	STANCHION	047053 105200 973999	1
370	233A5624-10	..	STANCHION ASSY	047053 105200 973999	1
			ATTACHING PARTS		
375	BACR15BB5ADC	..	RIVET- SIZE DETERMINED ON INSTL.	047053 105200 973999	3
380	BACS12GU3K5	..	SCREW	047053 105200 973999	1
			-----*-----		
385	233A5624-7	..	STANCHION ASSY	047053 105200 973999	1

MISSING ITEM NUMBERS NOT APPLICABLE

- ITEM NOT ILLUSTRATED

HAP

25-11-51-07B

BOEING PROPRIETARY - Copyright © - Unpublished Work - See title page for details.

25-11-51
FIG. 07B
PAGE 7
FEB 15/09

BOEING
737-600/700/800/900
PARTS CATALOG (MAINTENANCE)

FIG ITEM	PART NUMBER	1 2 3 4 5 6 7	NOMENCLATURE	EFFECT FROM TO	UNITS PER ASSY
7B			ATTACHING PARTS		
390	BACR15BB5ADC	..	RIVET- SIZE DETERMINED ON INSTL.	047053 105200 973999	2
395	BACS12GU3K4	..	SCREW	047053 105200 973999	1
			-----*-----		
400	BACR15BB5ADC	..	RIVET- SIZE DETERMINED ON INSTL.	047053 105200 973999	2
405	BACS12GU3K5	..	SCREW	047053 105200 973999	1
410	BACS12GU3K8	..	SCREW	047053 105200 973999	1
415	BACB30NT3K2	..	BOLT	047053 105200 973999	2
420	BACB30VF3K2	..	BOLT	047053 105200 973999	3
425	BACW10BN3AC	..	WASHER	047053 105200 973999	1
430	BRFR220A3-2	..	NUTPLATE SUPPLIER CODE: V52828 SPECIFICATION NUMBER: BACN10KE3B2 OPTIONAL PART: RMF9213-2-3 V72962 F51750-3-2 V15653 NS103191-02-2 V80539	047053 105200 973999	2

MISSING ITEM NUMBERS NOT APPLICABLE

— ITEM NOT ILLUSTRATED

HAP

25-11-51-07B

BOEING PROPRIETARY - Copyright © - Unpublished Work - See title page for details.

25-11-51
FIG. 07B
PAGE 8
FEB 15/09

BOEING
737-600/700/800/900
PARTS CATALOG (MAINTENANCE)

FIG ITEM	PART NUMBER	1 2 3 4 5 6 7	NOMENCLATURE	EFFECT FROM TO	UNITS PER ASSY
7B 435	BRFR120C3-2D	..	NUTPLATE SUPPLIER CODE: V52828 SPECIFICATION NUMBER: BACN10KE3E2CD OPTIONAL PART: 102F9216-2-3 V72962 F51751-3-2CD V15653 NS202494-02-2 V80539 ATTACHING PARTS	047053 105200 973999	4
- 440	BACR15DR3	..	RIVET- SIZE DETERMINED ON INSTL.	047053 105200 973999	12
445	233A5624-9	..	STANCHION	047053 105200 973999	1
450	233A5624-13	..	BAR-CROSS	047053 105200 973999	1
455	BACR15BA5ADC	..	RIVET- SIZE DETERMINED ON INSTL.	047053 105200 973999	23
460	BACR15BB5ADC	..	RIVET- SIZE DETERMINED ON INSTL.	047053 105200 973999	15
465	BACS12FA3K4	..	SCREW	047053 105200 973999	6
470	233A5624-31	..	CLIP	047053 105200 973999	1
475	233A5623-1	..	SHELF ASSY-UPR	047053 105200 973999	1
480	BACG20ZA000355	...	GROMMET	047053 105200 973999	1
485	BACG20ZB000605	...	GROMMET	047053 105200 973999	2
490	BACG20ZA001690	...	GROMMET	047053 105200 973999	1

MISSING ITEM NUMBERS NOT APPLICABLE

- ITEM NOT ILLUSTRATED

HAP

25-11-51-07B

BOEING PROPRIETARY - Copyright © - Unpublished Work - See title page for details.

25-11-51
FIG. 07B
PAGE 9
FEB 15/09

BOEING
737-600/700/800/900
PARTS CATALOG (MAINTENANCE)

FIG ITEM	PART NUMBER	1 2 3 4 5 6 7	NOMENCLATURE	EFFECT FROM TO	UNITS PER ASSY
7B 495	BACG20ZA001670	...	GROMMET	047053 105200 973999	1
500	MS35489-9	...	GROMMET	047053 105200 973999	1
505	BACS53B1ES1	...	STUD	047053 105200 973999	2
525	RBGB16-1	...	BLOCK- SUPPLIER CODE: V09922 SPECIFICATION NUMBER: S280W555-16 ATTACHING PARTS	047053 105200 973999	1
- 530	BACR15BA4ADC	...	RIVET- SIZE DETERMINED ON INSTL. -----*-----	047053 105200 973999	3
535	233A5623-2	...	SHELF	047053 105200 973999	1
540	BACS21EE3R	..	STUD	047053 105200 973999	2
545	1127722	..	WASHER SUPPLIER CODE: V60119 SPECIFICATION NUMBER: BACW10X2 OPTIONAL PART: 2600SW V71286	047053 105200 973999	2
550	BACR11AW2K	..	RECEPTACLE ATTACHING PARTS	047053 105200 973999	2
- 555	BACR15BA3ADC	..	RIVET- SIZE DETERMINED ON INSTL. -----*-----	047053 105200 973999	4
560	233A5624-32	..	CLIP-DISC. PNL ATTACHING PARTS	047053 105200 973999	2
- 565	BACR15BB5ADC	..	RIVET- SIZE DETERMINED ON INSTL. -----*-----	047053 105200 973999	4

MISSING ITEM NUMBERS NOT APPLICABLE

- ITEM NOT ILLUSTRATED

HAP

25-11-51-07B

BOEING PROPRIETARY - Copyright © - Unpublished Work - See title page for details.

25-11-51
FIG. 07B
PAGE 10
FEB 15/09

BOEING
737-600/700/800/900
PARTS CATALOG (MAINTENANCE)

FIG ITEM	PART NUMBER	1 2 3 4 5 6 7	NOMENCLATURE	EFFECT FROM TO	UNITS PER ASSY
7B 570	BACR11AW2K	...	RECEPTACLE	047053 105200 973999	1
- 575	BACR15BA3ADC	...	ATTACHING PARTS RIVET- SIZE DETERMINED ON INSTL.	047053 105200 973999	2
580	233A5624-33	-----*-----	...CLIP	047053 105200 973999	1
585	740A20-6	..	JUMPER ASSY SUPPLIER CODE: V91812 SPECIFICATION NUMBER: BACJ40A20-6 OPTIONAL PART: TJEJ40A20-6 V33483 RBEJ20-6 V1GK47 ATTACHING PARTS	047053 105200 973999	1
- 590	NAS1149D0316H	..	WASHER	047053 105200 973999	2
- 595	PLH53CD	..	NUT SUPPLIER CODE: VFO224 SPECIFICATION NUMBER: BACN10YR3CD OPTIONAL PART: H52732-3CD V15653 -----*-----	047053 105200 973999	2
600	287A4124-3	..	PANEL ASSY- ELECTRICAL EQUIP NUMBER: AP1800B FOR DETAILS SEE: 25-11-51-07C	047053 105200 973999	1
610	BACR15BA5ADC	..	RIVET- SIZE DETERMINED ON INSTL.	047053 105200 973999	12
615	BACR15BB5ADC	..	RIVET- SIZE DETERMINED ON INSTL.	047053 105200 973999	27
620	BACR15FR5ER	..	RIVET- SIZE DETERMINED ON INSTL.	047053 105200 973999	4

MISSING ITEM NUMBERS NOT APPLICABLE

- ITEM NOT ILLUSTRATED

HAP

25-11-51-07B

25-11-51
FIG. 07B
PAGE 11
FEB 15/09

BOEING
737-600/700/800/900
PARTS CATALOG (MAINTENANCE)

FIG ITEM	PART NUMBER	1 2 3 4 5 6 7	NOMENCLATURE	EFFECT FROM TO	UNITS PER ASSY
7B					
625	BACS12FA3K4	..	SCREW	047053 105200 973999	10
630	BACS12FA3K5	..	SCREW	047053 105200 973999	3
635	BACS12FA3K8	..	SCREW	047053 105200 973999	1
640	BRF200A3	..	NUTPLATE SUPPLIER CODE: V52828 SPECIFICATION NUMBER: BACN10JR3F OPTIONAL PART: NS103203-02 V80539 RMF9201-3 V72962 VN152A1-02 V92215 T8091S1032 V11815 F5000-3BAC V15653 ATTACHING PARTS	047053 105200 973999	1
- 645	BACR15DR3	..	RIVET- SIZE DETERMINED ON INSTL. -----*-----	047053 105200 973999	2
650	233A5608-1	..	FILLER	047053 105200 973999	1
655	233A5608-2	..	FILLER	047053 105200 973999	1
- 660	BACR15BA4ADC	..	RIVET- SIZE DETERMINED ON INSTL. -----*-----	047053 105200 973999	4
665	233A5624-29	..	CLIP	047053 105200 973999	2
670	233A5624-14	..	BRACKET	047053 105200 973999	1

MISSING ITEM NUMBERS NOT APPLICABLE

- ITEM NOT ILLUSTRATED

HAP

25-11-51-07B

BOEING PROPRIETARY - Copyright © - Unpublished Work - See title page for details.

25-11-51
FIG. 07B
PAGE 12
FEB 15/09

BOEING
737-600/700/800/900
PARTS CATALOG (MAINTENANCE)

FIG ITEM	PART NUMBER	1 2 3 4 5 6 7	NOMENCLATURE	EFFECT FROM TO	UNITS PER ASSY
7B 675	233A5623-5		..BRACKET ASSY-FWD INBD FLOOR	047053 105200 973999	1
680	F171-3		...NUTPLATE SUPPLIER CODE: V72962 SPECIFICATION NUMBER: BACN10JB3 OPTIONAL PART: 43600-02 V80539 BRF210A3 V52828 BRF270A3 V52828 ATTACHING PARTS	047053 105200 973999	1
- 685	BACR15BA3ADC		...RIVET- SIZE DETERMINED ON INSTL. -----*-----	047053 105200 973999	2
690	233A5623-6		...BRACKET	047053 105200 973999	1
695	233A5623-3		..SHELF ASSY-LWR	047053 105200 973999	1
700	BACS53B1ES1		...STUD	047053 105200 973999	2
720	233A5623-4		...SHELF	047053 105200 973999	1
725	233A5623-7		..BRACKET	047053 105200 973999	1
730	233A5624-3		..WEB ASSY-LWR INBD	047053 105200 973999	1

MISSING ITEM NUMBERS NOT APPLICABLE

- ITEM NOT ILLUSTRATED

HAP

25-11-51-07B

BOEING PROPRIETARY - Copyright © - Unpublished Work - See title page for details.

25-11-51
FIG. 07B
PAGE 13
FEB 15/09

BOEING
737-600/700/800/900
PARTS CATALOG (MAINTENANCE)

FIG ITEM	PART NUMBER	1 2 3 4 5 6 7	NOMENCLATURE	EFFECT FROM TO	UNITS PER ASSY
7B 735	T8078S1032		..NUTPLATE SUPPLIER CODE: V11815 SPECIFICATION NUMBER: BACN10JP3C OPTIONAL PART: MK3000-3BAC V15653 NS103199-02 V80539 RMA9205M3 V72962 VN203A1-02 V92215 BRM300A3 V52828 ATTACHING PARTS	047053 105200 973999	2
- 740	BACR15BA3ADC		..RIVET- SIZE DETERMINED ON INSTL. -----*-----	047053 105200 973999	4
745	233A5623-8		..BRACKET ATTACHING PARTS	047053 105200 973999	1
- 750	BACS12FA3K4		..SCREW -----*-----	047053 105200 973999	4
755	WS1-4A6		..NUTPLATE SUPPLIER CODE: V04169 SPECIFICATION NUMBER: BACN10TL3A6	047053 105200 973999	5
760	WSI43-6		..NUTPLATE SUPPLIER CODE: V04169 SPECIFICATION NUMBER: BACN10YU3-6 ATTACHING PARTS	047053 105200 973999	1
- 765	BACR15BB4AC		..RIVET- SIZE DETERMINED ON INSTL.	047053 105200 973999	13
- 770	NAS1149DN432J		..WASHER -----*-----	047053 105200 973999	13

MISSING ITEM NUMBERS NOT APPLICABLE

- ITEM NOT ILLUSTRATED

HAP

25-11-51-07B

BOEING PROPRIETARY - Copyright © - Unpublished Work - See title page for details.

25-11-51
FIG. 07B
PAGE 14
FEB 15/09

BOEING
737-600/700/800/900
PARTS CATALOG (MAINTENANCE)

FIG ITEM	PART NUMBER	1 2 3 4 5 6 7	NOMENCLATURE	EFFECT FROM TO	UNITS PER ASSY
7B					
775	BACR15BA5ADC	..	RIVET- SIZE DETERMINED ON INSTL.	047053 105200 973999	20
780	BACS12FA3K4	..	SCREW	047053 105200 973999	14
785	233A5624-41	..	ANGLE ASSY	047053 105200 973999	1
- 790	233A5624-1	..	WEB ASSY-FWD	047053 105200 973999	1
795	BACS53B1ES1	...	STUD	047053 105200 973999	2
800	233A5625-1	..	PANEL ASSY-COMPOSITE	047053 105200 973999	1
805	SL6224-04A	...	INSERT- SUPPLIER CODE: V97393	047053 105200 973999	11
810	SL6224-3A	...	INSERT- SUPPLIER CODE: V97393	047053 105200 973999	85

R
R
R

MISSING ITEM NUMBERS NOT APPLICABLE

- ITEM NOT ILLUSTRATED

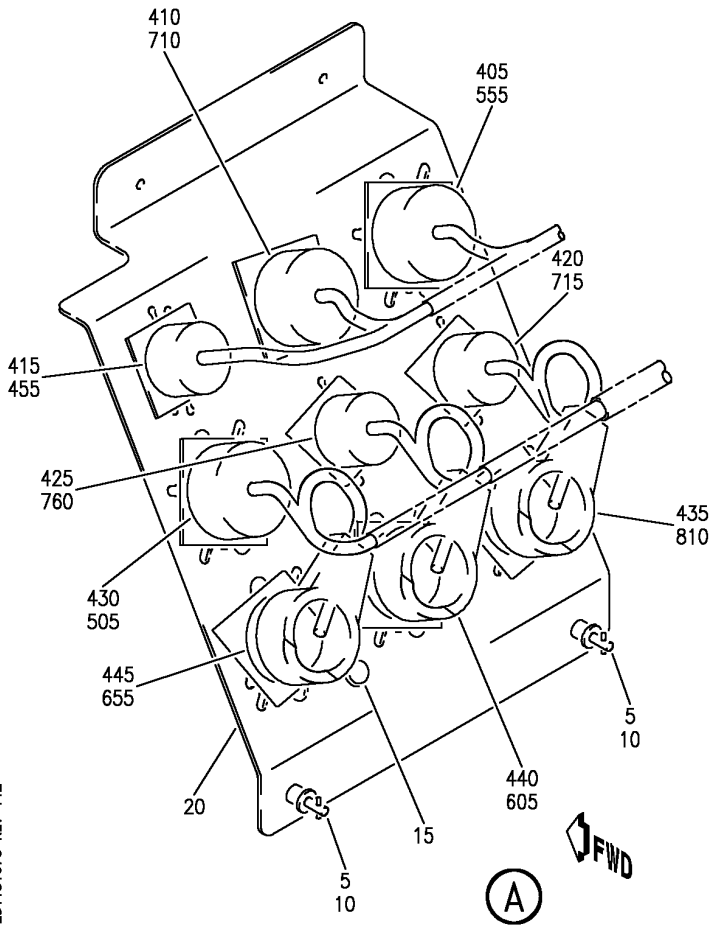
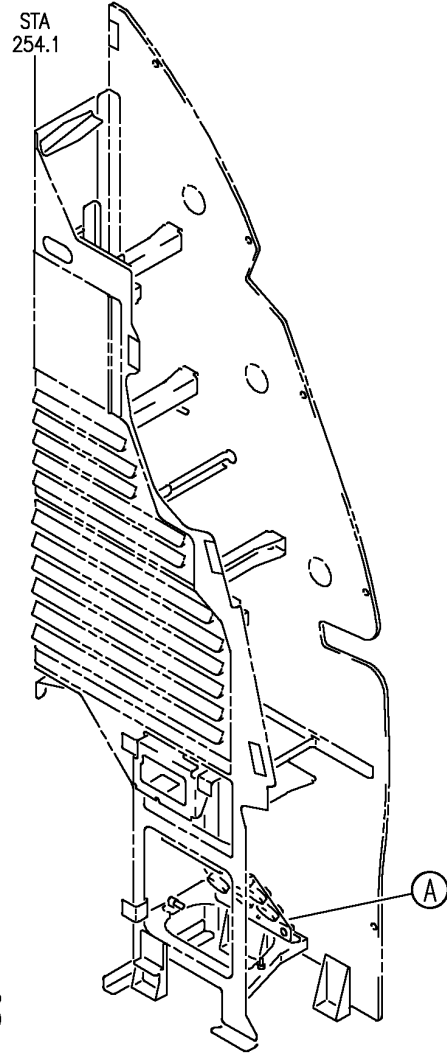
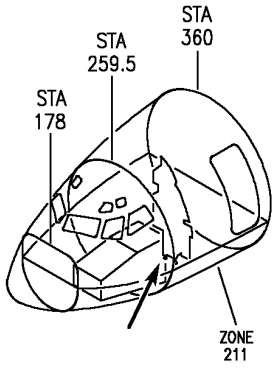
HAP

25-11-51-07B

BOEING PROPRIETARY - Copyright © - Unpublished Work - See title page for details.

25-11-51
FIG. 07B
PAGE 15
JUN 15/09

BOEING
 737-600/700/800/900
 PARTS CATALOG (MAINTENANCE)



E 25115107C REV 142

PANEL ASSY
 FIGURE 7C

25-11-51-07C

HAP
 JUN 15/08

25-11-51-07C
 PAGE 0

BOEING
737-600/700/800/900
PARTS CATALOG (MAINTENANCE)

FIG ITEM	PART NUMBER	1 2 3 4 5 6 7	NOMENCLATURE	EFFECT FROM TO	UNITS PER ASSY
7C			PANEL ASSY	047053 105200 973999	
- 1	287A4124-3		PANEL ASSY- ELECTRICAL EQUIP NUMBER: AP1800B FOR NHA SEE: 25-11-51-07B	047053 105200 973999	RF
5	1127722		.WASHER SUPPLIER CODE: V60119 SPECIFICATION NUMBER: BACW10X2 OPTIONAL PART: 2600SW V71286	047053 105200 973999	2
10	BACS21EE3R		.STUD	047053 105200 973999	2
15	VNS1924CA1-8		.STUD SUPPLIER CODE: V5M902 SPECIFICATION NUMBER: BACS53B1EA1 OPTIONAL PART: VNS1924CA3-1-8 V92215	047053 105200 973999	1
20	287A4124-4		.PANEL	047053 105200 973999	1
- 400	286A0018-084		WIRE BUNDLE ASSY	105200 973999	RF
- 400	286A0018-369		WIRE BUNDLE ASSY	047050	RF
405	BACC45FN20-28S6		.RECEPTACLE- ELECTRICAL EQUIP NUMBER: D41805J WIRING DIAGRAM REF: 343311	047050 105200 973999	1
410	BACC45FN20-25S7		.RECEPTACLE- ELECTRICAL EQUIP NUMBER: D40576J WIRING DIAGRAM REF: 732211	047050 105200 973999	1
415	BACC45FN16-24S8		.RECEPTACLE- ELECTRICAL EQUIP NUMBER: D41801J WIRING DIAGRAM REF: 344511	047050 105200 973999	1

MISSING ITEM NUMBERS NOT APPLICABLE

- ITEM NOT ILLUSTRATED

HAP

25-11-51-07C

BOEING PROPRIETARY - Copyright © - Unpublished Work - See title page for details.

25-11-51
FIG. 07C
PAGE 1
FEB 15/09

BOEING
737-600/700/800/900
PARTS CATALOG (MAINTENANCE)

FIG ITEM	PART NUMBER	1 2 3 4 5 6 7	NOMENCLATURE	EFFECT FROM TO	UNITS PER ASSY
7C 425	BACC45FN16-24P	.	CONNECTOR- ELECTRICAL EQUIP NUMBER: D40802J WIRING DIAGRAM REF: 307111	047050 105200 973999	1
430	BACC45FN20-25S6	.	RECEPTACLE- ELECTRICAL EQUIP NUMBER: D41803J WIRING DIAGRAM REF: 221112	047050 105200 973999	1
435	BACC45FN18-14S7	.	CONNECTOR- ELECTRICAL EQUIP NUMBER: D40830J WIRING DIAGRAM REF: 352111	047050 105200 973999	1
440	BACC45FN22-32S8	.	RECEPTACLE- ELECTRICAL EQUIP NUMBER: D41807J WIRING DIAGRAM REF: 345111	047050 105200 973999	1
445	BACC45FN20-28S9	.	RECEPTACLE- ELECTRICAL EQUIP NUMBER: D41809J WIRING DIAGRAM REF: 316211	047050 105200 973999	1
- 450	286A2101-039		WIRE BUNDLE ASSY	047050	RF
- 450	286A2101-040		WIRE BUNDLE ASSY	105200 973999	RF
455	BACC45FT16-24P8	.	PLUG- ELECTRICAL EQUIP NUMBER: D41801P WIRING DIAGRAM REF: 344511	047050 105200 973999	1
- 500	286A2175-029		WIRE BUNDLE ASSY	047050 105200 973999	RF
505	BACC45FT20-25P6	.	PLUG- ELECTRICAL EQUIP NUMBER: D41803P WIRING DIAGRAM REF: 221112	047050 105200 973999	1
- 550	286A2201-045		WIRE BUNDLE ASSY	048048	RF
- 550	286A2201-080		WIRE BUNDLE ASSY	047047 049050 105200	RF
- 550	286A2201-083		WIRE BUNDLE ASSY	973999	RF

MISSING ITEM NUMBERS NOT APPLICABLE

- ITEM NOT ILLUSTRATED

HAP

25-11-51-07C

BOEING PROPRIETARY - Copyright © - Unpublished Work - See title page for details.

25-11-51
FIG. 07C
PAGE 2
FEB 15/09

BOEING
737-600/700/800/900
PARTS CATALOG (MAINTENANCE)

FIG ITEM	PART NUMBER	1 2 3 4 5 6 7	NOMENCLATURE	EFFECT FROM TO	UNITS PER ASSY
7C 555	BACC45FT20-28P6	.PLUG-	ELECTRICAL EQUIP NUMBER: D41805P WIRING DIAGRAM REF: 343311	047050 105200 973999	1
- 600	286A2651-014	WIRE BUNDLE ASSY		047050	RF
- 600	286A2651-026	WIRE BUNDLE ASSY		105200 973999	RF
605	BACC45FT22-32P8	.PLUG-	ELECTRICAL EQUIP NUMBER: D41807P WIRING DIAGRAM REF: 345111	047050 105200 973999	1
- 650	286A2653-011	WIRE BUNDLE ASSY		047050 105200 973999	RF
655	BACC45FT20-28P9	.PLUG-	ELECTRICAL EQUIP NUMBER: D41809P WIRING DIAGRAM REF: 316211	047050 105200 973999	1
- 701	286A5156-261	WIRE BUNDLE ASSY		048048	RF
- 701	286A5156-291	WIRE BUNDLE ASSY		047047	RF
- 701	286A5156-297	WIRE BUNDLE ASSY		049050 105200 973999	RF
710	BACC45FT20-25P7	.CONNECTOR-	ELECTRICAL EQUIP NUMBER: D40576P WIRING DIAGRAM REF: 732211	047050 105200 973999	1
- 750	286A5506-260	WIRE BUNDLE ASSY		105200 973999	RF
- 750	286A5506-288	WIRE BUNDLE ASSY		047049	RF
- 751	286A5506-358	WIRE BUNDLE ASSY		050050	RF
760	BACC45FT16-24S	.PLUG-	ELECTRICAL EQUIP NUMBER: D40802P WIRING DIAGRAM REF: 307111	047050 105200 973999	1
- 800	286A5514-171	WIRE BUNDLE ASSY		105105 973999	RF
- 800	286A5514-181	WIRE BUNDLE ASSY		106200	RF
- 802	286A5514-506	WIRE BUNDLE ASSY		047050	RF
810	BACC45FT18-14P7	.PLUG-	ELECTRICAL EQUIP NUMBER: D40830P WIRING DIAGRAM REF: 352111	047050 105200 973999	1

MISSING ITEM NUMBERS NOT APPLICABLE

- ITEM NOT ILLUSTRATED

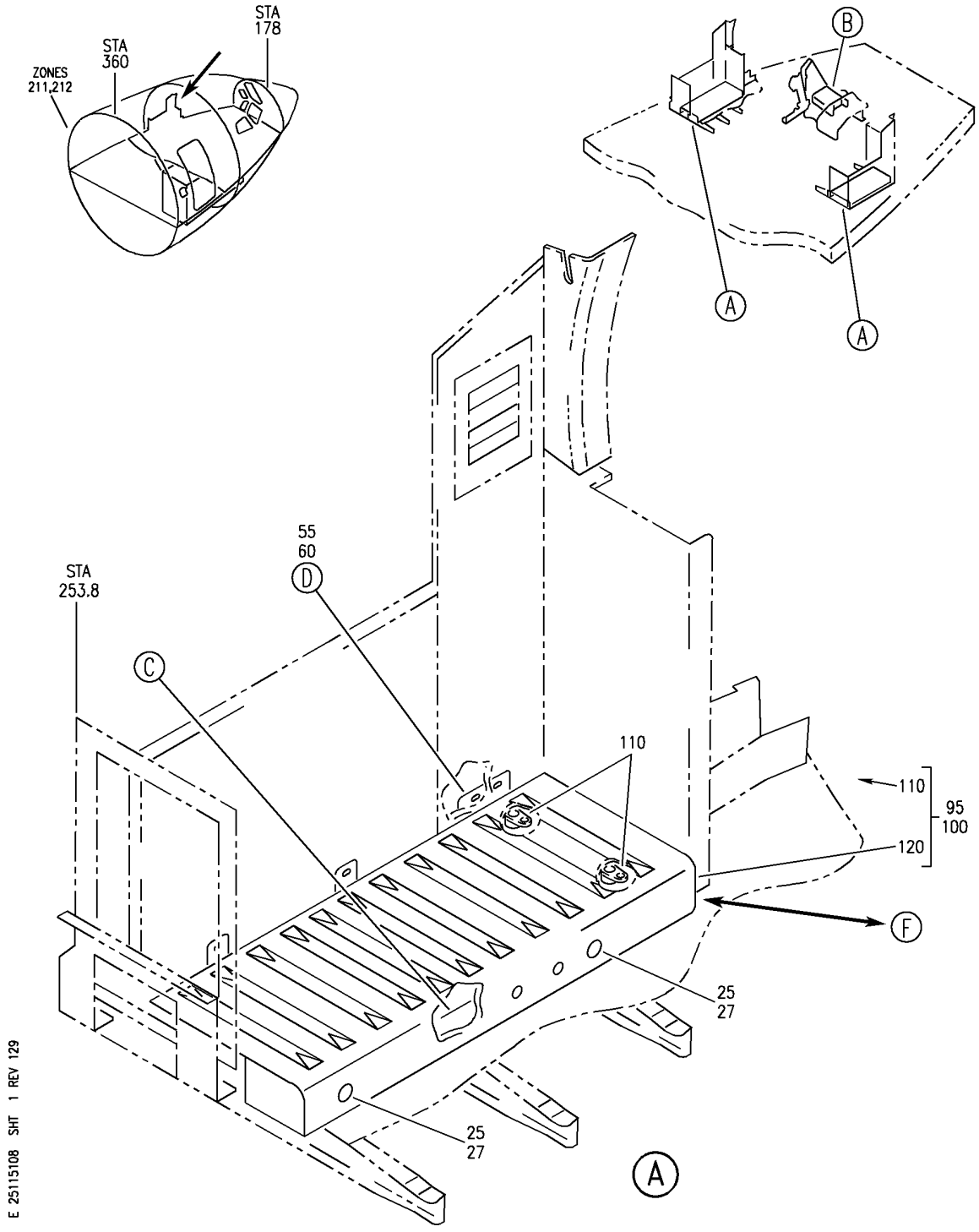
HAP

25-11-51-07C

BOEING PROPRIETARY - Copyright © - Unpublished Work - See title page for details.

25-11-51
FIG. 07C
PAGE 3
FEB 15/09

BOEING
 737-600/700/800/900
 PARTS CATALOG (MAINTENANCE)



E 25115108 SHT 1 REV 129

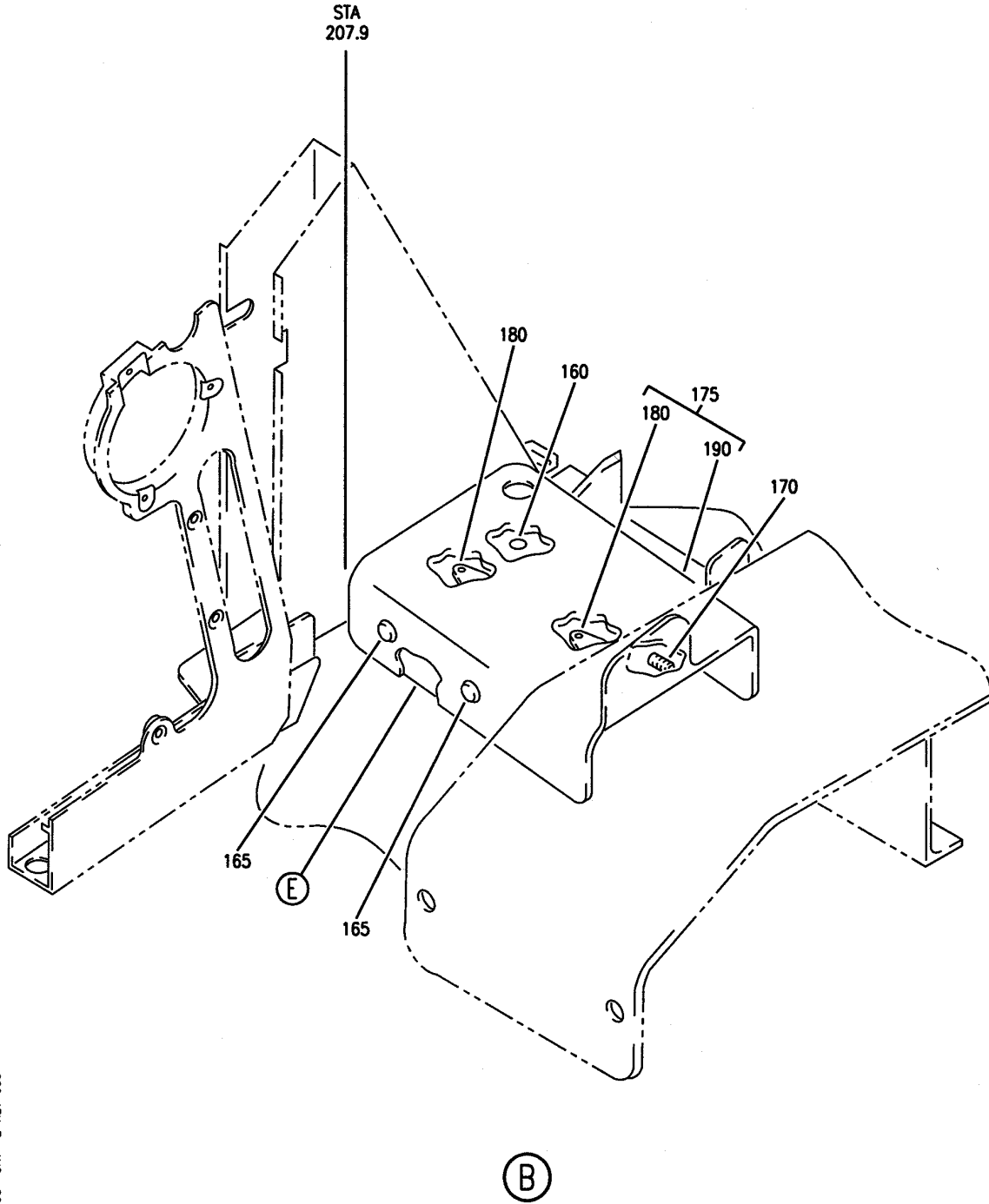
COVER INSTL-FWD CONT CAB. FLOOR RACEWAY
 FIGURE 8 (SHEET 1)

25-11-51-08

HAP
 JUN 10/07

25-11-51-08
 PAGE 0

BOEING
737-600/700/800/900
PARTS CATALOG (MAINTENANCE)



E 25115108 SHT 2 REV 035

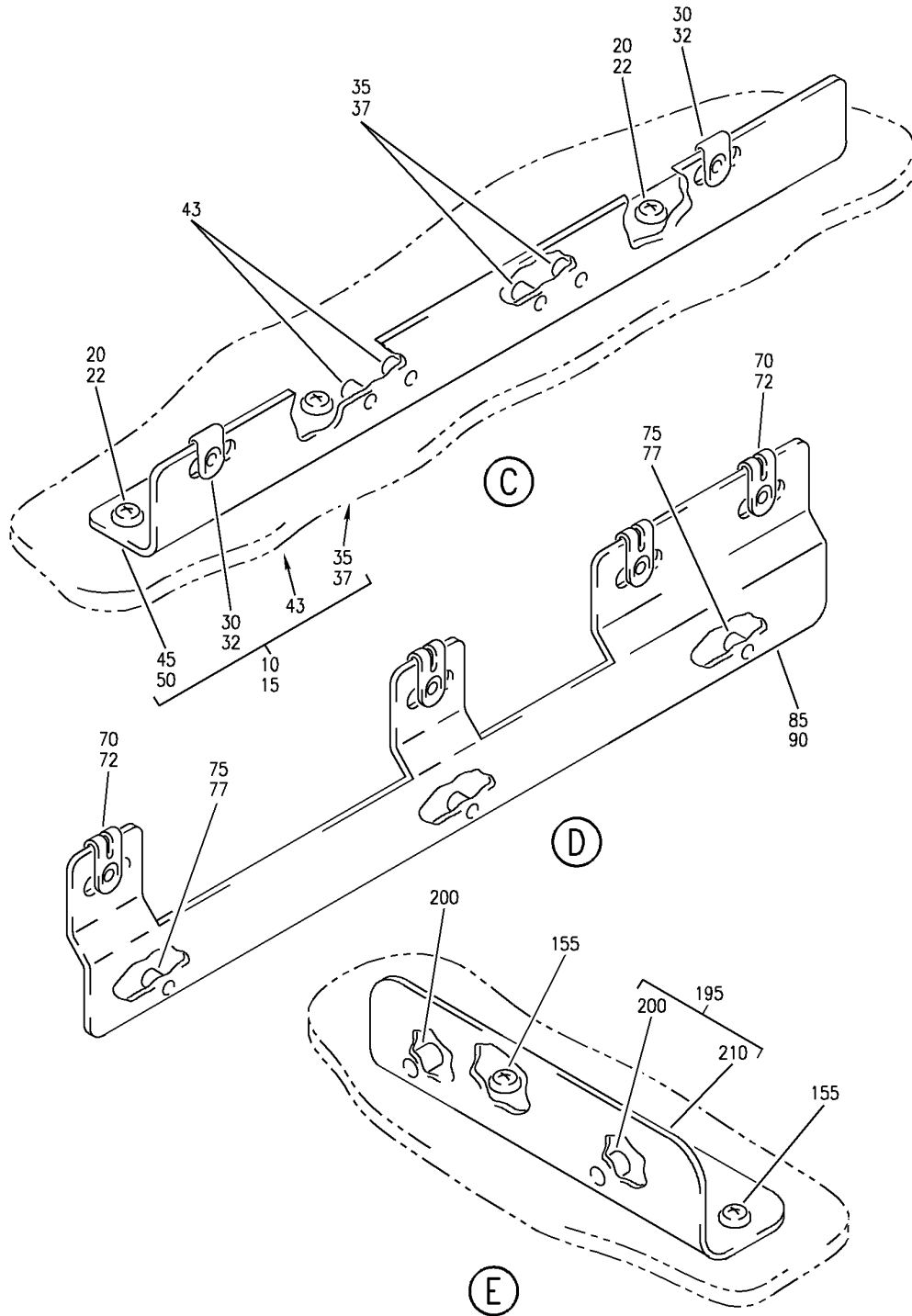
COVER INSTL-FWD CONT CAB. FLOOR RACEWAY
FIGURE 8 (SHEET 2)

25-11-51-08

HAP
OCT 10/06

25-11-51-08
PAGE 0A

BOEING
 737-600/700/800/900
 PARTS CATALOG (MAINTENANCE)



E 25115108 SH1 3 REV 129

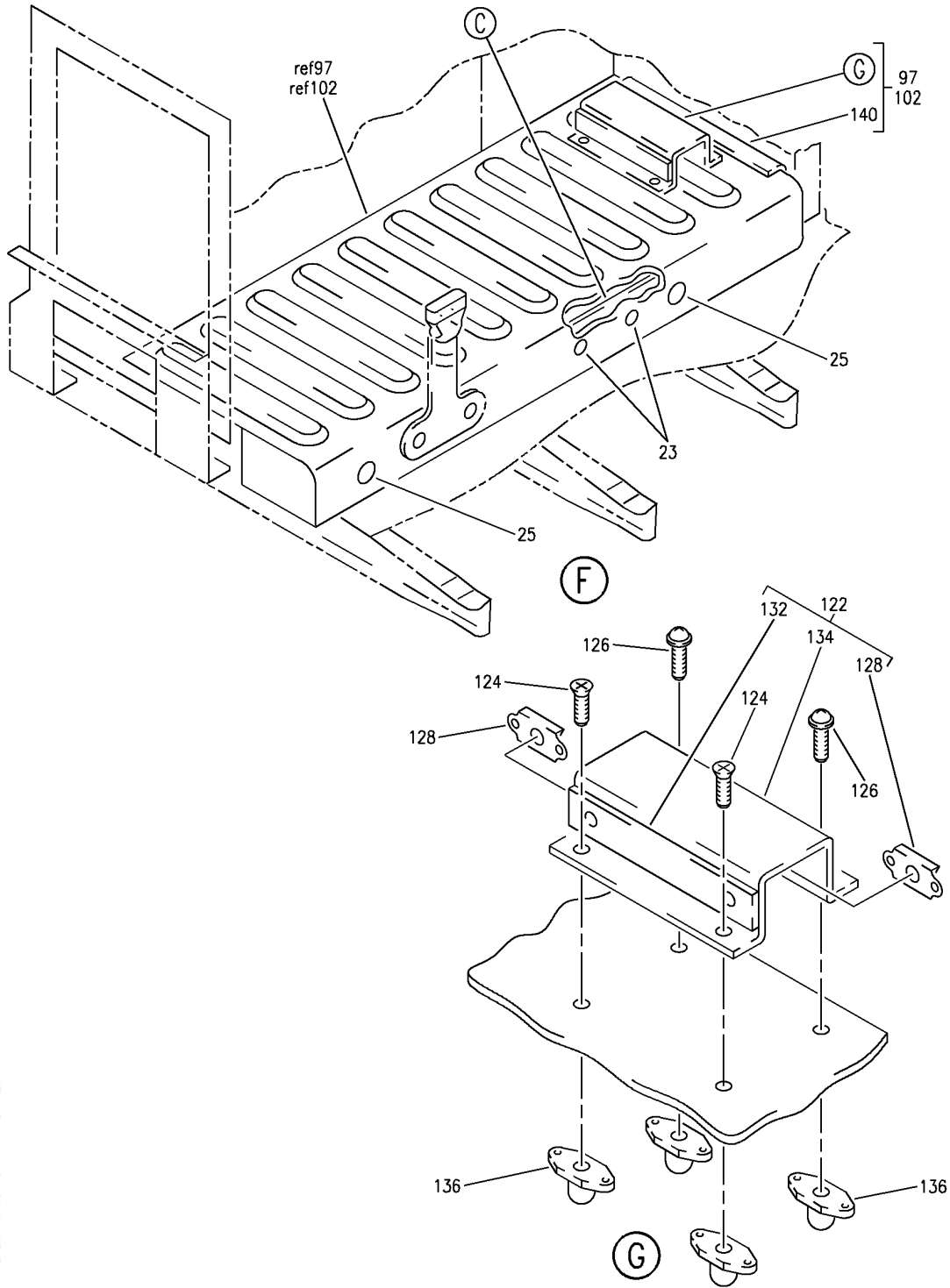
COVER INSTL-FWD CONT CAB. FLOOR RACEWAY
 FIGURE 8 (SHEET 3)

25-11-51-08

HAP
 JUN 10/07

25-11-51-08
 PAGE 08

BOEING
 737-600/700/800/900
 PARTS CATALOG (MAINTENANCE)



E 25115108 SH 4 REV 129

COVER INSTL-FWD CONT CAB. FLOOR RACEWAY
 FIGURE 8 (SHEET 4)

25-11-51-08

HAP
 JUN 10/07

25-11-51-08
 PAGE 0C

BOEING
737-600/700/800/900
PARTS CATALOG (MAINTENANCE)

FIG ITEM	PART NUMBER	1 2 3 4 5 6 7	NOMENCLATURE	EFFECT FROM TO	UNITS PER ASSY
8			COVER INSTL-FWD CONT CAB. FLOOR RACEWAY	001030 201967	
- 1	232A1640-3		COVER INSTL-CONT CAB. FLOOR RACEWAY POSITION DATA: FWD LH FOR NHA SEE: 25-10-00-05B 25-10-00-05C	001016 201967	RF
- 1	232A1640-11		COVER INSTL-CONT CAB. FLOOR RACEWAY POSITION DATA: FWD LH FOR NHA SEE: 25-10-00-05C	017030	RF
- 5	232A1640-4		COVER INSTL-CONT CAB. FLOOR RACEWAY POSITION DATA: FWD RH FOR NHA SEE: 25-10-00-03	001016 201967	RF
- 5	232A1640-12		COVER INSTL-CONT CAB. FLOOR RACEWAY POSITION DATA: FWD RH FOR NHA SEE: 25-10-00-03	017030	RF
10	232A1653-5		.ANGLE ASSY- POSITION DATA: LH SIDE	001030 201967	1
15	232A1653-6		.ANGLE ASSY- POSITION DATA: RH SIDE	001030 201967	1
20	BACS12FA3K8		ATTACHING PARTS .SCREW	001030 201967	3
25	WHS10F8TPKL01BK		.SCREW-WASHERHEAD SUPPLIER CODE: V12324 -----*-----	001030 201967	2

MISSING ITEM NUMBERS NOT APPLICABLE

- ITEM NOT ILLUSTRATED

HAP

25-11-51-08

BOEING PROPRIETARY - Copyright © - Unpublished Work - See title page for details.

25-11-51
FIG. 08
PAGE 1
OCT 15/08

BOEING
737-600/700/800/900
PARTS CATALOG (MAINTENANCE)

FIG ITEM	PART NUMBER	1 2 3 4 5 6 7	NOMENCLATURE	EFFECT FROM TO	UNITS PER ASSY
8					
30	130069		..NUT SUPPLIER CODE: V60119 SPECIFICATION NUMBER: BACN10FX16 OPTIONAL PART: A11330-6-3 V72962 A4972-6-02 V72962	001030 201967	2
35	NS103223SE02		..NUTPLATE SUPPLIER CODE: V80539 SPECIFICATION NUMBER: BACN10JY3CM OPTIONAL PART: 109K9457-3 V72962 ATTACHING PARTS	001030 201967	2
- 40	BACR15BA3AC		..RIVET- SIZE DETERMINED ON INSTL. -----*-----	001030 201967	4
45	232A1653-7		..ANGLE- POSITION DATA: LH SIDE	001030 201967	1
50	232A1653-8		..ANGLE- POSITION DATA: RH SIDE	001030 201967	1
55	232A1652-15		.BRACKET ASSY- POSITION DATA: LH SIDE	001030 201967	1
60	232A1652-16		.BRACKET ASSY- POSITION DATA: RH SIDE ATTACHING PARTS	001030 201967	1
- 65	BACS12FA3K8		.SCREW -----*-----	001030 201967	3
70	BRC600-8-3		..NUT SUPPLIER CODE: V52828 SPECIFICATION NUMBER: BACN10YD1 OPTIONAL PART: 130120 V60119	001030 201967	4

MISSING ITEM NUMBERS NOT APPLICABLE

- ITEM NOT ILLUSTRATED

HAP

25-11-51-08

BOEING PROPRIETARY - Copyright © - Unpublished Work - See title page for details.

25-11-51
FIG. 08
PAGE 2
FEB 15/09

BOEING
737-600/700/800/900
PARTS CATALOG (MAINTENANCE)

FIG ITEM	PART NUMBER	1 2 3 4 5 6 7	NOMENCLATURE	EFFECT FROM TO	UNITS PER ASSY
8	75 BRF200C3D		..NUTPLATE SUPPLIER CODE: V52828 SPECIFICATION NUMBER: BACN10JR3CFD OPTIONAL PART: K51602-3BAC V15653 NS202476-02 V80539 102F9201-3 V72962 T8092C1032CD V11815 ATTACHING PARTS	001030 201967	3
- 80	BACR15BA3ADC		..RIVET- SIZE DETERMINED ON INSTL. -----*-----	001030 201967	6
85	232A1652-17		..BRACKET- POSITION DATA: LH SIDE	001030 201967	1
90	232A1652-18		..BRACKET- POSITION DATA: RH SIDE	001030 201967	1
95	232A1641-1		.COVER ASSY- POSITION DATA: LH SIDE	001016 201967	1
95	232A1641-11		.COVER ASSY- POSITION DATA: LH SIDE	017030	1
100	232A1641-2		.COVER ASSY- POSITION DATA: RH SIDE	001016 201967	1
100	232A1641-12		.COVER ASSY- POSITION DATA: RH SIDE	017030	1
- 105	WHS10F8TPKL01BK		ATTACHING PARTS .SCREW-WASHERHEAD SUPPLIER CODE: V12324 -----*-----	001030 201967	4
- 150	232A1640-5		COVER INSTL-CONT CAB. FLOOR RACEWAY POSITION DATA: FWD FOR NHA SEE: 25-10-00-03	001007	RF

MISSING ITEM NUMBERS NOT APPLICABLE

- ITEM NOT ILLUSTRATED

HAP

25-11-51-08

BOEING PROPRIETARY - Copyright © - Unpublished Work - See title page for details.

25-11-51
FIG. 08
PAGE 3
OCT 15/08

BOEING
737-600/700/800/900
PARTS CATALOG (MAINTENANCE)

FIG ITEM	PART NUMBER	1 2 3 4 5 6 7	NOMENCLATURE	EFFECT FROM TO	UNITS PER ASSY
8					
- 150	232A1640-8		COVER INSTL-CONT CAB. FLOOR RACEWAY POSITION DATA: FWD FOR NHA SEE: 25-10-00-03	008030 201967	RF
155	BACS12FA3K6	.SCREW-		001007	2
155	BACS12FA3K7	.SCREW-		008030 201967	2
160	NAS8203A8	.SCREW		001030 201967	1
165	WHS10F6TPKL26GY	.SCREW-	SUPPLIER CODE: V12324	001030 201967	2
170	WHS10F8TPKL26GY	.SCREW-	SUPPLIER CODE: V12324	001030 201967	1
175	232A1641-5	.COVER ASSY		001030 201967	1
180	NS103223SE02	..NUTPLATE	SUPPLIER CODE: V80539 SPECIFICATION NUMBER: BACN10JY3CM OPTIONAL PART: 109K9457-3 V72962 ATTACHING PARTS	001030 201967	2
- 185	BACR15BA3AC	..RIVET-	SIZE DETERMINED ON INSTL. -----*-----	001030 201967	4
190	232A1641-6	..COVER		001030 201967	1
195	232A1653-9	.ANGLE ASSY		001030 201967	1
200	NS103223SE02	..NUTPLATE	SUPPLIER CODE: V80539 SPECIFICATION NUMBER: BACN10JY3CM OPTIONAL PART: 109K9457-3 V72962 ATTACHING PARTS	001030 201967	2
- 205	BACR15BA3AC	..RIVET-	SIZE DETERMINED ON INSTL. -----*-----	001030 201967	4
210	232A1653-10	..ANGLE		001030 201967	1

MISSING ITEM NUMBERS NOT APPLICABLE

- ITEM NOT ILLUSTRATED

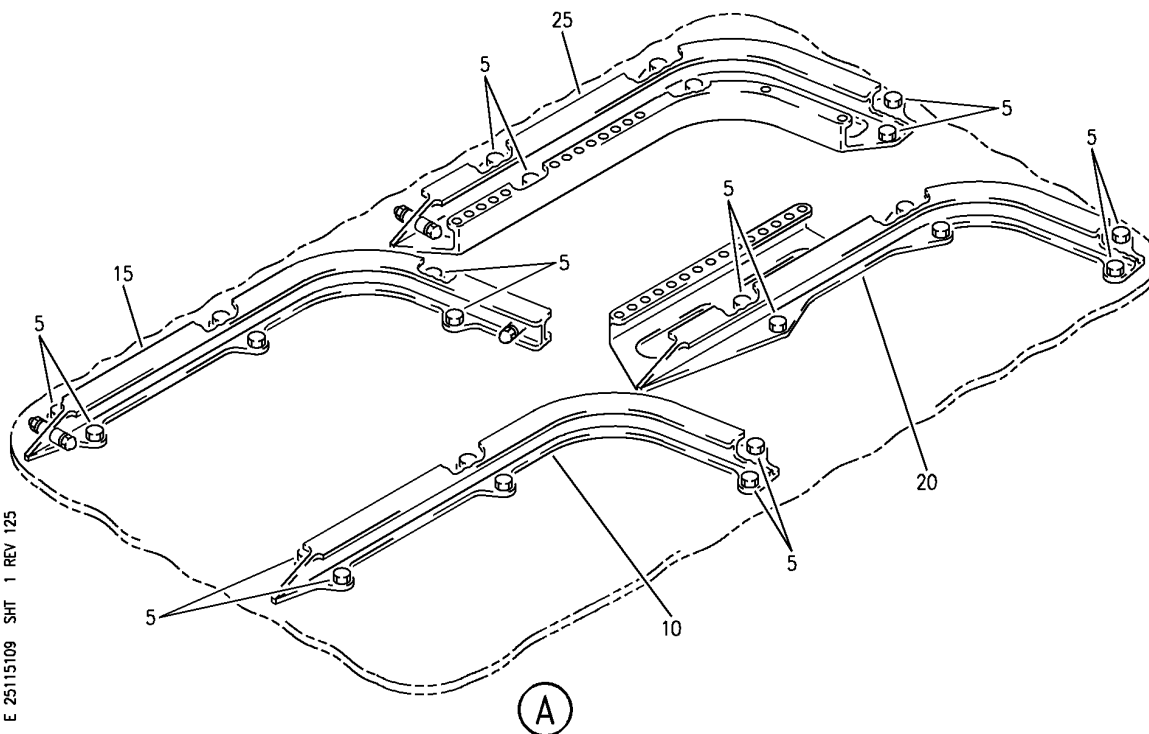
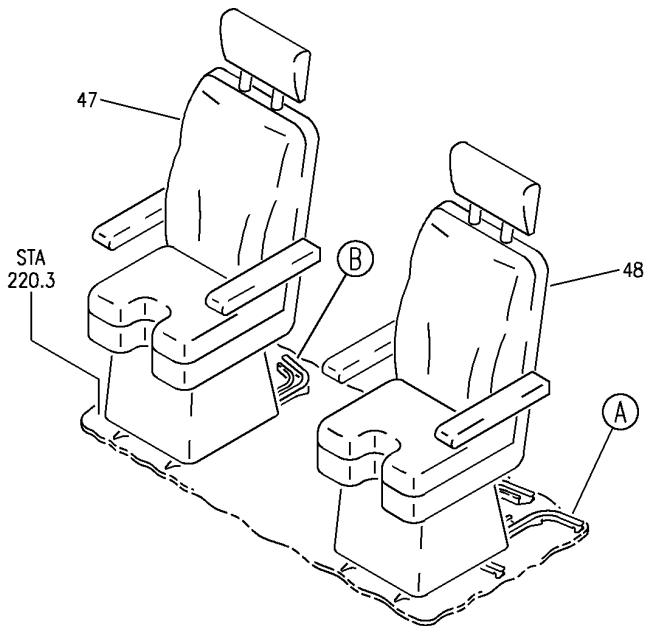
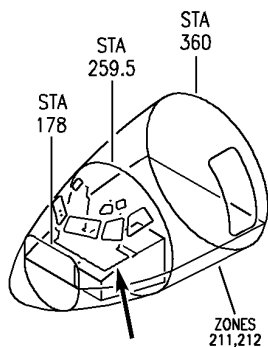
HAP

25-11-51-08

BOEING PROPRIETARY - Copyright © - Unpublished Work - See title page for details.

25-11-51
FIG. 08
PAGE 4
OCT 15/08

BOEING
 737-600/700/800/900
 PARTS CATALOG (MAINTENANCE)



E 25115109 SHT 1 REV 125

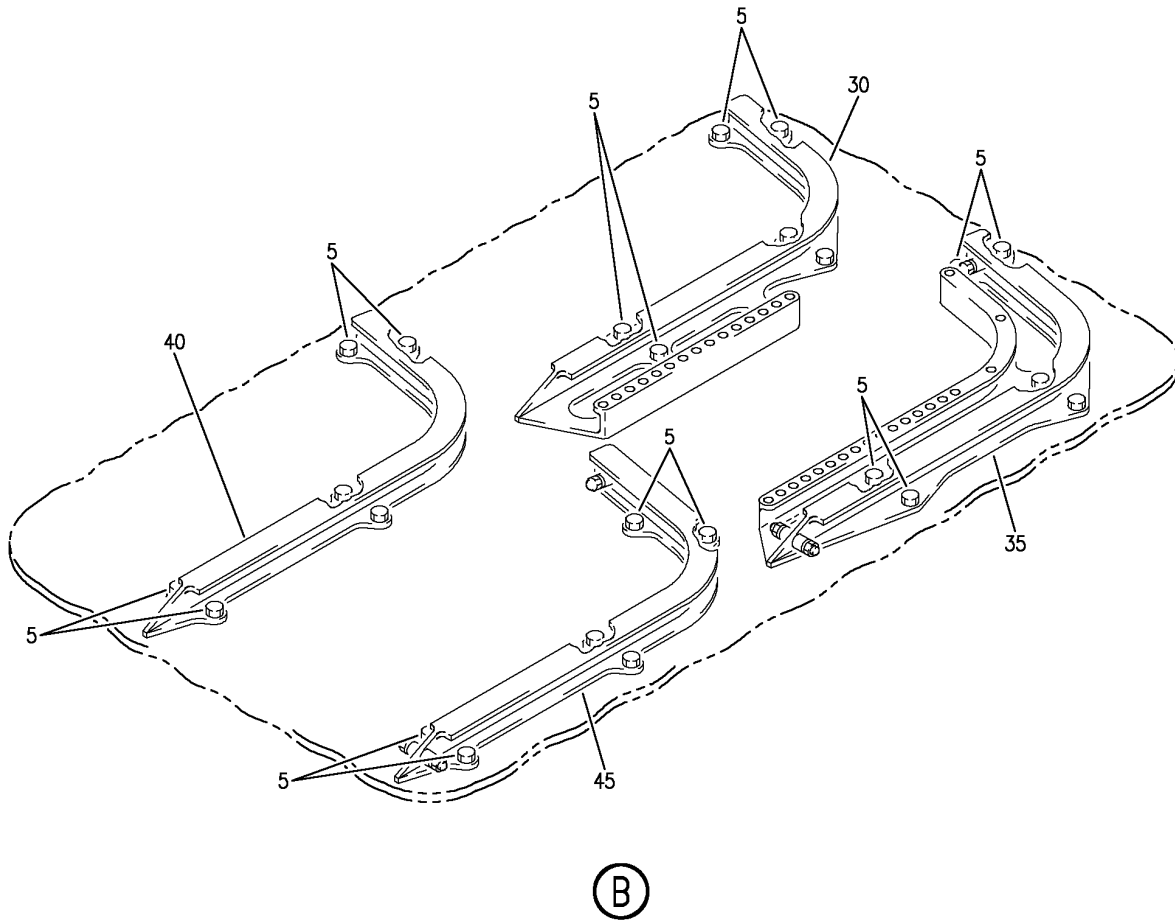
SEAT AND TRACK INSTL-CAPT AND FIRST OFFICER (EQUIPMENT/FURNISHINGS ONLY)
 FIGURE 9 (SHEET 1)

HAP
 FEB 10/07

25-11-51-09

25-11-51-09
 PAGE 0

BOEING
737-600/700/800/900
PARTS CATALOG (MAINTENANCE)



E 25115109 SHT 2 REV 075

SEAT AND TRACK INSTL-CAPT AND FIRST OFFICER (EQUIPMENT/FURNISHINGS ONLY)
FIGURE 9 (SHEET 2)

HAP
OCT 10/06

25-11-51-09

25-11-51-09
PAGE 0A

BOEING
737-600/700/800/900
PARTS CATALOG (MAINTENANCE)

FIG ITEM	PART NUMBER	1 2 3 4 5 6 7	NOMENCLATURE	EFFECT FROM TO	UNITS PER ASSY
9			SEAT AND TRACK INSTL-CAPT AND FIRST OFFICER (EQUIPMENT/FURNISHINGS ONLY)	031200 968999	
- 1	MODREF268061		SEAT INSTL- (EQUIPMENT/FURNISHINGS ONLY) MODULE NUMBER: 232A3201-5 REV B FOR OTHER SYS DETAILS SEE: 11-31-01-45	031043 101101 968971	1
- 1	MODREF344671		SEAT INSTL- (EQUIPMENT/FURNISHINGS ONLY) MODULE NUMBER: 232A3201-5 REV C FOR OTHER SYS DETAILS SEE: 11-31-01-45	044100 102200 972999	1
5	BACB30NM4K11		.BOLT-	031200 968999	48
10	1A226-0201		.TRACK- SUPPLIER CODE: VK9075 SPECIFICATION NUMBER: S232A311-3	031200 968999	1
15	1A226-0203		.TRACK ASSY- SUPPLIER CODE: VK9075 SPECIFICATION NUMBER: S232A311-5 FOR DETAILS SEE: 25-11-01-55	031200 968999	1
20	1A226-0205		.TRACK- SUPPLIER CODE: VK9075 SPECIFICATION NUMBER: S232A311-7	031200 968999	1
25	1A226-0387		.TRACK ASSY- SUPPLIER CODE: VK9075 SPECIFICATION NUMBER: S232A311-19 FOR DETAILS SEE: 25-11-01-55	031200 968999	1
30	1A226-0206		.TRACK- SUPPLIER CODE: VK9075 SPECIFICATION NUMBER: S232A311-8	031200 968999	1

MISSING ITEM NUMBERS NOT APPLICABLE

- ITEM NOT ILLUSTRATED

HAP

25-11-51-09

BOEING PROPRIETARY - Copyright © - Unpublished Work - See title page for details.

25-11-51
FIG. 09
PAGE 1
FEB 15/09

BOEING
737-600/700/800/900
PARTS CATALOG (MAINTENANCE)

FIG ITEM	PART NUMBER	1 2 3 4 5 6 7	NOMENCLATURE	EFFECT FROM TO	UNITS PER ASSY
9	35 1A226-0388		.TRACK ASSY- SUPPLIER CODE: VK9075 SPECIFICATION NUMBER: S232A311-20 FOR DETAILS SEE: 25-11-01-55	031200 968999	1
	40 1A226-0202		.TRACK- SUPPLIER CODE: VK9075 SPECIFICATION NUMBER: S232A311-4	031200 968999	1
	45 1A226-0204		.TRACK ASSY- SUPPLIER CODE: VK9075 SPECIFICATION NUMBER: S232A311-6 FOR DETAILS SEE: 25-11-01-55	031200 968999	1
	47 3A296-0008-01-1		.SEAT ASSY- SUPPLIER CODE: VK9075 SPECIFICATION NUMBER: S232A311-12 COMPONENT MAINT MANUAL REF: 25-11-39 QUALIFIED I/W DATA: PN 3A296-0008-01-1 CAN REPLACED OR BE REPLACED BY PN 3A226-0008-01-1 IF A LIFE VEST IS ADDED TO THE 3A296-0008-01-1. 3A296-0008-01-1 DOES NOT HAVE A FLOATATION BACK CUSHION. PN 3A296-0008-02-1 CAN REPLACED OR BE REPLACED BY PN 3A296-0008-01-1 IF A LIFE VEST IS ADDED TO THE 3A296-0008-01-1. 3A296-0008-01-1 DOES NOT HAVE A FLOATATION BACK CUSHION. FOR DETAILS SEE: 25-11-51-57A	031200 968999	1

MISSING ITEM NUMBERS NOT APPLICABLE

— ITEM NOT ILLUSTRATED

HAP

25-11-51-09

BOEING PROPRIETARY - Copyright © - Unpublished Work - See title page for details.

25-11-51
FIG. 09
PAGE 2
FEB 15/09

BOEING
737-600/700/800/900
PARTS CATALOG (MAINTENANCE)

FIG ITEM	PART NUMBER	1 2 3 4 5 6 7	NOMENCLATURE	EFFECT FROM TO	UNITS PER ASSY
9 48	3A296-0007-01-1		.SEAT ASSY- SUPPLIER CODE: VK9075 SPECIFICATION NUMBER: S232A311-11 COMPONENT MAINT MANUAL REF: 25-11-39 QUALIFIED I/W DATA: PN 3A296-0007-01-1 CAN REPLACED OR BE REPLACED BY PN 3A226-0007-01-1 IF A LIFE VEST IS ADDED TO THE 3A296-0007-01-1. 3A296-0007-01-1 DOES NOT HAVE A FLOATATION BACK CUSHION. PN 3A296-0007-02-1 CAN REPLACED OR BE REPLACED BY PN 3A296-0007-01-1 IF A LIFE VEST IS ADDED TO THE 3A296-0007-01-1. 3A296-0007-01-1 DOES NOT HAVE A FLOATATION BACK CUSHION. FOR DETAILS SEE: 25-11-51-57A	031200 968999	1

MISSING ITEM NUMBERS NOT APPLICABLE

— ITEM NOT ILLUSTRATED

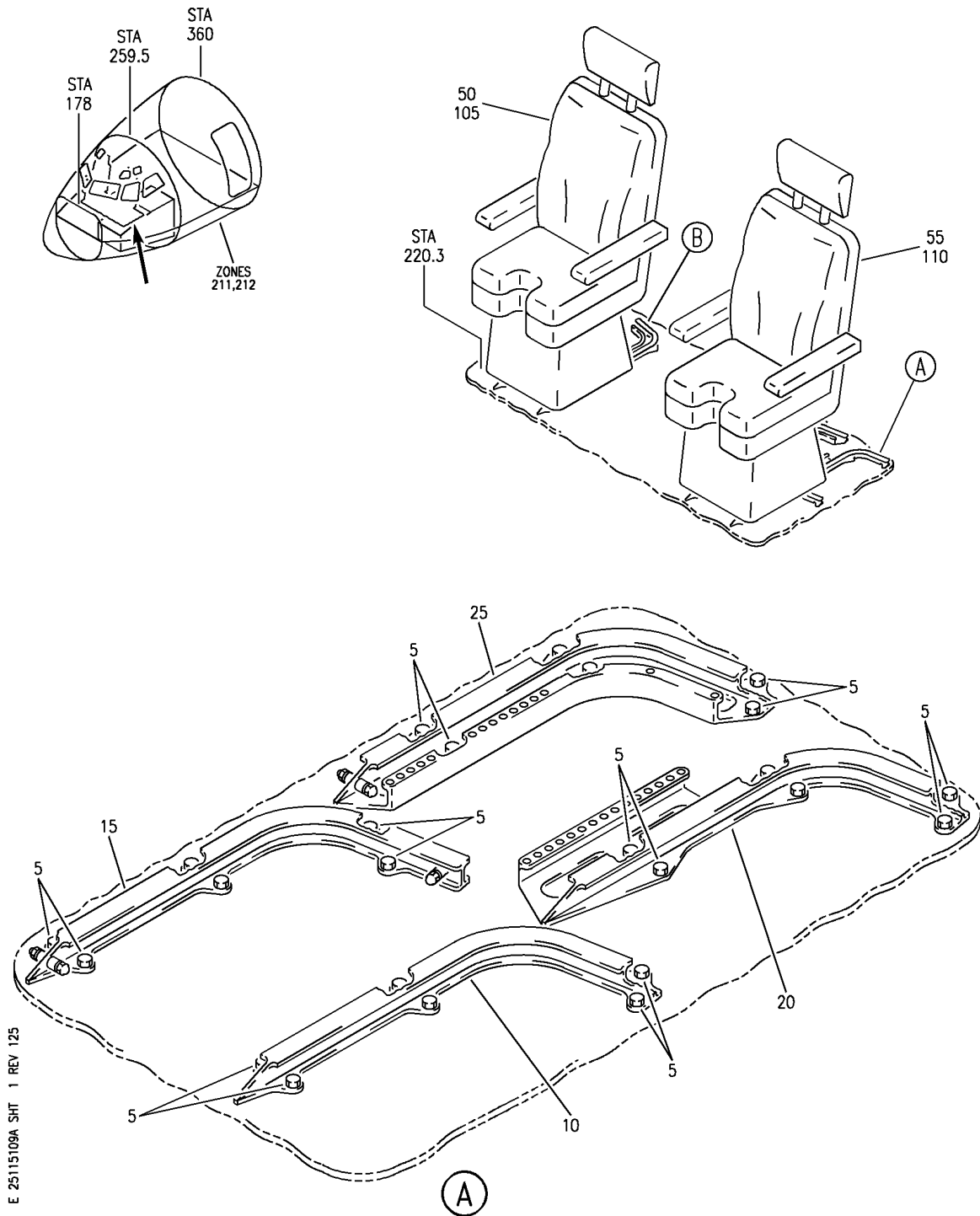
HAP

25-11-51-09

BOEING PROPRIETARY - Copyright © - Unpublished Work - See title page for details.

25-11-51
FIG. 09
PAGE 3
FEB 15/09

BOEING
 737-600/700/800/900
 PARTS CATALOG (MAINTENANCE)



E 25115109A SHT 1 REV 125

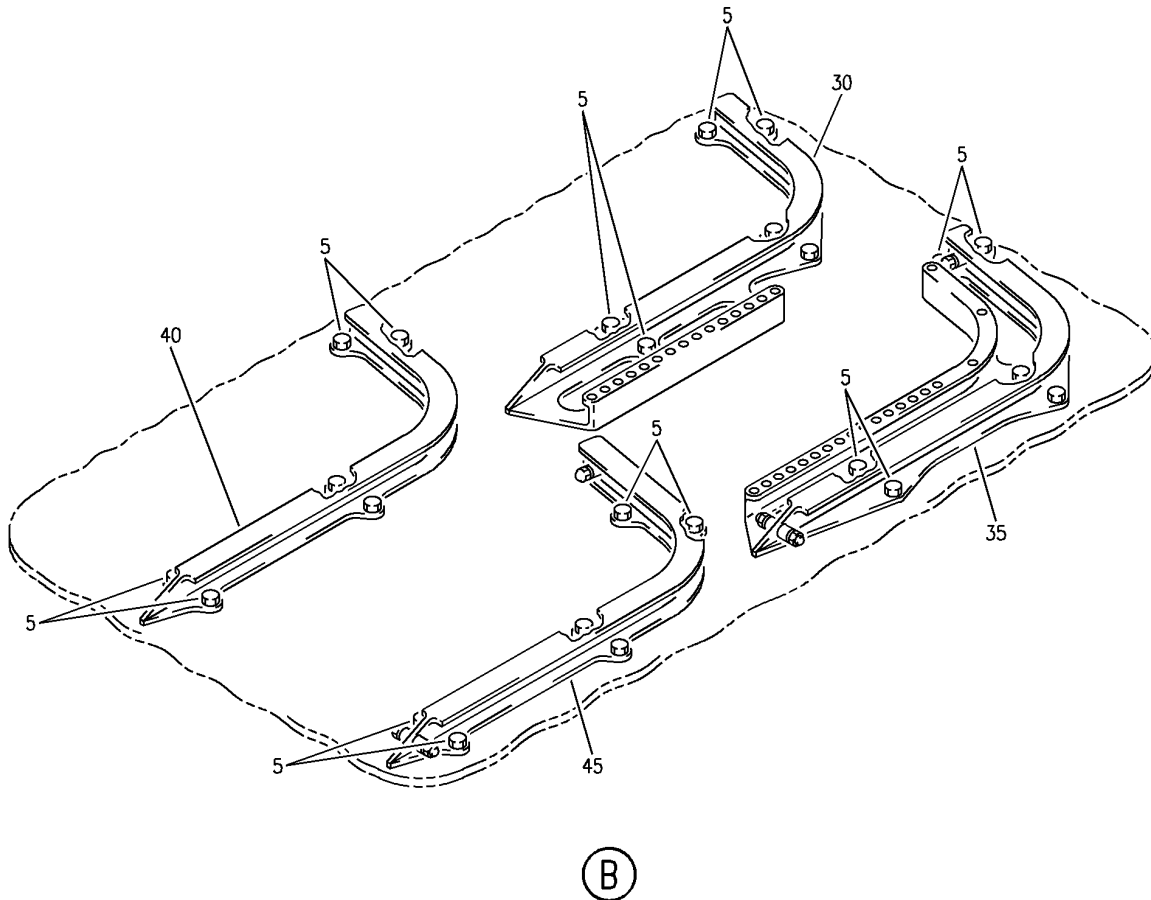
SEAT AND TRACK INSTL-CAPT AND FIRST OFFICER (EQUIPMENT/FURNISHINGS ONLY)
 FIGURE 9A (SHEET 1)

HAP
 FEB 10/07

25-11-51-09A

25-11-51-09A
 PAGE 0

BOEING
737-600/700/800/900
PARTS CATALOG (MAINTENANCE)



(B)

E 25115109A SHT 2 REV 125

SEAT AND TRACK INSTL-CAPT AND FIRST OFFICER (EQUIPMENT/FURNISHINGS ONLY)
FIGURE 9A (SHEET 2)

HAP
FEB 10/07

25-11-51-09A

25-11-51-09A
PAGE 0A

BOEING PROPRIETARY - Copyright © - Unpublished Work - See title page for details.

BOEING
737-600/700/800/900
PARTS CATALOG (MAINTENANCE)

FIG ITEM	PART NUMBER	1 2 3 4 5 6 7	NOMENCLATURE	EFFECT FROM TO	UNITS PER ASSY
9A			SEAT AND TRACK INSTL-CAPT AND FIRST OFFICER (EQUIPMENT/FURNISHINGS ONLY)	001030 201967	
- 1	232A3201-1		TRACK INSTL- (EQUIPMENT/FURNISHINGS ONLY) POSITION DATA: CAPT AND FIRST OFFICER SIDE FOR NHA/OTHER SYS DET SEE: 25-10-00-03	001027 201967	RF
- 1	232A3201-5		SEAT INSTL- (EQUIPMENT/FURNISHINGS ONLY) POSITION DATA: CAPT AND FIRST OFFICER SIDE FOR NHA/OTHER SYS DET SEE: 25-10-00-03	028030	RF
5	BACB30NM4K11		.BOLT	001030 201967	48
10	1A226-0201		.TRACK- SUPPLIER CODE: VK9075 SPECIFICATION NUMBER: S232A311-3	001030 201967	1
15	1A226-0203		.TRACK ASSY- SUPPLIER CODE: VK9075 SPECIFICATION NUMBER: S232A311-5 FOR DETAILS SEE: 25-11-01-55A	001030 201967	1
20	1A226-0205		.TRACK- SUPPLIER CODE: VK9075 SPECIFICATION NUMBER: S232A311-7	001030 201967	1
25	1A226-0207		.TRACK ASSY- SUPPLIER CODE: VK9075 SPECIFICATION NUMBER: S232A311-9 FOR DETAILS SEE: 25-11-01-55A	001027 201967	1

MISSING ITEM NUMBERS NOT APPLICABLE

- ITEM NOT ILLUSTRATED

HAP

25-11-51-09A

BOEING PROPRIETARY - Copyright © - Unpublished Work - See title page for details.

25-11-51
FIG. 09A
PAGE 1
FEB 15/09

BOEING
737-600/700/800/900
PARTS CATALOG (MAINTENANCE)

FIG ITEM	PART NUMBER	1 2 3 4 5 6 7	NOMENCLATURE	EFFECT FROM TO	UNITS PER ASSY
9A 25	1A226-0387		.TRACK ASSY- SUPPLIER CODE: VK9075 SPECIFICATION NUMBER: S232A311-19 FOR DETAILS SEE: 25-11-01-55A	001030 201967	1
30	1A226-0206		.TRACK- SUPPLIER CODE: VK9075 SPECIFICATION NUMBER: S232A311-8	001030 201967	1
35	1A226-0208		.TRACK ASSY- SUPPLIER CODE: VK9075 SPECIFICATION NUMBER: S232A311-10 FOR DETAILS SEE: 25-11-01-55A	001027 201967	1
35	1A226-0388		.TRACK ASSY- SUPPLIER CODE: VK9075 SPECIFICATION NUMBER: S232A311-20 FOR DETAILS SEE: 25-11-01-55A	001030 201967	1
40	1A226-0202		.TRACK- SUPPLIER CODE: VK9075 SPECIFICATION NUMBER: S232A311-4	001030 201967	1
45	1A226-0204		.TRACK ASSY- SUPPLIER CODE: VK9075 SPECIFICATION NUMBER: S232A311-6 FOR DETAILS SEE: 25-11-01-55A	001030 201967	1

MISSING ITEM NUMBERS NOT APPLICABLE

— ITEM NOT ILLUSTRATED

HAP

25-11-51-09A

BOEING PROPRIETARY - Copyright © - Unpublished Work - See title page for details.

25-11-51
FIG. 09A
PAGE 2
FEB 15/09

BOEING
737-600/700/800/900
PARTS CATALOG (MAINTENANCE)

FIG ITEM	PART NUMBER	1 2 3 4 5 6 7 NOMENCLATURE	EFFECT FROM TO	UNITS PER ASSY
9A 50	3A296-0008-01-1	.SEAT ASSY- SUPPLIER CODE: VK9075 SPECIFICATION NUMBER: S232A311-12 COMPONENT MAINT MANUAL REF: 25-11-39 QUALIFIED I/W DATA: PN 3A296-0008-01-1 CAN REPLACED OR BE REPLACED BY PN 3A226-0008-01-1 IF A LIFE VEST IS ADDED TO THE 3A296-0008-01-1. 3A296-0008-01-1 DOES NOT HAVE A FLOATATION BACK CUSHION. PN 3A296-0008-02-1 CAN REPLACED OR BE REPLACED BY PN 3A296-0008-01-1 IF A LIFE VEST IS ADDED TO THE 3A296-0008-01-1. 3A296-0008-01-1 DOES NOT HAVE A FLOATATION BACK CUSHION. FOR DETAILS SEE: 25-11-51-57	028030	1

MISSING ITEM NUMBERS NOT APPLICABLE

— ITEM NOT ILLUSTRATED

HAP

25-11-51-09A

BOEING PROPRIETARY - Copyright © - Unpublished Work - See title page for details.

25-11-51
FIG. 09A
PAGE 3
FEB 15/09

BOEING
737-600/700/800/900
PARTS CATALOG (MAINTENANCE)

FIG ITEM	PART NUMBER	1 2 3 4 5 6 7	NOMENCLATURE	EFFECT FROM TO	UNITS PER ASSY
9A 55	3A296-0007-01-1		.SEAT ASSY- SUPPLIER CODE: VK9075 SPECIFICATION NUMBER: S232A311-11 COMPONENT MAINT MANUAL REF: 25-11-39 QUALIFIED I/W DATA: PN 3A296-0007-01-1 CAN REPLACED OR BE REPLACED BY PN 3A226-0007-01-1 IF A LIFE VEST IS ADDED TO THE 3A296-0007-01-1. 3A296-0007-01-1 DOES NOT HAVE A FLOATATION BACK CUSHION. PN 3A296-0007-02-1 CAN REPLACED OR BE REPLACED BY PN 3A296-0007-01-1 IF A LIFE VEST IS ADDED TO THE 3A296-0007-01-1. 3A296-0007-01-1 DOES NOT HAVE A FLOATATION BACK CUSHION. FOR DETAILS SEE: 25-11-51-57	028030	1
- 100	232A3201-2		SEAT INSTL- POSITION DATA: CAPT. AND FIRST OFFICERS SIDE FOR NHA SEE: 25-10-00-03	001027 201967	RF

MISSING ITEM NUMBERS NOT APPLICABLE

- ITEM NOT ILLUSTRATED

HAP

25-11-51-09A

BOEING PROPRIETARY - Copyright © - Unpublished Work - See title page for details.

25-11-51
FIG. 09A
PAGE 4
FEB 15/09

BOEING
737-600/700/800/900
PARTS CATALOG (MAINTENANCE)

FIG ITEM	PART NUMBER	1 2 3 4 5 6 7	NOMENCLATURE	EFFECT FROM TO	UNITS PER ASSY
9A 105	3A226-0008-01-1		.SEAT ASSY- SUPPLIER CODE: VK9075 SPECIFICATION NUMBER: S232A311-2 COMPONENT MAINT MANUAL REF: 25-11-02 QUALIFIED I/W DATA: PN 3A296-0008-01-1 CAN REPLACED OR BE REPLACED BY PN 3A226-0008-01-1 IF A LIFE VEST IS ADDED TO THE 3A296-0008-01-1. 3A296-0008-01-1 DOES NOT HAVE A FLOATATION BACK CUSHION. FOR DETAILS SEE: 25-11-01-50A	001027 201967	1
110	3A226-0007-01-1		.SEAT ASSY- SUPPLIER CODE: VK9075 SPECIFICATION NUMBER: S232A311-1 COMPONENT MAINT MANUAL REF: 25-11-02 QUALIFIED I/W DATA: PN 3A296-0007-01-1 CAN REPLACED OR BE REPLACED BY PN 3A226-0007-01-1 IF A LIFE VEST IS ADDED TO THE 3A296-0007-01-1. 3A296-0007-01-1 DOES NOT HAVE A FLOATATION BACK CUSHION. FOR DETAILS SEE: 25-11-01-50A	001027 201967	1

MISSING ITEM NUMBERS NOT APPLICABLE

— ITEM NOT ILLUSTRATED

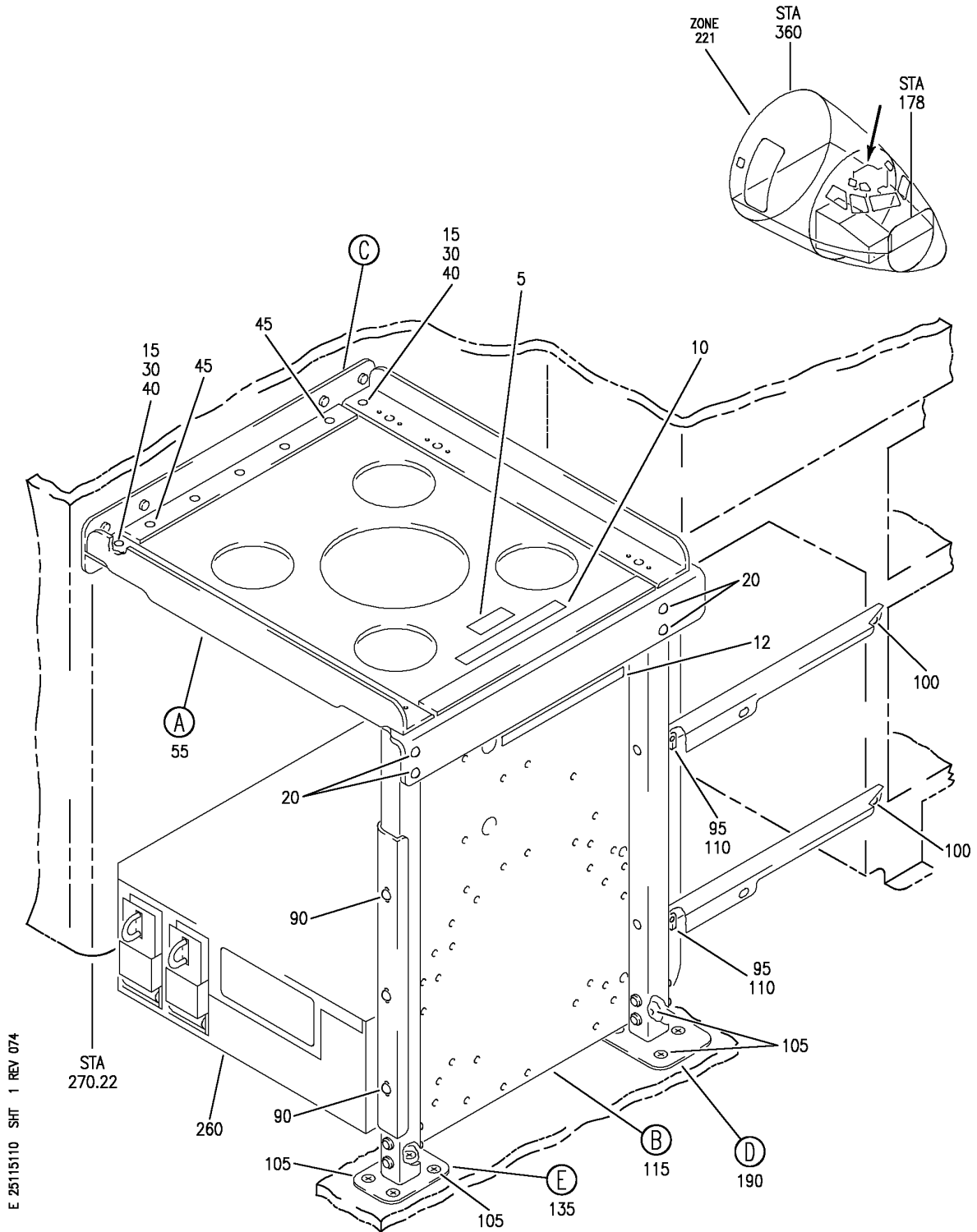
HAP

25-11-51-09A

BOEING PROPRIETARY - Copyright © - Unpublished Work - See title page for details.

25-11-51
FIG. 09A
PAGE 5
FEB 15/09

BOEING
 737-600/700/800/900
 PARTS CATALOG (MAINTENANCE)



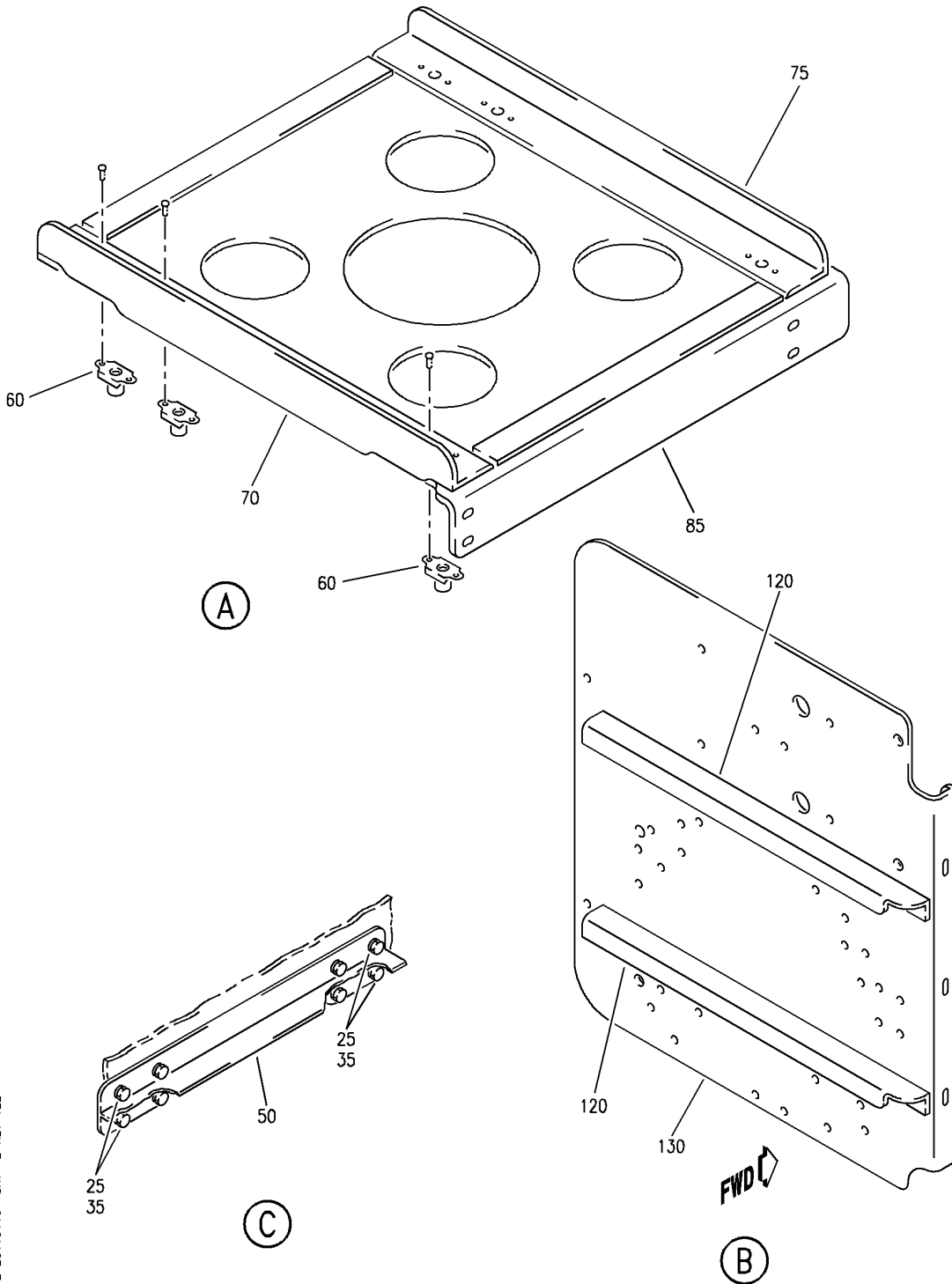
STRUCTURE INSTL-SEAT SECOND OBSERVER
 FIGURE 10 (SHEET 1)

25-11-51-10

HAP
 OCT 10/06

25-11-51-10
 PAGE 0

BOEING
 737-600/700/800/900
 PARTS CATALOG (MAINTENANCE)



E 25115110 SH1 2 REV 122

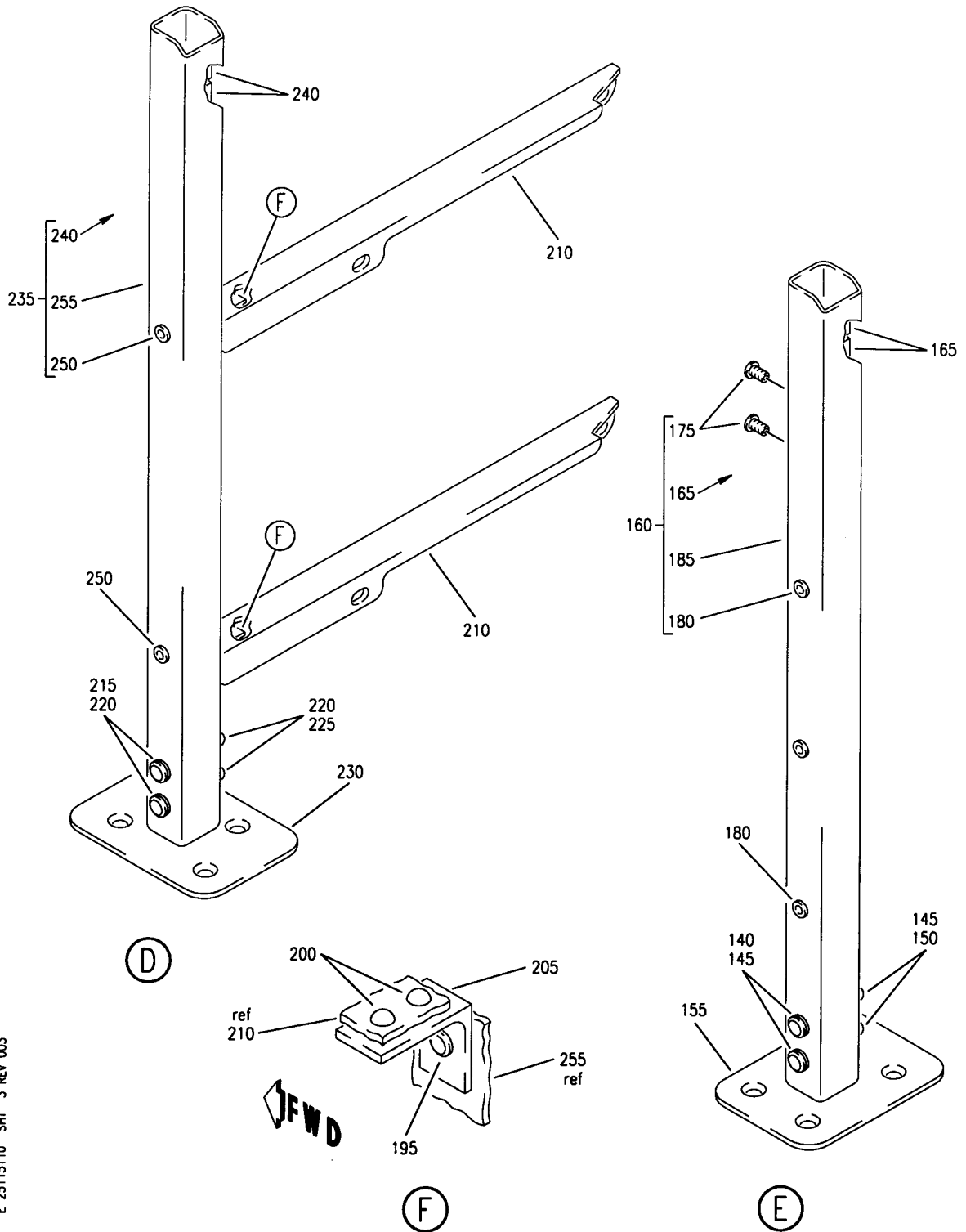
STRUCTURE INSTL-SEAT SECOND OBSERVER
 FIGURE 10 (SHEET 2)

25-11-51-10

HAP
 OCT 10/06

25-11-51-10
 PAGE 0A

BOEING
737-600/700/800/900
PARTS CATALOG (MAINTENANCE)



E 25115110 SH1 3 REV 003

STRUCTURE INSTL-SEAT SECOND OBSERVER
FIGURE 10 (SHEET 3)

25-11-51-10

HAP
OCT 10/06

25-11-51-10
PAGE 0B

BOEING
737-600/700/800/900
PARTS CATALOG (MAINTENANCE)

FIG ITEM	PART NUMBER	1 2 3 4 5 6 7	NOMENCLATURE	EFFECT FROM TO	UNITS PER ASSY
10			STRUCTURE INSTL-SEAT SECOND OBSERVER	001030 201967	
- 1	232A3502-1		STRUCTURE INSTL-SEAT SECOND OBSERVER FOR NHA SEE: 25-10-00-03	001030 201967	RF
5	BAC27DCC2793		.MARKER- PLACARD CONTENT: NO SEAT	001030 201967	1
10	BAC27DCC2794		.MARKER- PLACARD CONTENT: NO STOWAGE THIS SURFACE	001030 201967	1
12	BAC27DCC2919		.PLACARD- PLACARD CONTENT: MAXIMUM TOTAL EQUIPMENT WEIGHT 11.55 LBS/5.25 KGS	001030 201967	1
15	BACB30UW4K4		.BOLT	001030 201967	2
20	BACS12FA3K7GR		.SCREW- OPTIONAL PART: WHS10F7TPKL26GY V12324	001030 201967	4
20	WHS10F7TPKL26GY		.SCREW- SUPPLIER CODE: V12324 OPTIONAL PART: BACS12FA3K7GR	001030 201967	4
25	BACB30NM3K4		.BOLT	001030 201967	8
30	NAS1149D0416J		.WASHER	001030 201967	2
35	NAS1149D0316J		.WASHER	001030 201967	8
40	PLH54CD		.NUT SUPPLIER CODE: VF0224 SPECIFICATION NUMBER: BACN10YR4CD OPTIONAL PART: H52732-4CD V15653	001030 201967	2
45	BACR15BA6DC		.RIVET- SIZE DETERMINED ON INSTL.	001030 201967	5
50	232A3504-1		.SUPPORT- POSITION DATA: AFT	001030 201967	1
55	232A3503-4		.PAN ASSY-	001030 201967	1

MISSING ITEM NUMBERS NOT APPLICABLE

- ITEM NOT ILLUSTRATED

HAP

25-11-51-10

BOEING PROPRIETARY - Copyright © - Unpublished Work - See title page for details.

25-11-51
FIG. 10
PAGE 1
FEB 15/09

BOEING
737-600/700/800/900
PARTS CATALOG (MAINTENANCE)

FIG ITEM	PART NUMBER	1 2 3 4 5 6 7	NOMENCLATURE	EFFECT FROM TO	UNITS PER ASSY
10					
60	T8099S32SK		..NUTPLATE- SUPPLIER CODE: V11815 SPECIFICATION NUMBER: BACN10KA3B OPTIONAL PART: NS103227-02 V80539 ATTACHING PARTS	001030 201967	6
- 65	BACR15BA3DC		..RIVET- SIZE DETERMINED ON INSTL. -----*-----	001030 201967	12
70	232A3504-16		..SUPPORT-	001030 201967	1
75	232A3504-17		..SUPPORT- ATTACHING PARTS	001030 201967	1
- 80	BACR15BA6DC		..RIVET- SIZE DETERMINED ON INSTL. -----*-----	001030 201967	6
85	232A3505-3		..BRACKET-	001030 201967	1
90	BACS12FA3K11BK		.SCREW	001030 201967	3
95	BACS12FA3K7GR		.SCREW-	001030 201967	2
95	BACS12FA3K7BK		.SCREW-	001030 201967	2
100	BACS12FA3K8BK		.SCREW	001030 201967	2
105	BACB30NN3K5		.BOLT-	001030 201967	8
110	BRC600-10G3		.NUT SUPPLIER CODE: V52828 SPECIFICATION NUMBER: BACN10YD3 OPTIONAL PART: 130122 V60119	001030 201967	2
115	232A3503-8		.PANEL ASSY-ADPTR	001030 201967	1
120	232A3504-20		..BRACKET-STIF ATTACHING PARTS	001030 201967	2
- 125	BACR15BA4DC		..RIVET- SIZE DETERMINED ON INSTL. -----*-----	001030 201967	16

MISSING ITEM NUMBERS NOT APPLICABLE

- ITEM NOT ILLUSTRATED

HAP

25-11-51-10

BOEING PROPRIETARY - Copyright © - Unpublished Work - See title page for details.

25-11-51
FIG. 10
PAGE 2
OCT 15/08

BOEING
737-600/700/800/900
PARTS CATALOG (MAINTENANCE)

FIG ITEM	PART NUMBER	1 2 3 4 5 6 7	NOMENCLATURE	EFFECT FROM TO	UNITS PER ASSY
10					
130	232A3505-5	..	BRACKET-ADPTR	001030 201967	1
135	232A3503-5	.POST ASSY- POSITION DATA: INBD		001030 201967	1
140	NAS623-3-17	..	SCREW	001030 201967	2
145	NAS1149D0316J	..	WASHER	001030 201967	4
150	F22K1-02	..NUT SUPPLIER CODE: V72962 SPECIFICATION NUMBER: BACN10R10L OPTIONAL PART: 22K1-02 V72962 26CLO2 V80539		001030 201967	2
155	232A3504-24	..FITTING ASSY-FLOOR POSITION DATA: INBD		001030 201967	1
160	232A3504-18	..POST ASSY- POSITION DATA: INBD		001030 201967	1
165	MF53050-3CD	...NUTPLATE SUPPLIER CODE: V15653 SPECIFICATION NUMBER: BACN10JN3CD OPTIONAL PART: BRFM20C3D V52828 102F9201M3 V72962 NS202487-02 V80539 MF51637-3 V15653		001030 201967	2
- 170	AF5141-3C	...RIVET- SUPPLIER CODE: V53551 SPECIFICATION NUMBER: BACR15DR3AC SIZE DETERMINED ON INSTL. -----*-----		001030 201967	4
175	NAS1329A04-85	...INSERT		001030 201967	2

MISSING ITEM NUMBERS NOT APPLICABLE

- ITEM NOT ILLUSTRATED

HAP

25-11-51-10

BOEING PROPRIETARY - Copyright © - Unpublished Work - See title page for details.

25-11-51
FIG. 10
PAGE 3
OCT 15/08

BOEING
737-600/700/800/900
PARTS CATALOG (MAINTENANCE)

FIG ITEM	PART NUMBER	1 2 3 4 5 6 7	NOMENCLATURE	EFFECT FROM TO	UNITS PER ASSY
10					
180	BACS13CH3CD080P	...	INSERT	001030 201967	3
185	232A3504-13	...	POST	001030 201967	1
190	232A3503-6	.POST ASSY-	POSITION DATA: OUTBD	001030 201967	1
195	BACS12FA3K9	..	SCREW	001030 201967	2
200	BACR15BB5DC	..RIVET-	SIZE DETERMINED ON INSTL.	001030 201967	4
205	232A3504-12	..	BRACKET	001030 201967	2
210	232A3504-8	..	BRACKET	001030 201967	2
215	NAS623-3-17	..	SCREW	001030 201967	2
220	NAS1149D0316J	..	WASHER	001030 201967	4
225	F22K1-02	..	NUT SUPPLIER CODE: V72962 SPECIFICATION NUMBER: BACN10R10L OPTIONAL PART: 22K1-02 V72962 26CLO2 V80539	001030 201967	2
230	232A3504-25	..	FITTING ASSY-FLOOR POSITION DATA: OUTBD	001030 201967	1
235	232A3504-19	..	POST ASSY- POSITION DATA: OUTBD	001030 201967	1
240	MF53050-3CD	...	NUTPLATE SUPPLIER CODE: V15653 SPECIFICATION NUMBER: BACN10JN3CD OPTIONAL PART: BRFM20C3D V52828 102F9201M3 V72962 NS202487-02 V80539 MF51637-3 V15653	001030 201967	2

MISSING ITEM NUMBERS NOT APPLICABLE

— ITEM NOT ILLUSTRATED

HAP

25-11-51-10

BOEING PROPRIETARY - Copyright © - Unpublished Work - See title page for details.

25-11-51
FIG. 10
PAGE 4
OCT 15/08


BOEING
 737-600/700/800/900
PARTS CATALOG (MAINTENANCE)

FIG ITEM	PART NUMBER	1 2 3 4 5 6 7	NOMENCLATURE	EFFECT FROM TO	UNITS PER ASSY
10			ATTACHING PARTS		
- 245	AF5141-3C	...	RIVET- SUPPLIER CODE: V53551 SPECIFICATION NUMBER: BACR15DR3AC SIZE DETERMINED ON INSTL. -----*-----	001030 201967	4
250	BACS13CH3CD080P	...	INSERT	001030 201967	2
255	232A3504-13	...	POST	001030 201967	1

MISSING ITEM NUMBERS NOT APPLICABLE

- ITEM NOT ILLUSTRATED

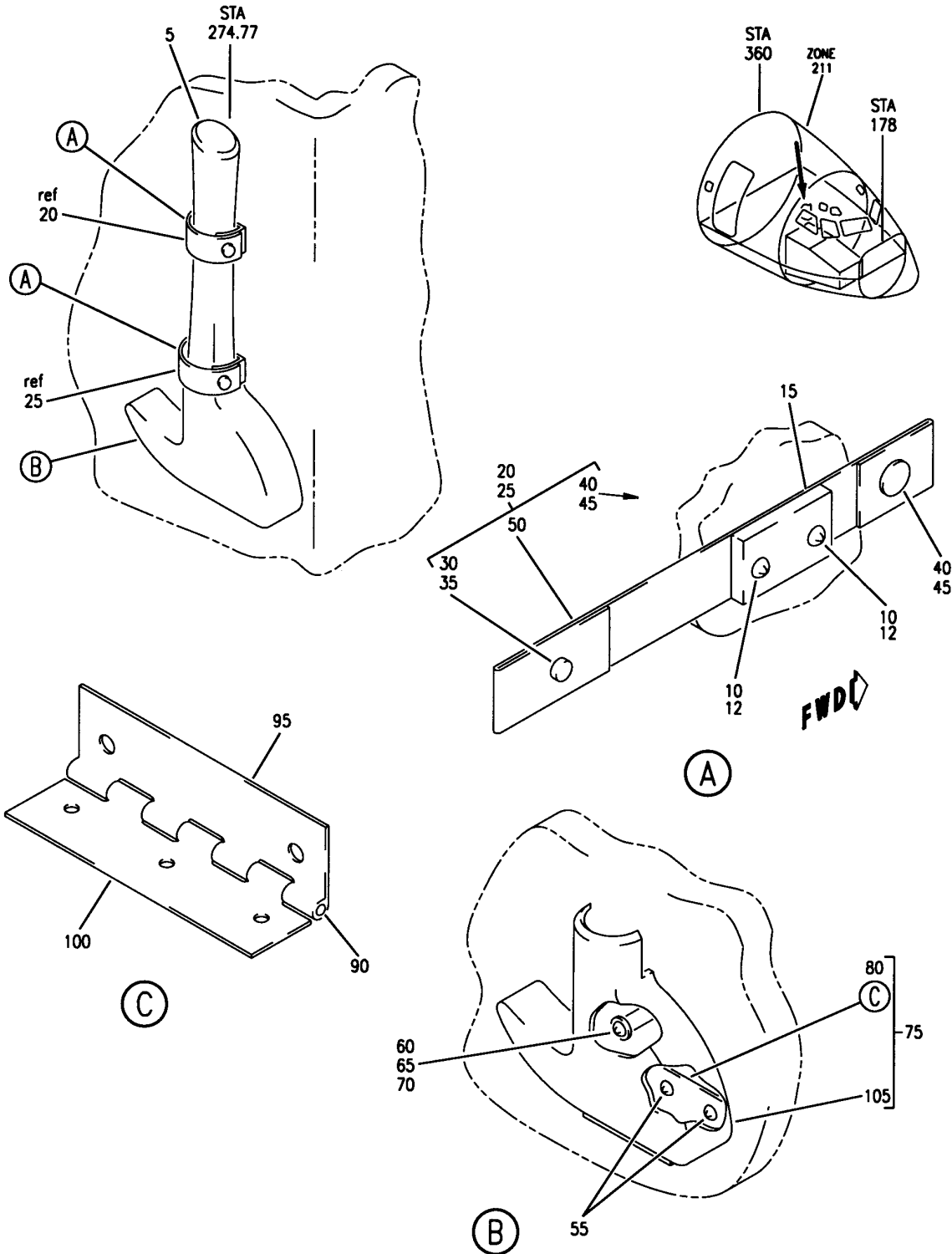
HAP

25-11-51-10

BOEING PROPRIETARY - Copyright © - Unpublished Work - See title page for details.

25-11-51
 FIG. 10
 PAGE 5
 OCT 15/08

BOEING
 737-600/700/800/900
 PARTS CATALOG (MAINTENANCE)



E 25115111 SHT 1 REV 011

AXE INSTL-FIRE
 FIGURE 11

25-11-51-11

HAP
 OCT 10/06

25-11-51-11
 PAGE 0

BOEING
737-600/700/800/900
PARTS CATALOG (MAINTENANCE)

FIG ITEM	PART NUMBER	1 2 3 4 5 6 7	NOMENCLATURE	EFFECT FROM TO	UNITS PER ASSY
11			AXE INSTL-FIRE	031200 968999	
- 1	MODREF81813		AXE INSTL-FIRE MODULE NUMBER: 232A4103-1 REV A	031046 054104 968972	1
- 1	MODREF351550		AXE INSTL-FIRE MODULE NUMBER: 232A4103-1 REV B	047053 105200 973999	1
5	42D8331		.AXE- SUPPLIER CODE: V44216	031200 968999	1
10	BACS12FA3K9		.SCREW	031200 968999	4
12	NAS43DD3-14FC		.SPACER	031200 968999	4
15	69-42179-3		.BLOCK	031200 968999	2
20	66-24757-1		.STRAP ASSY	031200 968999	1
25	66-24757-2		.STRAP ASSY	031200 968999	1
30	X2-10128A177K		..BUTTON SUPPLIER CODE: V83058 SPECIFICATION NUMBER: BACB49A1B OPTIONAL PART: X2-10128A1862 V90763	031200 968999	1
R 35	AN227-7B		..FASTENER- USED ON: 66-24757-1	031200 968999	1
R 35	MS27980-6B		..SOCKET- USED ON: 66-24757-2	031200 968999	1
R 40	AN227-8B		..FASTENER- USED ON: 66-24757-1	031200 968999	1
R 40	MS27980-7B		..FASTENER- USED ON: 66-24757-2	031200 968999	1
R 45	AN227-9B		..FASTENER- USED ON: 66-24757-1	031200 968999	1
R 45	MS27980-8B		..FASTENER- OPTIONAL PART: MS27980-9B USED ON: 66-24757-2	031200 968999	1

MISSING ITEM NUMBERS NOT APPLICABLE

- ITEM NOT ILLUSTRATED

HAP

25-11-51-11

25-11-51
FIG. 11
PAGE 1
JUN 15/09

BOEING
737-600/700/800/900
PARTS CATALOG (MAINTENANCE)

FIG ITEM	PART NUMBER	1 2 3 4 5 6 7	NOMENCLATURE	EFFECT FROM TO	UNITS PER ASSY
11					
R R R R R	45 MS27980-9B	..	FASTENER- OPTIONAL PART: MS27980-8B USED ON: 66-24757-2	031200 968999	1
	50 66-24757-3	..	STRAP	031200 968999	1
	55 BACS12FA3K5	.S	CREW	031200 968999	2
	60 BACS12FA3K20	.S	CREW	031200 968999	1
	65 NAS42DD6-60FC	.S	PACER	031200 968999	1
	70 AN970-3	.W	ASHER	031200 968999	1
	75 232A4110-1	.C	COVER ASSY	031200 968999	1
	80 232A4110-2	..	HINGE ASSY	031200 968999	1
			ATTACHING PARTS		
-	85 BACR15BA3AC	..	RIVET- SIZE DETERMINED ON INSTL. -----*-----	031200 968999	3
	90 MS20253P2-325L	...	PIN	031200 968999	1
	95 232A4110-3	...	HINGE HALF	031200 968999	1
	100 232A4110-4	...	HINGE HALF	031200 968999	1
	105 69-39451-5	..	COVER ASSY	031200 968999	1

MISSING ITEM NUMBERS NOT APPLICABLE

- ITEM NOT ILLUSTRATED

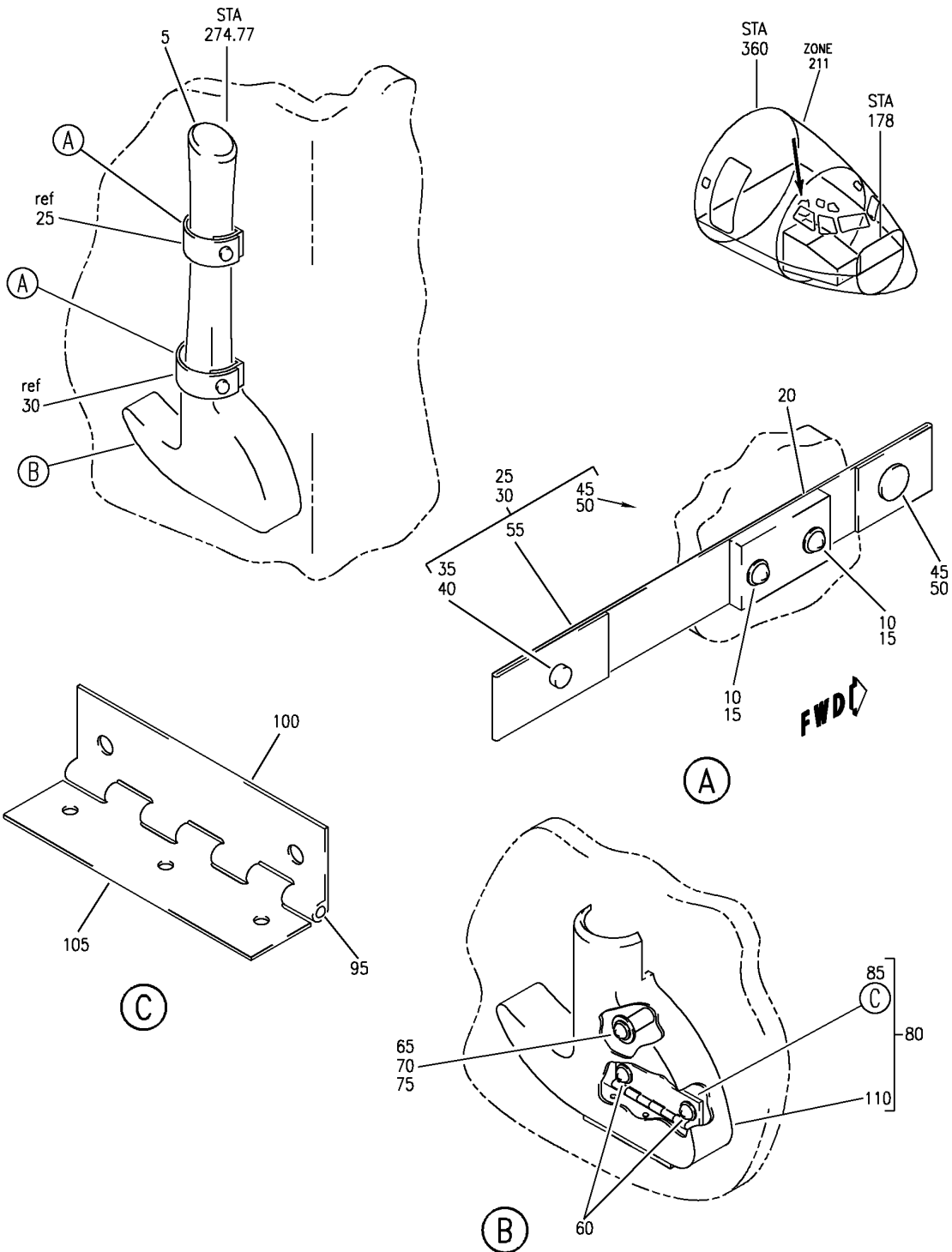
HAP

25-11-51-11

BOEING PROPRIETARY - Copyright © - Unpublished Work - See title page for details.

25-11-51
FIG. 11
PAGE 2
JUN 15/09

BOEING
 737-600/700/800/900
 PARTS CATALOG (MAINTENANCE)



E 25115111A REV 123

AXE INSTL-FIRE
 FIGURE 11A

25-11-51-11A

HAP
 OCT 10/06

25-11-51-11A
 PAGE 0

BOEING
737-600/700/800/900
PARTS CATALOG (MAINTENANCE)

FIG ITEM	PART NUMBER	1 2 3 4 5 6 7	NOMENCLATURE	EFFECT FROM TO	UNITS PER ASSY
11A			AXE INSTL-FIRE	001030 201967	
- 1	232A4103-1		AXE INSTL-FIRE FOR NHA SEE: 25-60-00-15	001030 201967	RF
5	42D8331		.AXE- SUPPLIER CODE: V44216	001030 201967	1
10	BACS12FA3K9		.SCREW	001030 201967	4
15	NAS43DD3-14FC		.SPACER	001030 201967	4
20	69-42179-3		.BLOCK	001030 201967	2
25	66-24757-1		.STRAP ASSY	001030 201967	1
30	66-24757-2		.STRAP ASSY	001030 201967	1
35	X2-10128A177K		..BUTTON SUPPLIER CODE: V83058 SPECIFICATION NUMBER: BACB49A1B OPTIONAL PART: X2-10128A1862 V90763	001030 201967	1
R	40	AN227-7B	..FASTENER- USED ON: 66-24757-1	001030 201967	1
R	40	MS27980-6B	..SOCKET- USED ON: 66-24757-2	001030 201967	1
R	45	AN227-8B	..FASTENER- USED ON: 66-24757-1	001030 201967	1
R	45	MS27980-7B	..FASTENER- USED ON: 66-24757-2	001030 201967	1
R	50	AN227-9B	..FASTENER- USED ON: 66-24757-1	001030 201967	1
R	50	MS27980-8B	..FASTENER- OPTIONAL PART: MS27980-9B USED ON: 66-24757-2	001030 201967	1

MISSING ITEM NUMBERS NOT APPLICABLE

- ITEM NOT ILLUSTRATED

HAP

25-11-51-11A

BOEING PROPRIETARY - Copyright © - Unpublished Work - See title page for details.

25-11-51
FIG. 11A
PAGE 1
JUN 15/09

BOEING
737-600/700/800/900
PARTS CATALOG (MAINTENANCE)

FIG ITEM	PART NUMBER	1 2 3 4 5 6 7	NOMENCLATURE	EFFECT FROM TO	UNITS PER ASSY
R R R R R -	11A 50		.. FASTENER- OPTIONAL PART: MS27980-8B USED ON: 66-24757-2	001030 201967	1
	55	66-24757-3	.. STRAP	001030 201967	1
	60	BACS12FA3K5	. SCREW	001030 201967	2
	65	BACS12FA3K20	. SCREW	001030 201967	1
	70	NAS42DD6-60FC	. SPACER	001030 201967	1
	75	AN970-3	. WASHER	001030 201967	1
	80	232A4110-1	. COVER ASSY	001030 201967	1
	85	232A4110-2	.. HINGE ASSY	001030 201967	1
	90	BACR15BA3AC	ATTACHING PARTS .. RIVET- SIZE DETERMINED ON INSTL. -----*-----	001030 201967	3
	95	MS20253P2-325L	... PIN	001030 201967	1
	100	232A4110-3	... HINGE HALF	001030 201967	1
	105	232A4110-4	... HINGE HALF	001030 201967	1
	110	69-39451-5	.. COVER ASSY	001030 201967	1

MISSING ITEM NUMBERS NOT APPLICABLE

- ITEM NOT ILLUSTRATED

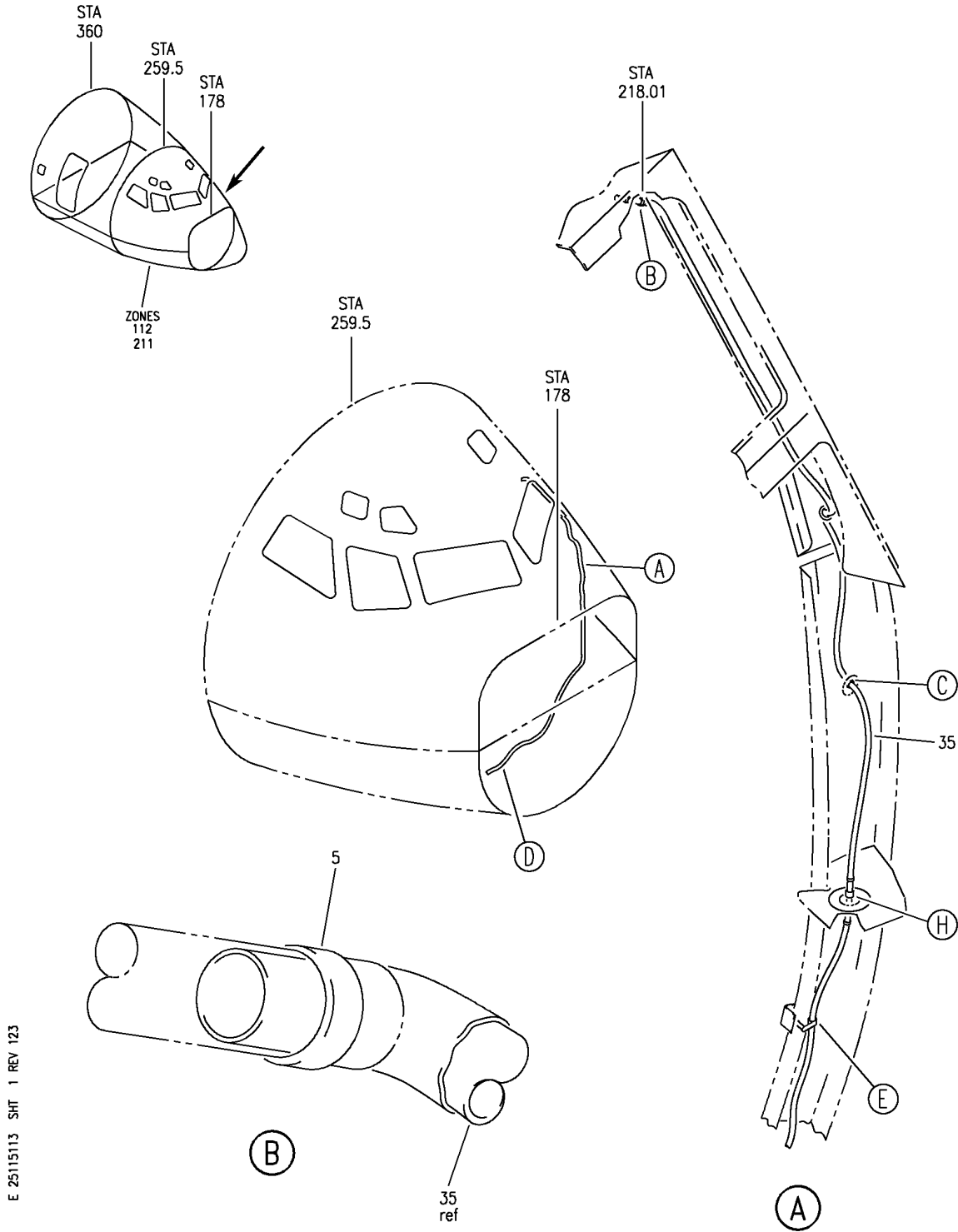
HAP

25-11-51-11A

BOEING PROPRIETARY - Copyright © - Unpublished Work - See title page for details.

25-11-51
FIG. 11A
PAGE 2
JUN 15/09

BOEING
 737-600/700/800/900
 PARTS CATALOG (MAINTENANCE)



E 25115113 SHT 1 REV 123

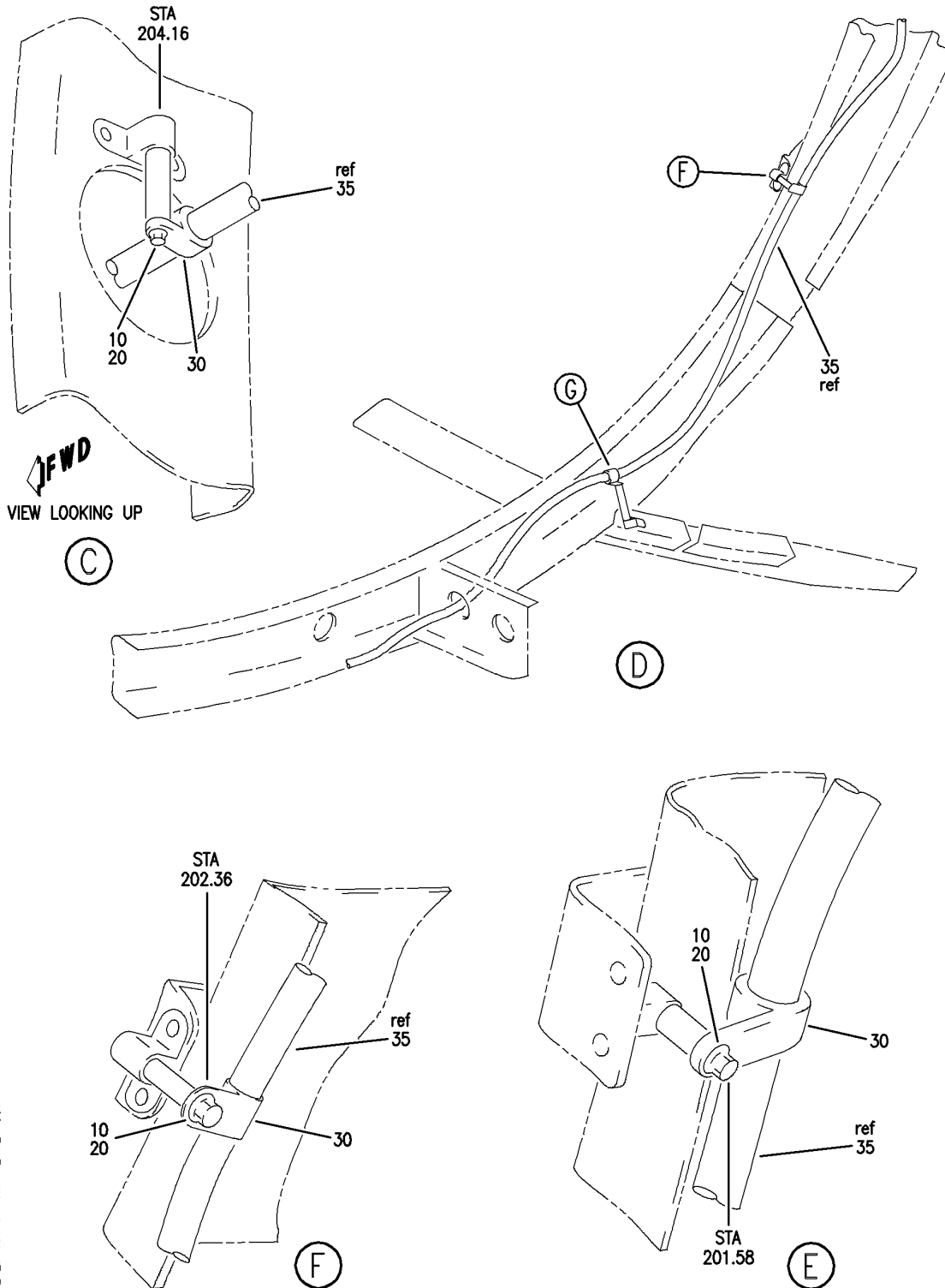
TUBING INSTL-CONT CAB. OVHD DRAIN
 FIGURE 13 (SHEET 1)

25-11-51-13

HAP
 OCT 10/06

25-11-51-13
 PAGE 0

BOEING
 737-600/700/800/900
 PARTS CATALOG (MAINTENANCE)



E 25115113 SHT 2 REV 061

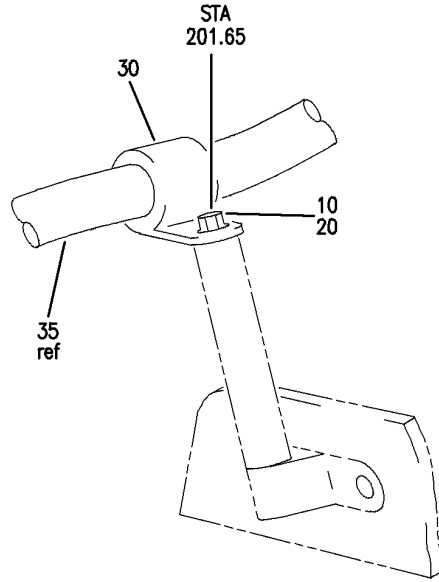
TUBING INSTL-CONT CAB. OVHD DRAIN
 FIGURE 13 (SHEET 2)

25-11-51-13

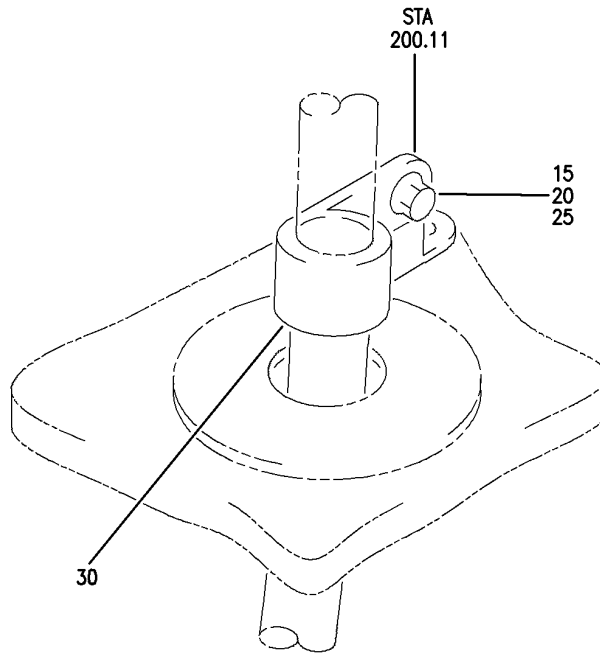
HAP
 OCT 10/06

25-11-51-13
 PAGE 0A

BOEING
737-600/700/800/900
PARTS CATALOG (MAINTENANCE)



(G)



(H)

E 25115113 SHT 3 REV 061

TUBING INSTL-CONT CAB. OVHD DRAIN
FIGURE 13 (SHEET 3)

25-11-51-13

HAP
OCT 10/06

25-11-51-13
PAGE 0B

BOEING
737-600/700/800/900
PARTS CATALOG (MAINTENANCE)

FIG ITEM	PART NUMBER	1 2 3 4 5 6 7	NOMENCLATURE	EFFECT FROM TO	UNITS PER ASSY
13			TUBING INSTL-CONT CAB. OVHD DRAIN	031200 968999	
- 1	MODREF266419		TUBING INSTL-CONT CAB. OVHD DRAIN	031200 968999	1
			MODULE NUMBER: 232A4206-17 REV B		
5	BACS38K1A		.STRAP	031200 968999	1
10	BACS12GU3K10		.SCREW	031200 968999	4
15	BACS12GU3K8		.SCREW	031200 968999	1
20	NAS1149D0332J		.WASHER-	031200 968999	5
25	PLH53CD		.NUT	031200 968999	1
			SUPPLIER CODE: VF0224		
			SPECIFICATION NUMBER: BACN10YR3CD		
			OPTIONAL PART: H52732-3CD V15653		
30	BACC10DK6		.CLAMP	031200 968999	5
35	232A4206-20		.TUBE	031200 968999	1

MISSING ITEM NUMBERS NOT APPLICABLE

- ITEM NOT ILLUSTRATED

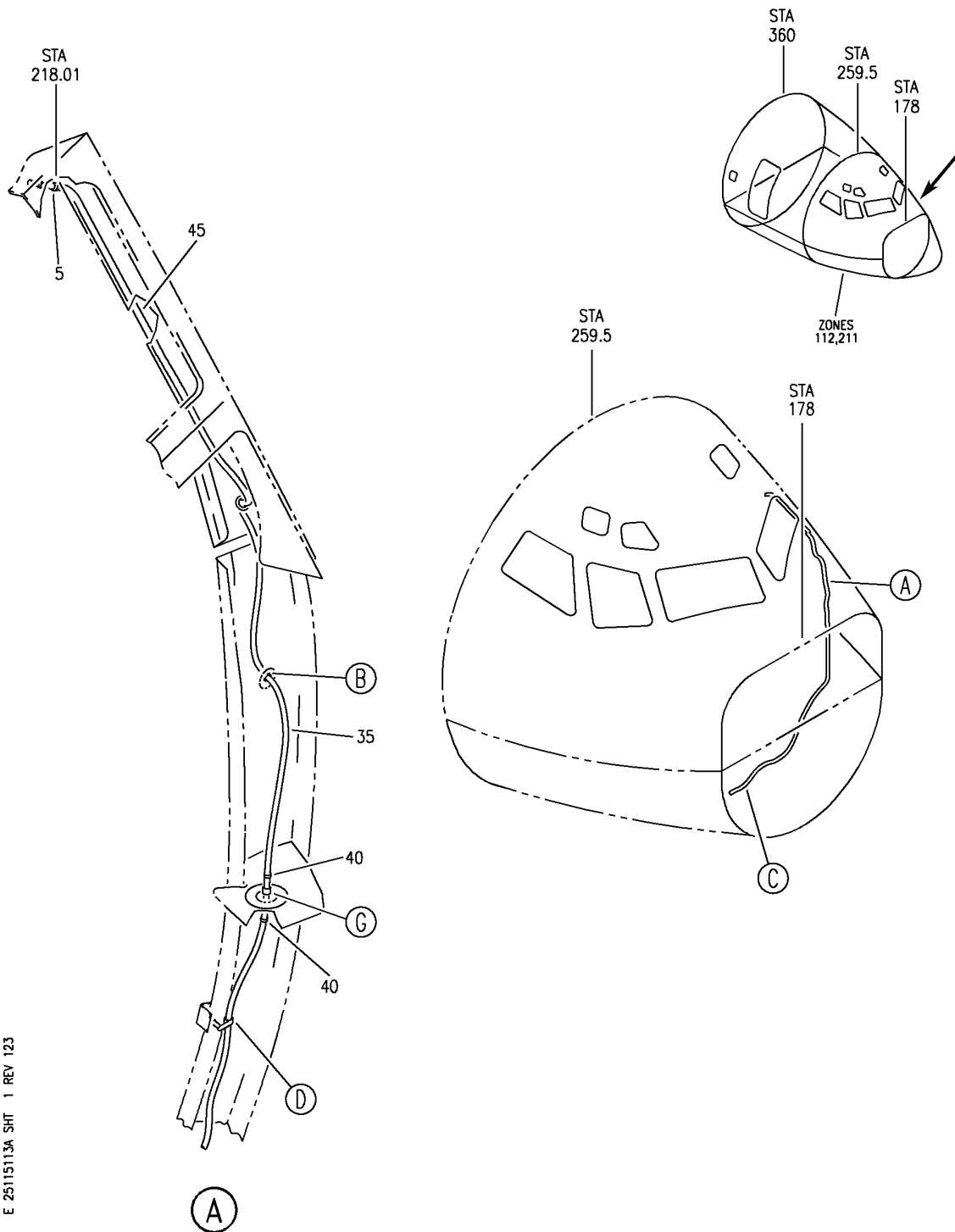
HAP

25-11-51-13

BOEING PROPRIETARY - Copyright © - Unpublished Work - See title page for details.

25-11-51
FIG. 13
PAGE 1
FEB 15/09

BOEING
 737-600/700/800/900
 PARTS CATALOG (MAINTENANCE)



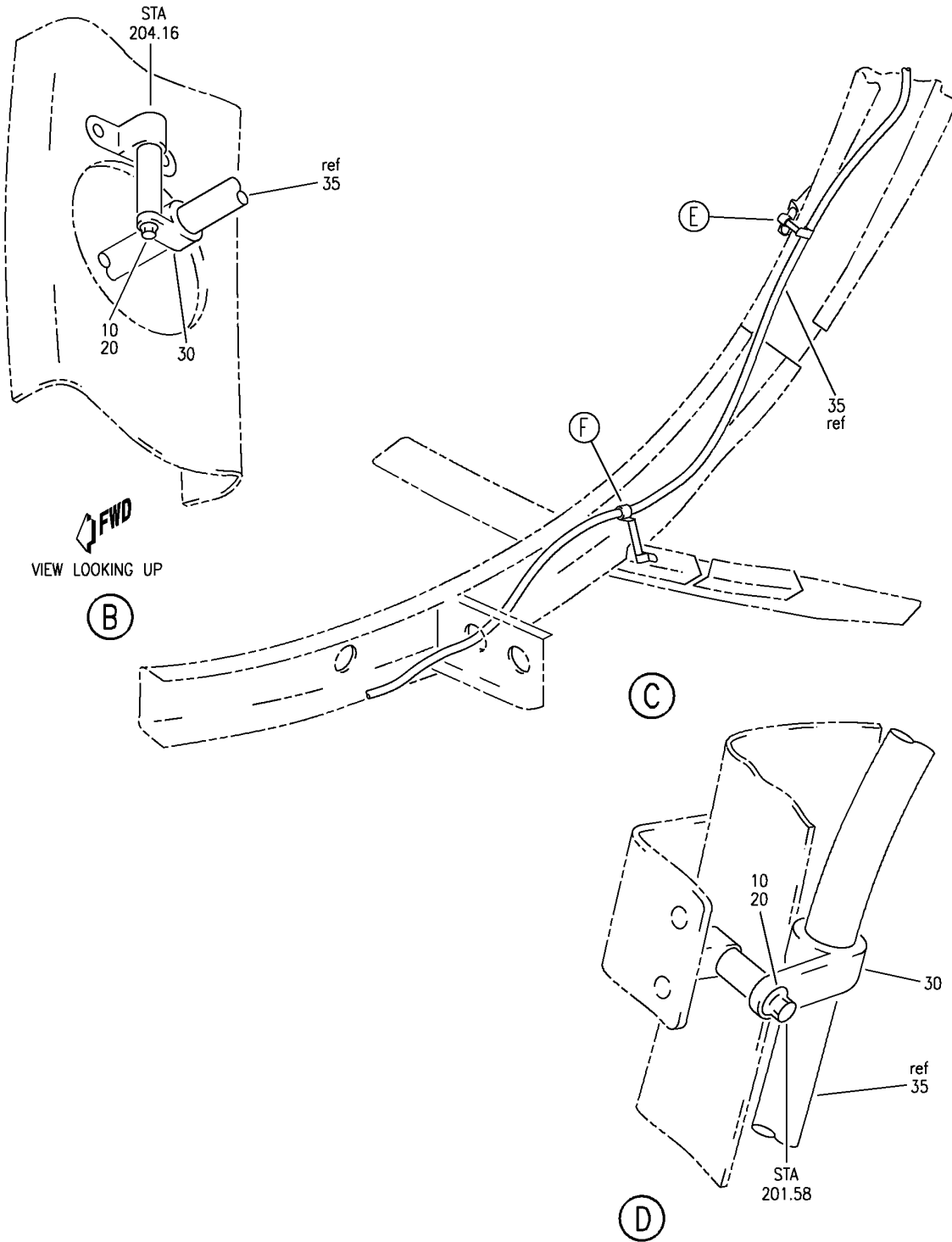
TUBING INSTL-CONT CAB. OVHD DRAIN
 FIGURE 13A (SHEET 1)

25-11-51-13A

HAP
 OCT 10/06

25-11-51-13A
 PAGE 0

BOEING
 737-600/700/800/900
 PARTS CATALOG (MAINTENANCE)



E 25115113A SHT 2 REV 123

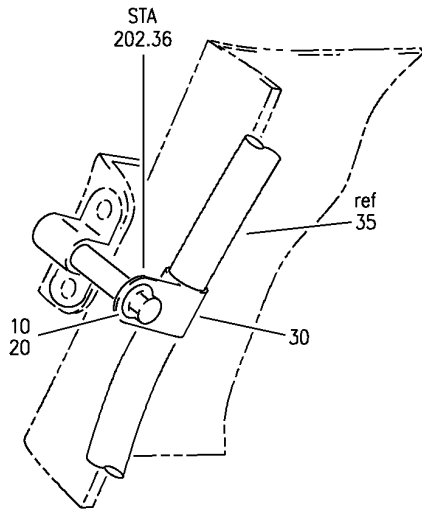
TUBING INSTL-CONT CAB. OVHD DRAIN
 FIGURE 13A (SHEET 2)

25-11-51-13A

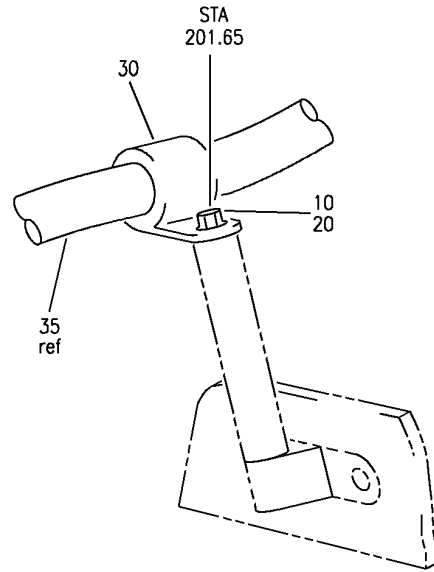
HAP
 OCT 10/06

25-11-51-13A
 PAGE 0A

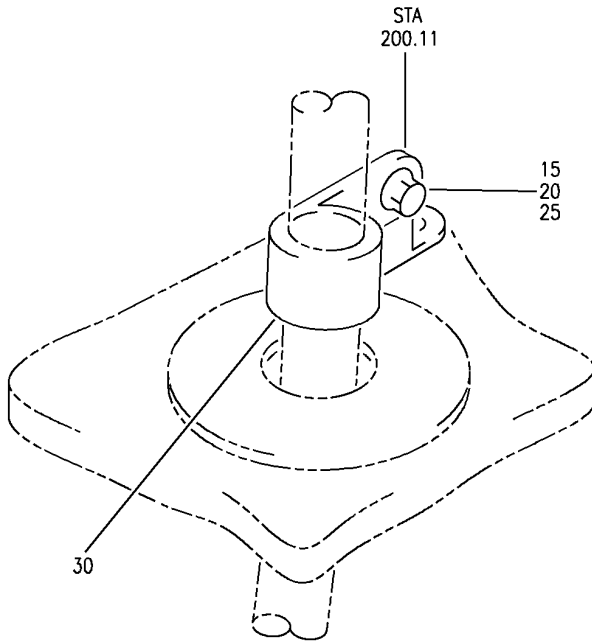
BOEING
 737-600/700/800/900
 PARTS CATALOG (MAINTENANCE)



(E)



(F)



(G)

E 25115113A SHT 3 REV 123

TUBING INSTL-CONT CAB. OVHD DRAIN
 FIGURE 13A (SHEET 3)

25-11-51-13A

HAP
 OCT 10/06

25-11-51-13A
 PAGE 0B

BOEING
737-600/700/800/900
PARTS CATALOG (MAINTENANCE)

FIG ITEM	PART NUMBER	1 2 3 4 5 6 7	NOMENCLATURE	EFFECT FROM TO	UNITS PER ASSY
13A			TUBING INSTL-CONT CAB. OVHD DRAIN	001030 201967	
- 1	232A4206-1		TUBING INSTL-CONT CAB. OVHD DRAIN FOR NHA SEE: 25-10-00-05B 25-10-00-05C	001011 201967	RF
- 1	232A4206-7		TUBING INSTL-CONT CAB. OVHD DRAIN FOR NHA SEE: 25-10-00-05C	012016	RF
- 1	232A4206-9		TUBING INSTL-CONT CAB. OVHD DRAIN FOR NHA SEE: 25-10-00-05C	017027	RF
- 1	232A4206-17		TUBING INSTL-CONT CAB. OVHD DRAIN FOR NHA SEE: 25-10-00-03	028030	RF
5	BACS38K1A		.STRAP	001030 201967	1
10	BACS12GU3K10		.SCREW	001030 201967	4
15	BACS12GU3K08		.SCREW	001027 201967	1
15	BACS12GU3K8		.SCREW	028030	1
20	NAS1149D0416H		.WASHER	001030 201967	5
25	PLH53CD		.NUT SUPPLIER CODE: VF0224 SPECIFICATION NUMBER: BACN10YR3CD OPTIONAL PART: H52732-3CD V15653	001030 201967	1
30	BACC10DK6		.CLAMP	001011 017030 201967	5
30	BACC10DK7		.CLAMP	012016	5
35	232A4206-3		.TUBE	001016 201967	1
35	232A4206-12		.TUBE	017027	1
35	232A4206-20		.TUBE	028030	1
40	BACS38K1A		.STRAP	012016	2
45	232A4206-14		.TUBE	017027	1

MISSING ITEM NUMBERS NOT APPLICABLE

- ITEM NOT ILLUSTRATED

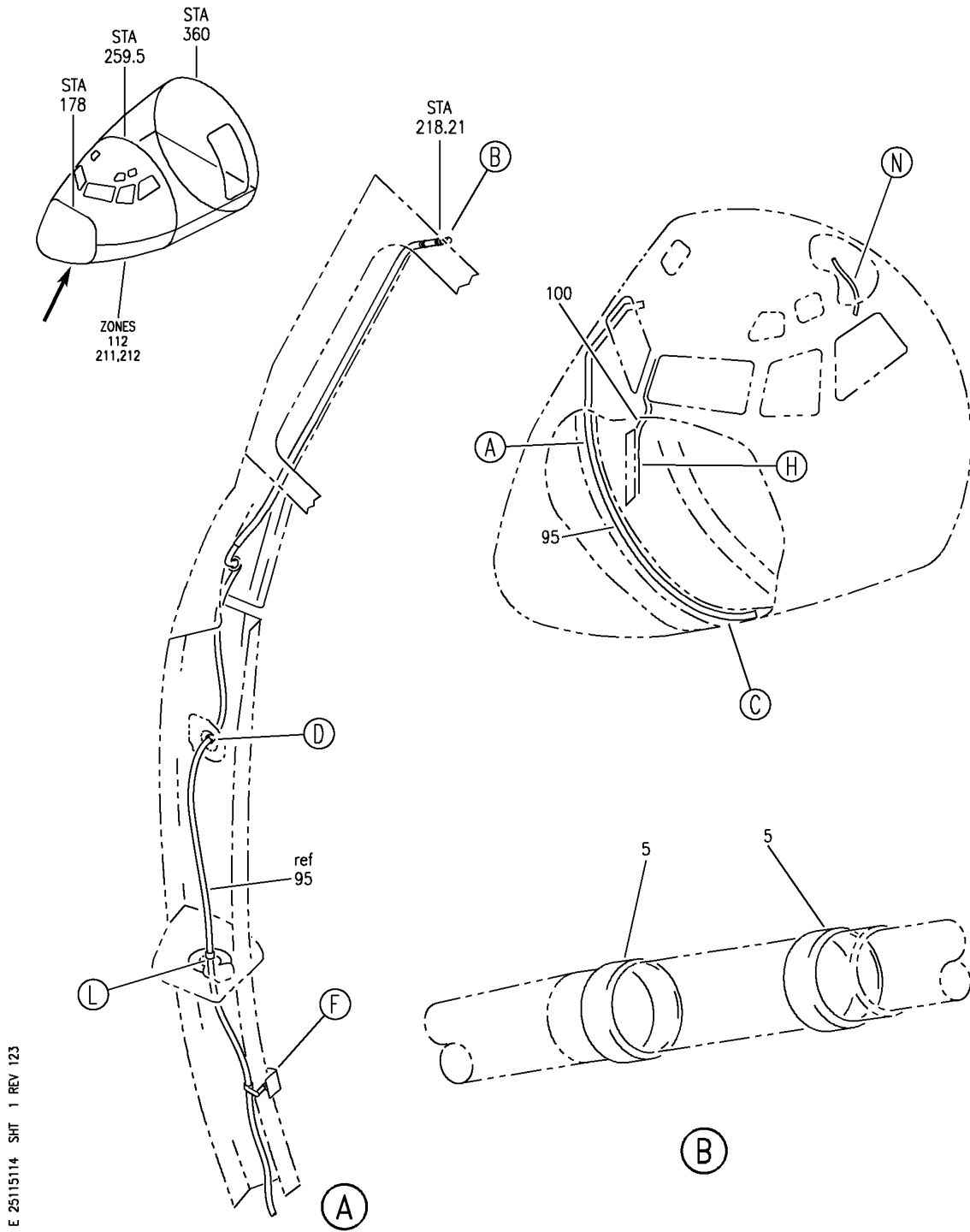
HAP

25-11-51-13A

BOEING PROPRIETARY - Copyright © - Unpublished Work - See title page for details.

25-11-51
FIG. 13A
PAGE 1
FEB 15/09

BOEING
 737-600/700/800/900
 PARTS CATALOG (MAINTENANCE)



E 25115114 SHT 1 REV 123

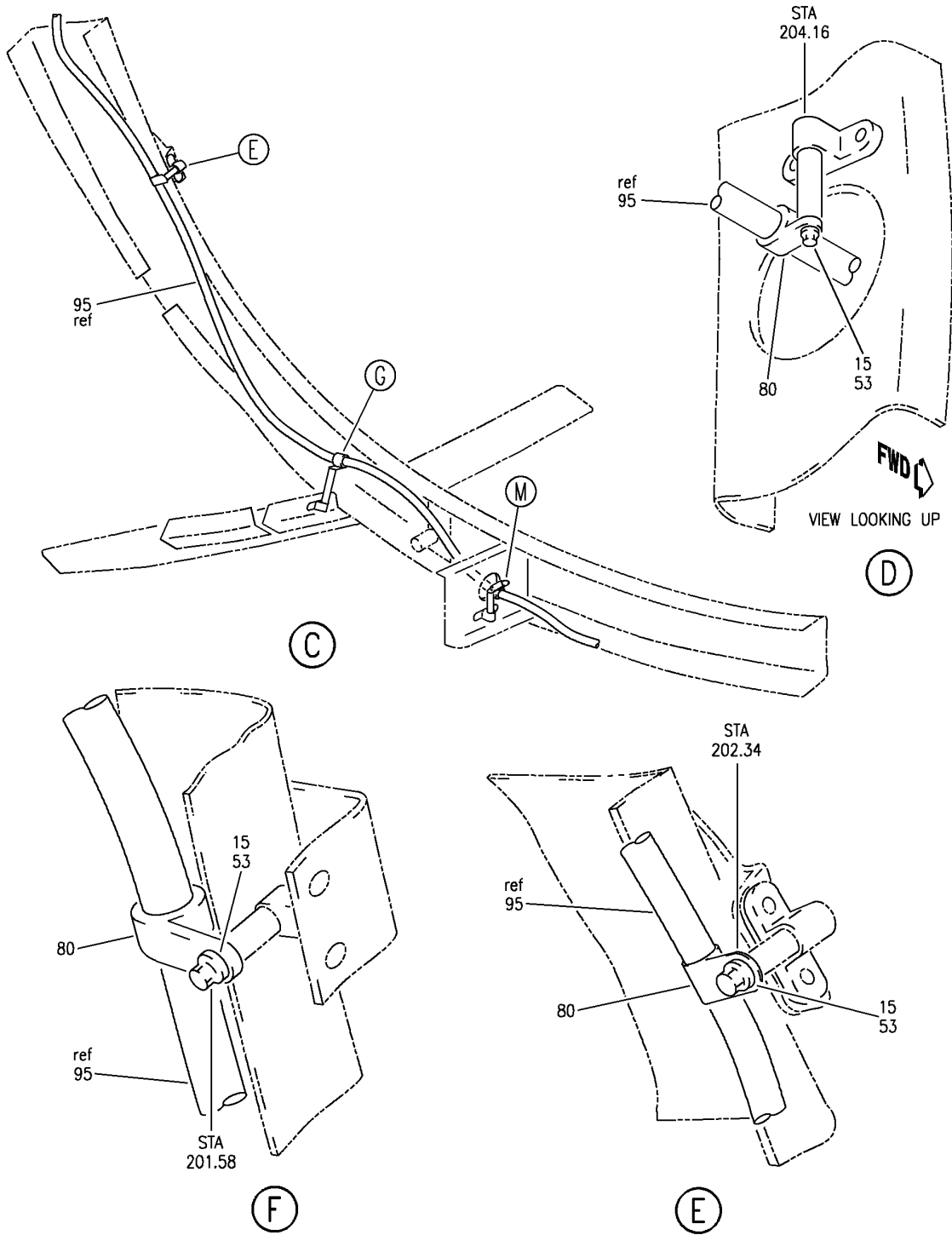
TUBING INSTL-CONT CAB. OVHD DRAIN
 FIGURE 14 (SHEET 1)

25-11-51-14

HAP
 OCT 10/06

25-11-51-14
 PAGE 0

BOEING
 737-600/700/800/900
 PARTS CATALOG (MAINTENANCE)



E 25115114 SH1 2 REV 123

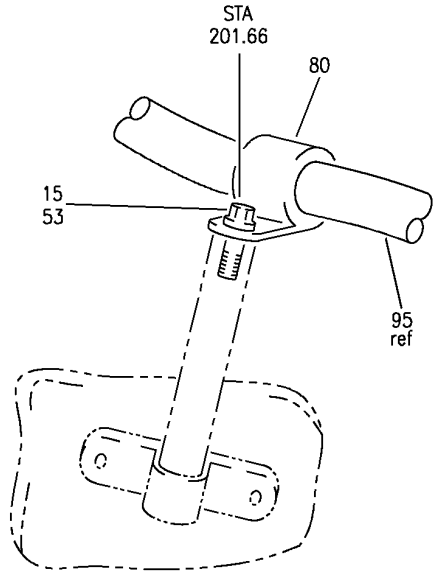
TUBING INSTL-CONT CAB. OVHD DRAIN
 FIGURE 14 (SHEET 2)

25-11-51-14

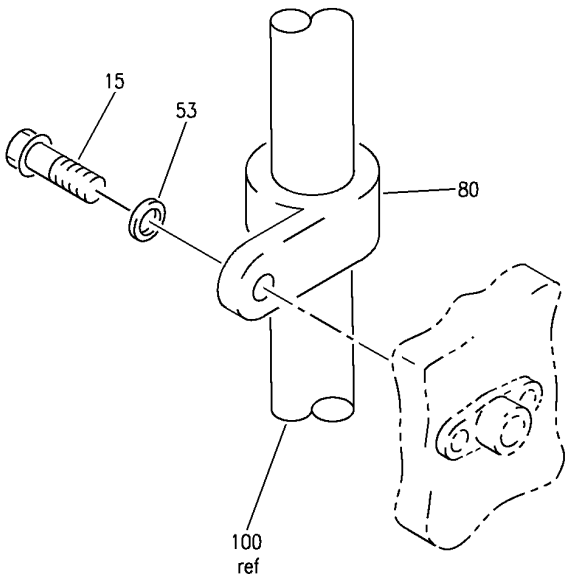
HAP
 OCT 10/06

25-11-51-14
 PAGE 0A

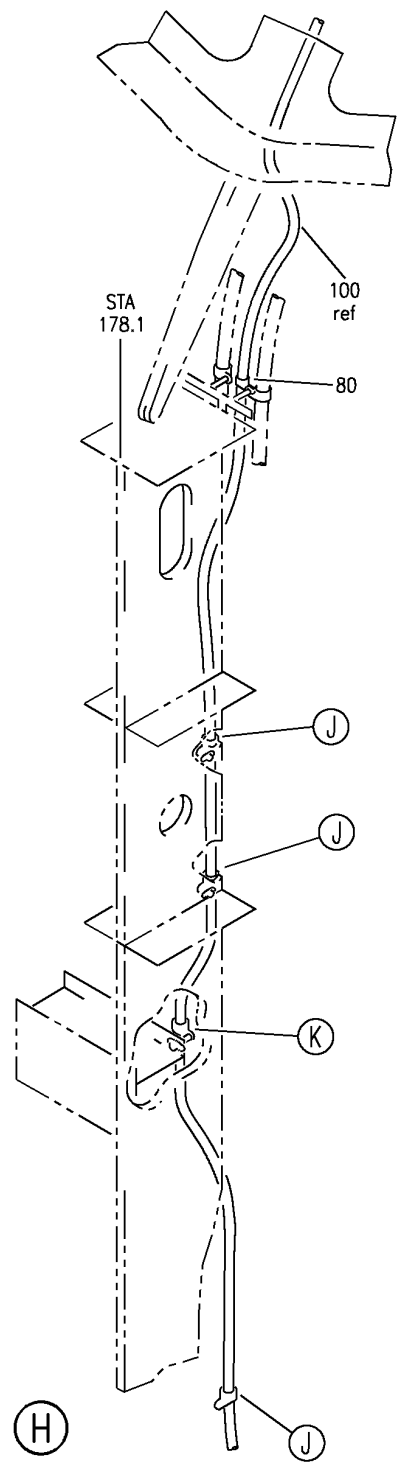
BOEING
 737-600/700/800/900
 PARTS CATALOG (MAINTENANCE)



(G)



(J)



(H)

E 25115114 SHT 3 REV 123

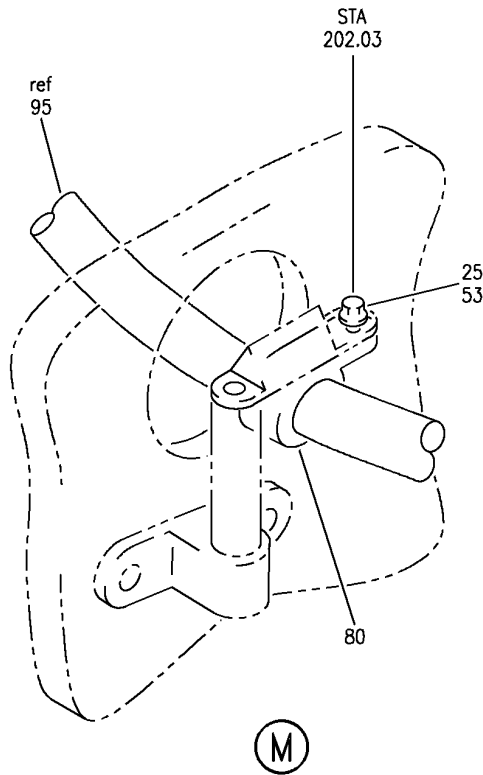
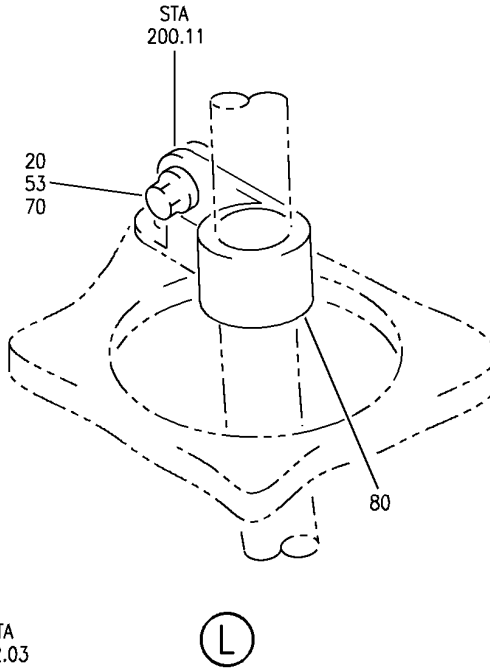
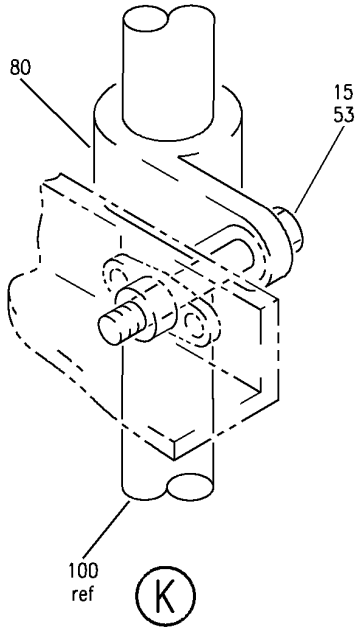
TUBING INSTL-CONT CAB. OVHD DRAIN
 FIGURE 14 (SHEET 3)

25-11-51-14

HAP
 OCT 10/06

25-11-51-14
 PAGE 0B

BOEING
 737-600/700/800/900
 PARTS CATALOG (MAINTENANCE)



E 25115114 SHT 4 REV 123

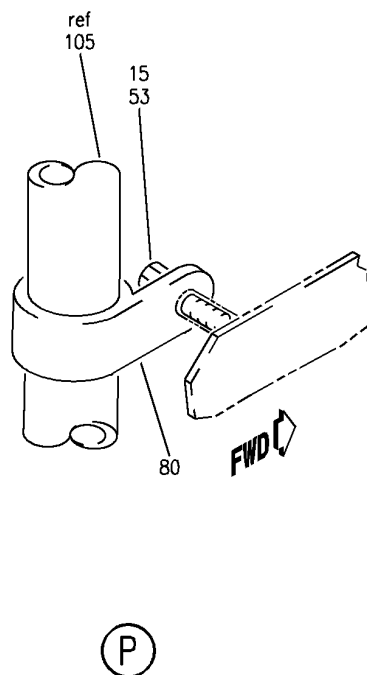
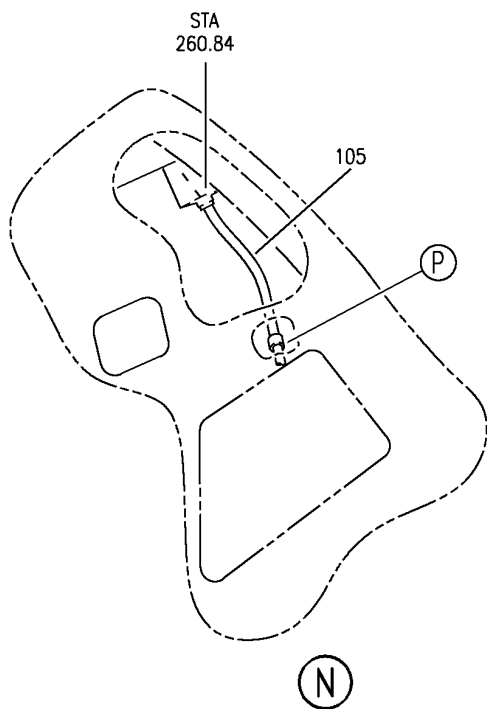
TUBING INSTL-CONT CAB. OVHD DRAIN
 FIGURE 14 (SHEET 4)

25-11-51-14

HAP
 OCT 10/06

25-11-51-14
 PAGE 0C

BOEING
 737-600/700/800/900
 PARTS CATALOG (MAINTENANCE)



E 25115114 SH1 5 REV 123

TUBING INSTL-CONT CAB. OVHD DRAIN
 FIGURE 14 (SHEET 5)

25-11-51-14

HAP
 OCT 10/06

25-11-51-14
 PAGE 0D

BOEING
737-600/700/800/900
PARTS CATALOG (MAINTENANCE)

FIG ITEM	PART NUMBER	1 2 3 4 5 6 7	NOMENCLATURE	EFFECT FROM TO	UNITS PER ASSY
14			TUBING INSTL-CONT CAB. OVHD DRAIN	031200 968999	
- 1	MODREF81901		TUBING INSTL-CONT CAB. OVHD DRAIN MODULE NUMBER: 232A4206-18 REV A	031200 968999	1
5	BACS38K1A		.STRAP	031200 968999	2
15	BACS12GU3K10		.SCREW	031200 968999	9
20	BACS12GU3K8		.SCREW	031200 968999	1
25	BACS12GU3K12		.SCREW	031200 968999	1
53	NAS1149D0416H		.WASHER	031200 968999	11
70	PLH53CD		.NUT SUPPLIER CODE: VF0224 SPECIFICATION NUMBER: BACN10YR3CD OPTIONAL PART: H52732-3CD V15653	031200 968999	1
80	BACC10DK6		.CLAMP	031200 968999	12
95	232A4206-20		.TUBE	031200 968999	1
100	232A4206-19		.TUBE	031200 968999	1
105	232A4206-21		.TUBE	031200 968999	1

MISSING ITEM NUMBERS NOT APPLICABLE

- ITEM NOT ILLUSTRATED

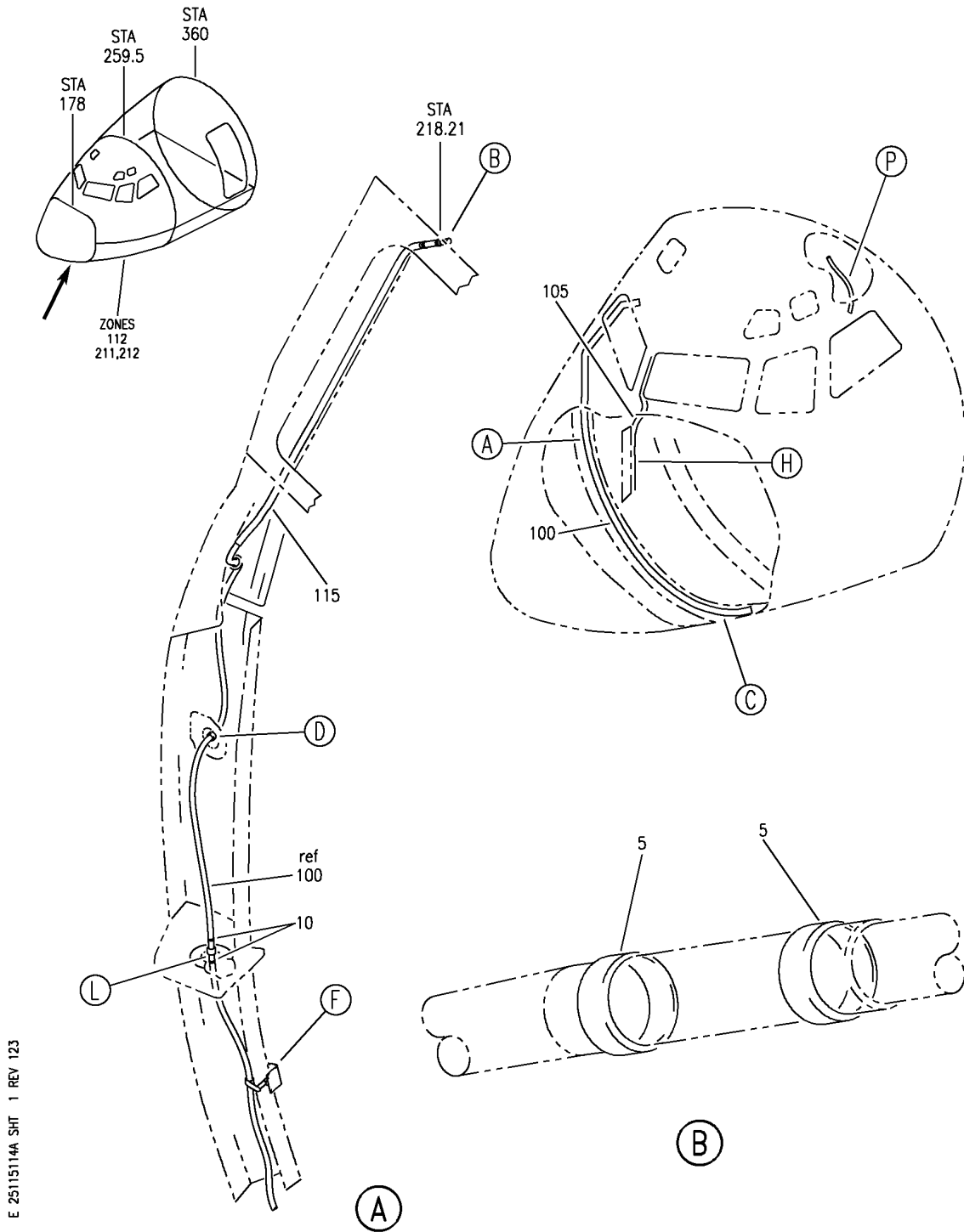
HAP

25-11-51-14

BOEING PROPRIETARY - Copyright © - Unpublished Work - See title page for details.

25-11-51
FIG. 14
PAGE 1
FEB 15/09

BOEING
 737-600/700/800/900
 PARTS CATALOG (MAINTENANCE)



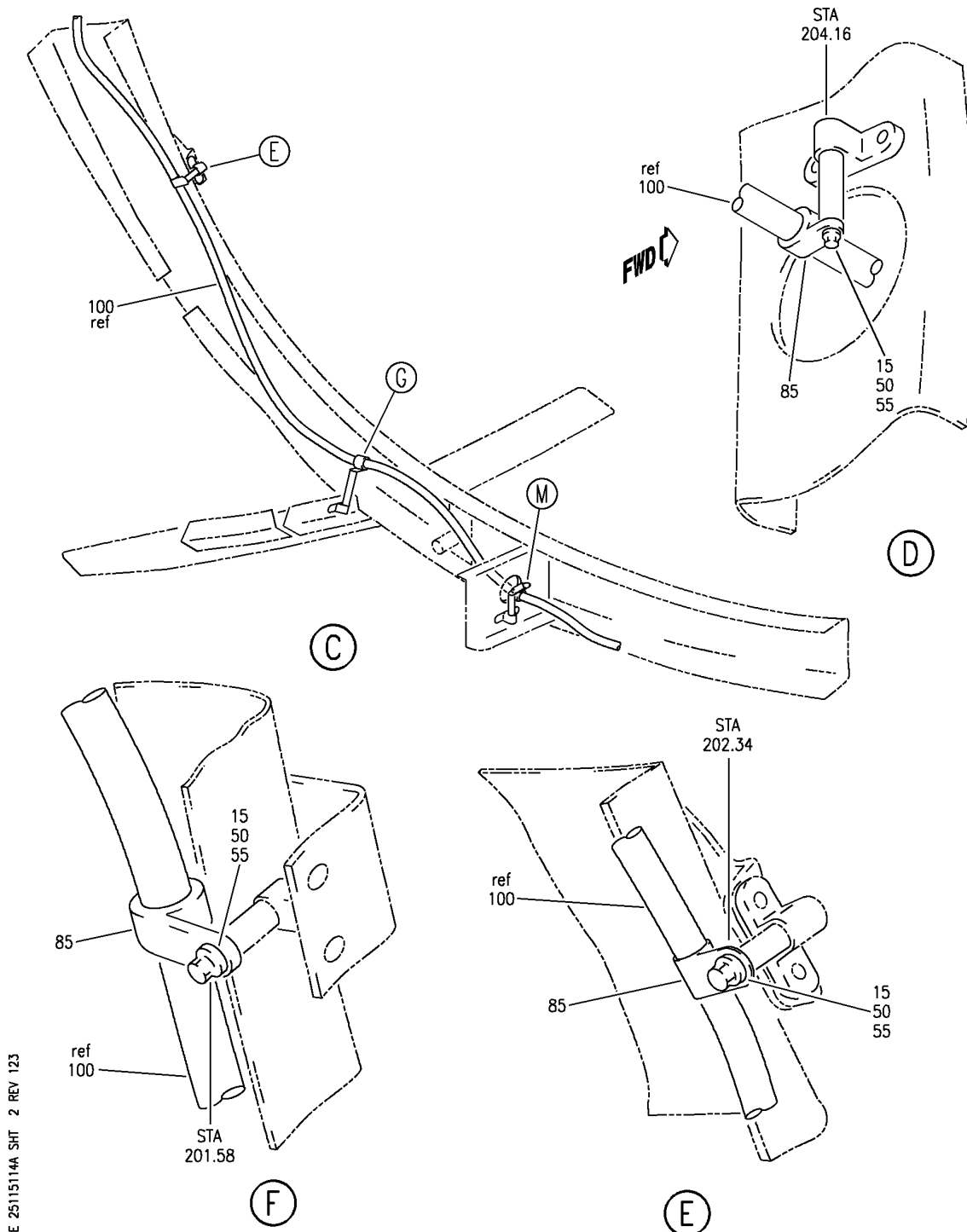
TUBING INSTL-CONT CAB. OVHD DRAIN
 FIGURE 14A (SHEET 1)

25-11-51-14A

HAP
 OCT 10/06

25-11-51-14A
 PAGE 0

BOEING
 737-600/700/800/900
 PARTS CATALOG (MAINTENANCE)



E 25115114A SHT 2 REV 123

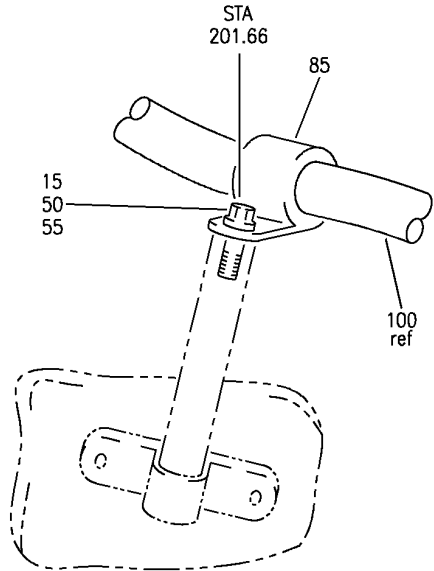
TUBING INSTL-CONT CAB. OVHD DRAIN
 FIGURE 14A (SHEET 2)

25-11-51-14A

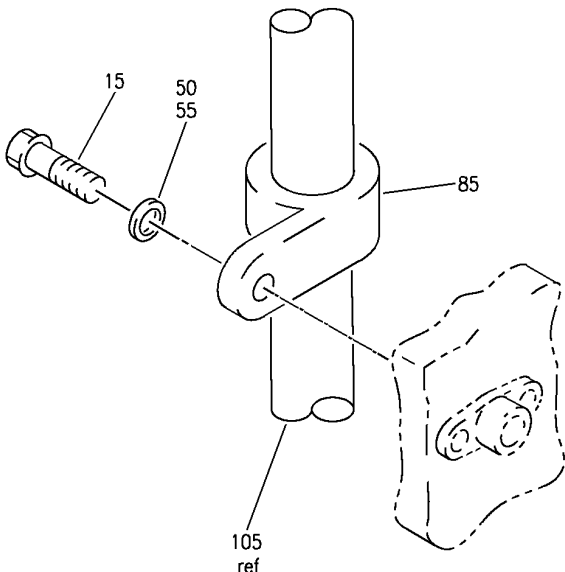
HAP
 OCT 10/06

25-11-51-14A
 PAGE 0A

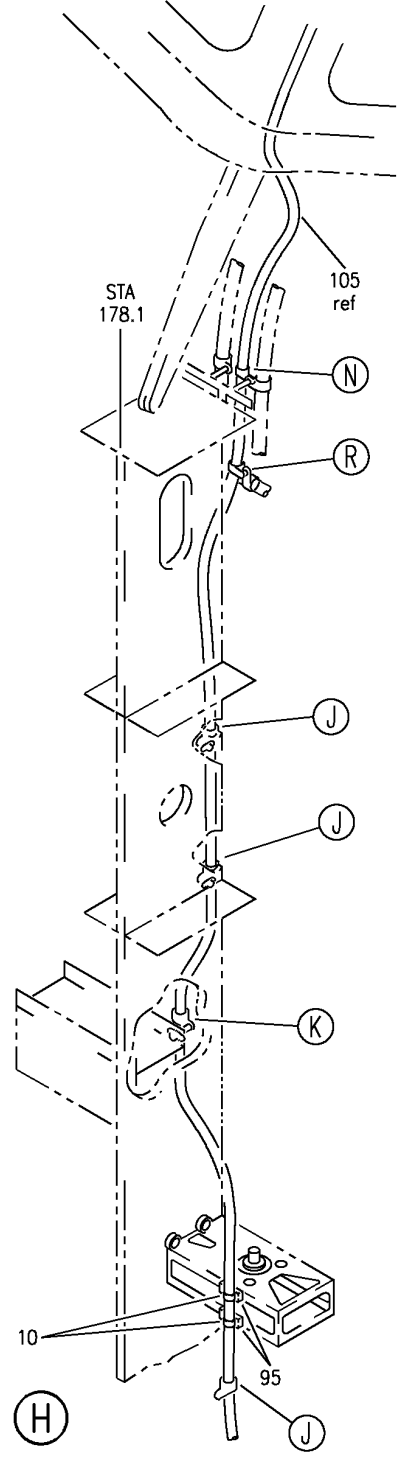
BOEING
 737-600/700/800/900
 PARTS CATALOG (MAINTENANCE)



(G)



(J)



(H)

E 25115114A SHT 3 REV 123

TUBING INSTL-CONT CAB. OVHD DRAIN
 FIGURE 14A (SHEET 3)

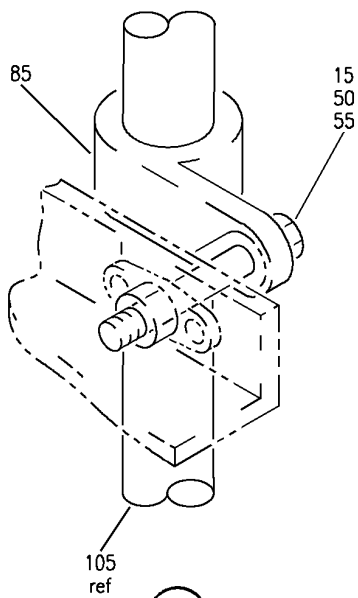
25-11-51-14A

HAP
 OCT 10/06

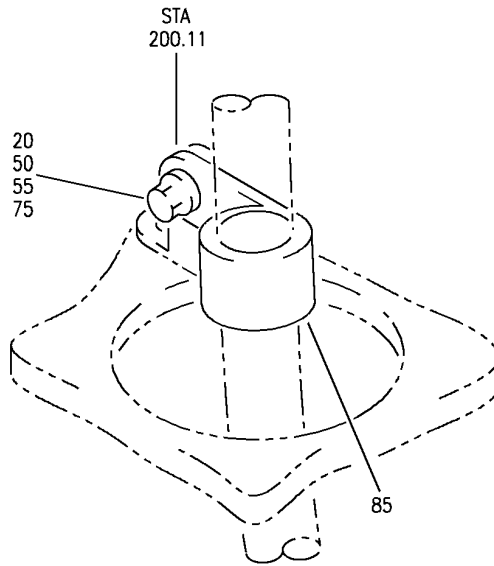
25-11-51-14A
 PAGE 0B

BOEING PROPRIETARY - Copyright © - Unpublished Work - See title page for details.

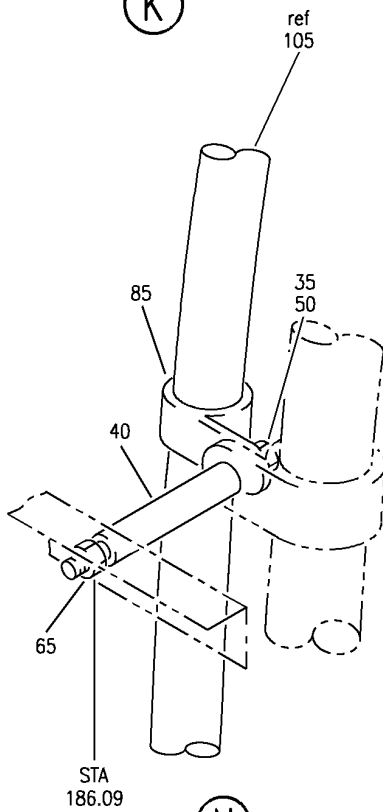
BOEING
 737-600/700/800/900
 PARTS CATALOG (MAINTENANCE)



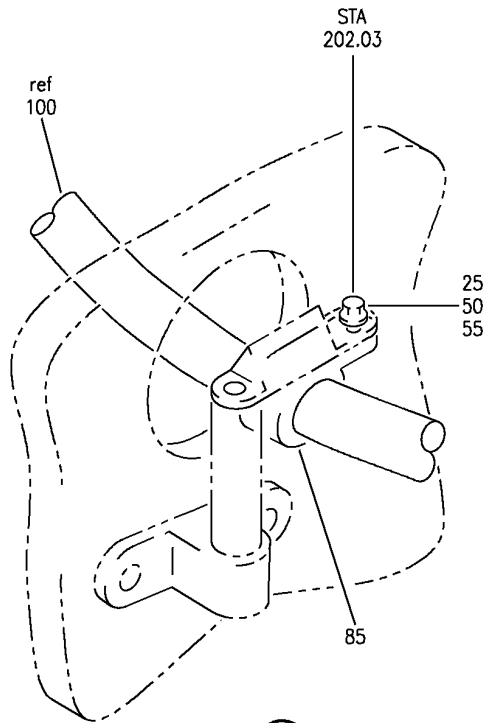
(K)



(L)



(N)



(M)

E 25115114A SHT 4 REV 123

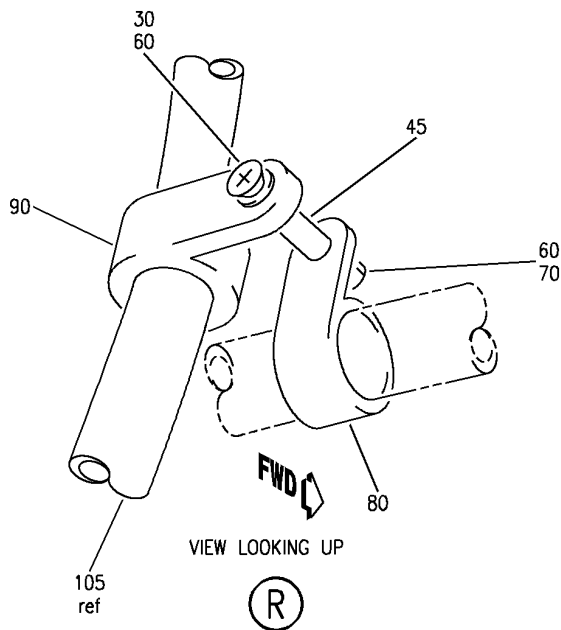
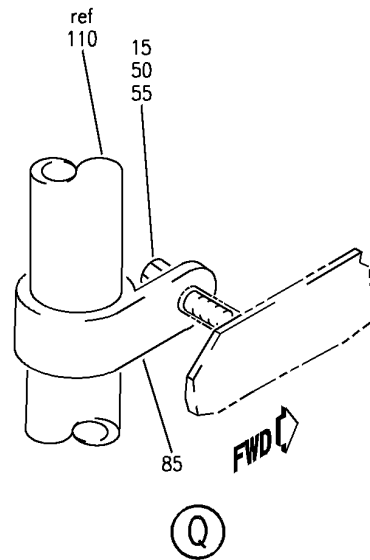
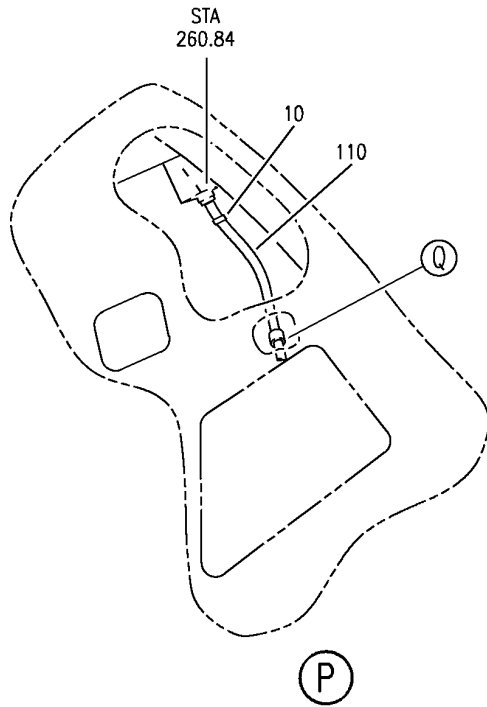
TUBING INSTL-CONT CAB. OVHD DRAIN
 FIGURE 14A (SHEET 4)

25-11-51-14A

HAP
 OCT 10/06

25-11-51-14A
 PAGE 0C

BOEING
 737-600/700/800/900
 PARTS CATALOG (MAINTENANCE)



E 25115114A SHT 5 REV 123

TUBING INSTL-CONT CAB. OVHD DRAIN
 FIGURE 14A (SHEET 5)

25-11-51-14A

HAP
 OCT 10/06

25-11-51-14A
 PAGE 0D

BOEING
737-600/700/800/900
PARTS CATALOG (MAINTENANCE)

FIG ITEM	PART NUMBER	1 2 3 4 5 6 7	NOMENCLATURE	EFFECT FROM TO	UNITS PER ASSY
14A			TUBING INSTL-CONT CAB. OVHD DRAIN	001030 201967	
- 1	232A4206-6		TUBING INSTL-CONT CAB. OVHD DRAIN FOR NHA SEE: 25-10-00-03	001011 201967	RF
- 1	232A4206-8		TUBING INSTL-CONT CAB. OVHD DRAIN FOR NHA SEE: 25-10-00-03	012016	RF
- 1	232A4206-10		TUBING INSTL-CONT CAB. OVHD DRAIN FOR NHA SEE: 25-10-00-03	017027	RF
- 1	232A4206-18		TUBING INSTL-CONT CAB. OVHD DRAIN FOR NHA SEE: 25-10-00-03	028030	RF
5	BACS38K1A		.STRAP	001030 201967	2
10	BACS38K1A		.STRAP	012016	5
15	BACS12GU3K10		.SCREW	001030 201967	9
20	BACS12GU3K08		.SCREW	001027 201967	1
20	BACS12GU3K8		.SCREW	028030	1
25	BACS12GU3K12		.SCREW	001030 201967	1
30	BACS12ER3K17		.SCREW	012016	1
35	BACS12GU3K24		.SCREW	001027 201967	1
40	NAS43DD3-48FC		.SPACER	001027 201967	1
45	NAS43DD3-24FC		.SPACER	012016	1
50	NAS1149D0416H		.WASHER	001027 201967	12
55	NAS1149D0416H		.WASHER	028030	11
60	NAS1149D0316H		.WASHER	012016	2
65	BACN10VR1CG		.NUT	001027 201967	1

MISSING ITEM NUMBERS NOT APPLICABLE

- ITEM NOT ILLUSTRATED

HAP

25-11-51-14A

BOEING PROPRIETARY - Copyright © - Unpublished Work - See title page for details.

25-11-51
FIG. 14A
PAGE 1
OCT 15/08

 **BOEING**
737-600/700/800/900
PARTS CATALOG (MAINTENANCE)

FIG ITEM	PART NUMBER	1 2 3 4 5 6 7	NOMENCLATURE	EFFECT FROM TO	UNITS PER ASSY
14A 70	F22K1-02	.	NUT SUPPLIER CODE: V72962 SPECIFICATION NUMBER: BACN10R10L OPTIONAL PART: 22K1-02 V72962 26CLO2 V80539	012016	1
75	PLH53CD	.	NUT SUPPLIER CODE: VF0224 SPECIFICATION NUMBER: BACN10YR3CD OPTIONAL PART: H52732-3CD V15653	001030 201967	1
80	BACC10DK6	.	CLAMP	012016	1
85	BACC10DK6	.	CLAMP	001011 017030 201967	12
85	BACC10DK7	.	CLAMP	012016	12
90	BACC10DK7	.	CLAMP	012016	1
95	MB3	.	MOUNTING BASE- SUPPLIER CODE: V06383	012016	2
100	232A4206-3	.	TUBE	001016 201967	1
100	232A4206-12	.	TUBE	017027	1
100	232A4206-20	.	TUBE	028030	1
105	232A4206-2	.	TUBE	001016 201967	1
105	232A4206-11	.	TUBE	017027	1
105	232A4206-19	.	TUBE	028030	1
110	232A4206-4	.	TUBE	001016 201967	1
110	232A4206-13	.	TUBE	017027	1
110	232A4206-21	.	TUBE	028030	1
115	232A4206-14	.	TUBE	017027	1

MISSING ITEM NUMBERS NOT APPLICABLE

— ITEM NOT ILLUSTRATED

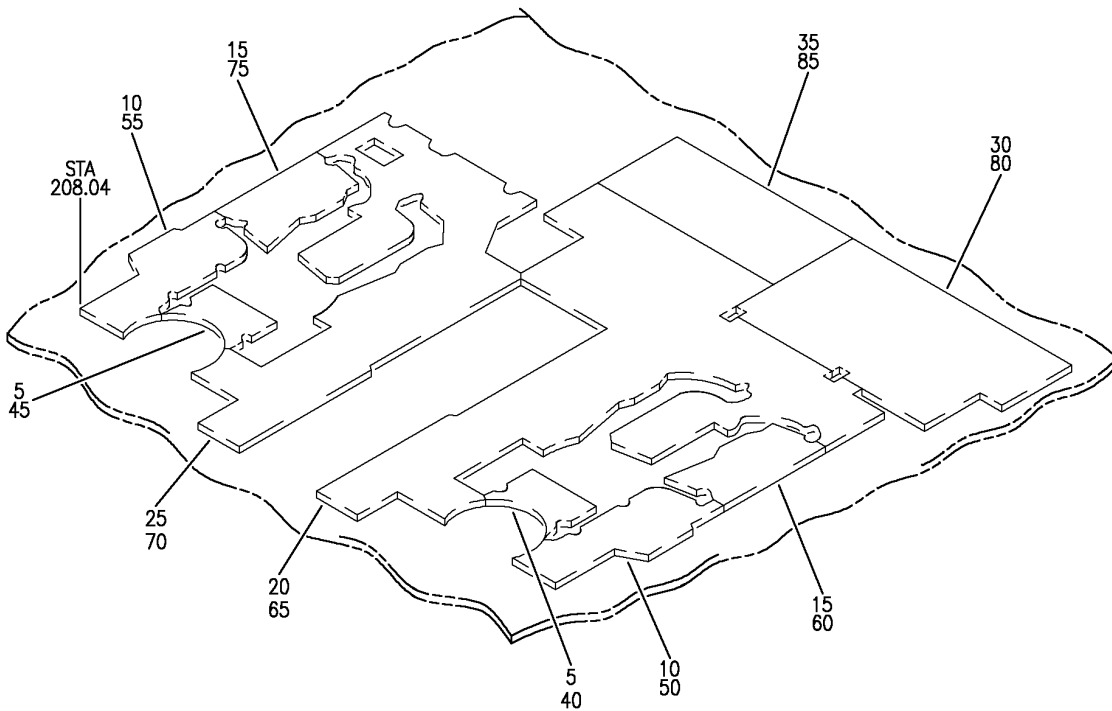
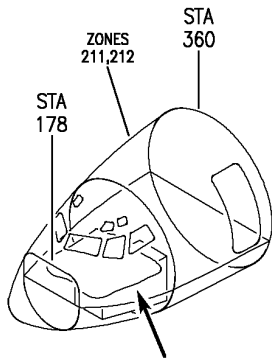
HAP

25-11-51-14A

BOEING PROPRIETARY - Copyright © - Unpublished Work - See title page for details.

25-11-51
FIG. 14A
PAGE 2
FEB 15/09

BOEING
737-600/700/800/900
PARTS CATALOG (MAINTENANCE)



E 25115116 REV 069

CARPET INSTL-FLIGHT DECK
FIGURE 16

25-11-51-16

HAP
OCT 10/06

25-11-51-16
PAGE 0

BOEING
737-600/700/800/900
PARTS CATALOG (MAINTENANCE)

FIG ITEM	PART NUMBER	1 2 3 4 5 6 7	NOMENCLATURE	EFFECT FROM TO	UNITS PER ASSY
16			CARPET INSTL-FLIGHT DECK	031200 968999	
- 1	MODREF81703		CARPET INSTL- MODULE NUMBER: 232A1101-12 REV A	031033	1
- 1	MODREF291440		CARPET INSTL- MODULE NUMBER: 232A1101-13 REV A	034036	1
- 1	MODREF318336		CARPET INSTL- MODULE NUMBER: 232A1101-13 REV B	037043 101101 968971	1
- 1	MODREF358840		CARPET INSTL- MODULE NUMBER: 232A1101-16 REV A	044100 102200 972999	1
5	232A1111-105		.PAD	031200 968999	2
10	232A1111-107		.PAD	031200 968999	2
15	232A1111-109		.PAD	031200 968999	2
20	232A1111-103		.PAD	031033	1
20	232A1111-111		.PAD	034036	1
20	232A1111-113		.PAD	037200 968999	1
25	232A1111-104		.PAD	031200 968999	1
30	232A1111-102		.PAD	031033	1
35	232A1111-101		.PAD	031033	1
40	232A1111-205		.CARPET	031043 101101 968971	1
40	232A1111-305		.CARPET	044100 102200 972999	1
45	232A1111-206		.CARPET	031043 101101 968971	1
45	232A1111-306		.CARPET	044100 102200 972999	1
50	232A1111-207		.CARPET	031043 101101 968971	1
50	232A1111-307		.CARPET	044100 102200 972999	1
55	232A1111-208		.CARPET	031043 101101 968971	1

MISSING ITEM NUMBERS NOT APPLICABLE

- ITEM NOT ILLUSTRATED

HAP

25-11-51-16

BOEING PROPRIETARY - Copyright © - Unpublished Work - See title page for details.

25-11-51
FIG. 16
PAGE 1
OCT 15/08

BOEING
737-600/700/800/900
PARTS CATALOG (MAINTENANCE)

FIG ITEM	PART NUMBER	1 2 3 4 5 6 7	NOMENCLATURE	EFFECT FROM TO	UNITS PER ASSY
16					
55	232A1111-308	.	CARPET	044100 102200 972999	1
60	232A1111-209	.	CARPET	031043 101101 968971	1
60	232A1111-309	.	CARPET	044100 102200 972999	1
65	232A1111-203	.	CARPET	031033	1
65	232A1111-211	.	CARPET	034036	1
65	232A1111-213	.	CARPET	037043 101101 968971	1
65	232A1111-313	.	CARPET	044100 102200 972999	1
70	232A1111-204	.	CARPET	031043 101101 968971	1
70	232A1111-304	.	CARPET	044100 102200 972999	1
75	232A1111-210	.	CARPET	031043 101101 968971	1
75	232A1111-310	.	CARPET	044100 102200 972999	1
80	232A1111-202	.	CARPET	031033	1
85	232A1111-201	.	CARPET	031033	1

MISSING ITEM NUMBERS NOT APPLICABLE

— ITEM NOT ILLUSTRATED

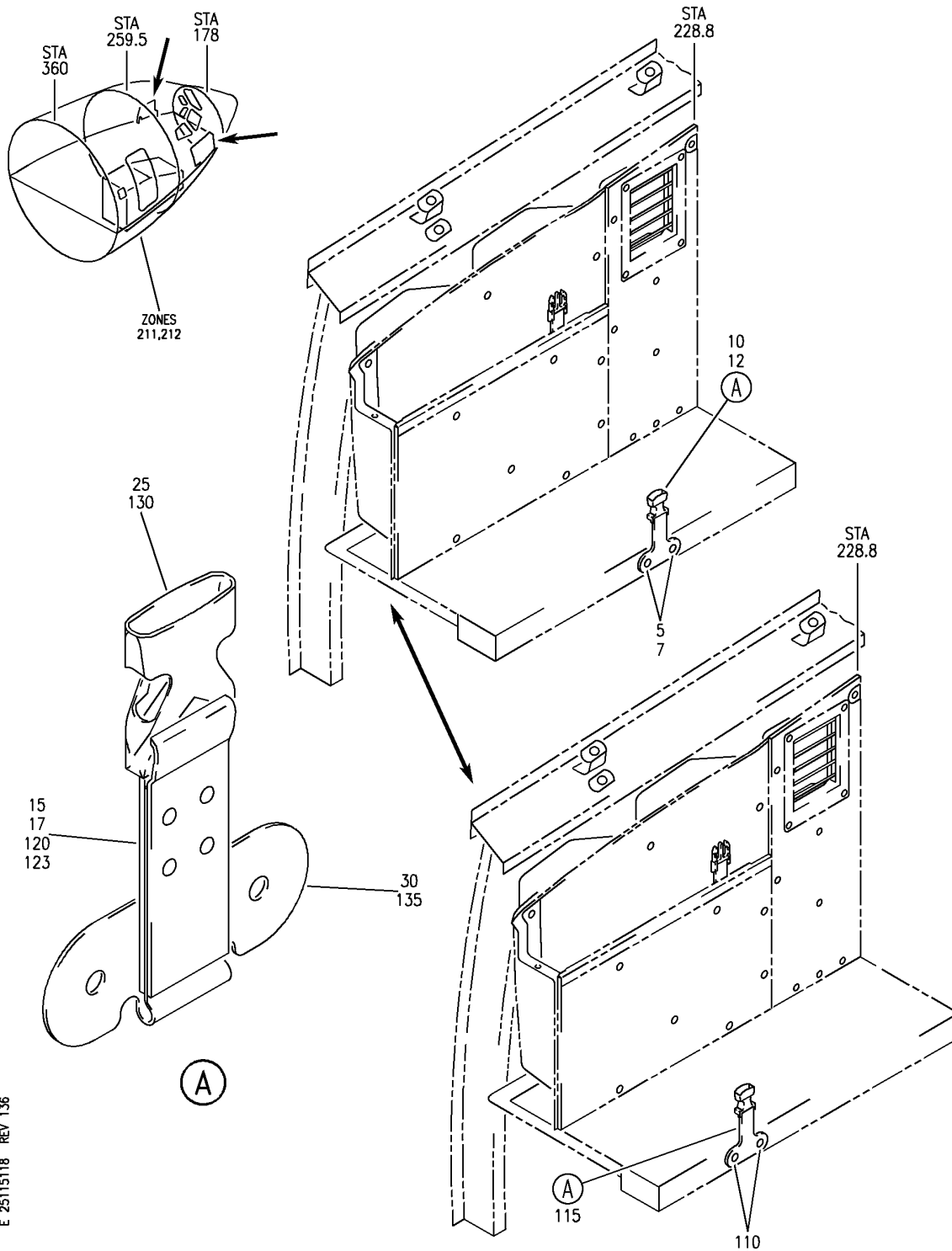
HAP

25-11-51-16

BOEING PROPRIETARY - Copyright © - Unpublished Work - See title page for details.

25-11-51
FIG. 16
PAGE 2
OCT 15/08

BOEING
 737-600/700/800/900
 PARTS CATALOG (MAINTENANCE)



E 25115118 REV 136

RESTRAINT INSTL-FLIGHT KIT (EQUIPMENT/FURNISHINGS ONLY)
 FIGURE 18

25-11-51-18

HAP
 FEB 15/08

25-11-51-18
 PAGE 0

BOEING
737-600/700/800/900
PARTS CATALOG (MAINTENANCE)

FIG ITEM	PART NUMBER	1 2 3 4 5 6 7	NOMENCLATURE	EFFECT FROM TO	UNITS PER ASSY
18			RESTRAINT INSTL-FLIGHT KIT (EQUIPMENT/FURNISHINGS ONLY)	031200 968999	
- 1	MODREF245875		RESTRAINT INSTL-FLIGHT KIT (EQUIPMENT/FURNISHINGS ONLY) MODULE NUMBER: 232A4395-1 REV A FOR OTHER SYS DETAILS SEE: 11-31-01-33	031200 968999	1
	5 WHS10F8TPKL01BK		.SCREW- SUPPLIER CODE: V12324	031200 968999	4
	10 232A4398-1		.BRACKET ASSY-	031200 968999	2
	10 232A4398-2		.BRACKET ASSY-	031200 968999	2
	15 232A4397-2		..STRAP	031200 968999	1
	17 232A4396-3		..BRACKET	031200 968999	1
			ATTACHING PARTS		
- 20	MS16535-92		..RIVET	031200 968999	4
- 20	MS16535-88		..RIVET	031200 968999	4
			-----*-----		
	25 150-0100-5614		..LATCH-TROVATO SIDE SUPPLIER CODE: V1ES60	031200 968999	1
	30 232A4396-1		..BRACKET	031200 968999	1
	30 232A4396-2		..BRACKET	031200 968999	1

MISSING ITEM NUMBERS NOT APPLICABLE

- ITEM NOT ILLUSTRATED

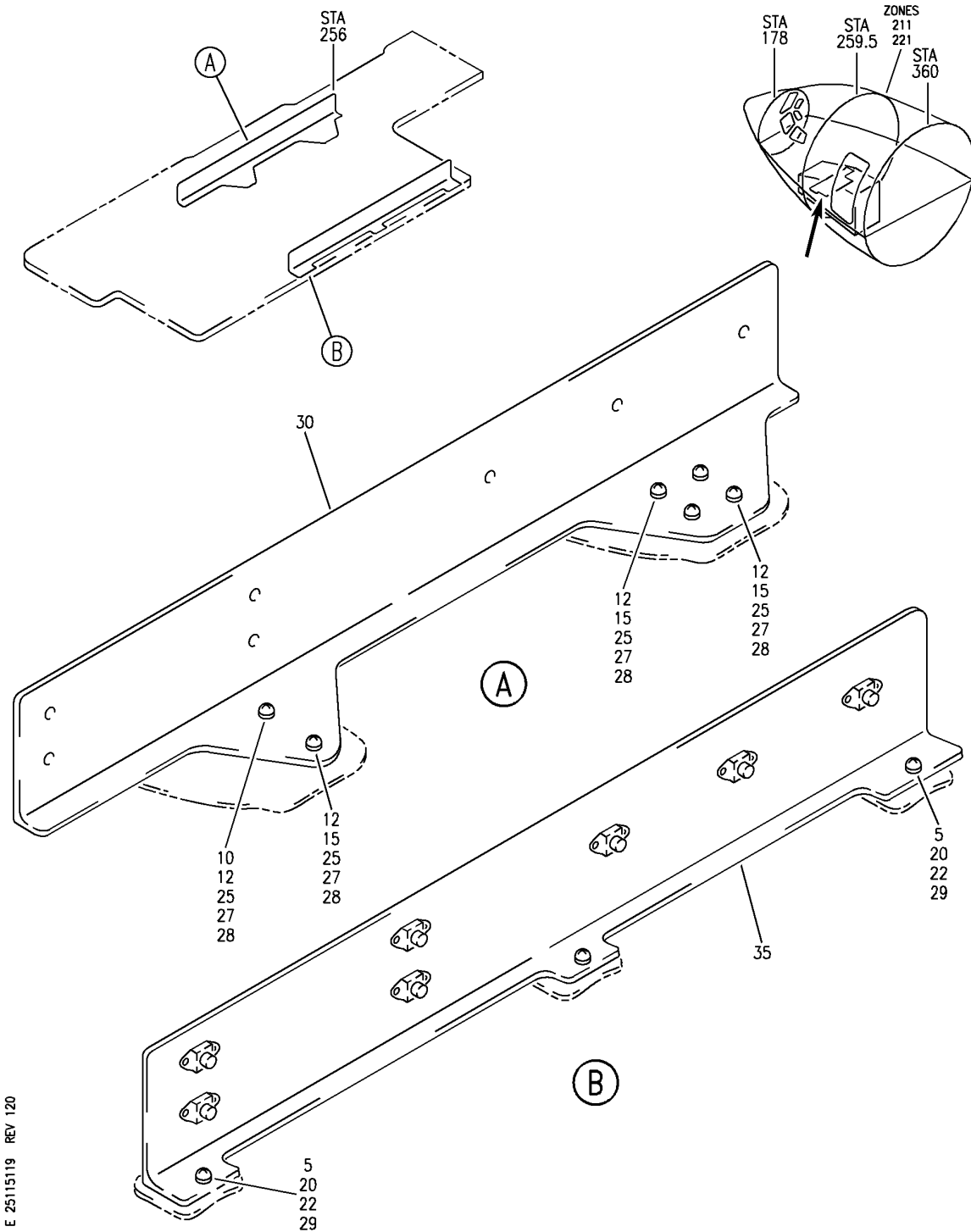
HAP

25-11-51-18

BOEING PROPRIETARY - Copyright © - Unpublished Work - See title page for details.

25-11-51
FIG. 18
PAGE 1
OCT 15/08

BOEING
 737-600/700/800/900
 PARTS CATALOG (MAINTENANCE)



E 25115119 REV 120

STOWAGE INSTL-DRAWER
 FIGURE 19

25-11-51-19

HAP
 OCT 10/06

25-11-51-19
 PAGE 0

BOEING
737-600/700/800/900
PARTS CATALOG (MAINTENANCE)

FIG ITEM	PART NUMBER	1 2 3 4 5 6 7	NOMENCLATURE	EFFECT FROM TO	UNITS PER ASSY
19			STOWAGE INSTL-DRAWER	031200 968999	
- 1	MODREF202975		STOWAGE INSTL-DRAWER MODULE NUMBER: 232A4382-2 REV A	031200 968999	1
5	BACB30NT2K4		.BOLT-	031200 968999	3
10	BACB30NT3K6		.BOLT	031200 968999	1
15	BACB30NT3K7		.BOLT	031200 968999	5
20	NAS1149DN832J		.WASHER-	031200 968999	3
25	NAS1149D0332J		.WASHER- OPTIONAL PART: NAS1149E0332P	031200 968999	6
25	NAS1149E0332P		.WASHER- OPTIONAL PART: NAS1149D0332J	031200 968999	6
30	232A4387-1		.ANGLE ASSY-	031200 968999	1
35	232A4387-2		.ANGLE ASSY-	031200 968999	1

MISSING ITEM NUMBERS NOT APPLICABLE

- ITEM NOT ILLUSTRATED

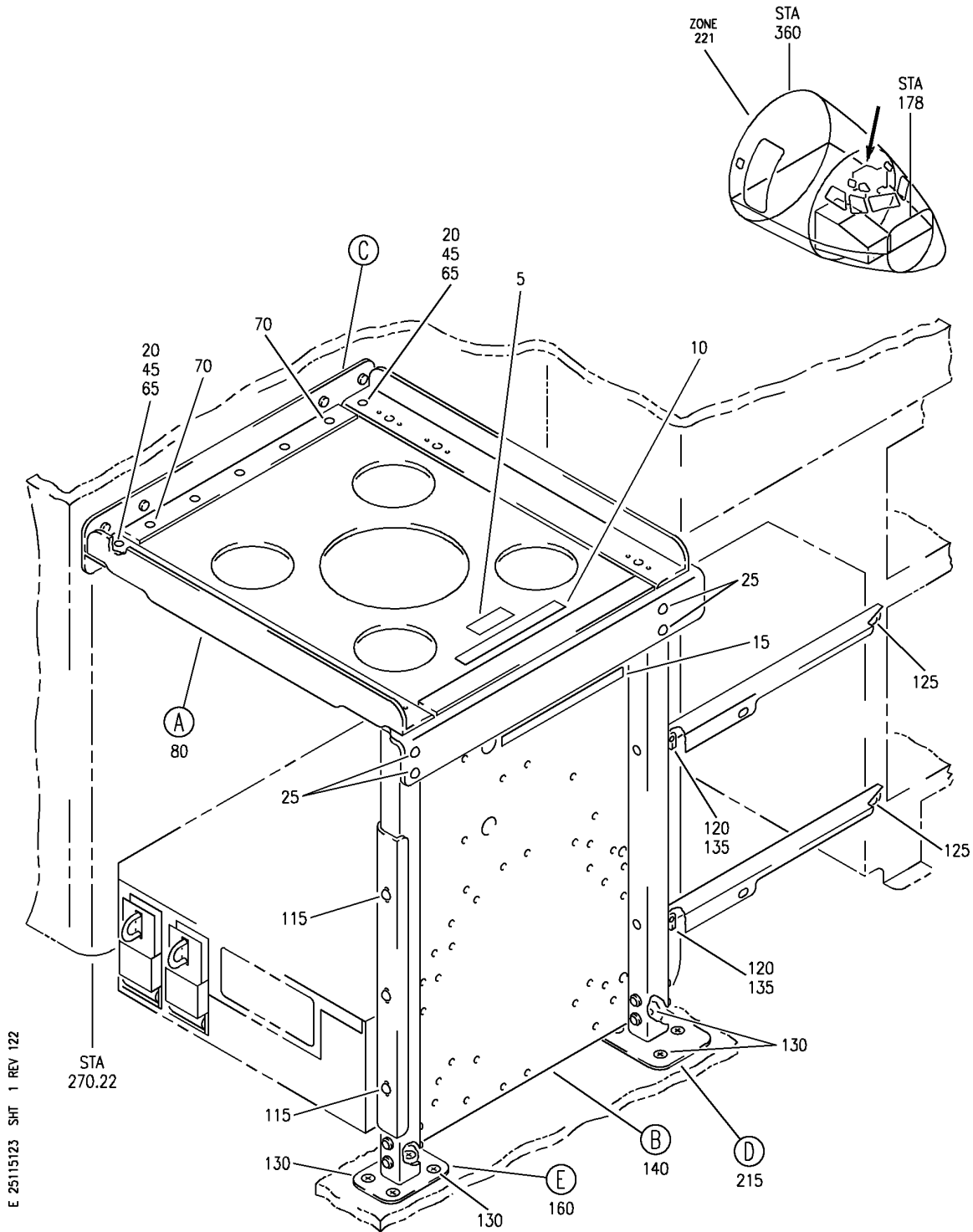
HAP

25-11-51-19

BOEING PROPRIETARY - Copyright © - Unpublished Work - See title page for details.

25-11-51
FIG. 19
PAGE 1
FEB 15/09

BOEING
 737-600/700/800/900
 PARTS CATALOG (MAINTENANCE)



E 25115123 SHT 1 REV 122

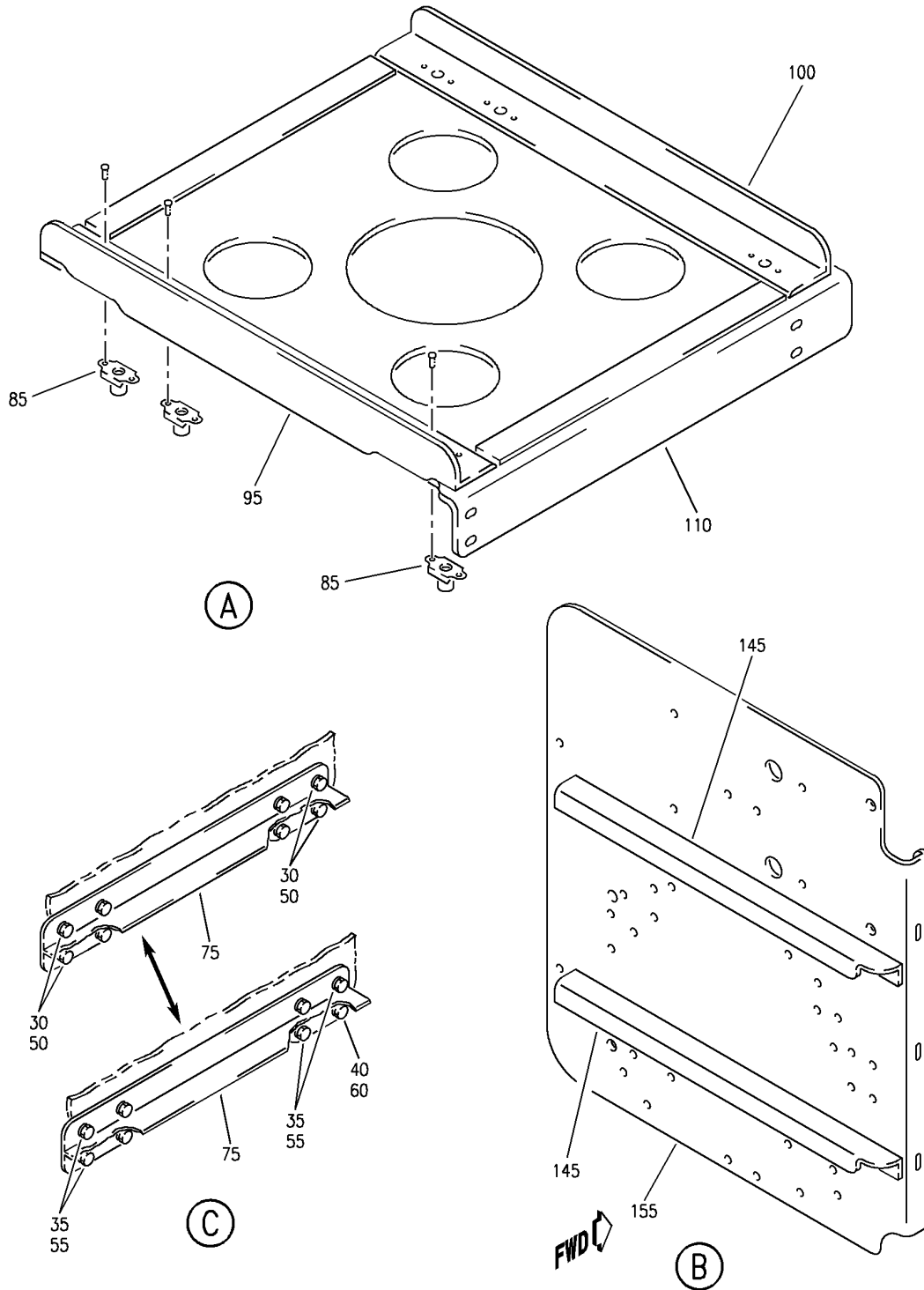
STRUCTURE INSTL-SEAT SECOND OBSERVER
 FIGURE 23 (SHEET 1)

25-11-51-23

HAP
 OCT 10/06

25-11-51-23
 PAGE 0

BOEING
 737-600/700/800/900
 PARTS CATALOG (MAINTENANCE)



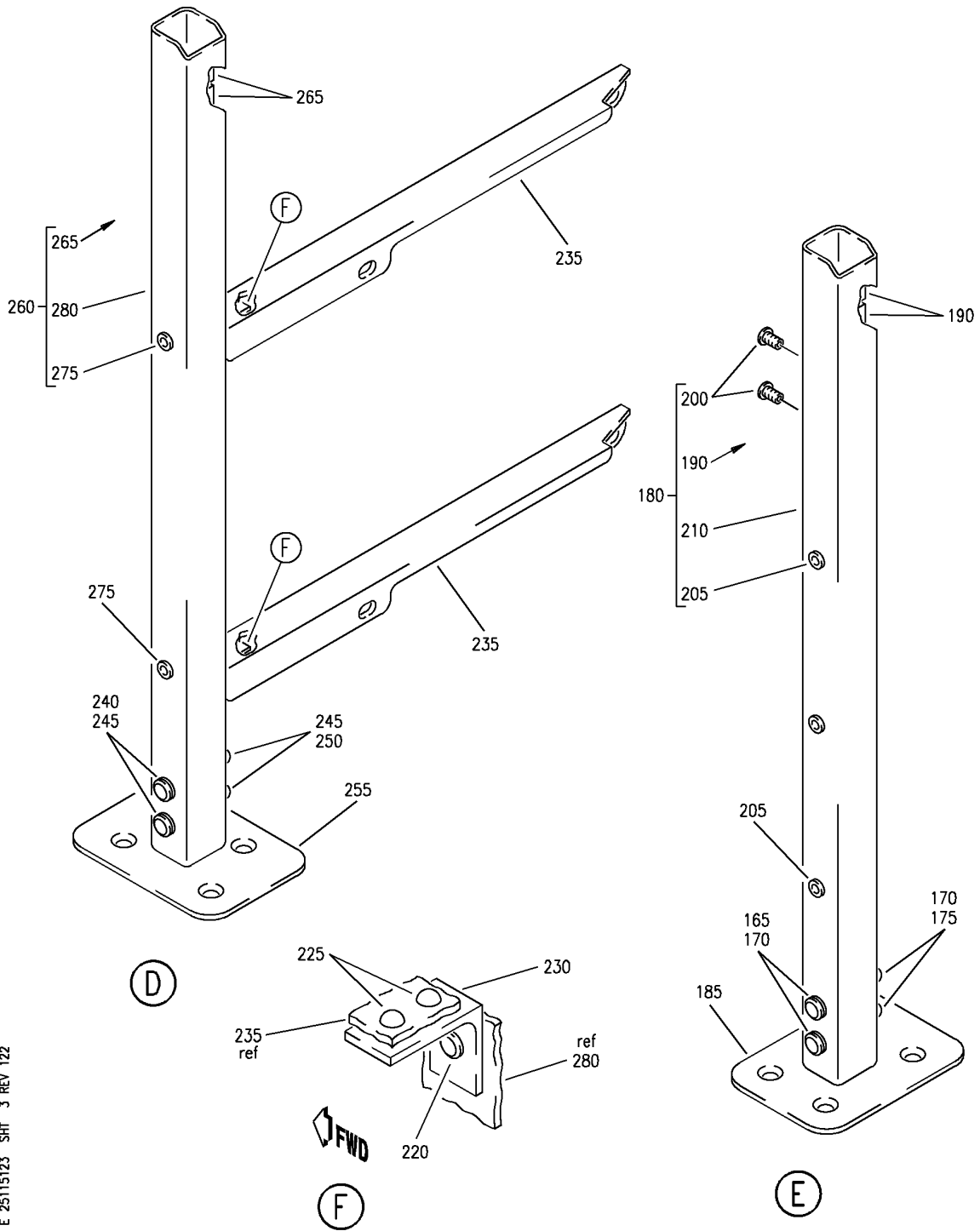
E 25115123 SHT 2 REV 122

STRUCTURE INSTL-SEAT SECOND OBSERVER
 FIGURE 23 (SHEET 2)

25-11-51-23

HAP
 OCT 10/06

25-11-51-23
 PAGE 0A



E 25115123 SH1 3 REV 122

STRUCTURE INSTL-SEAT SECOND OBSERVER
 FIGURE 23 (SHEET 3)

25-11-51-23

HAP
 OCT 10/06

25-11-51-23
 PAGE 0B

BOEING
737-600/700/800/900
PARTS CATALOG (MAINTENANCE)

FIG ITEM	PART NUMBER	1 2 3 4 5 6 7	NOMENCLATURE	EFFECT FROM TO	UNITS PER ASSY
23			STRUCTURE INSTL-SEAT SECOND OBSERVER	031200 968999	
- 1	MODREF213186		STRUCTURE INSTL-SEAT SECOND OBSERVER	031036	1
- 1	MODREF303787		MODULE NUMBER: 232A3502-1 REV B STRUCTURE INSTL-SEAT SECOND OBSERVER	037200 968999	1
5	BAC27DCC2793		MODULE NUMBER: 232A3502-1 REV C .MARKER-	031200 968999	1
10	BAC27DCC2794		PLACARD CONTENT: NO SEAT .MARKER-	031200 968999	1
15	BAC27DCC2919		PLACARD CONTENT: NO STOWAGE THIS SURFACE .PLACARD-	031200 968999	1
20	BACB30UW4K4		PLACARD CONTENT: MAXIMUM TOTAL EQUIPMENT WEIGHT 11.55 LBS/5.25 KGS .BOLT	031200 968999	2
25	BACS12FA3K7GR		.SCREW-	031200 968999	4
			OPTIONAL PART: WHS10F7TPKL26GY V12324		
25	WHS10F7TPKL26GY		.SCREW-	031200 968999	4
			SUPPLIER CODE: V12324 OPTIONAL PART: BACS12FA3K7GR		
30	BACB30NM3K4		.BOLT	031036	8
30	BACB30NM3K2		.BOLT	037200 968999	8
45	NAS1149D0416J		.WASHER	031200 968999	2
50	NAS1149D0316J		.WASHER	031200 968999	8
65	PLH54CD		.NUT	031200 968999	2
			SUPPLIER CODE: VF0224 SPECIFICATION NUMBER: BACN10YR4CD OPTIONAL PART: H52732-4CD V15653		
70	BACR15BA6DC		.RIVET-	031200 968999	5
			SIZE DETERMINED ON INSTL.		

MISSING ITEM NUMBERS NOT APPLICABLE

- ITEM NOT ILLUSTRATED

HAP

25-11-51-23

BOEING PROPRIETARY - Copyright © - Unpublished Work - See title page for details.

25-11-51
FIG. 23
PAGE 1
FEB 15/09

BOEING
737-600/700/800/900
PARTS CATALOG (MAINTENANCE)

FIG ITEM	PART NUMBER	1 2 3 4 5 6 7	NOMENCLATURE	EFFECT FROM TO	UNITS PER ASSY
23					
75	232A3504-1		.SUPPORT- POSITION DATA: AFT	031200 968999	1
80	232A3503-9		.PAN ASSY	031200 968999	1
85	NS202541-3		..NUTPLATE SUPPLIER CODE: V80539 SPECIFICATION NUMBER: BACN10KA3BCD OPTIONAL PART: T8100C1032KCPM V11815 ATTACHING PARTS	031200 968999	6
- 90	BACR15BA3DC		..RIVET- SIZE DETERMINED ON INSTL. -----*-----	031200 968999	12
95	232A3504-26		..SUPPORT	031200 968999	1
100	232A3504-27		..SUPPORT ATTACHING PARTS	031200 968999	1
- 105	BACR15BA6DC		..RIVET- SIZE DETERMINED ON INSTL. -----*-----	031200 968999	6
110	232A3505-6		..BRACKET	031200 968999	1
115	BACS12FA3K11BK		.SCREW	031200 968999	3
120	BACS12FA3K7BK		.SCREW	031200 968999	2
125	BACS12FA3K8BK		.SCREW	031200 968999	2
130	BACB30NN3K5		.BOLT	031200 968999	8
135	BRC600-10G3		.NUT SUPPLIER CODE: V52828 SPECIFICATION NUMBER: BACN10YD3 OPTIONAL PART: 130122 V60119	031200 968999	2
140	232A3503-8		.PANEL ASSY-ADPTR	031200 968999	1
145	232A3504-20		..BRACKET-STIF	031200 968999	2

MISSING ITEM NUMBERS NOT APPLICABLE

- ITEM NOT ILLUSTRATED

HAP

25-11-51-23

25-11-51
FIG. 23
PAGE 2
FEB 15/09

BOEING
737-600/700/800/900
PARTS CATALOG (MAINTENANCE)

FIG ITEM	PART NUMBER	1 2 3 4 5 6 7	NOMENCLATURE	EFFECT FROM TO	UNITS PER ASSY
23			ATTACHING PARTS		
- 150	BACR15BA4DC		..RIVET- SIZE DETERMINED ON INSTL. -----*-----	031200 968999	16
155	232A3505-5		..BRACKET-ADPTR	031200 968999	1
160	232A3503-5		.POST ASSY- POSITION DATA: INBD	031200 968999	1
165	NAS623-3-17		..SCREW	031200 968999	2
170	NAS1149D0316J		..WASHER	031200 968999	4
175	F22K1-02		..NUT SUPPLIER CODE: V72962 SPECIFICATION NUMBER: BACN10R10L OPTIONAL PART: 22K1-02 V72962 26CLO2 V80539	031200 968999	2
180	232A3504-24		..FITTING ASSY-FLOOR POSITION DATA: INBD	031200 968999	1
185	232A3504-18		..POST ASSY- POSITION DATA: INBD	031200 968999	1
190	MF53050-3CD		...NUTPLATE SUPPLIER CODE: V15653 SPECIFICATION NUMBER: BACN10JN3CD OPTIONAL PART: BRFM20C3D V52828 102F9201M3 V72962 NS202487-02 V80539 MF51637-3 V15653	031200 968999	2

MISSING ITEM NUMBERS NOT APPLICABLE

- ITEM NOT ILLUSTRATED

HAP

25-11-51-23

BOEING PROPRIETARY - Copyright © - Unpublished Work - See title page for details.

25-11-51
FIG. 23
PAGE 3
OCT 15/08

BOEING
737-600/700/800/900
PARTS CATALOG (MAINTENANCE)

FIG ITEM	PART NUMBER	1 2 3 4 5 6 7	NOMENCLATURE	EFFECT FROM TO	UNITS PER ASSY
23			ATTACHING PARTS		
- 195	AF5141-3C	...	RIVET- SUPPLIER CODE: V53551 SPECIFICATION NUMBER: BACR15DR3AC SIZE DETERMINED ON INSTL. -----*-----	031200 968999	4
200	NAS1329A04-85	...	INSERT	031200 968999	2
205	BACS13CH3CD080P	...	INSERT	031200 968999	3
210	232A3504-13	...	POST	031200 968999	1
215	232A3503-6	.	POST ASSY- POSITION DATA: OUTBD	031200 968999	1
220	BACS12FA3K9	..	SCREW	031200 968999	2
225	BACR15BB5DC	..	RIVET- SIZE DETERMINED ON INSTL.	031200 968999	4
230	232A3504-12	..	BRACKET	031200 968999	2
235	232A3504-8	..	BRACKET	031200 968999	2
240	NAS623-3-17	..	SCREW	031200 968999	2
245	NAS1149D0316J	..	WASHER	031200 968999	4
250	F22K1-02	..	NUT SUPPLIER CODE: V72962 SPECIFICATION NUMBER: BACN10R10L OPTIONAL PART: 22K1-02 V72962 26CLO2 V80539	031200 968999	2
255	232A3504-25	..	FITTING ASSY-FLOOR POSITION DATA: OUTBD	031200 968999	1
260	232A3504-19	..	POST ASSY- POSITION DATA: OUTBD	031200 968999	1

MISSING ITEM NUMBERS NOT APPLICABLE

- ITEM NOT ILLUSTRATED

HAP

25-11-51-23

BOEING PROPRIETARY - Copyright © - Unpublished Work - See title page for details.

25-11-51
FIG. 23
PAGE 4
OCT 15/08

BOEING
737-600/700/800/900
PARTS CATALOG (MAINTENANCE)

FIG ITEM	PART NUMBER	1 2 3 4 5 6 7	NOMENCLATURE	EFFECT FROM TO	UNITS PER ASSY
23 265	MF53050-3CD		...NUTPLATE SUPPLIER CODE: V15653 SPECIFICATION NUMBER: BACN10JN3CD OPTIONAL PART: BRFM20C3D V52828 102F9201M3 V72962 NS202487-02 V80539 MF51637-3 V15653 ATTACHING PARTS	031200 968999	2
- 270	AF5141-3C		...RIVET- SUPPLIER CODE: V53551 SPECIFICATION NUMBER: BACR15DR3AC SIZE DETERMINED ON INSTL. -----*-----	031200 968999	4
275	BACS13CH3CD080P		...INSERT	031200 968999	2
280	232A3504-13		...POST	031200 968999	1

MISSING ITEM NUMBERS NOT APPLICABLE

- ITEM NOT ILLUSTRATED

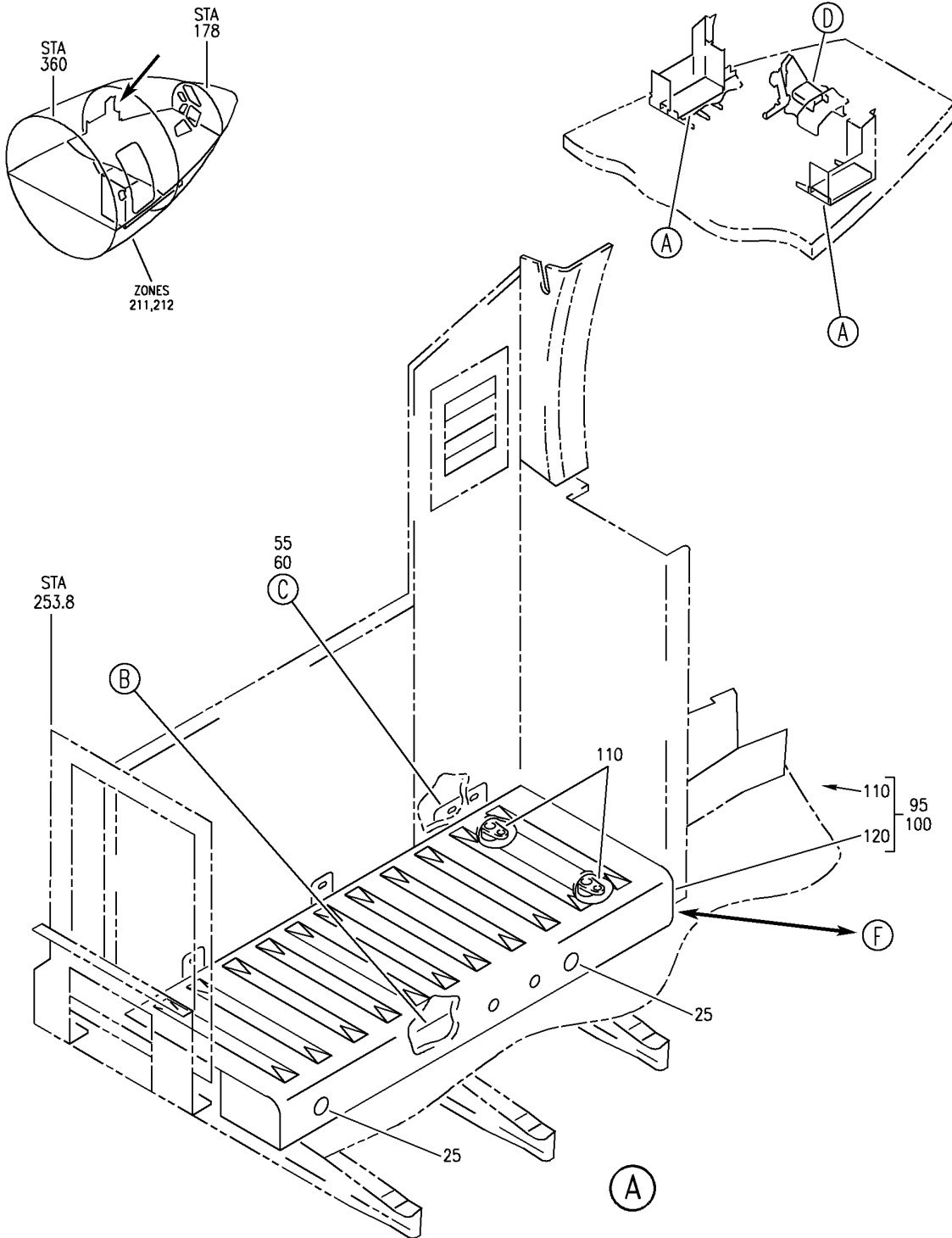
HAP

25-11-51-23

BOEING PROPRIETARY - Copyright © - Unpublished Work - See title page for details.

25-11-51
FIG. 23
PAGE 5
OCT 15/08

BOEING
 737-600/700/800/900
 PARTS CATALOG (MAINTENANCE)



E 25115124 SHT 1 REV 129

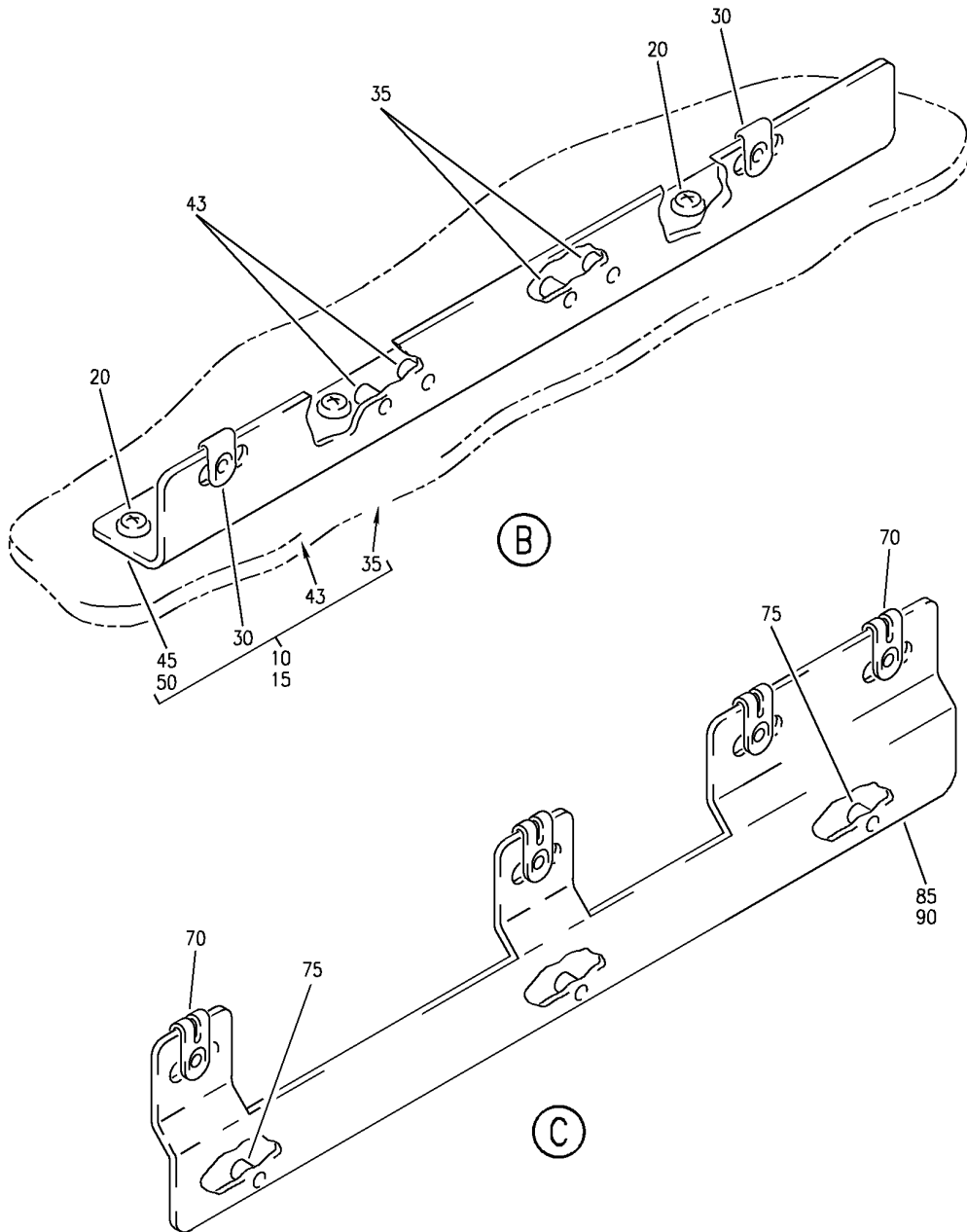
COVER INSTL-FWD CONT CAB. FLOOR RACEWAY
 FIGURE 24 (SHEET 1)

25-11-51-24

HAP
 JUN 10/07

25-11-51-24
 PAGE 0

BOEING
 737-600/700/800/900
 PARTS CATALOG (MAINTENANCE)



E 25115124 SH2 2 REV 129

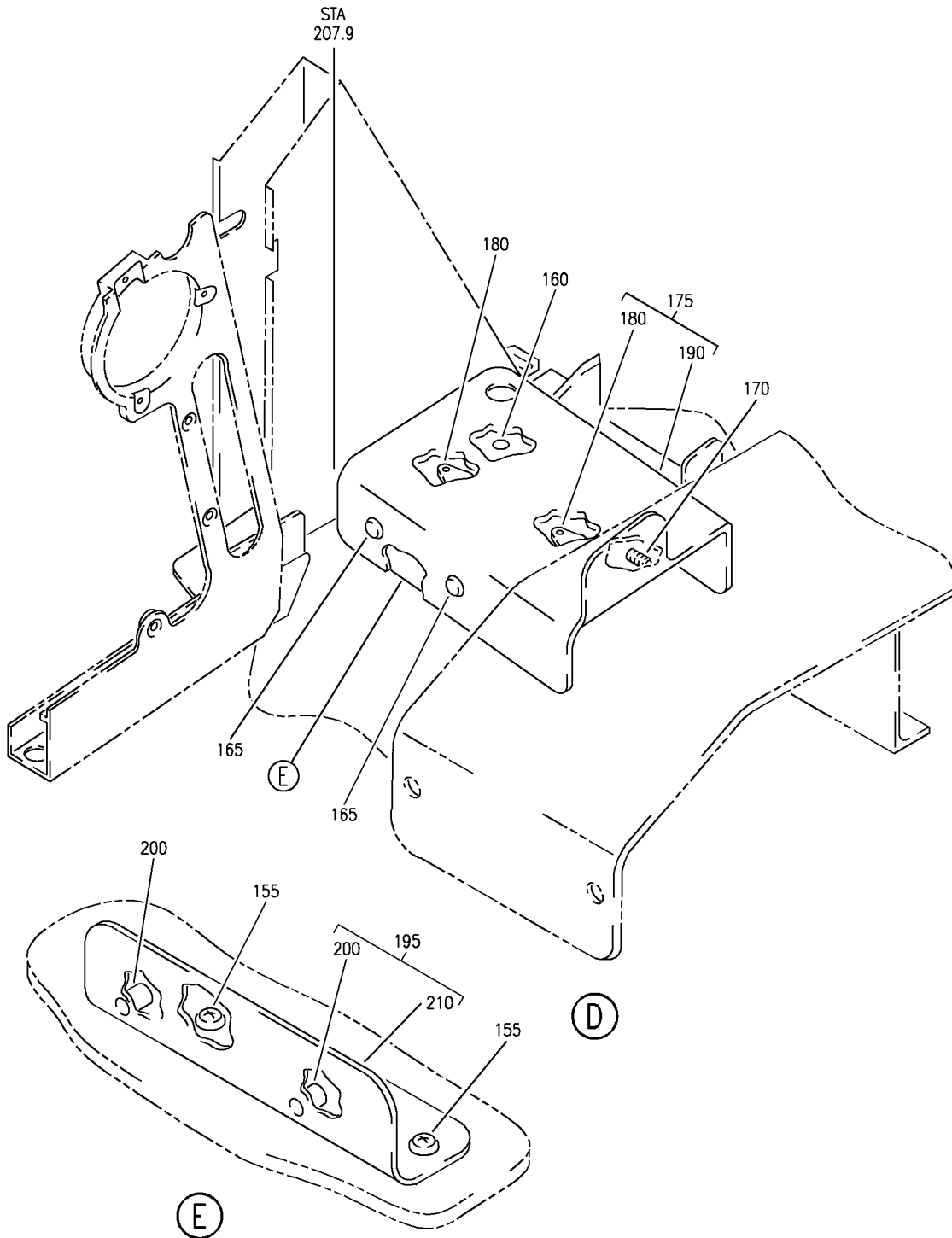
COVER INSTL-FWD CONT CAB. FLOOR RACEWAY
 FIGURE 24 (SHEET 2)

25-11-51-24

HAP
 JUN 10/07

25-11-51-24
 PAGE 0A

BOEING
737-600/700/800/900
PARTS CATALOG (MAINTENANCE)



E 25115124 SHT 3 REV 123

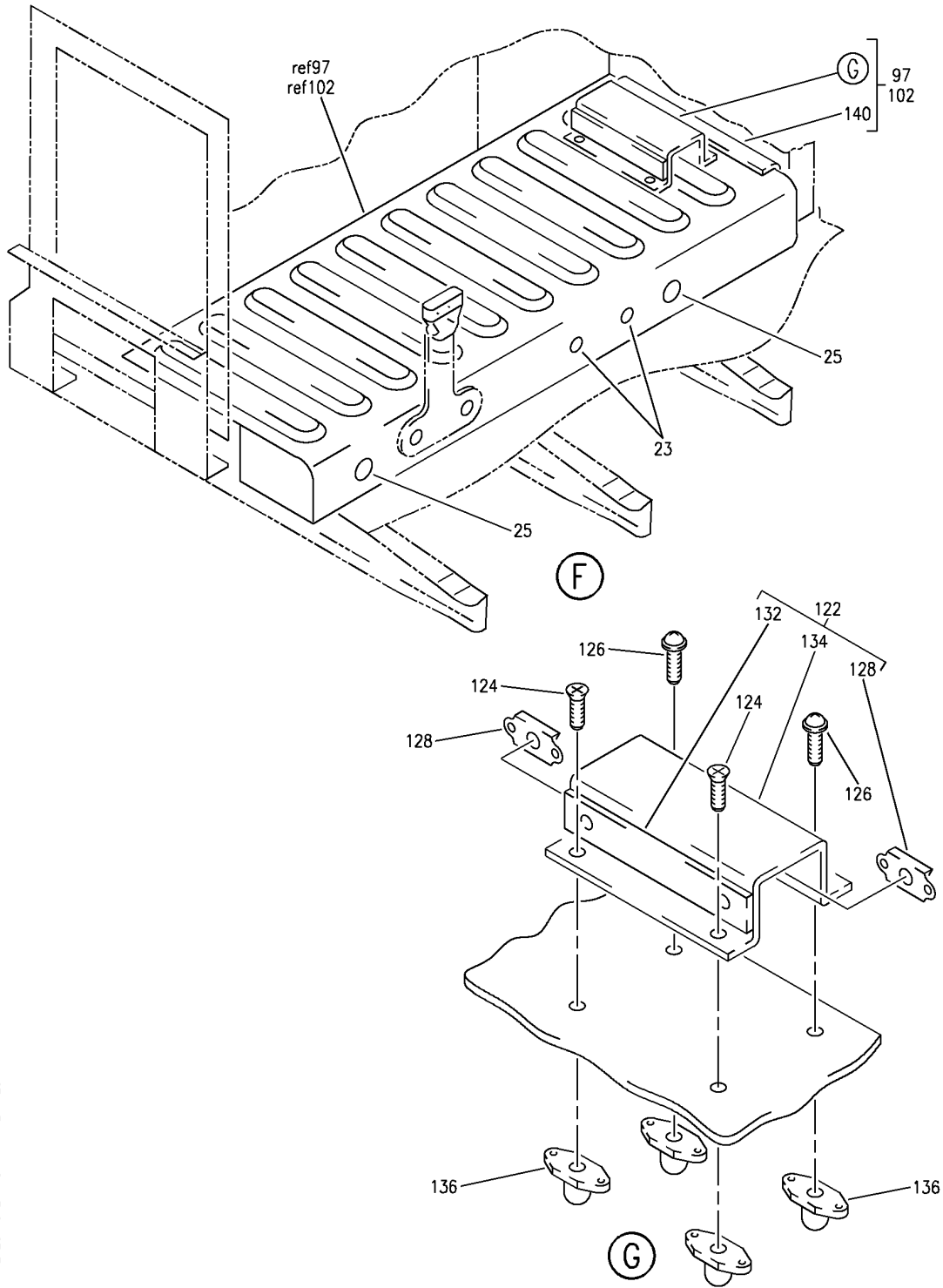
COVER INSTL-FWD CONT CAB. FLOOR RACEWAY
FIGURE 24 (SHEET 3)

25-11-51-24

HAP
OCT 10/06

25-11-51-24
PAGE 0B

BOEING
 737-600/700/800/900
 PARTS CATALOG (MAINTENANCE)



E 25115124 SHT 4 REV 129

COVER INSTL-FWD CONT CAB. FLOOR RACEWAY
 FIGURE 24 (SHEET 4)

25-11-51-24

HAP
 JUN 10/07

25-11-51-24
 PAGE 0C

BOEING
737-600/700/800/900
PARTS CATALOG (MAINTENANCE)

FIG ITEM	PART NUMBER	1 2 3 4 5 6 7	NOMENCLATURE	EFFECT FROM TO	UNITS PER ASSY
24			COVER INSTL-FWD CONT CAB. FLOOR RACEWAY	031200 968999	
- 1	MODREF81763		COVER INSTL-CONT CAB. FLOOR RACEWAY MODULE NUMBER: 232A1640-11 REV A POSITION DATA: FWD LH	031200 968999	1
- 5	MODREF81764		COVER INSTL-CONT CAB. FLOOR RACEWAY MODULE NUMBER: 232A1640-12 REV A POSITION DATA: FWD RH	031200 968999	1
10	232A1653-5		. ANGLE ASSY- POSITION DATA: LH SIDE	031200 968999	1
15	232A1653-6		. ANGLE ASSY- POSITION DATA: RH SIDE	031200 968999	1
20	BACS12FA3K8		ATTACHING PARTS . SCREW	031200 968999	3
25	WHS10F8TPKL01BK		. SCREW-WASHERHEAD SUPPLIER CODE: V12324 -----*-----	031200 968999	2
30	130069		.. NUT SUPPLIER CODE: V60119 SPECIFICATION NUMBER: BACN10FX16 OPTIONAL PART: A11330-6-3 V72962 A4972-6-02 V72962	031200 968999	2
35	NS103223SE02		.. NUTPLATE SUPPLIER CODE: V80539 SPECIFICATION NUMBER: BACN10JY3CM OPTIONAL PART: 109K9457-3 V72962 ATTACHING PARTS	031200 968999	2
- 40	BACR15BA3AC		.. RIVET- SIZE DETERMINED ON INSTL. -----*-----	031200 968999	4

MISSING ITEM NUMBERS NOT APPLICABLE

- ITEM NOT ILLUSTRATED

HAP

25-11-51-24

BOEING PROPRIETARY - Copyright © - Unpublished Work - See title page for details.

25-11-51
FIG. 24
PAGE 1
FEB 15/09

BOEING
737-600/700/800/900
PARTS CATALOG (MAINTENANCE)

FIG ITEM	PART NUMBER	1 2 3 4 5 6 7	NOMENCLATURE	EFFECT FROM TO	UNITS PER ASSY
24					
45	232A1653-7	..	ANGLE- POSITION DATA: LH SIDE	031200 968999	1
50	232A1653-8	..	ANGLE- POSITION DATA: RH SIDE	031200 968999	1
55	232A1652-15	.BRACKET ASSY-	POSITION DATA: LH SIDE	031200 968999	1
60	232A1652-16	.BRACKET ASSY-	POSITION DATA: RH SIDE	031200 968999	1
- 65	BACS12FA3K8	.SCREW	ATTACHING PARTS	031200 968999	3
		-----*			
70	BRC600-8-3	..NUT	SUPPLIER CODE: V52828 SPECIFICATION NUMBER: BACN10YD1 OPTIONAL PART: 130120 V60119	031200 968999	4
75	BRF200C3D	..NUTPLATE	SUPPLIER CODE: V52828 SPECIFICATION NUMBER: BACN10JR3CFD OPTIONAL PART: K51602-3BAC V15653 NS202476-02 V80539 102F9201-3 V72962 T8092C1032CD V11815 ATTACHING PARTS	031200 968999	3
- 80	BACR15BA3ADC	..RIVET-	SIZE DETERMINED ON INSTL.	031200 968999	6
		-----*			
85	232A1652-17	..BRACKET-	POSITION DATA: LH SIDE	031200 968999	1
90	232A1652-18	..BRACKET-	POSITION DATA: RH SIDE	031200 968999	1

MISSING ITEM NUMBERS NOT APPLICABLE

- ITEM NOT ILLUSTRATED

HAP

25-11-51-24

25-11-51
FIG. 24
PAGE 2
FEB 15/09

BOEING
737-600/700/800/900
PARTS CATALOG (MAINTENANCE)

FIG ITEM	PART NUMBER	1 2 3 4 5 6 7	NOMENCLATURE	EFFECT FROM TO	UNITS PER ASSY
24					
95	232A1641-11		.COVER ASSY- POSITION DATA: LH SIDE	031200 968999	1
100	232A1641-12		.COVER ASSY- POSITION DATA: RH SIDE	031200 968999	1
- 105	WHS10F8TPKL01BK		.SCREW-WASHERHEAD SUPPLIER CODE: V12324	031200 968999	4
- 150	MODREF81767		-----*----- COVER INSTL-CONT CAB. FLOOR RACEWAY MODULE NUMBER: 232A1640-8 REV A POSITION DATA: FWD	031200 968999	1
155	BACS12FA3K7		.SCREW	031200 968999	2
160	NAS8203A8		.SCREW	031200 968999	1
165	WHS10F6TPKL26GY		.SCREW- SUPPLIER CODE: V12324	031200 968999	2
170	WHS10F8TPKL26GY		.SCREW- SUPPLIER CODE: V12324	031200 968999	1
175	232A1641-5		.COVER ASSY	031200 968999	1
180	NS103223SE02		..NUTPLATE SUPPLIER CODE: V80539 SPECIFICATION NUMBER: BACN10JY3CM OPTIONAL PART: 109K9457-3 V72962 ATTACHING PARTS	031200 968999	2
- 185	BACR15BA3AC		..RIVET- SIZE DETERMINED ON INSTL. -----*-----	031200 968999	4
190	232A1641-6		..COVER	031200 968999	1
195	232A1653-9		.ANGLE ASSY	031200 968999	1

MISSING ITEM NUMBERS NOT APPLICABLE

- ITEM NOT ILLUSTRATED

HAP

25-11-51-24

BOEING PROPRIETARY - Copyright © - Unpublished Work - See title page for details.

25-11-51
FIG. 24
PAGE 3
FEB 15/09

BOEING
737-600/700/800/900
PARTS CATALOG (MAINTENANCE)

FIG ITEM	PART NUMBER	1 2 3 4 5 6 7	NOMENCLATURE	EFFECT FROM TO	UNITS PER ASSY
24 200	NS103223SE02		..NUTPLATE SUPPLIER CODE: V80539 SPECIFICATION NUMBER: BACN10JY3CM OPTIONAL PART: 109K9457-3 V72962 ATTACHING PARTS	031200 968999	2
- 205	BACR15BA3AC		..RIVET- SIZE DETERMINED ON INSTL. -----*-----	031200 968999	4
210	232A1653-10		..ANGLE	031200 968999	1

MISSING ITEM NUMBERS NOT APPLICABLE

- ITEM NOT ILLUSTRATED

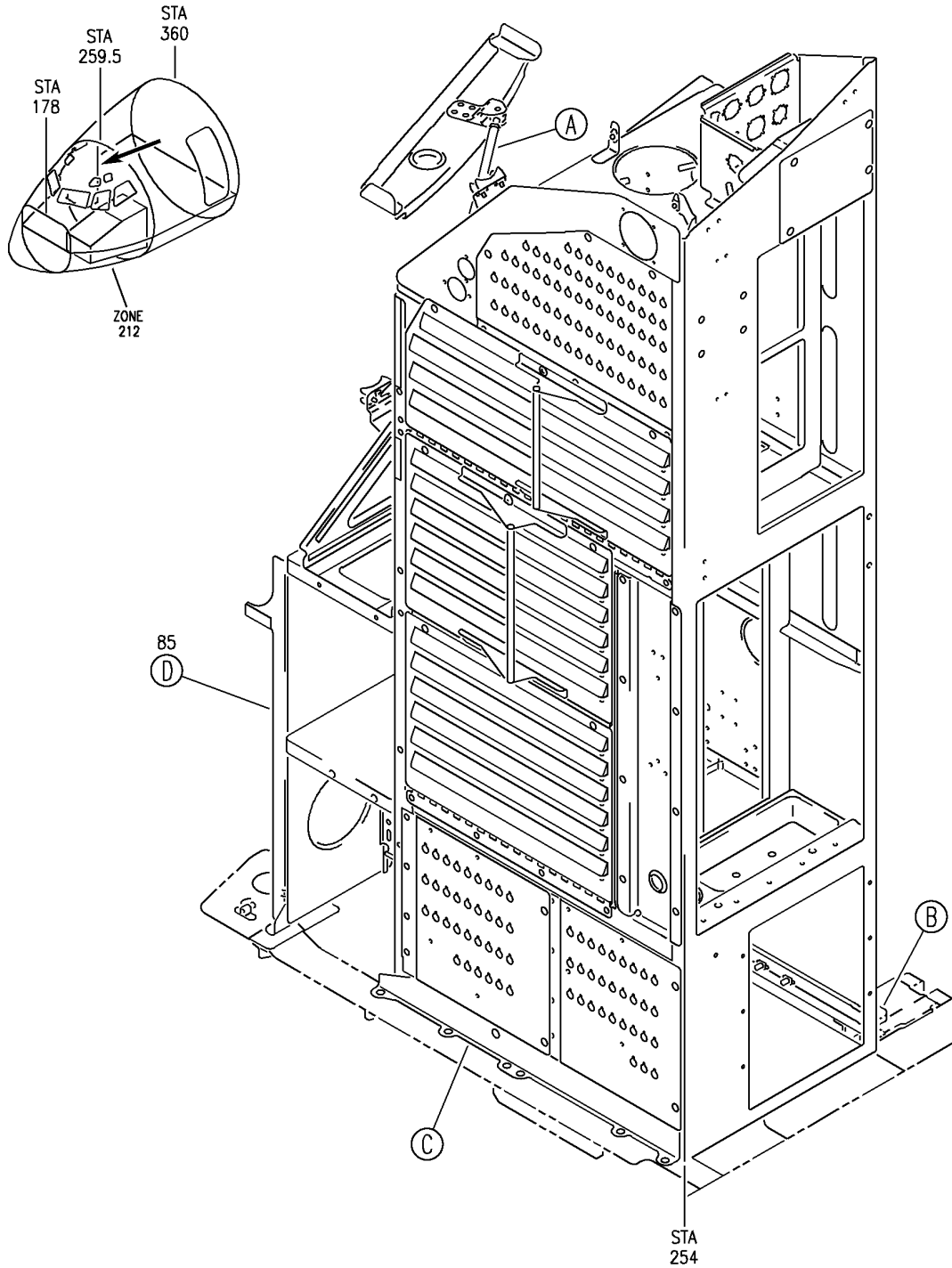
HAP

25-11-51-24

BOEING PROPRIETARY - Copyright © - Unpublished Work - See title page for details.

25-11-51
FIG. 24
PAGE 4
OCT 15/08

BOEING
737-600/700/800/900
PARTS CATALOG (MAINTENANCE)



E 25115125 SHT 1 REV 137

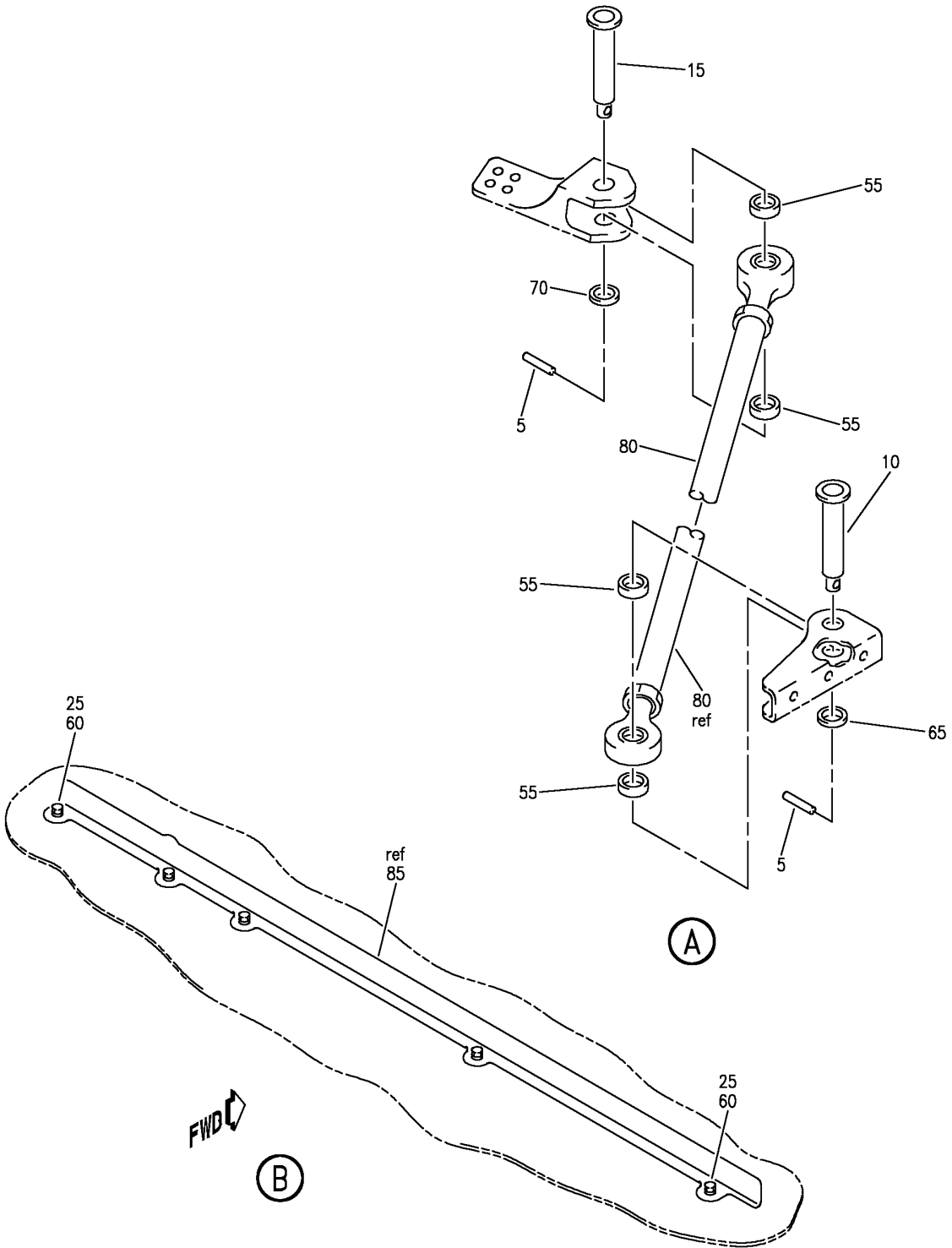
PANEL INSTL-FLIGHT DECK P6
FIGURE 25 (SHEET 1)

25-11-51-25

HAP
FEB 15/08

25-11-51-25
PAGE 0

BOEING
 737-600/700/800/900
 PARTS CATALOG (MAINTENANCE)



E 25115125 SHT 2 REV 141

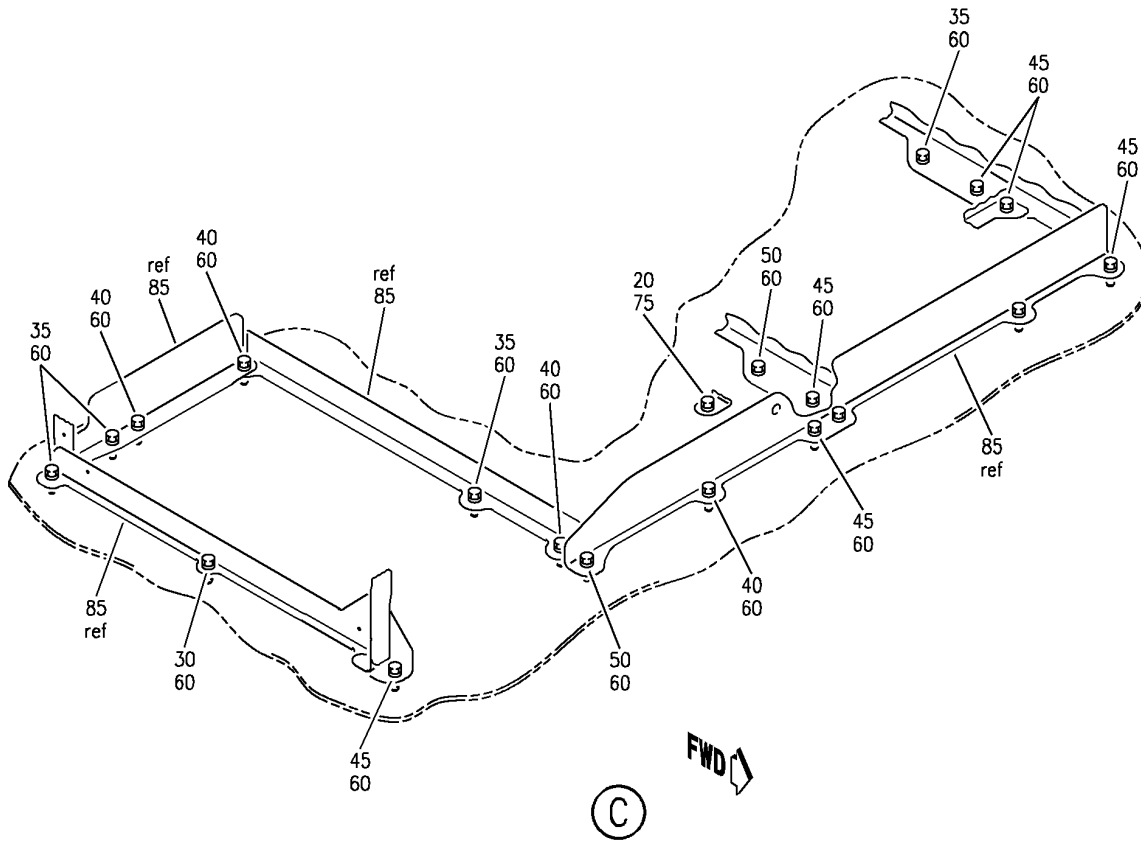
PANEL INSTL-FLIGHT DECK P6
 FIGURE 25 (SHEET 2)

25-11-51-25

HAP
 JUN 15/08

25-11-51-25
 PAGE 0A

BOEING
737-600/700/800/900
PARTS CATALOG (MAINTENANCE)



E 25115125 SH1 3 REV 137

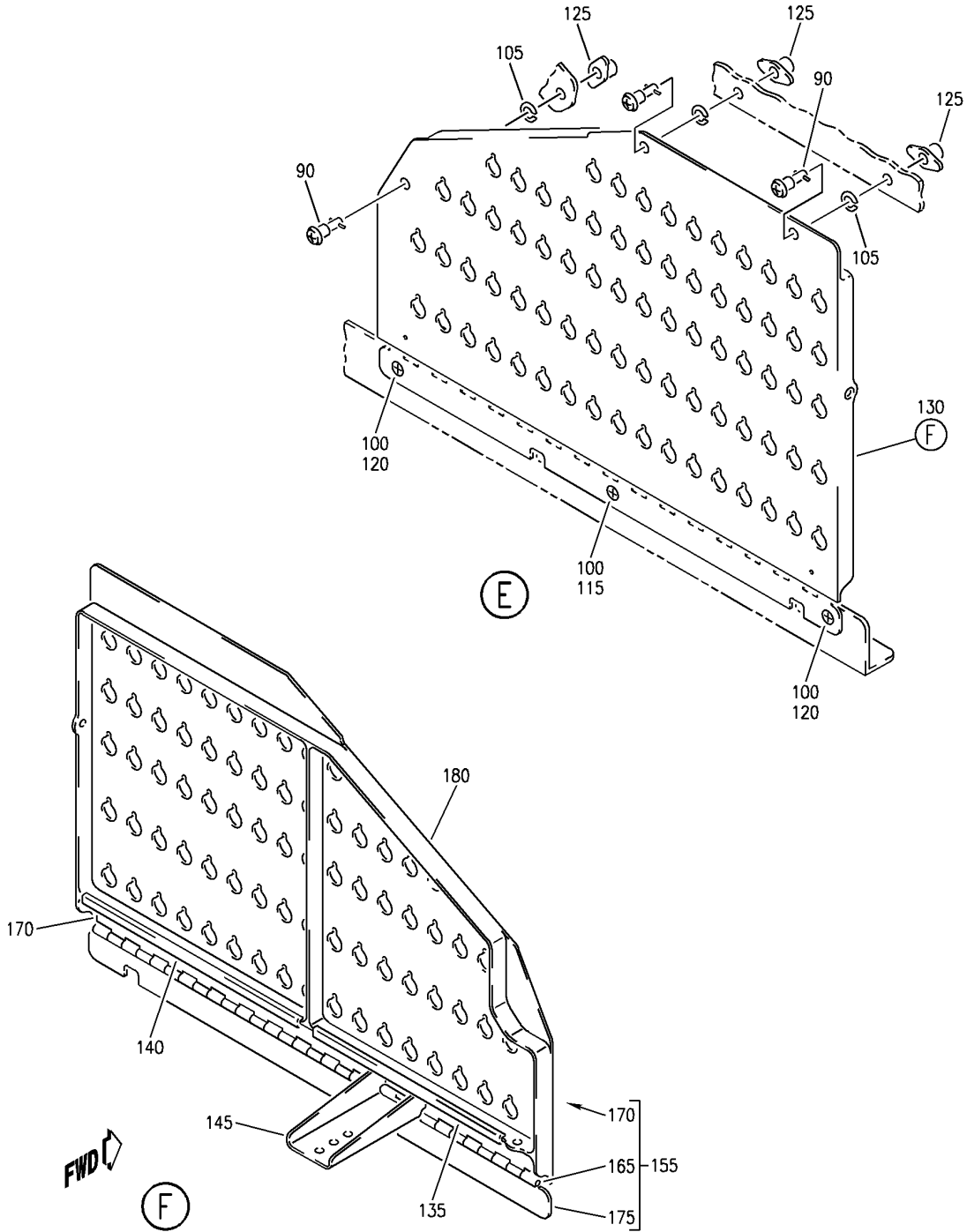
PANEL INSTL-FLIGHT DECK P6
FIGURE 25 (SHEET 3)

25-11-51-25

HAP
FEB 15/08

25-11-51-25
PAGE 0B

BOEING
 737-600/700/800/900
 PARTS CATALOG (MAINTENANCE)



E 25115125 SHT 5 REV 137

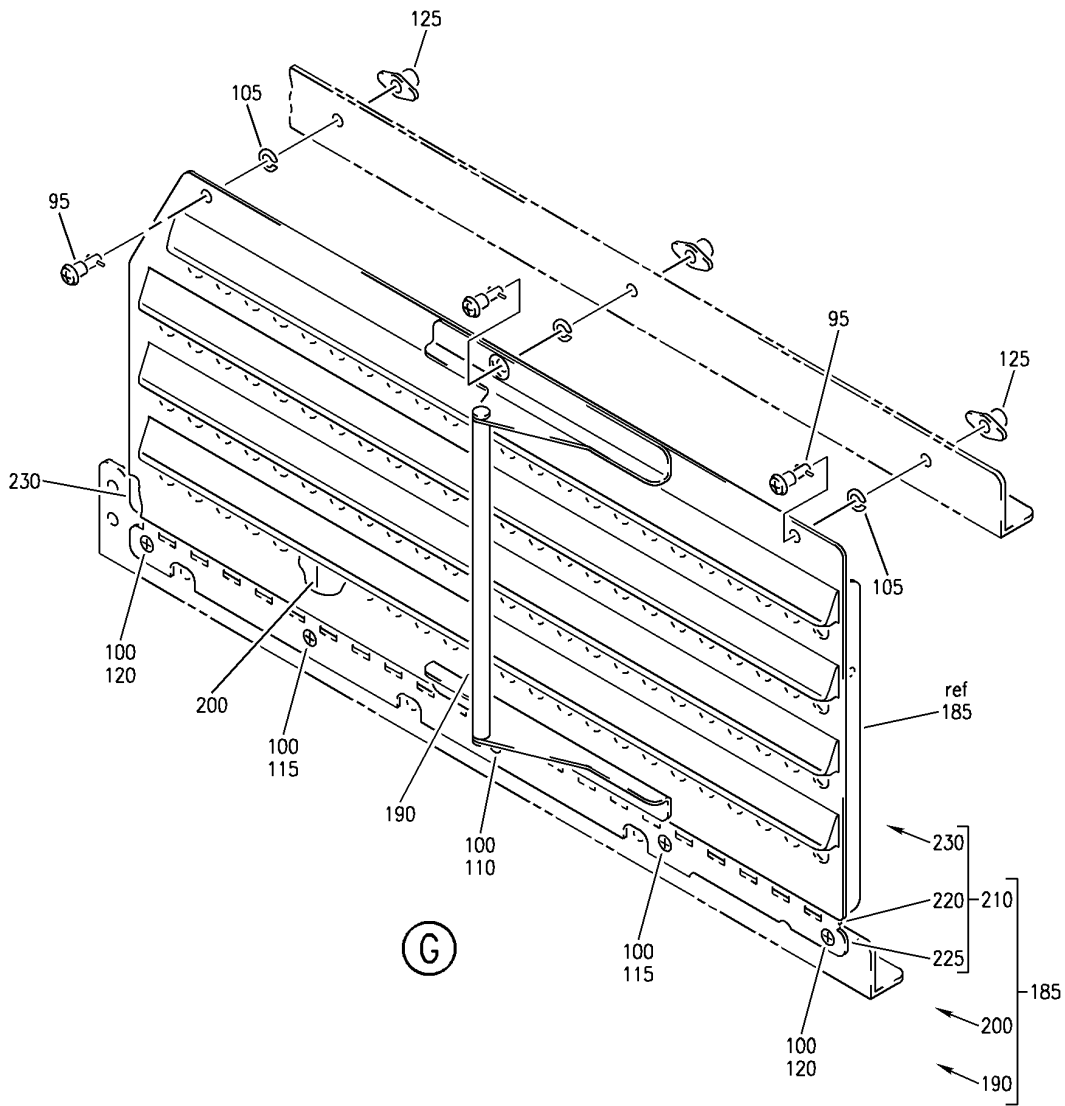
PANEL INSTL-FLIGHT DECK P6
 FIGURE 25 (SHEET 5)

25-11-51-25

HAP
 FEB 15/08

25-11-51-25
 PAGE 0D

BOEING
 737-600/700/800/900
 PARTS CATALOG (MAINTENANCE)



E 25115125 SHT 6 REV 137

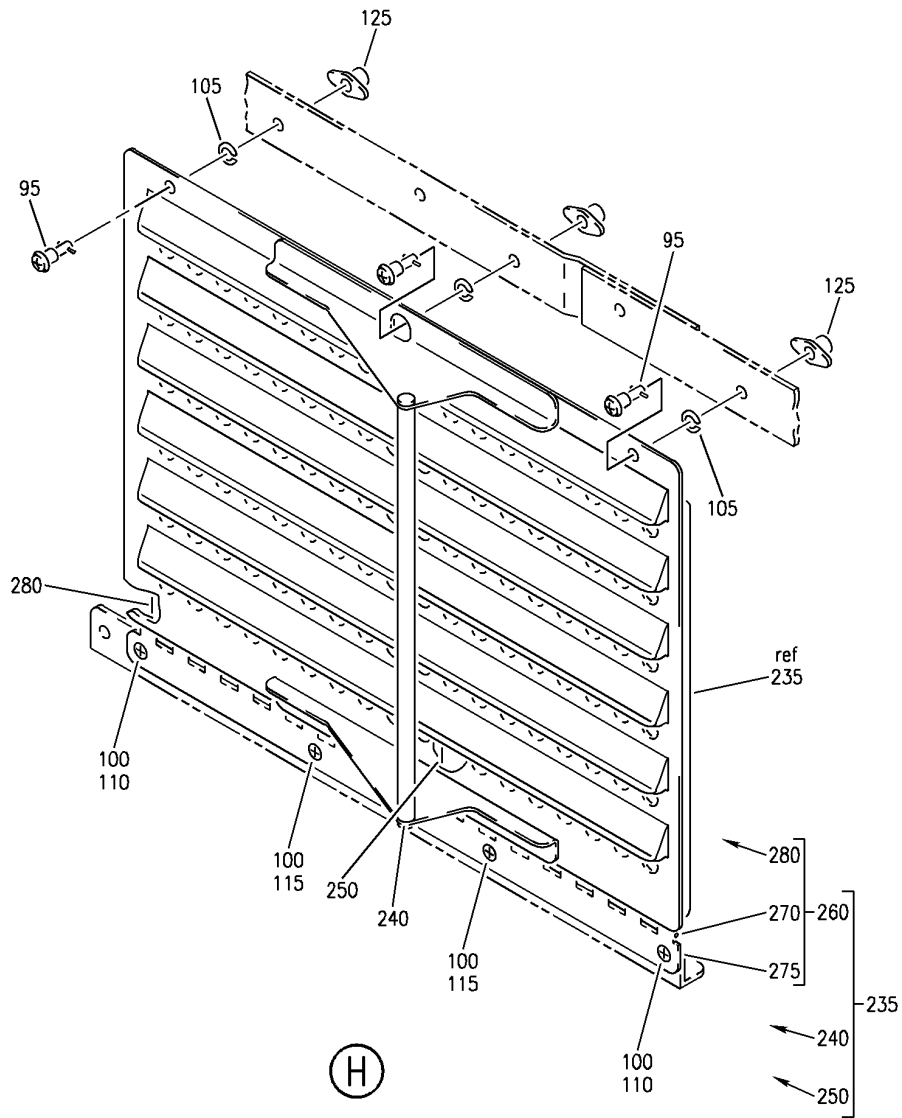
PANEL INSTL-FLIGHT DECK P6
 FIGURE 25 (SHEET 6)

25-11-51-25

HAP
 FEB 15/08

25-11-51-25
 PAGE 0E

BOEING
 737-600/700/800/900
 PARTS CATALOG (MAINTENANCE)



E 25115125 SHT 7 REV 137

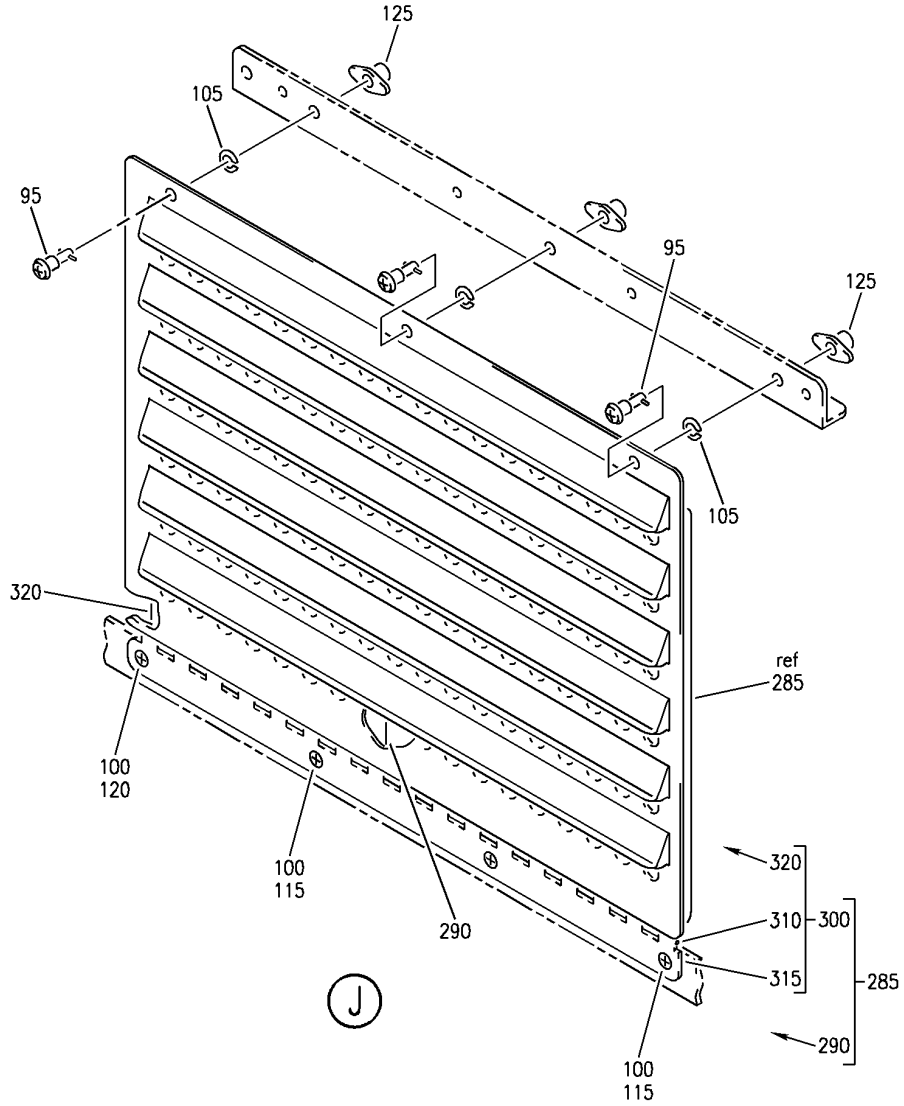
PANEL INSTL-FLIGHT DECK P6
 FIGURE 25 (SHEET 7)

25-11-51-25

HAP
 FEB 15/08

25-11-51-25
 PAGE OF

BOEING
 737-600/700/800/900
 PARTS CATALOG (MAINTENANCE)



E 25115125 SH 8 REV 137

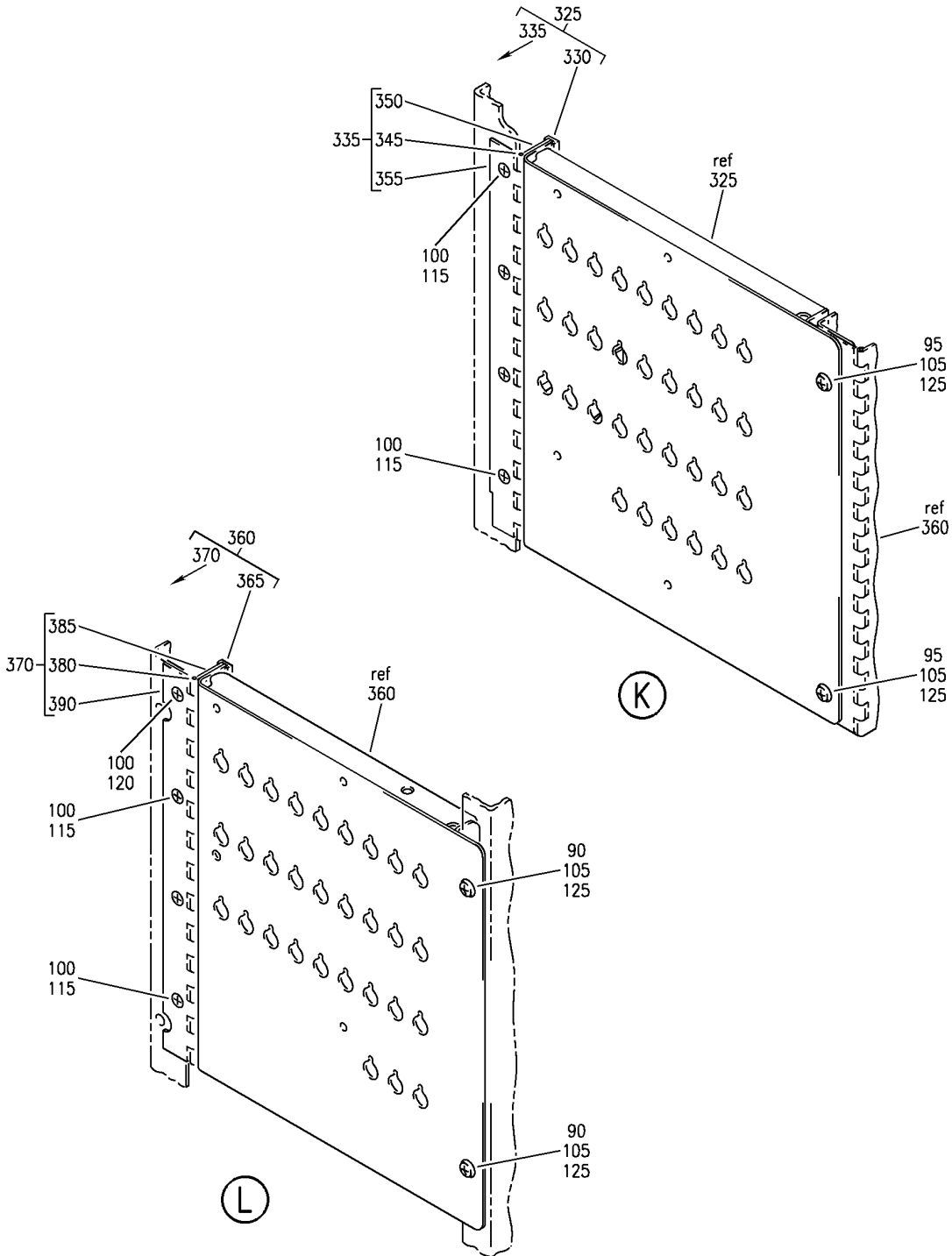
PANEL INSTL-FLIGHT DECK P6
 FIGURE 25 (SHEET 8)

25-11-51-25

HAP
 FEB 15/08

25-11-51-25
 PAGE 0G

BOEING
 737-600/700/800/900
 PARTS CATALOG (MAINTENANCE)



E 25115125 SHT 9 REV 137

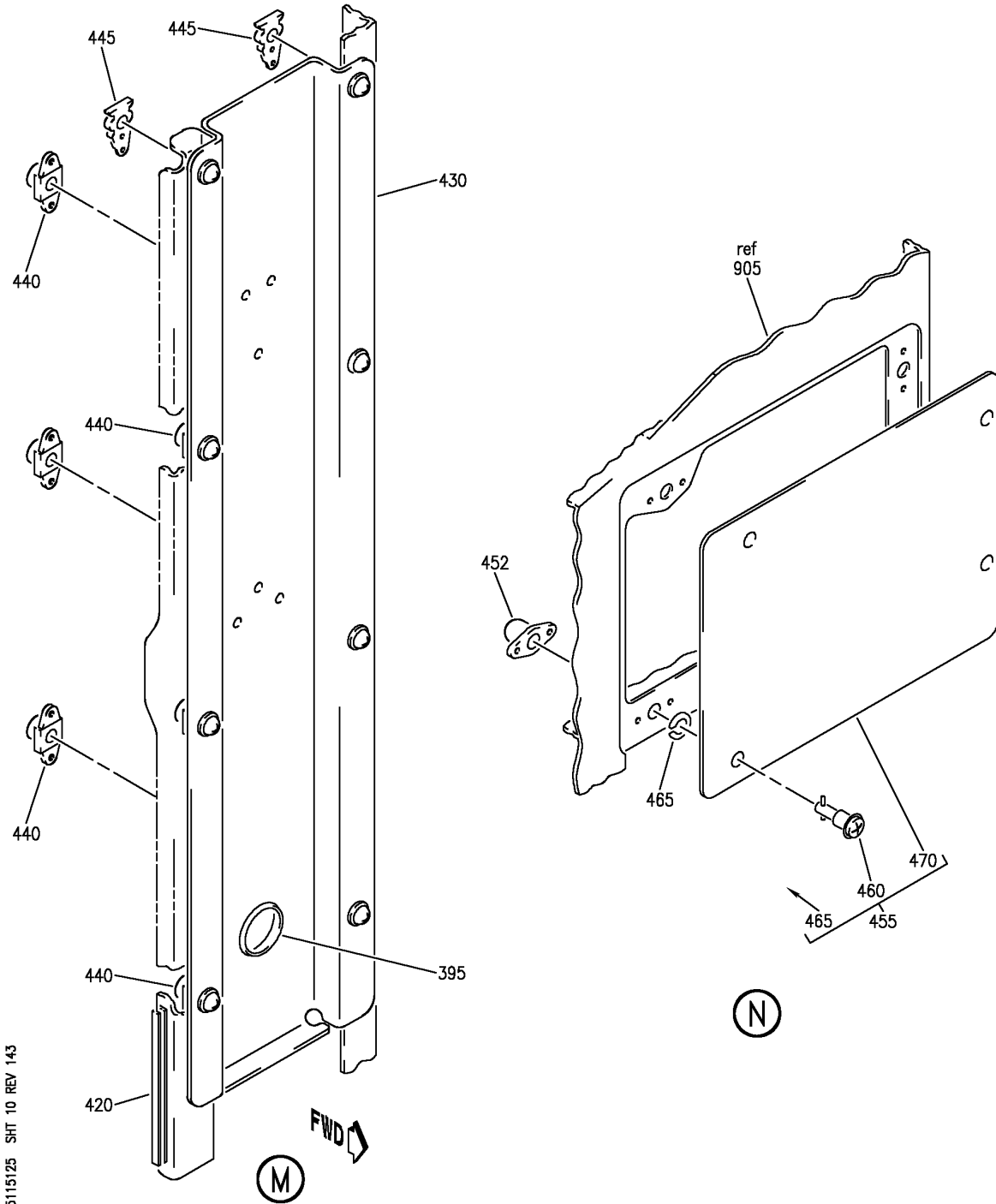
PANEL INSTL-FLIGHT DECK P6
 FIGURE 25 (SHEET 9)

25-11-51-25

HAP
 FEB 15/08

25-11-51-25
 PAGE 0H

BOEING
 737-600/700/800/900
 PARTS CATALOG (MAINTENANCE)



E 25115125 SHT 10 REV 143

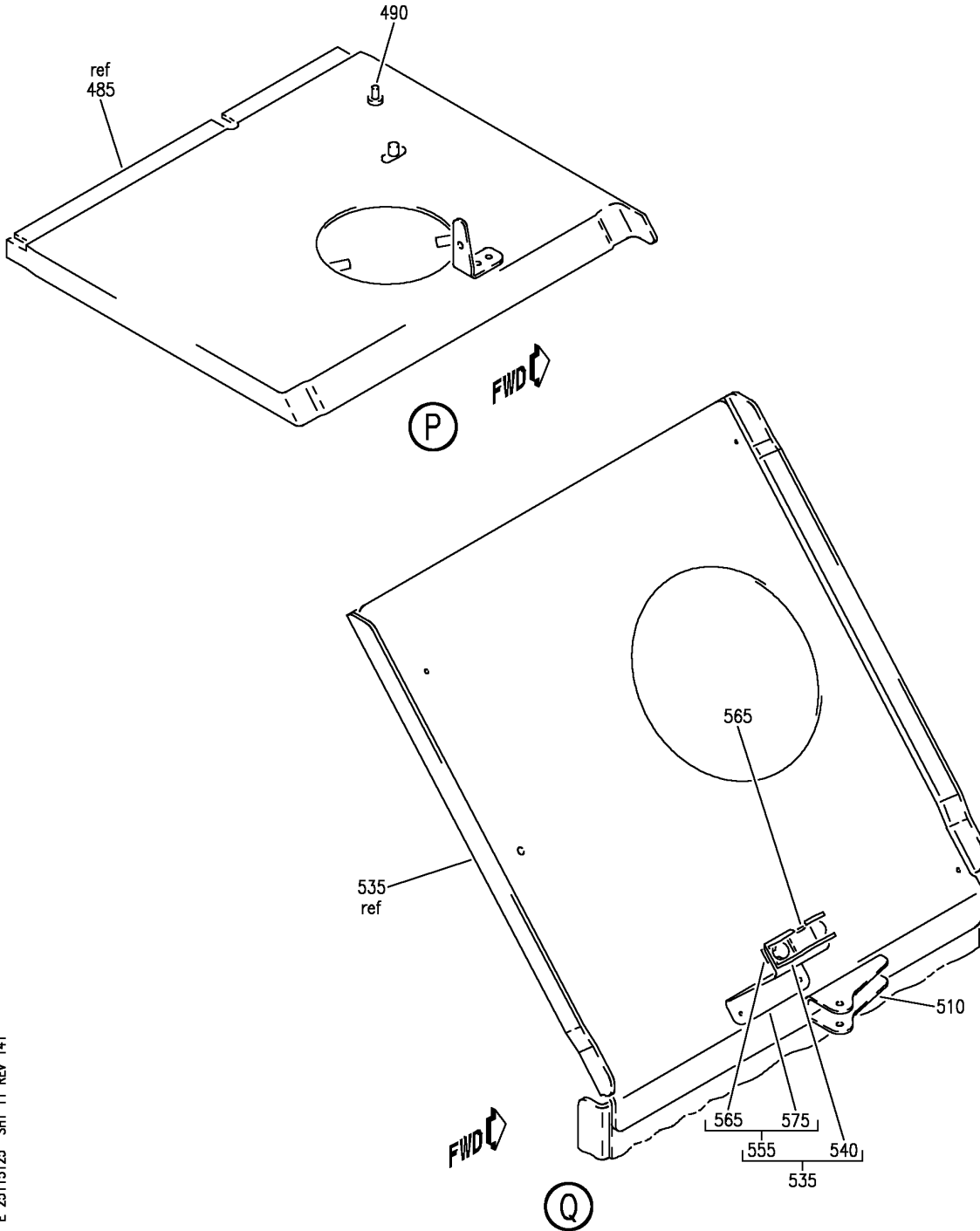
PANEL INSTL-FLIGHT DECK P6
 FIGURE 25 (SHEET 10)

25-11-51-25

HAP
 JUN 15/08

25-11-51-25
 PAGE 01

BOEING
 737-600/700/800/900
 PARTS CATALOG (MAINTENANCE)



E 25115125 SHT 11 REV 141

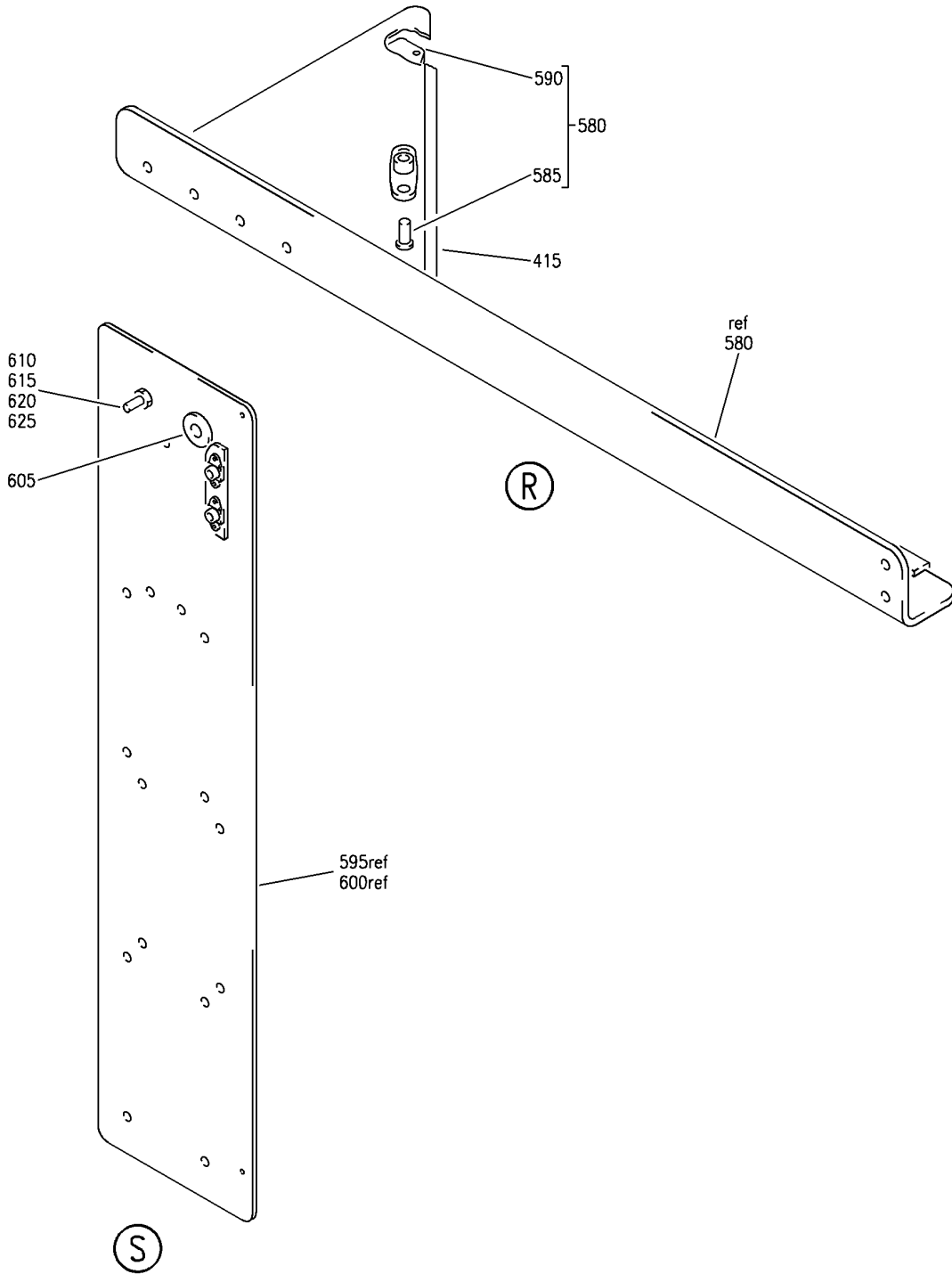
PANEL INSTL-FLIGHT DECK P6
 FIGURE 25 (SHEET 11)

25-11-51-25

HAP
 JUN 15/08

25-11-51-25
 PAGE 0J

BOEING
737-600/700/800/900
PARTS CATALOG (MAINTENANCE)



E 25115125 SHT 12 REV 137

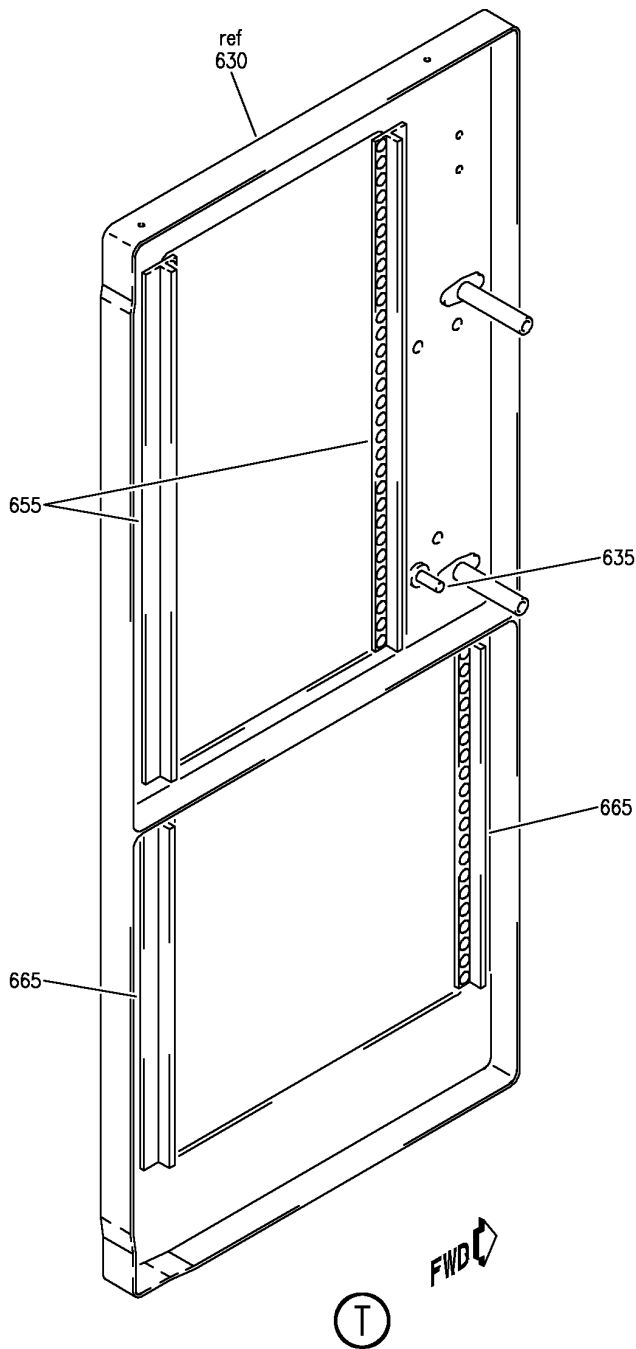
PANEL INSTL-FLIGHT DECK P6
FIGURE 25 (SHEET 12)

25-11-51-25

HAP
FEB 15/08

25-11-51-25
PAGE 0K

BOEING
737-600/700/800/900
PARTS CATALOG (MAINTENANCE)



E 25115125 SH1 13 REV 141

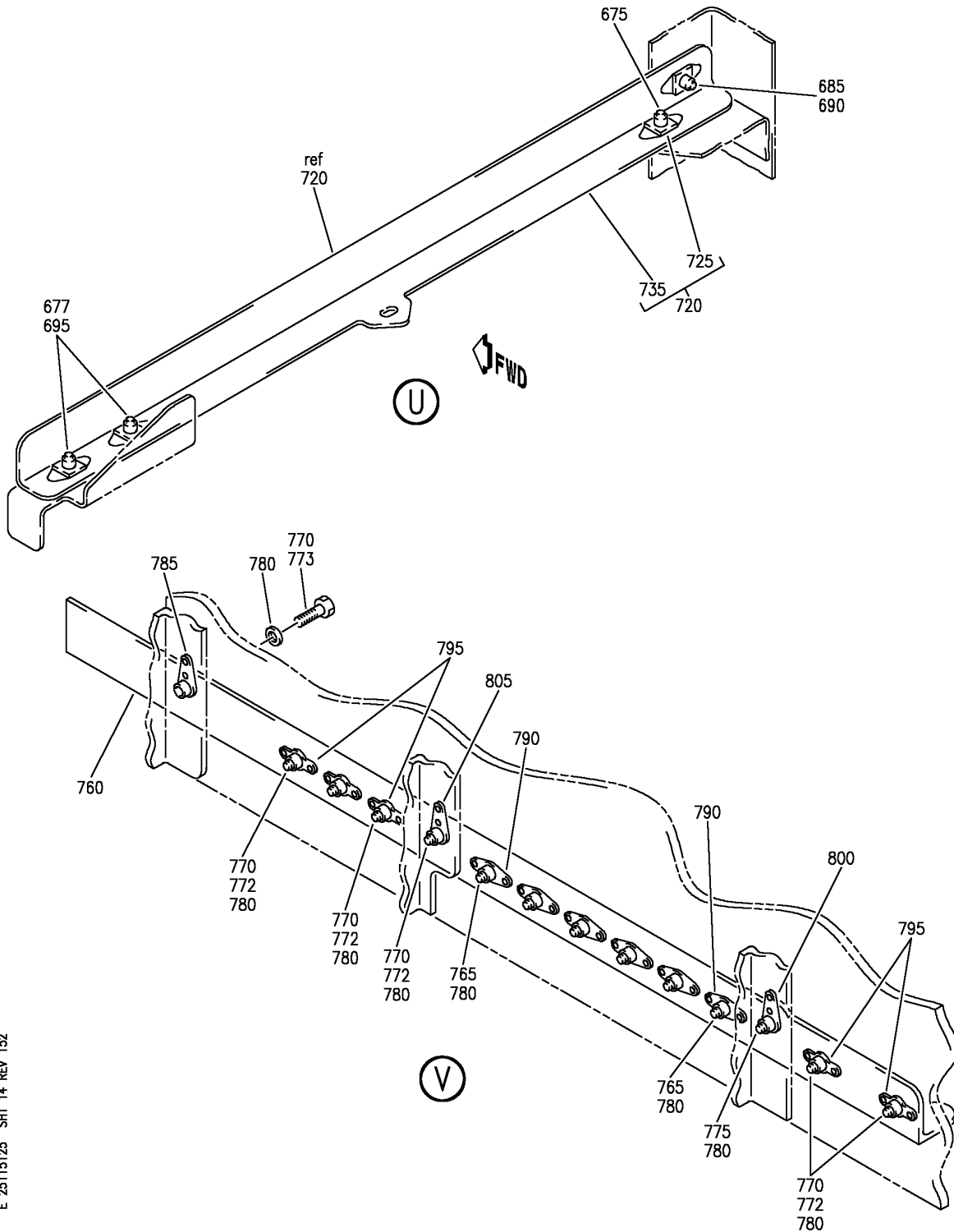
PANEL INSTL-FLIGHT DECK P6
FIGURE 25 (SHEET 13)

25-11-51-25

HAP
JUN 15/08

25-11-51-25
PAGE 0L

BOEING
 737-600/700/800/900
 PARTS CATALOG (MAINTENANCE)



E 25115125 SH1 14 REV 152

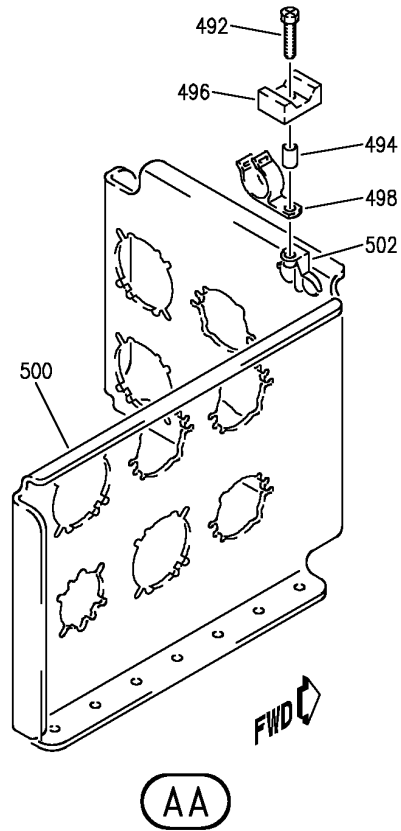
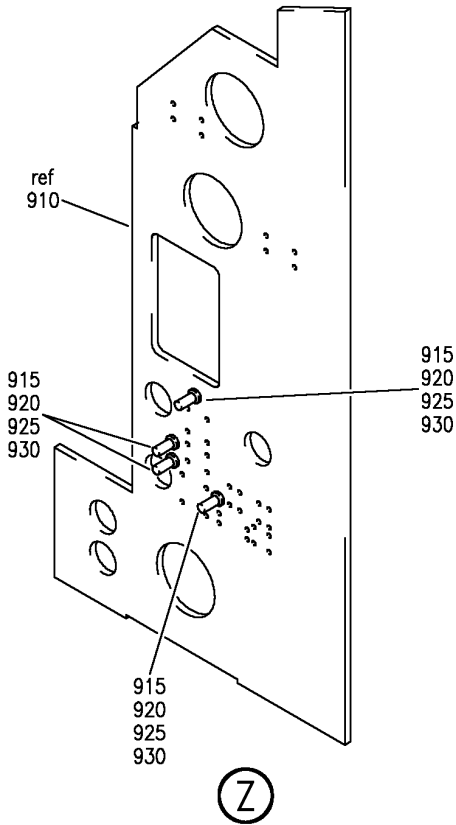
PANEL INSTL-FLIGHT DECK P6
 FIGURE 25 (SHEET 14)

25-11-51-25

HAP
 JUN 15/09

25-11-51-25
 PAGE 0M

BOEING
 737-600/700/800/900
 PARTS CATALOG (MAINTENANCE)



E 25115125 SHT 16 REV 152

PANEL INSTL-FLIGHT DECK P6
 FIGURE 25 (SHEET 16)

25-11-51-25

HAP
 JUN 15/09

25-11-51-25
 PAGE 00

BOEING
737-600/700/800/900
PARTS CATALOG (MAINTENANCE)

FIG ITEM	PART NUMBER	1 2 3 4 5 6 7	NOMENCLATURE	EFFECT FROM TO	UNITS PER ASSY
25			PANEL INSTL-FLIGHT DECK P6	047053 105200 973999	
- 1	MODREF348822		PANEL INSTL-FLIGHT DECK P6 MODULE NUMBER: 233A5320-1 REV A	047053 105200 973999	1
5	BACP18BC02C06P		.PIN	047053 105200 973999	2
10	BACP18BD2S29		.PIN	047053 105200 973999	1
15	BACP18BD2S31		.PIN	047053 105200 973999	1
20	BACS12HN5-10		.SCREW	047053 105200 973999	1
25	BACB30NM3K10		.BOLT	047053 105200 973999	5
30	BACB30NM3K2		.BOLT	047053 105200 973999	1
35	BACB30NM3K3		.BOLT	047053 105200 973999	4
40	BACB30NM3K4		.BOLT	047053 105200 973999	4
45	BACB30NM3K5		.BOLT	047053 105200 973999	8
50	BACB30NM3K6		.BOLT	047053 105200 973999	2
55	NAS43HT3-6		.SPACER	047053 105200 973999	4
60	BACW10BN3AC		.WASHER	047053 105200 973999	24
65	NAS1149D0332J		.WASHER	047053 105200 973999	1
70	NAS1149D0363J		.WASHER	047053 105200 973999	1

MISSING ITEM NUMBERS NOT APPLICABLE

- ITEM NOT ILLUSTRATED

HAP

25-11-51-25

BOEING PROPRIETARY - Copyright © - Unpublished Work - See title page for details.

25-11-51
FIG. 25
PAGE 1
FEB 15/09

 **BOEING**
737-600/700/800/900
PARTS CATALOG (MAINTENANCE)

FIG ITEM	PART NUMBER	1 2 3 4 5 6 7	NOMENCLATURE	EFFECT FROM TO	UNITS PER ASSY
25					
75	NAS1149D0516H	.	WASHER	047053 105200 973999	2
80	BACR24N1B117	.	ROD ASSY	047053 105200 973999	1
85	233A5321-1	.	PANEL ASSY-P6	047053 105200 973999	1
90	BACS21EE4R	..	STUD ASSY	047053 105200 973999	5
95	BACS21EE5R	..	STUD	047053 105200 973999	11
100	BACS12GX3H8	..	SCREW	047053 105200 973999	24
105	1127722	..	WASHER SUPPLIER CODE: V60119 SPECIFICATION NUMBER: BACW10X2 OPTIONAL PART: 2600SW V71286	047053 105200 973999	16
110	MF53050-3CD	..	NUTPLATE SUPPLIER CODE: V15653 SPECIFICATION NUMBER: BACN10JN3CD OPTIONAL PART: BRFM20C3D V52828 102F9201M3 V72962 NS202487-02 V80539 MF51637-3 V15653	047053 105200 973999	3
115	NS202541-3	..	NUTPLATE SUPPLIER CODE: V80539 SPECIFICATION NUMBER: BACN10KA3BCD OPTIONAL PART: T8100C1032KCPM V11815	047053 105200 973999	15

MISSING ITEM NUMBERS NOT APPLICABLE

— ITEM NOT ILLUSTRATED

HAP

25-11-51-25

BOEING PROPRIETARY - Copyright © - Unpublished Work - See title page for details.

25-11-51
FIG. 25
PAGE 2
FEB 15/09

BOEING
737-600/700/800/900
PARTS CATALOG (MAINTENANCE)

FIG ITEM	PART NUMBER	1 2 3 4 5 6 7	NOMENCLATURE	EFFECT FROM TO	UNITS PER ASSY
25					
120	NS202542-3	..	NUTPLATE SUPPLIER CODE: V80539 SPECIFICATION NUMBER: BACN10KA3CCD OPTIONAL PART: T8102C1032KCPM V11815	047053 105200 973999	6
125	BACR11AW2K	..	RECEPTACLE	047053 105200 973999	16
- 127	BACR15BA3ADC		ATTACHING PARTS ..RIVET- SIZE DETERMINED ON INSTL.	047053 105200 973999	80
			-----*-----		
130	233A5322-4	..	PANEL ASSY	047053 105200 973999	1
135	BACG20ZA000660	...	GROMMET	047053 105200 973999	1
140	BACG20ZA000765	...	GROMMET	047053 105200 973999	1
145	233A5311-39	...	STIFFENER	047053 105200 973999	1
- 150	BACR15BA4ADC		ATTACHING PARTS ...RIVET- SIZE DETERMINED ON INSTL.	047053 105200 973999	2
			-----*-----		
155	233A5324-19	...	HINGE ASSY	047053 105200 973999	1
- 160	BACR15BA5ADC		ATTACHING PARTS ...RIVET- SIZE DETERMINED ON INSTL.	047053 105200 973999	6
			-----*-----		
165	MS20253P2-1500L	PIN	047053 105200 973999	1
170	233A5324-20	HINGE-HALF	047053 105200 973999	1

MISSING ITEM NUMBERS NOT APPLICABLE

- ITEM NOT ILLUSTRATED

HAP

25-11-51-25

BOEING PROPRIETARY - Copyright © - Unpublished Work - See title page for details.

25-11-51
FIG. 25
PAGE 3
FEB 15/09

BOEING
737-600/700/800/900
PARTS CATALOG (MAINTENANCE)

FIG ITEM	PART NUMBER	1 2 3 4 5 6 7	NOMENCLATURE	EFFECT FROM TO	UNITS PER ASSY
25					
175	233A5324-21	HINGE-HALF	047053 105200 973999	1
180	233A5323-7	...	PANEL	047053 105200 973999	1
185	233A5303-10	..	DOOR ASSY-P6-2	047053 105200 973999	1
190	233A5315-1	...	GUARD ASSY	047053 105200 973999	1
			ATTACHING PARTS		
- 195	BACS12HJ3K7	...	SCREW	047053 105200 973999	2
			-----*-----		
200	233A5311-39	...	STIFFENER	047053 105200 973999	1
			ATTACHING PARTS		
- 205	BACR15BA4ADC	...	RIVET- SIZE DETERMINED ON INSTL.	047053 105200 973999	2
			-----*-----		
210	233A5312-21	...	HINGE ASSY	047053 105200 973999	1
			ATTACHING PARTS		
- 215	BACR15BA4ADC	...	RIVET- SIZE DETERMINED ON INSTL.	047053 105200 973999	4
			-----*-----		
220	MS20253P2-2109L	PIN	047053 105200 973999	1
225	233A5312-22	HINGE-HALF	047053 105200 973999	1
230	233A5312-23	HINGE-HALF	047053 105200 973999	1
235	233A5303-11	..	DOOR ASSY-P6-3	047053 105200 973999	1
240	233A5315-3	...	GUARD ASSY	047053 105200 973999	1

MISSING ITEM NUMBERS NOT APPLICABLE

- ITEM NOT ILLUSTRATED

HAP

25-11-51-25

BOEING PROPRIETARY - Copyright © - Unpublished Work - See title page for details.

25-11-51
FIG. 25
PAGE 4
FEB 15/09

BOEING
737-600/700/800/900
PARTS CATALOG (MAINTENANCE)

FIG ITEM	PART NUMBER	1 2 3 4 5 6 7	NOMENCLATURE	EFFECT FROM TO	UNITS PER ASSY
25			ATTACHING PARTS		
- 245	BAC S12HJ3K7	...	SCREW	047053 105200 973999	2
			-----*-----		
250	233A5311-39	...	STIFFENER	047053 105200 973999	1
			ATTACHING PARTS		
- 255	BAC R15BA4ADC	...	RIVET- SIZE DETERMINED ON INSTL.	047053 105200 973999	2
			-----*-----		
260	233A5312-25	...	HINGE ASSY	047053 105200 973999	1
			ATTACHING PARTS		
- 265	BAC R15BA4ADC	...	RIVET- SIZE DETERMINED ON INSTL.	047053 105200 973999	4
			-----*-----		
270	MS20253P2-1633L	PIN	047053 105200 973999	1
275	233A5312-26	HINGE-HALF	047053 105200 973999	1
280	233A5312-27	HINGE-HALF	047053 105200 973999	1
285	233A5303-12	..	DOOR ASSY-P6-4	047053 105200 973999	1
290	233A5311-39	...	STIFFENER	047053 105200 973999	1
			ATTACHING PARTS		
- 295	BAC R15BA4ADC	...	RIVET- SIZE DETERMINED ON INSTL.	047053 105200 973999	2
			-----*-----		
300	233A5312-25	...	HINGE ASSY	047053 105200 973999	1
			ATTACHING PARTS		
- 305	BAC R15BA4ADC	...	RIVET- SIZE DETERMINED ON INSTL.	047053 105200 973999	10
			-----*-----		

MISSING ITEM NUMBERS NOT APPLICABLE

- ITEM NOT ILLUSTRATED

HAP

25-11-51-25

BOEING PROPRIETARY - Copyright © - Unpublished Work - See title page for details.

25-11-51
FIG. 25
PAGE 5
FEB 15/09

BOEING
737-600/700/800/900
PARTS CATALOG (MAINTENANCE)

FIG ITEM	PART NUMBER	1 2 3 4 5 6 7	NOMENCLATURE	EFFECT FROM TO	UNITS PER ASSY
25					
310	MS20253P2-1633L	PIN	047053 105200 973999	1
315	233A5312-26	HINGE-HALF	047053 105200 973999	1
320	233A5312-27	HINGE-HALF	047053 105200 973999	1
325	233A5303-6	..	DOOR ASSY-P6-12	047053 105200 973999	1
330	BACG20ZP001175B	...	GROMMET	047053 105200 973999	1
335	233A5312-17	...	HINGE ASSY	047053 105200 973999	1
- 340	BACR15BB4ADC	...	ATTACHING PARTS RIVET- SIZE DETERMINED ON INSTL.	047053 105200 973999	14
			-----*-----		
345	MS20253P2-1150L	PIN	047053 105200 973999	1
350	233A5312-18	HINGE-HALF	047053 105200 973999	1
355	233A5312-19	HINGE-HALF	047053 105200 973999	1
360	233A5303-5	..	DOOR ASSY-P6-11	047053 105200 973999	1
365	BACG20ZP001175B	...	GROMMET	047053 105200 973999	1
370	233A5312-13	...	HINGE ASSY	047053 105200 973999	1
- 375	BACR15BB4ADC	...	ATTACHING PARTS RIVET- SIZE DETERMINED ON INSTL.	047053 105200 973999	14
			-----*-----		
380	MS20253P2-1150L	PIN	047053 105200 973999	1

MISSING ITEM NUMBERS NOT APPLICABLE

- ITEM NOT ILLUSTRATED

HAP

25-11-51-25

25-11-51
FIG. 25
PAGE 6
FEB 15/09

BOEING
737-600/700/800/900
PARTS CATALOG (MAINTENANCE)

FIG ITEM	PART NUMBER	1 2 3 4 5 6 7	NOMENCLATURE	EFFECT FROM TO	UNITS PER ASSY
25					
385	233A5312-14	HINGE-HALF ALTERED FROM PART NUMBER: MS20257H5-1200	047053 105200 973999	1
390	233A5312-15	HINGE-HALF ALTERED FROM PART NUMBER: MS20257H5-1200	047053 105200 973999	1
395	BACG20AD314A	..	GROMMET	047053 105200 973999	1
400	BACG20ZA000440	..	GROMMET	047053 105200 973999	1
405	BACG20ZA000730	..	GROMMET	047053 105200 973999	1
410	BACG20ZA000720	..	GROMMET	047053 105200 973999	1
415	BACG20ZB002442	..	GROMMET	047053 105200 973999	1
420	BACG20ZA000500	..	GROMMET	047053 105200 973999	1
425	BACG20ZB001130	..	GROMMET	047053 105200 973999	1
430	233A5305-3	..	WEB ASSY	047053 105200 973999	1
- 435	BACS12FA3K8	..	ATTACHING PARTS SCREW	047053 105200 973999	8
440	BRF200C3D	..	-----*----- NUTPLATE SUPPLIER CODE: V52828 SPECIFICATION NUMBER: BACN10JR3CFD OPTIONAL PART: K51602-3BAC V15653 NS202476-02 V80539 102F9201-3 V72962 T8092C1032CD V11815	047053 105200 973999	6

MISSING ITEM NUMBERS NOT APPLICABLE

- ITEM NOT ILLUSTRATED

HAP

25-11-51-25

BOEING PROPRIETARY - Copyright © - Unpublished Work - See title page for details.

25-11-51
FIG. 25
PAGE 7
FEB 15/09

BOEING
737-600/700/800/900
PARTS CATALOG (MAINTENANCE)

FIG ITEM	PART NUMBER	1 2 3 4 5 6 7	NOMENCLATURE	EFFECT FROM TO	UNITS PER ASSY
25 445	BRF100C3D		..NUTPLATE SUPPLIER CODE: V52828 SPECIFICATION NUMBER: BACN10KB3CFD OPTIONAL PART: NS202478-02 V80539 102F9207P3 V72962 F51604-3 V15653 ATTACHING PARTS	047053 105200 973999	2
- 450	BACR15BA3ADC		..RIVET- SIZE DETERMINED ON INSTL. -----*-----	047053 105200 973999	16
452	BACR11AW2K		..RECEPTACLE ATTACHING PARTS	047053 105200 973999	4
- 453	BACR15BA3ADC		..RIVET- SIZE DETERMINED ON INSTL. -----*-----	047053 105200 973999	8
455	233A5105-10		..COVER ASSY	047053 105200 973999	1
460	BACS21EE3R		...STUD	047053 105200 973999	4
465	1127700		...WASHER SUPPLIER CODE: V60119 SPECIFICATION NUMBER: BACW10X4 OPTIONAL PART: 2600LW V71286	047053 105200 973999	4
470	233A5105-8		...COVER	047053 105200 973999	1
475	233A5322-2		..PANEL ASSY	047053 105200 973999	1
480	BACG20ZA001570		...GROMMET	047053 105200 973999	1

MISSING ITEM NUMBERS NOT APPLICABLE

- ITEM NOT ILLUSTRATED

HAP

25-11-51-25

BOEING PROPRIETARY - Copyright © - Unpublished Work - See title page for details.

25-11-51
FIG. 25
PAGE 8
FEB 15/09

BOEING
737-600/700/800/900
PARTS CATALOG (MAINTENANCE)

FIG ITEM	PART NUMBER	1 2 3 4 5 6 7	NOMENCLATURE	EFFECT FROM TO	UNITS PER ASSY
25					
485	233A5323-3	...	PANEL ASSY	047053 105200 973999	1
490	BACS53B1ES1	STUD	047053 105200 973999	1
500	233A5324-17	..	BRACKET ASSY-DISC.	047053 105200 973999	1
502	T8059S1032B2	...	NUTPLATE SUPPLIER CODE: V52828 SPECIFICATION NUMBER: BACN10MK3-65 OPTIONAL PART: RM52LHA71-6-02 V72962 ATTACHING PARTS	047053 105200 973999	1
- 505	BACR15BB4ADC	...	RIVET- SIZE DETERMINED ON INSTL. -----*-----	047053 105200 973999	2
510	233A5324-85	..	BRACKET ATTACHING PARTS	047053 105200 973999	1
- 515	BACB30NM3K3	..	BOLT	047053 105200 973999	3
- 520	BACW10BP3AC	..	WASHER	047053 105200 973999	3
- 525	NAS1149D0332J	..	WASHER	047053 105200 973999	3
- 530	PLH53CD	..	NUT SUPPLIER CODE: VF0224 SPECIFICATION NUMBER: BACN10YR3CD OPTIONAL PART: H52732-3CD V15653 -----*-----	047053 105200 973999	3
535	233A5322-11	..	PANEL ASSY	047053 105200 973999	1

MISSING ITEM NUMBERS NOT APPLICABLE

- ITEM NOT ILLUSTRATED

HAP

25-11-51-25

BOEING PROPRIETARY - Copyright © - Unpublished Work - See title page for details.

25-11-51
FIG. 25
PAGE 9
JUN 15/09

BOEING
737-600/700/800/900
PARTS CATALOG (MAINTENANCE)

FIG ITEM	PART NUMBER	1 2 3 4 5 6 7	NOMENCLATURE	EFFECT FROM TO	UNITS PER ASSY
25 540	214T3424-3		...SUPPORT-DUCT	047053 105200 973999	1
			ATTACHING PARTS		
- 545	BACB30NM3K3		...BOLT	047053 105200 973999	2
- 550	BACW10BN3AC		...WASHER	047053 105200 973999	2
			-----*-----		
555	233A5324-54		...BRACKET ASSY	047053 105200 973999	1
			ATTACHING PARTS		
- 560	BACR15BB5ADC		...RIVET- SIZE DETERMINED ON INSTL.	047053 105200 973999	4
			-----*-----		
565	BRF100C3D	NUTPLATE SUPPLIER CODE: V52828 SPECIFICATION NUMBER: BACN10KB3CFD OPTIONAL PART: NS202478-02 V80539 102F9207P3 V72962 F51604-3 V15653	047053 105200 973999	2
			ATTACHING PARTS		
- 570	BACR15BA3ADC	RIVET- SIZE DETERMINED ON INSTL.	047053 105200 973999	4
			-----*-----		
575	233A5324-55	BRACKET	047053 105200 973999	1
580	233A5306-119		..BRACKET ASSY	047053 105200 973999	1

MISSING ITEM NUMBERS NOT APPLICABLE

- ITEM NOT ILLUSTRATED

HAP

25-11-51-25

BOEING PROPRIETARY - Copyright © - Unpublished Work - See title page for details.

25-11-51
FIG. 25
PAGE 10
JUN 15/09

BOEING
737-600/700/800/900
PARTS CATALOG (MAINTENANCE)

FIG ITEM	PART NUMBER	1 2 3 4 5 6 7	NOMENCLATURE	EFFECT FROM TO	UNITS PER ASSY
25 585	VNS1924CA1-8	...	STUD- SUPPLIER CODE: V5M902 SPECIFICATION NUMBER: BACS53B1EA1 OPTIONAL PART: VNS1924CA3-1-8 V92215 POSITION DATA: FAR SIDE	047053 105200 973999	1
590	RBBB20-1	...	BLOCK-GND SUPPLIER CODE: V09922 SPECIFICATION NUMBER: S280W555-20 ATTACHING PARTS	047053 105200 973999	1
- 592	BACR15BB4ADC	...	RIVET- SIZE DETERMINED ON INSTL. -----*-----	047053 105200 973999	3
595	233A5322-9	..	PANEL ASSY	047053 105200 973999	1
600	233A5324-4	...	WEB ASSY	047053 105200 973999	1
605	MS35489-9	GROMMET	047053 105200 973999	1
610	BACS12GU3K11	SCREW	047053 105200 973999	1
615	BACW10EC3S	WASHER	047053 105200 973999	1
620	NAS1149D0316H	WASHER	047053 105200 973999	2
625	MS35650-305T	NUT	047053 105200 973999	1
630	233A5323-14	..	PANEL ASSY	047053 105200 973999	1
635	BACS53B1ES1	...	STUD	047053 105200 973999	1

MISSING ITEM NUMBERS NOT APPLICABLE

- ITEM NOT ILLUSTRATED

HAP

25-11-51-25

BOEING PROPRIETARY - Copyright © - Unpublished Work - See title page for details.

25-11-51
FIG. 25
PAGE 11
JUN 15/09

BOEING
737-600/700/800/900
PARTS CATALOG (MAINTENANCE)

FIG ITEM	PART NUMBER	1 2 3 4 5 6 7	NOMENCLATURE	EFFECT FROM TO	UNITS PER ASSY
25 655	BACS22C30	...	RECEPTACLE	047053 105200 973999	2
- 660	BACR15BB4ADC	...	ATTACHING PARTS RIVET- SIZE DETERMINED ON INSTL.	047053 105200 973999	30
665	BACS22C20	-----*----- ...	RECEPTACLE	047053 105200 973999	2
- 670	BACR15BB4ADC	...	ATTACHING PARTS RIVET- SIZE DETERMINED ON INSTL.	047053 105200 973999	20
675	BACB30NM3K2	..	BOLT	047053 105200 973999	1
677	BACB30NM3K3	..	BOLT	047053 105200 973999	2
680	BACB30XD3K2	..	BOLT	047053 105200 973999	2
685	BACB30XD3K3	..	BOLT	047053 105200 973999	1
690	MF53050-3CD	..	NUTPLATE SUPPLIER CODE: V15653 SPECIFICATION NUMBER: BACN10JN3CD OPTIONAL PART: BRFM20C3D V52828 102F9201M3 V72962 NS202487-02 V80539 MF51637-3 V15653	047053 105200 973999	1

MISSING ITEM NUMBERS NOT APPLICABLE

- ITEM NOT ILLUSTRATED

HAP

25-11-51-25

BOEING PROPRIETARY - Copyright © - Unpublished Work - See title page for details.

25-11-51
FIG. 25
PAGE 12
JUN 15/09

BOEING
737-600/700/800/900
PARTS CATALOG (MAINTENANCE)

FIG ITEM	PART NUMBER	1 2 3 4 5 6 7	NOMENCLATURE	EFFECT FROM TO	UNITS PER ASSY
25 695	BRF200C3D		..NUTPLATE SUPPLIER CODE: V52828 SPECIFICATION NUMBER: BACN10JR3CFD OPTIONAL PART: K51602-3BAC V15653 NS202476-02 V80539 102F9201-3 V72962 T8092C1032CD V11815	047053 105200 973999	2
700	NS202541-3		..NUTPLATE SUPPLIER CODE: V80539 SPECIFICATION NUMBER: BACN10KA3BCD OPTIONAL PART: T8100C1032KCPM V11815	047053 105200 973999	1
705	NS202542-3		..NUTPLATE SUPPLIER CODE: V80539 SPECIFICATION NUMBER: BACN10KA3CCD OPTIONAL PART: T8102C1032KCPM V11815	047053 105200 973999	1
- 710	BACR15BA3ADC		ATTACHING PARTS ..RIVET- SIZE DETERMINED ON INSTL. -----*-----	047053 105200 973999	10
715	233A5322-8		..PANEL ASSY- FOR DETAILS SEE: 25-11-51-25A	047053 105200 973999	1
720	233A5306-111		..BRACKET ASSY	047053 105200 973999	1

MISSING ITEM NUMBERS NOT APPLICABLE

- ITEM NOT ILLUSTRATED

HAP

25-11-51-25

BOEING PROPRIETARY - Copyright © - Unpublished Work - See title page for details.

25-11-51
FIG. 25
PAGE 13
JUN 15/09

BOEING
737-600/700/800/900
PARTS CATALOG (MAINTENANCE)

FIG ITEM	PART NUMBER	1 2 3 4 5 6 7	NOMENCLATURE	EFFECT FROM TO	UNITS PER ASSY
25 725	BRF200C3D		...NUTPLATE SUPPLIER CODE: V52828 SPECIFICATION NUMBER: BACN10JR3CFD OPTIONAL PART: K51602-3BAC V15653 NS202476-02 V80539 102F9201-3 V72962 T8092C1032CD V11815 ATTACHING PARTS	047053 105200 973999	1
- 730	BACR15BA3ADC		...RIVET- SIZE DETERMINED ON INSTL. -----*-----	047053 105200 973999	2
735	233A5306-112		...BRACKET	047053 105200 973999	1
740	233A5322-5		..PANEL ASSY- FOR DETAILS SEE: 25-11-51-25A	047053 105200 973999	1
745	233A5323-12		..PANEL ASSY	047053 105200 973999	1
750	BACR11AW2K		...RECEPTACLE ATTACHING PARTS	047053 105200 973999	2
- 755	BACR15BA3ADC		...RIVET- SIZE DETERMINED ON INSTL. -----*-----	047053 105200 973999	4
760	233A5306-147		..BRACKET ATTACHING PARTS	047053 105200 973999	1
765	BACB30NM3K2		..BOLT	047053 105200 973999	6
770	BACB30NM3K3		..BOLT	047053 105200 973999	7
775	BACB30NM3K4		..BOLT	047053 105200 973999	1

MISSING ITEM NUMBERS NOT APPLICABLE

- ITEM NOT ILLUSTRATED

HAP

25-11-51-25

25-11-51
FIG. 25
PAGE 14
JUN 15/09

BOEING
737-600/700/800/900
PARTS CATALOG (MAINTENANCE)

FIG ITEM	PART NUMBER	1 2 3 4 5 6 7	NOMENCLATURE	EFFECT FROM TO	UNITS PER ASSY
25 780	BACW10BN3AC		.. WASHER	047053 105200 973999	14
			-----*-----		
785	BACN10JP3BCD		.. NUTPLATE	047053 105200 973999	1
790	BRF200C3D		.. NUTPLATE SUPPLIER CODE: V52828 SPECIFICATION NUMBER: BACN10JR3CFD OPTIONAL PART: K51602-3BAC V15653 NS202476-02 V80539 102F9201-3 V72962 T8092C1032CD V11815	047053 105200 973999	6
795	NS202541-3		.. NUTPLATE SUPPLIER CODE: V80539 SPECIFICATION NUMBER: BACN10KA3BCD OPTIONAL PART: T8100C1032KCPM V11815	047053 105200 973999	5
800	NS202542-3		.. NUTPLATE SUPPLIER CODE: V80539 SPECIFICATION NUMBER: BACN10KA3CCD OPTIONAL PART: T8102C1032KCPM V11815	047053 105200 973999	1
805	BRF100C3D		.. NUTPLATE SUPPLIER CODE: V52828 SPECIFICATION NUMBER: BACN10KB3CFD OPTIONAL PART: NS202478-02 V80539 102F9207P3 V72962 F51604-3 V15653	047053 105200 973999	1

MISSING ITEM NUMBERS NOT APPLICABLE

— ITEM NOT ILLUSTRATED

HAP

25-11-51-25

BOEING PROPRIETARY - Copyright © - Unpublished Work - See title page for details.

25-11-51
FIG. 25
PAGE 15
JUN 15/09

BOEING
737-600/700/800/900
PARTS CATALOG (MAINTENANCE)

FIG ITEM	PART NUMBER	1 2 3 4 5 6 7	NOMENCLATURE	EFFECT FROM TO	UNITS PER ASSY
25			ATTACHING PARTS		
- 806	BACR15BA3ADC		..RIVET- SIZE DETERMINED ON INSTL.	047053 105200 973999	28
			-----*-----		
808	214T3424-3		..SUPPORT-DUCT	047053 105200 973999	1
			ATTACHING PARTS		
- 809	BACB30NM3K3		..BOLT	047053 105200 973999	2
- 810	BACW10BN3AC		..WASHER	047053 105200 973999	2
			-----*-----		
812	233A5324-45		..BRACKET ASSY	047053 105200 973999	1
			ATTACHING PARTS		
- 813	BACR15BB5ADC		..RIVET- SIZE DETERMINED ON INSTL.	047053 105200 973999	2
			-----*-----		
814	BRF100C3D		...NUTPLATE SUPPLIER CODE: V52828 SPECIFICATION NUMBER: BACN10KB3CFD OPTIONAL PART: NS202478-02 V80539 102F9207P3 V72962 F51604-3 V15653	047053 105200 973999	2
			ATTACHING PARTS		
- 815	BACR15BA3ADC		...RIVET- SIZE DETERMINED ON INSTL.	047053 105200 973999	4
			-----*-----		
816	233A5324-46		...BRACKET	047053 105200 973999	1
			..PANEL ASSY- FOR DETAILS SEE: 25-11-51-25A	047053 105200 973999	1

MISSING ITEM NUMBERS NOT APPLICABLE

- ITEM NOT ILLUSTRATED

HAP

25-11-51-25

25-11-51
FIG. 25
PAGE 16
JUN 15/09

BOEING
737-600/700/800/900
PARTS CATALOG (MAINTENANCE)

FIG ITEM	PART NUMBER	1 2 3 4 5 6 7	NOMENCLATURE	EFFECT FROM TO	UNITS PER ASSY
25					
820	65-49815-373	..	STRIP-RUB	047053 105200 973999	2
			ATTACHING PARTS		
- 825	BACS12ER3K11	..	SCREW	047053 105200 973999	4
			-----*-----		
830	233A5322-10	..	PANEL ASSY- FOR DETAILS SEE: 25-11-51-25A	047053 105200 973999	1
835	233A5308-4	..	SHROUD ASSY	047053 105200 973999	1
			ATTACHING PARTS		
840	BACS12FA3K8GR	..	SCREW	047053 105200 973999	2
845	BACS12FA3K11GR	..	SCREW	047053 105200 973999	2
			-----*-----		
850	BACS18G25B5	...	SPACER	047053 105200 973999	2
			ATTACHING PARTS		
- 855	BACR15BA4A	...	RIVET- SIZE DETERMINED ON INSTL.	047053 105200 973999	4
			-----*-----		
860	233A5313-3	...	GASKET	047053 105200 973999	1
865	233A5308-3	...	SHROUD	047053 105200 973999	1
870	233A5322-3	..	PANEL ASSY- FOR DETAILS SEE: 25-11-51-25A	047053 105200 973999	1
875	233A5322-12	..	PANEL ASSY- FOR DETAILS SEE: 25-11-51-25A	047053 105200 973999	1
880	NAS1149D0316H	..	WASHER	047053 105200 973999	2

MISSING ITEM NUMBERS NOT APPLICABLE

- ITEM NOT ILLUSTRATED

HAP

25-11-51-25

25-11-51
FIG. 25
PAGE 17
JUN 15/09

BOEING
737-600/700/800/900
PARTS CATALOG (MAINTENANCE)

FIG ITEM	PART NUMBER	1 2 3 4 5 6 7	NOMENCLATURE	EFFECT FROM TO	UNITS PER ASSY
R R R	25 908	233A5322-1	..PANEL ASSY- FOR DETAILS SEE: 25-11-51-25A	047053 105200 973999	1
	910	233A5324-34	..WEB ASSY	047053 105200 973999	1
	915	BACS12GU3K11	...SCREW	047053 105200 973999	4
	920	BACW10EC3S	...WASHER	047053 105200 973999	4
	925	NAS1149D0316H	...WASHER	047053 105200 973999	8
	930	MS35650-305T	...NUT	047053 105200 973999	4
	MISSING ITEM NUMBERS NOT APPLICABLE				

- ITEM NOT ILLUSTRATED

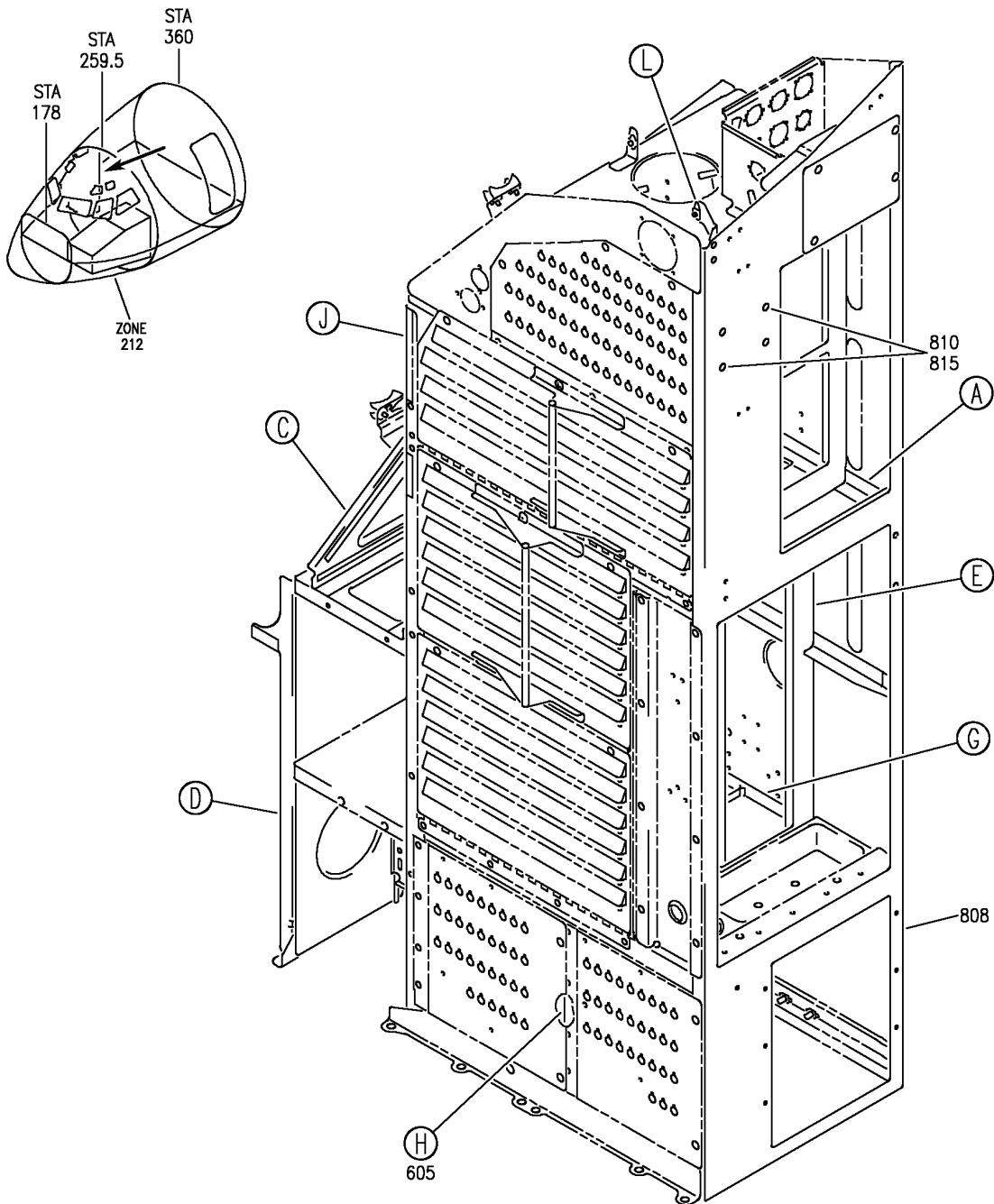
HAP

25-11-51-25

BOEING PROPRIETARY - Copyright © - Unpublished Work - See title page for details.

25-11-51
FIG. 25
PAGE 19
JUN 15/09

BOEING
 737-600/700/800/900
 PARTS CATALOG (MAINTENANCE)



E 25115125A SHT 1 REV 143

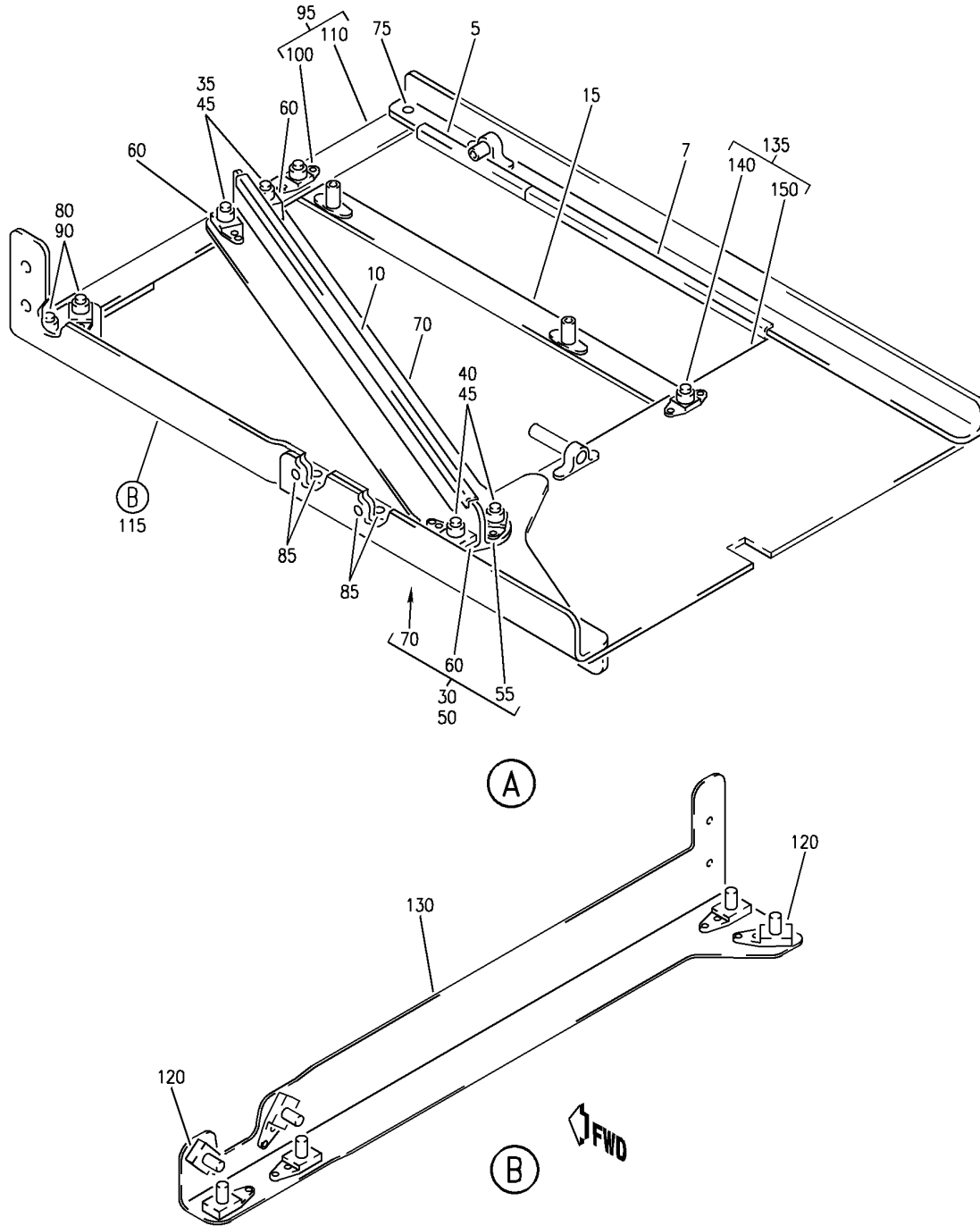
PANEL ASSY
 FIGURE 25A (SHEET 1)

25-11-51-25A

HAP
 JUN 15/08

25-11-51-25A
 PAGE 0

BOEING
 737-600/700/800/900
 PARTS CATALOG (MAINTENANCE)



E 25115125A SHT 2 REV 137

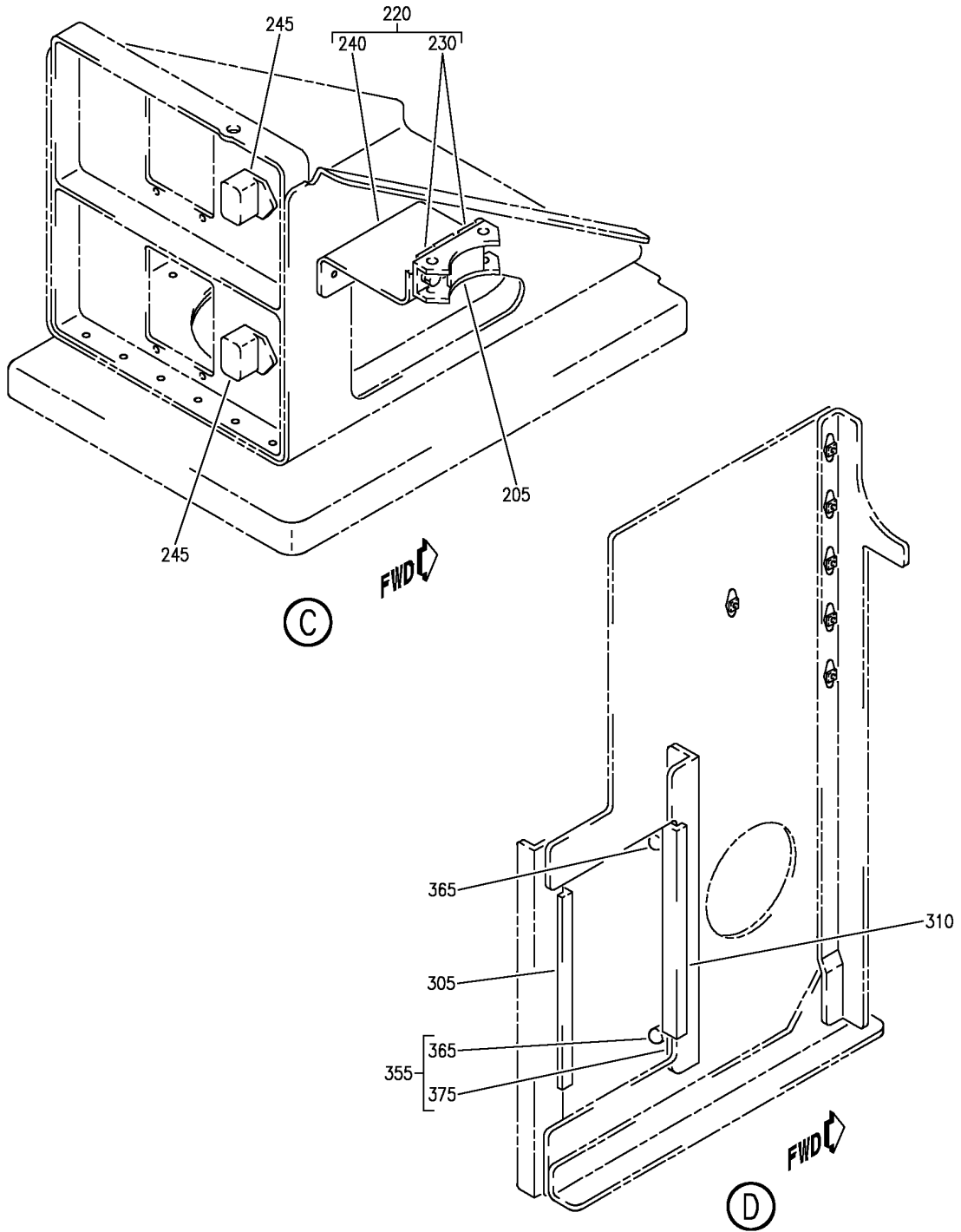
PANEL ASSY
 FIGURE 25A (SHEET 2)

25-11-51-25A

HAP
 FEB 15/08

25-11-51-25A
 PAGE 0A

BOEING
 737-600/700/800/900
 PARTS CATALOG (MAINTENANCE)



E 25115125A SH1 3 REV 143

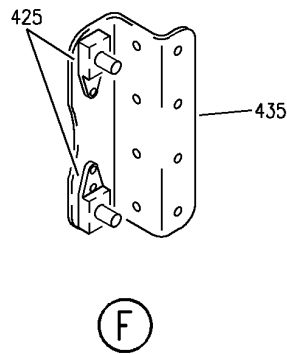
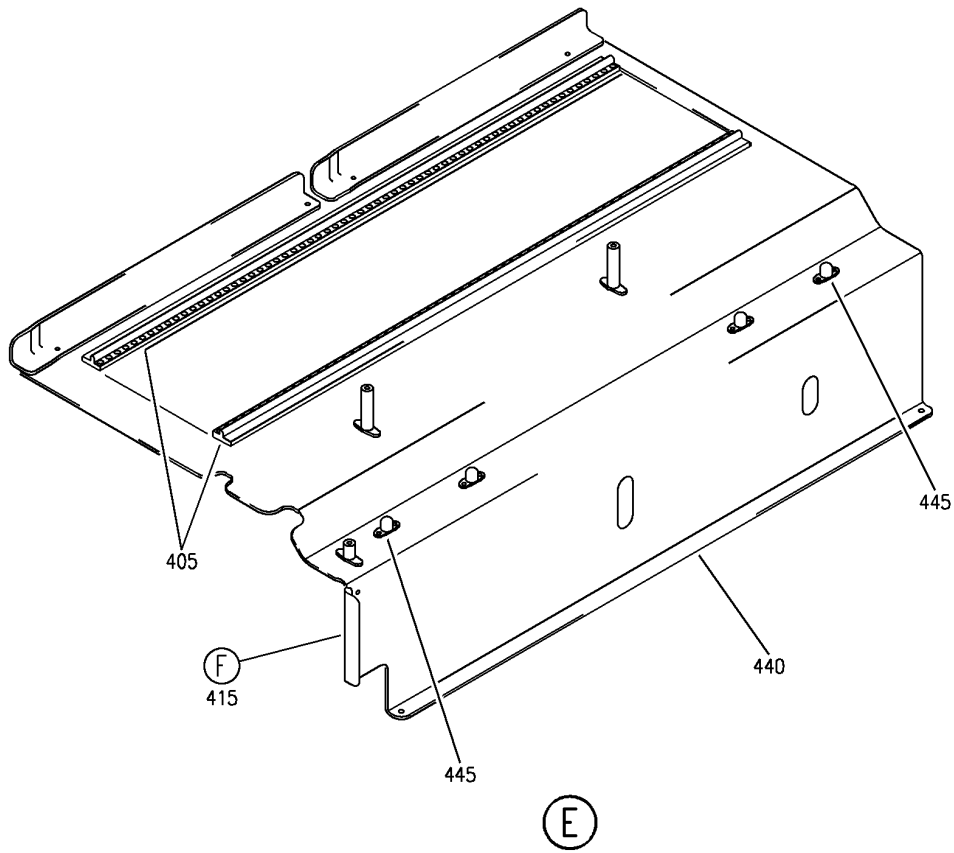
PANEL ASSY
 FIGURE 25A (SHEET 3)

25-11-51-25A

HAP
 JUN 15/08

25-11-51-25A
 PAGE 0B

BOEING
737-600/700/800/900
PARTS CATALOG (MAINTENANCE)



E 25115125A SHT 4 REV 137

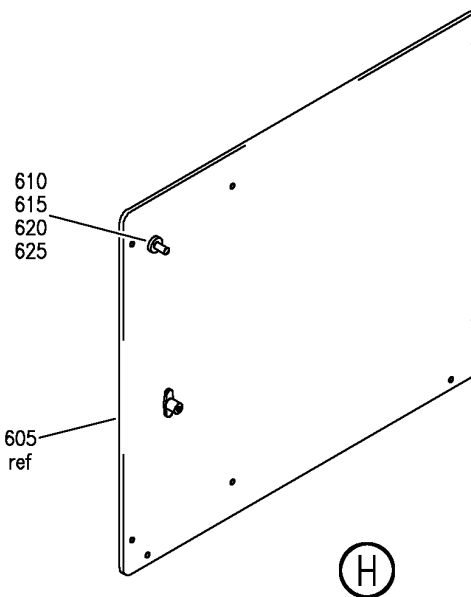
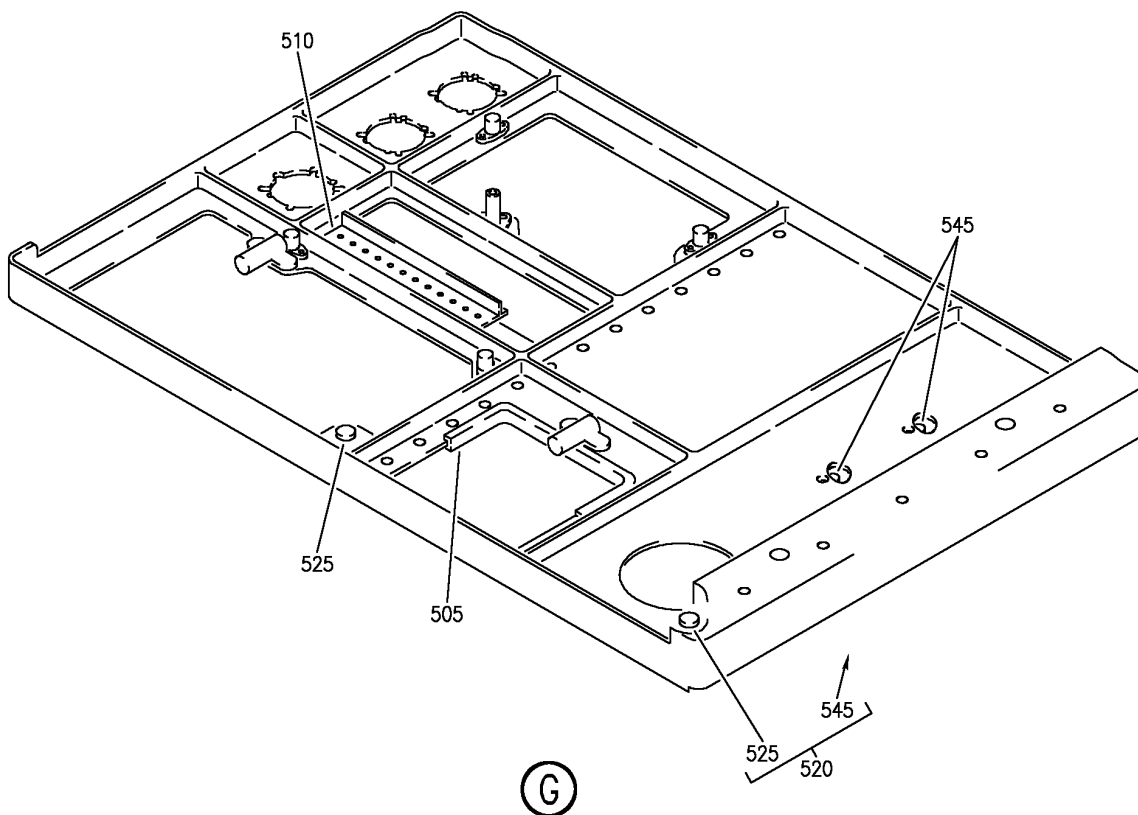
PANEL ASSY
FIGURE 25A (SHEET 4)

25-11-51-25A

HAP
FEB 15/08

25-11-51-25A
PAGE 0C

BOEING
 737-600/700/800/900
 PARTS CATALOG (MAINTENANCE)



E 25115125A SHT 5 REV 141

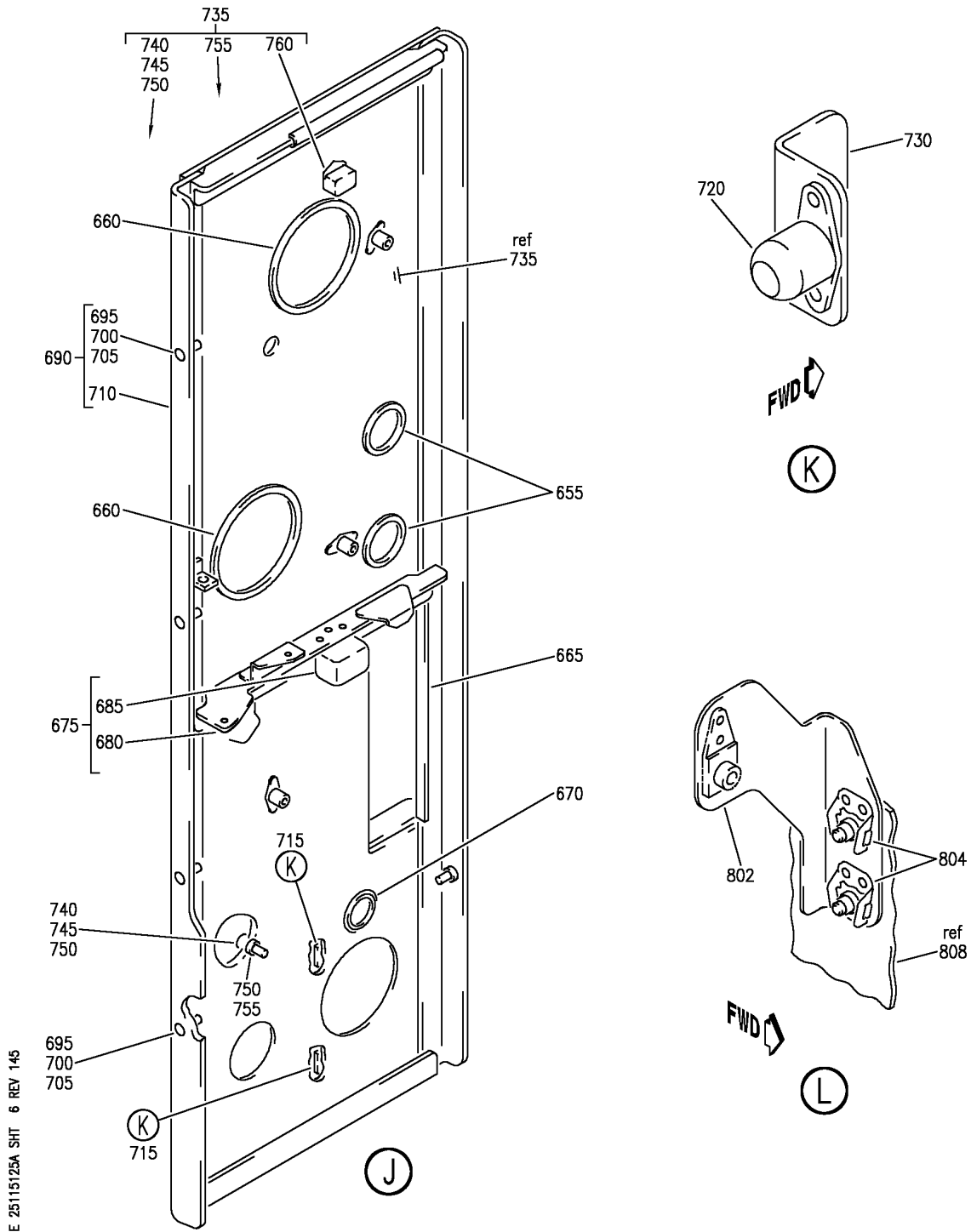
PANEL ASSY
 FIGURE 25A (SHEET 5)

25-11-51-25A

HAP
 JUN 15/08

25-11-51-25A
 PAGE 0D

BOEING
 737-600/700/800/900
 PARTS CATALOG (MAINTENANCE)



E 25115125A SHT 6 REV 145

PANEL ASSY
 FIGURE 25A (SHEET 6)

25-11-51-25A

HAP
 OCT 15/08

25-11-51-25A
 PAGE 0E

BOEING
737-600/700/800/900
PARTS CATALOG (MAINTENANCE)

FIG ITEM	PART NUMBER	1 2 3 4 5 6 7	NOMENCLATURE	EFFECT FROM TO	UNITS PER ASSY
25A			PANEL ASSY	047053 105200 973999	
- 1	233A5322-8		PANEL ASSY- FOR NHA SEE: 25-11-51-25	047053 105200 973999	RF
5	BACG20ZC000300		.GROMMET	047053 105200 973999	1
7	BACG20ZB001100		.GROMMET	047053 105200 973999	1
10	BACG20ZC001680		.GROMMET	047053 105200 973999	1
15	233A5307-11		.ANGLE ASSY	047053 105200 973999	1
- 20	BACB30NM3K3		ATTACHING PARTS .BOLT	047053 105200 973999	2
- 25	BACW10BN3AC		.WASHER	047053 105200 973999	2
30	233A5324-82		-----*----- .ANGLE ASSY	047053 105200 973999	1
35	BACB30NM3K3		ATTACHING PARTS .BOLT	047053 105200 973999	2
40	BACB30NM3K4		.BOLT	047053 105200 973999	2
45	BACW10BN3AC		.WASHER	047053 105200 973999	4
50	233A5307-91		-----*----- . . ANGLE ASSY	047053 105200 973999	1

MISSING ITEM NUMBERS NOT APPLICABLE

- ITEM NOT ILLUSTRATED

HAP

25-11-51-25A

BOEING PROPRIETARY - Copyright © - Unpublished Work - See title page for details.

25-11-51
FIG. 25A
PAGE 1
FEB 15/09

BOEING
737-600/700/800/900
PARTS CATALOG (MAINTENANCE)

FIG ITEM	PART NUMBER	1 2 3 4 5 6 7	NOMENCLATURE	EFFECT FROM TO	UNITS PER ASSY
25A 55	NS202541-3	...	NUTPLATE SUPPLIER CODE: V80539 SPECIFICATION NUMBER: BACN10KA3BCD OPTIONAL PART: T8100C1032KCPM V11815	047053 105200 973999	1
60	NS202542-3	...	NUTPLATE SUPPLIER CODE: V80539 SPECIFICATION NUMBER: BACN10KA3CCD OPTIONAL PART: T8102C1032KCPM V11815 ATTACHING PARTS	047053 105200 973999	3
- 65	BACR15BA3ADC	...	RIVET- SIZE DETERMINED ON INSTL. -----*-----	047053 105200 973999	8
70	233A5307-8	...	TEE	047053 105200 973999	1
75	BACR15BB3ADC	.	RIVET- SIZE DETERMINED ON INSTL.	047053 105200 973999	1
80	BACB30NM3K3	.	BOLT	047053 105200 973999	2
85	BACB30VF3K3	.	BOLT	047053 105200 973999	4
90	BACW10BN3AC	.	WASHER	047053 105200 973999	2
95	233A5324-72	.	ANGLE ASSY	047053 105200 973999	1
100	NS202541-3	..	NUTPLATE SUPPLIER CODE: V80539 SPECIFICATION NUMBER: BACN10KA3BCD OPTIONAL PART: T8100C1032KCPM V11815	047053 105200 973999	1

MISSING ITEM NUMBERS NOT APPLICABLE

- ITEM NOT ILLUSTRATED

HAP

25-11-51-25A

BOEING PROPRIETARY - Copyright © - Unpublished Work - See title page for details.

25-11-51
FIG. 25A
PAGE 2
FEB 15/09

BOEING
737-600/700/800/900
PARTS CATALOG (MAINTENANCE)

FIG ITEM	PART NUMBER	1 2 3 4 5 6 7	NOMENCLATURE	EFFECT FROM TO	UNITS PER ASSY
25A			ATTACHING PARTS		
- 105	BACR15BA3ADC		..RIVET- SIZE DETERMINED ON INSTL.	047053 105200 973999	2
			-----*-----		
110	233A5324-73		..ANGLE	047053 105200 973999	1
115	233A5306-128		.BRACKET ASSY	047053 105200 973999	1
120	NS202542-3		..NUTPLATE SUPPLIER CODE: V80539 SPECIFICATION NUMBER: BACN10KA3CCD OPTIONAL PART: T8102C1032KCPM V11815 ATTACHING PARTS	047053 105200 973999	6
- 125	BACR15BA3ADC		..RIVET- SIZE DETERMINED ON INSTL.	047053 105200 973999	12
			-----*-----		
130	233A5306-129		..BRACKET	047053 105200 973999	1
135	233A5324-1		.WEB ASSY	047053 105200 973999	1
140	NS202541-3		..NUTPLATE SUPPLIER CODE: V80539 SPECIFICATION NUMBER: BACN10KA3BCD OPTIONAL PART: T8100C1032KCPM V11815 ATTACHING PARTS	047053 105200 973999	1
- 145	BACR15BA3ADC		..RIVET- SIZE DETERMINED ON INSTL.	047053 105200 973999	2
			-----*-----		
150	233A5324-2		..WEB	047053 105200 973999	1
- 200	233A5322-5		PANEL ASSY- FOR NHA SEE: 25-11-51-25	047053 105200 973999	RF

MISSING ITEM NUMBERS NOT APPLICABLE

- ITEM NOT ILLUSTRATED

HAP

25-11-51-25A

BOEING PROPRIETARY - Copyright © - Unpublished Work - See title page for details.

25-11-51
FIG. 25A
PAGE 3
FEB 15/09

BOEING
737-600/700/800/900
PARTS CATALOG (MAINTENANCE)

FIG ITEM	PART NUMBER	1 2 3 4 5 6 7	NOMENCLATURE	EFFECT FROM TO	UNITS PER ASSY
25A 205	214T3424-3	.	SUPPORT-DUCT	047053 105200 973999	1
- 210	BACB30NM3K4	.	ATTACHING PARTS BOLT	047053 105200 973999	2
- 215	BACW10BN3AC	.	WASHER	047053 105200 973999	2
		-----*			
220	233A5324-80	.	BRACKET ASSY	047053 105200 973999	1
			ATTACHING PARTS		
- 225	BACR15BA5ADC	.	RIVET- SIZE DETERMINED ON INSTL.	047053 105200 973999	3
		-----*			
230	BRF100C3D	..	NUTPLATE SUPPLIER CODE: V52828 SPECIFICATION NUMBER: BACN10KB3CFD OPTIONAL PART: NS202478-02 V80539 102F9207P3 V72962 F51604-3 V15653	047053 105200 973999	2
			ATTACHING PARTS		
- 235	BACR15BA3ADC	..	RIVET- SIZE DETERMINED ON INSTL.	047053 105200 973999	4
		-----*			
240	233A5324-81	..	BRACKET	047053 105200 973999	1
245	RBGB20-1	.	BLOCK-GND SUPPLIER CODE: V09922 SPECIFICATION NUMBER: S280W555-20	047053 105200 973999	2
			ATTACHING PARTS		
- 250	BACR15BA4ADC	.	RIVET- SIZE DETERMINED ON INSTL.	047053 105200 973999	6
		-----*			

MISSING ITEM NUMBERS NOT APPLICABLE

- ITEM NOT ILLUSTRATED

HAP

25-11-51-25A

BOEING PROPRIETARY - Copyright © - Unpublished Work - See title page for details.

25-11-51
FIG. 25A
PAGE 4
FEB 15/09

BOEING
737-600/700/800/900
PARTS CATALOG (MAINTENANCE)

FIG ITEM	PART NUMBER	1 2 3 4 5 6 7	NOMENCLATURE	EFFECT FROM TO	UNITS PER ASSY
25A - 300	233A5322-7		PANEL ASSY- FOR NHA SEE: 25-11-51-25	047053 105200 973999	RF
305	BACG20ZA000900		.GROMMET	047053 105200 973999	1
310	BACG20ZB000900		.GROMMET	047053 105200 973999	1
355	233A5324-44		.ANGLE ASSY	047053 105200 973999	1
- 360	BACR15BB5ADC		ATTACHING PARTS .RIVET- SIZE DETERMINED ON INSTL.	047053 105200 973999	12
365	BACR11AW2K		-----*----- ..RECEPTACLE	047053 105200 973999	2
- 370	BACR15BA3ADC		ATTACHING PARTS ..RIVET- SIZE DETERMINED ON INSTL.	047053 105200 973999	4
375	233A5324-28		-----*----- ..ANGLE	047053 105200 973999	1
- 400	233A5322-10		PANEL ASSY- FOR NHA SEE: 25-11-51-25	047053 105200 973999	RF
405	BACS22C62		.RECEPTACLE	047053 105200 973999	2
- 410	BACR15BB4ADC		ATTACHING PARTS .RIVET- SIZE DETERMINED ON INSTL.	047053 105200 973999	62
415	233A5324-9		-----*----- .BRACKET ASSY	047053 105200 973999	1
- 420	BACR15BB5ADC		ATTACHING PARTS .RIVET- SIZE DETERMINED ON INSTL.	047053 105200 973999	4
			-----*-----		

MISSING ITEM NUMBERS NOT APPLICABLE

- ITEM NOT ILLUSTRATED

HAP

25-11-51-25A

BOEING PROPRIETARY - Copyright © - Unpublished Work - See title page for details.

25-11-51
FIG. 25A
PAGE 5
FEB 15/09

BOEING
737-600/700/800/900
PARTS CATALOG (MAINTENANCE)

FIG ITEM	PART NUMBER	1 2 3 4 5 6 7	NOMENCLATURE	EFFECT FROM TO	UNITS PER ASSY
25A 425	BRF100C3D		..NUTPLATE SUPPLIER CODE: V52828 SPECIFICATION NUMBER: BACN10KB3CFD OPTIONAL PART: NS202478-02 V80539 102F9207P3 V72962 F51604-3 V15653 ATTACHING PARTS	047053 105200 973999	2
- 430	BACR15BA3ADC		..RIVET- SIZE DETERMINED ON INSTL. -----*-----	047053 105200 973999	4
435	233A5324-10		..BRACKET	047053 105200 973999	1
440	233A5324-7		.CLOSEOUT ASSY	047053 105200 973999	1
445	NS103223-02		..NUTPLATE SUPPLIER CODE: V80539 SPECIFICATION NUMBER: BACN10JY3 OPTIONAL PART: RMK9457-3 V72962 ATTACHING PARTS	047053 105200 973999	4
- 450	BACR15GF3D		..RIVET- SIZE DETERMINED ON INSTL. -----*-----	047053 105200 973999	8
- 500	233A5322-3		PANEL ASSY- FOR NHA SEE: 25-11-51-25	047053 105200 973999	RF
505	BACG20ZA000840		.GROMMET	047053 105200 973999	1
510	RBMT6		.TRACK- SUPPLIER CODE: V09922 SPECIFICATION NUMBER: S280W555-606	047053 105200 973999	1

MISSING ITEM NUMBERS NOT APPLICABLE

- ITEM NOT ILLUSTRATED

HAP

25-11-51-25A

BOEING PROPRIETARY - Copyright © - Unpublished Work - See title page for details.

25-11-51
FIG. 25A
PAGE 6
FEB 15/09

BOEING
737-600/700/800/900
PARTS CATALOG (MAINTENANCE)

FIG ITEM	PART NUMBER	1 2 3 4 5 6 7	NOMENCLATURE	EFFECT FROM TO	UNITS PER ASSY
25A			ATTACHING PARTS		
- 515	BACR15BA4ADC		.RIVET- SIZE DETERMINED ON INSTL.	047053 105200 973999	4
			-----*-----		
520	233A5323-5		.PANEL ASSY	047053 105200 973999	1
525	BACS53B1ES1		..STUD	047053 105200 973999	2
545	BACN10JZ3A2CDMU		..NUTPLATE	047053 105200 973999	2
			ATTACHING PARTS		
- 550	BACR15BA3ADC		..RIVET- SIZE DETERMINED ON INSTL.	047053 105200 973999	4
			-----*-----		
- 600	233A5322-12		PANEL ASSY- FOR NHA SEE: 25-11-51-25	047053 105200 973999	RF
605	233A5324-49		.WEB ASSY	047053 105200 973999	1
610	BACS12GU3K11		..SCREW	047053 105200 973999	1
615	BACW10EC3S		..WASHER	047053 105200 973999	1
620	NAS1149D0316H		..WASHER	047053 105200 973999	2
625	MS35650-305T		..NUT	047053 105200 973999	1
- 650	233A5322-6		PANEL ASSY- FOR NHA SEE: 25-11-51-25	047053 105200 973999	RF
655	BACG20AD785A		.GROMMET	047053 105200 973999	2
660	BACG20AD1885A		.GROMMET	047053 105200 973999	2
665	BACG20ZA001115		.GROMMET	047053 105200 973999	1

MISSING ITEM NUMBERS NOT APPLICABLE

- ITEM NOT ILLUSTRATED

HAP

25-11-51-25A

BOEING PROPRIETARY - Copyright © - Unpublished Work - See title page for details.

25-11-51
FIG. 25A
PAGE 7
FEB 15/09

BOEING
737-600/700/800/900
PARTS CATALOG (MAINTENANCE)

FIG ITEM	PART NUMBER	1 2 3 4 5 6 7	NOMENCLATURE	EFFECT FROM TO	UNITS PER ASSY
25A 670	BACG20ZA000314	.	GROMMET	047053 105200 973999	1
675	233A5322-13	.	PANEL ASSY	047053 105200 973999	1
680	233A5324-66	..	ANGLE ASSY	047053 105200 973999	1
685	R BGB16-1	...	BLOCK-GND SUPPLIER CODE: V09922 SPECIFICATION NUMBER: S280W555-16 ATTACHING PARTS	047053 105200 973999	1
- 687	BACR15BB4ADC	...	RIVET- SIZE DETERMINED ON INSTL.	047053 105200 973999	3
690	233A5324-60	.	ANGLE ASSY	047053 105200 973999	1
695	NAS514P1032-10	..	SCREW	047053 105200 973999	4
700	NAS1149D0463H	..	WASHER	047053 105200 973999	4
705	MS35650-305T	..	NUT	047053 105200 973999	4
710	233A5324-61	..	ANGLE	047053 105200 973999	1
715	233A5324-74	.	BRACKET ASSY	047053 105200 973999	2
720	BACR11AW2K	..	RECEPTACLE	047053 105200 973999	1
- 725	BACR15BA3ADC	..	RIVET- SIZE DETERMINED ON INSTL.	047053 105200 973999	2
730	233A5324-75	..	BRACKET	047053 105200 973999	1

MISSING ITEM NUMBERS NOT APPLICABLE

- ITEM NOT ILLUSTRATED

HAP

25-11-51-25A

BOEING PROPRIETARY - Copyright © - Unpublished Work - See title page for details.

25-11-51
FIG. 25A
PAGE 8
FEB 15/09

BOEING
737-600/700/800/900
PARTS CATALOG (MAINTENANCE)

FIG ITEM	PART NUMBER	1 2 3 4 5 6 7	NOMENCLATURE	EFFECT FROM TO	UNITS PER ASSY
25A 735	233A5324-23	.WEB	ASSY	047053 105200 973999	1
740	BACS12GU3K12	..SCREW		047053 105200 973999	1
745	BACW10EC3S	..WASHER		047053 105200 973999	1
750	NAS1149D0316H	..WASHER		047053 105200 973999	2
755	MS35650-305T	..NUT		047053 105200 973999	1
760	RBGB20-1	..BLOCK-	SUPPLIER CODE: V09922 SPECIFICATION NUMBER: S280W555-20 ATTACHING PARTS	047053 105200 973999	1
- 765	BACR15BB4ADC	..RIVET-	SIZE DETERMINED ON INSTL.	047053 105200 973999	3
- 800	233A5322-1	-----*-----	PANEL ASSY- FOR NHA SEE: 25-11-51-25	047053 105200 973999	RF
802	233A5324-78	.BRACKET	ASSY	047053 105200 973999	1
- 803	BACS12FA3K7	ATTACHING PARTS .SCREW		047053 105200 973999	2
804	FS1651-3	-----*-----	..NUTPLATE SUPPLIER CODE: V15653 SPECIFICATION NUMBER: BACN10KH3CD OPTIONAL PART: 102F9209M3 V72962 NS202496-02 V80539	047053 105200 973999	2

MISSING ITEM NUMBERS NOT APPLICABLE

- ITEM NOT ILLUSTRATED

HAP

25-11-51-25A

BOEING PROPRIETARY - Copyright © - Unpublished Work - See title page for details.

25-11-51
FIG. 25A
PAGE 9
FEB 15/09

BOEING
737-600/700/800/900
PARTS CATALOG (MAINTENANCE)

FIG ITEM	PART NUMBER	1 2 3 4 5 6 7	NOMENCLATURE	EFFECT FROM TO	UNITS PER ASSY
25A			ATTACHING PARTS		
- 806	BACR15BA3ADC		..RIVET- SIZE DETERMINED ON INSTL.	047053 105200 973999	4
808	233A5323-1		-----*----- .PANEL ASSY	047053 105200 973999	1
810	BACS12FA3K6		..SCREW	047053 105200 973999	4
815	BACN11G3A1CD		..NUTPLATE	047053 105200 973999	4

MISSING ITEM NUMBERS NOT APPLICABLE

- ITEM NOT ILLUSTRATED

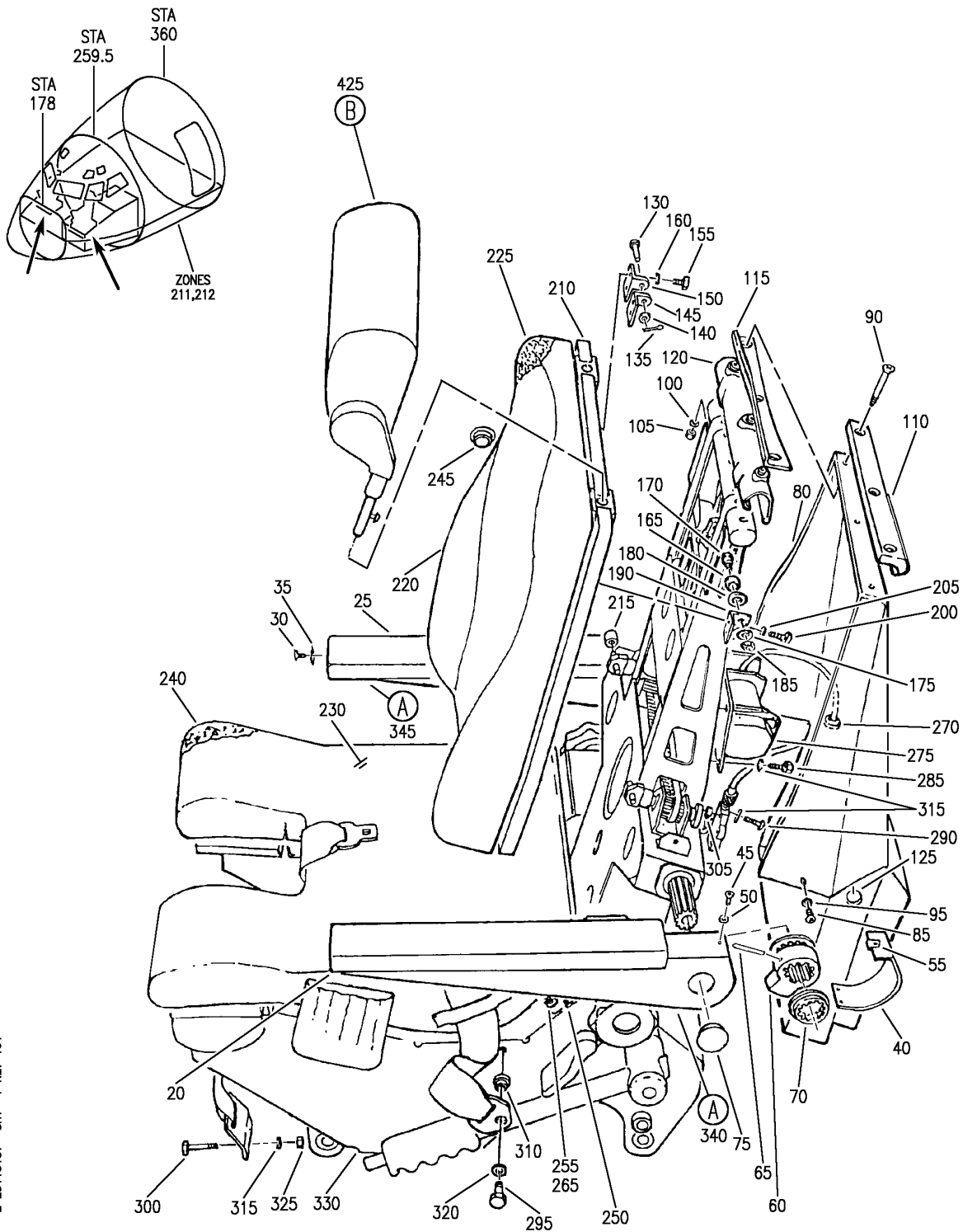
HAP

25-11-51-25A

BOEING PROPRIETARY - Copyright © - Unpublished Work - See title page for details.

25-11-51
FIG. 25A
PAGE 10
FEB 15/09

BOEING
 737-600/700/800/900
 PARTS CATALOG (MAINTENANCE)



E 25115157 SHT 1 REV 101

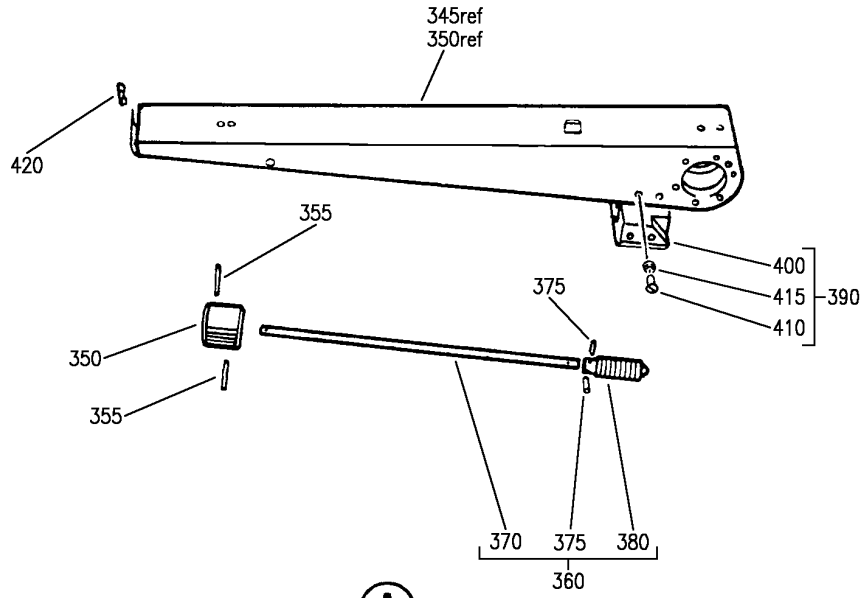
SEAT ASSY-CAPT AND FIRST OFFICER
 FIGURE 57 (SHEET 1)

25-11-51-57

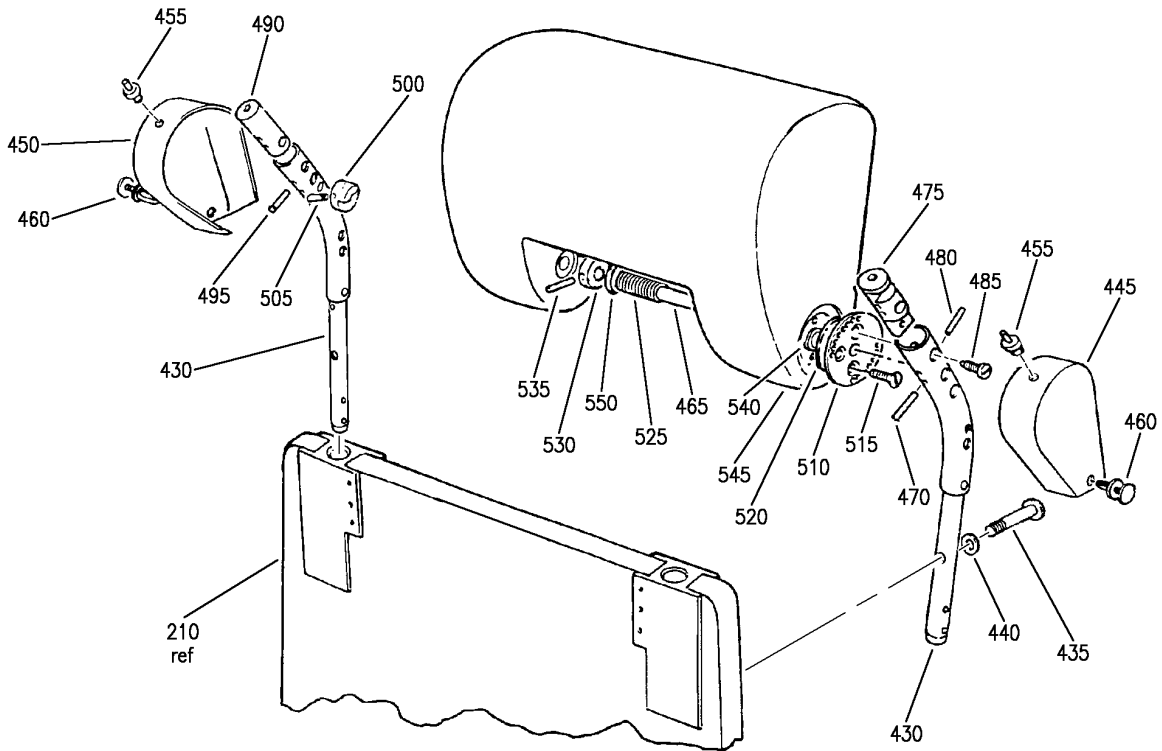
HAP
 OCT 10/06

25-11-51-57
 PAGE 0

BOEING
 737-600/700/800/900
 PARTS CATALOG (MAINTENANCE)



(A)



(B)

E 25115157 SHT 2 REV 101

SEAT ASSY-CAPT AND FIRST OFFICER
 FIGURE 57 (SHEET 2)

25-11-51-57

HAP
 OCT 10/06

25-11-51-57
 PAGE 0A

BOEING
737-600/700/800/900
PARTS CATALOG (MAINTENANCE)

FIG ITEM	PART NUMBER	1 2 3 4 5 6 7	NOMENCLATURE	EFFECT FROM TO	UNITS PER ASSY
57			SEAT ASSY-CAPT AND FIRST OFFICER	028030	
- 1	3A296-0007-01-1		SEAT ASSY-CAPT SUPPLIER CODE: VK9075 SPECIFICATION NUMBER: S232A311-11 COMPONENT MAINT MANUAL REF: 25-11-39 QUALIFIED I/W DATA: PN 3A296-0007-01-1 CAN REPLACED OR BE REPLACED BY PN 3A226-0007-01-1 IF A LIFE VEST IS ADDED TO THE 3A296-0007-01-1. 3A296-0007-01-1 DOES NOT HAVE A FLOATATION BACK CUSHION. PN 3A296-0007-02-1 CAN REPLACED OR BE REPLACED BY PN 3A296-0007-01-1 IF A LIFE VEST IS ADDED TO THE 3A296-0007-01-1. 3A296-0007-01-1 DOES NOT HAVE A FLOATATION BACK CUSHION. FOR NHA SEE: 25-11-51-09A	028030	RF

MISSING ITEM NUMBERS NOT APPLICABLE

- ITEM NOT ILLUSTRATED

HAP

25-11-51-57

BOEING PROPRIETARY - Copyright © - Unpublished Work - See title page for details.

25-11-51
FIG. 57
PAGE 1
JUN 15/08

BOEING
737-600/700/800/900
PARTS CATALOG (MAINTENANCE)

FIG ITEM	PART NUMBER	1 2 3 4 5 6 7	NOMENCLATURE	EFFECT FROM TO	UNITS PER ASSY
57 - 5	3A296-0008-01-1		SEAT ASSY-FIRST OFFICER SUPPLIER CODE: VK9075 SPECIFICATION NUMBER: S232A311-12 COMPONENT MAINT MANUAL REF: 25-11-39 QUALIFIED I/W DATA: PN 3A296-0008-01-1 CAN REPLACED OR BE REPLACED BY PN 3A226-0008-01-1 IF A LIFE VEST IS ADDED TO THE 3A296-0008-01-1. 3A296-0008-01-1 DOES NOT HAVE A FLOATATION BACK CUSHION. PN 3A296-0008-02-1 CAN REPLACED OR BE REPLACED BY PN 3A296-0008-01-1 IF A LIFE VEST IS ADDED TO THE 3A296-0008-01-1. 3A296-0008-01-1 DOES NOT HAVE A FLOATATION BACK CUSHION. FOR NHA SEE: 25-11-51-09A	028030	RF
- 13	3A090-0383		.LABEL-LOCK SUPPLIER CODE: VK9075	028030	1
- 16	3A296-0267		.LABEL-TS0 SUPPLIER CODE: VK9075 CONFIG CHG DATA FROM A CMM: SUPSD BY 3A296-0297 USED ON: 3A296-0007-01-1 3A296-0008-01-1	028030	1
- 16	3A296-0289		.LABEL-TS0 SUPPLIER CODE: VK9075 CONFIG CHG DATA FROM A CMM: SUPSD BY 3A296-0297 USED ON: 3A296-0007-02-1 3A296-0008-02-1	028030	1

MISSING ITEM NUMBERS NOT APPLICABLE

- ITEM NOT ILLUSTRATED

HAP

25-11-51-57

BOEING PROPRIETARY - Copyright © - Unpublished Work - See title page for details.

25-11-51
FIG. 57
PAGE 2
JUN 15/08

BOEING
737-600/700/800/900
PARTS CATALOG (MAINTENANCE)

FIG ITEM	PART NUMBER	1 2 3 4 5 6 7	NOMENCLATURE	EFFECT FROM TO	UNITS PER ASSY
57					
- 16	3A296-0297		. LABEL-TSO SUPPLIER CODE: VK9075 CONFIG CHG DATA FROM A CMM: SUPSDS 3A296-0267 SUPSDS 3A296-0289	028030	1
20	1A090-0129AJ		. UPHOLSTERY-ARMREST SUPPLIER CODE: VK9075 POSITION DATA: LH SIDE	028030	1
25	1A090-0130AJ		. UPHOLSTERY-ARMREST SUPPLIER CODE: VK9075 POSITION DATA: RH SIDE	028030	1
30	3A500-0583		. ATTACHING PARTS . SCREW- SUPPLIER CODE: VK9075	028030	1
35	3A500-0325		. WASHER- SUPPLIER CODE: VK9075	028030	1
40	3A090-0301A		-----*----- . COVER-ARMREST SUPPLIER CODE: VK9075 ATTACHING PARTS	028030	2
45	3A500-0583		. SCREW- SUPPLIER CODE: VK9075	028030	6
50	3A500-0325		. WASHER- SUPPLIER CODE: VK9075	028030	6
55	SNJ0116-17-4-5		. NUT- SUPPLIER CODE: V5Z814	028030	2
60	3A090-0469		-----*----- . STOP-ARMREST SUPPLIER CODE: VK9075 ATTACHING PARTS	028030	2
65	1A500-0667		. PIN-SPIROL SPR SUPPLIER CODE: VK9075	028030	2
70	3A090-0471		-----*----- . BEARING-ARMREST TUBE SUPPLIER CODE: VK9075	028030	4

MISSING ITEM NUMBERS NOT APPLICABLE

- ITEM NOT ILLUSTRATED

HAP

25-11-51-57

BOEING PROPRIETARY - Copyright © - Unpublished Work - See title page for details.

25-11-51
FIG. 57
PAGE 3
JUN 15/08

BOEING
737-600/700/800/900
PARTS CATALOG (MAINTENANCE)

FIG ITEM	PART NUMBER	1 2 3 4 5 6 7	NOMENCLATURE	EFFECT FROM TO	UNITS PER ASSY
57					
75	430-2663		.PLUG- SUPPLIER CODE: VK7817	028030	2
80	0A226-0299		.STOWAGE-FAIRING & LIFEVEST BACK SUPPLIER CODE: VK9075 ATTACHING PARTS	028030	1
85	NAS517-3-3		.SCREW	028030	2
90	NAS517-3-26		.SCREW	028030	3
95	3A500-0325		.WASHER- SUPPLIER CODE: VK9075	028030	2
100	SP126D		.WASHER	028030	3
105	H14-3		.NUT-LOCK SUPPLIER CODE: V15653 -----*-----	028030	3
110	2A090-0817		.BAR-BUMP SUPPLIER CODE: VK9075	028030	1
115	2A254-0437		.GUIDE-STRAP SUPPLIER CODE: VK9075 POSITION DATA: UPR	028030	1
120	2A254-0435		.GUIDE-STRAP SUPPLIER CODE: VK9075 POSITION DATA: LWR	028030	1
125	430-2643		.PLUG-HOLE SUPPLIER CODE: VK7817	028030	1
130	SP113E7		.PIN-SHEAR	028030	1
135	SP90C4		.PIN-SPLIT	028030	1
140	SP126E		.WASHER	028030	1
145	3A090-0433		.BRACKET-PIVOT SUPPLIER CODE: VK9075 POSITION DATA: LH SIDE	028030	1
150	3A090-0434		.BRACKET-PIVOT SUPPLIER CODE: VK9075 POSITION DATA: RH SIDE ATTACHING PARTS	028030	1
R 155	NAS603-2		.SCREW	028030	2

MISSING ITEM NUMBERS NOT APPLICABLE

— ITEM NOT ILLUSTRATED

HAP

25-11-51-57

25-11-51
FIG. 57
PAGE 4
JUN 15/09

BOEING
737-600/700/800/900
PARTS CATALOG (MAINTENANCE)

FIG ITEM	PART NUMBER	1 2 3 4 5 6 7	NOMENCLATURE	EFFECT FROM TO	UNITS PER ASSY
57					
160	SP122D		.WASHER -----*-----	028030	2
165	3A090-0413		.ROLLER- SUPPLIER CODE: VK9075 ATTACHING PARTS	028030	2
170	3A090-0411		.PIN-ROLLER SUPPLIER CODE: VK9075	028030	2
175	SP122D		.WASHER	028030	2
180	SP126G		.WASHER	028030	4
185	H14-3		.NUT-LOCK SUPPLIER CODE: V15653 -----*-----	028030	2
190	3A090-0409		.BRACKET-ANGLE SUPPLIER CODE: VK9075 POSITION DATA: LH SIDE	028030	1
- 195	3A090-0410		.BRACKET-ANGLE SUPPLIER CODE: VK9075 POSITION DATA: RH SIDE ATTACHING PARTS	028030	1
200	NAS623-3-12		.SCREW	028030	2
205	SP122D		.WASHER -----*-----	028030	2
210	0A296-0213A		.BOARD-BACK SUPPLIER CODE: VK9075 USED ON: 3A296-0007-01-1 3A296-0008-01-1	028030	1
210	0A220-0265CH		.BOARD-COVERED BACK SUPPLIER CODE: VK9075 USED ON: 3A296-0007-02-1 3A296-0008-02-1	028030	1
215	3A090-0255		.ROLLER- SUPPLIER CODE: VK9075	028030	4

MISSING ITEM NUMBERS NOT APPLICABLE

- ITEM NOT ILLUSTRATED

HAP

25-11-51-57

BOEING PROPRIETARY - Copyright © - Unpublished Work - See title page for details.

25-11-51
FIG. 57
PAGE 5
JUN 15/08

BOEING
737-600/700/800/900
PARTS CATALOG (MAINTENANCE)

FIG ITEM	PART NUMBER	1 2 3 4 5 6 7	NOMENCLATURE	EFFECT FROM TO	UNITS PER ASSY
57 220	1A296-0217HS		.COVER-BACK CUSHION SUPPLIER CODE: VK9075 USED ON: 3A296-0007-01-1 3A296-0008-01-1	028030	1
220	1A220-0270HS		.COVER-BACK CUSHION SUPPLIER CODE: VK9075 USED ON: 3A296-0008-02-1	028030	1
220	1A220-0269HS		.COVER-BACK CUSHION SUPPLIER CODE: VK9075 USED ON: 3A296-0007-02-1	028030	1
225	0A296-0211		.CUSHION-BACK SUPPLIER CODE: VK9075 USED ON: 3A296-0007-01-1 3A296-0008-01-1	028030	1
225	0A220-0267		.CUSHION-BACK SUPPLIER CODE: VK9075 USED ON: 3A296-0007-02-1 3A296-0008-02-1	028030	1
230	0A296-0215HS		.COVER-SEAT PAN CUSHION SUPPLIER CODE: VK9075 USED ON: 3A296-0007-01-1 3A296-0007-02-1	028030	1
- 235	0A296-0216HS		.COVER-SEAT PAN CUSHION SUPPLIER CODE: VK9075 USED ON: 3A296-0008-01-1 3A296-0008-02-1	028030	1
240	0A296-0209		.CUSHION-SEAT PAN SUPPLIER CODE: VK9075 CONFIG CHG DATA FROM A CMM: REPLD BY 0A296-0293	028030	1

MISSING ITEM NUMBERS NOT APPLICABLE

- ITEM NOT ILLUSTRATED

HAP

25-11-51-57

25-11-51
FIG. 57
PAGE 6
JUN 15/08

BOEING
737-600/700/800/900
PARTS CATALOG (MAINTENANCE)

FIG ITEM	PART NUMBER	1 2 3 4 5 6 7	NOMENCLATURE	EFFECT FROM TO	UNITS PER ASSY
57 305	3A003-0123		. SPACER- SUPPLIER CODE: VK9075	028030	2
310	3A218-0431		. SPACER-STEPPED SUPPLIER CODE: VK9075	028030	2
315	SP126D		. WASHER	028030	8
320	SP126E		. WASHER	028030	2
325	H14-3		. NUT-LOCK SUPPLIER CODE: V15653	028030	2
330	0A296-0031A		-----*----- . SEAT ASSY-BASIC SUPPLIER CODE: VK9075 COMPONENT MAINT MANUAL REF: 25-11-39 USED ON: 3A296-0007-01-1 3A296-0007-02-1 FOR DETAILS SEE: 25-11-51-58	028030	1
- 335	0A296-0032A		. SEAT ASSY-BASIC SUPPLIER CODE: VK9075 COMPONENT MAINT MANUAL REF: 25-11-39 USED ON: 3A296-0008-01-1 3A296-0008-02-1 FOR DETAILS SEE: 25-11-51-58	028030	1
340	1A102-0441A		. ARMREST ASSY- SUPPLIER CODE: VK9075 POSITION DATA: LH SIDE	028030	1
345	1A102-0442A		. ARMREST ASSY- SUPPLIER CODE: VK9075 POSITION DATA: RH SIDE	028030	1
350	3A090-0189		.. KNOB-ARMREST ADJUSTING SUPPLIER CODE: VK9075	028030	1

MISSING ITEM NUMBERS NOT APPLICABLE

- ITEM NOT ILLUSTRATED

HAP

25-11-51-57

BOEING PROPRIETARY - Copyright © - Unpublished Work - See title page for details.

25-11-51
FIG. 57
PAGE 8
JUN 15/08

BOEING
737-600/700/800/900
PARTS CATALOG (MAINTENANCE)

FIG ITEM	PART NUMBER	1 2 3 4 5 6 7	NOMENCLATURE	EFFECT FROM TO	UNITS PER ASSY
57			ATTACHING PARTS		
355	1A500-0061		..PIN-SEL-LOK SUPPLIER CODE: VK9075	028030	2
360	3A102-0445		-----*----- ..SHAFT ASSY-DRIVE SUPPLIER CODE: VK9075 USED ON: 1A102-0441A	028030	1
- 365	3A102-0446		..SHAFT ASSY-DRIVE SUPPLIER CODE: VK9075 USED ON: 1A102-0442A	028030	1
370	3A090-0279		...SHAFT-DRIVE SUPPLIER CODE: VK9075	028030	1
375	1A500-0071		ATTACHING PARTS ...PIN-SEL-LOK SUPPLIER CODE: VU1811	028030	2
380	3A102-0447		-----*----- ...SCREW-ADJUSTMENT SUPPLIER CODE: VK9075 USED ON: 1A102-0441A	028030	1
- 385	3A102-0448		...SCREW-ADJUSTMENT SUPPLIER CODE: VK9075 USED ON: 1A102-0442A	028030	1
390	1A102-0443A		..STRUCTURE ASSY- SUPPLIER CODE: VK9075 USED ON: 1A102-0441A	028030	1
- 395	1A102-0444A		..STRUCTURE ASSY- SUPPLIER CODE: VK9075 USED ON: 1A102-0444A	028030	1
400	3A102-0449		...BLOCK-THREADED SUPPLIER CODE: VK9075 USED ON: 1A102-0443A	028030	1

MISSING ITEM NUMBERS NOT APPLICABLE

- ITEM NOT ILLUSTRATED

HAP

25-11-51-57

25-11-51
FIG. 57
PAGE 9
JUN 15/08

BOEING
737-600/700/800/900
PARTS CATALOG (MAINTENANCE)

FIG ITEM	PART NUMBER	1 2 3 4 5 6 7	NOMENCLATURE	EFFECT FROM TO	UNITS PER ASSY
57 - 405	3A102-0450		...BLOCK-THREADED SUPPLIER CODE: VK9075 USED ON: 1A102-0444A ATTACHING PARTS	028030	1
410	NAS623-3-1		...SCREW	028030	4
415	MS35333-39		...WASHER	028030	4
			-----*-----		
420	SNJ0116-17-4-5		..NUT- SUPPLIER CODE: V5Z814	028030	1
425	0A296-0219		.HEADREST ASSY- SUPPLIER CODE: VK9075	028030	1
430	2A220-0303		..TUBE-SPRT SUPPLIER CODE: VK9075 ATTACHING PARTS	028030	2
435	A113-1D		..BOLT-MUSH	028030	2
440	SP122D		..WASHER	028030	2
			-----*-----		
445	3A090-0475		..COVER-SUPPORT TUBE SUPPLIER CODE: VK9075 POSITION DATA: LH SIDE	028030	1
450	3A090-0476		..COVER-SUPPORT TUBE SUPPLIER CODE: VK9075 POSITION DATA: RH SIDE ATTACHING PARTS	028030	1
455	1A508-0001		..RIVET- SUPPLIER CODE: VK9075	028030	2
460	1A508-0011		..RIVET- SUPPLIER CODE: VK9075	028030	2
			-----*-----		
465	3A258-0423		..SPINDLE- SUPPLIER CODE: VK9075 ATTACHING PARTS	028030	1
470	1A500-0653		..PIN-SPIROL SPR SUPPLIER CODE: VK9075	028030	2
			-----*-----		

MISSING ITEM NUMBERS NOT APPLICABLE

- ITEM NOT ILLUSTRATED

HAP

25-11-51-57

25-11-51
FIG. 57
PAGE 10
JUN 15/08

BOEING
737-600/700/800/900
PARTS CATALOG (MAINTENANCE)

FIG ITEM	PART NUMBER	1 2 3 4 5 6 7	NOMENCLATURE	EFFECT FROM TO	UNITS PER ASSY
57 475	3A090-0449	..	PLUG- SUPPLIER CODE: VK9075 POSITION DATA: LH SIDE ATTACHING PARTS	028030	1
480	1A500-0653	..	PIN-SPIROL SPR SUPPLIER CODE: VK9075	028030	1
485	3A020-0219	..	SCREW- SUPPLIER CODE: VK9075	028030	2
490	3A090-0477	..	PLUG- SUPPLIER CODE: VK9075 POSITION DATA: RH SIDE ATTACHING PARTS	028030	1
495	1A500-0653	..	PIN-SPIROL SPR SUPPLIER CODE: VK9075	028030	1
500	3A001-1871	..	COLLAR-STOP SUPPLIER CODE: VK9075 ATTACHING PARTS	028030	1
505	1A500-0650	..	PIN-SPIROL SPR SUPPLIER CODE: VK9075	028030	1
510	3A001-1863	..	PLATE-CATCH SUPPLIER CODE: VK9075 ATTACHING PARTS	028030	1
515	NAS517-3-4	..	SCREW	028030	3
520	3A258-0425	..	SPACER- SUPPLIER CODE: VK9075	028030	1
525	ENTEX73	..	SPRING-CPRSN SUPPLIER CODE: VK6217 CONFIG CHG DATA FROM A CMM: REPLD BY 1A527-0117	028030	1

MISSING ITEM NUMBERS NOT APPLICABLE

— ITEM NOT ILLUSTRATED

HAP

25-11-51-57

25-11-51
FIG. 57
PAGE 11
JUN 15/08

BOEING
737-600/700/800/900
PARTS CATALOG (MAINTENANCE)

FIG ITEM	PART NUMBER	1 2 3 4 5 6 7	NOMENCLATURE	EFFECT FROM TO	UNITS PER ASSY
57 525	1A527-0117		.. SPRING-CPRSN SUPPLIER CODE: VK6217 CONFIG CHG DATA FROM A CMM: REPLS ENTEX73	028030	1
530	3A258-0405		.. COLLAR- SUPPLIER CODE: VK9075 ATTACHING PARTS	028030	1
535	1A500-0650		.. PIN-SPIROL SPR SUPPLIER CODE: VK9075	028030	1
540	3A090-0443		-----*----- .. BEARING- SUPPLIER CODE: VK9075	028030	1
545	1A296-0221		.. UPHOLSTERY- SUPPLIER CODE: VK9075	028030	1
550	SP122G		.. WASHER	028030	3

MISSING ITEM NUMBERS NOT APPLICABLE

— ITEM NOT ILLUSTRATED

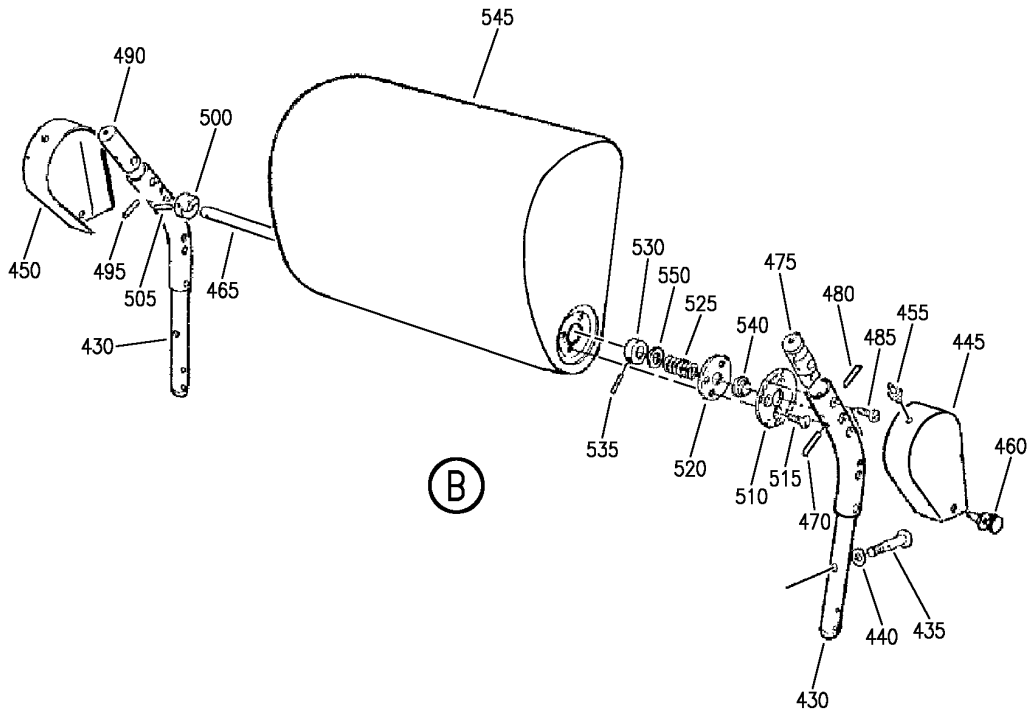
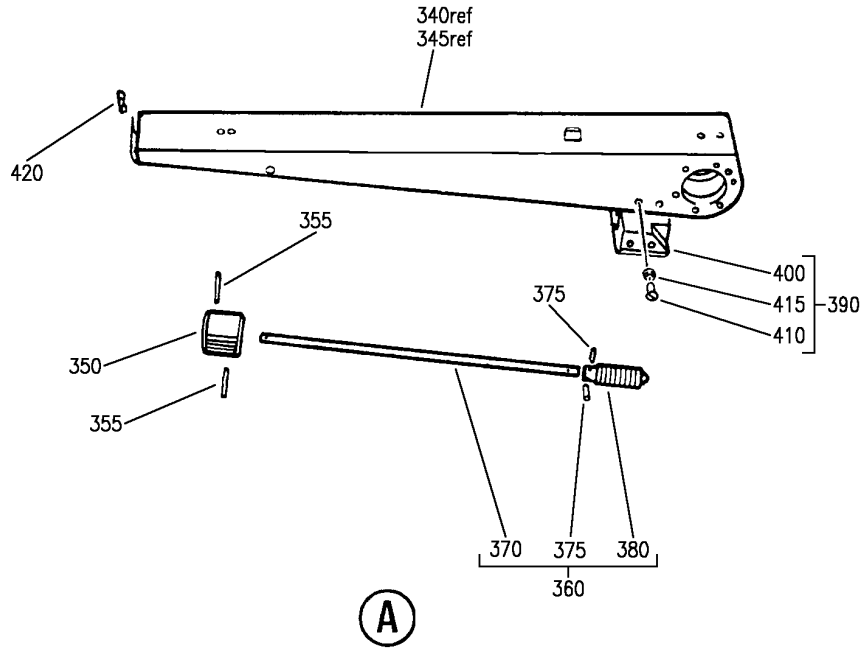
HAP

25-11-51-57

BOEING PROPRIETARY - Copyright © - Unpublished Work - See title page for details.

25-11-51
FIG. 57
PAGE 12
JUN 15/08

BOEING
 737-600/700/800/900
 PARTS CATALOG (MAINTENANCE)



E 25115157A SHT 2 REV 125

SEAT ASSY-CAPT AND FIRST OFFICER
 FIGURE 57A (SHEET 2)

25-11-51-57A

HAP
 FEB 10/07

25-11-51-57A
 PAGE 0A

BOEING
737-600/700/800/900
PARTS CATALOG (MAINTENANCE)

FIG ITEM	PART NUMBER	1 2 3 4 5 6 7	NOMENCLATURE	EFFECT FROM TO	UNITS PER ASSY
57A			SEAT ASSY-CAPT AND FIRST OFFICER	031200 968999	
- 1	3A296-0007-01-1		SEAT ASSY-CAPT SUPPLIER CODE: VK9075 SPECIFICATION NUMBER: S232A311-11 COMPONENT MAINT MANUAL REF: 25-11-39 QUALIFIED I/W DATA: PN 3A296-0007-01-1 CAN REPLACED OR BE REPLACED BY PN 3A226-0007-01-1 IF A LIFE VEST IS ADDED TO THE 3A296-0007-01-1. 3A296-0007-01-1 DOES NOT HAVE A FLOATATION BACK CUSHION. PN 3A296-0007-02-1 CAN REPLACED OR BE REPLACED BY PN 3A296-0007-01-1 IF A LIFE VEST IS ADDED TO THE 3A296-0007-01-1. 3A296-0007-01-1 DOES NOT HAVE A FLOATATION BACK CUSHION. FOR NHA SEE: 25-11-51-09	031200 968999	RF

MISSING ITEM NUMBERS NOT APPLICABLE

- ITEM NOT ILLUSTRATED

HAP

25-11-51-57A

BOEING PROPRIETARY - Copyright © - Unpublished Work - See title page for details.

25-11-51
FIG. 57A
PAGE 1
FEB 15/09

BOEING
737-600/700/800/900
PARTS CATALOG (MAINTENANCE)

FIG ITEM	PART NUMBER	1 2 3 4 5 6 7	NOMENCLATURE	EFFECT FROM TO	UNITS PER ASSY
57A - 5	3A296-0008-01-1		SEAT ASSY-FIRST OFFICER SUPPLIER CODE: VK9075 SPECIFICATION NUMBER: S232A311-12 COMPONENT MAINT MANUAL REF: 25-11-39 QUALIFIED I/W DATA: PN 3A296-0008-01-1 CAN REPLACED OR BE REPLACED BY PN 3A226-0008-01-1 IF A LIFE VEST IS ADDED TO THE 3A296-0008-01-1. 3A296-0008-01-1 DOES NOT HAVE A FLOATATION BACK CUSHION. PN 3A296-0008-02-1 CAN REPLACED OR BE REPLACED BY PN 3A296-0008-01-1 IF A LIFE VEST IS ADDED TO THE 3A296-0008-01-1. 3A296-0008-01-1 DOES NOT HAVE A FLOATATION BACK CUSHION. FOR NHA SEE: 25-11-51-09	031200 968999	RF
- 10	3A090-0383		.LABEL-LOCK SUPPLIER CODE: VK9075	031200 968999	1
- 15	3A296-0267		.LABEL-TS0 SUPPLIER CODE: VK9075 CONFIG CHG DATA FROM A CMM: SUPSD BY 3A296-0297 USED ON: 3A296-0007-01-1 3A296-0008-01-1	031200 968999	1
- 15	3A296-0297		.LABEL-TS0 SUPPLIER CODE: VK9075 CONFIG CHG DATA FROM A CMM: SUPSDS 3A296-0267 SUPSDS 3A296-0289	031200 968999	1
20	1A090-0129AJ		.UPHOLSTERY-ARMREST SUPPLIER CODE: VK9075 POSITION DATA: LH SIDE	031200 968999	1

MISSING ITEM NUMBERS NOT APPLICABLE

- ITEM NOT ILLUSTRATED

HAP

25-11-51-57A

BOEING PROPRIETARY - Copyright © - Unpublished Work - See title page for details.

25-11-51
FIG. 57A
PAGE 2
FEB 15/09

BOEING
737-600/700/800/900
PARTS CATALOG (MAINTENANCE)

FIG ITEM	PART NUMBER	1 2 3 4 5 6 7	NOMENCLATURE	EFFECT FROM TO	UNITS PER ASSY
57A 25	1A090-0130AJ		.UPHOLSTERY-ARMREST SUPPLIER CODE: VK9075 POSITION DATA: RH SIDE ATTACHING PARTS	031200 968999	1
30	3A500-0583		.SCREW- SUPPLIER CODE: VK9075	031200 968999	1
35	3A500-0325		.WASHER- SUPPLIER CODE: VK9075	031200 968999	1
40	3A090-0301A		-----*----- .COVER-ARMREST SUPPLIER CODE: VK9075 ATTACHING PARTS	031200 968999	2
45	3A500-0583		.SCREW- SUPPLIER CODE: VK9075	031200 968999	6
50	3A500-0325		.WASHER- SUPPLIER CODE: VK9075	031200 968999	6
55	SNJ0116-17-4-5		.NUT- SUPPLIER CODE: V5Z814 -----*-----	031200 968999	2
60	3A090-0469		.STOP-ARMREST SUPPLIER CODE: VK9075 ATTACHING PARTS	031200 968999	2
65	1A500-0667		.PIN-SPIROL SPR SUPPLIER CODE: VK9075 -----*-----	031200 968999	2
70	3A090-0471		.BEARING-ARMREST TUBE SUPPLIER CODE: VK9075	031200 968999	4
75	430-2663		.PLUG- SUPPLIER CODE: VK7817	031200 968999	2
80	0A226-0299		.STOWAGE-FAIRING & LIFEVEST BACK SUPPLIER CODE: VK9075 ATTACHING PARTS	031200 968999	1
85	NAS517-3-3		.SCREW	031200 968999	2

MISSING ITEM NUMBERS NOT APPLICABLE

— ITEM NOT ILLUSTRATED

HAP

25-11-51-57A

BOEING PROPRIETARY - Copyright © - Unpublished Work - See title page for details.

25-11-51
FIG. 57A
PAGE 3
OCT 15/08

BOEING
737-600/700/800/900
PARTS CATALOG (MAINTENANCE)

FIG ITEM	PART NUMBER	1 2 3 4 5 6 7	NOMENCLATURE	EFFECT FROM TO	UNITS PER ASSY
57A					
90	NAS517-3-26	.	SCREW	031200 968999	3
95	3A500-0325	.	WASHER- SUPPLIER CODE: VK9075	031200 968999	2
100	SP126D	.	WASHER	031200 968999	3
105	H14-3	.	NUT-LOCK SUPPLIER CODE: V15653	031200 968999	3
			-----*-----		
110	2A090-0817	.	BAR-BUMP SUPPLIER CODE: VK9075	031200 968999	1
115	2A254-0437	.	GUIDE-STRAP SUPPLIER CODE: VK9075 POSITION DATA: UPR	031200 968999	1
120	2A254-0435	.	GUIDE-STRAP SUPPLIER CODE: VK9075 POSITION DATA: LWR	031200 968999	1
125	430-2643	.	PLUG-HOLE SUPPLIER CODE: VK7817	031200 968999	1
130	SP113E7	.	PIN-SHEAR	031200 968999	1
135	SP90C4	.	PIN-SPLIT	031200 968999	1
140	SP126E	.	WASHER	031200 968999	1
145	3A090-0433	.	BRACKET-PIVOT SUPPLIER CODE: VK9075 POSITION DATA: LH SIDE	031200 968999	1
150	3A090-0434	.	BRACKET-PIVOT SUPPLIER CODE: VK9075 POSITION DATA: RH SIDE ATTACHING PARTS	031200 968999	1
155	NAS603-2	.	SCREW	031200 968999	2
160	SP122D	.	WASHER	031200 968999	2
			-----*-----		

MISSING ITEM NUMBERS NOT APPLICABLE

— ITEM NOT ILLUSTRATED

HAP

25-11-51-57A

BOEING PROPRIETARY - Copyright © - Unpublished Work - See title page for details.

25-11-51
FIG. 57A
PAGE 4
JUN 15/09

BOEING
737-600/700/800/900
PARTS CATALOG (MAINTENANCE)

FIG ITEM	PART NUMBER	1 2 3 4 5 6 7	NOMENCLATURE	EFFECT FROM TO	UNITS PER ASSY
57A 165	3A090-0413		.ROLLER- SUPPLIER CODE: VK9075	031200 968999	2
170	3A090-0411		ATTACHING PARTS .PIN-ROLLER SUPPLIER CODE: VK9075	031200 968999	2
175	SP122D		.WASHER	031200 968999	2
180	SP126G		.WASHER	031200 968999	4
185	H14-3		.NUT-LOCK SUPPLIER CODE: V15653	031200 968999	2
190	3A090-0409		-----*----- .BRACKET-ANGLE SUPPLIER CODE: VK9075	031200 968999	1
- 195	3A090-0410		POSITION DATA: LH SIDE .BRACKET-ANGLE SUPPLIER CODE: VK9075	031200 968999	1
200	NAS623-3-12		POSITION DATA: RH SIDE ATTACHING PARTS .SCREW	031200 968999	2
205	SP122D		.WASHER	031200 968999	2
210	0A296-0213A		-----*----- .BOARD-BACK SUPPLIER CODE: VK9075	031200 968999	1
215	3A090-0255		USED ON: 3A296-0007-01-1 3A296-0008-01-1 .ROLLER- SUPPLIER CODE: VK9075	031200 968999	4
220	1A296-0217HS		.COVER-BACK CUSHION SUPPLIER CODE: VK9075	031200 968999	1
			USED ON: 3A296-0007-01-1 3A296-0008-01-1		

MISSING ITEM NUMBERS NOT APPLICABLE

- ITEM NOT ILLUSTRATED

HAP

25-11-51-57A

BOEING PROPRIETARY - Copyright © - Unpublished Work - See title page for details.

25-11-51
FIG. 57A
PAGE 5
FEB 15/09

BOEING
737-600/700/800/900
PARTS CATALOG (MAINTENANCE)

FIG ITEM	PART NUMBER	1 2 3 4 5 6 7	NOMENCLATURE	EFFECT FROM TO	UNITS PER ASSY
57A 225	0A296-0211		.CUSHION-BACK SUPPLIER CODE: VK9075 USED ON: 3A296-0007-01-1 3A296-0008-01-1	031200 968999	1
230	0A296-0215HS		.COVER-SEAT PAN CUSHION SUPPLIER CODE: VK9075 USED ON: 3A296-0007-01-1 3A296-0007-02-1	031200 968999	1
- 235	0A296-0216HS		.COVER-SEAT PAN CUSHION SUPPLIER CODE: VK9075 USED ON: 3A296-0008-01-1 3A296-0008-02-1	031200 968999	1
240	0A296-0209		.CUSHION-SEAT PAN SUPPLIER CODE: VK9075 CONFIG CHG DATA FROM A CMM: REPLD BY 0A296-0293	031200 968999	1
240	0A296-0293		.CUSHION-SEAT PAN SUPPLIER CODE: VK9075 CONFIG CHG DATA FROM A CMM: REPLDS 0A296-0209 MISCELLANEOUS DATA: MUST BE FITTED IN CONJUNCTION WITH 3A296-0207	031200 968999	1
245	6064F		.GROMMET-SOLID SUPPLIER CODE: VK5616	031200 968999	1
250	3A090-0187A		.PLATE-COVER SUPPLIER CODE: VK9075 ATTACHING PARTS	031200 968999	2
255	NAS623-2-2		.SCREW	031200 968999	4
- 260	NAS623-2-3		.SCREW	031200 968999	4
265	SP126C		.WASHER	031200 968999	8
270	3110AF		-----*----- .GROMMET-OPEN SUPPLIER CODE: VK5616	031200 968999	1

MISSING ITEM NUMBERS NOT APPLICABLE

- ITEM NOT ILLUSTRATED

HAP

25-11-51-57A

BOEING PROPRIETARY - Copyright © - Unpublished Work - See title page for details.

25-11-51
FIG. 57A
PAGE 6
FEB 15/09

BOEING
737-600/700/800/900
PARTS CATALOG (MAINTENANCE)

FIG ITEM	PART NUMBER	1 2 3 4 5 6 7	NOMENCLATURE	EFFECT FROM TO	UNITS PER ASSY
57A 330	0A296-0031A	.	SEAT ASSY-BASIC SUPPLIER CODE: VK9075 COMPONENT MAINT MANUAL REF: 25-11-39 USED ON: 3A296-0007-01-1 3A296-0007-02-1 FOR DETAILS SEE: 25-11-51-58	031200 968999	1
- 335	0A296-0032A	.	SEAT ASSY-BASIC SUPPLIER CODE: VK9075 COMPONENT MAINT MANUAL REF: 25-11-39 USED ON: 3A296-0008-01-1 3A296-0008-02-1 FOR DETAILS SEE: 25-11-51-58	031200 968999	1
340	1A102-0441A	.	ARMREST ASSY- SUPPLIER CODE: VK9075 POSITION DATA: LH SIDE	031200 968999	1
345	1A102-0442A	.	ARMREST ASSY- SUPPLIER CODE: VK9075 POSITION DATA: RH SIDE	031200 968999	1
350	3A090-0189	..	KNOB-ARMREST ADJUSTING SUPPLIER CODE: VK9075 ATTACHING PARTS	031200 968999	1
355	1A500-0061	..	PIN-SEL-LOK SUPPLIER CODE: VK9075 -----*-----	031200 968999	2
360	3A102-0445	..	SHAFT ASSY-DRIVE SUPPLIER CODE: VK9075 USED ON: 1A102-0441A	031200 968999	1
- 365	3A102-0446	..	SHAFT ASSY-DRIVE SUPPLIER CODE: VK9075 USED ON: 1A102-0442A	031200 968999	1

MISSING ITEM NUMBERS NOT APPLICABLE

- ITEM NOT ILLUSTRATED

HAP

25-11-51-57A

BOEING PROPRIETARY - Copyright © - Unpublished Work - See title page for details.

25-11-51
FIG. 57A
PAGE 8
FEB 15/09

BOEING
737-600/700/800/900
PARTS CATALOG (MAINTENANCE)

FIG ITEM	PART NUMBER	1 2 3 4 5 6 7	NOMENCLATURE	EFFECT FROM TO	UNITS PER ASSY
57A 370	3A090-0279		... SHAFT-DRIVE SUPPLIER CODE: VK9075 ATTACHING PARTS	031200 968999	1
375	1A500-0071		... PIN-SEL-LOK SUPPLIER CODE: VU1811 -----*-----	031200 968999	2
380	3A102-0447		... SCREW-ADJUSTMENT SUPPLIER CODE: VK9075 USED ON: 1A102-0441A	031200 968999	1
- 385	3A102-0448		... SCREW-ADJUSTMENT SUPPLIER CODE: VK9075 USED ON: 1A102-0442A	031200 968999	1
390	1A102-0443A		.. STRUCTURE ASSY- SUPPLIER CODE: VK9075 USED ON: 1A102-0441A	031200 968999	1
- 395	1A102-0444A		.. STRUCTURE ASSY- SUPPLIER CODE: VK9075 USED ON: 1A102-0444A	031200 968999	1
400	3A102-0449		... BLOCK-THREADED SUPPLIER CODE: VK9075 USED ON: 1A102-0443A	031200 968999	1
- 405	3A102-0450		... BLOCK-THREADED SUPPLIER CODE: VK9075 USED ON: 1A102-0444A ATTACHING PARTS	031200 968999	1
410	NAS623-3-1		... SCREW	031200 968999	4
415	MS35333-39		... WASHER	031200 968999	4
420	SNJ0116-17-4-5		-----*----- .. NUT- SUPPLIER CODE: V5Z814	031200 968999	1

MISSING ITEM NUMBERS NOT APPLICABLE

- ITEM NOT ILLUSTRATED

HAP

25-11-51-57A

BOEING PROPRIETARY - Copyright © - Unpublished Work - See title page for details.

25-11-51
FIG. 57A
PAGE 9
FEB 15/09

BOEING
737-600/700/800/900
PARTS CATALOG (MAINTENANCE)

FIG ITEM	PART NUMBER	1 2 3 4 5 6 7	NOMENCLATURE	EFFECT FROM TO	UNITS PER ASSY
57A 425	0A296-0219	.	HEADREST ASSY- SUPPLIER CODE: VK9075	031200 968999	1
430	2A220-0303	..	TUBE-SPRT SUPPLIER CODE: VK9075 ATTACHING PARTS	031200 968999	2
435	A113-1D	..	BOLT-MUSH	031200 968999	2
440	SP122D	..	WASHER	031200 968999	2
445	3A090-0475	..	-----*----- COVER-SUPPORT TUBE SUPPLIER CODE: VK9075 POSITION DATA: LH SIDE	031200 968999	1
450	3A090-0476	..	COVER-SUPPORT TUBE SUPPLIER CODE: VK9075 POSITION DATA: RH SIDE ATTACHING PARTS	031200 968999	1
455	1A508-0001	..	RIVET- SUPPLIER CODE: VK9075	031200 968999	2
460	1A508-0011	..	RIVET- SUPPLIER CODE: VK9075	031200 968999	2
465	3A258-0423	..	-----*----- SPINDLE- SUPPLIER CODE: VK9075 ATTACHING PARTS	031200 968999	1
470	1A500-0653	..	PIN-SPIROL SPR SUPPLIER CODE: VK9075	031200 968999	2
475	3A090-0449	..	-----*----- PLUG- SUPPLIER CODE: VK9075 POSITION DATA: LH SIDE ATTACHING PARTS	031200 968999	1
480	1A500-0653	..	PIN-SPIROL SPR SUPPLIER CODE: VK9075	031200 968999	1

MISSING ITEM NUMBERS NOT APPLICABLE

— ITEM NOT ILLUSTRATED

HAP

25-11-51-57A

BOEING PROPRIETARY - Copyright © - Unpublished Work - See title page for details.

25-11-51
FIG. 57A
PAGE 10
FEB 15/09

BOEING
737-600/700/800/900
PARTS CATALOG (MAINTENANCE)

FIG ITEM	PART NUMBER	1 2 3 4 5 6 7	NOMENCLATURE	EFFECT FROM TO	UNITS PER ASSY
57A 485	3A020-0219		.. SCREW- SUPPLIER CODE: VK9075 -----*-----	031200 968999	2
490	3A090-0477		.. PLUG- SUPPLIER CODE: VK9075 POSITION DATA: RH SIDE ATTACHING PARTS	031200 968999	1
495	1A500-0653		.. PIN-SPIROL SPR SUPPLIER CODE: VK9075 -----*-----	031200 968999	1
500	3A001-1871		.. COLLAR-STOP SUPPLIER CODE: VK9075 ATTACHING PARTS	031200 968999	1
505	1A500-0650		.. PIN-SPIROL SPR SUPPLIER CODE: VK9075 -----*-----	031200 968999	1
510	3A001-1863		.. PLATE-CATCH SUPPLIER CODE: VK9075 ATTACHING PARTS	031200 968999	1
515	NAS517-3-4		.. SCREW -----*-----	031200 968999	3
520	3A258-0425		.. SPACER- SUPPLIER CODE: VK9075	031200 968999	1
525	ENTEX73		.. SPRING-CPRSN SUPPLIER CODE: VK6217 CONFIG CHG DATA FROM A CMM: REPLD BY 1A527-0117	031200 968999	1
525	1A527-0117		.. SPRING-CPRSN SUPPLIER CODE: VK6217 CONFIG CHG DATA FROM A CMM: REPLS ENTEX73	031200 968999	1
530	3A258-0405		.. COLLAR- SUPPLIER CODE: VK9075	031200 968999	1

MISSING ITEM NUMBERS NOT APPLICABLE

— ITEM NOT ILLUSTRATED

HAP

25-11-51-57A

BOEING PROPRIETARY - Copyright © - Unpublished Work - See title page for details.

25-11-51
FIG. 57A
PAGE 11
FEB 15/09

BOEING
737-600/700/800/900
PARTS CATALOG (MAINTENANCE)

FIG ITEM	PART NUMBER	1 2 3 4 5 6 7	NOMENCLATURE	EFFECT FROM TO	UNITS PER ASSY
57A			ATTACHING PARTS		
535	1A500-0650		..PIN-SPIROL SPR SUPPLIER CODE: VK9075	031200 968999	1
			-----*-----		
540	3A090-0443		..BEARING- SUPPLIER CODE: VK9075	031200 968999	1
545	1A296-0221		..UPHOLSTERY- SUPPLIER CODE: VK9075	031200 968999	1
550	SP122G		..WASHER	031200 968999	3

MISSING ITEM NUMBERS NOT APPLICABLE

— ITEM NOT ILLUSTRATED

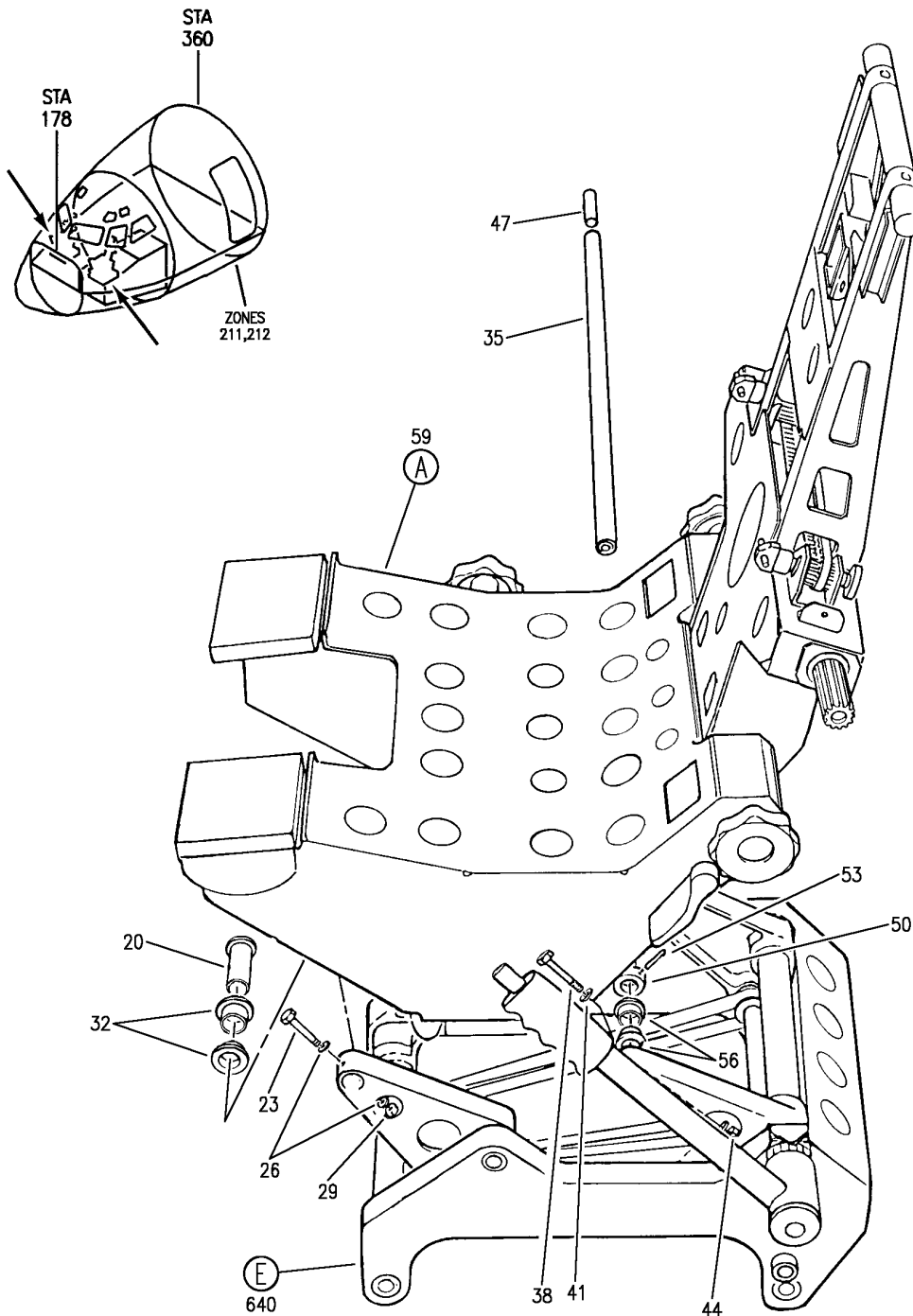
HAP

25-11-51-57A

BOEING PROPRIETARY - Copyright © - Unpublished Work - See title page for details.

25-11-51
FIG. 57A
PAGE 12
FEB 15/09

BOEING
 737-600/700/800/900
 PARTS CATALOG (MAINTENANCE)



E 25115158 SHT 1 REV 101

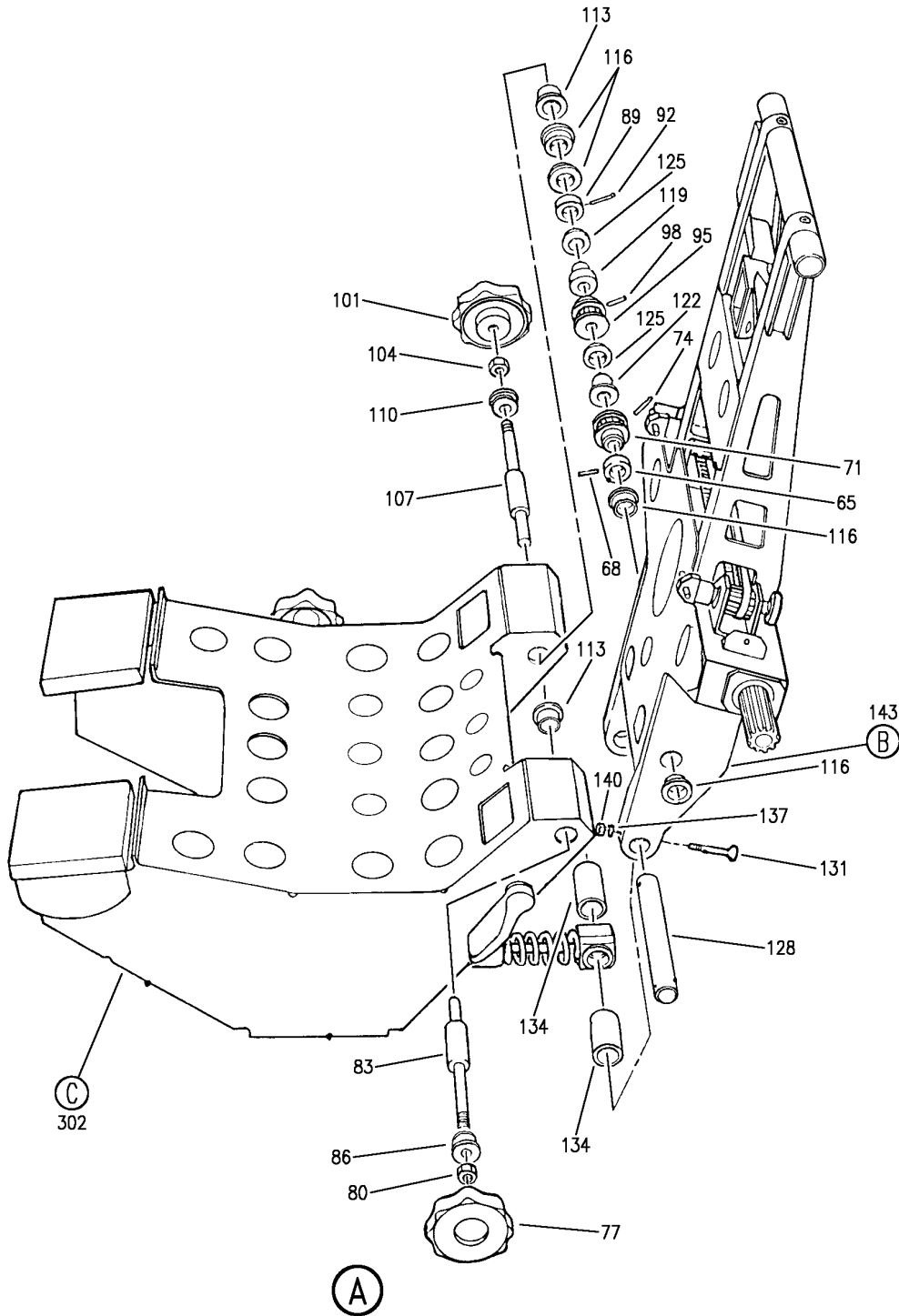
SEAT ASSY-BASIC CAPT AND FIRST OFFICER
 FIGURE 58 (SHEET 1)

25-11-51-58

HAP
 OCT 10/06

25-11-51-58
 PAGE 0

BOEING
 737-600/700/800/900
 PARTS CATALOG (MAINTENANCE)



E 25115158 SHT 2 REV 101

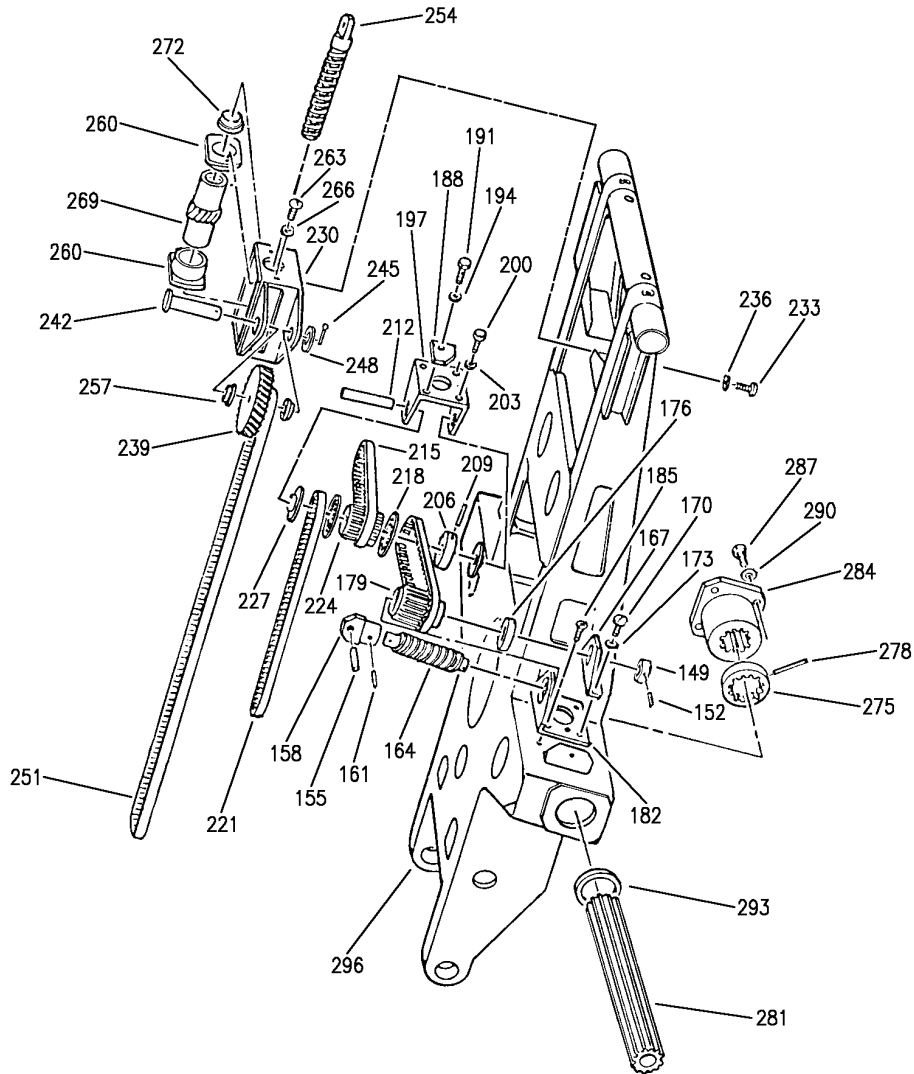
SEAT ASSY-BASIC CAPT AND FIRST OFFICER
 FIGURE 58 (SHEET 2)

25-11-51-58

HAP
 OCT 10/06

25-11-51-58
 PAGE 0A

BOEING
 737-600/700/800/900
 PARTS CATALOG (MAINTENANCE)



(B)

E 25115158 SHT 3 REV 101

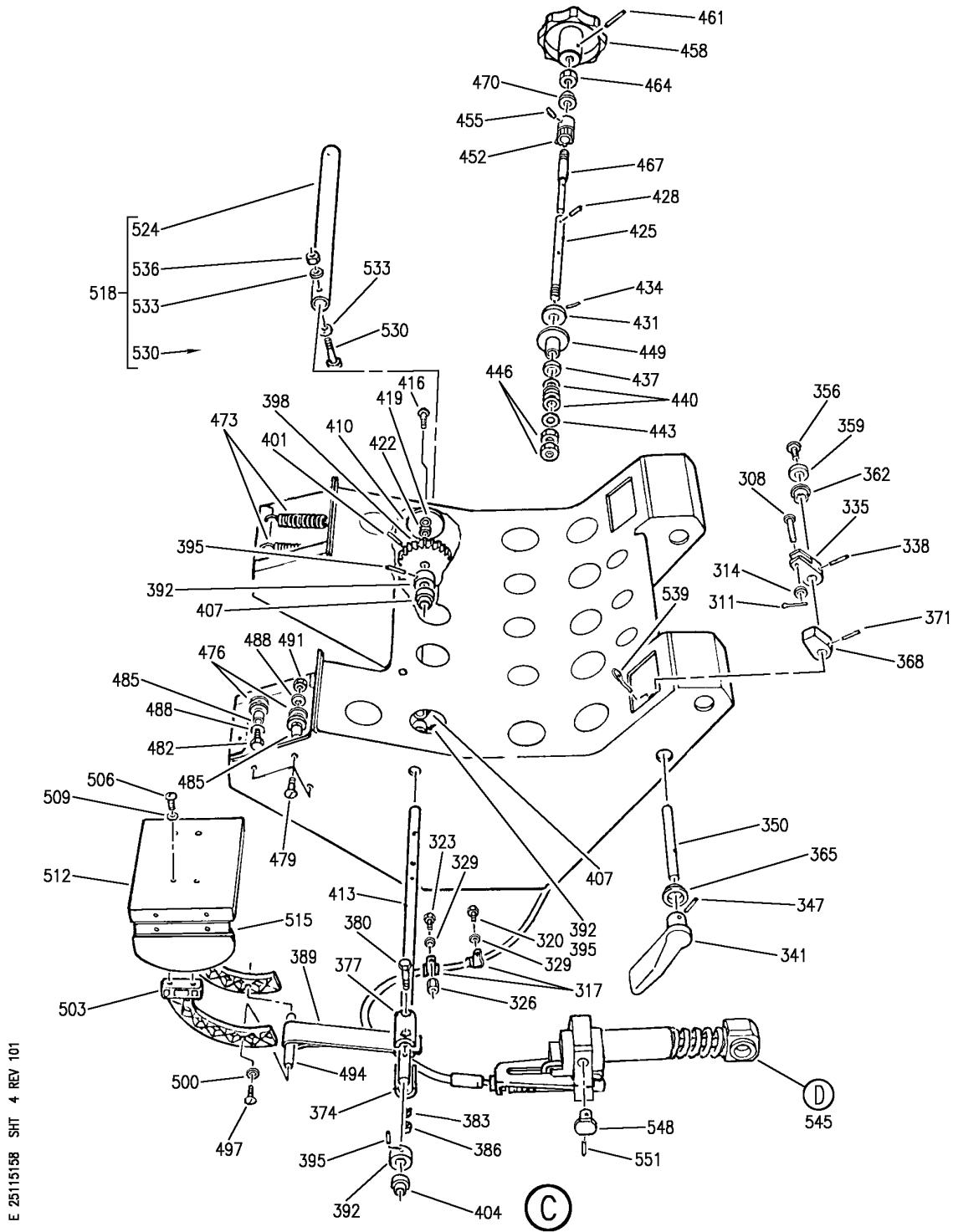
SEAT ASSY-BASIC CAPT AND FIRST OFFICER
 FIGURE 58 (SHEET 3)

25-11-51-58

HAP
 OCT 10/06

25-11-51-58
 PAGE 0B


BOEING
 737-600/700/800/900
PARTS CATALOG (MAINTENANCE)



E 25115158 SHT 4 REV 101

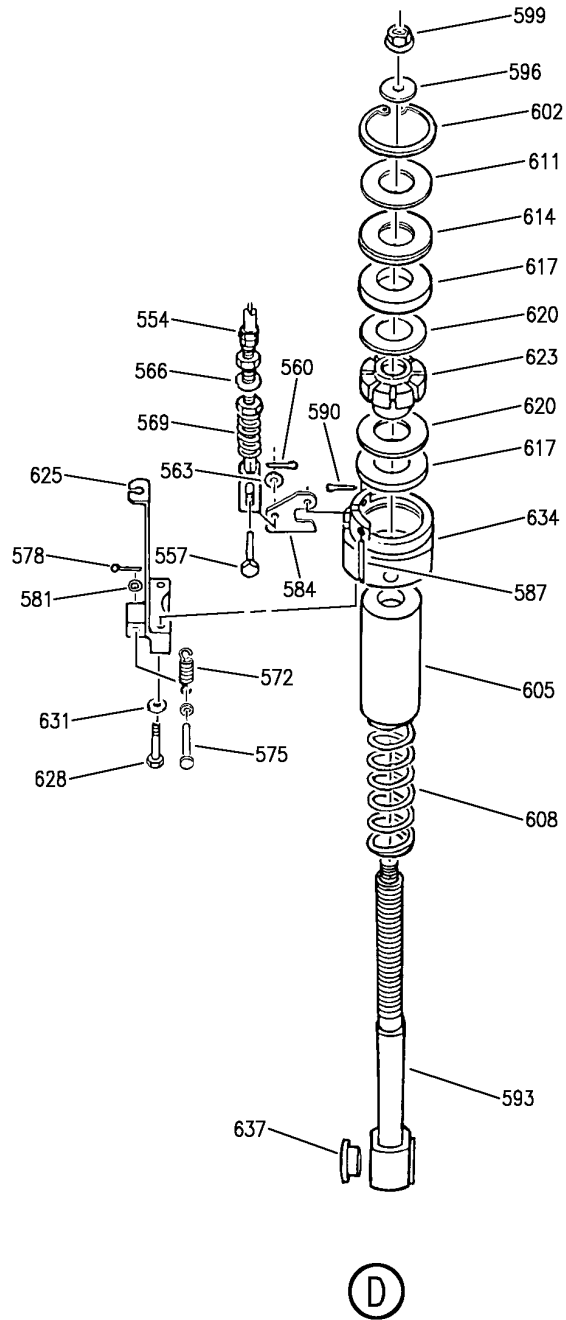
SEAT ASSY-BASIC CAPT AND FIRST OFFICER
FIGURE 58 (SHEET 4)

25-11-51-58

HAP
OCT 10/06

25-11-51-58
PAGE 0C

BOEING
 737-600/700/800/900
 PARTS CATALOG (MAINTENANCE)



E 25115158 SHT 5 REV 101

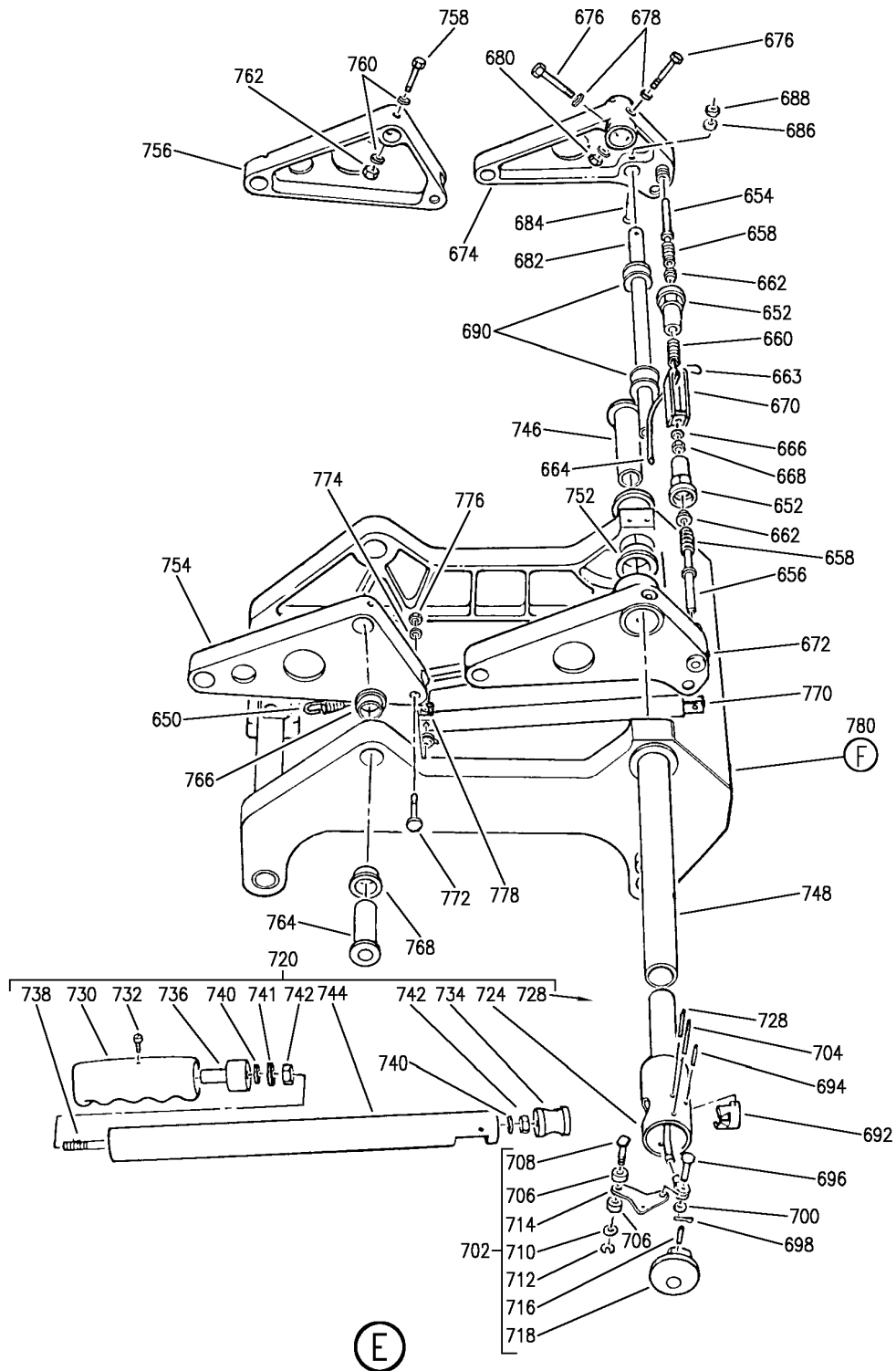
SEAT ASSY-BASIC CAPT AND FIRST OFFICER
 FIGURE 58 (SHEET 5)

25-11-51-58

HAP
 OCT 10/06

25-11-51-58
 PAGE 0D

BOEING
737-600/700/800/900
PARTS CATALOG (MAINTENANCE)



E 25115158 SHT 6 REV 140

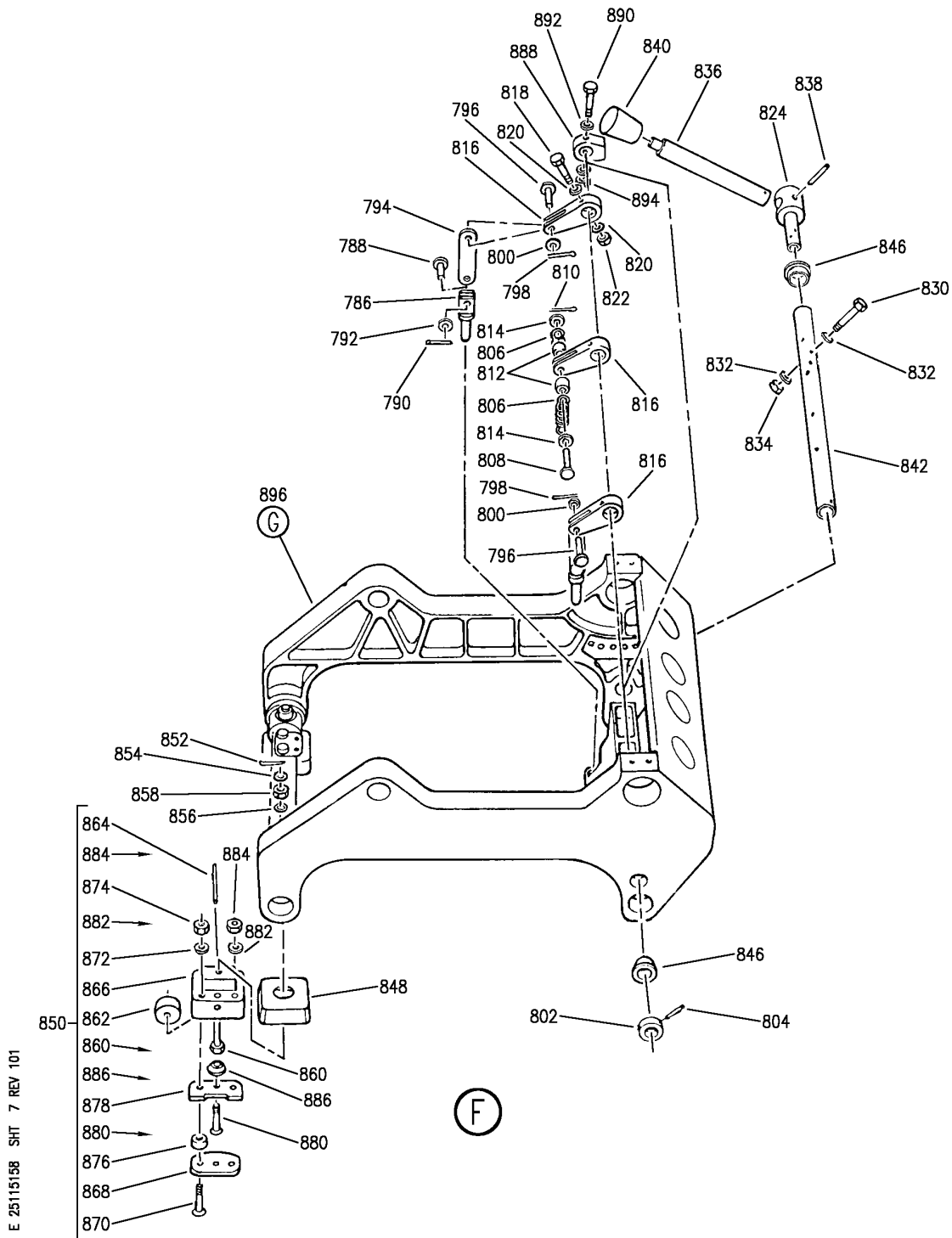
SEAT ASSY-BASIC CAPT AND FIRST OFFICER
 FIGURE 58 (SHEET 6)

25-11-51-58

HAP
 JUN 15/08

25-11-51-58
 PAGE 0E

BOEING
 737-600/700/800/900
 PARTS CATALOG (MAINTENANCE)



E 25115158 SHT 7 REV 101

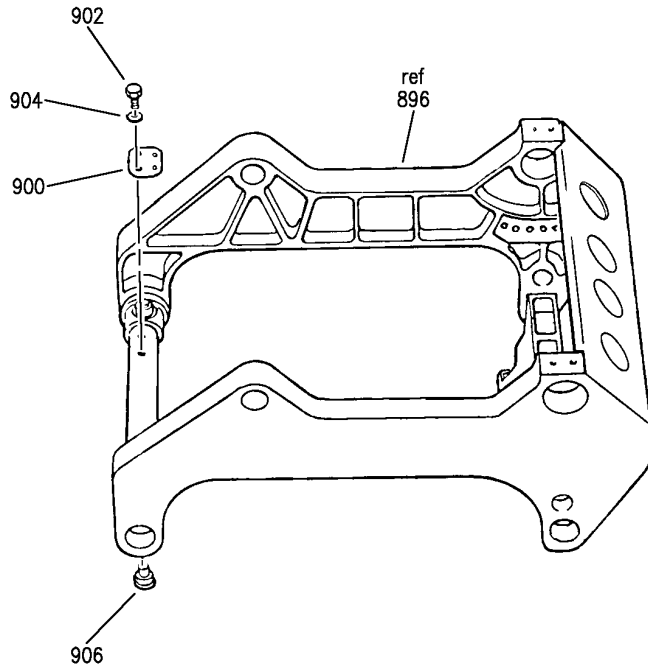
SEAT ASSY-BASIC CAPT AND FIRST OFFICER
 FIGURE 58 (SHEET 7)

25-11-51-58

HAP
 OCT 10/06

25-11-51-58
 PAGE OF

BOEING
737-600/700/800/900
PARTS CATALOG (MAINTENANCE)



(G)

E 25115158 SHT 8 REV 101

SEAT ASSY-BASIC CAPT AND FIRST OFFICER
FIGURE 58 (SHEET 8)

25-11-51-58

HAP
OCT 10/06

25-11-51-58
PAGE 06

BOEING
737-600/700/800/900
PARTS CATALOG (MAINTENANCE)

FIG ITEM	PART NUMBER	1 2 3 4 5 6 7	NOMENCLATURE	EFFECT FROM TO	UNITS PER ASSY
58			SEAT ASSY-BASIC CAPT AND FIRST OFFICER	028200 968999	
- 1	0A296-0031A		SEAT ASSY-BASIC CAPT SUPPLIER CODE: VK9075 COMPONENT MAINT MANUAL REF: 25-11-39 FOR NHA SEE: 25-11-51-57 25-11-51-57A	028200 968999	RF
- 5	0A296-0032A		SEAT ASSY-FIRST OFFICER SUPPLIER CODE: VK9075 COMPONENT MAINT MANUAL REF: 25-11-39 FOR NHA SEE: 25-11-51-57 25-11-51-57A	028200 968999	RF
20	3A058-0277		.PIN-PIVOT SUPPLIER CODE: VK9075 POSITION DATA: FWD ATTACHING PARTS	028200 968999	2
R 23	NAS603-16		.SCREW	028200 968999	2
R 26	SP126D		.WASHER	028200 968999	4
29	H14-3		.NUT-LOCK SUPPLIER CODE: VK1678	028200 968999	2
32	3A058-0455		-----*----- .BEARING-(PIVOT) SUPPLIER CODE: VK9075	028200 968999	4
35	3A254-0573		.TUBE-CROSS SUPPLIER CODE: VK9075 POSITION DATA: REAR ATTACHING PARTS	028200 968999	1
R 38	NAS603-16		.SCREW	028200 968999	2
R 41	SP126D		.WASHER	028200 968999	4
44	H14-3		.NUT-LOCK SUPPLIER CODE: VK1678 -----*-----	028200 968999	2

MISSING ITEM NUMBERS NOT APPLICABLE

- ITEM NOT ILLUSTRATED

HAP

25-11-51-58

25-11-51
FIG. 58
PAGE 1
JUN 15/09

BOEING
737-600/700/800/900
PARTS CATALOG (MAINTENANCE)

FIG ITEM	PART NUMBER	1 2 3 4 5 6 7	NOMENCLATURE	EFFECT FROM TO	UNITS PER ASSY
58					
47	3A188-0417	.	SLEEVE- SUPPLIER CODE: VK9075 POSITION DATA: INNER	028200 968999	2
50	3A254-0587	.	COLLAR- SUPPLIER CODE: VK9075 ATTACHING PARTS	028200 968999	2
53	1A500-0654	.	PIN-SPIROL SPR SUPPLIER CODE: VK9075	028200 968999	2
			-----*-----		
56	3A058-0457	.	BEARING- SUPPLIER CODE: VK9075	028200 968999	4
59	0A296-0029A	.	SEAT ASSY- SUPPLIER CODE: VK9075 POSITION DATA: UPR USED ON: 0A296-0031A	028200 968999	1
- 62	0A296-0030A	.	SEAT ASSY- SUPPLIER CODE: VK9075 POSITION DATA: UPR USED ON: 0A296-0032A	028200 968999	1
65	3A090-0293	..	COLLAR- SUPPLIER CODE: VK9075 ATTACHING PARTS	028200 968999	1
68	1A500-0646	..	PIN-SPIROL SPR SUPPLIER CODE: VK9075	028200 968999	1
			-----*-----		
71	3A090-0287	..	WHEEL-PULLEY SUPPLIER CODE: VK9075 ATTACHING PARTS	028200 968999	1
74	1A500-0651	..	PIN-SPIROL SPR SUPPLIER CODE: VK9075	028200 968999	1
			-----*-----		

MISSING ITEM NUMBERS NOT APPLICABLE

- ITEM NOT ILLUSTRATED

HAP

25-11-51-58

BOEING PROPRIETARY - Copyright © - Unpublished Work - See title page for details.

25-11-51
FIG. 58
PAGE 2
OCT 15/08

BOEING
737-600/700/800/900
PARTS CATALOG (MAINTENANCE)

FIG ITEM	PART NUMBER	1 2 3 4 5 6 7	NOMENCLATURE	EFFECT FROM TO	UNITS PER ASSY
58					
77	2A201-0631		.. WHEEL-HAND LUMBAR SUPPLIER CODE: VK9075 POSITION DATA: UP/DOWN	028200 968999	1
80	A103JT		.. NUT	028200 968999	1
83	2A199-0355		.. SHAFT-DRIVE SUPPLIER CODE: VK9075 POSITION DATA: UP/DOWN	028200 968999	1
86	2090		.. BUSH-SNAP SUPPLIER CODE: VK7817	028200 968999	1
89	3A090-0293		.. COLLAR- SUPPLIER CODE: VK9075	028200 968999	1
92	1A500-0646		ATTACHING PARTS .. PIN-SPIROL SPR SUPPLIER CODE: VK9075	028200 968999	1
95	3A090-0287		-----*----- .. WHEEL-PULLEY SUPPLIER CODE: VK9075	028200 968999	1
98	1A500-0651		ATTACHING PARTS .. PIN-SPIROL SPR SUPPLIER CODE: VK9075	028200 968999	1
101	2A201-0629		-----*----- .. WHEEL-HAND LUMBAR SUPPLIER CODE: VK9075 POSITION DATA: IN/OUT	028200 968999	1
104	A103JT		.. NUT	028200 968999	1
107	2A199-0353		.. SHAFT-DRIVE SUPPLIER CODE: VK9075 POSITION DATA: IN/OUT	028200 968999	1
110	2090		.. BUSH-SNAP SUPPLIER CODE: VK7817	028200 968999	1
113	3A254-0503		.. BEARING-PIVOT SUPPLIER CODE: VK9075	028200 968999	2

MISSING ITEM NUMBERS NOT APPLICABLE

— ITEM NOT ILLUSTRATED

HAP

25-11-51-58

25-11-51
FIG. 58
PAGE 3
OCT 15/08

BOEING
737-600/700/800/900
PARTS CATALOG (MAINTENANCE)

FIG ITEM	PART NUMBER	1 2 3 4 5 6 7	NOMENCLATURE	EFFECT FROM TO	UNITS PER ASSY
58					
116	3A090-0233	..	BEARING- SUPPLIER CODE: VK9075	028200 968999	4
119	3A090-0263	..	BEARING- SUPPLIER CODE: VK9075	028200 968999	1
122	3A090-0265	..	BEARING- SUPPLIER CODE: VK9075	028200 968999	1
125	3A090-0333	..	BEARING-HSG SUPPLIER CODE: VK9075	028200 968999	2
128	3A243-0359	..	TUBE-RECLINE ATTACHMENT SUPPLIER CODE: VK9075 ATTACHING PARTS	028200 968999	1
131	NAS517-3-17	..	SCREW	028200 968999	2
134	3A243-0361	..	SPACER- SUPPLIER CODE: VK9075	028200 968999	2
137	SP126D	..	WASHER	028200 968999	2
140	H14-3	..	NUT-LOCK SUPPLIER CODE: VK1678	028200 968999	2
143	OA254-0035A	..	MECHANISM ASSY-BACK STRUCTURE SUPPLIER CODE: VK9075 USED ON: OA296-0029A	028200 968999	1
- 146	OA254-0036A	..	MECHANISM ASSY-BACK STRUCTURE SUPPLIER CODE: VK9075 USED ON: OA296-0030A	028200 968999	1
149	3A090-0249	...	COLLAR-STOP SUPPLIER CODE: VK9075 ATTACHING PARTS	028200 968999	2
152	1A500-0651	...	PIN-SPIROL SPR SUPPLIER CODE: VK9075 -----*-----	028200 968999	2

MISSING ITEM NUMBERS NOT APPLICABLE

- ITEM NOT ILLUSTRATED

HAP

25-11-51-58

BOEING PROPRIETARY - Copyright © - Unpublished Work - See title page for details.

25-11-51
FIG. 58
PAGE 4
OCT 15/08

BOEING
737-600/700/800/900
PARTS CATALOG (MAINTENANCE)

FIG ITEM	PART NUMBER	1 2 3 4 5 6 7	NOMENCLATURE	EFFECT FROM TO	UNITS PER ASSY
58					
155	3A090-0259	...	PIN-ROLLER SUPPLIER CODE: VK9075	028200 968999	2
158	3A090-0805	...	CARRIER-ROLLER SUPPLIER CODE: VK9075 ATTACHING PARTS	028200 968999	2
161	1A500-0651	...	PIN-SPIROL SPR SUPPLIER CODE: VK9075	028200 968999	2
164	3A090-0271	-----*	...		
164	3A090-0271	...	SCREW- SUPPLIER CODE: VK9075 POSITION DATA: IN/OUT	028200 968999	2
167	3A090-0215	...	BRACKET-LUMBAR (SMALL) SUPPLIER CODE: VK9075 ATTACHING PARTS	028200 968999	2
170	A113-2C	...	BOLT	028200 968999	4
173	SP126C	...	WASHER	028200 968999	4
176	3A090-0313	-----*	...		
176	3A090-0313	...	WASHER-THRUST SUPPLIER CODE: VK9075	028200 968999	2
179	3A090-0105	...	PULLEY-LUMBAR SUPPLIER CODE: VK9075	028200 968999	2
182	3A254-0495	...	BRACKET-LUMBAR (LARGE) SUPPLIER CODE: VK9075 ATTACHING PARTS	028200 968999	2
185	NAS517-2-2	...	SCREW	028200 968999	4
188	3A090-0615	-----*	...		
188	3A090-0615	...	GUIDE-BELT SUPPLIER CODE: VK9075 ATTACHING PARTS	028200 968999	1
191	A102-3C	...	BOLT	028200 968999	1
194	SP126C	...	WASHER	028200 968999	1
		-----*	...		

MISSING ITEM NUMBERS NOT APPLICABLE

— ITEM NOT ILLUSTRATED

HAP

25-11-51-58

BOEING PROPRIETARY - Copyright © - Unpublished Work - See title page for details.

25-11-51
FIG. 58
PAGE 5
OCT 15/08

BOEING
737-600/700/800/900
PARTS CATALOG (MAINTENANCE)

FIG ITEM	PART NUMBER	1 2 3 4 5 6 7	NOMENCLATURE	EFFECT FROM TO	UNITS PER ASSY
58					
197	3A090-0203	...	BRACKET-PULLEY SUPPLIER CODE: VK9075 POSITION DATA: CTR ATTACHING PARTS	028200 968999	1
200	A102-1C	...	BOLT	028200 968999	3
203	SP126C	...	WASHER	028200 968999	3
			-----*-----		
206	3A090-0253	...	COLLAR-STOP SUPPLIER CODE: VK9075 ATTACHING PARTS	028200 968999	1
209	1A500-0647	...	PIN-SPIROL SPR SUPPLIER CODE: VK9075	028200 968999	1
			-----*-----		
212	3A090-0257	...	SPINDLE- SUPPLIER CODE: VK9075	028200 968999	1
215	2A506-0011	...	BELT-HTD (SHORT) SUPPLIER CODE: VK9075	028200 968999	2
218	3A090-0613	...	SPACER-BELT SUPPLIER CODE: VK9075	028200 968999	2
221	2A506-0013	...	BELT-HTD (MEDIUM) SUPPLIER CODE: VK9075	028200 968999	1
224	3A090-0107	...	PULLEY- SUPPLIER CODE: VK9075 POSITION DATA: CTR	028200 968999	1
227	3A090-0251	...	BEARING- SUPPLIER CODE: VK9075	028200 968999	2
230	1A090-0791	...	GEARBOX- SUPPLIER CODE: VK9075	028050 054200 968999	1
			CONFIG CHG DATA FROM A CMM: SUPSD BY 1A090-0821		
230	1A090-0821	...	GEARBOX- SUPPLIER CODE: VK9075 CONFIG CHG DATA FROM A CMM: SUPSDS 1A090-0791	028050 054200 968999	1

MISSING ITEM NUMBERS NOT APPLICABLE

— ITEM NOT ILLUSTRATED

HAP

25-11-51-58

25-11-51
FIG. 58
PAGE 6
FEB 15/09

BOEING
737-600/700/800/900
PARTS CATALOG (MAINTENANCE)

FIG ITEM	PART NUMBER	1 2 3 4 5 6 7	NOMENCLATURE	EFFECT FROM TO	UNITS PER ASSY
58			ATTACHING PARTS		
233	A113-1-2C	...	BOLT	028200 968999	4
236	SP126C	...	WASHER	028200 968999	4
239	3A090-0101	...	GEAR-VERT DRIVE SUPPLIER CODE: VK9075	028200 968999	1
242	3A090-0377	...	PIN- SUPPLIER CODE: VK9075	028200 968999	1
245	SP90E5	...	PIN	028200 968999	1
248	SP126G	...	WASHER	028200 968999	1
251	2A506-0020	...	BELT-HTD (LONG) SUPPLIER CODE: VK9075	028200 968999	1
254	3A090-0403	...	SCREW- SUPPLIER CODE: VK9075	028200 968999	1
257	3A090-0373	...	BEARING- SUPPLIER CODE: VK9075	028200 968999	2
260	3A090-0367	...	GUIDE-BEARING SUPPLIER CODE: VK9075	028200 968999	2
263	A113-1-2C	...	BOLT	028200 968999	4
266	SP126C	...	WASHER	028200 968999	4
269	3A090-0103	...	GEAR-NUT VERT SUPPLIER CODE: VK9075	028200 968999	1
272	3A090-0311	...	BEARING- SUPPLIER CODE: VK9075	028200 968999	2
275	3A090-0523	...	ARMREST-STOP SUPPLIER CODE: VK9075	028200 968999	2

MISSING ITEM NUMBERS NOT APPLICABLE

— ITEM NOT ILLUSTRATED

HAP

25-11-51-58

25-11-51
FIG. 58
PAGE 7
OCT 15/08

BOEING
737-600/700/800/900
PARTS CATALOG (MAINTENANCE)

FIG ITEM	PART NUMBER	1 2 3 4 5 6 7	NOMENCLATURE	EFFECT FROM TO	UNITS PER ASSY
58			ATTACHING PARTS		
278	1A500-0657	...	PIN-SPIROL SPR SUPPLIER CODE: VK9075	028200 968999	2
			-----*-----		
281	3A090-0467	...	TUBE-ARMREST SUPPLIER CODE: VK9075	028200 968999	2
284	2A090-0473	...	BOSS-SPLINED SUPPLIER CODE: VK9075	028200 968999	2
287	NAS603-4	...	ATTACHING PARTS SCREW	028200 968999	8
290	SP126D	...	WASHER	028200 968999	8
			-----*-----		
293	3A090-0521	...	BEARING-SPLIT SUPPLIER CODE: VK9075	028200 968999	2
296	OA254-0033A	...	STRUCTURE ASSY-BACK SUPPLIER CODE: VK9075 USED ON: OA254-0035A	028200 968999	1
- 299	OA254-0034A	...	STRUCTURE ASSY-BACK SUPPLIER CODE: VK9075 USED ON: OA254-0036A	028200 968999	1
302	OA296-0021A	..	MECHANISM ASSY-SEAT PAN SUPPLIER CODE: VK9075 USED ON: OA296-0029A	028200 968999	1
- 305	OA296-0022A	..	MECHANISM ASSY-SEAT PAN SUPPLIER CODE: VK9075 USED ON: OA296-0030A	028200 968999	1
308	SP4YB9	...	PIN-SHEAR	028200 968999	1
311	SP90C3	...	PIN-SPLIT	028200 968999	1
314	SP122D	...	WASHER	028200 968999	1

MISSING ITEM NUMBERS NOT APPLICABLE

- ITEM NOT ILLUSTRATED

HAP

25-11-51-58

BOEING PROPRIETARY - Copyright © - Unpublished Work - See title page for details.

25-11-51
FIG. 58
PAGE 8
JUN 15/09

BOEING
737-600/700/800/900
PARTS CATALOG (MAINTENANCE)

FIG ITEM	PART NUMBER	1 2 3 4 5 6 7	NOMENCLATURE	EFFECT FROM TO	UNITS PER ASSY
58					
317	2A503-0003	...	CLAMP-PLASTIC WIRE SPRT LOOP SUPPLIER CODE: VK9075 ATTACHING PARTS	028200 968999	2
320	A102-2C	...	BOLT	028200 968999	1
323	A102-4C	...	BOLT- CONFIG CHG DATA FROM A CMM: REPLD BY A102-3C	028200 968999	1
323	A102-3C	...	BOLT- CONFIG CHG DATA FROM A CMM: REPLDS A102-4C	028200 968999	1
326	3A001-0691	...	SPACER- SUPPLIER CODE: VK9075	028200 968999	1
329	SP126C	...	WASHER	028200 968999	2
			-----*-----		
335	3A097-0209	...	LEVER- SUPPLIER CODE: VK9075 ATTACHING PARTS	028200 968999	1
338	1A500-0658	...	PIN-SPIROL SPR SUPPLIER CODE: VK9075	028200 968999	1
			-----*-----		
341	1A514-0061	...	LEVER-CONT RECLINE SUPPLIER CODE: VK9075 USED ON: 0A296-0021A	028200 968999	1
- 344	1A514-0062	...	LEVER-CONT RECLINE SUPPLIER CODE: VK9075 USED ON: 0A296-0022A ATTACHING PARTS	028200 968999	1
347	1A500-0660	...	PIN-SPIROL SPR SUPPLIER CODE: VK9075	028200 968999	1
			-----*-----		
350	3A296-0257	...	SHAFT-RECLINE CONT SUPPLIER CODE: VK9075 USED ON: 0A296-0021A	028200 968999	1

MISSING ITEM NUMBERS NOT APPLICABLE

- ITEM NOT ILLUSTRATED

HAP

25-11-51-58

BOEING PROPRIETARY - Copyright © - Unpublished Work - See title page for details.

25-11-51
FIG. 58
PAGE 9
OCT 15/08

BOEING
737-600/700/800/900
PARTS CATALOG (MAINTENANCE)

FIG ITEM	PART NUMBER	1 2 3 4 5 6 7	NOMENCLATURE	EFFECT FROM TO	UNITS PER ASSY
58					
- 353	3A296-0258		...SHAFT-RECLINE CONT SUPPLIER CODE: VK9075 USED ON: 0A296-0022A ATTACHING PARTS	028200 968999	1
356	A102-1-2C		...BOLT	028200 968999	1
359	3A090-0407		...WASHER- SUPPLIER CODE: VK9075 -----*-----	028200 968999	1
362	3A090-0405		...BEARING- SUPPLIER CODE: VK9075	028200 968999	1
365	3A035-0645		...BEARING- SUPPLIER CODE: VK9075	028200 968999	1
368	3A163-0213		...LEVER- SUPPLIER CODE: VK9075 ATTACHING PARTS	028200 968999	1
371	1A500-0651		...PIN-SPIROL SPR SUPPLIER CODE: VK9075 -----*-----	028200 968999	1
374	3A254-0493		...CLAMP- SUPPLIER CODE: VK9075 POSITION DATA: LWR	028200 968999	2
377	3A254-0491		...CLAMP- SUPPLIER CODE: VK9075 POSITION DATA: UPR ATTACHING PARTS	028200 968999	2
380	A102-4C		...BOLT	028200 968999	4
383	SP126C		...WASHER	028200 968999	4
386	H14L08		...NUT-LOCK SUPPLIER CODE: VK1678 -----*-----	028200 968999	4
389	3A254-0501		...WEBBING- SUPPLIER CODE: VK9075	028200 968999	2

MISSING ITEM NUMBERS NOT APPLICABLE

- ITEM NOT ILLUSTRATED

HAP

25-11-51-58

BOEING PROPRIETARY - Copyright © - Unpublished Work - See title page for details.

25-11-51
FIG. 58
PAGE 10
OCT 15/08

BOEING
737-600/700/800/900
PARTS CATALOG (MAINTENANCE)

FIG ITEM	PART NUMBER	1 2 3 4 5 6 7	NOMENCLATURE	EFFECT FROM TO	UNITS PER ASSY
58					
392	3A254-0361	...	COLLAR- SUPPLIER CODE: VK9075 ATTACHING PARTS	028200 968999	3
395	1A500-0651	...	PIN-SPIROL SPR SUPPLIER CODE: VK9075 -----*-----	028200 968999	3
398	3A254-0343	...	GEAR-THIGH (LARGE) SUPPLIER CODE: VK9075 ATTACHING PARTS	028200 968999	1
401	1A500-0660	...	PIN-SPIROL SPR SUPPLIER CODE: VK9075 -----*-----	028200 968999	1
404	3A058-0115	...	BEARING- SUPPLIER CODE: VK9075	028200 968999	1
407	3A254-0347	...	BEARING- SUPPLIER CODE: VK9075	028200 968999	2
410	3A254-0527	...	BEARING-STOP SPRT SUPPLIER CODE: VK9075	028200 968999	1
413	2A296-0255	...	SHAFT-CROSS SUPPLIER CODE: VK9075	028200 968999	1
416	A113-1C	...	BOLT	028200 968999	1
419	SP126C	...	WASHER	028200 968999	1
422	H14L08	...	NUT-LOCK SUPPLIER CODE: VK1678	028200 968999	1
425	3A296-0253	...	SHAFT- SUPPLIER CODE: VK9075 ATTACHING PARTS	028200 968999	1
428	1A500-0638	...	PIN-SPIROL SPR SUPPLIER CODE: VK9075 -----*-----	028200 968999	1
431	3A254-0533	...	COLLAR- SUPPLIER CODE: VK9075	028200 968999	1

MISSING ITEM NUMBERS NOT APPLICABLE

— ITEM NOT ILLUSTRATED

HAP

25-11-51-58

BOEING PROPRIETARY - Copyright © - Unpublished Work - See title page for details.

25-11-51
FIG. 58
PAGE 11
OCT 15/08

BOEING
737-600/700/800/900
PARTS CATALOG (MAINTENANCE)

FIG ITEM	PART NUMBER	1 2 3 4 5 6 7	NOMENCLATURE	EFFECT FROM TO	UNITS PER ASSY
58			ATTACHING PARTS		
434	1A500-0644	...	PIN-SPIROL SPR SUPPLIER CODE: VK9075 -----*-----	028200 968999	1
437	3A296-0275	...	SPACER- SUPPLIER CODE: VK9075	028200 968999	1
440	LS501-31	...	WASHER-WAVED SPR SUPPLIER CODE: VK1048	028200 968999	5
443	SP126J	...	WASHER	028200 968999	1
446	A103JT	...	NUT-THIN	028200 968999	2
449	3A254-0539	...	BEARING-FRICT SUPPLIER CODE: VK9075	028200 968999	1
452	3A254-0363	...	GEAR-THIGH (SMALL) SUPPLIER CODE: VK9075	028200 968999	1
455	1A500-0648	...	ATTACHING PARTS PIN-SPIROL SPR SUPPLIER CODE: VK9075 -----*-----	028200 968999	1
458	2A201-0627	...	WHEEL-HAND THIGH SUPPLIER CODE: VK9075	028200 968999	1
461	1A500-0653	...	ATTACHING PARTS PIN-SPIROL SPR SUPPLIER CODE: VK9075 -----*-----	028200 968999	1
464	A103JT	...	NUT	028200 968999	1
467	3A254-0535	...	SHAFT-CONT SUPPLIER CODE: VK9075	028200 968999	1
470	3A058-0115	...	BEARING- SUPPLIER CODE: VK9075	028200 968999	1
473	ENTEX550	...	SPRING-EXTENSION SUPPLIER CODE: VK6217 CONFIG CHG DATA FROM A CMM: REPLD BY 1A527-0033	028200 968999	4

MISSING ITEM NUMBERS NOT APPLICABLE

— ITEM NOT ILLUSTRATED

HAP

25-11-51-58

BOEING PROPRIETARY - Copyright © - Unpublished Work - See title page for details.

25-11-51
FIG. 58
PAGE 12
OCT 15/08

BOEING
737-600/700/800/900
PARTS CATALOG (MAINTENANCE)

FIG ITEM	PART NUMBER	1 2 3 4 5 6 7	NOMENCLATURE	EFFECT FROM TO	UNITS PER ASSY
58					
473	1A527-0033	...	SPRING-EXTENSION SUPPLIER CODE: VK6217 CONFIG CHG DATA FROM A CMM: REPLS ENTEX550	028200 968999	4
476	3A254-0341	...	ROLLER-GUIDE SUPPLIER CODE: VK9075 CONFIG CHG DATA FROM A CMM: SUPSD BY 2A254-0603	028200 968999	12
476	2A254-0603	...	THIGH-SLIDE SUPPLIER CODE: VK9075 CONFIG CHG DATA FROM A CMM: SUPSDS 3A254-0341	028200 968999	12
479	A113-4D	...	BOLT- CONFIG CHG DATA FROM A CMM: SUPSD A113-3D	028200 968999	6
479	A113-3D	...	BOLT- CONFIG CHG DATA FROM A CMM: SUPSDS A113-4D	028200 968999	6
482	NAS603-9	...	SCREW	028200 968999	6
485	3A254-0499	...	SPACER- SUPPLIER CODE: VK9075	028200 968999	12
488	SP126D	...	WASHER	028200 968999	12
491	H14-3	...	NUT-LOCK SUPPLIER CODE: V15653	028200 968999	6
494	3A296-0249	...	SHAFT-THIGH SUPPLIER CODE: VK9075 CONFIG CHG DATA FROM A CMM: SUPSD BY 3A296-0301	028200 968999	2
494	3A296-0301	...	SHAFT-THIGH SUPPLIER CODE: VK9075 CONFIG CHG DATA FROM A CMM: SUPSDS 3A296-0249 ATTACHING PARTS	028200 968999	2
497	A113-2C	...	BOLT	028200 968999	4
500	SP126C	...	WASHER	028200 968999	4
			-----*-----		

MISSING ITEM NUMBERS NOT APPLICABLE

— ITEM NOT ILLUSTRATED

HAP

25-11-51-58

BOEING PROPRIETARY - Copyright © - Unpublished Work - See title page for details.

25-11-51
FIG. 58
PAGE 13
JUN 15/09

BOEING
737-600/700/800/900
PARTS CATALOG (MAINTENANCE)

FIG ITEM	PART NUMBER	1 2 3 4 5 6 7	NOMENCLATURE	EFFECT FROM TO	UNITS PER ASSY
58					
503	2A254-0371	...	RUNNER-THIGH SUPPLIER CODE: VK9075 ATTACHING PARTS	028200 968999	4
506	A113-1-2C	...	BOLT	028200 968999	8
509	SP126C	...	WASHER	028200 968999	8
			-----*-----		
512	1A296-0247	...	PAD-THIGH SUPPLIER CODE: VK9075	028200 968999	2
515	2A254-0369	...	PLATE-THIGH SUPPLIER CODE: VK9075 POSITION DATA: SIDE	028200 968999	2
518	0A296-0019	...	STRUCTURE ASSY-SEAT PAN SUPPLIER CODE: VK9075 USED ON: 0A296-0021A	028200 968999	1
- 521	0A296-0020	...	STRUCTURE ASSY-SEAT PAN SUPPLIER CODE: VK9075 USED ON: 0A296-0022A	028200 968999	1
524	2A254-0317	TUBE-CROSS SUPPLIER CODE: VK9075 ATTACHING PARTS	028200 968999	2
- 527	NAS517-3-15	BOLT	028200 968999	2
530	NAS603-23	SCREW	028200 968999	2
533	SP126D	WASHER	028200 968999	4
536	H14-3	NUT-LOCK SUPPLIER CODE: VK1678 -----*-----	028200 968999	4
539	N1500-0018APP	...	CIRCLIP- SUPPLIER CODE: VK0745	028200 968999	1
- 542	4163	...	GROMMET-OPEN SUPPLIER CODE: VK5616	028200 968999	1

MISSING ITEM NUMBERS NOT APPLICABLE

- ITEM NOT ILLUSTRATED

HAP

25-11-51-58

BOEING PROPRIETARY - Copyright © - Unpublished Work - See title page for details.

25-11-51
FIG. 58
PAGE 14
JUN 15/09

BOEING
737-600/700/800/900
PARTS CATALOG (MAINTENANCE)

FIG ITEM	PART NUMBER	1 2 3 4 5 6 7	NOMENCLATURE	EFFECT FROM TO	UNITS PER ASSY
58					
545	1A296-0207	...	UNIT ASSY- SUPPLIER CODE: VK9075 ATTACHING PARTS	028200 968999	1
548	3A168-0291	...	PIN-RECLINE PIVOT SUPPLIER CODE: VK9075	028200 968999	2
551	1A500-0059	...	PIN-SPIROL SPR SUPPLIER CODE: VK9075	028200 968999	2
554	2A258-0403	-----*CABLE- SUPPLIER CODE: VK9075 ATTACHING PARTS	028200 968999	1
557	SP113C8-1-2	PIN-SHEAR	028200 968999	1
560	SP90C3	PIN-SPLIT	028200 968999	1
563	SP126D	WASHER	028200 968999	1
566	SP47E	WASHER	028200 968999	1
569	ENTEX75	SPRING-CPRSN SUPPLIER CODE: VK9075 CONFIG CHG DATA FROM A CMM: REPLD BY 1A527-0118	028200 968999	1
569	1A527-0118	SPRING-CPRSN SUPPLIER CODE: VK9075 CONFIG CHG DATA FROM A CMM: REPLS ENTEX75	028200 968999	1
572	1A500-0733	SPRING-EXTENSION SUPPLIER CODE: VK9075 ATTACHING PARTS	028200 968999	2
575	SP113A9	PIN-SHEAR	028200 968999	1
578	SP90C2	PIN-SPLIT	028200 968999	1
581	SP126B	WASHER	028200 968999	2
584	3A103-0275	PLATE-LATCH SUPPLIER CODE: VK9075	028200 968999	1

MISSING ITEM NUMBERS NOT APPLICABLE

— ITEM NOT ILLUSTRATED

HAP

25-11-51-58

BOEING PROPRIETARY - Copyright © - Unpublished Work - See title page for details.

25-11-51
FIG. 58
PAGE 15
OCT 15/08

BOEING
737-600/700/800/900
PARTS CATALOG (MAINTENANCE)

FIG ITEM	PART NUMBER	1 2 3 4 5 6 7	NOMENCLATURE	EFFECT FROM TO	UNITS PER ASSY
58			ATTACHING PARTS		
587	3A020-0365	PIN-PIVOT SUPPLIER CODE: VK9075	028200 968999	1
590	SP90B3	PIN-SPLIT	028200 968999	2
			-----*-----		
593	2A296-0261	STRUT- SUPPLIER CODE: VK9075	028200 968999	1
			ATTACHING PARTS		
596	3A188-0415	SPACER- SUPPLIER CODE: VK9075	028200 968999	1
599	H14-6	NUT-LOCK SUPPLIER CODE: VK1678	028200 968999	1
			-----*-----		
602	D1300-0360APP	CIRCLIP- SUPPLIER CODE: VK0745	028200 968999	1
605	3A254-0529	TUBE-SPR SUPPLIER CODE: VK9075	028200 968999	1
608	3A104-0145	SPRING-CPRSN SUPPLIER CODE: VK9075	028200 968999	1
611	3A001-0635	SPACER-RECLINE SUPPLIER CODE: VK9075	028200 968999	1
614	3A001-0385	WASHER-SHIM SUPPLIER CODE: VK9075	028200 968999	1
617	AX20-35	BEARING-THRUST SUPPLIER CODE: VK0018	028200 968999	2
620	CP20-35	PLATE-THRUST SUPPLIER CODE: VK0018	028200 968999	2
623	3A254-0531	NUT-RECLINE SUPPLIER CODE: VK9075	028200 968999	1
625	2A254-0591	BRACKET-RECLINE SUPPLIER CODE: VK9075	028200 968999	1
			CONFIG CHG DATA FROM A CMM: REPLD BY 2A254-0593		

MISSING ITEM NUMBERS NOT APPLICABLE

— ITEM NOT ILLUSTRATED

HAP

25-11-51-58

25-11-51
FIG. 58
PAGE 16
OCT 15/08

BOEING
737-600/700/800/900
PARTS CATALOG (MAINTENANCE)

FIG ITEM	PART NUMBER	1 2 3 4 5 6 7	NOMENCLATURE	EFFECT FROM TO	UNITS PER ASSY
58					
625	2A254-0593	BRACKET-RECLINE SUPPLIER CODE: VK9075 CONFIG CHG DATA FROM A CMM: REPLS 2A254-0591 ATTACHING PARTS	028200 968999	1
628	A102-5C	BOLT	028200 968999	2
631	SP126C	WASHER	028200 968999	2
			-----*-----		
634	2A104-0153	HOUSING- SUPPLIER CODE: VK9075	028200 968999	1
637	3A258-0437	BUSH- SUPPLIER CODE: VK9075	028200 968999	2
640	0A296-0017A	.MECHANISM ASSY-BASE AND LIFT SUPPLIER CODE: VK9075 USED ON: 0A296-0031A		028200 968999	1
- 645	0A296-0018A	.MECHANISM ASSY-BASE AND LIFT SUPPLIER CODE: VK9075 USED ON: 0A296-0032A		028200 968999	1
650	3A090-0757	..CORD-BRAIDED RUBBER (MATCHED) SUPPLIER CODE: VK9075		028200 968999	2
652	3A254-0407	..HOUSING-SPR SUPPLIER CODE: VK9075		028200 968999	2
654	3A254-0409	..PIN-SHORT HEIGHT LOCK SUPPLIER CODE: VK9075		028200 968999	1
656	3A254-0411	..PIN-LONG HEIGHT LOCK SUPPLIER CODE: VK9075		028200 968999	1
658	ENTEX72	..SPRING-CPRSN SUPPLIER CODE: VK6217 CONFIG CHG DATA FROM A CMM: REPLD BY 1A527-0116		028200 968999	2

MISSING ITEM NUMBERS NOT APPLICABLE

- ITEM NOT ILLUSTRATED

HAP

25-11-51-58

BOEING PROPRIETARY - Copyright © - Unpublished Work - See title page for details.

25-11-51
FIG. 58
PAGE 17
OCT 15/08

BOEING
737-600/700/800/900
PARTS CATALOG (MAINTENANCE)

FIG ITEM	PART NUMBER	1 2 3 4 5 6 7	NOMENCLATURE	EFFECT FROM TO	UNITS PER ASSY
58					
658	1A527-0116	..	SPRING-CPRSN SUPPLIER CODE: VK6217 CONFIG CHG DATA FROM A CMM: REPLS ENTEX72	028200 968999	2
660	ENTEX75	..	SPRING-CPRSN SUPPLIER CODE: VK9075 CONFIG CHG DATA FROM A CMM: REPLD BY 1A527-0118	028200 968999	1
660	1A527-0118	..	SPRING-CPRSN SUPPLIER CODE: VK9075 CONFIG CHG DATA FROM A CMM: REPLS ENTEX75	028200 968999	1
662	3A008-0213	..	FERRULE- SUPPLIER CODE: VK9075	028200 968999	2
663	N1500-0018APP	..	CIRCLIP- SUPPLIER CODE: VK0745	028200 968999	1
664	3A026-0349	..	CABLE-HEIGHTLOCK SUPPLIER CODE: VK9075	028200 968999	1
666	SP122D	..	WASHER	028200 968999	1
668	A103DT	..	NUT	028200 968999	1
670	3A026-0369	..	BRACKET-CONN. SUPPLIER CODE: VK9075 CONFIG CHG DATA FROM A CMM: SUPSD BY 3A296-0311	028200 968999	1
670	3A296-0311	..	BRACKET-CONN. SUPPLIER CODE: VK9075 CONFIG CHG DATA FROM A CMM: SUPSDS 3A026-0369	028200 968999	1
672	1A254-0223A	..	ARM-LIFT SUPPLIER CODE: VK9075 POSITION DATA: REAR LH	028200 968999	1
674	1A254-0224A	..	ARM-LIFT SUPPLIER CODE: VK9075 POSITION DATA: REAR RH	028200 968999	1

MISSING ITEM NUMBERS NOT APPLICABLE

— ITEM NOT ILLUSTRATED

HAP

25-11-51-58

BOEING PROPRIETARY - Copyright © - Unpublished Work - See title page for details.

25-11-51
FIG. 58
PAGE 18
OCT 15/08

BOEING
737-600/700/800/900
PARTS CATALOG (MAINTENANCE)

FIG ITEM	PART NUMBER	1 2 3 4 5 6 7	NOMENCLATURE	EFFECT FROM TO	UNITS PER ASSY
58			ATTACHING PARTS		
R R	676	NAS603-22	.. SCREW	028200 968999	4
	678	SP126D	.. WASHER	028200 968999	8
	680	H14-3	.. NUT-LOCK SUPPLIER CODE: VK1678 -----*-----	028200 968999	4
	682	2A254-0305	.. TUBE-AFT SUPPLIER CODE: VK9075 ATTACHING PARTS	028200 968999	1
	684	NAS517-3-14	.. SCREW	028200 968999	2
	686	SP126D	.. WASHER	028200 968999	2
	688	H14-3	.. NUT-LOCK SUPPLIER CODE: VK1678 -----*-----	028200 968999	2
	690	3A254-0303	.. ROLLER-BRAIDED RUBBER CORD SUPPLIER CODE: VK9075	028200 968999	2
	692	3A254-0399	.. STOP-CABLE SUPPLIER CODE: VK9075 ATTACHING PARTS	028200 968999	1
	694	1A500-0647	.. PIN-SPIROL SPR SUPPLIER CODE: VK9075 -----*-----	028200 968999	1
	696	3A008-0395	.. PIN-SPECIAL SHEAR SUPPLIER CODE: VK9075	028200 968999	1
	698	SP90C2	.. PIN-SPLIT	028200 968999	1
	700	SP126B	.. WASHER	028200 968999	1
	702	3A254-0421	.. CAP ASSY-END SUPPLIER CODE: VK9075 ATTACHING PARTS	028200 968999	1
	704	1A500-0648	.. PIN-SPIROL SPR SUPPLIER CODE: VK9075 -----*-----	028200 968999	2

MISSING ITEM NUMBERS NOT APPLICABLE

— ITEM NOT ILLUSTRATED

HAP

25-11-51-58

25-11-51
FIG. 58
PAGE 19
JUN 15/09

BOEING
737-600/700/800/900
PARTS CATALOG (MAINTENANCE)

FIG ITEM	PART NUMBER	1 2 3 4 5 6 7	NOMENCLATURE	EFFECT FROM TO	UNITS PER ASSY
58 706	3A008-0541		...ROLLER- SUPPLIER CODE: VK9075 ATTACHING PARTS	028200 968999	2
708	3A008-0553		...PIN-SPECIAL SHEAR SUPPLIER CODE: VK9075	028200 968999	1
710	SP126B		...WASHER	028200 968999	1
712	N1500-0012APP		...CIRCLIP- SUPPLIER CODE: VK0745	028200 968999	1
714	2A008-0533		-----*----- ...CRANK-BELL SUPPLIER CODE: VK9075 ATTACHING PARTS	028200 968999	1
716	1A500-0648		...PIN-SPIROL SPR SUPPLIER CODE: VK9075	028200 968999	1
718	2A254-0419		-----*----- ...CAP-END SUPPLIER CODE: VK9075	028200 968999	1
720	1A296-0251		..HANDLE ASSY-HEIGHTLOCK SUPPLIER CODE: VK9075 USED ON: 0A296-0017A	028200 968999	1
- 722	1A296-0252		..HANDLE ASSY-HEIGHTLOCK SUPPLIER CODE: VK9075 USED ON: 0A296-0018A	028200 968999	1
- 723	3A226-0325		...SCALE-VERT IND SUPPLIER CODE: VK9075	028200 968999	1
724	1A296-0201		...HANDLE-PIVOT SUPPLIER CODE: VK9075 USED ON: 1A296-0251	028200 968999	1
- 726	1A296-0202		...HANDLE-PIVOT SUPPLIER CODE: VK9075 USED ON: 1A296-0252	028200 968999	1

MISSING ITEM NUMBERS NOT APPLICABLE

- ITEM NOT ILLUSTRATED

HAP

25-11-51-58

BOEING PROPRIETARY - Copyright © - Unpublished Work - See title page for details.

25-11-51
FIG. 58
PAGE 20
OCT 15/08

BOEING
737-600/700/800/900
PARTS CATALOG (MAINTENANCE)

FIG ITEM	PART NUMBER	1 2 3 4 5 6 7	NOMENCLATURE	EFFECT FROM TO	UNITS PER ASSY
58			ATTACHING PARTS		
- 727	3A500-0273	...	SCREW- SUPPLIER CODE: VK9075	028200 968999	2
728	1A500-0153	...	PIN-SEL-LOK SUPPLIER CODE: VK9075	028200 968999	1
- 729	3A226-0327	...	SPACER- SUPPLIER CODE: VK9075	028200 968999	1
			-----*-----		
730	3A001-0927	...	GRIP-HAND SUPPLIER CODE: VK9075	028200 968999	1
			ATTACHING PARTS		
732	3A500-0245	...	SCREW- SUPPLIER CODE: VK9075	028200 968999	2
			-----*-----		
734	3A008-0235	...	SLIDE- SUPPLIER CODE: VK9075	028200 968999	1
736	3A090-0181	...	BUTTON-PUSH SUPPLIER CODE: VK9075	028200 968999	1
738	3A026-0405	...	ROD-PUSH SUPPLIER CODE: VK9075	028200 968999	1
740	SP122D	...	WASHER	028200 968999	2
741	SP47C	...	WASHER-	028200 968999	2
742	A103DP	...	NUT	028200 968999	2
744	2A254-0417	...	HANDLE-HEIGHTLOCK SUPPLIER CODE: VK9075	028200 968999	1
746	3A254-0321	..	SLEEVE-HEADED SUPPLIER CODE: VK9075	028200 968999	1
748	2A254-0311	..	TUBE-TORQUE SUPPLIER CODE: VK9075	028200 968999	1
			CONFIG CHG DATA FROM A CMM: REPLD BY 2A254-0595 USED ON: 0A296-0017A		

MISSING ITEM NUMBERS NOT APPLICABLE

- ITEM NOT ILLUSTRATED

HAP

25-11-51-58

BOEING PROPRIETARY - Copyright © - Unpublished Work - See title page for details.

25-11-51
FIG. 58
PAGE 21
OCT 15/08

BOEING
737-600/700/800/900
PARTS CATALOG (MAINTENANCE)

FIG ITEM	PART NUMBER	1 2 3 4 5 6 7	NOMENCLATURE	EFFECT FROM TO	UNITS PER ASSY
58 748	2A254-0595		..TUBE-TORQUE SUPPLIER CODE: VK9075 CONFIG CHG DATA FROM A CMM: REPLS 2A254-0311 REPLD BY 2A254-0619 USED ON: 0A296-0017A	028200 968999	1
- 750	2A254-0312		..TUBE-TORQUE SUPPLIER CODE: VK9075 CONFIG CHG DATA FROM A CMM: REPLD BY 2A254-0596 USED ON: 0A296-0018A	028200 968999	1
- 750	2A254-0596		..TUBE-TORQUE SUPPLIER CODE: VK9075 CONFIG CHG DATA FROM A CMM: REPLS 2A254-0312 REPLD BY 2A254-0619 USED ON: 0A296-0018A	028200 968999	1
- 751	2A254-0619		..TUBE-TORQUE SUPPLIER CODE: VK9075 CONFIG CHG DATA FROM A CMM: REPLS 2A254-0595 REPLS 2A254-0596	028200 968999	1
752	3A188-0347		..BEARING- SUPPLIER CODE: VK9075	028200 968999	4
754	1A201-0423A		..ARM-LIFT SUPPLIER CODE: VK9075 POSITION DATA: FWD LH	028200 968999	1
756	1A201-0424A		..ARM-LIFT SUPPLIER CODE: VK9075 POSITION DATA: FWD RH ATTACHING PARTS	028200 968999	1
R R 758	NAS603-16		..SCREW	028200 968999	2
760	SP126D		..WASHER	028200 968999	4

MISSING ITEM NUMBERS NOT APPLICABLE

- ITEM NOT ILLUSTRATED

HAP

25-11-51-58

BOEING PROPRIETARY - Copyright © - Unpublished Work - See title page for details.

25-11-51
FIG. 58
PAGE 22
JUN 15/09

BOEING
737-600/700/800/900
PARTS CATALOG (MAINTENANCE)

FIG ITEM	PART NUMBER	1 2 3 4 5 6 7	NOMENCLATURE	EFFECT FROM TO	UNITS PER ASSY
58 762	H14-3		..NUT-LOCK SUPPLIER CODE: VK1678 -----*-----	028200 968999	2
764	3A296-0243		..PIN-PIVOT SUPPLIER CODE: VK9075 POSITION DATA: FWD	028200 968999	2
766	3A296-0245		..BEARING- SUPPLIER CODE: VK9075	028200 968999	2
768	3A058-0455		..BEARING- SUPPLIER CODE: VK9075	028200 968999	2
770	3A035-0579A		..BAR-OPERATING SUPPLIER CODE: VK9075 ATTACHING PARTS	028200 968999	2
772	3A168-0333		..BOLT-SPECIAL SUPPLIER CODE: VK9075	028200 968999	4
774	SP23C		..WASHER	028200 968999	4
776	H14-3		..NUT-LOCK SUPPLIER CODE: VK1678 -----*-----	028200 968999	4
778	3A168-0341		..BEARING-OPERATING BAR SUPPLIER CODE: VK9075	028200 968999	8
780	0A296-0015A		..MECHANISM ASSY-BASE AND TRACK SUPPLIER CODE: VK9075 USED ON: 0A296-0017A	028200 968999	1
- 782	0A296-0016A		..MECHANISM ASSY-BASE AND TRACK SUPPLIER CODE: VK9075 USED ON: 0A296-0018A	028200 968999	1
- 784	3A090-0645		...LABEL- SUPPLIER CODE: VK9075 POSITION DATA: FWD/AFT	028200 968999	4

MISSING ITEM NUMBERS NOT APPLICABLE

- ITEM NOT ILLUSTRATED

HAP

25-11-51-58

BOEING PROPRIETARY - Copyright © - Unpublished Work - See title page for details.

25-11-51
FIG. 58
PAGE 23
OCT 15/08

BOEING
737-600/700/800/900
PARTS CATALOG (MAINTENANCE)

FIG ITEM	PART NUMBER	1 2 3 4 5 6 7	NOMENCLATURE	EFFECT FROM TO	UNITS PER ASSY
58					
786	3A226-0365	...	PIN-TRACKLOCK SUPPLIER CODE: VK9075 ATTACHING PARTS	028200 968999	2
788	SP4YB7	...	PIN	028200 968999	2
790	SP90C3	...	PIN	028200 968999	2
792	SP126D	...	WASHER	028200 968999	2
794	3A087-0195	...	LINK-TRACKLOCK SUPPLIER CODE: VK9075 ATTACHING PARTS	028200 968999	2
796	SP4YB4	...	PIN	028200 968999	2
798	SP90C3	...	PIN	028200 968999	2
800	SP126D	...	WASHER	028200 968999	2
802	3A058-0293	...	COLLAR- SUPPLIER CODE: VK9075 ATTACHING PARTS	028200 968999	1
804	1A500-0646	...	PIN-SPIROL SPR SUPPLIER CODE: VK9075	028200 968999	1
806	ENTEX547	...	SPRING-EXTENSION SUPPLIER CODE: VK6217 CONFIG CHG DATA FROM A CMM: REPLD BY 3A500-0925	028050 054200 968999	2
806	3A500-0925	...	SPRING-EXTENSION SUPPLIER CODE: VK6217 CONFIG CHG DATA FROM A CMM: REPLS ENTEX547 REPLD BY 3A500-0931	028050 054200 968999	2
806	3A500-0931	...	SPRING-EXTENSION SUPPLIER CODE: VK6217 CONFIG CHG DATA FROM A CMM: REPLS 3A500-0925 ATTACHING PARTS	028050 054200 968999	2
808	SP4YB17	...	PIN	028200 968999	1

MISSING ITEM NUMBERS NOT APPLICABLE

— ITEM NOT ILLUSTRATED

HAP

25-11-51-58

BOEING PROPRIETARY - Copyright © - Unpublished Work - See title page for details.

25-11-51
FIG. 58
PAGE 24
FEB 15/09

BOEING
737-600/700/800/900
PARTS CATALOG (MAINTENANCE)

FIG ITEM	PART NUMBER	1 2 3 4 5 6 7	NOMENCLATURE	EFFECT FROM TO	UNITS PER ASSY
58					
810	SP90C3	...	PIN	028200 968999	1
812	3A053-0179	...	SPACER- SUPPLIER CODE: VK9075	028200 968999	4
814	SP126D	...	WASHER	028200 968999	4
			-----*-----		
816	3A058-0297	...	LEVER-TRACKLOCK SUPPLIER CODE: VK9075 ATTACHING PARTS	028200 968999	3
818	A102-7C	...	BOLT	028200 968999	3
820	SP126C	...	WASHER	028200 968999	6
822	H14L08	...	NUT-LOCK SUPPLIER CODE: VK1678	028200 968999	3
			-----*-----		
824	3A254-0301	...	HANDLE-TRACKLOCK PIVOT SUPPLIER CODE: VK9075 USED ON: 0A296-0015A	028200 968999	1
- 826	3A254-0302	...	HANDLE-TRACKLOCK PIVOT SUPPLIER CODE: VK9075 USED ON: 0A296-0016A ATTACHING PARTS	028200 968999	1
830	A102-5C	...	BOLT	028200 968999	2
832	SP126C	...	WASHER	028200 968999	4
834	H14L08	...	NUT-LOCK SUPPLIER CODE: VK1678	028200 968999	2
			-----*-----		
836	3A090-0155	...	HANDLE-TRACKLOCK SUPPLIER CODE: VK9075 ATTACHING PARTS	028200 968999	1
838	1A500-0670	...	PIN-SPIROL SPR SUPPLIER CODE: VK9075	028200 968999	1
			-----*-----		

MISSING ITEM NUMBERS NOT APPLICABLE

- ITEM NOT ILLUSTRATED

HAP

25-11-51-58

25-11-51
FIG. 58
PAGE 25
OCT 15/08

BOEING
737-600/700/800/900
PARTS CATALOG (MAINTENANCE)

FIG ITEM	PART NUMBER	1 2 3 4 5 6 7	NOMENCLATURE	EFFECT FROM TO	UNITS PER ASSY
58					
840	3A059-0211	...	KNOB-TRACKLOCK SUPPLIER CODE: VK9075	028200 968999	1
842	2A296-0233	...	SHAFT-TRACKLOCK SUPPLIER CODE: VK9075 USED ON: 0A296-0015A	028200 968999	1
- 844	2A296-0234	...	SHAFT-TRACKLOCK SUPPLIER CODE: VK9075 USED ON: 0A296-0016A	028200 968999	1
846	3A078-0285	...	BEARING- SUPPLIER CODE: VK9075	028200 968999	2
848	3A254-0259	...	FAIRING-BOGIE SUPPLIER CODE: VK9075	028200 968999	4
850	2A296-0203	...	BOGIE ASSY- SUPPLIER CODE: VK9075 ATTACHING PARTS	028200 968999	4
852	SP90B3	...	PIN	028200 968999	4
854	SP126E	...	WASHER	028200 968999	4
856	SP122E	...	WASHER	028200 968999	8
858	H14-4	...	NUT-LOCK SUPPLIER CODE: VK1678 -----*-----	028200 968999	4
860	3A226-0319	BOLT-SPECIAL SUPPLIER CODE: VK9075	028200 968999	1
862	FG619EE	FOLLOWER-CAM SUPPLIER CODE: VK0018 ATTACHING PARTS	028200 968999	1
864	3A020-0125	SHAFT-ROLLER SUPPLIER CODE: VK9075 -----*-----	028200 968999	1
866	1A254-0249	BODY-BOGIE SUPPLIER CODE: VK9075	028200 968999	1

MISSING ITEM NUMBERS NOT APPLICABLE

- ITEM NOT ILLUSTRATED

HAP

25-11-51-58

BOEING PROPRIETARY - Copyright © - Unpublished Work - See title page for details.

25-11-51
FIG. 58
PAGE 26
OCT 15/08

BOEING
737-600/700/800/900
PARTS CATALOG (MAINTENANCE)

FIG ITEM	PART NUMBER	1 2 3 4 5 6 7	NOMENCLATURE	EFFECT FROM TO	UNITS PER ASSY
58					
868	3A258-0359	CLAW PLATE-CURVED SUPPLIER CODE: VK9075 ATTACHING PARTS	028200 968999	1
870	NAS517-3-14	SCREW	028200 968999	3
872	SP126D	WASHER	028200 968999	3
874	H14-3	NUT-LOCK SUPPLIER CODE: VK1678 -----*-----	028200 968999	3
876	3A254-0257	ROLLER-PLAIN SUPPLIER CODE: VK9075	028200 968999	2
878	3A258-0361	CLAW PLATE-STRAIGHT SUPPLIER CODE: VK9075 ATTACHING PARTS	028200 968999	1
880	NAS517-3-14	SCREW	028200 968999	3
882	SP126D	WASHER	028200 968999	3
884	H14-3	NUT-LOCK SUPPLIER CODE: VK1678 -----*-----	028200 968999	3
886	3A254-0255	ROLLER-TAPERED SUPPLIER CODE: VK9075	028200 968999	1
888	3A296-0277	...	LEVER-TRACKLOCK SUPPLIER CODE: VK9075 ATTACHING PARTS	028200 968999	1
890	A102-7C	...	BOLT	028200 968999	1
892	SP126C	...	WASHER	028200 968999	2
894	H14L08	...	NUT-LOCK SUPPLIER CODE: VK1678 -----*-----	028200 968999	1
896	OA296-0013A	...	STRUCTURE ASSY-BASE SUPPLIER CODE: VK9075 USED ON: OA296-0015A	028200 968999	1

MISSING ITEM NUMBERS NOT APPLICABLE

— ITEM NOT ILLUSTRATED

HAP

25-11-51-58

25-11-51
FIG. 58
PAGE 27
OCT 15/08

BOEING
737-600/700/800/900
PARTS CATALOG (MAINTENANCE)

FIG ITEM	PART NUMBER	1 2 3 4 5 6 7	NOMENCLATURE	EFFECT FROM TO	UNITS PER ASSY
R R	58 - 898	0A296-0014A	... STRUCTURE ASSY-BASE SUPPLIER CODE: VK9075 USED ON: 0A296-0016A	028200 968999	1
	900	3A254-0293 ATTACHMENT-BRAIDED RUBBER CORD SUPPLIER CODE: VK9075 ATTACHING PARTS	028200 968999	2
	902	NAS603-1 SCREW	028200 968999	8
	904	SP126D WASHER	028200 968999	8
	906	3A296-0263	-----*----- BUSH-BOGIE PIVOT SUPPLIER CODE: VK9075	028200 968999	4

MISSING ITEM NUMBERS NOT APPLICABLE

- ITEM NOT ILLUSTRATED

HAP

25-11-51-58

BOEING PROPRIETARY - Copyright © - Unpublished Work - See title page for details.

25-11-51
FIG. 58
PAGE 28
JUN 15/09