

SIDEWALL LININGS

HAP
OCT 10/06

25-21-00
SECTION TITLE
PAGE 1

NON-ILLUSTRATED FIGURE

THE ITEMS REFLECTED IN THIS FIGURE ARE INTENTIONALLY
NON-ILLUSTRATED. THEY ARE REFERENCED TO EITHER A
NEXT HIGHER OR NEXT LOWER ASSEMBLY/INSTALLATION FIGURE.

E 25210001A REV 051

FUNCTIONAL COLLECTOR CUSTOMER UNIQUE (SIDEWALL ONLY)
FIGURE 1A

25-21-00-01A

HAP
OCT 15/08

25-21-00-01A
PAGE 0

BOEING
737-600/700/800/900
PARTS CATALOG (MAINTENANCE)

FIG ITEM	PART NUMBER	1 2 3 4 5 6 7	NOMENCLATURE	EFFECT FROM TO	UNITS PER ASSY
1A			FUNCTIONAL COLLECTOR CUSTOMER UNIQUE (SIDEWALL ONLY)	201967	
- 2	400A9101-2610		FUNCTIONAL COLLECTOR- CUSTOMER UNIQUE (SIDEWALL ONLY)	201967	RF
- 30	411A1100-100SP		FOR NHA/OTHER SYS DET SEE: 25-00-00-02B .SIDEWALL INSTL-PASS. CAB. POSITION DATA: FWD LEFT CORNER FOR DETAILS SEE: 25-21-46-01C	201967	1
- 45	411A1100-301SP		.SIDEWALL INSTL-PASS. CAB. POSITION DATA: AFT L CORNER FOR DETAILS SEE: 25-21-46-66	201967	1
- 75	411A1100-202SP		.SIDEWALL INSTL-PASS. CAB. POSITION DATA: FWD RIGHT CORNER FOR DETAILS SEE: 25-21-46-12	201967	1
- 115	411A1100-401SP		.SIDEWALL INSTL-PASS. CAB. POSITION DATA: AFT RIGHT CORNER FOR DETAILS SEE: 25-21-46-14	201967	1
- 145	411A1100-506SP		.SIDEWALL INSTL-PASS. CAB. FOR DETAILS SEE: 25-21-46-57	201967	1
- 150	411A1100-701SP		.SIDEWALL INSTL-PASS. CAB. FOR DETAILS SEE: 25-21-46-06B	201967	1
- 270	411A3100-4SP		.CEILING INSTL-OFFSET EXIT SIGN PROVISION MAIN CAB. FOR DETAILS SEE: 25-21-45-01	201967	1
- 305	411A3200-102SP		.CEILING INSTL-LOWERED CLOSE OUT POSITION DATA: FWD FOR DETAILS SEE: 25-21-71-14	201967	1

MISSING ITEM NUMBERS NOT APPLICABLE

- ITEM NOT ILLUSTRATED

HAP

25-21-00-01A

BOEING PROPRIETARY - Copyright © - Unpublished Work - See title page for details.

25-21-00
FIG. 01A
PAGE 1
OCT 15/08

 **BOEING**
737-600/700/800/900
PARTS CATALOG (MAINTENANCE)

FIG ITEM	PART NUMBER	1 2 3 4 5 6 7	NOMENCLATURE	EFFECT FROM TO	UNITS PER ASSY
1 A					
- 320	411A3200-208SP	.	CEILING INSTL-LOWERED ENTRY POSITION DATA: FWD FOR DETAILS SEE: 25-21-71-36	201967	1
- 325	411A3200-301SP	.	CEILING INSTL-LOWERED HORSESHOE POSITION DATA: FWD FOR DETAILS SEE: 25-21-71-03	201967	1
- 330	411A3200-401SP	.	CEILING INSTL-LOWERED BULLNOSE POSITION DATA: FWD FOR DETAILS SEE: 25-21-71-09	201967	1
- 335	411A3200-501SP	.	CEILING INSTL-LOWERED PLUG POSITION DATA: FWD L FOR DETAILS SEE: 25-21-71-04	201967	1
- 340	411A3200-601SP	.	CEILING INSTL-LOWERED PLUG POSITION DATA: FWD R FOR DETAILS SEE: 25-21-71-05	201967	1
- 380	411A3400-202SP	.	CEILING INSTL-LOWERED ENTRY POSITION DATA: AFT FOR DETAILS SEE: 25-21-71-06	201967	1
- 395	411A3400-301SP	.	CEILING INSTL-LOWERED HORSESHOE POSITION DATA: AFT FOR DETAILS SEE: 25-21-71-07	201967	1
- 400	411A3400-401SP	.	CEILING INSTL-LOWERED BULLNOSE POSITION DATA: AFT FOR DETAILS SEE: 25-21-71-10	201967	1

MISSING ITEM NUMBERS NOT APPLICABLE

- ITEM NOT ILLUSTRATED

HAP

25-21-00-01A

BOEING PROPRIETARY - Copyright © - Unpublished Work - See title page for details.

25-21-00
FIG. 01A
PAGE 2
OCT 15/08

 **BOEING**
737-600/700/800/900
PARTS CATALOG (MAINTENANCE)

FIG ITEM	PART NUMBER	1 2 3 4 5 6 7	NOMENCLATURE	EFFECT FROM TO	UNITS PER ASSY
1 A					
- 415	411A3400-503SP	.	CEILING INSTL-LOWERED PLUG POSITION DATA: FWD L FOR DETAILS SEE: 25-21-71-16	201967	1
- 430	411A3400-603SP	.	CEILING INSTL-LOWERED PLUG POSITION DATA: FWD R FOR DETAILS SEE: 25-21-71-17	201967	1
- 505	412A3001-102SP	.	EXTRUSION INSTL-SIDEWALL AIR CONDITIONING OUTLET POSITION DATA: FWD LH FOR DETAILS SEE: 25-21-44-18	201967	1
- 545	412A3001-302SP	.	EXTRUSION INSTL-SIDEWALL AIR CONDITIONING OUTLET POSITION DATA: AFT LH FOR DETAILS SEE: 25-21-44-47	201967	1
- 570	412A3001-202SP	.	EXTRUSION INSTL-SIDEWALL AIR CONDITIONING OUTLET POSITION DATA: FWD RH FOR DETAILS SEE: 25-21-44-54	201967	1
- 605	412A3001-402SP	.	EXTRUSION INSTL-SIDEWALL AIR CONDITIONING OUTLET POSITION DATA: AFT RH FOR DETAILS SEE: 25-21-44-47B	201967	1
- 625	412A3001-703SP	.	EXTRUSION INSTL-SIDEWALL AIR CONDITIONING OUTLET POSITION DATA: CTR SECT. FOR DETAILS SEE: 25-21-44-41A	201967	1
- 750	411A2201-23SP	.	LINING INSTL-DOORWAY POSITION DATA: FWD LH FOR DETAILS SEE: 25-21-30-89B 25-21-31-89B	201967	1

MISSING ITEM NUMBERS NOT APPLICABLE

- ITEM NOT ILLUSTRATED

HAP

25-21-00-01A

BOEING PROPRIETARY - Copyright © - Unpublished Work - See title page for details.

25-21-00
FIG. 01A
PAGE 3
OCT 15/08

BOEING
737-600/700/800/900
PARTS CATALOG (MAINTENANCE)

FIG ITEM	PART NUMBER	1 2 3 4 5 6 7	NOMENCLATURE	EFFECT FROM TO	UNITS PER ASSY
1A - 755	411A2202-10SP		.LINING INSTL-DOORWAY POSITION DATA: FWD RH FUNCTIONAL REFERENCE: EQUIPMENT/FURNISHINGS FOR DETAILS SEE 25-21-34-01 25-21-35-01 25-29-59-13 PLACARDS AND MARKINGS FOR DETAILS SEE 11-32-01-13A	201967	1
- 765	411A2203-6SP		.LINING INSTL-DOORWAY POSITION DATA: AFT LH FOR DETAILS SEE: 25-21-24-12 25-21-25-12	201967	1
- 770	411A2204-4SP		.LINING INSTL-DOORWAY POSITION DATA: AFT RH FUNCTIONAL REFERENCE: EQUIPMENT/FURNISHINGS FOR DETAILS SEE 25-21-25-07A 25-21-24-04 25-29-59-32 PLACARDS AND MARKINGS FOR DETAILS SEE 11-32-01-20A	201967	1

MISSING ITEM NUMBERS NOT APPLICABLE

- ITEM NOT ILLUSTRATED

HAP

25-21-00-01A

BOEING PROPRIETARY - Copyright © - Unpublished Work - See title page for details.

25-21-00
FIG. 01A
PAGE 4
OCT 15/08

NON-ILLUSTRATED FIGURE

THE ITEMS REFLECTED IN THIS FIGURE ARE INTENTIONALLY
NON-ILLUSTRATED. THEY ARE REFERENCED TO EITHER A
NEXT HIGHER OR NEXT LOWER ASSEMBLY/INSTALLATION FIGURE.

E 25210001D REV 051

FUNCTIONAL COLLECTOR CUSTOMER UNIQUE (SIDEWALL ONLY)
FIGURE 1D

25-21-00-01D

HAP
OCT 10/06

25-21-00-01D
PAGE 0

BOEING
737-600/700/800/900
PARTS CATALOG (MAINTENANCE)

FIG ITEM	PART NUMBER	1 2 3 4 5 6 7	NOMENCLATURE	EFFECT FROM TO	UNITS PER ASSY
1D			FUNCTIONAL COLLECTOR CUSTOMER UNIQUE (SIDEWALL ONLY)	001030	
- 1	400A9101-3001		FUNCTIONAL COLLECTOR- CUSTOMER UNIQUE (SIDEWALL ONLY) FOR NHA/OTHER SYS DET SEE: 25-00-00-02C	001017 019019	RF
- 10	400A0028-3001		FUNCTIONAL COLLECTOR- CUSTOMER UNIQUE (SIDEWALL ONLY) FOR NHA/OTHER SYS DET SEE: 25-00-00-02C	018018 020030	RF
- 75	411A3100-5SP		.CEILING INSTL-CTR OVHD STOWAGE PROVISION OFFSET EXIT SIGN MAIN CAB. FOR DETAILS SEE: 25-21-45-09	001021	1
- 100	411A1100-113SP		.SIDEWALL INSTL-PASS. CAB. POSITION DATA: FWD L CORNER FOR DETAILS SEE: 25-21-46-22	028030	1
- 100	411A1100-101SP		.SIDEWALL INSTL-PASS. CAB. POSITION DATA: FWD L CORNER FOR DETAILS SEE: 25-21-46-22	001027	1
- 105	411A1100-201SP		.SIDEWALL INSTL-PASS. CAB. POSITION DATA: FWD R CORNER FOR DETAILS SEE: 25-21-46-23	001027	1
- 106	411A1100-226SP		.SIDEWALL INSTL-PASS. CAB. POSITION DATA: FWD R CORNER FOR DETAILS SEE: 25-21-46-23	028030	1
- 110	411A1100-301SP		.SIDEWALL INSTL-PASS. CAB. POSITION DATA: AFT L CORNER FOR DETAILS SEE: 25-21-46-66	001030	1
- 115	411A1100-401SP		.SIDEWALL INSTL-PASS. CAB. POSITION DATA: AFT R CORNER FOR DETAILS SEE: 25-21-46-14	001030	1

MISSING ITEM NUMBERS NOT APPLICABLE

- ITEM NOT ILLUSTRATED

HAP

25-21-00-01D

BOEING PROPRIETARY - Copyright © - Unpublished Work - See title page for details.

25-21-00
FIG. 01D
PAGE 1
OCT 10/06

BOEING
737-600/700/800/900
PARTS CATALOG (MAINTENANCE)

FIG ITEM	PART NUMBER	1 2 3 4 5 6 7	NOMENCLATURE	EFFECT FROM TO	UNITS PER ASSY
1D - 120	411A1100-507SP		.SIDEWALL INSTL-PASS. CAB. PROXIMITY LT PROVISION PNL FOR DETAILS SEE: 25-21-46-72E	001030	1
- 125	411A1100-801SP		.SIDEWALL INSTL-PASS. CAB. POSITION DATA: CTR FOR DETAILS SEE: 25-21-46-90H	001017 019019	1
- 145	411A1100-809B		.SIDEWALL INSTL-PASS. CAB. PROVISIONS AFT PROXIMITY LT PNL POSITION DATA: CTR FOR DETAILS SEE: 25-21-46-72B	018018 020030	1
- 150	412A3001-103SP		.EXTRUSION INSTL-SIDEWALL AIR CONDITIONING OUTLET POSITION DATA: FWD LH FOR DETAILS SEE: 25-21-44-42	001007	1
- 150	412A3001-113SP		.EXTRUSION INSTL-SIDEWALL AIR CONDITIONING OUTLET POSITION DATA: FWD LH POST SERVICE BULLETIN: 25-1360 FOR DETAILS SEE: 25-21-44-13	008030	1
- 155	412A3001-203SP		.EXTRUSION INSTL-SIDEWALL AIR CONDITIONING OUTLET POSITION DATA: FWD RH FOR DETAILS SEE: 25-21-44-53	001007	1
- 155	412A3001-213SP		.EXTRUSION INSTL-SIDEWALL AIR CONDITIONING OUTLET POSITION DATA: FWD RH POST SERVICE BULLETIN: 25-1360 FOR DETAILS SEE: 25-21-44-13A	001030	1

MISSING ITEM NUMBERS NOT APPLICABLE

- ITEM NOT ILLUSTRATED

HAP

25-21-00-01D

BOEING PROPRIETARY - Copyright © - Unpublished Work - See title page for details.

25-21-00
FIG. 01D
PAGE 2
OCT 15/08

 **BOEING**
737-600/700/800/900
PARTS CATALOG (MAINTENANCE)

FIG ITEM	PART NUMBER	1 2 3 4 5 6 7	NOMENCLATURE	EFFECT FROM TO	UNITS PER ASSY
1D					
- 160	412A3001-302SP		.EXTRUSION INSTL-SIDEWALL AIR CONDITIONING OUTLET POSITION DATA: AFT LH FOR DETAILS SEE: 25-21-44-47	001030	1
- 165	412A3001-402SP		.EXTRUSION INSTL-SIDEWALL AIR CONDITIONING OUTLET POSITION DATA: AFT RH FOR DETAILS SEE: 25-21-44-47B	001030	1
- 170	412A3001-801SP		.EXTRUSION INSTL-SIDEWALL AIR CONDITIONING OUTLET POSITION DATA: CTR SECT. FOR DETAILS SEE: 25-21-44-58	001007	1
- 170	412A3001-802SP		.EXTRUSION INSTL-SIDEWALL AIR CONDITIONING OUTLET POSITION DATA: CTR SECT. FOR DETAILS SEE: 25-21-44-58	008011	1
- 170	412A3001-803SP		.EXTRUSION INSTL-SIDEWALL AIR CONDITIONING OUTLET POSITION DATA: CTR SECT. FOR DETAILS SEE: 25-21-44-58	012029	1
- 175	412A3001-806SP		.EXTRUSION INSTL- NON-VARIABLE POSITION DATA: CTR SECT. FOR DETAILS SEE: 25-21-44-58	030030	1
- 200	411A3200-102SP		.CEILING INSTL-LOWERED CLOSE OUT POSITION DATA: FWD FOR DETAILS SEE: 25-21-71-14	001030	1
- 205	411A3200-203SP		.CEILING INSTL-LOWERED ENTRY POSITION DATA: FWD FOR DETAILS SEE: 25-21-71-35	001027	1

MISSING ITEM NUMBERS NOT APPLICABLE

- ITEM NOT ILLUSTRATED

HAP

25-21-00-01D

BOEING PROPRIETARY - Copyright © - Unpublished Work - See title page for details.

25-21-00
FIG. 01D
PAGE 3
OCT 15/08

 **BOEING**
737-600/700/800/900
PARTS CATALOG (MAINTENANCE)

FIG ITEM	PART NUMBER	1 2 3 4 5 6 7	NOMENCLATURE	EFFECT FROM TO	UNITS PER ASSY
1D - 206	411A3200-226SP		.CEILING INSTL-LOWERED ENTRY POSITION DATA: FWD FOR DETAILS SEE: 25-21-71-35	028030	1
- 210	411A3200-301SP		.CEILING INSTL-LOWERED HORSESHOE POSITION DATA: FWD FOR DETAILS SEE: 25-21-71-03	001027	1
- 210	411A3200-315SP		.CEILING INSTL-LOWERED HORSESHOE POSITION DATA: FWD FOR DETAILS SEE: 25-21-71-03	028030	1
- 215	411A3200-401SP		.CEILING INSTL-LOWERED BULLNOSE POSITION DATA: FWD FOR DETAILS SEE: 25-21-71-09	001027	1
- 215	411A3200-405SP		.CEILING INSTL-LOWERED BULLNOSE POSITION DATA: FWD FOR DETAILS SEE: 25-21-71-09	028030	1
- 220	411A3200-501SP		.CEILING INSTL-LOWERED PLUG POSITION DATA: FWD L FOR DETAILS SEE: 25-21-71-04	001027	1
- 220	411A3200-511SP		.CEILING INSTL-LOWERED PLUG POSITION DATA: FWD L FOR DETAILS SEE: 25-21-71-04	028030	1
- 225	411A3200-601SP		.CEILING INSTL-LOWERED PLUG POSITION DATA: FWD R FOR DETAILS SEE: 25-21-71-05	001027	1

MISSING ITEM NUMBERS NOT APPLICABLE

- ITEM NOT ILLUSTRATED

HAP

25-21-00-01D

BOEING PROPRIETARY - Copyright © - Unpublished Work - See title page for details.

25-21-00
FIG. 01D
PAGE 4
OCT 15/08

BOEING
737-600/700/800/900
PARTS CATALOG (MAINTENANCE)

FIG ITEM	PART NUMBER	1 2 3 4 5 6 7	NOMENCLATURE	EFFECT FROM TO	UNITS PER ASSY
1D					
- 225	411A3200-611SP	.	CEILING INSTL-LOWERED PLUG POSITION DATA: FWD R FOR DETAILS SEE: 25-21-71-05	028030	1
- 227	411A3300-302B	.	CEILING INSTL-OFFSET EXIT SIGN PROVISIONS MAIN CAB. FOR DETAILS SEE: 25-21-45-09	022030	1
- 230	411A3400-202SP	.	CEILING INSTL-LOWERED ENTRY POSITION DATA: AFT FOR DETAILS SEE: 25-21-71-06	001020	1
- 230	411A3400-211B	.	CEILING INSTL-LOWERED PLUG POSITION DATA: AFT ENTRY FOR DETAILS SEE: 25-21-71-06	021027	1
- 230	411A3400-222SP	.	CEILING INSTL-LOWERED ENTRY POSITION DATA: AFT FOR DETAILS SEE: 25-21-71-06	028030	1
- 235	411A3400-301SP	.	CEILING INSTL-LOWERED HORSESHOE POSITION DATA: AFT FOR DETAILS SEE: 25-21-71-07	001020	1
- 235	411A3400-310B	.	CEILING INSTL-LOWERED HORSESHOE POSITION DATA: AFT FOR DETAILS SEE: 25-21-71-07	021027	1
- 235	411A3400-319SP	.	CEILING INSTL-LOWERED HORSESHOE POSITION DATA: AFT FOR DETAILS SEE: 25-21-71-07	028030	1

MISSING ITEM NUMBERS NOT APPLICABLE

- ITEM NOT ILLUSTRATED

HAP

25-21-00-01D

BOEING PROPRIETARY - Copyright © - Unpublished Work - See title page for details.

25-21-00
FIG. 01D
PAGE 5
OCT 15/08

 **BOEING**
737-600/700/800/900
PARTS CATALOG (MAINTENANCE)

FIG ITEM	PART NUMBER	1 2 3 4 5 6 7	NOMENCLATURE	EFFECT FROM TO	UNITS PER ASSY
1D					
- 240	411A3400-405SP	.	CEILING INSTL-LOWERED BULLNOSE POSITION DATA: AFT FOR DETAILS SEE: 25-21-71-10	028030	1
- 240	411A3400-401SP	.	CEILING INSTL-LOWERED BULLNOSE POSITION DATA: AFT FOR DETAILS SEE: 25-21-71-10	001027	1
- 260	411A3400-613SP	.	CEILING INSTL-LOWERED PLUG POSITION DATA: FWD R FOR DETAILS SEE: 25-21-71-17	028030	1
- 260	411A3400-603SP	.	CEILING INSTL-LOWERED PLUG POSITION DATA: FWD R FOR DETAILS SEE: 25-21-71-17	001027	1
- 265	411A3400-503SP	.	CEILING INSTL-LOWERED PLUG POSITION DATA: FWD L FOR DETAILS SEE: 25-21-71-16	001027	1
- 265	411A3400-513SP	.	CEILING INSTL-LOWERED PLUG POSITION DATA: FWD L FOR DETAILS SEE: 25-21-71-16	028030	1
- 600	411A2201-10SP	.	LINING INSTL-DOORWAY POSITION DATA: FWD LH FOR DETAILS SEE: 25-21-30-03 25-21-31-03	001007	1
- 600	411A2201-24SP	.	LINING INSTL-DOORWAY POSITION DATA: FWD LH FOR DETAILS SEE: 25-21-30-03 25-21-31-03	008027	1

MISSING ITEM NUMBERS NOT APPLICABLE

- ITEM NOT ILLUSTRATED

HAP

25-21-00-01D

BOEING PROPRIETARY - Copyright © - Unpublished Work - See title page for details.

25-21-00
FIG. 01D
PAGE 6
FEB 15/09

BOEING
737-600/700/800/900
PARTS CATALOG (MAINTENANCE)

FIG ITEM	PART NUMBER	1 2 3 4 5 6 7	NOMENCLATURE	EFFECT FROM TO	UNITS PER ASSY
1D - 600	411A2201-40SP		.LINING INSTL-DOORWAY POSITION DATA: FWD LH FOR DETAILS SEE: 25-21-30-91 25-21-31-91	028030	1
- 605	411A2202-10SP		.LINING INSTL-DOORWAY POSITION DATA: FWD RH FUNCTIONAL REFERENCE: EQUIPMENT/FURNISHINGS FOR DETAILS SEE 25-21-35-01 25-21-34-01 25-29-59-13 PLACARDS AND MARKINGS FOR DETAILS SEE 11-32-01-13A	002005 008011	1
- 605	411A2202-19B		.LINING INSTL-DOORWAY POSITION DATA: FWD RH FOR DETAILS SEE: 25-21-35-01 25-21-34-01	012027	1
- 605	411A2202-5SP		.LINING INSTL-DOORWAY POSITION DATA: FWD RH FUNCTIONAL REFERENCE: EQUIPMENT/FURNISHINGS FOR DETAILS SEE 25-21-34-01 25-21-35-01 25-29-59-13 PLACARDS AND MARKINGS FOR DETAILS SEE 11-32-01-13A	001001 006007	1
- 605	411A2202-27SP		.LINING INSTL-DOORWAY POSITION DATA: FWD RH FOR DETAILS SEE: 25-21-34-93 25-21-35-93	028030	1
- 610	411A2203-6SP		.LINING INSTL-DOORWAY POSITION DATA: AFT LH FOR DETAILS SEE: 25-21-24-12 25-21-25-12	001027	1

MISSING ITEM NUMBERS NOT APPLICABLE

- ITEM NOT ILLUSTRATED

HAP

25-21-00-01D

BOEING PROPRIETARY - Copyright © - Unpublished Work - See title page for details.

25-21-00
FIG. 01D
PAGE 7
FEB 15/09

BOEING
737-600/700/800/900
PARTS CATALOG (MAINTENANCE)

FIG ITEM	PART NUMBER	1 2 3 4 5 6 7	NOMENCLATURE	EFFECT FROM TO	UNITS PER ASSY
1D - 610	411A2203-10B		.LINING INSTL-DOORWAY POSITION DATA: AFT LH FOR DETAILS SEE: 25-21-24-01 25-21-25-05	028030	1
- 615	411A2204-4SP		.LINING INSTL-DOORWAY POSITION DATA: AFT RH FUNCTIONAL REFERENCE: EQUIPMENT/FURNISHINGS FOR DETAILS SEE 25-21-25-07A 25-21-24-04 25-29-59-32 PLACARDS AND MARKINGS FOR DETAILS SEE 11-32-01-20A	001011	1
- 615	411A2204-23SP		.LINING INSTL-DOORWAY POSITION DATA: AFT RH FOR DETAILS SEE: 25-21-24-22 25-21-25-22	028030	1
- 615	411A2204-13SP		.LINING INSTL-DOORWAY POSITION DATA: AFT RH FOR DETAILS SEE: 25-21-24-04 25-21-25-07	012027	1
- 620	411A2802-5		.BLOCK INSTL-SEAT INTRUSION CONT OVERWING EXIT DOORWAY POSITION DATA: LH FOR DETAILS SEE: 25-21-20-01	001001 006007	1
- 625	411A2802-6		.BLOCK INSTL-SEAT INTRUSION CONT OVERWING EXIT DOORWAY POSITION DATA: RH FOR DETAILS SEE: 25-21-20-01	001001 006007	1

MISSING ITEM NUMBERS NOT APPLICABLE

- ITEM NOT ILLUSTRATED

HAP

25-21-00-01D

BOEING PROPRIETARY - Copyright © - Unpublished Work - See title page for details.

25-21-00
FIG. 01D
PAGE 8
FEB 15/09

BOEING
737-600/700/800/900
PARTS CATALOG (MAINTENANCE)

FIG ITEM	PART NUMBER	1 2 3 4 5 6 7	NOMENCLATURE	EFFECT FROM TO	UNITS PER ASSY
1D - 630	411A2802-805		.BLOCK INSTL-SEAT INTRUSION CONT OVERWING EXIT DOORWAY POSITION DATA: STA 604.23 LH FOR DETAILS SEE: 25-21-20-02	001001 006007	1
- 635	411A2802-806		.BLOCK INSTL-SEAT INTRUSION CONT OVERWING EXIT DOORWAY POSITION DATA: STA 604.23 RH FOR DETAILS SEE: 25-21-20-02	001001 006007	1

MISSING ITEM NUMBERS NOT APPLICABLE

- ITEM NOT ILLUSTRATED

HAP

25-21-00-01D

BOEING PROPRIETARY - Copyright © - Unpublished Work - See title page for details.

25-21-00
FIG. 01D
PAGE 9
FEB 15/09

NON-ILLUSTRATED FIGURE

THE ITEMS REFLECTED IN THIS FIGURE ARE INTENTIONALLY
NON-ILLUSTRATED. THEY ARE REFERENCED TO EITHER A
NEXT HIGHER OR NEXT LOWER ASSEMBLY/INSTALLATION FIGURE.

E 25210002A REV 053

FUNCTIONAL COLLECTOR-MINOR MODEL BASIC AND STABLE (SIDEWALL ONLY)
FIGURE 2A

25-21-00-02A

HAP
OCT 15/08

25-21-00-02A
PAGE 0

BOEING
737-600/700/800/900
PARTS CATALOG (MAINTENANCE)

FIG ITEM	PART NUMBER	1 2 3 4 5 6 7	NOMENCLATURE	EFFECT FROM TO	UNITS PER ASSY
2A			FUNCTIONAL COLLECTOR-MINOR MODEL BASIC AND STABLE (SIDEWALL ONLY)	201967	
- 1	400A9101-700		FUNCTIONAL COLLECTOR-MINOR MODEL BASIC AND STABLE FOR NHA/OTHER SYS DET SEE: 25-00-00-06D	201967	RF
- 30	411A3103-1		.RETAINER INSTL-700 FOR DETAILS SEE: 25-21-45-06	201967	1
- 40	411A3201-1		.ROD INSTL-TIE POSITION DATA: FWD FOR DETAILS SEE: 25-00-51-02	201967	1

MISSING ITEM NUMBERS NOT APPLICABLE

- ITEM NOT ILLUSTRATED

HAP

25-21-00-02A

BOEING PROPRIETARY - Copyright © - Unpublished Work - See title page for details.

25-21-00
FIG. 02A
PAGE 1
OCT 15/08

NON-ILLUSTRATED FIGURE

THE ITEMS REFLECTED IN THIS FIGURE ARE INTENTIONALLY
NON-ILLUSTRATED. THEY ARE REFERENCED TO EITHER A
NEXT HIGHER OR NEXT LOWER ASSEMBLY/INSTALLATION FIGURE.

E 25210002B REV 053

FUNCTIONAL COLLECTOR-MINOR MODEL BASIC AND STABLE (SIDEWALL ONLY)
FIGURE 2B

25-21-00-02B

HAP
OCT 10/06

25-21-00-02B
PAGE 0

BOEING
737-600/700/800/900
PARTS CATALOG (MAINTENANCE)

FIG ITEM	PART NUMBER	1 2 3 4 5 6 7	NOMENCLATURE	EFFECT FROM TO	UNITS PER ASSY
2B			FUNCTIONAL COLLECTOR-MINOR MODEL BASIC AND STABLE (SIDEWALL ONLY)	001030	
- 1	400A9101-800		FUNCTIONAL COLLECTOR-MINOR MODEL BASIC AND STABLE FOR NHA/OTHER SYS DET SEE: 25-00-00-06B	001017 019019	RF
- 10	400A0000-800		FUNCTIONAL COLLECTOR-MINOR MODEL BASIC AND STABLE FOR NHA/OTHER SYS DET SEE: 25-00-00-06B	018018 020030	RF
- 30	411A3103-2		.RETAINER INSTL- FOR DETAILS SEE: 25-21-45-22	001030	1
- 35	411A3201-1		.ROD INSTL-TIE POSITION DATA: FWD FOR DETAILS SEE: 25-00-51-02	001030	1
- 45	411A2802-805		.BLOCK INSTL-SEAT INTRUSION CONT OVERWING EXIT DOORWAY POSITION DATA: STA 604.23 LH FOR DETAILS SEE: 25-21-20-02	002005 008030	1
- 50	411A2802-806		.BLOCK INSTL-SEAT INTRUSION CONT OVERWING EXIT DOORWAY POSITION DATA: STA 604.23 RH FOR DETAILS SEE: 25-21-20-02	002005 008030	1

MISSING ITEM NUMBERS NOT APPLICABLE

- ITEM NOT ILLUSTRATED

HAP

25-21-00-02B

BOEING PROPRIETARY - Copyright © - Unpublished Work - See title page for details.

25-21-00
FIG. 02B
PAGE 1
OCT 10/06

NON-ILLUSTRATED FIGURE

THE ITEMS REFLECTED IN THIS FIGURE ARE INTENTIONALLY
NON-ILLUSTRATED. THEY ARE REFERENCED TO EITHER A
NEXT HIGHER OR NEXT LOWER ASSEMBLY/INSTALLATION FIGURE.

E 25210003 REV 053

FUNCTIONAL COLLECTOR-MAJOR MODEL BASIC AND STABLE (SIDEWALL ONLY)
FIGURE 3

25-21-00-03

HAP
OCT 10/06

25-21-00-03
PAGE 0

BOEING
737-600/700/800/900
PARTS CATALOG (MAINTENANCE)

FIG ITEM	PART NUMBER	1 2 3 4 5 6 7	NOMENCLATURE	EFFECT FROM TO	UNITS PER ASSY
3			FUNCTIONAL COLLECTOR-MAJOR MODEL BASIC AND STABLE (SIDEWALL ONLY)	001030 201967	
- 1	400A9101-678		FUNCTIONAL COLLECTOR-MAJOR MODEL BASIC AND STABLE FOR NHA/OTHER SYS DET SEE: 25-00-00-01	001017 019019 201967	RF
- 5	400A0000-678		FUNCTIONAL COLLECTOR-MAJOR MODEL BASIC AND STABLE FOR NHA/OTHER SYS DET SEE: 25-00-00-01	018018 020030	RF
- 20	411A3401-1		.ROD INSTL-TIE POSITION DATA: AFT FOR DETAILS SEE: 25-00-51-01	001030 201967	1
- 25	411A2802-5		.BLOCK INSTL-SEAT INTRUSION CONT OVERWING EXIT DOORWAY POSITION DATA: LH FOR DETAILS SEE: 25-21-20-01	002005 008030 201967	1
- 30	411A2802-6		.BLOCK INSTL-SEAT INTRUSION CONT OVERWING EXIT DOORWAY POSITION DATA: RH FOR DETAILS SEE: 25-21-20-01	002005 008030 201967	1

MISSING ITEM NUMBERS NOT APPLICABLE

- ITEM NOT ILLUSTRATED

HAP

25-21-00-03

BOEING PROPRIETARY - Copyright © - Unpublished Work - See title page for details.

25-21-00
FIG. 03
PAGE 1
OCT 15/08

BOEING
737-600/700/800/900
PARTS CATALOG (MAINTENANCE)

FIG ITEM	PART NUMBER	1 2 3 4 5 6 7	NOMENCLATURE	EFFECT FROM TO	UNITS PER ASSY
1			LINING INSTL-OVERWING HATCH (EQUIPMENT/ FURNISHINGS ONLY)	001001 006007	
- 1	411A1210-3SP		LINING INSTL-OVERWING HATCH (EQUIPMENT/ FURNISHINGS ONLY) POSITION DATA: L SIDE, STA 627.5 FOR NHA/OTHER SYS DET SEE: 52-21-00-02B	001001 006007	RF
- 5	411A1210-4SP		LINING INSTL-OVERWING HATCH (EQUIPMENT / FURNISHINGS ONLY) POSITION DATA: R SIDE, STA 627.5 FOR NHA/OTHER SYS DET SEE: 52-21-00-02B	001001 006007	RF
10	65C35463-25SP		.LINING ASSY	001001 006007	1
15	411N1109-9SP		..SHADE ASSY	001001 006007	1
17	411N1109-10		...TAPE-LOOP SUPPLIER CODE: V11153	001001 006007	2
20	69-26553-8		...ROLLER ASSY-	001001 006007	1
20	69-26553-4		...ROLLER ASSY-	001001 006007	1
25	69-26553-9	SPRING ASSY	001001 006007	1
28	MS51861-4C	SCREW	001001 006007	1
31	A8138-20	SPRING ASSY-SHAFT SUPPLIER CODE: V15814 OPTIONAL PART: 66-19409-3	001001 006007	1
31	66-19409-3	SPRING ASSY-SHAFT OPTIONAL PART: A8138-20 V15814	001001 006007	1
34	69-26552-4	END	001001 006007	1
37	63-1082-6	SPRING	001001 006007	1
40	65B50232-3	PIN ASSY	001001 006007	1
45	63-1072	PIN	001001 006007	1

MISSING ITEM NUMBERS NOT APPLICABLE

- ITEM NOT ILLUSTRATED

HAP

25-21-12-01

BOEING PROPRIETARY - Copyright © - Unpublished Work - See title page for details.

25-21-12
FIG. 01
PAGE 1
OCT 10/06


BOEING
 737-600/700/800/900
PARTS CATALOG (MAINTENANCE)

FIG ITEM	PART NUMBER	1 2 3 4 5 6 7	NOMENCLATURE	EFFECT FROM TO	UNITS PER ASSY
1	50 69-26552-3	END-ROLLER	001001 006007	1
	55 66-19416-2	DRUM	001001 006007	1

MISSING ITEM NUMBERS NOT APPLICABLE

— ITEM NOT ILLUSTRATED

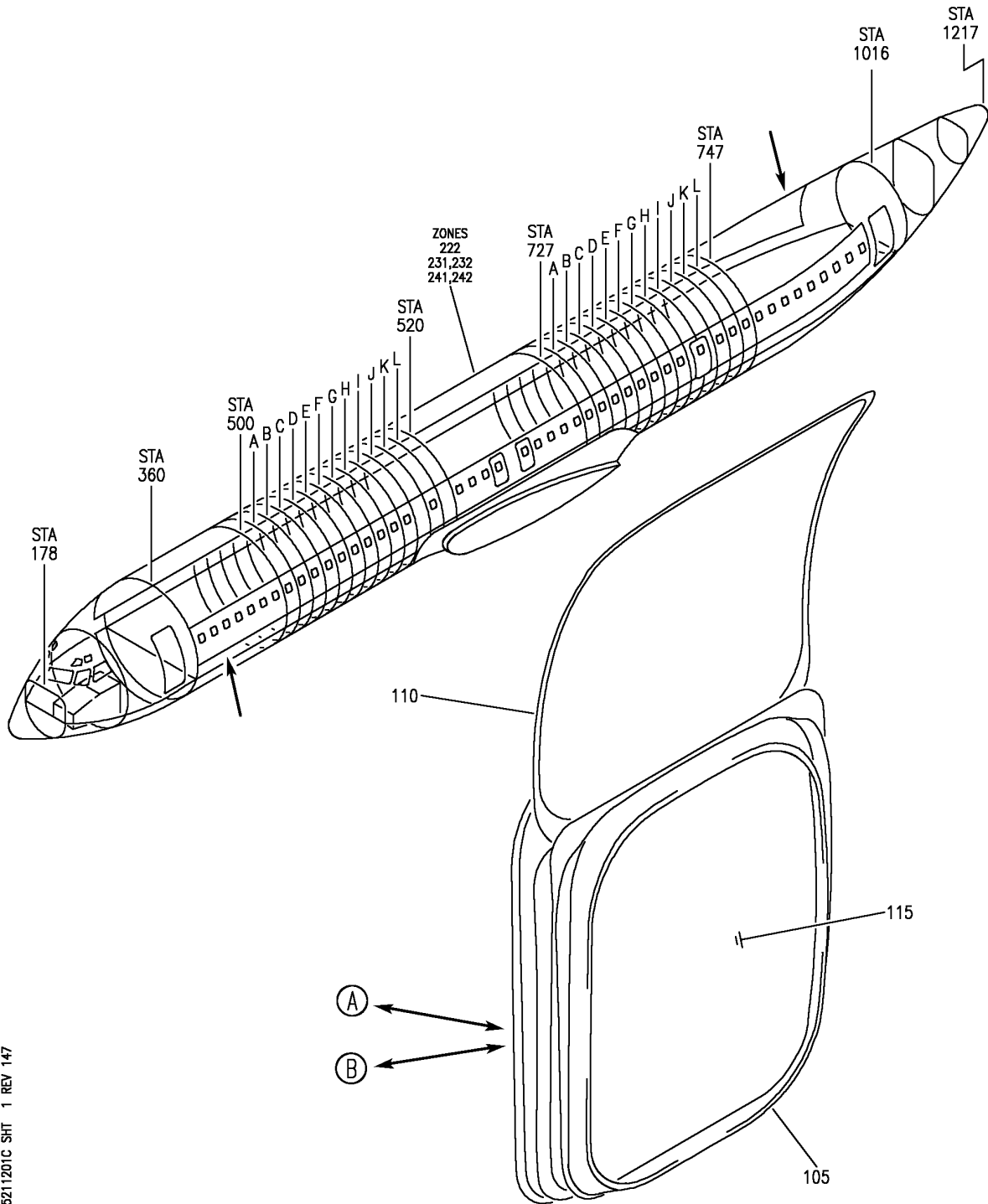
HAP

25-21-12-01

BOEING PROPRIETARY - Copyright © - Unpublished Work - See title page for details.

25-21-12
 FIG. 01
 PAGE 2
 OCT 10/06

BOEING
 737-600/700/800/900
 PARTS CATALOG (MAINTENANCE)



E 25211201C SHT 1 REV 147

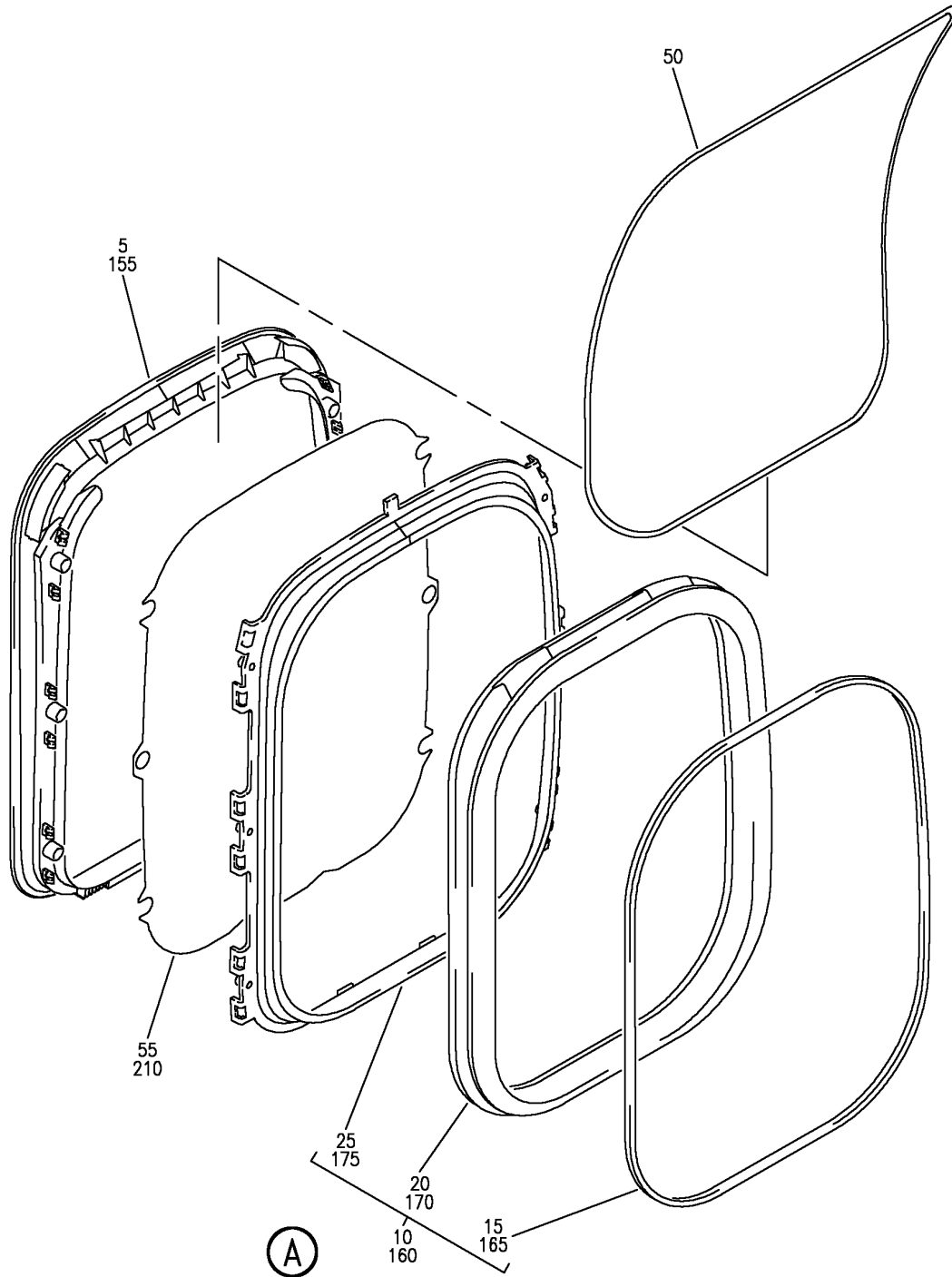
WINDOW ASSY-SIDEWALL PNL
 FIGURE 1C

25-21-12-01C

HAP
 OCT 15/08

25-21-12-01C
 PAGE 0

BOEING
737-600/700/800/900
PARTS CATALOG (MAINTENANCE)



E 25211201C SHT 2 REV 147

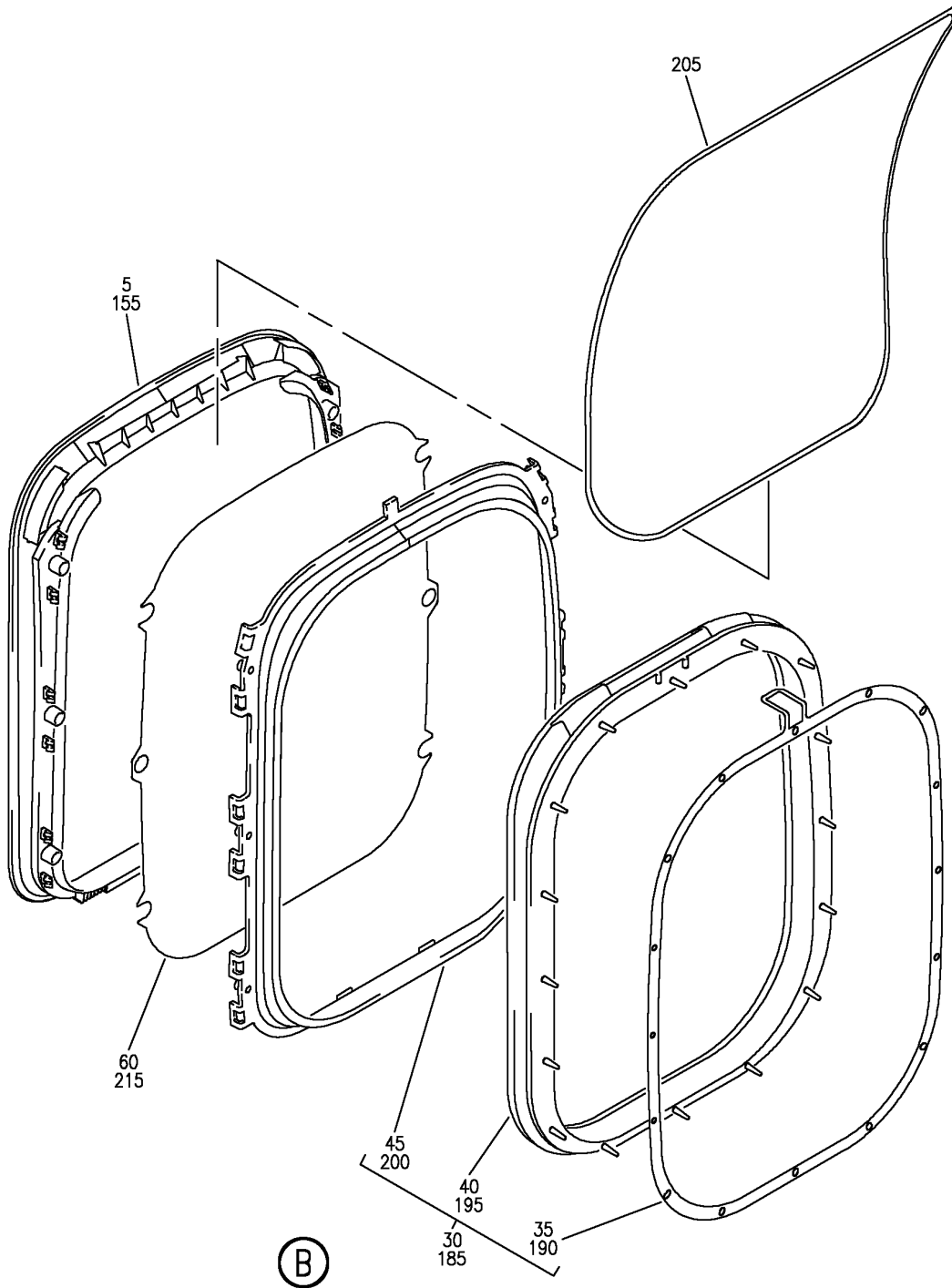
WINDOW ASSY-SIDEWALL PNL
FIGURE 1C

25-21-12-01C

HAP
OCT 15/08

25-21-12-01C
PAGE 0A

BOEING
 737-600/700/800/900
 PARTS CATALOG (MAINTENANCE)



E 25211201C SHT 3 REV 147

WINDOW ASSY-SIDEWALL PNL
 FIGURE 1C

25-21-12-01C

HAP
 OCT 15/08

25-21-12-01C
 PAGE 0B

BOEING
737-600/700/800/900
PARTS CATALOG (MAINTENANCE)

FIG ITEM	PART NUMBER	1 2 3 4 5 6 7	NOMENCLATURE	EFFECT FROM TO	UNITS PER ASSY
1 C					
- 1	411N1260-201SP		WINDOW ASSY-SIDEWALL PNL WINDOW ASSY-SIDEWALL PNL FOR NHA SEE: 25-21-46-01C	031999 201967	RF
- 1	411N1260-201B		WINDOW ASSY-SIDEWALL PNL FOR NHA SEE: 25-21-46-01C	031200 968999	RF
5	411N1261-1SP		.RING	201967	1
5	411N1261-1B		.RING	031200 968999	1
10	411N1270-201SP		.REVEAL ASSY-	201967	1
10	411N1270-201A		.REVEAL ASSY-	031200 968999	1
15	411N1272-6SP		..RING-SEAL SPRT	201967	1
15	411N1272-6A		..RING-SEAL SPRT	031200 968999	1
20	411N1272-5SP		..SEAL-DUST	201967	1
20	411N1272-5A		..SEAL-DUST	031200 968999	1
25	411N1271-1SP		..REVEAL- MISCELLANEOUS DATA: CUSTOMER MAY WISH TO ACQUIRE NHA, WHICH MAY BE MORE ECONOMICAL.	201967	1
25	411N1271-1A		..REVEAL- MISCELLANEOUS DATA: CUSTOMER MAY WISH TO ACQUIRE NHA, WHICH MAY BE MORE ECONOMICAL.	031200 968999	1
30	411N1270-101SP		.REVEAL ASSY-	201967	1
30	411N1270-101A		.REVEAL ASSY-	031200 968999	1
35	411N1272-2SP		..RING-SEAL SPRT	201967	1
35	411N1272-2A		..RING-SEAL SPRT	031200 968999	1
40	411N1272-1SP		..SEAL-DUST	201967	1
40	411N1272-1A		..SEAL-DUST	031200 968999	1
45	411N1271-1SP		..REVEAL- MISCELLANEOUS DATA: CUSTOMER MAY WISH TO ACQUIRE NHA, WHICH MAY BE MORE ECONOMICAL.	201967	1
45	411N1271-1A		..REVEAL- MISCELLANEOUS DATA: CUSTOMER MAY WISH TO ACQUIRE NHA, WHICH MAY BE MORE ECONOMICAL.	031200 968999	1

MISSING ITEM NUMBERS NOT APPLICABLE

- ITEM NOT ILLUSTRATED

HAP

25-21-12-01C

25-21-12
FIG. 01C
PAGE 1
JUN 15/09

BOEING
737-600/700/800/900
PARTS CATALOG (MAINTENANCE)

FIG ITEM	PART NUMBER	1 2 3 4 5 6 7	NOMENCLATURE	EFFECT FROM TO	UNITS PER ASSY
R R R R R R R R R	1C				
	50	411N1281-4C	. SHADE- OPTIONAL PART: 411N1281-3BCSZ	031999	1
	50	411N1281-3BCSZ	. SHADE-	031999	1
	55	411N1133-6A	. PANE- POSITION DATA: INNER	031999	1
60	411N1133-9B	. COVER- POSITION DATA: INNER	031999	1	

MISSING ITEM NUMBERS NOT APPLICABLE

— ITEM NOT ILLUSTRATED

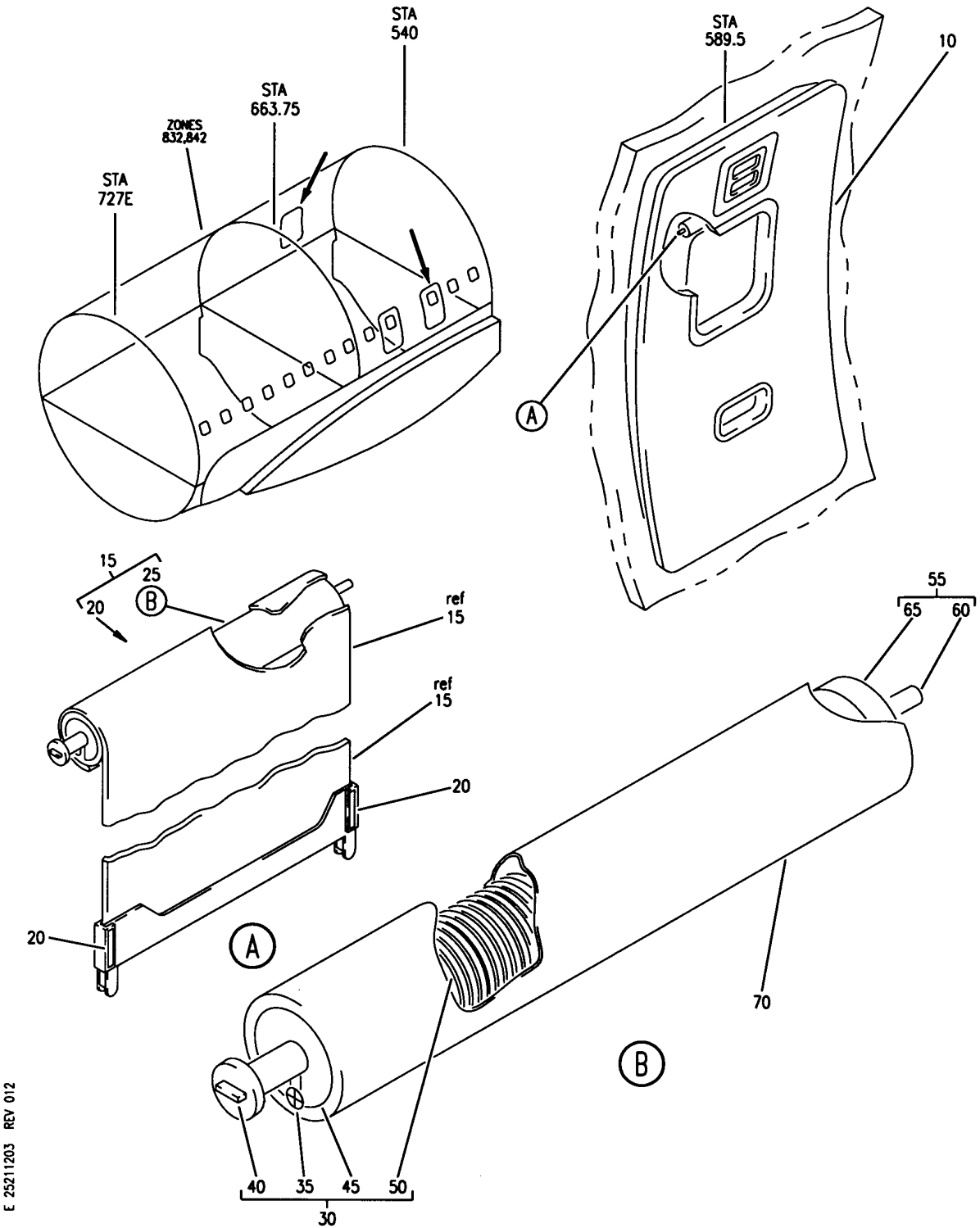
HAP

25-21-12-01C

BOEING PROPRIETARY - Copyright © - Unpublished Work - See title page for details.

25-21-12
FIG. 01C
PAGE 2
JUN 15/09

BOEING
 737-600/700/800/900
 PARTS CATALOG (MAINTENANCE)



E 25211203 REV 012

LINING INSTL-OVERWING HATCH (EQUIPMENT/FURNISHINGS ONLY)
 FIGURE 3

25-21-12-03

HAP
 OCT 10/06

25-21-12-03
 PAGE 0

BOEING
737-600/700/800/900
PARTS CATALOG (MAINTENANCE)

FIG ITEM	PART NUMBER	1 2 3 4 5 6 7	NOMENCLATURE	EFFECT FROM TO	UNITS PER ASSY
3			LINING INSTL-OVERWING HATCH (EQUIPMENT/FURNISHINGS ONLY)	001001 006007	
- 1	411A1210-801SP		LINING INSTL-OVERWING HATCH (EQUIPMENT/FURNISHINGS ONLY) POSITION DATA: STA 589.50, LH FOR NHA/OTHER SYS DET SEE: 52-21-00-02B	001001 006007	RF
- 5	411A1210-802SP		LINING INSTL-OVERWING HATCH (EQUIPMENT/FURNISHINGS ONLY) POSITION DATA: STA 589.50, RH FOR NHA/OTHER SYS DET SEE: 52-21-00-02B	001001 006007	RF
10	65C35463-24SP		.LINING ASSY	001001 006007	1
15	411N1109-9SP		..SHADE ASSY	001001 006007	1
20	411N1109-10		...TAPE-LOOP SUPPLIER CODE: V11153	001001 006007	2
25	69-26553-8		...ROLLER ASSY-	001001 006007	1
25	69-26553-4		...ROLLER ASSY-	001001 006007	1
30	69-26553-9	SPRING ASSY	001001 006007	1
35	MS51861-4C	SCREW	001001 006007	1
40	A8138-20	SPRING ASSY-SHAFT SUPPLIER CODE: V15814 OPTIONAL PART: 66-19409-3	001001 006007	1
40	66-19409-3	SPRING ASSY-SHAFT OPTIONAL PART: A8138-20 V15814	001001 006007	1
45	69-26552-4	END	001001 006007	1
50	63-1082-6	SPRING	001001 006007	1
55	65B50232-3	PIN ASSY	001001 006007	1
60	63-1072	PIN	001001 006007	1

MISSING ITEM NUMBERS NOT APPLICABLE

- ITEM NOT ILLUSTRATED

HAP

25-21-12-03

BOEING PROPRIETARY - Copyright © - Unpublished Work - See title page for details.

25-21-12
FIG. 03
PAGE 1
OCT 10/06


BOEING
 737-600/700/800/900
PARTS CATALOG (MAINTENANCE)

FIG ITEM	PART NUMBER	1 2 3 4 5 6 7 NOMENCLATURE	EFFECT FROM TO	UNITS PER ASSY
3	65 69-26552-3END	001001 006007	1
	70 66-19416-2DRUM	001001 006007	1

MISSING ITEM NUMBERS NOT APPLICABLE

— ITEM NOT ILLUSTRATED

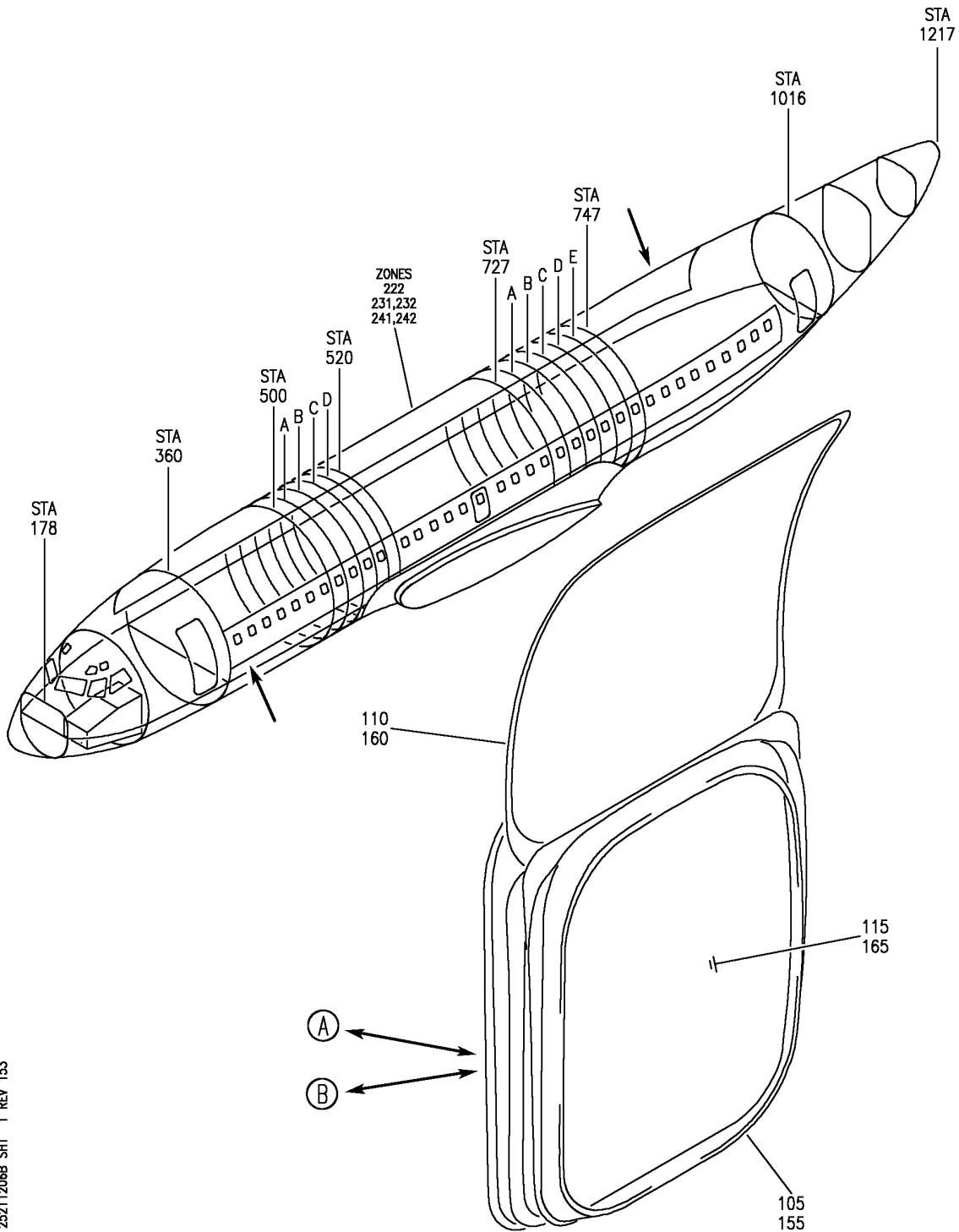
HAP

25-21-12-03

BOEING PROPRIETARY - Copyright © - Unpublished Work - See title page for details.

25-21-12
 FIG. 03
 PAGE 2
 OCT 10/06

BOEING
 737-600/700/800/900
 PARTS CATALOG (MAINTENANCE)



E 25211206B SHT 1 REV 153

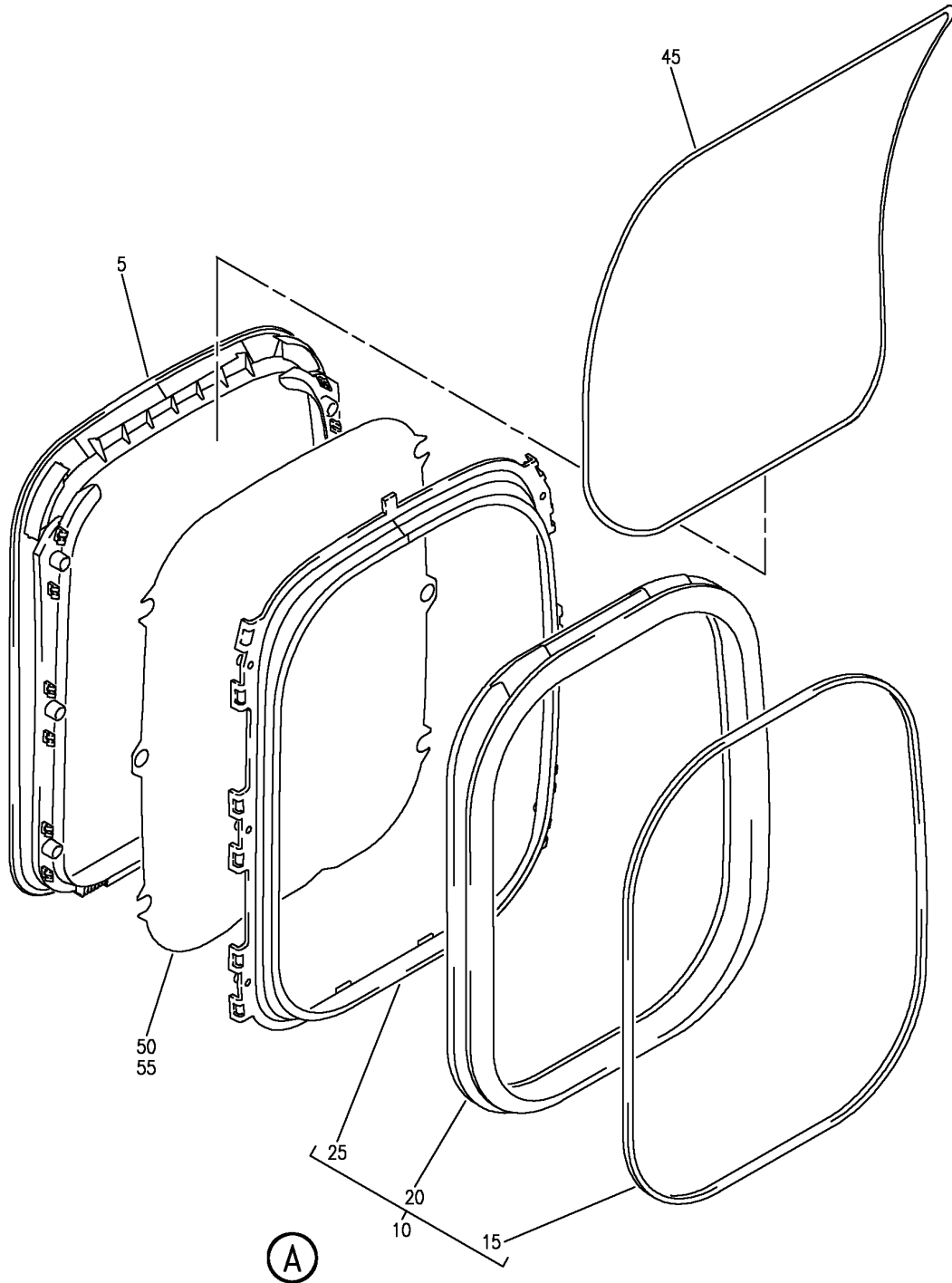
WINDOW ASSY-SIDEWALL PNL
 FIGURE 6B (SHEET 1)

25-21-12-06B

HAP
 JUN 15/09

25-21-12-06B
 PAGE 0

BOEING
737-600/700/800/900
PARTS CATALOG (MAINTENANCE)



E 25211206B SHT 2 REV 145

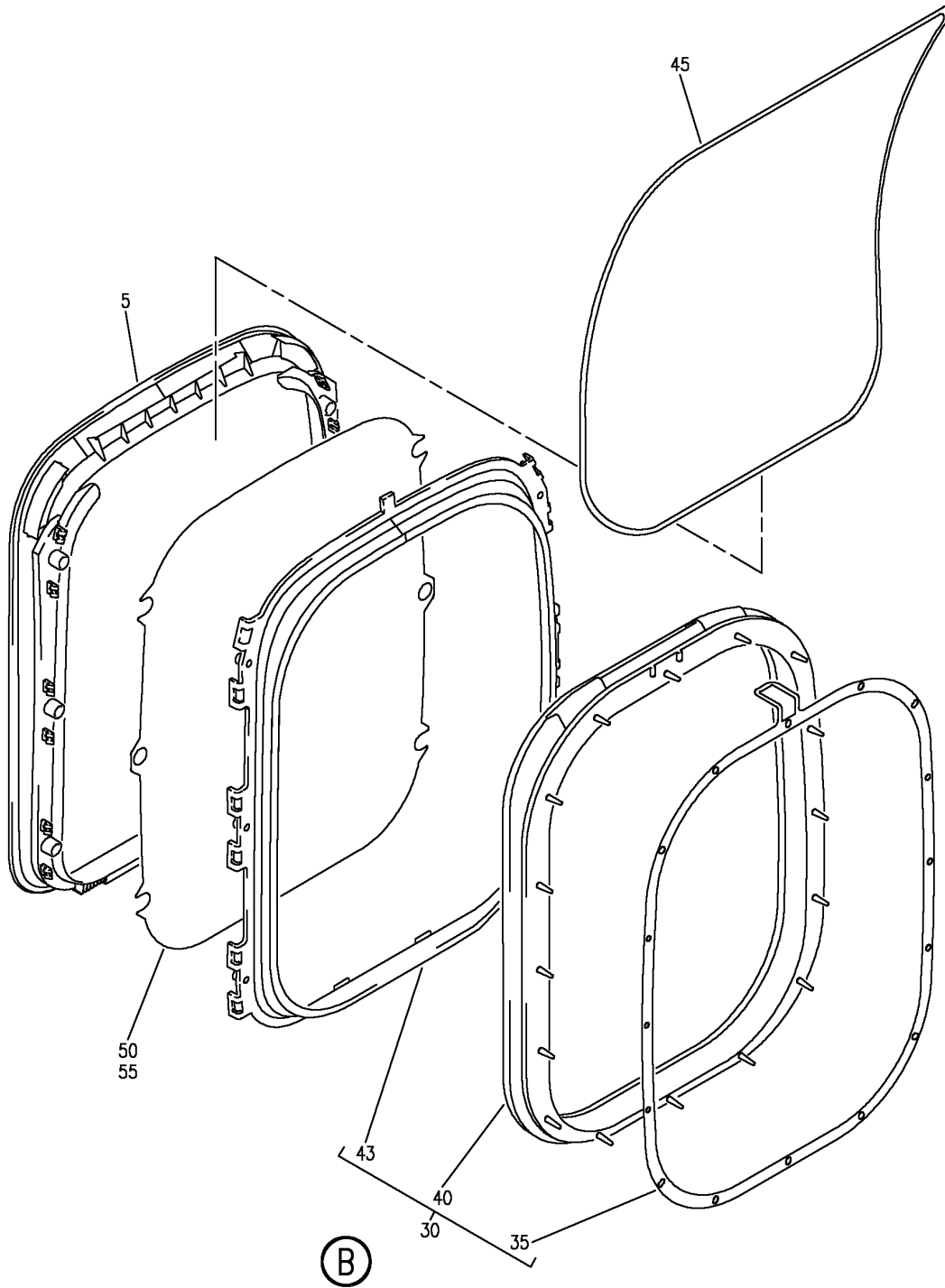
WINDOW ASSY-SIDEWALL PNL
FIGURE 6B (SHEET 2)

25-21-12-06B

HAP
OCT 15/08

25-21-12-06B
PAGE 0A

BOEING
737-600/700/800/900
PARTS CATALOG (MAINTENANCE)



E 25211206B SHT 3 REV 145

WINDOW ASSY-SIDEWALL PNL
FIGURE 6B (SHEET 3)

25-21-12-06B

HAP
OCT 15/08

25-21-12-06B
PAGE 0B

BOEING
737-600/700/800/900
PARTS CATALOG (MAINTENANCE)

FIG ITEM	PART NUMBER	1 2 3 4 5 6 7	NOMENCLATURE	EFFECT FROM TO	UNITS PER ASSY
6B					
- 1	411N1260-201SP		WINDOW ASSY-SIDEWALL PNL WINDOW ASSY-SIDEWALL PNL FOR NHA SEE: 25-21-46-06B	101999 201967	RF
- 1	411N1260-201B		WINDOW ASSY-SIDEWALL PNL FOR NHA SEE: 25-21-46-06B	101200 968999	RF
5	411N1261-1SP		.RING	201967	1
5	411N1261-1B		.RING	101200 968999	1
10	411N1270-201SP		.REVEAL ASSY-	201967	1
10	411N1270-201A		.REVEAL ASSY-	101200 968999	1
15	411N1272-6SP		..RING-SEAL SPRT	201967	1
15	411N1272-6A		..RING-SEAL SPRT	101200 968999	1
20	411N1272-5SP		..SEAL-DUST	201967	1
20	411N1272-5A		..SEAL-DUST	101200 968999	1
25	411N1271-1SP		..REVEAL- MISCELLANEOUS DATA: CUSTOMER MAY WISH TO ACQUIRE NHA, WHICH MAY BE MORE ECONOMICAL.	201967	1
25	411N1271-1A		..REVEAL- MISCELLANEOUS DATA: CUSTOMER MAY WISH TO ACQUIRE NHA, WHICH MAY BE MORE ECONOMICAL.	101200 968999	1
30	411N1270-101SP		.REVEAL ASSY-	201967	1
30	411N1270-101A		.REVEAL ASSY-	101200 968999	1
35	411N1272-2SP		..RING-SEAL SPRT	201967	1
35	411N1272-2A		..RING-SEAL SPRT	101200 968999	1
40	411N1272-1SP		..SEAL-DUST	201967	1
40	411N1272-1A		..SEAL-DUST	101200 968999	1
43	411N1271-1SP		..REVEAL- MISCELLANEOUS DATA: CUSTOMER MAY WISH TO ACQUIRE NHA, WHICH MAY BE MORE ECONOMICAL.	201967	1
43	411N1271-1A		..REVEAL- MISCELLANEOUS DATA: CUSTOMER MAY WISH TO ACQUIRE NHA, WHICH MAY BE MORE ECONOMICAL.	101200 968999	1
45	411N1281-3SP		.SHADE-	201967	1

MISSING ITEM NUMBERS NOT APPLICABLE

- ITEM NOT ILLUSTRATED

HAP

25-21-12-06B

BOEING PROPRIETARY - Copyright © - Unpublished Work - See title page for details.

25-21-12
FIG. 06B
PAGE 1
OCT 15/08

BOEING
737-600/700/800/900
PARTS CATALOG (MAINTENANCE)

FIG ITEM	PART NUMBER	1 2 3 4 5 6 7	NOMENCLATURE	EFFECT FROM TO	UNITS PER ASSY
6B					
R	45		. SHADE-	201967	1
R	45		. SHADE-	101999	1
R			OPTIONAL PART:		
R			411N1281-3BCSZ		
R	45		. SHADE-	101999	1
R			OPTIONAL PART:		
R			411N1281-4C		
R	50		. PANE-	101999	1
R			POSITION DATA:		
R			INNER		
R	55		. COVER-	101999	1
R			POSITION DATA:		
R			INNER		
-	100		WINDOW ASSY-SIDEWALL PNL	101200	RF
			FOR NHA SEE:	968999	
			25-21-46-06B		
	105		. REVEAL ASSY	101200	1
				968999	
R	110		. SHADE	101200	1
R				968999	
	115		. PANE-INNER	101200	1
				968999	
-	150		WINDOW ASSY-SIDEWALL	101200	RF
			PNL	968999	
			FOR NHA SEE:		
			25-21-46-06B		
R	155		. REVEAL ASSY	101200	1
R				968999	
R	160		. SHADE	101200	1
R				968999	
	165		. PANE-INNER	101200	1
				968999	

MISSING ITEM NUMBERS NOT APPLICABLE

- ITEM NOT ILLUSTRATED

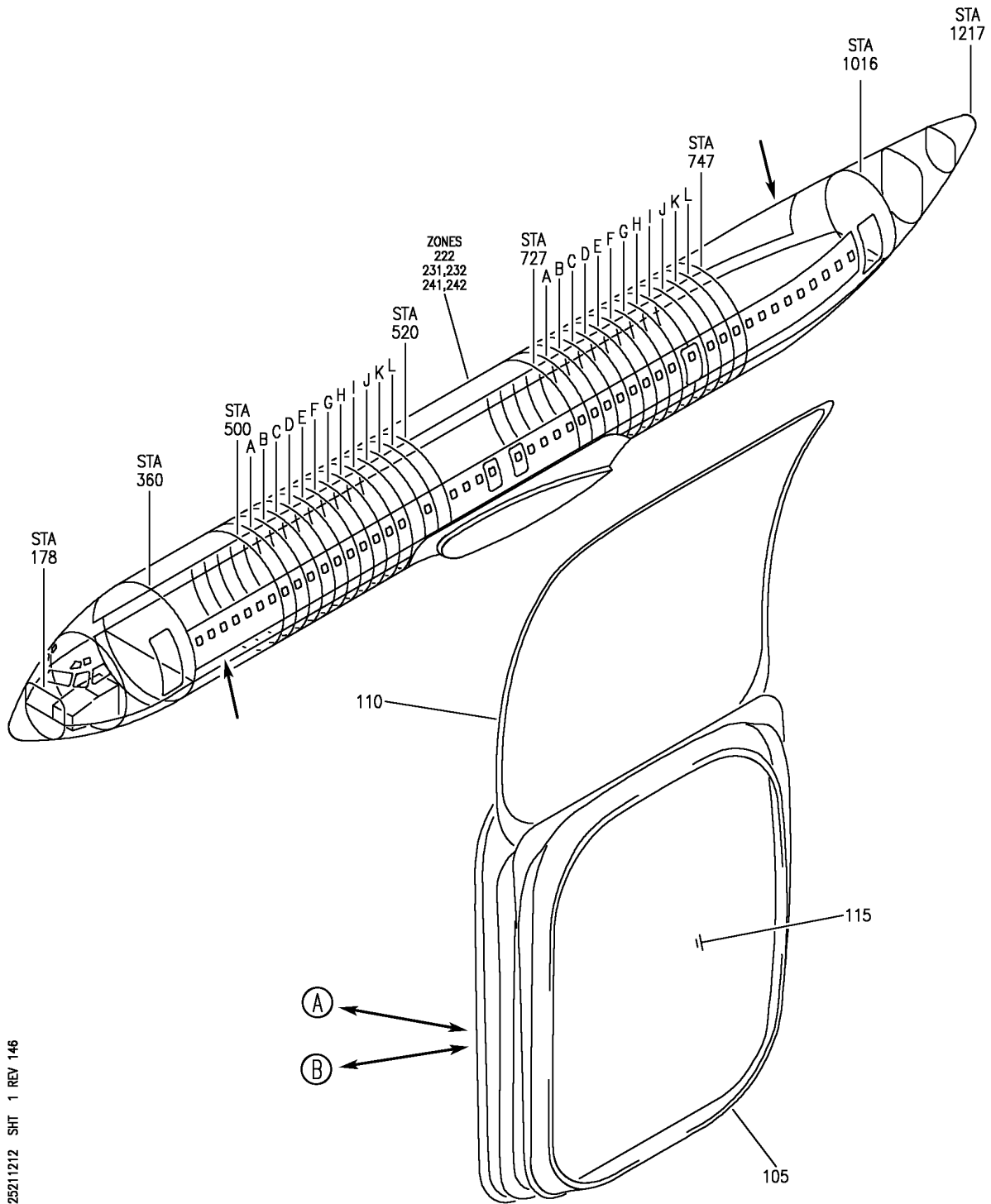
HAP

25-21-12-06B

BOEING PROPRIETARY - Copyright © - Unpublished Work - See title page for details.

25-21-12
FIG. 06B
PAGE 2
JUN 15/09

BOEING
 737-600/700/800/900
 PARTS CATALOG (MAINTENANCE)



E 25211212 SHT 1 REV 146

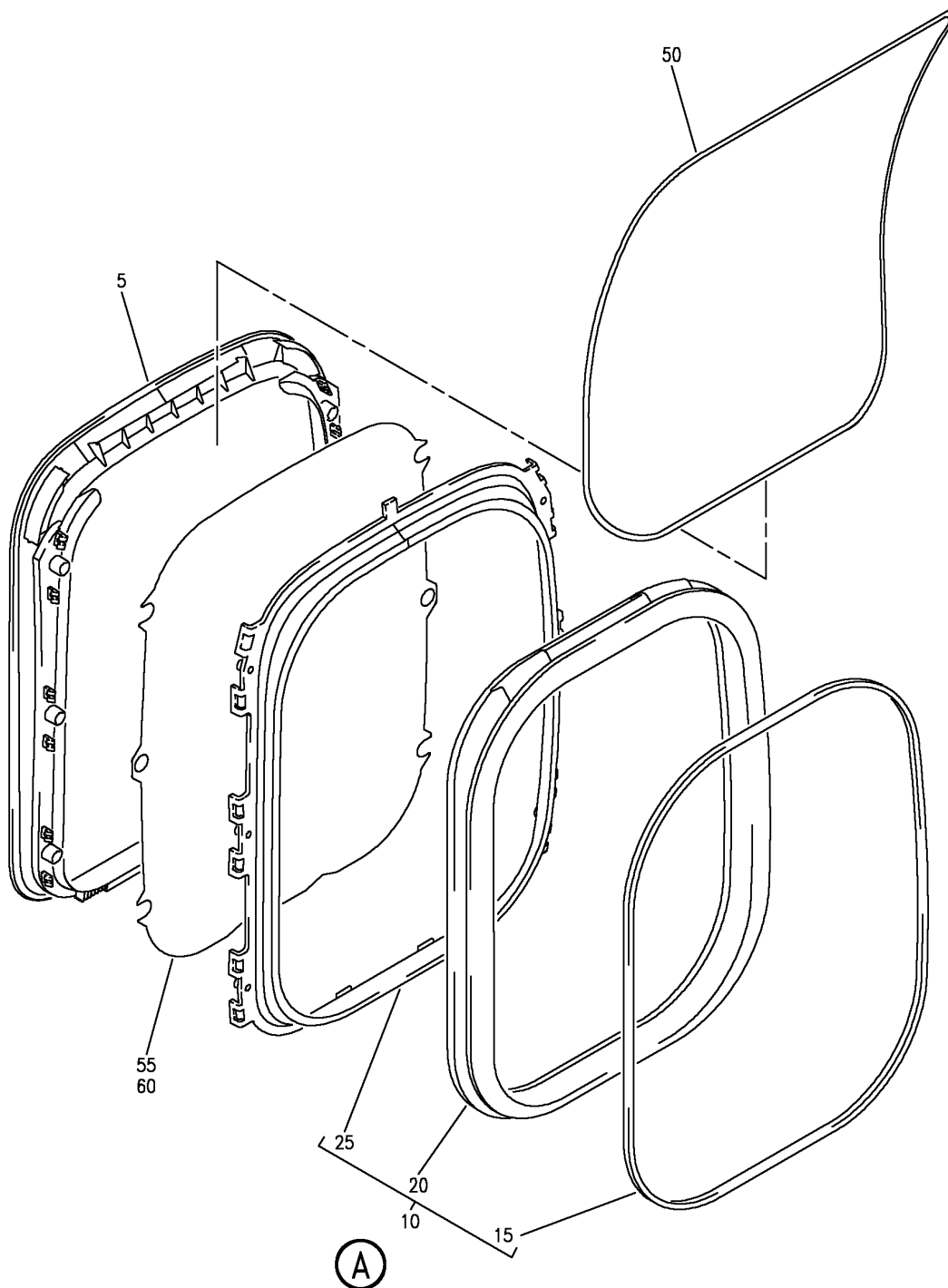
WINDOW ASSY-SIDEWALL PNL
 FIGURE 12 (SHEET 1)

25-21-12-12

HAP
 OCT 15/08

25-21-12-12
 PAGE 0

BOEING
737-600/700/800/900
PARTS CATALOG (MAINTENANCE)



E 25211212 SHT 2 REV 146

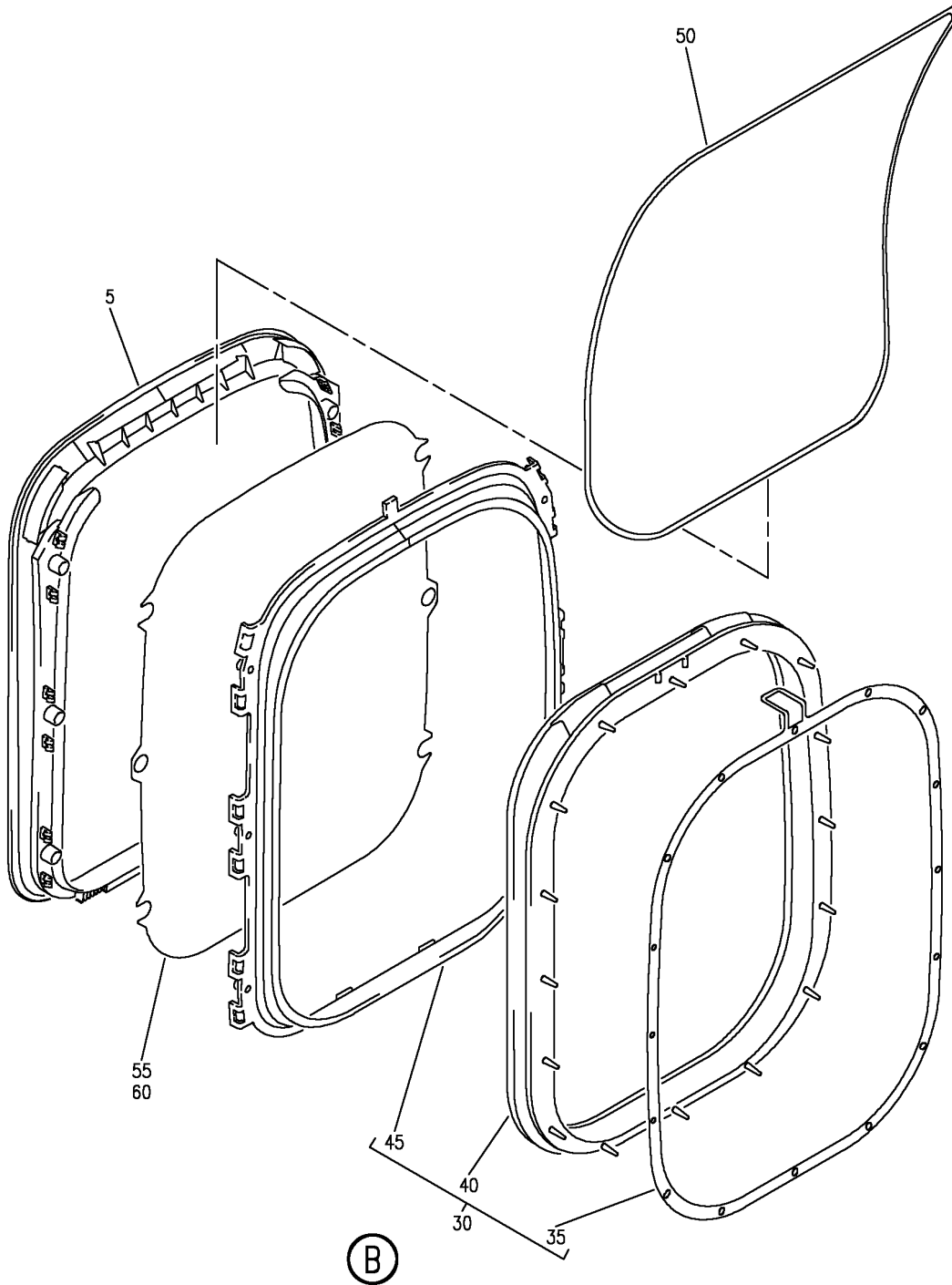
WINDOW ASSY-SIDEWALL PNL
FIGURE 12 (SHEET 2)

25-21-12-12

HAP
OCT 15/08

25-21-12-12
PAGE 0A

BOEING
737-600/700/800/900
PARTS CATALOG (MAINTENANCE)



E 25211212 SHT 3 REV 146

WINDOW ASSY-SIDEWALL PNL
FIGURE 12 (SHEET 3)

HAP
OCT 15/08

25-21-12-12

25-21-12-12
PAGE 0B

BOEING
737-600/700/800/900
PARTS CATALOG (MAINTENANCE)

FIG ITEM	PART NUMBER	1 2 3 4 5 6 7	NOMENCLATURE	EFFECT FROM TO	UNITS PER ASSY	
R	12					
-	1	411N1260-201SP	WINDOW ASSY-SIDEWALL PNL WINDOW ASSY-SIDEWALL PNL FOR NHA SEE: 25-21-46-12	101999 201967	RF	
R	-	1	411N1260-201B	WINDOW ASSY-SIDEWALL PNL FOR NHA SEE: 25-21-46-12	101200 968999	RF
R						
R	-	1	411N1260-201SP	WINDOW ASSY-SIDEWALL PNL FOR NHA SEE: 25-21-46-12	201967	RF
	5	411N1261-1SP	.RING	201967	1	
R	5	411N1261-1B	.RING	101200	1	
R				968999		
	10	411N1270-201SP	.REVEAL ASSY-	201967	1	
R	10	411N1270-201A	.REVEAL ASSY-	101200	1	
R				968999		
	15	411N1272-6SP	..RING-SEAL SPRT	201967	1	
R	15	411N1272-6A	..RING-SEAL SPRT	101200	1	
R				968999		
	20	411N1272-5SP	..SEAL-DUST	201967	1	
R	20	411N1272-5A	..SEAL-DUST	101200	1	
R				968999		
	25	411N1271-1SP	..REVEAL- MISCELLANEOUS DATA: CUSTOMER MAY WISH TO ACQUIRE NHA, WHICH MAY BE MORE ECONOMICAL.	201967	1	
R	25	411N1271-1A	..REVEAL- MISCELLANEOUS DATA: CUSTOMER MAY WISH TO ACQUIRE NHA, WHICH MAY BE MORE ECONOMICAL.	101200 968999	1	
R						
R						
R						
	30	411N1270-101SP	.REVEAL ASSY-	201967	1	
R	30	411N1270-101A	.REVEAL ASSY-	101200	1	
R				968999		
	35	411N1272-2SP	..RING-SEAL SPRT	201967	1	
R	35	411N1272-2A	..RING-SEAL SPRT	101200	1	
R				968999		
	40	411N1272-1SP	..SEAL-DUST	201967	1	
R	40	411N1272-1A	..SEAL-DUST	101200	1	
R				968999		
	45	411N1271-1SP	..REVEAL- MISCELLANEOUS DATA: CUSTOMER MAY WISH TO ACQUIRE NHA, WHICH MAY BE MORE ECONOMICAL.	201967	1	

MISSING ITEM NUMBERS NOT APPLICABLE

- ITEM NOT ILLUSTRATED

HAP

25-21-12-12

25-21-12
FIG. 12
PAGE 1
JUN 15/09

BOEING
737-600/700/800/900
PARTS CATALOG (MAINTENANCE)

FIG ITEM	PART NUMBER	1 2 3 4 5 6 7	NOMENCLATURE	EFFECT FROM TO	UNITS PER ASSY
12					
R	45	411N1271-1A	. . REVEAL-	101200	1
R			MISCELLANEOUS DATA:	968999	
R			CUSTOMER MAY WISH TO		
R			ACQUIRE NHA, WHICH MAY		
R			BE MORE ECONOMICAL.		
R	50	411N1281-4C	. SHADE-	101999	1
R			OPTIONAL PART:		
R			411N1281-3BCSZ		
R	50	411N1281-3BCSZ	. SHADE-	101999	1
R			OPTIONAL PART:		
R			411N1281-4C		
R	55	411N1133-6A	. PANE-	101999	1
R			POSITION DATA:		
R			INNER		
R	60	411N1133-9B	. COVER-	101999	1
R			POSITION DATA:		
R			INNER		
R	- 100	411N1260-301C	WINDOW ASSY-SIDEWALL PNL	101200	RF
R				968999	
R	105	411N1270-301C	. REVEAL ASSY	101200	1
R				968999	
R	110	411N1281-4C	. SHADE	101200	1
R				968999	
R	115	411N1133-19B	. PANE-INNER	101200	1
R				968999	

MISSING ITEM NUMBERS NOT APPLICABLE

- ITEM NOT ILLUSTRATED

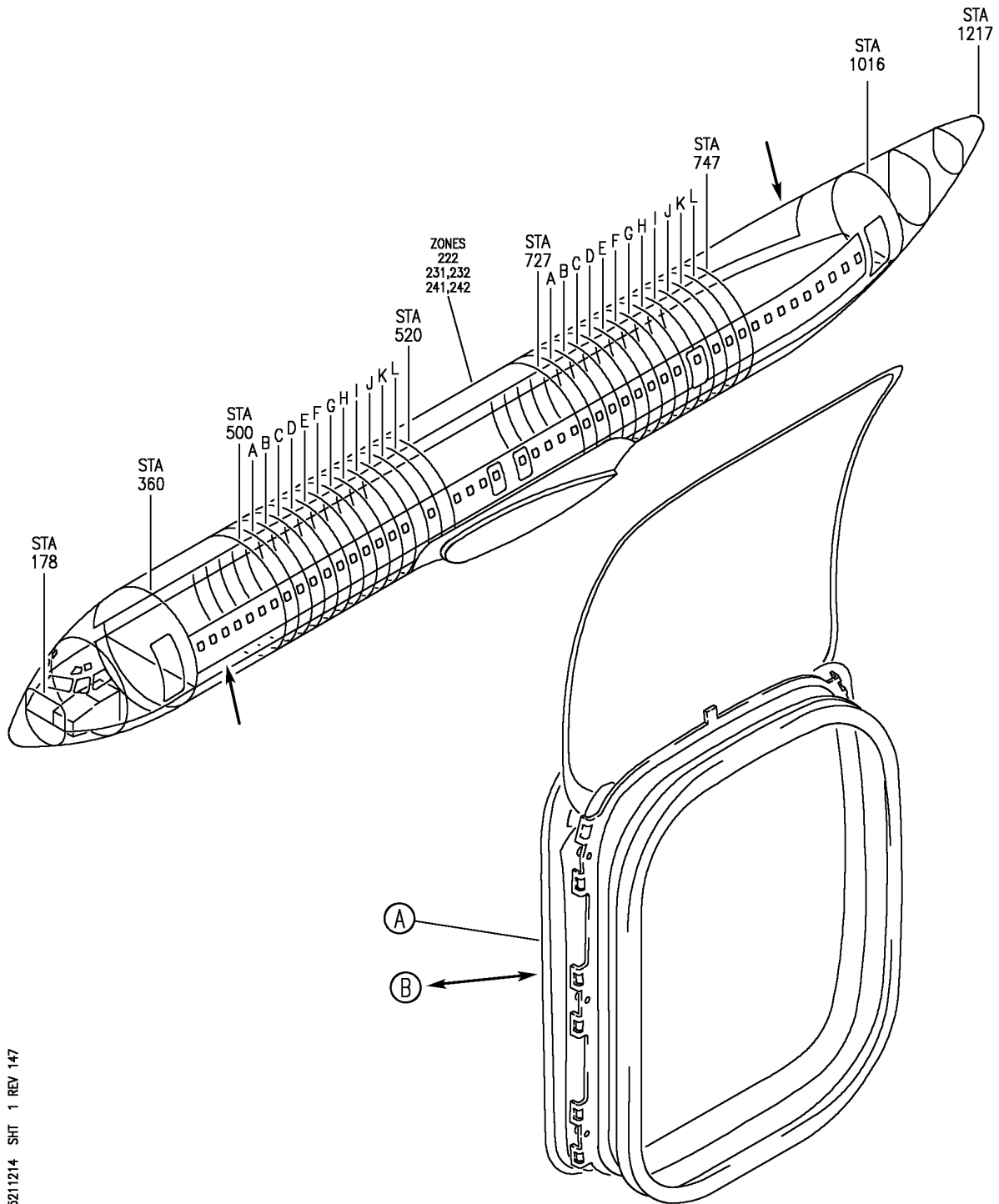
HAP

25-21-12-12

BOEING PROPRIETARY - Copyright © - Unpublished Work - See title page for details.

25-21-12
FIG. 12
PAGE 2
JUN 15/09

BOEING
 737-600/700/800/900
 PARTS CATALOG (MAINTENANCE)



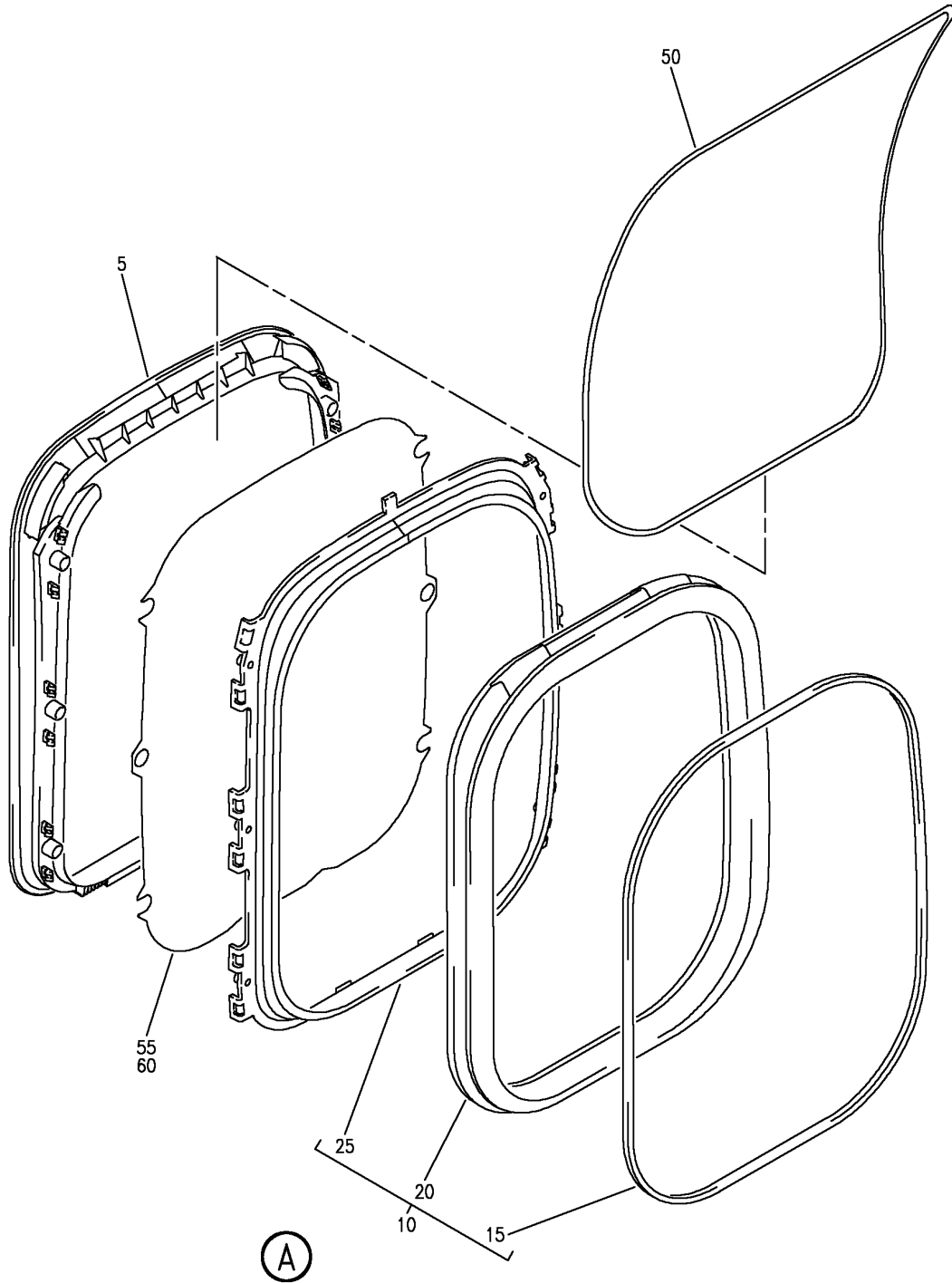
E 25211214 SHT 1 REV 147

WINDOW ASSY-SIDEWALL PNL
 FIGURE 14 (SHEET 1)

25-21-12-14

HAP
 OCT 15/08

25-21-12-14
 PAGE 0



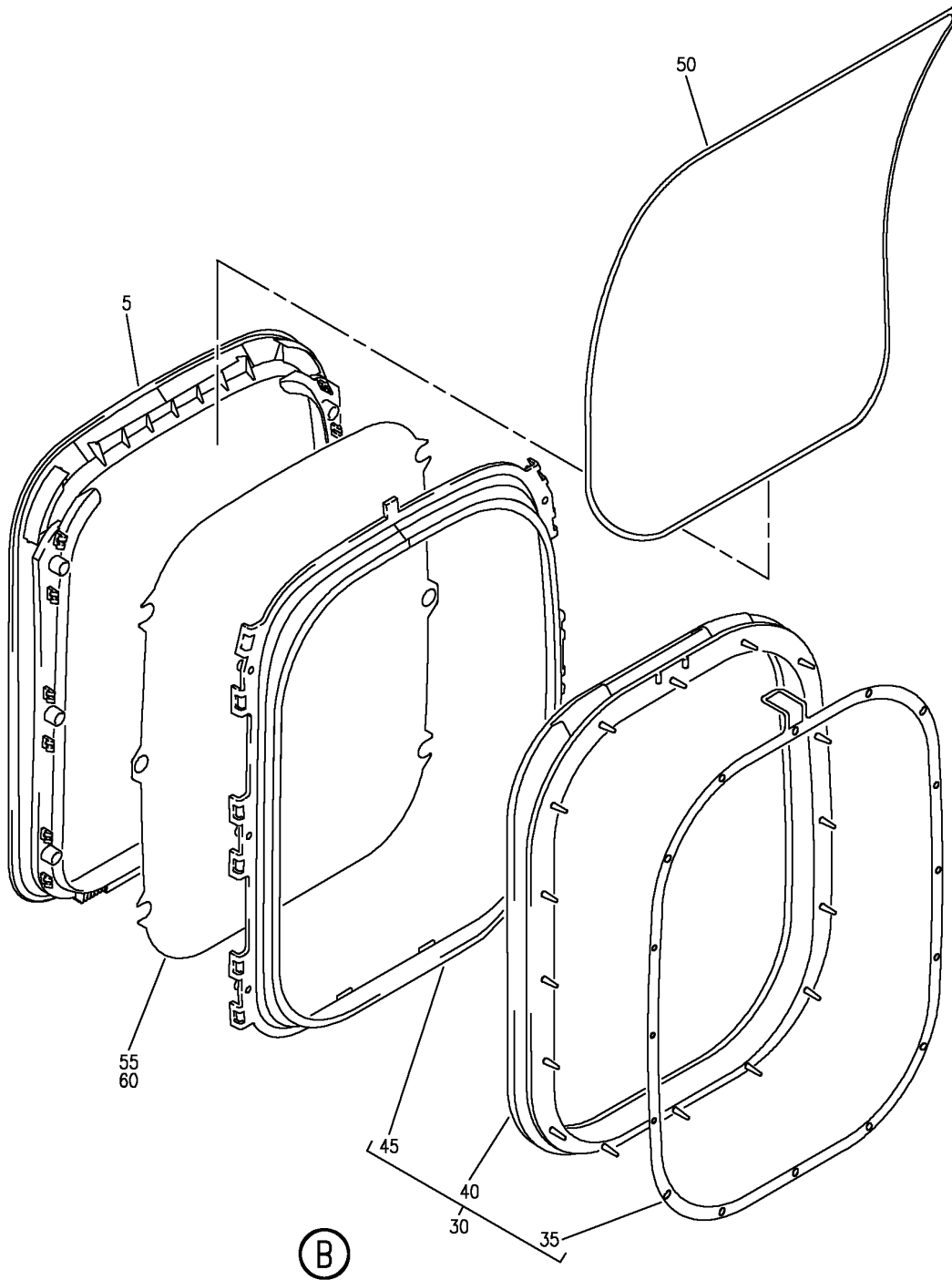
E 25211214 SHT 2 REV 147

WINDOW ASSY-SIDEWALL PNL
FIGURE 14 (SHEET 2)

25-21-12-14

HAP
OCT 15/08

25-21-12-14
PAGE 0A



E 25211214 SHT 3 REV 147

WINDOW ASSY-SIDEWALL PNL
FIGURE 14 (SHEET 3)

25-21-12-14

HAP
OCT 15/08

25-21-12-14
PAGE 0B

BOEING
737-600/700/800/900
PARTS CATALOG (MAINTENANCE)

FIG ITEM	PART NUMBER	1 2 3 4 5 6 7	NOMENCLATURE	EFFECT FROM TO	UNITS PER ASSY
14					
- 1	411N1260-201SP		WINDOW ASSY-SIDEWALL PNL WINDOW ASSY-SIDEWALL PNL FOR NHA SEE: 25-21-46-14	001030 201967	RF
- 1	411N1260-201B		WINDOW ASSY-SIDEWALL PNL FOR NHA SEE: 25-21-46-14	031200 968999	RF
5	411N1261-1SP		.RING	001030 201967	1
5	411N1261-1B		.RING	031200 968999	1
10	411N1270-201SP		.REVEAL ASSY-	001030 201967	1
10	411N1270-201A		.REVEAL ASSY-	031200 968999	1
15	411N1272-6SP		..RING-SEAL SPRT	001030 201967	1
15	411N1272-6A		..RING-SEAL SPRT	031200 968999	1
20	411N1272-5SP		..SEAL-DUST	001030 201967	1
20	411N1272-5A		..SEAL-DUST	031200 968999	1
25	411N1271-1SP		..REVEAL- MISCELLANEOUS DATA: CUSTOMER MAY WISH TO ACQUIRE NHA, WHICH MAY BE MORE ECONOMICAL.	001030 201967	1
25	411N1271-1A		..REVEAL- MISCELLANEOUS DATA: CUSTOMER MAY WISH TO ACQUIRE NHA, WHICH MAY BE MORE ECONOMICAL.	031200 968999	1
30	411N1270-101SP		.REVEAL ASSY-	001030 201967	1
30	411N1270-101A		.REVEAL ASSY-	031200 968999	1
35	411N1272-2SP		..RING-SEAL SPRT	001030 201967	1
35	411N1272-2A		..RING-SEAL SPRT	031200 968999	1
40	411N1272-1SP		..SEAL-DUST	001030 201967	1
40	411N1272-1A		..SEAL-DUST	031200 968999	1

MISSING ITEM NUMBERS NOT APPLICABLE

- ITEM NOT ILLUSTRATED

HAP

25-21-12-14

BOEING PROPRIETARY - Copyright © - Unpublished Work - See title page for details.

25-21-12
FIG. 14
PAGE 1
OCT 15/08

BOEING
737-600/700/800/900
PARTS CATALOG (MAINTENANCE)

FIG ITEM	PART NUMBER	1 2 3 4 5 6 7	NOMENCLATURE	EFFECT FROM TO	UNITS PER ASSY
14					
45	411N1271-1SP		.. REVEAL- MISCELLANEOUS DATA: CUSTOMER MAY WISH TO ACQUIRE NHA, WHICH MAY BE MORE ECONOMICAL.	001030 201967	1
45	411N1271-1A		.. REVEAL- MISCELLANEOUS DATA: CUSTOMER MAY WISH TO ACQUIRE NHA, WHICH MAY BE MORE ECONOMICAL.	031200 968999	1
50	411N1281-4C		. SHADE- OPTIONAL PART: 411N1281-3BCSZ		1
50	411N1281-3BCSZ		. SHADE- OPTIONAL PART: 411N1281-4C		1
55	411N1133-6A		. PANE- POSITION DATA: INNER		1
60	411N1133-9B		. COVER- POSITION DATA: INNER		1

R
R
R
R
R
R
R
R
R
R

MISSING ITEM NUMBERS NOT APPLICABLE

- ITEM NOT ILLUSTRATED

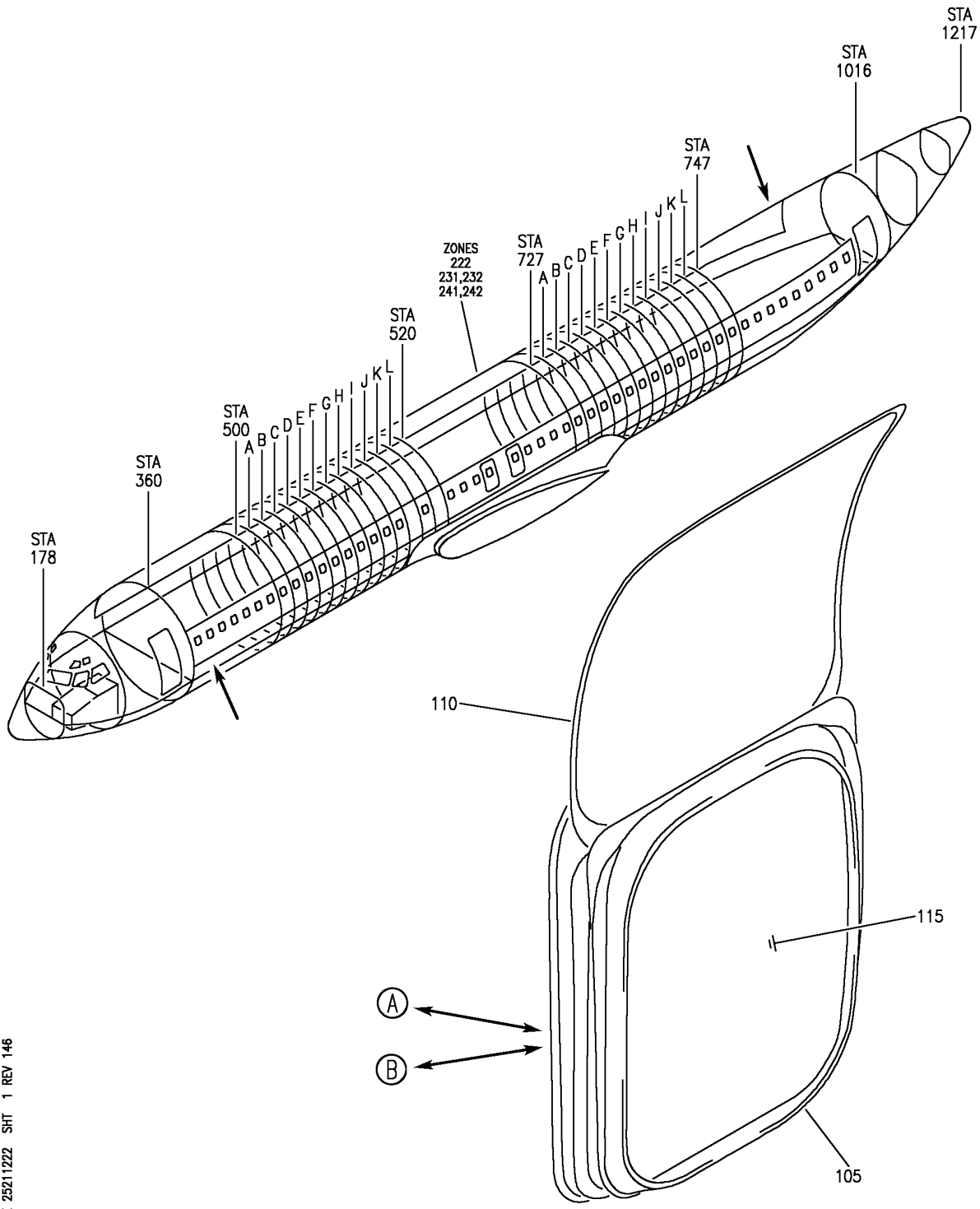
HAP

25-21-12-14

BOEING PROPRIETARY - Copyright © - Unpublished Work - See title page for details.

25-21-12
FIG. 14
PAGE 2
JUN 15/09

BOEING
 737-600/700/800/900
 PARTS CATALOG (MAINTENANCE)



E 25211222 SH1 1 REV 146

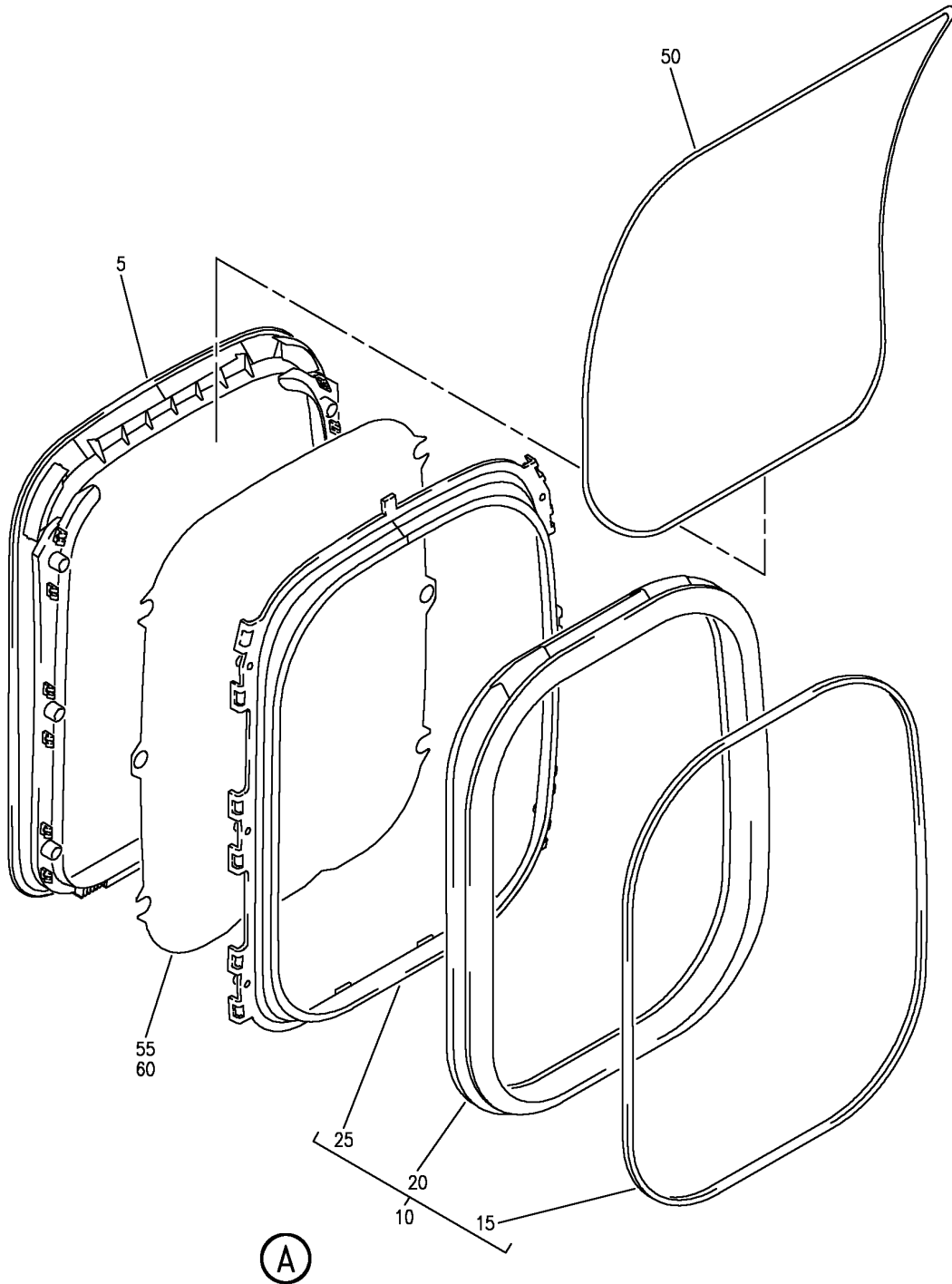
WINDOW ASSY-SIDEWALL PNL
 FIGURE 22 (SHEET 1)

25-21-12-22

HAP
 OCT 15/08

25-21-12-22
 PAGE 0

BOEING
737-600/700/800/900
PARTS CATALOG (MAINTENANCE)



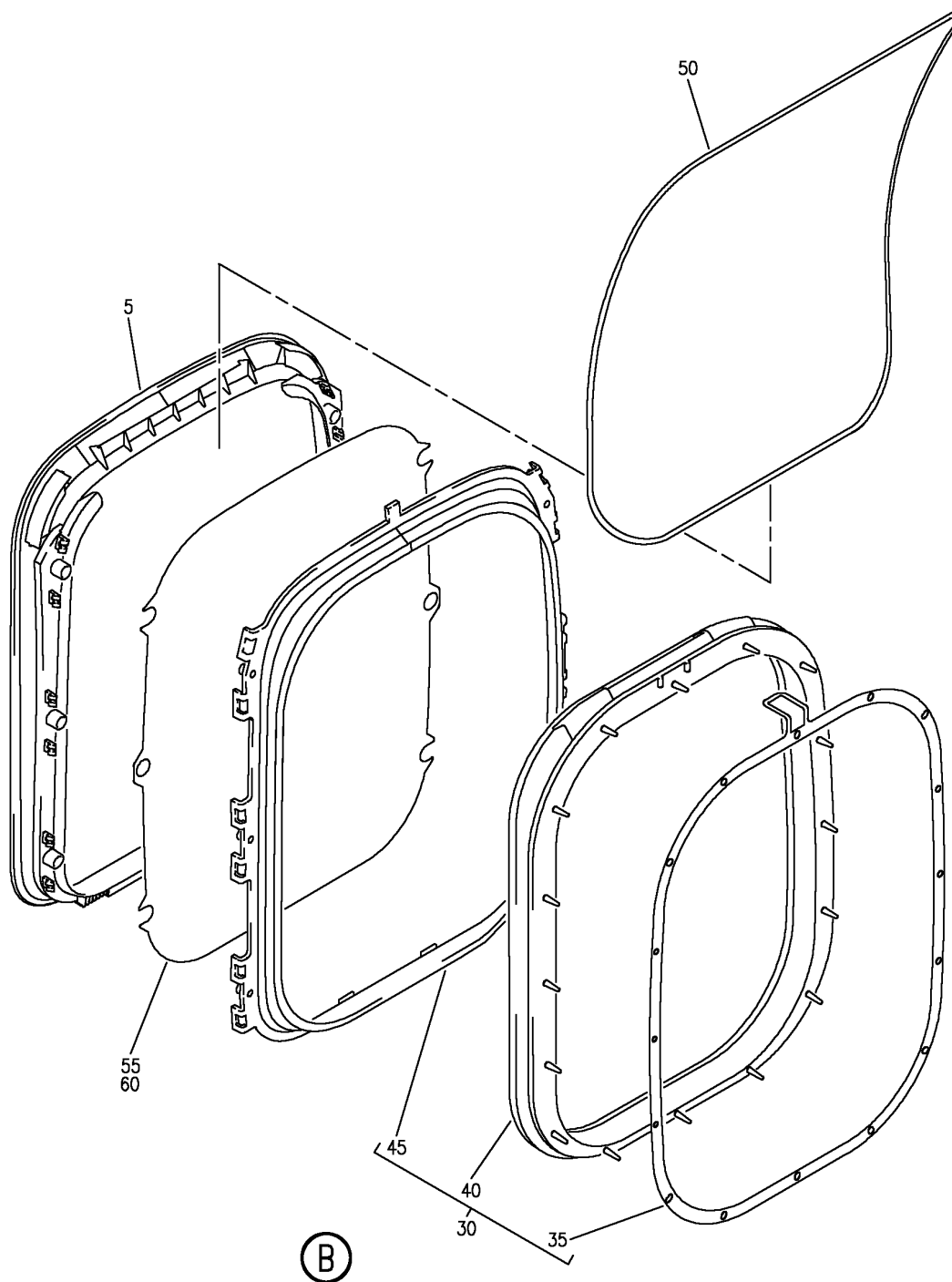
E 25211222 SHT 2 REV 146

WINDOW ASSY-SIDEWALL PNL
FIGURE 22 (SHEET 2)

25-21-12-22

HAP
OCT 15/08

25-21-12-22
PAGE 0A



E 25211222 SH1 3 REV 146

WINDOW ASSY-SIDEWALL PNL
 FIGURE 22 (SHEET 3)

25-21-12-22

HAP
 OCT 15/08

25-21-12-22
 PAGE 0B

BOEING
737-600/700/800/900
PARTS CATALOG (MAINTENANCE)

FIG ITEM	PART NUMBER	1 2 3 4 5 6 7	NOMENCLATURE	EFFECT FROM TO	UNITS PER ASSY
22					
- 1	411N1260-201SP		WINDOW ASSY-SIDEWALL PNL WINDOW ASSY-SIDEWALL PNL FOR NHA SEE: 25-21-46-22	001030 001030	RF
- 3	411N1260-201SP		WINDOW ASSY-SIDEWALL PNL POST SERVICE BULLETIN: 25-1542 FOR NHA SEE: 25-21-46-22	001014 016017 019030	RF
5	411N1261-1SP		.RING	001030	1
10	411N1270-201SP		.REVEAL ASSY-	001030	1
15	411N1272-6SP		..RING-SEAL SPRT	001030	1
20	411N1272-5SP		..SEAL-DUST	001030	1
25	411N1271-1SP		..REVEAL- MISCELLANEOUS DATA: CUSTOMER MAY WISH TO ACQUIRE NHA, WHICH MAY BE MORE ECONOMICAL.	001030	1
30	411N1270-101SP		.REVEAL ASSY-	001030	1
35	411N1272-2SP		..RING-SEAL SPRT	001030	1
40	411N1272-1SP		..SEAL-DUST	001030	1
45	411N1271-1SP		..REVEAL- MISCELLANEOUS DATA: CUSTOMER MAY WISH TO ACQUIRE NHA, WHICH MAY BE MORE ECONOMICAL.	001030	1
R	50	411N1281-4C	.SHADE- OPTIONAL PART: 411N1281-3BCSZ	001030	1
R	50	411N1281-3BCSZ	.SHADE- OPTIONAL PART: 411N1281-4C	001030	1
R	55	411N1133-6A	.PANE- POSITION DATA: INNER	001030	1
R	60	411N1133-9B	.COVER-	001030	1

MISSING ITEM NUMBERS NOT APPLICABLE

- ITEM NOT ILLUSTRATED

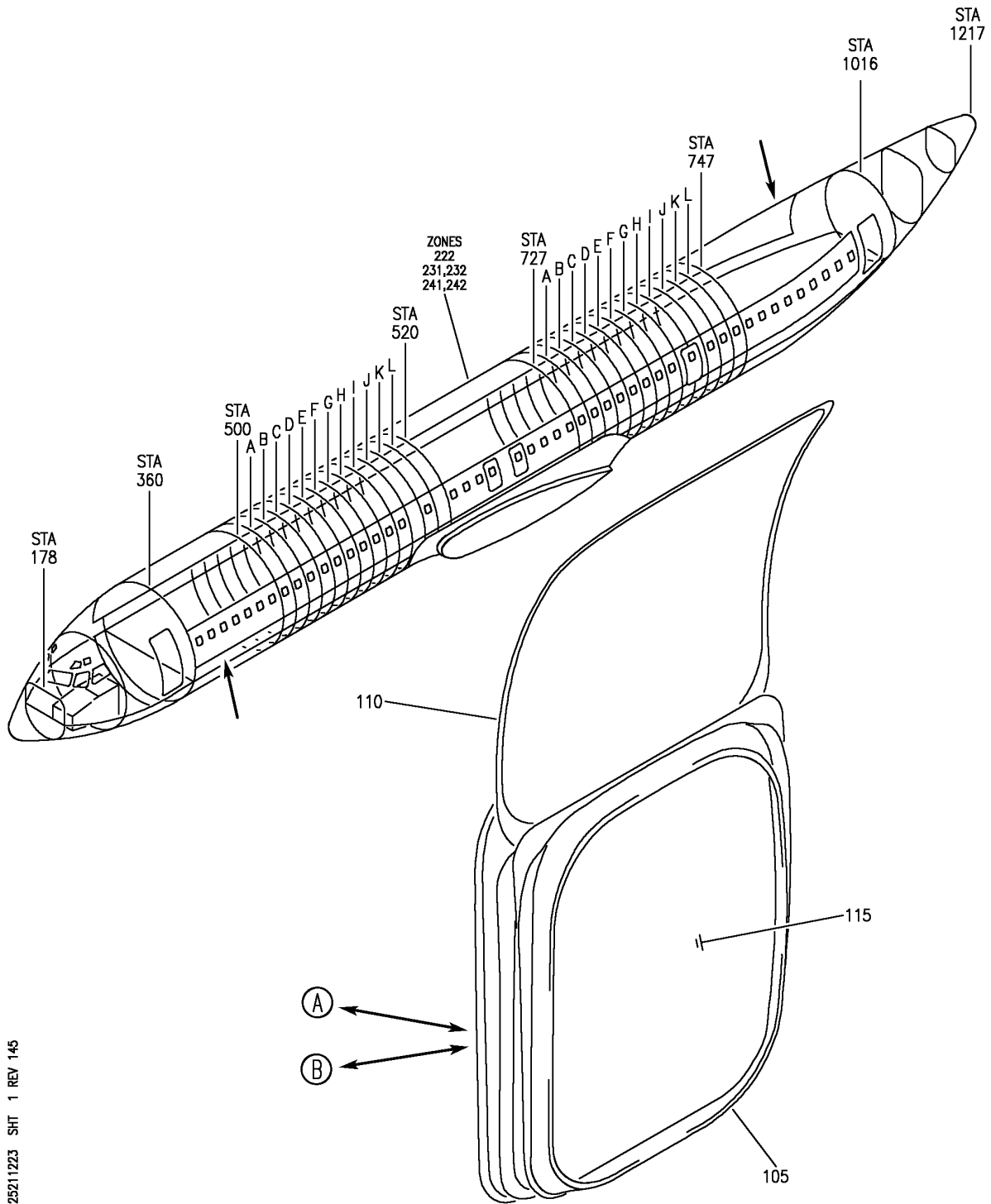
HAP

25-21-12-22

BOEING PROPRIETARY - Copyright © - Unpublished Work - See title page for details.

25-21-12
FIG. 22
PAGE 1
JUN 15/09

BOEING
 737-600/700/800/900
 PARTS CATALOG (MAINTENANCE)



E 25211223 SHT 1 REV 145

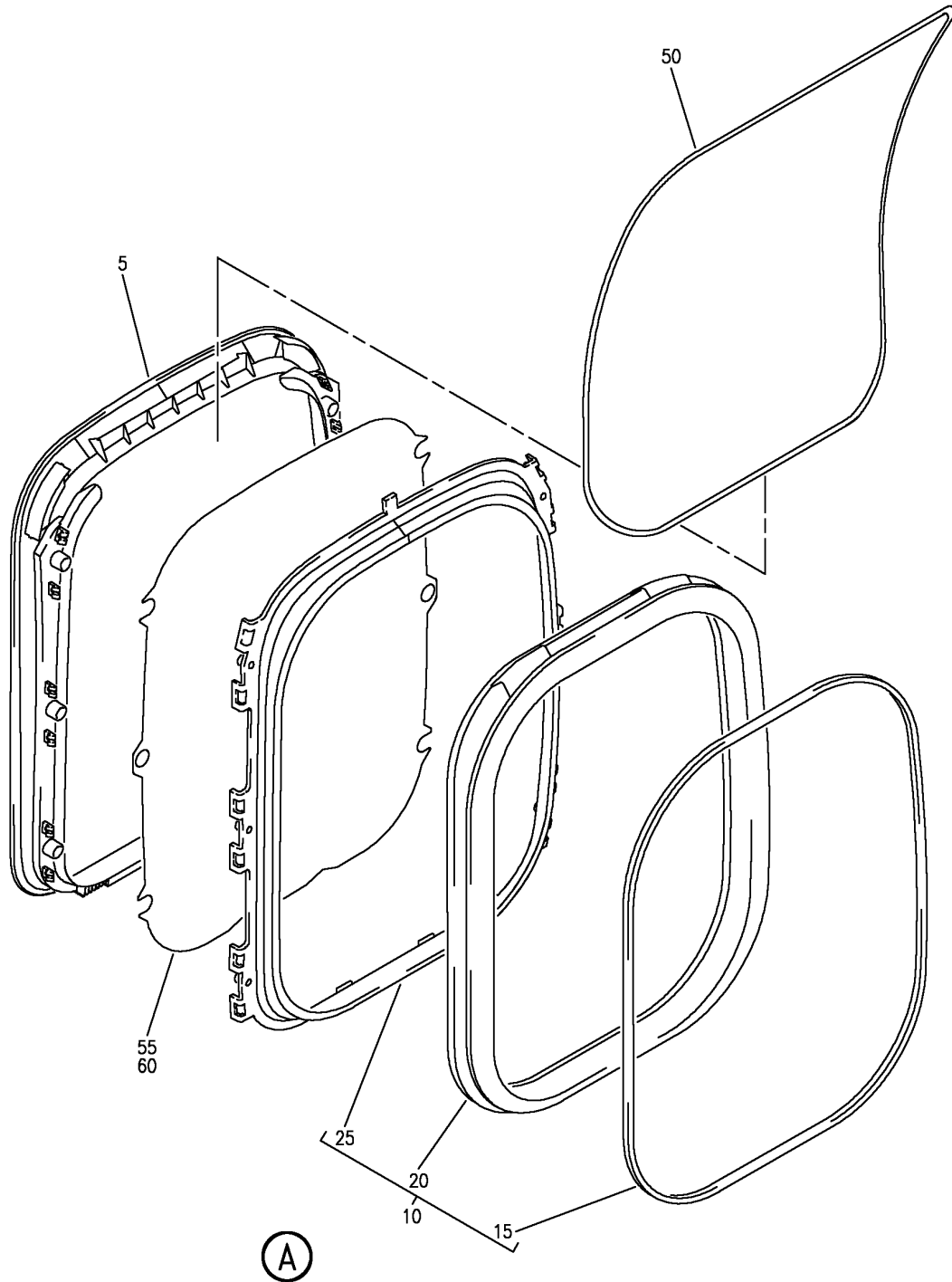
WINDOW ASSY-SIDEWALL PNL
 FIGURE 23 (SHEET 1)

25-21-12-23

HAP
 OCT 15/08

25-21-12-23
 PAGE 0

BOEING
737-600/700/800/900
PARTS CATALOG (MAINTENANCE)



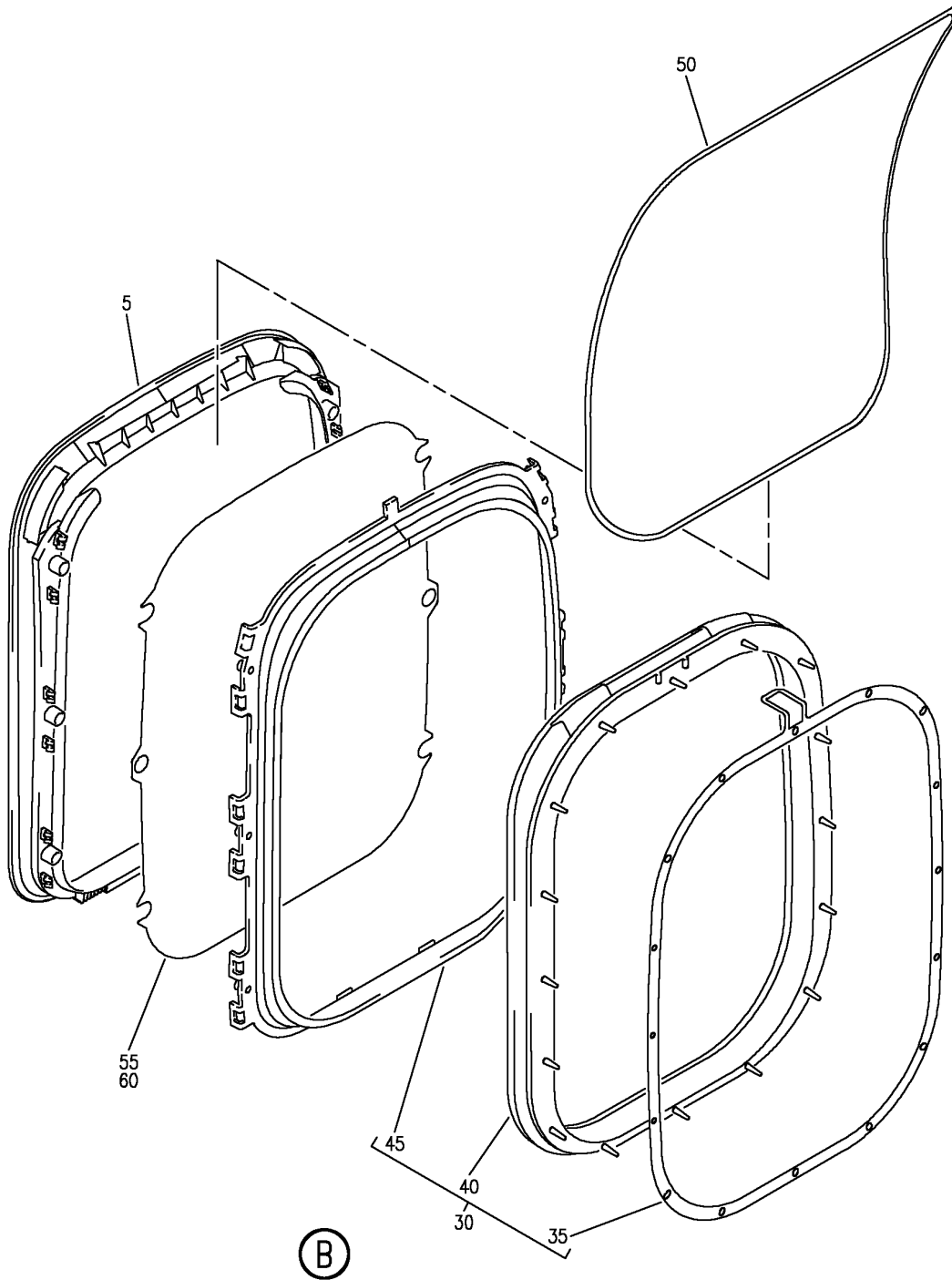
E 25211223 SHT 2 REV 145

WINDOW ASSY-SIDEWALL PNL
FIGURE 23 (SHEET 2)

25-21-12-23

HAP
OCT 15/08

25-21-12-23
PAGE 0A



E 25211223 SH1 3 REV 145

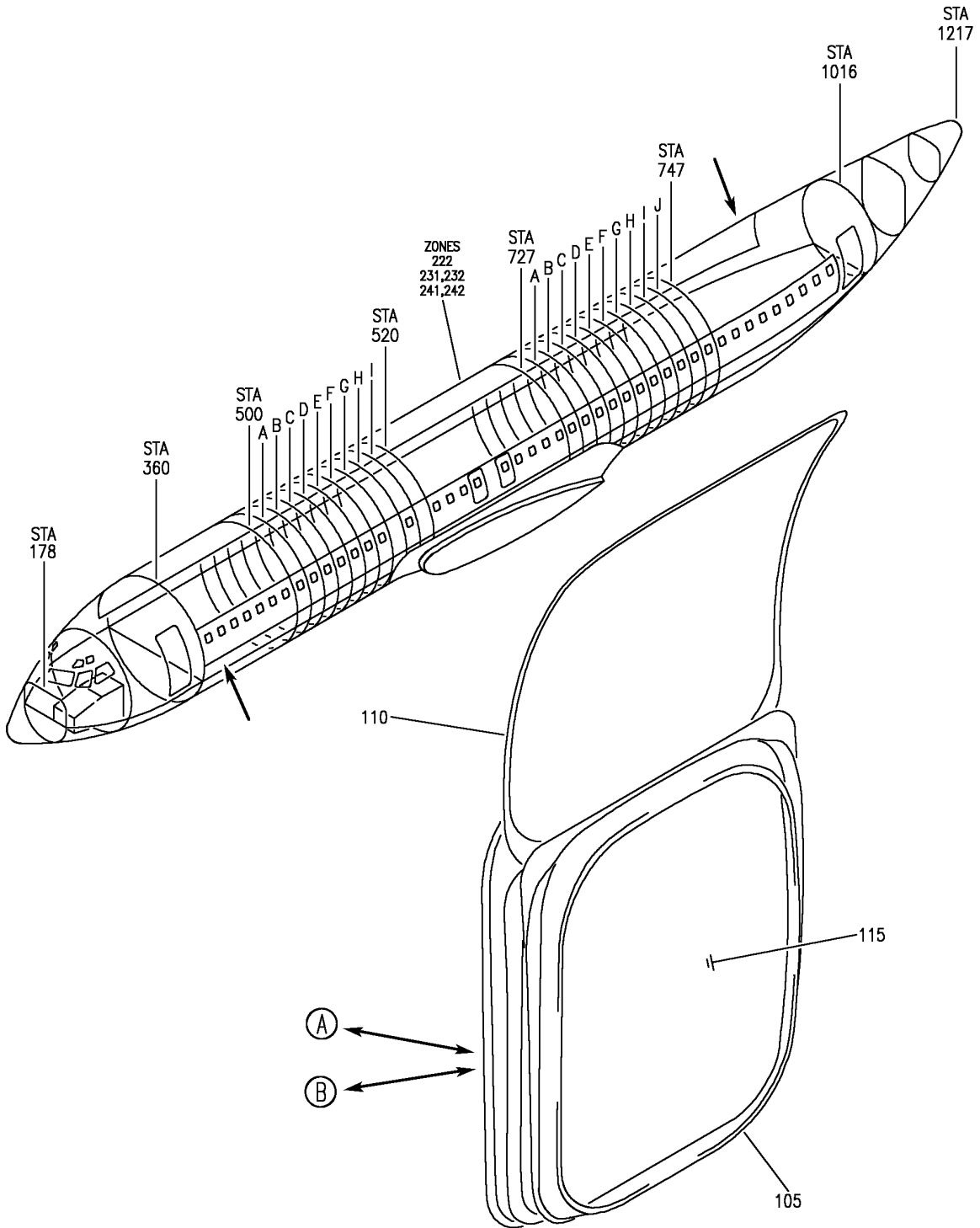
WINDOW ASSY-SIDEWALL PNL
FIGURE 23 (SHEET 3)

25-21-12-23

HAP
OCT 15/08

25-21-12-23
PAGE 0B

BOEING
 737-600/700/800/900
 PARTS CATALOG (MAINTENANCE)



E 25211232 SH1 1 REV 146

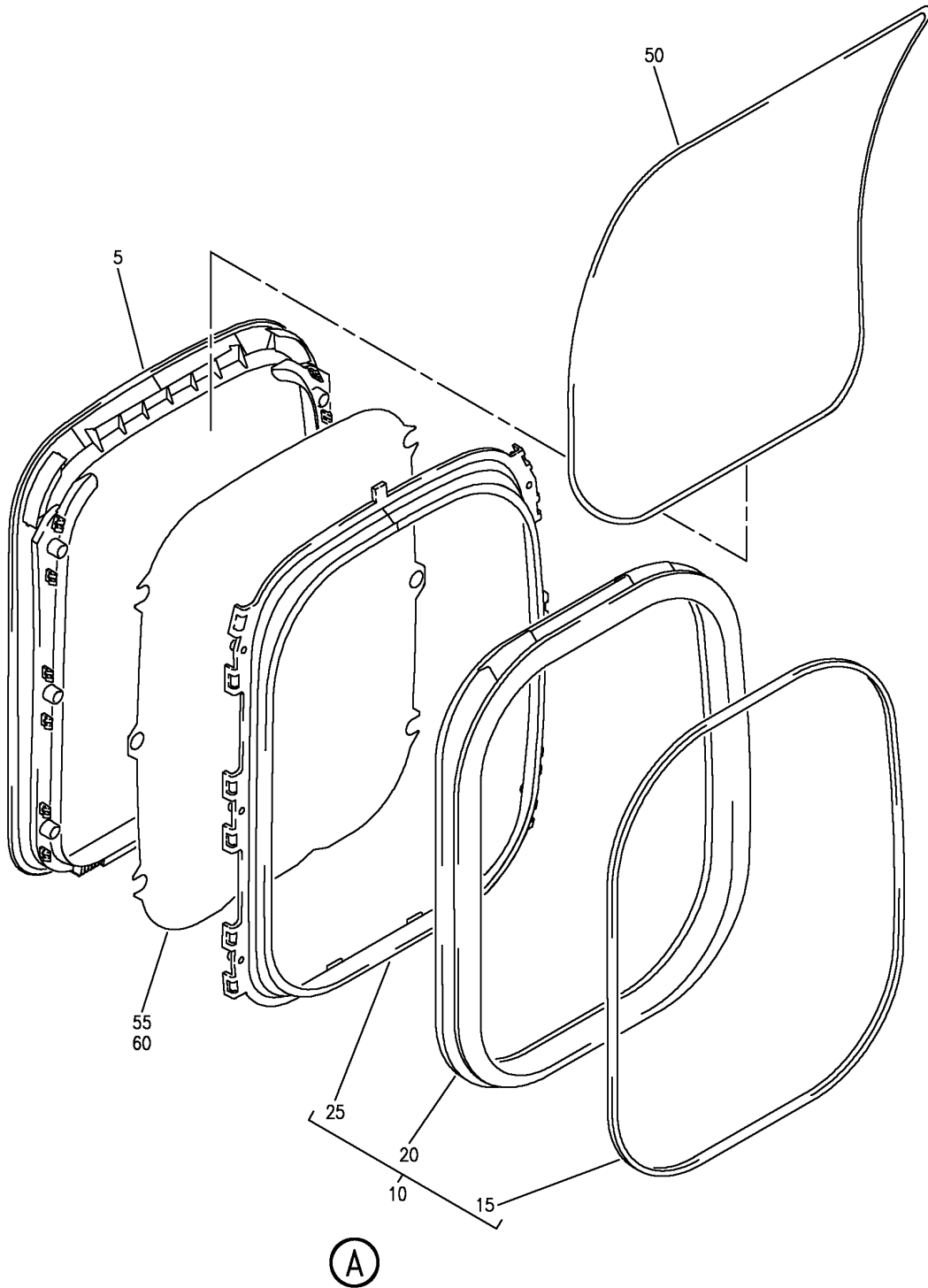
WINDOW ASSY-SIDEWALL PNL
 FIGURE 32 (SHEET 1)

25-21-12-32

HAP
 OCT 15/08

25-21-12-32
 PAGE 0

BOEING
737-600/700/800/900
PARTS CATALOG (MAINTENANCE)



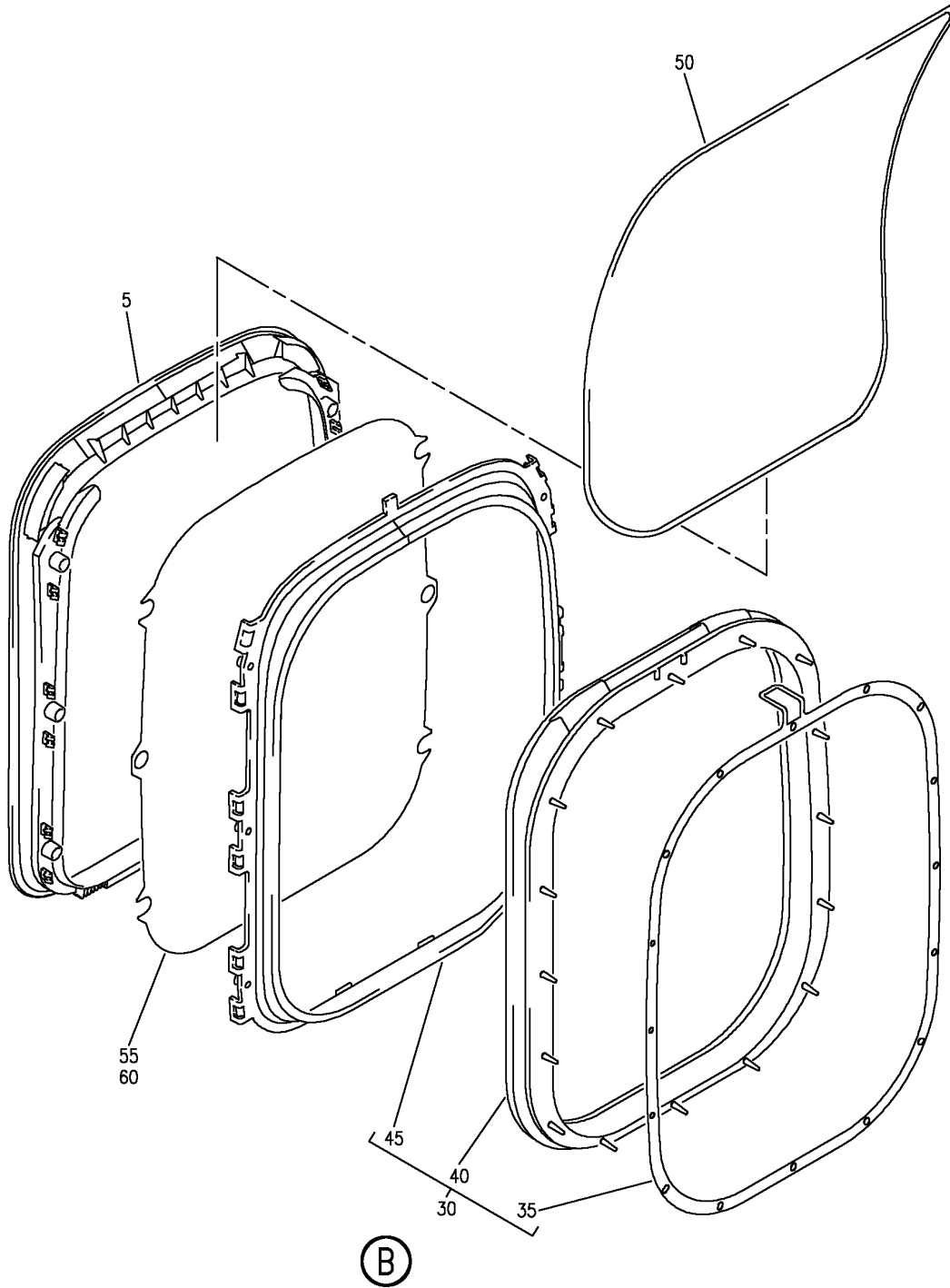
E 25211232 SHT 2 REV 146

WINDOW ASSY-SIDEWALL PNL
FIGURE 32 (SHEET 2)

25-21-12-32

HAP
OCT 15/08

25-21-12-32
PAGE 0A



E 25211232 SHT 3 REV 146

WINDOW ASSY-SIDEWALL PNL
FIGURE 32 (SHEET 3)

25-21-12-32

HAP
OCT 15/08

25-21-12-32
PAGE 0B

BOEING
737-600/700/800/900
PARTS CATALOG (MAINTENANCE)

FIG ITEM	PART NUMBER	1 2 3 4 5 6 7	NOMENCLATURE	EFFECT FROM TO	UNITS PER ASSY
32					
- 1	411N1260-201B		WINDOW ASSY-SIDEWALL PNL WINDOW ASSY-SIDEWALL PNL FOR NHA SEE: 25-21-46-32	031047 031047	RF
5	411N1261-1B		.RING	031047	1
10	411N1270-201A		.REVEAL ASSY-	031047	1
15	411N1272-6A		..RING-SEAL SPRT	031047	1
20	411N1272-5A		..SEAL-DUST	031047	1
25	411N1271-1A		..REVEAL- MISCELLANEOUS DATA: CUSTOMER MAY WISH TO ACQUIRE NHA, WHICH MAY BE MORE ECONOMICAL.	031047	1
30	411N1270-101A		.REVEAL ASSY-	031047	1
35	411N1272-2A		..RING-SEAL SPRT	031047	1
40	411N1272-1A		..SEAL-DUST	031047	1
45	411N1271-1A		..REVEAL- MISCELLANEOUS DATA: CUSTOMER MAY WISH TO ACQUIRE NHA, WHICH MAY BE MORE ECONOMICAL.	031047	1
R	50	411N1281-4C	.SHADE- OPTIONAL PART: 411N1281-3BCSX	031047	1
R	50	411N1281-3BCSZ	.SHADE- OPTIONAL PART: 411N1281-4C	031047	1
R	55	411N1133-6A	.PANE- POSITION DATA: INNER	031047	1
R	60	411N1133-9B	.COVER- POSITION DATA: INNER	031047	1
-	100	411N1260-301C	WINDOW ASSY-SIDEWALL PNL FOR NHA SEE: 25-21-46-32	031047	RF
R	105	411N1270-301C	.REVEAL ASSY	031047	1
	110	411N1281-4C	.SHADE	031047	1
	115	411N1133-19B	.PANE-INNER	031047	1

MISSING ITEM NUMBERS NOT APPLICABLE

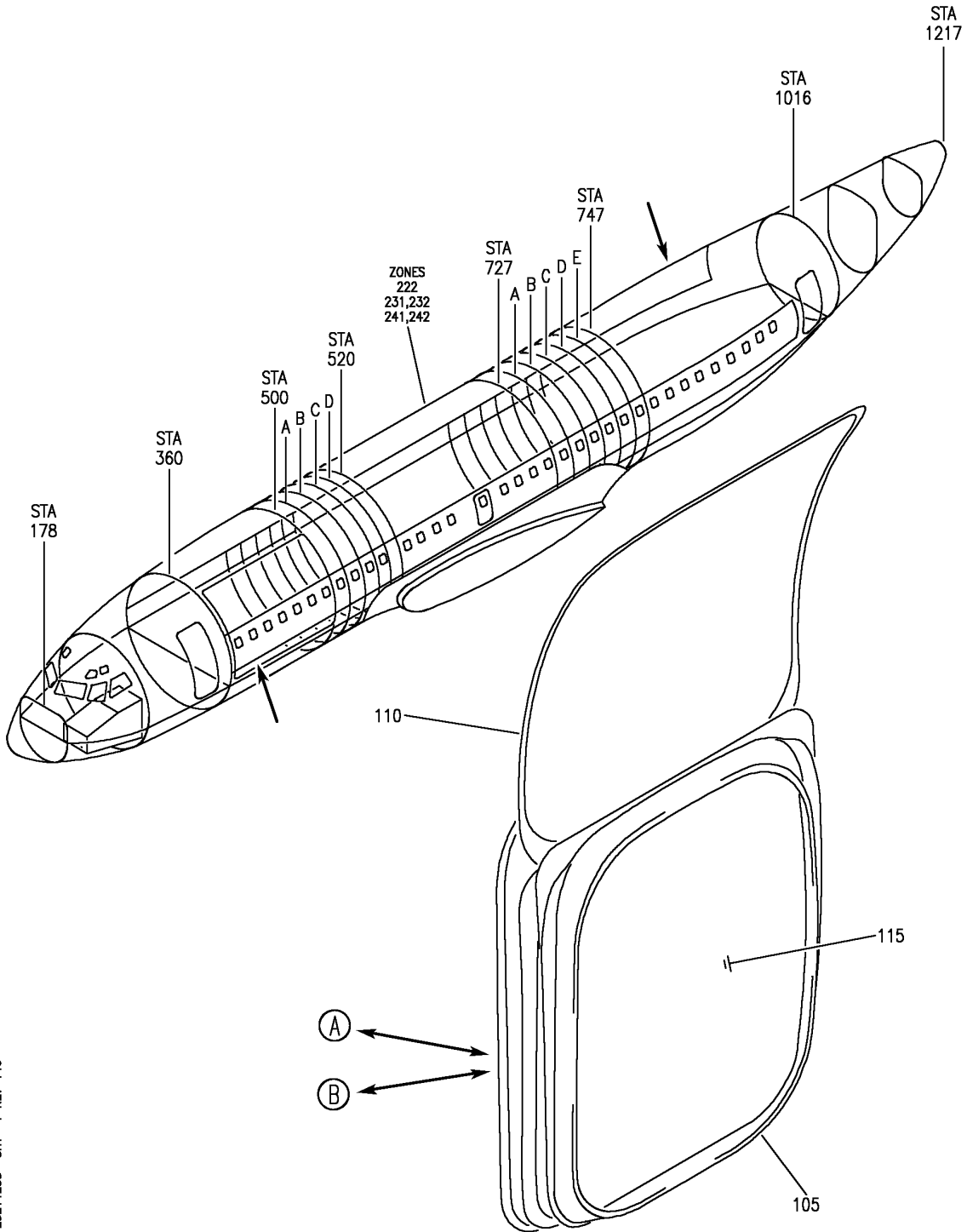
- ITEM NOT ILLUSTRATED

HAP

25-21-12-32

25-21-12
FIG. 32
PAGE 1
JUN 15/09

BOEING
 737-600/700/800/900
 PARTS CATALOG (MAINTENANCE)



E 25211238 SH1 1 REV 146

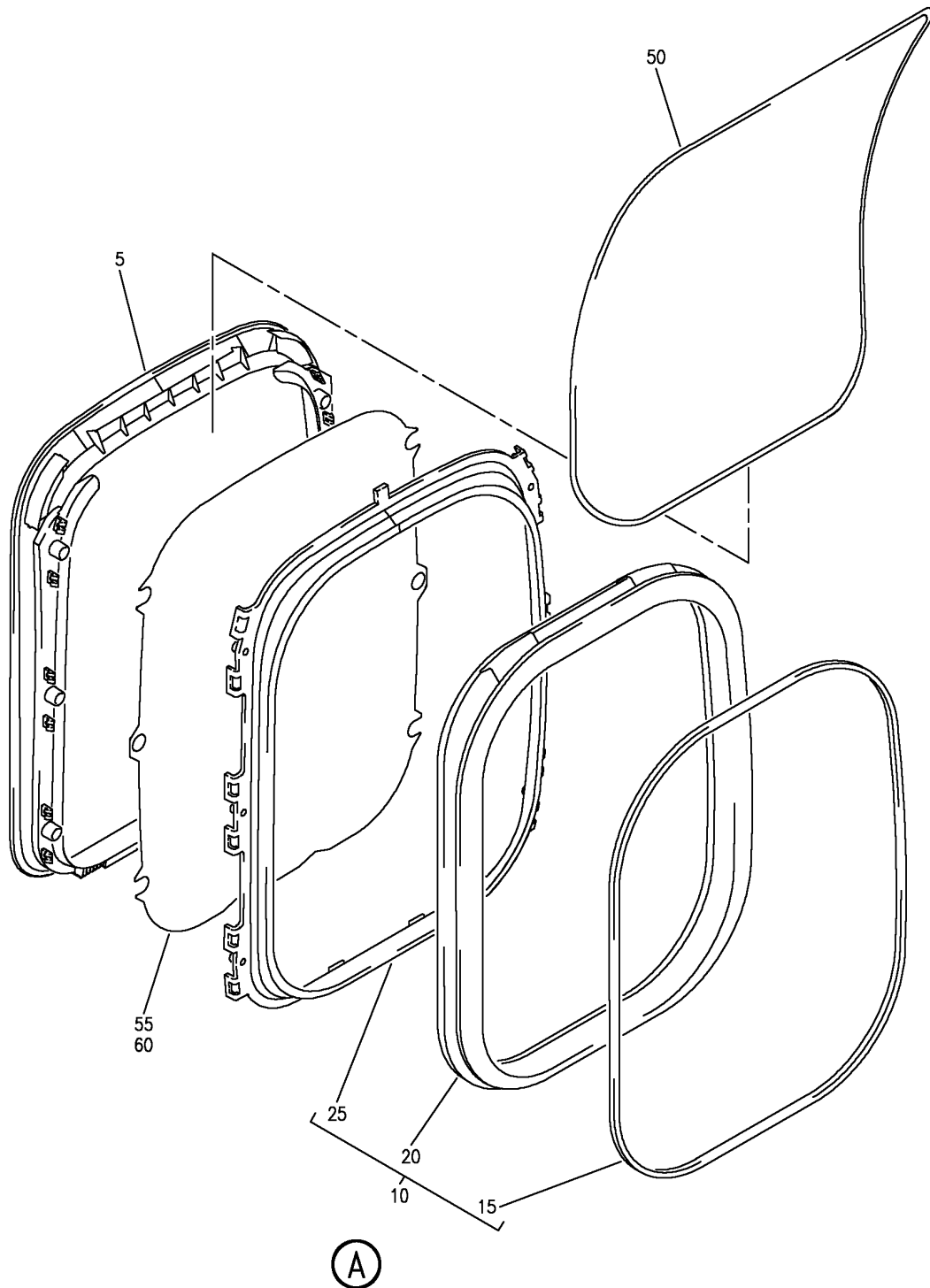
WINDOW ASSY-SIDEWALL PNL
 FIGURE 38 (SHEET 1)

25-21-12-38

HAP
 OCT 15/08

25-21-12-38
 PAGE 0

BOEING
737-600/700/800/900
PARTS CATALOG (MAINTENANCE)



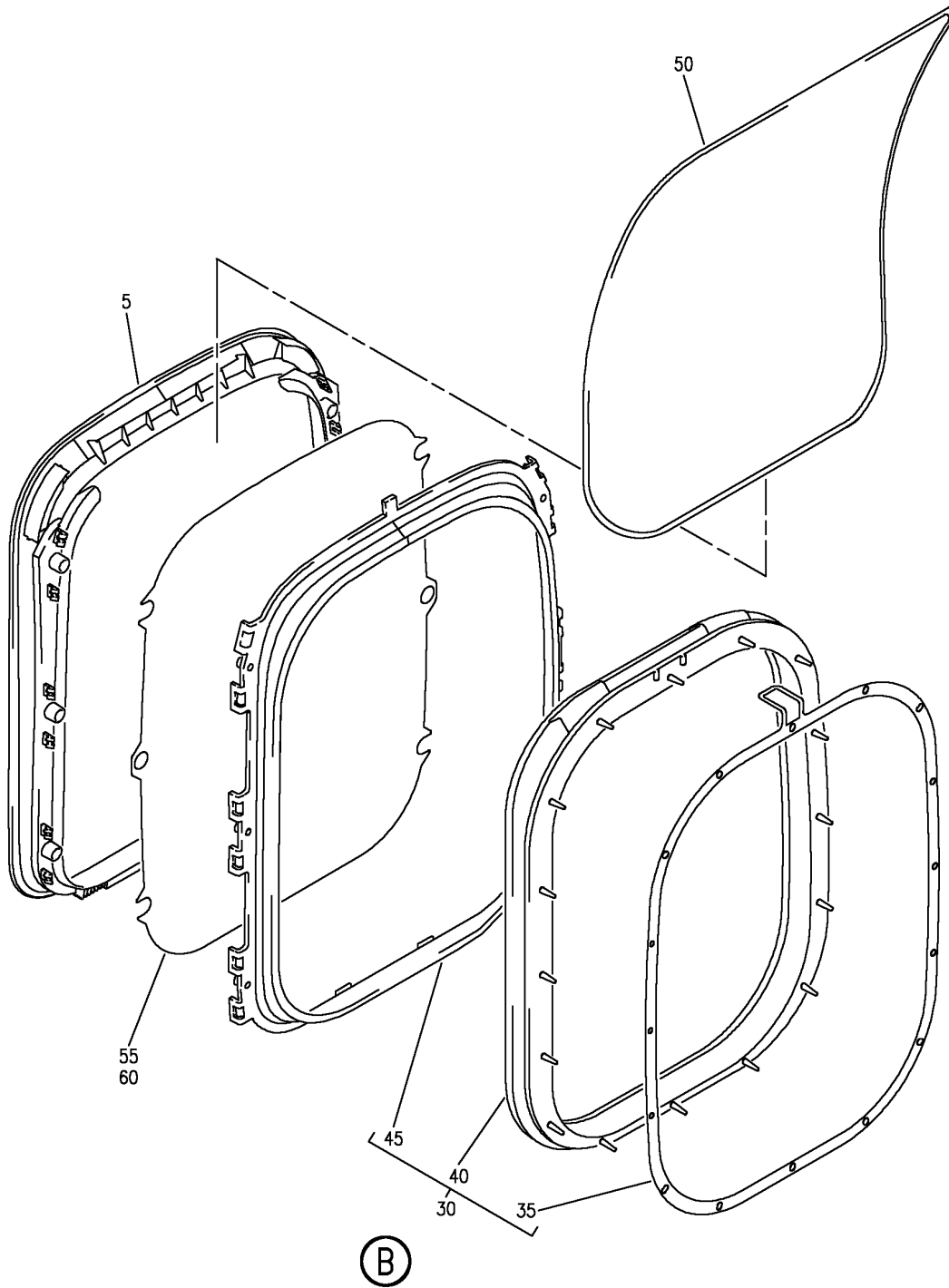
E 25211238 SHT 2 REV 146

WINDOW ASSY-SIDEWALL PNL
FIGURE 38 (SHEET 2)

25-21-12-38

HAP
OCT 15/08

25-21-12-38
PAGE 0A



E 25211238 SHT 3 REV 146

WINDOW ASSY-SIDEWALL PNL
FIGURE 38 (SHEET 3)

25-21-12-38

HAP
OCT 15/08

25-21-12-38
PAGE 0B

BOEING
737-600/700/800/900
PARTS CATALOG (MAINTENANCE)

FIG ITEM	PART NUMBER	1 2 3 4 5 6 7	NOMENCLATURE	EFFECT FROM TO	UNITS PER ASSY
38			WINDOW ASSY-SIDEWALL PNL	101106 968999	
- 1	411N1260-201B		WINDOW ASSY-SIDEWALL PNL FOR NHA SEE: 25-21-46-38	101106 968999	RF
5	411N1261-1B		.RING	101106 968999	1
10	411N1270-201A		.REVEAL ASSY-	101106 968999	1
15	411N1272-6A		..RING-SEAL SPRT	101106 968999	1
20	411N1272-5A		..SEAL-DUST	101106 968999	1
25	411N1271-1A		..REVEAL- MISCELLANEOUS DATA: CUSTOMER MAY WISH TO ACQUIRE NHA, WHICH MAY BE MORE ECONOMICAL.	101106 968999	1
30	411N1270-101A		.REVEAL ASSY-	101106 968999	1
35	411N1272-2A		..RING-SEAL SPRT	101106 968999	1
40	411N1272-1A		..SEAL-DUST	101106 968999	1
45	411N1271-1A		..REVEAL- MISCELLANEOUS DATA: CUSTOMER MAY WISH TO ACQUIRE NHA, WHICH MAY BE MORE ECONOMICAL.	101106 968999	1
R R R R R R R	50 411N1281-3BCSZ		.SHADE- OPTIONAL PART: 411N1281-4C	101106 968999	1
	50 411N1281-4C		.SHADE- OPTIONAL PART: 411N1281-3BCSZ	101106 968999	1
	55 411N1133-6A		.PANE- POSITION DATA: INNER	101106 968999	1
	60 411N1133-9B		.COVER- POSITION DATA: INNER	101106 968999	1

MISSING ITEM NUMBERS NOT APPLICABLE

- ITEM NOT ILLUSTRATED

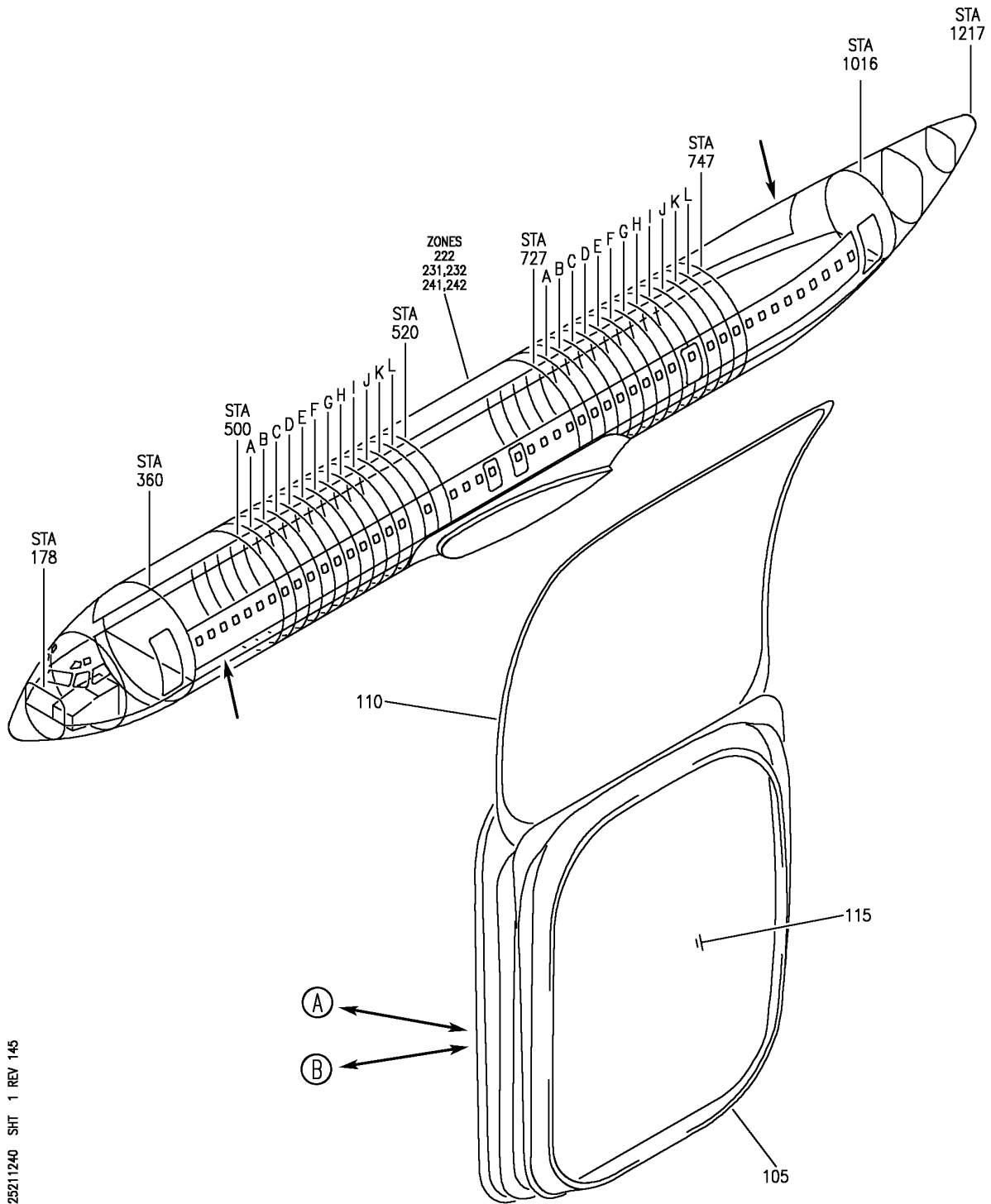
HAP

25-21-12-38

BOEING PROPRIETARY - Copyright © - Unpublished Work - See title page for details.

25-21-12
FIG. 38
PAGE 1
JUN 15/09

BOEING
 737-600/700/800/900
 PARTS CATALOG (MAINTENANCE)



E 25211240 SHT 1 REV 145

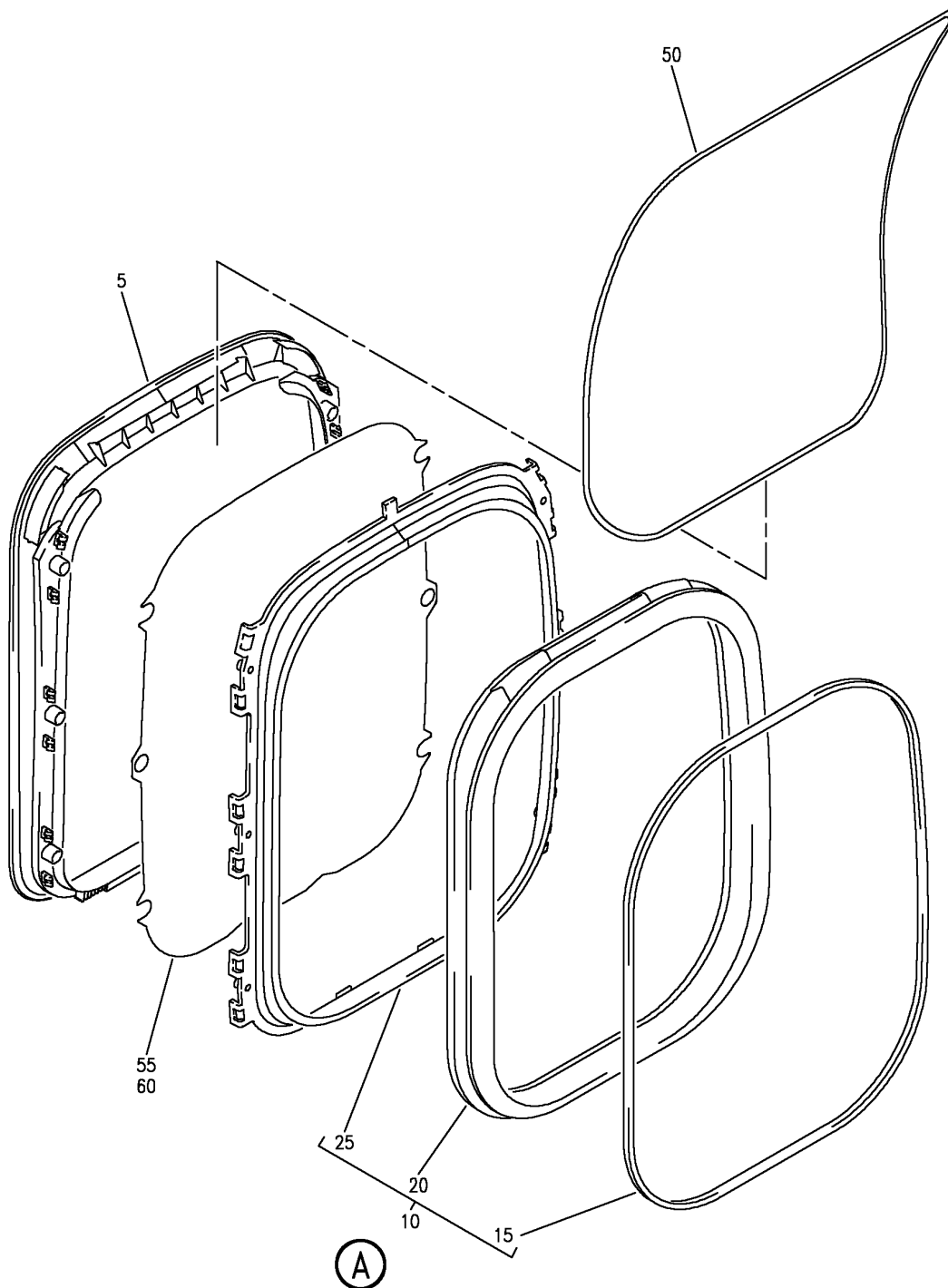
WINDOW ASSY-SIDEWALL PNL
 FIGURE 40 (SHEET 1)

25-21-12-40

HAP
 OCT 15/08

25-21-12-40
 PAGE 0

BOEING
737-600/700/800/900
PARTS CATALOG (MAINTENANCE)



E 25211240 SHT 2 REV 145

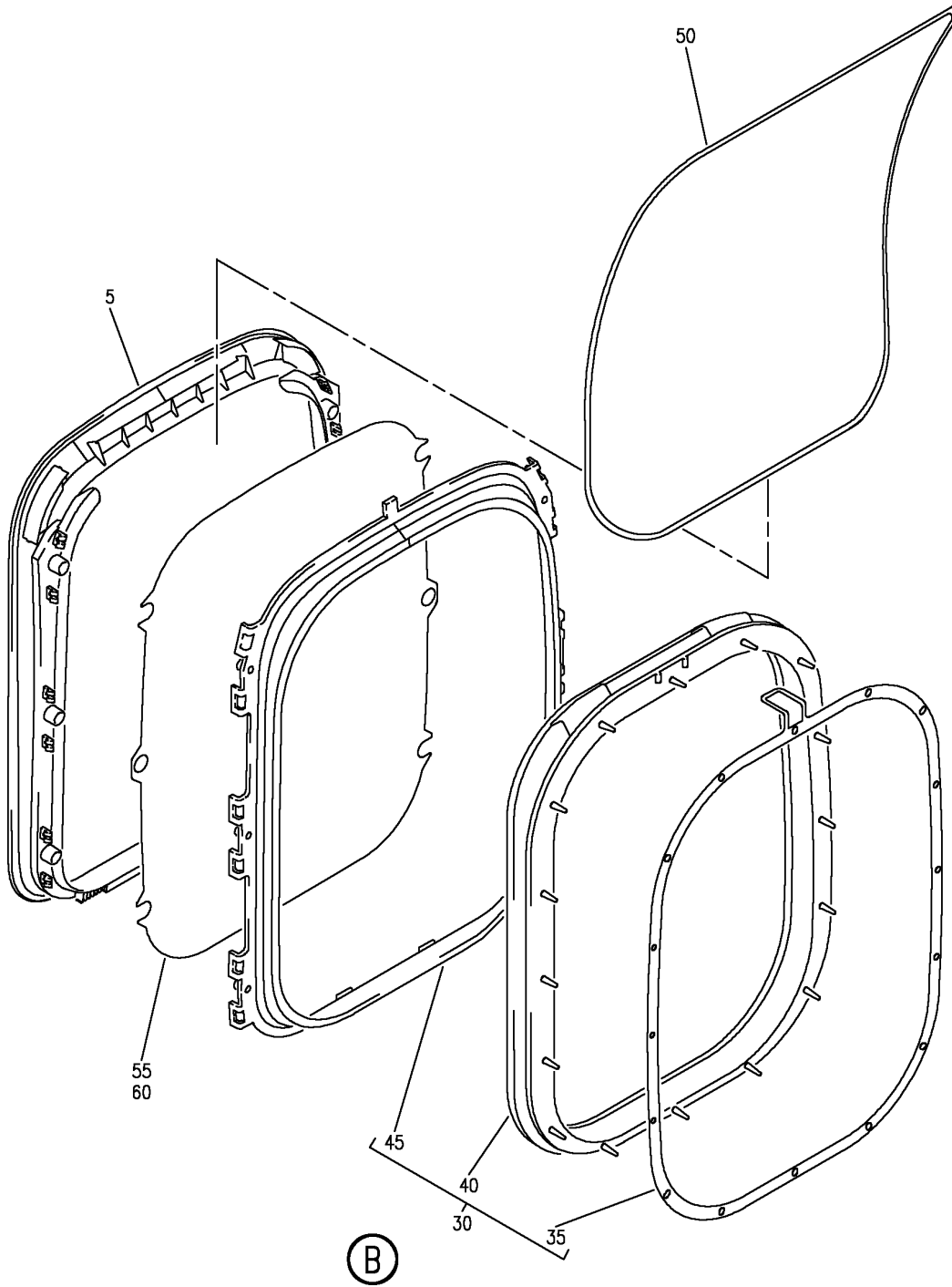
WINDOW ASSY-SIDEWALL PNL
FIGURE 40 (SHEET 2)

25-21-12-40

HAP
OCT 15/08

25-21-12-40
PAGE 0A

BOEING
737-600/700/800/900
PARTS CATALOG (MAINTENANCE)



E 25211240 SHT 3 REV 145

WINDOW ASSY-SIDEWALL PNL
FIGURE 40 (SHEET 3)

25-21-12-40

HAP
OCT 15/08

25-21-12-40
PAGE 0B

BOEING
737-600/700/800/900
PARTS CATALOG (MAINTENANCE)

FIG ITEM	PART NUMBER	1 2 3 4 5 6 7	NOMENCLATURE	EFFECT FROM TO	UNITS PER ASSY
40			WINDOW ASSY-SIDEWALL PNL	048100 107200	
- 1	411N1260-201B		WINDOW ASSY-SIDEWALL PNL FOR NHA SEE: 25-21-46-38B 25-21-46-40	048100 107200	RF
	5 411N1261-1B		.RING	048100 107200	1
	10 411N1270-201A		.REVEAL ASSY-	048100 107200	1
	15 411N1272-6A		..RING-SEAL SPRT	048100 107200	1
	20 411N1272-5A		..SEAL-DUST	048100 107200	1
	25 411N1271-1A		..REVEAL- MISCELLANEOUS DATA: CUSTOMER MAY WISH TO ACQUIRE NHA, WHICH MAY BE MORE ECONOMICAL.	048100 107200	1
	30 411N1270-101A		.REVEAL ASSY-	048100 107200	1
	35 411N1272-2A		..RING-SEAL SPRT	048100 107200	1
	40 411N1272-1A		..SEAL-DUST	048100 107200	1
	45 411N1271-1A		..REVEAL- MISCELLANEOUS DATA: CUSTOMER MAY WISH TO ACQUIRE NHA, WHICH MAY BE MORE ECONOMICAL.	048100 107200	1
R	50 411N1281-4C		.SHADE- OPTIONAL PART: 411N1281-3BCSZ	048100 107200	1
R	50 411N1281-3BCSZ		.SHADE- OPTIONAL PART: 411N1281-4C	048100 107200	1
R	55 411N1133-6A		.PANE- POSITION DATA: INNER	048100 107200	1
R	60 411N1133-9B		.COVER- POSITION DATA: INNER	048100 107200	1
-	100 411N1260-301C		WINDOW ASSY-SIDEWALL PNL FOR NHA SEE: 25-21-46-40	048100	RF
	105 411N1270-301C		.REVEAL ASSY	048100	1
R	110 411N1281-4C		.SHADE	048100	1
	115 411N1133-19B		.PANE-INNER	048100	1

MISSING ITEM NUMBERS NOT APPLICABLE

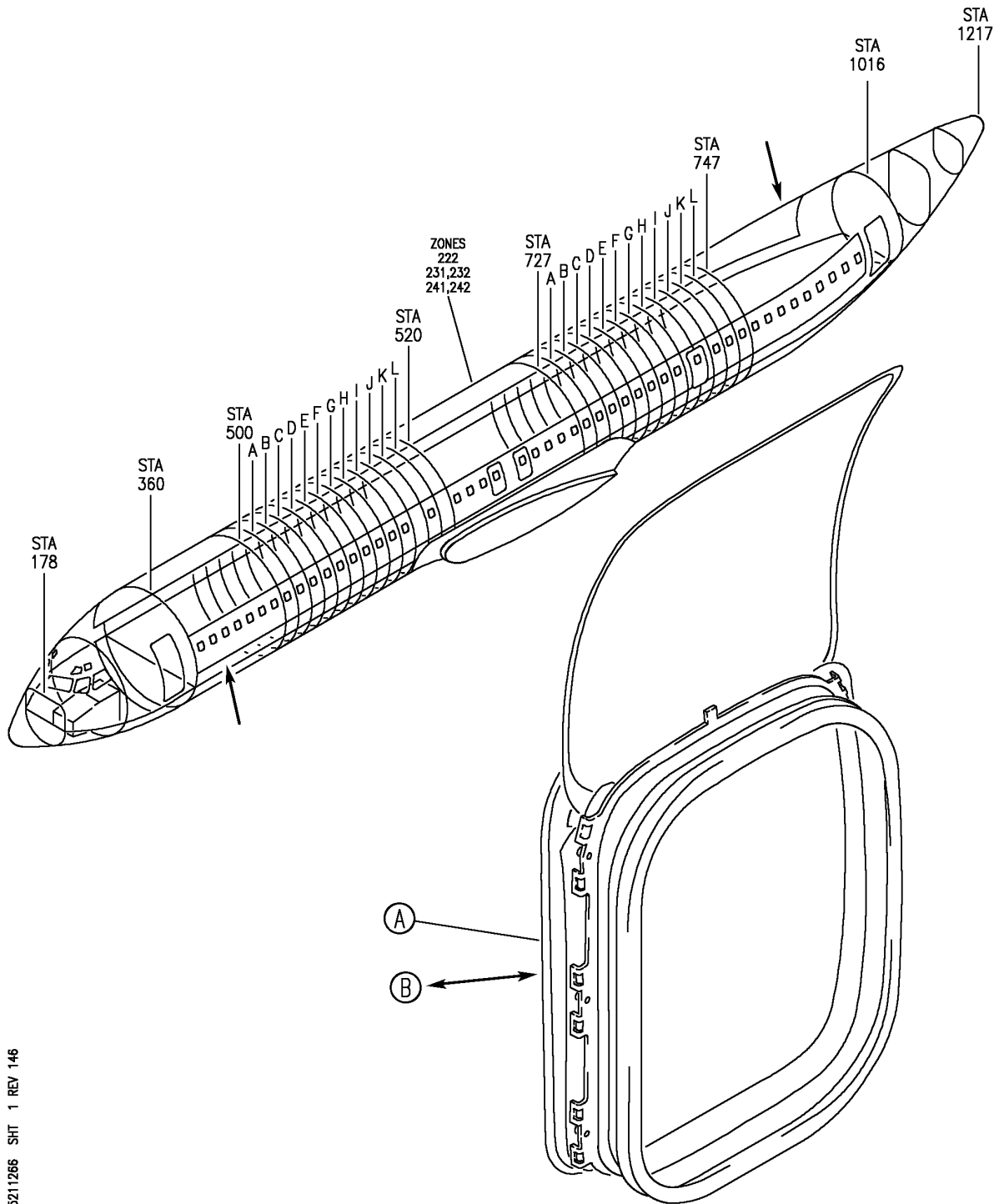
- ITEM NOT ILLUSTRATED

HAP

25-21-12-40

25-21-12
FIG. 40
PAGE 1
JUN 15/09

BOEING
 737-600/700/800/900
 PARTS CATALOG (MAINTENANCE)



E 25211266 SH1 1 REV 146

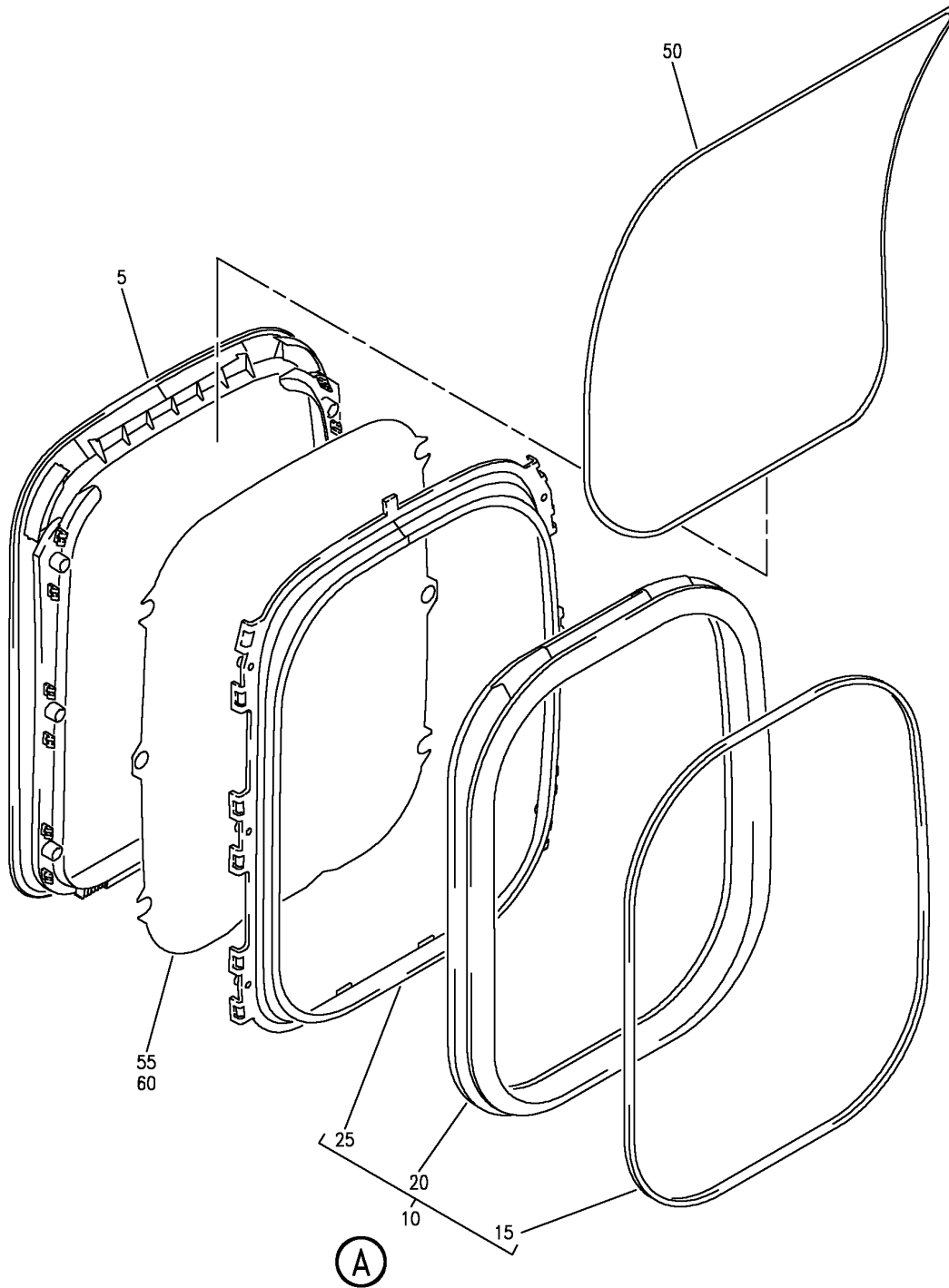
WINDOW ASSY-SIDEWALL PNL
 FIGURE 66 (SHEET 1)

25-21-12-66

HAP
 OCT 15/08

25-21-12-66
 PAGE 0

BOEING
737-600/700/800/900
PARTS CATALOG (MAINTENANCE)



E 25211266 SHT 2 REV 146

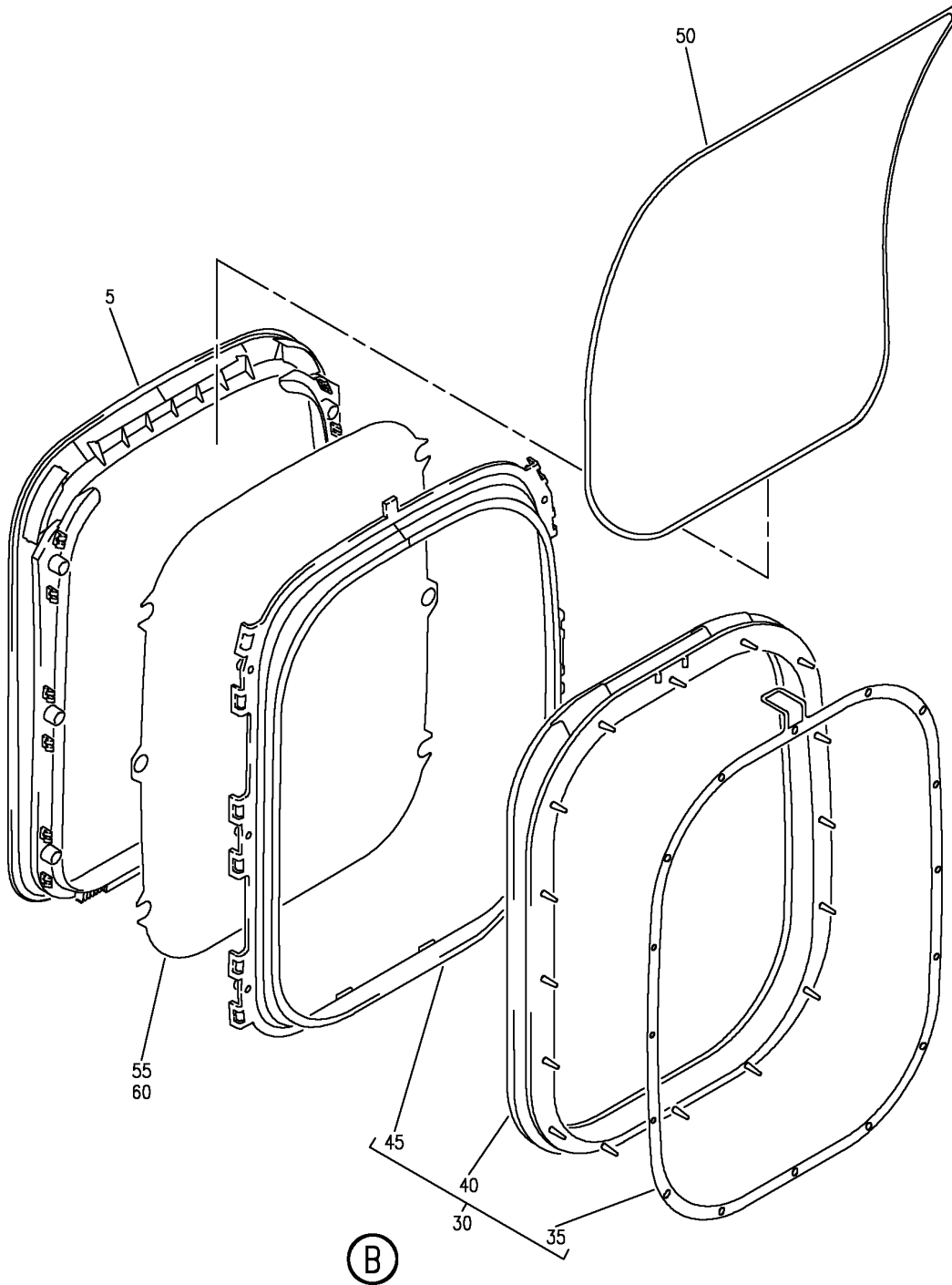
WINDOW ASSY-SIDEWALL PNL
FIGURE 66 (SHEET 2)

25-21-12-66

HAP
OCT 15/08

25-21-12-66
PAGE 0A

BOEING
737-600/700/800/900
PARTS CATALOG (MAINTENANCE)



E 25211266 SHT 3 REV 146

WINDOW ASSY-SIDEWALL PNL
FIGURE 66 (SHEET 3)

25-21-12-66

HAP
OCT 15/08

25-21-12-66
PAGE 0B

BOEING
737-600/700/800/900
PARTS CATALOG (MAINTENANCE)

FIG ITEM	PART NUMBER	1 2 3 4 5 6 7	NOMENCLATURE	EFFECT FROM TO	UNITS PER ASSY
66			WINDOW ASSY-SIDEWALL PNL		
- 1	411N1260-201SP		WINDOW ASSY- FOR NHA SEE: 25-21-46-66	001030 201967	RF
- 1	411N1260-201B		WINDOW ASSY- FOR NHA SEE: 25-21-46-66	031200 968999	RF
5	411N1261-1SP		.RING	001030 201967	1
5	411N1261-1B		.RING	031200 968999	1
10	411N1270-201SP		.REVEAL ASSY-	001030 201967	1
10	411N1270-201A		.REVEAL ASSY-	031200 968999	1
15	411N1272-6SP		..RING-SEAL SPRT	001030 201967	1
15	411N1272-6A		..RING-SEAL SPRT	031200 968999	1
20	411N1272-5SP		..SEAL-DUST	001030 201967	1
20	411N1272-5A		..SEAL-DUST	031200 968999	1
25	411N1271-1SP		..REVEAL- MISCELLANEOUS DATA: CUSTOMER MAY WISH TO ACQUIRE NHA, WHICH MAY BE MORE ECONOMICAL.	001030 201967	1
25	411N1271-1A		..REVEAL- MISCELLANEOUS DATA: CUSTOMER MAY WISH TO ACQUIRE NHA, WHICH MAY BE MORE ECONOMICAL.	031200 968999	1
30	411N1270-101SP		.REVEAL ASSY-	001030 201967	1
30	411N1270-101A		.REVEAL ASSY-	031200 968999	1
35	411N1272-2SP		..RING-SEAL SPRT	001030 201967	1
35	411N1272-2A		..RING-SEAL SPRT	031200 968999	1
40	411N1272-1SP		..SEAL-DUST	001030 201967	1
40	411N1272-1A		..SEAL-DUST	031200 968999	1

MISSING ITEM NUMBERS NOT APPLICABLE

- ITEM NOT ILLUSTRATED

HAP

25-21-12-66

25-21-12
FIG. 66
PAGE 1
OCT 15/08

BOEING
737-600/700/800/900
PARTS CATALOG (MAINTENANCE)

FIG ITEM	PART NUMBER	1 2 3 4 5 6 7	NOMENCLATURE	EFFECT FROM TO	UNITS PER ASSY
66					
45	411N1271-1SP		.. REVEAL- MISCELLANEOUS DATA: CUSTOMER MAY WISH TO ACQUIRE NHA, WHICH MAY BE MORE ECONOMICAL.	001030 201967	1
45	411N1271-1A		.. REVEAL- MISCELLANEOUS DATA: CUSTOMER MAY WISH TO ACQUIRE NHA, WHICH MAY BE MORE ECONOMICAL.	031200 968999	1
50	411N1281-3BCSZ		. SHADE- OPTIONAL PART: 411N1281-4C		1
50	411N1281-4C		. SHADE- OPTIONAL PART: 411N1281-3BCSZ		1
55	411N1133-6A		. PANE- POSITION DATA: INNER		1
60	411N1133-9B		. COVER- POSITION DATA: INNER		1

R
R
R
R
R
R
R
R
R
R

MISSING ITEM NUMBERS NOT APPLICABLE

- ITEM NOT ILLUSTRATED

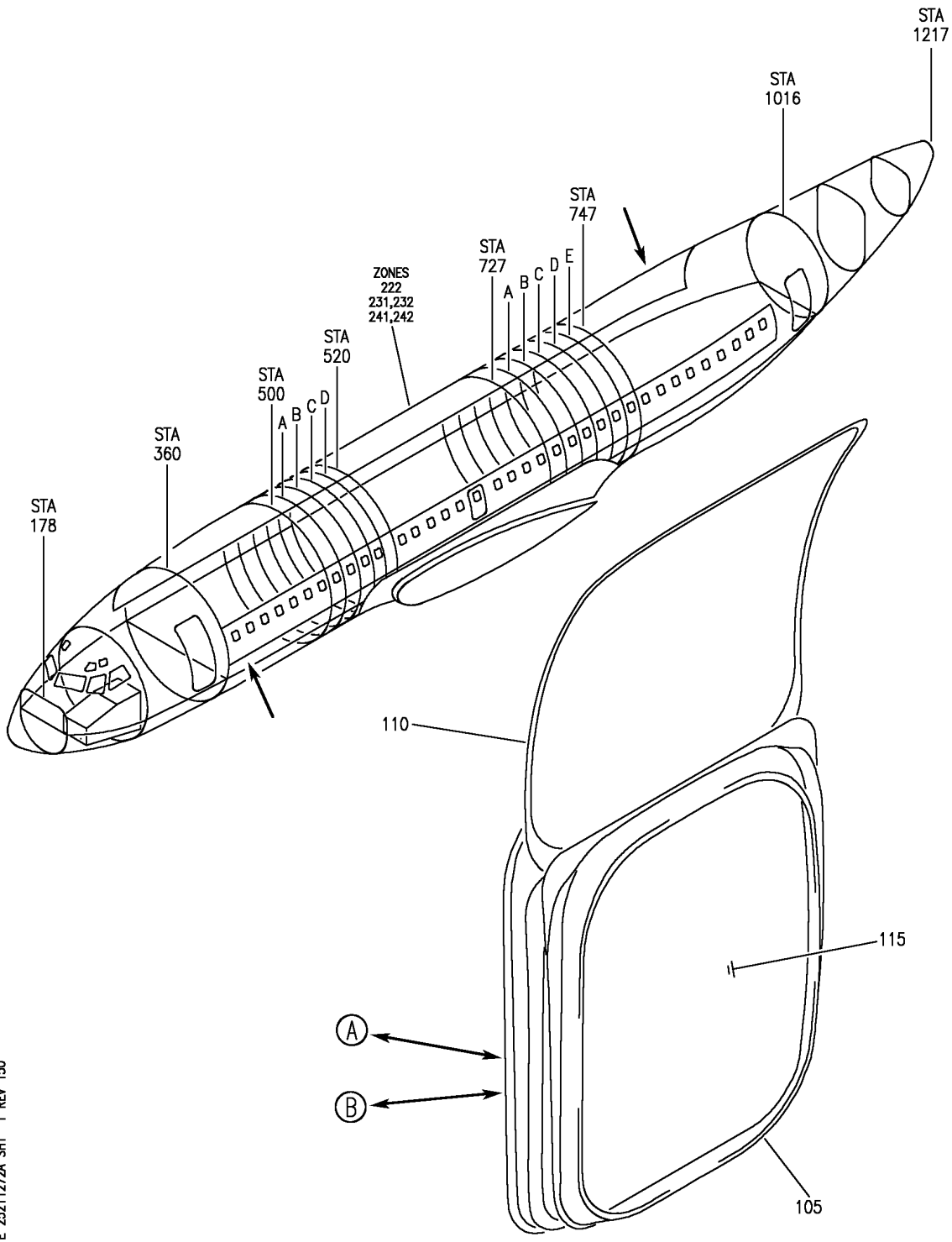
HAP

25-21-12-66

BOEING PROPRIETARY - Copyright © - Unpublished Work - See title page for details.

25-21-12
FIG. 66
PAGE 2
JUN 15/09

BOEING
 737-600/700/800/900
 PARTS CATALOG (MAINTENANCE)



E 25211272A SHT 1 REV 150

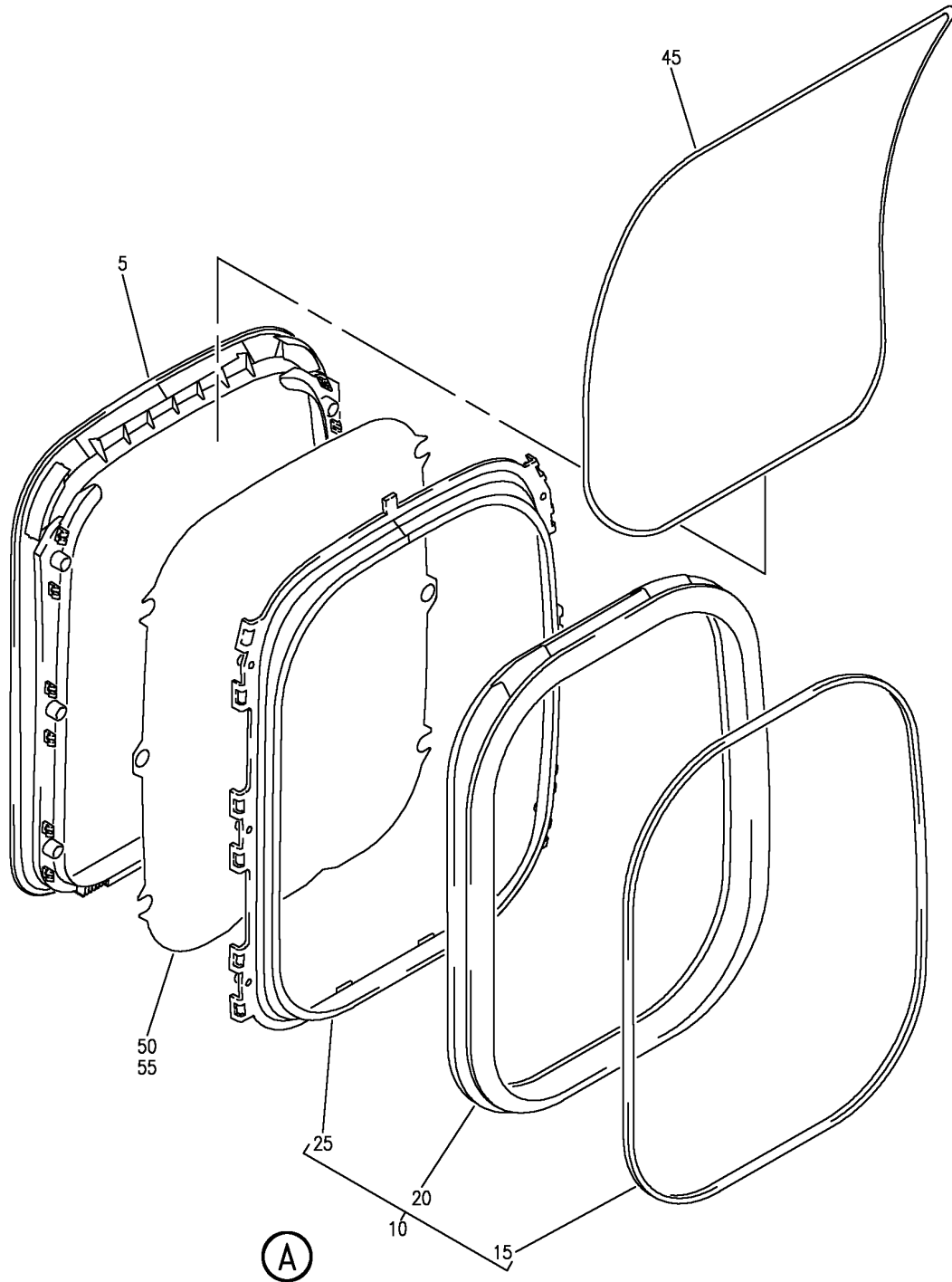
WINDOW ASSY-SIDEWALL PNL
 FIGURE 72A (SHEET 1)

25-21-12-72A

HAP
 FEB 15/09

25-21-12-72A
 PAGE 0

BOEING
737-600/700/800/900
PARTS CATALOG (MAINTENANCE)



E 25211272A SHT 2 REV 145

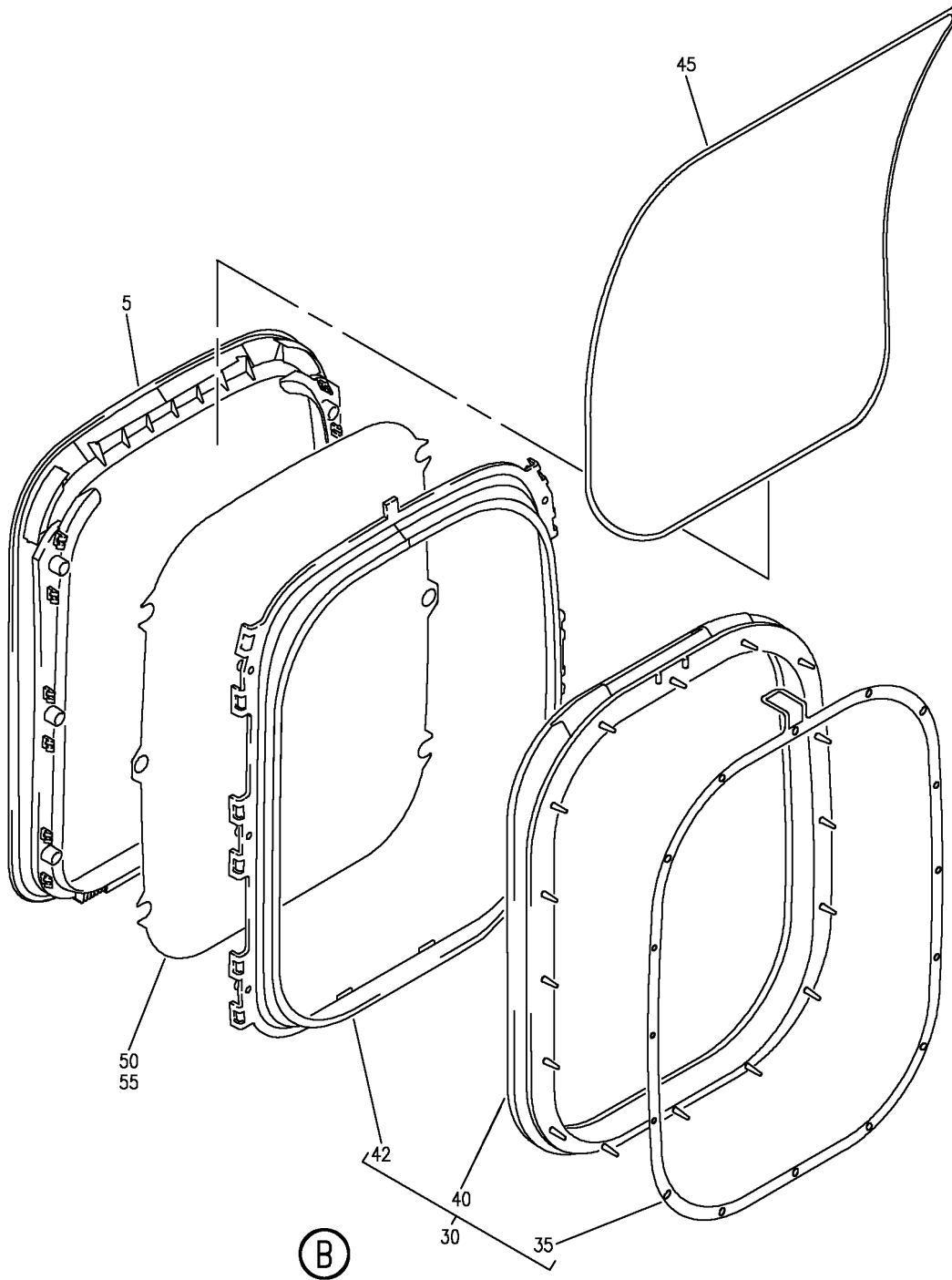
WINDOW ASSY-SIDEWALL PNL
FIGURE 72A (SHEET 2)

25-21-12-72A

HAP
OCT 15/08

25-21-12-72A
PAGE 0A

BOEING
737-600/700/800/900
PARTS CATALOG (MAINTENANCE)



E 25211272A SHT 3 REV 150

WINDOW ASSY-SIDEWALL PNL
FIGURE 72A (SHEET 3)

25-21-12-72A

HAP
FEB 15/09

25-21-12-72A
PAGE 0B

BOEING
737-600/700/800/900
PARTS CATALOG (MAINTENANCE)

FIG ITEM	PART NUMBER	1 2 3 4 5 6 7	NOMENCLATURE	EFFECT FROM TO	UNITS PER ASSY
72A			WINDOW ASSY-SIDEWALL PNL	018018 020100 031100	
- 1	411N1260-201B		WINDOW ASSY-SIDEWALL PNL FOR NHA SEE: 25-21-46-72A		RF
- 1	411N1260-201SP		WINDOW ASSY-SIDEWALL PNL FOR NHA SEE: 25-21-46-72B	018018 020030	RF
5	411N1261-1B		.RING	031100	1
5	411N1261-1SP		.RING	018018 020030	1
10	411N1270-201A		.REVEAL ASSY-	031100	1
10	411N1270-201SP		.REVEAL ASSY-	018018 020030	1
15	411N1272-6A		..RING-SEAL SPRT	031100	1
15	411N1272-6SP		..RING-SEAL SPRT	018018 020030	1
20	411N1272-5A		..SEAL-DUST	031100	1
20	411N1272-5SP		..SEAL-DUST	018018 020030	1
25	411N1271-1A		..REVEAL- MISCELLANEOUS DATA: CUSTOMER MAY WISH TO ACQUIRE NHA, WHICH MAY BE MORE ECONOMICAL.	031100	1
25	411N1271-1SP		..REVEAL- MISCELLANEOUS DATA: CUSTOMER MAY WISH TO ACQUIRE NHA, WHICH MAY BE MORE ECONOMICAL.	018018 020030	1
30	411N1270-101A		.REVEAL ASSY-	031100	1
30	411N1270-101SP		.REVEAL ASSY-	018018 020030	1
35	411N1272-2A		..RING-SEAL SPRT	031100	1
35	411N1272-2SP		..RING-SEAL SPRT	018018 020030	1
40	411N1272-1A		..SEAL-DUST	031100	1
40	411N1272-1SP		..SEAL-DUST	018018 020030	1
42	411N1271-1A		..REVEAL- MISCELLANEOUS DATA: CUSTOMER MAY WISH TO ACQUIRE NHA, WHICH MAY BE MORE ECONOMICAL.	031100	1
45	411N1281-3BCSZ		.SHADE- OPTIONAL PART: 411N1281-4C	018018 020100	1

MISSING ITEM NUMBERS NOT APPLICABLE

- ITEM NOT ILLUSTRATED

HAP

25-21-12-72A

BOEING PROPRIETARY - Copyright © - Unpublished Work - See title page for details.

25-21-12
FIG. 72A
PAGE 1
JUN 15/09

BOEING
737-600/700/800/900
PARTS CATALOG (MAINTENANCE)

FIG ITEM	PART NUMBER	1 2 3 4 5 6 7	NOMENCLATURE	EFFECT FROM TO	UNITS PER ASSY
R R R R R R R R R R	72A				
	45	411N1281-4C	.SHADE-	018018	1
			OPTIONAL PART:	020100	
			411N1281-3BCSZ		
	50	411N1133-6A	.PANE-	031100	1
			POSITION DATA:		
			INNER		
	50	411N1133-6SP	.PANE-	018018	1
			POSITION DATA:	020030	
			INNER		
		QUALIFIED I/W DATA:			
		REPLACING CONFIGURATION			
		IS A COLOR SENSITIVE			
		PART. 411N1133-6A CAN			
		REPLACE BUT NOT BE			
		REPLACED BY 411N1133-3.			
		411N1133-6B CANNOT			
		REPLACE OR BE REPLACED			
		BY 411N1133-3.			
55	411N1133-9B	.COVER-	031100	1	
		POSITION DATA:			
		INNER			
55	411N1133-9SP	.PANE-	018018	1	
		POSITION DATA:	020030		
		INNER			
- 100	411N1260-301C	WINDOW ASSY-SIDEWALL	031100	RF	
		PNL			
		FOR NHA SEE:			
		25-21-46-72A			
105	411N1270-301C	.REVEAL ASSY	031100	1	
110	411N1281-4C	.SHADE	031100	1	
115	411N1133-19B	.PANE-INNER	031100	1	

MISSING ITEM NUMBERS NOT APPLICABLE

- ITEM NOT ILLUSTRATED

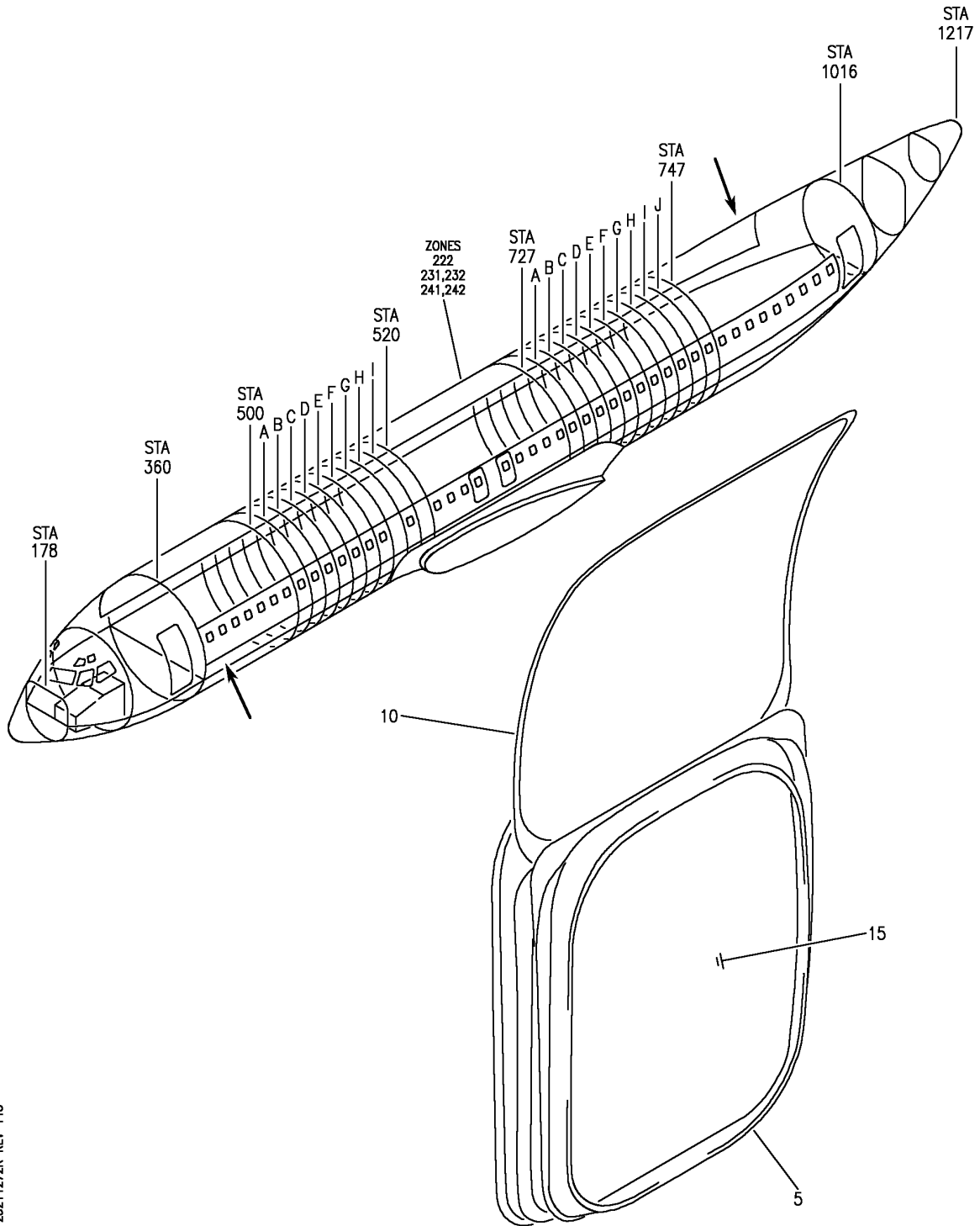
HAP

25-21-12-72A

BOEING PROPRIETARY - Copyright © - Unpublished Work - See title page for details.

25-21-12
FIG. 72A
PAGE 2
JUN 15/09

BOEING
 737-600/700/800/900
 PARTS CATALOG (MAINTENANCE)



E 25211272K REV 145

WINDOW ASSY-SIDEWALL PNL
 FIGURE 72K

25-21-12-72K

HAP
 OCT 15/08

25-21-12-72K
 PAGE 0

BOEING
737-600/700/800/900
PARTS CATALOG (MAINTENANCE)

FIG ITEM	PART NUMBER	1 2 3 4 5 6 7	NOMENCLATURE	EFFECT FROM TO	UNITS PER ASSY
72K					
- 1	411N1260-302B		WINDOW ASSY-SIDEWALL PNL WINDOW ASSY-SIDEWALL PNL FOR NHA SEE: 25-21-46-72A	031100 031100	RF
R 5	411N1270-301C		.REVEAL ASSY	031100	1
R 10	411N1281-4C		.SHADE	031100	1
15	411N1133-18B		.PANE-INNER	031100	1

MISSING ITEM NUMBERS NOT APPLICABLE

- ITEM NOT ILLUSTRATED

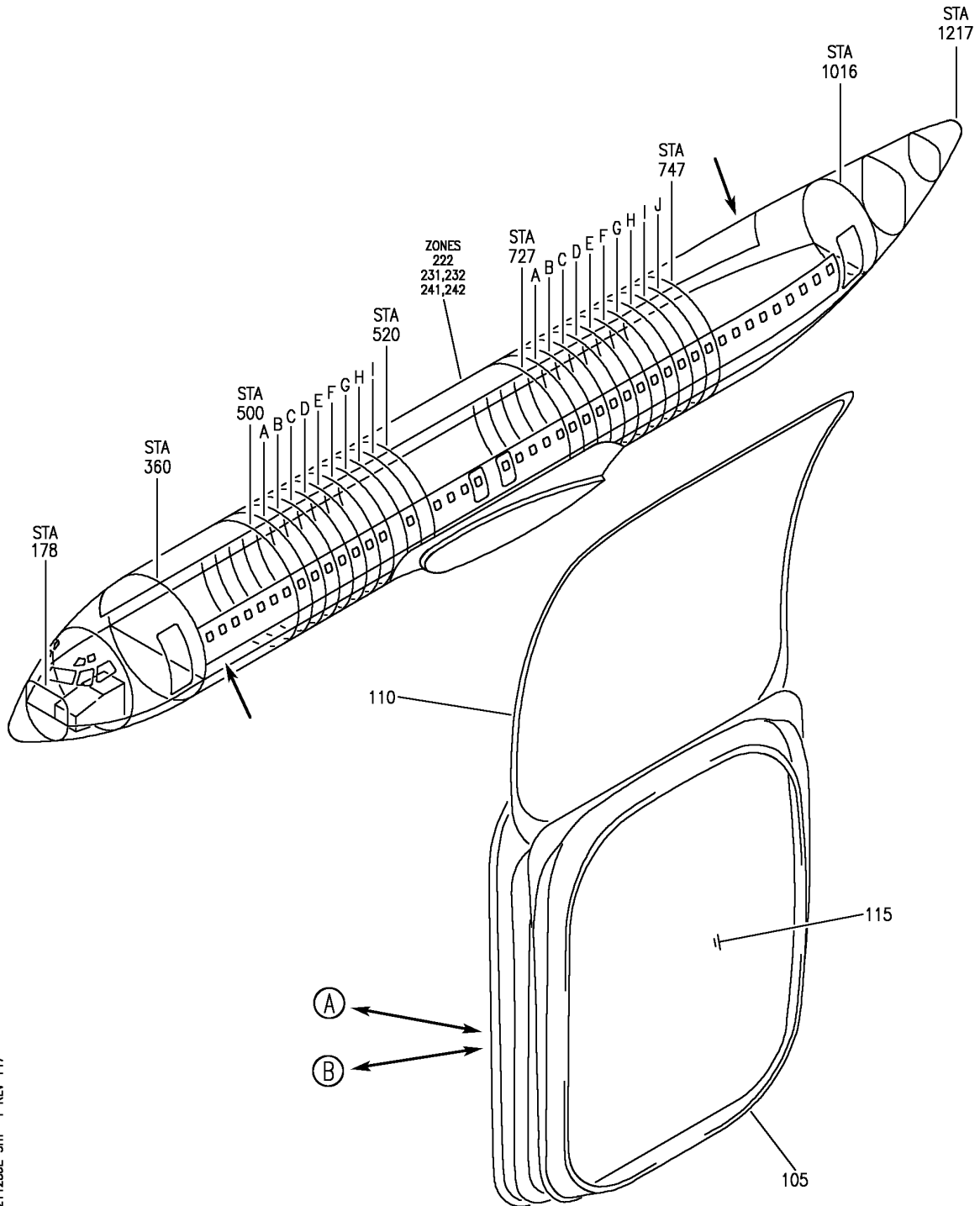
HAP

25-21-12-72K

BOEING PROPRIETARY - Copyright © - Unpublished Work - See title page for details.

25-21-12
FIG. 72K
PAGE 1
JUN 15/09

BOEING
 737-600/700/800/900
 PARTS CATALOG (MAINTENANCE)



E 25211283E SHT 1 REV 147

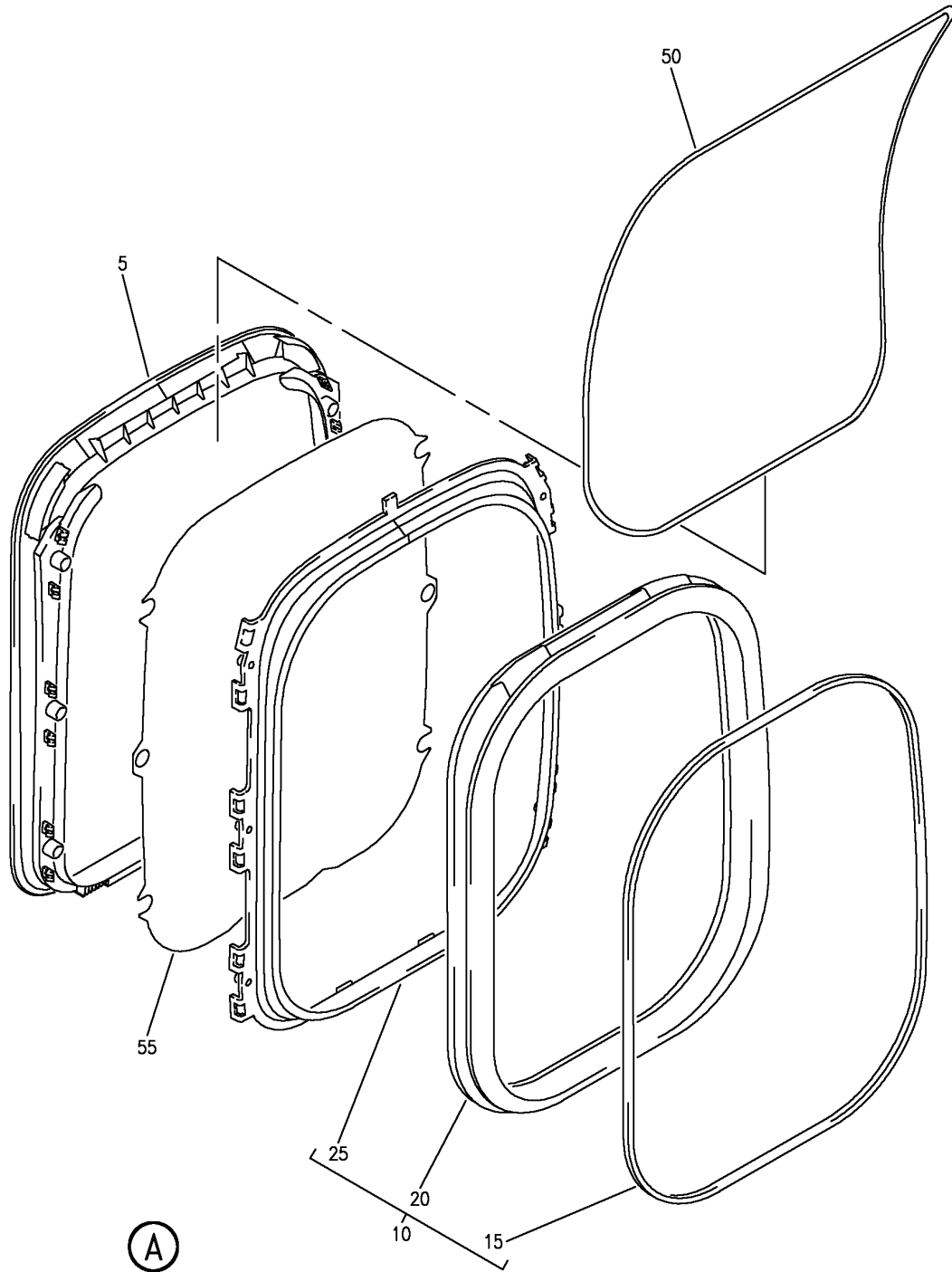
WINDOW ASSY-SIDEWALL PNL
 FIGURE 83E (SHEET 1)

25-21-12-83E

HAP
 OCT 15/08

25-21-12-83E
 PAGE 0

BOEING
737-600/700/800/900
PARTS CATALOG (MAINTENANCE)



E 25211283E SHT 2 REV 147

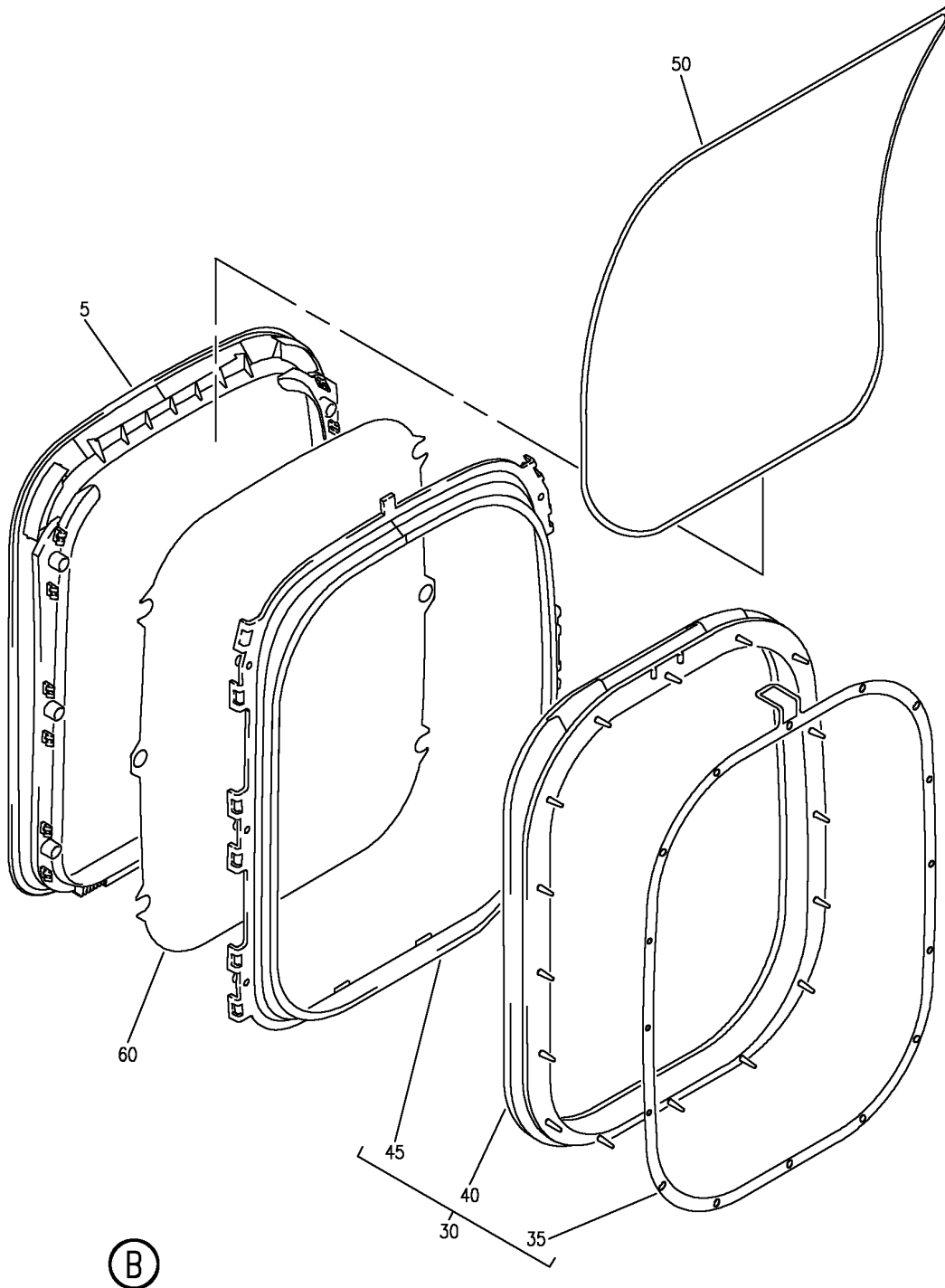
WINDOW ASSY-SIDEWALL PNL
FIGURE 83E (SHEET 2)

25-21-12-83E

HAP
OCT 15/08

25-21-12-83E
PAGE 0A

BOEING
737-600/700/800/900
PARTS CATALOG (MAINTENANCE)



E 25211283E SHT 3 REV 147

WINDOW ASSY-SIDEWALL PNL
FIGURE 83E (SHEET 3)

25-21-12-83E

HAP
OCT 15/08

25-21-12-83E
PAGE 0B

BOEING
737-600/700/800/900
PARTS CATALOG (MAINTENANCE)

FIG ITEM	PART NUMBER	1 2 3 4 5 6 7	NOMENCLATURE	EFFECT FROM TO	UNITS PER ASSY
83E					
- 1	411N1260-201B		WINDOW ASSY-SIDEWALL PNL WINDOW ASSY-SIDEWALL PNL FOR NHA SEE: 25-21-46-83E	031100 031100	RF
5	411N1261-1B		.RING	031100	1
10	411N1270-201A		.REVEAL ASSY-	031100	1
15	411N1272-6A		..RING-SEAL SPRT	031100	1
20	411N1272-5A		..SEAL-DUST	031100	1
25	411N1271-1A		..REVEAL- MISCELLANEOUS DATA: CUSTOMER MAY WISH TO ACQUIRE NHA, WHICH MAY BE MORE ECONOMICAL.	031100	1
30	411N1270-101A		.REVEAL ASSY-	031100	1
35	411N1272-2A		..RING-SEAL SPRT	031100	1
40	411N1272-1A		..SEAL-DUST	031100	1
45	411N1271-1A		..REVEAL- MISCELLANEOUS DATA: CUSTOMER MAY WISH TO ACQUIRE NHA, WHICH MAY BE MORE ECONOMICAL.	031100	1
50	411N1281-4C		.SHADE- OPTIONAL PART: 411N1281-3BCSZ	031100	1
50	411N1281-3BCSZ		.SHADE- OPTIONAL PART: 411N1281-4C	031100	1
55	411N1133-6A		.PANE- POSITION DATA: INNER	031100	1
60	411N1133-9B		.COVER- POSITION DATA: INNER	031100	1

R
R
R
R
R
R
R

MISSING ITEM NUMBERS NOT APPLICABLE

- ITEM NOT ILLUSTRATED

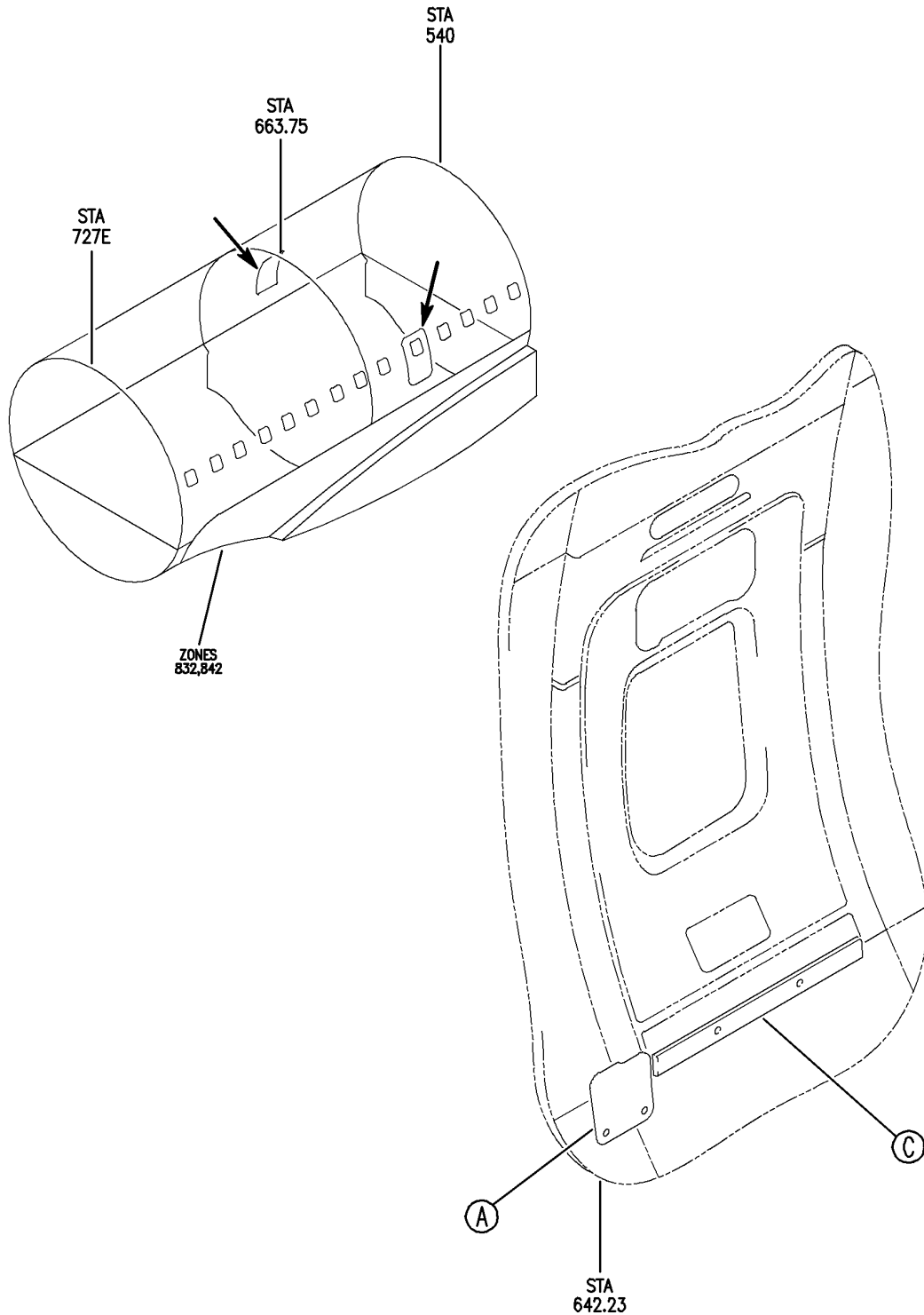
HAP

25-21-12-83E

BOEING PROPRIETARY - Copyright © - Unpublished Work - See title page for details.

25-21-12
FIG. 83E
PAGE 1
JUN 15/09

BOEING
737-600/700/800/900
PARTS CATALOG (MAINTENANCE)



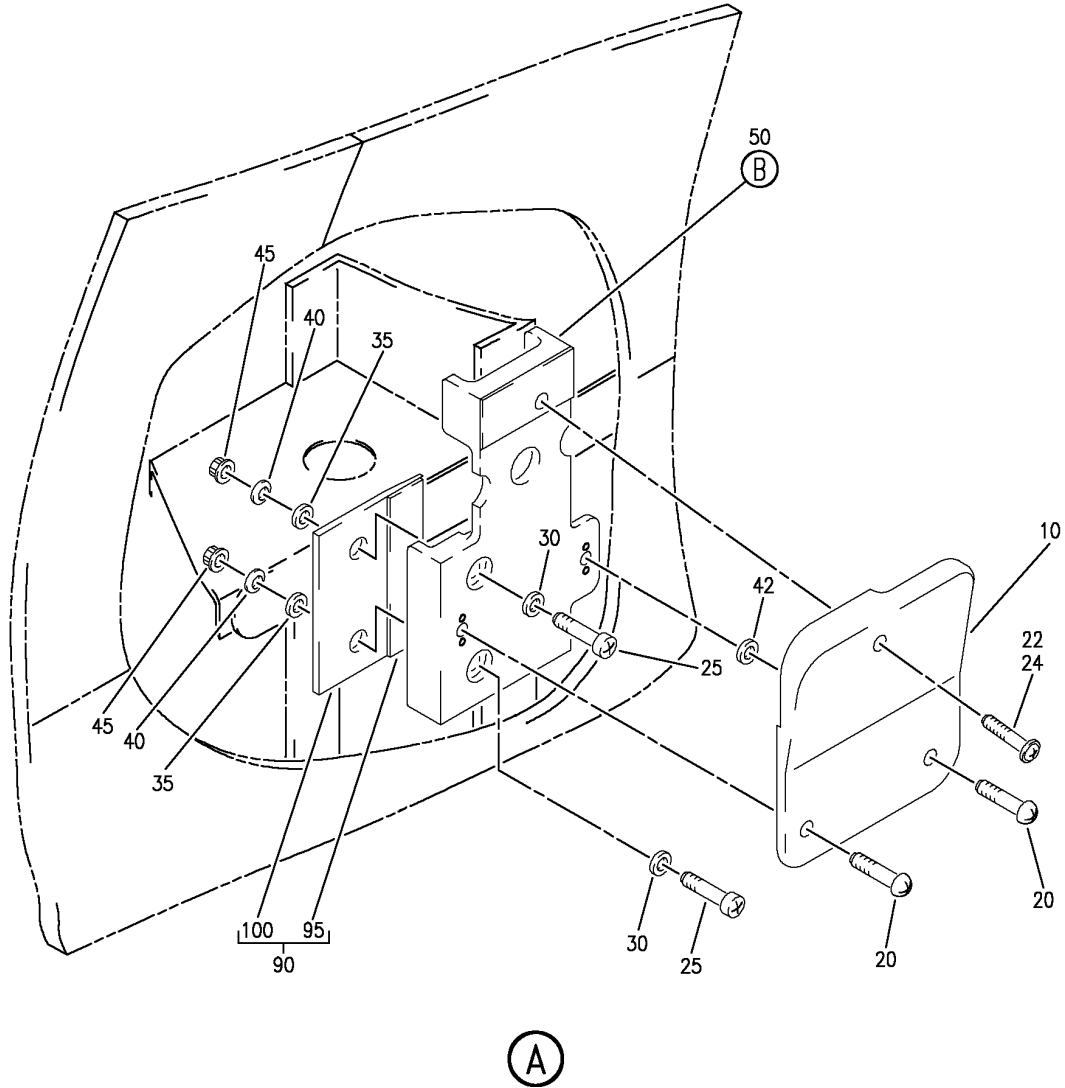
E 25212001 SH1 1 REV 061

BLOCK INSTL-SEAT INTRUSION CONT OVERWING EXIT DOORWAY
FIGURE 1 (SHEET 1)

25-21-20-01

HAP
OCT 10/06

25-21-20-01
PAGE 0



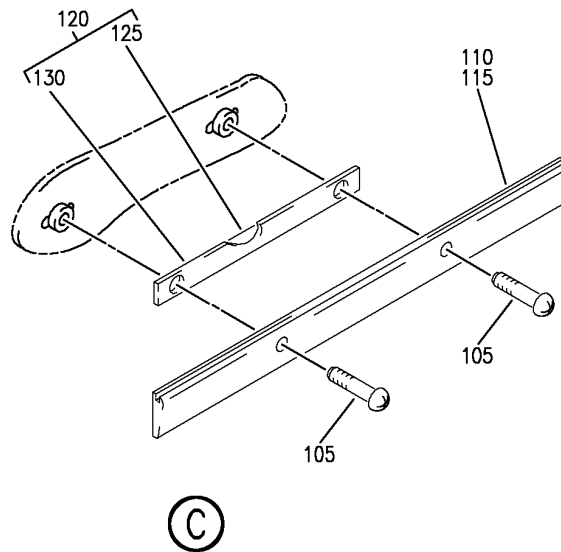
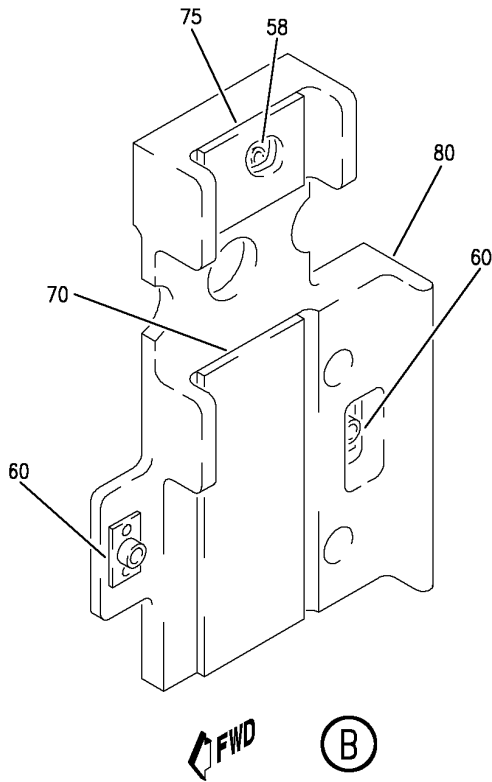
E 25212001 SH1 2 REV 075

BLOCK INSTL-SEAT INTRUSION CONT OVERWING EXIT DOORWAY
 FIGURE 1 (SHEET 2)

25-21-20-01

HAP
 OCT 10/06

25-21-20-01
 PAGE 0A



E 25212001 SH1 3 REV 071

BLOCK INSTL-SEAT INTRUSION CONT OVERWING EXIT DOORWAY
 FIGURE 1 (SHEET 3)

25-21-20-01

HAP
 OCT 10/06

25-21-20-01
 PAGE 0B

BOEING
737-600/700/800/900
PARTS CATALOG (MAINTENANCE)

FIG ITEM	PART NUMBER	1 2 3 4 5 6 7	NOMENCLATURE	EFFECT FROM TO	UNITS PER ASSY
1			BLOCK INSTL-SEAT INTRUSION CONT OVERWING EXIT DOORWAY		
- 1	411A2802-5		BLOCK INSTL-SEAT INTRUSION CONT OVERWING EXIT DOORWAY POSITION DATA: LH FOR NHA SEE: 25-21-00-01D 25-21-00-03	001030 201967	RF
- 1	MODREF259452		BLOCK INSTL-SEAT INTRUSION CONT OVERWING EXIT DOORWAY MODULE NUMBER: 411A2802-21 REV B POSITION DATA: LH	031200 968999	1
- 5	411A2802-6		BLOCK INSTL-SEAT INTRUSION CONT OVERWING EXIT DOORWAY POSITION DATA: RH FOR NHA SEE: 25-21-00-01D 25-21-00-03	001030 201967	RF
- 5	MODREF259453		BLOCK INSTL-SEAT INTRUSION CONT OVERWING EXIT DOORWAY MODULE NUMBER: 411A2802-22 REV B POSITION DATA: RH	031200 968999	1
10	411A2840-31		.BLOCK- POSITION DATA: LH SIDE INBD	001030 201967	1
10	411A2840-41		.BLOCK- POSITION DATA: LH SIDE INBD	031200 968999	1
- 15	411A2840-32		.BLOCK- POSITION DATA: RH SIDE INBD	001030 201967	1
- 15	411A2840-42		.BLOCK- POSITION DATA: RH SIDE INBD	031200 968999	1
20	BACS12FA3K15BG		ATTACHING PARTS .SCREW- OPTIONAL PART: BACS12FA3K15WS	001030 201967	2

MISSING ITEM NUMBERS NOT APPLICABLE

- ITEM NOT ILLUSTRATED

HAP

25-21-20-01

BOEING PROPRIETARY - Copyright © - Unpublished Work - See title page for details.

25-21-20
FIG. 01
PAGE 1
OCT 15/08

BOEING
737-600/700/800/900
PARTS CATALOG (MAINTENANCE)

FIG ITEM	PART NUMBER	1 2 3 4 5 6 7	NOMENCLATURE	EFFECT FROM TO	UNITS PER ASSY
1					
20	BACS12FA3K15WS	.SCREW-	OPTIONAL PART: BACS12FA3K15BG		2
24	BACS12FA3K14WS	.SCREW		031200 968999	1
			-----*-----		
25	NAS1351N4-20P	.SCREW-	OPTIONAL PART: NAS1351N4H20P		2
25	NAS1351N4H20P	.SCREW-	OPTIONAL PART: NAS1351N4-20P	001030 201967	2
30	NAS1149C0416R	.WASHER			AR
35	K29913-104NF	.WASHER	SUPPLIER CODE: V15653 SPECIFICATION NUMBER: BACW10CA104CCU OPTIONAL PART: 70191-104U V56878 922010-4 V60119 942010-4 V60119		2
40	K29646-104NF	.WASHER	SUPPLIER CODE: V15653 SPECIFICATION NUMBER: BACW10CA104CVU OPTIONAL PART: 70188-104U V56878 922009-4 V60119 942009-4 V60119		2
42	BACW10P5CC	.WASHER			AR
45	PLH54CM	.NUT	SUPPLIER CODE: V62554 SPECIFICATION NUMBER: BACN10YR4CM OPTIONAL PART: H52732-4CM V15653		AR
50	411A2840-1	.BLOCK ASSY-	POSITION DATA: LH SIDE OUTBD	001030 201967	1

MISSING ITEM NUMBERS NOT APPLICABLE

— ITEM NOT ILLUSTRATED

HAP

25-21-20-01

BOEING PROPRIETARY - Copyright © - Unpublished Work - See title page for details.

25-21-20
FIG. 01
PAGE 2
OCT 15/08

BOEING
737-600/700/800/900
PARTS CATALOG (MAINTENANCE)

FIG ITEM	PART NUMBER	1 2 3 4 5 6 7	NOMENCLATURE	EFFECT FROM TO	UNITS PER ASSY
1					
50	411A2840-43		.BLOCK ASSY- POSITION DATA: LH SIDE OUTBD	031200 968999	1
- 55	411A2840-2		.BLOCK ASSY- POSITION DATA: RH SIDE OUTBD	001030 201967	1
- 55	411A2840-44		.BLOCK ASSY- POSITION DATA: RH SIDE OUTBD	031200 968999	1
58	BACI12AEF1-20P		..INSERT	031200 968999	1
60	MF53049-3		..NUTPLATE SUPPLIER CODE: V15653 SPECIFICATION NUMBER: BACN10JN3 OPTIONAL PART: BRFM20A3 V52828 MF1000-3BAC V15653 NS103218-02 V80539 RMF9201M3 V72962 VN252A02 V92215 T8124S3S V11815 ATTACHING PARTS		2
- 65	BACR15BA3DC		..RIVET- SIZE DETERMINED ON INSTL. -----*-----		4
70	411A2840-3		..PAD-NEOPRENE		1
75	411A2840-4		..PAD-NEOPRENE		1
80	411A2840-14		..BLOCK- POSITION DATA: LH SIDE	001030 201967	1
80	411A2840-45		..BLOCK- POSITION DATA: LH SIDE	031200 968999	1
- 85	411A2840-15		..BLOCK- POSITION DATA: RH SIDE	001030 201967	1
- 85	411A2840-46		..BLOCK- POSITION DATA: RH SIDE	031200 968999	1
90	411A2840-5		.CLAMP ASSY		1
95	411A2840-13		..PAD-NEOPRENE		1

MISSING ITEM NUMBERS NOT APPLICABLE

- ITEM NOT ILLUSTRATED

HAP

25-21-20-01

BOEING PROPRIETARY - Copyright © - Unpublished Work - See title page for details.

25-21-20
FIG. 01
PAGE 3
OCT 15/08

BOEING
737-600/700/800/900
PARTS CATALOG (MAINTENANCE)

FIG ITEM	PART NUMBER	1 2 3 4 5 6 7	NOMENCLATURE	EFFECT FROM TO	UNITS PER ASSY
1					
100	411A2840-12	. .	CLAMP		1
105	BACS12FA3K10BG	. SCREW-		001030	2
			OPTIONAL PART: BACS12FA3K10WS	201967	
105	BACS12FA3K10WS	. SCREW-		001030	2
			OPTIONAL PART: BACS12FA3K10BG	201967	
105	BACS12FA3K12WS	. SCREW		031200	2
				968999	
110	411A2840-33	. BLOCK-		001030	1
				201967	
115	411A2840-47	. BLOCK-		031200	1
			POSITION DATA: LH SIDE	968999	
- 117	411A2840-48	. BLOCK-		031200	1
			POSITION DATA: RH SIDE	968999	
120	411A2840-6	. BLOCK ASSY-			1
			POSITION DATA: OUTBD		
125	411A2840-8	. .	PAD-NEOPRENE		1
130	411A2840-7	. .	BLOCK		1

MISSING ITEM NUMBERS NOT APPLICABLE

- ITEM NOT ILLUSTRATED

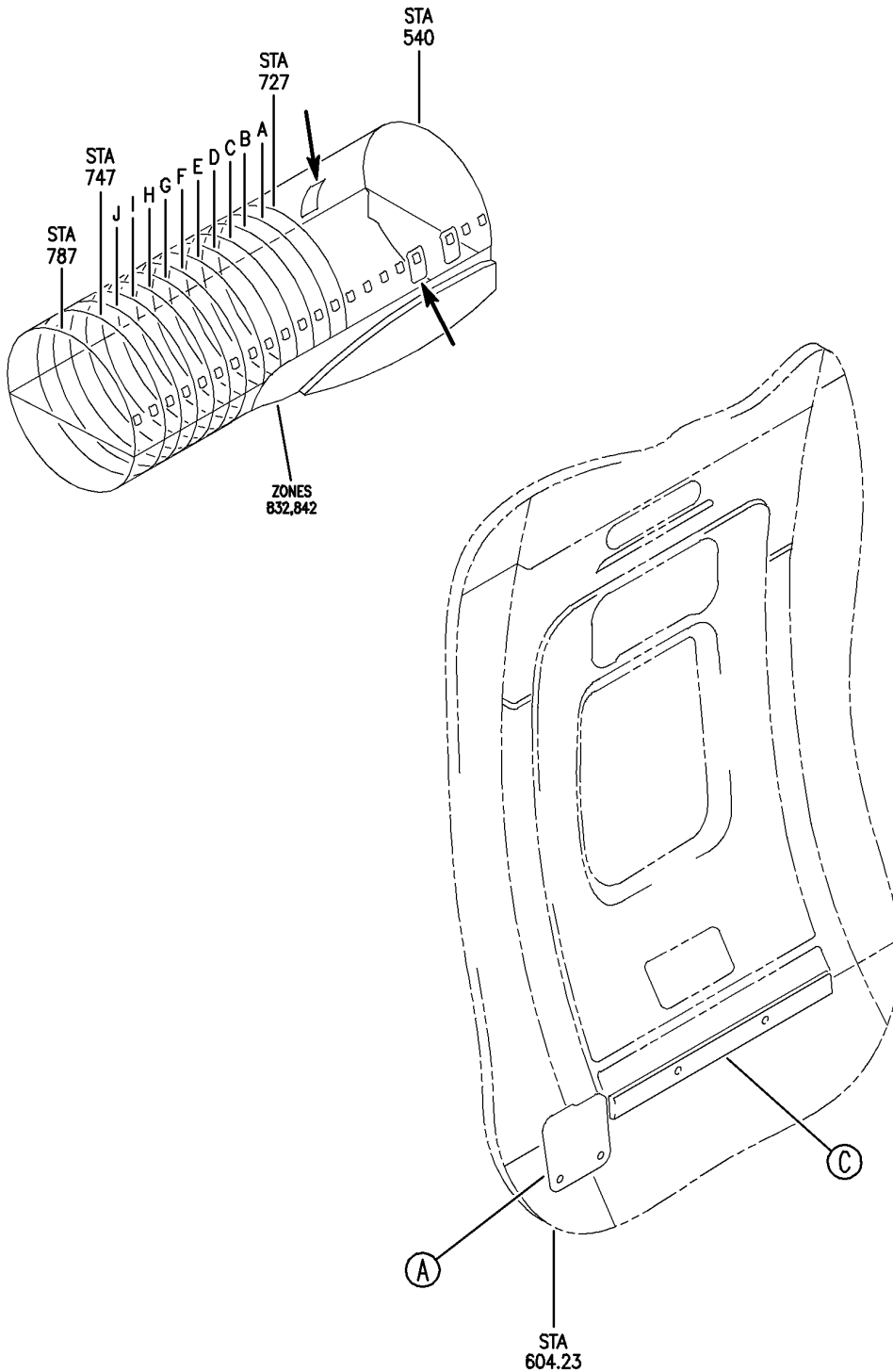
HAP

25-21-20-01

BOEING PROPRIETARY - Copyright © - Unpublished Work - See title page for details.

25-21-20
FIG. 01
PAGE 4
OCT 15/08

BOEING
 737-600/700/800/900
 PARTS CATALOG (MAINTENANCE)



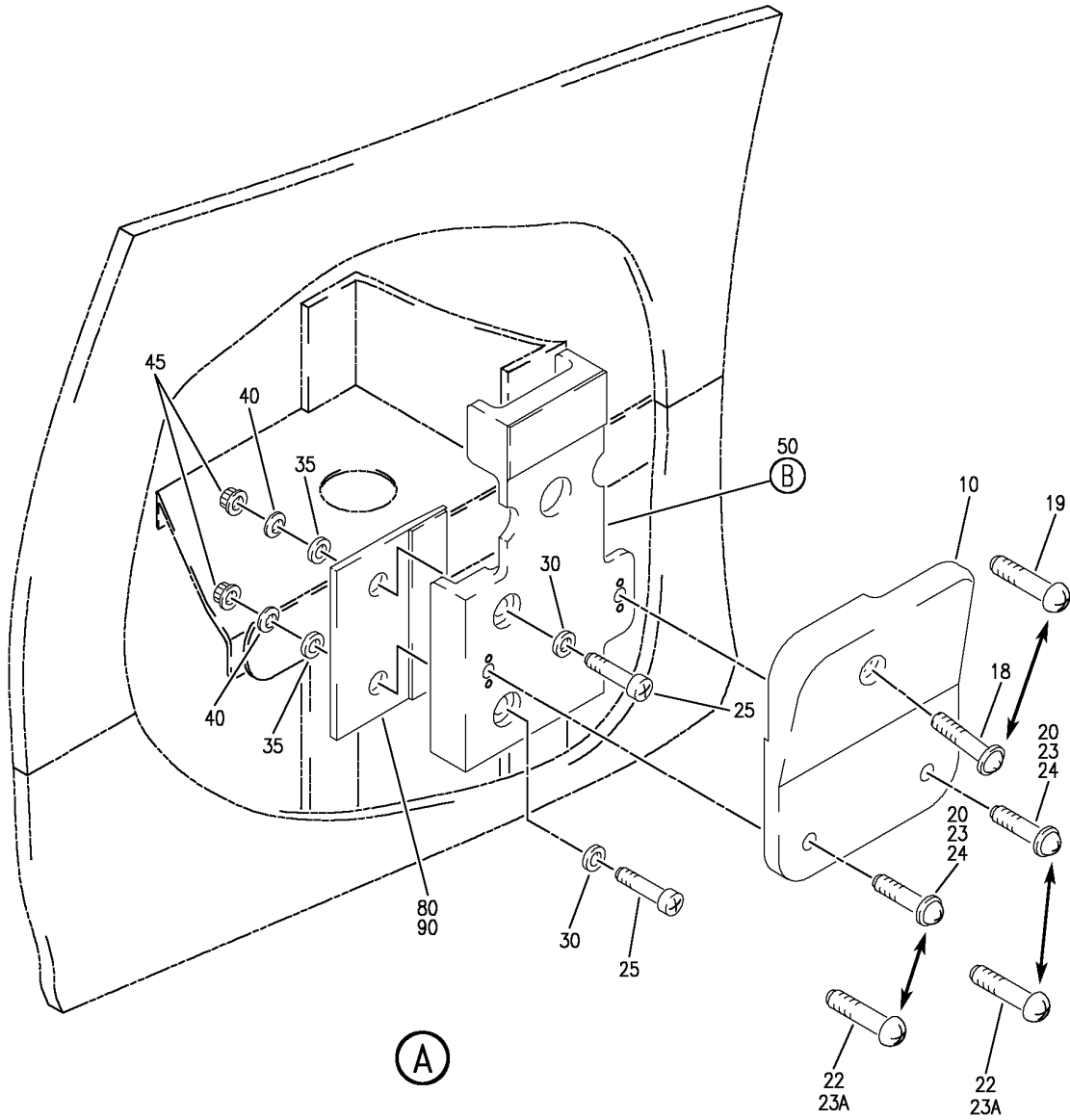
E 25212002 SHT 1 REV 061

BLOCK INSTL-SEAT INTRUSION CONT OVERWING EXIT DOORWAY
 FIGURE 2 (SHEET 1)

25-21-20-02

HAP
 OCT 10/06

25-21-20-02
 PAGE 0



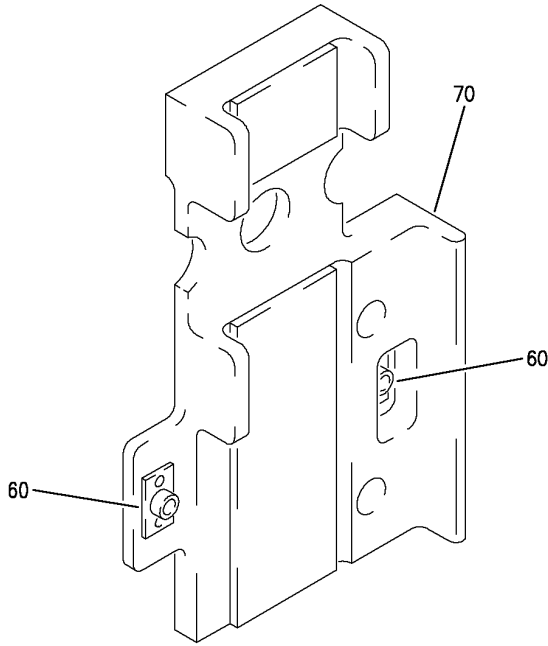
E 25212002 SH1 2 REV 071

BLOCK INSTL-SEAT INTRUSION CONT OVERWING EXIT DOORWAY
 FIGURE 2 (SHEET 2)

25-21-20-02

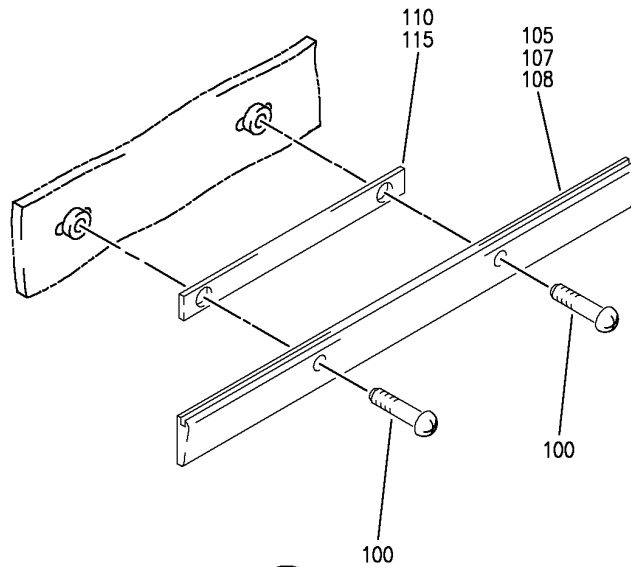
HAP
 OCT 10/06

25-21-20-02
 PAGE 0A



FWD

(B)



(C)

E 25212002 SH 3 REV 071

BLOCK INSTL-SEAT INTRUSION CONT OVERWING EXIT DOORWAY
 FIGURE 2 (SHEET 3)

25-21-20-02

HAP
 OCT 10/06

25-21-20-02
 PAGE 0B

BOEING
737-600/700/800/900
PARTS CATALOG (MAINTENANCE)

FIG ITEM	PART NUMBER	1 2 3 4 5 6 7	NOMENCLATURE	EFFECT FROM TO	UNITS PER ASSY
2			BLOCK INSTL-SEAT INTRUSION CONT OVERWING EXIT DOORWAY	001100	
- 1	411A2802-805		BLOCK INSTL-SEAT INTRUSION CONT OVERWING EXIT DOORWAY POSITION DATA: STA 604.23 LH FOR NHA SEE: 25-21-00-01D 25-21-00-02B	001030	RF
- 1	MODREF259454		BLOCK INSTL-SEAT INTRUSION CONT OVERWING EXIT DOORWAY MODULE NUMBER: 411A2802-821 REV B POSITION DATA: STA 604.23 LH	031100	1
- 5	411A2802-806		BLOCK INSTL-SEAT INTRUSION CONT OVERWING EXIT DOORWAY POSITION DATA: STA 604.23 RH FOR NHA SEE: 25-21-00-01D 25-21-00-02B	001030	RF
- 5	MODREF259455		BLOCK INSTL-SEAT INTRUSION CONT OVERWING EXIT DOORWAY MODULE NUMBER: 411A2802-822 REV B POSITION DATA: STA 604.23 RH	031100	1
10	411A2840-31		.BLOCK- POSITION DATA: LH SIDE INBD	001030	1
10	411A2840-41		.BLOCK- POSITION DATA: LH SIDE INBD	031100	1
- 15	411A2840-32		.BLOCK- POSITION DATA: RH SIDE INBD	001030	1
- 15	411A2840-42		.BLOCK- POSITION DATA: RH SIDE INBD	031100	1
18	BACS12FA3K14WS		ATTACHING PARTS .SCREW	031100	1

MISSING ITEM NUMBERS NOT APPLICABLE

- ITEM NOT ILLUSTRATED

HAP

25-21-20-02

BOEING PROPRIETARY - Copyright © - Unpublished Work - See title page for details.

25-21-20
FIG. 02
PAGE 1
OCT 10/07

BOEING
737-600/700/800/900
PARTS CATALOG (MAINTENANCE)

FIG ITEM	PART NUMBER	1 2 3 4 5 6 7	NOMENCLATURE	EFFECT FROM TO	UNITS PER ASSY
2					
20	BACS12FA3K15WS	.SCREW-	OPTIONAL PART: BACS12FA3K15BG	001100	2
20	BACS12FA3K15BG	.SCREW-	OPTIONAL PART: BACS12FA3K15WS	001030	2
		-----*-----			
25	NAS1351N4-20P	.SCREW-	OPTIONAL PART: NAS1351N4H20P	001100	2
25	NAS1351N4H20P	.SCREW-	OPTIONAL PART: NAS1351N4-20P	001030	2
30	NAS1149C0416R	.WASHER		001100	AR
35	K29913-104NF	.WASHER	SUPPLIER CODE: V15653 SPECIFICATION NUMBER: BACW10CA104CCU OPTIONAL PART: 70191-104U V56878 922010-4 V60119 942010-4 V60119	001100	2
40	K29646-104NF	.WASHER	SUPPLIER CODE: V15653 SPECIFICATION NUMBER: BACW10CA104CVU OPTIONAL PART: 70188-104U V56878 922009-4 V60119 942009-4 V60119	001100	2
45	PLH54CM	.NUT	SUPPLIER CODE: V62554 SPECIFICATION NUMBER: BACN10YR4CM OPTIONAL PART: H52732-4CM V15653	001100	AR
50	411A2840-1	.BLOCK ASSY-	POSITION DATA: LH SIDE OUTBD	001030	1

MISSING ITEM NUMBERS NOT APPLICABLE

— ITEM NOT ILLUSTRATED

HAP

25-21-20-02

BOEING PROPRIETARY - Copyright © - Unpublished Work - See title page for details.

25-21-20
FIG. 02
PAGE 2
OCT 10/07

BOEING
737-600/700/800/900
PARTS CATALOG (MAINTENANCE)

FIG ITEM	PART NUMBER	1 2 3 4 5 6 7	NOMENCLATURE	EFFECT FROM TO	UNITS PER ASSY
2					
50	411A2840-43		.BLOCK ASSY- POSITION DATA: LH SIDE OUTBD	031100	1
- 55	411A2840-2		.BLOCK ASSY- POSITION DATA: RH SIDE OUTBD	001030	1
- 55	411A2840-44		.BLOCK ASSY- POSITION DATA: RH SIDE OUTBD	031100	1
60	MF53049-3		..NUTPLATE SUPPLIER CODE: V15653 SPECIFICATION NUMBER: BACN10JN3 OPTIONAL PART: BRFM20A3 V52828 MF1000-3BAC V15653 NS103218-02 V80539 RMF9201M3 V72962 VN252A02 V92215 T8124S3S V11815 ATTACHING PARTS	001100	2
- 65	BACR15BA3DC		..RIVET- SIZE DETERMINED ON INSTL. -----*-----	001100	4
70	411A2840-14		..BLOCK- USED ON: 411A2840-1	001030	1
70	411A2840-45		..BLOCK	031100	1
- 75	411A2840-15		..BLOCK- USED ON: 411A2840-2	001030	1
- 75	411A2840-46		..BLOCK	031100	1
80	411A2840-17		.CLAMP ASSY- POSITION DATA: LH SIDE OUTBD	001100	1
- 85	411A2840-18		.CLAMP ASSY- POSITION DATA: RH SIDE OUTBD	001100	1
90	411A2840-19		..CLAMP- USED ON: 411A2840-17	001100	1

MISSING ITEM NUMBERS NOT APPLICABLE

- ITEM NOT ILLUSTRATED

HAP

25-21-20-02

25-21-20
FIG. 02
PAGE 3
FEB 15/09

 **BOEING**
737-600/700/800/900
PARTS CATALOG (MAINTENANCE)

FIG ITEM	PART NUMBER	1 2 3 4 5 6 7	NOMENCLATURE	EFFECT FROM TO	UNITS PER ASSY
2					
- 95	411A2840-20	..	CLAMP- USED ON: 411A2840-18	001100	1
- 97	411A2840-5	.	CLAMP ASSY	031100	1
- 98	411A2840-12	..	CLAMP	031100	1
100	BACS12FA3K10WS	.	SCREW- OPTIONAL PART: BACS12FA3K10BG	001100	2
100	BACS12FA3K10BG	.	SCREW- OPTIONAL PART: BACS12FA3K10WS	001100	2
105	411A2840-33	.	BLOCK- POSITION DATA: INBD	001030	1
107	411A2840-47	.	BLOCK- POSITION DATA: INBD LH SIDE	031100	1
108	411A2840-48	.	BLOCK- POSITION DATA: INBD RH SIDE	031100	1
110	411A2840-6	.	BLOCK ASSY- POSITION DATA: OUTBD	001100	1
115	411A2840-7	..	BLOCK	001100	1

MISSING ITEM NUMBERS NOT APPLICABLE

- ITEM NOT ILLUSTRATED

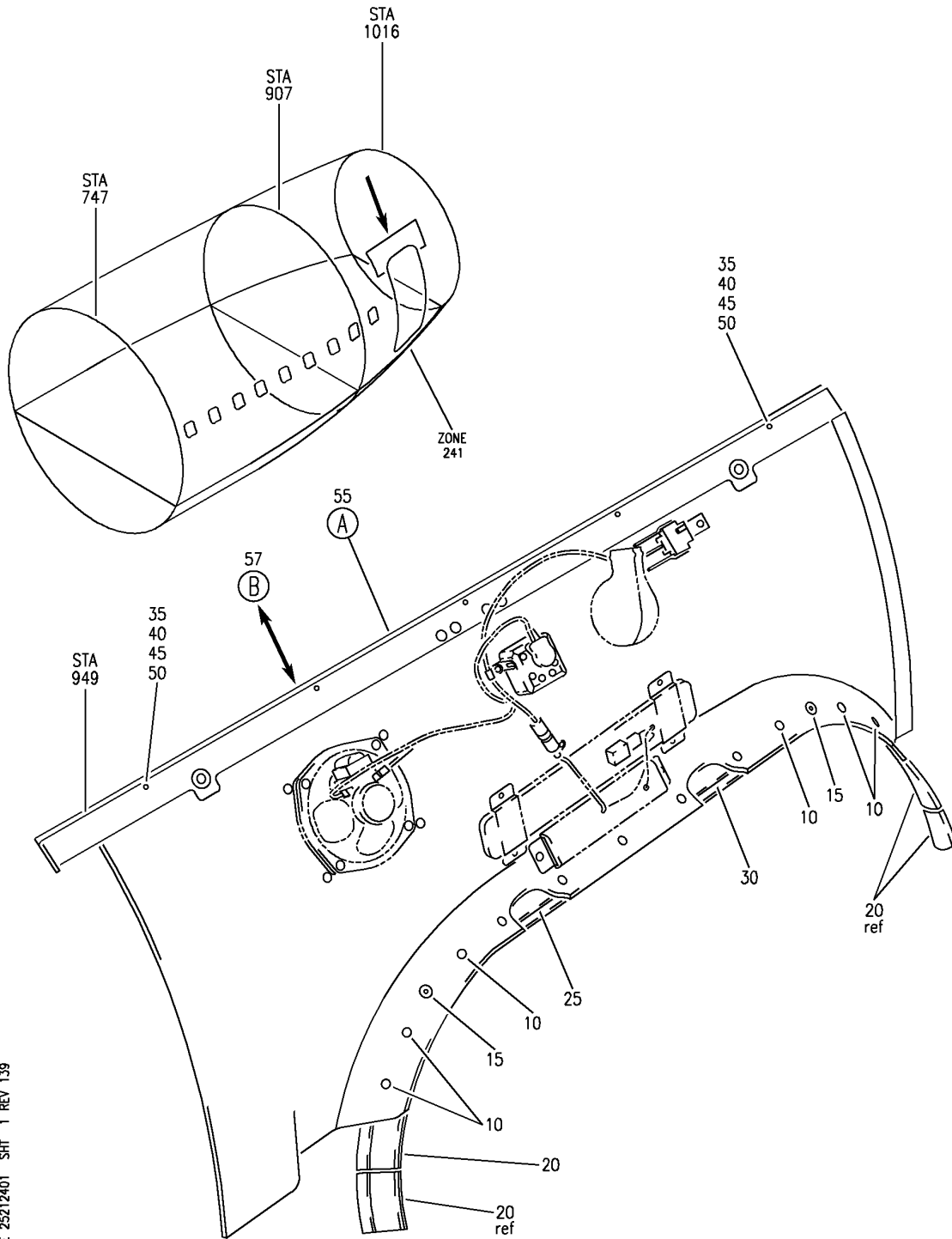
HAP

25-21-20-02

BOEING PROPRIETARY - Copyright © - Unpublished Work - See title page for details.

25-21-20
FIG. 02
PAGE 4
FEB 15/09

BOEING
 737-600/700/800/900
 PARTS CATALOG (MAINTENANCE)



E 25212401 SHT 1 REV 139

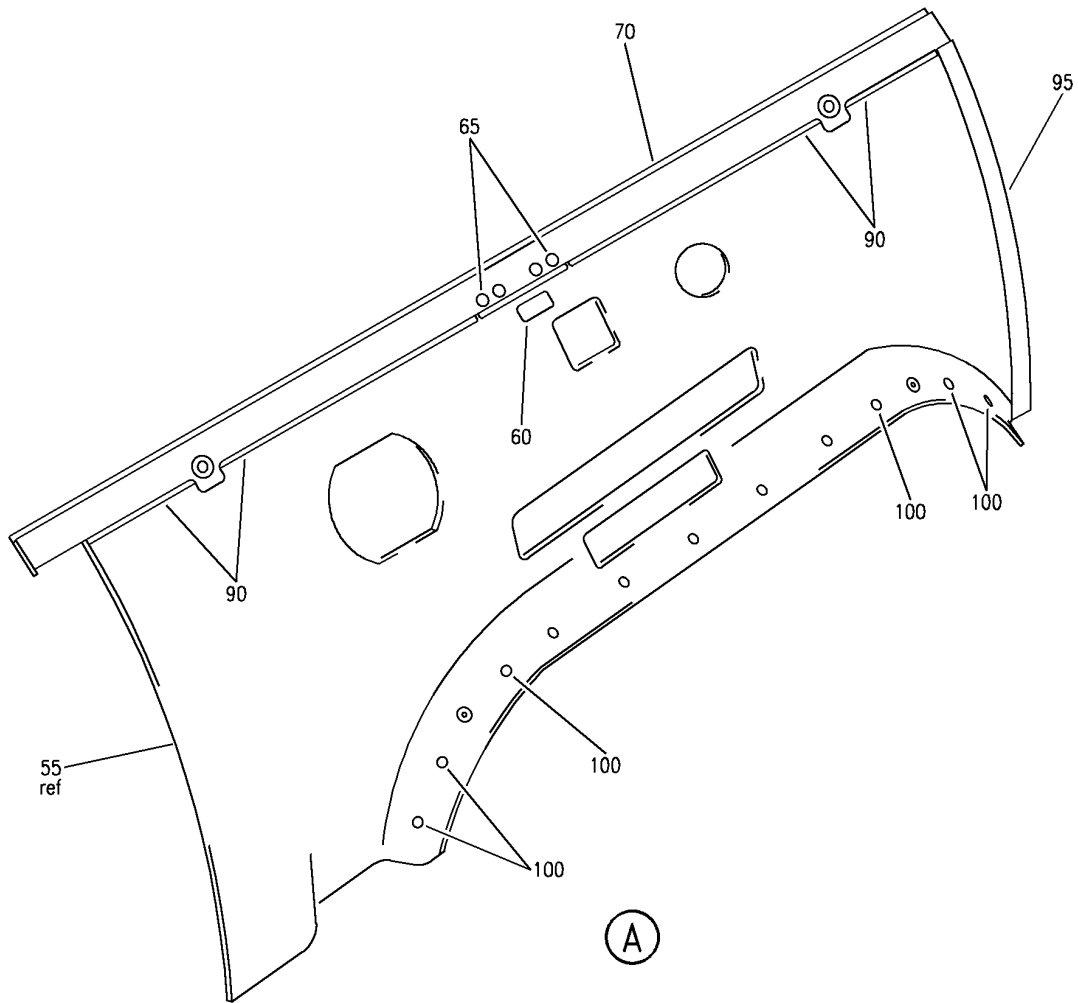
LINING INSTL-AFT LH DOORWAY (AFT DOOR DOORWAY HEADER PANEL ONLY)
 FIGURE 1 (SHEET 1)

25-21-24-01

HAP
 FEB 15/08

25-21-24-01
 PAGE 0

BOEING
737-600/700/800/900
PARTS CATALOG (MAINTENANCE)



E 25212401 SHT 2 REV 123

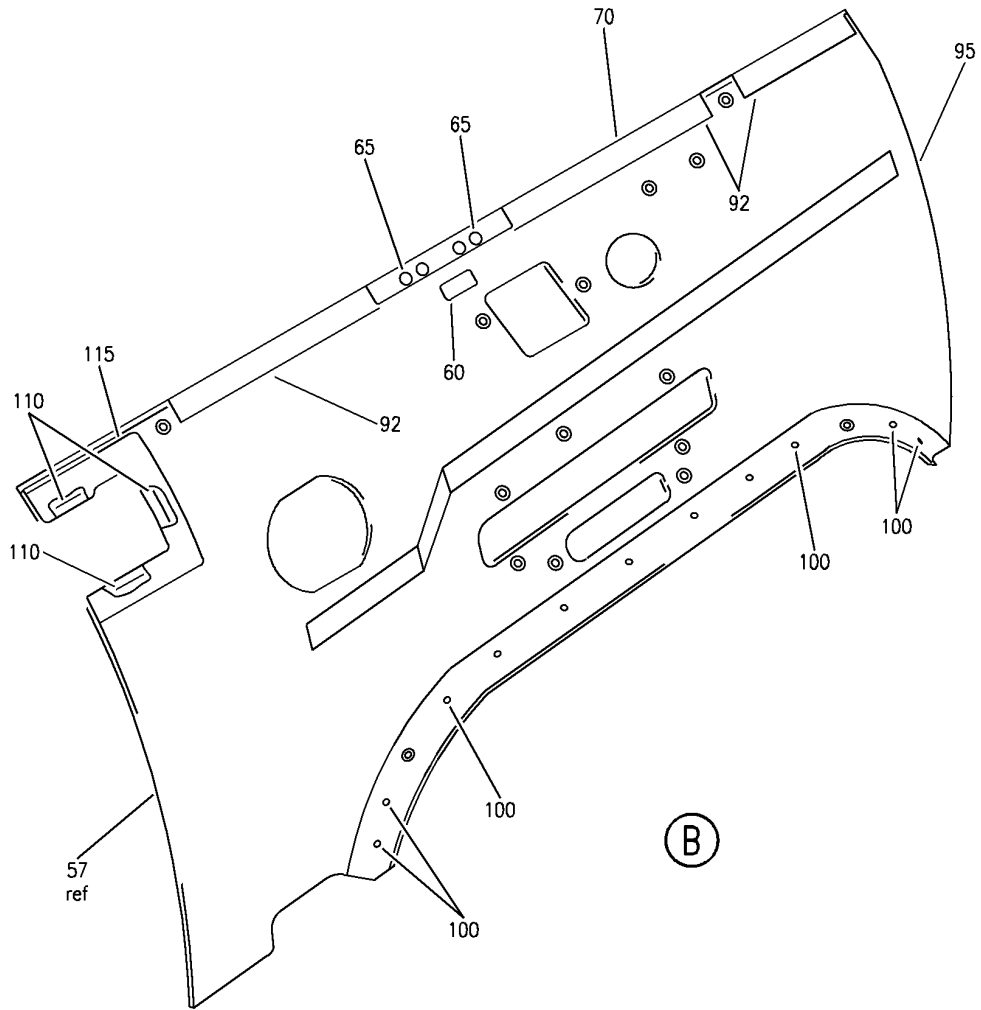
LINING INSTL-AFT LH DOORWAY (AFT DOOR DOORWAY HEADER PANEL ONLY)
FIGURE 1 (SHEET 2)

25-21-24-01

HAP
FEB 10/07

25-21-24-01
PAGE 0A

BOEING
737-600/700/800/900
PARTS CATALOG (MAINTENANCE)



E 25212401 SHT 3 REV 139

LINING INSTL-AFT LH DOORWAY (AFT DOOR DOORWAY HEADER PANEL ONLY)
FIGURE 1 (SHEET 3)

25-21-24-01

HAP
FEB 15/08

25-21-24-01
PAGE 0B

BOEING
737-600/700/800/900
PARTS CATALOG (MAINTENANCE)

FIG ITEM	PART NUMBER	1 2 3 4 5 6 7	NOMENCLATURE	EFFECT FROM TO	UNITS PER ASSY
1			LINING INSTL-AFT LH DOORWAY (AFT DOOR DOORWAY HEADER PANEL ONLY)	028200 968999	
- 1	411A2203-10B		LINING INSTL-DOORWAY (AFT DOOR DOORWAY HEADER PANEL ONLY) POSITION DATA: AFT LH FOR NHA/ADDITIONAL DET SEE: 25-21-00-01D	028030	RF
- 1	MODREF222922		LINING INSTL-DOORWAY (AFT DOOR DOORWAY HEADER PANEL ONLY) MODULE NUMBER: 411A2203-10B REV E POSITION DATA: AFT LH FOR ADDITIONAL DETAILS SEE: 25-21-25-05	031200 968999	1
10	BACS12FA3K12		.SCREW	028200 968999	11
15	BACS12ER3K10		.SCREW	028200 968999	2
20	411A2218-26A		.SEAL ASSY-DEPRESSOR MISCELLANEOUS DATA: CUSTOMER MUST SPECIFY TAIL NUMBER AND/OR COLOR WHEN ORDERING.	028200 968999	RF
20	411A2218-3A		.SEAL ASSY-DEPRESSOR MISCELLANEOUS DATA: CUSTOMER MUST SPECIFY TAIL NUMBER AND/OR COLOR WHEN ORDERING.	028200 968999	RF
25	411A2229-147A		.RETAINER- MISCELLANEOUS DATA: CUSTOMER MUST SPECIFY COLOR AND/OR TAIL NUMBER WHEN ORDERING	028200 968999	1
30	411A2229-176B		.RETAINER- MISCELLANEOUS DATA: CUSTOMER MUST SPECIFY COLOR AND/OR TAIL NUMBER WHEN ORDERING	028200 968999	1
35	411A2226-5A		.PLUG	028200 968999	5
40	BACB30NT3K2		.BOLT	028200 968999	5
45	NAS620A10L		.WASHER	028200 968999	5

MISSING ITEM NUMBERS NOT APPLICABLE

- ITEM NOT ILLUSTRATED

HAP

25-21-24-01

25-21-24
FIG. 01
PAGE 1
JUN 15/09

BOEING
737-600/700/800/900
PARTS CATALOG (MAINTENANCE)

FIG ITEM	PART NUMBER	1 2 3 4 5 6 7	NOMENCLATURE	EFFECT FROM TO	UNITS PER ASSY
1					
50	BRC600-8-3GP		.CLIPNUT SUPPLIER CODE: V52828 SPECIFICATION NUMBER: BACN10YD1G OPTIONAL PART: 130120G V60119	028200 968999	5
R	55	411A2213-29B	.PANEL ASSY-(EQUIPMENT/ FURNISHINGS ONLY) FUNCTIONAL REFERENCE: AIR CONDITIONING FOR DETAILS SEE 21-23-54-04 COMMUNICATIONS FOR DETAILS SEE 23-31-03-24 LIGHTS FOR DETAILS SEE 33-26-01-34 33-51-01-74	028200 968999	1
R					
R					
R					
R					
R					
R					
R					
R					
R					
	60	BAC27DEL1301	..MARKER- PLACARD CONTENT: REPLACEMENT PLUG BUTTONS 411A2226-5	028200 968999	1
R	65	411A2226-5A	..PLUG	028200 968999	4
R					
R	70	411A2219-55B	..CHANNEL ASSY	028200 968999	1
R					
			ATTACHING PARTS		
-	75	BACS12FA3K5	..SCREW	028200 968999	2
-	80	NAS1057T3A013	..SPACER	028200 968999	2
-	85	BACW10P44CC	..WASHER	028200 968999	2
			-----*-----		
	90	411A2213-7	..TAPE-LOOP	028200 968999	AR
R	95	411A2227-8A	..CAP-EDGE OPTIONAL PART: 411A2227-19B	028200 968999	1
R					
R	95	411A2227-19B	..CAP-EDGE OPTIONAL PART: 411A2227-8A	028200 968999	1
R					
R					
R					
	100	411A2226-3	..GROMMET	028200 968999	11

MISSING ITEM NUMBERS NOT APPLICABLE

- ITEM NOT ILLUSTRATED

HAP

25-21-24-01

BOEING PROPRIETARY - Copyright © - Unpublished Work - See title page for details.

25-21-24
FIG. 01
PAGE 2
JUN 15/09


BOEING
 737-600/700/800/900
PARTS CATALOG (MAINTENANCE)

FIG ITEM	PART NUMBER	1 2 3 4 5 6 7 NOMENCLATURE	EFFECT FROM TO	UNITS PER ASSY
1 - 105	SL6224-3A	.. INSERT- SUPPLIER CODE : V97393	028200 968999	13

MISSING ITEM NUMBERS NOT APPLICABLE

- ITEM NOT ILLUSTRATED

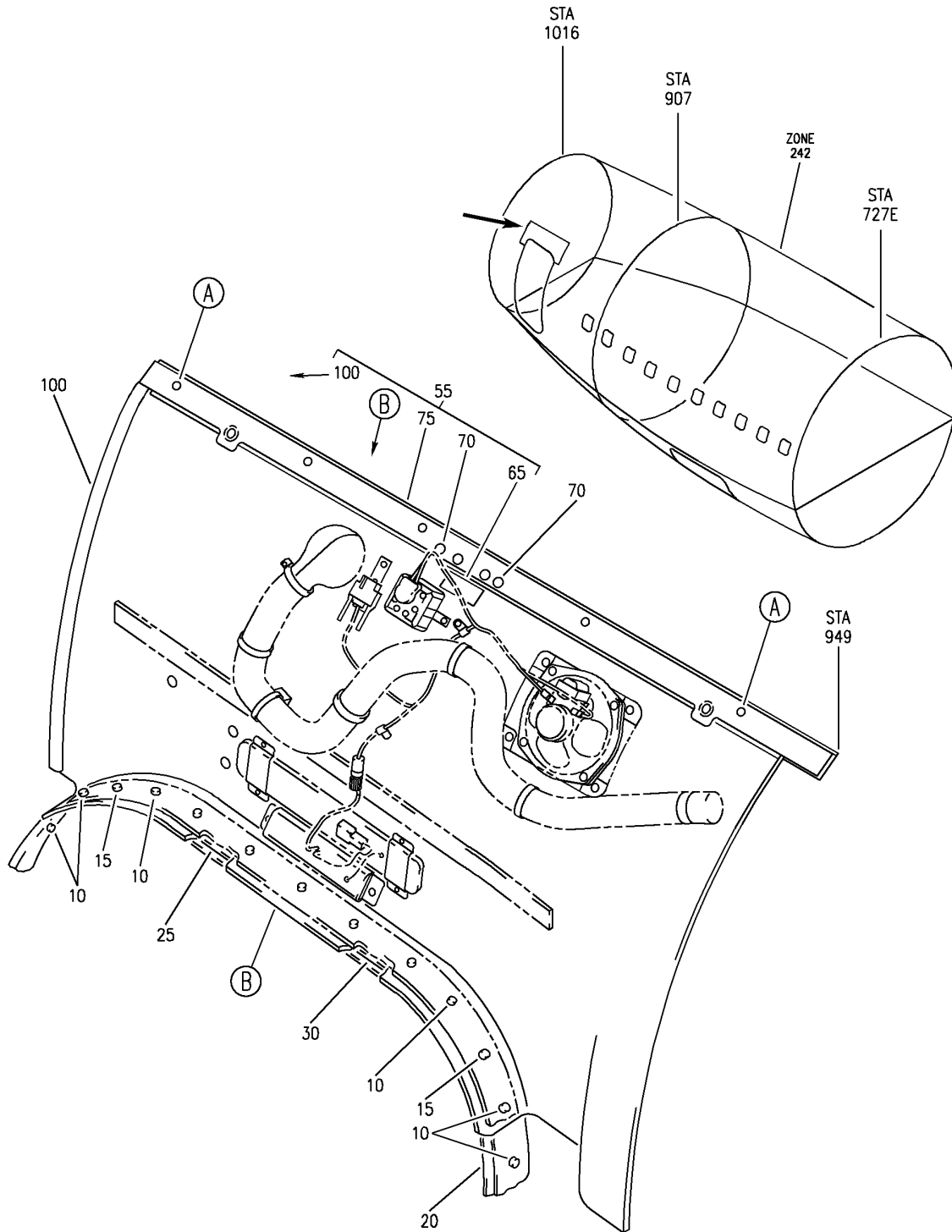
HAP

25-21-24-01

BOEING PROPRIETARY - Copyright © - Unpublished Work - See title page for details.

25-21-24
 FIG. 01
 PAGE 3
 JUN 15/09

BOEING
 737-600/700/800/900
 PARTS CATALOG (MAINTENANCE)



E 25212404 SHT 1 REV 124

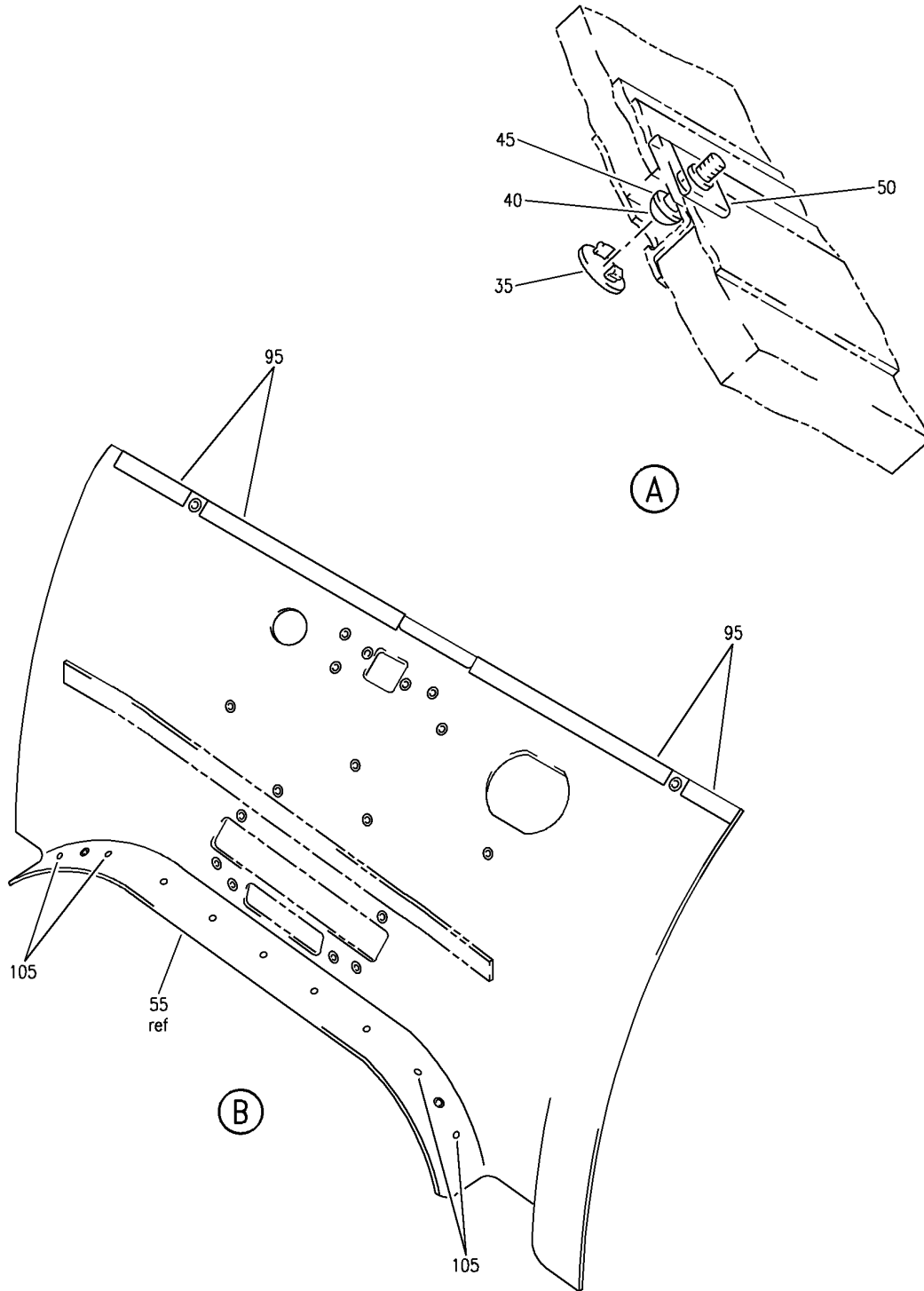
LINING INSTL-(AFT DOOR DOORWAY HEADER PANEL ONLY)
 FIGURE 4 (SHEET 1)

25-21-24-04

HAP
 FEB 10/07

25-21-24-04
 PAGE 0

BOEING
737-600/700/800/900
PARTS CATALOG (MAINTENANCE)



E 25212404 SHT 2 REV 124

LINING INSTL-(AFT DOOR DOORWAY HEADER PANEL ONLY)
FIGURE 4 (SHEET 2)

25-21-24-04

HAP
FEB 10/07

25-21-24-04
PAGE 0A

BOEING
737-600/700/800/900
PARTS CATALOG (MAINTENANCE)

FIG ITEM	PART NUMBER	1 2 3 4 5 6 7	NOMENCLATURE	EFFECT FROM TO	UNITS PER ASSY
4			LINING INSTL-(AFT DOOR DOORWAY HEADER PANEL ONLY)	001027 201967	
- 1	411A2204-4SP		LINING INSTL-(AFT DOOR DOORWAY HEADER PANEL ONLY) POSITION DATA: RH FOR NHA/OTHER SYS DET SEE: 25-21-00-01A 25-21-00-01D	001011 201967	RF
- 1	411A2204-13SP		LINING INSTL-(AFT DOOR DOORWAY HEADER PANEL ONLY) POSITION DATA: RH FOR NHA/ADDITIONAL DET SEE: 25-21-00-01D	012027	RF
10	BACS12FA3K12		.SCREW	001027 201967	11
15	BACS12ER3K10		.SCREW	001027 201967	2
20	411A2218-27SP		.SEAL ASSY-DEPRESSOR OPTIONAL PART: 411A2218-4SP	001027 201967	RF
20	411A2218-4SP		.SEAL ASSY-DEPRESSOR OPTIONAL PART: 411A2218-27SP	001027 201967	RF
25	411A2229-148SP		.RETAINER-	001027 201967	1
30	411A2229-187SP		.RETAINER-	001027 201967	1
35	411A2226-5SP		.PLUG-	001027 201967	5
40	BACB30NT3K2		.BOLT	001027 201967	5
45	NAS620A10L		.WASHER	001027 201967	5
50	BRC600-8-3GP		.CLIPNUT SUPPLIER CODE: V52828 SPECIFICATION NUMBER: BACN10YD1G OPTIONAL PART: 130120G V60119	001027 201967	5

MISSING ITEM NUMBERS NOT APPLICABLE

- ITEM NOT ILLUSTRATED

HAP

25-21-24-04

BOEING PROPRIETARY - Copyright © - Unpublished Work - See title page for details.

25-21-24
FIG. 04
PAGE 1
OCT 15/08

BOEING
737-600/700/800/900
PARTS CATALOG (MAINTENANCE)

FIG ITEM	PART NUMBER	1 2 3 4 5 6 7	NOMENCLATURE	EFFECT FROM TO	UNITS PER ASSY
4					
55	411A2214-19SP		.PANEL ASSY-(EQUIPMENT/ FURNISHINGS ONLY) FUNCTIONAL REFERENCE: AIR CONDITIONING FOR DETAILS SEE 21-23-54-32 COMMUNICATIONS FOR DETAILS SEE 23-31-03-32 LIGHTS FOR DETAILS SEE 33-26-01-32 33-51-01-72	001027 201967	1
65	BAC27DEL1301		..MARKER- PLACARD CONTENT: REPLACEMENT PLUG BUTTONS 411A2226-5	001027 201967	1
70	411A2226-5SP		..PLUG-	001027 201967	4
75	411A2219-55		..CHANNEL ASSY	001027 201967	1
			ATTACHING PARTS		
- 80	BACS12FA3K5		..SCREW	001027 201967	2
- 85	NAS1057T3A013		..SPACER	001027 201967	2
- 90	BACW10P44CC		..WASHER	001027 201967	2
			-----*-----		
95	411A2214-7		..TAPE-LOOP	001027 201967	AR
100	411A2227-10SP		..CAP-EDGE OPTIONAL PART: 411A2227-20SP	001027 201967	1
100	411A2227-20SP		..CAP-EDGE OPTIONAL PART: 411A2227-10SP	001027 201967	1
105	411A2226-3		..GROMMET	001027 201967	9
- 110	SL6224-3A		..INSERT- SUPPLIER CODE: V97393	001027 201967	19

MISSING ITEM NUMBERS NOT APPLICABLE

- ITEM NOT ILLUSTRATED

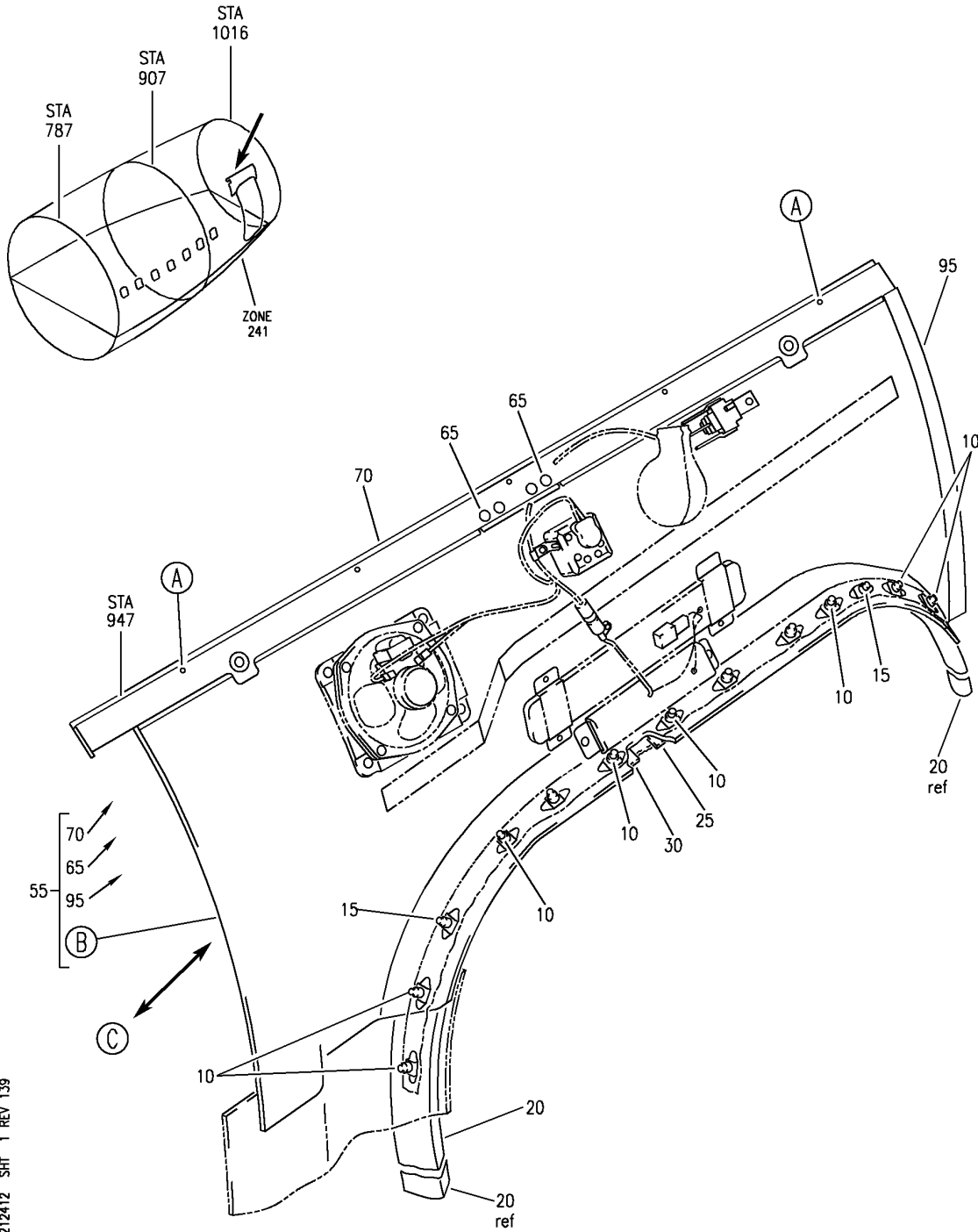
HAP

25-21-24-04

BOEING PROPRIETARY - Copyright © - Unpublished Work - See title page for details.

25-21-24
FIG. 04
PAGE 2
OCT 15/08

BOEING
 737-600/700/800/900
 PARTS CATALOG (MAINTENANCE)



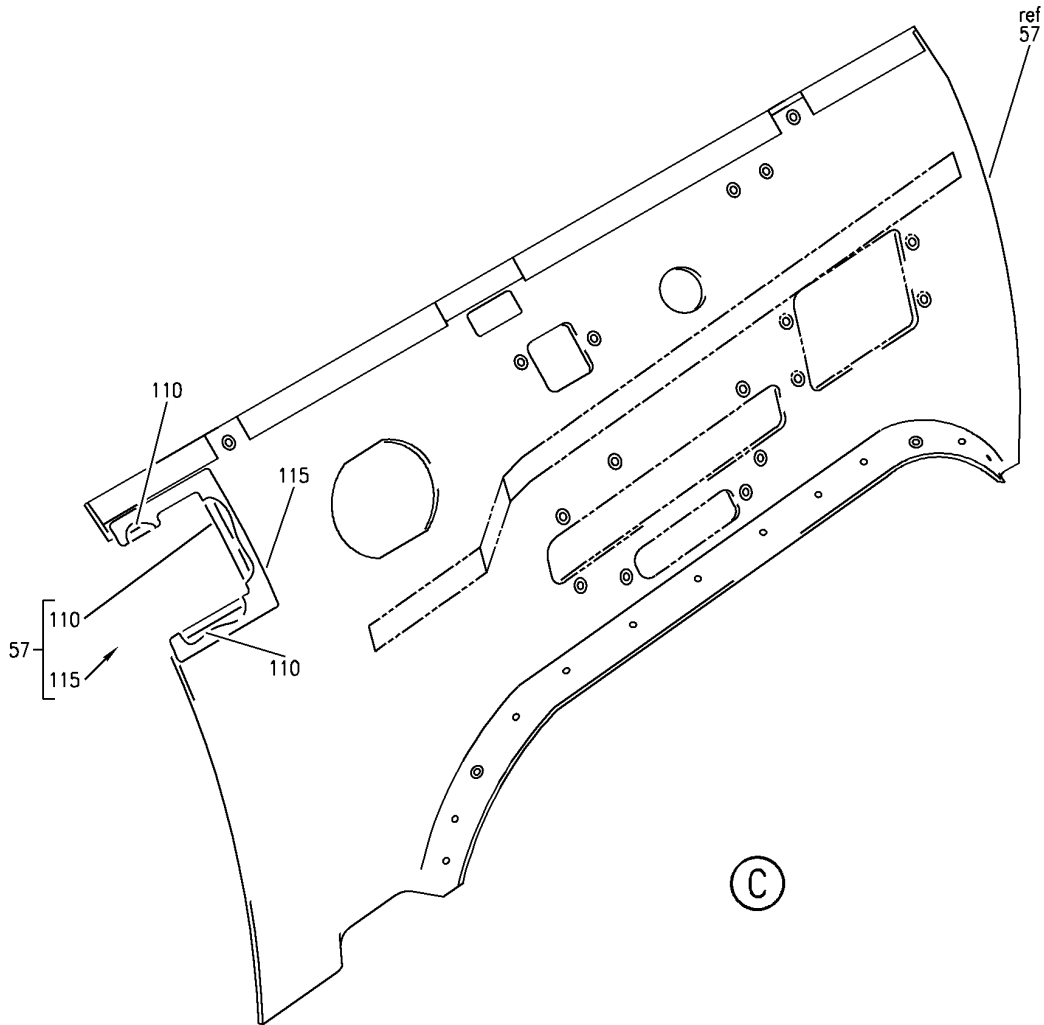
E 25212412 SHT 1 REV 139

LINING INSTL-AFT LH DOORWAY (AFT DOOR DOORWAY HEADER PANEL ONLY)
 FIGURE 12 (SHEET 1)

25-21-24-12

HAP
 FEB 15/08

25-21-24-12
 PAGE 0



E 25212412 SHT 3 REV 139

LINING INSTL-AFT LH DOORWAY (AFT DOOR DOORWAY HEADER PANEL ONLY)
FIGURE 12 (SHEET 3)

25-21-24-12

HAP
FEB 15/08

25-21-24-12
PAGE 0B

BOEING
737-600/700/800/900
PARTS CATALOG (MAINTENANCE)

FIG ITEM	PART NUMBER	1 2 3 4 5 6 7	NOMENCLATURE	EFFECT FROM TO	UNITS PER ASSY
12			LINING INSTL-AFT LH DOORWAY (AFT DOOR DOORWAY HEADER PANEL ONLY)	001027 201967	
- 1	411A2203-6SP		LINING INSTL-DOORWAY (AFT DOOR DOORWAY HEADER PANEL ONLY) POSITION DATA: AFT LH FOR NHA/ADDITIONAL DET SEE: 25-21-00-01A 25-21-00-01D	001027 201967	RF
10	BACS12FA3K12		.SCREW	001027 201967	11
15	BACS12ER3K10		.SCREW	001027 201967	2
20	411A2218-26A		.SEAL ASSY-DEPRESSOR MISCELLANEOUS DATA: CUSTOMER MUST SPECIFY TAIL NUMBER AND/OR COLOR WHEN ORDERING.	001027 201967	RF
20	411A2218-3A		.SEAL ASSY-DEPRESSOR MISCELLANEOUS DATA: CUSTOMER MUST SPECIFY TAIL NUMBER AND/OR COLOR WHEN ORDERING.	001027 201967	RF
25	411A2229-147A		.RETAINER- MISCELLANEOUS DATA: CUSTOMER MUST SPECIFY COLOR AND/OR TAIL NUMBER WHEN ORDERING	001027 201967	1
30	411A2229-176B		.RETAINER- MISCELLANEOUS DATA: CUSTOMER MUST SPECIFY COLOR AND/OR TAIL NUMBER WHEN ORDERING	001027 201967	1
35	411A2226-5A		.PLUG	001027 201967	5
40	BACB30NT3K2		.BOLT	001027 201967	5
45	NAS620A10L		.WASHER	001027 201967	5
50	BRC600-8-3GP		.CLIPNUT SUPPLIER CODE: V52828 SPECIFICATION NUMBER: BACN10YD1G OPTIONAL PART: 130120G V60119	001027 201967	5

MISSING ITEM NUMBERS NOT APPLICABLE

- ITEM NOT ILLUSTRATED

HAP

25-21-24-12

25-21-24
FIG. 12
PAGE 1
JUN 15/09

BOEING
737-600/700/800/900
PARTS CATALOG (MAINTENANCE)

FIG ITEM	PART NUMBER	1 2 3 4 5 6 7	NOMENCLATURE	EFFECT FROM TO	UNITS PER ASSY
12					
55	411A2213-22SP		.PANEL ASSY-(EQUIPMENT/ FURNISHINGS ONLY) FUNCTIONAL REFERENCE: AIR CONDITIONING FOR DETAILS SEE 21-23-54-12 COMMUNICATIONS FOR DETAILS SEE 23-31-03-02 LIGHTS FOR DETAILS SEE 33-26-01-03 33-51-01-75A	001027 201967	1
60	BAC27DEL1301		..MARKER- PLACARD CONTENT: REPLACEMENT PLUG BUTTONS 411A2226-5	001027 201967	1
65	411A2226-5A		..PLUG	001027 201967	4
70	411A2219-55B		..CHANNEL ASSY	001027 201967	1
			ATTACHING PARTS		
- 75	BACS12FA3K5		..SCREW	001027 201967	2
- 80	NAS1057T3A013		..SPACER	001027 201967	2
- 85	BACW10P44CC		..WASHER	001027 201967	2
			-----*-----		
90	411A2213-7		..TAPE-LOOP	001027 201967	AR
95	411A2227-8A		..CAP-EDGE OPTIONAL PART: 411A2227-19B	001027 201967	1
95	411A2227-19B		..CAP-EDGE OPTIONAL PART: 411A2227-8A	001027 201967	1
100	411A2226-3		..GROMMET	001027 201967	11
- 105	SL6224-3A		..INSERT- SUPPLIER CODE: V97393	001027 201967	13

MISSING ITEM NUMBERS NOT APPLICABLE

- ITEM NOT ILLUSTRATED

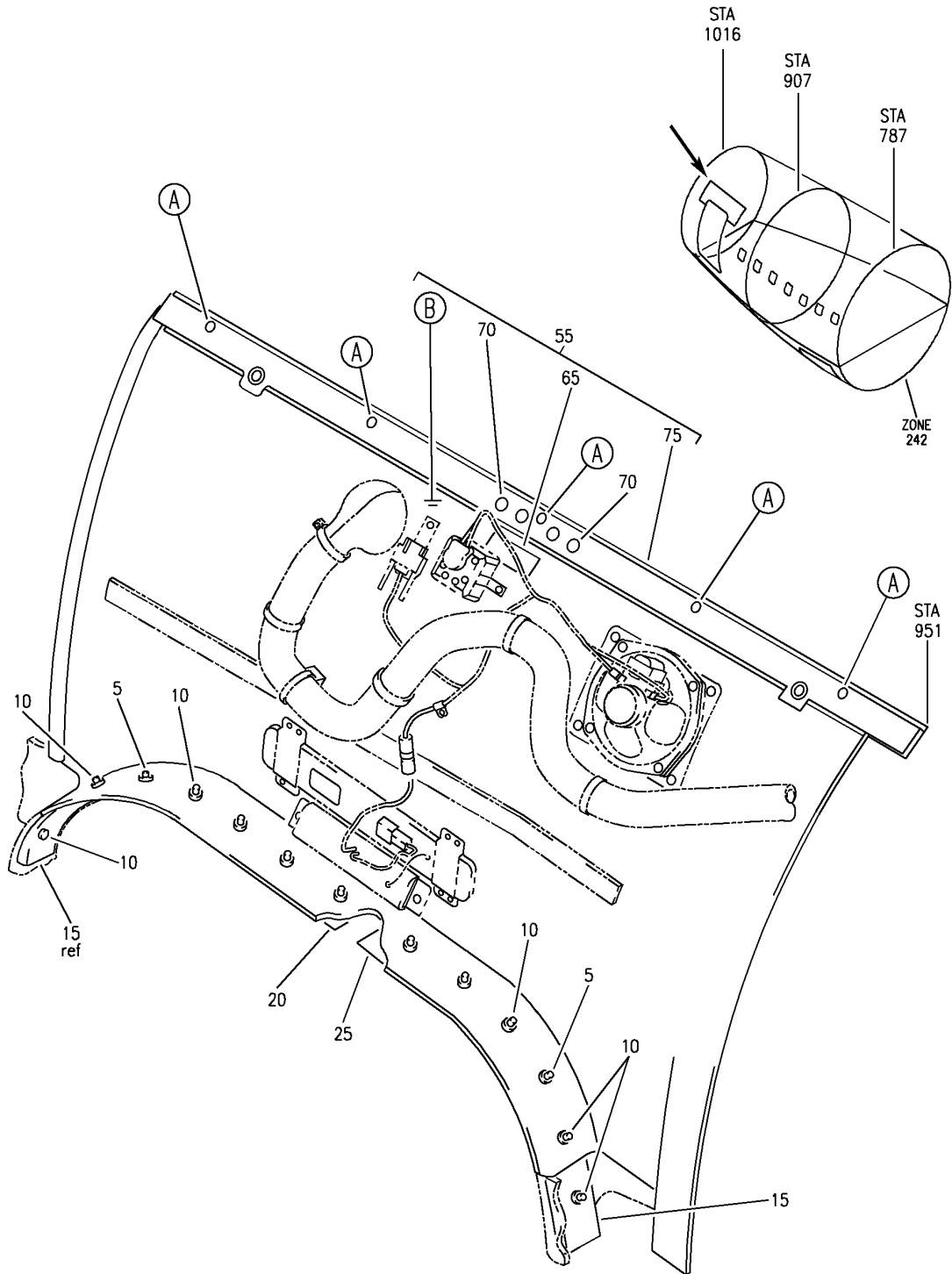
HAP

25-21-24-12

BOEING PROPRIETARY - Copyright © - Unpublished Work - See title page for details.

25-21-24
FIG. 12
PAGE 2
JUN 15/09

BOEING
 737-600/700/800/900
 PARTS CATALOG (MAINTENANCE)



E 25212422 SHT 1 REV 124

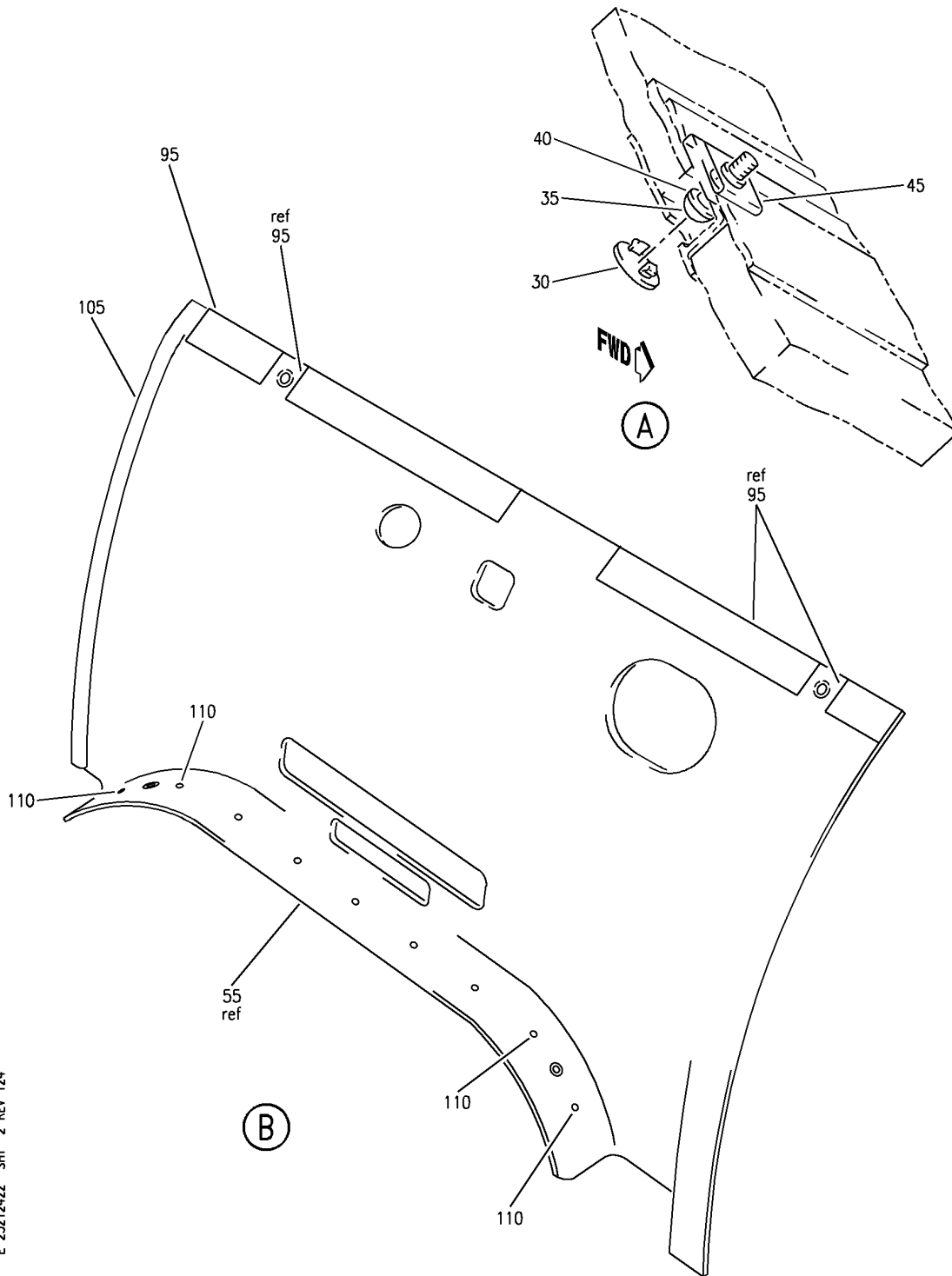
LINING INSTL-AFT RH DOORWAY (AFT DOOR DOORWAY HEADER PANEL ONLY)
 FIGURE 22 (SHEET 1)

25-21-24-22

HAP
 FEB 10/07

25-21-24-22
 PAGE 0

BOEING
 737-600/700/800/900
 PARTS CATALOG (MAINTENANCE)



E 25212422 SH1 2 REV 124

LINING INSTL-AFT RH DOORWAY (AFT DOOR DOORWAY HEADER PANEL ONLY)
 FIGURE 22 (SHEET 2)

25-21-24-22

HAP
 FEB 10/07

25-21-24-22
 PAGE 0A

BOEING
737-600/700/800/900
PARTS CATALOG (MAINTENANCE)

FIG ITEM	PART NUMBER	1 2 3 4 5 6 7	NOMENCLATURE	EFFECT FROM TO	UNITS PER ASSY
22			LINING INSTL-AFT RH DOORWAY (AFT DOOR DOORWAY HEADER PANEL ONLY)	028200 968999	
- 1	411A2204-23SP		LINING INSTL-DOORWAY (AFT DOOR DOORWAY HEADER PANELS ONLY) POSITION DATA: AFT RH FOR NHA/ADDITIONAL DET SEE: 25-21-00-01D	028030	RF
- 1	MODREF222929		LINING INSTL-DOORWAY (AFT DOOR DOORWAY HEADER PANELS ONLY) MODULE NUMBER: 411A2204-23B REV D POSITION DATA: AFT RH FOR ADDITIONAL DETAILS SEE: 25-21-25-22	031200 968999	1
5	BACS12ER3K10		.SCREW	028200 968999	2
10	BACS12FA3K12		.SCREW	028200 968999	11
15	411A2218-27SP		.SEAL ASSY-DEPRESSOR	028200 968999	RF
15	411A2218-4SP		.SEAL ASSY-DEPRESSOR	028200 968999	RF
20	411A2229-148SP		.RETAINER	028200 968999	1
25	411A2229-187SP		.RETAINER	028200 968999	1
30	411A2226-5SP		.PLUG	028200 968999	5
35	BACB30NT3K2		.BOLT	028200 968999	5
40	NAS620A10L		.WASHER	028200 968999	5
45	BRC600-8-3GP		.CLIPNUT SUPPLIER CODE: V52828 SPECIFICATION NUMBER: BACN10YD1G OPTIONAL PART: 130120G V60119	028200 968999	5

MISSING ITEM NUMBERS NOT APPLICABLE

- ITEM NOT ILLUSTRATED

HAP

25-21-24-22

BOEING PROPRIETARY - Copyright © - Unpublished Work - See title page for details.

25-21-24
FIG. 22
PAGE 1
OCT 15/08

BOEING
737-600/700/800/900
PARTS CATALOG (MAINTENANCE)

FIG ITEM	PART NUMBER	1 2 3 4 5 6 7	NOMENCLATURE	EFFECT FROM TO	UNITS PER ASSY
22					
55	411A2214-39SP		.PANEL ASSY-(EQUIPMENT/ FURNISHINGS ONLY) FUNCTIONAL REFERENCE: AIR CONDITIONING FOR DETAILS SEE 21-23-54-30 COMMUNICATIONS FOR DETAILS SEE 23-31-03-30 LIGHTS FOR DETAILS SEE 33-26-01-30A 33-51-01-54	028200 968999	1
65	BAC27DEL1301		..MARKER- PLACARD CONTENT: REPLACEMENT PLUG BUTTONS 411A2226-5	028200 968999	1
70	411A2226-5SP		..PLUG	028200 968999	4
75	411A2219-55SP		..CHANNEL ASSY	028200 968999	1
			ATTACHING PARTS		
- 80	BACS12FA3K5		..SCREW	028200 968999	2
- 85	NAS1057T3A013		..SPACER	028200 968999	2
- 90	BACW10P44CC		..WASHER	028200 968999	2
			-----*-----		
95	411A2214-7		..TAPE-VELCRO LOOP	028200 968999	AR
105	411A2227-20SP		..CAP-EDGE	028200 968999	1
110	411A2226-3		..GROMMET	028200 968999	9
- 115	SL6224-3A		..INSERT- SUPPLIER CODE: V97393	028200 968999	19

MISSING ITEM NUMBERS NOT APPLICABLE

- ITEM NOT ILLUSTRATED

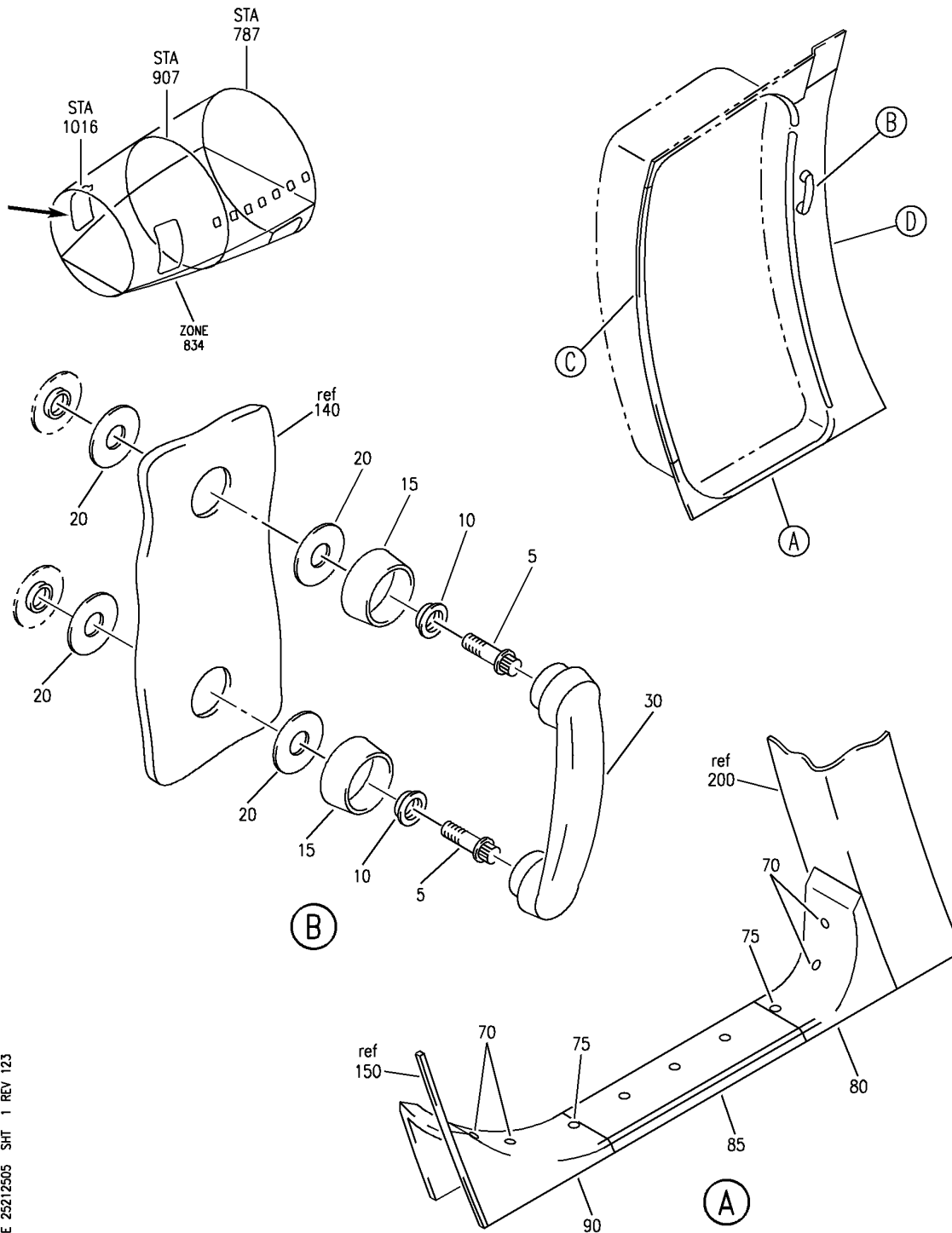
HAP

25-21-24-22

BOEING PROPRIETARY - Copyright © - Unpublished Work - See title page for details.

25-21-24
FIG. 22
PAGE 2
OCT 15/08

BOEING
 737-600/700/800/900
 PARTS CATALOG (MAINTENANCE)



E 25212505 SHT 1 REV 123

LINING INSTL-AFT LH DOORWAY (SIDEWALL LINING (AFT ENTRY AND AFT SERVICE DOORWAYS) PANELS ONLY)
 FIGURE 5 (SHEET 1)

HAP
 FEB 10/07

25-21-25-05

25-21-25-05
 PAGE 0

BOEING
737-600/700/800/900
PARTS CATALOG (MAINTENANCE)

FIG ITEM	PART NUMBER	1 2 3 4 5 6 7	NOMENCLATURE	EFFECT FROM TO	UNITS PER ASSY
5			LINING INSTL-AFT LH DOORWAY (SIDEWALL LINING (AFT ENTRY AND AFT SERVICE DOORWAYS) PANELS ONLY)	028200 968999	
- 1	411A2203-10B		LINING INSTL-DOORWAY (SIDEWALL LINING (AFT ENTRY AND AFT SERVICE DOORWAYS) PANELS ONLY)	028030	RF
- 2	MODREF222922		POSITION DATA: AFT LH FOR NHA/ADDITIONAL DET SEE: 25-21-00-01D		
			LINING INSTL-DOORWAY (SIDEWALL LINING (AFT ENTRY AND AFT SERVICE DOORWAYS) PANELS ONLY)	031200 968999	1
			MODULE NUMBER: 411A2203-10B REV E		
			POSITION DATA: AFT LH FOR ADDITIONAL DETAILS SEE: 25-21-24-01		
	5 BACB30LE4K10		.BOLT	028200 968999	2
	10 66-9776-9		.COLLAR-	028200 968999	2
R	15 65-5458-21E		.NUT	028200 968999	2
R	20 66-4453-15B		.COLLAR-SPRT	028200 968999	4
R	30 65-5458-20E		.HANDLE-SPRT	028200 968999	1
R	35 BACS12FA3K10		.SCREW	028200 968999	33
R	45 411A2229-175B		.RETAINER-	028200 968999	1
R			MISCELLANEOUS DATA: CUSTOMER MUST SPECIFY COLOR AND/OR TAIL NUMBER WHEN ORDERING		
R	60 411A2229-74A		.RETAINER-	028200 968999	1
R			MISCELLANEOUS DATA: CUSTOMER MUST SPECIFY COLOR AND/OR TAIL NUMBER WHEN ORDERING		
R	65 411A2218-26A		.SEAL ASSY-DEPRESSOR	028200 968999	1
R			MISCELLANEOUS DATA: CUSTOMER MUST SPECIFY TAIL NUMBER AND/OR COLOR WHEN ORDERING.		

MISSING ITEM NUMBERS NOT APPLICABLE

- ITEM NOT ILLUSTRATED

HAP

25-21-25-05

25-21-25
FIG. 05
PAGE 1
JUN 15/09

BOEING
737-600/700/800/900
PARTS CATALOG (MAINTENANCE)

FIG ITEM	PART NUMBER	1 2 3 4 5 6 7	NOMENCLATURE	EFFECT FROM TO	UNITS PER ASSY
R R R R R R R R R R R R R R R	5 65	411A2218-3A	.SEAL ASSY-DEPRESSOR MISCELLANEOUS DATA: CUSTOMER MUST SPECIFY TAIL NUMBER AND/OR COLOR WHEN ORDERING.	028200 968999	1
	70	BACS12CK3-8	.SCREW	028200 968999	4
	75	MS24693C272	.SCREW-	028200 968999	5
	80	411A2219-25	.PLATE ASSY-SCUFF POSITION DATA: FWD	028200 968999	1
	85	411A2229-33	.PLATE ASSY-SCUFF POSITION DATA: CTR	028200 968999	1
	90	411A2219-27	.PLATE ASSY-SCUFF POSITION DATA: AFT	028200 968999	1
	120	BACS12ER3K8	.SCREW	028200 968999	4
	125	BACW10UC10P	.WASHER	028200 968999	4
	150	411A2213-19A	.PANEL ASSY- MISCELLANEOUS DATA: N1440162794 LIAISON CHANGE PART NUMBER: 411A2213-19AMN1440162794 SPARES SUPPORT PART NUMBER: 411A2213-19AMN1440162794	028200 968999	1
	155	411A2226-4	..GROMMET	028200 968999	17
	160	411A2227-7A	..CAP-EDGE	028200 968999	1
	165	411A2213-20A	..PANEL ASSY-BASE	028200 968999	1
	200	411A2213-24B	.PANEL ASSY	028200 968999	1
	205	411A2226-4	..GROMMET	028200 968999	17
	210	411A2219-49B	..RETAINER ASSY-EDGE	028200 968999	1
215	411A2229-143A	...STOP	028200 968999	1	
- 220	BACR15BA3ADC	ATTACHING PARTS ...RIVET- SIZE DETERMINED ON INSTL. -----*-----	028200 968999	2	

MISSING ITEM NUMBERS NOT APPLICABLE

- ITEM NOT ILLUSTRATED

HAP

25-21-25-05

25-21-25
FIG. 05
PAGE 2
JUN 15/09


BOEING
 737-600/700/800/900
PARTS CATALOG (MAINTENANCE)

FIG ITEM	PART NUMBER	1 2 3 4 5 6 7	NOMENCLATURE	EFFECT FROM TO	UNITS PER ASSY
5					
225	411A2219-40	...	FILLER- SUPPLIER CODE: V77824	028200 968999	1
230	411A2229-165	...	RETAINER	028200 968999	1
MISSING ITEM NUMBERS NOT APPLICABLE					

- ITEM NOT ILLUSTRATED

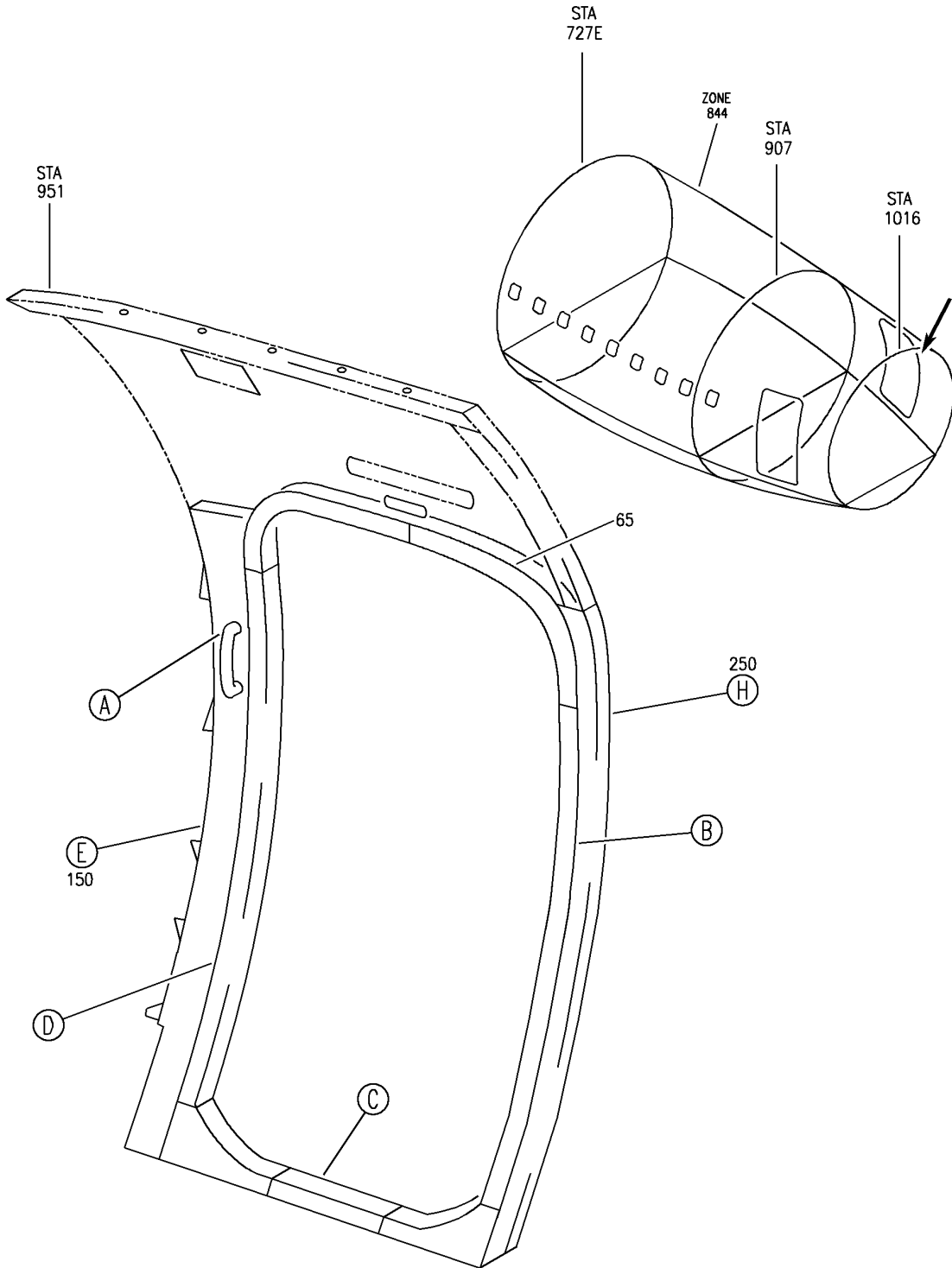
HAP

25-21-25-05

BOEING PROPRIETARY - Copyright © - Unpublished Work - See title page for details.

25-21-25
 FIG. 05
 PAGE 3
 JUN 15/09

BOEING
 737-600/700/800/900
 PARTS CATALOG (MAINTENANCE)



E 25212507 SHT 1 REV 124

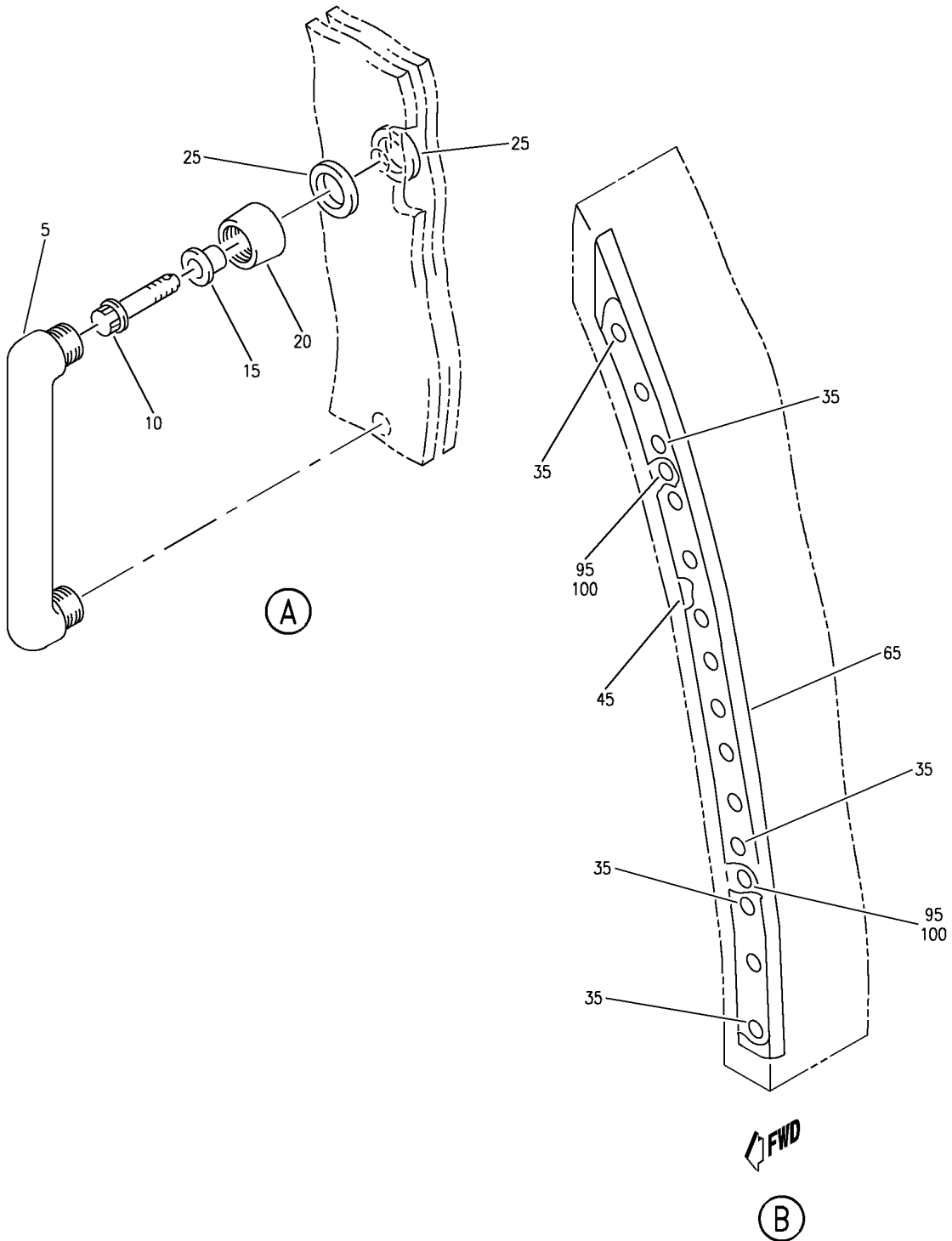
LINING INSTL-(SIDEWALL LINING (AFT ENTRY AND AFT SERVICE DOORWAYS) PANELS ONLY)
 FIGURE 7 (SHEET 1)

HAP
 FEB 10/07

25-21-25-07

25-21-25-07
 PAGE 0

BOEING
 737-600/700/800/900
 PARTS CATALOG (MAINTENANCE)



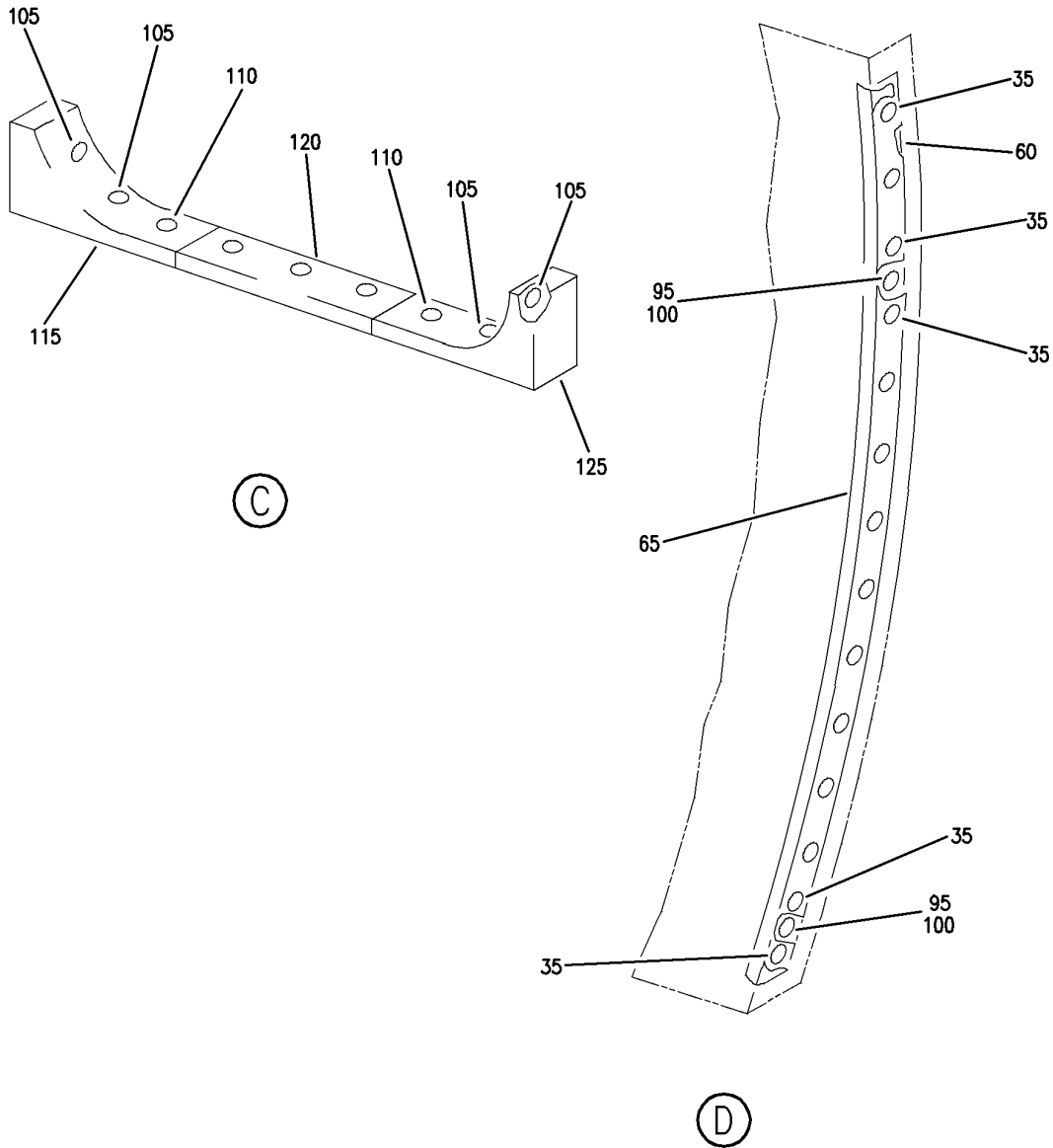
E 25212507 SHT 2 REV 130

LINING INSTL-(SIDEWALL LINING (AFT ENTRY AND AFT SERVICE DOORWAYS) PANELS ONLY)
 FIGURE 7 (SHEET 2)

HAP
 JUN 10/07

25-21-25-07

25-21-25-07
 PAGE 0A



E 25212507 SHT 3 REV 063

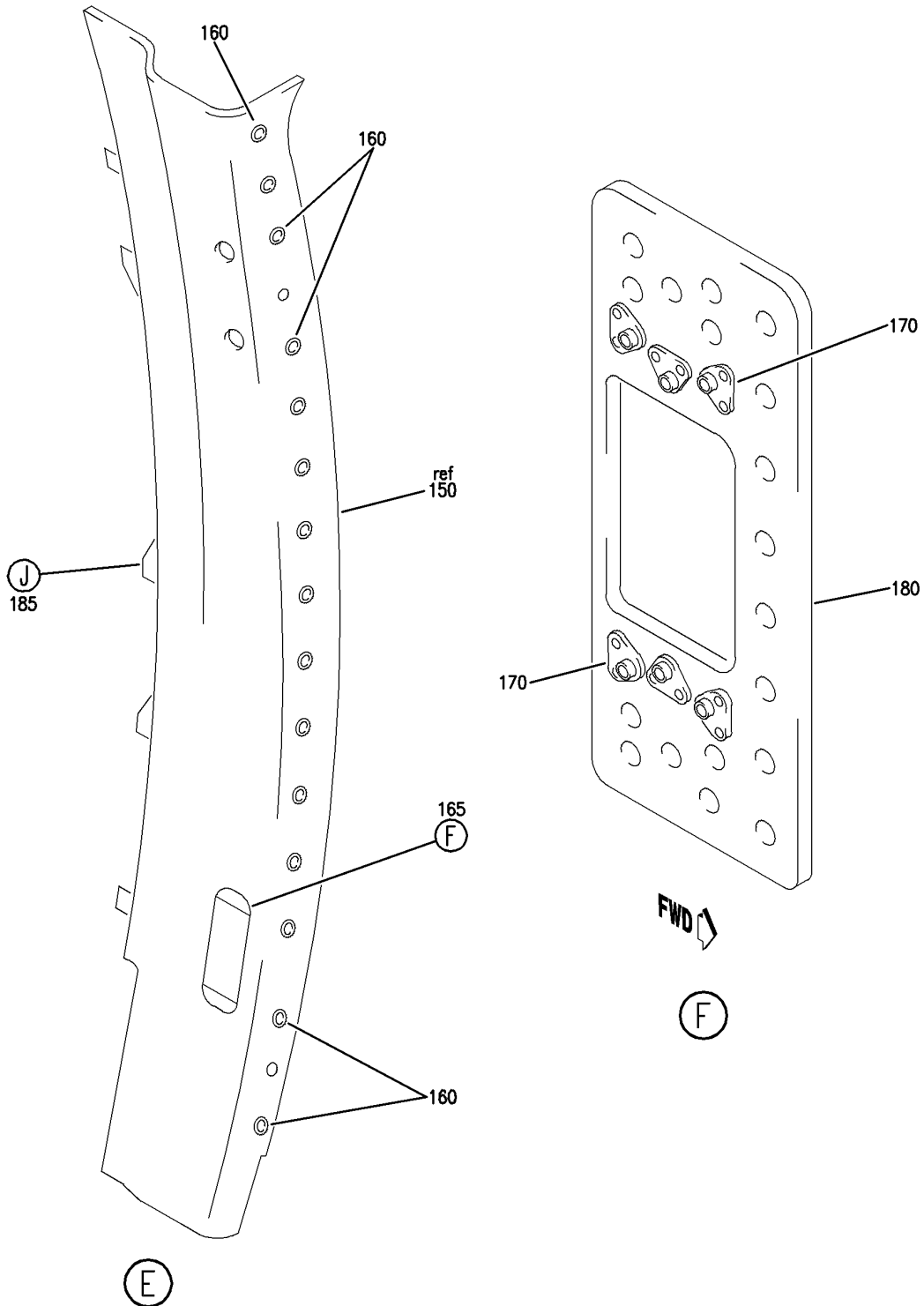
LINING INSTL-(SIDEWALL LINING (AFT ENTRY AND AFT SERVICE DOORWAYS) PANELS ONLY)
 FIGURE 7 (SHEET 3)

25-21-25-07

HAP
 OCT 10/06

25-21-25-07
 PAGE 0B

BOEING
 737-600/700/800/900
 PARTS CATALOG (MAINTENANCE)



E 25212507 SHT 4 REV 063

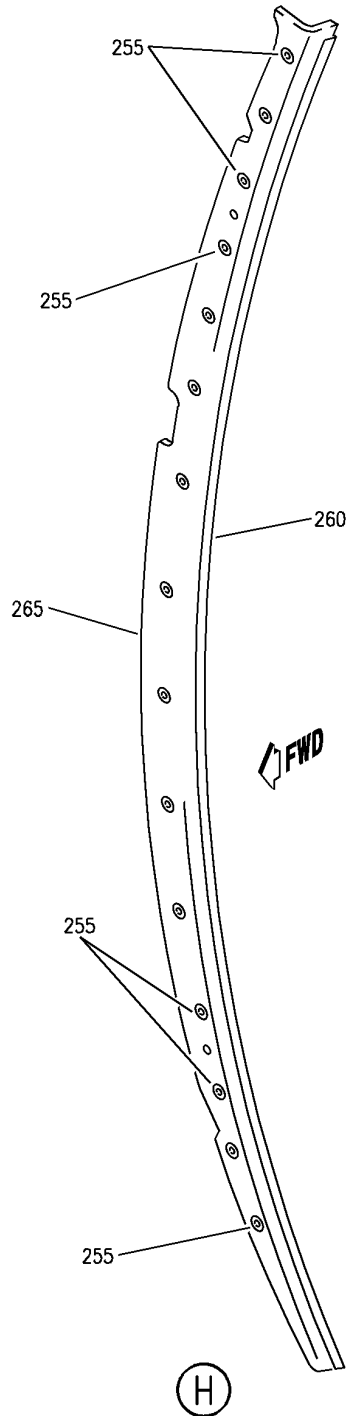
LINING INSTL-(SIDEWALL LINING (AFT ENTRY AND AFT SERVICE DOORWAYS) PANELS ONLY)
 FIGURE 7 (SHEET 4)

HAP
 OCT 10/06

25-21-25-07

25-21-25-07
 PAGE 0C

BOEING
737-600/700/800/900
PARTS CATALOG (MAINTENANCE)



E 25212507 SHT 5 REV 124

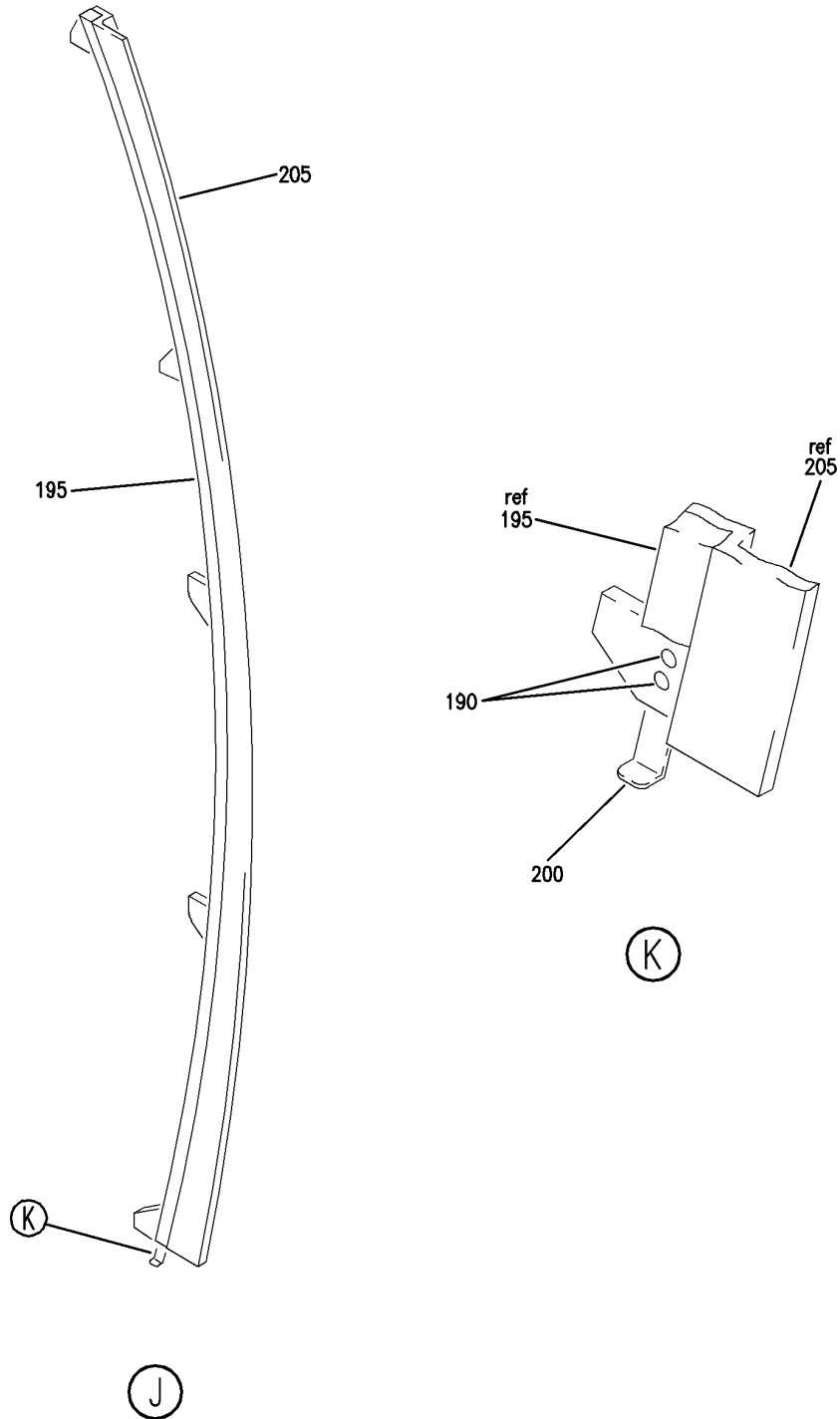
LINING INSTL-(SIDEWALL LINING (AFT ENTRY AND AFT SERVICE DOORWAYS) PANELS ONLY)
FIGURE 7 (SHEET 5)

HAP
FEB 10/07

25-21-25-07

25-21-25-07
PAGE 0D

BOEING
737-600/700/800/900
PARTS CATALOG (MAINTENANCE)



E 25212507 SHT 6 REV 063

LINING INSTL-(SIDEWALL LINING (AFT ENTRY AND AFT SERVICE DOORWAYS) PANELS ONLY)
FIGURE 7 (SHEET 6)

HAP
OCT 10/06

25-21-25-07

25-21-25-07
PAGE 0E

BOEING PROPRIETARY - Copyright © - Unpublished Work - See title page for details.

BOEING
737-600/700/800/900
PARTS CATALOG (MAINTENANCE)

FIG ITEM	PART NUMBER	1 2 3 4 5 6 7	NOMENCLATURE	EFFECT FROM TO	UNITS PER ASSY
7			LINING INSTL-(SIDEWALL LINING (AFT ENTRY AND AFT SERVICE DOORWAYS) PANELS ONLY)	012027	
- 2	411A2204-13SP		LINING INSTL-(SIDEWALL LINING (AFT ENTRY AND AFT SERVICE DOORWAYS) PANELS ONLY) POSITION DATA: RH FOR NHA/ADDITIONAL DET SEE: 25-21-00-01D	012027	RF
5	65-5458-20SP		.HANDLE-ASSIST	012027	1
10	BACB30LE4K10		.BOLT	012027	2
15	66-9776-9		.COLLAR-	012027	2
20	65-5458-21SP		.NUT-	012027	2
25	66-4453-15SP		.COLLAR-SPRT	012027	4
35	BACS12FA3K10		.SCREW	012027	28
45	411A2229-105SP		.RETAINER-	012027	1
60	411A2229-184SP		.RETAINER-	012027	1
65	411A2218-4SP		.SEAL ASSY-DEPRESSOR	012027	1
65	411A2218-27SP		.SEAL ASSY-DEPRESSOR	012027	1
95	BACS12ER3K8		.SCREW	012027	4
100	BACW10UC10P		.WASHER	012027	4
105	BACS12CK3-8		.SCREW	012027	4
110	MS24693C272		.SCREW-	012027	5
115	411A2219-26		.PLATE ASSY-SCUFF POSITION DATA: FWD	012027	1
120	411A2229-32		.PLATE-SCUFF POSITION DATA: CTR	012027	1
125	411A2219-28		.PLATE ASSY-SCUFF POSITION DATA: AFT	012027	1
150	411A2214-22SP		.PANEL ASSY-	012027	1
160	411A2226-4		..GROMMET	012027	15
165	411A2229-21		..BRACKET ASSY	012027	1

MISSING ITEM NUMBERS NOT APPLICABLE

- ITEM NOT ILLUSTRATED

HAP

25-21-25-07

25-21-25
FIG. 07
PAGE 1
JUN 10/07

BOEING
737-600/700/800/900
PARTS CATALOG (MAINTENANCE)

FIG ITEM	PART NUMBER	1 2 3 4 5 6 7	NOMENCLATURE	EFFECT FROM TO	UNITS PER ASSY
7 170	T8078S632		...NUTPLATE SUPPLIER CODE: V11815 SPECIFICATION NUMBER: BACN10JP06C OPTIONAL PART: MK3000-06BAC V15653 NS103199-62 V80539 RMA9205M62 V72962 VN203A1-62L V92215 BRM300A06L V52828 ATTACHING PARTS	012027	6
- 175	BACR15BA3AD		...RIVET- SIZE DETERMINED ON INSTL. -----*-----	012027	12
180	411A2229-22		...BRACKET	012027	1
185	411A2219-50SP		..RETAINER ASSY-EDGE	012027	1
190	BACR15BA3AD		...RIVET- SIZE DETERMINED ON INSTL.	012027	2
195	411A2219-40		...FILLER- SUPPLIER CODE: V77824	012027	1
200	411A2229-143SP		...STOP-MULLION	012027	1
205	411A2229-166		...RETAINER	012027	1
250	411A2214-15SP		.PANEL ASSY-	012027	1
255	411A2226-4		..GROMMET	012027	15
260	411A2227-9SP		..CAP-EDGE	012027	1
265	411A2214-16SP		..PANEL ASSY-BASE	012027	1

MISSING ITEM NUMBERS NOT APPLICABLE

- ITEM NOT ILLUSTRATED

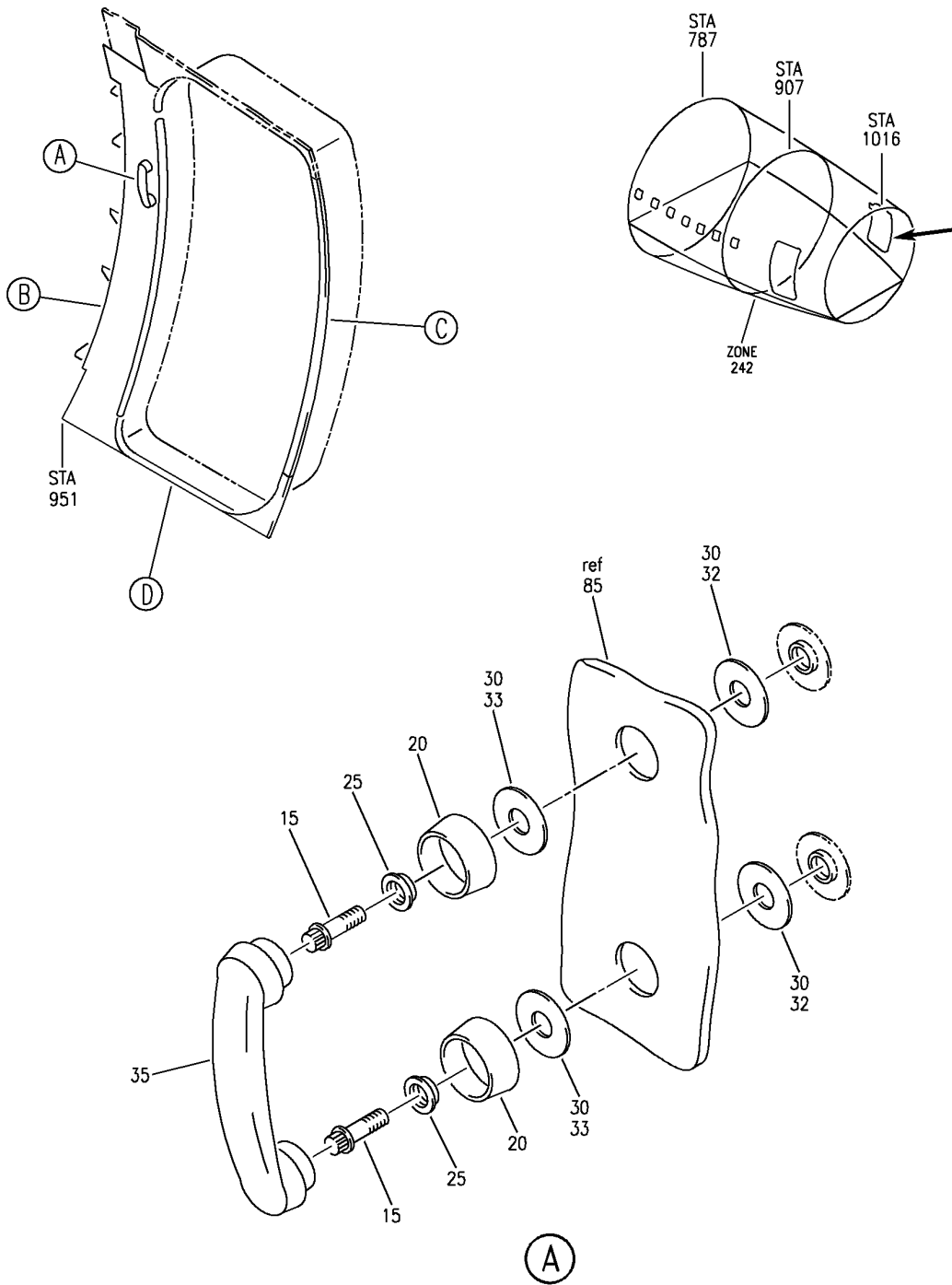
HAP

25-21-25-07

BOEING PROPRIETARY - Copyright © - Unpublished Work - See title page for details.

25-21-25
FIG. 07
PAGE 2
FEB 10/07

BOEING
 737-600/700/800/900
 PARTS CATALOG (MAINTENANCE)



E 25212507A SHT 1 REV 130

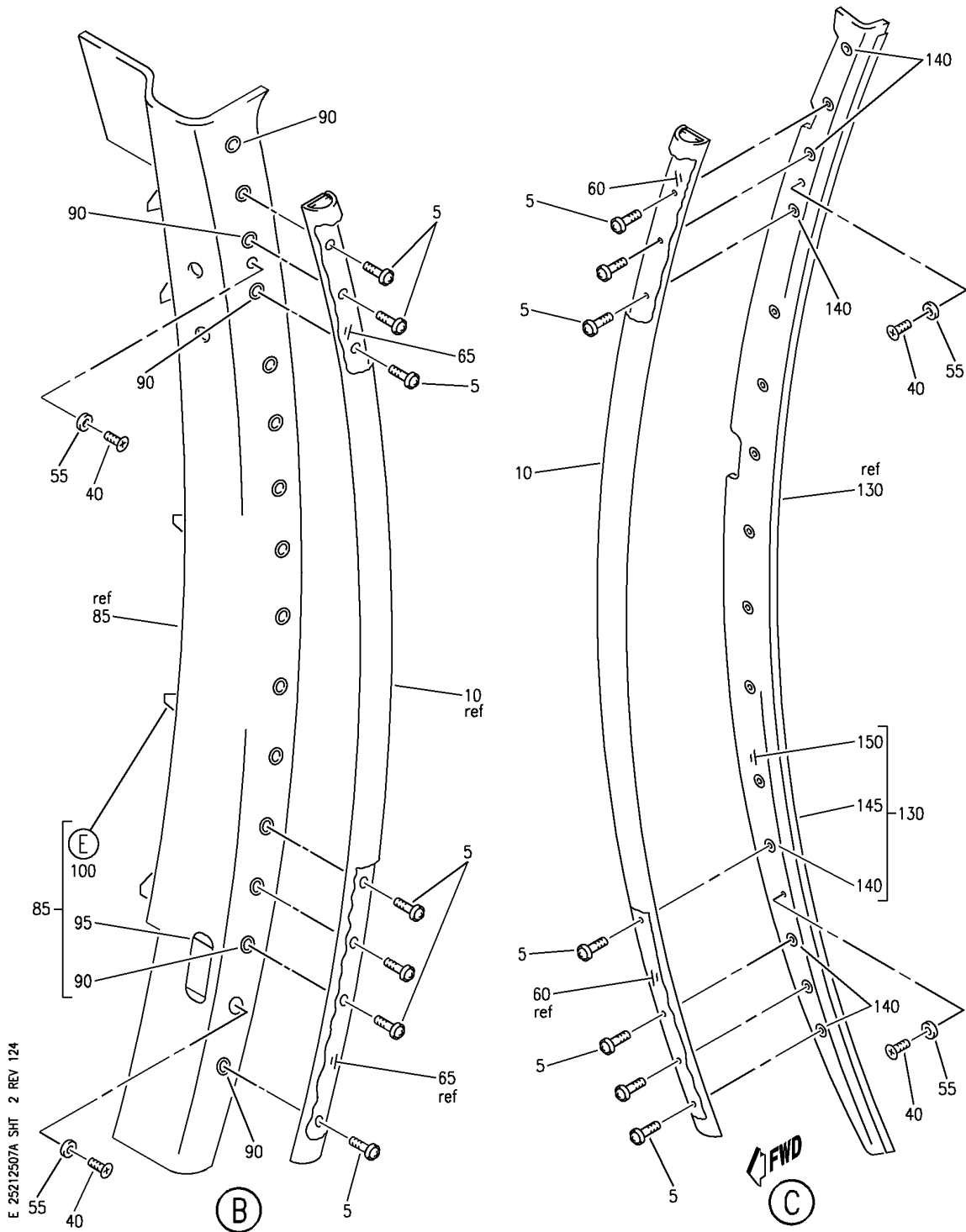
LINING INSTL-(SIDEWALL LINING (AFT ENTRY AND AFT SERVICE DOORWAYS) PANELS ONLY)
 FIGURE 7A (SHEET 1)

HAP
 JUN 10/07

25-21-25-07A

25-21-25-07A
 PAGE 0


BOEING
 737-600/700/800/900
PARTS CATALOG (MAINTENANCE)



E 25212507A SHT 2 REV 124

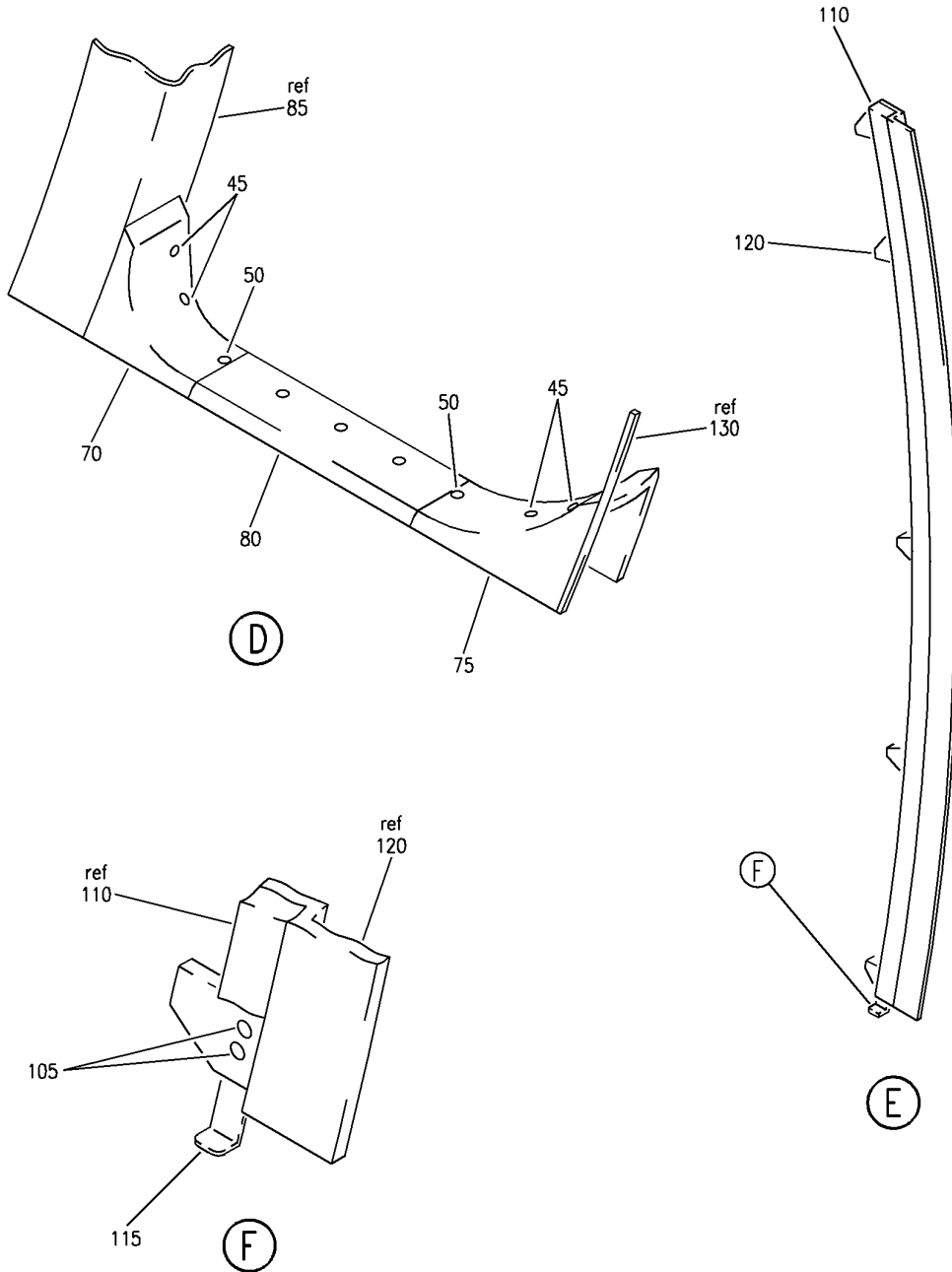
LINING INSTL-(SIDEWALL LINING (AFT ENTRY AND AFT SERVICE DOORWAYS) PANELS ONLY)
 FIGURE 7A (SHEET 2)

HAP
FEB 10/07

25-21-25-07A

25-21-25-07A
PAGE 0A

BOEING
 737-600/700/800/900
 PARTS CATALOG (MAINTENANCE)



E 25212507A SHT 3 REV 124

LINING INSTL-(SIDEWALL LINING (AFT ENTRY AND AFT SERVICE DOORWAYS) PANELS ONLY)
 FIGURE 7A (SHEET 3)

HAP
 FEB 10/07

25-21-25-07A

25-21-25-07A
 PAGE 0B

BOEING
737-600/700/800/900
PARTS CATALOG (MAINTENANCE)

FIG ITEM	PART NUMBER	1 2 3 4 5 6 7	NOMENCLATURE	EFFECT FROM TO	UNITS PER ASSY
7A			LINING INSTL-(SIDEWALL LINING (AFT ENTRY AND AFT SERVICE DOORWAYS) PANELS ONLY)	001011 201967	
- 1	411A2204-4SP		LINING INSTL-(SIDEWALL LINING (AFT ENTRY AND AFT SERVICE DOORWAYS) PANELS ONLY) POSITION DATA: AFT RH FOR NHA/OTHER SYS DET SEE: 25-21-00-01A 25-21-00-01D	001011 201967	RF
5	BACS12FA3K10		.SCREW	001011 201967	28
10	411A2218-27SP		.SEAL ASSY-DEPRESSOR OPTIONAL PART: 411A2218-4SP	001011 201967	1
10	411A2218-4SP		.SEAL ASSY-DEPRESSOR OPTIONAL PART: 411A2218-27SP	001011 201967	1
15	BACB30LE4K10		.BOLT	001011 201967	2
20	65-5458-21SP		.NUT-	001011 201967	2
25	66-9776-9		.COLLAR	001011 201967	2
30	66-4453-15SP		.COLLAR	001011 201967	4
35	65-5458-20SP		.HANDLE-ASSIST	001011 201967	1
40	BACS12ER3K8		.SCREW	001011 201967	4
45	BACS12CK3-8		.SCREW	001011 201967	4
50	MS24693C272		.SCREW	001011 201967	5
55	BACW10UC10P		.WASHER	001011 201967	4
60	411A2229-105		.RETAINER	001011 201967	1
65	411A2229-184		.RETAINER	001011 201967	1
70	411A2219-26		.PLATE ASSY	001011 201967	1
75	411A2219-28		.PLATE ASSY	001011 201967	1
80	411A2229-32		.PLATE	001011 201967	1

MISSING ITEM NUMBERS NOT APPLICABLE

- ITEM NOT ILLUSTRATED

HAP

25-21-25-07A

BOEING PROPRIETARY - Copyright © - Unpublished Work - See title page for details.

25-21-25
FIG. 07A
PAGE 1
OCT 15/08

BOEING
737-600/700/800/900
PARTS CATALOG (MAINTENANCE)

FIG ITEM	PART NUMBER	1 2 3 4 5 6 7	NOMENCLATURE	EFFECT FROM TO	UNITS PER ASSY
7A					
85	411A2214-22SP	.	PANEL ASSY	001011 201967	1
90	411A2226-4	..	GROMMET	001011 201967	15
95	411A2229-21	..	BRACKET ASSY	001011 201967	1
100	411A2219-50SP	..	RETAINER ASSY-EDGE	001011 201967	1
105	BACR15BA3AD	...	RIVET- SIZE DETERMINED ON INSTL.	001011 201967	2
110	411A2219-40	...	FILLER- SUPPLIER CODE: V77824	001011 201967	1
115	411A2229-143SP	...	STOP-MULLION	001011 201967	1
120	411A2229-166	...	RETAINER	001011 201967	1
130	411A2214-15SP	.	PANEL ASSY	001011 201967	1
140	411A2226-4	..	GROMMET	001011 201967	15
145	411A2227-9SP	..	CAP-EDGE	001011 201967	1
150	411A2214-16SP	..	PANEL ASSY	001011 201967	1

MISSING ITEM NUMBERS NOT APPLICABLE

— ITEM NOT ILLUSTRATED

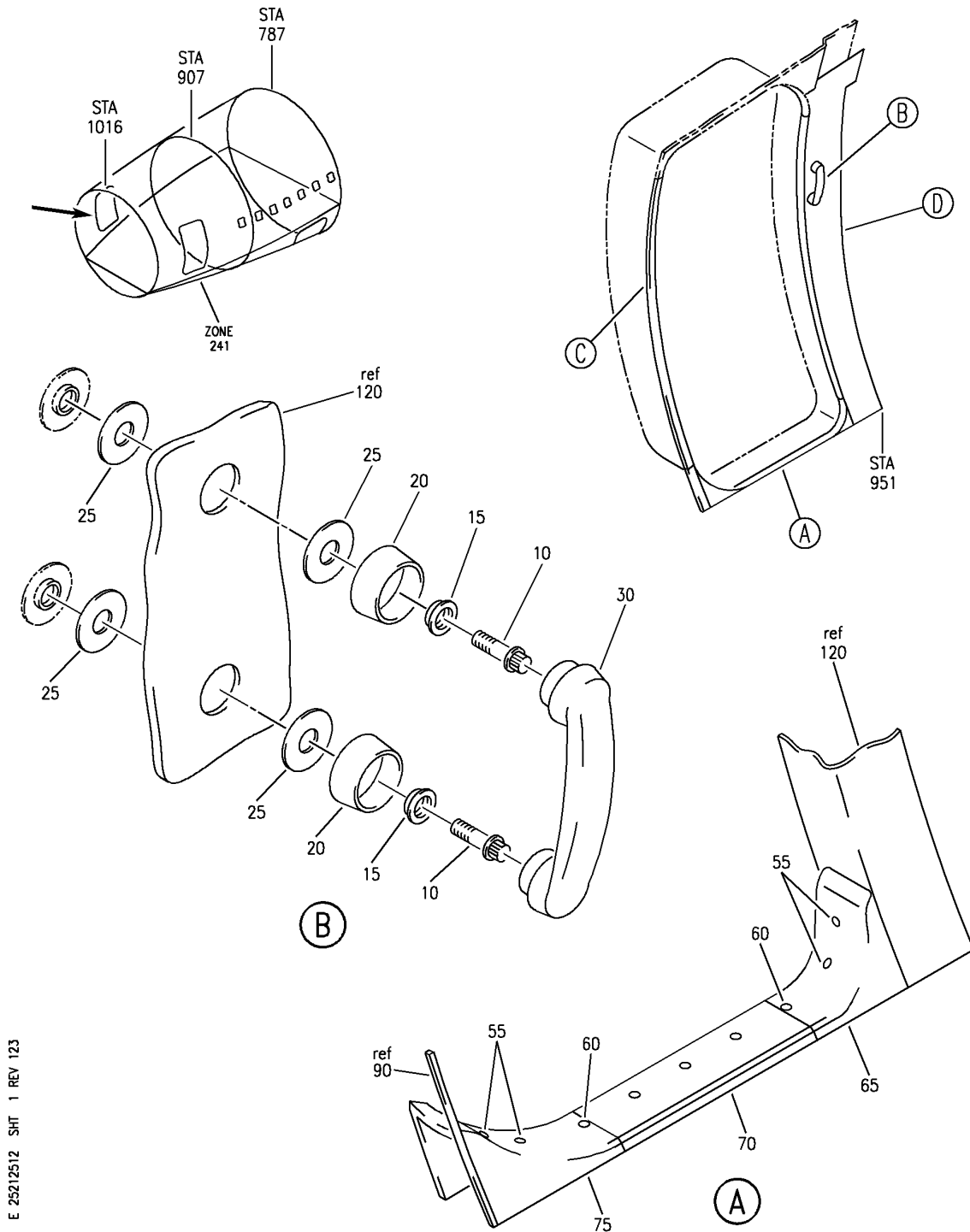
HAP

25-21-25-07A

BOEING PROPRIETARY - Copyright © - Unpublished Work - See title page for details.

25-21-25
FIG. 07A
PAGE 2
OCT 15/08

BOEING
 737-600/700/800/900
 PARTS CATALOG (MAINTENANCE)



E 25212512 SH1 1 REV 123

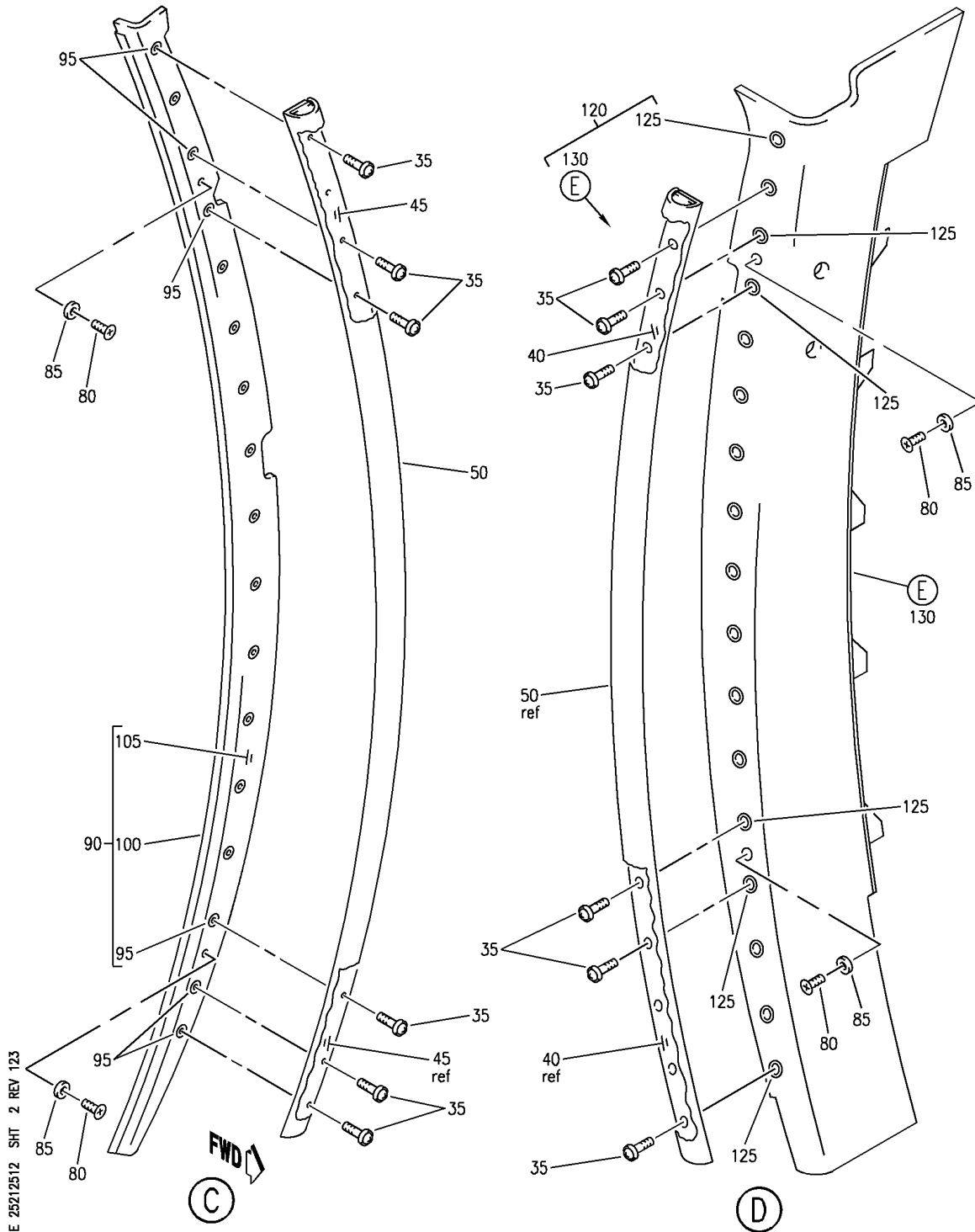
LINING INSTL-AFT LH DOORWAY (SIDEWALL LINING (AFT ENTRY AND AFT SERVICE DOORWAYS) PANELS ONLY)
 FIGURE 12 (SHEET 1)

HAP
 FEB 10/07

25-21-25-12

25-21-25-12
 PAGE 0


BOEING
 737-600/700/800/900
PARTS CATALOG (MAINTENANCE)



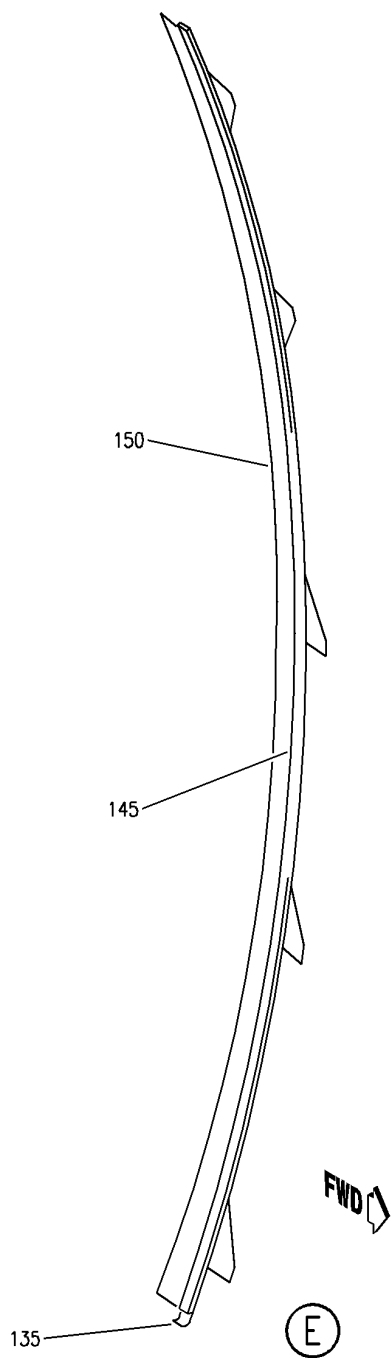
LINING INSTL-AFT LH DOORWAY (SIDEWALL LINING (AFT ENTRY AND AFT SERVICE DOORWAYS) PANELS ONLY)
 FIGURE 12 (SHEET 2)

HAP
 FEB 10/07

25-21-25-12

25-21-25-12
 PAGE 0A

BOEING
737-600/700/800/900
PARTS CATALOG (MAINTENANCE)



E 25212512 SH1 3 REV 123

LINING INSTL-AFT LH DOORWAY (SIDEWALL LINING (AFT ENTRY AND AFT SERVICE DOORWAYS) PANELS ONLY)
FIGURE 12 (SHEET 3)

HAP
FEB 10/07

25-21-25-12

25-21-25-12
PAGE 0B

BOEING
737-600/700/800/900
PARTS CATALOG (MAINTENANCE)

FIG ITEM	PART NUMBER	1 2 3 4 5 6 7	NOMENCLATURE	EFFECT FROM TO	UNITS PER ASSY
12			LINING INSTL-AFT LH DOORWAY (SIDEWALL LINING (AFT ENTRY AND AFT SERVICE DOORWAYS) PANELS ONLY)	001027 201967	
- 1	411A2203-6SP		LINING INSTL-DOORWAY (SIDEWALL LINING (AFT ENTRY AND AFT SERVICE DOORWAYS) PANELS ONLY) POSITION DATA: AFT LH FOR NHA/ADDITIONAL DET SEE: 25-21-00-01A 25-21-00-01D	001027 201967	RF
	10 BACB30LE4K10		.BOLT	001027 201967	2
	15 66-9776-9		.COLLAR	001027 201967	2
R	20 65-5458-21E		.NUT	001027 201967	2
R	25 66-4453-15B		.COLLAR-SPRT	001027 201967	2
R	30 65-5458-20E		.HANDLE-SPRT	001027 201967	1
R	35 BACS12FA3K10		.SCREW	001027 201967	33
R	40 411A2229-175B		.RETAINER- MISCELLANEOUS DATA: CUSTOMER MUST SPECIFY COLOR AND/OR TAIL NUMBER WHEN ORDERING	001027 201967	1
R	45 411A2229-74A		.RETAINER- MISCELLANEOUS DATA: CUSTOMER MUST SPECIFY COLOR AND/OR TAIL NUMBER WHEN ORDERING	001027 201967	1
R	50 411A2218-26A		.SEAL ASSY-DEPRESSOR MISCELLANEOUS DATA: CUSTOMER MUST SPECIFY TAIL NUMBER AND/OR COLOR WHEN ORDERING.	001027 201967	1
R	50 411A2218-3A		.SEAL ASSY-DEPRESSOR MISCELLANEOUS DATA: CUSTOMER MUST SPECIFY TAIL NUMBER AND/OR COLOR WHEN ORDERING.	001027 201967	1
R	55 BACS12CK3-8		.SCREW	001027 201967	4
R	60 MS24693C272		.SCREW	001027 201967	5

MISSING ITEM NUMBERS NOT APPLICABLE

- ITEM NOT ILLUSTRATED

HAP

25-21-25-12

25-21-25
FIG. 12
PAGE 1
JUN 15/09

BOEING
737-600/700/800/900
PARTS CATALOG (MAINTENANCE)

FIG ITEM	PART NUMBER	1 2 3 4 5 6 7	NOMENCLATURE	EFFECT FROM TO	UNITS PER ASSY
12					
65	411A2219-25		.PLATE ASSY-SCUFF POSITION DATA: FWD	001027 201967	1
70	411A2229-33		.PLATE ASSY-SCUFF POSITION DATA: CTR	001027 201967	1
75	411A2219-27		.PLATE ASSY-SCUFF POSITION DATA: AFT	001027 201967	1
80	BACS12ER3K8		.SCREW	001027 201967	4
85	BACW10UC10P		.WASHER	001027 201967	4
R R	90	411A2213-19A	.PANEL ASSY	001027 201967	1
	95	411A2226-4	..GROMMET	001027 201967	17
R R R R R	100	411A2227-7A	..CAP-EDGE	001027 201967	1
	105	411A2213-20A	..PANEL ASSY-BASE	001027 201967	1
	120	411A2213-24B	.PANEL ASSY	001027 201967	1
	125	411A2226-4	..GROMMET	001027 201967	17
R R R	130	411A2219-49B	..RETAINER ASSY-EDGE	001027 201967	1
	135	411A2229-143A	...STOP	001027 201967	1
-	140	BACR15BA3ADC	ATTACHING PARTS ...RIVET- SIZE DETERMINED ON INSTL. -----*-----	001027 201967	2
	145	411A2219-40	...FILLER- SUPPLIER CODE: V77824	001027 201967	1
	150	411A2229-165	...RETAINER	001027 201967	1

MISSING ITEM NUMBERS NOT APPLICABLE

- ITEM NOT ILLUSTRATED

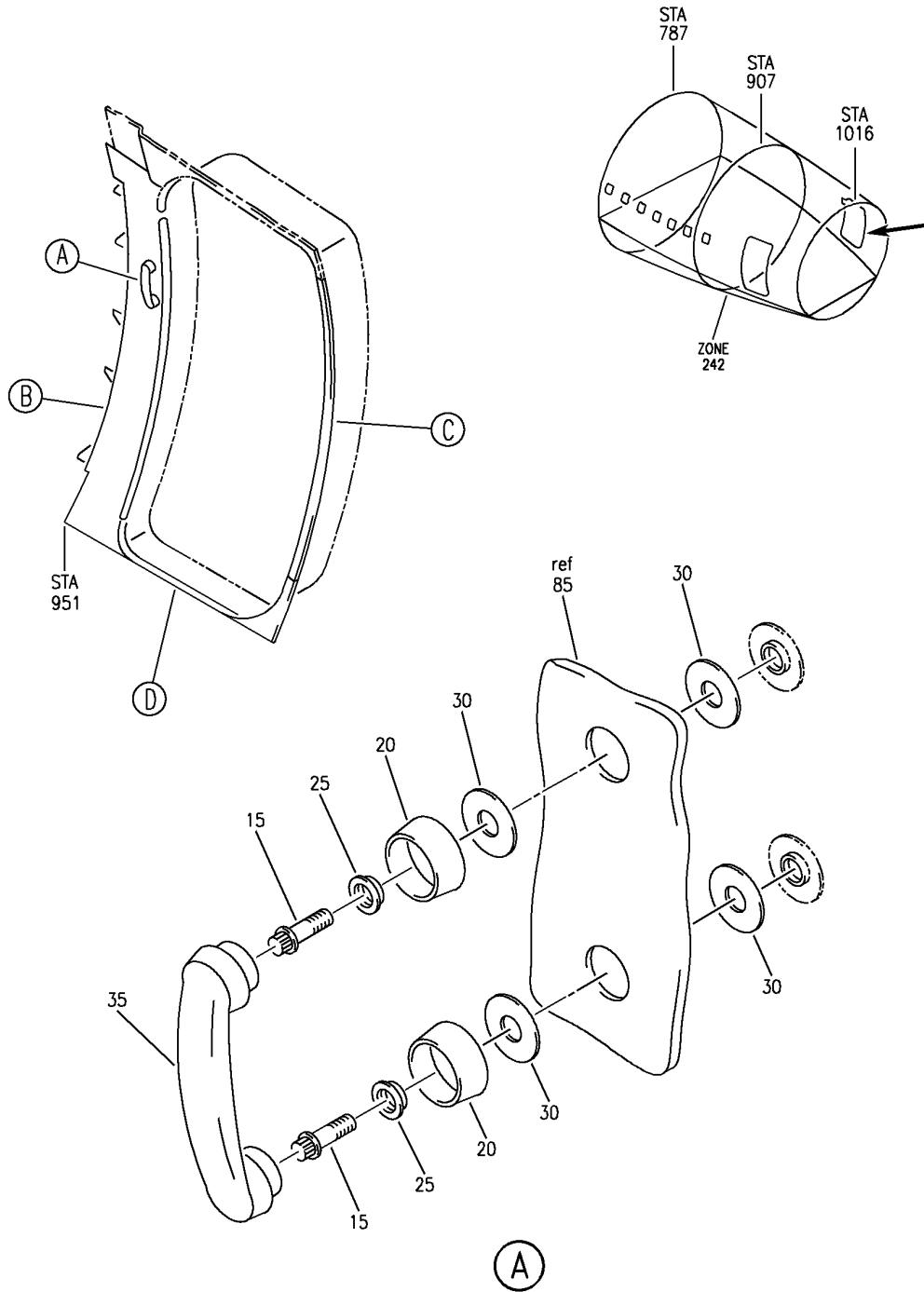
HAP

25-21-25-12

BOEING PROPRIETARY - Copyright © - Unpublished Work - See title page for details.

25-21-25
FIG. 12
PAGE 2
JUN 15/09

BOEING
 737-600/700/800/900
 PARTS CATALOG (MAINTENANCE)



E 25212522 SHT 1 REV 124

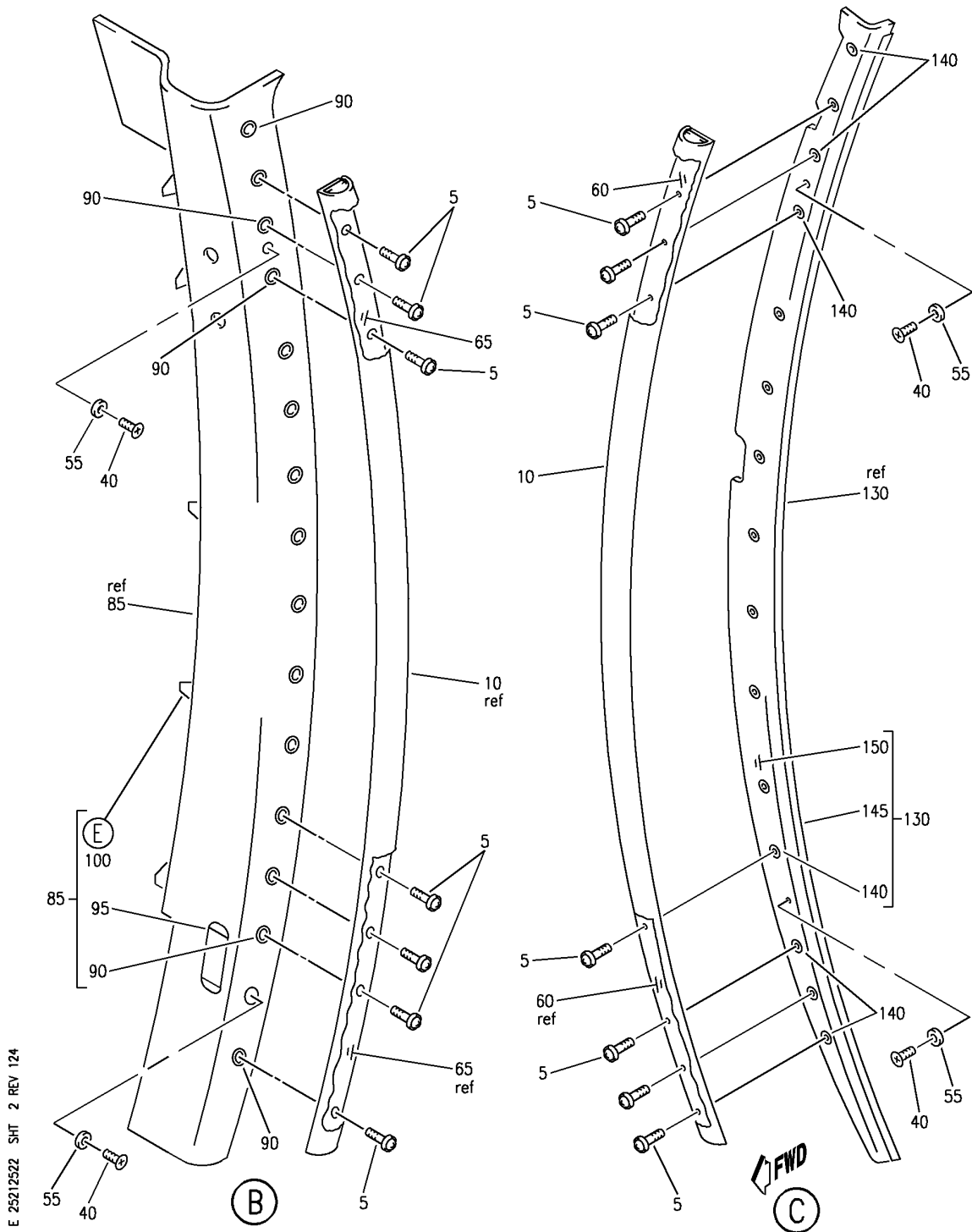
LINING INSTL-AFT RH DOORWAY (SIDEWALL LINING (AFT ENTRY AND AFT SERVICE DOORWAYS) PANELS ONLY)
 FIGURE 22 (SHEET 1)

25-21-25-22

HAP
 FEB 10/07

25-21-25-22
 PAGE 0

BOEING
737-600/700/800/900
PARTS CATALOG (MAINTENANCE)



E 25212522 SHT 2 REV 124

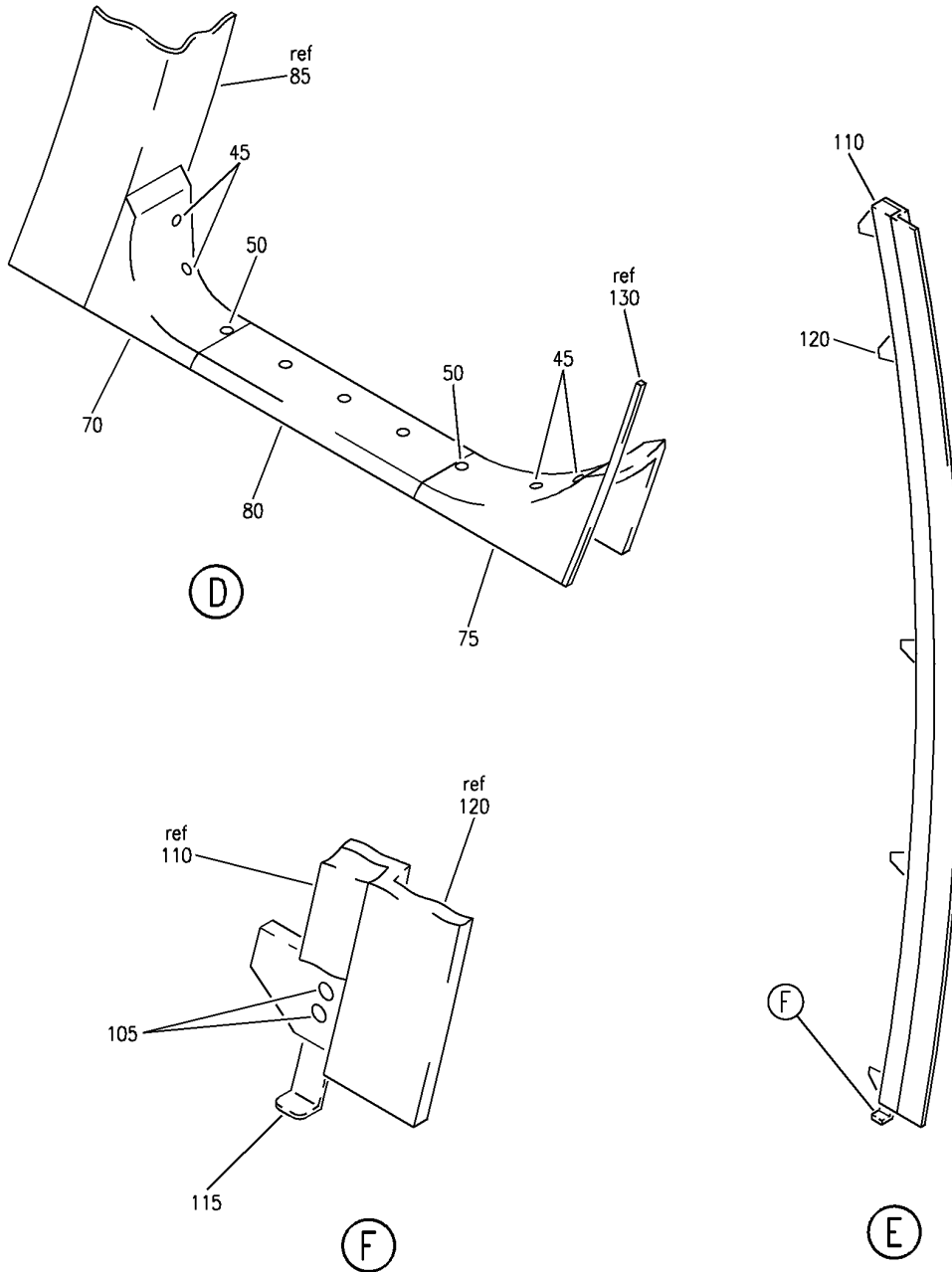
LINING INSTL-AFT RH DOORWAY (SIDEWALL LINING (AFT ENTRY AND AFT SERVICE DOORWAYS) PANELS ONLY)
FIGURE 22 (SHEET 2)

25-21-25-22

HAP
FEB 10/07

25-21-25-22
PAGE 0A

BOEING
 737-600/700/800/900
 PARTS CATALOG (MAINTENANCE)



E 25212522 SHT 3 REV 124

LINING INSTL-AFT RH DOORWAY (SIDEWALL LINING (AFT ENTRY AND AFT SERVICE DOORWAYS) PANELS ONLY)
 FIGURE 22 (SHEET 3)

HAP
 FEB 10/07

25-21-25-22

25-21-25-22
 PAGE 0B

BOEING
737-600/700/800/900
PARTS CATALOG (MAINTENANCE)

FIG ITEM	PART NUMBER	1 2 3 4 5 6 7	NOMENCLATURE	EFFECT FROM TO	UNITS PER ASSY
22			LINING INSTL-AFT RH DOORWAY (SIDEWALL LINING (AFT ENTRY AND AFT SERVICE DOORWAYS) PANELS ONLY)	028200 968999	
- 1	411A2204-23SP		LINING INSTL-DOORWAY (SIDEWALL LINING (AFT ENTRY AND AFT SERVICE DOORWAYS) PANELS ONLY) POSITION DATA: AFT RH FOR NHA/ADDITIONAL DET SEE: 25-21-00-01D	028030	RF
- 1	MODREF222929		LINING INSTL-DOORWAY (SIDEWALL LINING (AFT ENTRY AND AFT SERVICE DOORWAYS) PANELS ONLY) MODULE NUMBER: 411A2204-23B REV D POSITION DATA: AFT RH FOR ADDITIONAL DETAILS SEE: 25-21-24-22	031200 968999	RF
5	BACS12FA3K10		.SCREW	028200 968999	28
10	411A2218-27SP		.SEAL ASSY-DEPRESSOR	028200 968999	1
10	411A2218-4SP		.SEAL ASSY-DEPRESSOR	028200 968999	1
15	BACB30LE4K10		.BOLT	028200 968999	2
20	65-5458-21SP		.NUT	028200 968999	2
25	66-9776-9		.COLLAR	028200 968999	2
30	66-4453-15SP		.COLLAR	028200 968999	4
35	65-5458-20SP		.HANDLE-ASSIST	028200 968999	1
40	BACS12ER3K8		.SCREW	028200 968999	4
45	BACS12CK3-8		.SCREW	028200 968999	4
50	MS24693C272		.SCREW	028200 968999	5
55	BACW10UC10P		.WASHER	028200 968999	4
60	411A2229-105		.RETAINER	028200 968999	1

MISSING ITEM NUMBERS NOT APPLICABLE

- ITEM NOT ILLUSTRATED

HAP

25-21-25-22

BOEING PROPRIETARY - Copyright © - Unpublished Work - See title page for details.

25-21-25
FIG. 22
PAGE 1
OCT 15/08

BOEING
737-600/700/800/900
PARTS CATALOG (MAINTENANCE)

FIG ITEM	PART NUMBER	1 2 3 4 5 6 7	NOMENCLATURE	EFFECT FROM TO	UNITS PER ASSY
22					
65	411A2229-184	.	RETAINER	028200 968999	1
70	411A2219-26	.	PLATE ASSY	028200 968999	1
75	411A2219-28	.	PLATE ASSY	028200 968999	1
80	411A2229-32	.	PLATE	028200 968999	1
85	411A2214-22SP	.	PANEL ASSY	028200 968999	1
90	411A2226-4	..	GROMMET	028200 968999	15
95	411A2229-21	..	BRACKET ASSY	028200 968999	1
100	411A2219-50SP	..	RETAINER ASSY-EDGE	028200 968999	1
105	BACR15BA3AD	...	RIVET- SIZE DETERMINED ON INSTL.	028200 968999	2
110	411A2219-40	...	FILLER- SUPPLIER CODE: V77824	028200 968999	1
115	411A2229-143SP	...	STOP-MULLION	028200 968999	1
120	411A2229-166	...	RETAINER	028200 968999	1
130	411A2214-15SP	.	PANEL ASSY	028200 968999	1
140	411A2226-4	..	GROMMET	028200 968999	15
145	411A2227-9SP	..	CAP-EDGE	028200 968999	1
150	411A2214-16SP	..	PANEL ASSY	028200 968999	1

MISSING ITEM NUMBERS NOT APPLICABLE

— ITEM NOT ILLUSTRATED

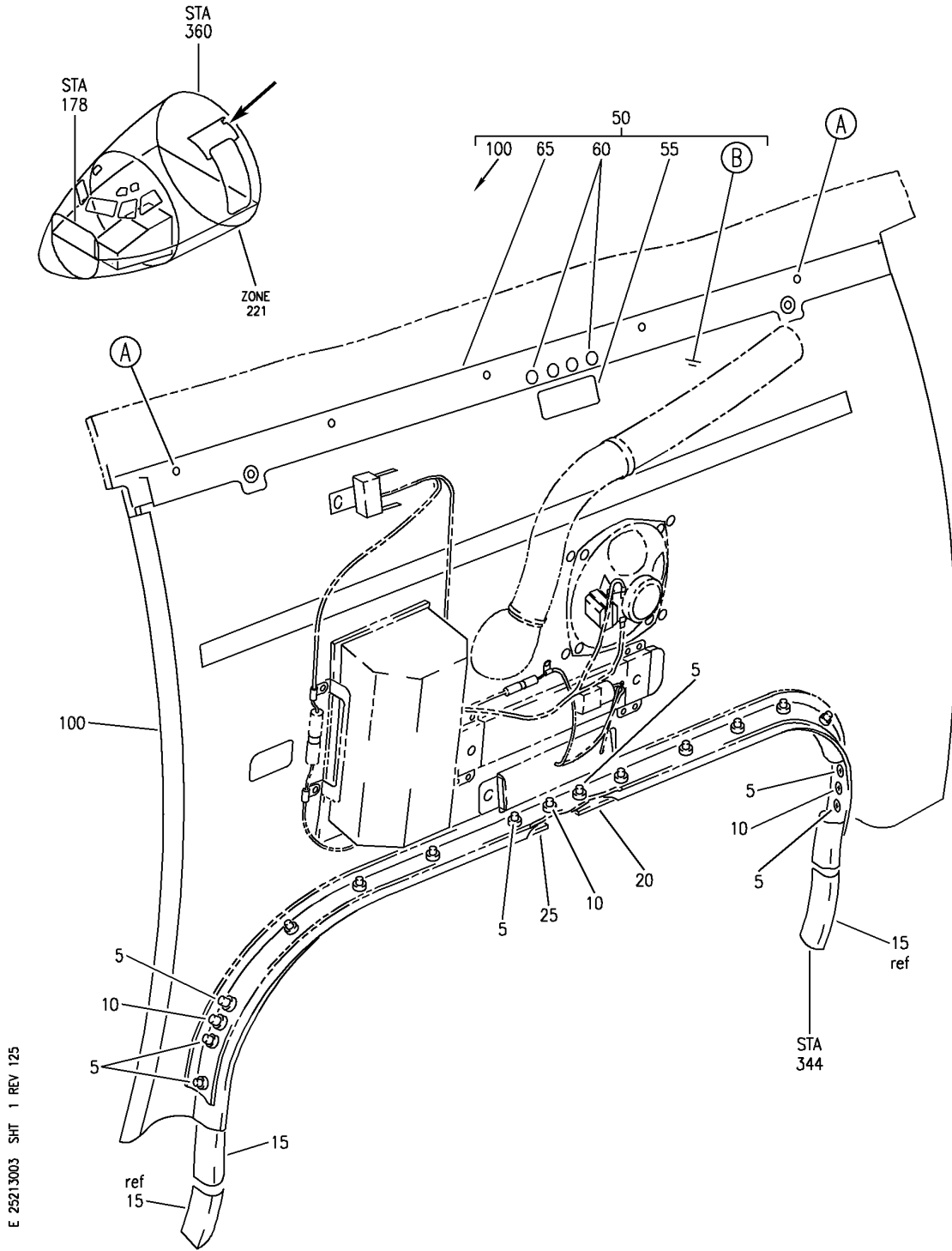
HAP

25-21-25-22

BOEING PROPRIETARY - Copyright © - Unpublished Work - See title page for details.

25-21-25
FIG. 22
PAGE 2
OCT 15/08

BOEING
 737-600/700/800/900
 PARTS CATALOG (MAINTENANCE)



E 25213003 SHT 1 REV 125

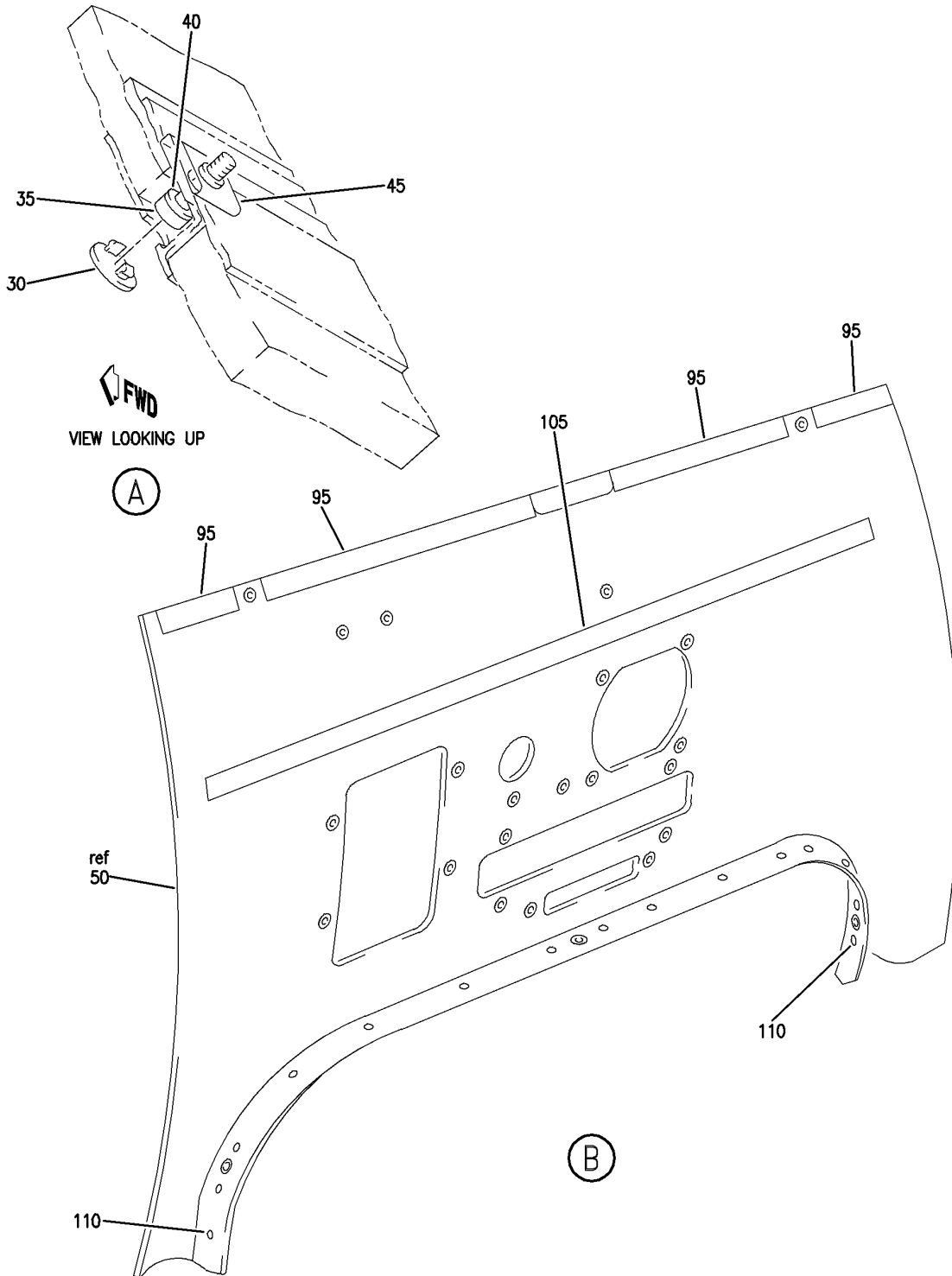
LINING INSTL-FWD LH DOORWAY (FORWARD ENTRY DOOR DOORWAY HEADER PANEL ONLY)
 FIGURE 3 (SHEET 1)

25-21-30-03

HAP
 FEB 10/07

25-21-30-03
 PAGE 0

BOEING
 737-600/700/800/900
 PARTS CATALOG (MAINTENANCE)



E 25213003 SHT 2 REV 063

LINING INSTL-FWD LH DOORWAY (FORWARD ENTRY DOOR DOORWAY HEADER PANEL ONLY)
 FIGURE 3 (SHEET 2)

25-21-30-03

HAP
 OCT 10/06

25-21-30-03
 PAGE 0A

BOEING
737-600/700/800/900
PARTS CATALOG (MAINTENANCE)

FIG ITEM	PART NUMBER	1 2 3 4 5 6 7	NOMENCLATURE	EFFECT FROM TO	UNITS PER ASSY
3			LINING INSTL-FWD LH DOORWAY (FORWARD ENTRY DOOR DOORWAY HEADER PANEL ONLY)	001027	
- 1	411A2201-10SP		LINING INSTL-DOORWAY (FORWARD ENTRY DOOR DOORWAY HEADER PANEL ONLY) POSITION DATA: FWD LH FOR NHA/ADDITIONAL DET SEE: 25-21-00-01D	001007	RF
- 1	411A2201-24SP		LINING INSTL-DOORWAY (FORWARD ENTRY DOOR DOORWAY HEADER PANEL ONLY) POSITION DATA: FWD LH FOR NHA/ADDITIONAL DET SEE: 25-21-00-01D	008027	RF
5	BACS12FA3K12		.SCREW	001027	15
10	BACS12ER3K10		.SCREW	001027	3
15	411A2218-24SP		.SEAL ASSY-DEPRESSOR OPTIONAL PART: 411A2218-1SP	001027	RF
15	411A2218-1SP		.SEAL ASSY-DEPRESSOR OPTIONAL PART: 411A2218-24SP	001027	RF
20	411A2229-65SP		.RETAINER	001027	1
25	411A2229-66SP		.RETAINER	001027	1
30	411A2226-5SP		.PLUG	001027	5
35	BACB30NT3K2		.BOLT	001027	5
40	NAS620A10L		.WASHER	001027	5
45	BRC600-8-3GP		.CLIPNUT SUPPLIER CODE: V52828 SPECIFICATION NUMBER: BACN10YD1G OPTIONAL PART: 130120G V60119	001027	5

MISSING ITEM NUMBERS NOT APPLICABLE

- ITEM NOT ILLUSTRATED

HAP

25-21-30-03

BOEING PROPRIETARY - Copyright © - Unpublished Work - See title page for details.

25-21-30
FIG. 03
PAGE 1
FEB 10/07

BOEING
737-600/700/800/900
PARTS CATALOG (MAINTENANCE)

FIG ITEM	PART NUMBER	1 2 3 4 5 6 7	NOMENCLATURE	EFFECT FROM TO	UNITS PER ASSY
3					
50	411A2211-41SP		.PANEL ASSY-(EQUIPMENT/ FURNISHINGS ONLY) FUNCTIONAL REFERENCE: AIR CONDITIONING FOR DETAILS SEE 21-23-54-77A COMMUNICATIONS FOR DETAILS SEE 23-31-03-77A LIGHTS FOR DETAILS SEE 33-51-01-77A OXYGEN FOR DETAILS SEE 35-22-11-77A 35-22-21-77A 35-22-31-77A	001007	1
50	411A2211-47SP		.PANEL ASSY-(EQUIPMENT/ FURNISHINGS ONLY) FUNCTIONAL REFERENCE: AIR CONDITIONING FOR DETAILS SEE 21-23-54-77A COMMUNICATIONS FOR DETAILS SEE 23-31-03-77A LIGHTS FOR DETAILS SEE 33-51-01-77A OXYGEN FOR DETAILS SEE 35-22-11-77A 35-22-21-77A 35-22-31-77A	008027	1
55	BAC27DEL1301		..MARKER- PLACARD CONTENT: REPLACEMENT PLUG BUTTONS 411A2226-5	001027	1
60	411A2226-5SP		..PLUG	001027	4
65	411A2219-43SP		..CHANNEL ASSY	001007	1
65	411A2219-65SP		..CHANNEL ASSY ATTACHING PARTS	008027	1
- 80	BACS12FA3K5		..SCREW	001027	2
- 85	NAS1057T3A013		..SPACER	001027	2
- 90	BACW10P44CC		..WASHER	001027	2
			-----*-----		
95	411A2211-11		..TAPE-LOOP	001027	AR

MISSING ITEM NUMBERS NOT APPLICABLE

- ITEM NOT ILLUSTRATED

HAP

25-21-30-03

BOEING PROPRIETARY - Copyright © - Unpublished Work - See title page for details.

25-21-30
FIG. 03
PAGE 2
FEB 10/07

BOEING
737-600/700/800/900
PARTS CATALOG (MAINTENANCE)

FIG ITEM	PART NUMBER	1 2 3 4 5 6 7	NOMENCLATURE	EFFECT FROM TO	UNITS PER ASSY
3					
100	411A2227-1SP	..	CAP-EDGE OPTIONAL PART: 411A2227-17SP	001027	1
100	411A2227-17SP	..	CAP-EDGE OPTIONAL PART: 411A2227-1SP	001027	1
110	411A2226-3	..	GROMMET	001027	15
- 115	SL6224-3A	..	INSERT- SUPPLIER CODE: V97393	001027	21

MISSING ITEM NUMBERS NOT APPLICABLE

- ITEM NOT ILLUSTRATED

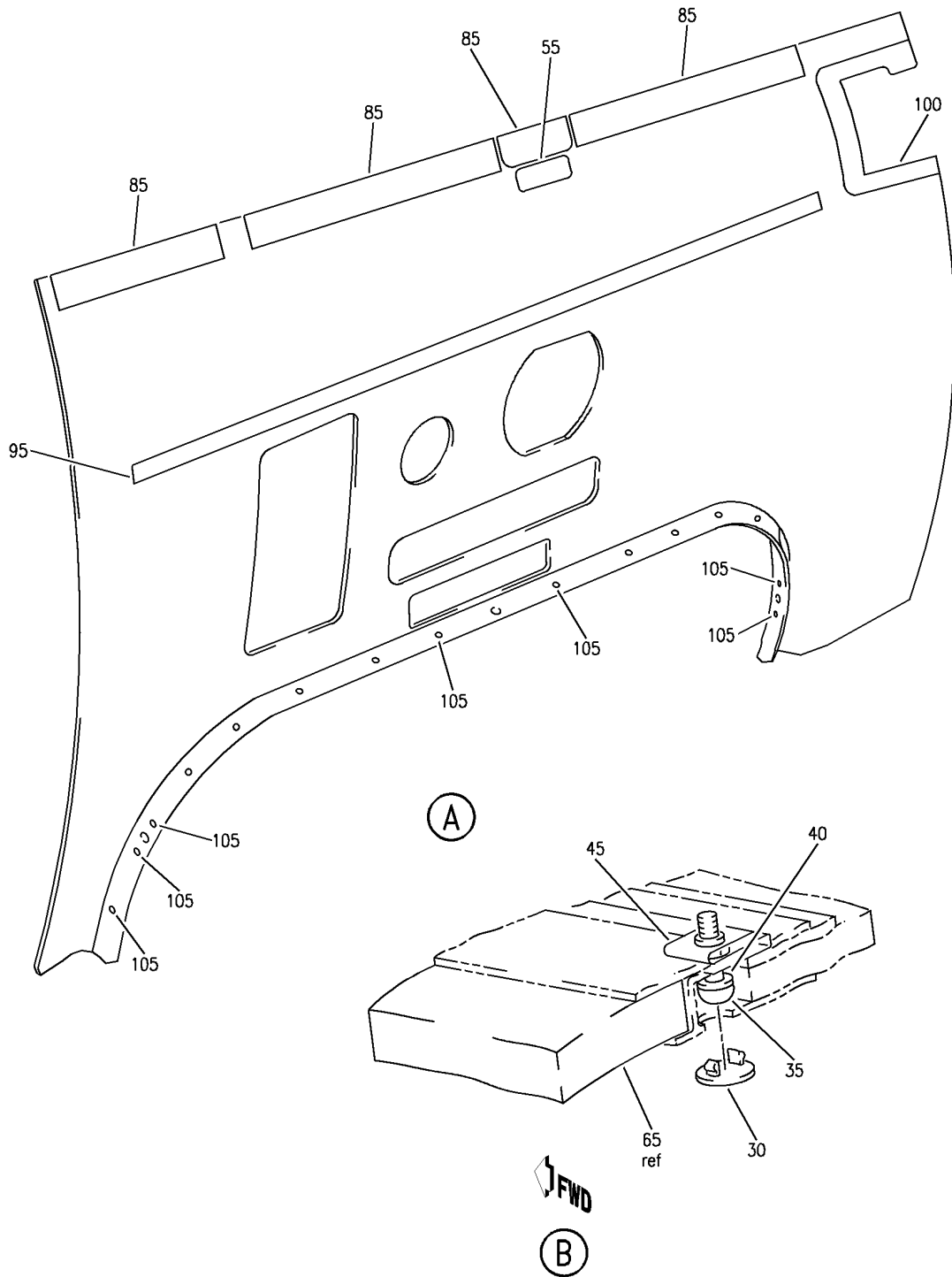
HAP

25-21-30-03

BOEING PROPRIETARY - Copyright © - Unpublished Work - See title page for details.

25-21-30
FIG. 03
PAGE 3
FEB 10/07

BOEING
 737-600/700/800/900
 PARTS CATALOG (MAINTENANCE)



E 25213089B SHT 2 REV 125

LINING INSTL-FWD LH DOORWAY (FORWARD ENTRY DOOR DOORWAY HEADER PANEL ONLY)
 FIGURE 89B (SHEET 2)

25-21-30-89B

HAP
 OCT 15/08

25-21-30-89B
 PAGE 0A

BOEING
737-600/700/800/900
PARTS CATALOG (MAINTENANCE)

FIG ITEM	PART NUMBER	1 2 3 4 5 6 7	NOMENCLATURE	EFFECT FROM TO	UNITS PER ASSY
89B			LINING INSTL-FWD LH DOORWAY (FORWARD ENTRY DOOR DOORWAY HEADER PANEL ONLY)	201967	
- 1	411A2201-23SP		LINING INSTL-DOORWAY (FORWARD ENTRY DOOR DOORWAY HEADER PANEL ONLY) POSITION DATA: FWD LH FOR NHA/ADDITIONAL DET SEE: 25-21-00-01A	201967	RF
5	BACS12FA3K12	.SCREW		201967	15
10	BACS12ER3K10	.SCREW		201967	3
15	411A2218-24SP	.SEAL ASSY-DEPRESSOR	OPTIONAL PART: 411A2218-1SP	201967	RF
15	411A2218-1SP	.SEAL ASSY-DEPRESSOR	OPTIONAL PART: 411A2218-24SP	201967	RF
20	411A2229-65SP	.RETAINER		201967	1
25	411A2229-66SP	.RETAINER		201967	1
30	411A2226-5SP	.PLUG		201967	5
35	BACB30NT3K2	.BOLT		201967	5
40	NAS620A10L	.WASHER		201967	5
45	BRC600-8-3GP	.CLIPNUT	SUPPLIER CODE: V52828 SPECIFICATION NUMBER: BACN10YD1G OPTIONAL PART: 130120G V60119	201967	5

MISSING ITEM NUMBERS NOT APPLICABLE

- ITEM NOT ILLUSTRATED

HAP

25-21-30-89B

BOEING PROPRIETARY - Copyright © - Unpublished Work - See title page for details.

25-21-30
FIG. 89B
PAGE 1
OCT 15/08

BOEING
737-600/700/800/900
PARTS CATALOG (MAINTENANCE)

FIG ITEM	PART NUMBER	1 2 3 4 5 6 7	NOMENCLATURE	EFFECT FROM TO	UNITS PER ASSY
89B 50	411A2211-50SP		.PANEL ASSY-(EQUIPMENT/ FURNISHINGS ONLY) FUNCTIONAL REFERENCE: AIR CONDITIONING FOR DETAILS SEE 21-23-54-89B COMMUNICATIONS FOR DETAILS SEE 23-31-03-89B LIGHTS FOR DETAILS SEE 33-51-01-89B OXYGEN FOR DETAILS SEE 35-22-11-89B 35-22-21-89B 35-22-31-89B	201967	1
	55 BAC27DEL1301		..MARKER- PLACARD CONTENT: REPLACEMENT PLUG BUTTONS 411A2226-5	201967	1
	60 411A2226-5SP		..PLUG	201967	4
	65 411A2219-65SP		..CHANNEL ASSY ATTACHING PARTS	201967	1
-	70 BACS12FA3K5		..SCREW	201967	2
-	75 NAS1057T3A013		..SPACER	201967	2
-	80 BACW10P44CC		..WASHER	201967	2
	85 411A2211-11		..TAPE-LOOP	201967	AR
	90 411A2227-1SP		..CAP-EDGE OPTIONAL PART: 411A2227-17SP	201967	1
	90 411A2227-17SP		..CAP-EDGE OPTIONAL PART: 411A2227-1SP	201967	1
R R R R R R R	95 413W1160-106		..FELT- MANUFACTURED FROM: SH FELT PER MILF5656 TYPE 53.05 IN 3.30 IN 3.30 IN SPARES ORDER MATERIAL CODE: 5370630510	201967	AR
	100 411A2229-112SP		..BRACKET	201967	1
	105 411A2226-3		..GROMMET	201967	15
-	110 SL6224-3A		..INSERT- SUPPLIER CODE: V97393	201967	21

MISSING ITEM NUMBERS NOT APPLICABLE

- ITEM NOT ILLUSTRATED

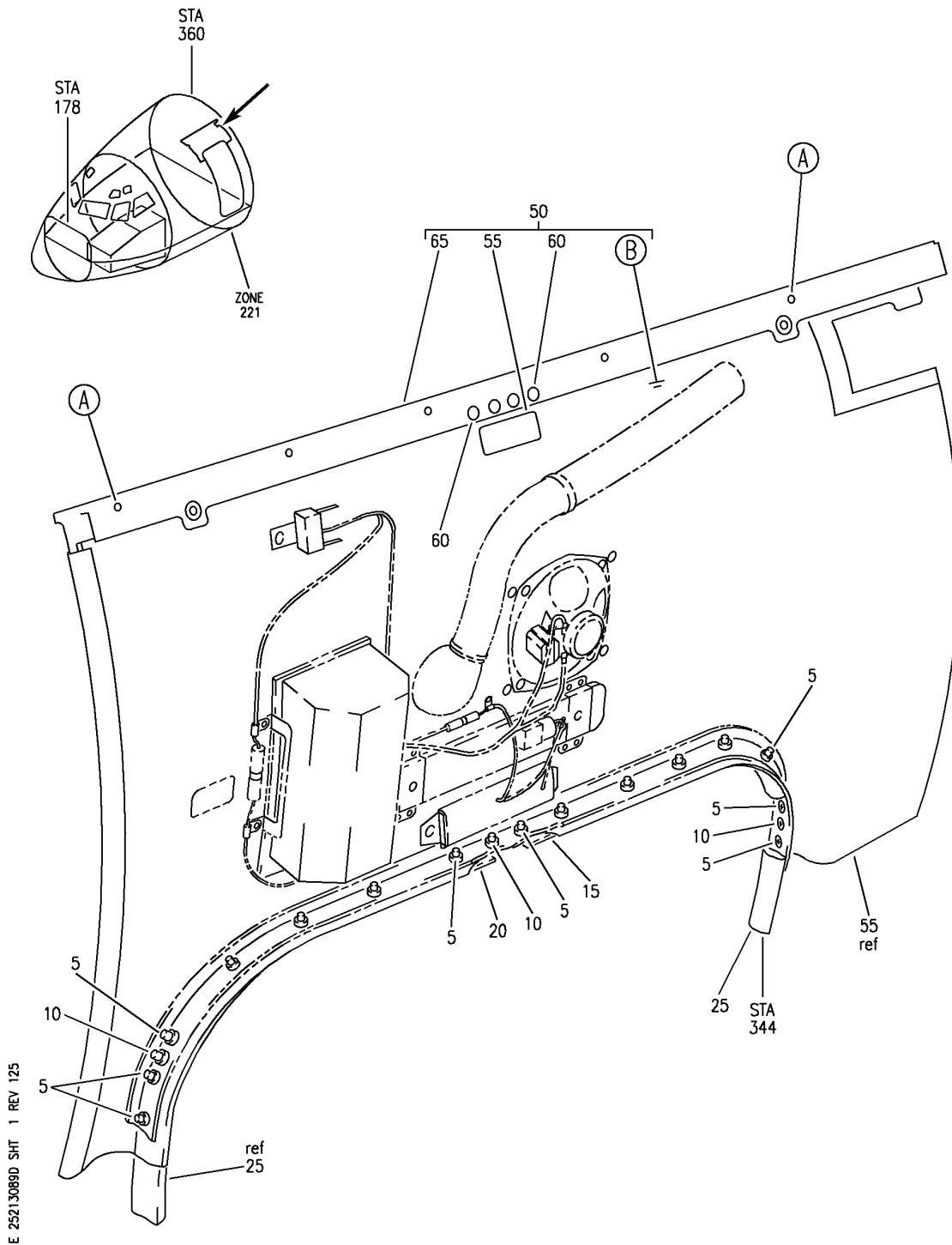
HAP

25-21-30-89B

BOEING PROPRIETARY - Copyright © - Unpublished Work - See title page for details.

25-21-30
FIG. 89B
PAGE 2
JUN 15/09

BOEING
 737-600/700/800/900
 PARTS CATALOG (MAINTENANCE)



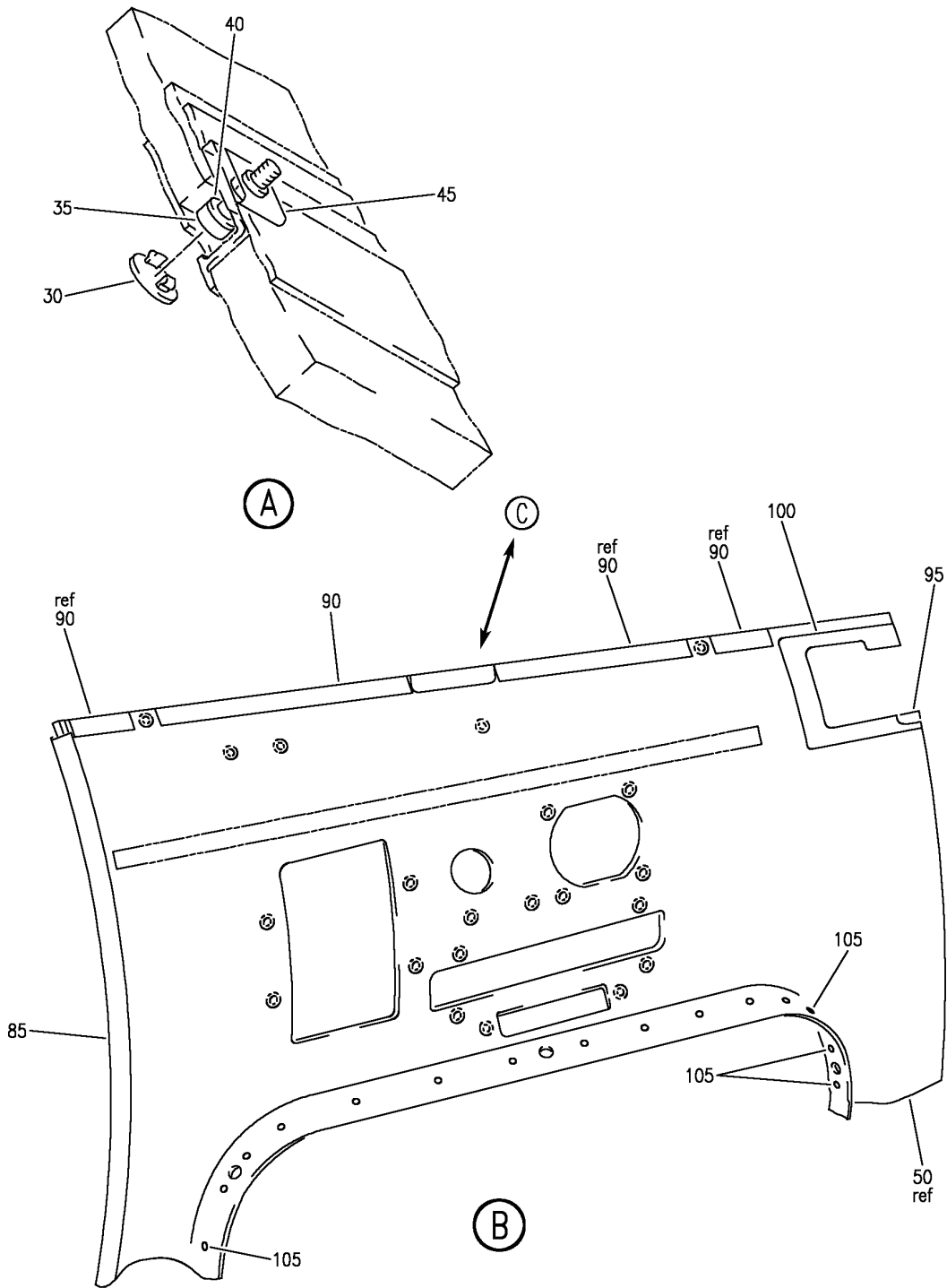
LINING INSTL-FWD LH DOORWAY (FORWARD ENTRY DOOR DOORWAY HEADER PANEL ONLY)
 FIGURE 89D (SHEET 1)

25-21-30-89D

HAP
 FEB 10/07

25-21-30-89D
 PAGE 0

BOEING
 737-600/700/800/900
 PARTS CATALOG (MAINTENANCE)



E 25213089D SHT 2 REV 154

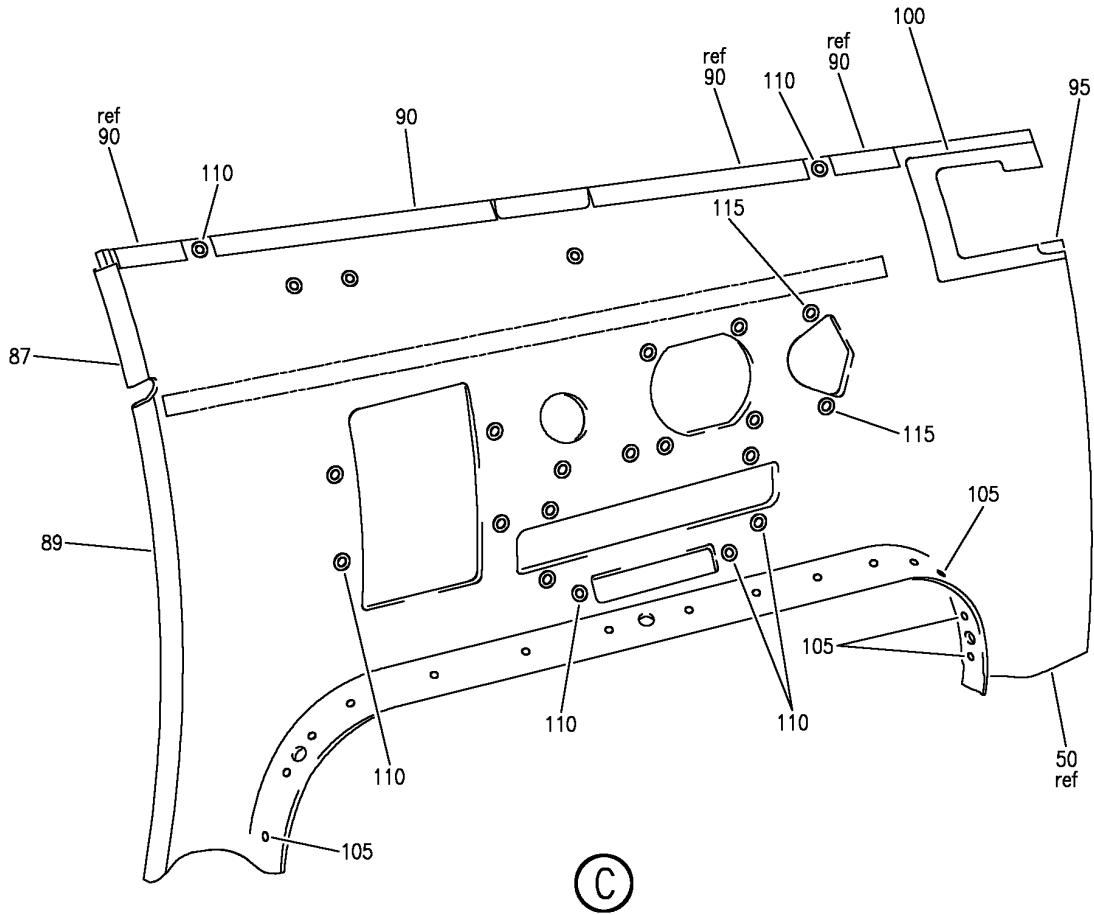
LINING INSTL-FWD LH DOORWAY (FORWARD ENTRY DOOR DOORWAY HEADER PANEL ONLY)
 FIGURE 89D (SHEET 2)

25-21-30-89D

HAP
 JUN 15/09

25-21-30-89D
 PAGE 0A

BOEING
 737-600/700/800/900
 PARTS CATALOG (MAINTENANCE)



E 25213089D SHT 3 REV 154

LINING INSTL-FWD LH DOORWAY (FORWARD ENTRY DOOR DOORWAY HEADER PANEL ONLY)
 FIGURE 89D (SHEET 3)

25-21-30-89D

HAP
 JUN 15/09

25-21-30-89D
 PAGE 0B

BOEING
737-600/700/800/900
PARTS CATALOG (MAINTENANCE)

FIG ITEM	PART NUMBER	1 2 3 4 5 6 7	NOMENCLATURE	EFFECT FROM TO	UNITS PER ASSY
89D			LINING INSTL-FWD LH DOORWAY (FORWARD ENTRY DOOR DOORWAY HEADER PANEL ONLY)	031200 968999	
- 1	MODREF222912		LINING INSTL-DOORWAY (FORWARD ENTRY DOOR DOORWAY HEADER PANEL ONLY) MODULE NUMBER: 411A2201-48B REV F POSITION DATA: FWD LH FOR ADDITIONAL DETAILS SEE: 25-21-31-89D	031036	1
- 1	MODREF222913		LINING INSTL-DOORWAY (FORWARD ENTRY DOOR DOORWAY HEADER PANEL ONLY) MODULE NUMBER: 411A2201-49B REV C POSITION DATA: FWD LH FOR ADDITIONAL DETAILS SEE: 25-21-31-89D	037200 968999	1
	5 BACS12FA3K12		.SCREW	031200 968999	15
	10 BACS12ER3K10		.SCREW	031200 968999	3
R	15 411A2229-65A		.RETAINER	031200 968999	1
R	20 411A2229-66A		.RETAINER	031200 968999	1
R	25 411A2218-24A		.SEAL ASSY-	031200 968999	1
R	25 411A2218-1A		.SEAL ASSY-	031200 968999	1
R	30 411A2226-5A		.PLUG	031200 968999	5
R	35 BACB30NT3K2		.BOLT	031200 968999	5
R	40 NAS620A10L		.WASHER	031200 968999	5

MISSING ITEM NUMBERS NOT APPLICABLE

- ITEM NOT ILLUSTRATED

HAP

25-21-30-89D

BOEING PROPRIETARY - Copyright © - Unpublished Work - See title page for details.

25-21-30
FIG. 89D
PAGE 1
JUN 15/09

BOEING
737-600/700/800/900
PARTS CATALOG (MAINTENANCE)

FIG ITEM	PART NUMBER	1 2 3 4 5 6 7	NOMENCLATURE	EFFECT FROM TO	UNITS PER ASSY
89D 45	BRC600-8-3GP		.CLIPNUT SUPPLIER CODE: V52828 SPECIFICATION NUMBER: BACN10YD1G OPTIONAL PART: 130120G V60119	031200 968999	5
R R	50	411A2211-71B	.PANEL ASSY-(EQUIPMENT/ FURNISHINGS ONLY) FUNCTIONAL REFERENCE: AIR CONDITIONING FOR DETAILS SEE 21-23-54-89D COMMUNICATIONS FOR DETAILS SEE 23-31-03-89D LIGHTS FOR DETAILS SEE 33-51-01-89D OXYGEN FOR DETAILS SEE 35-22-11-89D 35-22-21-89D 35-22-31-89D	031200 968999	1
	55	BAC27DEL1301	..MARKER- PLACARD CONTENT: REPLACEMENT PLUG BUTTONS 411A2226-5	031200 968999	1
R R R R	60	411A2226-5A	..PLUG	031200 968999	4
R R R	65	411A2219-84B	..CHANNEL ASSY	031200 968999	1
-	70	BACS12FA3K5	ATTACHING PARTS ..SCREW	031200 968999	2
-	75	NAS1057T3A013	..SPACER	031200 968999	2
-	80	BACW10P44CC	..WASHER	031200 968999	2
R R R R R R	85	411A2227-17B	-----*----- ..CAP-EDGE OPTIONAL PART: 411A2227-1A	031200 968999	1
	85	411A2227-1A	..CAP-EDGE OPTIONAL PART: 411A2227-17B	031200 968999	1
	90	411A2211-11	..TAPE-LOOP	031200 968999	AR

MISSING ITEM NUMBERS NOT APPLICABLE

- ITEM NOT ILLUSTRATED

HAP

25-21-30-89D

BOEING PROPRIETARY - Copyright © - Unpublished Work - See title page for details.

25-21-30
FIG. 89D
PAGE 2
JUN 15/09

BOEING
737-600/700/800/900
PARTS CATALOG (MAINTENANCE)

FIG ITEM	PART NUMBER	1 2 3 4 5 6 7	NOMENCLATURE	EFFECT FROM TO	UNITS PER ASSY
89D					
95	411A2211-12	..	TAPE-HOOK	031200 968999	AR
100	411A2229-112A	..	BRACKET-	031200 968999	1
105	411A2226-3	..	GROMMET	031200 968999	15
110	SL6224-3A	..	INSERT- SUPPLIER CODE: V97393	031200 968999	21

R
R

R
R
R

MISSING ITEM NUMBERS NOT APPLICABLE

- ITEM NOT ILLUSTRATED

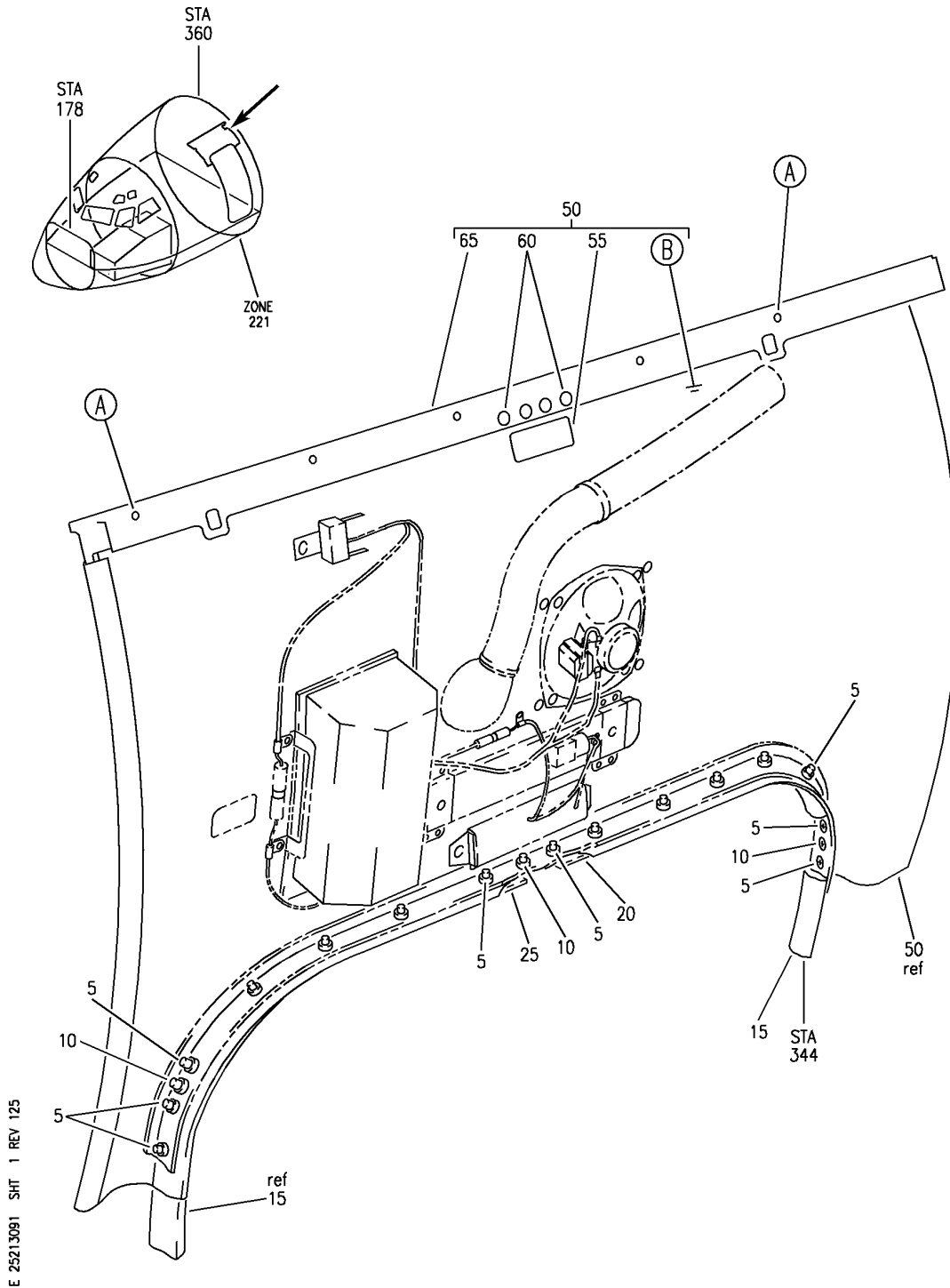
HAP

25-21-30-89D

BOEING PROPRIETARY - Copyright © - Unpublished Work - See title page for details.

25-21-30
FIG. 89D
PAGE 3
JUN 15/09

BOEING
 737-600/700/800/900
 PARTS CATALOG (MAINTENANCE)



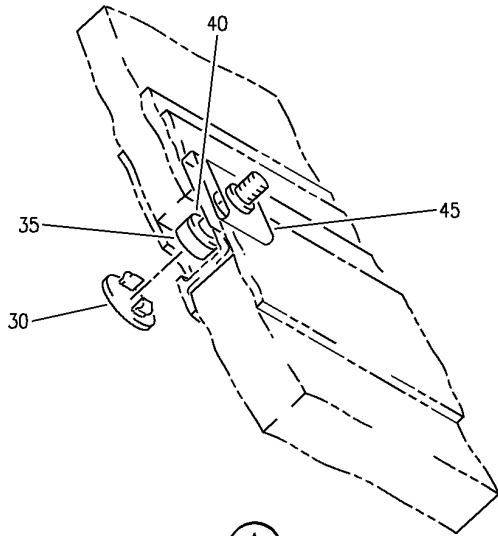
LINING INSTL-FWD LH DOORWAY (FORWARD ENTRY DOOR DOORWAY HEADER PANEL ONLY)
 FIGURE 91 (SHEET 1)

HAP
 FEB 10/07

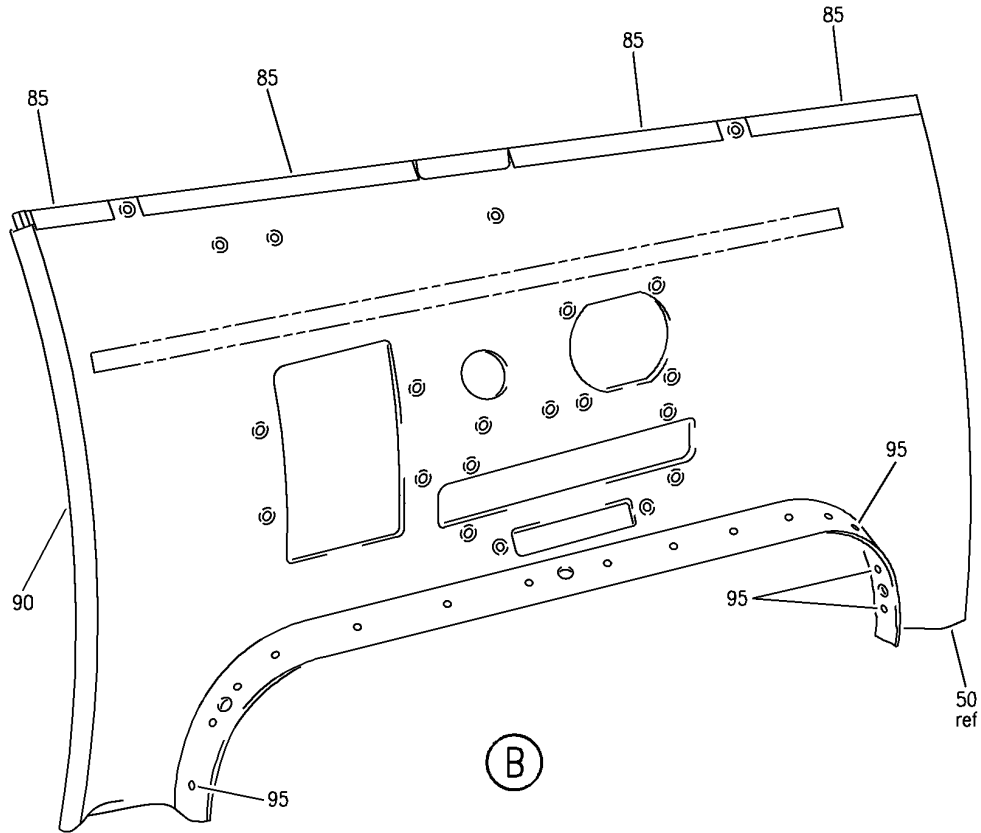
25-21-30-91

25-21-30-91
 PAGE 0

BOEING
737-600/700/800/900
PARTS CATALOG (MAINTENANCE)



(A)



E 25213091 SHT 2 REV 125

LINING INSTL-FWD LH DOORWAY (FORWARD ENTRY DOOR DOORWAY HEADER PANEL ONLY)
FIGURE 91 (SHEET 2)

25-21-30-91

HAP
FEB 10/07

25-21-30-91
PAGE 0A

BOEING
737-600/700/800/900
PARTS CATALOG (MAINTENANCE)

FIG ITEM	PART NUMBER	1 2 3 4 5 6 7	NOMENCLATURE	EFFECT FROM TO	UNITS PER ASSY
91			LINING INSTL-FWD LH DOORWAY (FORWARD ENTRY DOOR DOORWAY HEADER PANEL ONLY)	028030	
- 1	411A2201-40SP		LINING INSTL-DOORWAY (FORWARD ENTRY DOOR DOORWAY HEADER PANEL ONLY) POSITION DATA: FWD LH FOR NHA/ADDITIONAL DET SEE: 25-21-00-01D	028030	RF
5	BACS12FA3K12	.	SCREW	028030	15
10	BACS12ER3K10	.	SCREW	028030	3
15	411A2218-24SP	.	SEAL ASSY-DEPRESSOR	028030	1
15	411A2218-1SP	.	SEAL ASSY-DEPRESSOR	028030	1
20	411A2229-65SP	.	RETAINER	028030	1
25	411A2229-66SP	.	RETAINER	028030	1
30	411A2226-5SP	.	PLUG	028030	5
35	BACB30NT3K2	.	BOLT	028030	5
40	NAS620A10L	.	WASHER	028030	5
45	BRC600-8-3GP	.	CLIPNUT	028030	5
			SUPPLIER CODE: V52828 SPECIFICATION NUMBER: BACN10YD1G OPTIONAL PART: 130120G V60119		
50	411A2211-69SP	.	PANEL ASSY-(EQUIPMENT/ FURNISHINGS ONLY) FUNCTIONAL REFERENCE: AIR CONDITIONING FOR DETAILS SEE 21-23-54-91 COMMUNICATIONS FOR DETAILS SEE 23-31-03-91 LIGHTS FOR DETAILS SEE 33-51-01-91 OXYGEN FOR DETAILS SEE 35-22-11-91 35-22-21-91 35-22-31-91	028030	1

MISSING ITEM NUMBERS NOT APPLICABLE

- ITEM NOT ILLUSTRATED

HAP

25-21-30-91

BOEING PROPRIETARY - Copyright © - Unpublished Work - See title page for details.

25-21-30
FIG. 91
PAGE 1
FEB 15/09

BOEING
737-600/700/800/900
PARTS CATALOG (MAINTENANCE)

FIG ITEM	PART NUMBER	1 2 3 4 5 6 7	NOMENCLATURE	EFFECT FROM TO	UNITS PER ASSY
91					
55	BAC27DEL1301		.. MARKER- PLACARD CONTENT: REPLACEMENT PLUG BUTTONS 411A2226-5	028030	1
60	411A2226-5SP		.. PLUG	028030	4
65	411A2219-65SP		.. CHANNEL ASSY ATTACHING PARTS	028030	1
- 70	BACS12FA3K5		.. SCREW	028030	2
- 75	NAS1057T3A013		.. SPACER	028030	2
- 80	BACW10P44CC		.. WASHER	028030	2
			-----*-----		
85	411A2211-11		.. TAPE-LOOP	028030	AR
90	411A2227-1SP		.. CAP-EDGE OPTIONAL PART: 411A2227-17SP	028030	1
90	411A2227-17SP		.. CAP-EDGE OPTIONAL PART: 411A2227-1SP	028030	1
95	411A2226-3		.. GROMMET	028030	15
- 100	SL6224-3A		.. INSERT- SUPPLIER CODE: V97393	028030	21

MISSING ITEM NUMBERS NOT APPLICABLE

- ITEM NOT ILLUSTRATED

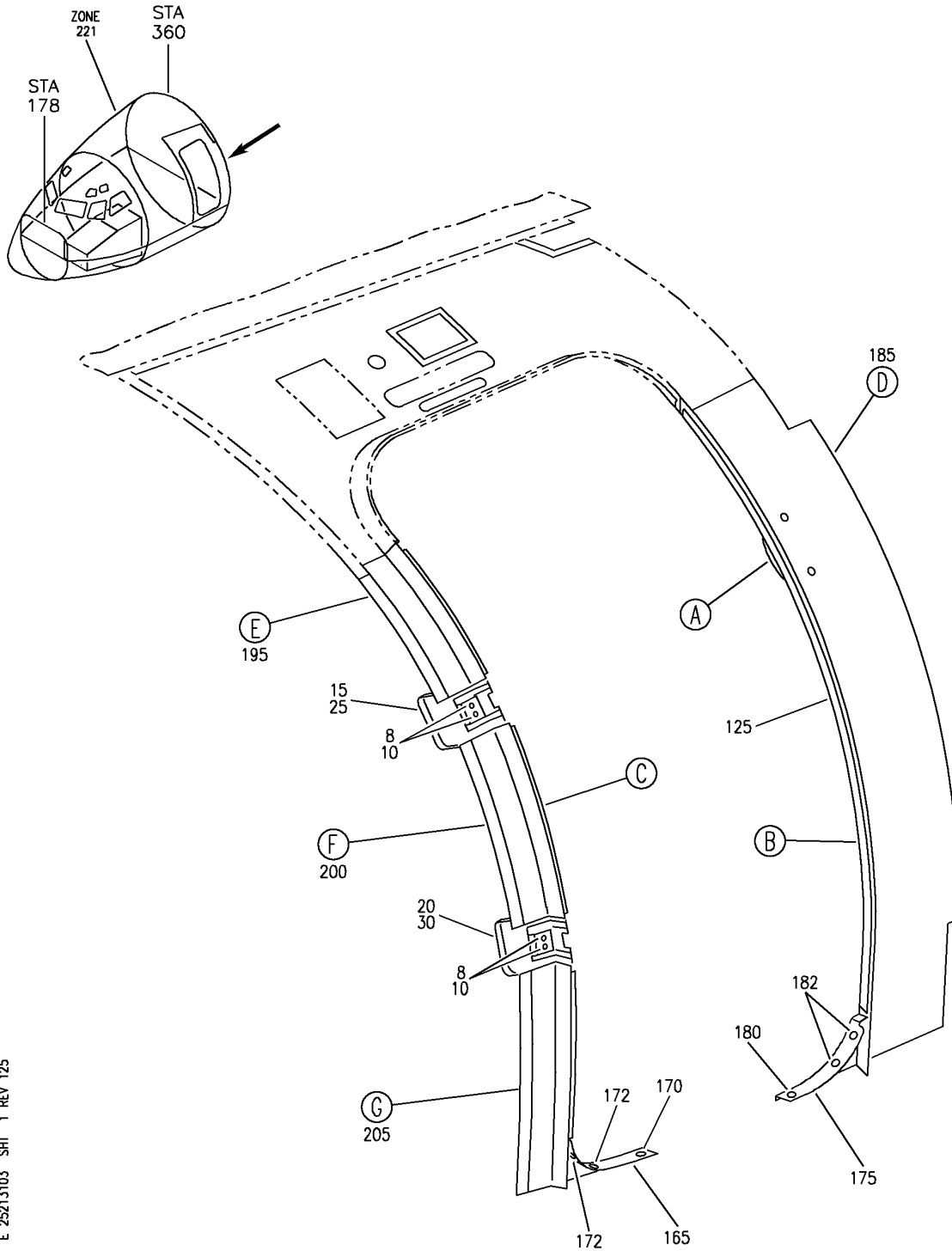
HAP

25-21-30-91

BOEING PROPRIETARY - Copyright © - Unpublished Work - See title page for details.

25-21-30
FIG. 91
PAGE 2
FEB 15/09

BOEING
 737-600/700/800/900
 PARTS CATALOG (MAINTENANCE)



E 25213103 SHT 1 REV 125

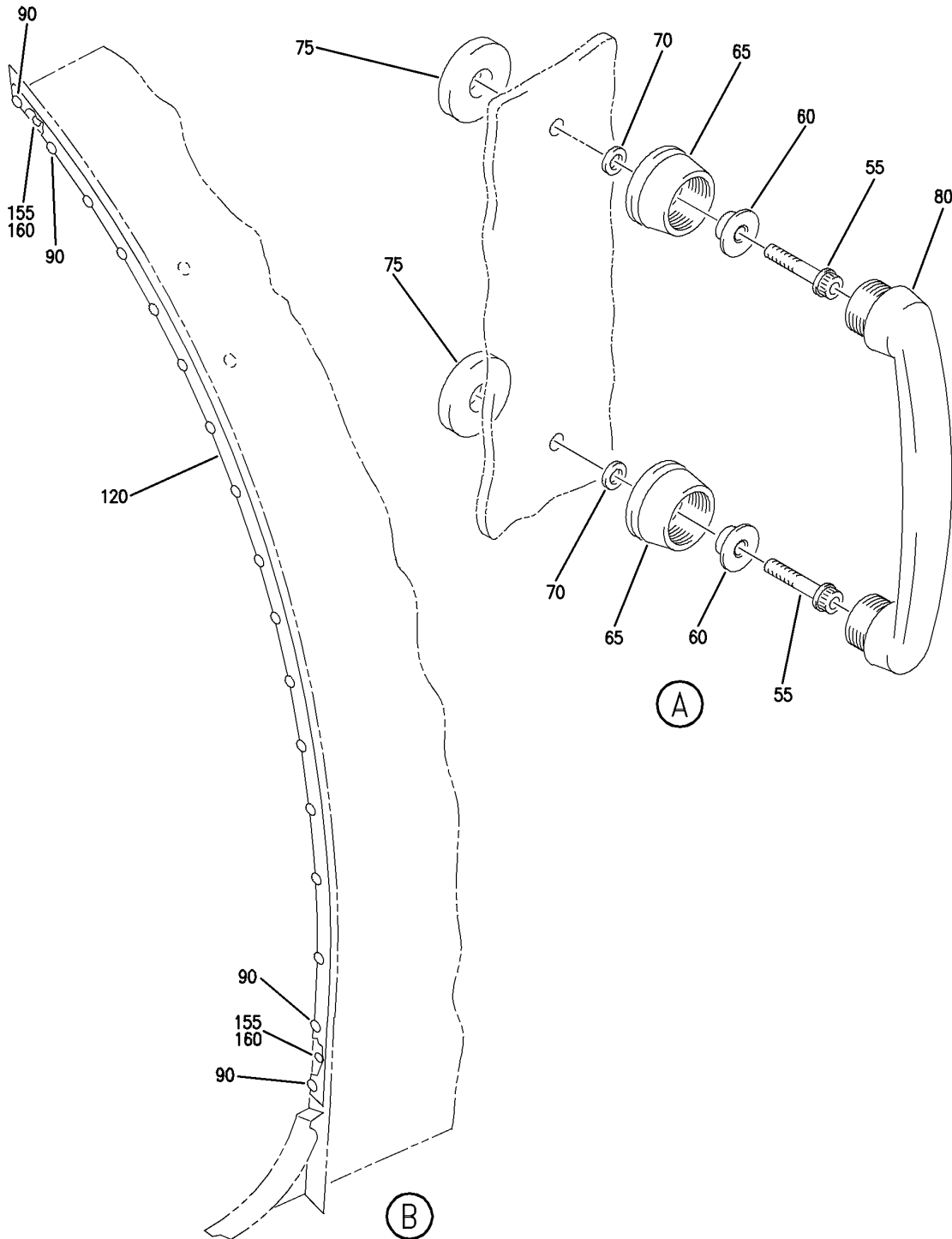
LINING INSTL-FWD LH DOORWAY (SIDEWALL LINING (FOWARD ENTRY DOORWAY) PANELS ONLY)
 FIGURE 3 (SHEET 1)

HAP
 FEB 10/07

25-21-31-03

25-21-31-03
 PAGE 0

BOEING
 737-600/700/800/900
 PARTS CATALOG (MAINTENANCE)



E 25213103 SHT 2 REV 063

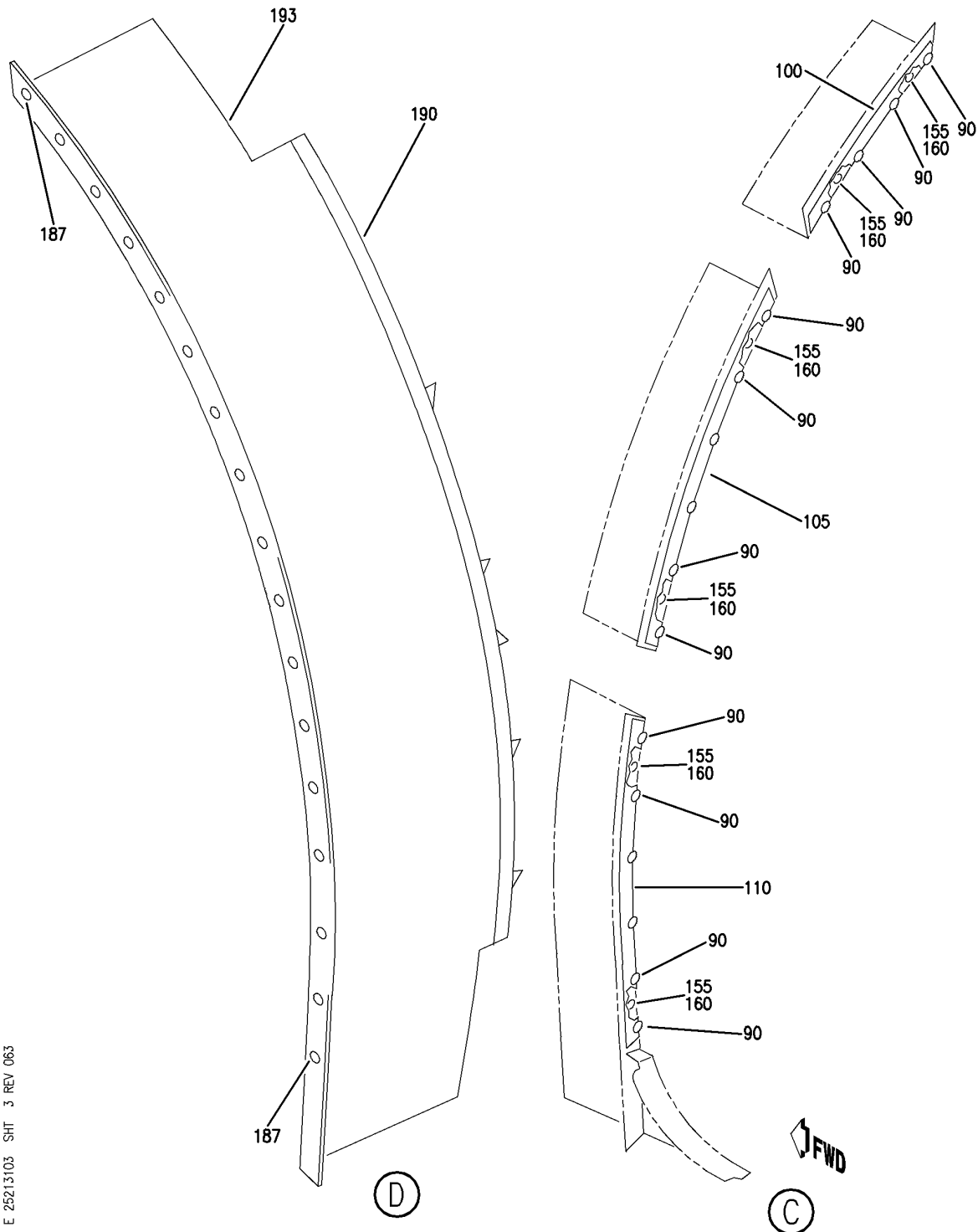
LINING INSTL-FWD LH DOORWAY (SIDEWALL LINING (FOWARD ENTRY DOORWAY) PANELS ONLY)
 FIGURE 3 (SHEET 2)

25-21-31-03

HAP
 OCT 10/06

25-21-31-03
 PAGE 0A

BOEING
 737-600/700/800/900
 PARTS CATALOG (MAINTENANCE)



E 25213103 SHT 3 REV 063

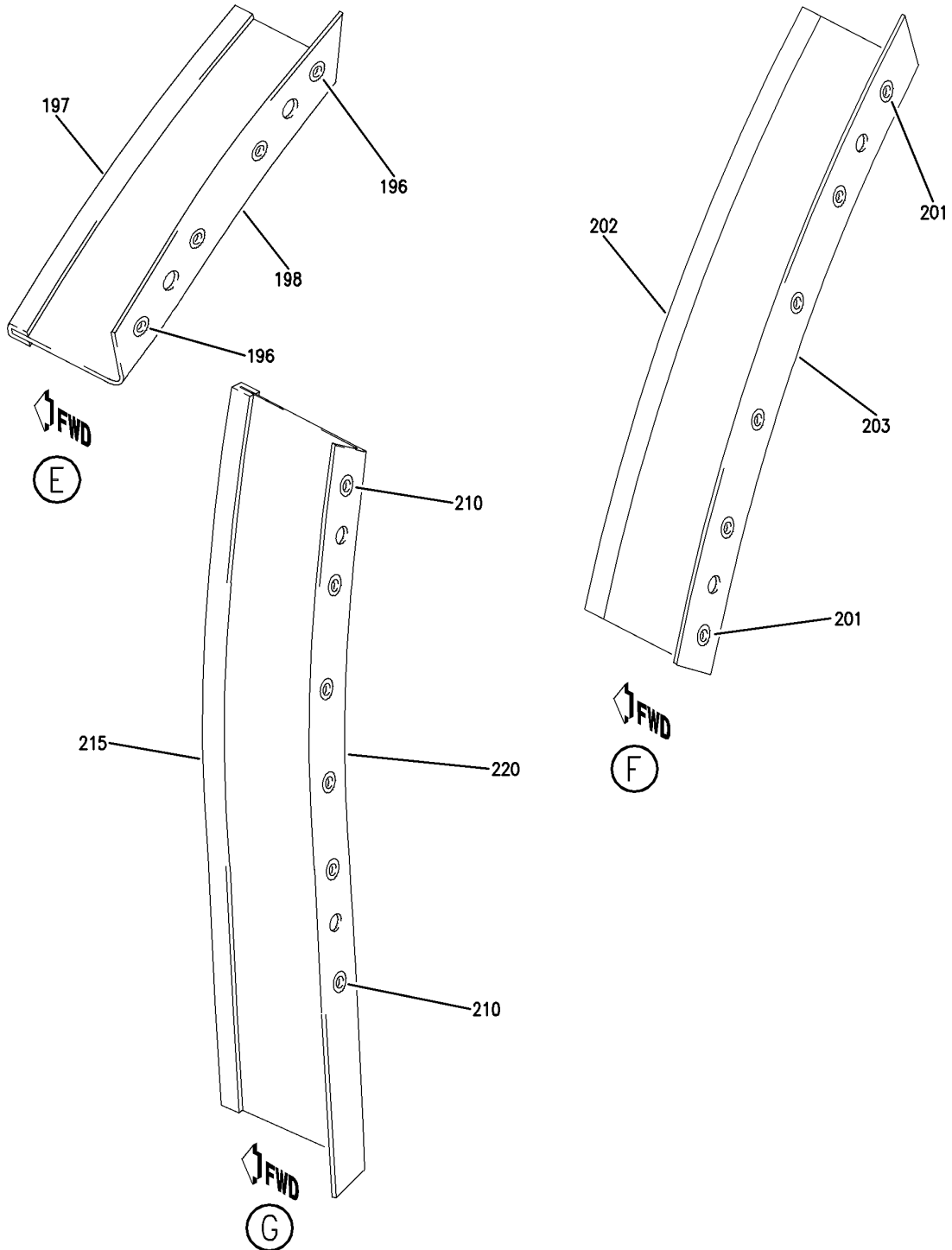
LINING INSTL-FWD LH DOORWAY (SIDEWALL LINING (FOWARD ENTRY DOORWAY) PANELS ONLY)
 FIGURE 3 (SHEET 3)

25-21-31-03

HAP
 OCT 10/06

25-21-31-03
 PAGE 0B

BOEING
 737-600/700/800/900
 PARTS CATALOG (MAINTENANCE)



E 25213103 SH1 4 REV 063

LINING INSTL-FWD LH DOORWAY (SIDEWALL LINING (FOWARD ENTRY DOORWAY) PANELS ONLY)
 FIGURE 3 (SHEET 4)

HAP
 OCT 10/06

25-21-31-03

25-21-31-03
 PAGE 0C

BOEING
737-600/700/800/900
PARTS CATALOG (MAINTENANCE)

FIG ITEM	PART NUMBER	1 2 3 4 5 6 7	NOMENCLATURE	EFFECT FROM TO	UNITS PER ASSY
3			LINING INSTL-FWD LH DOORWAY (SIDEWALL LINING (FOWARD ENTRY DOORWAY) PANELS ONLY)	001027	
- 1	411A2201-10SP		LINING INSTL-DOORWAY (SIDEWALL LINING (FORWARD ENTRY DOORWAY) PANELS ONLY) POSITION DATA: FWD LH FOR NHA/ADDITIONAL DET SEE: 25-21-00-01D	001007	RF
- 1	411A2201-24SP		LINING INSTL-DOORWAY (SIDEWALL LINING (FORWARD ENTRY DOORWAY) PANELS ONLY) POSITION DATA: FWD LH FOR NHA/ADDITIONAL DET SEE: 25-21-00-01D	008027	RF
8	BACS12FA3K10		.SCREW	001027	4
10	BACW10P114R60		.WASHER	001027	4
15	411A2215-5SP		.COVER ASSY-HINGE	001027	1
20	411A2215-6SP		.COVER ASSY-HINGE	001027	1
25	411A2229-173SP		..BRACKET ASSY	001027	1
30	411A2229-174SP		..BRACKET ASSY	001027	1
75	66-4453-7		.COLLAR-ASSIST	001027	2
90	BACS12FA3K10		.SCREW	001027	33
100	411A2229-67SP		.RETAINER	001027	1
105	411A2229-68SP		.RETAINER	001027	1
110	411A2229-69SP		.RETAINER	001027	1
120	411A2229-64SP		.RETAINER	001027	1
125	411A2218-24SP		.SEAL ASSY-DEPRESSOR OPTIONAL PART: 411A2218-1SP	001027	1
125	411A2218-1SP		.SEAL ASSY-DEPRESSOR OPTIONAL PART: 411A2218-24SP	001027	1
155	BACS12ER3K8		.SCREW	001027	8
160	BACW10UC10P		.WASHER	001027	8
165	411A2219-62		.PLATE ASSY-SCUFF POSITION DATA: FWD	008027	1
165	411A2219-29		.PLATE ASSY-SCUFF POSITION DATA: FWD	001007	1
170	MS24693C272		ATTACHING PARTS .SCREW	001027	1

MISSING ITEM NUMBERS NOT APPLICABLE

- ITEM NOT ILLUSTRATED

HAP

25-21-31-03

25-21-31
FIG. 03
PAGE 1
JUN 10/07

BOEING
737-600/700/800/900
PARTS CATALOG (MAINTENANCE)

FIG ITEM	PART NUMBER	1 2 3 4 5 6 7	NOMENCLATURE	EFFECT FROM TO	UNITS PER ASSY
3					
172	BACS12CK3-8	.	SCREW	001027	2
		-----*			
175	411A2219-22	.	PLATE ASSY-SCUFF	001027	1
			POSITION DATA:		
			AFT		
			ATTACHING PARTS		
180	MS24693C272	.	SCREW	001027	1
182	BACS12CK3-8	.	SCREW	001027	2
		-----*			
185	411A2211-33SP	.	PANEL ASSY-	001027	1
187	411A2226-4	..	GROMMET	001027	17
190	411N1220-1	..	RETAINER-EDGE	001027	1
193	411A2211-34SP	..	PANEL ASSY-BASE	001027	1
195	411A2211-21SP	.	PANEL ASSY-	001027	1
			POSITION DATA:		
			UPR		
196	411A2226-4	..	GROMMET	001027	4
197	411A2227-13SP	..	CAP-EDGE	001027	1
198	411A2211-22SP	..	PANEL ASSY-BASE	001027	1
200	411A2211-23SP	.	PANEL ASSY-	001027	1
			POSITION DATA:		
			MID		
201	411A2226-4	..	GROMMET	001027	6
202	411A2227-14SP	..	CAP-EDGE	001027	1
203	411A2211-24SP	..	PANEL ASSY-BASE	001027	1
205	411A2211-25SP	.	PANEL ASSY-	001027	1
			POSITION DATA:		
			LWR		
210	411A2226-4	..	GROMMET	001027	6
215	411A2227-15SP	..	CAP-EDGE	001027	1
220	411A2211-26SP	..	PANEL ASSY-BASE	001027	1

MISSING ITEM NUMBERS NOT APPLICABLE

— ITEM NOT ILLUSTRATED

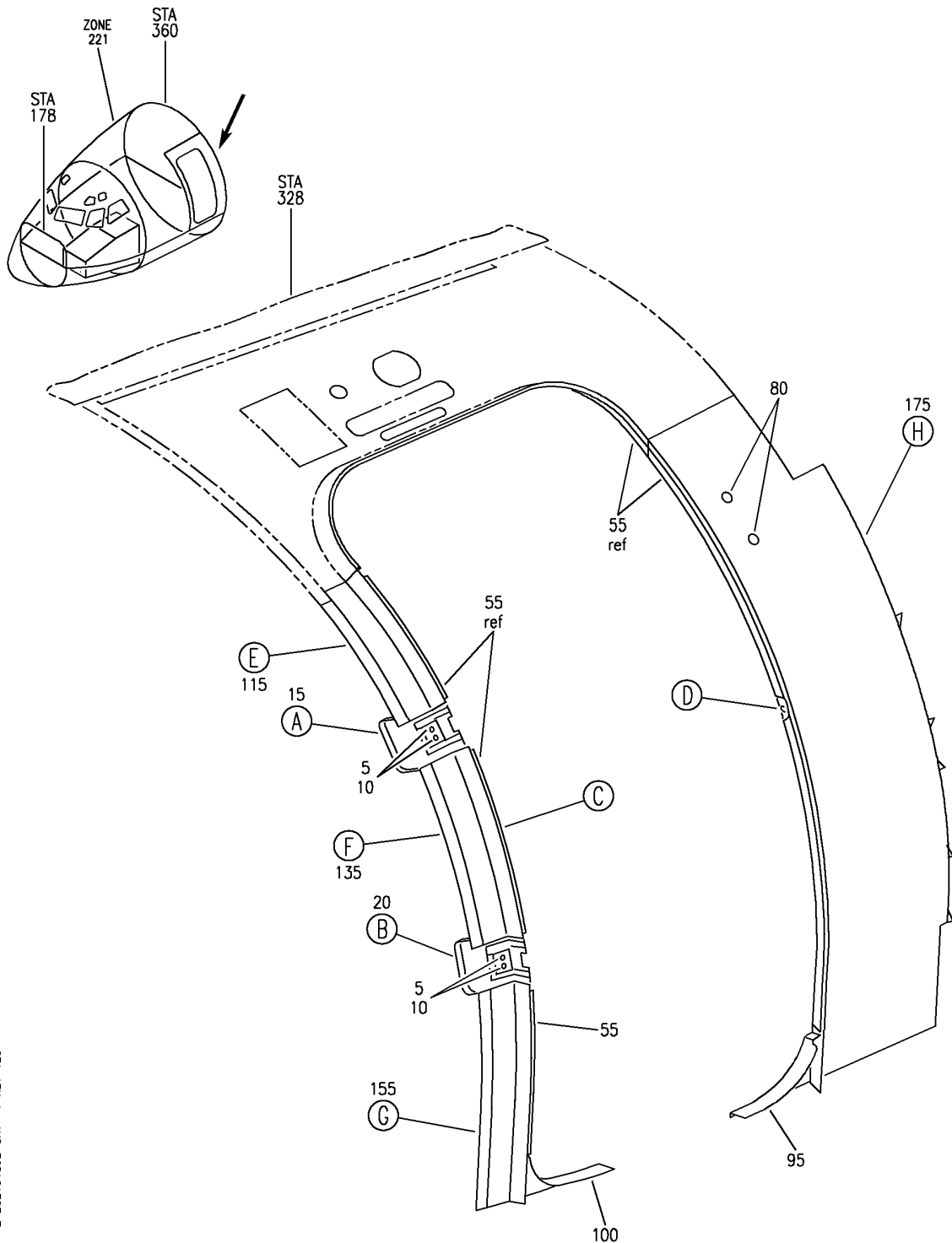
HAP

25-21-31-03

BOEING PROPRIETARY - Copyright © - Unpublished Work - See title page for details.

25-21-31
FIG. 03
PAGE 2
FEB 10/07

BOEING
 737-600/700/800/900
 PARTS CATALOG (MAINTENANCE)



E 25213189B SHT 1 REV 125

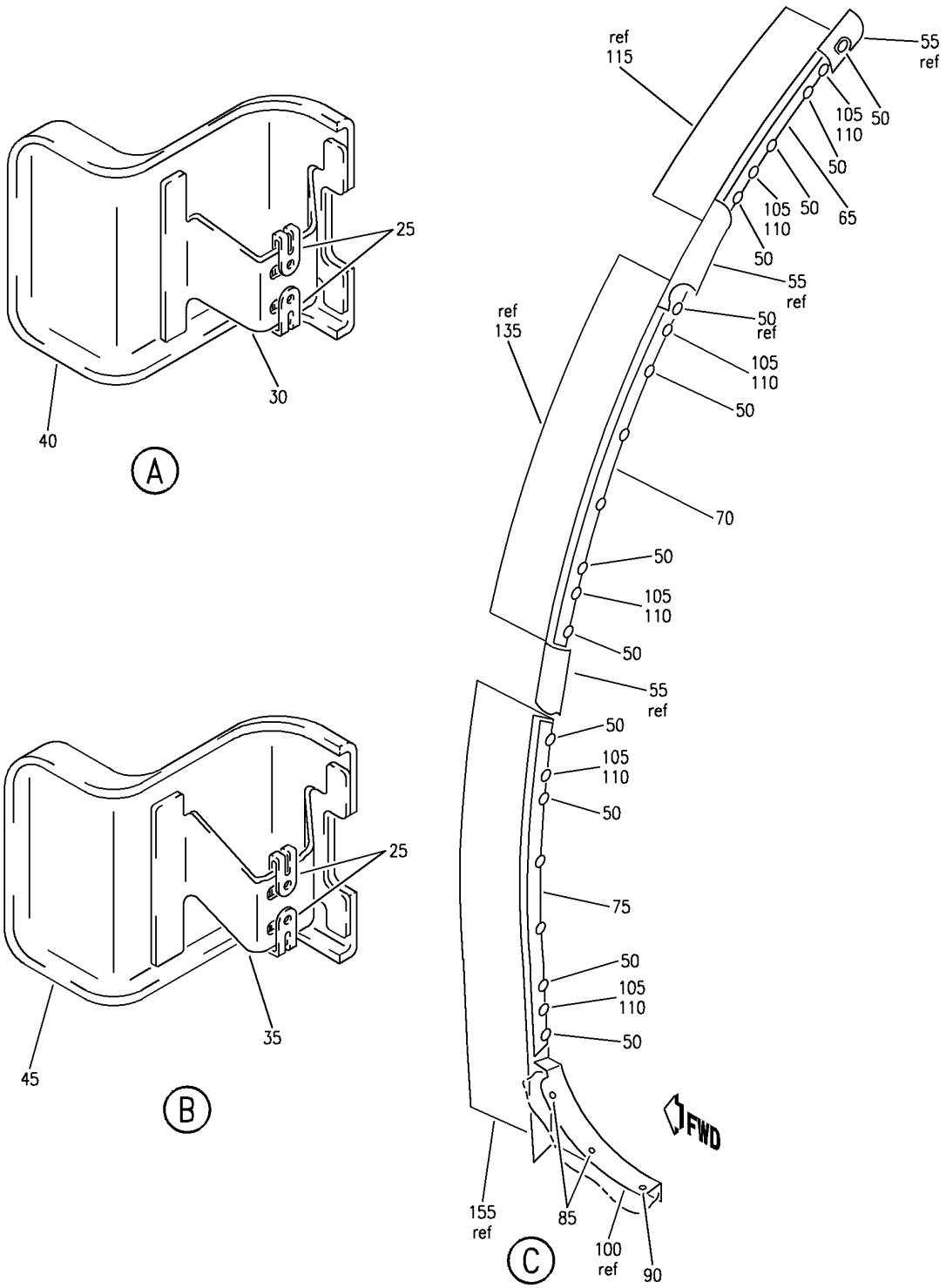
LINING INSTL-FWD LH DOORWAY (SIDEWALL LINING (FORWARD ENTRY DOORWAY) PANELS ONLY)
 FIGURE 89B (SHEET 1)

HAP
 OCT 15/08

25-21-31-89B

25-21-31-89B
 PAGE 0

BOEING
 737-600/700/800/900
 PARTS CATALOG (MAINTENANCE)



E 25213189B SHT 2 REV 125

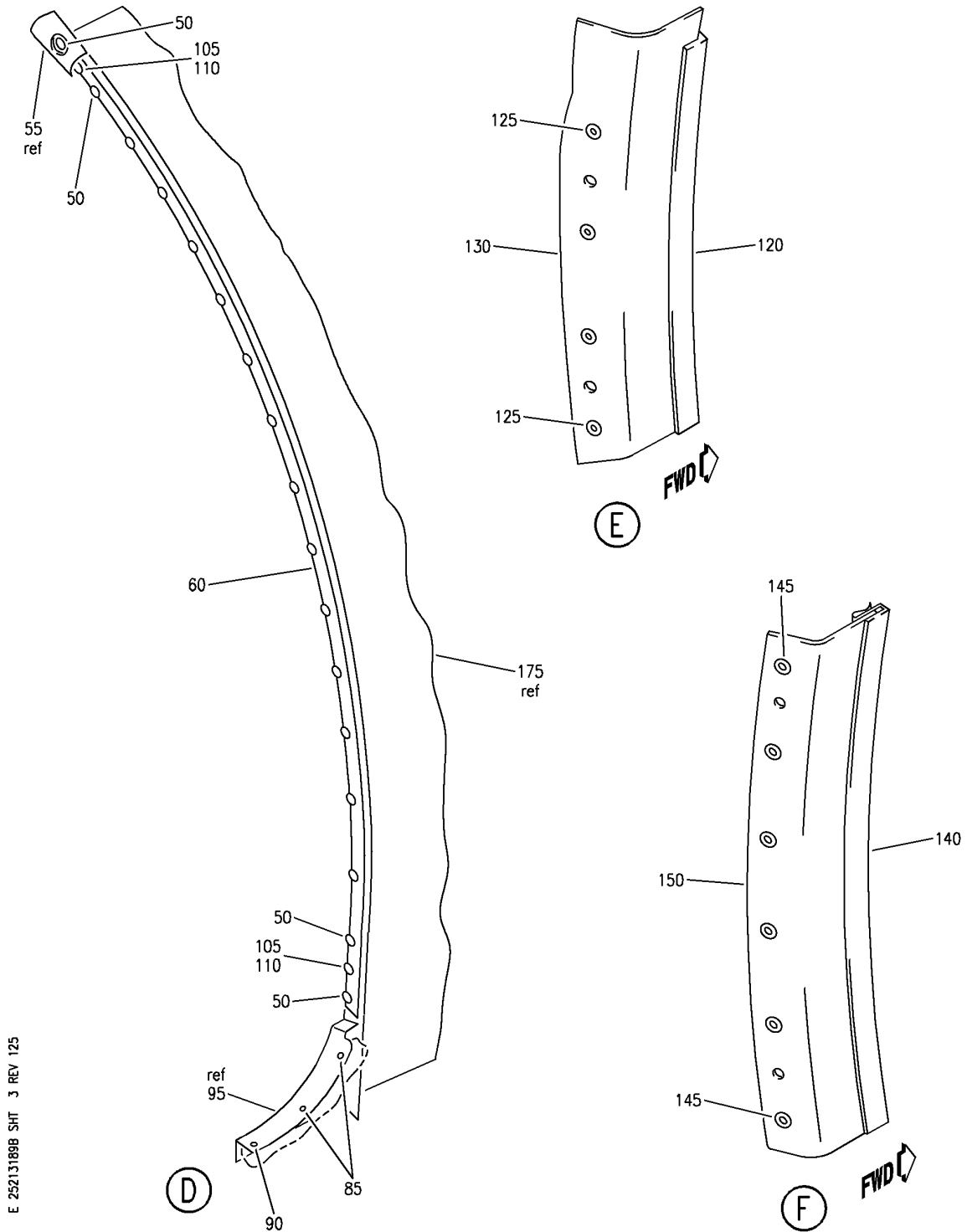
LINING INSTL-FWD LH DOORWAY (SIDEWALL LINING (FORWARD ENTRY DOORWAY) PANELS ONLY)
 FIGURE 89B (SHEET 2)

25-21-31-89B

HAP
 OCT 15/08

25-21-31-89B
 PAGE 0A


BOEING
 737-600/700/800/900
PARTS CATALOG (MAINTENANCE)



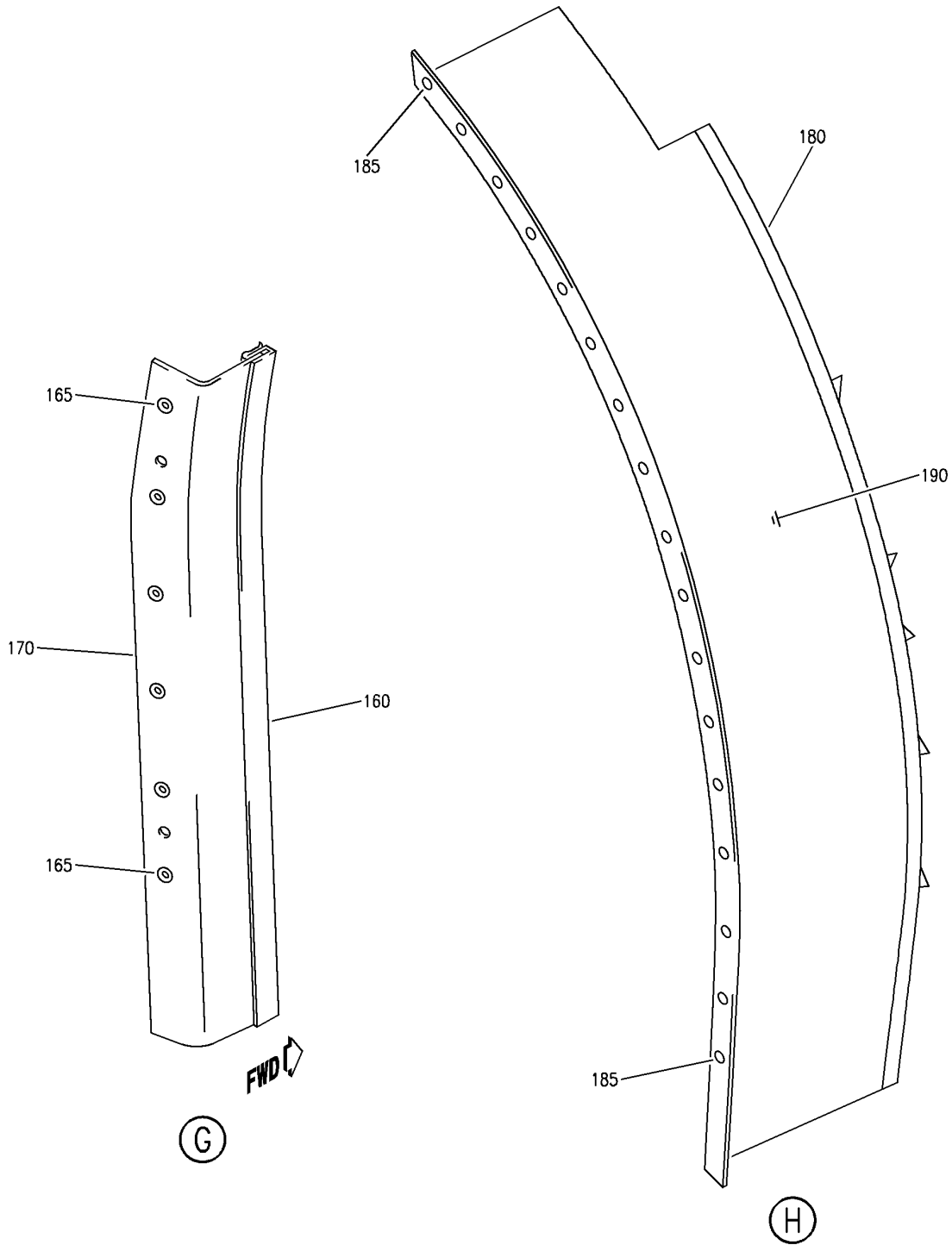
E 25213189B SHT 3 REV 125

LINING INSTL-FWD LH DOORWAY (SIDEWALL LINING (FORWARD ENTRY DOORWAY) PANELS ONLY)
 FIGURE 89B (SHEET 3)

25-21-31-89B

HAP
OCT 15/08

25-21-31-89B
 PAGE 0B



E 25213189B SHT 4 REV 125

LINING INSTL-FWD LH DOORWAY (SIDEWALL LINING (FORWARD ENTRY DOORWAY) PANELS ONLY)
FIGURE 89B (SHEET 4)

HAP
OCT 15/08

25-21-31-89B

25-21-31-89B
PAGE 0C

BOEING
737-600/700/800/900
PARTS CATALOG (MAINTENANCE)

FIG ITEM	PART NUMBER	1 2 3 4 5 6 7	NOMENCLATURE	EFFECT FROM TO	UNITS PER ASSY
89B			LINING INSTL-FWD LH DOORWAY (SIDEWALL LINING (FORWARD ENTRY DOORWAY) PANELS ONLY)	201967	
- 1	411A2201-23SP		LINING INSTL-DOORWAY (SIDEWALL LINING (FORWARD ENTRY DOORWAY) PANELS ONLY) POSITION DATA: FWD LH FOR NHA/ADDITIONAL DET SEE: 25-21-00-01A	201967	RF
5	BACS12FA3K10		.SCREW	201967	4
10	BACW10P114R60		.WASHER	201967	4
15	411A2215-5SP		.COVER ASSY-HINGE	201967	1
20	411A2215-6SP		.COVER ASSY-HINGE	201967	1
25	BRC600-10-3GP		..NUT SUPPLIER CODE: V52828 SPECIFICATION NUMBER: BACN10YD2G OPTIONAL PART: 130121G V60119	201967	2
30	411A2229-173SP		..BRACKET ASSY- USED ON: 411A2215-5SP	201967	1
35	411A2229-174SP		..BRACKET ASSY- USED ON: 411A2215-6SP	201967	1
40	411A2225-3SP		..COVER- USED ON: 411A2215-5SP	201967	1
45	411A2225-4SP		..COVER- USED ON: 411A2215-6SP	201967	1
50	BACS12FA3K10		.SCREW	201967	33
55	411A2218-24SP		.SEAL ASSY-DEPRESSOR	201967	1
55	411A2218-1SP		.SEAL ASSY-DEPRESSOR	201967	1
60	411A2229-64SP		.RETAINER	201967	1
65	411A2229-67SP		.RETAINER	201967	1
70	411A2229-68SP		.RETAINER	201967	1
75	411A2229-69SP		.RETAINER	201967	1
80	66-4453-7		.COLLAR-ASSIST	201967	2
85	BACS12CK3-8		.SCREW	201967	4
90	MS24693C272		.SCREW	201967	2
95	411A2219-22		.PLATE ASSY-SCUFF POSITION DATA: AFT	201967	1

MISSING ITEM NUMBERS NOT APPLICABLE

- ITEM NOT ILLUSTRATED

HAP

25-21-31-89B

BOEING PROPRIETARY - Copyright © - Unpublished Work - See title page for details.

25-21-31
FIG. 89B
PAGE 1
OCT 15/08

BOEING
737-600/700/800/900
PARTS CATALOG (MAINTENANCE)

FIG ITEM	PART NUMBER	1 2 3 4 5 6 7	NOMENCLATURE	EFFECT FROM TO	UNITS PER ASSY
89B					
100	411A2219-62		.PLATE ASSY-SCUFF POSITION DATA: FWD	201967	1
105	BACS12ER3K8		.SCREW	201967	8
110	BACW10UC10P		.WASHER	201967	8
115	411A2211-21SP		.PANEL ASSY	201967	1
120	411A2227-13SP		..CAP-EDGE	201967	1
125	411A2226-4		..GROMMET	201967	4
130	411A2211-22SP		..PANEL ASSY-BASE	201967	1
135	411A2211-23SP		.PANEL ASSY	201967	1
140	411A2227-14SP		..CAP-EDGE	201967	1
145	411A2226-4		..GROMMET	201967	6
150	411A2211-24SP		..PANEL ASSY-BASE	201967	1
155	411A2211-25SP		.PANEL ASSY	201967	1
160	411A2227-15SP		..CAP-EDGE	201967	1
165	411A2226-4		..GROMMET	201967	6
170	411A2211-26SP		..PANEL ASSY-BASE	201967	1
175	411A2211-33SP		.PANEL ASSY	201967	1
180	411N1220-1		..RETAINER	201967	1
185	411A2226-4		..GROMMET	201967	17
190	411A2211-34SP		..PANEL ASSY-BASE	201967	1

MISSING ITEM NUMBERS NOT APPLICABLE

— ITEM NOT ILLUSTRATED

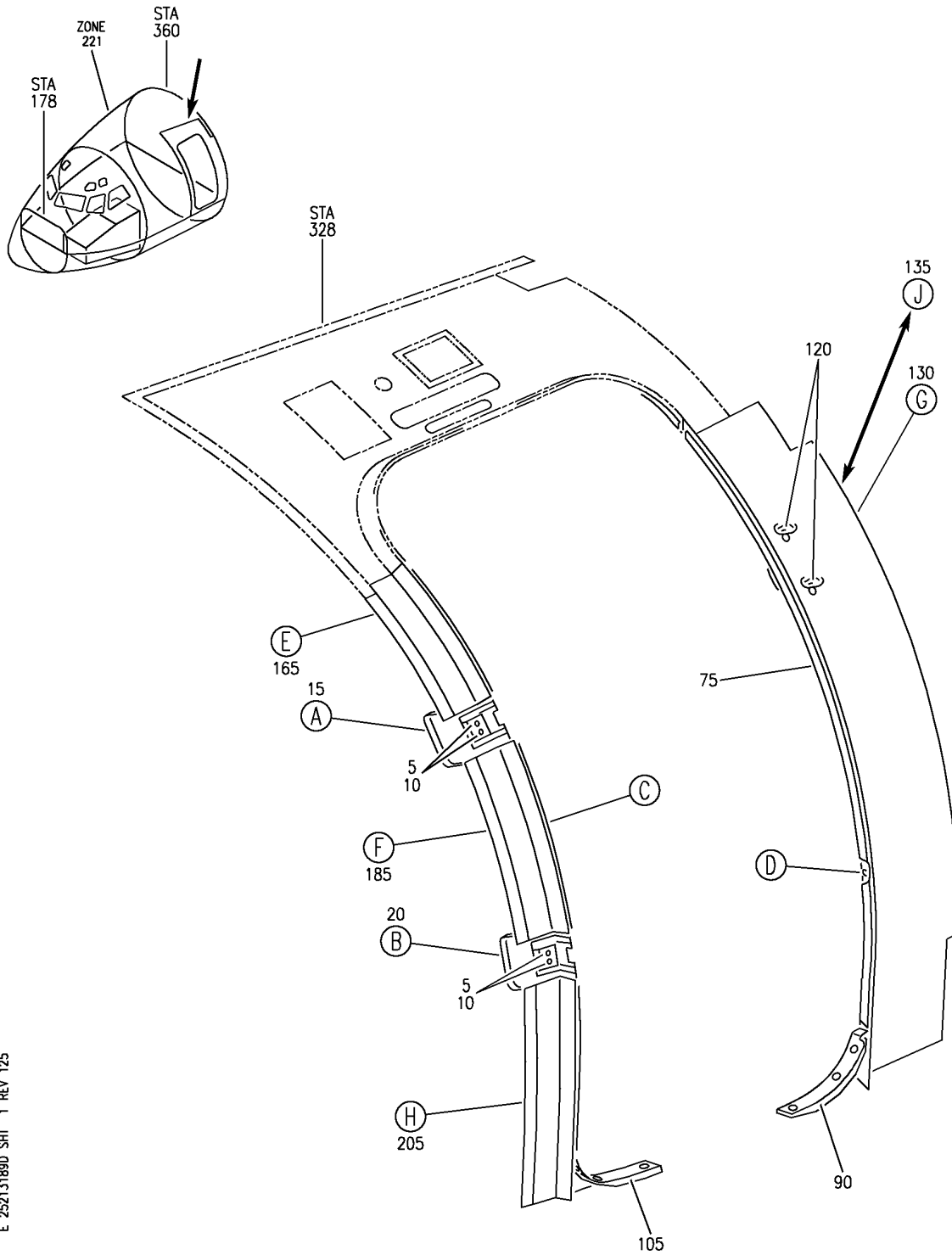
HAP

25-21-31-89B

BOEING PROPRIETARY - Copyright © - Unpublished Work - See title page for details.

25-21-31
FIG. 89B
PAGE 2
OCT 15/08

BOEING
 737-600/700/800/900
 PARTS CATALOG (MAINTENANCE)



E 25213189D SHT 1 REV 125

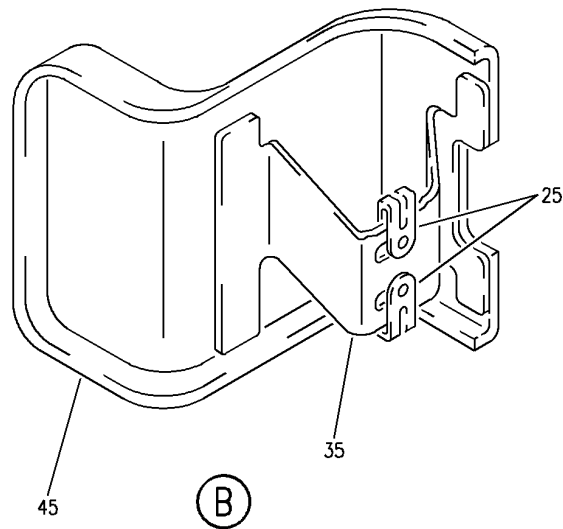
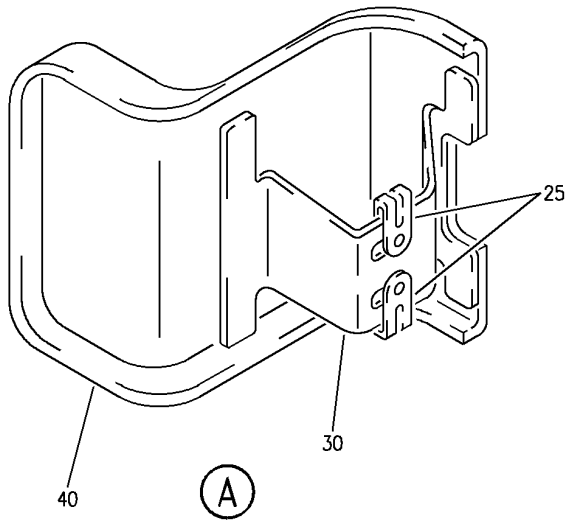
LINING INSTL-FWD LH DOORWAY (SIDEWALL LINING (FORWARD ENTRY DOORWAY) PANELS ONLY)
 FIGURE 89D (SHEET 1)

25-21-31-89D

HAP
 FEB 10/07

25-21-31-89D
 PAGE 0

BOEING
737-600/700/800/900
PARTS CATALOG (MAINTENANCE)



E 25213189D SHT 2 REV 125

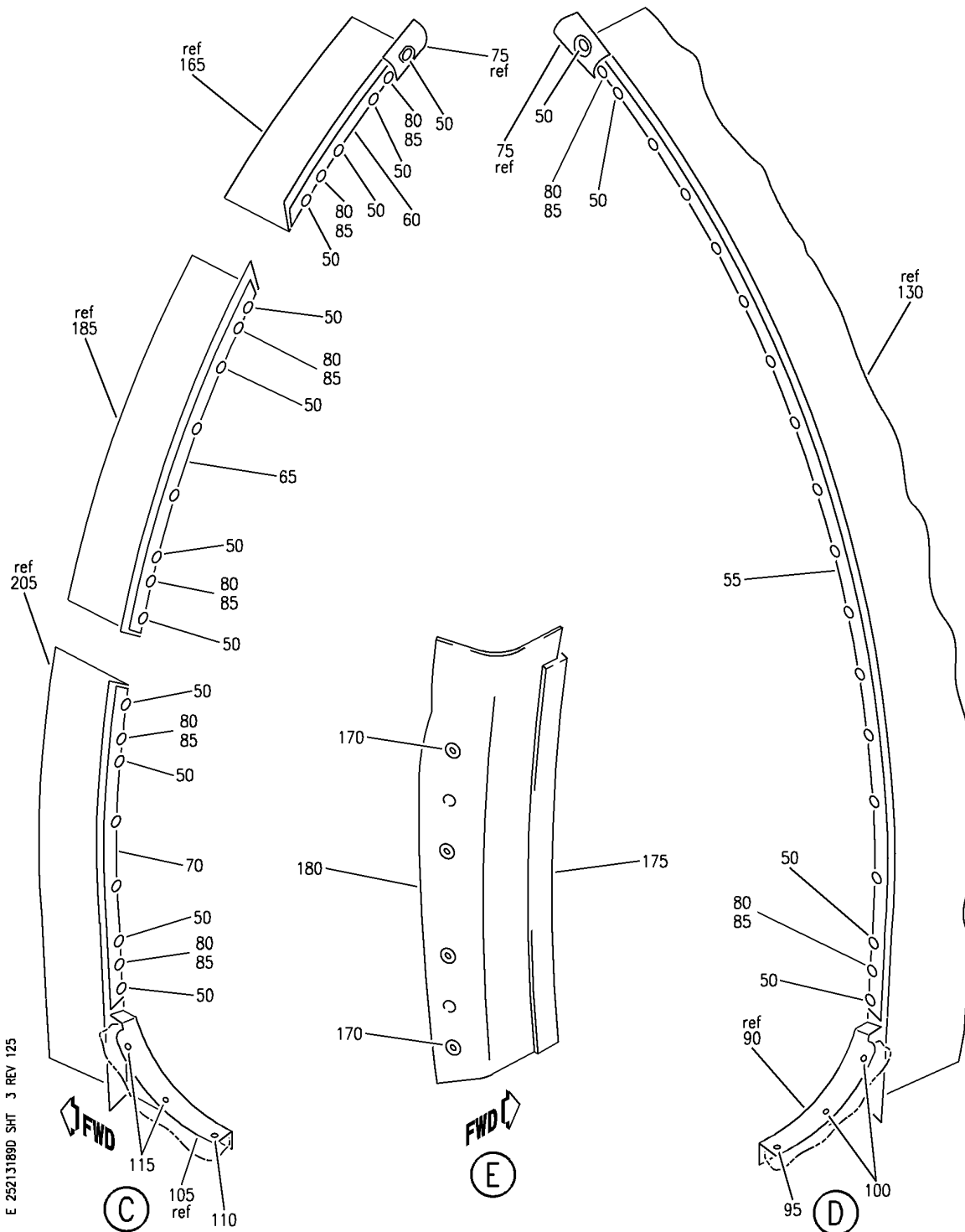
LINING INSTL-FWD LH DOORWAY (SIDEWALL LINING (FORWARD ENTRY DOORWAY) PANELS ONLY)
FIGURE 89D (SHEET 2)

HAP
FEB 10/07

25-21-31-89D

25-21-31-89D
PAGE 0A


BOEING
 737-600/700/800/900
PARTS CATALOG (MAINTENANCE)



E 25213189D SHT 3 REV 125

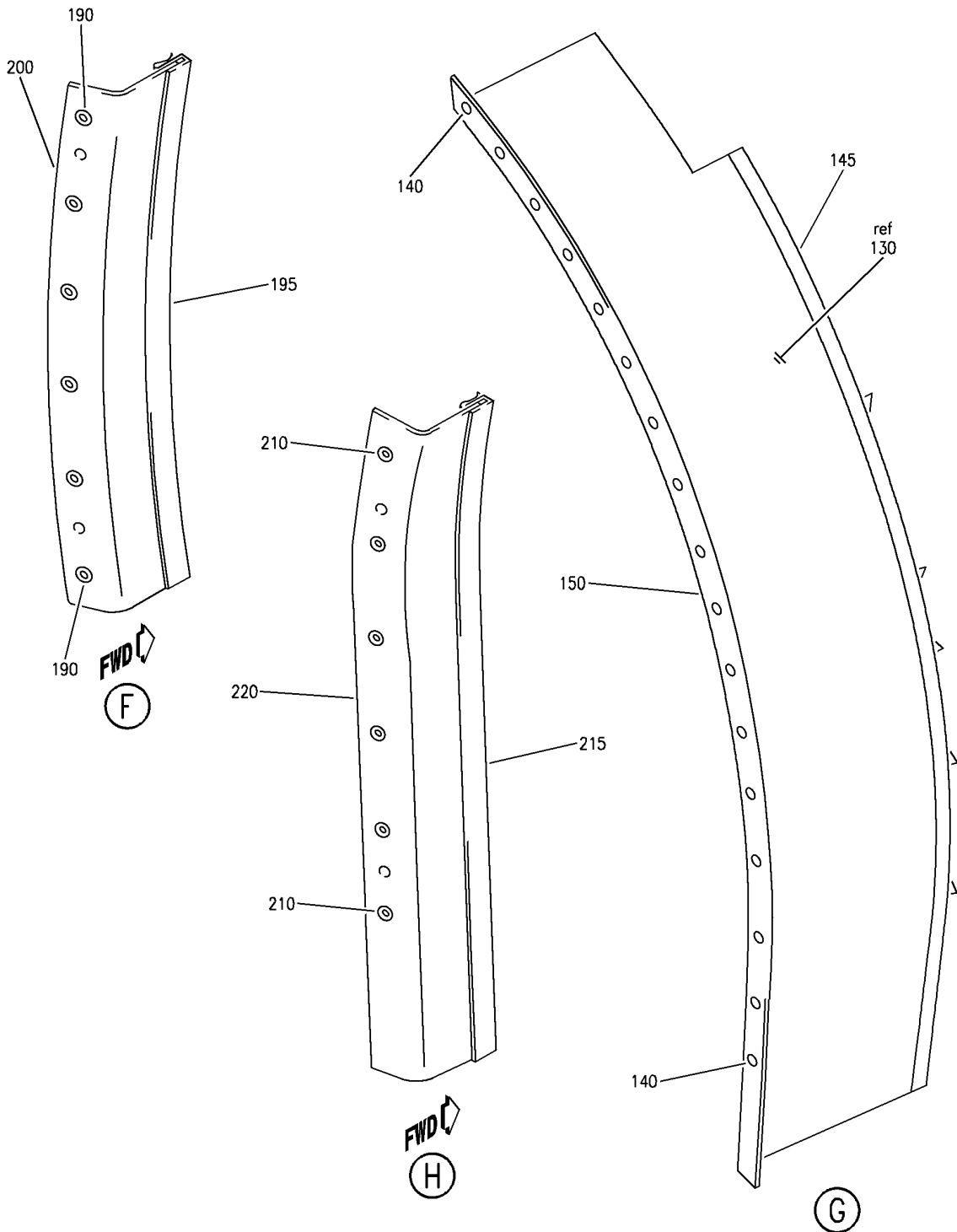
LINING INSTL-FWD LH DOORWAY (SIDEWALL LINING (FORWARD ENTRY DOORWAY) PANELS ONLY)
 FIGURE 89D (SHEET 3)

HAP
FEB 10/07

25-21-31-89D

25-21-31-89D
PAGE 0B

BOEING
 737-600/700/800/900
 PARTS CATALOG (MAINTENANCE)



E 25213189D SHT 4 REV 125

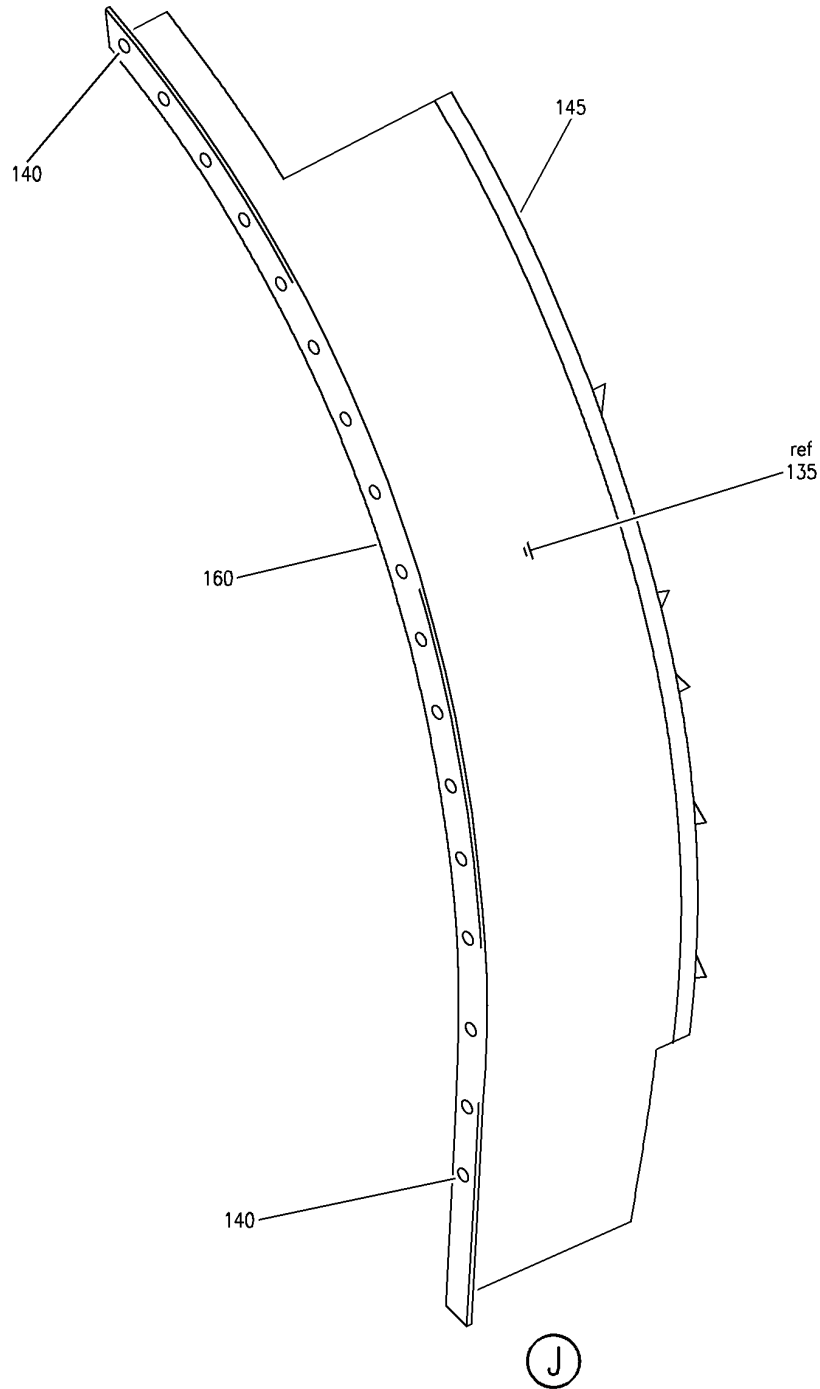
LINING INSTL-FWD LH DOORWAY (SIDEWALL LINING (FORWARD ENTRY DOORWAY) PANELS ONLY)
 FIGURE 89D (SHEET 4)

HAP
 FEB 10/07

25-21-31-89D

25-21-31-89D
 PAGE 0C

BOEING
737-600/700/800/900
PARTS CATALOG (MAINTENANCE)



E 25213189D SHT 5 REV 125

LINING INSTL-FWD LH DOORWAY (SIDEWALL LINING (FORWARD ENTRY DOORWAY) PANELS ONLY)
FIGURE 89D (SHEET 5)

HAP
FEB 10/07

25-21-31-89D

25-21-31-89D
PAGE 0D

BOEING
737-600/700/800/900
PARTS CATALOG (MAINTENANCE)

FIG ITEM	PART NUMBER	1 2 3 4 5 6 7	NOMENCLATURE	EFFECT FROM TO	UNITS PER ASSY
89D			LINING INSTL-FWD LH DOORWAY (SIDEWALL LINING (FORWARD ENTRY DOORWAY) PANELS ONLY)	031200 968999	
- 1	MODREF222912		LINING INSTL-DOORWAY (SIDEWALL LINING (FORWARD ENTRY DOORWAY) PANELS ONLY) MODULE NUMBER: 411A2201-48B REV F POSITION DATA: FWD LH FOR ADDITIONAL DETAILS SEE: 25-21-30-89D	031036	RF
- 1	MODREF222913		LINING INSTL-DOORWAY (SIDEWALL LINING (FORWARD ENTRY DOORWAY) PANELS ONLY) MODULE NUMBER: 411A2201-49B REV C POSITION DATA: FWD LH FOR ADDITIONAL DETAILS SEE: 25-21-30-89D	037200 968999	RF
50	BACS12FA3K10		.SCREW	031200 968999	33
55	411A2229-67A		.RETAINER	031200 968999	1
60	411A2229-68A		.RETAINER	031200 968999	1
65	411A2229-69A		.RETAINER	031200 968999	1
70	411A2229-64A		.RETAINER	031200 968999	1
75	411A2218-24A		.SEAL ASSY-DEPRESSOR OPTIONAL PART: 411A2218-1A	031200 968999	RF
75	411A2218-1A		.SEAL ASSY-DEPRESSOR OPTIONAL PART: 411A2218-24A	031200 968999	RF
80	BACS12ER3K8		.SCREW	031200 968999	8
85	BACW10UC10P		.WASHER	031200 968999	8
90	411A2219-62		.PLATE ASSY-SCUFF POSITION DATA: FWD	031200 968999	1

MISSING ITEM NUMBERS NOT APPLICABLE

- ITEM NOT ILLUSTRATED

HAP

25-21-31-89D

BOEING PROPRIETARY - Copyright © - Unpublished Work - See title page for details.

25-21-31
FIG. 89D
PAGE 1
JUN 15/09

BOEING
737-600/700/800/900
PARTS CATALOG (MAINTENANCE)

FIG ITEM	PART NUMBER	1 2 3 4 5 6 7	NOMENCLATURE	EFFECT FROM TO	UNITS PER ASSY
89D			ATTACHING PARTS		
95	MS24693C272		.SCREW	031200 968999	1
100	BACS12CK3-8		.SCREW	031200 968999	2
105	411A2219-22		-----*----- .PLATE ASSY-SCUFF POSITION DATA: AFT ATTACHING PARTS	031200 968999	1
110	MS24693C272		.SCREW	031200 968999	1
115	BACS12CK3-8		.SCREW	031200 968999	2
120	66-4453-7		-----*----- .COLLAR	031200 968999	2
R	130	411A2211-33A	.PANEL ASSY	031200 968999	1
R	140	411A2226-4	..GROMMET	031200 968999	17
	145	411N1220-1	..RETAINER-EDGE	031200 968999	1
R	150	411A2211-34A	..PANEL ASSY-BASE	031200 968999	1
R	165	411A2211-21A	.PANEL ASSY- POSITION DATA: UPR	031200 968999	1
R	170	411A2226-4	..GROMMET	031200 968999	4
R	175	411A2227-13A	..CAP-EDGE	031200 968999	1
R	180	411A2211-22A	..PANEL ASSY-BASE	031200 968999	1
R	185	411A2211-23A	.PANEL ASSY- POSITION DATA: MID	031200 968999	1
R	190	411A2226-4	..GROMMET	031200 968999	6
R	195	411A2227-14A	..CAP-EDGE	031200 968999	1
R	200	411A2211-24E	..PANEL ASSY-BASE	031200 968999	1
R	205	411A2211-25A	.PANEL ASSY- POSITION DATA: LWR	031200 968999	1
R	210	411A2226-4	..GROMMET	031200 968999	6

MISSING ITEM NUMBERS NOT APPLICABLE

— ITEM NOT ILLUSTRATED

HAP

25-21-31-89D

BOEING PROPRIETARY - Copyright © - Unpublished Work - See title page for details.

25-21-31
FIG. 89D
PAGE 2
JUN 15/09

BOEING
737-600/700/800/900
PARTS CATALOG (MAINTENANCE)

FIG ITEM	PART NUMBER	1 2 3 4 5 6 7	NOMENCLATURE	EFFECT FROM TO	UNITS PER ASSY
R R R R	89D				
	215	411A2227-15A	..CAP-EDGE	031200 968999	1
	220	411A2211-26A	..PANEL ASSY-BASE	031200 968999	1

MISSING ITEM NUMBERS NOT APPLICABLE

— ITEM NOT ILLUSTRATED

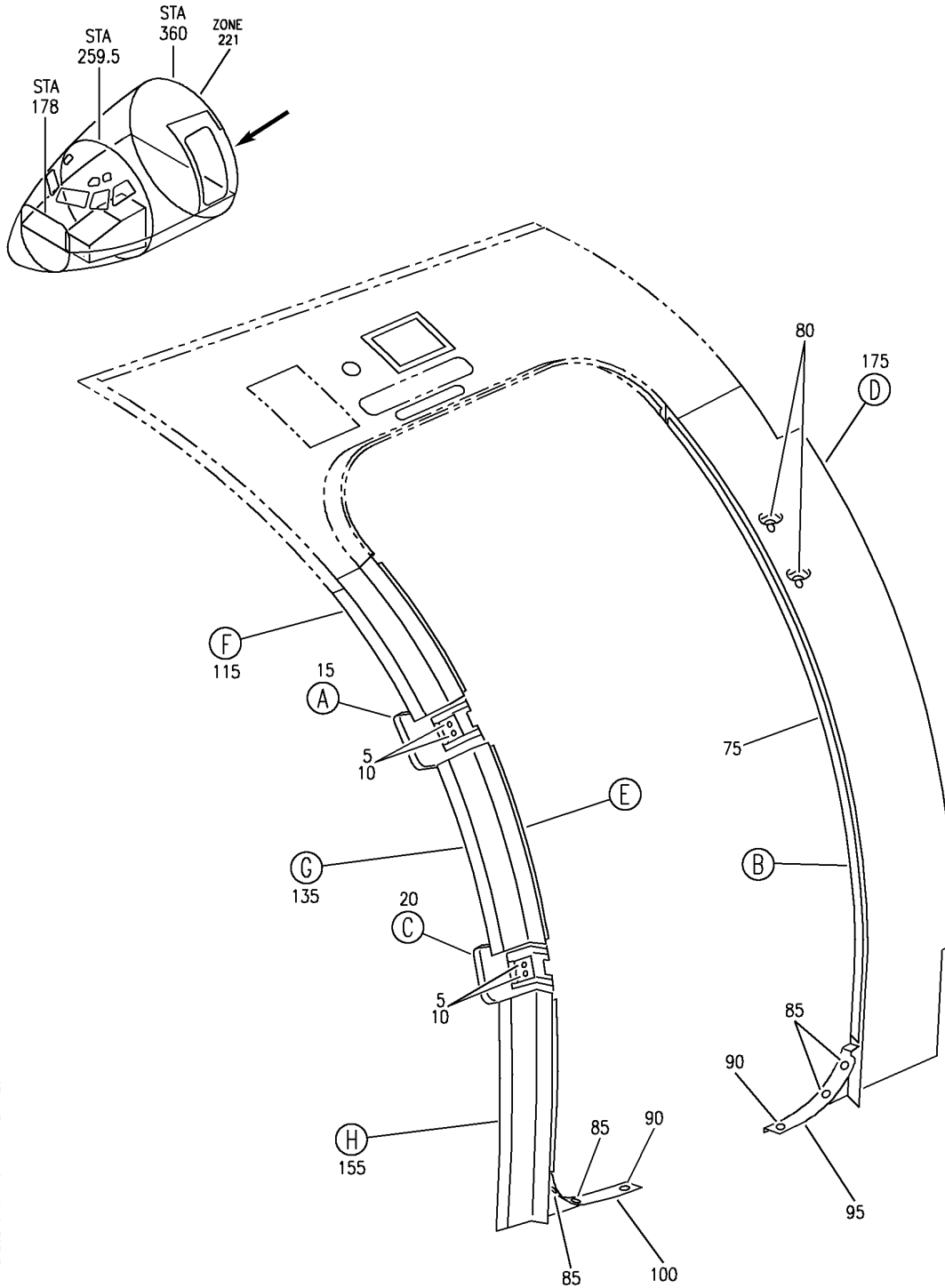
HAP

25-21-31-89D

BOEING PROPRIETARY - Copyright © - Unpublished Work - See title page for details.

25-21-31
FIG. 89D
PAGE 3
JUN 15/09

BOEING
 737-600/700/800/900
 PARTS CATALOG (MAINTENANCE)



E 25213191 SHT 1 REV 125

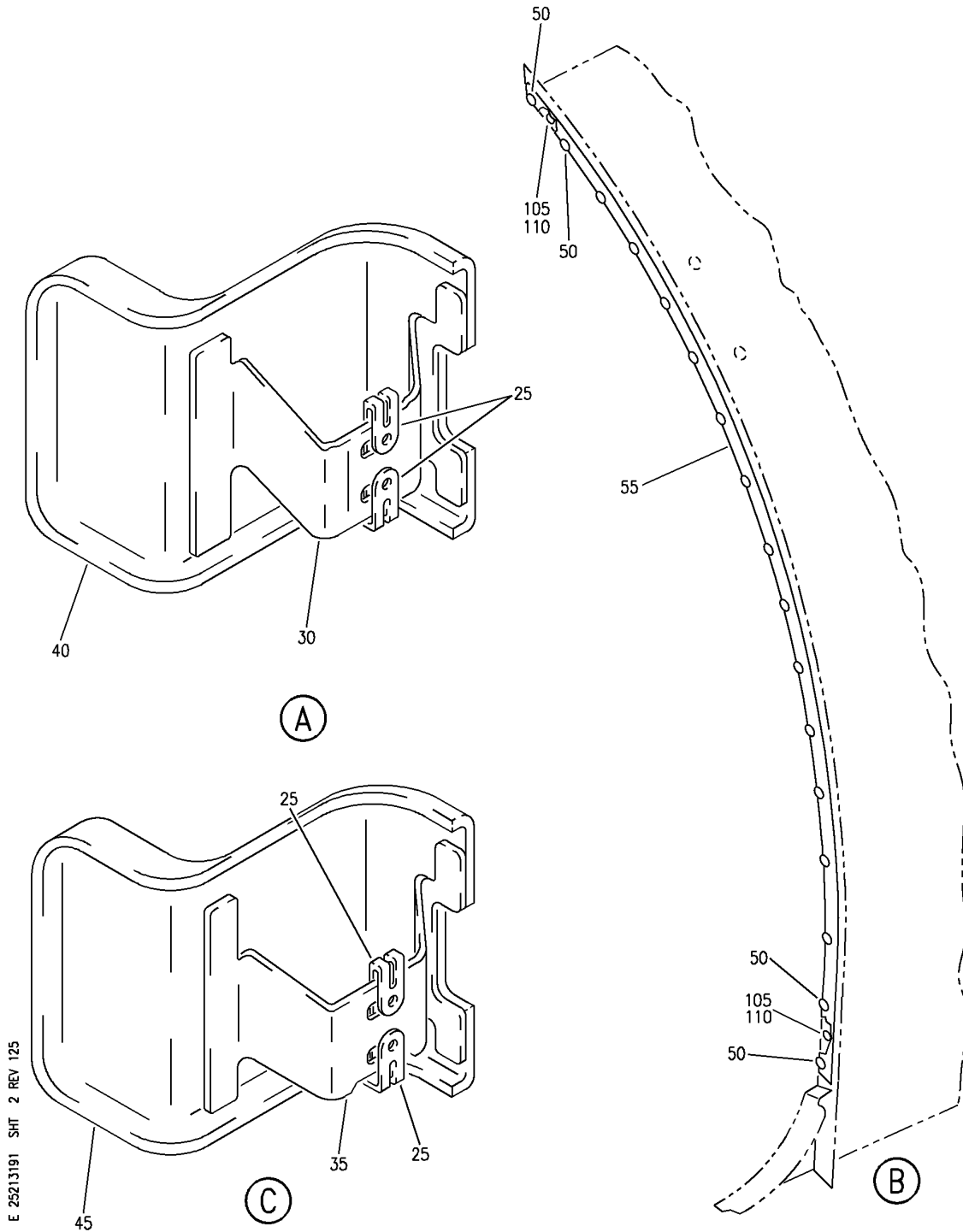
LINING INSTL-FWD LH DOORWAY (SIDEWALL LINING (FORWARD ENTRY DOORWAY) PANELS ONLY)
 FIGURE 91 (SHEET 1)

25-21-31-91

HAP
 FEB 10/07

25-21-31-91
 PAGE 0

BOEING
 737-600/700/800/900
 PARTS CATALOG (MAINTENANCE)



E 25213191 SHT 2 REV 125

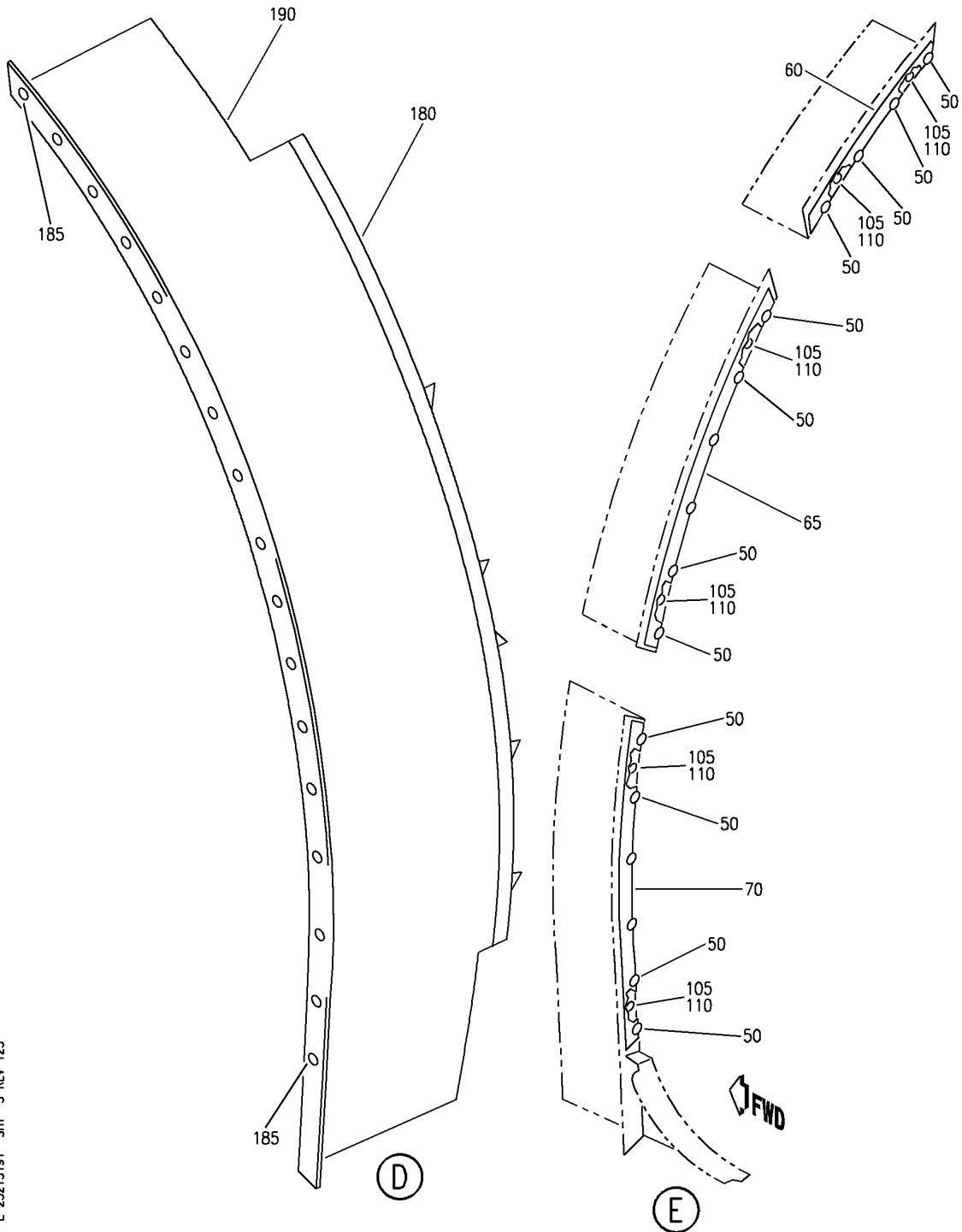
LINING INSTL-FWD LH DOORWAY (SIDEWALL LINING (FORWARD ENTRY DOORWAY) PANELS ONLY)
 FIGURE 91 (SHEET 2)

HAP
 FEB 10/07

25-21-31-91

25-21-31-91
 PAGE 0A

BOEING
 737-600/700/800/900
 PARTS CATALOG (MAINTENANCE)



E 25213191 SHT 3 REV 125

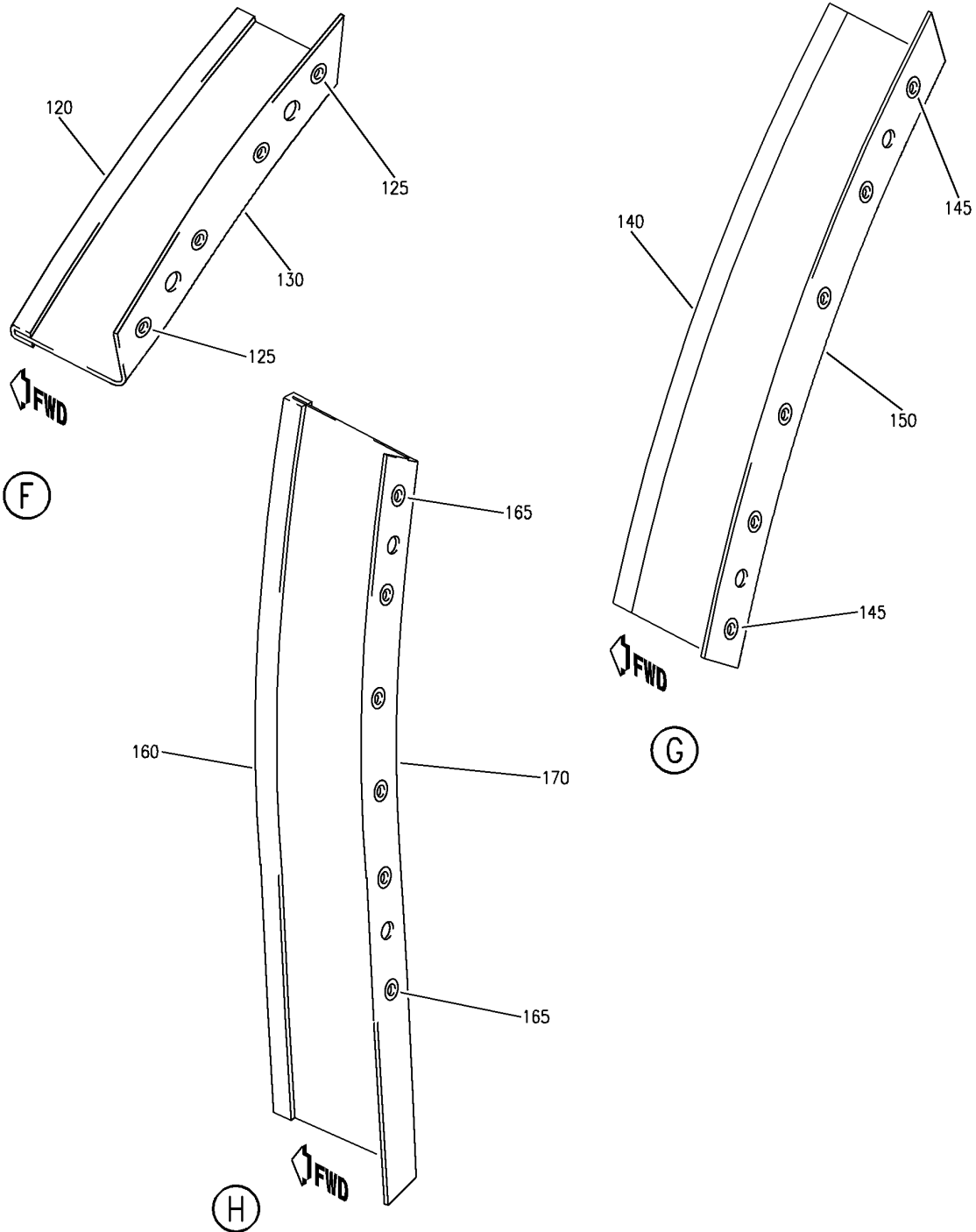
LINING INSTL-FWD LH DOORWAY (SIDEWALL LINING (FORWARD ENTRY DOORWAY) PANELS ONLY)
 FIGURE 91 (SHEET 3)

25-21-31-91

HAP
 FEB 10/07

25-21-31-91
 PAGE 0B

BOEING
 737-600/700/800/900
 PARTS CATALOG (MAINTENANCE)



E 25213191 SH1 4 REV 125

LINING INSTL-FWD LH DOORWAY (SIDEWALL LINING (FORWARD ENTRY DOORWAY) PANELS ONLY)
 FIGURE 91 (SHEET 4)

HAP
 FEB 10/07

25-21-31-91

25-21-31-91
 PAGE 0C

BOEING
737-600/700/800/900
PARTS CATALOG (MAINTENANCE)

FIG ITEM	PART NUMBER	1 2 3 4 5 6 7	NOMENCLATURE	EFFECT FROM TO	UNITS PER ASSY
91			LINING INSTL-FWD LH DOORWAY (SIDEWALL LINING (FORWARD ENTRY DOORWAY) PANELS ONLY)	028030	
- 1	411A2201-40SP		LINING INSTL-DOORWAY (SIDEWALL LINING (FORWARD ENTRY DOORWAY) PANELS ONLY) POSITION DATA: FWD LH FOR NHA/ADDITIONAL DET SEE: 25-21-00-01D	028030	RF
5	BACS12FA3K10	.SCREW		028030	4
10	BACW10P114R60	.WASHER		028030	4
15	411A2215-5SP	.COVER ASSY-HINGE	POSITION DATA: UPR	028030	1
20	411A2215-6SP	.COVER ASSY-HINGE	POSITION DATA: LWR	028030	1
25	BRC600-10-3GP	..NUT	SUPPLIER CODE: V52828 SPECIFICATION NUMBER: BACN10YD2G OPTIONAL PART: 130121G V60119	028030	2
30	411A2229-173SP	..BRACKET ASSY-	USED ON: 411A2215-5SP	028030	1
35	411A2229-174SP	..BRACKET ASSY-	USED ON: 411A2215-6SP	028030	1
40	411A2225-3SP	..COVER-	USED ON: 411A2215-5SP 411A2215-7SP	028030	1
45	411A2225-4SP	..COVER-	USED ON: 411A2215-6SP	028030	1
50	BACS12FA3K10	.SCREW		028030	33
55	411A2229-64SP	.RETAINER		028030	1
60	411A2229-67SP	.RETAINER		028030	1
65	411A2229-68SP	.RETAINER		028030	1
70	411A2229-69SP	.RETAINER		028030	1
75	411A2218-24SP	.SEAL ASSY-DEPRESSOR		028030	RF
75	411A2218-1SP	.SEAL ASSY-DEPRESSOR		028030	RF
80	66-4453-7	.COLLAR-ASSIST		028030	2

MISSING ITEM NUMBERS NOT APPLICABLE

- ITEM NOT ILLUSTRATED

HAP

25-21-31-91

25-21-31
FIG. 91
PAGE 1
FEB 15/09

BOEING
737-600/700/800/900
PARTS CATALOG (MAINTENANCE)

FIG ITEM	PART NUMBER	1 2 3 4 5 6 7	NOMENCLATURE	EFFECT FROM TO	UNITS PER ASSY
91					
85	BACS12CK3-8	.	SCREW	028030	4
90	MS24693C272	.	SCREW	028030	2
95	411A2219-22	.	PLATE ASSY-SCUFF	028030	1
100	411A2219-62	.	PLATE ASSY-SCUFF	028030	1
105	BACS12ER3K8	.	SCREW	028030	8
110	BACW10UC10P	.	WASHER	028030	8
115	411A2211-21SP	.	PANEL ASSY	028030	1
120	411A2227-13SP	..	CAP-EDGE	028030	1
125	411A2226-4	..	GROMMET	028030	4
130	411A2211-22SP	..	PANEL ASSY-BASE	028030	1
135	411A2211-23SP	.	PANEL ASSY	028030	1
140	411A2227-14SP	..	CAP-EDGE	028030	1
145	411A2226-4	..	GROMMET	028030	6
150	411A2211-24SP	..	PANEL ASSY-BASE	028030	1
155	411A2211-25SP	.	PANEL ASSY	028030	1
160	411A2227-15SP	..	CAP-EDGE	028030	1
165	411A2226-4	..	GROMMET	028030	6
170	411A2211-26SP	..	PANEL ASSY-BASE	028030	1
175	411A2211-33SP	.	PANEL ASSY	028030	1
180	411N1220-1	..	RETAINER	028030	1
185	411A2226-4	..	GROMMET	028030	17
190	411A2211-34SP	..	PANEL ASSY-BASE	028030	1

MISSING ITEM NUMBERS NOT APPLICABLE

— ITEM NOT ILLUSTRATED

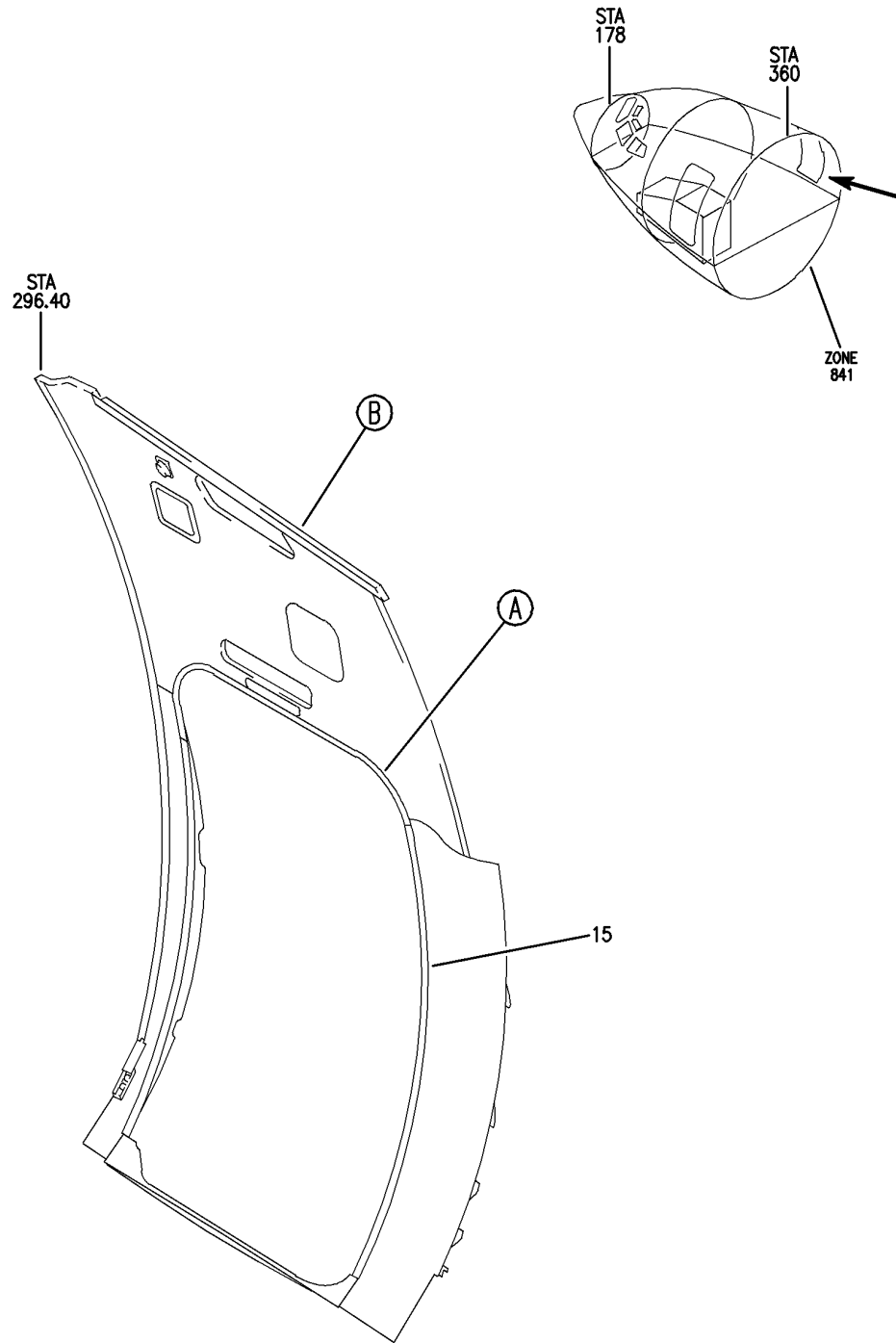
HAP

25-21-31-91

BOEING PROPRIETARY - Copyright © - Unpublished Work - See title page for details.

25-21-31
FIG. 91
PAGE 2
FEB 15/09

BOEING
737-600/700/800/900
PARTS CATALOG (MAINTENANCE)



E 25213401 SHT 1 REV 063

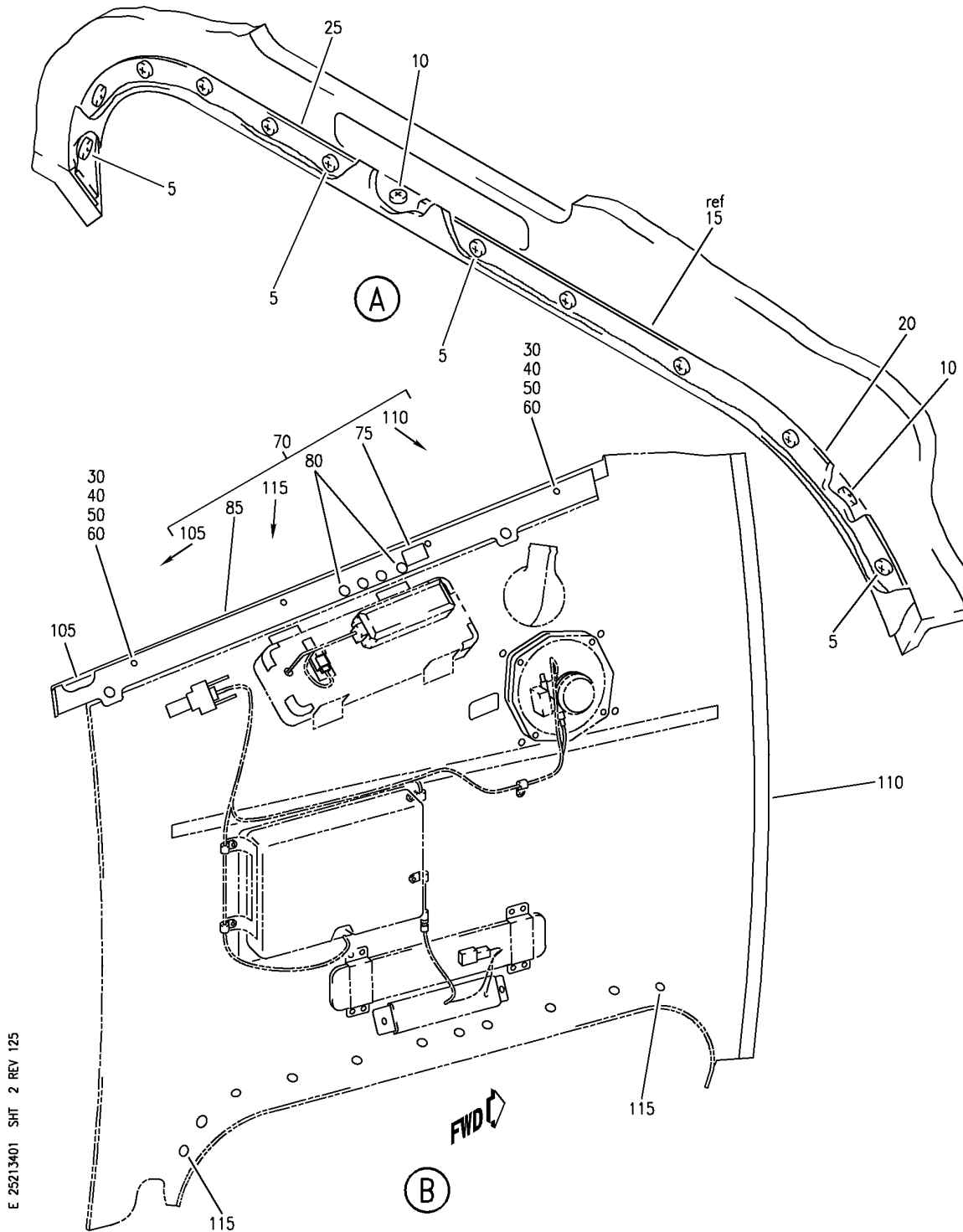
LINING INSTL-(FORWARD GALLEY DOOR DOORWAY HEADER PANEL ONLY)
FIGURE 1 (SHEET 1)

25-21-34-01

HAP
OCT 10/06

25-21-34-01
PAGE 0


BOEING
 737-600/700/800/900
PARTS CATALOG (MAINTENANCE)



E 25213401 SH1 2 REV 125

LINING INSTL-(FORWARD GALLEY DOOR DOORWAY HEADER PANEL ONLY)
 FIGURE 1 (SHEET 2)

25-21-34-01

HAP
FEB 10/07

25-21-34-01
 PAGE 0A

BOEING
737-600/700/800/900
PARTS CATALOG (MAINTENANCE)

FIG ITEM	PART NUMBER	1 2 3 4 5 6 7	NOMENCLATURE	EFFECT FROM TO	UNITS PER ASSY
1			LINING INSTL-(FORWARD GALLEY DOOR DOORWAY HEADER PANEL ONLY)	001027 201967	
- 1	411A2202-5SP		LINING INSTL-(FORWARD GALLEY DOOR DOORWAY HEADER PANEL ONLY) POSITION DATA: RH FOR NHA/OTHER SYS DET SEE: 25-21-00-01D	001001 006007	RF
- 1	411A2202-10SP		LINING INSTL-(FORWARD GALLEY DOOR DOORWAY HEADER PANEL ONLY) POSITION DATA: RH FOR NHA/OTHER SYS DET SEE: 25-21-00-01A 25-21-00-01D	002005 008011 201967	RF
- 1	411A2202-19B		LINING INSTL-(FORWARD GALLEY DOOR DOORWAY HEADER PANEL ONLY) POSITION DATA: RH FOR NHA/ADDITIONAL DET SEE: 25-21-00-01D	012027	RF
5	BACS12FA3K12		.SCREW	001027 201967	11
10	BACS12ER3K10		.SCREW	001027 201967	2
15	411A2218-25SP		.SEAL ASSY-DEPRESSOR OPTIONAL PART: 411A2218-2SP	001027 201967	1
15	411A2218-2SP		.SEAL ASSY-DEPRESSOR OPTIONAL PART: 411A2218-25SP	001027 201967	1
20	411A2229-71SP		.RETAINER-	001027 201967	1
25	411A2229-72SP		.RETAINER-	001027 201967	1
30	411A2226-5SP		.PLUG-	001027 201967	4
40	BACB30NT3K2		.BOLT	001027 201967	4
50	NAS620A10L		.WASHER	001027 201967	4

MISSING ITEM NUMBERS NOT APPLICABLE

- ITEM NOT ILLUSTRATED

HAP

25-21-34-01

BOEING PROPRIETARY - Copyright © - Unpublished Work - See title page for details.

25-21-34
FIG. 01
PAGE 1
OCT 15/08

BOEING
737-600/700/800/900
PARTS CATALOG (MAINTENANCE)

FIG ITEM	PART NUMBER	1 2 3 4 5 6 7	NOMENCLATURE	EFFECT FROM TO	UNITS PER ASSY
1 60	BRC600-8-3GP		.CLIPNUT SUPPLIER CODE: V52828 SPECIFICATION NUMBER: BACN10YD1G OPTIONAL PART: 130120G V60119	001027 201967	4
70	411A2212-27B		.PANEL ASSY-(EQUIPMENT/ FURNISHINGS ONLY) FUNCTIONAL REFERENCE: AIR CONDITIONING FOR DETAILS SEE 21-23-54-13A COMMUNICATIONS FOR DETAILS SEE 23-31-03-13A LIGHTS FOR DETAILS SEE 33-26-02-13A 33-51-01-13A OXYGEN FOR DETAILS SEE 35-22-11-13A 35-22-21-13A 35-22-31-13A	002005 008011 201967	1
70	411A2212-35B		.PANEL ASSY-(EQUIPMENT/ FURNISHINGS ONLY) FUNCTIONAL REFERENCE: AIR CONDITIONING FOR DETAILS SEE 21-23-54-13A COMMUNICATIONS FOR DETAILS SEE 23-31-03-13A LIGHTS FOR DETAILS SEE 33-26-02-13A 33-51-01-13A OXYGEN FOR DETAILS SEE 35-22-11-13B 35-22-21-13B 35-22-31-13B	012027	1

MISSING ITEM NUMBERS NOT APPLICABLE

— ITEM NOT ILLUSTRATED

HAP

25-21-34-01

BOEING PROPRIETARY - Copyright © - Unpublished Work - See title page for details.

25-21-34
FIG. 01
PAGE 2
OCT 15/08

BOEING
737-600/700/800/900
PARTS CATALOG (MAINTENANCE)

FIG ITEM	PART NUMBER	1 2 3 4 5 6 7	NOMENCLATURE	EFFECT FROM TO	UNITS PER ASSY
1	70 411A2212-21B		.PANEL ASSY-(EQUIPMENT/ FURNISHINGS ONLY) FUNCTIONAL REFERENCE: AIR CONDITIONING FOR DETAILS SEE 21-23-54-13A COMMUNICATIONS FOR DETAILS SEE 23-31-03-13A LIGHTS FOR DETAILS SEE 33-26-02-13A 33-51-01-13A OXYGEN FOR DETAILS SEE 35-22-11-13A 35-22-21-13A 35-22-31-13A	001001 006007	1
	75 BAC27DEL1301		..MARKER- PLACARD CONTENT: REPLACEMENT PLUG BUTTONS 411A2226-5	001027 201967	1
	80 411A2226-5SP		..PLUG-	001027 201967	4
	85 411A2219-41SP		..CHANNEL ASSY-	001027 201967	1
			ATTACHING PARTS		
-	90 BACS12FA3K5		..SCREW	001027 201967	2
-	95 NAS1057T3A013		..SPACER	001027 201967	2
-	100 BACW10P44CC		..WASHER	001027 201967	2
			-----*-----		
	105 411A2212-7		..TAPE-LOOP	001027 201967	AR
	110 411A2227-6SP		..CAP-EDGE OPTIONAL PART: 411A2227-18SP	001027 201967	1
	110 411A2227-18SP		..CAP-EDGE OPTIONAL PART: 411A2227-6SP	001027 201967	1
	115 411A2226-3		..GROMMET	001027 201967	11
-	120 SL6224-3A		..INSERT- SUPPLIER CODE: V97393	001027 201967	27

MISSING ITEM NUMBERS NOT APPLICABLE

- ITEM NOT ILLUSTRATED

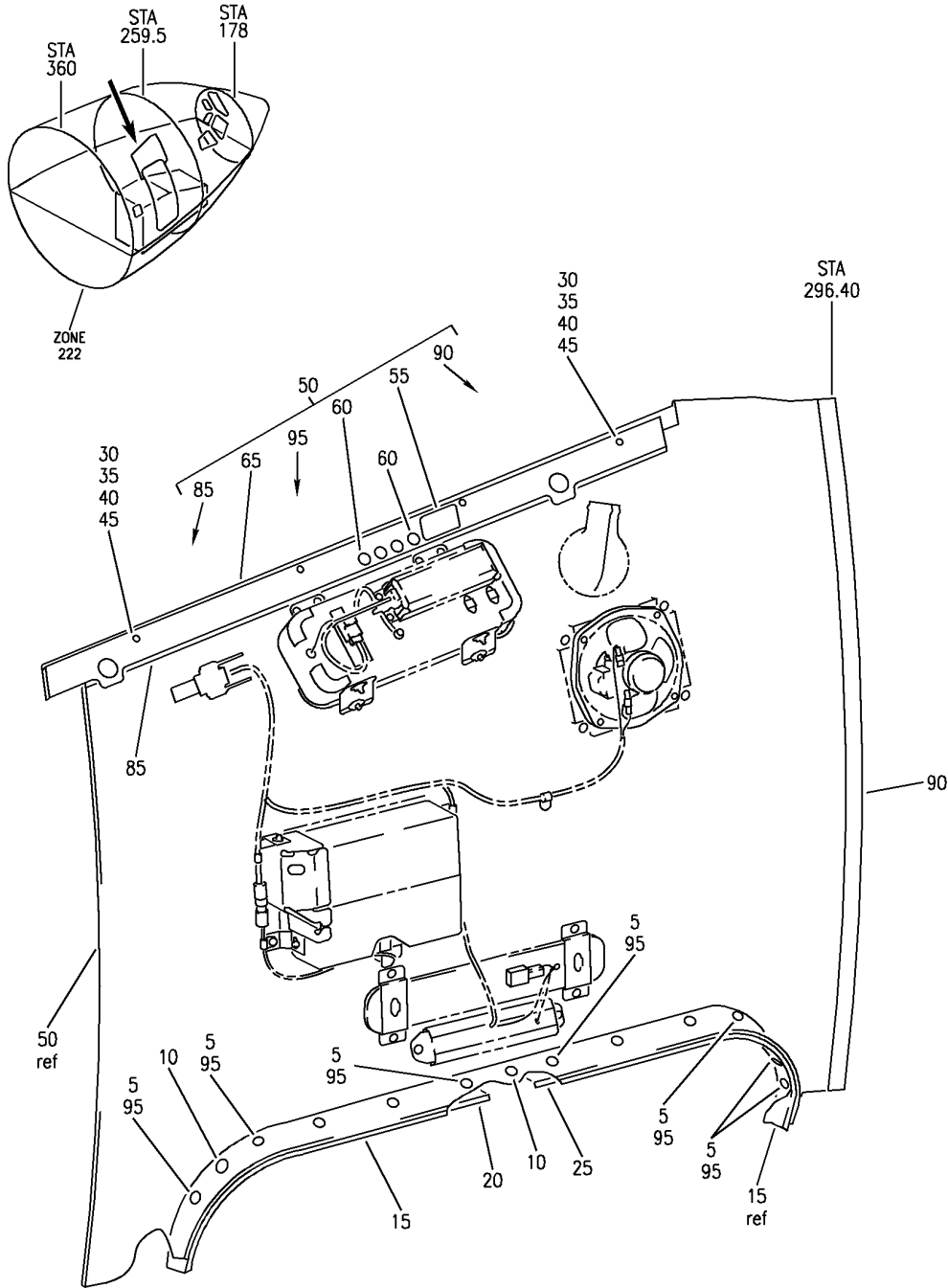
HAP

25-21-34-01

BOEING PROPRIETARY - Copyright © - Unpublished Work - See title page for details.

25-21-34
FIG. 01
PAGE 3
OCT 15/08

BOEING
737-600/700/800/900
PARTS CATALOG (MAINTENANCE)



E 25213493 REV 125

LINING INSTL-FWD RH DOORWAY (FORWARD GALLEY DOOR DOORWAY HEADER PANEL ONLY)
 FIGURE 93

25-21-34-93

HAP
 FEB 10/07

25-21-34-93
 PAGE 0

BOEING
737-600/700/800/900
PARTS CATALOG (MAINTENANCE)

FIG ITEM	PART NUMBER	1 2 3 4 5 6 7	NOMENCLATURE	EFFECT FROM TO	UNITS PER ASSY
R R R R	93		LINING INSTL-FWD RH DOORWAY (FORWARD GALLEY DOOR DOORWAY HEADER PANEL ONLY)	028036	
	- 1	411A2202-27SP	LINING INSTL-DOORWAY (FORWARD GALLEY DOOR DOORWAY HEADER PANEL ONLY) POSITION DATA: FWD RH FOR NHA/ADDITIONAL DET SEE: 25-21-00-01D	028030	RF
	- 1	MODREF222916	LINING INSTL-DOORWAY (FORWARD GALLEY DOOR DOORWAY HEADER PANEL ONLY) MODULE NUMBER: 411A2202-27B REV C FOR ADDITIONAL DETAILS SEE: 25-21-35-93	031036	1
R	5	BACS12FA3K12	.SCREW	028036	11
R	10	BACS12ER3K10	.SCREW	028036	2
R	15	411A2218-25SP	.SEAL ASSY-DEPRESSOR	028036	RF
R	15	411A2218-2SP	.SEAL ASSY-DEPRESSOR	028036	RF
R	20	411A2229-71SP	.RETAINER	028036	1
R	25	411A2229-72SP	.RETAINER	028036	1
R	30	411A2226-5SP	.PLUG	028036	4
R	35	BACB30NT3K2	.BOLT	028036	4
R	40	NAS620A10L	.WASHER	028036	4
R	45	BRC600-8-3GP	.CLIPNUT	028036	4
R			SUPPLIER CODE: V52828		
R			SPECIFICATION NUMBER: BACN10YD1G		
R			OPTIONAL PART: 130120G		
R			V60119		

MISSING ITEM NUMBERS NOT APPLICABLE

- ITEM NOT ILLUSTRATED

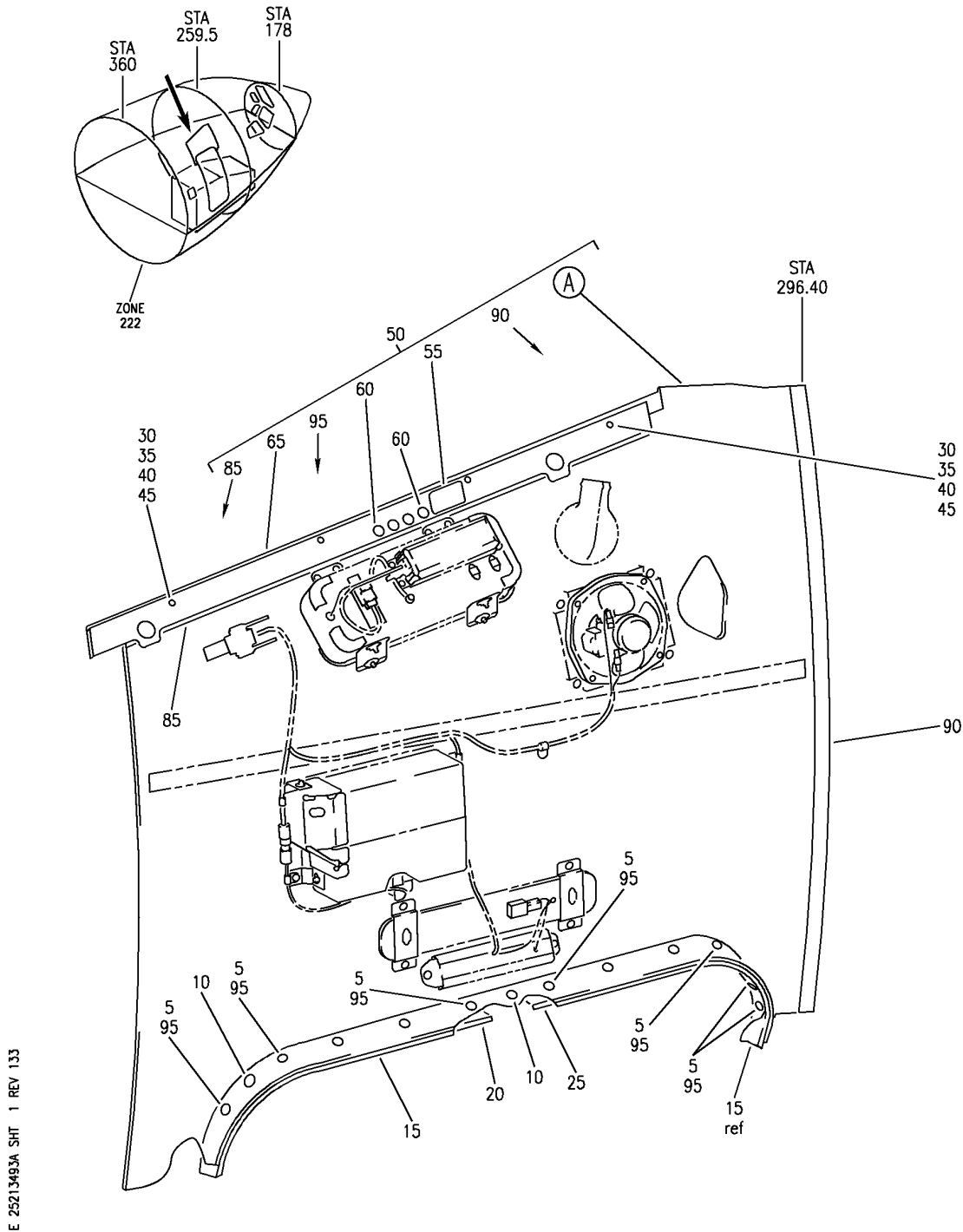
HAP

25-21-34-93

BOEING PROPRIETARY - Copyright © - Unpublished Work - See title page for details.

25-21-34
FIG. 93
PAGE 1
JUN 15/09

BOEING
 737-600/700/800/900
 PARTS CATALOG (MAINTENANCE)



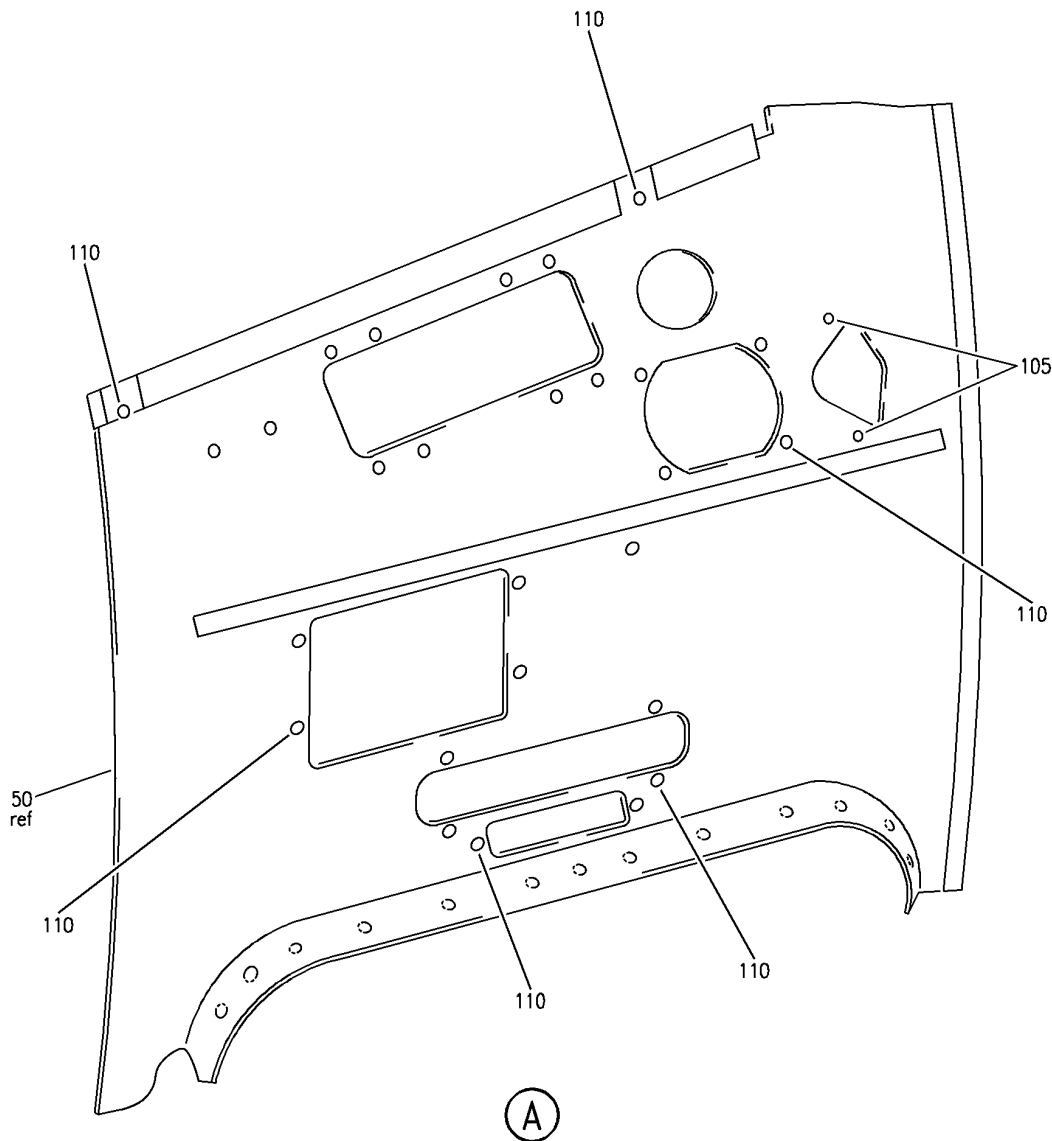
E 25213493A SHT 1 REV 133

LINING INSTL-FWD RH DOORWAY (FORWARD GALLEY DOOR DOORWAY HEADER PANEL ONLY)
 FIGURE 93A

25-21-34-93A

HAP
 OCT 10/07

25-21-34-93A
 PAGE 0



E 25213493A SHT 2 REV 133

LINING INSTL-FWD RH DOORWAY (FORWARD GALLEY DOOR DOORWAY HEADER PANEL ONLY)
FIGURE 93A

25-21-34-93A

HAP
OCT 10/07

25-21-34-93A
PAGE 0A

BOEING
737-600/700/800/900
PARTS CATALOG (MAINTENANCE)

FIG ITEM	PART NUMBER	1 2 3 4 5 6 7	NOMENCLATURE	EFFECT FROM TO	UNITS PER ASSY
93A			LINING INSTL-FWD RH DOORWAY (FORWARD GALLEY DOOR DOORWAY HEADER PANEL ONLY)	037200 968999	
- 1	MODREF330370		LINING INSTL-(FORWARD GALLEY DOOR DOORWAY HEADER PANEL ONLY) MODULE NUMBER: 411A2202-48B REV A POSITION DATA: FWD RH FOR ADDITIONAL DETAILS SEE: 25-21-35-93A	037200 968999	1
5	BACS12FA3K12		.SCREW	037200 968999	11
10	BACS12ER3K10		.SCREW	037200 968999	2
15	411A2218-25SP		.SEAL ASSY-DEPRESSOR	037200 968999	RF
15	411A2218-2SP		.SEAL ASSY-DEPRESSOR	037200 968999	RF
20	411A2229-71SP		.RETAINER	037200 968999	1
25	411A2229-72SP		.RETAINER	037200 968999	1
30	411A2226-5SP		.PLUG	037200 968999	4
35	BACB30NT3K2		.BOLT	037200 968999	4
40	NAS620A10L		.WASHER	037200 968999	4
45	BRC600-8-3GP		.CLIPNUT SUPPLIER CODE: V52828 SPECIFICATION NUMBER: BACN10YD1G OPTIONAL PART: 130120G V60119	037200 968999	4

MISSING ITEM NUMBERS NOT APPLICABLE

- ITEM NOT ILLUSTRATED

HAP

25-21-34-93A

BOEING PROPRIETARY - Copyright © - Unpublished Work - See title page for details.

25-21-34
FIG. 93A
PAGE 1
OCT 15/08

BOEING
737-600/700/800/900
PARTS CATALOG (MAINTENANCE)

FIG ITEM	PART NUMBER	1 2 3 4 5 6 7	NOMENCLATURE	EFFECT FROM TO	UNITS PER ASSY
93A 50	411A2212-76SP		.PANEL ASSY-(EQUIPMENT / FURNISHINGS ONLY) FUNCTIONAL REFERENCE: AIR CONDITIONING FOR DETAILS SEE 21-23-54-93A COMMUNICATIONS FOR DETAILS SEE 23-31-03-93A LIGHTS FOR DETAILS SEE 33-26-02-93A 33-51-01-93A OXYGEN FOR DETAILS SEE 35-22-11-93A 35-22-21-93A 35-22-31-93A	037200 968999	1
55	BAC27DEL1301		..MARKER- PLACARD CONTENT: REPLACEMENT PLUG BUTTONS 411A2226-5	037200 968999	1
60	411A2226-5SP		..PLUG	037200 968999	4
65	411A2219-41SP		..CHANNEL ASSY	037200 968999	1
- 70	BACS12FA3K5		ATTACHING PARTS ..SCREW	037200 968999	2
- 75	NAS1057T3A013		..SPACER	037200 968999	2
- 80	BACW10P44CC		..WASHER	037200 968999	2
85	411A2212-67		-----*----- ..TAPE-LOOP	037200 968999	AR
90	411A2227-6SP		..CAP-EDGE OPTIONAL PART: 411A2227-18SP	037200 968999	1
90	411A2227-18SP		..CAP-EDGE OPTIONAL PART: 411A2227-6SP	037200 968999	1
95	411A2226-3		..GROMMET	037200 968999	11
- 103	SL6224-3A		..INSERT- SUPPLIER CODE: V97393	037200 968999	33

MISSING ITEM NUMBERS NOT APPLICABLE

- ITEM NOT ILLUSTRATED

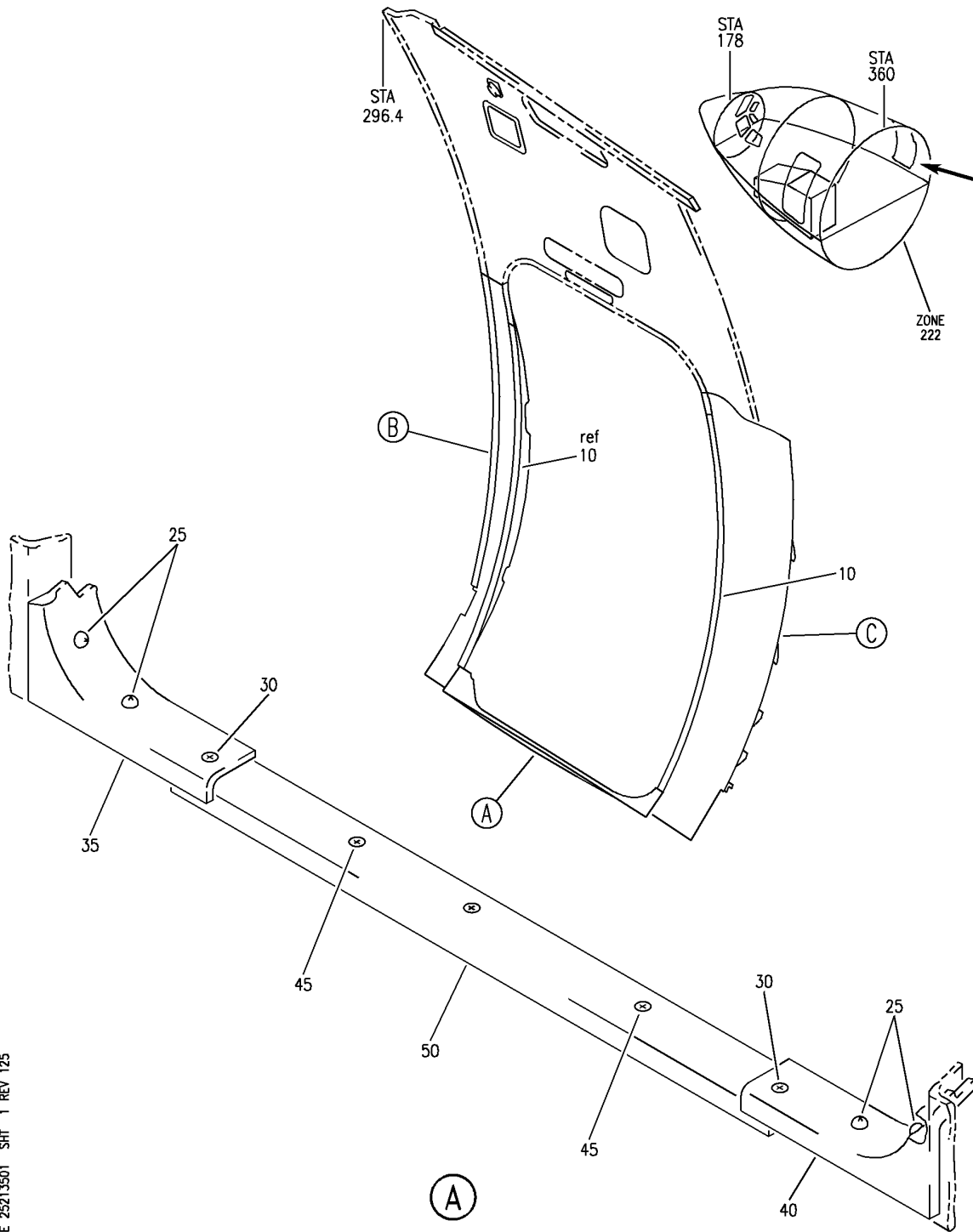
HAP

25-21-34-93A

BOEING PROPRIETARY - Copyright © - Unpublished Work - See title page for details.

25-21-34
FIG. 93A
PAGE 2
FEB 15/09

BOEING
 737-600/700/800/900
 PARTS CATALOG (MAINTENANCE)



E 25213501 SHT 1 REV 125

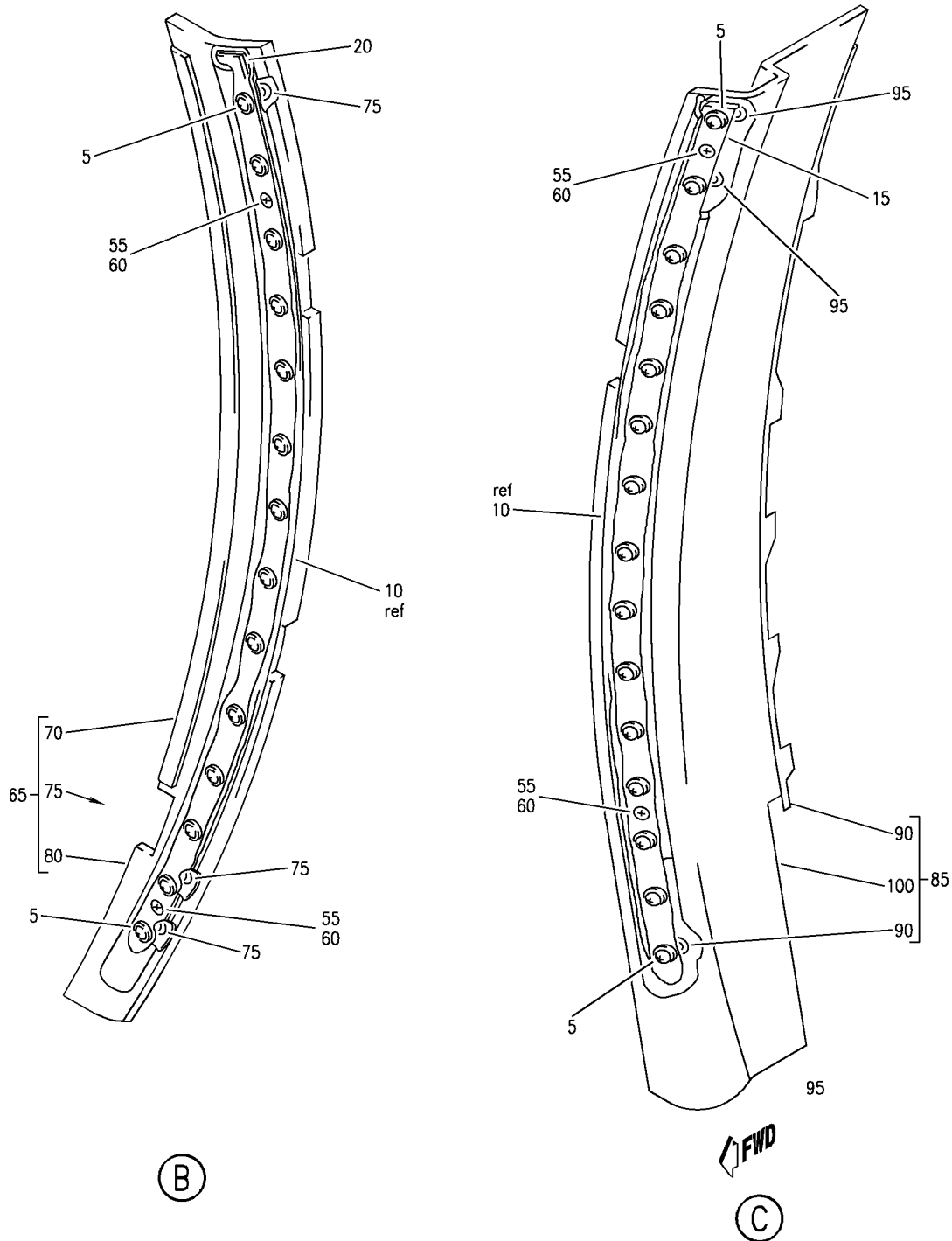
LINING INSTL-FWD RH DOORWAY (SIDEWALL LINING (FORWARD GALLEY DOORWAY) PANELS ONLY)
 FIGURE 1 (SHEET 1)

25-21-35-01

HAP
 FEB 10/07

25-21-35-01
 PAGE 0

BOEING
 737-600/700/800/900
 PARTS CATALOG (MAINTENANCE)



E 25213501 SHT 2 REV 125

LINING INSTL-FWD RH DOORWAY (SIDEWALL LINING (FORWARD GALLEY DOORWAY) PANELS ONLY)
 FIGURE 1 (SHEET 2)

HAP
 FEB 10/07

25-21-35-01

25-21-35-01
 PAGE 0A

BOEING
737-600/700/800/900
PARTS CATALOG (MAINTENANCE)

FIG ITEM	PART NUMBER	1 2 3 4 5 6 7	NOMENCLATURE	EFFECT FROM TO	UNITS PER ASSY
1			LINING INSTL-FWD RH DOORWAY (SIDEWALL LINING (FORWARD GALLEY DOORWAY) PANELS ONLY)	001027 201967	
- 1	411A2202-5SP		LINING INSTL-DOORWAY (SIDEWALL LINING (FORWARD GALLEY DOORWAY) PANELS ONLY) POSITION DATA: FWD RH FOR NHA/OTHER SYS DET SEE: 25-21-00-01D	001001 006007	RF
- 1	411A2202-10SP		LINING INSTL-DOORWAY (SIDEWALL LINING (FORWARD GALLEY DOORWAY) PANELS ONLY) POSITION DATA: FWD RH FOR NHA/OTHER SYS DET SEE: 25-21-00-01A 25-21-00-01D	002005 008011 201967	RF
- 1	411A2202-19B		LINING INSTL-DOORWAY (SIDEWALL LINING (FORWARD GALLEY DOORWAY) PANELS ONLY) POSITION DATA: FWD RH FOR NHA/OTHER SYS DET SEE: 25-21-00-01D	012027	RF
5	BACS12FA3K10		.SCREW	001027 201967	29
10	411A2218-25A		.SEAL ASSY-	001027 201967	RF
10	411A2218-2A		.SEAL ASSY-	001027 201967	RF
15	411A2229-70A		.RETAINER	001027 201967	1
20	411A2229-73A		.RETAINER	001027 201967	1
25	BACS12CK3-8		.SCREW	001027 201967	4
30	MS24693C272		.SCREW	001027 201967	2
35	411A2219-23		.PLATE ASSY-SCUFF	001027 201967	1
40	411A2219-24		.PLATE ASSY-SCUFF	001027 201967	1
45	MS24693C272		.SCREW	001027 201967	3

MISSING ITEM NUMBERS NOT APPLICABLE

- ITEM NOT ILLUSTRATED

HAP

25-21-35-01

BOEING PROPRIETARY - Copyright © - Unpublished Work - See title page for details.

25-21-35
FIG. 01
PAGE 1
OCT 15/08

BOEING
737-600/700/800/900
PARTS CATALOG (MAINTENANCE)

FIG ITEM	PART NUMBER	1 2 3 4 5 6 7	NOMENCLATURE	EFFECT FROM TO	UNITS PER ASSY
1					
50	411A2229-26	.	PLATE-SCUFF	001027 201967	1
55	BACS12ER3K8	.	SCREW	001027 201967	4
60	BACW10UC10P	.	WASHER	001027 201967	4
65	411A2212-13A	.	PANEL ASSY	001027 201967	1
70	411A2227-16A	..	CAP-EDGE	001027 201967	1
75	411A2226-4	..	GROMMET	001027 201967	14
80	411A2212-14A	..	PANEL ASSY-BASE	001027 201967	1
85	411A2212-17A	.	PANEL ASSY	001027 201967	1
90	411N1220-2	..	RETAINER	001027 201967	1
95	411A2226-4	..	GROMMET	001027 201967	15
100	411A2212-18A	..	PANEL ASSY-BASE	001027 201967	1

MISSING ITEM NUMBERS NOT APPLICABLE

— ITEM NOT ILLUSTRATED

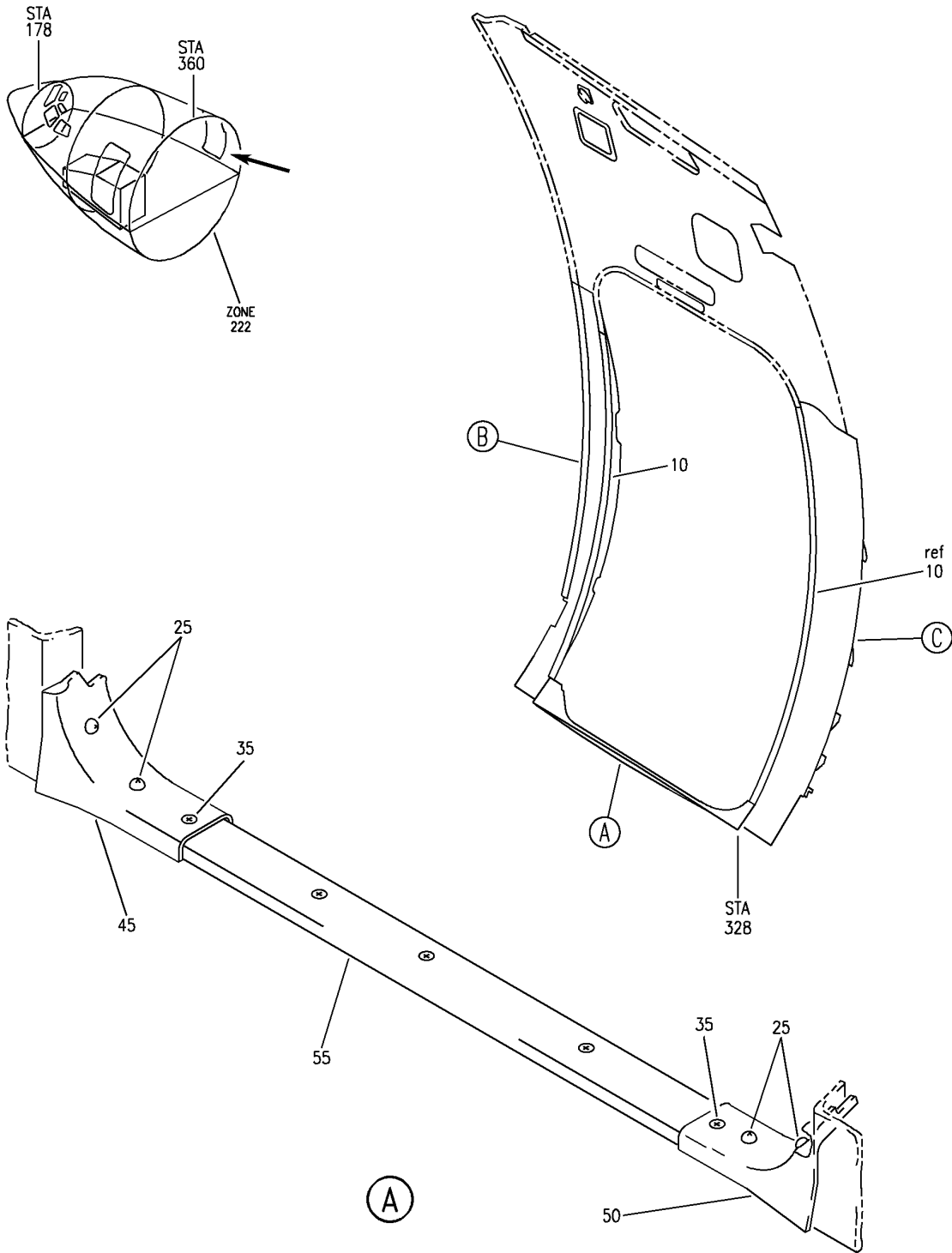
HAP

25-21-35-01

BOEING PROPRIETARY - Copyright © - Unpublished Work - See title page for details.

25-21-35
FIG. 01
PAGE 2
OCT 15/08

BOEING
 737-600/700/800/900
 PARTS CATALOG (MAINTENANCE)



E 25213593 SH1 1 REV 125

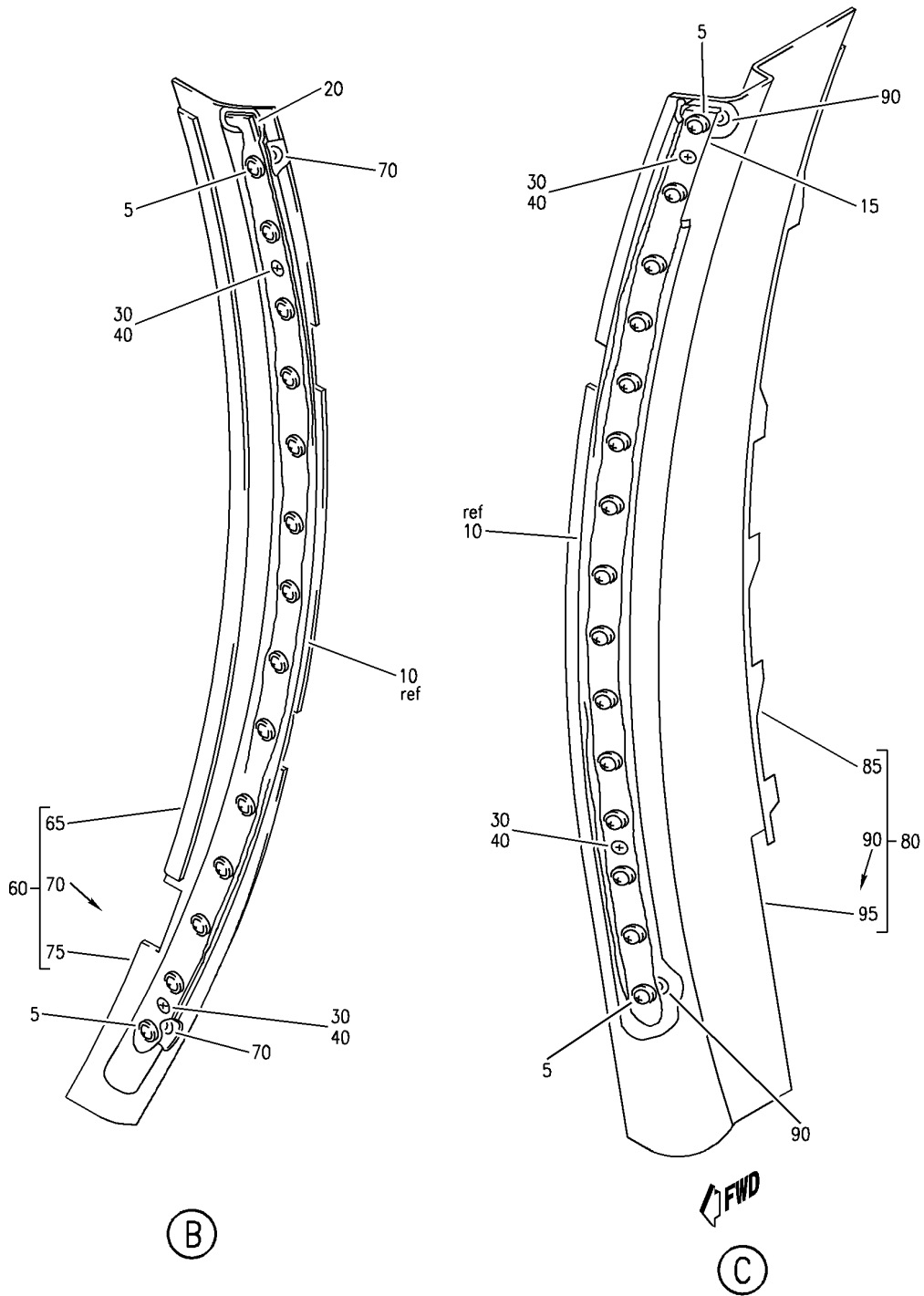
LINING INSTL-FWD RH DOORWAY (SIDEWALL LINING (FORWARD GALLEY DOORWAY) PANELS ONLY)
 FIGURE 93 (SHEET 1)

25-21-35-93

HAP
 FEB 10/07

25-21-35-93
 PAGE 0

BOEING
 737-600/700/800/900
 PARTS CATALOG (MAINTENANCE)



E 25213593 SH2 2 REV 125

LINING INSTL-FWD RH DOORWAY (SIDEWALL LINING (FORWARD GALLEY DOORWAY) PANELS ONLY)
 FIGURE 93 (SHEET 2)

HAP
 FEB 10/07

25-21-35-93

25-21-35-93
 PAGE 0A

BOEING
737-600/700/800/900
PARTS CATALOG (MAINTENANCE)

FIG ITEM	PART NUMBER	1 2 3 4 5 6 7	NOMENCLATURE	EFFECT FROM TO	UNITS PER ASSY
R R R R	93		LINING INSTL-FWD RH DOORWAY (SIDEWALL LINING (FORWARD GALLEY DOORWAY) PANELS ONLY)	028036	
	- 1	411A2202-27SP	LINING INSTL-DOORWAY (SIDEWALL LINING (FORWARD GALLEY DOORWAY) PANELS ONLY POSITION DATA: FWD RH FOR NHA/ADDITIONAL DET SEE: 25-21-00-01D	028030	RF
	- 1	MODREF222916	LINING INSTL-DOORWAY (SIDEWALL LINING (FORWARD GALLEY DOORWAY) PANELS ONLY) MODULE NUMBER: 411A2202-27B REV C FOR ADDITIONAL DETAILS SEE: 25-21-34-93	031036	1
R	5	BACS12FA3K10	.SCREW	028036	29
R	10	411A2218-25SP	.SEAL ASSY-DEPRESSOR	028036	1
R	10	411A2218-2SP	.SEAL ASSY-DEPRESSOR	028036	1
R	15	411A2229-70SP	.RETAINER	028036	1
R	20	411A2229-73SP	.RETAINER	028036	1
R	25	BACS12CK3-8	.SCREW	028036	4
R	30	BACS12ER3K8	.SCREW	028036	4
R	35	MS24693C272	.SCREW	028036	5
R	40	BACW10UC10P	.WASHER	028036	4
R	45	411A2219-23	.PLATE ASSY-SCUFF POSITION DATA: FWD	028036	1
R	50	411A2219-24	.PLATE ASSY-SCUFF POSITION DATA: AFT	028036	1
R	55	411A2229-26	.PLATE-SCUFF POSITION DATA: CTR	028036	1
R	60	411A2212-13SP	.PANEL ASSY-	028036	1
R	65	411A2227-16SP	..CAP-EDGE	028036	1
R	70	411A2226-4	..GROMMET	028036	14
R	75	411A2212-14SP	..PANEL ASSY-BASE	028036	1
R	80	411A2212-17SP	.PANEL ASSY-	028036	1
R	85	411N1220-2	..RETAINER	028036	1
R	90	411A2226-4	..GROMMET	028036	15
R	95	411A2212-18SP	..PANEL ASSY	028036	1

MISSING ITEM NUMBERS NOT APPLICABLE

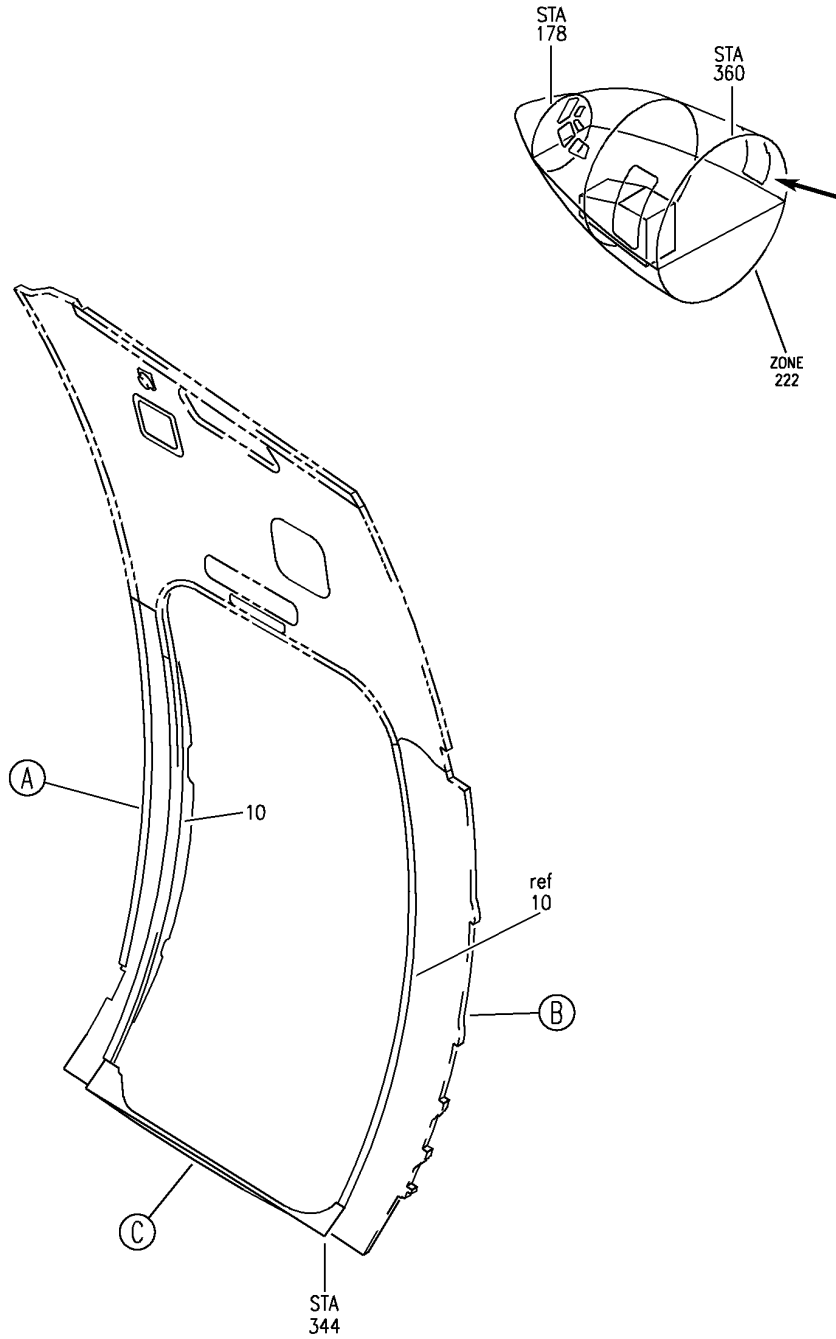
- ITEM NOT ILLUSTRATED

HAP

25-21-35-93

25-21-35
FIG. 93
PAGE 1
JUN 15/09

BOEING
737-600/700/800/900
PARTS CATALOG (MAINTENANCE)



E 25213593A SHT 1 REV 125

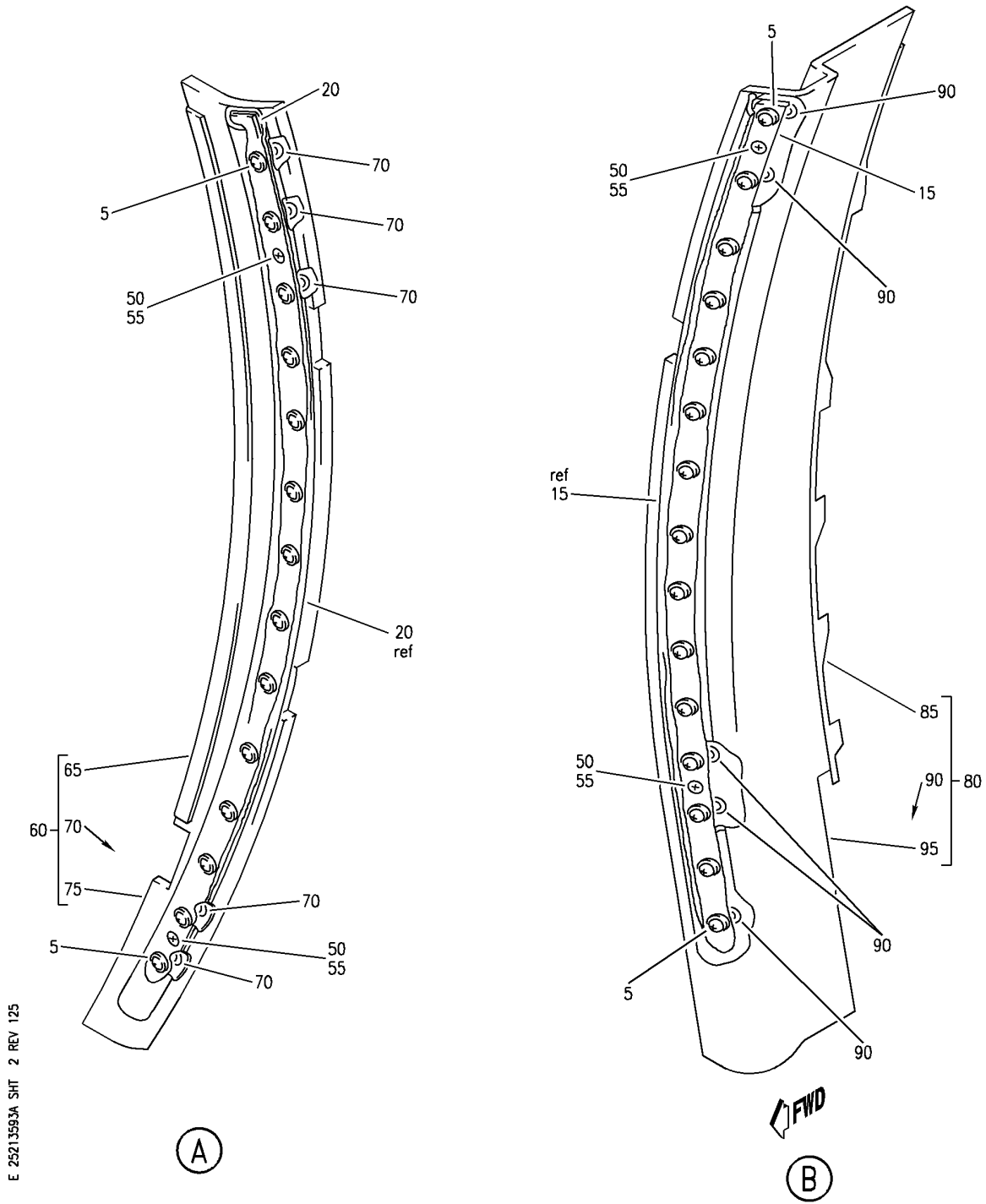
LINING INSTL-FWD RH DOORWAY (SIDEWALL LINING (FORWARD GALLEY DOORWAY) PANELS ONLY)
FIGURE 93A (SHEET 1)

HAP
FEB 10/07

25-21-35-93A

25-21-35-93A
PAGE 0

BOEING
 737-600/700/800/900
 PARTS CATALOG (MAINTENANCE)

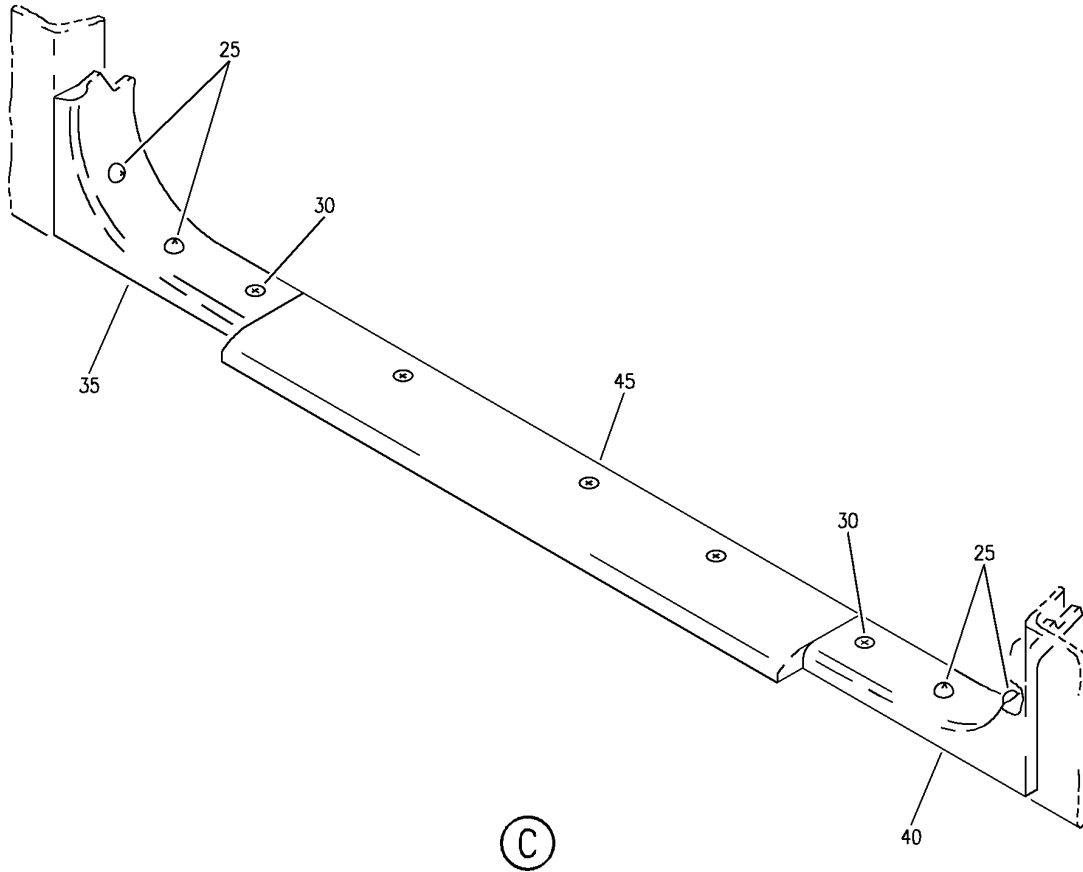


LINING INSTL-FWD RH DOORWAY (SIDEWALL LINING (FORWARD GALLEY DOORWAY) PANELS ONLY)
 FIGURE 93A (SHEET 2)

HAP
 FEB 10/07

25-21-35-93A

25-21-35-93A
 PAGE 0A



E 25213593A SHT 3 REV 125

LINING INSTL-FWD RH DOORWAY (SIDEWALL LINING (FORWARD GALLEY DOORWAY) PANELS ONLY)
FIGURE 93A (SHEET 3)

HAP
FEB 10/07

25-21-35-93A

25-21-35-93A
PAGE 0B

BOEING
737-600/700/800/900
PARTS CATALOG (MAINTENANCE)

FIG ITEM	PART NUMBER	1 2 3 4 5 6 7	NOMENCLATURE	EFFECT FROM TO	UNITS PER ASSY
93A			LINING INSTL-FWD RH DOORWAY (SIDEWALL LINING (FORWARD GALLEY DOORWAY) PANELS ONLY)	037200 968999	
- 1	MODREF330370		LINING INSTL-(SIDEWALL LINING (FORWARD GALLEY DOORWAY) PANELS ONLY) MODULE NUMBER: 411A2202-48B REV A POSITION DATA: FWD RH FOR ADDITIONAL DETAILS SEE: 25-21-34-93A	037200 968999	1
5	BACS12FA3K10		.SCREW	037200 968999	29
10	411A2218-25SP		.SEAL ASSY-DEPRESSOR	037200 968999	1
10	411A2218-2SP		.SEAL ASSY-DEPRESSOR	037200 968999	1
15	411A2229-70SP		.RETAINER	037200 968999	1
20	411A2229-73SP		.RETAINER	037200 968999	1
25	BACS12CK3-8		.SCREW	037200 968999	4
30	MS24693C272		.SCREW	037200 968999	5
35	411A2219-23		.PLATE ASSY-SCUFF POSITION DATA: FWD	037200 968999	1
40	411A2219-24		.PLATE ASSY-SCUFF POSITION DATA: AFT	037200 968999	1
45	411A2229-26		.PLATE-SCUFF POSITION DATA: CTR	037200 968999	1
50	BACS12ER3K8		.SCREW	037200 968999	4
55	BACW10UC10P		.WASHER	037200 968999	4
60	411A2212-13SP		.PANEL ASSY	037200 968999	1
65	411A2227-16SP		..CAP-EDGE	037200 968999	1
70	411A2226-4		..GROMMET	037200 968999	14
75	411A2212-14SP		..PANEL ASSY-BASE	037200 968999	1

MISSING ITEM NUMBERS NOT APPLICABLE

- ITEM NOT ILLUSTRATED

HAP

25-21-35-93A

BOEING PROPRIETARY - Copyright © - Unpublished Work - See title page for details.

25-21-35
FIG. 93A
PAGE 1
OCT 15/08

BOEING
737-600/700/800/900
PARTS CATALOG (MAINTENANCE)

FIG ITEM	PART NUMBER	1 2 3 4 5 6 7	NOMENCLATURE	EFFECT FROM TO	UNITS PER ASSY
93A					
80	411A2212-17SP	.	PANEL ASSY	037200 968999	1
85	411N1220-2	..	RETAINER	037200 968999	1
90	411A2226-4	..	GROMMET	037200 968999	15
95	411A2212-18SP	..	PANEL ASSY	037200 968999	1
MISSING ITEM NUMBERS NOT APPLICABLE					

- ITEM NOT ILLUSTRATED

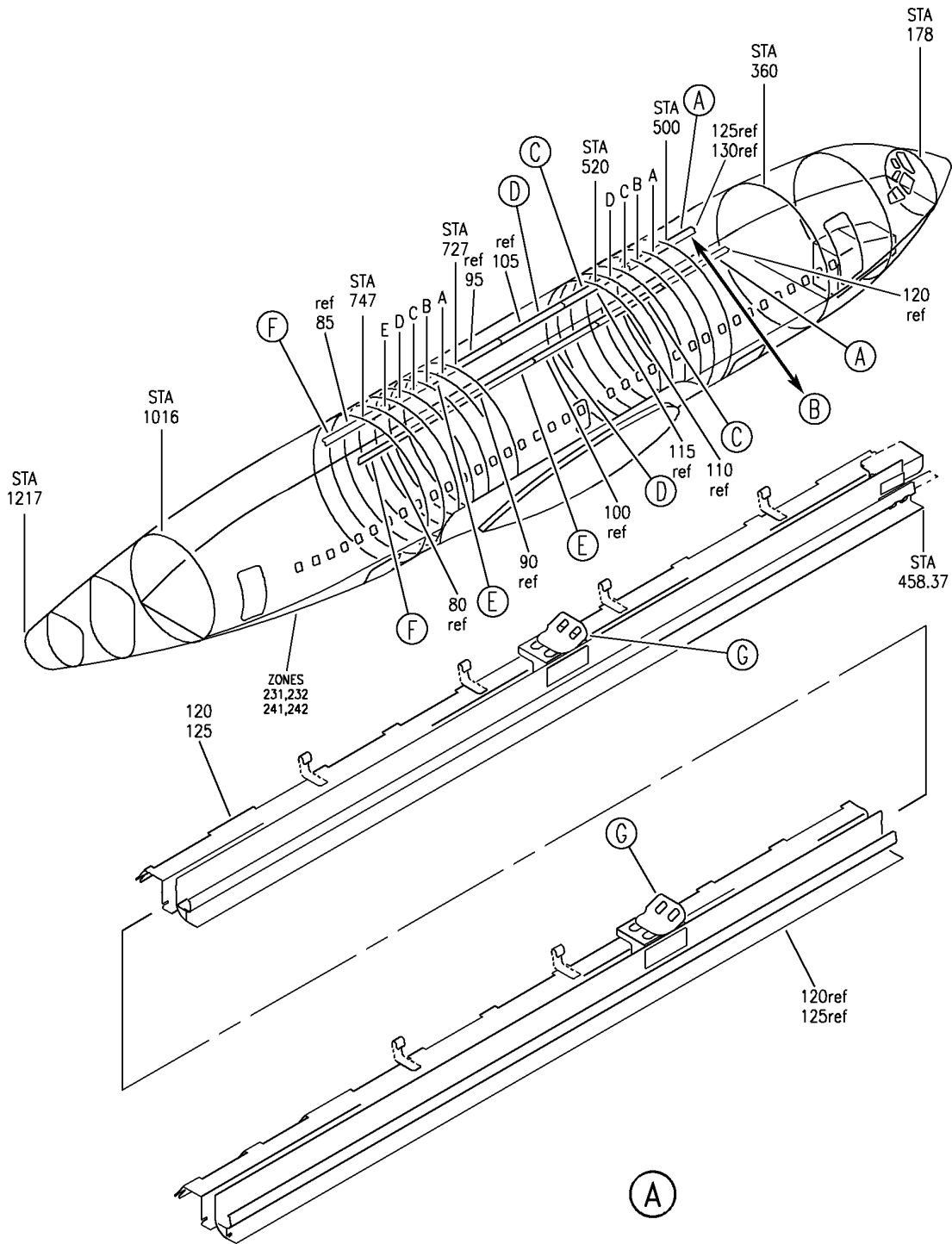
HAP

25-21-35-93A

BOEING PROPRIETARY - Copyright © - Unpublished Work - See title page for details.

25-21-35
FIG. 93A
PAGE 2
OCT 15/08

BOEING
 737-600/700/800/900
 PARTS CATALOG (MAINTENANCE)



E 25214401 SHT 1 REV 107

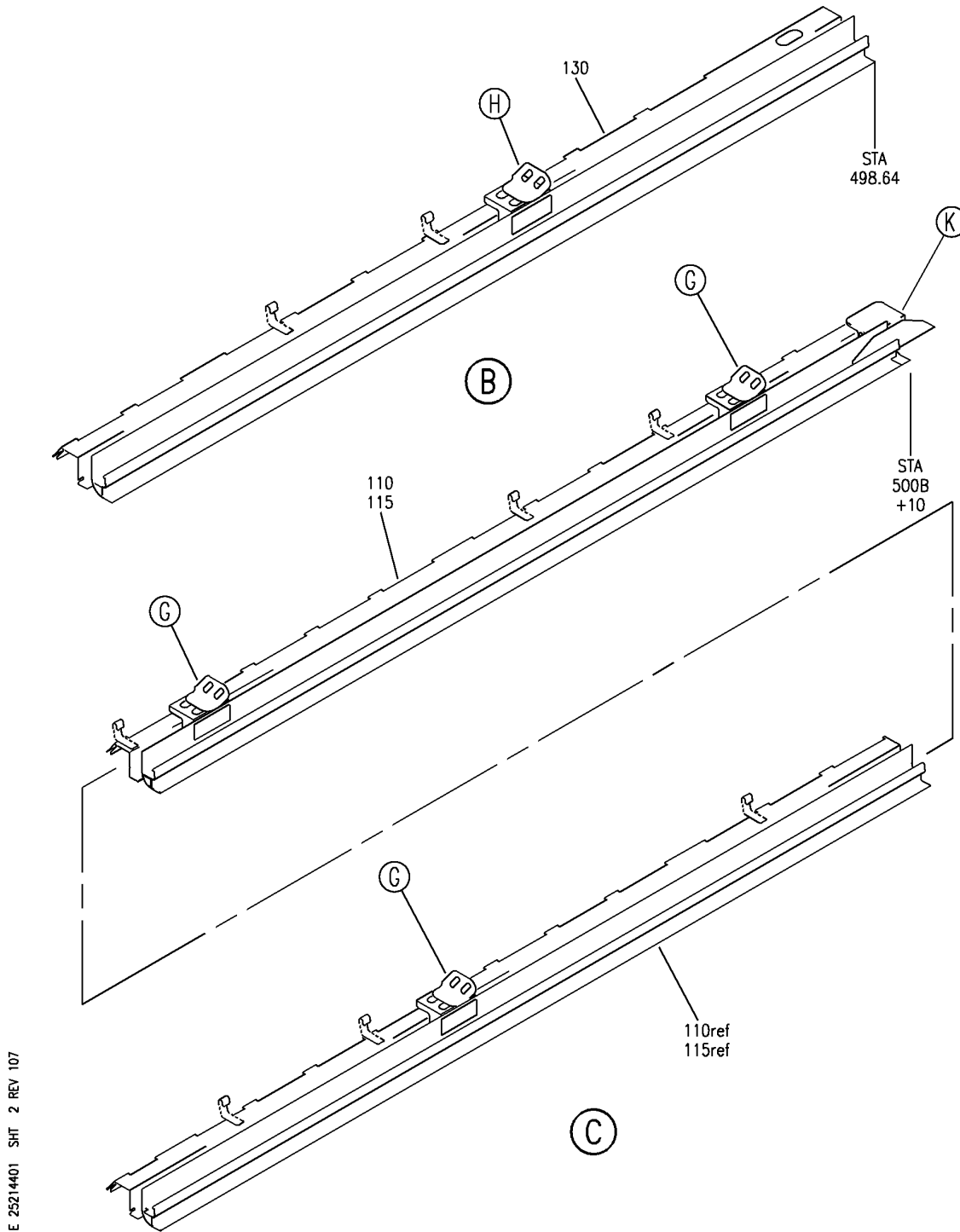
EXTRUSION INSTL-SIDEWALL AIR CONDITIONING OUTLET CONSTANT SECT.
 FIGURE 1 (SHEET 1)

25-21-44-01

HAP
 FEB 10/07

25-21-44-01
 PAGE 0

BOEING
 737-600/700/800/900
 PARTS CATALOG (MAINTENANCE)



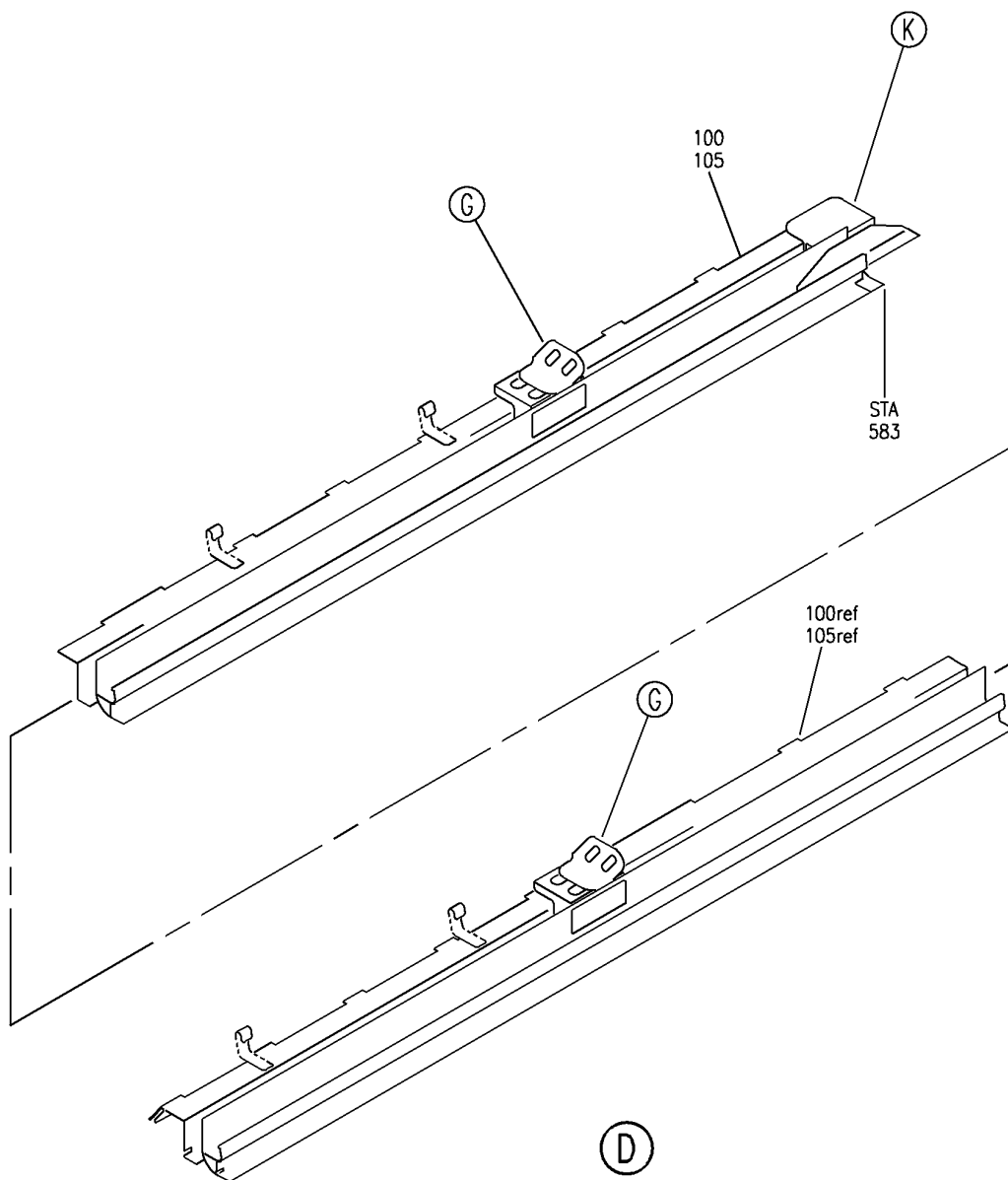
E 25214401 SHT 2 REV 107

EXTRUSION INSTL-SIDEWALL AIR CONDITIONING OUTLET CONSTANT SECT.
 FIGURE 1 (SHEET 2)

25-21-44-01

HAP
 FEB 10/07

25-21-44-01
 PAGE 0A



E 25214401 SHT 3 REV 107

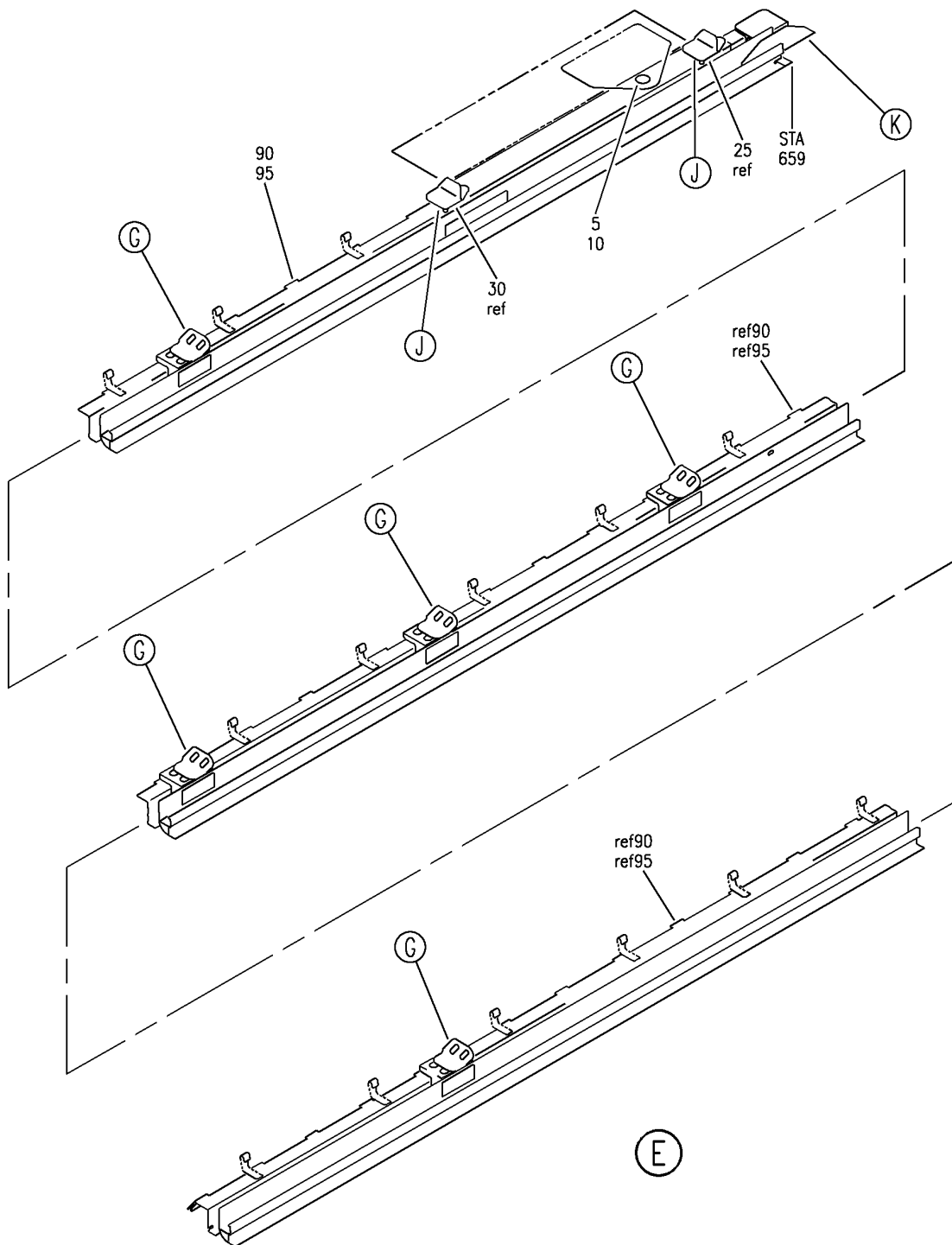
EXTRUSION INSTL-SIDEWALL AIR CONDITIONING OUTLET CONSTANT SECT.
FIGURE 1 (SHEET 3)

25-21-44-01

HAP
FEB 10/07

25-21-44-01
PAGE 0B

BOEING
 737-600/700/800/900
 PARTS CATALOG (MAINTENANCE)



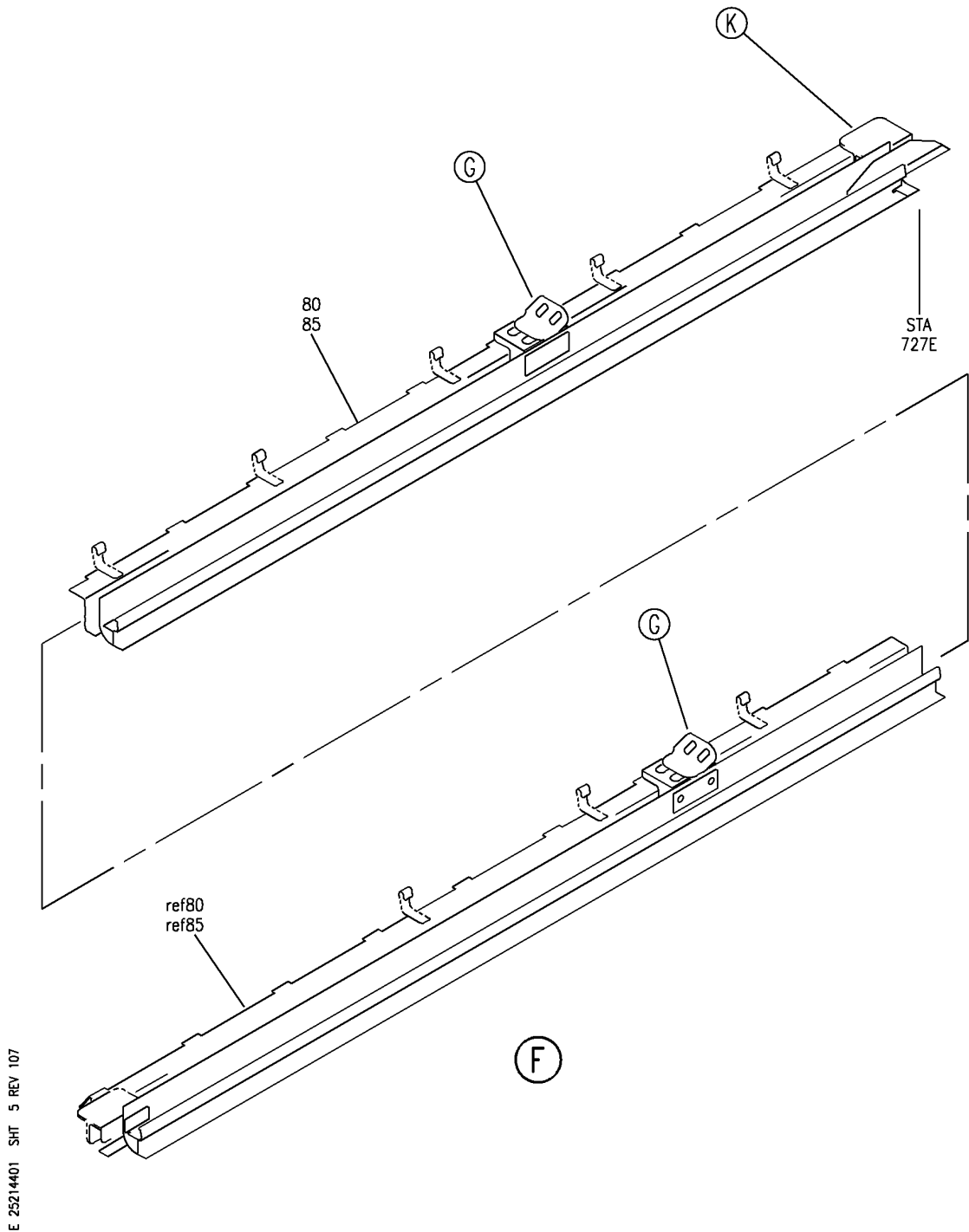
E 25214401 SHT 4 REV 107

EXTRUSION INSTL-SIDEWALL AIR CONDITIONING OUTLET CONSTANT SECT.
 FIGURE 1 (SHEET 4)

25-21-44-01

HAP
 FEB 10/07

25-21-44-01
 PAGE 0C



E 25214401 SHT 5 REV 107

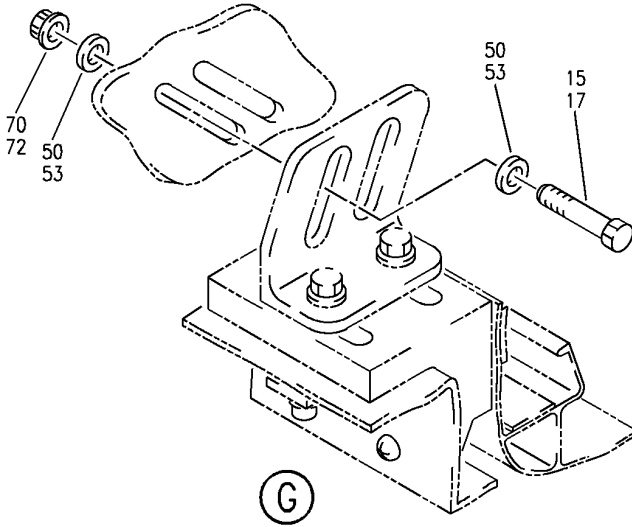
EXTRUSION INSTL-SIDEWALL AIR CONDITIONING OUTLET CONSTANT SECT.
FIGURE 1 (SHEET 5)

25-21-44-01

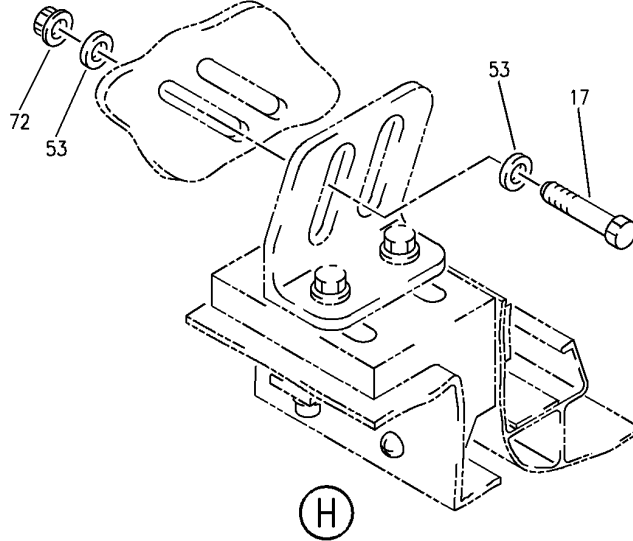
HAP
FEB 10/07

25-21-44-01
PAGE 0D

BOEING
737-600/700/800/900
PARTS CATALOG (MAINTENANCE)



(G)



(H)

E 25214401 SHT 6 REV 107

EXTRUSION INSTL-SIDEWALL AIR CONDITIONING OUTLET CONSTANT SECT.
FIGURE 1 (SHEET 6)

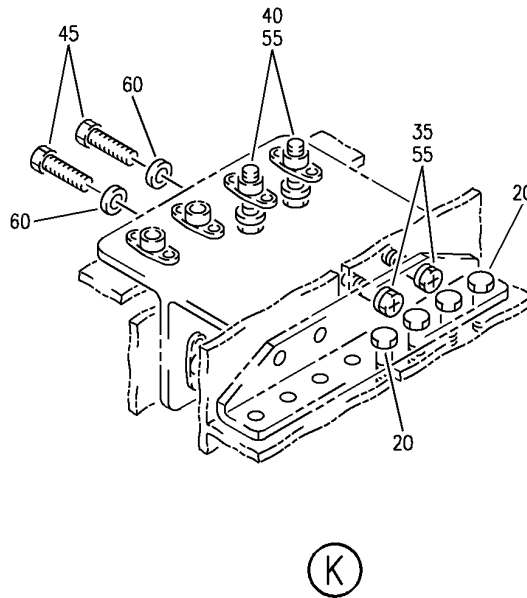
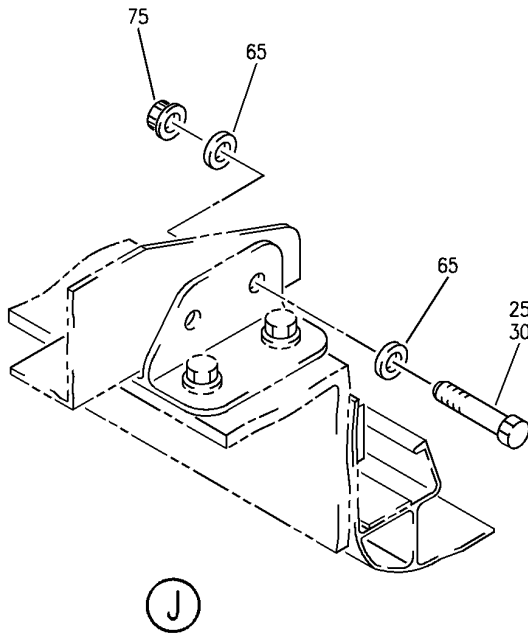
25-21-44-01

HAP
FEB 10/07

25-21-44-01
PAGE 0E

BOEING PROPRIETARY - Copyright © - Unpublished Work - See title page for details.

BOEING
 737-600/700/800/900
 PARTS CATALOG (MAINTENANCE)



E 25214401 SHT 7 REV 107

EXTRUSION INSTL-SIDEWALL AIR CONDITIONING OUTLET CONSTANT SECT.
 FIGURE 1 (SHEET 7)

25-21-44-01

HAP
 FEB 10/07

25-21-44-01
 PAGE OF

BOEING
737-600/700/800/900
PARTS CATALOG (MAINTENANCE)

FIG ITEM	PART NUMBER	1 2 3 4 5 6 7	NOMENCLATURE	EFFECT FROM TO	UNITS PER ASSY
1			EXTRUSION INSTL-SIDEWALL AIR CONDITIONING OUTLET CONSTANT SECT.	101200 968999	
- 1	MODREF232317		EXTRUSION INSTL-SIDEWALL AIR CONDITIONING OUTLET MODULE NUMBER: 412A3001-1703B REV A POSITION DATA: CONSTANT SECT.	101200 968999	1
5	AN415-4		.PIN	101200 968999	2
10	BACP18BD5A27		.PIN- OPTIONAL PART: BACP18BD5A25 MS20392-5C27	101200 968999	2
10	BACP18BD5A25		.PIN- OPTIONAL PART: BACP18BD5A27 MS20392-5C27	101200 968999	2
10	MS20392-5C27		.PIN- OPTIONAL PART: BACP18BD5A27 BACP18BD5A25	101200 968999	2
15	BACB30NR4K4		.BOLT	101200 968999	56
20	BACB30LU2-2		.BOLT	101200 968999	32
25	BACB30NM3K6		.BOLT	101200 968999	4
30	BACB30NM3K5		.BOLT	101200 968999	4
35	BACS12ER08K8		.SCREW	101200 968999	16
40	BACS12ER08K9		.SCREW	101200 968999	16
45	BACS12GU08K9		.SCREW	101200 968999	16
50	NAS1149E0463P		.WASHER	101200 968999	112
55	BACW10DM5P		.WASHER	101200 968999	32
60	NAS1149DN816J		.WASHER	101200 968999	16
65	BACW10P43AL		.WASHER- OPTIONAL PART: NAS1149D0363J	101200 968999	16
65	NAS1149D0363J		.WASHER- OPTIONAL PART: BACW10P43AL	101200 968999	16

MISSING ITEM NUMBERS NOT APPLICABLE

- ITEM NOT ILLUSTRATED

HAP

25-21-44-01

BOEING PROPRIETARY - Copyright © - Unpublished Work - See title page for details.

25-21-44
FIG. 01
PAGE 1
OCT 15/08

BOEING
737-600/700/800/900
PARTS CATALOG (MAINTENANCE)

FIG ITEM	PART NUMBER	1 2 3 4 5 6 7	NOMENCLATURE	EFFECT FROM TO	UNITS PER ASSY
1					
70	PLH54CD	.NUT	SUPPLIER CODE: VF0224 SPECIFICATION NUMBER: BACN10YR4CD OPTIONAL PART: H52732-4CD V15653	101200 968999	56
75	PLH53CD	.NUT	SUPPLIER CODE: VF0224 SPECIFICATION NUMBER: BACN10YR3CD OPTIONAL PART: H52732-3CD V15653	101200 968999	8
80	412A3103-2010SP	.OUTLET ASSY-	FOR DETAILS SEE: 25-21-44-20	101200 968999	1
85	412A3103-2009SP	.OUTLET ASSY-	FOR DETAILS SEE: 25-21-44-20	101200 968999	1
90	412A3103-2008SP	.OUTLET ASSY-	FOR DETAILS SEE: 25-21-44-21	101200 968999	1
95	412A3103-2007SP	.OUTLET ASSY-	FOR DETAILS SEE: 25-21-44-21	101200 968999	1
100	412A3103-2060SP	.OUTLET ASSY-	FOR DETAILS SEE: 25-21-44-22	101200 968999	1
105	412A3103-2059SP	.OUTLET ASSY-	FOR DETAILS SEE: 25-21-44-22	101200 968999	1
110	412A3103-2004SP	.OUTLET ASSY-	FOR DETAILS SEE: 25-21-44-23	101200 968999	1
115	412A3103-2003SP	.OUTLET ASSY-	FOR DETAILS SEE: 25-21-44-23	101200 968999	1
120	412A3103-2002SP	.OUTLET ASSY-	FOR DETAILS SEE: 25-21-44-24	101200 968999	1
125	412A3103-2001SP	.OUTLET ASSY-	FOR DETAILS SEE: 25-21-44-24	101200 968999	1

MISSING ITEM NUMBERS NOT APPLICABLE

— ITEM NOT ILLUSTRATED

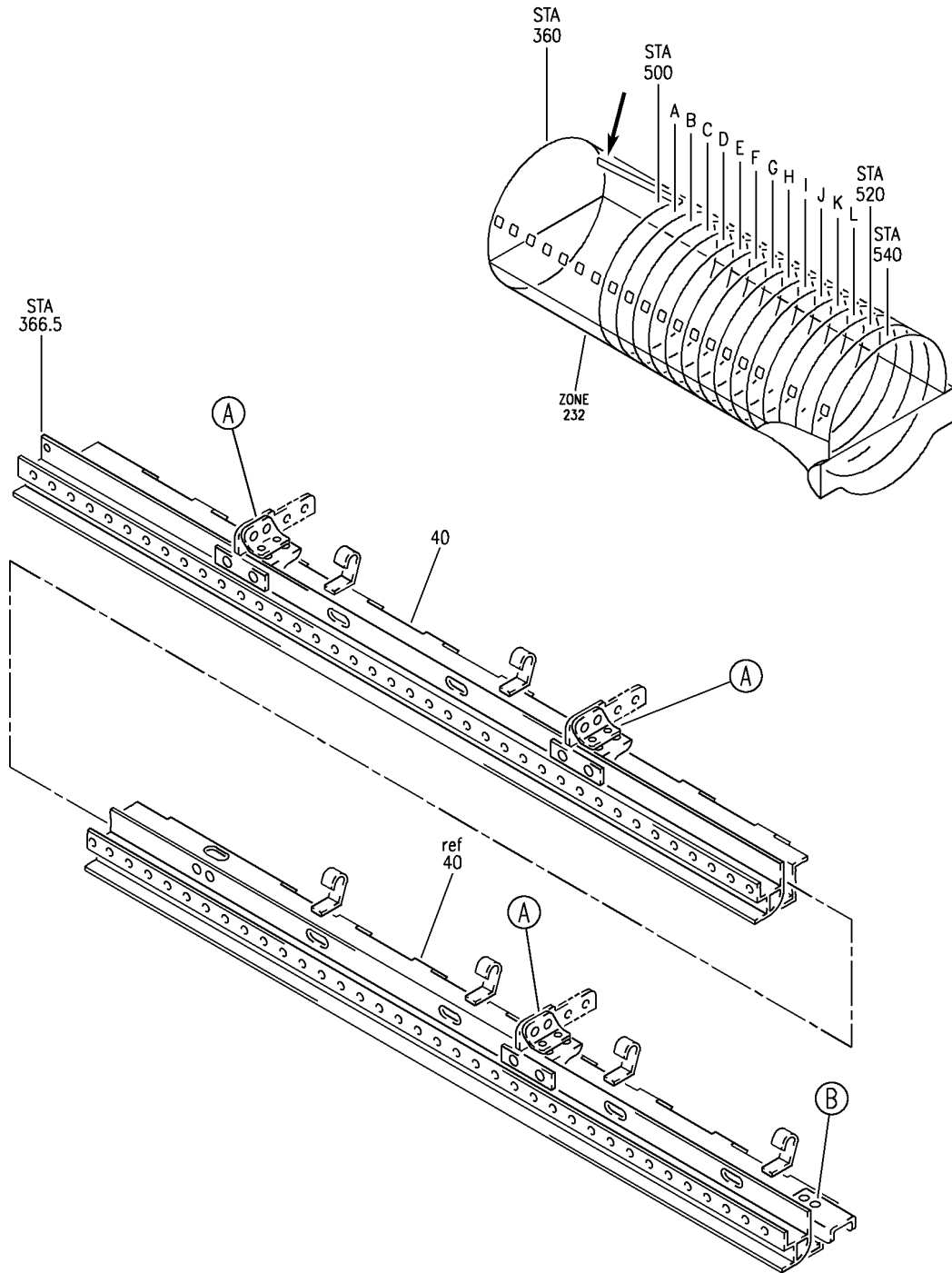
HAP

25-21-44-01

BOEING PROPRIETARY - Copyright © - Unpublished Work - See title page for details.

25-21-44
FIG. 01
PAGE 2
FEB 15/09

BOEING
 737-600/700/800/900
 PARTS CATALOG (MAINTENANCE)



E 25214411A SHT 1 REV 112

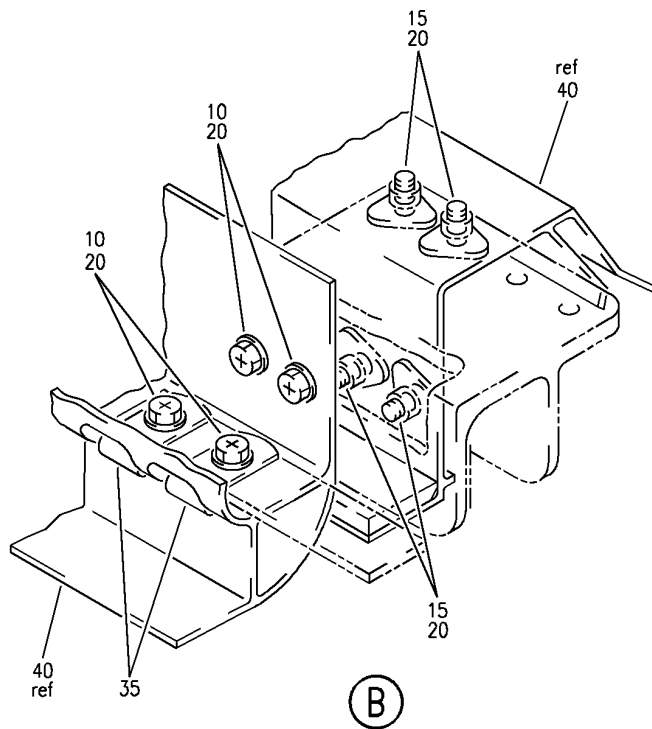
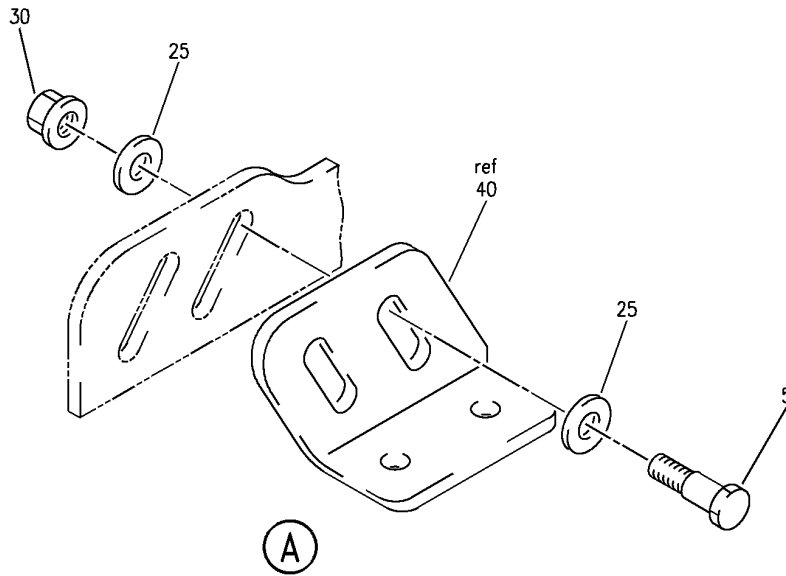
EXTRUSION INSTL-FWD RH SIDEWALL AIR CONDITIONING OUTLET
 FIGURE 11A (SHEET 1)

25-21-44-11A

HAP
 OCT 15/08

25-21-44-11A
 PAGE 0

BOEING
 737-600/700/800/900
 PARTS CATALOG (MAINTENANCE)



E 25214411A SHT 2 REV 112

EXTRUSION INSTL-FWD RH SIDEWALL AIR CONDITIONING OUTLET
 FIGURE 11A (SHEET 2)

25-21-44-11A

HAP
 OCT 15/08

25-21-44-11A
 PAGE 0A

BOEING
737-600/700/800/900
PARTS CATALOG (MAINTENANCE)

FIG ITEM	PART NUMBER	1 2 3 4 5 6 7	NOMENCLATURE	EFFECT FROM TO	UNITS PER ASSY
11A			EXTRUSION INSTL-FWD RH SIDEWALL AIR CONDITIONING OUTLET	048100	
- 1	MODREF232311		EXTRUSION INSTL-SIDEWALL AIR CONDITIONING OUTLET MODULE NUMBER: 412A3001-1216B REV A POSITION DATA: FWD RH	048100	1
5	BACB30NR4K4	.BOLT		048100	6
10	BACS12GU08K7	.SCREW		048100	4
15	BACS12GU08K8	.SCREW		048100	4
20	NAS1149DN816J	.WASHER		048100	8
25	NAS1149E0463P	.WASHER		048100	12
30	PLH54CD	.NUT		048100	6
			SUPPLIER CODE: VF0224 SPECIFICATION NUMBER: BACN10YR4CD OPTIONAL PART: H52732-4CD V15653		
35	130008	.NUT		048100	2
			SUPPLIER CODE: V60119 SPECIFICATION NUMBER: BACN10FX84 OPTIONAL PART: RM52LHA4972-6-8 V72962 SL211-08-1 V97393 A11330-6-82 V72962 A4972-6-82 V72962		
40	412A3103-2097SP	.OUTLET ASSY-		048100	1
			FOR DETAILS SEE: 25-21-44-32A		

MISSING ITEM NUMBERS NOT APPLICABLE

- ITEM NOT ILLUSTRATED

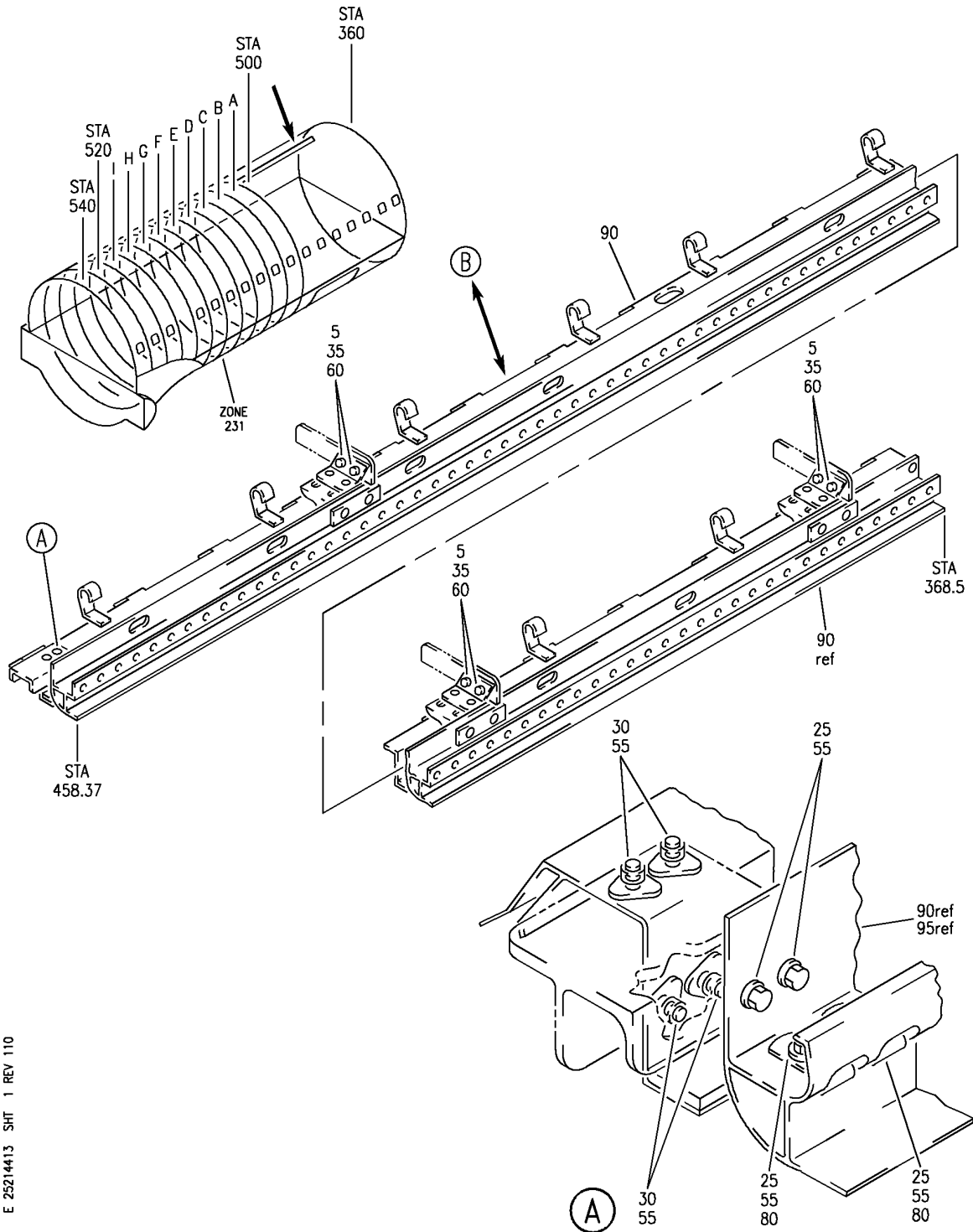
HAP

25-21-44-11A

BOEING PROPRIETARY - Copyright © - Unpublished Work - See title page for details.

25-21-44
FIG. 11A
PAGE 1
FEB 15/09

BOEING
737-600/700/800/900
PARTS CATALOG (MAINTENANCE)



E 25214413 SHT 1 REV 110

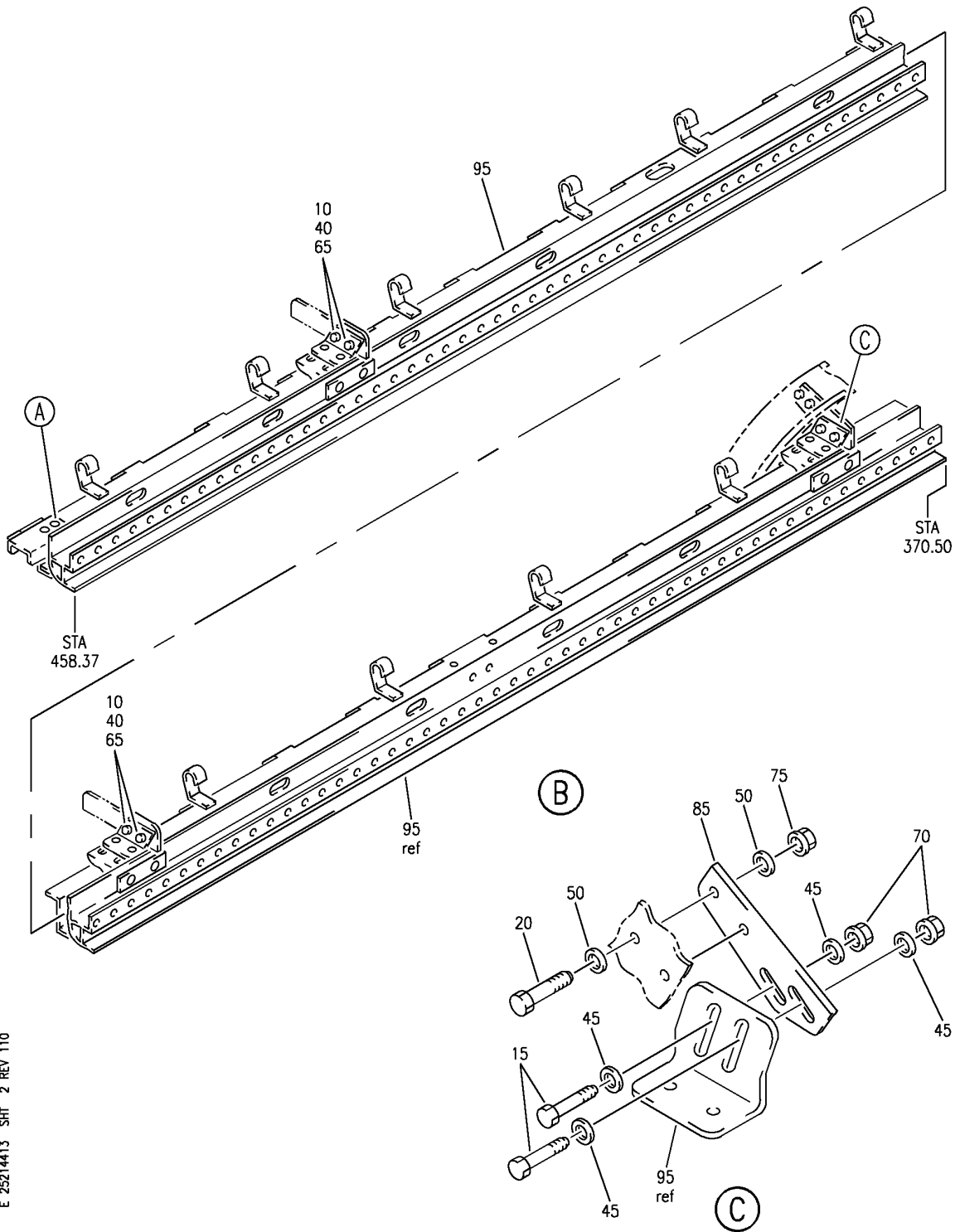
EXTRUSION INSTL-FWD LH SIDEWALL AIR CONDITIONING OUTLET
FIGURE 13 (SHEET 1)

25-21-44-13

HAP
OCT 10/06

25-21-44-13
PAGE 0

BOEING
 737-600/700/800/900
 PARTS CATALOG (MAINTENANCE)



E 25214413 SHT 2 REV 110

EXTRUSION INSTL-FWD LH SIDEWALL AIR CONDITIONING OUTLET
 FIGURE 13 (SHEET 2)

25-21-44-13

HAP
 OCT 10/06

25-21-44-13
 PAGE 0A

BOEING
737-600/700/800/900
PARTS CATALOG (MAINTENANCE)

FIG ITEM	PART NUMBER	1 2 3 4 5 6 7	NOMENCLATURE	EFFECT FROM TO	UNITS PER ASSY
13			EXTRUSION INSTL-FWD LH SIDEWALL AIR CONDITIONING OUTLET	001030	
- 1	412A3001-113SP		EXTRUSION INSTL-SIDEWALL AIR CONDITIONING OUTLET POSITION DATA: FWD LH POST SERVICE BULLETIN: 25-1360 FOR NHA SEE: 25-21-00-01D	001030	RF
5	BACB30NR4K4		.BOLT	015015 018018	6
10	BACB30NR4K4		.BOLT	001014 016017 019030	4
15	BACB30NR4K4		.BOLT- POST SERVICE BULLETIN: 25-1542	001014 016017 019030	2
20	BACB30NM3K3		.BOLT- POST SERVICE BULLETIN: 25-1542	001014 016017 019030	2
25	BACS12GU08K7		.SCREW	001030	4
30	BACS12GU08K8		.SCREW	001030	4
35	NAS1149E0463P		.WASHER	015015 018018	12
40	NAS1149E0463P		.WASHER	001014 016017 019030	8
45	NAS1149E0463P		.WASHER- POST SERVICE BULLETIN: 25-1542	001014 016017 019030	4
50	NAS1149D0332J		.WASHER- POST SERVICE BULLETIN: 25-1542	001014 016017 019030	4
55	NAS1149DN816J		.WASHER	001030	8
60	PLH54CD		.NUT SUPPLIER CODE: VF0224 SPECIFICATION NUMBER: BACN10YR4CD OPTIONAL PART: H52732-4CD V15653	015015 018018	6

MISSING ITEM NUMBERS NOT APPLICABLE

- ITEM NOT ILLUSTRATED

HAP

25-21-44-13

BOEING PROPRIETARY - Copyright © - Unpublished Work - See title page for details.

25-21-44
FIG. 13
PAGE 1
FEB 15/09

BOEING
737-600/700/800/900
PARTS CATALOG (MAINTENANCE)

FIG ITEM	PART NUMBER	1 2 3 4 5 6 7	NOMENCLATURE	EFFECT FROM TO	UNITS PER ASSY
13 65	PLH54CD	.NUT	SUPPLIER CODE: VF0224 SPECIFICATION NUMBER: BACN10YR4CD OPTIONAL PART: H52732-4CD V15653	001014 016017 019030	4
70	PLH54CD	.NUT-	SUPPLIER CODE: VF0224 SPECIFICATION NUMBER: BACN10YR4CD OPTIONAL PART: H52732-4CD V15653 POST SERVICE BULLETIN: 25-1542	001014 016017 019030	2
75	PLH53CD	.NUT-	SUPPLIER CODE: VF0224 SPECIFICATION NUMBER: BACN10YR3CD OPTIONAL PART: H52732-3CD V15653 POST SERVICE BULLETIN: 25-1542	001014 016017 019030	2
80	130008	.NUT	SUPPLIER CODE: V60119 SPECIFICATION NUMBER: BACN10FX84 OPTIONAL PART: RM52LHA4972-6-8 V72962 SL211-08-1 V97393 A11330-6-82 V72962 A4972-6-82 V72962	001030	2
85	65C27021-467	.BRACKET ASSY-	POST SERVICE BULLETIN: 25-1542	001014 016017 019030	1

MISSING ITEM NUMBERS NOT APPLICABLE

— ITEM NOT ILLUSTRATED

HAP

25-21-44-13

BOEING PROPRIETARY - Copyright © - Unpublished Work - See title page for details.

25-21-44
FIG. 13
PAGE 2
FEB 15/09

BOEING
737-600/700/800/900
PARTS CATALOG (MAINTENANCE)

FIG ITEM	PART NUMBER	1 2 3 4 5 6 7	NOMENCLATURE	EFFECT FROM TO	UNITS PER ASSY
13 90	412A3103-1081SP		.OUTLET ASSY- POST SERVICE BULLETIN: 25-1360 PRE SERVICE BULLETIN: 25-1542 FOR DETAILS SEE: 25-21-44-34	001030	1
95	412A3103-1116SP		.OUTLET ASSY- POST SERVICE BULLETIN: 25-1542 FOR DETAILS SEE: 25-21-44-40	001014 016017 019030	1

MISSING ITEM NUMBERS NOT APPLICABLE

— ITEM NOT ILLUSTRATED

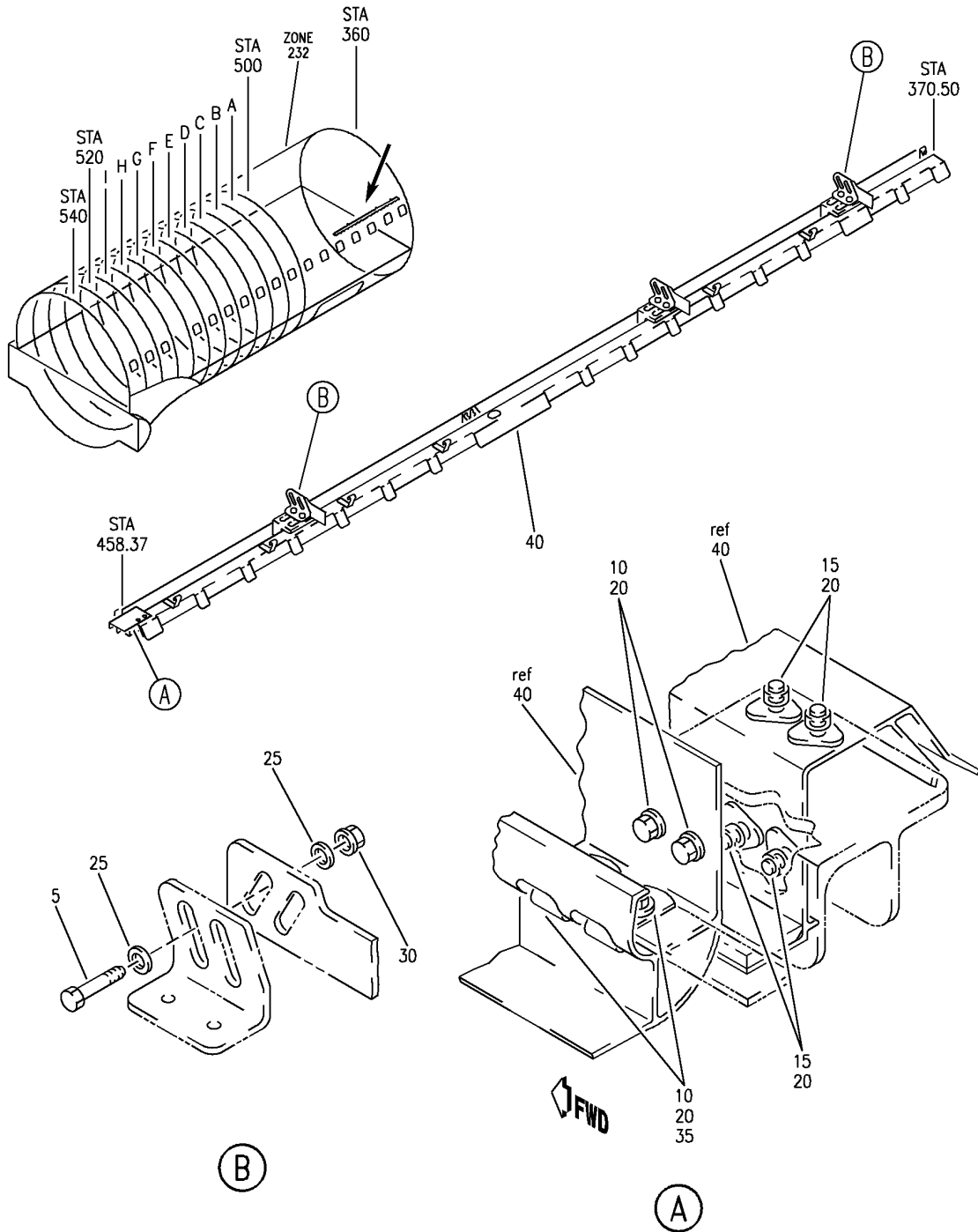
HAP

25-21-44-13

BOEING PROPRIETARY - Copyright © - Unpublished Work - See title page for details.

25-21-44
FIG. 13
PAGE 3
OCT 10/06

BOEING
 737-600/700/800/900
 PARTS CATALOG (MAINTENANCE)



E 25214413A REV 111

EXTRUSION INSTL-FWD RH SIDEWALL AIR CONDITIONING OUTLET
 FIGURE 13A

25-21-44-13A

HAP
 OCT 10/06

25-21-44-13A
 PAGE 0

BOEING
737-600/700/800/900
PARTS CATALOG (MAINTENANCE)

FIG ITEM	PART NUMBER	1 2 3 4 5 6 7	NOMENCLATURE	EFFECT FROM TO	UNITS PER ASSY
13A			EXTRUSION INSTL-FWD RH SIDEWALL AIR CONDITIONING OUTLET	001047	
- 1	412A3001-213SP		EXTRUSION INSTL-SIDEWALL AIR CONDITIONING OUTLET POSITION DATA: FWD RH POST SERVICE BULLETIN: 25-1360 FOR NHA SEE: 25-21-00-01D	001030	RF
- 1	MODREF232310		EXTRUSION INSTL-SIDEWALL AIR CONDITIONING OUTLET MODULE NUMBER: 412A3001-1213B REV A POSITION DATA: FWD RH	031047	1
5	BACB30NR4K4		.BOLT	001047	6
10	BACS12GU08K7		.SCREW	001047	4
15	BACS12GU08K8		.SCREW	001047	4
20	NAS1149DN816J		.WASHER	001047	8
25	NAS1149E0463P		.WASHER	001047	12
30	PLH54CD		.NUT	001047	6
			SUPPLIER CODE: VF0224 SPECIFICATION NUMBER: BACN10YR4CD OPTIONAL PART: H52732-4CD V15653		
35	130008		.NUT SUPPLIER CODE: V60119 SPECIFICATION NUMBER: BACN10FX84 OPTIONAL PART: RM52LHA4972-6-8 V72962 SL211-08-1 V97393 A11330-6-82 V72962 A4972-6-82 V72962	001047	2
40	412A3103-2082SP		.OUTLET ASSY- FOR DETAILS SEE: 25-21-44-34A	031047	1

MISSING ITEM NUMBERS NOT APPLICABLE

- ITEM NOT ILLUSTRATED

HAP

25-21-44-13A

BOEING PROPRIETARY - Copyright © - Unpublished Work - See title page for details.

25-21-44
FIG. 13A
PAGE 1
FEB 15/09


BOEING
 737-600/700/800/900
PARTS CATALOG (MAINTENANCE)

FIG ITEM	PART NUMBER	1 2 3 4 5 6 7 NOMENCLATURE	EFFECT FROM TO	UNITS PER ASSY
13A 40	412A3103-1082SP	.OUTLET ASSY- POST SERVICE BULLETIN: 25-1360 FOR DETAILS SEE: 25-21-44-66A	001030	1

MISSING ITEM NUMBERS NOT APPLICABLE

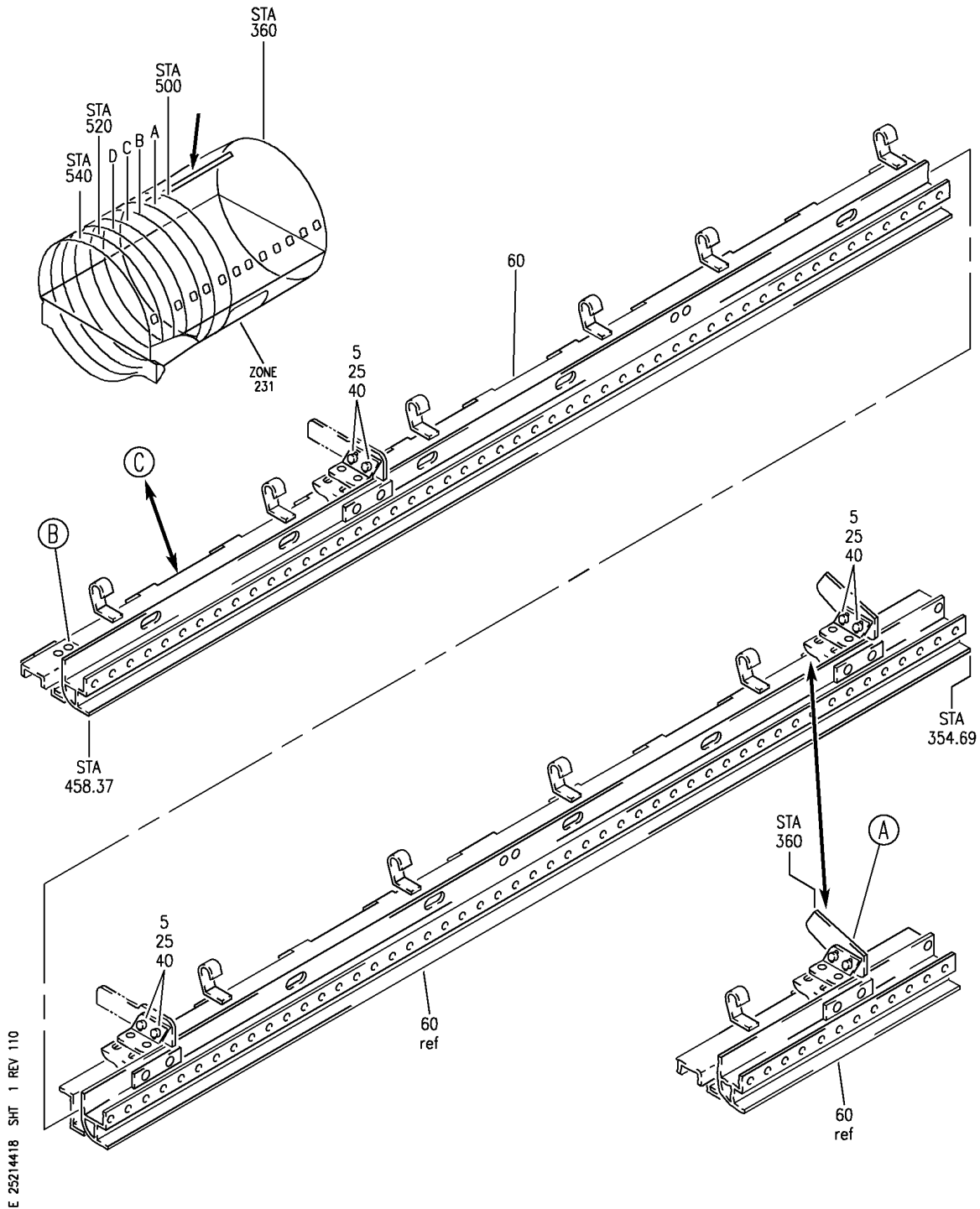
— ITEM NOT ILLUSTRATED

HAP

25-21-44-13A

BOEING PROPRIETARY - Copyright © - Unpublished Work - See title page for details.

25-21-44
 FIG. 13A
 PAGE 2
 OCT 10/06



E 25214418 SHT 1 REV 110

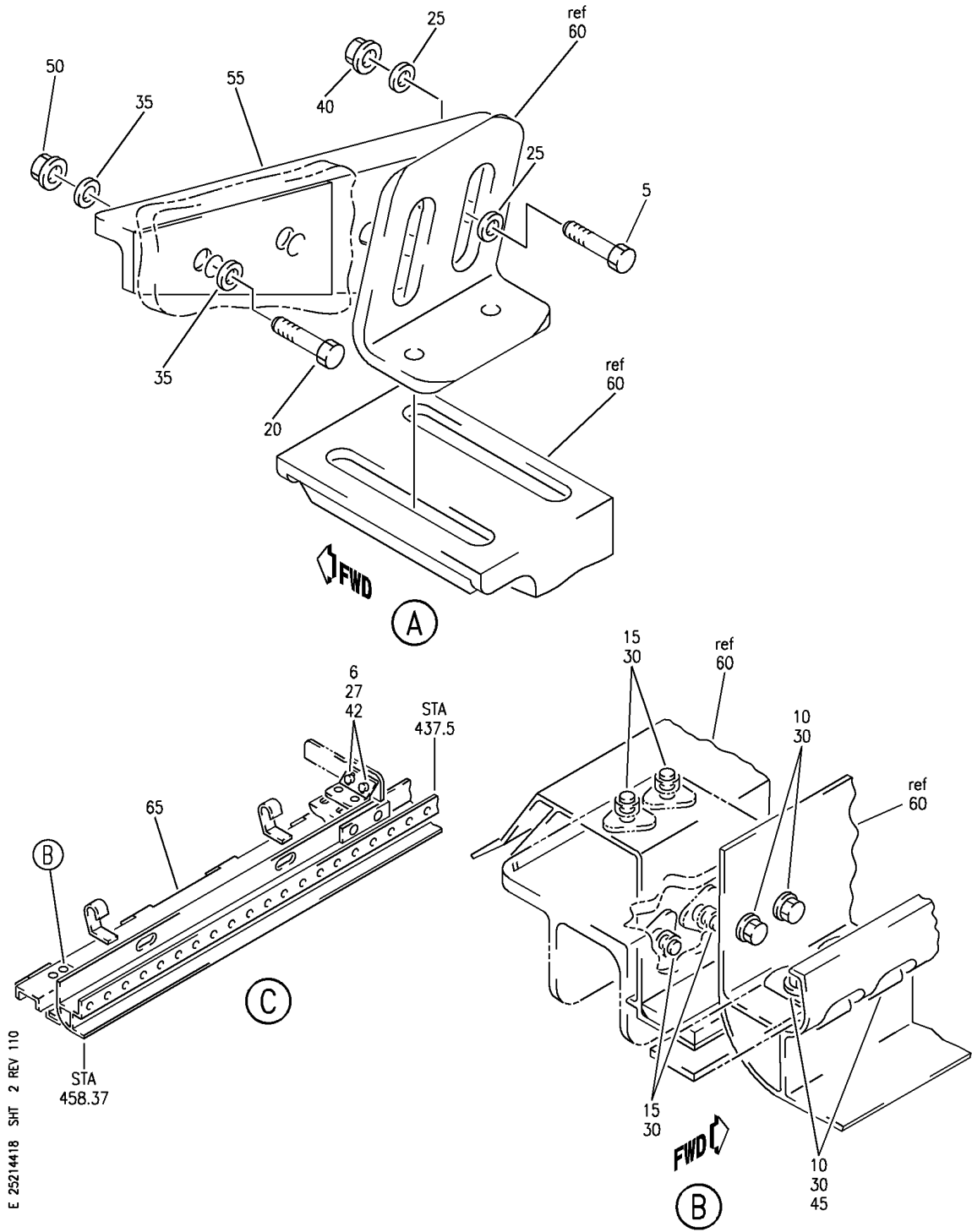
EXTRUSION INSTL-FWD LH SIDEWALL AIR CONDITIONING OUTLET
 FIGURE 18 (SHEET 1)

25-21-44-18

HAP
 OCT 15/08

25-21-44-18
 PAGE 0

BOEING
 737-600/700/800/900
 PARTS CATALOG (MAINTENANCE)



E 25214418 SHT 2 REV 110

EXTRUSION INSTL-FWD LH SIDEWALL AIR CONDITIONING OUTLET
 FIGURE 18 (SHEET 2)

25-21-44-18

HAP
 OCT 15/08

25-21-44-18
 PAGE 0A

BOEING
737-600/700/800/900
PARTS CATALOG (MAINTENANCE)

FIG ITEM	PART NUMBER	1 2 3 4 5 6 7	NOMENCLATURE	EFFECT FROM TO	UNITS PER ASSY
18			EXTRUSION INSTL-FWD LH SIDEWALL AIR CONDITIONING OUTLET	201967	
- 1	412A3001-102SP		EXTRUSION INSTL-SIDEWALL AIR CONDITIONING OUTLET POSITION DATA: FWD LH FOR NHA SEE: 25-21-00-01A	201967	RF
5	BACB30NR4K4	.BOLT		201967	6
10	BACS12GU08K7	.SCREW		201967	4
15	BACS12GU08K8	.SCREW		201967	4
25	BACW10P11AL	.WASHER-		201967	12
			OPTIONAL PART: NAS1149E0463P		
25	NAS1149E0463P	.WASHER-		201967	12
30	NAS1149DN816J	.WASHER		201967	8
40	PLH54CD	.NUT		201967	6
			SUPPLIER CODE: VF0224 SPECIFICATION NUMBER: BACN10YR4CD OPTIONAL PART: H52732-4CD V15653		
45	130008	.NUT		201967	2
			SUPPLIER CODE: V60119 SPECIFICATION NUMBER: BACN10FX84 OPTIONAL PART: RM52LHA4972-6-8 V72962 SL211-08-1 V97393 A11330-6-82 V72962 A4972-6-82 V72962		
60	412A3103-1050SP	.OUTLET ASSY-		201967	1
			FOR DETAILS SEE: 25-21-44-39		

MISSING ITEM NUMBERS NOT APPLICABLE

- ITEM NOT ILLUSTRATED

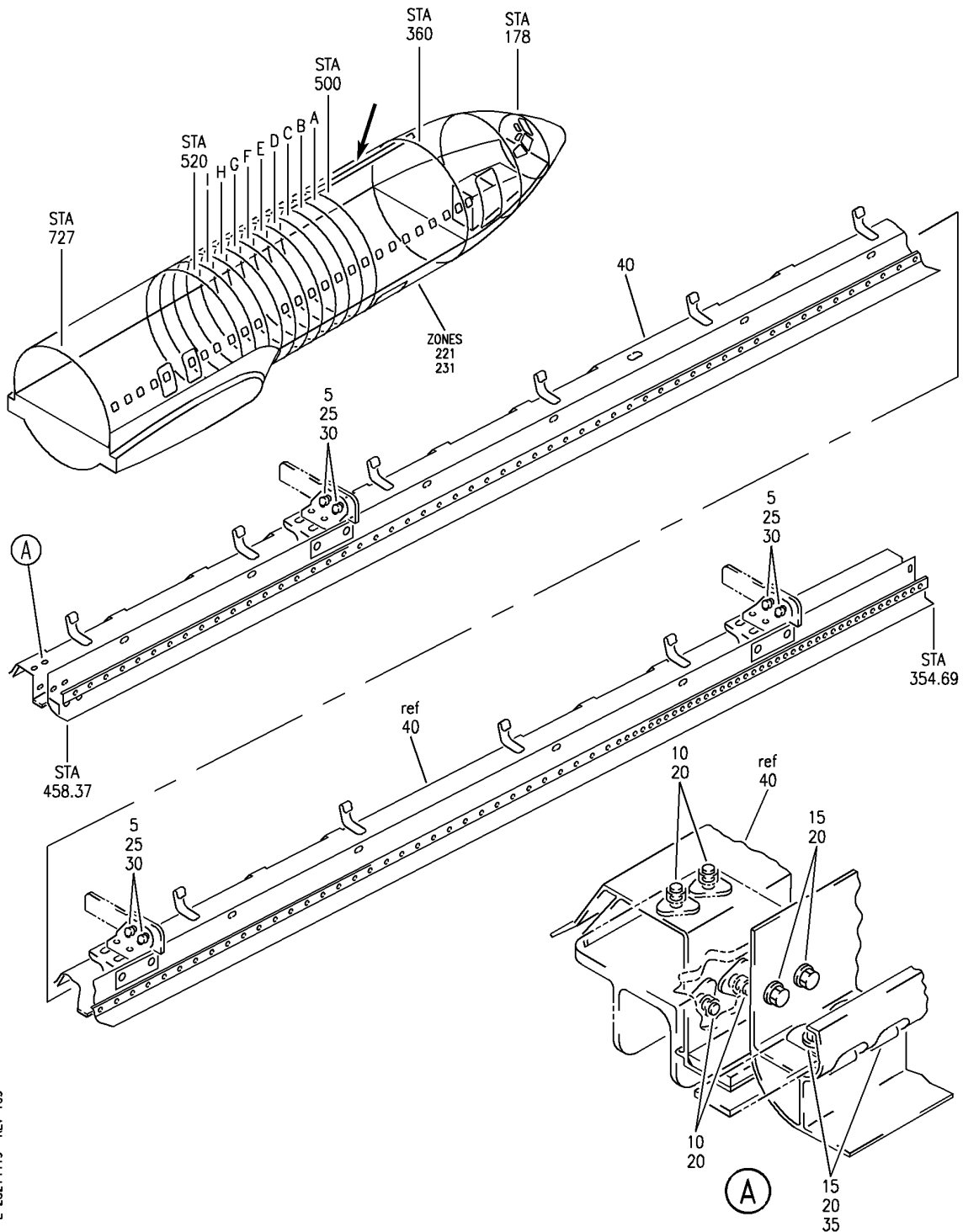
HAP

25-21-44-18

BOEING PROPRIETARY - Copyright © - Unpublished Work - See title page for details.

25-21-44
FIG. 18
PAGE 1
FEB 15/09

BOEING
 737-600/700/800/900
 PARTS CATALOG (MAINTENANCE)



E 25214419 REV 108

EXTRUSION INSTL-FWD LH SIDEWALL AIR CONDITIONING OUTLET
 FIGURE 19

25-21-44-19

HAP
 OCT 10/06

25-21-44-19
 PAGE 0

BOEING
737-600/700/800/900
PARTS CATALOG (MAINTENANCE)

FIG ITEM	PART NUMBER	1 2 3 4 5 6 7	NOMENCLATURE	EFFECT FROM TO	UNITS PER ASSY
19			EXTRUSION INSTL-FWD LH SIDEWALL AIR CONDITIONING OUTLET	031200 968999	
- 1	MODREF232398		EXTRUSION INSTL-SIDEWALL AIR CONDITIONING OUTLET MODULE NUMBER: 412A3001-1120B REV A POSITION DATA: FWD LH	031200 968999	1
5	BACB30NR4K4		.BOLT	031200 968999	6
10	BACS12GU08K8		.SCREW	031200 968999	4
15	BACS12GU08K7		.SCREW	031200 968999	4
20	NAS1149DN816J		.WASHER	031200 968999	8
25	NAS1149E0463P		.WASHER	031200 968999	12
30	PLH54CD		.NUT SUPPLIER CODE: VF0224 SPECIFICATION NUMBER: BACN10YR4CD OPTIONAL PART: H52732-4CD V15653	031200 968999	6
35	130008		.NUT SUPPLIER CODE: V60119 SPECIFICATION NUMBER: BACN10FX84 OPTIONAL PART: RM52LHA4972-6-8 V72962 SL211-08-1 V97393 A11330-6-82 V72962 A4972-6-82 V72962	031200 968999	2
40	412A3103-2116SP		.OUTLET ASSY- FOR DETAILS SEE: 25-21-44-40	031200 968999	1

MISSING ITEM NUMBERS NOT APPLICABLE

- ITEM NOT ILLUSTRATED

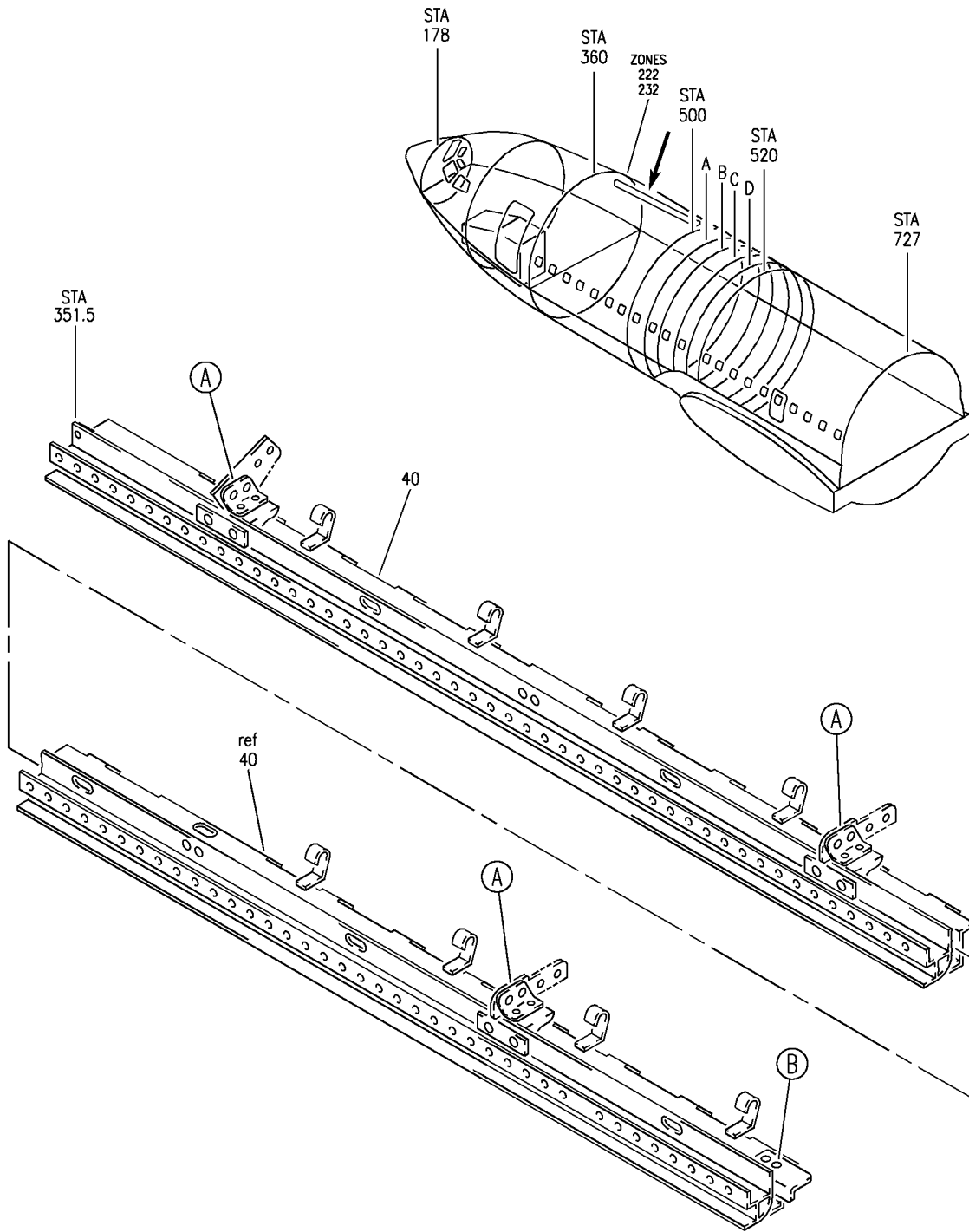
HAP

25-21-44-19

BOEING PROPRIETARY - Copyright © - Unpublished Work - See title page for details.

25-21-44
FIG. 19
PAGE 1
FEB 15/09

BOEING
 737-600/700/800/900
 PARTS CATALOG (MAINTENANCE)



E 25214419A SHT 1 REV 111

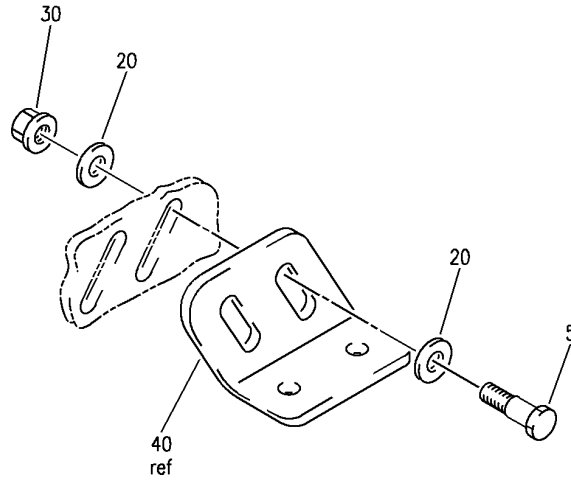
EXTRUSION INSTL-FWD RH SIDEWALL AIR CONDITIONING OUTLET
 FIGURE 19A (SHEET 1)

25-21-44-19A

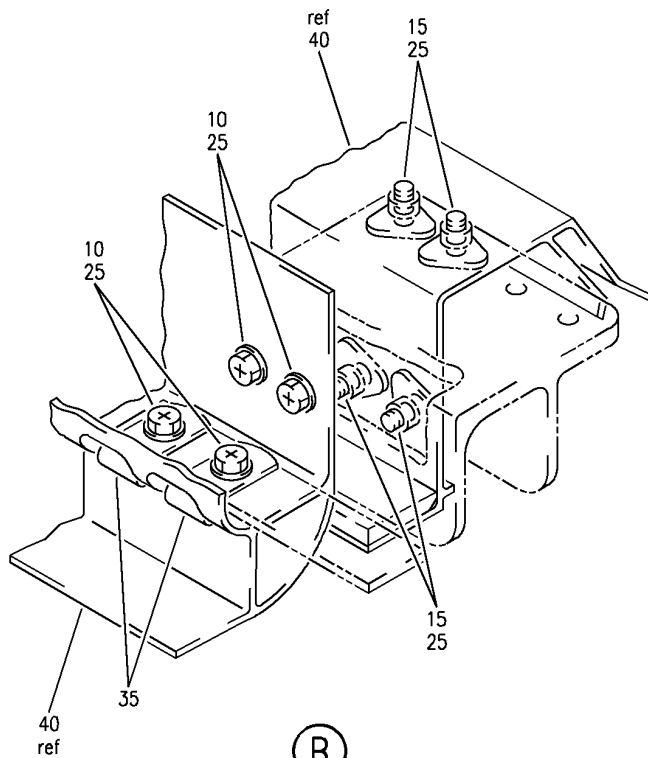
HAP
 FEB 10/07

25-21-44-19A
 PAGE 0

BOEING
 737-600/700/800/900
 PARTS CATALOG (MAINTENANCE)



(A)



(B)

E 25214419A SHT 2 REV 111

EXTRUSION INSTL-FWD RH SIDEWALL AIR CONDITIONING OUTLET
 FIGURE 19A (SHEET 2)

25-21-44-19A

HAP
 FEB 10/07

25-21-44-19A
 PAGE 0A

BOEING
737-600/700/800/900
PARTS CATALOG (MAINTENANCE)

FIG ITEM	PART NUMBER	1 2 3 4 5 6 7	NOMENCLATURE	EFFECT FROM TO	UNITS PER ASSY
19A			EXTRUSION INSTL-FWD RH SIDEWALL AIR CONDITIONING OUTLET	101200 968999	
- 1	MODREF235081		EXTRUSION INSTL-SIDEWALL AIR CONDITIONING OUTLET MODULE NUMBER: 412A3001-1218B REV A	101200 968999	1
5	BACB30NR4K4		.BOLT	101200 968999	6
10	BACS12GU08K7		.SCREW	101200 968999	4
15	BACS12GU08K8		.SCREW	101200 968999	4
20	NAS1149E0463P		.WASHER	101200 968999	12
25	NAS1149DN816J		.WASHER	101200 968999	8
30	PLH54CD		.NUT SUPPLIER CODE: VF0224 SPECIFICATION NUMBER: BACN10YR4CD OPTIONAL PART: H52732-4CD V15653	101200 968999	6
35	130008		.NUT SUPPLIER CODE: V60119 SPECIFICATION NUMBER: BACN10FX84 OPTIONAL PART: RM52LHA4972-6-8 V72962 SL211-08-1 V97393 A11330-6-82 V72962 A4972-6-82 V72962	101200 968999	2
40	412A3103-2117SP		.OUTLET ASSY- FOR DETAILS SEE: 25-21-44-40B	101200 968999	1

MISSING ITEM NUMBERS NOT APPLICABLE

- ITEM NOT ILLUSTRATED

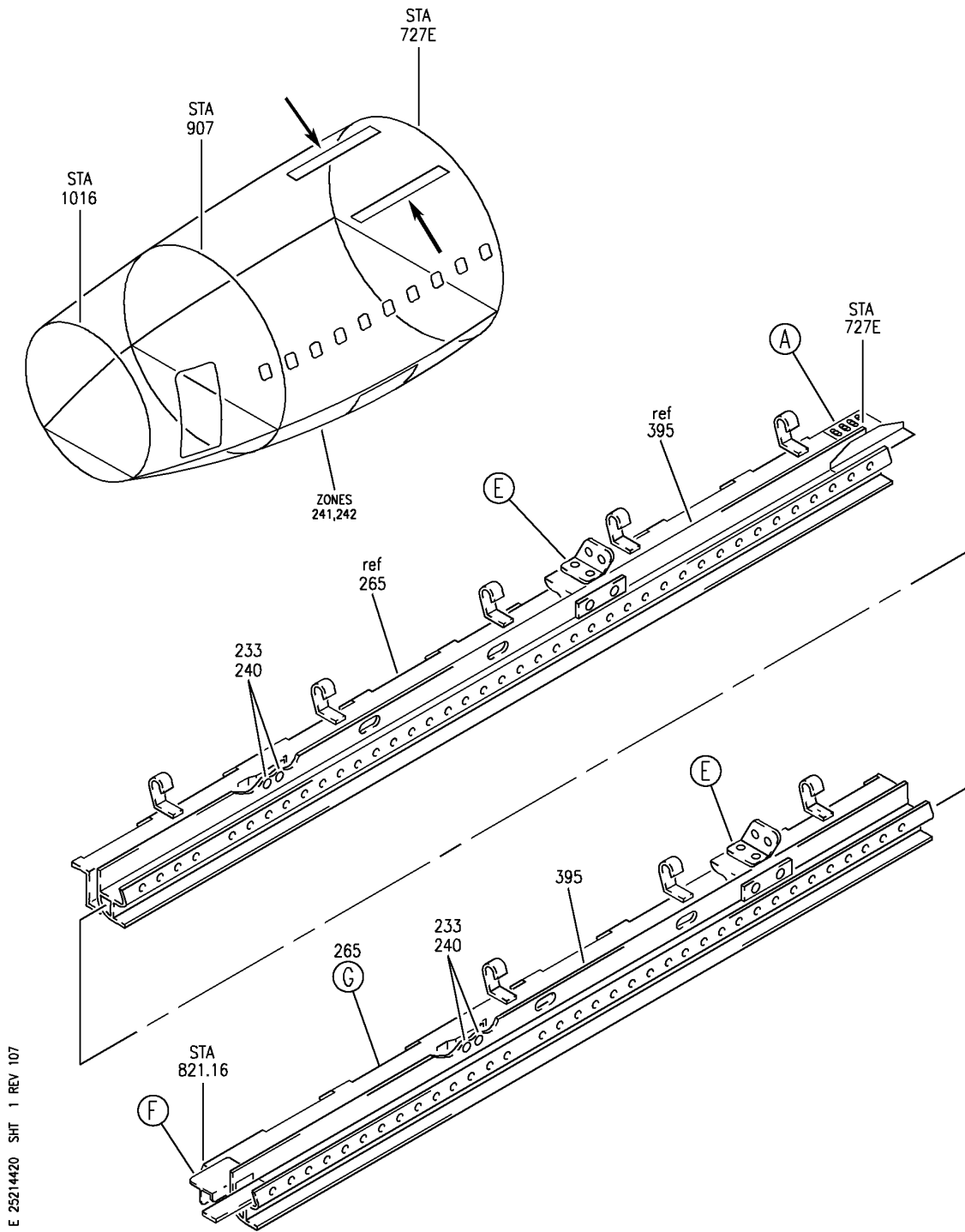
HAP

25-21-44-19A

BOEING PROPRIETARY - Copyright © - Unpublished Work - See title page for details.

25-21-44
FIG. 19A
PAGE 1
FEB 15/09

BOEING
 737-600/700/800/900
 PARTS CATALOG (MAINTENANCE)



E 25214420 SHT 1 REV 107

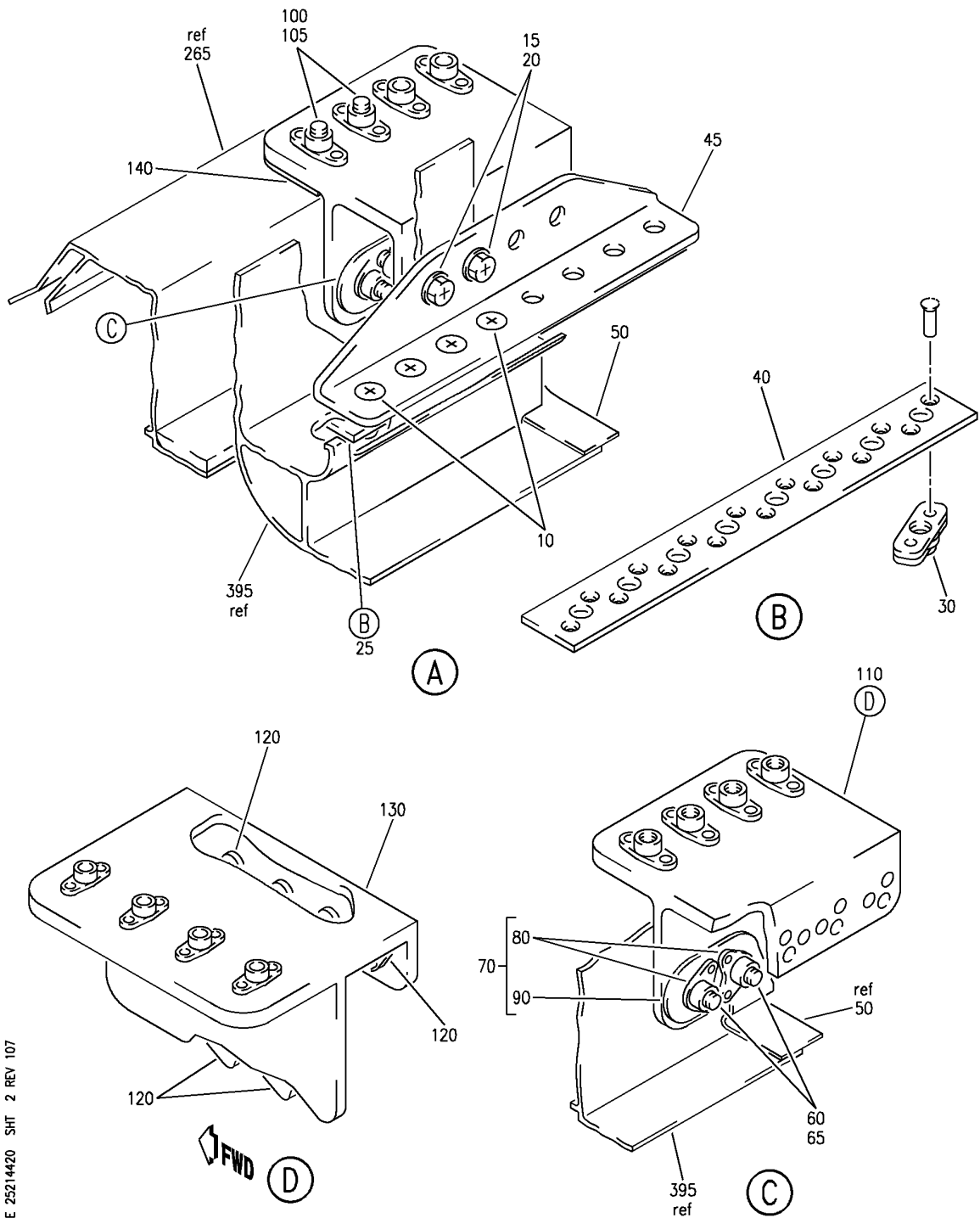
OUTLET ASSY-LH/RH SIDEWALL AIR CONDITIONING
 FIGURE 20 (SHEET 1)

25-21-44-20

HAP
 FEB 10/07

25-21-44-20
 PAGE 0

BOEING
 737-600/700/800/900
 PARTS CATALOG (MAINTENANCE)



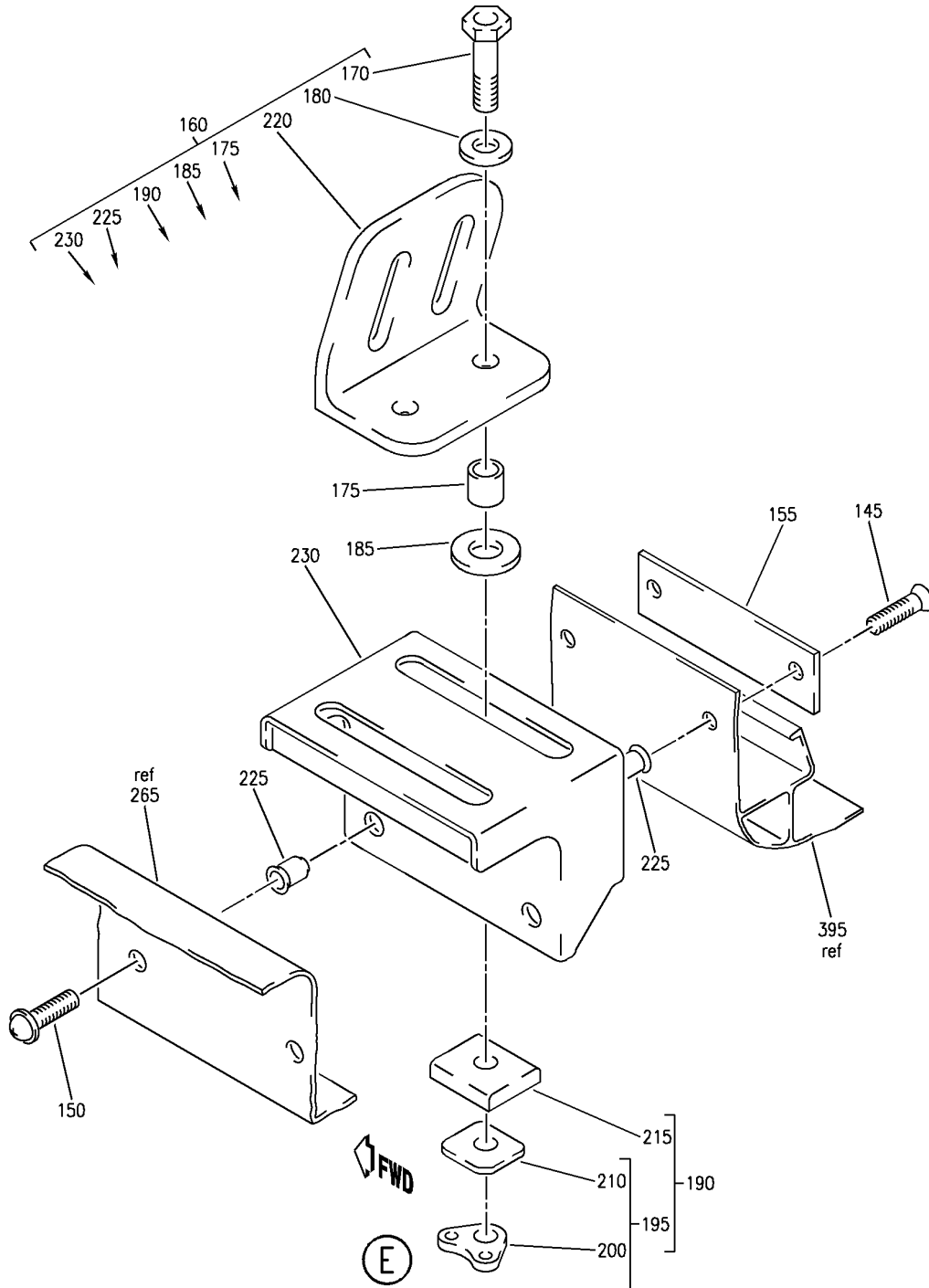
OUTLET ASSY-LH/RH SIDEWALL AIR CONDITIONING
 FIGURE 20 (SHEET 2)

25-21-44-20

HAP
 FEB 10/07

25-21-44-20
 PAGE 0A

BOEING
 737-600/700/800/900
 PARTS CATALOG (MAINTENANCE)



E 25214420 SHT 3 REV 107

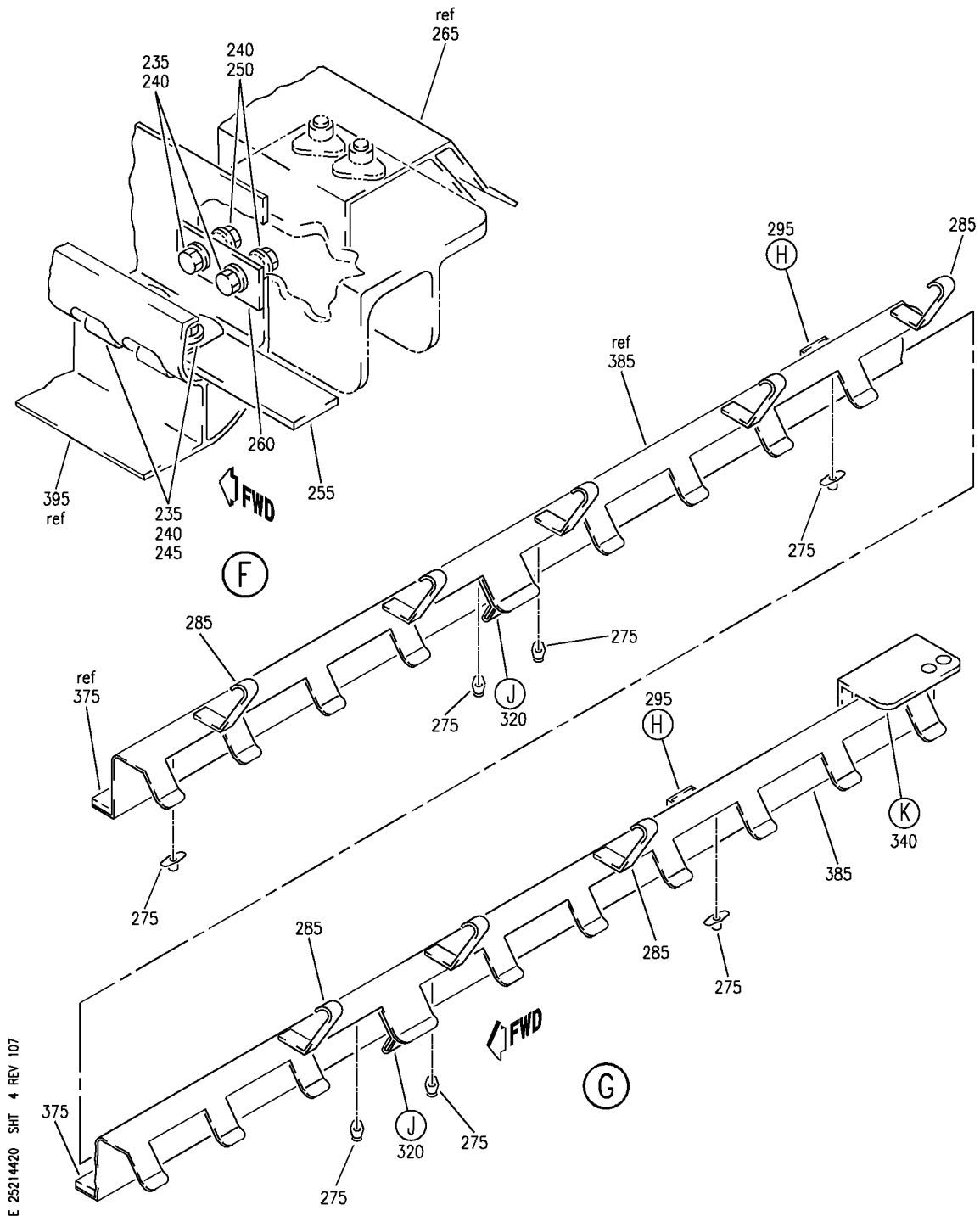
OUTLET ASSY-LH/RH SIDEWALL AIR CONDITIONING
 FIGURE 20 (SHEET 3)

25-21-44-20

HAP
 FEB 10/07

25-21-44-20
 PAGE 0B


BOEING
 737-600/700/800/900
PARTS CATALOG (MAINTENANCE)



E 25214420 SH 4 REV 107

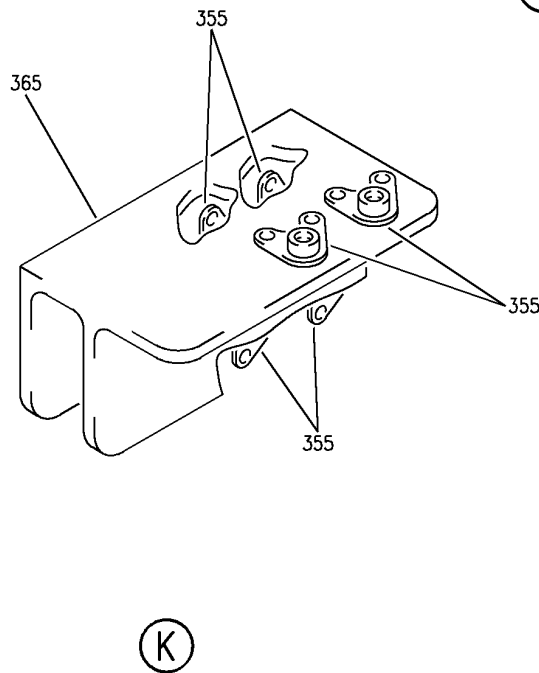
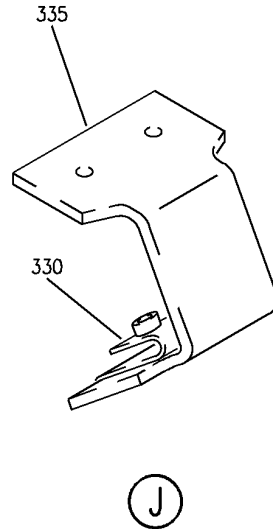
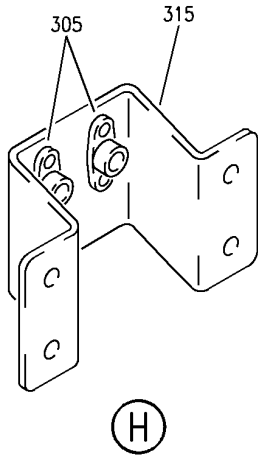
OUTLET ASSY-LH/RH SIDEWALL AIR CONDITIONING
 FIGURE 20 (SHEET 4)

25-21-44-20

HAP
FEB 10/07

25-21-44-20
 PAGE 0C

BOEING
737-600/700/800/900
PARTS CATALOG (MAINTENANCE)



E 25214420 SH1 5 REV 107

OUTLET ASSY-LH/RH SIDEWALL AIR CONDITIONING
FIGURE 20 (SHEET 5)

25-21-44-20

HAP
FEB 10/07

25-21-44-20
PAGE 0D

BOEING
737-600/700/800/900
PARTS CATALOG (MAINTENANCE)

FIG ITEM	PART NUMBER	1 2 3 4 5 6 7	NOMENCLATURE	EFFECT FROM TO	UNITS PER ASSY
20			OUTLET ASSY-LH/RH SIDEWALL AIR CONDITIONING	101200 968999	
- 1	412A3103-2009SP		OUTLET ASSY-SIDEWALL AIR CONDITIONING POSITION DATA: LH	101200 968999	RF
- 5	412A3103-2010SP		OUTLET ASSY-SIDEWALL AIR CONDITIONING POSITION DATA: RH	101200 968999	RF
10	BACB30LU2-2		.BOLT	101200 968999	4
15	BACS12GU08K7		.SCREW	101200 968999	2
20	NAS1149DN816J		.WASHER	101200 968999	2
25	65C27021-277		.DOUBLER ASSY	101200 968999	1
30	MF53050-08DL		..NUTPLATE SUPPLIER CODE: V15653 SPECIFICATION NUMBER: BACN10JN08CM OPTIONAL PART: BRFM20C08M V52828 MF1001-08BAC V15653 NS103218SE82 V80539 VN252D82 V92215 109F9201M82 V72962 T8125C08C V11815	101200 968999	8
- 35	BACR15CE3D		ATTACHING PARTS ..RIVET- SIZE DETERMINED ON INSTL. -----*-----	101200 968999	16
40	65C27021-278		..DOUBLER	101200 968999	1
45	65C27020-612		.DOUBLER	101200 968999	1
50	412N3101-35SP		.COVER-GAP POSITION DATA: LH SIDE	101200 968999	1

MISSING ITEM NUMBERS NOT APPLICABLE

- ITEM NOT ILLUSTRATED

HAP

25-21-44-20

BOEING PROPRIETARY - Copyright © - Unpublished Work - See title page for details.

25-21-44
FIG. 20
PAGE 1
OCT 15/08

BOEING
737-600/700/800/900
PARTS CATALOG (MAINTENANCE)

FIG ITEM	PART NUMBER	1 2 3 4 5 6 7	NOMENCLATURE	EFFECT FROM TO	UNITS PER ASSY
20					
- 55	412N3101-36SP		.COVER-GAP POSITION DATA: RH SIDE	101200 968999	1
60	BACS12ER08K7		.SCREW	101200 968999	2
65	BACW10DM5P		.WASHER	101200 968999	2
70	412N3101-24SP		.COVER ASSY-GAP POSITION DATA: LH SIDE	101200 968999	1
- 75	412N3101-25SP		.COVER ASSY-GAP POSITION DATA: RH SIDE	101200 968999	1
80	T8078S832BC		..NUTPLATE SUPPLIER CODE: V11815 SPECIFICATION NUMBER: BACN10JP08CR OPTIONAL PART: MK3000-08BCBAC V15653 NS103199-82BC V80539 RMA9205M82BC V72962 VN203A2-82 V92215 BRM300A08K V52828 ATTACHING PARTS	101200 968999	2
- 85	BACR15BA3AD		..RIVET- SIZE DETERMINED ON INSTL. -----*-----	101200 968999	4
90	412N3101-22SP		..COVER- POSITION DATA: LH SIDE	101200 968999	1
- 95	412N3101-23SP		..COVER- POSITION DATA: RH SIDE	101200 968999	1
100	BACS12ER08K8		.SCREW	101200 968999	2
105	BACW10DM5P		.WASHER	101200 968999	2
110	65C27021-482		.FITTING ASSY-SPLICE POSITION DATA: LH SIDE	101200 968999	1
- 115	65C27021-483		.FITTING ASSY-SPLICE POSITION DATA: RH SIDE	101200 968999	1

MISSING ITEM NUMBERS NOT APPLICABLE

- ITEM NOT ILLUSTRATED

HAP

25-21-44-20

BOEING PROPRIETARY - Copyright © - Unpublished Work - See title page for details.

25-21-44
FIG. 20
PAGE 2
OCT 15/08

BOEING
737-600/700/800/900
PARTS CATALOG (MAINTENANCE)

FIG ITEM	PART NUMBER	1 2 3 4 5 6 7	NOMENCLATURE	EFFECT FROM TO	UNITS PER ASSY
20 120	T8078S832		..NUTPLATE SUPPLIER CODE: V11815 SPECIFICATION NUMBER: BACN10JP08C OPTIONAL PART: MK3000-08BAC V15653 NS103199-82 V80539 RMA9205M82 V72962 VN203A1-82 V92215 BRM300A08 V52828 ATTACHING PARTS	101200 968999	6
- 125	BACR15BA3AD		..RIVET- SIZE DETERMINED ON INSTL. -----*-----	101200 968999	12
130	65C27021-484		..FITTING- POSITION DATA: LH SIDE	101200 968999	1
- 135	65C27021-485		..FITTING- POSITION DATA: RH SIDE	101200 968999	1
140	65C27021-481		.FILLER	101200 968999	1
145	BACS12ER3K9		.SCREW- OPTIONAL PART: BACB30VF3K3	101103 968971	4
145	BACB30VF3K3		.BOLT- OPTIONAL PART: BACS12ER3K9	101103 968971	4
150	BACS12FA3K8		.SCREW	101200 968999	4
155	65C27021-177		.DOUBLER-SUPPORT	101200 968999	2
160	412A3133-1		.FITTING ASSY- POSITION DATA: LH SIDE	101200 968999	2
160	412A3133-3		.FITTING ASSY- POSITION DATA: LH SIDE	101200 968999	2
- 165	412A3133-2		.FITTING ASSY- POSITION DATA: RH SIDE	101200 968999	2

MISSING ITEM NUMBERS NOT APPLICABLE

- ITEM NOT ILLUSTRATED

HAP

25-21-44-20

BOEING PROPRIETARY - Copyright © - Unpublished Work - See title page for details.

25-21-44
FIG. 20
PAGE 3
OCT 15/08

BOEING
737-600/700/800/900
PARTS CATALOG (MAINTENANCE)

FIG ITEM	PART NUMBER	1 2 3 4 5 6 7	NOMENCLATURE	EFFECT FROM TO	UNITS PER ASSY
20					
- 165	412A3133-4	.	FITTING ASSY- POSITION DATA: RH SIDE	101200 968999	2
170	BACB30NM3K6	..	BOLT	101200 968999	2
175	NAS43DD3-21FC	..	SPACER	101200 968999	2
180	NAS1149D0363J	..	WASHER	101200 968999	2
185	412A2004-5	..	BUSHING	101200 968999	2
190	412A2004-9	..	BEARING ASSY-ANGLE	101200 968999	2
195	412A2004-6	...	SUPPORT ASSY	101200 968999	1
200	T8078S1032	NUTPLATE SUPPLIER CODE: V11815 SPECIFICATION NUMBER: BACN10JP3C OPTIONAL PART: MK3000-3BAC V15653 NS103199-02 V80539 RMA9205M3 V72962 VN203A1-02 V92215 BRM300A3 V52828 ATTACHING PARTS	101200 968999	1
- 205	BACR15BA3AD	RIVET- SIZE DETERMINED ON INSTL. -----*-----	101200 968999	2
210	412A2004-7	SUPPORT	101200 968999	1
215	412A2004-8	...	BEARING	101200 968999	1
220	412A2004-1	..	BRACKET-ANGLE POSITION DATA: LH SIDE	101200 968999	1
- 223	412A2004-2	..	BRACKET-ANGLE POSITION DATA: RH SIDE	101200 968999	1
225	BACS13CJ3L080P	..	INSERT	101200 968999	4

MISSING ITEM NUMBERS NOT APPLICABLE

- ITEM NOT ILLUSTRATED

HAP

25-21-44-20

BOEING PROPRIETARY - Copyright © - Unpublished Work - See title page for details.

25-21-44
FIG. 20
PAGE 4
OCT 15/08

BOEING
737-600/700/800/900
PARTS CATALOG (MAINTENANCE)

FIG ITEM	PART NUMBER	1 2 3 4 5 6 7	NOMENCLATURE	EFFECT FROM TO	UNITS PER ASSY
20					
230	412A3134-1	..	HOUSING-SLIDER USED ON: 412A3133-1 412A3133-2	101200 968999	1
230	412A3134-2	..	HOUSING-SLIDER USED ON: 412A3133-3 412A3133-4	101200 968999	1
233	BACS12GU08K6	.	SCREW	101200 968999	4
235	BACS12GU08K8	.	SCREW	101200 968999	4
240	NAS1149DN816J	.	WASHER	101200 968999	10
245	130008	.	NUT SUPPLIER CODE: V60119 SPECIFICATION NUMBER: BACN10FX84 OPTIONAL PART: RM52LHA4972-6-8 V72962 SL211-08-1 V97393 A11330-6-82 V72962 A4972-6-82 V72962	101200 968999	2
250	MS21042L08	.	NUT	101200 968999	2
255	65C27021-193	.	DOUBLER	101200 968999	1
260	65C27021-191	.	FILLER	101200 968999	1
265	412A3137-1025SP	.	BEAM ASSY- POSITION DATA: LH SIDE	101200 968999	1
- 270	412A3137-1026SP	.	BEAM ASSY- POSITION DATA: RH SIDE	101200 968999	1
275	BACN10TL3A3	..	NUTPLATE	101200 968999	7
- 280	BACR15BB4DC	..	RIVET- ATTACHING PARTS SIZE DETERMINED ON INSTL. -----*-----	101200 968999	14
285	412N2008-1	..	CLIP	101200 968999	8

MISSING ITEM NUMBERS NOT APPLICABLE

- ITEM NOT ILLUSTRATED

HAP

25-21-44-20

BOEING PROPRIETARY - Copyright © - Unpublished Work - See title page for details.

25-21-44
FIG. 20
PAGE 5
OCT 15/08

BOEING
737-600/700/800/900
PARTS CATALOG (MAINTENANCE)

FIG ITEM	PART NUMBER	1 2 3 4 5 6 7	NOMENCLATURE	EFFECT FROM TO	UNITS PER ASSY
20			ATTACHING PARTS		
- 290	BACR15BA3ADC	..	RIVET- SIZE DETERMINED ON INSTL. -----*-----	101200 968999	16
295	65C27021-184	..	BRACKET ASSY	101200 968999	2
			ATTACHING PARTS		
- 300	BACR15BA5ADC	..	RIVET- SIZE DETERMINED ON INSTL. -----*-----	101200 968999	4
305	T8076S832	...	NUTPLATE SUPPLIER CODE: V11815 SPECIFICATION NUMBER: BACN10JPO8A OPTIONAL PART: MK1000-08BAC V15653 NS103197-82 V80539 RMA9201M82 V72962 VN202A1-82 V92215 BRM200A08 V52828	101200 968999	2
			ATTACHING PARTS		
- 310	BACR15BA3AD	...	RIVET- SIZE DETERMINED ON INSTL. -----*-----	101200 968999	4
315	65C27021-221	...	BRACKET	101200 968999	1
320	65C36185-1	..	BRACKET ASSY	101200 968999	2
			ATTACHING PARTS		
- 325	BACR15BB4DC	..	RIVET- SIZE DETERMINED ON INSTL. OPTIONAL PART: NAS1398D4A2	101103 968971	4
- 325	NAS1398D4A2	..	RIVET- OPTIONAL PART: BACR15BB4DC -----*-----	101103 968971	4

MISSING ITEM NUMBERS NOT APPLICABLE

- ITEM NOT ILLUSTRATED

HAP

25-21-44-20

BOEING PROPRIETARY - Copyright © - Unpublished Work - See title page for details.

25-21-44
FIG. 20
PAGE 6
OCT 15/08

BOEING
737-600/700/800/900
PARTS CATALOG (MAINTENANCE)

FIG ITEM	PART NUMBER	1 2 3 4 5 6 7	NOMENCLATURE	EFFECT FROM TO	UNITS PER ASSY
20 330	130069		...NUT- SUPPLIER CODE: V60119 SPECIFICATION NUMBER: BACN10FX16 OPTIONAL PART: A11330-6-3 V72962 A4972-6-02 V72962 BACN10YD1	101200 968999	1
330	BRC600-8-3		...NUT- SUPPLIER CODE: V52828 SPECIFICATION NUMBER: BACN10YD1 OPTIONAL PART: 130120 V60119 BACN10FX16	101200 968999	1
335	65C36185-2		...BRACKET	101200 968999	1
340	65C27021-295		..FITTING ASSY-SPLICE POSITION DATA: LH SIDE	101200 968999	1
- 345	65C27021-296		..FITTING ASSY-SPLICE POSITION DATA: RH SIDE ATTACHING PARTS	101200 968999	1
- 350	BACR15BA5DC		..RIVET- SIZE DETERMINED ON INSTL. -----*-----	101200 968999	2
355	T8078S832		...NUTPLATE SUPPLIER CODE: V11815 SPECIFICATION NUMBER: BACN10JPO8C OPTIONAL PART: MK3000-08BAC V15653 NS103199-82 V80539 RMA9205M82 V72962 VN203A1-82 V92215 BRM300A08 V52828	101200 968999	6

MISSING ITEM NUMBERS NOT APPLICABLE

- ITEM NOT ILLUSTRATED

HAP

25-21-44-20

BOEING PROPRIETARY - Copyright © - Unpublished Work - See title page for details.

25-21-44
FIG. 20
PAGE 7
FEB 15/09

BOEING
737-600/700/800/900
PARTS CATALOG (MAINTENANCE)

FIG ITEM	PART NUMBER	1 2 3 4 5 6 7	NOMENCLATURE	EFFECT FROM TO	UNITS PER ASSY
20			ATTACHING PARTS		
- 360	BACR15BA3AD	...	RIVET- SIZE DETERMINED ON INSTL. -----*-----	101200 968999	12
365	65C27021-297	...	FITTING- POSITION DATA: LH SIDE	101200 968999	1
- 370	65C27021-298	...	FITTING- POSITION DATA: RH SIDE	101200 968999	1
375	412A3137-1029	..	INSULATOR- POSITION DATA: LH SIDE	101200 968999	1
- 380	412A3137-1030	..	INSULATOR- POSITION DATA: RH SIDE	101200 968999	1
385	412A3137-1027SP	..	BEAM- POSITION DATA: LH SIDE	101200 968999	1
- 390	412A3137-1028SP	..	BEAM- POSITION DATA: RH SIDE	101200 968999	1
395	412A3136-1011SP	.	BEAM- POSITION DATA: LH SIDE	101200 968999	1
- 400	412A3136-1012SP	.	BEAM- POSITION DATA: RH SIDE	101200 968999	1

MISSING ITEM NUMBERS NOT APPLICABLE

- ITEM NOT ILLUSTRATED

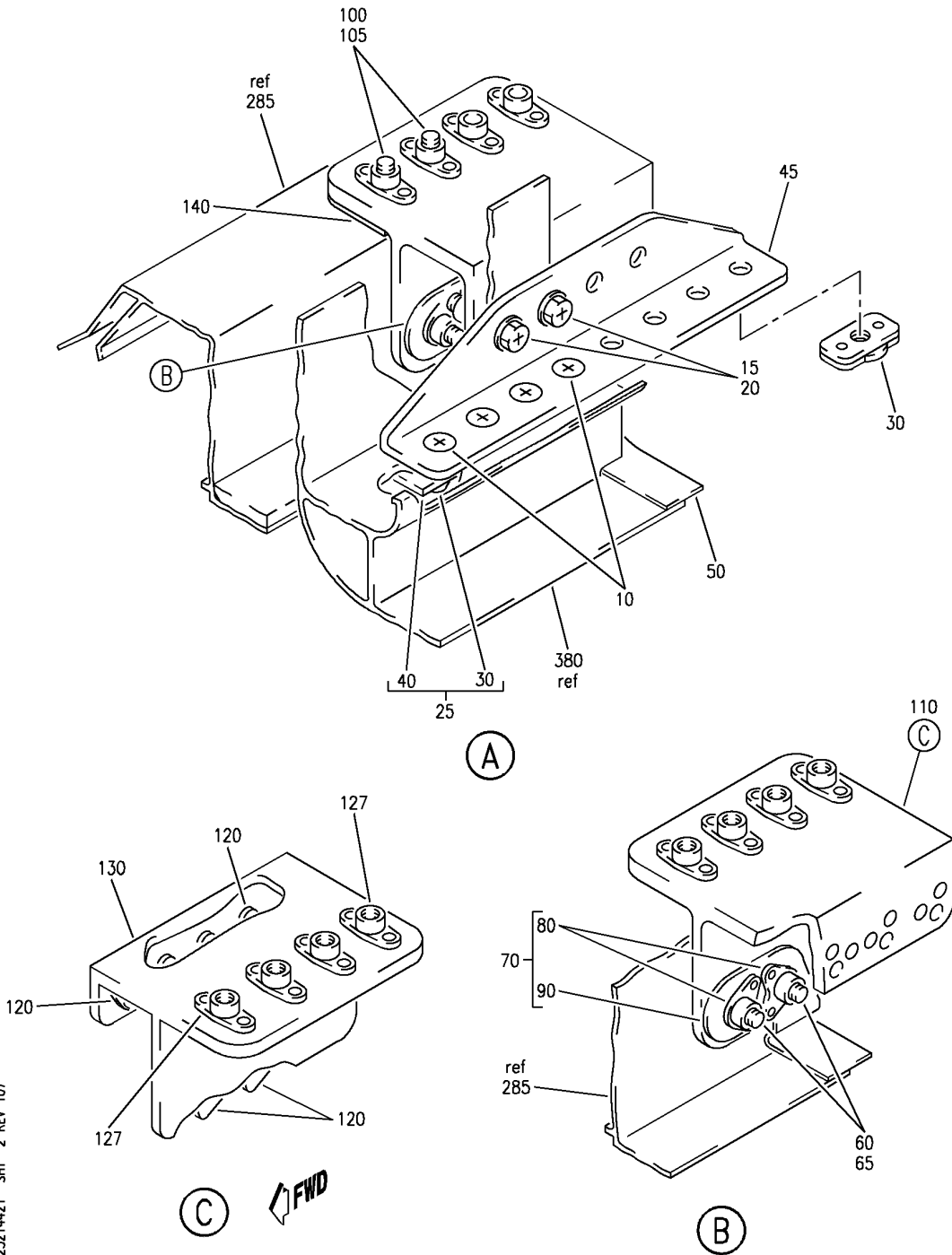
HAP

25-21-44-20

BOEING PROPRIETARY - Copyright © - Unpublished Work - See title page for details.

25-21-44
FIG. 20
PAGE 8
FEB 15/09

BOEING
 737-600/700/800/900
 PARTS CATALOG (MAINTENANCE)



E 25214421 SH2 2 REV 107

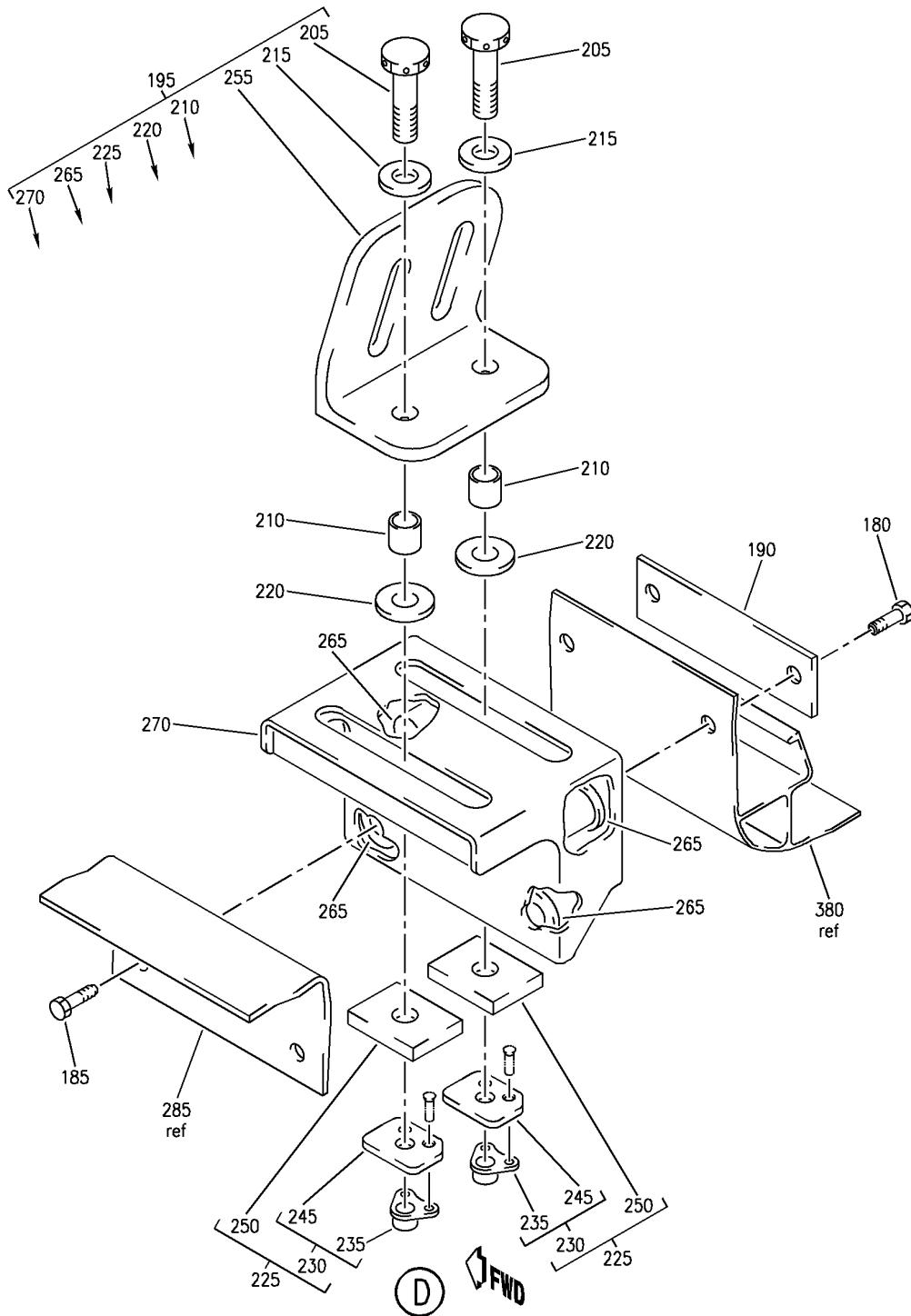
OUTLET ASSY-LH/RH SIDEWALL AIR CONDITIONING
 FIGURE 21 (SHEET 2)

25-21-44-21

HAP
 FEB 10/07

25-21-44-21
 PAGE 0A

BOEING
 737-600/700/800/900
 PARTS CATALOG (MAINTENANCE)



E 25214421 SHT 3 REV 107

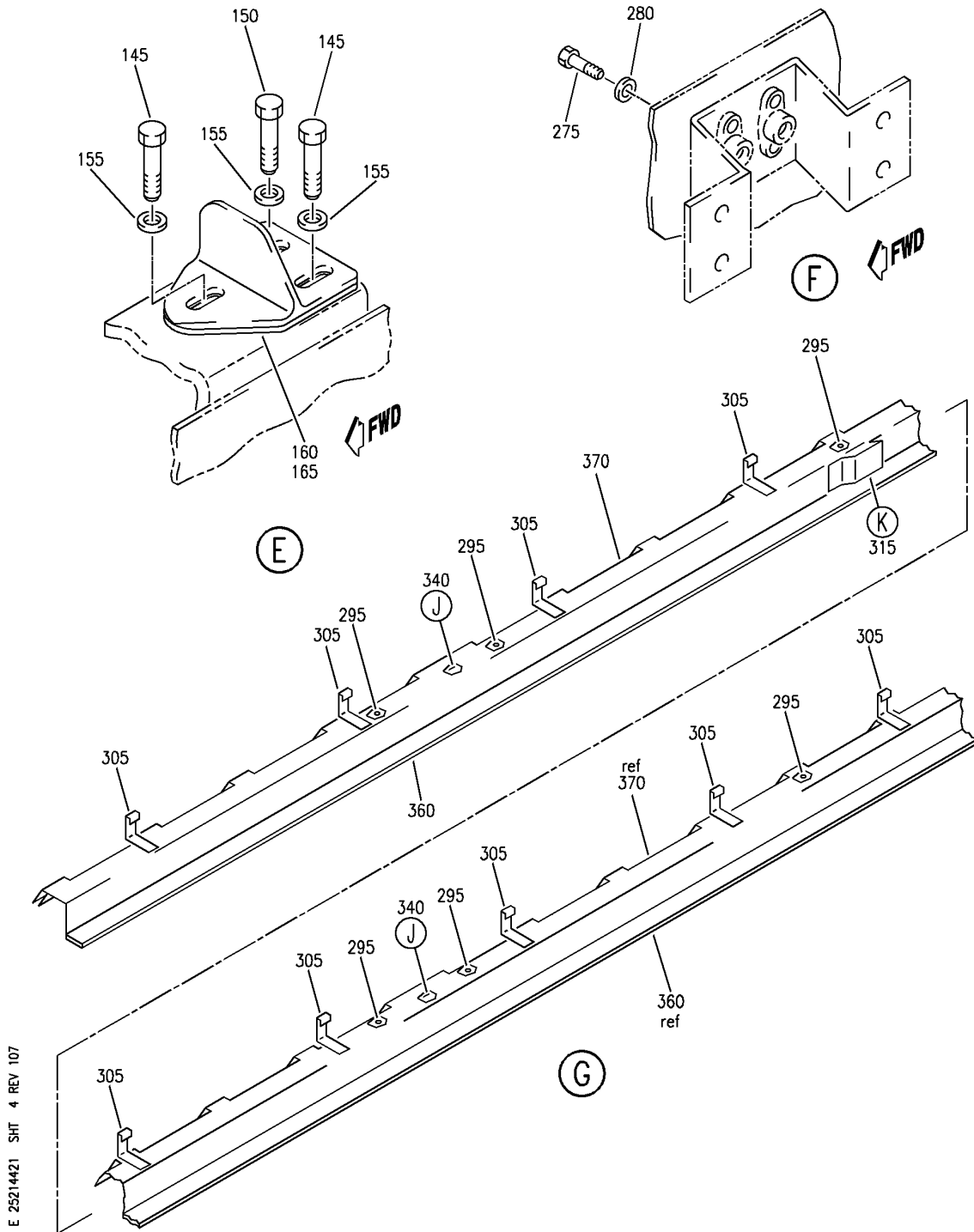
OUTLET ASSY-LH/RH SIDEWALL AIR CONDITIONING
 FIGURE 21 (SHEET 3)

25-21-44-21

HAP
 FEB 10/07

25-21-44-21
 PAGE 0B

BOEING
 737-600/700/800/900
 PARTS CATALOG (MAINTENANCE)



E 25214421 SHT 4 REV 107

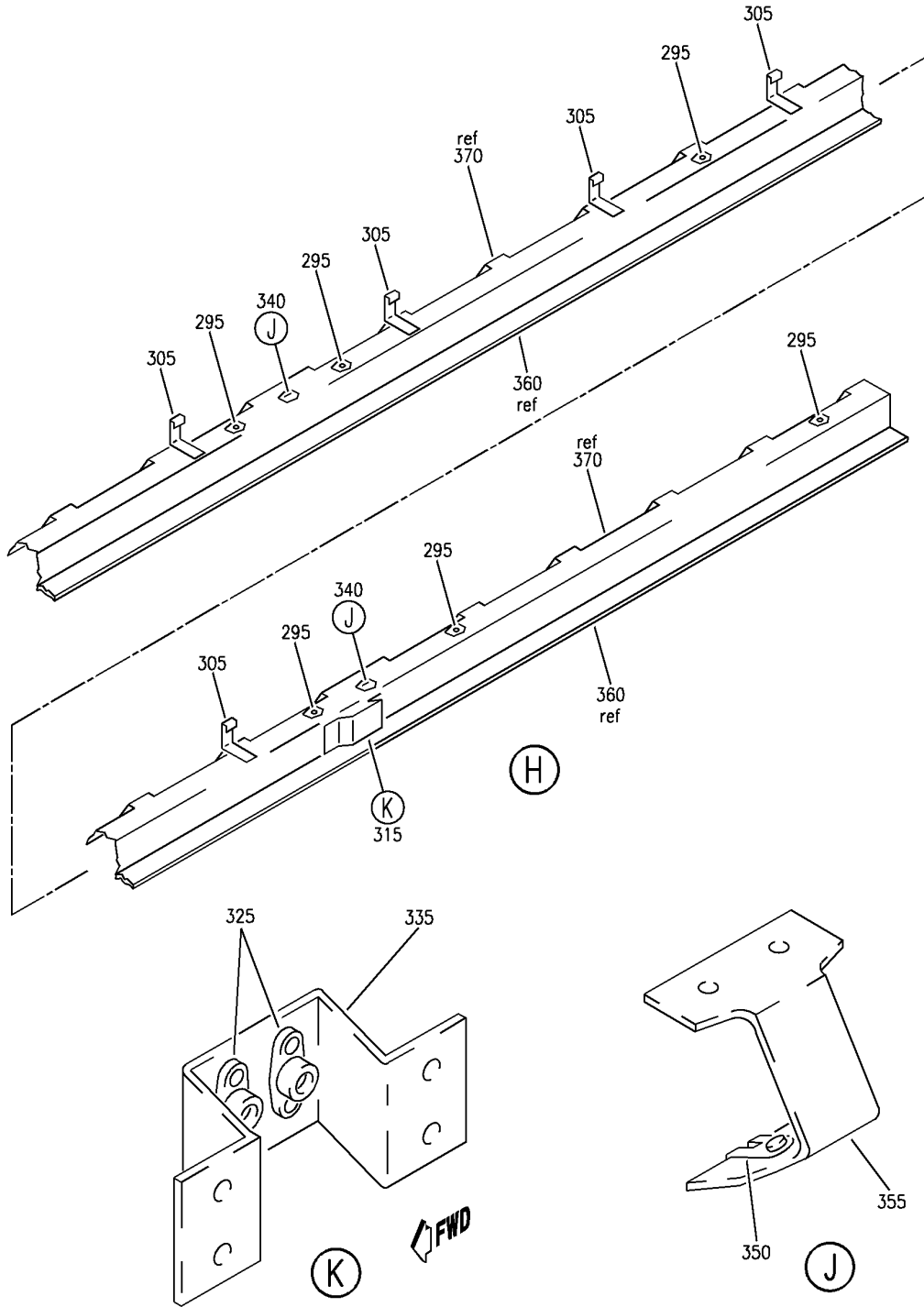
OUTLET ASSY-LH/RH SIDEWALL AIR CONDITIONING
 FIGURE 21 (SHEET 4)

25-21-44-21

HAP
 FEB 10/07

25-21-44-21
 PAGE 0C

BOEING
 737-600/700/800/900
 PARTS CATALOG (MAINTENANCE)



E 25214421 SHT 5 REV 107

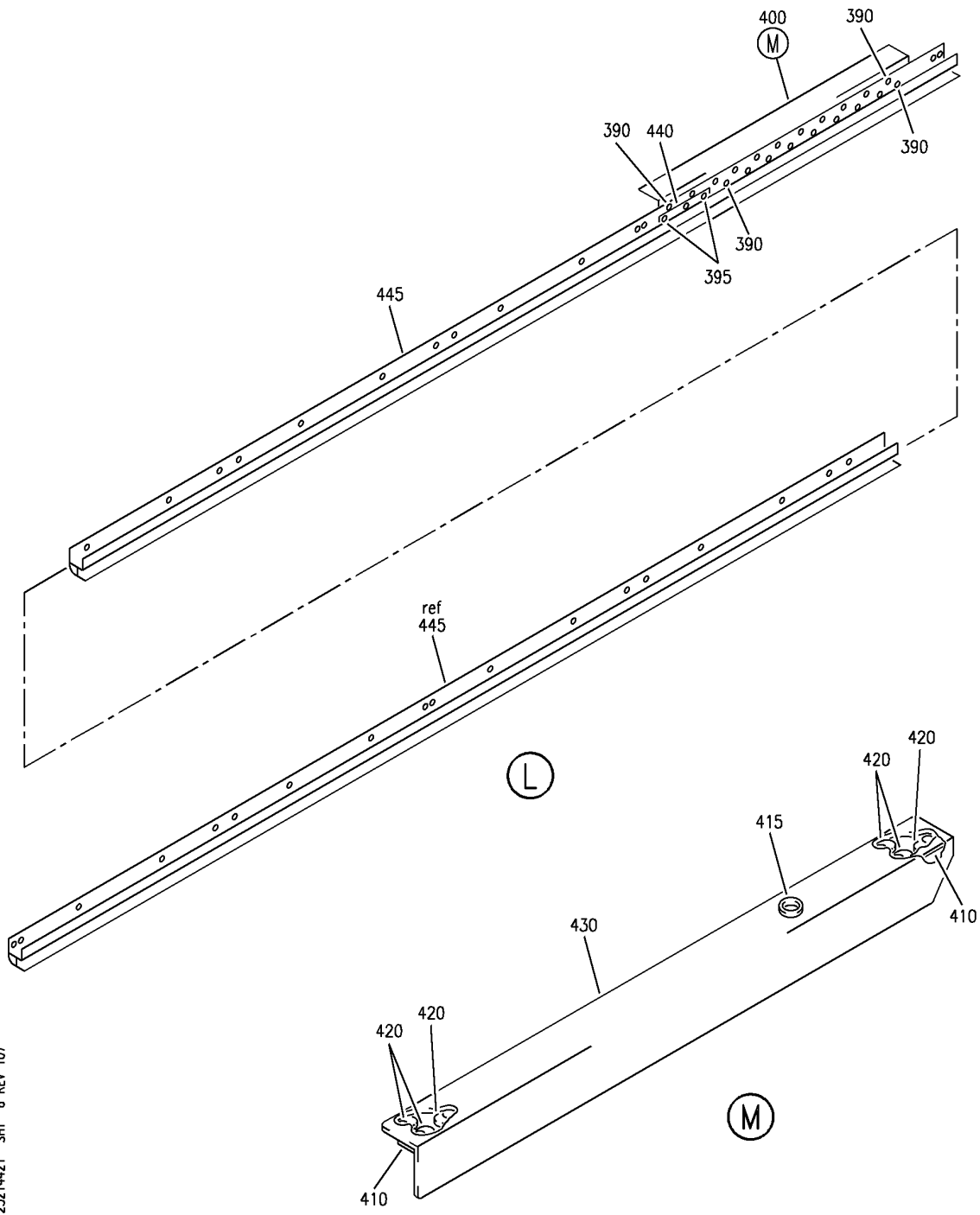
OUTLET ASSY-LH/RH SIDEWALL AIR CONDITIONING
 FIGURE 21 (SHEET 5)

25-21-44-21

HAP
 FEB 10/07

25-21-44-21
 PAGE 0D

BOEING
 737-600/700/800/900
 PARTS CATALOG (MAINTENANCE)



E 25214421 SHT 6 REV 107

OUTLET ASSY-LH/RH SIDEWALL AIR CONDITIONING
 FIGURE 21 (SHEET 6)

25-21-44-21

HAP
 FEB 10/07

25-21-44-21
 PAGE 0E

BOEING
737-600/700/800/900
PARTS CATALOG (MAINTENANCE)

FIG ITEM	PART NUMBER	1 2 3 4 5 6 7	NOMENCLATURE	EFFECT FROM TO	UNITS PER ASSY
21			OUTLET ASSY-LH/RH SIDEWALL AIR CONDITIONING	101200 968999	
- 1	412A3103-2007SP		OUTLET ASSY-SIDEWALL AIR CONDITIONING POSITION DATA: LH	101200 968999	RF
- 5	412A3103-2008SP		OUTLET ASSY-SIDEWALL AIR CONDITIONING POSITION DATA: RH	101200 968999	RF
10	BACB30LU2-2		.BOLT	101200 968999	4
15	BACS12GU08K7		.SCREW	101200 968999	2
20	NAS1149DN816J		.WASHER	101200 968999	2
25	65C27021-277		.DOUBLER ASSY	101200 968999	1
30	MF53050-08DL		..NUTPLATE SUPPLIER CODE: V15653 SPECIFICATION NUMBER: BACN10JN08CM OPTIONAL PART: BRFM20C08M V52828 MF1001-08BAC V15653 NS103218SE82 V80539 VN252D82 V92215 109F9201M82 V72962 T8125C08C V11815	101200 968999	8
- 35	BACR15CE3D		ATTACHING PARTS ..RIVET- SIZE DETERMINED ON INSTL. -----*-----	101200 968999	16
40	65C27021-278		..DOUBLER	101200 968999	1
45	65C27020-612		.DOUBLER	101200 968999	1
50	412N3101-35SP		.COVER-GAP POSITION DATA: LH SIDE	101200 968999	1

MISSING ITEM NUMBERS NOT APPLICABLE

- ITEM NOT ILLUSTRATED

HAP

25-21-44-21

BOEING PROPRIETARY - Copyright © - Unpublished Work - See title page for details.

25-21-44
FIG. 21
PAGE 1
OCT 15/08

BOEING
737-600/700/800/900
PARTS CATALOG (MAINTENANCE)

FIG ITEM	PART NUMBER	1 2 3 4 5 6 7	NOMENCLATURE	EFFECT FROM TO	UNITS PER ASSY
21					
- 55	412N3101-36SP		.COVER-GAP POSITION DATA: RH SIDE	101200 968999	1
60	BACS12ER08K7		.SCREW	101200 968999	2
65	BACW10DM5P		.WASHER	101200 968999	2
70	412N3101-24SP		.COVER ASSY-GAP POSITION DATA: LH SIDE	101200 968999	1
- 75	412N3101-25SP		.COVER ASSY-GAP POSITION DATA: RH SIDE	101200 968999	1
80	T8078S832BC		..NUTPLATE SUPPLIER CODE: V11815 SPECIFICATION NUMBER: BACN10JP08CR OPTIONAL PART: MK3000-08BCBAC V15653 NS103199-82BC V80539 RMA9205M82BC V72962 VN203A2-82 V92215 BRM300A08K V52828 ATTACHING PARTS	101200 968999	2
- 85	BACR15BA3AD		..RIVET- SIZE DETERMINED ON INSTL. -----*-----	101200 968999	4
90	412N3101-22SP		..COVER- POSITION DATA: LH SIDE	101200 968999	1
- 95	412N3101-23SP		..COVER- POSITION DATA: RH SIDE	101200 968999	1
100	BACS12ER08K8		.SCREW	101200 968999	2
105	BACW10DM5P		.WASHER	101200 968999	2
110	65C27021-482		.FITTING ASSY-SPLICE POSITION DATA: LH SIDE	101200 968999	1
- 115	65C27021-483		.FITTING ASSY-SPLICE POSITION DATA: RH SIDE	101200 968999	1

MISSING ITEM NUMBERS NOT APPLICABLE

- ITEM NOT ILLUSTRATED

HAP

25-21-44-21

BOEING PROPRIETARY - Copyright © - Unpublished Work - See title page for details.

25-21-44
FIG. 21
PAGE 2
OCT 15/08

BOEING
737-600/700/800/900
PARTS CATALOG (MAINTENANCE)

FIG ITEM	PART NUMBER	1 2 3 4 5 6 7	NOMENCLATURE	EFFECT FROM TO	UNITS PER ASSY
21 120	T8078S832		..NUTPLATE SUPPLIER CODE: V11815 SPECIFICATION NUMBER: BACN10JP08C OPTIONAL PART: MK3000-08BAC V15653 NS103199-82 V80539 RMA9205M82 V72962 VN203A1-82 V92215 BRM300A08 V52828 ATTACHING PARTS	101200 968999	6
- 125	BACR15BA3AD		..RIVET- SIZE DETERMINED ON INSTL. -----*-----	101200 968999	12
127	MF53049-08		..NUTPLATE SUPPLIER CODE: V15653 SPECIFICATION NUMBER: BACN10JN08 OPTIONAL PART: BRFM20A08 V52828 MF1000-08BAC V15653 NS103218-82 V80539 RMF9201M82 V72962 VN252A82 V92215 T8124S08S V11815 ATTACHING PARTS	101200 968999	4
- 129	BACR15BA3AD		..RIVET- SIZE DETERMINED ON INSTL. -----*-----	101200 968999	8
130	65C27021-484		..FITTING- POSITION DATA: LH SIDE	101200 968999	1
- 135	65C27021-485		..FITTING- POSITION DATA: RH SIDE	101200 968999	1

MISSING ITEM NUMBERS NOT APPLICABLE

- ITEM NOT ILLUSTRATED

HAP

25-21-44-21

BOEING PROPRIETARY - Copyright © - Unpublished Work - See title page for details.

25-21-44
FIG. 21
PAGE 3
OCT 15/08

BOEING
737-600/700/800/900
PARTS CATALOG (MAINTENANCE)

FIG ITEM	PART NUMBER	1 2 3 4 5 6 7	NOMENCLATURE	EFFECT FROM TO	UNITS PER ASSY
21					
140	65C27021-481	.	FILLER	101200 968999	1
145	BACB30NM3K6	.	BOLT	101200 968999	4
150	BACB30NM3K7	.	BOLT	101200 968999	2
155	NAS1149D0316J	.	WASHER	101200 968999	6
160	412A3200-15	.	BRACKET ASSY- POSITION DATA: LH SIDE	101200 968999	1
165	412A3200-17	.	BRACKET ASSY- POSITION DATA: LH SIDE	101200 968999	1
- 170	412A3200-16	.	BRACKET ASSY- POSITION DATA: RH SIDE	101200 968999	1
- 175	412A3200-18	.	BRACKET ASSY- POSITION DATA: RH SIDE	101200 968999	1
180	BACS12ER3K9	.	SCREW- OPTIONAL PART: BACB30VF3K3	101103 968971	10
180	BACB30VF3K3	.	BOLT- OPTIONAL PART: BACS12ER3K9	101103 968971	10
185	BACS12FA3K8	.	SCREW	101200 968999	10
190	65C27021-177	.	DOUBLER	101200 968999	5
195	412A3133-1	.	FITTING ASSY- POSITION DATA: LH SIDE	101200 968999	5
195	412A3133-3	.	FITTING ASSY- POSITION DATA: LH SIDE	101200 968999	5
- 200	412A3133-2	.	FITTING ASSY- POSITION DATA: RH SIDE	101200 968999	5
- 200	412A3133-4	.	FITTING ASSY- POSITION DATA: RH SIDE	101200 968999	5
205	BACB30NM3K6	..	BOLT	101200 968999	2
210	NAS43DD3-21FC	..	SPACER	101200 968999	2
215	NAS1149D0363J	..	WASHER	101200 968999	2

MISSING ITEM NUMBERS NOT APPLICABLE

- ITEM NOT ILLUSTRATED

HAP

25-21-44-21

25-21-44
FIG. 21
PAGE 4
OCT 15/08

BOEING
737-600/700/800/900
PARTS CATALOG (MAINTENANCE)

FIG ITEM	PART NUMBER	1 2 3 4 5 6 7	NOMENCLATURE	EFFECT FROM TO	UNITS PER ASSY
21					
220	412A2004-5	..	BUSHING	101200 968999	2
225	412A2004-9	..	BEARING ASSY-ANGLE	101200 968999	2
230	412A2004-6	...	SUPPORT ASSY	101200 968999	1
235	T8078S1032	NUTPLATE SUPPLIER CODE: V11815 SPECIFICATION NUMBER: BACN10JP3C OPTIONAL PART: MK3000-3BAC V15653 NS103199-02 V80539 RMA9205M3 V72962 VN203A1-02 V92215 BRM300A3 V52828 ATTACHING PARTS	101200 968999	1
- 240	BACR15BA3AD	RIVET- SIZE DETERMINED ON INSTL. -----*-----	101200 968999	2
245	412A2004-7	SUPPORT	101200 968999	1
250	412A2004-8	...	BEARING	101200 968999	1
255	412A2004-1	..	BRACKET-ANGLE POSITION DATA: LH SIDE	101200 968999	1
- 260	412A2004-2	..	BRACKET-ANGLE POSITION DATA: RH SIDE	101200 968999	1
265	BACS13CJ3L080P	..	INSERT	101200 968999	4
270	412A3134-1	..	HOUSING-SLIDER USED ON: 412A3133-1 412A3133-2	101200 968999	1
270	412A3134-2	..	HOUSING-SLIDER USED ON: 412A3133-3 412A3133-4	101200 968999	1
275	BACS12GU08K6	.	SCREW	101200 968999	4

MISSING ITEM NUMBERS NOT APPLICABLE

- ITEM NOT ILLUSTRATED

HAP

25-21-44-21

BOEING PROPRIETARY - Copyright © - Unpublished Work - See title page for details.

25-21-44
FIG. 21
PAGE 5
OCT 15/08

BOEING
737-600/700/800/900
PARTS CATALOG (MAINTENANCE)

FIG ITEM	PART NUMBER	1 2 3 4 5 6 7	NOMENCLATURE	EFFECT FROM TO	UNITS PER ASSY
21					
280	NAS1149DN816J	.	WASHER	101200 968999	4
285	412A3137-1019SP	.BEAM ASSY- POSITION DATA: LH SIDE		101200 968999	1
- 290	412A3137-1020SP	.BEAM ASSY- POSITION DATA: RH SIDE		101200 968999	1
295	BACN10TL3A3	..NUTPLATE		101200 968999	12
		ATTACHING PARTS			
- 300	BACR15BB4DC	..RIVET- SIZE DETERMINED ON INSTL. -----*-----		101200 968999	24
305	412N2008-1	..CLIP		101200 968999	14
		ATTACHING PARTS			
- 310	BACR15BA3ADC	..RIVET- SIZE DETERMINED ON INSTL. -----*-----		101200 968999	28
315	65C27021-184	..BRACKET ASSY		101200 968999	2
		ATTACHING PARTS			
- 320	BACR15BA5ADC	..RIVET- SIZE DETERMINED ON INSTL. -----*-----		101200 968999	8
325	T8076S832	...NUTPLATE SUPPLIER CODE: V11815 SPECIFICATION NUMBER: BACN10JP08A OPTIONAL PART: MK1000-08BAC V15653 NS103197-82 V80539 RMA9201M82 V72962 VN202A1-82 V92215 BRM200A08 V52828		101200 968999	2
		ATTACHING PARTS			
- 330	BACR15BA3AD	...RIVET- SIZE DETERMINED ON INSTL. -----*-----		101200 968999	4
335	65C27021-221	...BRACKET		101200 968999	1

MISSING ITEM NUMBERS NOT APPLICABLE

- ITEM NOT ILLUSTRATED

HAP

25-21-44-21

25-21-44
FIG. 21
PAGE 6
OCT 15/08

 **BOEING**
737-600/700/800/900
PARTS CATALOG (MAINTENANCE)

FIG ITEM	PART NUMBER	1 2 3 4 5 6 7	NOMENCLATURE	EFFECT FROM TO	UNITS PER ASSY
21					
340	65C36185-1	..	BRACKET ASSY	101200 968999	4
			ATTACHING PARTS		
- 345	BACR15BB4DC	..	RIVET- SIZE DETERMINED ON INSTL. OPTIONAL PART: NAS1398D4A2	101103 968971	8
- 345	NAS1398D4A2	..	RIVET- OPTIONAL PART: BACR15BB4DC	101103 968971	8
			-----*-----		
350	130069	...	NUT- SUPPLIER CODE: V60119 SPECIFICATION NUMBER: BACN10FX16 OPTIONAL PART: A11330-6-3 V72962 A4972-6-02 V72962 BACN10YD1	101200 968999	1
350	BRC600-8-3	...	NUT- SUPPLIER CODE: V52828 SPECIFICATION NUMBER: BACN10YD1 OPTIONAL PART: 130120 V60119 BACN10FX16	101200 968999	1
355	65C36185-2	...	BRACKET	101200 968999	1
360	412A3137-1023	..	INSULATOR- POSITION DATA: LH SIDE	101200 968999	1
- 365	412A3137-1024	..	INSULATOR- POSITION DATA: RH SIDE	101200 968999	1
370	412A3137-1021SP	..	BEAM- POSITION DATA: LH SIDE	101200 968999	1
- 375	412A3137-1022SP	..	BEAM- POSITION DATA: RH SIDE	101200 968999	1
380	412A3136-2007SP	.	BEAM ASSY- POSITION DATA: LH SIDE	101200 968999	1

MISSING ITEM NUMBERS NOT APPLICABLE

- ITEM NOT ILLUSTRATED

HAP

25-21-44-21

25-21-44
FIG. 21
PAGE 7
FEB 15/09

BOEING
737-600/700/800/900
PARTS CATALOG (MAINTENANCE)

FIG ITEM	PART NUMBER	1 2 3 4 5 6 7	NOMENCLATURE	EFFECT FROM TO	UNITS PER ASSY
21					
- 385	412A3136-2008SP	.BEAM ASSY-	POSITION DATA: RH SIDE	101200 968999	1
390	BACR15FT6D	..RIVET-	SIZE DETERMINED ON INSTL.	101200 968999	20
395	BACR15BB6DC	..RIVET-	SIZE DETERMINED ON INSTL.	101200 968999	3
400	412A3200-19	..BRACKET ASSY-	POSITION DATA: LH SIDE	101200 968999	1
- 405	412A3200-20	..BRACKET ASSY-	POSITION DATA: RH SIDE	101200 968999	1
410	65C27021-253	...FILLER		101200 968999	2
415	BACB28B6-260P	...BUSHING		101200 968999	1
420	T8076S1032	...NUTPLATE	SUPPLIER CODE: V11815 SPECIFICATION NUMBER: BACN10JP3A OPTIONAL PART: MK1000-3BAC V15653 NS103197-02 V80539 RMA9201M3 V72962 VN202A1-02 V92215 BRM200A3 V52828	101200 968999	6
- 425	BACR15BA3ADC	...RIVET-	ATTACHING PARTS SIZE DETERMINED ON INSTL. -----*-----	101200 968999	12
430	412A3210-5	...BRACKET-	POSITION DATA: LH SIDE	101200 968999	1
- 435	412A3210-6	...BRACKET-	POSITION DATA: RH SIDE	101200 968999	1
440	65C27021-465	..FILLER		101200 968999	1
445	412A3136-2009SP	..BEAM-	POSITION DATA: LH SIDE	101200 968999	1

MISSING ITEM NUMBERS NOT APPLICABLE

- ITEM NOT ILLUSTRATED

HAP

25-21-44-21

BOEING PROPRIETARY - Copyright © - Unpublished Work - See title page for details.

25-21-44
FIG. 21
PAGE 8
FEB 15/09


BOEING
 737-600/700/800/900
PARTS CATALOG (MAINTENANCE)

FIG ITEM	PART NUMBER	1 2 3 4 5 6 7 NOMENCLATURE	EFFECT FROM TO	UNITS PER ASSY
21 - 450	412A3136-2010SP	.. BEAM- POSITION DATA: RH SIDE	101200 968999	1

MISSING ITEM NUMBERS NOT APPLICABLE

- ITEM NOT ILLUSTRATED

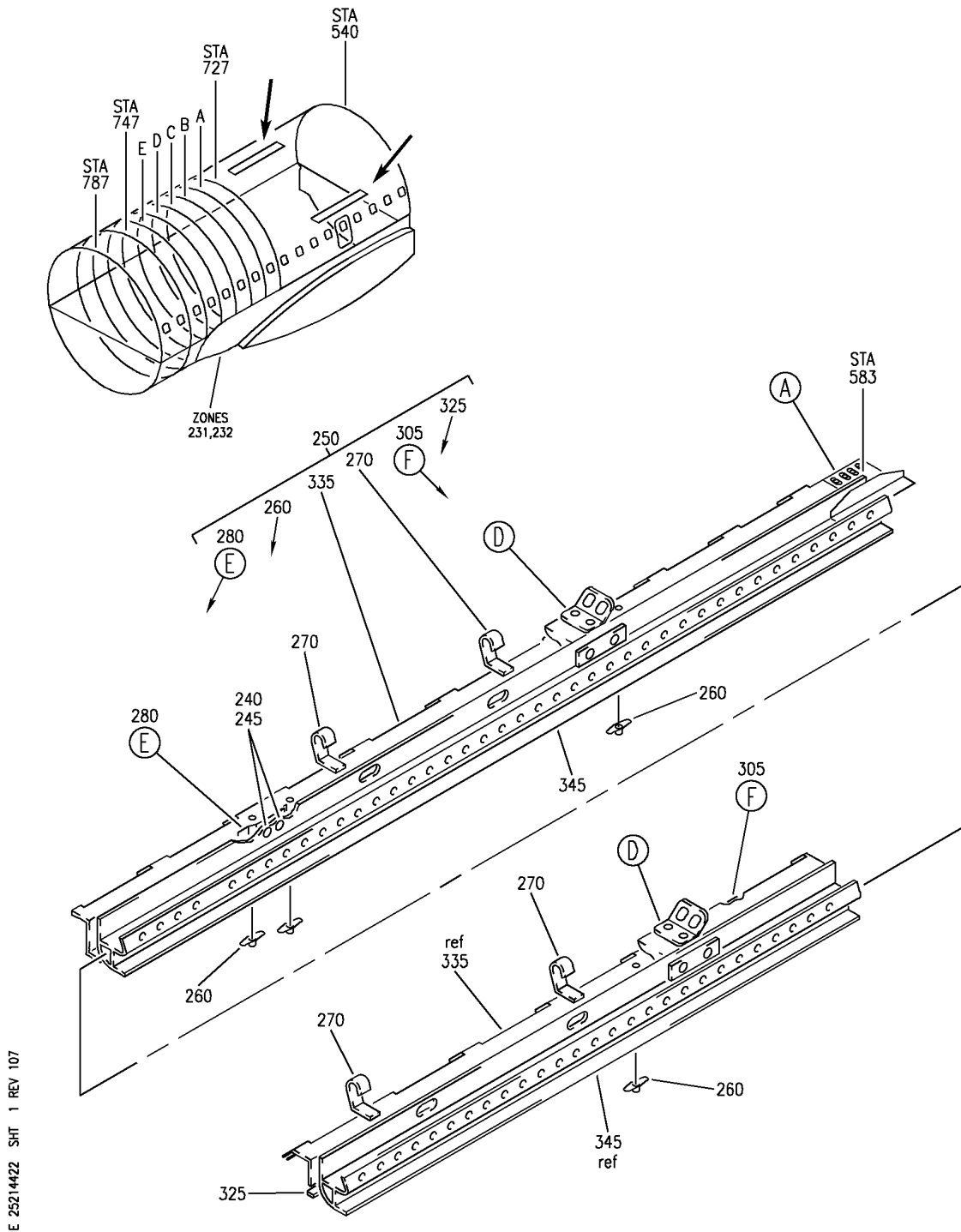
HAP

25-21-44-21

BOEING PROPRIETARY - Copyright © - Unpublished Work - See title page for details.

25-21-44
 FIG. 21
 PAGE 9
 FEB 15/09


BOEING
 737-600/700/800/900
PARTS CATALOG (MAINTENANCE)



E 25214422 SHT 1 REV 107

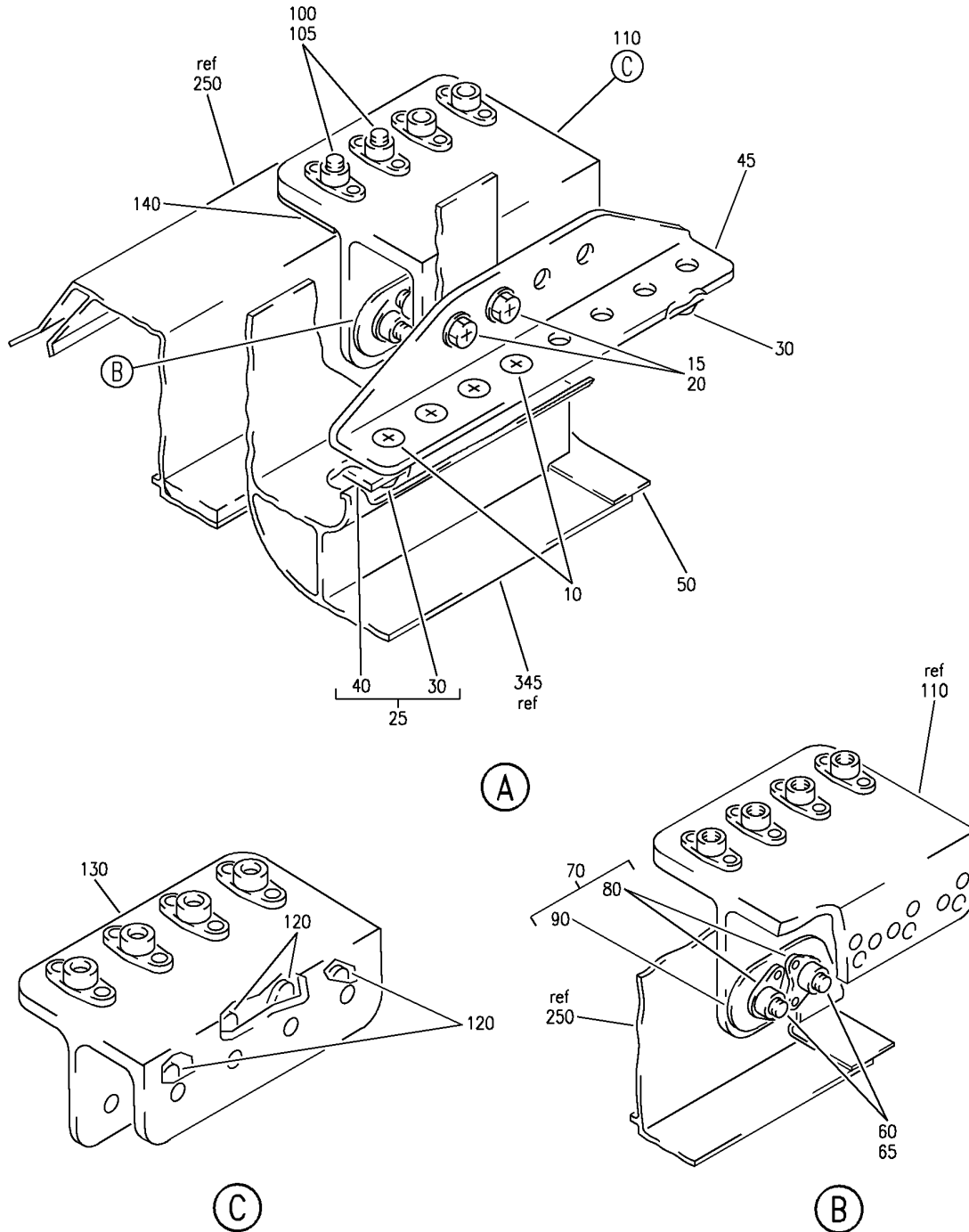
OUTLET ASSY-LH/RH SIDEWALL AIR CONDITIONING
 FIGURE 22 (SHEET 1)

25-21-44-22

HAP
FEB 10/07

25-21-44-22
 PAGE 0

BOEING
 737-600/700/800/900
 PARTS CATALOG (MAINTENANCE)



E 25214422 SH2 2 REV 107

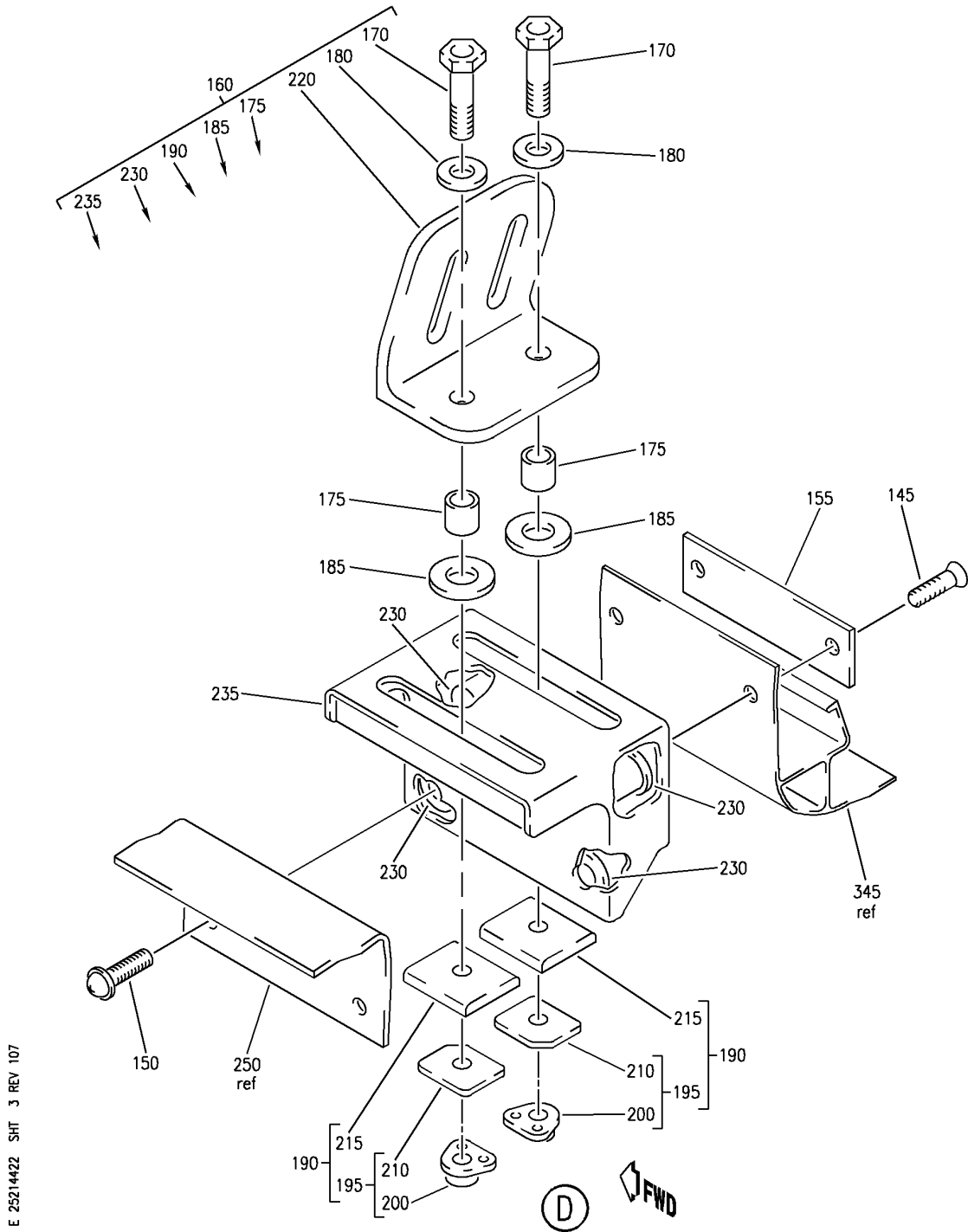
OUTLET ASSY-LH/RH SIDEWALL AIR CONDITIONING
 FIGURE 22 (SHEET 2)

25-21-44-22

HAP
 FEB 10/07

25-21-44-22
 PAGE 0A

BOEING
737-600/700/800/900
PARTS CATALOG (MAINTENANCE)



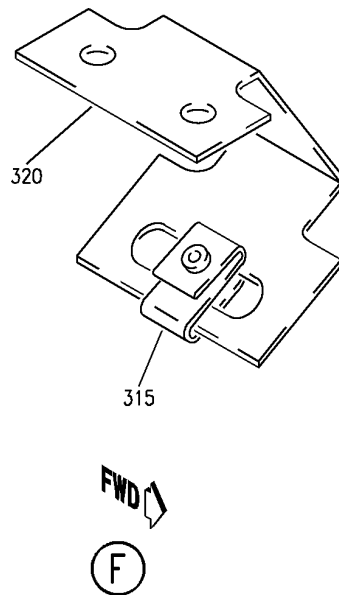
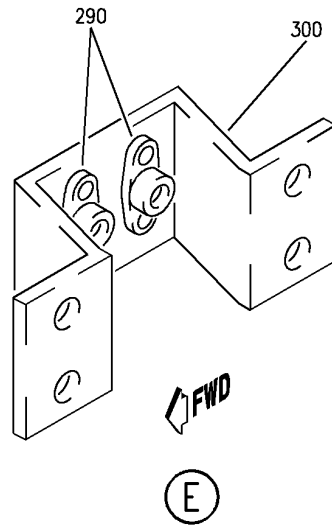
OUTLET ASSY-LH/RH SIDEWALL AIR CONDITIONING
 FIGURE 22 (SHEET 3)

25-21-44-22

HAP
 FEB 10/07

25-21-44-22
 PAGE 0B

BOEING
737-600/700/800/900
PARTS CATALOG (MAINTENANCE)



E 25214422 SH1 4 REV 107

OUTLET ASSY-LH/RH SIDEWALL AIR CONDITIONING
FIGURE 22 (SHEET 4)

25-21-44-22

HAP
FEB 10/07

25-21-44-22
PAGE 0C

BOEING
737-600/700/800/900
PARTS CATALOG (MAINTENANCE)

FIG ITEM	PART NUMBER	1 2 3 4 5 6 7	NOMENCLATURE	EFFECT FROM TO	UNITS PER ASSY
22			OUTLET ASSY-LH/RH SIDEWALL AIR CONDITIONING	101200 968999	
- 1	412A3103-2059SP		OUTLET ASSY-SIDEWALL AIR CONDITIONING POSITION DATA: LH FOR NHA SEE: 25-21-44-01	101200 968999	RF
- 5	412A3103-2060SP		OUTLET ASSY-SIDEWALL AIR CONDITIONING POSITION DATA: RH FOR NHA SEE: 25-21-44-01	101200 968999	RF
10	BACB30LU2-2		.BOLT	101200 968999	4
15	BACS12GU08K7		.SCREW	101200 968999	2
20	NAS1149DN816J		.WASHER	101200 968999	2
25	65C27021-277		.DOUBLER ASSY	101200 968999	1
30	MF53050-08DL		..NUTPLATE SUPPLIER CODE: V15653 SPECIFICATION NUMBER: BACN10JN08CM OPTIONAL PART: BRFM20C08M V52828 MF1001-08BAC V15653 NS103218SE82 V80539 VN252D82 V92215 109F9201M82 V72962 T8125C08C V11815	101200 968999	8
- 35	BACR15CE3D		ATTACHING PARTS ..RIVET- SIZE DETERMINED ON INSTL. -----*-----	101200 968999	16
40	65C27021-278		..DOUBLER	101200 968999	1
45	65C27020-612		.DOUBLER	101200 968999	1

MISSING ITEM NUMBERS NOT APPLICABLE

- ITEM NOT ILLUSTRATED

HAP

25-21-44-22

BOEING PROPRIETARY - Copyright © - Unpublished Work - See title page for details.

25-21-44
FIG. 22
PAGE 1
OCT 15/08

BOEING
737-600/700/800/900
PARTS CATALOG (MAINTENANCE)

FIG ITEM	PART NUMBER	1 2 3 4 5 6 7	NOMENCLATURE	EFFECT FROM TO	UNITS PER ASSY
22					
50	412N3101-35SP	.	COVER-GAP POSITION DATA: LH SIDE	101200 968999	1
- 55	412N3101-36SP	.	COVER-GAP POSITION DATA: RH SIDE	101200 968999	1
60	BACS12ER08K7	.	SCREW	101200 968999	2
65	BACW10DM5P	.	WASHER	101200 968999	2
70	412N3101-24SP	.	COVER ASSY-GAP POSITION DATA: LH SIDE	101200 968999	1
- 75	412N3101-25SP	.	COVER ASSY-GAP POSITION DATA: RH SIDE	101200 968999	1
80	T8078S832BC	..	NUTPLATE SUPPLIER CODE: V11815 SPECIFICATION NUMBER: BACN10JP08CR OPTIONAL PART: MK3000-08BCBAC V15653 NS103199-82BC V80539 RMA9205M82BC V72962 VN203A2-82 V92215 BRM300A08K V52828 ATTACHING PARTS	101200 968999	2
- 85	BACR15BA3AD	..	RIVET- SIZE DETERMINED ON INSTL. -----*-----	101200 968999	4
90	412N3101-22SP	..	COVER- POSITION DATA: LH SIDE	101200 968999	1
- 95	412N3101-23SP	..	COVER- POSITION DATA: RH SIDE	101200 968999	1
100	BACS12ER08K8	.	SCREW	101200 968999	2
105	BACW10DM5P	.	WASHER	101200 968999	2
110	65C27021-482	.	FITTING ASSY-SPLICE POSITION DATA: LH SIDE	101200 968999	1

MISSING ITEM NUMBERS NOT APPLICABLE

- ITEM NOT ILLUSTRATED

HAP

25-21-44-22

BOEING PROPRIETARY - Copyright © - Unpublished Work - See title page for details.

25-21-44
FIG. 22
PAGE 2
OCT 15/08

BOEING
737-600/700/800/900
PARTS CATALOG (MAINTENANCE)

FIG ITEM	PART NUMBER	1 2 3 4 5 6 7	NOMENCLATURE	EFFECT FROM TO	UNITS PER ASSY
22					
- 115	65C27021-483	.	FITTING ASSY-SPLICE POSITION DATA: RH SIDE	101200 968999	1
120	T8078S832	..	NUTPLATE SUPPLIER CODE: V11815 SPECIFICATION NUMBER: BACN10JP08C OPTIONAL PART: MK3000-08BAC V15653 NS103199-82 V80539 RMA9205M82 V72962 VN203A1-82 V92215 BRM300A08 V52828 ATTACHING PARTS	101200 968999	6
- 125	BACR15BA3AD	..	RIVET- SIZE DETERMINED ON INSTL. -----*-----	101200 968999	12
130	65C27021-484	..	FITTING- POSITION DATA: LH SIDE	101200 968999	1
- 135	65C27021-485	..	FITTING- POSITION DATA: RH SIDE	101200 968999	1
140	65C27021-481	.	FILLER	101200 968999	1
145	BACS12ER3K9	.	SCREW- OPTIONAL PART: BACB30VF3K3	101103 968971	4
145	BACB30VF3K3	.	BOLT- OPTIONAL PART: BACS12ER3K9	101200 968999	4
150	BACS12FA3K8	.	SCREW	101200 968999	4
155	65C27021-177	.	DOUBLER	101200 968999	2
160	412A3133-1	.	FITTING ASSY- POSITION DATA: LH SIDE	101200 968999	2
160	412A3133-3	.	FITTING ASSY- POSITION DATA: LH SIDE	101200 968999	2

MISSING ITEM NUMBERS NOT APPLICABLE

- ITEM NOT ILLUSTRATED

HAP

25-21-44-22

BOEING PROPRIETARY - Copyright © - Unpublished Work - See title page for details.

25-21-44
FIG. 22
PAGE 3
OCT 15/08

BOEING
737-600/700/800/900
PARTS CATALOG (MAINTENANCE)

FIG ITEM	PART NUMBER	1 2 3 4 5 6 7	NOMENCLATURE	EFFECT FROM TO	UNITS PER ASSY
22					
- 165	412A3133-2	.	FITTING ASSY- POSITION DATA: RH SIDE	101200 968999	2
- 165	412A3133-4	.	FITTING ASSY- POSITION DATA: RH SIDE	101200 968999	2
170	BACB30NM3K6	..	BOLT	101200 968999	2
175	NAS43DD3-21FC	..	SPACER	101200 968999	2
180	NAS1149D0363J	..	WASHER	101200 968999	2
185	412A2004-5	..	BUSHING	101200 968999	2
190	412A2004-9	..	BEARING ASSY-ANGLE	101200 968999	2
195	412A2004-6	...	SUPPORT ASSY	101200 968999	1
200	T8078S1032	NUTPLATE SUPPLIER CODE: V11815 SPECIFICATION NUMBER: BACN10JP3C OPTIONAL PART: MK3000-3BAC V15653 NS103199-02 V80539 RMA9205M3 V72962 VN203A1-02 V92215 BRM300A3 V52828 ATTACHING PARTS	101200 968999	1
- 205	BACR15BA3AD	RIVET- SIZE DETERMINED ON INSTL. -----*-----	101200 968999	2
210	412A2004-7	SUPPORT	101200 968999	1
215	412A2004-8	...	BEARING	101200 968999	1
220	412A2004-1	..	BRACKET-ANGLE POSITION DATA: LH SIDE	101200 968999	1
- 225	412A2004-2	..	BRACKET-ANGLE POSITION DATA: RH SIDE	101200 968999	1

MISSING ITEM NUMBERS NOT APPLICABLE

- ITEM NOT ILLUSTRATED

HAP

25-21-44-22

BOEING PROPRIETARY - Copyright © - Unpublished Work - See title page for details.

25-21-44
FIG. 22
PAGE 4
OCT 15/08

BOEING
737-600/700/800/900
PARTS CATALOG (MAINTENANCE)

FIG ITEM	PART NUMBER	1 2 3 4 5 6 7	NOMENCLATURE	EFFECT FROM TO	UNITS PER ASSY
22					
230	BACS13CJ3L080P	..	INSERT	101200 968999	4
235	412A3134-1	..	HOUSING-SLIDER USED ON: 412A3133-1 412A3133-2	101200 968999	1
235	412A3134-2	..	HOUSING-SLIDER USED ON: 412A3133-3 412A3133-4	101200 968999	1
240	BACS12GU08K6	.	SCREW	101200 968999	2
245	NAS1149DN816J	.	WASHER	101200 968999	2
250	412A3137-1161SP	.	BEAM ASSY	101200 968999	1
- 255	412A3137-1162SP	.	BEAM ASSY	101200 968999	1
260	BACN10TL3A3	..	NUTPLATE	101200 968999	4
			ATTACHING PARTS		
- 265	BACR15BB4DC	..	RIVET- SIZE DETERMINED ON INSTL. -----*-----	101200 968999	8
270	412N2008-1	..	CLIP	101200 968999	4
			ATTACHING PARTS		
- 275	BACR15BA3ADC	..	RIVET- SIZE DETERMINED ON INSTL. -----*-----	101200 968999	8
280	65C27021-184	..	BRACKET ASSY	101200 968999	1
			ATTACHING PARTS		
- 285	BACR15BA5ADC	..	RIVET- SIZE DETERMINED ON INSTL. -----*-----	101200 968999	4

MISSING ITEM NUMBERS NOT APPLICABLE

- ITEM NOT ILLUSTRATED

HAP

25-21-44-22

BOEING PROPRIETARY - Copyright © - Unpublished Work - See title page for details.

25-21-44
FIG. 22
PAGE 5
OCT 15/08

BOEING
737-600/700/800/900
PARTS CATALOG (MAINTENANCE)

FIG ITEM	PART NUMBER	1 2 3 4 5 6 7	NOMENCLATURE	EFFECT FROM TO	UNITS PER ASSY
22 290	T8076S832		...NUTPLATE SUPPLIER CODE: V11815 SPECIFICATION NUMBER: BACN10JP08A OPTIONAL PART: MK1000-08BAC V15653 NS103197-82 V80539 RMA9201M82 V72962 VN202A1-82 V92215 BRM200A08 V52828 ATTACHING PARTS	101200 968999	2
- 295	BACR15BA3AD		...RIVET- SIZE DETERMINED ON INSTL. -----*-----	101200 968999	4
300	65C27021-221		...BRACKET	101200 968999	1
305	65C36185-1		..BRACKET ASSY	101200 968999	1
- 310	BACR15BB4DC		ATTACHING PARTS ..RIVET- SIZE DETERMINED ON INSTL. OPTIONAL PART: NAS1398D4A2	101103 968971	4
- 310	NAS1398D4A2		..RIVET- OPTIONAL PART: BACR15BB4DC -----*-----	101103 968971	4
315	130069		...NUT- SUPPLIER CODE: V60119 SPECIFICATION NUMBER: BACN10FX16 OPTIONAL PART: A11330-6-3 V72962 A4972-6-02 V72962 BACN10YD1	101200 968999	1

MISSING ITEM NUMBERS NOT APPLICABLE

- ITEM NOT ILLUSTRATED

HAP

25-21-44-22

BOEING PROPRIETARY - Copyright © - Unpublished Work - See title page for details.

25-21-44
FIG. 22
PAGE 6
FEB 15/09

 **BOEING**
737-600/700/800/900
PARTS CATALOG (MAINTENANCE)

FIG ITEM	PART NUMBER	1 2 3 4 5 6 7	NOMENCLATURE	EFFECT FROM TO	UNITS PER ASSY
22 315	BRC600-8-3	...	NUT- SUPPLIER CODE: V52828 SPECIFICATION NUMBER: BACN10YD1 OPTIONAL PART: 130120 V60119 BACN10FX16	101200 968999	1
320	65C36185-2	...	BRACKET	101200 968999	1
325	412A3137-1017	..	INSULATOR	101200 968999	1
- 330	412A3137-1018	..	INSULATOR	101200 968999	1
335	412A3137-1163SP	..	BEAM	101200 968999	1
- 340	412A3137-1164SP	..	BEAM	101200 968999	1
345	412A3136-1005SP	.	BEAM	101200 968999	1
- 350	412A3136-1006SP	.	BEAM	101200 968999	1

MISSING ITEM NUMBERS NOT APPLICABLE

- ITEM NOT ILLUSTRATED

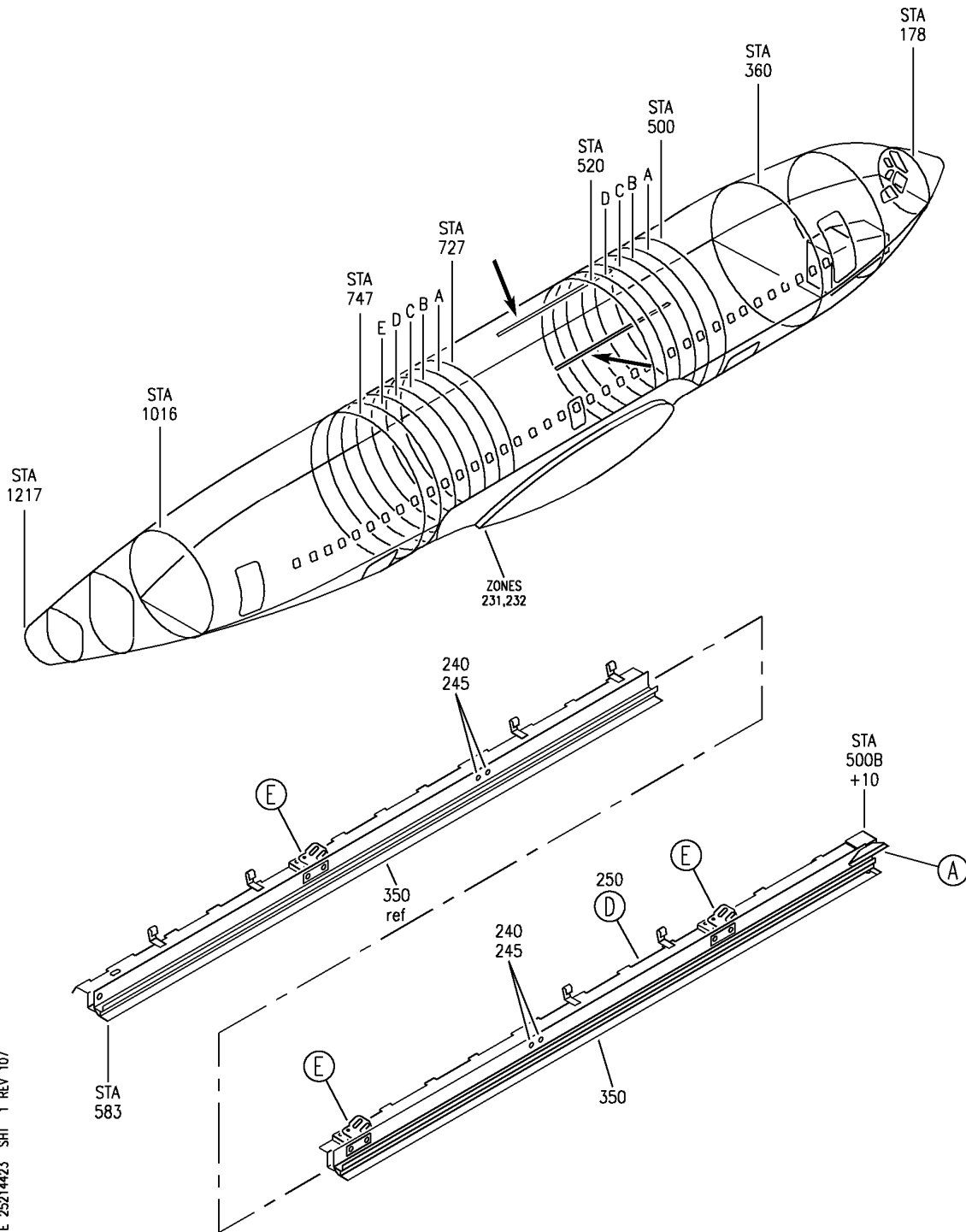
HAP

25-21-44-22

BOEING PROPRIETARY - Copyright © - Unpublished Work - See title page for details.

25-21-44
FIG. 22
PAGE 7
OCT 15/08

BOEING
 737-600/700/800/900
 PARTS CATALOG (MAINTENANCE)



E 25214423 SHT 1 REV 107

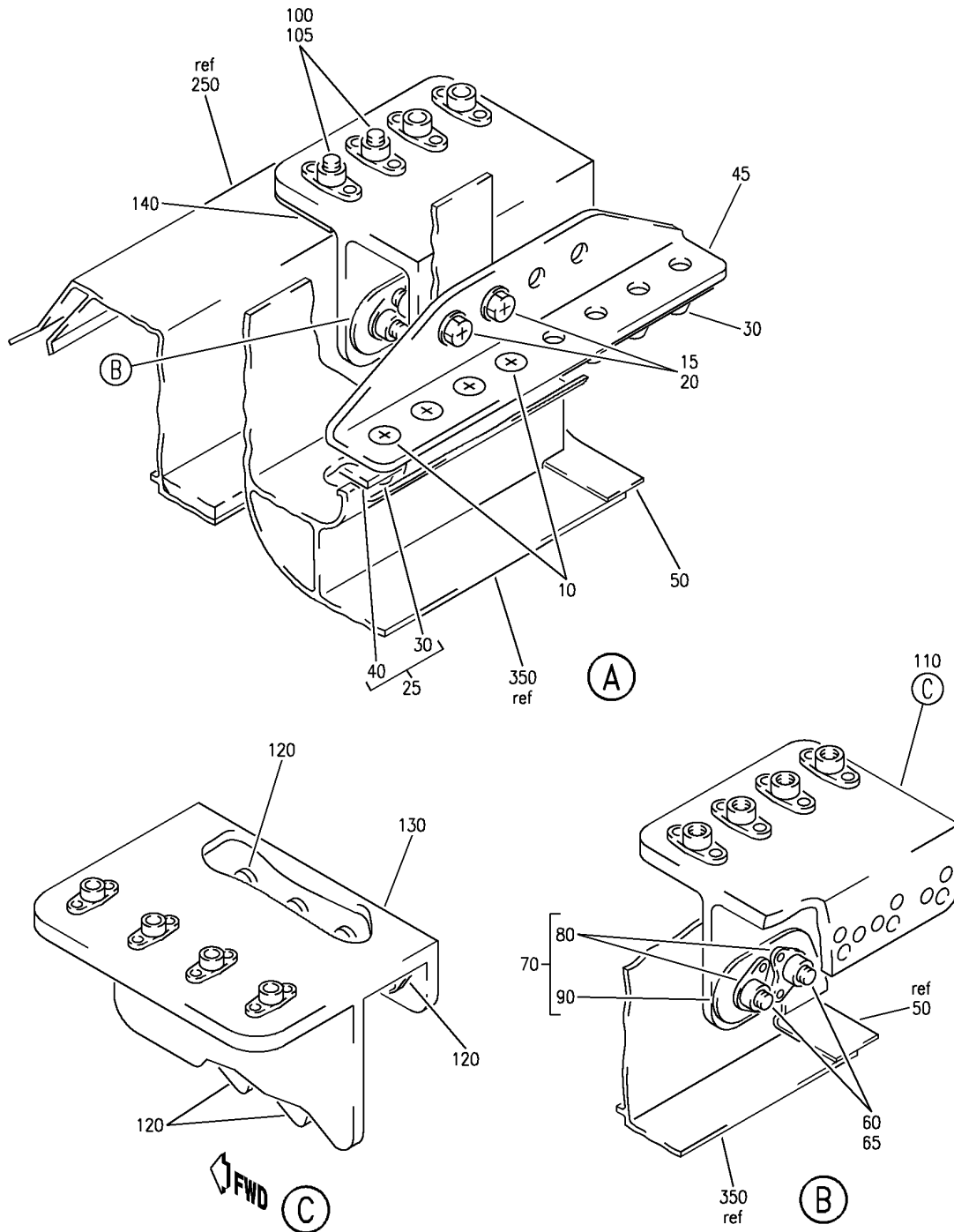
OUTLET ASSY-LH/RH SIDEWALL AIR CONDITIONING
 FIGURE 23 (SHEET 1)

25-21-44-23

HAP
 FEB 10/07

25-21-44-23
 PAGE 0

BOEING
 737-600/700/800/900
 PARTS CATALOG (MAINTENANCE)



E 25214423 SH1 2 REV 107

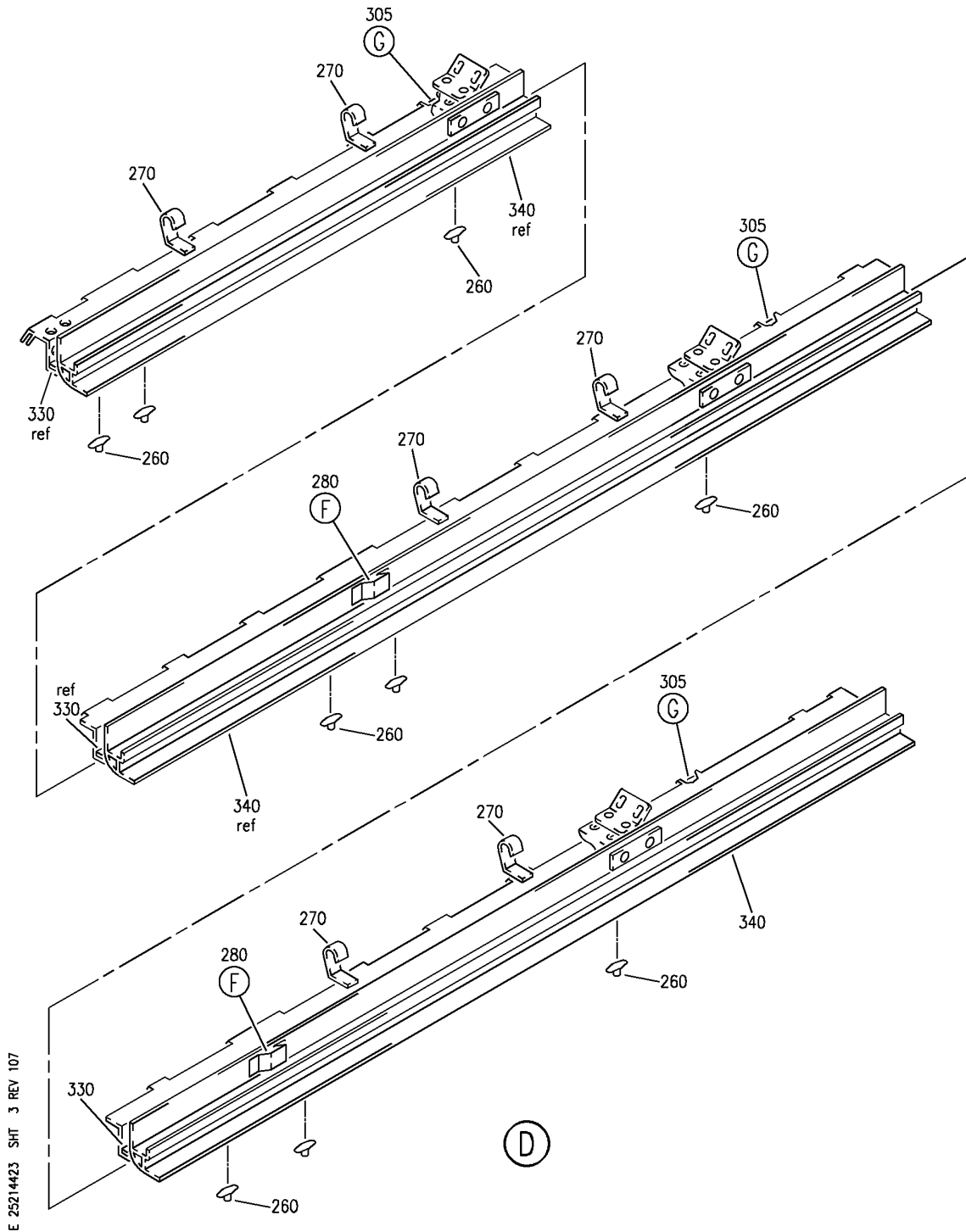
OUTLET ASSY-LH/RH SIDEWALL AIR CONDITIONING
 FIGURE 23 (SHEET 2)

25-21-44-23

HAP
 FEB 10/07

25-21-44-23
 PAGE 0A

BOEING
737-600/700/800/900
PARTS CATALOG (MAINTENANCE)



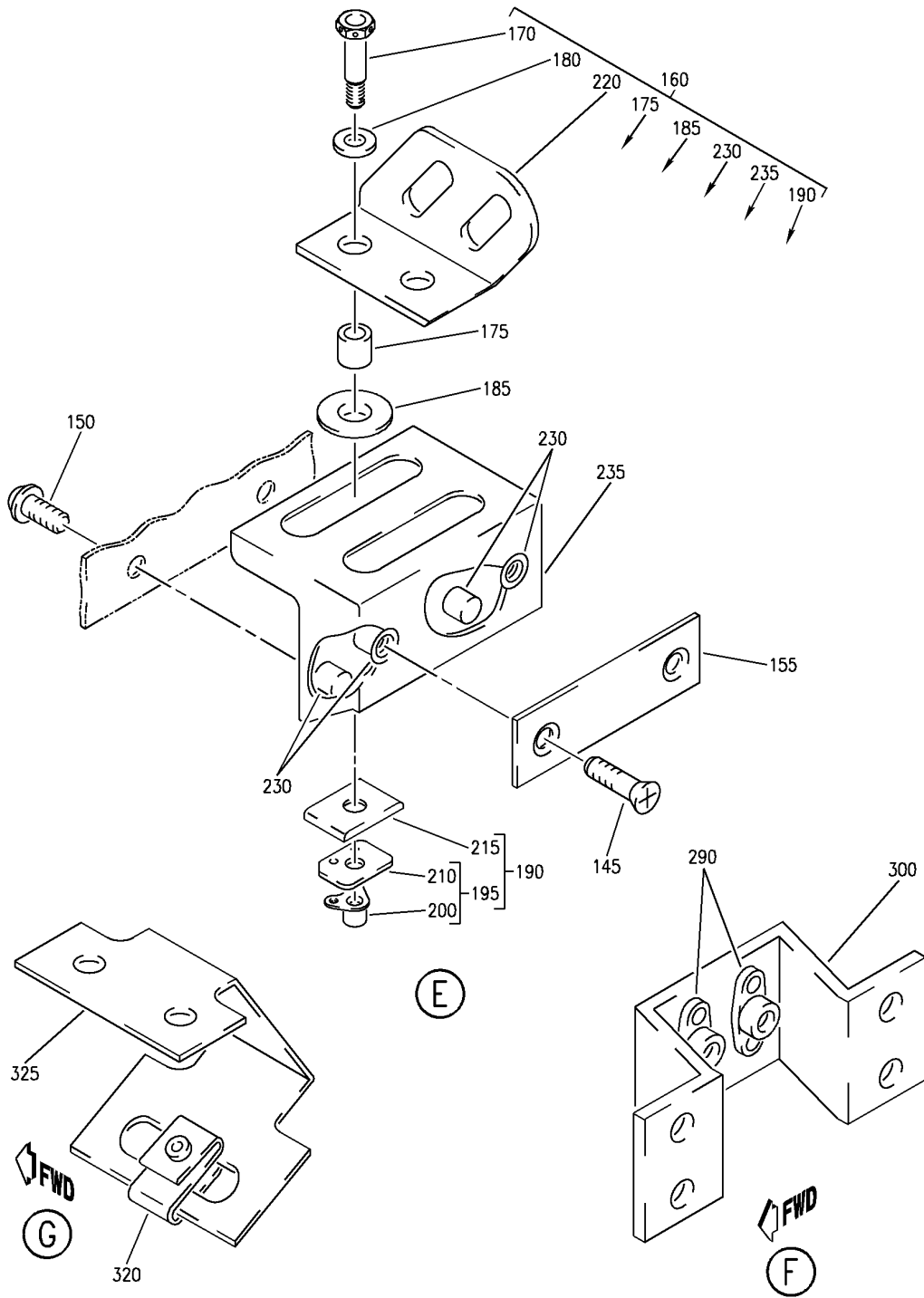
OUTLET ASSY-LH/RH SIDEWALL AIR CONDITIONING
FIGURE 23 (SHEET 3)

25-21-44-23

HAP
FEB 10/07

25-21-44-23
PAGE 0B

BOEING
737-600/700/800/900
PARTS CATALOG (MAINTENANCE)



E 25214423 SH4 4 REV 107

OUTLET ASSY-LH/RH SIDEWALL AIR CONDITIONING
 FIGURE 23 (SHEET 4)

25-21-44-23

HAP
 FEB 10/07

25-21-44-23
 PAGE 0C

BOEING
737-600/700/800/900
PARTS CATALOG (MAINTENANCE)

FIG ITEM	PART NUMBER	1 2 3 4 5 6 7	NOMENCLATURE	EFFECT FROM TO	UNITS PER ASSY
23			OUTLET ASSY-LH/RH SIDEWALL AIR CONDITIONING	101200 968999	
- 1	412A3103-2003SP		OUTLET ASSY-SIDEWALL AIR CONDITIONING POSITION DATA: LH	101200 968999	RF
- 5	412A3103-2004SP		OUTLET ASSY-SIDEWALL AIR CONDITIONING POSITION DATA: RH	101200 968999	RF
10	BACB30LU2-2		.BOLT	101200 968999	4
15	BACS12GU08K7		.SCREW	101200 968999	2
20	NAS1149DN816J		.WASHER	101200 968999	2
25	65C27021-277		.DOUBLER ASSY	101200 968999	1
30	MF53050-08DL		..NUTPLATE SUPPLIER CODE: V15653 SPECIFICATION NUMBER: BACN10JN08CM OPTIONAL PART: BRFM20C08M V52828 MF1001-08BAC V15653 NS103218SE82 V80539 VN252D82 V92215 109F9201M82 V72962 T8125C08C V11815 ATTACHING PARTS	101200 968999	8
- 35	BACR15CE3D		..RIVET- SIZE DETERMINED ON INSTL. -----*-----	101200 968999	16
40	65C27021-278		..DOUBLER	101200 968999	1
45	65C27020-612		.DOUBLER	101200 968999	1
50	412N3101-35SP		.COVER-GAP POSITION DATA: LH SIDE	101200 968999	1

MISSING ITEM NUMBERS NOT APPLICABLE

- ITEM NOT ILLUSTRATED

HAP

25-21-44-23

BOEING PROPRIETARY - Copyright © - Unpublished Work - See title page for details.

25-21-44
FIG. 23
PAGE 1
OCT 15/08

BOEING
737-600/700/800/900
PARTS CATALOG (MAINTENANCE)

FIG ITEM	PART NUMBER	1 2 3 4 5 6 7	NOMENCLATURE	EFFECT FROM TO	UNITS PER ASSY
23					
- 55	412N3101-36SP		.COVER-GAP POSITION DATA: RH SIDE	101200 968999	1
60	BACS12ER08K7		.SCREW	101200 968999	2
65	BACW10DM5P		.WASHER	101200 968999	2
70	412N3101-24SP		.COVER ASSY-GAP POSITION DATA: LH SIDE	101200 968999	1
- 75	412N3101-25SP		.COVER ASSY-GAP POSITION DATA: RH SIDE	101200 968999	1
80	T8078S832BC		..NUTPLATE SUPPLIER CODE: V11815 SPECIFICATION NUMBER: BACN10JP08CR OPTIONAL PART: MK3000-08BCBAC V15653 NS103199-82BC V80539 RMA9205M82BC V72962 VN203A2-82 V92215 BRM300A08K V52828 ATTACHING PARTS	101200 968999	2
- 85	BACR15BA3AD		..RIVET- SIZE DETERMINED ON INSTL. -----*-----	101200 968999	4
90	412N3101-22SP		..COVER- POSITION DATA: LH SIDE	101200 968999	1
- 95	412N3101-23SP		..COVER- POSITION DATA: RH SIDE	101200 968999	1
100	BACS12ER08K8		.SCREW	101200 968999	2
105	BACW10DM5P		.WASHER	101200 968999	2
110	65C27021-482		.FITTING ASSY-SPLICE POSITION DATA: LH SIDE	101200 968999	1
- 115	65C27021-483		.FITTING ASSY-SPLICE POSITION DATA: RH SIDE	101200 968999	1

MISSING ITEM NUMBERS NOT APPLICABLE

- ITEM NOT ILLUSTRATED

HAP

25-21-44-23

BOEING PROPRIETARY - Copyright © - Unpublished Work - See title page for details.

25-21-44
FIG. 23
PAGE 2
OCT 15/08

BOEING
737-600/700/800/900
PARTS CATALOG (MAINTENANCE)

FIG ITEM	PART NUMBER	1 2 3 4 5 6 7	NOMENCLATURE	EFFECT FROM TO	UNITS PER ASSY
23 120	T8078S832		..NUTPLATE SUPPLIER CODE: V11815 SPECIFICATION NUMBER: BACN10JP08C OPTIONAL PART: MK3000-08BAC V15653 NS103199-82 V80539 RMA9205M82 V72962 VN203A1-82 V92215 BRM300A08 V52828 ATTACHING PARTS	101200 968999	6
- 125	BACR15BA3AD		..RIVET- SIZE DETERMINED ON INSTL. -----*-----	101200 968999	12
130	65C27021-484		..FITTING- POSITION DATA: LH SIDE	101200 968999	1
- 135	65C27021-485		..FITTING- POSITION DATA: RH SIDE	101200 968999	1
140	65C27021-481		.FILLER	101200 968999	1
145	BACS12ER3K9		.SCREW- OPTIONAL PART: BACB30VF3K3	101103 968971	6
145	BACB30VF3K3		.BOLT- OPTIONAL PART: BACS12ER3K9	101103 968971	6
150	BACS12FA3K8		.SCREW	101200 968999	6
155	65C27021-177		.DOUBLER-SUPPORT	101200 968999	3
160	412A3133-3		.FITTING ASSY- POSITION DATA: LH SIDE	101200 968999	3
160	412A3133-1		.FITTING ASSY- POSITION DATA: LH SIDE	101200 968999	3
- 165	412A3133-4		.FITTING ASSY- POSITION DATA: RH SIDE	101200 968999	3

MISSING ITEM NUMBERS NOT APPLICABLE

- ITEM NOT ILLUSTRATED

HAP

25-21-44-23

BOEING PROPRIETARY - Copyright © - Unpublished Work - See title page for details.

25-21-44
FIG. 23
PAGE 3
OCT 15/08

BOEING
737-600/700/800/900
PARTS CATALOG (MAINTENANCE)

FIG ITEM	PART NUMBER	1 2 3 4 5 6 7	NOMENCLATURE	EFFECT FROM TO	UNITS PER ASSY
23					
- 165	412A3133-2		.FITTING ASSY- POSITION DATA: RH SIDE	101200 968999	3
170	BACB30NM3K6		..BOLT	101200 968999	2
175	NAS43DD3-21FC		..SPACER	101200 968999	2
180	NAS1149D0363J		..WASHER	101200 968999	2
185	412A2004-5		..BUSHING	101200 968999	2
190	412A2004-9		..BEARING ASSY-ANGLE	101200 968999	2
195	412A2004-6		...SUPPORT ASSY	101200 968999	1
200	T8078S1032	NUTPLATE SUPPLIER CODE: V11815 SPECIFICATION NUMBER: BACN10JP3C OPTIONAL PART: MK3000-3BAC V15653 NS103199-02 V80539 RMA9205M3 V72962 VN203A1-02 V92215 BRM300A3 V52828 ATTACHING PARTS	101200 968999	1
- 205	BACR15BA3AD	RIVET- SIZE DETERMINED ON INSTL. -----*-----	101200 968999	2
210	412A2004-7	SUPPORT	101200 968999	1
215	412A2004-8		...BEARING	101200 968999	1
220	412A2004-1		..BRACKET-ANGLE POSITION DATA: LH SIDE	101200 968999	1
- 225	412A2004-2		..BRACKET-ANGLE POSITION DATA: RH SIDE	101200 968999	1
230	BACS13CJ3L080P		..INSERT	101200 968999	4

MISSING ITEM NUMBERS NOT APPLICABLE

- ITEM NOT ILLUSTRATED

HAP

25-21-44-23

25-21-44
FIG. 23
PAGE 4
OCT 15/08

BOEING
737-600/700/800/900
PARTS CATALOG (MAINTENANCE)

FIG ITEM	PART NUMBER	1 2 3 4 5 6 7	NOMENCLATURE	EFFECT FROM TO	UNITS PER ASSY
23					
235	412A3134-2	..	HOUSING-SLIDER USED ON: 412A3133-3 412A3133-4	101200 968999	1
235	412A3134-1	..	HOUSING-SLIDER USED ON: 412A3133-1 412A3133-2	101200 968999	1
240	BACS12GU08K6	.	SCREW	101200 968999	4
245	NAS1149DN816J	.	WASHER	101200 968999	4
250	412A3137-1007SP	.	BEAM ASSY- POSITION DATA: LH SIDE	101200 968999	1
- 255	412A3137-1008SP	.	BEAM ASSY- POSITION DATA: RH SIDE	101200 968999	1
260	BACN10TL3A3	..	NUTPLATE	101200 968999	9
- 265	BACR15BB4DC	..	ATTACHING PARTS RIVET- SIZE DETERMINED ON INSTL. -----*-----	101200 968999	18
270	412N2008-1	..	CLIP	101200 968999	6
- 275	BACR15BA3ADC	..	ATTACHING PARTS RIVET- SIZE DETERMINED ON INSTL. -----*-----	101200 968999	12
280	65C27021-184	..	BRACKET ASSY	101200 968999	2
- 285	BACR15BA5ADC	..	ATTACHING PARTS RIVET- SIZE DETERMINED ON INSTL. -----*-----	101200 968999	8

MISSING ITEM NUMBERS NOT APPLICABLE

- ITEM NOT ILLUSTRATED

HAP

25-21-44-23

BOEING PROPRIETARY - Copyright © - Unpublished Work - See title page for details.

25-21-44
FIG. 23
PAGE 5
OCT 15/08

BOEING
737-600/700/800/900
PARTS CATALOG (MAINTENANCE)

FIG ITEM	PART NUMBER	1 2 3 4 5 6 7	NOMENCLATURE	EFFECT FROM TO	UNITS PER ASSY
23 290	T8076S832		...NUTPLATE SUPPLIER CODE: V11815 SPECIFICATION NUMBER: BACN10JP08A OPTIONAL PART: MK1000-08BAC V15653 NS103197-82 V80539 RMA9201M82 V72962 VN202A1-82 V92215 BRM200A08 V52828 ATTACHING PARTS	101200 968999	2
- 295	BACR15BA3AD		...RIVET- SIZE DETERMINED ON INSTL. -----*-----	101200 968999	4
300	65C27021-221		...BRACKET	101200 968999	1
305	65C36185-1		..BRACKET ASSY	101200 968999	3
- 315	BACR15BB4DC		ATTACHING PARTS ..RIVET- SIZE DETERMINED ON INSTL. OPTIONAL PART: NAS1398D4A2	101103 968971	6
- 315	NAS1398D4A2		..RIVET- OPTIONAL PART: BACR15BB4DC -----*-----	101103 968971	6
320	130069		...NUT- SUPPLIER CODE: V60119 SPECIFICATION NUMBER: BACN10FX16 OPTIONAL PART: A11330-6-3 V72962 A4972-6-02 V72962 BACN10YD1	101200 968999	1

MISSING ITEM NUMBERS NOT APPLICABLE

- ITEM NOT ILLUSTRATED

HAP

25-21-44-23

BOEING PROPRIETARY - Copyright © - Unpublished Work - See title page for details.

25-21-44
FIG. 23
PAGE 6
FEB 15/09

BOEING
737-600/700/800/900
PARTS CATALOG (MAINTENANCE)

FIG ITEM	PART NUMBER	1 2 3 4 5 6 7	NOMENCLATURE	EFFECT FROM TO	UNITS PER ASSY
23 320	BRC600-8-3	...	NUT- SUPPLIER CODE: V52828 SPECIFICATION NUMBER: BACN10YD1 OPTIONAL PART: 130120 V60119 BACN10FX16	101200 968999	1
325	65C36185-2	...	BRACKET	101200 968999	1
330	412A3137-1011	..	INSULATOR- POSITION DATA: LH SIDE	101200 968999	1
- 335	412A3137-1012	..	INSULATOR- POSITION DATA: RH SIDE	101200 968999	1
340	412A3137-1009SP	..	BEAM- POSITION DATA: LH SIDE	101200 968999	1
- 345	412A3137-1010SP	..	BEAM- POSITION DATA: RH SIDE	101200 968999	1
350	412A3136-1003SP	.	BEAM- POSITION DATA: LH SIDE	101200 968999	1
- 355	412A3136-1004SP	.	BEAM- POSITION DATA: RH SIDE	101200 968999	1

MISSING ITEM NUMBERS NOT APPLICABLE

- ITEM NOT ILLUSTRATED

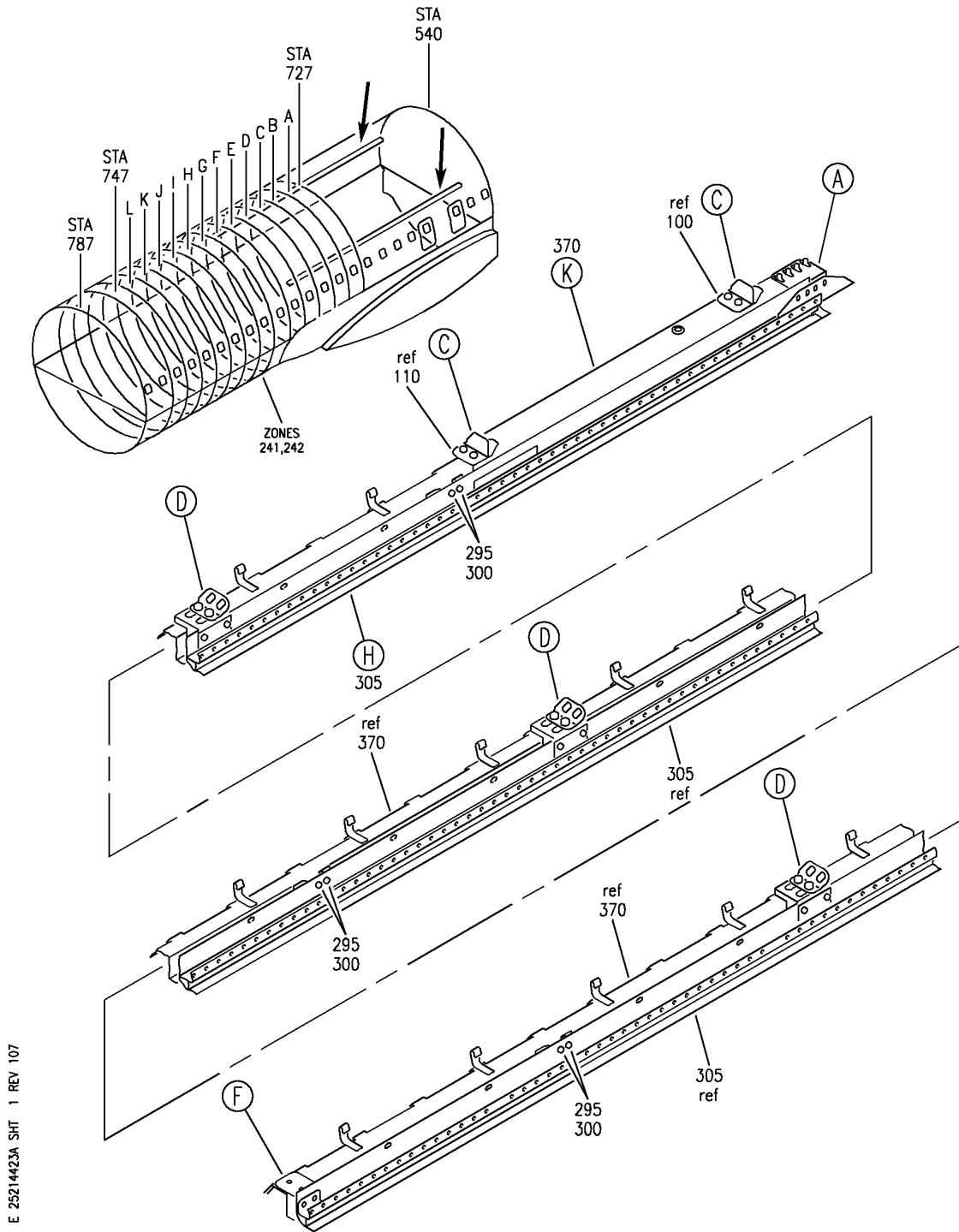
HAP

25-21-44-23

BOEING PROPRIETARY - Copyright © - Unpublished Work - See title page for details.

25-21-44
FIG. 23
PAGE 7
OCT 15/08

BOEING
 737-600/700/800/900
 PARTS CATALOG (MAINTENANCE)



E 25214423A SHT 1 REV 107

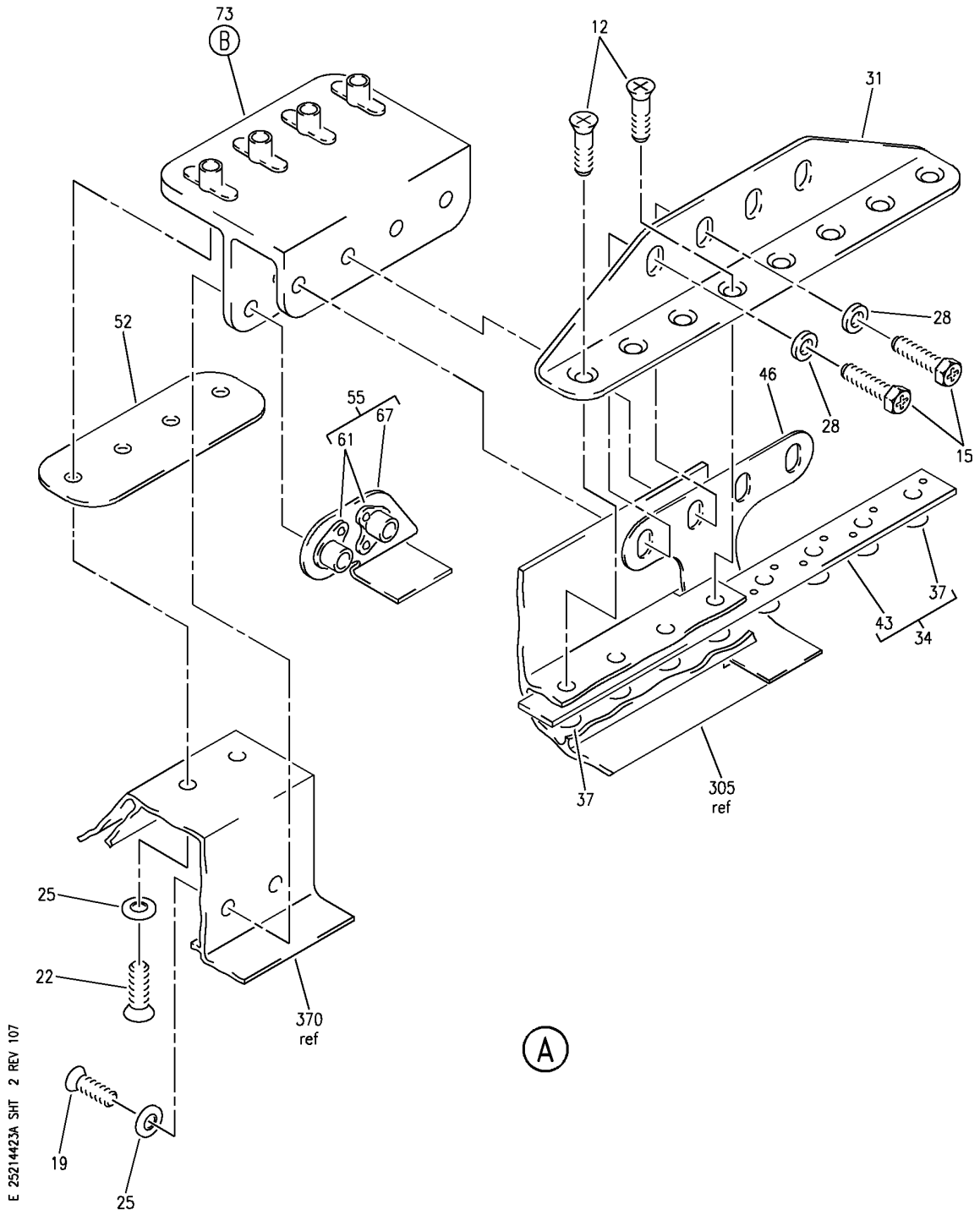
OUTLET ASSY-SIDEWALL AIR CONDITIONING
 FIGURE 23A (SHEET 1)

25-21-44-23A

HAP
 OCT 10/06

25-21-44-23A
 PAGE 0

BOEING
 737-600/700/800/900
 PARTS CATALOG (MAINTENANCE)



E 25214423A SHT 2 REV 107

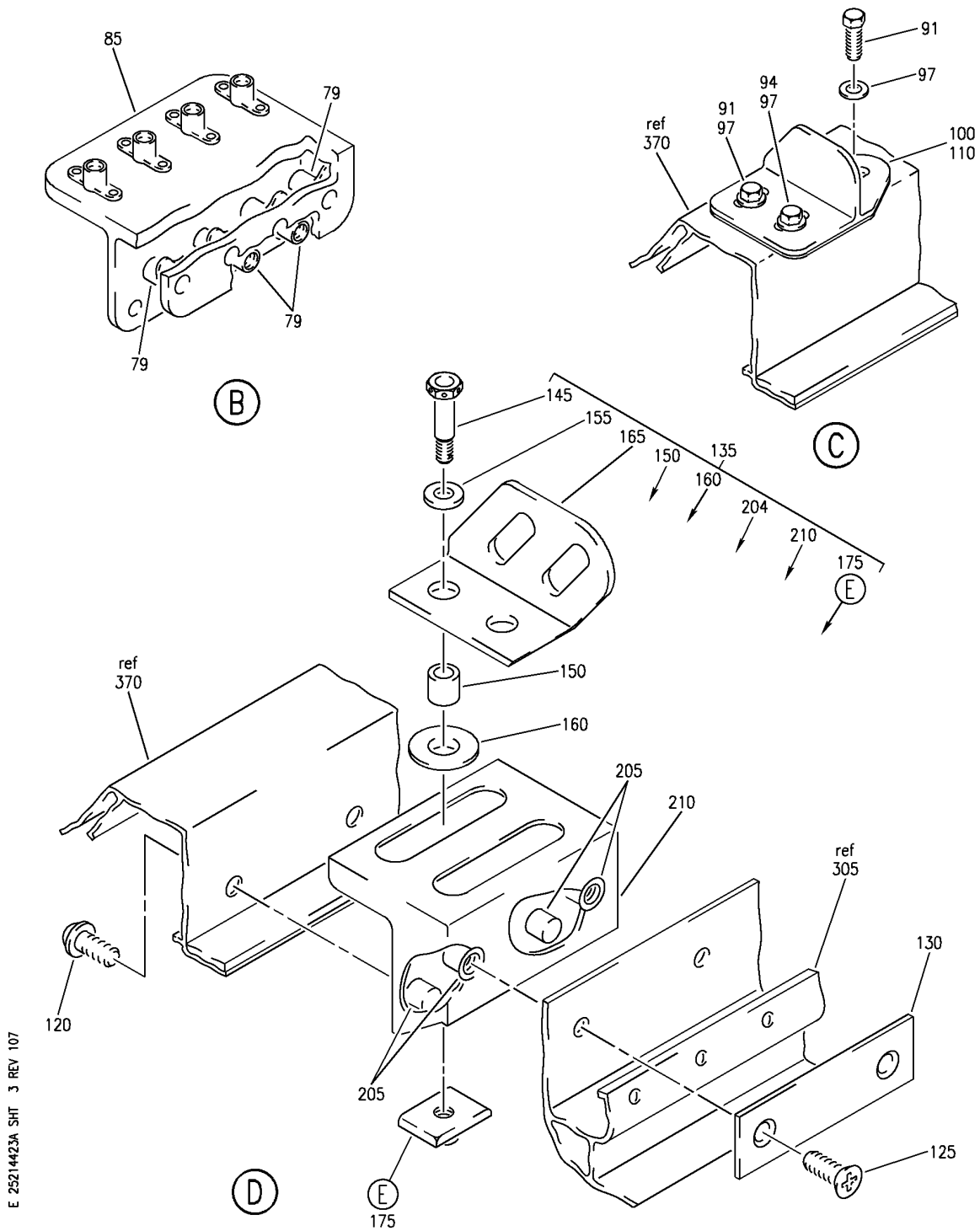
OUTLET ASSY-SIDEWALL AIR CONDITIONING
 FIGURE 23A (SHEET 2)

25-21-44-23A

HAP
 OCT 10/06

25-21-44-23A
 PAGE 0A

BOEING
 737-600/700/800/900
 PARTS CATALOG (MAINTENANCE)



E 25214423A SHT 3 REV 107

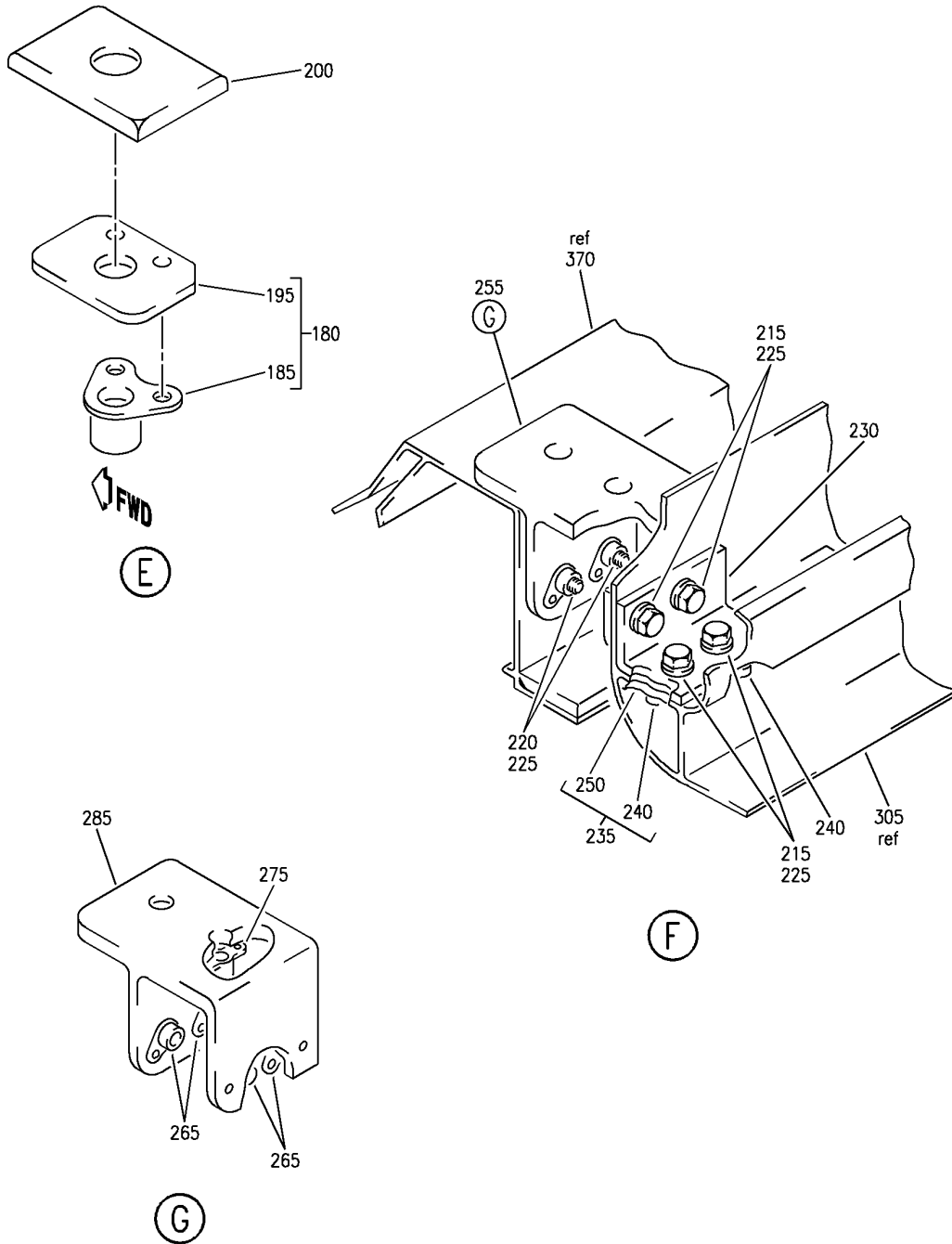
OUTLET ASSY-SIDEWALL AIR CONDITIONING
 FIGURE 23A (SHEET 3)

25-21-44-23A

HAP
 OCT 10/06

25-21-44-23A
 PAGE 0B

BOEING
 737-600/700/800/900
 PARTS CATALOG (MAINTENANCE)



E 25214423A SHT 4 REV 107

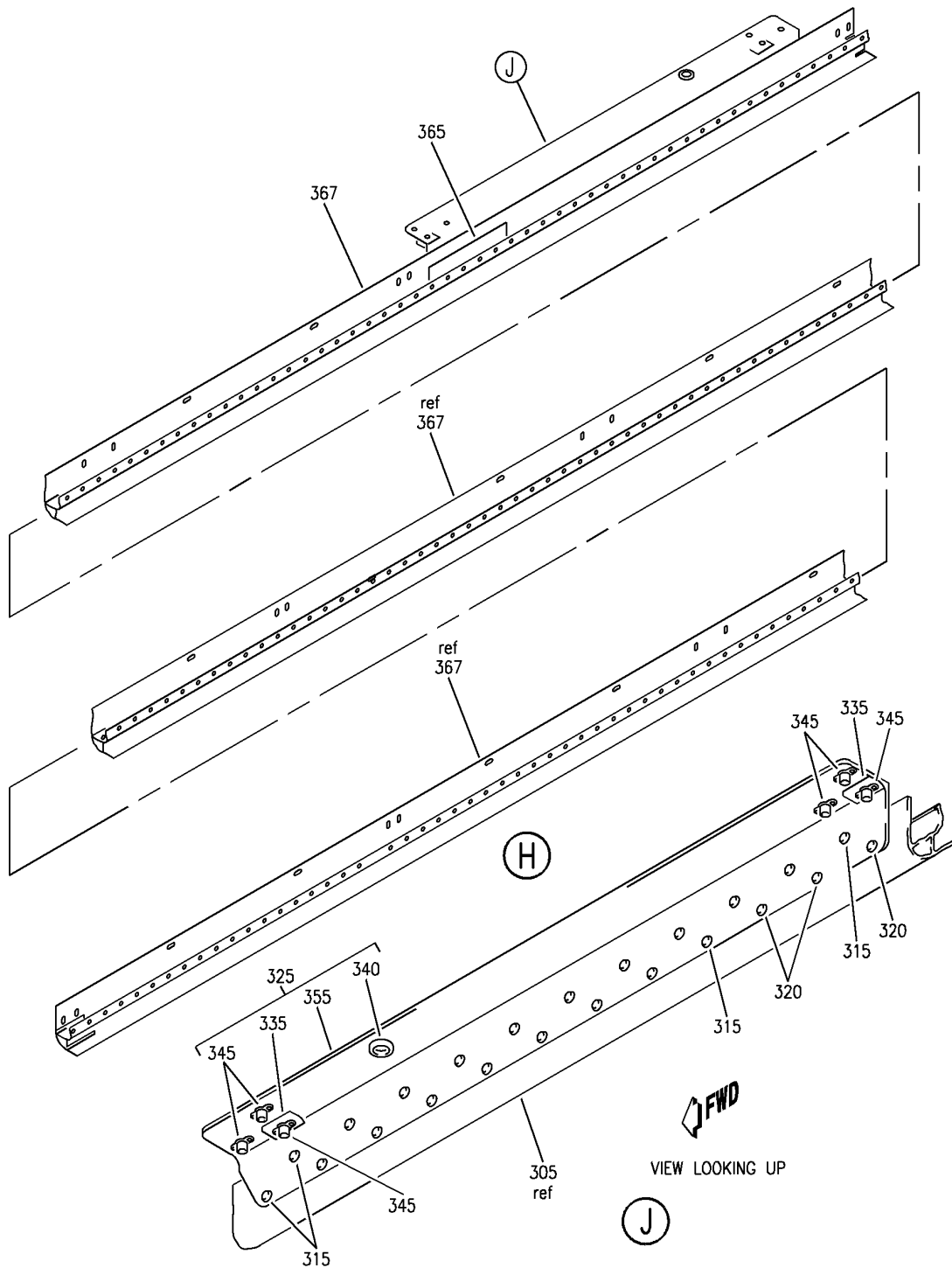
OUTLET ASSY-SIDEWALL AIR CONDITIONING
 FIGURE 23A (SHEET 4)

25-21-44-23A

HAP
 OCT 10/06

25-21-44-23A
 PAGE 0C

BOEING
 737-600/700/800/900
 PARTS CATALOG (MAINTENANCE)



E 25214423A SHT 5 REV 107

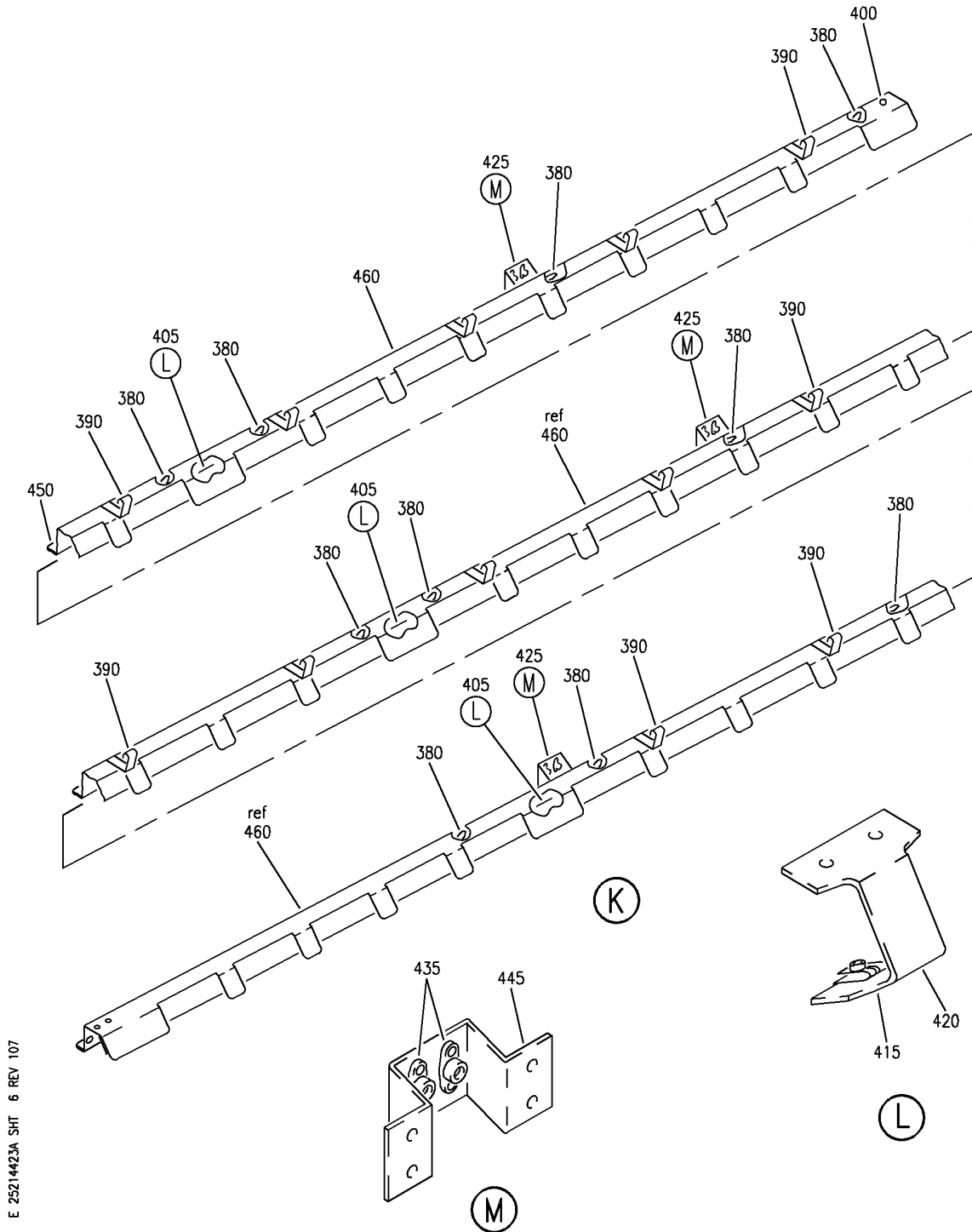
OUTLET ASSY-SIDEWALL AIR CONDITIONING
 FIGURE 23A (SHEET 5)

25-21-44-23A

HAP
 OCT 10/06

25-21-44-23A
 PAGE 0D

BOEING
 737-600/700/800/900
 PARTS CATALOG (MAINTENANCE)



E 25214423A SHT 6 REV 107

OUTLET ASSY-SIDEWALL AIR CONDITIONING
 FIGURE 23A (SHEET 6)

25-21-44-23A

HAP
 OCT 10/06

25-21-44-23A
 PAGE 0E

BOEING
737-600/700/800/900
PARTS CATALOG (MAINTENANCE)

FIG ITEM	PART NUMBER	1 2 3 4 5 6 7	NOMENCLATURE	EFFECT FROM TO	UNITS PER ASSY
23A			OUTLET ASSY-SIDEWALL AIR CONDITIONING	031100	
- 1	412A3103-2017SP		OUTLET ASSY-SIDEWALL AIR CONDITIONING POSITION DATA: LH FOR NHA SEE: 25-21-44-42A	031100	RF
- 5	412A3103-2018SP		OUTLET ASSY-SIDEWALL AIR CONDITIONING POSITION DATA: RH FOR NHA SEE: 25-21-44-42A	031100	RF
12	BACB30LU2-2	.BOLT		031100	4
15	BACS12GU08K7	.SCREW		031100	2
19	BACS12ER08K7	.SCREW		031100	2
22	BACS12ER08K8	.SCREW		031100	2
25	BACW10DM5P	.WASHER		031100	4
28	NAS1149DN816J	.WASHER		031100	2
31	65C27020-612	.DOUBLER		031100	1
34	65C27021-277	.DOUBLER ASSY		031100	1
37	MF53050-08DL	..NUTPLATE		031100	8
		SUPPLIER CODE: V15653			
		SPECIFICATION NUMBER: BACN10JN08CM			
		OPTIONAL PART: BRFM20C08M V52828 MF1001-08BAC V15653 NS103218SE82 V80539 VN252D82 V92215 109F9201M82 V72962 T8125C08C V11815			
		ATTACHING PARTS			
- 40	BACR15CE3D	..RIVET-		031100	16
		SIZE DETERMINED ON INSTL. -----*-----			
43	65C27021-278	..DOUBLER		031100	1
46	412N3101-35SP	.COVER-		031100	1
		POSITION DATA: LH SIDE			

MISSING ITEM NUMBERS NOT APPLICABLE

- ITEM NOT ILLUSTRATED

HAP

25-21-44-23A

BOEING PROPRIETARY - Copyright © - Unpublished Work - See title page for details.

25-21-44
FIG. 23A
PAGE 1
FEB 10/07

BOEING
737-600/700/800/900
PARTS CATALOG (MAINTENANCE)

FIG ITEM	PART NUMBER	1 2 3 4 5 6 7	NOMENCLATURE	EFFECT FROM TO	UNITS PER ASSY
23A					
- 49	412N3101-36SP		.COVER- POSITION DATA: RH SIDE	031100	1
52	65C27021-481		.FILLER	031100	1
55	412N3101-24SP		.COVER ASSY- POSITION DATA: LH SIDE	031100	1
- 58	412N3101-25SP		.COVER ASSY- POSITION DATA: RH SIDE	031100	1
61	T8078S832BC		..NUTPLATE SUPPLIER CODE: V11815 SPECIFICATION NUMBER: BACN10JP08CR OPTIONAL PART: MK3000-08BCBAC V15653 NS103199-82BC V80539 RMA9205M82BC V72962 VN203A2-82 V92215 BRM300A08K V52828 ATTACHING PARTS	031100	2
- 64	BACR15BA3AD		..RIVET- SIZE DETERMINED ON INSTL. -----*-----	031100	4
67	412N3101-22SP		..COVER- POSITION DATA: LH SIDE	031100	1
- 70	412N3101-23SP		..COVER- POSITION DATA: RH SIDE	031100	1
73	65C27021-482		.FITTING ASSY- POSITION DATA: LH SIDE	031100	1
- 76	65C27021-483		.FITTING ASSY- POSITION DATA: RH SIDE	031100	1

MISSING ITEM NUMBERS NOT APPLICABLE

- ITEM NOT ILLUSTRATED

HAP

25-21-44-23A

BOEING PROPRIETARY - Copyright © - Unpublished Work - See title page for details.

25-21-44
FIG. 23A
PAGE 2
FEB 10/07

BOEING
737-600/700/800/900
PARTS CATALOG (MAINTENANCE)

FIG ITEM	PART NUMBER	1 2 3 4 5 6 7	NOMENCLATURE	EFFECT FROM TO	UNITS PER ASSY
23A 79	T8078S832		..NUTPLATE SUPPLIER CODE: V11815 SPECIFICATION NUMBER: BACN10JP08C OPTIONAL PART: MK3000-08BAC V15653 NS103199-82 V80539 RMA9205M82 V72962 VN203A1-82 V92215 BRM300A08 V52828 ATTACHING PARTS	031100	6
- 82	BACR15BA3AD		..RIVET- SIZE DETERMINED ON INSTL. -----*-----	031100	12
85	65C27021-484		..FITTING- POSITION DATA: LH SIDE	031100	1
- 88	65C27021-485		..FITTING- POSITION DATA: RH SIDE	031100	1
91	BACB30NM3K5		.BOLT-	031100	4
94	BACB30NM3K6		.BOLT-	031100	2
97	NAS1149D0316J		.WASHER	031100	6
100	412A3200-15		.BRACKET ASSY- POSITION DATA: LH SIDE	031100	1
- 105	412A3200-16		.BRACKET ASSY- POSITION DATA: RH SIDE	031100	1
110	412A3200-17		.BRACKET ASSY- POSITION DATA: LH SIDE	031100	1
- 115	412A3200-18		.BRACKET ASSY- POSITION DATA: RH SIDE	031100	1
120	BACS12FA3K8		.SCREW	031100	6
125	BACS12ER3K9		.SCREW- OPTIONAL PART: BACB30VF3K3	031047 054100	6
125	BACB30VF3K3		.BOLT- OPTIONAL PART: BACS12ER3K9	031047 054100	6
130	65C27021-177		.DOUBLER	031100	3

MISSING ITEM NUMBERS NOT APPLICABLE

- ITEM NOT ILLUSTRATED

HAP

25-21-44-23A

BOEING PROPRIETARY - Copyright © - Unpublished Work - See title page for details.

25-21-44
FIG. 23A
PAGE 3
FEB 15/09

BOEING
737-600/700/800/900
PARTS CATALOG (MAINTENANCE)

FIG ITEM	PART NUMBER	1 2 3 4 5 6 7	NOMENCLATURE	EFFECT FROM TO	UNITS PER ASSY
23A 135	412A3133-1	.	FITTING ASSY-SPRT POSITION DATA: LH SIDE	031100	3
135	412A3133-3	.	FITTING ASSY-SPRT POSITION DATA: LH SIDE	031100	3
- 140	412A3133-2	.	FITTING ASSY-SPRT POSITION DATA: RH SIDE	031100	3
- 140	412A3133-4	.	FITTING ASSY-SPRT POSITION DATA: RH SIDE	031100	3
145	BACB30NM3K6	..	BOLT	031100	2
150	NAS43DD3-21FC	..	SPACER	031100	2
155	NAS1149D0363J	..	WASHER	031100	2
160	412A2004-5	..	BUSHING	031100	2
165	412A2004-1	..	BRACKET-ANGLE POSITION DATA: LH SIDE	031100	1
- 170	412A2004-2	..	BRACKET-ANGLE POSITION DATA: RH SIDE	031100	1
175	412A2004-9	..	BEARING ASSY-ANGLE	031100	2
180	412A2004-6	...	SUPPORT ASSY-BRG	031100	1
185	T8078S1032	NUTPLATE SUPPLIER CODE: V11815 SPECIFICATION NUMBER: BACN10JP3C OPTIONAL PART: MK3000-3BAC V15653 NS103199-02 V80539 RMA9205M3 V72962 VN203A1-02 V92215 BRM300A3 V52828	031100	1
- 190	BACR15BA3AD	RIVET- SIZE DETERMINED ON INSTL. -----*-----	031100	2
195	412A2004-7	SUPPORT	031100	1
200	412A2004-8	...	BEARING	031100	1
205	BACs13CJ3L080P	..	INSERT	031100	4

MISSING ITEM NUMBERS NOT APPLICABLE

- ITEM NOT ILLUSTRATED

HAP

25-21-44-23A

BOEING PROPRIETARY - Copyright © - Unpublished Work - See title page for details.

25-21-44
FIG. 23A
PAGE 4
OCT 15/08

BOEING
737-600/700/800/900
PARTS CATALOG (MAINTENANCE)

FIG ITEM	PART NUMBER	1 2 3 4 5 6 7	NOMENCLATURE	EFFECT FROM TO	UNITS PER ASSY
23A					
210	412A3134-1	..	HOUSING-SLIDER USED ON: 412A3133-1 412A3133-2	031100	1
210	412A3134-2	..	HOUSING-SLIDER USED ON: 412A3133-3 412A3133-4	031100	1
215	BACS12GU08K8	.	SCREW	031100	4
220	BACS12GU08K9	.	SCREW	031100	2
225	NAS1149DN816J	.	WASHER	031100	6
230	65C27020-613	.	BRACKET	031100	1
235	65C27021-257	.	DOUBLER ASSY	031100	1
240	T8076S832	..	NUTPLATE SUPPLIER CODE: V11815 SPECIFICATION NUMBER: BACN10JP08A OPTIONAL PART: MK1000-08BAC V15653 NS103197-82 V80539 RMA9201M82 V72962 VN202A1-82 V92215 BRM200A08 V52828	031100	2
- 245	BACR15BA3AD	..	ATTACHING PARTS RIVET- SIZE DETERMINED ON INSTL. -----*-----	031100	4
250	65C27021-256	..	DOUBLER	031100	1
255	65C27021-260	.	FITTING ASSY-SPLICE POSITION DATA: LH SIDE	031100	1
- 260	65C27021-271	.	FITTING ASSY-SPLICE POSITION DATA: RH SIDE	031100	1

MISSING ITEM NUMBERS NOT APPLICABLE

- ITEM NOT ILLUSTRATED

HAP

25-21-44-23A

BOEING PROPRIETARY - Copyright © - Unpublished Work - See title page for details.

25-21-44
FIG. 23A
PAGE 5
OCT 15/08

BOEING
737-600/700/800/900
PARTS CATALOG (MAINTENANCE)

FIG ITEM	PART NUMBER	1 2 3 4 5 6 7	NOMENCLATURE	EFFECT FROM TO	UNITS PER ASSY
23A 265	T8078S832		..NUTPLATE SUPPLIER CODE: V11815 SPECIFICATION NUMBER: BACN10JP08C OPTIONAL PART: MK3000-08BAC V15653 NS103199-82 V80539 RMA9205M82 V72962 VN203A1-82 V92215 BRM300A08 V52828 ATTACHING PARTS	031100	4
- 270	BACR15BA3AD		..RIVET- SIZE DETERMINED ON INSTL. -----*-----	031100	8
275	T8076S832		..NUTPLATE SUPPLIER CODE: V11815 SPECIFICATION NUMBER: BACN10JP08A OPTIONAL PART: MK1000-08BAC V15653 NS103197-82 V80539 RMA9201M82 V72962 VN202A1-82 V92215 BRM200A08 V52828 ATTACHING PARTS	031100	1
- 280	BACR15BA3AD		..RIVET- SIZE DETERMINED ON INSTL. -----*-----	031100	2
285	65C27021-261		..FITTING- POSITION DATA: LH SIDE	031100	1
- 290	65C27021-266		..FITTING- POSITION DATA: RH SIDE	031100	1
295	BACS12GU08K6		.SCREW	031100	6
300	NAS1149DN816J		.WASHER	031100	6

MISSING ITEM NUMBERS NOT APPLICABLE

- ITEM NOT ILLUSTRATED

HAP

25-21-44-23A

BOEING PROPRIETARY - Copyright © - Unpublished Work - See title page for details.

25-21-44
FIG. 23A
PAGE 6
OCT 15/08

BOEING
737-600/700/800/900
PARTS CATALOG (MAINTENANCE)

FIG ITEM	PART NUMBER	1 2 3 4 5 6 7	NOMENCLATURE	EFFECT FROM TO	UNITS PER ASSY
23A 305	412A3136-2019SP	.	BEAM ASSY- POSITION DATA: LH SIDE	031100	1
- 310	412A3136-2020SP	.	BEAM ASSY- POSITION DATA: RH SIDE	031100	1
315	BACR15FT6D	..	RIVET- SIZE DETERMINED ON INSTL.	031100	20
320	BACR15BB6DC	..	RIVET- SIZE DETERMINED ON INSTL.	031100	3
325	412A3200-19	..	BRACKET ASSY- POSITION DATA: LH SIDE	031100	1
- 330	412A3200-20	..	BRACKET ASSY- POSITION DATA: RH SIDE	031100	1
335	65C27021-253	...	FILLER-RADIUS	031100	2
340	BACB28B6-260P	...	BUSHING	031100	1
345	T8076S1032	...	NUTPLATE SUPPLIER CODE: V11815 SPECIFICATION NUMBER: BACN10JP3A OPTIONAL PART: MK1000-3BAC V15653 NS103197-02 V80539 RMA9201M3 V72962 VN202A1-02 V92215 BRM200A3 V52828	031100	6
- 350	BACR15BA3ADC	...	ATTACHING PARTS RIVET- SIZE DETERMINED ON INSTL. -----*-----	031100	12
355	412A3210-5	...	BRACKET- POSITION DATA: LH SIDE	031100	1
- 360	412A3210-6	...	BRACKET- POSITION DATA: RH SIDE	031100	1
365	65C27021-465	..	FILLER	031100	1
367	412A3136-2021SP	..	BEAM- POSITION DATA: LH SIDE	031100	1

MISSING ITEM NUMBERS NOT APPLICABLE

- ITEM NOT ILLUSTRATED

HAP

25-21-44-23A

BOEING PROPRIETARY - Copyright © - Unpublished Work - See title page for details.

25-21-44
FIG. 23A
PAGE 7
OCT 15/08

BOEING
737-600/700/800/900
PARTS CATALOG (MAINTENANCE)

FIG ITEM	PART NUMBER	1 2 3 4 5 6 7	NOMENCLATURE	EFFECT FROM TO	UNITS PER ASSY
23A - 368	412A3136-2022SP	..	BEAM- POSITION DATA: RH SIDE	031100	1
370	412A3137-1049SP	.BEAM ASSY-	POSITION DATA: LH SIDE	031100	1
- 375	412A3137-1050SP	.BEAM ASSY-	POSITION DATA: RH SIDE	031100	1
380	BACN10TL3A3	..	NUTPLATE ATTACHING PARTS	031100	11
- 385	BACR15BB4DC	..	RIVET- SIZE DETERMINED ON INSTL. -----*-----	031100	22
390	412N2008-1	..	CLIP-SPR ATTACHING PARTS	031100	12
- 395	BACR15BA3ADC	..	RIVET- SIZE DETERMINED ON INSTL. -----*-----	031100	24
400	NAS1149D0332J	..	WASHER	031100	1
405	65C36185-1	..	BRACKET ASSY ATTACHING PARTS	031100	3
- 410	BACR15BB4DC	..	RIVET- SIZE DETERMINED ON INSTL. OPTIONAL PART: NAS1398D4A2	031100	6
- 410	NAS1398D4A2	..	RIVET- SIZE DETERMINED ON INSTL. OPTIONAL PART: BACR15BB4DC -----*-----	031100	6
415	130069	...	NUT- SUPPLIER CODE: V60119 SPECIFICATION NUMBER: BACN10FX16 OPTIONAL PART: A11330-6-3 V72962 A4972-6-02 V72962 BACN10YD1	031100	1

MISSING ITEM NUMBERS NOT APPLICABLE

- ITEM NOT ILLUSTRATED

HAP

25-21-44-23A

BOEING PROPRIETARY - Copyright © - Unpublished Work - See title page for details.

25-21-44
FIG. 23A
PAGE 8
FEB 15/09

BOEING
737-600/700/800/900
PARTS CATALOG (MAINTENANCE)

FIG ITEM	PART NUMBER	1 2 3 4 5 6 7	NOMENCLATURE	EFFECT FROM TO	UNITS PER ASSY
23A 415	BRC600-8-3	...	NUT- SUPPLIER CODE: V52828 SPECIFICATION NUMBER: BACN10YD1 OPTIONAL PART: 130120 V60119 BACN10FX16	031100	1
420	65C36185-2	...	BRACKET	031100	1
425	65C27021-184	..	BRACKET ASSY ATTACHING PARTS	031100	3
- 430	BACR15BA5ADC	..	RIVET- SIZE DETERMINED ON INSTL. -----*-----	031100	12
435	T8076S832	...	NUTPLATE SUPPLIER CODE: V11815 SPECIFICATION NUMBER: BACN10JP08A OPTIONAL PART: MK1000-08BAC V15653 NS103197-82 V80539 RMA9201M82 V72962 VN202A1-82 V92215 BRM200A08 V52828 ATTACHING PARTS	031100	2
- 440	BACR15BA3AD	...	RIVET- SIZE DETERMINED ON INSTL. -----*-----	031100	4
445	65C27021-221	...	BRACKET	031100	1
450	412A3137-1053	..	INSULATOR- POSITION DATA: LH SIDE	031100	1
- 455	412A3137-1054	..	INSULATOR- POSITION DATA: RH SIDE	031100	1
460	412A3137-1051SP	..	BEAM- POSITION DATA: LH SIDE	031100	1
- 465	412A3137-1052SP	..	BEAM- POSITION DATA: RH SIDE	031100	1

MISSING ITEM NUMBERS NOT APPLICABLE

- ITEM NOT ILLUSTRATED

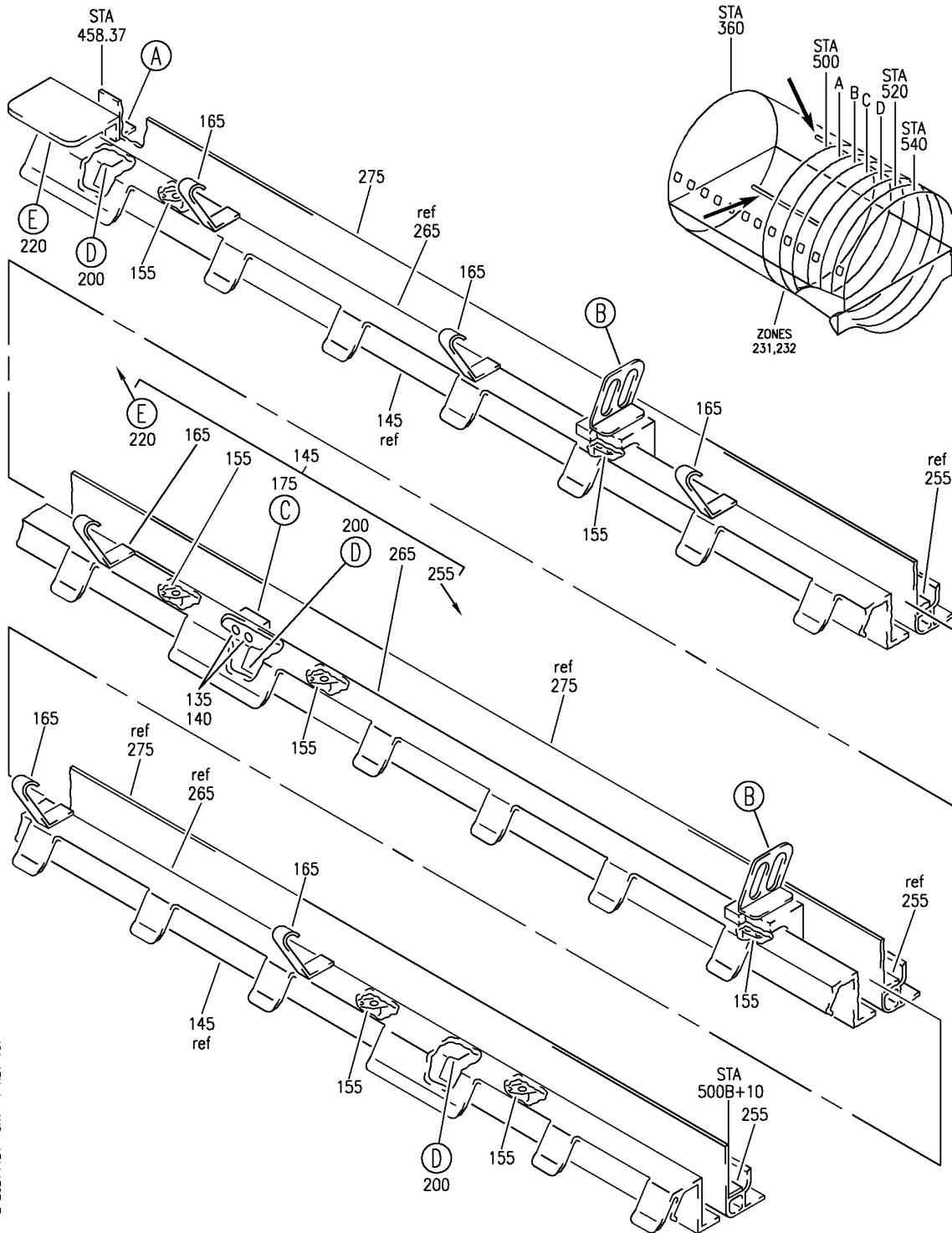
HAP

25-21-44-23A

BOEING PROPRIETARY - Copyright © - Unpublished Work - See title page for details.

25-21-44
FIG. 23A
PAGE 9
OCT 15/08


BOEING
 737-600/700/800/900
PARTS CATALOG (MAINTENANCE)



E 25214424 SHT 1 REV 107

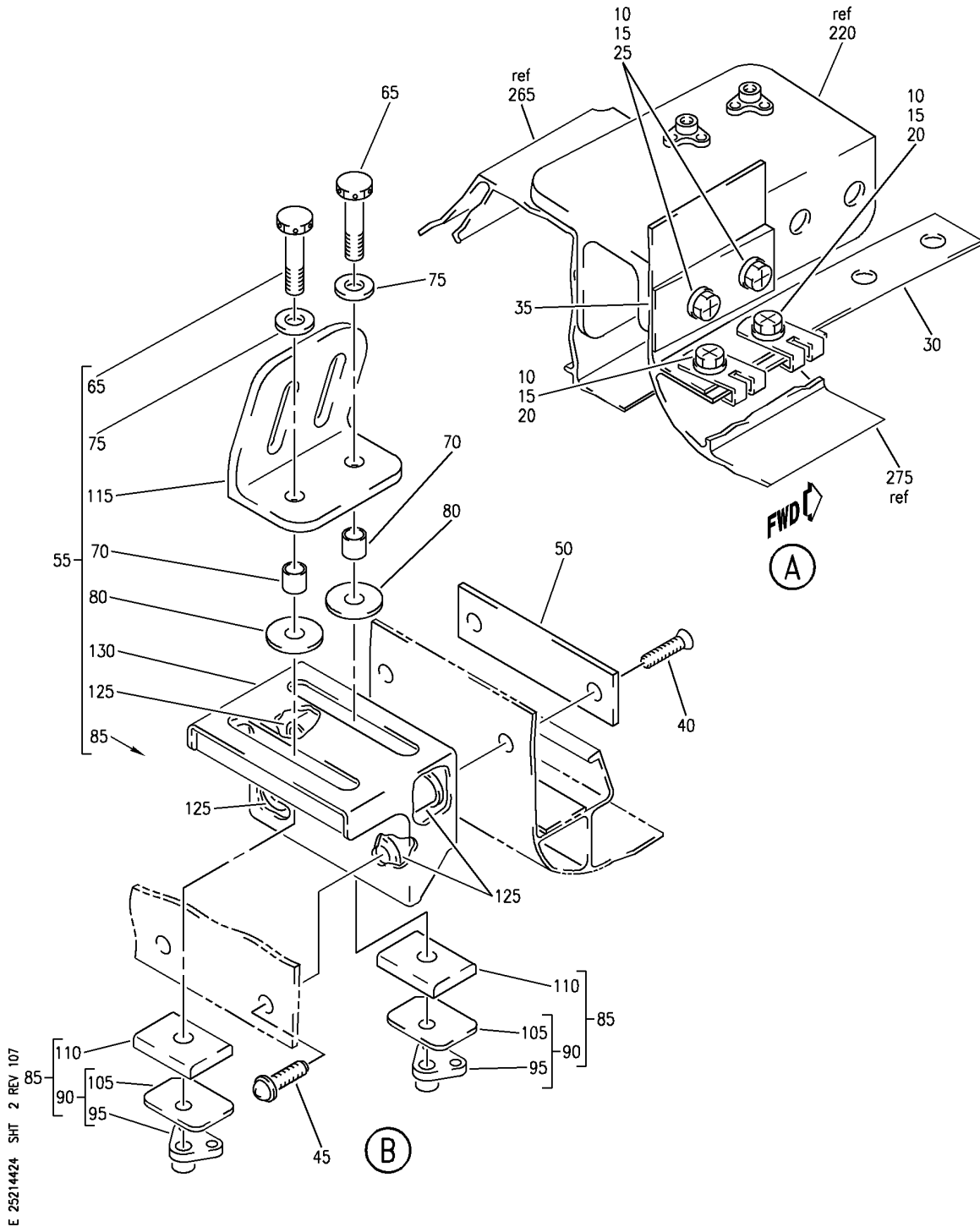
OUTLET ASSY-LH/RH SIDEWALL AIR CONDITIONING
 FIGURE 24 (SHEET 1)

25-21-44-24

HAP
FEB 10/07

25-21-44-24
 PAGE 0

BOEING
 737-600/700/800/900
 PARTS CATALOG (MAINTENANCE)



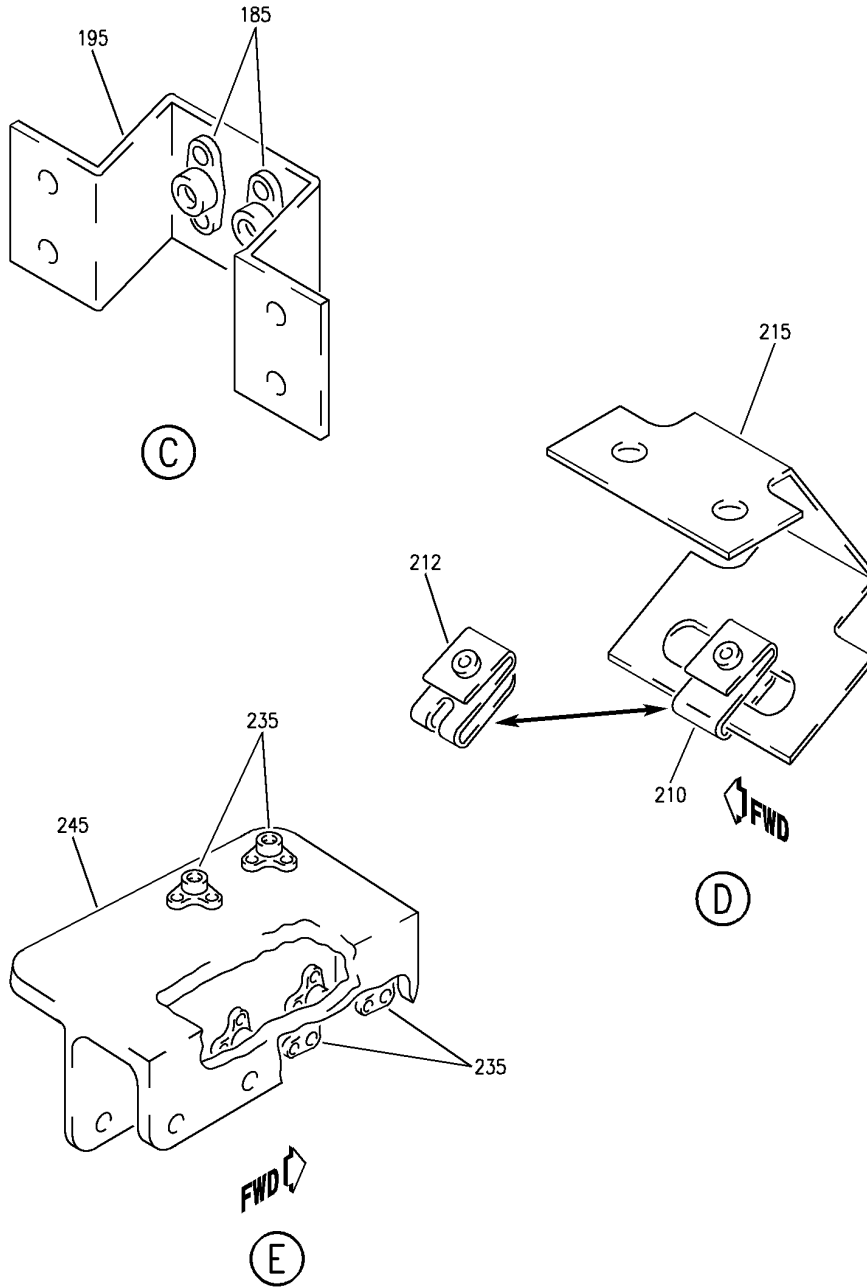
OUTLET ASSY-LH/RH SIDEWALL AIR CONDITIONING
 FIGURE 24 (SHEET 2)

25-21-44-24

HAP
 FEB 10/07

25-21-44-24
 PAGE 0A

BOEING
737-600/700/800/900
PARTS CATALOG (MAINTENANCE)



E 25214424 SHT 3 REV 107

OUTLET ASSY-LH/RH SIDEWALL AIR CONDITIONING
FIGURE 24 (SHEET 3)

25-21-44-24

HAP
FEB 10/07

25-21-44-24
PAGE 0B

BOEING
737-600/700/800/900
PARTS CATALOG (MAINTENANCE)

FIG ITEM	PART NUMBER	1 2 3 4 5 6 7	NOMENCLATURE	EFFECT FROM TO	UNITS PER ASSY
24			OUTLET ASSY-LH/RH SIDEWALL AIR CONDITIONING	101200 968999	
- 1	412A3103-2001SP		OUTLET ASSY-SIDEWALL AIR CONDITIONING POSITION DATA: LH FOR NHA SEE: 25-21-44-01	101200 968999	RF
- 5	412A3103-2002SP		OUTLET ASSY-SIDEWALL AIR CONDITIONING POSITION DATA: RH FOR NHA SEE: 25-21-44-01	101200 968999	RF
10	BACS12GU08K8		.SCREW	101103 968971	4
15	NAS1149DN816J		.WASHER	101103 968971	6
20	130008		.NUT SUPPLIER CODE: V60119 SPECIFICATION NUMBER: BACN10FX84 OPTIONAL PART: RM52LHA4972-6-8 V72962 SL211-08-1 V97393 A11330-6-82 V72962 A4972-6-82 V72962	101103 968971	2
25	MS21042L08		.NUT	101103 968971	2
30	65C27021-192		.DOUBLER	101103 968971	1
35	65C27021-190		.FILLER	101103 968971	1
40	BACS12ER3K9		.SCREW- OPTIONAL PART: BACB30VF3K3	101103 968971	4
40	BACB30VF3K3		.BOLT- OPTIONAL PART: BACS12ER3K9	101103 968971	4
45	BACS12FA3K8		.SCREW	101103 968971	4
50	65C27021-177		.DOUBLER	101103 968971	2

MISSING ITEM NUMBERS NOT APPLICABLE

- ITEM NOT ILLUSTRATED

HAP

25-21-44-24

25-21-44
FIG. 24
PAGE 1
OCT 15/08

BOEING
737-600/700/800/900
PARTS CATALOG (MAINTENANCE)

FIG ITEM	PART NUMBER	1 2 3 4 5 6 7	NOMENCLATURE	EFFECT FROM TO	UNITS PER ASSY
24					
55	412A3133-1	.FITTING ASSY- POSITION DATA: LH SIDE		101200 968999	2
55	412A3133-3	.FITTING ASSY- POSITION DATA: LH SIDE		101200 968999	2
- 60	412A3133-2	.FITTING ASSY- POSITION DATA: RH SIDE		101200 968999	2
- 60	412A3133-4	.FITTING ASSY- POSITION DATA: RH SIDE		101200 968999	2
65	BACB30NM3K6	..BOLT		101103 968971	2
70	NAS43DD3-21FC	..SPACER		101103 968971	2
75	NAS1149D0363J	..WASHER		101103 968971	2
80	412A2004-5	..BUSHING		101103 968971	2
85	412A2004-9	..BEARING ASSY-ANGLE		101103 968971	2
90	412A2004-6	...SUPPORT ASSY		101200 968999	1
95	T8078S1032NUTPLATE SUPPLIER CODE: V11815 SPECIFICATION NUMBER: BACN10JP3C OPTIONAL PART: MK3000-3BAC V15653 NS103199-02 V80539 RMA9205M3 V72962 VN203A1-02 V92215 BRM300A3 V52828 ATTACHING PARTS		101200 968999	1
- 100	BACR15BA3ADRIVET- SIZE DETERMINED ON INSTL. -----*-----		101200 968999	2
105	412A2004-7SUPPORT		101200 968999	1
110	412A2004-8	...BEARING		101200 968999	1

MISSING ITEM NUMBERS NOT APPLICABLE

- ITEM NOT ILLUSTRATED

HAP

25-21-44-24

BOEING PROPRIETARY - Copyright © - Unpublished Work - See title page for details.

25-21-44
FIG. 24
PAGE 2
OCT 15/08

BOEING
737-600/700/800/900
PARTS CATALOG (MAINTENANCE)

FIG ITEM	PART NUMBER	1 2 3 4 5 6 7	NOMENCLATURE	EFFECT FROM TO	UNITS PER ASSY
24					
115	412A2004-1	..	BRACKET-ANGLE POSITION DATA: LH SIDE	101200 968999	1
- 120	412A2004-2	..	BRACKET-ANGLE POSITION DATA: RH SIDE	101200 968999	1
125	BACS13CJ3L080P	..	INSERT	101103 968971	4
130	412A3134-1	..	HOUSING-SLIDER USED ON: 412A3133-1 412A3133-2	101103 968971	1
130	412A3134-2	..	HOUSING-SLIDER USED ON: 412A3133-3 412A3133-4	101200 968999	1
135	BACS12GU08K6	.	SCREW	101103 968971	2
140	NAS1149DN816J	.	WASHER	101103 968971	2
145	412A3137-1001SP	.	BEAM ASSY- POSITION DATA: LH SIDE	101200 968999	1
- 150	412A3137-1002SP	.	BEAM ASSY- POSITION DATA: RH SIDE	101200 968999	1
155	BACN10TL3A3	..	NUTPLATE	101103 968971	7
- 160	BACR15BB4DC	..	ATTACHING PARTS RIVET- SIZE DETERMINED ON INSTL. -----*-----	101103 968971	14
165	412N2008-1	..	CLIP	101103 968971	6
- 170	BACR15BA3ADC	..	ATTACHING PARTS RIVET- SIZE DETERMINED ON INSTL. -----*-----	101103 968971	12
175	65C27021-184	..	BRACKET ASSY	101103 968971	1
- 180	BACR15BA5ADC	..	ATTACHING PARTS RIVET- SIZE DETERMINED ON INSTL. -----*-----	101103 968971	4

MISSING ITEM NUMBERS NOT APPLICABLE

- ITEM NOT ILLUSTRATED

HAP

25-21-44-24

25-21-44
FIG. 24
PAGE 3
OCT 15/08

BOEING
737-600/700/800/900
PARTS CATALOG (MAINTENANCE)

FIG ITEM	PART NUMBER	1 2 3 4 5 6 7	NOMENCLATURE	EFFECT FROM TO	UNITS PER ASSY
24 185	T8076S832		...NUTPLATE SUPPLIER CODE: V11815 SPECIFICATION NUMBER: BACN10JP08A OPTIONAL PART: MK1000-08BAC V15653 NS103197-82 V80539 RMA9201M82 V72962 VN202A1-82 V92215 BRM200A08 V52828 ATTACHING PARTS	101200 968999	2
- 190	BACR15BA3AD		...RIVET- SIZE DETERMINED ON INSTL. -----*-----	101200 968999	4
195	65C27021-221		...BRACKET	101200 968999	1
200	65C36185-1		..BRACKET ASSY ATTACHING PARTS	101103 968971	3
- 205	BACR15BB4DC		..RIVET- SIZE DETERMINED ON INSTL. OPTIONAL PART: NAS1398D4A2	101103 968971	12
- 205	NAS1398D4A2		..RIVET- OPTIONAL PART: BACR15BB4DC -----*-----	101103 968971	12
210	130069		...NUT- SUPPLIER CODE: V60119 SPECIFICATION NUMBER: BACN10FX16 OPTIONAL PART: A11330-6-3 V72962 A4972-6-02 V72962 BACN10YD1	101200 968999	1

MISSING ITEM NUMBERS NOT APPLICABLE

- ITEM NOT ILLUSTRATED

HAP

25-21-44-24

BOEING PROPRIETARY - Copyright © - Unpublished Work - See title page for details.

25-21-44
FIG. 24
PAGE 4
FEB 15/09

BOEING
737-600/700/800/900
PARTS CATALOG (MAINTENANCE)

FIG ITEM	PART NUMBER	1 2 3 4 5 6 7	NOMENCLATURE	EFFECT FROM TO	UNITS PER ASSY
24 212	BRC600-8-3	...	NUT- SUPPLIER CODE: V52828 SPECIFICATION NUMBER: BACN10YD1 OPTIONAL PART: 130120 V60119 BACN10FX16	101200 968999	1
215	65C36185-2	...	BRACKET	101200 968999	1
220	65C27021-291	..	FITTING ASSY-SPLICE POSITION DATA: LH SIDE	101200 968999	1
- 225	65C27021-292	..	FITTING ASSY-SPLICE POSITION DATA: RH SIDE ATTACHING PARTS	101200 968999	1
- 230	BACR15BB5DC	..	RIVET- SIZE DETERMINED ON INSTL. -----*-----	101103 968971	4
235	T8078S832	...	NUTPLATE SUPPLIER CODE: V11815 SPECIFICATION NUMBER: BACN10JP08C OPTIONAL PART: MK3000-08BAC V15653 NS103199-82 V80539 RMA9205M82 V72962 VN203A1-82 V92215 BRM300A08 V52828 ATTACHING PARTS	101200 968999	6
- 240	BACR15BA3AD	...	RIVET- SIZE DETERMINED ON INSTL. -----*-----	101200 968999	12
245	65C27021-293	...	FITTING- POSITION DATA: LH SIDE	101200 968999	1
- 250	65C27021-294	...	FITTING- POSITION DATA: RH SIDE	101200 968999	1

MISSING ITEM NUMBERS NOT APPLICABLE

- ITEM NOT ILLUSTRATED

HAP

25-21-44-24

BOEING PROPRIETARY - Copyright © - Unpublished Work - See title page for details.

25-21-44
FIG. 24
PAGE 5
OCT 15/08

BOEING
737-600/700/800/900
PARTS CATALOG (MAINTENANCE)

FIG ITEM	PART NUMBER	1 2 3 4 5 6 7	NOMENCLATURE	EFFECT FROM TO	UNITS PER ASSY
24 255	412A3137-1005	..	INSULATOR- POSITION DATA: LH SIDE	101200 968999	1
- 260	412A3137-1006	..	INSULATOR- POSITION DATA: RH SIDE	101200 968999	1
265	412A3137-1003SP	..	BEAM- POSITION DATA: LH SIDE	101200 968999	1
- 270	412A3137-1004SP	..	BEAM- POSITION DATA: RH SIDE	101200 968999	1
275	412A3136-1001SP	.	BEAM- POSITION DATA: LH SIDE	101200 968999	1
- 280	412A3136-1002SP	.	BEAM- POSITION DATA: RH SIDE	101200 968999	1

MISSING ITEM NUMBERS NOT APPLICABLE

- ITEM NOT ILLUSTRATED

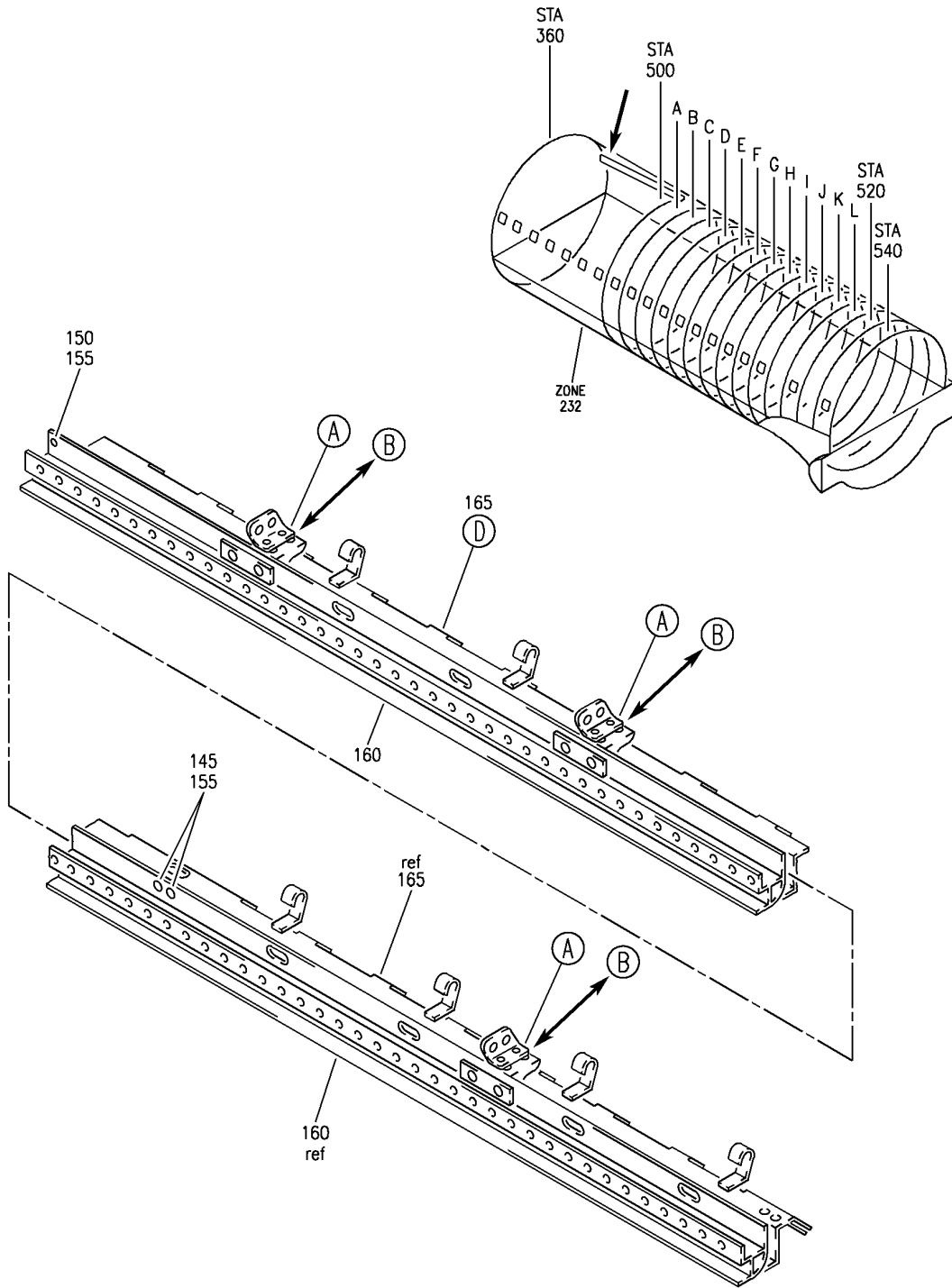
HAP

25-21-44-24

BOEING PROPRIETARY - Copyright © - Unpublished Work - See title page for details.

25-21-44
FIG. 24
PAGE 6
OCT 15/08

BOEING
 737-600/700/800/900
 PARTS CATALOG (MAINTENANCE)



E 252144-32A SHT 1 REV 112

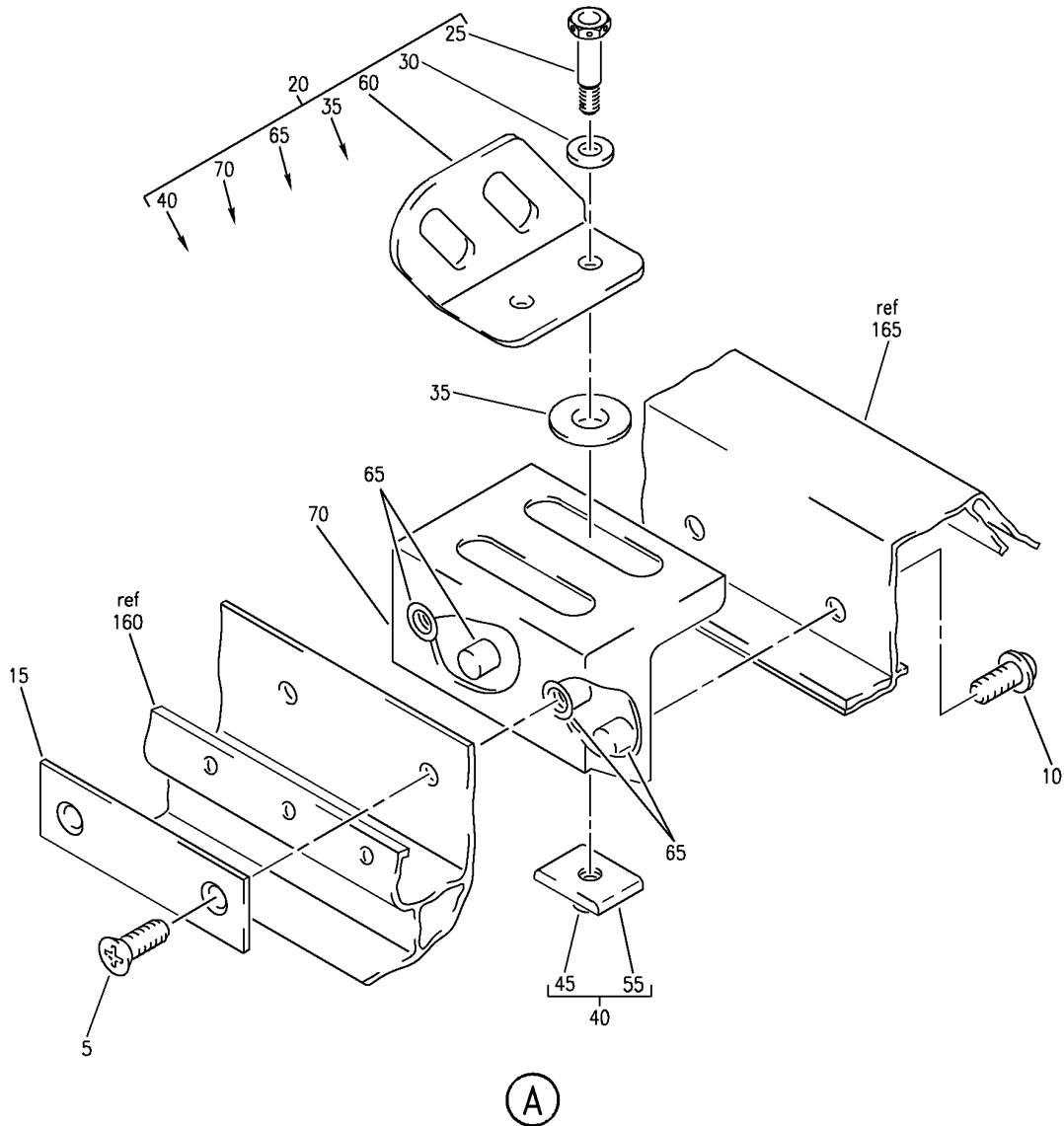
OUTLET ASSY-RH SIDEWALL AIR CONDITIONING
 FIGURE 32A (SHEET 1)

25-21-44-32A

HAP
 OCT 15/08

25-21-44-32A
 PAGE 0

BOEING
737-600/700/800/900
PARTS CATALOG (MAINTENANCE)



E 252144-32A SHT 2 REV 112

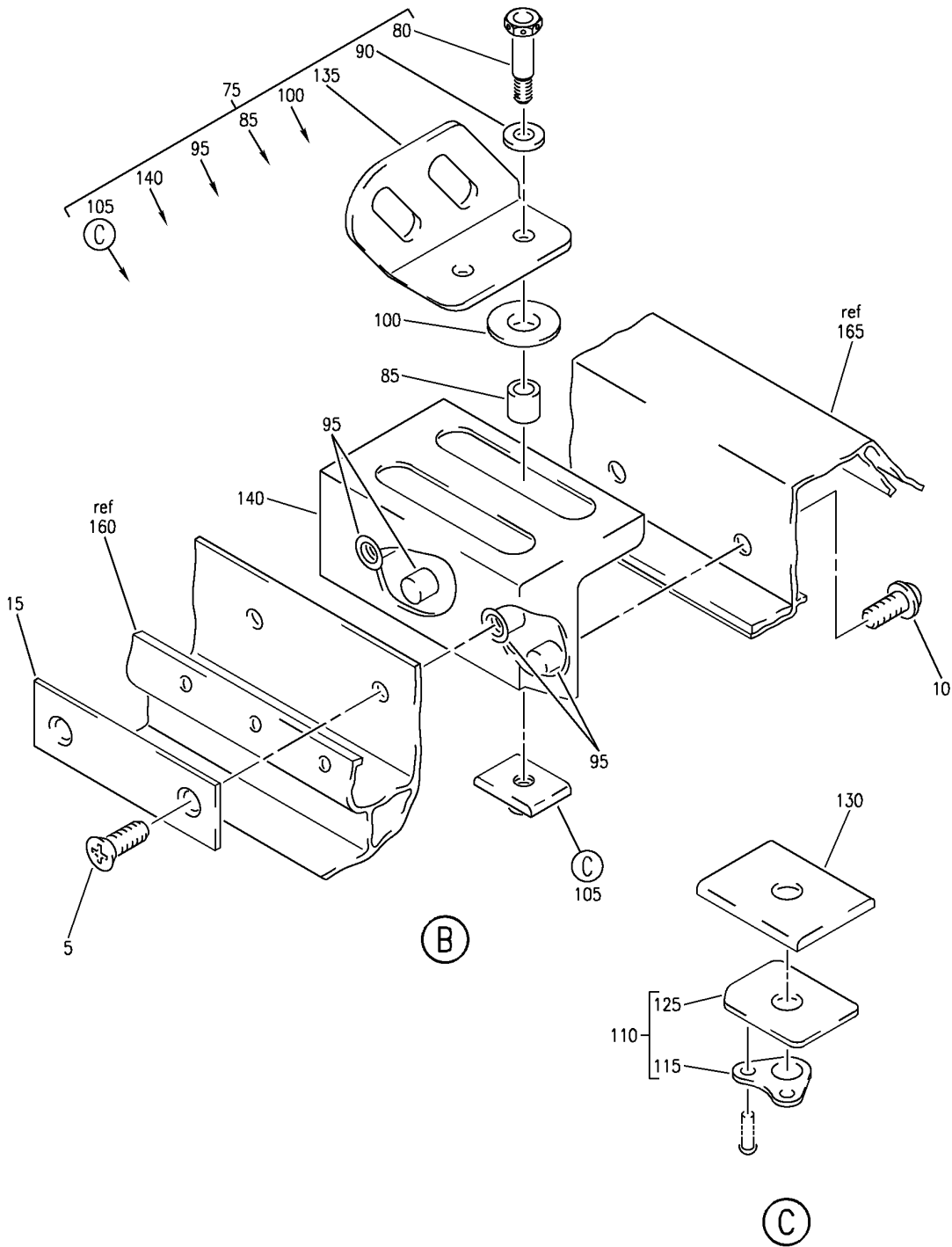
OUTLET ASSY-RH SIDEWALL AIR CONDITIONING
FIGURE 32A (SHEET 2)

25-21-44-32A

HAP
OCT 15/08

25-21-44-32A
PAGE 0A

BOEING
 737-600/700/800/900
 PARTS CATALOG (MAINTENANCE)



E 252144-32A SHT 3 REV 112

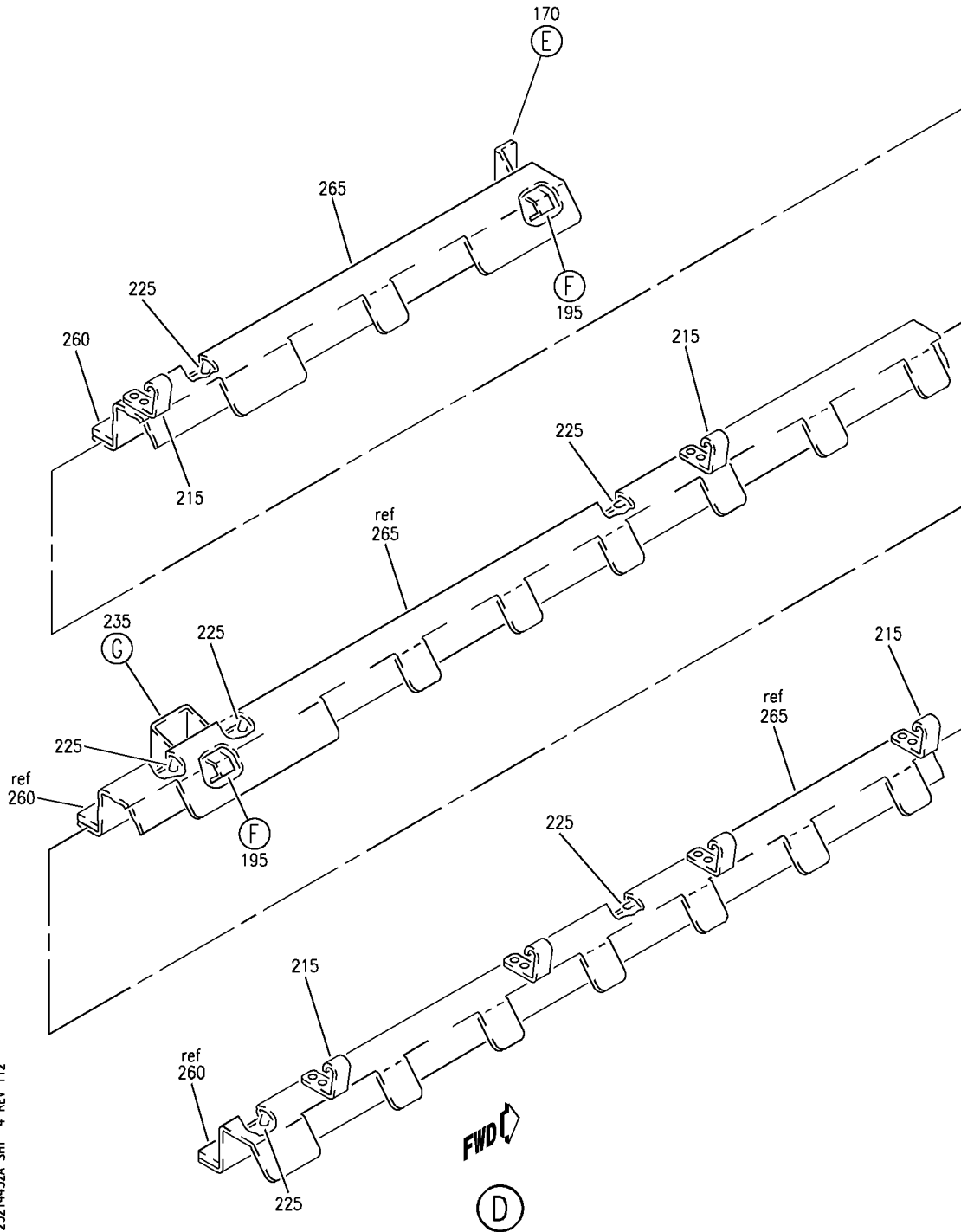
OUTLET ASSY-RH SIDEWALL AIR CONDITIONING
 FIGURE 32A (SHEET 3)

25-21-44-32A

HAP
 OCT 15/08

25-21-44-32A
 PAGE 0B

BOEING
 737-600/700/800/900
 PARTS CATALOG (MAINTENANCE)



E 252144-32A SHT 4 REV 112

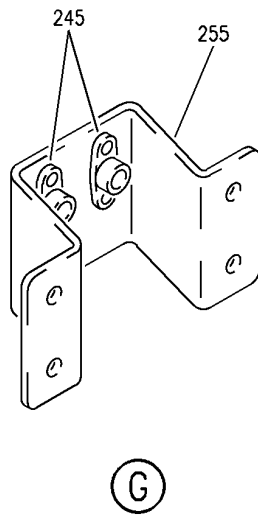
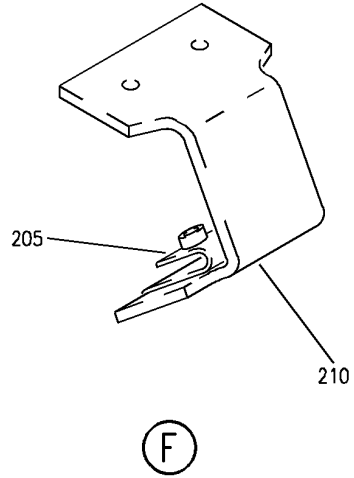
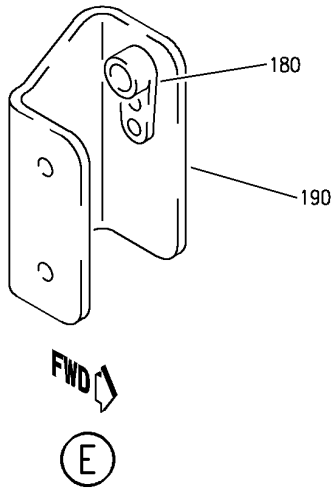
OUTLET ASSY-RH SIDEWALL AIR CONDITIONING
 FIGURE 32A (SHEET 4)

25-21-44-32A

HAP
 OCT 15/08

25-21-44-32A
 PAGE 0C

BOEING
737-600/700/800/900
PARTS CATALOG (MAINTENANCE)



E 252144-32A SHT 5 REV 112

OUTLET ASSY-RH SIDEWALL AIR CONDITIONING
FIGURE 32A (SHEET 5)

HAP
OCT 15/08

25-21-44-32A

25-21-44-32A
PAGE 0D

BOEING
737-600/700/800/900
PARTS CATALOG (MAINTENANCE)

FIG ITEM	PART NUMBER	1 2 3 4 5 6 7	NOMENCLATURE	EFFECT FROM TO	UNITS PER ASSY
32A			OUTLET ASSY-RH SIDEWALL AIR CONDITIONING	048100	
- 1	412A3103-2097SP		OUTLET ASSY-SIDEWALL AIR CONDITIONING POSITION DATA: RH FOR NHA SEE: 25-21-44-11A	048100	RF
	5 BACS12ER3K9	.	SCREW	048100	6
	10 BACS12FA3K8	.	SCREW	048100	6
	15 65C27021-177	.	DOUBLER-SPRT	048100	3
	75 412A3133-4	.	FITTING ASSY-	048100	3
	75 412A3133-2	.	FITTING ASSY-	048100	3
	80 BACB30NM3K6	..	BOLT	048100	2
	85 NAS43DD3-21FC	..	SPACER	048100	2
	90 NAS1149D0363J	..	WASHER	048100	2
	95 BACS13CJ3L080P	..	INSERT	048100	4
	100 412A2004-5	..	BUSHING	048100	2
	105 412A2004-9	..	BEARING ASSY	048100	2
	110 412A2004-6	...	SUPPORT ASSY	048100	1
	115 T8078S1032	NUTPLATE	048100	1
			SUPPLIER CODE: V11815		
			SPECIFICATION NUMBER: BACN10JP3C		
			OPTIONAL PART: MK3000-3BAC V15653 NS103199-02 V80539 RMA9205M3 V72962 VN203A1-02 V92215 BRM300A3 V52828		
			ATTACHING PARTS		
- 120	BACR15BA3AD	RIVET- SIZE DETERMINED ON INSTL. -----*-----	048100	2
	125 412A2004-7	SUPPORT	048100	1
	130 412A2004-8	...	BEARING	048100	1
	135 412A2004-2	..	BRACKET	048100	1
	140 412A3134-2	..	HOUSING- USED ON: 412A3133-4	048100	1
	140 412A3134-1	..	HOUSING- USED ON: 412A3133-2	048100	1

MISSING ITEM NUMBERS NOT APPLICABLE

- ITEM NOT ILLUSTRATED

HAP

25-21-44-32A

BOEING PROPRIETARY - Copyright © - Unpublished Work - See title page for details.

25-21-44
FIG. 32A
PAGE 1
OCT 15/08

BOEING
737-600/700/800/900
PARTS CATALOG (MAINTENANCE)

FIG ITEM	PART NUMBER	1 2 3 4 5 6 7	NOMENCLATURE	EFFECT FROM TO	UNITS PER ASSY
32A					
145	BACS12GU08K6	.	SCREW	048100	2
150	BACS12GU08K7	.	SCREW	048100	1
155	NAS1149DN816J	.	WASHER	048100	3
160	412A3136-1097SP	.	BEAM-	048100	1
165	412A3137-1257SP	.	BEAM ASSY-	048100	1
170	412A3101-2	..	BRACKET ASSY	048100	1
			ATTACHING PARTS		
- 175	BACR15BB5DC	..	RIVET-	048100	2
			SIZE DETERMINED ON INSTL.		
			-----*-----		
180	T8077S832BC	...	NUTPLATE	048100	1
			SUPPLIER CODE:		
			V11815		
			SPECIFICATION NUMBER:		
			BACN10JPO8BR		
			OPTIONAL PART:		
			MK2000-08BCBAC		
			V15653		
			NS103198-82BC		
			V80539		
			RMA9207M82BC		
			V72962		
			VN201A2-82		
			V92215		
			BRM100A08K		
			V52828		
			ATTACHING PARTS		
- 185	BACR15BA3ADC	...	RIVET-	048100	2
			SIZE DETERMINED ON INSTL.		
			-----*-----		
190	412A3101-4	...	BRACKET	048100	1
195	65C36185-1	..	BRACKET ASSY	048100	2
			ATTACHING PARTS		
- 200	BACR15BB4DC	..	RIVET-	048100	4
			SIZE DETERMINED ON INSTL.		
			OPTIONAL PART:		
			NAS1398D4A2		
- 200	NAS1398D4A2	..	RIVET-	048100	4
			SIZE DETERMINED ON INSTL.		
			OPTIONAL PART:		
			BACR15BB4DC		
			-----*-----		

MISSING ITEM NUMBERS NOT APPLICABLE

- ITEM NOT ILLUSTRATED

HAP

25-21-44-32A

BOEING PROPRIETARY - Copyright © - Unpublished Work - See title page for details.

25-21-44
FIG. 32A
PAGE 2
OCT 15/08

BOEING
737-600/700/800/900
PARTS CATALOG (MAINTENANCE)

FIG ITEM	PART NUMBER	1 2 3 4 5 6 7	NOMENCLATURE	EFFECT FROM TO	UNITS PER ASSY
32A 205	130069		...NUT- SUPPLIER CODE: V60119 SPECIFICATION NUMBER: BACN10FX16 OPTIONAL PART: A11330-6-3 V72962 A4972-6-02 V72962 BACN10YD1	048100	1
205	BRC600-8-3		...NUT- SUPPLIER CODE: V52828 SPECIFICATION NUMBER: BACN10YD1 OPTIONAL PART: 130120 V60119 BACN10FX16	048100	1
210	65C36185-2		...BRACKET	048100	1
215	412N2008-1		..CLIP-SPR ATTACHING PARTS	048100	6
- 220	BACR15BA3ADC		..RIVET- SIZE DETERMINED ON INSTL. -----*-----	048100	12
225	BACN10TL3A3		..NUTPLATE ATTACHING PARTS	048100	6
- 230	BACR15BB4DC		..RIVET- SIZE DETERMINED ON INSTL. -----*-----	048100	12
235	65C27021-184		..BRACKET ASSY ATTACHING PARTS	048100	1
- 240	BACR15BA5ADC		..RIVET- SIZE DETERMINED ON INSTL. -----*-----	048100	4

MISSING ITEM NUMBERS NOT APPLICABLE

- ITEM NOT ILLUSTRATED

HAP

25-21-44-32A

BOEING PROPRIETARY - Copyright © - Unpublished Work - See title page for details.

25-21-44
FIG. 32A
PAGE 3
FEB 15/09

BOEING
737-600/700/800/900
PARTS CATALOG (MAINTENANCE)

FIG ITEM	PART NUMBER	1 2 3 4 5 6 7	NOMENCLATURE	EFFECT FROM TO	UNITS PER ASSY
32A 245	T8076S832		...NUTPLATE SUPPLIER CODE: V11815 SPECIFICATION NUMBER: BACN10JP08A OPTIONAL PART: MK1000-08BAC V15653 NS103197-82 V80539 RMA9201M82 V72962 VN202A1-82 V92215 BRM200A08 V52828 ATTACHING PARTS	048100	2
- 250	BACR15BA3AD		...RIVET- SIZE DETERMINED ON INSTL. -----*-----	048100	4
255	65C27021-221		...BRACKET	048100	1
260	412A3137-1259		..INSULATOR-	048100	1
265	412A3137-1258SP		..BEAM-	048100	1

MISSING ITEM NUMBERS NOT APPLICABLE

- ITEM NOT ILLUSTRATED

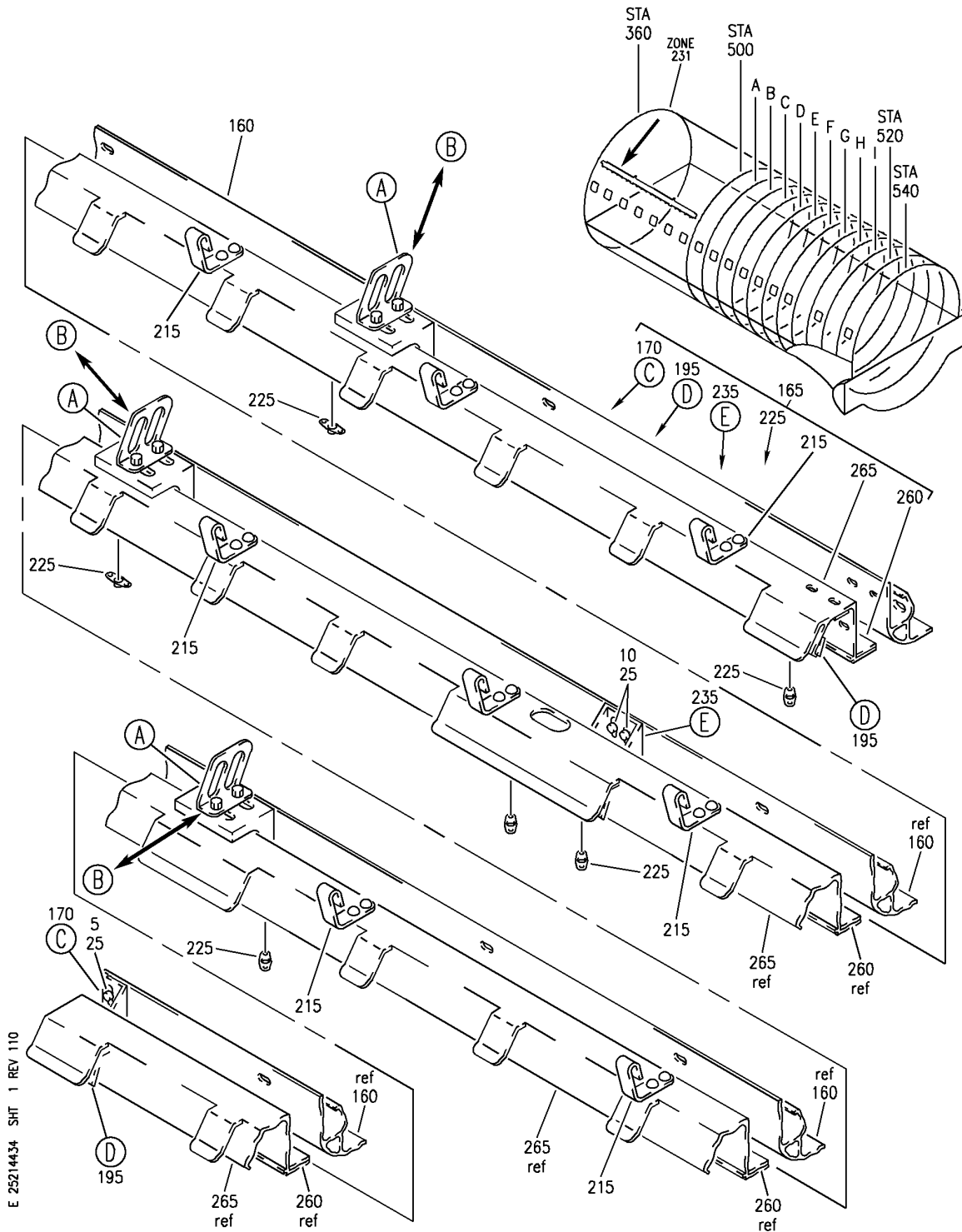
HAP

25-21-44-32A

BOEING PROPRIETARY - Copyright © - Unpublished Work - See title page for details.

25-21-44
FIG. 32A
PAGE 4
OCT 15/08


BOEING
 737-600/700/800/900
PARTS CATALOG (MAINTENANCE)



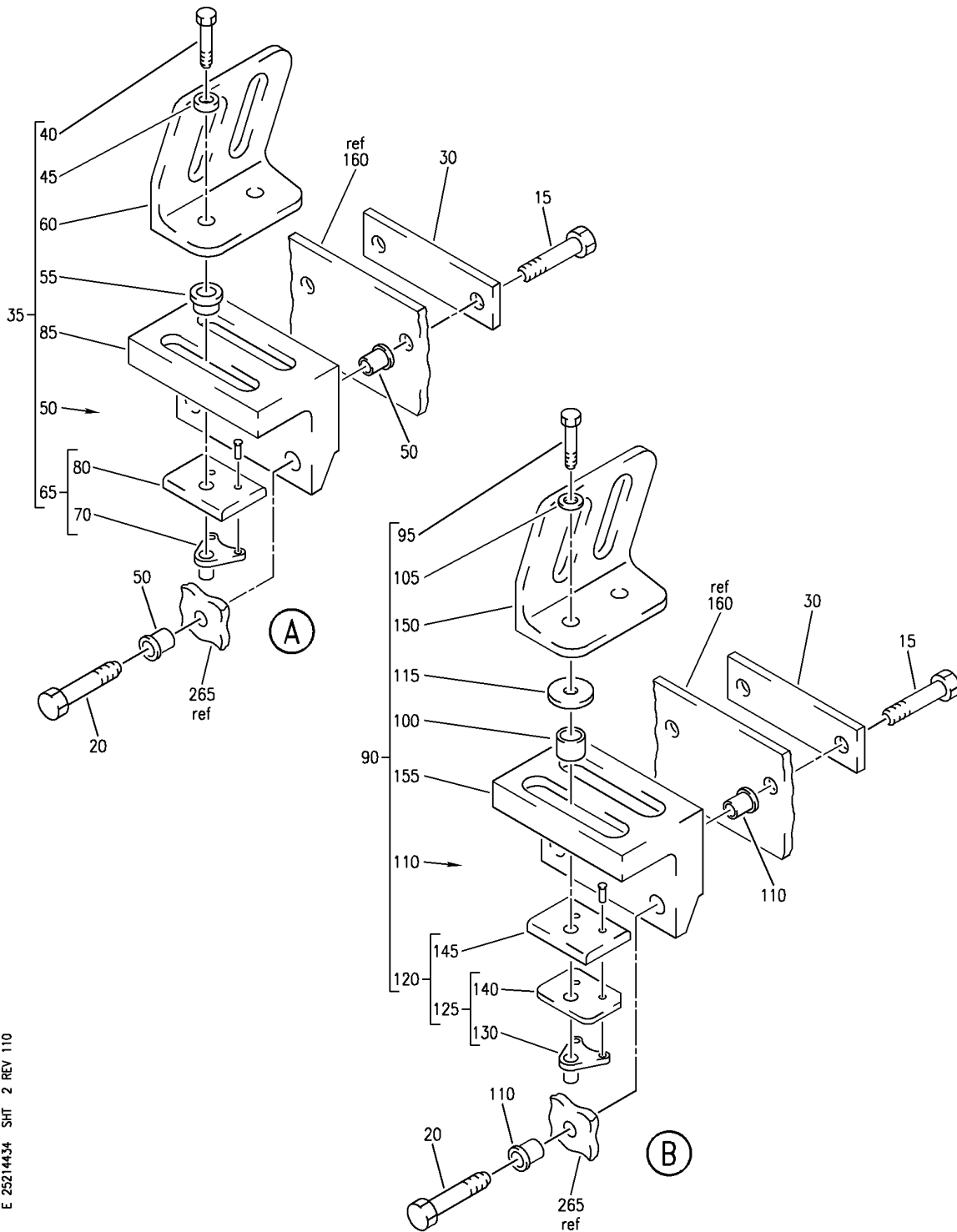
OUTLET ASSY-LH SIDEWALL AIR CONDITIONING
 FIGURE 34 (SHEET 1)

25-21-44-34

HAP
 OCT 10/06

25-21-44-34
 PAGE 0

BOEING
 737-600/700/800/900
 PARTS CATALOG (MAINTENANCE)



E 25214434 SHT 2 REV 110

OUTLET ASSY-LH SIDEWALL AIR CONDITIONING
 FIGURE 34 (SHEET 2)

25-21-44-34

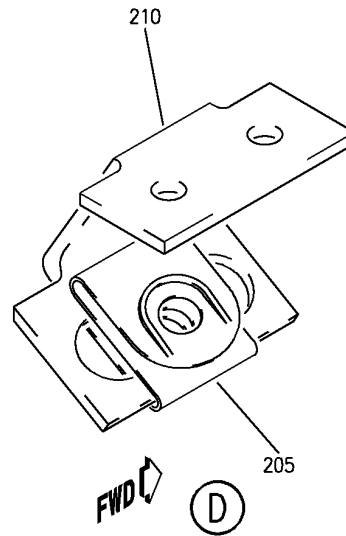
HAP
 OCT 10/06

25-21-44-34
 PAGE 0A

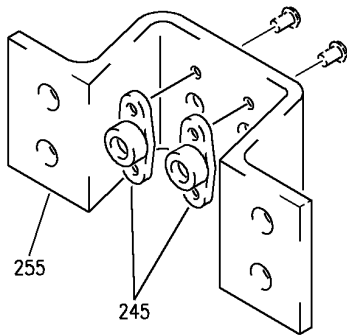
BOEING
 737-600/700/800/900
 PARTS CATALOG (MAINTENANCE)



(C)



(D)



(E)

E 25214434 SH 3 REV 110

OUTLET ASSY-LH SIDEWALL AIR CONDITIONING
 FIGURE 34 (SHEET 3)

25-21-44-34

HAP
 OCT 10/06

25-21-44-34
 PAGE 0B

BOEING
737-600/700/800/900
PARTS CATALOG (MAINTENANCE)

FIG ITEM	PART NUMBER	1 2 3 4 5 6 7	NOMENCLATURE	EFFECT FROM TO	UNITS PER ASSY
34			OUTLET ASSY-LH SIDEWALL AIR CONDITIONING	001030	
- 1	412A3103-1081SP		OUTLET ASSY-SIDEWALL AIR CONDITIONING POSITION DATA: LH POST SERVICE BULLETIN: 25-1360 PRE SERVICE BULLETIN: 25-1542 FOR NHA SEE: 25-21-44-13	001030	RF
	5 BACS12GU08K7	.SCREW		001030	1
	10 BACS12GU08K6	.SCREW		001030	2
	15 BACS12ER3K9	.SCREW		001030	6
	20 BACS12FA3K8	.SCREW		001030	6
	25 NAS1149DN816J	.WASHER		001030	3
	30 65C27021-177	.DOUBLER-SPRT		001030	3
	35 412N3133-23	.FITTING ASSY-		001030	3
	40 BACB30NM3K5	..BOLT		001030	2
	45 AN960JD10LL	..WASHER		001030	2
	50 BACS13CJ3L080P	..INSERT		001030	4
	55 412N2004-55	..BUSHING		001030	2
	60 65C27021-459	..BRACKET		001030	1
	65 65C27021-463	..FILLER ASSY-RADIUS		001030	2
	70 T8078S1032	...NUTPLATE		001030	1
		SUPPLIER CODE: V11815			
		SPECIFICATION NUMBER: BACN10JP3C			
		OPTIONAL PART: MK3000-3BAC V15653 NS103199-02 V80539 RMA9205M3 V72962 VN203A1-02 V92215 BRM300A3 V52828			
		ATTACHING PARTS			
- 75	BACR15BA3AD	...RIVET-		001030	2
		SIZE DETERMINED ON INSTL. -----*-----			
	80 65C27021-464	...FILLER		001030	1
	85 412N3134-1	..CASTING		001030	1
	90 412A3133-3	.FITTING ASSY-		001030	3
	90 412A3133-1	.FITTING ASSY-		001030	3

MISSING ITEM NUMBERS NOT APPLICABLE

- ITEM NOT ILLUSTRATED

HAP

25-21-44-34

25-21-44
FIG. 34
PAGE 1
OCT 15/08

BOEING
737-600/700/800/900
PARTS CATALOG (MAINTENANCE)

FIG ITEM	PART NUMBER	1 2 3 4 5 6 7	NOMENCLATURE	EFFECT FROM TO	UNITS PER ASSY
34					
95	BACB30NM3K6	..	BOLT	001030	2
100	NAS43DD3-21FC	..	SPACER	001030	2
105	NAS1149D0363J	..	WASHER	001030	2
110	BACS13CJ3L080P	..	INSERT	001030	4
115	412A2004-5	..	BUSHING	001030	2
120	412A2004-9	..	BEARING ASSY	001030	2
125	412A2004-6	...	SUPPORT ASSY	001030	1
130	T8078S1032	NUTPLATE	001030	1
			SUPPLIER CODE: V11815		
			SPECIFICATION NUMBER: BACN10JP3C		
			OPTIONAL PART: MK3000-3BAC V15653 NS103199-02 V80539 RMA9205M3 V72962 VN203A1-02 V92215 BRM300A3 V52828		
			ATTACHING PARTS		
- 135	BACR15BA3AD	RIVET- SIZE DETERMINED ON INSTL. -----*-----	001030	2
140	412A2004-7	SUPPORT	001030	1
145	412A2004-8	...	BEARING	001030	1
150	412A2004-1	..	BRACKET	001030	1
155	412A3134-2	..	HOUSING- USED ON: 412A3133-3	001030	1
155	412A3134-1	..	HOUSING- USED ON: 412A3133-1	001030	1
160	412A3136-1081SP	.	BEAM	001030	1
165	412A3137-1215SP	.	BEAM ASSY	001030	1
170	412A3101-1	..	BRACKET ASSY ATTACHING PARTS	001030	1
- 175	BACR15BB5DC	..	RIVET- SIZE DETERMINED ON INSTL. -----*-----	001030	2

MISSING ITEM NUMBERS NOT APPLICABLE

- ITEM NOT ILLUSTRATED

HAP

25-21-44-34

BOEING PROPRIETARY - Copyright © - Unpublished Work - See title page for details.

25-21-44
FIG. 34
PAGE 2
OCT 15/08

BOEING
737-600/700/800/900
PARTS CATALOG (MAINTENANCE)

FIG ITEM	PART NUMBER	1 2 3 4 5 6 7	NOMENCLATURE	EFFECT FROM TO	UNITS PER ASSY
34 180	T8077S832BC		...NUTPLATE SUPPLIER CODE: V11815 SPECIFICATION NUMBER: BACN10JP08BR OPTIONAL PART: MK2000-08BCBAC V15653 NS103198-82BC V80539 RMA9207M82BC V72962 VN201A2-82 V92215 BRM100A08K V52828	001030	1
- 185	BACR15BA3ADC		ATTACHING PARTS ...RIVET- SIZE DETERMINED ON INSTL. -----*-----	001030	2
190	412A3101-3		...BRACKET	001030	1
195	65C36185-1		..BRACKET ASSY ATTACHING PARTS	001030	2
- 200	BACR15BB4DC		..RIVET- SIZE DETERMINED ON INSTL. -----*-----	001030	4
205	130069		...NUT- SUPPLIER CODE: V60119 SPECIFICATION NUMBER: BACN10FX16 OPTIONAL PART: A11330-6-3 V72962 A4972-6-02 V72962 BACN10YD1	001030	1
205	BRC600-8-3		...NUT- SUPPLIER CODE: V52828 SPECIFICATION NUMBER: BACN10YD1 OPTIONAL PART: 130120 V60119 BACN10FX16	001030	1
210	65C36185-2		...BRACKET	001030	1
215	412N2008-1		..CLIP	001030	8

MISSING ITEM NUMBERS NOT APPLICABLE

- ITEM NOT ILLUSTRATED

HAP

25-21-44-34

BOEING PROPRIETARY - Copyright © - Unpublished Work - See title page for details.

25-21-44
FIG. 34
PAGE 3
FEB 15/09

BOEING
737-600/700/800/900
PARTS CATALOG (MAINTENANCE)

FIG ITEM	PART NUMBER	1 2 3 4 5 6 7	NOMENCLATURE	EFFECT FROM TO	UNITS PER ASSY
34			ATTACHING PARTS		
- 220	BACR15BA3ADC	..	RIVET- SIZE DETERMINED ON INSTL. -----*-----	001030	16
225	BACN10TL3A3	..	NUTPLATE	001030	6
- 230	BACR15BB4DC	..	RIVET- SIZE DETERMINED ON INSTL. -----*-----	001030	12
235	65C27021-184	..	BRACKET ASSY	001030	1
- 240	BACR15BA5ADC	..	RIVET- SIZE DETERMINED ON INSTL. -----*-----	001030	4
245	T8076S832	...	NUTPLATE SUPPLIER CODE: V11815 SPECIFICATION NUMBER: BACN10JP08A OPTIONAL PART: MK1000-08BAC V15653 NS103197-82 V80539 RMA9201M82 V72962 VN202A1-82 V92215 BRM200A08 V52828	001030	2
- 250	BACR15BA3AD	...	RIVET- SIZE DETERMINED ON INSTL. -----*-----	001030	4
255	65C27021-221	...	BRACKET	001030	1
260	412A3137-1217	..	INSULATOR	001030	1
265	412A3137-1216SP	..	BEAM	001030	1

MISSING ITEM NUMBERS NOT APPLICABLE

- ITEM NOT ILLUSTRATED

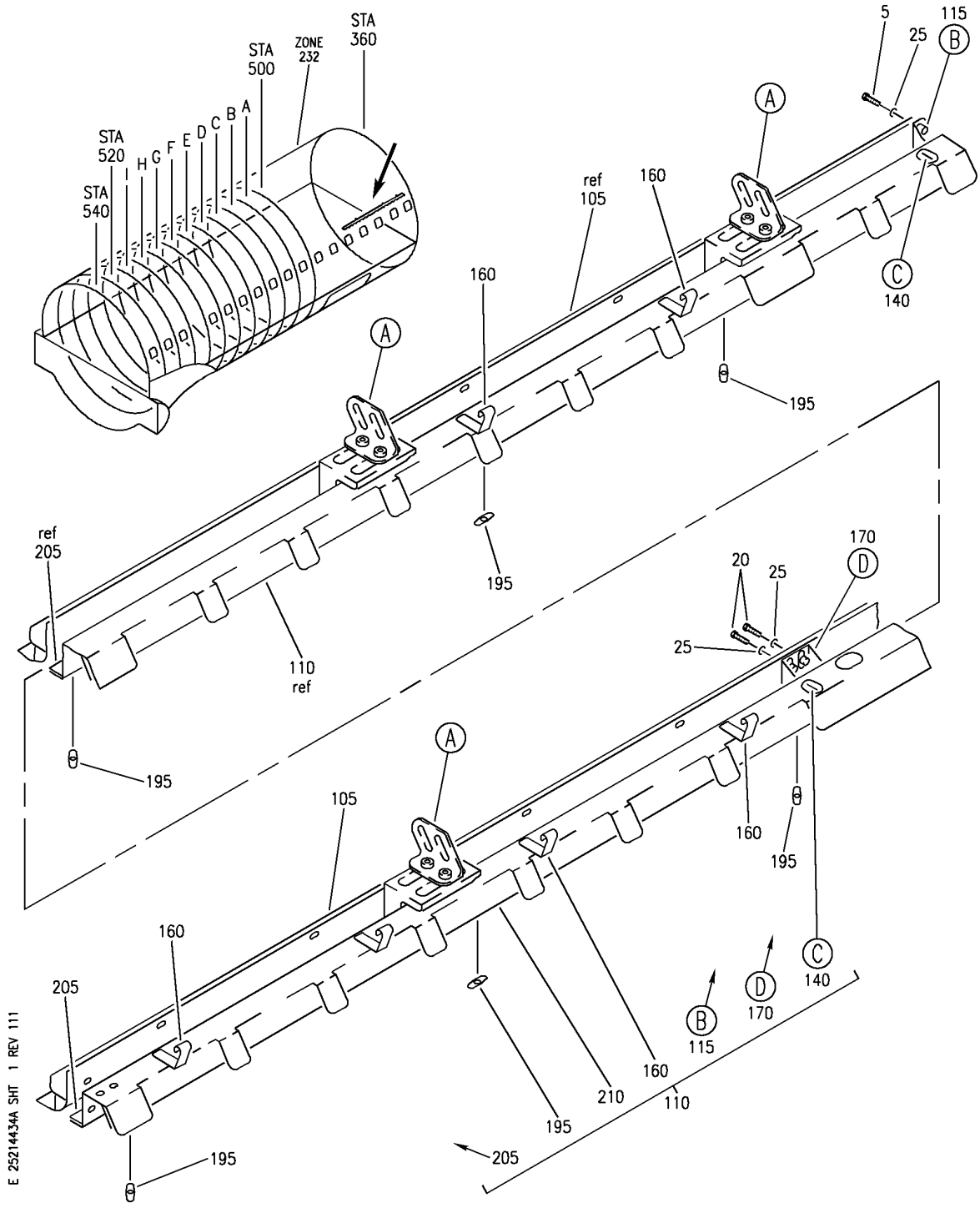
HAP

25-21-44-34

BOEING PROPRIETARY - Copyright © - Unpublished Work - See title page for details.

25-21-44
FIG. 34
PAGE 4
FEB 15/09


BOEING
 737-600/700/800/900
PARTS CATALOG (MAINTENANCE)



E 252144-34A SHT 1 REV 111

OUTLET ASSY-RH SIDEWALL AIR CONDITIONING
 FIGURE 34A (SHEET 1)

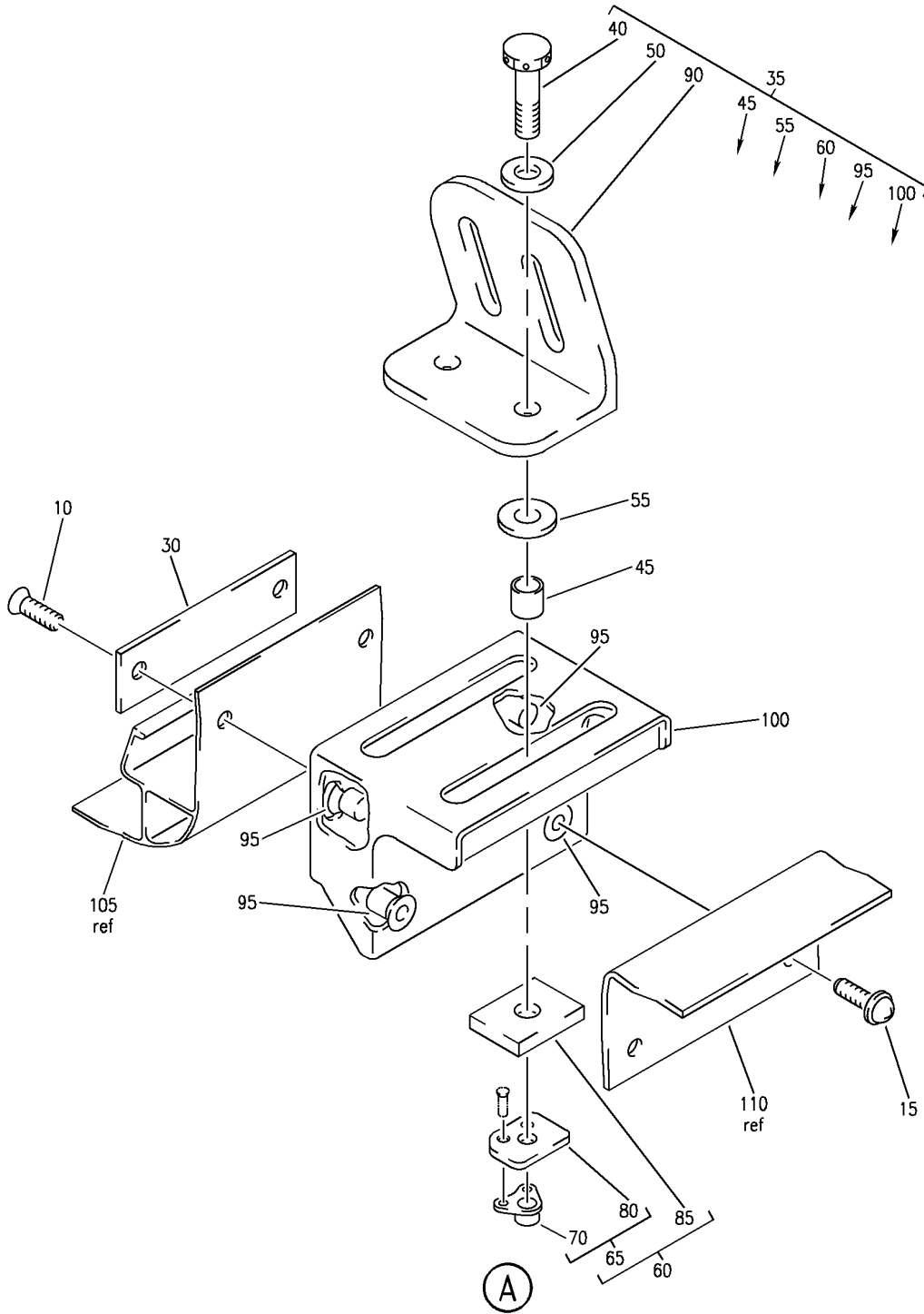
25-21-44-34A

HAP
OCT 10/06

25-21-44-34A
 PAGE 0

BOEING PROPRIETARY - Copyright © - Unpublished Work - See title page for details.

BOEING
 737-600/700/800/900
 PARTS CATALOG (MAINTENANCE)



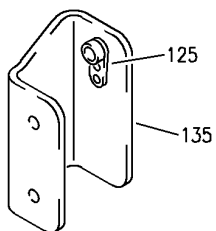
E 252144-34A SHT 2 REV 111

OUTLET ASSY-RH SIDEWALL AIR CONDITIONING
 FIGURE 34A (SHEET 2)

25-21-44-34A

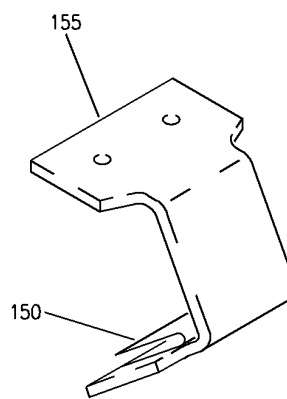
HAP
 OCT 10/06

25-21-44-34A
 PAGE 0A

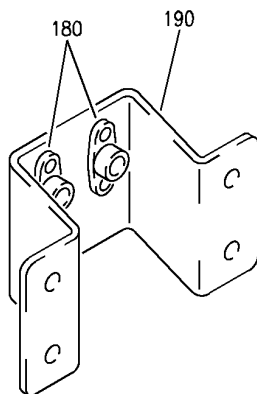


FWD ↗

(B)



(C)



(D)

E 252144-34A SHT 3 REV 111

OUTLET ASSY-RH SIDEWALL AIR CONDITIONING
FIGURE 34A (SHEET 3)

25-21-44-34A

HAP
OCT 10/06

25-21-44-34A
PAGE 0B

BOEING
737-600/700/800/900
PARTS CATALOG (MAINTENANCE)

FIG ITEM	PART NUMBER	1 2 3 4 5 6 7	NOMENCLATURE	EFFECT FROM TO	UNITS PER ASSY
34A			OUTLET ASSY-RH SIDEWALL AIR CONDITIONING	031047	
- 1	412A3103-2082SP		OUTLET ASSY-SIDEWALL AIR CONDITIONING POSITION DATA: RH FOR NHA SEE: 25-21-44-13A	031047	RF
	5 BACS12GU08K7	.	SCREW	031047	1
	10 BACS12ER3K9	.	SCREW	031047	6
	15 BACS12FA3K8	.	SCREW	031047	6
	20 BACS12GU08K6	.	SCREW	031047	2
	25 NAS1149DN816J	.	WASHER	031047	3
	30 65C27021-177	.	DOUBLER-SPRT	031047	3
	35 412A3133-4	.	FITTING ASSY-	031047	3
	35 412A3133-2	.	FITTING ASSY-	031047	3
	40 BACB30NM3K6	..	BOLT	031047	2
	45 NAS43DD3-21FC	..	SPACER	031047	2
	50 NAS1149D0363J	..	WASHER	031047	2
	55 412A2004-5	..	BUSHING	031047	2
	60 412A2004-9	..	BEARING ASSY-ANGLE	031047	2
	65 412A2004-6	...	SUPPORT ASSY	031047	1
	70 T8078S1032	NUTPLATE SUPPLIER CODE: V11815 SPECIFICATION NUMBER: BACN10JP3C OPTIONAL PART: MK3000-3BAC V15653 NS103199-02 V80539 RMA9205M3 V72962 VN203A1-02 V92215 BRM300A3 V52828	031047	1
- 75	BACR15BA3AD	RIVET- SIZE DETERMINED ON INSTL. -----*-----	031047	2
	80 412A2004-7	SUPPORT	031047	1
	85 412A2004-8	...	BEARING	031047	1
	90 412A2004-2	..	BRACKET-ANGLE	031047	1
	95 BACS13CJ3L080P	..	INSERT	031047	4
	100 412N3134-2	..	CASTING-SPRT	031047	1
	105 412A3136-1082SP	.	BEAM	031047	1
	110 412A3137-1218SP	.	BEAM ASSY	031047	1

MISSING ITEM NUMBERS NOT APPLICABLE

- ITEM NOT ILLUSTRATED

HAP

25-21-44-34A

BOEING PROPRIETARY - Copyright © - Unpublished Work - See title page for details.

25-21-44
FIG. 34A
PAGE 1
OCT 15/08

BOEING
737-600/700/800/900
PARTS CATALOG (MAINTENANCE)

FIG ITEM	PART NUMBER	1 2 3 4 5 6 7	NOMENCLATURE	EFFECT FROM TO	UNITS PER ASSY
34A 115	412A3101-2		..BRACKET ASSY ATTACHING PARTS	031047	1
- 120	BACR15BB5DC		..RIVET- SIZE DETERMINED ON INSTL. -----*-----	031047	2
125	T8077S832BC		...NUTPLATE SUPPLIER CODE: V11815 SPECIFICATION NUMBER: BACN10JP08BR OPTIONAL PART: MK2000-08BCBAC V15653 NS103198-82BC V80539 RMA9207M82BC V72962 VN201A2-82 V92215 BRM100A08K V52828 ATTACHING PARTS	031047	1
- 130	BACR15BA3ADC		...RIVET- SIZE DETERMINED ON INSTL. -----*-----	031047	2
135	412A3101-4		...BRACKET	031047	1
140	65C36185-1		..BRACKET ASSY ATTACHING PARTS	031047	2
- 145	BACR15BB4DC		..RIVET- SIZE DETERMINED ON INSTL. -----*-----	031047	4
150	BRC600-8-3		...NUT- SUPPLIER CODE: V52828 SPECIFICATION NUMBER: BACN10YD1 OPTIONAL PART: 130120 V60119 BACN10FX16	031047	1

MISSING ITEM NUMBERS NOT APPLICABLE

- ITEM NOT ILLUSTRATED

HAP

25-21-44-34A

BOEING PROPRIETARY - Copyright © - Unpublished Work - See title page for details.

25-21-44
FIG. 34A
PAGE 2
OCT 15/08

BOEING
737-600/700/800/900
PARTS CATALOG (MAINTENANCE)

FIG ITEM	PART NUMBER	1 2 3 4 5 6 7	NOMENCLATURE	EFFECT FROM TO	UNITS PER ASSY
34A 150	130069		...NUT- SUPPLIER CODE: V60119 SPECIFICATION NUMBER: BACN10FX16 OPTIONAL PART: A11330-6-3 V72962 A4972-6-02 V72962 BACN10YD1	031047	1
155	65C36185-2		...BRACKET	031047	1
160	412N2008-1		..CLIP ATTACHING PARTS	031047	6
- 165	BACR15BA3ADC		..RIVET- SIZE DETERMINED ON INSTL. -----*-----	031047	12
170	65C27021-184		..BRACKET ASSY ATTACHING PARTS	031047	1
- 175	BACR15BA5ADC		..RIVET- SIZE DETERMINED ON INSTL. -----*-----	031047	4
180	T8076S832		...NUTPLATE SUPPLIER CODE: V11815 SPECIFICATION NUMBER: BACN10JP08A OPTIONAL PART: MK1000-08BAC V15653 NS103197-82 V80539 RMA9201M82 V72962 VN202A1-82 V92215 BRM200A08 V52828 ATTACHING PARTS	031047	2
- 185	BACR15BA3AD		...RIVET- SIZE DETERMINED ON INSTL. -----*-----	031047	4
190	65C27021-221		...BRACKET	031047	1
195	BACN10TL3A3		..NUTPLATE ATTACHING PARTS	031047	6
- 200	BACR15BB4DC		..RIVET- SIZE DETERMINED ON INSTL. -----*-----	031047	12
205	412A3137-1217		..INSULATOR	031047	1

MISSING ITEM NUMBERS NOT APPLICABLE

- ITEM NOT ILLUSTRATED

HAP

25-21-44-34A

BOEING PROPRIETARY - Copyright © - Unpublished Work - See title page for details.

25-21-44
FIG. 34A
PAGE 3
FEB 15/09


BOEING
 737-600/700/800/900
PARTS CATALOG (MAINTENANCE)

FIG ITEM	PART NUMBER	1 2 3 4 5 6 7 NOMENCLATURE	EFFECT FROM TO	UNITS PER ASSY
34A 210	412A3137-1219SP	. . BEAM	031047	1

MISSING ITEM NUMBERS NOT APPLICABLE

— ITEM NOT ILLUSTRATED

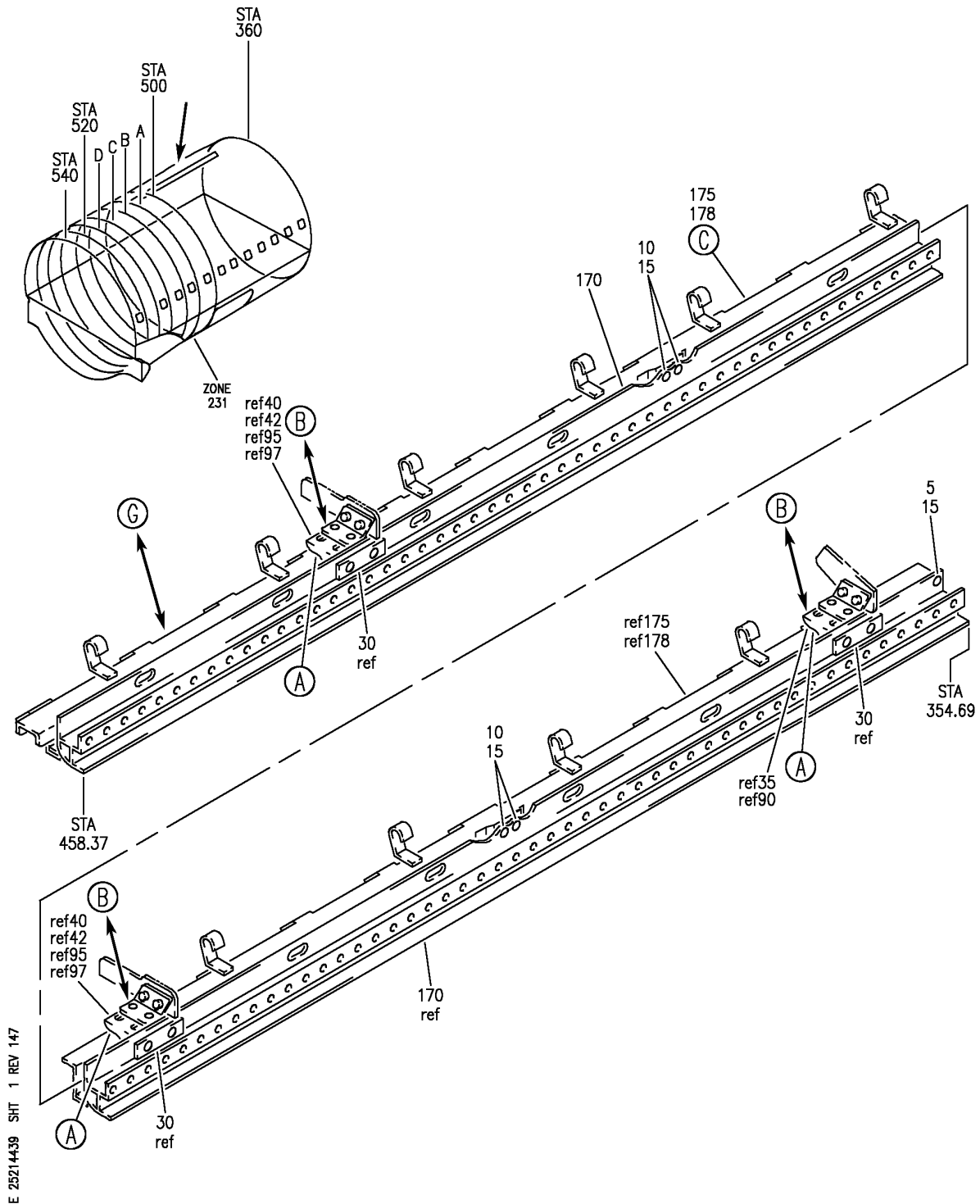
HAP

25-21-44-34A

BOEING PROPRIETARY - Copyright © - Unpublished Work - See title page for details.

25-21-44
 FIG. 34A
 PAGE 4
 FEB 15/09


BOEING
 737-600/700/800/900
 PARTS CATALOG (MAINTENANCE)



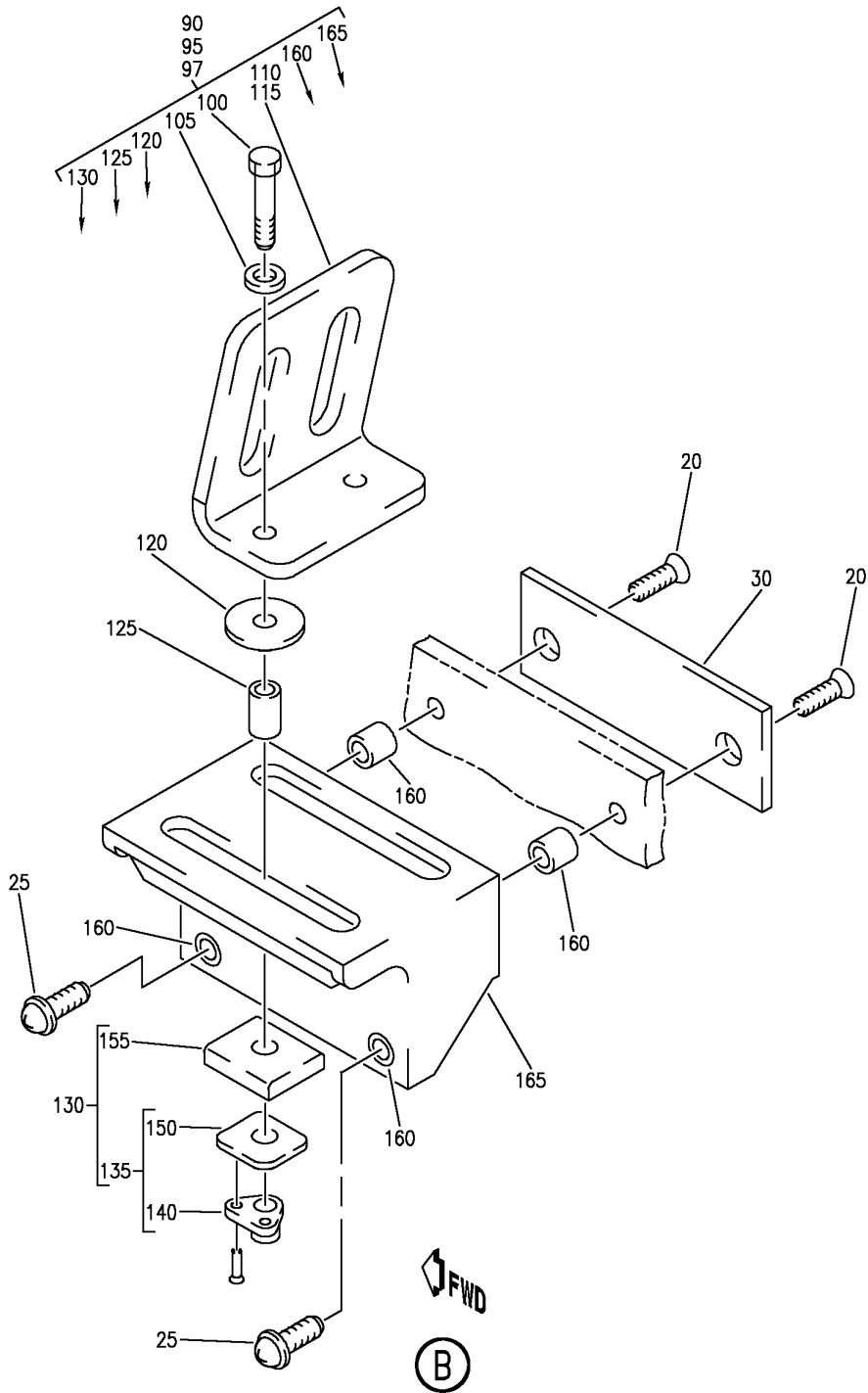
OUTLET ASSY-LH SIDEWALL AIR CONDITIONING
 FIGURE 39 (SHEET 1)

25-21-44-39

HAP
 OCT 15/08

25-21-44-39
 PAGE 0

BOEING
 737-600/700/800/900
 PARTS CATALOG (MAINTENANCE)



E 25214439 SH1 3 REV 147

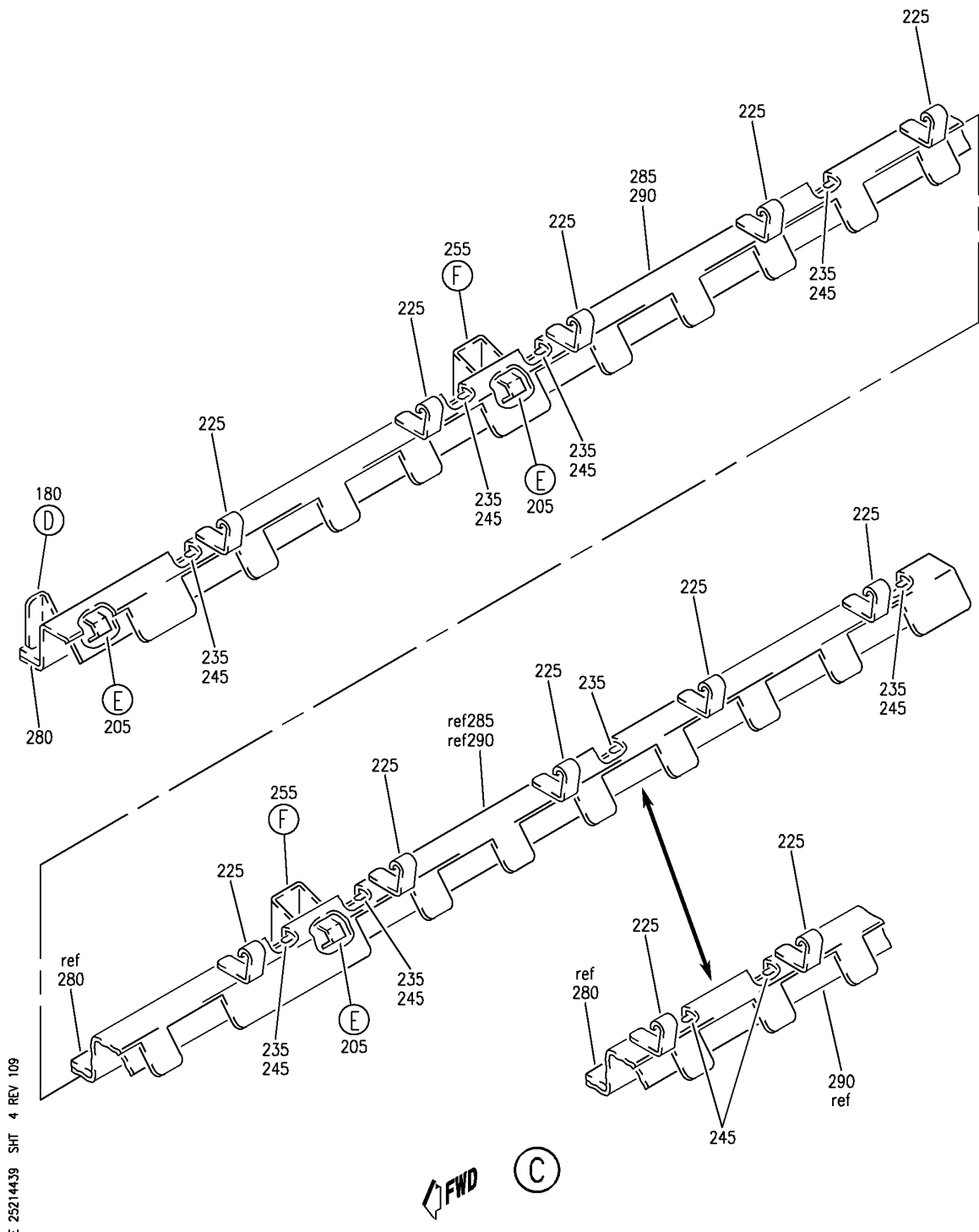
OUTLET ASSY-LH SIDEWALL AIR CONDITIONING
 FIGURE 39 (SHEET 3)

25-21-44-39

HAP
 OCT 15/08

25-21-44-39
 PAGE 0B

BOEING
 737-600/700/800/900
 PARTS CATALOG (MAINTENANCE)



E 252144-39 SHT 4 REV 109

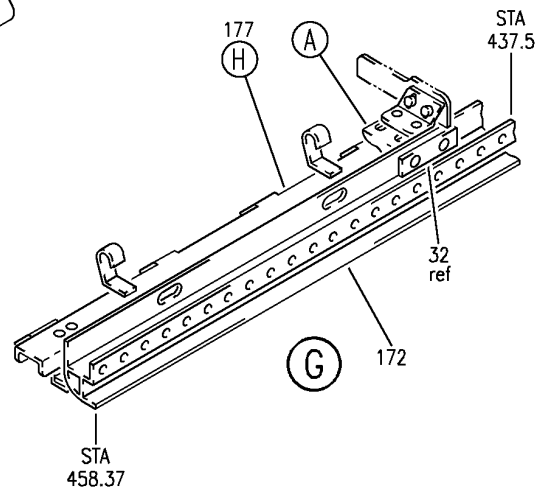
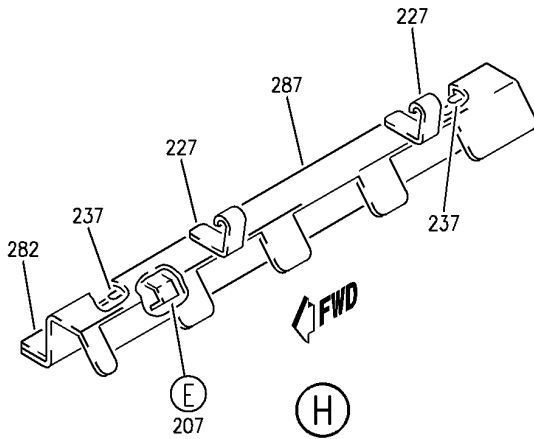
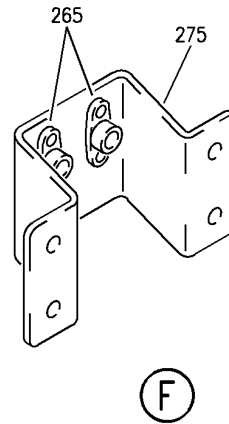
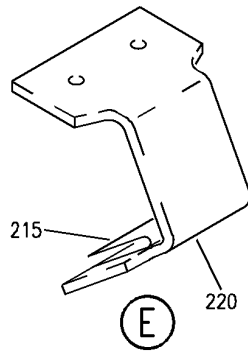
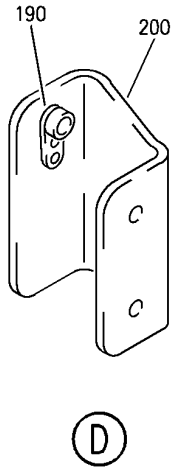
OUTLET ASSY-LH SIDEWALL AIR CONDITIONING
 FIGURE 39 (SHEET 4)

25-21-44-39

HAP
 OCT 15/08

25-21-44-39
 PAGE 0C

BOEING
 737-600/700/800/900
 PARTS CATALOG (MAINTENANCE)



E 252144-39 SHT 5 REV 110

OUTLET ASSY-LH SIDEWALL AIR CONDITIONING
 FIGURE 39 (SHEET 5)

25-21-44-39

HAP
 OCT 15/08

25-21-44-39
 PAGE 0D

BOEING
737-600/700/800/900
PARTS CATALOG (MAINTENANCE)

FIG ITEM	PART NUMBER	1 2 3 4 5 6 7	NOMENCLATURE	EFFECT FROM TO	UNITS PER ASSY
39			OUTLET ASSY-LH SIDEWALL AIR CONDITIONING	201967	
- 1	412A3103-1050SP		OUTLET ASSY-SIDEWALL AIR CONDITIONING POSITION DATA: LH FOR NHA SEE: 25-21-44-18	201967	1
5	BACS12GU08K7	.	SCREW	201967	1
10	BACS12GU08K6	.	SCREW	201967	4
15	NAS1149DN816J	.	WASHER	201967	5
20	BACS12ER3K9	.	SCREW	201967	6
25	BACS12FA3K8	.	SCREW	201967	6
30	65C27021-177	.	DOUBLER-SPRT	201967	3
35	412N3133-25	.	FITTING ASSY-	201967	1
40	412N3133-23	.	FITTING ASSY-	201967	2
45	BACB30NM3K5	..	BOLT	201967	2
50	AN960JD10LL	..	WASHER	201967	2
55	65C27021-461	..	BRACKET- USED ON: 412N3133-25	201967	1
60	65C27021-459	..	BRACKET- USED ON: 412N3133-23	201967	1
65	412N2004-55	..	BUSHING	201967	2
70	65C27021-463	..	FILLER ASSY-RADIUS	201967	2
75	T8078S1032	...	NUTPLATE SUPPLIER CODE: V11815 SPECIFICATION NUMBER: BACN10JP3C OPTIONAL PART: MK3000-3BAC V15653 NS103199-02 V80539 RMA9205M3 V72962 VN203A1-02 V92215 BRM300A3 V52828	201967	1
- 80	BACR15BA3AD	...	RIVET- ATTACHING PARTS SIZE DETERMINED ON INSTL. -----*-----	201967	2
85	65C27021-464	...	FILLER	201967	1
87	BACS13CJ3L080P	..	INSERT	201967	4
88	412N3134-1	..	CASTING-SPRT	201967	1

MISSING ITEM NUMBERS NOT APPLICABLE

- ITEM NOT ILLUSTRATED

HAP

25-21-44-39

25-21-44
FIG. 39
PAGE 1
OCT 15/08

BOEING
737-600/700/800/900
PARTS CATALOG (MAINTENANCE)

FIG ITEM	PART NUMBER	1 2 3 4 5 6 7	NOMENCLATURE	EFFECT FROM TO	UNITS PER ASSY
39					
90	412A3133-5	.	FITTING ASSY-	201967	1
95	412A3133-3	.	FITTING ASSY-	201967	2
95	412A3133-1	.	FITTING ASSY-	201967	2
100	BACB30NM3K6	..	BOLT	201967	2
105	NAS1149D0363J	..	WASHER	201967	2
110	412A2004-3	..	BRACKET-ANGLE USED ON: 412A3133-5	201967	1
115	412A2004-1	..	BRACKET-ANGLE USED ON: 412A3133-3	201967	1
120	412A2004-5	..	BUSHING	201967	2
125	NAS43DD3-21FC	..	SPACER	201967	2
130	412A2004-9	..	BEARING ASSY-ANGLE	201967	2
135	412A2004-6	...	SUPPORT ASSY	201967	1
140	T8078S1032	NUTPLATE SUPPLIER CODE: V11815 SPECIFICATION NUMBER: BACN10JP3C OPTIONAL PART: MK3000-3BAC V15653 NS103199-02 V80539 RMA9205M3 V72962 VN203A1-02 V92215 BRM300A3 V52828	201967	1
- 145	BACR15BA3AD	RIVET- ATTACHING PARTS SIZE DETERMINED ON INSTL. -----*-----	201967	2
150	412A2004-7	SUPPORT	201967	1
155	412A2004-8	...	BEARING	201967	1
160	BACS13CJ3L080P	..	INSERT	201967	4
165	412A3134-2	..	HOUSING- USED ON: 412A3133-3	201967	1
165	412A3134-1	..	HOUSING- USED ON: 412A3133-1	201967	1
170	412A3136-1037SP	.	BEAM	201967	1
175	412A3137-1140SP	.	BEAM ASSY	201967	1
180	412A3101-1	..	BRACKET ASSY	201967	1

MISSING ITEM NUMBERS NOT APPLICABLE

- ITEM NOT ILLUSTRATED

HAP

25-21-44-39

BOEING PROPRIETARY - Copyright © - Unpublished Work - See title page for details.

25-21-44
FIG. 39
PAGE 2
OCT 15/08

BOEING
737-600/700/800/900
PARTS CATALOG (MAINTENANCE)

FIG ITEM	PART NUMBER	1 2 3 4 5 6 7	NOMENCLATURE	EFFECT FROM TO	UNITS PER ASSY
39			ATTACHING PARTS		
- 185	BACR15BB5DC	..	RIVET- SIZE DETERMINED ON INSTL. -----*-----	201967	2
190	T8077S832BC	...	NUTPLATE SUPPLIER CODE: V11815 SPECIFICATION NUMBER: BACN10JP08BR OPTIONAL PART: MK2000-08BCBAC V15653 NS103198-82BC V80539 RMA9207M82BC V72962 VN201A2-82 V92215 BRM100A08K V52828	201967	1
- 195	BACR15BA3ADC	...	RIVET- SIZE DETERMINED ON INSTL. -----*-----	201967	2
200	412A3101-3	...	BRACKET	201967	1
205	65C36185-1	..	BRACKET ASSY	201967	3
- 210	BACR15BB4DC	..	RIVET- SIZE DETERMINED ON INSTL. OPTIONAL PART: NAS1398D4A2	201967	6
- 210	NAS1398D4A2	..	RIVET- OPTIONAL PART: BACR15BB4DC -----*-----	201967	6
215	130069	...	NUT- SUPPLIER CODE: V60119 SPECIFICATION NUMBER: BACN10FX16 OPTIONAL PART: A11330-6-3 V72962 A4972-6-02 V72962 BACN10YD1	201967	1

MISSING ITEM NUMBERS NOT APPLICABLE

- ITEM NOT ILLUSTRATED

HAP

25-21-44-39

BOEING PROPRIETARY - Copyright © - Unpublished Work - See title page for details.

25-21-44
FIG. 39
PAGE 3
FEB 15/09

BOEING
737-600/700/800/900
PARTS CATALOG (MAINTENANCE)

FIG ITEM	PART NUMBER	1 2 3 4 5 6 7	NOMENCLATURE	EFFECT FROM TO	UNITS PER ASSY
39 215	BRC600-8-3	...	NUT- SUPPLIER CODE: V52828 SPECIFICATION NUMBER: BACN10YD1 OPTIONAL PART: 130120 V60119 BACN10FX16	201967	1
220	65C36185-2	...	BRACKET	201967	1
225	412N2008-1	..	CLIP-SPR ATTACHING PARTS	201967	10
- 230	BACR15BA3ADC	..	RIVET- SIZE DETERMINED ON INSTL. -----*-----	201967	20
235	BACN10TL3A3	..	NUTPLATE ATTACHING PARTS	201967	8
- 240	BACR15BB4DC	..	RIVET- SIZE DETERMINED ON INSTL. -----*-----	201967	16
255	65C27021-184	..	BRACKET ASSY ATTACHING PARTS	201967	2
- 260	BACR15BA5ADC	..	RIVET- SIZE DETERMINED ON INSTL. -----*-----	201967	8
265	T8076S832	...	NUTPLATE SUPPLIER CODE: V11815 SPECIFICATION NUMBER: BACN10JP08A OPTIONAL PART: MK1000-08BAC V15653 NS103197-82 V80539 RMA9201M82 V72962 VN202A1-82 V92215 BRM200A08 V52828 ATTACHING PARTS	201967	2
- 270	BACR15BA3AD	...	RIVET- SIZE DETERMINED ON INSTL. -----*-----	201967	4
275	65C27021-221	...	BRACKET	201967	1
280	412A3137-1093	..	INSULATOR	201967	1
285	412A3137-1141SP	..	BEAM	201967	1

MISSING ITEM NUMBERS NOT APPLICABLE

- ITEM NOT ILLUSTRATED

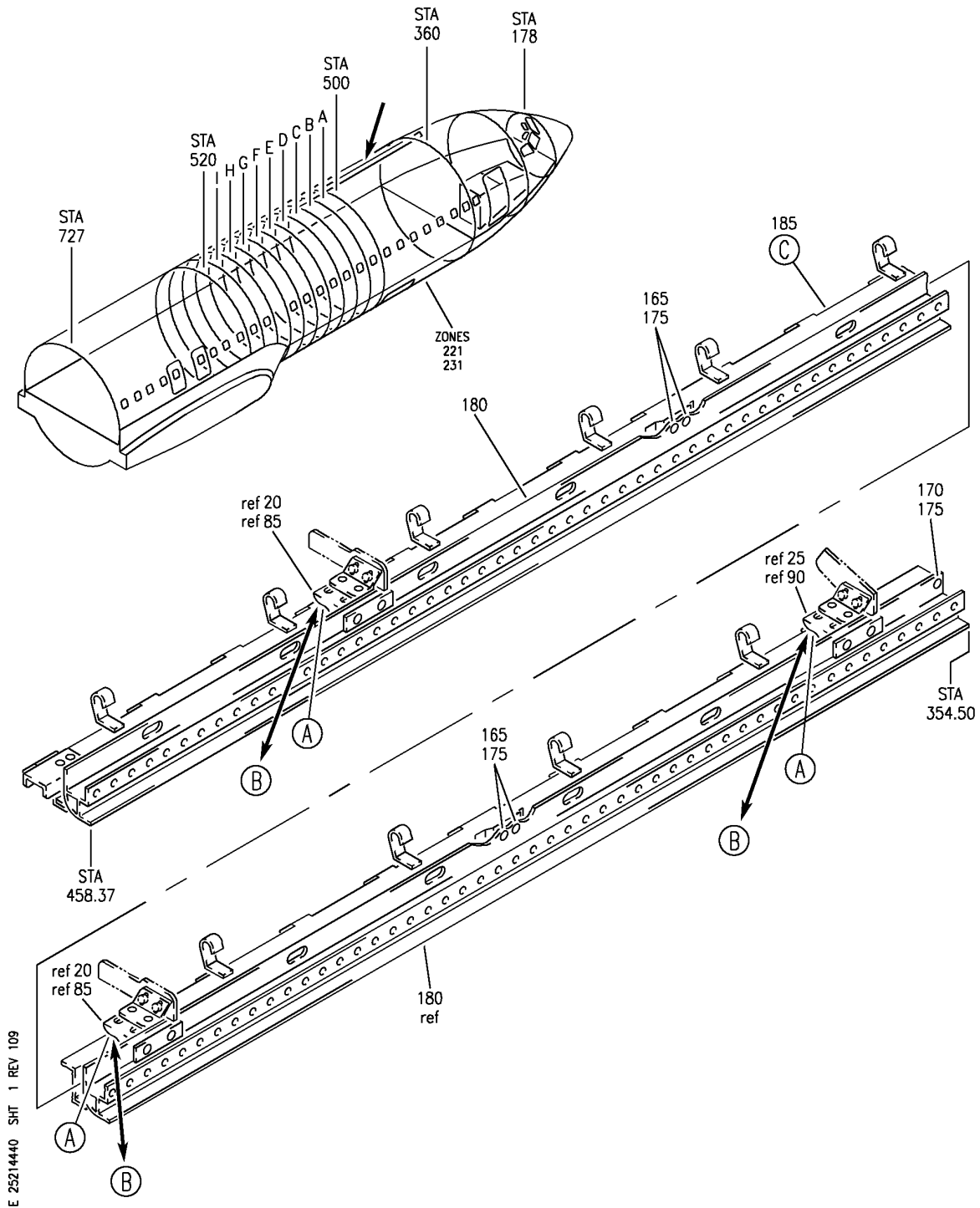
HAP

25-21-44-39

BOEING PROPRIETARY - Copyright © - Unpublished Work - See title page for details.

25-21-44
FIG. 39
PAGE 4
OCT 15/08


BOEING
 737-600/700/800/900
PARTS CATALOG (MAINTENANCE)



E 25214440 SHT 1 REV 109

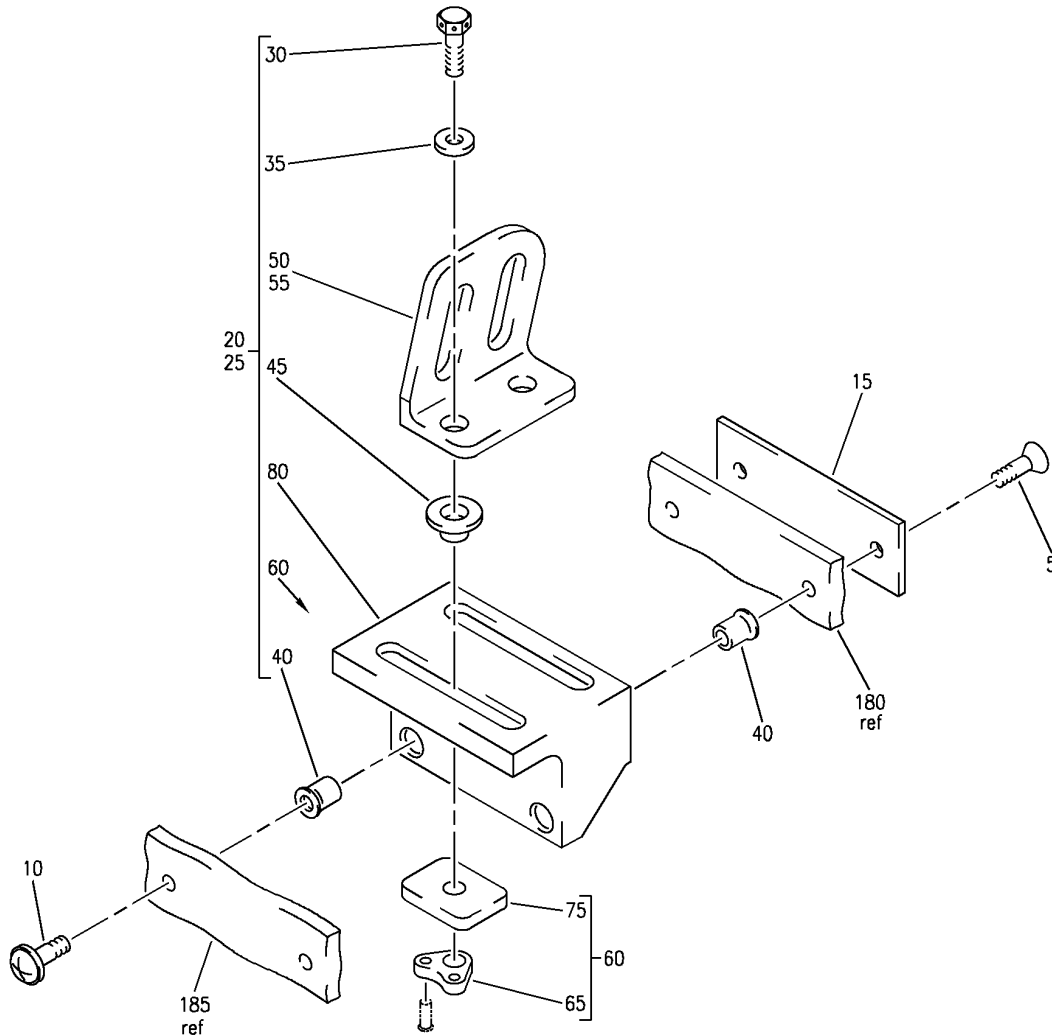
OUTLET ASSY-LH SIDEWALL AIR CONDITIONING
 FIGURE 40 (SHEET 1)

25-21-44-40

HAP
OCT 10/06

25-21-44-40
PAGE 0

BOEING
 737-600/700/800/900
 PARTS CATALOG (MAINTENANCE)



E 25214440 SHT 2 REV 109



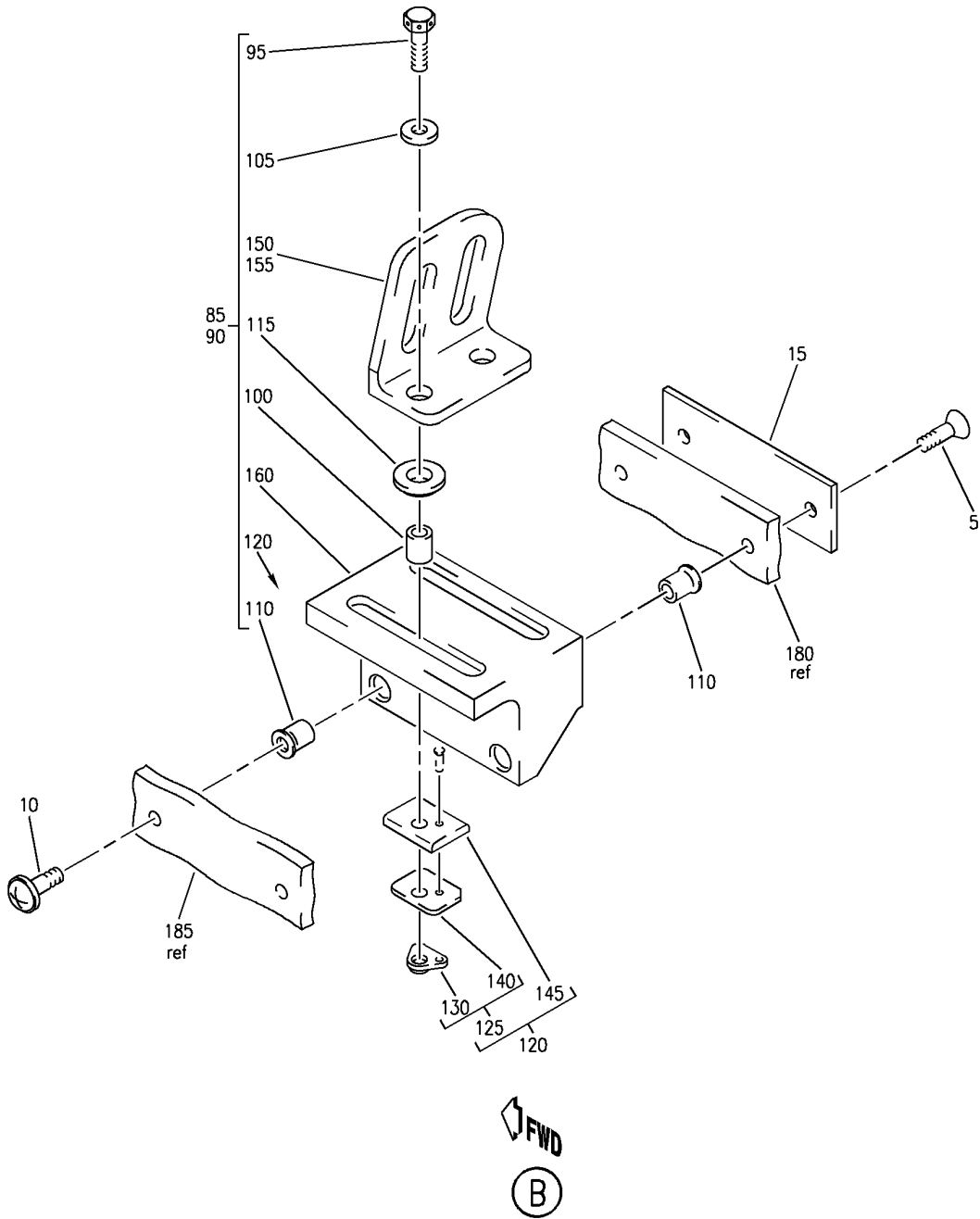
OUTLET ASSY-LH SIDEWALL AIR CONDITIONING
 FIGURE 40 (SHEET 2)

25-21-44-40

HAP
 OCT 10/06

25-21-44-40
 PAGE 0A

BOEING
 737-600/700/800/900
 PARTS CATALOG (MAINTENANCE)



E 25214440 SHT 3 REV 109

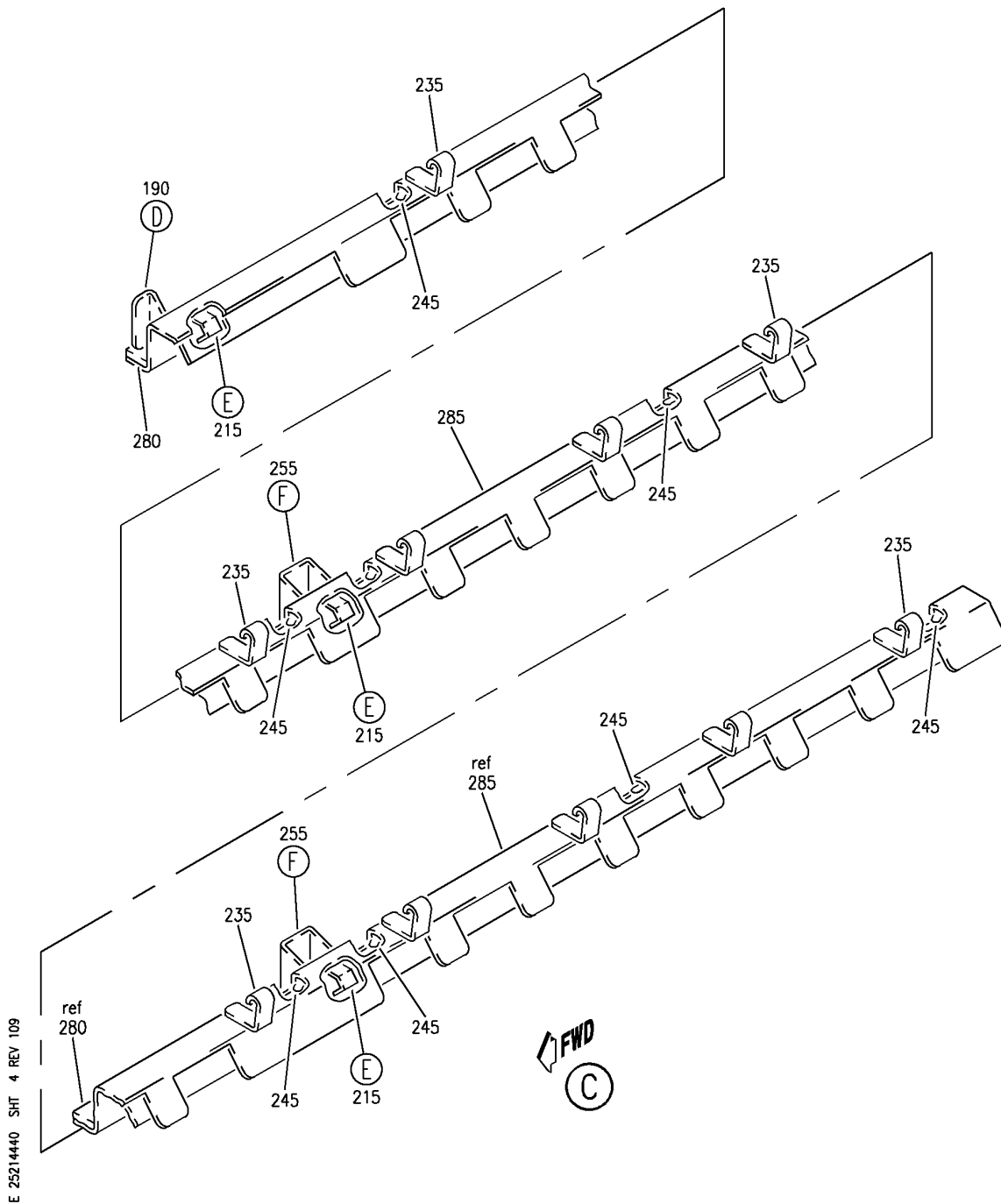
OUTLET ASSY-LH SIDEWALL AIR CONDITIONING
 FIGURE 40 (SHEET 3)

25-21-44-40

HAP
 OCT 10/06

25-21-44-40
 PAGE 0B

BOEING
 737-600/700/800/900
 PARTS CATALOG (MAINTENANCE)



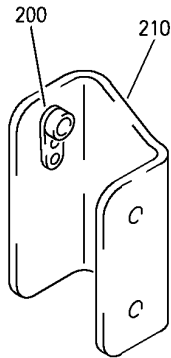
OUTLET ASSY-LH SIDEWALL AIR CONDITIONING
 FIGURE 40 (SHEET 4)

25-21-44-40

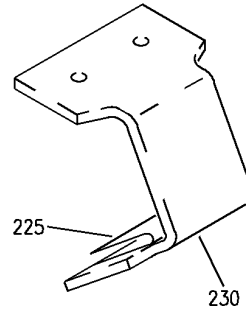
HAP
 OCT 10/06

25-21-44-40
 PAGE 0C

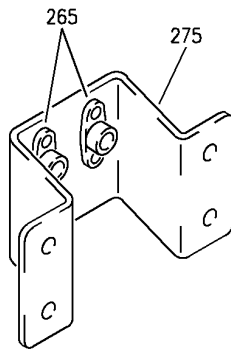
BOEING
737-600/700/800/900
PARTS CATALOG (MAINTENANCE)



(D)



(E)



(F)

E 25214440 SHT 5 REV 109

OUTLET ASSY-LH SIDEWALL AIR CONDITIONING
FIGURE 40 (SHEET 5)

25-21-44-40

HAP
OCT 10/06

25-21-44-40
PAGE 0D

BOEING
737-600/700/800/900
PARTS CATALOG (MAINTENANCE)

FIG ITEM	PART NUMBER	1 2 3 4 5 6 7	NOMENCLATURE	EFFECT FROM TO	UNITS PER ASSY
40			OUTLET ASSY-LH SIDEWALL AIR CONDITIONING	001014 016017 019200 968999	
- 1	412A3103-1116SP		OUTLET ASSY-SIDEWALL AIR CONDITIONING POSITION DATA: LH POST SERVICE BULLETIN: 25-1542 FOR NHA SEE: 25-21-44-13	001014 016017 019030	RF
- 1	412A3103-2116SP		OUTLET ASSY-SIDEWALL AIR CONDITIONING POSITION DATA: LH FOR NHA SEE: 25-21-44-19	031200 968999	RF
5	BACS12ER3K9		.SCREW	001014 016017 019200 968999	6
10	BACS12FA3K8		.SCREW	001014 016017 019200 968999	6
15	65C27021-177		.DOUBLER-SPRT	001014 016017 019200 968999	3
20	412N3133-23		.FITTING ASSY-	001014 016017 019030	2
25	412N3133-25		.FITTING ASSY-	001014 016017 019030	1
30	BACB30NM3K5		..BOLT	001014 016017 019030	2
35	AN960JD10LL		..WASHER	001014 016017 019030	2
40	BACS13CJ3L080P		..INSERT	001014 016017 019030	4
45	412N2004-55		..BUSHING	001014 016017 019030	2

MISSING ITEM NUMBERS NOT APPLICABLE

- ITEM NOT ILLUSTRATED

HAP

25-21-44-40

BOEING PROPRIETARY - Copyright © - Unpublished Work - See title page for details.

25-21-44
FIG. 40
PAGE 1
OCT 15/08

BOEING
737-600/700/800/900
PARTS CATALOG (MAINTENANCE)

FIG ITEM	PART NUMBER	1 2 3 4 5 6 7	NOMENCLATURE	EFFECT FROM TO	UNITS PER ASSY
40					
50	65C27021-459	..	BRACKET- USED ON: 412N3133-23	001014 016017 019030	1
55	65C27021-461	..	BRACKET- USED ON: 412N3133-25	001014 016017 019030	1
60	65C27021-463	..	FILLER ASSY-RADIUS	001014 016017 019030	2
65	T8078S1032	...	NUTPLATE SUPPLIER CODE: V11815 SPECIFICATION NUMBER: BACN10JP3C OPTIONAL PART: MK3000-3BAC V15653 NS103199-02 V80539 RMA9205M3 V72962 VN203A1-02 V92215 BRM300A3 V52828 ATTACHING PARTS	001014 016017 019030	1
- 70	BACR15BA3AD	...	RIVET- SIZE DETERMINED ON INSTL. -----*-----	001014 016017 019030	2
75	65C27021-464	...	FILLER	001014 016017 019030	1
80	412N3134-1	..	CASTING	001014 016017 019030	1
85	412A3133-3	.	FITTING ASSY-	001014 016017 019200 968999	2
85	412A3133-1	.	FITTING ASSY-	001014 016017 019200 968999	2
90	412A3133-5	.	FITTING ASSY-	001014 016017 019200 968999	1

MISSING ITEM NUMBERS NOT APPLICABLE

- ITEM NOT ILLUSTRATED

HAP

25-21-44-40

BOEING PROPRIETARY - Copyright © - Unpublished Work - See title page for details.

25-21-44
FIG. 40
PAGE 2
OCT 15/08

BOEING
737-600/700/800/900
PARTS CATALOG (MAINTENANCE)

FIG ITEM	PART NUMBER	1 2 3 4 5 6 7	NOMENCLATURE	EFFECT FROM TO	UNITS PER ASSY
40					
95	BACB30NM3K6	..	BOLT	001014 016017 019200 968999	2
100	NAS43DD3-21FC	..	SPACER	001014 016017 019200 968999	2
105	NAS1149D0363J	..	WASHER	001014 016017 019200 968999	2
110	BACS13CJ3L080P	..	INSERT	001014 016017 019200 968999	4
115	412A2004-5	..	BUSHING	001014 016017 019200 968999	2
120	412A2004-9	..	BEARING ASSY	001014 016017 019200 968999	2
125	412A2004-6	...	SUPPORT ASSY	001014 016017 019200 968999	1
130	T8078S1032	NUTPLATE SUPPLIER CODE: V11815 SPECIFICATION NUMBER: BACN10JP3C OPTIONAL PART: MK3000-3BAC V15653 NS103199-02 V80539 RMA9205M3 V72962 VN203A1-02 V92215 BRM300A3 V52828	001014 016017 019200 968999	1

MISSING ITEM NUMBERS NOT APPLICABLE

— ITEM NOT ILLUSTRATED

HAP

25-21-44-40

BOEING PROPRIETARY - Copyright © - Unpublished Work - See title page for details.

25-21-44
FIG. 40
PAGE 3
OCT 15/08

BOEING
737-600/700/800/900
PARTS CATALOG (MAINTENANCE)

FIG ITEM	PART NUMBER	1 2 3 4 5 6 7	NOMENCLATURE	EFFECT FROM TO	UNITS PER ASSY
40			ATTACHING PARTS		
- 135	BACR15BA3AD	RIVET- SIZE DETERMINED ON INSTL.	001014 016017 019200 968999	2
140	412A2004-7	-----*	SUPPORT	001014 016017 019200 968999	1
145	412A2004-8	...	BEARING	001014 016017 019200 968999	1
150	412A2004-1	..	BRACKET- USED ON: 412A3133-3	001014 016017 019200 968999	1
155	412A2004-3	..	BRACKET- USED ON: 412A3133-5	001014 016017 019200 968999	1
160	412A3134-2	..	HOUSING- USED ON: 412A3133-3	001014 016017 019200 968999	1
160	412A3134-1	..	HOUSING- USED ON: 412A3133-1	001014 016017 019200 968999	1
165	BACS12GU08K6	.	SCREW	001014 016017 019200 968999	4
170	BACS12GU08K7	.	SCREW	001014 016017 019200 968999	1
175	NAS1149DN816J	.	WASHER	001014 016017 019200 968999	5
180	412A3136-1114SP	.	BEAM-	001014 016017 019200 968999	1

MISSING ITEM NUMBERS NOT APPLICABLE

- ITEM NOT ILLUSTRATED

HAP

25-21-44-40

BOEING PROPRIETARY - Copyright © - Unpublished Work - See title page for details.

25-21-44
FIG. 40
PAGE 4
OCT 15/08

BOEING
737-600/700/800/900
PARTS CATALOG (MAINTENANCE)

FIG ITEM	PART NUMBER	1 2 3 4 5 6 7	NOMENCLATURE	EFFECT FROM TO	UNITS PER ASSY
40 185	412A3137-1314SP	.	BEAM ASSY-	001014 016017 019200 968999	1
190	412A3101-1	..	BRACKET ASSY	001014 016017 019200 968999	1
- 195	BACR15BB5DC	..	RIVET- ATTACHING PARTS SIZE DETERMINED ON INSTL.	001014 016017 019200 968999	2
200	T8077S832BC	... -----*	NUTPLATE SUPPLIER CODE: V11815 SPECIFICATION NUMBER: BACN10JP08BR OPTIONAL PART: MK2000-08BCBAC V15653 NS103198-82BC V80539 RMA9207M82BC V72962 VN201A2-82 V92215 BRM100A08K V52828 ATTACHING PARTS	001014 016017 019200 968999	1
- 205	BACR15BA3ADC	... -----*	RIVET- SIZE DETERMINED ON INSTL.	001014 016017 019200 968999	2
210	412A3101-3	... -----*	BRACKET	001014 016017 019200 968999	1
215	65C36185-1	..	BRACKET ASSY	001014 016017 019200 968999	3
- 220	BACR15BB4DC	..	RIVET- ATTACHING PARTS SIZE DETERMINED ON INSTL. OPTIONAL PART: NAS1398D4A2	001014 016017 019200 968999	6

MISSING ITEM NUMBERS NOT APPLICABLE

- ITEM NOT ILLUSTRATED

HAP

25-21-44-40

BOEING PROPRIETARY - Copyright © - Unpublished Work - See title page for details.

25-21-44
FIG. 40
PAGE 5
OCT 15/08

BOEING
737-600/700/800/900
PARTS CATALOG (MAINTENANCE)

FIG ITEM	PART NUMBER	1 2 3 4 5 6 7	NOMENCLATURE	EFFECT FROM TO	UNITS PER ASSY
40					
- 220	NAS1398D4A2	..	RIVET- OPTIONAL PART: BACR15BB4DC	001014 016017 019200 968999	6
			-----*-----		
225	130069	...	NUT- SUPPLIER CODE: V60119 SPECIFICATION NUMBER: BACN10FX16 OPTIONAL PART: A11330-6-3 V72962 A4972-6-02 V72962 BACN10YD1	001014 016017 019200 968999	1
225	BRC600-8-3	...	NUT- SUPPLIER CODE: V52828 SPECIFICATION NUMBER: BACN10YD1 OPTIONAL PART: 130120 V60119 BACN10FX16	001014 016017 019200 968999	1
230	65C36185-2	...	BRACKET	001014 016017 019200 968999	1
235	412N2008-1	..	CLIP-SPR	001014 016017 019200 968999	10
			ATTACHING PARTS		
- 240	BACR15BA3ADC	..	RIVET- SIZE DETERMINED ON INSTL.	001014 016017 019200 968999	20
			-----*-----		
245	BACN10TL3A3	..	NUTPLATE	001014 016017 019200 968999	8
			ATTACHING PARTS		
- 250	BACR15BB4DC	..	RIVET- SIZE DETERMINED ON INSTL.	001014 016017 019200 968999	16
			-----*-----		

MISSING ITEM NUMBERS NOT APPLICABLE

- ITEM NOT ILLUSTRATED

HAP

25-21-44-40

BOEING PROPRIETARY - Copyright © - Unpublished Work - See title page for details.

25-21-44
FIG. 40
PAGE 6
FEB 15/09

BOEING
737-600/700/800/900
PARTS CATALOG (MAINTENANCE)

FIG ITEM	PART NUMBER	1 2 3 4 5 6 7	NOMENCLATURE	EFFECT FROM TO	UNITS PER ASSY
40 255	65C27021-184	..	BRACKET ASSY	001014 016017 019200 968999	2
- 260	BACR15BA5ADC	..	ATTACHING PARTS RIVET- SIZE DETERMINED ON INSTL.	001014 016017 019200 968999	8
265	T8076S832	..	-----*----- NUTPLATE SUPPLIER CODE: V11815 SPECIFICATION NUMBER: BACN10JP08A OPTIONAL PART: MK1000-08BAC V15653 NS103197-82 V80539 RMA9201M82 V72962 VN202A1-82 V92215 BRM200A08 V52828 ATTACHING PARTS	001014 016017 019200 968999	2
- 270	BACR15BA3AD	..	RIVET- SIZE DETERMINED ON INSTL.	001014 016017 019200 968999	4
275	65C27021-221	..	-----*----- BRACKET	001014 016017 019200 968999	1
280	412A3137-1316	..	INSULATOR	001014 016017 019200 968999	1
285	412A3137-1315SP	..	BEAM	001014 016017 019200 968999	1

MISSING ITEM NUMBERS NOT APPLICABLE

- ITEM NOT ILLUSTRATED

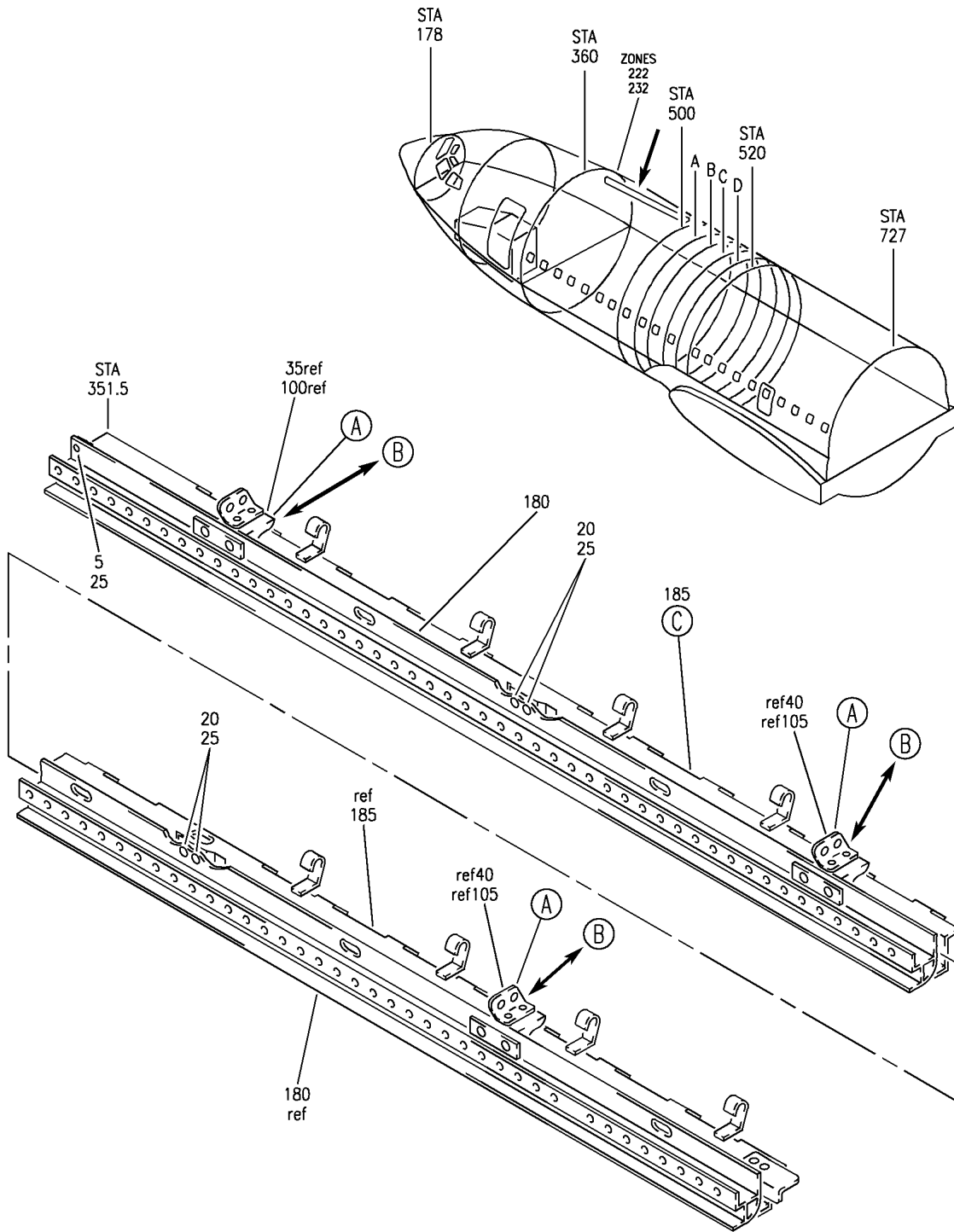
HAP

25-21-44-40

BOEING PROPRIETARY - Copyright © - Unpublished Work - See title page for details.

25-21-44
FIG. 40
PAGE 7
FEB 15/09

BOEING
 737-600/700/800/900
 PARTS CATALOG (MAINTENANCE)



E 252144-40B SHT 1 REV 111

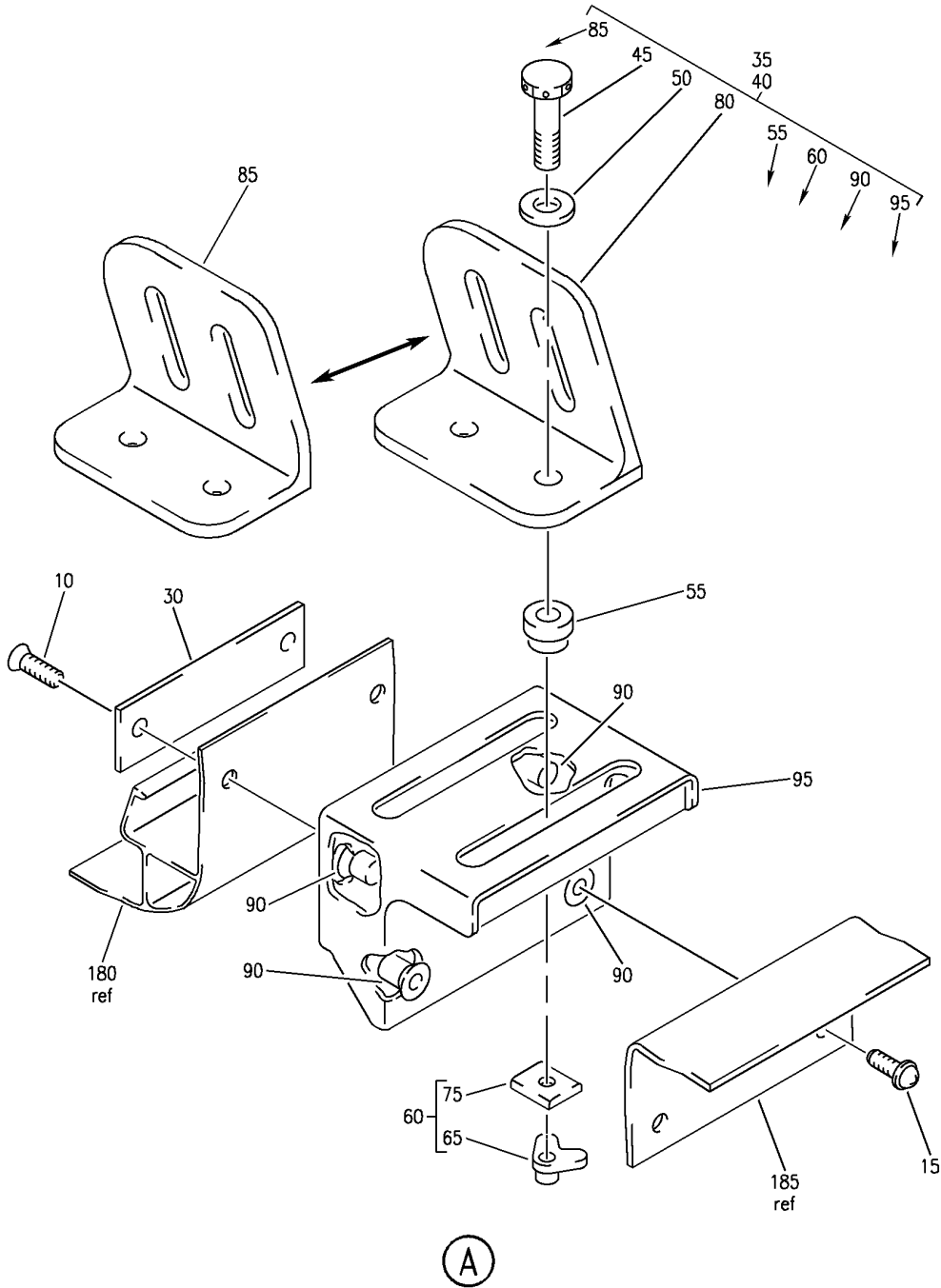
OUTLET ASSY-RH SIDEWALL AIR CONDITIONING
 FIGURE 40B (SHEET 1)

25-21-44-40B

HAP
 FEB 10/07

25-21-44-40B
 PAGE 0

BOEING
 737-600/700/800/900
 PARTS CATALOG (MAINTENANCE)



E 25214440B SHT 2 REV 111

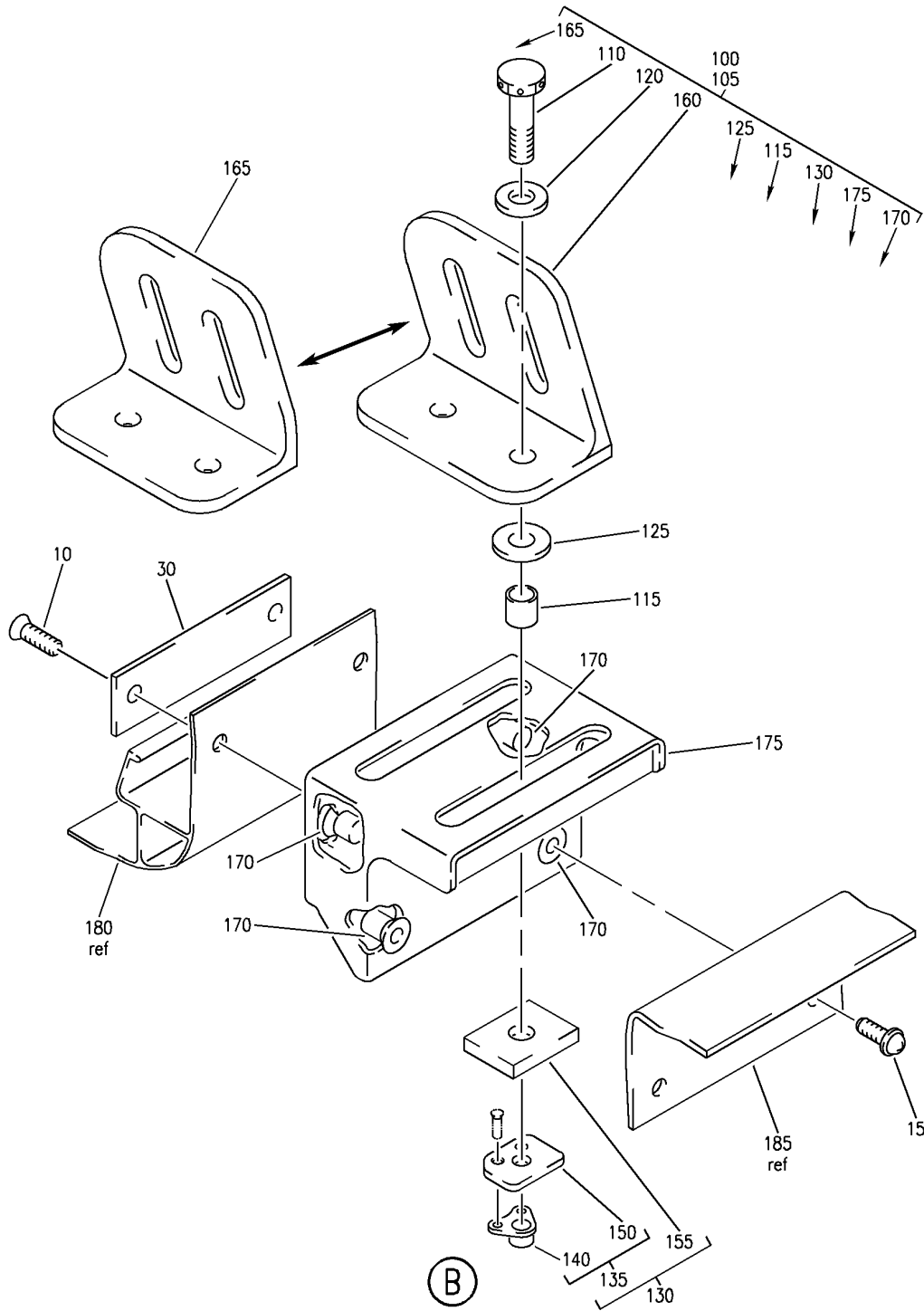
OUTLET ASSY-RH SIDEWALL AIR CONDITIONING
 FIGURE 40B (SHEET 2)

25-21-44-40B

HAP
 FEB 10/07

25-21-44-40B
 PAGE 0A

BOEING
 737-600/700/800/900
 PARTS CATALOG (MAINTENANCE)



E 25214440B SHT 3 REV 111

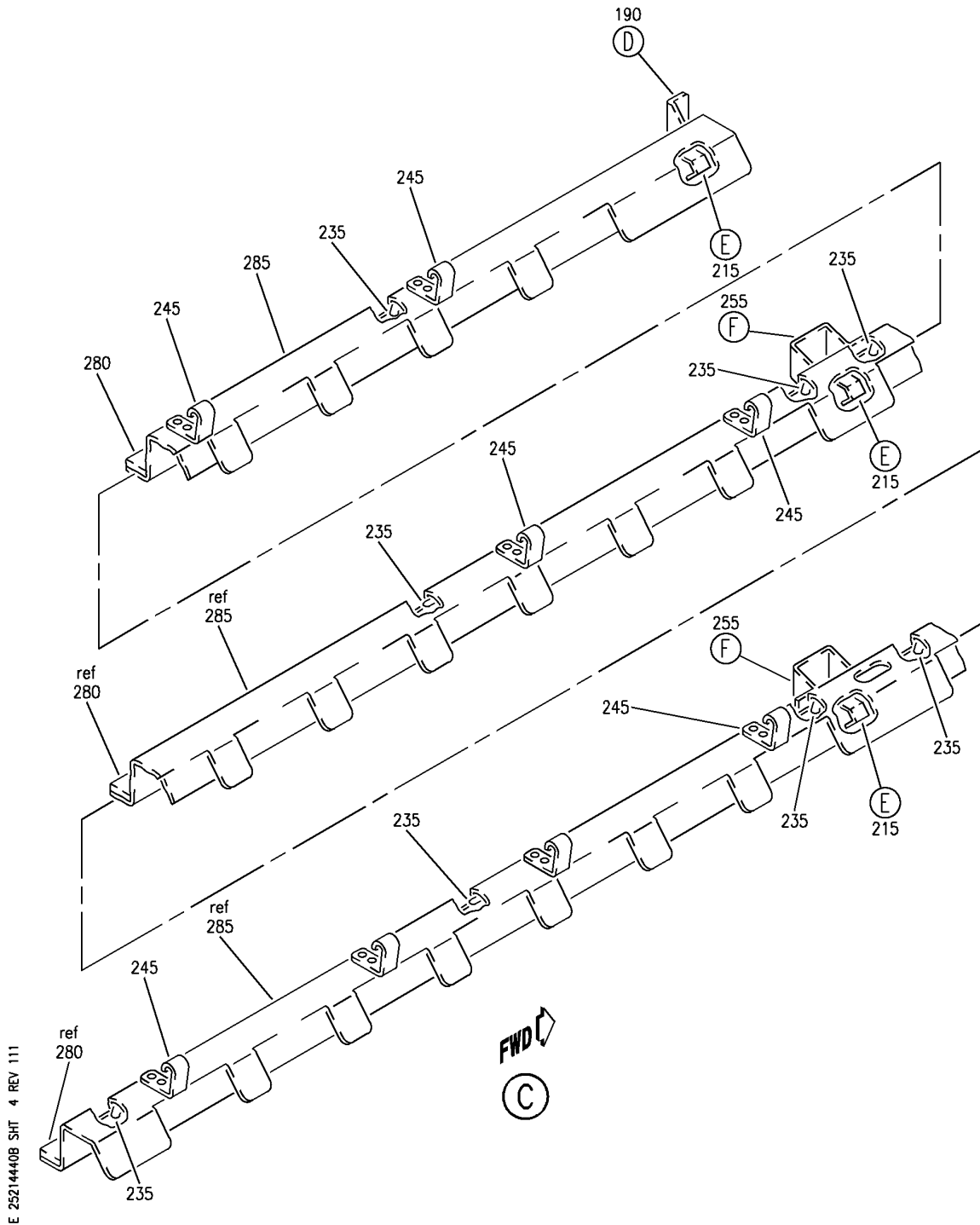
OUTLET ASSY-RH SIDEWALL AIR CONDITIONING
 FIGURE 40B (SHEET 3)

25-21-44-40B

HAP
 FEB 10/07

25-21-44-40B
 PAGE 0B

BOEING
 737-600/700/800/900
 PARTS CATALOG (MAINTENANCE)



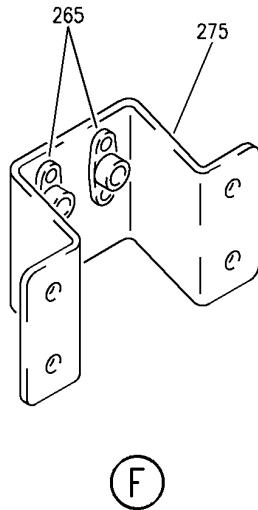
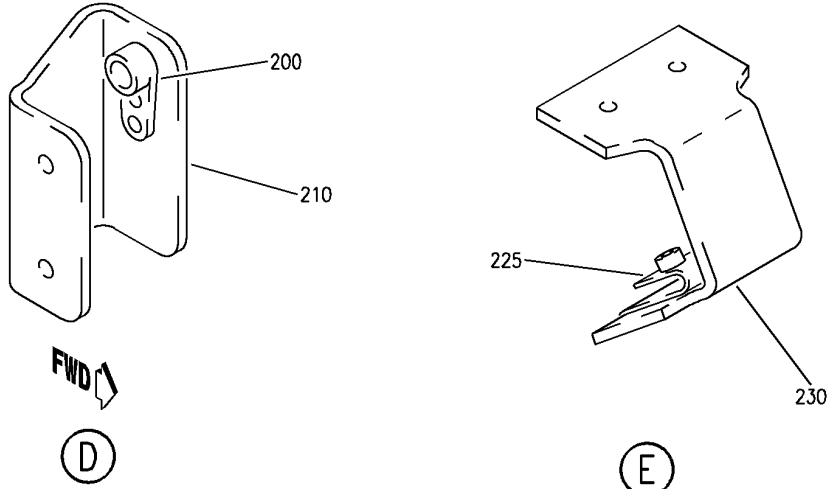
OUTLET ASSY-RH SIDEWALL AIR CONDITIONING
 FIGURE 40B (SHEET 4)

25-21-44-40B

HAP
 FEB 10/07

25-21-44-40B
 PAGE 0C

BOEING
737-600/700/800/900
PARTS CATALOG (MAINTENANCE)



E 252144-40B SHT 5 REV 111

OUTLET ASSY-RH SIDEWALL AIR CONDITIONING
FIGURE 40B (SHEET 5)

25-21-44-40B

HAP
FEB 10/07

25-21-44-40B
PAGE 0D

BOEING
737-600/700/800/900
PARTS CATALOG (MAINTENANCE)

FIG ITEM	PART NUMBER	1 2 3 4 5 6 7	NOMENCLATURE	EFFECT FROM TO	UNITS PER ASSY
40B			OUTLET ASSY-RH SIDEWALL AIR CONDITIONING	101200 968999	
- 1	412A3103-2117SP		OUTLET ASSY-SIDEWALL AIR CONDITIONING POSITION DATA: RH FOR NHA SEE: 25-21-44-19A	101200 968999	RF
5	BACS12GU08K7	.	SCREW	101200 968999	1
10	BACS12ER3K9	.	SCREW	101200 968999	6
15	BACS12FA3K8	.	SCREW	101200 968999	6
20	BACS12GU08K6	.	SCREW	101200 968999	4
25	NAS1149DN816J	.	WASHER	101200 968999	5
30	65C27021-177	.	DOUBLER-SPRT	101200 968999	3
100	412A3133-6	.	FITTING ASSY-	101200 968999	1
105	412A3133-4	.	FITTING ASSY-	101200 968999	2
105	412A3133-2	.	FITTING ASSY-	101200 968999	2
110	BACB30NM3K6	..	BOLT	101200 968999	2
115	NAS43DD3-21FC	..	SPACER	101200 968999	2
120	NAS1149D0363J	..	WASHER	101200 968999	2
125	412A2004-5	..	BUSHING	101200 968999	2
130	412A2004-9	..	BEARING ASSY-ANGLE	101200 968999	2
135	412A2004-6	...	SUPPORT ASSY	101200 968999	1

MISSING ITEM NUMBERS NOT APPLICABLE

- ITEM NOT ILLUSTRATED

HAP

25-21-44-40B

BOEING PROPRIETARY - Copyright © - Unpublished Work - See title page for details.

25-21-44
FIG. 40B
PAGE 1
OCT 15/08

BOEING
737-600/700/800/900
PARTS CATALOG (MAINTENANCE)

FIG ITEM	PART NUMBER	1 2 3 4 5 6 7	NOMENCLATURE	EFFECT FROM TO	UNITS PER ASSY
40B 140	T8078S1032	NUTPLATE SUPPLIER CODE: V11815 SPECIFICATION NUMBER: BACN10JP3C OPTIONAL PART: MK3000-3BAC V15653 NS103199-02 V80539 RMA9205M3 V72962 VN203A1-02 V92215 BRM300A3 V52828 ATTACHING PARTS	101200 968999	1
- 145	BACR15BA3AD	RIVET- SIZE DETERMINED ON INSTL. -----*-----	101200 968999	2
150	412A2004-7	SUPPORT	101200 968999	1
155	412A2004-8	...	BEARING	101200 968999	1
160	412A2004-4	..	BRACKET- USED ON: 412A3133-6	101200 968999	1
165	412A2004-2	..	BRACKET- USED ON: 412A3133-4	101200 968999	1
170	BACS13CJ3L080P	..	INSERT	101200 968999	4
175	412A3134-2	..	HOUSING- USED ON: 412A3133-4 412A3133-6	101200 968999	1
175	412A3134-1	..	HOUSING- USED ON: 412A3133-2	101200 968999	1
180	412A3136-1115SP	.	BEAM	101200 968999	1
185	412A3137-1311SP	.	BEAM ASSY	101200 968999	1
190	412A3101-2	..	BRACKET ASSY	101200 968999	1
- 195	BACR15BB5DC	..	RIVET- SIZE DETERMINED ON INSTL. -----*-----	101200 968999	2

MISSING ITEM NUMBERS NOT APPLICABLE

- ITEM NOT ILLUSTRATED

HAP

25-21-44-40B

BOEING PROPRIETARY - Copyright © - Unpublished Work - See title page for details.

25-21-44
FIG. 40B
PAGE 2
OCT 15/08

BOEING
737-600/700/800/900
PARTS CATALOG (MAINTENANCE)

FIG ITEM	PART NUMBER	1 2 3 4 5 6 7	NOMENCLATURE	EFFECT FROM TO	UNITS PER ASSY
40B 200	T8077S832BC		...NUTPLATE SUPPLIER CODE: V11815 SPECIFICATION NUMBER: BACN10JP08BR OPTIONAL PART: MK2000-08BCBAC V15653 NS103198-82BC V80539 RMA9207M82BC V72962 VN201A2-82 V92215 BRM100A08K V52828	101200 968999	1
- 205	BACR15A3ADC		ATTACHING PARTS ...RIVET- SIZE DETERMINED ON INSTL. -----*-----	101200 968999	2
210	412A3101-4		...BRACKET	101200 968999	1
215	65C36185-1		..BRACKET ASSY	101200 968999	3
- 220	BACR15BB4DC		ATTACHING PARTS ..RIVET- SIZE DETERMINED ON INSTL. OPTIONAL PART: NAS1398D4A2	101200 968999	6
- 220	NAS1398D4A2		..RIVET- OPTIONAL PART: BACR15BB4DC -----*-----	101200 968999	6
225	130069		...NUT- SUPPLIER CODE: V60119 SPECIFICATION NUMBER: BACN10FX16 OPTIONAL PART: A11330-6-3 V72962 A4972-6-02 V72962 BACN10YD1	101200 968999	1

MISSING ITEM NUMBERS NOT APPLICABLE

- ITEM NOT ILLUSTRATED

HAP

25-21-44-40B

BOEING PROPRIETARY - Copyright © - Unpublished Work - See title page for details.

25-21-44
FIG. 40B
PAGE 3
FEB 15/09

BOEING
737-600/700/800/900
PARTS CATALOG (MAINTENANCE)

FIG ITEM	PART NUMBER	1 2 3 4 5 6 7	NOMENCLATURE	EFFECT FROM TO	UNITS PER ASSY
40B 225	BRC600-8-3	...	NUT- SUPPLIER CODE: V52828 SPECIFICATION NUMBER: BACN10YD1 OPTIONAL PART: 130120 V60119 BACN10FX16	101200 968999	1
230	65C36185-2	...	BRACKET	101200 968999	1
235	BACN10TL3A3	..	NUTPLATE- POSITION DATA: FS ATTACHING PARTS	101200 968999	8
- 240	BACR15BB4DC	..	RIVET- SIZE DETERMINED ON INSTL. -----*-----	101200 968999	16
245	412N2008-1	..	CLIP ATTACHING PARTS	101200 968999	8
- 250	BACR15A3ADC	..	RIVET- SIZE DETERMINED ON INSTL. -----*-----	101200 968999	16
255	65C27021-184	..	BRACKET ASSY ATTACHING PARTS	101200 968999	2
- 260	BACR15A5ADC	..	RIVET- SIZE DETERMINED ON INSTL. -----*-----	101200 968999	8
265	BACN10JP080A	...	NUTPLATE ATTACHING PARTS	101200 968999	2
- 270	BACR15BA3AD	...	RIVET- SIZE DETERMINED ON INSTL. -----*-----	101200 968999	4
275	65C27021-221	...	BRACKET	101200 968999	1
280	412A3137-1313	..	INSULATOR	101200 968999	1
285	412A3137-1312SP	..	BEAM	101200 968999	1

MISSING ITEM NUMBERS NOT APPLICABLE

- ITEM NOT ILLUSTRATED

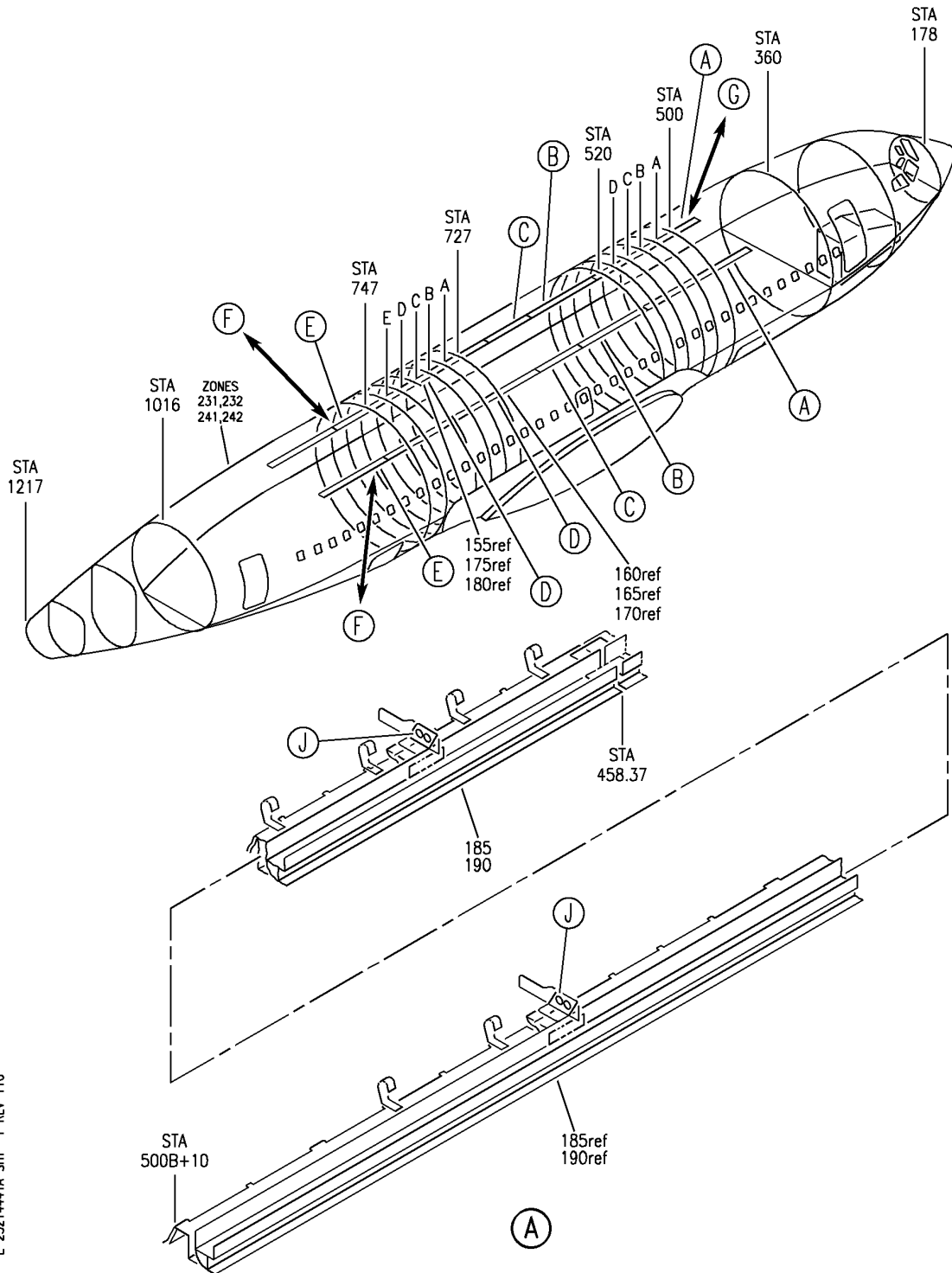
HAP

25-21-44-40B

BOEING PROPRIETARY - Copyright © - Unpublished Work - See title page for details.

25-21-44
FIG. 40B
PAGE 4
OCT 15/08

BOEING
 737-600/700/800/900
 PARTS CATALOG (MAINTENANCE)



E 2521441A SHT 1 REV 110

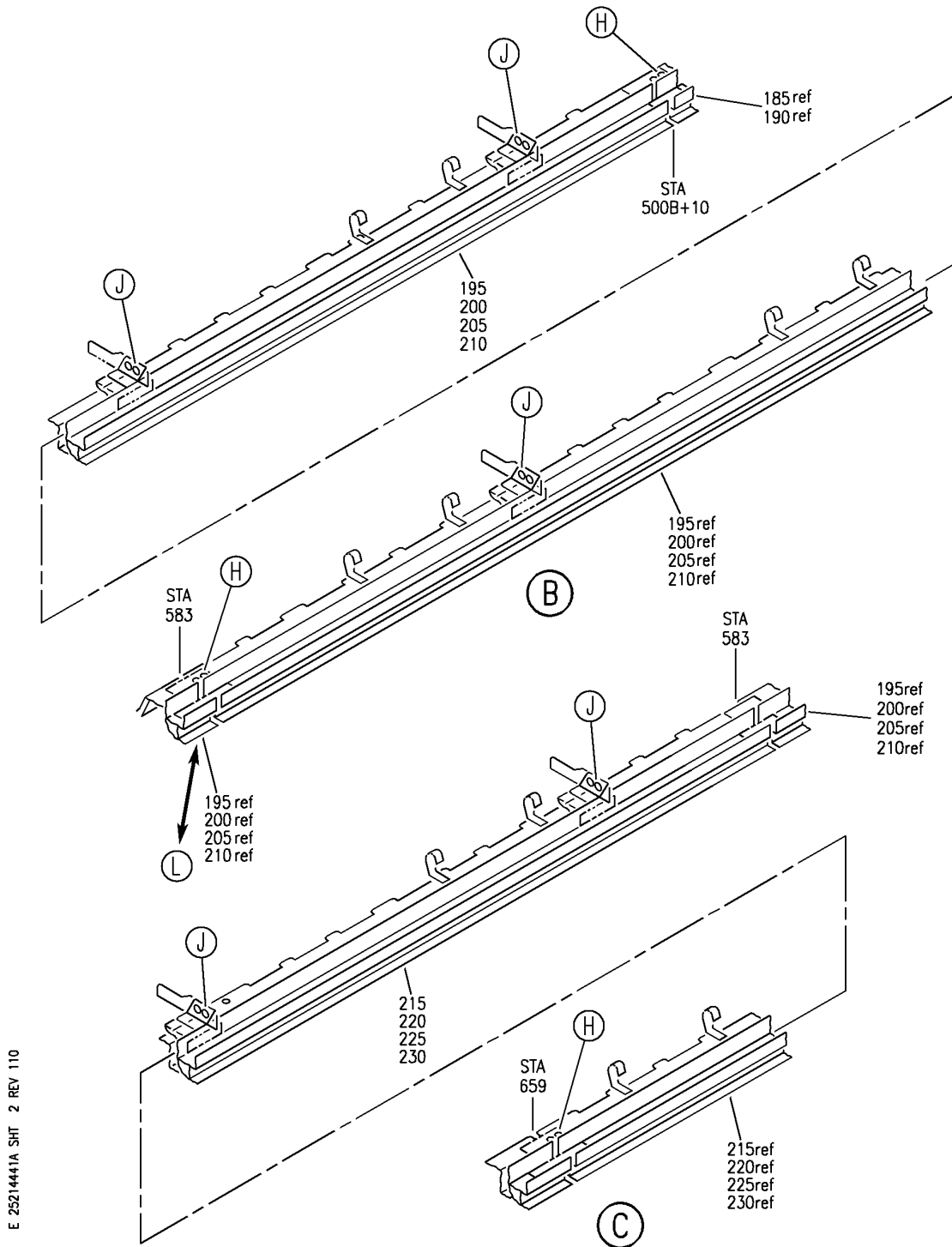
EXTRUSION INSTL-CTR SECT. SIDEWALL AIR CONDITIONING OUTLET, 737-700
 FIGURE 41A (SHEET 1)

25-21-44-41A

HAP
 OCT 15/08

25-21-44-41A
 PAGE 0

BOEING
 737-600/700/800/900
 PARTS CATALOG (MAINTENANCE)



E 2521441A SHT 2 REV 110

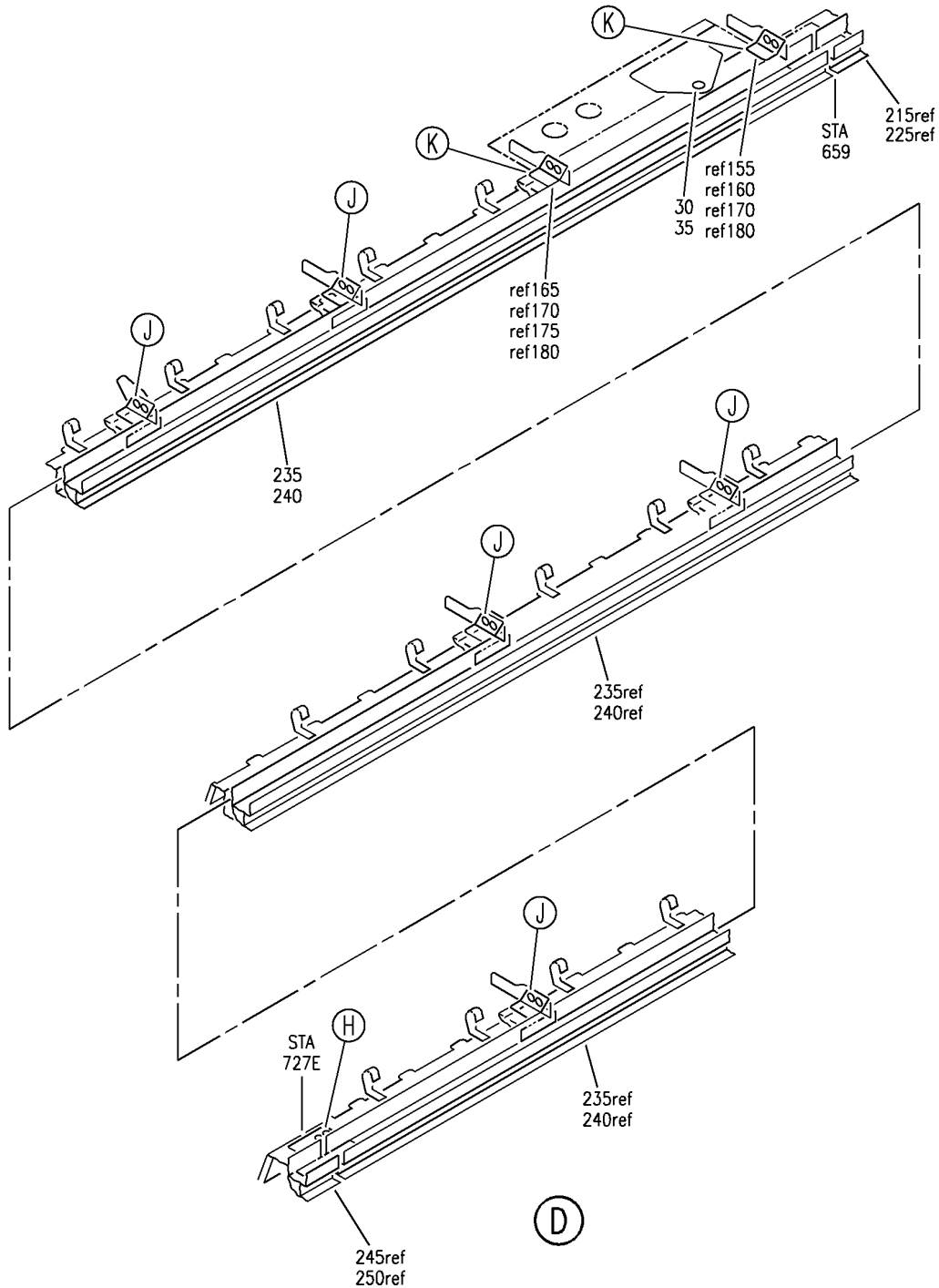
EXTRUSION INSTL-CTR SECT. SIDEWALL AIR CONDITIONING OUTLET, 737-700
 FIGURE 41A (SHEET 2)

25-21-44-41A

HAP
 OCT 15/08

25-21-44-41A
 PAGE 0A

BOEING
 737-600/700/800/900
 PARTS CATALOG (MAINTENANCE)



E 2521441A SHT 3 REV 110

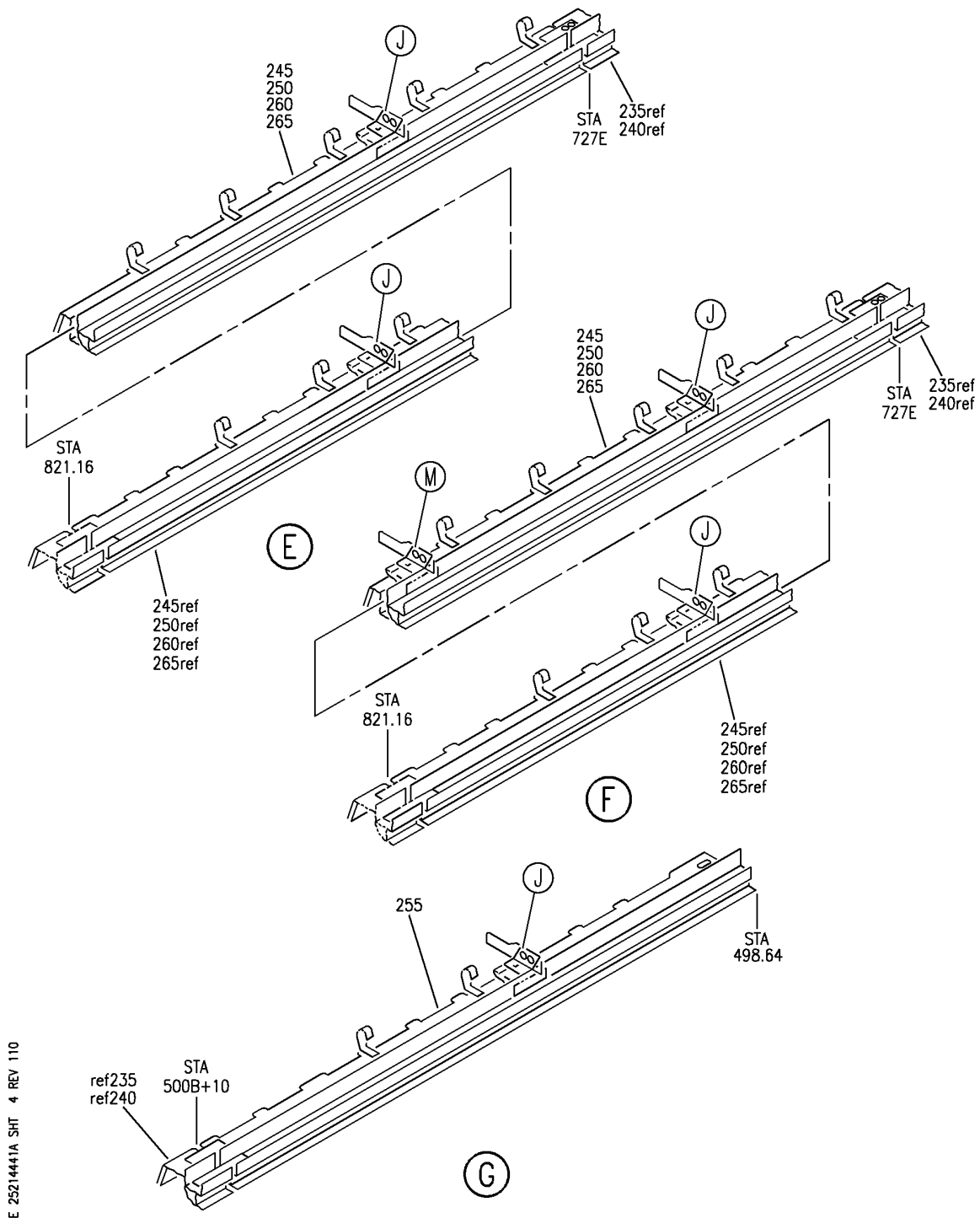
EXTRUSION INSTL-CTR SECT. SIDEWALL AIR CONDITIONING OUTLET, 737-700
 FIGURE 41A (SHEET 3)

25-21-44-41A

HAP
 OCT 15/08

25-21-44-41A
 PAGE 0B

BOEING
 737-600/700/800/900
 PARTS CATALOG (MAINTENANCE)



E 2521441A SHT 4 REV 110

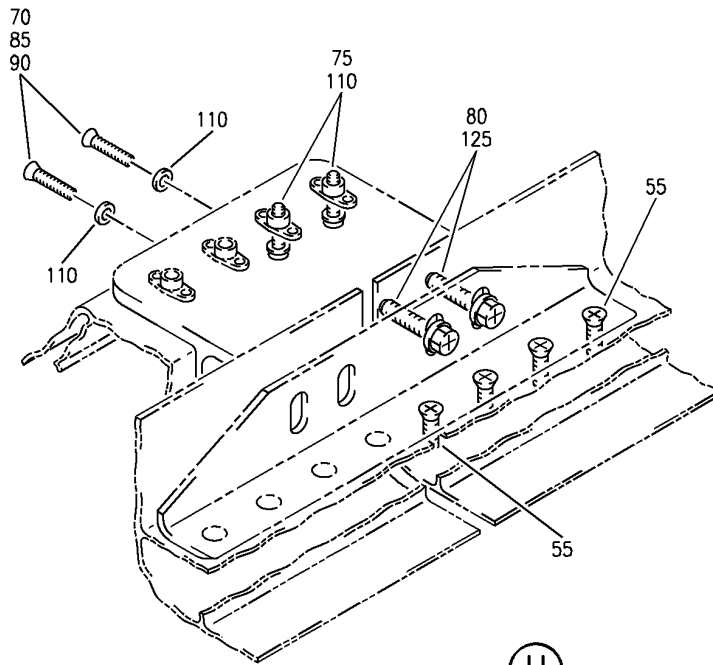
EXTRUSION INSTL-CTR SECT. SIDEWALL AIR CONDITIONING OUTLET, 737-700
 FIGURE 41A (SHEET 4)

25-21-44-41A

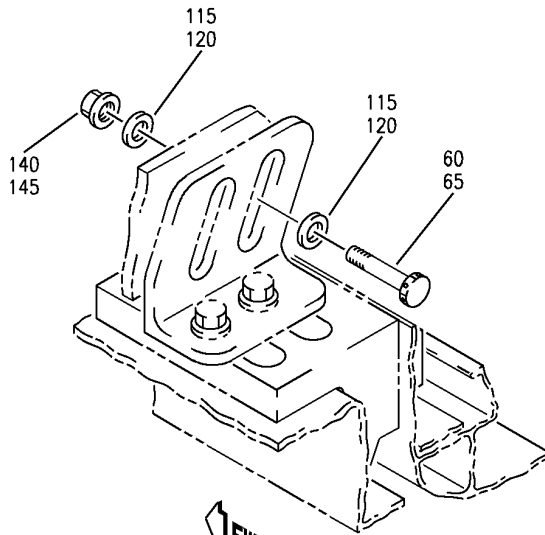
HAP
 OCT 15/08

25-21-44-41A
 PAGE 0C

BOEING
 737-600/700/800/900
 PARTS CATALOG (MAINTENANCE)



(H)



FWD

(J)

E 2521441A SHT 5 REV 110

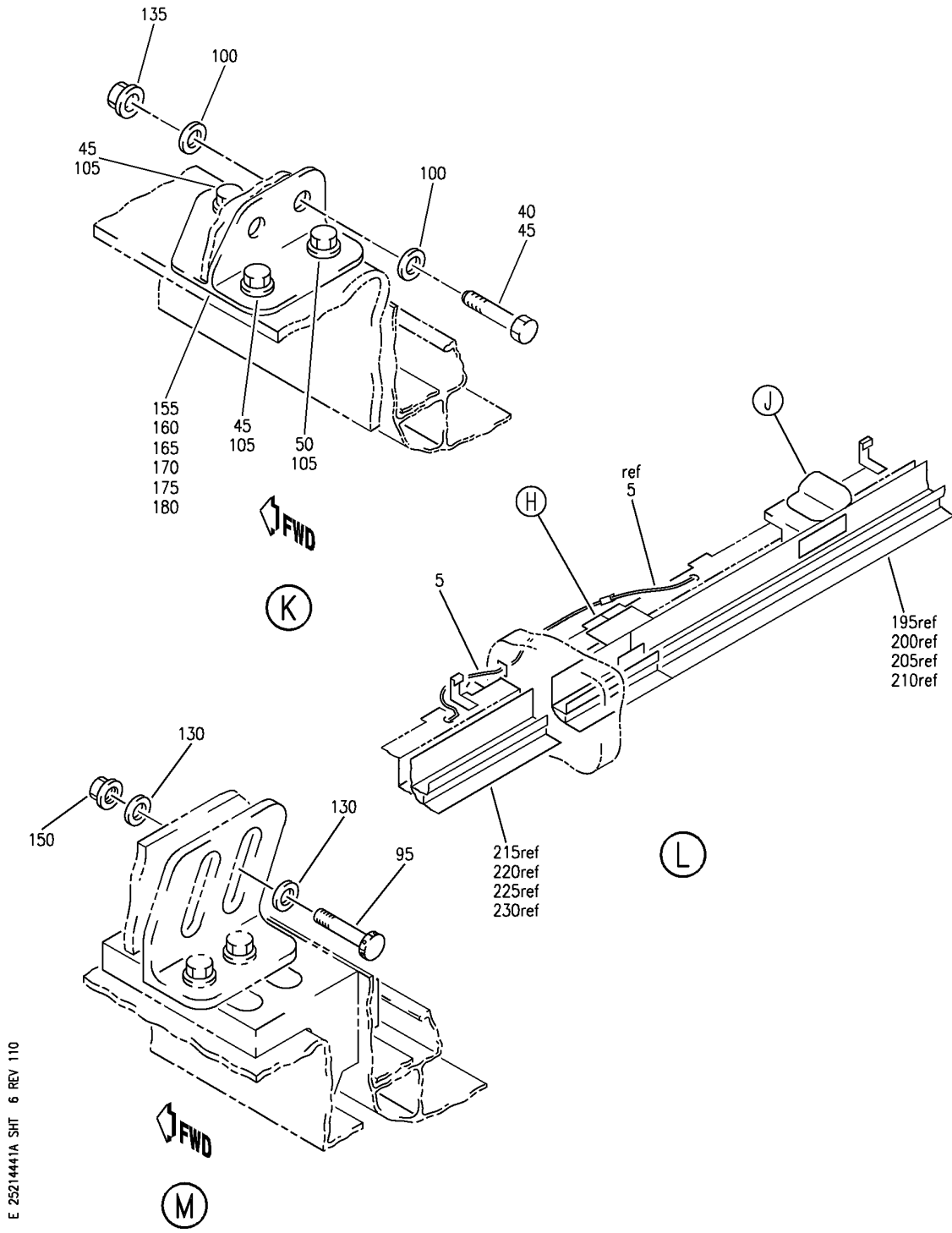
EXTRUSION INSTL-CTR SECT. SIDEWALL AIR CONDITIONING OUTLET, 737-700
 FIGURE 41A (SHEET 5)

25-21-44-41A

HAP
 OCT 15/08

25-21-44-41A
 PAGE 0D

BOEING
 737-600/700/800/900
 PARTS CATALOG (MAINTENANCE)



E 2521441A SHT 6 REV 110

EXTRUSION INSTL-CTR SECT. SIDEWALL AIR CONDITIONING OUTLET, 737-700
 FIGURE 41A (SHEET 6)

25-21-44-41A

HAP
 OCT 15/08

25-21-44-41A
 PAGE 0E

BOEING
737-600/700/800/900
PARTS CATALOG (MAINTENANCE)

FIG ITEM	PART NUMBER	1 2 3 4 5 6 7	NOMENCLATURE	EFFECT FROM TO	UNITS PER ASSY
41A			EXTRUSION INSTL-CTR SECT. SIDEWALL AIR CONDITIONING OUTLET, 737-700	201967	
- 1	412A3001-703SP		EXTRUSION INSTL-SIDEWALL AIR CONDITIONING OUTLET POSITION DATA: CTR SECT. FOR NHA SEE: 25-21-00-01A	201967	RF
30	AN415-4		.PIN	201967	2
35	BACP18BD5A25		.PIN- OPTIONAL PART: MS20392-5C27 BACP18BD5A27	201967	2
35	MS20392-5C27		.PIN- OPTIONAL PART: BACP18BD5A25 BACP18BD5A27	201967	2
35	BACP18BD5A27		.PIN- OPTIONAL PART: MS20392-5C27 BACP18BD5A25	201967	2
40	BACB30NM3K5		.BOLT	201967	4
45	BACB30NM3K6		.BOLT	201967	12
50	BACB30NM3K7		.BOLT	201967	4
55	BACB30LU2-2		.BOLT	201967	32
60	BACB30NR4K4		.BOLT	201967	56
70	BACS12ER08K8		.SCREW	201967	16
75	BACS12ER08K9		.SCREW	201967	16
80	BACS12GU08K9		.SCREW	201967	16
100	BACW10P43AL		.WASHER- OPTIONAL PART: NAS1149D0363J	201967	16
100	NAS1149D0363J		.WASHER- OPTIONAL PART: BACW10P43AL	201967	16
105	NAS1149D0316J		.WASHER	201967	12
110	BACW10DM5P		.WASHER	201967	32
115	NAS1149E0463P		.WASHER-	201967	112
125	NAS1149DN816J		.WASHER	201967	16
135	PLH53CD		.NUT SUPPLIER CODE: VF0224 SPECIFICATION NUMBER: BACN10YR3CD OPTIONAL PART: H52732-3CD V15653	201967	8

MISSING ITEM NUMBERS NOT APPLICABLE

- ITEM NOT ILLUSTRATED

HAP

25-21-44-41A

BOEING PROPRIETARY - Copyright © - Unpublished Work - See title page for details.

25-21-44
FIG. 41A
PAGE 1
FEB 15/09

BOEING
737-600/700/800/900
PARTS CATALOG (MAINTENANCE)

FIG ITEM	PART NUMBER	1 2 3 4 5 6 7	NOMENCLATURE	EFFECT FROM TO	UNITS PER ASSY
41A 140	PLH54CD	.	NUT SUPPLIER CODE: VF0224 SPECIFICATION NUMBER: BACN10YR4CD OPTIONAL PART: H52732-4CD V15653	201967	56
155	412A3200-9	.	BRACKET ASSY	201967	1
160	412A3200-10	.	BRACKET ASSY	201967	1
165	65C27021-205	.	BRACKET ASSY	201967	1
175	65C27021-220	.	BRACKET ASSY	201967	1
185	412A3103-1002SP	.	OUTLET ASSY- POSITION DATA: RH SIDE FOR DETAILS SEE: 25-21-44-61A	201967	1
190	412A3103-1001SP	.	OUTLET ASSY- POSITION DATA: LH SIDE FOR DETAILS SEE: 25-21-44-61A	201967	1
195	412A3103-1004SP	.	OUTLET ASSY- POSITION DATA: RH SIDE FOR DETAILS SEE: 25-21-44-61B	201967	1
205	412A3103-1003SP	.	OUTLET ASSY- POSITION DATA: LH SIDE FOR DETAILS SEE: 25-21-44-61B	201967	1
215	412A3103-1060SP	.	OUTLET ASSY- POSITION DATA: RH SIDE FOR DETAILS SEE: 25-21-44-61C	201967	1
225	412A3103-1059SP	.	OUTLET ASSY- POSITION DATA: LH SIDE FOR DETAILS SEE: 25-21-44-61C	201967	1
235	412A3103-1008SP	.	OUTLET ASSY- POSITION DATA: RH SIDE FOR DETAILS SEE: 25-21-44-61E	201967	1

MISSING ITEM NUMBERS NOT APPLICABLE

— ITEM NOT ILLUSTRATED

HAP

25-21-44-41A

BOEING PROPRIETARY - Copyright © - Unpublished Work - See title page for details.

25-21-44
FIG. 41A
PAGE 2
FEB 15/09


BOEING
 737-600/700/800/900
PARTS CATALOG (MAINTENANCE)

FIG ITEM	PART NUMBER	1 2 3 4 5 6 7	NOMENCLATURE	EFFECT FROM TO	UNITS PER ASSY
41A 240	412A3103-1007SP		.OUTLET ASSY- POSITION DATA: LH SIDE FOR DETAILS SEE: 25-21-44-61E	201967	1
245	412A3103-1010SP		.OUTLET ASSY- POSITION DATA: RH SIDE FOR DETAILS SEE: 25-21-44-61F	201967	1
250	412A3103-1009SP		.OUTLET ASSY- POSITION DATA: LH SIDE FOR DETAILS SEE: 25-21-44-61F	201967	1

MISSING ITEM NUMBERS NOT APPLICABLE

— ITEM NOT ILLUSTRATED

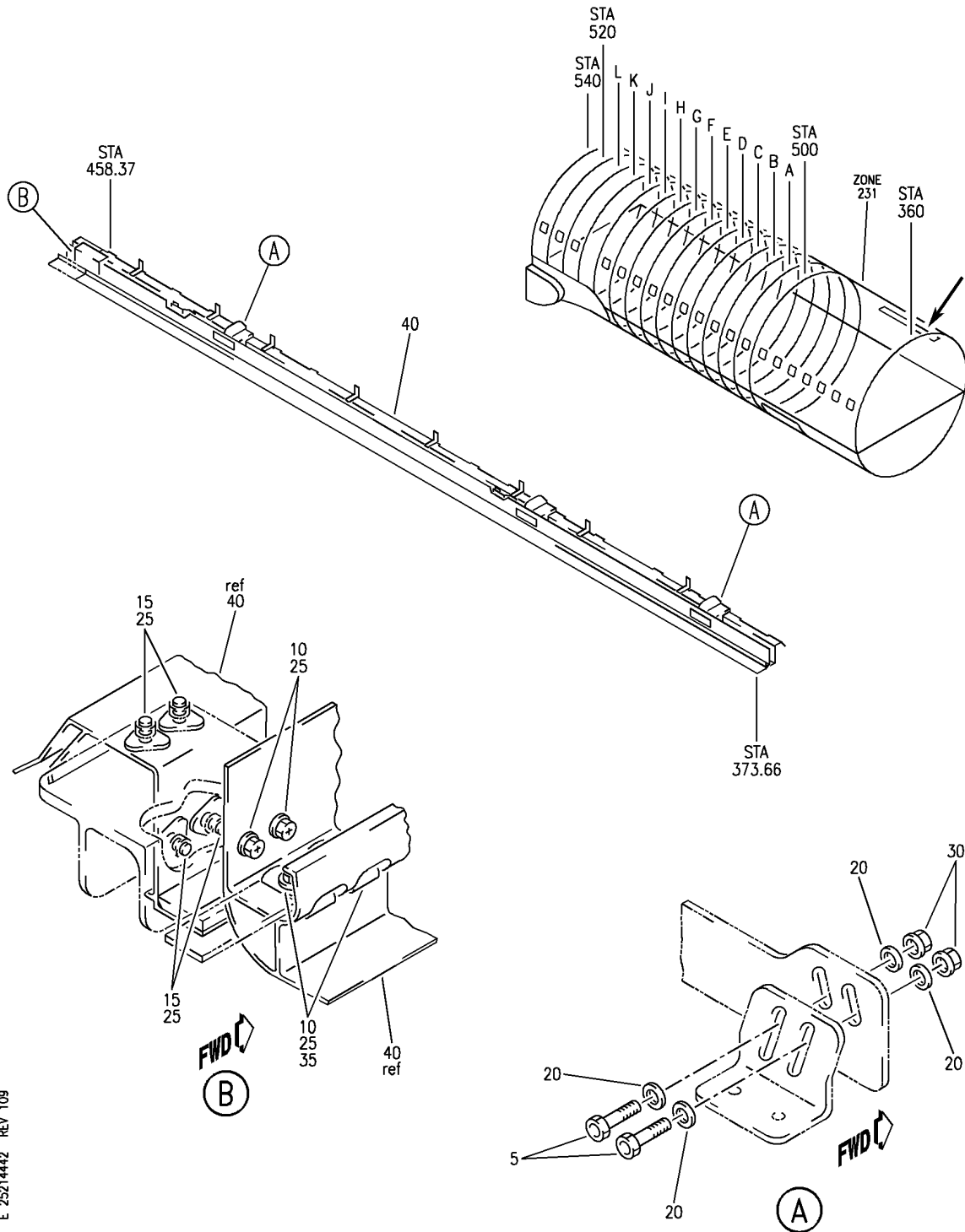
HAP

25-21-44-41A

BOEING PROPRIETARY - Copyright © - Unpublished Work - See title page for details.

25-21-44
 FIG. 41A
 PAGE 3
 OCT 15/08

BOEING
 737-600/700/800/900
 PARTS CATALOG (MAINTENANCE)



E 25214442 REV 108

EXTRUSION INSTL-FWD LH SIDEWALL AIR CONDITIONING OUTLET
 FIGURE 42

25-21-44-42

HAP
 OCT 10/06

25-21-44-42
 PAGE 0

BOEING
737-600/700/800/900
PARTS CATALOG (MAINTENANCE)

FIG ITEM	PART NUMBER	1 2 3 4 5 6 7	NOMENCLATURE	EFFECT FROM TO	UNITS PER ASSY
42			EXTRUSION INSTL-FWD LH SIDEWALL AIR CONDITIONING OUTLET	001007	
- 1	412A3001-103SP		EXTRUSION INSTL-SIDEWALL AIR CONDITIONING OUTLET POSITION DATA: FWD LH PRE SERVICE BULLETIN: 25-1360 FOR NHA SEE: 25-21-00-01D	001007	RF
5	BACB30NR4K4	.BOLT		001007	6
10	BACS12GU08K7	.SCREW		001007	4
15	BACS12GU08K8	.SCREW		001007	4
20	BACW10P11AL	.WASHER-		001007	12
			OPTIONAL PART: NAS1149E0463P		
20	NAS1149E0463P	.WASHER-		001007	12
			OPTIONAL PART: BACW10P11AL		
25	NAS1149DN816J	.WASHER		001007	8
30	PLH54CD	.NUT		001007	6
			SUPPLIER CODE: VF0224 SPECIFICATION NUMBER: BACN10YR4CD OPTIONAL PART: H52732-4CD V15653		
35	130008	.NUT		001007	2
			SUPPLIER CODE: V60119 SPECIFICATION NUMBER: BACN10FX84 OPTIONAL PART: RM52LHA4972-6-8 V72962 SL211-08-1 V97393 A11330-6-82 V72962 A4972-6-82 V72962		
40	412A3103-1035SP	.OUTLET ASSY-		001007	1
			FOR DETAILS SEE: 25-21-44-61		

MISSING ITEM NUMBERS NOT APPLICABLE

- ITEM NOT ILLUSTRATED

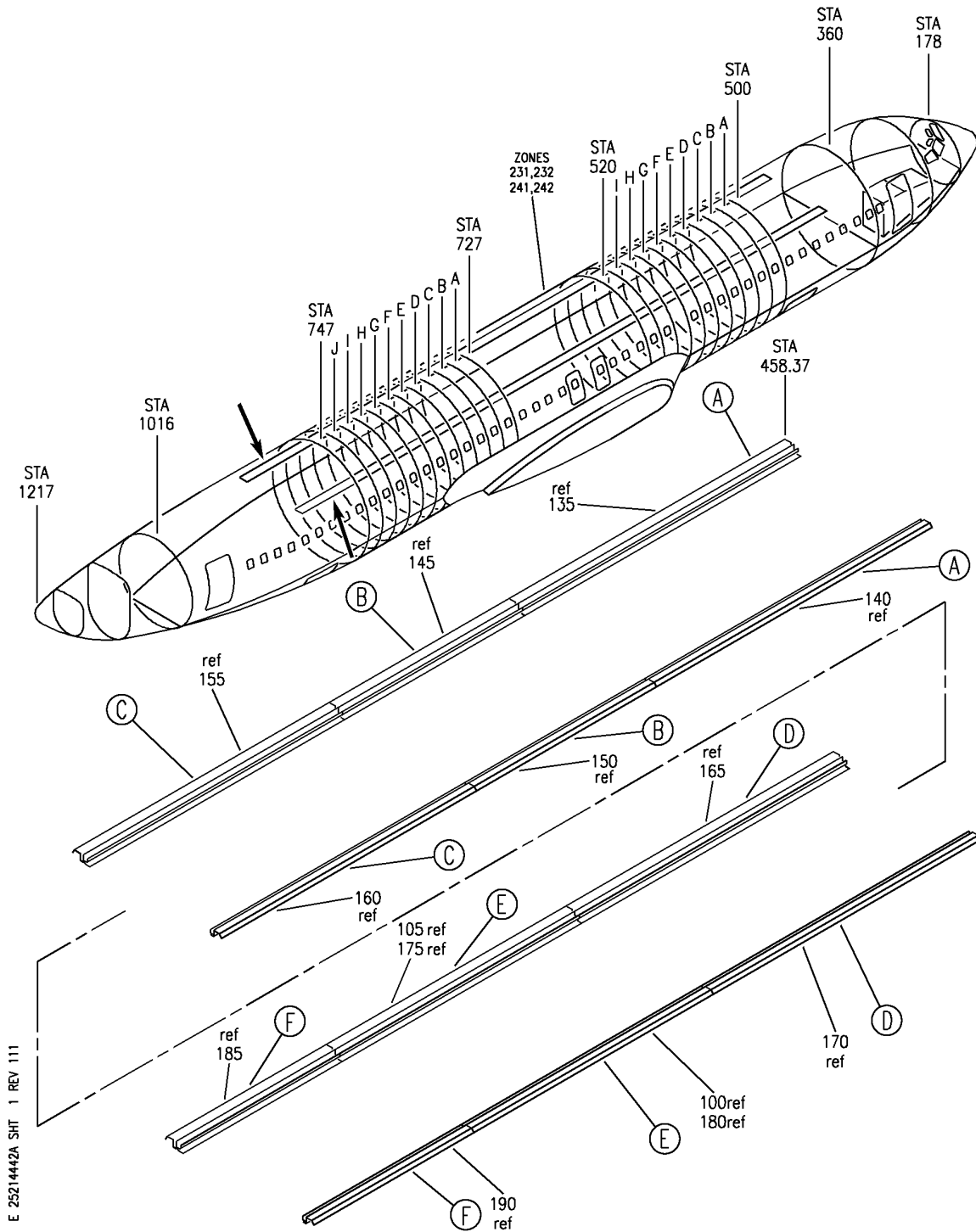
HAP

25-21-44-42

BOEING PROPRIETARY - Copyright © - Unpublished Work - See title page for details.

25-21-44
FIG. 42
PAGE 1
FEB 15/09

BOEING
 737-600/700/800/900
 PARTS CATALOG (MAINTENANCE)



E 25214442A SHT 1 REV 111

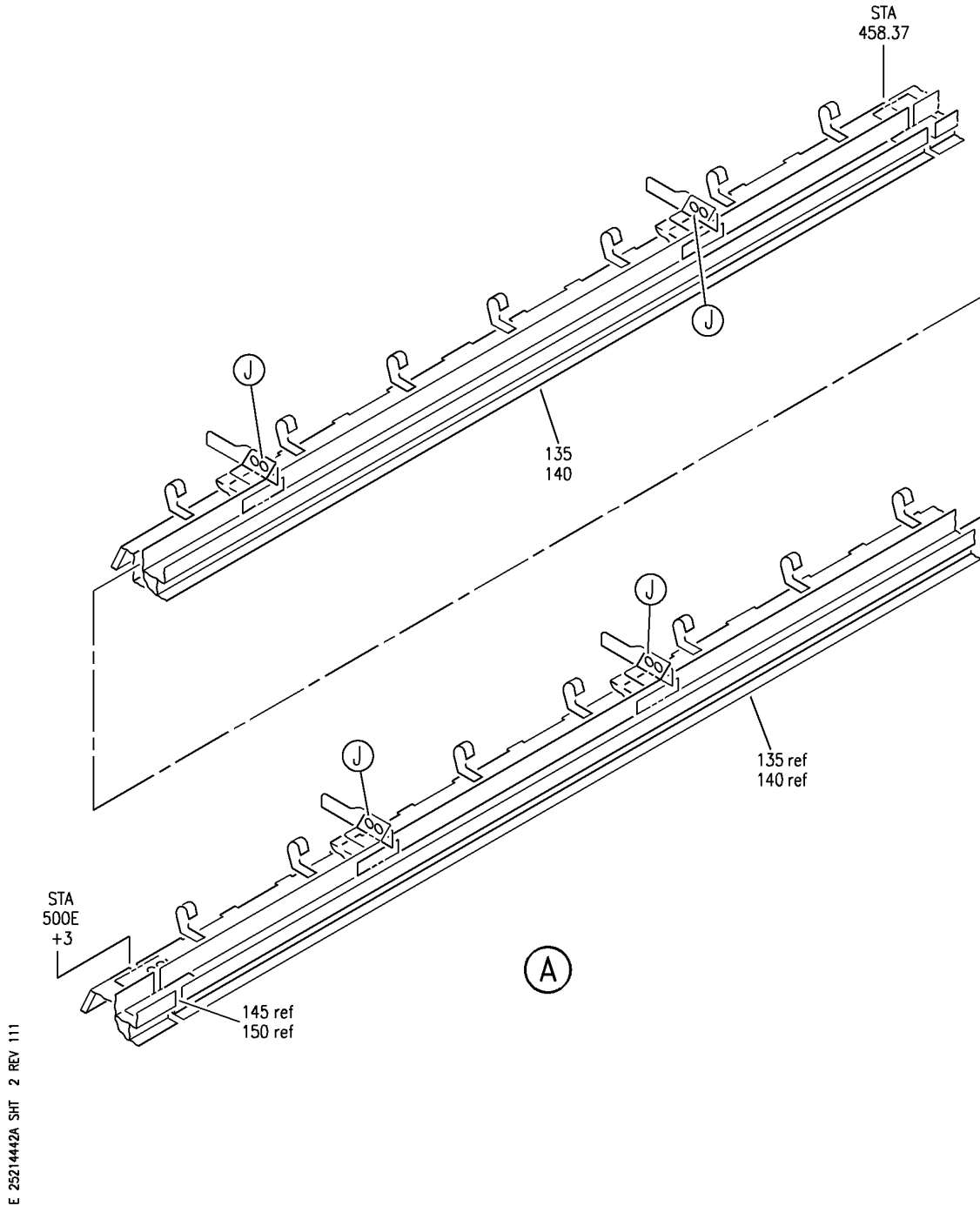
EXTRUSION INSTL-CTR NON VAR SECT. SIDEWALL AIR CONDITIONING OUTLET, 737-800
 FIGURE 42A (SHEET 1)

HAP
 OCT 10/06

25-21-44-42A

25-21-44-42A
 PAGE 0

BOEING
 737-600/700/800/900
 PARTS CATALOG (MAINTENANCE)



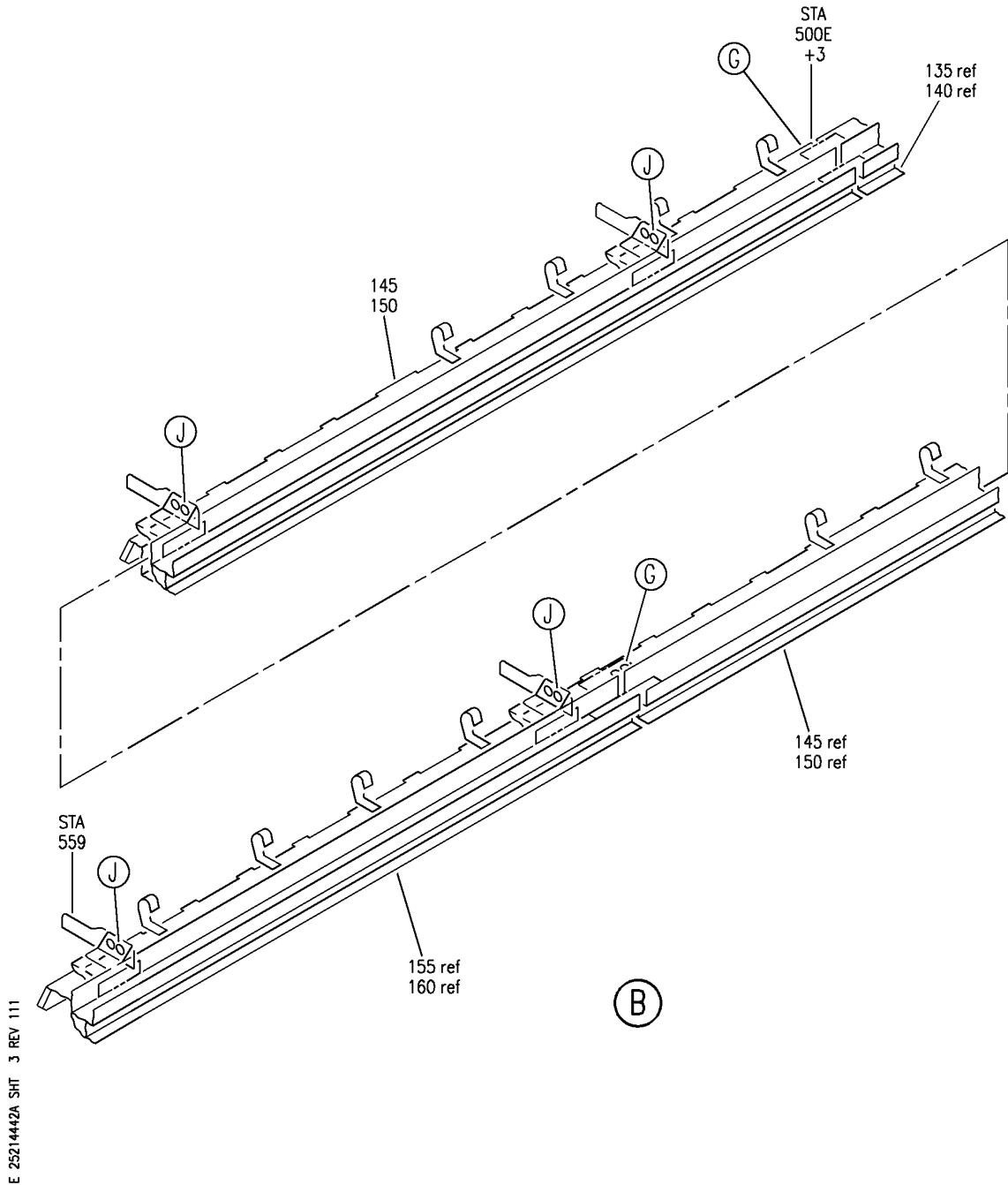
EXTRUSION INSTL-CTR NON VAR SECT. SIDEWALL AIR CONDITIONING OUTLET, 737-800
 FIGURE 42A (SHEET 2)

HAP
 OCT 10/06

25-21-44-42A

25-21-44-42A
 PAGE 0A

BOEING
 737-600/700/800/900
 PARTS CATALOG (MAINTENANCE)



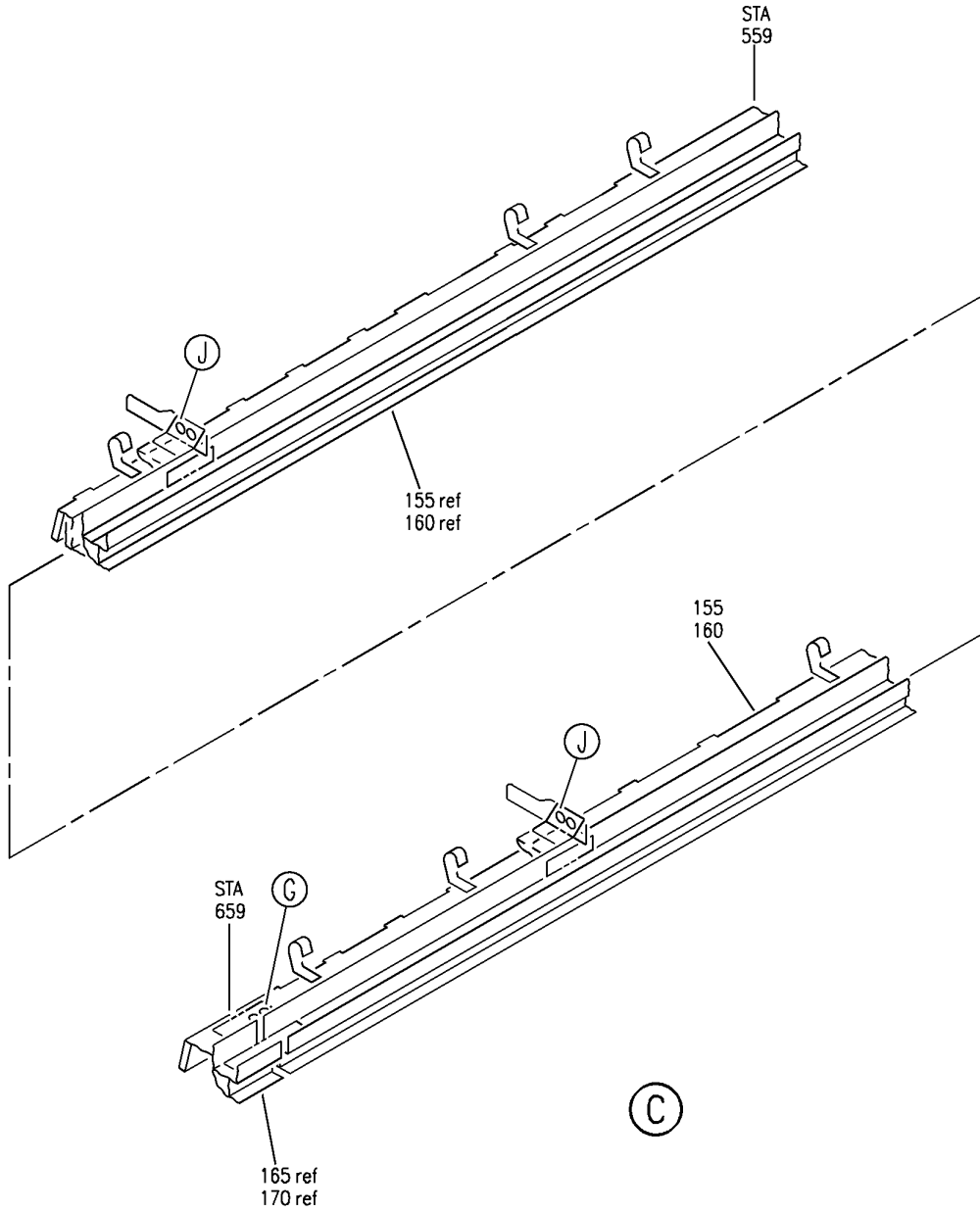
EXTRUSION INSTL-CTR NON VAR SECT. SIDEWALL AIR CONDITIONING OUTLET, 737-800
 FIGURE 42A (SHEET 3)

HAP
 OCT 10/06

25-21-44-42A

25-21-44-42A
 PAGE 0B

BOEING
 737-600/700/800/900
 PARTS CATALOG (MAINTENANCE)



E 252144-42A SHT 4 REV 111

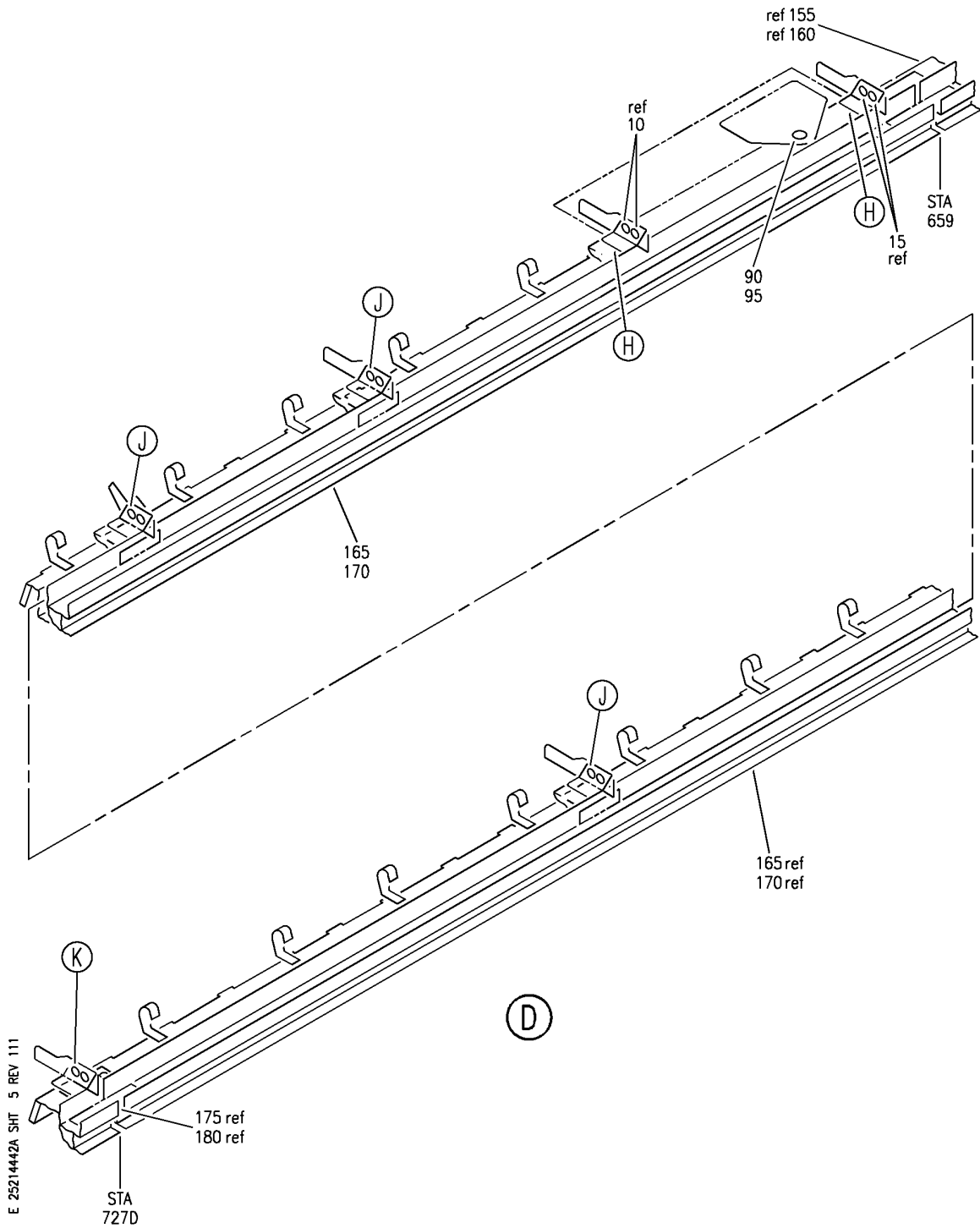
EXTRUSION INSTL-CTR NON VAR SECT. SIDEWALL AIR CONDITIONING OUTLET, 737-800
 FIGURE 42A (SHEET 4)

25-21-44-42A

HAP
 OCT 10/06

25-21-44-42A
 PAGE 0C

BOEING
 737-600/700/800/900
 PARTS CATALOG (MAINTENANCE)



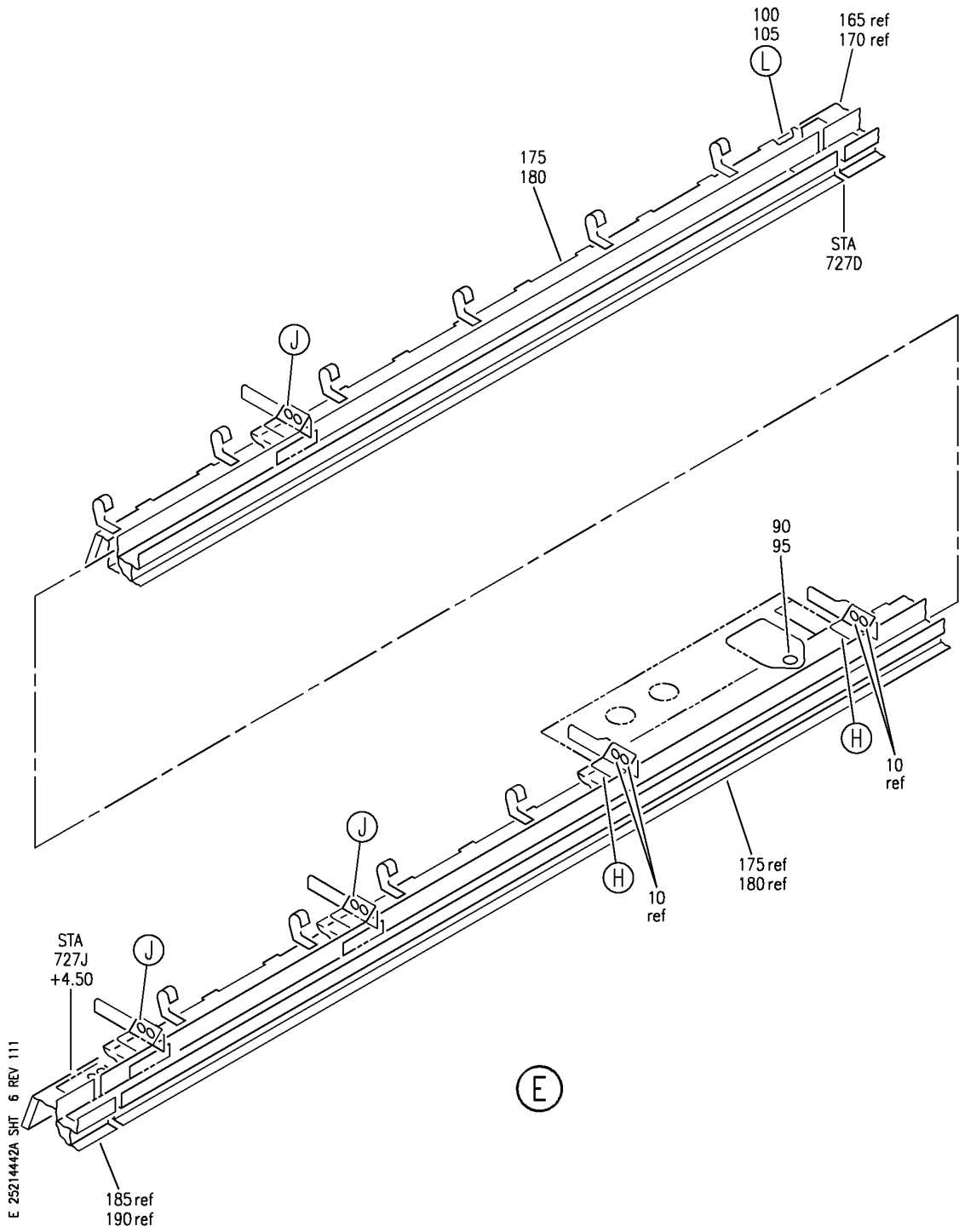
EXTRUSION INSTL-CTR NON VAR SECT. SIDEWALL AIR CONDITIONING OUTLET, 737-800
 FIGURE 42A (SHEET 5)

HAP
 OCT 10/06

25-21-44-42A

25-21-44-42A
 PAGE 0D

BOEING
 737-600/700/800/900
 PARTS CATALOG (MAINTENANCE)



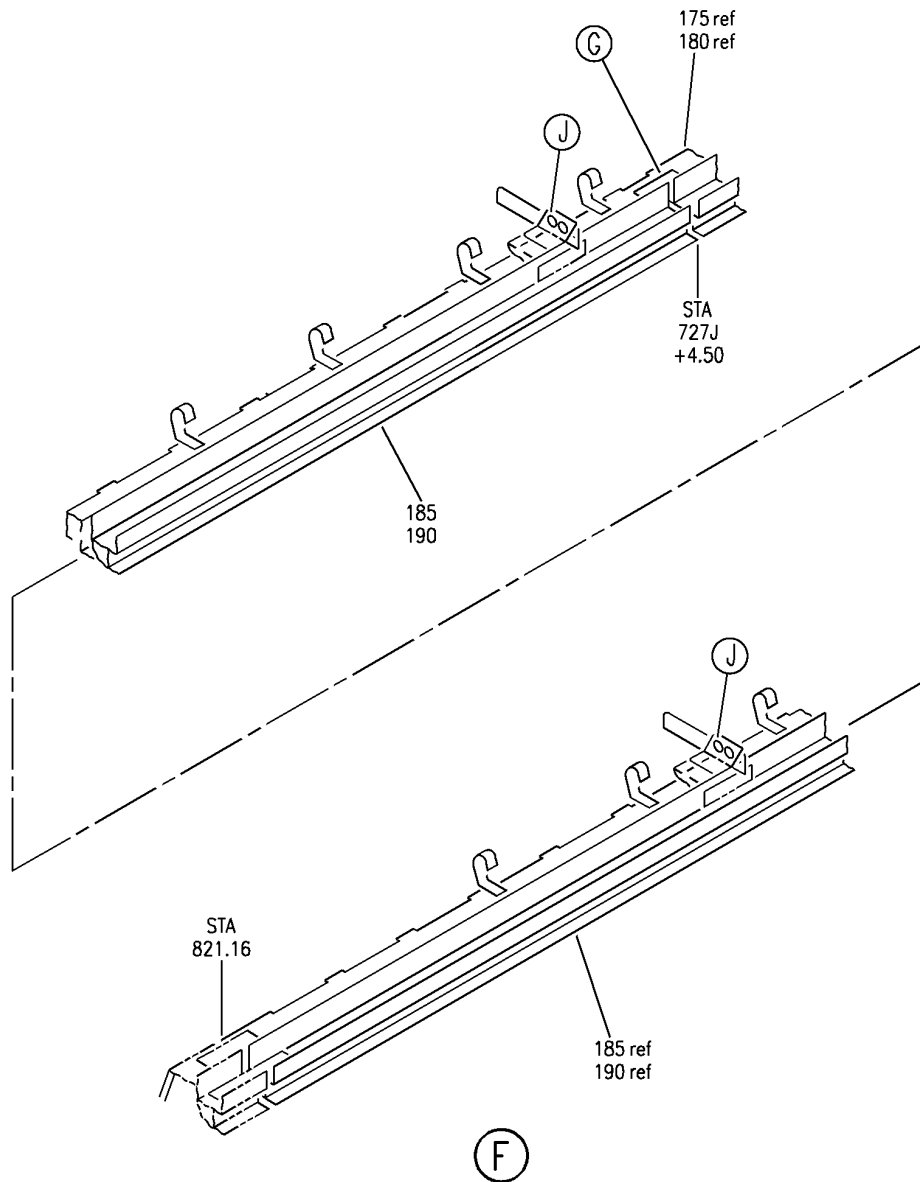
EXTRUSION INSTL-CTR NON VAR SECT. SIDEWALL AIR CONDITIONING OUTLET, 737-800
 FIGURE 42A (SHEET 6)

25-21-44-42A

HAP
 OCT 10/06

25-21-44-42A
 PAGE 0E

BOEING
 737-600/700/800/900
 PARTS CATALOG (MAINTENANCE)



E 25214442A SHT 7 REV 111

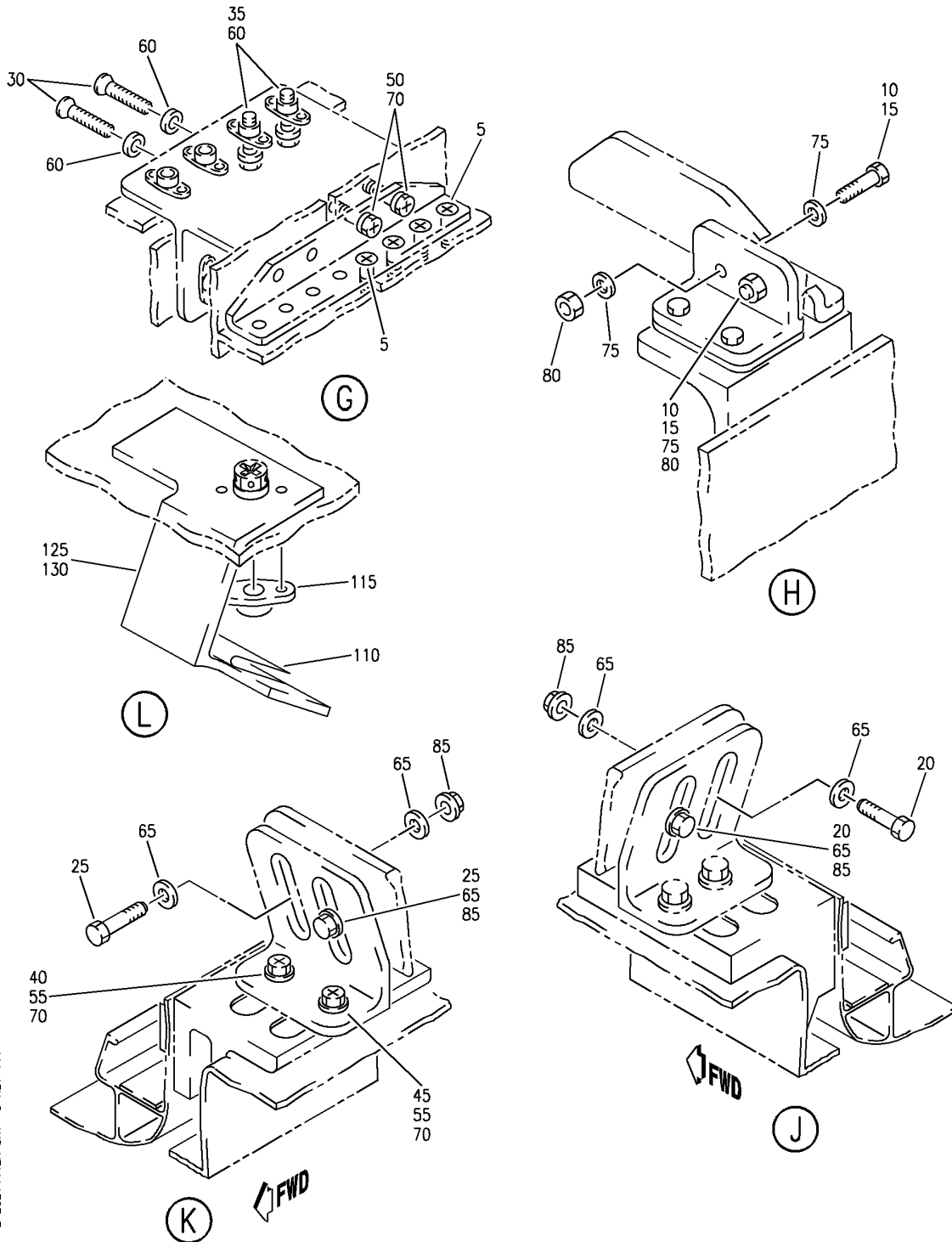
EXTRUSION INSTL-CTR NON VAR SECT. SIDEWALL AIR CONDITIONING OUTLET, 737-800
 FIGURE 42A (SHEET 7)

HAP
 OCT 10/06

25-21-44-42A

25-21-44-42A
 PAGE OF

BOEING
737-600/700/800/900
PARTS CATALOG (MAINTENANCE)



E 25214442A SHT 8 REV 111

EXTRUSION INSTL-CTR NON VAR SECT. SIDEWALL AIR CONDITIONING OUTLET, 737-800
FIGURE 42A (SHEET 8)

25-21-44-42A

HAP
OCT 10/06

25-21-44-42A
PAGE 0G

BOEING
737-600/700/800/900
PARTS CATALOG (MAINTENANCE)

FIG ITEM	PART NUMBER	1 2 3 4 5 6 7	NOMENCLATURE	EFFECT FROM TO	UNITS PER ASSY
42A			EXTRUSION INSTL-CTR NON VAR SECT. SIDEWALL AIR CONDITIONING OUTLET, 737-800	031100	
- 1	MODREF232319		EXTRUSION INSTL-SIDEWALL AIR CONDITIONING OUTLET MODULE NUMBER: 412A3001-1806B REV A POSITION DATA: CTR NON VAR SECT.	031045 054100	1
- 1	MODREF358848		EXTRUSION INSTL-SIDEWALL AIR CONDITIONING OUTLET MODULE NUMBER: 412A3001-1816B REV A POSITION DATA: CTR NON VAR SECT.	046053	1
5	BACB30LU2-2	.BOLT		031100	32
10	BACB30NM3K5	.BOLT		031100	12
15	BACB30NM3K6	.BOLT		031100	4
20	BACB30NR4K4	.BOLT		031100	72
25	BACB30NR4K5	.BOLT		031100	4
30	BACS12ER08K8	.SCREW		031100	16
35	BACS12ER08K9	.SCREW		031100	16
40	BACS12GU08K12	.SCREW		031100	2
45	BACS12GU08K14	.SCREW		031100	2
50	BACS12GU08K9	.SCREW		031100	16
55	412N2004-139	.SPACER		031100	4
60	BACW10DM5P	.WASHER		031100	32
65	NAS1149E0463P	.WASHER		031100	152
70	NAS1149DN816J	.WASHER		031100	20
75	NAS1149D0363J	.WASHER		031100	32
80	PLH53CD	.NUT		031100	16
			SUPPLIER CODE: VF0224 SPECIFICATION NUMBER: BACN10YR3CD OPTIONAL PART: H52732-3CD V15653		
85	PLH54CD	.NUT		031100	76
			SUPPLIER CODE: VF0224 SPECIFICATION NUMBER: BACN10YR4CD OPTIONAL PART: H52732-4CD V15653		

MISSING ITEM NUMBERS NOT APPLICABLE

- ITEM NOT ILLUSTRATED

HAP

25-21-44-42A

BOEING PROPRIETARY - Copyright © - Unpublished Work - See title page for details.

25-21-44
FIG. 42A
PAGE 1
FEB 15/09

BOEING
737-600/700/800/900
PARTS CATALOG (MAINTENANCE)

FIG ITEM	PART NUMBER	1 2 3 4 5 6 7	NOMENCLATURE	EFFECT FROM TO	UNITS PER ASSY
42A					
90	BACP18BD5A27	.PIN-	OPTIONAL PART: BACP18BD5A25	031100	4
90	BACP18BD5A25	.PIN-	OPTIONAL PART: BACP18BD5A27	031100	4
95	AN415-4	.PIN		031100	4
100	65C36185-5	.BRACKET ASSY		031100	1
105	65C36185-3	.BRACKET ASSY		031100	1
110	130069	..NUT-	SUPPLIER CODE: V60119 SPECIFICATION NUMBER: BACN10FX16 OPTIONAL PART: A11330-6-3 V72962 A4972-6-02 V72962 BACN10YD1	031047 054100	1
110	BRC600-8-3	..NUT-	SUPPLIER CODE: V52828 SPECIFICATION NUMBER: BACN10YD1 OPTIONAL PART: 130120 V60119 BACN10FX16	031047 054100	1
115	T8076S832	..NUTPLATE	SUPPLIER CODE: V11815 SPECIFICATION NUMBER: BACN10JP08A OPTIONAL PART: MK1000-08BAC V15653 NS103197-82 V80539 RMA9201M82 V72962 VN202A1-82 V92215 BRM200A08 V52828	031100	1
- 120	BACR15BA3AD	..RIVET-	ATTACHING PARTS SIZE DETERMINED ON INSTL. -----*-----	031100	2

MISSING ITEM NUMBERS NOT APPLICABLE

- ITEM NOT ILLUSTRATED

HAP

25-21-44-42A

BOEING PROPRIETARY - Copyright © - Unpublished Work - See title page for details.

25-21-44
FIG. 42A
PAGE 2
FEB 15/09

 **BOEING**
737-600/700/800/900
PARTS CATALOG (MAINTENANCE)

FIG ITEM	PART NUMBER	1 2 3 4 5 6 7	NOMENCLATURE	EFFECT FROM TO	UNITS PER ASSY
42A 125	65C36185-6		..BRACKET- USED ON: 65C36185-5	031100	1
130	65C36185-4		..BRACKET- USED ON: 65C36185-3	031100	1
135	412A3103-2099SP		.OUTLET ASSY- FOR DETAILS SEE: 25-21-44-62A	031100	1
140	412A3103-2098SP		.OUTLET ASSY- FOR DETAILS SEE: 25-21-44-62A	031100	1
145	412A3103-2013SP		.OUTLET ASSY- FOR DETAILS SEE: 25-21-44-62B	031100	1
150	412A3103-2014SP		.OUTLET ASSY- FOR DETAILS SEE: 25-21-44-62B	031100	1
155	412A3103-2061SP		.OUTLET ASSY- FOR DETAILS SEE: 25-21-44-62C	031100	1
160	412A3103-2062SP		.OUTLET ASSY- FOR DETAILS SEE: 25-21-44-62C	031100	1
165	412A3103-2017SP		.OUTLET ASSY- FOR DETAILS SEE: 25-21-44-23A	031100	1
170	412A3103-2018SP		.OUTLET ASSY- FOR DETAILS SEE: 25-21-44-23A	031100	1
175	412A3103-2141SP		.OUTLET ASSY- FOR DETAILS SEE: 25-21-44-62D	031100	1
180	412A3103-2142SP		.OUTLET ASSY- FOR DETAILS SEE: 25-21-44-62D	031100	1
185	412A3103-2021SP		.OUTLET ASSY- FOR DETAILS SEE: 25-21-44-62E	031045 054100	1
185	412A3103-3021SP		.OUTLET ASSY- FOR DETAILS SEE: 25-21-44-62E	046053	1
190	412A3103-2022SP		.OUTLET ASSY- FOR DETAILS SEE: 25-21-44-62E	031045 054100	1
190	412A3103-3022SP		.OUTLET ASSY- FOR DETAILS SEE: 25-21-44-62E	046053	1

MISSING ITEM NUMBERS NOT APPLICABLE

— ITEM NOT ILLUSTRATED

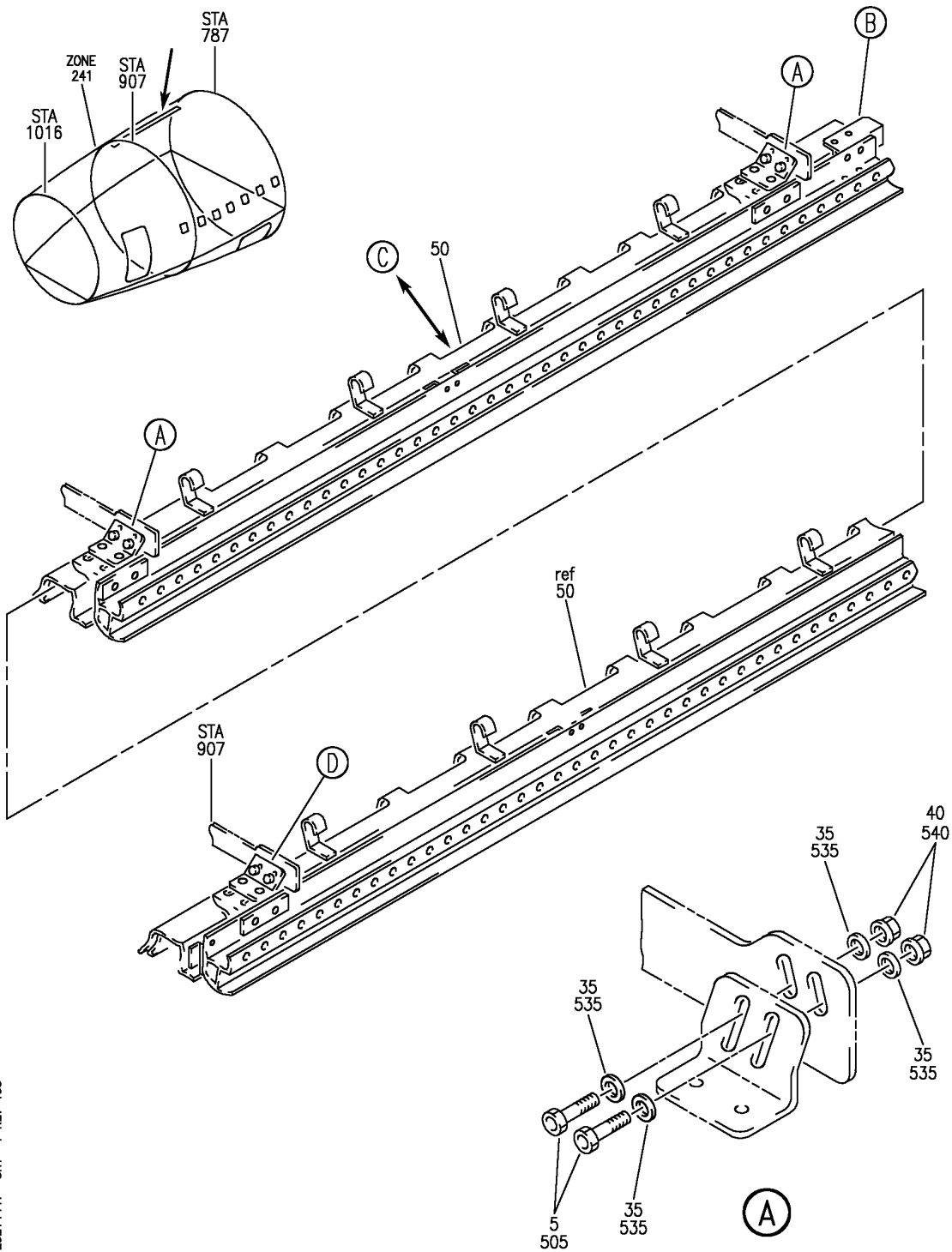
HAP

25-21-44-42A

BOEING PROPRIETARY - Copyright © - Unpublished Work - See title page for details.

25-21-44
FIG. 42A
PAGE 3
FEB 15/09

BOEING
 737-600/700/800/900
 PARTS CATALOG (MAINTENANCE)



E 25214447 SHT 1 REV 155

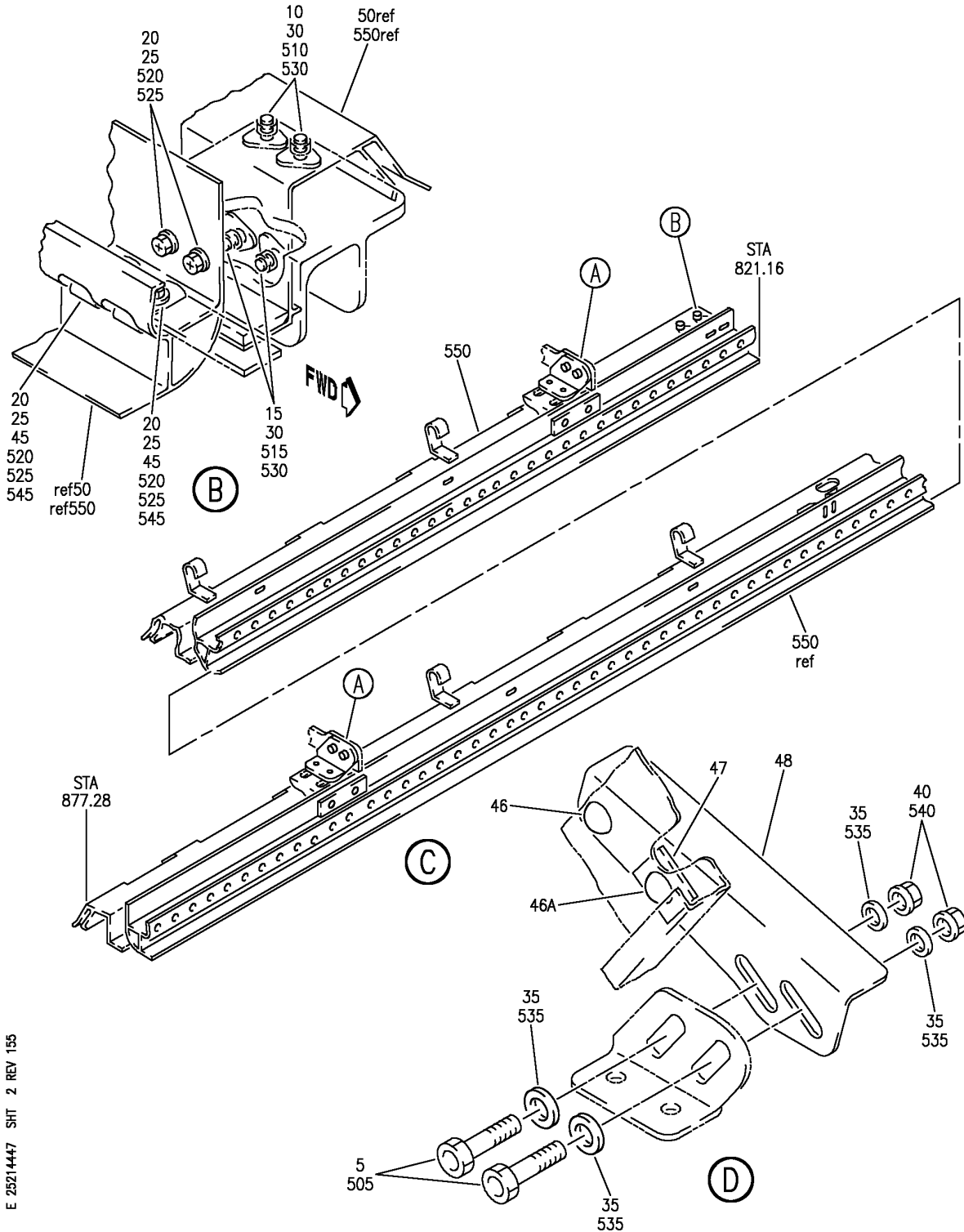
EXTRUSION INSTL-AFT LH SIDEWALL AIR CONDITIONING OUTLET
 FIGURE 47

25-21-44-47

HAP
 JUN 15/09

25-21-44-47
 PAGE 0

BOEING
 737-600/700/800/900
 PARTS CATALOG (MAINTENANCE)



E 25214447 SHT 2 REV 155

EXTRUSION INSTL-AFT LH SIDEWALL AIR CONDITIONING OUTLET
 FIGURE 47

25-21-44-47

HAP
 JUN 15/09

25-21-44-47
 PAGE 0A

BOEING
737-600/700/800/900
PARTS CATALOG (MAINTENANCE)

FIG ITEM	PART NUMBER	1 2 3 4 5 6 7	NOMENCLATURE	EFFECT FROM TO	UNITS PER ASSY
47			EXTRUSION INSTL-AFT LH SIDEWALL AIR CONDITIONING OUTLET		
- 1	412A3001-302SP		EXTRUSION INSTL-SIDEWALL AIR CONDITIONING OUTLET POSITION DATA: AFT LH FOR NHA SEE: 25-21-00-01A 25-21-00-01D	001030 201967	RF
- 1	MODREF232314		EXTRUSION INSTL-SIDEWALL AIR CONDITIONING OUTLET MODULE NUMBER: 412A3001-1302B REV A POSITION DATA: AFT LH	031200 968999	1
R 5	BACB30NR4K4		.BOLT-		6
R 10	BACS12ER08K8		.SCREW-		2
R 15	BACS12ER08K9		.SCREW-		2
R 20	BACS12GU08K7		.SCREW-		4
R 25	NAS1149DN816J		.WASHER-		4
R 30	BACW10DM5P		.WASHER-		4
R 35	NAS1149E0463P		.WASHER- OPTIONAL PART: BACW10P11AL		12
	35 BACW10P11AL		.WASHER- OPTIONAL PART: NAS1149E0463P		12
R 40	PLH54CD		.NUT- SUPPLIER CODE: VF0224 SPECIFICATION NUMBER: BACN10YR4CD OPTIONAL PART: H52732-4CD V15653		6

MISSING ITEM NUMBERS NOT APPLICABLE

- ITEM NOT ILLUSTRATED

HAP

25-21-44-47

BOEING PROPRIETARY - Copyright © - Unpublished Work - See title page for details.

25-21-44
FIG. 47
PAGE 1
JUN 15/09

BOEING
737-600/700/800/900
PARTS CATALOG (MAINTENANCE)

FIG ITEM	PART NUMBER	1 2 3 4 5 6 7	NOMENCLATURE	EFFECT FROM TO	UNITS PER ASSY
R R R R R R R R R R R	47 45	130008	.NUT- SUPPLIER CODE: V60119 SPECIFICATION NUMBER: BACN10FX84 OPTIONAL PART: RM52LHA4972-6-8 V72962 SL211-08-1 V97393 A11330-6-82 V72962 A4972-6-82 V72962		2
	50	412A3103-1033SP	.OUTLET ASSY- FOR DETAILS SEE: 25-21-44-66	001030 201967	1
	50	412A3103-2033SP	.OUTLET ASSY- FOR DETAILS SEE: 25-21-44-66	031200 968999	1

MISSING ITEM NUMBERS NOT APPLICABLE

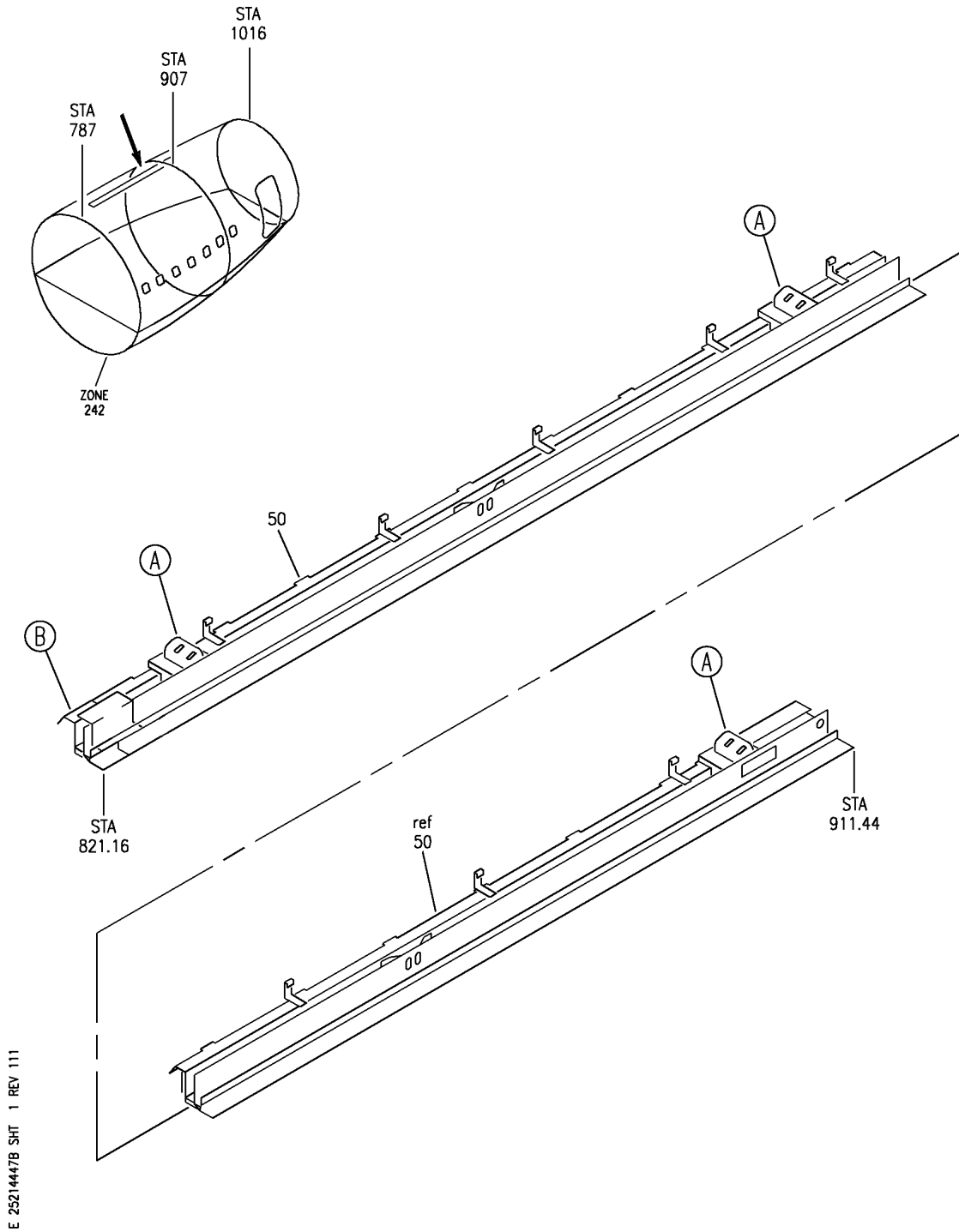
— ITEM NOT ILLUSTRATED

HAP

25-21-44-47

BOEING PROPRIETARY - Copyright © - Unpublished Work - See title page for details.

25-21-44
FIG. 47
PAGE 2
JUN 15/09



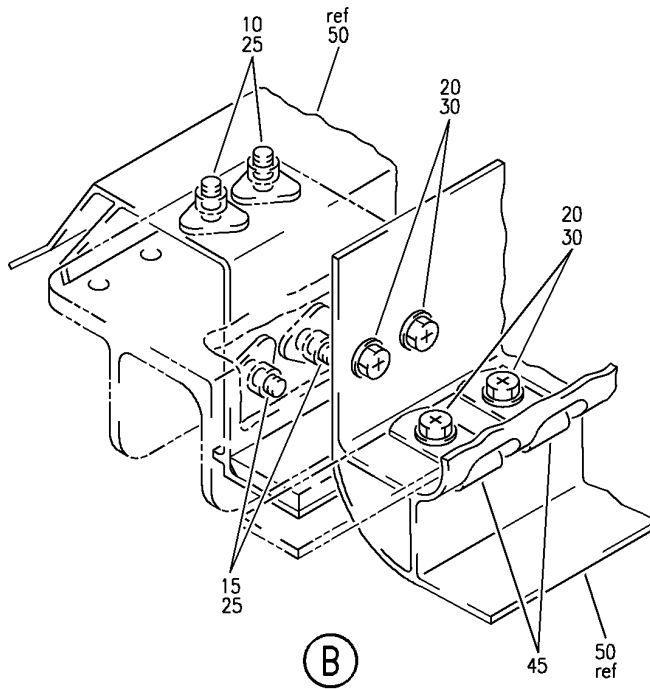
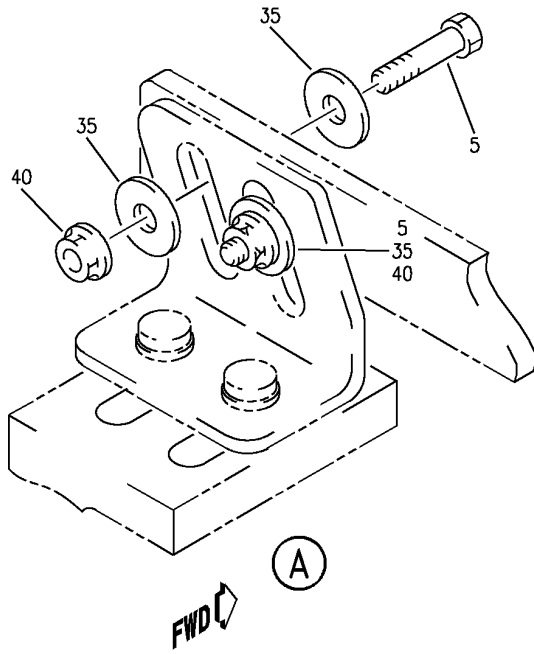
EXTRUSION INSTL-AFT RH SIDEWALL AIR CONDITIONING OUTLET
 FIGURE 47B (SHEET 1)

25-21-44-47B

HAP
 OCT 10/06

25-21-44-47B
 PAGE 0

BOEING
 737-600/700/800/900
 PARTS CATALOG (MAINTENANCE)



E 25214447B SHT 2 REV 111

EXTRUSION INSTL-AFT RH SIDEWALL AIR CONDITIONING OUTLET
 FIGURE 47B (SHEET 2)

25-21-44-47B

HAP
 OCT 10/06

25-21-44-47B
 PAGE 0A

BOEING
737-600/700/800/900
PARTS CATALOG (MAINTENANCE)

FIG ITEM	PART NUMBER	1 2 3 4 5 6 7	NOMENCLATURE	EFFECT FROM TO	UNITS PER ASSY
47B			EXTRUSION INSTL-AFT RH SIDEWALL AIR CONDITIONING OUTLET		
- 1	412A3001-402SP		EXTRUSION INSTL-SIDEWALL AIR CONDITIONING OUTLET POSITION DATA: AFT RH FOR NHA SEE: 25-21-00-01A 25-21-00-01D	001030 201967	RF
- 1	MODREF232316		EXTRUSION INSTL-SIDEWALL AIR CONDITIONING OUTLET MODULE NUMBER: 412A3001-1402B REV A POSITION DATA: AFT RH	031200 968999	1
5	BACB30NR4K4		.BOLT		6
10	BACS12ER08K8		.SCREW		2
15	BACS12ER08K9		.SCREW		2
20	BACS12GU08K7		.SCREW		4
25	NAS1149DN816J		.WASHER		4
30	BACW10DM5P		.WASHER		4
35	BACW10P11AL		.WASHER- OPTIONAL PART: NAS1149E0463P		12
35	NAS1149E0463P		.WASHER- OPTIONAL PART: BACW10P11AL		12
40	PLH54CD		.NUT SUPPLIER CODE: VF0224 SPECIFICATION NUMBER: BACN10YR4CD OPTIONAL PART: H52732-4CD V15653		6

MISSING ITEM NUMBERS NOT APPLICABLE

- ITEM NOT ILLUSTRATED

HAP

25-21-44-47B

BOEING PROPRIETARY - Copyright © - Unpublished Work - See title page for details.

25-21-44
FIG. 47B
PAGE 1
FEB 15/09

BOEING
737-600/700/800/900
PARTS CATALOG (MAINTENANCE)

FIG ITEM	PART NUMBER	1 2 3 4 5 6 7	NOMENCLATURE	EFFECT FROM TO	UNITS PER ASSY
47B 45	130008		.NUT SUPPLIER CODE: V60119 SPECIFICATION NUMBER: BACN10FX84 OPTIONAL PART: RM52LHA4972-6-8 V72962 SL211-08-1 V97393 A11330-6-82 V72962 A4972-6-82 V72962		2
50	412A3103-1034SP		.OUTLET ASSY- FOR DETAILS SEE: 25-21-44-66C	001030 201967	1
50	412A3103-2034SP		.OUTLET ASSY- FOR DETAILS SEE: 25-21-44-66C	031200 968999	1

MISSING ITEM NUMBERS NOT APPLICABLE

— ITEM NOT ILLUSTRATED

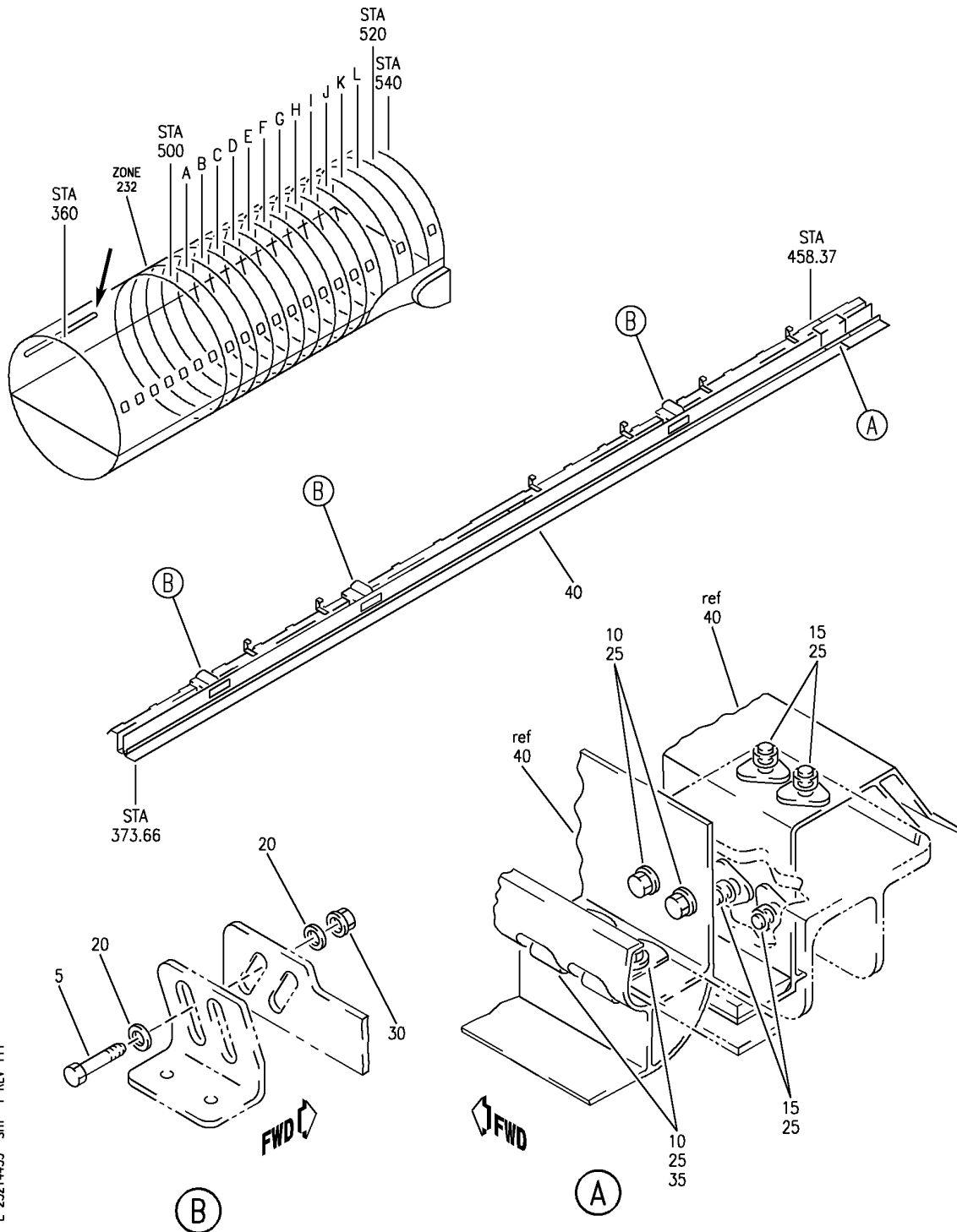
HAP

25-21-44-47B

BOEING PROPRIETARY - Copyright © - Unpublished Work - See title page for details.

25-21-44
FIG. 47B
PAGE 2
OCT 15/08

BOEING
737-600/700/800/900
PARTS CATALOG (MAINTENANCE)



E 25214453 SH1 1 REV 111

EXTRUSION INSTL-FWD RH SIDEWALL AIR CONDITIONING OUTLET
FIGURE 53

25-21-44-53

HAP
OCT 10/06

25-21-44-53
PAGE 0

BOEING
737-600/700/800/900
PARTS CATALOG (MAINTENANCE)

FIG ITEM	PART NUMBER	1 2 3 4 5 6 7	NOMENCLATURE	EFFECT FROM TO	UNITS PER ASSY
53			EXTRUSION INSTL-FWD RH SIDEWALL AIR CONDITIONING OUTLET	001007	
- 1	412A3001-203SP		EXTRUSION INSTL-SIDEWALL AIR CONDITIONING OUTLET POSITION DATA: FWD RH PRE SERVICE BULLETIN: 25-1360 FOR NHA SEE: 25-21-00-01D	001007	RF
5	BACB30NR4K4		.BOLT	001007	6
10	BACS12GU08K7		.SCREW	001007	4
15	BACS12GU08K8		.SCREW	001007	4
20	BACW10P11AL		.WASHER-	001007	12
			OPTIONAL PART: NAS1149E0463P PRE SERVICE BULLETIN: 25-1360		
20	NAS1149E0463P		.WASHER-	001007	12
			OPTIONAL PART: BACW10P11AL		
25	NAS1149DN816J		.WASHER	001007	8
30	PLH54CD		.NUT	001007	6
			SUPPLIER CODE: VF0224 SPECIFICATION NUMBER: BACN10YR4CD OPTIONAL PART: H52732-4CD V15653		
35	130008		.NUT	001007	2
			SUPPLIER CODE: V60119 SPECIFICATION NUMBER: BACN10FX84 OPTIONAL PART: RM52LHA4972-6-8 V72962 SL211-08-1 V97393 A11330-6-82 V72962 A4972-6-82 V72962		

MISSING ITEM NUMBERS NOT APPLICABLE

- ITEM NOT ILLUSTRATED

HAP

25-21-44-53

25-21-44
FIG. 53
PAGE 1
FEB 15/09


BOEING
 737-600/700/800/900
PARTS CATALOG (MAINTENANCE)

FIG ITEM	PART NUMBER	1 2 3 4 5 6 7 NOMENCLATURE	EFFECT FROM TO	UNITS PER ASSY
53 40	412A3103-1036SP	.OUTLET ASSY- PRE SERVICE BULLETIN: 25-1360 FOR DETAILS SEE: 25-21-44-70	001007	1

MISSING ITEM NUMBERS NOT APPLICABLE

— ITEM NOT ILLUSTRATED

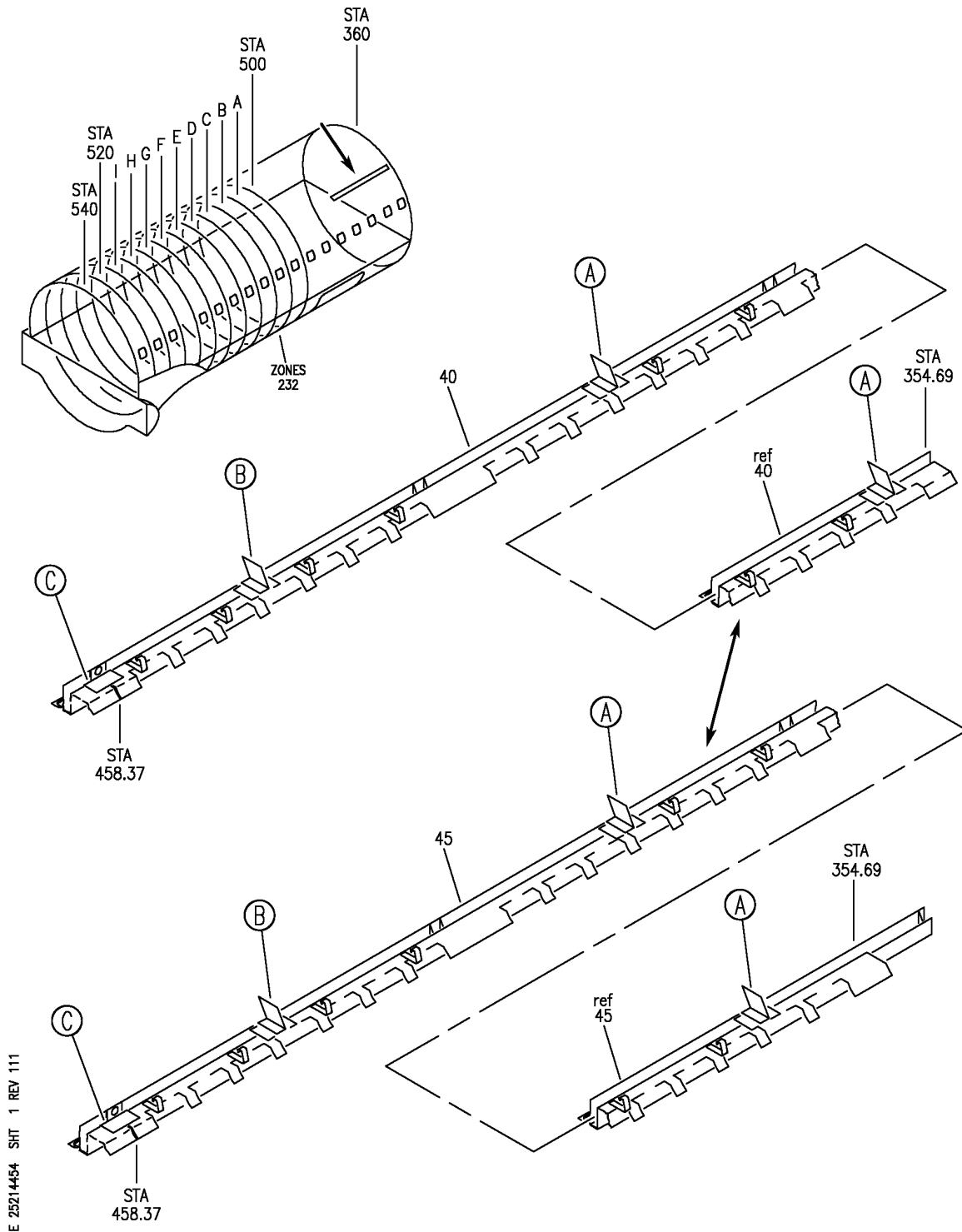
HAP

25-21-44-53

BOEING PROPRIETARY - Copyright © - Unpublished Work - See title page for details.

25-21-44
 FIG. 53
 PAGE 2
 OCT 10/06


BOEING
 737-600/700/800/900
PARTS CATALOG (MAINTENANCE)



E 25214454 SHT 1 REV 111

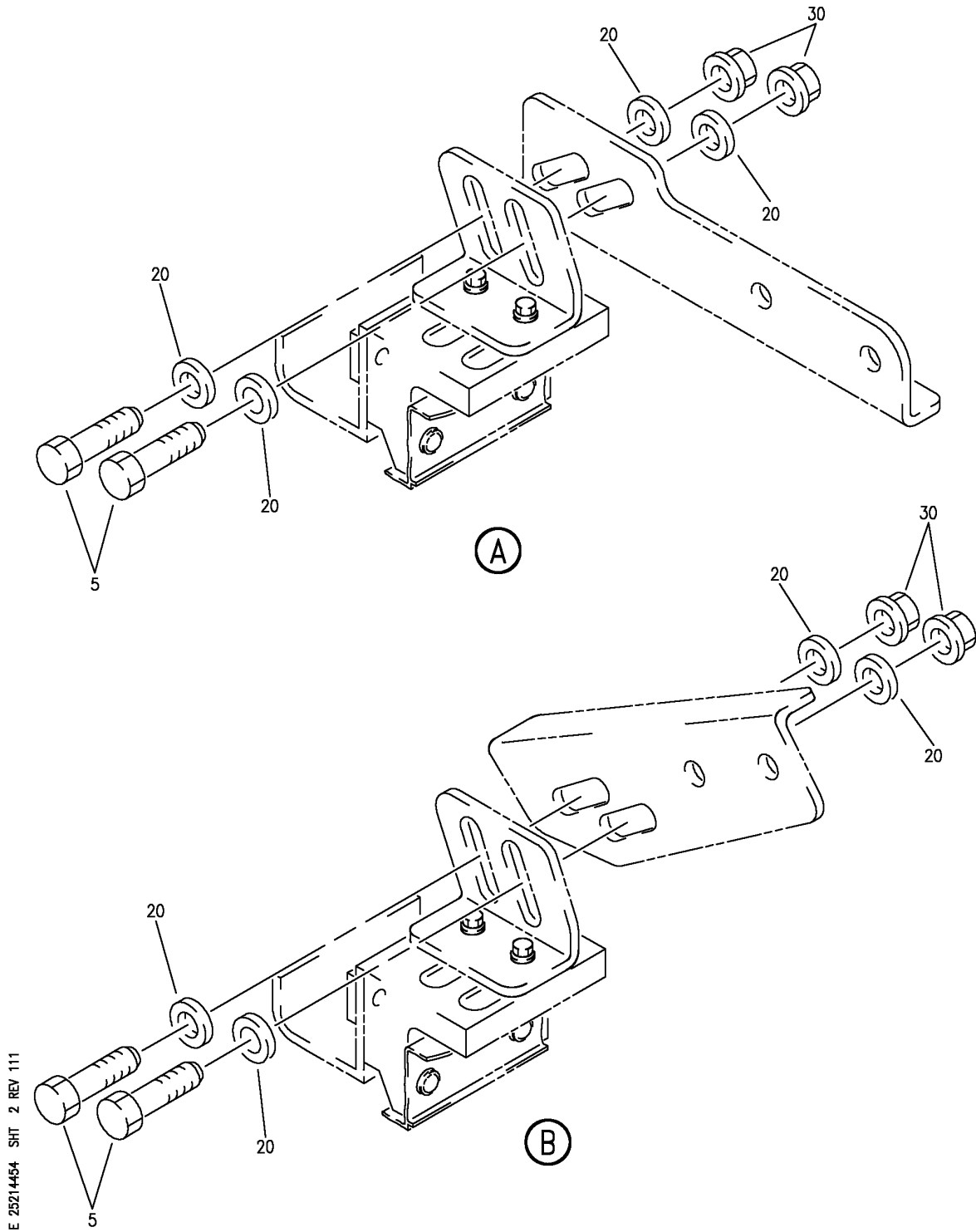
EXTRUSION INSTL-FWD RH SIDEWALL AIR CONDITIONING OUTLET
 FIGURE 54 (SHEET 1)

25-21-44-54

HAP
OCT 15/08

25-21-44-54
 PAGE 0

BOEING
737-600/700/800/900
PARTS CATALOG (MAINTENANCE)



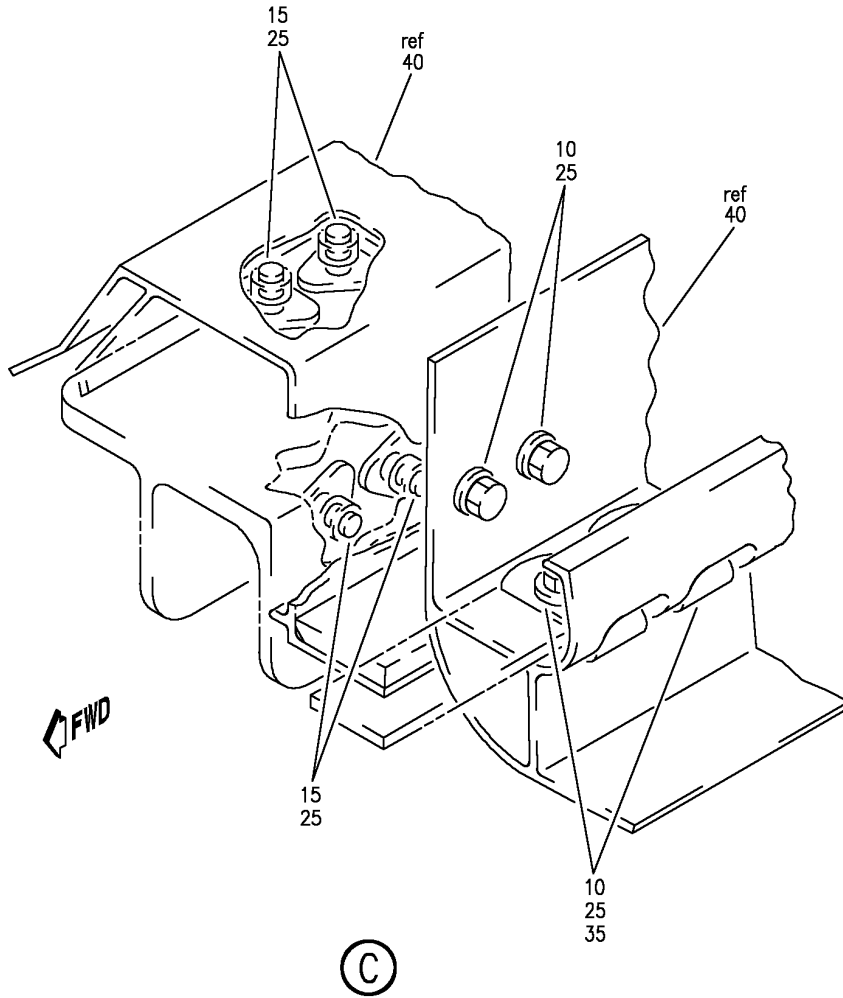
E 25214454 SHT 2 REV 111

EXTRUSION INSTL-FWD RH SIDEWALL AIR CONDITIONING OUTLET
FIGURE 54 (SHEET 2)

25-21-44-54

HAP
OCT 15/08

25-21-44-54
PAGE 0A



E 25214454 SH1 3 REV 111

EXTRUSION INSTL-FWD RH SIDEWALL AIR CONDITIONING OUTLET
FIGURE 54 (SHEET 3)

25-21-44-54

HAP
OCT 15/08

25-21-44-54
PAGE 0B

BOEING
737-600/700/800/900
PARTS CATALOG (MAINTENANCE)

FIG ITEM	PART NUMBER	1 2 3 4 5 6 7	NOMENCLATURE	EFFECT FROM TO	UNITS PER ASSY
54			EXTRUSION INSTL-FWD RH SIDEWALL AIR CONDITIONING OUTLET	201967	
- 1	412A3001-202SP		EXTRUSION INSTL-SIDEWALL AIR CONDITIONING OUTLET POSITION DATA: FWD RH FOR NHA SEE: 25-21-00-01A	201967	RF
5	BACB30NR4K4	.BOLT		201967	6
10	BACS12GU08K7	.SCREW		201967	4
15	BACS12GU08K8	.SCREW		201967	4
20	BACW10P11AL	.WASHER-		201967	12
			OPTIONAL PART: NAS1149E0463P		
20	NAS1149E0463P	.WASHER-		201967	12
			OPTIONAL PART: BACW10P11AL		
25	NAS1149DN816J	.WASHER		201967	8
30	PLH54CD	.NUT		201967	6
			SUPPLIER CODE: VF0224 SPECIFICATION NUMBER: BACN10YR4CD OPTIONAL PART: H52732-4CD V15653		
35	130008	.NUT		201967	2
			SUPPLIER CODE: V60119 SPECIFICATION NUMBER: BACN10FX84 OPTIONAL PART: RM52LHA4972-6-8 V72962 SL211-08-1 V97393 A11330-6-82 V72962 A4972-6-82 V72962		
40	412A3103-1032SP	.OUTLET ASSY-		201967	1
			FOR DETAILS SEE: 25-21-44-71A		

MISSING ITEM NUMBERS NOT APPLICABLE

- ITEM NOT ILLUSTRATED

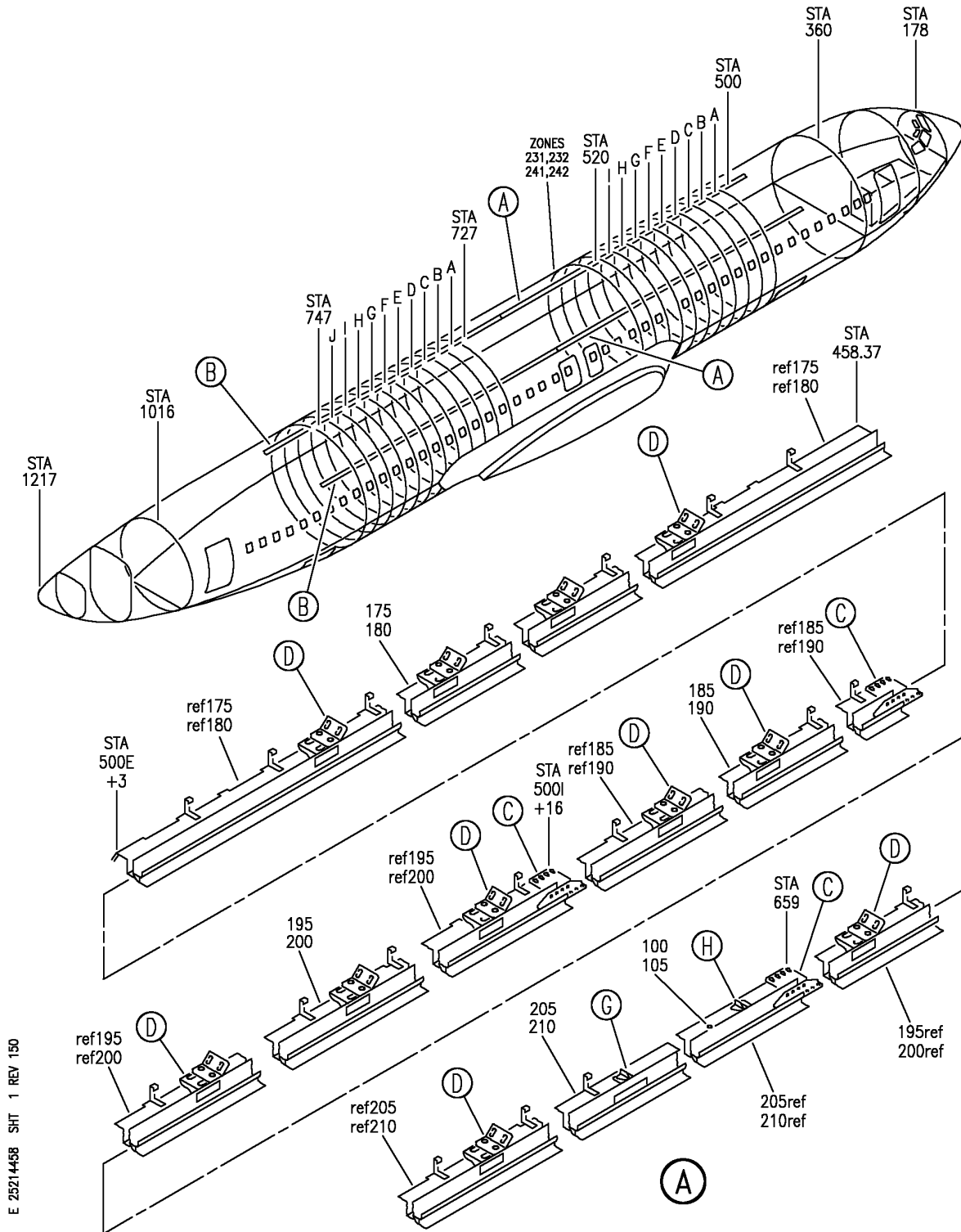
HAP

25-21-44-54

BOEING PROPRIETARY - Copyright © - Unpublished Work - See title page for details.

25-21-44
FIG. 54
PAGE 1
FEB 15/09

BOEING
737-600/700/800/900
PARTS CATALOG (MAINTENANCE)



E 25214458 SHT 1 REV 150

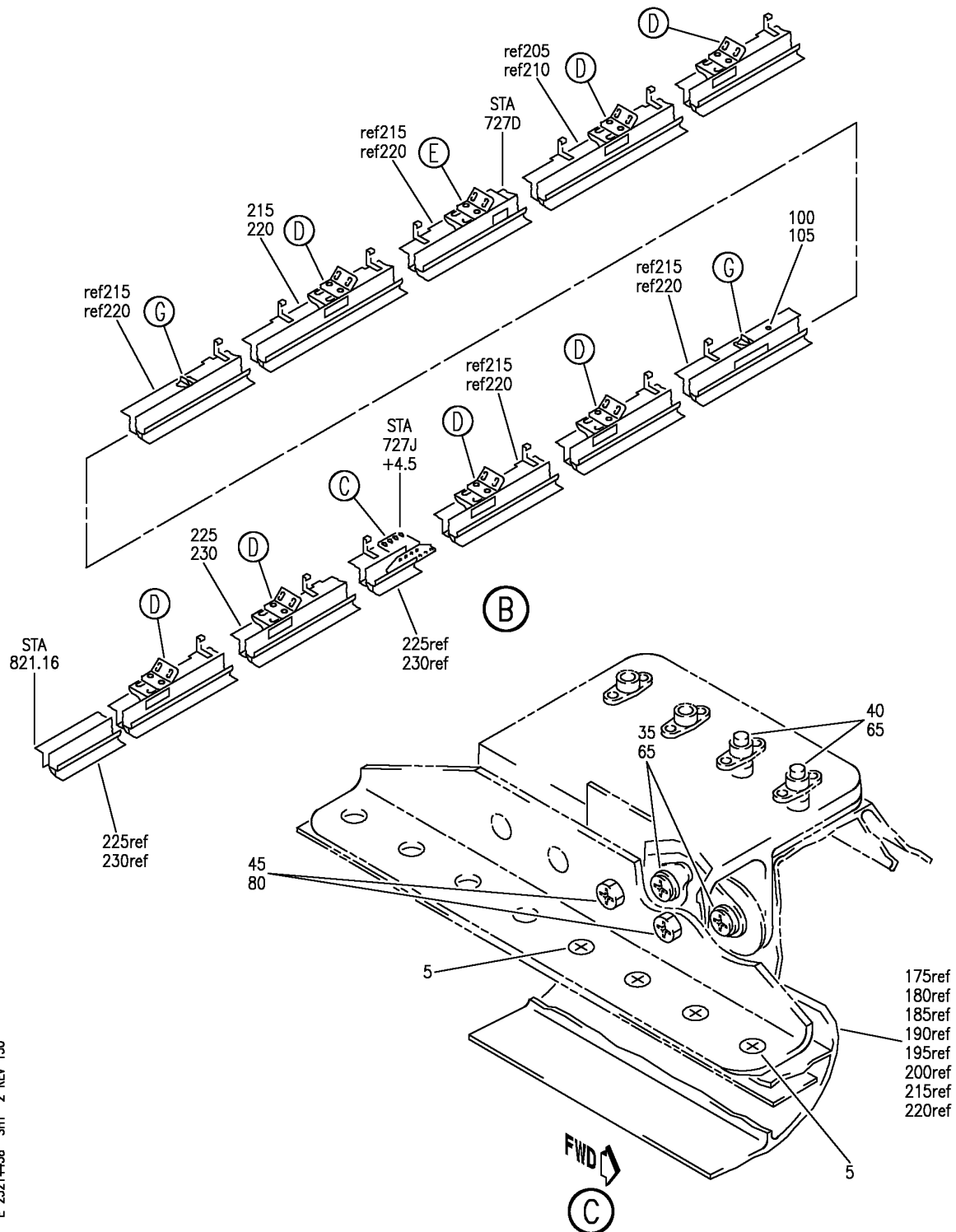
EXTRUSION INSTL-CTR SECT. SIDEWALL AIR CONDITIONING OUTLET
FIGURE 58 (SHEET 1)

25-21-44-58

HAP
FEB 15/09

25-21-44-58
PAGE 0

BOEING
 737-600/700/800/900
 PARTS CATALOG (MAINTENANCE)



E 25214458 SHT 2 REV 150

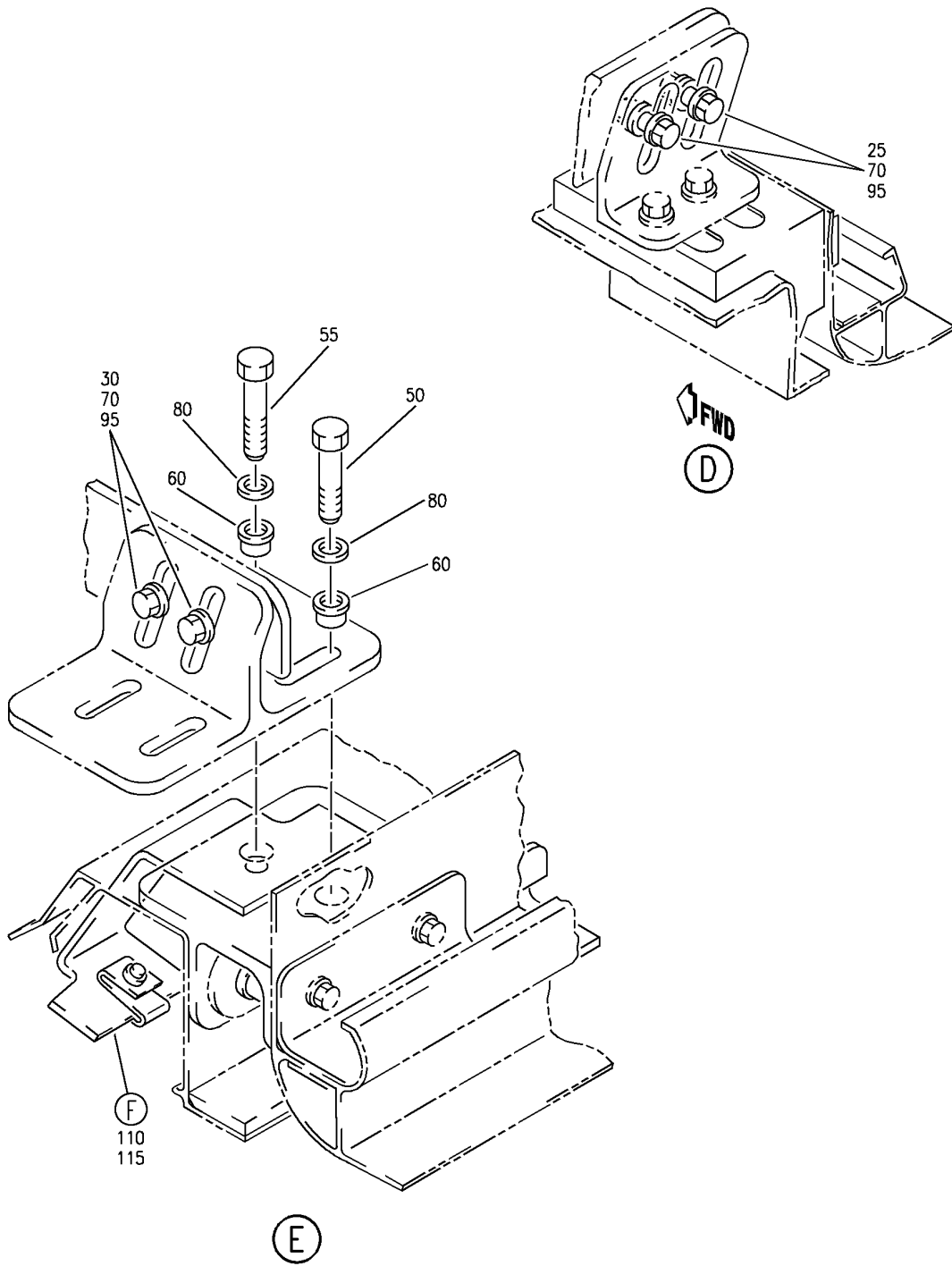
EXTRUSION INSTL-CTR SECT. SIDEWALL AIR CONDITIONING OUTLET
 FIGURE 58 (SHEET 2)

25-21-44-58

HAP
 FEB 15/09

25-21-44-58
 PAGE 0A

BOEING
 737-600/700/800/900
 PARTS CATALOG (MAINTENANCE)



E 25214458 SHT 3 REV 112

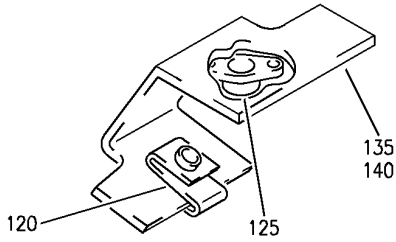
EXTRUSION INSTL-CTR SECT. SIDEWALL AIR CONDITIONING OUTLET
 FIGURE 58 (SHEET 3)

25-21-44-58

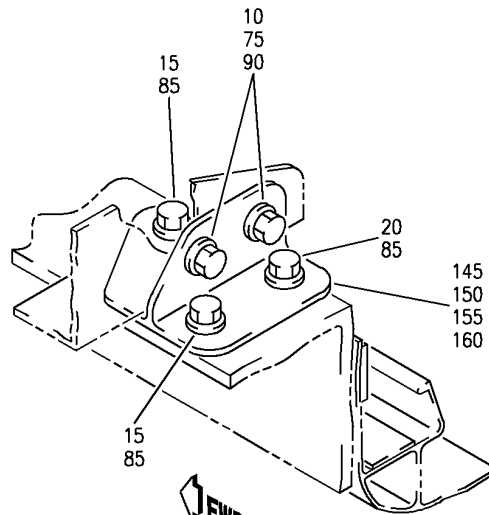
HAP
 OCT 10/06

25-21-44-58
 PAGE 0B

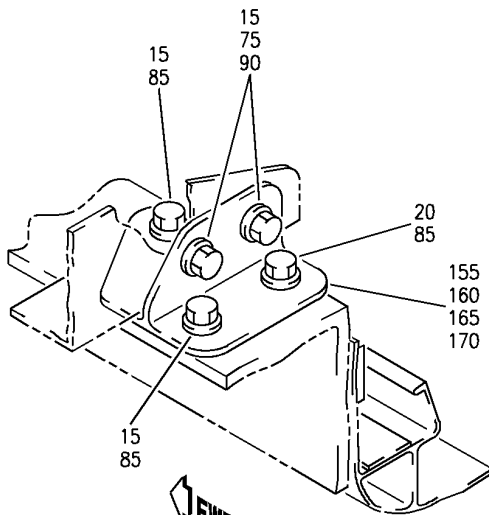
BOEING
 737-600/700/800/900
 PARTS CATALOG (MAINTENANCE)



(F)



FWD
(G)



FWD
(H)

E 25214458 SH 4 REV 112

EXTRUSION INSTL-CTR SECT. SIDEWALL AIR CONDITIONING OUTLET
 FIGURE 58 (SHEET 4)

25-21-44-58

HAP
 OCT 10/06

25-21-44-58
 PAGE 0C

BOEING
737-600/700/800/900
PARTS CATALOG (MAINTENANCE)

FIG ITEM	PART NUMBER	1 2 3 4 5 6 7	NOMENCLATURE	EFFECT FROM TO	UNITS PER ASSY
58			EXTRUSION INSTL-CTR SECT. SIDEWALL AIR CONDITIONING OUTLET	001030	
- 1	412A3001-801SP		EXTRUSION INSTL-SIDEWALL AIR CONDITIONING OUTLET POSITION DATA: CTR SECT. FOR NHA SEE: 25-21-00-01D	001007	RF
- 1	412A3001-802SP		EXTRUSION INSTL-SIDEWALL AIR CONDITIONING OUTLET POSITION DATA: CTR SECT. FOR NHA SEE: 25-21-00-01D	008011	RF
- 1	412A3001-803SP		EXTRUSION INSTL-SIDEWALL AIR CONDITIONING OUTLET POSITION DATA: CTR SECT. FOR NHA SEE: 25-21-00-01D	012029	RF
- 1	412A3001-806SP		EXTRUSION INSTL-SIDEWALL AIR CONDITIONING OUTLET POSITION DATA: CTR SECT. FOR NHA SEE: 25-21-00-01D	030030	RF
5	BACB30LU2-2	.BOLT		001030	32
10	BACB30NM3K5	.BOLT		001030	12
15	BACB30NM3K6	.BOLT		001030	20
20	BACB30NM3K7	.BOLT		001030	8
25	BACB30NR4K4	.BOLT		001030	72
30	BACB30NR4K5	.BOLT		001030	4
35	BACS12ER08K8	.SCREW		001030	16
40	BACS12ER08K9	.SCREW		001030	16
45	BACS12GU08K9	.SCREW		001030	16
50	BACS12GU08K12	.SCREW		001030	2
55	BACS12GU08K14	.SCREW		001030	2
60	412N2004-139	.SPACER		001030	4
65	BACW10DM5P	.WASHER		001030	32
70	BACW10P11AL	.WASHER-		001007	152
		OPTIONAL PART: NAS1149E0463P			
70	NAS1149E0463P	.WASHER-		001030	152
		OPTIONAL PART: BACW10P11AL			
75	BACW10P43AL	.WASHER-		001029	32
		OPTIONAL PART: NAS1149D0363J			

MISSING ITEM NUMBERS NOT APPLICABLE

- ITEM NOT ILLUSTRATED

HAP

25-21-44-58

BOEING PROPRIETARY - Copyright © - Unpublished Work - See title page for details.

25-21-44
FIG. 58
PAGE 1
OCT 10/06

BOEING
737-600/700/800/900
PARTS CATALOG (MAINTENANCE)

FIG ITEM	PART NUMBER	1 2 3 4 5 6 7	NOMENCLATURE	EFFECT FROM TO	UNITS PER ASSY
58					
75	NAS1149D0363J	.	WASHER- OPTIONAL PART: BACW10P43AL	012029	32
80	NAS1149DN816J	.	WASHER	001030	20
85	NAS1149D0316J	.	WASHER	001030	24
90	PLH53CD	.	NUT SUPPLIER CODE: VF0224 SPECIFICATION NUMBER: BACN10YR3CD OPTIONAL PART: H52732-3CD V15653	001030	16
95	PLH54CD	.	NUT SUPPLIER CODE: VF0224 SPECIFICATION NUMBER: BACN10YR4CD OPTIONAL PART: H52732-4CD V15653	001030	76
100	MS20392-5A25	.	PIN	001007	4
100	BACP18BD5A27	.	PIN- OPTIONAL PART: MS20392-5C27 BACP18BD5A25	012030	4
100	BACP18BD5A25	.	PIN- OPTIONAL PART: BACP18BD5A27	008030	4
100	MS20392-5C27	.	PIN- OPTIONAL PART: BACP18BD5A25 BACP18BD5A27	008029	4
105	AN415-4	.	PIN	001030	4
110	65C36185-5	.	BRACKET ASSY	001030	1
115	65C36185-3	.	BRACKET ASSY	001030	1
120	130069	..	NUT- SUPPLIER CODE: V60119 SPECIFICATION NUMBER: BACN10FX16 OPTIONAL PART: A11330-6-3 V72962 A4972-6-02 V72962 BACN10YD1	001030	1

MISSING ITEM NUMBERS NOT APPLICABLE

— ITEM NOT ILLUSTRATED

HAP

25-21-44-58

25-21-44
FIG. 58
PAGE 2
FEB 15/09

BOEING
737-600/700/800/900
PARTS CATALOG (MAINTENANCE)

FIG ITEM	PART NUMBER	1 2 3 4 5 6 7	NOMENCLATURE	EFFECT FROM TO	UNITS PER ASSY
58 120	BRC600-8-3	..	NUT- SUPPLIER CODE: V52828 SPECIFICATION NUMBER: BACN10YD1 OPTIONAL PART: 130120 V60119 BACN10FX16	001030	1
125	T8076S832	..	NUTPLATE SUPPLIER CODE: V11815 SPECIFICATION NUMBER: BACN10JP08A OPTIONAL PART: MK1000-08BAC V15653 NS103197-82 V80539 RMA9201M82 V72962 VN202A1-82 V92215 BRM200A08 V52828	001030	1
- 130	BACR15BA3AD	..	RIVET- ATTACHING PARTS SIZE DETERMINED ON INSTL. -----*-----	001030	2
135	65C36185-6	..	BRACKET- USED ON: 65C36185-5	001030	1
140	65C36185-4	..	BRACKET- USED ON: 65C36185-3	001030	1
145	65C27021-220	.	BRACKET ASSY	008030	3
150	65C27021-205	.	BRACKET ASSY	008030	3
155	65C27021-220	.	BRACKET ASSY	001007	4
160	65C27021-205	.	BRACKET ASSY	001007	4
165	412A3200-9	.	BRACKET ASSY	008030	1
170	412A3200-10	.	BRACKET ASSY	008030	1
175	412A3103-1011SP	.	OUTLET ASSY- FOR DETAILS SEE: 25-21-44-74E	001011	1
175	412A3103-1099SP	.	OUTLET ASSY- FOR DETAILS SEE: 25-21-44-74E	012030	1

MISSING ITEM NUMBERS NOT APPLICABLE

- ITEM NOT ILLUSTRATED

HAP

25-21-44-58

BOEING PROPRIETARY - Copyright © - Unpublished Work - See title page for details.

25-21-44
FIG. 58
PAGE 3
OCT 10/06

BOEING
737-600/700/800/900
PARTS CATALOG (MAINTENANCE)

FIG ITEM	PART NUMBER	1 2 3 4 5 6 7	NOMENCLATURE	EFFECT FROM TO	UNITS PER ASSY
58					
180	412A3103-1012SP	.	OUTLET ASSY- FOR DETAILS SEE: 25-21-44-74E	001011	1
180	412A3103-1098SP	.	OUTLET ASSY- FOR DETAILS SEE: 25-21-44-74E	012030	1
185	412A3103-1013SP	.	OUTLET ASSY- FOR DETAILS SEE: 25-21-44-74D	001030	1
190	412A3103-1014SP	.	OUTLET ASSY- FOR DETAILS SEE: 25-21-44-74D	001030	1
195	412A3103-1061SP	.	OUTLET ASSY- FOR DETAILS SEE: 25-21-44-74A	001030	1
200	412A3103-1062SP	.	OUTLET ASSY- FOR DETAILS SEE: 25-21-44-74A	001030	1
205	412A3103-1017SP	.	OUTLET ASSY- FOR DETAILS SEE: 25-21-44-75A	001030	1
210	412A3103-1018SP	.	OUTLET ASSY- FOR DETAILS SEE: 25-21-44-75A	001030	1
215	412A3103-1019SP	.	OUTLET ASSY- FOR DETAILS SEE: 25-21-44-74B	001029	1
215	412A3103-1141SP	.	OUTLET ASSY- FOR DETAILS SEE: 25-21-44-74B	030030	1
220	412A3103-1020SP	.	OUTLET ASSY- FOR DETAILS SEE: 25-21-44-74B	001029	1
220	412A3103-1142SP	.	OUTLET ASSY- FOR DETAILS SEE: 25-21-44-74B	030030	1
225	412A3103-1021SP	.	OUTLET ASSY- FOR DETAILS SEE: 25-21-44-74C	001030	1
230	412A3103-1022SP	.	OUTLET ASSY- FOR DETAILS SEE: 25-21-44-74C	001030	1

MISSING ITEM NUMBERS NOT APPLICABLE

— ITEM NOT ILLUSTRATED

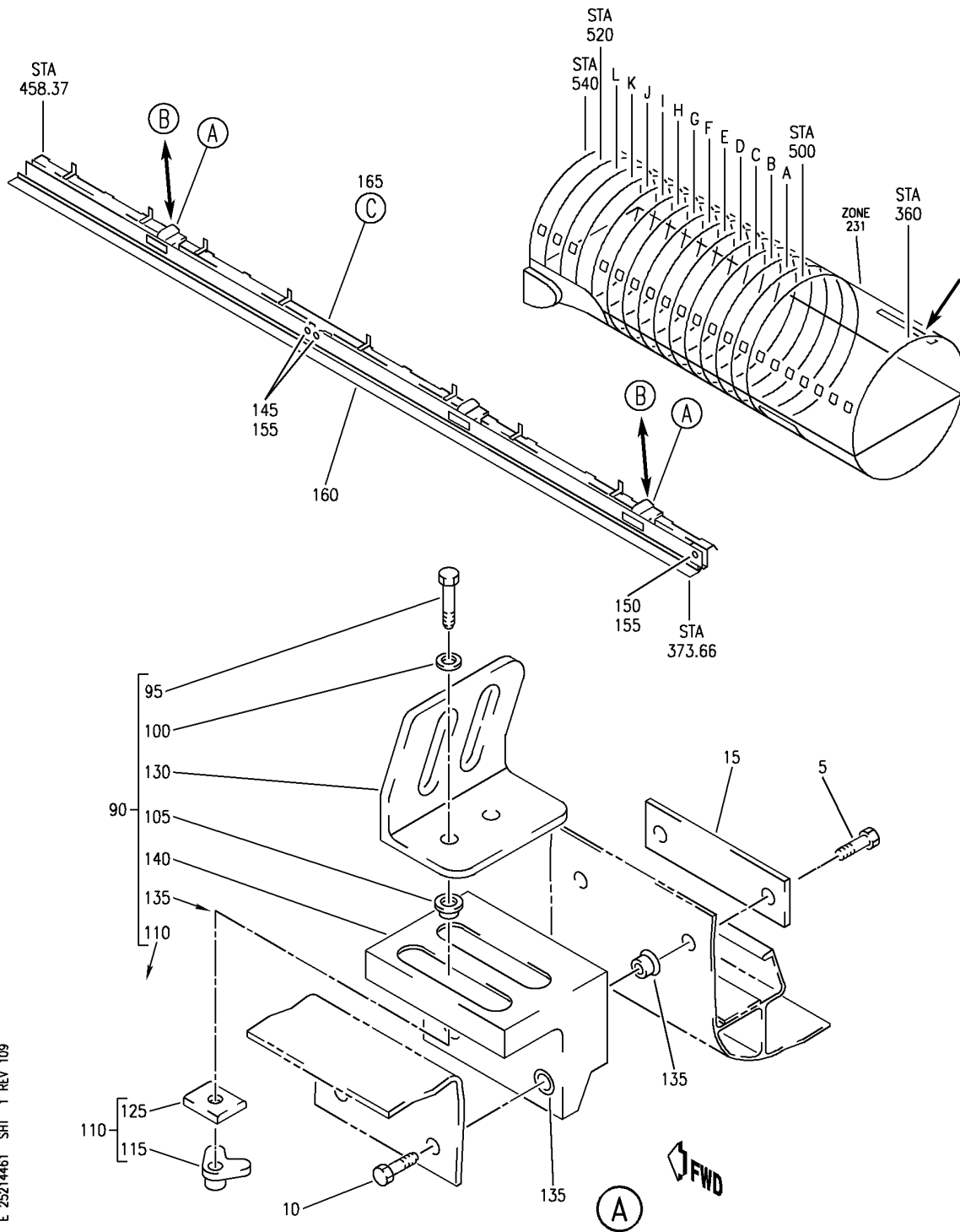
HAP

25-21-44-58

BOEING PROPRIETARY - Copyright © - Unpublished Work - See title page for details.

25-21-44
FIG. 58
PAGE 4
OCT 10/06

BOEING
 737-600/700/800/900
 PARTS CATALOG (MAINTENANCE)



E 25214461 SHT 1 REV 109

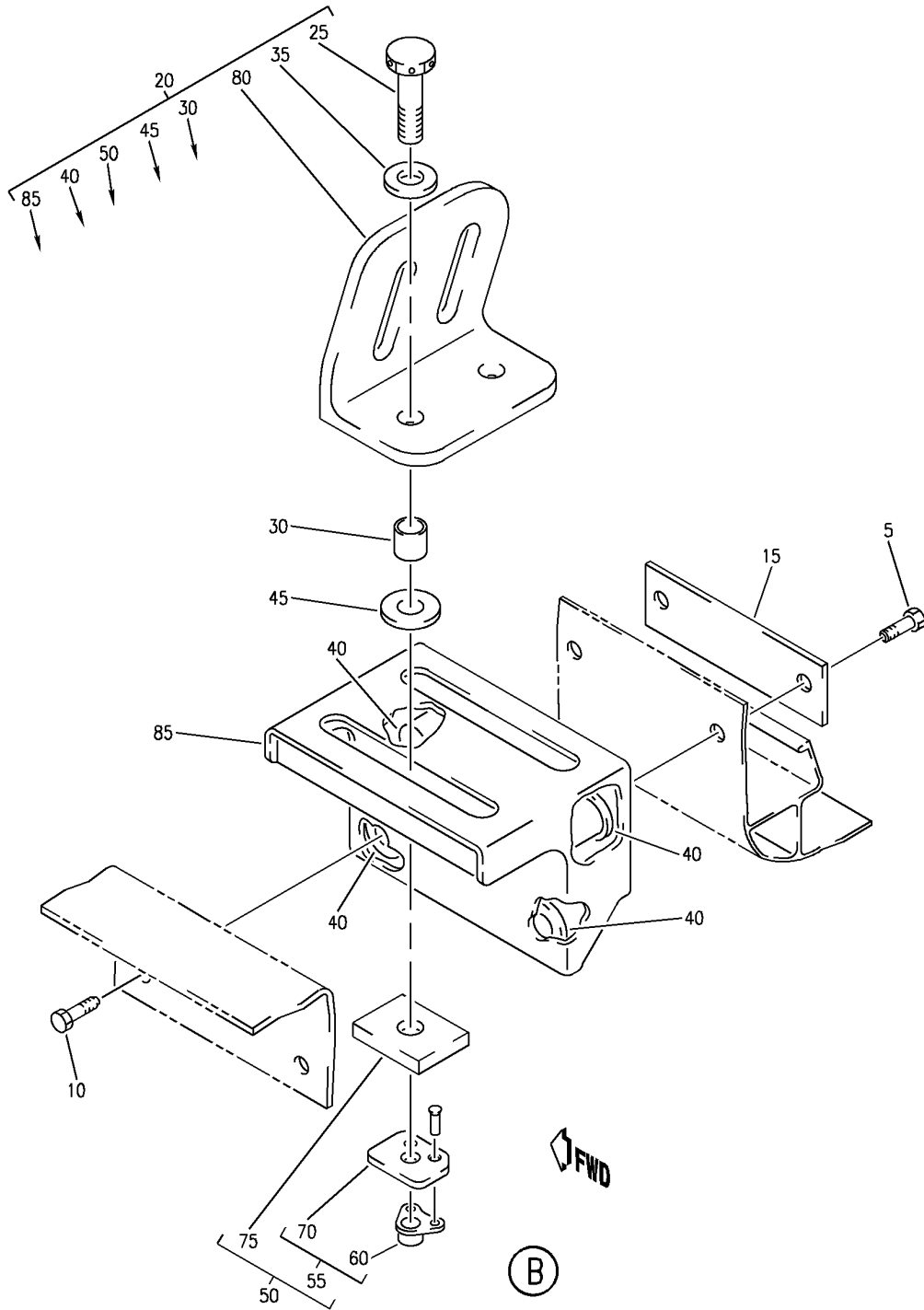
OUTLET ASSY-LH SIDEWALL AIR CONDITIONING
 FIGURE 61 (SHEET 1)

25-21-44-61

HAP
 OCT 10/06

25-21-44-61
 PAGE 0

BOEING
 737-600/700/800/900
 PARTS CATALOG (MAINTENANCE)



E 25214461 SHT 2 REV 109

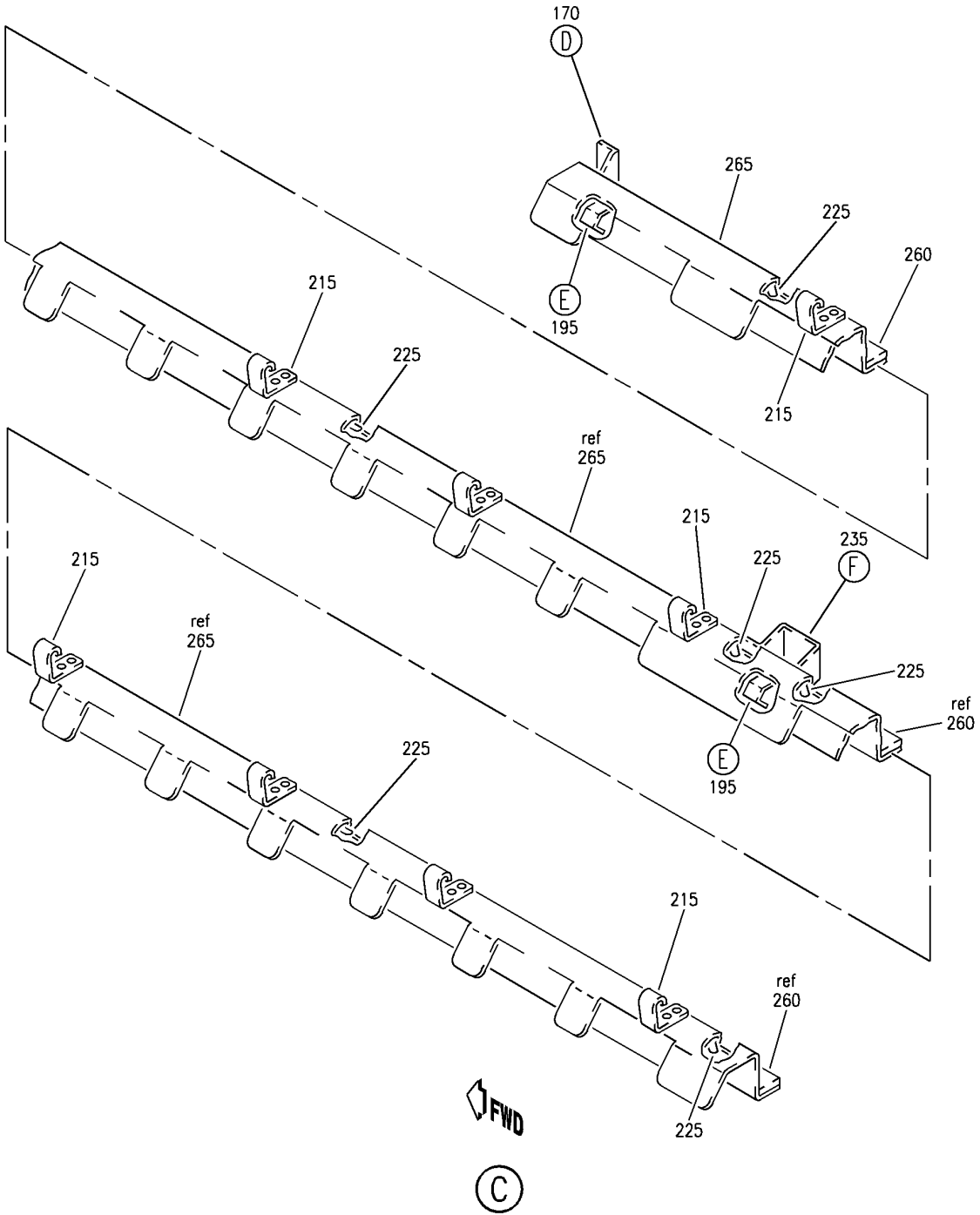
OUTLET ASSY-LH SIDEWALL AIR CONDITIONING
 FIGURE 61 (SHEET 2)

25-21-44-61

HAP
 OCT 10/06

25-21-44-61
 PAGE 0A

BOEING
737-600/700/800/900
PARTS CATALOG (MAINTENANCE)



E 25214461 SHT 3 REV 109

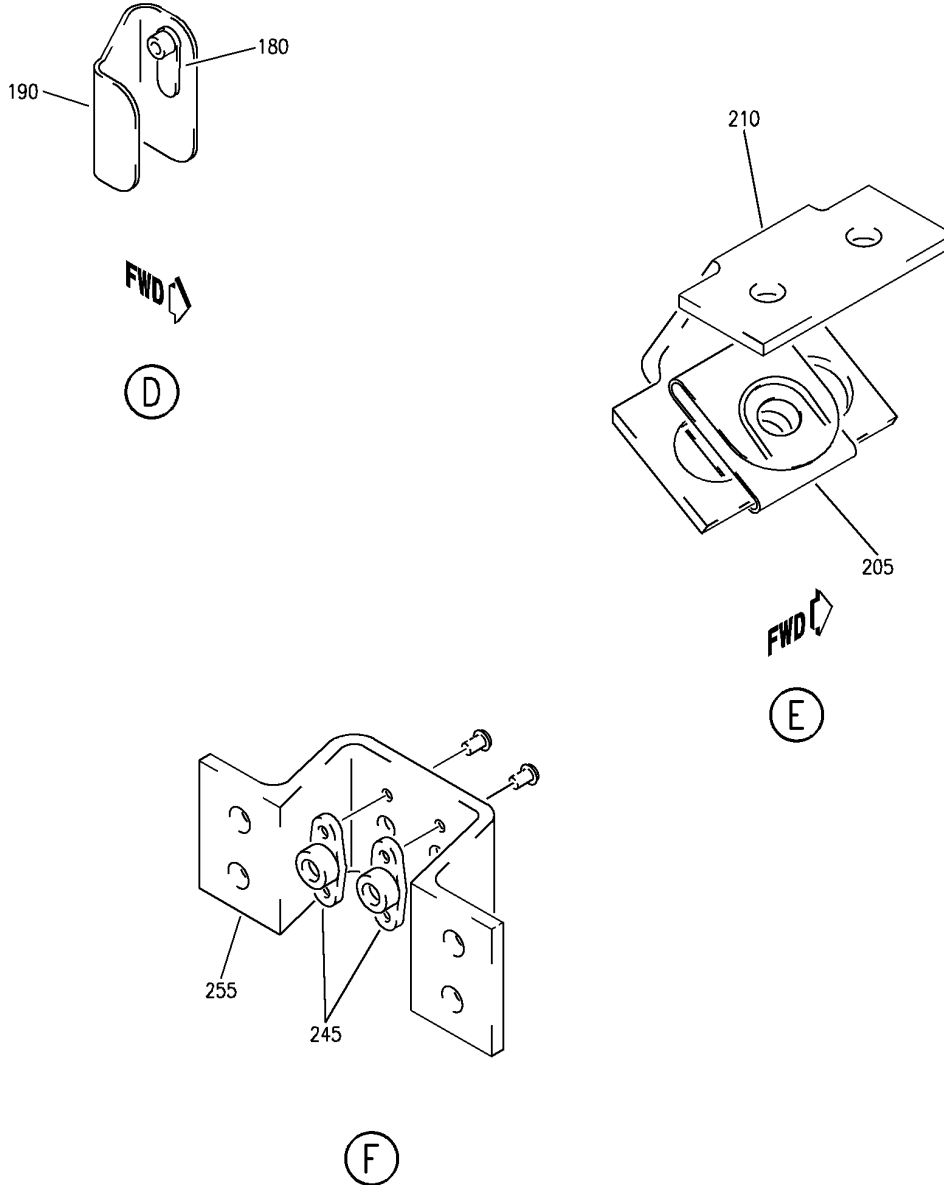
OUTLET ASSY-LH SIDEWALL AIR CONDITIONING
FIGURE 61 (SHEET 3)

25-21-44-61

HAP
OCT 10/06

25-21-44-61
PAGE 0B

BOEING
737-600/700/800/900
PARTS CATALOG (MAINTENANCE)



E 25214461 SH 4 REV 109

OUTLET ASSY-LH SIDEWALL AIR CONDITIONING
FIGURE 61 (SHEET 4)

25-21-44-61

HAP
OCT 10/06

25-21-44-61
PAGE 0C

BOEING
737-600/700/800/900
PARTS CATALOG (MAINTENANCE)

FIG ITEM	PART NUMBER	1 2 3 4 5 6 7	NOMENCLATURE	EFFECT FROM TO	UNITS PER ASSY
61			OUTLET ASSY-LH SIDEWALL AIR CONDITIONING	001007	
- 1	412A3103-1035SP		OUTLET ASSY-SIDEWALL AIR CONDITIONING POSITION DATA: LH PRE SERVICE BULLETIN: 25-1360 25-1542 FOR NHA SEE: 25-21-44-42	001007	RF
	5 BACS12ER3K9	.	SCREW	001007	6
	10 BACS12FA3K8	.	SCREW	001007	6
	15 65C27021-177	.	DOUBLER-SPRT	001007	3
	20 412A3133-3	.	FITTING ASSY-	001007	3
	20 412A3133-1	.	FITTING ASSY-	001007	3
	25 BACB30NM3K6	..	BOLT	001007	2
	30 NAS43DD3-21FC	..	SPACER	001007	2
	35 NAS1149D0363J	..	WASHER	001007	2
	40 BACS13CJ3L080P	..	INSERT	001007	4
	45 412A2004-5	..	BUSHING	001007	2
	50 412A2004-9	..	BEARING ASSY	001007	2
	55 412A2004-6	...	SUPPORT ASSY	001007	1
	60 T8078S1032	NUTPLATE SUPPLIER CODE: V11815 SPECIFICATION NUMBER: BACN10JP3C OPTIONAL PART: MK3000-3BAC V15653 NS103199-02 V80539 RMA9205M3 V72962 VN203A1-02 V92215 BRM300A3 V52828	001007	1
			ATTACHING PARTS		
- 65	BACR15BA3AD	RIVET- SIZE DETERMINED ON INSTL. -----*-----	001007	2
	70 412A2004-7	SUPPORT	001007	1
	75 412A2004-8	...	BEARING	001007	1
	80 412A2004-1	..	BRACKET-ANGLE	001007	1
	85 412A3134-2	..	HOUSING- USED ON: 412A3133-3	001007	1

MISSING ITEM NUMBERS NOT APPLICABLE

- ITEM NOT ILLUSTRATED

HAP

25-21-44-61

25-21-44
FIG. 61
PAGE 1
OCT 15/08

BOEING
737-600/700/800/900
PARTS CATALOG (MAINTENANCE)

FIG ITEM	PART NUMBER	1 2 3 4 5 6 7	NOMENCLATURE	EFFECT FROM TO	UNITS PER ASSY
61					
85	412A3134-1	..	HOUSING- USED ON: 412A3133-1	001007	1
90	412N3133-23	.	FITTING ASSY-	001007	3
95	BACB30NM3K5	..	BOLT	001007	2
100	AN960JD10LL	..	WASHER	001007	2
105	412N2004-55	..	BUSHING	001007	2
110	65C27021-463	..	FILLER ASSY-RADIUS	001007	2
115	T8078S1032	...	NUTPLATE SUPPLIER CODE: V11815 SPECIFICATION NUMBER: BACN10JP3C OPTIONAL PART: MK3000-3BAC V15653 NS103199-02 V80539 RMA9205M3 V72962 VN203A1-02 V92215 BRM300A3 V52828	001007	1
- 120	BACR15BA3AD	...	ATTACHING PARTS RIVET- SIZE DETERMINED ON INSTL. -----*-----	001007	2
125	65C27021-464	...	FILLER	001007	1
130	65C27021-459	..	BRACKET	001007	1
135	BACS13CJ3L080P	..	INSERT	001007	4
140	412N3134-1	..	CASTING-SPRT	001007	1
145	BACS12GU08K6	.	SCREW	001007	2
150	BACS12GU08K7	.	SCREW	001007	1
155	NAS1149DN816J	.	WASHER	001007	3
160	412A3136-1041SP	.	BEAM	001007	1
165	412A3137-1095SP	.	BEAM ASSY	001007	1
170	412A3101-1	..	BRACKET ASSY ATTACHING PARTS	001007	1
- 175	BACR15BB5DC	..	RIVET- SIZE DETERMINED ON INSTL. -----*-----	001007	2

MISSING ITEM NUMBERS NOT APPLICABLE

- ITEM NOT ILLUSTRATED

HAP

25-21-44-61

BOEING PROPRIETARY - Copyright © - Unpublished Work - See title page for details.

25-21-44
FIG. 61
PAGE 2
OCT 15/08

BOEING
737-600/700/800/900
PARTS CATALOG (MAINTENANCE)

FIG ITEM	PART NUMBER	1 2 3 4 5 6 7	NOMENCLATURE	EFFECT FROM TO	UNITS PER ASSY
61 180	T8077S832BC		...NUTPLATE SUPPLIER CODE: V11815 SPECIFICATION NUMBER: BACN10JP08BR OPTIONAL PART: MK2000-08BCBAC V15653 NS103198-82BC V80539 RMA9207M82BC V72962 VN201A2-82 V92215 BRM100A08K V52828	001007	1
- 185	BACR15BA3ADC		ATTACHING PARTS ...RIVET- SIZE DETERMINED ON INSTL. -----*-----	001007	2
190	412A3101-3		...BRACKET	001007	1
195	65C36185-1		..BRACKET ASSY ATTACHING PARTS	001007	2
- 200	BACR15BB4DC		..RIVET- SIZE DETERMINED ON INSTL. OPTIONAL PART: NAS1398D4A2	001007	4
- 200	NAS1398D4A2		..RIVET- SIZE DETERMINED ON INSTL. OPTIONAL PART: BACR15BB4DC -----*-----	001007	4
205	130069		...NUT- SUPPLIER CODE: V60119 SPECIFICATION NUMBER: BACN10FX16 OPTIONAL PART: A11330-6-3 V72962 A4972-6-02 V72962 BACN10YD1	001007	1

MISSING ITEM NUMBERS NOT APPLICABLE

- ITEM NOT ILLUSTRATED

HAP

25-21-44-61

BOEING PROPRIETARY - Copyright © - Unpublished Work - See title page for details.

25-21-44
FIG. 61
PAGE 3
FEB 15/09

BOEING
737-600/700/800/900
PARTS CATALOG (MAINTENANCE)

FIG ITEM	PART NUMBER	1 2 3 4 5 6 7	NOMENCLATURE	EFFECT FROM TO	UNITS PER ASSY
61 205	BRC600-8-3	...	NUT- SUPPLIER CODE: V52828 SPECIFICATION NUMBER: BACN10YD1 OPTIONAL PART: 130120 V60119 BACN10FX16	001007	1
210	65C36185-2	...	BRACKET	001007	1
215	412N2008-1	..	CLIP-SPR ATTACHING PARTS	001007	8
- 220	BACR15BA3ADC	..	RIVET- SIZE DETERMINED ON INSTL. -----*-----	001007	16
225	BACN10TL3A3	..	NUTPLATE- POSITION DATA: FAR SIDE ATTACHING PARTS	001007	6
- 230	BACR15BB4DC	..	RIVET- SIZE DETERMINED ON INSTL. -----*-----	001007	12
235	65C27021-184	..	BRACKET ASSY ATTACHING PARTS	001007	1
- 240	BACR15BA5ADC	..	RIVET- SIZE DETERMINED ON INSTL. -----*-----	001007	4
245	T8076S832	...	NUTPLATE SUPPLIER CODE: V11815 SPECIFICATION NUMBER: BACN10JP08A OPTIONAL PART: MK1000-08BAC V15653 NS103197-82 V80539 RMA9201M82 V72962 VN202A1-82 V92215 BRM200A08 V52828 ATTACHING PARTS	001007	2
- 250	BACR15BA3AD	...	RIVET- SIZE DETERMINED ON INSTL. -----*-----	001007	4
255	65C27021-221	...	BRACKET	001007	1
260	412A3137-1099	..	INSULATOR	001007	1

MISSING ITEM NUMBERS NOT APPLICABLE

- ITEM NOT ILLUSTRATED

HAP

25-21-44-61

BOEING PROPRIETARY - Copyright © - Unpublished Work - See title page for details.

25-21-44
FIG. 61
PAGE 4
OCT 15/08


BOEING
 737-600/700/800/900
PARTS CATALOG (MAINTENANCE)

FIG ITEM	PART NUMBER	1 2 3 4 5 6 7 NOMENCLATURE	EFFECT FROM TO	UNITS PER ASSY
61 265	412A3137-1096SP	. . BEAM	001007	1

MISSING ITEM NUMBERS NOT APPLICABLE

— ITEM NOT ILLUSTRATED

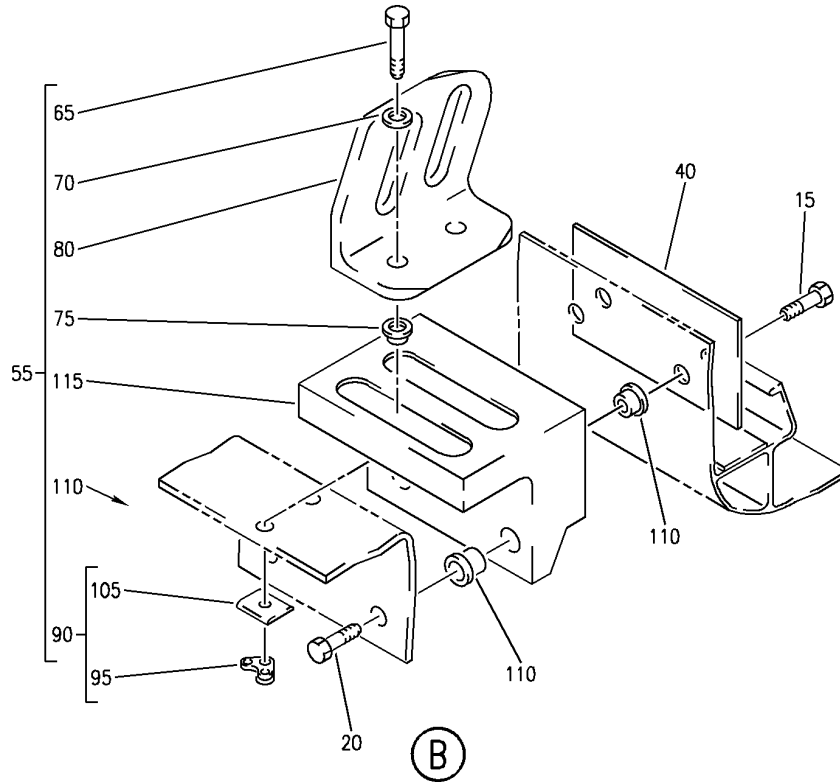
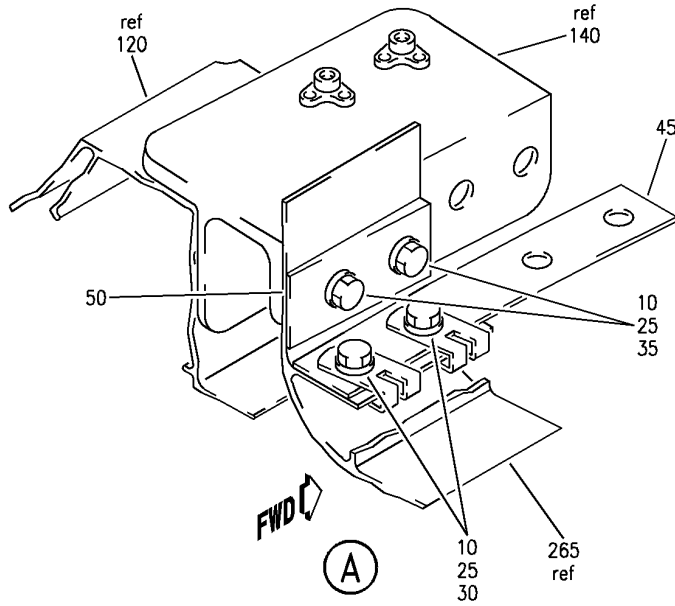
HAP

25-21-44-61

BOEING PROPRIETARY - Copyright © - Unpublished Work - See title page for details.

25-21-44
 FIG. 61
 PAGE 5
 OCT 15/08

BOEING
 737-600/700/800/900
 PARTS CATALOG (MAINTENANCE)



E 25214461A SHT 2 REV 110

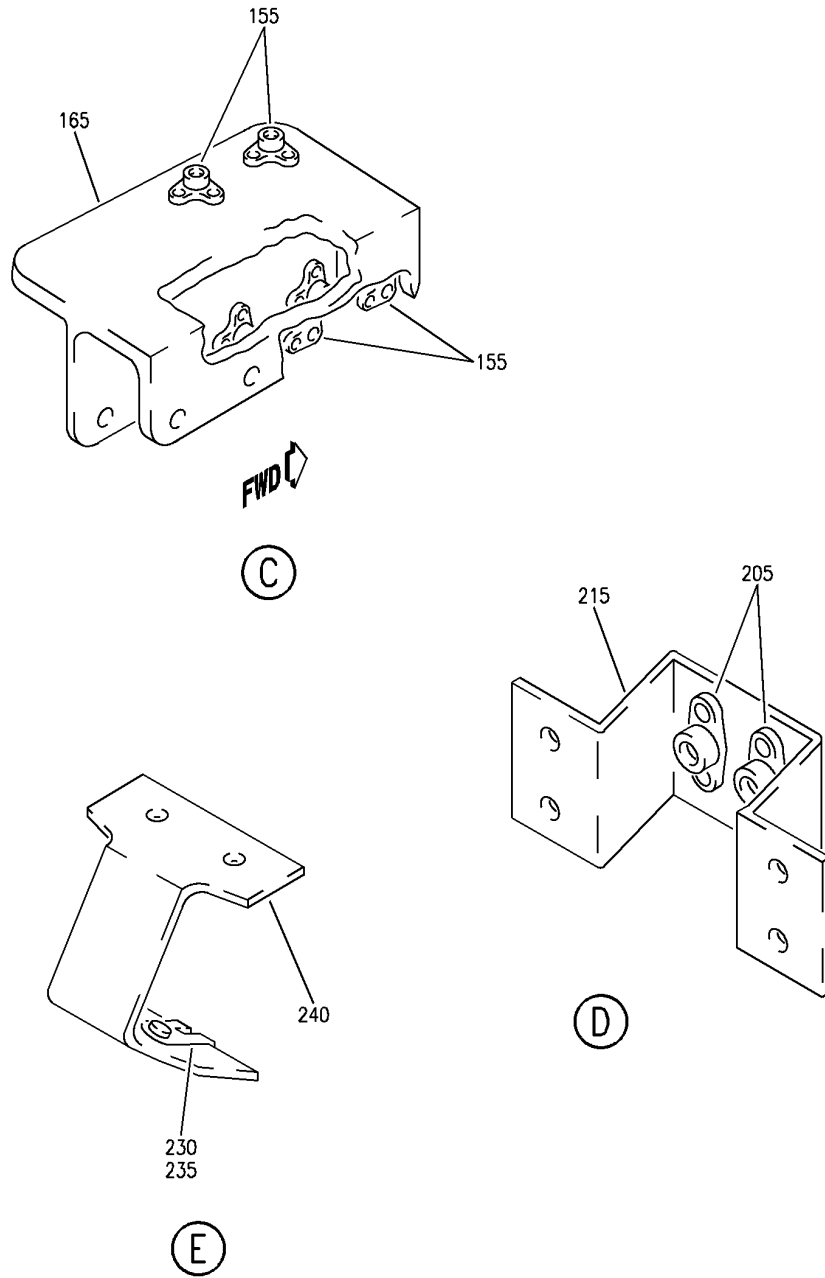
OUTLET ASSY-SIDEWALL AIR CONDITIONING
 FIGURE 61A (SHEET 2)

25-21-44-61A

HAP
 OCT 15/08

25-21-44-61A
 PAGE 0A

BOEING
 737-600/700/800/900
 PARTS CATALOG (MAINTENANCE)



E 25214461A SHT 3 REV 110

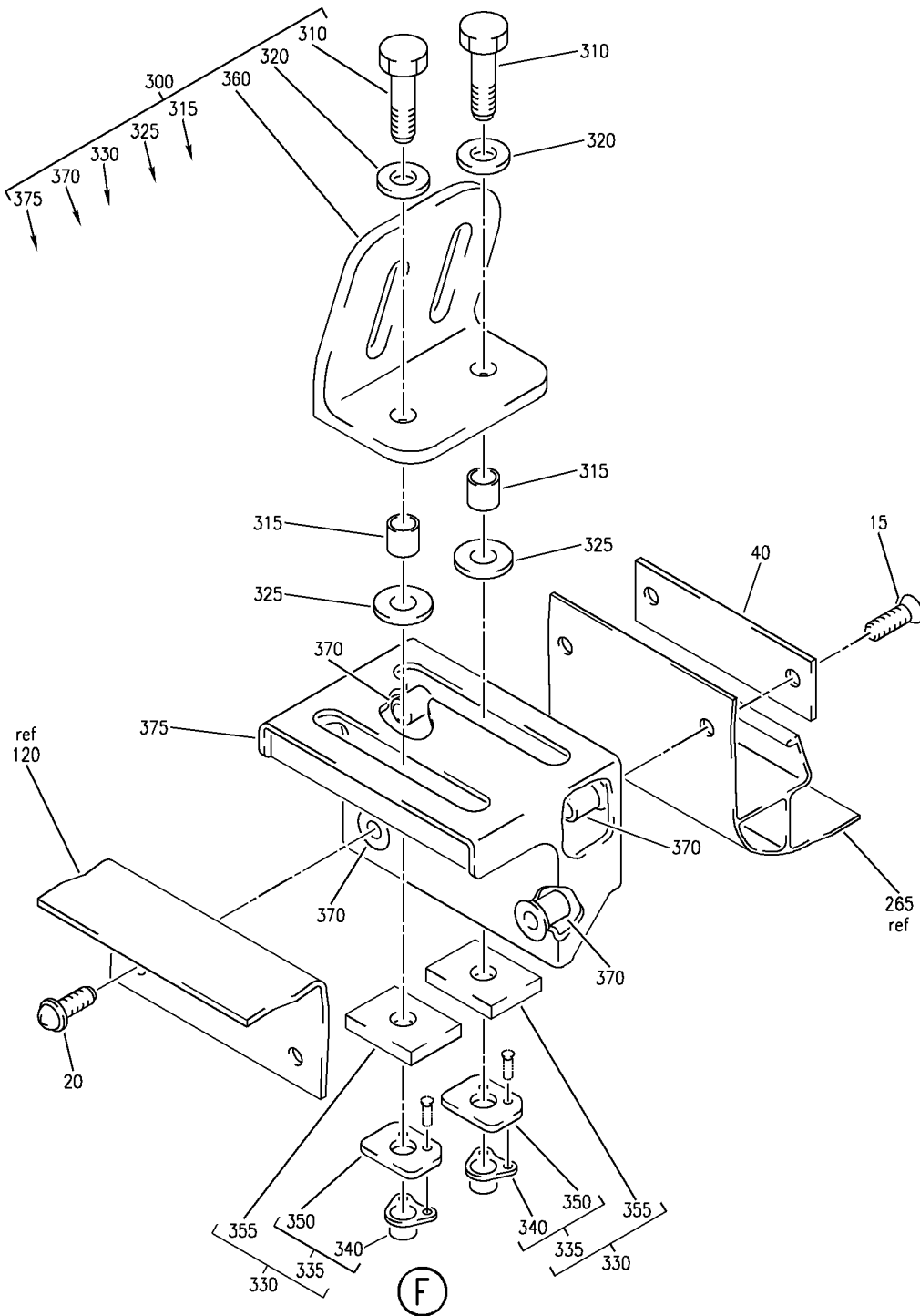
OUTLET ASSY-SIDEWALL AIR CONDITIONING
 FIGURE 61A (SHEET 3)

25-21-44-61A

HAP
 OCT 15/08

25-21-44-61A
 PAGE 0B


BOEING
 737-600/700/800/900
PARTS CATALOG (MAINTENANCE)



E 25214461A SHT 4 REV 129

OUTLET ASSY-SIDEWALL AIR CONDITIONING
 FIGURE 61A (SHEET 4)

25-21-44-61A

HAP
OCT 15/08

25-21-44-61A
 PAGE 0C

BOEING
737-600/700/800/900
PARTS CATALOG (MAINTENANCE)

FIG ITEM	PART NUMBER	1 2 3 4 5 6 7	NOMENCLATURE	EFFECT FROM TO	UNITS PER ASSY
61A			OUTLET ASSY-SIDEWALL AIR CONDITIONING	201967	
- 1	412A3103-1001SP		OUTLET ASSY-SIDEWALL AIR CONDITIONING POSITION DATA: LH FOR NHA SEE: 25-21-44-41A	201967	RF
- 5	412A3103-1002SP		OUTLET ASSY-SIDEWALL AIR CONDITIONING POSITION DATA: RH FOR NHA SEE: 25-21-44-41A	201967	RF
10	BACS12GU08K8	.SCREW		201967	4
15	BACS12ER3K9	.SCREW		201967	4
20	BACS12FA3K8	.SCREW		201967	4
25	NAS1149DN816J	.WASHER		201967	6
30	130008	.NUT		201967	2
			SUPPLIER CODE: V60119 SPECIFICATION NUMBER: BACN10FX84 OPTIONAL PART: RM52LHA4972-6-8 V72962 SL211-08-1 V97393 A11330-6-82 V72962 A4972-6-82 V72962		
35	MS21042L08	.NUT		201967	2
40	65C27021-177	.DOUBLER-SPRT		201967	2
45	65C27021-192	.DOUBLER		201967	1
50	65C27021-190	.FILLER		201967	1
55	412N3133-23	.FITTING ASSY- POSITION DATA: LH SIDE		201967	2
- 60	412N3133-24	.FITTING ASSY- POSITION DATA: RH SIDE		201967	2
65	BACB30NM3K5	..BOLT		201967	2
70	AN960JD10LL	..WASHER		201967	2
75	412N2004-55	..BUSHING		201967	2
80	65C27021-459	..BRACKET- USED ON: 412N3133-23		201967	1

MISSING ITEM NUMBERS NOT APPLICABLE

- ITEM NOT ILLUSTRATED

HAP

25-21-44-61A

BOEING PROPRIETARY - Copyright © - Unpublished Work - See title page for details.

25-21-44
FIG. 61A
PAGE 1
OCT 15/08

BOEING
737-600/700/800/900
PARTS CATALOG (MAINTENANCE)

FIG ITEM	PART NUMBER	1 2 3 4 5 6 7	NOMENCLATURE	EFFECT FROM TO	UNITS PER ASSY
61A					
- 85	65C27021-460	..	BRACKET- USED ON: 412N3133-24	201967	1
90	65C27021-463	..	FILLER ASSY-RADIUS	201967	2
95	T8078S1032	...	NUTPLATE SUPPLIER CODE: V11815 SPECIFICATION NUMBER: BACN10JP3C OPTIONAL PART: MK3000-3BAC V15653 NS103199-02 V80539 RMA9205M3 V72962 VN203A1-02 V92215 BRM300A3 V52828	201967	1
- 100	BACR15BA3AD	...	ATTACHING PARTS RIVET- SIZE DETERMINED ON INSTL. -----*-----	201967	2
105	65C27021-464	...	FILLER	201967	1
110	BACS13CJ3L080P	..	INSERT	201967	4
115	412N3134-1	..	CASTING	201967	1
120	412A3137-1001SP	.BEAM ASSY- USED ON: 412A3103-1001SP		201967	1
- 125	412A3137-1002SP	.BEAM ASSY- USED ON: 412A3103-1002SP		201967	1
- 130	BACS12GU08K6	.SCREW		201967	2
- 135	NAS1149DN816J	.WASHER		201967	2
140	65C27021-291	..	FITTING ASSY-SPLICE USED ON: 412A3137-1001SP	201967	1
- 145	65C27021-292	..	FITTING ASSY-SPLICE USED ON: 412A3137-1002SP	201967	1
- 150	BACR15BB5DC	..	ATTACHING PARTS RIVET- SIZE DETERMINED ON INSTL. -----*-----	201967	4

MISSING ITEM NUMBERS NOT APPLICABLE

- ITEM NOT ILLUSTRATED

HAP

25-21-44-61A

BOEING PROPRIETARY - Copyright © - Unpublished Work - See title page for details.

25-21-44
FIG. 61A
PAGE 2
OCT 15/08

BOEING
737-600/700/800/900
PARTS CATALOG (MAINTENANCE)

FIG ITEM	PART NUMBER	1 2 3 4 5 6 7	NOMENCLATURE	EFFECT FROM TO	UNITS PER ASSY
61A 155	T8078S832		...NUTPLATE SUPPLIER CODE: V11815 SPECIFICATION NUMBER: BACN10JP08C OPTIONAL PART: MK3000-08BAC V15653 NS103199-82 V80539 RMA9205M82 V72962 VN203A1-82 V92215 BRM300A08 V52828 ATTACHING PARTS	201967	6
- 160	BACR15BA3AD		...RIVET- SIZE DETERMINED ON INSTL. -----*-----	201967	12
165	65C27021-293		...FITTING- USED ON: 65C27021-291	201967	1
- 170	65C27021-294		...FITTING- USED ON: 65C27021-292	201967	1
175	BACN10TL3A3		..NUTPLATE ATTACHING PARTS	201967	7
- 180	BACR15BB4DC		..RIVET- SIZE DETERMINED ON INSTL. -----*-----	201967	14
185	412N2008-1		..CLIP-SPR ATTACHING PARTS	201967	6
- 190	BACR15BA3ADC		..RIVET- SIZE DETERMINED ON INSTL. -----*-----	201967	12
195	65C27021-184		..BRACKET ASSY ATTACHING PARTS	201967	1
- 200	BACR15BA5ADC		..RIVET- SIZE DETERMINED ON INSTL. -----*-----	201967	4

MISSING ITEM NUMBERS NOT APPLICABLE

- ITEM NOT ILLUSTRATED

HAP

25-21-44-61A

BOEING PROPRIETARY - Copyright © - Unpublished Work - See title page for details.

25-21-44
FIG. 61A
PAGE 3
OCT 15/08

BOEING
737-600/700/800/900
PARTS CATALOG (MAINTENANCE)

FIG ITEM	PART NUMBER	1 2 3 4 5 6 7	NOMENCLATURE	EFFECT FROM TO	UNITS PER ASSY
61A 205	T8076S832		...NUTPLATE SUPPLIER CODE: V11815 SPECIFICATION NUMBER: BACN10JP08A OPTIONAL PART: MK1000-08BAC V15653 NS103197-82 V80539 RMA9201M82 V72962 VN202A1-82 V92215 BRM200A08 V52828 ATTACHING PARTS	201967	2
- 210	BACR15BA3AD		...RIVET- SIZE DETERMINED ON INSTL. -----*-----	201967	4
215	65C27021-221		...BRACKET	201967	1
220	65C36185-1		..BRACKET ASSY ATTACHING PARTS	201967	3
- 225	BACR15BB4DC		..RIVET- SIZE DETERMINED ON INSTL. -----*-----	201967	6
230	130069		...NUT- SUPPLIER CODE: V60119 SPECIFICATION NUMBER: BACN10FX16 OPTIONAL PART: A11330-6-3 V72962 A4972-6-02 V72962 BACN10YD1	201967	1
230	BRC600-8-3		...NUT- SUPPLIER CODE: V52828 SPECIFICATION NUMBER: BACN10YD1 OPTIONAL PART: 130120 V60119 BACN10FX16	201967	1
240	65C36185-2		...BRACKET	201967	1

MISSING ITEM NUMBERS NOT APPLICABLE

- ITEM NOT ILLUSTRATED

HAP

25-21-44-61A

BOEING PROPRIETARY - Copyright © - Unpublished Work - See title page for details.

25-21-44
FIG. 61A
PAGE 4
FEB 15/09

BOEING
737-600/700/800/900
PARTS CATALOG (MAINTENANCE)

FIG ITEM	PART NUMBER	1 2 3 4 5 6 7	NOMENCLATURE	EFFECT FROM TO	UNITS PER ASSY
61A 245	412A3137-1005	..	INSULATOR- POSITION DATA: LH SIDE	201967	1
255	412A3137-1003SP	..	BEAM- USED ON: 412A3137-1001SP	201967	1
- 260	412A3137-1004SP	..	BEAM- USED ON: 412A3137-1002SP	201967	1
265	412A3136-1001SP	.BEAM-		201967	1
- 270	412A3136-1002SP	.BEAM-		201967	1
300	412A3133-1	.FITTING ASSY-	POSITION DATA: LH SIDE	201967	2
300	412A3133-3	.FITTING ASSY-	POSITION DATA: LH SIDE	201967	2
- 305	412A3133-2	.FITTING ASSY-	POSITION DATA: RH SIDE	201967	2
- 305	412A3133-4	.FITTING ASSY-	POSITION DATA: RH SIDE	201967	2
310	BACB30NM3K6	..	BOLT	201967	2
310	BACB30NM3K6	..	BOLT	201967	2
315	NAS43DD3-21FC	..	SPACER	201967	2
315	NAS43DD3-21FC	..	SPACER	201967	2
320	NAS1149D0363J	..	WASHER	201967	2
320	NAS1149D0363J	..	WASHER	201967	2
325	412A2004-5	..	BUSHING	201967	2
325	412A2004-5	..	BUSHING	201967	2
330	412A2004-9	..	BEARING ASSY-ANGLE	201967	2
330	412A2004-9	..	BEARING ASSY-ANGLE	201967	2
335	412A2004-6	...	SUPPORT ASSY	201967	1
335	412A2004-6	...	SUPPORT ASSY	201967	1

MISSING ITEM NUMBERS NOT APPLICABLE

- ITEM NOT ILLUSTRATED

HAP

25-21-44-61A

BOEING PROPRIETARY - Copyright © - Unpublished Work - See title page for details.

25-21-44
FIG. 61A
PAGE 5
OCT 15/08

BOEING
737-600/700/800/900
PARTS CATALOG (MAINTENANCE)

FIG ITEM	PART NUMBER	1 2 3 4 5 6 7	NOMENCLATURE	EFFECT FROM TO	UNITS PER ASSY
61A 340	T8078S1032	NUTPLATE SUPPLIER CODE: V11815 SPECIFICATION NUMBER: BACN10JP3C OPTIONAL PART: MK3000-3BAC V15653 NS103199-02 V80539 RMA9205M3 V72962 VN203A1-02 V92215 BRM300A3 V52828	201967	1
340	T8078S1032	NUTPLATE SUPPLIER CODE: V11815 SPECIFICATION NUMBER: BACN10JP3C OPTIONAL PART: MK3000-3BAC V15653 NS103199-02 V80539 RMA9205M3 V72962 VN203A1-02 V92215 BRM300A3 V52828	201967	1
- 345	BACR15BA3AD	ATTACHING PARTS RIVET- SIZE DETERMINED ON INSTL.	201967	2
- 345	BACR15BA3AD	RIVET- SIZE DETERMINED ON INSTL. -----*-----	201967	2
350	412A2004-7	SUPPORT	201967	1
350	412A2004-7	SUPPORT	201967	1
355	412A2004-8	...	BEARING	201967	1
355	412A2004-8	...	BEARING	201967	1
360	412A2004-1	..	BRACKET-ANGLE POSITION DATA: LH SIDE	201967	1
- 365	412A2004-2	..	BRACKET-ANGLE POSITION DATA: RH SIDE	201967	1
370	BACS13CJ3L080P	..	INSERT	201967	4

MISSING ITEM NUMBERS NOT APPLICABLE

- ITEM NOT ILLUSTRATED

HAP

25-21-44-61A

BOEING PROPRIETARY - Copyright © - Unpublished Work - See title page for details.

25-21-44
FIG. 61A
PAGE 6
OCT 15/08

BOEING
737-600/700/800/900
PARTS CATALOG (MAINTENANCE)

FIG ITEM	PART NUMBER	1 2 3 4 5 6 7	NOMENCLATURE	EFFECT FROM TO	UNITS PER ASSY
61A					
370	BACS13CJ3L080P		.. INSERT	201967	4
375	412A3134-1		.. HOUSING-SLIDER USED ON: 412A3133-1 412A3133-2	201967	1
375	412A3134-1		.. HOUSING-SLIDER USED ON: 412A3133-1 412A3133-2	201967	1
375	412A3134-2		.. HOUSING-SLIDER USED ON: 412A3133-3 412A3133-4	201967	1
375	412A3134-2		.. HOUSING-SLIDER USED ON: 412A3133-3 412A3133-4	201967	1

MISSING ITEM NUMBERS NOT APPLICABLE

— ITEM NOT ILLUSTRATED

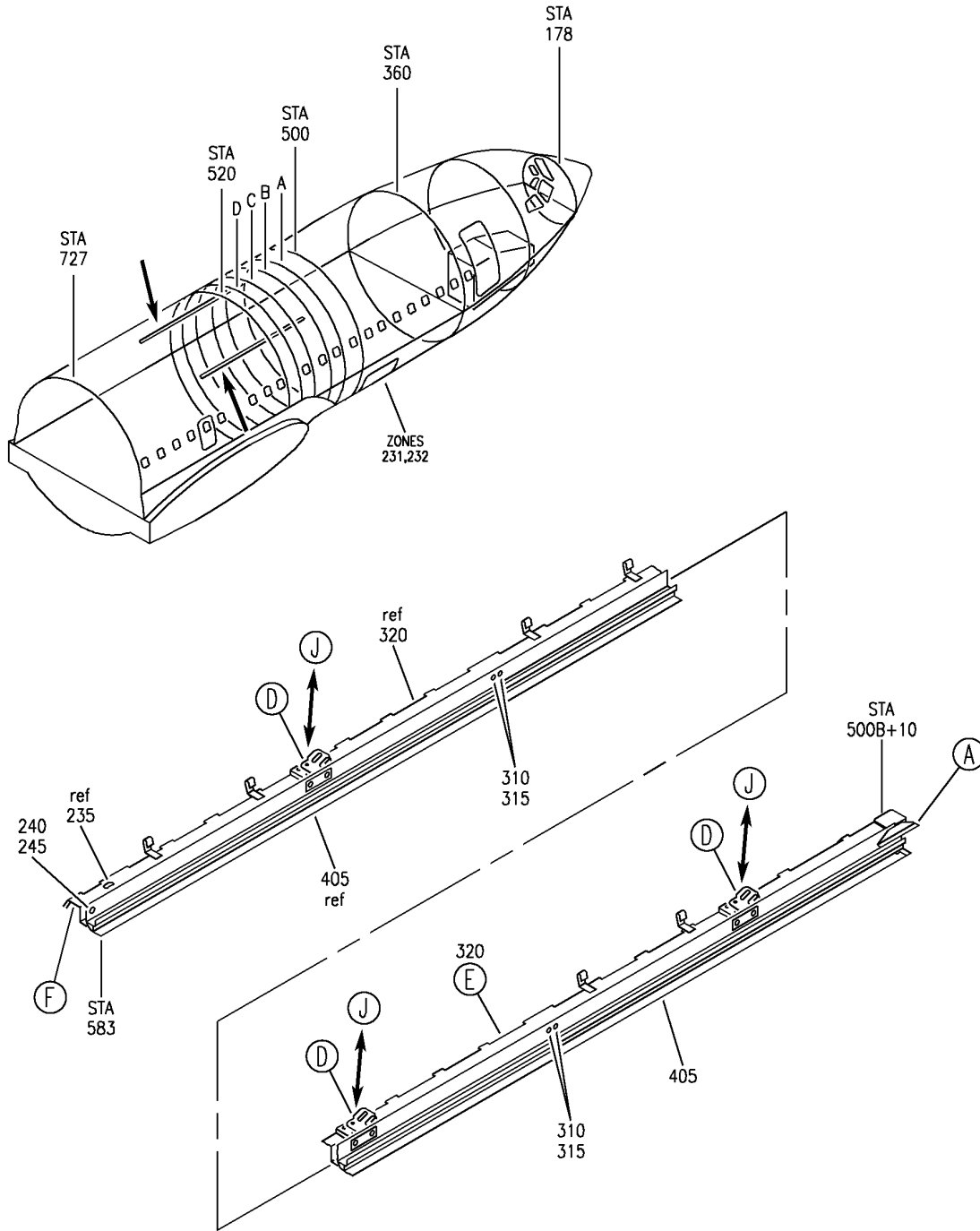
HAP

25-21-44-61A

BOEING PROPRIETARY - Copyright © - Unpublished Work - See title page for details.

25-21-44
FIG. 61A
PAGE 7
OCT 15/08

BOEING
 737-600/700/800/900
 PARTS CATALOG (MAINTENANCE)



E 25214461B SHT 1 REV 129

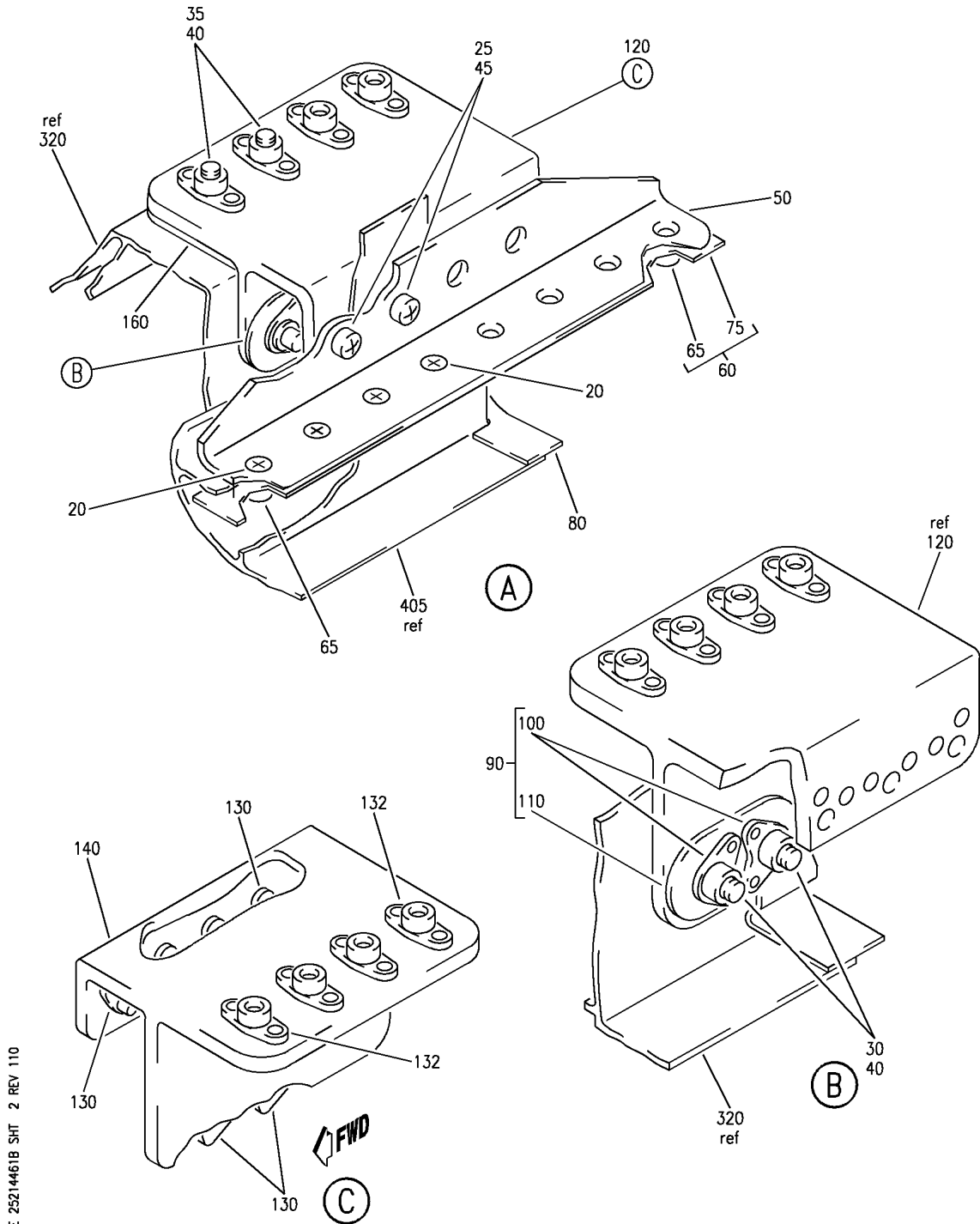
OUTLET ASSY/EXTRUSION ASSY SIDEWALL AIR CONDITIONING
 FIGURE 61B (SHEET 1)

25-21-44-61B

HAP
 OCT 15/08

25-21-44-61B
 PAGE 0

BOEING
 737-600/700/800/900
 PARTS CATALOG (MAINTENANCE)



E 25214461B SHT 2 REV 110

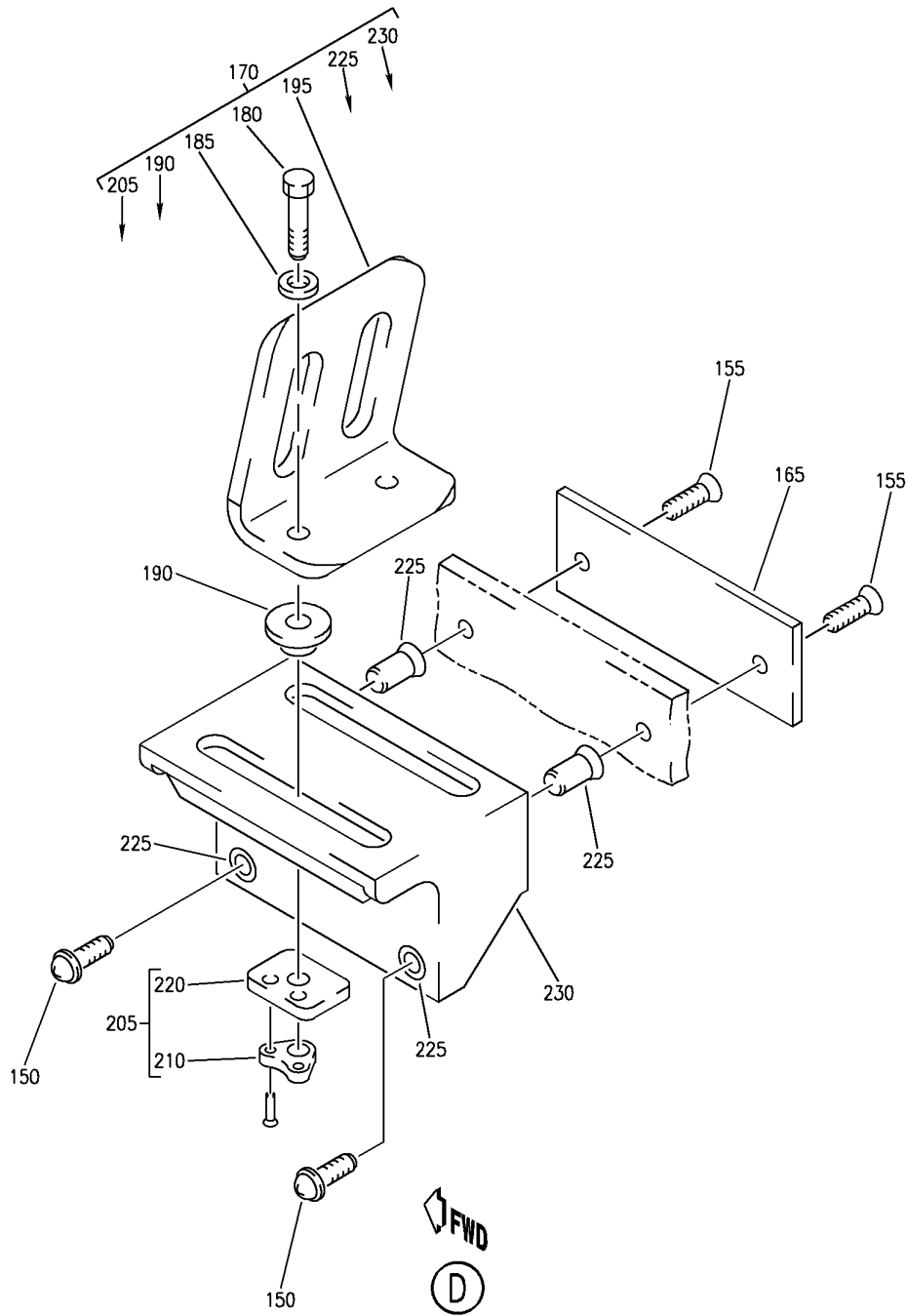
OUTLET ASSY/EXTRUSION ASSY SIDEWALL AIR CONDITIONING
 FIGURE 61B (SHEET 2)

25-21-44-61B

HAP
 OCT 15/08

25-21-44-61B
 PAGE 0A

BOEING
 737-600/700/800/900
 PARTS CATALOG (MAINTENANCE)



E 25214461B SHT 3 REV 110

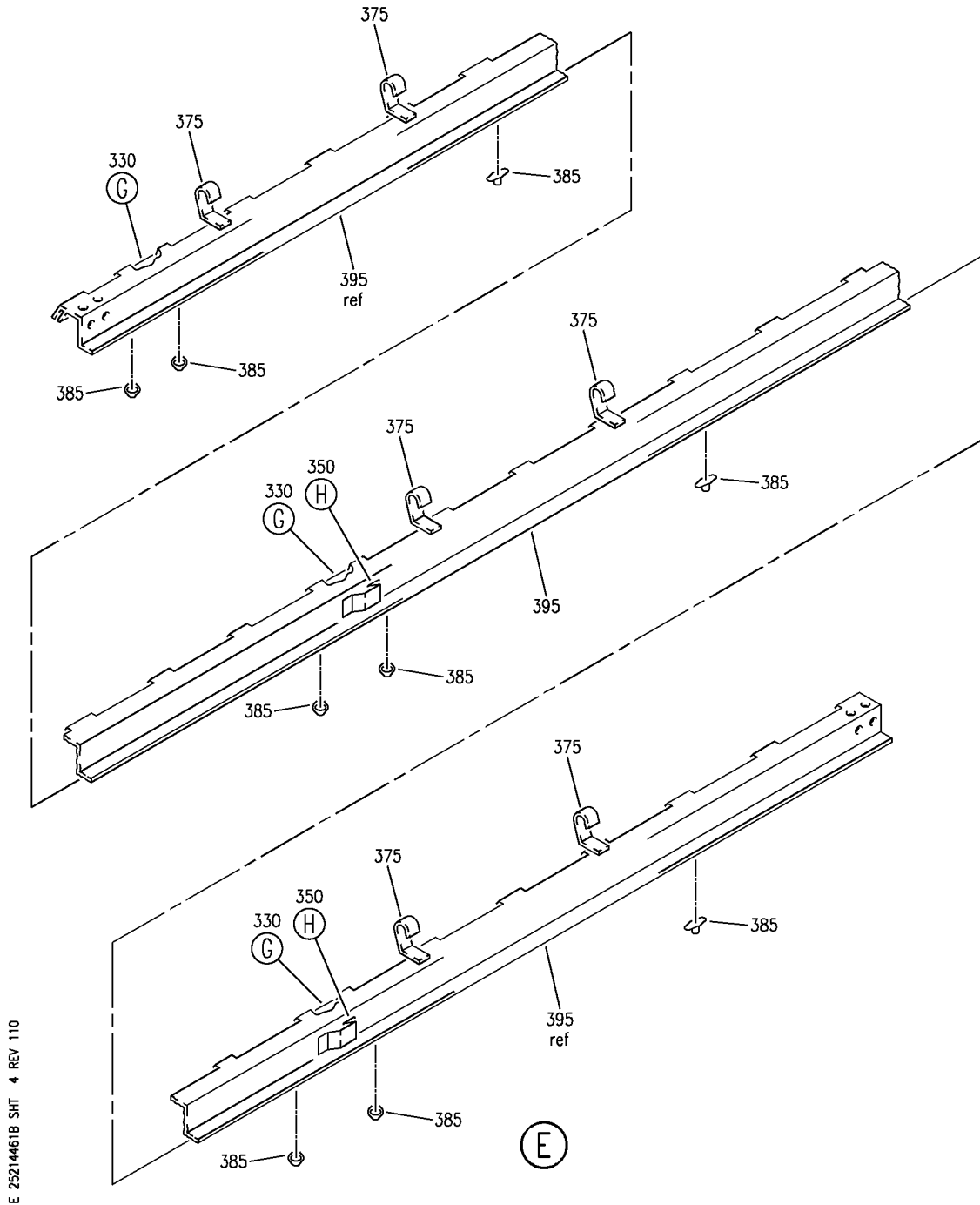
OUTLET ASSY/EXTRUSION ASSY SIDEWALL AIR CONDITIONING
 FIGURE 61B (SHEET 3)

25-21-44-61B

HAP
 OCT 15/08

25-21-44-61B
 PAGE 0B

BOEING
 737-600/700/800/900
 PARTS CATALOG (MAINTENANCE)



E 25214461B SHT 4 REV 110

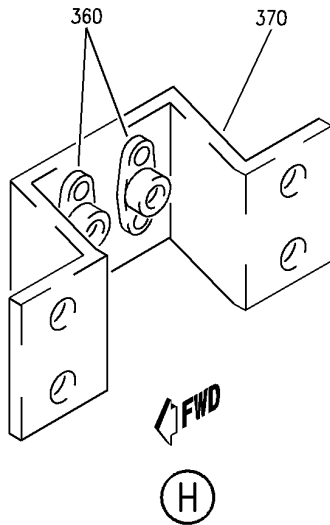
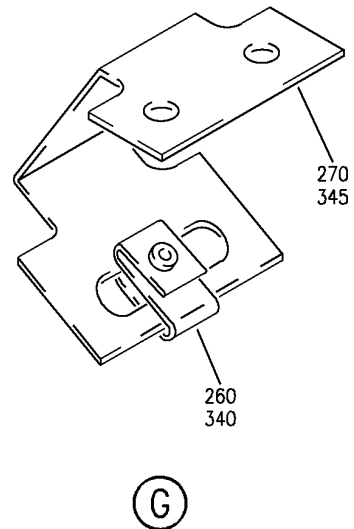
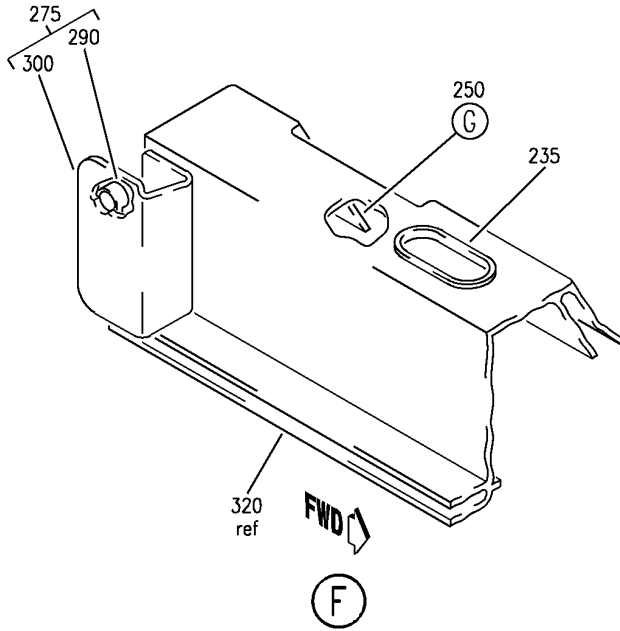
OUTLET ASSY/EXTRUSION ASSY SIDEWALL AIR CONDITIONING
 FIGURE 61B (SHEET 4)

25-21-44-61B

HAP
 OCT 15/08

25-21-44-61B
 PAGE 0C

BOEING
 737-600/700/800/900
 PARTS CATALOG (MAINTENANCE)



E 25214461B SHT 5 REV 110

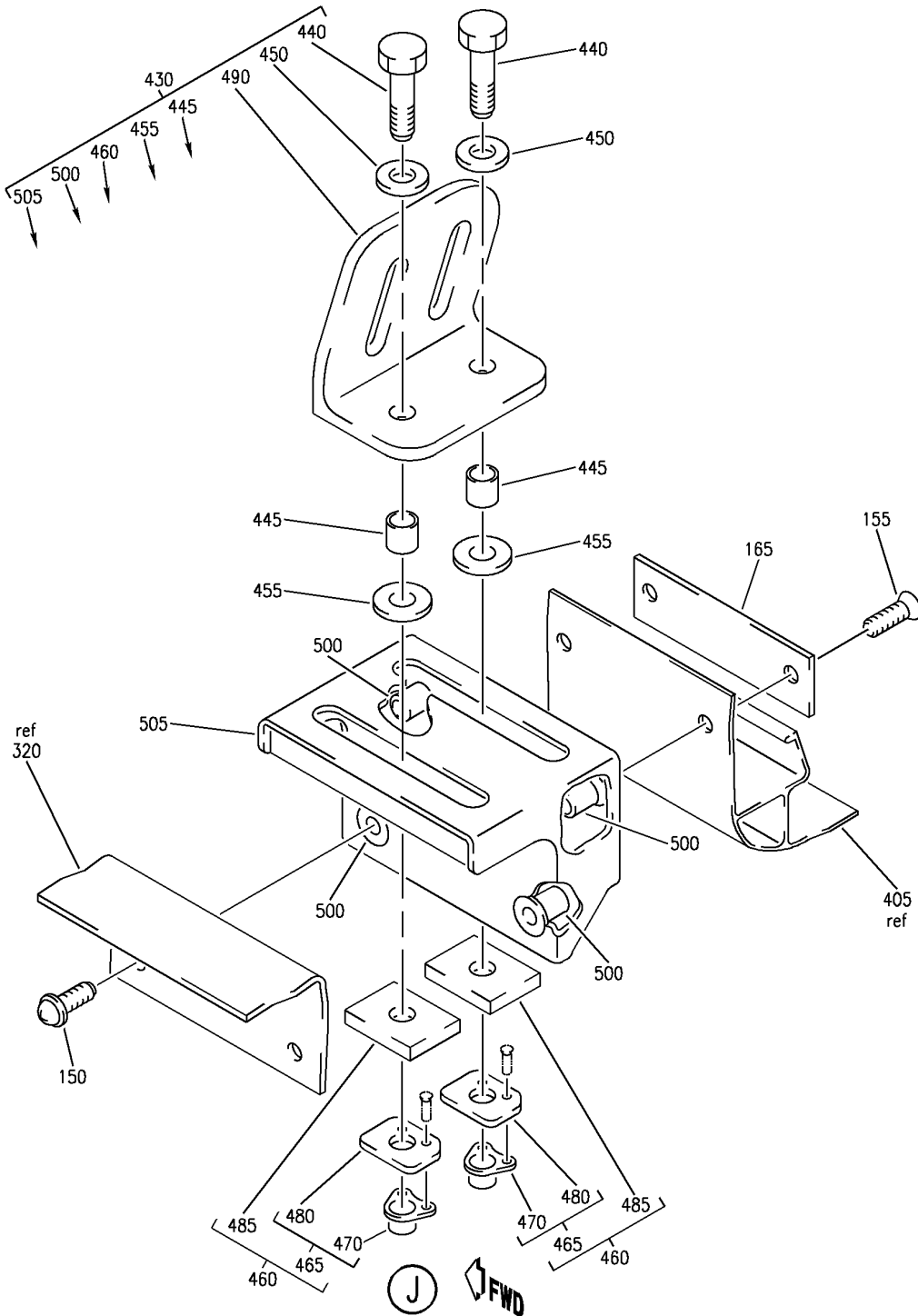
OUTLET ASSY/EXTRUSION ASSY SIDEWALL AIR CONDITIONING
 FIGURE 61B (SHEET 5)

25-21-44-61B

HAP
 OCT 15/08

25-21-44-61B
 PAGE 0D


BOEING
 737-600/700/800/900
PARTS CATALOG (MAINTENANCE)



E 25214461B SHT 6 REV 129

OUTLET ASSY/EXTRUSION ASSY SIDEWALL AIR CONDITIONING
 FIGURE 61B (SHEET 6)

25-21-44-61B

HAP
OCT 15/08

25-21-44-61B
 PAGE 0E

BOEING
737-600/700/800/900
PARTS CATALOG (MAINTENANCE)

FIG ITEM	PART NUMBER	1 2 3 4 5 6 7	NOMENCLATURE	EFFECT FROM TO	UNITS PER ASSY
61B			OUTLET ASSY/EXTRUSION ASSY SIDEWALL AIR CONDITIONING	201967	
- 1	412A3103-1003SP		OUTLET ASSY-SIDEWALL AIR CONDITIONING POSITION DATA: LH FOR NHA SEE: 25-21-44-41A	201967	RF
- 10	412A3103-1004SP		OUTLET ASSY-SIDEWALL AIR CONDITIONING POSITION DATA: LH FOR NHA SEE: 25-21-44-41A	201967	RF
20	BACB30LU2-2	.BOLT		201967	4
25	BACS12GU08K7	.SCREW-		201967	2
30	BACS12ER08K7	.SCREW		201967	2
35	BACS12ER08K8	.SCREW		201967	2
40	BACW10DM5P	.WASHER		201967	4
45	NAS1149DN816J	.WASHER		201967	2
50	65C27020-612	.DOUBLER		201967	1
60	65C27021-277	.DOUBLER ASSY		201967	1
65	MF53050-08DL	..NUTPLATE		201967	8
		SUPPLIER CODE: V15653			
		SPECIFICATION NUMBER: BACN10JN08CM			
		OPTIONAL PART: BRFM20C08M V52828 MF1001-08BAC V15653 NS103218SE82 V80539 VN252D82 V92215 109F9201M82 V72962 T8125C08C V11815			
		ATTACHING PARTS			
- 70	BACR15CE3D	..RIVET-		201967	16
		SIZE DETERMINED ON INSTL. -----*-----			
75	65C27021-278	..DOUBLER		201967	1
80	412N3103-35SP	.COVER-GAP		201967	1
		USED ON: 412A3103-1003SP			

MISSING ITEM NUMBERS NOT APPLICABLE

- ITEM NOT ILLUSTRATED

HAP

25-21-44-61B

BOEING PROPRIETARY - Copyright © - Unpublished Work - See title page for details.

25-21-44
FIG. 61B
PAGE 1
OCT 15/08

BOEING
737-600/700/800/900
PARTS CATALOG (MAINTENANCE)

FIG ITEM	PART NUMBER	1 2 3 4 5 6 7	NOMENCLATURE	EFFECT FROM TO	UNITS PER ASSY
61B					
- 85	412N3103-36SP	.	COVER-GAP USED ON: 412A3103-1004SP	201967	1
90	412N3101-24SP	.	COVER ASSY-GAP USED ON: 412A3103-1003SP	201967	1
- 95	412N3101-25SP	.	COVER ASSY-GAP USED ON: 412A3103-1004SP	201967	1
100	T8078S832BC	..	NUTPLATE SUPPLIER CODE: V11815 SPECIFICATION NUMBER: BACN10JP08CR OPTIONAL PART: MK3000-08BCBAC V15653 NS103199-82BC V80539 RMA9205M82BC V72962 VN203A2-82 V92215 BRM300A08K V52828 ATTACHING PARTS	201967	2
- 105	BACR15BA3AD	..	RIVET- SIZE DETERMINED ON INSTL. -----*-----	201967	4
110	412N3101-22SP	..	COVER- USED ON: 412N3101-24SP	201967	1
- 115	412N3101-23SP	..	COVER- USED ON: 412N3101-25SP	201967	1
120	65C27021-482	.	FITTING ASSY-SPLICE USED ON: 412A3103-1003SP	201967	1
- 125	65C27021-483	.	FITTING ASSY-SPLICE USED ON: 412A3103-1004SP	201967	1

MISSING ITEM NUMBERS NOT APPLICABLE

- ITEM NOT ILLUSTRATED

HAP

25-21-44-61B

BOEING PROPRIETARY - Copyright © - Unpublished Work - See title page for details.

25-21-44
FIG. 61B
PAGE 2
OCT 15/08

BOEING
737-600/700/800/900
PARTS CATALOG (MAINTENANCE)

FIG ITEM	PART NUMBER	1 2 3 4 5 6 7	NOMENCLATURE	EFFECT FROM TO	UNITS PER ASSY
61B 130	T8078S832		..NUTPLATE SUPPLIER CODE: V11815 SPECIFICATION NUMBER: BACN10JP08C OPTIONAL PART: MK3000-08BAC V15653 NS103199-82 V80539 RMA9205M82 V72962 VN203A1-82 V92215 BRM300A08 V52828	201967	6
132	MF53049-08		..NUTPLATE SUPPLIER CODE: V15653 SPECIFICATION NUMBER: BACN10JN08 OPTIONAL PART: BRFM20A08 V52828 MF1000-08BAC V15653 NS103218-82 V80539 RMF9201M82 V72962 VN252A82 V92215 T8124S08S V11815	201967	4
- 135	BACR15BA3AD		ATTACHING PARTS ..RIVET- SIZE DETERMINED ON INSTL. -----*-----	201967	20
140	65C27021-484		..FITTING- USED ON: 65C27021-482	201967	1
- 145	65C27021-485		..FITTING- USED ON: 65C27021-483	201967	1
150	BACS12FA3K8		.SCREW	201967	6
155	BACS12ER3K9		.SCREW- OPTIONAL PART: BACB30VF3K3	201967	6

MISSING ITEM NUMBERS NOT APPLICABLE

- ITEM NOT ILLUSTRATED

HAP

25-21-44-61B

BOEING PROPRIETARY - Copyright © - Unpublished Work - See title page for details.

25-21-44
FIG. 61B
PAGE 3
OCT 15/08

BOEING
737-600/700/800/900
PARTS CATALOG (MAINTENANCE)

FIG ITEM	PART NUMBER	1 2 3 4 5 6 7	NOMENCLATURE	EFFECT FROM TO	UNITS PER ASSY
61B 155	BACB30VF3K3		.BOLT- OPTIONAL PART: BACS12ER3K9	201967	6
160	65C27021-481		.FILLER	201967	1
165	65C27021-177		.DOUBLER-SPRT	201967	3
170	412N3133-23		.FITTING ASSY- POSITION DATA: LH SIDE	201967	3
- 175	412N3133-24		.FITTING ASSY- POSITION DATA: RH SIDE	201967	3
180	BACB30NM3K5		..BOLT- POSITION DATA: NEAR SIDE	201967	2
185	AN960JD10LL		..WASHER	201967	2
190	412N2004-55		..BUSHING	201967	2
195	65C27021-459		..BRACKET- USED ON: 412N3133-23	201967	1
- 200	65C27021-460		..BRACKET- USED ON: 412N3133-24	201967	1
205	65C27021-463		..FILLER ASSY-RADIUS	201967	2
210	T8078S1032		...NUTPLATE SUPPLIER CODE: V11815 SPECIFICATION NUMBER: BACN10JP3C OPTIONAL PART: MK3000-3BAC V15653 NS103199-02 V80539 RMA9205M3 V72962 VN203A1-02 V92215 BRM300A3 V52828 ATTACHING PARTS	201967	1
- 215	BACR15BA3AD		...RIVET- SIZE DETERMINED ON INSTL. -----*-----	201967	2
220	65C27021-464		...FILLER	201967	1
225	BACS13CJ3L080P		..INSERT	201967	4
230	412N3134-1		..CASTING	201967	1
310	BACS12GU08K6		.SCREW	201967	4
315	NAS1149DN816J		.WASHER	201967	4

MISSING ITEM NUMBERS NOT APPLICABLE

- ITEM NOT ILLUSTRATED

HAP

25-21-44-61B

BOEING PROPRIETARY - Copyright © - Unpublished Work - See title page for details.

25-21-44
FIG. 61B
PAGE 4
OCT 15/08

BOEING
737-600/700/800/900
PARTS CATALOG (MAINTENANCE)

FIG ITEM	PART NUMBER	1 2 3 4 5 6 7	NOMENCLATURE	EFFECT FROM TO	UNITS PER ASSY
61B 320	412A3137-1007SP		.BEAM ASSY- USED ON: 412A3103-1003SP	201967	1
- 325	412A3137-1008SP		.BEAM ASSY- USED ON: 412A3103-1004SP	201967	1
330	65C36185-1		..BRACKET ASSY ATTACHING PARTS	201967	3
- 335	BACR15BB4DC		..RIVET- SIZE DETERMINED ON INSTL. -----*-----	201967	6
340	130069		...NUT- SUPPLIER CODE: V60119 SPECIFICATION NUMBER: BACN10FX16 OPTIONAL PART: A11330-6-3 V72962 A4972-6-02 V72962 BACN10YD1	201967	1
340	BRC600-8-3		...NUT- SUPPLIER CODE: V52828 SPECIFICATION NUMBER: BACN10YD1 OPTIONAL PART: 130120 V60119 BACN10FX16	201967	1
345	65C36185-2		...BRACKET	201967	1
350	65C27021-184		..BRACKET ASSY ATTACHING PARTS	201967	2
- 355	BACR15BA5ADC		..RIVET- SIZE DETERMINED ON INSTL. -----*-----	201967	8

MISSING ITEM NUMBERS NOT APPLICABLE

- ITEM NOT ILLUSTRATED

HAP

25-21-44-61B

BOEING PROPRIETARY - Copyright © - Unpublished Work - See title page for details.

25-21-44
FIG. 61B
PAGE 5
FEB 15/09

BOEING
737-600/700/800/900
PARTS CATALOG (MAINTENANCE)

FIG ITEM	PART NUMBER	1 2 3 4 5 6 7	NOMENCLATURE	EFFECT FROM TO	UNITS PER ASSY
61B 360	T8076S832		...NUTPLATE SUPPLIER CODE: V11815 SPECIFICATION NUMBER: BACN10JP08A OPTIONAL PART: MK1000-08BAC V15653 NS103197-82 V80539 RMA9201M82 V72962 VN202A1-82 V92215 BRM200A08 V52828 ATTACHING PARTS	201967	2
- 365	BACR15BA3AD		...RIVET- SIZE DETERMINED ON INSTL. -----*-----	201967	4
370	65C27021-221		...BRACKET	201967	1
375	412N2008-1		..CLIP ATTACHING PARTS	201967	6
- 380	BACR15BA3ADC		..RIVET- SIZE DETERMINED ON INSTL. -----*-----	201967	12
385	BACN10TL3A3		..NUTPLATE ATTACHING PARTS	201967	9
- 390	BACR15BB4DC		..RIVET- SIZE DETERMINED ON INSTL. -----*-----	201967	18
395	412A3137-1009SP		..BEAM- USED ON: 412A3137-1007SP	201967	1
- 400	412A3137-1010SP		..BEAM- USED ON: 412A3137-1008SP	201967	1
405	412A3136-1003SP		.BEAM- USED ON: 412A3103-1003SP	201967	1
- 410	412A3136-1004SP		.BEAM- USED ON: 412A3103-1004SP	201967	1
430	412A3133-1		.FITTING ASSY- POSITION DATA: LH SIDE	201967	3
430	412A3133-3		.FITTING ASSY- POSITION DATA: LH SIDE	201967	3

MISSING ITEM NUMBERS NOT APPLICABLE

- ITEM NOT ILLUSTRATED

HAP

25-21-44-61B

BOEING PROPRIETARY - Copyright © - Unpublished Work - See title page for details.

25-21-44
FIG. 61B
PAGE 6
OCT 15/08

BOEING
737-600/700/800/900
PARTS CATALOG (MAINTENANCE)

FIG ITEM	PART NUMBER	1 2 3 4 5 6 7	NOMENCLATURE	EFFECT FROM TO	UNITS PER ASSY
61B					
- 435	412A3133-2	.	FITTING ASSY- POSITION DATA: RH SIDE	201967	3
- 435	412A3133-4	.	FITTING ASSY- POSITION DATA: RH SIDE	201967	3
440	BACB30NM3K6	..	BOLT	201967	2
445	NAS43DD3-21FC	..	SPACER	201967	2
450	NAS1149D0363J	..	WASHER	201967	2
455	412A2004-5	..	BUSHING	201967	2
460	412A2004-9	..	BEARING ASSY-ANGLE	201967	2
465	412A2004-6	...	SUPPORT ASSY	201967	1
470	T8078S1032	NUTPLATE SUPPLIER CODE: V11815 SPECIFICATION NUMBER: BACN10JP3C OPTIONAL PART: MK3000-3BAC V15653 NS103199-02 V80539 RMA9205M3 V72962 VN203A1-02 V92215 BRM300A3 V52828	201967	1
- 475	BACR15BA3AD	ATTACHING PARTS RIVET- SIZE DETERMINED ON INSTL. -----*-----	201967	2
480	412A2004-7	SUPPORT	201967	1
485	412A2004-8	...	BEARING	201967	1
490	412A2004-1	..	BRACKET-ANGLE POSITION DATA: LH SIDE	201967	1
- 495	412A2004-2	..	BRACKET-ANGLE POSITION DATA: RH SIDE	201967	1
500	BACS13CJ3L080P	..	INSERT	201967	4
505	412A3134-1	..	HOUSING-SLIDER USED ON: 412A3133-1 412A3133-2	201967	1
505	412A3134-2	..	HOUSING-SLIDER USED ON: 412A3133-3 412A3133-4	201967	1

MISSING ITEM NUMBERS NOT APPLICABLE

- ITEM NOT ILLUSTRATED

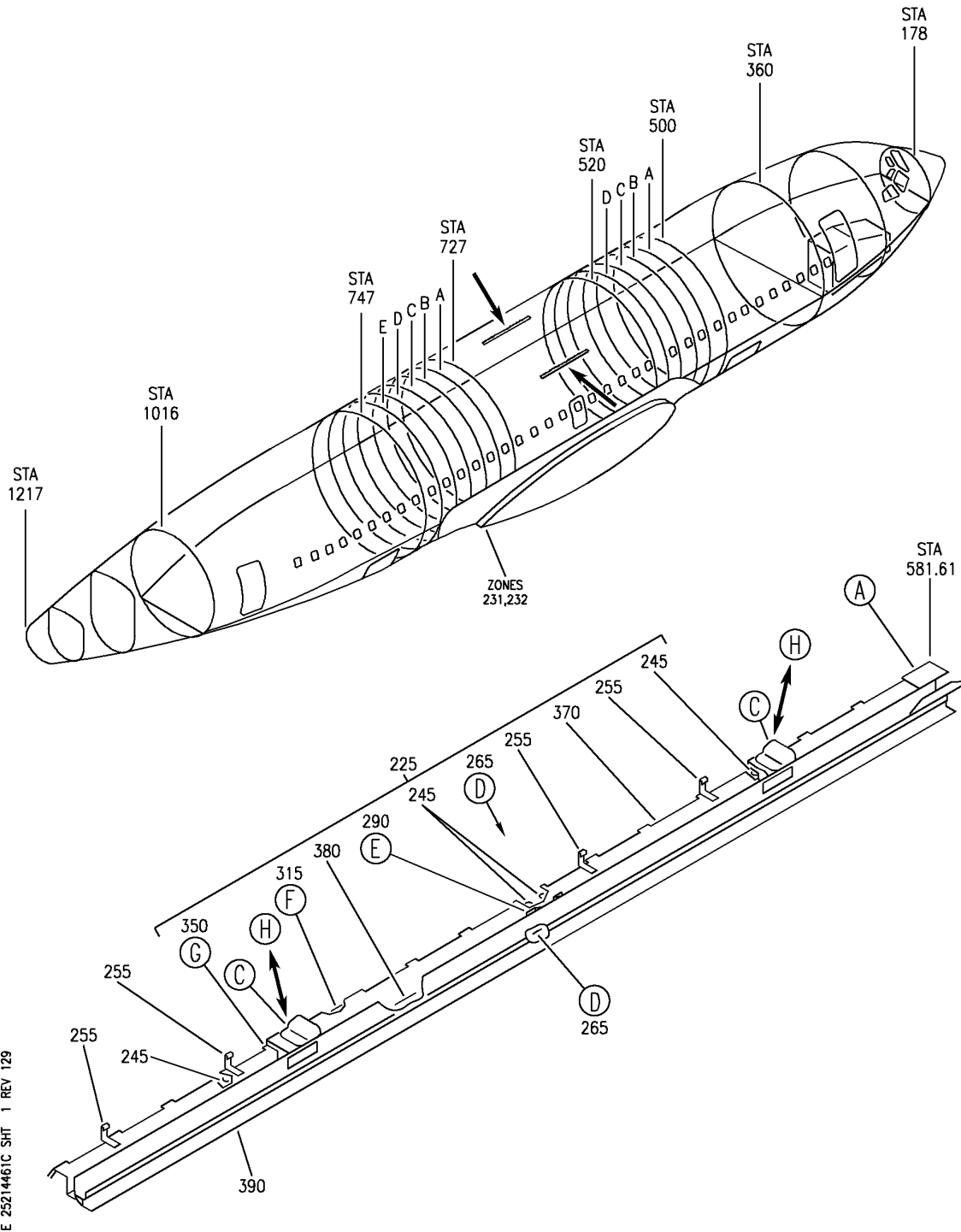
HAP

25-21-44-61B

BOEING PROPRIETARY - Copyright © - Unpublished Work - See title page for details.

25-21-44
FIG. 61B
PAGE 7
OCT 15/08

BOEING
 737-600/700/800/900
 PARTS CATALOG (MAINTENANCE)



E 25214461C SHT 1 REV 129

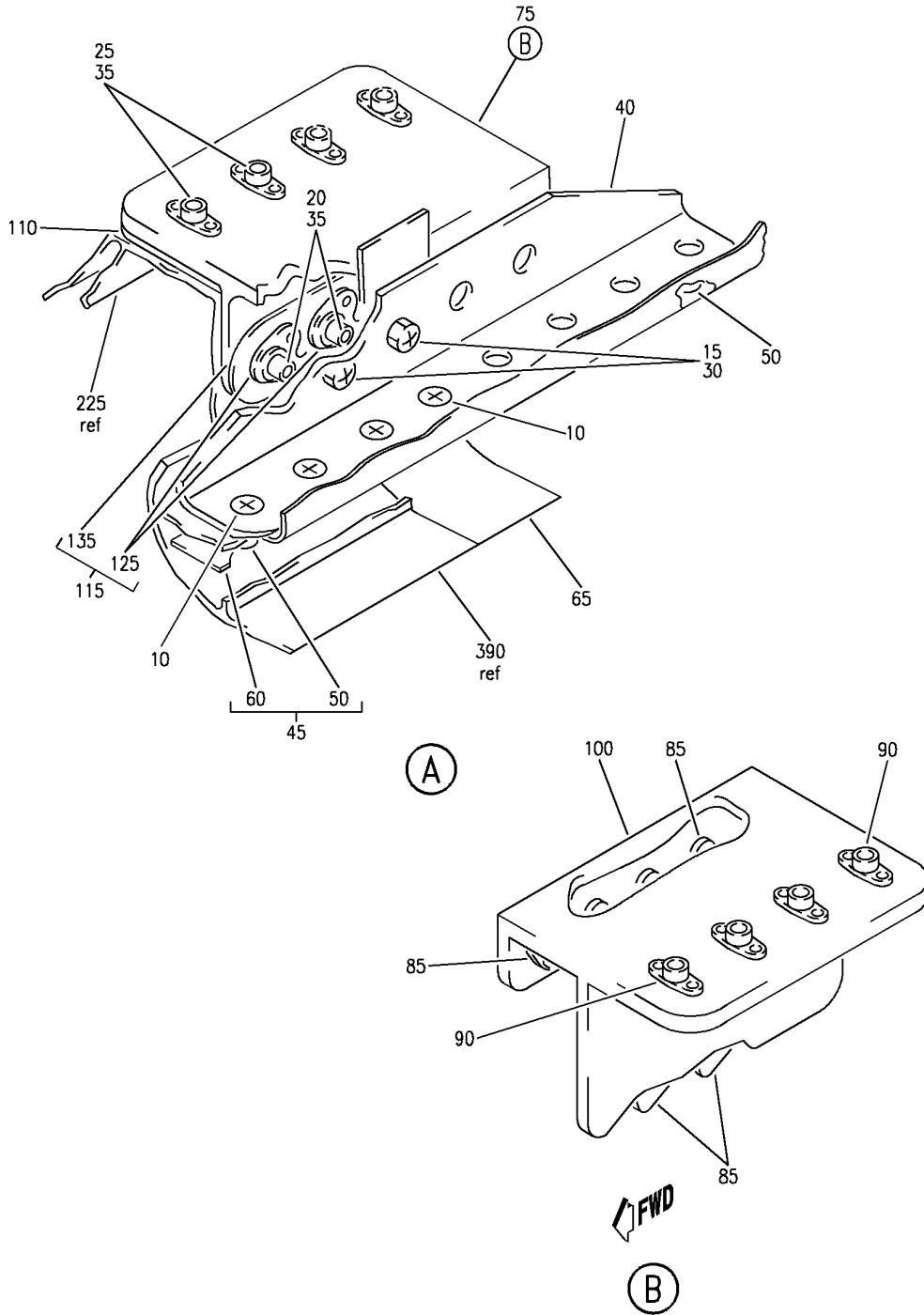
OUTLET ASSY-SIDEWALL AIR CONDITIONING
 FIGURE 61C (SHEET 1)

25-21-44-61C

HAP
 OCT 15/08

25-21-44-61C
 PAGE 0

BOEING
 737-600/700/800/900
 PARTS CATALOG (MAINTENANCE)



E 25214461C SHT 2 REV 110

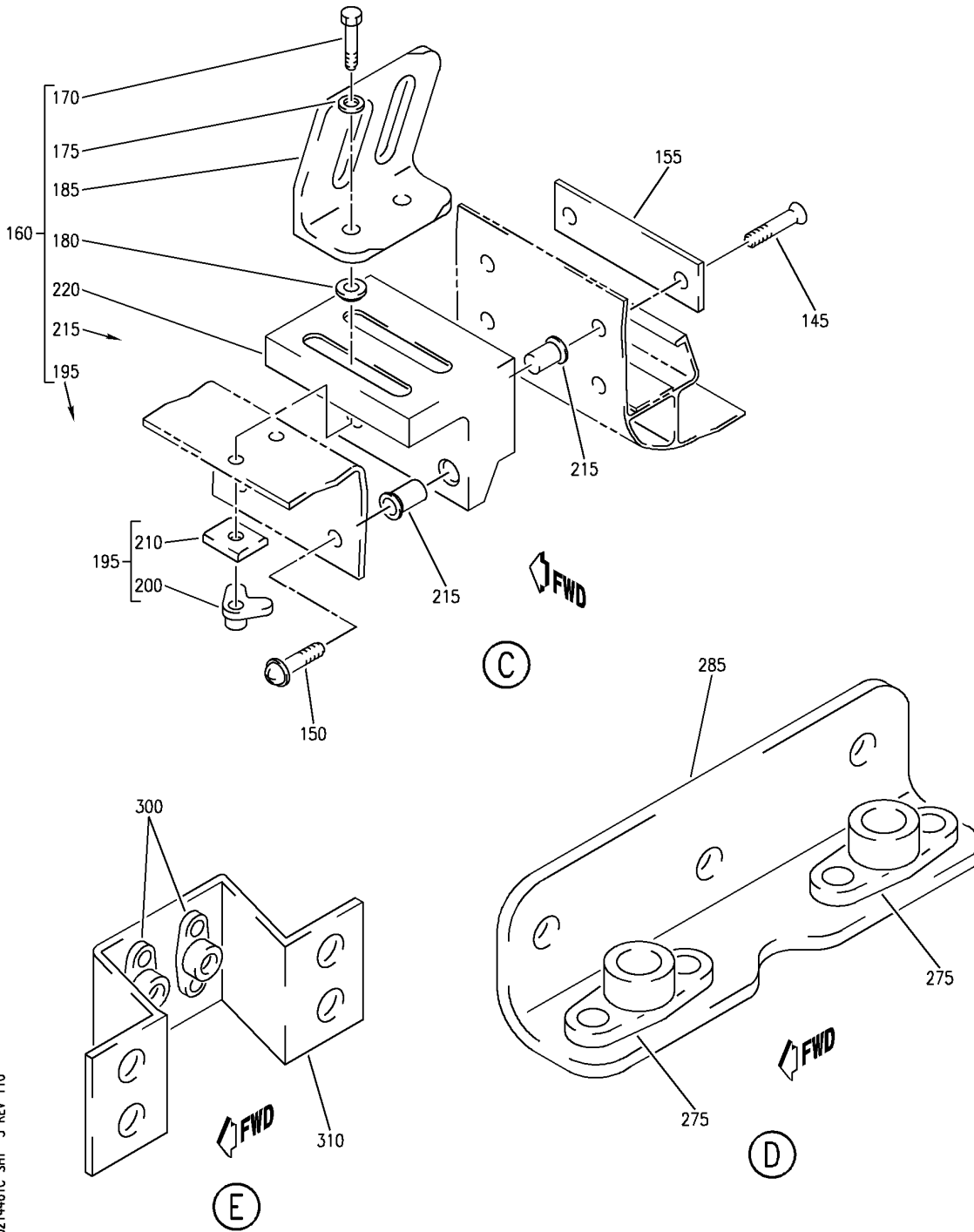
OUTLET ASSY-SIDEWALL AIR CONDITIONING
 FIGURE 61C (SHEET 2)

25-21-44-61C

HAP
 OCT 15/08

25-21-44-61C
 PAGE 0A

BOEING
 737-600/700/800/900
 PARTS CATALOG (MAINTENANCE)



E 25214461C SHT 3 REV 110

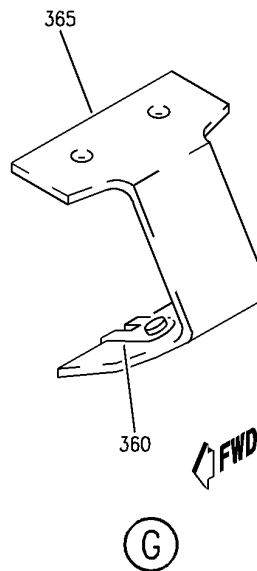
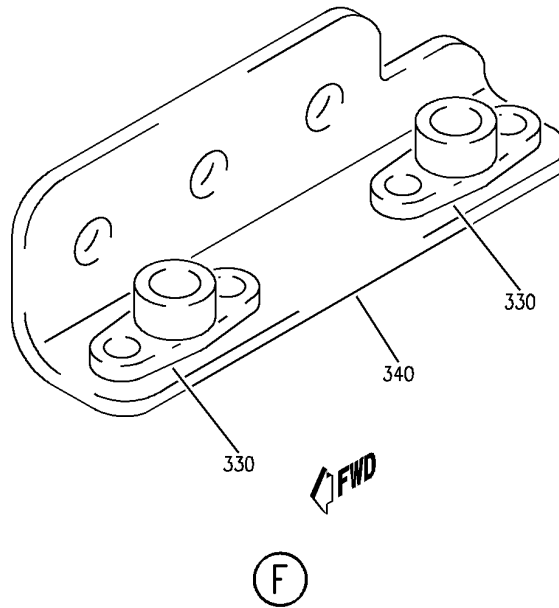
OUTLET ASSY-SIDEWALL AIR CONDITIONING
 FIGURE 61C (SHEET 3)

25-21-44-61C

HAP
 OCT 15/08

25-21-44-61C
 PAGE 0B

BOEING
737-600/700/800/900
PARTS CATALOG (MAINTENANCE)



E 25214461C SHT 4 REV 110

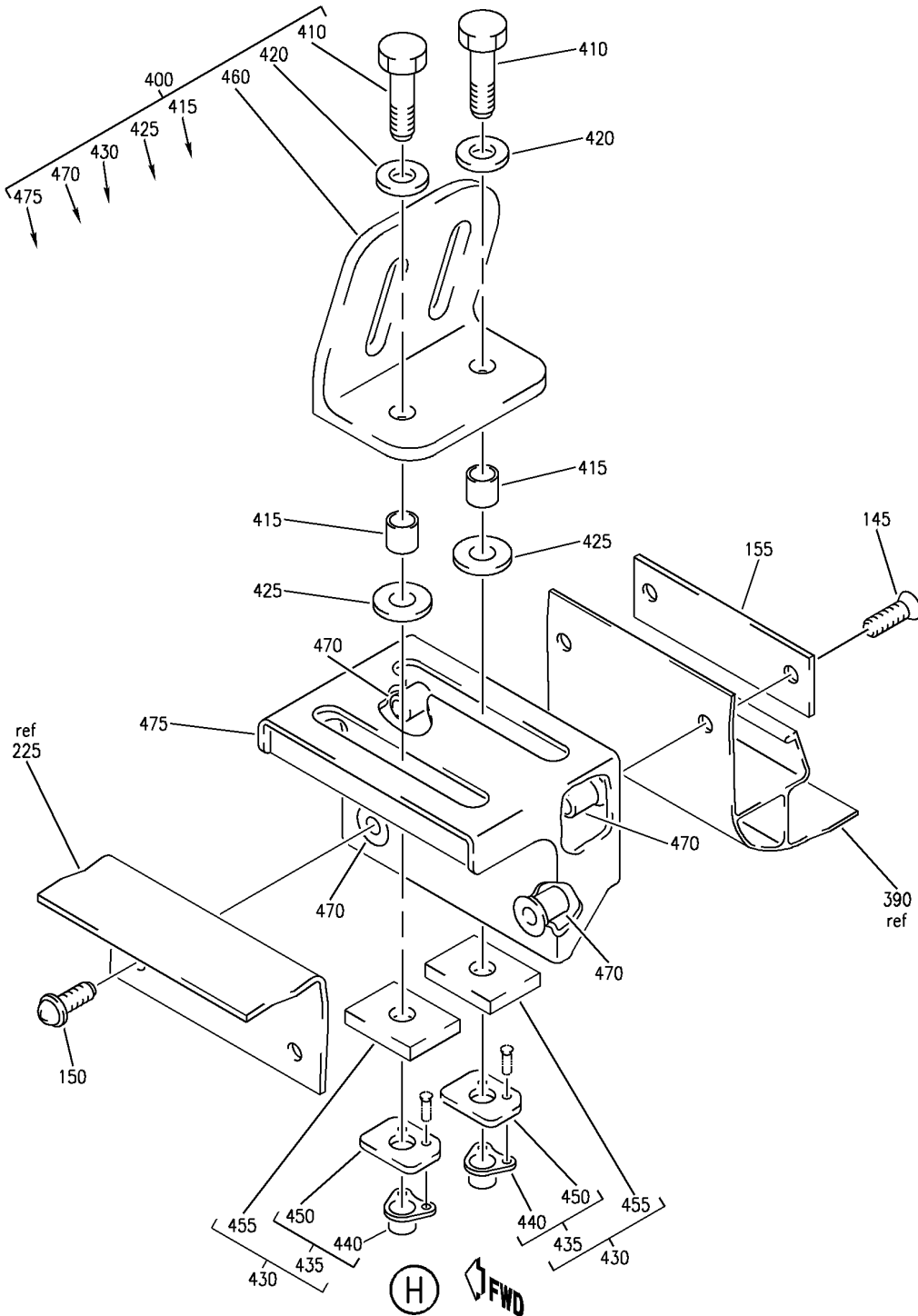
OUTLET ASSY-SIDEWALL AIR CONDITIONING
FIGURE 61C (SHEET 4)

25-21-44-61C

HAP
OCT 15/08

25-21-44-61C
PAGE 0C

BOEING
737-600/700/800/900
PARTS CATALOG (MAINTENANCE)



E 25214461C SHT 5 REV 129

OUTLET ASSY-SIDEWALL AIR CONDITIONING
 FIGURE 61C (SHEET 5)

25-21-44-61C

HAP
 OCT 15/08

25-21-44-61C
 PAGE 0D

BOEING
737-600/700/800/900
PARTS CATALOG (MAINTENANCE)

FIG ITEM	PART NUMBER	1 2 3 4 5 6 7	NOMENCLATURE	EFFECT FROM TO	UNITS PER ASSY
61C			OUTLET ASSY-SIDEWALL AIR CONDITIONING	201967	
- 1	412A3103-1059SP		OUTLET ASSY-SIDEWALL AIR CONDITIONING POSITION DATA: LH FOR NHA SEE: 25-21-44-41A	201967	RF
- 5	412A3103-1060SP		OUTLET ASSY-SIDEWALL AIR CONDITIONING POSITION DATA: RH FOR NHA SEE: 25-21-44-41A	201967	RF
10	BACB30LU2-2	.BOLT		201967	4
15	BACS12GU08K7	.SCREW		201967	2
20	BACS12ER08K7	.SCREW		201967	2
25	BACS12ER08K8	.SCREW		201967	2
30	NAS1149DN816J	.WASHER		201967	2
35	BACW10DM5P	.WASHER		201967	4
40	65C27020-612	.DOUBLER		201967	1
45	65C27021-277	.DOUBLER ASSY		201967	1
50	MF53050-08DL	..NUTPLATE	SUPPLIER CODE: V15653 SPECIFICATION NUMBER: BACN10JN08CM OPTIONAL PART: BRFM20C08M V52828 MF1001-08BAC V15653 NS103218SE82 V80539 VN252D82 V92215 109F9201M82 V72962 T8125C08C V11815	201967	8
- 55	BACR15CE3D	..RIVET-	ATTACHING PARTS ..RIVET- SIZE DETERMINED ON INSTL. -----*-----	201967	16
60	65C27021-278	..DOUBLER		201967	1
65	412N3101-35SP	.COVER-GAP	USED ON: 412A3103-1005SP 412A3103-1059SP	201967	1

MISSING ITEM NUMBERS NOT APPLICABLE

- ITEM NOT ILLUSTRATED

HAP

25-21-44-61C

BOEING PROPRIETARY - Copyright © - Unpublished Work - See title page for details.

25-21-44
FIG. 61C
PAGE 1
OCT 15/08

BOEING
737-600/700/800/900
PARTS CATALOG (MAINTENANCE)

FIG ITEM	PART NUMBER	1 2 3 4 5 6 7	NOMENCLATURE	EFFECT FROM TO	UNITS PER ASSY
61C - 70	412N3101-36SP		.COVER-GAP USED ON: 412A3103-1006SP 412A3103-1060SP	201967	1
75	65C27021-482		.FITTING ASSY-SPLICE USED ON: 412A3103-1005SP 412A3103-1059SP	201967	1
- 80	65C27021-483		.FITTING ASSY-SPLICE USED ON: 412A3103-1006SP 412A3103-1060SP	201967	1
85	T8078S832		..NUTPLATE SUPPLIER CODE: V11815 SPECIFICATION NUMBER: BACN10JP08C OPTIONAL PART: MK3000-08BAC V15653 NS103199-82 V80539 RMA9205M82 V72962 VN203A1-82 V92215 BRM300A08 V52828	201967	6
90	MF53049-08		..NUTPLATE SUPPLIER CODE: V15653 SPECIFICATION NUMBER: BACN10JN08 OPTIONAL PART: BRFM20A08 V52828 MF1000-08BAC V15653 NS103218-82 V80539 RMF9201M82 V72962 VN252A82 V92215 T8124S08S V11815	201967	4

MISSING ITEM NUMBERS NOT APPLICABLE

- ITEM NOT ILLUSTRATED

HAP

25-21-44-61C

BOEING PROPRIETARY - Copyright © - Unpublished Work - See title page for details.

25-21-44
FIG. 61C
PAGE 2
OCT 15/08

BOEING
737-600/700/800/900
PARTS CATALOG (MAINTENANCE)

FIG ITEM	PART NUMBER	1 2 3 4 5 6 7	NOMENCLATURE	EFFECT FROM TO	UNITS PER ASSY
61C			ATTACHING PARTS		
- 95	BACR15BA3AD		..RIVET- SIZE DETERMINED ON INSTL. -----*-----	201967	20
100	65C27021-484		..FITTING- USED ON: 65C27021-482	201967	1
- 105	65C27021-485		..FITTING- USED ON: 65C27021-483	201967	1
110	65C27021-481		.FILLER	201967	1
115	412N3101-24SP		.COVER ASSY-GAP USED ON: 412A3103-1005SP 412A3103-1059SP	201967	1
- 120	412N3101-25SP		.COVER ASSY-GAP USED ON: 412A3103-1006SP 412A3103-1060SP	201967	1
125	T8078S832BC		..NUTPLATE SUPPLIER CODE: V11815 SPECIFICATION NUMBER: BACN10JP08CR OPTIONAL PART: MK3000-08BCBAC V15653 NS103199-82BC V80539 RMA9205M82BC V72962 VN203A2-82 V92215 BRM300A08K V52828	201967	2
- 130	BACR15BA3AD		ATTACHING PARTS ..RIVET- SIZE DETERMINED ON INSTL. -----*-----	201967	4
135	412A3101-22SP		..COVER- USED ON: 412N3101-24SP	201967	1
- 140	412A3101-23SP		..COVER- USED ON: 412N3101-25SP	201967	1
145	BACS12ER3K9		.SCREW- OPTIONAL PART: BACB30VF3K3	201967	4

MISSING ITEM NUMBERS NOT APPLICABLE

- ITEM NOT ILLUSTRATED

HAP

25-21-44-61C

BOEING PROPRIETARY - Copyright © - Unpublished Work - See title page for details.

25-21-44
FIG. 61C
PAGE 3
OCT 15/08

BOEING
737-600/700/800/900
PARTS CATALOG (MAINTENANCE)

FIG ITEM	PART NUMBER	1 2 3 4 5 6 7	NOMENCLATURE	EFFECT FROM TO	UNITS PER ASSY
61C 145	BACB30VF3K3		.BOLT- OPTIONAL PART: BACS12ER3K9	201967	4
150	BACS12FA3K8		.SCREW	201967	4
155	65C27021-177		.DOUBLER-SUPPORT	201967	2
160	412N3133-23		.FITTING ASSY- POSITION DATA: LH SIDE	201967	2
- 165	412N3133-24		.FITTING ASSY- POSITION DATA: RH SIDE	201967	2
170	BACB30NM3K5		..BOLT	201967	2
175	AN960JD10LL		..WASHER	201967	2
180	412N2004-55		..BUSHING	201967	2
185	65C27021-459		..BRACKET- USED ON: 412N3133-23	201967	1
- 190	65C27021-460		..BRACKET- USED ON: 412N3133-24	201967	1
195	65C27021-463		..FILLER ASSY-RADIUS	201967	2
200	T8078S1032		...NUTPLATE SUPPLIER CODE: V11815 SPECIFICATION NUMBER: BACN10JP3C OPTIONAL PART: MK3000-3BAC V15653 NS103199-02 V80539 RMA9205M3 V72962 VN203A1-02 V92215 BRM300A3 V52828 ATTACHING PARTS	201967	1
- 205	BACR15BA3AD		...RIVET- SIZE DETERMINED ON INSTL. -----*-----	201967	2
210	65C27021-464		...FILLER	201967	1
215	BACS13CJ3L080P		..INSERT	201967	4
220	412N3134-1		..CASTING	201967	1
225	412A3137-1161SP		.BEAM ASSY- USED ON: 412A3103-1059SP	201967	1

MISSING ITEM NUMBERS NOT APPLICABLE

- ITEM NOT ILLUSTRATED

HAP

25-21-44-61C

BOEING PROPRIETARY - Copyright © - Unpublished Work - See title page for details.

25-21-44
FIG. 61C
PAGE 4
OCT 15/08

BOEING
737-600/700/800/900
PARTS CATALOG (MAINTENANCE)

FIG ITEM	PART NUMBER	1 2 3 4 5 6 7	NOMENCLATURE	EFFECT FROM TO	UNITS PER ASSY
61C - 230	412A3137-1162SP		.BEAM ASSY- USED ON: 412A3103-1060SP ATTACHING PARTS	201967	1
- 235	BACS12GU08K6		.SCREW	201967	2
- 240	NAS1149DN816J		.WASHER	201967	2
			-----*-----		
245	BACN10TL3A3		..NUTPLATE ATTACHING PARTS	201967	4
- 250	BACR15BB4DC		..RIVET- SIZE DETERMINED ON INSTL.	201967	8
			-----*-----		
255	412N2008-1		..CLIP ATTACHING PARTS	201967	4
- 260	BACR15BA3ADC		..RIVET- SIZE DETERMINED ON INSTL.	201967	8
			-----*-----		
290	65C27021-184		..BRACKET ASSY ATTACHING PARTS	201967	1
- 295	BACR15FT5D		..RIVET- SIZE DETERMINED ON INSTL.	201967	4
			-----*-----		
300	T8076S832		...NUTPLATE SUPPLIER CODE: V11815 SPECIFICATION NUMBER: BACN10JP08A OPTIONAL PART: MK1000-08BAC V15653 NS103197-82 V80539 RMA9201M82 V72962 VN202A1-82 V92215 BRM200A08 V52828 ATTACHING PARTS	201967	2
- 305	BACR15BA3AD		...RIVET- SIZE DETERMINED ON INSTL.	201967	4
			-----*-----		
310	65C27021-221		...BRACKET	201967	1
350	65C36185-1		..BRACKET ASSY ATTACHING PARTS	201967	1
- 355	BACR15BB4DC		..RIVET- SIZE DETERMINED ON INSTL.	201967	2
			-----*-----		

MISSING ITEM NUMBERS NOT APPLICABLE

- ITEM NOT ILLUSTRATED

HAP

25-21-44-61C

BOEING PROPRIETARY - Copyright © - Unpublished Work - See title page for details.

25-21-44
FIG. 61C
PAGE 5
OCT 15/08

BOEING
737-600/700/800/900
PARTS CATALOG (MAINTENANCE)

FIG ITEM	PART NUMBER	1 2 3 4 5 6 7	NOMENCLATURE	EFFECT FROM TO	UNITS PER ASSY
61C 360	130069		...NUT- SUPPLIER CODE: V60119 SPECIFICATION NUMBER: BACN10FX16 OPTIONAL PART: A11330-6-3 V72962 A4972-6-02 V72962 BACN10YD1	201967	1
360	BRC600-8-3		...NUT- SUPPLIER CODE: V52828 SPECIFICATION NUMBER: BACN10YD1 OPTIONAL PART: 130120 V60119 BACN10FX16	201967	1
365	65C36185-2		...BRACKET	201967	1
370	412A3137-1163SP		..BEAM- USED ON: 412A3137-1161SP	201967	1
- 375	412A3137-1164SP		..BEAM- USED ON: 412A3137-1162SP	201967	1
380	412A3137-1017		..INSULATOR- USED ON: 412A3137-1013SP 412A3137-1161SP	201967	1
- 385	412A3137-1018		..INSULATOR- USED ON: 412A3137-1014SP 412A3137-1162SP	201967	1
390	412A3136-1005SP		.BEAM- USED ON: 412A3103-1005SP 412A3103-1059SP	201967	1
- 395	412A3136-1006SP		.BEAM- USED ON: 412A3103-1006SP 412A3103-1060SP	201967	1
400	412A3133-1		.FITTING ASSY- POSITION DATA: LH SIDE	201967	2
400	412A3133-3		.FITTING ASSY- POSITION DATA: LH SIDE	201967	2

MISSING ITEM NUMBERS NOT APPLICABLE

- ITEM NOT ILLUSTRATED

HAP

25-21-44-61C

BOEING PROPRIETARY - Copyright © - Unpublished Work - See title page for details.

25-21-44
FIG. 61C
PAGE 6
FEB 15/09

BOEING
737-600/700/800/900
PARTS CATALOG (MAINTENANCE)

FIG ITEM	PART NUMBER	1 2 3 4 5 6 7	NOMENCLATURE	EFFECT FROM TO	UNITS PER ASSY
61C					
- 405	412A3133-2	.	FITTING ASSY- POSITION DATA: RH SIDE	201967	2
- 405	412A3133-4	.	FITTING ASSY- POSITION DATA: RH SIDE	201967	2
410	BACB30NM3K6	..	BOLT	201967	2
415	NAS43DD3-21FC	..	SPACER	201967	2
420	NAS1149D0363J	..	WASHER	201967	2
425	412A2004-5	..	BUSHING	201967	2
430	412A2004-9	..	BEARING ASSY-ANGLE	201967	2
435	412A2004-6	...	SUPPORT ASSY	201967	1
440	T8078S1032	NUTPLATE SUPPLIER CODE: V11815 SPECIFICATION NUMBER: BACN10JP3C OPTIONAL PART: MK3000-3BAC V15653 NS103199-02 V80539 RMA9205M3 V72962 VN203A1-02 V92215 BRM300A3 V52828	201967	1
- 445	BACR15BA3AD	ATTACHING PARTS RIVET- SIZE DETERMINED ON INSTL. -----*-----	201967	2
450	412A2004-7	SUPPORT	201967	1
455	412A2004-8	...	BEARING	201967	1
460	412A2004-1	..	BRACKET-ANGLE POSITION DATA: LH SIDE	201967	1
- 465	412A2004-2	..	BRACKET-ANGLE POSITION DATA: RH SIDE	201967	1
470	BACS13CJ3L080P	..	INSERT	201967	4
475	412A3134-1	..	HOUSING-SLIDER USED ON: 412A3133-1 412A3133-2	201967	1
475	412A3134-2	..	HOUSING-SLIDER USED ON: 412A3133-3 412A3133-4	201967	1

MISSING ITEM NUMBERS NOT APPLICABLE

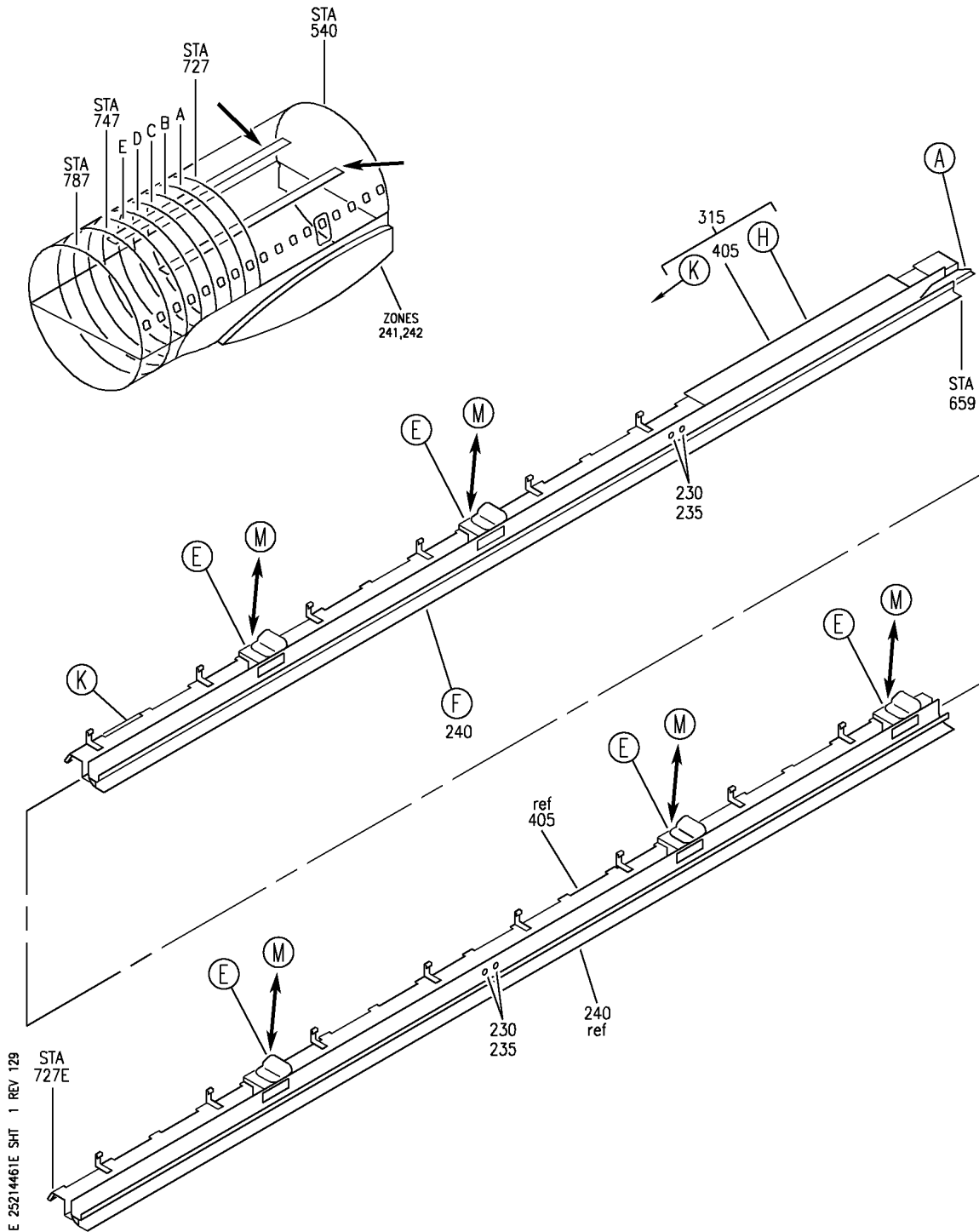
- ITEM NOT ILLUSTRATED

HAP

25-21-44-61C

BOEING PROPRIETARY - Copyright © - Unpublished Work - See title page for details.

25-21-44
FIG. 61C
PAGE 7
FEB 15/09



E 25214461E SHT 1 REV 129

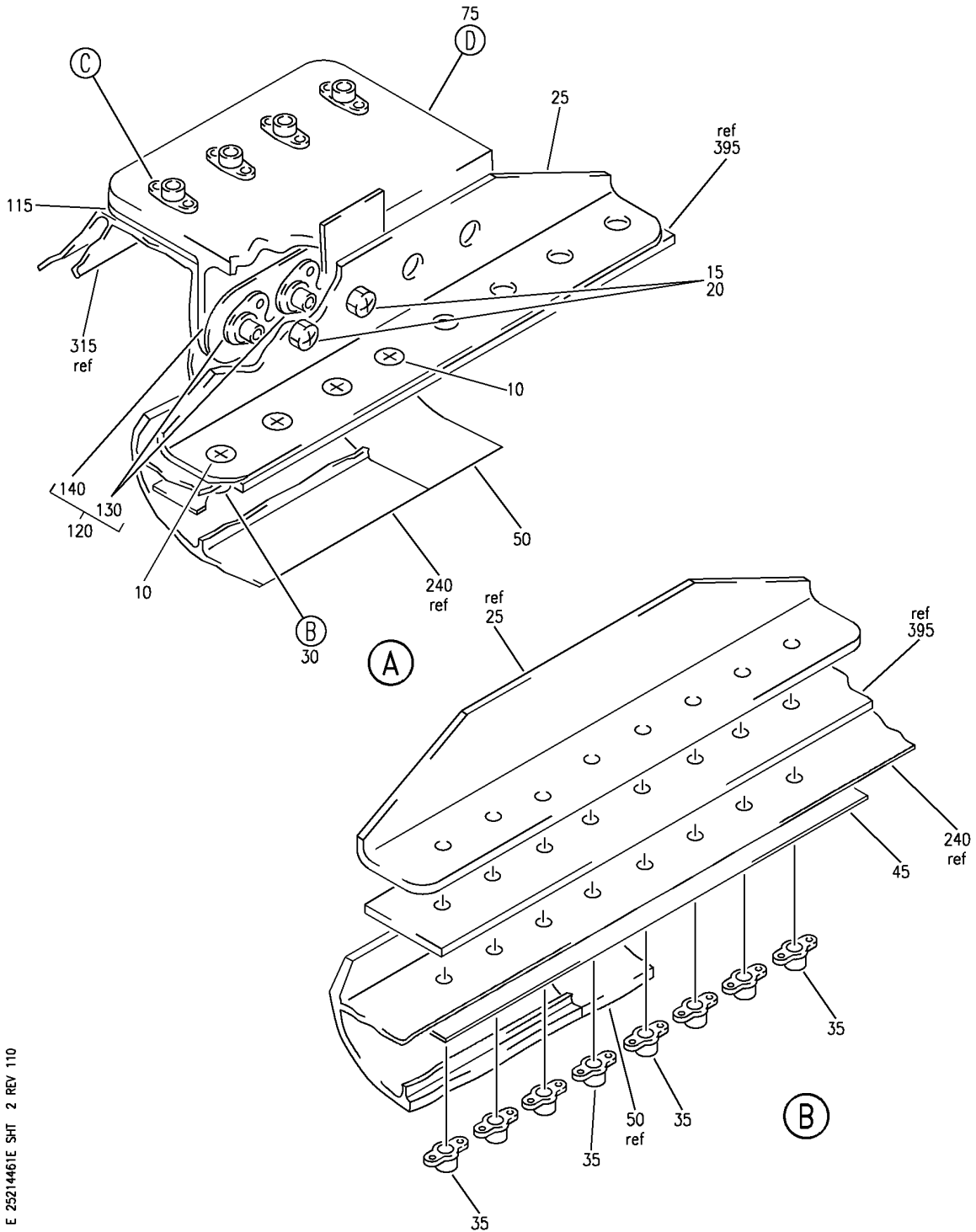
OUTLET ASSY-SIDEWALL AIR CONDITIONING
 FIGURE 61E (SHEET 1)

25-21-44-61E

HAP
 OCT 15/08

25-21-44-61E
 PAGE 0

BOEING
 737-600/700/800/900
 PARTS CATALOG (MAINTENANCE)



E 25214461E SHT 2 REV 110

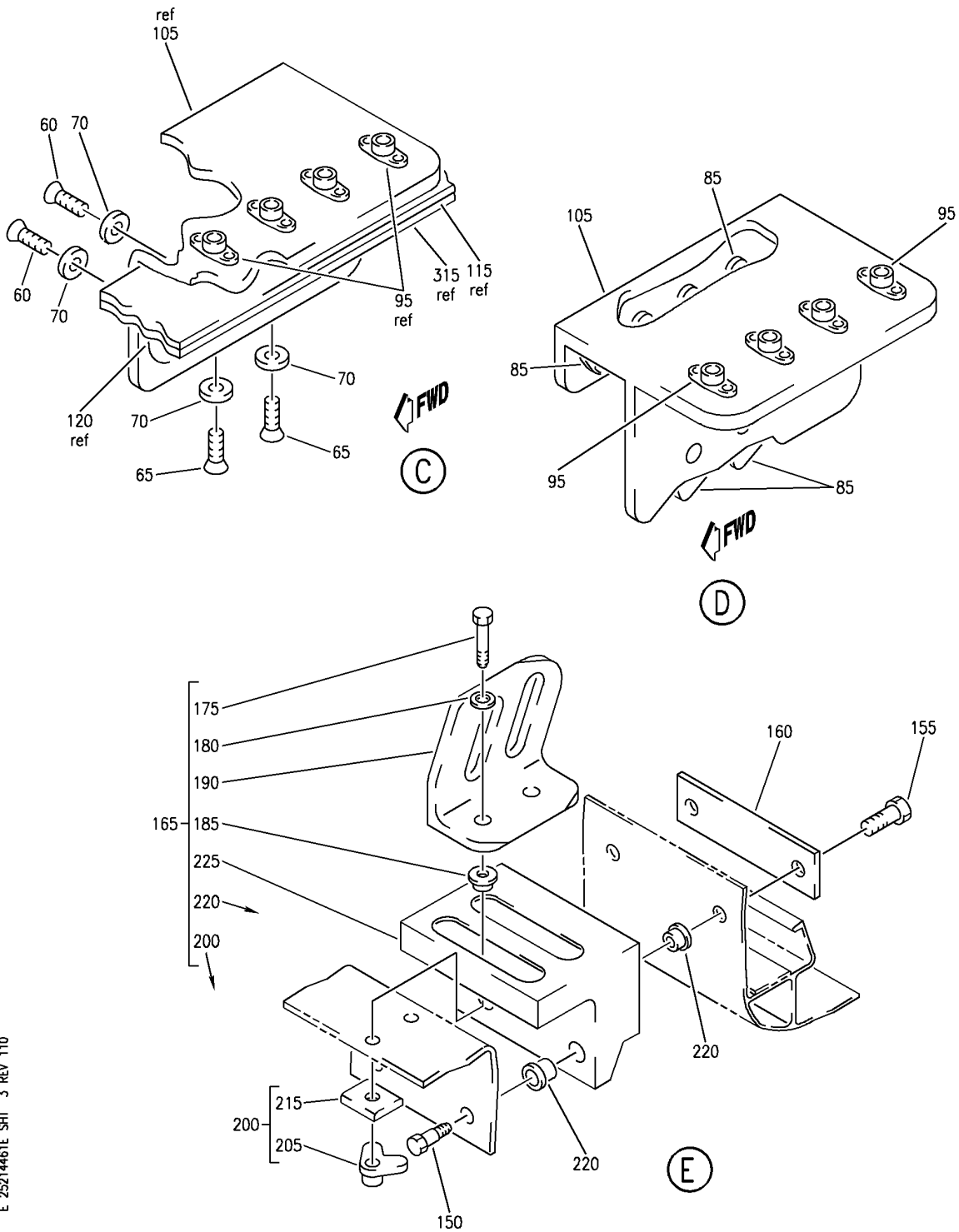
OUTLET ASSY-SIDEWALL AIR CONDITIONING
 FIGURE 61E (SHEET 2)

25-21-44-61E

HAP
 OCT 15/08

25-21-44-61E
 PAGE 0A

BOEING
 737-600/700/800/900
 PARTS CATALOG (MAINTENANCE)



E 25214461E SHT 3 REV 110

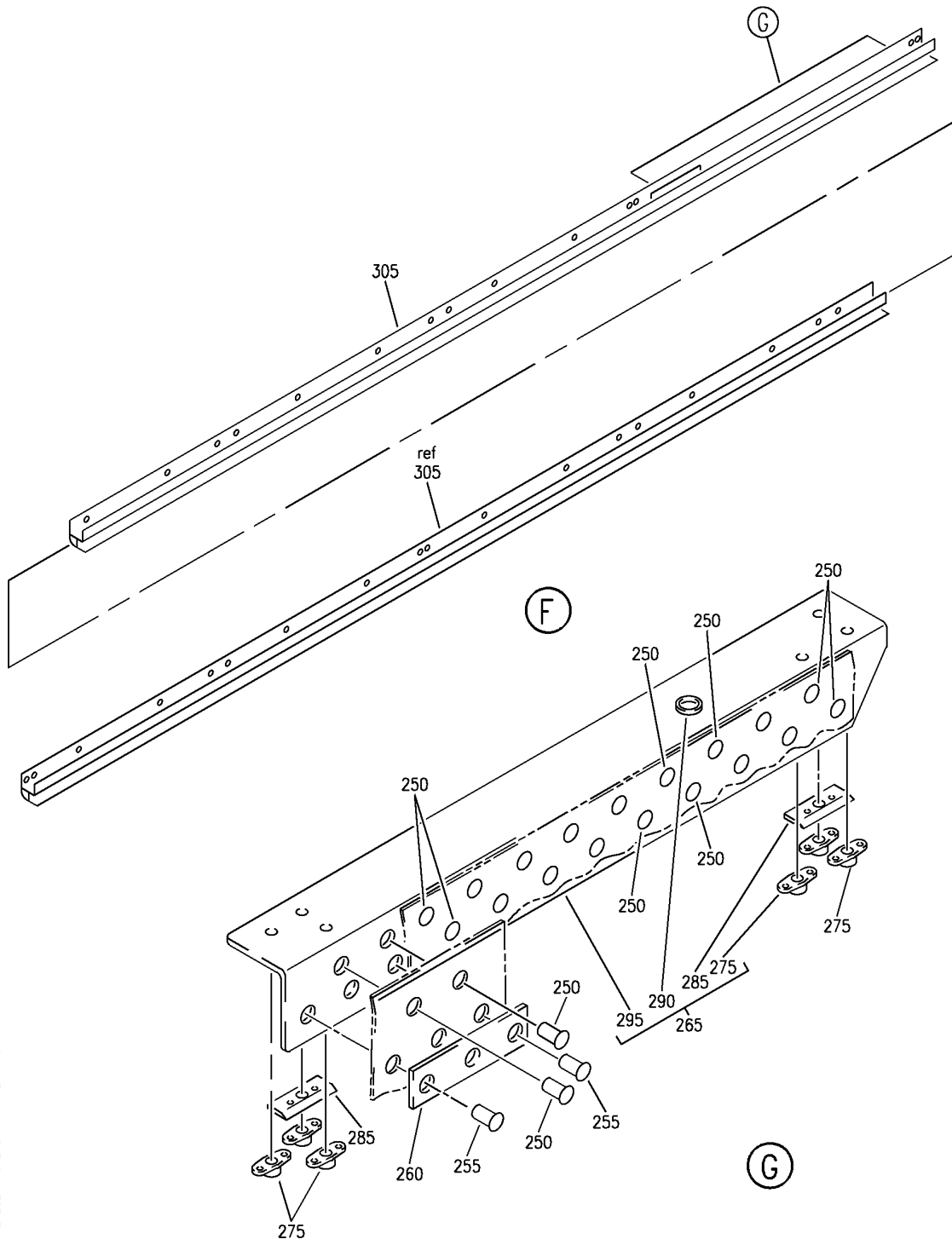
OUTLET ASSY-SIDEWALL AIR CONDITIONING
 FIGURE 61E (SHEET 3)

25-21-44-61E

HAP
 OCT 15/08

25-21-44-61E
 PAGE 0B

BOEING
 737-600/700/800/900
 PARTS CATALOG (MAINTENANCE)



E 25214461E SHT 4 REV 110

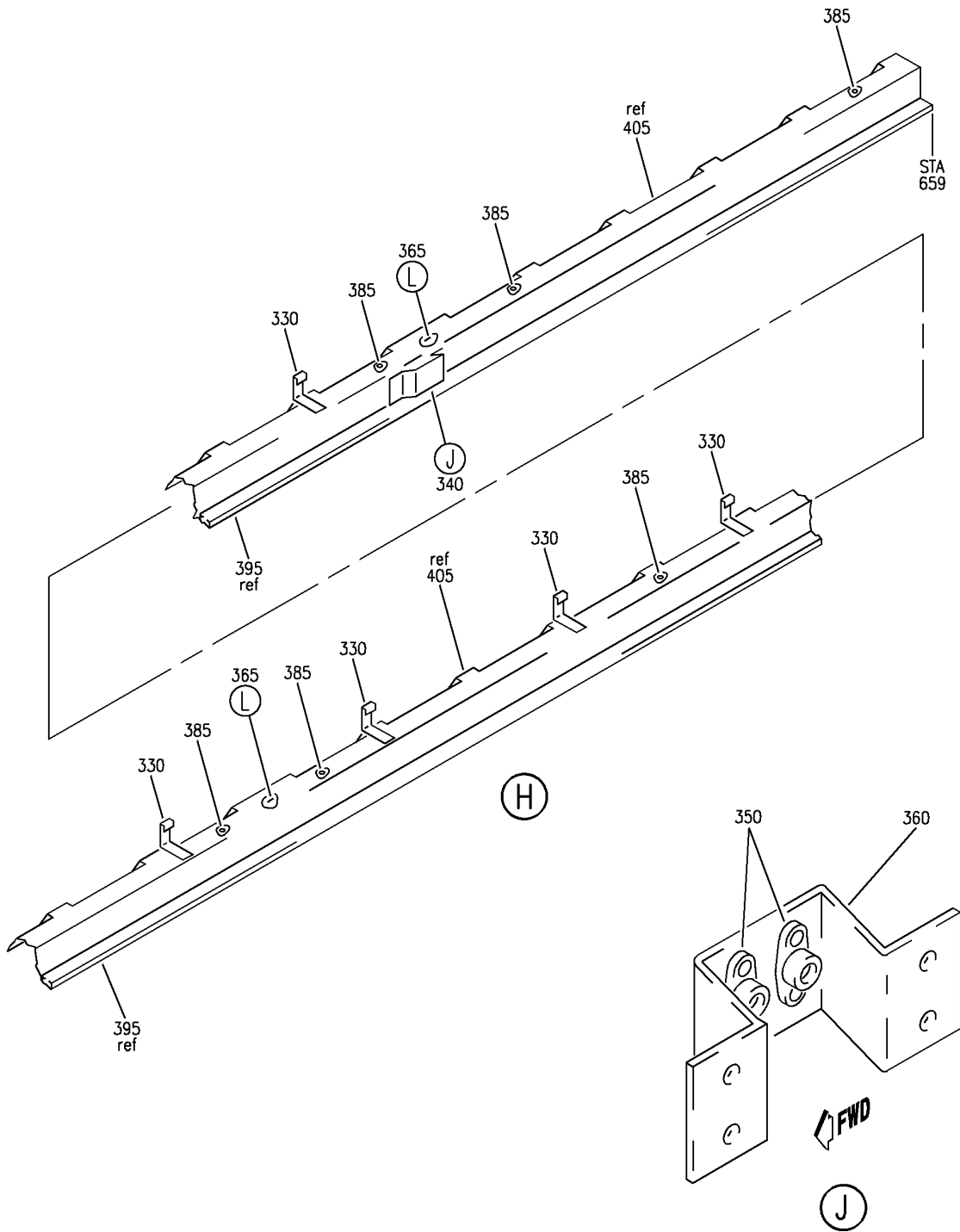
OUTLET ASSY-SIDEWALL AIR CONDITIONING
 FIGURE 61E (SHEET 4)

25-21-44-61E

HAP
 OCT 15/08

25-21-44-61E
 PAGE 0C

BOEING
 737-600/700/800/900
 PARTS CATALOG (MAINTENANCE)



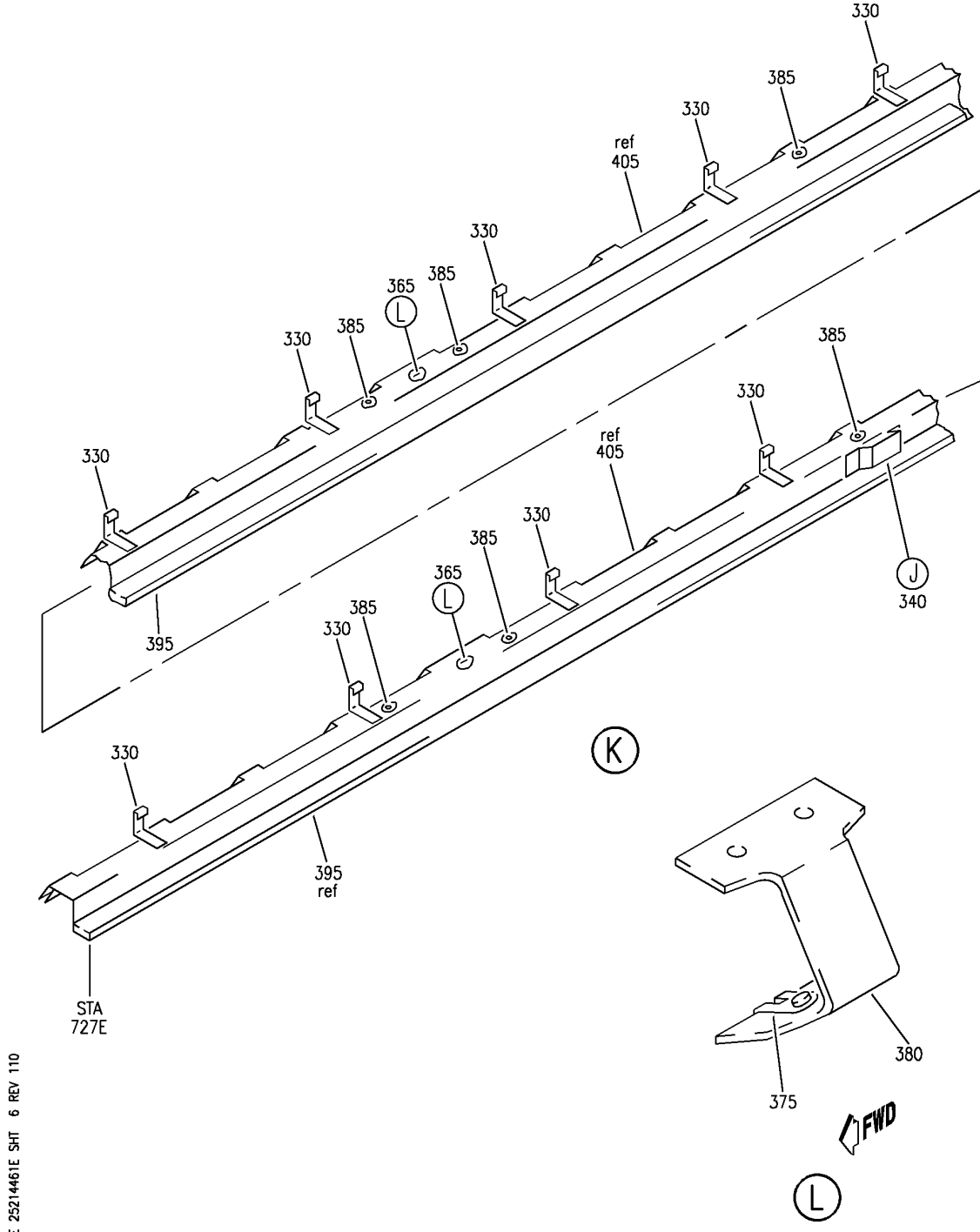
E 25214461E SHT 5 REV 110

OUTLET ASSY-SIDEWALL AIR CONDITIONING
 FIGURE 61E (SHEET 5)

25-21-44-61E

HAP
 OCT 15/08

25-21-44-61E
 PAGE 0D



E 25214461E SHT 6 REV 110

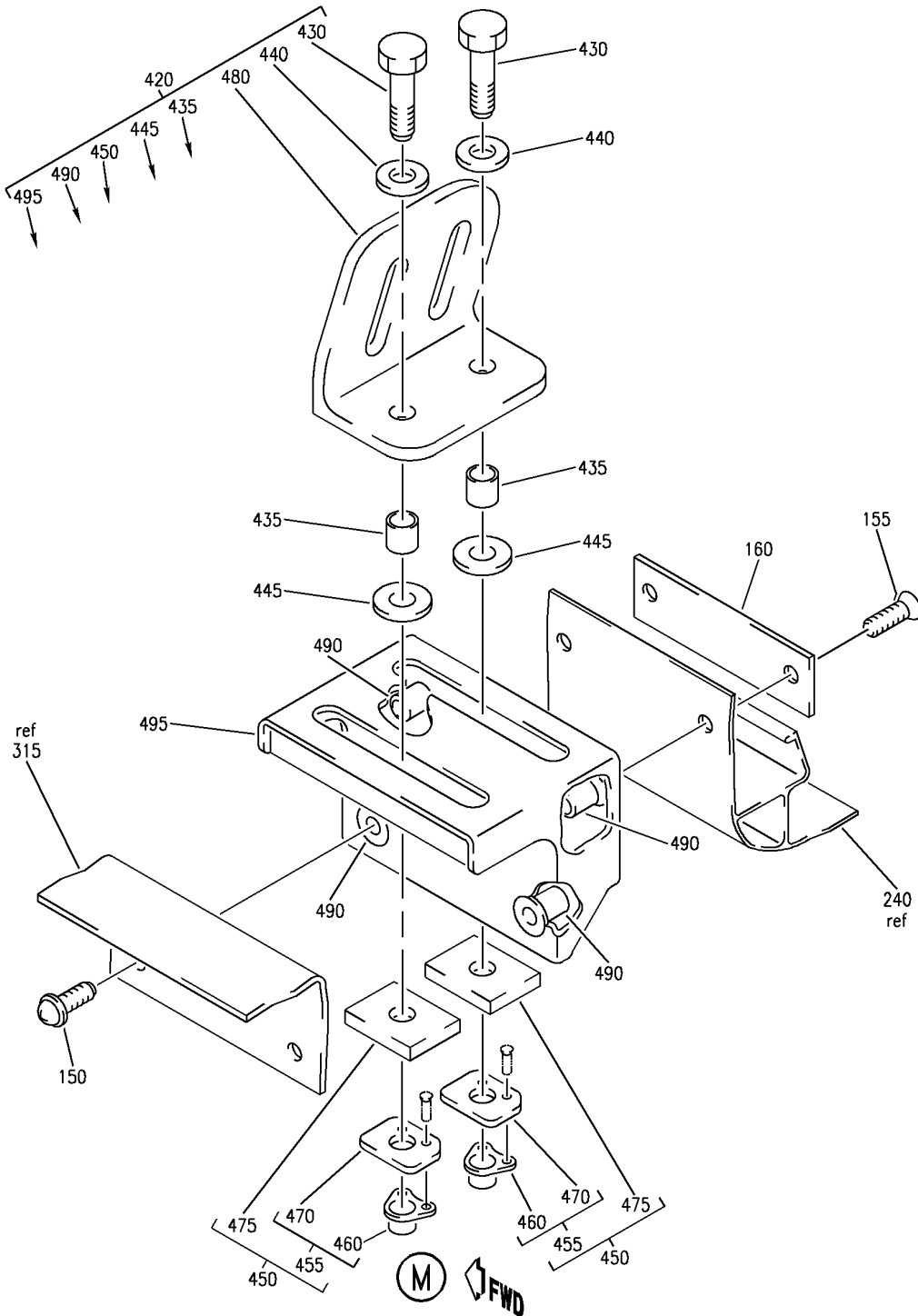
OUTLET ASSY-SIDEWALL AIR CONDITIONING
 FIGURE 61E (SHEET 6)

25-21-44-61E

HAP
 OCT 15/08

25-21-44-61E
 PAGE 0E


BOEING
 737-600/700/800/900
PARTS CATALOG (MAINTENANCE)



E 25214461E SHT 7 REV 129

OUTLET ASSY-SIDEWALL AIR CONDITIONING
 FIGURE 61E (SHEET 7)

25-21-44-61E

HAP
OCT 15/08

25-21-44-61E
 PAGE OF

BOEING
737-600/700/800/900
PARTS CATALOG (MAINTENANCE)

FIG ITEM	PART NUMBER	1 2 3 4 5 6 7	NOMENCLATURE	EFFECT FROM TO	UNITS PER ASSY
61E			OUTLET ASSY-SIDEWALL AIR CONDITIONING	201967	
- 1	412A3103-1007SP		OUTLET ASSY-SIDEWALL AIR CONDITIONING POSITION DATA: LH FOR NHA SEE: 25-21-44-41A	201967	RF
- 5	412A3103-1008SP		OUTLET ASSY-SIDEWALL AIR CONDITIONING POSITION DATA: RH FOR NHA SEE: 25-21-44-41A	201967	RF
10	BACB30LU2-2	.	BOLT	201967	4
15	BACS12GU08K7	.	SCREW	201967	2
20	NAS1149DN816J	.	WASHER	201967	2
25	65C27020-612	.	DOUBLER	201967	1
30	65C27021-277	.	DOUBLER ASSY	201967	1
35	MF53050-08DL	..	NUTPLATE SUPPLIER CODE: V15653 SPECIFICATION NUMBER: BACN10JN08CM OPTIONAL PART: BRFM20C08M V52828 MF1001-08BAC V15653 NS103218SE82 V80539 VN252D82 V92215 109F9201M82 V72962 T8125C08C V11815	201967	8
- 40	BACR15CE3AD	..	ATTACHING PARTS RIVET- SIZE DETERMINED ON INSTL. -----*-----	201967	16
45	65C27021-278	..	DOUBLER	201967	1
50	412N3101-35SP	.	COVER-GAP USED ON: 412A3103-1007SP	201967	1
- 55	412N3101-36SP	.	COVER-GAP USED ON: 412A3103-1008SP	201967	1
60	BACS12ER08K7	.	SCREW	201967	2

MISSING ITEM NUMBERS NOT APPLICABLE

- ITEM NOT ILLUSTRATED

HAP

25-21-44-61E

BOEING PROPRIETARY - Copyright © - Unpublished Work - See title page for details.

25-21-44
FIG. 61E
PAGE 1
OCT 15/08

BOEING
737-600/700/800/900
PARTS CATALOG (MAINTENANCE)

FIG ITEM	PART NUMBER	1 2 3 4 5 6 7	NOMENCLATURE	EFFECT FROM TO	UNITS PER ASSY
61E					
65	BACS12ER08K8	.	SCREW	201967	2
70	BACW10DM5P	.	WASHER	201967	4
75	65C27021-482	.	FITTING ASSY-SPLICE	201967	1
			USED ON:		
			412A3103-1007SP		
- 80	65C27021-483	.	FITTING ASSY-SPLICE	201967	1
			USED ON:		
			412A3103-1008SP		
85	T8078S832	..	NUTPLATE	201967	6
			SUPPLIER CODE:		
			V11815		
			SPECIFICATION NUMBER:		
			BACN10JP08C		
			OPTIONAL PART:		
			MK3000-08BAC		
			V15653		
			NS103199-82		
			V80539		
			RMA9205M82		
			V72962		
			VN203A1-82		
			V92215		
			BRM300A08		
			V52828		
			ATTACHING PARTS		
- 90	BACR15BA3AD	..	RIVET-	201967	12
			SIZE DETERMINED ON INSTL.		
			-----*-----		
95	MF53049-08	..	NUTPLATE	201967	4
			SUPPLIER CODE:		
			V15653		
			SPECIFICATION NUMBER:		
			BACN10JN08		
			OPTIONAL PART:		
			BRFM20A08		
			V52828		
			MF1000-08BAC		
			V15653		
			NS103218-82		
			V80539		
			RMF9201M82		
			V72962		
			VN252A82		
			V92215		
			T8124S08S		
			V11815		

MISSING ITEM NUMBERS NOT APPLICABLE

- ITEM NOT ILLUSTRATED

HAP

25-21-44-61E

BOEING PROPRIETARY - Copyright © - Unpublished Work - See title page for details.

25-21-44
FIG. 61E
PAGE 2
OCT 15/08

BOEING
737-600/700/800/900
PARTS CATALOG (MAINTENANCE)

FIG ITEM	PART NUMBER	1 2 3 4 5 6 7	NOMENCLATURE	EFFECT FROM TO	UNITS PER ASSY
61E			ATTACHING PARTS		
- 100	BACR15BA3AD		..RIVET- SIZE DETERMINED ON INSTL. -----*-----	201967	8
105	65C27021-484		..FITTING-SPLICE USED ON: 65C27021-482	201967	1
- 110	65C27021-485		..FITTING-SPLICE USED ON: 65C27021-483	201967	1
115	65C27021-481		.FILLER	201967	1
120	412N3101-24SP		.COVER ASSY- USED ON: 412A3103-1007SP	201967	1
- 125	412N3101-25SP		.COVER ASSY- USED ON: 412A3103-1008SP	201967	1
130	T8078S832BC		..NUTPLATE SUPPLIER CODE: V11815 SPECIFICATION NUMBER: BACN10JP08CR OPTIONAL PART: MK3000-08BCBAC V15653 NS103199-82BC V80539 RMA9205M82BC V72962 VN203A2-82 V92215 BRM300A08K V52828	201967	2
- 135	BACR15BA3AD		ATTACHING PARTS ..RIVET- SIZE DETERMINED ON INSTL. -----*-----	201967	4
140	412N3101-22SP		..COVER-GAP USED ON: 412N3101-24SP	201967	1
- 145	412N3101-23SP		..COVER-GAP USED ON: 412N3101-25SP	201967	1
150	BACS12FA3K8		.SCREW	201967	10
155	BACS12ER3K9		.SCREW	201967	10
160	65C27021-177		.DOUBLER-SPRT	201967	5
165	412N3133-23		.FITTING ASSY- POSITION DATA: LH SIDE	201967	5

MISSING ITEM NUMBERS NOT APPLICABLE

- ITEM NOT ILLUSTRATED

HAP

25-21-44-61E

BOEING PROPRIETARY - Copyright © - Unpublished Work - See title page for details.

25-21-44
FIG. 61E
PAGE 3
OCT 15/08

BOEING
737-600/700/800/900
PARTS CATALOG (MAINTENANCE)

FIG ITEM	PART NUMBER	1 2 3 4 5 6 7	NOMENCLATURE	EFFECT FROM TO	UNITS PER ASSY
61E					
- 170	412N3133-24		.FITTING ASSY- POSITION DATA: RH SIDE	201967	5
175	BACB30NM3K5		..BOLT	201967	2
180	AN960JD10LL		..WASHER	201967	2
185	412N2004-55		..BUSHING	201967	2
190	65C27021-459		..BRACKET- USED ON: 412N3133-23	201967	1
- 195	65C27021-460		..BRACKET- USED ON: 412N3133-24	201967	1
200	65C27021-463		..FILLER ASSY-RADIUS	201967	2
205	T8078S1032		...NUTPLATE SUPPLIER CODE: V11815 SPECIFICATION NUMBER: BACN10JP3C OPTIONAL PART: MK3000-3BAC V15653 NS103199-02 V80539 RMA9205M3 V72962 VN203A1-02 V92215 BRM300A3 V52828 ATTACHING PARTS	201967	1
- 210	BACR15BA3AD		...RIVET- SIZE DETERMINED ON INSTL. -----*-----	201967	2
215	65C27021-464		...FILLER-RADIUS	201967	1
220	BACS13CJ3L080P		..INSERT	201967	4
225	412N3134-1		..CASTING	201967	1
230	BACS12GU08K6		.SCREW	201967	4
235	NAS1149DN816J		.WASHER	201967	4
240	412A3136-1007SP		.BEAM ASSY- USED ON: 412A3103-1007SP	201967	1
- 245	412A3136-1008SP		.BEAM ASSY- USED ON: 412A3103-1008SP	201967	1
250	BACR15FT6D		..RIVET- SIZE DETERMINED ON INSTL.	201967	20
255	BACR15BB6DC		..RIVET- SIZE DETERMINED ON INSTL.	201967	3
260	65C27021-465		..FILLER	201967	1

MISSING ITEM NUMBERS NOT APPLICABLE

- ITEM NOT ILLUSTRATED

HAP

25-21-44-61E

BOEING PROPRIETARY - Copyright © - Unpublished Work - See title page for details.

25-21-44
FIG. 61E
PAGE 4
OCT 15/08

BOEING
737-600/700/800/900
PARTS CATALOG (MAINTENANCE)

FIG ITEM	PART NUMBER	1 2 3 4 5 6 7	NOMENCLATURE	EFFECT FROM TO	UNITS PER ASSY
61E 265	412A3200-5		..BRACKET ASSY- USED ON: 412A3136-1007SP	201967	1
- 270	412A3200-6		..BRACKET ASSY- USED ON: 412A3136-1008SP	201967	1
275	T8076S1032		...NUTPLATE SUPPLIER CODE: V11815 SPECIFICATION NUMBER: BACN10JP3A OPTIONAL PART: MK1000-3BAC V15653 NS103197-02 V80539 RMA9201M3 V72962 VN202A1-02 V92215 BRM200A3 V52828 ATTACHING PARTS	201967	6
- 280	BACR15BA3AD		...RIVET -----*-----	201967	12
285	65C27021-253		...FILLER-RADIUS	201967	2
290	BACB28B6-260P		...BUSHING	201967	1
295	412A3210-5		...BRACKET- USED ON: 412A3200-5	201967	1
- 300	412A3210-6		...BRACKET- USED ON: 412A3200-6	201967	1
305	412A3136-1009SP		..BEAM- USED ON: 412A3136-1007SP	201967	1
- 310	412A3136-1010SP		..BEAM- USED ON: 412A3136-1008SP	201967	1
315	412A3137-1019SP		.BEAM ASSY- USED ON: 412A3103-1007SP	201967	1
- 320	412A3137-1020SP		.BEAM ASSY- USED ON: 412A3103-1008SP	201967	1
330	412N2008-1		..CLIP-SPR ATTACHING PARTS	201967	14
- 335	BACR15BA3ADC		..RIVET -----*-----	201967	28

MISSING ITEM NUMBERS NOT APPLICABLE

- ITEM NOT ILLUSTRATED

HAP

25-21-44-61E

BOEING PROPRIETARY - Copyright © - Unpublished Work - See title page for details.

25-21-44
FIG. 61E
PAGE 5
OCT 15/08

BOEING
737-600/700/800/900
PARTS CATALOG (MAINTENANCE)

FIG ITEM	PART NUMBER	1 2 3 4 5 6 7	NOMENCLATURE	EFFECT FROM TO	UNITS PER ASSY
61E					
340	65C27021-184		..BRACKET ASSY ATTACHING PARTS	201967	2
- 345	BACR15BA5ADC		..RIVET- SIZE DETERMINED ON INSTL. -----*-----	201967	8
350	T8076S832		...NUTPLATE SUPPLIER CODE: V11815 SPECIFICATION NUMBER: BACN10JP08A OPTIONAL PART: MK1000-08BAC V15653 NS103197-82 V80539 RMA9201M82 V72962 VN202A1-82 V92215 BRM200A08 V52828 ATTACHING PARTS	201967	2
- 355	BACR15BA3AD		...RIVET- SIZE DETERMINED ON INSTL. -----*-----	201967	4
360	65C27021-221		...BRACKET	201967	1
365	65C36185-1		..BRACKET ASSY ATTACHING PARTS	201967	4
- 370	BACR15BB4DC		..RIVET- SIZE DETERMINED ON INSTL. -----*-----	201967	8
375	130069		...NUT- SUPPLIER CODE: V60119 SPECIFICATION NUMBER: BACN10FX16 OPTIONAL PART: A11330-6-3 V72962 A4972-6-02 V72962 BACN10YD1	201967	1

MISSING ITEM NUMBERS NOT APPLICABLE

- ITEM NOT ILLUSTRATED

HAP

25-21-44-61E

BOEING PROPRIETARY - Copyright © - Unpublished Work - See title page for details.

25-21-44
FIG. 61E
PAGE 6
FEB 15/09

BOEING
737-600/700/800/900
PARTS CATALOG (MAINTENANCE)

FIG ITEM	PART NUMBER	1 2 3 4 5 6 7	NOMENCLATURE	EFFECT FROM TO	UNITS PER ASSY
61E 375	BRC600-8-3	...	NUT- SUPPLIER CODE: V52828 SPECIFICATION NUMBER: BACN10YD1 OPTIONAL PART: 130120 V60119 BACN10FX16	201967	1
380	65C36185-2	...	BRACKET	201967	1
385	BACN10TL3A3	..	NUTPLATE ATTACHING PARTS	201967	12
- 390	BACR15BB4DC	..	RIVET- SIZE DETERMINED ON INSTL. -----*-----	201967	24
395	412A3137-1023	..	INSULATOR- USED ON: 412A3137-1019SP	201967	1
- 400	412A3137-1024	..	INSULATOR- USED ON: 412A3137-1020SP	201967	1
405	412A3137-1021SP	..	BEAM- POSITION DATA: OUTBD USED ON: 412A3137-1019SP	201967	1
- 410	412A3137-1022SP	..	BEAM- POSITION DATA: OUTBD USED ON: 412A3137-1020SP	201967	1
420	412A3133-1	.	FITTING ASSY- POSITION DATA: LH SIDE	201967	5
420	412A3133-3	.	FITTING ASSY- POSITION DATA: LH SIDE	201967	5
- 425	412A3133-2	.	FITTING ASSY- POSITION DATA: RH SIDE	201967	5
- 425	412A3133-4	.	FITTING ASSY- POSITION DATA: RH SIDE	201967	5
430	BACB30NM3K6	..	BOLT	201967	2
435	NAS43DD3-21FC	..	SPACER	201967	2
440	NAS1149D0363J	..	WASHER	201967	2
445	412A2004-5	..	BUSHING	201967	2
450	412A2004-9	..	BEARING ASSY-ANGLE	201967	2
455	412A2004-6	...	SUPPORT ASSY	201967	1

MISSING ITEM NUMBERS NOT APPLICABLE

- ITEM NOT ILLUSTRATED

HAP

25-21-44-61E

25-21-44
FIG. 61E
PAGE 7
OCT 15/08

BOEING
737-600/700/800/900
PARTS CATALOG (MAINTENANCE)

FIG ITEM	PART NUMBER	1 2 3 4 5 6 7	NOMENCLATURE	EFFECT FROM TO	UNITS PER ASSY
61E 460	T8078S1032	NUTPLATE SUPPLIER CODE: V11815 SPECIFICATION NUMBER: BACN10JP3C OPTIONAL PART: MK3000-3BAC V15653 NS103199-02 V80539 RMA9205M3 V72962 VN203A1-02 V92215 BRM300A3 V52828 ATTACHING PARTS	201967	1
- 465	BACR15BA3AD	RIVET- SIZE DETERMINED ON INSTL. -----*-----	201967	2
470	412A2004-7	SUPPORT	201967	1
475	412A2004-8	...	BEARING	201967	1
480	412A2004-1	..	BRACKET-ANGLE POSITION DATA: LH SIDE	201967	1
- 485	412A2004-2	..	BRACKET-ANGLE POSITION DATA: RH SIDE	201967	1
490	BACS13CJ3L080P	..	INSERT	201967	4
495	412A3134-1	..	HOUSING-SLIDER USED ON: 412A3133-1 412A3133-2	201967	1
495	412A3134-2	..	HOUSING-SLIDER USED ON: 412A3133-3 412A3133-4	201967	1

MISSING ITEM NUMBERS NOT APPLICABLE

- ITEM NOT ILLUSTRATED

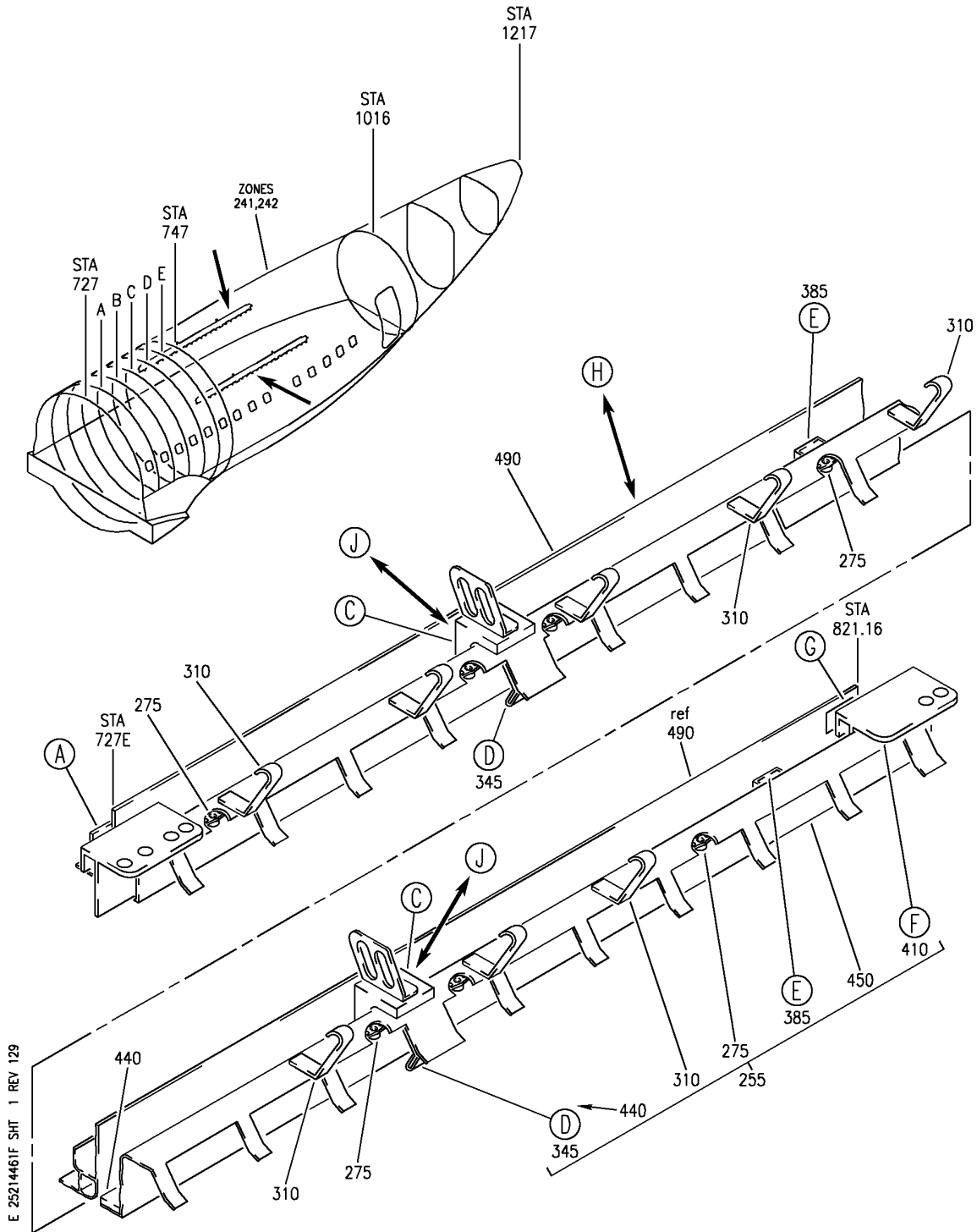
HAP

25-21-44-61E

BOEING PROPRIETARY - Copyright © - Unpublished Work - See title page for details.

25-21-44
FIG. 61E
PAGE 8
OCT 15/08

BOEING
 737-600/700/800/900
 PARTS CATALOG (MAINTENANCE)



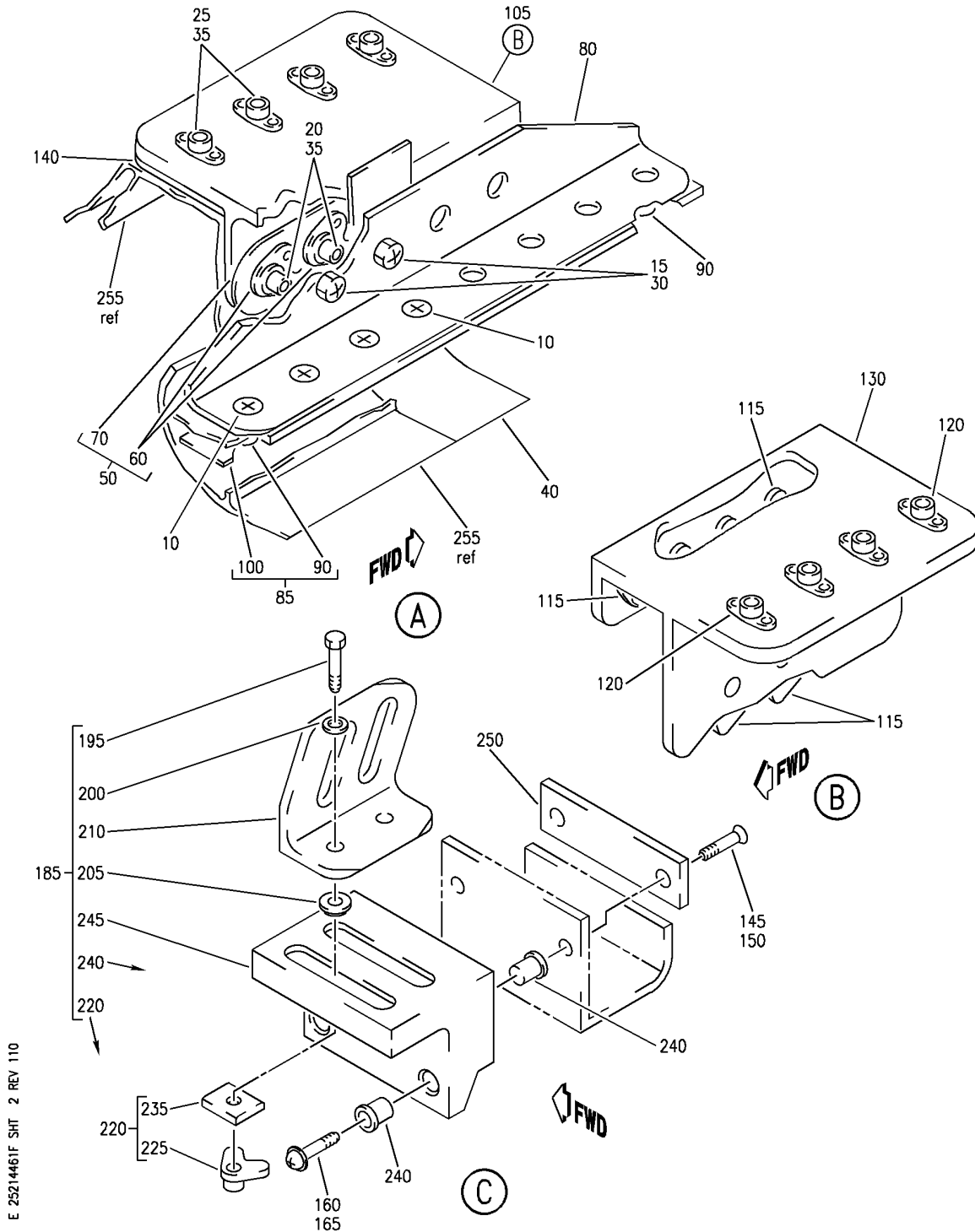
OUTLET ASSY-SIDEWALL AIR CONDITIONING
 FIGURE 61F (SHEET 1)

25-21-44-61F

HAP
 OCT 15/08

25-21-44-61F
 PAGE 0


BOEING
 737-600/700/800/900
PARTS CATALOG (MAINTENANCE)



E 25214461F SHT 2 REV 110

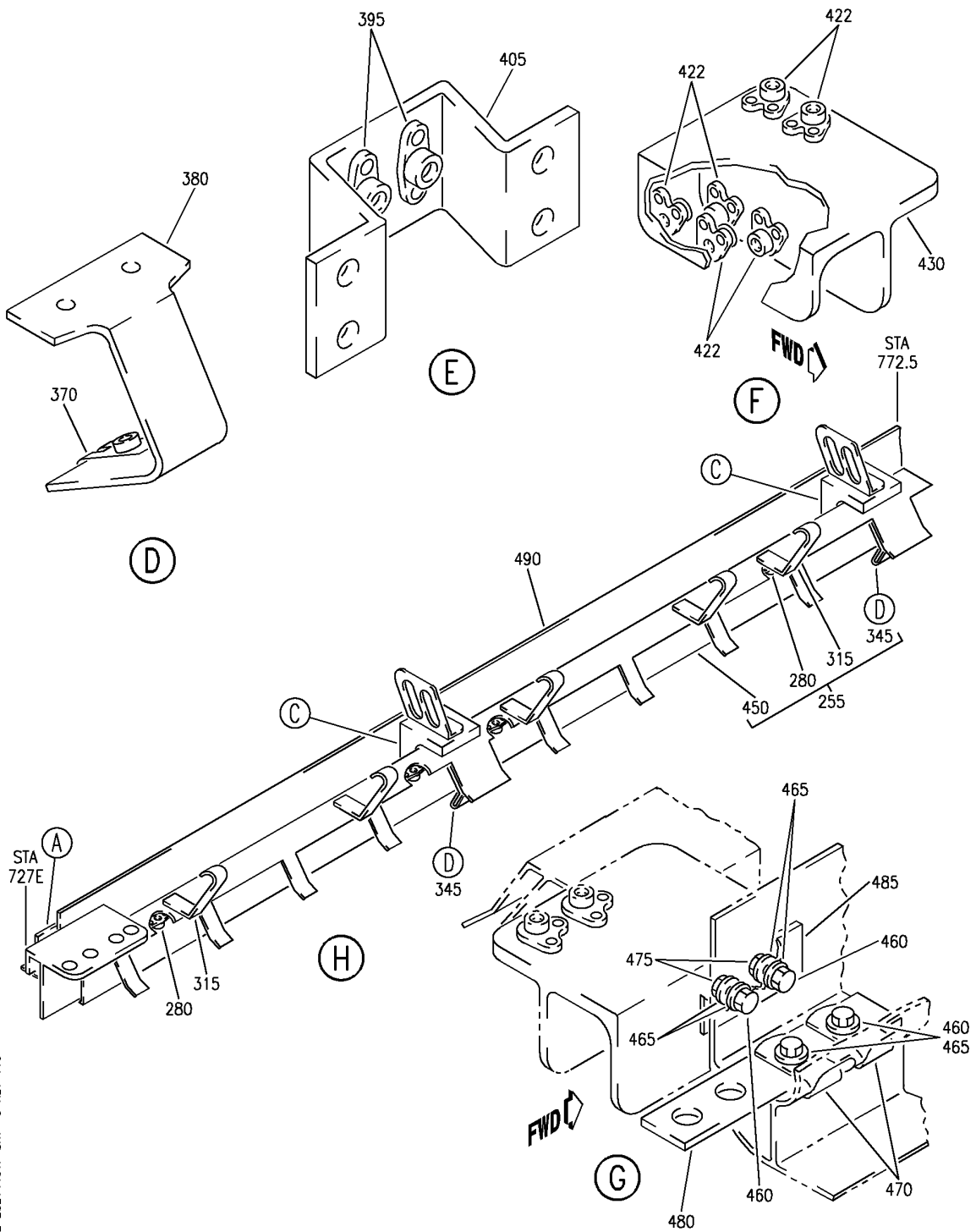
OUTLET ASSY-SIDEWALL AIR CONDITIONING
 FIGURE 61F (SHEET 2)

25-21-44-61F

HAP
OCT 15/08

25-21-44-61F
 PAGE 0A

BOEING
 737-600/700/800/900
 PARTS CATALOG (MAINTENANCE)



E 25214461F SHT 3 REV 110

OUTLET ASSY-SIDEWALL AIR CONDITIONING
 FIGURE 61F (SHEET 3)

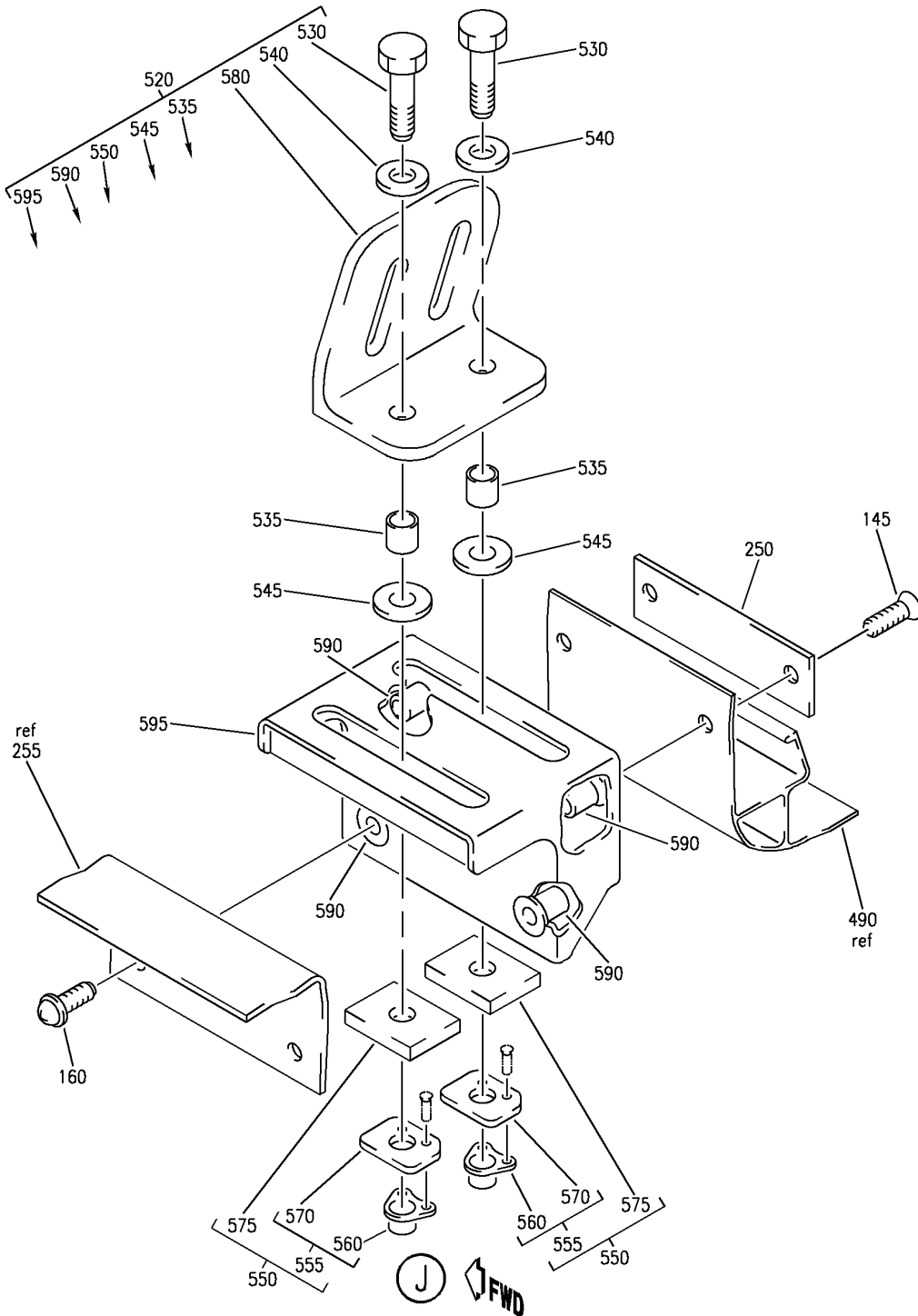
25-21-44-61F

HAP
 OCT 15/08

25-21-44-61F
 PAGE 0B

BOEING PROPRIETARY - Copyright © - Unpublished Work - See title page for details.

BOEING
737-600/700/800/900
PARTS CATALOG (MAINTENANCE)



E 25214461F SHT 4 REV 129

OUTLET ASSY-SIDEWALL AIR CONDITIONING
 FIGURE 61F (SHEET 4)

25-21-44-61F

HAP
 OCT 15/08

25-21-44-61F
 PAGE 0C

BOEING
737-600/700/800/900
PARTS CATALOG (MAINTENANCE)

FIG ITEM	PART NUMBER	1 2 3 4 5 6 7	NOMENCLATURE	EFFECT FROM TO	UNITS PER ASSY
61 F			OUTLET ASSY-SIDEWALL AIR CONDITIONING	201967	
- 1	412A3103-1009SP		OUTLET ASSY-SIDEWALL AIR CONDITIONING POSITION DATA: LH FOR NHA SEE: 25-21-44-41A	201967	RF
- 5	412A3103-1010SP		OUTLET ASSY-SIDEWALL AIR CONDITIONING POSITION DATA: RH FOR NHA SEE: 25-21-44-41A	201967	RF
10	BACB30LU2-2	.	BOLT	201967	4
15	BACS12GU08K7	.	SCREW	201967	2
20	BACS12ER08K7	.	SCREW	201967	2
25	BACS12ER08K8	.	SCREW	201967	2
30	NAS1149DN816J	.	WASHER	201967	2
35	BACW10DM5P	.	WASHER	201967	4
40	412N3101-35SP	.	COVER-GAP USED ON: 412A3103-1009SP	201967	1
- 45	412N3101-36SP	.	COVER-GAP USED ON: 412A3103-1010SP	201967	1
50	412N3101-24SP	.	COVER ASSY-GAP USED ON: 412A3103-1009SP	201967	1
- 55	412N3101-25SP	.	COVER ASSY-GAP USED ON: 412A3103-1010SP	201967	1
60	T8078S832BC	..	NUTPLATE SUPPLIER CODE: V11815 SPECIFICATION NUMBER: BACN10JP08CR OPTIONAL PART: MK3000-08BCBAC V15653 NS103199-82BC V80539 RMA9205M82BC V72962 VN203A2-82 V92215 BRM300A08K V52828	201967	2

MISSING ITEM NUMBERS NOT APPLICABLE

- ITEM NOT ILLUSTRATED

HAP

25-21-44-61F

BOEING PROPRIETARY - Copyright © - Unpublished Work - See title page for details.

25-21-44
FIG. 61F
PAGE 1
OCT 15/08

BOEING
737-600/700/800/900
PARTS CATALOG (MAINTENANCE)

FIG ITEM	PART NUMBER	1 2 3 4 5 6 7	NOMENCLATURE	EFFECT FROM TO	UNITS PER ASSY
61 F			ATTACHING PARTS		
- 65	BACR15BA3AD		..RIVET- SIZE DETERMINED ON INSTL. -----*-----	201967	4
70	412N3101-22SP		..COVER- USED ON: 412N3101-24SP	201967	1
- 75	412N3101-23SP		..COVER- USED ON: 412N3101-25SP	201967	1
80	65C27020-612		.DOUBLER	201967	1
85	65C27021-277		.DOUBLER ASSY	201967	1
90	MF53050-08DL		..NUTPLATE SUPPLIER CODE: V15653 SPECIFICATION NUMBER: BACN10JN08CM OPTIONAL PART: BRFM20C08M V52828 MF1001-08BAC V15653 NS103218SE82 V80539 VN252D82 V92215 109F9201M82 V72962 T8125C08C V11815	201967	8
- 95	BACR15CE3D		ATTACHING PARTS ..RIVET- SIZE DETERMINED ON INSTL. -----*-----	201967	16
100	65C27021-278		..DOUBLER	201967	1
105	65C27021-482		.FITTING ASSY-SPLICE USED ON: 412A3103-1009SP G80192027-5	201967	1
- 110	65C27021-483		.FITTING ASSY-SPLICE USED ON: 412A3103-1010SP G80192027-6	201967	1

MISSING ITEM NUMBERS NOT APPLICABLE

- ITEM NOT ILLUSTRATED

HAP

25-21-44-61F

BOEING PROPRIETARY - Copyright © - Unpublished Work - See title page for details.

25-21-44
FIG. 61F
PAGE 2
OCT 15/08

BOEING
737-600/700/800/900
PARTS CATALOG (MAINTENANCE)

FIG ITEM	PART NUMBER	1 2 3 4 5 6 7	NOMENCLATURE	EFFECT FROM TO	UNITS PER ASSY
61 F 115	T8078S832		..NUTPLATE SUPPLIER CODE: V11815 SPECIFICATION NUMBER: BACN10JP08C OPTIONAL PART: MK3000-08BAC V15653 NS103199-82 V80539 RMA9205M82 V72962 VN203A1-82 V92215 BRM300A08 V52828	201967	6
120	MF53049-08		..NUTPLATE SUPPLIER CODE: V15653 SPECIFICATION NUMBER: BACN10JN08 OPTIONAL PART: BRFM20A08 V52828 MF1000-08BAC V15653 NS103218-82 V80539 RMF9201M82 V72962 VN252A82 V92215 T8124S08S V11815	201967	4
- 125	BACR15BA3AD		ATTACHING PARTS ..RIVET- SIZE DETERMINED ON INSTL. -----*-----	201967	20
130	65C27021-484		..FITTING- USED ON: 65C27021-482	201967	1
- 135	65C27021-485		..FITTING- USED ON: 65C27021-483	201967	1
140	65C27021-481		.FILLER	201967	1
145	BACS12ER3K9		.SCREW- OPTIONAL PART: BACB30VF3K3	201967	4

MISSING ITEM NUMBERS NOT APPLICABLE

- ITEM NOT ILLUSTRATED

HAP

25-21-44-61F

BOEING PROPRIETARY - Copyright © - Unpublished Work - See title page for details.

25-21-44
FIG. 61F
PAGE 3
OCT 15/08

BOEING
737-600/700/800/900
PARTS CATALOG (MAINTENANCE)

FIG ITEM	PART NUMBER	1 2 3 4 5 6 7	NOMENCLATURE	EFFECT FROM TO	UNITS PER ASSY
61 F 145	BACB30VF3K3		.BOLT- OPTIONAL PART: BACS12ER3K9	201967	4
160	BACS12FA3K8		.SCREW	201967	4
185	412N3133-23		.FITTING ASSY- POSITION DATA: LH SIDE	201967	2
- 190	412N3133-24		.FITTING ASSY- POSITION DATA: RH SIDE	201967	2
195	BACB30NM3K5		..BOLT	201967	2
200	AN960JD10LL		..WASHER	201967	2
205	412N2004-55		..BUSHING	201967	2
210	65C27021-459		..BRACKET- USED ON: 412N3133-23	201967	1
- 215	65C27021-460		..BRACKET- USED ON: 412N3133-24	201967	1
220	65C27021-463		..FILLER ASSY-RADIUS	201967	2
225	T8078S1032		...NUTPLATE SUPPLIER CODE: V11815 SPECIFICATION NUMBER: BACN10JP3C OPTIONAL PART: MK3000-3BAC V15653 NS103199-02 V80539 RMA9205M3 V72962 VN203A1-02 V92215 BRM300A3 V52828	201967	1
- 230	BACR15BA3AD		ATTACHING PARTS ...RIVET- SIZE DETERMINED ON INSTL. -----*-----	201967	2
235	65C27021-464		...FILLER	201967	1
240	BACS13CJ3L080P		..INSERT	201967	4
245	412N3134-1		..CASTING	201967	1
250	65C27021-177		.DOUBLER-SPRT	201967	2
255	412A3137-1025SP		.BEAM ASSY- USED ON: 412A3103-1009SP	201967	1

MISSING ITEM NUMBERS NOT APPLICABLE

- ITEM NOT ILLUSTRATED

HAP

25-21-44-61F

BOEING PROPRIETARY - Copyright © - Unpublished Work - See title page for details.

25-21-44
FIG. 61F
PAGE 4
OCT 15/08

BOEING
737-600/700/800/900
PARTS CATALOG (MAINTENANCE)

FIG ITEM	PART NUMBER	1 2 3 4 5 6 7	NOMENCLATURE	EFFECT FROM TO	UNITS PER ASSY
61F - 260	412A3137-1026SP		.BEAM ASSY- USED ON: 412A3103-1010SP ATTACHING PARTS	201967	1
- 265	BACS12GU08K6		.SCREW-	201967	4
- 270	NAS1149DN816J		.WASHER-	201967	4
			-----*-----		
275	BACN10TL3A3		..NUTPLATE ATTACHING PARTS	201967	7
- 290	BACR15BB4DC		..RIVET- SIZE DETERMINED ON INSTL.	201967	14
			-----*-----		
310	412N2008-1		..CLIP ATTACHING PARTS	201967	8
- 325	BACR15BA3ADC		..RIVET- SIZE DETERMINED ON INSTL.	201967	16
			-----*-----		
345	65C36185-1		..BRACKET ASSY ATTACHING PARTS	201967	2
- 350	BACR15BB4DC		..RIVET- SIZE DETERMINED ON INSTL.	201967	8
			-----*-----		
370	130069		...NUT- SUPPLIER CODE: V60119 SPECIFICATION NUMBER: BACN10FX16 OPTIONAL PART: A11330-6-3 V72962 A4972-6-02 V72962 BACN10YD1	201967	1
370	BRC600-8-3		...NUT- SUPPLIER CODE: V52828 SPECIFICATION NUMBER: BACN10YD1 OPTIONAL PART: 130120 V60119 BACN10FX16	201967	1
380	65C36185-2		...BRACKET	201967	1
385	65C27021-184		..BRACKET ASSY- ATTACHING PARTS	201967	2
- 390	BACR15BA5ADC		..RIVET- SIZE DETERMINED ON INSTL.	201967	8
			-----*-----		

MISSING ITEM NUMBERS NOT APPLICABLE

- ITEM NOT ILLUSTRATED

HAP

25-21-44-61F

BOEING PROPRIETARY - Copyright © - Unpublished Work - See title page for details.

25-21-44
FIG. 61F
PAGE 5
FEB 15/09

BOEING
737-600/700/800/900
PARTS CATALOG (MAINTENANCE)

FIG ITEM	PART NUMBER	1 2 3 4 5 6 7	NOMENCLATURE	EFFECT FROM TO	UNITS PER ASSY
61 F 395	T8076S832		...NUTPLATE SUPPLIER CODE: V11815 SPECIFICATION NUMBER: BACN10JP08A OPTIONAL PART: MK1000-08BAC V15653 NS103197-82 V80539 RMA9201M82 V72962 VN202A1-82 V92215 BRM200A08 V52828 ATTACHING PARTS	201967	2
- 400	BACR15BA3AD		...RIVET- SIZE DETERMINED ON INSTL. -----*-----	201967	4
405	65C27021-221		...BRACKET	201967	1
410	65C27021-295		..FITTING ASSY-SPLICE USED ON: 412A3137-1025SP	201967	1
- 415	65C27021-296		..FITTING ASSY-SPLICE USED ON: 412A3137-1026SP ATTACHING PARTS	201967	1
- 420	BACR15BA5DC		..RIVET- SIZE DETERMINED ON INSTL. -----*-----	201967	4
422	T8078S832		...NUTPLATE SUPPLIER CODE: V11815 SPECIFICATION NUMBER: BACN10JP08C OPTIONAL PART: MK3000-08BAC V15653 NS103199-82 V80539 RMA9205M82 V72962 VN203A1-82 V92215 BRM300A08 V52828	201967	6

MISSING ITEM NUMBERS NOT APPLICABLE

- ITEM NOT ILLUSTRATED

HAP

25-21-44-61F

BOEING PROPRIETARY - Copyright © - Unpublished Work - See title page for details.

25-21-44
FIG. 61F
PAGE 6
FEB 15/09

BOEING
737-600/700/800/900
PARTS CATALOG (MAINTENANCE)

FIG ITEM	PART NUMBER	1 2 3 4 5 6 7	NOMENCLATURE	EFFECT FROM TO	UNITS PER ASSY
61 F			ATTACHING PARTS		
- 425	BACR15BA3AD	...	RIVET- SIZE DETERMINED ON INSTL. -----*-----	201967	12
430	65C27021-297	...	FITTING- USED ON: 65C27021-295	201967	1
- 435	65C27021-298	...	FITTING- USED ON: 65C27021-296	201967	1
440	412A3137-1029	..	INSULATOR- USED ON: 412A3137-1025SP	201967	1
- 445	412A3137-1030	..	INSULATOR- USED ON: 412A3137-1026SP	201967	1
450	412A3137-1027SP	..	BEAM- USED ON: 412A3137-1025SP	201967	1
- 455	412A3137-1028SP	..	BEAM- USED ON: 412A3137-1026SP	201967	1
460	BACS12GU08K8	.	SCREW	201967	4
465	NAS1149DN816J	.	WASHER	201967	6
470	130008	.	NUT	201967	2
			SUPPLIER CODE: V60119		
			SPECIFICATION NUMBER: BACN10FX84		
			OPTIONAL PART: RM52LHA4972-6-8		
			V72962		
			SL211-08-1		
			V97393		
			A11330-6-82		
			V72962		
			A4972-6-82		
			V72962		
475	MS21042L08	.	NUT	201967	2
480	65C27021-193	.	DOUBLER	201967	1
485	65C27021-191	.	FILLER	201967	1
490	412A3136-1011SP	.	BEAM- USED ON: 412A3103-1009SP	201967	1
- 500	412A3136-1012SP	.	BEAM- USED ON: 412A3103-1010SP	201967	1

MISSING ITEM NUMBERS NOT APPLICABLE

- ITEM NOT ILLUSTRATED

HAP

25-21-44-61F

BOEING PROPRIETARY - Copyright © - Unpublished Work - See title page for details.

25-21-44
FIG. 61F
PAGE 7
FEB 15/09

 **BOEING**
737-600/700/800/900
PARTS CATALOG (MAINTENANCE)

FIG ITEM	PART NUMBER	1 2 3 4 5 6 7	NOMENCLATURE	EFFECT FROM TO	UNITS PER ASSY
61F 520	412A3133-1		.FITTING ASSY- POSITION DATA: LH SIDE	201967	2
520	412A3133-3		.FITTING ASSY- POSITION DATA: LH SIDE	201967	2
- 525	412A3133-2		.FITTING ASSY- POSITION DATA: RH SIDE	201967	2
- 525	412A3133-4		.FITTING ASSY- POSITION DATA: RH SIDE	201967	2
530	BACB30NM3K6		..BOLT	201967	2
535	NAS43DD3-21FC		..SPACER	201967	2
540	NAS1149D0363J		..WASHER	201967	2
545	412A2004-5		..BUSHING	201967	2
550	412A2004-9		..BEARING ASSY-ANGLE	201967	2
555	412A2004-6		...SUPPORT ASSY	201967	1
560	T8078S1032	NUTPLATE SUPPLIER CODE: V11815 SPECIFICATION NUMBER: BACN10JP3C OPTIONAL PART: MK3000-3BAC V15653 NS103199-02 V80539 RMA9205M3 V72962 VN203A1-02 V92215 BRM300A3 V52828 ATTACHING PARTS	201967	1
- 565	BACR15BA3AD	RIVET- SIZE DETERMINED ON INSTL. -----*-----	201967	2
570	412A2004-7	SUPPORT	201967	1
575	412A2004-8		...BEARING	201967	1
580	412A2004-1		..BRACKET-ANGLE POSITION DATA: LH SIDE	201967	1
- 585	412A2004-2		..BRACKET-ANGLE POSITION DATA: RH SIDE	201967	1
590	BACS13CJ3L080P		..INSERT	201967	4

MISSING ITEM NUMBERS NOT APPLICABLE

- ITEM NOT ILLUSTRATED

HAP

25-21-44-61F

BOEING PROPRIETARY - Copyright © - Unpublished Work - See title page for details.

25-21-44
FIG. 61F
PAGE 8
FEB 15/09


BOEING
 737-600/700/800/900
PARTS CATALOG (MAINTENANCE)

FIG ITEM	PART NUMBER	1 2 3 4 5 6 7 NOMENCLATURE	EFFECT FROM TO	UNITS PER ASSY
61 F 595	412A3134-1	.. HOUSING-SLIDER USED ON: 412A3133-1 412A3133-2	201967	1
595	412A3134-2	.. HOUSING-SLIDER USED ON: 412A3133-3 412A3133-4	201967	1

MISSING ITEM NUMBERS NOT APPLICABLE

— ITEM NOT ILLUSTRATED

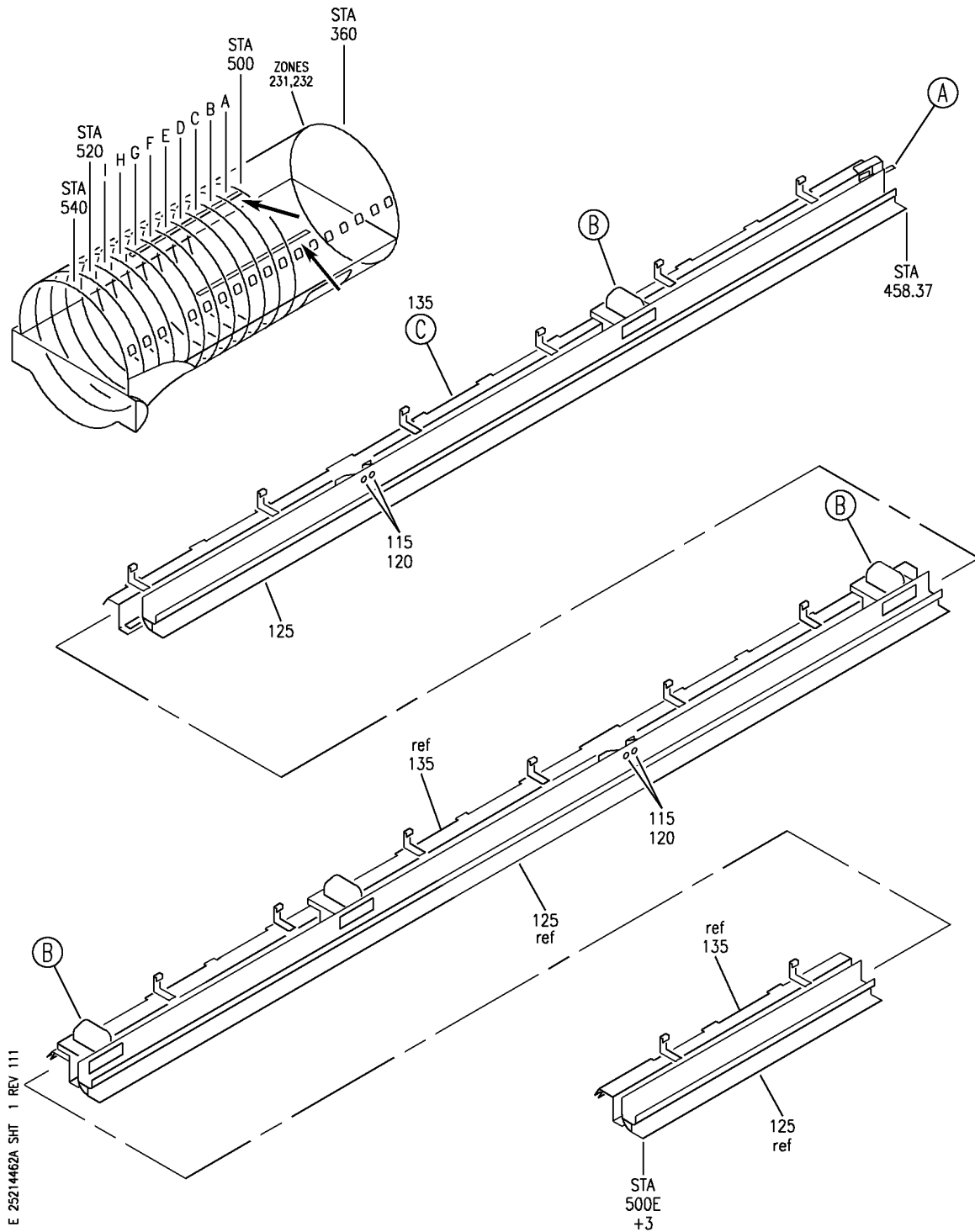
HAP

25-21-44-61F

BOEING PROPRIETARY - Copyright © - Unpublished Work - See title page for details.

25-21-44
 FIG. 61F
 PAGE 9
 FEB 15/09

BOEING
737-600/700/800/900
PARTS CATALOG (MAINTENANCE)



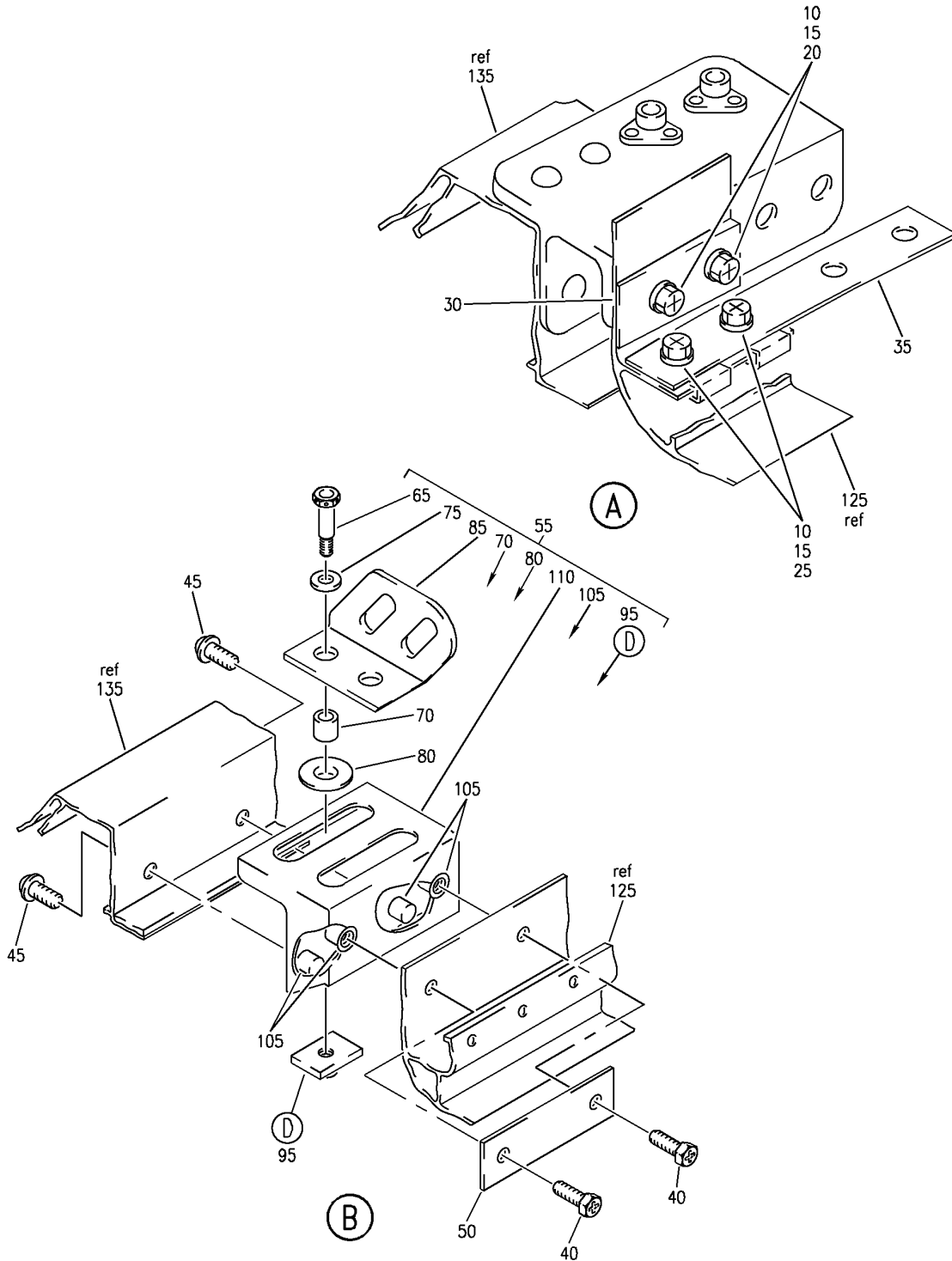
OUTLET ASSY-SIDEWALL AIR CONDITIONING
 FIGURE 62A (SHEET 1)

25-21-44-62A

HAP
 OCT 10/06

25-21-44-62A
 PAGE 0

BOEING
 737-600/700/800/900
 PARTS CATALOG (MAINTENANCE)



E 25214462A SHT 2 REV 111

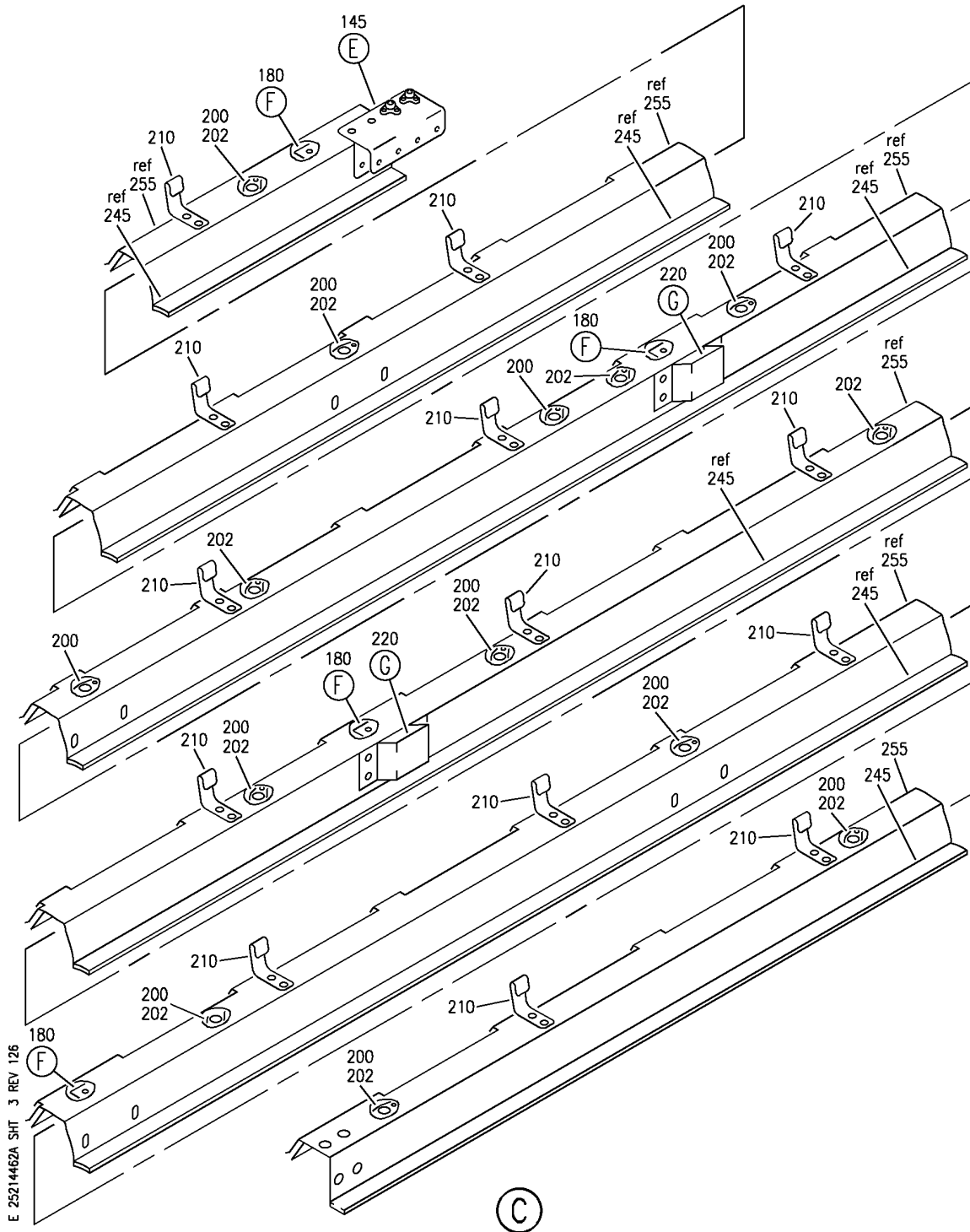
OUTLET ASSY-SIDEWALL AIR CONDITIONING
 FIGURE 62A (SHEET 2)

25-21-44-62A

HAP
 OCT 10/06

25-21-44-62A
 PAGE 0A


BOEING
 737-600/700/800/900
PARTS CATALOG (MAINTENANCE)



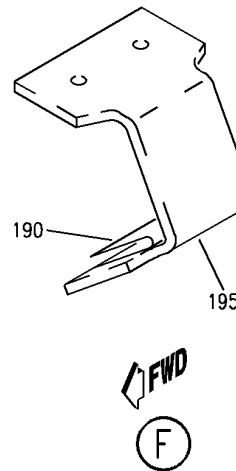
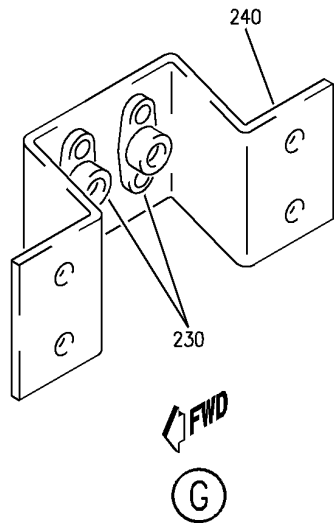
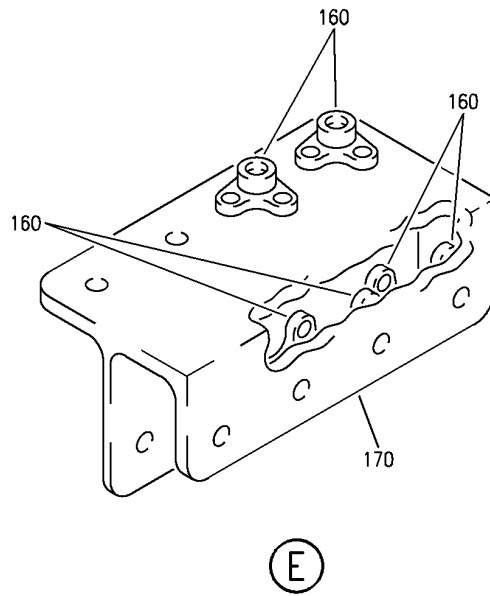
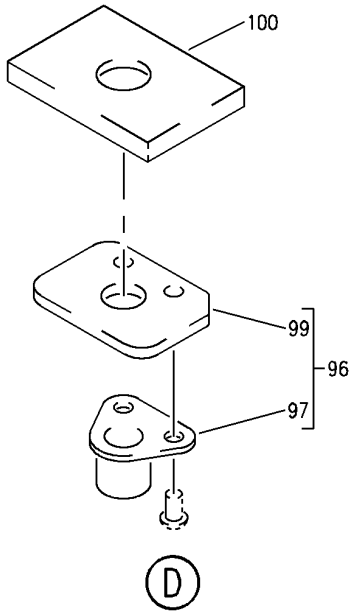
OUTLET ASSY-SIDEWALL AIR CONDITIONING
 FIGURE 62A (SHEET 3)

25-21-44-62A

HAP
FEB 10/07

25-21-44-62A
PAGE 0B

BOEING
 737-600/700/800/900
 PARTS CATALOG (MAINTENANCE)



E 25214462A SHT 4 REV 111

OUTLET ASSY-SIDEWALL AIR CONDITIONING
 FIGURE 62A (SHEET 4)

25-21-44-62A

HAP
 OCT 10/06

25-21-44-62A
 PAGE 0C

BOEING
737-600/700/800/900
PARTS CATALOG (MAINTENANCE)

FIG ITEM	PART NUMBER	1 2 3 4 5 6 7	NOMENCLATURE	EFFECT FROM TO	UNITS PER ASSY
62A			OUTLET ASSY-SIDEWALL AIR CONDITIONING	031100	
- 1	412A3103-2099SP		OUTLET ASSY-SIDEWALL AIR CONDITIONING POSITION DATA: LH SIDE FOR NHA SEE: 25-21-44-42A	031100	RF
- 5	412A3103-2098SP		OUTLET ASSY-SIDEWALL AIR CONDITIONING POSITION DATA: RH SIDE FOR NHA SEE: 25-21-44-42A	031100	RF
10	BACS12GU08K8		.SCREW	031100	4
15	NAS1149DN816J		.WASHER	031100	6
20	PLH508CD		.NUT SUPPLIER CODE: VF0224 SPECIFICATION NUMBER: BACN10YR08CD OPTIONAL PART: H52732-08CD V15653	031100	2
25	130008		.NUT SUPPLIER CODE: V60119 SPECIFICATION NUMBER: BACN10FX84 OPTIONAL PART: RM52LHA4972-6-8 V72962 SL211-08-1 V97393 A11330-6-82 V72962 A4972-6-82 V72962	031100	2
30	65C27021-190		.FILLER	031100	1
35	65C27021-192		.DOUBLER	031100	1
40	BACS12ER3K9		.SCREW	031100	8
45	BACS12FA3K8		.SCREW	031100	8
50	65C27021-177		.DOUBLER	031100	4
55	412A3133-1		.FITTING ASSY- USED ON: 412A3103-2099SP 412A3103-3009SP	031100	4

MISSING ITEM NUMBERS NOT APPLICABLE

- ITEM NOT ILLUSTRATED

HAP

25-21-44-62A

BOEING PROPRIETARY - Copyright © - Unpublished Work - See title page for details.

25-21-44
FIG. 62A
PAGE 1
FEB 15/09

BOEING
737-600/700/800/900
PARTS CATALOG (MAINTENANCE)

FIG ITEM	PART NUMBER	1 2 3 4 5 6 7	NOMENCLATURE	EFFECT FROM TO	UNITS PER ASSY
62A					
55	412A3133-3	.	FITTING ASSY- USED ON: 412A3103-2099SP 412A3103-3009SP	031100	4
- 60	412A3133-2	.	FITTING ASSY- USED ON: 412A3103-2098SP	031100	4
- 60	412A3133-4	.	FITTING ASSY- USED ON: 412A3103-2098SP	031100	4
65	BACB30NM3K6	..	BOLT	031100	2
70	NAS43DD3-21FC	..	SPACER	031100	2
75	NAS1149D0363J	..	WASHER	031100	2
80	412A2004-5	..	BUSHING	031100	2
85	412A2004-1	..	BRACKET-ANGLE USED ON: 412A3133-1	031100	1
- 90	412A2004-2	..	BRACKET-ANGLE USED ON: 412A3133-2	031100	1
95	412A2004-9	..	BEARING ASSY	031100	2
96	412A2004-6	...	SUPPORT ASSY	031100	1
97	T8078S1032	NUTPLATE SUPPLIER CODE: V11815 SPECIFICATION NUMBER: BACN10JP3C OPTIONAL PART: MK3000-3BAC V15653 NS103199-02 V80539 RMA9205M3 V72962 VN203A1-02 V92215 BRM300A3 V52828	031100	1
- 98	BACR15BA3AD	ATTACHING PARTS RIVET- SIZE DETERMINED ON INSTL. -----*-----	031100	2
99	412A2004-7	SUPPORT	031100	1
100	412A2004-8	...	BEARING	031100	1
105	BACS13CJ3L080P	..	INSERT	031100	4
110	412A3134-1	..	HOUSING-SLIDER USED ON: 412A3133-1 412A3133-2	031100	1

MISSING ITEM NUMBERS NOT APPLICABLE

- ITEM NOT ILLUSTRATED

HAP

25-21-44-62A

BOEING PROPRIETARY - Copyright © - Unpublished Work - See title page for details.

25-21-44
FIG. 62A
PAGE 2
OCT 15/08

BOEING
737-600/700/800/900
PARTS CATALOG (MAINTENANCE)

FIG ITEM	PART NUMBER	1 2 3 4 5 6 7	NOMENCLATURE	EFFECT FROM TO	UNITS PER ASSY
62A 110	412A3134-2		.. HOUSING-SLIDER USED ON: 412A3133-3 412A3133-4	031100	1
115	BACS12GU08K6		. SCREW	031100	4
120	NAS1149DN816J		. WASHER	031100	4
125	412A3136-1013SP		. BEAM- USED ON: 412A3103-2099SP 412A3103-3009SP	031100	1
- 130	412A3136-1014SP		. BEAM- USED ON: 412A3103-2098SP	031100	1
135	412A3137-1261SP		. BEAM ASSY- USED ON: 412A3103-2099SP	031100	1
- 140	412A3137-1260SP		. BEAM ASSY- USED ON: 412A3103-2098SP	031100	1
145	65C27021-291		.. FITTING ASSY-SPLICE USED ON: 412A3137-1261SP 412A3137-3023SP	031100	1
- 150	65C27021-292		.. FITTING ASSY-SPLICE USED ON: 412A3137-1260SP	031100	1
- 155	BACR15BB5DC		ATTACHING PARTS .. RIVET- SIZE DETERMINED ON INSTL. -----*-----	031100	4
160	T8078S832		... NUTPLATE SUPPLIER CODE: V11815 SPECIFICATION NUMBER: BACN10JP08C OPTIONAL PART: MK3000-08BAC V15653 NS103199-82 V80539 RMA9205M82 V72962 VN203A1-82 V92215 BRM300A08 V52828	031100	6

MISSING ITEM NUMBERS NOT APPLICABLE

- ITEM NOT ILLUSTRATED

HAP

25-21-44-62A

BOEING PROPRIETARY - Copyright © - Unpublished Work - See title page for details.

25-21-44
FIG. 62A
PAGE 3
OCT 15/08

BOEING
737-600/700/800/900
PARTS CATALOG (MAINTENANCE)

FIG ITEM	PART NUMBER	1 2 3 4 5 6 7	NOMENCLATURE	EFFECT FROM TO	UNITS PER ASSY
62A			ATTACHING PARTS		
- 165	BACR15BA3AD	...	RIVET- SIZE DETERMINED ON INSTL. -----*-----	031100	12
170	65C27021-293	...	FITTING- USED ON: 65C27021-291	031100	1
- 175	65C27021-294	...	FITTING- USED ON: 65C27021-292	031100	1
180	65C36185-1	..	BRACKET ASSY ATTACHING PARTS	031100	4
- 185	BACR15BB4DC	..	RIVET- SIZE DETERMINED ON INSTL. OPTIONAL PART: NAS1398D4A2	031047 054100	8
- 185	NAS1398D4A2	..	RIVET- OPTIONAL PART: BACR15BB4DC -----*-----	031047 054100	8
190	130069	...	NUT- SUPPLIER CODE: V60119 SPECIFICATION NUMBER: BACN10FX16 OPTIONAL PART: A11330-6-3 V72962 A4972-6-02 V72962 BACN10YD1	031100	1
190	BRC600-8-3	...	NUT- SUPPLIER CODE: V52828 SPECIFICATION NUMBER: BACN10YD1 OPTIONAL PART: 130120 V60119 BACN10FX16	031100	1
195	65C36185-2	...	BRACKET	031100	1
200	BACN10TL3A3	..	NUTPLATE ATTACHING PARTS	031100	11
- 205	BACR15BB4DC	..	RIVET- SIZE DETERMINED ON INSTL. -----*-----	031100	22
210	412N2008-1	..	CLIP-SPR	031100	14

MISSING ITEM NUMBERS NOT APPLICABLE

- ITEM NOT ILLUSTRATED

HAP

25-21-44-62A

BOEING PROPRIETARY - Copyright © - Unpublished Work - See title page for details.

25-21-44
FIG. 62A
PAGE 4
FEB 15/09

BOEING
737-600/700/800/900
PARTS CATALOG (MAINTENANCE)

FIG ITEM	PART NUMBER	1 2 3 4 5 6 7	NOMENCLATURE	EFFECT FROM TO	UNITS PER ASSY
62A			ATTACHING PARTS		
- 215	BACR15BA3ADC		..RIVET- SIZE DETERMINED ON INSTL. -----*-----	031100	28
220	65C27021-184		..BRACKET ASSY	031100	2
- 225	BACR15BA5ADC		..RIVET- SIZE DETERMINED ON INSTL. -----*-----	031100	8
230	T8076S832		...NUTPLATE SUPPLIER CODE: V11815 SPECIFICATION NUMBER: BACN10JPO8A OPTIONAL PART: MK1000-08BAC V15653 NS103197-82 V80539 RMA9201M82 V72962 VN202A1-82 V92215 BRM200A08 V52828	031100	2
- 235	BACR15BA3AD		ATTACHING PARTS ...RIVET- SIZE DETERMINED ON INSTL. -----*-----	031100	4
240	65C27021-221		...BRACKET	031100	1
245	412A3137-1265		..INSULATOR- USED ON: 412A3137-1261SP	031100	1
- 250	412A3137-1264		..INSULATOR- USED ON: 412A3137-1260SP	031100	1
255	412A3137-1263SP		..BEAM- USED ON: 412A3137-1261SP	031100	1
- 260	412A3137-1262SP		..BEAM- USED ON: 412A3137-1260SP	031100	1

MISSING ITEM NUMBERS NOT APPLICABLE

- ITEM NOT ILLUSTRATED

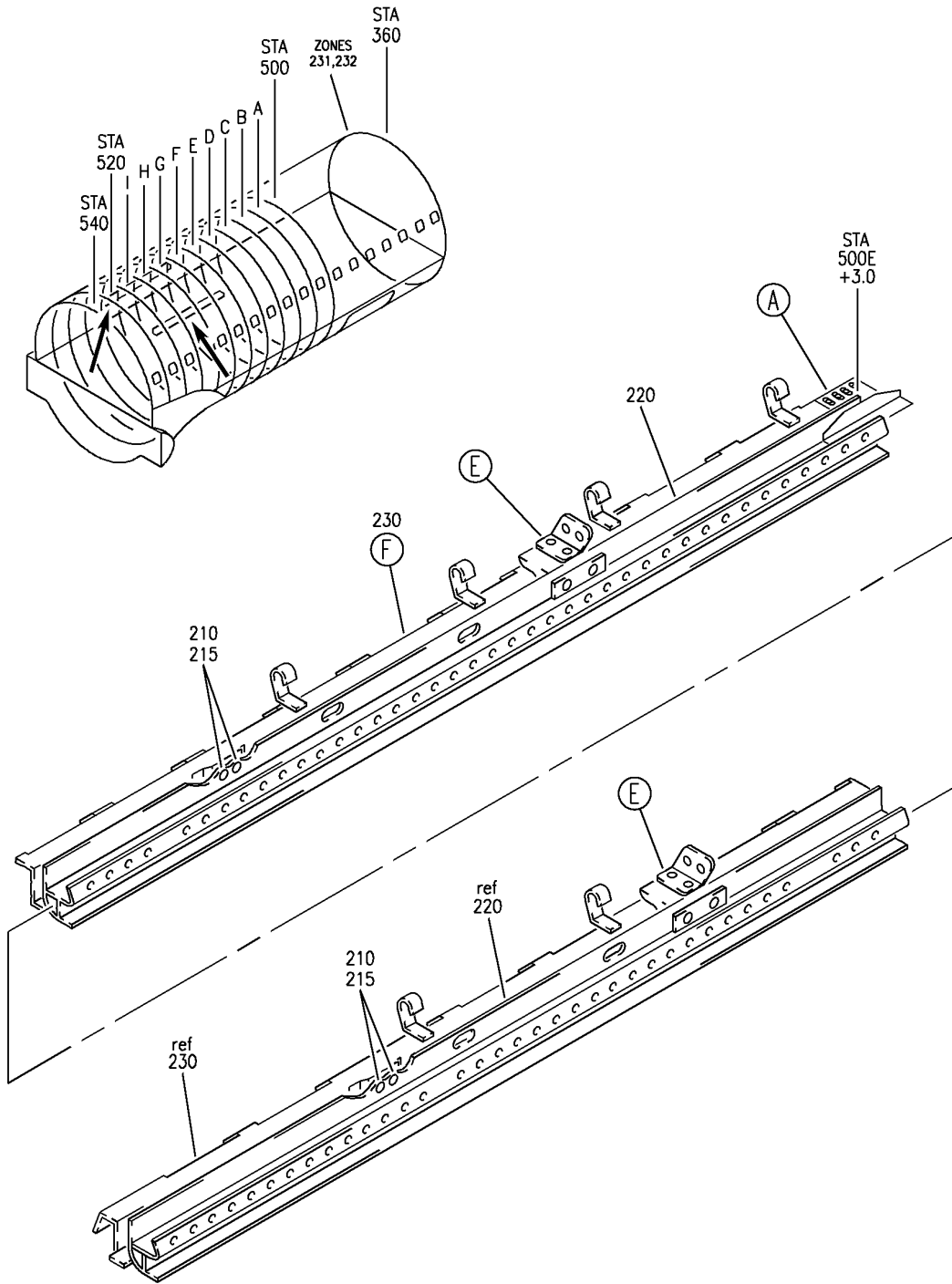
HAP

25-21-44-62A

BOEING PROPRIETARY - Copyright © - Unpublished Work - See title page for details.

25-21-44
FIG. 62A
PAGE 5
OCT 15/08

BOEING
 737-600/700/800/900
 PARTS CATALOG (MAINTENANCE)



E 25214462B SHT 1 REV 111

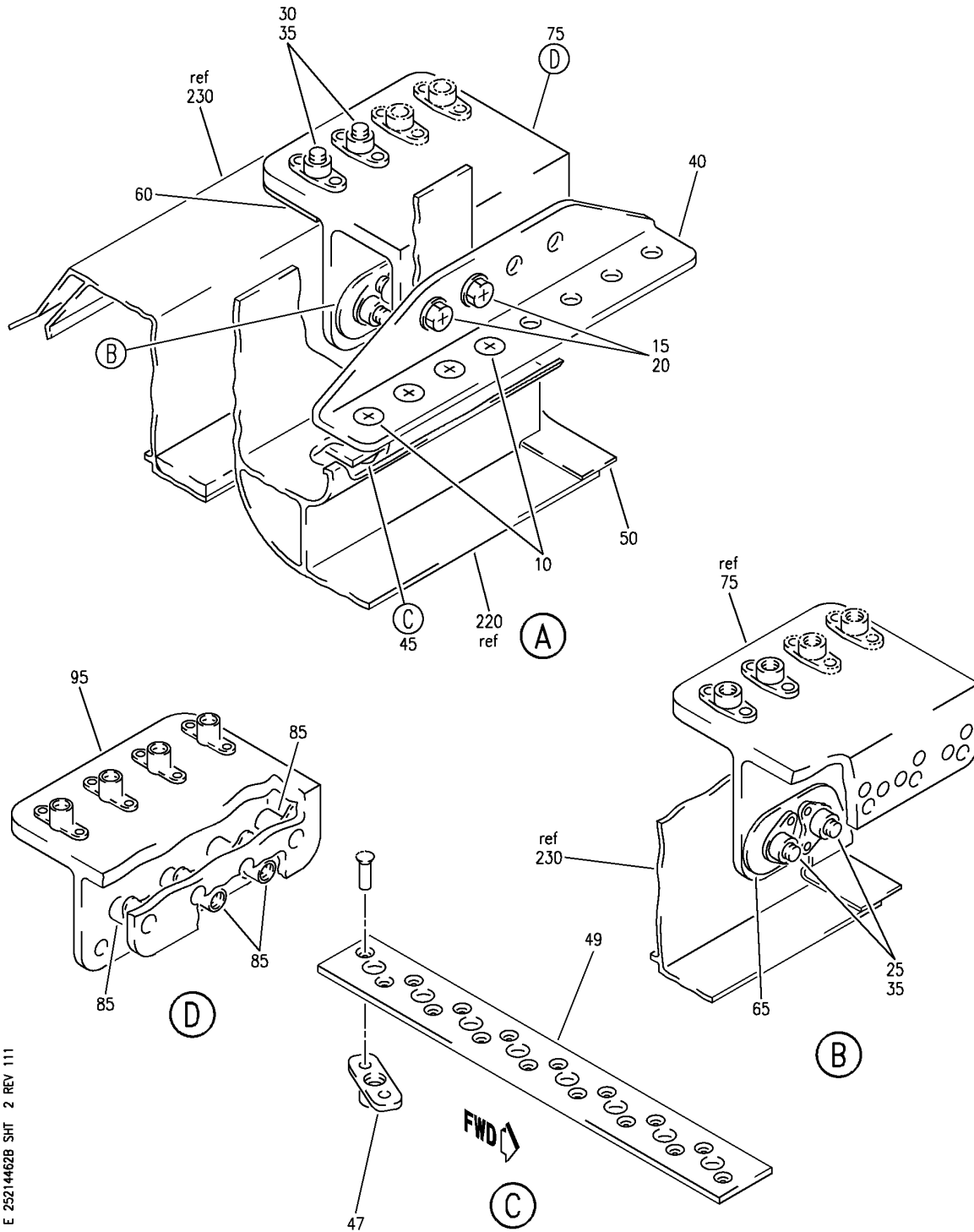
OUTLET ASSY-SIDEWALL AIR CONDITIONING
 FIGURE 62B (SHEET 1)

25-21-44-62B

HAP
 OCT 10/06

25-21-44-62B
 PAGE 0

BOEING
 737-600/700/800/900
 PARTS CATALOG (MAINTENANCE)



E 25214462B SHT 2 REV 111

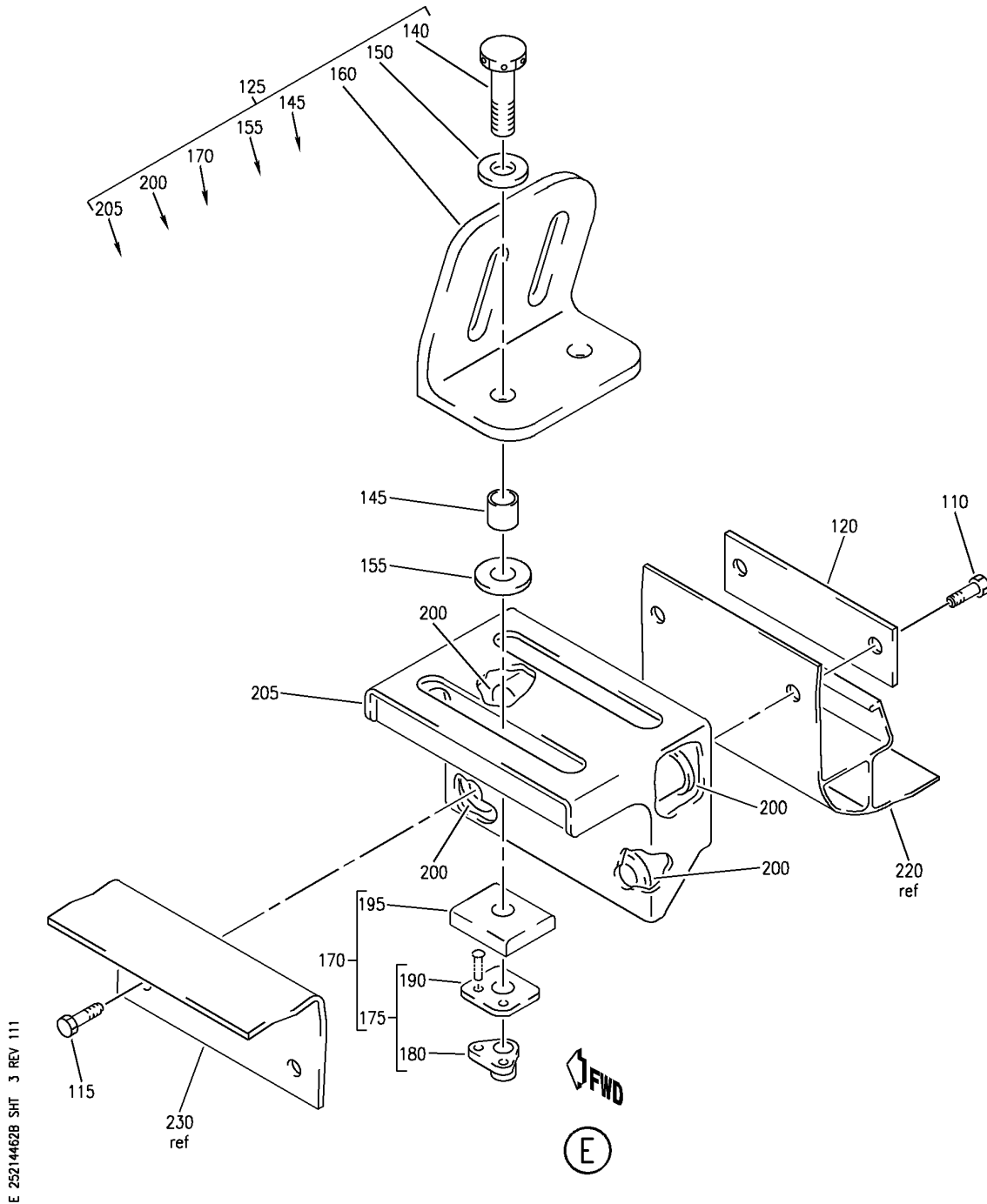
OUTLET ASSY-SIDEWALL AIR CONDITIONING
 FIGURE 62B (SHEET 2)

25-21-44-62B

HAP
 OCT 10/06

25-21-44-62B
 PAGE 0A

BOEING
 737-600/700/800/900
 PARTS CATALOG (MAINTENANCE)



OUTLET ASSY-SIDEWALL AIR CONDITIONING
 FIGURE 62B (SHEET 3)

25-21-44-62B

HAP
 OCT 10/06

25-21-44-62B
 PAGE 0B

BOEING
737-600/700/800/900
PARTS CATALOG (MAINTENANCE)

FIG ITEM	PART NUMBER	1 2 3 4 5 6 7	NOMENCLATURE	EFFECT FROM TO	UNITS PER ASSY
62B			OUTLET ASSY-SIDEWALL AIR CONDITIONING	031100	
- 1	412A3103-2013SP		OUTLET ASSY-SIDEWALL AIR CONDITIONING POSITION DATA: LH FOR NHA SEE: 25-21-44-42A	031100	RF
- 5	412A3103-2014SP		OUTLET ASSY-SIDEWALL AIR CONDITIONING POSITION DATA: RH FOR NHA SEE: 25-21-44-42A	031100	RF
10	BACB30LU2-2	.BOLT		031100	4
15	BACS12GU08K7	.SCREW		031100	2
20	NAS1149DN816J	.WASHER		031100	2
25	BACS12ER08K7	.SCREW		031100	2
30	BACS12ER08K8	.SCREW		031100	2
35	BACW10DM5P	.WASHER		031100	4
40	65C27020-612	.DOUBLER		031100	1
45	65C27021-277	.DOUBLER ASSY		031100	1
47	MF53050-08DL	..NUTPLATE		031100	8
			SUPPLIER CODE: V15653 SPECIFICATION NUMBER: BACN10JN08CM OPTIONAL PART: BRFM20C08M V52828 MF1001-08BAC V15653 NS103218SE82 V80539 VN252D82 V92215 109F9201M82 V72962 T8125C08C V11815		
- 48	BACR15CE3D	ATTACHING PARTS ..RIVET-		031100	16
		SIZE DETERMINED ON INSTL. -----*-----			
49	65C27021-278	..DOUBLER		031100	1
50	412N3101-35SP	.COVER-		031100	1
		POSITION DATA: LH SIDE			

MISSING ITEM NUMBERS NOT APPLICABLE

- ITEM NOT ILLUSTRATED

HAP

25-21-44-62B

BOEING PROPRIETARY - Copyright © - Unpublished Work - See title page for details.

25-21-44
FIG. 62B
PAGE 1
FEB 10/07

BOEING
737-600/700/800/900
PARTS CATALOG (MAINTENANCE)

FIG ITEM	PART NUMBER	1 2 3 4 5 6 7	NOMENCLATURE	EFFECT FROM TO	UNITS PER ASSY
62B					
- 55	412N3101-36SP		.COVER- POSITION DATA: RH SIDE	031100	1
60	65C27021-481		.FILLER	031100	1
65	412N3101-24SP		.COVER ASSY- POSITION DATA: LH SIDE	031100	1
- 70	412N3101-25SP		.COVER ASSY- POSITION DATA: RH SIDE	031100	1
75	65C27021-482		.FITTING ASSY-SPLICE POSITION DATA: LH SIDE	031100	1
- 80	65C27021-483		.FITTING ASSY-SPLICE POSITION DATA: RH SIDE	031100	1
85	T8078S832		..NUTPLATE SUPPLIER CODE: V11815 SPECIFICATION NUMBER: BACN10JP08C OPTIONAL PART: MK3000-08BAC V15653 NS103199-82 V80539 RMA9205M82 V72962 VN203A1-82 V92215 BRM300A08 V52828 ATTACHING PARTS	031100	6
- 90	BACR15BA3AD		..RIVET- SIZE DETERMINED ON INSTL. -----*-----	031100	12
95	65C27021-484		..FITTING- USED ON: 65C27021-482	031100	1
- 100	65C27021-485		..FITTING- USED ON: 65C27021-483	031100	1
110	BACS12ER3K9		.SCREW	031100	4
115	BACS12FA3K8		.SCREW	031100	4
120	65C27021-177		.DOUBLER-SPRT	031100	2
125	412A3133-1		.FITTING ASSY- POSITION DATA: LH SIDE	031100	2

MISSING ITEM NUMBERS NOT APPLICABLE

- ITEM NOT ILLUSTRATED

HAP

25-21-44-62B

BOEING PROPRIETARY - Copyright © - Unpublished Work - See title page for details.

25-21-44
FIG. 62B
PAGE 2
FEB 10/07

BOEING
737-600/700/800/900
PARTS CATALOG (MAINTENANCE)

FIG ITEM	PART NUMBER	1 2 3 4 5 6 7	NOMENCLATURE	EFFECT FROM TO	UNITS PER ASSY
62B 125	412A3133-3		.FITTING ASSY- POSITION DATA: LH SIDE	031100	2
- 130	412A3133-2		.FITTING ASSY- POSITION DATA: RH SIDE	031100	2
- 130	412A3133-4		.FITTING ASSY- POSITION DATA: RH SIDE	031100	2
140	BACB30NM3K6		..BOLT	031100	2
145	NAS43DD3-21FC		..SPACER	031100	2
150	NAS1149D0363J		..WASHER	031100	2
155	412A2004-5		..BUSHING	031100	2
160	412A2004-1		..BRACKET-ANGLE POSITION DATA: LH SIDE	031100	1
- 165	412A2004-2		..BRACKET-ANGLE POSITION DATA: RH SIDE	031100	1
170	412A2004-9		..BEARING ASSY-ANGLE	031100	2
175	412A2004-6		...SUPPORT ASSY	031100	1
180	T8078S1032	NUTPLATE SUPPLIER CODE: V11815 SPECIFICATION NUMBER: BACN10JP3C OPTIONAL PART: MK3000-3BAC V15653 NS103199-02 V80539 RMA9205M3 V72962 VN203A1-02 V92215 BRM300A3 V52828	031100	1
- 185	BACR15BA3AD		ATTACHING PARTSRIVET- SIZE DETERMINED ON INSTL. -----*-----	031100	2
190	412A2004-7	SUPPORT	031100	1
195	412A2004-8		...BEARING-ANGLE	031100	1
200	BACS13CJ3L080P		..INSERT	031100	4
205	412A3134-1		..HOUSING-SLIDER USED ON: 412A3133-1 412A3133-2	031100	1

MISSING ITEM NUMBERS NOT APPLICABLE

- ITEM NOT ILLUSTRATED

HAP

25-21-44-62B

BOEING PROPRIETARY - Copyright © - Unpublished Work - See title page for details.

25-21-44
FIG. 62B
PAGE 3
OCT 15/08

BOEING
737-600/700/800/900
PARTS CATALOG (MAINTENANCE)

FIG ITEM	PART NUMBER	1 2 3 4 5 6 7	NOMENCLATURE	EFFECT FROM TO	UNITS PER ASSY
62B 205	412A3134-2		..HOUSING-SLIDER USED ON: 412A3133-3 412A3133-4	031100	1
210	BACS12GU08K6		.SCREW	031100	4
215	NAS1149DN816J		.WASHER	031100	4
220	412A3136-1015SP		.BEAM- POSITION DATA: LH SIDE	031100	1
- 225	412A3136-1016SP		.BEAM- POSITION DATA: RH SIDE	031100	1
230	412A3137-1037SP		.BEAM ASSY- POSITION DATA: LH SIDE	031100	1
- 235	412A3137-1038SP		.BEAM ASSY- POSITION DATA: RH SIDE	031100	1
240	BACN10TL3A3		..NUTPLATE ATTACHING PARTS	031100	6
- 245	BACR15BB4DC		..RIVET- SIZE DETERMINED ON INSTL. -----*-----	031100	12
250	412N2008-1		..CLIP-SPR ATTACHING PARTS	031100	6
- 255	BACR15BA3ADC		..RIVET- SIZE DETERMINED ON INSTL. -----*-----	031100	12
260	65C36185-1		..BRACKET ASSY ATTACHING PARTS	031100	2
- 265	BACR15BB4DC		..RIVET- SIZE DETERMINED ON INSTL. -----*-----	031100	4
270	130069		...NUT- SUPPLIER CODE: V60119 SPECIFICATION NUMBER: BACN10FX16 OPTIONAL PART: A11330-6-3 V72962 A4972-6-02 V72962 BACN10YD1	031100	1

MISSING ITEM NUMBERS NOT APPLICABLE

- ITEM NOT ILLUSTRATED

HAP

25-21-44-62B

BOEING PROPRIETARY - Copyright © - Unpublished Work - See title page for details.

25-21-44
FIG. 62B
PAGE 4
FEB 15/09

BOEING
737-600/700/800/900
PARTS CATALOG (MAINTENANCE)

FIG ITEM	PART NUMBER	1 2 3 4 5 6 7	NOMENCLATURE	EFFECT FROM TO	UNITS PER ASSY
62B 270	BRC600-8-3	...	NUT- SUPPLIER CODE: V52828 SPECIFICATION NUMBER: BACN10YD1 OPTIONAL PART: 130120 V60119 BACN10FX16	031100	1
275	65C36185-2	...	BRACKET	031100	1
280	65C27021-184	..	BRACKET ASSY ATTACHING PARTS	031100	2
- 285	BACR15BA5ADC	..	RIVET- SIZE DETERMINED ON INSTL. -----*-----	031100	8
290	T8076S832	...	NUTPLATE SUPPLIER CODE: V11815 SPECIFICATION NUMBER: BACN10JP08A OPTIONAL PART: MK1000-08BAC V15653 NS103197-82 V80539 RMA9201M82 V72962 VN202A1-82 V92215 BRM200A08 V52828 ATTACHING PARTS	031100	2
- 295	BACR15BA3AD	...	RIVET- SIZE DETERMINED ON INSTL. -----*-----	031100	4
297	65C27021-221	...	BRACKET	031100	1
300	412A3137-1041	..	INSULATOR- POSITION DATA: LH SIDE	031100	1
- 305	412A3137-1042	..	INSULATOR- POSITION DATA: RH SIDE	031100	1
310	412A3137-1039SP	..	BEAM- POSITION DATA: LH SIDE	031100	1
- 315	412A3137-1040SP	..	BEAM ASSY- POSITION DATA: RH SIDE	031100	1

MISSING ITEM NUMBERS NOT APPLICABLE

- ITEM NOT ILLUSTRATED

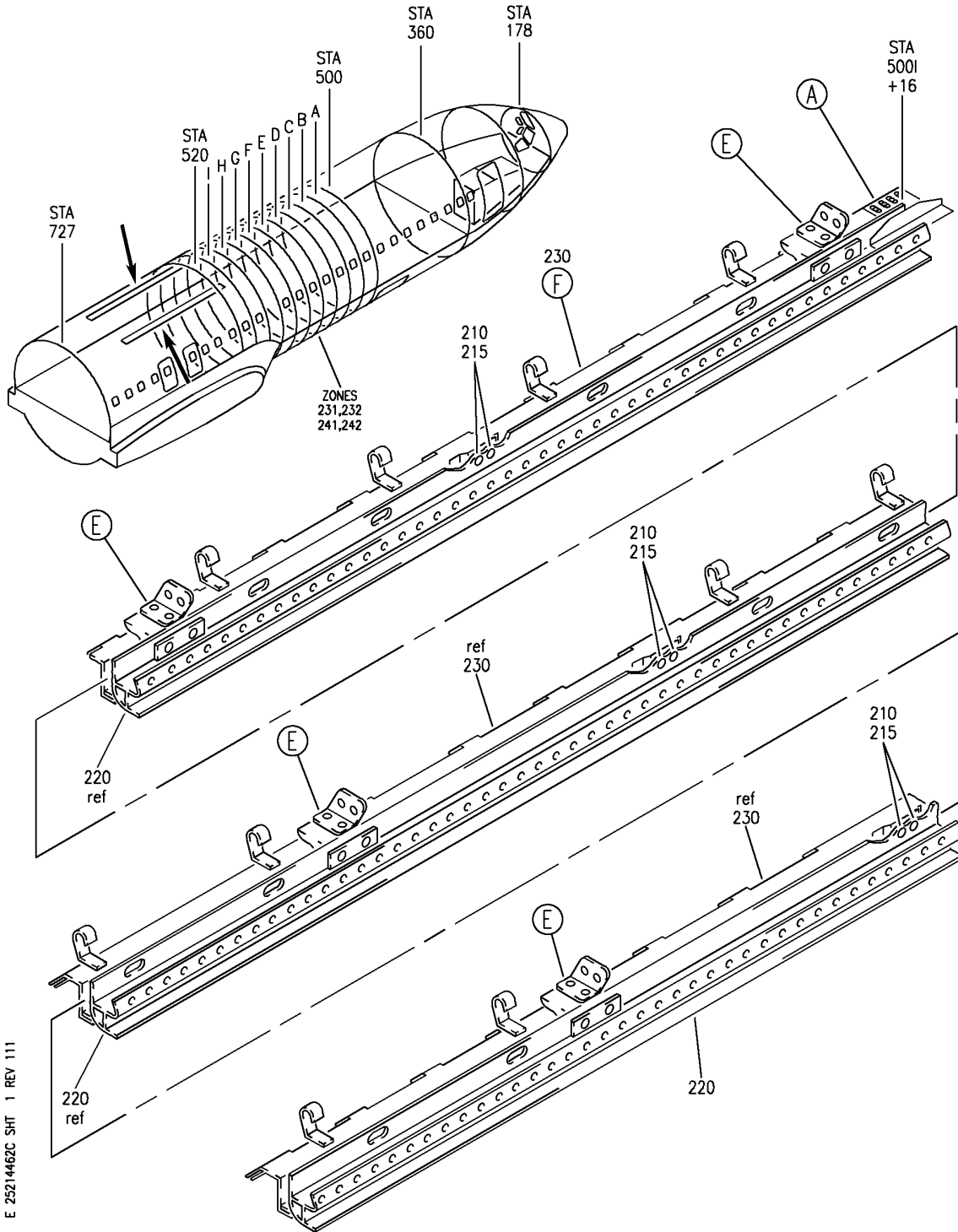
HAP

25-21-44-62B

BOEING PROPRIETARY - Copyright © - Unpublished Work - See title page for details.

25-21-44
FIG. 62B
PAGE 5
OCT 15/08

BOEING
737-600/700/800/900
PARTS CATALOG (MAINTENANCE)



E 25214462C SHT 1 REV 111

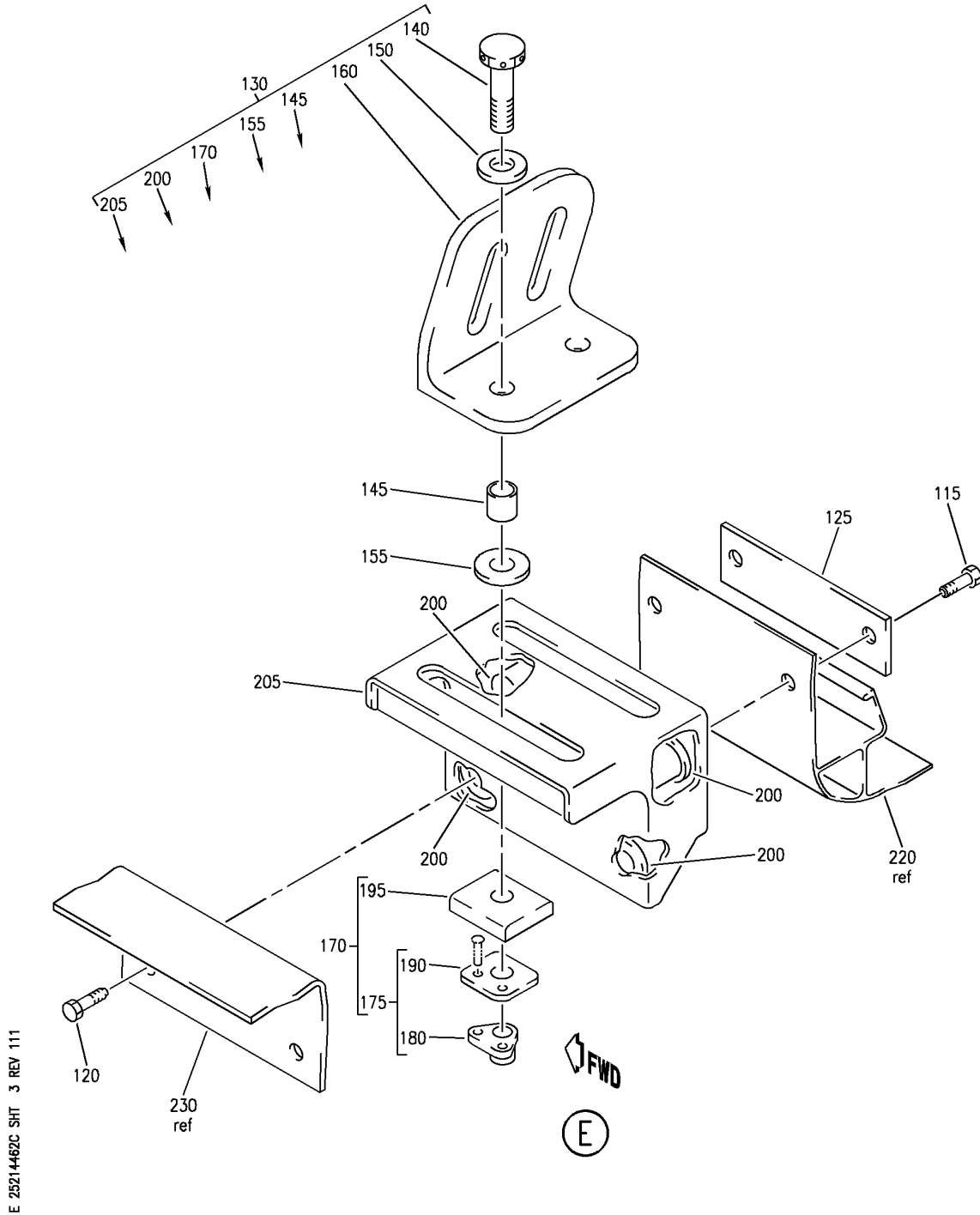
OUTLET ASSY-SIDEWALL AIR CONDITIONING
 FIGURE 62C (SHEET 1)

25-21-44-62C

HAP
 OCT 10/06

25-21-44-62C
 PAGE 0

BOEING
 737-600/700/800/900
 PARTS CATALOG (MAINTENANCE)



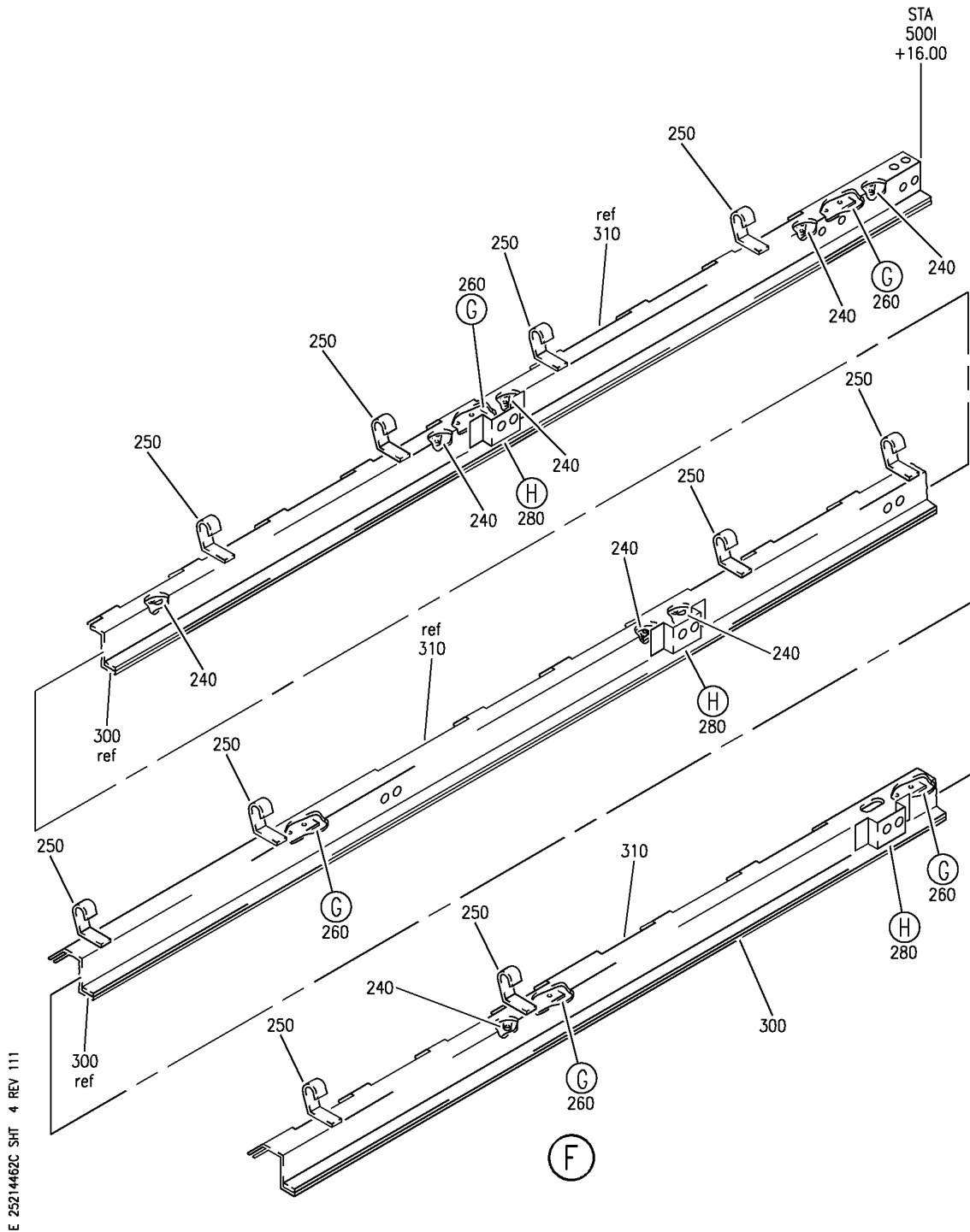
OUTLET ASSY-SIDEWALL AIR CONDITIONING
 FIGURE 62C (SHEET 3)

25-21-44-62C

HAP
 OCT 10/06

25-21-44-62C
 PAGE 0B

BOEING
 737-600/700/800/900
 PARTS CATALOG (MAINTENANCE)



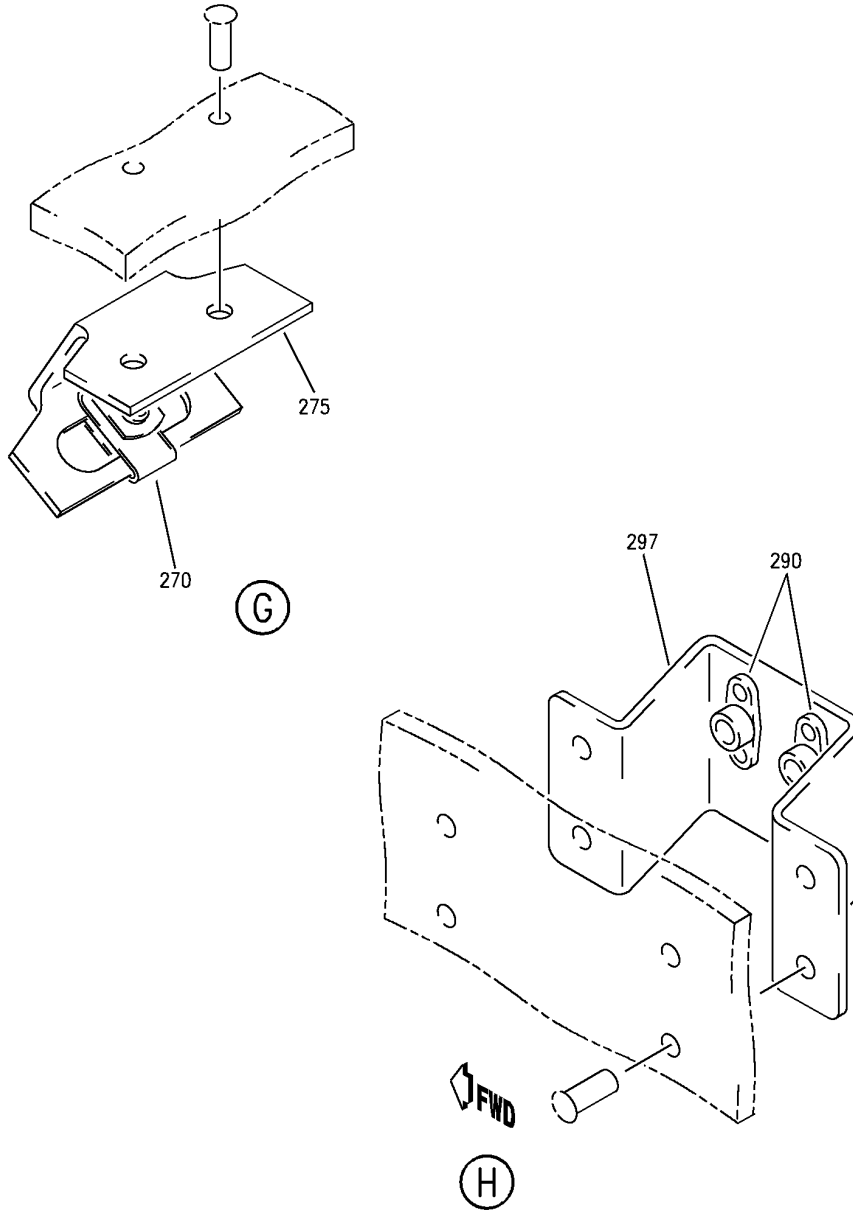
E 25214462C SHT 4 REV 111

OUTLET ASSY-SIDEWALL AIR CONDITIONING
 FIGURE 62C (SHEET 4)

25-21-44-62C

HAP
 OCT 10/06

25-21-44-62C
 PAGE 0C



E 25214462C SHT 5 REV 111

OUTLET ASSY-SIDEWALL AIR CONDITIONING
FIGURE 62C (SHEET 5)

25-21-44-62C

HAP
OCT 10/06

25-21-44-62C
PAGE 0D

BOEING
737-600/700/800/900
PARTS CATALOG (MAINTENANCE)

FIG ITEM	PART NUMBER	1 2 3 4 5 6 7	NOMENCLATURE	EFFECT FROM TO	UNITS PER ASSY
62C			OUTLET ASSY-SIDEWALL AIR CONDITIONING	031100	
- 1	412A3103-2061SP		OUTLET ASSY-SIDEWALL AIR CONDITIONING POSITION DATA: LH FOR NHA SEE: 25-21-44-42A	031100	RF
- 5	412A3103-2062SP		OUTLET ASSY-SIDEWALL AIR CONDITIONING POSITION DATA: RH FOR NHA SEE: 25-21-44-42A	031100	RF
10	BACB30LU2-2	.BOLT		031100	4
15	BACS12GU08K7	.SCREW		031100	2
20	NAS1149DN816J	.WASHER		031100	2
25	BACS12ER08K7	.SCREW		031100	2
30	BACS12ER08K8	.SCREW		031100	2
35	BACW10DM5P	.WASHER		031100	4
40	65C27020-612	.DOUBLER		031100	1
45	65C27021-277	.DOUBLER ASSY		031100	1
50	MF53050-08DL	..NUTPLATE	SUPPLIER CODE: V15653 SPECIFICATION NUMBER: BACN10JN08CM OPTIONAL PART: BRFM20C08M V52828 MF1001-08BAC V15653 NS103218SE82 V80539 VN252D82 V92215 109F9201M82 V72962 T8125C08C V11815	031100	8
- 55	BACR15CE3D	..RIVET-	ATTACHING PARTS ..RIVET- SIZE DETERMINED ON INSTL. -----*-----	031100	16
57	65C27021-278	..DOUBLER		031100	1
60	412N3103-35SP	.COVER-	POSITION DATA: LH SIDE	031100	1

MISSING ITEM NUMBERS NOT APPLICABLE

- ITEM NOT ILLUSTRATED

HAP

25-21-44-62C

BOEING PROPRIETARY - Copyright © - Unpublished Work - See title page for details.

25-21-44
FIG. 62C
PAGE 1
FEB 10/07

BOEING
737-600/700/800/900
PARTS CATALOG (MAINTENANCE)

FIG ITEM	PART NUMBER	1 2 3 4 5 6 7	NOMENCLATURE	EFFECT FROM TO	UNITS PER ASSY
62C					
- 65	412N3103-36SP		.COVER- POSITION DATA: RH SIDE	031100	1
70	65C27021-481		.FILLER	031100	1
75	412N3101-24SP		.COVER ASSY- POSITION DATA: LH SIDE	031100	1
- 80	412N3101-25SP		.COVER ASSY- POSITION DATA: RH SIDE	031100	1
85	65C27021-482		.FITTING ASSY-SPLICE POSITION DATA: LH SIDE	031100	1
- 90	65C27021-483		.FITTING ASSY-SPLICE POSITION DATA: RH SIDE	031100	1
95	T8078S832		..NUTPLATE SUPPLIER CODE: V11815 SPECIFICATION NUMBER: BACN10JP08C OPTIONAL PART: MK3000-08BAC V15653 NS103199-82 V80539 RMA9205M82 V72962 VN203A1-82 V92215 BRM300A08 V52828 ATTACHING PARTS	031100	6
- 100	BACR15BA3AD		..RIVET- SIZE DETERMINED ON INSTL. -----*-----	031100	12
105	65C27021-484		..FITTING- POSITION DATA: LH SIDE	031100	1
- 110	65C27021-485		..FITTING- POSITION DATA: RH SIDE	031100	1
115	BACS12ER3K9		.SCREW	031100	8
120	BACS12FA3K8		.SCREW	031100	8
125	65C27021-177		.DOUBLER	031100	4
130	412A3133-1		.FITTING ASSY- POSITION DATA: LH SIDE	031100	4

MISSING ITEM NUMBERS NOT APPLICABLE

- ITEM NOT ILLUSTRATED

HAP

25-21-44-62C

BOEING PROPRIETARY - Copyright © - Unpublished Work - See title page for details.

25-21-44
FIG. 62C
PAGE 2
FEB 10/07

BOEING
737-600/700/800/900
PARTS CATALOG (MAINTENANCE)

FIG ITEM	PART NUMBER	1 2 3 4 5 6 7	NOMENCLATURE	EFFECT FROM TO	UNITS PER ASSY
62C 130	412A3133-3	.	FITTING ASSY- POSITION DATA: LH SIDE	031100	4
- 135	412A3133-2	.	FITTING ASSY- POSITION DATA: RH SIDE	031100	4
- 135	412A3133-4	.	FITTING ASSY- POSITION DATA: RH SIDE	031100	4
140	BACB30NM3K6	..	BOLT	031100	2
145	NAS43DD3-21FC	..	SPACER	031100	2
150	NAS1149D0363J	..	WASHER	031100	2
155	412A2004-5	..	BUSHING	031100	2
160	412A2004-1	..	BRACKET-ANGLE POSITION DATA: LH SIDE	031100	1
- 165	412A2004-2	..	BRACKET-ANGLE POSITION DATA: RH SIDE	031100	1
170	412A2004-9	..	BEARING ASSY-ANGLE	031100	2
175	412A2004-6	...	SUPPORT ASSY	031100	1
180	T8078S1032	NUTPLATE SUPPLIER CODE: V11815 SPECIFICATION NUMBER: BACN10JP3C OPTIONAL PART: MK3000-3BAC V15653 NS103199-02 V80539 RMA9205M3 V72962 VN203A1-02 V92215 BRM300A3 V52828	031100	1
- 185	BACR15BA3AD	RIVET- SIZE DETERMINED ON INSTL.	031100	2
190	412A2004-7	SUPPORT	031100	1
195	412A2004-8	...	BEARING	031100	1
200	BACS13CJ3L080P	..	INSERT	031100	4
205	412A3134-1	..	HOUSING-SLIDER USED ON: 412A3133-1 412A3133-2	031100	1

MISSING ITEM NUMBERS NOT APPLICABLE

- ITEM NOT ILLUSTRATED

HAP

25-21-44-62C

BOEING PROPRIETARY - Copyright © - Unpublished Work - See title page for details.

25-21-44
FIG. 62C
PAGE 3
OCT 15/08

BOEING
737-600/700/800/900
PARTS CATALOG (MAINTENANCE)

FIG ITEM	PART NUMBER	1 2 3 4 5 6 7	NOMENCLATURE	EFFECT FROM TO	UNITS PER ASSY
62C 205	412A3134-2		..HOUSING-SLIDER USED ON: 412A3133-3 412A3133-4	031100	1
210	BACS12GU08K6		.SCREW	031100	6
215	NAS1149DN816J		.WASHER	031100	6
220	412A3136-1063SP		.BEAM- POSITION DATA: LH SIDE	031100	1
- 225	412A3136-1064SP		.BEAM- POSITION DATA: RH SIDE	031100	1
230	412A3137-1165SP		.BEAM ASSY- POSITION DATA: LH SIDE	031100	1
- 235	412A3137-1166SP		.BEAM ASSY- POSITION DATA: RH SIDE	031100	1
240	BACN10TL3A3		..NUTPLATE ATTACHING PARTS	031100	8
- 245	BACR15BB4DC		..RIVET- SIZE DETERMINED ON INSTL. -----*-----	031100	16
250	412N2008-1		..CLIP-SPR ATTACHING PARTS	031100	10
- 255	BACR15BA3ADC		..RIVET- SIZE DETERMINED ON INSTL. -----*-----	031100	20
260	65C36185-1		..BRACKET ASSY ATTACHING PARTS	031100	5
- 265	BACR15BB4DC		..RIVET- SIZE DETERMINED ON INSTL. -----*-----	031100	10
270	130069		...NUT- SUPPLIER CODE: V60119 SPECIFICATION NUMBER: BACN10FX16 OPTIONAL PART: A11330-6-3 V72962 A4972-6-02 V72962 BACN10YD1	031100	1

MISSING ITEM NUMBERS NOT APPLICABLE

- ITEM NOT ILLUSTRATED

HAP

25-21-44-62C

BOEING PROPRIETARY - Copyright © - Unpublished Work - See title page for details.

25-21-44
FIG. 62C
PAGE 4
FEB 15/09

BOEING
737-600/700/800/900
PARTS CATALOG (MAINTENANCE)

FIG ITEM	PART NUMBER	1 2 3 4 5 6 7	NOMENCLATURE	EFFECT FROM TO	UNITS PER ASSY
62C 270	BRC600-8-3	...	NUT- SUPPLIER CODE: V52828 SPECIFICATION NUMBER: BACN10YD1 OPTIONAL PART: 130120 V60119 BACN10FX16	031100	1
275	65C36185-2	...	BRACKET	031100	1
280	65C27021-184	..	BRACKET ASSY ATTACHING PARTS	031100	3
- 285	BACR15BA5ADC	..	RIVET- SIZE DETERMINED ON INSTL. -----*-----	031100	12
290	T8076S832	...	NUTPLATE SUPPLIER CODE: V11815 SPECIFICATION NUMBER: BACN10JP08A OPTIONAL PART: MK1000-08BAC V15653 NS103197-82 V80539 RMA9201M82 V72962 VN202A1-82 V92215 BRM200A08 V52828 ATTACHING PARTS	031100	2
- 295	BACR15BA3AD	...	RIVET- SIZE DETERMINED ON INSTL. -----*-----	031100	4
297	65C27021-221	...	BRACKET	031100	1
300	412A3137-1047	..	INSULATOR- POSITION DATA: LH SIDE	031100	1
- 305	412A3137-1048	..	INSULATOR- POSITION DATA: RH SIDE	031100	1
310	412A3137-1167SP	..	BEAM- POSITION DATA: LH SIDE	031100	1
- 315	412A3137-1168SP	..	BEAM- POSITION DATA: RH SIDE	031100	1

MISSING ITEM NUMBERS NOT APPLICABLE

- ITEM NOT ILLUSTRATED

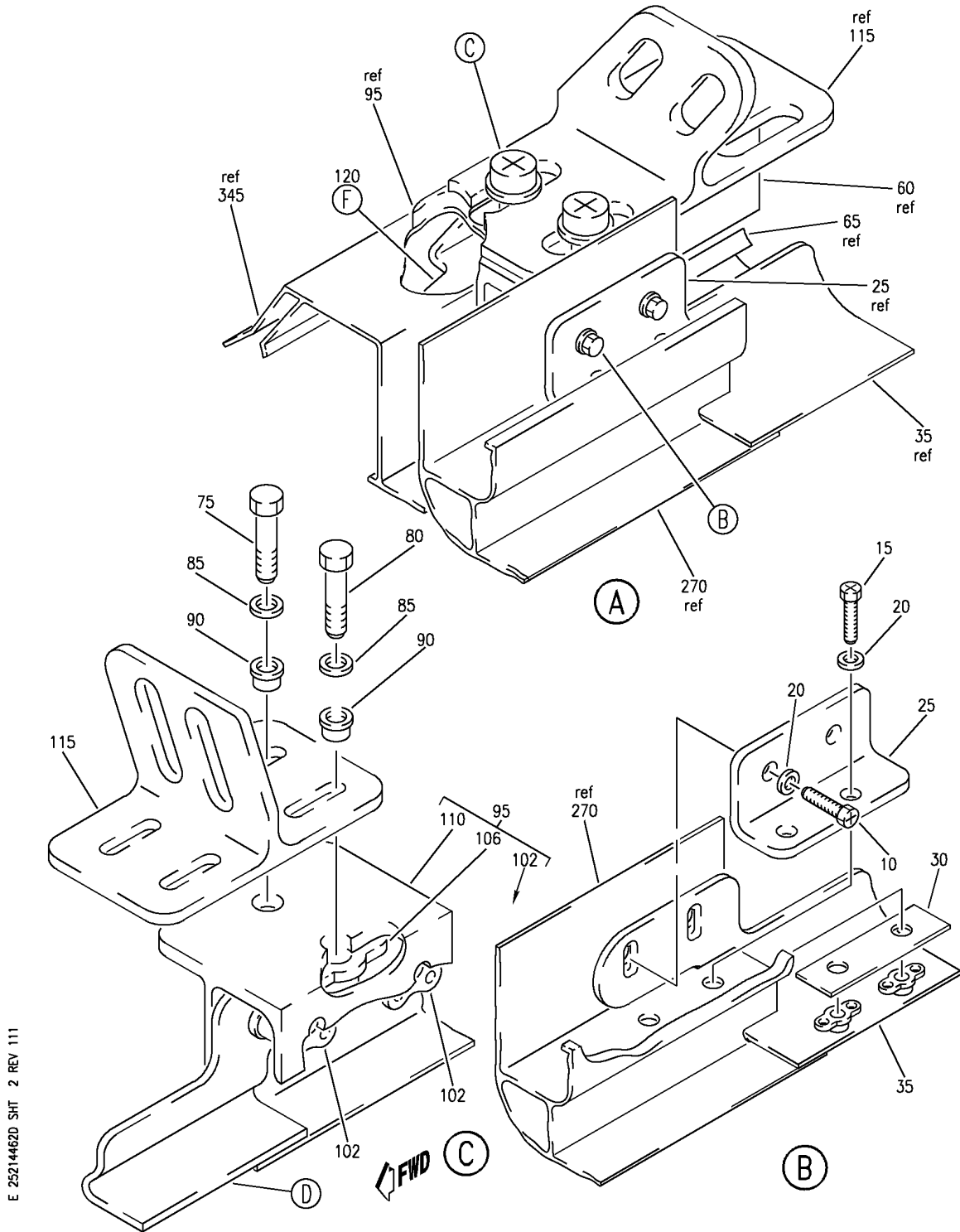
HAP

25-21-44-62C

BOEING PROPRIETARY - Copyright © - Unpublished Work - See title page for details.

25-21-44
FIG. 62C
PAGE 5
OCT 15/08

BOEING
 737-600/700/800/900
 PARTS CATALOG (MAINTENANCE)



E 25214462D SHT 2 REV 111

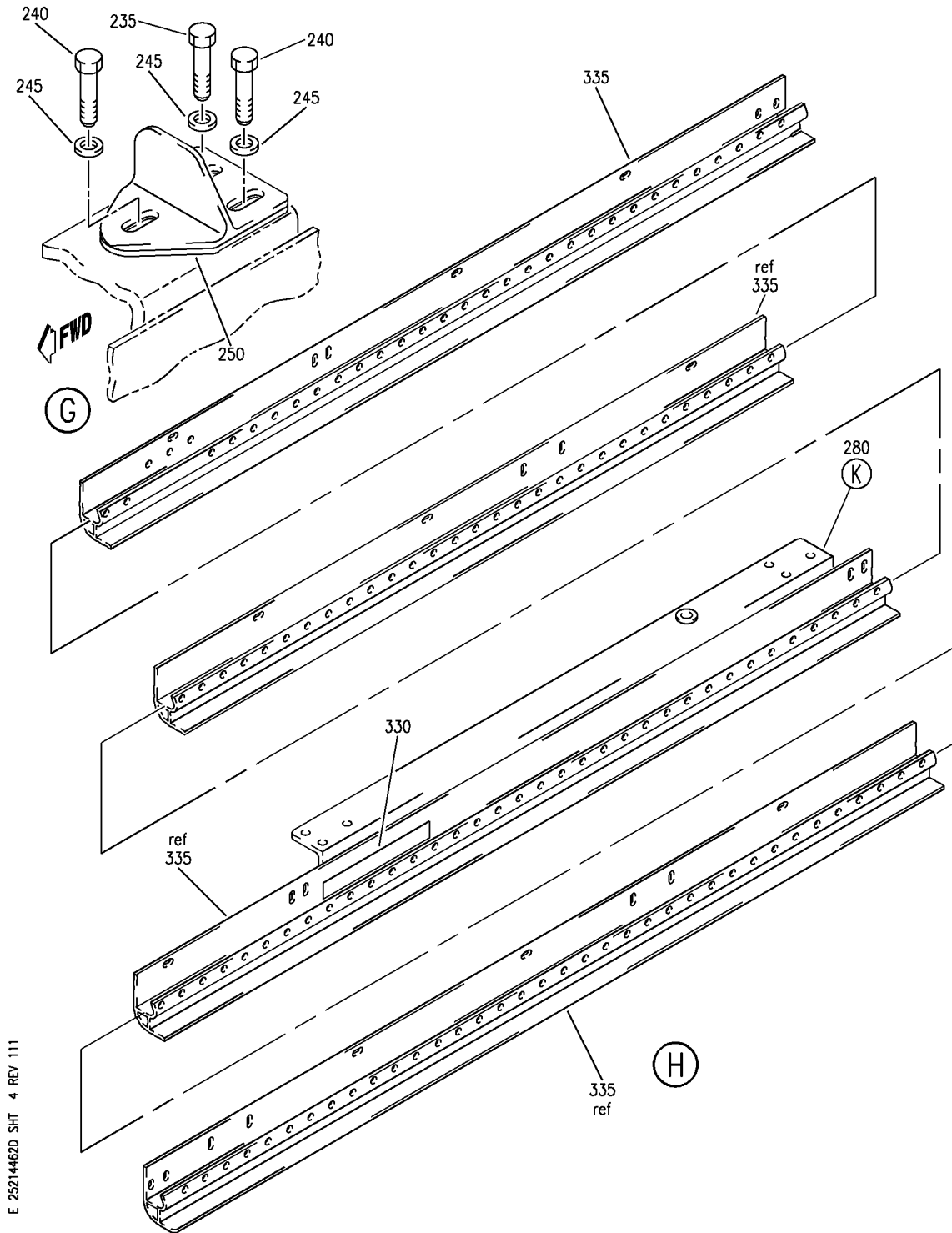
OUTLET ASSY-SIDEWALL AIR CONDITIONING
 FIGURE 62D (SHEET 2)

25-21-44-62D

HAP
 OCT 10/06

25-21-44-62D
 PAGE 0A

BOEING
 737-600/700/800/900
 PARTS CATALOG (MAINTENANCE)



E 25214462D SHT 4 REV 111

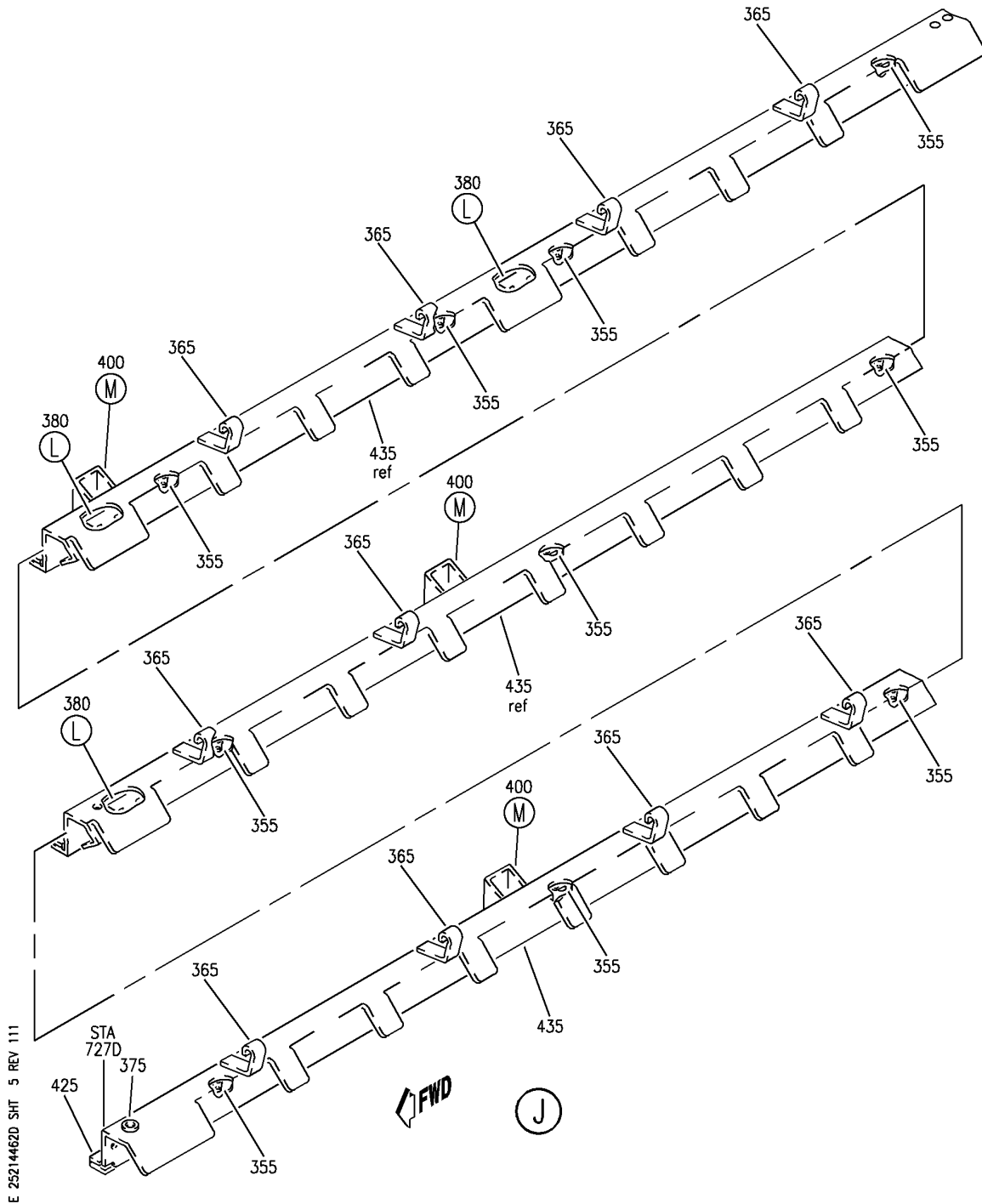
OUTLET ASSY-SIDEWALL AIR CONDITIONING
 FIGURE 62D (SHEET 4)

25-21-44-62D

HAP
 OCT 10/06

25-21-44-62D
 PAGE 0C

BOEING
 737-600/700/800/900
 PARTS CATALOG (MAINTENANCE)



E 25214462D SHT 5 REV 111

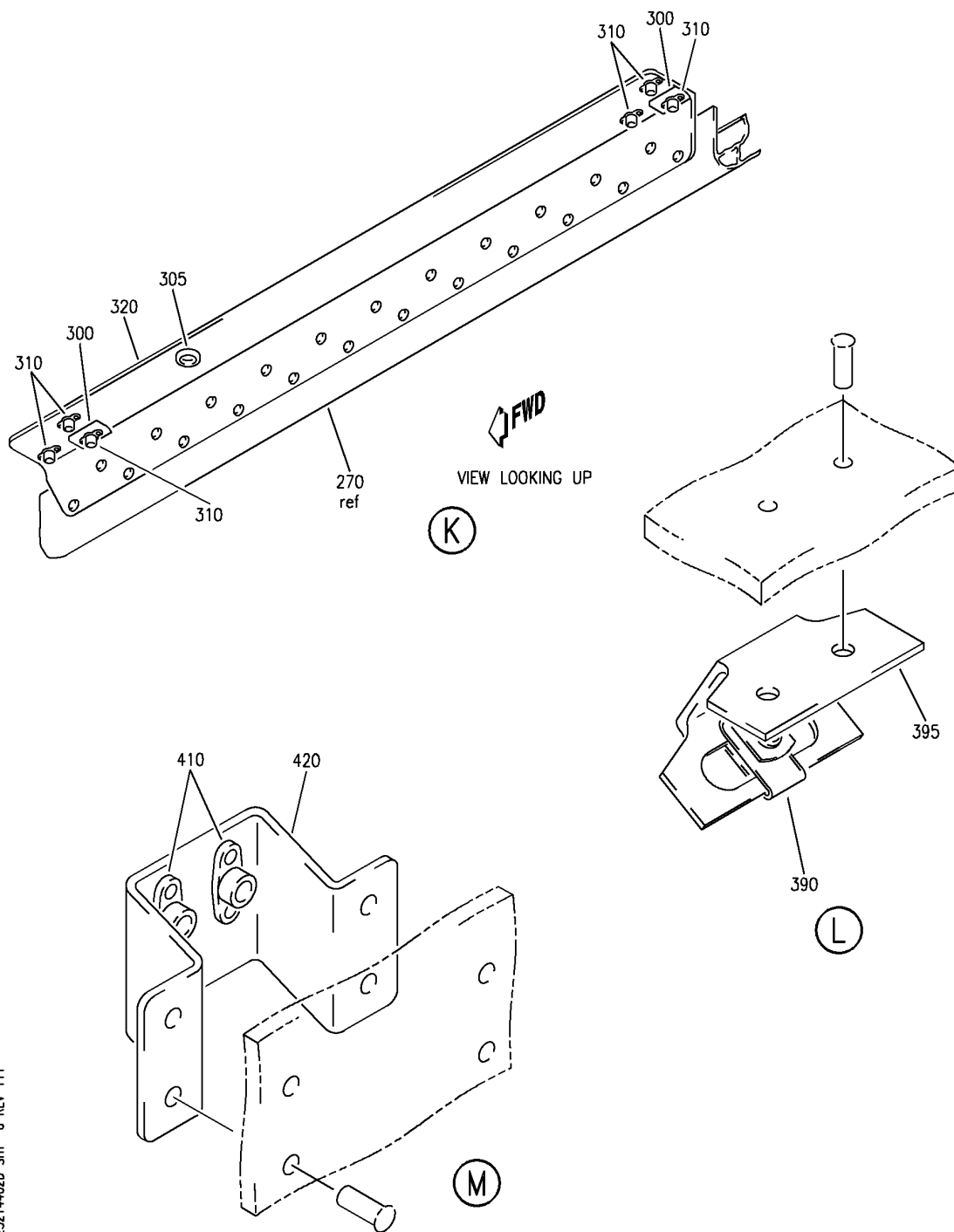
OUTLET ASSY-SIDEWALL AIR CONDITIONING
 FIGURE 62D (SHEET 5)

25-21-44-62D

HAP
 OCT 10/06

25-21-44-62D
 PAGE 0D

BOEING
 737-600/700/800/900
 PARTS CATALOG (MAINTENANCE)



E 25214462D SHT 6 REV 111

OUTLET ASSY-SIDEWALL AIR CONDITIONING
 FIGURE 62D (SHEET 6)

25-21-44-62D

HAP
 OCT 10/06

25-21-44-62D
 PAGE 0E

BOEING
737-600/700/800/900
PARTS CATALOG (MAINTENANCE)

FIG ITEM	PART NUMBER	1 2 3 4 5 6 7	NOMENCLATURE	EFFECT FROM TO	UNITS PER ASSY
62D			OUTLET ASSY-SIDEWALL AIR CONDITIONING	031100	
- 1	412A3103-2141SP		OUTLET ASSY-SIDEWALL AIR CONDITIONING POSITION DATA: LH FOR NHA SEE: 25-21-44-42A	031100	RF
- 5	412A3103-2142SP		OUTLET ASSY-SIDEWALL AIR CONDITIONING POSITION DATA: RH FOR NHA SEE: 25-21-44-42A	031100	RF
10	BACS12GU08K10	.SCREW		031100	2
15	BACS12GU08K8	.SCREW		031100	2
20	NAS1149DN816J	.WASHER		031100	4
25	65C27020-613	.BRACKET		031100	1
30	65C27021-257	.DOUBLER ASSY		031100	1
35	412N3101-43SP	.COVER-	POSITION DATA: LH SIDE	031100	1
- 40	412N3101-44SP	.COVER-	POSITION DATA: RH SIDE	031100	1
45	BACS12GU08K12	.SCREW		031100	2
50	NAS43DD3-12FC	.SPACER		031100	2
55	NAS1149DN816J	.WASHER		031100	2
60	412A3101-49	.COVER-SIGHT		031100	1
65	412N3101-51SP	.COVER ASSY-	POSITION DATA: LH SIDE	031100	1
- 70	412N3101-52SP	.COVER ASSY-	POSITION DATA: RH SIDE	031100	1
75	BACS12GU08K12	.SCREW		031100	1
80	BACS12GU08K13	.SCREW		031100	1
85	NAS1149DN816J	.WASHER		031100	2
90	412N2004-139	.SPACER		031100	2
95	65C27021-258	.FITTING ASSY-SPLICE	POSITION DATA: LH SIDE	031100	1
- 100	65C27021-265	.FITTING ASSY-SPLICE	POSITION DATA: RH SIDE	031100	1

MISSING ITEM NUMBERS NOT APPLICABLE

- ITEM NOT ILLUSTRATED

HAP

25-21-44-62D

BOEING PROPRIETARY - Copyright © - Unpublished Work - See title page for details.

25-21-44
FIG. 62D
PAGE 1
FEB 10/07

BOEING
737-600/700/800/900
PARTS CATALOG (MAINTENANCE)

FIG ITEM	PART NUMBER	1 2 3 4 5 6 7	NOMENCLATURE	EFFECT FROM TO	UNITS PER ASSY
62D 102	T8078S832		..NUTPLATE SUPPLIER CODE: V11815 SPECIFICATION NUMBER: BACN10JP08C OPTIONAL PART: MK3000-08BAC V15653 NS103199-82 V80539 RMA9205M82 V72962 VN203A1-82 V92215 BRM300A08 V52828 ATTACHING PARTS	031100	2
- 104	BACR15BA3AD		..RIVET- SIZE DETERMINED ON INSTL. -----*-----	031100	4
106	T8076S832		..NUTPLATE SUPPLIER CODE: V11815 SPECIFICATION NUMBER: BACN10JP08A OPTIONAL PART: MK1000-08BAC V15653 NS103197-82 V80539 RMA9201M82 V72962 VN202A1-82 V92215 BRM200A08 V52828 ATTACHING PARTS	031100	1
- 108	BACR15BA3AD		..RIVET- SIZE DETERMINED ON INSTL. -----*-----	031100	2
110	65C27021-259		..FITTING- POSITION DATA: LH SIDE	031100	1
- 112	65C27021-262		..FITTING- POSITION DATA: RH SIDE	031100	1
115	65C27021-477		.BRACKET	031100	1

MISSING ITEM NUMBERS NOT APPLICABLE

- ITEM NOT ILLUSTRATED

HAP

25-21-44-62D

BOEING PROPRIETARY - Copyright © - Unpublished Work - See title page for details.

25-21-44
FIG. 62D
PAGE 2
FEB 10/07

BOEING
737-600/700/800/900
PARTS CATALOG (MAINTENANCE)

FIG ITEM	PART NUMBER	1 2 3 4 5 6 7	NOMENCLATURE	EFFECT FROM TO	UNITS PER ASSY
62D 120	65C36185-3		.BRACKET ASSY- POSITION DATA: LH SIDE	031100	1
- 122	65C36185-5		.BRACKET ASSY- POSITION DATA: RH SIDE	031100	1
125	130069		..NUT- SUPPLIER CODE: V60119 SPECIFICATION NUMBER: BACN10FX16 OPTIONAL PART: A11330-6-3 V72962 A4972-6-02 V72962 BACN10YD1	031048 054100	1
125	BRC600-8-3		..NUT- SUPPLIER CODE: V52828 SPECIFICATION NUMBER: BACN10YD1 OPTIONAL PART: 130120 V60119 BACN10FX16	031048 054100	1
127	T8076S832		..NUTPLATE SUPPLIER CODE: V11815 SPECIFICATION NUMBER: BACN10JP08A OPTIONAL PART: MK1000-08BAC V15653 NS103197-82 V80539 RMA9201M82 V72962 VN202A1-82 V92215 BRM200A08 V52828	031100	1
- 128	BACR15CE3D		ATTACHING PARTS ..RIVET- SIZE DETERMINED ON INSTL. -----*-----	031100	2
130	65C36185-4		..BRACKET- POSITION DATA: LH SIDE	031100	1

MISSING ITEM NUMBERS NOT APPLICABLE

- ITEM NOT ILLUSTRATED

HAP

25-21-44-62D

BOEING PROPRIETARY - Copyright © - Unpublished Work - See title page for details.

25-21-44
FIG. 62D
PAGE 3
FEB 15/09

BOEING
737-600/700/800/900
PARTS CATALOG (MAINTENANCE)

FIG ITEM	PART NUMBER	1 2 3 4 5 6 7	NOMENCLATURE	EFFECT FROM TO	UNITS PER ASSY
62D					
- 135	65C36185-6		..BRACKET- POSITION DATA: RH SIDE	031100	1
140	BACS12ER3K9		.SCREW	031100	6
145	65C27021-177		.DOUBLER	031100	3
150	BACS12FA3K8		.SCREW	031100	6
155	412A3133-1		.FITTING ASSY- POSITION DATA: LH SIDE	031100	3
155	412A3133-3		.FITTING ASSY- POSITION DATA: LH SIDE	031100	3
- 160	412A3133-2		.FITTING ASSY- POSITION DATA: RH SIDE	031100	3
- 160	412A3133-4		.FITTING ASSY- POSITION DATA: RH SIDE	031100	3
165	BACB30NM3K6		..BOLT	031100	2
170	NAS43DD3-21FC		..SPACER	031100	2
175	NAS1149D0363J		..WASHER	031100	2
180	412A2004-5		..BUSHING	031100	2
185	412A2004-1		..BRACKET-ANGLE POSITION DATA: LH SIDE	031100	1
- 190	412A2004-2		..BRACKET-ANGLE POSITION DATA: RH SIDE	031100	1
195	412A2004-9		..BEARING ASSY-ANGLE	031100	2
200	412A2004-6		...SUPPORT ASSY	031100	1
205	T8078S1032	NUTPLATE SUPPLIER CODE: V11815 SPECIFICATION NUMBER: BACN10JP3C OPTIONAL PART: MK3000-3BAC V15653 NS103199-02 V80539 RMA9205M3 V72962 VN203A1-02 V92215 BRM300A3 V52828	031100	1

MISSING ITEM NUMBERS NOT APPLICABLE

- ITEM NOT ILLUSTRATED

HAP

25-21-44-62D

BOEING PROPRIETARY - Copyright © - Unpublished Work - See title page for details.

25-21-44
FIG. 62D
PAGE 4
FEB 15/09

BOEING
737-600/700/800/900
PARTS CATALOG (MAINTENANCE)

FIG ITEM	PART NUMBER	1 2 3 4 5 6 7	NOMENCLATURE	EFFECT FROM TO	UNITS PER ASSY
62D			ATTACHING PARTS		
- 210	BACR15BA3AD	RIVET- SIZE DETERMINED ON INSTL. -----*-----	031100	2
215	412A2004-7	SUPPORT	031100	1
220	412A2004-8	...	BEARING-ANGLE	031100	1
225	BACS13CJ3L080P	..	INSERT	031100	4
230	412A3134-1	..	HOUSING-SLIDER USED ON: 412A3133-1 412A3133-2	031100	1
230	412A3134-2	..	HOUSING-SLIDER USED ON: 412A3133-3 412A3133-4	031100	1
235	BACB30NM3K6	.	BOLT	031100	2
240	BACB30NM3K5	.	BOLT	031100	4
245	NAS1149D0316J	.	WASHER	031100	6
250	412A3200-17	.	BRACKET ASSY- POSITION DATA: LH SIDE	031100	2
- 255	412A3200-18	.	BRACKET ASSY- POSITION DATA: RH SIDE	031100	2
260	BACS12GU08K6	.	SCREW	031100	6
265	NAS1149DN816J	.	WASHER	031100	6
270	412A3136-2023SP	.	BEAM ASSY- POSITION DATA: LH SIDE	031100	1
- 275	412A3136-2024SP	.	BEAM ASSY- POSITION DATA: RH SIDE	031100	1
280	412A3200-21	..	BRACKET ASSY- POSITION DATA: LH SIDE	031100	1
- 285	412A3200-22	..	BRACKET ASSY- POSITION DATA: RH SIDE	031100	1
- 290	BACR15FT6D	..	RIVET- ATTACHING PARTS SIZE DETERMINED ON INSTL.	031100	20
- 295	BACR15BB6DC	..	RIVET- SIZE DETERMINED ON INSTL. -----*-----	031100	3
300	65C27021-253	...	FILLER-RADIUS	031100	2
305	BACB28B6-260P	...	BUSHING	031100	1

MISSING ITEM NUMBERS NOT APPLICABLE

- ITEM NOT ILLUSTRATED

HAP

25-21-44-62D

BOEING PROPRIETARY - Copyright © - Unpublished Work - See title page for details.

25-21-44
FIG. 62D
PAGE 5
OCT 15/08

BOEING
737-600/700/800/900
PARTS CATALOG (MAINTENANCE)

FIG ITEM	PART NUMBER	1 2 3 4 5 6 7	NOMENCLATURE	EFFECT FROM TO	UNITS PER ASSY
62D 310	T8076S1032		...NUTPLATE SUPPLIER CODE: V11815 SPECIFICATION NUMBER: BACN10JP3A OPTIONAL PART: MK1000-3BAC V15653 NS103197-02 V80539 RMA9201M3 V72962 VN202A1-02 V92215 BRM200A3 V52828 ATTACHING PARTS	031100	6
- 315	BACR15BA3ADC		...RIVET- SIZE DETERMINED ON INSTL. -----*-----	031100	12
320	412A3210-7		...BRACKET- POSITION DATA: LH SIDE	031100	1
- 325	412A3210-8		...BRACKET- POSITION DATA: RH SIDE	031100	1
330	65C27021-465		..FILLER	031100	1
335	412A3136-2025SP		..BEAM- POSITION DATA: LH SIDE	031100	1
- 340	412A3136-2026SP		..BEAM- POSITION DATA: RH SIDE	031100	1
345	412A3137-1055SP		.BEAM ASSY- POSITION DATA: LH SIDE	031100	1
- 350	412A3137-1056SP		.BEAM ASSY- POSITION DATA: RH SIDE	031100	1
355	BACN10TL3A3		..NUTPLATE ATTACHING PARTS	031100	10
- 360	BACR15BB4DC		..RIVET- SIZE DETERMINED ON INSTL. -----*-----	031100	20
365	412N2008-1		..CLIP-SPR ATTACHING PARTS	031100	10
- 370	BACR15BA3ADC		..RIVET- SIZE DETERMINED ON INSTL. -----*-----	031100	20

MISSING ITEM NUMBERS NOT APPLICABLE

- ITEM NOT ILLUSTRATED

HAP

25-21-44-62D

BOEING PROPRIETARY - Copyright © - Unpublished Work - See title page for details.

25-21-44
FIG. 62D
PAGE 6
OCT 15/08

BOEING
737-600/700/800/900
PARTS CATALOG (MAINTENANCE)

FIG ITEM	PART NUMBER	1 2 3 4 5 6 7	NOMENCLATURE	EFFECT FROM TO	UNITS PER ASSY
62D					
375	NAS1149D0332J	..	WASHER	031100	1
380	65C36185-1	..	BRACKET ASSY	031100	3
			ATTACHING PARTS		
- 385	BACR15BB4DC	..	RIVET-	031100	6
			SIZE DETERMINED ON INSTL.		
			-----*-----		
390	130069	...	NUT-	031100	1
			SUPPLIER CODE:		
			V60119		
			SPECIFICATION NUMBER:		
			BACN10FX16		
			OPTIONAL PART:		
			A11330-6-3		
			V72962		
			A4972-6-02		
			V72962		
			BACN10YD1		
390	BRC600-8-3	...	NUT-	031100	1
			SUPPLIER CODE:		
			V52828		
			SPECIFICATION NUMBER:		
			BACN10YD1		
			OPTIONAL PART:		
			130120		
			V60119		
			BACN10FX16		
395	65C36185-2	...	BRACKET	031100	1
400	65C27021-184	..	BRACKET ASSY	031100	3
			ATTACHING PARTS		
- 405	BACR15BA5ADC	..	RIVET-	031100	12
			SIZE DETERMINED ON INSTL.		
			-----*-----		
410	T8076S832	...	NUTPLATE	031100	2
			SUPPLIER CODE:		
			V11815		
			SPECIFICATION NUMBER:		
			BACN10JP08A		
			OPTIONAL PART:		
			MK1000-08BAC		
			V15653		
			NS103197-82		
			V80539		
			RMA9201M82		
			V72962		
			VN202A1-82		
			V92215		
			BRM200A08		
			V52828		

MISSING ITEM NUMBERS NOT APPLICABLE

- ITEM NOT ILLUSTRATED

HAP

25-21-44-62D

BOEING PROPRIETARY - Copyright © - Unpublished Work - See title page for details.

25-21-44
FIG. 62D
PAGE 7
FEB 15/09

BOEING
737-600/700/800/900
PARTS CATALOG (MAINTENANCE)

FIG ITEM	PART NUMBER	1 2 3 4 5 6 7	NOMENCLATURE	EFFECT FROM TO	UNITS PER ASSY
62D			ATTACHING PARTS		
- 415	BACR15BA3AD		...RIVET- SIZE DETERMINED ON INSTL. -----*-----	031100	4
420	65C27021-221		...BRACKET	031100	1
425	412A3137-1059		..INSULATOR- POSITION DATA: LH SIDE	031100	1
- 430	412A3137-1060		..INSULATOR- POSITION DATA: RH SIDE	031100	1
435	412A3137-1057SP		..BEAM- POSITION DATA: LH SIDE	031100	1
- 440	412A3137-1058SP		..BEAM- POSITION DATA: RH SIDE	031100	1

MISSING ITEM NUMBERS NOT APPLICABLE

- ITEM NOT ILLUSTRATED

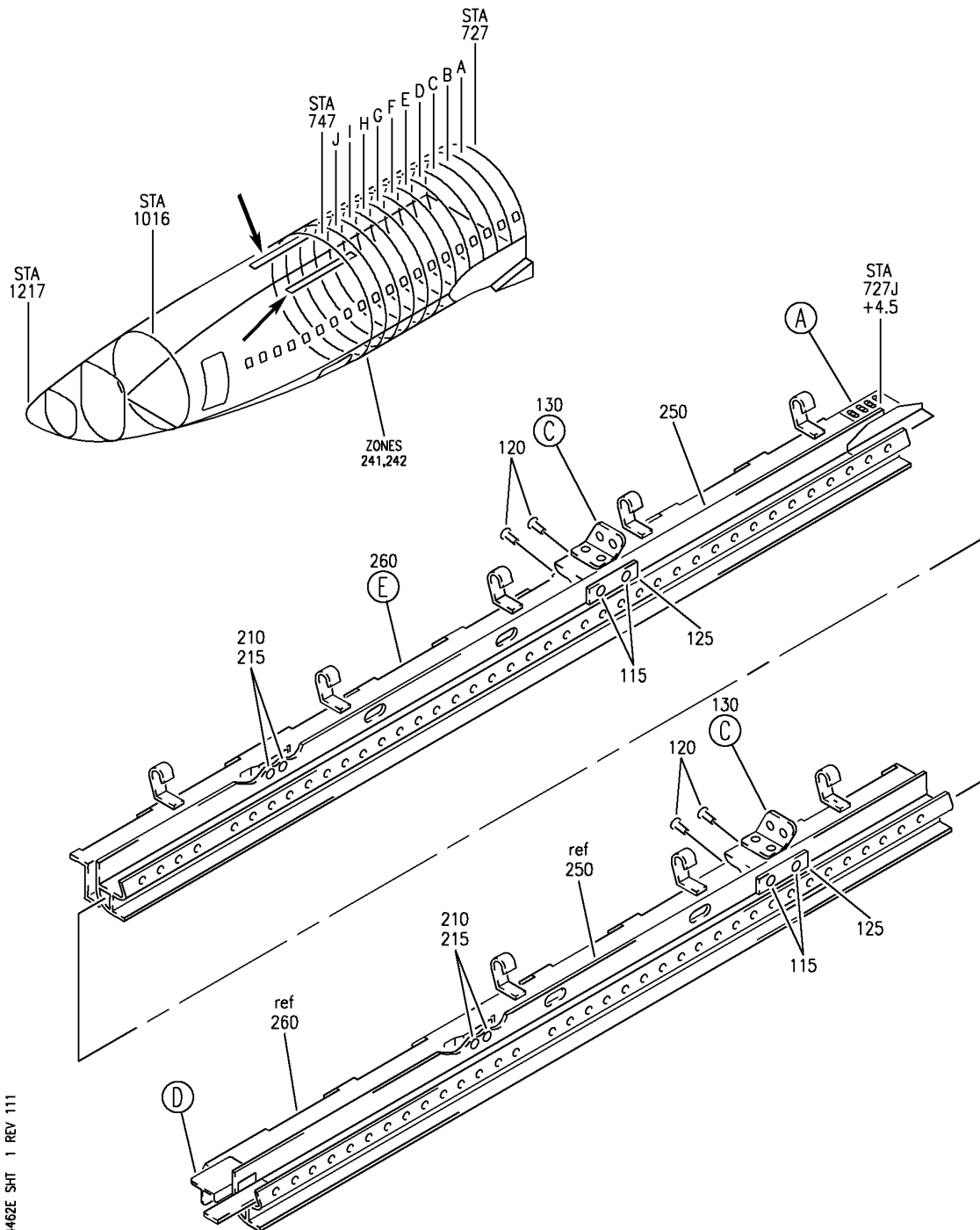
HAP

25-21-44-62D

BOEING PROPRIETARY - Copyright © - Unpublished Work - See title page for details.

25-21-44
FIG. 62D
PAGE 8
FEB 15/09


BOEING
 737-600/700/800/900
PARTS CATALOG (MAINTENANCE)



E 25214462E SHT 1 REV 111

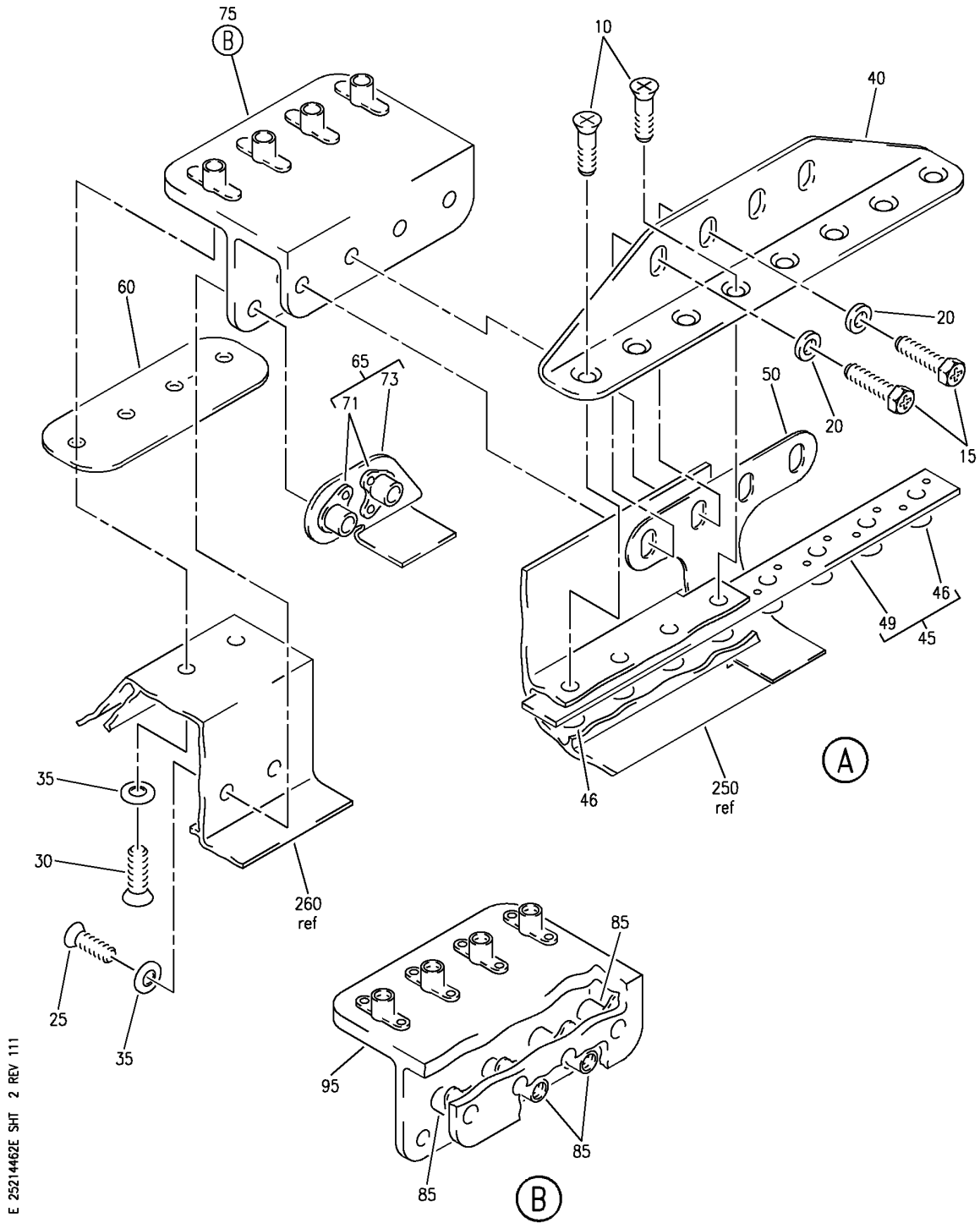
OUTLET ASSY-SIDEWALL AIR CONDITIONING
 FIGURE 62E (SHEET 1)

25-21-44-62E

HAP
OCT 10/06

25-21-44-62E
 PAGE 0

BOEING
 737-600/700/800/900
 PARTS CATALOG (MAINTENANCE)



E 25214462E SHT 2 REV 111

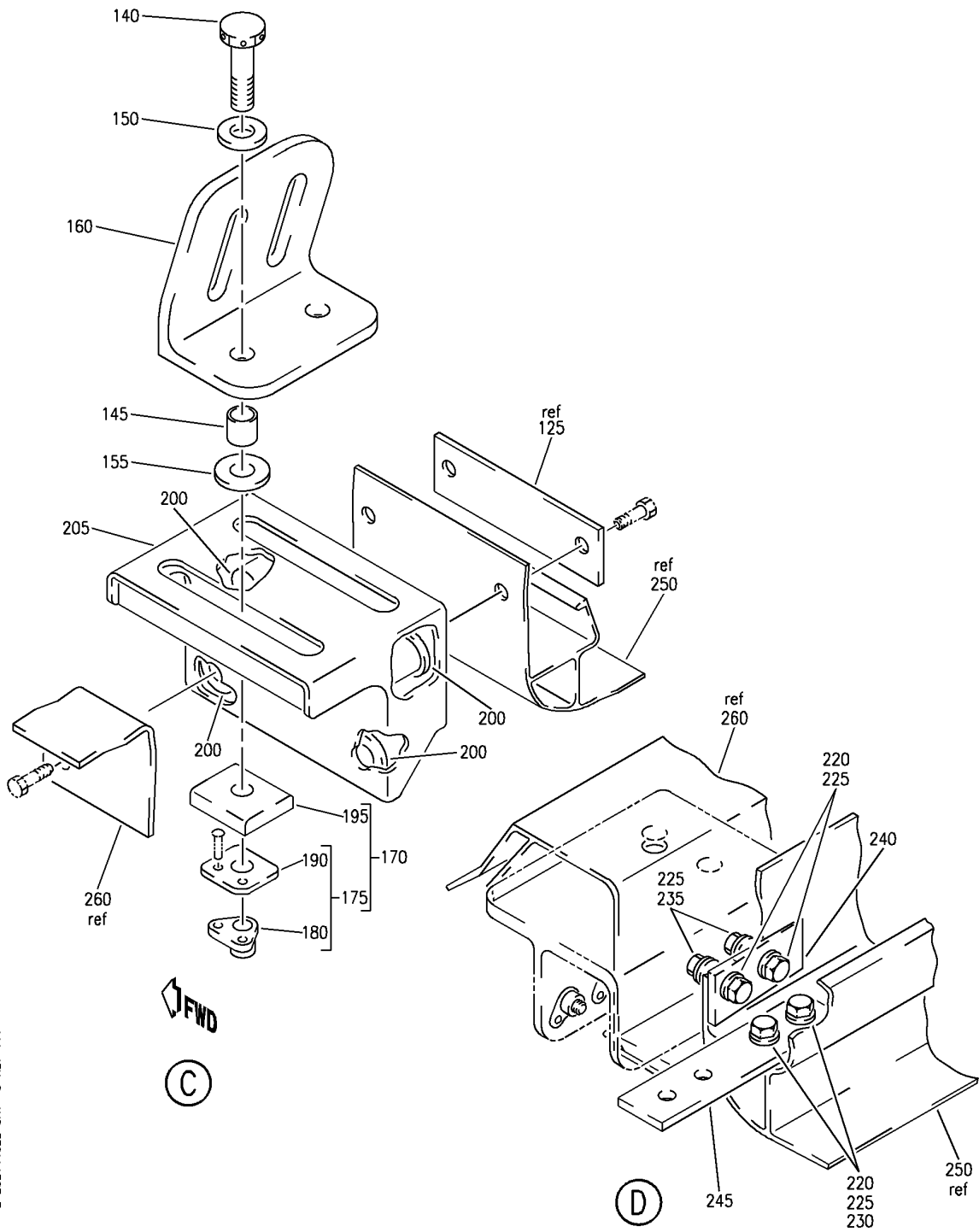
OUTLET ASSY-SIDEWALL AIR CONDITIONING
 FIGURE 62E (SHEET 2)

25-21-44-62E

HAP
 OCT 10/06

25-21-44-62E
 PAGE 0A

BOEING
 737-600/700/800/900
 PARTS CATALOG (MAINTENANCE)



E 25214462E SHT 3 REV 111

OUTLET ASSY-SIDEWALL AIR CONDITIONING
 FIGURE 62E (SHEET 3)

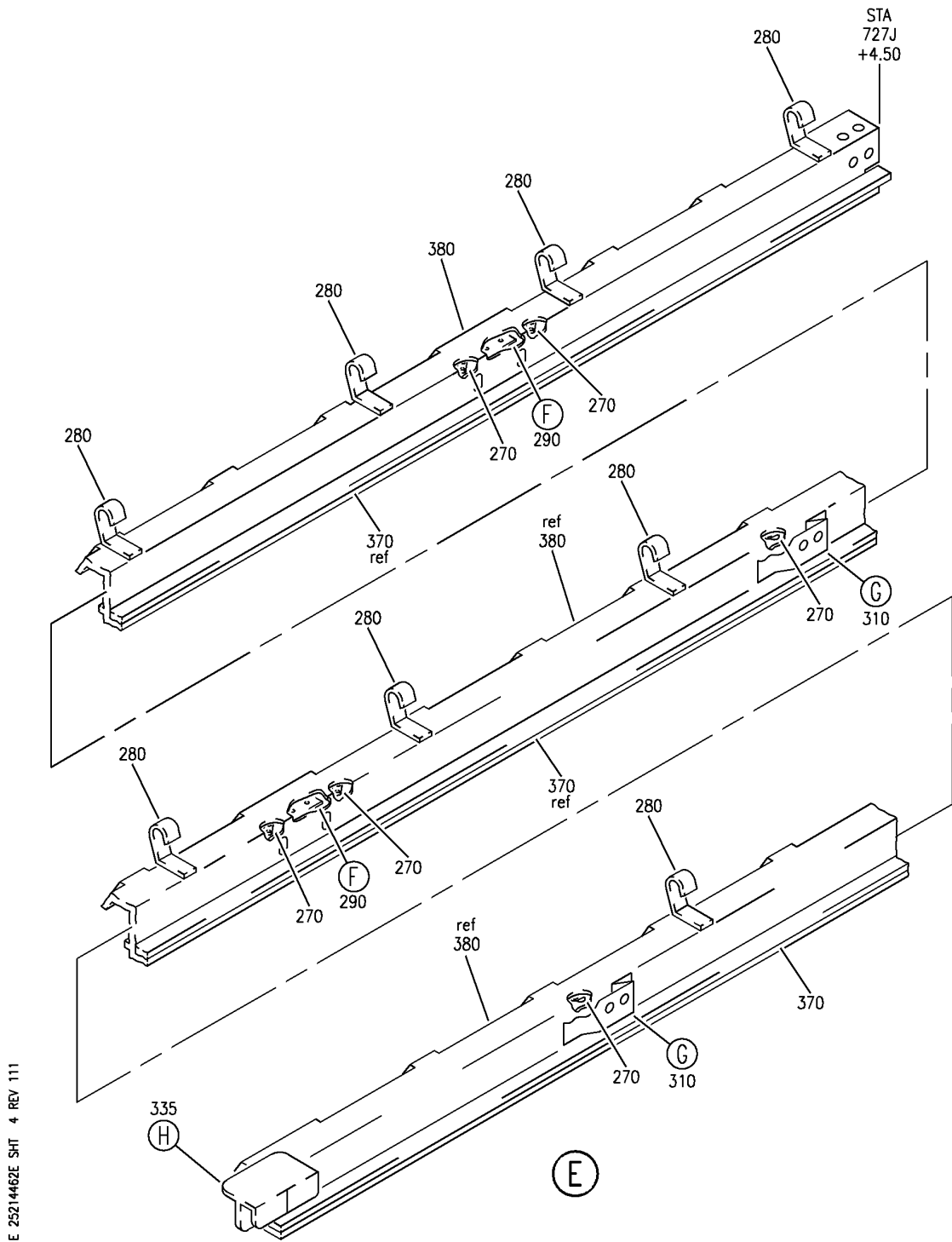
25-21-44-62E

HAP
 OCT 10/06

25-21-44-62E
 PAGE 0B

BOEING PROPRIETARY - Copyright © - Unpublished Work - See title page for details.

BOEING
 737-600/700/800/900
 PARTS CATALOG (MAINTENANCE)



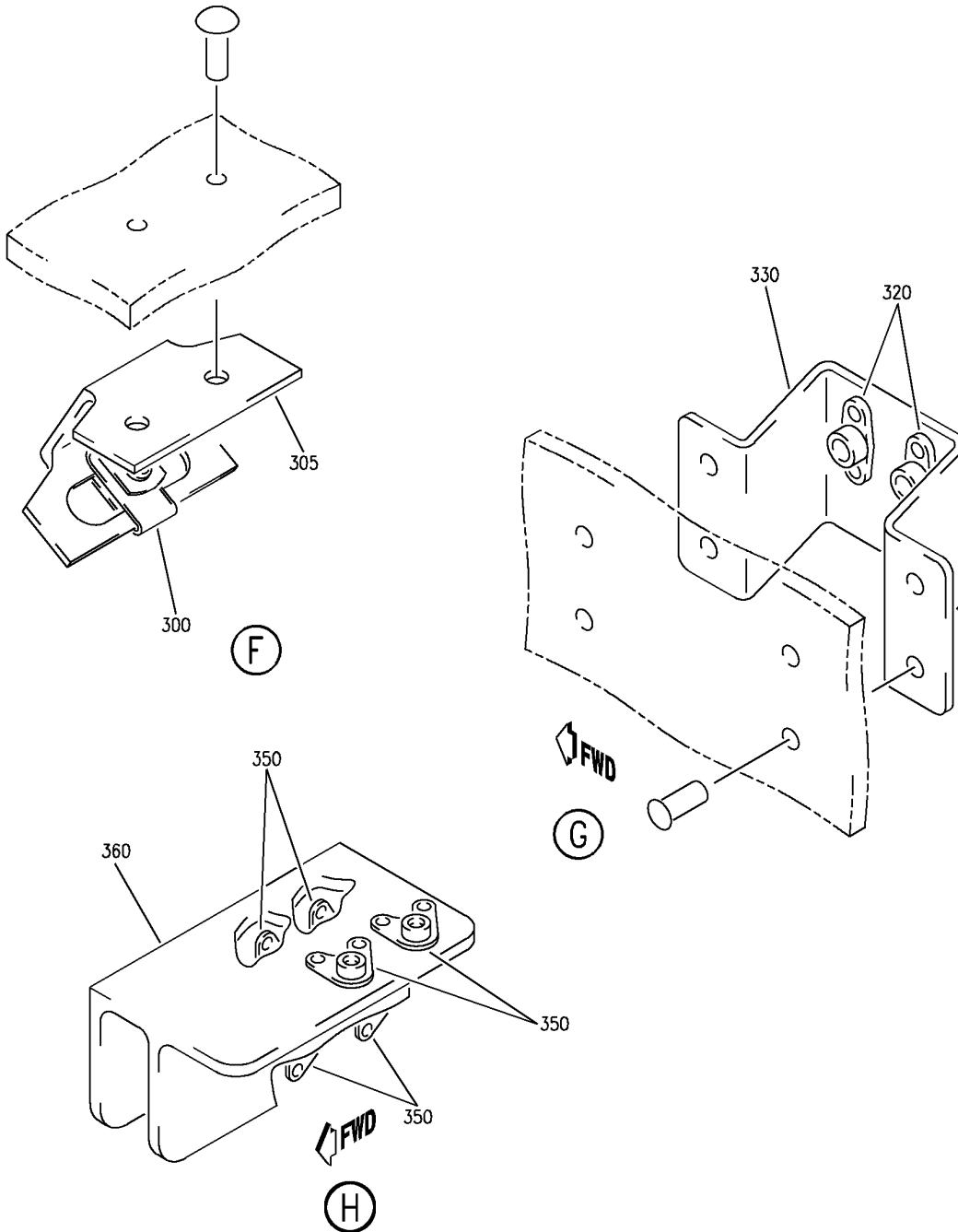
E 25214462E SHT 4 REV 111

OUTLET ASSY-SIDEWALL AIR CONDITIONING
 FIGURE 62E (SHEET 4)

25-21-44-62E

HAP
 OCT 10/06

25-21-44-62E
 PAGE 0C



E 25214462E SHT 5 REV 111

OUTLET ASSY-SIDEWALL AIR CONDITIONING
 FIGURE 62E (SHEET 5)

25-21-44-62E

HAP
 OCT 10/06

25-21-44-62E
 PAGE 0D

BOEING
737-600/700/800/900
PARTS CATALOG (MAINTENANCE)

FIG ITEM	PART NUMBER	1 2 3 4 5 6 7	NOMENCLATURE	EFFECT FROM TO	UNITS PER ASSY
62E			OUTLET ASSY-SIDEWALL AIR CONDITIONING	031100	
- 1	412A3103-2021SP		OUTLET ASSY-SIDEWALL AIR CONDITIONING POSITION DATA: LH FOR NHA SEE: 25-21-44-42A	031045 054100	RF
- 1	412A3103-3021SP		OUTLET ASSY-SIDEWALL AIR CONDITIONING POSITION DATA: LH FOR NHA SEE: 25-21-44-42A	046053	RF
- 5	412A3103-2022SP		OUTLET ASSY-SIDEWALL AIR CONDITIONING POSITION DATA: RH FOR NHA SEE: 25-21-44-42A	031045 054100	RF
- 5	412A3103-3022SP		OUTLET ASSY-SIDEWALL AIR CONDITIONING POSITION DATA: RH FOR NHA SEE: 25-21-44-42A	046053	RF
10	BACB30LU2-2		.BOLT	031045 054100	4
10	BACB30LH2-2		.BOLT	046047	4
15	BACS12GU08K7		.SCREW	031100	2
20	NAS1149DN816J		.WASHER	031100	2
25	BACS12ER08K7		.SCREW	031100	2
30	BACS12ER08K8		.SCREW	031100	2
35	BACW10DM5P		.WASHER	031100	4
40	65C27020-612		.DOUBLER	031100	1
45	65C27021-277		.DOUBLER ASSY	031100	1

MISSING ITEM NUMBERS NOT APPLICABLE

- ITEM NOT ILLUSTRATED

HAP

25-21-44-62E

BOEING PROPRIETARY - Copyright © - Unpublished Work - See title page for details.

25-21-44
FIG. 62E
PAGE 1
FEB 15/09

BOEING
737-600/700/800/900
PARTS CATALOG (MAINTENANCE)

FIG ITEM	PART NUMBER	1 2 3 4 5 6 7	NOMENCLATURE	EFFECT FROM TO	UNITS PER ASSY
62E 46	MF53050-08DL		..NUTPLATE SUPPLIER CODE: V15653 SPECIFICATION NUMBER: BACN10JN08CM OPTIONAL PART: BRFM20C08M V52828 MF1001-08BAC V15653 NS103218SE82 V80539 VN252D82 V92215 109F9201M82 V72962 T8125C08C V11815 ATTACHING PARTS	031100	8
- 48	BACR15CE3D		..RIVET- SIZE DETERMINED ON INSTL. -----*-----	031100	16
49	65C27021-278		..DOUBLER	031100	1
50	412N3101-35SP		.COVER- POSITION DATA: LH SIDE	031100	1
- 55	412N3101-36SP		.COVER- POSITION DATA: RH SIDE	031100	1
60	65C27021-481		.FILLER	031100	1
65	412N3101-24SP		.COVER ASSY- POSITION DATA: LH SIDE	031100	1
- 70	412N3101-25SP		.COVER ASSY- POSITION DATA: RH SIDE	031100	1

MISSING ITEM NUMBERS NOT APPLICABLE

- ITEM NOT ILLUSTRATED

HAP

25-21-44-62E

BOEING PROPRIETARY - Copyright © - Unpublished Work - See title page for details.

25-21-44
FIG. 62E
PAGE 2
FEB 15/08

BOEING
737-600/700/800/900
PARTS CATALOG (MAINTENANCE)

FIG ITEM	PART NUMBER	1 2 3 4 5 6 7	NOMENCLATURE	EFFECT FROM TO	UNITS PER ASSY
62E 71	T8078S832BC		..NUTPLATE SUPPLIER CODE: V11815 SPECIFICATION NUMBER: BACN10JP08CR OPTIONAL PART: MK3000-08BCBAC V15653 NS103199-82BC V80539 RMA9205M82BC V72962 VN203A2-82 V92215 BRM300A08K V52828 ATTACHING PARTS	031100	2
- 72	BACR15BA3AD		..RIVET- SIZE DETERMINED ON INSTL. -----*-----	031100	4
73	412N3101-22SP		..COVER-GAP POSITION DATA: LH SIDE	031100	1
- 74	412N3101-23SP		..COVER-GAP POSITION DATA: RH SIDE	031100	1
75	65C27021-482		.FITTING ASSY-SPLICE POSITION DATA: LH SIDE	031100	1
- 80	65C27021-483		.FITTING ASSY-SPLICE POSITION DATA: RH SIDE	031100	1
85	T8078S832		..NUTPLATE SUPPLIER CODE: V11815 SPECIFICATION NUMBER: BACN10JP08C OPTIONAL PART: MK3000-08BAC V15653 NS103199-82 V80539 RMA9205M82 V72962 VN203A1-82 V92215 BRM300A08 V52828	031100	6

MISSING ITEM NUMBERS NOT APPLICABLE

- ITEM NOT ILLUSTRATED

HAP

25-21-44-62E

BOEING PROPRIETARY - Copyright © - Unpublished Work - See title page for details.

25-21-44
FIG. 62E
PAGE 3
FEB 15/08

BOEING
737-600/700/800/900
PARTS CATALOG (MAINTENANCE)

FIG ITEM	PART NUMBER	1 2 3 4 5 6 7	NOMENCLATURE	EFFECT FROM TO	UNITS PER ASSY
62E			ATTACHING PARTS		
- 90	BACR15BA3AD		..RIVET- SIZE DETERMINED ON INSTL. -----*-----	031100	12
95	65C27021-484		..FITTING- POSITION DATA: LH SIDE	031100	1
- 100	65C27021-485		..FITTING- POSITION DATA: RH SIDE	031100	1
115	BACS12ER3K9		.SCREW	031100	4
120	BACS12FA3K8		.SCREW	031100	4
125	65C27021-177		.DOUBLER-SPRT	031100	2
130	412A3133-1		.FITTING ASSY- POSITION DATA: LH SIDE	031100	2
130	412A3133-3		.FITTING ASSY- POSITION DATA: LH SIDE	031100	2
- 135	412A3133-2		.FITTING ASSY- POSITION DATA: RH SIDE	031100	2
- 135	412A3133-4		.FITTING ASSY- POSITION DATA: RH SIDE	031100	2
140	BACB30NM3K6		..BOLT	031100	2
145	NAS43DD3-21FC		..SPACER	031100	2
150	NAS1149D0363J		..WASHER	031100	2
155	412A2004-5		..BUSHING	031100	2
160	412A2004-1		..BRACKET-ANGLE POSITION DATA: LH SIDE	031100	1
- 165	412A2004-2		..BRACKET-ANGLE POSITION DATA: RH SIDE	031100	1
170	412A2004-9		..BEARING ASSY-ANGLE	031100	2
175	412A2004-6		...SUPPORT ASSY	031100	1

MISSING ITEM NUMBERS NOT APPLICABLE

- ITEM NOT ILLUSTRATED

HAP

25-21-44-62E

BOEING PROPRIETARY - Copyright © - Unpublished Work - See title page for details.

25-21-44
FIG. 62E
PAGE 4
OCT 15/08

BOEING
737-600/700/800/900
PARTS CATALOG (MAINTENANCE)

FIG ITEM	PART NUMBER	1 2 3 4 5 6 7	NOMENCLATURE	EFFECT FROM TO	UNITS PER ASSY
62E 180	T8078S1032	NUTPLATE SUPPLIER CODE: V11815 SPECIFICATION NUMBER: BACN10JP3C OPTIONAL PART: MK3000-3BAC V15653 NS103199-02 V80539 RMA9205M3 V72962 VN203A1-02 V92215 BRM300A3 V52828 ATTACHING PARTS	031100	1
- 185	BACR15BA3AD	RIVET- SIZE DETERMINED ON INSTL. -----*-----	031100	2
190	412A2004-7	SUPPORT	031100	1
195	412A2004-8	...	BEARING-ANGLE	031100	1
200	BACCS13CJ3L080P	..	INSERT	031100	4
205	412A3134-1	..	HOUSING-SLIDER USED ON: 412A3133-1 412A3133-2	031100	1
205	412A3134-2	..	HOUSING-SLIDER USED ON: 412A3133-3 412A3133-4	031100	1
210	BACCS12GU08K6	.	SCREW	031100	4
215	NAS1149DN816J	.	WASHER	031100	4
220	BACCS12GU08K8	.	SCREW	031100	4
225	NAS1149DN816J	.	WASHER	031100	6
230	130008	.	NUT SUPPLIER CODE: V60119 SPECIFICATION NUMBER: BACN10FX84 OPTIONAL PART: RM52LHA4972-6-8 V72962 SL211-08-1 V97393 A11330-6-82 V72962 A4972-6-82 V72962	031100	2

MISSING ITEM NUMBERS NOT APPLICABLE

- ITEM NOT ILLUSTRATED

HAP

25-21-44-62E

BOEING PROPRIETARY - Copyright © - Unpublished Work - See title page for details.

25-21-44
FIG. 62E
PAGE 5
OCT 15/08

BOEING
737-600/700/800/900
PARTS CATALOG (MAINTENANCE)

FIG ITEM	PART NUMBER	1 2 3 4 5 6 7	NOMENCLATURE	EFFECT FROM TO	UNITS PER ASSY
62 E 235	PLH508CD	.	NUT SUPPLIER CODE: VF0224 SPECIFICATION NUMBER: BACN10YR08CD OPTIONAL PART: H52732-08CD V15653	031100	2
240	65C27021-191	.	FILLER	031100	1
245	65C27021-193	.	DOUBLER	031100	1
250	412A3136-1027SP	.	BEAM- POSITION DATA: LH SIDE	031045 054100	1
250	412A3136-3015SP	.	BEAM- POSITION DATA: LH SIDE	046053	1
- 255	412A3136-1028SP	.	BEAM- POSITION DATA: RH SIDE	031045 054100	1
- 255	412A3136-3016SP	.	BEAM- POSITION DATA: RH SIDE	046053	1
260	412A3137-1061SP	.	BEAM ASSY- POSITION DATA: LH SIDE	031100	1
- 265	412A3137-1062SP	.	BEAM ASSY- POSITION DATA: RH SIDE	031100	1
270	BACN10TL3A3	..	NUTPLATE ATTACHING PARTS	031100	6
- 275	BACR15BB4DC	..	RIVET- SIZE DETERMINED ON INSTL. -----*-----	031100	12
280	412N2008-1	..	CLIP-SPR ATTACHING PARTS	031100	8
- 285	BACR15BA3ADC	..	RIVET- SIZE DETERMINED ON INSTL. -----*-----	031100	16
290	65C36185-1	..	BRACKET ASSY ATTACHING PARTS	031100	2
- 295	BACR15BB4DC	..	RIVET- SIZE DETERMINED ON INSTL. -----*-----	031100	4

MISSING ITEM NUMBERS NOT APPLICABLE

- ITEM NOT ILLUSTRATED

HAP

25-21-44-62E

BOEING PROPRIETARY - Copyright © - Unpublished Work - See title page for details.

25-21-44
FIG. 62E
PAGE 6
FEB 15/09

BOEING
737-600/700/800/900
PARTS CATALOG (MAINTENANCE)

FIG ITEM	PART NUMBER	1 2 3 4 5 6 7	NOMENCLATURE	EFFECT FROM TO	UNITS PER ASSY
62E 300	130069		...NUT- SUPPLIER CODE: V60119 SPECIFICATION NUMBER: BACN10FX16 OPTIONAL PART: A11330-6-3 V72962 A4972-6-02 V72962 BACN10YD1	031100	1
300	BRC600-8-3		...NUT- SUPPLIER CODE: V52828 SPECIFICATION NUMBER: BACN10YD1 OPTIONAL PART: 130120 V60119 BACN10FX16	031100	1
305	65C36185-2		...BRACKET	031100	1
310	65C27021-184		..BRACKET ASSY ATTACHING PARTS	031100	2
- 315	BACR15BA5ADC		..RIVET- SIZE DETERMINED ON INSTL. -----*-----	031100	8
320	T8076S832		...NUTPLATE SUPPLIER CODE: V11815 SPECIFICATION NUMBER: BACN10JP08A OPTIONAL PART: MK1000-08BAC V15653 NS103197-82 V80539 RMA9201M82 V72962 VN202A1-82 V92215 BRM200A08 V52828 ATTACHING PARTS	031100	2
- 325	BACR15BA3AD		...RIVET- SIZE DETERMINED ON INSTL. -----*-----	031100	4
330	65C27021-221		...BRACKET	031100	1

MISSING ITEM NUMBERS NOT APPLICABLE

- ITEM NOT ILLUSTRATED

HAP

25-21-44-62E

BOEING PROPRIETARY - Copyright © - Unpublished Work - See title page for details.

25-21-44
FIG. 62E
PAGE 7
FEB 15/09

BOEING
737-600/700/800/900
PARTS CATALOG (MAINTENANCE)

FIG ITEM	PART NUMBER	1 2 3 4 5 6 7	NOMENCLATURE	EFFECT FROM TO	UNITS PER ASSY
62E 335	65C27021-295		..FITTING ASSY-SPLICE POSITION DATA: LH SIDE	031100	1
- 340	65C27021-296		..FITTING ASSY-SPLICE POSITION DATA: RH SIDE ATTACHING PARTS	031100	1
- 345	BACR15BA5DC		..RIVET- SIZE DETERMINED ON INSTL. -----*-----	031100	4
350	T8078S832		...NUTPLATE SUPPLIER CODE: V11815 SPECIFICATION NUMBER: BACN10JPO8C OPTIONAL PART: MK3000-08BAC V15653 NS103199-82 V80539 RMA9205M82 V72962 VN203A1-82 V92215 BRM300A08 V52828 ATTACHING PARTS	031100	6
- 355	BACR15BA3AD		...RIVET- SIZE DETERMINED ON INSTL. -----*-----	031100	12
360	65C27021-297		...FITTING- POSITION DATA: LH SIDE	031100	1
- 365	65C27021-298		...FITTING- POSITION DATA: RH SIDE	031100	1
370	412A3137-1065		..INSULATOR- POSITION DATA: LH SIDE	031100	1
- 375	412A3137-1066		..INSULATOR- POSITION DATA: RH SIDE	031100	1
380	412A3137-1063SP		..BEAM- POSITION DATA: LH SIDE	031100	1
- 385	412A3137-1064SP		..BEAM- POSITION DATA: RH SIDE	031100	1

MISSING ITEM NUMBERS NOT APPLICABLE

- ITEM NOT ILLUSTRATED

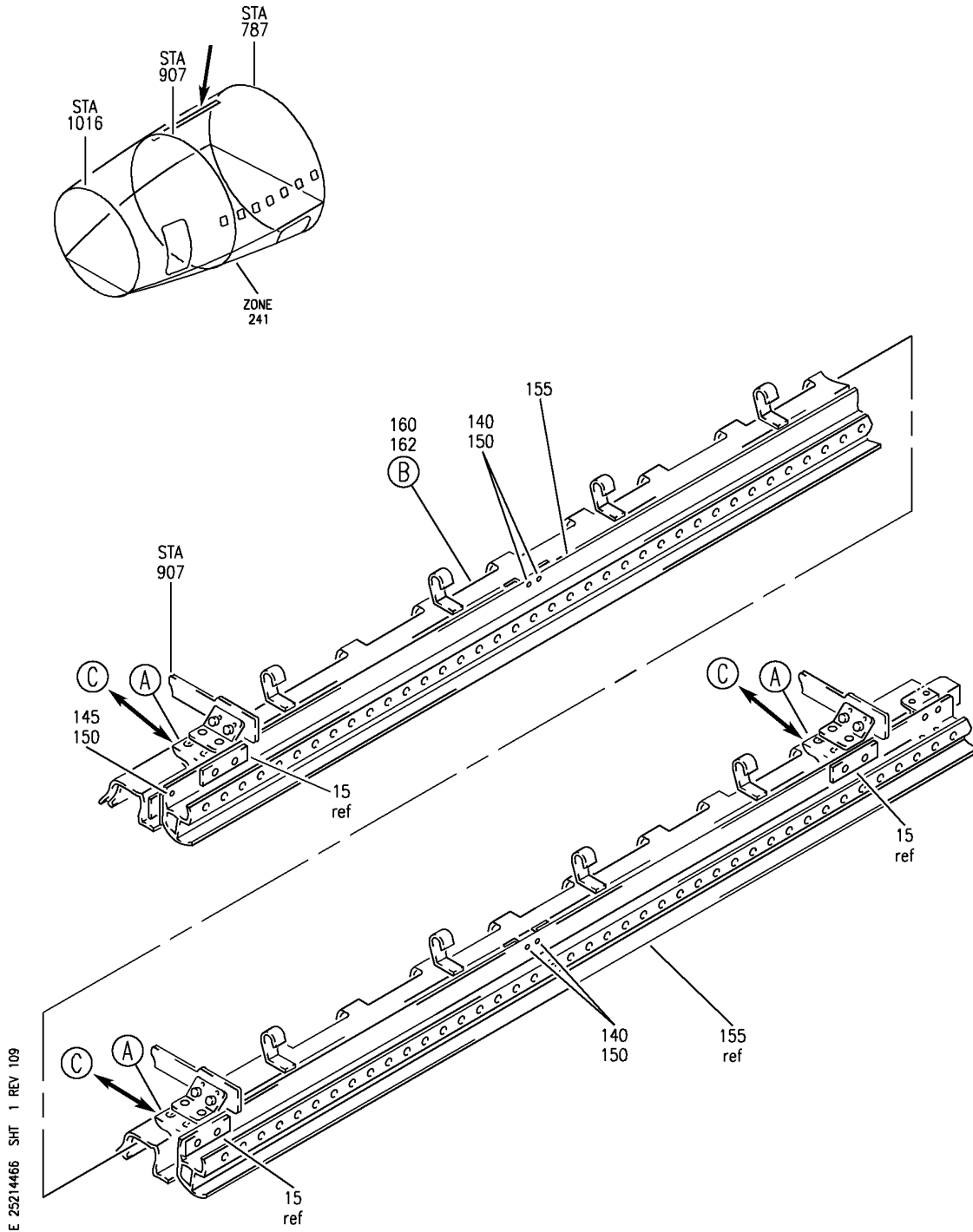
HAP

25-21-44-62E

BOEING PROPRIETARY - Copyright © - Unpublished Work - See title page for details.

25-21-44
FIG. 62E
PAGE 8
OCT 15/08

BOEING
 737-600/700/800/900
 PARTS CATALOG (MAINTENANCE)



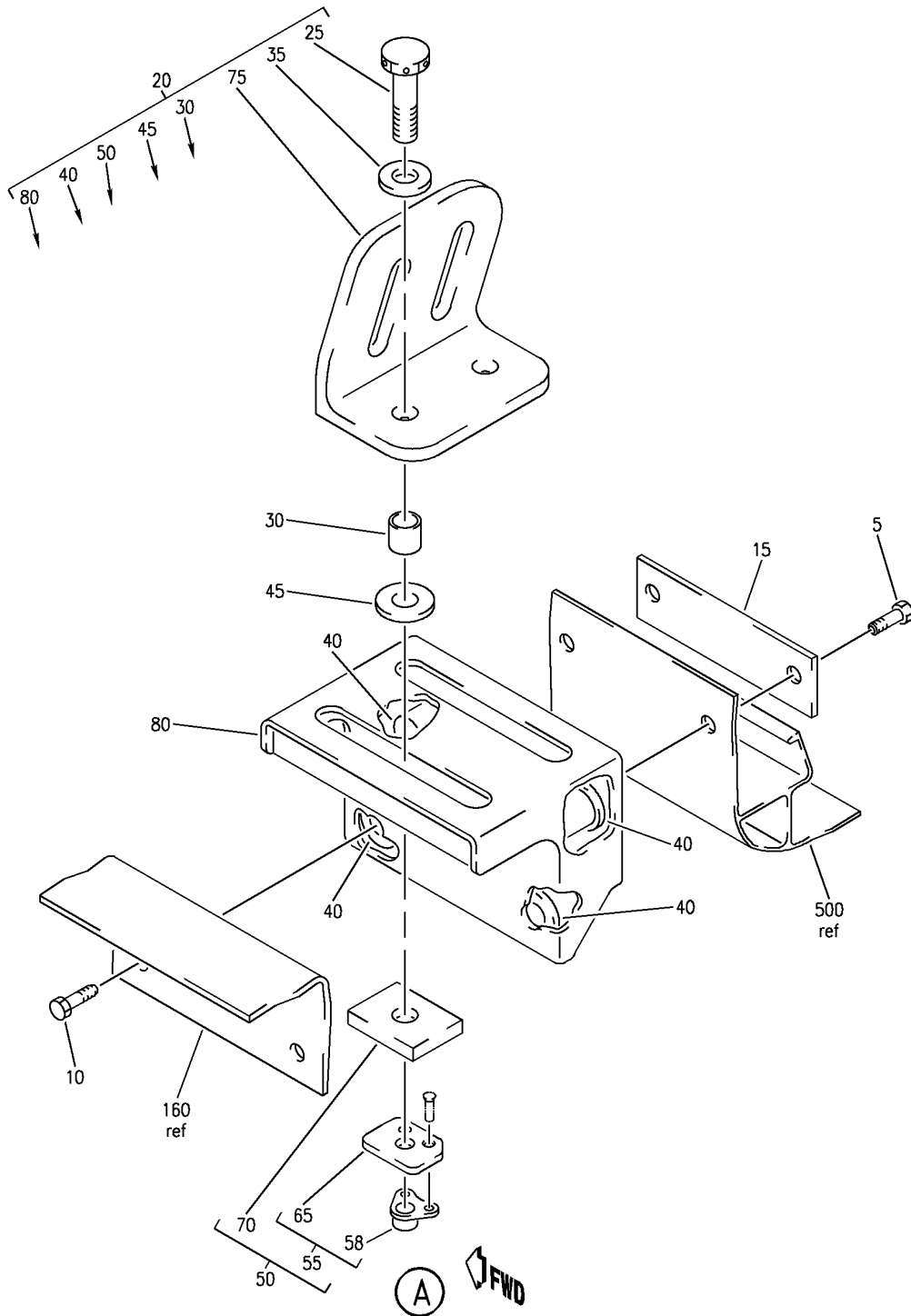
OUTLET ASSY-LH SIDEWALL AIR CONDITIONING
 FIGURE 66 (SHEET 1)

25-21-44-66

HAP
 OCT 10/06

25-21-44-66
 PAGE 0

BOEING
 737-600/700/800/900
 PARTS CATALOG (MAINTENANCE)



E 25214466 SHT 2 REV 109

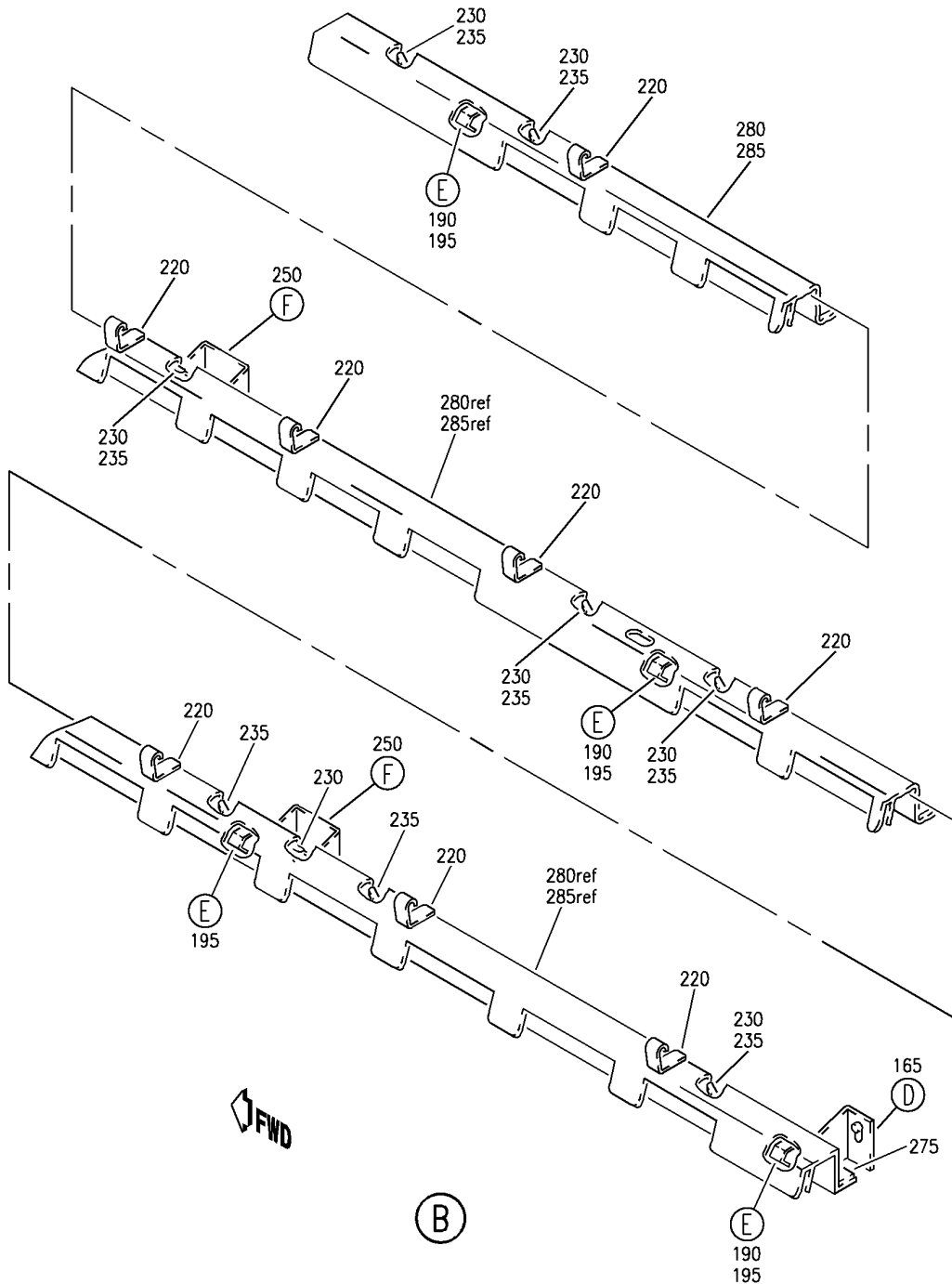
OUTLET ASSY-LH SIDEWALL AIR CONDITIONING
 FIGURE 66 (SHEET 2)

25-21-44-66

HAP
 OCT 10/06

25-21-44-66
 PAGE 0A

BOEING
 737-600/700/800/900
 PARTS CATALOG (MAINTENANCE)



E 25214466 SHT 3 REV 109

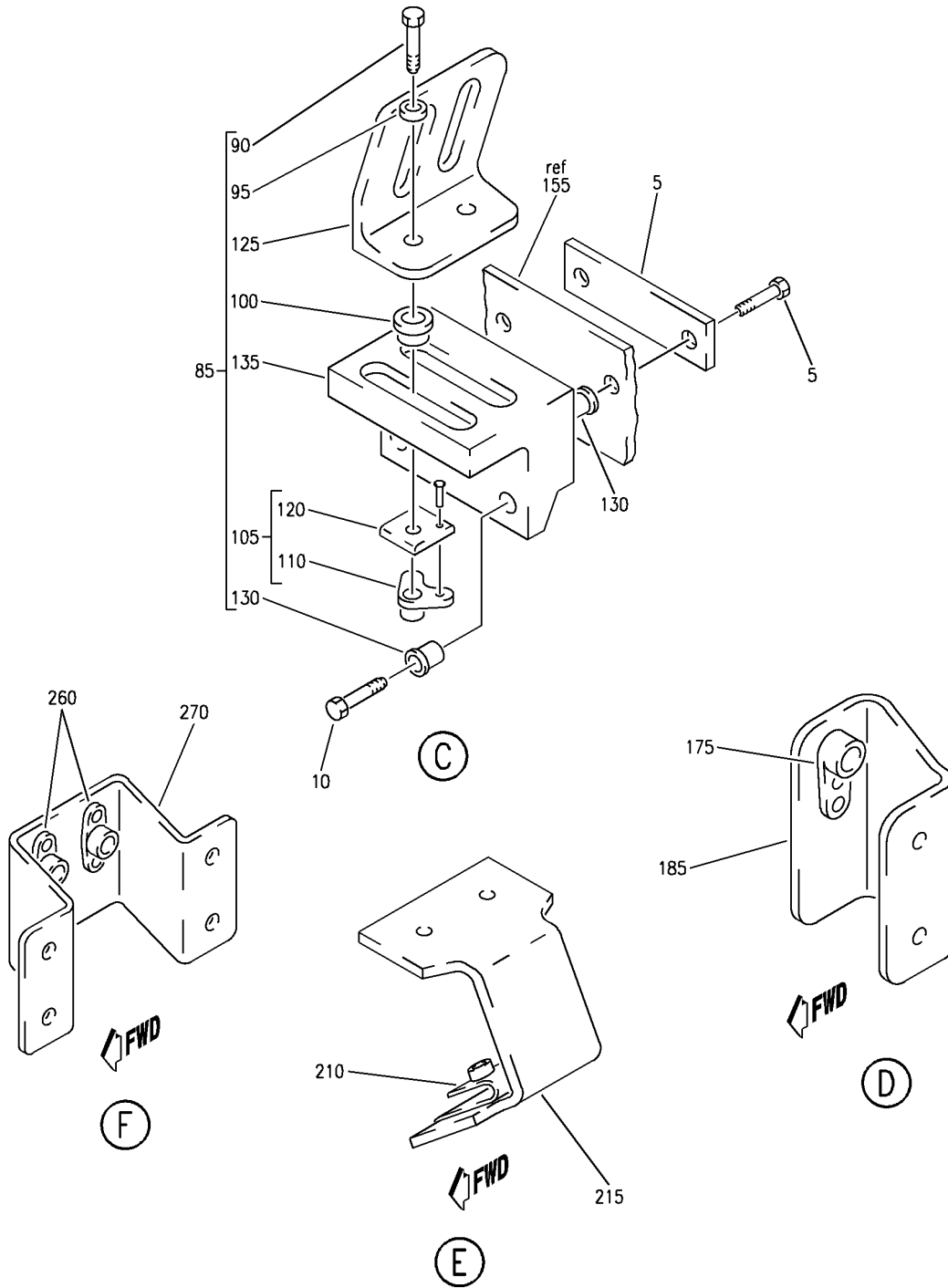
OUTLET ASSY-LH SIDEWALL AIR CONDITIONING
 FIGURE 66 (SHEET 3)

25-21-44-66

HAP
 OCT 10/06

25-21-44-66
 PAGE 0B

BOEING
 737-600/700/800/900
 PARTS CATALOG (MAINTENANCE)



E 25214466 SHT 4 REV 109

OUTLET ASSY-LH SIDEWALL AIR CONDITIONING
 FIGURE 66 (SHEET 4)

25-21-44-66

HAP
 OCT 10/06

25-21-44-66
 PAGE 0C

BOEING
737-600/700/800/900
PARTS CATALOG (MAINTENANCE)

FIG ITEM	PART NUMBER	1 2 3 4 5 6 7	NOMENCLATURE	EFFECT FROM TO	UNITS PER ASSY
66			OUTLET ASSY-LH SIDEWALL AIR CONDITIONING		
- 1	412A3103-1033SP		OUTLET ASSY-SIDEWALL AIR CONDITIONING POSITION DATA: LH FOR NHA SEE: 25-21-44-47	001030 201967	RF
- 1	412A3103-2033SP		OUTLET ASSY-SIDEWALL AIR CONDITIONING POSITION DATA: LH FOR NHA SEE: 25-21-44-47	031200 968999	RF
5	BACS12ER3K9		.SCREW		6
10	BACS12FA3K8		.SCREW		6
15	65C27021-177		.DOUBLER-SPRT		3
20	412A3133-1		.FITTING ASSY-	001043 101101 201971	3
20	412A3133-3		.FITTING ASSY-		3
25	BACB30NM3K6		..BOLT	001043 101101 201971	2
30	NAS43DD3-21FC		..SPACER	001043 101101 201971	2
35	NAS1149D0363J		..WASHER	001043 101101 201971	2
40	BACS13CJ3L080P		..INSERT	001043 101101 201971	4
45	412A2004-5		..BUSHING	001043 101101 201971	2
50	412A2004-9		..BEARING ASSY	001043 101101 201971	2
55	412A2004-6		...SUPPORT ASSY	001043 101101 201971	1

MISSING ITEM NUMBERS NOT APPLICABLE

- ITEM NOT ILLUSTRATED

HAP

25-21-44-66

25-21-44
FIG. 66
PAGE 1
OCT 15/08

BOEING
737-600/700/800/900
PARTS CATALOG (MAINTENANCE)

FIG ITEM	PART NUMBER	1 2 3 4 5 6 7	NOMENCLATURE	EFFECT FROM TO	UNITS PER ASSY
66					
58	T8078S1032	NUTPLATE SUPPLIER CODE: V11815 SPECIFICATION NUMBER: BACN10JP3C OPTIONAL PART: MK3000-3BAC V15653 NS103199-02 V80539 RMA9205M3 V72962 VN203A1-02 V92215 BRM300A3 V52828 ATTACHING PARTS	001043 101101 201971	1
- 61	BACR15BA3AD	RIVET- SIZE DETERMINED ON INSTL. -----*-----	001043 101101 201971	2
65	412A2004-7	SUPPORT	001043 101101 201971	1
70	412A2004-8	...	BEARING	001043 101101 201971	1
75	412A2004-1	..	BRACKET-ANGLE	001043 101101 201971	1
80	412A3134-1	..	HOUSING- USED ON: 412A3133-1	001043 101101 201971	1
80	412A3134-2	..	HOUSING- USED ON: 412A3133-3		1
85	412N3133-23	.	FITTING ASSY-	001030 201967	3
90	BACB30NM3K5	..	BOLT	001030 201967	2
95	AN960JD10LL	..	WASHER	001030 201967	2
100	412N2004-55	..	BUSHING	001030 201967	2
105	65C27021-463	..	FILLER ASSY-RADIUS	001030 201967	2

MISSING ITEM NUMBERS NOT APPLICABLE

- ITEM NOT ILLUSTRATED

HAP

25-21-44-66

BOEING PROPRIETARY - Copyright © - Unpublished Work - See title page for details.

25-21-44
FIG. 66
PAGE 2
OCT 15/08

BOEING
737-600/700/800/900
PARTS CATALOG (MAINTENANCE)

FIG ITEM	PART NUMBER	1 2 3 4 5 6 7	NOMENCLATURE	EFFECT FROM TO	UNITS PER ASSY
66 110	T8078S1032		...NUTPLATE SUPPLIER CODE: V11815 SPECIFICATION NUMBER: BACN10JP3C OPTIONAL PART: MK3000-3BAC V15653 NS103199-02 V80539 RMA9205M3 V72962 VN203A1-02 V92215 BRM300A3 V52828 ATTACHING PARTS	001030 201967	1
- 115	BACR15BA3AD		...RIVET- SIZE DETERMINED ON INSTL. -----*-----	001030 201967	2
120	65C27021-464		...FILLER	001030 201967	1
125	65C27021-459		..BRACKET	001030 201967	1
130	BACS13CJ3L080P		..INSERT	001030 201967	4
135	412N3134-1		..CASTING-SPRT	001030 201967	1
140	BACS12GU08K6		.SCREW		4
145	BACS12GU08K7		.SCREW		1
150	NAS1149DN816J		.WASHER		5
155	412A3136-1039SP		.BEAM		1
160	412A3137-1089SP		.BEAM ASSY		1
165	412A3101-2		..BRACKET ASSY ATTACHING PARTS		1
- 170	BACR15BB5DC		..RIVET- SIZE DETERMINED ON INSTL. -----*-----		2

MISSING ITEM NUMBERS NOT APPLICABLE

- ITEM NOT ILLUSTRATED

HAP

25-21-44-66

BOEING PROPRIETARY - Copyright © - Unpublished Work - See title page for details.

25-21-44
FIG. 66
PAGE 3
OCT 15/08

BOEING
737-600/700/800/900
PARTS CATALOG (MAINTENANCE)

FIG ITEM	PART NUMBER	1 2 3 4 5 6 7	NOMENCLATURE	EFFECT FROM TO	UNITS PER ASSY
66 175	T8077S832BC		...NUTPLATE SUPPLIER CODE: V11815 SPECIFICATION NUMBER: BACN10JP08BR OPTIONAL PART: MK2000-08BCBAC V15653 NS103198-82BC V80539 RMA9207M82BC V72962 VN201A2-82 V92215 BRM100A08K V52828 ATTACHING PARTS		1
- 180	BACR15BA3ADC		...RIVET- SIZE DETERMINED ON INSTL. -----*-----		2
185	412A3101-4		...BRACKET		1
190	65C36185-1		..BRACKET ASSY ATTACHING PARTS		3
- 200	BACR15BB4DC		..RIVET- SIZE DETERMINED ON INSTL. -----*-----		6
210	130069		...NUT- SUPPLIER CODE: V60119 SPECIFICATION NUMBER: BACN10FX16 OPTIONAL PART: A11330-6-3 V72962 A4972-6-02 V72962 BACN10YD1		1
210	BRC600-8-3		...NUT- SUPPLIER CODE: V52828 SPECIFICATION NUMBER: BACN10YD1 OPTIONAL PART: 130120 V60119 BACN10FX16		1
215	65C36185-2		...BRACKET		1
220	412N2008-1		..CLIP-SPR		8

MISSING ITEM NUMBERS NOT APPLICABLE

- ITEM NOT ILLUSTRATED

HAP

25-21-44-66

BOEING PROPRIETARY - Copyright © - Unpublished Work - See title page for details.

25-21-44
FIG. 66
PAGE 4
FEB 15/09

BOEING
737-600/700/800/900
PARTS CATALOG (MAINTENANCE)

FIG ITEM	PART NUMBER	1 2 3 4 5 6 7	NOMENCLATURE	EFFECT FROM TO	UNITS PER ASSY
66			ATTACHING PARTS		
- 225	BACR15BA3ADC	..	RIVET- SIZE DETERMINED ON INSTL. -----*-----		16
230	BACN10TL3A3	..	NUTPLATE- POSITION DATA: FAR SIDE		7
- 240	BACR15BB4DC	..	RIVET- SIZE DETERMINED ON INSTL. -----*-----		14
250	65C27021-184	..	BRACKET ASSY ATTACHING PARTS		2
- 255	BACR15BA5ADC	..	RIVET- SIZE DETERMINED ON INSTL. -----*-----		8
260	T8076S832	...	NUTPLATE SUPPLIER CODE: V11815 SPECIFICATION NUMBER: BACN10JP08A OPTIONAL PART: MK1000-08BAC V15653 NS103197-82 V80539 RMA9201M82 V72962 VN202A1-82 V92215 BRM200A08 V52828		2
- 265	BACR15BA3AD	...	RIVET- SIZE DETERMINED ON INSTL. -----*-----		4
270	65C27021-221	...	BRACKET		1
275	412A3137-1094	..	INSULATOR		1
280	412A3137-1091SP	..	BEAM		1

MISSING ITEM NUMBERS NOT APPLICABLE

- ITEM NOT ILLUSTRATED

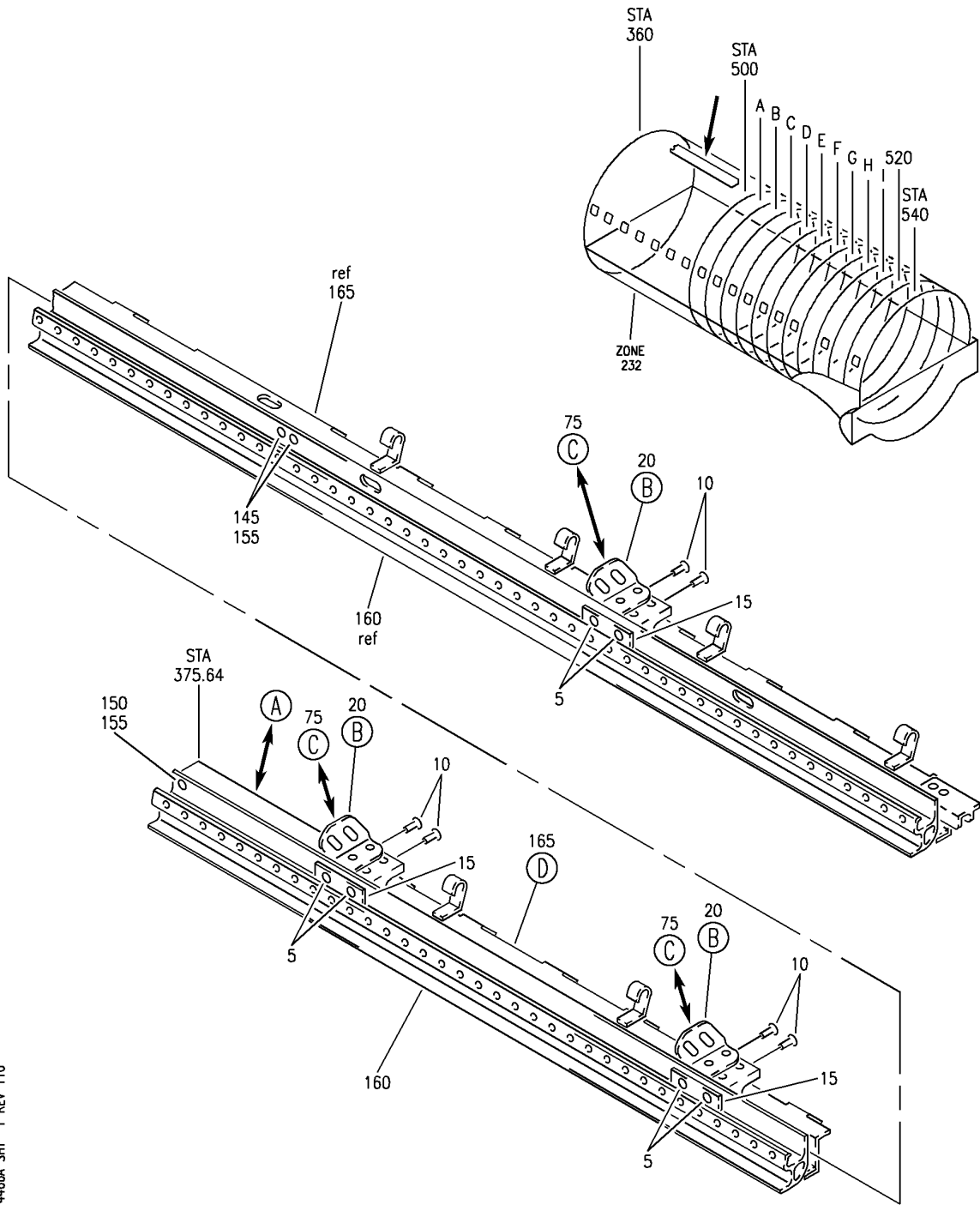
HAP

25-21-44-66

BOEING PROPRIETARY - Copyright © - Unpublished Work - See title page for details.

25-21-44
FIG. 66
PAGE 5
FEB 15/09

BOEING
 737-600/700/800/900
 PARTS CATALOG (MAINTENANCE)



E 25214466A SHT 1 REV 110

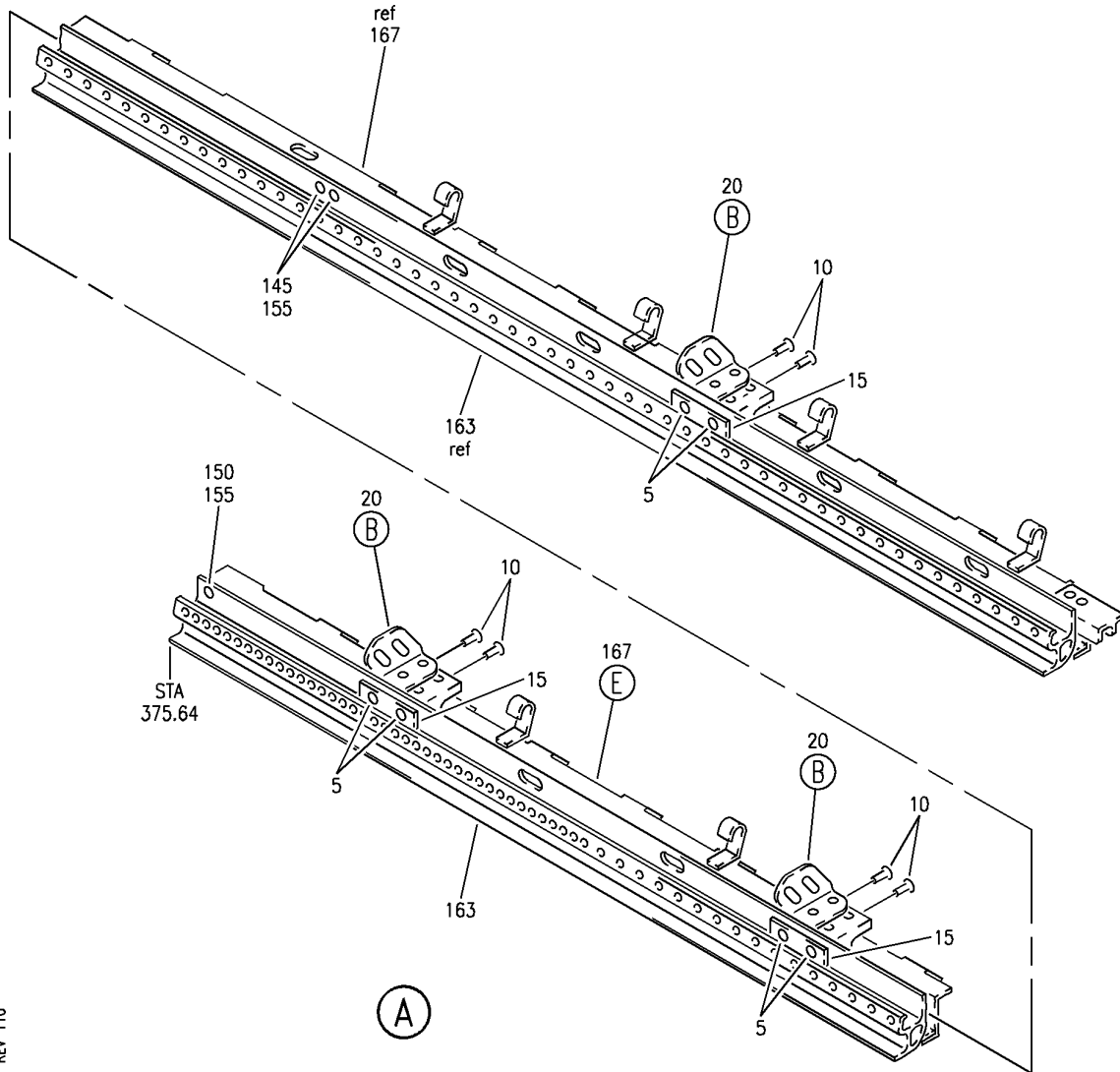
OUTLET ASSY-RH SIDEWALL AIR CONDITIONING
 FIGURE 66A (SHEET 1)

25-21-44-66A

HAP
 OCT 10/06

25-21-44-66A
 PAGE 0

BOEING
 737-600/700/800/900
 PARTS CATALOG (MAINTENANCE)



E 25214466A SHT 2 REV 110

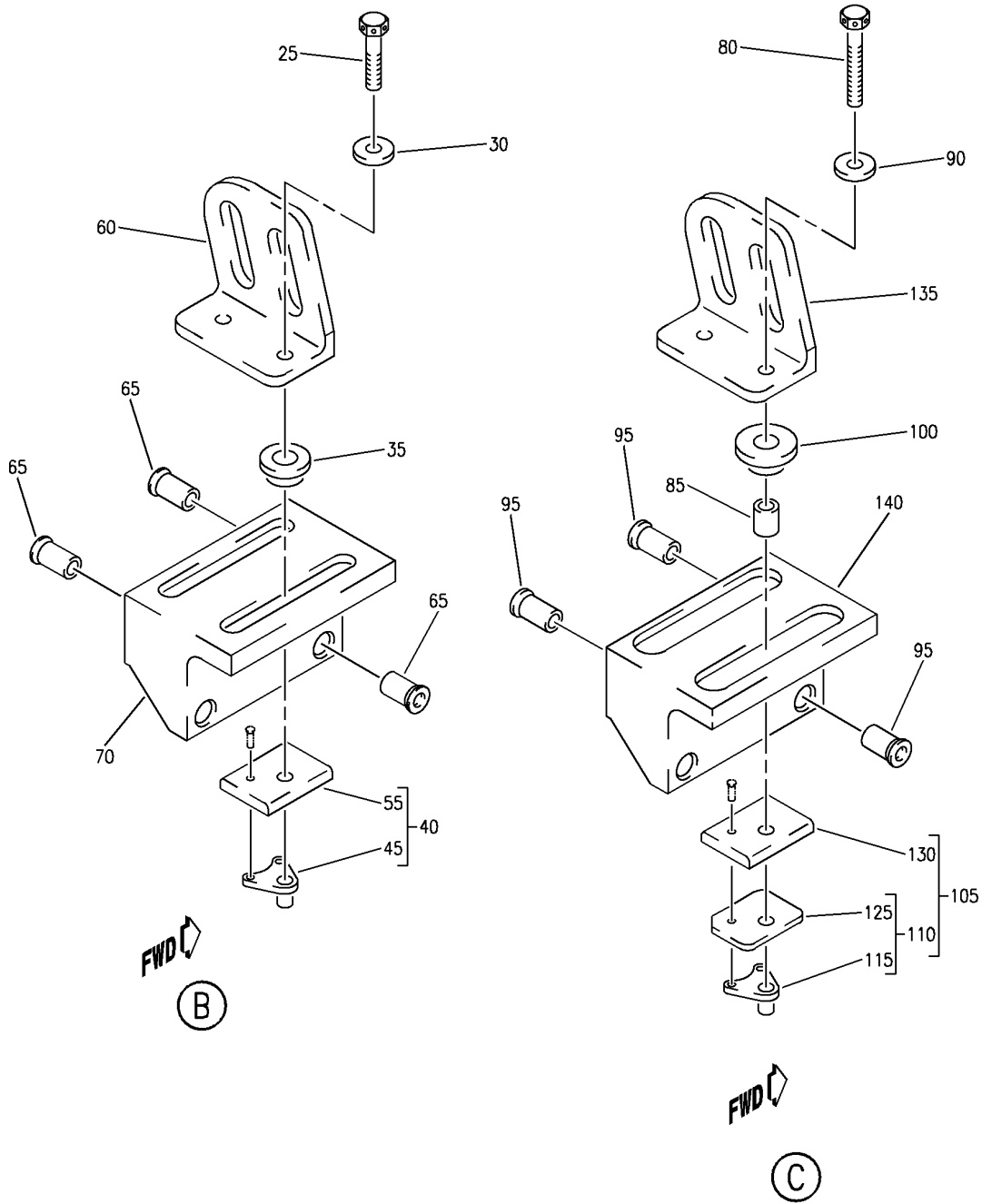
OUTLET ASSY-RH SIDEWALL AIR CONDITIONING
 FIGURE 66A (SHEET 2)

25-21-44-66A

HAP
 OCT 10/06

25-21-44-66A
 PAGE 0A

BOEING
 737-600/700/800/900
 PARTS CATALOG (MAINTENANCE)



E 25214466A SHT 3 REV 110

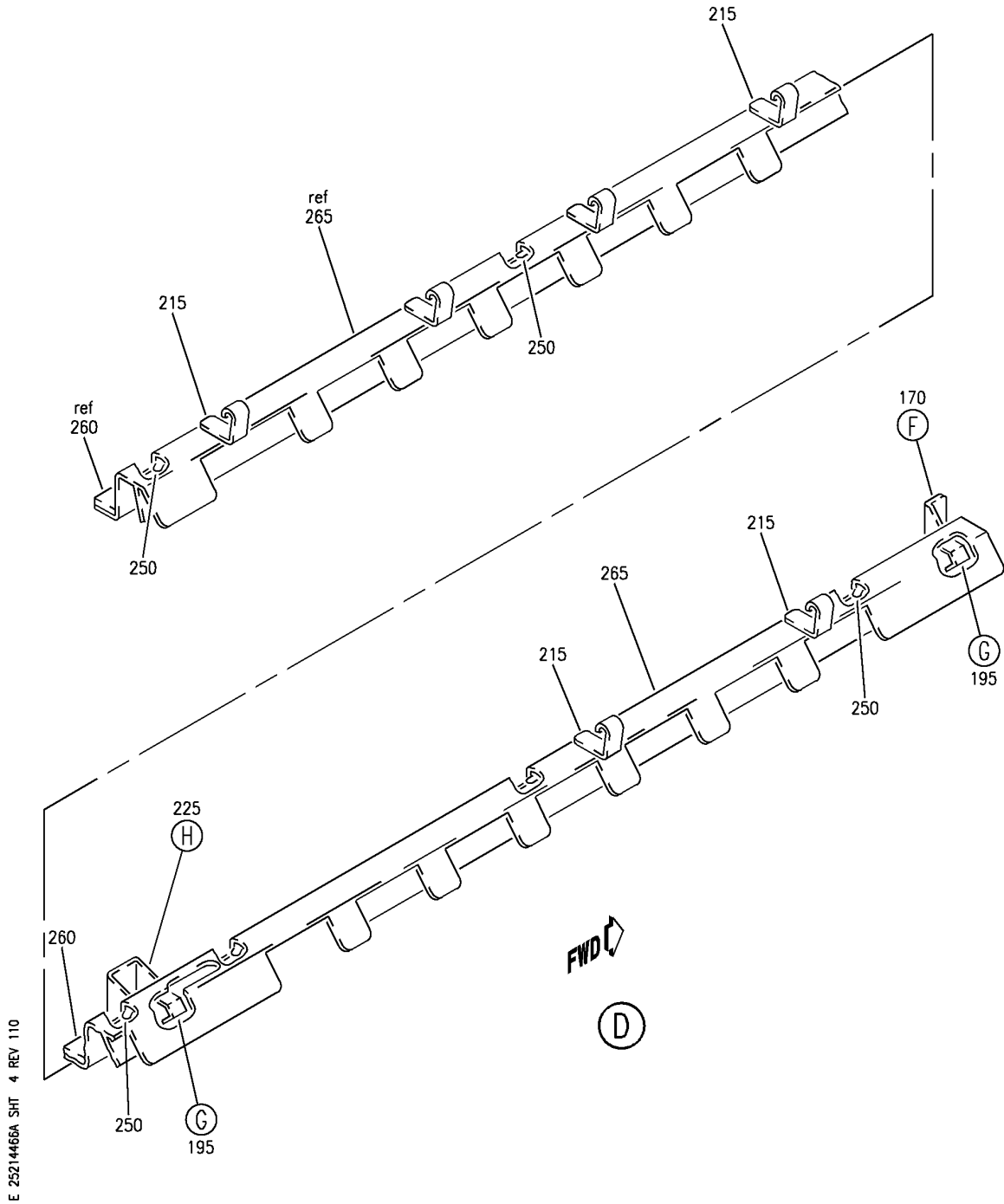
OUTLET ASSY-RH SIDEWALL AIR CONDITIONING
 FIGURE 66A (SHEET 3)

25-21-44-66A

HAP
 OCT 10/06

25-21-44-66A
 PAGE 0B

BOEING
737-600/700/800/900
PARTS CATALOG (MAINTENANCE)

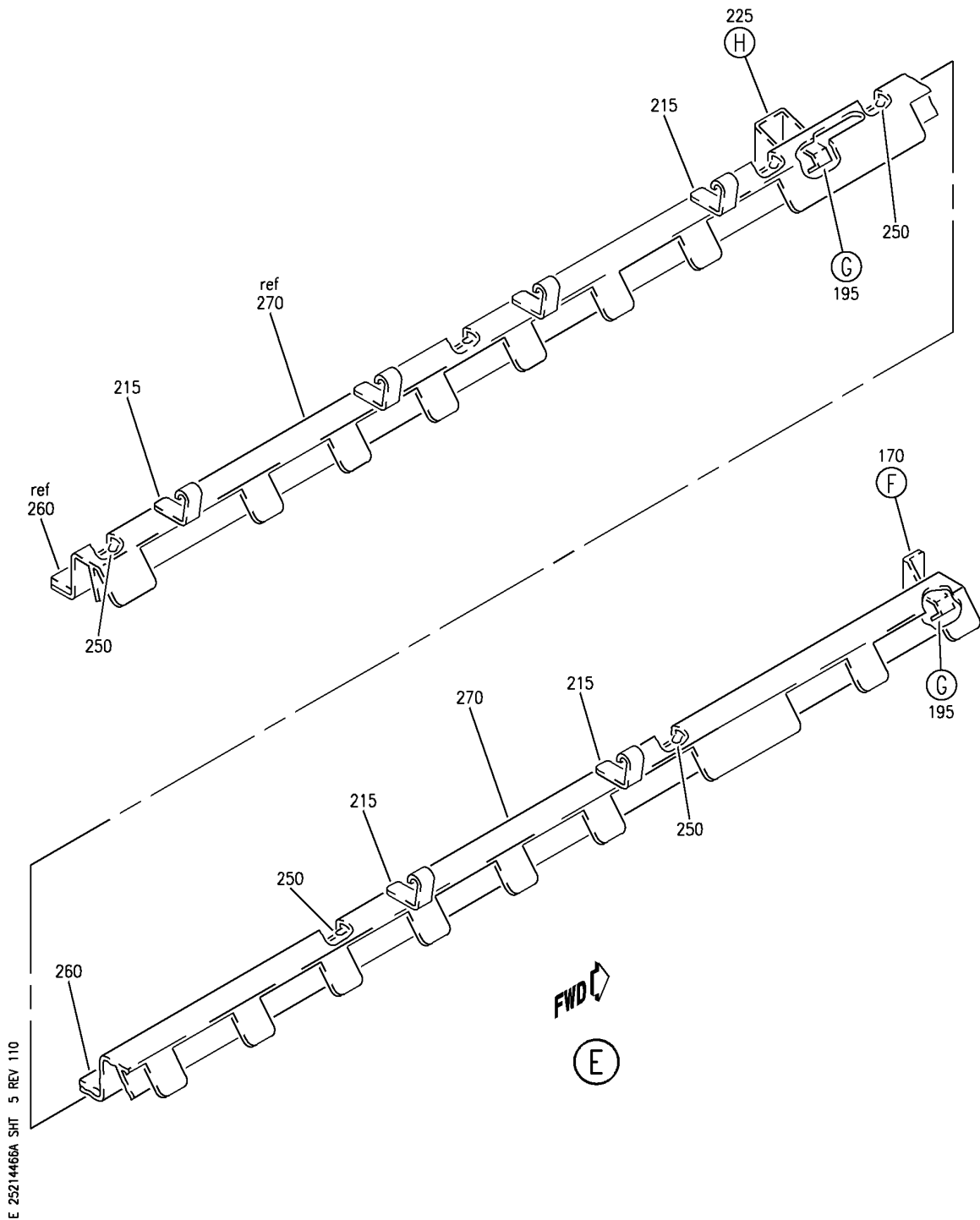


OUTLET ASSY-RH SIDEWALL AIR CONDITIONING
FIGURE 66A (SHEET 4)

25-21-44-66A

HAP
OCT 10/06

25-21-44-66A
PAGE 0C



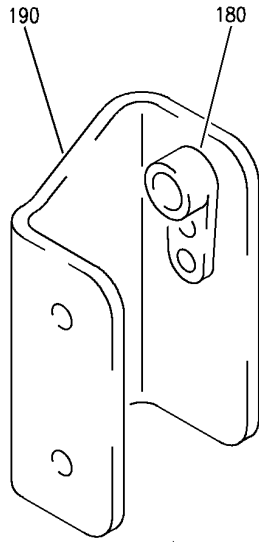
OUTLET ASSY-RH SIDEWALL AIR CONDITIONING
 FIGURE 66A (SHEET 5)

25-21-44-66A

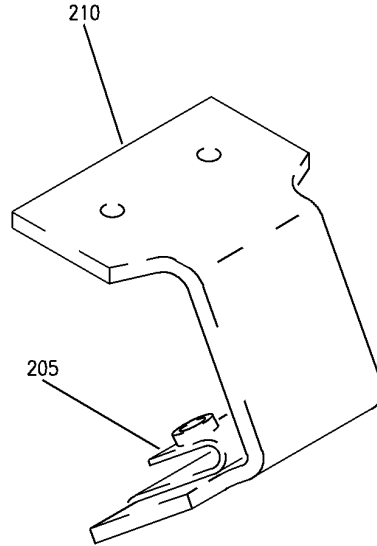
HAP
 OCT 10/06

25-21-44-66A
 PAGE 0D

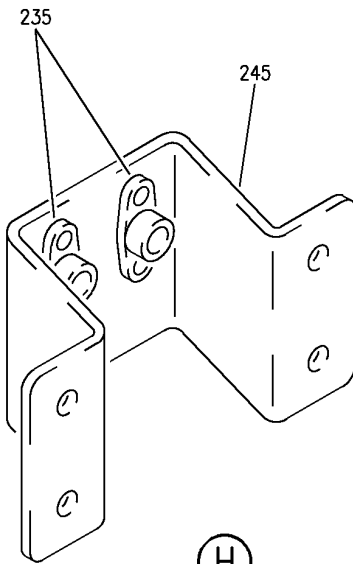
BOEING
737-600/700/800/900
PARTS CATALOG (MAINTENANCE)



FWD 
(F)



(G)



(H)

E 25214466A SHT 6 REV 110

OUTLET ASSY-RH SIDEWALL AIR CONDITIONING
FIGURE 66A (SHEET 6)

25-21-44-66A

HAP
OCT 10/06

25-21-44-66A
PAGE 0E

BOEING
737-600/700/800/900
PARTS CATALOG (MAINTENANCE)

FIG ITEM	PART NUMBER	1 2 3 4 5 6 7	NOMENCLATURE	EFFECT FROM TO	UNITS PER ASSY
66A			OUTLET ASSY-RH SIDEWALL AIR CONDITIONING	001030	
- 1	412A3103-1082SP		OUTLET ASSY-SIDEWALL AIR CONDITIONING POSITION DATA: RH POST SERVICE BULLETIN: 25-1360 FOR NHA SEE: 25-21-44-13A	001030	RF
5	BACS12ER3K9	.SCREW		001030	6
10	BACS12FA3K8	.SCREW		001030	6
15	65C27021-177	.DOUBLER-SPRT		001030	3
20	412N3133-24	.FITTING ASSY-		001030	3
25	BACB30NM3K5	..BOLT		001030	2
30	AN960JD10LL	..WASHER		001030	2
35	412N2004-55	..BUSHING		001030	2
40	65C27021-463	..FILLER ASSY-RADIUS		001030	2
45	T8078S1032	...NUTPLATE		001030	1
		SUPPLIER CODE: V11815			
		SPECIFICATION NUMBER: BACN10JP3C			
		OPTIONAL PART: MK3000-3BAC V15653 NS103199-02 V80539 RMA9205M3 V72962 VN203A1-02 V92215 BRM300A3 V52828			
		ATTACHING PARTS			
- 50	BACR15BA3AD	...RIVET-		001030	2
		SIZE DETERMINED ON INSTL. -----*-----			
55	65C27021-464	...FILLER		001030	1
60	65C27021-460	..BRACKET		001030	1
65	BACS13CJ3L080P	..INSERT		001030	4
70	412N3134-1	..CASTING		001030	1
75	412A3133-4	.FITTING ASSY-		001030	3
75	412A3133-2	.FITTING ASSY-		001030	3
80	BACB30NM3K6	..BOLT		001030	2
85	NAS43DD3-21FC	..SPACER		001030	2
90	NAS1149D0363J	..WASHER		001030	2
95	BACS13CJ3L080P	..INSERT		001030	4
100	412A2004-5	..BUSHING		001030	2

MISSING ITEM NUMBERS NOT APPLICABLE

- ITEM NOT ILLUSTRATED

HAP

25-21-44-66A

25-21-44
FIG. 66A
PAGE 1
FEB 15/09

BOEING
737-600/700/800/900
PARTS CATALOG (MAINTENANCE)

FIG ITEM	PART NUMBER	1 2 3 4 5 6 7	NOMENCLATURE	EFFECT FROM TO	UNITS PER ASSY
66A					
105	412A2004-9	..	BEARING ASSY-ANGLE	001030	2
110	412A2004-6	...	SUPPORT ASSY	001030	1
115	T8078S1032	NUTPLATE	001030	1
			SUPPLIER CODE: V11815		
			SPECIFICATION NUMBER: BACN10JP3C		
			OPTIONAL PART: MK3000-3BAC		
			V15653		
			NS103199-02		
			V80539		
			RMA9205M3		
			V72962		
			VN203A1-02		
			V92215		
			BRM300A3		
			V52828		
145	BACS12GU08K6	.SCREW		001030	2
150	BACS12GU08K7	.SCREW		001030	1
155	NAS1149DN816J	.WASHER		001030	3
163	412A3136-1082SP	.BEAM-		001030	1
			POST SERVICE BULLETIN: 25-1360		
167	412A3137-1218SP	.BEAM ASSY-		001030	1
			POST SERVICE BULLETIN: 25-1360		
170	412A3101-2	..BRACKET ASSY		001030	1
			ATTACHING PARTS		
- 175	BACR15BB5DC	..RIVET-		001030	2
			SIZE DETERMINED ON INSTL. -----*-----		
180	T8077S832BC	...NUTPLATE		001030	1
			SUPPLIER CODE: V11815		
			SPECIFICATION NUMBER: BACN10JP08BR		
			OPTIONAL PART: MK2000-08BCBAC		
			V15653		
			NS103198-82BC		
			V80539		
			RMA9207M82BC		
			V72962		
			VN201A2-82		
			V92215		
			BRM100A08K		
			V52828		

MISSING ITEM NUMBERS NOT APPLICABLE

- ITEM NOT ILLUSTRATED

HAP

25-21-44-66A

BOEING PROPRIETARY - Copyright © - Unpublished Work - See title page for details.

25-21-44
FIG. 66A
PAGE 2
FEB 15/09

BOEING
737-600/700/800/900
PARTS CATALOG (MAINTENANCE)

FIG ITEM	PART NUMBER	1 2 3 4 5 6 7	NOMENCLATURE	EFFECT FROM TO	UNITS PER ASSY
66A			ATTACHING PARTS		
- 185	BACR15BA3ADC	...	RIVET- SIZE DETERMINED ON INSTL. -----*-----	001030	2
190	412A3101-4	...	BRACKET	001030	1
195	65C36185-1	..	BRACKET ASSY	001030	2
- 200	BACR15BB4DC	..	RIVET- ATTACHING PARTS SIZE DETERMINED ON INSTL. OPTIONAL PART: NAS1398D4A2	001030	4
- 200	NAS1398D4A2	..	RIVET- OPTIONAL PART: BACR15BB4DC -----*-----	001030	4
205	130069	...	NUT- SUPPLIER CODE: V60119 SPECIFICATION NUMBER: BACN10FX16 OPTIONAL PART: A11330-6-3 V72962 A4972-6-02 V72962 BACN10YD1	001030	1
205	BRC600-8-3	...	NUT- SUPPLIER CODE: V52828 SPECIFICATION NUMBER: BACN10YD1 OPTIONAL PART: 130120 V60119 BACN10FX16	001030	1
210	65C36185-2	...	BRACKET	001030	1
215	412N2008-1	..	CLIP	001030	6
- 220	BACR15BA3ADC	..	RIVET- ATTACHING PARTS SIZE DETERMINED ON INSTL. -----*-----	001030	12
225	65C27021-184	..	BRACKET ASSY	001030	1
- 230	BACR15BA3ADC	..	RIVET- ATTACHING PARTS SIZE DETERMINED ON INSTL. -----*-----	001030	4

MISSING ITEM NUMBERS NOT APPLICABLE

- ITEM NOT ILLUSTRATED

HAP

25-21-44-66A

BOEING PROPRIETARY - Copyright © - Unpublished Work - See title page for details.

25-21-44
FIG. 66A
PAGE 3
FEB 15/09

BOEING
737-600/700/800/900
PARTS CATALOG (MAINTENANCE)

FIG ITEM	PART NUMBER	1 2 3 4 5 6 7	NOMENCLATURE	EFFECT FROM TO	UNITS PER ASSY
66A 235	T8076S832		...NUTPLATE SUPPLIER CODE: V11815 SPECIFICATION NUMBER: BACN10JP08A OPTIONAL PART: MK1000-08BAC V15653 NS103197-82 V80539 RMA9201M82 V72962 VN202A1-82 V92215 BRM200A08 V52828 ATTACHING PARTS	001030	2
- 240	BACR15BA3AD		...RIVET- SIZE DETERMINED ON INSTL. -----*-----	001030	4
245	65C27021-221		...BRACKET	001030	1
250	BACN10TL3A3		..NUTPLATE ATTACHING PARTS	001030	6
- 255	BACR15BB4DC		..RIVET- SIZE DETERMINED ON INSTL. -----*-----	001030	12
260	412A3137-1217		..INSULATOR- POST SERVICE BULLETIN: 25-1360	001030	1
270	412A3137-1219SP		..BEAM- POST SERVICE BULLETIN: 25-1360	001030	1

MISSING ITEM NUMBERS NOT APPLICABLE

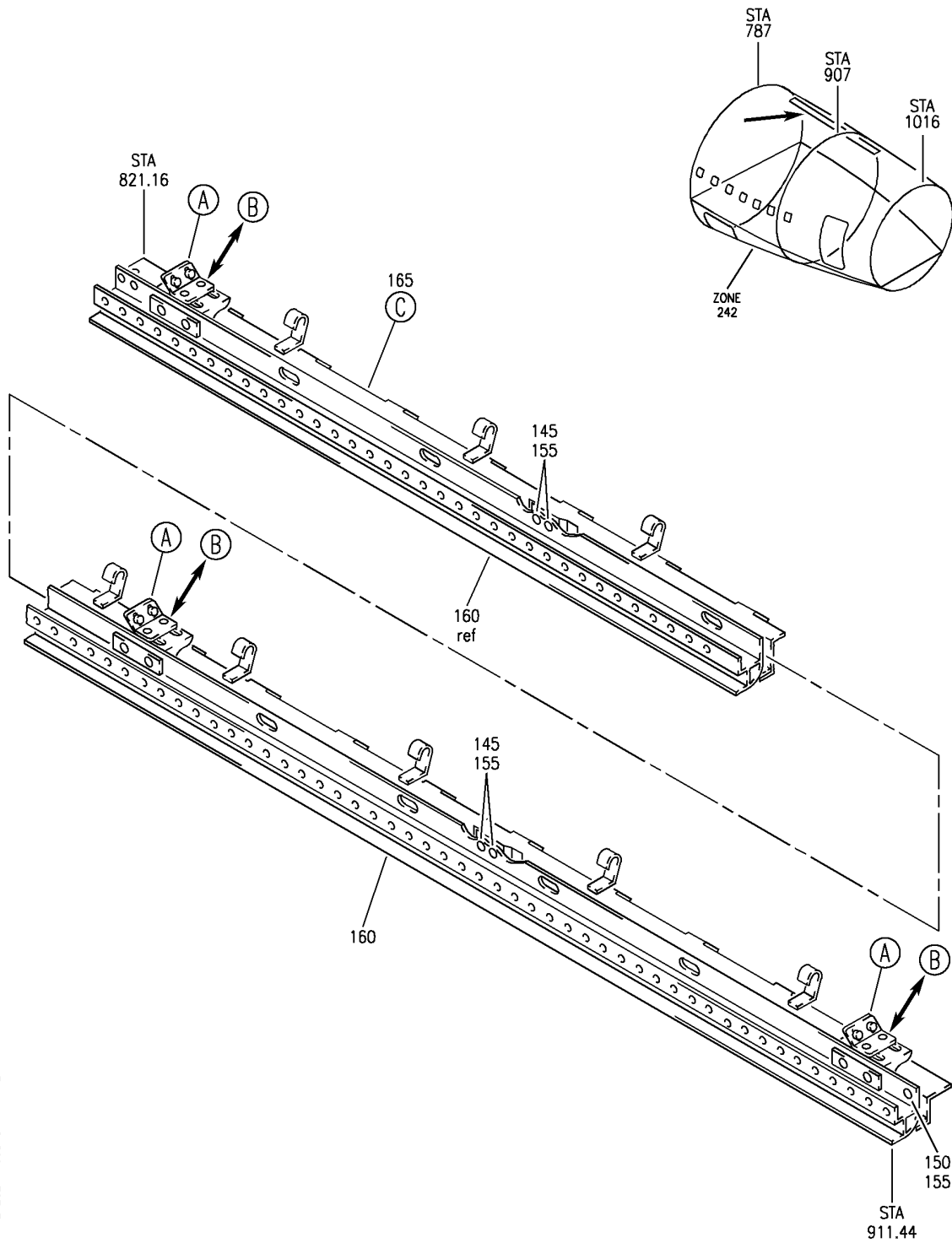
- ITEM NOT ILLUSTRATED

HAP

25-21-44-66A

BOEING PROPRIETARY - Copyright © - Unpublished Work - See title page for details.

25-21-44
FIG. 66A
PAGE 4
FEB 15/09



E 25214466C SHT 1 REV 111

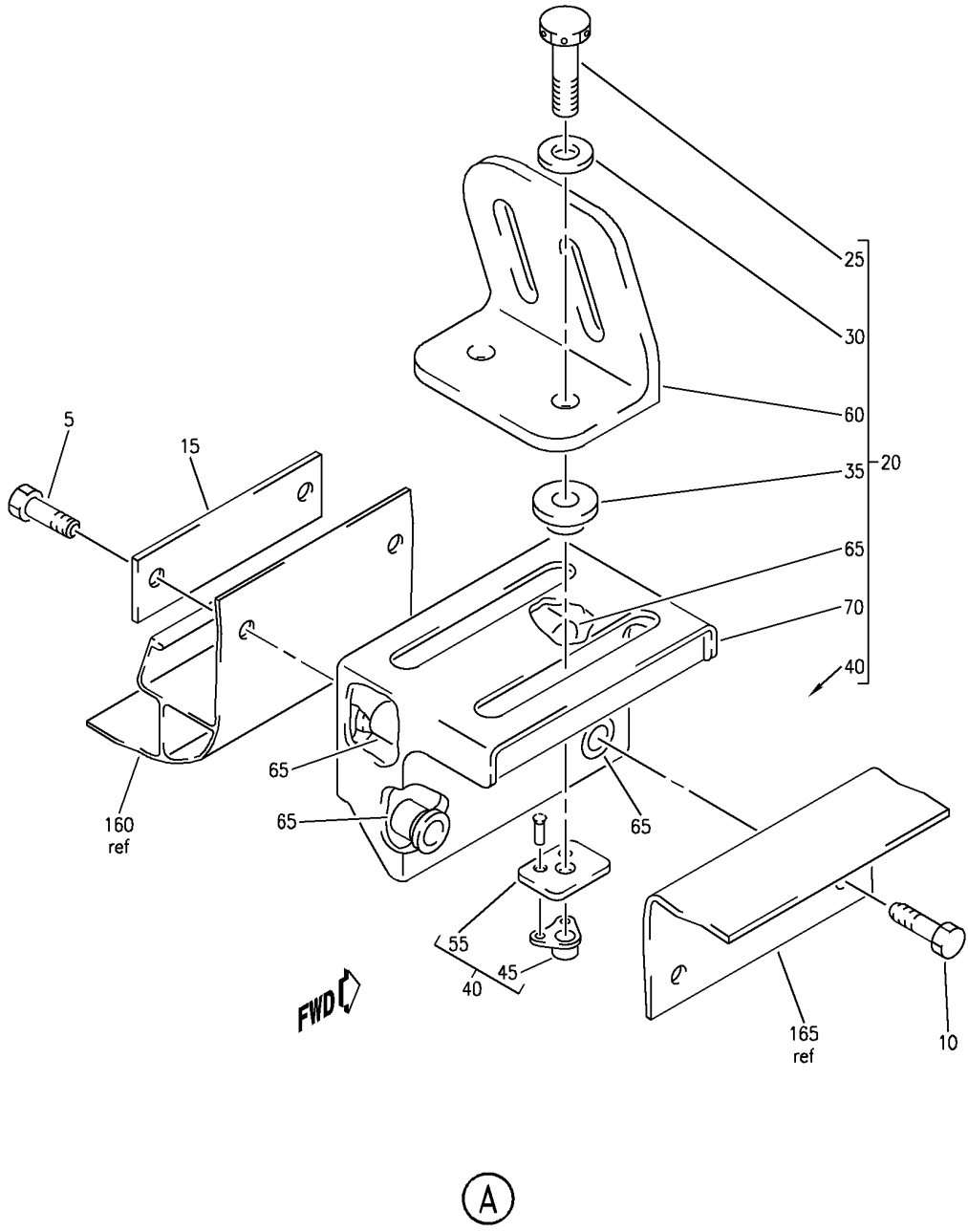
OUTLET ASSY-RH SIDEWALL AIR CONDITIONING
 FIGURE 66C (SHEET 1)

25-21-44-66C

HAP
 OCT 10/06

25-21-44-66C
 PAGE 0

BOEING
 737-600/700/800/900
 PARTS CATALOG (MAINTENANCE)



E 25214466C SHT 2 REV 111

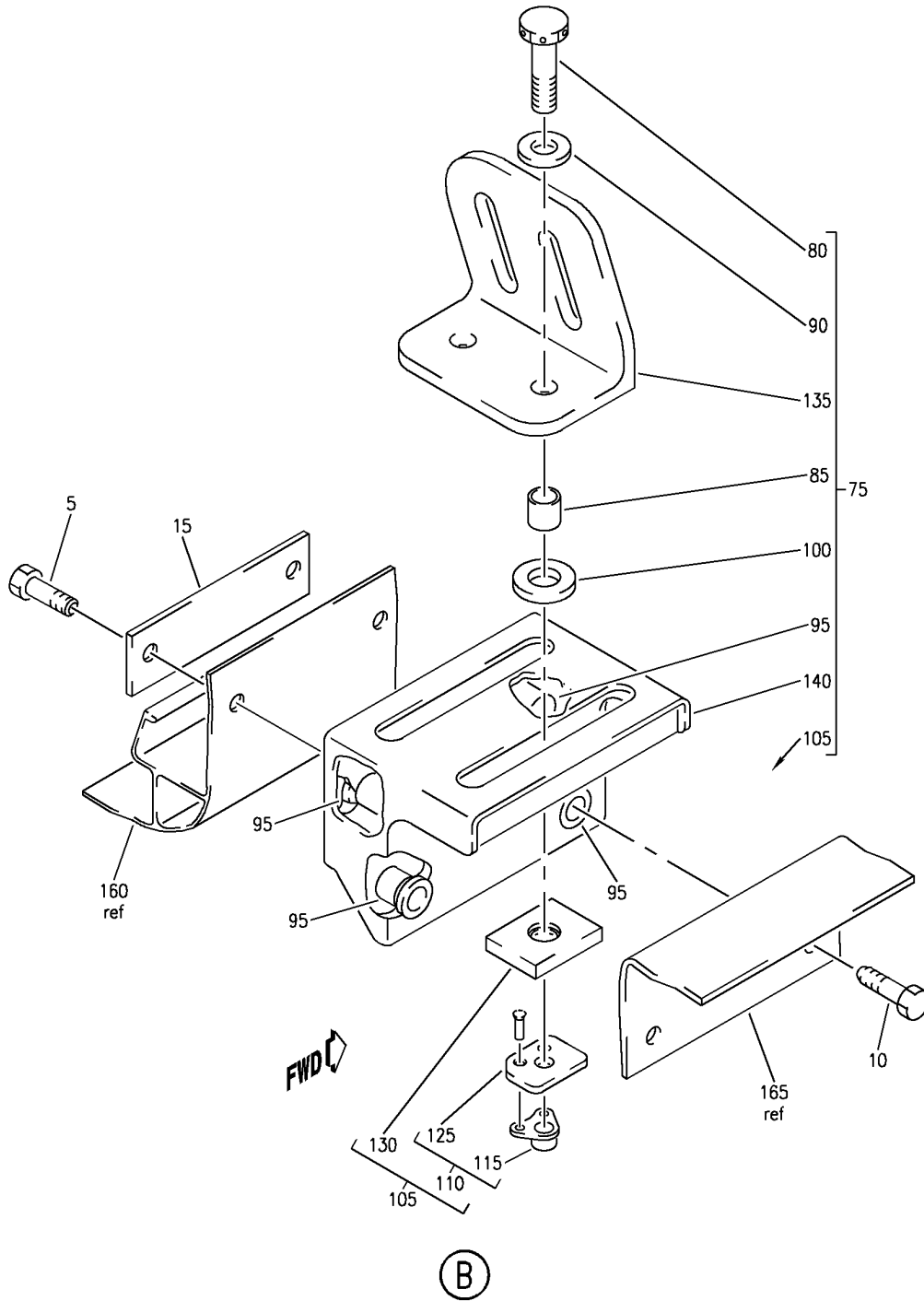
OUTLET ASSY-RH SIDEWALL AIR CONDITIONING
 FIGURE 66C (SHEET 2)

25-21-44-66C

HAP
 OCT 10/06

25-21-44-66C
 PAGE 0A

BOEING
 737-600/700/800/900
 PARTS CATALOG (MAINTENANCE)



E 25214466C SHT 3 REV 111

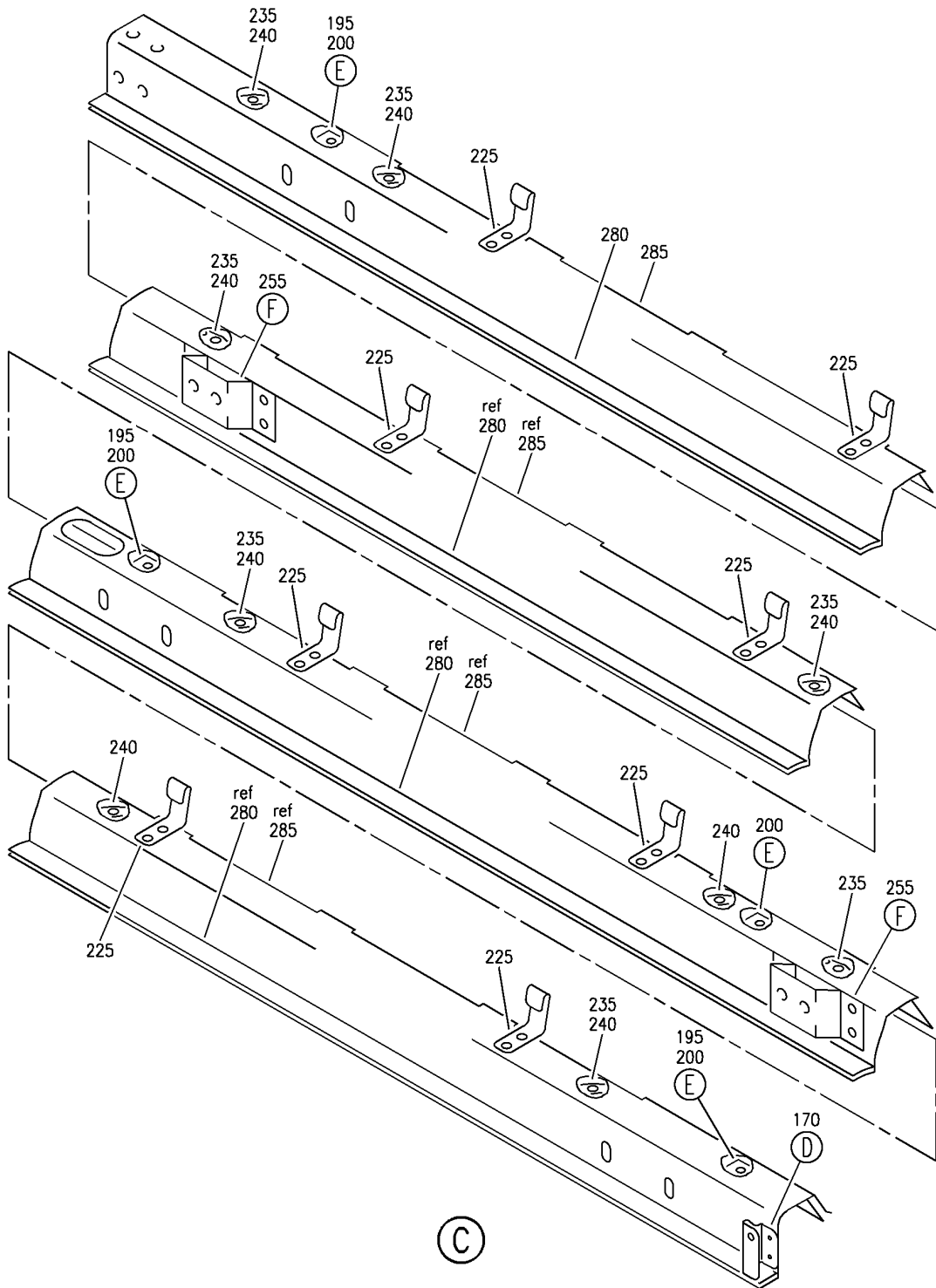
OUTLET ASSY-RH SIDEWALL AIR CONDITIONING
 FIGURE 66C (SHEET 3)

25-21-44-66C

HAP
 OCT 10/06

25-21-44-66C
 PAGE 0B

BOEING
 737-600/700/800/900
 PARTS CATALOG (MAINTENANCE)



E 25214466C SHT 4 REV 111

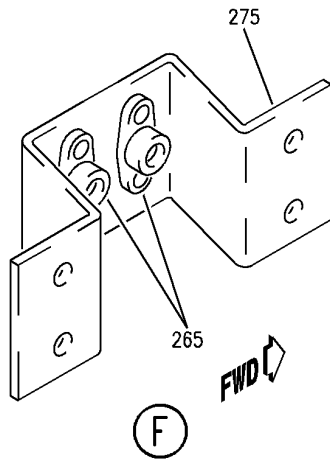
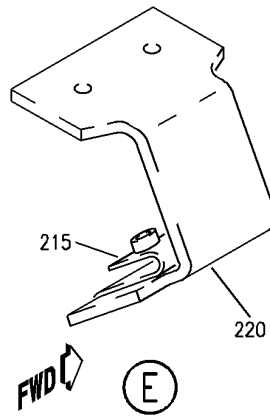
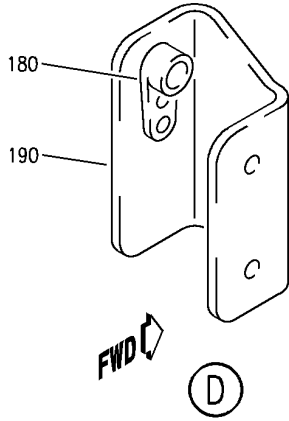
OUTLET ASSY-RH SIDEWALL AIR CONDITIONING
 FIGURE 66C (SHEET 4)

25-21-44-66C

HAP
 OCT 10/06

25-21-44-66C
 PAGE 0C

BOEING
737-600/700/800/900
PARTS CATALOG (MAINTENANCE)



E 25214466C SHT 5 REV 111

OUTLET ASSY-RH SIDEWALL AIR CONDITIONING
FIGURE 66C (SHEET 5)

25-21-44-66C

HAP
OCT 10/06

25-21-44-66C
PAGE 0D

BOEING
737-600/700/800/900
PARTS CATALOG (MAINTENANCE)

FIG ITEM	PART NUMBER	1 2 3 4 5 6 7	NOMENCLATURE	EFFECT FROM TO	UNITS PER ASSY
66C			OUTLET ASSY-RH SIDEWALL AIR CONDITIONING		
- 1	412A3103-1034SP		OUTLET ASSY-SIDEWALL AIR CONDITIONING POSITION DATA: RH FOR NHA SEE: 25-21-44-47B	001030 201967	RF
- 1	412A3103-2034SP		OUTLET ASSY-SIDEWALL AIR CONDITIONING POSITION DATA: RH FOR NHA SEE: 25-21-44-47B	031200 968999	RF
5	BACS12ER3K9	.	SCREW		6
10	BACS12FA3K8	.	SCREW		6
15	65C27021-177	.	DOUBLER-SPRT		3
20	412N3133-24	.	FITTING ASSY-	001030 201967	3
25	BACB30NM3K5	..	BOLT	001030 201967	2
30	AN960JD10LL	..	WASHER	001030 201967	2
35	412N2004-55	..	BUSHING	001030 201967	2
40	65C27021-463	..	FILLER ASSY-RADIUS	001030 201967	2
45	T8078S1032	...	NUTPLATE SUPPLIER CODE: V11815 SPECIFICATION NUMBER: BACN10JP3C OPTIONAL PART: MK3000-3BAC V15653 NS103199-02 V80539 RMA9205M3 V72962 VN203A1-02 V92215 BRM300A3 V52828	001030 201967	1
- 50	BACR15BA3AD	...	RIVET- SIZE DETERMINED ON INSTL. -----*-----	001030 201967	2
55	65C27021-464	...	FILLER	001030 201967	1

MISSING ITEM NUMBERS NOT APPLICABLE

- ITEM NOT ILLUSTRATED

HAP

25-21-44-66C

BOEING PROPRIETARY - Copyright © - Unpublished Work - See title page for details.

25-21-44
FIG. 66C
PAGE 1
OCT 15/08

BOEING
737-600/700/800/900
PARTS CATALOG (MAINTENANCE)

FIG ITEM	PART NUMBER	1 2 3 4 5 6 7	NOMENCLATURE	EFFECT FROM TO	UNITS PER ASSY
66C					
60	65C27021-460	..	BRACKET	001030 201967	1
65	BACS13CJ3L080P	..	INSERT	001030 201967	4
70	412N3134-1	..	CASTING-SPRT	001030 201967	1
75	412A3133-2	.FITTING	ASSY-	001043 101101 201971	3
75	412A3133-4	.FITTING	ASSY-		3
80	BACB30NM3K6	..	BOLT	001043 101101 201971	2
85	NAS43DD3-21FC	..	SPACER	001043 101101 201971	2
90	NAS1149D0363J	..	WASHER	001043 101101 201971	2
95	BACS13CJ3L080P	..	INSERT	001043 101101 201971	4
100	412A2004-5	..	BUSHING	001043 101101 201971	2
105	412A2004-9	..	BEARING ASSY	001043 101101 201971	2
110	412A2004-6	...	SUPPORT ASSY	001043 101101 201971	1
115	T8078S1032	NUTPLATE SUPPLIER CODE: V11815 SPECIFICATION NUMBER: BACN10JP3C OPTIONAL PART: MK3000-3BAC V15653 NS103199-02 V80539 RMA9205M3 V72962 VN203A1-02 V92215 BRM300A3 V52828	001043 101101 201971	1

MISSING ITEM NUMBERS NOT APPLICABLE

— ITEM NOT ILLUSTRATED

HAP

25-21-44-66C

BOEING PROPRIETARY - Copyright © - Unpublished Work - See title page for details.

25-21-44
FIG. 66C
PAGE 2
OCT 15/08

BOEING
737-600/700/800/900
PARTS CATALOG (MAINTENANCE)

FIG ITEM	PART NUMBER	1 2 3 4 5 6 7	NOMENCLATURE	EFFECT FROM TO	UNITS PER ASSY
66C			ATTACHING PARTS		
- 120	BACR15BA3AD	RIVET- SIZE DETERMINED ON INSTL.	001043 101101 201971	2
			-----*-----		
125	412A2004-7	SUPPORT	001043 101101 201971	1
130	412A2004-8	...	BEARING	001043 101101 201971	1
135	412A2004-2	..	BRACKET-ANGLE	001043 101101 201971	1
140	412A3134-1	..	HOUSING-SLIDER USED ON: 412A3133-2	001043 101101 201971	1
140	412A3134-2	..	HOUSING-SLIDER USED ON: 412A3133-4		1
145	BACS12GU08K6	.	SCREW		4
150	BACS12GU08K7	.	SCREW		1
155	NAS1149DN816J	.	WASHER		5
160	412A3136-1040SP	.	BEAM		1
165	412A3137-1090SP	.	BEAM ASSY-		1
170	412A3101-1	..	BRACKET ASSY		1
			ATTACHING PARTS		
- 175	BACR15BB5DC	..	RIVET- SIZE DETERMINED ON INSTL.		2
			-----*-----		
180	T8077S832BC	...	NUTPLATE SUPPLIER CODE: V11815 SPECIFICATION NUMBER: BACN10JP08BR OPTIONAL PART: MK2000-08BCBAC V15653 NS103198-82BC V80539 RMA9207M82BC V72962 VN201A2-82 V92215 BRM100A08K V52828		1

MISSING ITEM NUMBERS NOT APPLICABLE

- ITEM NOT ILLUSTRATED

HAP

25-21-44-66C

BOEING PROPRIETARY - Copyright © - Unpublished Work - See title page for details.

25-21-44
FIG. 66C
PAGE 3
OCT 15/08

BOEING
737-600/700/800/900
PARTS CATALOG (MAINTENANCE)

FIG ITEM	PART NUMBER	1 2 3 4 5 6 7	NOMENCLATURE	EFFECT FROM TO	UNITS PER ASSY
66C			ATTACHING PARTS		
- 185	BACR15BA3ADC	...	RIVET- SIZE DETERMINED ON INSTL. -----*-----		2
190	412A3101-3	...	BRACKET		1
195	65C36185-1	..	BRACKET ASSY- ATTACHING PARTS		3
- 205	BACR15BB4DC	..	RIVET- SIZE DETERMINED ON INSTL. OPTIONAL PART: NAS1398D4A2		6
- 205	NAS1398D4A2	..	RIVET- OPTIONAL PART: BACR15BB4DC -----*-----		6
215	130069	...	NUT- SUPPLIER CODE: V60119 SPECIFICATION NUMBER: BACN10FX16 OPTIONAL PART: A11330-6-3 V72962 A4972-6-02 V72962 BACN10YD1		1
215	BRC600-8-3	...	NUT- SUPPLIER CODE: V52828 SPECIFICATION NUMBER: BACN10YD1 OPTIONAL PART: 130120 V60119 BACN10FX16		1
220	65C36185-2	...	BRACKET		1
225	412N2008-1	..	CLIP-SPR ATTACHING PARTS		8
- 230	BACR15BA3ADC	..	RIVET- SIZE DETERMINED ON INSTL. -----*-----		16
235	BACN10TL3A3	..	NUTPLATE ATTACHING PARTS		7
- 245	BACR15BB4DC	..	RIVET- SIZE DETERMINED ON INSTL. -----*-----		14
255	65C27021-184	..	BRACKET ASSY		2

MISSING ITEM NUMBERS NOT APPLICABLE

- ITEM NOT ILLUSTRATED

HAP

25-21-44-66C

BOEING PROPRIETARY - Copyright © - Unpublished Work - See title page for details.

25-21-44
FIG. 66C
PAGE 4
FEB 15/09

BOEING
737-600/700/800/900
PARTS CATALOG (MAINTENANCE)

FIG ITEM	PART NUMBER	1 2 3 4 5 6 7	NOMENCLATURE	EFFECT FROM TO	UNITS PER ASSY
66C			ATTACHING PARTS		
- 260	BACR15BA5ADC		..RIVET- SIZE DETERMINED ON INSTL. -----*-----		8
265	T8076S832		...NUTPLATE SUPPLIER CODE: V11815 SPECIFICATION NUMBER: BACN10JP08A OPTIONAL PART: MK1000-08BAC V15653 NS103197-82 V80539 RMA9201M82 V72962 VN202A1-82 V92215 BRM200A08 V52828 ATTACHING PARTS		2
- 270	BACR15BA3AD		...RIVET- SIZE DETERMINED ON INSTL. -----*-----		4
275	65C27021-221		...BRACKET		1
280	412A3137-1094		..INSULATOR		1
285	412A3137-1092SP		..BEAM-		1

MISSING ITEM NUMBERS NOT APPLICABLE

- ITEM NOT ILLUSTRATED

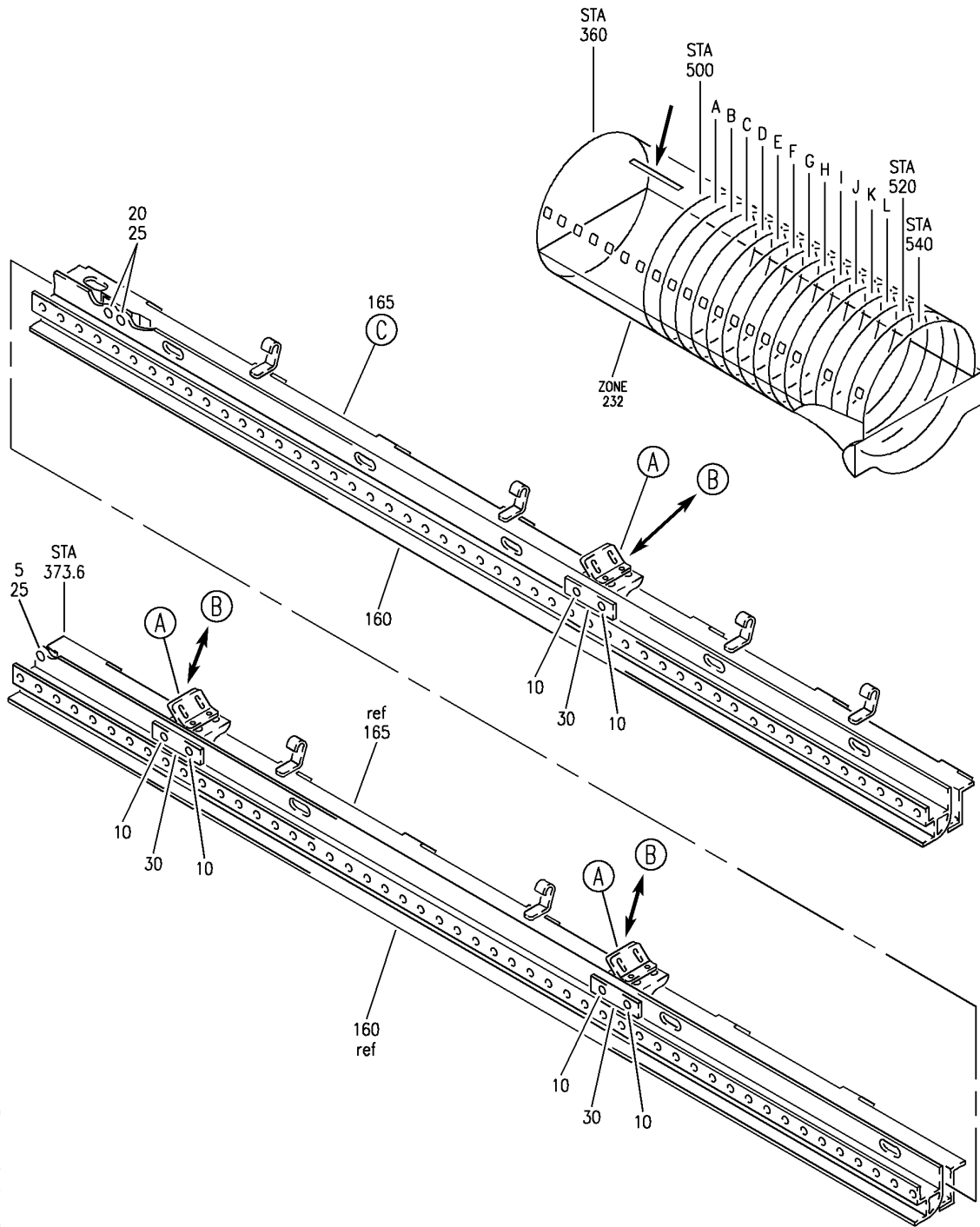
HAP

25-21-44-66C

BOEING PROPRIETARY - Copyright © - Unpublished Work - See title page for details.

25-21-44
FIG. 66C
PAGE 5
OCT 15/08

BOEING
 737-600/700/800/900
 PARTS CATALOG (MAINTENANCE)



E 25214470 SH1 1 REV 111

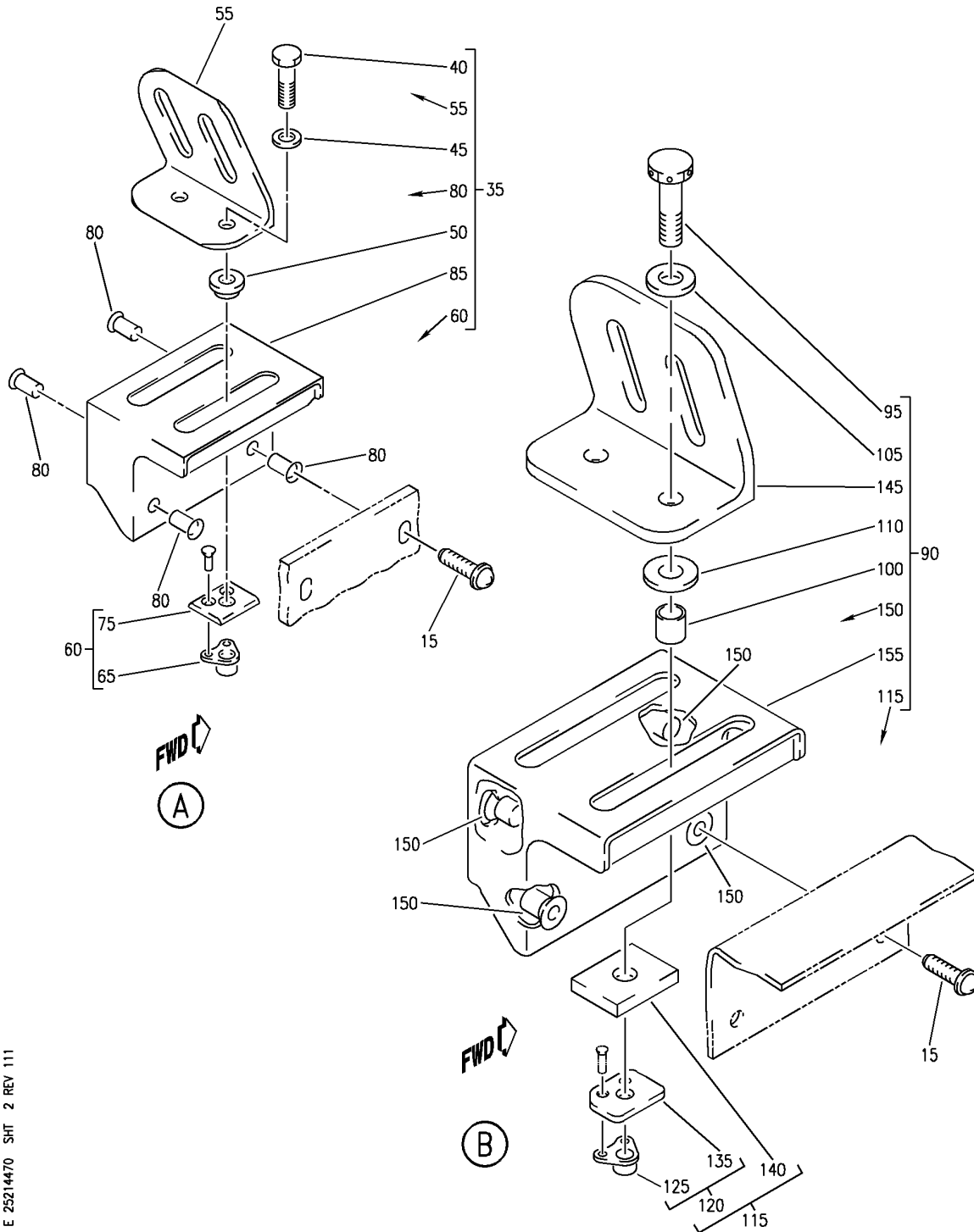
OUTLET ASSY-RH SIDEWALL AIR CONDITIONING
 FIGURE 70 (SHEET 1)

25-21-44-70

HAP
 OCT 10/06

25-21-44-70
 PAGE 0

BOEING
 737-600/700/800/900
 PARTS CATALOG (MAINTENANCE)



E 25214470 SH1 2 REV 111

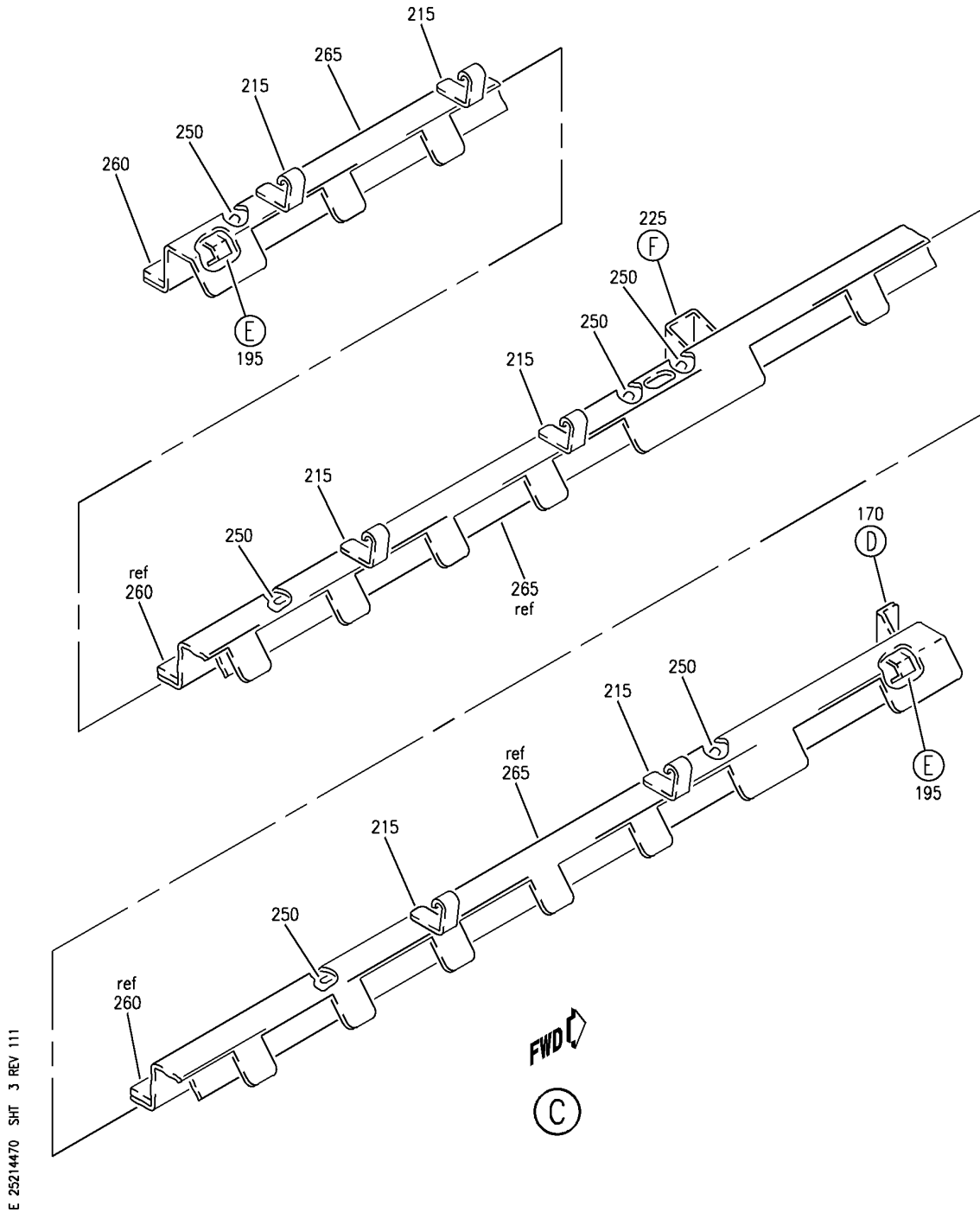
OUTLET ASSY-RH SIDEWALL AIR CONDITIONING
 FIGURE 70 (SHEET 2)

25-21-44-70

HAP
 OCT 10/06

25-21-44-70
 PAGE 0A

BOEING
 737-600/700/800/900
 PARTS CATALOG (MAINTENANCE)



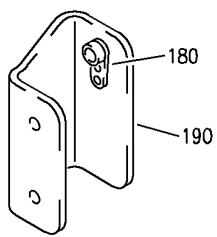
OUTLET ASSY-RH SIDEWALL AIR CONDITIONING
 FIGURE 70 (SHEET 3)

25-21-44-70

HAP
 OCT 10/06

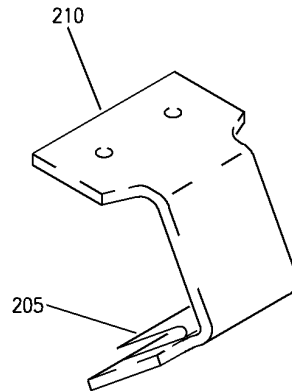
25-21-44-70
 PAGE 0B

BOEING
737-600/700/800/900
PARTS CATALOG (MAINTENANCE)

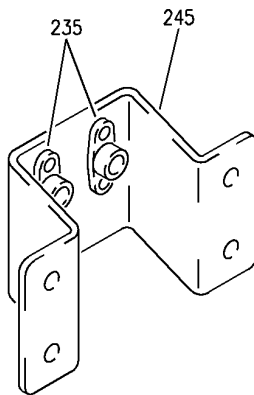


FWD

(D)



(E)



(F)

E 25214470 SHT 4 REV 111

OUTLET ASSY-RH SIDEWALL AIR CONDITIONING
FIGURE 70 (SHEET 4)

25-21-44-70

HAP
OCT 10/06

25-21-44-70
PAGE 0C

BOEING PROPRIETARY - Copyright © - Unpublished Work - See title page for details.

BOEING
737-600/700/800/900
PARTS CATALOG (MAINTENANCE)

FIG ITEM	PART NUMBER	1 2 3 4 5 6 7	NOMENCLATURE	EFFECT FROM TO	UNITS PER ASSY
70			OUTLET ASSY-RH SIDEWALL AIR CONDITIONING	001007	
- 1	412A3103-1036SP		OUTLET ASSY-SIDEWALL AIR CONDITIONING POSITION DATA: RH PRE SERVICE BULLETIN: 25-1360 FOR NHA SEE: 25-21-44-53	001007	RF
5	BACS12GU08K7	.SCREW		001007	1
10	BACS12ER3K9	.SCREW		001007	6
15	BACS12FA3K8	.SCREW		001007	6
20	BACS12GU08K6	.SCREW		001007	2
25	NAS1149DN816J	.WASHER		001007	3
30	65C27021-177	.DOUBLER-SPRT		001007	3
35	412N3133-24	.FITTING ASSY-		001007	3
40	BACB30NM3K5	..BOLT		001007	2
45	AN960JD10LL	..WASHER		001007	2
50	412N2004-55	..BUSHING		001007	2
55	65C27021-460	..BRACKET		001007	1
60	65C27021-463	..FILLER ASSY		001007	2
65	T8078S1032	...NUTPLATE		001007	1
		SUPPLIER CODE: V11815			
		SPECIFICATION NUMBER: BACN10JP3C			
		OPTIONAL PART: MK3000-3BAC V15653 NS103199-02 V80539 RMA9205M3 V72962 VN203A1-02 V92215 BRM300A3 V52828			
		ATTACHING PARTS			
- 70	BACR15BA3AD	...RIVET-		001007	2
		SIZE DETERMINED ON INSTL. -----*-----			
75	65C27021-464	...FILLER		001007	1
80	BACS13CJ3L080P	..INSERT		001007	4
85	412N3134-1	..CASTING		001007	1
90	412A3133-4	.FITTING ASSY-		001007	3
90	412A3133-2	.FITTING ASSY-		001007	3
95	BACB30NM3K6	..BOLT		001007	2
100	NAS43DD3-21FC	..SPACER		001007	2

MISSING ITEM NUMBERS NOT APPLICABLE

- ITEM NOT ILLUSTRATED

HAP

25-21-44-70

25-21-44
FIG. 70
PAGE 1
OCT 15/08

BOEING
737-600/700/800/900
PARTS CATALOG (MAINTENANCE)

FIG ITEM	PART NUMBER	1 2 3 4 5 6 7	NOMENCLATURE	EFFECT FROM TO	UNITS PER ASSY
70					
105	NAS1149D0363J	..	WASHER	001007	2
110	412A2004-5	..	BUSHING	001007	2
115	412A2004-9	..	BEARING ASSY-ANGLE	001007	2
120	412A2004-6	...	SUPPORT ASSY	001007	1
125	T8078S1032	NUTPLATE	001007	1
			SUPPLIER CODE: V11815		
			SPECIFICATION NUMBER: BACN10JP3C		
			OPTIONAL PART: MK3000-3BAC		
			V15653		
			NS103199-02		
			V80539		
			RMA9205M3		
			V72962		
			VN203A1-02		
			V92215		
			BRM300A3		
			V52828		
			ATTACHING PARTS		
- 130	BACR15BA3AD	RIVET-	001007	2
			SIZE DETERMINED ON INSTL. -----*-----		
135	412A2004-7	SUPPORT	001007	1
140	412A2004-8	...	BEARING	001007	1
145	412A2004-2	..	BRACKET-ANGLE	001007	1
150	BACS13CJ3L080P	..	INSERT	001007	4
155	412A3134-2	..	HOUSING-SPRT	001007	1
			USED ON: 412A3133-4		
155	412A3134-1	..	HOUSING-SPRT	001007	1
			USED ON: 412A3133-2		
160	412A3136-1042SP	.BEAM-		001007	1
			PRE SERVICE BULLETIN: 25-1360		
165	412A3137-1097SP	.BEAM ASSY-		001007	1
			PRE SERVICE BULLETIN: 25-1360		
170	412A3101-2	..	BRACKET ASSY	001007	1
			ATTACHING PARTS		
- 175	BACR15BB5DC	..	RIVET-	001007	2
			SIZE DETERMINED ON INSTL. -----*-----		

MISSING ITEM NUMBERS NOT APPLICABLE

- ITEM NOT ILLUSTRATED

HAP

25-21-44-70

25-21-44
FIG. 70
PAGE 2
OCT 15/08

BOEING
737-600/700/800/900
PARTS CATALOG (MAINTENANCE)

FIG ITEM	PART NUMBER	1 2 3 4 5 6 7	NOMENCLATURE	EFFECT FROM TO	UNITS PER ASSY
70 180	T8077S832BC		...NUTPLATE SUPPLIER CODE: V11815 SPECIFICATION NUMBER: BACN10JP08BR OPTIONAL PART: MK2000-08BCBAC V15653 NS103198-82BC V80539 RMA9207M82BC V72962 VN201A2-82 V92215 BRM100A08K V52828 ATTACHING PARTS	001007	1
- 185	BACR15BA3ADC		...RIVET- SIZE DETERMINED ON INSTL. -----*-----	001007	2
190	412A3101-4		...BRACKET	001007	1
195	65C36185-1		..BRACKET ASSY ATTACHING PARTS	001007	2
- 200	BACR15BB4DC		..RIVET- SIZE DETERMINED ON INSTL. -----*-----	001007	4
205	BRC600-8-3		...NUT- SUPPLIER CODE: V52828 SPECIFICATION NUMBER: BACN10YD1 OPTIONAL PART: 130120 V60119 BACN10FX16	001007	1
205	130069		...NUT- SUPPLIER CODE: V60119 SPECIFICATION NUMBER: BACN10FX16 OPTIONAL PART: A11330-6-3 V72962 A4972-6-02 V72962 BACN10YD1	001007	1
210	65C36185-2		...BRACKET	001007	1
215	412N2008-1		..CLIP	001007	6

MISSING ITEM NUMBERS NOT APPLICABLE

- ITEM NOT ILLUSTRATED

HAP

25-21-44-70

BOEING PROPRIETARY - Copyright © - Unpublished Work - See title page for details.

25-21-44
FIG. 70
PAGE 3
FEB 15/09

BOEING
737-600/700/800/900
PARTS CATALOG (MAINTENANCE)

FIG ITEM	PART NUMBER	1 2 3 4 5 6 7	NOMENCLATURE	EFFECT FROM TO	UNITS PER ASSY
70			ATTACHING PARTS		
- 220	BACR15BA3ADC	..	RIVET- SIZE DETERMINED ON INSTL. -----*-----	001007	12
225	65C27021-184	..	BRACKET ASSY	001007	1
- 230	BACR15BA5ADC	..	RIVET- SIZE DETERMINED ON INSTL. -----*-----	001007	4
235	T8076S832	...	NUTPLATE SUPPLIER CODE: V11815 SPECIFICATION NUMBER: BACN10JPO8A OPTIONAL PART: MK1000-08BAC V15653 NS103197-82 V80539 RMA9201M82 V72962 VN202A1-82 V92215 BRM200A08 V52828	001007	2
- 240	BACR15BA3AD	...	RIVET- SIZE DETERMINED ON INSTL. -----*-----	001007	4
245	65C27021-221	...	BRACKET	001007	1
250	BACN10TL3A3	..	NUTPLATE	001007	6
- 255	BACR15BB4DC	..	RIVET- SIZE DETERMINED ON INSTL. -----*-----	001007	12
260	412A3137-1099	..	INSULATOR- PRE SERVICE BULLETIN: 25-1360	001007	1
265	412A3137-1098SP	..	BEAM- PRE SERVICE BULLETIN: 25-1360	001007	1

MISSING ITEM NUMBERS NOT APPLICABLE

- ITEM NOT ILLUSTRATED

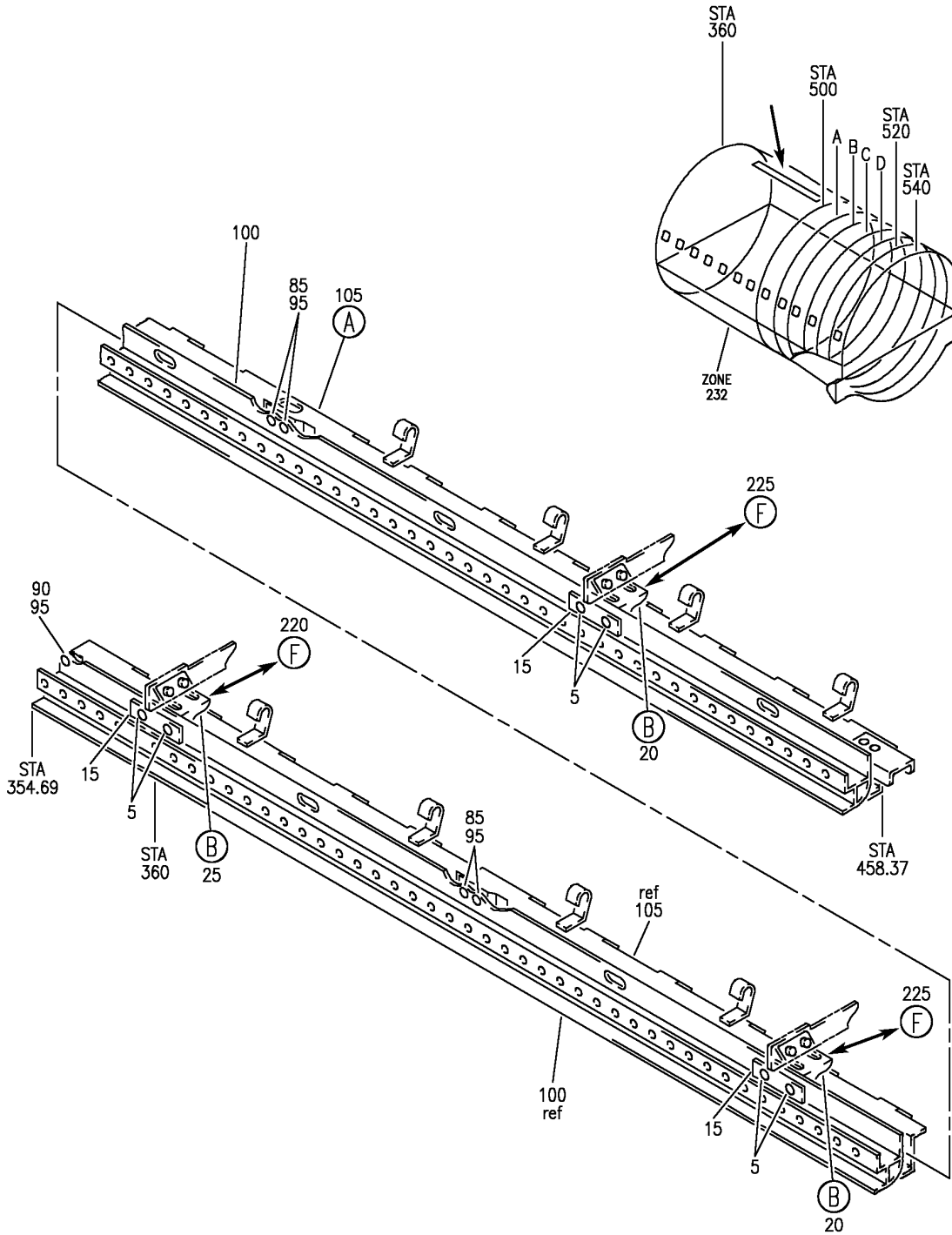
HAP

25-21-44-70

BOEING PROPRIETARY - Copyright © - Unpublished Work - See title page for details.

25-21-44
FIG. 70
PAGE 4
FEB 15/09

BOEING
 737-600/700/800/900
 PARTS CATALOG (MAINTENANCE)



E 25214471A SHT 1 REV 147

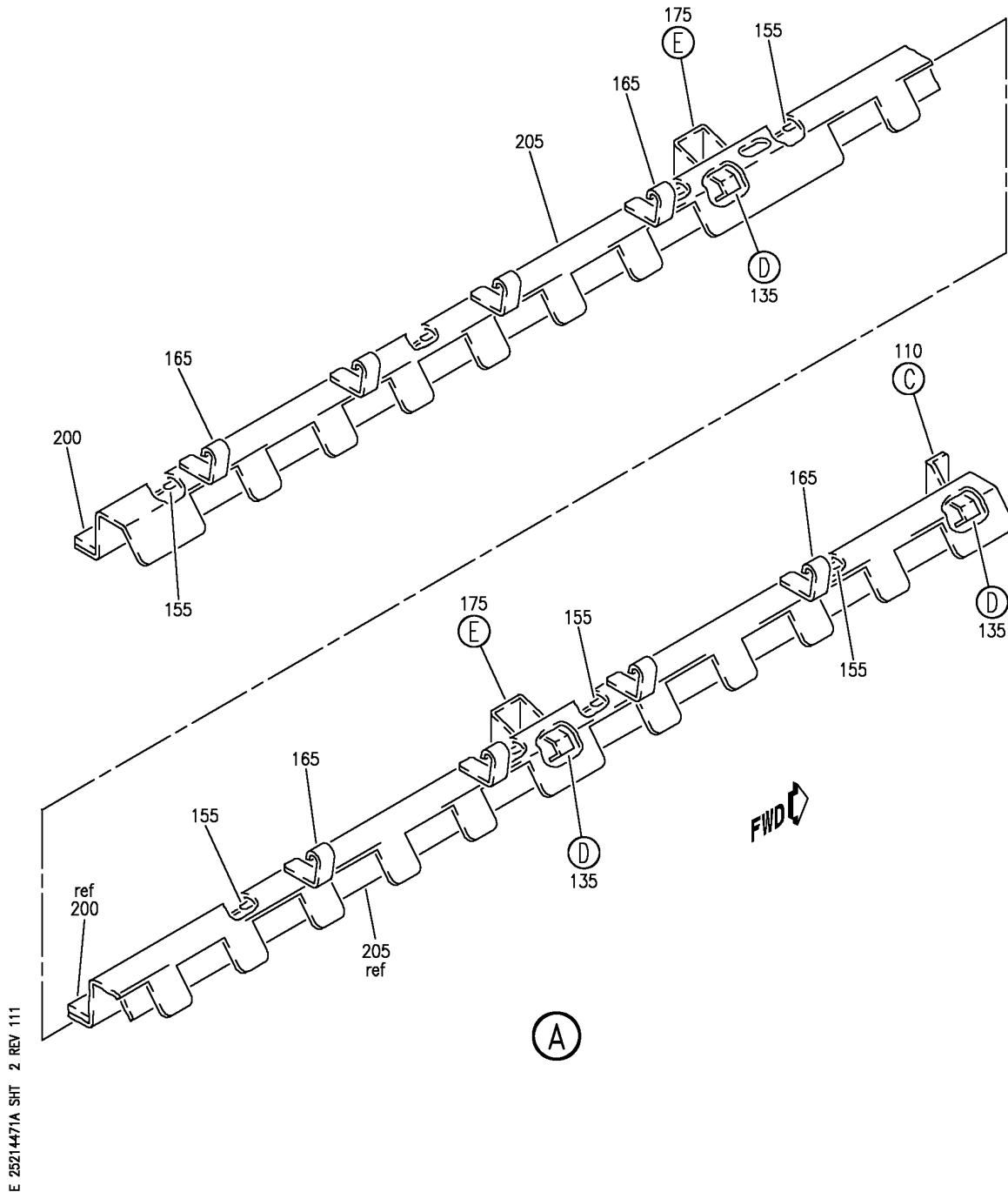
OUTLET ASSY-RH SIDEWALL AIR CONDITIONING
 FIGURE 71A (SHEET 1)

25-21-44-71A

HAP
 OCT 15/08

25-21-44-71A
 PAGE 0

BOEING
737-600/700/800/900
PARTS CATALOG (MAINTENANCE)



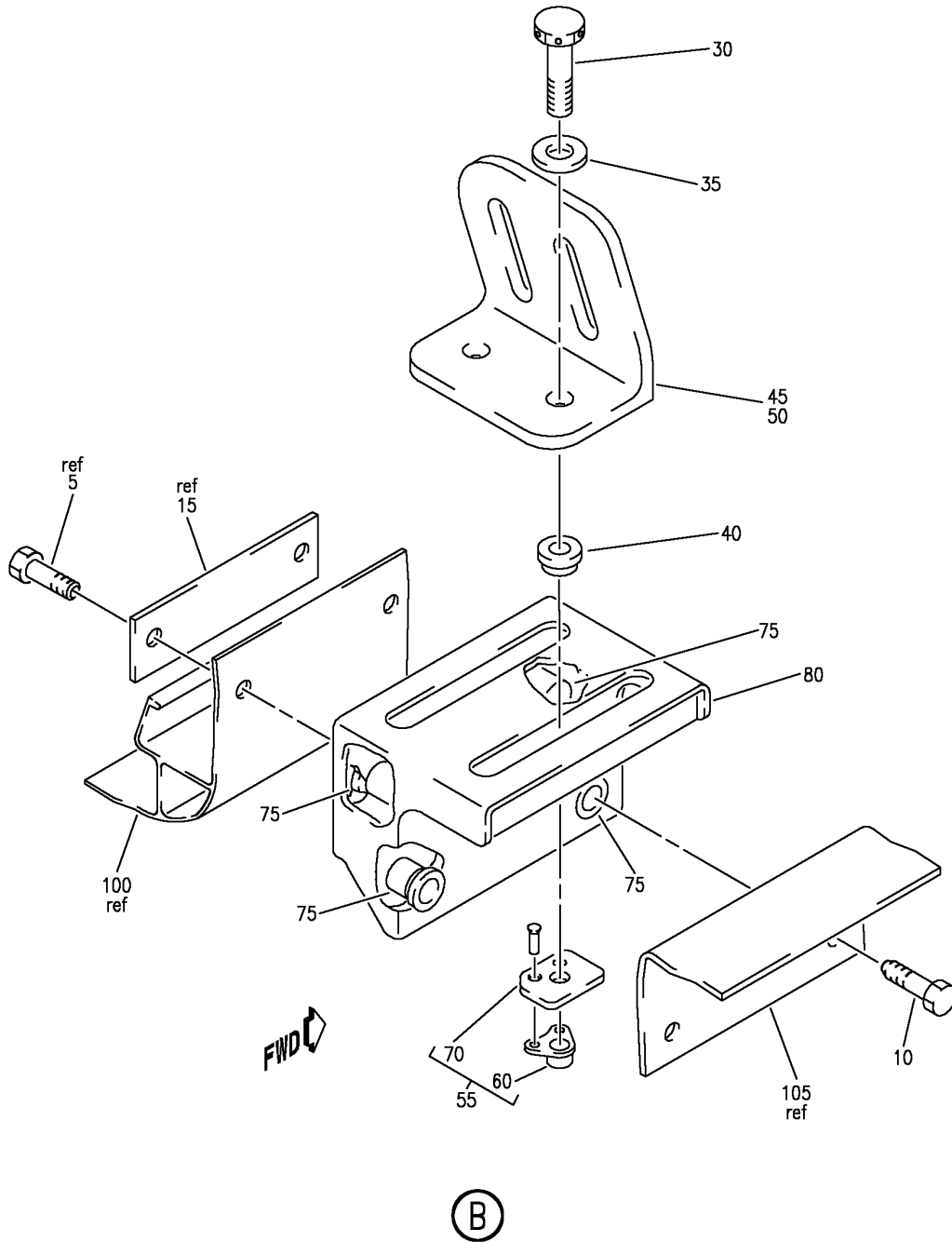
OUTLET ASSY-RH SIDEWALL AIR CONDITIONING
FIGURE 71A (SHEET 2)

25-21-44-71A

HAP
OCT 15/08

25-21-44-71A
PAGE 0A

BOEING
 737-600/700/800/900
 PARTS CATALOG (MAINTENANCE)



E 25214471A SHT 3 REV 111

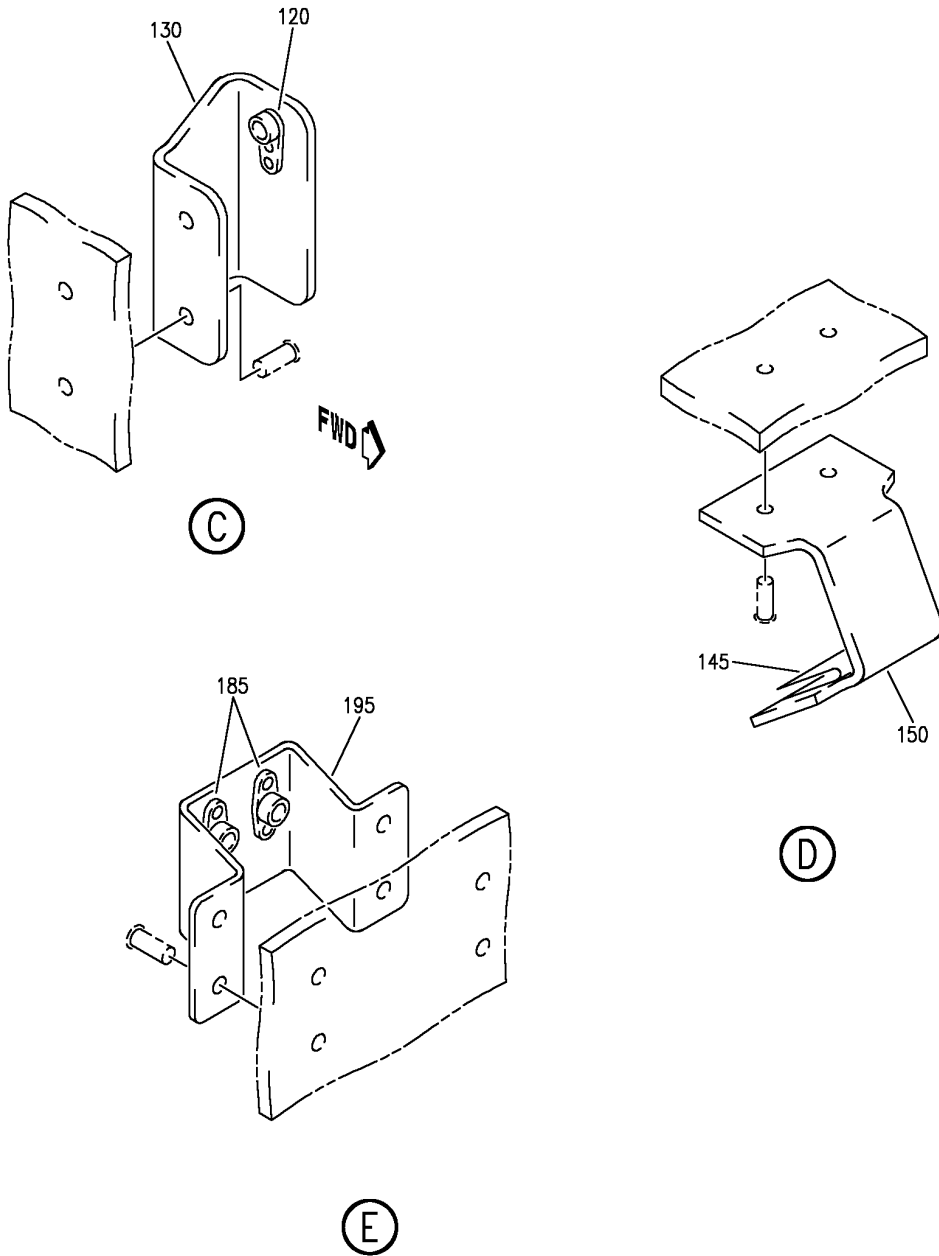
OUTLET ASSY-RH SIDEWALL AIR CONDITIONING
 FIGURE 71A (SHEET 3)

25-21-44-71A

HAP
 OCT 15/08

25-21-44-71A
 PAGE 0B

BOEING
737-600/700/800/900
PARTS CATALOG (MAINTENANCE)



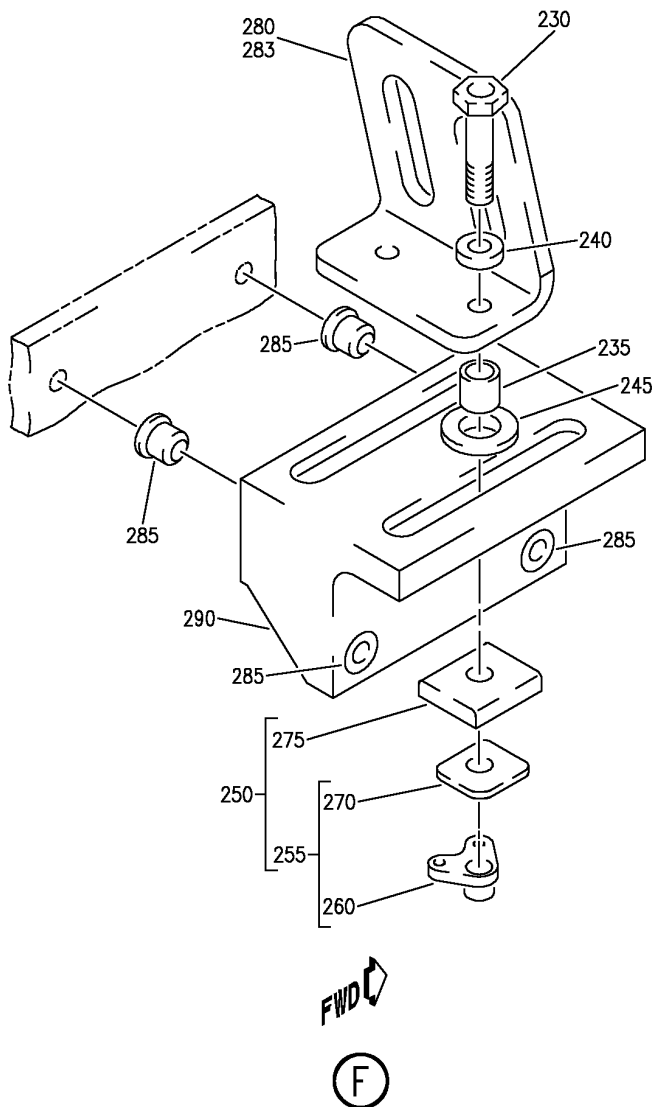
E 25214471A SHT 4 REV 111

OUTLET ASSY-RH SIDEWALL AIR CONDITIONING
FIGURE 71A (SHEET 4)

25-21-44-71A

HAP
OCT 15/08

25-21-44-71A
PAGE 0C



E 25214471A SHT 5 REV 147

OUTLET ASSY-RH SIDEWALL AIR CONDITIONING
 FIGURE 71A (SHEET 5)

25-21-44-71A

HAP
 OCT 15/08

25-21-44-71A
 PAGE 0D

BOEING
737-600/700/800/900
PARTS CATALOG (MAINTENANCE)

FIG ITEM	PART NUMBER	1 2 3 4 5 6 7	NOMENCLATURE	EFFECT FROM TO	UNITS PER ASSY
71A			OUTLET ASSY-RH SIDEWALL AIR CONDITIONING	201967	
- 1	412A3103-1032SP		OUTLET ASSY-SIDEWALL AIR CONDITIONING POSITION DATA: RH FOR NHA SEE: 25-21-44-54	201967	RF
5	BACS12ER3K9	.	SCREW	201967	6
10	BACS12FA3K8	.	SCREW	201967	6
15	65C27021-177	.	DOUBLER-SPRT	201967	3
20	412N3133-24	.	FITTING ASSY-	201967	2
25	412N3133-26	.	FITTING ASSY-	201967	1
30	BACB30NM3K5	..	BOLT	201967	2
35	AN960JD10LL	..	WASHER	201967	2
40	412N2004-55	..	BUSHING	201967	2
45	65C27021-460	..	BRACKET- USED ON: 412N3133-24	201967	1
50	65C27021-462	..	BRACKET- USED ON: 412N3133-26	201967	1
55	65C27021-463	..	FILLER ASSY-RADIUS	201967	2
60	T8078S1032	...	NUTPLATE SUPPLIER CODE: V11815 SPECIFICATION NUMBER: BACN10JP3C OPTIONAL PART: MK3000-3BAC V15653 NS103199-02 V80539 RMA9205M3 V72962 VN203A1-02 V92215 BRM300A3 V52828	201967	1
- 65	BACR15BA3AD	...	RIVET -----*-----	201967	2
70	65C27021-464	...	FILLER	201967	1
75	BACS13CJ3L080P	..	INSERT	201967	4
80	412N3134-1	..	CASTING-SPRT	201967	1
85	BACS12GU08K6	.	SCREW	201967	4
90	BACS12GU08K7	.	SCREW	201967	1
95	NAS1149DN816J	.	WASHER	201967	5
100	412A3136-1038SP	.	BEAM-	201967	1

MISSING ITEM NUMBERS NOT APPLICABLE

- ITEM NOT ILLUSTRATED

HAP

25-21-44-71A

BOEING PROPRIETARY - Copyright © - Unpublished Work - See title page for details.

25-21-44
FIG. 71A
PAGE 1
OCT 15/08

BOEING
737-600/700/800/900
PARTS CATALOG (MAINTENANCE)

FIG ITEM	PART NUMBER	1 2 3 4 5 6 7	NOMENCLATURE	EFFECT FROM TO	UNITS PER ASSY
71A					
105	412A3137-1087SP	.	BEAM ASSY-	201967	1
110	412A3101-2	..	BRACKET ASSY ATTACHING PARTS	201967	1
- 115	BACR15BB5DC	..	RIVET- SIZE DETERMINED ON INSTL. -----*-----	201967	2
120	T8077S832BC	...	NUTPLATE SUPPLIER CODE: V11815 SPECIFICATION NUMBER: BACN10JP08BR OPTIONAL PART: MK2000-08BCBAC V15653 NS103198-82BC V80539 RMA9207M82BC V72962 VN201A2-82 V92215 BRM100A08K V52828 ATTACHING PARTS	201967	1
- 125	BACR15A3ADC	...	RIVET- SIZE DETERMINED ON INSTL. -----*-----	201967	2
130	412A3101-4	...	BRACKET	201967	1
135	65C36185-1	..	BRACKET ASSY ATTACHING PARTS	201967	3
- 140	BACR15BB4DC	..	RIVET- SIZE DETERMINED ON INSTL. OPTIONAL PART: NAS1398D4A2	201967	6
- 140	NAS1398D4A2	..	RIVET- OPTIONAL PART: BACR15BB4DC -----*-----	201967	6
145	130069	...	NUT- SUPPLIER CODE: V60119 SPECIFICATION NUMBER: BACN10FX16 OPTIONAL PART: A11330-6-3 V72962 A4972-6-02 V72962 BACN10YD1	201967	1

MISSING ITEM NUMBERS NOT APPLICABLE

- ITEM NOT ILLUSTRATED

HAP

25-21-44-71A

BOEING PROPRIETARY - Copyright © - Unpublished Work - See title page for details.

25-21-44
FIG. 71A
PAGE 2
FEB 15/09

BOEING
737-600/700/800/900
PARTS CATALOG (MAINTENANCE)

FIG ITEM	PART NUMBER	1 2 3 4 5 6 7	NOMENCLATURE	EFFECT FROM TO	UNITS PER ASSY
71A 145	BRC600-8-3	...	NUT- SUPPLIER CODE: V52828 SPECIFICATION NUMBER: BACN10YD1 OPTIONAL PART: 130120 V60119 BACN10FX16	201967	1
150	65C36185-2	...	BRACKET	201967	1
155	BACN10TL3A3	..	NUTPLATE ATTACHING PARTS	201967	8
- 160	BACR15BB4DC	..	RIVET- SIZE DETERMINED ON INSTL. -----*-----	201967	16
165	412N2008-1	..	CLIP ATTACHING PARTS	201967	8
- 170	BACR15BA3ADC	..	RIVET- SIZE DETERMINED ON INSTL. -----*-----	201967	16
175	65C27021-184	..	BRACKET ASSY ATTACHING PARTS	201967	2
- 180	BACR15BA5ADC	..	RIVET- SIZE DETERMINED ON INSTL. -----*-----	201967	8
185	T8076S832	...	NUTPLATE SUPPLIER CODE: V11815 SPECIFICATION NUMBER: BACN10JP08A OPTIONAL PART: MK1000-08BAC V15653 NS103197-82 V80539 RMA9201M82 V72962 VN202A1-82 V92215 BRM200A08 V52828 ATTACHING PARTS	201967	2
- 190	BACR15BA3AD	...	RIVET- SIZE DETERMINED ON INSTL. -----*-----	201967	4
195	65C27021-221	...	BRACKET	201967	1
200	412A3137-1093	..	INSULATOR-	201967	1
205	412A3137-1088SP	..	BEAM-	201967	1
220	412A3133-6	.	FITTING ASSY-	201967	1

MISSING ITEM NUMBERS NOT APPLICABLE

- ITEM NOT ILLUSTRATED

HAP

25-21-44-71A

BOEING PROPRIETARY - Copyright © - Unpublished Work - See title page for details.

25-21-44
FIG. 71A
PAGE 3
FEB 15/09

BOEING
737-600/700/800/900
PARTS CATALOG (MAINTENANCE)

FIG ITEM	PART NUMBER	1 2 3 4 5 6 7	NOMENCLATURE	EFFECT FROM TO	UNITS PER ASSY
71A					
225	412A3133-2	.	FITTING ASSY-SPRT	201967	2
225	412A3133-4	.	FITTING ASSY-SPRT	201967	2
230	BACB30NM3K6	..	BOLT	201967	2
235	NAS43DD3-21FC	..	SPACER	201967	2
240	NAS1149D0363J	..	WASHER	201967	2
245	412A2004-5	..	BUSHING	201967	2
250	412A2004-9	..	BEARING ASSY	201967	2
255	412A2004-6	...	SUPPORT ASSY-BRG	201967	1
260	T8078S1032	NUTPLATE	201967	1
			SUPPLIER CODE: V11815		
			SPECIFICATION NUMBER: BACN10JP3C		
			OPTIONAL PART: MK3000-3BAC V15653 NS103199-02 V80539 RMA9205M3 V72962 VN203A1-02 V92215 BRM300A3 V52828		
			ATTACHING PARTS		
- 265	BACR15BA3AD	RIVET- SIZE DETERMINED ON INSTL. -----*-----	201967	2
270	412A2004-7	SUPPORT	201967	1
275	412A2004-8	...	BEARING	201967	1
280	412A2004-2	..	BRACKET-ANGLE USED ON: 412A3133-4 412A3133-2	201967	1
283	412A2004-4	..	BRACKET-ANGLE USED ON: 412A3133-6	201967	1
285	BACS13CJ3L080P	..	INSERT	201967	4
290	412A3134-1	..	HOUSING-SLIDER USED ON: 412A3133-2	201967	1
290	412A3134-2	..	HOUSING-SLIDER USED ON: 412A3133-4 412A3133-6	201967	1

MISSING ITEM NUMBERS NOT APPLICABLE

- ITEM NOT ILLUSTRATED

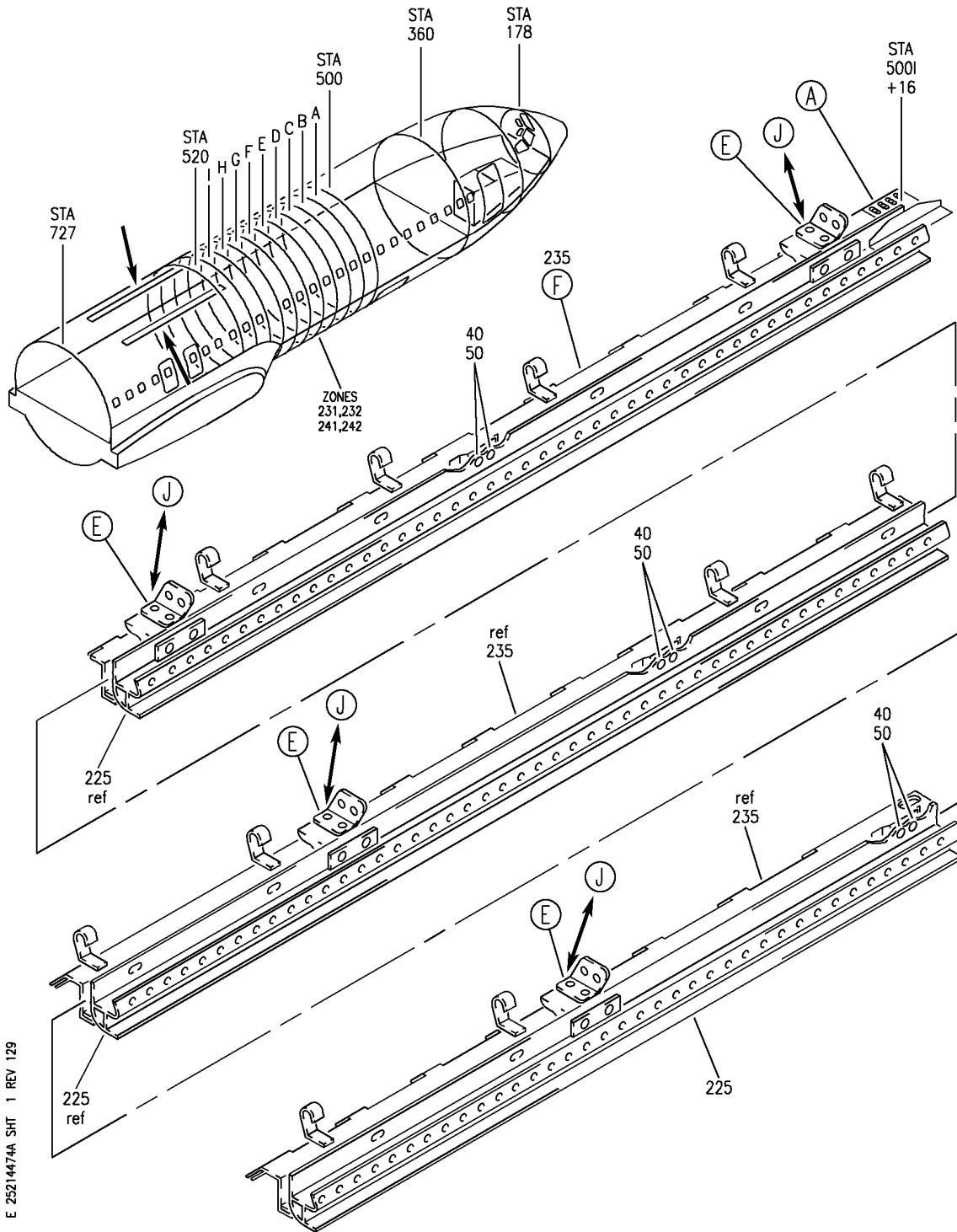
HAP

25-21-44-71A

BOEING PROPRIETARY - Copyright © - Unpublished Work - See title page for details.

25-21-44
FIG. 71A
PAGE 4
FEB 15/09

BOEING
737-600/700/800/900
PARTS CATALOG (MAINTENANCE)



E 25214474A SHT 1 REV 129

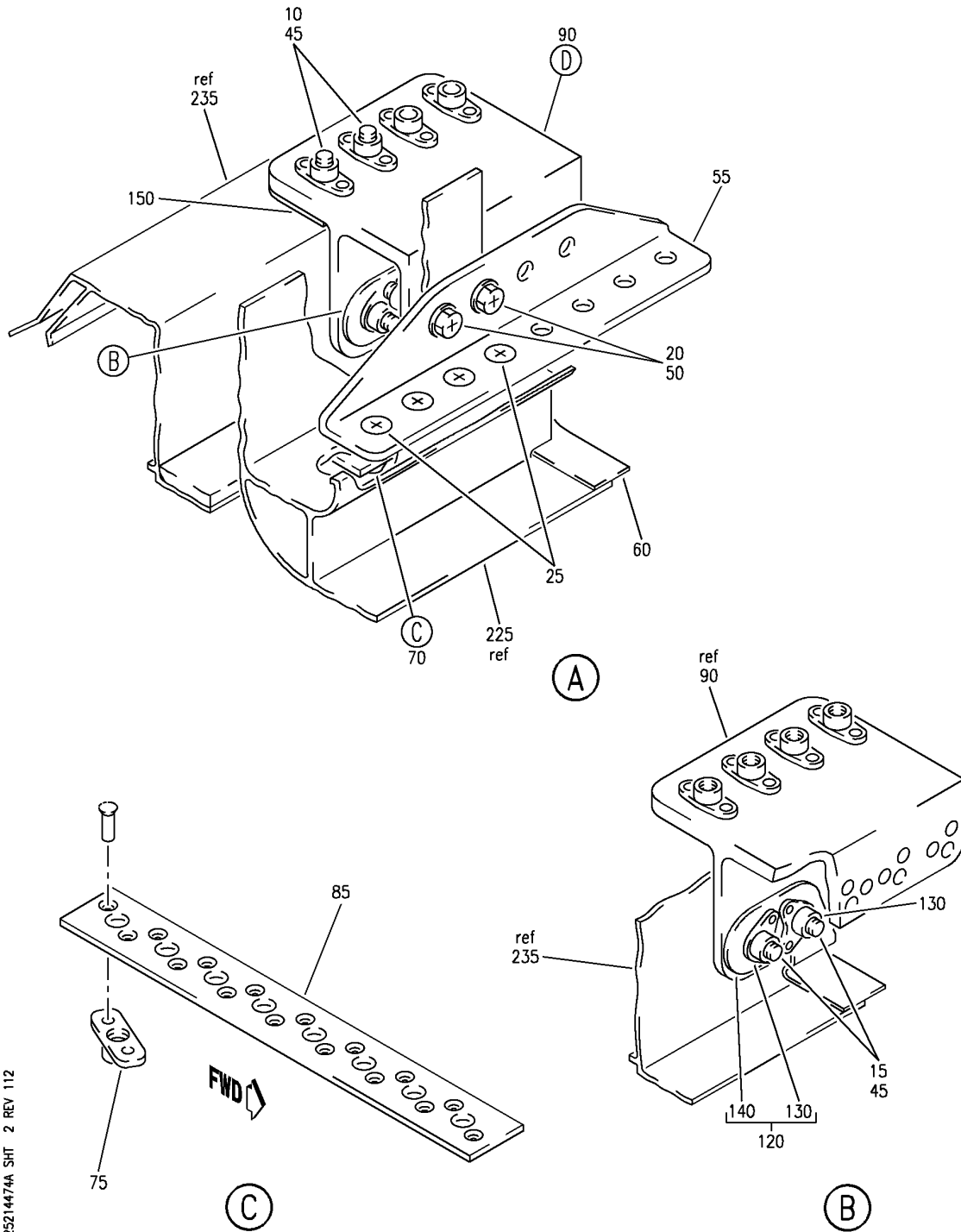
OUTLET ASSY-SIDEWALL AIR CONDITIONING
 FIGURE 74A (SHEET 1)

25-21-44-74A

HAP
 JUN 10/07

25-21-44-74A
 PAGE 0

BOEING
 737-600/700/800/900
 PARTS CATALOG (MAINTENANCE)



E 25214474A SHT 2 REV 112

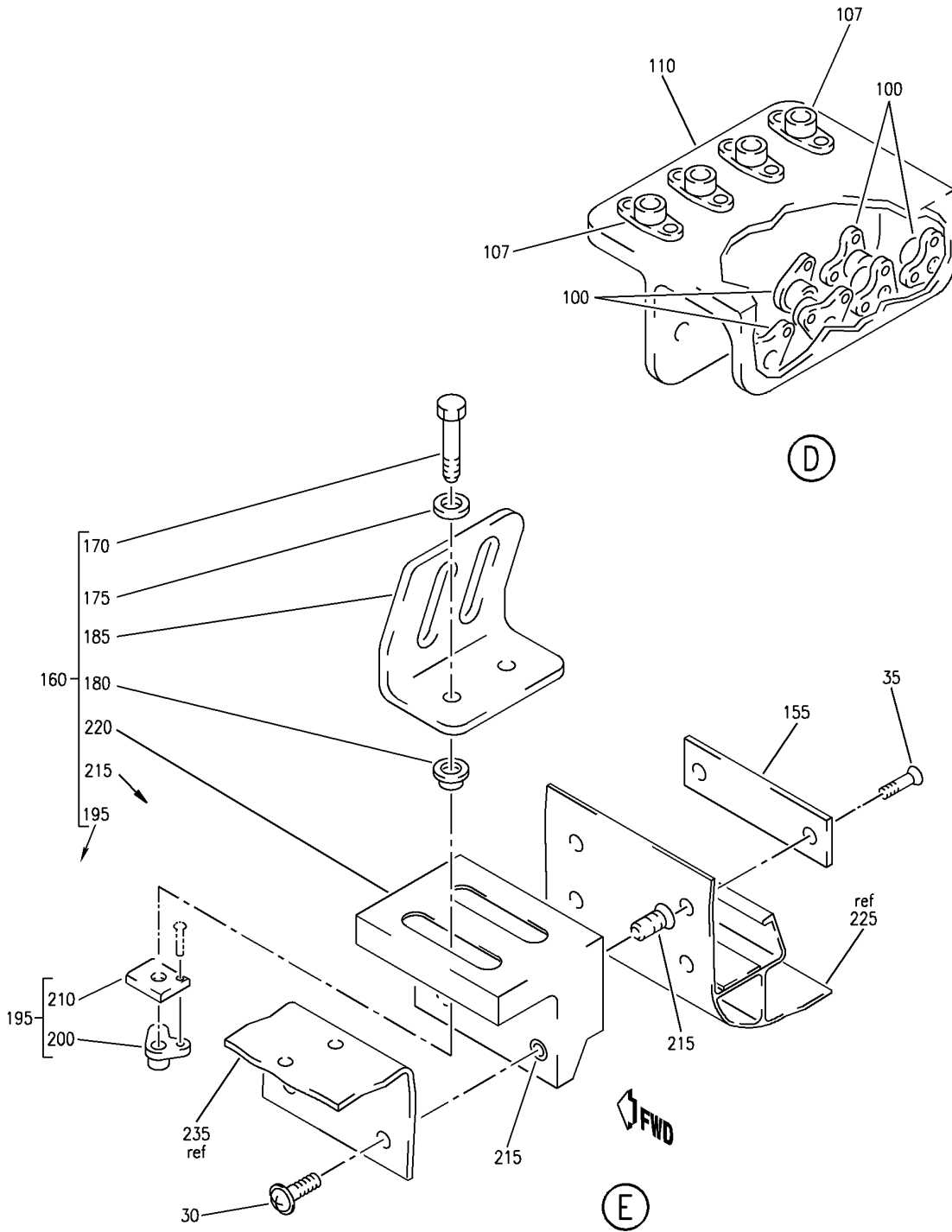
OUTLET ASSY-SIDEWALL AIR CONDITIONING
 FIGURE 74A (SHEET 2)

25-21-44-74A

HAP
 OCT 10/06

25-21-44-74A
 PAGE 0A

BOEING
 737-600/700/800/900
 PARTS CATALOG (MAINTENANCE)



E 25214474A SHT 3 REV 112

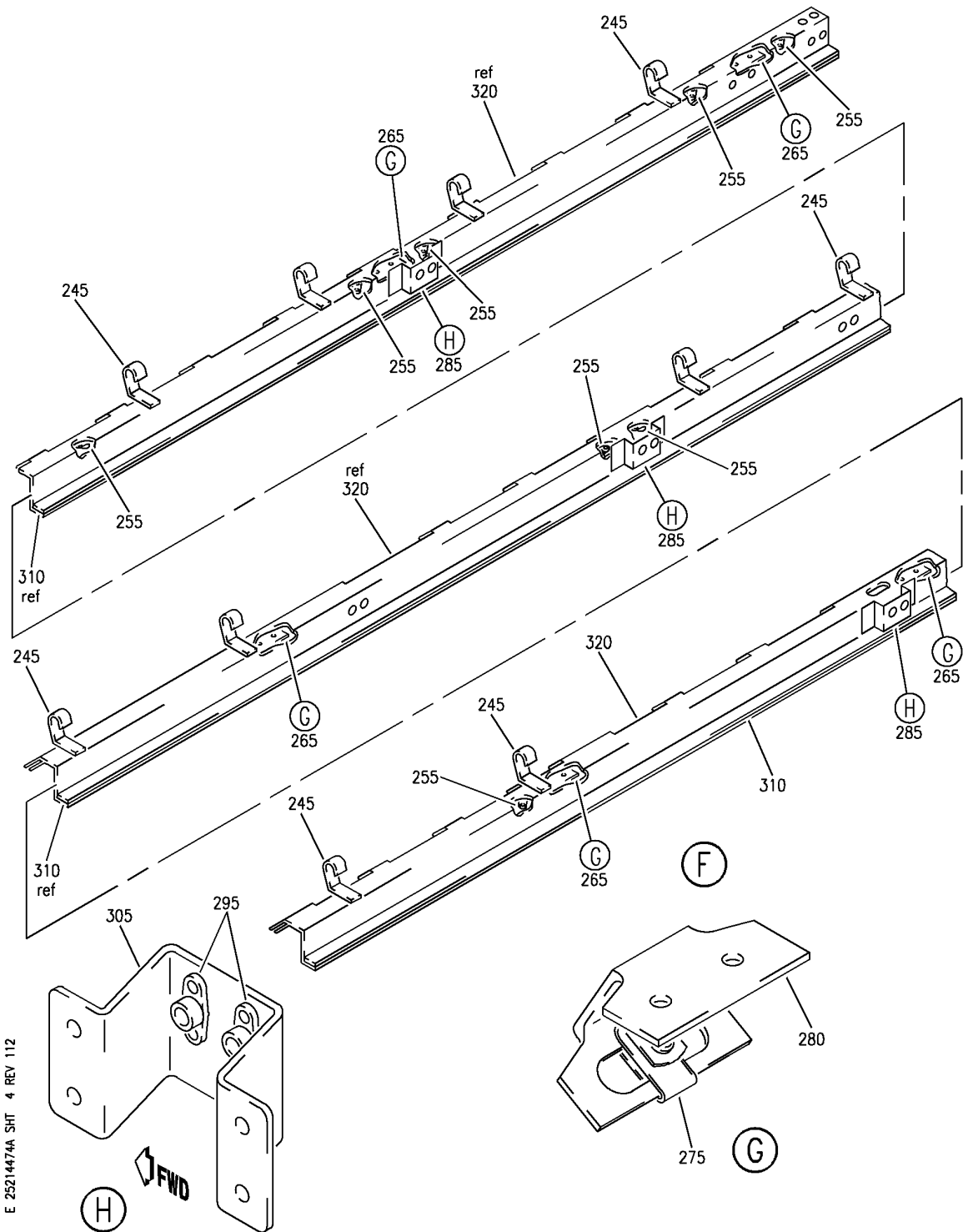
OUTLET ASSY-SIDEWALL AIR CONDITIONING
 FIGURE 74A (SHEET 3)

25-21-44-74A

HAP
 OCT 10/06

25-21-44-74A
 PAGE 0B

BOEING
 737-600/700/800/900
 PARTS CATALOG (MAINTENANCE)



E 25214474A SHT 4 REV 112

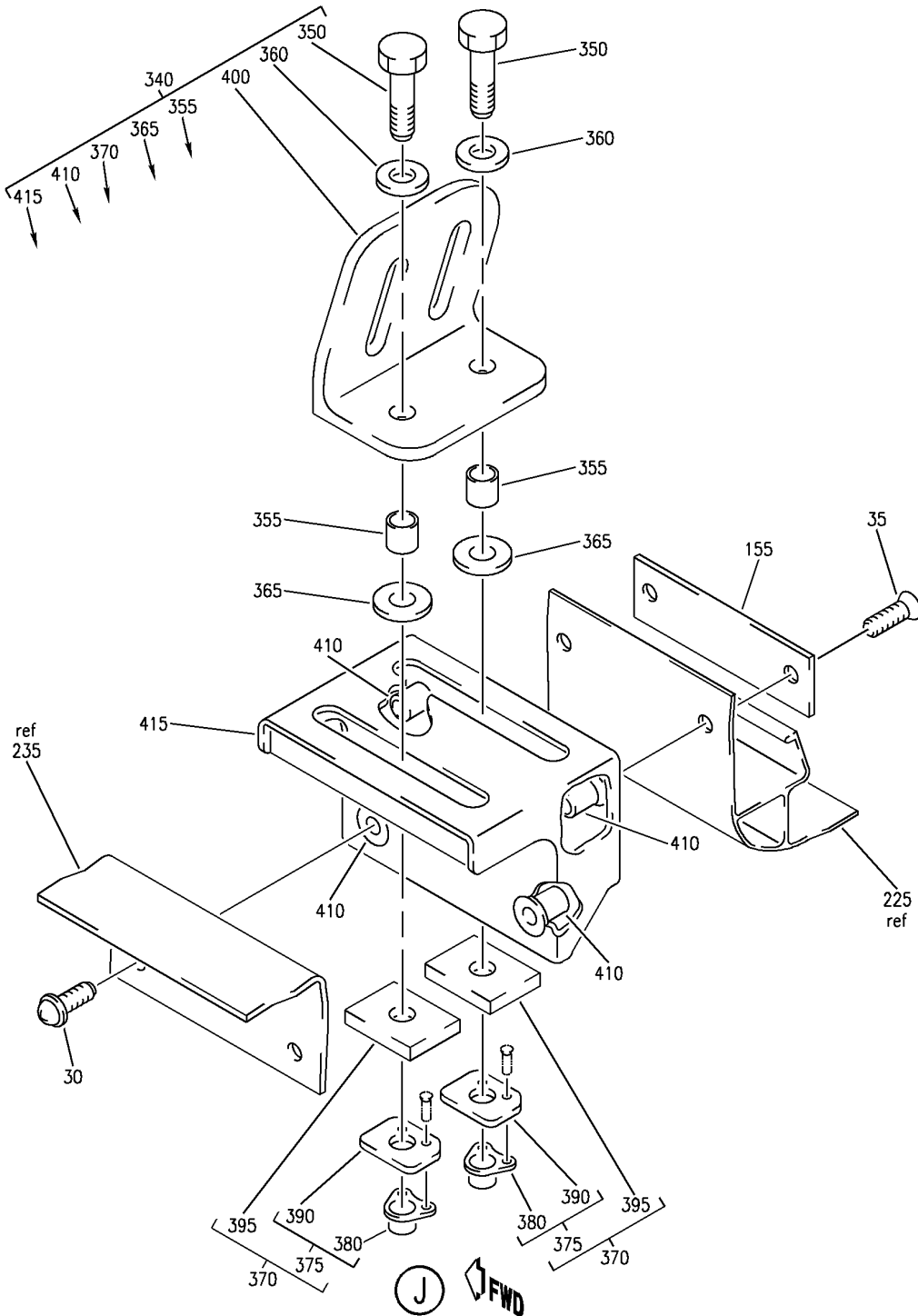
OUTLET ASSY-SIDEWALL AIR CONDITIONING
 FIGURE 74A (SHEET 4)

25-21-44-74A

HAP
 OCT 10/06

25-21-44-74A
 PAGE 0C

BOEING
737-600/700/800/900
PARTS CATALOG (MAINTENANCE)



E 25214474A SHT 5 REV 129

OUTLET ASSY-SIDEWALL AIR CONDITIONING
 FIGURE 74A (SHEET 5)

25-21-44-74A

HAP
 JUN 10/07

25-21-44-74A
 PAGE 0D

BOEING
737-600/700/800/900
PARTS CATALOG (MAINTENANCE)

FIG ITEM	PART NUMBER	1 2 3 4 5 6 7	NOMENCLATURE	EFFECT FROM TO	UNITS PER ASSY
74A			OUTLET ASSY-SIDEWALL AIR CONDITIONING	001030	
- 1	412A3103-1061SP		OUTLET ASSY-SIDEWALL AIR CONDITIONING POSITION DATA: LH SIDE FOR NHA SEE: 25-21-44-58	001030	RF
- 5	412A3103-1062SP		OUTLET ASSY-SIDEWALL AIR CONDITIONING POSITION DATA: RH SIDE FOR NHA SEE: 25-21-44-58	001030	RF
10	BACS12ER08K8	.	SCREW	001030	2
15	BACS12ER08K7	.	SCREW	001030	2
20	BACS12GU08K7	.	SCREW	001030	2
25	BACB30LU2-2	.	BOLT	001030	4
30	BACS12FA3K8	.	SCREW	001030	8
35	BACS12ER3K9	.	SCREW	001030	8
40	BACS12GU08K6	.	SCREW	001030	6
45	BACW10DM5P	.	WASHER	001030	4
50	NAS1149DN816J	.	WASHER	001030	8
55	65C27020-612	.	DOUBLER	001030	1
60	412N3101-35SP	.	COVER-GAP POSITION DATA: LH SIDE	001030	1
- 65	412N3101-36SP	.	COVER-GAP POSITION DATA: RH SIDE	001030	1
70	65C27021-277	.	DOUBLER ASSY	001030	1
75	MF53050-08DL	..	NUTPLATE SUPPLIER CODE: V15653 SPECIFICATION NUMBER: BACN10JN08CM OPTIONAL PART: BRFM20C08M V52828 MF1001-08BAC V15653 NS103218SE82 V80539 VN252D82 V92215 109F9201M82 V72962 T8125C08C V11815	001030	8

MISSING ITEM NUMBERS NOT APPLICABLE

- ITEM NOT ILLUSTRATED

HAP

25-21-44-74A

BOEING PROPRIETARY - Copyright © - Unpublished Work - See title page for details.

25-21-44
FIG. 74A
PAGE 1
OCT 10/06

BOEING
737-600/700/800/900
PARTS CATALOG (MAINTENANCE)

FIG ITEM	PART NUMBER	1 2 3 4 5 6 7	NOMENCLATURE	EFFECT FROM TO	UNITS PER ASSY
74A			ATTACHING PARTS		
- 80	BACR15CE3D		..RIVET- SIZE DETERMINED ON INSTL. -----*-----	001030	16
85	65C27021-278		..DOUBLER	001030	1
90	65C27021-482		.FITTING ASSY-SPLICE POSITION DATA: LH SIDE	001030	1
- 95	65C27021-483		.FITTING ASSY-SPLICE POSITION DATA: RH SIDE	001030	1
100	T8078S832		..NUTPLATE SUPPLIER CODE: V11815 SPECIFICATION NUMBER: BACN10JP08 OPTIONAL PART: MK3000-08BAC V15653 NS103199-82 V80539 RMA9205M82 V72962 VN203A1-82 V92215 BRM300A08 V52828	001030	6
- 105	BACR15BA3AD		ATTACHING PARTS ..RIVET- SIZE DETERMINED ON INSTL. -----*-----	001030	12
107	BACN10JP08		..NUTPLATE	001030	4
- 108	BACR15BA3AD		ATTACHING PARTS ..RIVET- SIZE DETERMINED ON INSTL. -----*-----	001030	8
110	65C27021-484		..FITTING- POSITION DATA: LH SIDE	001030	1
- 115	65C27021-485		..FITTING- POSITION DATA: RH SIDE	001030	1
120	412N3101-24SP		.COVER ASSY-GAP POSITION DATA: LH SIDE	001030	1
- 125	412N3101-25SP		.COVER ASSY-GAP POSITION DATA: RH SIDE	001030	1

MISSING ITEM NUMBERS NOT APPLICABLE

- ITEM NOT ILLUSTRATED

HAP

25-21-44-74A

BOEING PROPRIETARY - Copyright © - Unpublished Work - See title page for details.

25-21-44
FIG. 74A
PAGE 2
OCT 10/06

BOEING
737-600/700/800/900
PARTS CATALOG (MAINTENANCE)

FIG ITEM	PART NUMBER	1 2 3 4 5 6 7	NOMENCLATURE	EFFECT FROM TO	UNITS PER ASSY
74A 130	T8078S832BC		..NUTPLATE SUPPLIER CODE: V11815 SPECIFICATION NUMBER: BACN10JP08CR OPTIONAL PART: MK3000-08BCBAC V15653 NS103199-82BC V80539 RMA9205M82BC V72962 VN203A2-82 V92215 BRM300A08K V52828 ATTACHING PARTS	001030	2
- 135	BACR15BA3AD		..RIVET- SIZE DETERMINED ON INSTL. -----*-----	001030	4
140	412N3101-22SP		..COVER- POSITION DATA: LH SIDE	001030	1
- 145	412N3101-23SP		..COVER- POSITION DATA: RH SIDE	001030	1
150	65C27021-481		.FILLER	001030	1
155	65C27021-177		.DOUBLER-SPRT	001030	4
160	412N3133-23		.FITTING ASSY- POSITION DATA: LH SIDE	001030	4
- 165	412N3133-24		.FITTING ASSY- POSITION DATA: RH SIDE	001030	4
170	BACB30NM3K5		..BOLT	001030	2
175	AN960JD10LL		..WASHER	001030	2
180	412N2004-55		..BUSHING	001030	2
185	65C27021-459		..BRACKET- POSITION DATA: LH SIDE	001030	1
- 190	65C27021-460		..BRACKET- POSITION DATA: RH SIDE	001030	1
195	65C27021-463		..FILLER ASSY-RADIUS	001030	2

MISSING ITEM NUMBERS NOT APPLICABLE

- ITEM NOT ILLUSTRATED

HAP

25-21-44-74A

BOEING PROPRIETARY - Copyright © - Unpublished Work - See title page for details.

25-21-44
FIG. 74A
PAGE 3
OCT 10/06

BOEING
737-600/700/800/900
PARTS CATALOG (MAINTENANCE)

FIG ITEM	PART NUMBER	1 2 3 4 5 6 7	NOMENCLATURE	EFFECT FROM TO	UNITS PER ASSY
74A 200	T8078S1032		...NUTPLATE SUPPLIER CODE: V11815 SPECIFICATION NUMBER: BACN10JP3C OPTIONAL PART: MK3000-3BAC V15653 NS103199-02 V80539 RMA9205M3 V72962 VN203A1-02 V92215 BRM300A3 V52828 ATTACHING PARTS	001030	1
- 205	BACR15BA3AD		...RIVET- SIZE DETERMINED ON INSTL. -----*-----	001030	2
210	65C27021-464		...FILLER	001030	1
215	BACS13CJ3L080P		..INSERT	001030	4
220	412N3134-1		..CASTING	001030	1
225	412A3136-1063SP		.BEAM- POSITION DATA: LH SIDE	001030	1
- 230	412A3136-1064SP		.BEAM- POSITION DATA: RH SIDE	001030	1
235	412A3137-1165SP		.BEAM ASSY- POSITION DATA: LH SIDE	001030	1
- 240	412A3137-1166SP		.BEAM ASSY- POSITION DATA: RH SIDE	001030	1
245	412N2008-1		..CLIP-SPR ATTACHING PARTS	001030	10
- 250	BACR15BA3ADC		..RIVET- SIZE DETERMINED ON INSTL. -----*-----	001030	20
255	BACN10TL3A3		..NUTPLATE ATTACHING PARTS	001030	8
- 260	BACR15BB4DC		..RIVET- SIZE DETERMINED ON INSTL. -----*-----	001030	16
265	65C36185-1		..BRACKET ASSY	001030	5

MISSING ITEM NUMBERS NOT APPLICABLE

- ITEM NOT ILLUSTRATED

HAP

25-21-44-74A

BOEING PROPRIETARY - Copyright © - Unpublished Work - See title page for details.

25-21-44
FIG. 74A
PAGE 4
OCT 10/06

BOEING
737-600/700/800/900
PARTS CATALOG (MAINTENANCE)

FIG ITEM	PART NUMBER	1 2 3 4 5 6 7	NOMENCLATURE	EFFECT FROM TO	UNITS PER ASSY
74A			ATTACHING PARTS		
- 270	BACR15BB4DC		..RIVET- SIZE DETERMINED ON INSTL. -----*-----	001030	10
275	130069		...NUT- SUPPLIER CODE: V60119 SPECIFICATION NUMBER: BACN10FX16 OPTIONAL PART: A11330-6-3 V72962 A4972-6-02 V72962 BACN10YD1	001030	1
275	BRC600-8-3		...NUT- SUPPLIER CODE: V52828 SPECIFICATION NUMBER: BACN10YD1 OPTIONAL PART: 130120 V60119 BACN10FX16	001030	1
280	65C36185-2		...BRACKET	001030	1
285	65C27021-184		..BRACKET ASSY	001030	3
- 290	BACR15BA5ADC		ATTACHING PARTS ..RIVET- SIZE DETERMINED ON INSTL. -----*-----	001030	12
295	T8076S832		...NUTPLATE SUPPLIER CODE: V11815 SPECIFICATION NUMBER: BACN10JP08A OPTIONAL PART: MK1000-08BAC V15653 NS103197-82 V80539 RMA9201M82 V72962 VN202A1-82 V92215 BRM200A08 V52828	001030	2

MISSING ITEM NUMBERS NOT APPLICABLE

- ITEM NOT ILLUSTRATED

HAP

25-21-44-74A

BOEING PROPRIETARY - Copyright © - Unpublished Work - See title page for details.

25-21-44
FIG. 74A
PAGE 5
FEB 15/09

BOEING
737-600/700/800/900
PARTS CATALOG (MAINTENANCE)

FIG ITEM	PART NUMBER	1 2 3 4 5 6 7	NOMENCLATURE	EFFECT FROM TO	UNITS PER ASSY
74A			ATTACHING PARTS		
- 300	BACR15BA3AD	...	RIVET- SIZE DETERMINED ON INSTL. -----*-----	001030	4
305	65C27021-221	...	BRACKET	001030	1
310	412A3137-1047	..	INSULATOR- POSITION DATA: LH SIDE	001030	1
- 315	412A3137-1148	..	INSULATOR- POSITION DATA: RH SIDE	001030	1
320	412A3137-1167SP	..	BEAM- POSITION DATA: LH SIDE	001030	1
- 325	412A3137-1168SP	..	BEAM- POSITION DATA: RH SIDE	001030	1
340	412A3133-1	.	FITTING ASSY- POSITION DATA: LH SIDE	001030	4
340	412A3133-3	.	FITTING ASSY- POSITION DATA: LH SIDE	001030	4
- 345	412A3133-2	.	FITTING ASSY- POSITION DATA: RH SIDE	001030	4
- 345	412A3133-4	.	FITTING ASSY- POSITION DATA: RH SIDE	001030	4
350	BACB30NM3K6	..	BOLT	001030	2
355	NAS43DD3-21FC	..	SPACER	001030	2
360	NAS1149D0363J	..	WASHER	001030	2
365	412A2004-5	..	BUSHING	001030	2
370	412A2004-9	..	BEARING ASSY-ANGLE	001030	2
375	412A2004-6	...	SUPPORT ASSY	001030	1

MISSING ITEM NUMBERS NOT APPLICABLE

- ITEM NOT ILLUSTRATED

HAP

25-21-44-74A

BOEING PROPRIETARY - Copyright © - Unpublished Work - See title page for details.

25-21-44
FIG. 74A
PAGE 6
OCT 15/08

BOEING
737-600/700/800/900
PARTS CATALOG (MAINTENANCE)

FIG ITEM	PART NUMBER	1 2 3 4 5 6 7	NOMENCLATURE	EFFECT FROM TO	UNITS PER ASSY
74A 380	T8078S1032	NUTPLATE SUPPLIER CODE: V11815 SPECIFICATION NUMBER: BACN10JP3C OPTIONAL PART: MK3000-3BAC V15653 NS103199-02 V80539 RMA9205M3 V72962 VN203A1-02 V92215 BRM300A3 V52828 ATTACHING PARTS	001030	1
- 385	BACR15BA3AD	RIVET- SIZE DETERMINED ON INSTL. -----*-----	001030	2
390	412A2004-7	SUPPORT	001030	1
395	412A2004-8	...	BEARING	001030	1
400	412A2004-1	..	BRACKET-ANGLE POSITION DATA: LH SIDE	001030	1
- 405	412A2004-2	..	BRACKET-ANGLE POSITION DATA: RH SIDE	001030	1
410	BACS13CJ3L080P	..	INSERT	001030	4
415	412A3134-1	..	HOUSING-SLIDER USED ON: 412A3133-1 412A3133-2	001030	1
415	412A3134-2	..	HOUSING-SLIDER USED ON: 412A3133-3 412A3133-4	001030	1

MISSING ITEM NUMBERS NOT APPLICABLE

- ITEM NOT ILLUSTRATED

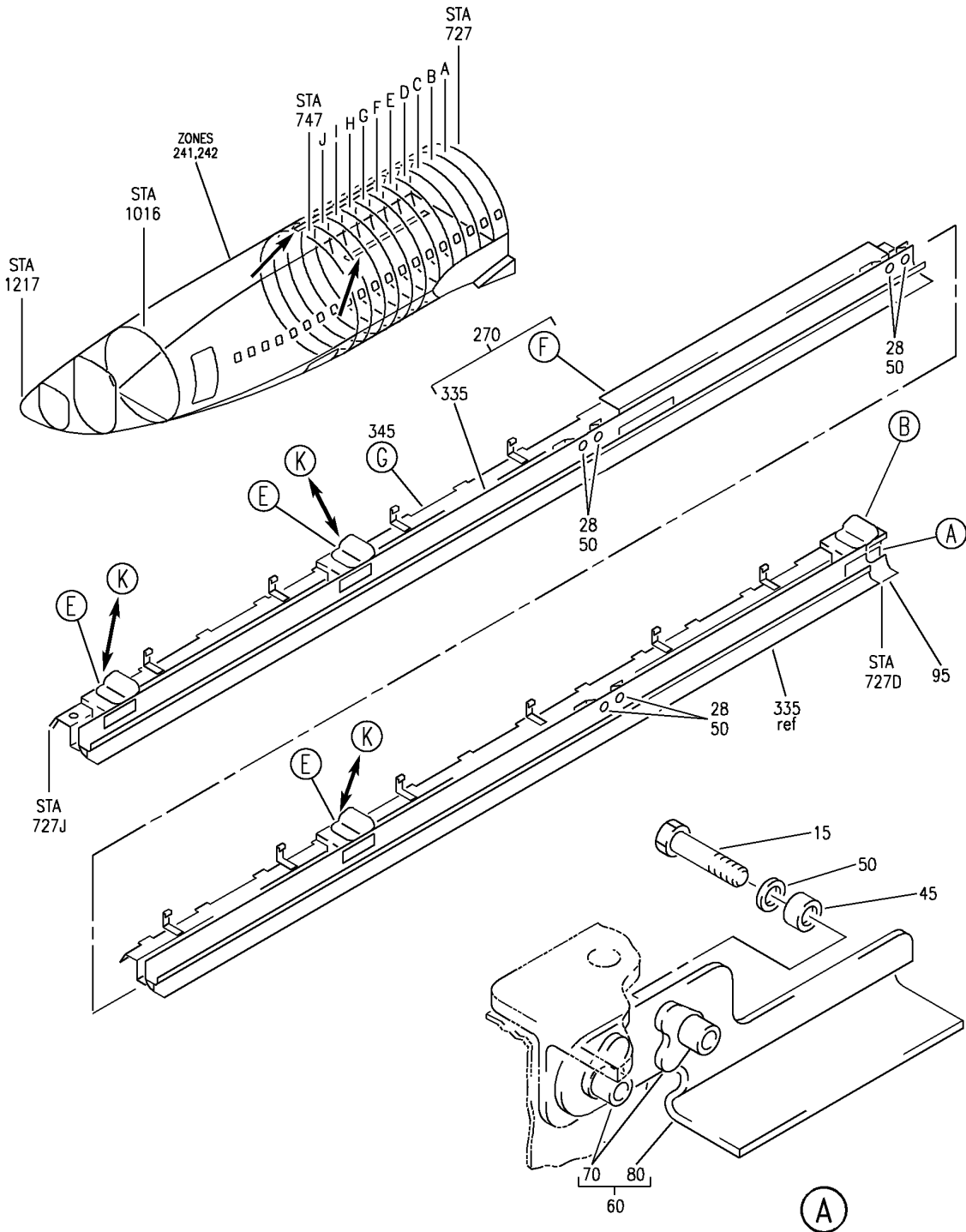
HAP

25-21-44-74A

BOEING PROPRIETARY - Copyright © - Unpublished Work - See title page for details.

25-21-44
FIG. 74A
PAGE 7
OCT 15/08

BOEING
 737-600/700/800/900
 PARTS CATALOG (MAINTENANCE)



E 25214474B SHT 1 REV 129

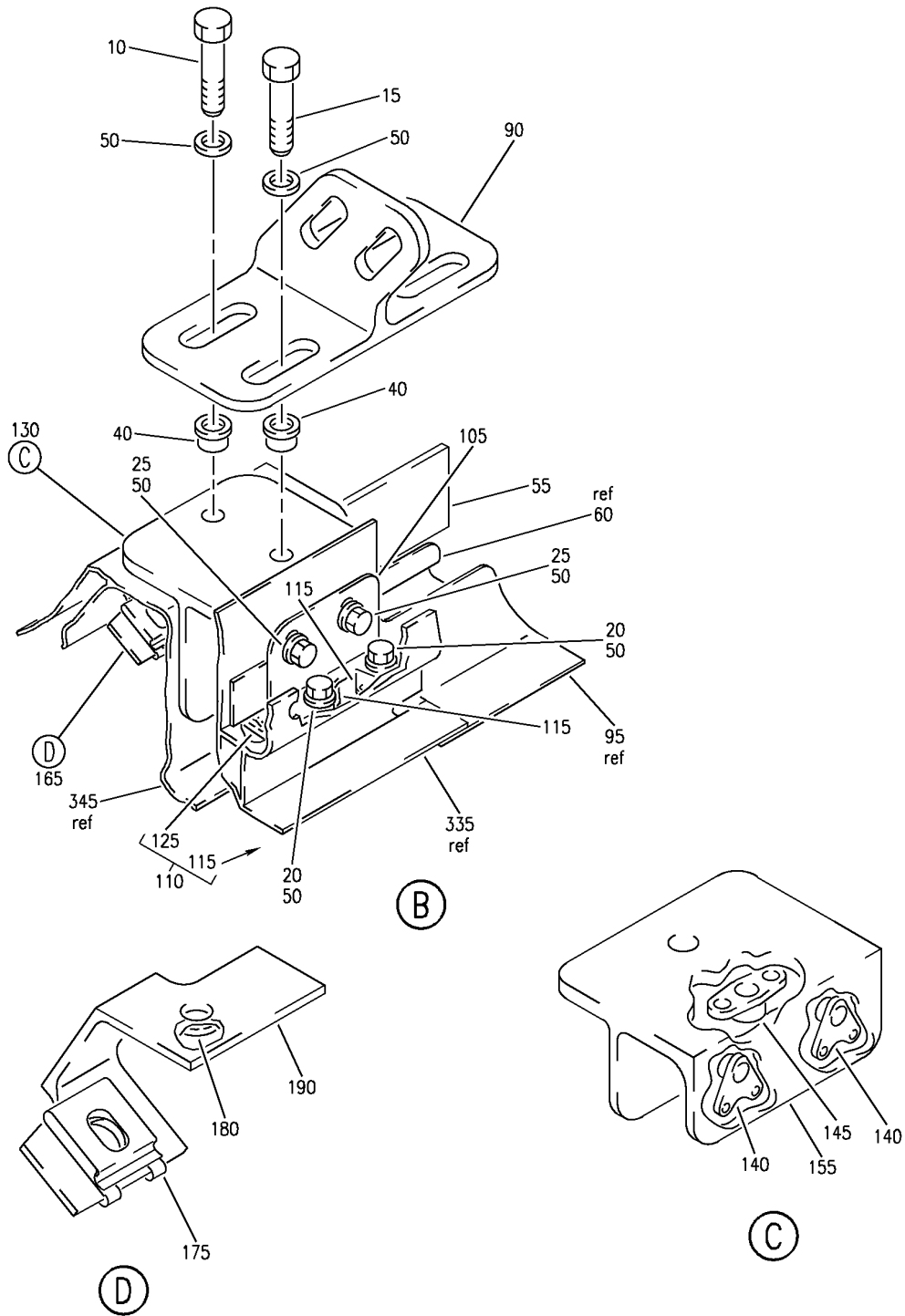
OUTLET ASSY-SIDEWALL AIR CONDITIONING
 FIGURE 74B (SHEET 1)

25-21-44-74B

HAP
 JUN 10/07

25-21-44-74B
 PAGE 0

BOEING
 737-600/700/800/900
 PARTS CATALOG (MAINTENANCE)



E 25214474B SHT 2 REV 112

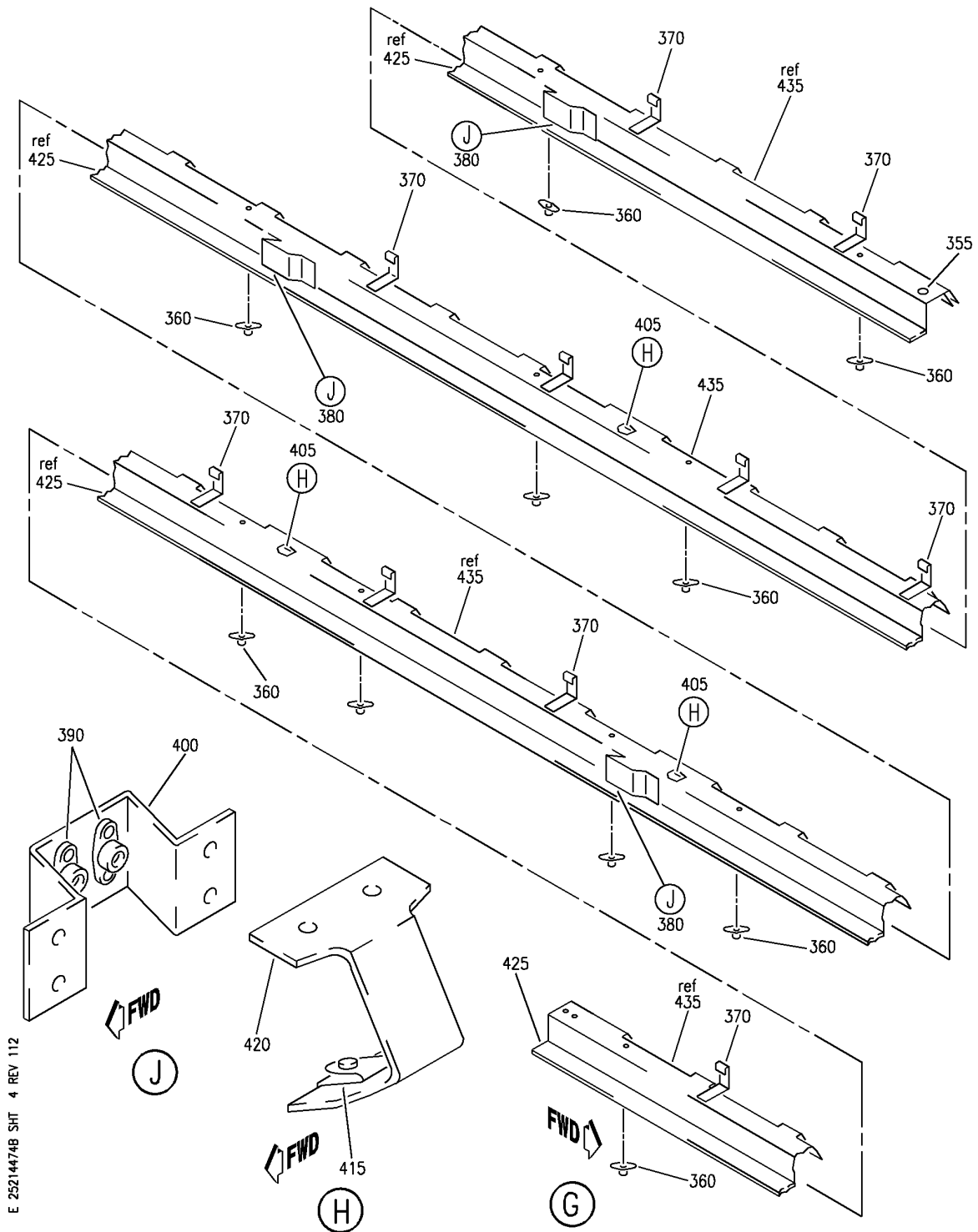
OUTLET ASSY-SIDEWALL AIR CONDITIONING
 FIGURE 74B (SHEET 2)

25-21-44-74B

HAP
 OCT 10/06

25-21-44-74B
 PAGE 0A

BOEING
 737-600/700/800/900
 PARTS CATALOG (MAINTENANCE)



E 25214474B SHT 4 REV 112

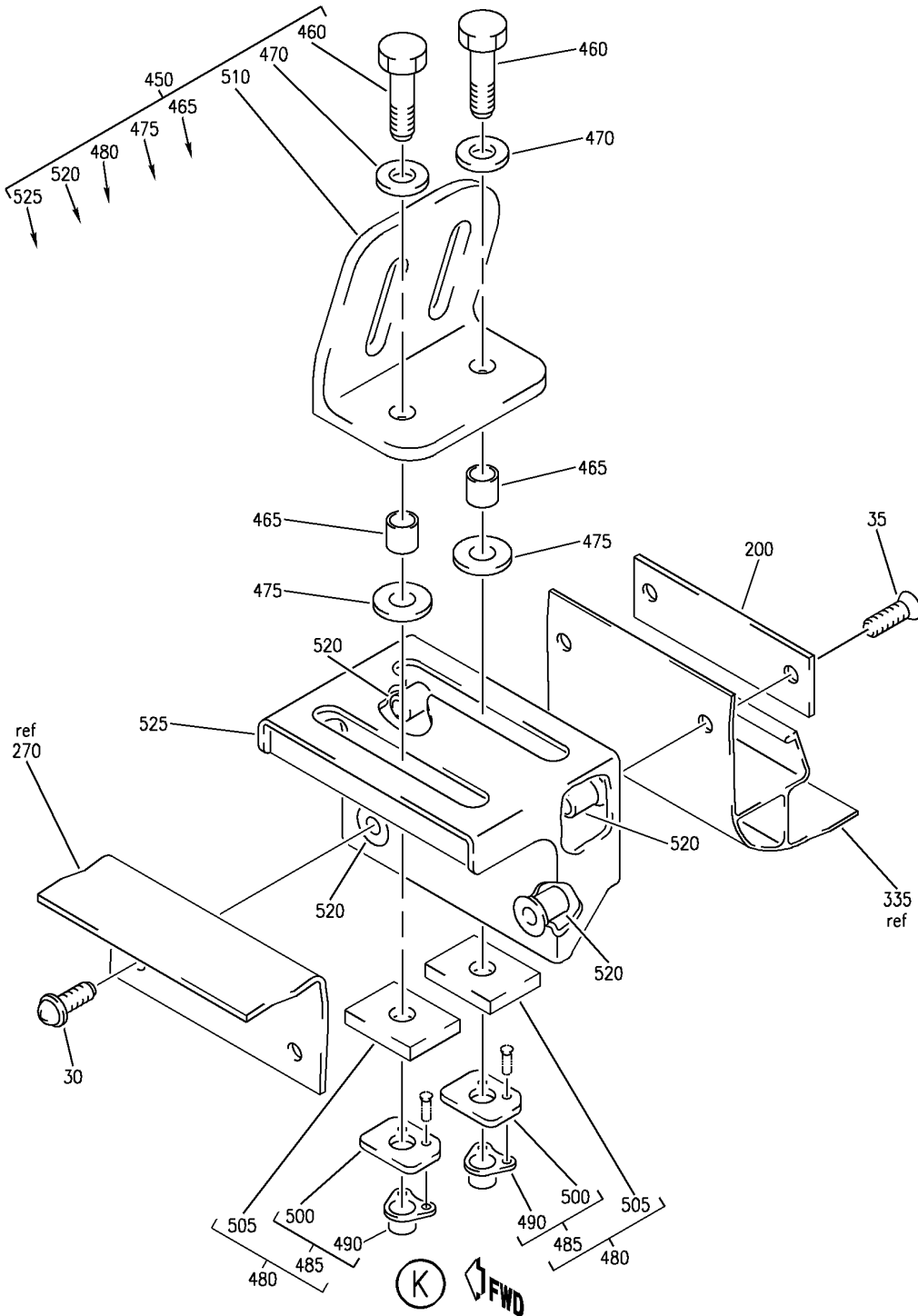
OUTLET ASSY-SIDEWALL AIR CONDITIONING
 FIGURE 74B (SHEET 4)

25-21-44-74B

HAP
 OCT 10/06

25-21-44-74B
 PAGE 0C


BOEING
 737-600/700/800/900
PARTS CATALOG (MAINTENANCE)



E 25214474B SHT 5 REV 129

OUTLET ASSY-SIDEWALL AIR CONDITIONING
 FIGURE 74B (SHEET 5)

25-21-44-74B

HAP
JUN 10/07

25-21-44-74B
 PAGE 0D

BOEING
737-600/700/800/900
PARTS CATALOG (MAINTENANCE)

FIG ITEM	PART NUMBER	1 2 3 4 5 6 7	NOMENCLATURE	EFFECT FROM TO	UNITS PER ASSY
74B			OUTLET ASSY-SIDEWALL AIR CONDITIONING	001030	
- 1	412A3103-1019SP		OUTLET ASSY-SIDEWALL AIR CONDITIONING POSITION DATA: LH FOR NHA SEE: 25-21-44-58	001029	RF
- 1	412A3103-1141SP		OUTLET ASSY-SIDEWALL AIR CONDITIONING POSITION DATA: LH FOR NHA SEE: 25-21-44-58	030030	RF
- 5	412A3103-1020SP		OUTLET ASSY-SIDEWALL AIR CONDITIONING POSITION DATA: RH FOR NHA SEE: 25-21-44-58	001029	RF
- 5	412A3103-1142SP		OUTLET ASSY-SIDEWALL AIR CONDITIONING POSITION DATA: RH FOR NHA SEE: 25-21-44-58	030030	RF
10	BACS12GU08K13	.SCREW		001030	1
15	BACS12GU08K12	.SCREW		001030	3
20	BACS12GU08K8	.SCREW		001030	2
25	BACS12GU08K10	.SCREW		001030	2
28	BACS12GU08K6	.SCREW		001030	6
30	BACS12FA3K8	.SCREW		001030	6
35	BACS12ER3K9	.SCREW		001030	6
40	412N2004-139	.SPACER		001030	2
45	NAS43DD3-12	.SPACER		001029	2
45	NAS43DD3-12FC	.SPACER		030030	2
50	NAS1149DN816J	.WASHER		001030	14
55	412N3101-49	.COVER-SIGHT		001030	1
60	412N3101-39SP	.COVER ASSY-GAP POSITION DATA: LH SIDE		001029	1
60	412N3101-51SP	.COVER ASSY-GAP POSITION DATA: LH SIDE		030030	1
- 65	412N3101-40SP	.COVER ASSY-GAP POSITION DATA: RH SIDE		001029	1

MISSING ITEM NUMBERS NOT APPLICABLE

- ITEM NOT ILLUSTRATED

HAP

25-21-44-74B

BOEING PROPRIETARY - Copyright © - Unpublished Work - See title page for details.

25-21-44
FIG. 74B
PAGE 1
OCT 10/06

BOEING
737-600/700/800/900
PARTS CATALOG (MAINTENANCE)

FIG ITEM	PART NUMBER	1 2 3 4 5 6 7	NOMENCLATURE	EFFECT FROM TO	UNITS PER ASSY
74B					
- 65	412N3101-52SP		.COVER ASSY-GAP POSITION DATA: RH SIDE	030030	1
70	T8078S832BC		..NUTPLATE SUPPLIER CODE: V11815 SPECIFICATION NUMBER: BACN10JP08CR OPTIONAL PART: MK3000-08BCBAC V15653 NS103199-82BC V80539 RMA9205M82BC V72962 VN203A2-82 V92215 BRM300A08K V52828 ATTACHING PARTS	001030	2
- 75	MS20427M3		..RIVET -----*-----	001030	4
80	412N3101-41SP		..COVER- POSITION DATA: LH SIDE	001029	1
80	412N3101-53SP		..COVER- POSITION DATA: LH SIDE	030030	1
- 85	412N3101-42SP		..COVER- POSITION DATA: RH SIDE	001029	1
- 85	412N3101-54SP		..COVER- POSITION DATA: RH SIDE	030030	1
90	65C27021-477		.BRACKET	001030	1
95	412N3101-43SP		.COVER-GAP POSITION DATA: LH SIDE	001030	1
- 100	412N3101-44SP		.COVER-GAP POSITION DATA: RH SIDE	001030	1
105	65C27020-613		.BRACKET	001030	1
110	65C27021-257		.DOUBLER ASSY	001030	1

MISSING ITEM NUMBERS NOT APPLICABLE

- ITEM NOT ILLUSTRATED

HAP

25-21-44-74B

BOEING PROPRIETARY - Copyright © - Unpublished Work - See title page for details.

25-21-44
FIG. 74B
PAGE 2
OCT 10/06

BOEING
737-600/700/800/900
PARTS CATALOG (MAINTENANCE)

FIG ITEM	PART NUMBER	1 2 3 4 5 6 7	NOMENCLATURE	EFFECT FROM TO	UNITS PER ASSY
74B 115	T8076S832		..NUTPLATE SUPPLIER CODE: V11815 SPECIFICATION NUMBER: BACN10JP08A OPTIONAL PART: MK1000-08BAC V15653 NS103197-82 V80539 RMA9201M82 V72962 VN202A1-82 V92215 BRM200A08 V52828 ATTACHING PARTS	001030	2
- 120	BACR15BA3AD		..RIVET- SIZE DETERMINED ON INSTL. -----*-----	001030	4
125	65C27021-256		..DOUBLER	001030	1
130	65C27021-258		.FITTING ASSY-SPLICE POSITION DATA: LH SIDE	001030	1
- 135	65C27021-265		.FITTING ASSY-SPLICE POSITION DATA: RH SIDE	001030	1
140	T8078S832		..NUTPLATE SUPPLIER CODE: V11815 SPECIFICATION NUMBER: BACN10JP08C OPTIONAL PART: MK3000-08BAC V15653 NS103199-82 V80539 RMA9205M82 V72962 VN203A1-82 V92215 BRM300A08 V52828	001030	2

MISSING ITEM NUMBERS NOT APPLICABLE

- ITEM NOT ILLUSTRATED

HAP

25-21-44-74B

BOEING PROPRIETARY - Copyright © - Unpublished Work - See title page for details.

25-21-44
FIG. 74B
PAGE 3
OCT 10/06

BOEING
737-600/700/800/900
PARTS CATALOG (MAINTENANCE)

FIG ITEM	PART NUMBER	1 2 3 4 5 6 7	NOMENCLATURE	EFFECT FROM TO	UNITS PER ASSY
74B 145	T8076S832		..NUTPLATE SUPPLIER CODE: V11815 SPECIFICATION NUMBER: BACN10JP08A OPTIONAL PART: MK1000-08BAC V15653 NS103197-82 V80539 RMA9201M82 V72962 VN202A1-82 V92215 BRM200A08 V52828 ATTACHING PARTS	001030	1
- 150	BACR15BA3AD		..RIVET- SIZE DETERMINED ON INSTL. -----*-----	001030	6
155	65C27021-259		..FITTING- POSITION DATA: LH SIDE	001030	1
- 160	65C27021-262		..FITTING- POSITION DATA: RH SIDE	001030	1
165	65C36185-3		.BRACKET ASSY- POSITION DATA: LH SIDE	001030	1
- 170	65C36185-5		.BRACKET ASSY- POSITION DATA: RH SIDE	001030	1
175	130069		..NUT- SUPPLIER CODE: V60119 SPECIFICATION NUMBER: BACN10FX16 OPTIONAL PART: A11330-6-3 V72962 A4972-6-02 V72962 BACN10YD1	001030	1

MISSING ITEM NUMBERS NOT APPLICABLE

- ITEM NOT ILLUSTRATED

HAP

25-21-44-74B

BOEING PROPRIETARY - Copyright © - Unpublished Work - See title page for details.

25-21-44
FIG. 74B
PAGE 4
FEB 15/09

BOEING
737-600/700/800/900
PARTS CATALOG (MAINTENANCE)

FIG ITEM	PART NUMBER	1 2 3 4 5 6 7	NOMENCLATURE	EFFECT FROM TO	UNITS PER ASSY
74B 175	BRC600-8-3	..	NUT- SUPPLIER CODE: V52828 SPECIFICATION NUMBER: BACN10YD1 OPTIONAL PART: 130120 V60119 BACN10FX16	001030	1
180	T8076S832	..	NUTPLATE SUPPLIER CODE: V11815 SPECIFICATION NUMBER: BACN10JP08A OPTIONAL PART: MK1000-08BAC V15653 NS103197-82 V80539 RMA9201M82 V72962 VN202A1-82 V92215 BRM200A08 V52828	001030	1
- 185	BACR15CE3D	..	RIVET- ATTACHING PARTS SIZE DETERMINED ON INSTL. -----*-----	001030	2
190	65C36185-4	..	BRACKET- POSITION DATA: LH SIDE	001030	1
- 195	65C36185-6	..	BRACKET- POSITION DATA: RH SIDE	001030	1
200	65C27021-177	.	DOUBLER-SPRT	001030	3
205	412N3133-23	.	FITTING ASSY- POSITION DATA: LH SIDE	001030	3
- 210	412N3133-24	.	FITTING ASSY- POSITION DATA: RH SIDE	001030	3
215	BACB30NM3K5	..	BOLT	001030	2
220	AN960JD10LL	..	WASHER	001030	2
225	412N2004-55	..	BUSHING	001030	2
230	65C27021-459	..	BRACKET- POSITION DATA: LH SIDE	001030	1

MISSING ITEM NUMBERS NOT APPLICABLE

- ITEM NOT ILLUSTRATED

HAP

25-21-44-74B

BOEING PROPRIETARY - Copyright © - Unpublished Work - See title page for details.

25-21-44
FIG. 74B
PAGE 5
OCT 10/06

BOEING
737-600/700/800/900
PARTS CATALOG (MAINTENANCE)

FIG ITEM	PART NUMBER	1 2 3 4 5 6 7	NOMENCLATURE	EFFECT FROM TO	UNITS PER ASSY
74B - 235	65C27021-460	..	BRACKET- POSITION DATA: RH SIDE	001030	1
240	65C27021-463	..	FILLER ASSY-RADIUS	001030	2
245	T8078S1032	...	NUTPLATE SUPPLIER CODE: V11815 SPECIFICATION NUMBER: BACN10JP3C OPTIONAL PART: MK3000-3BAC V15653 NS103199-02 V80539 RMA9205M3 V72962 VN203A1-02 V92215 BRM300A3 V52828	001030	1
- 250	BACR15BA3AD	...	RIVET- SIZE DETERMINED ON INSTL. -----*-----	001030	2
255	65C27021-464	...	FILLER	001030	1
260	BACS13CJ3L080P	..	INSERT	001030	4
265	412N3134-1	..	CASTING	001030	1
270	412A3136-1023SP	.BEAM ASSY-	POSITION DATA: LH SIDE	001030	1
- 275	412A3136-1024SP	.BEAM ASSY-	POSITION DATA: RH SIDE	001030	1
280	412A3200-7	..	BRACKET ASSY- POSITION DATA: LH SIDE	001030	1
- 285	412A3200-8	..	BRACKET ASSY- POSITION DATA: RH SIDE ATTACHING PARTS	001030	1
290	BACR15FT6D	..	RIVET- SIZE DETERMINED ON INSTL.	001030	20
295	BACR15BB6DC	..	RIVET- SIZE DETERMINED ON INSTL. -----*-----	001030	3

MISSING ITEM NUMBERS NOT APPLICABLE

- ITEM NOT ILLUSTRATED

HAP

25-21-44-74B

BOEING PROPRIETARY - Copyright © - Unpublished Work - See title page for details.

25-21-44
FIG. 74B
PAGE 6
OCT 10/06

BOEING
737-600/700/800/900
PARTS CATALOG (MAINTENANCE)

FIG ITEM	PART NUMBER	1 2 3 4 5 6 7	NOMENCLATURE	EFFECT FROM TO	UNITS PER ASSY
74B 300	T8076S1032		...NUTPLATE SUPPLIER CODE: V11815 SPECIFICATION NUMBER: BACN10JP3A OPTIONAL PART: MK1000-3BAC V15653 NS103197-02 V80539 RMA9201M3 V72962 VN202A1-02 V92215 BRM200A3 V52828 ATTACHING PARTS	001030	6
- 305	BACR15BA3ADC		...RIVET- SIZE DETERMINED ON INSTL. -----*-----	001030	12
310	65C27021-253		...FILLER-RADIUS	001030	2
315	BACB28B6-260P		...BUSHING	001030	1
320	412A3210-7		...BRACKET- POSITION DATA: LH SIDE	001030	1
- 325	412A3210-8		...BRACKET- POSITION DATA: RH SIDE	001030	1
330	65C27021-465		..FILLER	001030	1
335	412A3136-1025SP		..BEAM- POSITION DATA: LH SIDE	001030	1
- 340	412A3136-1026SP		..BEAM- POSITION DATA: RH SIDE	001030	1
345	412A3137-1055SP		.BEAM ASSY- POSITION DATA: LH SIDE	001030	1
- 350	412A3137-1056SP		.BEAM ASSY- POSITION DATA: RH SIDE	001030	1
355	NAS1149D0332J		..WASHER	001030	1
360	BACN10TL3A3		..NUTPLATE ATTACHING PARTS	001030	10
- 365	BACR15BB4DC		..RIVET- SIZE DETERMINED ON INSTL. -----*-----	001030	20
370	412N2008-1		..CLIP-SPR	001030	10

MISSING ITEM NUMBERS NOT APPLICABLE

- ITEM NOT ILLUSTRATED

HAP

25-21-44-74B

BOEING PROPRIETARY - Copyright © - Unpublished Work - See title page for details.

25-21-44
FIG. 74B
PAGE 7
OCT 10/06

BOEING
737-600/700/800/900
PARTS CATALOG (MAINTENANCE)

FIG ITEM	PART NUMBER	1 2 3 4 5 6 7	NOMENCLATURE	EFFECT FROM TO	UNITS PER ASSY
74B			ATTACHING PARTS		
- 375	BACR15BA3ADC		..RIVET- SIZE DETERMINED ON INSTL. -----*-----	001030	20
380	65C27021-184		..BRACKET ASSY	001030	3
- 385	BACR15BA5ADC		..RIVET- SIZE DETERMINED ON INSTL. -----*-----	001030	12
390	T8076S832		...NUTPLATE SUPPLIER CODE: V11815 SPECIFICATION NUMBER: BACN10JP08A OPTIONAL PART: MK1000-08BAC V15653 NS103197-82 V80539 RMA9201M82 V72962 VN202A1-82 V92215 BRM200A08 V52828	001030	2
- 395	BACR15BA3AD		ATTACHING PARTS ...RIVET- SIZE DETERMINED ON INSTL. -----*-----	001030	4
400	65C27021-221		...BRACKET	001030	1
405	65C36185-1		..BRACKET ASSY	001030	3
- 410	BACR15BB4DC		ATTACHING PARTS ..RIVET- SIZE DETERMINED ON INSTL. -----*-----	001030	6
415	130069		...NUT- SUPPLIER CODE: V60119 SPECIFICATION NUMBER: BACN10FX16 OPTIONAL PART: A11330-6-3 V72962 A4972-6-02 V72962 BACN10YD1	001030	1

MISSING ITEM NUMBERS NOT APPLICABLE

- ITEM NOT ILLUSTRATED

HAP

25-21-44-74B

BOEING PROPRIETARY - Copyright © - Unpublished Work - See title page for details.

25-21-44
FIG. 74B
PAGE 8
FEB 15/09

BOEING
737-600/700/800/900
PARTS CATALOG (MAINTENANCE)

FIG ITEM	PART NUMBER	1 2 3 4 5 6 7	NOMENCLATURE	EFFECT FROM TO	UNITS PER ASSY
74B 415	BRC600-8-3	...	NUT- SUPPLIER CODE: V52828 SPECIFICATION NUMBER: BACN10YD1 OPTIONAL PART: 130120 V60119 BACN10FX16	001030	1
420	65C36185-2	...	BRACKET	001030	1
425	412A3137-1059	..	INSULATOR- POSITION DATA: LH SIDE	001030	1
- 430	412A3137-1060	..	INSULATOR- POSITION DATA: RH SIDE	001030	1
435	412A3137-1057SP	..	BEAM- POSITION DATA: LH SIDE	001030	1
- 440	412A3137-1058SP	..	BEAM- POSITION DATA: RH SIDE	001030	1
450	412A3133-1	.	FITTING ASSY- POSITION DATA: LH SIDE	001030	3
450	412A3133-3	.	FITTING ASSY- POSITION DATA: LH SIDE	001030	3
- 455	412A3133-2	.	FITTING ASSY- POSITION DATA: RH SIDE	001030	3
- 455	412A3133-4	.	FITTING ASSY- POSITION DATA: RH SIDE	001030	3
460	BACB30NM3K6	..	BOLT	001030	2
465	NAS43DD3-21FC	..	SPACER	001030	2
470	NAS1149D0363J	..	WASHER	001030	2
475	412A2004-5	..	BUSHING	001030	2
480	412A2004-9	..	BEARING ASSY-ANGLE	001030	2
485	412A2004-6	...	SUPPORT ASSY	001030	1

MISSING ITEM NUMBERS NOT APPLICABLE

- ITEM NOT ILLUSTRATED

HAP

25-21-44-74B

BOEING PROPRIETARY - Copyright © - Unpublished Work - See title page for details.

25-21-44
FIG. 74B
PAGE 9
OCT 15/08

BOEING
737-600/700/800/900
PARTS CATALOG (MAINTENANCE)

FIG ITEM	PART NUMBER	1 2 3 4 5 6 7	NOMENCLATURE	EFFECT FROM TO	UNITS PER ASSY
74B 490	T8078S1032	NUTPLATE SUPPLIER CODE: V11815 SPECIFICATION NUMBER: BACN10JP3C OPTIONAL PART: MK3000-3BAC V15653 NS103199-02 V80539 RMA9205M3 V72962 VN203A1-02 V92215 BRM300A3 V52828 ATTACHING PARTS	001030	1
- 495	BACR15BA3AD	RIVET- SIZE DETERMINED ON INSTL. -----*-----	001030	2
500	412A2004-7	SUPPORT	001030	1
505	412A2004-8	...	BEARING	001030	1
510	412A2004-1	..	BRACKET-ANGLE POSITION DATA: LH SIDE	001030	1
- 515	412A2004-2	..	BRACKET-ANGLE POSITION DATA: RH SIDE	001030	1
520	BACS13CJ3L080P	..	INSERT	001030	4
525	412A3134-1	..	HOUSING-SLIDER USED ON: 412A3133-1 412A3133-2	001030	1
525	412A3134-2	..	HOUSING-SLIDER USED ON: 412A3133-3 412A3133-4	001030	1

MISSING ITEM NUMBERS NOT APPLICABLE

- ITEM NOT ILLUSTRATED

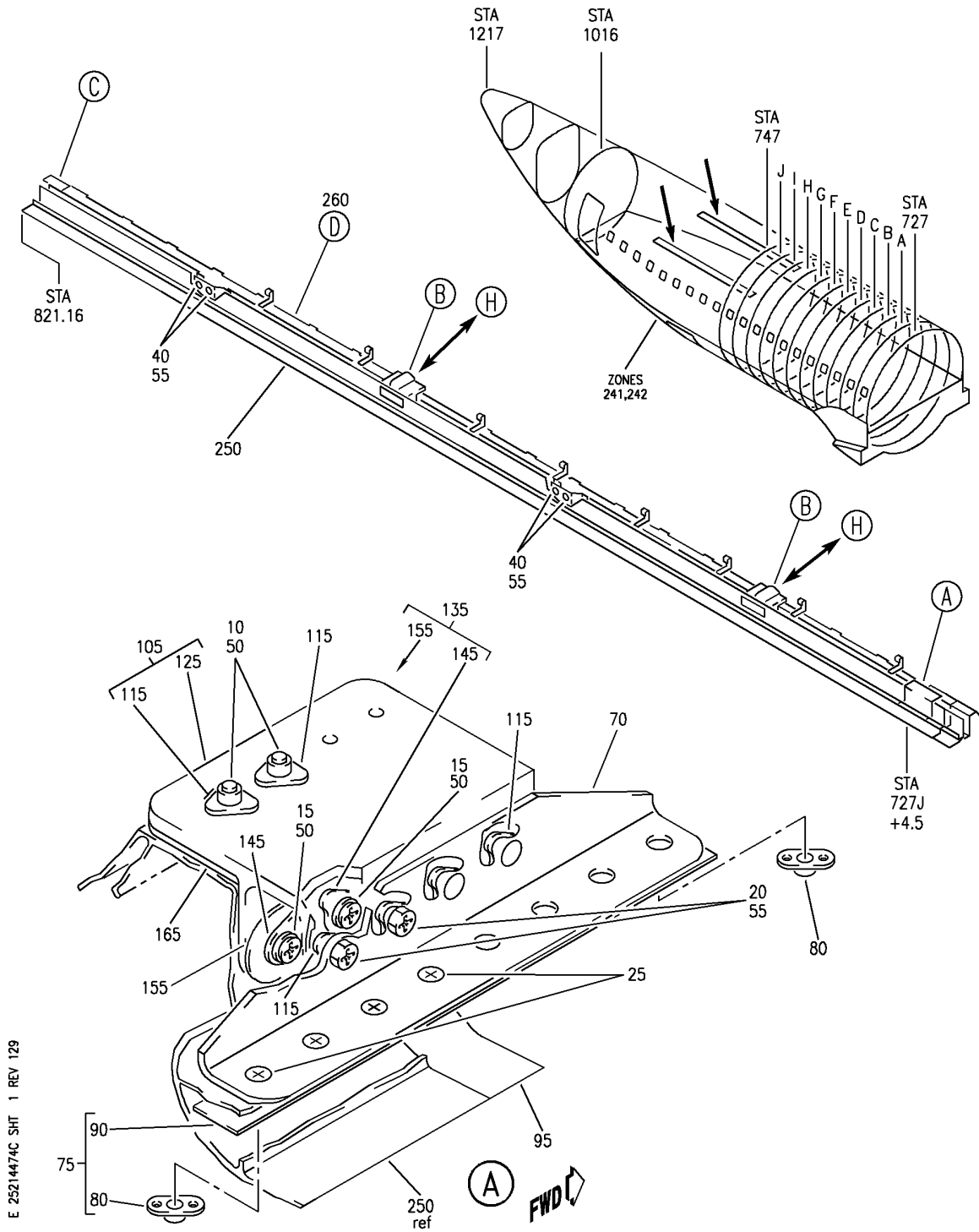
HAP

25-21-44-74B

BOEING PROPRIETARY - Copyright © - Unpublished Work - See title page for details.

25-21-44
FIG. 74B
PAGE 10
OCT 15/08

BOEING
 737-600/700/800/900
 PARTS CATALOG (MAINTENANCE)



E 25214474C SHT 1 REV 129

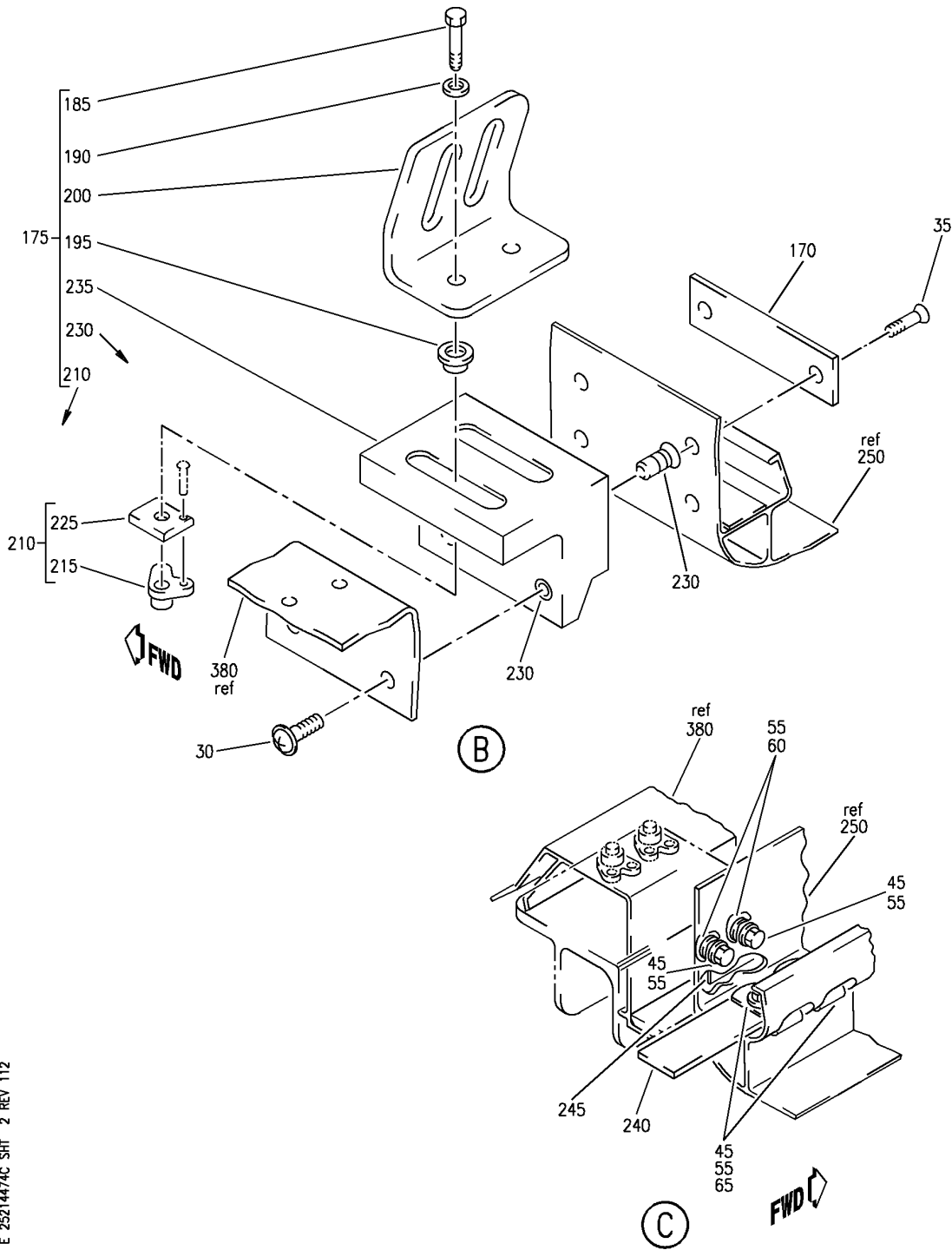
OUTLET ASSY-SIDEWALL AIR CONDITIONING
 FIGURE 74C (SHEET 1)

25-21-44-74C

HAP
 JUN 10/07

25-21-44-74C
 PAGE 0

BOEING
 737-600/700/800/900
 PARTS CATALOG (MAINTENANCE)



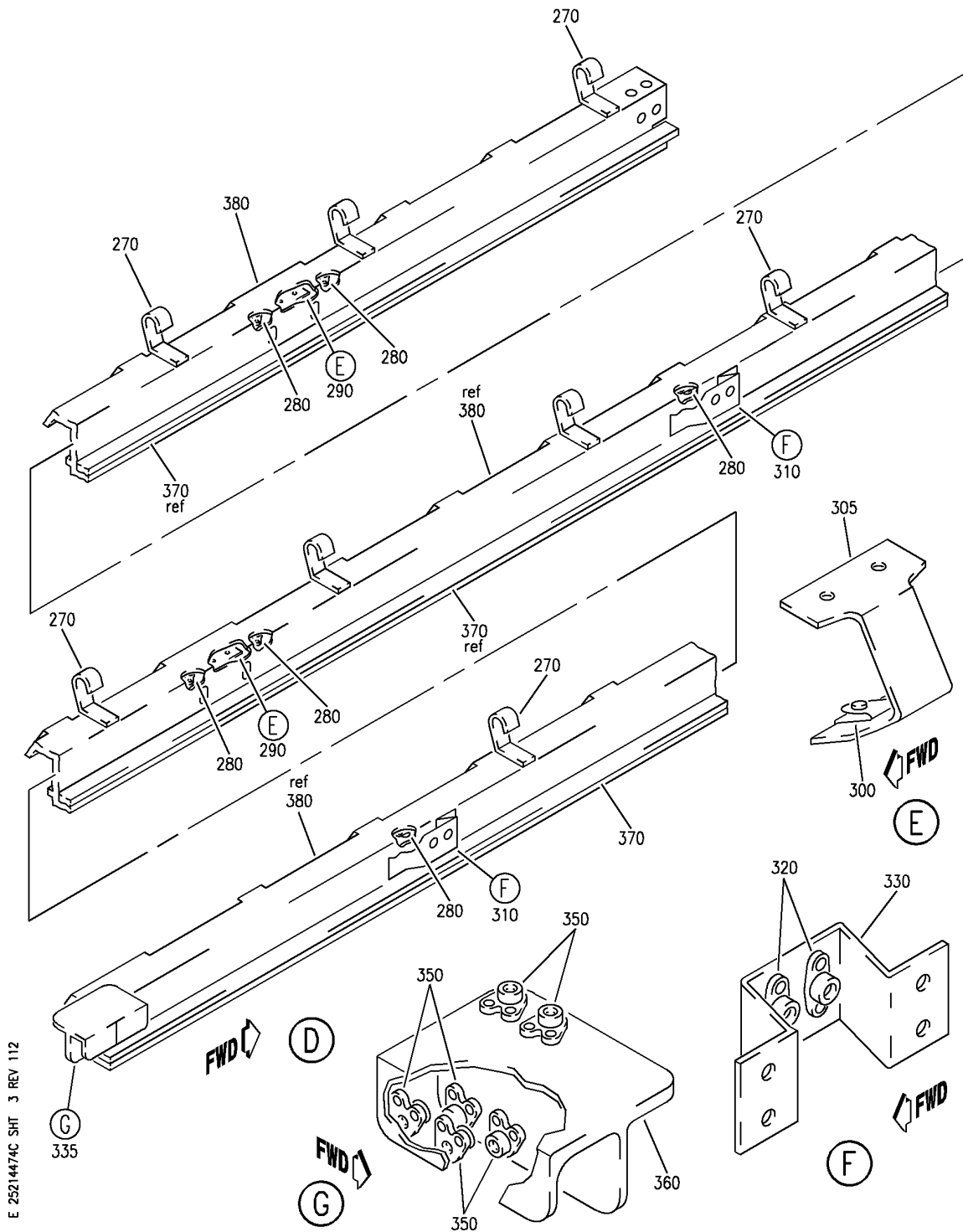
E 25214474C SHT 2 REV 112

OUTLET ASSY-SIDEWALL AIR CONDITIONING
 FIGURE 74C (SHEET 2)

25-21-44-74C

HAP
 OCT 10/06

25-21-44-74C
 PAGE 0A



E 25214474C SHT 3 REV 112

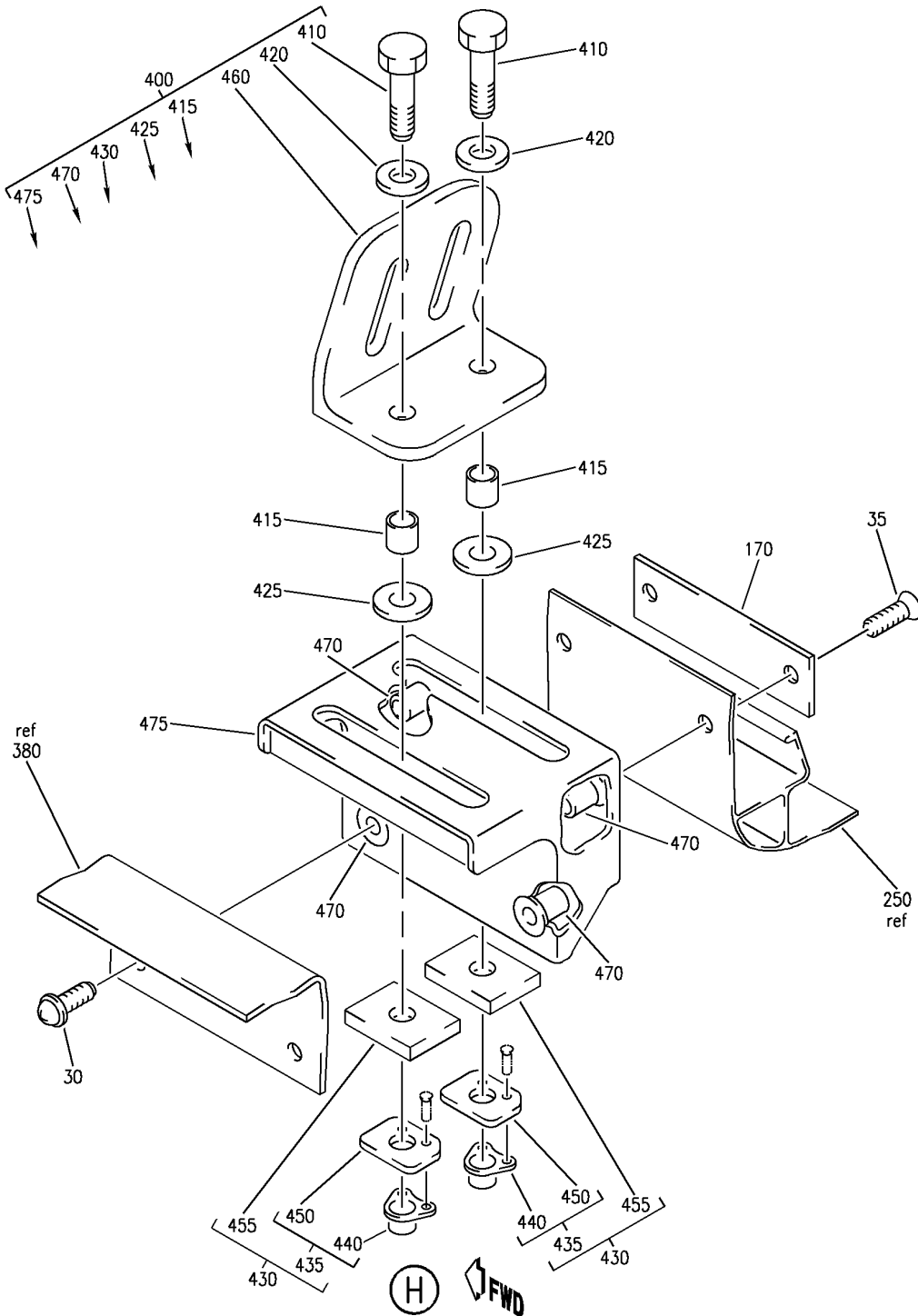
OUTLET ASSY-SIDEWALL AIR CONDITIONING
 FIGURE 74C (SHEET 3)

25-21-44-74C

HAP
 OCT 10/06

25-21-44-74C
 PAGE 0B

BOEING
737-600/700/800/900
PARTS CATALOG (MAINTENANCE)



E 25214474C SHT 4 REV 129

OUTLET ASSY-SIDEWALL AIR CONDITIONING
 FIGURE 74C (SHEET 4)

25-21-44-74C

HAP
 JUN 10/07

25-21-44-74C
 PAGE 0C

BOEING
737-600/700/800/900
PARTS CATALOG (MAINTENANCE)

FIG ITEM	PART NUMBER	1 2 3 4 5 6 7	NOMENCLATURE	EFFECT FROM TO	UNITS PER ASSY
74C			OUTLET ASSY-SIDEWALL AIR CONDITIONING	001030	
- 1	412A3103-1021SP		OUTLET ASSY-SIDEWALL AIR CONDITIONING POSITION DATA: LH FOR NHA SEE: 25-21-44-58	001030	RF
- 5	412A3103-1022SP		OUTLET ASSY-SIDEWALL AIR CONDITIONING POSITION DATA: RH FOR NHA SEE: 25-21-44-58	001030	RF
10	BACS12ER08K8	.SCREW		001030	2
15	BACS12ER08K7	.SCREW		001030	2
20	BACS12GU08K7	.SCREW		001030	2
25	BACB30LU2-2	.BOLT		001030	4
30	BACS12FA3K8	.SCREW		001030	4
35	BACS12ER3K9	.SCREW		001030	4
40	BACS12GU08K6	.SCREW		001030	4
45	BACS12GU08K8	.SCREW		001030	4
50	BACW10DM5P	.WASHER		001030	4
55	NAS1149DN816J	.WASHER		001030	12
60	PLH508CD	.NUT		001030	2
			SUPPLIER CODE: VF0224 SPECIFICATION NUMBER: BACN10YR08CD OPTIONAL PART: H52732-08CD V15653		
65	130008	.NUT		001030	2
			SUPPLIER CODE: V60119 SPECIFICATION NUMBER: BACN10FX84 OPTIONAL PART: RM52LHA4972-6-8 V72962 SL211-08-1 V97393 A11330-6-82 V72962 A4972-6-82 V72962		
70	65C27020-612	.DOUBLER		001030	1
75	65C27021-277	.DOUBLER ASSY		001030	1

MISSING ITEM NUMBERS NOT APPLICABLE

- ITEM NOT ILLUSTRATED

HAP

25-21-44-74C

BOEING PROPRIETARY - Copyright © - Unpublished Work - See title page for details.

25-21-44
FIG. 74C
PAGE 1
FEB 15/09

BOEING
737-600/700/800/900
PARTS CATALOG (MAINTENANCE)

FIG ITEM	PART NUMBER	1 2 3 4 5 6 7	NOMENCLATURE	EFFECT FROM TO	UNITS PER ASSY
74C 80	MF53050-08DL		..NUTPLATE SUPPLIER CODE: V15653 SPECIFICATION NUMBER: BACN10JN08CM OPTIONAL PART: BRFM20C08M V52828 MF1001-08BAC V15653 NS103218SE82 V80539 VN252D82 V92215 109F9201M82 V72962 T8125C08C V11815 ATTACHING PARTS	001030	8
- 85	BACR15CE3D		..RIVET- SIZE DETERMINED ON INSTL. -----*-----	001030	16
90	65C27021-278		..DOUBLER	001030	1
95	412N3101-35SP		.COVER-GAP POSITION DATA: LH SIDE	001030	1
- 100	412N3101-36SP		.COVER-GAP POSITION DATA: RH SIDE	001030	1
105	65C27021-482		.FITTING ASSY-SPLICE POSITION DATA: LH SIDE	001030	1
- 110	65C27021-483		.FITTING ASSY-SPLICE POSITION DATA: RH SIDE	001030	1

MISSING ITEM NUMBERS NOT APPLICABLE

- ITEM NOT ILLUSTRATED

HAP

25-21-44-74C

BOEING PROPRIETARY - Copyright © - Unpublished Work - See title page for details.

25-21-44
FIG. 74C
PAGE 2
OCT 10/06

BOEING
737-600/700/800/900
PARTS CATALOG (MAINTENANCE)

FIG ITEM	PART NUMBER	1 2 3 4 5 6 7	NOMENCLATURE	EFFECT FROM TO	UNITS PER ASSY
74C 115	T8078S832		..NUTPLATE SUPPLIER CODE: V11815 SPECIFICATION NUMBER: BACN10JP08C OPTIONAL PART: MK3000-08BAC V15653 NS103199-82 V80539 RMA9205M82 V72962 VN203A1-82 V92215 BRM300A08 V52828 ATTACHING PARTS	001030	6
- 120	BACR15BA3AD		..RIVET- SIZE DETERMINED ON INSTL. -----*-----	001030	12
125	65C27021-484		..FITTING- POSITION DATA: LH SIDE	001030	1
- 130	65C27021-485		..FITTING- POSITION DATA: RH SIDE	001030	1
135	412N3101-24SP		.COVER ASSY-GAP POSITION DATA: LH SIDE	001030	1
- 140	412N3101-25SP		.COVER ASSY-GAP POSITION DATA: RH SIDE	001030	1
145	T8078S832BC		..NUTPLATE SUPPLIER CODE: V11815 SPECIFICATION NUMBER: BACN10JP08CR OPTIONAL PART: MK3000-08BCBAC V15653 NS103199-82BC V80539 RMA9205M82BC V72962 VN203A2-82 V92215 BRM300A08K V52828	001030	2

MISSING ITEM NUMBERS NOT APPLICABLE

- ITEM NOT ILLUSTRATED

HAP

25-21-44-74C

BOEING PROPRIETARY - Copyright © - Unpublished Work - See title page for details.

25-21-44
FIG. 74C
PAGE 3
OCT 10/06

BOEING
737-600/700/800/900
PARTS CATALOG (MAINTENANCE)

FIG ITEM	PART NUMBER	1 2 3 4 5 6 7	NOMENCLATURE	EFFECT FROM TO	UNITS PER ASSY
74C			ATTACHING PARTS		
- 150	BACR15BA3AD		..RIVET- SIZE DETERMINED ON INSTL. -----*-----	001030	4
155	412N3101-22SP		..COVER- POSITION DATA: LH SIDE	001030	1
- 160	412N3101-23SP		..COVER- POSITION DATA: RH SIDE	001030	1
165	65C27021-481		.FILLER	001030	1
170	65C27021-177		.DOUBLER-SPRT	001030	2
175	412N3133-23		.FITTING ASSY- POSITION DATA: LH SIDE	001030	2
- 180	412N3133-24		.FITTING ASSY- POSITION DATA: RH SIDE	001030	2
185	BACB30NM3K5		..BOLT	001030	2
190	AN960JD10LL		..WASHER	001030	2
195	412N2004-55		..BUSHING	001030	2
200	65C27021-459		..BRACKET- POSITION DATA: LH SIDE	001030	1
- 205	65C27021-460		..BRACKET- POSITION DATA: RH SIDE	001030	1
210	65C27021-463		..FILLER ASSY-RADIUS	001030	2
215	T8078S1032		...NUTPLATE SUPPLIER CODE: V11815 SPECIFICATION NUMBER: BACN10JP3C OPTIONAL PART: MK3000-3BAC V15653 NS103199-02 V80539 RMA9205M3 V72962 VN203A1-02 V92215 BRM300A3 V52828	001030	1
- 220	BACR15BA3AD		ATTACHING PARTS ...RIVET- SIZE DETERMINED ON INSTL. -----*-----	001030	2
225	65C27021-464		...FILLER	001030	1

MISSING ITEM NUMBERS NOT APPLICABLE

- ITEM NOT ILLUSTRATED

HAP

25-21-44-74C

BOEING PROPRIETARY - Copyright © - Unpublished Work - See title page for details.

25-21-44
FIG. 74C
PAGE 4
OCT 10/06

BOEING
737-600/700/800/900
PARTS CATALOG (MAINTENANCE)

FIG ITEM	PART NUMBER	1 2 3 4 5 6 7	NOMENCLATURE	EFFECT FROM TO	UNITS PER ASSY
74C					
230	BACS13CJ3L080P	..	INSERT	001030	4
235	412N3134-1	..	CASTING	001030	1
240	65C27021-193	.D	DOUBLER	001030	1
245	65C27021-191	.F	FILLER	001030	1
250	412A3136-1027SP	.B	BEAM-	001030	1
			POSITION DATA: LH SIDE		
- 255	412A3136-1028SP	.B	BEAM-	001030	1
			POSITION DATA: RH SIDE		
260	412A3137-1061SP	.B	BEAM ASSY-	001030	1
			POSITION DATA: LH SIDE		
- 265	412A3137-1062SP	.B	BEAM ASSY-	001030	1
			POSITION DATA: RH SIDE		
270	412N2008-1	..	CLIP-SPR	001030	8
			ATTACHING PARTS		
- 275	BACR15BA3ADC	..	RIVET-	001030	16
			SIZE DETERMINED ON INSTL. -----*-----		
280	BACN10TL3A3	..	NUTPLATE	001030	6
			ATTACHING PARTS		
- 285	BACR15BB4DC	..	RIVET-	001030	12
			SIZE DETERMINED ON INSTL. -----*-----		
290	65C36185-1	..	BRACKET ASSY	001030	2
			ATTACHING PARTS		
- 295	BACR15BB4DC	..	RIVET-	001030	4
			SIZE DETERMINED ON INSTL. -----*-----		
300	130069	...	NUT-	001030	1
			SUPPLIER CODE: V60119		
			SPECIFICATION NUMBER: BACN10FX16		
			OPTIONAL PART: A11330-6-3		
			V72962		
			A4972-6-02		
			V72962		
			BACN10YD1		

MISSING ITEM NUMBERS NOT APPLICABLE

- ITEM NOT ILLUSTRATED

HAP

25-21-44-74C

BOEING PROPRIETARY - Copyright © - Unpublished Work - See title page for details.

25-21-44
FIG. 74C
PAGE 5
FEB 15/09

BOEING
737-600/700/800/900
PARTS CATALOG (MAINTENANCE)

FIG ITEM	PART NUMBER	1 2 3 4 5 6 7	NOMENCLATURE	EFFECT FROM TO	UNITS PER ASSY
74C 300	BRC600-8-3	...	NUT- SUPPLIER CODE: V52828 SPECIFICATION NUMBER: BACN10YD1 OPTIONAL PART: 130120 V60119 BACN10FX16	001030	1
305	65C36185-2	...	BRACKET	001030	1
310	65C27021-184	..	BRACKET ASSY ATTACHING PARTS	001030	2
- 315	BACR15BA5ADC	..	RIVET- SIZE DETERMINED ON INSTL. -----*-----	001030	8
320	T8076S832	...	NUTPLATE SUPPLIER CODE: V11815 SPECIFICATION NUMBER: BACN10JP08A OPTIONAL PART: MK1000-08BAC V15653 NS103197-82 V80539 RMA9201M82 V72962 VN202A1-82 V92215 BRM200A08 V52828 ATTACHING PARTS	001030	2
- 325	BACR15BA3AD	...	RIVET- SIZE DETERMINED ON INSTL. -----*-----	001030	4
330	65C27021-221	...	BRACKET	001030	1
335	65C27021-295	..	FITTING ASSY-SPLICE POSITION DATA: LH SIDE	001030	1
- 340	65C27021-296	..	FITTING ASSY-SPLICE POSITION DATA: RH SIDE ATTACHING PARTS	001030	1
- 345	BACR15BA5DC	..	RIVET- SIZE DETERMINED ON INSTL. -----*-----	001030	4

MISSING ITEM NUMBERS NOT APPLICABLE

- ITEM NOT ILLUSTRATED

HAP

25-21-44-74C

BOEING PROPRIETARY - Copyright © - Unpublished Work - See title page for details.

25-21-44
FIG. 74C
PAGE 6
OCT 10/06

BOEING
737-600/700/800/900
PARTS CATALOG (MAINTENANCE)

FIG ITEM	PART NUMBER	1 2 3 4 5 6 7	NOMENCLATURE	EFFECT FROM TO	UNITS PER ASSY
74C 350	T8078S832		...NUTPLATE SUPPLIER CODE: V11815 SPECIFICATION NUMBER: BACN10JP08C OPTIONAL PART: MK3000-08BAC V15653 NS103199-82 V80539 RMA9205M82 V72962 VN203A1-82 V92215 BRM300A08 V52828 ATTACHING PARTS	001030	6
- 355	BACR15BA3AD		...RIVET- SIZE DETERMINED ON INSTL. -----*-----	001030	12
360	65C27021-297		...FITTING- POSITION DATA: LH SIDE	001030	1
- 365	65C27021-298		...FITTING- POSITION DATA: RH SIDE	001030	1
370	412A3137-1065		..INSULATOR- POSITION DATA: LH SIDE	001030	1
- 375	412A3137-1066		..INSULATOR- POSITION DATA: RH SIDE	001030	1
380	412A3137-1063SP		..BEAM- POSITION DATA: LH SIDE	001030	1
- 385	412A3137-1064SP		..BEAM- POSITION DATA: RH SIDE	001030	1
400	412A3133-1		.FITTING ASSY- POSITION DATA: LH SIDE	001030	2
400	412A3133-3		.FITTING ASSY- POSITION DATA: LH SIDE	001030	2
- 405	412A3133-2		.FITTING ASSY- POSITION DATA: RH SIDE	001030	2

MISSING ITEM NUMBERS NOT APPLICABLE

- ITEM NOT ILLUSTRATED

HAP

25-21-44-74C

BOEING PROPRIETARY - Copyright © - Unpublished Work - See title page for details.

25-21-44
FIG. 74C
PAGE 7
OCT 15/08

BOEING
737-600/700/800/900
PARTS CATALOG (MAINTENANCE)

FIG ITEM	PART NUMBER	1 2 3 4 5 6 7	NOMENCLATURE	EFFECT FROM TO	UNITS PER ASSY
74C - 405	412A3133-4		. FITTING ASSY- POSITION DATA: RH SIDE	001030	2
410	BACB30NM3K6		.. BOLT	001030	2
415	NAS43DD3-21FC		.. SPACER	001030	2
420	NAS1149D0363J		.. WASHER	001030	2
425	412A2004-5		.. BUSHING	001030	2
430	412A2004-9		.. BEARING ASSY-ANGLE	001030	2
435	412A2004-6		... SUPPORT ASSY	001030	1
440	T8078S1032	 NUTPLATE SUPPLIER CODE: V11815 SPECIFICATION NUMBER: BACN10JP3C OPTIONAL PART: MK3000-3BAC V15653 NS103199-02 V80539 RMA9205M3 V72962 VN203A1-02 V92215 BRM300A3 V52828	001030	1
- 445	BACR15BA3AD		ATTACHING PARTS RIVET- SIZE DETERMINED ON INSTL. -----*-----	001030	2
450	412A2004-7	 SUPPORT	001030	1
455	412A2004-8		... BEARING	001030	1
460	412A2004-1		.. BRACKET-ANGLE POSITION DATA: LH SIDE	001030	1
- 465	412A2004-2		.. BRACKET-ANGLE POSITION DATA: RH SIDE	001030	1
470	BACS13CJ3L080P		.. INSERT	001030	4
475	412A3134-1		.. HOUSING-SLIDER USED ON: 412A3133-1 412A3133-2	001030	1
475	412A3134-2		.. HOUSING-SLIDER USED ON: 412A3133-3 412A3133-4	001030	1

MISSING ITEM NUMBERS NOT APPLICABLE

- ITEM NOT ILLUSTRATED

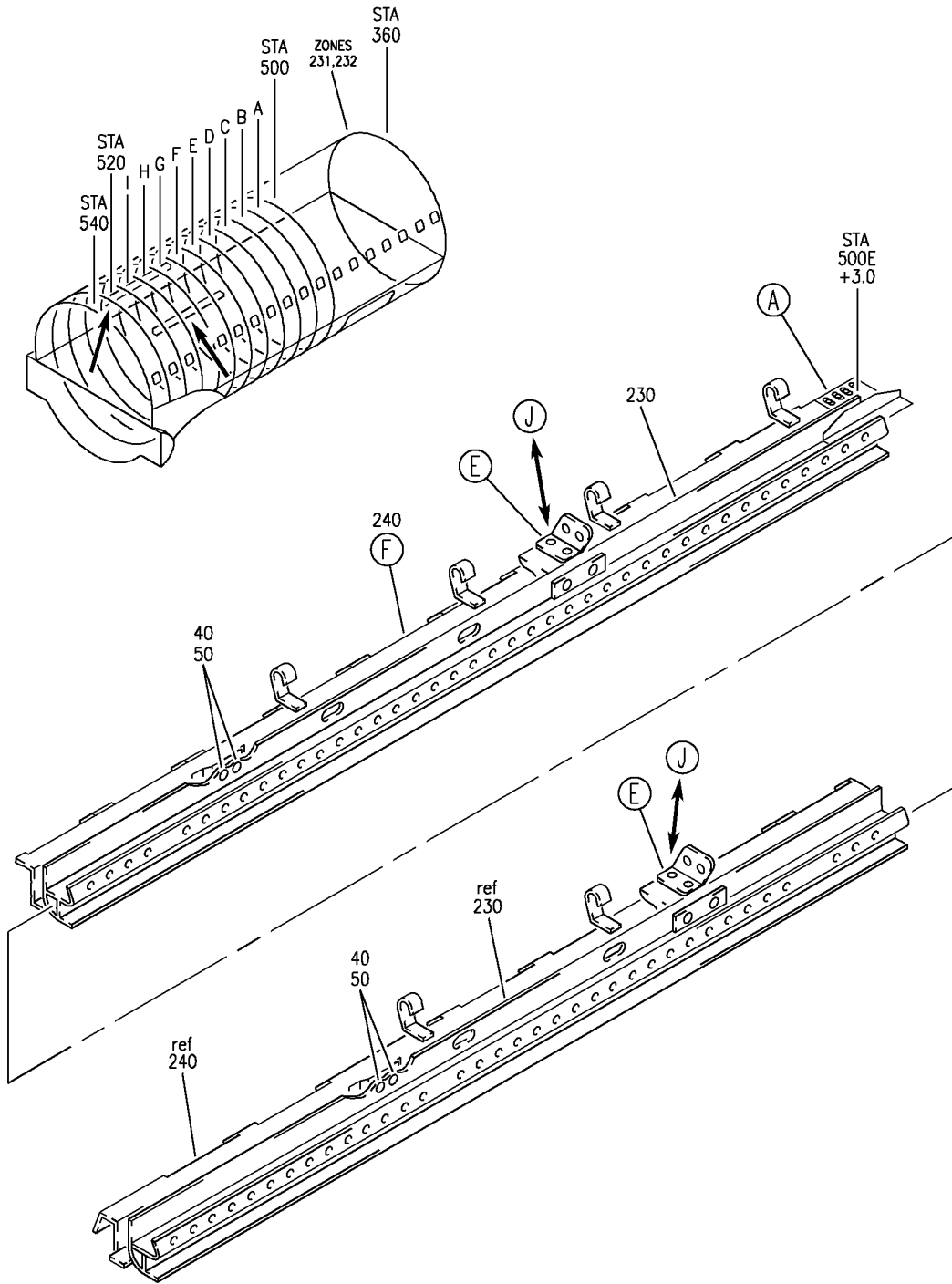
HAP

25-21-44-74C

BOEING PROPRIETARY - Copyright © - Unpublished Work - See title page for details.

25-21-44
FIG. 74C
PAGE 8
OCT 15/08

BOEING
 737-600/700/800/900
 PARTS CATALOG (MAINTENANCE)



E 25214474D SHT 1 REV 129

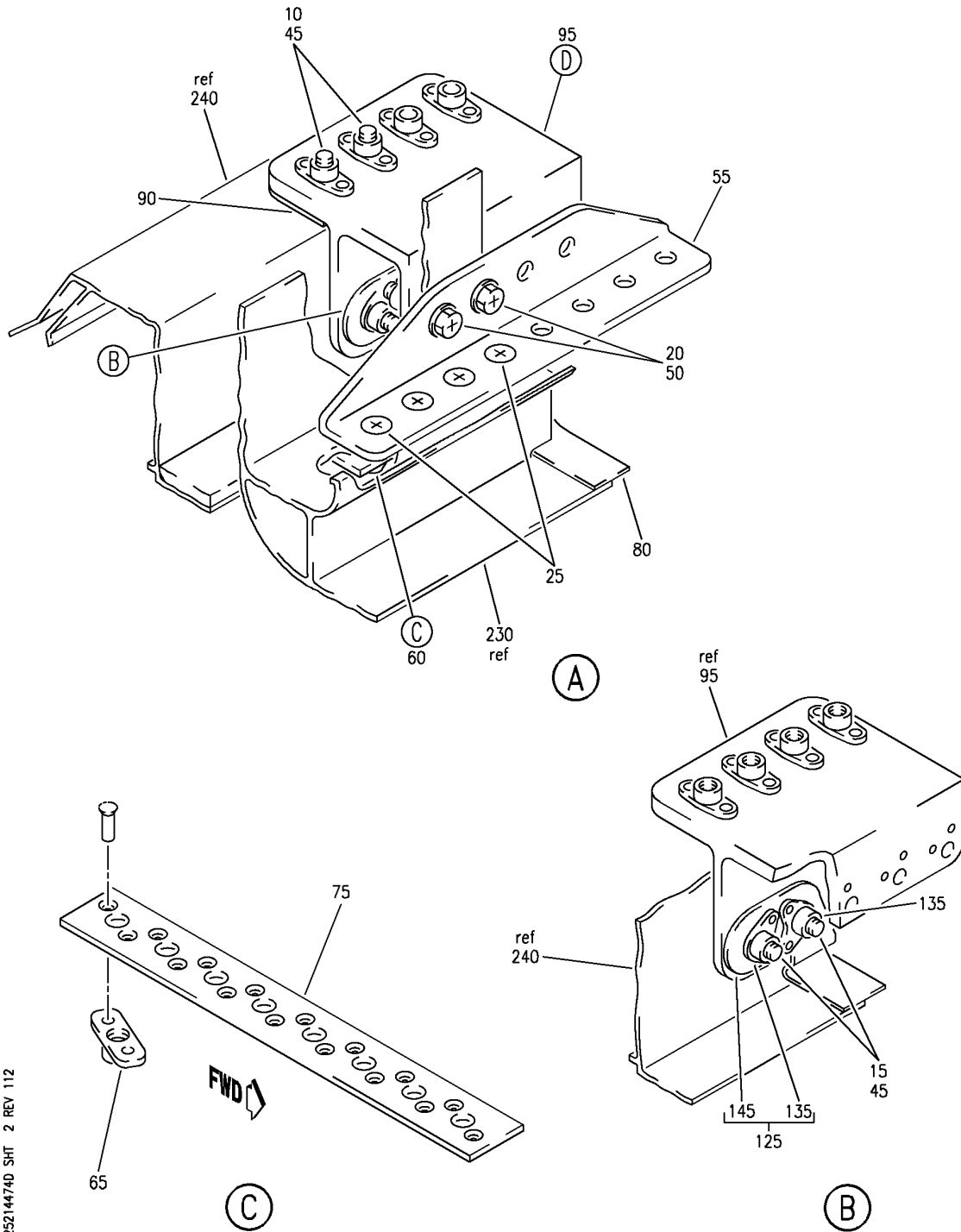
OUTLET ASSY-SIDEWALL AIR CONDITIONING
 FIGURE 74D (SHEET 1)

25-21-44-74D

HAP
 JUN 10/07

25-21-44-74D
 PAGE 0

BOEING
 737-600/700/800/900
 PARTS CATALOG (MAINTENANCE)



E 25214474D SHT 2 REV 112

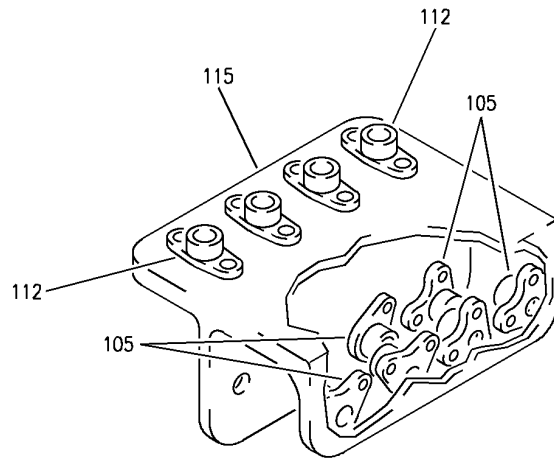
OUTLET ASSY-SIDEWALL AIR CONDITIONING
 FIGURE 74D (SHEET 2)

25-21-44-74D

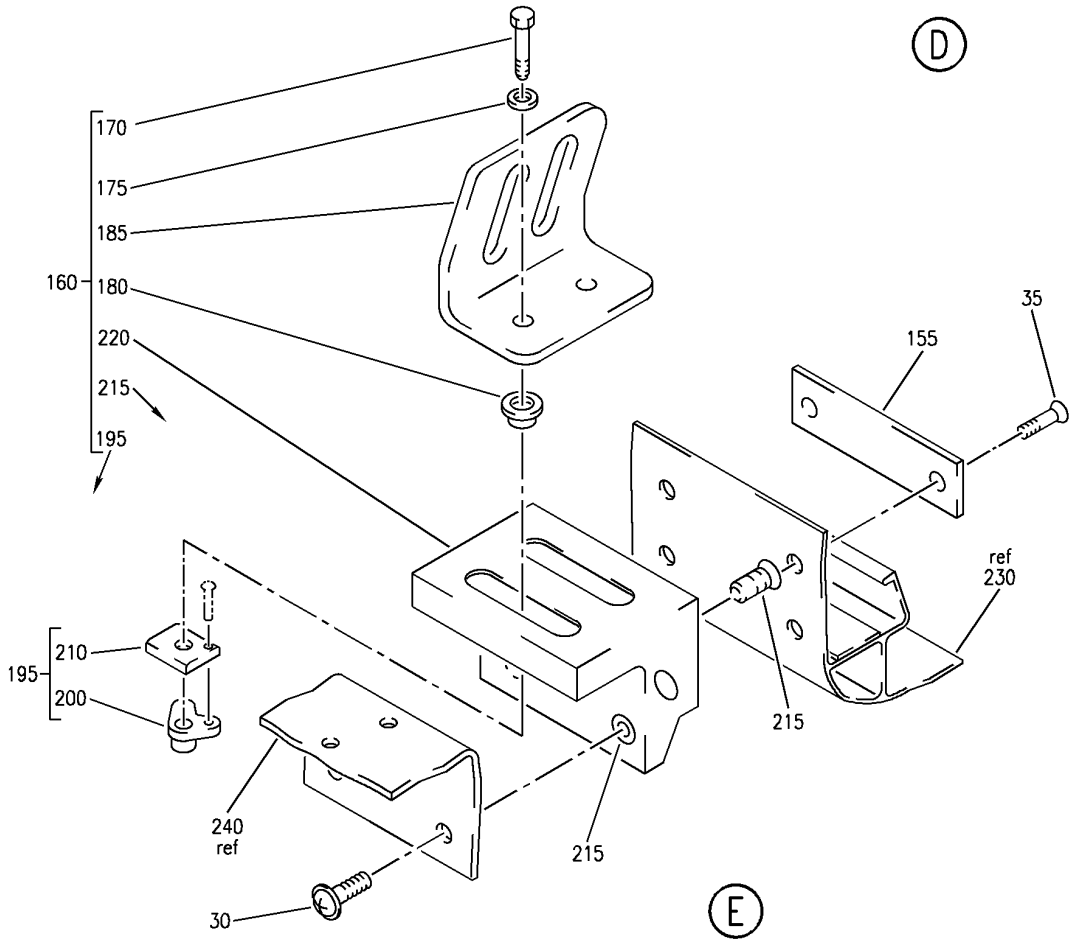
HAP
 OCT 10/06

25-21-44-74D
 PAGE 0A

BOEING
 737-600/700/800/900
 PARTS CATALOG (MAINTENANCE)



(D)



(E)

E 25214474D SHT 3 REV 112

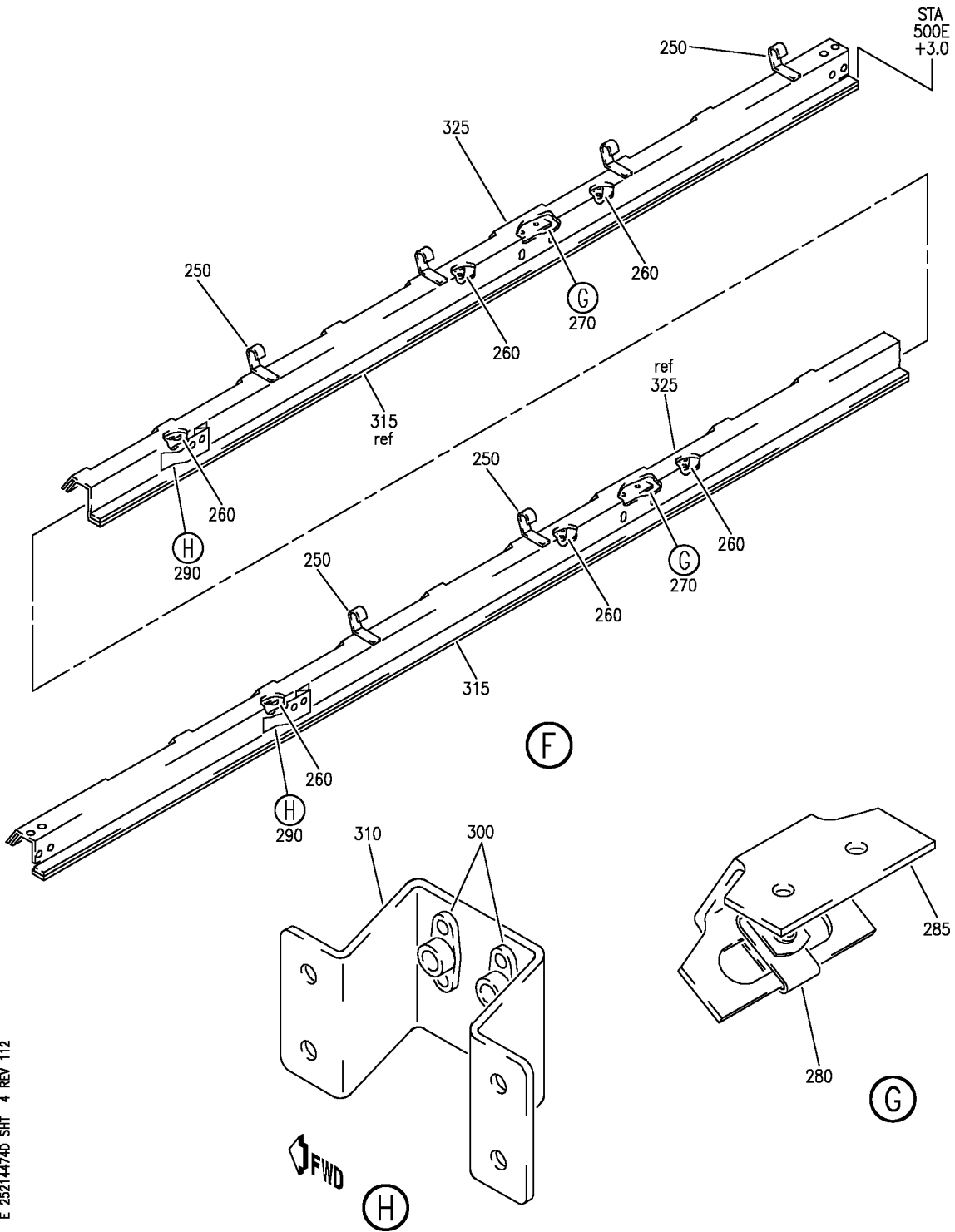
OUTLET ASSY-SIDEWALL AIR CONDITIONING
 FIGURE 74D (SHEET 3)

25-21-44-74D

HAP
 OCT 10/06

25-21-44-74D
 PAGE 0B

BOEING
 737-600/700/800/900
 PARTS CATALOG (MAINTENANCE)



E 25214474D SHT 4 REV 112

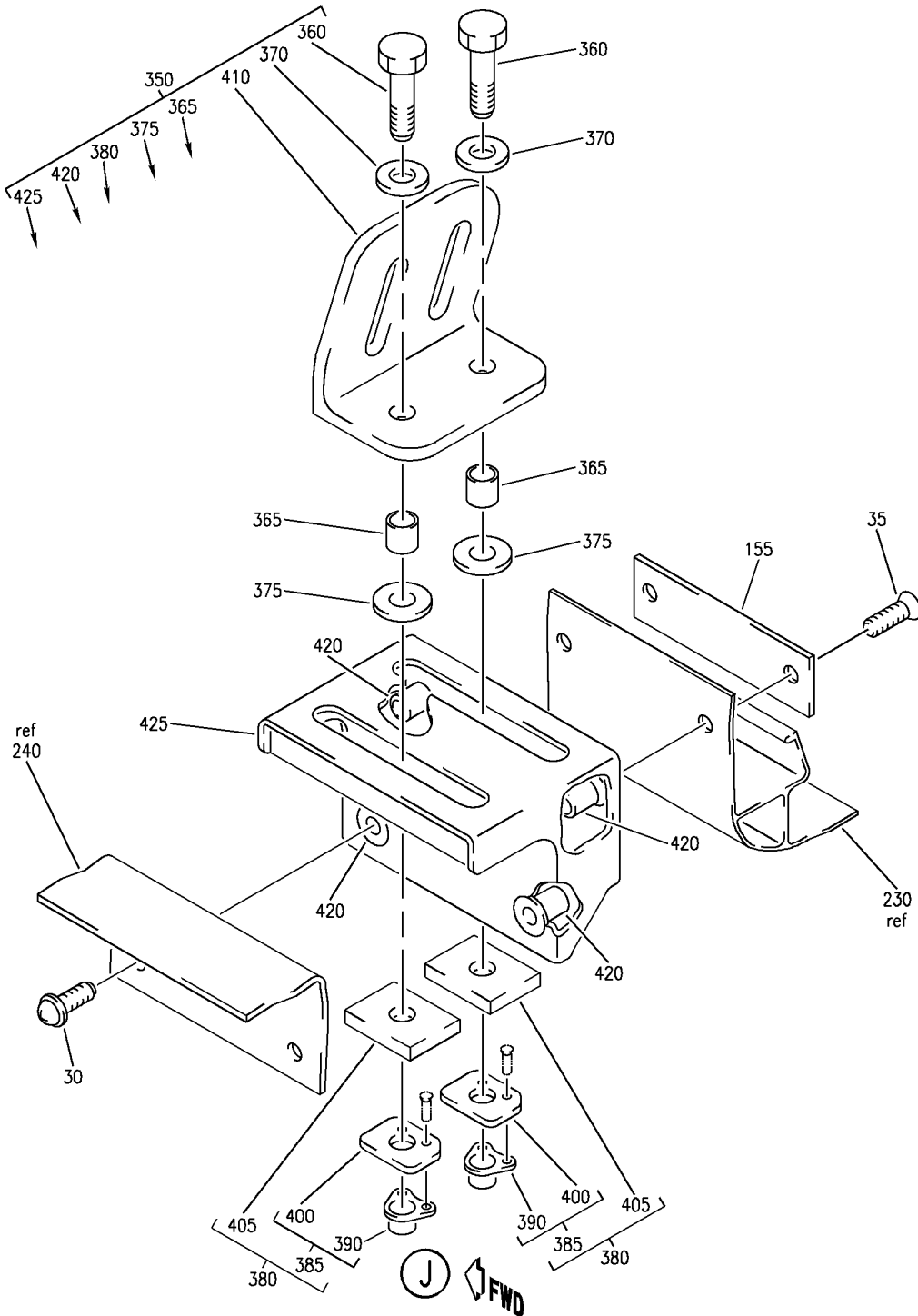
OUTLET ASSY-SIDEWALL AIR CONDITIONING
 FIGURE 74D (SHEET 4)

25-21-44-74D

HAP
 OCT 10/06

25-21-44-74D
 PAGE 0C

BOEING
737-600/700/800/900
PARTS CATALOG (MAINTENANCE)



E 25214474D SHT 5 REV 129

OUTLET ASSY-SIDEWALL AIR CONDITIONING
 FIGURE 74D (SHEET 5)

25-21-44-74D

HAP
 JUN 10/07

25-21-44-74D
 PAGE 0D

BOEING
737-600/700/800/900
PARTS CATALOG (MAINTENANCE)

FIG ITEM	PART NUMBER	1 2 3 4 5 6 7	NOMENCLATURE	EFFECT FROM TO	UNITS PER ASSY
74D			OUTLET ASSY-SIDEWALL AIR CONDITIONING	001030	
- 1	412A3103-1013SP		OUTLET ASSY-SIDEWALL AIR CONDITIONING POSITION DATA: LH FOR NHA SEE: 25-21-44-58	001030	RF
- 5	412A3103-1014SP		OUTLET ASSY-SIDEWALL AIR CONDITIONING POSITION DATA: RH FOR NHA SEE: 25-21-44-58	001030	RF
10	BACS12ER08K8	.SCREW		001030	2
15	BACS12ER08K7	.SCREW		001030	2
20	BACS12GU08K7	.SCREW		001030	2
25	BACB30LU2-2	.BOLT		001030	4
30	BACS12FA3K8	.SCREW		001030	4
35	BACS12ER3K9	.SCREW		001030	4
40	BACS12GU08K6	.SCREW		001030	4
45	BACW10DM5P	.WASHER		001030	4
50	NAS1149DN816J	.WASHER		001030	6
55	65C27020-612	.DOUBLER		001030	1
60	65C27021-277	.DOUBLER ASSY		001030	1
65	MF53050-08DL	..NUTPLATE		001030	8
		SUPPLIER CODE:	V15653		
		SPECIFICATION NUMBER:	BACN10JN08CM		
		OPTIONAL PART:	BRFM20C08M		
			V52828		
			MF1001-08BAC		
			V15653		
			NS103218SE82		
			V80539		
			VN252D82		
			V92215		
			109F9201M82		
			V72962		
			T8125C08C		
			V11815		
		ATTACHING PARTS			
- 70	BACR15CE3D	..RIVET-		001030	16
		SIZE DETERMINED ON INSTL.			
		-----*-----			
75	65C27021-278	..DOUBLER		001030	1

MISSING ITEM NUMBERS NOT APPLICABLE

- ITEM NOT ILLUSTRATED

HAP

25-21-44-74D

BOEING PROPRIETARY - Copyright © - Unpublished Work - See title page for details.

25-21-44
FIG. 74D
PAGE 1
OCT 10/06

BOEING
737-600/700/800/900
PARTS CATALOG (MAINTENANCE)

FIG ITEM	PART NUMBER	1 2 3 4 5 6 7	NOMENCLATURE	EFFECT FROM TO	UNITS PER ASSY
74D					
80	412N3101-35SP	.	COVER-GAP POSITION DATA: LH SIDE	001030	1
- 85	412N3101-36SP	.	COVER-GAP POSITION DATA: RH SIDE	001030	1
90	65C27021-481	.	FILLER	001030	1
95	65C27021-482	.	FITTING ASSY-SPLICE POSITION DATA: LH SIDE	001030	1
- 100	65C27021-483	.	FITTING ASSY-SPLICE POSITION DATA: RH SIDE	001030	1
105	T8078S832	..	NUTPLATE SUPPLIER CODE: V11815 SPECIFICATION NUMBER: BACN10JP08 OPTIONAL PART: MK3000-08BAC V15653 NS103199-82 V80539 RMA9205M82 V72962 VN203A1-82 V92215 BRM300A08 V52828 ATTACHING PARTS	001030	6
- 110	BACR15BA3AD	..	RIVET- SIZE DETERMINED ON INSTL. -----*-----	001030	12
112	BACN10JP08	..	NUTPLATE ATTACHING PARTS	001030	4
- 113	BACR15BA3AD	..	RIVET- SIZE DETERMINED ON INSTL. -----*-----	001030	8
115	65C27021-484	..	FITTING- POSITION DATA: LH SIDE	001030	1
- 120	65C27021-485	..	FITTING- POSITION DATA: RH SIDE	001030	1
125	412N3101-24SP	.	COVER ASSY-GAP POSITION DATA: LH SIDE	001030	1

MISSING ITEM NUMBERS NOT APPLICABLE

- ITEM NOT ILLUSTRATED

HAP

25-21-44-74D

BOEING PROPRIETARY - Copyright © - Unpublished Work - See title page for details.

25-21-44
FIG. 74D
PAGE 2
OCT 10/06

BOEING
737-600/700/800/900
PARTS CATALOG (MAINTENANCE)

FIG ITEM	PART NUMBER	1 2 3 4 5 6 7	NOMENCLATURE	EFFECT FROM TO	UNITS PER ASSY
74D - 130	412N3101-25SP	.	COVER ASSY-GAP POSITION DATA: RH SIDE	001030	1
135	T8078S832BC	..	NUTPLATE SUPPLIER CODE: V11815 SPECIFICATION NUMBER: BACN10JP08CR OPTIONAL PART: MK3000-08BCBAC V15653 NS103199-82BC V80539 RMA9205M82BC V72962 VN203A2-82 V92215 BRM300A08K V52828 ATTACHING PARTS	001030	2
- 140	BACR15BA3AD	..	RIVET- SIZE DETERMINED ON INSTL. -----*-----	001030	4
145	412N3101-22SP	..	COVER- POSITION DATA: LH SIDE	001030	1
- 150	412N3101-23SP	..	COVER- POSITION DATA: RH SIDE	001030	1
155	65C27021-177	.	DOUBLER-SPRT	001030	2
160	412N3133-23	.	FITTING ASSY- POSITION DATA: LH SIDE	001030	2
- 165	412N3133-24	.	FITTING ASSY- POSITION DATA: RH SIDE	001030	2
170	BACB30NM3K5	..	BOLT	001030	2
175	AN960JD10LL	..	WASHER	001030	2
180	412N2004-55	..	BUSHING	001030	2
185	65C27021-459	..	BRACKET- POSITION DATA: LH SIDE	001030	1
- 190	65C27021-460	..	BRACKET- POSITION DATA: RH SIDE	001030	1
195	65C27021-463	..	FILLER ASSY-RADIUS	001030	2

MISSING ITEM NUMBERS NOT APPLICABLE

- ITEM NOT ILLUSTRATED

HAP

25-21-44-74D

BOEING PROPRIETARY - Copyright © - Unpublished Work - See title page for details.

25-21-44
FIG. 74D
PAGE 3
OCT 10/06

BOEING
737-600/700/800/900
PARTS CATALOG (MAINTENANCE)

FIG ITEM	PART NUMBER	1 2 3 4 5 6 7	NOMENCLATURE	EFFECT FROM TO	UNITS PER ASSY
74D 200	T8078S1032		...NUTPLATE SUPPLIER CODE: V11815 SPECIFICATION NUMBER: BACN10JP3C OPTIONAL PART: MK3000-3BAC V15653 NS103199-02 V80539 RMA9205M3 V72962 VN203A1-02 V92215 BRM300A3 V52828 ATTACHING PARTS	001030	1
- 205	BACR15BA3AD		...RIVET- SIZE DETERMINED ON INSTL. -----*-----	001030	2
210	65C27021-464		...FILLER	001030	1
215	BACS13CJ3L080P		..INSERT	001030	4
220	412N3134-1		..CASTING	001030	1
230	412A3136-1015SP		.BEAM- POSITION DATA: LH SIDE	001030	1
- 235	412A3136-1016SP		.BEAM- POSITION DATA: RH SIDE	001030	1
240	412A3137-1037SP		.BEAM ASSY- POSITION DATA: LH SIDE	001030	1
- 245	412A3137-1038SP		.BEAM ASSY- POSITION DATA: RH SIDE	001030	1
250	412N2008-1		..CLIP-SPR ATTACHING PARTS	001030	6
- 255	BACR15BA3ADC		..RIVET- SIZE DETERMINED ON INSTL. -----*-----	001030	12
260	BACN10TL3A3		..NUTPLATE ATTACHING PARTS	001030	6
- 265	BACR15BB4DC		..RIVET- SIZE DETERMINED ON INSTL. -----*-----	001030	12
270	65C36185-1		..BRACKET ASSY	001030	2

MISSING ITEM NUMBERS NOT APPLICABLE

- ITEM NOT ILLUSTRATED

HAP

25-21-44-74D

BOEING PROPRIETARY - Copyright © - Unpublished Work - See title page for details.

25-21-44
FIG. 74D
PAGE 4
OCT 10/06

BOEING
737-600/700/800/900
PARTS CATALOG (MAINTENANCE)

FIG ITEM	PART NUMBER	1 2 3 4 5 6 7	NOMENCLATURE	EFFECT FROM TO	UNITS PER ASSY
74D			ATTACHING PARTS		
- 275	BACR15BB4DC		..RIVET- SIZE DETERMINED ON INSTL. -----*-----	001030	4
280	130069		...NUT- SUPPLIER CODE: V60119 SPECIFICATION NUMBER: BACN10FX16 OPTIONAL PART: A11330-6-3 V72962 A4972-6-02 V72962 BACN10YD1	001030	1
280	BRC600-8-3		...NUT- SUPPLIER CODE: V52828 SPECIFICATION NUMBER: BACN10YD1 OPTIONAL PART: 130120 V60119 BACN10FX16	001030	1
285	65C36185-2		...BRACKET	001030	1
290	65C27021-184		..BRACKET ASSY	001030	2
- 295	BACR15BA5ADC		ATTACHING PARTS ..RIVET- SIZE DETERMINED ON INSTL. -----*-----	001030	8
300	T8076S832		...NUTPLATE SUPPLIER CODE: V11815 SPECIFICATION NUMBER: BACN10JP08A OPTIONAL PART: MK1000-08BAC V15653 NS103197-82 V80539 RMA9201M82 V72962 VN202A1-82 V92215 BRM200A08 V52828	001030	2

MISSING ITEM NUMBERS NOT APPLICABLE

- ITEM NOT ILLUSTRATED

HAP

25-21-44-74D

BOEING PROPRIETARY - Copyright © - Unpublished Work - See title page for details.

25-21-44
FIG. 74D
PAGE 5
FEB 15/09

BOEING
737-600/700/800/900
PARTS CATALOG (MAINTENANCE)

FIG ITEM	PART NUMBER	1 2 3 4 5 6 7	NOMENCLATURE	EFFECT FROM TO	UNITS PER ASSY
74D			ATTACHING PARTS		
- 305	BACR15BA3AD	...	RIVET- SIZE DETERMINED ON INSTL. -----*-----	001030	4
310	65C27021-221	...	BRACKET	001030	1
315	412A3137-1041	..	INSULATOR- POSITION DATA: LH SIDE	001030	1
- 320	412A3137-1042	..	INSULATOR- POSITION DATA: RH SIDE	001030	1
325	412A3137-1039SP	..	BEAM- POSITION DATA: LH SIDE	001030	1
- 330	412A3137-1040SP	..	BEAM ASSY- POSITION DATA: RH SIDE	001030	1
350	412A3133-1	.	FITTING ASSY- POSITION DATA: LH SIDE	001030	2
350	412A3133-3	.	FITTING ASSY- POSITION DATA: LH SIDE	001030	2
- 355	412A3133-2	.	FITTING ASSY- POSITION DATA: RH SIDE	001030	2
- 355	412A3133-4	.	FITTING ASSY- POSITION DATA: RH SIDE	001030	2
360	BACB30NM3K6	..	BOLT	001030	2
365	NAS43DD3-21FC	..	SPACER	001030	2
370	NAS1149D0363J	..	WASHER	001030	2
375	412A2004-5	..	BUSHING	001030	2
380	412A2004-9	..	BEARING ASSY-ANGLE	001030	2
385	412A2004-6	...	SUPPORT ASSY	001030	1

MISSING ITEM NUMBERS NOT APPLICABLE

- ITEM NOT ILLUSTRATED

HAP

25-21-44-74D

BOEING PROPRIETARY - Copyright © - Unpublished Work - See title page for details.

25-21-44
FIG. 74D
PAGE 6
OCT 15/08

BOEING
737-600/700/800/900
PARTS CATALOG (MAINTENANCE)

FIG ITEM	PART NUMBER	1 2 3 4 5 6 7	NOMENCLATURE	EFFECT FROM TO	UNITS PER ASSY
74D 390	T8078S1032	NUTPLATE SUPPLIER CODE: V11815 SPECIFICATION NUMBER: BACN10JP3C OPTIONAL PART: MK3000-3BAC V15653 NS103199-02 V80539 RMA9205M3 V72962 VN203A1-02 V92215 BRM300A3 V52828 ATTACHING PARTS	001030	1
- 395	BACR15BA3AD	RIVET- SIZE DETERMINED ON INSTL. -----*-----	001030	2
400	412A2004-7	SUPPORT	001030	1
405	412A2004-8	...	BEARING	001030	1
410	412A2004-1	..	BRACKET-ANGLE POSITION DATA: LH SIDE	001030	1
- 415	412A2004-2	..	BRACKET-ANGLE POSITION DATA: RH SIDE	001030	1
420	BACS13CJ3L080P	..	INSERT	001030	4
425	412A3134-1	..	HOUSING-SLIDER USED ON: 412A3133-1 412A3133-2	001030	1
425	412A3134-2	..	HOUSING-SLIDER USED ON: 412A3133-3 412A3133-4	001030	1

MISSING ITEM NUMBERS NOT APPLICABLE

- ITEM NOT ILLUSTRATED

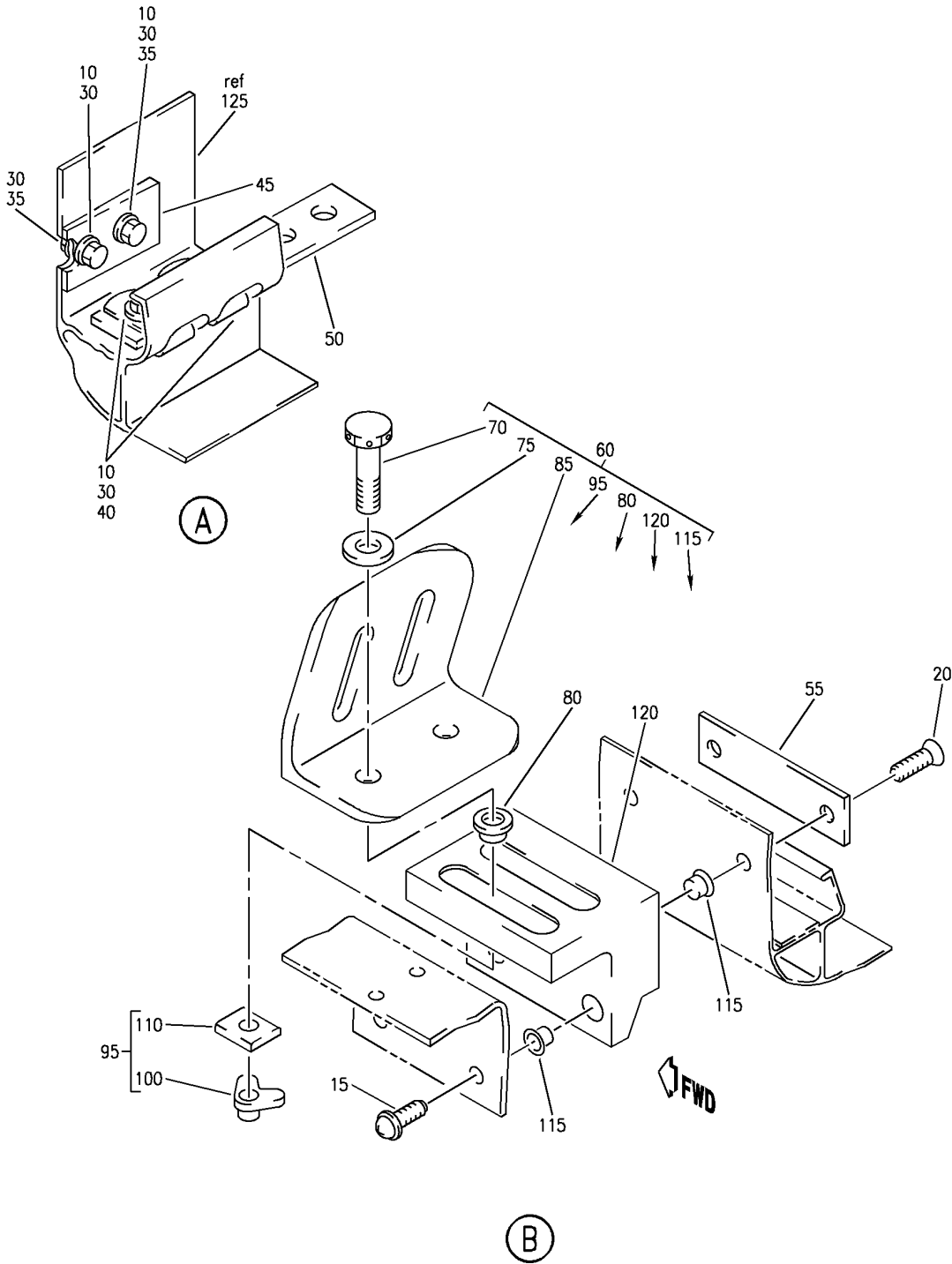
HAP

25-21-44-74D

BOEING PROPRIETARY - Copyright © - Unpublished Work - See title page for details.

25-21-44
FIG. 74D
PAGE 7
OCT 15/08

BOEING
 737-600/700/800/900
 PARTS CATALOG (MAINTENANCE)



E 25214474E SHT 2 REV 112

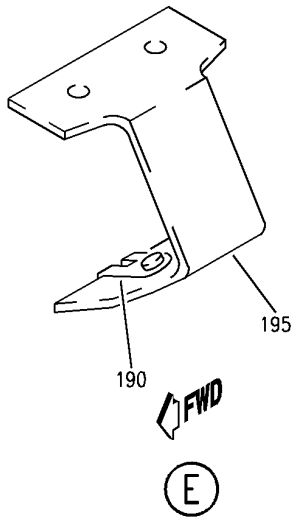
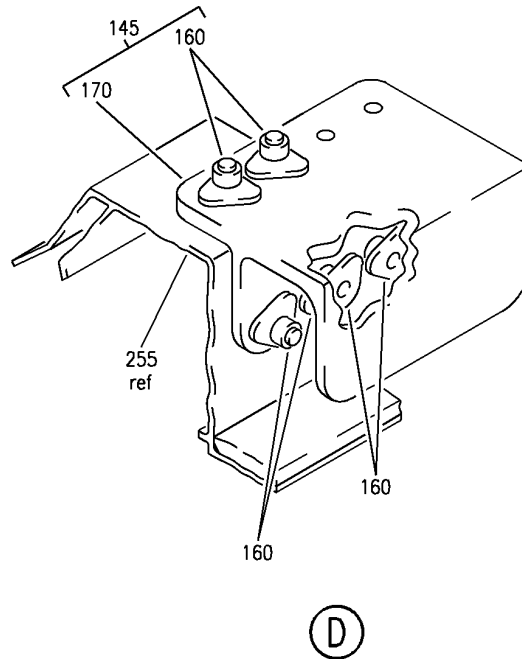
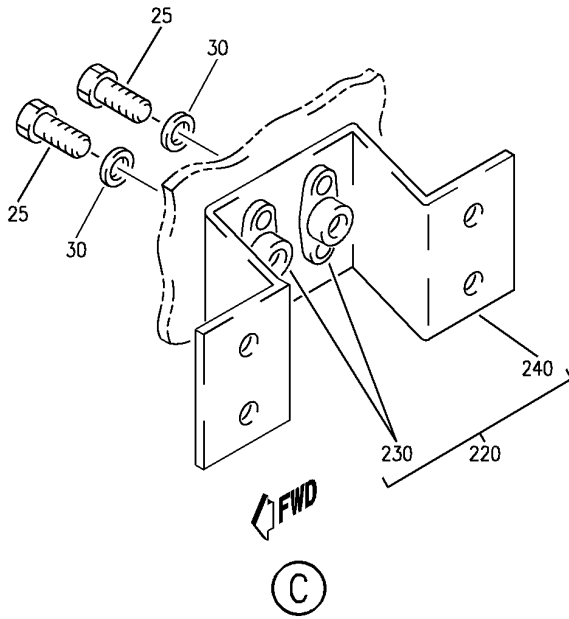
OUTLET ASSY-SIDEWALL AIR CONDITIONING
 FIGURE 74E (SHEET 2)

25-21-44-74E

HAP
 OCT 10/06

25-21-44-74E
 PAGE 0A

BOEING
 737-600/700/800/900
 PARTS CATALOG (MAINTENANCE)



E 25214474E SHT 3 REV 112

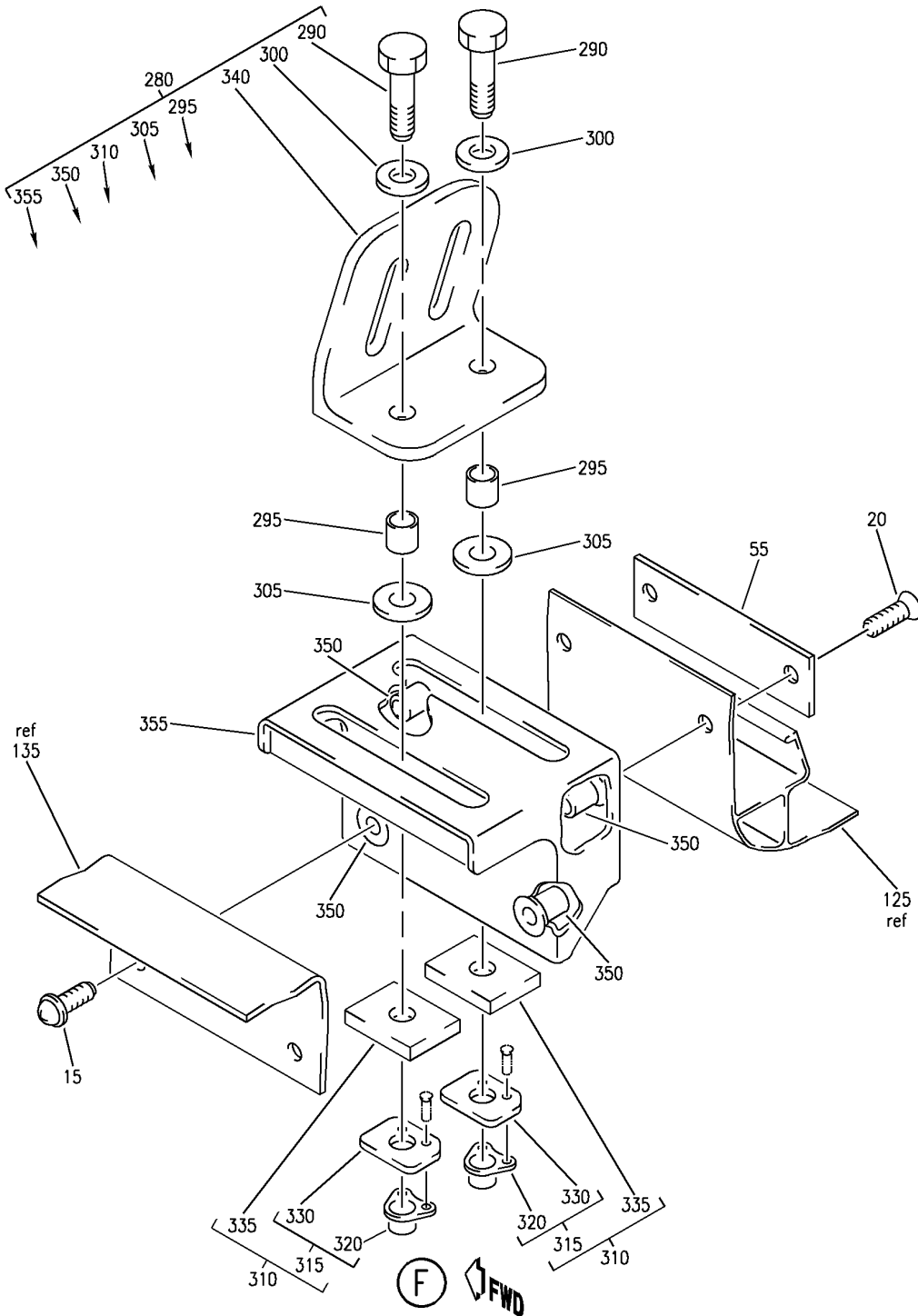
OUTLET ASSY-SIDEWALL AIR CONDITIONING
 FIGURE 74E (SHEET 3)

25-21-44-74E

HAP
 OCT 10/06

25-21-44-74E
 PAGE 08

BOEING
 737-600/700/800/900
 PARTS CATALOG (MAINTENANCE)



E 25214474E SHT 4 REV 129

OUTLET ASSY-SIDEWALL AIR CONDITIONING
 FIGURE 74E (SHEET 4)

25-21-44-74E

HAP
 JUN 10/07

25-21-44-74E
 PAGE 0C

BOEING
737-600/700/800/900
PARTS CATALOG (MAINTENANCE)

FIG ITEM	PART NUMBER	1 2 3 4 5 6 7	NOMENCLATURE	EFFECT FROM TO	UNITS PER ASSY
74E			OUTLET ASSY-SIDEWALL AIR CONDITIONING	001030	
- 1	412A3103-1011SP		OUTLET ASSY-SIDEWALL AIR CONDITIONING POSITION DATA: LH FOR NHA SEE: 25-21-44-58	001011	RF
- 1	412A3103-1099SP		OUTLET ASSY-SIDEWALL AIR CONDITIONING POSITION DATA: LH FOR NHA SEE: 25-21-44-58	012030	RF
- 5	412A3103-1012SP		OUTLET ASSY-SIDEWALL AIR CONDITIONING POSITION DATA: RH FOR NHA SEE: 25-21-44-58	001011	RF
- 5	412A3103-1098SP		OUTLET ASSY-SIDEWALL AIR CONDITIONING POSITION DATA: RH FOR NHA SEE: 25-21-44-58	012030	RF
10	BACS12GU08K8	.SCREW		001030	4
15	BACS12FA3K8	.SCREW		001030	8
20	BACS12ER3K9	.SCREW		001030	8
25	BACS12GU08K6	.SCREW		001030	4
30	NAS1149DN816J	.WASHER		001030	10
35	PLH508CD	.NUT		001030	2
			SUPPLIER CODE: VF0224 SPECIFICATION NUMBER: BACN10YR08CD OPTIONAL PART: H52732-08CD V15653		

MISSING ITEM NUMBERS NOT APPLICABLE

- ITEM NOT ILLUSTRATED

HAP

25-21-44-74E

BOEING PROPRIETARY - Copyright © - Unpublished Work - See title page for details.

25-21-44
FIG. 74E
PAGE 1
FEB 15/09

BOEING
737-600/700/800/900
PARTS CATALOG (MAINTENANCE)

FIG ITEM	PART NUMBER	1 2 3 4 5 6 7	NOMENCLATURE	EFFECT FROM TO	UNITS PER ASSY
74E 40	130008	.	NUT SUPPLIER CODE: V60119 SPECIFICATION NUMBER: BACN10FX84 OPTIONAL PART: RM52LHA4972-6-8 V72962 SL211-08-1 V97393 A11330-6-82 V72962 A4972-6-82 V72962	001030	2
45	65C27021-190	.	FILLER	001030	1
50	65C27021-192	.	DOUBLER	001030	1
55	65C27021-177	.	DOUBLER-SPRT	001030	4
60	412N3133-23	.	FITTING ASSY- POSITION DATA: LH SIDE	001030	4
- 65	412N3133-24	.	FITTING ASSY- POSITION DATA: RH SIDE	001030	4
70	BACB30NM3K5	..	BOLT	001030	2
75	AN960JD10LL	..	WASHER	001030	2
80	412N2004-55	..	BUSHING	001030	2
85	65C27021-459	..	BRACKET- POSITION DATA: LH SIDE	001030	1
- 90	65C27021-460	..	BRACKET- POSITION DATA: RH SIDE	001030	1
95	65C27021-463	..	FILLER ASSY-RADIUS	001030	2
100	T8078S1032	...	NUTPLATE SUPPLIER CODE: V11815 SPECIFICATION NUMBER: BACN10JP3C OPTIONAL PART: MK3000-3BAC V15653 NS103199-02 V80539 RMA9205M3 V72962 VN203A1-02 V92215 BRM300A3 V52828	001030	1

MISSING ITEM NUMBERS NOT APPLICABLE

- ITEM NOT ILLUSTRATED

HAP

25-21-44-74E

BOEING PROPRIETARY - Copyright © - Unpublished Work - See title page for details.

25-21-44
FIG. 74E
PAGE 2
OCT 10/06

BOEING
737-600/700/800/900
PARTS CATALOG (MAINTENANCE)

FIG ITEM	PART NUMBER	1 2 3 4 5 6 7	NOMENCLATURE	EFFECT FROM TO	UNITS PER ASSY
74E			ATTACHING PARTS		
- 105	BACR15BA3AD		...RIVET- SIZE DETERMINED ON INSTL. -----*-----	001030	2
110	65C27021-464		... FILLER	001030	1
115	BACS13CJ3L080P		.. INSERT	001030	4
120	412N3134-1		.. CASTING	001030	1
125	412A3136-1013SP		.BEAM- POSITION DATA: LH SIDE	001030	1
- 130	412A3136-1014SP		.BEAM- POSITION DATA: RH SIDE	001030	1
135	412A3137-1031SP		.BEAM ASSY- POSITION DATA: LH SIDE	001011	1
135	412A3137-1261SP		.BEAM ASSY- POSITION DATA: LH SIDE	012030	1
- 140	412A3137-1032SP		.BEAM ASSY- POSITION DATA: RH SIDE	001011	1
- 140	412A3137-1260SP		.BEAM ASSY- POSITION DATA: RH SIDE	012030	1
145	65C27021-291		.. FITTING ASSY-SPLICE POSITION DATA: LH SIDE	001030	1
- 150	65C27021-292		.. FITTING ASSY-SPLICE POSITION DATA: RH SIDE	001030	1
- 155	BACR15BB5DC		ATTACHING PARTS ..RIVET- SIZE DETERMINED ON INSTL. -----*-----	001030	4

MISSING ITEM NUMBERS NOT APPLICABLE

- ITEM NOT ILLUSTRATED

HAP

25-21-44-74E

BOEING PROPRIETARY - Copyright © - Unpublished Work - See title page for details.

25-21-44
FIG. 74E
PAGE 3
OCT 10/06

BOEING
737-600/700/800/900
PARTS CATALOG (MAINTENANCE)

FIG ITEM	PART NUMBER	1 2 3 4 5 6 7	NOMENCLATURE	EFFECT FROM TO	UNITS PER ASSY
74E 160	T8078S832		...NUTPLATE SUPPLIER CODE: V11815 SPECIFICATION NUMBER: BACN10JP08C OPTIONAL PART: MK3000-08BAC V15653 NS103199-82 V80539 RMA9205M82 V72962 VN203A1-82 V92215 BRM300A08 V52828 ATTACHING PARTS	001030	6
- 165	BACR15BA3AD		...RIVET- SIZE DETERMINED ON INSTL. -----*-----	001030	12
170	65C27021-293		...FITTING- POSITION DATA: LH SIDE	001030	1
- 175	65C27021-294		...FITTING- POSITION DATA: RH SIDE	001030	1
180	65C36185-1		..BRACKET ASSY ATTACHING PARTS	001030	4
- 185	BACR15BB4DC		..RIVET- SIZE DETERMINED ON INSTL. -----*-----	001030	8
190	130069		...NUT- SUPPLIER CODE: V60119 SPECIFICATION NUMBER: BACN10FX16 OPTIONAL PART: A11330-6-3 V72962 A4972-6-02 V72962 BACN10YD1	001030	1

MISSING ITEM NUMBERS NOT APPLICABLE

- ITEM NOT ILLUSTRATED

HAP

25-21-44-74E

BOEING PROPRIETARY - Copyright © - Unpublished Work - See title page for details.

25-21-44
FIG. 74E
PAGE 4
FEB 15/09

BOEING
737-600/700/800/900
PARTS CATALOG (MAINTENANCE)

FIG ITEM	PART NUMBER	1 2 3 4 5 6 7	NOMENCLATURE	EFFECT FROM TO	UNITS PER ASSY
74E 190	BRC600-8-3	...	NUT- SUPPLIER CODE: V52828 SPECIFICATION NUMBER: BACN10YD1 OPTIONAL PART: 130120 V60119 BACN10FX16	001030	1
195	65C36185-2	...	BRACKET	001030	1
200	BACN10TL3A3	..	NUTPLATE ATTACHING PARTS	001030	11
- 205	BACR15BB4DC	..	RIVET- SIZE DETERMINED ON INSTL. -----*-----	001030	22
210	412N2008-1	..	CLIP-SPR ATTACHING PARTS	001030	14
- 215	BACR15BA3ADC	..	RIVET- SIZE DETERMINED ON INSTL. -----*-----	001030	28
220	65C27021-184	..	BRACKET ASSY ATTACHING PARTS	001030	2
- 225	BACR15BA5ADC	..	RIVET- SIZE DETERMINED ON INSTL. -----*-----	001030	8
230	T8076S832	...	NUTPLATE SUPPLIER CODE: V11815 SPECIFICATION NUMBER: BACN10JP08A OPTIONAL PART: MK1000-08BAC V15653 NS103197-82 V80539 RMA9201M82 V72962 VN202A1-82 V92215 BRM200A08 V52828 ATTACHING PARTS	001030	2
- 235	BACR15BA3AD	...	RIVET- SIZE DETERMINED ON INSTL. -----*-----	001030	4
240	65C27021-221	...	BRACKET	001030	1
245	412A3137-1035	..	INSULATOR- POSITION DATA: LH SIDE	001011	1

MISSING ITEM NUMBERS NOT APPLICABLE

- ITEM NOT ILLUSTRATED

HAP

25-21-44-74E

BOEING PROPRIETARY - Copyright © - Unpublished Work - See title page for details.

25-21-44
FIG. 74E
PAGE 5
OCT 10/06

BOEING
737-600/700/800/900
PARTS CATALOG (MAINTENANCE)

FIG ITEM	PART NUMBER	1 2 3 4 5 6 7	NOMENCLATURE	EFFECT FROM TO	UNITS PER ASSY
74E 245	412A3137-1265	..	INSULATOR- POSITION DATA: LH SIDE	012030	1
- 250	412A3137-1036	..	INSULATOR- POSITION DATA: RH SIDE	001011	1
- 250	412A3137-1264	..	INSULATOR- POSITION DATA: RH SIDE	012030	1
255	412A3137-1033SP	..	BEAM- POSITION DATA: LH SIDE	001011	1
255	412A3137-1263SP	..	BEAM- POSITION DATA: LH SIDE	012030	1
- 260	412A3137-1034SP	..	BEAM- POSITION DATA: RH SIDE	001011	1
- 260	412A3137-1262SP	..	BEAM- POSITION DATA: RH SIDE	012030	1
280	412A3133-1	.	FITTING ASSY- POSITION DATA: LH SIDE	001030	4
280	412A3133-3	.	FITTING ASSY- POSITION DATA: LH SIDE	001030	4
290	BACB30NM3K6	..	BOLT	001030	2
295	NAS43DD3-21FC	..	SPACER	001030	2
300	NAS1149D0363J	..	WASHER	001030	2
305	412A2004-5	..	BUSHING	001030	2
310	412A2004-9	..	BEARING ASSY-ANGLE	001030	2
315	412A2004-6	...	SUPPORT ASSY	001030	1
320	T8078S1032	NUTPLATE SUPPLIER CODE: V11815 SPECIFICATION NUMBER: BACN10JP3C OPTIONAL PART: MK3000-3BAC V15653 NS103199-02 V80539 RMA9205M3 V72962 VN203A1-02 V92215 BRM300A3 V52828	001030	1

MISSING ITEM NUMBERS NOT APPLICABLE

- ITEM NOT ILLUSTRATED

HAP

25-21-44-74E

BOEING PROPRIETARY - Copyright © - Unpublished Work - See title page for details.

25-21-44
FIG. 74E
PAGE 6
OCT 15/08

BOEING
737-600/700/800/900
PARTS CATALOG (MAINTENANCE)

FIG ITEM	PART NUMBER	1 2 3 4 5 6 7	NOMENCLATURE	EFFECT FROM TO	UNITS PER ASSY
74E			ATTACHING PARTS		
- 325	BACR15BA3AD	RIVET- SIZE DETERMINED ON INSTL. -----*-----	001030	2
330	412A2004-7	SUPPORT	001030	1
335	412A2004-8	...	BEARING	001030	1
340	412A2004-1	..	BRACKET-ANGLE POSITION DATA: LH SIDE	001030	1
- 345	412A2004-2	..	BRACKET-ANGLE POSITION DATA: RH SIDE	001030	1
350	BACS13CJ3L080P	..	INSERT	001030	4
355	412A3134-1	..	HOUSING-SLIDER USED ON: 412A3133-1 412A3133-2	001030	1
355	412A3134-2	..	HOUSING-SLIDER USED ON: 412A3133-3 412A3133-4	001030	1

MISSING ITEM NUMBERS NOT APPLICABLE

- ITEM NOT ILLUSTRATED

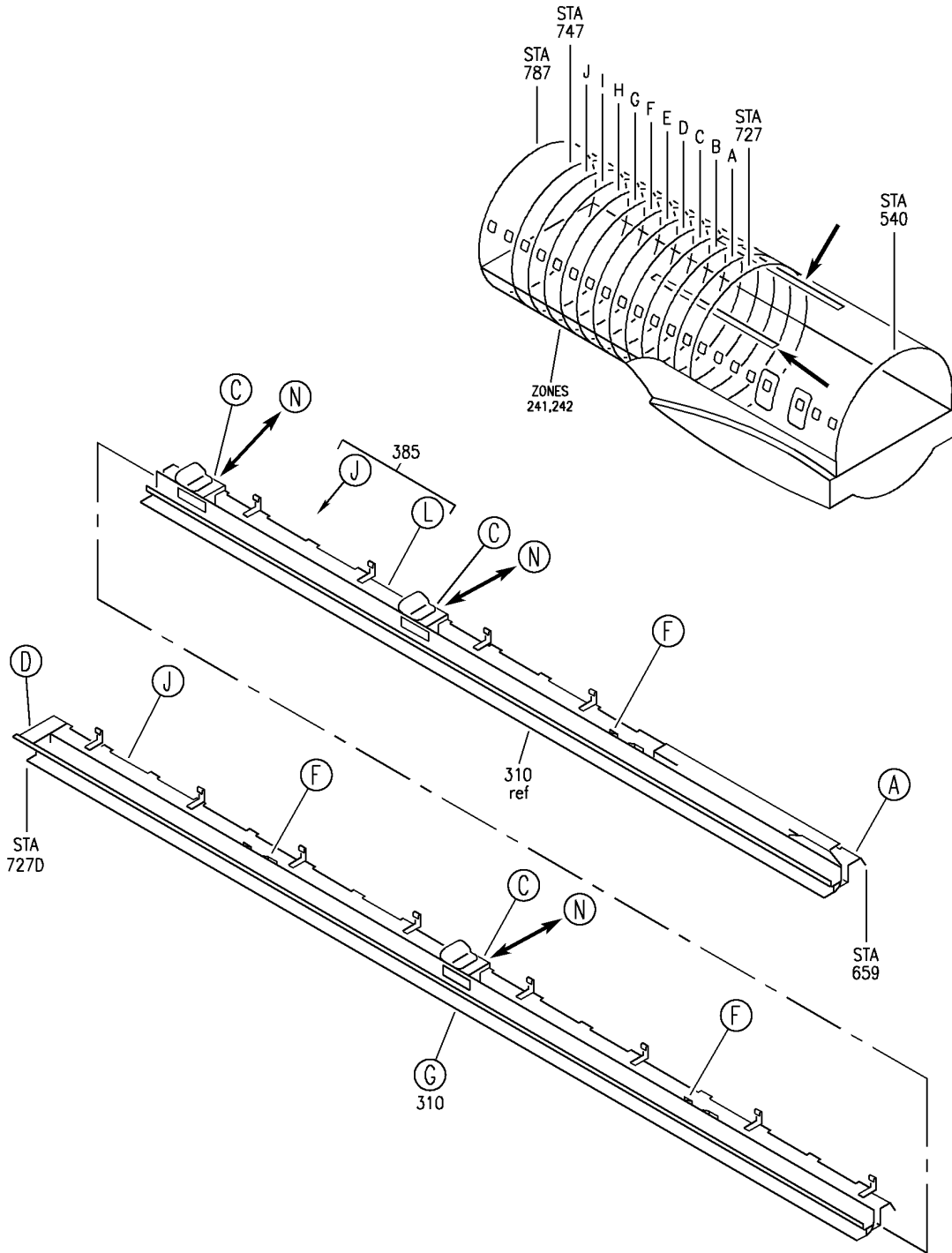
HAP

25-21-44-74E

BOEING PROPRIETARY - Copyright © - Unpublished Work - See title page for details.

25-21-44
FIG. 74E
PAGE 7
FEB 15/09

BOEING
 737-600/700/800/900
 PARTS CATALOG (MAINTENANCE)



E 25214475A SHT 1 REV 129

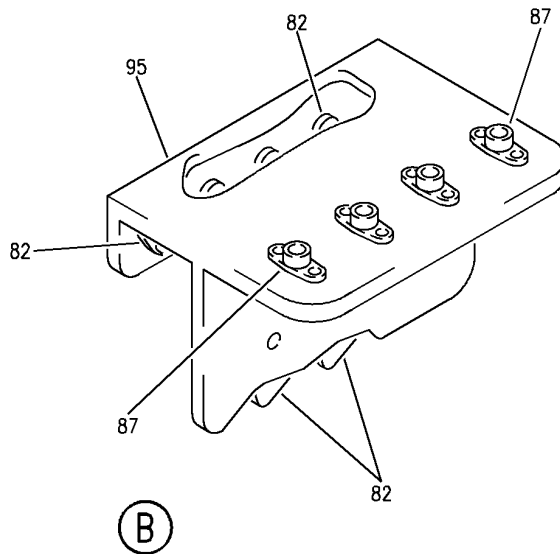
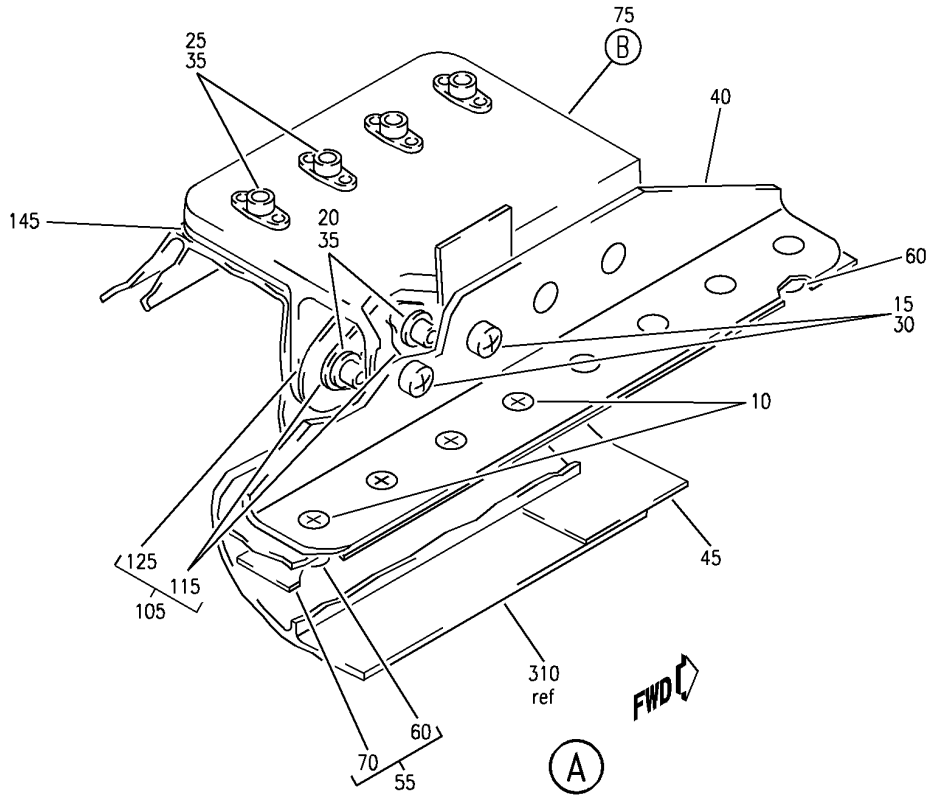
OUTLET ASSY-SIDEWALL AIR AIR CONDITIONING
 FIGURE 75A (SHEET 1)

25-21-44-75A

HAP
 JUN 10/07

25-21-44-75A
 PAGE 0

BOEING
737-600/700/800/900
PARTS CATALOG (MAINTENANCE)



E 25214475A SHT 2 REV 112

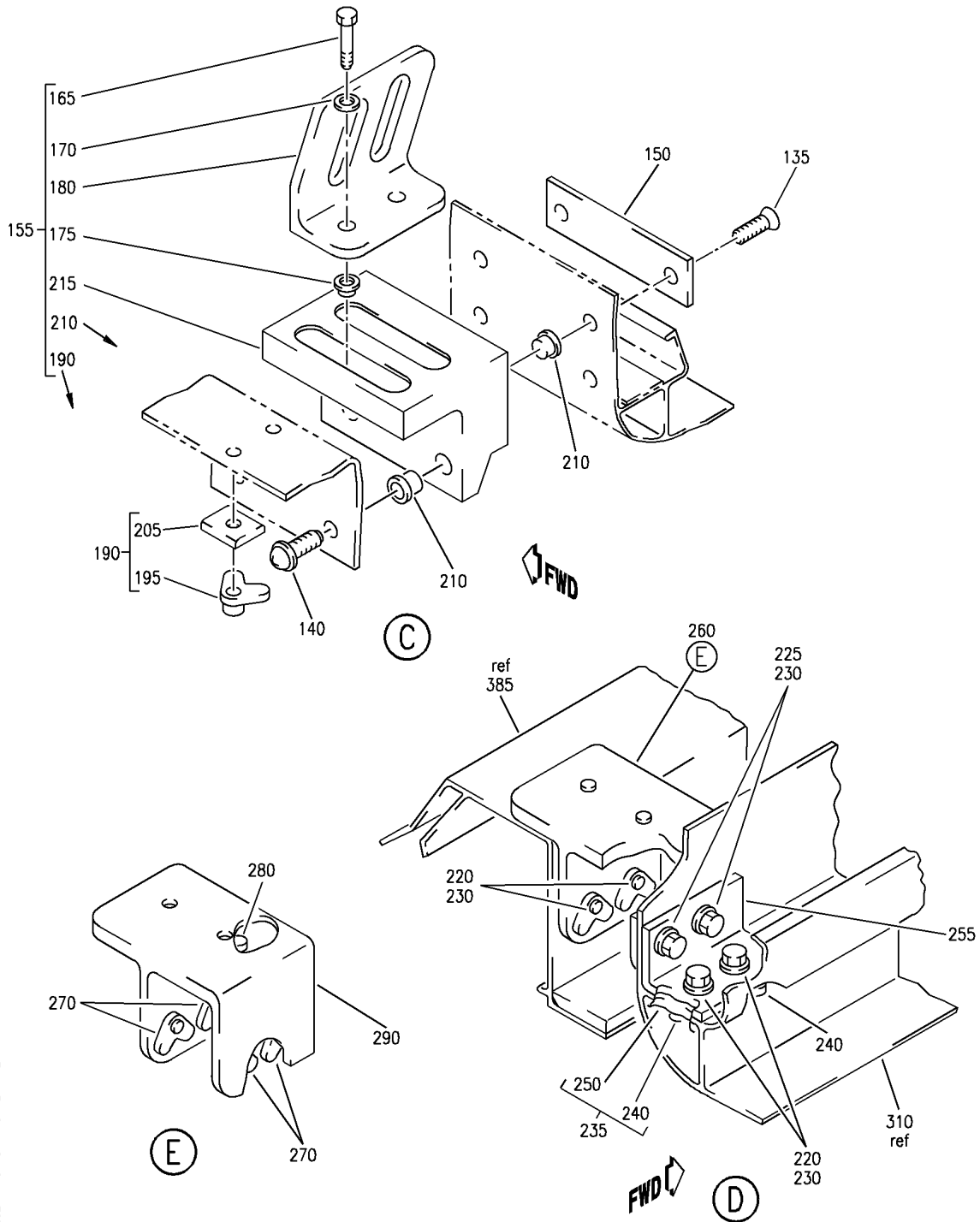
OUTLET ASSY-SIDEWALL AIR AIR CONDITIONING
 FIGURE 75A (SHEET 2)

25-21-44-75A

HAP
 OCT 10/06

25-21-44-75A
 PAGE 0A

BOEING
 737-600/700/800/900
 PARTS CATALOG (MAINTENANCE)



E 25214475A SHT 3 REV 112

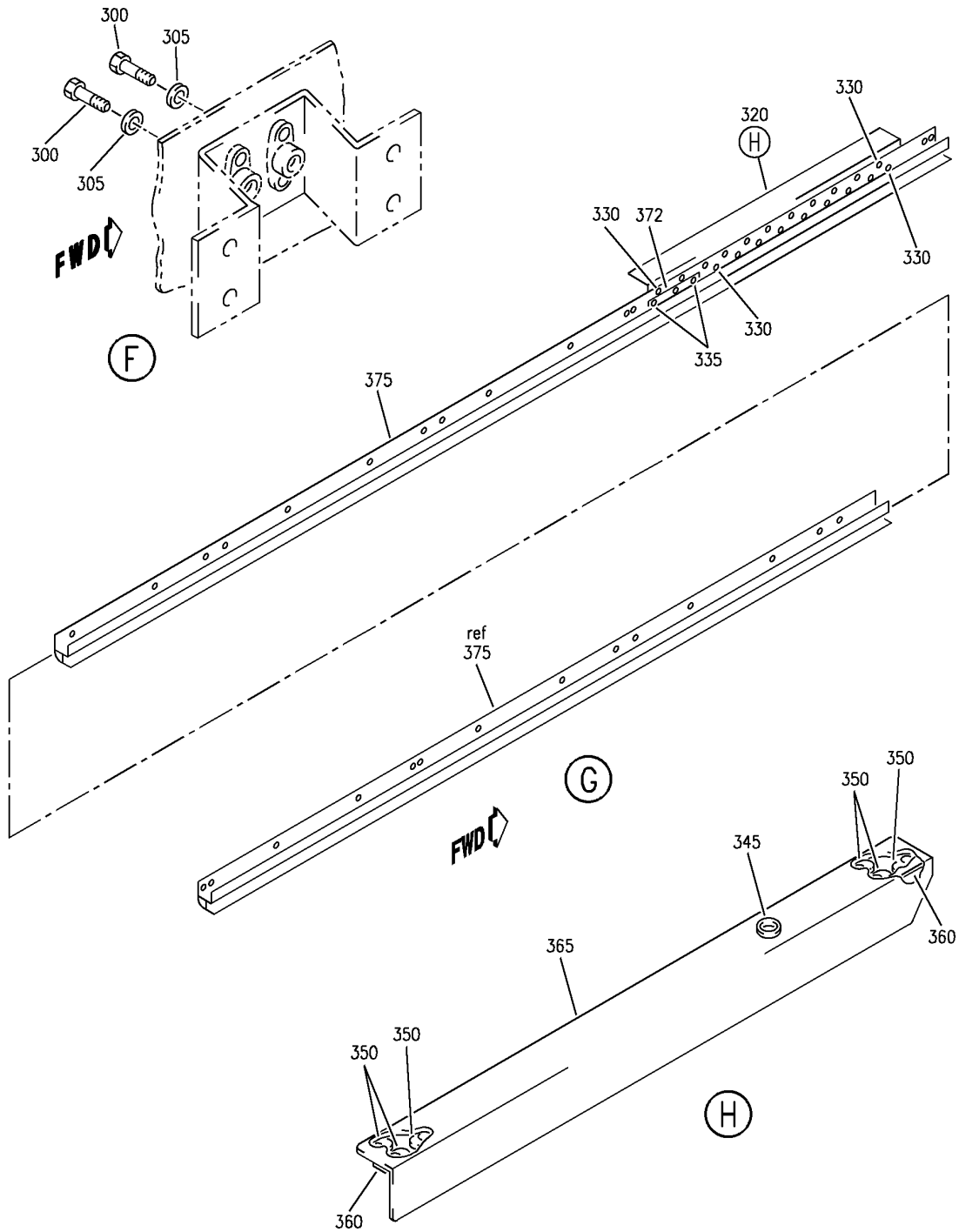
OUTLET ASSY-SIDEWALL AIR AIR CONDITIONING
 FIGURE 75A (SHEET 3)

25-21-44-75A

HAP
 OCT 10/06

25-21-44-75A
 PAGE 0B

BOEING
 737-600/700/800/900
 PARTS CATALOG (MAINTENANCE)



E 25214475A SHT 4 REV 112

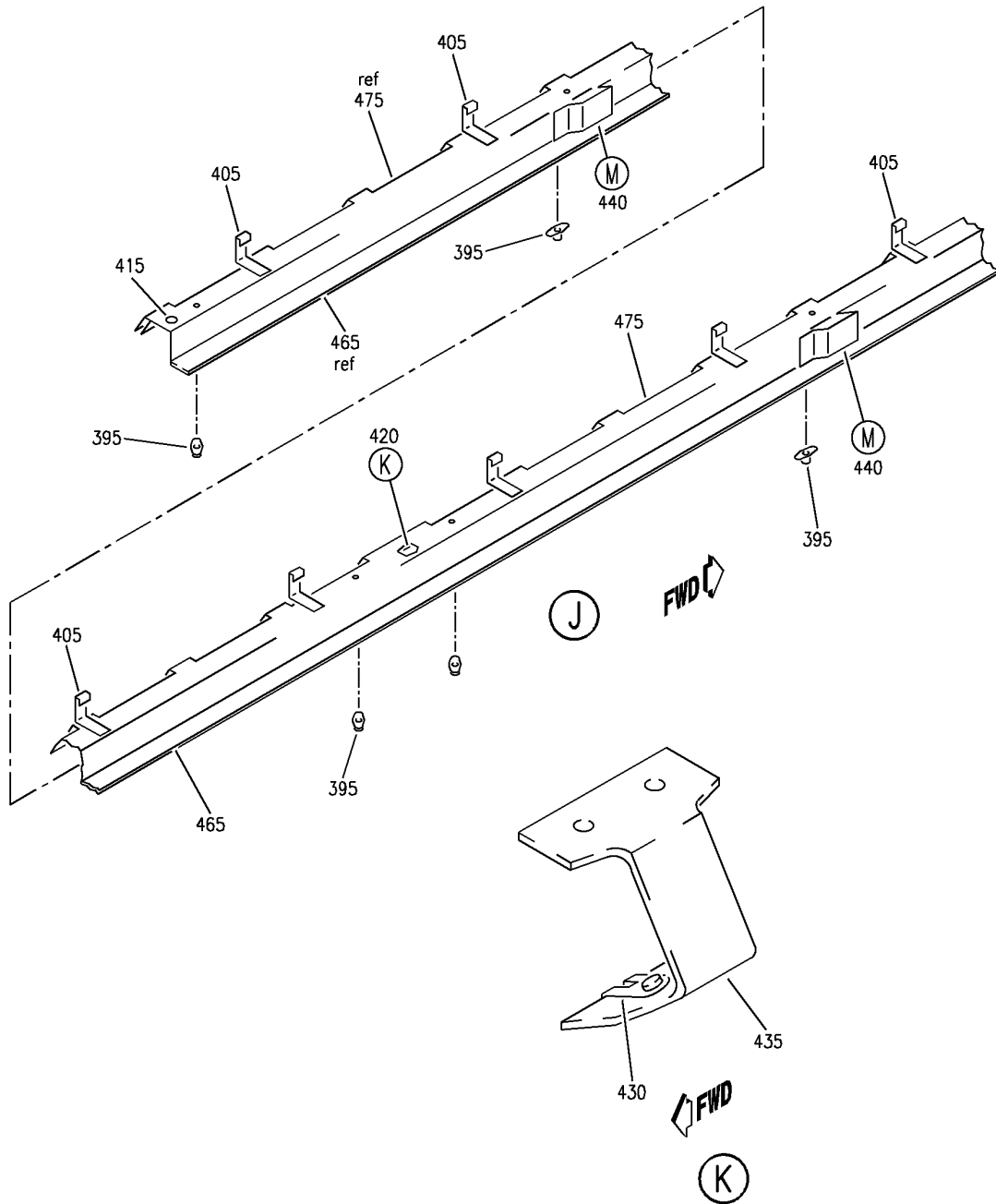
OUTLET ASSY-SIDEWALL AIR AIR CONDITIONING
 FIGURE 75A (SHEET 4)

25-21-44-75A

HAP
 OCT 10/06

25-21-44-75A
 PAGE 0C

BOEING
 737-600/700/800/900
 PARTS CATALOG (MAINTENANCE)



E 25214475A SHT 5 REV 112

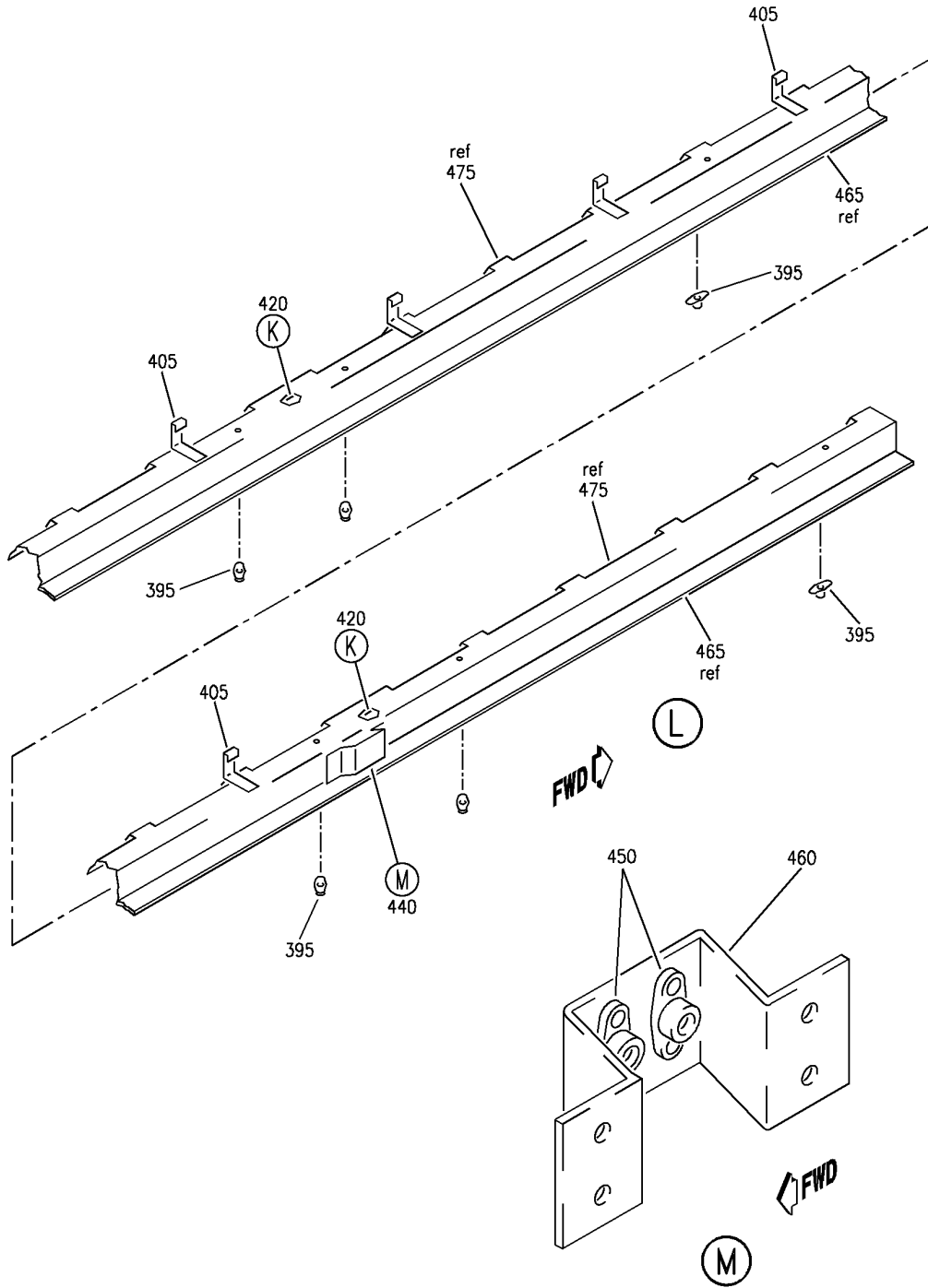
OUTLET ASSY-SIDEWALL AIR AIR CONDITIONING
 FIGURE 75A (SHEET 5)

25-21-44-75A

HAP
 OCT 10/06

25-21-44-75A
 PAGE 0D

BOEING
 737-600/700/800/900
 PARTS CATALOG (MAINTENANCE)



E 25214475A SHT 6 REV 112

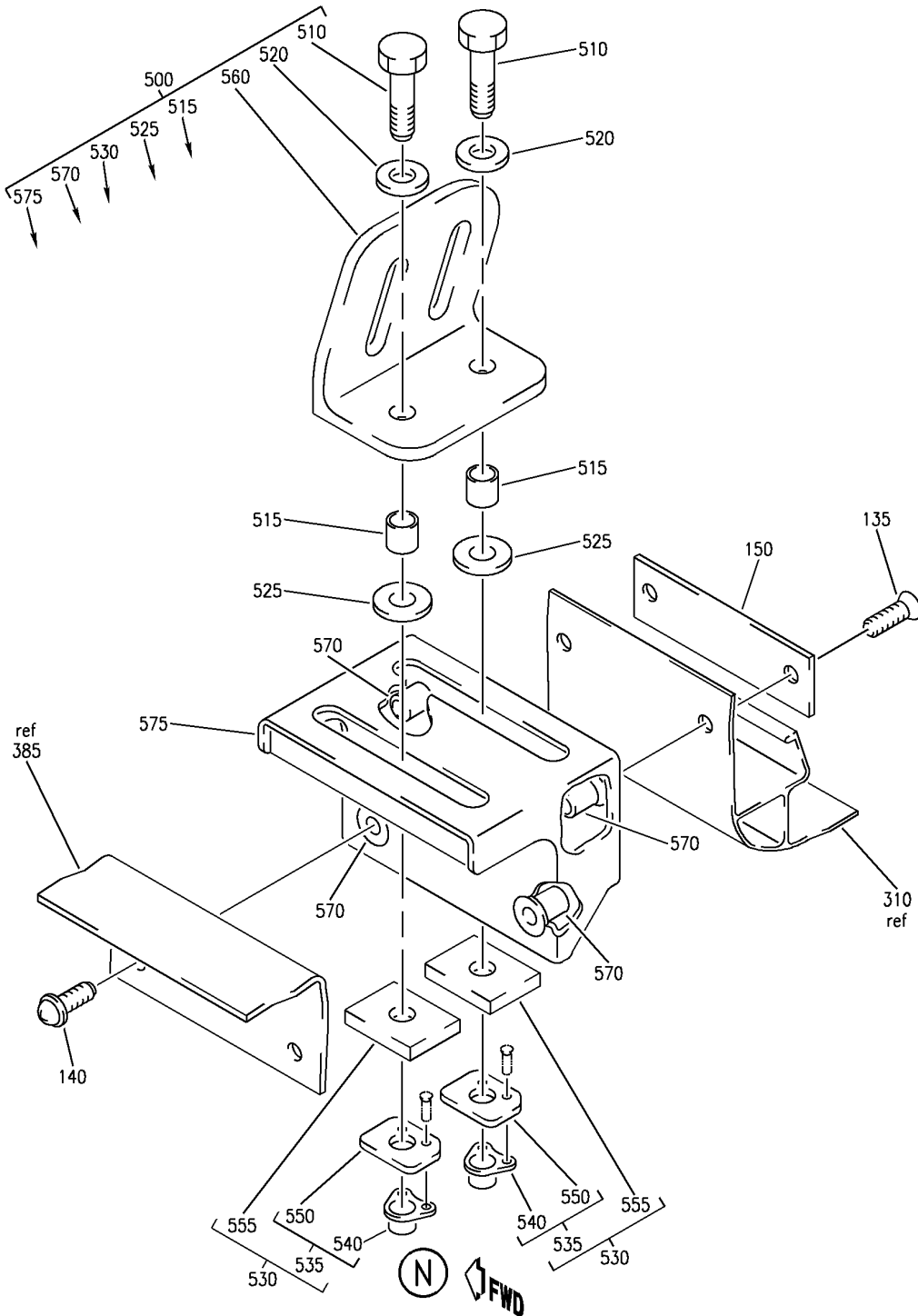
OUTLET ASSY-SIDEWALL AIR AIR CONDITIONING
 FIGURE 75A (SHEET 6)

25-21-44-75A

HAP
 OCT 10/06

25-21-44-75A
 PAGE 0E

BOEING
737-600/700/800/900
PARTS CATALOG (MAINTENANCE)



E 25214475A SHT 7 REV 129

OUTLET ASSY-SIDEWALL AIR AIR CONDITIONING
 FIGURE 75A (SHEET 7)

25-21-44-75A

HAP
 JUN 10/07

25-21-44-75A
 PAGE OF

BOEING
737-600/700/800/900
PARTS CATALOG (MAINTENANCE)

FIG ITEM	PART NUMBER	1 2 3 4 5 6 7	NOMENCLATURE	EFFECT FROM TO	UNITS PER ASSY
75A			OUTLET ASSY-SIDEWALL AIR AIR CONDITIONING	001030	
- 1	412A3103-1017SP		OUTLET ASSY-SIDEWALL AIR CONDITIONING POSITION DATA: LH FOR NHA SEE: 25-21-44-58	001030	RF
- 5	412A3103-1018SP		OUTLET ASSY-SIDEWALL AIR CONDITIONING POSITION DATA: RH FOR NHA SEE: 25-21-44-58	001030	RF
10	BACB30LU2-2	.BOLT		001030	4
15	BACS12GU08K7	.SCREW		001030	2
20	BACS12ER08K7	.SCREW		001030	2
25	BACS12ER08K8	.SCREW		001030	2
30	NAS1149DN816J	.WASHER		001030	2
35	BACW10DM5P	.WASHER		001030	4
40	65C27020-612	.DOUBLER		001030	1
45	412N3101-35SP	.COVER-GAP	POSITION DATA: LH SIDE	001030	1
- 50	412N3101-36SP	.COVER-GAP	POSITION DATA: RH SIDE	001030	1
55	65C27021-277	.DOUBLER ASSY		001030	1
60	MF53050-08DL	..NUTPLATE	SUPPLIER CODE: V15653 SPECIFICATION NUMBER: BACN10JN08CM OPTIONAL PART: BRFM20C08M V52828 MF1001-08BAC V15653 NS103218SE82 V80539 VN252D82 V92215 109F9201M82 V72962 T8125C08C V11815	001030	8

MISSING ITEM NUMBERS NOT APPLICABLE

- ITEM NOT ILLUSTRATED

HAP

25-21-44-75A

BOEING PROPRIETARY - Copyright © - Unpublished Work - See title page for details.

25-21-44
FIG. 75A
PAGE 1
OCT 10/06

BOEING
737-600/700/800/900
PARTS CATALOG (MAINTENANCE)

FIG ITEM	PART NUMBER	1 2 3 4 5 6 7	NOMENCLATURE	EFFECT FROM TO	UNITS PER ASSY
75A			ATTACHING PARTS		
- 65	BACR15CE3D		..RIVET- SIZE DETERMINED ON INSTL. -----*-----	001030	16
70	65C27021-278		..DOUBLER	001030	1
75	65C27021-482		.FITTING ASSY-SPLICE POSITION DATA: LH SIDE	001030	1
- 80	65C27021-483		.FITTING ASSY-SPLICE POSITION DATA: RH SIDE	001030	1
82	T8078S832		..NUTPLATE SUPPLIER CODE: V11815 SPECIFICATION NUMBER: BACN10JP08C OPTIONAL PART: MK3000-08BAC V15653 NS103199-82 V80539 RMA9205M82 V72962 VN203A1-82 V92215 BRM300A08 V52828	001030	6
- 85	BACR15BA3AD		ATTACHING PARTS ..RIVET- SIZE DETERMINED ON INSTL. -----*-----	001030	12
87	MF53049-08		..NUTPLATE SUPPLIER CODE: V15653 SPECIFICATION NUMBER: BACN10JN08 OPTIONAL PART: BRFM20A08 V52828 MF1000-08BAC V15653 NS103218-82 V80539 RMF9201M82 V72962 VN252A82 V92215 T8124S08S V11815	001030	4

MISSING ITEM NUMBERS NOT APPLICABLE

- ITEM NOT ILLUSTRATED

HAP

25-21-44-75A

BOEING PROPRIETARY - Copyright © - Unpublished Work - See title page for details.

25-21-44
FIG. 75A
PAGE 2
OCT 10/06

BOEING
737-600/700/800/900
PARTS CATALOG (MAINTENANCE)

FIG ITEM	PART NUMBER	1 2 3 4 5 6 7	NOMENCLATURE	EFFECT FROM TO	UNITS PER ASSY
75A			ATTACHING PARTS		
- 90	BACR15BA3AD		..RIVET- SIZE DETERMINED ON INSTL. -----*-----	001030	8
95	65C27021-484		..FITTING- POSITION DATA: LH SIDE	001030	1
- 100	65C27021-485		..FITTING- POSITION DATA: RH SIDE	001030	1
105	412N3101-24SP		.COVER ASSY-GAP POSITION DATA: LH SIDE	001030	1
- 110	412N3101-25SP		.COVER ASSY-GAP POSITION DATA: RH SIDE	001030	1
115	T8078S832BC		..NUTPLATE SUPPLIER CODE: V11815 SPECIFICATION NUMBER: BACN10JP08CR OPTIONAL PART: MK3000-08BCBAC V15653 NS103199-82BC V80539 RMA9205M82BC V72962 VN203A2-82 V92215 BRM300A08K V52828	001030	2
- 120	BACR15BA3AD		ATTACHING PARTS ..RIVET- SIZE DETERMINED ON INSTL. -----*-----	001030	4
125	412N3101-22SP		..COVER- POSITION DATA: LH SIDE	001030	1
- 130	412N3101-23SP		..COVER- POSITION DATA: RH SIDE	001030	1
135	BACS12ER3K9		.SCREW	001030	6
140	BACS12FA3K8		.SCREW	001030	6
145	65C27021-481		.FILLER	001030	1
150	65C27021-177		.DOUBLER-SPRT	001030	3
155	412N3133-23		.FITTING ASSY- POSITION DATA: LH SIDE	001030	3

MISSING ITEM NUMBERS NOT APPLICABLE

- ITEM NOT ILLUSTRATED

HAP

25-21-44-75A

BOEING PROPRIETARY - Copyright © - Unpublished Work - See title page for details.

25-21-44
FIG. 75A
PAGE 3
OCT 10/06

BOEING
737-600/700/800/900
PARTS CATALOG (MAINTENANCE)

FIG ITEM	PART NUMBER	1 2 3 4 5 6 7	NOMENCLATURE	EFFECT FROM TO	UNITS PER ASSY
75A					
- 160	412N3133-24		.FITTING ASSY- POSITION DATA: RH SIDE	001030	3
165	BACB30NM3K5		..BOLT	001030	2
170	AN960JD10LL		..WASHER	001030	2
175	412N2004-55		..BUSHING	001030	2
180	65C27021-459		..BRACKET- POSITION DATA: LH SIDE	001030	1
- 185	65C27021-460		..BRACKET- POSITION DATA: RH SIDE	001030	1
190	65C27021-463		..FILLER ASSY-RADIUS	001030	2
195	T8078S1032		...NUTPLATE SUPPLIER CODE: V11815 SPECIFICATION NUMBER: BACN10JP3C OPTIONAL PART: MK3000-3BAC V15653 NS103199-02 V80539 RMA9205M3 V72962 VN203A1-02 V92215 BRM300A3 V52828 ATTACHING PARTS	001030	1
- 200	BACR15BA3AD		...RIVET- SIZE DETERMINED ON INSTL. -----*-----	001030	2
205	65C27021-464		...FILLER	001030	1
210	BACS13CJ3L080P		..INSERT	001030	4
215	412N3134-1		..CASTING-SPRT	001030	1
220	BACS12GU08K8		.SCREW	001030	4
225	BACS12GU08K9		.SCREW	001030	2
230	NAS1149DN816J		.WASHER	001030	6
235	65C27021-257		.DOUBLER ASSY	001030	1

MISSING ITEM NUMBERS NOT APPLICABLE

- ITEM NOT ILLUSTRATED

HAP

25-21-44-75A

BOEING PROPRIETARY - Copyright © - Unpublished Work - See title page for details.

25-21-44
FIG. 75A
PAGE 4
OCT 10/06

BOEING
737-600/700/800/900
PARTS CATALOG (MAINTENANCE)

FIG ITEM	PART NUMBER	1 2 3 4 5 6 7	NOMENCLATURE	EFFECT FROM TO	UNITS PER ASSY
75A 240	T8076S832		..NUTPLATE SUPPLIER CODE: V11815 SPECIFICATION NUMBER: BACN10JP08A OPTIONAL PART: MK1000-08BAC V15653 NS103197-82 V80539 RMA9201M82 V72962 VN202A1-82 V92215 BRM200A08 V52828 ATTACHING PARTS	001030	2
- 245	BACR15BA3AD		..RIVET- SIZE DETERMINED ON INSTL. -----*-----	001030	4
250	65C27021-256		..DOUBLER	001030	1
255	65C27020-613		.BRACKET	001030	1
260	65C27021-260		.FITTING ASSY-SPLICE POSITION DATA: LH SIDE	001030	1
- 265	65C27021-271		.FITTING ASSY-SPLICE POSITION DATA: RH SIDE	001030	1
270	T8078S832		..NUTPLATE SUPPLIER CODE: V11815 SPECIFICATION NUMBER: BACN10JP08C OPTIONAL PART: MK3000-08BAC V15653 NS103199-82 V80539 RMA9205M82 V72962 VN203A1-82 V92215 BRM300A08 V52828 ATTACHING PARTS	001030	4
- 275	BACR15BA3AD		..RIVET- SIZE DETERMINED ON INSTL. -----*-----	001030	8

MISSING ITEM NUMBERS NOT APPLICABLE

- ITEM NOT ILLUSTRATED

HAP

25-21-44-75A

BOEING PROPRIETARY - Copyright © - Unpublished Work - See title page for details.

25-21-44
FIG. 75A
PAGE 5
OCT 10/06

BOEING
737-600/700/800/900
PARTS CATALOG (MAINTENANCE)

FIG ITEM	PART NUMBER	1 2 3 4 5 6 7	NOMENCLATURE	EFFECT FROM TO	UNITS PER ASSY
75A 280	T8076S832		..NUTPLATE SUPPLIER CODE: V11815 SPECIFICATION NUMBER: BACN10JP08A OPTIONAL PART: MK1000-08BAC V15653 NS103197-82 V80539 RMA9201M82 V72962 VN202A1-82 V92215 BRM200A08 V52828 ATTACHING PARTS	001030	1
- 285	BACR15BA3AD		..RIVET- SIZE DETERMINED ON INSTL. -----*-----	001030	2
290	65C27021-261		..FITTING- POSITION DATA: LH SIDE	001030	1
- 295	65C27021-266		..FITTING- POSITION DATA: RH SIDE	001030	1
300	BACS12GU08K6		.SCREW	001030	6
305	NAS1149DN816J		.WASHER	001030	6
310	412A3136-1019SP		.BEAM ASSY- POSITION DATA: LH SIDE	001030	1
- 315	412A3136-1020SP		.BEAM ASSY- POSITION DATA: RH SIDE	001030	1
320	412A3200-5		..BRACKET ASSY- POSITION DATA: LH SIDE	001030	1
- 325	412A3200-6		..BRACKET ASSY- POSITION DATA: RH SIDE ATTACHING PARTS	001030	1
330	BACR15FT6D		..RIVET- SIZE DETERMINED ON INSTL.	001030	20
335	BACR15BB6DC		..RIVET- SIZE DETERMINED ON INSTL. -----*-----	001030	3
345	BACB28B6-260P		...BUSHING	001030	1

MISSING ITEM NUMBERS NOT APPLICABLE

- ITEM NOT ILLUSTRATED

HAP

25-21-44-75A

BOEING PROPRIETARY - Copyright © - Unpublished Work - See title page for details.

25-21-44
FIG. 75A
PAGE 6
OCT 10/06

BOEING
737-600/700/800/900
PARTS CATALOG (MAINTENANCE)

FIG ITEM	PART NUMBER	1 2 3 4 5 6 7	NOMENCLATURE	EFFECT FROM TO	UNITS PER ASSY
75A 350	T8076S1032		...NUTPLATE SUPPLIER CODE: V11815 SPECIFICATION NUMBER: BACN10JP3A OPTIONAL PART: MK1000-3BAC V15653 NS103197-02 V80539 RMA9201M3 V72962 VN202A1-02 V92215 BRM200A3 V52828 ATTACHING PARTS	001030	6
- 355	BACR15BA3ADC		...RIVET- SIZE DETERMINED ON INSTL. -----*-----	001030	12
360	65C27021-253		...FILLER-RADIUS	001030	2
365	412A3210-5		...BRACKET- POSITION DATA: LH SIDE	001030	1
- 370	412A3210-6		...BRACKET- POSITION DATA: RH SIDE	001030	1
372	65C27021-465		..FILLER	001030	1
375	412A3136-1021SP		..BEAM- POSITION DATA: LH SIDE	001030	1
- 380	412A3136-1022SP		..BEAM- POSITION DATA: RH SIDE	001030	1
385	412A3137-1049SP		.BEAM ASSY- POSITION DATA: LH SIDE	001030	1
- 390	412A3137-1050SP		.BEAM ASSY- POSITION DATA: RH SIDE	001030	1
395	BACN10TL3A3		..NUTPLATE ATTACHING PARTS	001030	11
- 400	BACR15BB4DC		..RIVET- SIZE DETERMINED ON INSTL. -----*-----	001030	22
405	412N2008-1		..CLIP-SPR	001030	12

MISSING ITEM NUMBERS NOT APPLICABLE

- ITEM NOT ILLUSTRATED

HAP

25-21-44-75A

BOEING PROPRIETARY - Copyright © - Unpublished Work - See title page for details.

25-21-44
FIG. 75A
PAGE 7
OCT 10/06

BOEING
737-600/700/800/900
PARTS CATALOG (MAINTENANCE)

FIG ITEM	PART NUMBER	1 2 3 4 5 6 7	NOMENCLATURE	EFFECT FROM TO	UNITS PER ASSY
75A			ATTACHING PARTS		
- 410	BACR15BA3ADC		..RIVET- SIZE DETERMINED ON INSTL. -----*-----	001030	24
415	NAS1149D0332J		..WASHER	001030	1
420	65C36185-1		..BRACKET ASSY	001030	3
- 425	BACR15BB4DC		ATTACHING PARTS ..RIVET- SIZE DETERMINED ON INSTL. OPTIONAL PART: NAS1398D4A2	001030	6
- 425	NAS1398D4A2		..RIVET- SIZE DETERMINED ON INSTL. OPTIONAL PART: BACR15BB4DC -----*-----	001030	6
430	130069		...NUT- SUPPLIER CODE: V60119 SPECIFICATION NUMBER: BACN10FX16 OPTIONAL PART: A11330-6-3 V72962 A4972-6-02 V72962 BACN10YD1	001030	1
430	BRC600-8-3		...NUT- SUPPLIER CODE: V52828 SPECIFICATION NUMBER: BACN10YD1 OPTIONAL PART: 130120 V60119 BACN10FX16	001030	1
435	65C36185-2		...BRACKET	001030	1
440	65C27021-184		..BRACKET ASSY	001030	3
- 445	BACR15BA5ADC		ATTACHING PARTS ..RIVET- SIZE DETERMINED ON INSTL. -----*-----	001030	12

MISSING ITEM NUMBERS NOT APPLICABLE

- ITEM NOT ILLUSTRATED

HAP

25-21-44-75A

BOEING PROPRIETARY - Copyright © - Unpublished Work - See title page for details.

25-21-44
FIG. 75A
PAGE 8
FEB 15/09

BOEING
737-600/700/800/900
PARTS CATALOG (MAINTENANCE)

FIG ITEM	PART NUMBER	1 2 3 4 5 6 7	NOMENCLATURE	EFFECT FROM TO	UNITS PER ASSY
75A 450	T8076S832		...NUTPLATE SUPPLIER CODE: V11815 SPECIFICATION NUMBER: BACN10JP08A OPTIONAL PART: MK1000-08BAC V15653 NS103197-82 V80539 RMA9201M82 V72962 VN202A1-82 V92215 BRM200A08 V52828 ATTACHING PARTS	001030	2
- 455	BACR15BA3AD		...RIVET- SIZE DETERMINED ON INSTL. -----*-----	001030	4
460	65C27021-221		...BRACKET	001030	1
465	412A3137-1053		..INSULATOR- POSITION DATA: LH SIDE	001030	1
- 470	412A3137-1054		..INSULATOR- POSITION DATA: RH SIDE	001030	1
475	412A3137-1051SP		..BEAM- POSITION DATA: LH SIDE	001030	1
- 480	412A3137-1052SP		..BEAM- POSITION DATA: RH SIDE	001030	1
500	412A3133-1		.FITTING ASSY- POSITION DATA: LH SIDE	001030	3
500	412A3133-3		.FITTING ASSY- POSITION DATA: LH SIDE	001030	3
- 505	412A3133-2		.FITTING ASSY- POSITION DATA: RH SIDE	001030	3
- 505	412A3133-4		.FITTING ASSY- POSITION DATA: RH SIDE	001030	3
510	BACB30NM3K6		..BOLT	001030	2
515	NAS43DD3-21FC		..SPACER	001030	2
520	NAS1149D0363J		..WASHER	001030	2
525	412A2004-5		..BUSHING	001030	2

MISSING ITEM NUMBERS NOT APPLICABLE

- ITEM NOT ILLUSTRATED

HAP

25-21-44-75A

BOEING PROPRIETARY - Copyright © - Unpublished Work - See title page for details.

25-21-44
FIG. 75A
PAGE 9
OCT 15/08

BOEING
737-600/700/800/900
PARTS CATALOG (MAINTENANCE)

FIG ITEM	PART NUMBER	1 2 3 4 5 6 7	NOMENCLATURE	EFFECT FROM TO	UNITS PER ASSY
75A					
530	412A2004-9	..	BEARING ASSY-ANGLE	001030	2
535	412A2004-6	...	SUPPORT ASSY	001030	1
540	T8078S1032	NUTPLATE	001030	1
			SUPPLIER CODE: V11815		
			SPECIFICATION NUMBER: BACN10JP3C		
			OPTIONAL PART: MK3000-3BAC		
			V15653		
			NS103199-02		
			V80539		
			RMA9205M3		
			V72962		
			VN203A1-02		
			V92215		
			BRM300A3		
			V52828		
			ATTACHING PARTS		
- 545	BACR15BA3AD	RIVET-	001030	2
			SIZE DETERMINED ON INSTL. -----*-----		
550	412A2004-7	SUPPORT	001030	1
555	412A2004-8	...	BEARING	001030	1
560	412A2004-1	..	BRACKET-ANGLE	001030	1
			POSITION DATA: LH SIDE		
- 565	412A2004-2	..	BRACKET-ANGLE	001030	1
			POSITION DATA: RH SIDE		
570	BACS13CJ3L080P	..	INSERT	001030	4
575	412A3134-1	..	HOUSING-SLIDER	001030	1
			USED ON: 412A3133-1 412A3133-2		
575	412A3134-2	..	HOUSING-SLIDER	001030	1
			USED ON: 412A3133-3 412A3133-4		

MISSING ITEM NUMBERS NOT APPLICABLE

- ITEM NOT ILLUSTRATED

HAP

25-21-44-75A

BOEING PROPRIETARY - Copyright © - Unpublished Work - See title page for details.

25-21-44
FIG. 75A
PAGE 10
OCT 15/08

BOEING
737-600/700/800/900
PARTS CATALOG (MAINTENANCE)

FIG ITEM	PART NUMBER	1 2 3 4 5 6 7	NOMENCLATURE	EFFECT FROM TO	UNITS PER ASSY
1					
- 1	411A3100-4SP		CEILING INSTL-MAIN CAB. CLG CEILING INSTL-OFFSET EXIT SIGN PROVISION MAIN CAB. FOR NHA SEE: 25-21-00-01A	201967 201967	RF
10	411A3120-2A		.PANEL ASSY- FOR DETAILS SEE: 25-21-45-03	201967	2
15	411A3180-1A		.PANEL ASSY-80 IN. FOR DETAILS SEE: 25-21-45-05	201967	11
20	411A3160-1A		.PANEL ASSY-60 IN. FOR DETAILS SEE: 25-21-45-04	201967	2
25	411A3120-1A		.PANEL ASSY-TRANSITION FOR DETAILS SEE: 25-21-45-02	201967	2
30	411A3180-5A		.PANEL ASSY-80 IN. FOR DETAILS SEE: 25-21-45-08	201967	1

MISSING ITEM NUMBERS NOT APPLICABLE

- ITEM NOT ILLUSTRATED

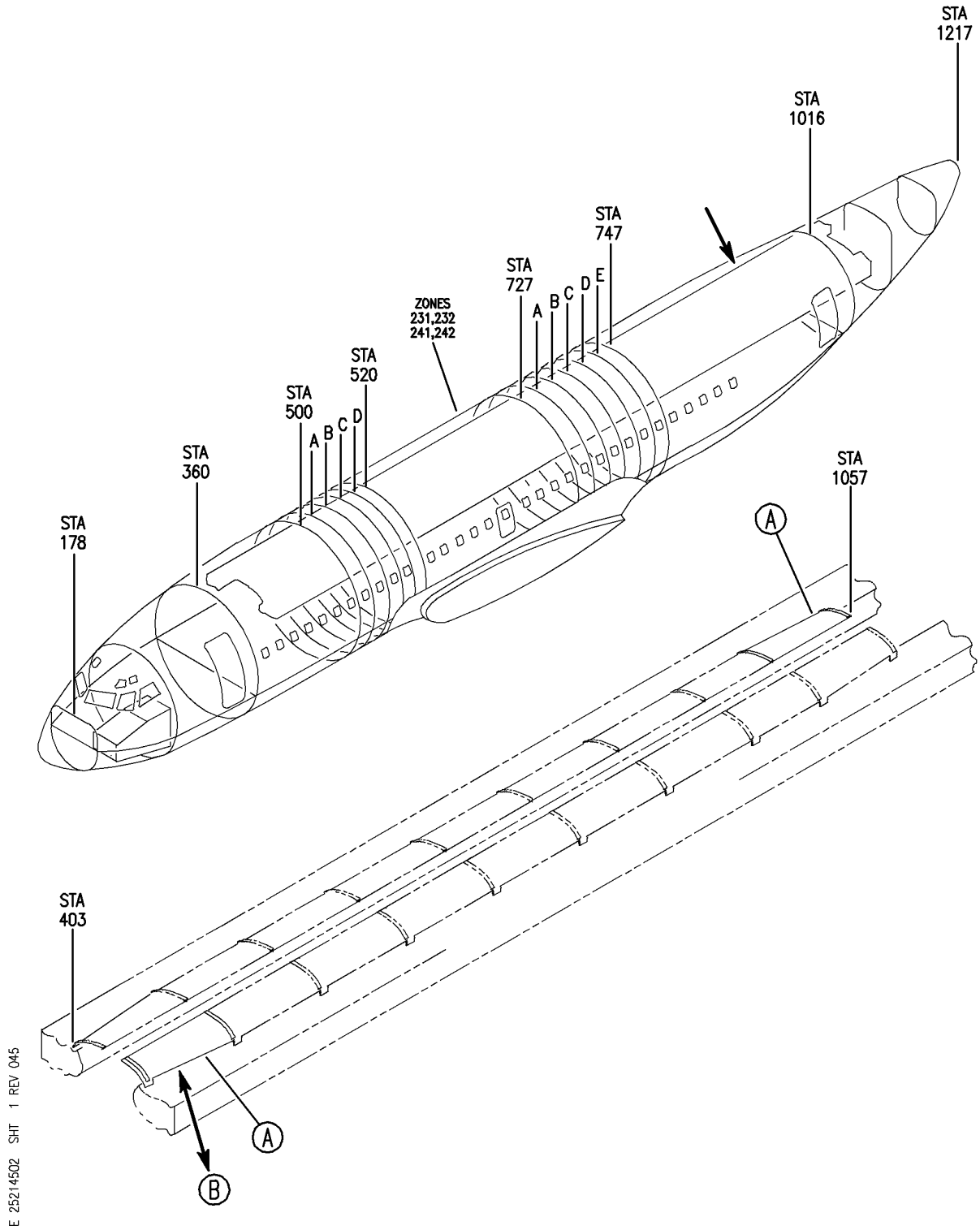
HAP

25-21-45-01

BOEING PROPRIETARY - Copyright © - Unpublished Work - See title page for details.

25-21-45
FIG. 01
PAGE 1
OCT 15/08

BOEING
 737-600/700/800/900
 PARTS CATALOG (MAINTENANCE)



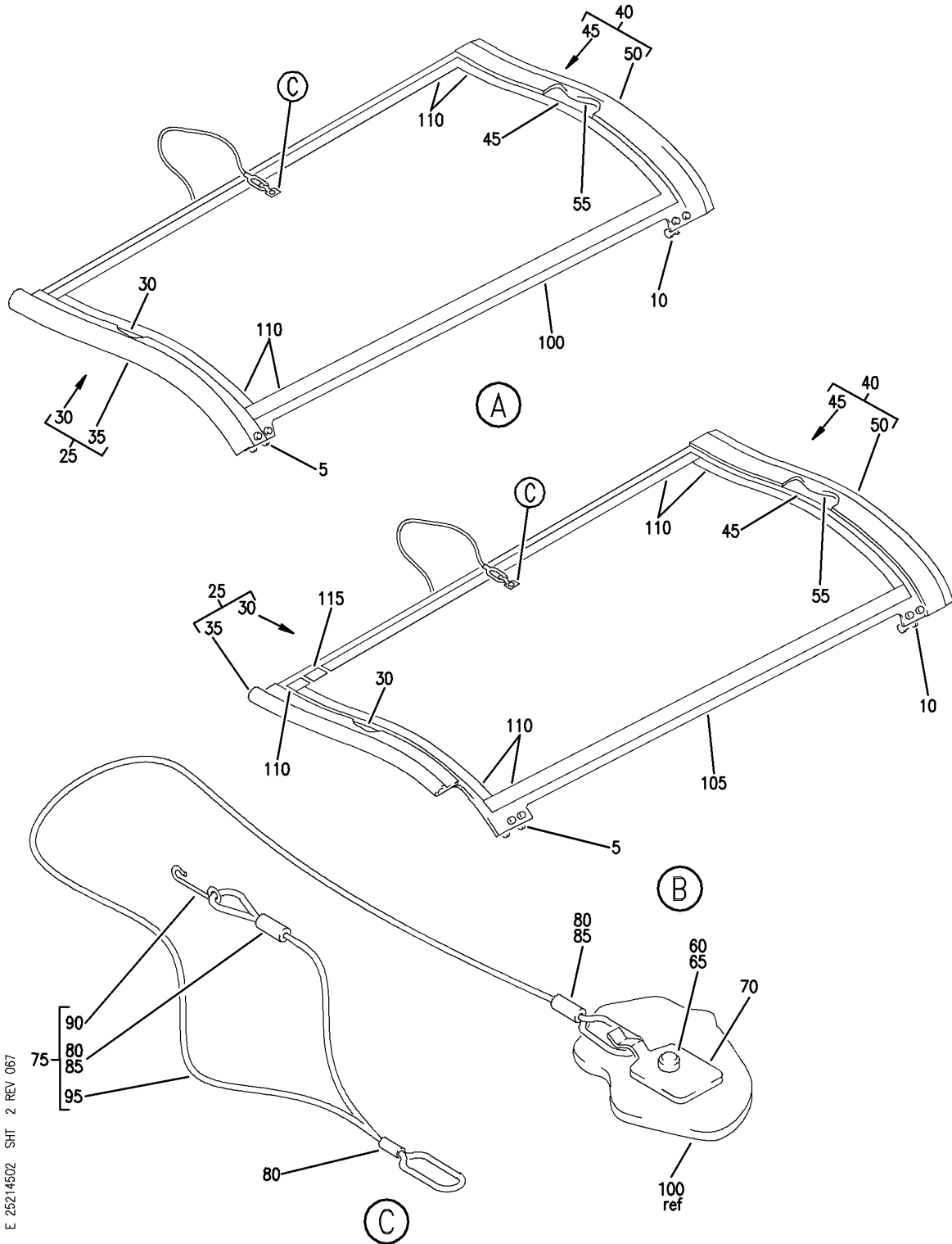
PANEL ASSY-MAIN CAB. TRANSITION
 FIGURE 2 (SHEET 1)

25-21-45-02

HAP
 FEB 10/07

25-21-45-02
 PAGE 0

BOEING
 737-600/700/800/900
 PARTS CATALOG (MAINTENANCE)



E 25214502 SHT 2 REV 067

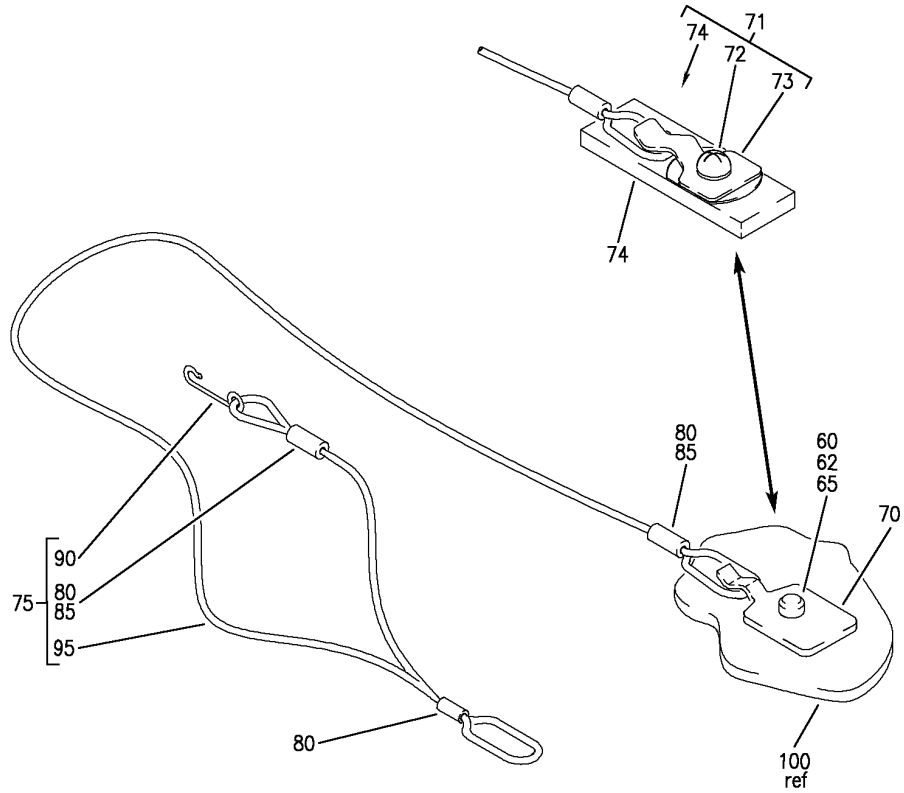
PANEL ASSY-MAIN CAB. TRANSITION
 FIGURE 2 (SHEET 2)

25-21-45-02

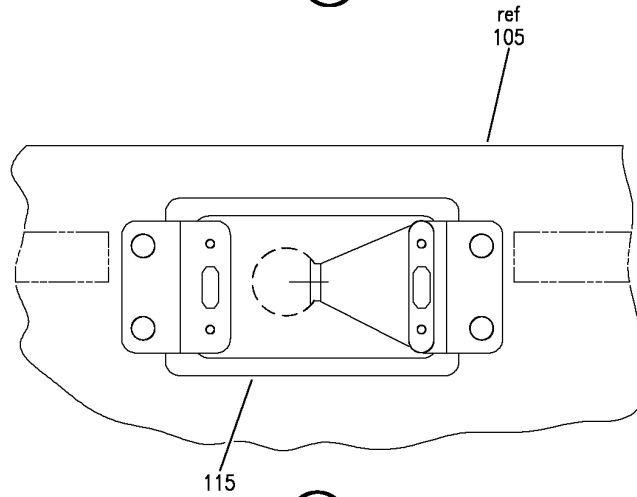
HAP
 FEB 10/07

25-21-45-02
 PAGE 0A

BOEING
 737-600/700/800/900
 PARTS CATALOG (MAINTENANCE)



(C)



(D)

E 25214502 SHT 3 REV 078

PANEL ASSY-MAIN CAB. TRANSITION
 FIGURE 2 (SHEET 3)

25-21-45-02

HAP
 FEB 10/07

25-21-45-02
 PAGE 0B

BOEING
737-600/700/800/900
PARTS CATALOG (MAINTENANCE)

FIG ITEM	PART NUMBER	1 2 3 4 5 6 7	NOMENCLATURE	EFFECT FROM TO	UNITS PER ASSY
2			PANEL ASSY-MAIN CAB. TRANSITION	101999	
- 1	411A3120-1A		PANEL ASSY-MAIN CAB. TRANSITION FOR NHA SEE: 25-21-45-01	201967	RF
- 1	411A3320-101B		PANEL ASSY-MAIN CAB. TRANSITION FOR NHA SEE: 25-21-45-24	101200 968999	RF
5	H3-1592-3		.LATCH ASSY-FLOATING SUPPLIER CODE: V34941 SPECIFICATION NUMBER: S411A001-3	201967	1
5	H3-1592-3		.LATCH ASSY-FLOATING SUPPLIER CODE: V34941 SPECIFICATION NUMBER: S411A001-3	104200 972999	1
10	H3-1592-2		.LATCH ASSY-LOCATING SUPPLIER CODE: V34941 SPECIFICATION NUMBER: S411A001-2	201967	1
10	H3-1592-2		.LATCH ASSY-LOCATING SUPPLIER CODE: V34941 SPECIFICATION NUMBER: S411A001-2	104200 972999	1
- 15	NAS8203A11		ATTACHING PARTS .SCREW	201967	4
- 15	BACS12HJ3K11		.SCREW	101200 968999	4
- 20	NAS1149D0316J		.WASHER	201967	8
- 20	NAS1149D0316J		.WASHER	101200 968999	8
- 22	NAS1805-3		.NUT	201967	4
- 22	BACN11Z3CK		.NUT-	101200 968999	4

MISSING ITEM NUMBERS NOT APPLICABLE

- ITEM NOT ILLUSTRATED

HAP

25-21-45-02

BOEING PROPRIETARY - Copyright © - Unpublished Work - See title page for details.

25-21-45
FIG. 02
PAGE 1
OCT 15/08

BOEING
737-600/700/800/900
PARTS CATALOG (MAINTENANCE)

FIG ITEM	PART NUMBER	1 2 3 4 5 6 7	NOMENCLATURE	EFFECT FROM TO	UNITS PER ASSY
2					
- 22	PLH53CD		.NUT- SUPPLIER CODE: VF0224 SPECIFICATION NUMBER: BACN10YR3CD OPTIONAL PART: H52732-3CD V15653 BACN11Z3CK -----*-----	101200 968999	4
	25 411A3140-5		.SEAL ASSY-BULLNOSE GAP	201967	1
	25 411A3140-5		.SEAL ASSY-BULLNOSE GAP	101200 968999	1
	30 411A3140-3		..TAPE-LOOP	201967	1
	30 411A3140-3		..TAPE-LOOP	101200 968999	1
	35 411A3140-6		..SEAL	201967	1
	35 411A3140-6		..SEAL	101200 968999	1
R	40 411A3140-1A		.SEAL ASSY-GAP OPTIONAL PART: 411A3140-9	201967	1
R	40 411A3140-9		.SEAL ASSY-GAP MANUFACTURED FROM: EXTRUSION RUBBER BAC1530-130 178.00IN SPARES ORDER MATERIAL CODE: 5279130016 OPTIONAL PART: 411A3140-1A	101999	1
R	45 411A3140-3		..TAPE-LOOP	101999	1
R	50 411A3140-2		..SEAL	101999	1
R	55 411A3120-4		.TAPE-HOOK	201967	2
R	55 411A3120-4		.TAPE-HOOK	101200 968999	2
R	60 NAS8203A4		.SCREW	201967	1
R	60 NAS8203A4		.SCREW- USED ON: 411A3320-1B	101200 968999	1
	65 NAS1149D0332J		.WASHER	201967	1
-	67 SL6224-3A		.INSERT- SUPPLIER CODE: V97393	201967	1
R	70 411A3111-1		.BRACKET	201967	1
R	71 411N1121-49		.STIFFENER ASSY	101200 968999	1
	72 BACS12FA3K4		..SCREW	101200 968999	1

MISSING ITEM NUMBERS NOT APPLICABLE

- ITEM NOT ILLUSTRATED

HAP

25-21-45-02

25-21-45
FIG. 02
PAGE 2
JUN 15/09

BOEING
737-600/700/800/900
PARTS CATALOG (MAINTENANCE)

FIG ITEM	PART NUMBER	1 2 3 4 5 6 7	NOMENCLATURE	EFFECT FROM TO	UNITS PER ASSY
2					
73	411A3111-1	..	BRACKET	101200 968999	1
74	411N1121-48	..	STIFFENER	101200 968999	1
75	411A3110-1	.L	LANYARD ASSY	201967	1
75	411A3110-1	.L	LANYARD ASSY	101200 968999	1
80	RT876	..	TUBING- SUPPLIER CODE: V06090 OPTIONAL PART: VFP876 V0994B	201967	2
80	VFP876	..	TUBING- SUPPLIER CODE: V0994B OPTIONAL PART: RT876 V06090	201967	2
80	RT876	..	TUBING- SUPPLIER CODE: V06090 OPTIONAL PART: VFP876 V0994B	101200 968999	2
80	VFP876	..	TUBING- SUPPLIER CODE: V0994B OPTIONAL PART: RT876 V06090	101200 968999	2
85	MS51844-62	..	SLEEVE	201967	3
85	MS51844-62	..	SLEEVE	101200 968999	3
90	411A3111-2	..	HOOK	201967	1
90	411A3111-2	..	HOOK	101200 968999	1
95	411A3110-2	..	CABLE	201967	1
95	411A3110-2	..	CABLE	101200 968999	1
100	411A3121-1	.P	PANEL ASSY-BASE	201967	1
100	411A3320-801	.P	PANEL ASSY-BASE	101200 968999	1

MISSING ITEM NUMBERS NOT APPLICABLE

— ITEM NOT ILLUSTRATED

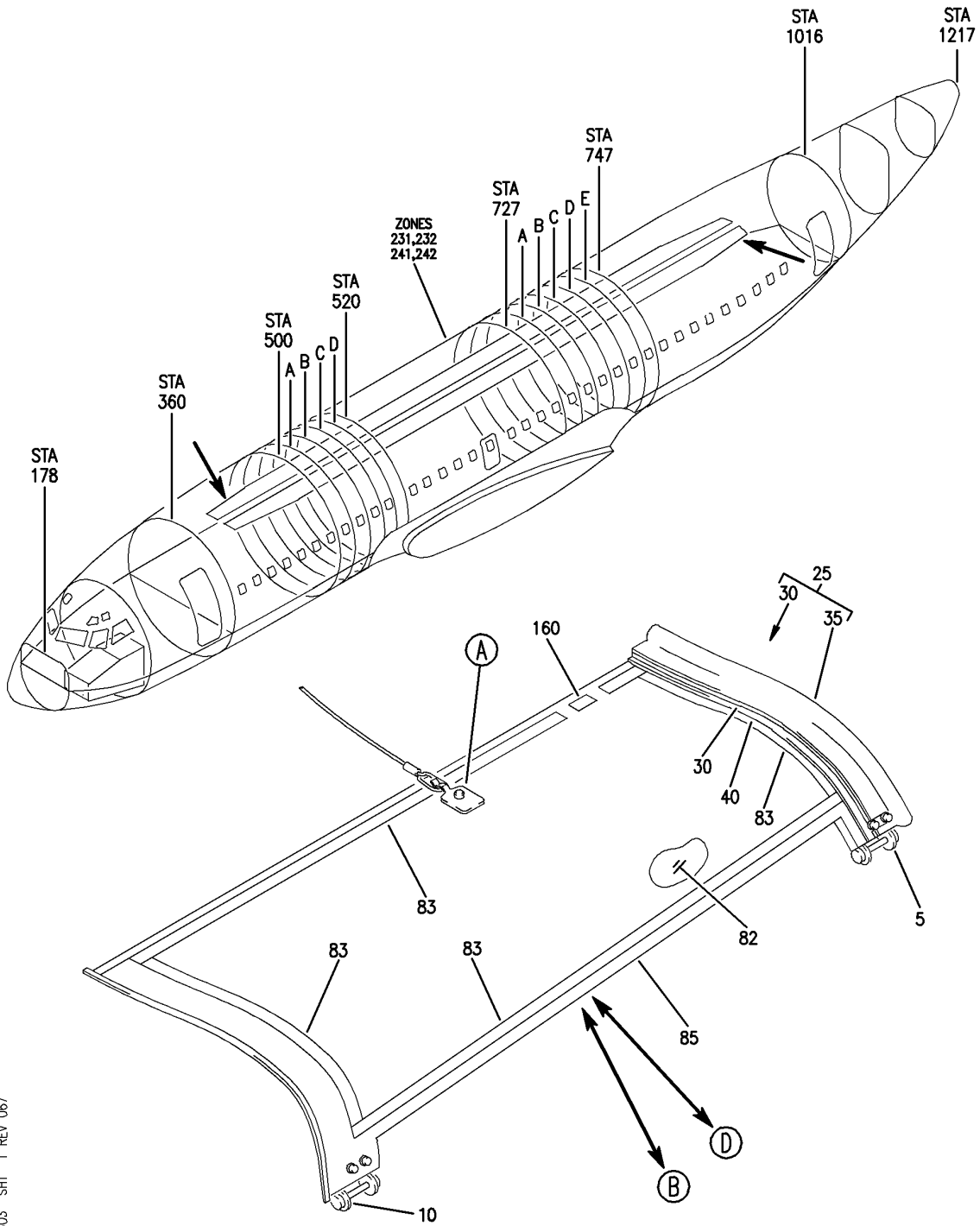
HAP

25-21-45-02

BOEING PROPRIETARY - Copyright © - Unpublished Work - See title page for details.

25-21-45
FIG. 02
PAGE 3
OCT 15/08

BOEING
 737-600/700/800/900
 PARTS CATALOG (MAINTENANCE)



E 25214503 SHT 1 REV 067

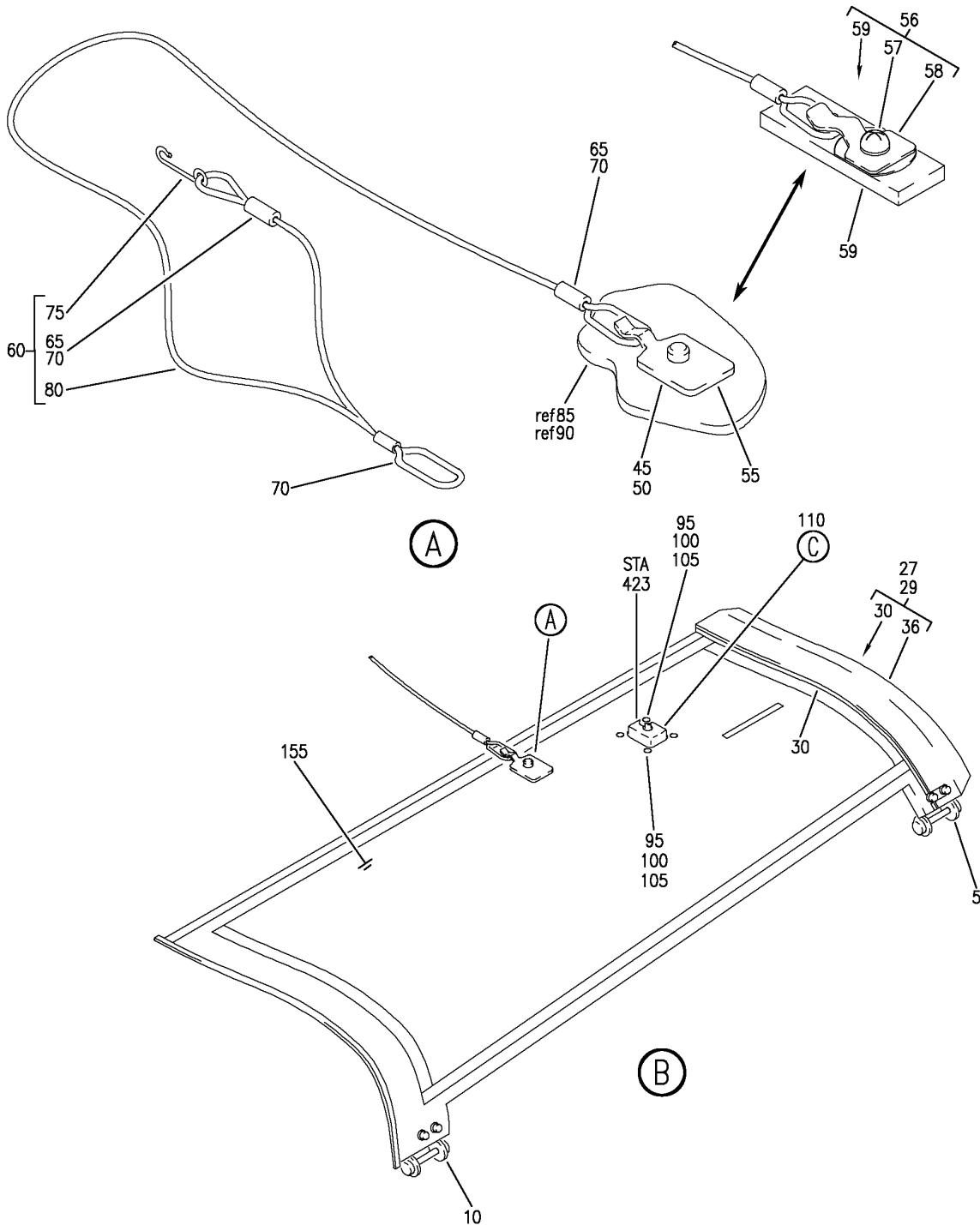
PANEL ASSY-MAIN CAB. TRANSITION
 FIGURE 3 (SHEET 1)

25-21-45-03

HAP
 FEB 10/07

25-21-45-03
 PAGE 0

BOEING
 737-600/700/800/900
 PARTS CATALOG (MAINTENANCE)



E 25214503 SH1 2 REV 078

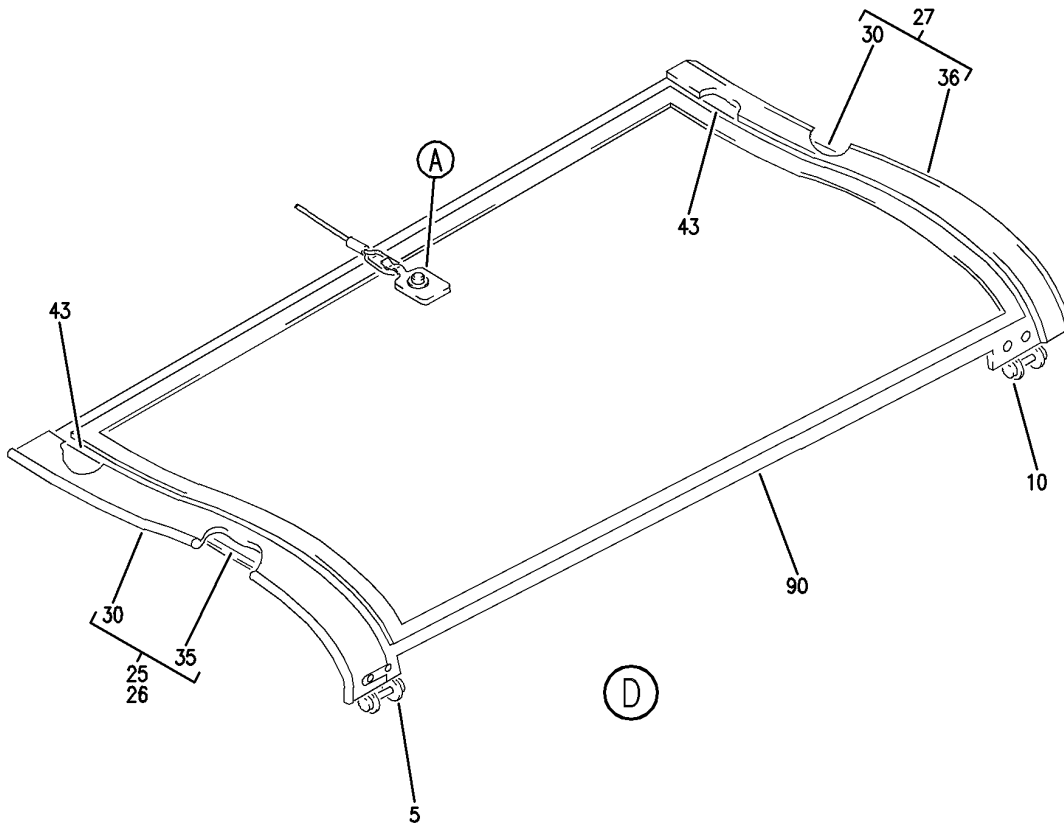
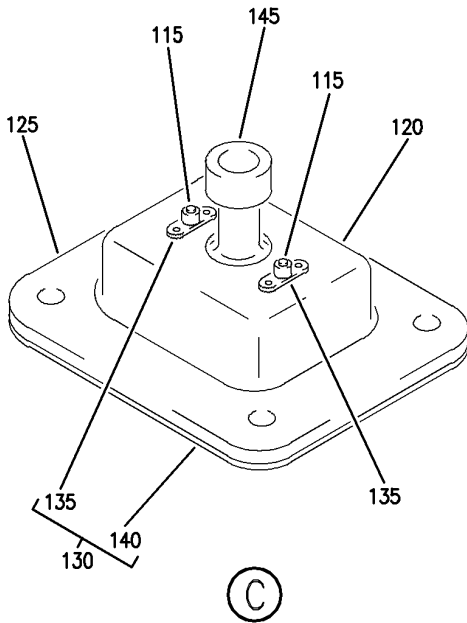
PANEL ASSY-MAIN CAB. TRANSITION
 FIGURE 3 (SHEET 2)

25-21-45-03

HAP
 FEB 10/07

25-21-45-03
 PAGE 0A

BOEING
 737-600/700/800/900
 PARTS CATALOG (MAINTENANCE)



E 25214503 SHT 3 REV 064

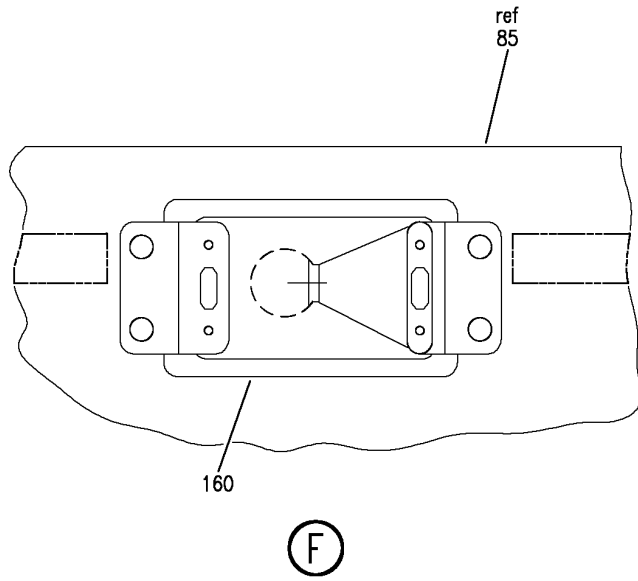
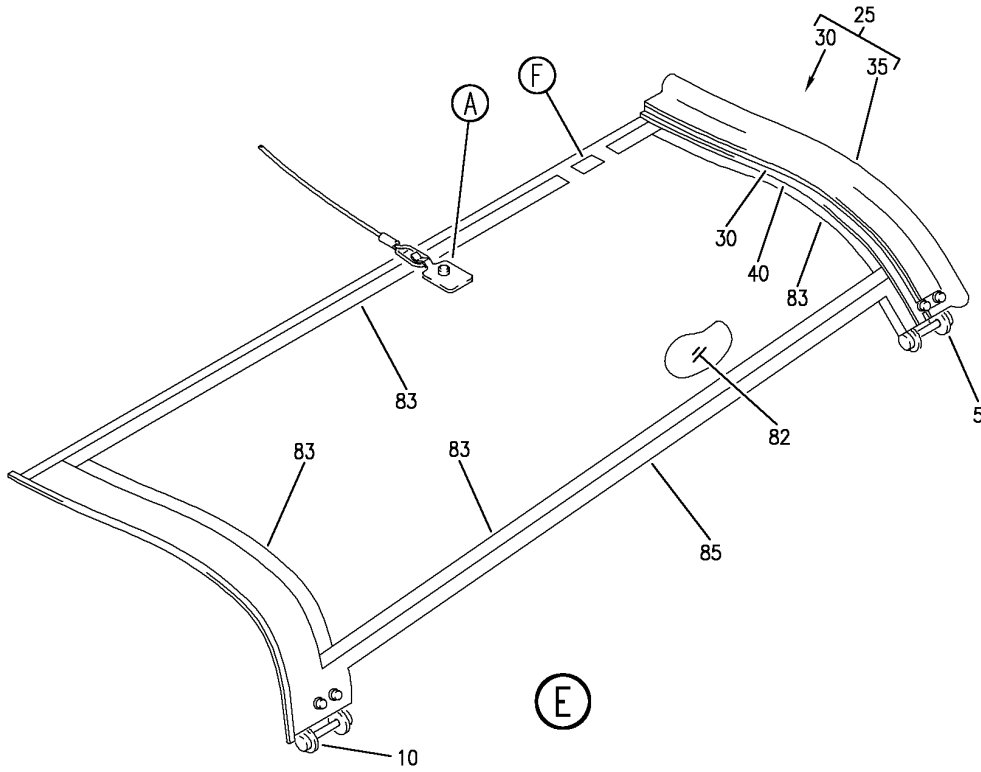
PANEL ASSY-MAIN CAB. TRANSITION
 FIGURE 3 (SHEET 3)

25-21-45-03

HAP
 FEB 10/07

25-21-45-03
 PAGE 0B

BOEING
 737-600/700/800/900
 PARTS CATALOG (MAINTENANCE)



E 25214503 SHT 4 REV 067

PANEL ASSY-MAIN CAB. TRANSITION
 FIGURE 3 (SHEET 4)

25-21-45-03

HAP
 FEB 10/07

25-21-45-03
 PAGE 0C

BOEING
737-600/700/800/900
PARTS CATALOG (MAINTENANCE)

FIG ITEM	PART NUMBER	1 2 3 4 5 6 7	NOMENCLATURE	EFFECT FROM TO	UNITS PER ASSY
3			PANEL ASSY-MAIN CAB. TRANSITION	101999	
- 1	411A3120-2A		PANEL ASSY-MAIN CAB. TRANSITION	201967	RF
R R R R	- 1	411A3320-102B	PANEL ASSY-MAIN CAB. TRANSITION FOR NHA SEE: 25-21-45-01	101200 968999	RF
	5	H3-1592-3	.LATCH ASSY-FLOATING SUPPLIER CODE: V34941 SPECIFICATION NUMBER: S411A001-3	101200 968999	1
	5	H3-1592-3	.LATCH ASSY-FLOATING SUPPLIER CODE: V34941 SPECIFICATION NUMBER: S411A001-3	201967	1
	10	H3-1592-2	.LATCH ASSY-LOCATING SUPPLIER CODE: V34941 SPECIFICATION NUMBER: S411A001-3	101200 968999	1
	10	H3-1592-2	.LATCH ASSY-LOCATING SUPPLIER CODE: V34941 SPECIFICATION NUMBER: S411A001-2	201967	1
R R R	- 15	NAS8203A11	ATTACHING PARTS .SCREW- POSITION DATA: FAR SIDE	201967	4
	- 15	BACS12HJ3K11	.SCREW- POSITION DATA: FAR SIDE USED ON: 411A3320-14B 411A3320-102B 411A3320-114B	101200 968999	4
R R	- 20	NAS1149D0316J	.WASHER-	101200 968999	8
	- 20	NAS1149D0316J	.WASHER	201967	8
	- 22	NAS1805-3	.NUT -----*-----	201967	4

MISSING ITEM NUMBERS NOT APPLICABLE

- ITEM NOT ILLUSTRATED

HAP

25-21-45-03

25-21-45
FIG. 03
PAGE 1
JUN 15/09

BOEING
737-600/700/800/900
PARTS CATALOG (MAINTENANCE)

FIG ITEM	PART NUMBER	1 2 3 4 5 6 7	NOMENCLATURE	EFFECT FROM TO	UNITS PER ASSY
3					
25	411A3140-5	.SEAL ASSY-BULLNOSE GAP USED ON: 411A3120-2SP 411A3320-102B		101200 968999	1
25	411A3140-5	.SEAL ASSY-BULLNOSE GAP USED ON: 411A3320-2B		201967	1
30	411A3140-3	..TAPE-LOOP		101200 968999	1
30	411A3140-3	..TAPE-LOOP		201967	1
35	411A3140-6	..SEAL- USED ON: 411A3140-5		101200 968999	1
35	411A3140-6	..SEAL		201967	1
40	411A3120-4	.TAPE-HOOK		101200 968999	1
40	411A3120-4	.TAPE-HOOK		201967	1
45	NAS8203A4	.SCREW		201967	1
45	BACS12HJ3K4	.SCREW-		101200 968999	1
50	NAS1149D0332J	.WASHER		201967	1
- 53	SL6224-3A	.INSERT- SUPPLIER CODE: V97393		201967	1
55	411A3111-1	.BRACKET		201967	1
56	411N1121-49	.STIFFENER ASSY-		101200 968999	1
57	BACS12FA3K4	..SCREW		101200 968999	1
58	411A3111-1	..BRACKET		101200 968999	1
59	411N1121-48	..STIFFENER		101200 968999	1
60	411A3110-1	.LANYARD ASSY		101200 968999	1
60	411A3110-1	.LANYARD ASSY		201967	1
65	RT876	..TUBING- SUPPLIER CODE: V06090 OPTIONAL PART: VFP876 V0994B		101200 968999	2
65	RT876	..TUBING- SUPPLIER CODE: V06090 OPTIONAL PART: VFP876 V0994B		201967	2

MISSING ITEM NUMBERS NOT APPLICABLE

- ITEM NOT ILLUSTRATED

HAP

25-21-45-03

25-21-45
FIG. 03
PAGE 2
JUN 15/09

BOEING
737-600/700/800/900
PARTS CATALOG (MAINTENANCE)

FIG ITEM	PART NUMBER	1 2 3 4 5 6 7	NOMENCLATURE	EFFECT FROM TO	UNITS PER ASSY
3					
65	VFP876	..	TUBING- SUPPLIER CODE: V0994B OPTIONAL PART: RT876 V06090	101200 968999	2
65	VFP876	..	TUBING- SUPPLIER CODE: V0994B OPTIONAL PART: RT876 V06090	201967	2
70	MS51844-62	..	SLEEVE	201967	3
70	MS51844-62	..	SLEEVE	101200 968999	3
75	411A3111-2	..	HOOK	101200 968999	1
75	411A3111-2	..	HOOK	201967	1
80	411A3110-2	..	CABLE	101200 968999	1
80	411A3110-2	..	CABLE	201967	1
85	411A3121-2	.	PANEL ASSY-BASE	201967	1
85	411A3320-802	.	PANEL ASSY-BASE	101200 968999	1

MISSING ITEM NUMBERS NOT APPLICABLE

— ITEM NOT ILLUSTRATED

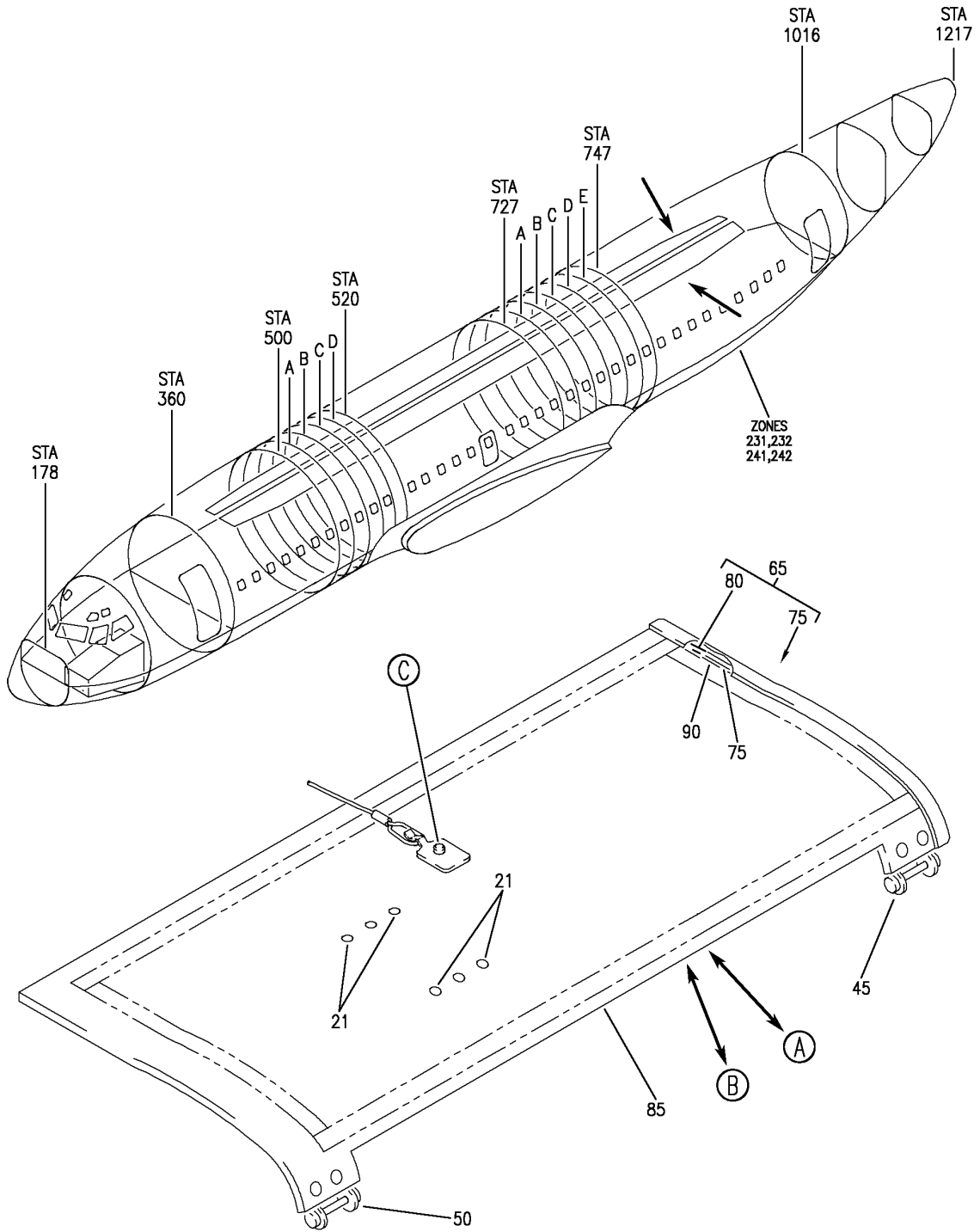
HAP

25-21-45-03

BOEING PROPRIETARY - Copyright © - Unpublished Work - See title page for details.

25-21-45
FIG. 03
PAGE 3
OCT 15/08

BOEING
 737-600/700/800/900
 PARTS CATALOG (MAINTENANCE)



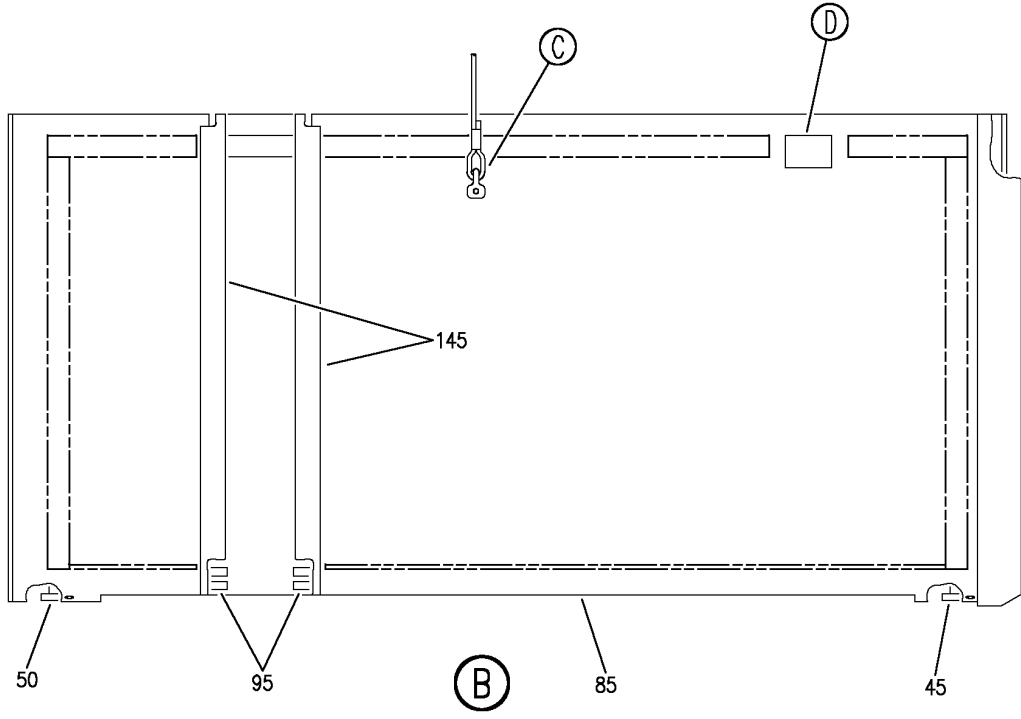
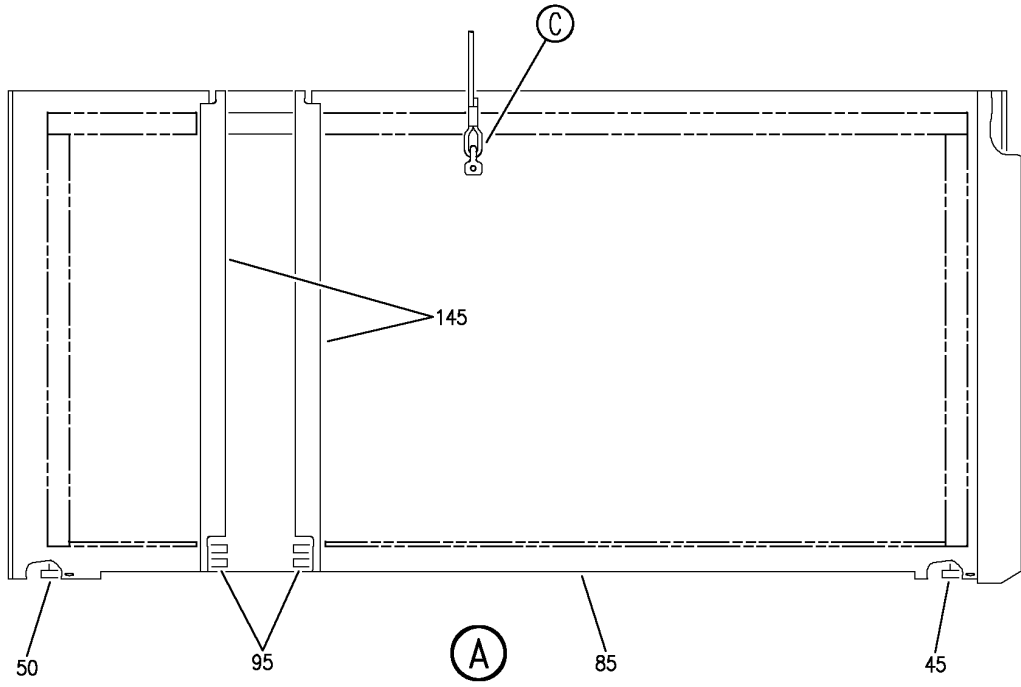
E 25214504 SHT 1 REV 078

PANEL ASSY-60 IN. MAIN CAB.
 FIGURE 4 (SHEET 1)

25-21-45-04

HAP
 OCT 10/06

25-21-45-04
 PAGE 0



E 25214504 SHT 2 REV 067

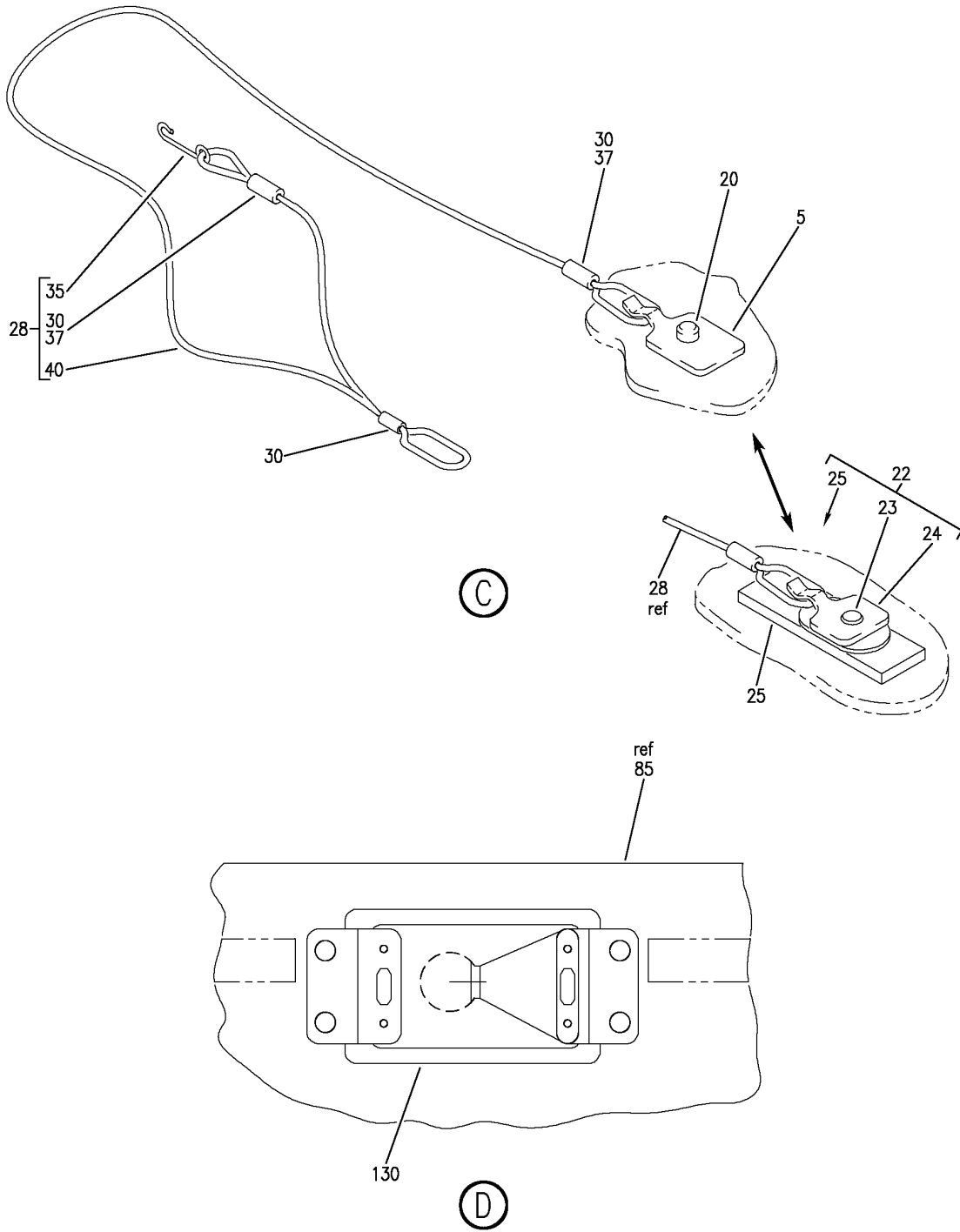
PANEL ASSY-60 IN. MAIN CAB.
 FIGURE 4 (SHEET 2)

25-21-45-04

HAP
 OCT 10/06

25-21-45-04
 PAGE 0A

BOEING
 737-600/700/800/900
 PARTS CATALOG (MAINTENANCE)



E 25214504 SH1 3 REV 078

PANEL ASSY-60 IN. MAIN CAB.
 FIGURE 4 (SHEET 3)

25-21-45-04

HAP
 OCT 10/06

25-21-45-04
 PAGE 0B

BOEING
737-600/700/800/900
PARTS CATALOG (MAINTENANCE)

FIG ITEM	PART NUMBER	1 2 3 4 5 6 7	NOMENCLATURE	EFFECT FROM TO	UNITS PER ASSY	
R	4		PANEL ASSY-60 IN. MAIN CAB.	001046		
R	- 1	411A3360-1B	PANEL ASSY-60 IN. MAIN CAB. FOR NHA SEE: 25-21-45-09	054999 022030	RF	
	- 1	411A3160-1A	PANEL ASSY-60 IN. MAIN CAB. FOR NHA SEE: 25-21-45-01 25-21-45-09	001021 201967	RF	
R	- 1	411A3360-101B	PANEL ASSY-60 IN. MAIN CAB. FOR NHA SEE: 25-21-45-09 25-21-45-24	031046 054200 968999	RF	
R		5	411A3111-1	.BRACKET	031043 101200 968999	1
R	- 10	NAS8203A4	ATTACHING PARTS .SCREW	031043 101200 968999	1	
R	- 10	BACS12HJ3K4	.SCREW- USED ON: 411A3360-1SP 411A3360-1B	022030 101200 968999	1	
R	- 15	NAS1149D0332J	.WASHER	031043 101200 968999	1	
			-----*-----			
	20	SL6224-3A	.INSERT- SUPPLIER CODE: V97393	031043 101200 968999	1	
R	22	411N1121-49	.STIFFENER ASSY	031046 054200 968999	1	
R	23	BACS12FA3K4	..SCREW	031046 054200 968999	1	
R	24	411A3111-1	..BRACKET	031046 054200 968999	1	
R	25	411N1121-48	..STIFFENER	031046 054200 968999	1	
R	28	411A3110-1	.LANYARD ASSY	001046 054999	1	
R	30	MS51844-62	..SLEEVE	001046 054999	3	
R	35	411A3111-2	..HOOK	001046 054999	1	

MISSING ITEM NUMBERS NOT APPLICABLE

- ITEM NOT ILLUSTRATED

HAP

25-21-45-04

25-21-45
FIG. 04
PAGE 1
JUN 15/09

BOEING
737-600/700/800/900
PARTS CATALOG (MAINTENANCE)

FIG ITEM	PART NUMBER	1 2 3 4 5 6 7	NOMENCLATURE	EFFECT FROM TO	UNITS PER ASSY
R R R R R R R	4 65	411A3140-9	.SEAL ASSY- MANUFACTURED FROM: EXTRUSION RUBBER BAC1530-130 178.00IN SPARES ORDER MATERIAL CODE: 5279130016 OPTIONAL PART: 411A3140-1A	001046 054999	1
	65	411A3140-1A	.SEAL ASSY- OPTIONAL PART: 411A3140-9	001021 201967	1
	75	411A3140-3	..TAPE-LOOP	001046 054999	1
	80	411A3140-2	..SEAL	001046 054999	1
	85	411A3161-1	.PANEL ASSY-BASE USED ON: 411A3160-1A	001021 201967	1
	85	411A3360-801	.PANEL ASSY-BASE USED ON: 411A3360-1B 411A3360-1SP 411A3360-22B 411A3360-101B	022046 054200 968999	1
	90	411A3160-3	.TAPE-HOOK	001046 054999	1

MISSING ITEM NUMBERS NOT APPLICABLE

— ITEM NOT ILLUSTRATED

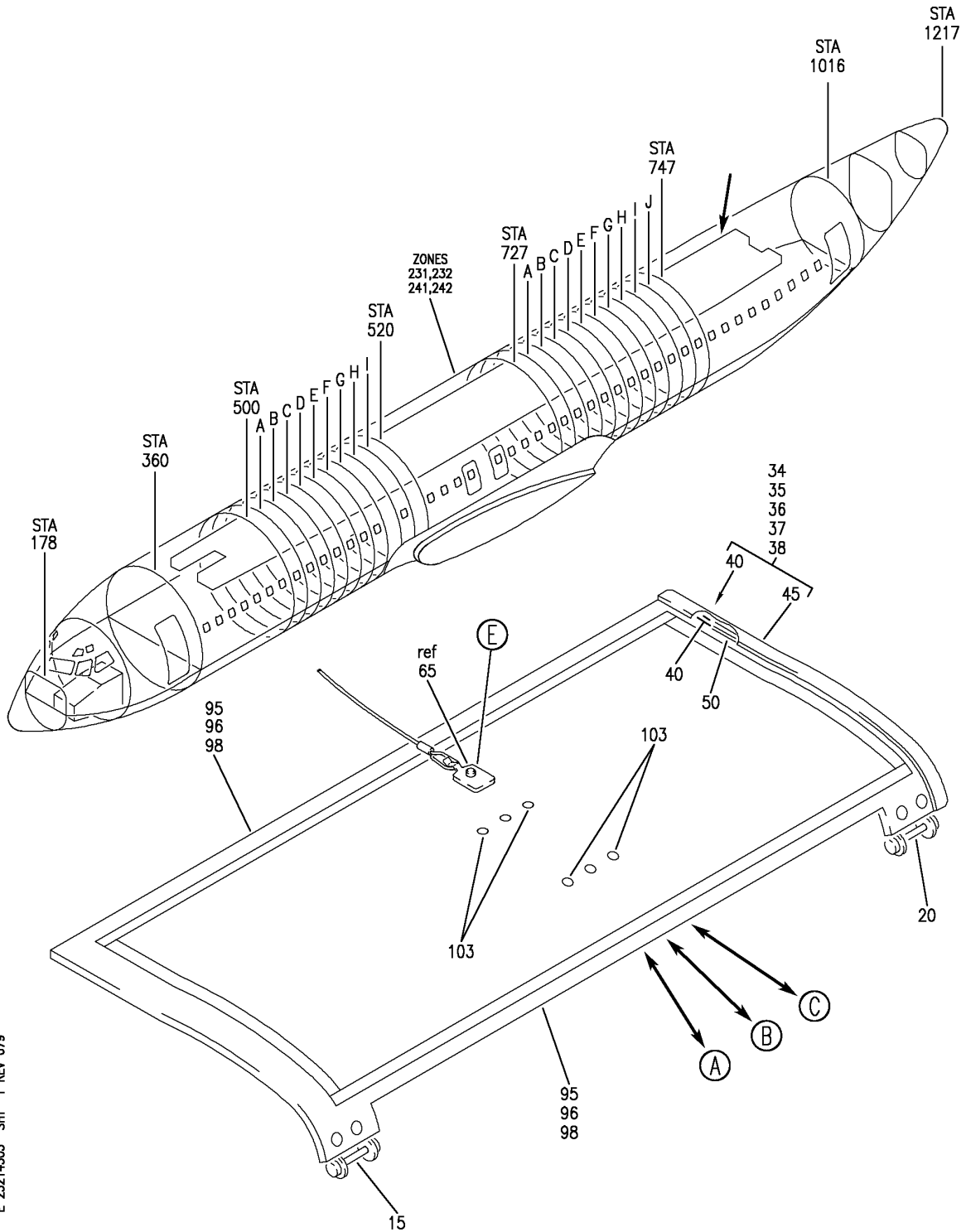
HAP

25-21-45-04

BOEING PROPRIETARY - Copyright © - Unpublished Work - See title page for details.

25-21-45
FIG. 04
PAGE 3
JUN 15/09

BOEING
 737-600/700/800/900
 PARTS CATALOG (MAINTENANCE)



E 2521-4505 SH1 1 REV 079

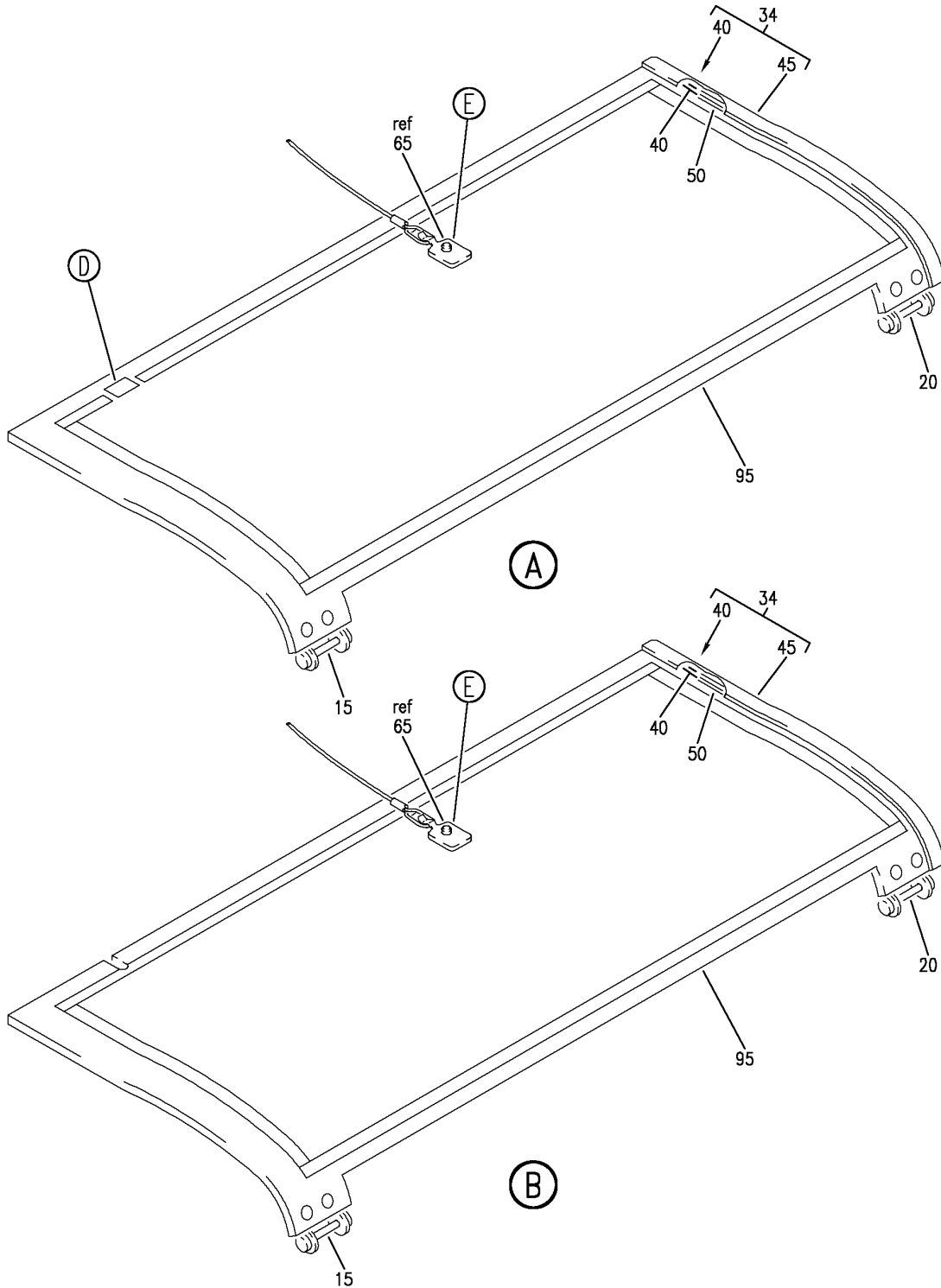
PANEL ASSY-80 IN. MAIN CAB.
 FIGURE 5 (SHEET 1)

25-21-45-05

HAP
 OCT 10/06

25-21-45-05
 PAGE 0

BOEING
737-600/700/800/900
PARTS CATALOG (MAINTENANCE)



E 2521-4505 SH1 2 REV 079

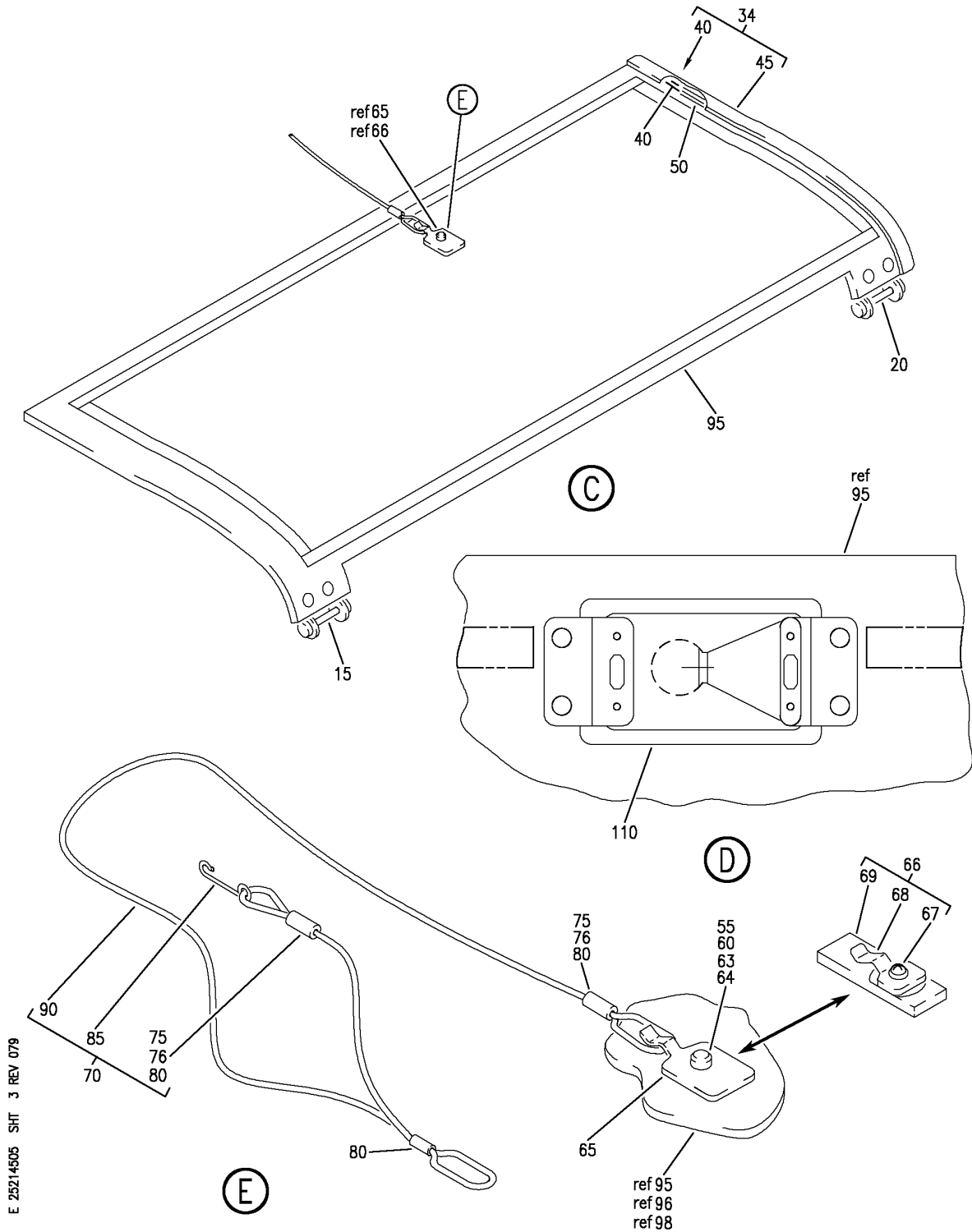
PANEL ASSY-80 IN. MAIN CAB.
FIGURE 5 (SHEET 2)

25-21-45-05

HAP
OCT 10/06

25-21-45-05
PAGE 0A

BOEING
 737-600/700/800/900
 PARTS CATALOG (MAINTENANCE)



E 25214505 SH1 3 REV 079

PANEL ASSY-80 IN. MAIN CAB.
 FIGURE 5 (SHEET 3)

25-21-45-05

HAP
 OCT 10/06

25-21-45-05
 PAGE 0B

BOEING
737-600/700/800/900
PARTS CATALOG (MAINTENANCE)

FIG ITEM	PART NUMBER	1 2 3 4 5 6 7	NOMENCLATURE	EFFECT FROM TO	UNITS PER ASSY
R R	5		PANEL ASSY-80 IN. MAIN CAB.	001046 054999	
	- 1	411A3180-1A	PANEL ASSY-80 IN. MAIN CAB. FOR NHA SEE: 25-21-45-01 25-21-45-09	001021 201967	RF
	- 1	411A3380-1B	PANEL ASSY-80 IN. MAIN CAB. FOR NHA SEE: 25-21-45-09	022030	RF
R R R R R	- 1	411A3380-301B	PANEL ASSY-80 IN. MAIN CAB. FOR NHA SEE: 25-21-45-09 25-21-45-24	031043 101101 968971	RF
R R R R R	- 4	411A3380-389B	PANEL ASSY-80 IN. MAIN CAB. FOR NHA SEE: 25-21-45-09	031046 054100	RF
R R R R R	15	H3-1592-3	.LATCH ASSY- SUPPLIER CODE: V34941 SPECIFICATION NUMBER: S411A001-3	001046 054100	1
	15	H3-1592-3	.LATCH ASSY- SUPPLIER CODE: V34941 SPECIFICATION NUMBER: S411A001-3	101200 968999	1
	15	H3-1592-3	.LATCH ASSY- SUPPLIER CODE: V34941 SPECIFICATION NUMBER: S411A001-3	041041	1
	15	H3-1592-3	.LATCH ASSY- SUPPLIER CODE: V34941 SPECIFICATION NUMBER: S411A001-3	201967	1
R R R R R	20	H3-1592-2	.LATCH ASSY- SUPPLIER CODE: V34941 SPECIFICATION NUMBER: S411A001-2	001046 054100	1
	20	H3-1592-2	.LATCH ASSY- SUPPLIER CODE: V34941 SPECIFICATION NUMBER: S411A001-2	101200 968999	1

MISSING ITEM NUMBERS NOT APPLICABLE

- ITEM NOT ILLUSTRATED

HAP

25-21-45-05

25-21-45
FIG. 05
PAGE 1
JUN 15/09

BOEING
737-600/700/800/900
PARTS CATALOG (MAINTENANCE)

FIG ITEM	PART NUMBER	1 2 3 4 5 6 7	NOMENCLATURE	EFFECT FROM TO	UNITS PER ASSY
5					
20	H3-1592-2		.LATCH ASSY- SUPPLIER CODE: V34941 SPECIFICATION NUMBER: S411A001-2	041041	1
20	H3-1592-2		.LATCH ASSY- SUPPLIER CODE: V34941 SPECIFICATION NUMBER: S411A001-2 ATTACHING PARTS	201967	1
R -	25 NAS8203A11		.SCREW	201967	4
-	25 NAS8203A11		.SCREW- USED ON: 411A3180-1A	001021	4
R -	25 BACS12HJ3K11		.SCREW- USED ON: 411A3380-89B 411A3380-153B 411A3380-301B 411A3380-389B	022046 054100	4
R					
R					
R					
R					
-	25 NAS8203A11		.SCREW- USED ON: 411A3180-89B 411A3180-122B	041041	4
R -	26 BACS12HJ3K11		.SCREW	101200 968999	4
R					
R					
-	30 NAS1149D0316J		.WASHER	001046 054100	8
R					
-	30 NAS1149D0316J		.WASHER	101200 968999	8
-	30 NAS1149D0316J		.WASHER	041041	8
-	30 NAS1149D0316J		.WASHER	201967	8
-	32 BACN11Z3CK		.NUT-	101200 968999	4
R -	32 BACN11Z3CK		.NUT-	022046 054100	4
R					
R					
-	33 NAS1805-3		.NUT	001021	4
-	33 NAS1805-3		.NUT- USED ON: 411A3380-122B 411A3380-61SP 411A3380-61B 411A3380-153B	041041	4
R -	33 NAS1805-3		.NUT	201967	4
R					
R					
R					
-	34 411A3140-1A		.SEAL ASSY- OPTIONAL PART: 411A3140-9	001021 101999	1

MISSING ITEM NUMBERS NOT APPLICABLE

- ITEM NOT ILLUSTRATED

HAP

25-21-45-05

BOEING PROPRIETARY - Copyright © - Unpublished Work - See title page for details.

25-21-45
FIG. 05
PAGE 2
JUN 15/09

BOEING
737-600/700/800/900
PARTS CATALOG (MAINTENANCE)

FIG ITEM	PART NUMBER	1 2 3 4 5 6 7	NOMENCLATURE	EFFECT FROM TO	UNITS PER ASSY
R R R R R R R R R R R R R R R	5 36	411A3140-9	.SEAL ASSY- MANUFACTURED FROM: EXTRUSION RUBBER BAC1530-130 178.00IN SPARES ORDER MATERIAL CODE: 5279130016 OPTIONAL PART: 411A3140-1A	001046 054999	1
	40	411A3140-3	..TAPE-LOOP	001046 054999	1
	45	411A3140-2	..SEAL	001046 054999	1
	50	411A3180-4	.TAPE-HOOK	201967	1
	50	411A3180-4	.TAPE-HOOK	001046 054100	1
	50	411A3180-4	.TAPE-HOOK	101200 968999	1
	50	411A3180-4	.TAPE-HOOK	041041	1
	55	NAS8203A4	.SCREW	001021	1
	55	NAS8203A4	.SCREW	041041	1
	55	NAS8203A4	.SCREW	201967	1
	56	BACS12HJ3K4	.SCREW	101200 968999	1
	56	BACS12HJ3K4	.SCREW	022030	1
	60	NAS1149D0332J	.WASHER- USED ON: 411A3380-61SP 411A3380-61B 411A3380-122B 411A3380-153B	041041	1
	60	NAS1149D0332J	.WASHER	201967	1
	60	NAS1149D0332J	.WASHER	001030	1
60	NAS1149D0332J	.WASHER	101200 968999	1	
63	SL6224-3A	.INSERT- SUPPLIER CODE: V97393	001030	1	
63	SL6224-3A	.INSERT- SUPPLIER CODE: V97393	101200 968999	1	
64	SL6224-3A	.INSERT- SUPPLIER CODE: V97393 USED ON: 411A3380-61SP 411A3380-61B 411A3380-122B 411A3380-153B	041041	1	

MISSING ITEM NUMBERS NOT APPLICABLE

— ITEM NOT ILLUSTRATED

HAP

25-21-45-05

25-21-45
FIG. 05
PAGE 3
JUN 15/09

BOEING
737-600/700/800/900
PARTS CATALOG (MAINTENANCE)

FIG ITEM	PART NUMBER	1 2 3 4 5 6 7	NOMENCLATURE	EFFECT FROM TO	UNITS PER ASSY
5	64 SL6224-3A		.INSERT- SUPPLIER CODE: V97393	201967	1
R	65 411A3111-1		.BRACKET	201967	1
R	65 411A3111-1		.BRACKET	001030	1
R	65 411A3111-1		.BRACKET	101200	1
R	65 411A3111-1		.BRACKET- USED ON: 411A3380-61SP 411A3380-61B 411A3380-122B 411A3380-153B	968999 041041	1
R	66 411N1121-49		.STIFFENER ASSY	041041	1
R	66 411N1121-49		.STIFFENER ASSY	101200	1
R	66 411N1121-49		.STIFFENER ASSY	968999	1
R	67 BACS12FA3K4		..SCREW	031046	1
R	67 BACS12FA3K4		..SCREW	054100	1
R	67 BACS12FA3K4		..SCREW	041041	1
R	68 411A3111-1		..BRACKET	101200	1
R	68 411A3111-1		..BRACKET	968999	1
R	68 411A3111-1		..BRACKET	031046	1
R	69 411N1121-48		..STIFFENER	054100	1
R	69 411N1121-48		..STIFFENER	041041	1
R	69 411N1121-48		..STIFFENER	101200	1
R	70 411A3110-1		.LANYARD ASSY	968999	1
R	70 411A3110-1		.LANYARD ASSY	201967	1
R	70 411A3110-1		.LANYARD ASSY	001046	1
R	70 411A3110-1		.LANYARD ASSY	054100	1
R	70 411A3110-1		.LANYARD ASSY	101200	1
R	75 RT876		..TUBING- SUPPLIER CODE: V06090 OPTIONAL PART: VFP876 V0994B	968999 041041 201967	2

MISSING ITEM NUMBERS NOT APPLICABLE

— ITEM NOT ILLUSTRATED

HAP

25-21-45-05

BOEING PROPRIETARY - Copyright © - Unpublished Work - See title page for details.

25-21-45
FIG. 05
PAGE 4
JUN 15/09

BOEING
737-600/700/800/900
PARTS CATALOG (MAINTENANCE)

FIG ITEM	PART NUMBER	1 2 3 4 5 6 7	NOMENCLATURE	EFFECT FROM TO	UNITS PER ASSY
5					
75	VFP876	..	TUBING- SUPPLIER CODE: V0994B OPTIONAL PART: RT876 V06090	201967	2
75	RT876	..	TUBING- SUPPLIER CODE: V06090 OPTIONAL PART: VFP876 V0994B	001046 054100	2
75	VFP876	..	TUBING- SUPPLIER CODE: V0994B OPTIONAL PART: RT876 V06090	001046 054100	2
75	RT876	..	TUBING- SUPPLIER CODE: V06090 OPTIONAL PART: VFP876 V0994B	101200 968999	2
75	VFP876	..	TUBING- SUPPLIER CODE: V0994B OPTIONAL PART: RT876 V06090	101200 968999	2
76	RT876	..	TUBING- SUPPLIER CODE: V06090 OPTIONAL PART: VFP876 V0994B	041041	2
76	VFP876	..	TUBING- SUPPLIER CODE: V0994B OPTIONAL PART: RT876 V06090	041041	2
80	MS51844-62	..	SLEEVE	201967	3
80	MS51844-62	..	SLEEVE	001046 054100	3
80	MS51844-62	..	SLEEVE	101200 968999	3
80	MS51844-62	..	SLEEVE	041041	3
85	411A3111-2	..	HOOK	201967	1

MISSING ITEM NUMBERS NOT APPLICABLE

— ITEM NOT ILLUSTRATED

HAP

25-21-45-05

BOEING PROPRIETARY - Copyright © - Unpublished Work - See title page for details.

25-21-45
FIG. 05
PAGE 5
JUN 15/09

BOEING
737-600/700/800/900
PARTS CATALOG (MAINTENANCE)

FIG ITEM	PART NUMBER	1 2 3 4 5 6 7	NOMENCLATURE	EFFECT FROM TO	UNITS PER ASSY
5					
R	85	411A3111-2	.. HOOK	001046	1
R	85	411A3111-2	.. HOOK	054100	
	85	411A3111-2	.. HOOK	101200	1
	85	411A3111-2	.. HOOK	968999	
	90	411A3110-2	.. CABLE	041041	1
R	90	411A3110-2	.. CABLE	201967	1
R	90	411A3110-2	.. CABLE	001046	1
	90	411A3110-2	.. CABLE	054100	
	90	411A3110-2	.. CABLE	101200	1
	90	411A3110-2	.. CABLE	968999	
	95	411A3181-1	. PANEL ASSY-BASE	041041	1
	95	411A3181-1	. PANEL ASSY-BASE	201967	1
	95	411A3181-1	. PANEL ASSY-BASE	001021	1
	95	411A3181-1	. PANEL ASSY-BASE	041041	1
	96	411A3380-801	. PANEL ASSY-BASE	041041	1
	96	411A3380-801	. PANEL ASSY-BASE	101200	1
	96	411A3380-801	. PANEL ASSY-BASE	968999	
R	96	411A3380-801	. PANEL ASSY-BASE	022046	1
R	96	411A3380-801	. PANEL ASSY-BASE	054100	
	96	411A3380-801	. PANEL ASSY-BASE	201967	1

MISSING ITEM NUMBERS NOT APPLICABLE

— ITEM NOT ILLUSTRATED

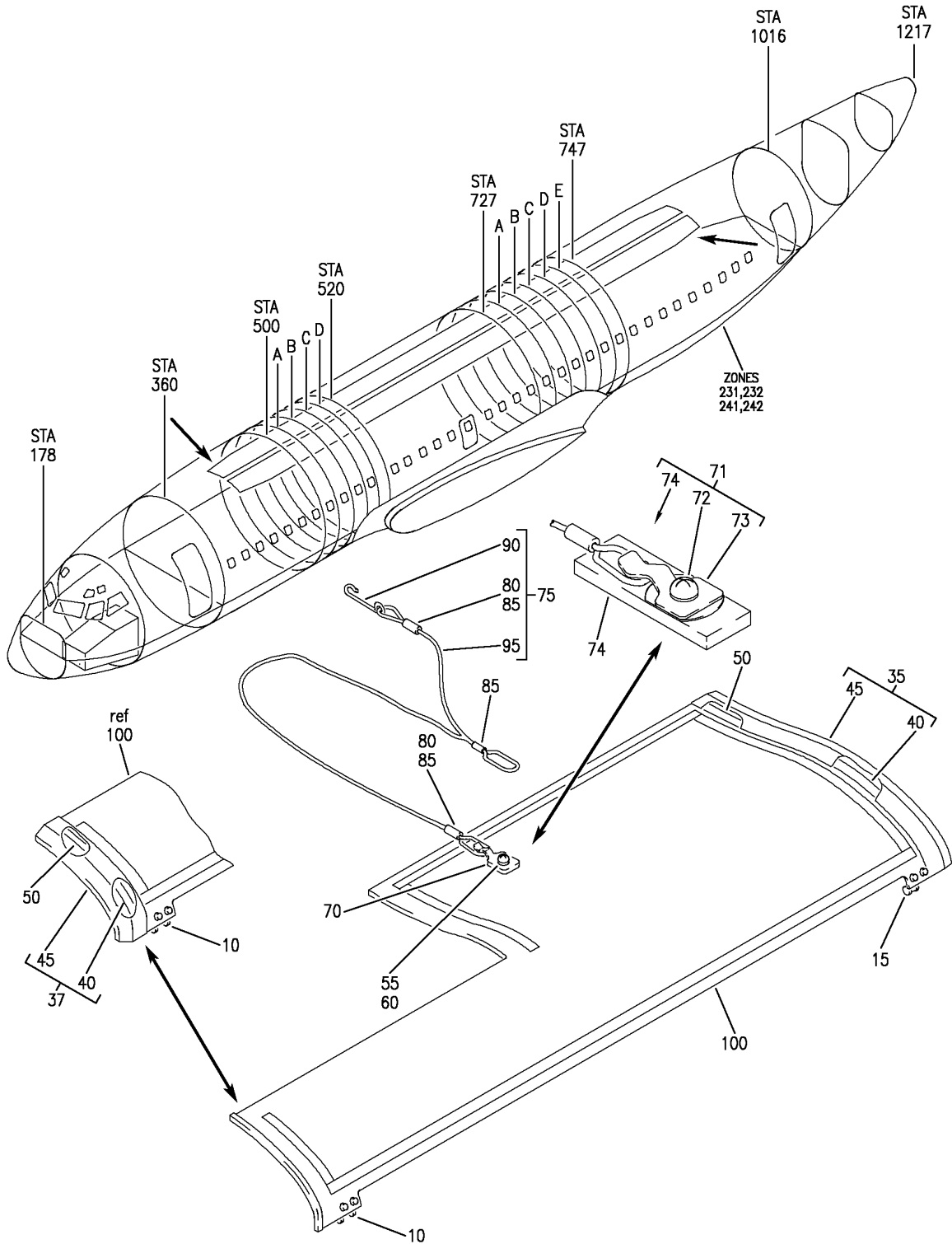
HAP

25-21-45-05

BOEING PROPRIETARY - Copyright © - Unpublished Work - See title page for details.

25-21-45
FIG. 05
PAGE 6
JUN 15/09

BOEING
 737-600/700/800/900
 PARTS CATALOG (MAINTENANCE)



E 25214505H REV 078

PANEL ASSY-80 IN. MAIN CAB.
 FIGURE 5H

25-21-45-05H

HAP
 FEB 10/07

25-21-45-05H
 PAGE 0

BOEING
737-600/700/800/900
PARTS CATALOG (MAINTENANCE)

FIG ITEM	PART NUMBER	1 2 3 4 5 6 7	NOMENCLATURE	EFFECT FROM TO	UNITS PER ASSY
5H			PANEL ASSY-80 IN. MAIN CAB.	101200 968999	
- 1	411A3380-440B		PANEL ASSY-80 IN. MAIN CAB. FOR NHA SEE: 25-21-45-24	101200 968999	RF
- 5	411A3380-314B		PANEL ASSY-80 IN. MAIN CAB. FOR NHA SEE: 25-21-45-24	101200 968999	RF
10	H3-1592-3		.LATCH ASSY- SUPPLIER CODE: V34941 SPECIFICATION NUMBER: S411A001-3	101200 968999	1
15	H3-1592-2		.LATCH ASSY- SUPPLIER CODE: V34941 SPECIFICATION NUMBER: S411A001-2	101200 968999	1
- 20	BACS12HJ3K11		ATTACHING PARTS .SCREW	101200 968999	4
- 25	NAS1149D0316J		.WASHER	101200 968999	8
- 30	PLH53CD		.NUT- SUPPLIER CODE: VF0224 SPECIFICATION NUMBER: BACN10YR3CD OPTIONAL PART: H52732-3CD V15653 BACN11Z3CK	101200 968999	4
- 30	BACN11Z3CK		.NUT- -----*-----	101200 968999	4
R R R R R R	35	411A3140-9	.SEAL ASSY- MANUFACTURED FROM: EXTRUSION RUBBER BAC1530-130 178.00IN SPARES ORDER MATERIAL CODE: 5279130016	101200 968999	1
	40	411A3140-3	..TAPE-LOOP	101200 968999	1
	45	411A3140-2	..SEAL	101200 968999	1
	50	411A3180-4	.TAPE-HOOK	101200 968999	1
	71	411N1121-49	.STIFFENER ASSY-	101200 968999	1

MISSING ITEM NUMBERS NOT APPLICABLE

- ITEM NOT ILLUSTRATED

HAP

25-21-45-05H

BOEING PROPRIETARY - Copyright © - Unpublished Work - See title page for details.

25-21-45
FIG. 05H
PAGE 1
JUN 15/09

BOEING
737-600/700/800/900
PARTS CATALOG (MAINTENANCE)

FIG ITEM	PART NUMBER	1 2 3 4 5 6 7	NOMENCLATURE	EFFECT FROM TO	UNITS PER ASSY
5H					
72	BACS12FA3K4	..	SCREW	101200 968999	1
73	411A3111-1	..	BRACKET	101200 968999	1
74	411N1121-48	..	STIFFENER	101200 968999	1
75	411A3110-1	.	LANYARD ASSY	101200 968999	1
80	RT876	..	TUBING- SUPPLIER CODE: V06090 OPTIONAL PART: VFP876 V0994B	101200 968999	2
80	VFP876	..	TUBING- SUPPLIER CODE: V0994B OPTIONAL PART: RT876 V06090	101200 968999	2
85	MS51844-62	..	SLEEVE	101200 968999	3
90	411A3111-2	..	HOOK	101200 968999	1
95	411A3110-2	..	CABLE	101200 968999	1
100	411A3380-801	.	PANEL ASSY-BASE	101200 968999	1

MISSING ITEM NUMBERS NOT APPLICABLE

— ITEM NOT ILLUSTRATED

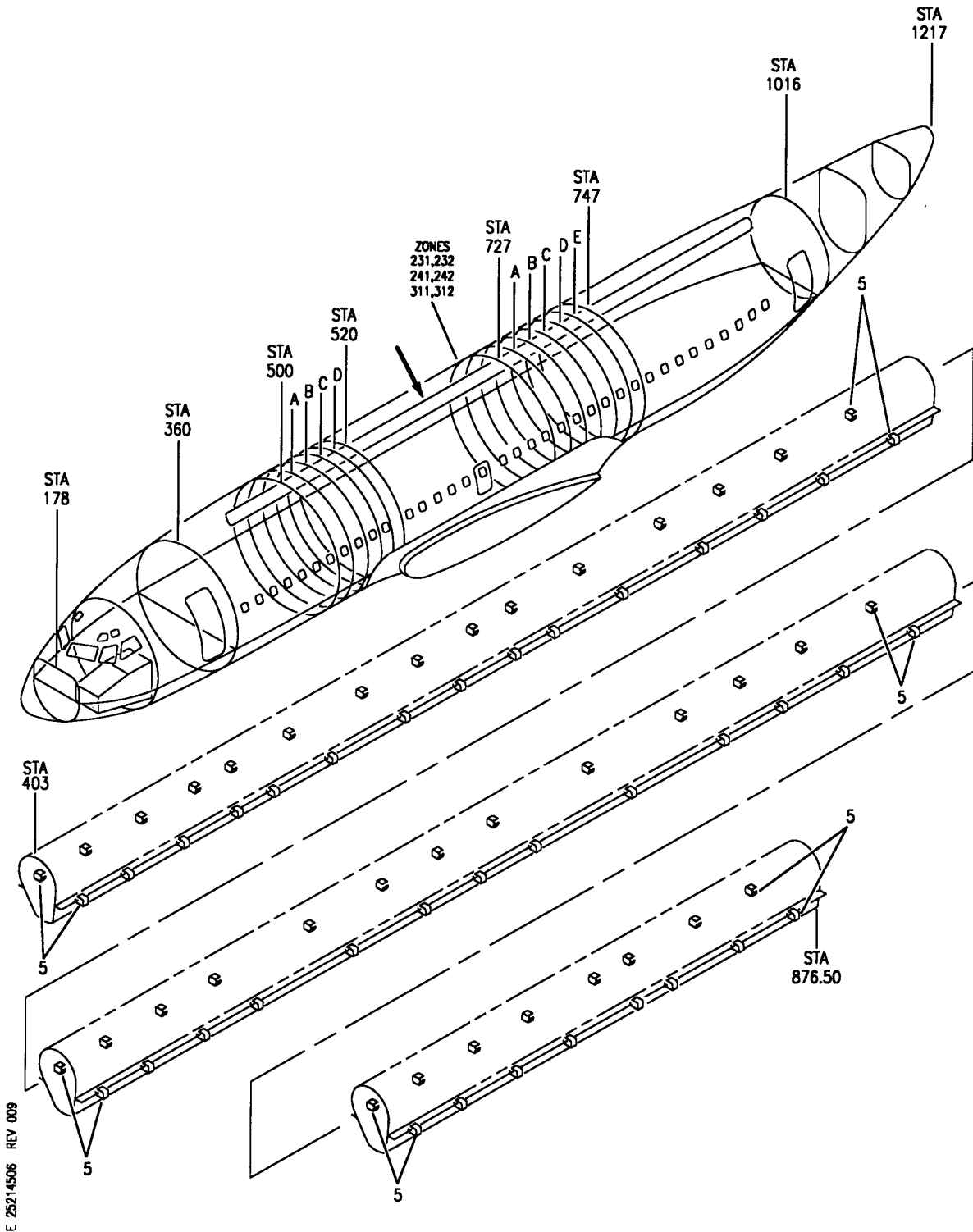
HAP

25-21-45-05H

BOEING PROPRIETARY - Copyright © - Unpublished Work - See title page for details.

25-21-45
FIG. 05H
PAGE 2
JUN 15/09

BOEING
 737-600/700/800/900
 PARTS CATALOG (MAINTENANCE)



E 25214506 REV 009

RETAINER INSTL-MAIN CAB CLG
 FIGURE 6

25-21-45-06

HAP
 FEB 10/07

25-21-45-06
 PAGE 0

BOEING
737-600/700/800/900
PARTS CATALOG (MAINTENANCE)

FIG ITEM	PART NUMBER	1 2 3 4 5 6 7	NOMENCLATURE	EFFECT FROM TO	UNITS PER ASSY
6			RETAINER INSTL-MAIN CAB CLG	101999	
- 1	411A3103-1		RETAINER INSTL-MAIN CAB CLG	201967	RF
- 1	MODREF90225		FOR NHA SEE: 25-21-00-02A RETAINER INSTL-MAIN CAB CLG	101200 968999	1
5	2055340		MODULE NUMBER: 411A3103-1 REV A .RETAINER-SNAP SUPPLIER CODE: V04169	101999	72

MISSING ITEM NUMBERS NOT APPLICABLE

- ITEM NOT ILLUSTRATED

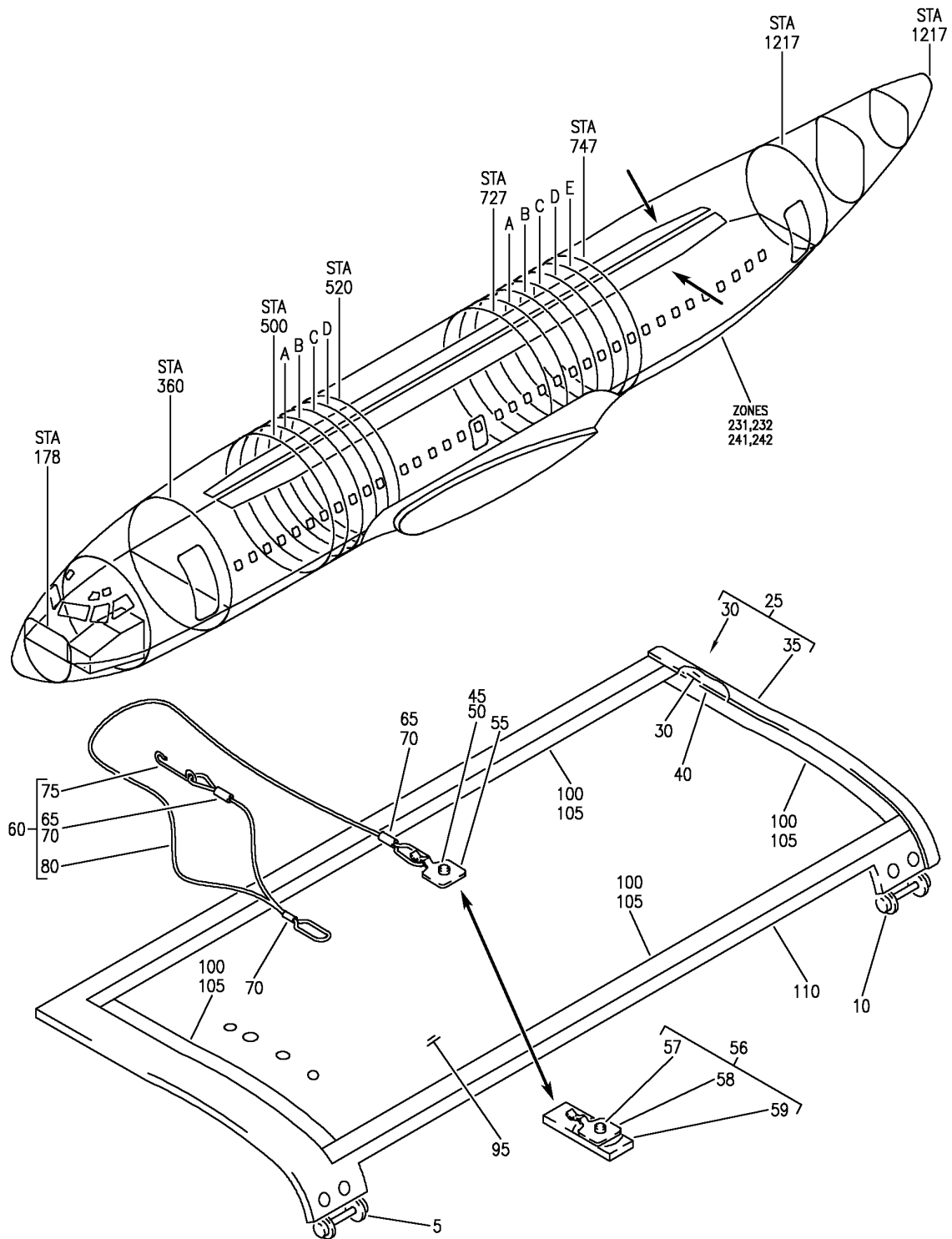
HAP

25-21-45-06

BOEING PROPRIETARY - Copyright © - Unpublished Work - See title page for details.

25-21-45
FIG. 06
PAGE 1
OCT 15/08

BOEING
 737-600/700/800/900
 PARTS CATALOG (MAINTENANCE)



E 2521-4508 REV 082

PANEL ASSY-80 IN. MAIN CAB.
 FIGURE 8

25-21-45-08

HAP
 FEB 10/07

25-21-45-08
 PAGE 0

BOEING
737-600/700/800/900
PARTS CATALOG (MAINTENANCE)

FIG ITEM	PART NUMBER	1 2 3 4 5 6 7	NOMENCLATURE	EFFECT FROM TO	UNITS PER ASSY
8					
- 1	411A3180-5A		PANEL ASSY-80 IN. MAIN CAB. PANEL ASSY-80 IN. MAIN CAB. WITH OFFSET EXIT SIGN PROVISIONS FOR NHA SEE: 25-21-45-01	101999 201967	RF
- 1	411A3380-305B		PANEL ASSY-80 IN. MAIN CAB. FOR NHA SEE: 25-21-45-24	101200 968999	RF
5	H3-1592-3		.LATCH ASSY- SUPPLIER CODE: V34941 SPECIFICATION NUMBER: S411A001-3	101999	1
10	H3-1592-2		.LATCH ASSY- SUPPLIER CODE: V34941 SPECIFICATION NUMBER: S411A001-2	101999	1
- 15	BACS12HJ3K11		ATTACHING PARTS .SCREW- POSITION DATA: FAR SIDE	101200 968999	4
- 15	NAS8203A11		.SCREW- POSITION DATA: FAR SIDE	201967	4
- 20	NAS1149D0316J		.WASHER	101999	8
- 22	NAS1805-3		.NUT-	201967	4
- 22	BACN11Z3CK		.NUT-	101200 968999	4
- 22	PLH53CD		.NUT- SUPPLIER CODE: VF0224 SPECIFICATION NUMBER: BACN10YR3CD OPTIONAL PART: H52732-3CD V15653 BACN11Z3CK -----*-----	101200 968999	4
R R R R R R R	25	411A3140-9	.SEAL ASSY- MANUFACTURED FROM: EXTRUSION RUBBER BAC1530-130 178.00IN SPARES ORDER MATERIAL CODE: 5279130016 OPTIONAL PART: 411A3140-1A	101999	1

MISSING ITEM NUMBERS NOT APPLICABLE

- ITEM NOT ILLUSTRATED

HAP

25-21-45-08

BOEING PROPRIETARY - Copyright © - Unpublished Work - See title page for details.

25-21-45
FIG. 08
PAGE 1
JUN 15/09

BOEING
737-600/700/800/900
PARTS CATALOG (MAINTENANCE)

FIG ITEM	PART NUMBER	1 2 3 4 5 6 7	NOMENCLATURE	EFFECT FROM TO	UNITS PER ASSY
8					
25	411A3140-1A	.SEAL ASSY-		201967	1
		OPTIONAL PART:			
		411A3140-9			
30	411A3140-3	..TAPE-LOOP		101999	1
35	411A3140-2	..SEAL		101999	1
40	411A3180-4	.TAPE-HOOK		101999	1
45	NAS8203A4	.SCREW-		201967	1
50	NAS1149D0332J	.WASHER-		201967	1
- 53	SL6224-3A	.INSERT-		201967	1
		SUPPLIER CODE:			
		V97393			
55	411A3111-1	.BRACKET-		201967	1
56	411N1121-49	.STIFFENER ASSY-		101200	1
				968999	
57	BACS12FA3K4	..SCREW		101200	1
				968999	
58	411A3111-1	..BRACKET		101200	1
				968999	
59	411N1121-48	..STIFFENER		101200	1
				968999	
60	411A3110-1	.LANYARD ASSY		101999	1
65	RT876	..TUBING-		101999	2
		SUPPLIER CODE:			
		V06090			
		OPTIONAL PART:			
		VFP876			
		V0994B			
65	VFP876	..TUBING-		101999	2
		SUPPLIER CODE:			
		V0994B			
		OPTIONAL PART:			
		RT876			
		V06090			
70	MS51844-62	..SLEEVE-		101999	3
75	411A3111-2	..HOOK		101999	1
80	411A3110-2	..CABLE		101999	1
95	411A3180-203SP	.COVER-DEC		201967	1
		OPTIONAL PART:			
		411A3180-3BCLY			
95	411A3180-3BCLY	.COVER-DEC		201967	1
		OPTIONAL PART:			
		411A3180-203SP			
100	413W1160-106	.FELT-		201967	AR
		MANUFACTURED FROM:			
		SH FELT PER MILF5656			
		TYPE 53.05 IN 3.30 IN			
		3.30 IN			
		SPARES ORDER MATERIAL			
		CODE: 5370630510			

MISSING ITEM NUMBERS NOT APPLICABLE

- ITEM NOT ILLUSTRATED

R
R
R
R
R
R
R

HAP

25-21-45-08

BOEING PROPRIETARY - Copyright © - Unpublished Work - See title page for details.

25-21-45
FIG. 08
PAGE 2
JUN 15/09


BOEING
 737-600/700/800/900
PARTS CATALOG (MAINTENANCE)

FIG ITEM	PART NUMBER	1 2 3 4 5 6 7	NOMENCLATURE	EFFECT FROM TO	UNITS PER ASSY
8					
105	NL109F848C	.	FELT	101200 968999	4
110	411A3181-1	.	PANEL ASSY-BASE	201967	1
110	411A3380-801	.	PANEL ASSY-BASE	101200 968999	1

MISSING ITEM NUMBERS NOT APPLICABLE

— ITEM NOT ILLUSTRATED

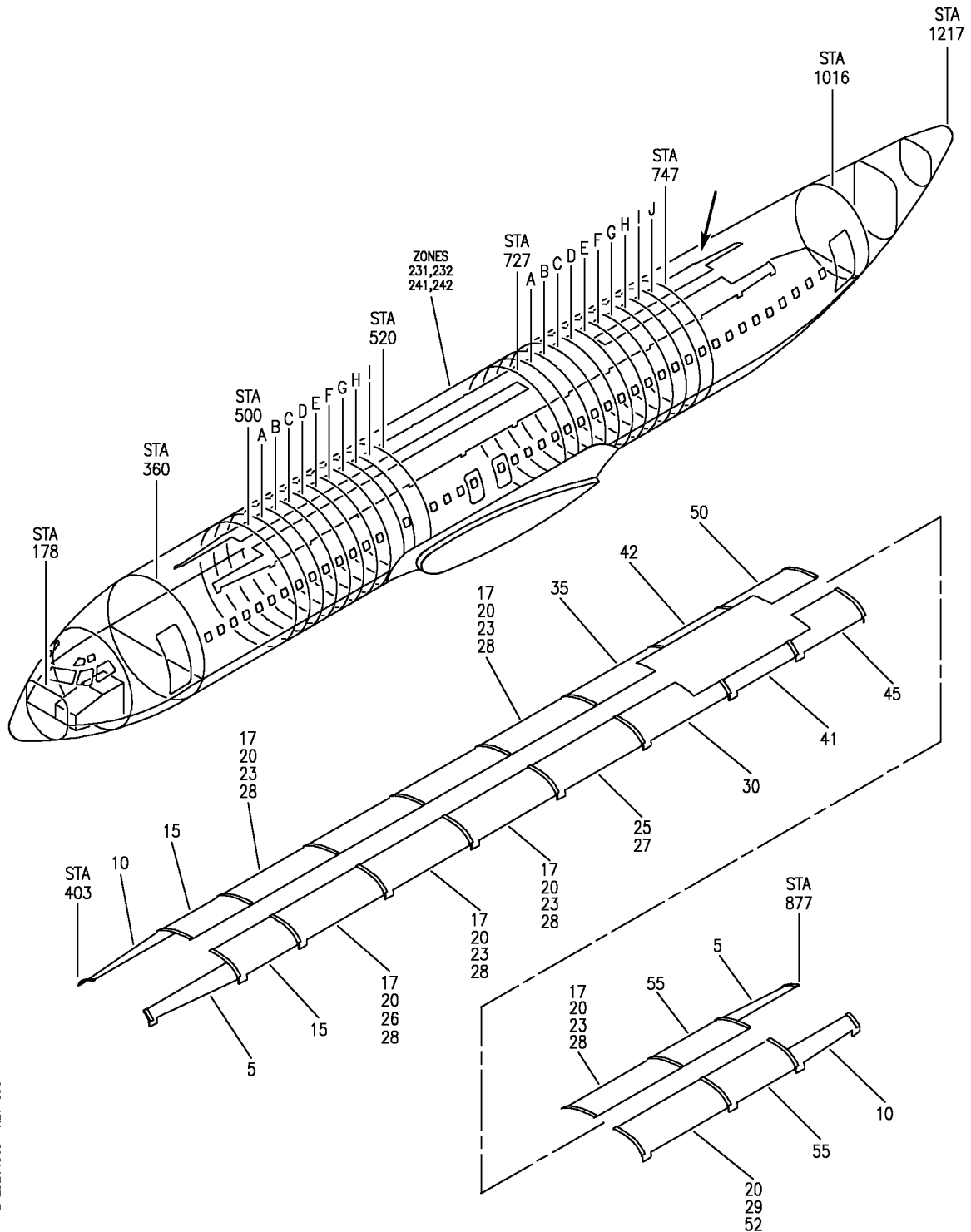
HAP

25-21-45-08

BOEING PROPRIETARY - Copyright © - Unpublished Work - See title page for details.

25-21-45
 FIG. 08
 PAGE 3
 JUN 15/09

BOEING
 737-600/700/800/900
 PARTS CATALOG (MAINTENANCE)



E 25214509 REV 090

CEILING INSTL-MAIN CAB. PNL
 FIGURE 9

25-21-45-09

HAP
 OCT 10/06

25-21-45-09
 PAGE 0

BOEING
737-600/700/800/900
PARTS CATALOG (MAINTENANCE)

FIG ITEM	PART NUMBER	1 2 3 4 5 6 7	NOMENCLATURE	EFFECT FROM TO	UNITS PER ASSY
R	9		CEILING INSTL-MAIN CAB. PNL	001046	
R	- 1	411A3100-5SP	CEILING INSTL-CTR OVHD STOWAGE OFFSET EXIT SIGN PROVISIONS MAIN CAB. FOR NHA SEE: 25-21-00-01D	054100 001021	RF
	- 3	411A3300-302B	CEILING INSTL-CTR OVHD STOWAGE OFFSET EXIT SIGN PROVISIONS MAIN CAB. FOR NHA SEE: 25-21-00-01D	022030	RF
R	- 3	MODREF199138	CEILING INSTL-CTR OVHD STOWAGE OFFSET EXIT SIGN PROVISIONS MAIN CAB. MODULE NUMBER: 411A3300-333B REV C	031046 054100	1
R		5 411A3320-5B	.PANEL ASSY-TRANSITION FOR DETAILS SEE: 25-21-45-10	022030	2
R		5 411A3120-5A	.PANEL ASSY-TRANSITION FOR DETAILS SEE: 25-21-45-10	001021	2
R		5 411A3320-105B	.PANEL ASSY-TRANSITION FOR DETAILS SEE: 25-21-45-10	031046 054100	2
R		10 411A3320-6B	.PANEL ASSY-TRANSITION FOR DETAILS SEE: 25-21-45-11	022030	2
		10 411A3120-6A	.PANEL ASSY-TRANSITION FOR DETAILS SEE: 25-21-45-11	001021	2
R		10 411A3320-106B	.PANEL ASSY-TRANSITION FOR DETAILS SEE: 25-21-45-11	031046 054100	2
R		15 411A3360-1B	.PANEL ASSY-60 IN. FOR DETAILS SEE: 25-21-45-04	022030	2
		15 411A3160-1A	.PANEL ASSY-60 IN. FOR DETAILS SEE: 25-21-45-04	001021	2
R		15 411A3360-101B	.PANEL ASSY-60 IN. FOR DETAILS SEE: 25-21-45-04	031046 054100	2
R		17 411A3380-301B	.PANEL ASSY-80 IN. FOR DETAILS SEE: 25-21-45-05	031046 054100	8

MISSING ITEM NUMBERS NOT APPLICABLE

- ITEM NOT ILLUSTRATED

HAP

25-21-45-09

25-21-45
FIG. 09
PAGE 1
JUN 15/09

BOEING
737-600/700/800/900
PARTS CATALOG (MAINTENANCE)

FIG ITEM	PART NUMBER	1 2 3 4 5 6 7	NOMENCLATURE	EFFECT FROM TO	UNITS PER ASSY
9					
	20 411A3380-1B		.PANEL ASSY-80 IN. FOR DETAILS SEE: 25-21-45-05	022030	9
	20 411A3180-1A		.PANEL ASSY-80 IN. FOR DETAILS SEE: 25-21-45-05	001021	9
R	25 411A3380-311B		.PANEL ASSY-80 IN. FOR DETAILS SEE: 25-21-45-14	031046 054100	1
R	25 411A3380-11B		.PANEL ASSY-80 IN. FOR DETAILS SEE: 25-21-45-14	022030	1
R	25 411A3180-11A		.PANEL ASSY-80 IN. FOR DETAILS SEE: 25-21-45-14	001021	1
R	29 411A3380-389B		.PANEL ASSY-80 IN. FOR DETAILS SEE: 25-21-45-05	031046 054100	1
R	30 411A3380-7B		.PANEL ASSY-80 IN. FOR DETAILS SEE: 25-21-45-16	022030	1
R	30 411A3180-7A		.PANEL ASSY-80 IN. FOR DETAILS SEE: 25-21-45-16	001021	1
R	30 411A3380-307B		.PANEL ASSY-80 IN. FOR DETAILS SEE: 25-21-45-16	031046 054100	1
R	35 411A3380-8B		.PANEL ASSY-80 IN. FOR DETAILS SEE: 25-21-45-17	022030	1
R	35 411A3180-8A		.PANEL ASSY-80 IN. FOR DETAILS SEE: 25-21-45-17	001021	1
R	35 411A3380-308B		.PANEL ASSY-80 IN. FOR DETAILS SEE: 25-21-45-17	031046 054100	1
R	41 411A3380-35B		.PANEL ASSY-80 IN. FOR DETAILS SEE: 25-21-45-26	022030	1
R	41 411A3180-35A		.PANEL ASSY-80 IN. FOR DETAILS SEE: 25-21-45-26	001021	1
R	41 411A3380-335B		.PANEL ASSY-80 IN. FOR DETAILS SEE: 25-21-45-26	031046 054100	1
R	42 411A3380-36B		.PANEL ASSY-80 IN. FOR DETAILS SEE: 25-21-45-27	022030	1

MISSING ITEM NUMBERS NOT APPLICABLE

— ITEM NOT ILLUSTRATED

HAP

25-21-45-09

25-21-45
FIG. 09
PAGE 2
JUN 15/09

BOEING
737-600/700/800/900
PARTS CATALOG (MAINTENANCE)

FIG ITEM	PART NUMBER	1 2 3 4 5 6 7	NOMENCLATURE	EFFECT FROM TO	UNITS PER ASSY
9					
	42 411A3180-36A		.PANEL ASSY-80 IN. FOR DETAILS SEE: 25-21-45-27	001021	1
R	42 411A3380-336B		.PANEL ASSY-80 IN. FOR DETAILS SEE: 25-21-45-27	031046 054100	1
R	45 411A3380-9B		.PANEL ASSY-80 IN. FOR DETAILS SEE: 25-21-45-18	022030	1
R	45 411A3180-9A		.PANEL ASSY-80 IN. FOR DETAILS SEE: 25-21-45-18	001021	1
R	45 411A3380-309B		.PANEL ASSY-80 IN. FOR DETAILS SEE: 25-21-45-18	031046 054100	1
R	50 411A3380-10B		.PANEL ASSY-80 IN. FOR DETAILS SEE: 25-21-45-13	022030	1
R	50 411A3180-10A		.PANEL ASSY-80 IN. FOR DETAILS SEE: 25-21-45-13	001021	1
R	50 411A3380-310B		.PANEL ASSY-80 IN. FOR DETAILS SEE: 25-21-45-13	031046 054100	1
R	55 411A3370-1B		.PANEL ASSY-70 IN. FOR DETAILS SEE: 25-21-45-12	022030	2
R	55 411A3170-1A		.PANEL ASSY-70 IN. FOR DETAILS SEE: 25-21-45-12	001021	2
R	55 411A3370-101B		.PANEL ASSY-70 IN. FOR DETAILS SEE: 25-21-45-12	031046 054100	2

MISSING ITEM NUMBERS NOT APPLICABLE

— ITEM NOT ILLUSTRATED

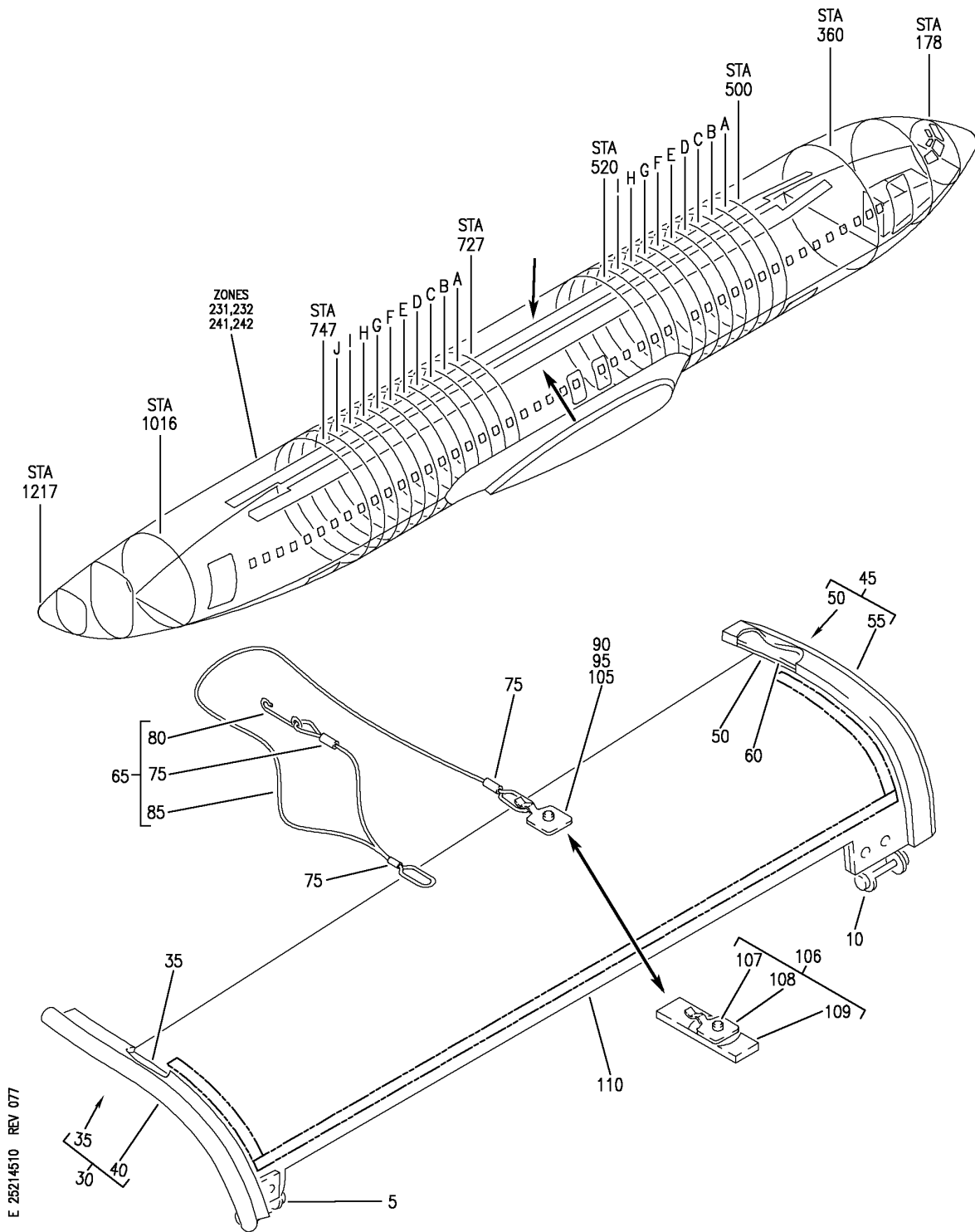
HAP

25-21-45-09

BOEING PROPRIETARY - Copyright © - Unpublished Work - See title page for details.

25-21-45
FIG. 09
PAGE 3
JUN 15/09

BOEING
 737-600/700/800/900
 PARTS CATALOG (MAINTENANCE)



E 25214510 REV 077

PANEL ASSY-MAIN CAB. TRANSITION
 FIGURE 10

25-21-45-10

HAP
 OCT 10/06

25-21-45-10
 PAGE 0

BOEING
737-600/700/800/900
PARTS CATALOG (MAINTENANCE)

FIG ITEM	PART NUMBER	1 2 3 4 5 6 7	NOMENCLATURE	EFFECT FROM TO	UNITS PER ASSY
R R R	10		PANEL ASSY-MAIN CAB. TRANSITION	001046 054200 968999	
	- 1	411A3320-5B	PANEL ASSY-MAIN CAB. TRANSITION FOR NHA SEE: 25-21-45-09	022030	RF
R R R R R R R	- 1	411A3120-5A	PANEL ASSY-MAIN CAB. TRANSITION FOR NHA SEE: 25-21-45-09	001021	RF
	- 1	411A3320-105B	PANEL ASSY-MAIN CAB. TRANSITION FOR NHA SEE: 25-21-45-09	031046 054200 968999	RF
R R R R R R R	5	H3-1592-2	.LATCH ASSY-LOCATING SUPPLIER CODE: V34941 SPECIFICATION NUMBER: S411A001-2	001046 054100	1
	5	H3-1592-2	.LATCH ASSY-LOCATING SUPPLIER CODE: V34941 SPECIFICATION NUMBER: S411A001-2	101200 968999	1
R R R R R	10	H3-1592-3	.LATCH ASSY-FLOATING SUPPLIER CODE: V34941 SPECIFICATION NUMBER: S411A001-3	001046 054100	1
	10	H3-1592-3	.LATCH ASSY-FLOATING SUPPLIER CODE: V34941 SPECIFICATION NUMBER: S411A001-3	101200 968999	1
R R R R R R R	- 15	NAS8203A11	.SCREW	001021	4
	- 15	BACS12HJ3K11	.SCREW	022046 054100	4
R R R R R R R	- 15	BACS12HJ3K11	.SCREW	101200 968999	4
	- 20	NAS1149D0316J	.WASHER	001046 054100	8
R R R R R	- 20	NAS1149D0316J	.WASHER	101200 968999	8
	- 25	NAS1805-3	.NUT	001021	4
	- 25	BACN11Z3CK	.NUT- OPTIONAL PART: BACN10YR3CD	022046 054100	4

MISSING ITEM NUMBERS NOT APPLICABLE

- ITEM NOT ILLUSTRATED

HAP

25-21-45-10

25-21-45
FIG. 10
PAGE 1
JUN 15/09

BOEING
737-600/700/800/900
PARTS CATALOG (MAINTENANCE)

FIG ITEM	PART NUMBER	1 2 3 4 5 6 7	NOMENCLATURE	EFFECT FROM TO	UNITS PER ASSY
10					
- 25	BACN11Z3CK	.NUT-		101200 968999	4
R	- 25	PLH53CD	.NUT-	031046	4
R			SUPPLIER CODE:	054100	
R			VF0224		
R			SPECIFICATION NUMBER:		
R			BACN10YR3CD		
R			OPTIONAL PART:		
R			H52732-3CD		
R			V15653		
R			BACN11Z3CK		
- 25	PLH53CD	.NUT-		101200	4
			SUPPLIER CODE:	968999	
			VF0224		
			SPECIFICATION NUMBER:		
			BACN10YR3CD		
			OPTIONAL PART:		
			H52732-3CD		
			V15653		
			BACN11Z3CK		
			-----*-----		
R	30	411A3140-5	.SEAL ASSY-GAP	001046	1
R				054100	
	30	411A3140-5	.SEAL ASSY-GAP	101200	1
				968999	
R	35	411A3140-3	..TAPE-LOOP	001046	1
R				054100	
	35	411A3140-3	..TAPE-LOOP	101200	1
				968999	
R	40	411A3140-6	..SEAL	001046	1
R				054100	
	40	411A3140-6	..SEAL	101200	1
				968999	
R	45	411A3140-9	.SEAL ASSY-GAP	001046	1
R			MANUFACTURED FROM:	054200	
R			EXTRUSION RUBBER	968999	
R			BAC1530-130 178.00IN		
R			SPARES ORDER MATERIAL		
R			CODE: 5279130016		
R			OPTIONAL PART:		
R			411A3140-1A		
R	45	411A3140-1A	.SEAL ASSY-GAP	001021	1
R			OPTIONAL PART:		
R			411A3140-9		
R	50	411A3140-3	..TAPE-LOOP	001046	1
R				054200	
R				968999	

MISSING ITEM NUMBERS NOT APPLICABLE

- ITEM NOT ILLUSTRATED

HAP

25-21-45-10

25-21-45
FIG. 10
PAGE 2
JUN 15/09

BOEING
737-600/700/800/900
PARTS CATALOG (MAINTENANCE)

FIG ITEM	PART NUMBER	1 2 3 4 5 6 7	NOMENCLATURE	EFFECT FROM TO	UNITS PER ASSY
10					
R	55	411A3140-2	.. SEAL	001046	1
R				054200	
R				968999	
R	60	411A3120-4	. TAPE-HOOK	001046	2
R				054100	
R	60	411A3120-4	. TAPE-HOOK	101200	2
				968999	
R	65	411A3110-1	. LANYARD ASSY	001046	1
R				054100	
	65	411A3110-1	. LANYARD ASSY	101200	1
				968999	
R	70	RT876	.. TUBING-	001046	2
R			SUPPLIER CODE:	054100	
R			V06090		
R			OPTIONAL PART:		
R			VFP876		
R			V0994B		
R	70	VFP876	.. TUBING-	001046	2
R			SUPPLIER CODE:	054100	
R			V0994B		
R			OPTIONAL PART:		
R			RT876		
R			V06090		
R	70	RT876	.. TUBING-	101200	2
			SUPPLIER CODE:	968999	
			V06090		
			OPTIONAL PART:		
			VFP876		
			V0994B		
	70	VFP876	.. TUBING-	101200	2
			SUPPLIER CODE:	968999	
			V0994B		
			OPTIONAL PART:		
			RT876		
			V06090		
R	75	MS51844-62	.. SLEEVE	001046	3
R				054100	
	75	MS51844-62	.. SLEEVE	101200	3
				968999	
R	80	411A3111-2	.. HOOK	001046	1
R				054100	
	80	411A3111-2	.. HOOK	101200	1
				968999	
R	85	411A3110-2	.. CABLE	001046	1
R				054100	
	85	411A3110-2	.. CABLE	101200	1
				968999	
R	90	NAS8203A4	. SCREW	001030	1

MISSING ITEM NUMBERS NOT APPLICABLE

— ITEM NOT ILLUSTRATED

HAP

25-21-45-10

BOEING PROPRIETARY - Copyright © - Unpublished Work - See title page for details.

25-21-45
FIG. 10
PAGE 3
JUN 15/09

BOEING
737-600/700/800/900
PARTS CATALOG (MAINTENANCE)

FIG ITEM	PART NUMBER	1 2 3 4 5 6 7	NOMENCLATURE	EFFECT FROM TO	UNITS PER ASSY
10					
R	90	NAS8203A4	. SCREW	101200	1
R				968999	
R	90	BACS12HJ3K4	. SCREW	031046	1
R				054100	
R	90	BACS12HJ3K4	. SCREW	101200	1
R				968999	
R	95	NAS1149D0332J	. WASHER	001046	1
R				054100	
R	- 100	SL6224-3A	. INSERT-	001046	1
R			SUPPLIER CODE:	054100	
R			V97393		
R	105	411A3111-1	. BRACKET	001030	1
R	105	411A3111-1	. BRACKET	101200	1
R				968999	
R	106	411N1121-49	. STIFFENER ASSY	031046	1
R				054100	
R	106	411N1121-49	. STIFFENER ASSY	101200	1
R				968999	
R	107	BACS12FA3K4	.. SCREW	031046	1
R				054100	
R	107	BACS12FA3K4	.. SCREW	101200	1
R				968999	
R	108	411A3111-1	.. BRACKET	031046	1
R				054100	
R	108	411A3111-1	.. BRACKET	101200	1
R				968999	
R	109	411N1121-48	.. STIFFENER	031046	1
R				054100	
R	109	411N1121-48	.. STIFFENER	101200	1
R				968999	
R	110	411A3121-1	. PANEL ASSY-BASE	001021	1
R	110	411A3320-801	. PANEL ASSY-MAIN CAB. TRANSITION	022046	1
R				054100	
R	110	411A3320-801	. PANEL ASSY-MAIN CAB. TRANSITION	101200	1
				968999	

MISSING ITEM NUMBERS NOT APPLICABLE

- ITEM NOT ILLUSTRATED

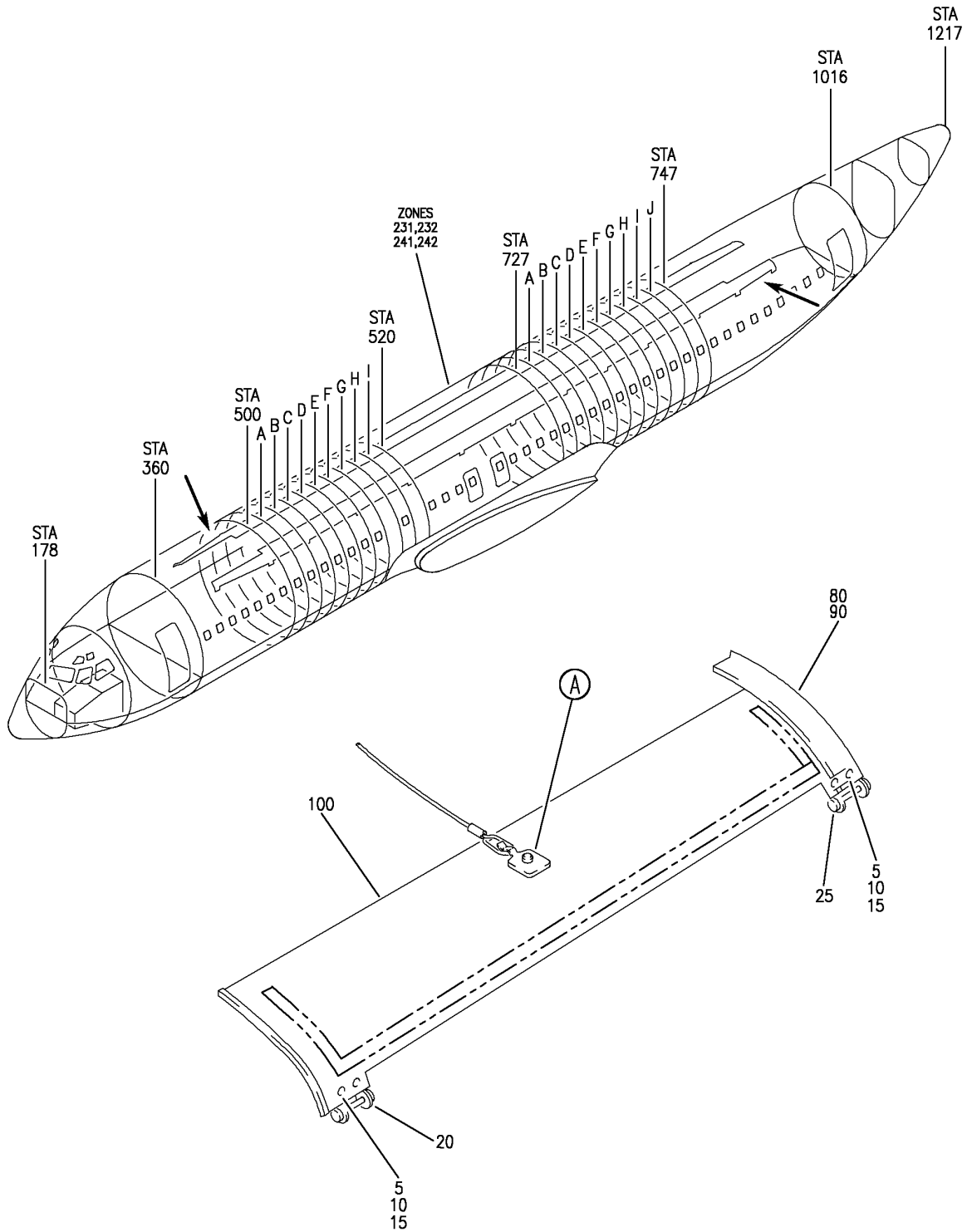
HAP

25-21-45-10

BOEING PROPRIETARY - Copyright © - Unpublished Work - See title page for details.

25-21-45
FIG. 10
PAGE 4
JUN 15/09

BOEING
 737-600/700/800/900
 PARTS CATALOG (MAINTENANCE)



E 25214511 SHT 1 REV 077

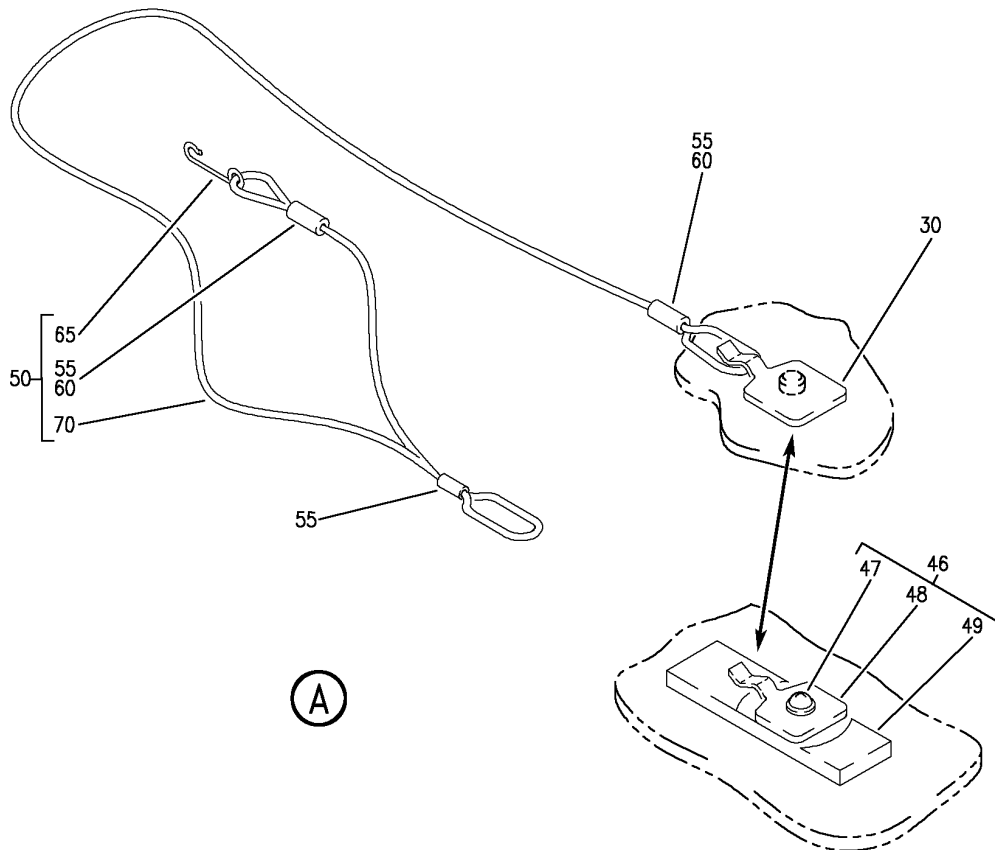
PANEL ASSY-MAIN CAB.
 FIGURE 11 (SHEET 1)

25-21-45-11

HAP
 OCT 10/06

25-21-45-11
 PAGE 0

BOEING
737-600/700/800/900
PARTS CATALOG (MAINTENANCE)



E 25214511 SH1 2 REV 077

PANEL ASSY-MAIN CAB.
FIGURE 11 (SHEET 2)

25-21-45-11

HAP
OCT 10/06

25-21-45-11
PAGE 0A

BOEING
737-600/700/800/900
PARTS CATALOG (MAINTENANCE)

FIG ITEM	PART NUMBER	1 2 3 4 5 6 7	NOMENCLATURE	EFFECT FROM TO	UNITS PER ASSY
R R R	11		PANEL ASSY-MAIN CAB.	001046 054200 968999	
	- 1	411A3320-6B	PANEL ASSY-MAIN CAB. TRANSITION FOR NHA SEE: 25-21-45-09	022030	RF
R R R R	- 1	411A3120-6A	PANEL ASSY-TRANSITION MAIN CAB. FOR NHA SEE: 25-21-45-09	001021	RF
	- 1	411A3320-106B	PANEL ASSY-MAIN CAB. TRANSITION FOR NHA SEE: 25-21-45-24 25-21-45-09	031046 054200 968999	RF
R R R R R	5	NAS8203A11	.SCREW	001021	4
	5	BACS12HJ3K11	.SCREW	101200 968999	4
R R R R	5	BACS12HJ3K11	.SCREW	022046 054100	4
	10	NAS1149D0316J	.WASHER	001046 054100	8
R	10	NAS1149D0316J	.WASHER	101200 968999	8
	15	NAS1805-3	.NUT	001021	4
R R R	15	BACN11Z3CK	.NUT-	101200 968999	4
	15	BACN11Z3CK	.NUT- OPTIONAL PART: BACN10YR3CD	022046 054100	4
R R R R R R	15	PLH53CD	.NUT- SUPPLIER CODE: VF0224 SPECIFICATION NUMBER: BACN10YR3CD OPTIONAL PART: H52732-3CD V15653 BACN11Z3CK	101200 968999	4
	15	PLH53CD	.NUT- SUPPLIER CODE: VF0224 SPECIFICATION NUMBER: BACN10YR3CD OPTIONAL PART: H52732-3CD V15653 BACN11Z3CK	031046 054100	4

MISSING ITEM NUMBERS NOT APPLICABLE

- ITEM NOT ILLUSTRATED

HAP

25-21-45-11

25-21-45
FIG. 11
PAGE 1
JUN 15/09

BOEING
737-600/700/800/900
PARTS CATALOG (MAINTENANCE)

FIG ITEM	PART NUMBER	1 2 3 4 5 6 7	NOMENCLATURE	EFFECT FROM TO	UNITS PER ASSY	
11						
R	20	H3-1592-2	.LATCH ASSY-LOCATING SUPPLIER CODE: V34941 SPECIFICATION NUMBER: S411A001-2	001046 054100	1	
R						
R						
R						
R	20	H3-1592-2	.LATCH ASSY-LOCATING SUPPLIER CODE: V34941 SPECIFICATION NUMBER: S411A001-2	101200 968999	1	
R						
R	25	H3-1592-3	.LATCH ASSY-FLOATING SUPPLIER CODE: V34941 SPECIFICATION NUMBER: S411A001-2	001046 054100	1	
R						
R						
R						
R	25	H3-1592-3	.LATCH ASSY-FLOATING SUPPLIER CODE: V34941 SPECIFICATION NUMBER: S411A001-3	101200 968999	1	
R						
R	30	411A3111-1	.BRACKET	001030	1	
R	30	411A3111-1	.BRACKET	101200 968999	1	
R						
			ATTACHING PARTS			
-	35	NAS8203A4	.SCREW	001021	1	
R	-	35	BACS12HJ3K4	.SCREW	022030	1
	-	35	BACS12HJ3K4	.SCREW	101200 968999	1
R	-	40	NAS1149D0332J	.WASHER	001030	1
R	-	40	NAS1149D0332J	.WASHER	101200 968999	1
R						
	-	45	SL6224-3A	-----*----- .INSERT- SUPPLIER CODE: V97393	001030	1
	-	45	SL6224-3A	.INSERT- SUPPLIER CODE: V97393	101200 968999	1
R		46	411N1121-49	.STIFFENER ASSY	031046 054100	1
R		46	411N1121-49	.STIFFENER ASSY	101200 968999	1
R		47	BACS12FA3K4	..SCREW	031046 054100	1
R		47	BACS12FA3K4	..SCREW	101200 968999	1
R		48	411A3111-1	..BRACKET	031046 054100	1

MISSING ITEM NUMBERS NOT APPLICABLE

- ITEM NOT ILLUSTRATED

HAP

25-21-45-11

25-21-45
FIG. 11
PAGE 2
JUN 15/09

BOEING
737-600/700/800/900
PARTS CATALOG (MAINTENANCE)

FIG ITEM	PART NUMBER	1 2 3 4 5 6 7	NOMENCLATURE	EFFECT FROM TO	UNITS PER ASSY
11					
R	48	411A3111-1	.. BRACKET	101200 968999	1
R	49	411N1121-48	.. STIFFENER	031046 054100	1
R	49	411N1121-48	.. STIFFENER	101200 968999	1
R	50	411A3110-1	. LANYARD ASSY	001046 054100	1
R	50	411A3110-1	. LANYARD ASSY	101200 968999	1
R	55	MS51844-62	.. SLEEVE	001046 054100	3
R	55	MS51844-62	.. SLEEVE	101200 968999	3
R	60	VFP876	.. TUBING- SUPPLIER CODE: V0994B	001046 054100	2
R			OPTIONAL PART: RT876		
R			V06090		
R	60	RT876	.. TUBING- SUPPLIER CODE: V06090	001046 054100	2
R			OPTIONAL PART: VFP876		
R			V0994B		
R	60	VFP876	.. TUBING- SUPPLIER CODE: V0994B	101200 968999	2
R			OPTIONAL PART: RT876		
R			V06090		
R	60	RT876	.. TUBING- SUPPLIER CODE: V06090	101200 968999	2
R			OPTIONAL PART: VFP876		
R			V0994B		
R	65	411A3111-2	.. HOOK	001046 054100	1
R	65	411A3111-2	.. HOOK	101200 968999	1
R	70	411A3110-2	.. CABLE	001046 054100	1
R	70	411A3110-2	.. CABLE	101200 968999	1
R	- 75	411A3120-4	. TAPE-HOOK	001046 054100	1

MISSING ITEM NUMBERS NOT APPLICABLE

- ITEM NOT ILLUSTRATED

HAP

25-21-45-11

25-21-45
FIG. 11
PAGE 3
JUN 15/09

BOEING
737-600/700/800/900
PARTS CATALOG (MAINTENANCE)

FIG ITEM	PART NUMBER	1 2 3 4 5 6 7	NOMENCLATURE	EFFECT FROM TO	UNITS PER ASSY
11					
- 75	411A3120-4	.	TAPE-HOOK	101200 968999	1
R 80	411A3140-5	.	SEAL ASSY-GAP	001046 054100	1
R 80	411A3140-5	.	SEAL ASSY-GAP	101200 968999	1
R - 85	411A3140-3	..	TAPE-LOOP	001046 054100	1
R - 85	411A3140-3	..	TAPE-LOOP	101200 968999	1
R 90	411A3140-6	..	SEAL	001046 054100	1
R 90	411A3140-6	..	SEAL	101200 968999	1
100	411A3121-2	.	PANEL ASSY-BASE	001021	1
100	411A3320-802	.	PANEL ASSY-BASE	101200 968999	1
R 100	411A3320-802	.	PANEL ASSY-BASE	022046 054100	1

MISSING ITEM NUMBERS NOT APPLICABLE

- ITEM NOT ILLUSTRATED

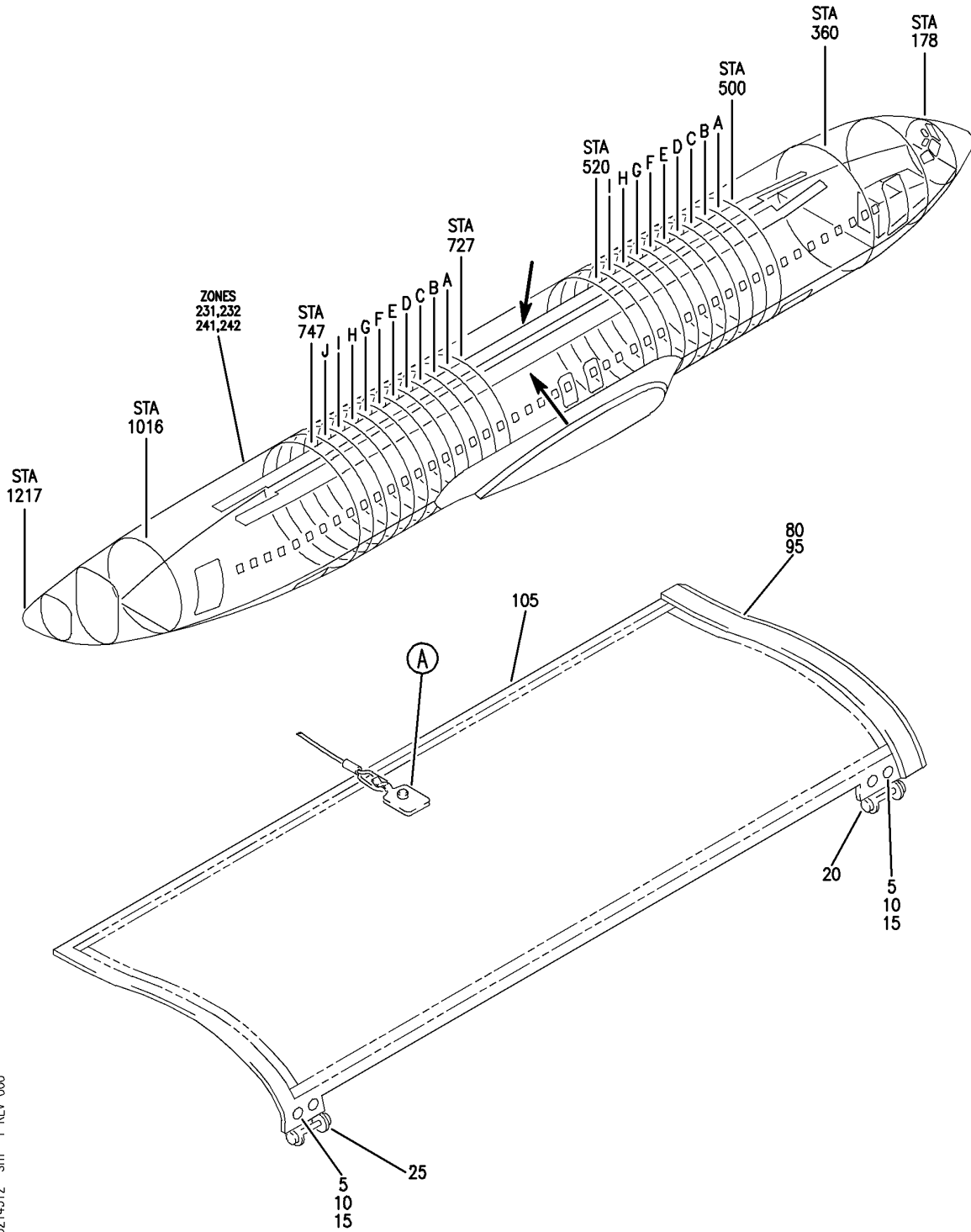
HAP

25-21-45-11

BOEING PROPRIETARY - Copyright © - Unpublished Work - See title page for details.

25-21-45
FIG. 11
PAGE 4
JUN 15/09

BOEING
 737-600/700/800/900
 PARTS CATALOG (MAINTENANCE)



E 25214512 SHT 1 REV 060

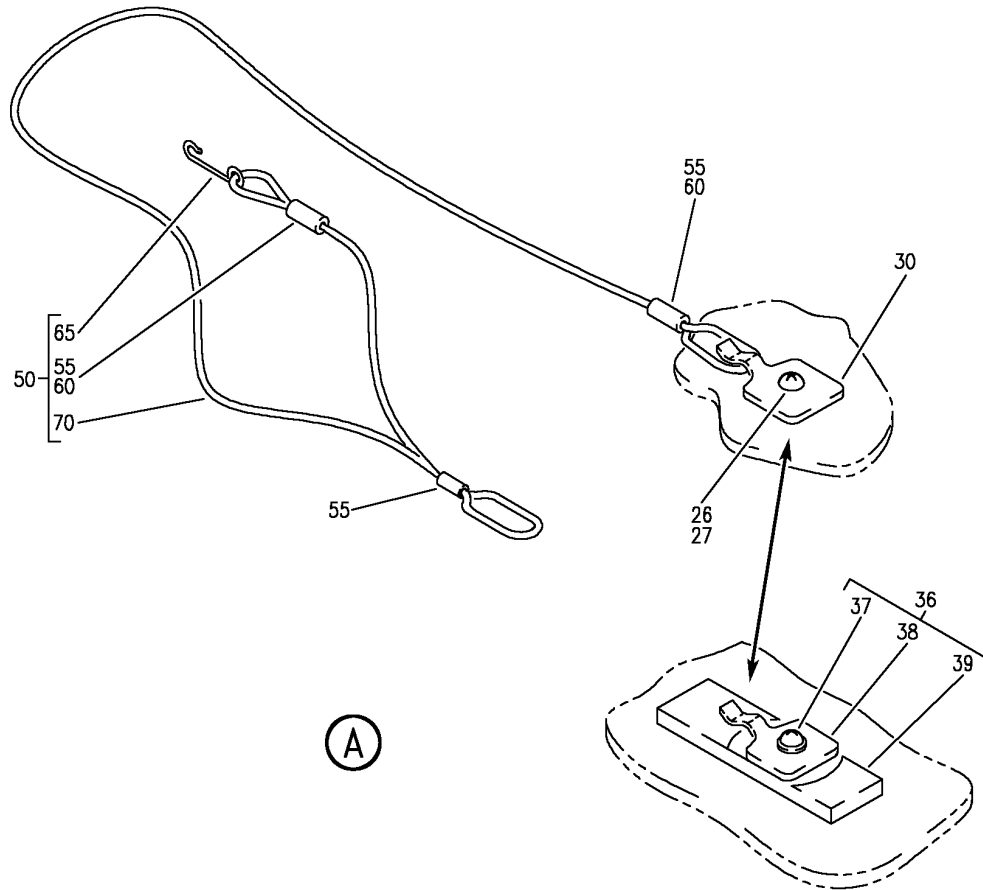
PANEL ASSY-70 IN. MAIN CAB.
 FIGURE 12 (SHEET 1)

25-21-45-12

HAP
 OCT 10/06

25-21-45-12
 PAGE 0

BOEING
 737-600/700/800/900
 PARTS CATALOG (MAINTENANCE)



E 25214512 SH1 2 REV 081

PANEL ASSY-70 IN. MAIN CAB.
 FIGURE 12 (SHEET 2)

25-21-45-12

HAP
 OCT 10/06

25-21-45-12
 PAGE 0A

BOEING
737-600/700/800/900
PARTS CATALOG (MAINTENANCE)

FIG ITEM	PART NUMBER	1 2 3 4 5 6 7	NOMENCLATURE	EFFECT FROM TO	UNITS PER ASSY
	12		PANEL ASSY-70 IN. MAIN CAB.	001046	
R				054100	
R	- 1	411A3170-1A	PANEL ASSY-70 IN. MAIN CAB. FOR NHA SEE: 25-21-45-09	001021	RF
	- 1	411A3370-1B	PANEL ASSY-70 IN. MAIN CAB. FOR NHA SEE: 25-21-45-09	022030	RF
R	- 1	411A3370-101B	PANEL ASSY-70 IN. MAIN CAB. FOR NHA SEE: 25-21-45-09	031046	RF
R				054100	
R	5	NAS8203A11	.SCREW-	001021	4
R	5	BACS12HJ3K11	.SCREW-	022046	4
R				054100	
R	10	NAS1149D0316J	.WASHER	001046	8
R				054100	
R	15	NAS1805-3	.NUT-	001021	4
R	15	BACN11Z3CK	.NUT-	022046	4
R			OPTIONAL PART: BACN10YR3CD	054100	
R	15	PLH53CD	.NUT-	031046	4
R			SUPPLIER CODE: VF0224	054100	
R			SPECIFICATION NUMBER: BACN10YR3CD		
R			OPTIONAL PART: H52732-3CD		
R			V15653		
R			BACN11Z3CK		
R	20	H3-1592-2	.LATCH ASSY-	001046	1
R			SUPPLIER CODE: V34941	054100	
R			SPECIFICATION NUMBER: S411A001-2		
R	25	H3-1592-3	.LATCH ASSY-	001046	1
R			SUPPLIER CODE: V34941	054100	
R			SPECIFICATION NUMBER: S411A001-3		
R	26	BACS12HJ3K4	.SCREW	022030	1
R	26	NAS8203A4	.SCREW	001021	1
R	27	NAS1149D0332J	.WASHER	001030	1
R	- 28	SL6224-3A	.INSERT-	001030	1
R			SUPPLIER CODE: V97393		
R	30	411A3111-1	.BRACKET-	001030	1
R	36	411N1121-49	.STIFFENER ASSY-	031046	1
				054100	

MISSING ITEM NUMBERS NOT APPLICABLE

- ITEM NOT ILLUSTRATED

HAP

25-21-45-12

BOEING PROPRIETARY - Copyright © - Unpublished Work - See title page for details.

25-21-45
FIG. 12
PAGE 1
JUN 15/09

BOEING
737-600/700/800/900
PARTS CATALOG (MAINTENANCE)

FIG ITEM	PART NUMBER	1 2 3 4 5 6 7	NOMENCLATURE	EFFECT FROM TO	UNITS PER ASSY
12					
R	37	BACS12FA3K4	.. SCREW	031046	1
R				054100	
R	38	411A3111-1	.. BRACKET	031046	1
R				054100	
R	39	411N1121-48	.. STIFFENER	031046	1
R				054100	
R	50	411A3110-1	. LANYARD ASSY	001046	1
R				054100	
R	55	MS51844-62	.. SLEEVE	001046	3
R				054100	
R	60	VFP876	.. TUBING-	001046	2
R			SUPPLIER CODE:	054100	
R			V0994B		
R			OPTIONAL PART:		
R			RT876		
R			V06090		
R	60	RT876	.. TUBING-	001046	2
R			SUPPLIER CODE:	054100	
R			V06090		
R			OPTIONAL PART:		
R			VFP876		
R			V0994B		
R	65	411A3111-2	.. HOOK	001046	1
R				054100	
R	70	411A3110-2	.. CABLE	001046	1
R				054100	
R	- 75	411A3170-3	. TAPE-HOOK	001046	1
R				054100	
R	80	411A3140-9	. SEAL ASSY-GAP	001046	1
R			MANUFACTURED FROM:	054100	
R			EXTRUSION RUBBER		
R			BAC1530-130 178.00IN		
R			SPARES ORDER MATERIAL		
R			CODE: 5279130016		
R			OPTIONAL PART:		
R			411A3140-1A		
R	80	411A3140-1A	. SEAL ASSY-	001021	1
R			OPTIONAL PART:		
R			411A3140-9		
R	- 85	411A3140-3	.. TAPE-LOOP	001046	1
R				054100	
R	90	411A3140-4SP	.. COVER-DEC	001021	2
R			USED ON:		
R			411A3140-1A		
R	95	411A3140-2	.. SEAL	001046	1
R				054100	
R	105	411A3171-1	. PANEL ASSY-BASE	001021	1
R	105	411A3370-801	. PANEL ASSY-BASE	022046	1
R				054100	

MISSING ITEM NUMBERS NOT APPLICABLE

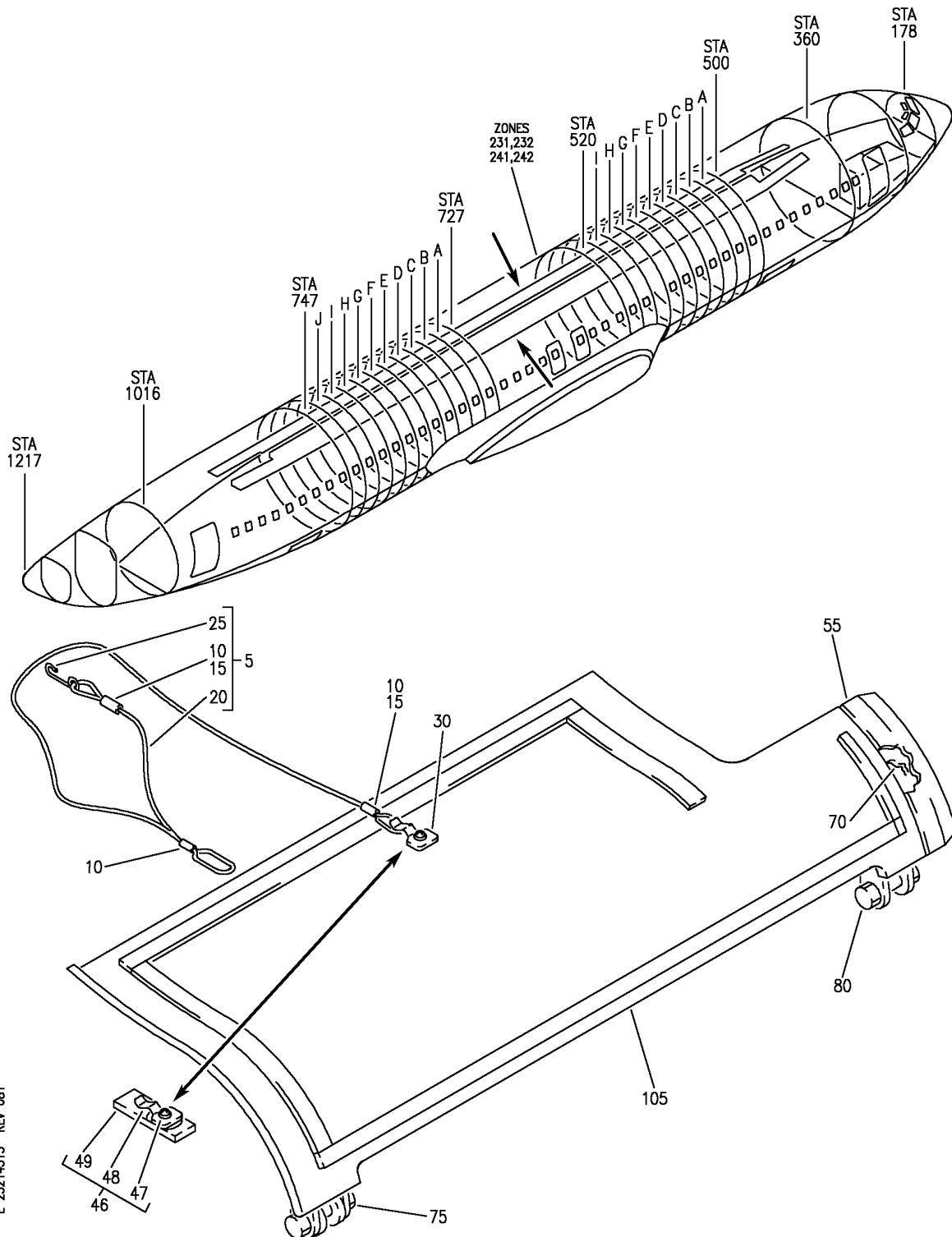
- ITEM NOT ILLUSTRATED

HAP

25-21-45-12

25-21-45
FIG. 12
PAGE 2
JUN 15/09

BOEING
 737-600/700/800/900
 PARTS CATALOG (MAINTENANCE)



E 25214513 REV 081

PANEL ASSY-80 IN. MAIN CAB.
 FIGURE 13

25-21-45-13

HAP
 OCT 10/06

25-21-45-13
 PAGE 0

BOEING
737-600/700/800/900
PARTS CATALOG (MAINTENANCE)

FIG ITEM	PART NUMBER	1 2 3 4 5 6 7	NOMENCLATURE	EFFECT FROM TO	UNITS PER ASSY	
	13		PANEL ASSY-80 IN. MAIN CAB.	001046		
R	- 1	411A3380-10B	PANEL ASSY-80 IN. MAIN CAB. WITH CTR OVHD STOWAGE PROVISIONS FOR NHA SEE: 25-21-45-09	054100 022030	RF	
R	- 1	411A3180-10A	PANEL ASSY-80 IN. MAIN CAB. WITH CTR OVHD STOWAGE PROVISIONS FOR NHA SEE: 25-21-45-09	001021	RF	
R	- 1	411A3380-310B	PANEL ASSY-80 IN. MAIN CAB. FOR NHA SEE: 25-21-45-09	031046 054100	RF	
R		5	411A3110-1	. LANYARD ASSY	001046 054100	1
R		10	MS51844-62	.. SLEEVE	001046 054100	3
R		15	VFP876	.. TUBING- SUPPLIER CODE: V0994B OPTIONAL PART: RT876 V06090	001046 054100	2
R		15	RT876	.. TUBING- SUPPLIER CODE: V06090 OPTIONAL PART: VFP876 V0994B	001046 054100	2
R		20	411A3110-2	.. CABLE	001046 054100	1
R		25	411A3111-2	.. HOOK	001046 054100	1
R		30	411A3111-1	. BRACKET- ATTACHING PARTS	001030	1
R	- 35	NAS8203A4	. SCREW-	001021	1	
R	- 35	BACS12HJ3K4	. SCREW-	022030	1	
R	- 40	NAS1149D0332J	. WASHER-	001030	1	
R	- 45	SL6224-3A	. INSERT- SUPPLIER CODE: V97393	001030	1	
R		46	411N1121-49	. STIFFENER ASSY-	031046 054100	1
R		47	BACS12FA3K4	.. SCREW	031046 054100	1

MISSING ITEM NUMBERS NOT APPLICABLE

- ITEM NOT ILLUSTRATED

HAP

25-21-45-13

25-21-45
FIG. 13
PAGE 1
JUN 15/09

BOEING
737-600/700/800/900
PARTS CATALOG (MAINTENANCE)

FIG ITEM	PART NUMBER	1 2 3 4 5 6 7	NOMENCLATURE	EFFECT FROM TO	UNITS PER ASSY
	13				
R	48		.. BRACKET	031046	1
R				054100	
R	49		.. STIFFENER	031046	1
R				054100	
R	- 50		. TAPE-HOOK	001046	1
R				054100	
R	55		. SEAL ASSY-GAP	001046	1
R			MANUFACTURED FROM:	054100	
R			EXTRUSION RUBBER		
R			BAC1530-130 178.00IN		
R			SPARES ORDER MATERIAL		
R			CODE: 5279130016		
R			OPTIONAL PART:		
R			411A3140-1A		
R	55		. SEAL ASSY-GAP	001021	1
R			OPTIONAL PART:		
R			411A3140-9		
R	- 60		.. TAPE-LOOP	001046	1
R				054100	
R	70		.. SEAL	001046	1
R				054100	
R	75		. LATCH ASSY-	001046	1
R			SUPPLIER CODE:	054100	
R			V34941		
R			SPECIFICATION NUMBER:		
R			S411A001-2		
R	80		. LATCH ASSY-	001046	1
R			SUPPLIER CODE:	054100	
R			V34941		
R			SPECIFICATION NUMBER:		
R			S411A001-3		
R			ATTACHING PARTS		
R	- 85	NAS8203A11	. SCREW-	001021	4
R	- 85	BACS12HJ3K11	. SCREW-	022046	4
R				054100	
R	- 90	NAS1149D0316J	. WASHER	001046	8
R				054100	
R	- 95	NAS1805-3	. NUT-	001021	4
R	- 95	BACN11Z3CK	. NUT-	022046	4
R				054100	
R	105	411A3181-1	. PANEL ASSY-BASE	001021	1
R	105	411A3380-801	. PANEL ASSY-BASE	022046	1
R				054100	

MISSING ITEM NUMBERS NOT APPLICABLE

- ITEM NOT ILLUSTRATED

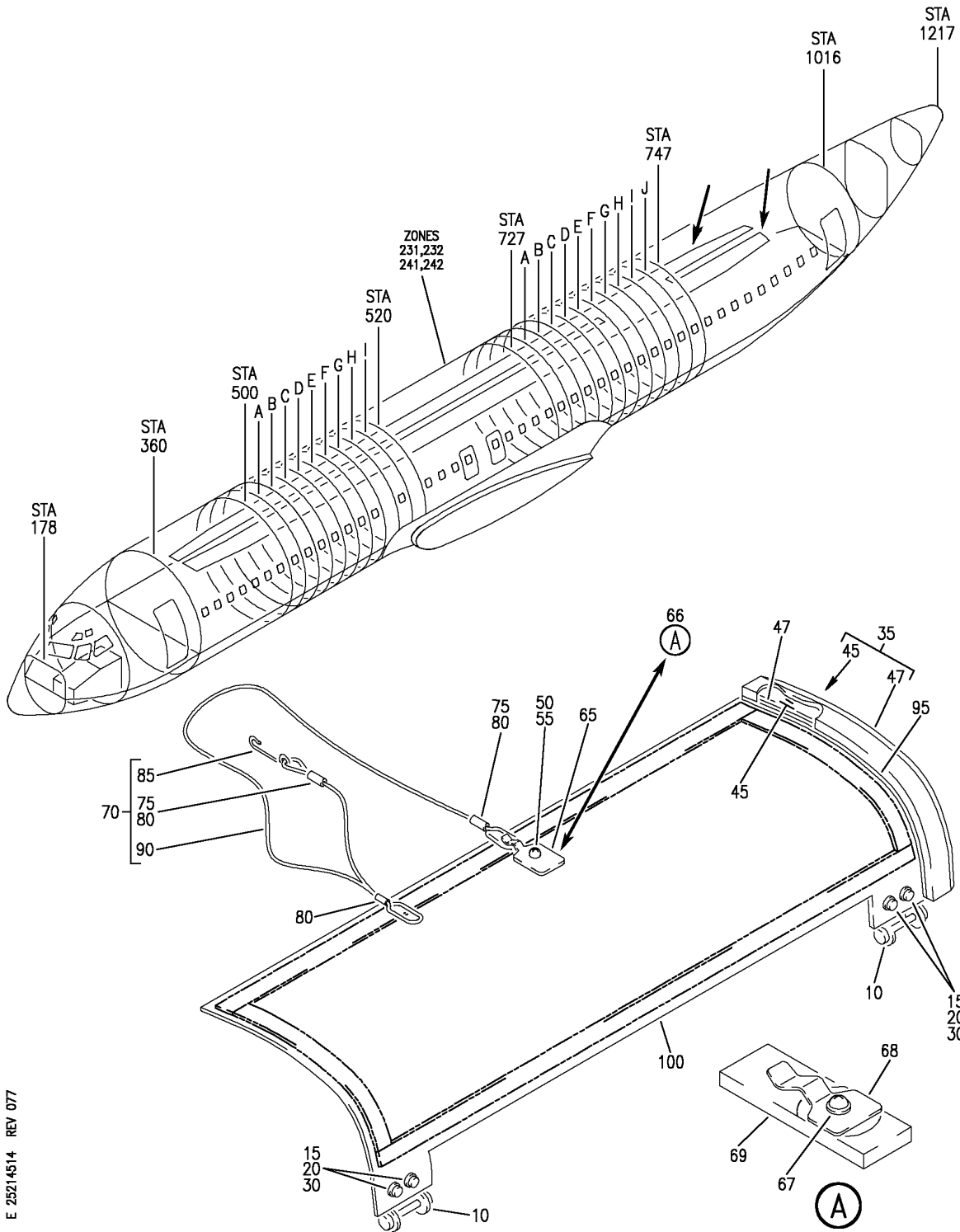
HAP

25-21-45-13

BOEING PROPRIETARY - Copyright © - Unpublished Work - See title page for details.

25-21-45
FIG. 13
PAGE 2
JUN 15/09

BOEING
 737-600/700/800/900
 PARTS CATALOG (MAINTENANCE)



E 25214514 REV 077

PANEL ASSY-80 IN. MAIN CAB.
 FIGURE 14

25-21-45-14

HAP
 OCT 10/06

25-21-45-14
 PAGE 0

BOEING
737-600/700/800/900
PARTS CATALOG (MAINTENANCE)

FIG ITEM	PART NUMBER	1 2 3 4 5 6 7	NOMENCLATURE	EFFECT FROM TO	UNITS PER ASSY	
R R	14		PANEL ASSY-80 IN. MAIN CAB.	001046 054100		
-	1	411A3180-11A	PANEL ASSY-80 IN. MAIN CAB. FOR NHA SEE: 25-21-45-09	001021	RF	
-	1	411A3380-11B	PANEL ASSY-80 IN. MAIN CAB. FOR NHA SEE: 25-21-45-09	022030	RF	
R R R R R R R R R R	-	1	411A3380-311B	PANEL ASSY-80 IN. MAIN CAB. FOR NHA SEE: 25-21-45-09	031046 054100	RF
R R R R R R R R R R	5	H3-1592-2	.LATCH ASSY- SUPPLIER CODE: V34941 SPECIFICATION NUMBER: S411A001-2	001046 054100	1	
R R R R R R R R R R	10	H3-1592-3	.LATCH ASSY- SUPPLIER CODE: V34941 SPECIFICATION NUMBER: S411A001-3	001046 054100	1	
R R R R R R R R R R	15	NAS8203A11	ATTACHING PARTS .SCREW- POSITION DATA: FAR SIDE	001021	4	
R R R R R R R R R R	15	BACS12HJ3K11	.SCREW- POSITION DATA: FAR SIDE	022046 054100	4	
R R R R R R R R R R	20	NAS1149D0316J	.WASHER	001046 054100	8	
R R R R R R R R R R	30	NAS1805-3	.NUT-	001021	4	
R R R R R R R R R R	30	BACN11Z3CK	.NUT- OPTIONAL PART: BACN10YR3CD	022046 054100	4	
R R R R R R R R R R	30	PLH53CD	.NUT- SUPPLIER CODE: VF0224 SPECIFICATION NUMBER: BACN10YR3CD OPTIONAL PART: H52732-3CD V15653 BACN11Z3CK -----*-----	031046 054100	4	

MISSING ITEM NUMBERS NOT APPLICABLE

- ITEM NOT ILLUSTRATED

HAP

25-21-45-14

25-21-45
FIG. 14
PAGE 1
JUN 15/09

BOEING
737-600/700/800/900
PARTS CATALOG (MAINTENANCE)

FIG ITEM	PART NUMBER	1 2 3 4 5 6 7	NOMENCLATURE	EFFECT FROM TO	UNITS PER ASSY
14					
R	35	411A3140-9	.SEAL ASSY- MANUFACTURED FROM: EXTRUSION RUBBER BAC1530-130 178.00IN SPARES ORDER MATERIAL CODE: 5279130016 OPTIONAL PART: 411A3140-1A	001046 054100	1
R	35	411A3140-1A	.SEAL ASSY- OPTIONAL PART: 411A3140-9	001021	1
R	- 40	411A3140-3	..TAPE-LOOP	001046 054100	1
R	45	411A3140-2	..SEAL	001046 054100	1
R	47	411A3140-4AADK	..COVER-DEC USED ON: 411A3140-1A	001021	2
	50	NAS8203A4	.SCREW	001021	1
	50	BACS12HJ3K4	.SCREW	022030	1
	55	NAS1149D0332J	.WASHER-	001030	1
-	60	SL6224-3A	.INSERT- SUPPLIER CODE: V97393	001030	1
	65	411A3111-1	.BRACKET	001030	1
R	66	411N1121-49	.STIFFENER ASSY	031037 039046 054100	1
R	67	BACS12FA3K4	..SCREW	031037 039046 054100	1
R	68	411A3111-1	..BRACKET	031037 039046 054100	1
R	69	411N1121-48	..STIFFENER	031037 039046 054100	1
R	70	411A3110-1	.LANYARD ASSY	001046 054100	1
R	75	RT876	..TUBING- SUPPLIER CODE: V06090 OPTIONAL PART: VFP876 V0994B	001046 054100	2

MISSING ITEM NUMBERS NOT APPLICABLE

- ITEM NOT ILLUSTRATED

HAP

25-21-45-14

BOEING PROPRIETARY - Copyright © - Unpublished Work - See title page for details.

25-21-45
FIG. 14
PAGE 2
JUN 15/09

BOEING
737-600/700/800/900
PARTS CATALOG (MAINTENANCE)

FIG ITEM	PART NUMBER	1 2 3 4 5 6 7	NOMENCLATURE	EFFECT FROM TO	UNITS PER ASSY
R R R R R R R R R R	14				
	75	VFP876	..TUBING- SUPPLIER CODE: V0994B OPTIONAL PART: RT876 V06090	001046 054100	2
	80	MS51844-62	..SLEEVE	001046 054100	3
	85	411A3111-2	..HOOK	001046 054100	1
	90	411A3110-2	..CABLE	001046 054100	1
	95	411A3180-4	.TAPE-HOOK	001046 054100	1
	100	411A3181-1	.PANEL ASSY-BASE	001021	1
	100	411A3380-801	.PANEL ASSY-BASE	022046 054100	1

MISSING ITEM NUMBERS NOT APPLICABLE

— ITEM NOT ILLUSTRATED

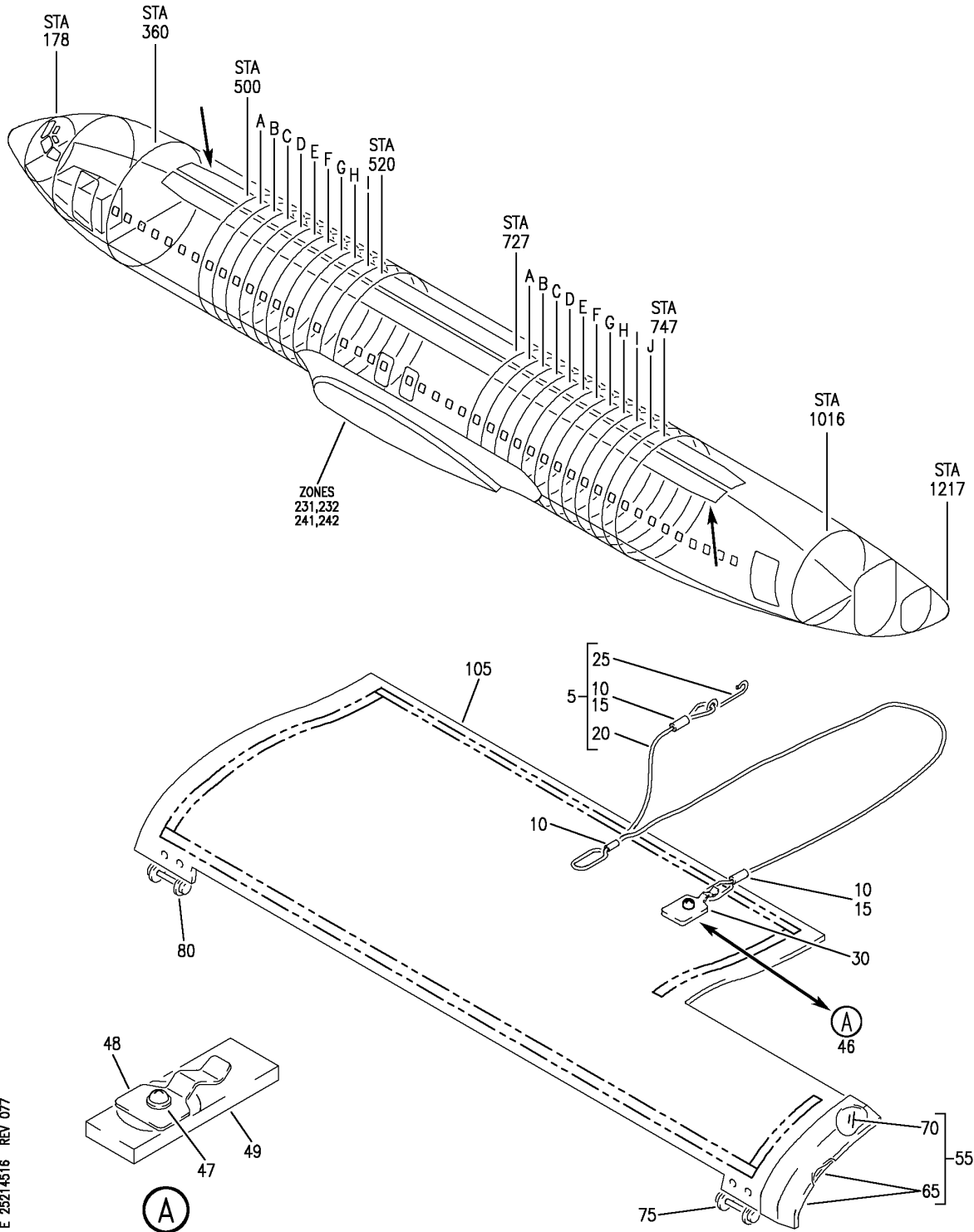
HAP

25-21-45-14

BOEING PROPRIETARY - Copyright © - Unpublished Work - See title page for details.

25-21-45
FIG. 14
PAGE 3
JUN 15/09

BOEING
 737-600/700/800/900
 PARTS CATALOG (MAINTENANCE)



E 25214516 REV 077

PANEL ASSY-80 IN. MAIN CAB.
 FIGURE 16

25-21-45-16

HAP
 OCT 10/06

25-21-45-16
 PAGE 0

BOEING
737-600/700/800/900
PARTS CATALOG (MAINTENANCE)

FIG ITEM	PART NUMBER	1 2 3 4 5 6 7	NOMENCLATURE	EFFECT FROM TO	UNITS PER ASSY	
R	16		PANEL ASSY-80 IN. MAIN CAB.	001046		
R	- 1	411A3380-7B	PANEL ASSY-80 IN. MAIN CAB. FOR NHA SEE: 25-21-45-09	054100 022030	RF	
	- 1	411A3180-7A	PANEL ASSY-80 IN. MAIN CAB. FOR NHA SEE: 25-21-45-09	001021	RF	
R	- 1	411A3380-307B	PANEL ASSY-80 IN. MAIN CAB. FOR NHA SEE: 25-21-45-09	031046 054100	RF	
R	R	5	411A3110-1	. LANYARD ASSY	001046 054100	1
R	R	10	MS51844-62	.. SLEEVE	001046 054100	3
R	R	15	VFP876	.. TUBING- SUPPLIER CODE: V0994B OPTIONAL PART: RT876 V06090	001046 054100	2
R	R	15	RT876	.. TUBING- SUPPLIER CODE: V06090 OPTIONAL PART: VFP876 V0994B	001046 054100	2
R	R	20	411A3110-2	.. CABLE	001046 054100	1
R	R	25	411A3111-2	.. HOOK	001046 054100	1
R	R	30	411A3111-1	. BRACKET ATTACHING PARTS	001030	1
	- 35	NAS8203A4	. SCREW-	001021	1	
	- 35	BACS12HJ3K4	. SCREW-	022030	1	
	- 40	NAS1149D0332J	. WASHER-	001030	1	
	- 45	SL6224-3A	. INSERT- SUPPLIER CODE: V97393	001030	1	
R	R	46	411N1121-49	. STIFFENER ASSY	031046 054100	1
R	R	47	BACS12FA3K4	.. SCREW	031046 054100	1
R	R	48	411A3111-1	.. BRACKET	031046 054100	1
R	R	49	411N1121-48	.. STIFFENER	031046 054100	1

MISSING ITEM NUMBERS NOT APPLICABLE

- ITEM NOT ILLUSTRATED

HAP

25-21-45-16

25-21-45
FIG. 16
PAGE 1
JUN 15/09

BOEING
737-600/700/800/900
PARTS CATALOG (MAINTENANCE)

FIG ITEM	PART NUMBER	1 2 3 4 5 6 7	NOMENCLATURE	EFFECT FROM TO	UNITS PER ASSY
16					
R -	50	411A3180-4	.TAPE-HOOK	001046 054100	1
R					
R	55	411A3140-9	.SEAL ASSY-GAP MANUFACTURED FROM: EXTRUSION RUBBER BAC1530-130 178.00IN SPARES ORDER MATERIAL CODE: 5279130016 OPTIONAL PART: 411A3140-1A	001046 054100	1
R					
R	55	411A3140-1A	.SEAL ASSY-GAP OPTIONAL PART: 411A3140-9	001021	1
R					
R -	60	411A3140-3	..TAPE-LOOP	001046 054100	1
R					
	65	411A3140-4SP	..COVER-DEC USED ON: 411A3140-1A	001021	2
R					
R	70	411A3140-2	..SEAL	001046 054100	1
R					
R	75	H3-1592-2	.LATCH ASSY- SUPPLIER CODE: V34941 SPECIFICATION NUMBER: S411A001-2	001046 054100	1
R					
R	80	H3-1592-3	.LATCH ASSY- SUPPLIER CODE: V34941 SPECIFICATION NUMBER: S411A001-3	001046 054100	1
R					
R			ATTACHING PARTS		
-	85	NAS8203A11	.SCREW- POSITION DATA: FAR SIDE	001021	4
R					
R -	85	BACS12HJ3K11	.SCREW- POSITION DATA: FAR SIDE	022046 054100	4
R					
R	90	NAS1149D0316J	.WASHER- POSITION DATA: FAR SIDE	001046 054100	8
R					
R	95	NAS1805-3	.NUT-	001021	4
R -	95	BACN11Z3CK	.NUT- OPTIONAL PART: BACN10YR3CD	022046 054100	4
R					
R					

MISSING ITEM NUMBERS NOT APPLICABLE

- ITEM NOT ILLUSTRATED

HAP

25-21-45-16

BOEING PROPRIETARY - Copyright © - Unpublished Work - See title page for details.

25-21-45
FIG. 16
PAGE 2
JUN 15/09

BOEING
737-600/700/800/900
PARTS CATALOG (MAINTENANCE)

FIG ITEM	PART NUMBER	1 2 3 4 5 6 7	NOMENCLATURE	EFFECT FROM TO	UNITS PER ASSY
R R R R R R R R	16 - 95	PLH53CD	.NUT- SUPPLIER CODE: VF0224 SPECIFICATION NUMBER: BACN10YR3CD OPTIONAL PART: H52732-3CD V15653 BACN11Z3CK -----*-----	031046 054100	4
	105	411A3181-1	.PANEL ASSY-BASE	001021	1
	105	411A3380-801	.PANEL ASSY-BASE	022046 054100	1

MISSING ITEM NUMBERS NOT APPLICABLE

- ITEM NOT ILLUSTRATED

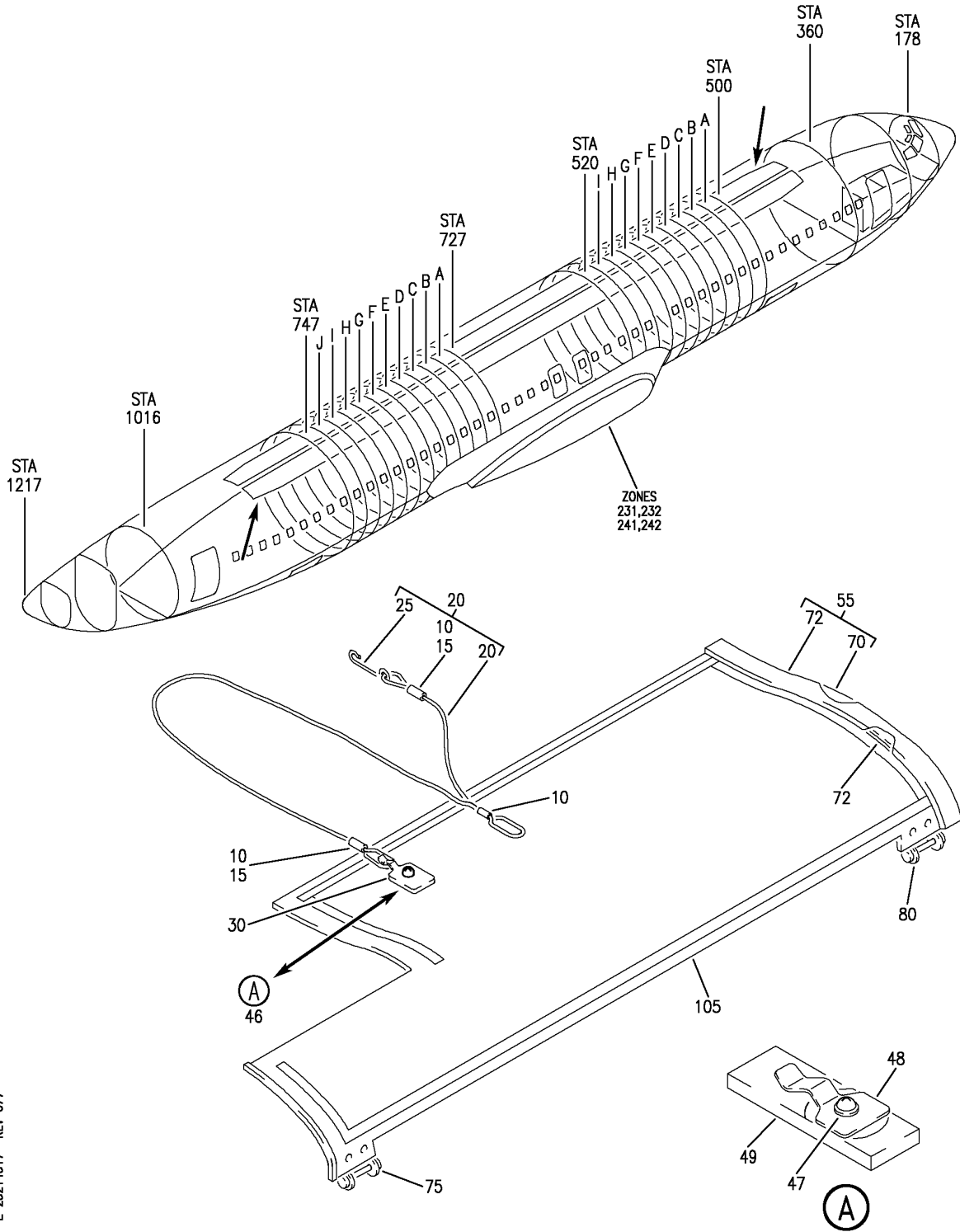
HAP

25-21-45-16

BOEING PROPRIETARY - Copyright © - Unpublished Work - See title page for details.

25-21-45
FIG. 16
PAGE 3
JUN 15/09

BOEING
 737-600/700/800/900
 PARTS CATALOG (MAINTENANCE)



E 25214517 REV 077

PANEL ASSY-80 IN. MAIN CAB.
 FIGURE 17

25-21-45-17

HAP
 OCT 10/06

25-21-45-17
 PAGE 0

BOEING
737-600/700/800/900
PARTS CATALOG (MAINTENANCE)

FIG ITEM	PART NUMBER	1 2 3 4 5 6 7	NOMENCLATURE	EFFECT FROM TO	UNITS PER ASSY
	17				
R	49		. . STIFFENER	031046	1
R				054100	
R	- 50		. TAPE-HOOK	001046	1
R				054100	
R	55		. SEAL ASSY-GAP	001046	1
R			MANUFACTURED FROM:	054100	
R			EXTRUSION RUBBER		
R			BAC1530-130 178.00IN		
R			SPARES ORDER MATERIAL		
R			CODE: 5279130016		
R			OPTIONAL PART:		
R			411A3140-1A		
R	55		. SEAL ASSY-GAP	001021	1
			OPTIONAL PART:		
			411A3140-9		
R	- 60		. . TAPE-LOOP	001046	1
R			USED ON:	054100	
R			411A3140-9		
R	70		. . SEAL-	001046	1
R			USED ON:	054100	
R			411A3140-9		
	72		. . COVER	001021	2
R	75		. LATCH ASSY-	001046	1
			SUPPLIER CODE:	054100	
			V34941		
			SPECIFICATION NUMBER:		
			S411A001-2		
	80		. LATCH ASSY-	001046	1
			SUPPLIER CODE:	054100	
			V34941		
			SPECIFICATION NUMBER:		
			S411A001-3		
			ATTACHING PARTS		
	- 85		. SCREW-	001021	4
			POSITION DATA:		
			FAR SIDE		
R	- 85		. SCREW-	022046	4
R			POSITION DATA:	054100	
R			FAR SIDE		
R	- 90		. WASHER-	001046	8
R			POSITION DATA:	054100	
R			FAR SIDE		
	- 95		. NUT-	001021	4
R	- 95		. NUT-	022046	4
R			OPTIONAL PART:	054100	
R			BACN10YR3CD		

MISSING ITEM NUMBERS NOT APPLICABLE

- ITEM NOT ILLUSTRATED

HAP

25-21-45-17

BOEING PROPRIETARY - Copyright © - Unpublished Work - See title page for details.

25-21-45
FIG. 17
PAGE 2
JUN 15/09

BOEING
737-600/700/800/900
PARTS CATALOG (MAINTENANCE)

FIG ITEM	PART NUMBER	1 2 3 4 5 6 7	NOMENCLATURE	EFFECT FROM TO	UNITS PER ASSY
R R R R R R R R	17 - 95	PLH53CD	.NUT- SUPPLIER CODE: VF0224 SPECIFICATION NUMBER: BACN10YR3CD OPTIONAL PART: H52732-3CD V15653 BACN11Z3CK -----*-----	031046 054100	4
	105	411A3181-1	.PANEL ASSY-BASE	001021	1
	105	411A3380-801	.PANEL ASSY-BASE	022046 054100	1

MISSING ITEM NUMBERS NOT APPLICABLE

- ITEM NOT ILLUSTRATED

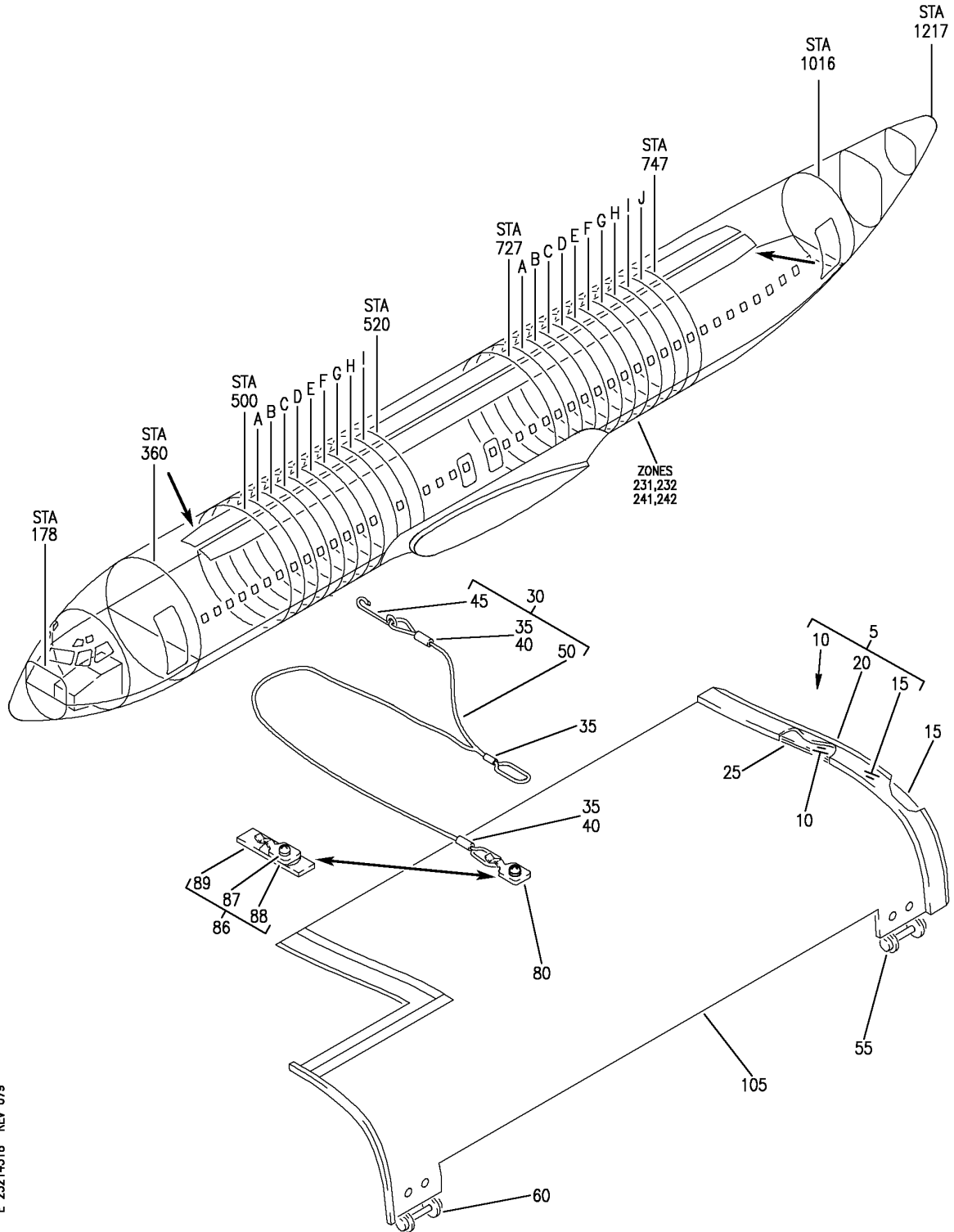
HAP

25-21-45-17

BOEING PROPRIETARY - Copyright © - Unpublished Work - See title page for details.

25-21-45
FIG. 17
PAGE 3
JUN 15/09

BOEING
 737-600/700/800/900
 PARTS CATALOG (MAINTENANCE)



E 25214518 REV 079

PANEL ASSY-80 IN. MAIN CAB. WITH CTR OVERHEAD STOWAGE PROVISIONS
 FIGURE 18

25-21-45-18

HAP
 OCT 10/06

25-21-45-18
 PAGE 0

BOEING
737-600/700/800/900
PARTS CATALOG (MAINTENANCE)

FIG ITEM	PART NUMBER	1 2 3 4 5 6 7	NOMENCLATURE	EFFECT FROM TO	UNITS PER ASSY
R R R	18		PANEL ASSY-80 IN. MAIN CAB. WITH CTR OVERHEAD STOWAGE PROVISIONS	001046 054100	
	- 1	411A3380-9B	PANEL ASSY-80 IN. MAIN CAB. WITH CTR OVERHEAD STOWAGE PROVISIONS FOR NHA SEE: 25-21-45-09	022030	RF
R R R	- 1	411A3180-9A	PANEL ASSY-80 IN. MAIN CAB. WITH CTR OVHD STOWAGE PROVISIONS FOR NHA SEE: 25-21-45-09	001021	RF
	- 1	411A3380-309B	PANEL ASSY-80 IN. MAIN CAB. WITH CTR OVERHEAD STOWAGE PROVISIONS FOR NHA SEE: 25-21-45-09	031046 054100	RF
R R R R R R R R R	5	411A3140-9	.SEAL ASSY-GAP MANUFACTURED FROM: EXTRUSION RUBBER BAC1530-130 178.00IN SPARES ORDER MATERIAL CODE: 5279130016 OPTIONAL PART: 411A3140-1A	001046 054100	1
	5	411A3140-1A	.SEAL ASSY-GAP OPTIONAL PART: 411A3140-9	001021	1
R R R	10	411A3140-3	..TAPE-LOOP	001046 054100	1
	15	411A3140-4SP	..COVER-DEC	001046 054100	2
R R R	20	411A3140-2	..SEAL	001046 054100	1
	25	411A3180-4	.TAPE-HOOK	001046 054100	1
R R R	30	411A3110-1	.LANYARD ASSY	001046 054100	1
	35	MS51844-62	..SLEEVE	001046 054100	3
R R R R R	40	VFP876	..TUBING-SHRINKABLE SUPPLIER CODE: V0994B OPTIONAL PART: RT876 V06090	001046 054100	2

MISSING ITEM NUMBERS NOT APPLICABLE

- ITEM NOT ILLUSTRATED

HAP

25-21-45-18

25-21-45
FIG. 18
PAGE 1
JUN 15/09

BOEING
737-600/700/800/900
PARTS CATALOG (MAINTENANCE)

FIG ITEM	PART NUMBER	1 2 3 4 5 6 7	NOMENCLATURE	EFFECT FROM TO	UNITS PER ASSY
18					
R	40	RT876	..TUBING-SHRINKABLE SUPPLIER CODE: V06090 OPTIONAL PART: VFP876 V0994B	001046 054100	2
R	45	411A3111-2	..HOOK	001046 054100	1
R	50	411A3110-2	..CABLE	001046 054100	1
R	55	H3-1592-2	.LATCH ASSY-LOCATING SUPPLIER CODE: V34941 SPECIFICATION NUMBER: S411A001-2	001046 054100	1
R	60	H3-1592-3	.LATCH ASSY-LOCATING SUPPLIER CODE: V34941 SPECIFICATION NUMBER: S411A001-3	001046 054100	1
R	- 65	NAS8203A11	.SCREW-	001021	4
R	- 65	BACS12HJ3K11	.SCREW-	022046 054100	4
R	- 70	NAS1149D0316J	.WASHER	001046 054100	8
R	- 75	NAS1805-3	.NUT-	001021	4
R	- 75	BACN11Z3CK	.NUT- OPTIONAL PART: BACN10YR3CD	022046 054100	4
R	- 75	PLH53CD	.NUT- SUPPLIER CODE: VF0224 SPECIFICATION NUMBER: BACN10YR3CD OPTIONAL PART: H52732-3CD V15653 BACN11Z3CK -----*-----	031046 054100	4
R	80	411A3111-1	.BRACKET	001021	1
R	- 81	NAS8203A4	.SCREW-	001021	1
R	- 81	BACS12HJ3K4	.SCREW	022030	1
R	- 82	NAS1149D0332J	.WASHER-	001030	1
R	- 83	SL6224-3A	.INSERT- SUPPLIER CODE: V97393	001030	1
R	86	411N1121-49	.STIFFENER ASSY	031046 054100	1

MISSING ITEM NUMBERS NOT APPLICABLE

- ITEM NOT ILLUSTRATED

HAP

25-21-45-18

BOEING PROPRIETARY - Copyright © - Unpublished Work - See title page for details.

25-21-45
FIG. 18
PAGE 2
JUN 15/09

BOEING
737-600/700/800/900
PARTS CATALOG (MAINTENANCE)

FIG ITEM	PART NUMBER	1 2 3 4 5 6 7	NOMENCLATURE	EFFECT FROM TO	UNITS PER ASSY
18					
R	87	BACS12FA3K4	. . SCREW	031046 054100	1
R	88	411A3111-1	. . BRACKET	031046 054100	1
R	89	411N1121-48	. . STIFFENER	031046 054100	1
R	105	411A3181-1	. PANEL ASSY-BASE	001021	1
R	105	411A3380-801	. PANEL ASSY-BASE	022046 054100	1

MISSING ITEM NUMBERS NOT APPLICABLE

— ITEM NOT ILLUSTRATED

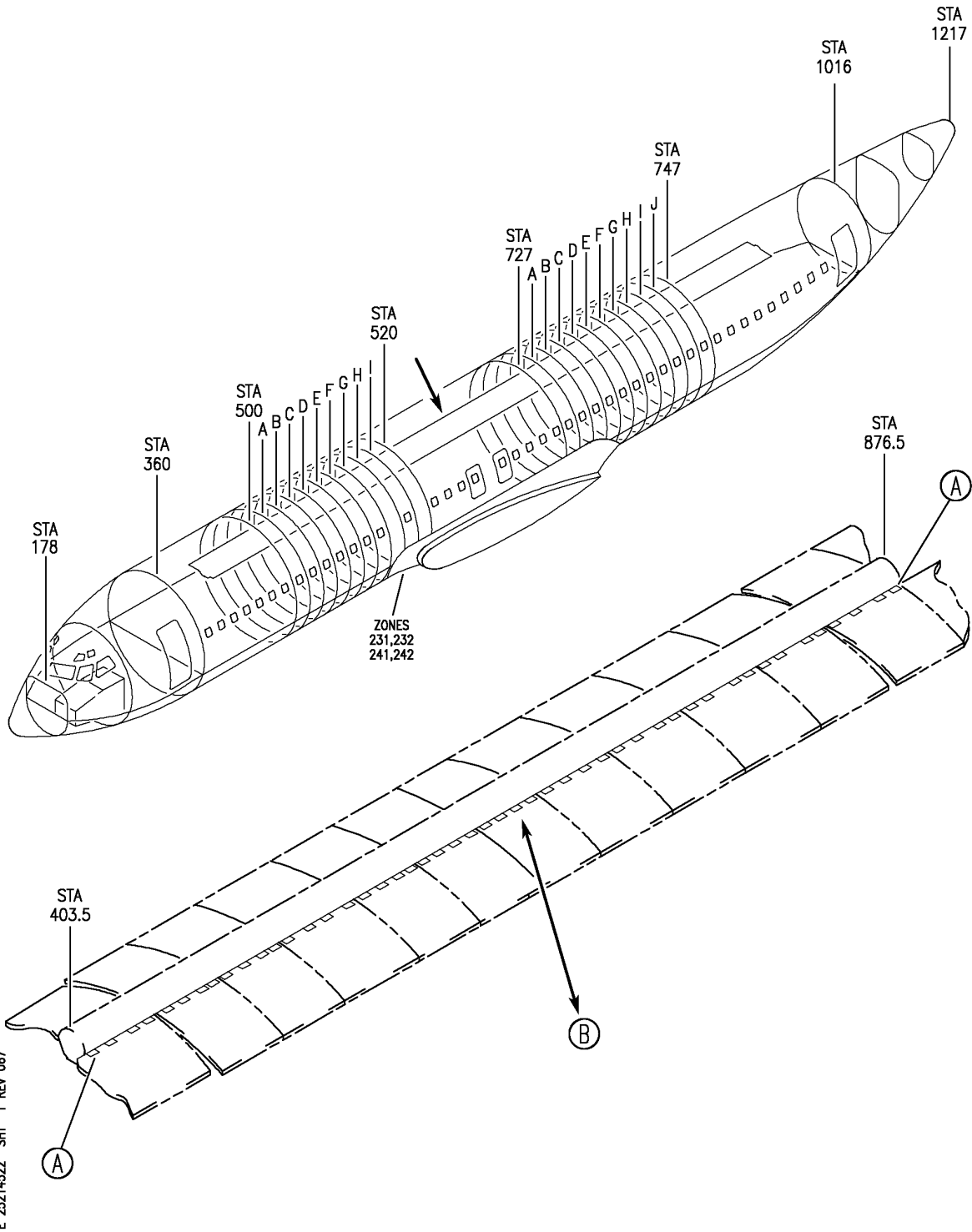
HAP

25-21-45-18

BOEING PROPRIETARY - Copyright © - Unpublished Work - See title page for details.

25-21-45
FIG. 18
PAGE 3
JUN 15/09

BOEING
 737-600/700/800/900
 PARTS CATALOG (MAINTENANCE)



RETAINER INSTL
 FIGURE 22 (SHEET 1)

25-21-45-22

HAP
 OCT 10/06

25-21-45-22
 PAGE 0


BOEING
 737-600/700/800/900
PARTS CATALOG (MAINTENANCE)

FIG ITEM	PART NUMBER	1 2 3 4 5 6 7	NOMENCLATURE	EFFECT FROM TO	UNITS PER ASSY
22					
- 1	411A3103-2		RETAINER INSTL RETAINER INSTL-	001100 001030	RF
- 1	MODREF90226		FOR NHA SEE: 25-21-00-02B RETAINER INSTL-	031100	1
5	2055340		MODULE NUMBER: 411A3103-2 REV A .RETAINER- SUPPLIER CODE: V04169	001100	96

MISSING ITEM NUMBERS NOT APPLICABLE

- ITEM NOT ILLUSTRATED

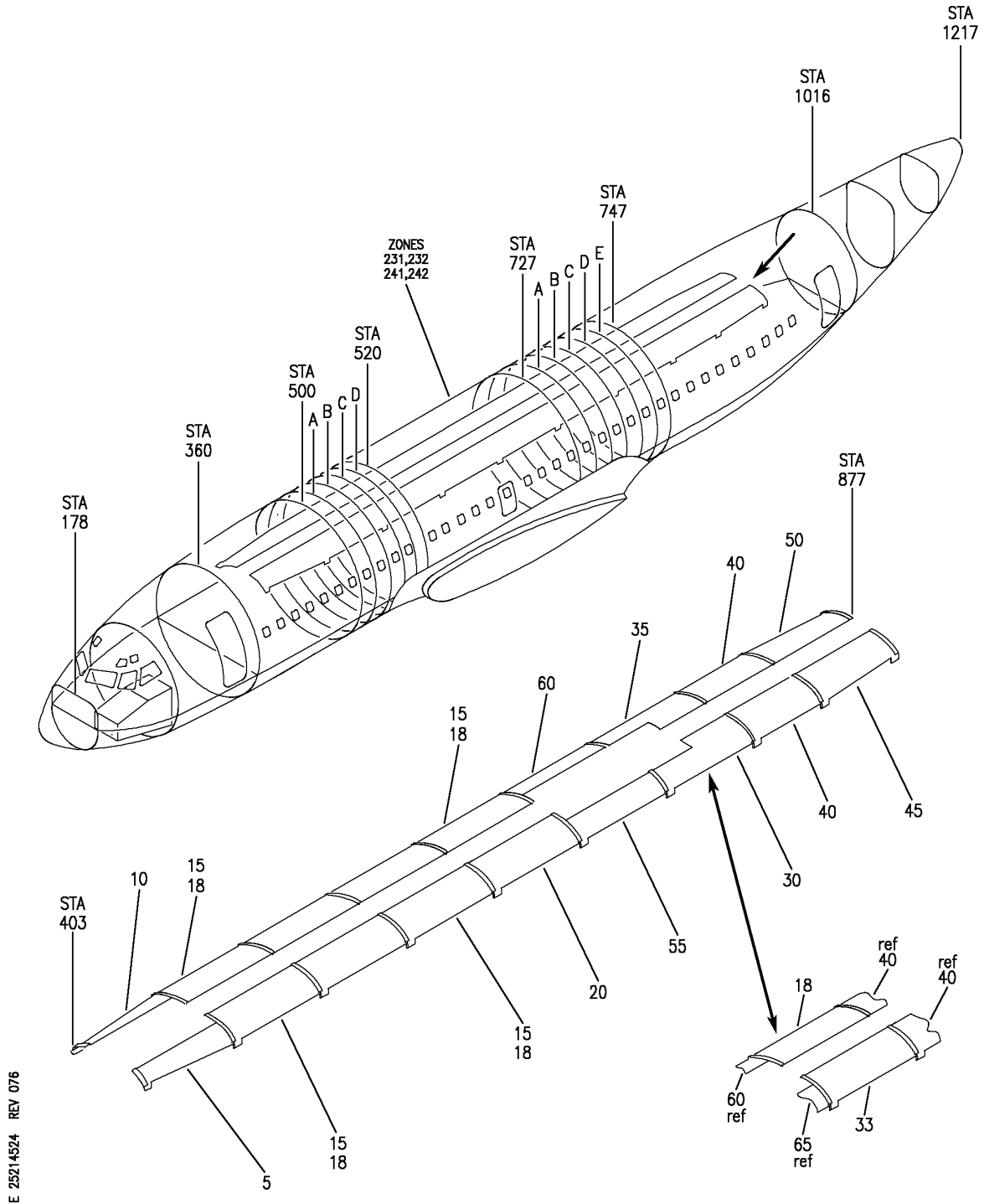
HAP

25-21-45-22

BOEING PROPRIETARY - Copyright © - Unpublished Work - See title page for details.

25-21-45
 FIG. 22
 PAGE 1
 FEB 10/07

BOEING
 737-600/700/800/900
 PARTS CATALOG (MAINTENANCE)



E 25214524 REV 076

CEILING INSTL-MAIN CAB.
 FIGURE 24

25-21-45-24

HAP
 FEB 10/07

25-21-45-24
 PAGE 0

BOEING
737-600/700/800/900
PARTS CATALOG (MAINTENANCE)

FIG ITEM	PART NUMBER	1 2 3 4 5 6 7	NOMENCLATURE	EFFECT FROM TO	UNITS PER ASSY
24			CEILING INSTL-MAIN CAB.	101200 968999	
- 3	MODREF103362		CEILING INSTL-VIDEO CTR OVHD STOWAGE OFFSET EXIT SIGN PROVISIONS MAIN CAB. MODULE NUMBER: 411A3300-226B REV B	101200 968999	1
5	411A3320-105B		.PANEL ASSY- FOR DETAILS SEE: 25-21-45-10	101200 968999	1
10	411A3320-106B		.PANEL ASSY- FOR DETAILS SEE: 25-21-45-11	101200 968999	1
15	411A3380-301B		.PANEL ASSY- FOR DETAILS SEE: 25-21-45-05	101200 968999	7
20	411A3380-305B		.PANEL ASSY- FOR DETAILS SEE: 25-21-45-08	101200 968999	1
30	411A3380-440B		.PANEL ASSY- FOR DETAILS SEE: 25-21-45-05H	101200 968999	1
35	411A3380-314B		.PANEL ASSY- FOR DETAILS SEE: 25-21-45-05H	101200 968999	1
40	411A3360-101B		.PANEL ASSY- FOR DETAILS SEE: 25-21-45-04	101200 968999	2
45	411A3320-102B		.PANEL ASSY- FOR DETAILS SEE: 25-21-45-03	101200 968999	1
50	411A3320-101B		.PANEL ASSY- FOR DETAILS SEE: 25-21-45-02	101200 968999	1
55	411A3380-331B		.PANEL ASSY-80 IN. FOR DETAILS SEE: 25-21-45-43	101200 968999	1
60	411A3380-332B		.PANEL ASSY-80 IN. FOR DETAILS SEE: 25-21-45-44	101200 968999	1

MISSING ITEM NUMBERS NOT APPLICABLE

- ITEM NOT ILLUSTRATED

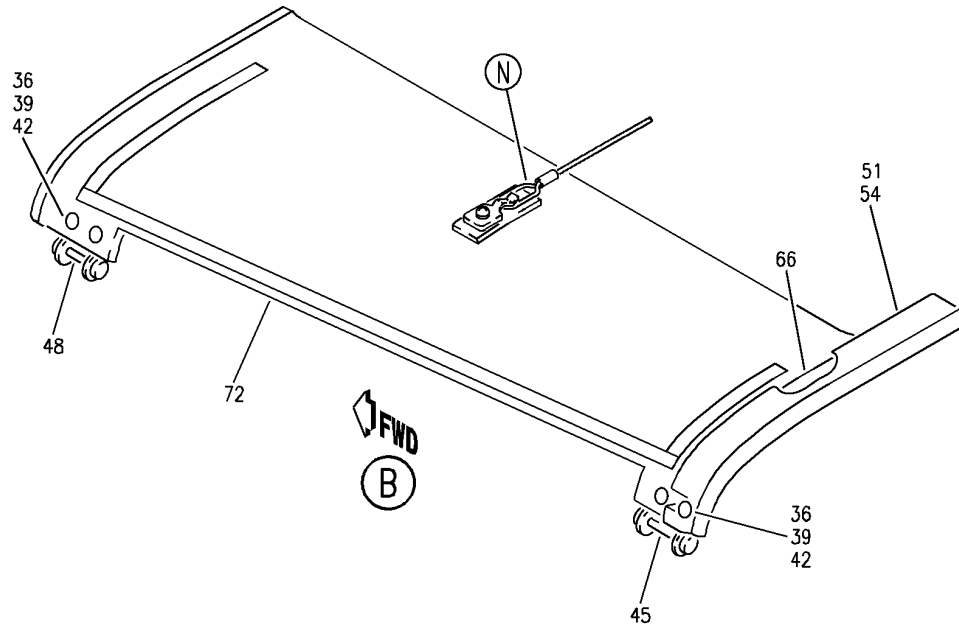
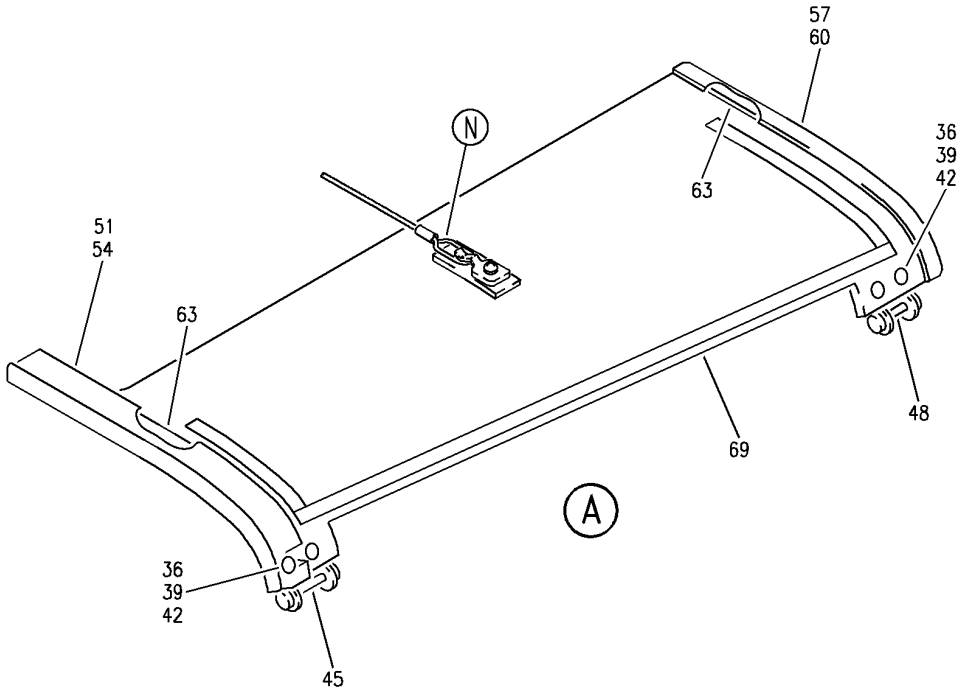
HAP

25-21-45-24

BOEING PROPRIETARY - Copyright © - Unpublished Work - See title page for details.

25-21-45
FIG. 24
PAGE 1
OCT 15/08

BOEING
 737-600/700/800/900
 PARTS CATALOG (MAINTENANCE)



E 25214525J SHT 2 REV 121

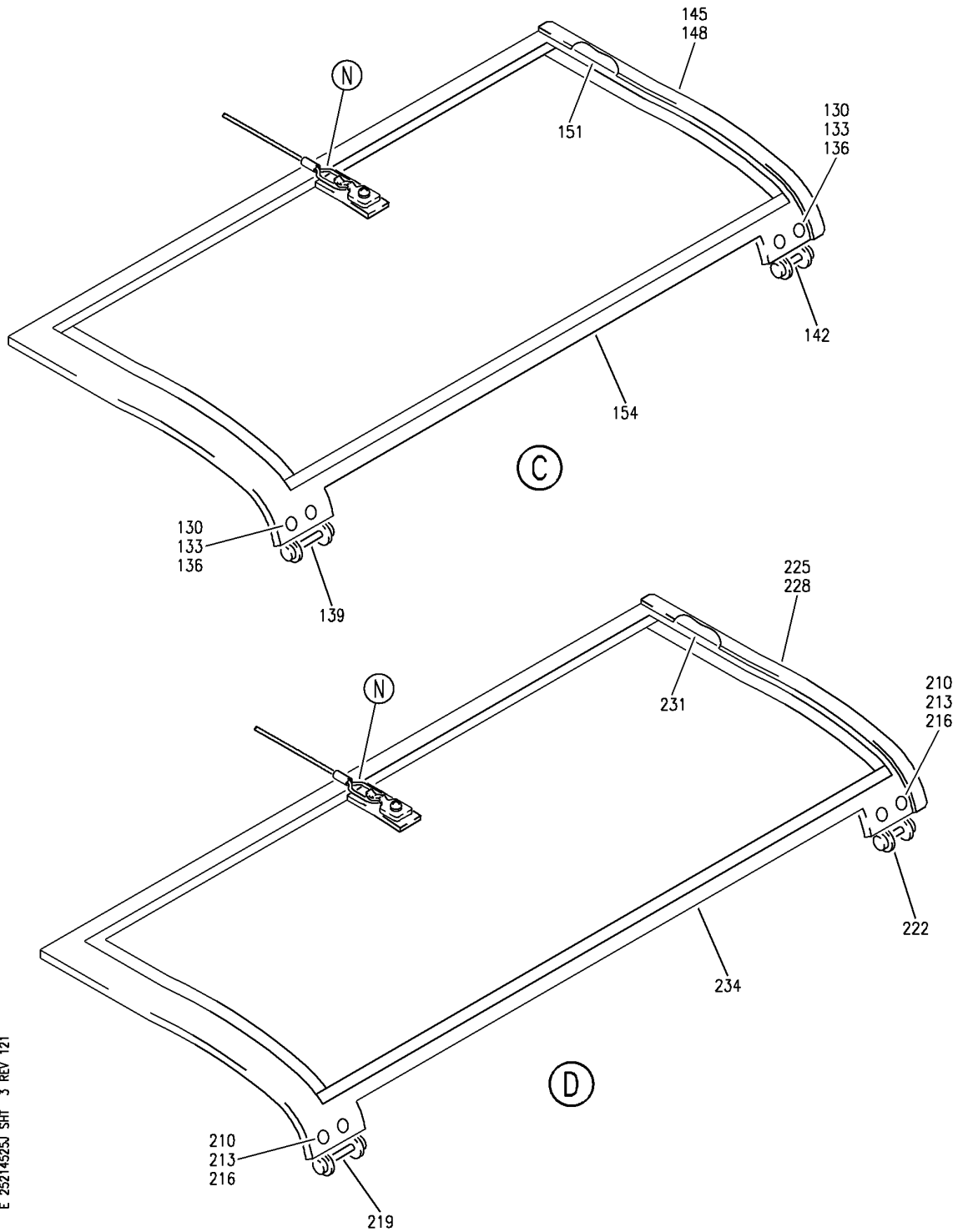
CEILING INSTL-MAIN CAB.
 FIGURE 25J (SHEET 2)

25-21-45-25J

HAP
 OCT 15/08

25-21-45-25J
 PAGE 0A

BOEING
 737-600/700/800/900
 PARTS CATALOG (MAINTENANCE)



E 25214525J SHT 3 REV 121

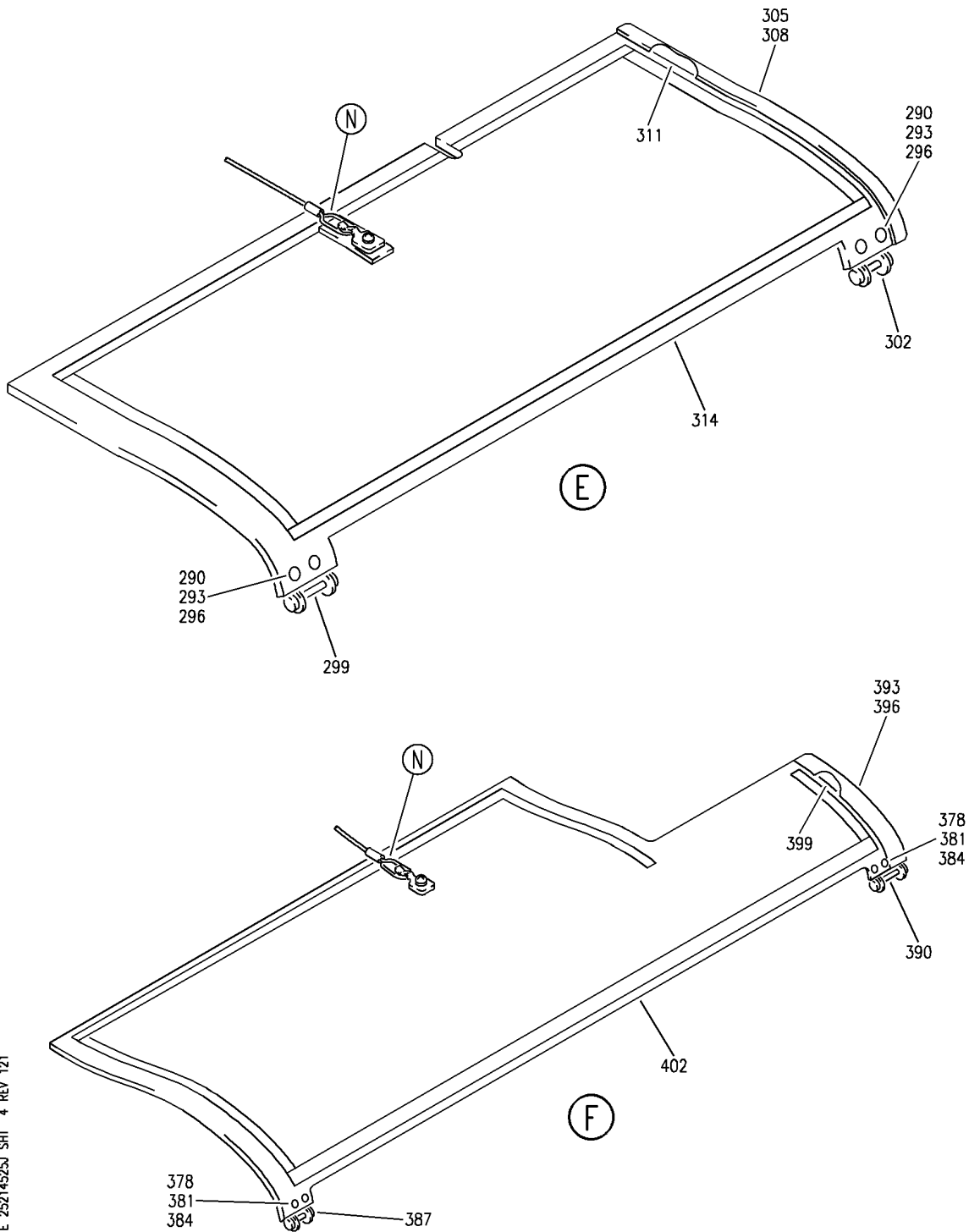
CEILING INSTL-MAIN CAB.
 FIGURE 25J (SHEET 3)

25-21-45-25J

HAP
 OCT 15/08

25-21-45-25J
 PAGE 0B

BOEING
 737-600/700/800/900
 PARTS CATALOG (MAINTENANCE)



E 25214525J SHT 4 REV 121

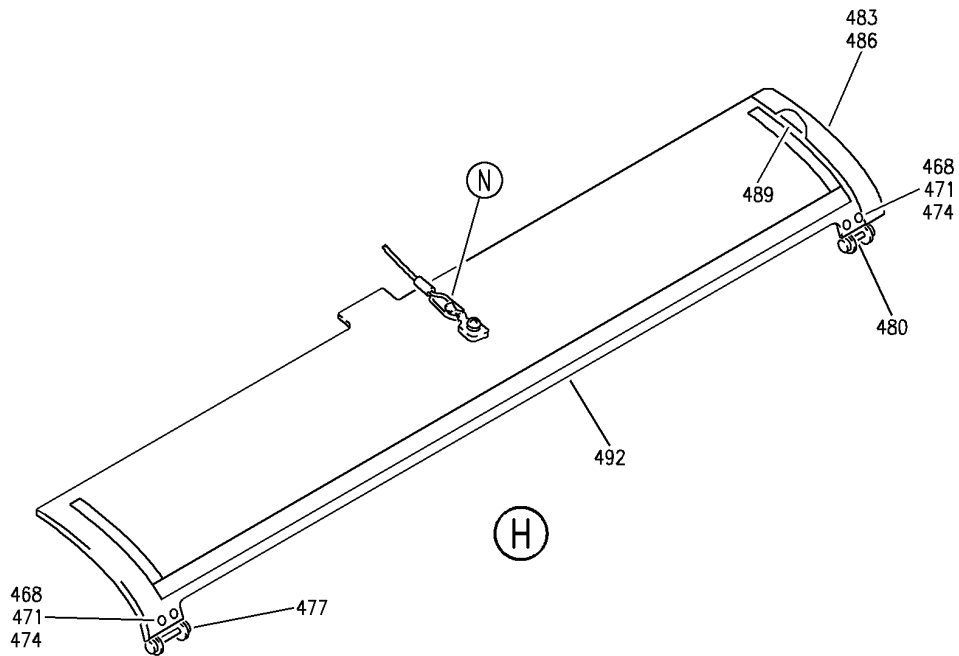
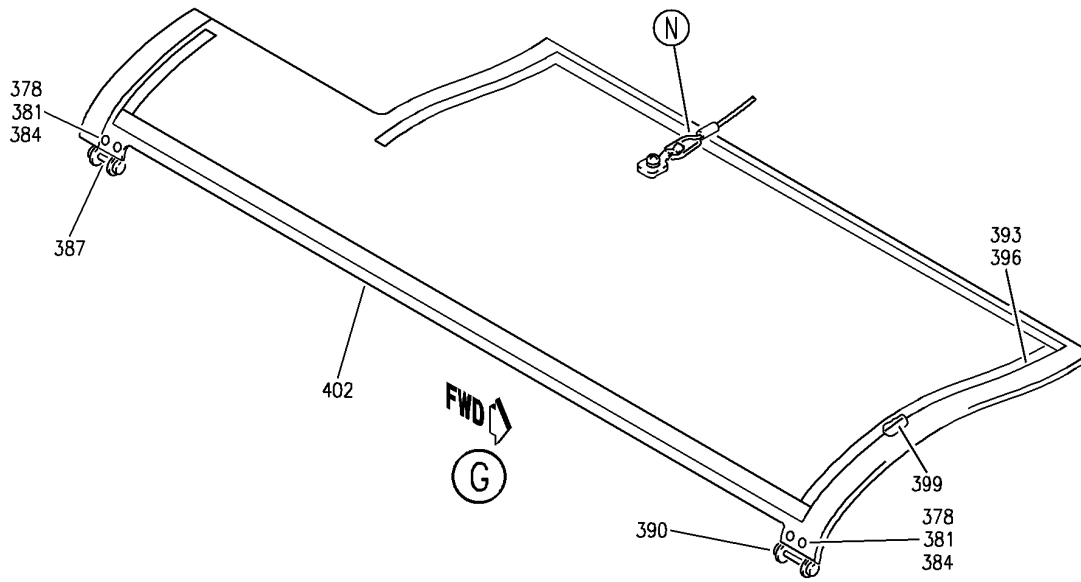
CEILING INSTL-MAIN CAB.
 FIGURE 25J (SHEET 4)

25-21-45-25J

HAP
 OCT 15/08

25-21-45-25J
 PAGE 0C

BOEING
 737-600/700/800/900
 PARTS CATALOG (MAINTENANCE)



E 25214525J SHT 5 REV 121

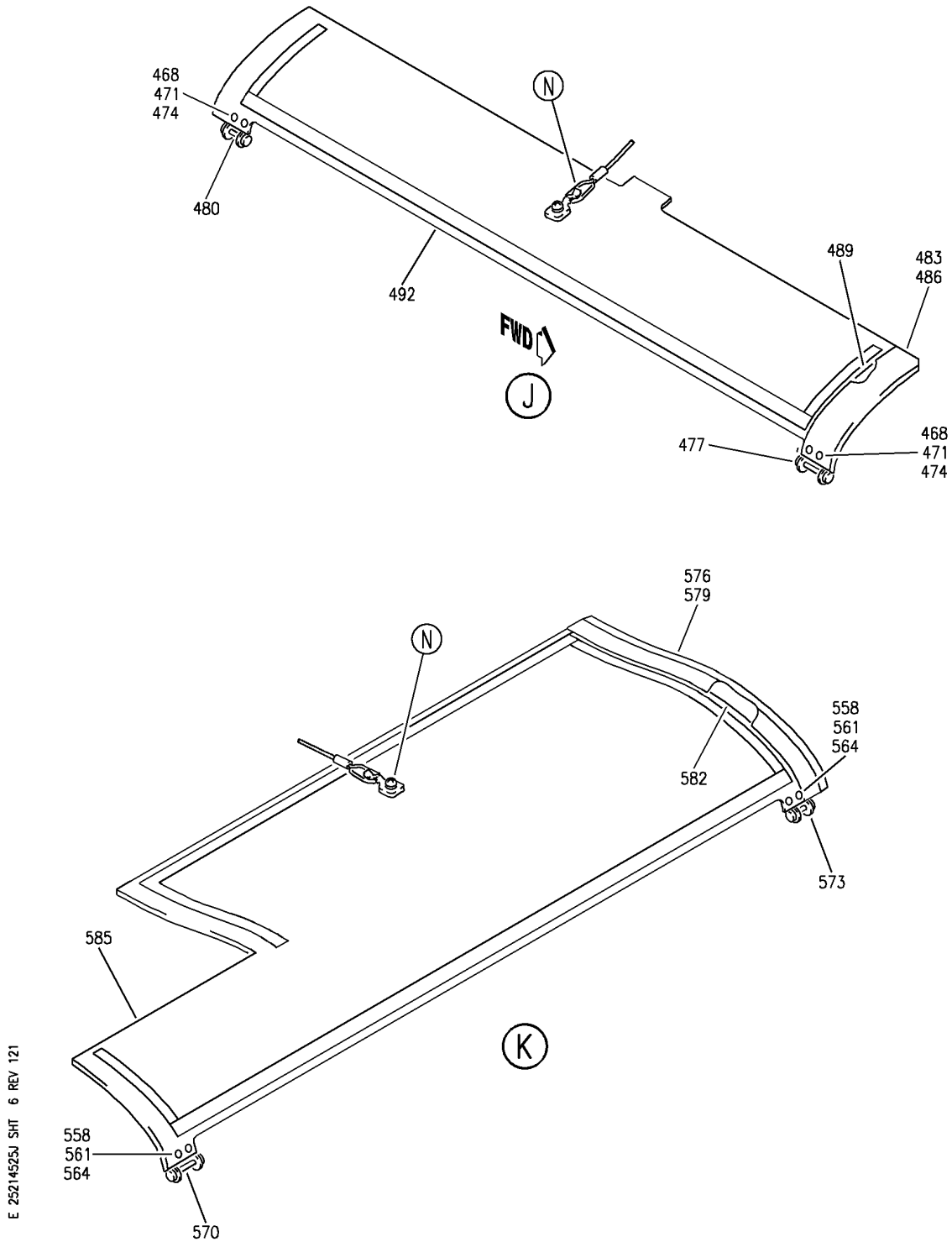
CEILING INSTL-MAIN CAB.
 FIGURE 25J (SHEET 5)

25-21-45-25J

HAP
 OCT 15/08

25-21-45-25J
 PAGE 0D

BOEING
 737-600/700/800/900
 PARTS CATALOG (MAINTENANCE)



E 25214525J SHT 6 REV 121

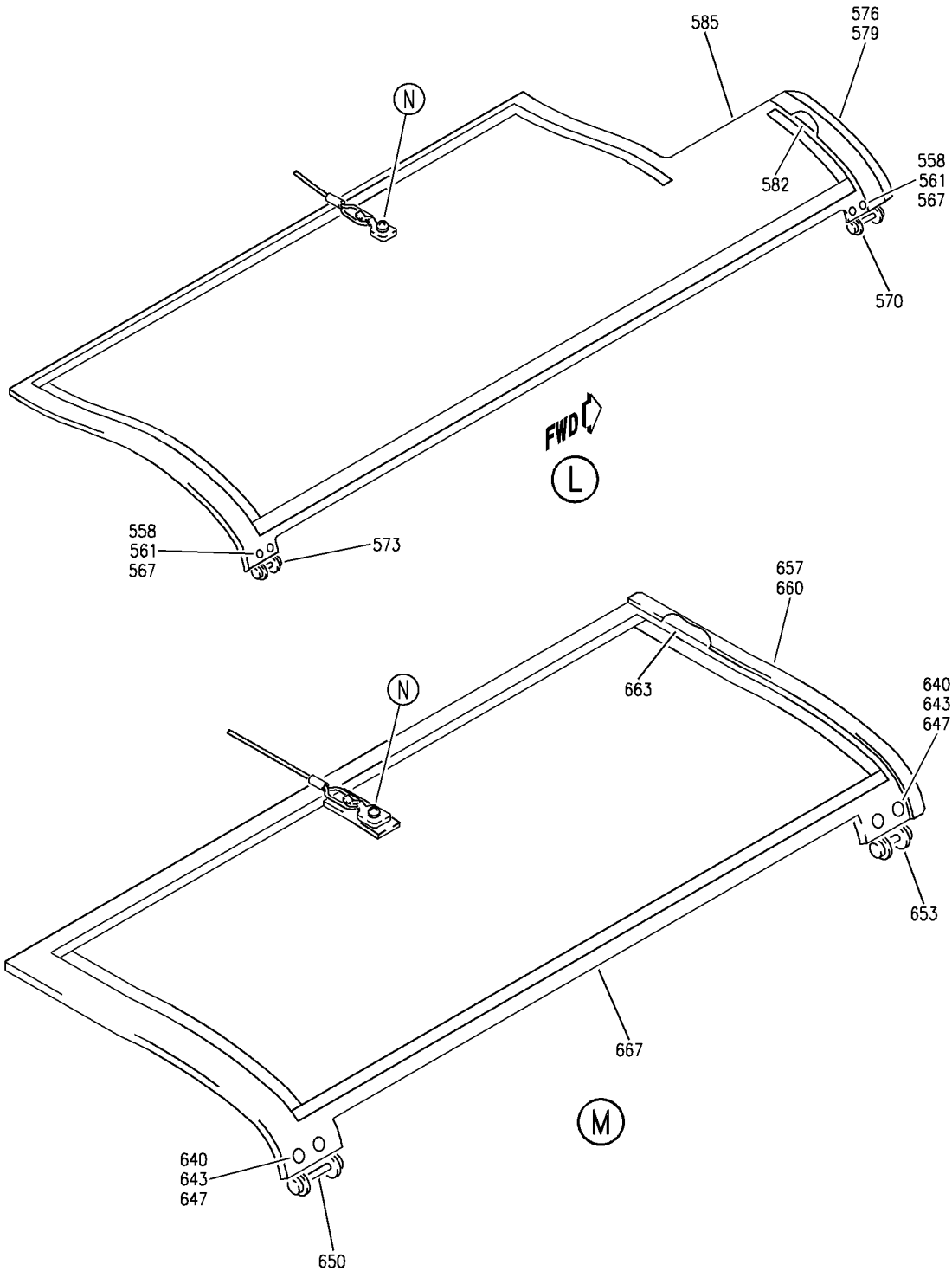
CEILING INSTL-MAIN CAB.
 FIGURE 25J (SHEET 6)

25-21-45-25J

HAP
 OCT 15/08

25-21-45-25J
 PAGE 0E

BOEING
 737-600/700/800/900
 PARTS CATALOG (MAINTENANCE)



E 25214525J SHT 7 REV 121

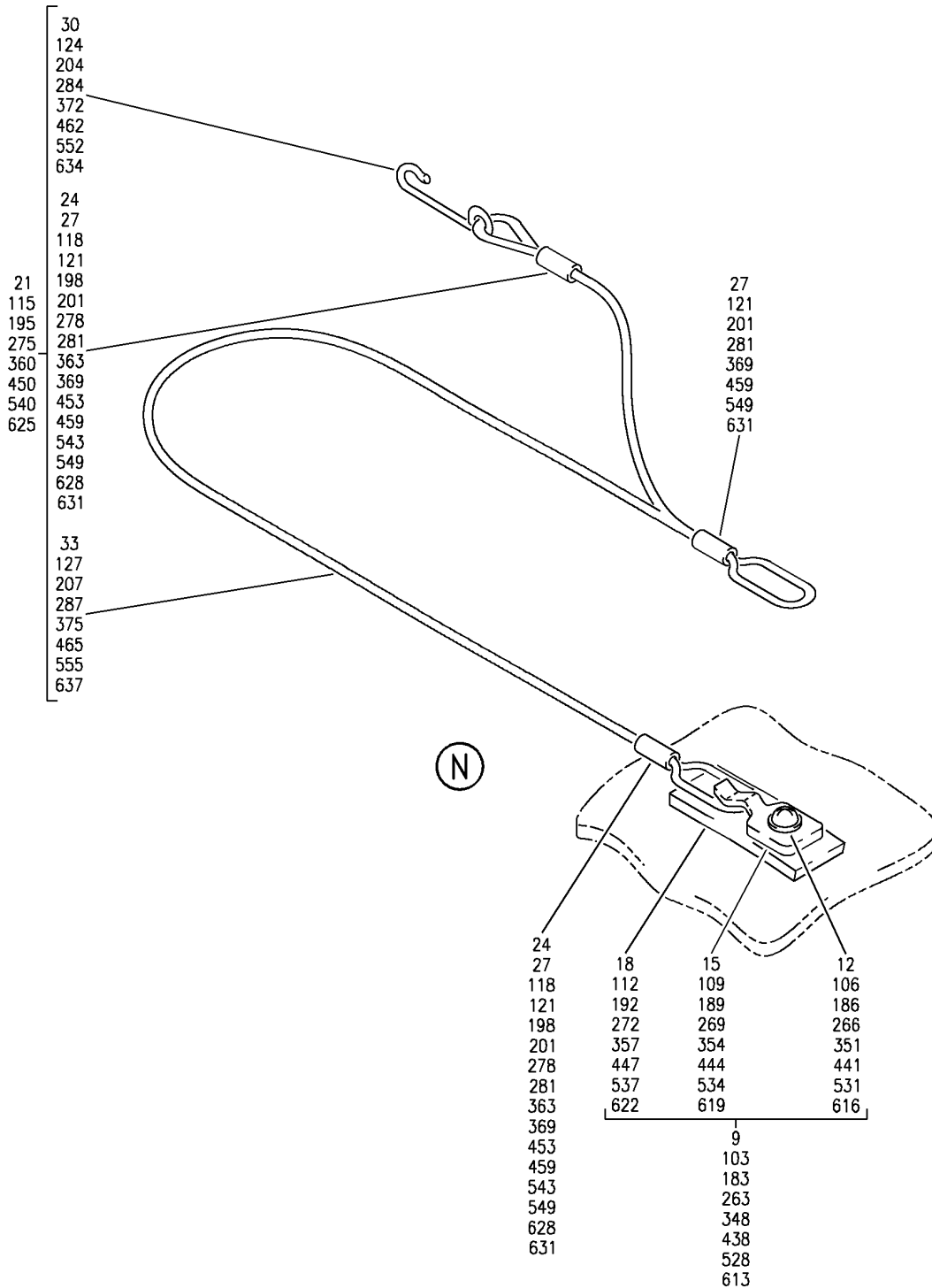
CEILING INSTL-MAIN CAB.
 FIGURE 25J (SHEET 7)

25-21-45-25J

HAP
 OCT 15/08

25-21-45-25J
 PAGE OF


BOEING
 737-600/700/800/900
PARTS CATALOG (MAINTENANCE)



E 25214525J SHT 8 REV 121

CEILING INSTL-MAIN CAB.
 FIGURE 25J (SHEET 8)

25-21-45-25J

HAP
OCT 15/08

25-21-45-25J
 PAGE 08

BOEING
737-600/700/800/900
PARTS CATALOG (MAINTENANCE)

FIG ITEM	PART NUMBER	1 2 3 4 5 6 7	NOMENCLATURE	EFFECT FROM TO	UNITS PER ASSY
25J					
- 1	MODREF303243		CEILING INSTL-MAIN CAB. CEILING INSTL-MAIN CAB. MODULE NUMBER: 411A3300-343B REV A	047053 047053	1
3	411A3320-105B		.PANEL ASSY-TRANSITION	047053	2
6	411A3320-106B		.PANEL ASSY-TRANSITION	047053	2
9	411N1121-49		..STIFFENER ASSY	047053	1
12	BACS12FA3K4		...SCREW	047053	1
15	411A3111-1		...BRACKET	047053	1
18	411N1121-48		...STIFFENER	047053	1
21	411A3110-1		..LANYARD ASSY	047053	1
24	VFP876		...TUBING- SUPPLIER CODE: V0994B OPTIONAL PART: RT876 V06090	047053	2
24	RT876		...TUBING- SUPPLIER CODE: V06090 OPTIONAL PART: VFP876 V0994B	047053	2
27	MS51844-62		...SLEEVE	047053	3
30	411A3111-2		...HOOK	047053	1
33	411A3110-2		...CABLE	047053	1
36	BACS12HJ3K11		..SCREW	047053	4
39	NAS1149D0316J		..WASHER	047053	8
42	PLH53CD		..NUT- SUPPLIER CODE: VFO224 SPECIFICATION NUMBER: BACN10YR3CD OPTIONAL PART: H52732-3CD V15653 BACN11Z3CK	047053	4
42	BACN11Z3CK		..NUT- OPTIONAL PART: BACN10YR3CD	047053	4
45	H3-1592-3		..LATCH ASSY-FLOATING SUPPLIER CODE: V34941 SPECIFICATION NUMBER: S411A001-3	047053	1

MISSING ITEM NUMBERS NOT APPLICABLE

- ITEM NOT ILLUSTRATED

HAP

25-21-45-25J

BOEING PROPRIETARY - Copyright © - Unpublished Work - See title page for details.

25-21-45
FIG. 25J
PAGE 1
FEB 15/09

BOEING
737-600/700/800/900
PARTS CATALOG (MAINTENANCE)

FIG ITEM	PART NUMBER	1 2 3 4 5 6 7	NOMENCLATURE	EFFECT FROM TO	UNITS PER ASSY
25J 48	H3-1592-2		.. LATCH ASSY-LOCATING SUPPLIER CODE: V34941 SPECIFICATION NUMBER: S411A001-2	047053	1
51	411A3140-5		.. SEAL ASSY-GAP	047053	1
54	411A3140-6		... SEAL	047053	1
57	411A3140-9		.. SEAL ASSY- MANUFACTURED FROM: EXTRUSION RUBBER BAC1530-130 178.00IN SPARES ORDER MATERIAL CODE: 5279130016 USED ON: 411A3320-105B	047053	1
60	411A3140-2		... SEAL	047053	1
63	411A3120-4		.. TAPE-HOOK USED ON: 411A3320-105B	047053	AR
66	411A3120-4		.. TAPE-HOOK USED ON: 411A3320-106B	047053	AR
69	411A3320-801		.. PANEL ASSY-MAIN CAB. TRANSITION USED ON: 411A3320-105B	047053	1
72	411A3320-802		.. PANEL ASSY-MAIN CAB. TRANSITION USED ON: 411A3320-106B	047053	1
100	411A3360-101B		. PANEL ASSY-60 IN.	047053	2
103	411N1121-49		.. STIFFENER ASSY	047053	1
106	BACS12FA3K4		... SCREW	047053	1
109	411A3111-1		... BRACKET	047053	1
112	411N1121-48		... STIFFENER	047053	1
115	411A3110-1		.. LANYARD ASSY	047053	1
118	VFP876		... TUBING- SUPPLIER CODE: V0994B OPTIONAL PART: RT876 V06090	047053	2
118	RT876		... TUBING- SUPPLIER CODE: V06090 OPTIONAL PART: VFP876 V0994B	047053	2
121	MS51844-62		... SLEEVE	047053	3

R
R
R
R
R
R
R
R

MISSING ITEM NUMBERS NOT APPLICABLE

- ITEM NOT ILLUSTRATED

HAP

25-21-45-25J

BOEING PROPRIETARY - Copyright © - Unpublished Work - See title page for details.

25-21-45
FIG. 25J
PAGE 2
JUN 15/09

BOEING
737-600/700/800/900
PARTS CATALOG (MAINTENANCE)

FIG ITEM	PART NUMBER	1 2 3 4 5 6 7	NOMENCLATURE	EFFECT FROM TO	UNITS PER ASSY
25J					
124	411A3111-2	...	HOOK	047053	1
127	411A3110-2	...	CABLE	047053	1
130	BACS12HJ3K11	..	SCREW	047053	4
133	NAS1149D0316J	..	WASHER	047053	8
136	PLH53CD	..	NUT-	047053	4
			SUPPLIER CODE: VFO224		
			SPECIFICATION NUMBER: BACN10YR3CD		
			OPTIONAL PART: H52732-3CD V15653 BACN11Z3CK		
136	BACN11Z3CK	..	NUT-	047053	4
			OPTIONAL PART: BACN10YR3CD		
139	H3-1592-3	..	LATCH ASSY-FLOATING	047053	1
			SUPPLIER CODE: V34941		
			SPECIFICATION NUMBER: S411A001-3		
142	H3-1592-2	..	LATCH ASSY-LOCATING	047053	1
			SUPPLIER CODE: V34941		
			SPECIFICATION NUMBER: S411A001-2		
145	411A3140-9	..	SEAL ASSY-GAP	047053	1
			MANUFACTURED FROM: EXTRUSION RUBBER BAC1530-130 178.00IN SPARES ORDER MATERIAL CODE: 5279130016		
148	411A3140-2	...	SEAL	047053	1
151	411A3160-3	..	TAPE-HOOK	047053	1
154	411A3360-801	..	PANEL ASSY	047053	1
180	411A3380-301B	.	PANEL ASSY-80 IN.	047053	9
183	411N1121-49	..	STIFFENER ASSY	047053	1
186	BACS12FA3K4	...	SCREW	047053	1
189	411A3111-1	...	BRACKET	047053	1
192	411N1121-48	...	STIFFENER	047053	1
195	411A3110-1	..	LANYARD ASSY	047053	1
198	VFP876	...	TUBING-	047053	2
			SUPPLIER CODE: V0994B		
			OPTIONAL PART: RT876 V06090		

R
R
R
R
R
R

MISSING ITEM NUMBERS NOT APPLICABLE

- ITEM NOT ILLUSTRATED

HAP

25-21-45-25J

BOEING PROPRIETARY - Copyright © - Unpublished Work - See title page for details.

25-21-45
FIG. 25J
PAGE 3
JUN 15/09

BOEING
737-600/700/800/900
PARTS CATALOG (MAINTENANCE)

FIG ITEM	PART NUMBER	1 2 3 4 5 6 7	NOMENCLATURE	EFFECT FROM TO	UNITS PER ASSY
25J 198	RT876		...TUBING- SUPPLIER CODE: V06090 OPTIONAL PART: VFP876 V0994B	047053	2
201	MS51844-62		...SLEEVE	047053	3
204	411A3111-2		...HOOK	047053	1
207	411A3110-2		...CABLE	047053	1
210	BACS12HJ3K11		..SCREW- POSITION DATA: FARSIDE	047053	4
213	NAS1149D0316J		..WASHER	047053	8
216	PLH53CD		..NUT- SUPPLIER CODE: VFO224 SPECIFICATION NUMBER: BACN10YR3CD OPTIONAL PART: H52732-3CD V15653 BACN11Z3CK	047053	4
216	BACN11Z3CK		..NUT- OPTIONAL PART: BACN10YR3CD	047053	4
219	H3-1592-3		..LATCH ASSY-FLOATING SUPPLIER CODE: V34941 SPECIFICATION NUMBER: S411A001-3	047053	1
222	H3-1592-2		..LATCH ASSY-LOCATING SUPPLIER CODE: V34941 SPECIFICATION NUMBER: S411A001-2	047053	1
225	411A3140-9		..SEAL ASSY-GAP MANUFACTURED FROM: EXTRUSION RUBBER BAC1530-130 178.00IN SPARES ORDER MATERIAL CODE: 5279130016	047053	1
228	411A3140-2		...SEAL	047053	1
231	411A3180-4		..TAPE-HOOK	047053	AR
234	411A3380-801		..PANEL ASSY-BASE	047053	1
260	411A3380-212B		.PANEL ASSY-80 IN.	047053	1
263	411N1121-49		..STIFFENER ASSY	047053	1
266	BACS12FA3K4		...SCREW	047053	1
269	411A3111-1		...BRACKET	047053	1
272	411N1121-48		...STIFFENER	047053	1

MISSING ITEM NUMBERS NOT APPLICABLE

— ITEM NOT ILLUSTRATED

HAP

25-21-45-25J

BOEING PROPRIETARY - Copyright © - Unpublished Work - See title page for details.

25-21-45
FIG. 25J
PAGE 4
JUN 15/09

BOEING
737-600/700/800/900
PARTS CATALOG (MAINTENANCE)

FIG ITEM	PART NUMBER	1 2 3 4 5 6 7	NOMENCLATURE	EFFECT FROM TO	UNITS PER ASSY
25J					
275	411A3110-1	..	LANYARD ASSY	047053	1
278	VFP876	...	TUBING-	047053	2
			SUPPLIER CODE: V0994B		
			OPTIONAL PART: RT876 V06090		
278	RT876	...	TUBING-	047053	2
			SUPPLIER CODE: V06090		
			OPTIONAL PART: VFP876 V0994B		
281	MS51844-62	...	SLEEVE	047053	3
284	411A3111-2	...	HOOK	047053	1
287	411A3110-2	...	CABLE	047053	1
290	BACS12HJ3K11	..	SCREW	047053	4
293	NAS1149D0316J	..	WASHER	047053	8
296	PLH53CD	..	NUT-	047053	4
			SUPPLIER CODE: VFO224		
			SPECIFICATION NUMBER: BACN10YR3CD		
			OPTIONAL PART: H52732-3CD V15653 BACN11Z3CK		
296	BACN11Z3CK	..	NUT-	047053	4
			OPTIONAL PART: BACN10YR3CD		
299	H3-1592-3	..	LATCH ASSY-FLOATING	047053	1
			SUPPLIER CODE: V34941		
			SPECIFICATION NUMBER: S411A001-3		
302	H3-1592-2	..	LATCH ASSY-LOCATING	047053	1
			SUPPLIER CODE: V34941		
			SPECIFICATION NUMBER: S411A001-2		
305	411A3140-9	..	SEAL ASSY-GAP	047053	1
			MANUFACTURED FROM: EXTRUSION RUBBER BAC1530-130 178.00IN SPARES ORDER MATERIAL CODE: 5279130016		
308	411A3140-2	...	SEAL	047053	1
311	411A3180-4	..	TAPE-HOOK	047053	AR
314	411A3380-801	..	PANEL ASSY	047053	1

MISSING ITEM NUMBERS NOT APPLICABLE

— ITEM NOT ILLUSTRATED

R
R
R
R
R
R

HAP

25-21-45-25J

BOEING PROPRIETARY - Copyright © - Unpublished Work - See title page for details.

25-21-45
FIG. 25J
PAGE 5
JUN 15/09

BOEING
737-600/700/800/900
PARTS CATALOG (MAINTENANCE)

FIG ITEM	PART NUMBER	1 2 3 4 5 6 7	NOMENCLATURE	EFFECT FROM TO	UNITS PER ASSY
25 J					
340	411A3380-307B	.	PANEL ASSY-80 IN.	047053	1
345	411A3380-308B	.	PANEL ASSY-80 IN.	047053	1
348	411N1121-49	..	STIFFENER ASSY	047053	1
351	BACS12FA3K4	...	SCREW	047053	1
354	411A3111-1	...	BRACKET	047053	1
357	411N1121-48	...	STIFFENER	047053	1
360	411A3110-1	..	LANYARD ASSY	047053	1
363	VFP876	...	TUBING-	047053	2
			SUPPLIER CODE: V0994B		
			OPTIONAL PART: RT876 V06090		
363	RT876	...	TUBING-	047053	2
			SUPPLIER CODE: V06090		
			OPTIONAL PART: VFP876 V0994B		
369	MS51844-62	...	SLEEVE	047053	3
372	411A3111-2	...	HOOK	047053	1
375	411A3110-2	...	CABLE	047053	1
378	BACS12HJ3K11	..	SCREW	047053	4
381	NAS1149D0316J	..	WASHER	047053	8
384	PLH53CD	..	NUT-	047053	4
			SUPPLIER CODE: VFO224		
			SPECIFICATION NUMBER: BACN10YR3CD		
			OPTIONAL PART: H52732-3CD V15653 BACN11Z3CK		
384	BACN11Z3CK	..	NUT-	047053	4
			OPTIONAL PART: BACN10YR3CD		
387	H3-1592-3	..	LATCH ASSY-FLOATING	047053	1
			SUPPLIER CODE: V34941		
			SPECIFICATION NUMBER: S411A001-3		
390	H3-1592-2	..	LATCH ASSY-LOCATING	047053	1
			SUPPLIER CODE: V34941		
			SPECIFICATION NUMBER: S411A001-2		

MISSING ITEM NUMBERS NOT APPLICABLE

— ITEM NOT ILLUSTRATED

HAP

25-21-45-25J

BOEING PROPRIETARY - Copyright © - Unpublished Work - See title page for details.

25-21-45
FIG. 25J
PAGE 6
JUN 15/09

BOEING
737-600/700/800/900
PARTS CATALOG (MAINTENANCE)

FIG ITEM	PART NUMBER	1 2 3 4 5 6 7	NOMENCLATURE	EFFECT FROM TO	UNITS PER ASSY
R R R R R R	25J 393	411A3140-9	..SEAL ASSY-GAP MANUFACTURED FROM: EXTRUSION RUBBER BAC1530-130 178.00IN SPARES ORDER MATERIAL CODE: 5279130016	047053	1
	396	411A3140-2	...SEAL	047053	1
	399	411A3180-4	..TAPE-HOOK	047053	AR
	402	411A3380-801	..PANEL ASSY	047053	1
	430	411A3380-335B	.PANEL ASSY-80 IN.	047053	1
	435	411A3380-336B	.PANEL ASSY-80 IN.	047053	1
	438	411N1121-49	..STIFFENER ASSY	047053	1
	441	BACS12FA3K4	...SCREW	047053	1
	444	411A3111-1	...BRACKET	047053	1
	447	411N1121-48	...STIFFENER	047053	1
	450	411A3110-1	..LANYARD ASSY	047053	1
	453	VFP876	...TUBING- SUPPLIER CODE: V0994B OPTIONAL PART: RT876 V06090	047053	2
	453	RT876	...TUBING- SUPPLIER CODE: V06090 OPTIONAL PART: VFP876 V0994B	047053	2
	459	MS51844-62	...SLEEVE	047053	3
	462	411A3111-2	...HOOK	047053	1
	465	411A3110-2	...CABLE	047053	1
	468	BACS12HJ3K11	..SCREW	047053	4
	471	NAS1149D0316J	..WASHER	047053	8
	474	PLH53CD	..NUT- SUPPLIER CODE: VFO224 SPECIFICATION NUMBER: BACN10YR3CD OPTIONAL PART: H52732-3CD V15653 BACN11Z3CK	047053	4
	474	BACN11Z3CK	..NUT- OPTIONAL PART: BACN10YR3CD	047053	4

MISSING ITEM NUMBERS NOT APPLICABLE

— ITEM NOT ILLUSTRATED

HAP

25-21-45-25J

BOEING PROPRIETARY - Copyright © - Unpublished Work - See title page for details.

25-21-45
FIG. 25J
PAGE 7
JUN 15/09

BOEING
737-600/700/800/900
PARTS CATALOG (MAINTENANCE)

FIG ITEM	PART NUMBER	1 2 3 4 5 6 7	NOMENCLATURE	EFFECT FROM TO	UNITS PER ASSY
25J 477	H3-1592-3		.. LATCH ASSY-FLOATING SUPPLIER CODE: V34941 SPECIFICATION NUMBER: S411A001-3	047053	1
480	H3-1592-2		.. LATCH ASSY-LOCATING SUPPLIER CODE: V34941 SPECIFICATION NUMBER: S411A001-2	047053	1
483	411A3140-9		.. SEAL ASSY-GAP MANUFACTURED FROM: EXTRUSION RUBBER BAC1530-130 178.00IN SPARES ORDER MATERIAL CODE: 5279130016	047053	1
486	411A3140-2		... SEAL	047053	1
489	411A3180-4		.. TAPE-HOOK	047053	1
492	411A3380-801		.. PANEL ASSY	047053	1
520	411A3380-309B		. PANEL ASSY-80 IN.	047053	1
525	411A3380-310B		. PANEL ASSY-80 IN.	047053	1
528	411N1121-49		.. STIFFENER ASSY	047053	1
531	BACS12FA3K4		... SCREW	047053	1
534	411A3111-1		... BRACKET	047053	1
537	411N1121-48		... STIFFENER	047053	1
540	411A3110-1		.. LANYARD ASSY	047053	1
543	VFP876		... TUBING- SUPPLIER CODE: V0994B OPTIONAL PART: RT876 V06090	047053	2
543	RT876		... TUBING- SUPPLIER CODE: V06090 OPTIONAL PART: VFP876 V0994B	047053	2
549	MS51844-62		... SLEEVE	047053	3
552	411A3111-2		... HOOK	047053	1
555	411A3110-2		... CABLE	047053	1
558	BACS12HJ3K11		.. SCREW	047053	4
561	NAS1149D0316J		.. WASHER	047053	8

R
R
R
R
R
R

MISSING ITEM NUMBERS NOT APPLICABLE

- ITEM NOT ILLUSTRATED

HAP

25-21-45-25J

BOEING PROPRIETARY - Copyright © - Unpublished Work - See title page for details.

25-21-45
FIG. 25J
PAGE 8
JUN 15/09

BOEING
737-600/700/800/900
PARTS CATALOG (MAINTENANCE)

FIG ITEM	PART NUMBER	1 2 3 4 5 6 7	NOMENCLATURE	EFFECT FROM TO	UNITS PER ASSY
25 J 564	PLH53CD	..	NUT- SUPPLIER CODE: VFO224 SPECIFICATION NUMBER: BACN10YR3CD OPTIONAL PART: H52732-3CD V15653 BACN11Z3CK USED ON: 411A3380-309B	047053	4
564	BACN11Z3CK	..	NUT- OPTIONAL PART: BACN10YR3CD USED ON: 411A3380-309B	047053	4
567	BACN11Z3CK	..	NUT- USED ON: 411A3380-310B	047053	4
570	H3-1592-3	..	LATCH ASSY-FLOATING SUPPLIER CODE: V34941 SPECIFICATION NUMBER: S411A001-3	047053	1
573	H3-1592-2	..	LATCH ASSY-LOCATING SUPPLIER CODE: V34941 SPECIFICATION NUMBER: S411A001-2	047053	1
576	411A3140-9	..	SEAL ASSY-GAP MANUFACTURED FROM: EXTRUSION RUBBER BAC1530-130 178.00IN SPARES ORDER MATERIAL CODE: 5279130016	047053	1
579	411A3140-2	...	SEAL	047053	1
582	411A3180-4	..	TAPE-HOOK	047053	AR
585	411A3380-801	..	PANEL ASSY	047053	1
610	411A3370-101B	.	PANEL ASSY-70 IN.	047053	2
613	411N1121-49	..	STIFFENER ASSY	047053	1
616	BACS12FA3K4	...	SCREW	047053	1
619	411A3111-1	...	BRACKET	047053	1
622	411N1121-48	...	STIFFENER	047053	1
625	411A3110-1	..	LANYARD ASSY	047053	1

MISSING ITEM NUMBERS NOT APPLICABLE

— ITEM NOT ILLUSTRATED

HAP

25-21-45-25J

BOEING PROPRIETARY - Copyright © - Unpublished Work - See title page for details.

25-21-45
FIG. 25J
PAGE 9
JUN 15/09

BOEING
737-600/700/800/900
PARTS CATALOG (MAINTENANCE)

FIG ITEM	PART NUMBER	1 2 3 4 5 6 7	NOMENCLATURE	EFFECT FROM TO	UNITS PER ASSY
25J 628	VFP876	...	TUBING- SUPPLIER CODE: V0994B OPTIONAL PART: RT876 V06090	047053	2
628	RT876	...	TUBING- SUPPLIER CODE: V06090 OPTIONAL PART: VFP876 V0994B	047053	2
631	MS51844-62	...	SLEEVE	047053	3
634	411A3111-2	...	HOOK	047053	1
637	411A3110-2	...	CABLE	047053	1
640	BACS12HJ3K11	..	SCREW	047053	4
643	NAS1149D0316J	..	WASHER	047053	8
647	PLH53CD	..	NUT- SUPPLIER CODE: VFO224 SPECIFICATION NUMBER: BACN10YR3CD OPTIONAL PART: H52732-3CD V15653 BACN11Z3CK	047053	4
647	BACN11Z3CK	..	NUT- OPTIONAL PART: BACN10YR3CD	047053	4
650	H3-1592-3	..	LATCH ASSY-FLOATING SUPPLIER CODE: V34941 SPECIFICATION NUMBER: S411A001-3	047053	1
653	H3-1592-2	..	LATCH ASSY-LOCATING SUPPLIER CODE: V34941 SPECIFICATION NUMBER: S411A001-2	047053	1
657	411A3140-9	..	SEAL ASSY-GAP MANUFACTURED FROM: EXTRUSION RUBBER BAC1530-130 178.00IN SPARES ORDER MATERIAL CODE: 5279130016	047053	1
660	411A3140-2	...	SEAL	047053	1
663	411A3170-3	..	TAPE-HOOK	047053	1
667	411A3380-801	..	PANEL ASSY	047053	1

MISSING ITEM NUMBERS NOT APPLICABLE

— ITEM NOT ILLUSTRATED

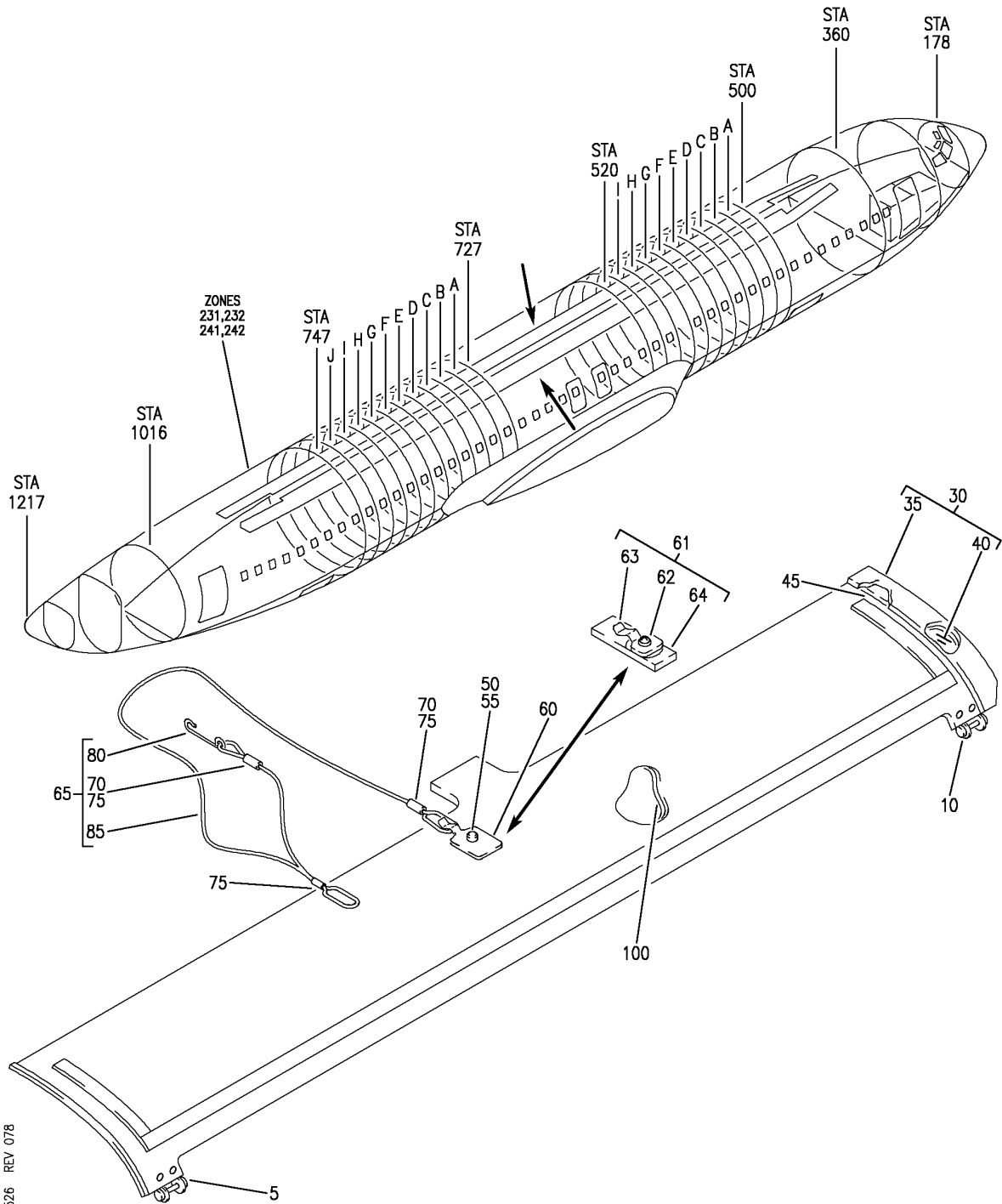
HAP

25-21-45-25J

BOEING PROPRIETARY - Copyright © - Unpublished Work - See title page for details.

25-21-45
FIG. 25J
PAGE 10
JUN 15/09

BOEING
 737-600/700/800/900
 PARTS CATALOG (MAINTENANCE)



E 25214526 REV 078

PANEL ASSY
 FIGURE 26

25-21-45-26

HAP
 OCT 10/06

25-21-45-26
 PAGE 0

BOEING
737-600/700/800/900
PARTS CATALOG (MAINTENANCE)

FIG ITEM	PART NUMBER	1 2 3 4 5 6 7	NOMENCLATURE	EFFECT FROM TO	UNITS PER ASSY
26					
R	30	411A3140-1A	.SEAL ASSY- OPTIONAL PART: 411A3140-9	001021	1
R	35	411A3140-3	..TAPE-LOOP USED ON: 411A3140-9	001046 054100	1
R	40	411A3140-2	..SEAL- USED ON: 411A3140-9	001046 054100	1
R	45	411A3180-4	.TAPE-HOOK	001046 054100	1
R	50	NAS8203A4	.SCREW-	001021	1
R	50	BACS12HJ3K4	.SCREW-	022030	1
R	55	NAS1149D0332J	.WASHER	001030	1
R	60	411A3111-1	.BRACKET-	001030	1
R	61	411N1121-49	.STIFFENER ASSY-	031046 054100	1
R	62	BACS12FA3K4	..SCREW	031046 054100	1
R	63	411A3111-1	..BRACKET	031046 054100	1
R	64	411N1121-48	..STIFFENER	031046 054100	1
R	65	411A3110-1	.LANYARD ASSY	001046 054100	1
R	70	RT876	..TUBING- SUPPLIER CODE: V06090 OPTIONAL PART: VFP876 V0994B	001046 054100	2
R	70	VFP876	..TUBING- SUPPLIER CODE: V0994B OPTIONAL PART: RT876 V06090	001046 054100	2
R	75	MS51844-62	..SLEEVE	001046 054100	3
R	80	411A3111-2	..HOOK	001046 054100	1
R	85	411A3110-2	..CABLE	001046 054100	1
-	95	SL6224-3A	.INSERT- SUPPLIER CODE: V97393	001030	1
R	100	411A3181-1	.PANEL ASSY-BASE	001021	1
R	100	411A3380-801	.PANEL ASSY-BASE	022046 054100	1

MISSING ITEM NUMBERS NOT APPLICABLE

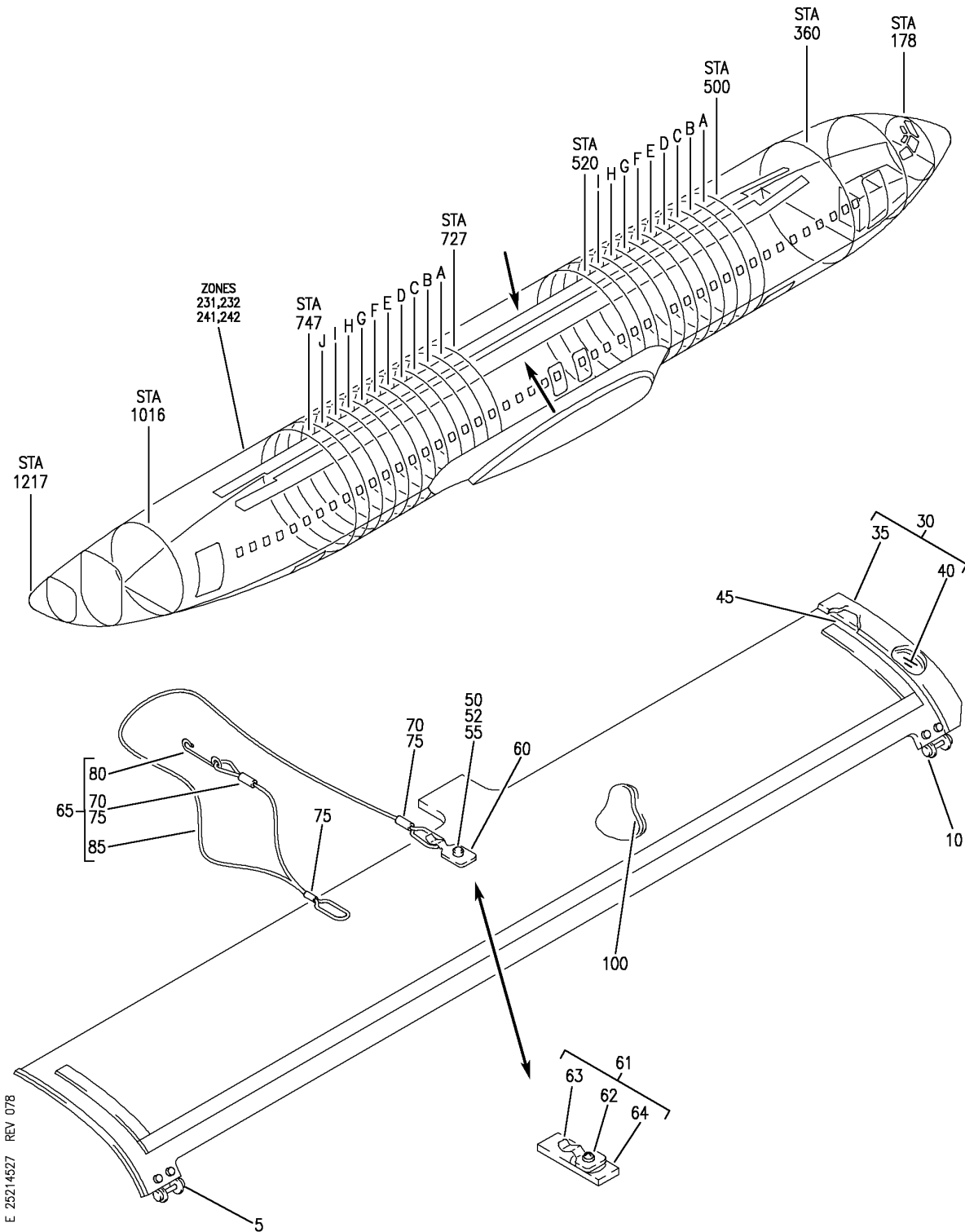
- ITEM NOT ILLUSTRATED

HAP

25-21-45-26

25-21-45
FIG. 26
PAGE 2
JUN 15/09

BOEING
 737-600/700/800/900
 PARTS CATALOG (MAINTENANCE)



E 25214527 REV 078

PANEL ASSY
 FIGURE 27

25-21-45-27

HAP
 OCT 10/06

25-21-45-27
 PAGE 0

BOEING
737-600/700/800/900
PARTS CATALOG (MAINTENANCE)

FIG ITEM	PART NUMBER	1 2 3 4 5 6 7	NOMENCLATURE	EFFECT FROM TO	UNITS PER ASSY
R	27		PANEL ASSY	001046	
R	-	1	411A3180-36A	054100	
			PANEL ASSY-80 IN. MAIN CAB. FOR NHA SEE: 25-21-45-09	001021	RF
	-	1	411A3380-36B		
			PANEL ASSY-80 IN. MAIN CAB. FOR NHA SEE: 25-21-45-09	022030	RF
R	-	1	411A3380-336B		
R			PANEL ASSY-80 IN. MAIN CAB. FOR NHA SEE: 25-21-45-09	031046	RF
R				054100	
R		5	H3-1592-3		
R			.LATCH ASSY- SUPPLIER CODE: V34941	001046	1
R			SPECIFICATION NUMBER: S411A001-3	054100	
R		10	H3-1592-2		
R			.LATCH ASSY- SUPPLIER CODE: V34941	001046	1
R			SPECIFICATION NUMBER: S411A001-2	054100	
R			ATTACHING PARTS		
	-	15	NAS8203A11		
R			.SCREW-	001021	4
	-	17	BACS12HJ3K11		
R			.SCREW-	022046	4
				054100	
R		-	20	NAS1149D0316J	
R			.WASHER	001046	8
				054100	
	-	25	NAS1805-3		
R			.NUT-	001021	4
	-	25	BACN11Z3CK		
R			.NUT-	022046	4
				054100	
			-----*-----		
R		30	411A3140-9		
R			.SEAL ASSY- MANUFACTURED FROM: EXTRUSION RUBBER BAC1530-130 178.00IN SPARES ORDER MATERIAL CODE: 5279130016	001046	1
R			OPTIONAL PART: 411A3140-1A	054100	
R		30	411A3140-1A		
			.SEAL ASSY- OPTIONAL PART: 411A3140-9	001021	1
R		35	411A3140-3		
R			..TAPE-LOOP	001046	1
R				054100	
R		40	411A3140-2		
R			..SEAL	001046	1
R				054100	
R		45	411A3180-4		
			.TAPE-HOOK	001046	1
				054100	
		50	NAS8203A4		
			.SCREW-	001021	1

MISSING ITEM NUMBERS NOT APPLICABLE

- ITEM NOT ILLUSTRATED

HAP

25-21-45-27

BOEING PROPRIETARY - Copyright © - Unpublished Work - See title page for details.

25-21-45
FIG. 27
PAGE 1
JUN 15/09

BOEING
737-600/700/800/900
PARTS CATALOG (MAINTENANCE)

FIG ITEM	PART NUMBER	1 2 3 4 5 6 7	NOMENCLATURE	EFFECT FROM TO	UNITS PER ASSY
27					
R	52	BACS12HJ3K4	.SCREW-	022030	1
R	55	NAS1149D0332J	.WASHER	001030	1
R	60	411A3111-1	.BRACKET-	001030	1
R	61	411N1121-49	.STIFFENER ASSY-	031046	1
R				054100	
R	62	BACS12FA3K4	..SCREW	031046	1
R				054100	
R	63	411A3111-1	..BRACKET	031046	1
R				054100	
R	64	411N1121-48	..STIFFENER	031046	1
R				054100	
R	65	411A3110-1	.LANYARD ASSY	001046	1
R				054100	
R	70	RT876	..TUBING-	001046	2
R			SUPPLIER CODE:	054100	
R			V06090		
R			OPTIONAL PART:		
R			VFP876		
R			V0994B		
R	70	VFP876	..TUBING-	001046	2
R			SUPPLIER CODE:	054100	
R			V0994B		
R			OPTIONAL PART:		
R			RT876		
R			V06090		
R	75	MS51844-62	..SLEEVE	001046	3
R				054100	
R	80	411A3111-2	..HOOK	001046	1
R				054100	
R	85	411A3110-2	..CABLE	001046	1
R				054100	
-	95	SL6224-3A	.INSERT-	001030	1
			SUPPLIER CODE:		
			V97393		
R	100	411A3181-1	.PANEL ASSY-BASE	001021	1
R	100	411A3380-801	.PANEL ASSY-BASE	022046	1
				054100	

MISSING ITEM NUMBERS NOT APPLICABLE

- ITEM NOT ILLUSTRATED

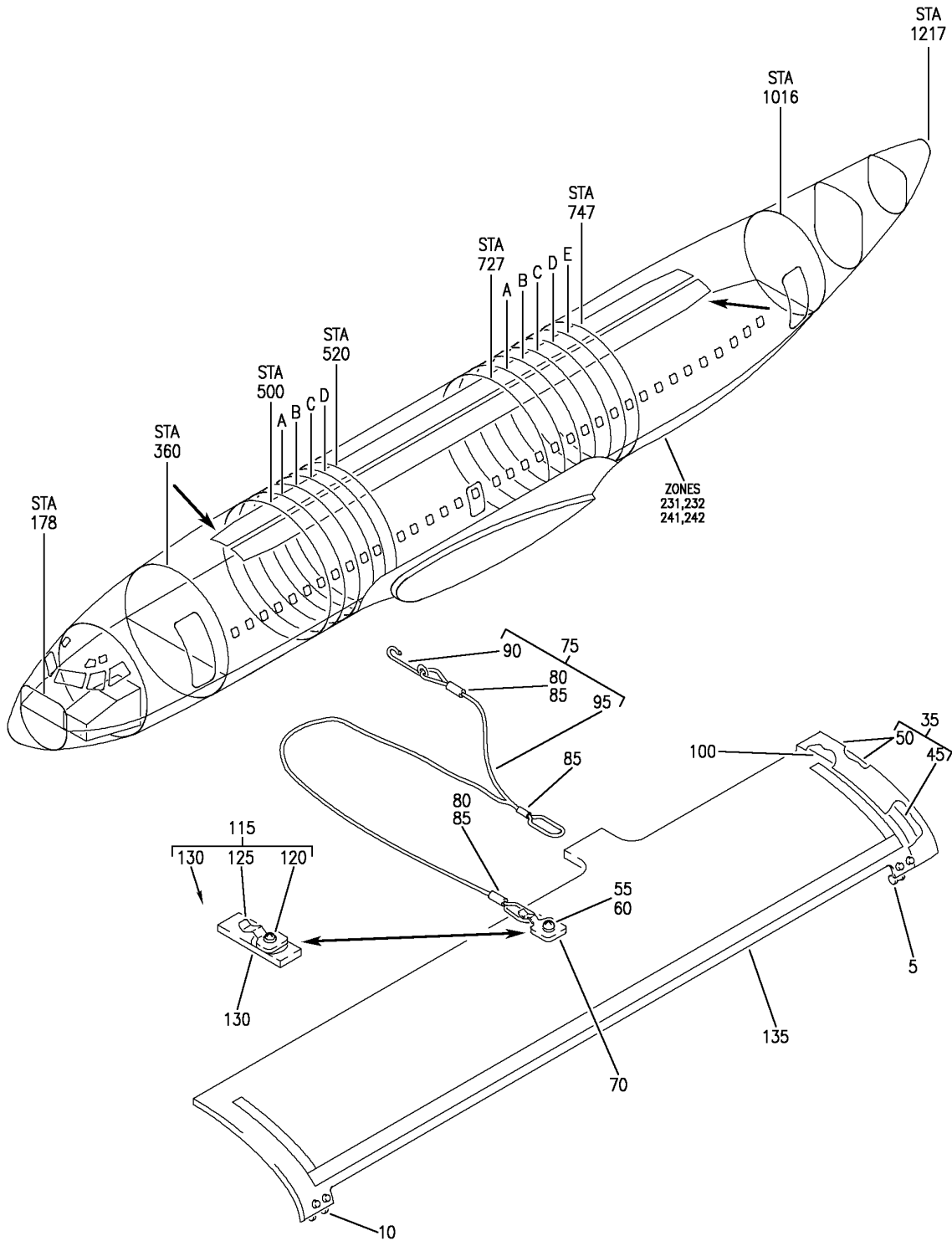
HAP

25-21-45-27

BOEING PROPRIETARY - Copyright © - Unpublished Work - See title page for details.

25-21-45
FIG. 27
PAGE 2
JUN 15/09

BOEING
 737-600/700/800/900
 PARTS CATALOG (MAINTENANCE)



E 25214543 REV 078

PANEL ASSY-80 IN. MAIN CAB.
 FIGURE 43

25-21-45-43

HAP
 FEB 10/07

25-21-45-43
 PAGE 0

BOEING
737-600/700/800/900
PARTS CATALOG (MAINTENANCE)

FIG ITEM	PART NUMBER	1 2 3 4 5 6 7	NOMENCLATURE	EFFECT FROM TO	UNITS PER ASSY
43			PANEL ASSY-80 IN. MAIN CAB.	101200 968999	
- 1	411A3380-331B		PANEL ASSY-80 IN. MAIN CAB.	101200 968999	RF
5	H3-1592-2		.LATCH ASSY-LOCATING SUPPLIER CODE: V34941 SPECIFICATION NUMBER: S411A001-2	101200 968999	1
10	H3-1592-3		.LATCH ASSY-FLOATING SUPPLIER CODE: V34941 SPECIFICATION NUMBER: S411A001-3	101200 968999	1
- 17	BACS12HJ3K11		ATTACHING PARTS .SCREW- POSITION DATA: FS	101200 968999	4
- 20	NAS1149D0316J		.WASHER	101200 968999	8
- 30	BACN11Z3CK		.NUT-	101200 968999	4
- 30	PLH53CD		.NUT- SUPPLIER CODE: VF0224 SPECIFICATION NUMBER: BACN10YR3CD OPTIONAL PART: H52732-3CD V15653 BACN11Z3CK -----*-----	101200 968999	4
R R R R R R	35	411A3140-9	.SEAL ASSY- MANUFACTURED FROM: EXTRUSION RUBBER BAC1530-130 178.00IN SPARES ORDER MATERIAL CODE: 5279130016	101200 968999	1
-	40	411A3140-3	..TAPE-LOOP	101200 968999	1
	45	411A3140-2	..SEAL	101200 968999	1
	55	BACS12HJ3K4	.SCREW	101200 968999	1
	75	411A3110-1	.LANYARD ASSY	101200 968999	1

MISSING ITEM NUMBERS NOT APPLICABLE

- ITEM NOT ILLUSTRATED

HAP

25-21-45-43

BOEING PROPRIETARY - Copyright © - Unpublished Work - See title page for details.

25-21-45
FIG. 43
PAGE 1
JUN 15/09

BOEING
737-600/700/800/900
PARTS CATALOG (MAINTENANCE)

FIG ITEM	PART NUMBER	1 2 3 4 5 6 7	NOMENCLATURE	EFFECT FROM TO	UNITS PER ASSY
43					
80	RT876	..	TUBING- SUPPLIER CODE: V06090 OPTIONAL PART: VFP876 V0994B	101200 968999	2
80	VFP876	..	TUBING- SUPPLIER CODE: V0994B OPTIONAL PART: RT876 V06090	101200 968999	2
85	MS51844-62	..	SLEEVE	101200 968999	3
90	411A3111-2	..	HOOK	101200 968999	1
95	411A3110-2	..	CABLE	101200 968999	1
100	411A3180-4	.	TAPE-HOOK	101200 968999	1
115	411N1121-49	.	STIFFENER ASSY-	101200 968999	1
120	BACS12FA3K4	..	SCREW	101200 968999	1
125	411A3111-1	..	BRACKET	101200 968999	1
130	411N1121-48	..	STIFFENER	101200 968999	1
135	411A3380-801	.	PANEL ASSY-BASE	101200 968999	1

MISSING ITEM NUMBERS NOT APPLICABLE

— ITEM NOT ILLUSTRATED

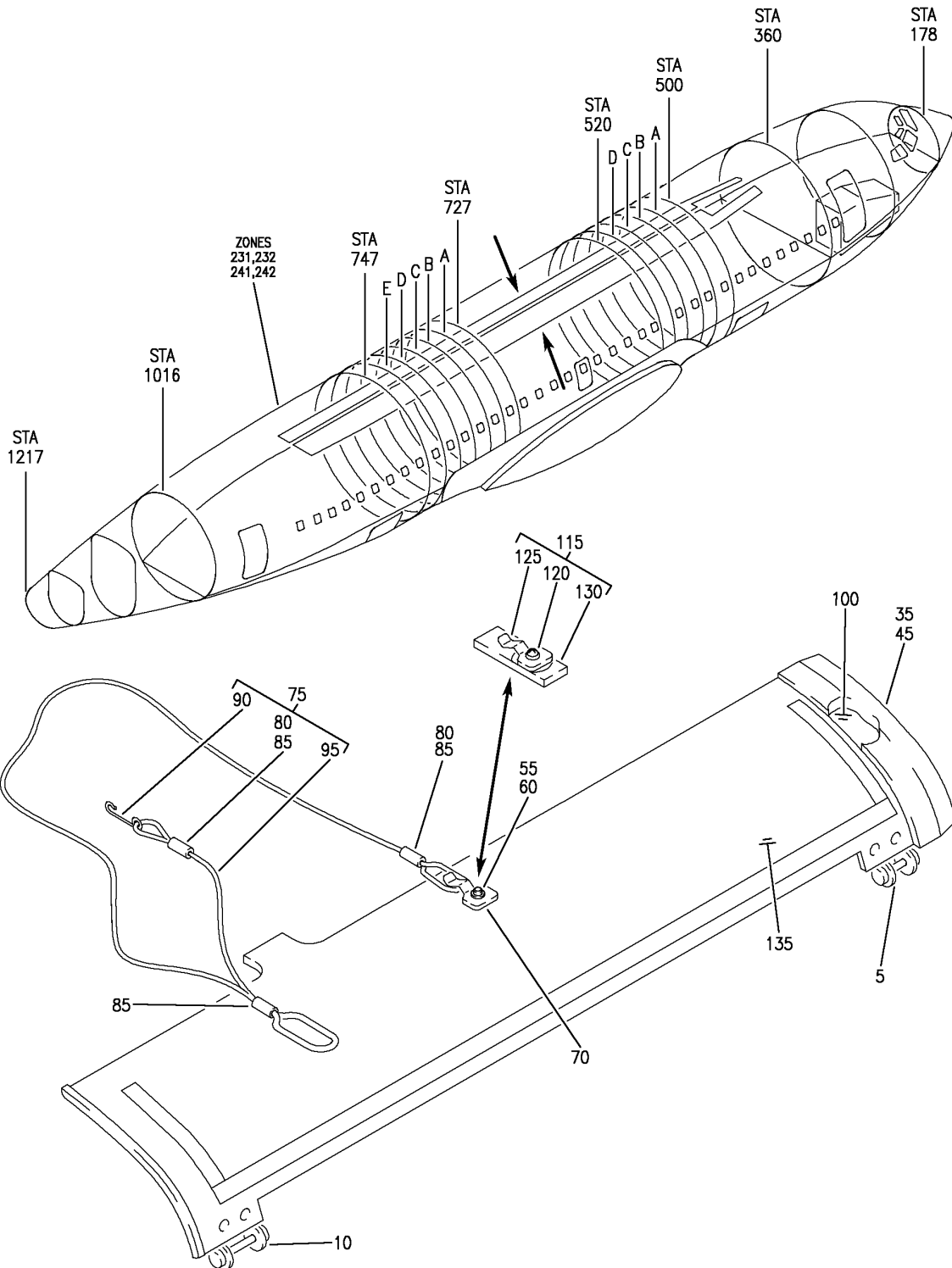
HAP

25-21-45-43

BOEING PROPRIETARY - Copyright © - Unpublished Work - See title page for details.

25-21-45
FIG. 43
PAGE 2
JUN 15/09

BOEING
 737-600/700/800/900
 PARTS CATALOG (MAINTENANCE)



E 25214544 REV 078

PANEL ASSY-80 IN. MAIN CAB.
 FIGURE 44

25-21-45-44

HAP
 FEB 10/07

25-21-45-44
 PAGE 0

BOEING
737-600/700/800/900
PARTS CATALOG (MAINTENANCE)

FIG ITEM	PART NUMBER	1 2 3 4 5 6 7	NOMENCLATURE	EFFECT FROM TO	UNITS PER ASSY
44			PANEL ASSY-80 IN. MAIN CAB.	101200 968999	
- 1	411A3380-332B		PANEL ASSY-80 IN. MAIN CAB.	101200 968999	RF
5	H3-1592-2		.LATCH ASSY-LOCATING SUPPLIER CODE: V34941 SPECIFICATION NUMBER: S411A001-2	101200 968999	1
10	H3-1592-3		.LATCH ASSY-FLOATING SUPPLIER CODE: V34941 SPECIFICATION NUMBER: S411A001-3	101200 968999	1
- 17	BACS12HJ3K11		ATTACHING PARTS .SCREW- POSITION DATA: FS	101200 968999	4
- 20	NAS1149D0316J		.WASHER	101200 968999	8
- 30	BACN11Z3CK		.NUT-	101200 968999	4
- 30	PLH53CD		.NUT- SUPPLIER CODE: VF0224 SPECIFICATION NUMBER: BACN10YR3CD OPTIONAL PART: H52732-3CD V15653 BACN11Z3CK -----*-----	101200 968999	4
R R R R R	35	411A3140-9	.SEAL ASSY- MANUFACTURED FROM: EXTRUSION RUBBER BAC1530-130 178.00IN SPARES ORDER MATERIAL CODE: 5279130016	101200 968999	1
-	40	411A3140-3	..TAPE-LOOP USED ON: 411A3140-9	101200 968999	1
	45	411A3140-2	..SEAL- USED ON: 411A3140-9	101200 968999	1
	75	411A3110-1	.LANYARD ASSY	101200 968999	1

MISSING ITEM NUMBERS NOT APPLICABLE

- ITEM NOT ILLUSTRATED

HAP

25-21-45-44

BOEING PROPRIETARY - Copyright © - Unpublished Work - See title page for details.

25-21-45
FIG. 44
PAGE 1
JUN 15/09

BOEING
737-600/700/800/900
PARTS CATALOG (MAINTENANCE)

FIG ITEM	PART NUMBER	1 2 3 4 5 6 7	NOMENCLATURE	EFFECT FROM TO	UNITS PER ASSY
44					
80	RT876	..	TUBING- SUPPLIER CODE: V06090 OPTIONAL PART: VFP876 V0994B	101200 968999	2
80	VFP876	..	TUBING- SUPPLIER CODE: V0994B OPTIONAL PART: RT876 V06090	101200 968999	2
85	MS51844-62	..	SLEEVE	101200 968999	3
90	411A3111-2	..	HOOK	101200 968999	1
95	411A3110-2	..	CABLE	101200 968999	1
100	411A3180-4	.	TAPE-HOOK	101200 968999	1
115	411N1121-49	.	STIFFENER ASSY-	101200 968999	1
120	BACS12FA3K4	..	SCREW	101200 968999	1
125	411A3111-1	..	BRACKET	101200 968999	1
130	411N1121-48	..	STIFFENER	101200 968999	1
135	411A3380-801	.	PANEL ASSY-BASE	101200 968999	1

MISSING ITEM NUMBERS NOT APPLICABLE

— ITEM NOT ILLUSTRATED

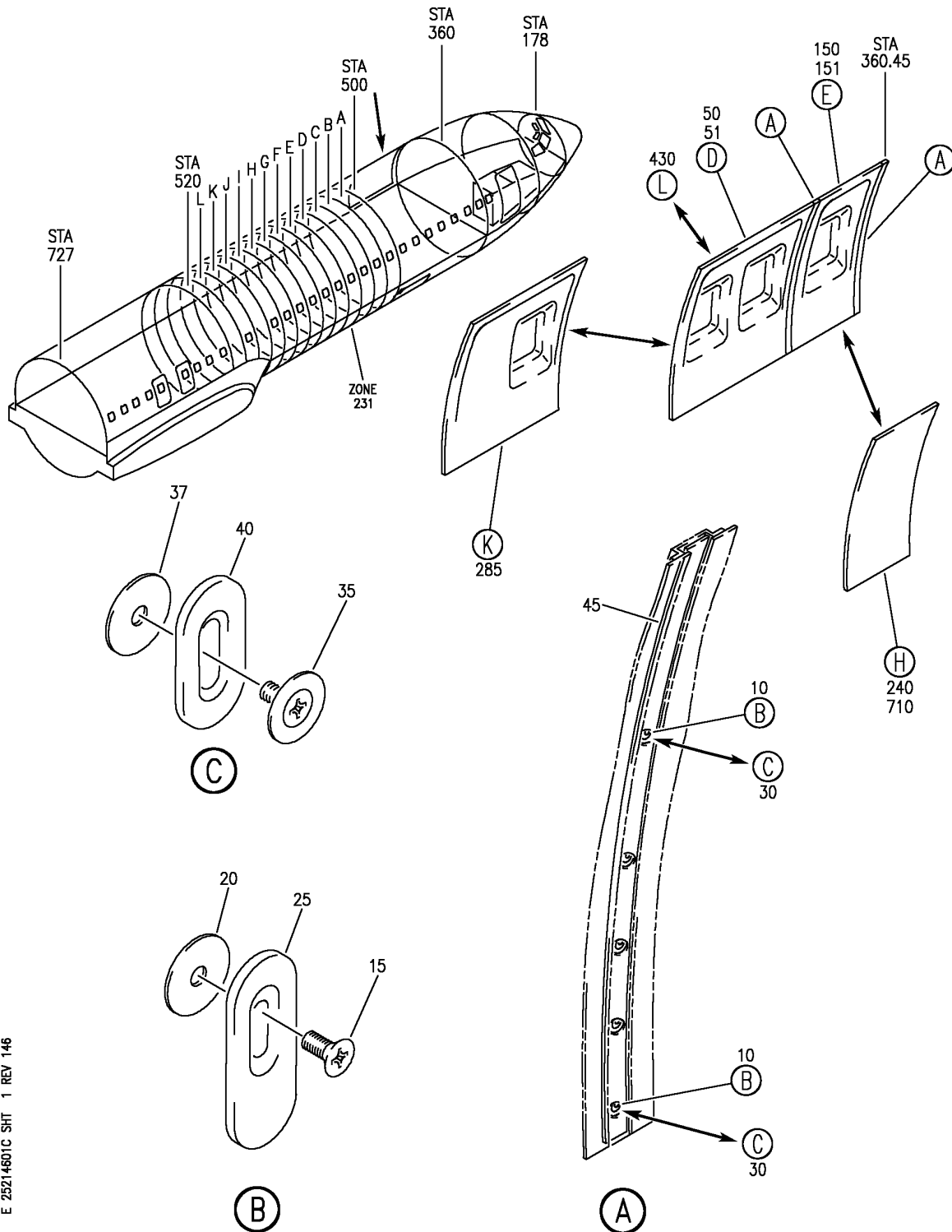
HAP

25-21-45-44

BOEING PROPRIETARY - Copyright © - Unpublished Work - See title page for details.

25-21-45
FIG. 44
PAGE 2
JUN 15/09

BOEING
 737-600/700/800/900
 PARTS CATALOG (MAINTENANCE)



E 25214601C SHT 1 REV 146

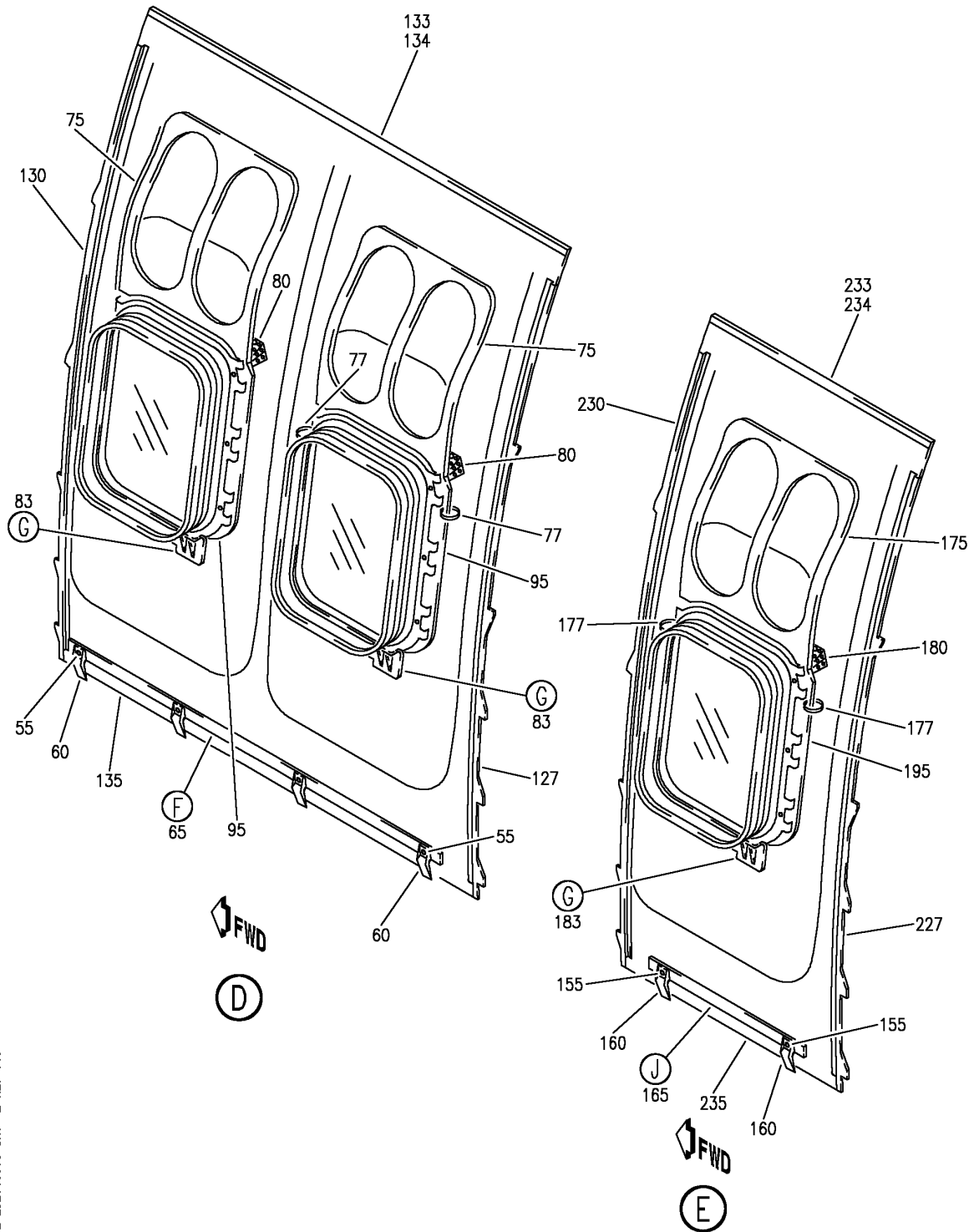
SIDEWALL INSTL-PASS. CAB. STA 360.45 TO STA 420.45 FWD LH CORNER
 FIGURE 1C (SHEET 1)

25-21-46-01C

HAP
 OCT 15/08

25-21-46-01C
 PAGE 0

BOEING
 737-600/700/800/900
 PARTS CATALOG (MAINTENANCE)



E 25214601C SHT 2 REV 146

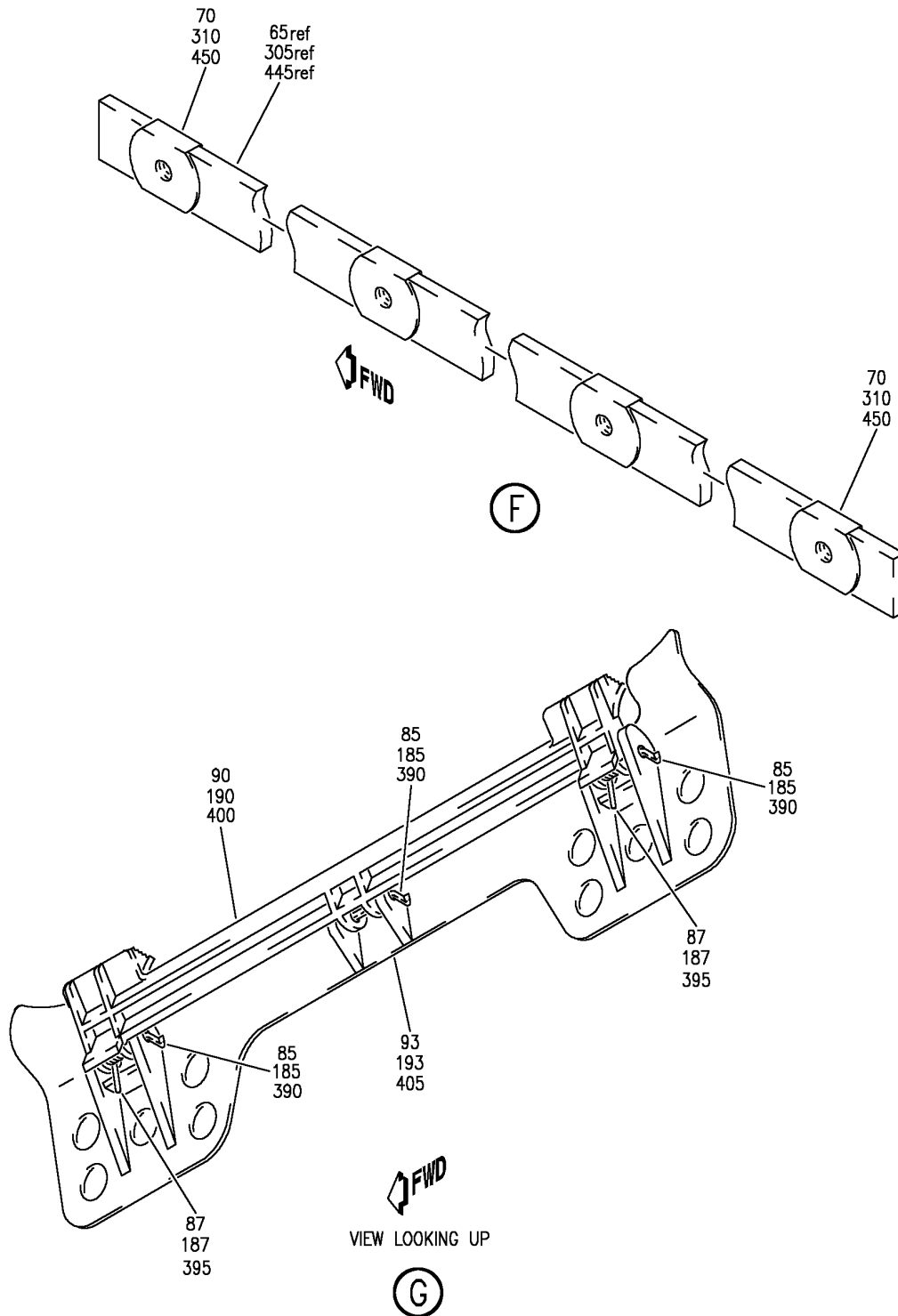
SIDEWALL INSTL-PASS. CAB. STA 360.45 TO STA 420.45 FWD LH CORNER
 FIGURE 1C (SHEET 2)

25-21-46-01C

HAP
 OCT 15/08

25-21-46-01C
 PAGE 0A

BOEING
 737-600/700/800/900
 PARTS CATALOG (MAINTENANCE)



E 25214601C SHT 3 REV 146

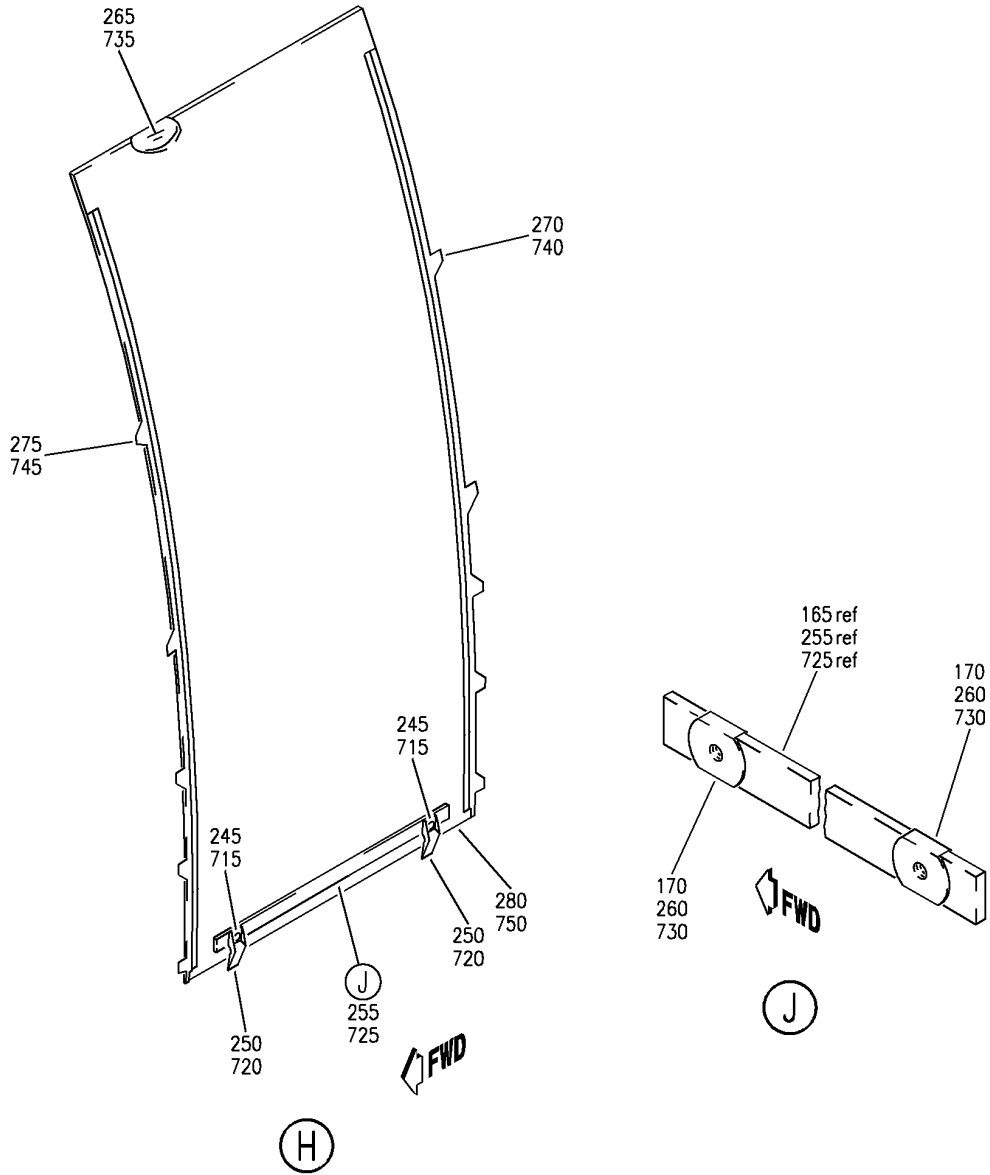
SIDEWALL INSTL-PASS. CAB. STA 360.45 TO STA 420.45 FWD LH CORNER
 FIGURE 1C (SHEET 3)

25-21-46-01C

HAP
 OCT 15/08

25-21-46-01C
 PAGE 0B

BOEING
 737-600/700/800/900
 PARTS CATALOG (MAINTENANCE)



E 25214601C SHT 4 REV 122

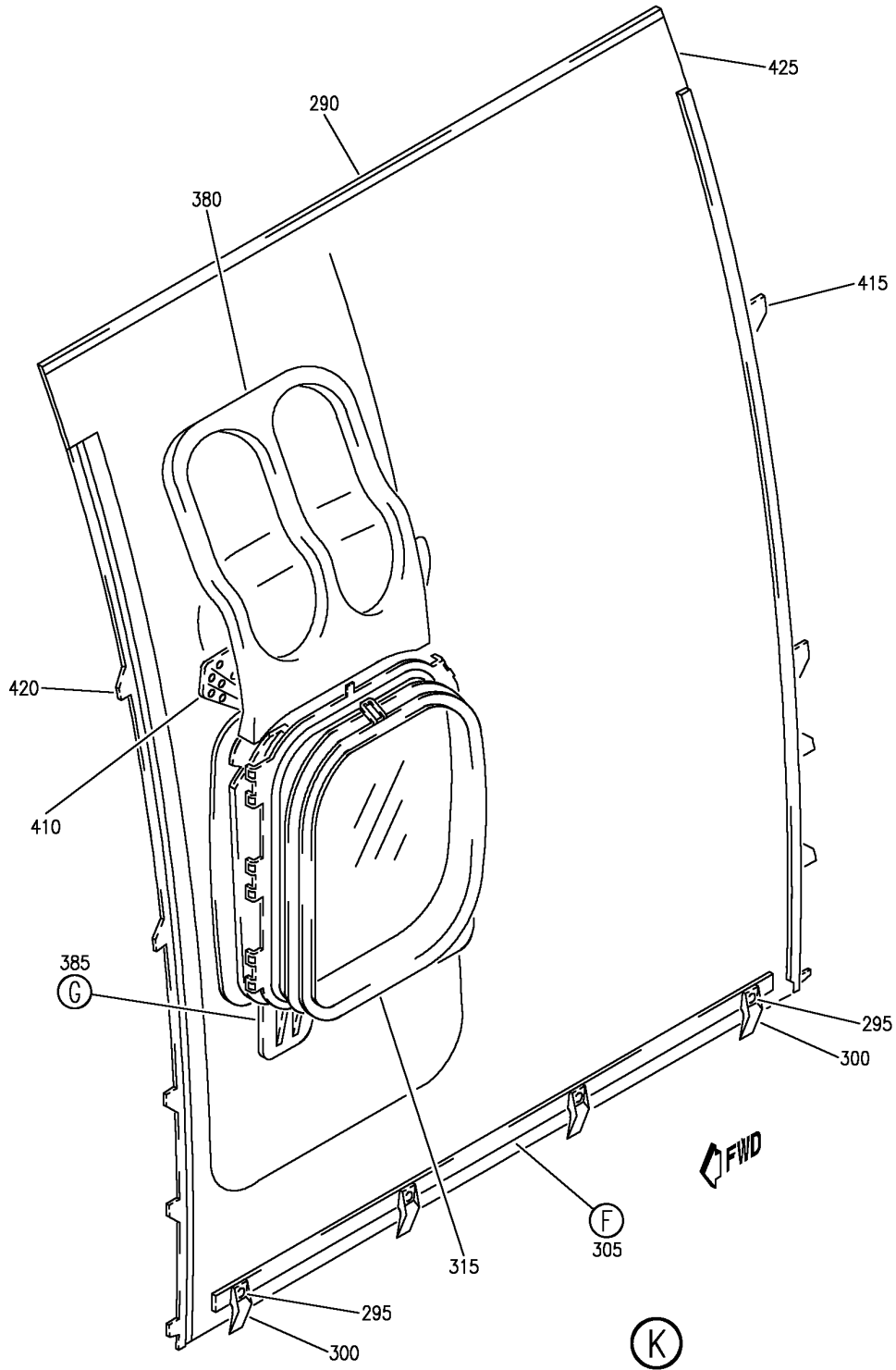
SIDEWALL INSTL-PASS. CAB. STA 360.45 TO STA 420.45 FWD LH CORNER
 FIGURE 1C (SHEET 4)

HAP
 OCT 10/06

25-21-46-01C

25-21-46-01C
 PAGE 0C

BOEING
737-600/700/800/900
PARTS CATALOG (MAINTENANCE)



E 25214601C SHT 5 REV 146

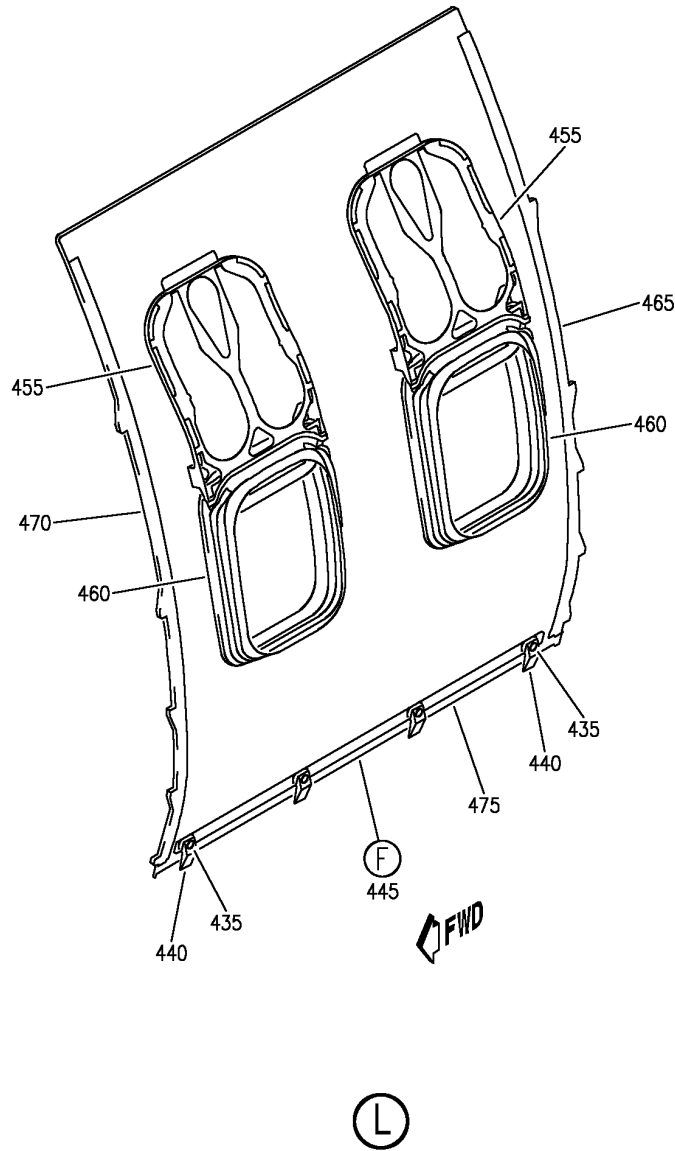
SIDEWALL INSTL-PASS. CAB. STA 360.45 TO STA 420.45 FWD LH CORNER
 FIGURE 1C (SHEET 5)

25-21-46-01C

HAP
 OCT 15/08

25-21-46-01C
 PAGE 0D

BOEING
737-600/700/800/900
PARTS CATALOG (MAINTENANCE)



E 25214601C SHT 6 REV 146

SIDEWALL INSTL-PASS. CAB. STA 360.45 TO STA 420.45 FWD LH CORNER
FIGURE 1C (SHEET 6)

HAP
OCT 15/08

25-21-46-01C

25-21-46-01C
PAGE 0E

BOEING
737-600/700/800/900
PARTS CATALOG (MAINTENANCE)

FIG ITEM	PART NUMBER	1 2 3 4 5 6 7	NOMENCLATURE	EFFECT FROM TO	UNITS PER ASSY
1C			SIDEWALL INSTL-PASS. CAB. STA 360.45 TO STA 420.45 FWD LH CORNER	031999	
- 1	411A1100-100SP		SIDEWALL INSTL-PASS. CAB. POSITION DATA: STA 360.45 TO STA 420.45 FWD LH CORNER FOR NHA SEE: 25-21-00-01A	201967	RF
- 3	MODREF268718		SIDEWALL INSTL-PASS. CAB. MODULE NUMBER: 411A1100-100DC REV A POSITION DATA: STA 360.45 TO STA 420.45 FWD LH CORNER	031200 968999	1
10	65C28101-7		.WASHER ASSY- QUALIFIED I/W DATA: 65C28101-5 I/W 65C28101-7 FOR SOME SIDEWALL INSTALLATIONS; THE RETAINER USED ON 65C28101-7 IS LONGER THAN THE RETAINER USED ON 65C28101-5 OPTIONAL PART: 65C28101-5	031999	10
15	BACS12ER3K5		..SCREW	031999	1
20	69-66047-1		..WASHER-RTNR	031999	1
25	69-62183-2		..RETAINER	031999	1
30	65C28101-5		.WASHER ASSY- QUALIFIED I/W DATA: 65C28101-5 I/W 65C28101-7 FOR SOME SIDEWALL INSTALLATIONS; THE RETAINER USED ON 65C28101-7 IS LONGER THAN THE RETAINER USED ON 65C28101-5 OPTIONAL PART: 65C28101-7	031999	10

MISSING ITEM NUMBERS NOT APPLICABLE

- ITEM NOT ILLUSTRATED

HAP

25-21-46-01C

BOEING PROPRIETARY - Copyright © - Unpublished Work - See title page for details.

25-21-46
FIG. 01C
PAGE 1
OCT 15/08

 **BOEING**
737-600/700/800/900
PARTS CATALOG (MAINTENANCE)

FIG ITEM	PART NUMBER	1 2 3 4 5 6 7	NOMENCLATURE	EFFECT FROM TO	UNITS PER ASSY
1C					
35	CA3105-1032-6	..	SCREW SUPPLIER CODE: V73439 SPECIFICATION NUMBER: BACS12N10-6 OPTIONAL PART: CA3105-1032-6 V78189 SP1561-1032-6 V73439	031999	1
37	69-66047-1	..	WASHER-RTNR	031999	1
40	65C28101-2	..	RETAINER	031999	1
45	411N1102-32SP	.S	TRIP-TRIM	201967	2
45	411N1102-32BCUN	.S	TRIP-TRIM	031200 968999	2
50	411N1210-312SP	.P	PANEL ASSY-	201967	1
51	411N1210-312DJ	.P	PANEL ASSY	031200 968999	1
55	BACS12FA3K4	..	SCREW	031999	4
60	411N1407-2	..	CLIP	031999	4
65	411N1121-106	..	STIFFENER ASSY	031999	1
70	BACI12S3	...	INSERT	031999	4
75	411N1250-102	..	SHEATH ASSY-	031999	2
75	411N1250-101	..	SHEATH ASSY-	031999	2
80	411N1240-1	..	BRACKET	031999	2
83	411N1230-101	..	LATCH ASSY	031999	2
85	MS39086-11	...	PIN	031999	3
87	411N1175-1	...	SPRING	031999	2
90	411N1231-2	...	PAWL	031999	1
93	411N1231-1	...	BASE	031999	1
95	411N1260-201SP	..	WINDOW ASSY- FOR DETAILS SEE: 25-21-12-01C	201967	2
95	411N1260-201B	..	WINDOW ASSY- FOR DETAILS SEE: 25-21-12-01C	031200 968999	2
127	411N1220-1	..	RETAINER-EDGE	031999	1
130	411N1220-2	..	RETAINER-EDGE	031999	1
134	411N1210-1CL	..	COVER-DECORATIVE	031200 968999	1
135	65C31833-612	..	PANEL ASSY	031999	1
150	411N1210-453SP	.P	PANEL ASSY-	201967	1
151	411N1210-453CP	.P	PANEL ASSY	031200 968999	1
155	BACS12FA3K4	..	SCREW	031999	2
160	411N1407-2	..	CLIP	031999	2
165	411N1121-101	..	STIFFENER ASSY	031999	1
170	BACI12S3	...	INSERT	031999	2
175	411N1250-102	..	SHEATH ASSY-	031999	1

MISSING ITEM NUMBERS NOT APPLICABLE

— ITEM NOT ILLUSTRATED

HAP

25-21-46-01C

25-21-46
FIG. 01C
PAGE 2
JUN 15/09

BOEING
737-600/700/800/900
PARTS CATALOG (MAINTENANCE)

FIG ITEM	PART NUMBER	1 2 3 4 5 6 7	NOMENCLATURE	EFFECT FROM TO	UNITS PER ASSY
1C					
175	411N1250-101	..	SHEATH ASSY-	031999	1
180	411N1240-1	..	BRACKET	031999	1
183	411N1230-101	..	LATCH ASSY	031999	1
185	MS39086-11	...	PIN	031999	3
187	411N1175-1	...	SPRING	031999	2
190	411N1231-2	...	PAWL	031999	1
193	411N1231-1	...	BASE	031999	1
195	411N1260-201SP	..	WINDOW ASSY- FOR DETAILS SEE: 25-21-12-01C	201967	1
195	411N1260-201B	..	WINDOW ASSY- FOR DETAILS SEE: 25-21-12-01C	031200 968999	1
227	411N1220-1	..	RETAINER-EDGE	031999	1
230	412N1220-2	..	RETAINER-EDGE	031999	1
234	411N1210-6DC	..	COVER	031200 968999	1
235	65C31833-728	..	PANEL ASSY	031999	1

MISSING ITEM NUMBERS NOT APPLICABLE

— ITEM NOT ILLUSTRATED

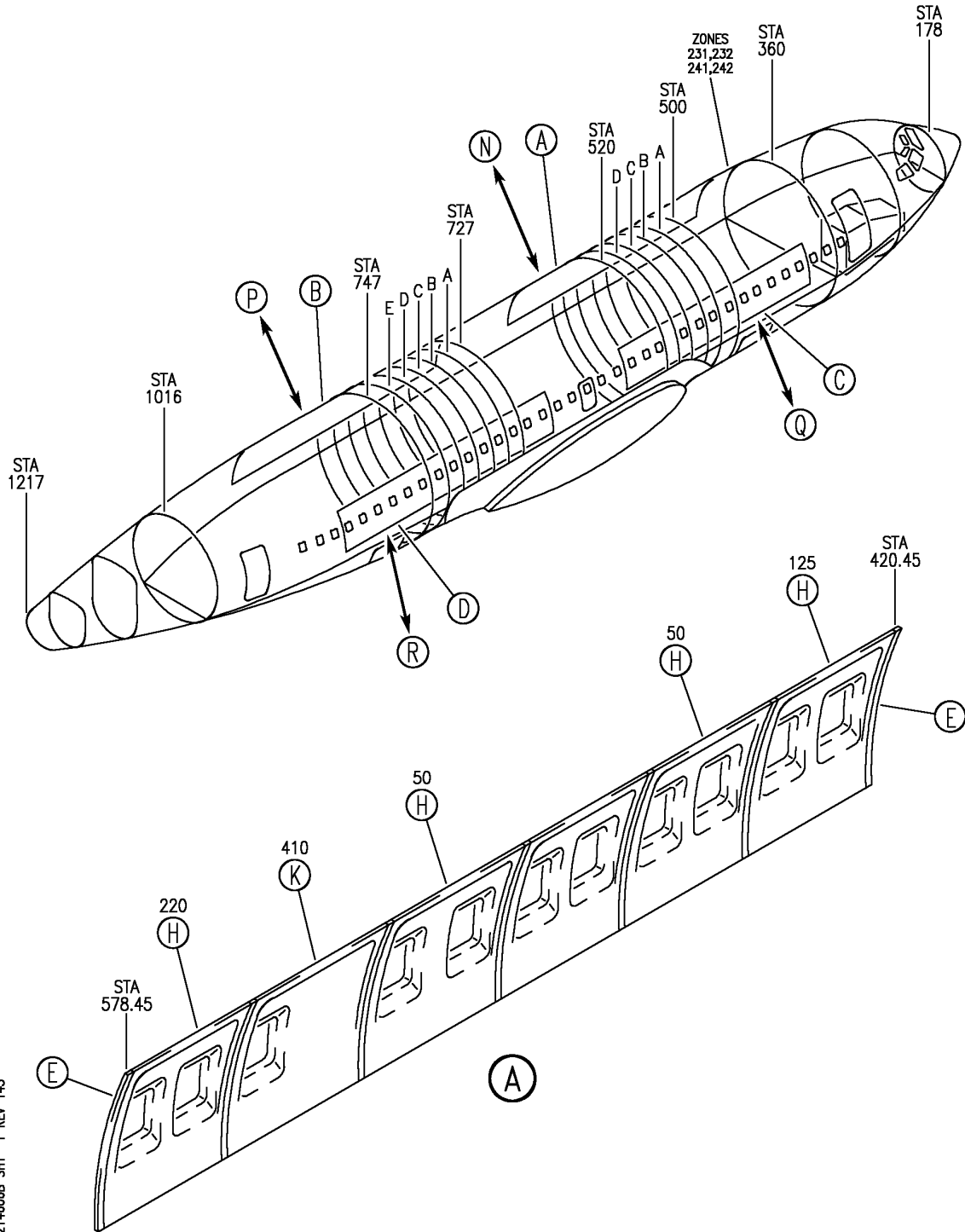
HAP

25-21-46-01C

BOEING PROPRIETARY - Copyright © - Unpublished Work - See title page for details.

25-21-46
FIG. 01C
PAGE 3
OCT 15/08

BOEING
 737-600/700/800/900
 PARTS CATALOG (MAINTENANCE)



E 25214606B SHT 1 REV 145

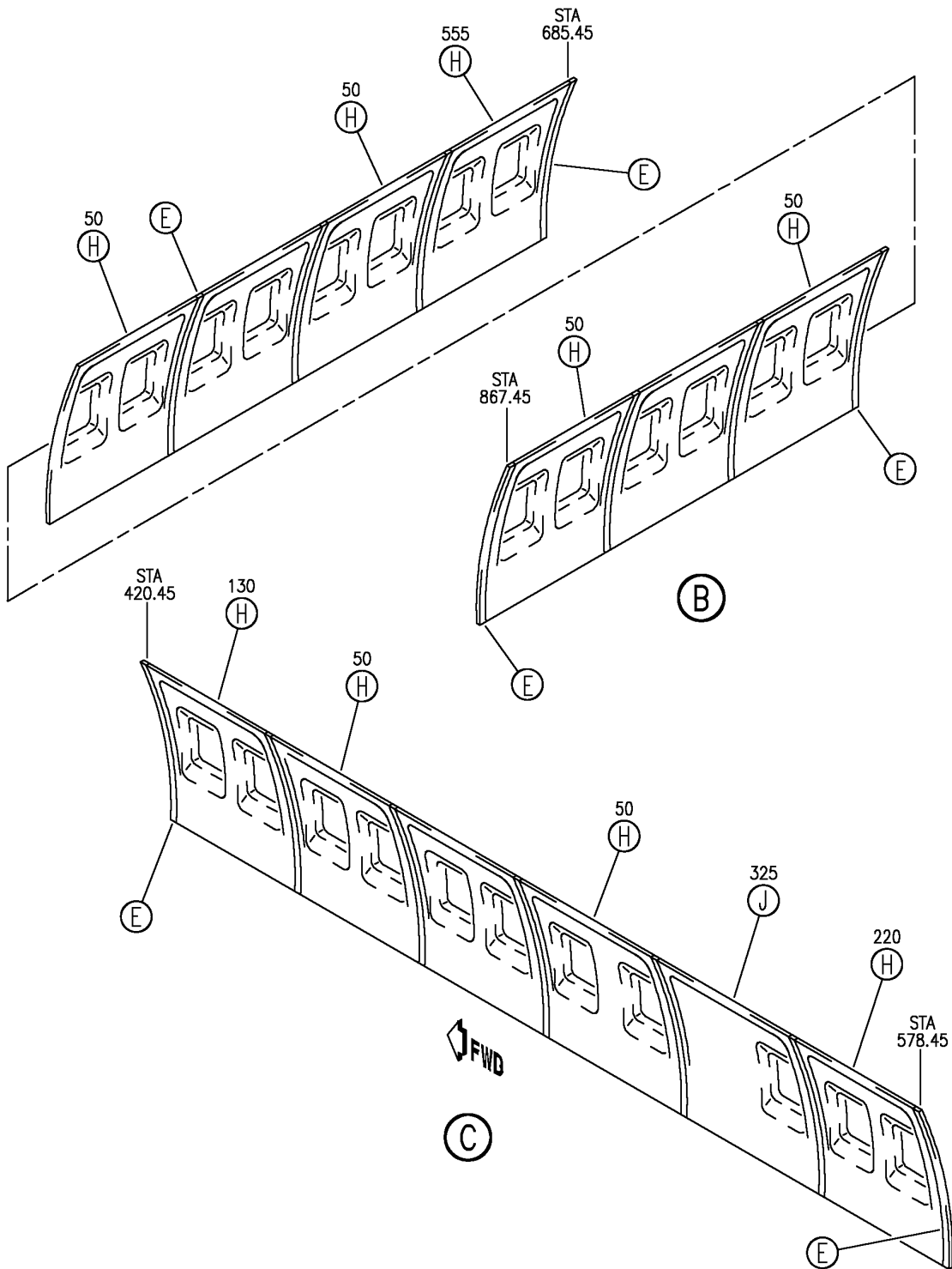
SIDEWALL INSTL-PASS. CAB. CTR
 FIGURE 6B (SHEET 1)

25-21-46-06B

HAP
 OCT 15/08

25-21-46-06B
 PAGE 0

BOEING
 737-600/700/800/900
 PARTS CATALOG (MAINTENANCE)



E 25214606B SHT 2 REV 145

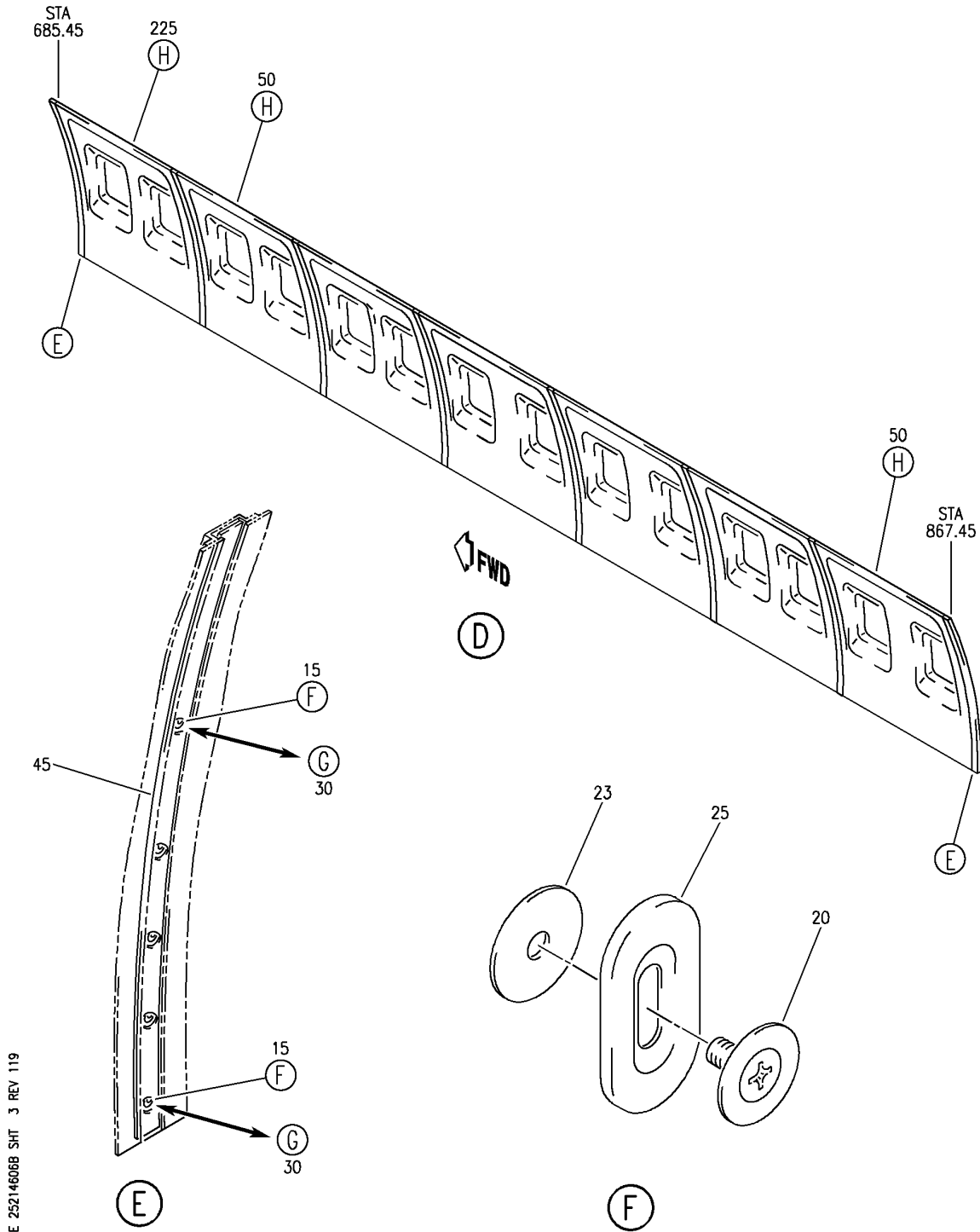
SIDEWALL INSTL-PASS. CAB. CTR
 FIGURE 6B (SHEET 2)

25-21-46-06B

HAP
 OCT 15/08

25-21-46-06B
 PAGE 0A

BOEING
 737-600/700/800/900
 PARTS CATALOG (MAINTENANCE)



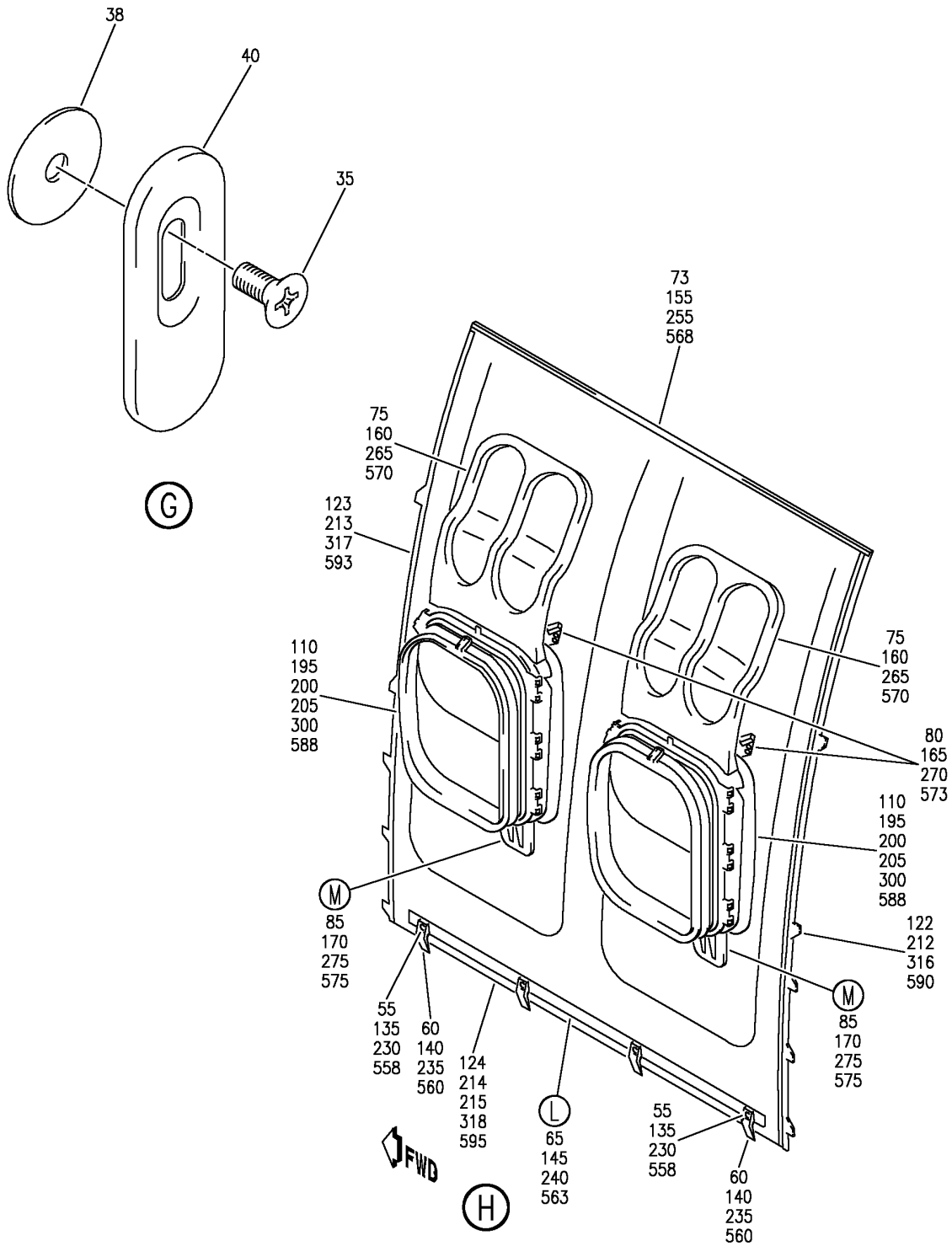
SIDEWALL INSTL-PASS. CAB. CTR
 FIGURE 6B (SHEET 3)

25-21-46-06B

HAP
 FEB 10/07

25-21-46-06B
 PAGE 0B

BOEING
 737-600/700/800/900
 PARTS CATALOG (MAINTENANCE)



E 25214606B SHT 4 REV 145

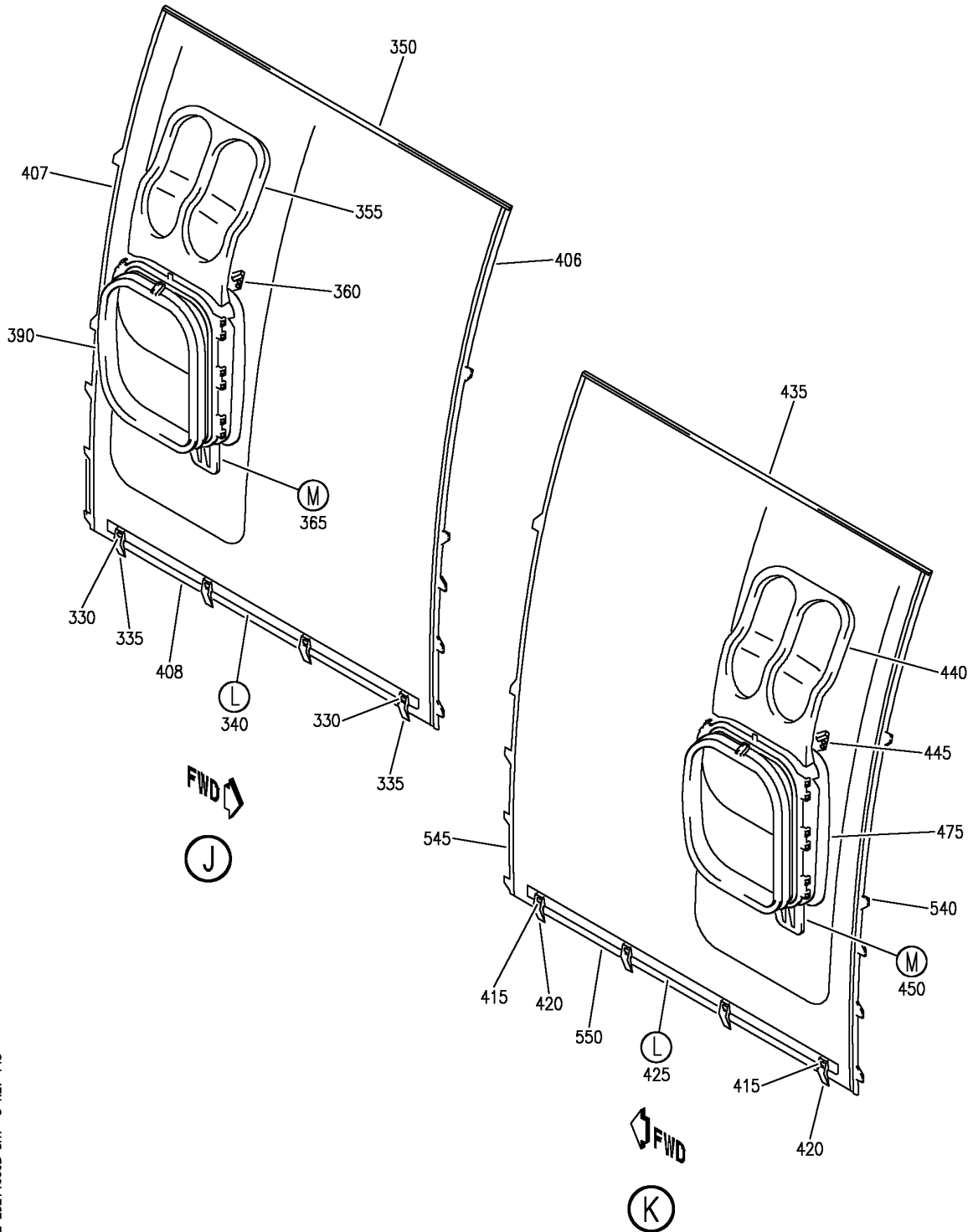
SIDEWALL INSTL-PASS. CAB. CTR
 FIGURE 6B (SHEET 4)

25-21-46-06B

HAP
 OCT 15/08

25-21-46-06B
 PAGE 0C

BOEING
 737-600/700/800/900
 PARTS CATALOG (MAINTENANCE)



E 25214606B SHT 5 REV 145

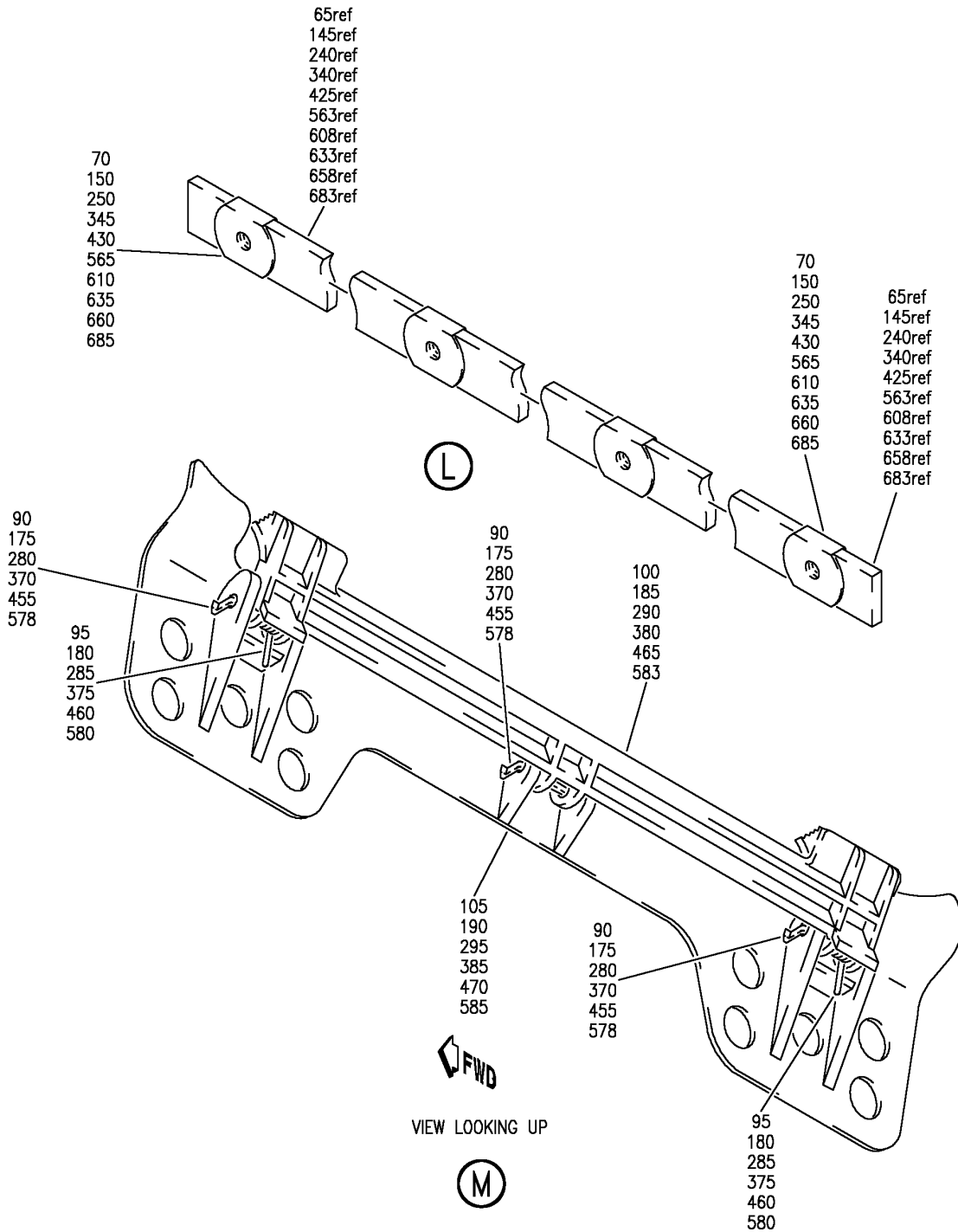
SIDEWALL INSTL-PASS. CAB. CTR
 FIGURE 6B (SHEET 5)

25-21-46-06B

HAP
 OCT 15/08

25-21-46-06B
 PAGE 0D

BOEING
737-600/700/800/900
PARTS CATALOG (MAINTENANCE)



E 2521-4606B SHT 6 REV 148

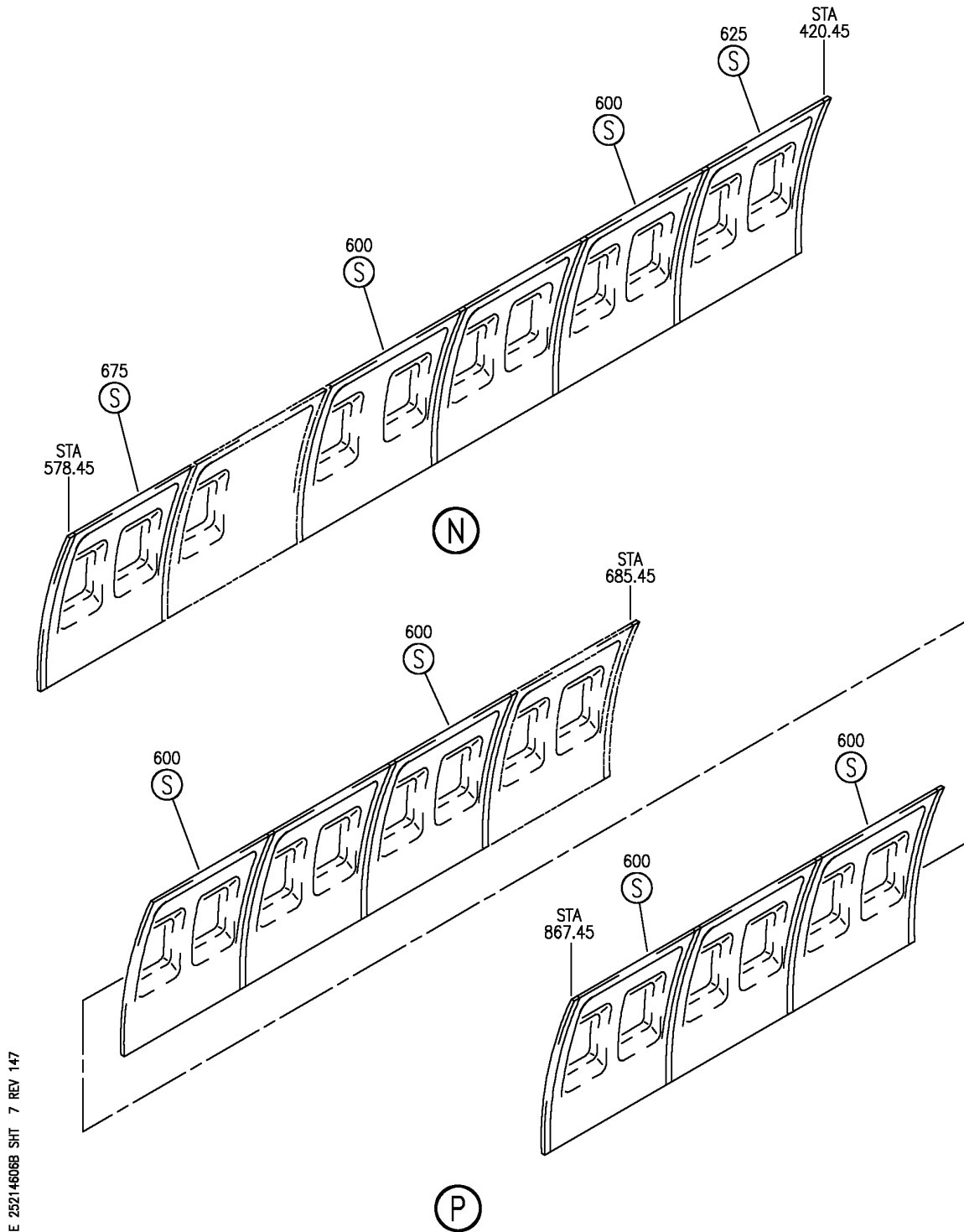
SIDEWALL INSTL-PASS. CAB. CTR
FIGURE 6B (SHEET 6)

25-21-46-06B

HAP
FEB 15/09

25-21-46-06B
PAGE 0E

BOEING
737-600/700/800/900
PARTS CATALOG (MAINTENANCE)



E 25214606B SHT 7 REV 147

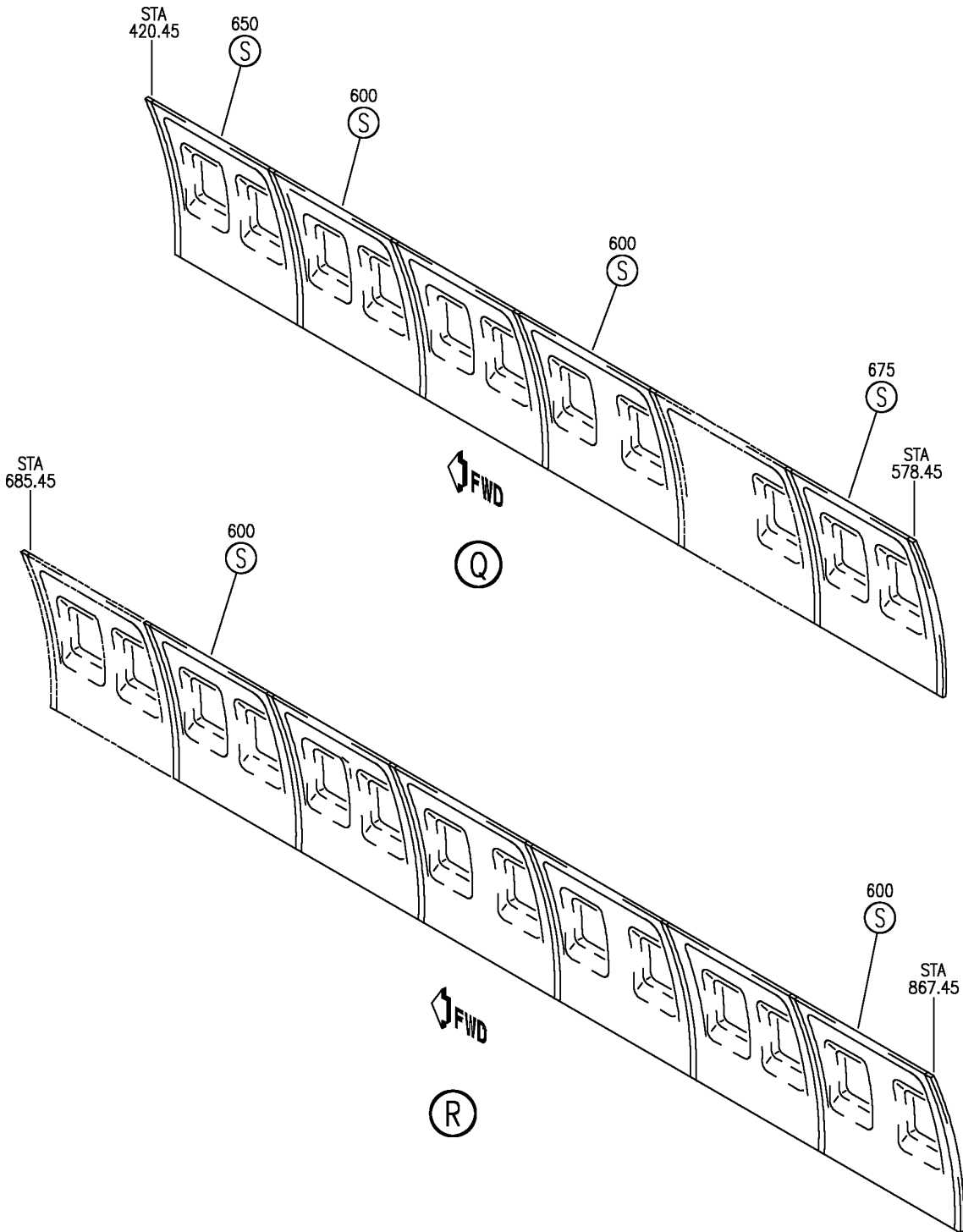
SIDEWALL INSTL-PASS. CAB. CTR
FIGURE 6B (SHEET 7)

25-21-46-06B

HAP
OCT 15/08

25-21-46-06B
PAGE OF

BOEING
737-600/700/800/900
PARTS CATALOG (MAINTENANCE)



E 25214606B SHT 8 REV 148

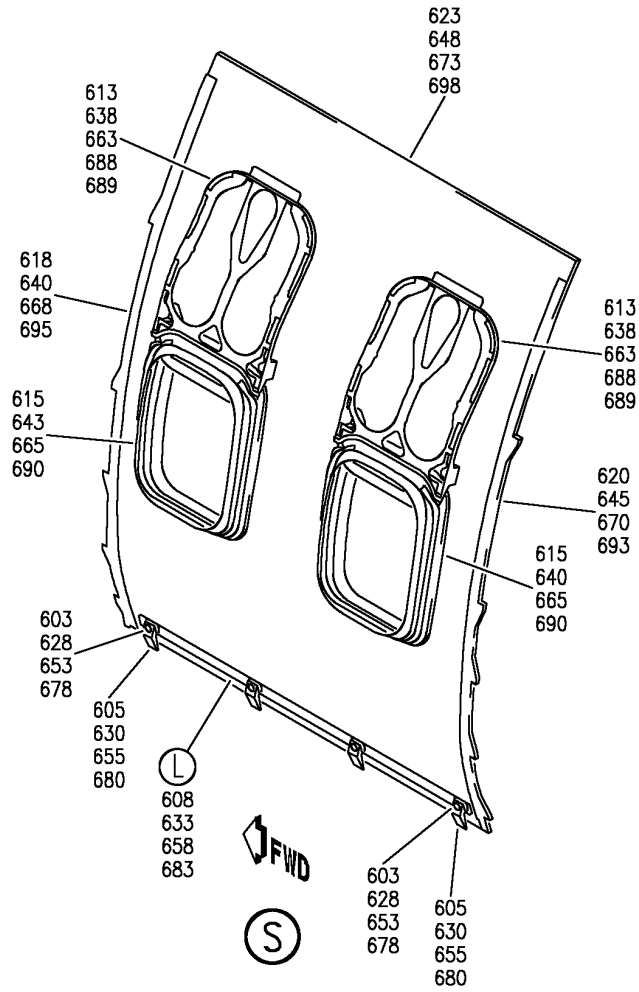
SIDEWALL INSTL-PASS. CAB. CTR
FIGURE 6B (SHEET 8)

25-21-46-06B

HAP
FEB 15/09

25-21-46-06B
PAGE 08

BOEING
 737-600/700/800/900
 PARTS CATALOG (MAINTENANCE)



E 25214606B SHT 9 REV 153

SIDEWALL INSTL-PASS. CAB. CTR
 FIGURE 6B (SHEET 9)

25-21-46-06B

HAP
 JUN 15/09

25-21-46-06B
 PAGE 0H

BOEING
737-600/700/800/900
PARTS CATALOG (MAINTENANCE)

FIG ITEM	PART NUMBER	1 2 3 4 5 6 7	NOMENCLATURE	EFFECT FROM TO	UNITS PER ASSY
6B			SIDEWALL INSTL-PASS. CAB. CTR	101999	
- 1	411A1100-701SP		SIDEWALL INSTL-PASS. CAB. POSITION DATA: CTR	201967	RF
- 2	MODREF315475		FOR NHA SEE: 25-21-00-01A		
			SIDEWALL INSTL-PASS. CAB. MODULE NUMBER: 411A1100-701BK REV A	101200 968999	1
			POSITION DATA: CTR		
15	65C28101-5		.WASHER ASSY- QUALIFIED I/W DATA: 65C28101-5 I/W 65C28101-7 FOR SOME SIDEWALL INSTALLATIONS; THE RETAINER USED ON 65C28101-7 IS LONGER THAN THE RETAINER USED ON 65C28101-5	101999	150
			OPTIONAL PART: 65C28101-7		
20	CA3105-1032-6		.. SCREW SUPPLIER CODE: V73439 SPECIFICATION NUMBER: BACS12N10-6	101999	1
			OPTIONAL PART: CA3105-1032-6 V78189 SP1561-1032-6 V73439		
23	69-66047-1		.. WASHER-RETAINER	101999	1
25	65C28101-2		.. RETAINER	101999	1
30	65C28101-7		.WASHER ASSY- QUALIFIED I/W DATA: 65C28101-5 I/W 65C28101-7 FOR SOME SIDEWALL INSTALLATIONS; THE RETAINER USED ON 65C28101-7 IS LONGER THAN THE RETAINER USED ON 65C28101-5	101999	150
			OPTIONAL PART: 65C28101-5		
35	BACS12ER3K5		.. SCREW	101999	1
38	69-66047-1		.. WASHER-RETAINER	101999	1
40	69-62183-2		.. RETAINER	101999	1

MISSING ITEM NUMBERS NOT APPLICABLE

- ITEM NOT ILLUSTRATED

HAP

25-21-46-06B

BOEING PROPRIETARY - Copyright © - Unpublished Work - See title page for details.

25-21-46
FIG. 06B
PAGE 1
OCT 15/08

BOEING
737-600/700/800/900
PARTS CATALOG (MAINTENANCE)

FIG ITEM	PART NUMBER	1 2 3 4 5 6 7	NOMENCLATURE	EFFECT FROM TO	UNITS PER ASSY
6B					
45	411N1102-32SP	.	STRIP-TRIM	201967	30
45	411N1102-32BCUN	.	STRIP-TRIM	101200	30
				968999	
50	411N1210-309SP	.	PANEL ASSY	201967	18
50	411N1210-309GR	.	PANEL ASSY	101200	18
				968999	
55	BACS12FA3K4	..	SCREW	101999	4
60	411N1407-2	..	CLIP	101999	4
65	411N1121-106	..	STIFFENER ASSY	101999	1
70	BACI12S3	...	INSERT	101999	4
73	411N1210-1SP	..	COVER	201967	1
73	411N1210-1CL	..	COVER	101200	1
				968999	
75	411N1250-102	..	SHEATH ASSY-	101999	2
75	411N1250-101	..	SHEATH ASSY-	101999	2
80	411N1240-1	..	BRACKET	101999	2
85	411N1230-101	..	LATCH ASSY	101999	2
90	MS39086-11	...	PIN	101999	3
95	411N1175-1	...	SPRING	101999	2
100	411N1231-2	...	PAWL	101999	1
105	411N1231-1	...	BASE	101999	1
110	411N1260-201SP	..	WINDOW ASSY-	201967	2
			FOR DETAILS SEE: 25-21-12-06B		
110	411N1260-201B	..	WINDOW ASSY-	101200	2
			FOR DETAILS SEE: 25-21-12-06B	968999	
122	411N1220-1	..	RETAINER	101999	1
123	411N1220-2	..	RETAINER	101999	1
124	65C31833-609	..	PANEL ASSY	101999	1
125	411N1210-310SP	.	PANEL ASSY	201967	1
125	411N1210-310DR	.	PANEL ASSY-	101200	1
				968999	
130	411N1210-311SP	.	PANEL ASSY	201967	1
130	411N1210-311DT	.	PANEL ASSY-	101200	1
				968999	
135	BACS12FA3K4	..	SCREW	101999	4
140	411N1407-2	..	CLIP	101999	4
145	411N1121-106	..	STIFFENER ASSY	101999	1
150	BACI12S3	...	INSERT	101999	4
155	411N1210-1SP	..	COVER	201967	1
155	411N1210-1CL	..	COVER	101200	1
				968999	
160	411N1250-102	..	SHEATH ASSY-	101999	2
160	411N1250-101	..	SHEATH ASSY-	101999	2
165	411N1240-1	..	BRACKET	101999	2
170	411N1230-101	..	LATCH ASSY	101999	2
175	MS39086-11	...	PIN	101999	3
180	411N1175-1	...	SPRING	101999	2

MISSING ITEM NUMBERS NOT APPLICABLE

— ITEM NOT ILLUSTRATED

HAP

25-21-46-06B

BOEING PROPRIETARY - Copyright © - Unpublished Work - See title page for details.

25-21-46
FIG. 06B
PAGE 2
OCT 15/08

BOEING
737-600/700/800/900
PARTS CATALOG (MAINTENANCE)

FIG ITEM	PART NUMBER	1 2 3 4 5 6 7	NOMENCLATURE	EFFECT FROM TO	UNITS PER ASSY
6B					
185	411N1231-2	...	PAWL	101999	1
190	411N1231-1	...	BASE	101999	1
195	411N1260-201SP	..	WINDOW ASSY- FOR DETAILS SEE: 25-21-12-06B	201967	2
195	411N1260-201B	..	WINDOW ASSY- FOR DETAILS SEE: 25-21-12-06B	101200 968999	2
212	411N1220-1	..	RETAINER	101999	1
213	411N1220-2	..	RETAINER	101999	1
214	65C31833-610	..	PANEL ASSY- USED ON: 411N1210-310SP 411N1210-310AC 411N1210-310CJ 411N1210-310C 411N1210-310H 411N1210-310W 411N1210-310AP 411N1210-310CP 411N1210-310DB 411N1210-310CM 411N1210-310CL 411N1210-310DN 411N1210-310DJ 411N1210-310CN 411N1210-310DR 411N1210-310GN	101999	1
215	65C31833-611	..	PANEL ASSY- USED ON: 411N1210-311SP 411N1210-311AC 411N1210-311CM 411N1210-311C 411N1210-311H 411N1210-311W 411N1210-311BC 411N1210-311CT 411N1210-311DC 411N1210-311CP 411N1210-311CN 411N1210-311DP 411N1210-311DL 411N1210-311CR 411N1210-311DT 411N1210-311GP	101999	1
220	411N1210-316SP	.	PANEL ASSY	201967	2
220	411N1210-316CN	.	PANEL ASSY	101200 968999	2

MISSING ITEM NUMBERS NOT APPLICABLE

— ITEM NOT ILLUSTRATED

HAP

25-21-46-06B

BOEING PROPRIETARY - Copyright © - Unpublished Work - See title page for details.

25-21-46
FIG. 06B
PAGE 3
OCT 15/08

BOEING
737-600/700/800/900
PARTS CATALOG (MAINTENANCE)

FIG ITEM	PART NUMBER	1 2 3 4 5 6 7	NOMENCLATURE	EFFECT FROM TO	UNITS PER ASSY
6B					
230	BACS12FA3K4	..	SCREW	101999	4
235	411N1407-2	..	CLIP	101999	4
240	411N1121-109	..	STIFFENER ASSY	101999	1
250	BACI12S3	...	INSERT	101999	4
255	411N1210-2SP	..	COVER	201967	1
255	411N1210-2CL	..	COVER	101200	1
				968999	
265	411N1250-102	..	SHEATH ASSY-	101999	2
265	411N1250-101	..	SHEATH ASSY-	101999	2
270	411N1240-1	..	BRACKET	101999	2
275	411N1230-101	..	LATCH ASSY	101999	2
280	MS39086-11	...	PIN	101999	3
285	411N1175-1	...	SPRING	101999	2
290	411N1231-2	...	PAWL	101999	1
295	411N1231-1	...	BASE	101999	1
300	411N1260-201SP	..	WINDOW ASSY-	201967	2
			FOR DETAILS SEE: 25-21-12-06B		
300	411N1260-201B	..	WINDOW ASSY-	101200	2
			FOR DETAILS SEE: 25-21-12-06B	968999	
316	411N1220-1	..	RETAINER	101999	1
317	411N1220-2	..	RETAINER	101999	1
318	65C31833-616	..	PANEL ASSY	101999	1
325	411N1210-332SP	.	PANEL ASSY	201967	1
325	411N1210-332DH	.	PANEL ASSY	101200	1
				968999	
330	BACS12FA3K4	..	SCREW	101999	4
335	411N1407-2	..	CLIP	101999	4
340	411N1121-106	..	STIFFENER ASSY	101999	1
345	BACI12S3	...	INSERT	101999	4
350	411N1210-9SP	..	COVER	201967	1
350	411N1210-9CL	..	COVER	101200	1
				968999	
355	411N1250-102	..	SHEATH ASSY-	101999	1
355	411N1250-101	..	SHEATH ASSY-	101999	1
360	411N1240-1	..	BRACKET	101999	1
365	411N1230-101	..	LATCH ASSY	101999	1
370	MS39086-11	...	PIN	101999	3
375	411N1175-1	...	SPRING	101999	2
380	411N1231-2	...	PAWL	101999	1
385	411N1231-1	...	BASE	101999	1
390	411N1260-201SP	..	WINDOW ASSY-	201967	1
			FOR DETAILS SEE: 25-21-12-06B		
390	411N1260-201B	..	WINDOW ASSY-	101200	1
			FOR DETAILS SEE: 25-21-12-06B	968999	
406	411N1220-1	..	RETAINER	101999	1

MISSING ITEM NUMBERS NOT APPLICABLE

— ITEM NOT ILLUSTRATED

HAP

25-21-46-06B

BOEING PROPRIETARY - Copyright © - Unpublished Work - See title page for details.

25-21-46
FIG. 06B
PAGE 4
OCT 15/08

 **BOEING**
737-600/700/800/900
PARTS CATALOG (MAINTENANCE)

FIG ITEM	PART NUMBER	1 2 3 4 5 6 7	NOMENCLATURE	EFFECT FROM TO	UNITS PER ASSY
6B					
407	411N1220-2	..	RETAINER	101999	1
408	65C31833-632	..	PANEL ASSY	101999	1
410	411N1210-333SP	.PANEL	ASSY	201967	1
410	411N1210-333DJ	.PANEL	ASSY	101200	1
				968999	
415	BACS12FA3K4	..	SCREW	101999	4
420	411N1407-2	..	CLIP	101999	4
425	411N1121-106	..	STIFFENER ASSY	101999	1
430	BACI12S3	...	INSERT	101999	4
435	411N1210-9SP	..	COVER	201967	1
435	411N1210-9CL	..	COVER	101200	1
				968999	
440	411N1250-102	..	SHEATH ASSY-	101999	1
440	411N1250-101	..	SHEATH ASSY-	101999	1
445	411N1240-1	..	BRACKET	101999	1
450	411N1230-101	..	LATCH ASSY	101999	1
455	MS39086-11	...	PIN	101999	3
460	411N1175-1	...	SPRING	101999	2
465	411N1231-2	...	PAWL	101999	1
470	411N1231-1	...	BASE	101999	1
475	411N1260-201SP	..	WINDOW ASSY-	201967	1
			FOR DETAILS SEE: 25-21-12-06B		
475	411N1260-201B	..	WINDOW ASSY-	101200	1
			FOR DETAILS SEE: 25-21-12-06B	968999	
540	411N1220-1	..	RETAINER	101999	1
545	411N1220-2	..	RETAINER	101999	1
550	65C31833-633	..	PANEL ASSY	101999	1
555	411N1210-347SP	.PANEL	ASSY	201967	2
555	411N1210-347DR	.PANEL	ASSY	101200	2
				968999	
558	BACS12FA3K4	..	SCREW	101999	4
560	411N1407-2	..	CLIP	101999	4
563	411N1121-110	..	STIFFENER ASSY	101999	1
565	BACI12S3	...	INSERT	101999	4
568	411N1210-3SP	..	COVER	201967	1
568	411N1210-3CL	..	COVER	101200	1
				968999	
570	411N1250-102	..	SHEATH ASSY-	101999	2
570	411N1250-101	..	SHEATH ASSY-	101999	2
573	411N1240-1	..	BRACKET	101999	2
575	411N1230-101	..	LATCH ASSY	101999	2
578	MS39086-11	...	PIN	101999	3
580	411N1175-1	...	SPRING	101999	2
583	411N1231-2	...	PAWL	101999	1
585	411N1231-1	...	BASE	101999	1

MISSING ITEM NUMBERS NOT APPLICABLE

— ITEM NOT ILLUSTRATED

HAP

25-21-46-06B

BOEING PROPRIETARY - Copyright © - Unpublished Work - See title page for details.

25-21-46
FIG. 06B
PAGE 5
OCT 15/08

BOEING
737-600/700/800/900
PARTS CATALOG (MAINTENANCE)

FIG ITEM	PART NUMBER	1 2 3 4 5 6 7	NOMENCLATURE	EFFECT FROM TO	UNITS PER ASSY
6B					
588	411N1260-201SP	..	WINDOW ASSY- FOR DETAILS SEE: 25-21-12-06B	201967	2
588	411N1260-201B	..	WINDOW ASSY- FOR DETAILS SEE: 25-21-12-06B	101200 968999	2
590	411N1220-1	..	RETAINER	101999	1
593	411N1220-2	..	RETAINER	101999	1
595	65C31833-647	..	PANEL ASSY	101999	1
625	411N1210-3699L	.PANEL ASSY-		101200 968999	1
628	BACS12FA3K4	..	SCREW	101200 968999	4
630	411N1407-2	..	CLIP-SIDEWALL	101200 968999	4
633	411N1121-106	..	STIFFENER ASSY	101200 968999	1
635	BACI12S3	...	INSERT	101200 968999	4
638	411N1250-202	..	SHEATH ASSY	101200 968999	2
640	411N1260-302B	..	WINDOW ASSY- FOR DETAILS SEE: 25-21-12-06B	101200 968999	2
643	411N1220-2	..	RETAINER-EDGE	101200 968999	1
645	411N1220-1	..	RETAINER-EDGE	101200 968999	1
648	65C31833-609	..	PANEL ASSY-BASIC	101200 968999	1
650	411N1210-3311DT	.PANEL ASSY-WINDOW		101200 968999	1
653	BACS12FA3K4	..	SCREW	101200 968999	4
655	411N1407-2	..	CLIP-SIDEWALL	101200 968999	4
658	411N1121-106	..	STIFFENER ASSY	101200 968999	1
660	BACI12S3	...	INSERT	101200 968999	4
663	411N1250-202	..	SHEATH ASSY	101200 968999	2
665	411N1260-301C	..	WINDOW ASSY- FOR DETAILS SEE: 25-21-12-06B	101200 968999	2
668	411N1220-2	..	RETAINER-EDGE	101200 968999	1
670	411N1220-1	..	RETAINER-EDGE	101200 968999	1

MISSING ITEM NUMBERS NOT APPLICABLE

— ITEM NOT ILLUSTRATED

HAP

25-21-46-06B

BOEING PROPRIETARY - Copyright © - Unpublished Work - See title page for details.

25-21-46
FIG. 06B
PAGE 6
OCT 15/08


BOEING
 737-600/700/800/900
PARTS CATALOG (MAINTENANCE)

FIG ITEM	PART NUMBER	1 2 3 4 5 6 7 NOMENCLATURE	EFFECT FROM TO	UNITS PER ASSY
6B 673	65C31833-611	. . PANEL ASSY-BASIC	101200 968999	1

MISSING ITEM NUMBERS NOT APPLICABLE

— ITEM NOT ILLUSTRATED

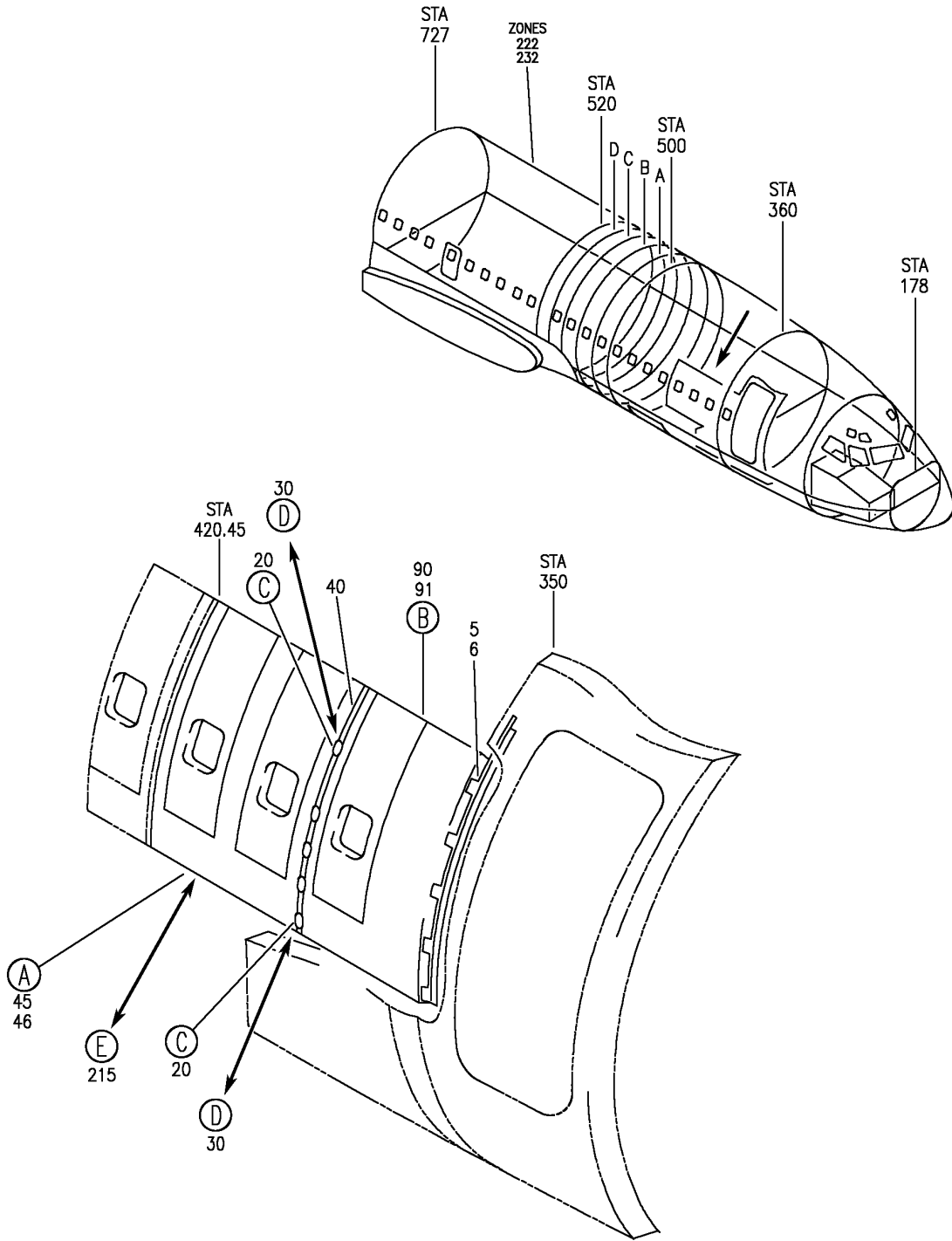
HAP

25-21-46-06B

BOEING PROPRIETARY - Copyright © - Unpublished Work - See title page for details.

25-21-46
 FIG. 06B
 PAGE 7
 OCT 15/08

BOEING
 737-600/700/800/900
 PARTS CATALOG (MAINTENANCE)



E 25214612 SHT 1 REV 153

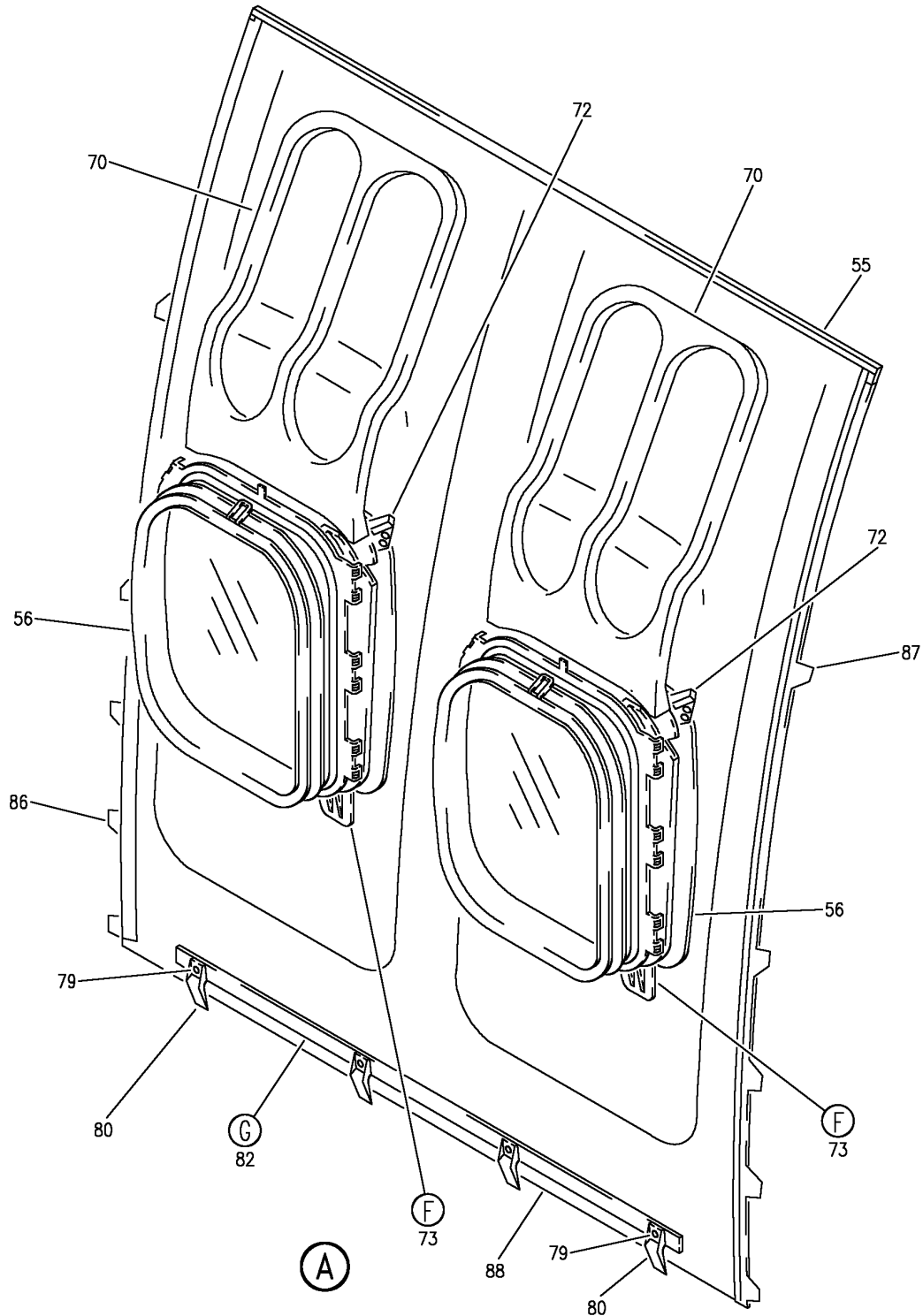
SIDEWALL INSTL-PASS. CAB.
 FIGURE 12 (SHEET 1)

25-21-46-12

HAP
 JUN 15/09

25-21-46-12
 PAGE 0

BOEING
 737-600/700/800/900
 PARTS CATALOG (MAINTENANCE)



E 25214612 SHT 2 REV 146

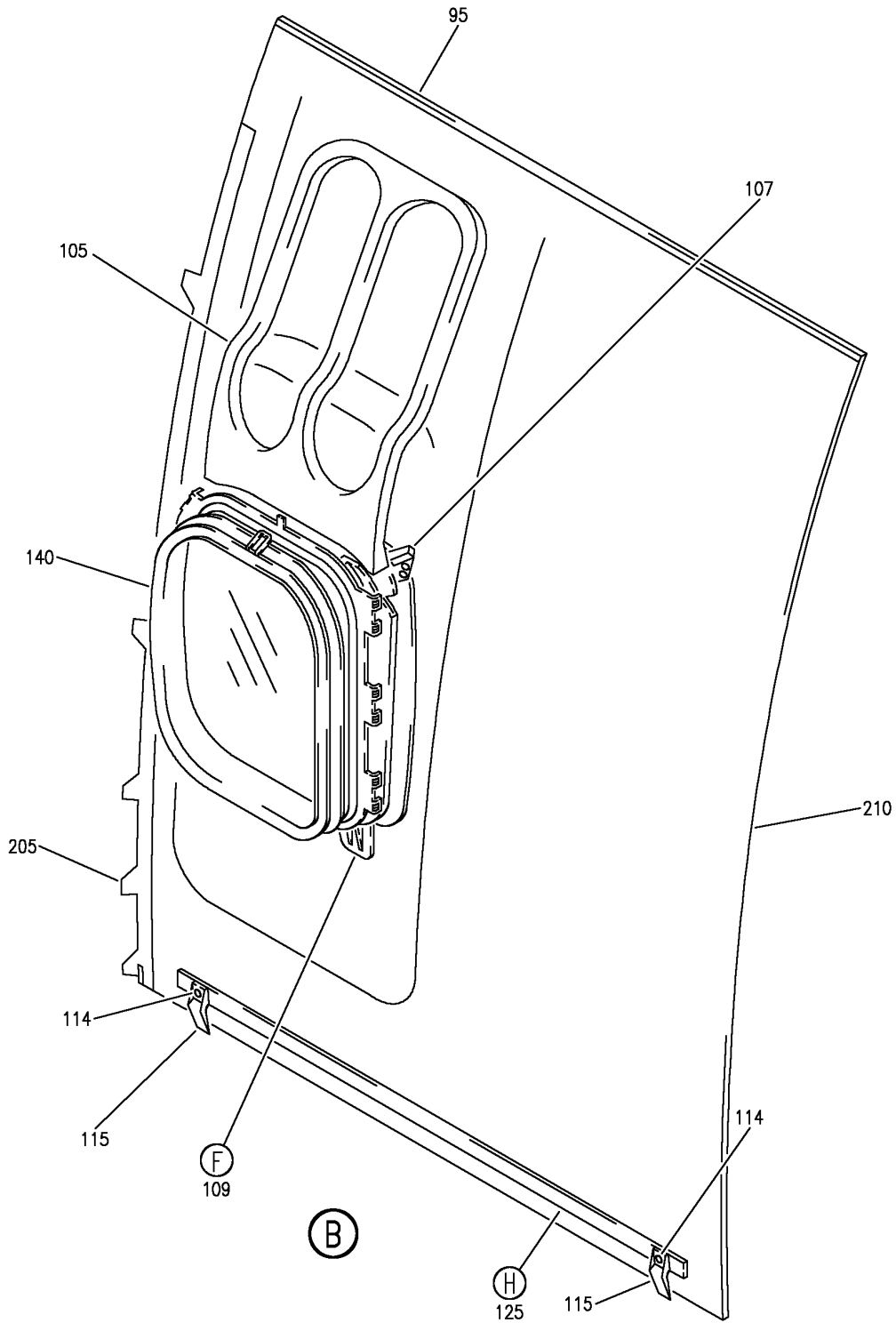
SIDEWALL INSTL-PASS. CAB.
 FIGURE 12 (SHEET 2)

25-21-46-12

HAP
 OCT 15/08

25-21-46-12
 PAGE 0A

BOEING
737-600/700/800/900
PARTS CATALOG (MAINTENANCE)



E 25214612 SH1 3 REV 146

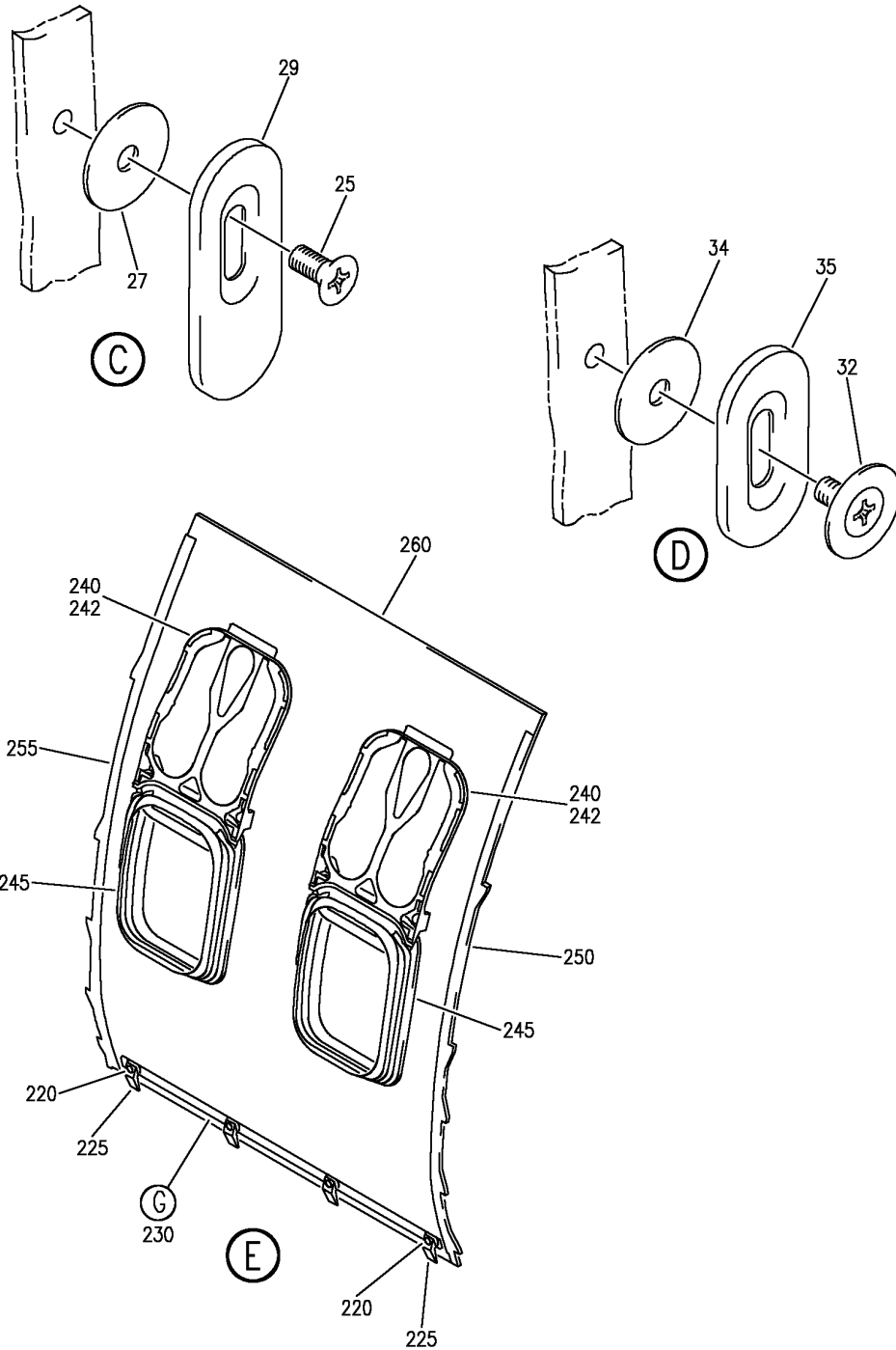
SIDEWALL INSTL-PASS. CAB.
FIGURE 12 (SHEET 3)

25-21-46-12

HAP
OCT 15/08

25-21-46-12
PAGE 0B

BOEING
 737-600/700/800/900
 PARTS CATALOG (MAINTENANCE)



E 25214612 SH1 4 REV 153

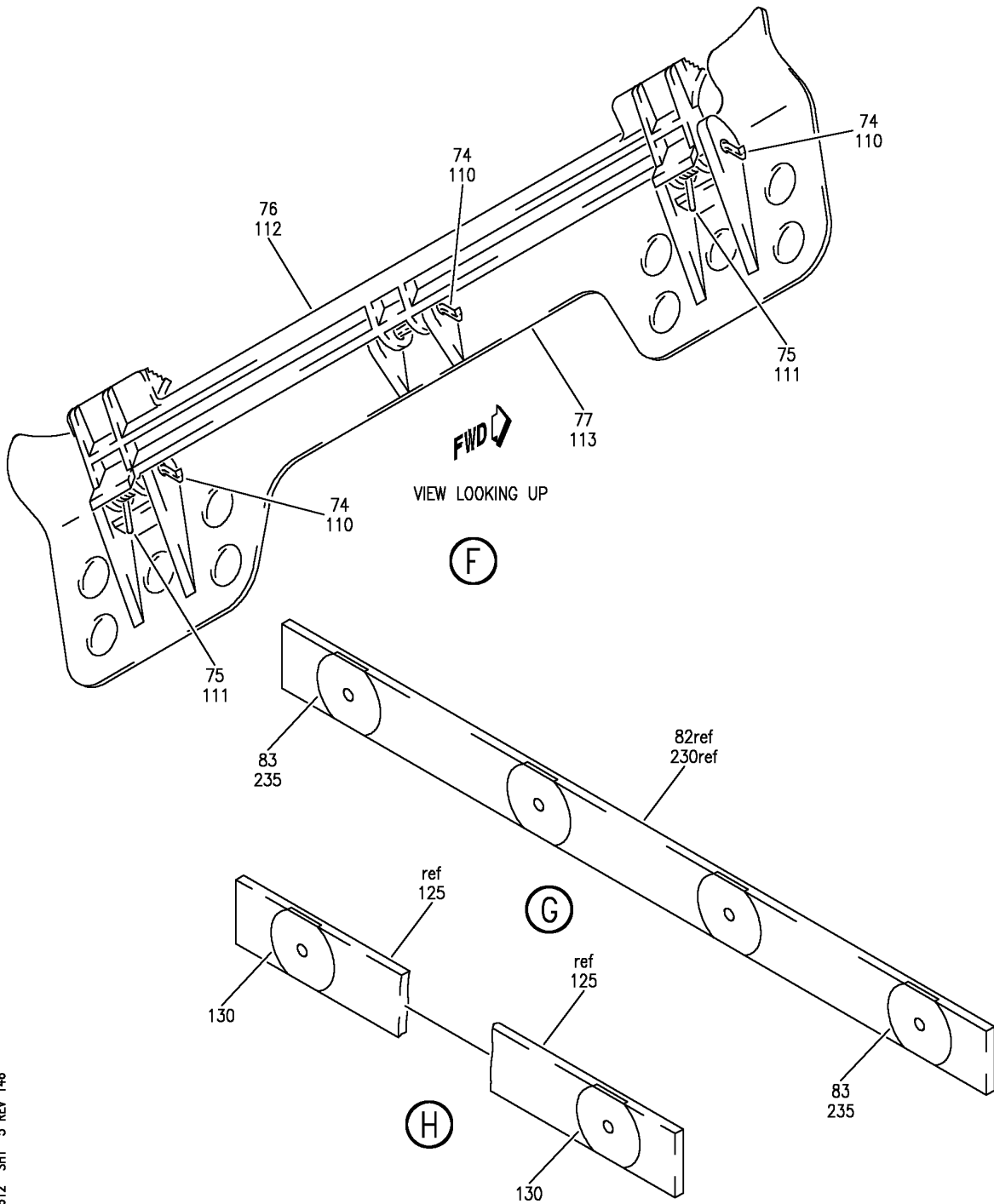
SIDEWALL INSTL-PASS. CAB.
 FIGURE 12 (SHEET 4)

25-21-46-12

HAP
 JUN 15/09

25-21-46-12
 PAGE 0C

BOEING
 737-600/700/800/900
 PARTS CATALOG (MAINTENANCE)



E 25214612 SH1 5 REV 146

SIDEWALL INSTL-PASS. CAB.
 FIGURE 12 (SHEET 5)

25-21-46-12

HAP
 OCT 15/08

25-21-46-12
 PAGE 0D

BOEING
737-600/700/800/900
PARTS CATALOG (MAINTENANCE)

FIG ITEM	PART NUMBER	1 2 3 4 5 6 7	NOMENCLATURE	EFFECT FROM TO	UNITS PER ASSY
R	12				
-	1	411A1100-202SP	SIDEWALL INSTL-PASS. CAB. SIDEWALL INSTL-PASS. CAB. POSITION DATA: FWD R CORNER FOR NHA SEE: 25-21-00-01A	101999 201967	RF
R	-	2	MODREF315473	101200 968999	1
R			SIDEWALL INSTL-PASS. CAB. MONUMENT INTERFACE MODULE NUMBER: 411A1100-202BJ REV A POSITION DATA: FWD RH CORNER		
R		5	65C32768-7SP	201967	1
R		5	65C32768-7CBXP	101200 968999	1
			ATTACHING PARTS		
-	10	NAS1801-3-5	.SCREW-	201967	5
R	-	10	BACS12HN3-5	101200 968999	5
R			.SCREW		
R	-	15	BACW10P136AL	101999	5
			.WASHER-		
R		20	65C28101-7	101999	5
R			.WASHER ASSY-		
R			QUALIFIED I/W DATA:		
R			65C28101-5 I/W		
R			65C28101-7 FOR SOME		
R			SIDEWALL INSTALLATIONS;		
R			THE RETAINER USED ON		
R			65C28101-7 IS LONGER		
R			THAN THE RETAINER USED		
R			ON 65C28101-5		
R			OPTIONAL PART:		
R			65C28101-5		
R		25	BACS12ER3K5	101999	1
R		27	69-66047-1	101999	1
R		29	69-62183-2	101999	5
R		30	65C28101-5	101999	5
R			.WASHER ASSY-		
R			QUALIFIED I/W DATA:		
R			65C28101-5 I/W		
R			65C28101-7 FOR SOME		
R			SIDEWALL INSTALLATIONS;		
R			THE RETAINER USED ON		
R			65C28101-7 IS LONGER		
R			THAN THE RETAINER USED		
R			ON 65C28101-5		
R			OPTIONAL PART:		
R			65C28101-7		

MISSING ITEM NUMBERS NOT APPLICABLE

- ITEM NOT ILLUSTRATED

HAP

25-21-46-12

BOEING PROPRIETARY - Copyright © - Unpublished Work - See title page for details.

25-21-46
FIG. 12
PAGE 1
JUN 15/09

BOEING
737-600/700/800/900
PARTS CATALOG (MAINTENANCE)

FIG ITEM	PART NUMBER	1 2 3 4 5 6 7	NOMENCLATURE	EFFECT FROM TO	UNITS PER ASSY
12					
R	32	CA3105-1032-6	.. SCREW SUPPLIER CODE: V73439 SPECIFICATION NUMBER: BACS12N10-6 OPTIONAL PART: CA3105-1032-6 V78189 SP1561-1032-6 V73439	101999	1
R	34	69-66047-1	.. WASHER-RTNR	101999	1
R	35	65C28101-2	.. RETAINER	101999	5
R	40	411N1102-32SP	. STRIP-TRIM	201967	1
R	40	411N1102-32BCUN	. STRIP-TRIM	101200	1
R				968999	
R	45	411N1210-313SP	. PANEL ASSY-WINDOW	201967	1
R	45	411N1210-313DM	. PANEL ASSY-WINDOW	101200	1
R				968999	
R	55	411N1210-1SP	.. COVER	201967	1
R	55	411N1210-1CL	.. COVER	101200	1
R				968999	
R	56	411N1260-201SP	.. WINDOW ASSY- FOR DETAILS SEE: 25-21-12-12	201967	2
R	56	411N1260-201B	.. WINDOW ASSY- FOR DETAILS SEE: 25-21-12-12	101200	2
R				968999	
R	70	411N1250-101	.. SHEATH ASSY-	101999	2
R	70	411N1250-102	.. SHEATH ASSY-	101999	2
R	72	411N1240-1	.. BRACKET	101999	2
R	73	411N1230-101	.. LATCH ASSY	101999	2
R	74	MS39086-11	... PIN	101999	3
R	75	411N1175-1	... SPRING	101999	2
R	76	411N1231-2	... PAWL	101999	1
R	77	411N1231-1	... BASE	101999	1
R	79	BACS12FA3K4	.. SCREW	101999	4
R	80	411N1407-2	.. CLIP	101999	4
R	82	411N1121-106	.. STIFFENER ASSY	101999	1
R	83	BACI12S3	... INSERT	101999	4
R	86	411N1220-2	.. RETAINER	101999	1
R	87	411N1220-1	.. RETAINER	101999	1
R	88	65C31833-613	.. PANEL ASSY-BASIC	101999	1
R	90	411N1210-460SP	. PANEL ASSY-TRIM	201967	1
R	91	411N1210-460BL	. PANEL ASSY-TRIM	101105	1
R				107200	
R				968999	

MISSING ITEM NUMBERS NOT APPLICABLE

— ITEM NOT ILLUSTRATED

HAP

25-21-46-12

25-21-46
FIG. 12
PAGE 2
JUN 15/09


BOEING
 737-600/700/800/900
PARTS CATALOG (MAINTENANCE)

FIG ITEM	PART NUMBER	1 2 3 4 5 6 7	NOMENCLATURE	EFFECT FROM TO	UNITS PER ASSY
R R R R R R	12				
	250	411N1220-1	..RETAINER	101200 968999	1
	255	411N1220-2	..RETAINER	101200 968999	1
	260	65C31833-613	..PANEL ASSY-BASIC	101200 968999	1

MISSING ITEM NUMBERS NOT APPLICABLE

— ITEM NOT ILLUSTRATED

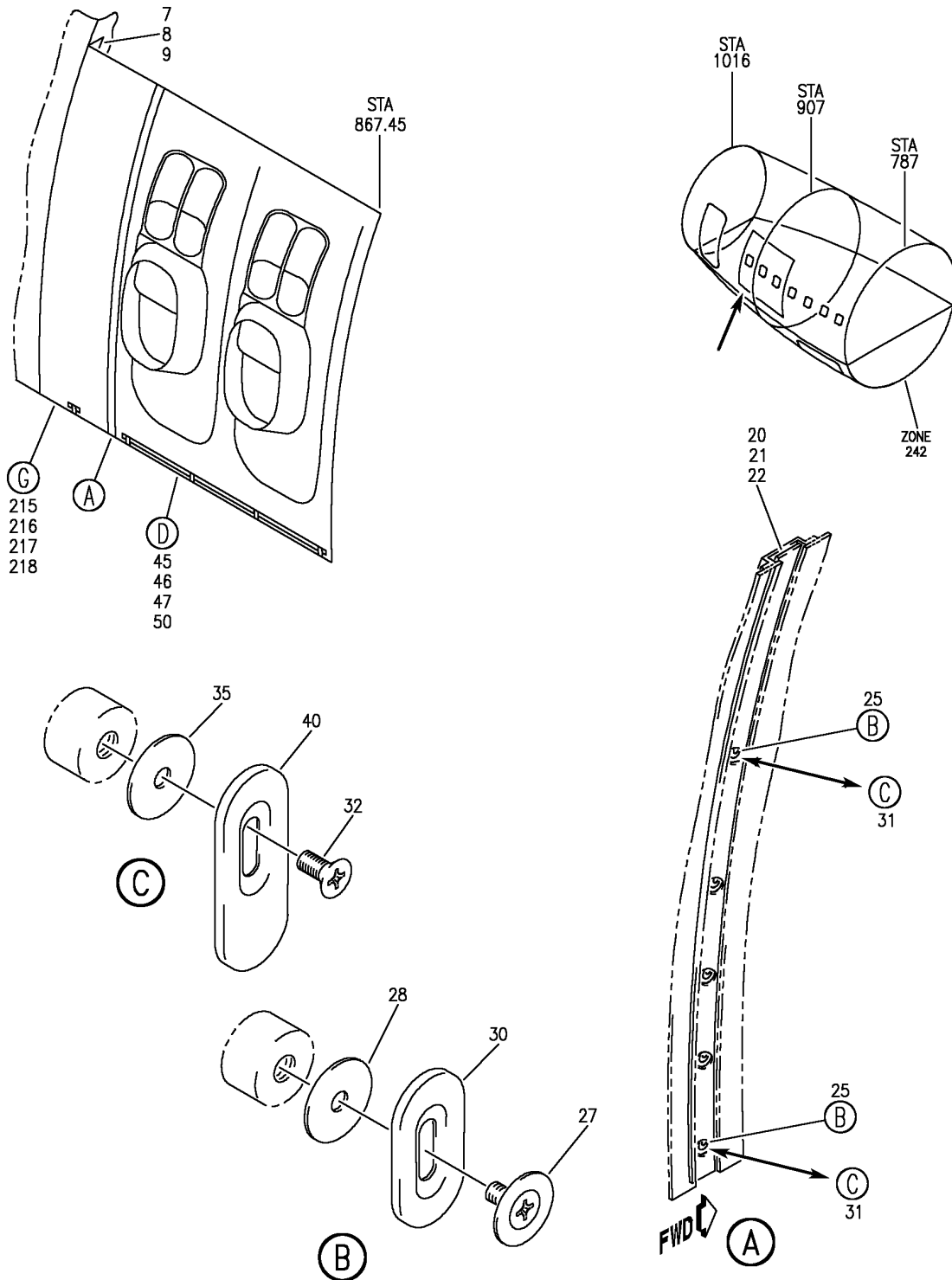
HAP

25-21-46-12

BOEING PROPRIETARY - Copyright © - Unpublished Work - See title page for details.

25-21-46
 FIG. 12
 PAGE 4
 JUN 15/09

BOEING
 737-600/700/800/900
 PARTS CATALOG (MAINTENANCE)



E 25214614 SHT 1 REV 147

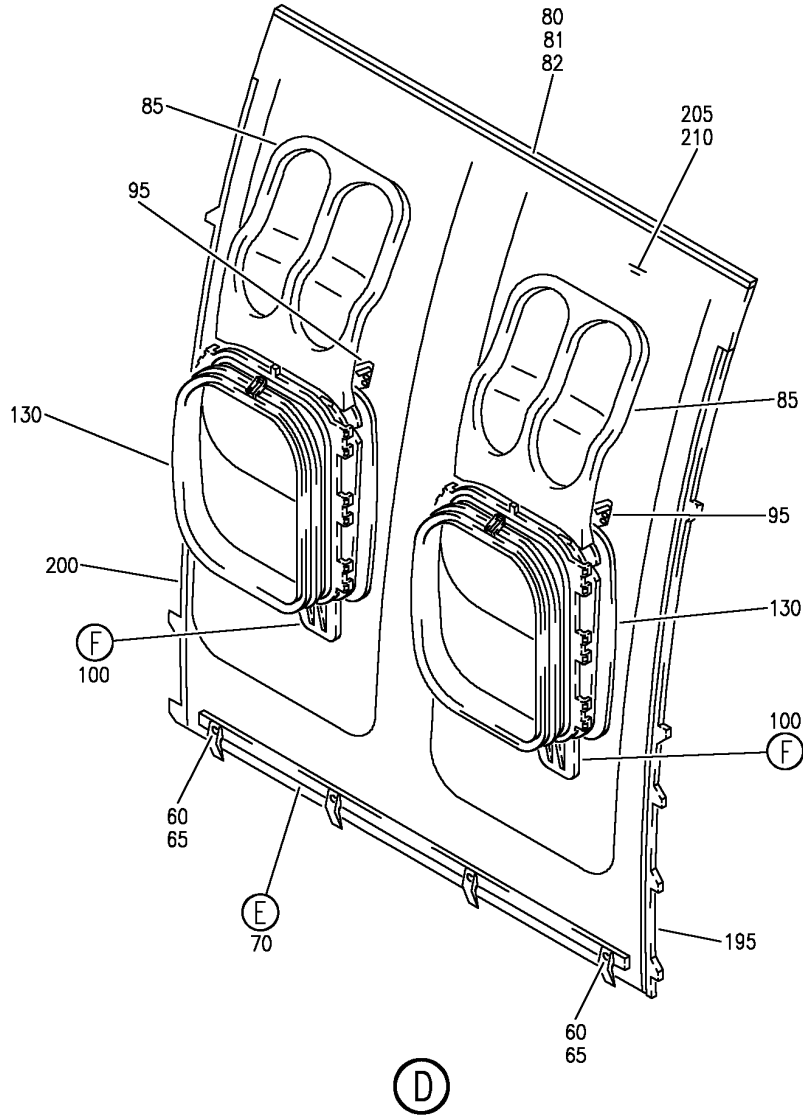
SIDEWALL INSTL-AFT RH PASS. CAB.
 FIGURE 14 (SHEET 1)

25-21-46-14

HAP
 OCT 15/08

25-21-46-14
 PAGE 0

BOEING
 737-600/700/800/900
 PARTS CATALOG (MAINTENANCE)



E 25214614 SH1 2 REV 147

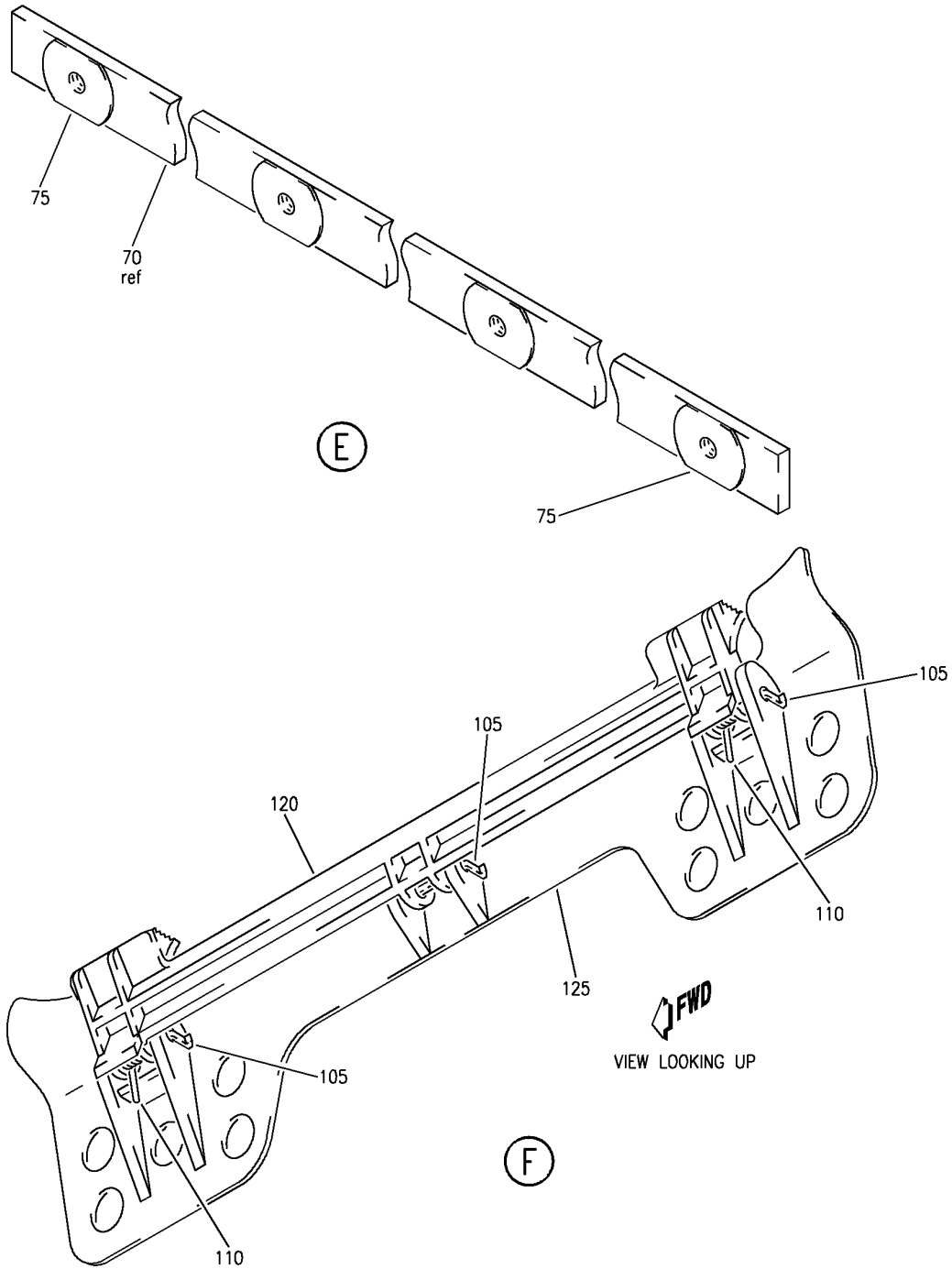
SIDEWALL INSTL-AFT RH PASS. CAB.
 FIGURE 14 (SHEET 2)

25-21-46-14

HAP
 OCT 15/08

25-21-46-14
 PAGE 0A

BOEING
 737-600/700/800/900
 PARTS CATALOG (MAINTENANCE)



E 25214614 SH1 3 REV 122

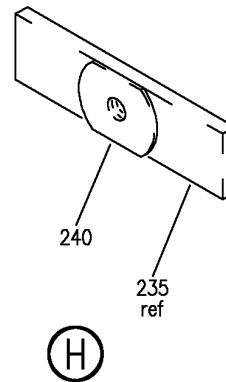
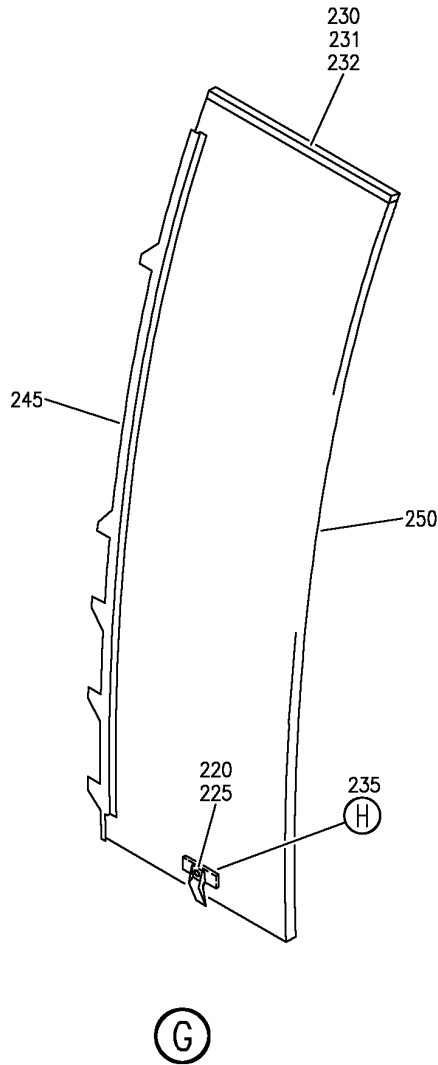
SIDEWALL INSTL-AFT RH PASS. CAB.
 FIGURE 14 (SHEET 3)

25-21-46-14

HAP
 OCT 10/06

25-21-46-14
 PAGE 0B

BOEING
 737-600/700/800/900
 PARTS CATALOG (MAINTENANCE)



E 25214614 SH1 4 REV 147

SIDEWALL INSTL-AFT RH PASS. CAB.
 FIGURE 14 (SHEET 4)

25-21-46-14

HAP
 OCT 15/08

25-21-46-14
 PAGE 0C

BOEING
737-600/700/800/900
PARTS CATALOG (MAINTENANCE)

FIG ITEM	PART NUMBER	1 2 3 4 5 6 7	NOMENCLATURE	EFFECT FROM TO	UNITS PER ASSY
14			SIDEWALL INSTL-AFT RH PASS. CAB.		
- 1	411A1100-401SP		SIDEWALL INSTL-PASS. CAB. POSITION DATA: STA 867.45 TO STA 916.00 AFT R CORNER FOR NHA SEE: 25-21-00-01A 25-21-00-01D	001030 201967	RF
- 4	MODREF268721		SIDEWALL INSTL-PASS. CAB. MODULE NUMBER: 411A1100-401DW REV A POSITION DATA: STA 867.45 TO STA 916.00 AFT R CORNER	031036	1
- 5	MODREF309248		SIDEWALL INSTL-PASS. CAB. MODULE NUMBER: 411A1100-401DW REV B POSITION DATA: STA 867.45 TO STA 916.00 AFT RH CORNER	037200 968999	1
	8 65C32768-4SP		.ANGLE-TRIM	001030 201967	1
	9 65C32768-4CBXP		.ANGLE-TRIM	031200 968999	1
- 10	NAS1801-3-5		ATTACHING PARTS .SCREW	001030 201967	5
- 10	BACS12HN3-5		.SCREW	031200 968999	5
- 15	BACW10P136AL		.WASHER		5
	20 411N1102-32SP		-----*----- .STRIP-TRIM	001030 201967	1
	21 411N1102-32BCUN		.STRIP-TRIM	031200 968999	1
	25 65C28101-5		.WASHER ASSY- QUALIFIED I/W DATA: 65C28101-5 I/W 65C28101-7 FOR SOME SIDEWALL INSTALLATIONS; THE RETAINER USED ON 65C28101-7 IS LONGER THAN THE RETAINER USED ON 65C28101-5 OPTIONAL PART: 65C28101-7		5

MISSING ITEM NUMBERS NOT APPLICABLE

- ITEM NOT ILLUSTRATED

HAP

25-21-46-14

BOEING PROPRIETARY - Copyright © - Unpublished Work - See title page for details.

25-21-46
FIG. 14
PAGE 1
OCT 15/08

BOEING
737-600/700/800/900
PARTS CATALOG (MAINTENANCE)

FIG ITEM	PART NUMBER	1 2 3 4 5 6 7	NOMENCLATURE	EFFECT FROM TO	UNITS PER ASSY
14					
27	CA3105-1032-6	..	SCREW SUPPLIER CODE: V73439 SPECIFICATION NUMBER: BACS12N10-6 OPTIONAL PART: CA3105-1032-6 V78189 SP1561-1032-6 V73439		1
28	69-66047-1	..	WASHER-RTNR		1
30	65C28101-2	..	RETAINER		1
31	65C28101-7	.WASHER ASSY-	QUALIFIED I/W DATA: 65C28101-5 I/W 65C28101-7 FOR SOME SIDEWALL INSTALLATIONS; THE RETAINER USED ON 65C28101-7 IS LONGER THAN THE RETAINER USED ON 65C28101-5 OPTIONAL PART: 65C28101-5		5
32	BACS12ER3K5	..	SCREW		1
35	69-66047-1	..	WASHER-RTNR		1
40	69-62183-2	..	RETAINER		1
45	411N1210-307SP	.PANEL ASSY-WINDOW		001030 201967	1
46	411N1210-307DL	.PANEL ASSY-WINDOW		031200 968999	1
60	BACS12FA3K4	..	SCREW		4
65	411N1407-2	..	CLIP		4
70	411N1121-106	..	STIFFENER ASSY		1
75	BACI12S3	...	INSERT		4
80	411N1210-1SP	..	COVER	001030 201967	1
81	411N1210-1CL	..	COVER	031200 968999	1
85	411N1250-102	..	SHEATH ASSY		2
95	411N1240-1	..	BRACKET		2
100	411N1230-101	..	LATCH ASSY		2
105	MS39086-11	...	PIN		3
110	411N1175-1	...	SPRING		2
120	411N1231-2	...	PAWL		1
125	411N1231-1	...	BASE		1
130	411N1260-201SP	..	WINDOW ASSY- FOR DETAILS SEE: 25-21-12-14	001030 201967	2

MISSING ITEM NUMBERS NOT APPLICABLE

— ITEM NOT ILLUSTRATED

HAP

25-21-46-14

BOEING PROPRIETARY - Copyright © - Unpublished Work - See title page for details.

25-21-46
FIG. 14
PAGE 2
OCT 15/08

BOEING
737-600/700/800/900
PARTS CATALOG (MAINTENANCE)

FIG ITEM	PART NUMBER	1 2 3 4 5 6 7	NOMENCLATURE	EFFECT FROM TO	UNITS PER ASSY
14					
130	411N1260-201B	..	WINDOW ASSY- FOR DETAILS SEE: 25-21-12-14	031200 968999	2
195	411N1220-1	..	RETAINER-EDGE		1
200	411N1220-2	..	RETAINER-EDGE		1
205	65C31833-607	..	PANEL ASSY-BASIC		1
215	411N1210-206SP	.	PANEL ASSY-FILLER	001030 201967	1
216	411N1210-206DL	.	PANEL ASSY-FILLER	031036	1
217	411N1210-849T	.	PANEL ASSY-FILLER	037200 968999	1
220	BACS12FA3K4	..	SCREW		1
225	411N1407-2	..	CLIP		1
230	411N1210-10SP	..	COVER	001030 201967	1
231	411N1210-10CL	..	COVER	031200 968999	1
235	411N1121-115	..	STIFFENER ASSY		1
240	BACI12S3	...	INSERT		1
245	411N1220-1	..	RETAINER-EDGE		1
250	65C31833-96	..	PANEL ASSY	001036 201967	1
250	65C31833-1070	..	PANEL ASSY-BASIC	037200 968999	1

MISSING ITEM NUMBERS NOT APPLICABLE

— ITEM NOT ILLUSTRATED

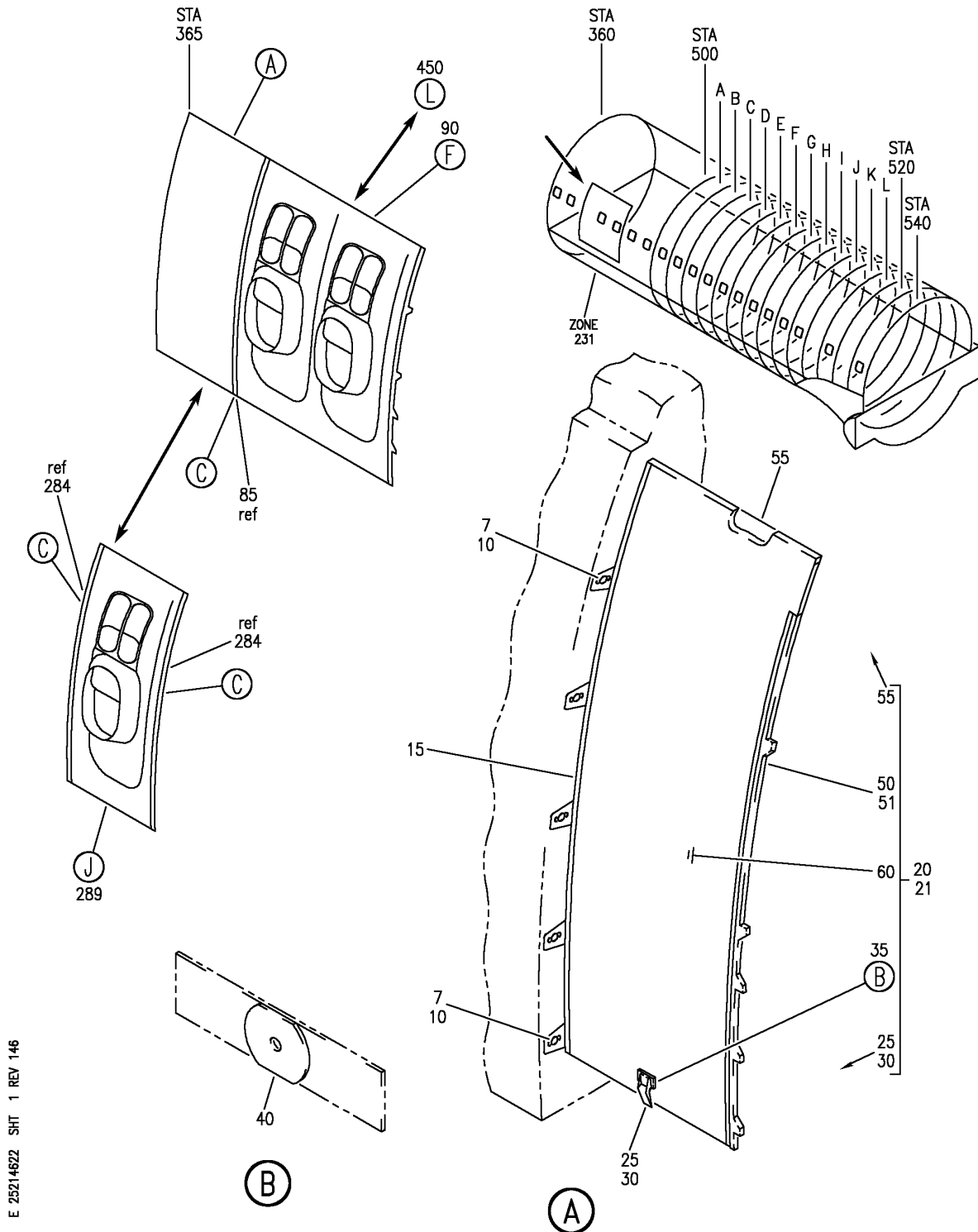
HAP

25-21-46-14

BOEING PROPRIETARY - Copyright © - Unpublished Work - See title page for details.

25-21-46
FIG. 14
PAGE 3
OCT 15/08


BOEING
 737-600/700/800/900
PARTS CATALOG (MAINTENANCE)



E 25214622 SH1 1 REV 146

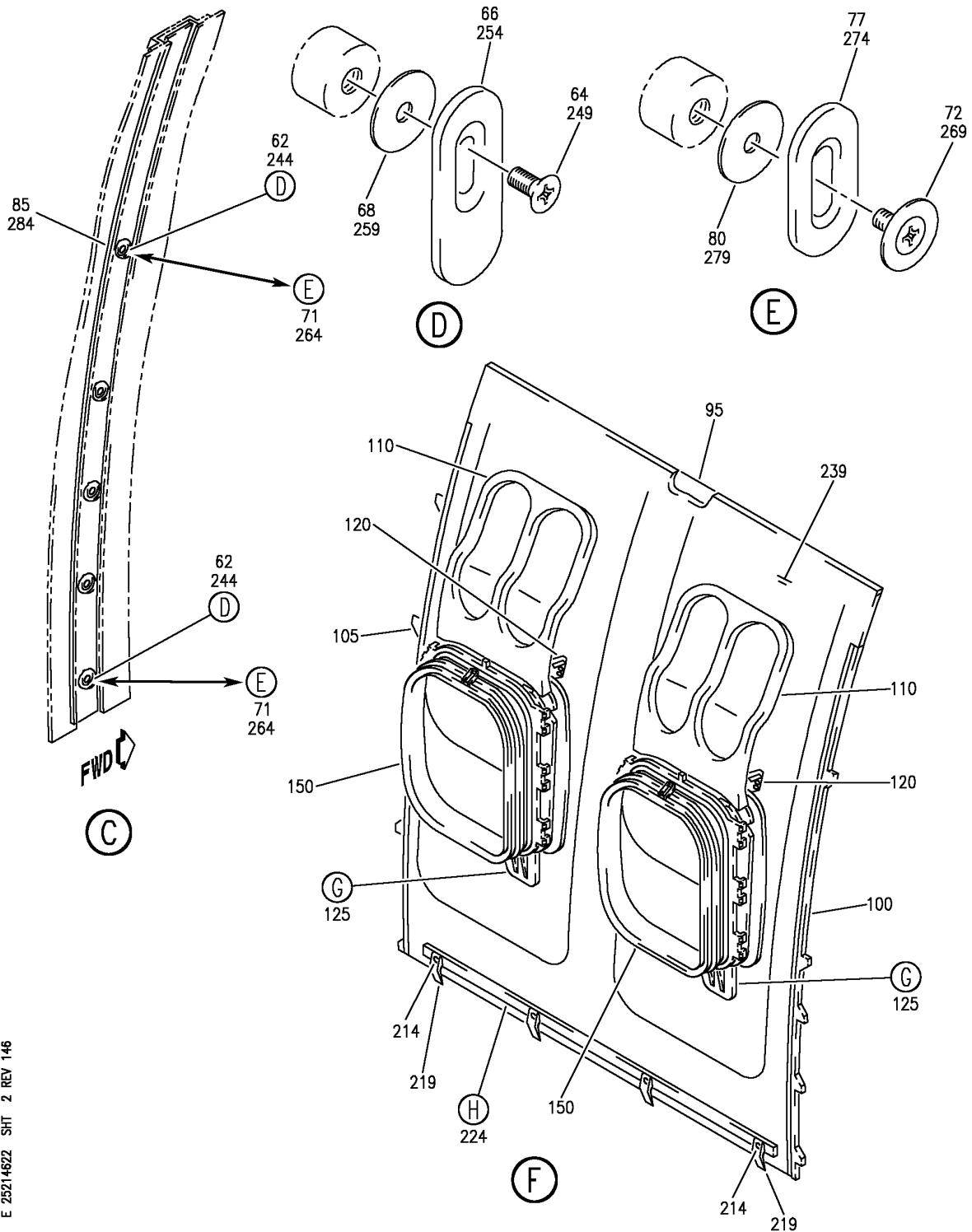
SIDEWALL INSTL-PASS. CAB. FWD LH CORNER
 FIGURE 22 (SHEET 1)

25-21-46-22

HAP
OCT 15/08

25-21-46-22
 PAGE 0

BOEING
 737-600/700/800/900
 PARTS CATALOG (MAINTENANCE)



E 25214622 SH1 2 REV 146

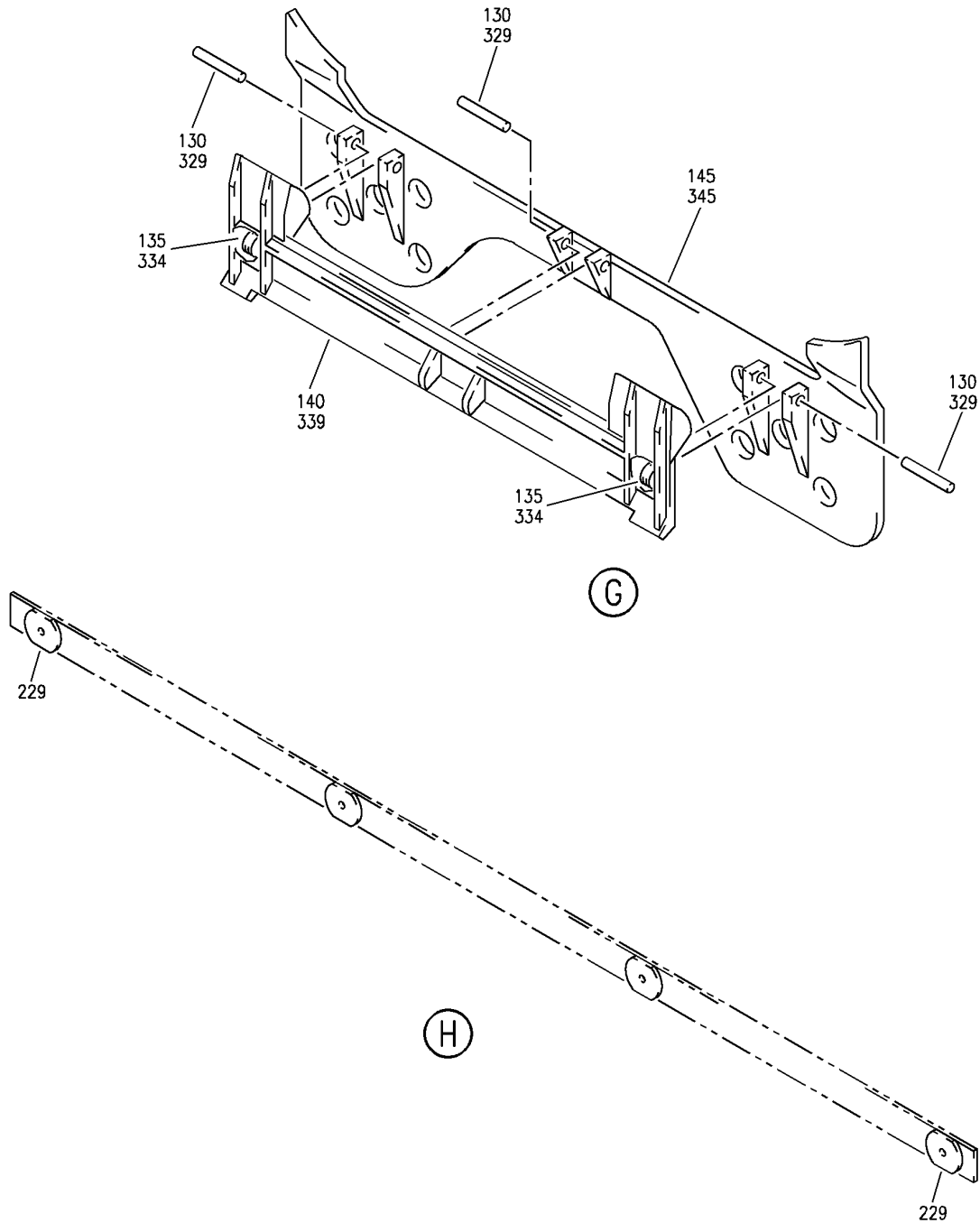
SIDEWALL INSTL-PASS. CAB. FWD LH CORNER
 FIGURE 22 (SHEET 2)

25-21-46-22

HAP
 OCT 15/08

25-21-46-22
 PAGE 0A

BOEING
 737-600/700/800/900
 PARTS CATALOG (MAINTENANCE)



E 25214622 SH1 3 REV 131

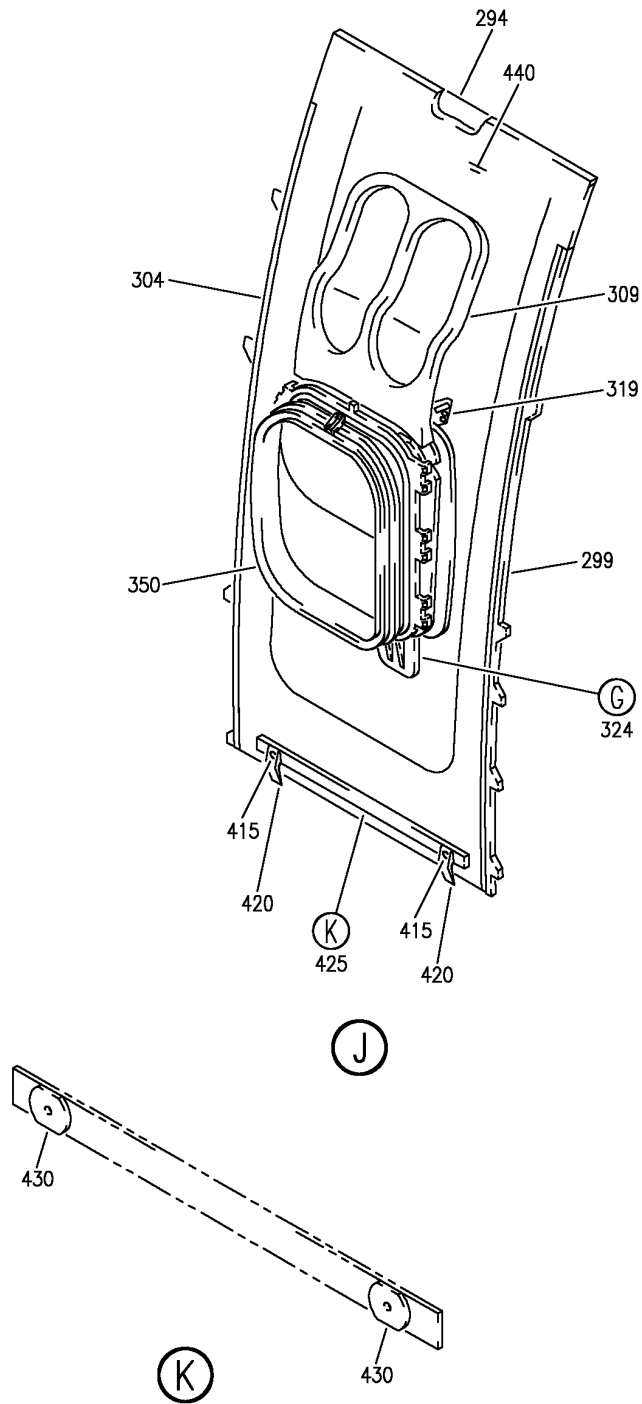
SIDEWALL INSTL-PASS. CAB. FWD LH CORNER
 FIGURE 22 (SHEET 3)

25-21-46-22

HAP
 JUN 10/07

25-21-46-22
 PAGE 0B

BOEING
 737-600/700/800/900
 PARTS CATALOG (MAINTENANCE)



E 25214622 SH1 4 REV 146

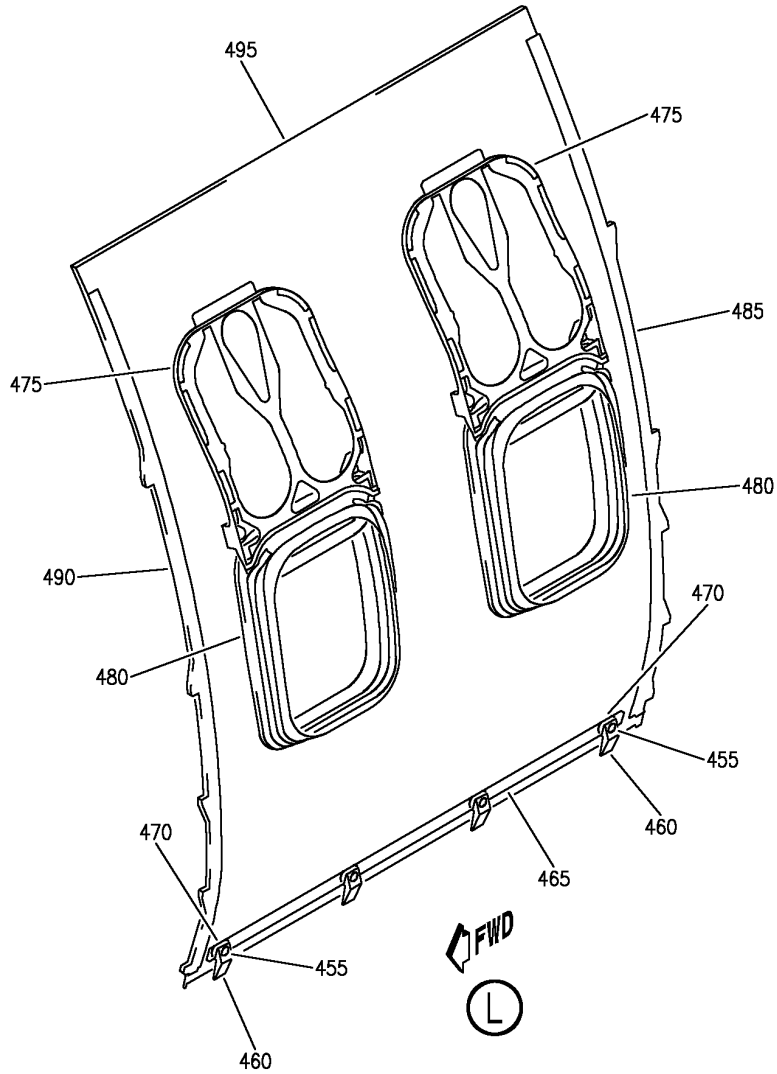
SIDEWALL INSTL-PASS. CAB. FWD LH CORNER
 FIGURE 22 (SHEET 4)

25-21-46-22

HAP
 OCT 15/08

25-21-46-22
 PAGE 0C

BOEING
737-600/700/800/900
PARTS CATALOG (MAINTENANCE)



E 25214622 SH1 5 REV 146

SIDEWALL INSTL-PASS. CAB. FWD LH CORNER
FIGURE 22 (SHEET 5)

25-21-46-22

HAP
OCT 15/08

25-21-46-22
PAGE 0D

BOEING
737-600/700/800/900
PARTS CATALOG (MAINTENANCE)

FIG ITEM	PART NUMBER	1 2 3 4 5 6 7	NOMENCLATURE	EFFECT FROM TO	UNITS PER ASSY
22			SIDEWALL INSTL-PASS. CAB. FWD LH CORNER	001030	
- 1	411A1100-101SP		SIDEWALL INSTL-PASS. CAB. POSITION DATA: FWD LH FOR NHA SEE: 25-21-00-01D	001027	RF
- 1	411A1100-113SP		SIDEWALL INSTL-PASS. CAB. POSITION DATA: FWD LH CORNER FOR NHA SEE: 25-21-00-01D	028030	RF
7	NAS1801-3-5		.SCREW- PRE SERVICE BULLETIN: 25-1542	001030	5
10	BACW10P136AL		.WASHER- PRE SERVICE BULLETIN: 25-1542	001030	5
15	65C32768-43SP		.TRIM- PRE SERVICE BULLETIN: 25-1542	001030	1
20	411N1210-209SP		.PANEL ASSY- PRE SERVICE BULLETIN: 25-1542	001027	1
21	411N1210-775SP		.PANEL ASSY- PRE SERVICE BULLETIN: 25-1542	028030	1
25	BACS12FA3K4		..SCREW	001030	1
30	411N1407-2		..CLIP	001030	1
35	411N1121-115		..STIFFENER ASSY	001030	1
40	BACI12S3		...INSERT	001030	1
50	411N1220-2		..RETAINER	001027	1
51	411N1220-1		..RETAINER	028030	1
55	411N1210-10SP		..COVER	001030	1
60	65C31833-699		..PANEL ASSY	001030	1
62	65C28101-7		.WASHER ASSY- QUALIFIED I/W DATA: 65C28101-5 I/W 65C28101-7 FOR SOME SIDEWALL INSTALLATIONS; THE RETAINER USED ON 65C28101-7 IS LONGER THAN THE RETAINER USED ON 65C28101-5 OPTIONAL PART: 65C28101-5 PRE SERVICE BULLETIN: 25-1542	001030	5

MISSING ITEM NUMBERS NOT APPLICABLE

- ITEM NOT ILLUSTRATED

HAP

25-21-46-22

BOEING PROPRIETARY - Copyright © - Unpublished Work - See title page for details.

25-21-46
FIG. 22
PAGE 1
OCT 15/08

BOEING
737-600/700/800/900
PARTS CATALOG (MAINTENANCE)

FIG ITEM	PART NUMBER	1 2 3 4 5 6 7	NOMENCLATURE	EFFECT FROM TO	UNITS PER ASSY
22					
64	BACS12ER3K5	..	SCREW- PRE SERVICE BULLETIN: 25-1542	001030	1
66	69-62183-2	..	RETAINER- PRE SERVICE BULLETIN: 25-1542	001030	1
68	69-66047-1	..	WASHER- PRE SERVICE BULLETIN: 25-1542	001030	1
71	65C28101-5	.WASHER ASSY-	WASHER ASSY- QUALIFIED I/W DATA: 65C28101-5 I/W 65C28101-7 FOR SOME SIDEWALL INSTALLATIONS; THE RETAINER USED ON 65C28101-7 IS LONGER THAN THE RETAINER USED ON 65C28101-5 OPTIONAL PART: 65C28101-7 PRE SERVICE BULLETIN: 25-1542	001030	5
72	CA3105-1032-6	..	SCREW- SUPPLIER CODE: V73439 SPECIFICATION NUMBER: BACS12N10-6 OPTIONAL PART: CA3105-1032-6 V78189 SP1561-1032-6 V73439 PRE SERVICE BULLETIN: 25-1542	001030	1
77	65C28101-2	..	RETAINER- PRE SERVICE BULLETIN: 25-1542	001030	1
80	69-66047-1	..	WASHER- PRE SERVICE BULLETIN: 25-1542	001030	1
85	411N1102-32SP	.STRIP-	STRIP- PRE SERVICE BULLETIN: 25-1542	001030	1
90	411N1210-312SP	.PANEL ASSY	PANEL ASSY	001030	1
95	411N1210-1SP	..	COVER	001030	1
100	411N1220-1	..	RETAINER	001030	1
105	411N1220-2	..	RETAINER	001030	1
110	411N1250-102	..	SHEATH ASSY-	001030	2
110	411N1250-101	..	SHEATH ASSY-	001030	2

MISSING ITEM NUMBERS NOT APPLICABLE

— ITEM NOT ILLUSTRATED

HAP

25-21-46-22

BOEING PROPRIETARY - Copyright © - Unpublished Work - See title page for details.

25-21-46
FIG. 22
PAGE 2
JUN 15/09

BOEING
737-600/700/800/900
PARTS CATALOG (MAINTENANCE)

FIG ITEM	PART NUMBER	1 2 3 4 5 6 7	NOMENCLATURE	EFFECT FROM TO	UNITS PER ASSY
22					
120	411N1240-1	..	BRACKET	001030	2
125	411N1230-101	..	LATCH ASSY	001030	2
130	MS39086-11	...	PIN	001030	3
135	411N1175-1	...	SPRING	001030	2
140	411N1231-2	...	PAWL	001030	1
145	411N1231-1	...	BASE	001030	1
150	411N1260-201SP	..	WINDOW ASSY- FOR DETAILS SEE: 25-21-12-22	001030	2
214	BACS12FA3K4	..	SCREW	001030	4
219	411N1407-2	..	CLIP	001030	4
224	411N1121-106	..	STIFFENER ASSY	001030	1
229	BACI12S3	...	INSERT	001030	4
239	65C31833-612	..	PANEL ASSY	001030	1
244	65C28101-7	.WASHER ASSY- QUALIFIED I/W DATA: 65C28101-5 I/W 65C28101-7 FOR SOME SIDEWALL INSTALLATIONS; THE RETAINER USED ON 65C28101-7 IS LONGER THAN THE RETAINER USED ON 65C28101-5 OPTIONAL PART: 65C28101-5 POST SERVICE BULLETIN: 25-1542	001014 016017 019030	10	
R	249	BACS12ER3K5	.. SCREW- POST SERVICE BULLETIN: 25-1542	001014 016017 019030	1
R	254	69-62183-2	.. RETAINER- POST SERVICE BULLETIN: 25-1542	001014 016017 019030	1
R	259	69-66047-1	.. WASHER- POST SERVICE BULLETIN: 25-1542	001014 016017 019030	1
R	264	65C28101-5	.WASHER ASSY- QUALIFIED I/W DATA: 65C28101-5 I/W 65C28101-7 FOR SOME SIDEWALL INSTALLATIONS; THE RETAINER USED ON 65C28101-7 IS LONGER THAN THE RETAINER USED ON 65C28101-5 OPTIONAL PART: 65C28101-7 POST SERVICE BULLETIN: 25-1542	001014 016017 019030	10

MISSING ITEM NUMBERS NOT APPLICABLE

— ITEM NOT ILLUSTRATED

HAP

25-21-46-22

BOEING PROPRIETARY - Copyright © - Unpublished Work - See title page for details.

25-21-46
FIG. 22
PAGE 3
JUN 15/09

BOEING
737-600/700/800/900
PARTS CATALOG (MAINTENANCE)

FIG ITEM	PART NUMBER	1 2 3 4 5 6 7	NOMENCLATURE	EFFECT FROM TO	UNITS PER ASSY
R R R R R R R R R R R R R R R R R	22 269	CA3105-1032-6	.. SCREW- SUPPLIER CODE: V73439 SPECIFICATION NUMBER: BACS12N10-6 OPTIONAL PART: CA3105-1032-6 V78189 SP1561-1032-6 V73439 POST SERVICE BULLETIN: 25-1542	001014 016017 019030	1
	274	65C28101-2	.. RETAINER- POST SERVICE BULLETIN: 25-1542	001014 016017 019030	1
	279	69-66047-1	.. WASHER- POST SERVICE BULLETIN: 25-1542	001014 016017 019030	1
	284	411N1102-32SP	. STRIP- POST SERVICE BULLETIN: 25-1542	001014 016017 019030	1
	289	411N1210-453SP	. PANEL ASSY- POST SERVICE BULLETIN: 25-1542	001014 016017 019030	1
	294	411N1210-6SP	.. COVER	001014 016017 019030	1
	299	411N1220-1	.. RETAINER	001014 016017 019030	1
	304	411N1220-2	.. RETAINER	001014 016017 019030	1
	309	411N1250-102	.. SHEATH ASSY	001014 016017 019030	1
	319	411N1240-1	.. BRACKET	001014 016017 019030	1
	324	411N1230-101	.. LATCH ASSY	001014 016017 019030	1
	329	MS39086-11	... PIN	001014 016017 019030	3
	334	411N1175-1	... SPRING	001014 016017 019030	2

MISSING ITEM NUMBERS NOT APPLICABLE

— ITEM NOT ILLUSTRATED

HAP

25-21-46-22

25-21-46
FIG. 22
PAGE 4
JUN 15/09

BOEING
737-600/700/800/900
PARTS CATALOG (MAINTENANCE)

FIG ITEM	PART NUMBER	1 2 3 4 5 6 7	NOMENCLATURE	EFFECT FROM TO	UNITS PER ASSY
22					
339	411N1231-2	...	PAWL	001014 016017 019030	1
345	411N1231-1	...	BASE	001014 016017 019030	1
350	411N1260-201SP	..	WINDOW ASSY- POST SERVICE BULLETIN: 25-1542 FOR DETAILS SEE: 25-21-12-22	001014 016017 019030	1
415	BACS12FA3K4	..	SCREW	001014 016017 019030	2
420	411N1407-2	..	CLIP	001014 016017 019030	2
425	411N1121-101	..	STIFFENER ASSY	001014 016017 019030	1
430	BACI12S3	...	INSERT	001014 016017 019030	2
440	65C31833-728	..	PANEL ASSY	001014 016017 019030	1

MISSING ITEM NUMBERS NOT APPLICABLE

— ITEM NOT ILLUSTRATED

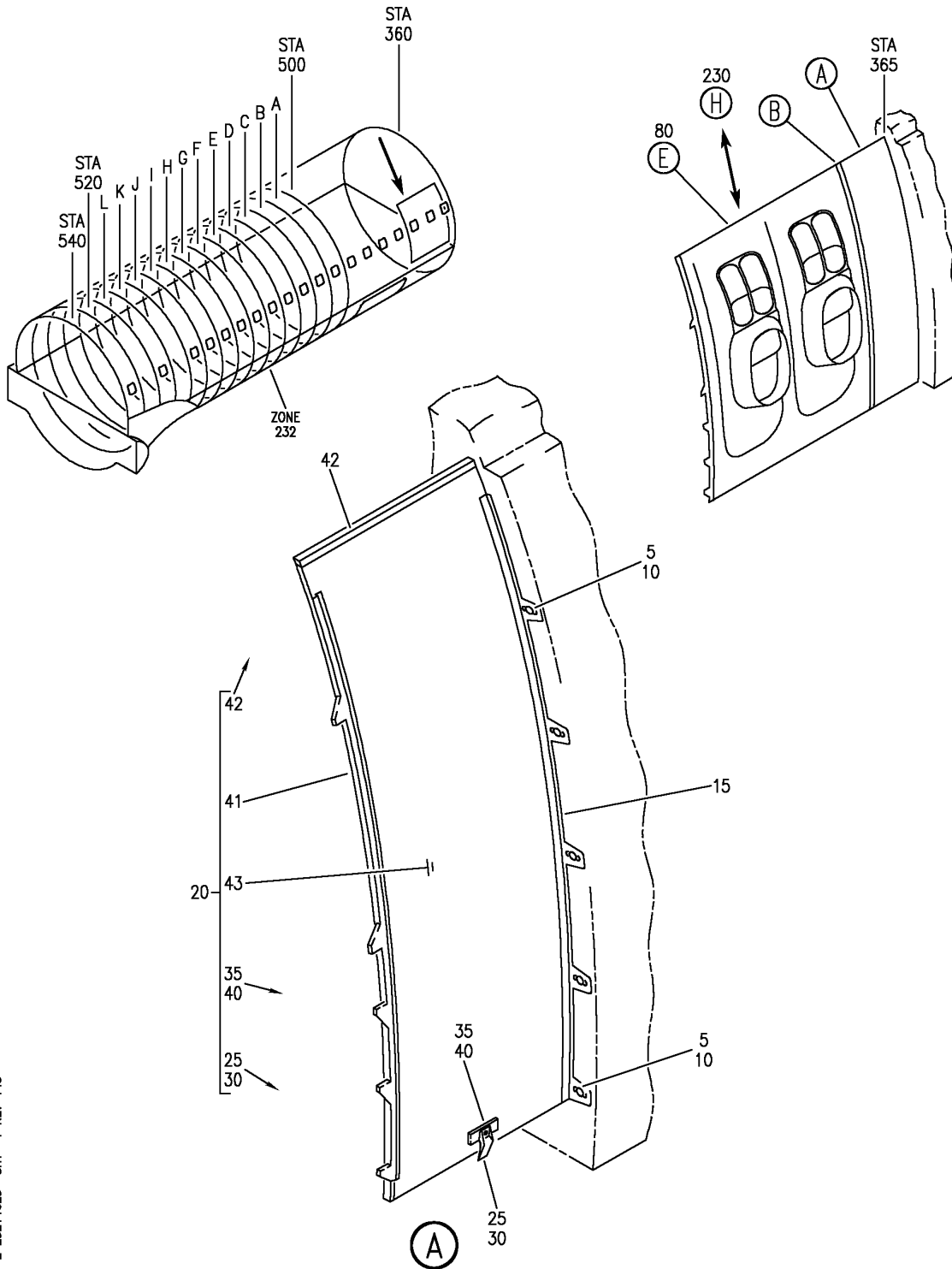
HAP

25-21-46-22

BOEING PROPRIETARY - Copyright © - Unpublished Work - See title page for details.

25-21-46
FIG. 22
PAGE 5
JUN 15/09

BOEING
 737-600/700/800/900
 PARTS CATALOG (MAINTENANCE)



E 25214623 SH1 1 REV 145

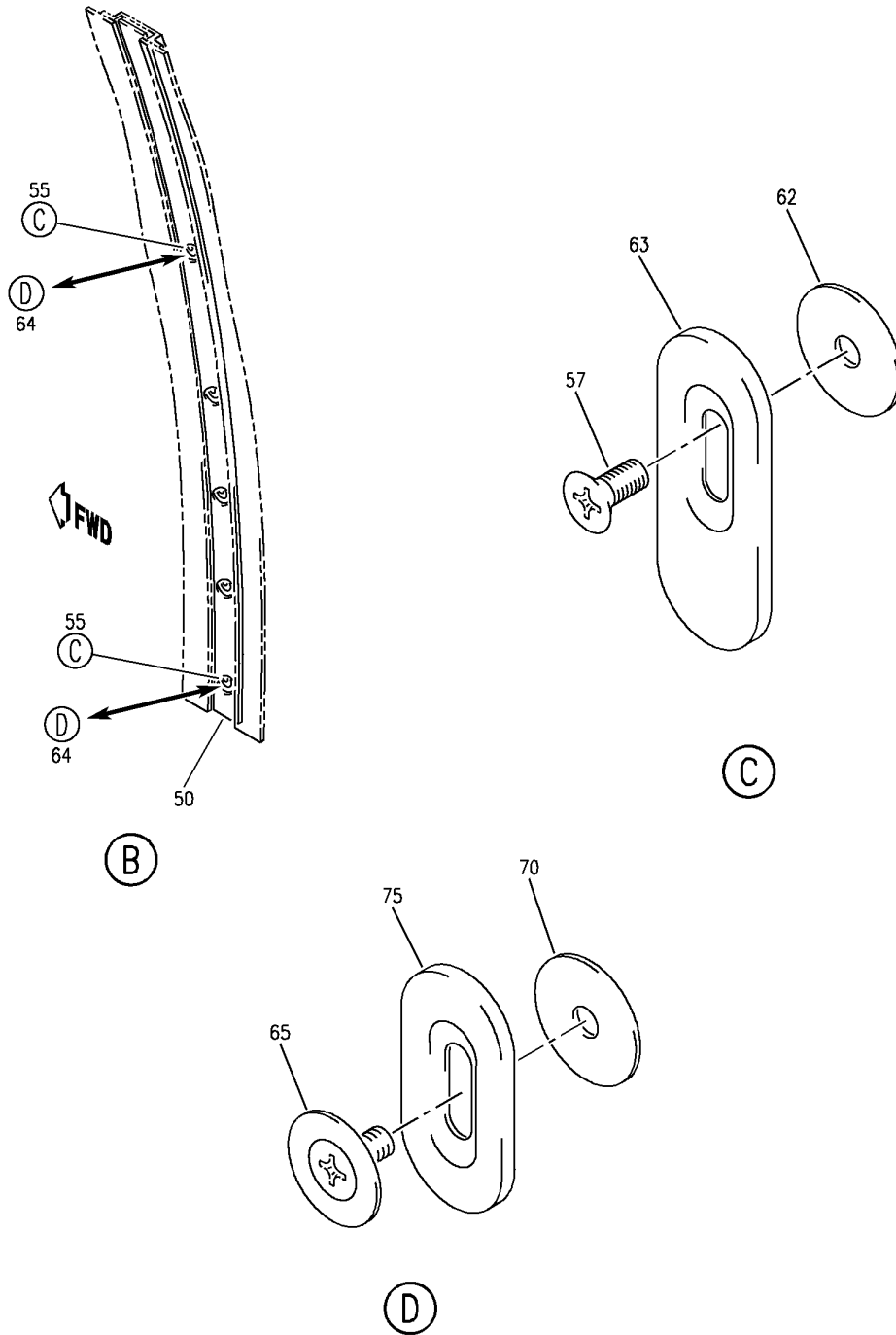
SIDEWALL INSTL-PASS. CAB. FWD RH CORNER
 FIGURE 23 (SHEET 1)

25-21-46-23

HAP
 OCT 15/08

25-21-46-23
 PAGE 0

BOEING
737-600/700/800/900
PARTS CATALOG (MAINTENANCE)



E 25214623 SHT 2 REV 120

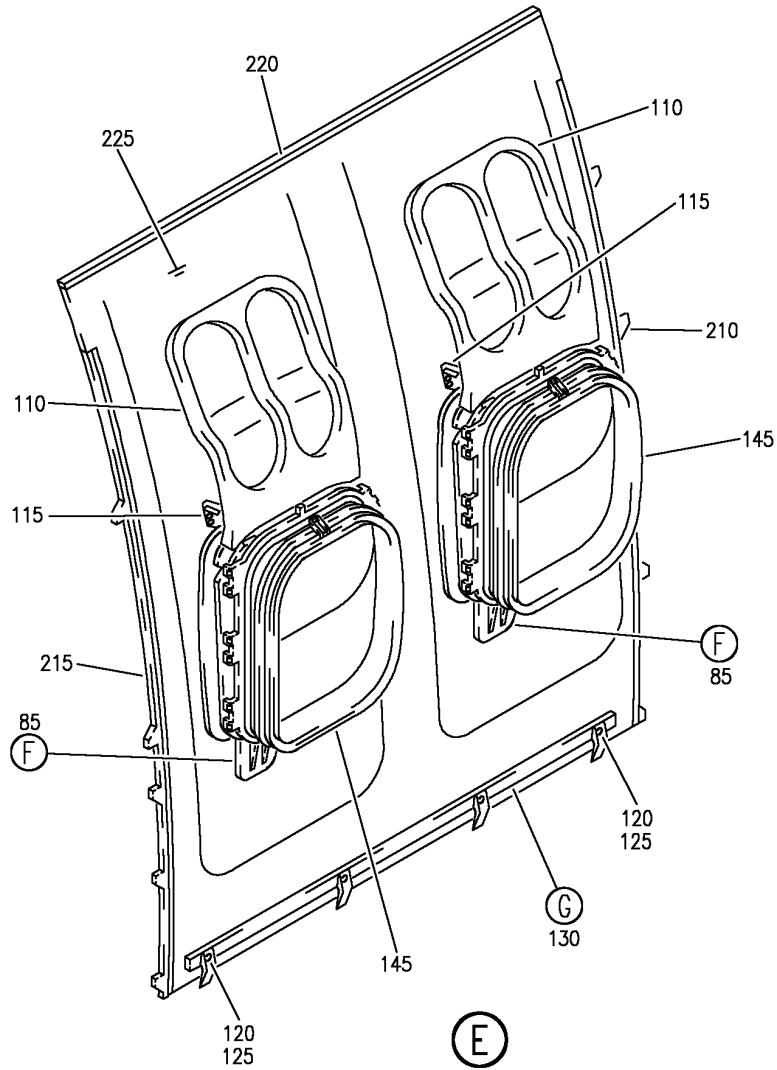
SIDEWALL INSTL-PASS. CAB. FWD RH CORNER
FIGURE 23 (SHEET 2)

25-21-46-23

HAP
OCT 10/06

25-21-46-23
PAGE 0A

BOEING
 737-600/700/800/900
 PARTS CATALOG (MAINTENANCE)



E 25214623 SH1 3 REV 145

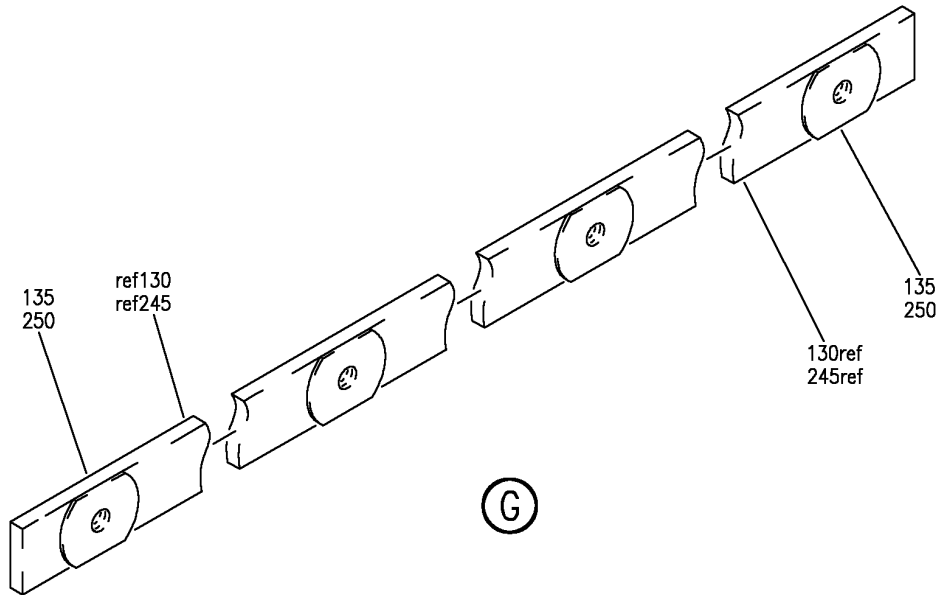
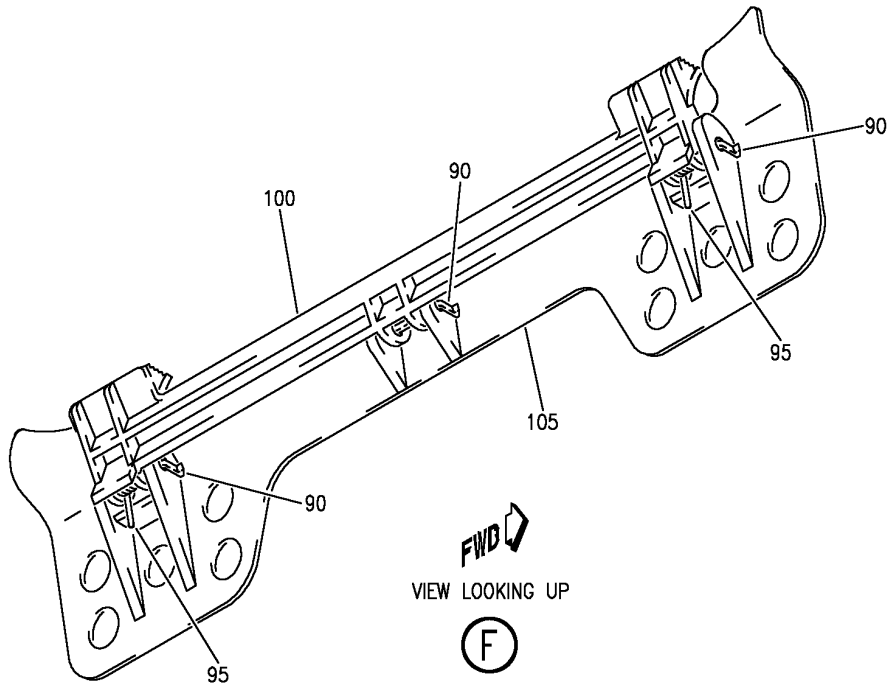
SIDEWALL INSTL-PASS. CAB. FWD RH CORNER
 FIGURE 23 (SHEET 3)

25-21-46-23

HAP
 OCT 15/08

25-21-46-23
 PAGE 0B

BOEING
 737-600/700/800/900
 PARTS CATALOG (MAINTENANCE)



E 25214623 SH1 4 REV 145

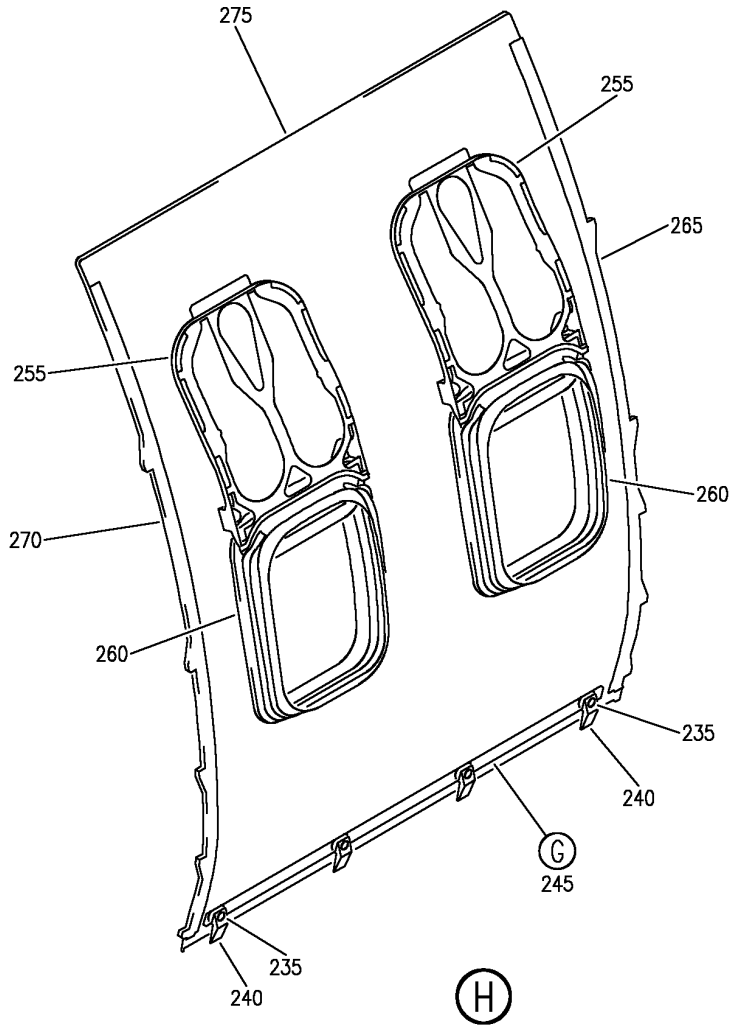
SIDEWALL INSTL-PASS. CAB. FWD RH CORNER
 FIGURE 23 (SHEET 4)

25-21-46-23

HAP
 OCT 15/08

25-21-46-23
 PAGE 0C

BOEING
737-600/700/800/900
PARTS CATALOG (MAINTENANCE)



E 25214623 SH1 5 REV 145

SIDEWALL INSTL-PASS. CAB. FWD RH CORNER
FIGURE 23 (SHEET 5)

25-21-46-23

HAP
OCT 15/08

25-21-46-23
PAGE 0D

BOEING
737-600/700/800/900
PARTS CATALOG (MAINTENANCE)

FIG ITEM	PART NUMBER	1 2 3 4 5 6 7	NOMENCLATURE	EFFECT FROM TO	UNITS PER ASSY
23			SIDEWALL INSTL-PASS. CAB. FWD RH CORNER	001030	
- 1	411A1100-201SP		SIDEWALL INSTL-PASS. CAB. POSITION DATA: FWD RH CORNER FOR NHA SEE: 25-21-00-01D	001027	RF
- 1	411A1100-226SP		SIDEWALL INSTL-PASS. CAB. POSITION DATA: FWD RH CORNER FOR NHA SEE: 25-21-00-01D	028030	RF
5	NAS1801-3-5		.SCREW-	001030	5
10	BACW10P136AL		.WASHER-	001030	5
15	65C32768-6SP		.ANGLE-TRIM	001030	1
20	411N1210-208SP		.PANEL ASSY-FILLER	001027	1
20	411N1210-776SP		.PANEL ASSY-FILLER	028030	1
25	BACS12FA3K4		..SCREW	001030	1
30	411N1407-2		..CLIP	001030	1
35	411N1121-115		..STIFFENER ASSY	001030	1
40	BACI12S3		...INSERT	001030	1
41	411N1220-2		..RETAINER	001030	1
42	411N1210-10SP		..COVER	001030	1
43	65C31833-698		..PANEL ASSY	001030	1
50	411N1102-32SP		.STRIP-TRIM	001030	1
55	65C28101-7		.WASHER ASSY- QUALIFIED I/W DATA: 65C28101-5 I/W 65C28101-7 FOR SOME SIDEWALL INSTALLATIONS; THE RETAINER USED ON 65C28101-7 IS LONGER THAN THE RETAINER USED ON 65C28101-5	001030	5
57	BACS12ER3K5		..SCREW	001030	1
62	69-66047-1		..WASHER-RTNR	001030	1
63	69-62183-2		..RETAINER	001030	1
64	65C28101-5		.WASHER ASSY- QUALIFIED I/W DATA: 65C28101-5 I/W 65C28101-7 FOR SOME SIDEWALL INSTALLATIONS; THE RETAINER USED ON 65C28101-7 IS LONGER THAN THE RETAINER USED ON 65C28101-5	001030	5

MISSING ITEM NUMBERS NOT APPLICABLE

- ITEM NOT ILLUSTRATED

HAP

25-21-46-23

25-21-46
FIG. 23
PAGE 1
OCT 15/08

BOEING
737-600/700/800/900
PARTS CATALOG (MAINTENANCE)

FIG ITEM	PART NUMBER	1 2 3 4 5 6 7	NOMENCLATURE	EFFECT FROM TO	UNITS PER ASSY
23					
65	CA3105-1032-6	..	SCREW SUPPLIER CODE: V73439 SPECIFICATION NUMBER: BACS12N10-6 OPTIONAL PART: CA3105-1032-6 V78189 SP1561-1032-6 V73439	001030	1
70	69-66047-1	..	WASHER-RTNR	001030	1
75	65C28101-2	..	RETAINER	001030	1
80	411N1210-313SP	.P	PANEL ASSY-WINDOW	001030	1
85	411N1230-101	..	LATCH ASSY-WINDOW	001030	2
90	MS39086-11	...	PIN	001030	3
95	411N1175-1	...	SPRING	001030	2
100	411N1231-2	...	PAWL-LATCH	001030	1
105	411N1231-1	...	BASE-LATCH	001030	1
110	411N1250-102	..	SHEATH ASSY-WINDOW SHADE	001030	2
110	411N1250-101	..	SHEATH ASSY-WINDOW SHADE	001030	2
115	411N1240-1	..	BRACKET	001030	2
120	BACS12FA3K4	..	SCREW	001030	4
125	411N1407-2	..	CLIP-AIR RETURN GRILLE	001030	4
130	411N1121-106	..	STIFFENER ASSY	001030	1
135	BACI12S3	...	INSERT	001030	4
145	411N1260-201SP	..	WINDOW ASSY- FOR DETAILS SEE: 25-21-12-23	001030	2
210	411N1220-1	..	RETAINER	001030	1
215	411N1220-2	..	RETAINER	001030	1
220	411N1210-1SP	..	COVER-DECORATIVE	001030	1
225	65C31833-613	..	PANEL ASSY-BASIC	001030	1

MISSING ITEM NUMBERS NOT APPLICABLE

— ITEM NOT ILLUSTRATED

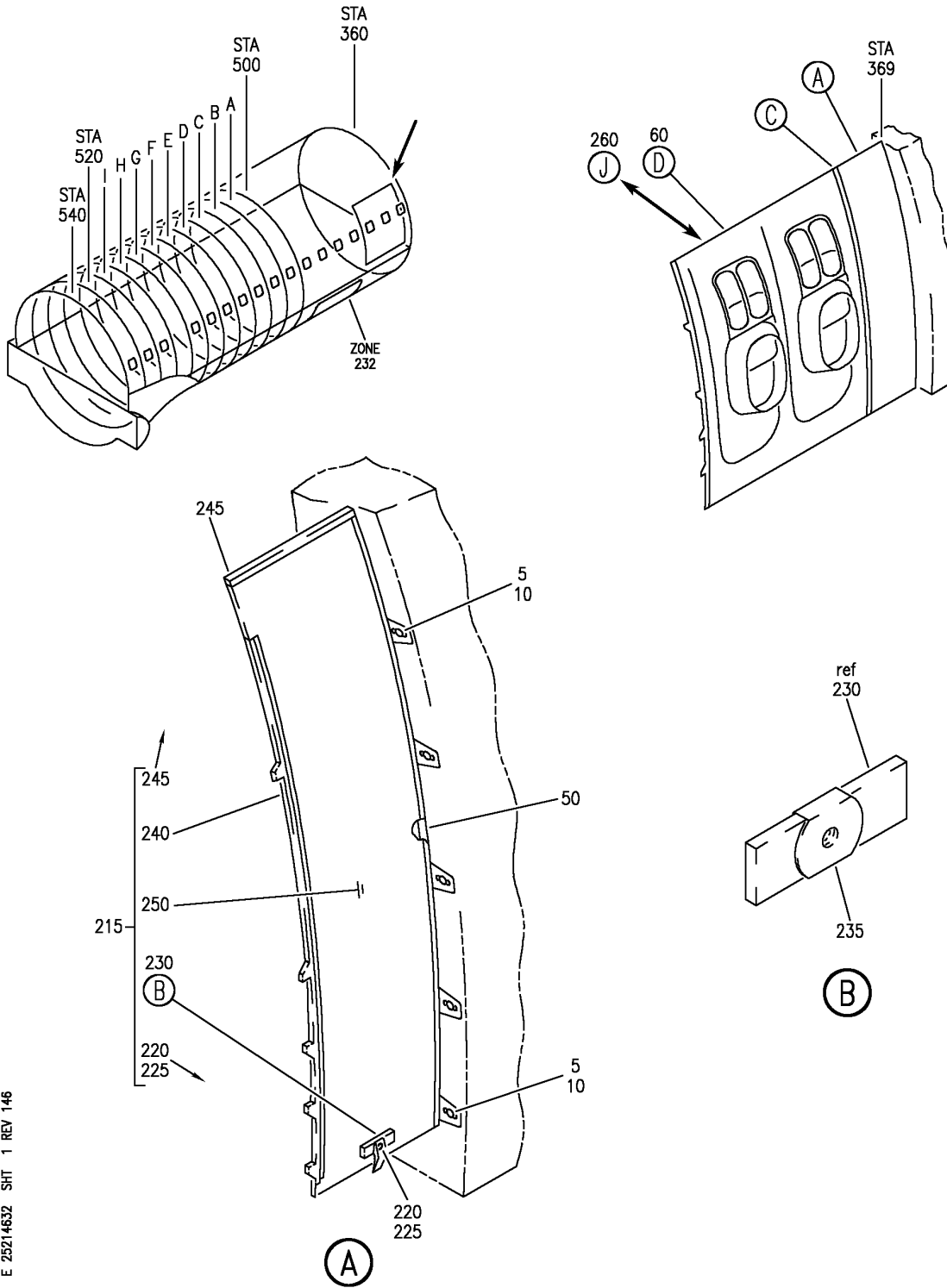
HAP

25-21-46-23

BOEING PROPRIETARY - Copyright © - Unpublished Work - See title page for details.

25-21-46
FIG. 23
PAGE 2
OCT 15/08


BOEING
 737-600/700/800/900
PARTS CATALOG (MAINTENANCE)



E 25214632 SH1 1 REV 146

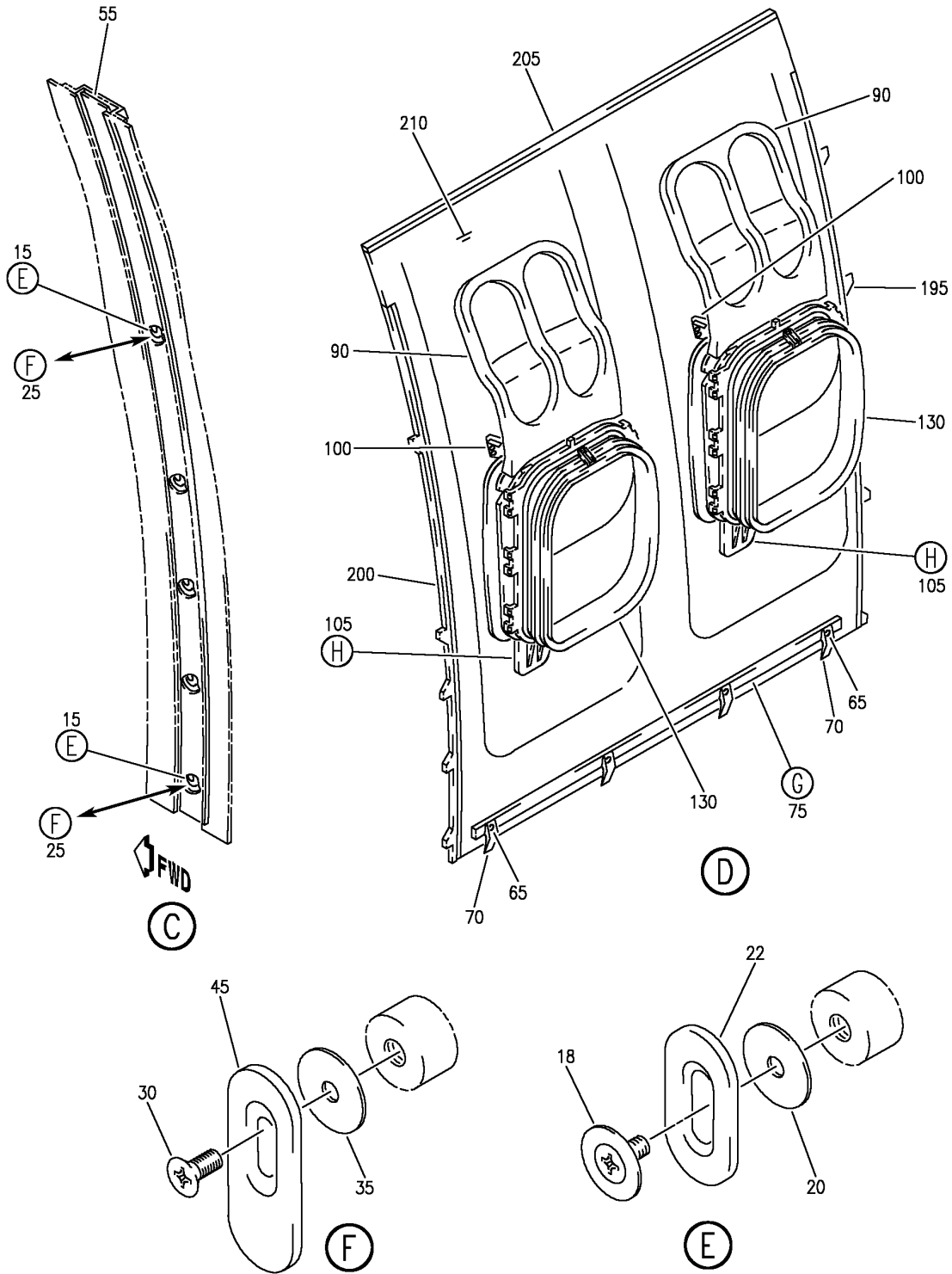
SIDEWALL INSTL- PASS. CAB.
 FIGURE 32 (SHEET 1)

25-21-46-32

HAP
OCT 15/08

25-21-46-32
 PAGE 0

BOEING
 737-600/700/800/900
 PARTS CATALOG (MAINTENANCE)



E 25214632 SHT 2 REV 146

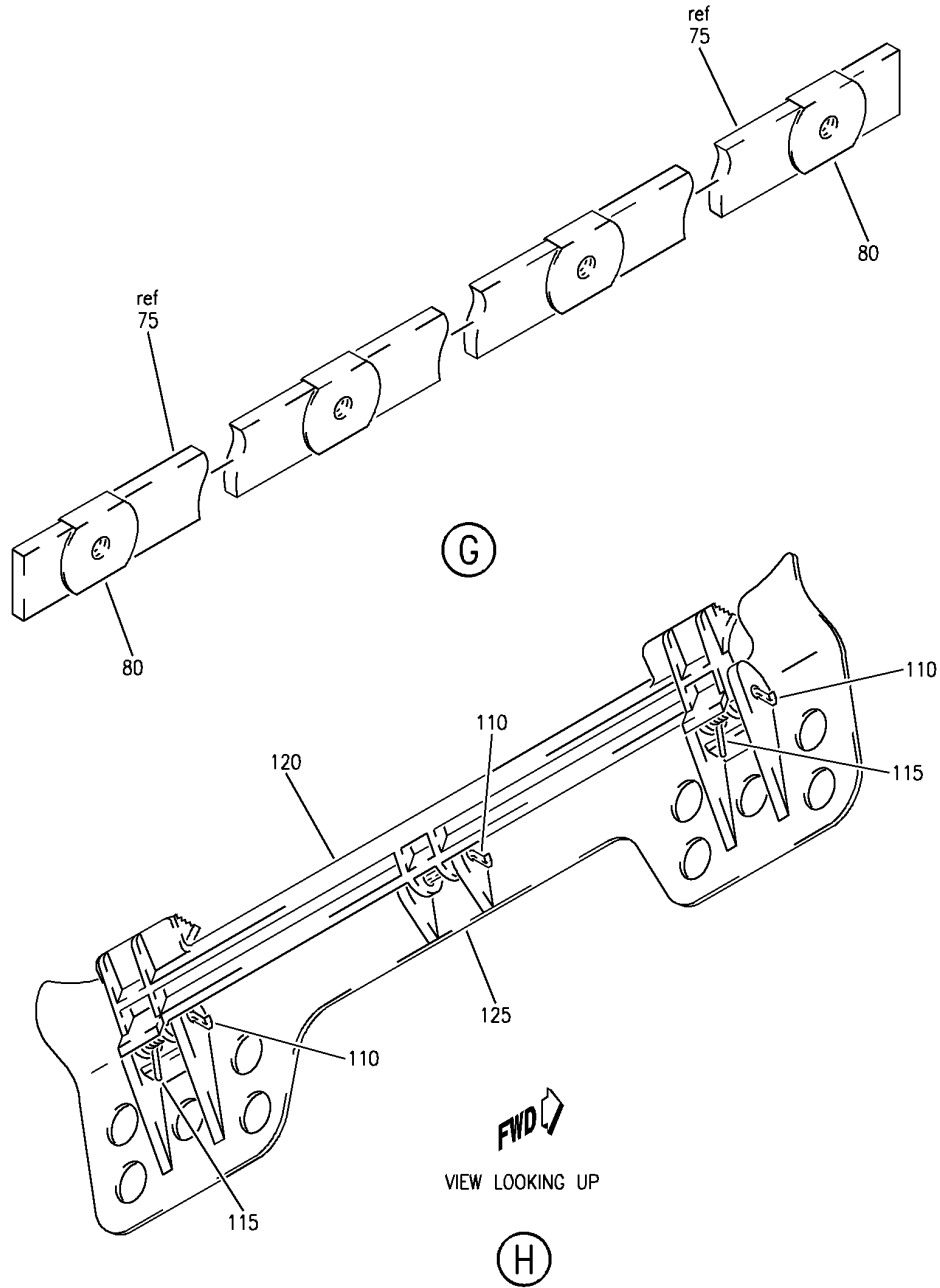
SIDEWALL INSTL- PASS. CAB.
 FIGURE 32 (SHEET 2)

25-21-46-32

HAP
 OCT 15/08

25-21-46-32
 PAGE 0A

BOEING
 737-600/700/800/900
 PARTS CATALOG (MAINTENANCE)



E 25214632 SH1 3 REV 111

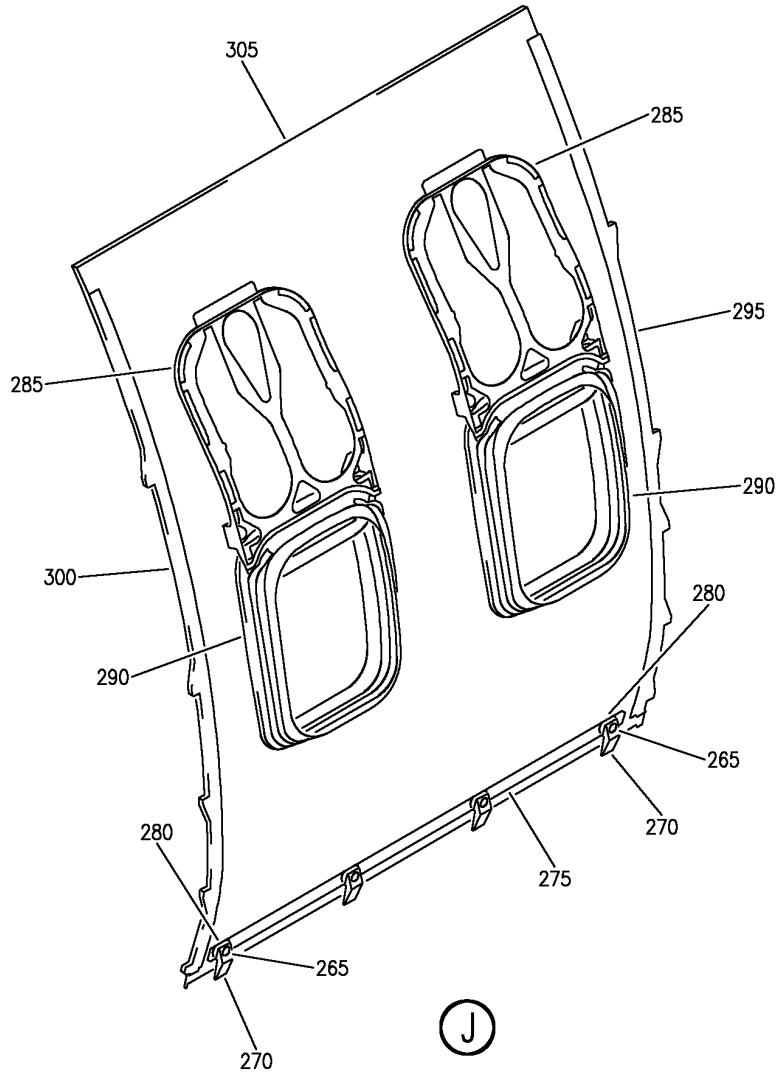
SIDEWALL INSTL- PASS. CAB.
 FIGURE 32 (SHEET 3)

25-21-46-32

HAP
 OCT 10/06

25-21-46-32
 PAGE 0B

BOEING
737-600/700/800/900
PARTS CATALOG (MAINTENANCE)



E 25214632 SH1 4 REV 146

SIDEWALL INSTL- PASS. CAB.
FIGURE 32 (SHEET 4)

25-21-46-32

HAP
OCT 15/08

25-21-46-32
PAGE 0C

BOEING
737-600/700/800/900
PARTS CATALOG (MAINTENANCE)

FIG ITEM	PART NUMBER	1 2 3 4 5 6 7	NOMENCLATURE	EFFECT FROM TO	UNITS PER ASSY
32					
- 1	MODREF268719		SIDEWALL INSTL- PASS. CAB. SIDEWALL INSTL-PASS. CAB. MODULE NUMBER: 411A1100-232H REV A	031047 031047	1
5	BACS12HN3-5		.SCREW	031047	5
10	BACW10P136AL		.WASHER	031047	5
15	65C28101-5		.WASHER ASSY- QUALIFIED I/W DATA: 65C28101-5 I/W 65C28101-7 FOR SOME SIDEWALL INSTALLATIONS; THE RETAINER USED ON 65C28101-7 IS LONGER THAN THE RETAINER USED ON 65C28101-5 OPTIONAL PART: 65C28101-7	031047	5
18	CA3105-1032-6		..SCREW SUPPLIER CODE: V73439 SPECIFICATION NUMBER: BACS12N10-6 OPTIONAL PART: CA3105-1032-6 V78189 SP1561-1032-6 V73439	031047	1
20	69-66047-1		..WASHER	031047	1
22	65C28101-2		..RETAINER	031047	1
25	65C28101-7		.WASHER ASSY- QUALIFIED I/W DATA: 65C28101-5 I/W 65C28101-7 FOR SOME SIDEWALL INSTALLATIONS; THE RETAINER USED ON 65C28101-7 IS LONGER THAN THE RETAINER USED ON 65C28101-5 OPTIONAL PART: 65C28101-5	031047	5
30	BACS12ER3K5		..SCREW	031047	1
35	69-66047-1		..WASHER	031047	1
45	69-62183-2		..RETAINER	031047	1
50	65C32768-6CBXP		.ANGLE	031047	1
55	411N1102-32BCUN		.STRIP	031047	1
60	411N1210-313DM		.PANEL ASSY-	031047	1
65	BACS12FA3K4		..SCREW	031047	4
70	411N1407-2		..CLIP	031047	4
75	411N1121-106		..STIFFENER ASSY	031047	1

MISSING ITEM NUMBERS NOT APPLICABLE

- ITEM NOT ILLUSTRATED

HAP

25-21-46-32

25-21-46
FIG. 32
PAGE 1
FEB 15/09

BOEING
737-600/700/800/900
PARTS CATALOG (MAINTENANCE)

FIG ITEM	PART NUMBER	1 2 3 4 5 6 7	NOMENCLATURE	EFFECT FROM TO	UNITS PER ASSY
32					
80	BAC112S3	...	INSERT	031047	4
90	411N1250-102	..	SHEATH ASSY	031047	2
100	411N1240-1	..	BRACKET	031047	2
105	411N1230-101	..	LATCH ASSY	031047	2
110	MS39086-11	...	PIN	031047	3
115	411N1175-1	...	SPRING	031047	2
120	411N1231-2	...	PAWL	031047	1
125	411N1231-1	...	BASE	031047	1
130	411N1260-201B	..	WINDOW ASSY- FOR DETAILS SEE: 25-21-12-32	031047	2
195	411N1220-1	..	RETAINER	031047	1
200	411N1220-2	..	RETAINER	031047	1
205	411N1210-1SP	..	COVER	031047	1
210	65C31833-613	..	PANEL ASSY	031047	1
215	411N1210-832H	.	PANEL ASSY	031047	1
220	BACS12FA3K4	..	SCREW	031047	1
225	411N1407-2	..	CLIP	031047	1
230	411N1121-115	..	STIFFENER ASSY	031047	1
235	BACSI12S3	...	INSERT	031047	1
240	411N1220-2	..	RETAINER	031047	1
245	411N1210-10CL	..	COVER	031047	1
250	65C31833-1038	..	PANEL ASSY	031047	1
260	411N1210-3313DM	.	PANEL ASSY-	031047	1
265	BACS12FA3K4	..	SCREW	031047	4
270	411N1407-2	..	CLIP	031047	4
275	411N1121-106	..	STIFFENER ASSY	031047	1
280	BACI12S3	...	INSERT	031047	4
285	411N1250-202	..	SHEATH ASSY	031047	2
290	411N1260-301C	..	WINDOW ASSY- FOR DETAILS SEE: 25-21-12-32	031047	2
295	411N1220-1	..	RETAINER-EDGE	031047	1
300	411N1220-2	..	RETAINER-EDGE	031047	1
305	65C31833-613	..	PANEL ASSY-BASIC	031047	1

MISSING ITEM NUMBERS NOT APPLICABLE

- ITEM NOT ILLUSTRATED

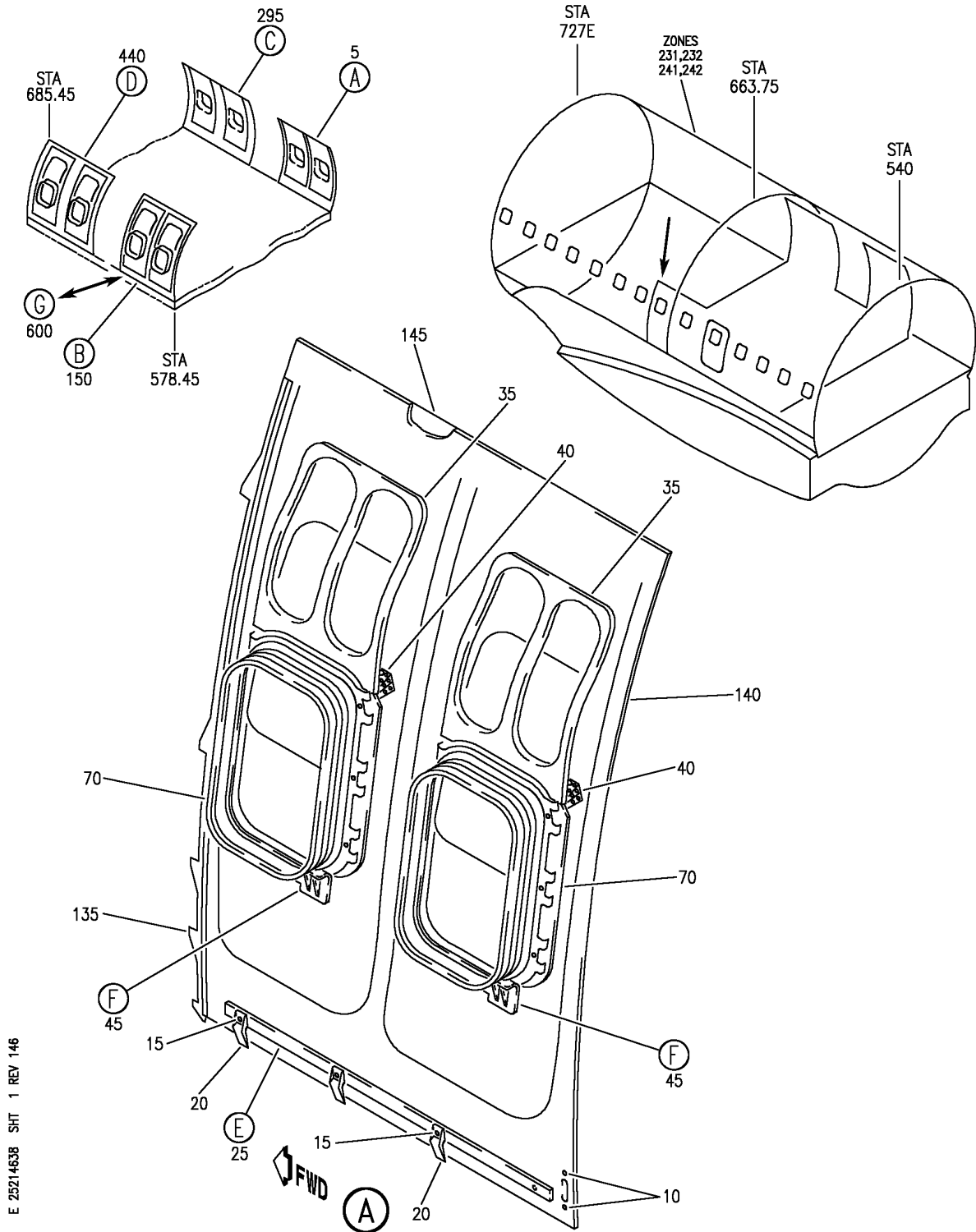
HAP

25-21-46-32

BOEING PROPRIETARY - Copyright © - Unpublished Work - See title page for details.

25-21-46
FIG. 32
PAGE 2
FEB 15/09

BOEING
 737-600/700/800/900
 PARTS CATALOG (MAINTENANCE)



E 25214638 SHT 1 REV 146

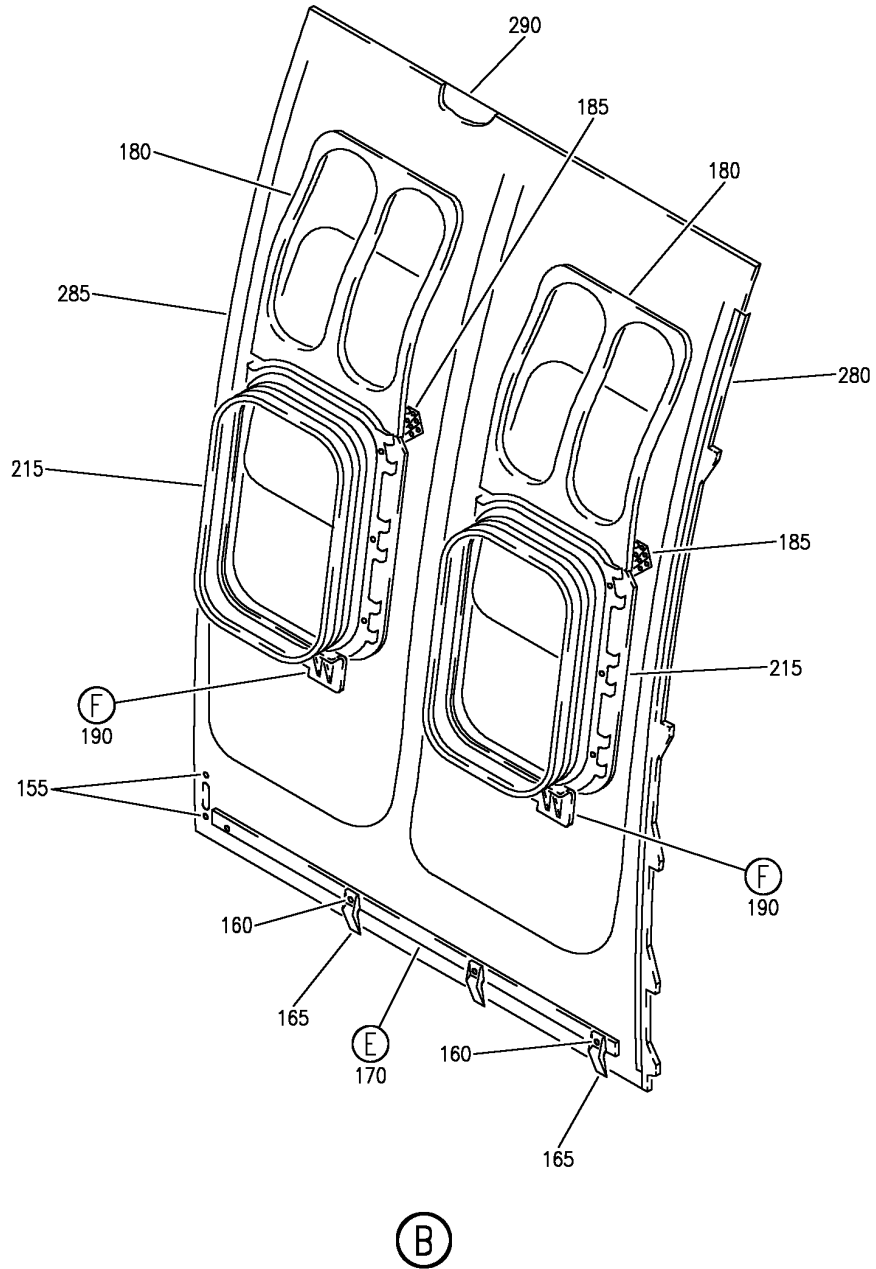
SIDEWALL INSTL-PASS. CAB.
 FIGURE 38 (SHEET 1)

25-21-46-38

HAP
 OCT 15/08

25-21-46-38
 PAGE 0

BOEING
737-600/700/800/900
PARTS CATALOG (MAINTENANCE)



E 25214638 SHT 2 REV 146

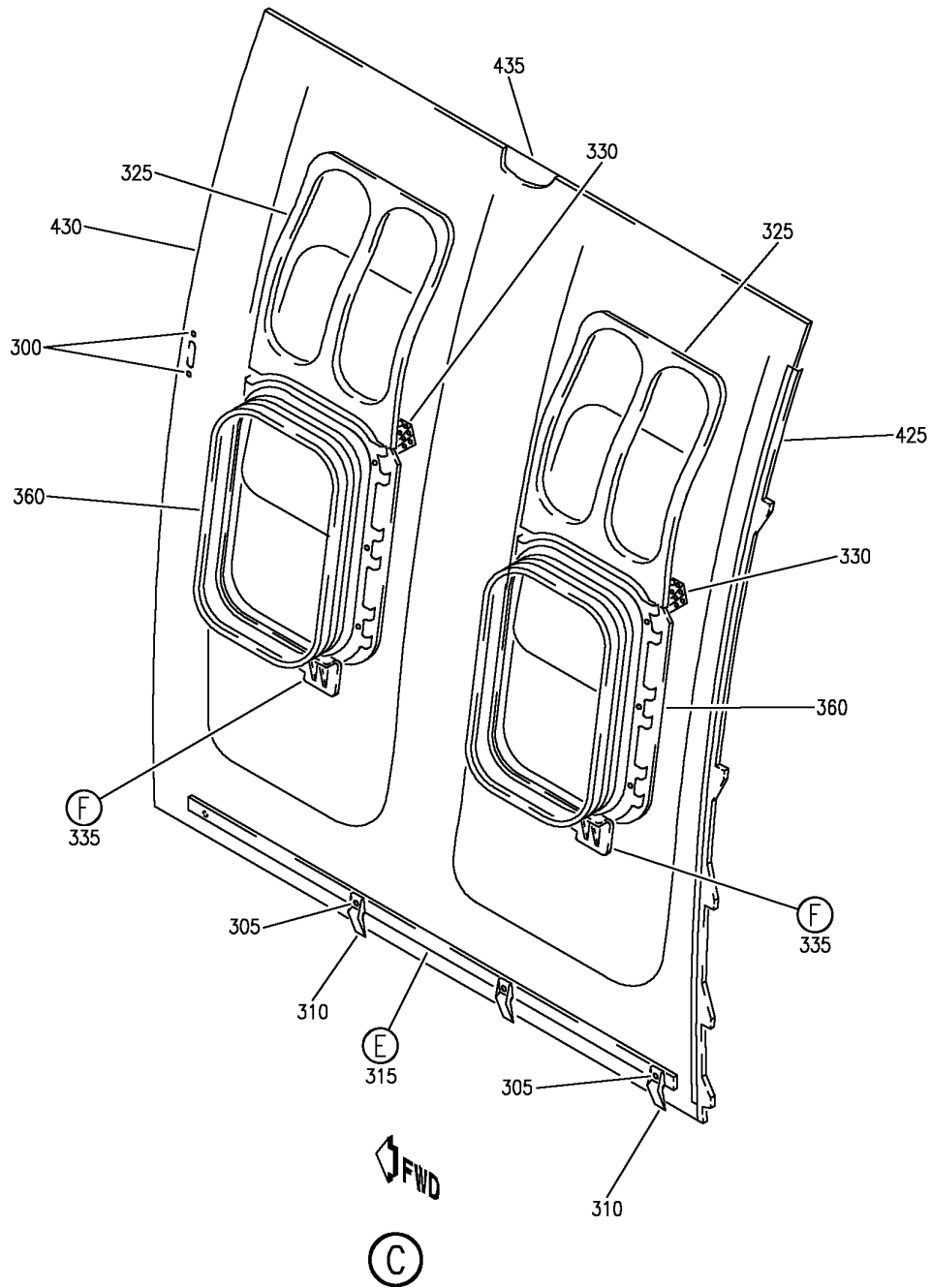
SIDEWALL INSTL-PASS. CAB.
FIGURE 38 (SHEET 2)

25-21-46-38

HAP
OCT 15/08

25-21-46-38
PAGE 0A

BOEING
 737-600/700/800/900
 PARTS CATALOG (MAINTENANCE)



E 25214638 SH1 3 REV 146

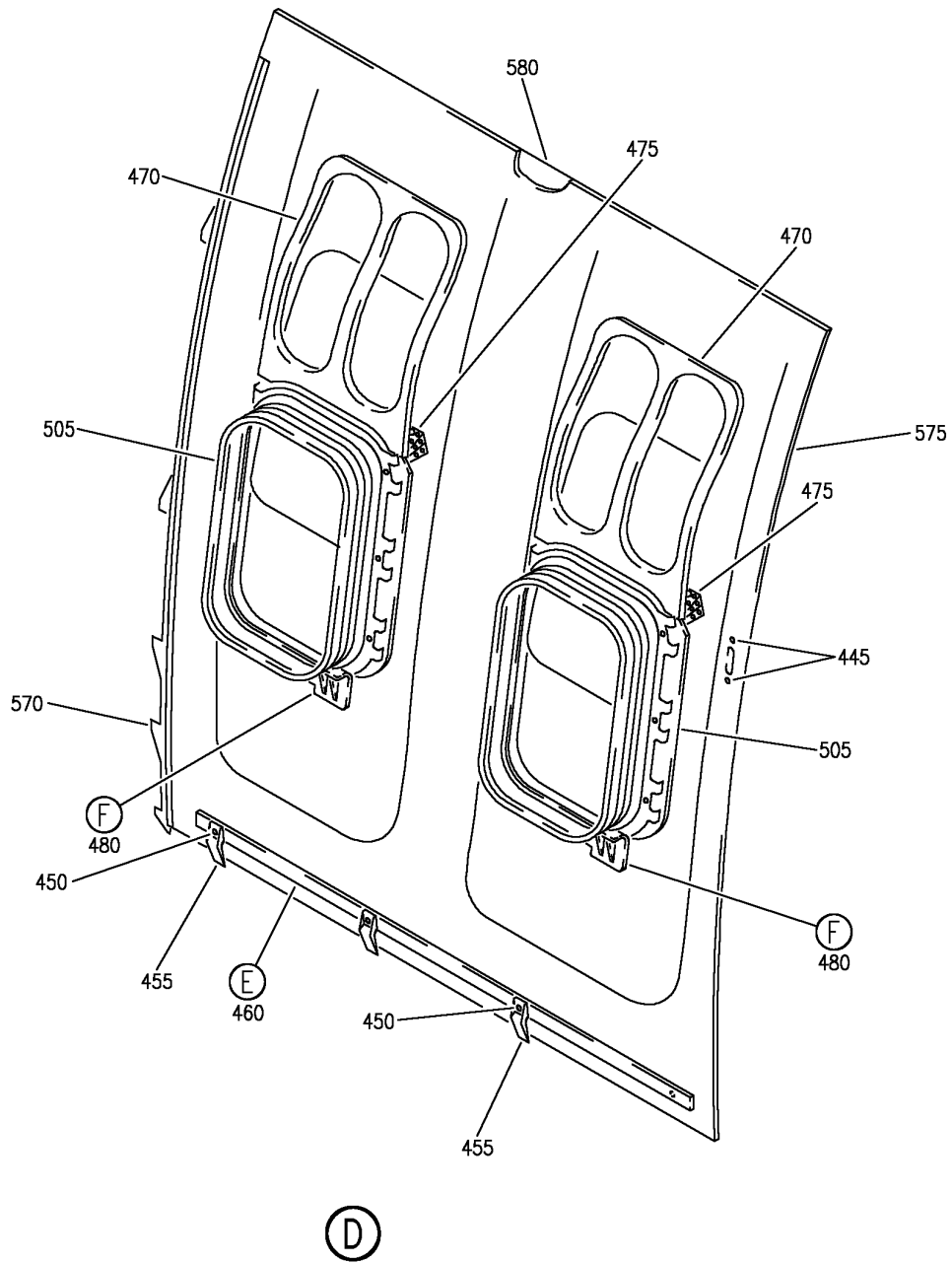
SIDEWALL INSTL-PASS. CAB.
 FIGURE 38 (SHEET 3)

25-21-46-38

HAP
 OCT 15/08

25-21-46-38
 PAGE 0B

BOEING
737-600/700/800/900
PARTS CATALOG (MAINTENANCE)



E 25214638 SH1 4 REV 146

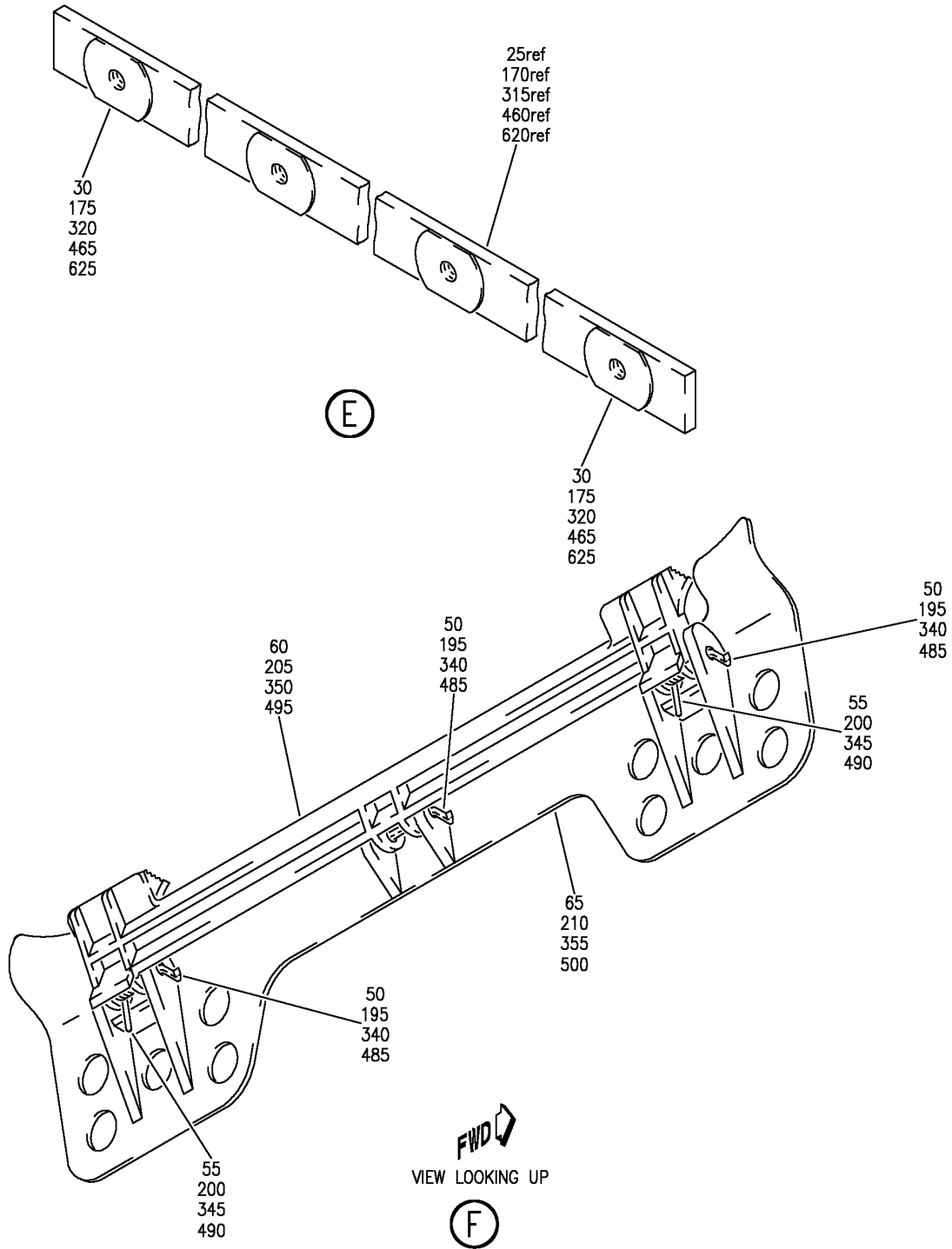
SIDEWALL INSTL-PASS. CAB.
FIGURE 38 (SHEET 4)

25-21-46-38

HAP
OCT 15/08

25-21-46-38
PAGE 0C

BOEING
 737-600/700/800/900
 PARTS CATALOG (MAINTENANCE)



E 25214638 SH1 5 REV 146

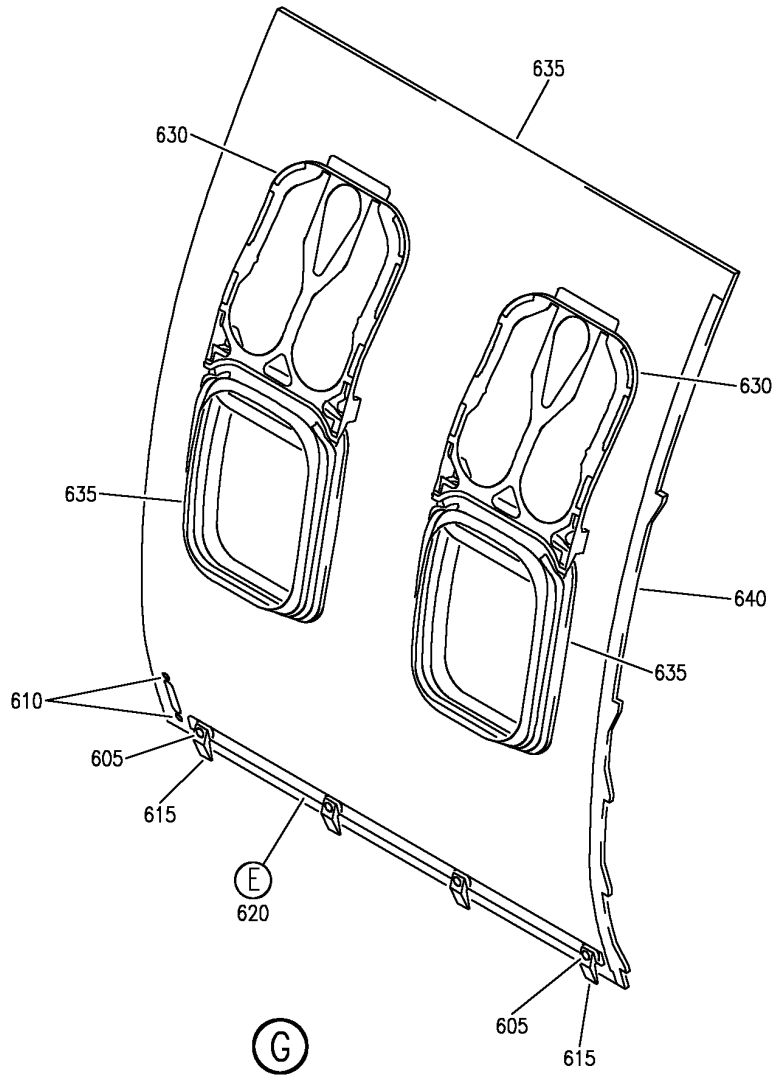
SIDEWALL INSTL-PASS. CAB.
 FIGURE 38 (SHEET 5)

25-21-46-38

HAP
 OCT 15/08

25-21-46-38
 PAGE 0D

BOEING
737-600/700/800/900
PARTS CATALOG (MAINTENANCE)



E 25214638 SH1 6 REV 146

SIDEWALL INSTL-PASS. CAB.
FIGURE 38 (SHEET 6)

25-21-46-38

HAP
OCT 15/08

25-21-46-38
PAGE 0E

BOEING
737-600/700/800/900
PARTS CATALOG (MAINTENANCE)

FIG ITEM	PART NUMBER	1 2 3 4 5 6 7	NOMENCLATURE	EFFECT FROM TO	UNITS PER ASSY
38			SIDEWALL INSTL-PASS. CAB.	101106 968999	
- 1	MODREF315474		SIDEWALL INSTL-PASS. CAB. MODULE NUMBER: 411A1100-502M REV A	101106 968999	1
5	411N1210-433DH		.PANEL ASSY	101106 968999	1
10	BRC600-12-3GP		..NUT SUPPLIER CODE: V52828 SPECIFICATION NUMBER: BACN10YD6G OPTIONAL PART: 130125G V60119	101106 968999	2
15	BACS12FA3K4		..SCREW	101106 968999	3
20	411N1407-2		..CLIP	101106 968999	3
25	411N1121-108		..STIFFENER ASSY	101106 968999	1
30	BACI12S3		...INSERT	101106 968999	4
35	411N1250-102		..SHEATH ASSY-	101106 968999	2
35	411N1250-101		..SHEATH ASSY-	101106 968999	2
40	411N1240-1		..BRACKET	101106 968999	2
45	411N1230-101		..LATCH ASSY	101106 968999	2
50	MS39086-11		...PIN	101106 968999	3
55	411N1175-1		...SPRING	101106 968999	2
60	411N1231-2		...PAWL	101106 968999	1
65	411N1231-1		...BASE	101106 968999	1
70	411N1260-201B		..WINDOW ASSY- FOR DETAILS SEE: 25-21-12-38	101106 968999	2
135	411N1220-2		..RETAINER-EDGE	101106 968999	1
140	65C31833-617		..PANEL ASSY-BASIC	101106 968999	1
145	411N1210-2CL		..COVER-DECORATIVE	101106 968999	1

MISSING ITEM NUMBERS NOT APPLICABLE

- ITEM NOT ILLUSTRATED

HAP

25-21-46-38

BOEING PROPRIETARY - Copyright © - Unpublished Work - See title page for details.

25-21-46
FIG. 38
PAGE 1
OCT 15/08

BOEING
737-600/700/800/900
PARTS CATALOG (MAINTENANCE)

FIG ITEM	PART NUMBER	1 2 3 4 5 6 7	NOMENCLATURE	EFFECT FROM TO	UNITS PER ASSY
38					
150	411N1210-432DH	.	PANEL ASSY	101106 968999	1
155	BRC600-12-3GP	..	NUT SUPPLIER CODE: V52828 SPECIFICATION NUMBER: BACN10YD6G OPTIONAL PART: 130125G V60119	101106 968999	2
160	BACS12FA3K4	..	SCREW	101106 968999	3
165	411N1407-2	..	CLIP	101106 968999	3
170	411N1121-108	..	STIFFENER ASSY	101106 968999	1
175	BACI12S3	...	INSERT	101106 968999	4
180	411N1250-102	..	SHEATH ASSY-	101106 968999	2
180	411N1250-101	..	SHEATH ASSY-	101106 968999	2
185	411N1240-1	..	BRACKET	101106 968999	2
190	411N1230-101	..	LATCH ASSY	101106 968999	2
195	MS39086-11	...	PIN	101106 968999	3
200	411N1175-1	...	SPRING	101106 968999	2
205	411N1231-2	...	PAWL	101106 968999	1
210	411N1231-1	...	BASE	101106 968999	1
215	411N1260-201B	..	WINDOW ASSY- FOR DETAILS SEE: 25-21-12-38	101106 968999	2
280	411N1220-1	..	RETAINER-EDGE	101106 968999	1
285	65C31833-618	..	PANEL ASSY-BASIC	101106 968999	1
290	411N1210-2CL	..	COVER-DECORATIVE	101106 968999	1
295	411N1210-452CB	.	PANEL ASSY	101106 968999	1

MISSING ITEM NUMBERS NOT APPLICABLE

— ITEM NOT ILLUSTRATED

HAP

25-21-46-38

BOEING PROPRIETARY - Copyright © - Unpublished Work - See title page for details.

25-21-46
FIG. 38
PAGE 2
OCT 15/08

BOEING
737-600/700/800/900
PARTS CATALOG (MAINTENANCE)

FIG ITEM	PART NUMBER	1 2 3 4 5 6 7	NOMENCLATURE	EFFECT FROM TO	UNITS PER ASSY
38					
300	BRC600-12-3GP	..	NUT SUPPLIER CODE: V52828 SPECIFICATION NUMBER: BACN10YD6G OPTIONAL PART: 130125G V60119	101106 968999	2
305	BACS12FA3K4	..	SCREW	101106 968999	3
310	411N1407-2	..	CLIP	101106 968999	3
315	411N1121-111	..	STIFFENER ASSY	101106 968999	1
320	BACI12S3	...	INSERT	101106 968999	4
325	411N1250-102	..	SHEATH ASSY-	101106 968999	2
325	411N1250-101	..	SHEATH ASSY-	101106 968999	2
330	411N1240-1	..	BRACKET	101106 968999	2
335	411N1230-101	..	LATCH ASSY	101106 968999	2
340	MS39086-11	...	PIN	101106 968999	3
345	411N1175-1	...	SPRING	101106 968999	2
350	411N1231-2	...	PAWL	101106 968999	1
355	411N1231-1	...	BASE	101106 968999	1
360	411N1260-201B	..	WINDOW ASSY- FOR DETAILS SEE: 25-21-12-38	101106 968999	2
425	411N1220-1	..	RETAINER-EDGE	101106 968999	1
430	65C31833-726	..	PANEL ASSY-BASIC	101106 968999	1
435	411N1210-5CL	..	COVER-DECORATIVE	101106 968999	1
440	411N1210-451CG	.	PANEL ASSY	101106 968999	1

MISSING ITEM NUMBERS NOT APPLICABLE

— ITEM NOT ILLUSTRATED

HAP

25-21-46-38

BOEING PROPRIETARY - Copyright © - Unpublished Work - See title page for details.

25-21-46
FIG. 38
PAGE 3
OCT 15/08

BOEING
737-600/700/800/900
PARTS CATALOG (MAINTENANCE)

FIG ITEM	PART NUMBER	1 2 3 4 5 6 7	NOMENCLATURE	EFFECT FROM TO	UNITS PER ASSY
38					
445	BRC600-12-3GP	..	NUT SUPPLIER CODE: V52828 SPECIFICATION NUMBER: BACN10YD6G OPTIONAL PART: 130125G V60119	101106 968999	2
450	BACS12FA3K4	..	SCREW	101106 968999	3
455	411N1407-2	..	CLIP	101106 968999	3
460	411N1121-111	..	STIFFENER ASSY	101106 968999	1
465	BACI12S3	...	INSERT	101106 968999	4
470	411N1250-102	..	SHEATH ASSY-	101106 968999	2
470	411N1250-101	..	SHEATH ASSY-	101106 968999	2
475	411N1240-1	..	BRACKET	101106 968999	2
480	411N1230-101	..	LATCH ASSY	101106 968999	2
485	MS39086-11	...	PIN	101106 968999	3
490	411N1175-1	...	SPRING	101106 968999	2
495	411N1231-2	...	PAWL	101106 968999	1
500	411N1231-1	...	BASE	101106 968999	1
505	411N1260-201B	..	WINDOW ASSY- FOR DETAILS SEE: 25-21-12-38	101106 968999	2
570	411N1220-2	..	RETAINER-EDGE	101106 968999	1
575	65C31833-725	..	PANEL ASSY-BASIC	101106 968999	1
580	411N1210-5CL	..	COVER-DECORATIVE	101106 968999	1

MISSING ITEM NUMBERS NOT APPLICABLE

— ITEM NOT ILLUSTRATED

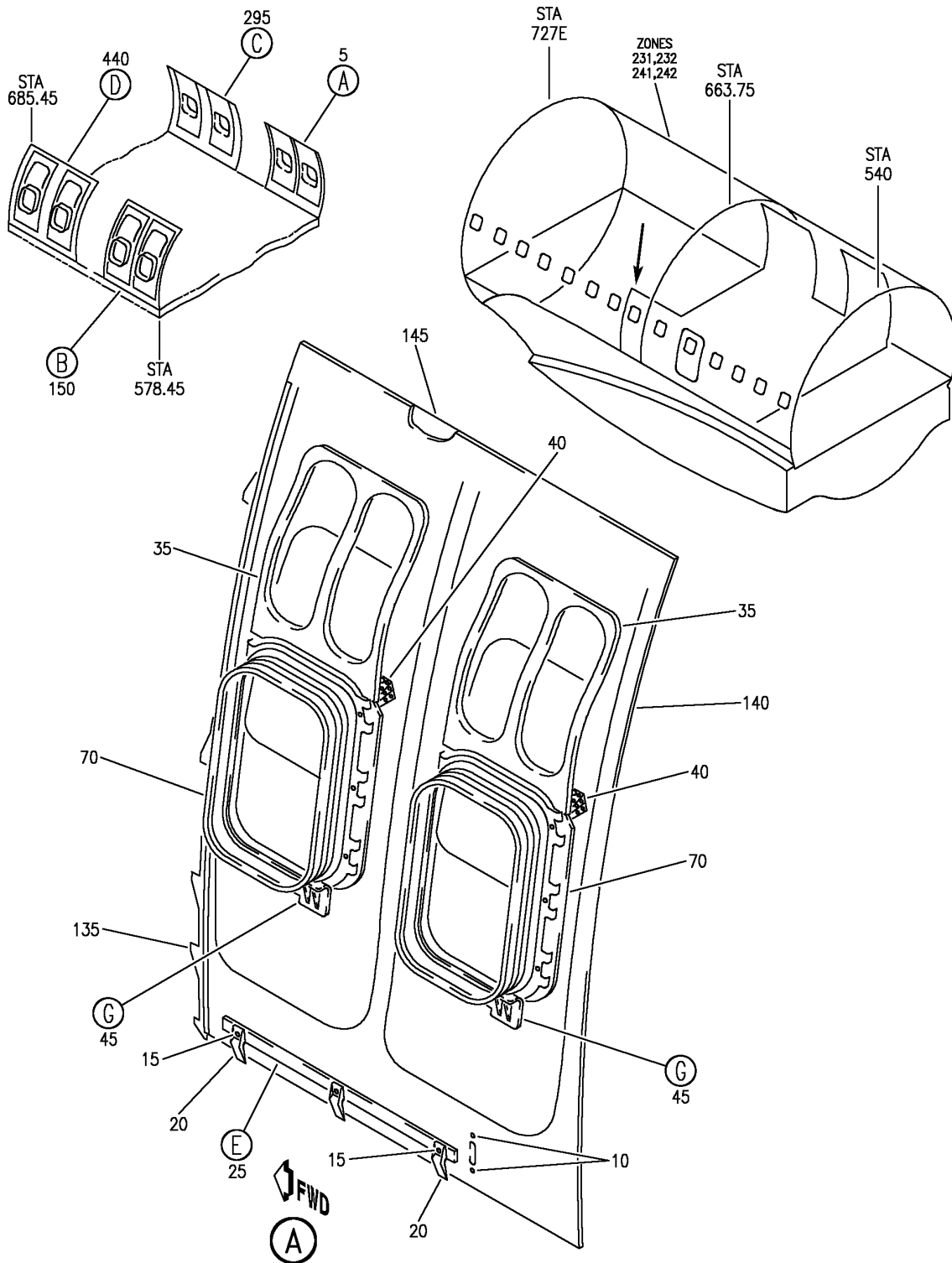
HAP

25-21-46-38

BOEING PROPRIETARY - Copyright © - Unpublished Work - See title page for details.

25-21-46
FIG. 38
PAGE 4
OCT 15/08

BOEING
737-600/700/800/900
PARTS CATALOG (MAINTENANCE)



E 25214638B SHT 1 REV 147

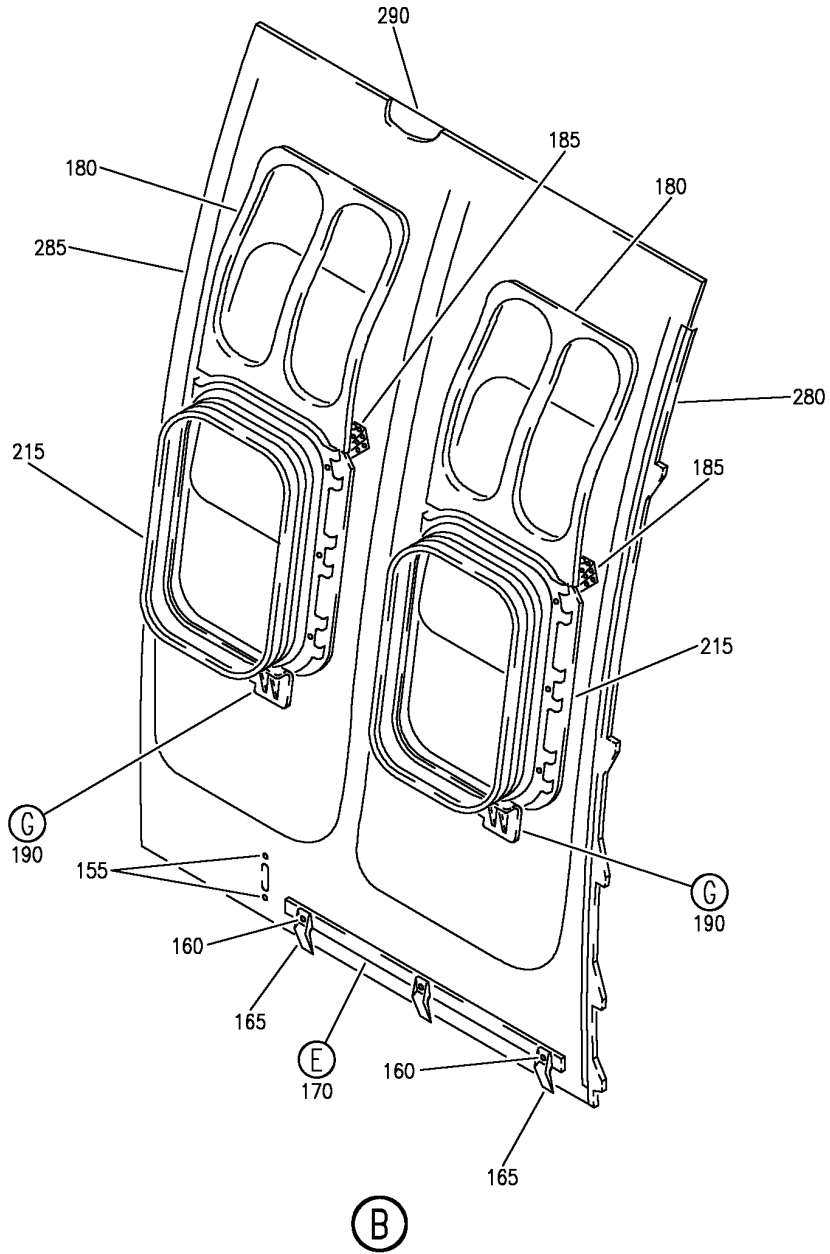
SIDEWALL INSTL-PASS. CAB. AND KIT INSTL-FLYAWAY CONVERSION, OW EXIT INDICATOR AREA 120 TO 114 PASS.
 FIGURE 38B (SHEET 1)

HAP
 OCT 15/08

25-21-46-38B

25-21-46-38B
 PAGE 0

BOEING
 737-600/700/800/900
 PARTS CATALOG (MAINTENANCE)



E 25214638B SHT 2 REV 147

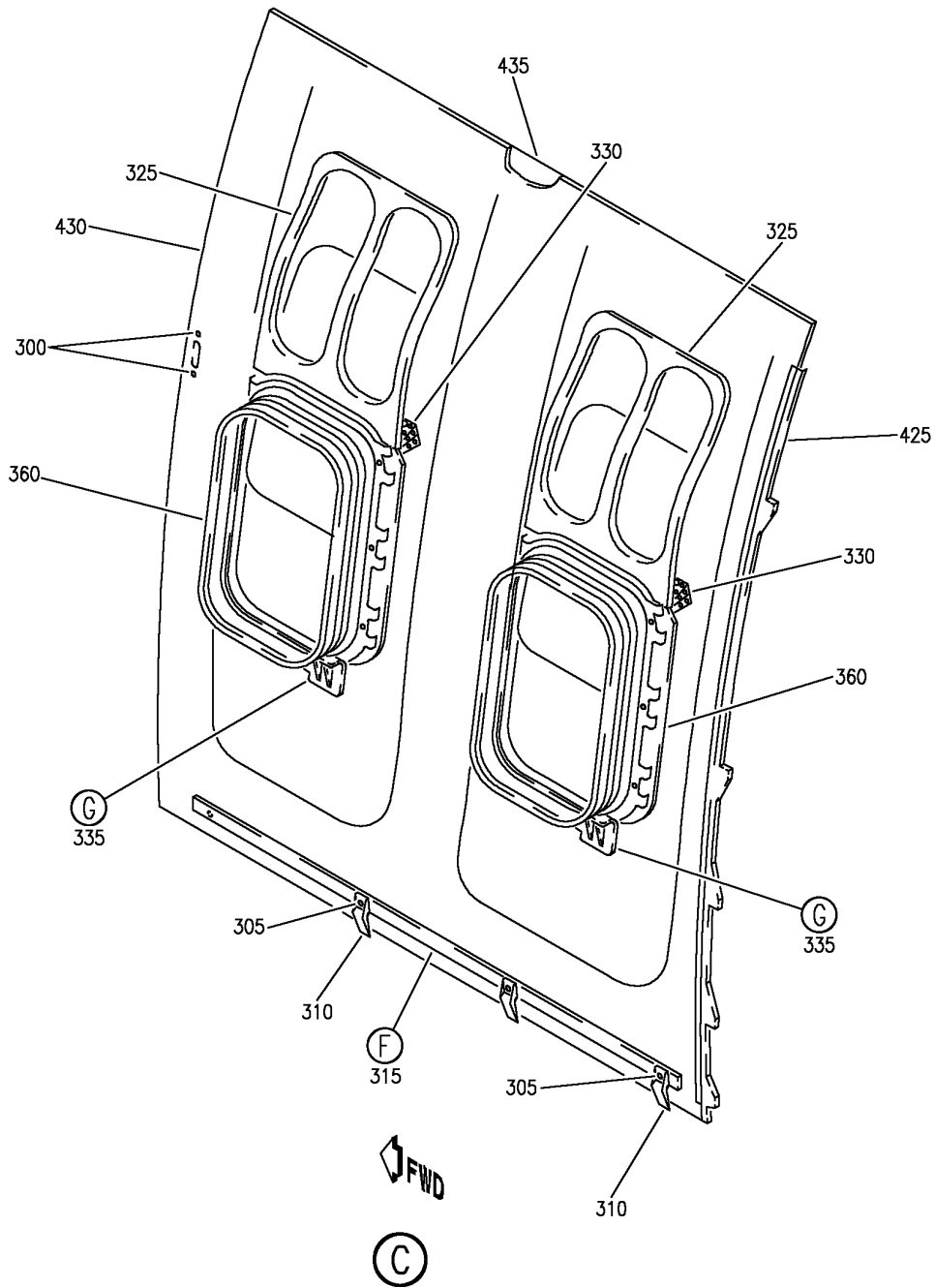
SIDEWALL INSTL-PASS. CAB. AND KIT INSTL-FLYAWAY CONVERSION, OW EXIT INDICATOR AREA 120 TO 114 PASS.
 FIGURE 38B (SHEET 2)

HAP
 OCT 15/08

25-21-46-38B

25-21-46-38B
 PAGE 0A

BOEING
 737-600/700/800/900
 PARTS CATALOG (MAINTENANCE)



E 25214638B SHT 3 REV 147

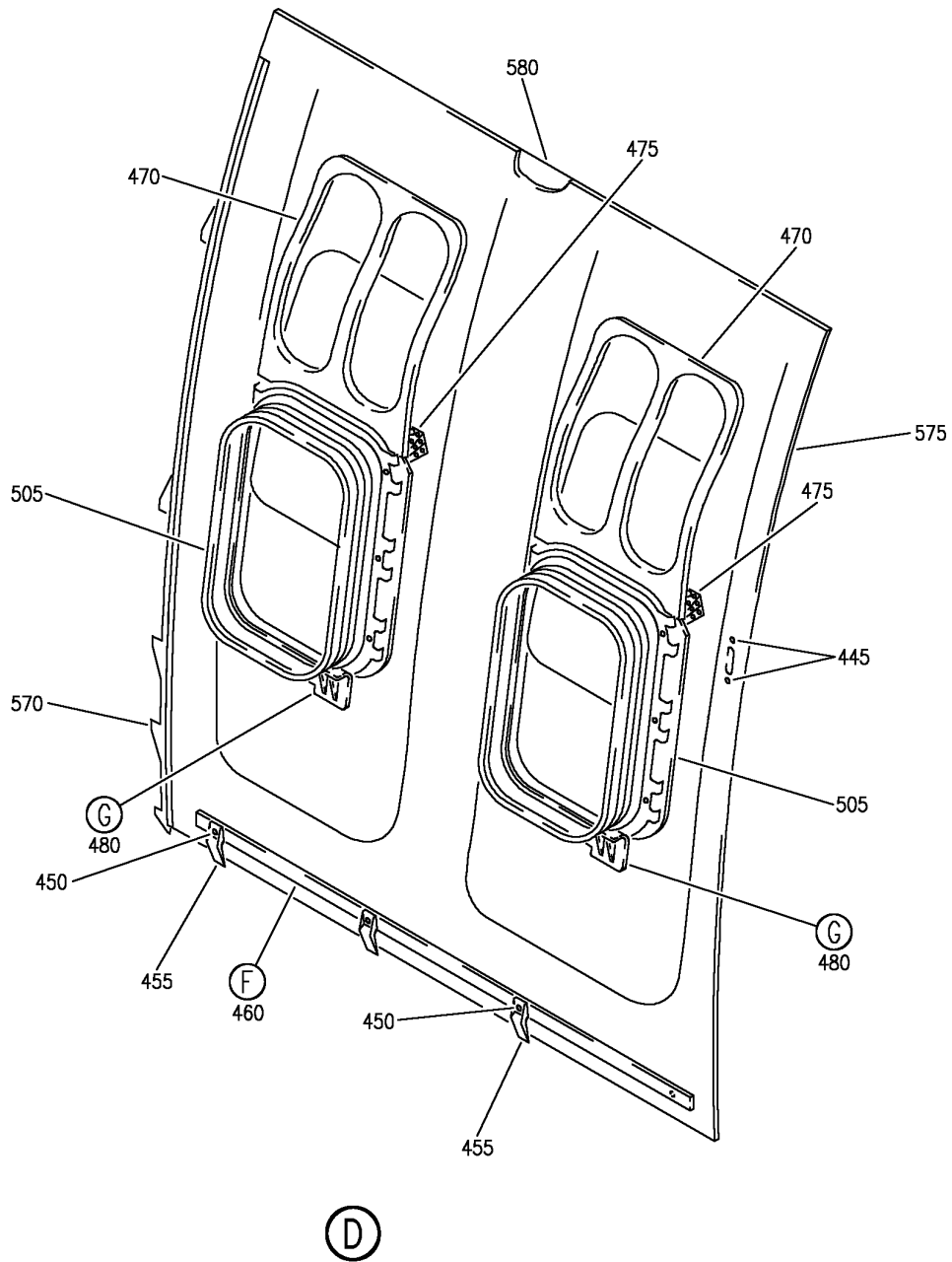
SIDEWALL INSTL-PASS. CAB. AND KIT INSTL-FLYAWAY CONVERSION, OW EXIT INDICATOR AREA 120 TO 114 PASS.
 FIGURE 38B (SHEET 3)

HAP
 OCT 15/08

25-21-46-38B

25-21-46-38B
 PAGE 0B

BOEING
 737-600/700/800/900
 PARTS CATALOG (MAINTENANCE)



E 25214638B SHT 4 REV 147

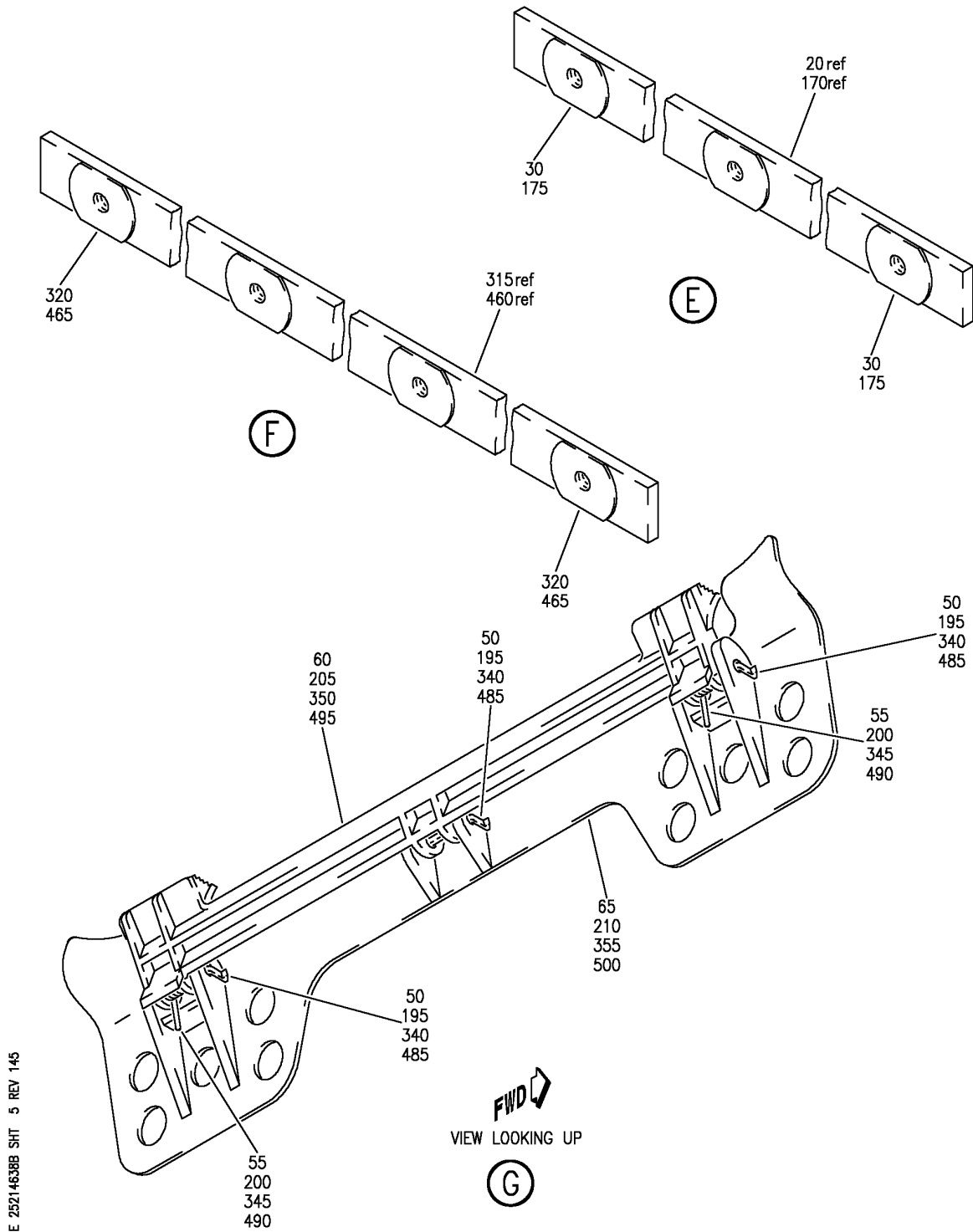
SIDEWALL INSTL-PASS. CAB. AND KIT INSTL-FLYAWAY CONVERSION, OW EXIT INDICATOR AREA 120 TO 114 PASS.
 FIGURE 38B (SHEET 4)

HAP
 OCT 15/08

25-21-46-38B

25-21-46-38B
 PAGE 0C

BOEING
 737-600/700/800/900
 PARTS CATALOG (MAINTENANCE)



E 25214638B SHT 5 REV 145

SIDEWALL INSTL-PASS. CAB. AND KIT INSTL-FLYAWAY CONVERSION, OW EXIT INDICATOR AREA 120 TO 114 PASS.
 FIGURE 38B (SHEET 5)

25-21-46-38B

HAP
 OCT 15/08

25-21-46-38B
 PAGE 0D

BOEING
737-600/700/800/900
PARTS CATALOG (MAINTENANCE)

FIG ITEM	PART NUMBER	1 2 3 4 5 6 7	NOMENCLATURE	EFFECT FROM TO	UNITS PER ASSY
38B			SIDEWALL INSTL-PASS. CAB. AND KIT INSTL-FLYAWAY CONVERSION, OW EXIT INDICATOR AREA 120 TO 114 PASS.	107200	
- 2	MODREF409895		SIDEWALL INSTL-PASS. CAB. MODULE NUMBER: 411A1100-504W REV B	107200	1
5	411N1210-1190W		.PANEL ASSY	107200	1
10	BRC600-12-3GP		..NUT SUPPLIER CODE: V52828 SPECIFICATION NUMBER: BACN10YD6G OPTIONAL PART: 130125G V60119	107200	2
15	BACS12FA3K4		..SCREW	107200	3
20	411N1407-2		..CLIP	107200	3
25	411N1121-108		..STIFFENER ASSY	107200	1
30	BACI12S3		...INSERT	107200	3
35	411N1250-102		..SHEATH ASSY	107200	2
40	411N1240-1		..BRACKET	107200	2
45	411N1230-101		..LATCH ASSY	107200	2
50	MS39086-11		...PIN	107200	3
55	411N1175-1		...SPRING	107200	2
60	411N1231-2		...PAWL	107200	1
65	411N1231-1		...BASE	107200	1
70	411N1260-201B		..WINDOW ASSY- FOR DETAILS SEE: 25-21-12-40	107200	2
135	411N1220-2		..RETAINER-EDGE	107200	1
140	65C31833-1251		..PANEL ASSY-BASIC	107200	1
145	411N1210-2CL		..COVER-DECORATIVE	107200	1
150	411N1210-1189W		.PANEL ASSY	107200	1
155	BRC600-12-3GP		..NUT SUPPLIER CODE: V52828 SPECIFICATION NUMBER: BACN10YD6G OPTIONAL PART: 130125G V60119	107200	2
160	BACS12FA3K4		..SCREW	107200	3
165	411N1407-2		..CLIP	107200	3
170	411N1121-108		..STIFFENER ASSY	107200	1
175	BACI12S3		...INSERT	107200	3
180	411N1250-102		..SHEATH ASSY	107200	2
185	411N1240-1		..BRACKET	107200	2

MISSING ITEM NUMBERS NOT APPLICABLE

- ITEM NOT ILLUSTRATED

HAP

25-21-46-38B

BOEING PROPRIETARY - Copyright © - Unpublished Work - See title page for details.

25-21-46
FIG. 38B
PAGE 1
FEB 15/09

BOEING
737-600/700/800/900
PARTS CATALOG (MAINTENANCE)

FIG ITEM	PART NUMBER	1 2 3 4 5 6 7	NOMENCLATURE	EFFECT FROM TO	UNITS PER ASSY
38B					
190	411N1230-101	..	LATCH ASSY	107200	2
195	MS39086-11	...	PIN	107200	3
200	411N1175-1	...	SPRING	107200	2
205	411N1231-2	...	PAWL	107200	1
210	411N1231-1	...	BASE	107200	1
215	411N1260-201B	..	WINDOW ASSY- FOR DETAILS SEE: 25-21-12-40	107200	2
280	411N1220-1	..	RETAINER-EDGE	107200	1
285	65C31833-1250	..	PANEL ASSY-BASIC	107200	1
290	411N1210-2CL	..	COVER-DECORATIVE	107200	1
295	411N1210-452CB	.	PANEL ASSY	107200	1
300	BRC600-12-3GP	..	NUT SUPPLIER CODE: V52828 SPECIFICATION NUMBER: BACN10YD6G OPTIONAL PART: 130125G V60119	107200	2
305	BACS12FA3K4	..	SCREW	107200	3
310	411N1407-2	..	CLIP	107200	3
315	411N1121-111	..	STIFFENER ASSY	107200	1
320	BACI12S3	...	INSERT	107200	4
325	411N1250-102	..	SHEATH ASSY	107200	2
330	411N1240-1	..	BRACKET	107200	2
335	411N1230-101	..	LATCH ASSY	107200	2
340	MS39086-11	...	PIN	107200	3
345	411N1175-1	...	SPRING	107200	2
350	411N1231-2	...	PAWL	107200	1
355	411N1231-1	...	BASE	107200	1
360	411N1260-201B	..	WINDOW ASSY- FOR DETAILS SEE: 25-21-12-40	107200	2
425	411N1220-1	..	RETAINER-EDGE	107200	1
430	65C31833-726	..	PANEL ASSY-BASIC	107200	1
435	411N1210-5CL	..	COVER-DECORATIVE	107200	1
440	411N1210-451CG	.	PANEL ASSY	107200	1
445	BRC600-12-3GP	..	NUT SUPPLIER CODE: V52828 SPECIFICATION NUMBER: BACN10YD6G OPTIONAL PART: 130125G V60119	107200	2
450	BACS12FA3K4	..	SCREW	107200	3
455	411N1407-2	..	CLIP	107200	3
460	411N1121-111	..	STIFFENER ASSY	107200	1

MISSING ITEM NUMBERS NOT APPLICABLE

— ITEM NOT ILLUSTRATED

HAP

25-21-46-38B

BOEING PROPRIETARY - Copyright © - Unpublished Work - See title page for details.

25-21-46
FIG. 38B
PAGE 2
FEB 15/09

BOEING
737-600/700/800/900
PARTS CATALOG (MAINTENANCE)

FIG ITEM	PART NUMBER	1 2 3 4 5 6 7	NOMENCLATURE	EFFECT FROM TO	UNITS PER ASSY
38B					
465	BACI12S3	...	INSERT	107200	4
470	411N1250-102	..	SHEATH ASSY	107200	2
475	411N1240-1	..	BRACKET	107200	2
480	411N1230-101	..	LATCH ASSY	107200	2
485	MS39086-11	...	PIN	107200	3
490	411N1175-1	...	SPRING	107200	2
495	411N1231-2	...	PAWL	107200	1
500	411N1231-1	...	BASE	107200	1
505	411N1260-201B	..	WINDOW ASSY- FOR DETAILS SEE: 25-21-12-40	107200	2
570	411N1220-2	..	RETAINER-EDGE	107200	1
575	65C31833-725	..	PANEL ASSY-BASIC	107200	1
580	411N1210-5CL	..	COVER-DECORATIVE	107200	1

MISSING ITEM NUMBERS NOT APPLICABLE

— ITEM NOT ILLUSTRATED

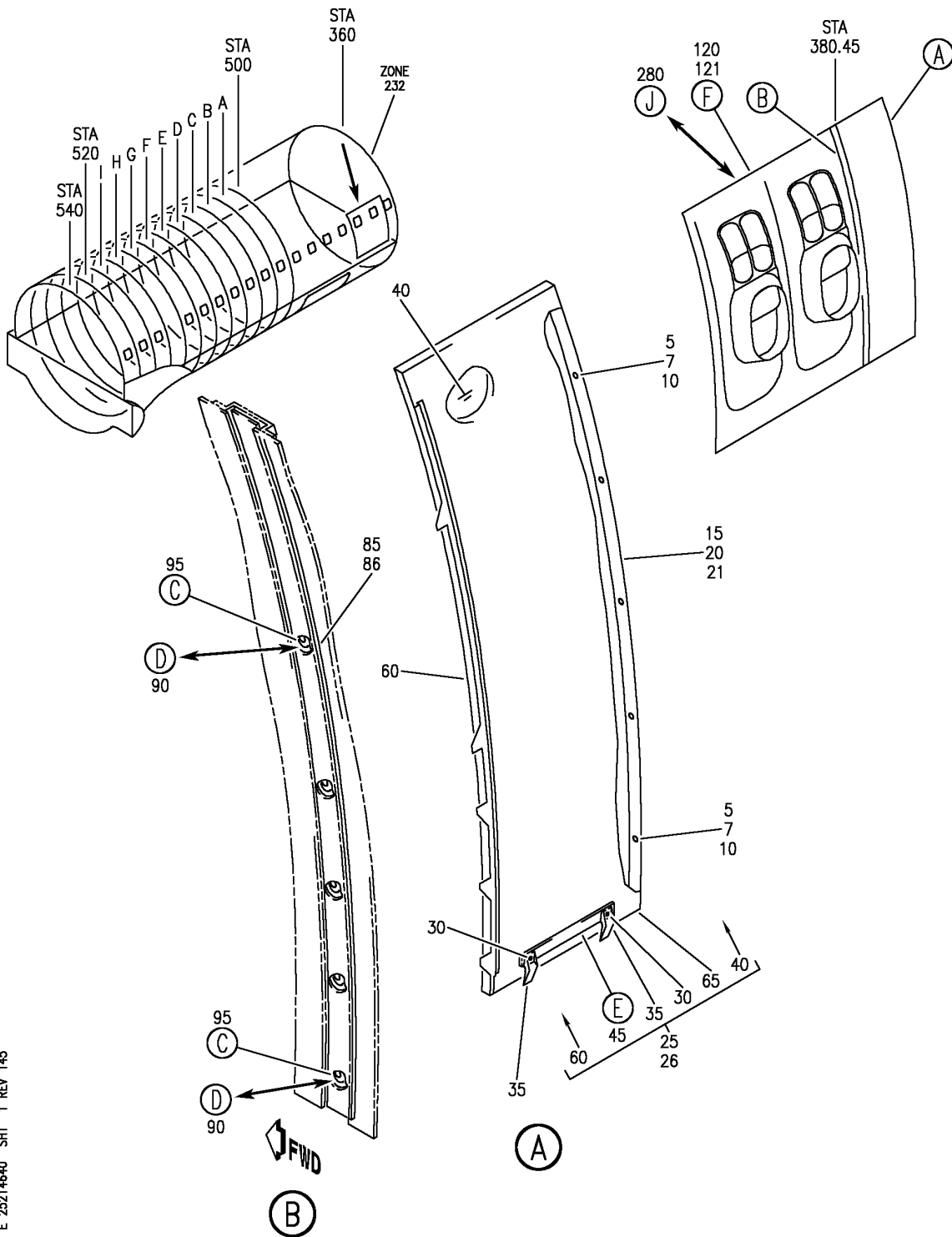
HAP

25-21-46-38B

BOEING PROPRIETARY - Copyright © - Unpublished Work - See title page for details.

25-21-46
FIG. 38B
PAGE 3
FEB 15/09


BOEING
 737-600/700/800/900
PARTS CATALOG (MAINTENANCE)



E 25214640 SHT 1 REV 145

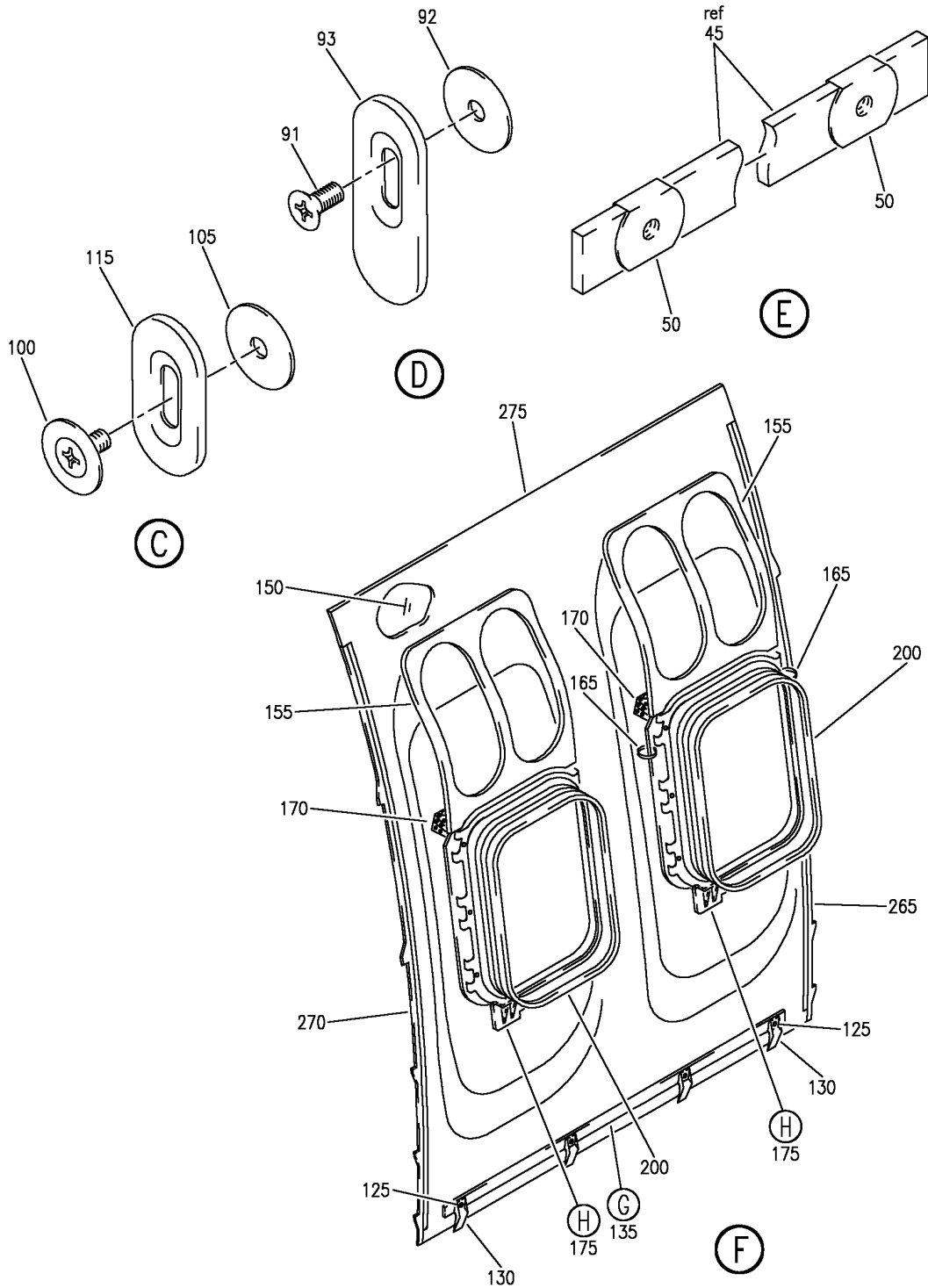
SIDEWALL INSTL-PASS. CAB. FWD RH CORNER, STA 365.00 TO STA 420.45
 FIGURE 40 (SHEET 1)

HAP
OCT 15/08

25-21-46-40

25-21-46-40
 PAGE 0

BOEING
 737-600/700/800/900
 PARTS CATALOG (MAINTENANCE)



E 25214640 SHT 2 REV 145

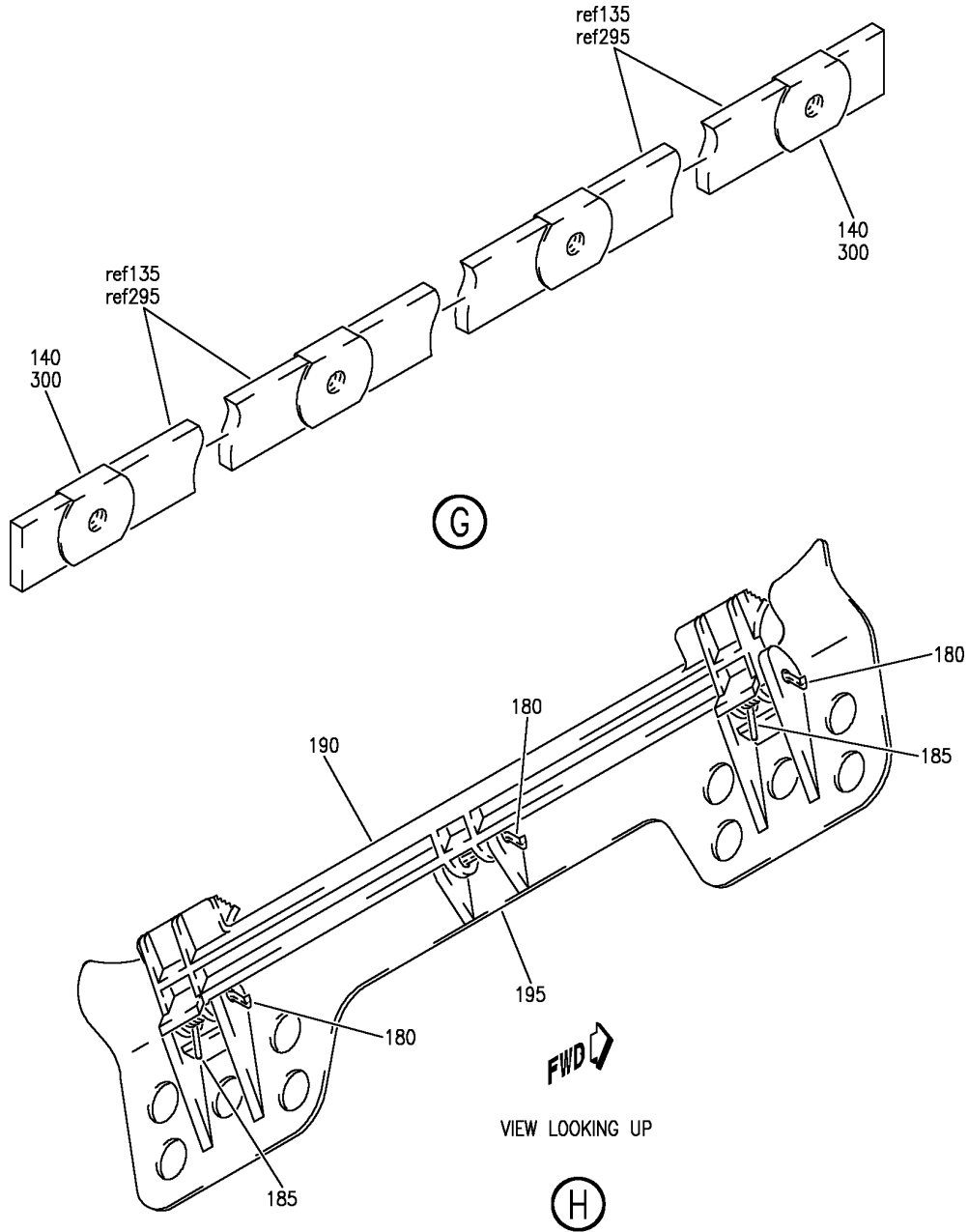
SIDEWALL INSTL-PASS. CAB. FWD RH CORNER, STA 365.00 TO STA 420.45
 FIGURE 40 (SHEET 2)

25-21-46-40

HAP
 OCT 15/08

25-21-46-40
 PAGE 0A

BOEING
 737-600/700/800/900
 PARTS CATALOG (MAINTENANCE)



E 25214640 SHT 3 REV 145

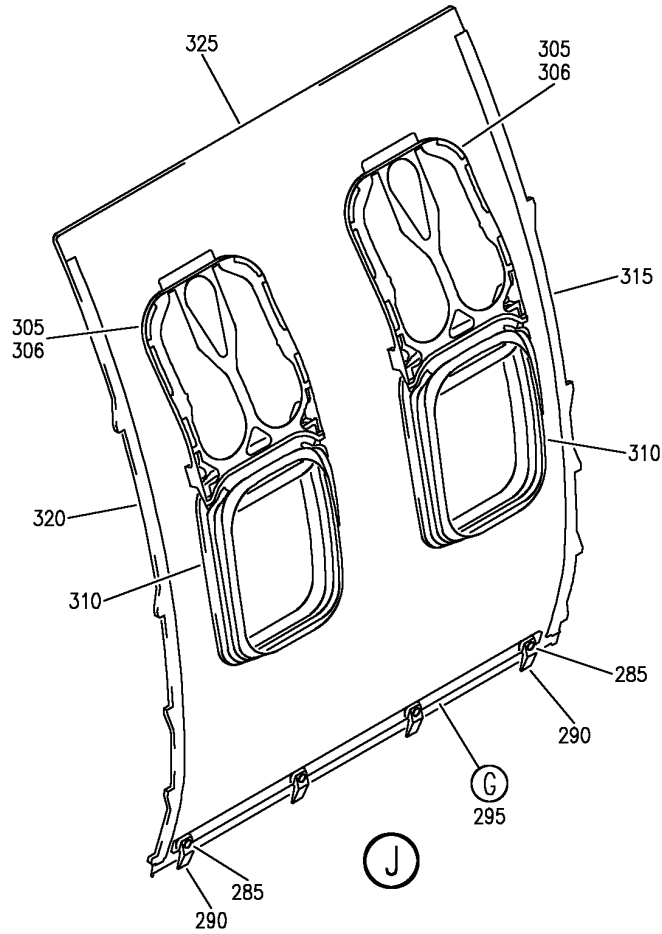
SIDEWALL INSTL-PASS. CAB. FWD RH CORNER, STA 365.00 TO STA 420.45
 FIGURE 40 (SHEET 3)

25-21-46-40

HAP
 OCT 15/08

25-21-46-40
 PAGE 0B

BOEING
737-600/700/800/900
PARTS CATALOG (MAINTENANCE)



E 25214640 SH1 4 REV 153

SIDEWALL INSTL-PASS. CAB. FWD RH CORNER, STA 365.00 TO STA 420.45
FIGURE 40 (SHEET 4)

HAP
JUN 15/09

25-21-46-40

25-21-46-40
PAGE 0C

BOEING
737-600/700/800/900
PARTS CATALOG (MAINTENANCE)

FIG ITEM	PART NUMBER	1 2 3 4 5 6 7	NOMENCLATURE	EFFECT FROM TO	UNITS PER ASSY
40			SIDEWALL INSTL-PASS. CAB. FWD RH CORNER, STA 365.00 TO STA 420.45	048100	
- 4	MODREF345119		SIDEWALL INSTL-PASS. CAB. MODULE NUMBER: 411A1100-210CN REV A POSITION DATA: STA 365.00 TO STA 420.45 FWD R CORNER	054100	1
- 4	MODREF396925		SIDEWALL INSTL-PASS. CAB. MODULE NUMBER: 411A1100-210CN REV B POSITION DATA: STA 365.00 TO STA 420.45 FWD R CORNER	048053	1
7	BACS12HN3-5		.SCREW	048100	5
10	BACW10P136AL		.WASHER	048100	5
21	65C32768-19BC		.ANGLE-TRIM	048100	1
26	411N1210-159CL		.PANEL ASSY-FILLER	054100	1
26	411N1210-297B		.PANEL ASSY-FILLER	048053	1
30	BACS12FA3K4		..SCREW	048100	2
35	411N1407-2		..CLIP	048100	2
45	411N1121-103		..STIFFENER ASSY	048100	1
50	BACI12S3		...INSERT	048100	2
60	411N1220-2		..RETAINER	048100	1
65	65C31833-158		..PANEL ASSY	054100	1
65	65C31833-504		..PANEL ASSY	048053	1
86	411N1102-32BCUN		.STRIP-TRIM	048100	1
90	65C28101-7		.WASHER ASSY- QUALIFIED I/W DATA: 65C28101-5 I/W 65C28101-7 FOR SOME SIDEWALL INSTALLATIONS; THE RETAINER USED ON 65C28101-7 IS LONGER THAN THE RETAINER USED ON 65C28101-5 OPTIONAL PART: 65C28101-5	048100	5
91	BACS12ER3K5		..SCREW	048100	1
92	69-66047-1		..WASHER-RTNR	048100	1
93	69-62183-2		..RETAINER	048100	1

MISSING ITEM NUMBERS NOT APPLICABLE

- ITEM NOT ILLUSTRATED

HAP

25-21-46-40

BOEING PROPRIETARY - Copyright © - Unpublished Work - See title page for details.

25-21-46
FIG. 40
PAGE 1
FEB 15/09

BOEING
737-600/700/800/900
PARTS CATALOG (MAINTENANCE)

FIG ITEM	PART NUMBER	1 2 3 4 5 6 7	NOMENCLATURE	EFFECT FROM TO	UNITS PER ASSY
40					
95	65C28101-5	.	WASHER ASSY- QUALIFIED I/W DATA: 65C28101-5 I/W 65C28101-7 FOR SOME SIDEWALL INSTALLATIONS; THE RETAINER USED ON 65C28101-7 IS LONGER THAN THE RETAINER USED ON 65C28101-5 OPTIONAL PART: 65C28101-7	048100	5
100	CA3105-1032-6	..	SCREW SUPPLIER CODE: V73439 SPECIFICATION NUMBER: BACS12N10-6 OPTIONAL PART: CA3105-1032-6 V78189 SP1561-1032-6 V73439	048100	1
105	69-66047-1	..	WASHER-RTNR	048100	1
115	65C28101-2	..	RETAINER	048100	1
121	411N1210-313DM	.	PANEL ASSY-WINDOW	048100	1
125	BACS12FA3K4	..	SCREW	048100	4
130	411N1407-2	..	CLIP	048100	4
135	411N1121-106	..	STIFFENER ASSY	048100	1
140	BACI12S3	...	INSERT	048100	4
150	411N1210-1CL	..	COVER	048100	1
155	411N1250-102	..	SHEATH ASSY-	048100	2
155	411N1250-101	..	SHEATH ASSY-	048100	2
170	411N1240-1	..	BRACKET	048100	2
175	411N1230-101	..	LATCH ASSY	048100	2
180	MS39086-11	...	PIN	048100	3
185	411N1175-1	...	SPRING	048100	2
190	411N1231-2	...	PAWL	048100	1
195	411N1231-1	...	BASE	048100	1
200	411N1260-201B	..	WINDOW ASSY- FOR DETAILS SEE: 25-21-12-40	048100	2
265	411N1220-1	..	RETAINER	048100	1
270	411N1220-2	..	RETAINER	048100	1
275	65C31833-613	..	PANEL ASSY	048100	1
280	411N1210-3313DM	.	PANEL ASSY-WINDOW	048100	1
285	BACS12FA3K4	..	SCREW	048100	4
290	411N1407-2	..	CLIP	048100	4
295	411N1121-106	..	STIFFENER ASSY	048100	1
300	BACI12S3	...	INSERT	048100	4
305	411N1250-202	..	SHEATH ASSY	048100	2

MISSING ITEM NUMBERS NOT APPLICABLE

— ITEM NOT ILLUSTRATED

HAP

25-21-46-40

BOEING PROPRIETARY - Copyright © - Unpublished Work - See title page for details.

25-21-46
FIG. 40
PAGE 2
FEB 15/09


BOEING
 737-600/700/800/900
PARTS CATALOG (MAINTENANCE)

FIG ITEM	PART NUMBER	1 2 3 4 5 6 7	NOMENCLATURE	EFFECT FROM TO	UNITS PER ASSY
40					
310	411N1260-301C		..WINDOW ASSY- FOR DETAILS SEE: 25-21-12-40	048100	2
315	411N1220-1		..RETAINER-EDGE	048100	1
320	411N1220-2		..RETAINER-EDGE	048100	1
325	65C31833-613		..PANEL ASSY-BASIC	048100	1
MISSING ITEM NUMBERS NOT APPLICABLE					

- ITEM NOT ILLUSTRATED

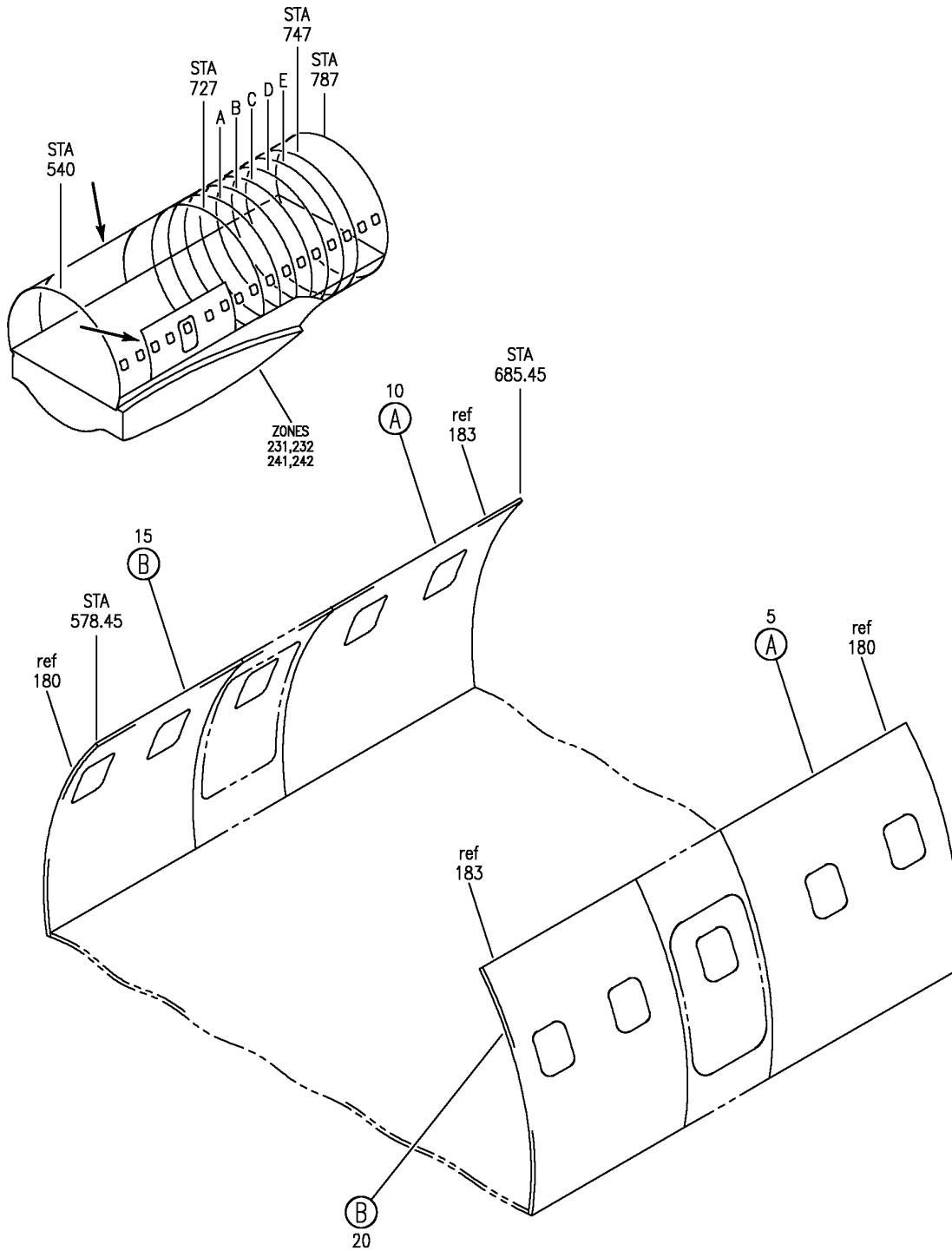
HAP

25-21-46-40

BOEING PROPRIETARY - Copyright © - Unpublished Work - See title page for details.

25-21-46
 FIG. 40
 PAGE 3
 FEB 15/09

BOEING
 737-600/700/800/900
 PARTS CATALOG (MAINTENANCE)



E 25214657 SHT 1 REV 153

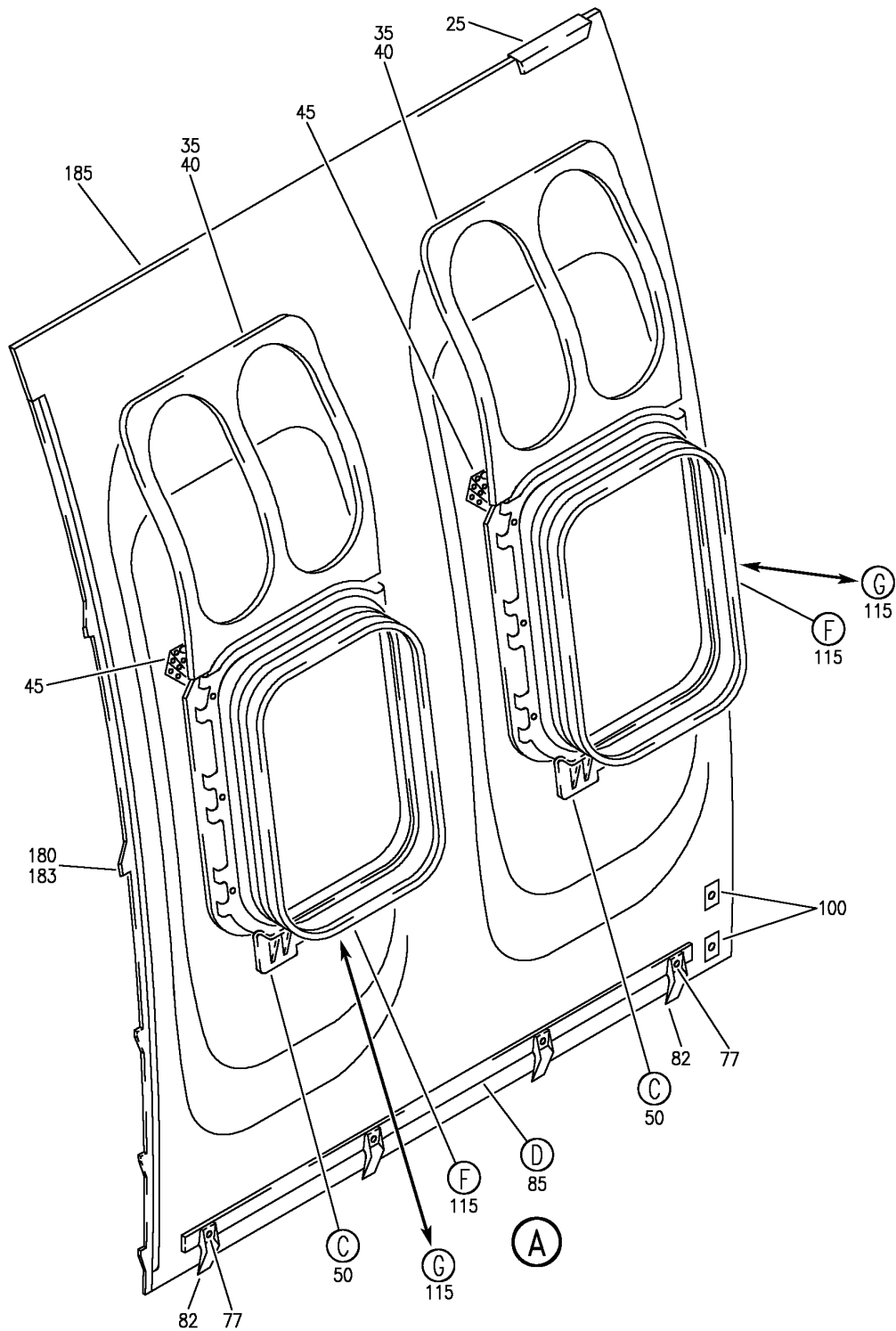
SIDEWALL INSTL-PASS. CAB.
 FIGURE 57 (SHEET 1)

25-21-46-57

HAP
 JUN 15/09

25-21-46-57
 PAGE 0

BOEING
 737-600/700/800/900
 PARTS CATALOG (MAINTENANCE)



E 25214657 SH1 2 REV 153

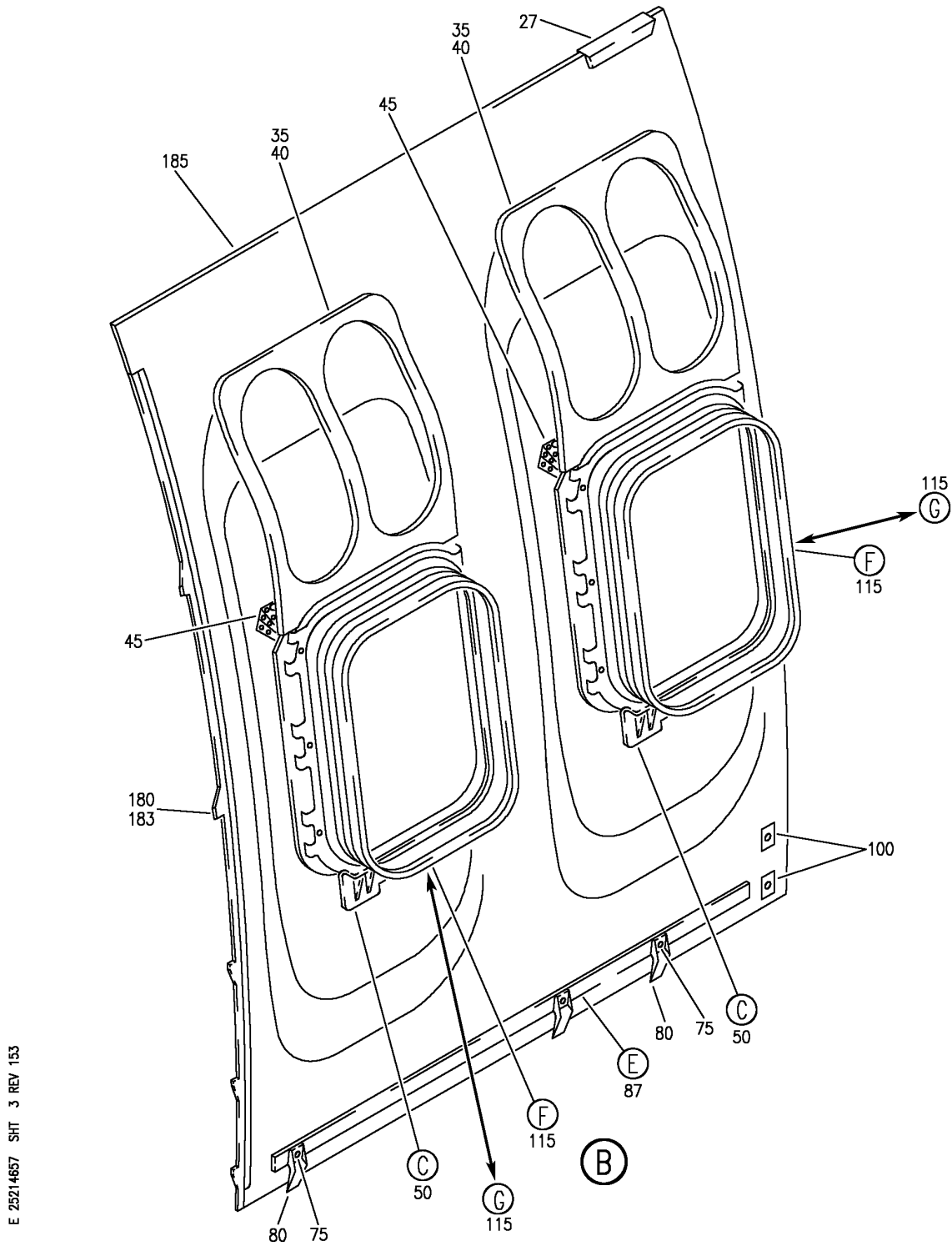
SIDEWALL INSTL-PASS. CAB.
 FIGURE 57 (SHEET 2)

25-21-46-57

HAP
 JUN 15/09

25-21-46-57
 PAGE 0A

BOEING
 737-600/700/800/900
 PARTS CATALOG (MAINTENANCE)



E 25214657 SHT 3 REV 153

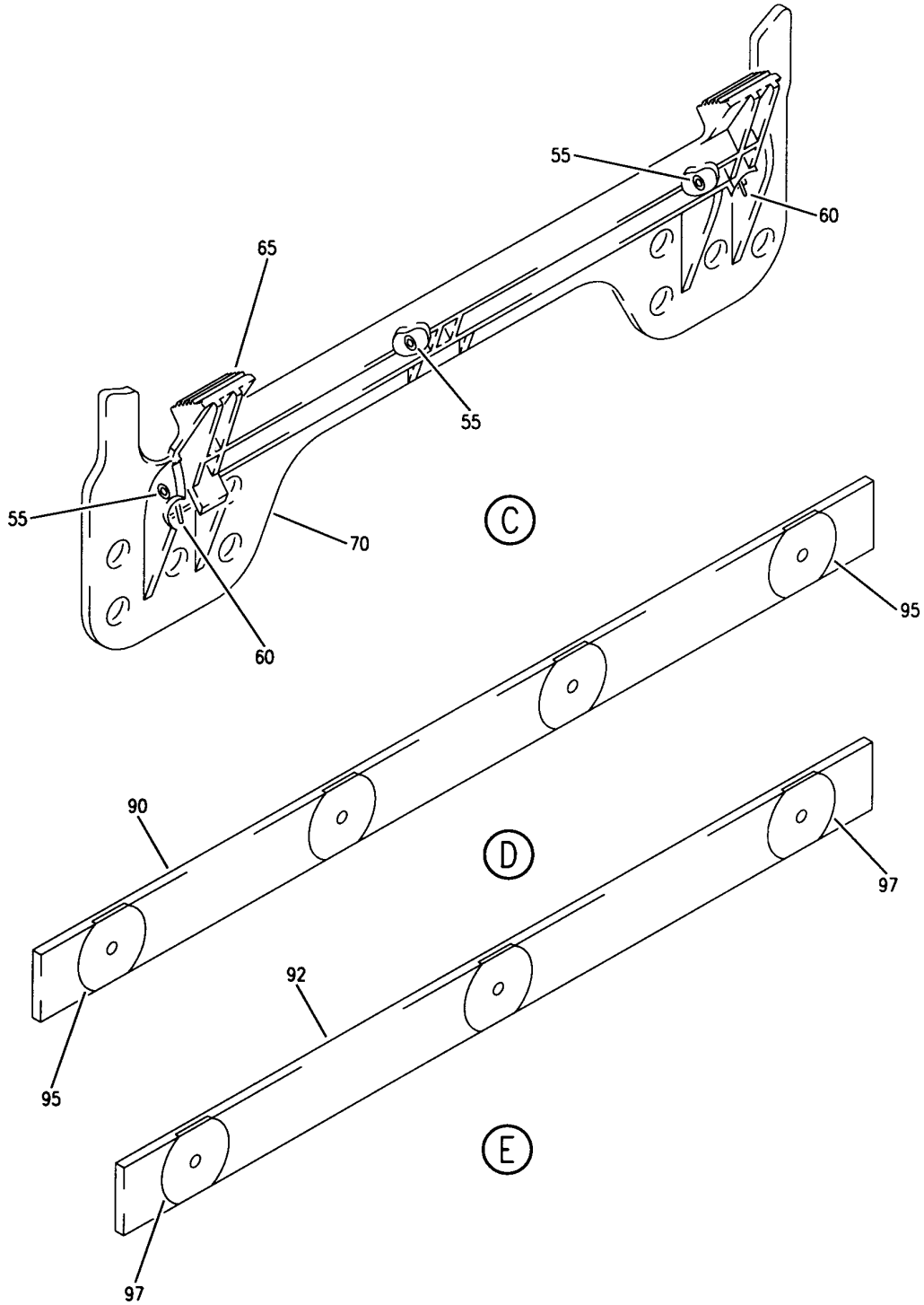
SIDEWALL INSTL-PASS. CAB.
 FIGURE 57 (SHEET 3)

25-21-46-57

HAP
 JUN 15/09

25-21-46-57
 PAGE 0B

BOEING
737-600/700/800/900
PARTS CATALOG (MAINTENANCE)



E 25214657 SHT 4 REV 018

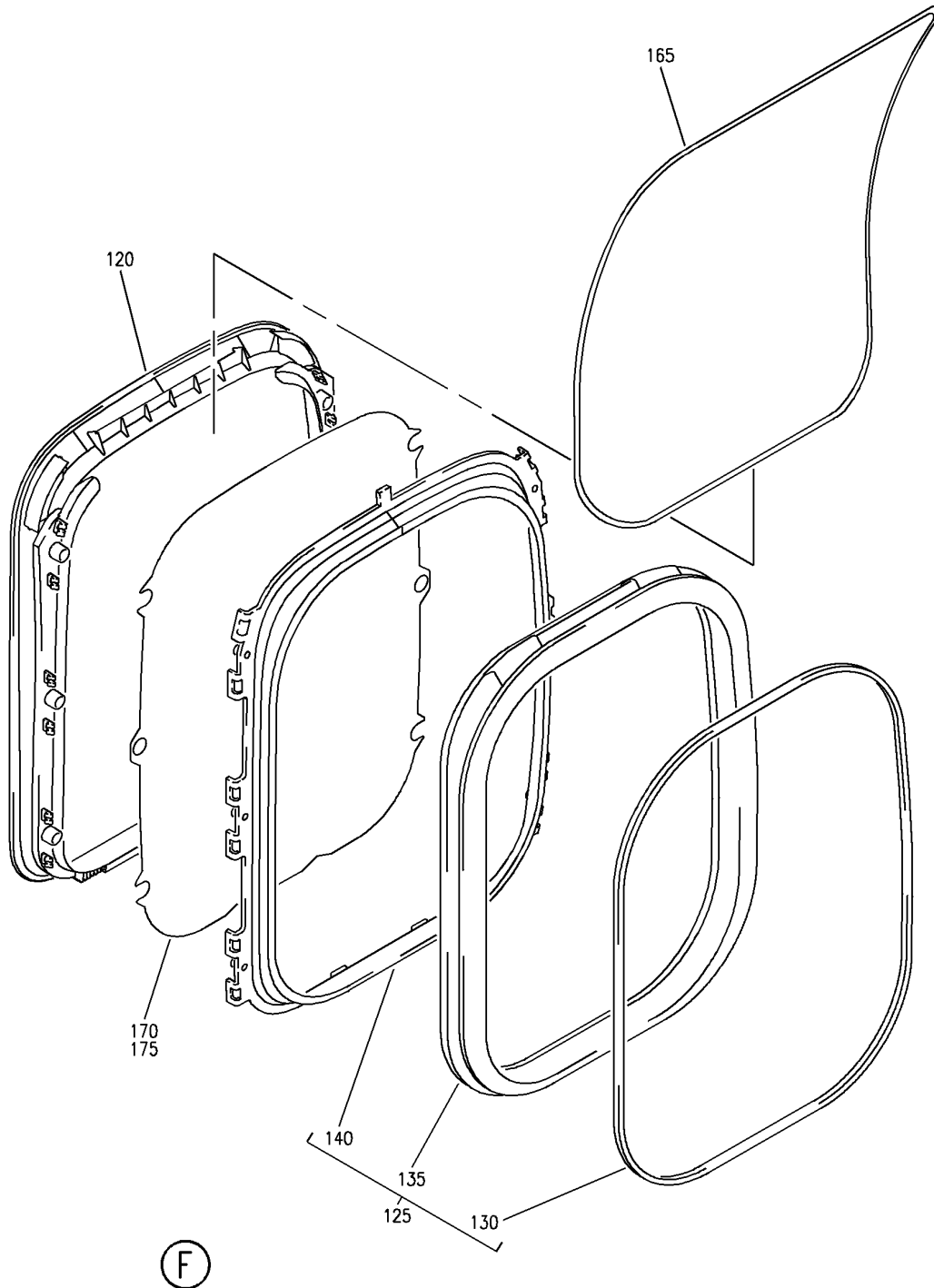
SIDEWALL INSTL-PASS. CAB.
FIGURE 57 (SHEET 4)

25-21-46-57

HAP
OCT 15/08

25-21-46-57
PAGE 0C

BOEING
737-600/700/800/900
PARTS CATALOG (MAINTENANCE)



E 25214657 SHT 5 REV 121

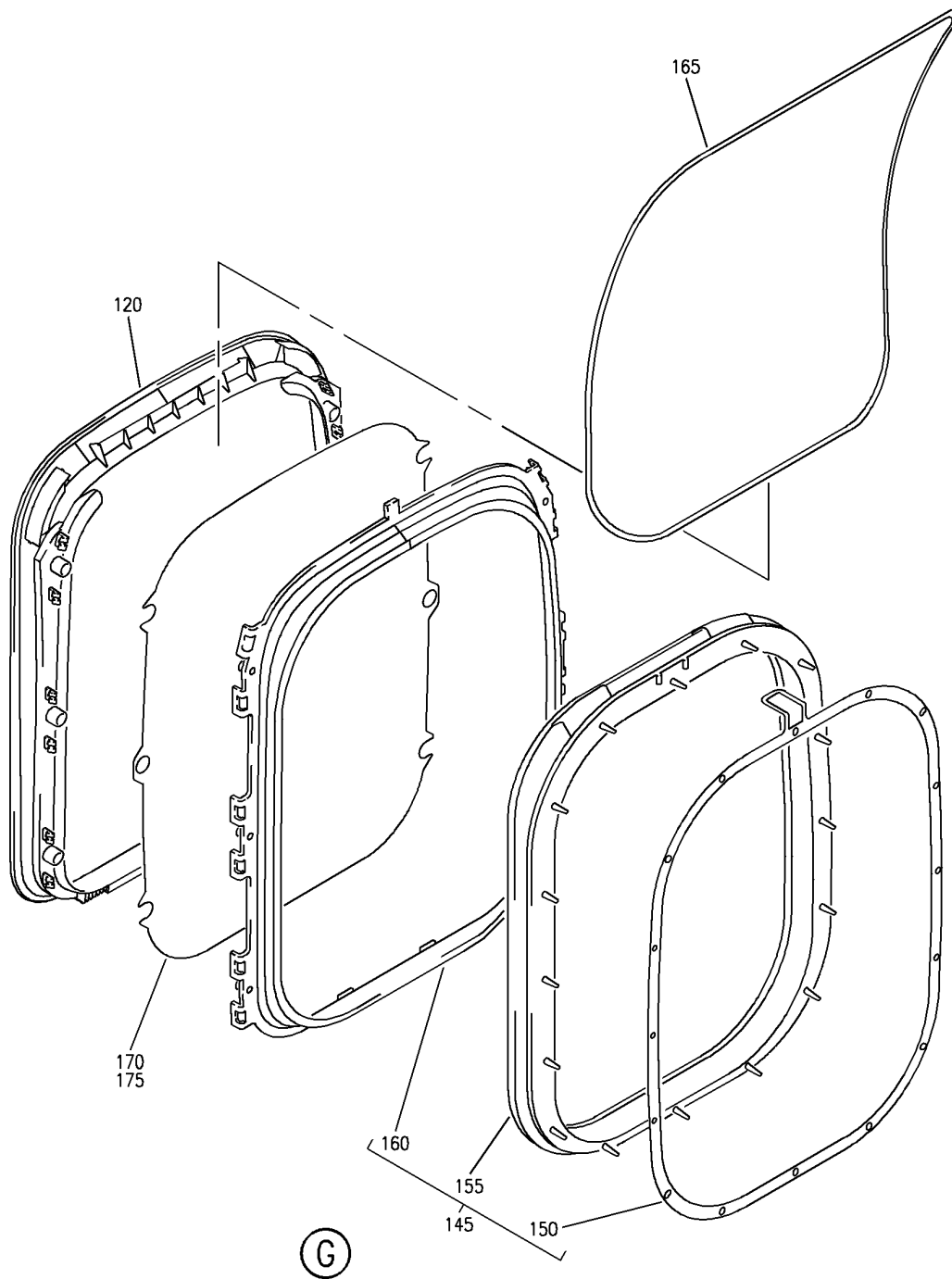
SIDEWALL INSTL-PASS. CAB.
FIGURE 57 (SHEET 5)

25-21-46-57

HAP
OCT 15/08

25-21-46-57
PAGE 0D

BOEING
737-600/700/800/900
PARTS CATALOG (MAINTENANCE)



E 25214657 SHT 6 REV 121

SIDEWALL INSTL-PASS. CAB.
FIGURE 57 (SHEET 6)

25-21-46-57

HAP
OCT 15/08

25-21-46-57
PAGE 0E

BOEING
737-600/700/800/900
PARTS CATALOG (MAINTENANCE)

FIG ITEM	PART NUMBER	1 2 3 4 5 6 7	NOMENCLATURE	EFFECT FROM TO	UNITS PER ASSY
57					
- 1	411A1100-506SP		SIDEWALL INSTL-PASS. CAB. SIDEWALL INSTL-PASS. CAB. FOR NHA SEE: 25-21-00-01A	201967 201967	RF
5	411N1210-452SP		.PANEL ASSY-	201967	1
10	411N1210-451SP		.PANEL ASSY-	201967	1
15	411N1210-478SP		.PANEL ASSY	201967	1
20	411N1210-479SP		.PANEL ASSY	201967	1
25	411N1210-5SP		..COVER- USED ON: 411N1210-452SP 411N1210-451SP	201967	1
27	411N1210-2SP		..COVER- USED ON: 411N1210-478SP 411N1210-479SP	201967	1
35	411N1250-102		..SHEATH ASSY	201967	2
40	411N1250-3		...SHEATH	201967	2
45	411N1240-1		..BRACKET	201967	2
50	411N1230-101		..LATCH ASSY	201967	2
55	MS39086-11		...PIN	201967	3
60	411N1175-1		...SPRING	201967	2
65	411N1231-2		...PAWL	201967	1
70	411N1231-1		...BASE	201967	1
75	BACS12FA3K4		..SCREW- USED ON: 411N1210-478SP 411N1210-479SP	201967	3
77	BACS12FA3K4		..SCREW- USED ON: 411N1210-452SP 411N1210-451SP	201967	4
80	411N1407-2		..CLIP- USED ON: 411N1210-478SP 411N1210-479SP	201967	3
82	411N1407-2		..CLIP- USED ON: 411N1210-452SP 411N1210-451SP	201967	4
85	411N1121-111		..STIFFENER ASSY- USED ON: 411N1210-452SP 411N1210-451SP	201967	1
87	411N1121-116		..STIFFENER ASSY- USED ON: 411N1210-478SP 411N1210-479SP	201967	1

MISSING ITEM NUMBERS NOT APPLICABLE

- ITEM NOT ILLUSTRATED

HAP

25-21-46-57

25-21-46
FIG. 57
PAGE 1
OCT 15/08

BOEING
737-600/700/800/900
PARTS CATALOG (MAINTENANCE)

FIG ITEM	PART NUMBER	1 2 3 4 5 6 7	NOMENCLATURE	EFFECT FROM TO	UNITS PER ASSY
57					
90	411N1121-12	...	STIFFENER- USED ON: 411N1210-451SP 411N1210-452SP	201967	1
92	411N1121-47	...	STIFFENER- USED ON: 411N1210-478SP 411N1210-479SP	201967	1
95	BAC112S3	...	INSERT- USED ON: 411N1210-451SP 411N1210-452SP	201967	4
97	BAC112S3	...	INSERT- USED ON: 411N1210-478SP 411N1210-479SP	201967	3
100	BACN10YDD6G	..	NUT-CLIP ON USED ON: 411N1210-478SP 411N1210-479SP	201967	2
115	411N1260-201SP	..	WINDOW ASSY	201967	2
120	411N1261-1SP	...	RING-TRIM	201967	1
125	411N1270-201SP	...	REVEAL ASSY-	201967	1
130	411N1272-6SP	RING-SEAL SPRT	201967	1
135	411N1272-5SP	SEAL-DUST	201967	1
140	411N1271-1SP	REVEAL- MISCELLANEOUS DATA: CUSTOMER MAY WISH TO ACQUIRE NHA, WHICH MAY BE MORE ECONOMICAL.	201967	1
145	411N1270-101SP	...	REVEAL ASSY-	201967	1
150	411N1272-2SP	RING-SEAL SPRT	201967	1
155	411N1272-1SP	SEAL-DUST	201967	1
160	411N1271-1SP	REVEAL- MISCELLANEOUS DATA: CUSTOMER MAY WISH TO ACQUIRE NHA, WHICH MAY BE MORE ECONOMICAL.	201967	1
165	411N1281-4C	...	SHADE- OPTIONAL PART: 411N1281-3BCSZ	201967	1
165	411N1281-3BCSZ	...	SHADE- OPTIONAL PART: 411N1281-4C	201967	1
170	411N1133-6A	...	PANE- POSITION DATA: INNER	201967	1

MISSING ITEM NUMBERS NOT APPLICABLE

— ITEM NOT ILLUSTRATED

R
R
R
R
R
R
R
R

HAP

25-21-46-57

25-21-46
FIG. 57
PAGE 2
JUN 15/09

BOEING
737-600/700/800/900
PARTS CATALOG (MAINTENANCE)

FIG ITEM	PART NUMBER	1 2 3 4 5 6 7	NOMENCLATURE	EFFECT FROM TO	UNITS PER ASSY
R R R	57 175	411N1133-9B	...COVER- POSITION DATA: INNER	201967	1
	180	411N1220-1	..RETAINER-EDGE USED ON: 411N1210-452SP 411N1210-478SP	201967	1
R R R R	183	411N1220-2	..RETAINER-EDGE USED ON: 411N1210-451SP 411N1210-479SP	201967	1
	185	65C31833-771	..PANEL ASSY- USED ON: 411N1210-479SP	201967	1
	185	65C31833-772	..PANEL ASSY- USED ON: 411N1210-478SP	201967	1
	185	65C31833-726	..PANEL ASSY- USED ON: 411N1210-452SP	201967	1
	185	65C31833-725	..PANEL ASSY- USED ON: 411N1210-451SP	201967	1

MISSING ITEM NUMBERS NOT APPLICABLE

— ITEM NOT ILLUSTRATED

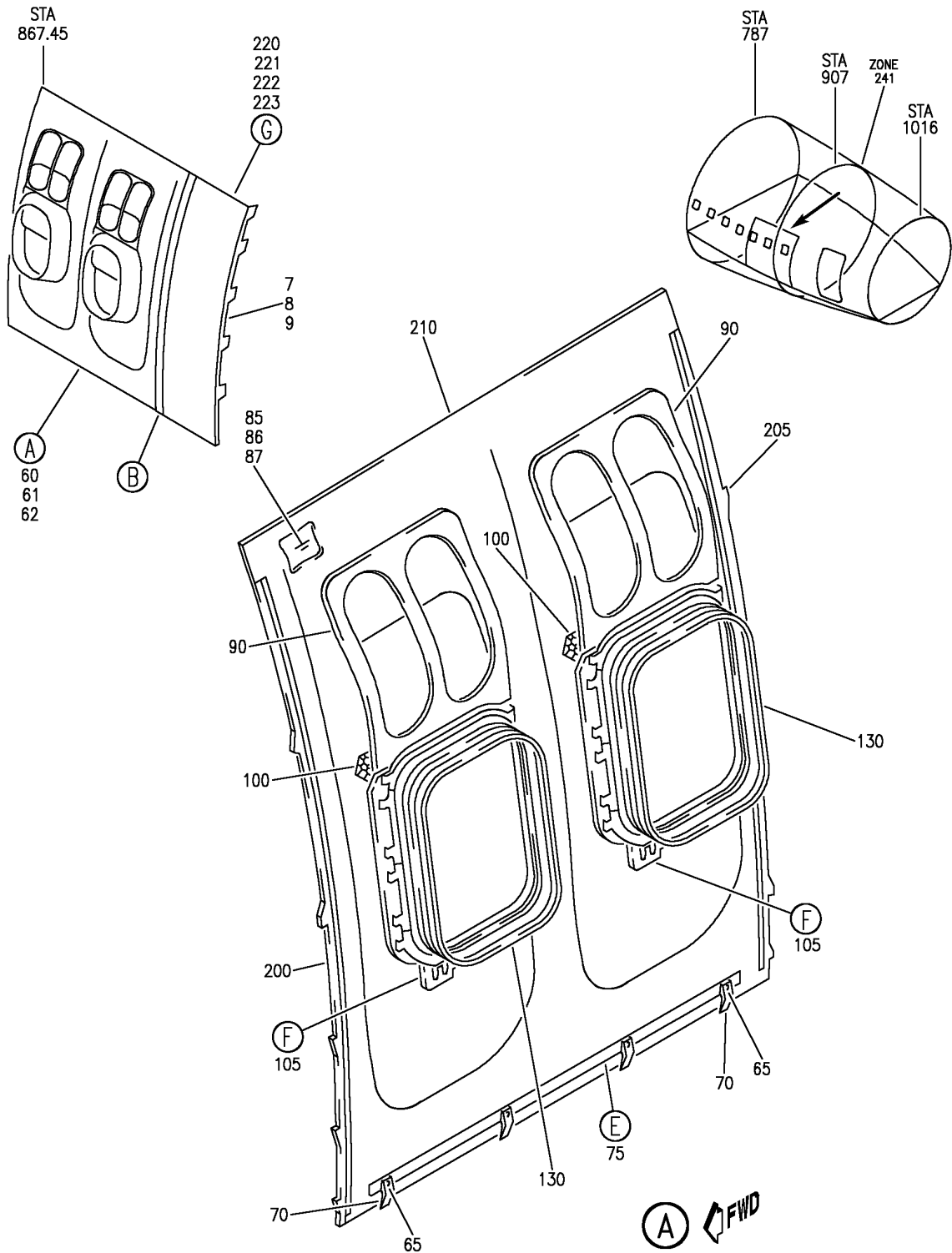
HAP

25-21-46-57

BOEING PROPRIETARY - Copyright © - Unpublished Work - See title page for details.

25-21-46
FIG. 57
PAGE 3
JUN 15/09

BOEING
 737-600/700/800/900
 PARTS CATALOG (MAINTENANCE)



E 25214666 SHT 1 REV 146

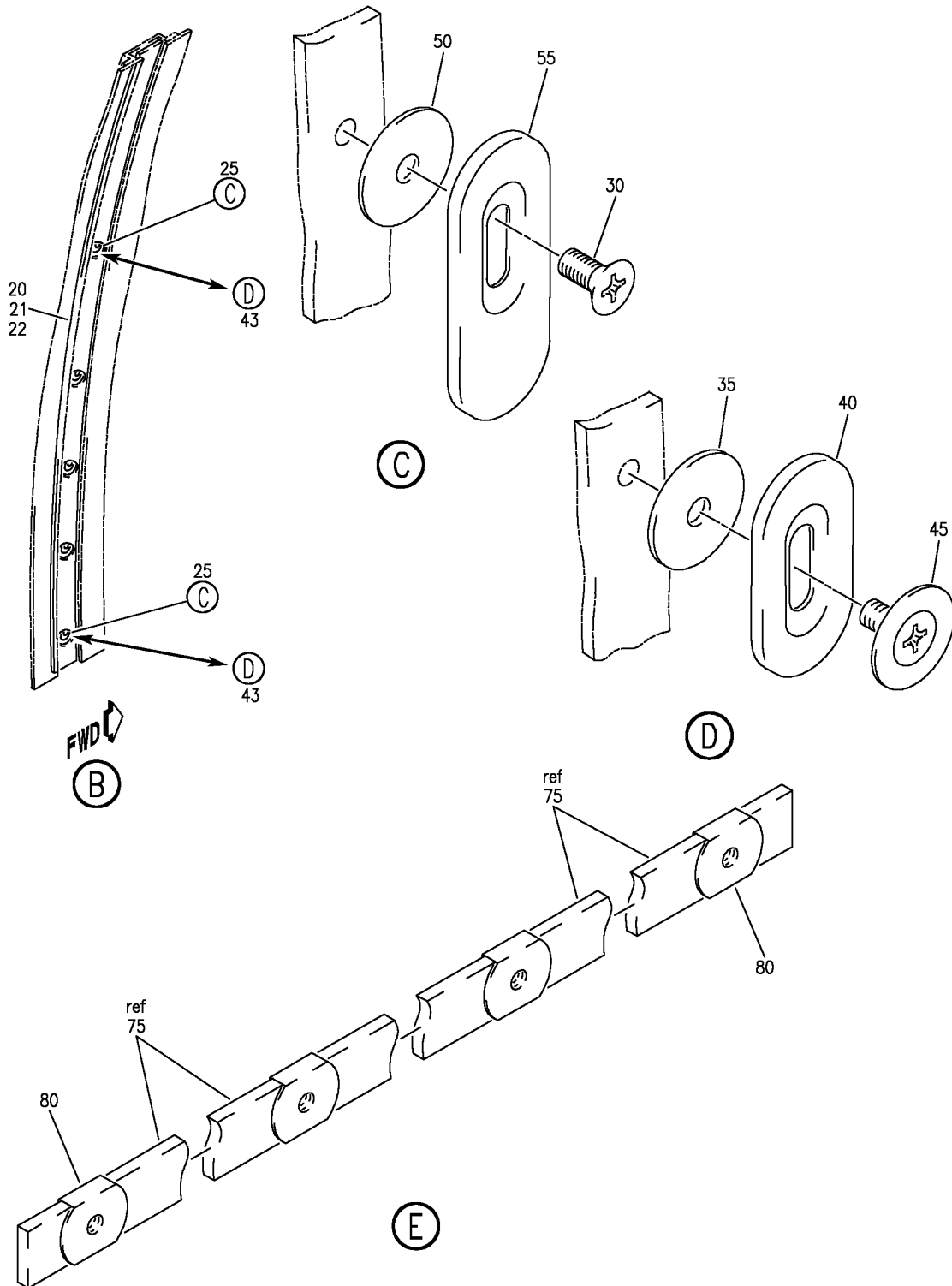
SIDEWALL INSTL-PASS. CAB. AFT LH CORNER
 FIGURE 66 (SHEET 1)

25-21-46-66

HAP
 OCT 15/08

25-21-46-66
 PAGE 0

BOEING
 737-600/700/800/900
 PARTS CATALOG (MAINTENANCE)



E 25214666 SHT 2 REV 146

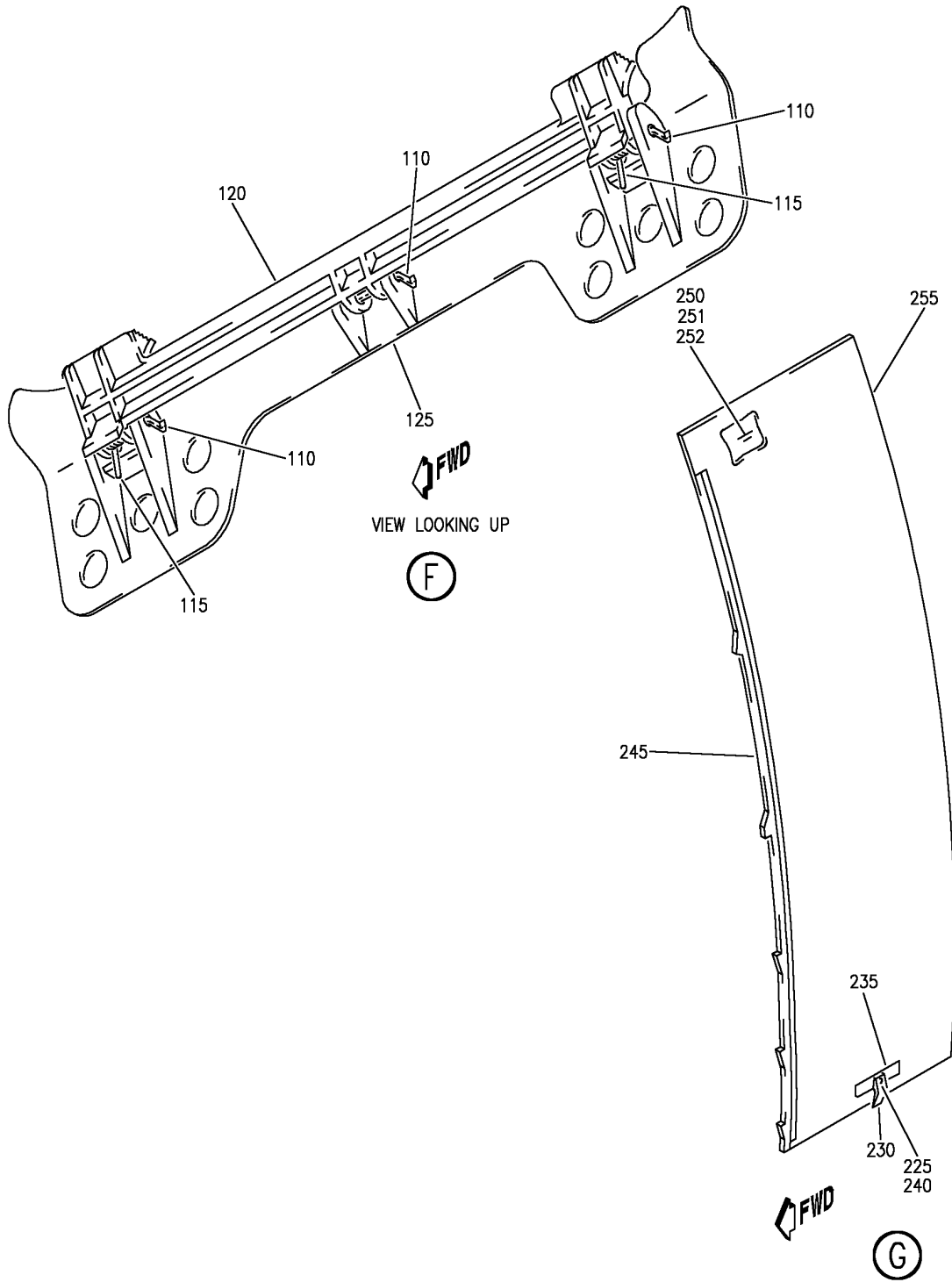
SIDEWALL INSTL-PASS. CAB. AFT LH CORNER
 FIGURE 66 (SHEET 2)

25-21-46-66

HAP
 OCT 15/08

25-21-46-66
 PAGE 0A

BOEING
 737-600/700/800/900
 PARTS CATALOG (MAINTENANCE)



E 25214666 SH1 3 REV 146

SIDEWALL INSTL-PASS. CAB. AFT LH CORNER
 FIGURE 66 (SHEET 3)

25-21-46-66

HAP
 OCT 15/08

25-21-46-66
 PAGE 0B

BOEING
737-600/700/800/900
PARTS CATALOG (MAINTENANCE)

FIG ITEM	PART NUMBER	1 2 3 4 5 6 7	NOMENCLATURE	EFFECT FROM TO	UNITS PER ASSY
66			SIDEWALL INSTL-PASS. CAB. AFT LH CORNER		
- 1	411A1100-301SP		SIDEWALL INSTL-PASS. CAB. POSITION DATA: AFT L CORNER FOR NHA SEE: 25-21-00-01A 25-21-00-01D	001030 201967	RF
- 5	MODREF311524		SIDEWALL INSTL-PASS. CAB. MODULE NUMBER: 411A1100-301DT REV C POSITION DATA: AFT LH CORNER	037038	1
- 5	MODREF316744		SIDEWALL INSTL-PASS. CAB. MODULE NUMBER: 411A1100-301DT REV D POSITION DATA: AFT LH CORNER	039200 968999	1
- 6	MODREF268720		SIDEWALL INSTL-PASS. CAB. MODULE NUMBER: 411A1100-301DT REV A POSITION DATA: AFT L CORNER	031036	1
8	65C32768-3CBXP		.ANGLE-TRIM	031200 968999	1
9	65C32768-3SP		.ANGLE-TRIM	001030 201967	1
- 10	NAS1801-3-5		ATTACHING PARTS .SCREW-	001030 201967	5
- 10	BACS12HN3-5		.SCREW	031200 968999	5
- 15	BACW10P136AL		.WASHER-		5
20	411N1102-32SP		-----*----- .STRIP-TRIM	001030 201967	1
21	411N1102-32BCUN		.STRIP-TRIM	031200 968999	1
25	65C28101-5		.WASHER ASSY- QUALIFIED I/W DATA: 65C28101-5 I/W 65C28101-7 FOR SOME SIDEWALL INSTALLATIONS; THE RETAINER USED ON 65C28101-7 IS LONGER THAN THE RETAINER USED ON 65C28101-5 OPTIONAL PART: 65C28101-7		5

MISSING ITEM NUMBERS NOT APPLICABLE

- ITEM NOT ILLUSTRATED

HAP

25-21-46-66

BOEING PROPRIETARY - Copyright © - Unpublished Work - See title page for details.

25-21-46
FIG. 66
PAGE 1
OCT 15/08

BOEING
737-600/700/800/900
PARTS CATALOG (MAINTENANCE)

FIG ITEM	PART NUMBER	1 2 3 4 5 6 7	NOMENCLATURE	EFFECT FROM TO	UNITS PER ASSY
66					
30	CA3105-1032-6	..	SCREW SUPPLIER CODE: V73439 SPECIFICATION NUMBER: BACS12N10-6 OPTIONAL PART: CA3105-1032-6 V78189 SP1561-1032-6 V73439		1
35	69-66047-1	..	WASHER-RTNR		1
40	65C28101-2	..	RETAINER		1
43	65C28101-7	.WASHER ASSY-	QUALIFIED I/W DATA: 65C28101-5 I/W 65C28101-7 FOR SOME SIDEWALL INSTALLATIONS; THE RETAINER USED ON 65C28101-7 IS LONGER THAN THE RETAINER USED ON 65C28101-5 OPTIONAL PART: 65C28101-5		5
45	BACS12ER3K5	..	SCREW		1
50	69-66047-1	..	WASHER-RTNR		1
55	69-62183-2	..	RETAINER		1
60	411N1210-308SP	.PANEL ASSY-WINDOW		001030 201967	1
62	411N1210-308DL	.PANEL ASSY-WINDOW		031200 968999	1
65	BACS12FA3K4	..	SCREW		4
70	411N1407-2	..	CLIP		4
75	411N1121-106	..	STIFFENER ASSY		1
80	BACI12S3	...	INSERT		4
85	411N1210-1SP	..	COVER	001030 201967	1
87	411N1210-1CL	..	COVER	031200 968999	1
90	411N1250-102	..	SHEATH ASSY-		2
90	411N1250-101	..	SHEATH ASSY-		2
100	411N1240-1	..	BRACKET		2
105	411N1230-101	..	LATCH ASSY		2
110	MS39086-11	...	PIN		3
115	411N1175-1	...	SPRING		2
120	411N1231-2	...	PAWL		1
125	411N1231-1	...	BASE		1
130	411N1260-201SP	..	WINDOW ASSY- FOR DETAILS SEE: 25-21-12-66	001030 201967	2

MISSING ITEM NUMBERS NOT APPLICABLE

— ITEM NOT ILLUSTRATED

HAP

25-21-46-66

BOEING PROPRIETARY - Copyright © - Unpublished Work - See title page for details.

25-21-46
FIG. 66
PAGE 2
OCT 15/08

BOEING
737-600/700/800/900
PARTS CATALOG (MAINTENANCE)

FIG ITEM	PART NUMBER	1 2 3 4 5 6 7	NOMENCLATURE	EFFECT FROM TO	UNITS PER ASSY
66					
130	411N1260-201B	..	WINDOW ASSY- FOR DETAILS SEE: 25-21-12-66	031200 968999	2
200	411N1220-1	..	RETAINER		1
205	411N1220-2	..	RETAINER		1
210	65C31833-608	..	PANEL ASSY		1
220	411N1210-207SP	.PANEL	ASSY-FILLER	001030 201967	1
222	411N1210-207DH	.PANEL	ASSY-FILLER	031036	1
222	411N1210-850L	.PANEL	ASSY-FILLER	037200 968999	1
225	BACS12FA3K4	..	SCREW		1
230	411N1407-2	..	CLIP		1
235	411N1121-115	..	STIFFENER ASSY		1
240	BACI12S3	...	INSERT		1
245	411N1220-2	..	RETAINER		1
250	411N1210-10SP	..	COVER	001030 201967	1
252	411N1210-10CL	..	COVER	031200 968999	1
255	65C31833-95	..	PANEL ASSY	001036 201967	1
255	65C31833-1071	..	PANEL ASSY	037200 968999	1

MISSING ITEM NUMBERS NOT APPLICABLE

— ITEM NOT ILLUSTRATED

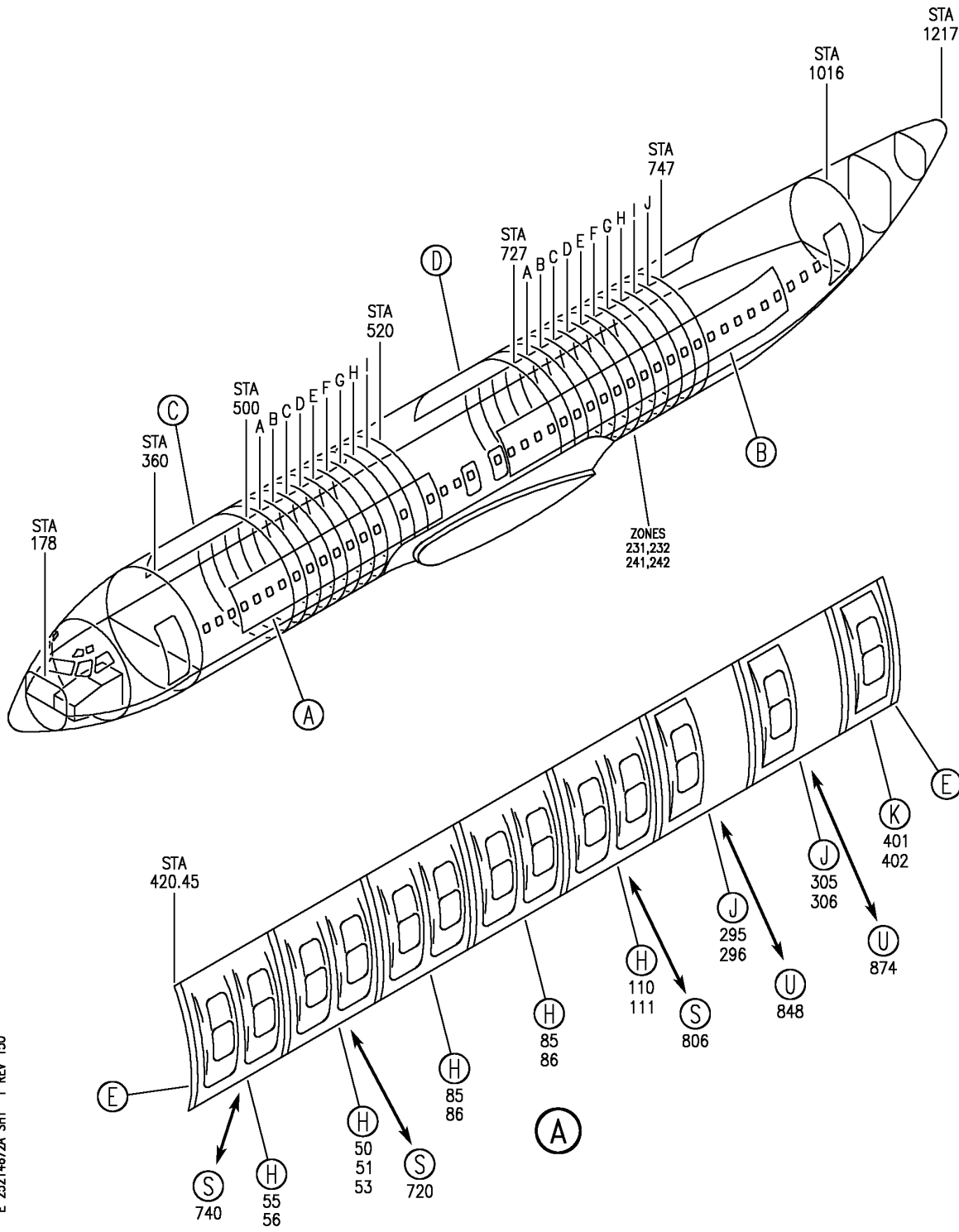
HAP

25-21-46-66

BOEING PROPRIETARY - Copyright © - Unpublished Work - See title page for details.

25-21-46
FIG. 66
PAGE 3
OCT 15/08

BOEING
 737-600/700/800/900
 PARTS CATALOG (MAINTENANCE)



SIDEWALL INSTL-PASS. CAB. CTR
 FIGURE 72A (SHEET 1)

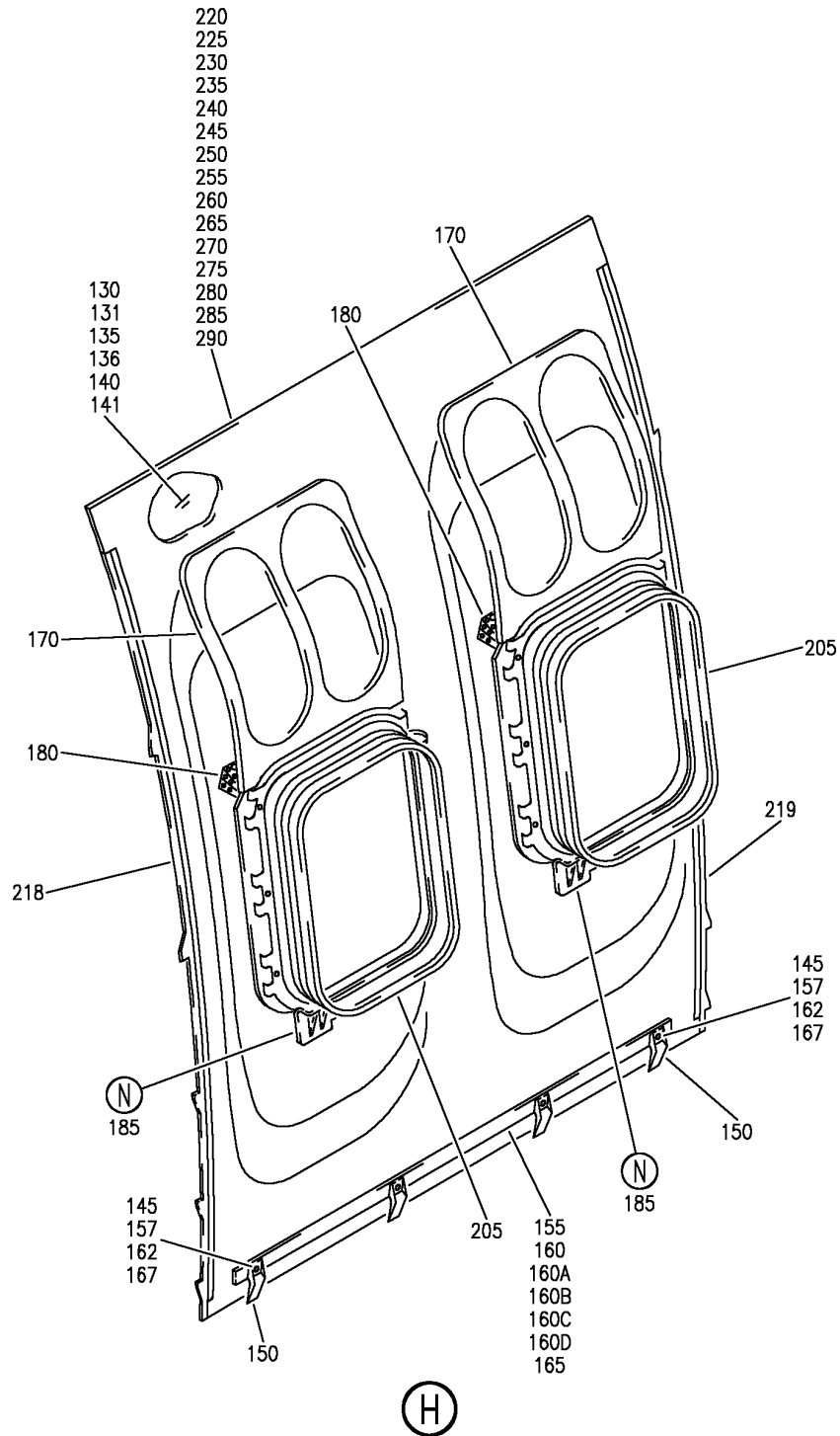
25-21-46-72A

HAP
 FEB 15/09

25-21-46-72A
 PAGE 0

BOEING PROPRIETARY - Copyright © - Unpublished Work - See title page for details.

BOEING
 737-600/700/800/900
 PARTS CATALOG (MAINTENANCE)



E 25214672A SH1 4 REV 145

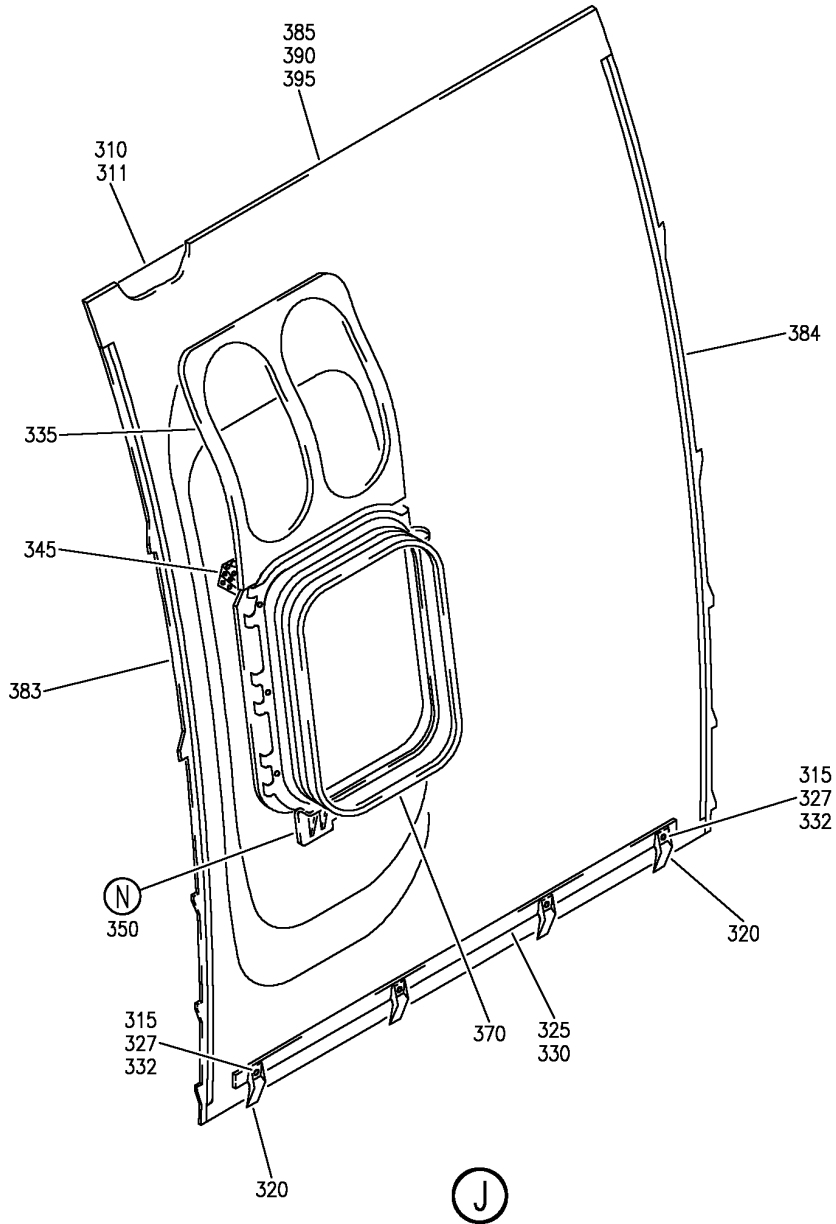
SIDEWALL INSTL-PASS. CAB. CTR
 FIGURE 72A (SHEET 4)

25-21-46-72A

HAP
 OCT 15/08

25-21-46-72A
 PAGE 0C

BOEING
 737-600/700/800/900
 PARTS CATALOG (MAINTENANCE)



E 25214672A SH1 5 REV 145

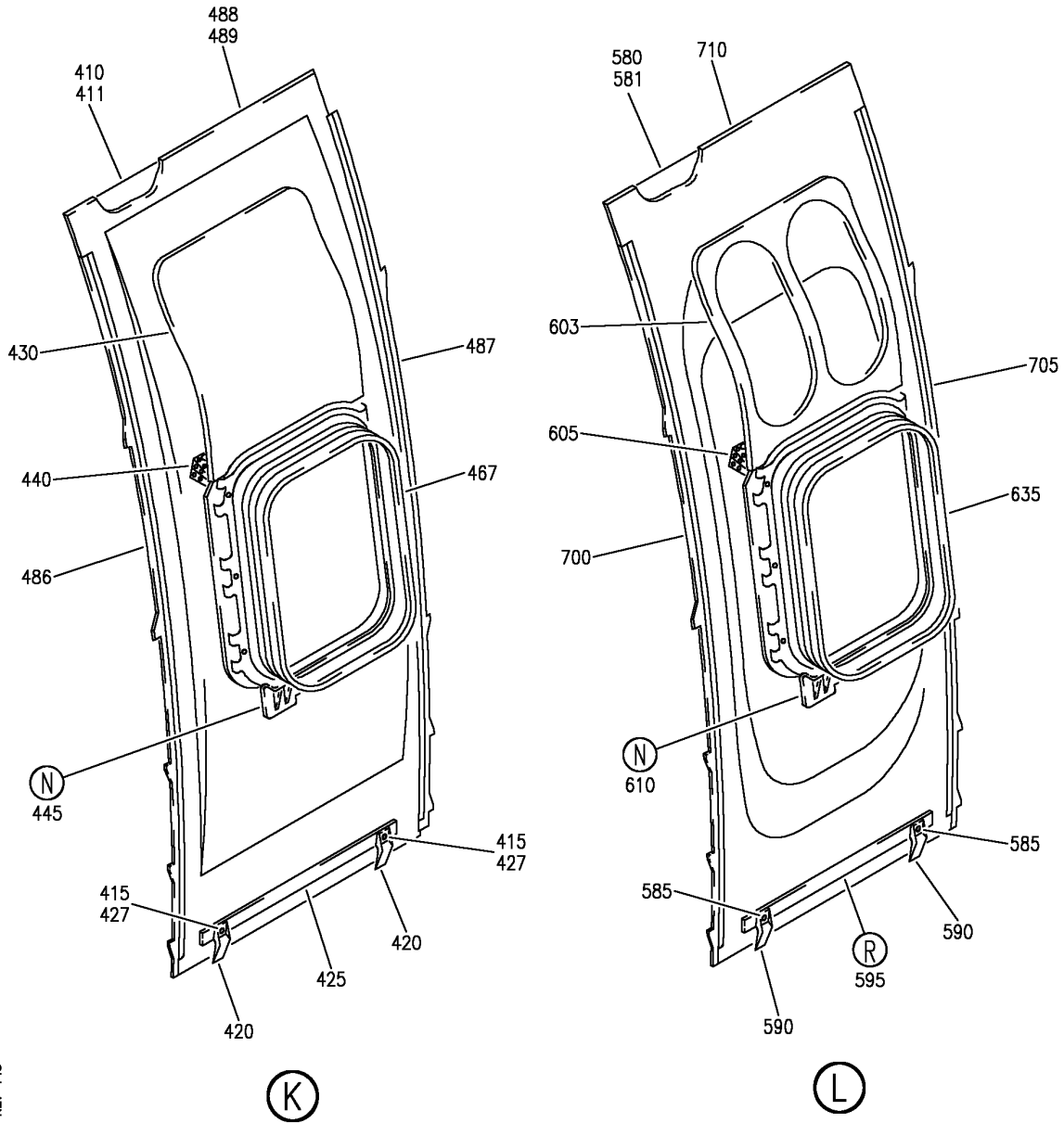
SIDEWALL INSTL-PASS. CAB. CTR
 FIGURE 72A (SHEET 5)

25-21-46-72A

HAP
 OCT 15/08

25-21-46-72A
 PAGE 0D

BOEING
 737-600/700/800/900
 PARTS CATALOG (MAINTENANCE)



E 25214672A SHIT 6 REV 145

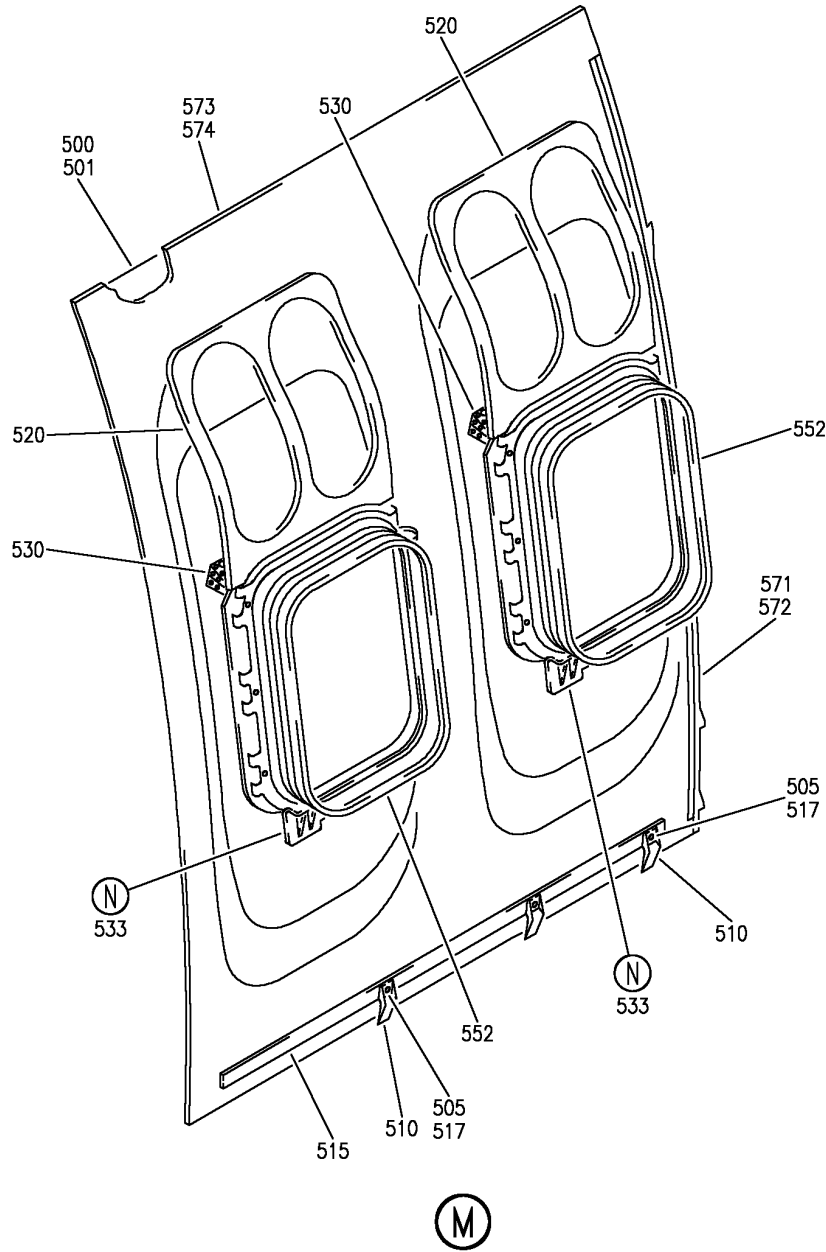
SIDEWALL INSTL-PASS. CAB. CTR
 FIGURE 72A (SHEET 6)

25-21-46-72A

HAP
 OCT 15/08

25-21-46-72A
 PAGE 0E

BOEING
 737-600/700/800/900
 PARTS CATALOG (MAINTENANCE)



E 25214672A SHT 7 REV 145

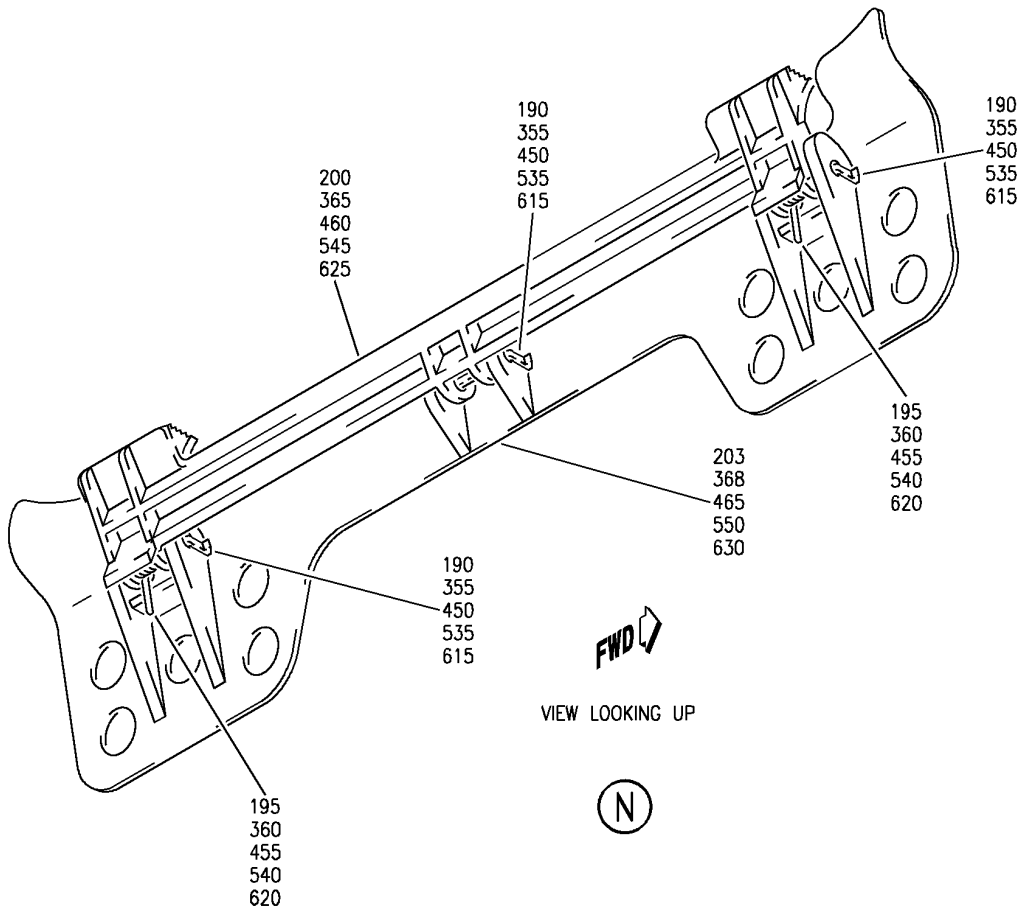
SIDEWALL INSTL-PASS. CAB. CTR
 FIGURE 72A (SHEET 7)

25-21-46-72A

HAP
 OCT 15/08

25-21-46-72A
 PAGE OF

BOEING
 737-600/700/800/900
 PARTS CATALOG (MAINTENANCE)



E 25214672A SHT 8 REV 121

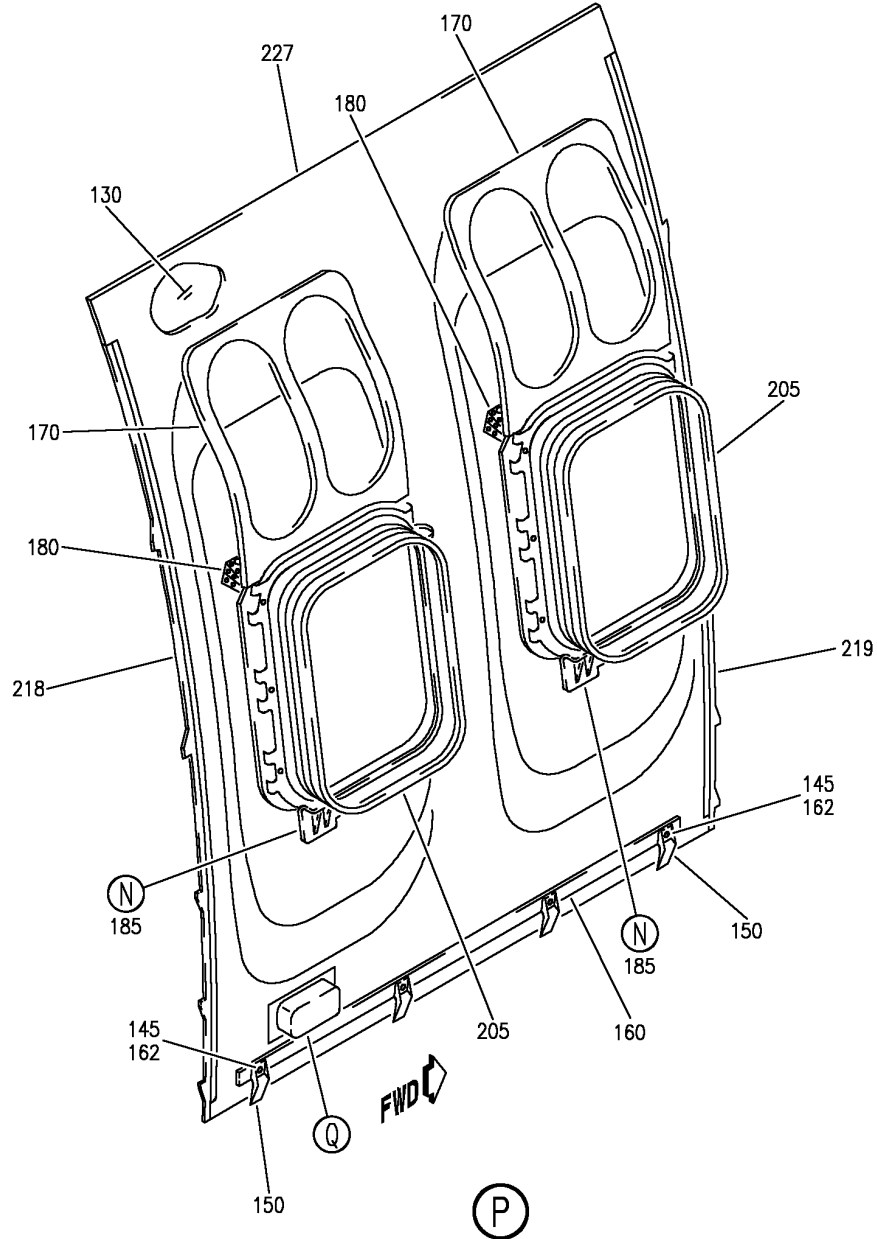
SIDEWALL INSTL-PASS. CAB. CTR
 FIGURE 72A (SHEET 8)

25-21-46-72A

HAP
 OCT 10/06

25-21-46-72A
 PAGE 08

BOEING
 737-600/700/800/900
 PARTS CATALOG (MAINTENANCE)



E 25214672A SHT 9 REV 145

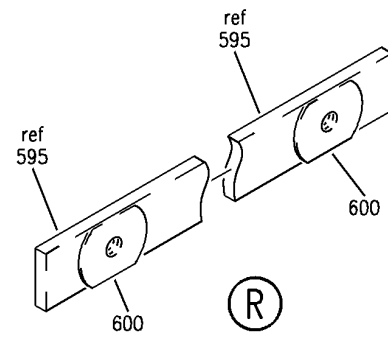
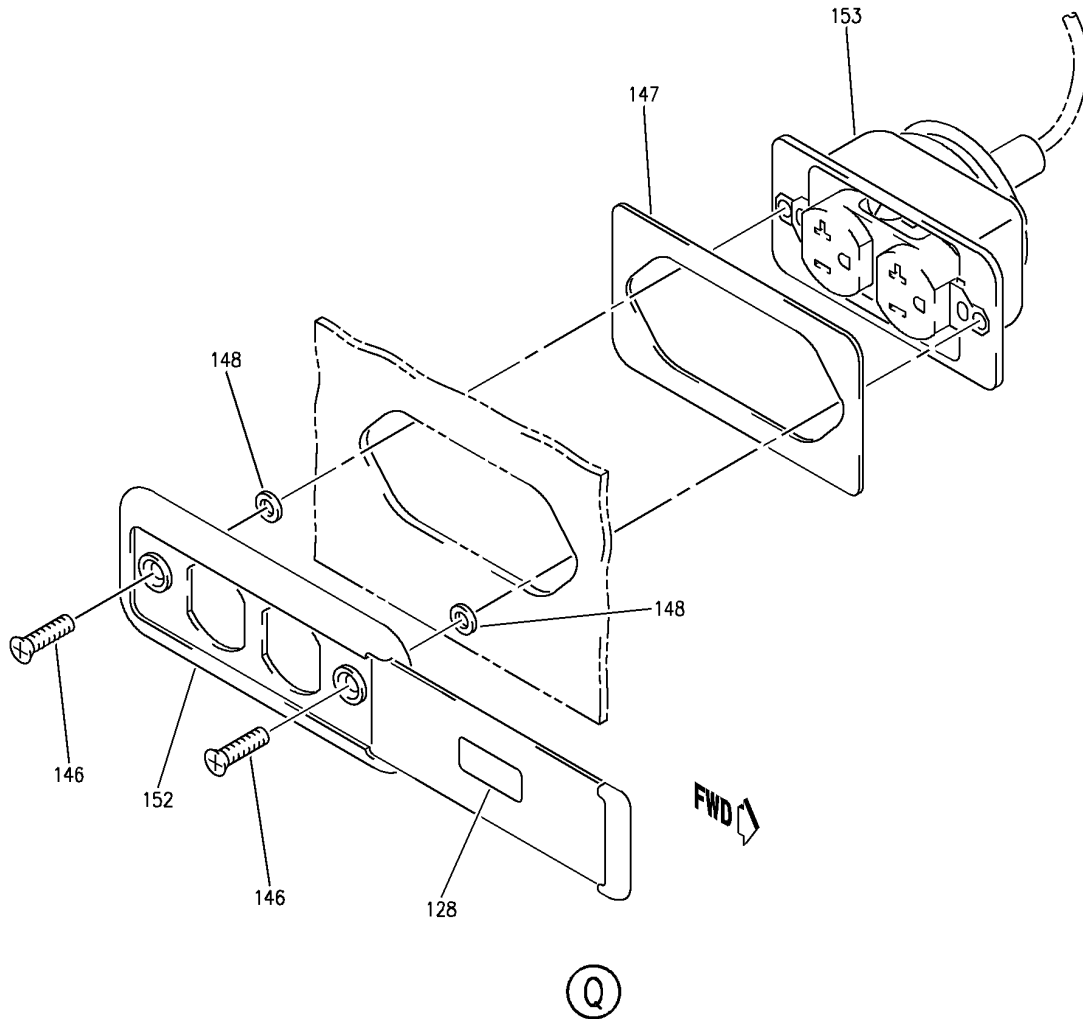
SIDEWALL INSTL-PASS. CAB. CTR
 FIGURE 72A (SHEET 9)

25-21-46-72A

HAP
 OCT 15/08

25-21-46-72A
 PAGE 0H

BOEING
 737-600/700/800/900
 PARTS CATALOG (MAINTENANCE)



E 25214672A SHT 10 REV 121

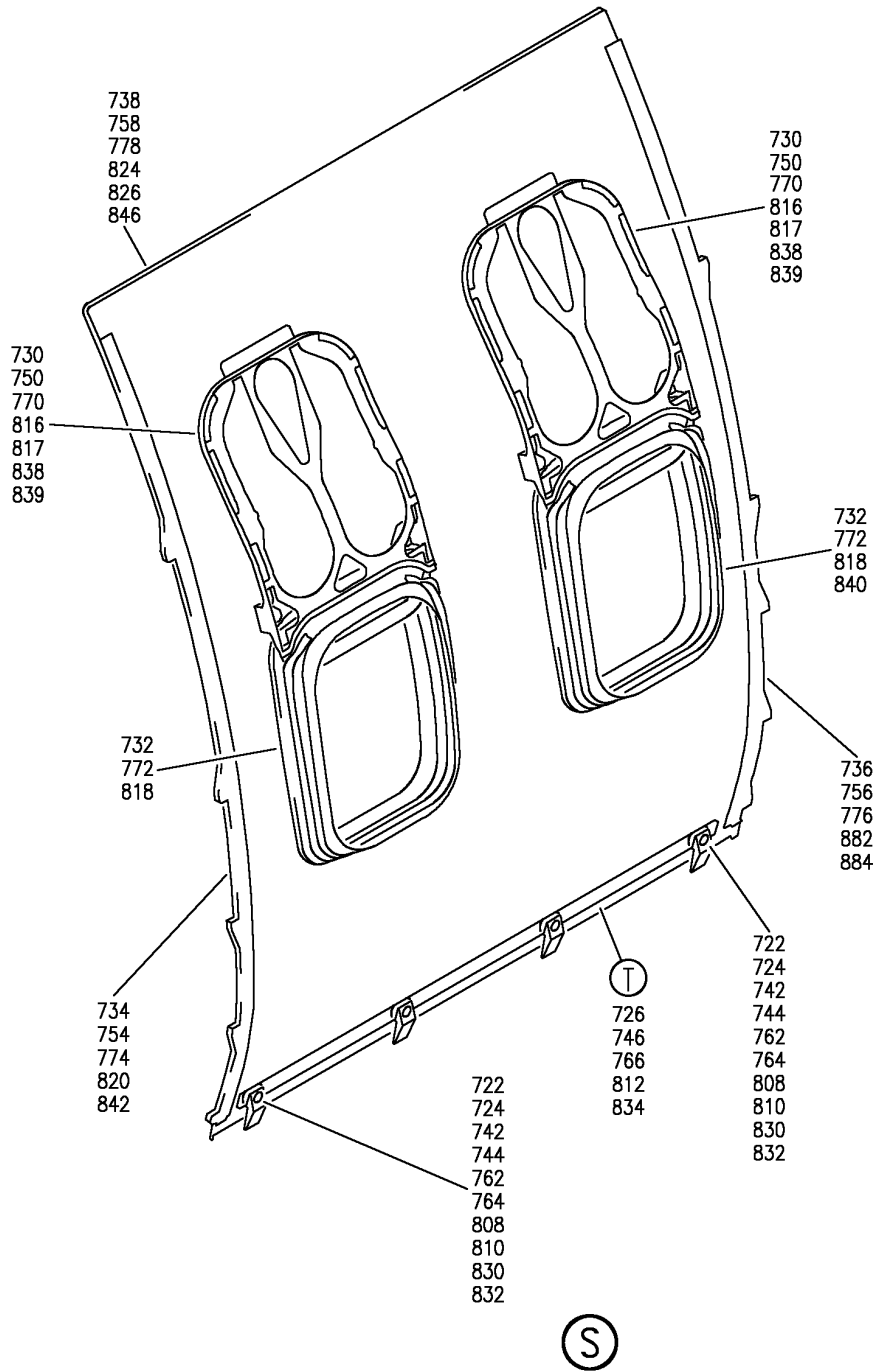
SIDEWALL INSTL-PASS. CAB. CTR
 FIGURE 72A (SHEET 10)

25-21-46-72A

HAP
 OCT 10/06

25-21-46-72A
 PAGE 01

BOEING
 737-600/700/800/900
 PARTS CATALOG (MAINTENANCE)



E 25214672A SHT 11 REV 155

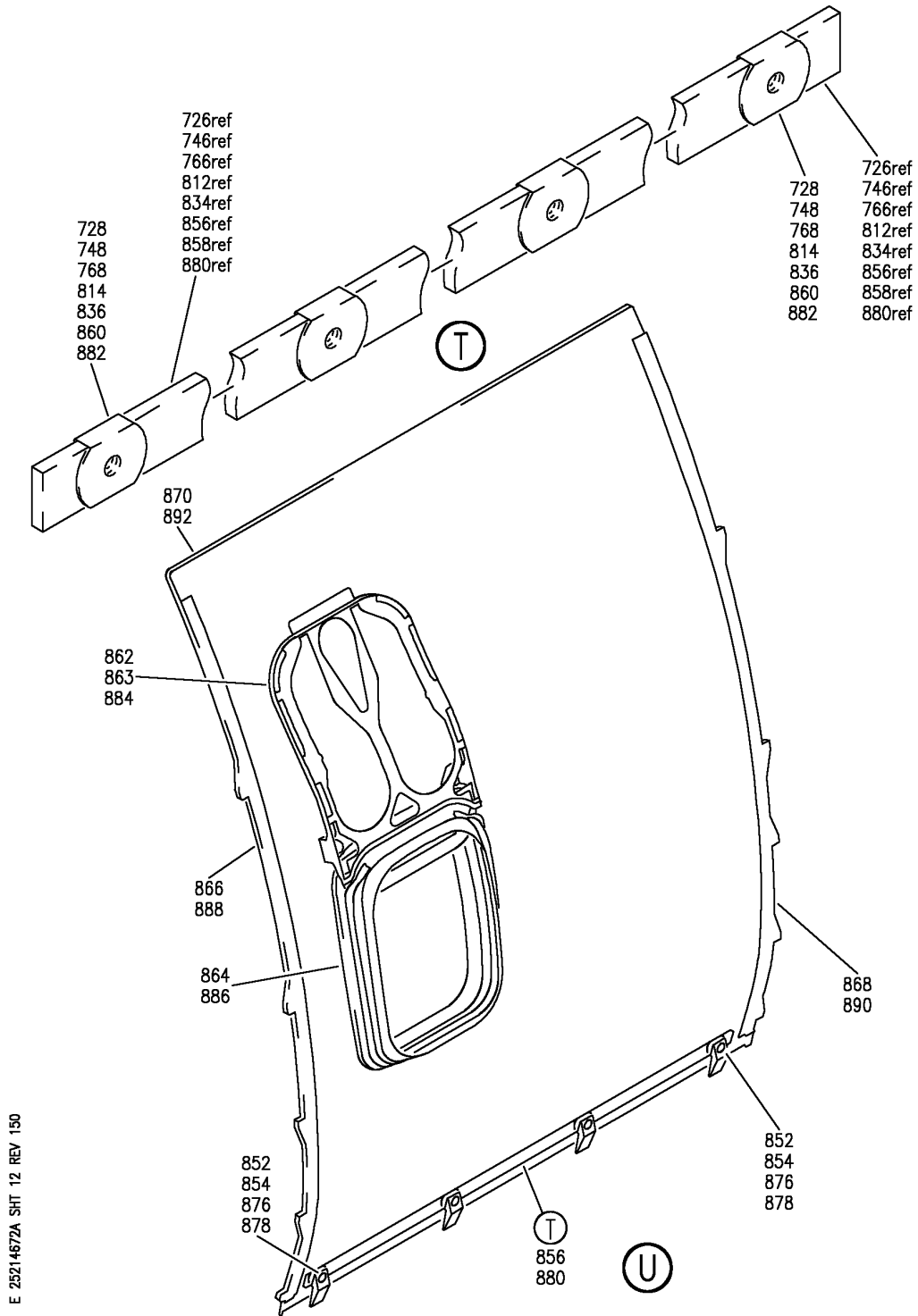
SIDEWALL INSTL-PASS. CAB. CTR
 FIGURE 72A (SHEET 11)

25-21-46-72A

HAP
 JUN 15/09

25-21-46-72A
 PAGE 0J

BOEING
 737-600/700/800/900
 PARTS CATALOG (MAINTENANCE)



E 25214672A SHT 12 REV 150

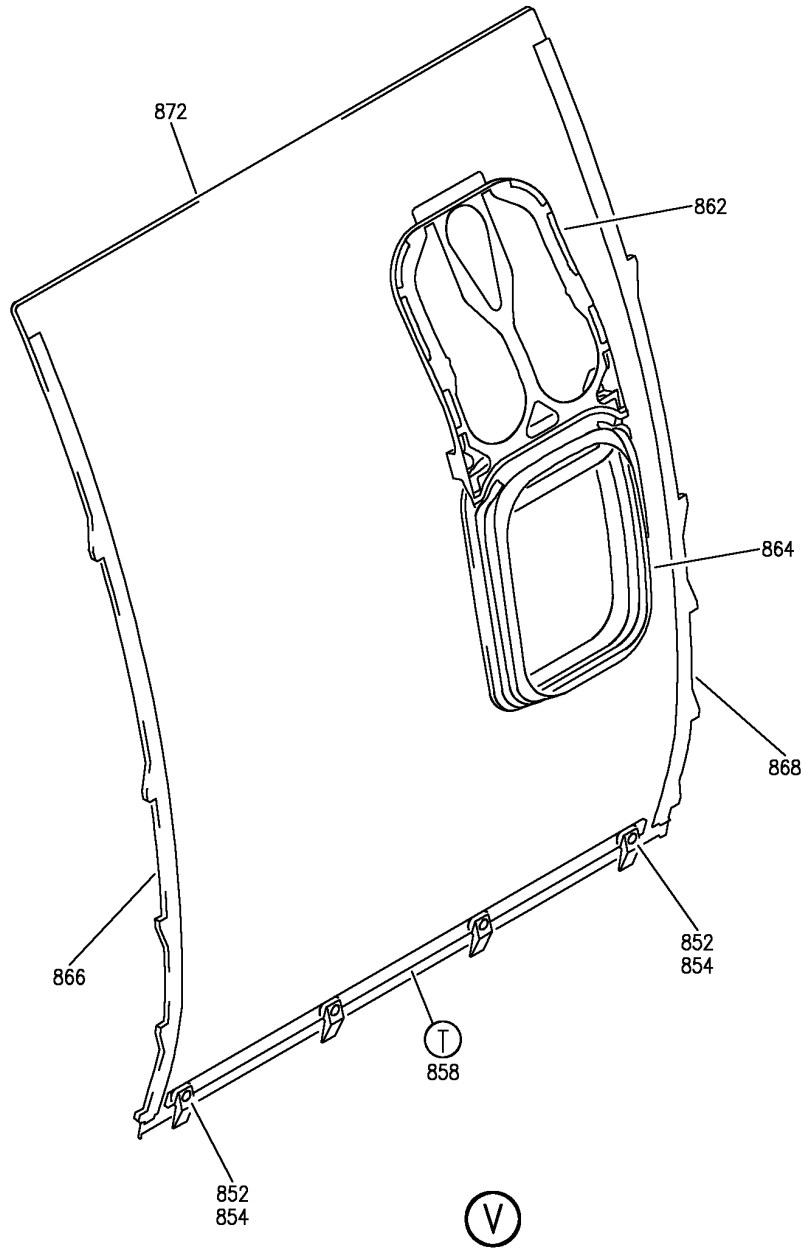
SIDEWALL INSTL-PASS. CAB. CTR
 FIGURE 72A (SHEET 12)

25-21-46-72A

HAP
 FEB 15/09

25-21-46-72A
 PAGE OK

BOEING
737-600/700/800/900
PARTS CATALOG (MAINTENANCE)



E 25214672A SH1 13 REV 145

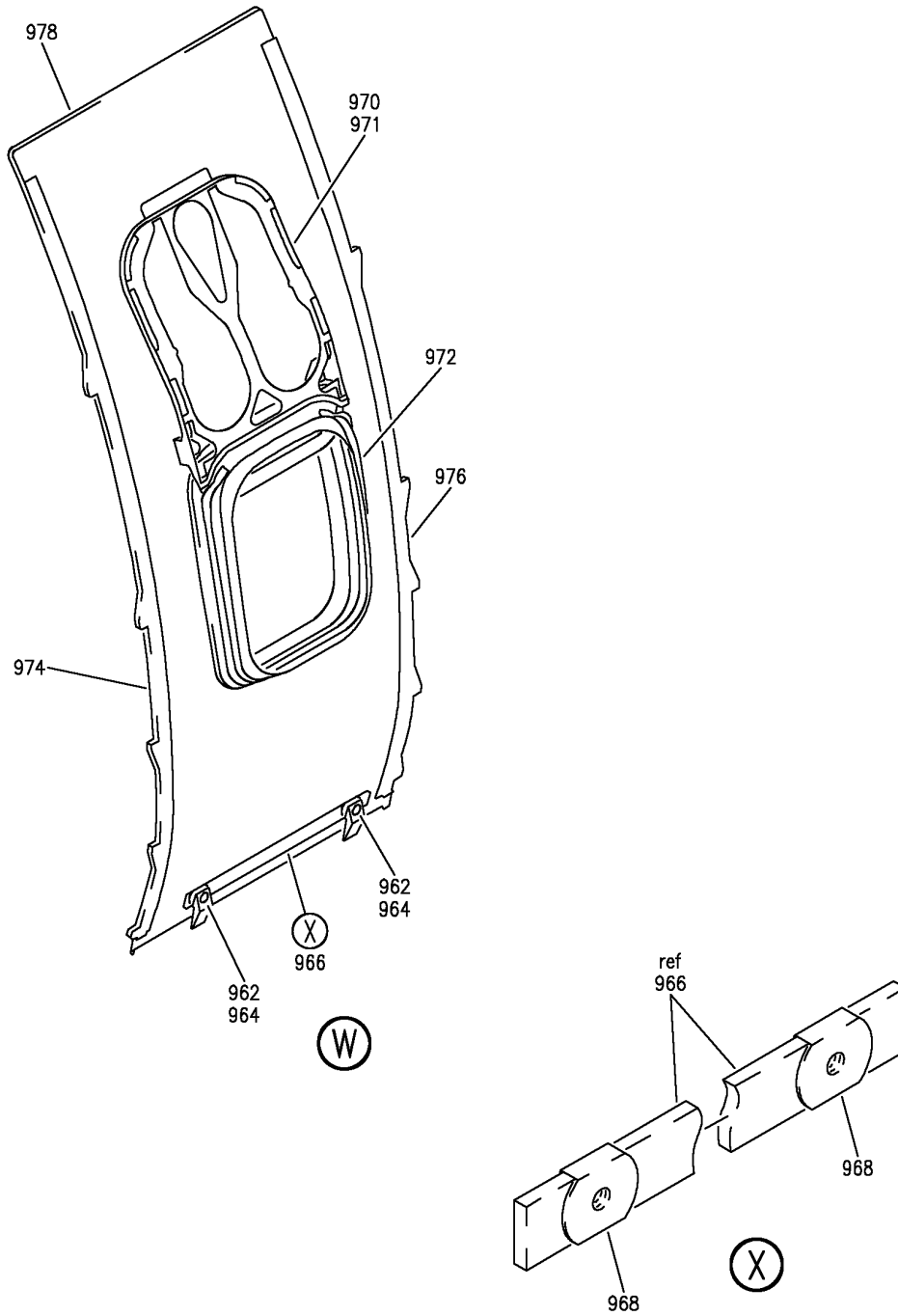
SIDEWALL INSTL-PASS. CAB. CTR
FIGURE 72A (SHEET 13)

25-21-46-72A

HAP
OCT 15/08

25-21-46-72A
PAGE 01

BOEING
 737-600/700/800/900
 PARTS CATALOG (MAINTENANCE)



E 25214672A SHT 14, REV 133

SIDEWALL INSTL-PASS. CAB. CTR
 FIGURE 72A (SHEET 14)

25-21-46-72A

HAP
 JUN 15/09

25-21-46-72A
 PAGE 0M

BOEING
737-600/700/800/900
PARTS CATALOG (MAINTENANCE)

FIG ITEM	PART NUMBER	1 2 3 4 5 6 7	NOMENCLATURE	EFFECT FROM TO	UNITS PER ASSY
72A			SIDEWALL INSTL-PASS. CAB. CTR	031100	
- 6	MODREF268723		SIDEWALL INSTL-PASS. CAB. MODULE NUMBER: 411A1100-808CD REV A POSITION DATA: CTR	031100	1
10	411N1102-32BCUN		.STRIP-TRIM	031100	40
15	65C28101-7		.WASHER ASSY- QUALIFIED I/W DATA: 65C28101-5 I/W 65C28101-7 FOR SOME SIDEWALL INSTALLATIONS; THE RETAINER USED ON 65C28101-7 IS LONGER THAN THE RETAINER USED ON 65C28101-5 OPTIONAL PART: 65C28101-5	031100	200
18	BACS12ER3K5		..SCREW	031100	1
20	69-66047-1		..WASHER-RTNR	031100	1
23	69-62183-2		..RETAINER	031100	1
25	65C28101-5		.WASHER ASSY- QUALIFIED I/W DATA: 65C28101-5 I/W 65C28101-7 FOR SOME SIDEWALL INSTALLATIONS; THE RETAINER USED ON 65C28101-7 IS LONGER THAN THE RETAINER USED ON 65C28101-5 OPTIONAL PART: 65C28101-7	031100	200
30	CA3105-1032-6		..SCREW SUPPLIER CODE: V73439 SPECIFICATION NUMBER: BACS12N10-6 OPTIONAL PART: CA3105-1032-6 V78189 SP1561-1032-6 V73439	031100	1
35	69-66047-1		..WASHER-RTNR	031100	1
45	65C28101-2		..RETAINER	031100	1
51	411N1210-309GR		.PANEL ASSY-WINDOW	031100	12
56	411N1210-310DR		.PANEL ASSY-WINDOW	031100	1
61	411N1210-311DT		.PANEL ASSY-WINDOW	031100	1
66	411N1210-347DR		.PANEL ASSY-WINDOW	031100	2

MISSING ITEM NUMBERS NOT APPLICABLE

- ITEM NOT ILLUSTRATED

HAP

25-21-46-72A

BOEING PROPRIETARY - Copyright © - Unpublished Work - See title page for details.

25-21-46
FIG. 72A
PAGE 1
OCT 15/08

BOEING
737-600/700/800/900
PARTS CATALOG (MAINTENANCE)

FIG ITEM	PART NUMBER	1 2 3 4 5 6 7	NOMENCLATURE	EFFECT FROM TO	UNITS PER ASSY
72A					
71	411N1210-348MC	.	PANEL ASSY-WINDOW	031100	1
76	411N1210-349MC	.	PANEL ASSY-WINDOW	031100	1
81	411N1210-351DJ	.	PANEL ASSY-WINDOW	031100	2
86	411N1210-352DJ	.	PANEL ASSY-WINDOW	031100	2
91	411N1210-353MD	.	PANEL ASSY-WINDOW	031100	1
96	411N1210-354MD	.	PANEL ASSY-WINDOW	031100	1
106	411N1210-380CJ	.	PANEL ASSY-WINDOW	031100	1
111	411N1210-381CJ	.	PANEL ASSY-WINDOW	031100	1
116	411N1210-382CJ	.	PANEL ASSY-WINDOW	031100	1
121	411N1210-386CT	.	PANEL ASSY-WINDOW	031100	1
126	411N1210-387CT	.	PANEL ASSY-WINDOW	031100	1
131	411N1210-1CL	..	COVER-DECORATIVE USED ON: 411N1210-309GR 411N1210-310DR 411N1210-311DT 411N1210-380CJ 411N1210-381CJ	031100	1
136	411N1210-3CL	..	COVER-DECORATIVE USED ON: 411N1210-347DR 411N1210-348MC 411N1210-349MC	031100	1
141	411N1210-4CH	..	COVER-DECORATIVE USED ON: 411N1210-351DJ 411N1210-352DJ 411N1210-353MD 411N1210-354MD 411N1210-382CJ 411N1210-386CT 411N1210-387CT	031100	1
145	BACS12FA3K4	..	SCREW	031100	4
150	411N1407-2	..	CLIP-SIDEWALL	031100	4
155	411N1121-106	..	STIFFENER ASSY- USED ON: 411N1210-309HB 411N1210-309HC 411N1210-309CR 411N1210-309DD 411N1210-309HJ 411N1210-309DB 411N1210-309GT 411N1210-309CW 411N1210-309GW 411N1210-309DL 411N1210-309BB 411N1210-309AN 411N1210-309BH	031100	1

MISSING ITEM NUMBERS NOT APPLICABLE

— ITEM NOT ILLUSTRATED

HAP

25-21-46-72A

BOEING PROPRIETARY - Copyright © - Unpublished Work - See title page for details.

25-21-46
FIG. 72A
PAGE 2
FEB 15/09

BOEING
737-600/700/800/900
PARTS CATALOG (MAINTENANCE)

FIG ITEM	PART NUMBER	1 2 3 4 5 6 7 NOMENCLATURE	EFFECT FROM TO	UNITS PER ASSY
72A		411N1210-309AD 411N1210-309DG 411N1210-309DN 411N1210-309GG 411N1210-309DV 411N1210-309DJ 411N1210-309GR 411N1210-309GP 411N1210-309HD 411N1210-309HP 411N1210-309GC 411N1210-309CG 411N1210-310GB 411N1210-310CD 411N1210-310CM 411N1210-310GH 411N1210-310CL 411N1210-310DC 411N1210-310CN 411N1210-310DT 411N1210-310CJ 411N1210-310DW 411N1210-310CR 411N1210-310AL 411N1210-310W 411N1210-310AP 411N1210-310AC 411N1210-310DD 411N1210-310DH 411N1210-310CV 411N1210-310CP 411N1210-310DR 411N1210-310DP 411N1210-310GD 411N1210-310GM 411N1210-310BR 411N1210-311GC 411N1210-311GD 411N1210-311CJ 411N1210-311CP 411N1210-311GJ 411N1210-311CN 411N1210-311DD 411N1210-311CR 411N1210-311DV 411N1210-311CM 411N1210-311GB 411N1210-311CV 411N1210-311AL		
MISSING ITEM NUMBERS NOT APPLICABLE				

— ITEM NOT ILLUSTRATED

HAP

25-21-46-72A

BOEING PROPRIETARY - Copyright © - Unpublished Work - See title page for details.

25-21-46
FIG. 72A
PAGE 3
FEB 15/09

BOEING
737-600/700/800/900
PARTS CATALOG (MAINTENANCE)

FIG ITEM	PART NUMBER	1 2 3 4 5 6 7	NOMENCLATURE	EFFECT FROM TO	UNITS PER ASSY
72A			411N1210-311W 411N1210-311BC 411N1210-311AC 411N1210-311DG 411N1210-311DJ 411N1210-311DB 411N1210-311CT 411N1210-311DT 411N1210-311DR 411N1210-311GG 411N1210-311GN 411N1210-311BT 411N1210-1040B 411N1210-1040C		
157	BACI12S3		... INSERT	031100	4
160A	411N1121-107		.. STIFFENER ASSY- USED ON: 411N1210-351DP 411N1210-351DR 411N1210-351CP 411N1210-351CN 411N1210-351DW 411N1210-351CG 411N1210-351CR 411N1210-351CD 411N1210-351DL 411N1210-351CM 411N1210-351DN 411N1210-351CJ 411N1210-351AB 411N1210-351S 411N1210-351BC 411N1210-351Y 411N1210-351CT 411N1210-351CV 411N1210-351CW 411N1210-351CH 411N1210-351DJ 411N1210-351DH 411N1210-351DT 411N1210-351GB 411N1210-351BP 411N1210-352DP 411N1210-352DR 411N1210-352CP 411N1210-352CN 411N1210-352DW 411N1210-352CG 411N1210-352CR	031100	1
MISSING ITEM NUMBERS NOT APPLICABLE					

- ITEM NOT ILLUSTRATED

HAP

25-21-46-72A

BOEING PROPRIETARY - Copyright © - Unpublished Work - See title page for details.

25-21-46
FIG. 72A
PAGE 4
FEB 15/09

BOEING
737-600/700/800/900
PARTS CATALOG (MAINTENANCE)

FIG ITEM	PART NUMBER	1 2 3 4 5 6 7	NOMENCLATURE	EFFECT FROM TO	UNITS PER ASSY
72A			411N1210-352CD 411N1210-352DL 411N1210-352CM 411N1210-352DN 411N1210-352CJ 411N1210-352AB 411N1210-352S 411N1210-352BC 411N1210-352Y 411N1210-352CT 411N1210-352CV 411N1210-352CW 411N1210-352CH 411N1210-352DJ 411N1210-352DH 411N1210-352DT 411N1210-352GB 411N1210-352BP		
160B	411N1121-107		.. STIFFENER ASSY- USED ON: 411N1210-353ML 411N1210-353MM 411N1210-353LL 411N1210-353LJ 411N1210-353MP 411N1210-353LC 411N1210-353LM 411N1210-353LB 411N1210-353MG 411N1210-353CC 411N1210-353MJ 411N1210-353LG 411N1210-353U 411N1210-353L 411N1210-353BC 411N1210-353P 411N1210-353LN 411N1210-353LP 411N1210-353LR 411N1210-353LD 411N1210-353MD 411N1210-353MC 411N1210-353MN 411N1210-353MR 411N1210-353BN 411N1210-354ML 411N1210-354MM 411N1210-354LL 411N1210-354LJ	031100	1
MISSING ITEM NUMBERS NOT APPLICABLE					

- ITEM NOT ILLUSTRATED

HAP

25-21-46-72A

BOEING PROPRIETARY - Copyright © - Unpublished Work - See title page for details.

25-21-46
FIG. 72A
PAGE 5
FEB 15/09

BOEING
737-600/700/800/900
PARTS CATALOG (MAINTENANCE)

FIG ITEM	PART NUMBER	1 2 3 4 5 6 7	NOMENCLATURE	EFFECT FROM TO	UNITS PER ASSY
72A			411N1210-354MP 411N1210-354LC 411N1210-354LM 411N1210-354LB 411N1210-354MG 411N1210-354BY 411N1210-354MJ 411N1210-354LG 411N1210-354U 411N1210-354L 411N1210-354BC 411N1210-354P 411N1210-354LN 411N1210-354LP 411N1210-354LR 411N1210-354LD 411N1210-354MD 411N1210-354MC 411N1210-354MN 411N1210-354MR 411N1210-354BN		
160C	411N1121-107		.. STIFFENER ASSY- USED ON: 411N1210-380CP 411N1210-380CR 411N1210-380BR 411N1210-380BP 411N1210-380CV 411N1210-380BJ 411N1210-380BT 411N1210-380BH 411N1210-380CL 411N1210-380BN 411N1210-380CN 411N1210-380BM 411N1210-380E 411N1210-380H 411N1210-380M 411N1210-380N 411N1210-380BV 411N1210-380BW 411N1210-380CB 411N1210-380BL 411N1210-380CJ 411N1210-380CH 411N1210-380CT 411N1210-380DC 411N1210-380BB 411N1210-381CP	031100	1
MISSING ITEM NUMBERS NOT APPLICABLE					

- ITEM NOT ILLUSTRATED

HAP

25-21-46-72A

BOEING PROPRIETARY - Copyright © - Unpublished Work - See title page for details.

25-21-46
FIG. 72A
PAGE 6
FEB 15/09

BOEING
737-600/700/800/900
PARTS CATALOG (MAINTENANCE)

FIG ITEM	PART NUMBER	1 2 3 4 5 6 7 NOMENCLATURE	EFFECT FROM TO	UNITS PER ASSY
72A		411N1210-381CR 411N1210-381BR 411N1210-381BP 411N1210-381CV 411N1210-381BJ 411N1210-381BT 411N1210-381BH 411N1210-381CL 411N1210-381BN 411N1210-381CN 411N1210-381BM 411N1210-381E 411N1210-381H 411N1210-381M 411N1210-381N 411N1210-381BV 411N1210-381BW 411N1210-381CB 411N1210-381BL 411N1210-381CJ 411N1210-381CH 411N1210-381CT 411N1210-381DC 411N1210-381BB 411N1210-382CP 411N1210-382CR 411N1210-382BR 411N1210-382BP 411N1210-382CV 411N1210-382BJ 411N1210-382BT 411N1210-382BH 411N1210-382CL 411N1210-382BN 411N1210-382CN 411N1210-382BM 411N1210-382E 411N1210-382H 411N1210-382M 411N1210-382N 411N1210-382BV 411N1210-382BW 411N1210-382CB 411N1210-382BL 411N1210-382CJ 411N1210-382CH 411N1210-382CT 411N1210-382DC 411N1210-382BB		
MISSING ITEM NUMBERS NOT APPLICABLE				

— ITEM NOT ILLUSTRATED

HAP

25-21-46-72A

BOEING PROPRIETARY - Copyright © - Unpublished Work - See title page for details.

25-21-46
FIG. 72A
PAGE 7
FEB 15/09

BOEING
737-600/700/800/900
PARTS CATALOG (MAINTENANCE)

FIG ITEM	PART NUMBER	1 2 3 4 5 6 7	NOMENCLATURE	EFFECT FROM TO	UNITS PER ASSY
72A 160D	411N1121-107		.. STIFFENER ASSY- USED ON: 411N1210-386DC 411N1210-386DD 411N1210-386CB 411N1210-386BW 411N1210-386DH 411N1210-386BN 411N1210-386CD 411N1210-386BM 411N1210-386CV 411N1210-386BV 411N1210-386DB 411N1210-386BR 411N1210-386E 411N1210-386H 411N1210-386M 411N1210-386N 411N1210-386CG 411N1210-386CH 411N1210-386CJ 411N1210-386BP 411N1210-386CT 411N1210-386CR 411N1210-386DG 411N1210-386DM 411N1210-386BC 411N1210-387DC 411N1210-387DD 411N1210-387CB 411N1210-387BW 411N1210-387DH 411N1210-387BN 411N1210-387CC 411N1210-387BM 411N1210-387CV 411N1210-387BV 411N1210-387DB 411N1210-387BR 411N1210-387E 411N1210-387H 411N1210-387M 411N1210-387N 411N1210-387CD 411N1210-387CG 411N1210-387CH 411N1210-387BP 411N1210-387CT 411N1210-387CP	031100	1
MISSING ITEM NUMBERS NOT APPLICABLE					

- ITEM NOT ILLUSTRATED

HAP

25-21-46-72A

BOEING PROPRIETARY - Copyright © - Unpublished Work - See title page for details.

25-21-46
FIG. 72A
PAGE 8
FEB 15/09

BOEING
737-600/700/800/900
PARTS CATALOG (MAINTENANCE)

FIG ITEM	PART NUMBER	1 2 3 4 5 6 7	NOMENCLATURE	EFFECT FROM TO	UNITS PER ASSY
72A			411N1210-387DG 411N1210-387DM 411N1210-387BC		
162	BACI12S3	...	INSERT	031100	4
165	411N1121-110	..	STIFFENER ASSY- USED ON: 411N1210-347GB 411N1210-347GC 411N1210-347CC 411N1210-347CM 411N1210-347GJ 411N1210-347CL 411N1210-347DC 411N1210-347CN 411N1210-347DT 411N1210-347CJ 411N1210-347DW 411N1210-347CR 411N1210-347AM 411N1210-347W 411N1210-347AS 411N1210-347AD 411N1210-347DD 411N1210-347DH 411N1210-347CV 411N1210-347CP 411N1210-347DR 411N1210-347DP 411N1210-347GD 411N1210-347GP 411N1210-347BR 411N1210-348MJ 411N1210-348ML 411N1210-348LJ 411N1210-348LH 411N1210-348MP 411N1210-348LC 411N1210-348LL 411N1210-348LB 411N1210-348MD 411N1210-348CC 411N1210-348MH 411N1210-348LD 411N1210-348U 411N1210-348L 411N1210-348BC 411N1210-348P 411N1210-348LM 411N1210-348LN	031100	1
MISSING ITEM NUMBERS NOT APPLICABLE					

— ITEM NOT ILLUSTRATED

HAP

25-21-46-72A

BOEING PROPRIETARY - Copyright © - Unpublished Work - See title page for details.

25-21-46
FIG. 72A
PAGE 9
FEB 15/09

BOEING
737-600/700/800/900
PARTS CATALOG (MAINTENANCE)

FIG ITEM	PART NUMBER	1 2 3 4 5 6 7	NOMENCLATURE	EFFECT FROM TO	UNITS PER ASSY
72A			411N1210-348LP 411N1210-348CB 411N1210-348MC 411N1210-348MB 411N1210-348MM 411N1210-348MR 411N1210-348BN 411N1210-349MJ 411N1210-349ML 411N1210-349LJ 411N1210-349LH 411N1210-349MP 411N1210-349LC 411N1210-349LL 411N1210-349LB 411N1210-349MD 411N1210-349CC 411N1210-349MH 411N1210-349LD 411N1210-349U 411N1210-349L 411N1210-349BC 411N1210-349R 411N1210-349LM 411N1210-349LN 411N1210-349LP 411N1210-349CB 411N1210-349MC 411N1210-349MB 411N1210-349MM 411N1210-349MR 411N1210-349BN		
167	BACI12S3	...	INSERT	031100	4
170	411N1250-102	..	SHEATH ASSY-	031100	2
170	411N1250-101	..	SHEATH ASSY-	031100	2
180	411N1240-1	..	BRACKET-WINDOW	031100	2
185	411N1230-101	..	LATCH ASSY	031100	2
190	MS39086-11	...	PIN	031100	3
195	411N1175-1	...	SPRING	031100	2
200	411N1231-2	...	PAWL-LATCH	031100	1
203	411N1231-1	...	BASE-LATCH	031100	1
205	411N1260-201B	..	WINDOW ASSY- FOR DETAILS SEE: 25-21-12-72A	031100	2
218	411N1220-2	..	RETAINER-EDGE POSITION DATA: LH	031100	1

MISSING ITEM NUMBERS NOT APPLICABLE

- ITEM NOT ILLUSTRATED

HAP

25-21-46-72A

BOEING PROPRIETARY - Copyright © - Unpublished Work - See title page for details.

25-21-46
FIG. 72A
PAGE 10
FEB 15/09

BOEING
737-600/700/800/900
PARTS CATALOG (MAINTENANCE)

FIG ITEM	PART NUMBER	1 2 3 4 5 6 7	NOMENCLATURE	EFFECT FROM TO	UNITS PER ASSY
72A 219	411N1220-1		..RETAINER-EDGE POSITION DATA: RH	031100	1
220	65C31833-609		..PANEL ASSY-BASIC USED ON: 411N1210-309SP 411N1210-309HB 411N1210-309HC 411N1210-309CR 411N1210-309DD 411N1210-309HJ 411N1210-309DB 411N1210-309GT 411N1210-309CW 411N1210-309GW 411N1210-309DL 411N1210-309BB 411N1210-309AN 411N1210-309BH 411N1210-309AD 411N1210-309DG 411N1210-309DN 411N1210-309GG 411N1210-309DV 411N1210-309DJ 411N1210-309GR 411N1210-309GP 411N1210-309HD 411N1210-309HP 411N1210-309GC 411N1210-309CG	031100	1

MISSING ITEM NUMBERS NOT APPLICABLE

— ITEM NOT ILLUSTRATED

HAP

25-21-46-72A

BOEING PROPRIETARY - Copyright © - Unpublished Work - See title page for details.

25-21-46
FIG. 72A
PAGE 11
FEB 15/09

BOEING
737-600/700/800/900
PARTS CATALOG (MAINTENANCE)

FIG ITEM	PART NUMBER	1 2 3 4 5 6 7 NOMENCLATURE	EFFECT FROM TO	UNITS PER ASSY
72A 225	65C31833-610	.. PANEL ASSY-BASIC USED ON: 411N1210-310SP 411N1210-310GB 411N1210-310GC 411N1210-310CD 411N1210-310CM 411N1210-310GH 411N1210-310CL 411N1210-310DC 411N1210-310CN 411N1210-310DT 411N1210-310CJ 411N1210-310DW 411N1210-310CR 411N1210-310AL 411N1210-310W 411N1210-310AP 411N1210-310AC 411N1210-310DD 411N1210-310DH 411N1210-310CV 411N1210-310CP 411N1210-310DR 411N1210-310DP 411N1210-310GD 411N1210-310GM 411N1210-310BR	031100	1

MISSING ITEM NUMBERS NOT APPLICABLE

— ITEM NOT ILLUSTRATED

HAP

25-21-46-72A

BOEING PROPRIETARY - Copyright © - Unpublished Work - See title page for details.

25-21-46
FIG. 72A
PAGE 12
FEB 15/09

BOEING
737-600/700/800/900
PARTS CATALOG (MAINTENANCE)

FIG ITEM	PART NUMBER	1 2 3 4 5 6 7	NOMENCLATURE	EFFECT FROM TO	UNITS PER ASSY
72A 230	65C31833-611		.. PANEL ASSY-BASIC USED ON: 411N1210-311SP 411N1210-311GC 411N1210-311GD 411N1210-311CJ 411N1210-311CP 411N1210-311GJ 411N1210-311CN 411N1210-311DD 411N1210-311CR 411N1210-311DV 411N1210-311CM 411N1210-311GB 411N1210-311CV 411N1210-311AL 411N1210-311W 411N1210-311BC 411N1210-311AC 411N1210-311DG 411N1210-311DJ 411N1210-311DB 411N1210-311CT 411N1210-311DT 411N1210-311DR 411N1210-311GG 411N1210-311GN 411N1210-311BT	031100	1

MISSING ITEM NUMBERS NOT APPLICABLE

— ITEM NOT ILLUSTRATED

HAP

25-21-46-72A

BOEING PROPRIETARY - Copyright © - Unpublished Work - See title page for details.

25-21-46
FIG. 72A
PAGE 13
FEB 15/09

BOEING
737-600/700/800/900
PARTS CATALOG (MAINTENANCE)

FIG ITEM	PART NUMBER	1 2 3 4 5 6 7 NOMENCLATURE	EFFECT FROM TO	UNITS PER ASSY
72A 235	65C31833-647	.. PANEL ASSY-BASIC USED ON: 411N1210-347SP 411N1210-347GB 411N1210-347GC 411N1210-347CC 411N1210-347CM 411N1210-347GJ 411N1210-347CL 411N1210-347DC 411N1210-347CN 411N1210-347DT 411N1210-347CJ 411N1210-347DW 411N1210-347CR 411N1210-347AM 411N1210-347W 411N1210-347AS 411N1210-347AD 411N1210-347DD 411N1210-347DH 411N1210-347CV 411N1210-347CP 411N1210-347DR 411N1210-347DP 411N1210-347GD 411N1210-347GP 411N1210-347BR	031100	1

MISSING ITEM NUMBERS NOT APPLICABLE

— ITEM NOT ILLUSTRATED

HAP

25-21-46-72A

BOEING PROPRIETARY - Copyright © - Unpublished Work - See title page for details.

25-21-46
FIG. 72A
PAGE 14
FEB 15/09

BOEING
737-600/700/800/900
PARTS CATALOG (MAINTENANCE)

FIG ITEM	PART NUMBER	1 2 3 4 5 6 7 NOMENCLATURE	EFFECT FROM TO	UNITS PER ASSY
72A 240	65C31833-648	.. PANEL ASSY-BASIC USED ON: 411N1210-348SP 411N1210-348MJ 411N1210-348ML 411N1210-348LJ 411N1210-348LH 411N1210-348MP 411N1210-348LC 411N1210-348LL 411N1210-348LB 411N1210-348MD 411N1210-348CC 411N1210-348MH 411N1210-348LD 411N1210-348U 411N1210-348L 411N1210-348BC 411N1210-348P 411N1210-348LM 411N1210-348LN 411N1210-348LP 411N1210-348CB 411N1210-348MC 411N1210-348MB 411N1210-348MM 411N1210-348MR 411N1210-348BN	031100	1

MISSING ITEM NUMBERS NOT APPLICABLE

— ITEM NOT ILLUSTRATED

HAP

25-21-46-72A

BOEING PROPRIETARY - Copyright © - Unpublished Work - See title page for details.

25-21-46
FIG. 72A
PAGE 15
FEB 15/09

BOEING
737-600/700/800/900
PARTS CATALOG (MAINTENANCE)

FIG ITEM	PART NUMBER	1 2 3 4 5 6 7 NOMENCLATURE	EFFECT FROM TO	UNITS PER ASSY
72A 245	65C31833-649	.. PANEL ASSY-BASIC USED ON: 411N1210-349SP 411N1210-349MJ 411N1210-349ML 411N1210-349LJ 411N1210-349LH 411N1210-349MP 411N1210-349LC 411N1210-349LL 411N1210-349LB 411N1210-349MD 411N1210-349CC 411N1210-349MH 411N1210-349LD 411N1210-349U 411N1210-349L 411N1210-349BC 411N1210-349R 411N1210-349LM 411N1210-349LN 411N1210-349LP 411N1210-349CB 411N1210-349MC 411N1210-349MB 411N1210-349MM 411N1210-349MR 411N1210-349BN	031100	1

MISSING ITEM NUMBERS NOT APPLICABLE

— ITEM NOT ILLUSTRATED

HAP

25-21-46-72A

BOEING PROPRIETARY - Copyright © - Unpublished Work - See title page for details.

25-21-46
FIG. 72A
PAGE 16
FEB 15/09

 **BOEING**
737-600/700/800/900
PARTS CATALOG (MAINTENANCE)

FIG ITEM	PART NUMBER	1 2 3 4 5 6 7 NOMENCLATURE	EFFECT FROM TO	UNITS PER ASSY
72A 250	65C31833-651	.. PANEL ASSY-BASIC USED ON: 411N1210-351SP 411N1210-351DP 411N1210-351DR 411N1210-351CP 411N1210-351CN 411N1210-351DW 411N1210-351CG 411N1210-351CR 411N1210-351CD 411N1210-351DL 411N1210-351CM 411N1210-351DN 411N1210-351CJ 411N1210-351AB 411N1210-351S 411N1210-351BC 411N1210-351Y 411N1210-351CT 411N1210-351CV 411N1210-351CW 411N1210-351CH 411N1210-351DJ 411N1210-351DH 411N1210-351DT 411N1210-351GB 411N1210-351BP	031100	1

MISSING ITEM NUMBERS NOT APPLICABLE

— ITEM NOT ILLUSTRATED

HAP

25-21-46-72A

BOEING PROPRIETARY - Copyright © - Unpublished Work - See title page for details.

25-21-46
FIG. 72A
PAGE 17
FEB 15/09

BOEING
737-600/700/800/900
PARTS CATALOG (MAINTENANCE)

FIG ITEM	PART NUMBER	1 2 3 4 5 6 7 NOMENCLATURE	EFFECT FROM TO	UNITS PER ASSY
72A 255	65C31833-652	.. PANEL ASSY-BASIC USED ON: 411N1210-352SP 411N1210-352DP 411N1210-352DR 411N1210-352CP 411N1210-352CN 411N1210-352DW 411N1210-352CG 411N1210-352CR 411N1210-352CD 411N1210-352DL 411N1210-352CM 411N1210-352DN 411N1210-352CJ 411N1210-352AB 411N1210-352S 411N1210-352BC 411N1210-352Y 411N1210-352CT 411N1210-352CV 411N1210-352CW 411N1210-352CH 411N1210-352DJ 411N1210-352DH 411N1210-352DT 411N1210-352GB 411N1210-352BP	031100	1

MISSING ITEM NUMBERS NOT APPLICABLE

— ITEM NOT ILLUSTRATED

HAP

25-21-46-72A

BOEING PROPRIETARY - Copyright © - Unpublished Work - See title page for details.

25-21-46
FIG. 72A
PAGE 18
FEB 15/09

BOEING
737-600/700/800/900
PARTS CATALOG (MAINTENANCE)

FIG ITEM	PART NUMBER	1 2 3 4 5 6 7 NOMENCLATURE	EFFECT FROM TO	UNITS PER ASSY
72A 260	65C31833-653	.. PANEL ASSY-BASIC USED ON: 411N1210-353SP 411N1210-353ML 411N1210-353MM 411N1210-353LL 411N1210-353LJ 411N1210-353MP 411N1210-353LC 411N1210-353LM 411N1210-353LB 411N1210-353MG 411N1210-353CC 411N1210-353MJ 411N1210-353LG 411N1210-353U 411N1210-353L 411N1210-353BC 411N1210-353P 411N1210-353LN 411N1210-353LP 411N1210-353LR 411N1210-353LD 411N1210-353MD 411N1210-353MC 411N1210-353MN 411N1210-353MR 411N1210-353BN	031100	1

MISSING ITEM NUMBERS NOT APPLICABLE

— ITEM NOT ILLUSTRATED

HAP

25-21-46-72A

BOEING PROPRIETARY - Copyright © - Unpublished Work - See title page for details.

25-21-46
FIG. 72A
PAGE 19
FEB 15/09

BOEING
737-600/700/800/900
PARTS CATALOG (MAINTENANCE)

FIG ITEM	PART NUMBER	1 2 3 4 5 6 7 NOMENCLATURE	EFFECT FROM TO	UNITS PER ASSY
72A 265	65C31833-654	.. PANEL ASSY-BASIC USED ON: 411N1210-354SP 411N1210-354ML 411N1210-354MM 411N1210-354LL 411N1210-354LJ 411N1210-354MP 411N1210-354LC 411N1210-354LM 411N1210-354LB 411N1210-354MG 411N1210-354BY 411N1210-354MJ 411N1210-354LG 411N1210-354U 411N1210-354L 411N1210-354BC 411N1210-354P 411N1210-354LN 411N1210-354LP 411N1210-354LR 411N1210-354LD 411N1210-354MD 411N1210-354MC 411N1210-354MN 411N1210-354MR 411N1210-354BN	031100	1

MISSING ITEM NUMBERS NOT APPLICABLE

— ITEM NOT ILLUSTRATED

HAP

25-21-46-72A

BOEING PROPRIETARY - Copyright © - Unpublished Work - See title page for details.

25-21-46
FIG. 72A
PAGE 20
FEB 15/09

BOEING
737-600/700/800/900
PARTS CATALOG (MAINTENANCE)

FIG ITEM	PART NUMBER	1 2 3 4 5 6 7 NOMENCLATURE	EFFECT FROM TO	UNITS PER ASSY
72A 270	65C31833-672	.. PANEL ASSY-BASIC USED ON: 411N1210-380SP 411N1210-380CP 411N1210-380CR 411N1210-380BR 411N1210-380BP 411N1210-380CV 411N1210-380BJ 411N1210-380BT 411N1210-380BH 411N1210-380CL 411N1210-380BN 411N1210-380CN 411N1210-380BM 411N1210-380E 411N1210-380H 411N1210-380M 411N1210-380N 411N1210-380BV 411N1210-380BW 411N1210-380CB 411N1210-380BL 411N1210-380CJ 411N1210-380CH 411N1210-380CT 411N1210-380DC 411N1210-380BB	031100	1

MISSING ITEM NUMBERS NOT APPLICABLE

— ITEM NOT ILLUSTRATED

HAP

25-21-46-72A

BOEING PROPRIETARY - Copyright © - Unpublished Work - See title page for details.

25-21-46
FIG. 72A
PAGE 21
FEB 15/09

BOEING
737-600/700/800/900
PARTS CATALOG (MAINTENANCE)

FIG ITEM	PART NUMBER	1 2 3 4 5 6 7 NOMENCLATURE	EFFECT FROM TO	UNITS PER ASSY
72A 275	65C31833-673	. . PANEL ASSY-BASIC USED ON: 411N1210-381SP 411N1210-381CP 411N1210-381CR 411N1210-381BR 411N1210-381BP 411N1210-381CV 411N1210-381BJ 411N1210-381BT 411N1210-381BH 411N1210-381CL 411N1210-381BN 411N1210-381CN 411N1210-381BM 411N1210-381E 411N1210-381H 411N1210-381M 411N1210-381N 411N1210-381BV 411N1210-381BW 411N1210-381CB 411N1210-381BL 411N1210-381CJ 411N1210-381CH 411N1210-381CT 411N1210-381DC 411N1210-381BB	031100	1

MISSING ITEM NUMBERS NOT APPLICABLE

— ITEM NOT ILLUSTRATED

HAP

25-21-46-72A

BOEING PROPRIETARY - Copyright © - Unpublished Work - See title page for details.

25-21-46
FIG. 72A
PAGE 22
FEB 15/09

BOEING
737-600/700/800/900
PARTS CATALOG (MAINTENANCE)

FIG ITEM	PART NUMBER	1 2 3 4 5 6 7 NOMENCLATURE	EFFECT FROM TO	UNITS PER ASSY
72A 280	65C31833-674	.. PANEL ASSY-BASIC USED ON: 411N1210-382SP 411N1210-382CP 411N1210-382CR 411N1210-382BR 411N1210-382BP 411N1210-382CV 411N1210-382BJ 411N1210-382BT 411N1210-382BH 411N1210-382CL 411N1210-382BN 411N1210-382CN 411N1210-382BM 411N1210-382E 411N1210-382H 411N1210-382M 411N1210-382N 411N1210-382BV 411N1210-382BW 411N1210-382CB 411N1210-382BL 411N1210-382CJ 411N1210-382CH 411N1210-382CT 411N1210-382DC 411N1210-382BB	031100	1

MISSING ITEM NUMBERS NOT APPLICABLE

— ITEM NOT ILLUSTRATED

HAP

25-21-46-72A

BOEING PROPRIETARY - Copyright © - Unpublished Work - See title page for details.

25-21-46
FIG. 72A
PAGE 23
FEB 15/09

BOEING
737-600/700/800/900
PARTS CATALOG (MAINTENANCE)

FIG ITEM	PART NUMBER	1 2 3 4 5 6 7 NOMENCLATURE	EFFECT FROM TO	UNITS PER ASSY
72A 285	65C31833-678	. . PANEL ASSY-BASIC USED ON: 411N1210-386SP 411N1210-386DC 411N1210-386DD 411N1210-386CB 411N1210-386BW 411N1210-386DH 411N1210-386BN 411N1210-386CD 411N1210-386BM 411N1210-386CV 411N1210-386BV 411N1210-386DB 411N1210-386BR 411N1210-386E 411N1210-386H 411N1210-386M 411N1210-386N 411N1210-386CG 411N1210-386CH 411N1210-386CJ 411N1210-386BP 411N1210-386CT 411N1210-386CR 411N1210-386DG 411N1210-386DM 411N1210-386BC	031100	1

MISSING ITEM NUMBERS NOT APPLICABLE

— ITEM NOT ILLUSTRATED

HAP

25-21-46-72A

BOEING PROPRIETARY - Copyright © - Unpublished Work - See title page for details.

25-21-46
FIG. 72A
PAGE 24
FEB 15/09

BOEING
737-600/700/800/900
PARTS CATALOG (MAINTENANCE)

FIG ITEM	PART NUMBER	1 2 3 4 5 6 7	NOMENCLATURE	EFFECT FROM TO	UNITS PER ASSY
72A 290	65C31833-679		.. PANEL ASSY-BASIC USED ON: 411N1210-387SP 411N1210-387DC 411N1210-387DD 411N1210-387CB 411N1210-387BW 411N1210-387DH 411N1210-387BN 411N1210-387CC 411N1210-387BM 411N1210-387CV 411N1210-387BV 411N1210-387DB 411N1210-387BR 411N1210-387E 411N1210-387H 411N1210-387M 411N1210-387N 411N1210-387CD 411N1210-387CG 411N1210-387CH 411N1210-387BP 411N1210-387CT 411N1210-387CP 411N1210-387DG 411N1210-387DM 411N1210-387BC	031100	1
296	411N1210-383CJ		. PANEL ASSY-WINDOW	031100	1
301	411N1210-384CJ		. PANEL ASSY-WINDOW	031100	1
306	411N1210-385CJ		. PANEL ASSY-WINDOW	031100	1
311	411N1210-9CL		.. COVER-DECORATIVE	031100	1
315	BACS12FA3K4		.. SCREW	031100	4
320	411N1407-2		.. CLIP-SIDEWALL	031100	4

MISSING ITEM NUMBERS NOT APPLICABLE

— ITEM NOT ILLUSTRATED

HAP

25-21-46-72A

BOEING PROPRIETARY - Copyright © - Unpublished Work - See title page for details.

25-21-46
FIG. 72A
PAGE 25
FEB 15/09

BOEING
737-600/700/800/900
PARTS CATALOG (MAINTENANCE)

FIG ITEM	PART NUMBER	1 2 3 4 5 6 7	NOMENCLATURE	EFFECT FROM TO	UNITS PER ASSY
72A 325	411N1121-107		.. STIFFENER ASSY- USED ON: 411N1210-383SP 411N1210-383CP 411N1210-383CR 411N1210-383BR 411N1210-383BP 411N1210-383CV 411N1210-383BJ 411N1210-383BT 411N1210-383BH 411N1210-383CL 411N1210-383BN 411N1210-383CN 411N1210-383BM 411N1210-383E 411N1210-383H 411N1210-383M 411N1210-383N 411N1210-383BV 411N1210-383BW 411N1210-383CB 411N1210-383BL 411N1210-383CJ 411N1210-383CH 411N1210-383CT 411N1210-383DC 411N1210-383BB	031100	1
327	BACI12S3		... INSERT	031100	4
330	411N1121-110		.. STIFFENER ASSY- USED ON: 411N1210-384SP 411N1210-384CP 411N1210-384CR 411N1210-384BR 411N1210-384BP 411N1210-384CV 411N1210-384BJ 411N1210-384BT 411N1210-384BH 411N1210-384CL 411N1210-384BN 411N1210-384CN 411N1210-384BM 411N1210-384E 411N1210-384H 411N1210-384M 411N1210-384N 411N1210-384BV	031100	1

MISSING ITEM NUMBERS NOT APPLICABLE

— ITEM NOT ILLUSTRATED

HAP

25-21-46-72A

BOEING PROPRIETARY - Copyright © - Unpublished Work - See title page for details.

25-21-46
FIG. 72A
PAGE 26
FEB 15/09


BOEING
 737-600/700/800/900
PARTS CATALOG (MAINTENANCE)

FIG ITEM	PART NUMBER	1 2 3 4 5 6 7	NOMENCLATURE	EFFECT FROM TO	UNITS PER ASSY
72A			411N1210-384BW 411N1210-384CB 411N1210-384BL 411N1210-384CJ 411N1210-384CH 411N1210-384CT 411N1210-384DG 411N1210-384BB 411N1210-385SP 411N1210-385CP 411N1210-385CR 411N1210-385BR 411N1210-385BP 411N1210-385CV 411N1210-385BJ 411N1210-385BT 411N1210-385BH 411N1210-385CL 411N1210-385BN 411N1210-385CN 411N1210-385BM 411N1210-385E 411N1210-385H 411N1210-385M 411N1210-385N 411N1210-385BV 411N1210-385BW 411N1210-385CB 411N1210-385BL 411N1210-385CJ 411N1210-385CH 411N1210-385CT 411N1210-385DD 411N1210-385BB		
332	BACI12S3	...	INSERT	031100	4
335	411N1250-102	..	SHEATH ASSY-	031100	1
335	411N1250-101	..	SHEATH ASSY-	031100	1
345	411N1240-1	..	BRACKET	031100	1
350	411N1230-101	..	LATCH ASSY	031100	1
355	MS39086-11	...	PIN	031100	3
360	411N1175-1	...	SPRING	031100	2
365	411N1231-2	...	PAWL-LATCH	031100	1
368	411N1231-1	...	BASE-LATCH	031100	1
370	411N1260-201B	..	WINDOW ASSY-	031100	1
			FOR DETAILS SEE: 25-21-12-72A		
383	411N1220-2	..	RETAINER-EDGE POSITION DATA: LH	031100	1

MISSING ITEM NUMBERS NOT APPLICABLE

- ITEM NOT ILLUSTRATED

HAP

25-21-46-72A

BOEING PROPRIETARY - Copyright © - Unpublished Work - See title page for details.

25-21-46
 FIG. 72A
 PAGE 27
 FEB 15/09

BOEING
737-600/700/800/900
PARTS CATALOG (MAINTENANCE)

FIG ITEM	PART NUMBER	1 2 3 4 5 6 7	NOMENCLATURE	EFFECT FROM TO	UNITS PER ASSY
72A 384	411N1220-1		.. RETAINER-EDGE POSITION DATA: RH	031100	1
385	65C31833-675		.. PANEL ASSY-BASIC USED ON: 411N1210-383SP 411N1210-383CP 411N1210-383CR 411N1210-383BR 411N1210-383BP 411N1210-383CV 411N1210-383BJ 411N1210-383BT 411N1210-383BH 411N1210-383CL 411N1210-383BN 411N1210-383CN 411N1210-383BM 411N1210-383E 411N1210-383H 411N1210-383M 411N1210-383N 411N1210-383BV 411N1210-383BW 411N1210-383CB 411N1210-383BL 411N1210-383CJ 411N1210-383CH 411N1210-383CT 411N1210-383DC 411N1210-383BB	031100	1

MISSING ITEM NUMBERS NOT APPLICABLE

— ITEM NOT ILLUSTRATED

HAP

25-21-46-72A

BOEING PROPRIETARY - Copyright © - Unpublished Work - See title page for details.

25-21-46
FIG. 72A
PAGE 28
FEB 15/09

BOEING
737-600/700/800/900
PARTS CATALOG (MAINTENANCE)

FIG ITEM	PART NUMBER	1 2 3 4 5 6 7 NOMENCLATURE	EFFECT FROM TO	UNITS PER ASSY
72A 390	65C31833-676	.. PANEL ASSY-BASIC USED ON: 411N1210-384SP 411N1210-384CP 411N1210-384CR 411N1210-384BR 411N1210-384BP 411N1210-384CV 411N1210-384BJ 411N1210-384BT 411N1210-384BH 411N1210-384CL 411N1210-384BN 411N1210-384CN 411N1210-384BM 411N1210-384E 411N1210-384H 411N1210-384M 411N1210-384N 411N1210-384BV 411N1210-384BW 411N1210-384CB 411N1210-384BL 411N1210-384CJ 411N1210-384CH 411N1210-384CT 411N1210-384DG 411N1210-384BB	031100	1

MISSING ITEM NUMBERS NOT APPLICABLE

— ITEM NOT ILLUSTRATED

HAP

25-21-46-72A

BOEING PROPRIETARY - Copyright © - Unpublished Work - See title page for details.

25-21-46
FIG. 72A
PAGE 29
FEB 15/09

BOEING
737-600/700/800/900
PARTS CATALOG (MAINTENANCE)

FIG ITEM	PART NUMBER	1 2 3 4 5 6 7	NOMENCLATURE	EFFECT FROM TO	UNITS PER ASSY
72A 395	65C31833-677		.. PANEL ASSY-BASIC USED ON: 411N1210-385SP 411N1210-385CP 411N1210-385CR 411N1210-385BR 411N1210-385BP 411N1210-385CV 411N1210-385BJ 411N1210-385BT 411N1210-385BH 411N1210-385CL 411N1210-385BN 411N1210-385CN 411N1210-385BM 411N1210-385E 411N1210-385H 411N1210-385M 411N1210-385N 411N1210-385BV 411N1210-385BW 411N1210-385CB 411N1210-385BL 411N1210-385CJ 411N1210-385CH 411N1210-385CT 411N1210-385DD 411N1210-385BB	031100	1
402	411N1210-717CN		.PANEL ASSY-WINDOW	031100	1
407	411N1210-718CN		.PANEL ASSY-WINDOW	031100	1
411	411N1210-6DC		.. COVER-DECORATIVE	031100	1
415	BACS12FA3K4		.. SCREW	031100	2
420	411N1407-2		.. CLIP-SIDEWALL	031100	2
425	411N1121-101		.. STIFFENER ASSY	031100	1
427	BACI12S3		... INSERT	031100	2
430	411N1250-102		.. SHEATH ASSY-	031100	1
430	411N1250-101		.. SHEATH ASSY-	031100	1
440	411N1240-1		.. BRACKET-WINDOW	031100	1
445	411N1230-101		.. LATCH ASSY	031100	1
450	MS39086-11		... PIN	031100	3
455	411N1175-1		... SPRING	031100	2
460	411N1231-2		... PAWL-LATCH	031100	1
465	411N1231-1		... BASE-LATCH	031100	1
467	411N1260-201B		.. WINDOW ASSY- FOR DETAILS SEE: 25-21-12-72A	031100	1
486	411N1220-2		.. RETAINER-EDGE POSITION DATA: LH	031100	1

MISSING ITEM NUMBERS NOT APPLICABLE

- ITEM NOT ILLUSTRATED

HAP

25-21-46-72A

BOEING PROPRIETARY - Copyright © - Unpublished Work - See title page for details.

25-21-46
FIG. 72A
PAGE 30
FEB 15/09

BOEING
737-600/700/800/900
PARTS CATALOG (MAINTENANCE)

FIG ITEM	PART NUMBER	1 2 3 4 5 6 7	NOMENCLATURE	EFFECT FROM TO	UNITS PER ASSY
72A 487	411N1220-1		.. RETAINER-EDGE POSITION DATA: RH	031100	1
488	65C31833-491		.. PANEL ASSY-BASIC USED ON: 411N1210-717SP 411N1210-717CV 411N1210-717CW 411N1210-717BV 411N1210-717BR 411N1210-717DC 411N1210-717BL 411N1210-717CB 411N1210-717BJ 411N1210-717CP 411N1210-717BP 411N1210-717CT 411N1210-717BN 411N1210-717H 411N1210-717L 411N1210-717M 411N1210-717P 411N1210-717CC 411N1210-717CD 411N1210-717CG 411N1210-717BM 411N1210-717CN 411N1210-717CM 411N1210-717DB 411N1210-717DJ 411N1210-717BT	031100	1

MISSING ITEM NUMBERS NOT APPLICABLE

— ITEM NOT ILLUSTRATED

HAP

25-21-46-72A

BOEING PROPRIETARY - Copyright © - Unpublished Work - See title page for details.

25-21-46
FIG. 72A
PAGE 31
FEB 15/09

BOEING
737-600/700/800/900
PARTS CATALOG (MAINTENANCE)

FIG ITEM	PART NUMBER	1 2 3 4 5 6 7	NOMENCLATURE	EFFECT FROM TO	UNITS PER ASSY
72A 489	65C31833-492		.. PANEL ASSY-BASIC USED ON: 411N1210-718SP 411N1210-718CV 411N1210-718CW 411N1210-718BV 411N1210-718BR 411N1210-718DC 411N1210-718BL 411N1210-718CB 411N1210-718BJ 411N1210-718CP 411N1210-718BP 411N1210-718CT 411N1210-718BN 411N1210-718H 411N1210-718L 411N1210-718M 411N1210-718P 411N1210-718CC 411N1210-718CD 411N1210-718CG 411N1210-718BM 411N1210-718CN 411N1210-718CM 411N1210-718DB 411N1210-718DJ 411N1210-718BT	031100	1
491	411N1210-434GC		.PANEL ASSY-WINDOW	031100	1
496	411N1210-435GC		.PANEL ASSY-WINDOW	031100	1
501	411N1210-5CL		.. COVER-DECORATIVE	031100	1
505	BACS12FA3K4		.. SCREW	031100	3
510	411N1407-2		.. CLIP-SIDEWALL	031100	3
515	411N1121-111		.. STIFFENER ASSY	031100	1
517	BACI12S3		... INSERT	031100	3
520	411N1250-102		.. SHEATH ASSY-	031100	2
520	411N1250-101		.. SHEATH ASSY-	031100	2
530	411N1240-1		.. BRACKET	031100	2
533	411N1230-101		.. LATCH ASSY	031100	2
535	MS39086-11		... PIN	031100	3
540	411N1175-1		... SPRING	031100	2
545	411N1231-2		... PAWL-LATCH	031100	1
550	411N1231-1		... BASE-LATCH	031100	1
552	411N1260-201B		.. WINDOW ASSY- FOR DETAILS SEE: 25-21-12-72A	031100	2

MISSING ITEM NUMBERS NOT APPLICABLE

— ITEM NOT ILLUSTRATED

HAP

25-21-46-72A

BOEING PROPRIETARY - Copyright © - Unpublished Work - See title page for details.

25-21-46
FIG. 72A
PAGE 32
FEB 15/09

BOEING
737-600/700/800/900
PARTS CATALOG (MAINTENANCE)

FIG ITEM	PART NUMBER	1 2 3 4 5 6 7 NOMENCLATURE	EFFECT FROM TO	UNITS PER ASSY
72A 571	411N1220-1	. . RETAINER-EDGE USED ON: 411N1210-434SP 411N1210-434GL 411N1210-434GM 411N1210-434DH 411N1210-434BV 411N1210-434GT 411N1210-434BW 411N1210-434DM 411N1210-434DB 411N1210-434GG 411N1210-434BT 411N1210-434GJ 411N1210-434DD 411N1210-434L 411N1210-434N 411N1210-434V 411N1210-434B 411N1210-434DN 411N1210-434DR 411N1210-434DL 411N1210-434DC 411N1210-434GC 411N1210-434GB 411N1210-434GN 411N1210-434LB	031100	1

MISSING ITEM NUMBERS NOT APPLICABLE

— ITEM NOT ILLUSTRATED

HAP

25-21-46-72A

BOEING PROPRIETARY - Copyright © - Unpublished Work - See title page for details.

25-21-46
FIG. 72A
PAGE 33
OCT 15/08

BOEING
737-600/700/800/900
PARTS CATALOG (MAINTENANCE)

FIG ITEM	PART NUMBER	1 2 3 4 5 6 7 NOMENCLATURE	EFFECT FROM TO	UNITS PER ASSY
72A 572	411N1220-2	. . RETAINER-EDGE USED ON: 411N1210-435SP 411N1210-435GL 411N1210-435GM 411N1210-435DH 411N1210-435BV 411N1210-435GT 411N1210-435BW 411N1210-435DM 411N1210-435DB 411N1210-435GG 411N1210-435BT 411N1210-435GJ 411N1210-435DD 411N1210-435L 411N1210-435N 411N1210-435V 411N1210-435B 411N1210-435DN 411N1210-435DR 411N1210-435DL 411N1210-435DC 411N1210-435GC 411N1210-435GB 411N1210-435GN 411N1210-435LB	031100	1

MISSING ITEM NUMBERS NOT APPLICABLE

— ITEM NOT ILLUSTRATED

HAP

25-21-46-72A

BOEING PROPRIETARY - Copyright © - Unpublished Work - See title page for details.

25-21-46
FIG. 72A
PAGE 34
OCT 15/08

BOEING
737-600/700/800/900
PARTS CATALOG (MAINTENANCE)

FIG ITEM	PART NUMBER	1 2 3 4 5 6 7 NOMENCLATURE	EFFECT FROM TO	UNITS PER ASSY
72A 573	65C31833-620	.. PANEL ASSY-EDGE USED ON: 411N1210-434SP 411N1210-434GL 411N1210-434GM 411N1210-434DH 411N1210-434BV 411N1210-434GT 411N1210-434BW 411N1210-434DM 411N1210-434DB 411N1210-434GG 411N1210-434BT 411N1210-434GJ 411N1210-434DD 411N1210-434L 411N1210-434N 411N1210-434V 411N1210-434B 411N1210-434DN 411N1210-434DR 411N1210-434DL 411N1210-434DC 411N1210-434GC 411N1210-434GB 411N1210-434GN 411N1210-434LB 411N1210-434BJ	031100	1

MISSING ITEM NUMBERS NOT APPLICABLE

— ITEM NOT ILLUSTRATED

HAP

25-21-46-72A

BOEING PROPRIETARY - Copyright © - Unpublished Work - See title page for details.

25-21-46
FIG. 72A
PAGE 35
FEB 15/09

 **BOEING**
737-600/700/800/900
PARTS CATALOG (MAINTENANCE)

FIG ITEM	PART NUMBER	1 2 3 4 5 6 7	NOMENCLATURE	EFFECT FROM TO	UNITS PER ASSY
72A 574	65C31833-619		.. PANEL ASSY-EDGE USED ON: 411N1210-435SP 411N1210-435GL 411N1210-435GM 411N1210-435DH 411N1210-435BV 411N1210-435GT 411N1210-435BW 411N1210-435DM 411N1210-435DB 411N1210-435GG 411N1210-435BT 411N1210-435GJ 411N1210-435DD 411N1210-435L 411N1210-435N 411N1210-435V 411N1210-435B 411N1210-435DN 411N1210-435DR 411N1210-435DL 411N1210-435DC 411N1210-435GC 411N1210-435GB 411N1210-435GN 411N1210-435LB 411N1210-435BJ	031100	1
576	411N1210-375CJ		. PANEL ASSY-WINDOW	031100	2
581	411N1210-6DC		.. COVER	031100	1
585	BACS12FA3K4		.. SCREW	031100	2
590	411N1407-2		.. CLIP-SIDEWALL	031100	2
595	411N1121-101		.. STIFFENER ASSY	031100	1
600	BACI12S3		... INSERT	031100	2
603	411N1250-102		.. SHEATH ASSY-	031100	1
603	411N1250-101		.. SHEATH ASSY-	031100	1
605	411N1240-1		.. BRACKET-WINDOW	031100	1
610	411N1230-101		.. LATCH ASSY	031100	1
615	MS39086-11		... PIN	031100	3
620	411N1175-1		... SPRING	031100	2
625	411N1231-2		... PAWL-LATCH	031100	1
630	411N1231-1		... BASE-LATCH	031100	1
635	411N1260-201B		.. WINDOW ASSY- FOR DETAILS SEE: 25-21-12-72A	031100	1
700	411N1220-2		.. RETAINER-EDGE POSITION DATA: LH	031100	1

MISSING ITEM NUMBERS NOT APPLICABLE

- ITEM NOT ILLUSTRATED

HAP

25-21-46-72A

BOEING PROPRIETARY - Copyright © - Unpublished Work - See title page for details.

25-21-46
FIG. 72A
PAGE 36
FEB 15/09

BOEING
737-600/700/800/900
PARTS CATALOG (MAINTENANCE)

FIG ITEM	PART NUMBER	1 2 3 4 5 6 7	NOMENCLATURE	EFFECT FROM TO	UNITS PER ASSY
72A					
705	411N1220-1	..	RETAINER-EDGE POSITION DATA: RH	031100	1
710	65C31833-667	..	PANEL ASSY-BASIC	031100	1
740	411N1210-3699L	.P	PANEL ASSY-WINDOW	031100	1
742	BACS12FA3K4	..	SCREW	031100	4
744	411N1407-2	..	CLIP-SIDEWALL	031100	4
746	411N1121-106	..	STIFFENER ASSY	031100	1
748	BACI12S3	...	INSERT	031100	4
750	411N1250-202	..	SHEATH ASSY	031100	2
752	411N1260-302B	..	WINDOW ASSY- FOR DETAILS SEE: 25-21-12-72K	031100	2
754	411N1220-2	..	RETAINER-EDGE	031100	1
756	411N1220-1	..	RETAINER-EDGE	031100	1
758	65C31833-609	..	PANEL ASSY-BASIC	031100	1
760	411N1210-3311DT	.P	PANEL ASSY-WINDOW	031100	1
762	BACS12FA3K4	..	SCREW	031100	4
764	411N1407-2	..	CLIP-SIDEWALL	031100	4
766	411N1121-106	..	STIFFENER ASSY	031100	1
768	BACI12S3	...	INSERT	031100	4
770	411N1250-202	..	SHEATH ASSY	031100	2
772	411N1260-301C	..	WINDOW ASSY- FOR DETAILS SEE: 25-21-12-72A	031100	2
774	411N1220-2	..	RETAINER-EDGE	031100	1
776	411N1220-1	..	RETAINER-EDGE	031100	1
778	65C31833-611	..	PANEL ASSY-BASIC	031100	1
804	411N1210-3380CJ	.P	PANEL ASSY-WINDOW	031100	1
806	411N1210-3381CJ	.P	PANEL ASSY-WINDOW	031100	1
808	BACS12FA3K4	..	SCREW	031100	4
810	411N1407-2	..	CLIP-SIDEWALL	031100	4
812	411N1121-107	..	STIFFENER ASSY	031100	1
814	BACI12S3	...	INSERT	031100	4
816	411N1250-202	..	SHEATH ASSY	031100	2
818	411N1260-301C	..	WINDOW ASSY- FOR DETAILS SEE: 25-21-12-72A	031100	2
820	411N1220-2	..	RETAINER-EDGE	031100	1
822	411N1220-1	..	RETAINER-EDGE	031100	1
824	65C31833-672	..	PANEL ASSY-BASIC USED ON: 411N1210-3380CL 411N1210-3380BW 411N1210-3380CB 411N1210-3380CJ 411N1210-3380CH	031100	1

R
R
R
R
R
R
R

MISSING ITEM NUMBERS NOT APPLICABLE

- ITEM NOT ILLUSTRATED

HAP

25-21-46-72A

BOEING PROPRIETARY - Copyright © - Unpublished Work - See title page for details.

25-21-46
FIG. 72A
PAGE 37
JUN 15/09

BOEING
737-600/700/800/900
PARTS CATALOG (MAINTENANCE)

FIG ITEM	PART NUMBER	1 2 3 4 5 6 7	NOMENCLATURE	EFFECT FROM TO	UNITS PER ASSY
R R R R R R	72A 826	65C31833-673	.. PANEL ASSY-BASIC USED ON: 411N1210-3381CL 411N1210-3381BW 411N1210-3381CB 411N1210-3381CJ 411N1210-3381CH	031100	1
	828	411N1210-3382CJ	. PANEL ASSY-WINDOW	031100	1
	830	BACS12FA3K4	.. SCREW	031100	4
	832	411N1407-2	.. CLIP-SIDEWALL	031100	4
	834	411N1121-107	.. STIFFENER ASSY	031100	1
	836	BACI12S3	... INSERT	031100	4
	838	411N1250-202	.. SHEATH ASSY	031100	2
	840	411N1260-301C	.. WINDOW ASSY- FOR DETAILS SEE: 25-21-12-72A	031100	1
	842	411N1220-2	.. RETAINER-EDGE	031100	1
	844	411N1220-1	.. RETAINER-EDGE	031100	1
R	846	65C31833-674	.. PANEL ASSY-BASIC	031100	1
	848	411N1210-3383CJ	. PANEL ASSY-WINDOW	031100	1
	850	411N1210-3384CJ	. PANEL ASSY-WINDOW	031100	1
	852	BACS12FA3K4	.. SCREW	031100	4
	854	411N1407-2	.. CLIP-SIDEWALL	031100	4
	856	411N1121-107	.. STIFFENER ASSY- USED ON: 411N1210-3383CV 411N1210-3383BJ 411N1210-3383CL 411N1210-3383BN 411N1210-3383BV 411N1210-3383BW 411N1210-3383CB 411N1210-3383CJ 411N1210-3383CH 411N1210-3383DC	031100	1
	858	411N1121-110	.. STIFFENER ASSY- USED ON: 411N1210-3384CV 411N1210-3384BJ 411N1210-3384CL 411N1210-3384BV 411N1210-3384BW 411N1210-3384CB 411N1210-3384CJ 411N1210-3384CH 411N1210-3384DG	031100	1
	860	BACI12S3	... INSERT	031100	4
	862	411N1250-202	.. SHEATH ASSY	031100	1

MISSING ITEM NUMBERS NOT APPLICABLE

— ITEM NOT ILLUSTRATED

HAP

25-21-46-72A

BOEING PROPRIETARY - Copyright © - Unpublished Work - See title page for details.

25-21-46
FIG. 72A
PAGE 38
JUN 15/09

BOEING
737-600/700/800/900
PARTS CATALOG (MAINTENANCE)

FIG ITEM	PART NUMBER	1 2 3 4 5 6 7	NOMENCLATURE	EFFECT FROM TO	UNITS PER ASSY
72A					
864	411N1260-301C		..WINDOW ASSY- FOR DETAILS SEE: 25-21-12-72A	031100	1
866	411N1220-2		..RETAINER-EDGE	031100	1
868	411N1220-1		..RETAINER-EDGE	031100	1
870	65C31833-675		..PANEL ASSY-BASIC USED ON: 411N1210-3383CV 411N1210-3383CL 411N1210-3383BW 411N1210-3383CB 411N1210-3383CJ 411N1210-3383CH	031100	1
872	65C31833-676		..PANEL ASSY-BASIC USED ON: 411N1210-3384CV 411N1210-3384CL 411N1210-3384BW 411N1210-3384CB 411N1210-3384CJ 411N1210-3384CH	031100	1
874	411N1210-3385CJ		.PANEL ASSY-WINDOW	031100	1
876	BACS12FA3K4		..SCREW	031100	4
878	411N1407-2		..CLIP-SIDEWALL	031100	4
880	411N1121-110		..STIFFENER ASSY	031100	1
882	BACI12S3		...INSERT	031100	4
884	411N1250-202		..SHEATH ASSY	031100	1
886	411N1260-301C		..WINDOW ASSY- FOR DETAILS SEE: 25-21-12-72A	031100	1
888	411N1220-2		..RETAINER-EDGE	031100	1
890	411N1220-1		..RETAINER-EDGE	031100	1
892	65C31833-677		..PANEL ASSY-BASIC	031100	1

R
R
R
R
R
R
R
R
R
R
R
R
R
R
R
R

MISSING ITEM NUMBERS NOT APPLICABLE

- ITEM NOT ILLUSTRATED

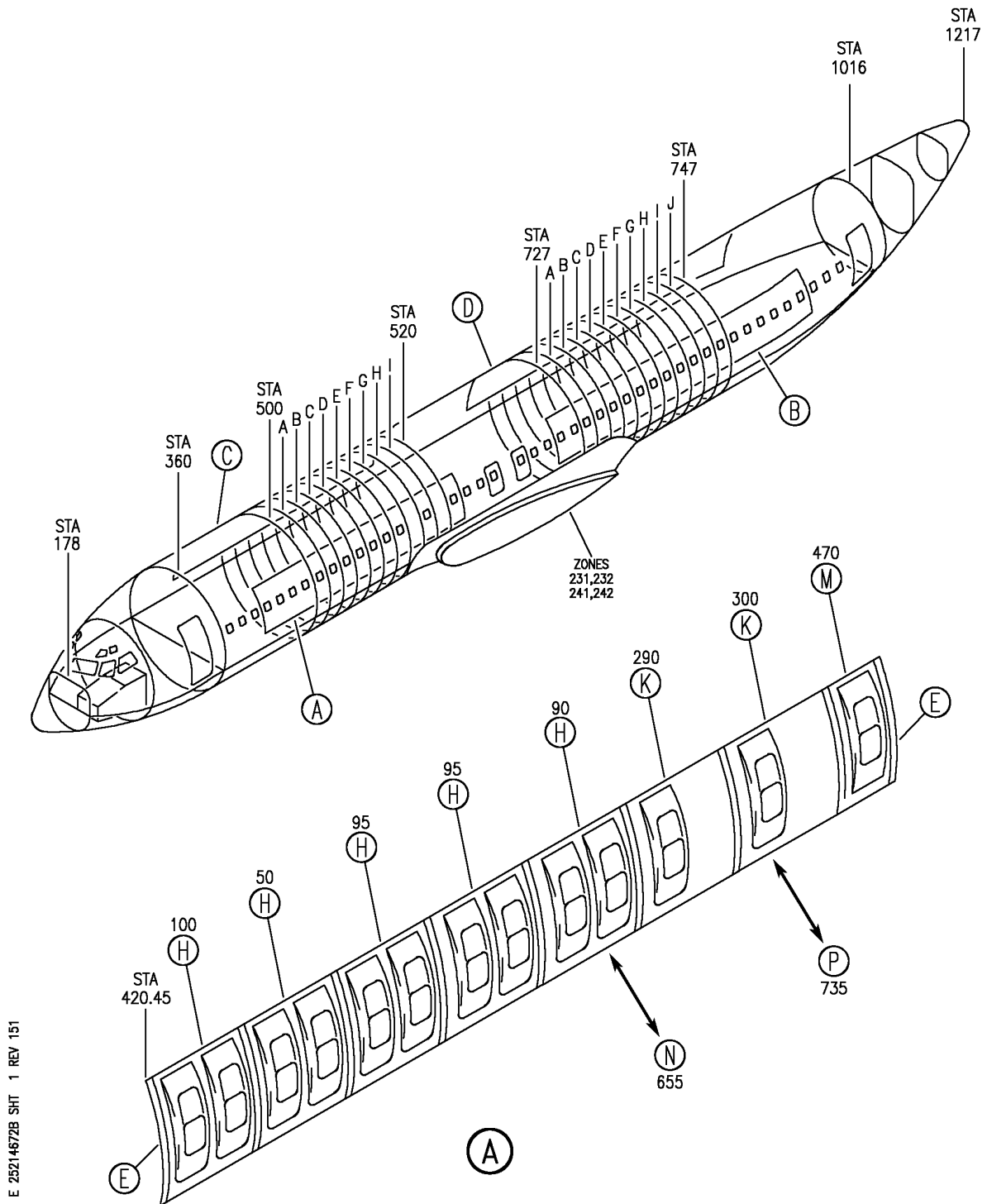
HAP

25-21-46-72A

BOEING PROPRIETARY - Copyright © - Unpublished Work - See title page for details.

25-21-46
FIG. 72A
PAGE 39
JUN 15/09

BOEING
 737-600/700/800/900
 PARTS CATALOG (MAINTENANCE)



E 25214672B SHT 1 REV 151

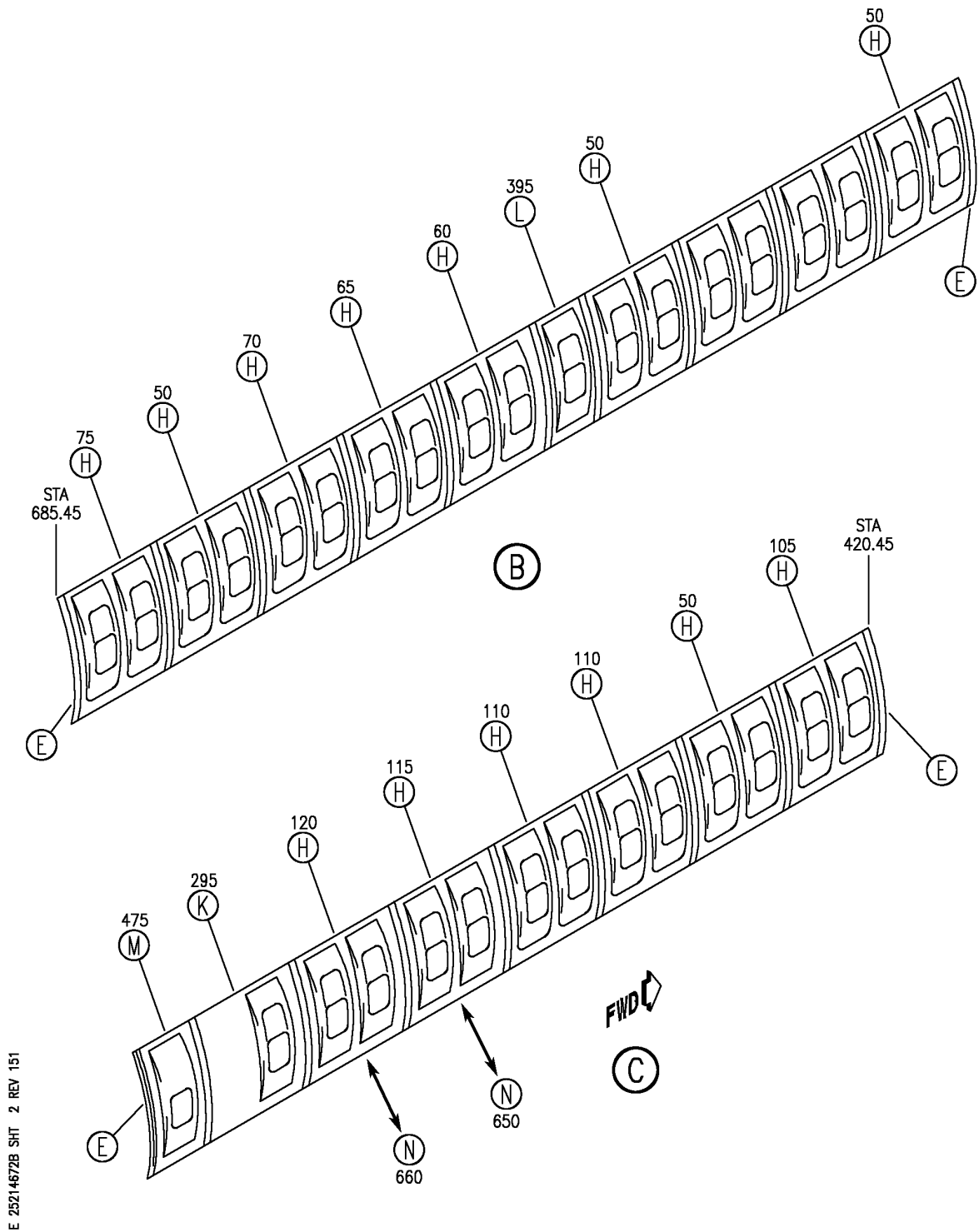
SIDEWALL INSTL-PASS. CAB. CTR, WITH PROVISIONS FOR AFT PROXIMITY LT PNL
 FIGURE 72B (SHEET 1)

25-21-46-72B

HAP
 FEB 15/09

25-21-46-72B
 PAGE 0

BOEING
 737-600/700/800/900
 PARTS CATALOG (MAINTENANCE)



E 25214672B SHT 2 REV 151

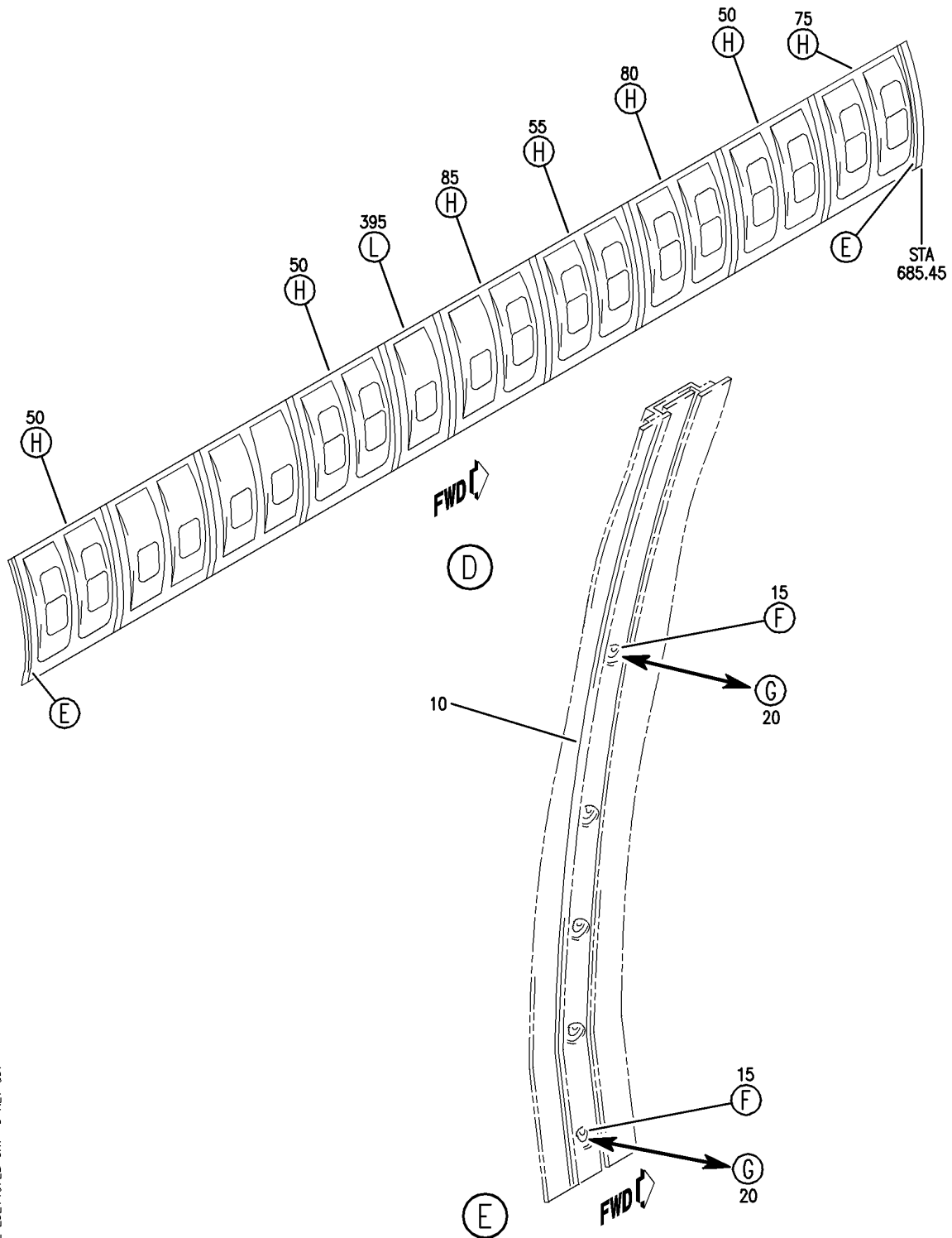
SIDEWALL INSTL-PASS. CAB. CTR, WITH PROVISIONS FOR AFT PROXIMITY LT PNL
 FIGURE 72B (SHEET 2)

25-21-46-72B

HAP
 FEB 15/09

25-21-46-72B
 PAGE 0A

BOEING
 737-600/700/800/900
 PARTS CATALOG (MAINTENANCE)



E 25214672B SHT 3 REV 057

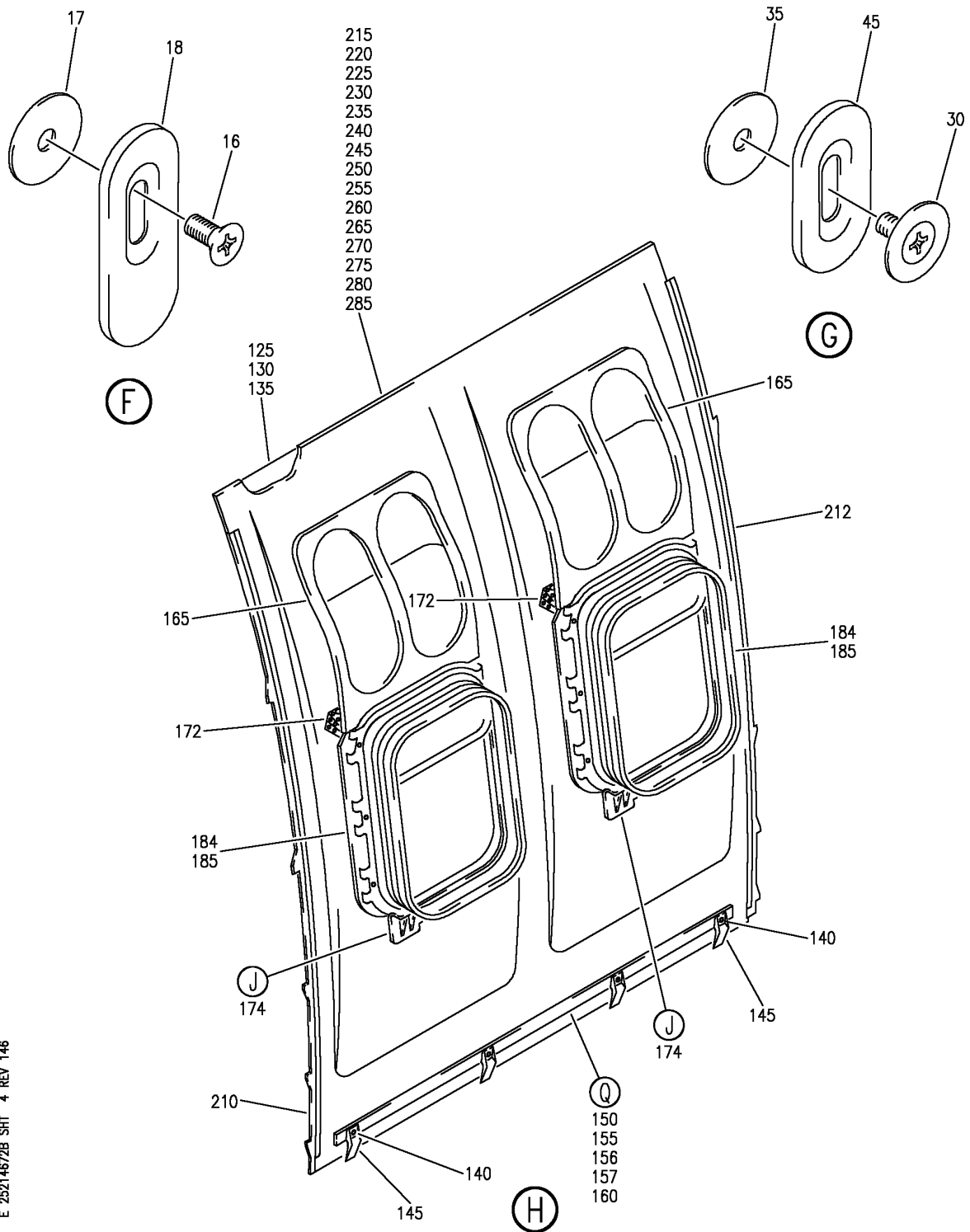
SIDEWALL INSTL-PASS. CAB. CTR, WITH PROVISIONS FOR AFT PROXIMITY LT PNL
 FIGURE 72B (SHEET 3)

25-21-46-72B

HAP
 OCT 10/06

25-21-46-72B
 PAGE 0B

BOEING
 737-600/700/800/900
 PARTS CATALOG (MAINTENANCE)



E 25214672B SHT 4 REV 146

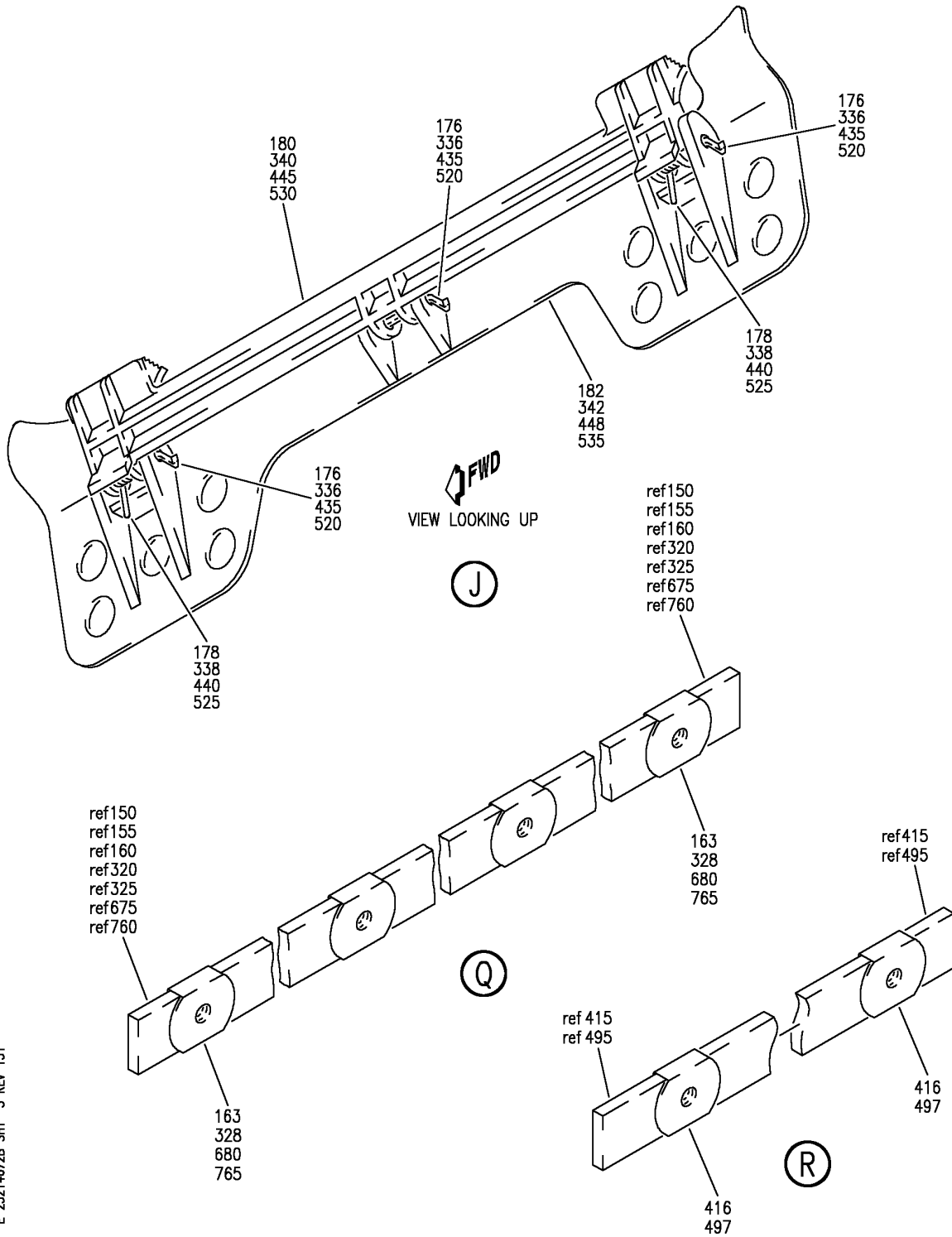
SIDEWALL INSTL-PASS. CAB. CTRL, WITH PROVISIONS FOR AFT PROXIMITY LT PNL
 FIGURE 72B (SHEET 4)

25-21-46-72B

HAP
 OCT 15/08

25-21-46-72B
 PAGE 0C

BOEING
 737-600/700/800/900
 PARTS CATALOG (MAINTENANCE)



E 25214672B SHT 5 REV 151

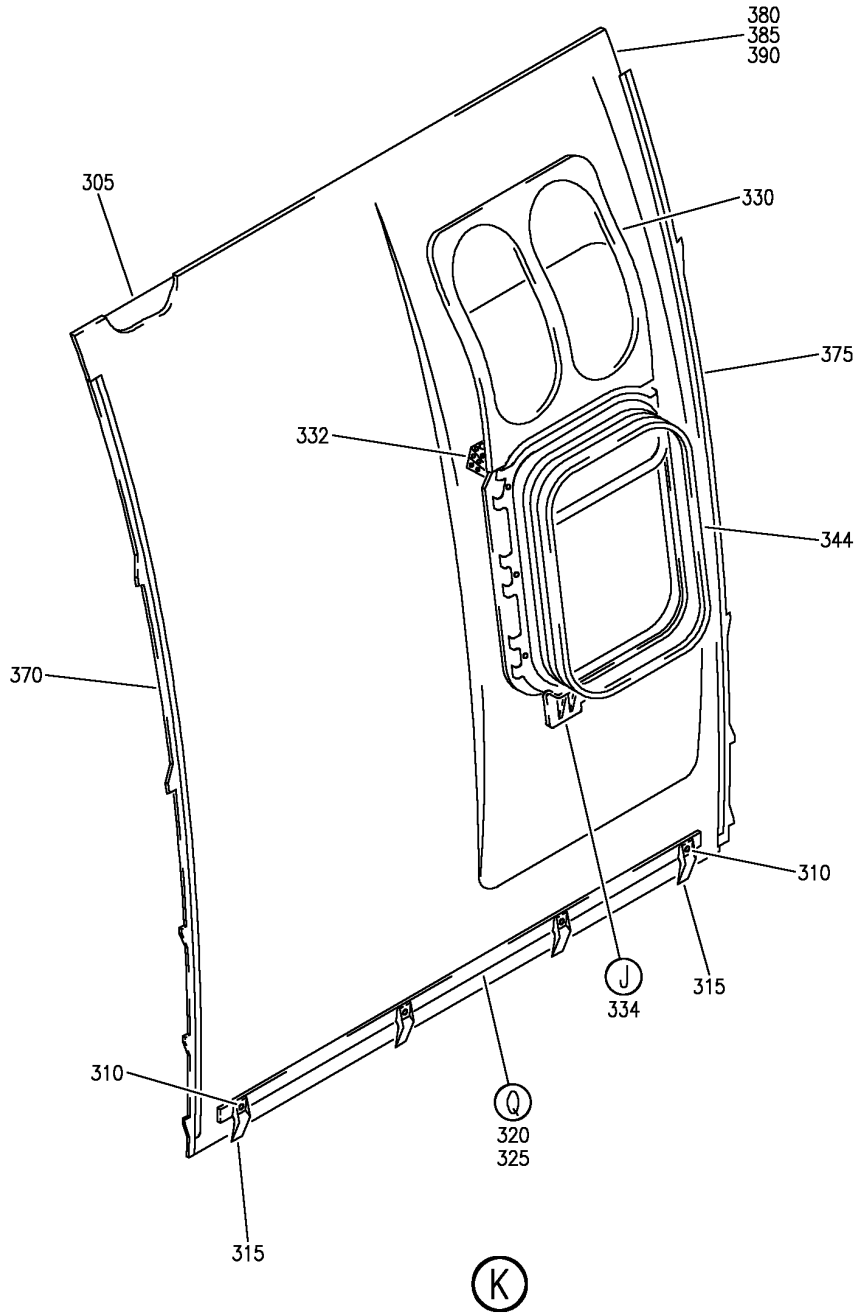
SIDEWALL INSTL-PASS. CAB. CTR, WITH PROVISIONS FOR AFT PROXIMITY LT PNL
 FIGURE 72B (SHEET 5)

25-21-46-72B

HAP
 FEB 15/09

25-21-46-72B
 PAGE 0D

BOEING
 737-600/700/800/900
 PARTS CATALOG (MAINTENANCE)



E 25214672B SHT 6 REV 146

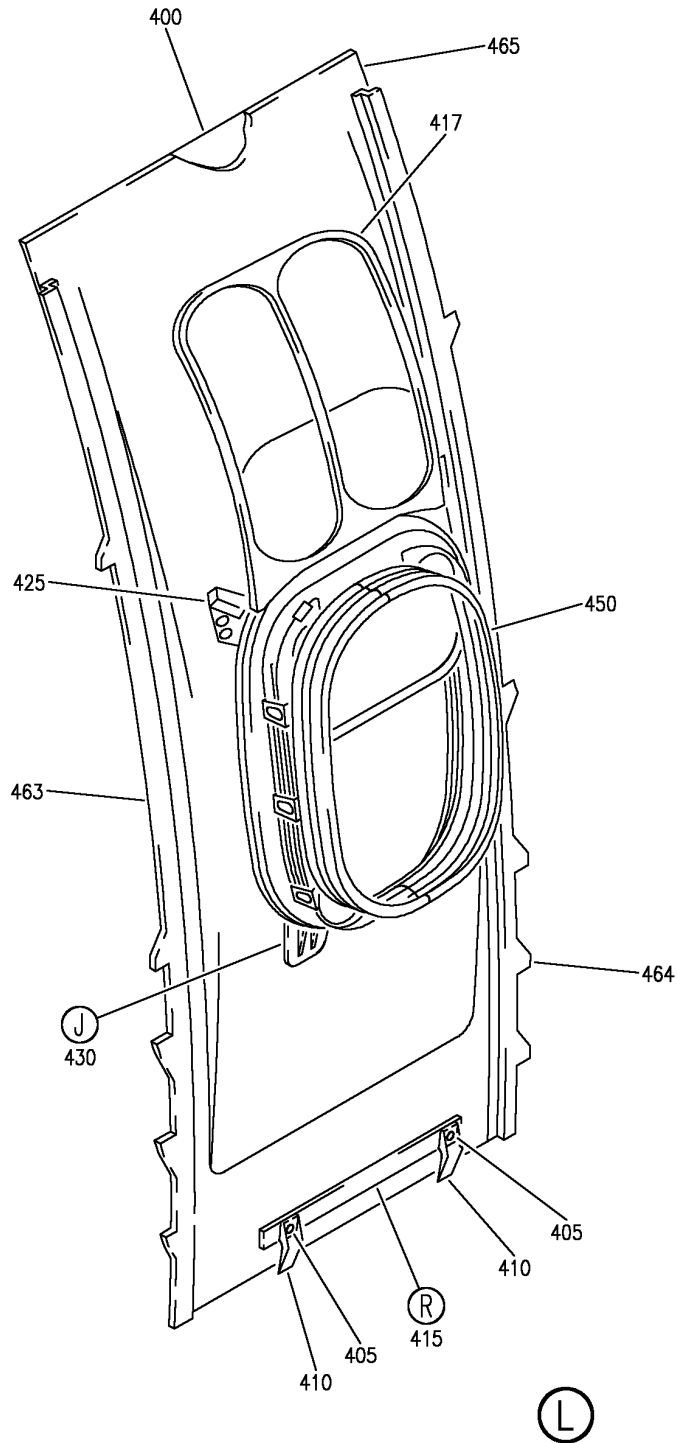
SIDEWALL INSTL-PASS. CAB. CTR, WITH PROVISIONS FOR AFT PROXIMITY LT PNL
 FIGURE 72B (SHEET 6)

25-21-46-72B

HAP
 OCT 15/08

25-21-46-72B
 PAGE 0E

BOEING
 737-600/700/800/900
 PARTS CATALOG (MAINTENANCE)



E 25214672B SHT 7 REV 146

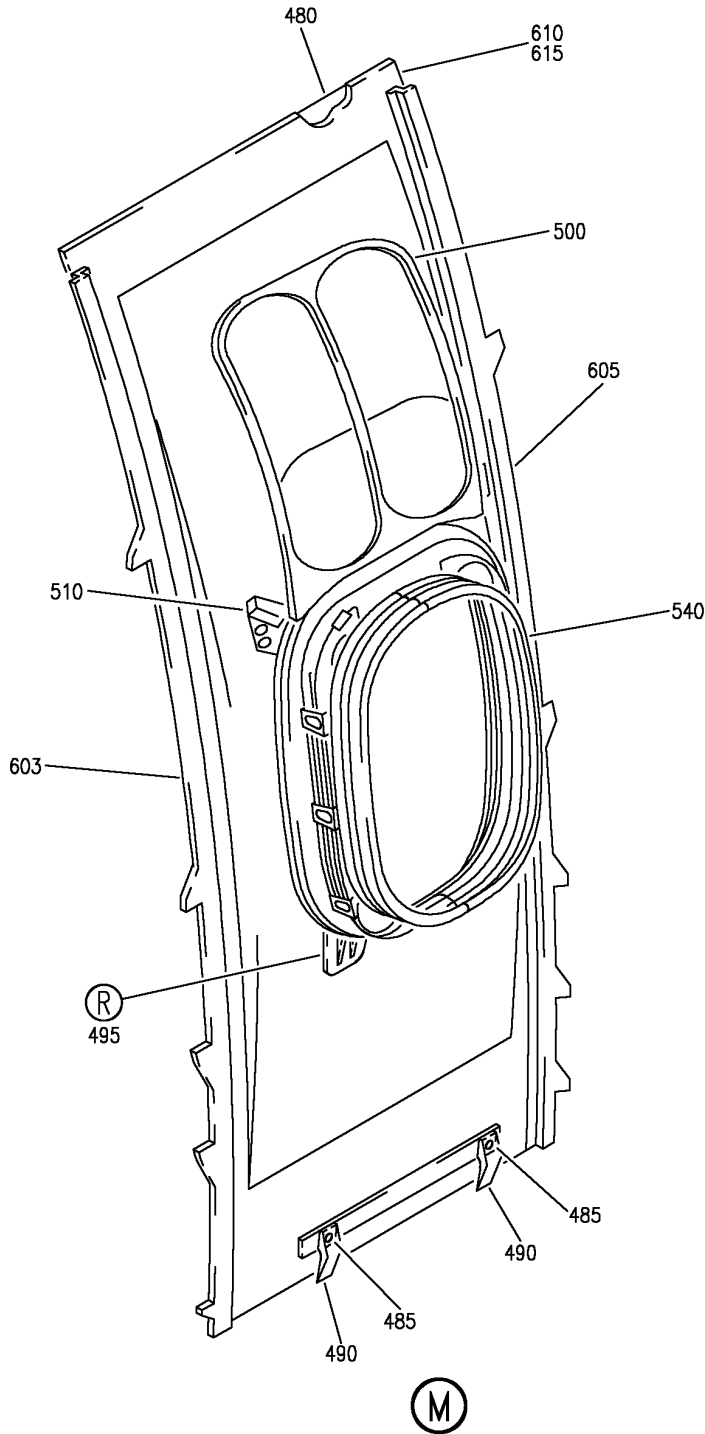
SIDEWALL INSTL-PASS. CAB. CTR, WITH PROVISIONS FOR AFT PROXIMITY LT PNL
 FIGURE 72B (SHEET 7)

25-21-46-72B

HAP
 OCT 15/08

25-21-46-72B
 PAGE OF

BOEING
 737-600/700/800/900
 PARTS CATALOG (MAINTENANCE)



E 25214672B SHT 8 REV 146

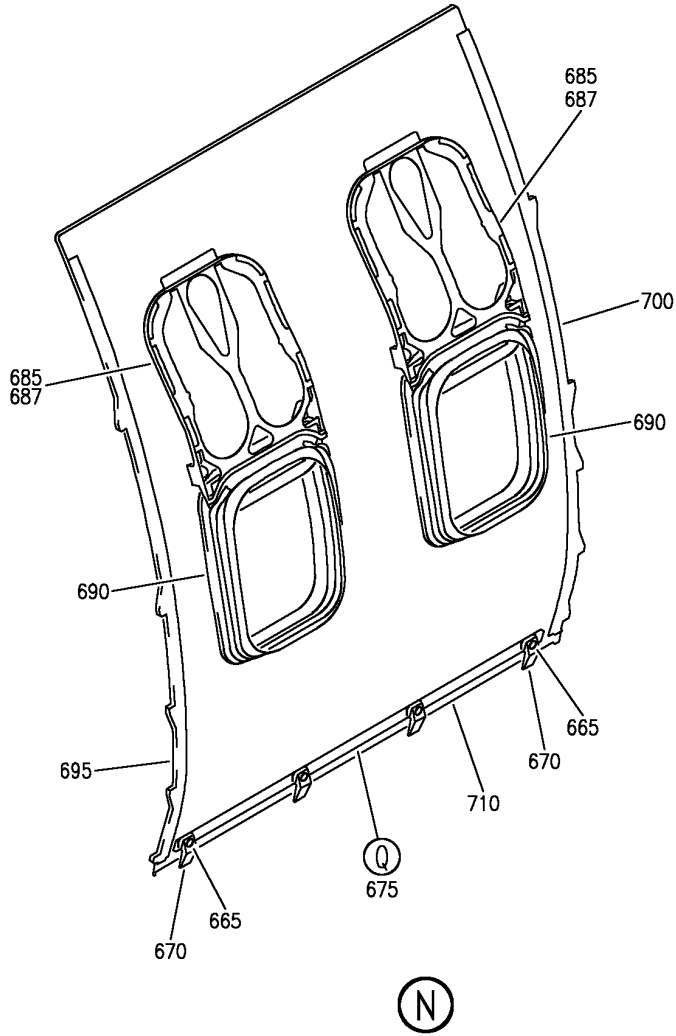
SIDEWALL INSTL-PASS. CAB. CTR, WITH PROVISIONS FOR AFT PROXIMITY LT PNL
 FIGURE 72B (SHEET 8)

25-21-46-72B

HAP
 OCT 15/08

25-21-46-72B
 PAGE 08

BOEING
 737-600/700/800/900
 PARTS CATALOG (MAINTENANCE)



E 25214672B SHT 9 REV 149

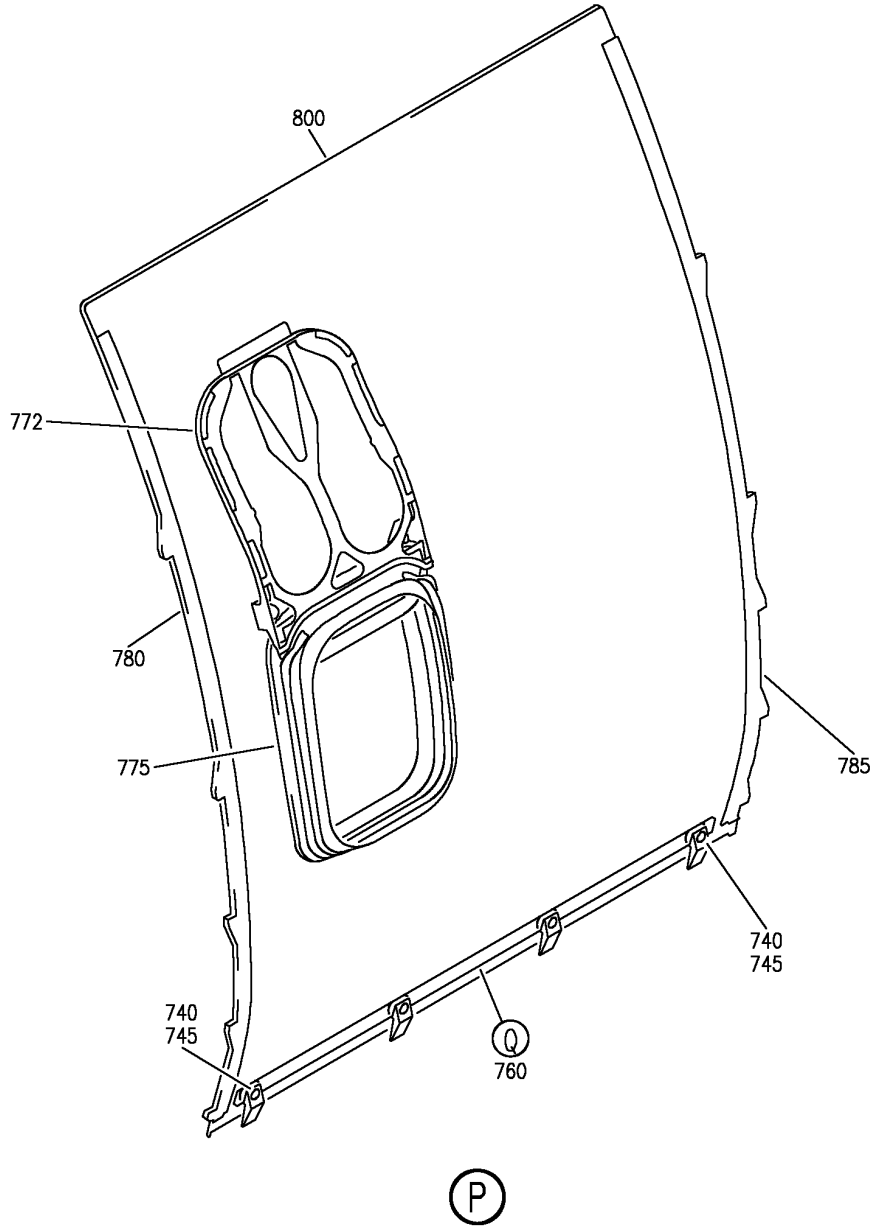
SIDEWALL INSTL-PASS. CAB. CTR, WITH PROVISIONS FOR AFT PROXIMITY LT PNL
 FIGURE 72B (SHEET 9)

25-21-46-72B

HAP
 FEB 15/09

25-21-46-72B
 PAGE 0H

BOEING
737-600/700/800/900
PARTS CATALOG (MAINTENANCE)



E 25214672B SHT 10 REV 151

SIDEWALL INSTL-PASS. CAB. CTR, WITH PROVISIONS FOR AFT PROXIMITY LT PNL
FIGURE 72B (SHEET 10)

HAP
FEB 15/09

25-21-46-72B

25-21-46-72B
PAGE 01

BOEING
737-600/700/800/900
PARTS CATALOG (MAINTENANCE)

FIG ITEM	PART NUMBER	1 2 3 4 5 6 7	NOMENCLATURE	EFFECT FROM TO	UNITS PER ASSY
72B			SIDEWALL INSTL-PASS. CAB. CTR, WITH PROVISIONS FOR AFT PROXIMITY LT PNL	018018 020030	
- 3	411A1100-809B		SIDEWALL INSTL-PASS. CAB. WITH PROVISIONS FOR AFT PROXIMITY LT PNL POSITION DATA: CTR FOR NHA SEE: 25-21-00-01D	018018 020030	RF
10	411N1102-32SP		.STRIP-TRIM	018018 020030	40
15	65C28101-7		.WASHER ASSY- QUALIFIED I/W DATA: 65C28101-5 I/W 65C28101-7 FOR SOME SIDEWALL INSTALLATIONS; THE RETAINER USED ON 65C28101-7 IS LONGER THAN THE RETAINER USED ON 65C28101-5 OPTIONAL PART: 65C28101-5	018018 020030	200
16	BACS12ER3K5		..SCREW	018018 020030	1
17	69-66047-1		..WASHER-RTNR	018018 020030	1
18	69-62183-2		..RETAINER	018018 020030	1
20	65C28101-5		.WASHER ASSY- QUALIFIED I/W DATA: 65C28101-5 I/W 65C28101-7 FOR SOME SIDEWALL INSTALLATIONS; THE RETAINER USED ON 65C28101-7 IS LONGER THAN THE RETAINER USED ON 65C28101-5 OPTIONAL PART: 65C28101-7	018018 020030	200

MISSING ITEM NUMBERS NOT APPLICABLE

- ITEM NOT ILLUSTRATED

HAP

25-21-46-72B

BOEING PROPRIETARY - Copyright © - Unpublished Work - See title page for details.

25-21-46
FIG. 72B
PAGE 1
FEB 10/07

BOEING
737-600/700/800/900
PARTS CATALOG (MAINTENANCE)

FIG ITEM	PART NUMBER	1 2 3 4 5 6 7	NOMENCLATURE	EFFECT FROM TO	UNITS PER ASSY
72B 30	CA3105-1032-6	..	SCREW SUPPLIER CODE: V73439 SPECIFICATION NUMBER: BACS12N10-6 OPTIONAL PART: CA3105-1032-6 V78189 SP1561-1032-6 V73439	018018 020030	1
35	69-66047-1	..	WASHER-RTNR	018018 020030	1
45	65C28101-2	..	RETAINER	018018 020030	1
50	411N1210-309SP	.	PANEL ASSY-WINDOW	018018 020030	12
55	411N1210-354SP	.	PANEL ASSY-WINDOW	018018 020030	1
60	411N1210-387SP	.	PANEL ASSY-WINDOW	018018 020030	1
65	411N1210-353SP	.	PANEL ASSY-WINDOW	018018 020030	1
70	411N1210-348SP	.	PANEL ASSY-WINDOW	018018 020030	1
75	411N1210-347SP	.	PANEL ASSY-WINDOW	018018 020030	2
80	411N1210-349SP	.	PANEL ASSY-WINDOW	018018 020030	1
85	411N1210-386SP	.	PANEL ASSY-WINDOW	018018 020030	1
90	411N1210-381SP	.	PANEL ASSY-WINDOW	018018 020030	1
95	411N1210-352SP	.	PANEL ASSY-WINDOW	018018 020030	2
100	411N1210-310SP	.	PANEL ASSY-WINDOW	018018 020030	1
105	411N1210-311SP	.	PANEL ASSY-WINDOW	018018 020030	1
110	411N1210-351SP	.	PANEL ASSY-WINDOW	018018 020030	2
115	411N1210-380SP	.	PANEL ASSY-WINDOW	018018 020030	1
120	411N1210-382SP	.	PANEL ASSY-WINDOW	018018 020030	1

MISSING ITEM NUMBERS NOT APPLICABLE

— ITEM NOT ILLUSTRATED

HAP

25-21-46-72B

BOEING PROPRIETARY - Copyright © - Unpublished Work - See title page for details.

25-21-46
FIG. 72B
PAGE 2
FEB 15/09

BOEING
737-600/700/800/900
PARTS CATALOG (MAINTENANCE)

FIG ITEM	PART NUMBER	1 2 3 4 5 6 7	NOMENCLATURE	EFFECT FROM TO	UNITS PER ASSY
72B 125	411N1210-1SP		.. COVER-DECORATIVE USED ON: 411N1210-309SP 411N1210-310SP 411N1210-311SP 411N1210-380SP 411N1210-381SP	018018 020030	1
130	411N1210-3SP		.. COVER-DECORATIVE USED ON: 411N1210-347SP 411N1210-348SP 411N1210-349SP	018018 020030	1
135	411N1210-4SP		.. COVER-DECORATIVE USED ON: 411N1210-351SP 411N1210-352SP 411N1210-353SP 411N1210-354SP 411N1210-382SP 411N1210-386SP 411N1210-387SP	018018 020030	1
140	BACS12FA3K4		.. SCREW	018018 020030	4
145	411N1407-2		.. CLIP-SIDEWALL	018018 020030	4

MISSING ITEM NUMBERS NOT APPLICABLE

— ITEM NOT ILLUSTRATED

HAP

25-21-46-72B

BOEING PROPRIETARY - Copyright © - Unpublished Work - See title page for details.

25-21-46
FIG. 72B
PAGE 3
OCT 15/08

BOEING
737-600/700/800/900
PARTS CATALOG (MAINTENANCE)

FIG ITEM	PART NUMBER	1 2 3 4 5 6 7	NOMENCLATURE	EFFECT FROM TO	UNITS PER ASSY
72B 150	411N1121-106		.. STIFFENER ASSY- USED ON: 411N1210-309SP 411N1210-309AN 411N1210-309GM 411N1210-309DJ 411N1210-309V 411N1210-309AT 411N1210-309AJ 411N1210-309CT 411N1210-309AD 411N1210-309DG 411N1210-309DD 411N1210-309GD 411N1210-309GL 411N1210-310SP 411N1210-310W 411N1210-310DM 411N1210-310CP 411N1210-310J 411N1210-310DG 411N1210-310AD 411N1210-310S 411N1210-310CH 411N1210-310AC 411N1210-310CN 411N1210-310CM 411N1210-310DL 411N1210-311SP 411N1210-311W 411N1210-311DN 411N1210-311CT 411N1210-311J 411N1210-311DH 411N1210-311AD 411N1210-311S 411N1210-311CG 411N1210-311AC 411N1210-311CR 411N1210-311CP 411N1210-311DM	018018 020030	1
MISSING ITEM NUMBERS NOT APPLICABLE					

- ITEM NOT ILLUSTRATED

HAP

25-21-46-72B

BOEING PROPRIETARY - Copyright © - Unpublished Work - See title page for details.

25-21-46
FIG. 72B
PAGE 4
OCT 15/08


BOEING
 737-600/700/800/900
PARTS CATALOG (MAINTENANCE)

FIG ITEM	PART NUMBER	1 2 3 4 5 6 7 NOMENCLATURE	EFFECT FROM TO	UNITS PER ASSY
72B 155	411N1121-107	.. STIFFENER ASSY- USED ON: 411N1210-351SP 411N1210-352SP 411N1210-353SP 411N1210-354SP 411N1210-380SP 411N1210-381SP 411N1210-382SP 411N1210-386SP 411N1210-387SP	018018 020030	1

MISSING ITEM NUMBERS NOT APPLICABLE

— ITEM NOT ILLUSTRATED

HAP

25-21-46-72B

BOEING PROPRIETARY - Copyright © - Unpublished Work - See title page for details.

25-21-46
 FIG. 72B
 PAGE 5
 OCT 15/08

BOEING
737-600/700/800/900
PARTS CATALOG (MAINTENANCE)

FIG ITEM	PART NUMBER	1 2 3 4 5 6 7	NOMENCLATURE	EFFECT FROM TO	UNITS PER ASSY
72B 160	411N1121-110		.. STIFFENER ASSY- USED ON: 411N1210-347SP 411N1210-347W 411N1210-347DM 411N1210-347CP 411N1210-347J 411N1210-347DG 411N1210-347AE 411N1210-347S 411N1210-347CG 411N1210-347AD 411N1210-347CN 411N1210-347CM 411N1210-347DL 411N1210-348SP 411N1210-348L 411N1210-348LV 411N1210-348CB 411N1210-348D 411N1210-348W 411N1210-348R 411N1210-348BV 411N1210-348P 411N1210-348LB 411N1210-348LH 411N1210-348LT 411N1210-348LW 411N1210-349SP 411N1210-349L 411N1210-349LV 411N1210-349CB 411N1210-349D 411N1210-349W 411N1210-349N 411N1210-349BV 411N1210-349R 411N1210-349LB 411N1210-349LH 411N1210-349LT 411N1210-349LW	018018 020030	1
163	BACI12S3		... INSERT	018018 020030	4
165	411N1250-102		.. SHEATH ASSY-	018018 020030	2
165	411N1250-101		.. SHEATH ASSY-	018018 020030	2
172	411N1240-1		.. BRACKET-WINDOW	018018 020030	2

MISSING ITEM NUMBERS NOT APPLICABLE

— ITEM NOT ILLUSTRATED

HAP

25-21-46-72B

BOEING PROPRIETARY - Copyright © - Unpublished Work - See title page for details.

25-21-46
FIG. 72B
PAGE 6
OCT 15/08

BOEING
737-600/700/800/900
PARTS CATALOG (MAINTENANCE)

FIG ITEM	PART NUMBER	1 2 3 4 5 6 7	NOMENCLATURE	EFFECT FROM TO	UNITS PER ASSY
72B					
174	411N1230-101	..	LATCH ASSY	018018 020030	2
176	MS39086-11	...	PIN	018018 020030	3
178	411N1175-1	...	SPRING	018018 020030	2
180	411N1231-2	...	PAWL-LATCH	018018 020030	1
182	411N1231-1	...	BASE-LATCH	018018 020030	1
184	411N1260-201SP	..	WINDOW ASSY- FOR DETAILS SEE: 25-21-12-72A	018018 020030	2
210	411N1220-2	..	RETAINER-EDGE POSITION DATA: LH	018018 020030	1
212	411N1220-1	..	RETAINER-EDGE POSITION DATA: RH	018018 020030	1
215	65C31833-609	..	PANEL ASSY-BASIC USED ON: 411N1210-309SP 411N1210-309AN 411N1210-309GM 411N1210-309DJ 411N1210-309V 411N1210-309AT 411N1210-309AJ 411N1210-309CT 411N1210-309AD 411N1210-309DG 411N1210-309DD 411N1210-309GD 411N1210-309GL	018018 020030	1
220	65C31833-610	..	PANEL ASSY-BASIC USED ON: 411N1210-310SP 411N1210-310W 411N1210-310DM 411N1210-310CP 411N1210-310J 411N1210-310DG 411N1210-310AD 411N1210-310S 411N1210-310CH 411N1210-310AC 411N1210-310CN 411N1210-310CM 411N1210-310DL	018018 020030	1

MISSING ITEM NUMBERS NOT APPLICABLE

— ITEM NOT ILLUSTRATED

HAP

25-21-46-72B

BOEING PROPRIETARY - Copyright © - Unpublished Work - See title page for details.

25-21-46
FIG. 72B
PAGE 7
FEB 15/09

BOEING
737-600/700/800/900
PARTS CATALOG (MAINTENANCE)

FIG ITEM	PART NUMBER	1 2 3 4 5 6 7	NOMENCLATURE	EFFECT FROM TO	UNITS PER ASSY
72B 225	65C31833-611		.. PANEL ASSY-BASIC USED ON: 411N1210-311SP 411N1210-311W 411N1210-311DN 411N1210-311CT 411N1210-311J 411N1210-311DH 411N1210-311AD 411N1210-311S 411N1210-311CG 411N1210-311AC 411N1210-311CR 411N1210-311CP 411N1210-311DM	018018 020030	1
230	65C31833-647		.. PANEL ASSY-BASIC USED ON: 411N1210-347SP 411N1210-347W 411N1210-347DM 411N1210-347CP 411N1210-347J 411N1210-347DG 411N1210-347AE 411N1210-347S 411N1210-347CG 411N1210-347AD 411N1210-347CN 411N1210-347CM 411N1210-347DL	018018 020030	1
235	65C31833-648		.. PANEL ASSY-BASIC USED ON: 411N1210-348SP 411N1210-348L 411N1210-348LV 411N1210-348CB 411N1210-348D 411N1210-348W 411N1210-348R 411N1210-348BV 411N1210-348P 411N1210-348LB 411N1210-348LH 411N1210-348LT 411N1210-348LW	018018 020030	1

MISSING ITEM NUMBERS NOT APPLICABLE

— ITEM NOT ILLUSTRATED

HAP

25-21-46-72B

BOEING PROPRIETARY - Copyright © - Unpublished Work - See title page for details.

25-21-46
FIG. 72B
PAGE 8
OCT 15/08

BOEING
737-600/700/800/900
PARTS CATALOG (MAINTENANCE)

FIG ITEM	PART NUMBER	1 2 3 4 5 6 7	NOMENCLATURE	EFFECT FROM TO	UNITS PER ASSY
72B 240	65C31833-649		.. PANEL ASSY-BASIC USED ON: 411N1210-349SP 411N1210-349L 411N1210-349LV 411N1210-349CB 411N1210-349D 411N1210-349W 411N1210-349N 411N1210-349BV 411N1210-349R 411N1210-349LB 411N1210-349LH 411N1210-349LT 411N1210-349LW	018018 020030	1
245	65C31833-651		.. PANEL ASSY-BASIC USED ON: 411N1210-351SP 411N1210-351S 411N1210-351DD 411N1210-351CH 411N1210-351G 411N1210-351AC 411N1210-351Z 411N1210-351BW 411N1210-351Y 411N1210-351CD 411N1210-351CN 411N1210-351DC 411N1210-351DG	018018 020030	1
250	65C31833-652		.. PANEL ASSY-BASIC USED ON: 411N1210-352SP 411N1210-352S 411N1210-352DD 411N1210-352CH 411N1210-352G 411N1210-352AC 411N1210-352Z 411N1210-352BW 411N1210-352Y 411N1210-352CD 411N1210-352CN 411N1210-352DC 411N1210-352DG	018018 020030	1

MISSING ITEM NUMBERS NOT APPLICABLE

— ITEM NOT ILLUSTRATED

HAP

25-21-46-72B

BOEING PROPRIETARY - Copyright © - Unpublished Work - See title page for details.

25-21-46
FIG. 72B
PAGE 9
OCT 15/08

BOEING
737-600/700/800/900
PARTS CATALOG (MAINTENANCE)

FIG ITEM	PART NUMBER	1 2 3 4 5 6 7	NOMENCLATURE	EFFECT FROM TO	UNITS PER ASSY
72B 255	65C31833-653		.. PANEL ASSY-BASIC USED ON: 411N1210-353SP 411N1210-353L 411N1210-353LW 411N1210-353LD 411N1210-353D 411N1210-353W 411N1210-353R 411N1210-353BV 411N1210-353P 411N1210-353LB 411N1210-353LJ 411N1210-353LV 411N1210-353MB	018018 020030	1
260	65C31833-654		.. PANEL ASSY-BASIC USED ON: 411N1210-354SP 411N1210-354L 411N1210-354LW 411N1210-354LD 411N1210-354C 411N1210-354W 411N1210-354R 411N1210-354BV 411N1210-354P 411N1210-354LB 411N1210-354LJ 411N1210-354LV 411N1210-354MB	018018 020030	1
265	65C31833-672		.. PANEL ASSY-BASIC USED ON: 411N1210-380SP 411N1210-380H 411N1210-380CW 411N1210-380BL 411N1210-380DB 411N1210-380J 411N1210-380B 411N1210-380BD 411N1210-380N 411N1210-380BH 411N1210-380BP 411N1210-380CD 411N1210-380CG	018018 020030	1

MISSING ITEM NUMBERS NOT APPLICABLE

— ITEM NOT ILLUSTRATED

HAP

25-21-46-72B

BOEING PROPRIETARY - Copyright © - Unpublished Work - See title page for details.

25-21-46
FIG. 72B
PAGE 10
OCT 15/08

BOEING
737-600/700/800/900
PARTS CATALOG (MAINTENANCE)

FIG ITEM	PART NUMBER	1 2 3 4 5 6 7	NOMENCLATURE	EFFECT FROM TO	UNITS PER ASSY
72B 270	65C31833-673		.. PANEL ASSY-BASIC USED ON: 411N1210-381SP 411N1210-381H 411N1210-381CW 411N1210-381BL 411N1210-381DB 411N1210-381J 411N1210-381B 411N1210-381BD 411N1210-381N 411N1210-381BH 411N1210-381BP 411N1210-381CD 411N1210-381CG	018018 020030	1
275	65C31833-674		.. PANEL ASSY-BASIC USED ON: 411N1210-382SP 411N1210-382H 411N1210-382CW 411N1210-382BL 411N1210-382DB 411N1210-382J 411N1210-382B 411N1210-382BD 411N1210-382N 411N1210-382BH 411N1210-382BP 411N1210-382CD 411N1210-382CG	018018 020030	1
280	65C31833-678		.. PANEL ASSY-BASIC USED ON: 411N1210-386SP 411N1210-386H 411N1210-386CN 411N1210-386BP 411N1210-386DJ 411N1210-386J 411N1210-386B 411N1210-386BJ 411N1210-386N 411N1210-386BM 411N1210-386BW 411N1210-386CM 411N1210-386CP	018018 020030	1

MISSING ITEM NUMBERS NOT APPLICABLE

— ITEM NOT ILLUSTRATED

HAP

25-21-46-72B

BOEING PROPRIETARY - Copyright © - Unpublished Work - See title page for details.

25-21-46
FIG. 72B
PAGE 11
OCT 15/08

BOEING
737-600/700/800/900
PARTS CATALOG (MAINTENANCE)

FIG ITEM	PART NUMBER	1 2 3 4 5 6 7	NOMENCLATURE	EFFECT FROM TO	UNITS PER ASSY
72B 285	65C31833-679		.. PANEL ASSY-BASIC USED ON: 411N1210-387SP 411N1210-387H 411N1210-387CM 411N1210-387BP 411N1210-387DJ 411N1210-387J 411N1210-387B 411N1210-387BJ 411N1210-387N 411N1210-387BM 411N1210-387BW 411N1210-387CL 411N1210-387CN	018018 020030	1
290	411N1210-383SP		. PANEL ASSY-WINDOW	018018 020030	1
295	411N1210-384SP		. PANEL ASSY-WINDOW	018018 020030	1
300	411N1210-385SP		. PANEL ASSY-WINDOW	018018 020030	1
305	411N1210-9SP		.. COVER-DECORATIVE	018018 020030	1
310	BACS12FA3K4		.. SCREW	018018 020030	4
315	411N1407-2		.. CLIP-SIDEWALL	018018 020030	4
320	411N1121-107		.. STIFFENER ASSY- USED ON: 411N1210-383SP 411N1210-383H 411N1210-383CW 411N1210-383BL 411N1210-383DB 411N1210-383J 411N1210-383B 411N1210-383BD 411N1210-383N 411N1210-383BH 411N1210-383BP 411N1210-383CD 411N1210-383CG	018018 020030	1

MISSING ITEM NUMBERS NOT APPLICABLE

— ITEM NOT ILLUSTRATED

HAP

25-21-46-72B

BOEING PROPRIETARY - Copyright © - Unpublished Work - See title page for details.

25-21-46
FIG. 72B
PAGE 12
OCT 15/08

BOEING
737-600/700/800/900
PARTS CATALOG (MAINTENANCE)

FIG ITEM	PART NUMBER	1 2 3 4 5 6 7	NOMENCLATURE	EFFECT FROM TO	UNITS PER ASSY
72B 325	411N1121-110		.. STIFFENER ASSY- USED ON: 411N1210-384SP 411N1210-384H 411N1210-384CW 411N1210-384BL 411N1210-384DB 411N1210-384J 411N1210-384B 411N1210-384BD 411N1210-384N 411N1210-384BH 411N1210-384BP 411N1210-384CD 411N1210-384CG 411N1210-385SP 411N1210-385H 411N1210-385CW 411N1210-385BL 411N1210-385DB 411N1210-385J 411N1210-385B 411N1210-385BD 411N1210-385N 411N1210-385BH 411N1210-385BP 411N1210-385CD 411N1210-385CG	018018 020030	1
328	BACI12S3		... INSERT	018018 020030	4
330	411N1250-102		.. SHEATH ASSY-	018018 020030	1
330	411N1250-101		.. SHEATH ASSY-	018018 020030	1
332	411N1240-1		.. BRACKET	018018 020030	1
334	411N1230-101		.. LATCH ASSY	018018 020030	1
336	MS39086-11		... PIN	018018 020030	3
338	411N1175-1		... SPRING	018018 020030	2
340	411N1231-2		... PAWL-LATCH	018018 020030	1
342	411N1231-1		... BASE-LATCH	018018 020030	1
344	411N1260-201SP		.. WINDOW ASSY- FOR DETAILS SEE: 25-21-12-72A	018018 020030	1

MISSING ITEM NUMBERS NOT APPLICABLE

- ITEM NOT ILLUSTRATED

HAP

25-21-46-72B

BOEING PROPRIETARY - Copyright © - Unpublished Work - See title page for details.

25-21-46
FIG. 72B
PAGE 13
FEB 15/09

BOEING
737-600/700/800/900
PARTS CATALOG (MAINTENANCE)

FIG ITEM	PART NUMBER	1 2 3 4 5 6 7	NOMENCLATURE	EFFECT FROM TO	UNITS PER ASSY
72B 370	411N1220-2		.. RETAINER-EDGE POSITION DATA: LH	018018 020030	1
375	411N1220-1		.. RETAINER-EDGE POSITION DATA: RH	018018 020030	1
380	65C31833-675		.. PANEL ASSY-BASIC USED ON: 411N1210-383SP 411N1210-383H 411N1210-383CW 411N1210-383BL 411N1210-383DB 411N1210-383J 411N1210-383B 411N1210-383BD 411N1210-383N 411N1210-383BH 411N1210-383BP 411N1210-383CD 411N1210-383CG	018018 020030	1
385	65C31833-676		.. PANEL ASSY-BASIC USED ON: 411N1210-384SP 411N1210-384H 411N1210-384CW 411N1210-384BL 411N1210-384DB 411N1210-384J 411N1210-384B 411N1210-384BD 411N1210-384N 411N1210-384BH 411N1210-384BP 411N1210-384CD 411N1210-384CG	018018 020030	1

MISSING ITEM NUMBERS NOT APPLICABLE

— ITEM NOT ILLUSTRATED

HAP

25-21-46-72B

BOEING PROPRIETARY - Copyright © - Unpublished Work - See title page for details.

25-21-46
FIG. 72B
PAGE 14
OCT 15/08

BOEING
737-600/700/800/900
PARTS CATALOG (MAINTENANCE)

FIG ITEM	PART NUMBER	1 2 3 4 5 6 7	NOMENCLATURE	EFFECT FROM TO	UNITS PER ASSY
72B 390	65C31833-677		.. PANEL ASSY-BASIC USED ON: 411N1210-385SP 411N1210-385H 411N1210-385CW 411N1210-385BL 411N1210-385DB 411N1210-385J 411N1210-385B 411N1210-385BD 411N1210-385N 411N1210-385BH 411N1210-385BP 411N1210-385CD 411N1210-385CG	018018 020030	1
395	411N1210-375SP		. PANEL ASSY-WINDOW	018018 020030	2
400	411N1210-6SP		.. COVER	018018 020030	1
405	BACS12FA3K4		.. SCREW	018018 020030	2
410	411N1407-2		.. CLIP-SIDEWALL	018018 020030	2
415	411N1121-101		.. STIFFENER ASSY	018018 020030	1
416	BACI12S3		... INSERT	018018 020030	2
417	411N1250-102		.. SHEATH ASSY-	018018 020030	1
417	411N1250-101		.. SHEATH ASSY-	018018 020030	1
425	411N1240-1		.. BRACKET-WINDOW	018018 020030	1
430	411N1230-101		.. LATCH ASSY	018018 020030	1
435	MS39086-11		... PIN	018018 020030	3
440	411N1175-1		... SPRING	018018 020030	2
445	411N1231-2		... PAWL-LATCH	018018 020030	1
448	411N1231-1		... BASE-LATCH	018018 020030	1
450	411N1260-201SP		.. WINDOW ASSY- FOR DETAILS SEE: 25-21-12-72A	018018 020030	1
463	411N1220-2		.. RETAINER-EDGE POSITION DATA: LH	018018 020030	1

MISSING ITEM NUMBERS NOT APPLICABLE

— ITEM NOT ILLUSTRATED

HAP

25-21-46-72B

BOEING PROPRIETARY - Copyright © - Unpublished Work - See title page for details.

25-21-46
FIG. 72B
PAGE 15
FEB 15/09

BOEING
737-600/700/800/900
PARTS CATALOG (MAINTENANCE)

FIG ITEM	PART NUMBER	1 2 3 4 5 6 7	NOMENCLATURE	EFFECT FROM TO	UNITS PER ASSY
72B 464	411N1220-1		..RETAINER-EDGE POSITION DATA: RH	018018 020030	1
465	65C31833-667		..PANEL ASSY-BASIC	018018 020030	1
470	411N1210-717SP		.PANEL ASSY-WINDOW	018018 020030	1
475	411N1210-718SP		.PANEL ASSY-WINDOW	018018 020030	1
480	411N1210-6SP		..COVER-DECORATIVE	018018 020030	1
485	BACS12FA3K4		..SCREW	018018 020030	2
490	411N1407-2		..CLIP-SIDEWALL	018018 020030	2
495	411N1121-101		..STIFFENER ASSY	018018 020030	1
497	BACI12S3		...INSERT	018018 020030	2
500	411N1250-102		..SHEATH ASSY-	018018 020030	1
500	411N1250-101		..SHEATH ASSY-	018018 020030	1
510	411N1240-1		..BRACKET-WINDOW	018018 020030	1
515	411N1230-101		..LATCH ASSY	018018 020030	1
520	MS39086-11		...PIN	018018 020030	3
525	411N1175-1		...SPRING	018018 020030	2
530	411N1231-2		...PAWL-LATCH	018018 020030	1
535	411N1231-1		...BASE-LATCH	018018 020030	1
540	411N1260-201SP		..WINDOW ASSY- FOR DETAILS SEE: 25-21-12-72A	018018 020030	1
603	411N1220-2		..RETAINER-EDGE POSITION DATA: LH	018018 020030	1
605	411N1220-1		..RETAINER-EDGE POSITION DATA: RH	018018 020030	1

MISSING ITEM NUMBERS NOT APPLICABLE

— ITEM NOT ILLUSTRATED

HAP

25-21-46-72B

BOEING PROPRIETARY - Copyright © - Unpublished Work - See title page for details.

25-21-46
FIG. 72B
PAGE 16
FEB 15/09

BOEING
737-600/700/800/900
PARTS CATALOG (MAINTENANCE)

FIG ITEM	PART NUMBER	1 2 3 4 5 6 7	NOMENCLATURE	EFFECT FROM TO	UNITS PER ASSY
72B 610	65C31833-491		.. PANEL ASSY-BASIC USED ON: 411N1210-717SP 411N1210-717L 411N1210-717DD 411N1210-717BM 411N1210-717DG 411N1210-717V 411N1210-717W 411N1210-717BH 411N1210-717P 411N1210-717BJ 411N1210-717BR 411N1210-717CJ 411N1210-717CL	018018 020030	1
615	65C31833-492		.. PANEL ASSY-BASIC USED ON: 411N1210-718SP 411N1210-718L 411N1210-718DD 411N1210-718BM 411N1210-718DG 411N1210-718V 411N1210-718W 411N1210-718BH 411N1210-718P 411N1210-718BJ 411N1210-718BR 411N1210-718CJ 411N1210-718CL	018018 020030	1

MISSING ITEM NUMBERS NOT APPLICABLE

— ITEM NOT ILLUSTRATED

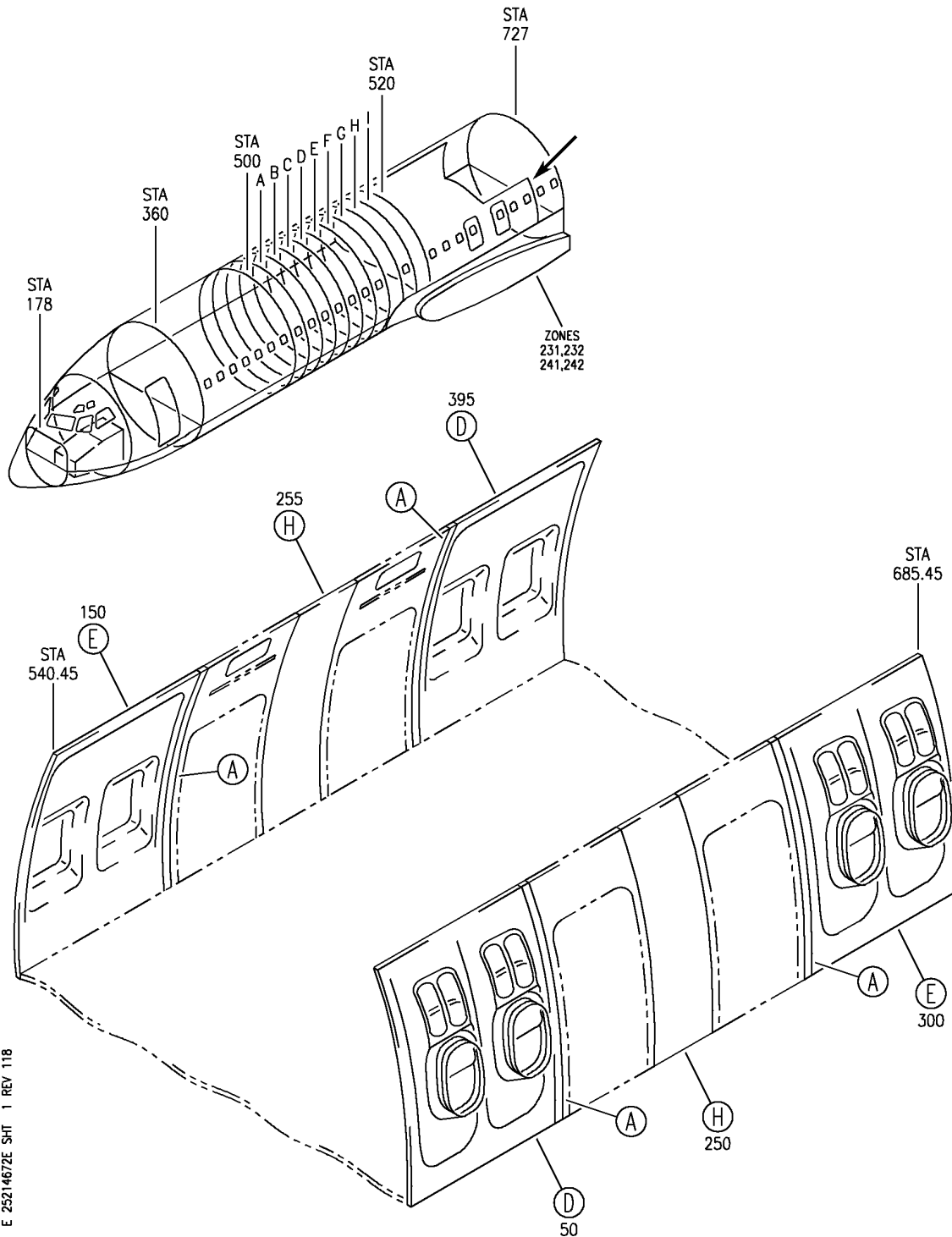
HAP

25-21-46-72B

BOEING PROPRIETARY - Copyright © - Unpublished Work - See title page for details.

25-21-46
FIG. 72B
PAGE 17
OCT 15/08

BOEING
 737-600/700/800/900
 PARTS CATALOG (MAINTENANCE)



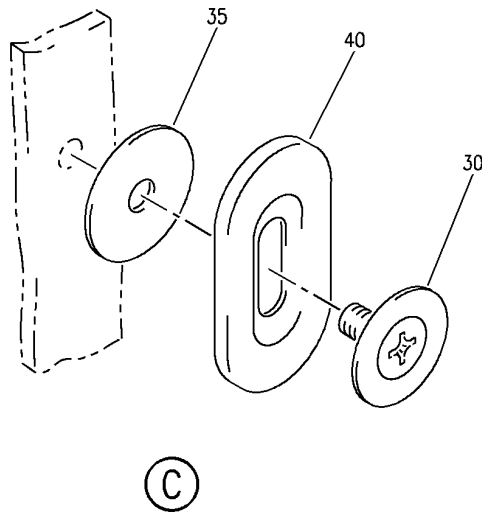
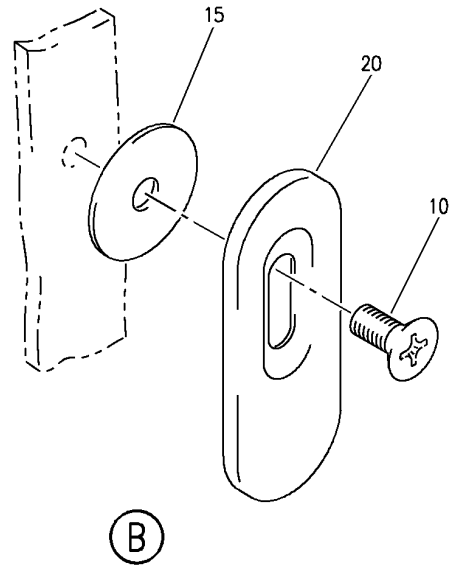
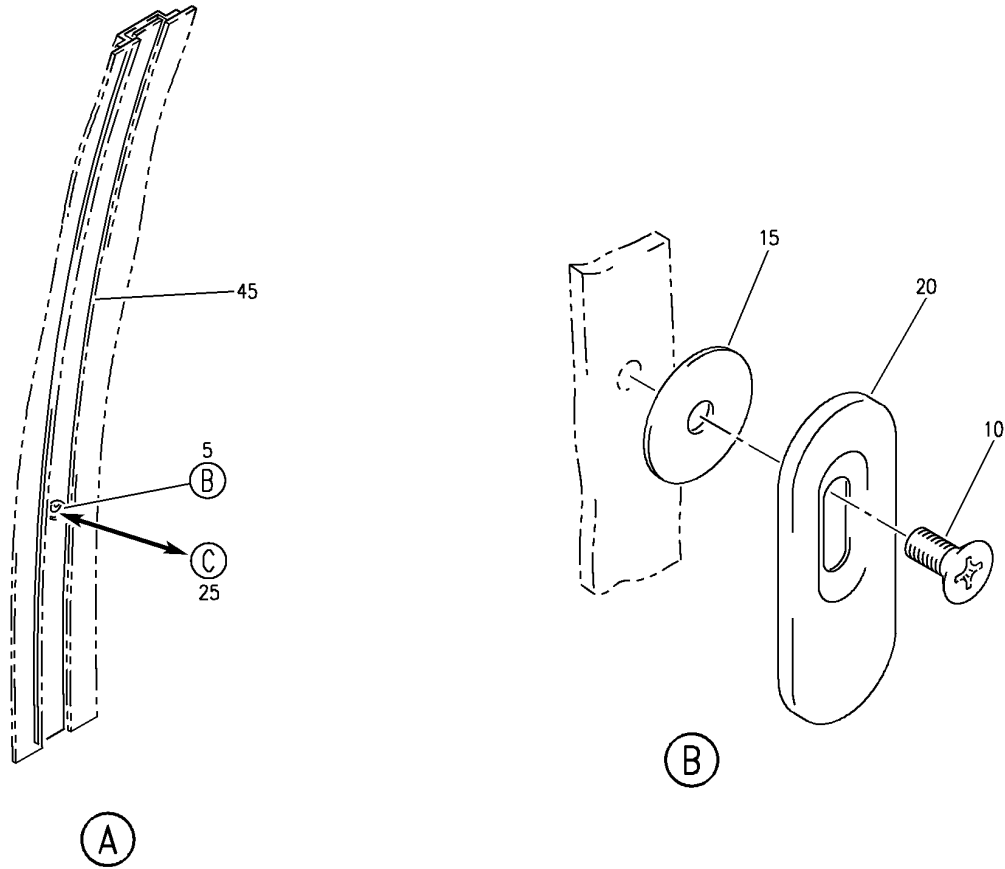
E 25214672E SHT 1 REV 118

SIDEWALL INSTL-PASS. CAB. STA 540.45 TO STA 685.45
 FIGURE 72E (SHEET 1)

25-21-46-72E

HAP
 OCT 10/06

25-21-46-72E
 PAGE 0



E 25214672E SHT 2 REV 118

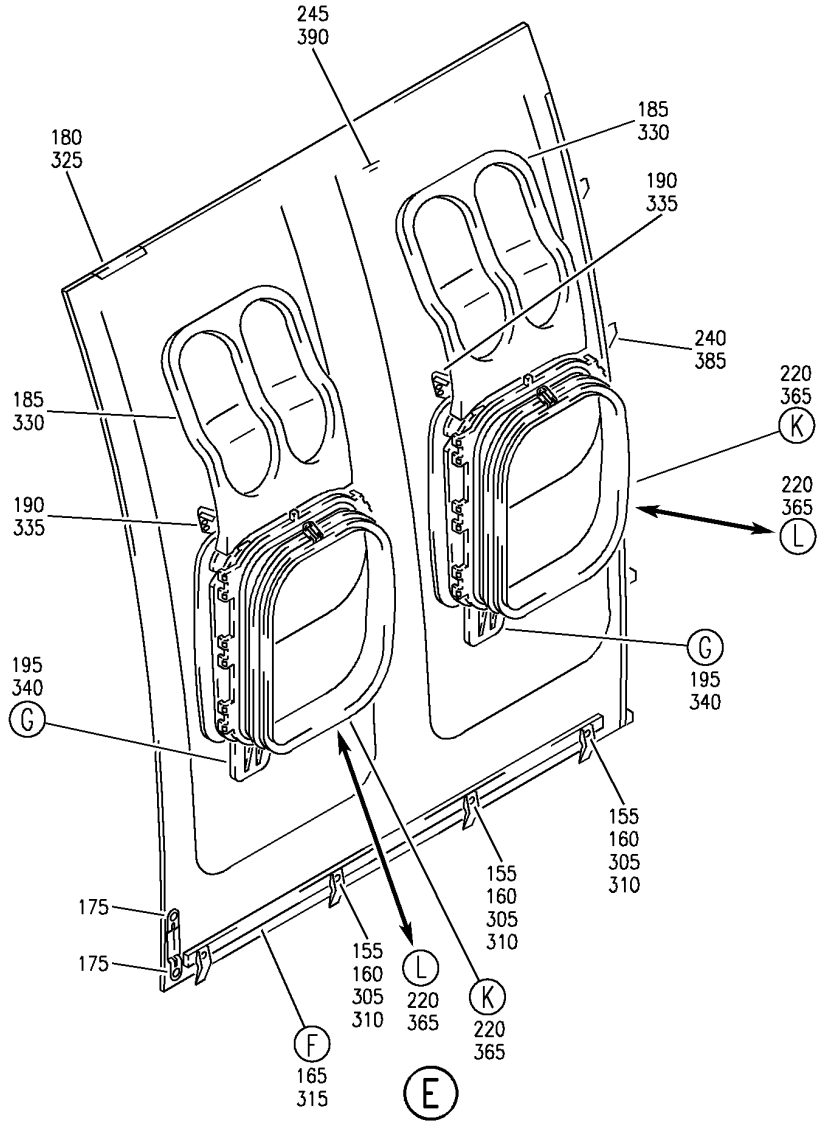
SIDEWALL INSTL-PASS. CAB. STA 540.45 TO STA 685.45
 FIGURE 72E (SHEET 2)

25-21-46-72E

HAP
 OCT 10/06

25-21-46-72E
 PAGE 0A

BOEING
 737-600/700/800/900
 PARTS CATALOG (MAINTENANCE)



E 25214672E SHT 4 REV 121

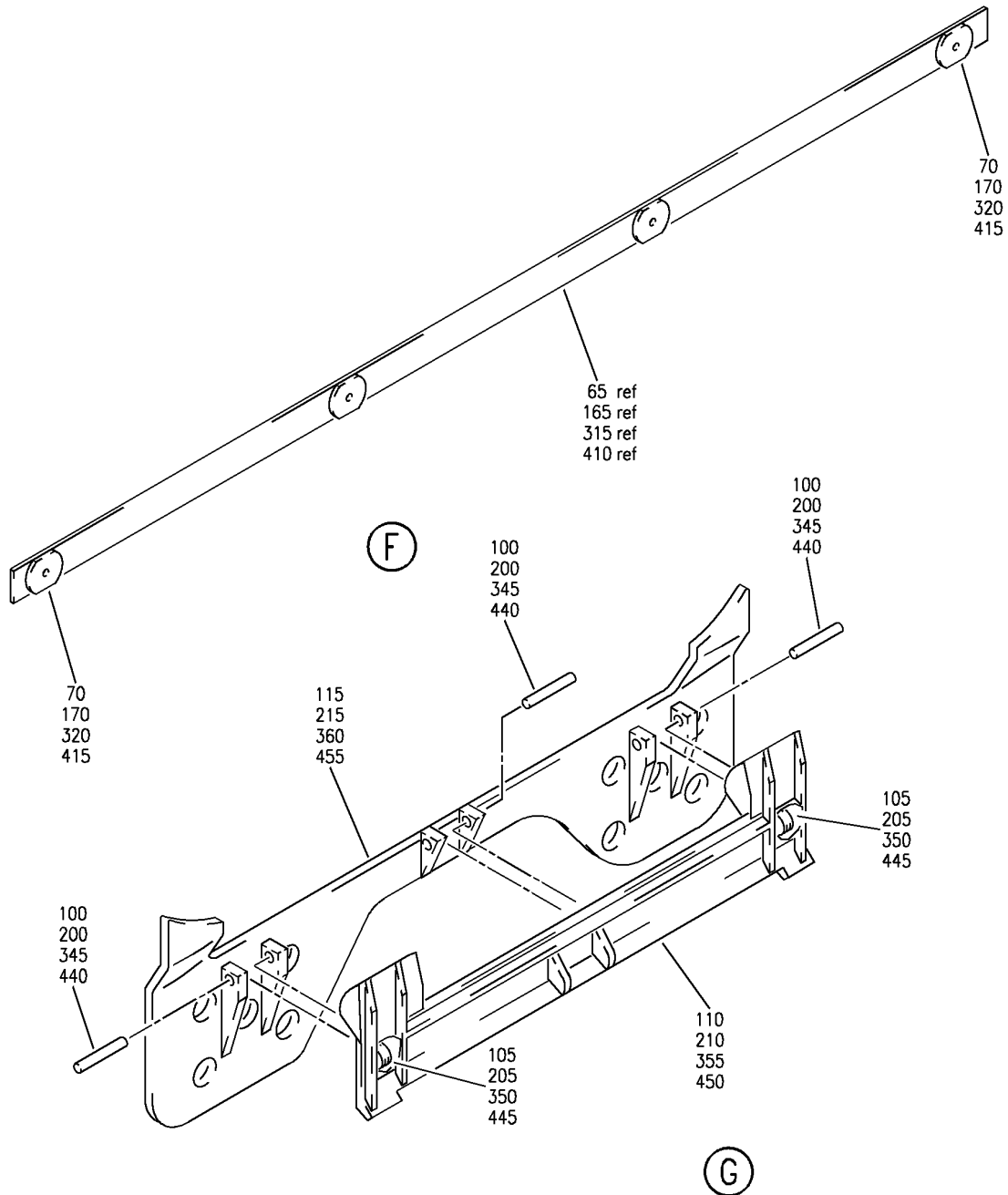
SIDEWALL INSTL-PASS. CAB. STA 540.45 TO STA 685.45
 FIGURE 72E (SHEET 4)

25-21-46-72E

HAP
 OCT 10/06

25-21-46-72E
 PAGE 0C

BOEING
 737-600/700/800/900
 PARTS CATALOG (MAINTENANCE)



E 25214672E SHT 5 REV 118

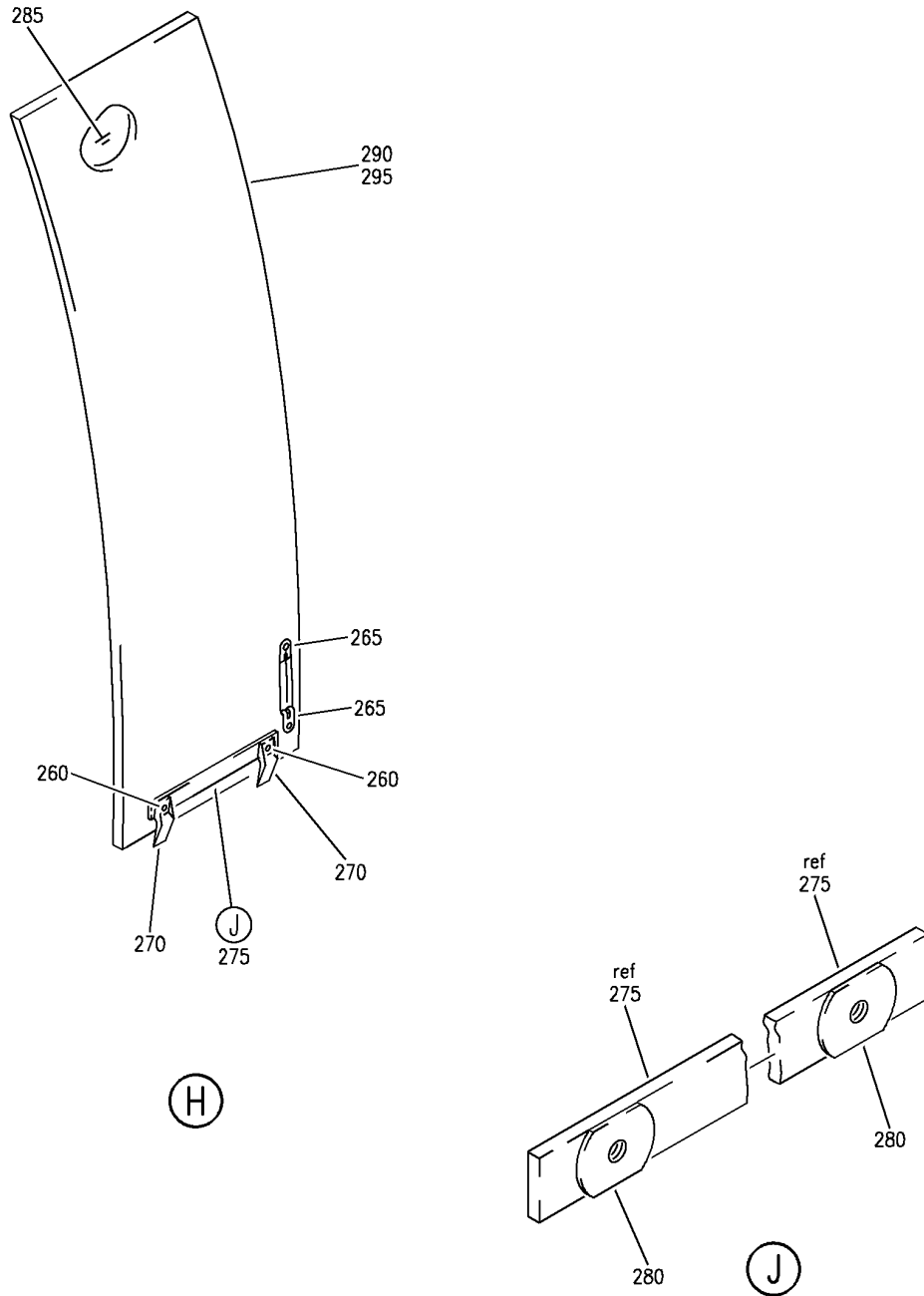
SIDEWALL INSTL-PASS. CAB. STA 540.45 TO STA 685.45
 FIGURE 72E (SHEET 5)

25-21-46-72E

HAP
 OCT 10/06

25-21-46-72E
 PAGE 0D

BOEING
 737-600/700/800/900
 PARTS CATALOG (MAINTENANCE)



E 25214672E SHT 6 REV 118

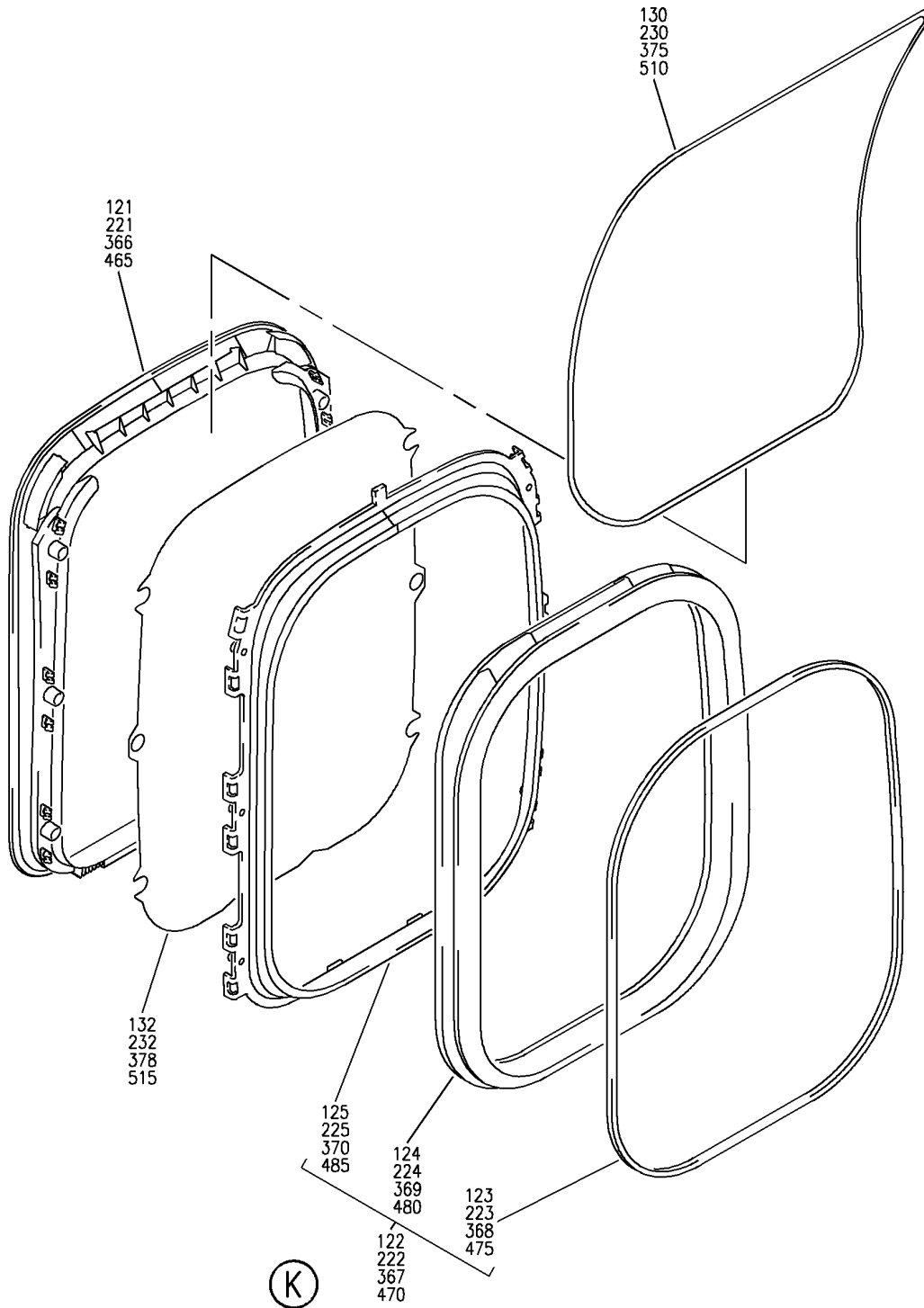
SIDEWALL INSTL-PASS. CAB. STA 540.45 TO STA 685.45
 FIGURE 72E (SHEET 6)

25-21-46-72E

HAP
 OCT 10/06

25-21-46-72E
 PAGE 0E

BOEING
 737-600/700/800/900
 PARTS CATALOG (MAINTENANCE)



E 25214672E SHT 7 REV 121

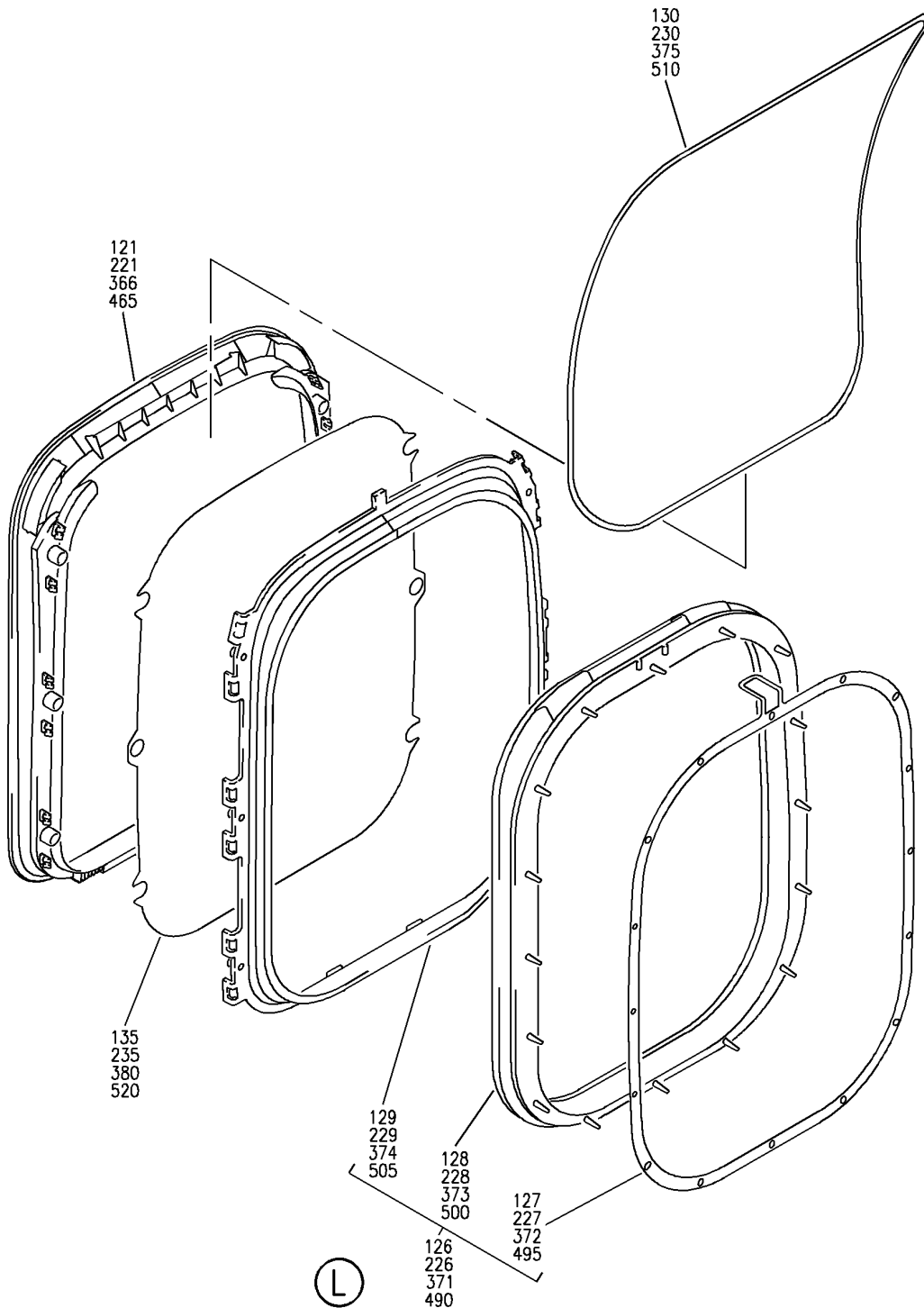
SIDEWALL INSTL-PASS. CAB. STA 540.45 TO STA 685.45
 FIGURE 72E (SHEET 7)

25-21-46-72E

HAP
 OCT 10/06

25-21-46-72E
 PAGE OF

BOEING
 737-600/700/800/900
 PARTS CATALOG (MAINTENANCE)



E 25214672E SHT 8 REV 121

SIDEWALL INSTL-PASS. CAB. STA 540.45 TO STA 685.45
 FIGURE 72E (SHEET 8)

25-21-46-72E

HAP
 OCT 10/06

25-21-46-72E
 PAGE 08

BOEING
737-600/700/800/900
PARTS CATALOG (MAINTENANCE)

FIG ITEM	PART NUMBER	1 2 3 4 5 6 7	NOMENCLATURE	EFFECT FROM TO	UNITS PER ASSY
72E			SIDEWALL INSTL-PASS. CAB. STA 540.45 TO STA 685.45	001030	
- 1	411A1100-507SP		SIDEWALL INSTL-PASS. CAB. STA 540.45 TO 685.45 FOR NHA SEE: 25-21-00-01D	001030	RF
5	65C28101-7		.WASHER ASSY- QUALIFIED I/W DATA: 65C28101-5 I/W 65C28101-7 FOR SOME SIDEWALL INSTALLATIONS; THE RETAINER USED ON 65C28101-7 IS LONGER THAN THE RETAINER USED ON 65C28101-5	001030	4
10	BACS12ER3K5		..SCREW	001030	1
15	69-66047-1		..WASHER-RTNR	001030	1
20	69-62183-2		..RETAINER	001030	1
25	65C28101-5		.WASHER ASSY- QUALIFIED I/W DATA: 65C28101-5 I/W 65C28101-7 FOR SOME SIDEWALL INSTALLATIONS; THE RETAINER USED ON 65C28101-7 IS LONGER THAN THE RETAINER USED ON 65C28101-5	001030	4
30	CA3105-1032-6		..SCREW SUPPLIER CODE: V73439 SPECIFICATION NUMBER: BACS12N10-6 OPTIONAL PART: CA3105-1032-6 V78189 SP1561-1032-6 V73439	001030	1
35	69-66047-1		..WASHER-RTNR	001030	1
40	65C28101-2		..RETAINER	001030	1
45	411N1102-32SP		.STRIP-TRIM	001030	4
50	411N1210-433SP		.PANEL ASSY-PROX LIGHT PROVISION WINDOW	001030	1
55	BACS12FA3K4		..SCREW	001030	3
60	411N1407-2		..CLIP-AIR RETURN GRILLE	001030	3
65	411N1121-108		..STIFFENER ASSY	001030	1
70	BACI12S3		...INSERT	001030	4

MISSING ITEM NUMBERS NOT APPLICABLE

- ITEM NOT ILLUSTRATED

HAP

25-21-46-72E

BOEING PROPRIETARY - Copyright © - Unpublished Work - See title page for details.

25-21-46
FIG. 72E
PAGE 1
OCT 10/06

BOEING
737-600/700/800/900
PARTS CATALOG (MAINTENANCE)

FIG ITEM	PART NUMBER	1 2 3 4 5 6 7	NOMENCLATURE	EFFECT FROM TO	UNITS PER ASSY
72E 75	BRC600-12-3GP	..	NUT SUPPLIER CODE: V52828 SPECIFICATION NUMBER: BACN10YD6G OPTIONAL PART: 130125G V60119	001030	2
80	411N1210-2SP	..	COVER-DECORATIVE	001030	1
85	411N1250-102	..	SHEATH ASSY-SHADE	001030	2
90	411N1240-1	..	BRACKET	001030	2
95	411N1230-101	..	LATCH ASSY	001030	2
100	MS39086-11	...	PIN	001030	3
105	411N1175-1	...	SPRING	001030	2
110	411N1231-2	...	PAWL	001030	1
115	411N1231-1	...	BASE	001030	1
120	411N1260-201SP	..	WINDOW ASSY	001030	2
121	411N1261-1SP	...	RING-TRIM	001030	1
122	411N1270-201SP	...	REVEAL ASSY-	001030	1
123	411N1272-6SP	RING-SEAL SPRT	001030	1
124	411N1272-5SP	SEAL-DUST	001030	1
125	411N1271-1SP	REVEAL- MISCELLANEOUS DATA: CUSTOMER MAY WISH TO ACQUIRE NHA, WHICH MAY BE MORE ECONOMICAL.	001030	1
126	411N1270-101SP	...	REVEAL ASSY-	001030	1
127	411N1272-2SP	RING-SEAL SPRT	001030	1
128	411N1272-1SP	SEAL-DUST	001030	1
129	411N1271-1SP	REVEAL- MISCELLANEOUS DATA: CUSTOMER MAY WISH TO ACQUIRE NHA, WHICH MAY BE MORE ECONOMICAL.	001030	1
R R R R R R R R R R	130	411N1281-4C	...SHADE- OPTIONAL PART: 411N1281-3BCSZ	001030	1
	130	411N1281-3BCSZ	...SHADE- OPTIONAL PART: 411N1281-4C	001030	1
	132	411N1133-6A	...PANE- POSITION DATA: INNER	001030	1
	135	411N1133-9B	...COVER- POSITION DATA: INNER	001030	1
	140	411N1220-2	..RETAINER-EDGE	001030	1
	145	65C31833-617	..PANEL ASSY	001030	1

MISSING ITEM NUMBERS NOT APPLICABLE

— ITEM NOT ILLUSTRATED

HAP

25-21-46-72E

25-21-46
FIG. 72E
PAGE 2
JUN 15/09

BOEING
737-600/700/800/900
PARTS CATALOG (MAINTENANCE)

FIG ITEM	PART NUMBER	1 2 3 4 5 6 7	NOMENCLATURE	EFFECT FROM TO	UNITS PER ASSY
72E					
150	411N1210-432SP	.	PANEL ASSY-PROX LIGHT PROVISION WINDOW	001030	1
155	BACS12FA3K4	..	SCREW	001030	3
160	411N1407-2	..	CLIP-AIR RETURN GRILLE	001030	3
165	411N1121-108	..	STIFFENER ASSY	001030	1
170	BACI12S3	...	INSERT	001030	4
175	BRC600-12-3GP	..	NUT	001030	2
			SUPPLIER CODE: V52828		
			SPECIFICATION NUMBER: BACN10YD6G		
			OPTIONAL PART: 130125G V60119		
180	411N1210-2SP	..	COVER-DECORATIVE	001030	1
185	411N1250-102	..	SHEATH ASSY-SHADE	001030	2
190	411N1240-1	..	BRACKET	001030	2
195	411N1230-101	..	LATCH ASSY	001030	2
200	MS39086-11	...	PIN	001030	3
205	411N1175-1	...	SPRING	001030	2
210	411N1231-2	...	PAWL	001030	1
215	411N1231-1	...	BASE	001030	1
220	411N1260-201SP	..	WINDOW ASSY	001030	2
221	411N1261-1SP	...	RING-TRIM	001030	1
222	411N1270-201SP	...	REVEAL ASSY-	001030	1
223	411N1272-6SP	RING-SEAL SPRT	001030	1
224	411N1272-5SP	SEAL-DUST	001030	1
225	411N1271-1SP	REVEAL-	001030	1
			MISCELLANEOUS DATA: CUSTOMER MAY WISH TO ACQUIRE NHA, WHICH MAY BE MORE ECONOMICAL.		
226	411N1270-101SP	...	REVEAL ASSY-	001030	1
227	411N1272-2SP	RING-SEAL SPRT	001030	1
228	411N1272-1SP	SEAL-DUST	001030	1
229	411N1271-1SP	REVEAL-	001030	1
			MISCELLANEOUS DATA: CUSTOMER MAY WISH TO ACQUIRE NHA, WHICH MAY BE MORE ECONOMICAL.		
R	230	411N1281-4C	...SHADE-	001030	1
R			OPTIONAL PART: 411N1281-3BCSZ		
R	230	411N1281-3BCSZ	...SHADE-	001030	1
R			OPTIONAL PART: 411N1281-4C		
R					
R					

MISSING ITEM NUMBERS NOT APPLICABLE

— ITEM NOT ILLUSTRATED

HAP

25-21-46-72E

BOEING PROPRIETARY - Copyright © - Unpublished Work - See title page for details.

25-21-46
FIG. 72E
PAGE 3
JUN 15/09

BOEING
737-600/700/800/900
PARTS CATALOG (MAINTENANCE)

FIG ITEM	PART NUMBER	1 2 3 4 5 6 7	NOMENCLATURE	EFFECT FROM TO	UNITS PER ASSY
72 E 232	411N1133-6SP	...	PANE- POSITION DATA: INNER QUALIFIED I/W DATA: REPLACING CONFIGURATION IS A COLOR SENSITIVE PART. 411N1133-6A CAN REPLACE BUT NOT BE REPLACED BY 411N1133-3. 411N1133-6B CANNOT REPLACE OR BE REPLACED BY 411N1133-3. OPTIONAL PART: 411N1133-9SP	001030	1
235	411N1133-9SP	...	PANE- POSITION DATA: INNER OPTIONAL PART: 411N1133-6SP	001030	1
240	411N1220-1	..	RETAINER-EDGE	001030	1
245	65C31833-618	..	PANEL ASSY	001030	1
250	411N1210-628SP	.	PANEL ASSY-CTR	001030	1
255	411N1210-629SP	.	PANEL ASSY-CTR	001030	1
260	BACS12FA3K4	..	SCREW	001030	2
265	BRC600-12-3	..	NUT SUPPLIER CODE: V52828 SPECIFICATION NUMBER: BACN10YD6 OPTIONAL PART: 130125 V60119	001030	2
270	411N1407-2	..	CLIP-AIR RETURN GRILLE	001030	2
275	411N1121-103	..	STIFFENER ASSY	001030	1
280	BACI12S3	...	INSERT	001030	2
285	411N1210-10SP	..	COVER-DECORATIVE	001030	1
290	65C31833-415	..	PANEL ASSY- USED ON: 411N1210-628SP	001030	1
295	65C31833-416	..	PANEL ASSY- USED ON: 411N1210-629SP	001030	1
300	411N1210-637SP	.	PANEL ASSY-WINDOW	001030	1
305	BACS12FA3K4	..	SCREW	001030	3
310	411N1407-2	..	CLIP-AIR RETURN GRILLE	001030	3
315	411N1121-111	..	STIFFENER ASSY	001030	1
320	BACI12S3	...	INSERT	001030	4
325	411N1210-5SP	..	COVER-DECORATIVE	001030	1
330	411N1250-102	..	SHEATH ASSY-SHADE	001030	2

MISSING ITEM NUMBERS NOT APPLICABLE

— ITEM NOT ILLUSTRATED

HAP

25-21-46-72E

BOEING PROPRIETARY - Copyright © - Unpublished Work - See title page for details.

25-21-46
FIG. 72E
PAGE 4
JUN 15/09

BOEING
737-600/700/800/900
PARTS CATALOG (MAINTENANCE)

FIG ITEM	PART NUMBER	1 2 3 4 5 6 7	NOMENCLATURE	EFFECT FROM TO	UNITS PER ASSY
72 E					
R 335	411N1240-1	..	BRACKET	001030	2
340	411N1230-101	..	LATCH ASSY	001030	2
345	MS39086-11	...	PIN	001030	3
350	411N1175-1	...	SPRING	001030	2
355	411N1231-2	...	PAWL	001030	1
360	411N1231-1	...	BASE	001030	1
365	411N1260-201SP	..	WINDOW ASSY	001030	2
366	411N1261-1SP	...	RING-TRIM	001030	1
367	411N1270-201SP	...	REVEAL ASSY-	001030	1
368	411N1272-6SP	RING-SEAL SPRT	001030	1
369	411N1272-5SP	SEAL-DUST	001030	1
370	411N1271-1SP	REVEAL-	001030	1
			MISCELLANEOUS DATA: CUSTOMER MAY WISH TO ACQUIRE NHA, WHICH MAY BE MORE ECONOMICAL.		
371	411N1270-101SP	...	REVEAL ASSY-	001030	1
372	411N1272-2SP	RING-SEAL SPRT	001030	1
373	411N1272-1SP	SEAL-DUST	001030	1
374	411N1271-1SP	REVEAL-	001030	1
			MISCELLANEOUS DATA: CUSTOMER MAY WISH TO ACQUIRE NHA, WHICH MAY BE MORE ECONOMICAL.		
R 375	411N1281-4C	...	SHADE-	001030	1
R			OPTIONAL PART: 411N1281-3BCSZ		
R 375	411N1281-3BCSZ	...	SHADE-	001030	1
R			OPTIONAL PART: 411N1281-4C		
R 378	411N1133-6SP	...	PANE-	001030	1
			POSITION DATA: INNER		
			QUALIFIED I/W DATA: REPLACING CONFIGURATION IS A COLOR SENSITIVE PART. 411N1133-6A CAN REPLACE BUT NOT BE REPLACED BY 411N1133-3. 411N1133-6B CANNOT REPLACE OR BE REPLACED BY 411N1133-3.		
			OPTIONAL PART: 411N1133-9SP		
380	411N1133-9SP	...	PANE-	001030	1
			POSITION DATA: INNER		
			OPTIONAL PART: 411N1133-6SP		

MISSING ITEM NUMBERS NOT APPLICABLE

— ITEM NOT ILLUSTRATED

HAP

25-21-46-72E

BOEING PROPRIETARY - Copyright © - Unpublished Work - See title page for details.

25-21-46
FIG. 72E
PAGE 5
JUN 15/09

BOEING
737-600/700/800/900
PARTS CATALOG (MAINTENANCE)

FIG ITEM	PART NUMBER	1 2 3 4 5 6 7	NOMENCLATURE	EFFECT FROM TO	UNITS PER ASSY
72 E					
R 385	411N1220-1	..	RETAINER-EDGE	001030	1
390	65C31833-793	..	PANEL ASSY	001030	1
R 395	411N1210-636SP	.PANEL	ASSY-WINDOW	001030	1
400	BACS12FA3K4	..	SCREW	001030	3
R 405	411N1407-2	..	CLIP-AIR RETURN GRILLE	001030	3
410	411N1121-111	..	STIFFENER ASSY	001030	1
415	BACI12S3	...	INSERT	001030	4
420	411N1210-5SP	..	COVER-DECORATIVE	001030	1
R 425	411N1250-102	..	SHEATH ASSY-SHADE	001030	2
430	411N1240-1	..	BRACKET	001030	2
R 435	411N1230-101	..	LATCH ASSY	001030	2
440	MS39086-11	...	PIN	001030	3
445	411N1175-1	...	SPRING	001030	2
450	411N1231-2	...	PAWL	001030	1
455	411N1231-1	...	BASE	001030	1
460	411N1260-201SP	..	WINDOW ASSY	001030	2
465	411N1261-1SP	...	RING-TRIM	001030	1
470	411N1270-201SP	...	REVEAL ASSY-	001030	1
475	411N1272-6SP	RING-SEAL SPRT	001030	1
480	411N1272-5SP	SEAL-DUST	001030	1
485	411N1271-1SP	REVEAL-	001030	1
			MISCELLANEOUS DATA: CUSTOMER MAY WISH TO ACQUIRE NHA, WHICH MAY BE MORE ECONOMICAL.		
490	411N1270-101SP	...	REVEAL ASSY-	001030	1
495	411N1272-2SP	RING-SEAL SPRT	001030	1
500	411N1272-1SP	SEAL-DUST	001030	1
505	411N1271-1SP	REVEAL-	001030	1
			MISCELLANEOUS DATA: CUSTOMER MAY WISH TO ACQUIRE NHA, WHICH MAY BE MORE ECONOMICAL.		
R 510	411N1281-4C	...	SHADE-	001030	1
R 510	411N1281-3BCSZ	...	SHADE-	001030	1
R			OPTIONAL PART: 411N1281-3BCSZ		
R			OPTIONAL PART: 411N1281-4C		

MISSING ITEM NUMBERS NOT APPLICABLE

— ITEM NOT ILLUSTRATED

HAP

25-21-46-72E

BOEING PROPRIETARY - Copyright © - Unpublished Work - See title page for details.

25-21-46
FIG. 72E
PAGE 6
JUN 15/09

BOEING
737-600/700/800/900
PARTS CATALOG (MAINTENANCE)

FIG ITEM	PART NUMBER	1 2 3 4 5 6 7	NOMENCLATURE	EFFECT FROM TO	UNITS PER ASSY
72 E 515	411N1133-6SP		...PANE- POSITION DATA: INNER QUALIFIED I/W DATA: REPLACING CONFIGURATION IS A COLOR SENSITIVE PART. 411N1133-6A CAN REPLACE BUT NOT BE REPLACED BY 411N1133-3. 411N1133-6B CANNOT REPLACE OR BE REPLACED BY 411N1133-3. OPTIONAL PART: 411N1133-9SP	001030	1
520	411N1133-9SP		...PANE- POSITION DATA: INNER OPTIONAL PART: 411N1133-6SP	001030	1
525	411N1220-2		..RETAINER-EDGE	001030	1
530	65C31833-794		..PANEL ASSY	001030	1

MISSING ITEM NUMBERS NOT APPLICABLE

— ITEM NOT ILLUSTRATED

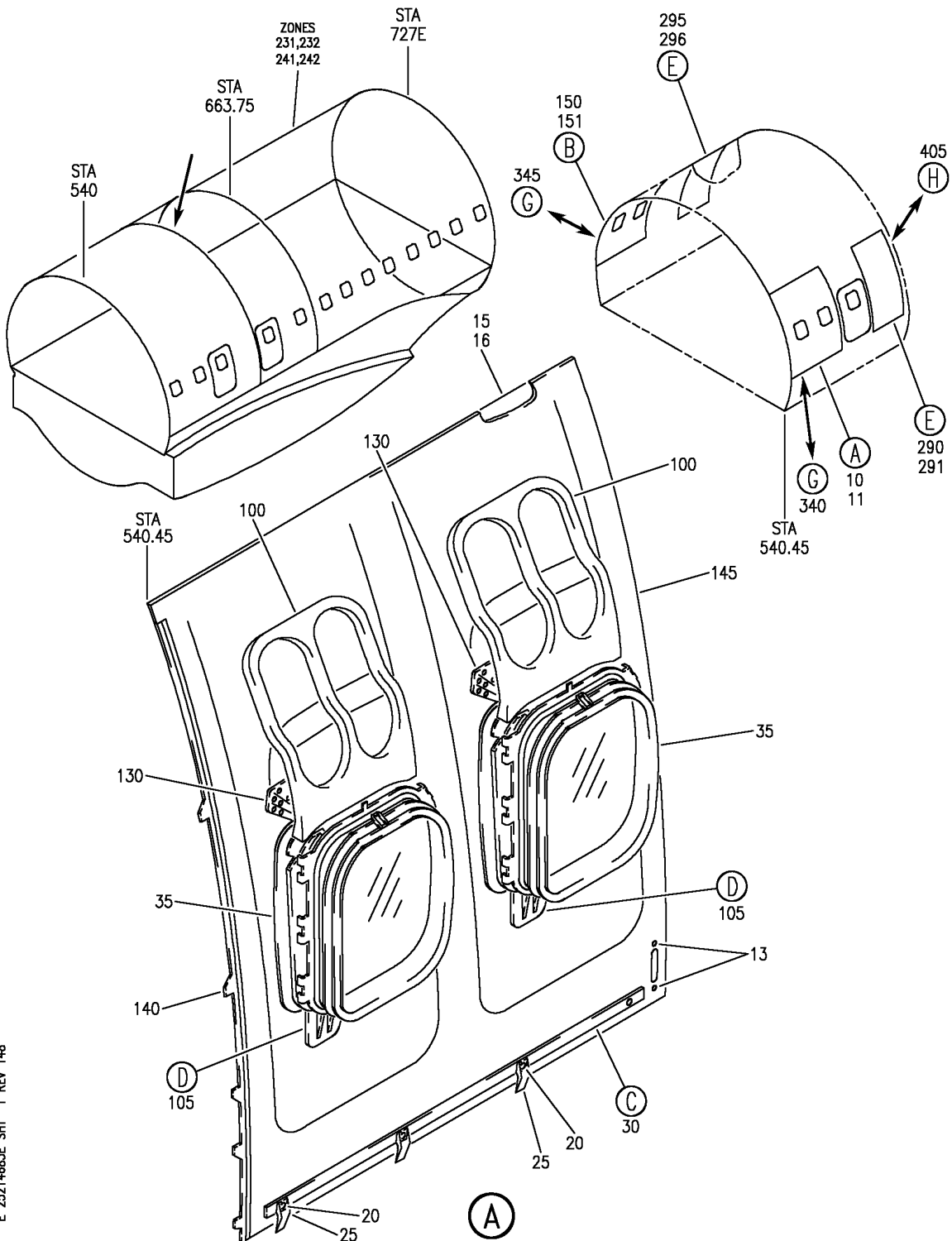
HAP

25-21-46-72E

BOEING PROPRIETARY - Copyright © - Unpublished Work - See title page for details.

25-21-46
FIG. 72E
PAGE 7
JUN 15/09

BOEING
 737-600/700/800/900
 PARTS CATALOG (MAINTENANCE)



E 25214683E SHT 1 REV 148

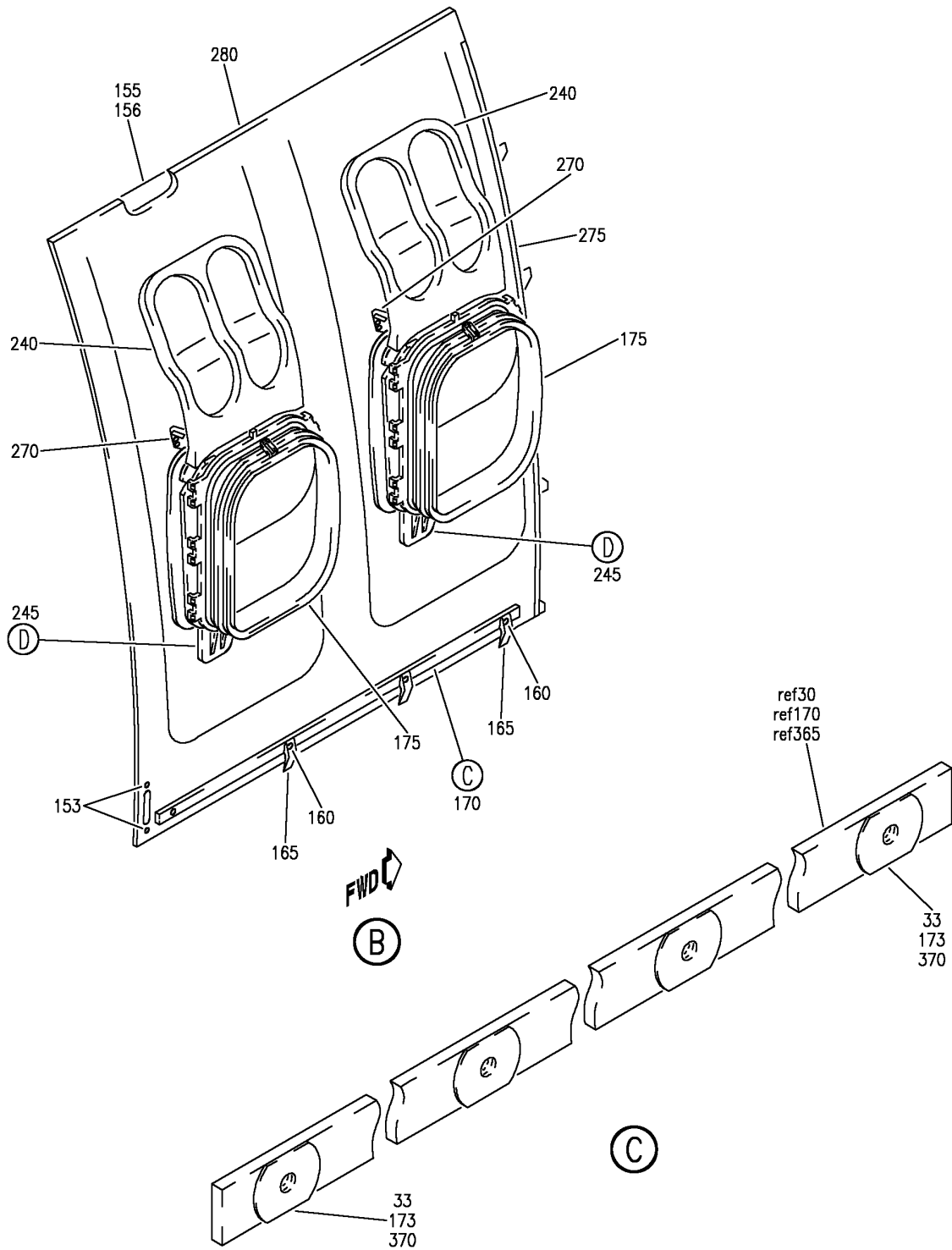
SIDEWALL INSTL- PASS. CAB
 FIGURE 83E (SHEET 1)

25-21-46-83E

HAP
 FEB 15/09

25-21-46-83E
 PAGE 0

BOEING
 737-600/700/800/900
 PARTS CATALOG (MAINTENANCE)



E 25214683E SHT 2 REV 147

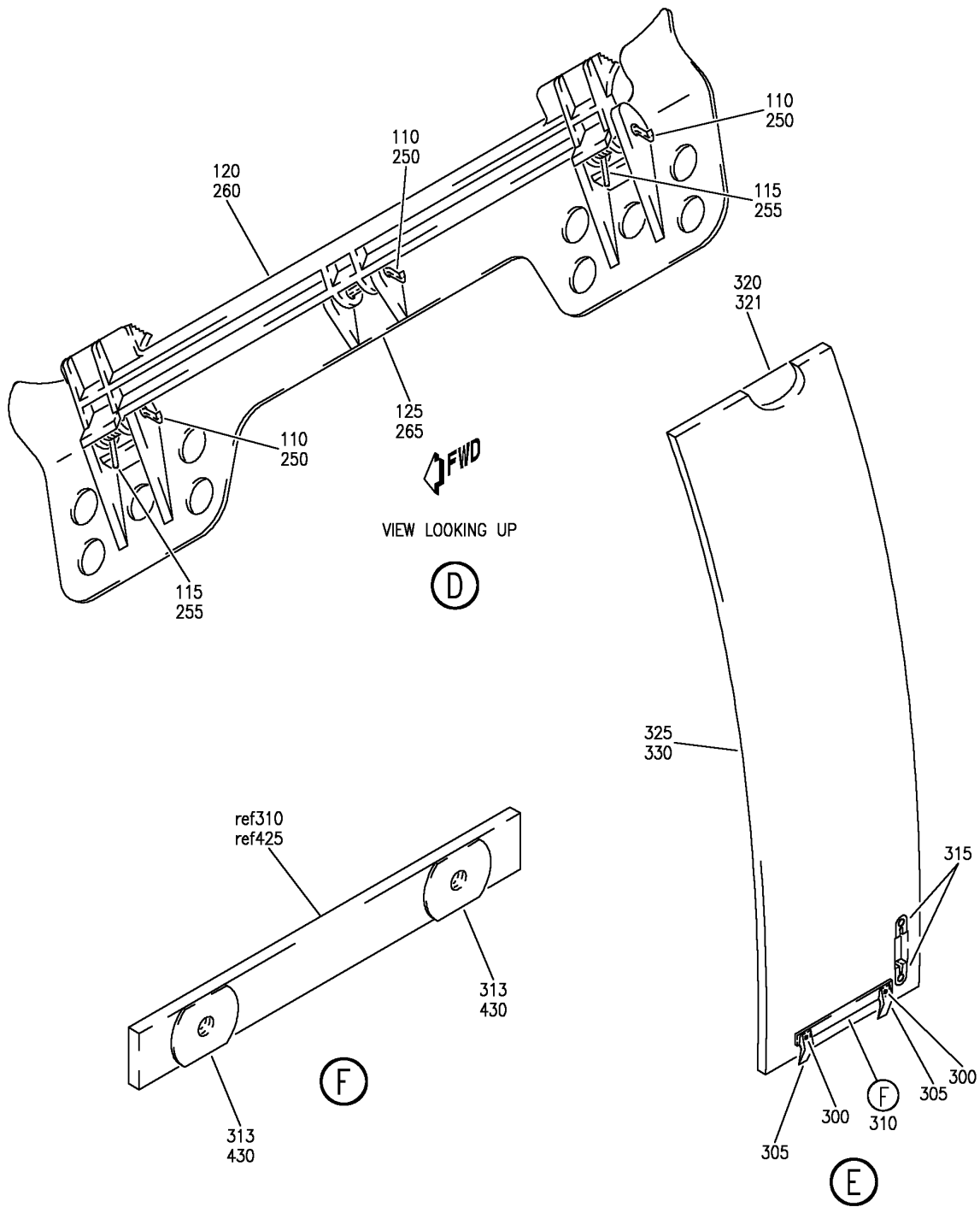
SIDEWALL INSTL- PASS. CAB
 FIGURE 83E (SHEET 2)

25-21-46-83E

HAP
 OCT 15/08

25-21-46-83E
 PAGE 0A

BOEING
 737-600/700/800/900
 PARTS CATALOG (MAINTENANCE)



E 25214683E SHT 3 REV 147

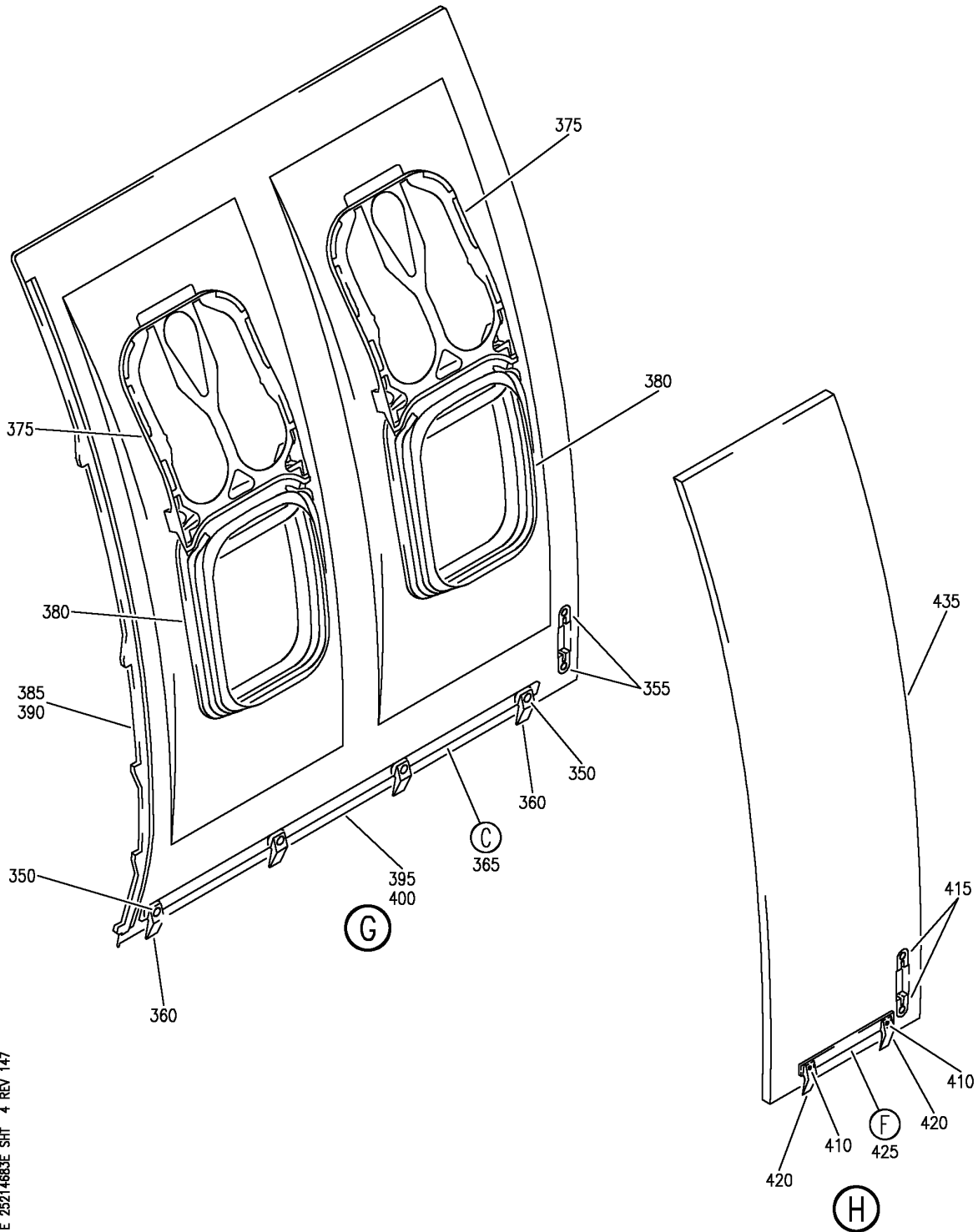
SIDEWALL INSTL- PASS. CAB
 FIGURE 83E (SHEET 3)

25-21-46-83E

HAP
 OCT 15/08

25-21-46-83E
 PAGE 0B

BOEING
 737-600/700/800/900
 PARTS CATALOG (MAINTENANCE)



E 25214683E SH1 4 REV 147

SIDEWALL INSTL- PASS. CAB
 FIGURE 83E (SHEET 4)

25-21-46-83E

HAP
 OCT 15/08

25-21-46-83E
 PAGE 0C

BOEING
737-600/700/800/900
PARTS CATALOG (MAINTENANCE)

FIG ITEM	PART NUMBER	1 2 3 4 5 6 7	NOMENCLATURE	EFFECT FROM TO	UNITS PER ASSY
83E					
- 3	MODREF268722		SIDEWALL INSTL- PASS. CAB SIDEWALL INSTL-PASS. CAB. PROXIMITY LT PROVISION PANELS MODULE NUMBER: 411A1100-501CR REV A	031100 031100	1
11	411N1210-433DH		.PANEL ASSY-WINDOW	031100	1
13	BRC600-12-3GP		..NUT SUPPLIER CODE: V52828 SPECIFICATION NUMBER: BACN10YD6G OPTIONAL PART: 130125G V60119	031100	2
16	411N1210-2CL		..COVER	031100	1
20	BACS12FA3K4		..SCREW	031100	3
25	411N1407-2		..CLIP-AIR RETURN GRILLE	031100	3
30	411N1121-108		..STIFFENER ASSY	031100	1
33	BACI12S3		...INSERT	031100	4
35	411N1260-201B		..WINDOW ASSY-SIDEWALL PNL FOR DETAILS SEE: 25-21-12-83E	031100	2
100	411N1250-102		..SHEATH ASSY	031100	2
105	411N1230-101		..LATCH ASSY	031100	2
110	MS39086-11		...PIN	031100	3
115	411N1175-1		...SPRING	031100	2
120	411N1231-2		...PAWL-LATCH	031100	1
125	411N1231-1		...BASE-LATCH	031100	1
130	411N1240-1		..BRACKET-WINDOW	031100	2
140	411N1220-2		..RETAINER-EDGE	031100	1
145	65C31833-617		..PANEL ASSY-BASIC	031100	1
151	411N1210-432DH		.PANEL ASSY-WINDOW	031100	1
153	BRC600-12-3GP		..NUT SUPPLIER CODE: V52828 SPECIFICATION NUMBER: BACN10YD6G OPTIONAL PART: 130125G V60119	031100	2
156	411N1210-2CL		..COVER	031100	1
160	BACS12FA3K4		..SCREW	031100	3
165	411N1407-2		..CLIP-AIR RETURN GRILLE	031100	3
170	411N1121-108		..STIFFENER ASSY	031100	1
173	BACI12S3		...INSERT	031100	4

MISSING ITEM NUMBERS NOT APPLICABLE

- ITEM NOT ILLUSTRATED

HAP

25-21-46-83E

BOEING PROPRIETARY - Copyright © - Unpublished Work - See title page for details.

25-21-46
FIG. 83E
PAGE 1
OCT 15/08

BOEING
737-600/700/800/900
PARTS CATALOG (MAINTENANCE)

FIG ITEM	PART NUMBER	1 2 3 4 5 6 7	NOMENCLATURE	EFFECT FROM TO	UNITS PER ASSY
83E 175	411N1260-201B		..WINDOW ASSY-SIDEWALL PNL FOR DETAILS SEE: 25-21-12-83E	031100	2
240	411N1250-102		..SHEATH ASSY	031100	2
245	411N1230-101		..LATCH ASSY	031100	2
250	MS39086-11		...PIN	031100	3
255	411N1175-1		...SPRING	031100	2
260	411N1231-2		...PAWL-LATCH	031100	1
265	411N1231-1		...BASE-LATCH	031100	1
270	411N1240-1		..BRACKET-WINDOW	031100	2
275	411N1220-1		..RETAINER-EDGE	031100	1
280	65C31833-618		..PANEL ASSY-BASIC	031100	1
291	411N1210-628CP		.PANEL ASSY-WINDOW	031100	1
296	411N1210-629CP		.PANEL ASSY-WINDOW	031100	1
300	BACS12FA3K4		..SCREW	031100	2
305	411N1407-2		..CLIP-AIR RETURN GRILLE	031100	2
310	411N1121-103		..STIFFENER ASSY	031100	1
313	BACI12S3		...INSERT	031100	2
315	BRC600-12-3		..NUT-CLIP-ON SUPPLIER CODE: V52828 SPECIFICATION NUMBER: BACN10YD6 OPTIONAL PART: 130125 V60119	031100	2
321	411N1210-10CL		..COVER-DECORATIVE	031100	1

MISSING ITEM NUMBERS NOT APPLICABLE

— ITEM NOT ILLUSTRATED

HAP

25-21-46-83E

BOEING PROPRIETARY - Copyright © - Unpublished Work - See title page for details.

25-21-46
FIG. 83E
PAGE 2
OCT 15/08

BOEING
737-600/700/800/900
PARTS CATALOG (MAINTENANCE)

FIG ITEM	PART NUMBER	1 2 3 4 5 6 7	NOMENCLATURE	EFFECT FROM TO	UNITS PER ASSY
83E 325	65C31833-415		.. PANEL ASSY-BASIC USED ON: 411N1210-628SP 411N1210-628D 411N1210-628H 411N1210-628M 411N1210-628C 411N1210-628N 411N1210-628W 411N1210-628CC 411N1210-628BL 411N1210-628BR 411N1210-628BV 411N1210-628CB 411N1210-628BP 411N1210-628BM 411N1210-628BN 411N1210-628CT 411N1210-628CD 411N1210-628CG 411N1210-628CR 411N1210-628CL 411N1210-628BT 411N1210-628CN 411N1210-628CP 411N1210-628CV 411N1210-628CW 411N1210-628DB 411N1210-628DD 411N1210-628DC 411N1210-628BW 411N1210-628DG 411N1210-628DJ	031100	1

MISSING ITEM NUMBERS NOT APPLICABLE

— ITEM NOT ILLUSTRATED

HAP

25-21-46-83E

BOEING PROPRIETARY - Copyright © - Unpublished Work - See title page for details.

25-21-46
FIG. 83E
PAGE 3
OCT 15/08

BOEING
737-600/700/800/900
PARTS CATALOG (MAINTENANCE)

FIG ITEM	PART NUMBER	1 2 3 4 5 6 7	NOMENCLATURE	EFFECT FROM TO	UNITS PER ASSY
83E 330	65C31833-416		.. PANEL ASSY-BASIC USED ON: 411N1210-629SP 411N1210-629D 411N1210-629H 411N1210-629M 411N1210-629C 411N1210-629N 411N1210-629W 411N1210-629CC 411N1210-629BL 411N1210-629BR 411N1210-629BV 411N1210-629CB 411N1210-629BP 411N1210-629BM 411N1210-629BN 411N1210-629CT 411N1210-629CD 411N1210-629CG 411N1210-629CR 411N1210-629CL 411N1210-629BT 411N1210-629CN 411N1210-629CP 411N1210-629CV 411N1210-629CW 411N1210-629DB 411N1210-629DD 411N1210-629DC 411N1210-629BW 411N1210-629DG 411N1210-629DJ	031100	1

MISSING ITEM NUMBERS NOT APPLICABLE

— ITEM NOT ILLUSTRATED

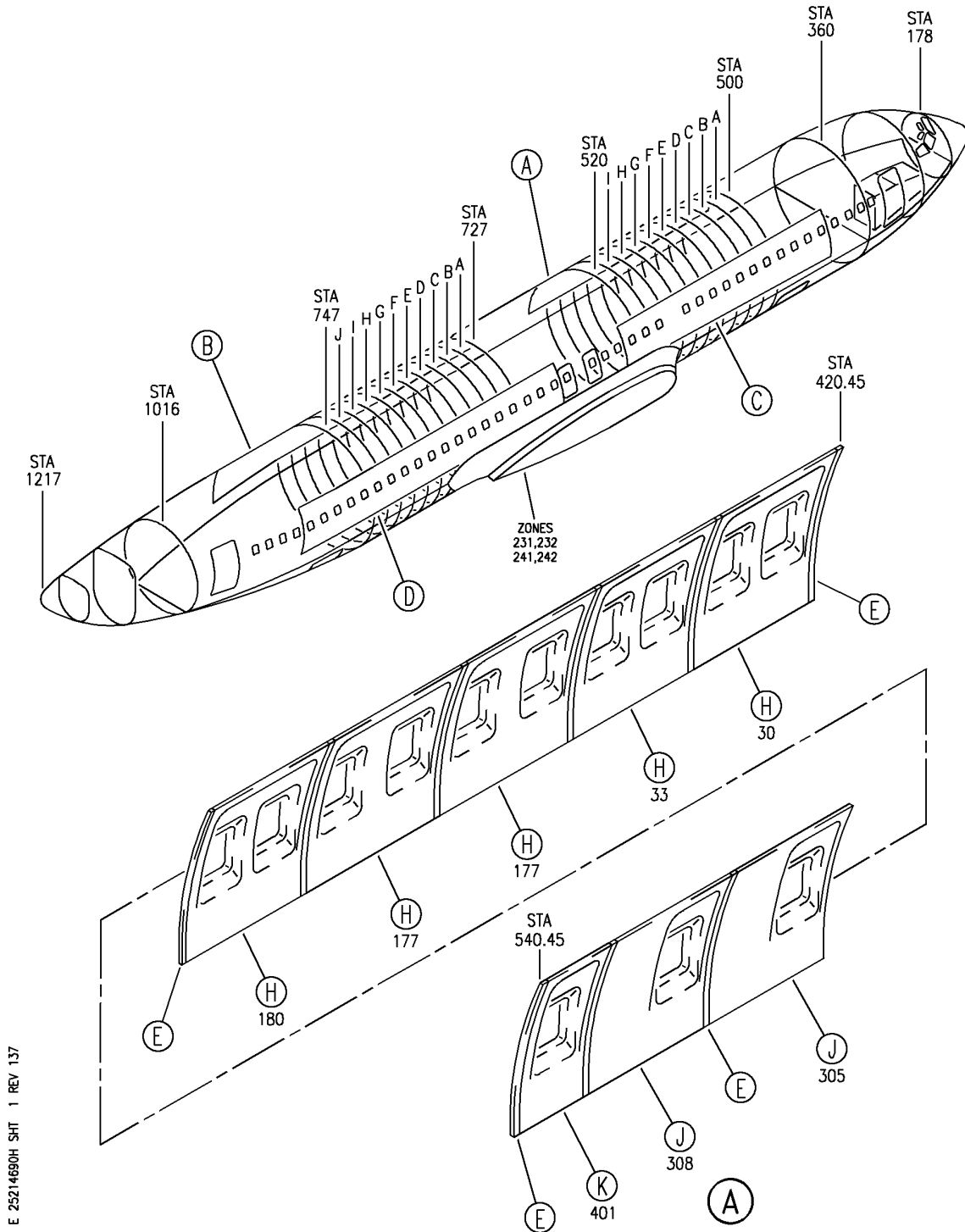
HAP

25-21-46-83E

BOEING PROPRIETARY - Copyright © - Unpublished Work - See title page for details.

25-21-46
FIG. 83E
PAGE 4
OCT 15/08

BOEING
 737-600/700/800/900
 PARTS CATALOG (MAINTENANCE)



E 25214690H SHT 1 REV 137

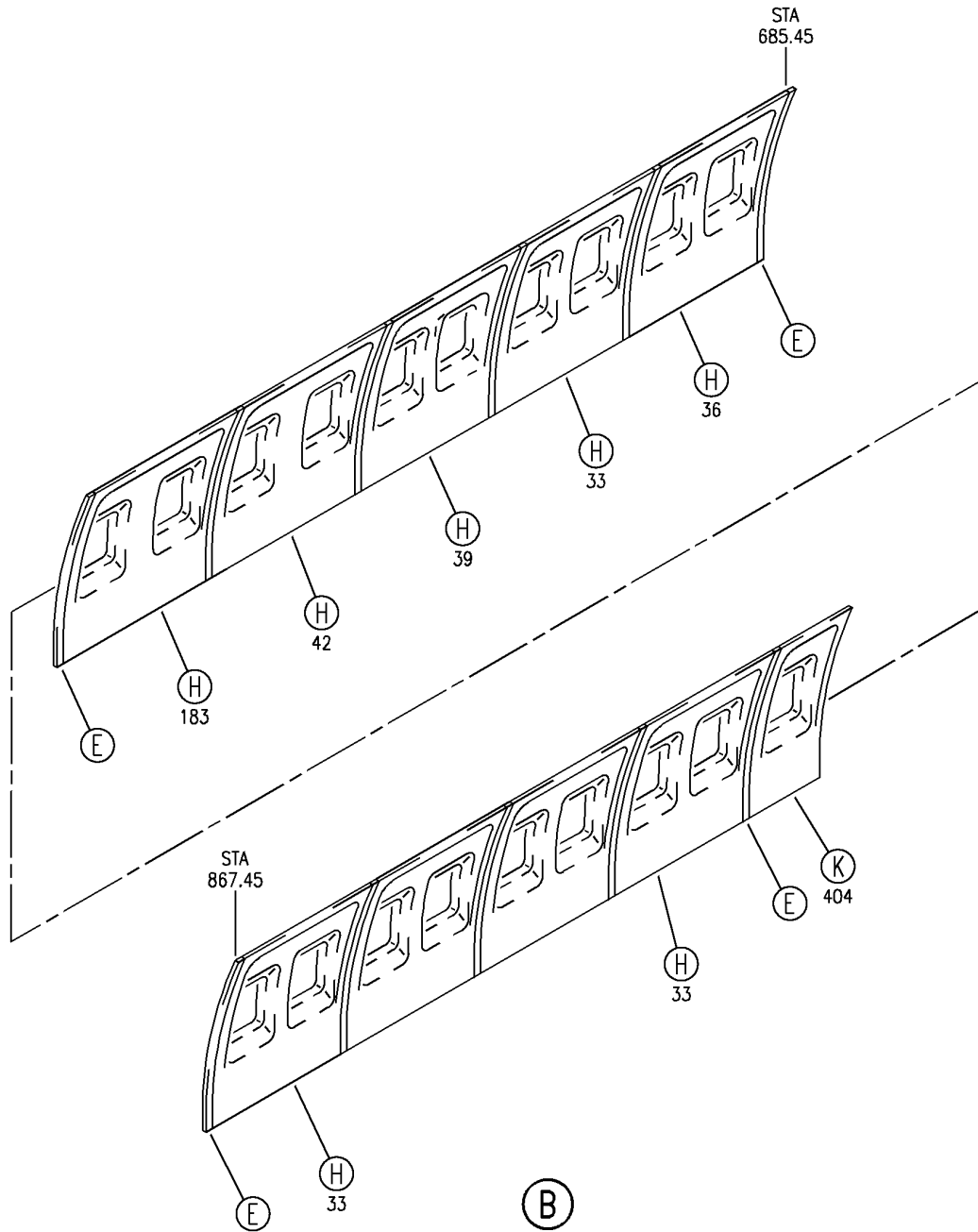
SIDEWALL INSTL-CTR PASS. CAB.
 FIGURE 90H (SHEET 1)

25-21-46-90H

HAP
 FEB 15/08

25-21-46-90H
 PAGE 0

BOEING
 737-600/700/800/900
 PARTS CATALOG (MAINTENANCE)



E 25214690H SHT 2 REV 137

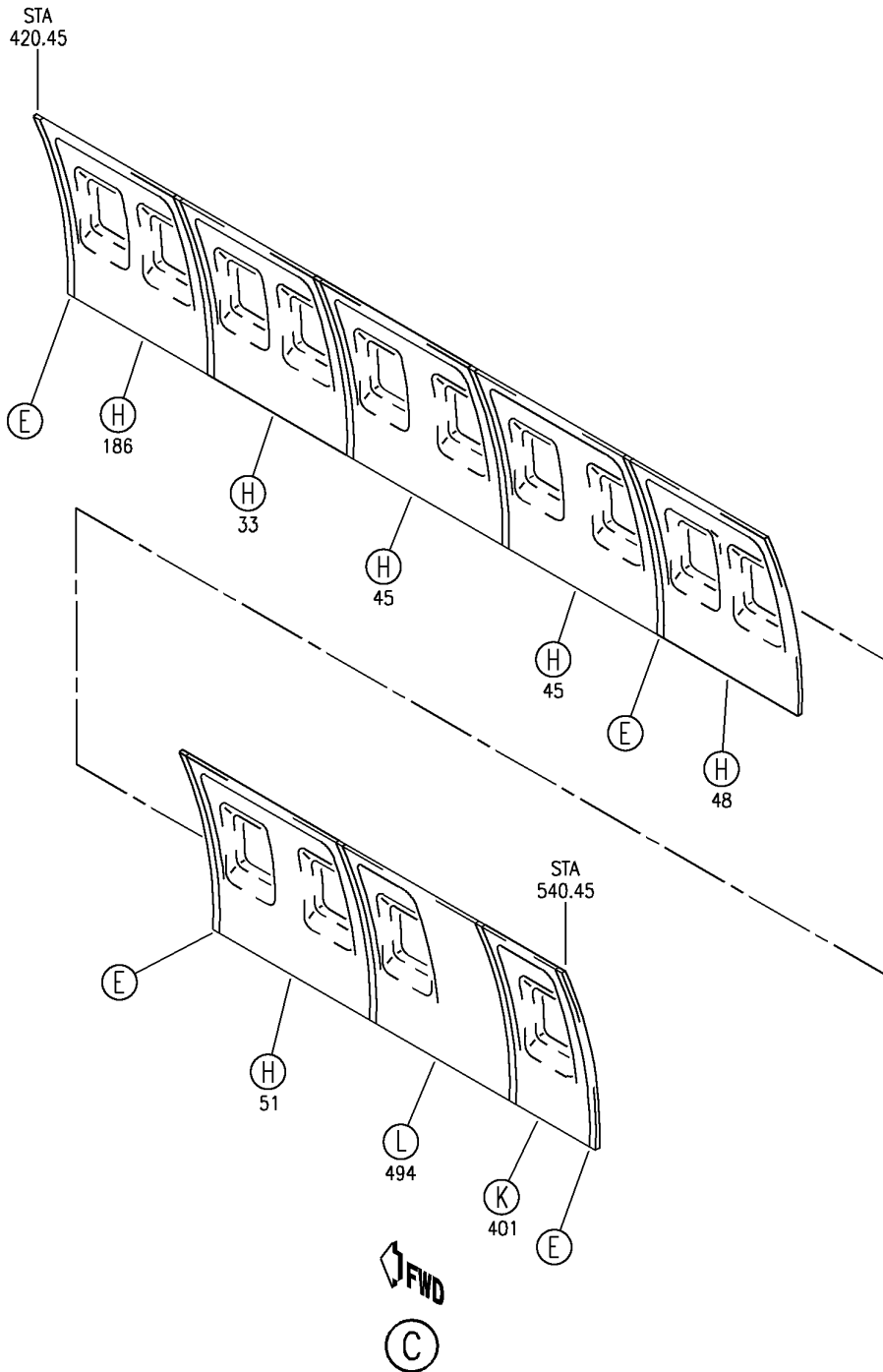
SIDEWALL INSTL-CTR PASS. CAB.
 FIGURE 90H (SHEET 2)

25-21-46-90H

HAP
 FEB 15/08

25-21-46-90H
 PAGE 0A

BOEING
 737-600/700/800/900
 PARTS CATALOG (MAINTENANCE)



E 25214690H SHT 3 REV 137

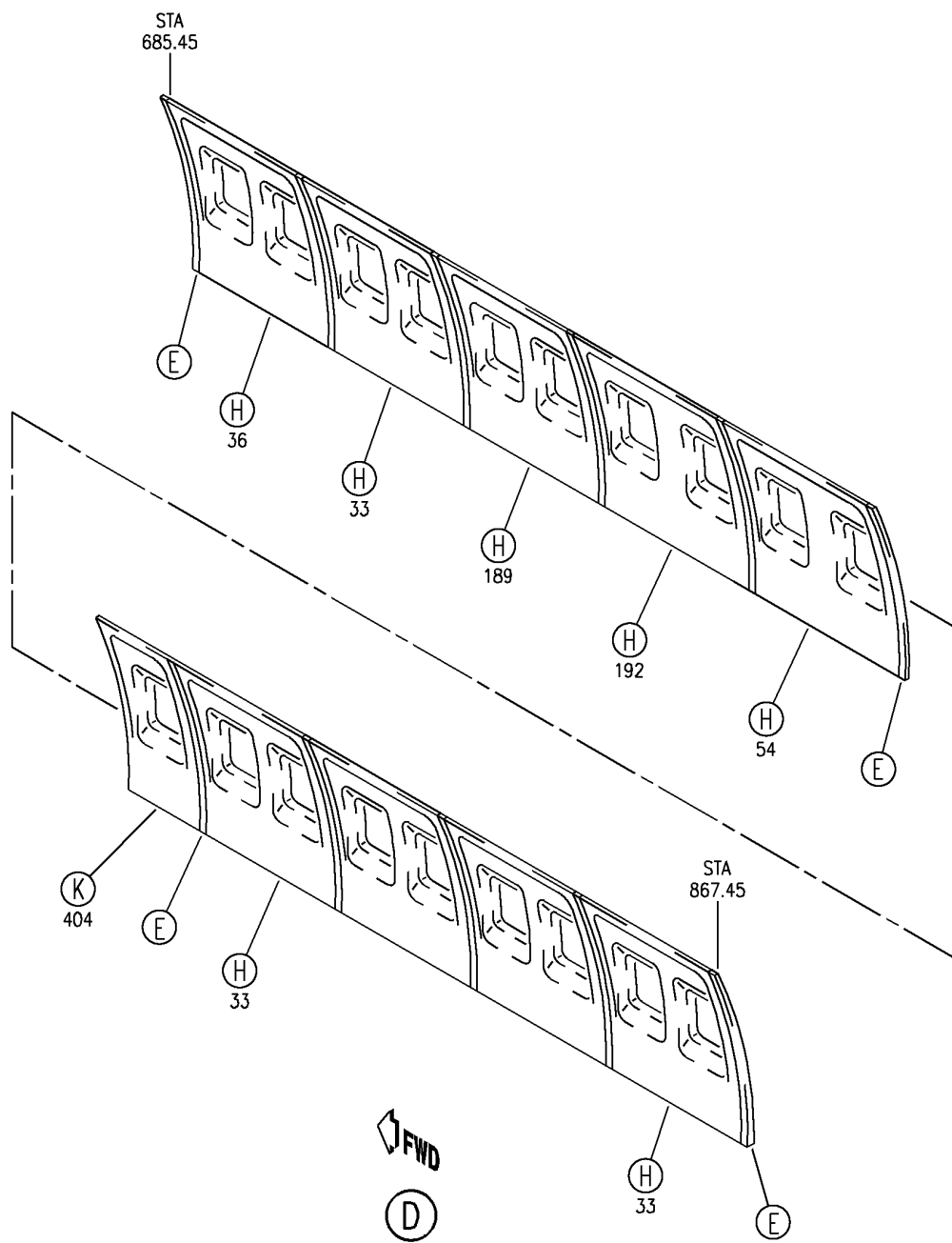
SIDEWALL INSTL-CTR PASS. CAB.
 FIGURE 90H (SHEET 3)

25-21-46-90H

HAP
 FEB 15/08

25-21-46-90H
 PAGE 0B

BOEING
 737-600/700/800/900
 PARTS CATALOG (MAINTENANCE)



E 25214690H SHT 4 REV 137

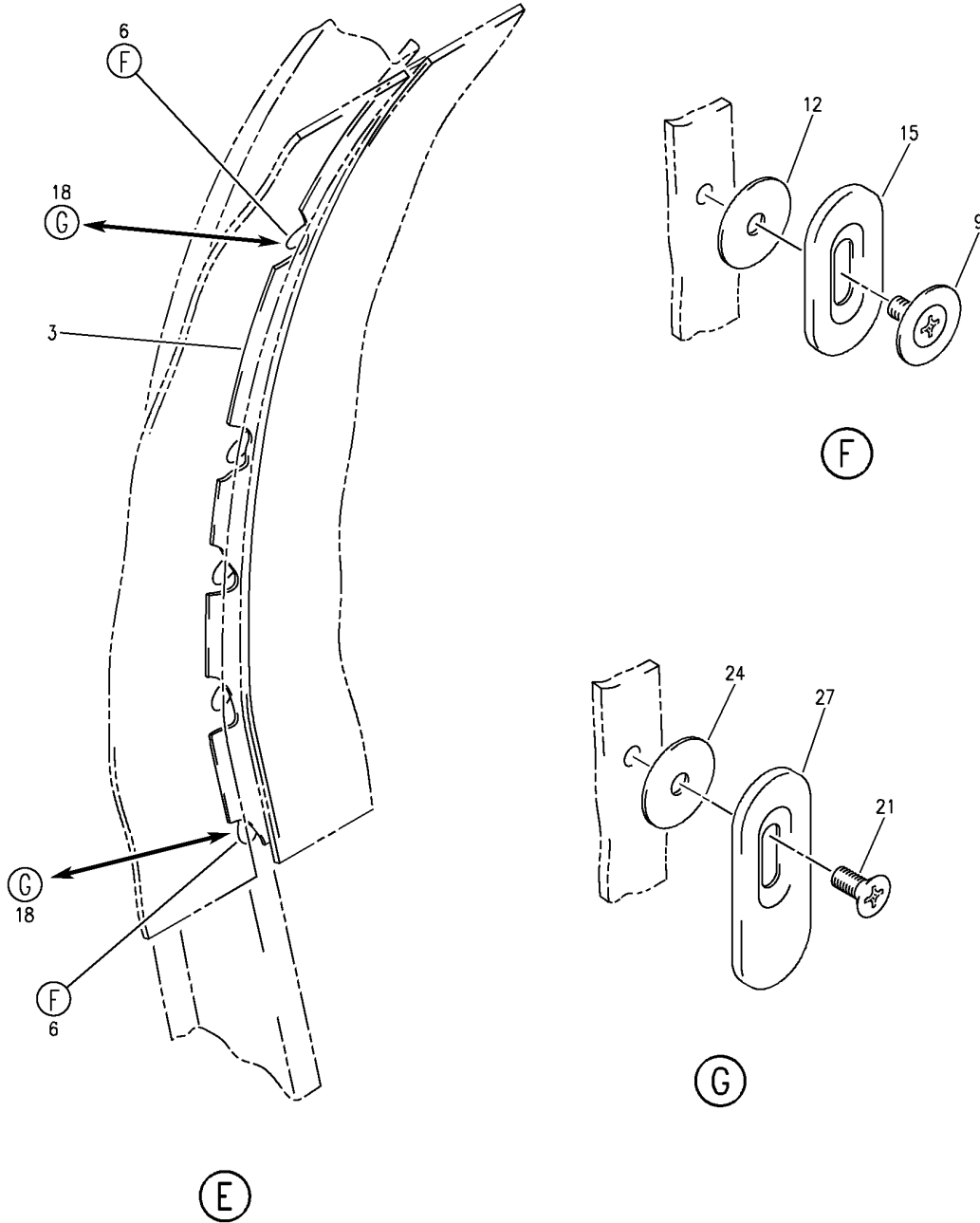
SIDEWALL INSTL-CTR PASS. CAB.
 FIGURE 90H (SHEET 4)

25-21-46-90H

HAP
 FEB 15/08

25-21-46-90H
 PAGE 0C

BOEING
 737-600/700/800/900
 PARTS CATALOG (MAINTENANCE)



E 25214690H SHT 5 REV 137

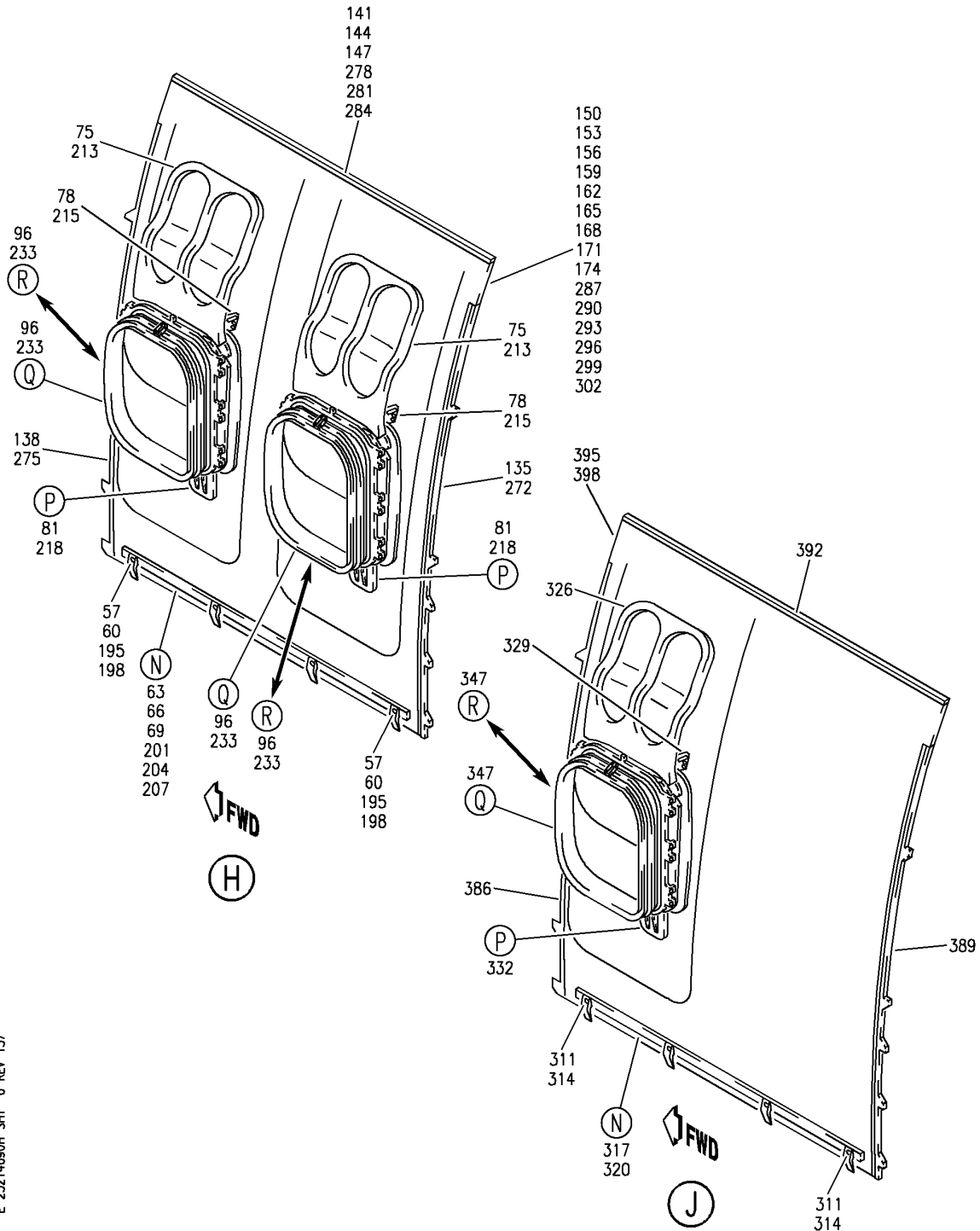
SIDEWALL INSTL-CTR PASS. CAB.
 FIGURE 90H (SHEET 5)

25-21-46-90H

HAP
 FEB 15/08

25-21-46-90H
 PAGE 0D

BOEING
737-600/700/800/900
PARTS CATALOG (MAINTENANCE)



E 25214690H SHT 6 REV 137

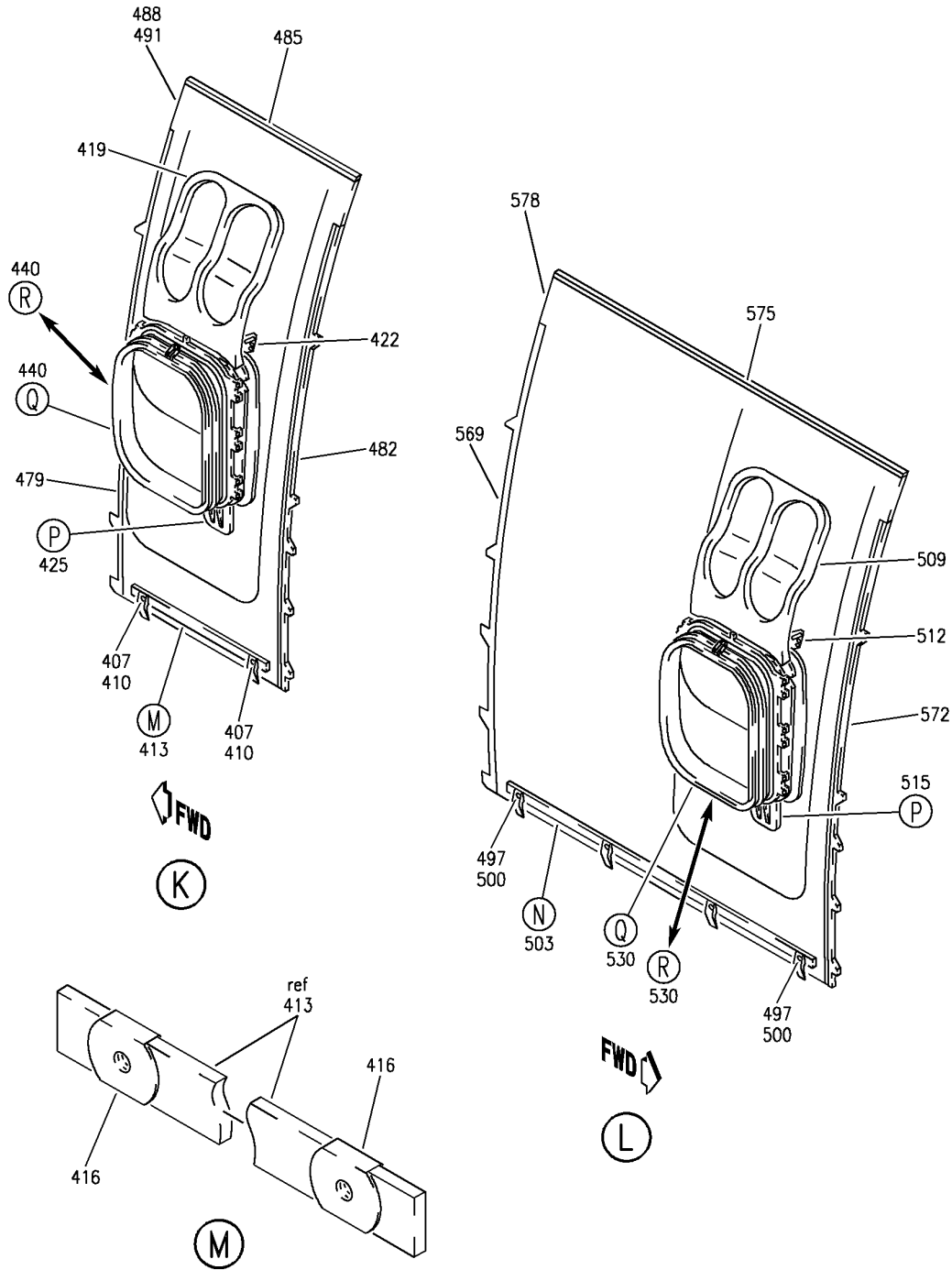
SIDEWALL INSTL-CTR PASS. CAB.
FIGURE 90H (SHEET 6)

25-21-46-90H

HAP
FEB 15/08

25-21-46-90H
PAGE 0E

BOEING
737-600/700/800/900
PARTS CATALOG (MAINTENANCE)



E 25214690H SHT 7 REV 137

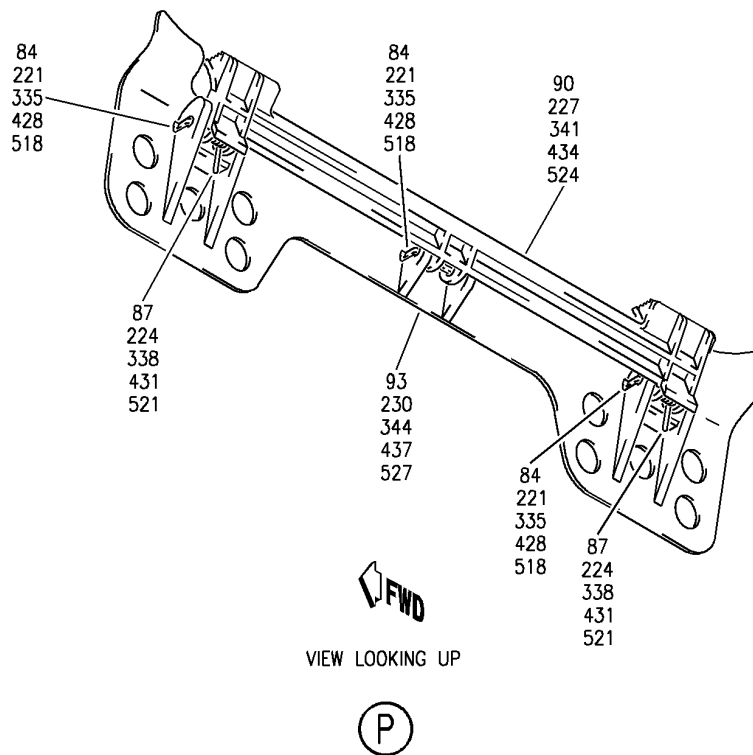
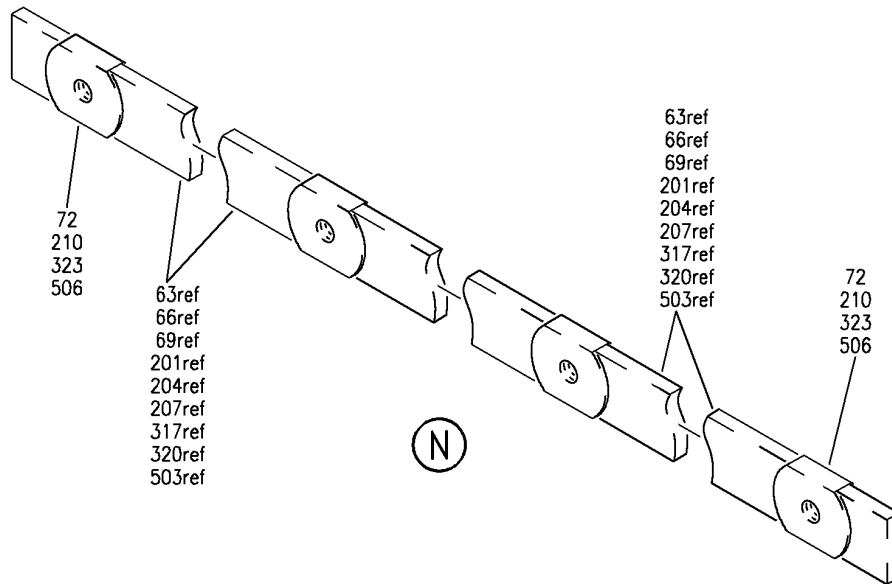
SIDEWALL INSTL-CTR PASS. CAB.
FIGURE 90H (SHEET 7)

25-21-46-90H

HAP
FEB 15/08

25-21-46-90H
PAGE OF

BOEING
 737-600/700/800/900
 PARTS CATALOG (MAINTENANCE)



E 25214690H SHT 8 REV 137

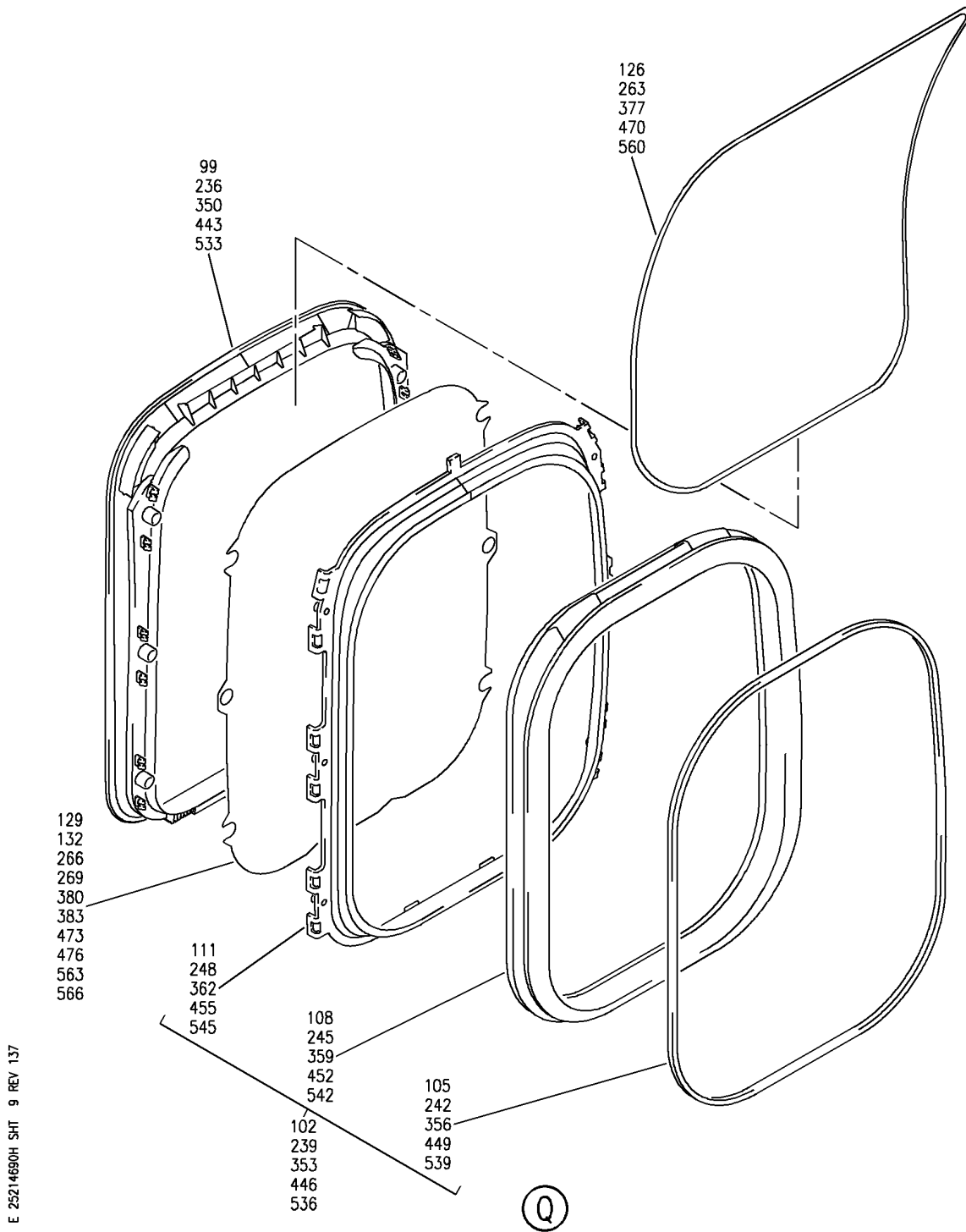
SIDEWALL INSTL-CTR PASS. CAB.
 FIGURE 90H (SHEET 8)

25-21-46-90H

HAP
 FEB 15/08

25-21-46-90H
 PAGE 08

BOEING
 737-600/700/800/900
 PARTS CATALOG (MAINTENANCE)



E 25214690H SHT 9 REV 137

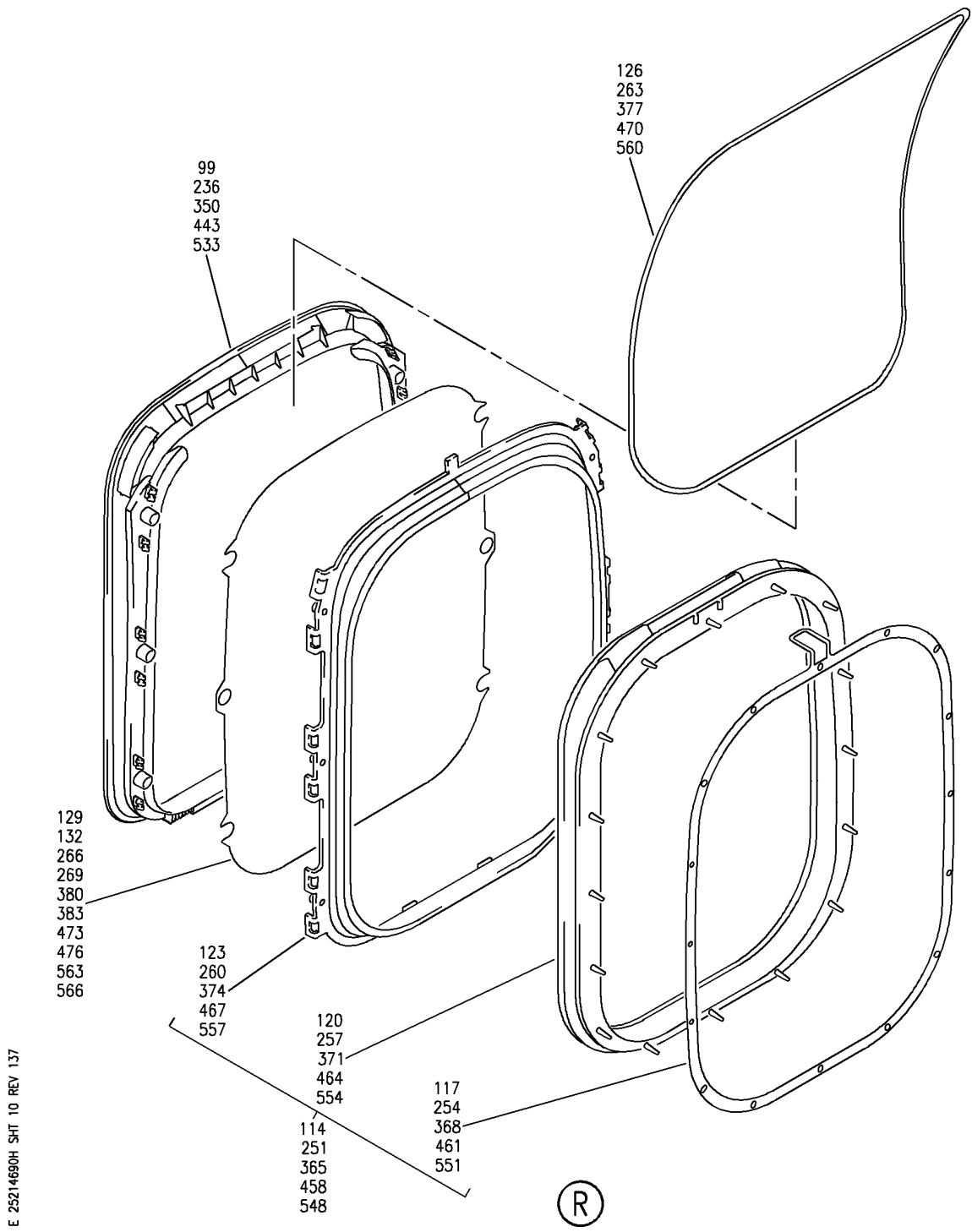
SIDEWALL INSTL-CTR PASS. CAB.
 FIGURE 90H (SHEET 9)

25-21-46-90H

HAP
 FEB 15/08

25-21-46-90H
 PAGE 0H

BOEING
 737-600/700/800/900
 PARTS CATALOG (MAINTENANCE)



E 25214690H SHT 10 REV 137

SIDEWALL INSTL-CTR PASS. CAB.
 FIGURE 90H (SHEET 10)

25-21-46-90H

HAP
 FEB 15/08

25-21-46-90H
 PAGE 01

BOEING
737-600/700/800/900
PARTS CATALOG (MAINTENANCE)

FIG ITEM	PART NUMBER	1 2 3 4 5 6 7	NOMENCLATURE	EFFECT FROM TO	UNITS PER ASSY
90H			SIDEWALL INSTL-CTR PASS. CAB.	001017 019019	
- 1	411A1100-801SP		SIDEWALL INSTL-PASS. CAB. POSITION DATA: CTR FOR NHA SEE: 25-21-00-01D	001017 019019	RF
3	411N1102-32SP		.STRIP-TRIM	001017 019019	40
6	65C28101-5		.WASHER ASSY- QUALIFIED I/W DATA: 65C28101-5 I/W 65C28101-7 FOR SOME SIDEWALL INSTALLATIONS; THE RETAINER USED ON 65C28101-7 IS LONGER THAN THE RETAINER USED ON 65C28101-5	001017 019019	200
9	CA3105-1032-6		..SCREW SUPPLIER CODE: V73439 SPECIFICATION NUMBER: BACS12N10-6 OPTIONAL PART: CA3105-1032-6 V78189 SP1561-1032-6 V73439	001017 019019	1
12	69-66047-1		..WASHER	001017 019019	1
15	65C28101-2		..RETAINER	001017 019019	1
18	65C28101-7		.WASHER ASSY- QUALIFIED I/W DATA: 65C28101-5 I/W 65C28101-7 FOR SOME SIDEWALL INSTALLATIONS; THE RETAINER USED ON 65C28101-7 IS LONGER THAN THE RETAINER USED ON 65C28101-5	001017 019019	200
21	BACS12ER3K5		..SCREW	001017 019019	1
24	69-66047-1		..WASHER	001017 019019	1

MISSING ITEM NUMBERS NOT APPLICABLE

- ITEM NOT ILLUSTRATED

HAP

25-21-46-90H

BOEING PROPRIETARY - Copyright © - Unpublished Work - See title page for details.

25-21-46
FIG. 90H
PAGE 1
FEB 15/08

BOEING
737-600/700/800/900
PARTS CATALOG (MAINTENANCE)

FIG ITEM	PART NUMBER	1 2 3 4 5 6 7	NOMENCLATURE	EFFECT FROM TO	UNITS PER ASSY
90H					
27	69-62183-2	. .	RETAINER	001017 019019	1
30	411N1210-310SP	. PANEL	ASSY	001017 019019	1
33	411N1210-309SP	. PANEL	ASSY	001017 019019	12
36	411N1210-347SP	. PANEL	ASSY	001017 019019	2
39	411N1210-348SP	. PANEL	ASSY	001017 019019	1
42	411N1210-353SP	. PANEL	ASSY	001017 019019	1
45	411N1210-351SP	. PANEL	ASSY	001017 019019	2
48	411N1210-380SP	. PANEL	ASSY	001017 019019	1
51	411N1210-382SP	. PANEL	ASSY	001017 019019	1
54	411N1210-386SP	. PANEL	ASSY	001017 019019	1
57	BACS12FA3K4	. .	SCREW	001017 019019	4
60	411N1407-2	. .	CLIP	001017 019019	4
63	411N1121-106	. .	STIFFENER ASSY- USED ON: 411N1210-309SP 411N1210-310SP	001017 019019	1
66	411N1121-107	. .	STIFFENER ASSY- USED ON: 411N1210-351SP 411N1210-353SP 411N1210-380SP 411N1210-382SP 411N1210-386SP	001017 019019	1
69	411N1121-110	. .	STIFFENER ASSY- USED ON: 411N1210-347SP 411N1210-348SP	001017 019019	1
72	BACI12S3	. . .	INSERT	001017 019019	4
75	411N1250-102	. .	SHEATH ASSY	001017 019019	2
78	411N1240-1	. .	BRACKET	001017 019019	2
81	411N1230-101	. .	LATCH ASSY	001017 019019	2
84	MS39086-11	. . .	PIN	001017 019019	3

MISSING ITEM NUMBERS NOT APPLICABLE

— ITEM NOT ILLUSTRATED

HAP

25-21-46-90H

BOEING PROPRIETARY - Copyright © - Unpublished Work - See title page for details.

25-21-46
FIG. 90H
PAGE 2
FEB 15/08

BOEING
737-600/700/800/900
PARTS CATALOG (MAINTENANCE)

FIG ITEM	PART NUMBER	1 2 3 4 5 6 7	NOMENCLATURE	EFFECT FROM TO	UNITS PER ASSY
90H					
87	411N1175-1	...	SPRING	001017 019019	2
90	411N1231-2	...	PAWL	001017 019019	1
93	411N1231-1	...	BASE	001017 019019	1
96	411N1260-201SP	..	WINDOW ASSY	001017 019019	2
99	411N1261-1SP	...	RING	001017 019019	1
102	411N1270-201SP	...	REVEAL ASSY-	001017 019019	1
105	411N1272-6SP	RING-SEAL SPRT	001017 019019	1
108	411N1272-5SP	SEAL-DUST	001017 019019	1
111	411N1271-1SP	REVEAL- MISCELLANEOUS DATA: CUSTOMER MAY WISH TO ACQUIRE NHA, WHICH MAY BE MORE ECONOMICAL.	001017 019019	1
114	411N1270-101SP	...	REVEAL ASSY-	001017 019019	1
117	411N1272-2SP	RING-SEAL SPRT	001017 019019	1
120	411N1272-1SP	SEAL-DUST	001017 019019	1
123	411N1271-1SP	REVEAL- MISCELLANEOUS DATA: CUSTOMER MAY WISH TO ACQUIRE NHA, WHICH MAY BE MORE ECONOMICAL.	001017 019019	1
126	411N1281-4C	...	SHADE- OPTIONAL PART: 411N1281-3BCSZ	001017 019019	1
126	411N1281-3BCSZ	...	SHADE- OPTIONAL PART: 411N1281-4C	001017 019019	1
129	411N1133-6A	...	PANE-	001017 019019	1
132	411N1133-9B	...	COVER-	001017 019019	1
135	411N1220-1	..	RETAINER	001017 019019	1
138	411N1220-2	..	RETAINER	001017 019019	1

R
R
R
R
R
R
R
R

MISSING ITEM NUMBERS NOT APPLICABLE

- ITEM NOT ILLUSTRATED

HAP

25-21-46-90H

25-21-46
FIG. 90H
PAGE 3
JUN 15/09

BOEING
737-600/700/800/900
PARTS CATALOG (MAINTENANCE)

FIG ITEM	PART NUMBER	1 2 3 4 5 6 7	NOMENCLATURE	EFFECT FROM TO	UNITS PER ASSY
90H 141	411N1210-1SP	..	COVER- USED ON: 411N1210-309SP 411N1210-310SP 411N1210-380SP	001017 019019	1
144	411N1210-3SP	..	COVER- USED ON: 411N1210-347SP 411N1210-348SP	001017 019019	1
147	411N1210-4SP	..	COVER- USED ON: 411N1210-351SP 411N1210-353SP 411N1210-382SP 411N1210-386SP	001017 019019	1
150	65C31833-610	..	PANEL ASSY- USED ON: 411N1210-310SP	001017 019019	1
153	65C31833-609	..	PANEL ASSY- USED ON: 411N1210-309SP	001017 019019	1
156	65C31833-647	..	PANEL ASSY- USED ON: 411N1210-347SP	001017 019019	1
159	65C31833-648	..	PANEL ASSY- USED ON: 411N1210-348SP	001017 019019	1
162	65C31833-653	..	PANEL ASSY- USED ON: 411N1210-353SP	001017 019019	1
165	65C31833-651	..	PANEL ASSY- USED ON: 411N1210-351SP	001017 019019	1
168	65C31833-672	..	PANEL ASSY- USED ON: 411N1210-380SP	001017 019019	1
171	65C31833-674	..	PANEL ASSY- USED ON: 411N1210-382SP	001017 019019	1
174	65C31833-678	..	PANEL ASSY- USED ON: 411N1210-386SP	001017 019019	1
177	411N1210-352SP	.	PANEL ASSY	001017 019019	2
180	411N1210-381SP	.	PANEL ASSY	001017 019019	1
183	411N1210-387SP	.	PANEL ASSY	001017 019019	1

MISSING ITEM NUMBERS NOT APPLICABLE

— ITEM NOT ILLUSTRATED

HAP

25-21-46-90H

BOEING PROPRIETARY - Copyright © - Unpublished Work - See title page for details.

25-21-46
FIG. 90H
PAGE 4
JUN 15/09

BOEING
737-600/700/800/900
PARTS CATALOG (MAINTENANCE)

FIG ITEM	PART NUMBER	1 2 3 4 5 6 7	NOMENCLATURE	EFFECT FROM TO	UNITS PER ASSY
90H					
186	411N1210-311SP	.	PANEL ASSY	001017 019019	1
189	411N1210-349SP	.	PANEL ASSY	001017 019019	1
192	411N1210-354SP	.	PANEL ASSY	001017 019019	1
195	BACS12FA3K4	..	SCREW	001017 019019	4
198	411N1407-2	..	CLIP	001017 019019	4
201	411N1121-106	..	STIFFENER ASSY- USED ON: 411N1210-311SP	001017 019019	1
204	411N1121-107	..	STIFFENER ASSY- USED ON: 411N1210-352SP 411N1210-354SP 411N1210-381SP 411N1210-387SP	001017 019019	1
207	411N1121-110	..	STIFFENER ASSY- USED ON: 411N1210-349SP	001017 019019	1
210	BACI12S3	...	INSERT	001017 019019	4
213	411N1250-102	..	SHEATH ASSY	001017 019019	2
215	411N1240-1	..	BRACKET	001017 019019	2
218	411N1230-101	..	LATCH ASSY	001017 019019	2
221	MS39086-11	...	PIN	001017 019019	3
224	411N1175-1	...	SPRING	001017 019019	2
227	411N1231-2	...	PAWL	001017 019019	1
230	411N1231-1	...	BASE	001017 019019	1
233	411N1260-201SP	..	WINDOW ASSY	001017 019019	2
236	411N1261-1SP	...	RING	001017 019019	1
239	411N1270-201SP	...	REVEAL ASSY-	001017 019019	1
242	411N1272-6SP	RING-SEAL SPRT	001017 019019	1
245	411N1272-5SP	SEAL-DUST	001017 019019	1

MISSING ITEM NUMBERS NOT APPLICABLE

— ITEM NOT ILLUSTRATED

HAP

25-21-46-90H

BOEING PROPRIETARY - Copyright © - Unpublished Work - See title page for details.

25-21-46
FIG. 90H
PAGE 5
JUN 15/09

BOEING
737-600/700/800/900
PARTS CATALOG (MAINTENANCE)

FIG ITEM	PART NUMBER	1 2 3 4 5 6 7	NOMENCLATURE	EFFECT FROM TO	UNITS PER ASSY
90H 248	411N1271-1SP	REVEAL- MISCELLANEOUS DATA: CUSTOMER MAY WISH TO ACQUIRE NHA, WHICH MAY BE MORE ECONOMICAL.	001017 019019	1
251	411N1270-101SP	...	REVEAL ASSY-	001017 019019	1
254	411N1272-2SP	RING-SEAL SPRT	001017 019019	1
257	411N1272-1SP	SEAL-DUST	001017 019019	1
260	411N1271-1SP	REVEAL- MISCELLANEOUS DATA: CUSTOMER MAY WISH TO ACQUIRE NHA, WHICH MAY BE MORE ECONOMICAL.	001017 019019	1
263	411N1281-4C	...	SHADE- OPTIONAL PART: 411N1281-3BCSZ	001017 019019	1
263	411N1281-3BCSZ	...	SHADE- OPTIONAL PART: 411N1281-4C	001017 019019	1
266	411N1133-6A	...	PANE-	001017 019019	1
269	411N1133-9B	...	COVER-	001017 019019	1
272	411N1220-1	..	RETAINER	001017 019019	1
275	411N1220-2	..	RETAINER	001017 019019	1
278	411N1210-1SP	..	COVER- USED ON: 411N1210-311SP 411N1210-381SP	001017 019019	1
281	411N1210-3SP	..	COVER- USED ON: 411N1210-349SP	001017 019019	1
284	411N1210-4SP	..	COVER- USED ON: 411N1210-352SP 411N1210-354SP 411N1210-387SP	001017 019019	1
287	65C31833-652	..	PANEL ASSY- USED ON: 411N1210-352SP	001017 019019	1
290	65C31833-673	..	PANEL ASSY- USED ON: 411N1210-381SP	001017 019019	1

R
R
R
R
R
R
R
R
R

MISSING ITEM NUMBERS NOT APPLICABLE

- ITEM NOT ILLUSTRATED

HAP

25-21-46-90H

25-21-46
FIG. 90H
PAGE 6
JUN 15/09

 **BOEING**
737-600/700/800/900
PARTS CATALOG (MAINTENANCE)

FIG ITEM	PART NUMBER	1 2 3 4 5 6 7	NOMENCLATURE	EFFECT FROM TO	UNITS PER ASSY
90H					
293	65C31833-679	..	PANEL ASSY- USED ON: 411N1210-387SP	001017 019019	1
296	65C31833-611	..	PANEL ASSY- USED ON: 411N1210-311SP	001017 019019	1
299	65C31833-649	..	PANEL ASSY- USED ON: 411N1210-349SP	001017 019019	1
302	65C31833-654	..	PANEL ASSY- USED ON: 411N1210-354SP	001017 019019	1
305	411N1210-383SP	.	PANEL ASSY	001017 019019	1
308	411N1210-385SP	.	PANEL ASSY	001017 019019	1
311	BACS12FA3K4	..	SCREW	001017 019019	4
314	411N1407-2	..	CLIP	001017 019019	4
317	411N1121-107	..	STIFFENER ASSY- USED ON: 411N1210-383SP	001017 019019	1
320	411N1121-110	..	STIFFENER ASSY- USED ON: 411N1210-385SP	001017 019019	1
323	BACI12S3	...	INSERT	001017 019019	4
326	411N1250-102	..	SHEATH ASSY	001017 019019	1
329	411N1240-1	..	BRACKET	001017 019019	1
332	411N1230-101	..	LATCH ASSY	001017 019019	1
335	MS39086-11	...	PIN	001017 019019	3
338	411N1175-1	...	SPRING	001017 019019	2
341	411N1231-2	...	PAWL	001017 019019	1
344	411N1231-1	...	BASE	001017 019019	1
347	411N1260-201SP	..	WINDOW ASSY	001017 019019	1
350	411N1261-1SP	...	RING-TRIM	001017 019019	1
353	411N1270-201SP	...	REVEAL ASSY-	001017 019019	1

MISSING ITEM NUMBERS NOT APPLICABLE

— ITEM NOT ILLUSTRATED

HAP

25-21-46-90H

25-21-46
FIG. 90H
PAGE 7
JUN 15/09

BOEING PROPRIETARY - Copyright © - Unpublished Work - See title page for details.

BOEING
737-600/700/800/900
PARTS CATALOG (MAINTENANCE)

FIG ITEM	PART NUMBER	1 2 3 4 5 6 7	NOMENCLATURE	EFFECT FROM TO	UNITS PER ASSY
90H					
356	411N1272-6SP	RING-SEAL SPRT	001017 019019	1
359	411N1272-5SP	SEAL-DUST	001017 019019	1
362	411N1271-1SP	REVEAL- MISCELLANEOUS DATA: CUSTOMER MAY WISH TO ACQUIRE NHA, WHICH MAY BE MORE ECONOMICAL.	001017 019019	1
365	411N1270-101SP	...	REVEAL ASSY-	001017 019019	1
368	411N1272-2SP	RING-SEAL SPRT	001017 019019	1
371	411N1272-1SP	SEAL-DUST	001017 019019	1
374	411N1271-1SP	REVEAL- MISCELLANEOUS DATA: CUSTOMER MAY WISH TO ACQUIRE NHA, WHICH MAY BE MORE ECONOMICAL.	001017 019019	1
377	411N1281-4C	...	SHADE- OPTIONAL PART: 411N1281-3BCSZ	001017 019019	1
377	411N1281-3BCSZ	...	SHADE- OPTIONAL PART: 411N1281-4C	001017 019019	1
380	411N1133-6A	...	PANE-	001017 019019	1
383	411N1133-9B	...	COVER-	001017 019019	1
386	411N1220-2	..	RETAINER-EDGE	001017 019019	1
389	411N1220-1	..	RETAINER-EDGE	001017 019019	1
392	411N1210-9SP	..	COVER	001017 019019	1
395	65C31833-675	..	PANEL ASSY-BASIC USED ON: 411N1210-383SP	001017 019019	1
398	65C31833-677	..	PANEL ASSY-BASIC USED ON: 411N1210-385SP	001017 019019	1
401	411N1210-395SP	.	PANEL ASSY	001017 019019	2
404	411N1210-375SP	.	PANEL ASSY	001017 019019	2
407	BACS12FA3K4	..	SCREW	001017 019019	2

R
R
R
R
R
R
R
R

MISSING ITEM NUMBERS NOT APPLICABLE

- ITEM NOT ILLUSTRATED

HAP

25-21-46-90H

25-21-46
FIG. 90H
PAGE 8
JUN 15/09

BOEING
737-600/700/800/900
PARTS CATALOG (MAINTENANCE)

FIG ITEM	PART NUMBER	1 2 3 4 5 6 7	NOMENCLATURE	EFFECT FROM TO	UNITS PER ASSY
90H					
410	411N1407-2	..	CLIP	001017 019019	2
413	411N1121-101	..	STIFFENER ASSY	001017 019019	1
416	BACI12S3	...	INSERT	001017 019019	2
419	411N1250-102	..	SHEATH ASSY	001017 019019	1
422	411N1240-1	..	BRACKET	001017 019019	1
425	411N1230-101	..	LATCH ASSY	001017 019019	1
428	MS39086-11	...	PIN	001017 019019	3
431	411N1175-1	...	SPRING	001017 019019	2
434	411N1231-2	...	PAWL	001017 019019	1
437	411N1231-1	...	BASE	001017 019019	1
440	411N1260-201SP	..	WINDOW ASSY	001017 019019	1
443	411N1261-1SP	...	RING-TRIM	001017 019019	1
446	411N1270-201SP	...	REVEAL ASSY-	001017 019019	1
449	411N1272-6SP	RING-SEAL SPRT	001017 019019	1
452	411N1272-5SP	SEAL-DUST	001017 019019	1
455	411N1271-1SP	REVEAL- MISCELLANEOUS DATA: CUSTOMER MAY WISH TO ACQUIRE NHA, WHICH MAY BE MORE ECONOMICAL.	001017 019019	1
458	411N1270-101SP	...	REVEAL ASSY-	001017 019019	1
461	411N1272-2SP	RING-SEAL SPRT	001017 019019	1
464	411N1272-1SP	SEAL-DUST	001017 019019	1
467	411N1271-1SP	REVEAL- MISCELLANEOUS DATA: CUSTOMER MAY WISH TO ACQUIRE NHA, WHICH MAY BE MORE ECONOMICAL.	001017 019019	1
470	411N1281-4C	...	SHADE- OPTIONAL PART: 411N1281-3BCSZ	001017 019019	1

MISSING ITEM NUMBERS NOT APPLICABLE

R
R
R

- ITEM NOT ILLUSTRATED

HAP

25-21-46-90H

BOEING PROPRIETARY - Copyright © - Unpublished Work - See title page for details.

25-21-46
FIG. 90H
PAGE 9
JUN 15/09

BOEING
737-600/700/800/900
PARTS CATALOG (MAINTENANCE)

FIG ITEM	PART NUMBER	1 2 3 4 5 6 7	NOMENCLATURE	EFFECT FROM TO	UNITS PER ASSY
R R R R R R	90H 470	411N1281-3BCSZ	... SHADE- OPTIONAL PART: 411N1281-4C	001017 019019	1
	473	411N1133-6A	... PANE-	001017 019019	1
	476	411N1133-9B	... COVER-	001017 019019	1
	479	411N1220-2	.. RETAINER-EDGE	001017 019019	1
	482	411N1220-1	.. RETAINER-EDGE	001017 019019	1
	485	411N1210-6SP	.. COVER	001017 019019	1
	488	65C31833-687	.. PANEL ASSY-BASIC USED ON: 411N1210-395SP	001017 019019	1
	491	65C31833-667	.. PANEL ASSY-BASIC USED ON: 411N1210-375SP	001017 019019	1
	494	411N1210-384SP	. PANEL ASSY	001017 019019	1
	497	BACS12FA3K4	.. SCREW	001017 019019	4
	500	411N1407-2	.. CLIP	001017 019019	4
	503	411N1121-110	.. STIFFENER ASSY	001017 019019	1
	506	BACI12S3	... INSERT	001017 019019	4
	509	411N1250-102	.. SHEATH ASSY	001017 019019	1
	512	411N1240-1	.. BRACKET	001017 019019	1
	515	411N1230-101	.. LATCH ASSY	001017 019019	1
	518	MS39086-11	... PIN	001017 019019	3
	521	411N1175-1	... SPRING	001017 019019	2
	524	411N1231-2	... PAWL	001017 019019	1
	527	411N1231-1	... BASE	001017 019019	1
	530	411N1260-201SP	.. WINDOW ASSY	001017 019019	1
	533	411N1261-1SP	... RING-TRIM	001017 019019	1
	536	411N1270-201SP	... REVEAL ASSY-	001017 019019	1

MISSING ITEM NUMBERS NOT APPLICABLE

- ITEM NOT ILLUSTRATED

HAP

25-21-46-90H

25-21-46
FIG. 90H
PAGE 10
JUN 15/09

BOEING
737-600/700/800/900
PARTS CATALOG (MAINTENANCE)

FIG ITEM	PART NUMBER	1 2 3 4 5 6 7	NOMENCLATURE	EFFECT FROM TO	UNITS PER ASSY
90H					
539	411N1272-6SP	RING-SEAL SPRT	001017 019019	1
542	411N1272-5SP	SEAL-DUST	001017 019019	1
545	411N1271-1SP	REVEAL- MISCELLANEOUS DATA: CUSTOMER MAY WISH TO ACQUIRE NHA, WHICH MAY BE MORE ECONOMICAL.	001017 019019	1
548	411N1270-101SP	...	REVEAL ASSY-	001017 019019	1
551	411N1272-2SP	RING-SEAL SPRT	001017 019019	1
554	411N1272-1SP	SEAL-DUST	001017 019019	1
557	411N1271-1SP	REVEAL- MISCELLANEOUS DATA: CUSTOMER MAY WISH TO ACQUIRE NHA, WHICH MAY BE MORE ECONOMICAL.	001017 019019	1
560	411N1281-4C	...	SHADE- OPTIONAL PART: 411N1281-3BCSZ	001017 019019	1
560	411N1281-3BCSZ	...	SHADE- OPTIONAL PART: 411N1281-4C	001017 019019	1
563	411N1133-6A	...	PANE-	001017 019019	1
566	411N1133-9B	...	COVER-	001017 019019	1
569	411N1220-2	..	RETAINER-EDGE	001017 019019	1
572	411N1220-1	..	RETAINER-EDGE	001017 019019	1
575	411N1210-9SP	..	COVER	001017 019019	1
578	65C31833-676	..	PANEL ASSY-BASIC	001017 019019	1

R
R
R
R
R
R
R
R

MISSING ITEM NUMBERS NOT APPLICABLE

- ITEM NOT ILLUSTRATED

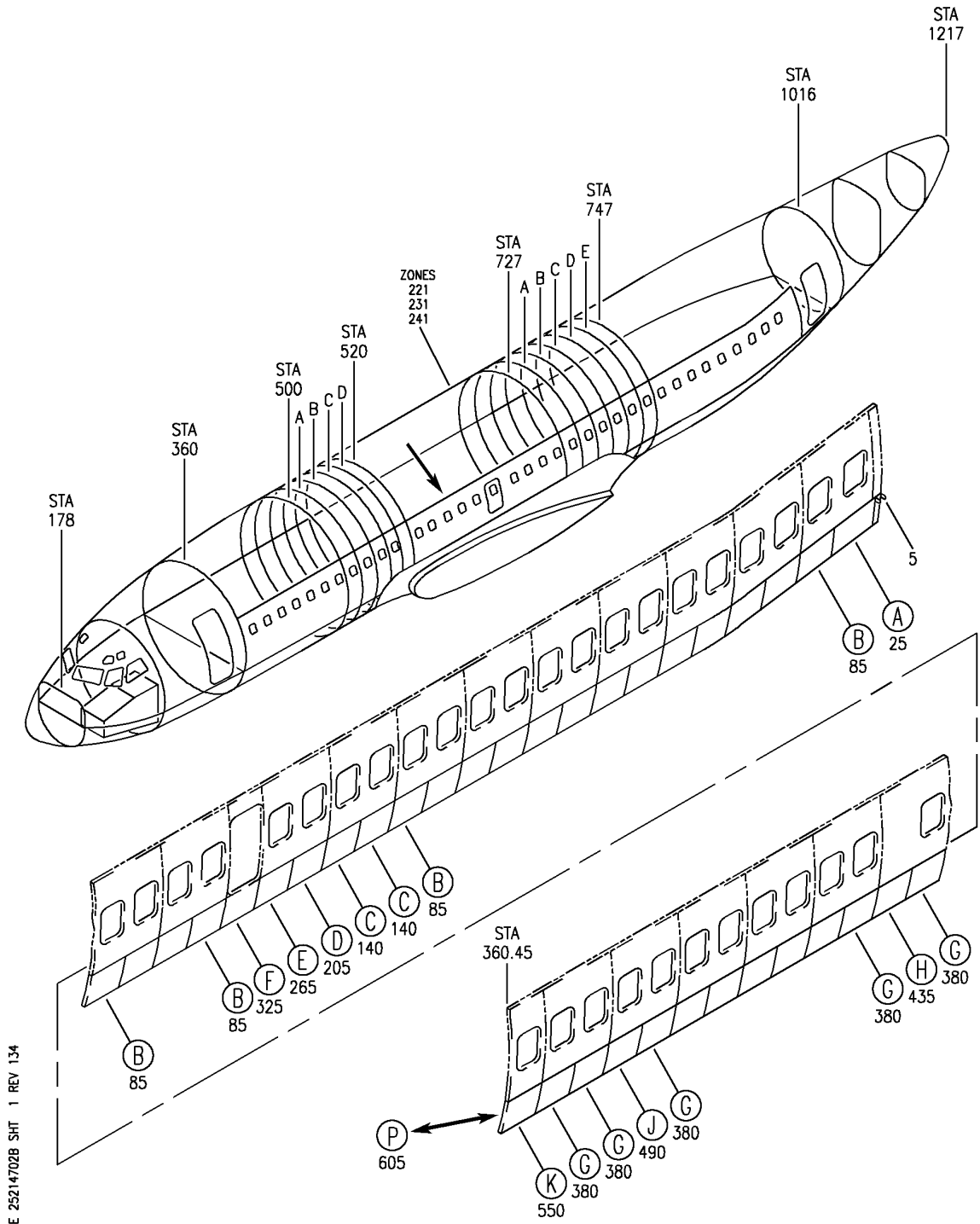
HAP

25-21-46-90H

BOEING PROPRIETARY - Copyright © - Unpublished Work - See title page for details.

25-21-46
FIG. 90H
PAGE 11
JUN 15/09

BOEING
 737-600/700/800/900
 PARTS CATALOG (MAINTENANCE)

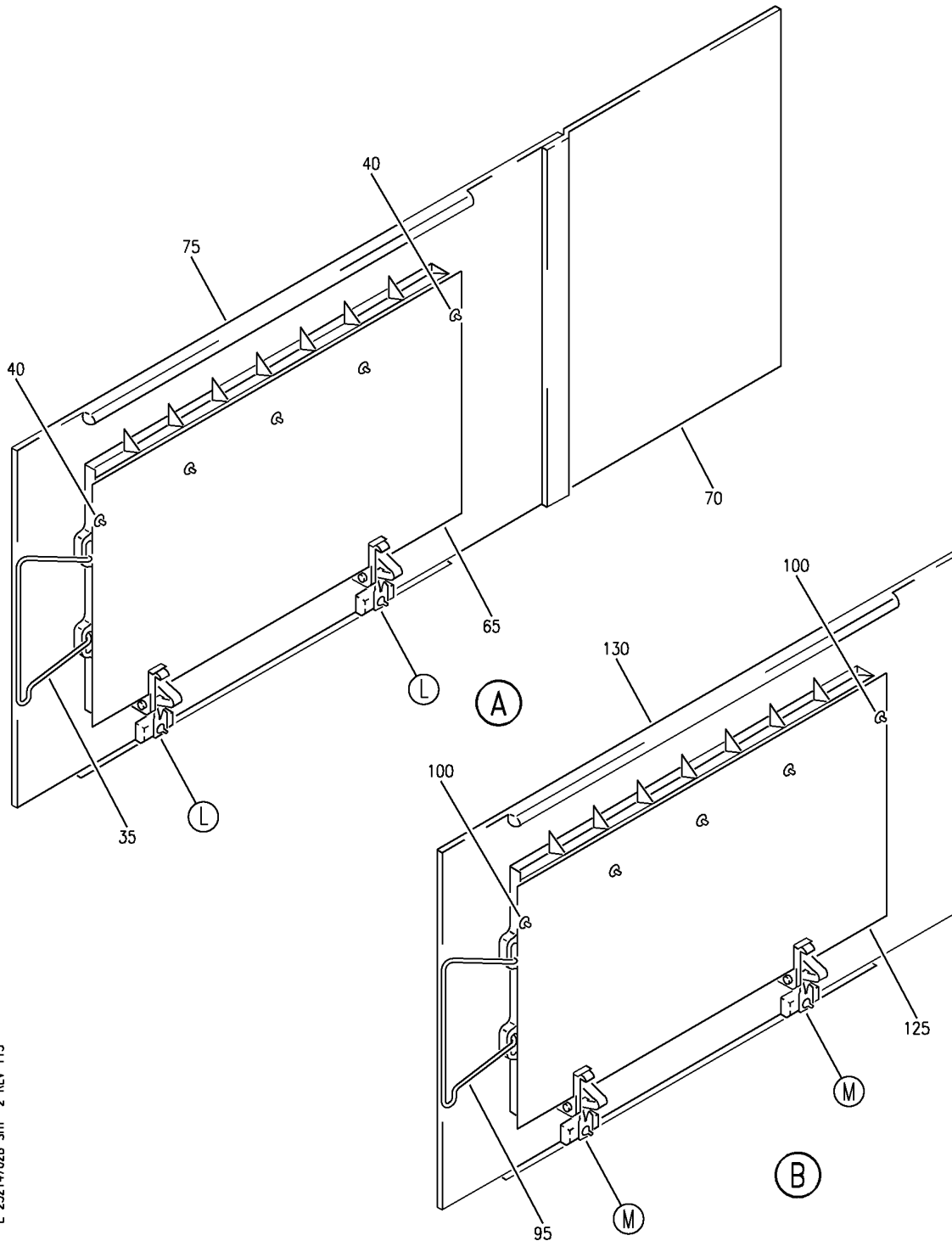


GRILLE INSTL-LH PASS. CAB. AIR RETURN
 FIGURE 2B (SHEET 1)

25-21-47-02B

HAP
 OCT 10/07

25-21-47-02B
 PAGE 0



E 25214702B SHT 2 REV 113

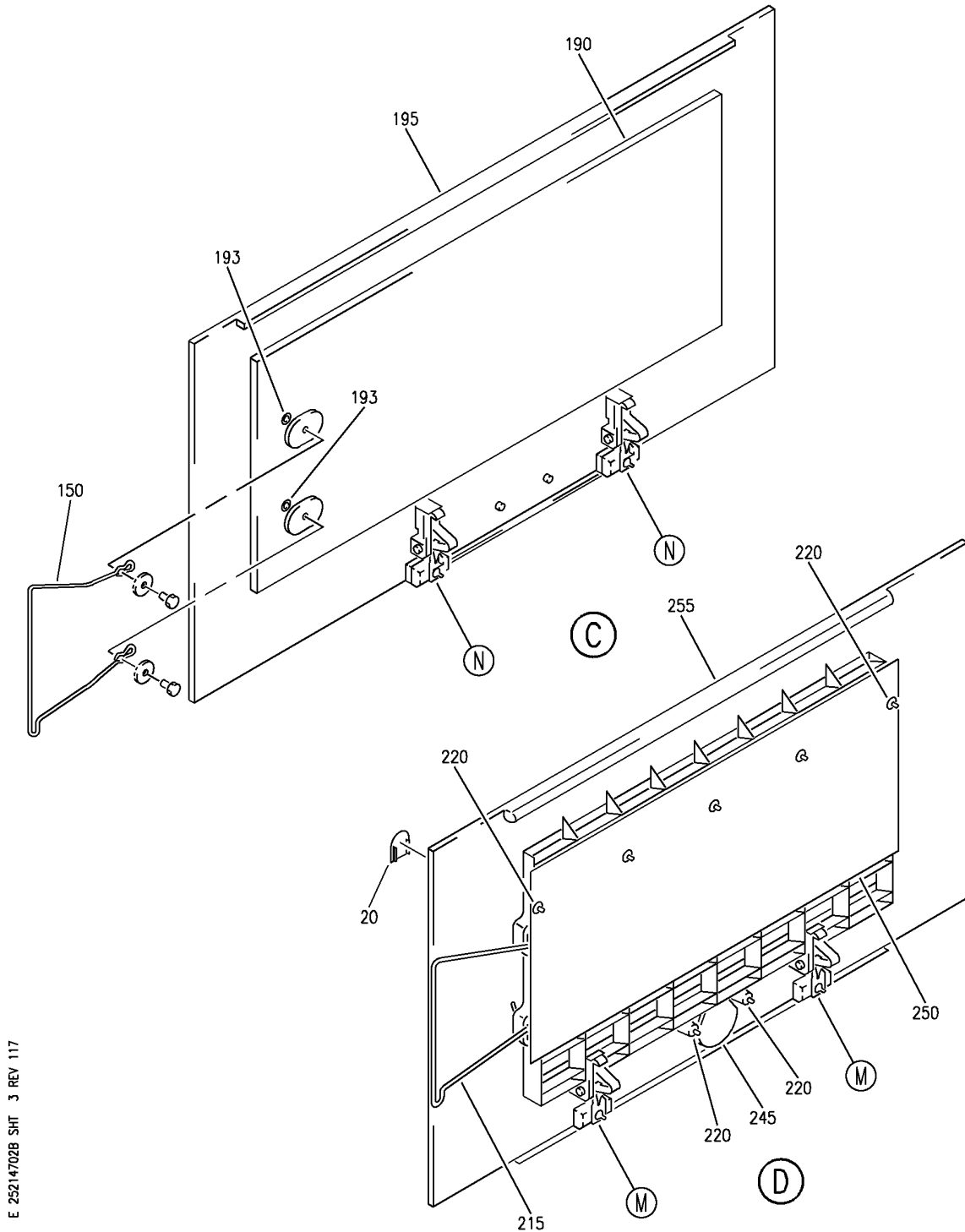
GRILLE INSTL-LH PASS. CAB. AIR RETURN
 FIGURE 2B (SHEET 2)

25-21-47-02B

HAP
 FEB 10/07

25-21-47-02B
 PAGE 0A

BOEING
 737-600/700/800/900
 PARTS CATALOG (MAINTENANCE)



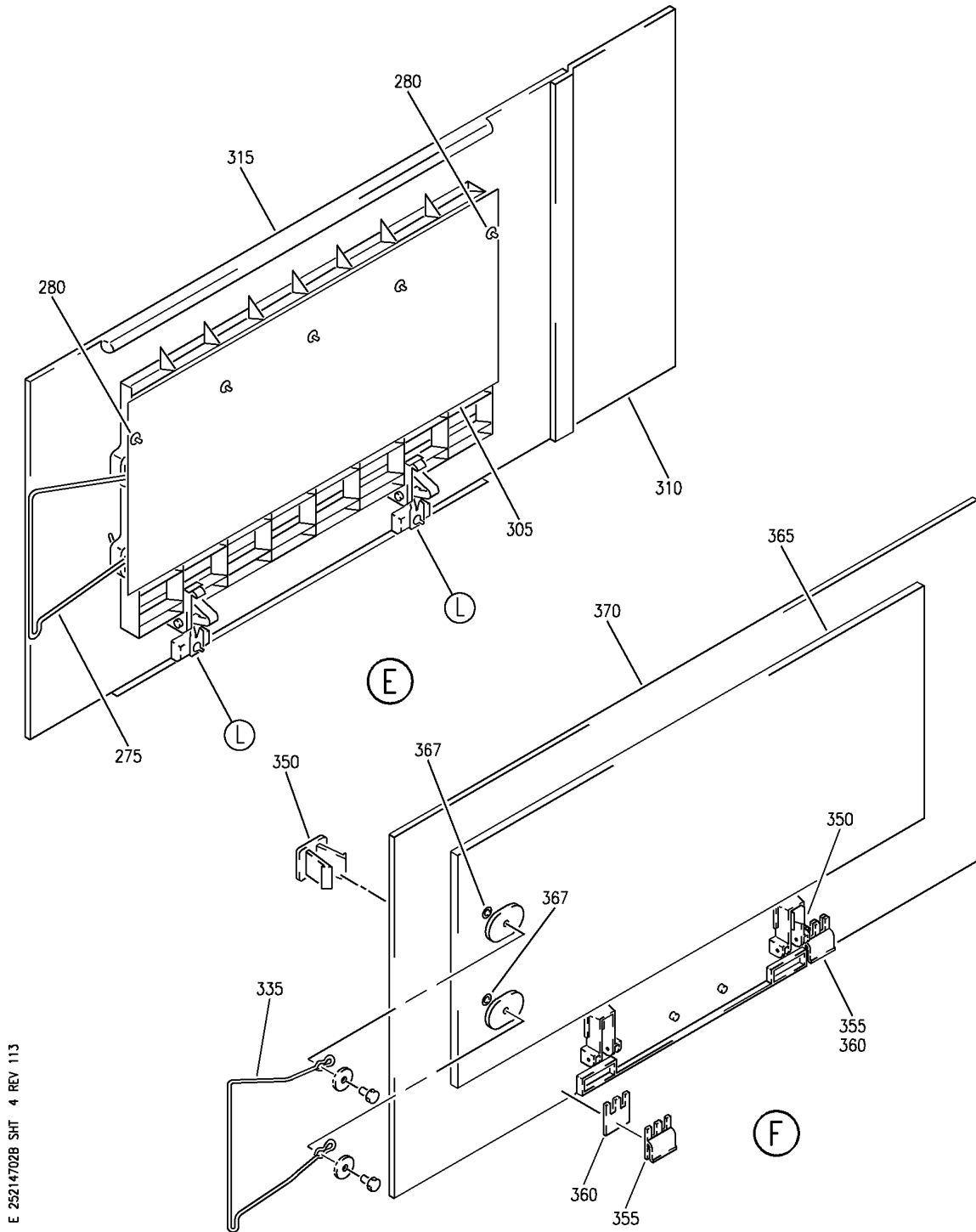
E 25214702B SHT 3 REV 117

GRILLE INSTL-LH PASS. CAB. AIR RETURN
 FIGURE 2B (SHEET 3)

25-21-47-02B

HAP
 FEB 10/07

25-21-47-02B
 PAGE 0B



E 25214702B SHT 4 REV 113

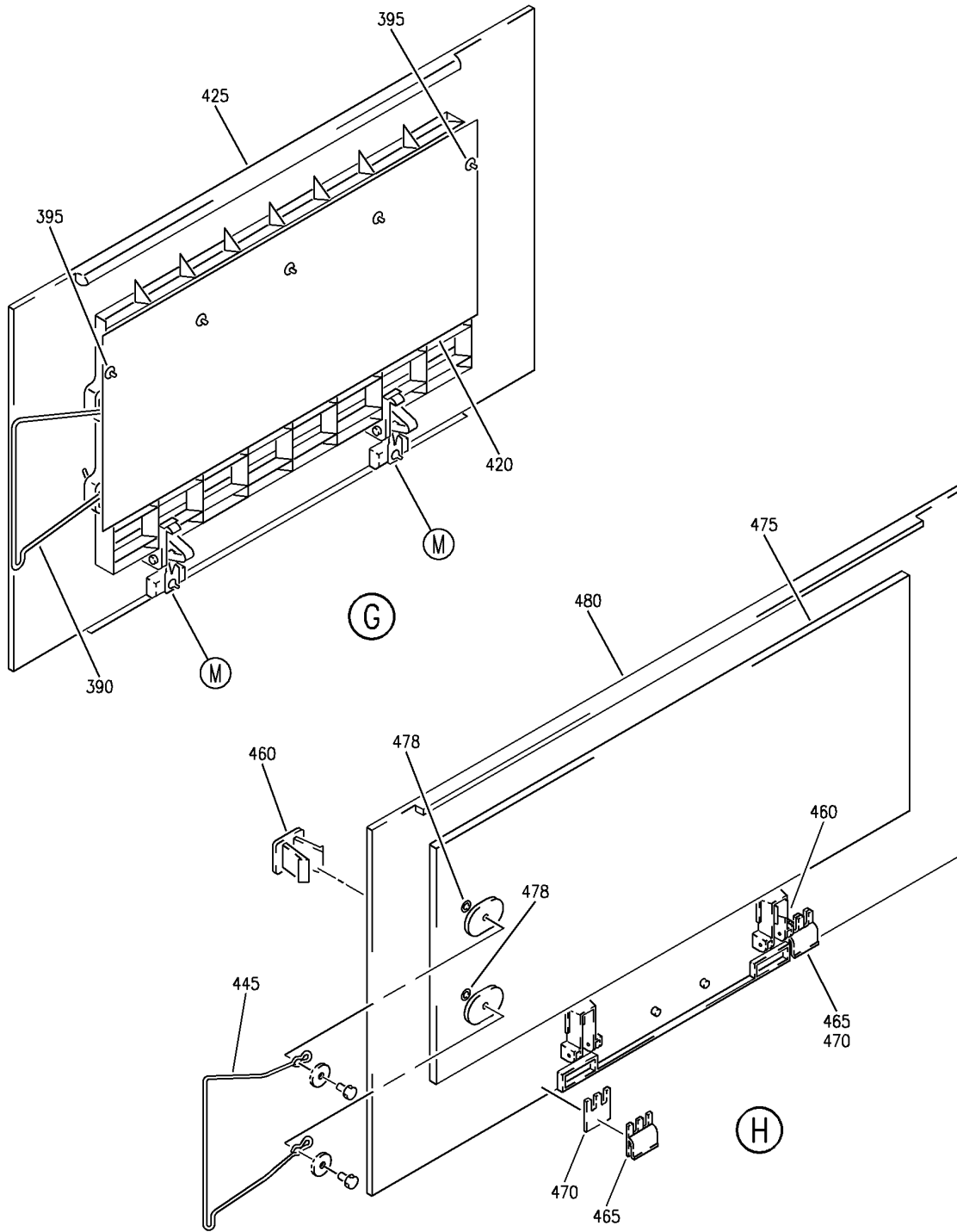
GRILLE INSTL-LH PASS. CAB. AIR RETURN
 FIGURE 2B (SHEET 4)

25-21-47-02B

HAP
 FEB 10/07

25-21-47-02B
 PAGE 0C

BOEING
 737-600/700/800/900
 PARTS CATALOG (MAINTENANCE)



E 25214702B SHT 5 REV 113

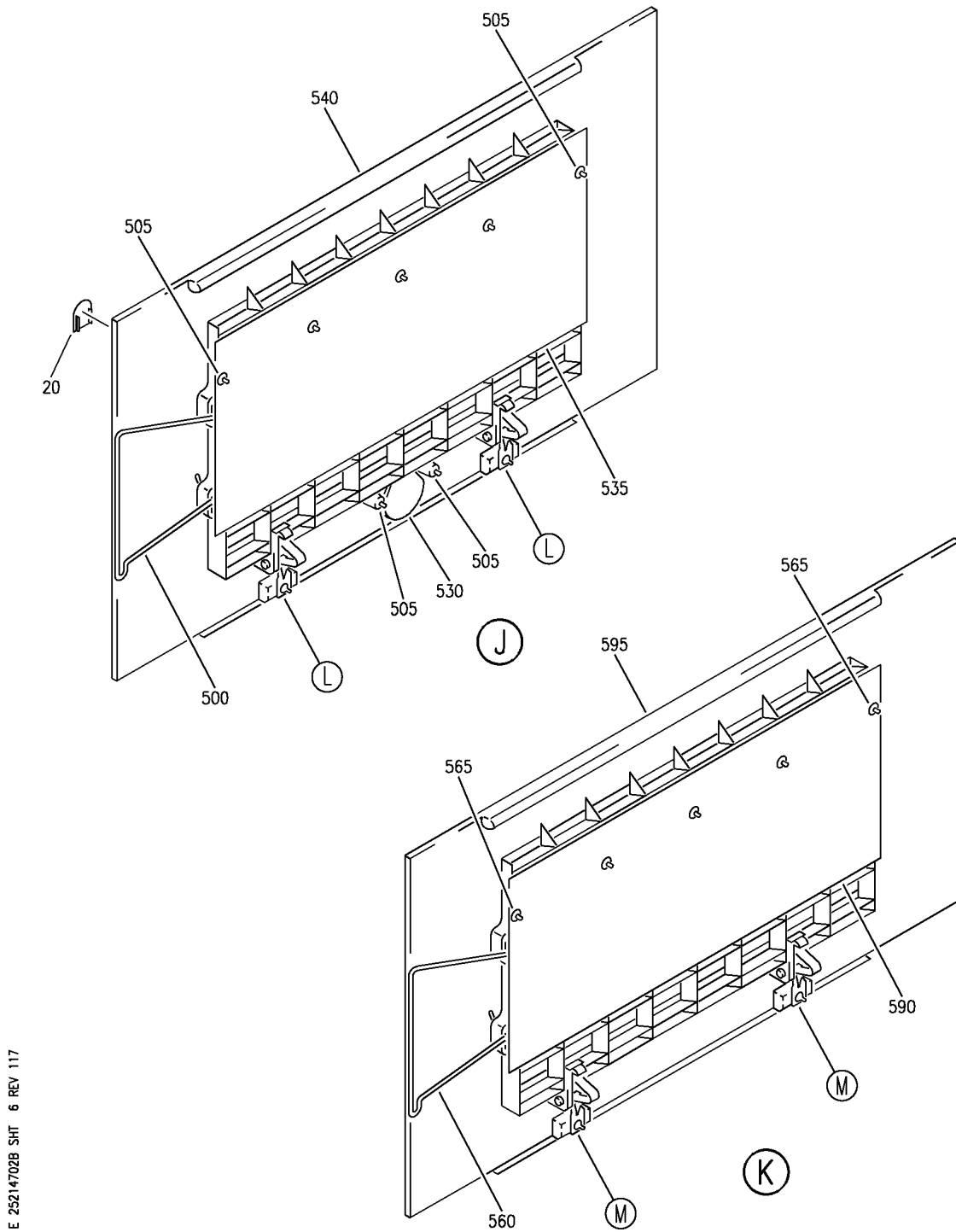
GRILLE INSTL-LH PASS. CAB. AIR RETURN
 FIGURE 2B (SHEET 5)

25-21-47-02B

HAP
 FEB 10/07

25-21-47-02B
 PAGE 0D

BOEING
 737-600/700/800/900
 PARTS CATALOG (MAINTENANCE)



E 25214702B SHT 6 REV 117

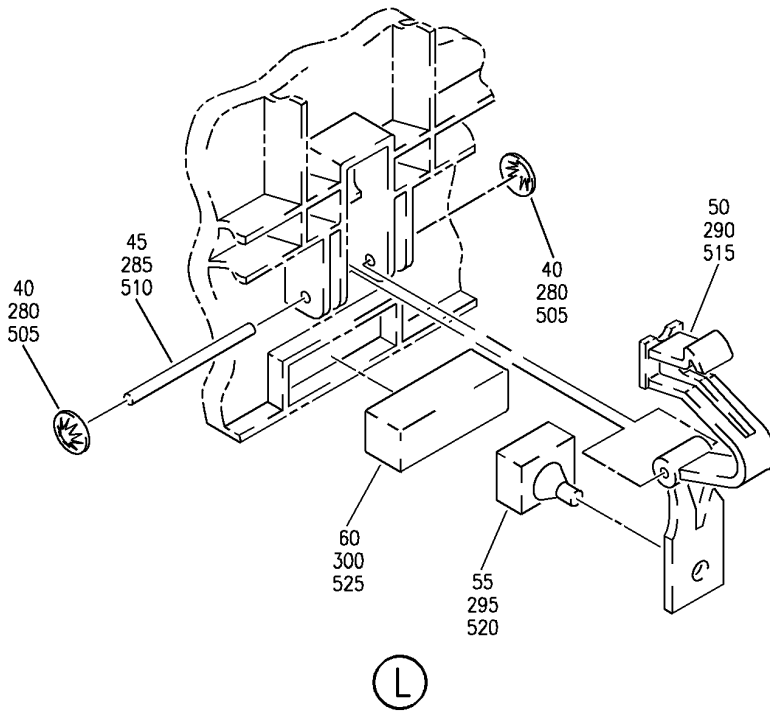
GRILLE INSTL-LH PASS. CAB. AIR RETURN
 FIGURE 2B (SHEET 6)

25-21-47-02B

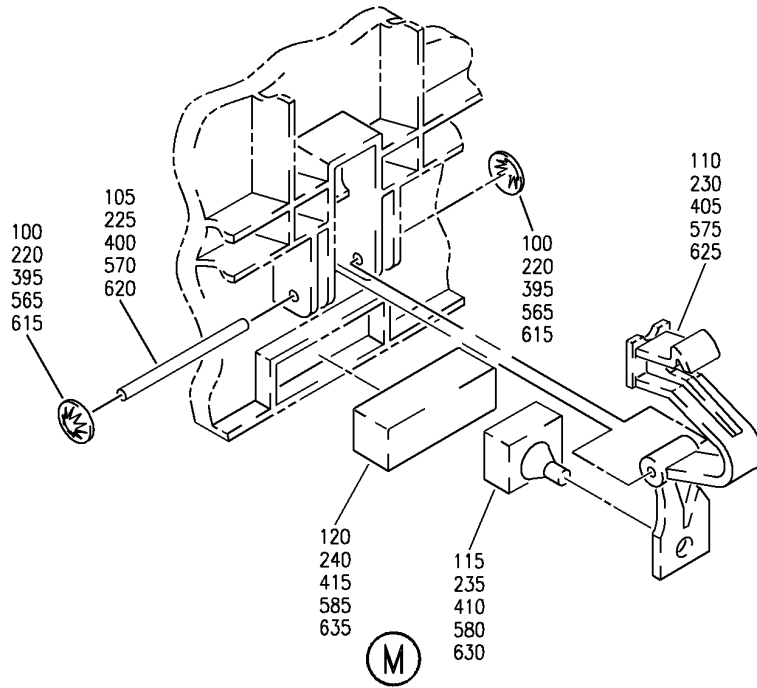
HAP
 FEB 10/07

25-21-47-02B
 PAGE 0E

BOEING
 737-600/700/800/900
 PARTS CATALOG (MAINTENANCE)



(L)



(M)

E 25214702B SHT 7 REV 134

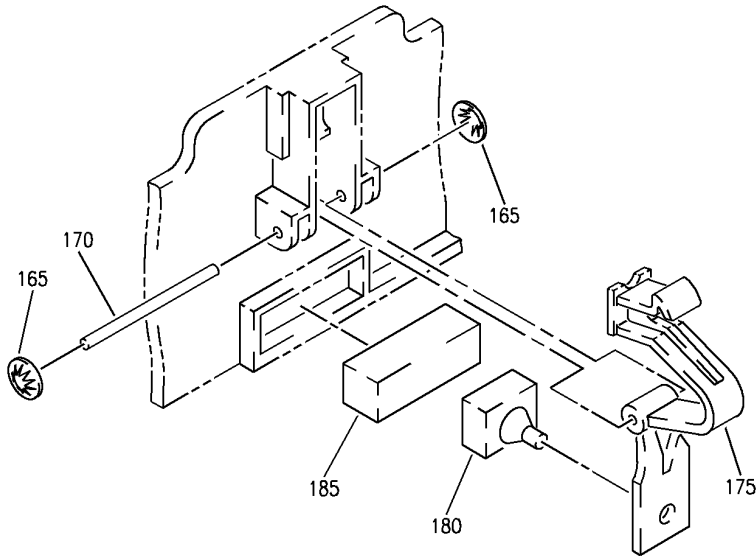
GRILLE INSTL-LH PASS. CAB. AIR RETURN
 FIGURE 2B (SHEET 7)

25-21-47-02B

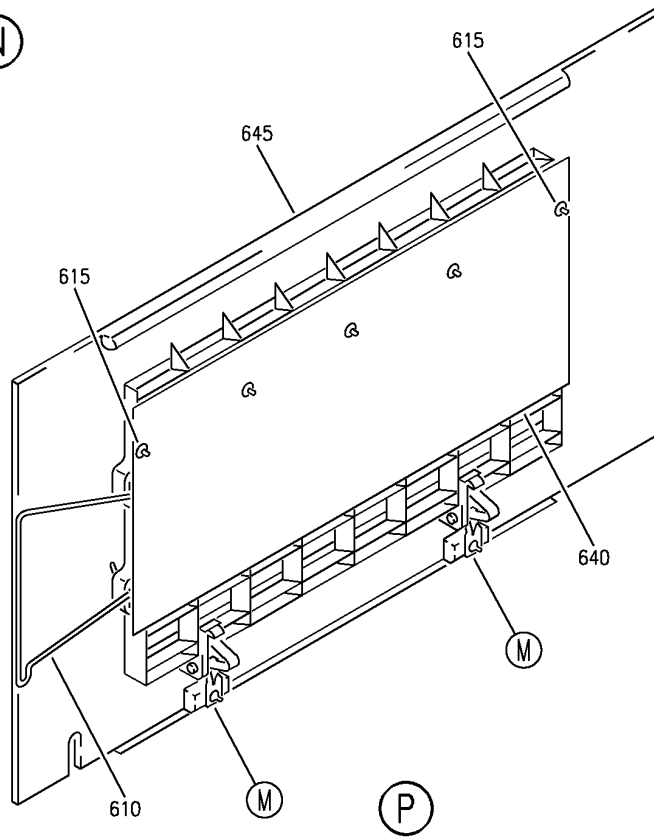
HAP
 OCT 10/07

25-21-47-02B
 PAGE OF

BOEING
 737-600/700/800/900
 PARTS CATALOG (MAINTENANCE)



(N)



E 25214702B SHT 8 REV 134

GRILLE INSTL-LH PASS. CAB. AIR RETURN
 FIGURE 2B (SHEET 8)

25-21-47-02B

HAP
 OCT 10/07

25-21-47-02B
 PAGE 06

BOEING
737-600/700/800/900
PARTS CATALOG (MAINTENANCE)

FIG ITEM	PART NUMBER	1 2 3 4 5 6 7	NOMENCLATURE	EFFECT FROM TO	UNITS PER ASSY
2B			GRILLE INSTL-LH PASS. CAB. AIR RETURN	101200 968999	
- 1	MODREF251526		GRILLE INSTL-PASS. CAB. AIR RETURN	101200 968999	1
			MODULE NUMBER: 411A1101-2045C REV A		
			POSITION DATA: LH		
5	411N1525-20		.TRIM ASSY	101200 968999	1
			ATTACHING PARTS		
- 10	BACS12HN3-6		.SCREW	101200 968999	1
- 15	NAS1149D0316J		.WASHER	101200 968999	1
			-----*-----		
20	411N1521-5SP		.PLUG	101200 968999	2
25	411N1510-110SP		.GRILLE ASSY-20.5 IN. PNL WITH 8 IN. EXTENSION,OPP CLIP, AND LARGE BAFFLE (EQUIPMENT/FURNISHINGS ONLY)	101200 968999	1
			FUNCTIONAL REFERENCE: PLACARDS AND MARKINGS FOR DETAILS SEE 11-30-54-02B		
35	411N1522-1		..CLIP-SPR RTNR	101200 968999	1
40	6100-12		..RETAINER-CLIP	101200	9
			SUPPLIER CODE: V97464	968999	
45	411N1522-5		..PIN-HINGE	101200 968999	2
50	411N1521-2SP		..LATCH	101200 968999	2
55	411N1527-1		..PAD	101200 968999	2
60	411N1527-2		..PAD	101200 968999	2
65	411N1528-2		..BAFFLE ASSY	101200 968999	1
70	411N1524-1SP		..EXTENSION	101200 968999	1
75	411N1520-1SP		..GRILLE	101200 968999	1

MISSING ITEM NUMBERS NOT APPLICABLE

- ITEM NOT ILLUSTRATED

HAP

25-21-47-02B

BOEING PROPRIETARY - Copyright © - Unpublished Work - See title page for details.

25-21-47
FIG. 02B
PAGE 1
OCT 15/08

BOEING
737-600/700/800/900
PARTS CATALOG (MAINTENANCE)

FIG ITEM	PART NUMBER	1 2 3 4 5 6 7	NOMENCLATURE	EFFECT FROM TO	UNITS PER ASSY
2B					
85	411N1510-102SP		.GRILLE ASSY-20.5 IN. PNL WITH SHORT LATCH AND LARGE BAFFLE (EQUIPMENT/FURNISHINGS ONLY) FUNCTIONAL REFERENCE: PLACARDS AND MARKINGS FOR DETAILS SEE 11-30-54-02B	101200 968999	17
95	411N1522-1		..CLIP-SPR RTNR	101200 968999	1
100	6100-12		..RETAINER-CLIP SUPPLIER CODE: V97464	101200 968999	9
105	411N1522-5		..PIN-HINGE	101200 968999	2
110	411N1521-1SP		..LATCH	101200 968999	2
115	411N1527-1		..PAD	101200 968999	2
120	411N1527-2		..PAD	101200 968999	2
125	411N1528-2		..BAFFLE ASSY	101200 968999	1
130	411N1520-1		..GRILLE	101200 968999	1
140	411N1510-27SP		.GRILLE ASSY-22.5 IN. BLANK PNL WITH LONG LATCH (EQUIPMENT/FURNISHINGS ONLY) FUNCTIONAL REFERENCE: PLACARDS AND MARKINGS FOR DETAILS SEE 11-30-54-02B	101200 968999	2
150	411N1522-3		..SPRING-RTNR CLIP	101200 968999	1
- 155	NAS1801-3-5		ATTACHING PARTS ..SCREW	101200 968999	2
- 160	BACW10P5CC		..WASHER	101200 968999	2
165	6100-12		-----*----- ..RETAINER-CLIP SUPPLIER CODE: V97464	101200 968999	4
170	411N1522-4		..PIN-HINGE OPTIONAL PART: 411N1522-5	101200 968999	2

MISSING ITEM NUMBERS NOT APPLICABLE

- ITEM NOT ILLUSTRATED

HAP

25-21-47-02B

BOEING PROPRIETARY - Copyright © - Unpublished Work - See title page for details.

25-21-47
FIG. 02B
PAGE 2
OCT 15/08

BOEING
737-600/700/800/900
PARTS CATALOG (MAINTENANCE)

FIG ITEM	PART NUMBER	1 2 3 4 5 6 7	NOMENCLATURE	EFFECT FROM TO	UNITS PER ASSY
2B					
170	411N1522-5	..	PIN-HINGE OPTIONAL PART: 411N1522-4	101200 968999	2
175	411N1521-2SP	..	LATCH	101200 968999	2
180	411N1527-1	..	PAD	101200 968999	2
185	411N1527-2	..	PAD	101200 968999	2
190	411N1523-2	..	STIFFENER ASSY	101200 968999	1
193	BACI12S3	...	INSERT	101200 968999	2
195	411N1520-4SP	..	GRILLE	101200 968999	1
205	411N1510-113SP	.	GRILLE ASSY-22.5 IN. PNL SHORT LATCH AND BAFFLE WITH CENTERED IFE (EQUIPMENT/FURNISHINGS ONLY) FUNCTIONAL REFERENCE: PLACARDS AND MARKINGS FOR DETAILS SEE 11-30-54-02B	101200 968999	1
215	411N1522-2	..	CLIP-SPR RTNR	101200 968999	1
220	6100-12	..	RETAINER-CLIP SUPPLIER CODE: V97464	101200 968999	11
225	411N1522-5	..	PIN-HINGE	101200 968999	2
230	411N1521-1SP	..	LATCH	101200 968999	2
235	411N1527-1	..	PAD	101200 968999	2
240	411N1527-2	..	PAD	101200 968999	2
245	411N1527-3	..	PAD	101200 968999	1
250	411N1528-3	..	BAFFLE ASSY	101200 968999	1
255	411N1520-2SP	..	GRILLE	101200 968999	1

MISSING ITEM NUMBERS NOT APPLICABLE

— ITEM NOT ILLUSTRATED

HAP

25-21-47-02B

BOEING PROPRIETARY - Copyright © - Unpublished Work - See title page for details.

25-21-47
FIG. 02B
PAGE 3
OCT 15/08

BOEING
737-600/700/800/900
PARTS CATALOG (MAINTENANCE)

FIG ITEM	PART NUMBER	1 2 3 4 5 6 7	NOMENCLATURE	EFFECT FROM TO	UNITS PER ASSY
2B 265	411N1510-107SP	.GRILLE ASSY-22.5 IN. PNL 4 IN. EXTENSION OPP CLIP WITH LONG LATCH AND SHORT BAFFLE (EQUIPMENT/ FURNISHINGS ONLY) FUNCTIONAL REFERENCE: PLACARDS AND MARKINGS FOR DETAILS SEE 11-30-54-02B		101200 968999	1
275	411N1522-2	..CLIP-SPR RTNR		101200 968999	1
280	6100-12	..RETAINER-CLIP SUPPLIER CODE: V97464		101200 968999	9
285	411N1522-5	..PIN-HINGE		101200 968999	2
290	411N1521-2SP	..LATCH		101200 968999	2
295	411N1527-1	..PAD		101200 968999	2
300	411N1527-2	..PAD		101200 968999	2
305	411N1528-3	..BAFFLE ASSY		101200 968999	1
310	411N1524-2SP	..EXTENSION		101200 968999	1
315	411N1520-2SP	..GRILLE		101200 968999	1
325	411N1510-35SP	.GRILLE ASSY-23.5 IN. BLANK PNL WITH PLUG AND SNAP-ON LATCH (EQUIPMENT/FURNISHINGS ONLY) FUNCTIONAL REFERENCE: PLACARDS AND MARKINGS FOR DETAILS SEE 11-30-54-02B		101200 968999	1
335	411N1522-3	..SPRING-RTNR CLIP		101200 968999	1
- 340	NAS1801-3-5	ATTACHING PARTS ..SCREW		101200 968999	2
- 345	BACW10P5CC	..WASHER		101200 968999	2
350	411N1521-3SP	-----*----- ..PLUG		101200 968999	2
355	411N1407-3	..CLIP		101200 968999	2

MISSING ITEM NUMBERS NOT APPLICABLE

- ITEM NOT ILLUSTRATED

HAP

25-21-47-02B

BOEING PROPRIETARY - Copyright © - Unpublished Work - See title page for details.

25-21-47
FIG. 02B
PAGE 4
OCT 15/08

BOEING
737-600/700/800/900
PARTS CATALOG (MAINTENANCE)

FIG ITEM	PART NUMBER	1 2 3 4 5 6 7	NOMENCLATURE	EFFECT FROM TO	UNITS PER ASSY
2B					
360	411N1407-7	..	SPACER	101200 968999	2
365	411N1523-2	..	STIFFENER ASSY	101200 968999	1
367	BACI12S3	...	INSERT-	101200 968999	2
370	411N1520-10SP	..	GRILLE	101200 968999	1
380	411N1510-101SP	.GRILLE ASSY-20.5 IN. PNL WITH SHORT LATCH AND BAFFLE (EQUIPMENT/FURNISHINGS ONLY) FUNCTIONAL REFERENCE: PLACARDS AND MARKINGS FOR DETAILS SEE 11-30-54-02B		101200 968999	10
390	411N1522-1	..	CLIP-SPR RTNR	101200 968999	1
395	6100-12	..	RETAINER-CLIP SUPPLIER CODE: V97464	101200 968999	9
400	411N1522-5	..	PIN-HINGE	101200 968999	2
405	411N1521-1SP	..	LATCH	101200 968999	2
410	411N1527-1	..	PAD	101200 968999	2
415	411N1527-2	..	PAD	101200 968999	2
420	411N1528-3	..	BAFFLE ASSY	101200 968999	1
425	411N1520-1SP	..	GRILLE	101200 968999	1
435	411N1510-34SP	.GRILLE ASSY-20.5 IN. BLANK PNL, WITH PLUG AND SNAP-ON LATCH (EQUIPMENT/FURNISHINGS ONLY) FUNCTIONAL REFERENCE: PLACARDS AND MARKINGS FOR DETAILS SEE 11-30-54-02B		101200 968999	1
445	411N1522-3	..	SPRING-RTNR CLIP	101200 968999	1
- 450	NAS1801-3-5	..	ATTACHING PARTS SCREW	101200 968999	2

MISSING ITEM NUMBERS NOT APPLICABLE

- ITEM NOT ILLUSTRATED

HAP

25-21-47-02B

BOEING PROPRIETARY - Copyright © - Unpublished Work - See title page for details.

25-21-47
FIG. 02B
PAGE 5
OCT 15/08

BOEING
737-600/700/800/900
PARTS CATALOG (MAINTENANCE)

FIG ITEM	PART NUMBER	1 2 3 4 5 6 7	NOMENCLATURE	EFFECT FROM TO	UNITS PER ASSY
2B - 455	BACW10P5CC	..	WASHER	101200 968999	2
		-----*			
460	411N1521-3SP	..	PLUG	101200 968999	2
465	411N1407-3	..	CLIP	101200 968999	2
470	411N1407-7	..	SPACER	101200 968999	2
475	411N1523-3	..	STIFFENER ASSY	101200 968999	1
478	BACI12S3	...	INSERT	101200 968999	2
480	411N1520-5SP	..	GRILLE	101200 968999	1
490	411N1510-105SP	.GRILLE ASSY-20.5 IN. PNL WITH CENTERED IFE, SHORT BAFFLE AND LONG LATCH (EQUIPMENT/FURNISHINGS ONLY) FUNCTIONAL REFERENCE: PLACARDS AND MARKINGS FOR DETAILS SEE 11-30-54-02B		101200 968999	1
500	411N1522-1	..	CLIP-SPR RTNR	101200 968999	1
505	6100-12	..	RETAINER-CLIP SUPPLIER CODE: V97464	101200 968999	11
510	411N1522-5	..	PIN-HINGE	101200 968999	2
515	411N1521-2SP	..	LATCH	101200 968999	2
520	411N1527-1	..	PAD	101200 968999	2
525	411N1527-2	..	PAD	101200 968999	2
530	411N1527-3	..	PAD	101200 968999	1
535	411N1528-3	..	BAFFLE ASSY	101200 968999	1
540	411N1520-1SP	..	GRILLE	101200 968999	1

MISSING ITEM NUMBERS NOT APPLICABLE

- ITEM NOT ILLUSTRATED

HAP

25-21-47-02B

BOEING PROPRIETARY - Copyright © - Unpublished Work - See title page for details.

25-21-47
FIG. 02B
PAGE 6
OCT 15/08

BOEING
737-600/700/800/900
PARTS CATALOG (MAINTENANCE)

FIG ITEM	PART NUMBER	1 2 3 4 5 6 7	NOMENCLATURE	EFFECT FROM TO	UNITS PER ASSY
2B 550	411N1510-103SP	.	GRILLE ASSY-22.5 IN. PNL WITH SHORT LATCH AND BAFFLE (EQUIPMENT/ FURNISHINGS ONLY) FUNCTIONAL REFERENCE: PLACARDS AND MARKINGS FOR DETAILS SEE 11-30-54-02B	101200 968999	1
560	411N1522-2	..	CLIP-SPR RTNR	101200 968999	1
565	6100-12	..	RETAINER-CLIP SUPPLIER CODE: V97464	101200 968999	9
570	411N1522-5	..	PIN-HINGE	101200 968999	2
575	411N1521-1SP	..	LATCH	101200 968999	2
580	411N1527-1	..	PAD	101200 968999	2
585	411N1527-2	..	PAD	101200 968999	2
590	411N1528-3	..	BAFFLE ASSY	101200 968999	1
595	411N1520-2SP	..	GRILLE	101200 968999	1

MISSING ITEM NUMBERS NOT APPLICABLE

— ITEM NOT ILLUSTRATED

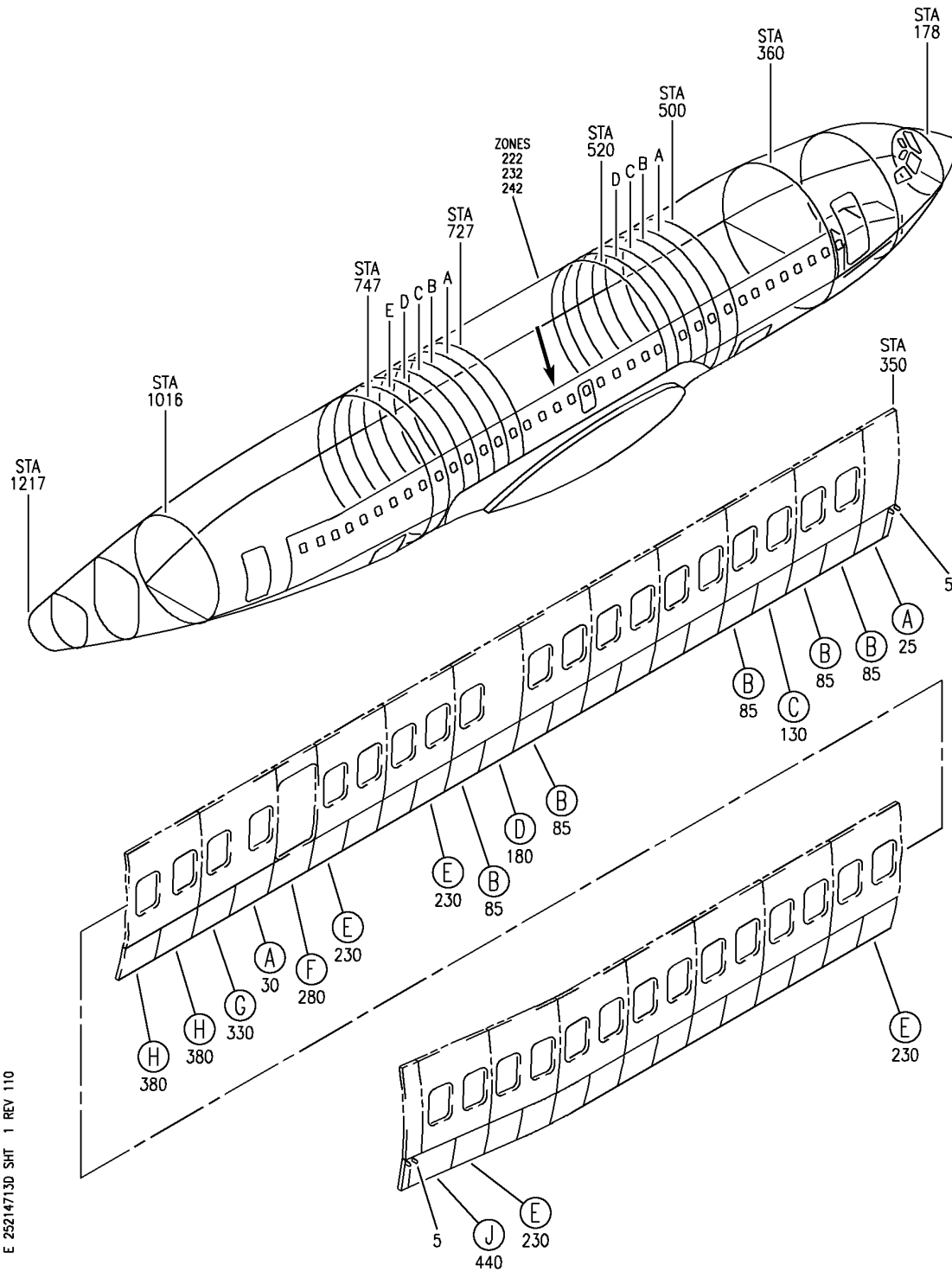
HAP

25-21-47-02B

BOEING PROPRIETARY - Copyright © - Unpublished Work - See title page for details.

25-21-47
FIG. 02B
PAGE 7
OCT 15/08

BOEING
 737-600/700/800/900
 PARTS CATALOG (MAINTENANCE)



E 25214713D SHT 1 REV 110

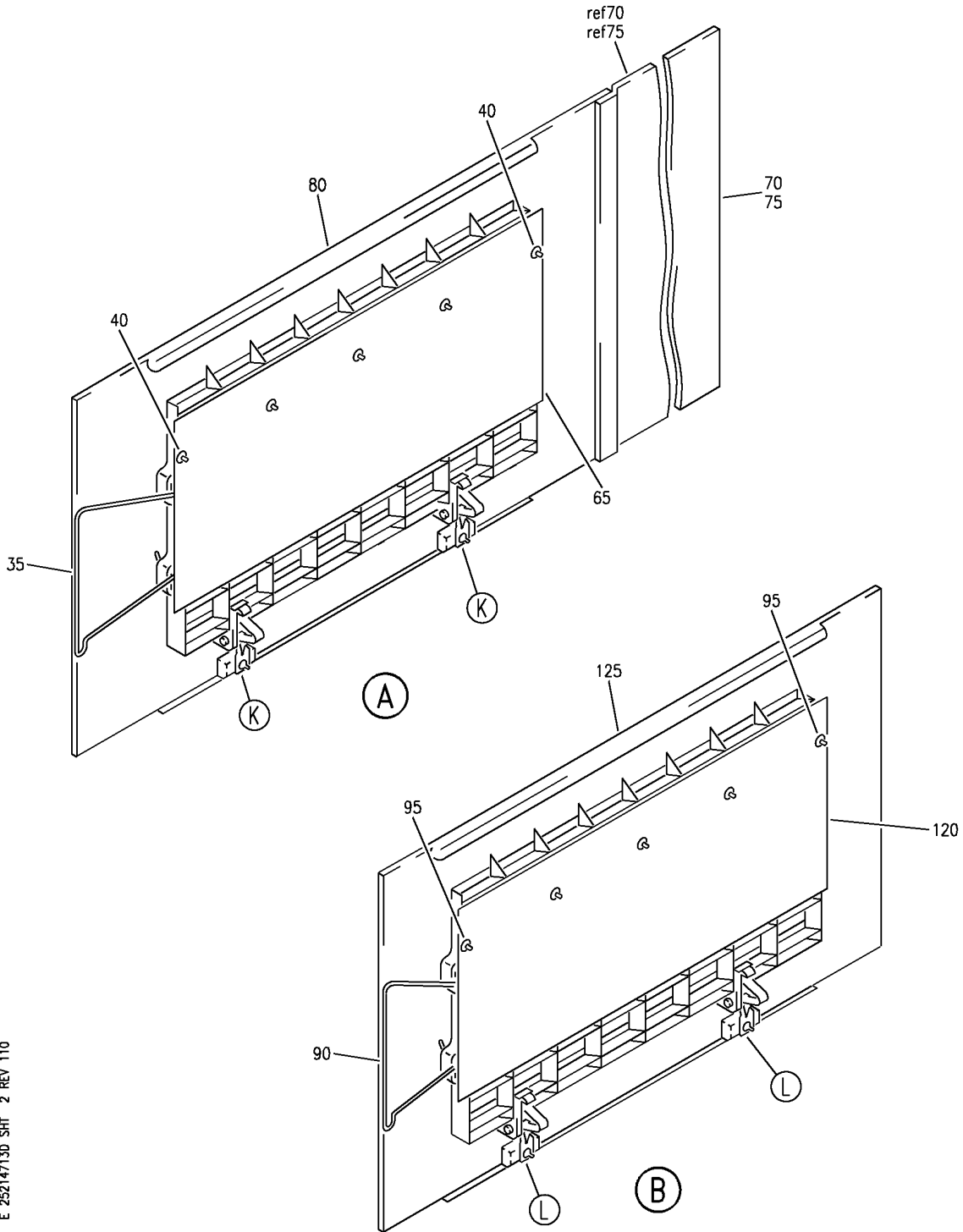
GRILLE INSTL-RH PASS. CAB. AIR RETURN
 FIGURE 13D (SHEET 1)

25-21-47-13D

HAP
 FEB 10/07

25-21-47-13D
 PAGE 0

BOEING
 737-600/700/800/900
 PARTS CATALOG (MAINTENANCE)



E 25214713D SHT 2 REV 110

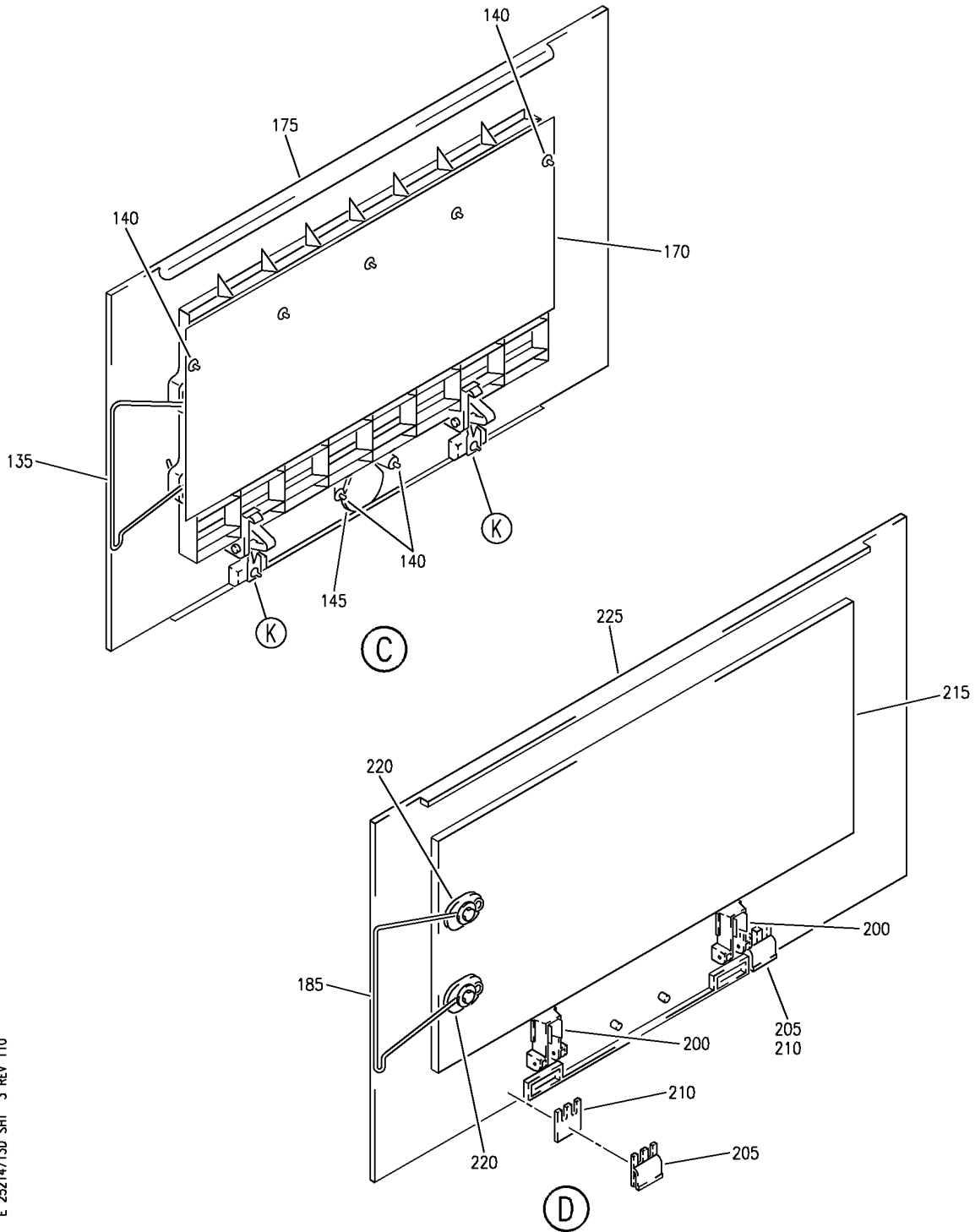
GRILLE INSTL-RH PASS. CAB. AIR RETURN
 FIGURE 13D (SHEET 2)

25-21-47-13D

HAP
 FEB 10/07

25-21-47-13D
 PAGE 0A

BOEING
 737-600/700/800/900
 PARTS CATALOG (MAINTENANCE)



E 25214713D SHT 3 REV 110

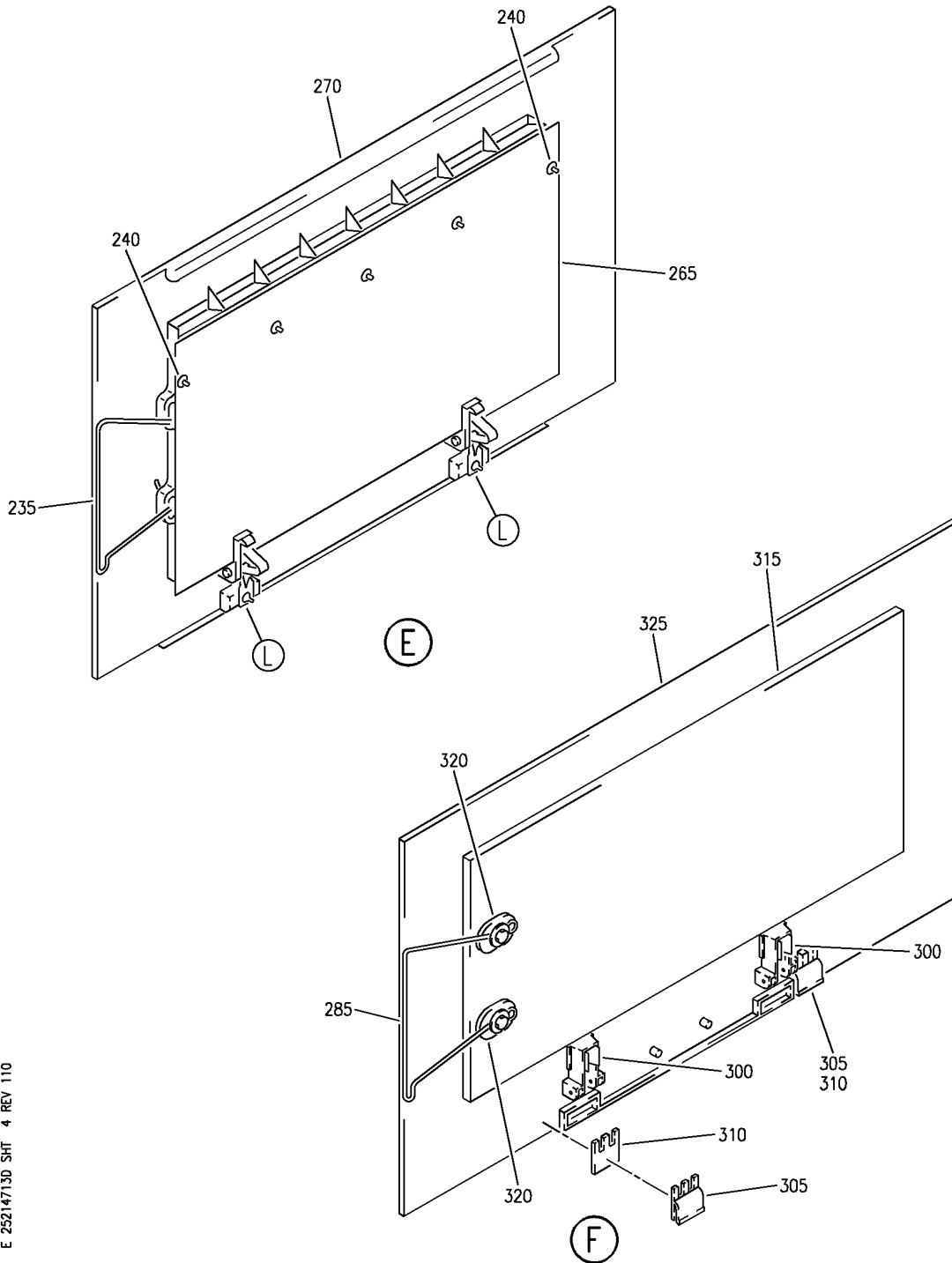
GRILLE INSTL-RH PASS. CAB. AIR RETURN
 FIGURE 13D (SHEET 3)

25-21-47-13D

HAP
 FEB 10/07

25-21-47-13D
 PAGE 0B

BOEING
 737-600/700/800/900
 PARTS CATALOG (MAINTENANCE)



E 25214713D SHT 4 REV 110

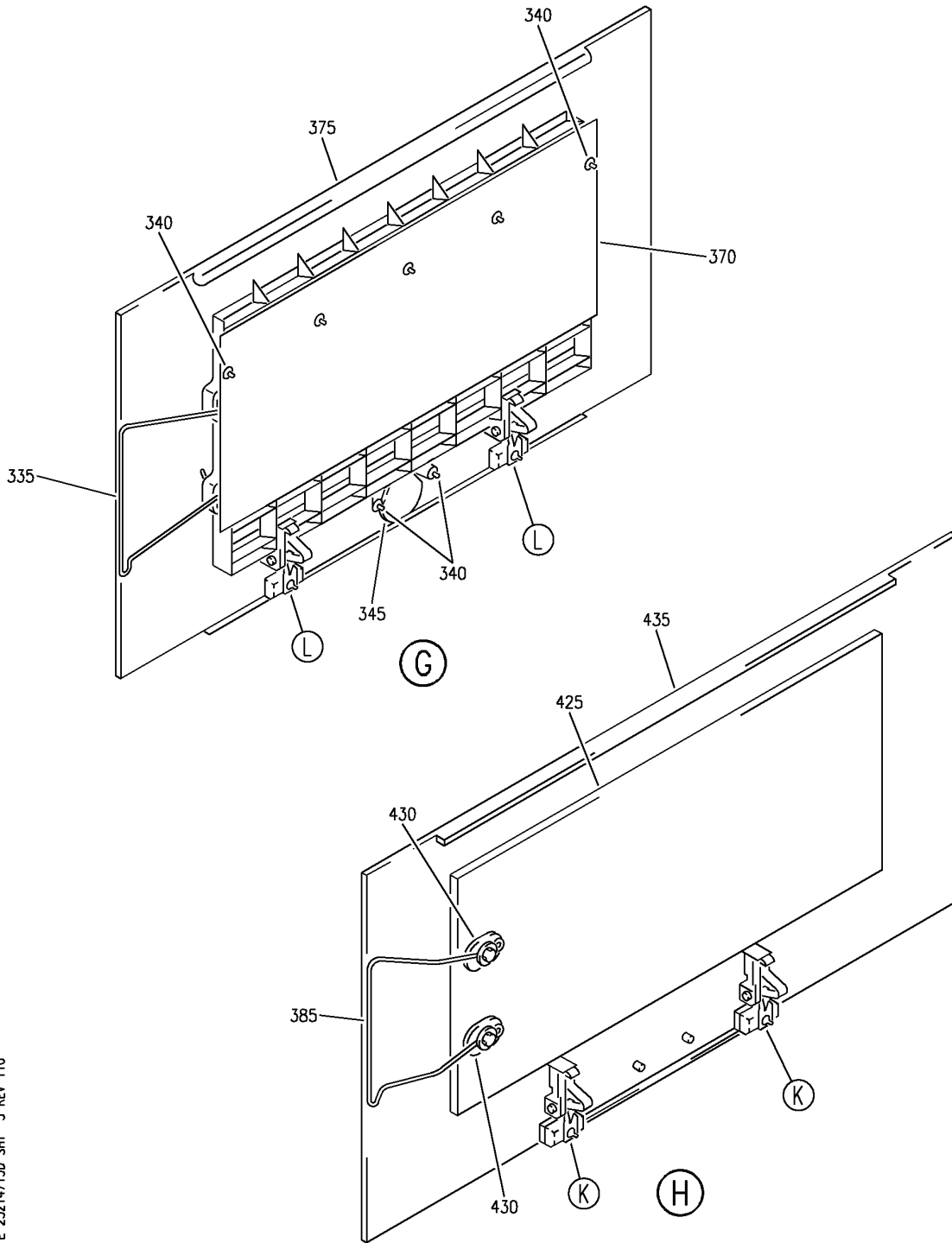
GRILLE INSTL-RH PASS. CAB. AIR RETURN
 FIGURE 13D (SHEET 4)

25-21-47-13D

HAP
 FEB 10/07

25-21-47-13D
 PAGE 0C

BOEING
737-600/700/800/900
PARTS CATALOG (MAINTENANCE)



E 25214713D SHT 5 REV 110

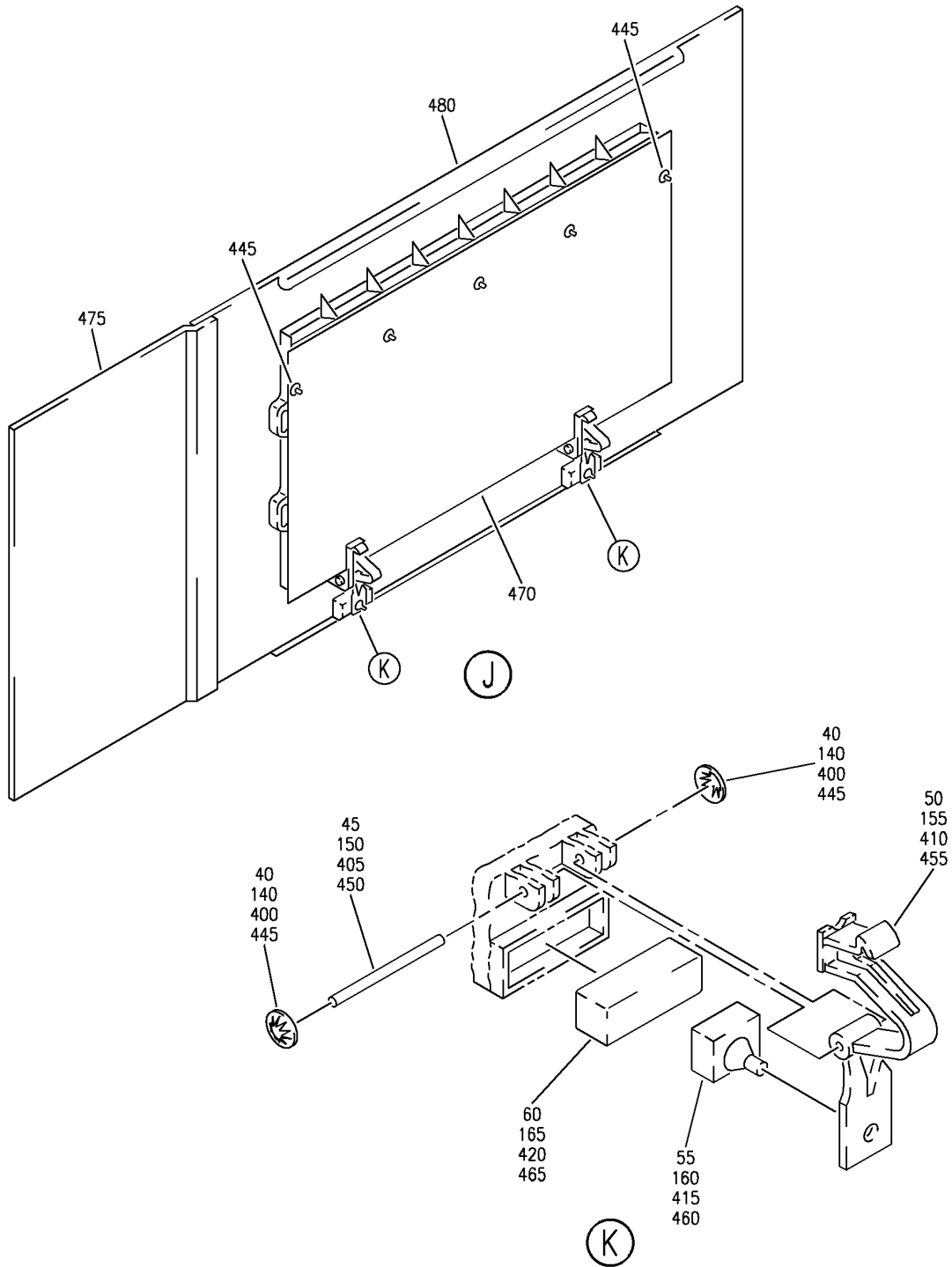
GRILLE INSTL-RH PASS. CAB. AIR RETURN
FIGURE 13D (SHEET 5)

25-21-47-13D

HAP
FEB 10/07

25-21-47-13D
PAGE 0D

BOEING
 737-600/700/800/900
 PARTS CATALOG (MAINTENANCE)



E 25214713D SHT 6 REV 110

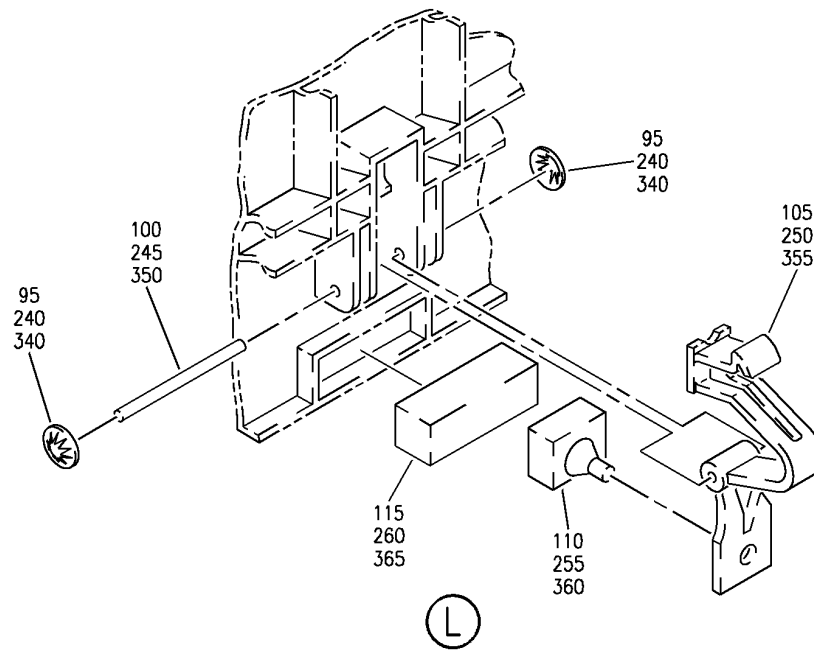
GRILLE INSTL-RH PASS. CAB. AIR RETURN
 FIGURE 13D (SHEET 6)

25-21-47-13D

HAP
 FEB 10/07

25-21-47-13D
 PAGE 0E

BOEING
737-600/700/800/900
PARTS CATALOG (MAINTENANCE)



E 25214713D SHT 7 REV 110

GRILLE INSTL-RH PASS. CAB. AIR RETURN
FIGURE 13D (SHEET 7)

25-21-47-13D

HAP
FEB 10/07

25-21-47-13D
PAGE OF

BOEING
737-600/700/800/900
PARTS CATALOG (MAINTENANCE)

FIG ITEM	PART NUMBER	1 2 3 4 5 6 7	NOMENCLATURE	EFFECT FROM TO	UNITS PER ASSY
13D			GRILLE INSTL-RH PASS. CAB. AIR RETURN	101200 968999	
- 1	MODREF313722		GRILLE INSTL-PASS. CAB. AIR RETURN	101200 968999	1
			MODULE NUMBER: 411A1101-2064C REV A		
			POSITION DATA: RH		
5	411N1525-20		.TRIM ASSY	101200 968999	2
			ATTACHING PARTS		
- 10	BACS12HN3-6		.SCREW	101200 968999	2
- 15	NAS1149D0316J		.WASHER	101200 968999	2
			-----*-----		
25	411N1510-111SP		.GRILLE ASSY-22.5 IN. PNL WITH 8IN. EXTENSION (OPP CLIP), SHORT BAFFLE AND LONG LATCH (EQUIPMENT/ FURNISHINGS ONLY)	101200 968999	1
			FUNCTIONAL REFERENCE: PLACARDS AND MARKINGS FOR DETAILS SEE 11-30-54-13D		
30	411N1510-107SP		.GRILLE ASSY-22.5 IN. PNL WITH 4 IN. EXTENSION (OPP CLIP), LONG LATCH AND SHORT BAFFLE (EQUIPMENT/FURNISHINGS ONLY)	101200 968999	1
			FUNCTIONAL REFERENCE: PLACARDS AND MARKINGS FOR DETAILS SEE 11-30-54-13D		
35	411N1522-2		..CLIP	101200 968999	1
40	6100-12		..RETAINER-CLIP	101200	9
			SUPPLIER CODE: V97464	968999	
45	411N1522-5		..PIN-HINGE	101200 968999	2
50	411N1521-2SP		..LATCH	101200 968999	2
55	411N1527-1		..PAD	101200 968999	2
60	411N1527-2		..PAD	101200 968999	2

MISSING ITEM NUMBERS NOT APPLICABLE

- ITEM NOT ILLUSTRATED

HAP

25-21-47-13D

BOEING PROPRIETARY - Copyright © - Unpublished Work - See title page for details.

25-21-47
FIG. 13D
PAGE 1
OCT 15/08

BOEING
737-600/700/800/900
PARTS CATALOG (MAINTENANCE)

FIG ITEM	PART NUMBER	1 2 3 4 5 6 7	NOMENCLATURE	EFFECT FROM TO	UNITS PER ASSY
13D					
65	411N1528-3	..	BAFFLE ASSY	101200 968999	1
70	411N1524-1SP	..	EXTENSION- USED ON: 411N1510-111SP	101200 968999	1
75	411N1524-2SP	..	EXTENSION- USED ON: 411N1510-107SP	101200 968999	1
80	411N1520-2SP	..	GRILLE	101200 968999	1
85	411N1510-101SP	.	GRILLE ASSY-20.5 IN, PNL WITH SHORT LATCH AND SHORT BAFFLE (EQUIPMENT/ FURNISHINGS ONYL) FUNCTIONAL REFERENCE: PLACARDS AND MARKINGS FOR DETAILS SEE 11-30-54-13D	101200 968999	10
90	411N1522-1	..	CLIP-SPR RTNR	101200 968999	1
95	6100-12	..	RETAINER-CLIP SUPPLIER CODE: V97464	101200 968999	9
100	411N1522-5	..	PIN-HINGE	101200 968999	2
105	411N1521-1SP	..	LATCH	101200 968999	2
110	411N1527-1	..	PAD	101200 968999	2
115	411N1527-2	..	PAD	101200 968999	2
120	411N1528-3	..	BAFFLE ASSY	101200 968999	1
125	411N1520-1SP	..	GRILLE	101200 968999	1
130	411N1510-105SP	.	GRILLE ASSY-20.5 IN. PNL WITH IFE CENTER, SHORT BAFFLE AND LONG LATCH (EQUIPMENT/FURNISHINGS ONLY) FUNCTIONAL REFERENCE: PLACARDS AND MARKINGS FOR DETAILS SEE 11-30-54-13D	101200 968999	1
135	411N1522-1	..	CLIP-SPR RTNR	101200 968999	1
140	6100-12	..	RETAINER-CLIP SUPPLIER CODE: V97464	101200 968999	11

MISSING ITEM NUMBERS NOT APPLICABLE

— ITEM NOT ILLUSTRATED

HAP

25-21-47-13D

BOEING PROPRIETARY - Copyright © - Unpublished Work - See title page for details.

25-21-47
FIG. 13D
PAGE 2
OCT 15/08

BOEING
737-600/700/800/900
PARTS CATALOG (MAINTENANCE)

FIG ITEM	PART NUMBER	1 2 3 4 5 6 7	NOMENCLATURE	EFFECT FROM TO	UNITS PER ASSY
13D					
145	411N1527-3	..	PAD	101200 968999	1
150	411N1522-5	..	PIN-HINGE	101200 968999	2
155	411N1521-2SP	..	LATCH	101200 968999	2
160	411N1527-1	..	PAD	101200 968999	2
165	411N1527-2	..	PAD	101200 968999	2
170	411N1528-3	..	BAFFLE ASSY	101200 968999	1
175	411N1520-1SP	..	GRILLE	101200 968999	1
180	411N1510-34SP	.	GRILLE ASSY-20.5 IN. BLANK PNL, PLUG AND SNAP-ON LATCH (EQUIPMENT/ FURNISHINGS ONLY) FUNCTIONAL REFERENCE: PLACARDS AND MARKINGS FOR DETAILS SEE 11-30-54-13D	101200 968999	1
185	411N1522-3	..	SPRING	101200 968999	1
			ATTACHING PARTS		
- 190	NAS1801-3-5	..	SCREW	101200 968999	2
- 195	BACW10P5CC	..	WASHER	101200 968999	2
			-----*-----		
200	411N1521-3SP	..	PLUG	101200 968999	2
205	411N1407-3	..	CLIP	101200 968999	2
210	411N1407-7	..	SPACER	101200 968999	2
215	411N1523-3	..	STIFFENER ASSY	101200 968999	1
220	BACI12S3	...	INSERT	101200 968999	2
225	411N1520-5SP	..	GRILLE	101200 968999	1

MISSING ITEM NUMBERS NOT APPLICABLE

- ITEM NOT ILLUSTRATED

HAP

25-21-47-13D

BOEING PROPRIETARY - Copyright © - Unpublished Work - See title page for details.

25-21-47
FIG. 13D
PAGE 3
OCT 15/08

BOEING
737-600/700/800/900
PARTS CATALOG (MAINTENANCE)

FIG ITEM	PART NUMBER	1 2 3 4 5 6 7	NOMENCLATURE	EFFECT FROM TO	UNITS PER ASSY
13D 230	411N1510-102SP		.GRILLE ASSY-20.5 IN. PNL WITH SHORT LATCH AND LARGE BAFFLE (EQUIPMENT/ FURNISHINGS ONLY) FUNCTIONAL REFERENCE: PLACARDS AND MARKINGS FOR DETAILS SEE 11-30-54-13D	101200 968999	17
235	411N1522-1		..CLIP	101200 968999	1
240	6100-12		..RETAINER-CLIP SUPPLIER CODE: V97464	101200 968999	9
245	411N1522-5		..PIN-HINGE	101200 968999	2
250	411N1521-1SP		..LATCH	101200 968999	2
255	411N1527-1		..PAD	101200 968999	2
260	411N1527-2		..PAD	101200 968999	2
265	411N1528-2		..BAFFLE ASSY	101200 968999	1
270	411N1520-1SP		..GRILLE	101200 968999	1
280	411N1510-35SP		.GRILLE ASSY-23.5 IN. BLANK PNL, PLUG AND SNAP-ON LATCH (EQUIPMENT/ FURNISHINGS ONLY) FUNCTIONAL REFERENCE: PLACARDS AND MARKINGS FOR DETAILS SEE 11-30-54-13D	101200 968999	1
285	411N1522-3		..SPRING	101200 968999	1
- 290	NAS1801-3-5		ATTACHING PARTS ..SCREW	101200 968999	2
- 295	BACW10P5CC		..WASHER	101200 968999	2
			-----*-----		
300	411N1521-3SP		..PLUG	101200 968999	2
305	411N1407-3		..CLIP	101200 968999	2
310	411N1407-7		..SPACER	101200 968999	2
315	411N1523-2		..STIFFENER ASSY	101200 968999	1

MISSING ITEM NUMBERS NOT APPLICABLE

- ITEM NOT ILLUSTRATED

HAP

25-21-47-13D

BOEING PROPRIETARY - Copyright © - Unpublished Work - See title page for details.

25-21-47
FIG. 13D
PAGE 4
OCT 15/08

BOEING
737-600/700/800/900
PARTS CATALOG (MAINTENANCE)

FIG ITEM	PART NUMBER	1 2 3 4 5 6 7	NOMENCLATURE	EFFECT FROM TO	UNITS PER ASSY
13D					
320	BACI12S3	...	INSERT	101200 968999	2
325	411N1520-10SP	..	GRILLE	101200 968999	1
330	411N1510-113SP	.GRILLE ASSY-22.5 IN. PNL WITH SHORT LATCH AND BAFFLE AND IFE AT CTR (EQUIPMENT/FURNISHINGS ONLY) FUNCTIONAL REFERENCE: PLACARDS AND MARKINGS FOR DETAILS SEE 11-30-54-13D		101200 968999	1
335	411N1522-2	..	CLIP	101200 968999	1
340	6100-12	..	RETAINER-CLIP SUPPLIER CODE: V97464	101200 968999	11
345	411N1527-3	..	PAD	101200 968999	1
350	411N1522-5	..	PIN-HINGE	101200 968999	2
355	411N1521-1SP	..	LATCH	101200 968999	2
360	411N1527-1	..	PAD	101200 968999	2
365	411N1527-2	..	PAD	101200 968999	2
370	411N1528-3	..	BAFFLE ASSY	101200 968999	1
375	411N1520-2SP	..	GRILLE	101200 968999	1
380	411N1510-27SP	.GRILLE ASSY-22.5 IN. BLANK PNL, LONG LATCH (EQUIPMENT/FURNISHINGS ONLY) FUNCTIONAL REFERENCE: PLACARDS AND MARKINGS FOR DETAILS SEE 11-30-54-13D		101200 968999	2
385	411N1522-3	..	SPRING	101200 968999	1
- 390	NAS1801-3-5	..	SCREW	101200 968999	2
- 395	BACW10P5CC	..	WASHER	101200 968999	2
			-----*-----		

MISSING ITEM NUMBERS NOT APPLICABLE

- ITEM NOT ILLUSTRATED

HAP

25-21-47-13D

BOEING PROPRIETARY - Copyright © - Unpublished Work - See title page for details.

25-21-47
FIG. 13D
PAGE 5
OCT 15/08

BOEING
737-600/700/800/900
PARTS CATALOG (MAINTENANCE)

FIG ITEM	PART NUMBER	1 2 3 4 5 6 7	NOMENCLATURE	EFFECT FROM TO	UNITS PER ASSY
13D 400	6100-12	..	RETAINER-CLIP SUPPLIER CODE: V97464	101200 968999	4
405	411N1522-4	..	PIN-HINGE OPTIONAL PART: 411N1522-5	101200 968999	2
405	411N1522-5	..	PIN-HINGE OPTIONAL PART: 411N1522-4	101200 968999	2
410	411N1521-2SP	..	LATCH	101200 968999	2
415	411N1527-1	..	PAD	101200 968999	2
420	411N1527-2	..	PAD	101200 968999	2
425	411N1523-2	..	STIFFENER ASSY	101200 968999	1
430	BACI12S3	...	INSERT	101200 968999	2
435	411N1520-4SP	..	GRILLE	101200 968999	1
440	411N1510-112SP	.	GRILLE ASSY-22.5 IN. PNL WITH 8 IN. EXTENSION (CLIP SIDE), LONG LATCH AND LARGE BAFFLE (EQUIPMENT/FURNISHINGS ONLY) FUNCTIONAL REFERENCE: PLACARDS AND MARKINGS FOR DETAILS SEE 11-30-54-13D	101200 968999	1
445	6100-12	..	RETAINER-CLIP SUPPLIER CODE: V97464	101200 968999	9
450	411N1522-5	..	PIN-HINGE	101200 968999	2
455	411N1521-2SP	..	LATCH	101200 968999	2
460	411N1527-1	..	PAD	101200 968999	2
465	411N1527-2	..	PAD	101200 968999	2
470	411N1528-2	..	BAFFLE ASSY	101200 968999	1
475	411N1524-1SP	..	EXTENSION	101200 968999	1
480	411N1520-2SP	..	GRILLE	101200 968999	1

MISSING ITEM NUMBERS NOT APPLICABLE

— ITEM NOT ILLUSTRATED

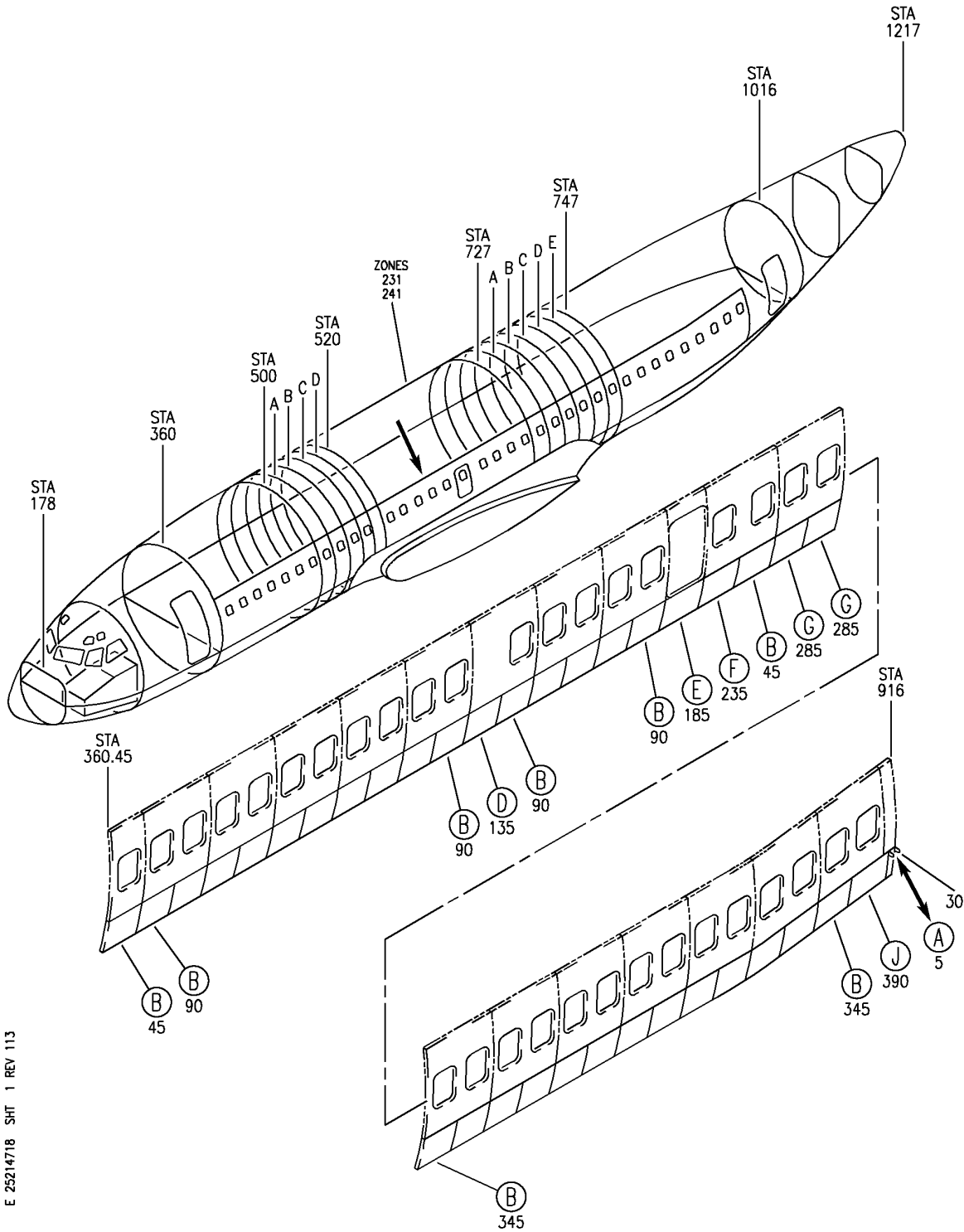
HAP

25-21-47-13D

BOEING PROPRIETARY - Copyright © - Unpublished Work - See title page for details.

25-21-47
FIG. 13D
PAGE 6
OCT 15/08

BOEING
 737-600/700/800/900
 PARTS CATALOG (MAINTENANCE)



E 25214718 SHT 1 REV 113

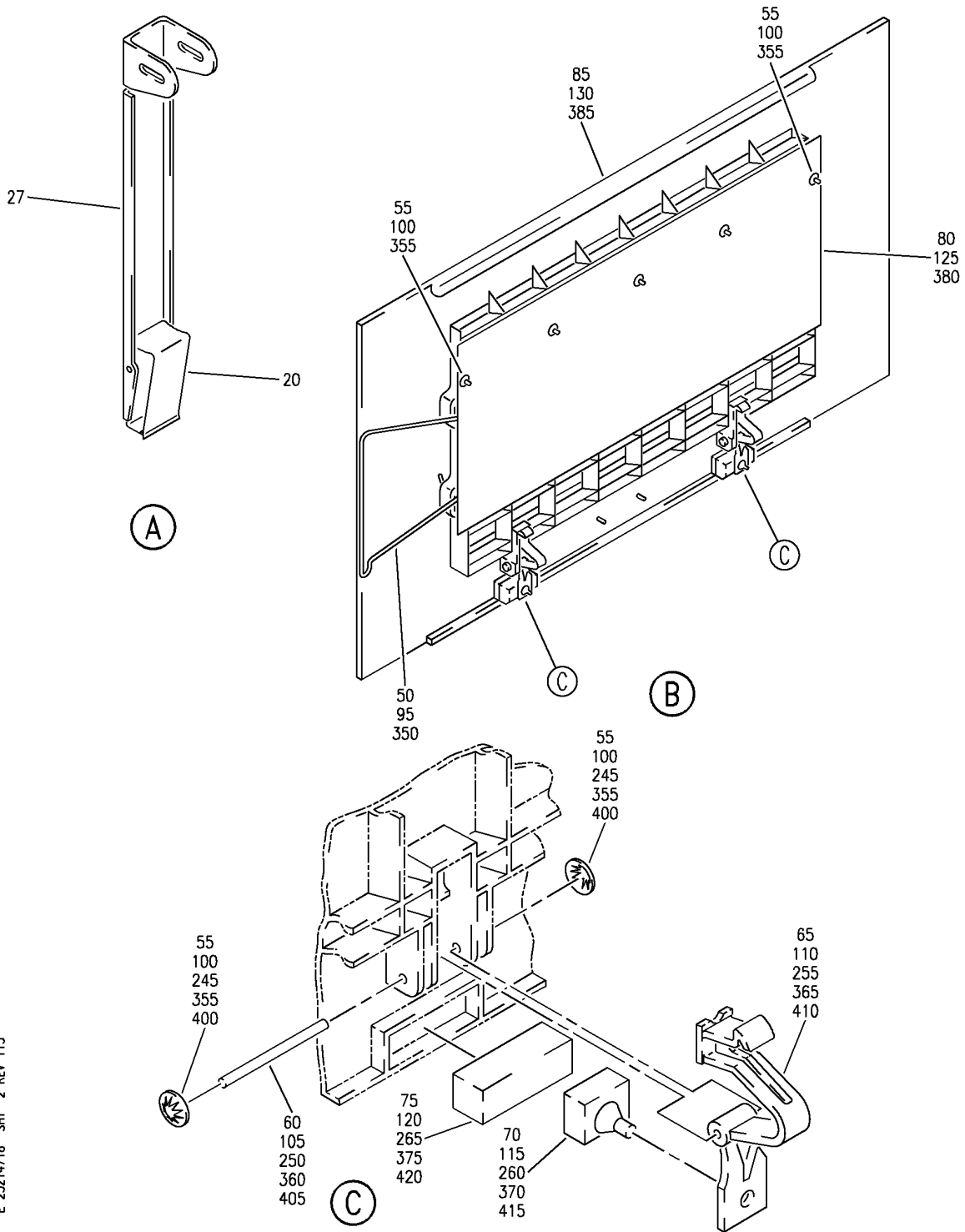
GRILLE INSTL-LH PASS. CAB. AIR RETURN
 FIGURE 18 (SHEET 1)

25-21-47-18

HAP
 OCT 15/08

25-21-47-18
 PAGE 0

BOEING
 737-600/700/800/900
 PARTS CATALOG (MAINTENANCE)



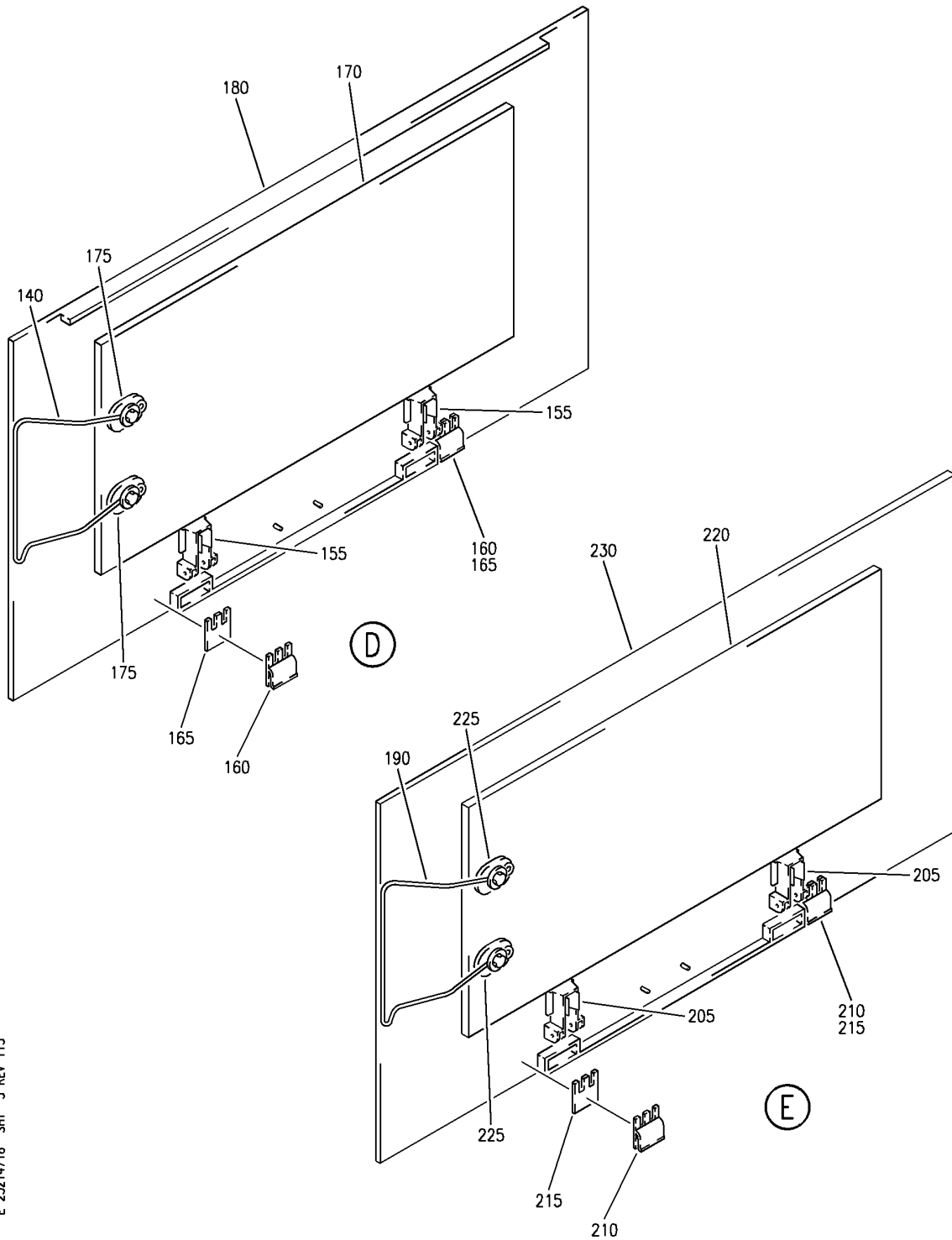
E 25214718 SHT 2 REV 113

GRILLE INSTL-LH PASS. CAB. AIR RETURN
 FIGURE 18 (SHEET 2)

25-21-47-18

HAP
 OCT 15/08

25-21-47-18
 PAGE 0A



E 25214718 SHT 3 REV 113

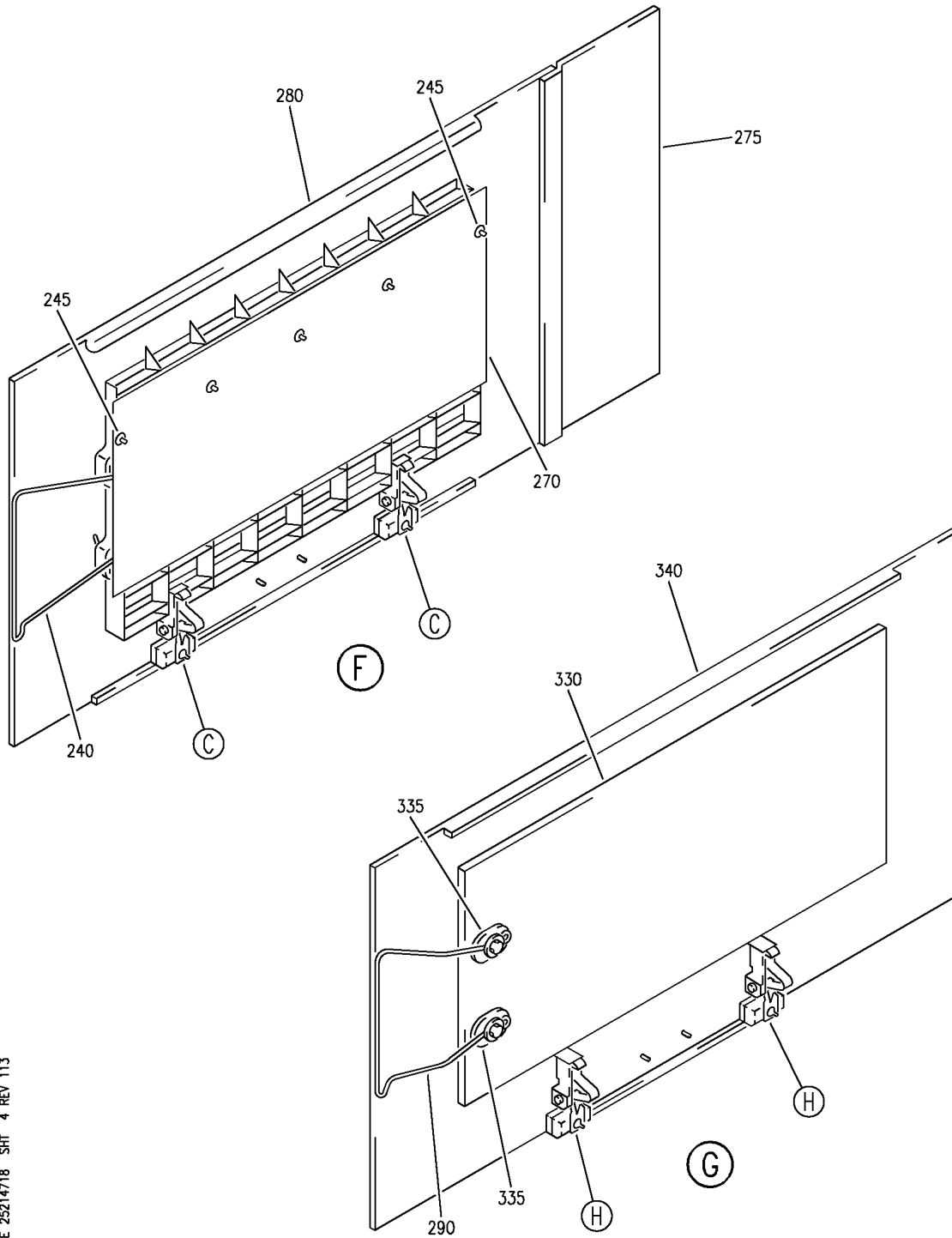
GRILLE INSTL-LH PASS. CAB. AIR RETURN
 FIGURE 18 (SHEET 3)

25-21-47-18

HAP
 OCT 15/08

25-21-47-18
 PAGE 0B

BOEING
 737-600/700/800/900
 PARTS CATALOG (MAINTENANCE)



E 25214718 SH1 4 REV 113

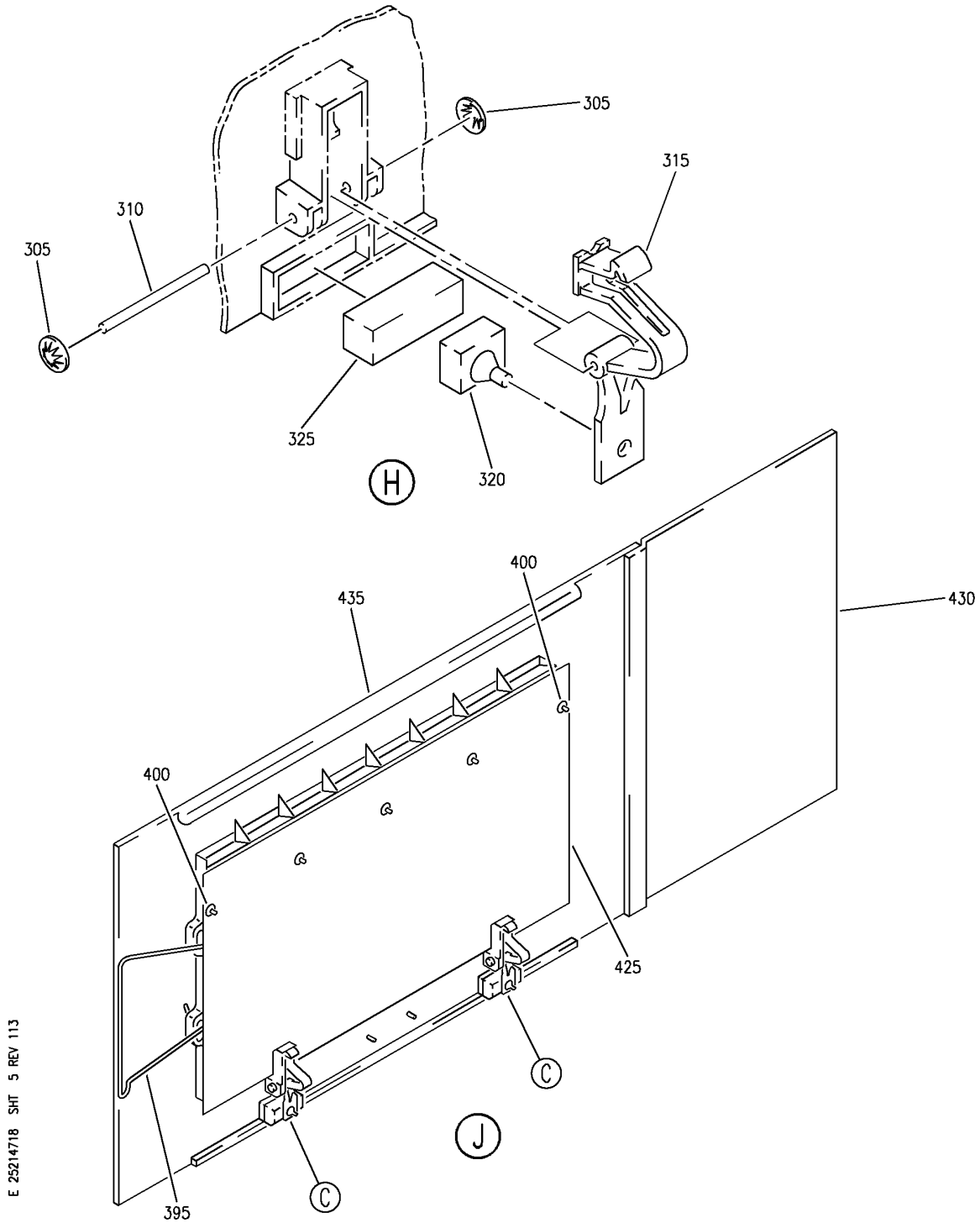
GRILLE INSTL-LH PASS. CAB. AIR RETURN
 FIGURE 18 (SHEET 4)

25-21-47-18

HAP
 OCT 15/08

25-21-47-18
 PAGE 0C

BOEING
 737-600/700/800/900
 PARTS CATALOG (MAINTENANCE)



E 25214718 SHT 5 REV 113

GRILLE INSTL-LH PASS. CAB. AIR RETURN
 FIGURE 18 (SHEET 5)

25-21-47-18

HAP
 OCT 15/08

25-21-47-18
 PAGE 0D

BOEING
737-600/700/800/900
PARTS CATALOG (MAINTENANCE)

FIG ITEM	PART NUMBER	1 2 3 4 5 6 7	NOMENCLATURE	EFFECT FROM TO	UNITS PER ASSY
18			GRILLE INSTL-LH PASS. CAB. AIR RETURN	201967	
- 1	411A1110-2005SP		GRILLE INSTL-PASS. CAB. AIR RETURN POSITION DATA: LH FOR NHA SEE: 21-23-00-15A	201967	RF
5	411N1525-1		.TRIM ASSY- ATTACHING PARTS	201967	1
- 10	NAS1801-3-10		.SCREW	201967	1
- 15	NAS1149D0316J		.WASHER	201967	1
			-----*-----		
20	411N1525-3		..SPRING ATTACHING PARTS	201967	1
- 25	BACR15CE3AD		..RIVET- SIZE DETERMINED ON INSTL.	201967	2
			-----*-----		
27	411N1525-2		..TRIM	201967	1
30	411N1525-20		.TRIM ASSY- ATTACHING PARTS	201967	1
- 35	NAS1801-3-10		.SCREW	201967	1
- 40	NAS1149D0316J		.WASHER	201967	1
			-----*-----		
45	411N1510-103SP		.GRILLE ASSY-22.5 IN. PNL WITH SHORT LATCH AND SHORT BAFFLE (EQUIPMENT/ FURNISHINGS ONLY) FUNCTIONAL REFERENCE: PLACARDS AND MARKINGS FOR DETAILS SEE 11-30-54-18	201967	2
50	411N1522-2		..CLIP-SPR RTNR	201967	1
55	6100-12		..RETAINER-CLIP SUPPLIER CODE: V97464	201967	9
60	411N1522-5		..PIN-HINGE	201967	2
65	411N1521-1SP		..LATCH	201967	2
70	411N1527-1		..PAD	201967	2
75	411N1527-2		..PAD	201967	2
80	411N1528-3		..BAFFLE ASSY	201967	1
85	411N1520-2SP		..GRILLE	201967	1

MISSING ITEM NUMBERS NOT APPLICABLE

- ITEM NOT ILLUSTRATED

HAP

25-21-47-18

BOEING PROPRIETARY - Copyright © - Unpublished Work - See title page for details.

25-21-47
FIG. 18
PAGE 1
OCT 15/08

BOEING
737-600/700/800/900
PARTS CATALOG (MAINTENANCE)

FIG ITEM	PART NUMBER	1 2 3 4 5 6 7	NOMENCLATURE	EFFECT FROM TO	UNITS PER ASSY
18					
90	411N1510-101SP		.GRILLE ASSY-20.5 IN. PNL WITH SHORT LATCH AND SHORT BAFFLE (EQUIPMENT/FURNISHINGS ONLY) FUNCTIONAL REFERENCE: PLACARDS AND MARKINGS FOR DETAILS SEE 11-30-54-18	201967	15
95	411N1522-1		..CLIP-SPR RTNR	201967	1
100	6100-12		..RETAINER-CLIP SUPPLIER CODE: V97464	201967	9
105	411N1522-5		..PIN-HINGE	201967	2
110	411N1521-1SP		..LATCH	201967	2
115	411N1527-1		..PAD	201967	2
120	411N1527-2		..PAD	201967	2
125	411N1528-3		..BAFFLE ASSY	201967	1
130	411N1520-1SP		..GRILLE	201967	1
135	411N1510-34SP		.GRILLE ASSY-20.5 IN. BLANK PNL, PLUG AND SNAP-ON LATCH (EQUIPMENT/FURNISHINGS ONLY) FUNCTIONAL REFERENCE: PLACARDS AND MARKINGS FOR DETAILS SEE 11-30-54-18	201967	1
140	411N1522-3		..SPRING ATTACHING PARTS	201967	1
- 145	NAS1801-3-5		..SCREW	201967	2
- 150	BACW10P5CC		..WASHER -----*-----	201967	2
155	411N1521-3SP		..PLUG	201967	2
160	411N1407-3		..CLIP	201967	2
165	411N1407-7		..SPACER	201967	2
170	411N1523-3		..STIFFENER ASSY	201967	1
175	BACI12S3		...INSERT	201967	2
180	411N1520-5SP		..GRILLE	201967	1
185	411N1510-35SP		.GRILLE ASSY-23.5 IN. BLANK PNL, PLUG AND SNAP-ON LATCH (EQUIPMENT/FURNISHINGS ONLY) FUNCTIONAL REFERENCE: PLACARDS AND MARKINGS FOR DETAILS SEE 11-30-54-18	201967	1
190	411N1522-3		..SPRING ATTACHING PARTS	201967	1
- 195	NAS1801-3-5		..SCREW	201967	2

MISSING ITEM NUMBERS NOT APPLICABLE

- ITEM NOT ILLUSTRATED

HAP

25-21-47-18

BOEING PROPRIETARY - Copyright © - Unpublished Work - See title page for details.

25-21-47
FIG. 18
PAGE 2
OCT 15/08

BOEING
737-600/700/800/900
PARTS CATALOG (MAINTENANCE)

FIG ITEM	PART NUMBER	1 2 3 4 5 6 7	NOMENCLATURE	EFFECT FROM TO	UNITS PER ASSY
18					
- 200	BACW10P5CC	..	WASHER -----*-----	201967	2
205	411N1521-3SP	..	PLUG	201967	2
210	411N1407-3	..	CLIP	201967	2
215	411N1407-7	..	SPACER	201967	2
220	411N1523-2	..	STIFFENER ASSY	201967	1
225	BACI12S3	...	INSERT	201967	2
230	411N1520-10SP	..	GRILLE	201967	1
235	411N1510-107SP	.GRILLE ASSY-22.5 IN. PNL WITH 4 IN. EXTENSION (OPP CLIP), LONG LATCH AND SHORT BAFFLE (EQUIPMENT/FURNISHINGS ONLY) FUNCTIONAL REFERENCE: PLACARDS AND MARKINGS FOR DETAILS SEE 11-30-54-18	201967	1	
240	411N1522-2	..	CLIP-SPR RTNR	201967	1
245	6100-12	..	RETAINER-CLIP SUPPLIER CODE: V97464	201967	9
250	411N1522-5	..	PIN-HINGE	201967	2
255	411N1521-2SP	..	LATCH	201967	2
260	411N1527-1	..	PAD	201967	2
265	411N1527-2	..	PAD	201967	2
270	411N1528-3	..	BAFFLE ASSY	201967	1
275	411N1524-2SP	..	EXTENSION	201967	1
280	411N1520-2SP	..	GRILLE	201967	1
285	411N1510-27SP	.GRILLE ASSY-22.5 IN. BLANK PNL, LONG LATCH (EQUIPMENT/FURNISHINGS ONLY) FUNCTIONAL REFERENCE: PLACARDS AND MARKINGS FOR DETAILS SEE 11-30-54-18	201967	2	
290	411N1522-3	..	SPRING ATTACHING PARTS	201967	1
- 295	NAS1801-3-5	..	SCREW	201967	2
- 300	BACW10P5CC	..	WASHER -----*-----	201967	2
305	6100-12	..	RETAINER-CLIP SUPPLIER CODE: V97464	201967	4
310	411N1522-4	..	PIN-HINGE OPTIONAL PART: 411N1522-5	201967	2

MISSING ITEM NUMBERS NOT APPLICABLE

- ITEM NOT ILLUSTRATED

HAP

25-21-47-18

25-21-47
FIG. 18
PAGE 3
OCT 15/08

BOEING
737-600/700/800/900
PARTS CATALOG (MAINTENANCE)

FIG ITEM	PART NUMBER	1 2 3 4 5 6 7	NOMENCLATURE	EFFECT FROM TO	UNITS PER ASSY
18					
310	411N1522-5	..	PIN-HINGE OPTIONAL PART: 411N1522-4	201967	2
315	411N1521-2SP	..	LATCH	201967	2
320	411N1527-1	..	PAD	201967	2
325	411N1527-2	..	PAD	201967	2
330	411N1523-2	..	STIFFENER ASSY	201967	1
335	BACI12S3	...	INSERT	201967	2
340	411N1520-4SP	..	GRILLE	201967	1
345	411N1510-102SP	.GRILLE ASSY-20.5 IN. PNL WITH SHORT LATCH AND LARGE BAFFLE (EQUIPMENT/ FURNISHINGS ONLY) FUNCTIONAL REFERENCE: PLACARDS AND MARKINGS FOR DETAILS SEE 11-30-54-18		201967	13
350	411N1522-1	..	CLIP-SPR RTNR	201967	1
355	6100-12	..	RETAINER-CLIP SUPPLIER CODE: V97464	201967	9
360	411N1522-5	..	PIN-HINGE	201967	2
365	411N1521-1SP	..	LATCH	201967	2
370	411N1527-1	..	PAD	201967	2
375	411N1527-2	..	PAD	201967	2
380	411N1528-2	..	BAFFLE ASSY	201967	1
385	411N1520-1SP	..	GRILLE	201967	1
390	411N1510-110SP	.GRILLE ASSY-20.5 IN. PNL WITH 8 IN. EXTENSION (OPP CLIP) AND LARGE BAFFLE (EQUIPMENT/ FURNISHINGS ONLY) FUNCTIONAL REFERENCE: PLACARDS AND MARKINGS FOR DETAILS SEE 11-30-54-18		201967	1
395	411N1522-1	..	CLIP-SPR RTNR	201967	1
400	6100-12	..	RETAINER-CLIP SUPPLIER CODE: V97464	201967	9
405	411N1522-5	..	PIN-HINGE	201967	2
410	411N1521-2SP	..	LATCH	201967	2
415	411N1527-1	..	PAD	201967	2
420	411N1527-2	..	PAD	201967	2
425	411N1528-2	..	BAFFLE ASSY	201967	1
430	411N1524-1SP	..	EXTENSION	201967	1
435	411N1520-1SP	..	GRILLE	201967	1

MISSING ITEM NUMBERS NOT APPLICABLE

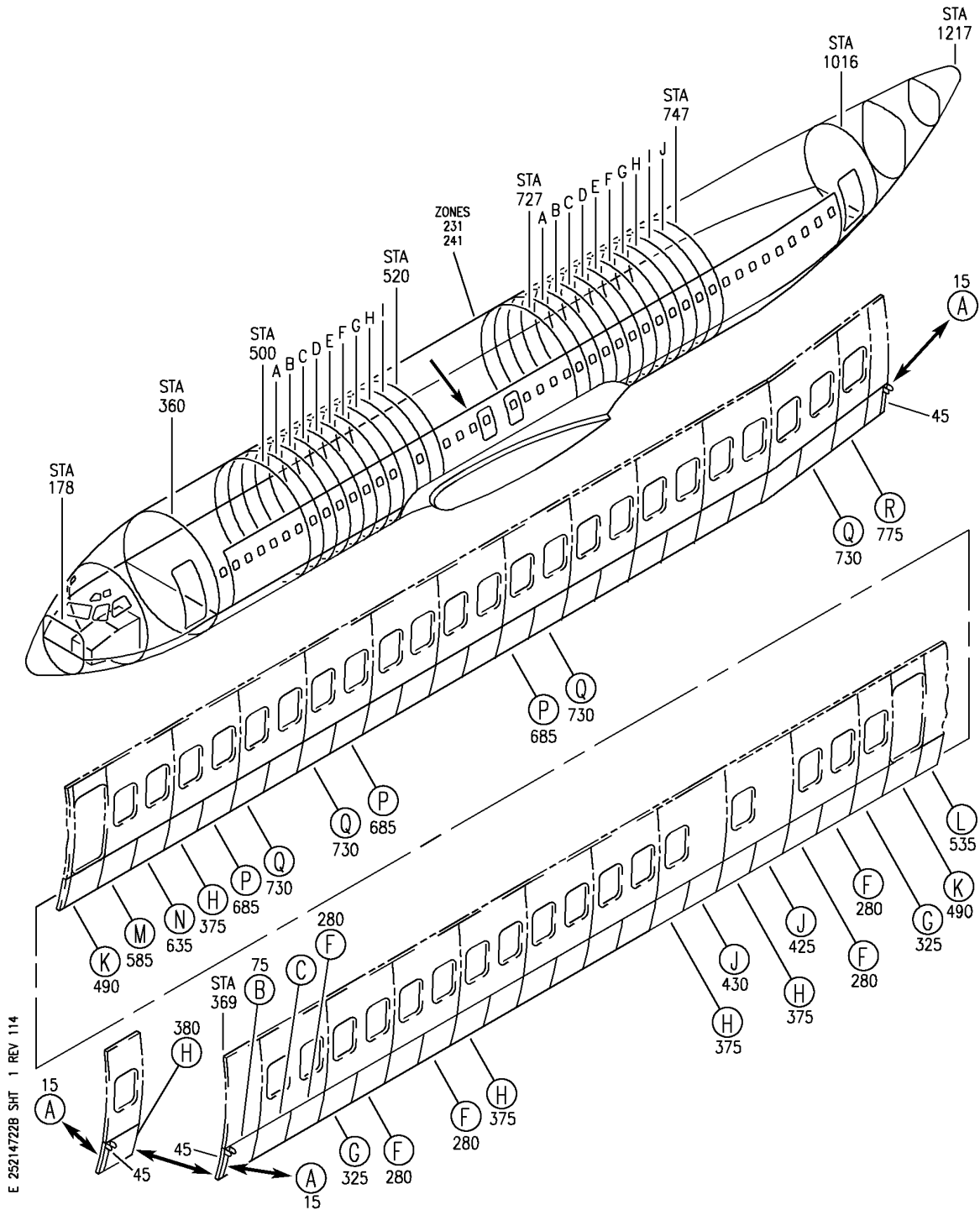
— ITEM NOT ILLUSTRATED

HAP

25-21-47-18

25-21-47
FIG. 18
PAGE 4
OCT 15/08

BOEING
 737-600/700/800/900
 PARTS CATALOG (MAINTENANCE)



E 25214722B SHT 1 REV 114

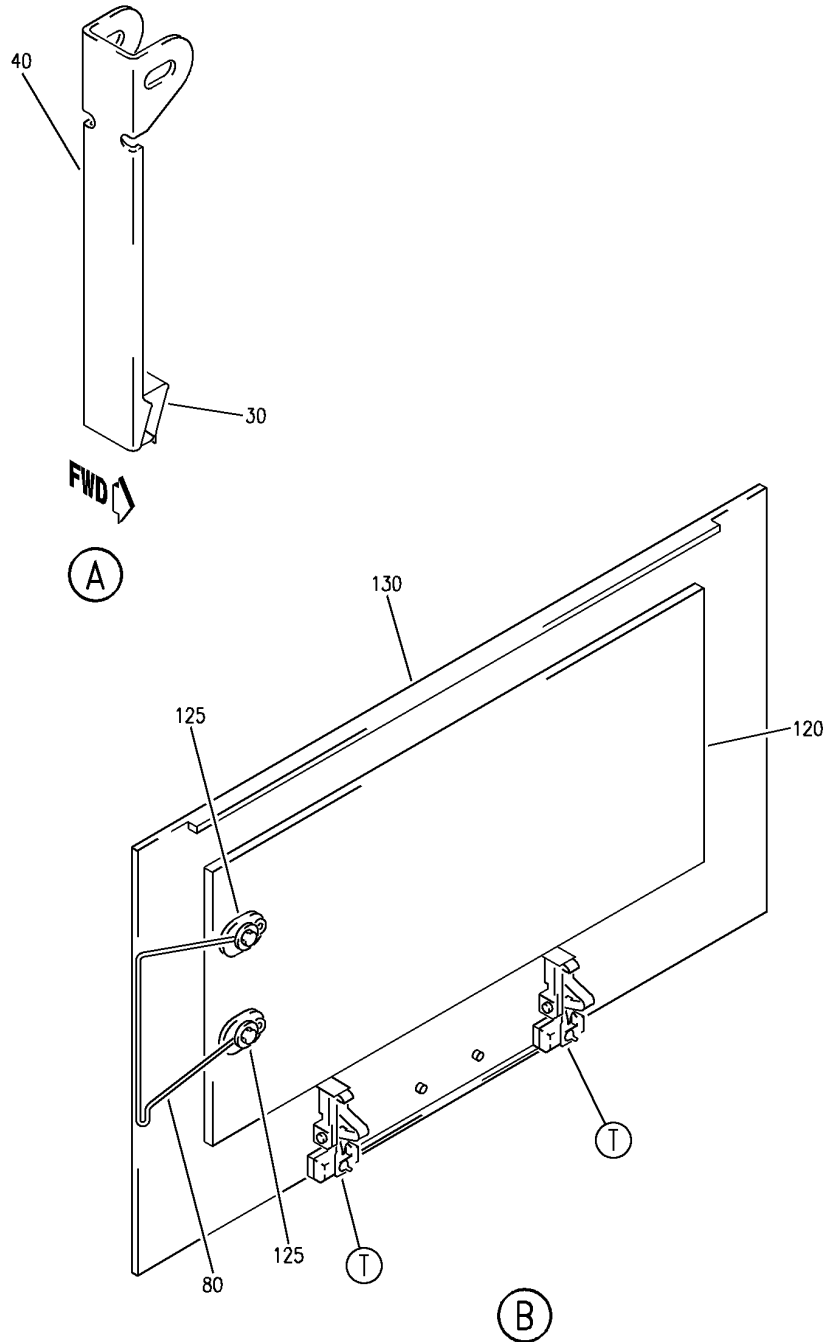
GRILLE INSTL-LH PASS. CAB. AIR RETURN
 FIGURE 22B (SHEET 1)

25-21-47-22B

HAP
 OCT 10/06

25-21-47-22B
 PAGE 0

BOEING
 737-600/700/800/900
 PARTS CATALOG (MAINTENANCE)



E 25214722B SHT 2 REV 114

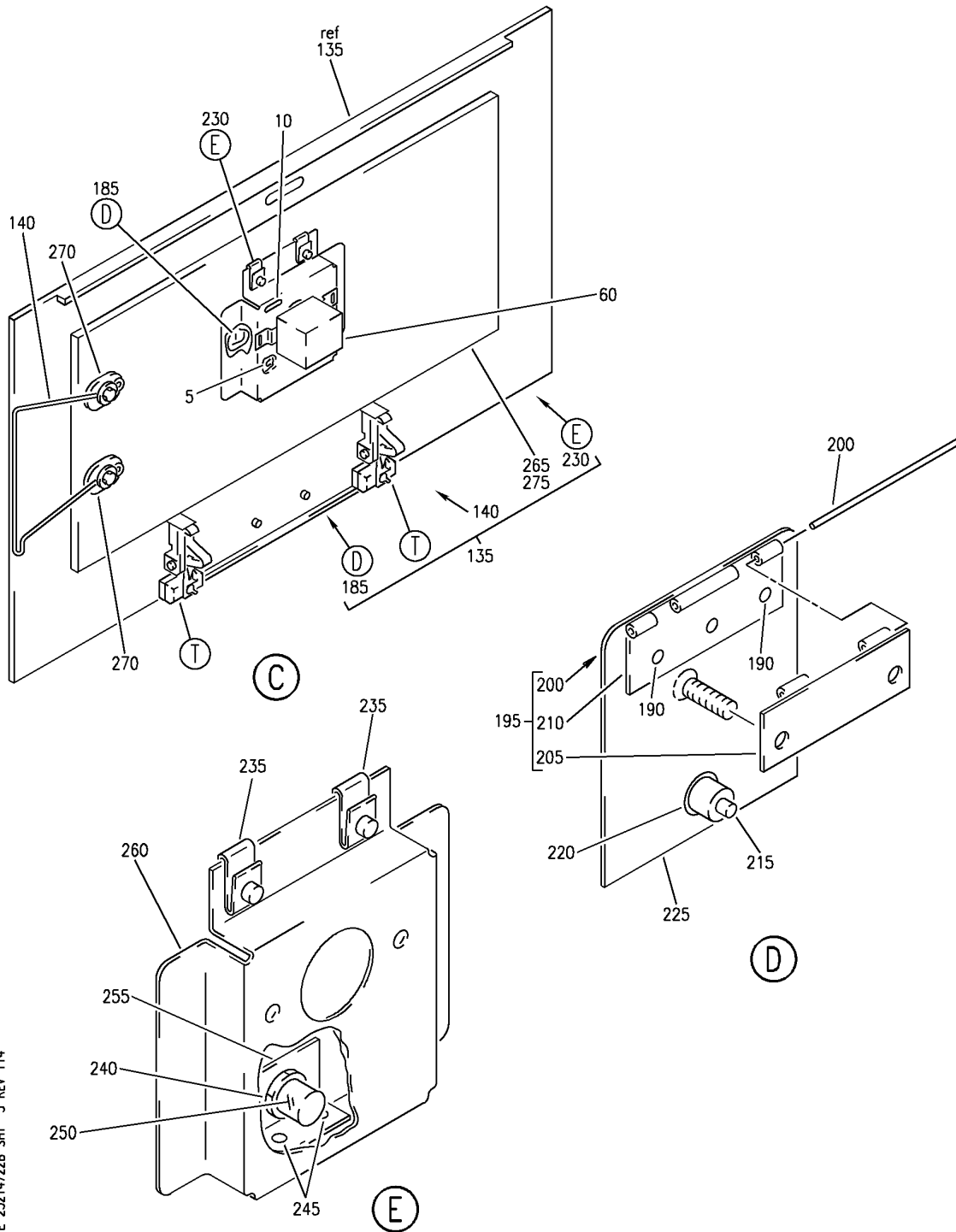
GRILLE INSTL-LH PASS. CAB. AIR RETURN
 FIGURE 22B (SHEET 2)

25-21-47-22B

HAP
 OCT 10/06

25-21-47-22B
 PAGE 0A

BOEING
 737-600/700/800/900
 PARTS CATALOG (MAINTENANCE)



E 25214722B SHT 3 REV 114

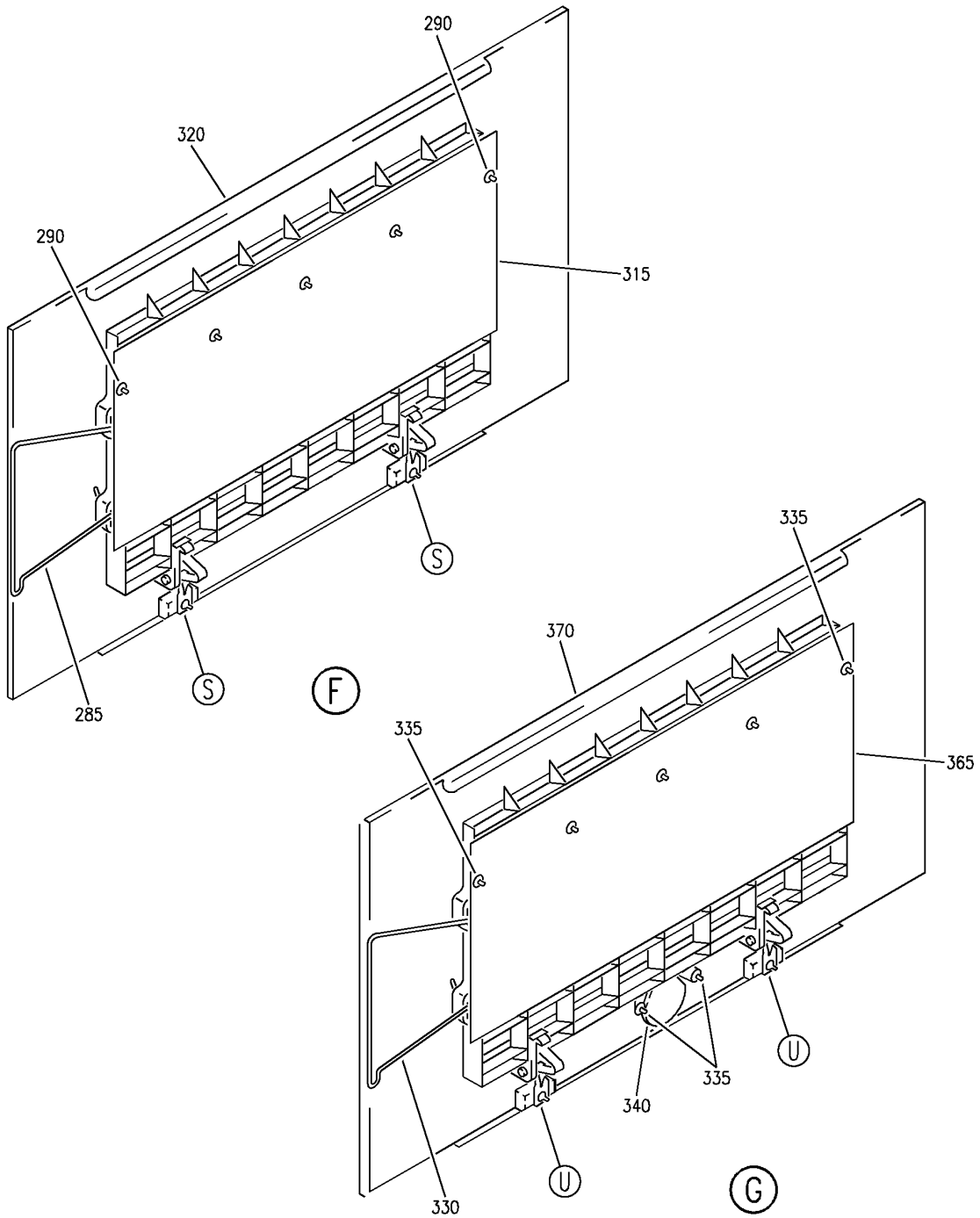
GRILLE INSTL-LH PASS. CAB. AIR RETURN
 FIGURE 22B (SHEET 3)

25-21-47-22B

HAP
 OCT 10/06

25-21-47-22B
 PAGE 0B

BOEING
 737-600/700/800/900
 PARTS CATALOG (MAINTENANCE)



E 25214722B SHT 4 REV 114

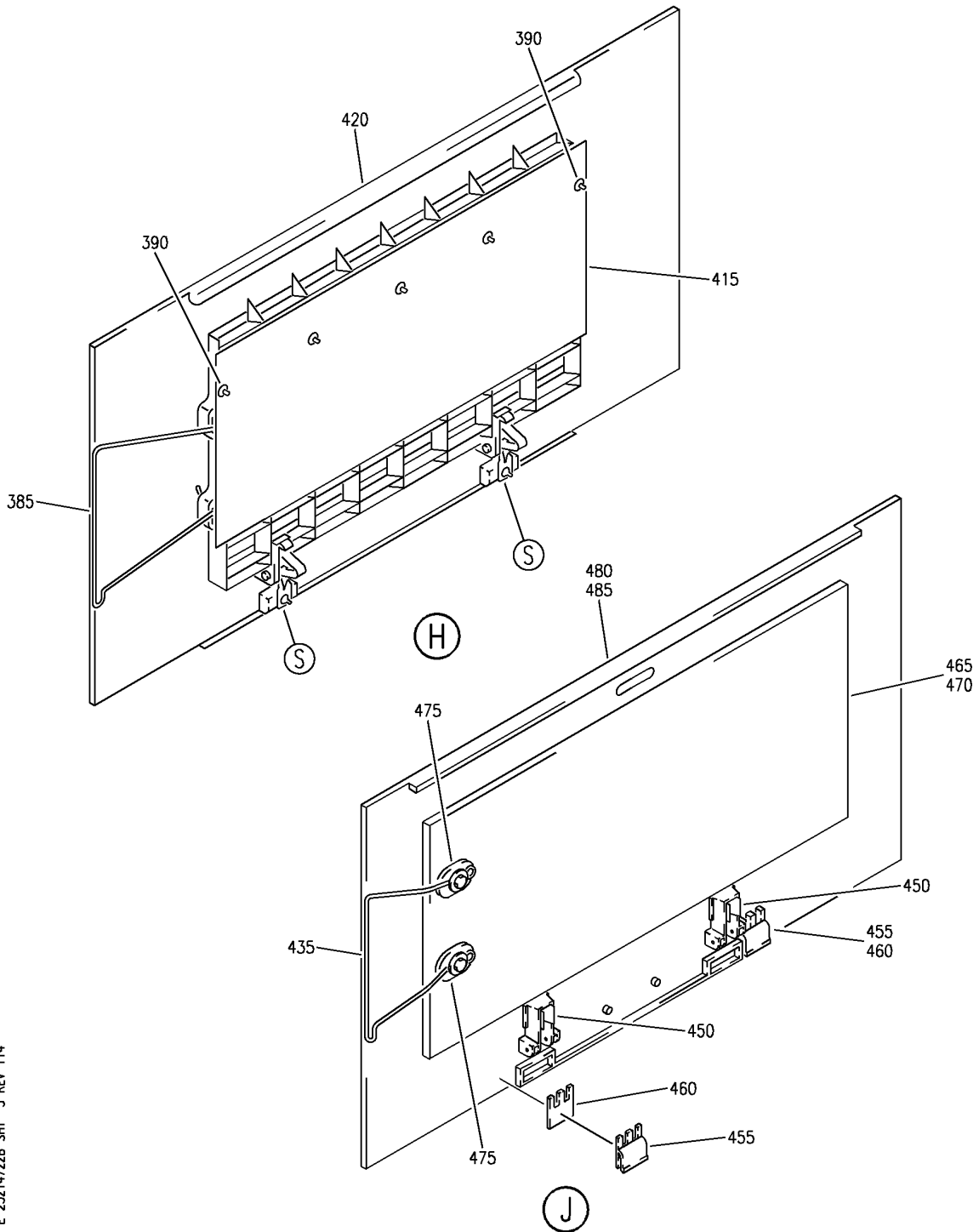
GRILLE INSTL-LH PASS. CAB. AIR RETURN
 FIGURE 22B (SHEET 4)

25-21-47-22B

HAP
 OCT 10/06

25-21-47-22B
 PAGE 0C

BOEING
 737-600/700/800/900
 PARTS CATALOG (MAINTENANCE)



E 25214722B SHT 5 REV 114

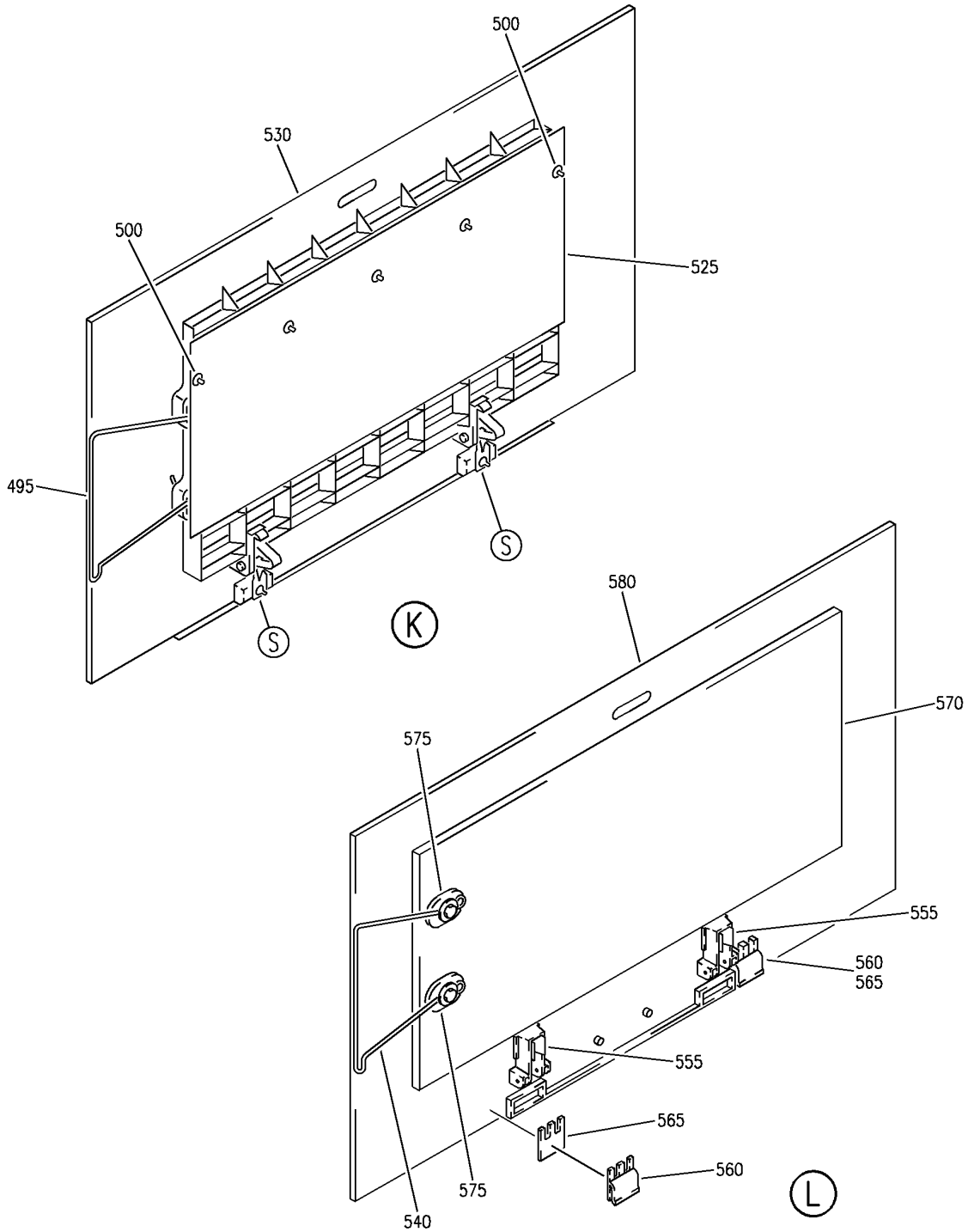
GRILLE INSTL-LH PASS. CAB. AIR RETURN
 FIGURE 22B (SHEET 5)

25-21-47-22B

HAP
 OCT 10/06

25-21-47-22B
 PAGE 0D

BOEING
 737-600/700/800/900
 PARTS CATALOG (MAINTENANCE)



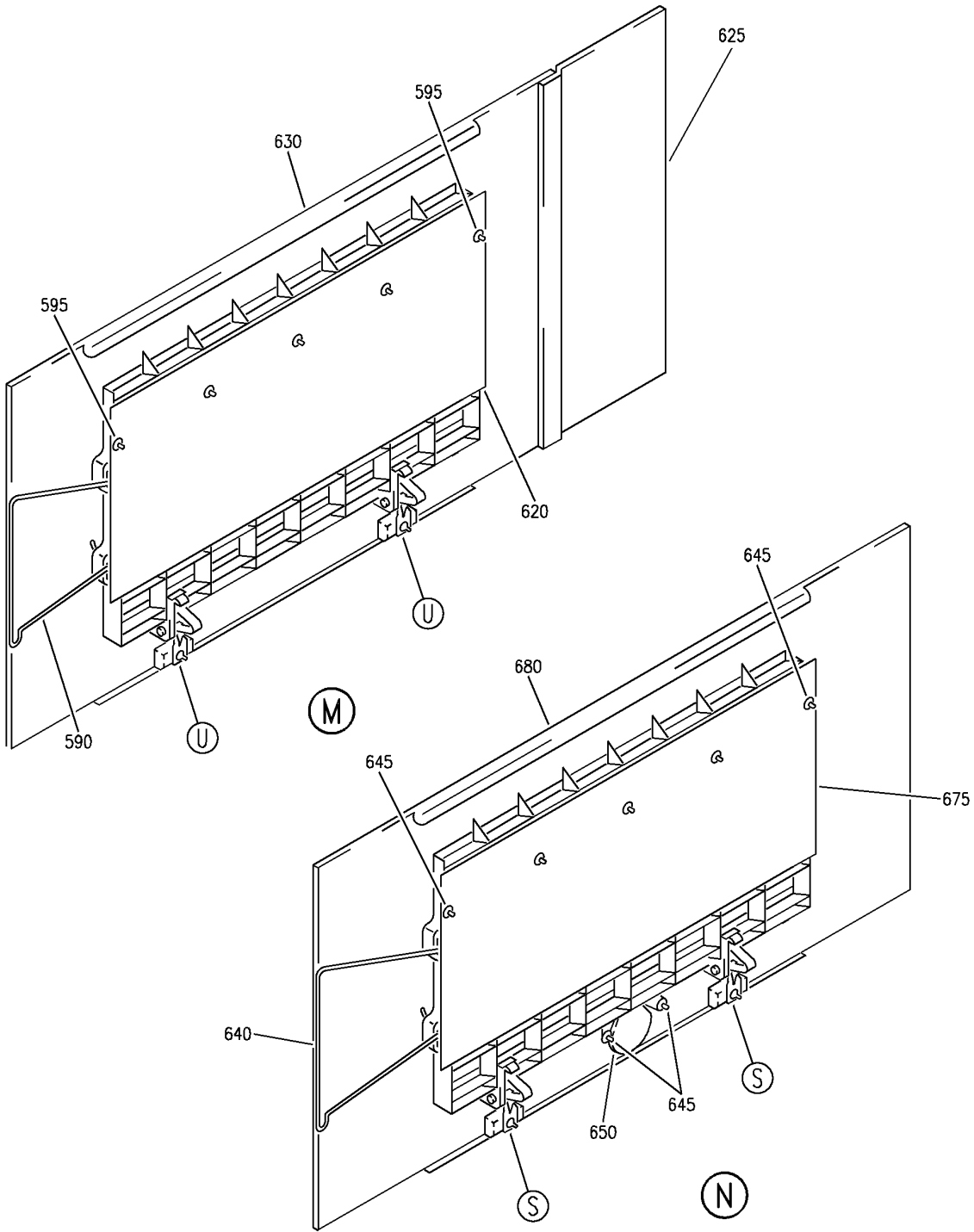
E 25214722B SHT 6 REV 114

GRILLE INSTL-LH PASS. CAB. AIR RETURN
 FIGURE 22B (SHEET 6)

25-21-47-22B

HAP
 OCT 10/06

25-21-47-22B
 PAGE 0E



E 25214722B SHT 7 REV 114

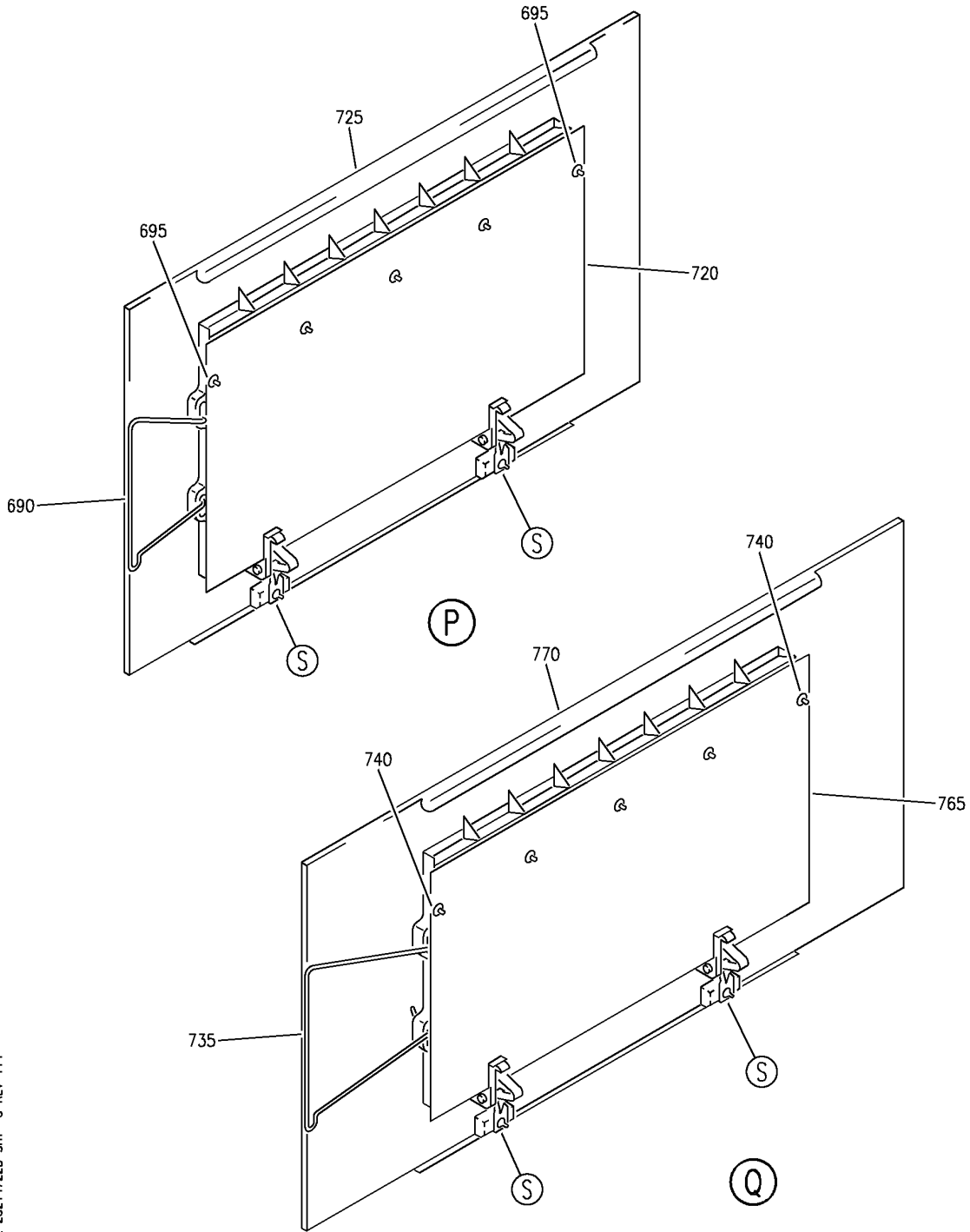
GRILLE INSTL-LH PASS. CAB. AIR RETURN
 FIGURE 22B (SHEET 7)

25-21-47-22B

HAP
 OCT 10/06

25-21-47-22B
 PAGE OF

BOEING
 737-600/700/800/900
 PARTS CATALOG (MAINTENANCE)



E 25214722B SHT 8 REV 114

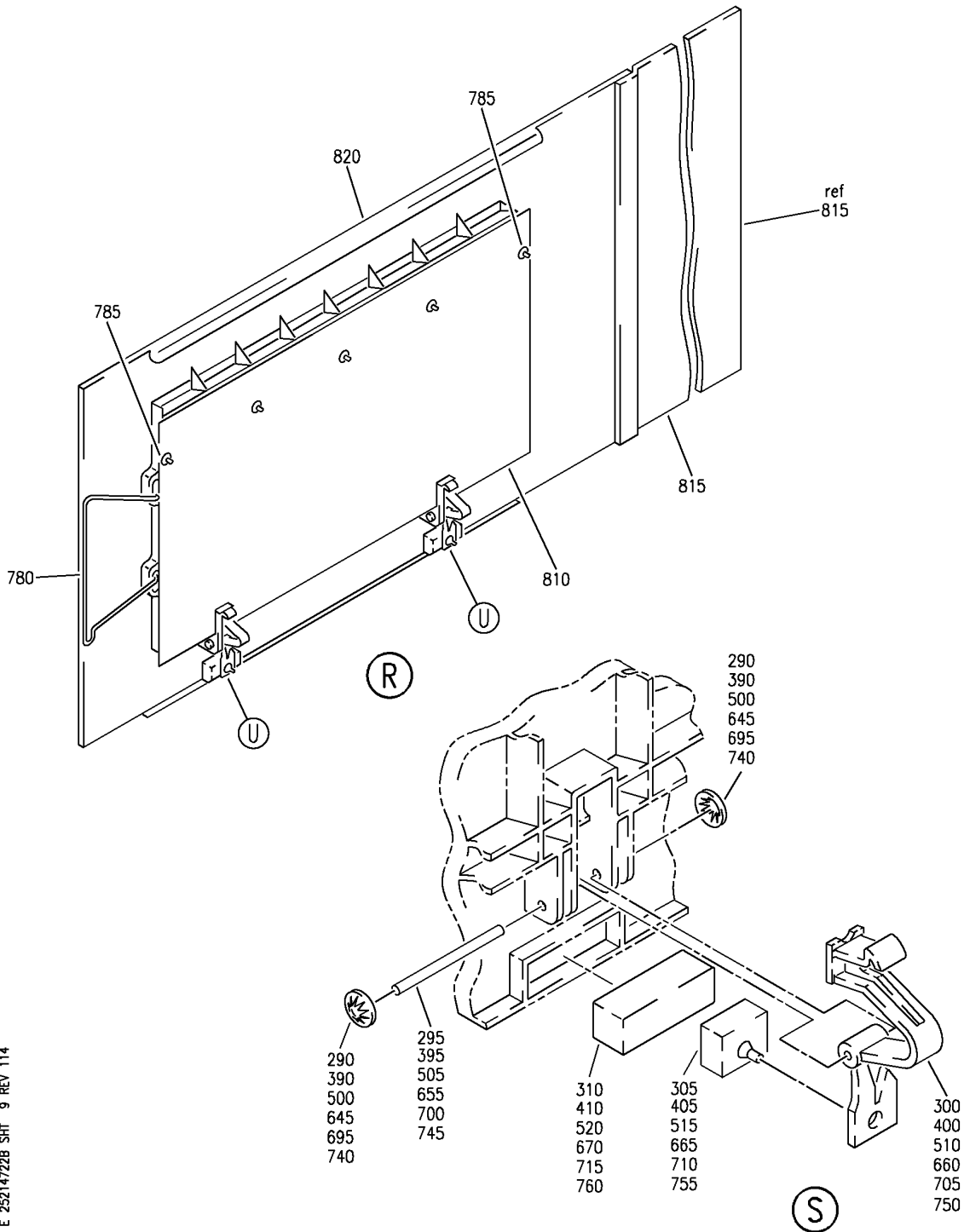
GRILLE INSTL-LH PASS. CAB. AIR RETURN
 FIGURE 22B (SHEET 8)

25-21-47-22B

HAP
 OCT 10/06

25-21-47-22B
 PAGE 08

BOEING
 737-600/700/800/900
 PARTS CATALOG (MAINTENANCE)



E 25214722B SHT 9 REV 114

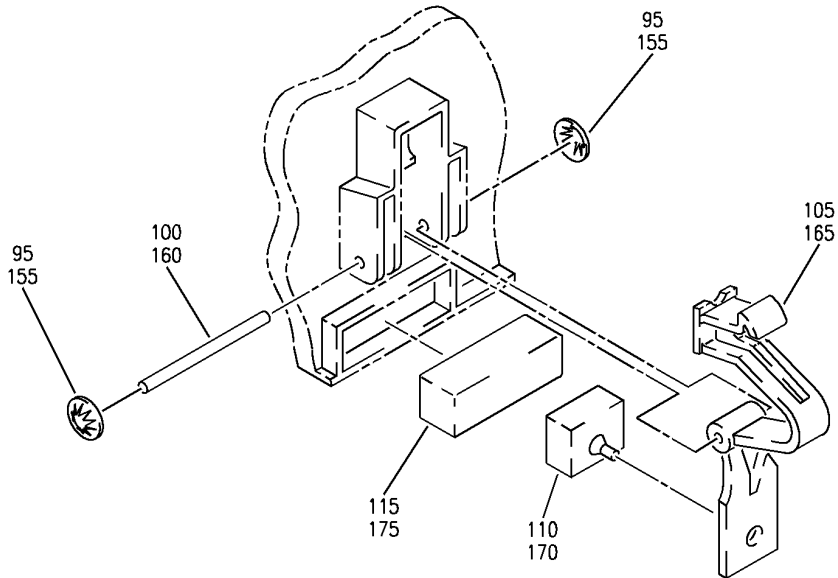
GRILLE INSTL-LH PASS. CAB. AIR RETURN
 FIGURE 22B (SHEET 9)

25-21-47-22B

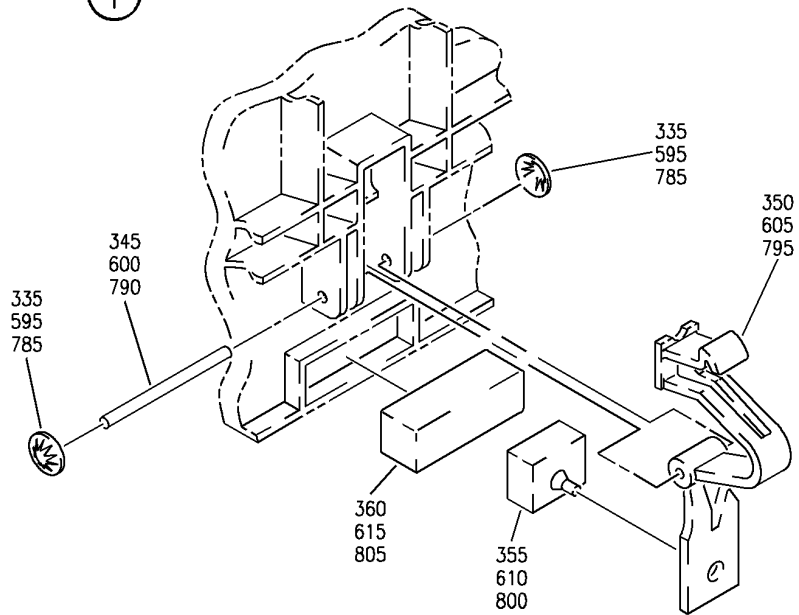
HAP
 OCT 10/06

25-21-47-22B
 PAGE 0H

BOEING
 737-600/700/800/900
 PARTS CATALOG (MAINTENANCE)



(T)



(U)

E 25214722B SHT 10 REV 114

GRILLE INSTL-LH PASS. CAB. AIR RETURN
 FIGURE 22B (SHEET 10)

25-21-47-22B

HAP
 OCT 10/06

25-21-47-22B
 PAGE 01

BOEING
737-600/700/800/900
PARTS CATALOG (MAINTENANCE)

FIG ITEM	PART NUMBER	1 2 3 4 5 6 7	NOMENCLATURE	EFFECT FROM TO	UNITS PER ASSY
22B			GRILLE INSTL-LH PASS. CAB. AIR RETURN	001014	
- 1	411A1110-3001SP		GRILLE INSTL-PASS. CAB. AIR RETURN POSITION DATA: LH FOR NHA SEE: 21-23-00-15B	001014	RF
5	BAC27TPPS6425		.MARKER- PLACARD CONTENT: 28V DC	001014	1
10	BAC27TPPS6427		.MARKER- PLACARD CONTENT: D12100	001014	1
15	411N1525-1		.TRIM ASSY- PRE SERVICE BULLETIN: 25-1542 ATTACHING PARTS	001014	2
- 20	NAS1801-3-6		.SCREW	001014	2
- 25	NAS1149D0316J		.WASHER	001014	2
			-----*-----		
30	411N1525-3		..SPRING ATTACHING PARTS	001014	1
- 35	BACR15CE3AD		..RIVET- SIZE DETERMINED ON INSTL.	001014	2
			-----*-----		
40	411N1525-2		..TRIM	001014	1
45	411N1525-20		.TRIM ASSY- PRE SERVICE BULLETIN: 25-1542 ATTACHING PARTS	001014	2
- 50	NAS1801-3-6		.SCREW	001014	2
- 55	NAS1149D0316J		.WASHER	001014	2
			-----*-----		
60	7210B		.OUTLET- SUPPLIER CODE: V74545 ATTACHING PARTS	001014	1
- 65	NAS1801-06-8		.SCREW	001014	2
- 70	NAS1149DN616J		.WASHER	001014	2
			-----*-----		

MISSING ITEM NUMBERS NOT APPLICABLE

- ITEM NOT ILLUSTRATED

HAP

25-21-47-22B

BOEING PROPRIETARY - Copyright © - Unpublished Work - See title page for details.

25-21-47
FIG. 22B
PAGE 1
OCT 15/08

BOEING
737-600/700/800/900
PARTS CATALOG (MAINTENANCE)

FIG ITEM	PART NUMBER	1 2 3 4 5 6 7	NOMENCLATURE	EFFECT FROM TO	UNITS PER ASSY
22B 75	411N1510-49SP		.GRILLE ASSY-12.5 IN. BLANK PNL, LONG LATCH (EQUIPMENT/FURNISHINGS ONLY) PRE SERVICE BULLETIN: 25-1542 FUNCTIONAL REFERENCE: PLACARDS AND MARKINGS FOR DETAILS SEE 11-30-54-22B	001014	1
80	411N1522-3		..SPRING-RTNR CLIP ATTACHING PARTS	001014	1
- 85	NAS1801-3-5		..SCREW	001014	2
- 90	BACW10P5CC		..WASHER -----*-----	001014	2
95	6100-12		..RETAINER-CLIP SUPPLIER CODE: V97464	001014	4
100	411N1522-4		..PIN-HINGE OPTIONAL PART: 411N1522-5	001014	2
100	411N1522-5		..PIN-HINGE OPTIONAL PART: 411N1522-4	001014	2
105	411N1521-2SP		..LATCH	001014	2
110	411N1527-1		..PAD	001014	2
115	411N1527-2		..PAD	001014	2
120	411N1523-7		..STIFFENER ASSY	001014	1
125	BACI12S3		...INSERT	001014	2
130	411N1520-9SP		..GRILLE	001014	1
135	411N1510-50SP		.GRILLE ASSY-20.5 IN. BLANK PNL, LONG LATCH SINGLE OUTLET (EQUIPMENT/ FURNISHINGS ONLY) FUNCTIONAL REFERENCE: PLACARDS AND MARKINGS FOR DETAILS SEE 11-30-54-22B	001014	1
140	411N1522-3		..SPRING-RTNR CLIP ATTACHING PARTS	001014	1
- 145	NAS1801-3-5		..SCREW	001014	2
- 150	BACW10P5CC		..WASHER -----*-----	001014	2
155	6100-12		..RETAINER-CLIP SUPPLIER CODE: V97464	001014	4
160	411N1522-5		..PIN-HINGE OPTIONAL PART: 411N1522-4	001014	2

MISSING ITEM NUMBERS NOT APPLICABLE

- ITEM NOT ILLUSTRATED

HAP

25-21-47-22B

BOEING PROPRIETARY - Copyright © - Unpublished Work - See title page for details.

25-21-47
FIG. 22B
PAGE 2
OCT 10/06

BOEING
737-600/700/800/900
PARTS CATALOG (MAINTENANCE)

FIG ITEM	PART NUMBER	1 2 3 4 5 6 7	NOMENCLATURE	EFFECT FROM TO	UNITS PER ASSY
22B 160	411N1522-4	..	PIN-HINGE OPTIONAL PART: 411N1522-5	001014	2
165	411N1521-2SP	..	LATCH	001014	2
170	411N1527-1	..	PAD	001014	2
175	411N1527-2	..	PAD	001014	2
- 180	NAS514P1032-12	..	SCREW	001014	2
185	65C32613-9SP	..	COVER ASSY	001014	1
190	BACR15BA4D	...	RIVET- SIZE DETERMINED ON INSTL.	001014	3
195	65C32613-3	...	HINGE ASSY	001014	1
200	MS20253P2-285	PIN	001014	1
205	65C32613-5	HINGE	001014	1
210	65C32613-6	HINGE	001014	1
215	15S1-1-1AC	...	BUTTON- SUPPLIER CODE: V71286	001014	1
220	15S11-2AE	...	RETAINER- SUPPLIER CODE: V71286	001014	1
225	69-76599-17SP	...	COVER	001014	1
230	65C32613-8	..	BOX ASSY	001014	1
235	BRC600-8-3	...	NUT SUPPLIER CODE: V52828 SPECIFICATION NUMBER: BACN10YD1 OPTIONAL PART: 130120 V60119	001014	2
240	99N10-01A1	...	NUT- SUPPLIER CODE: V71286	001014	1
245	BACR15BB5D	...	RIVET- SIZE DETERMINED ON INSTL.	001014	2
250	15R1-1AC	...	RECEPTACLE- SUPPLIER CODE: V29372	001014	1
255	65C32613-4	...	BRACKET	001014	1
260	69-76599-16	...	BRACKET	001014	1
265	411N1523-3	..	STIFFENER ASSY	001014	1
270	BACI12S3	...	INSERT	001014	2
275	411N1520-5SP	..	GRILLE	001014	1

MISSING ITEM NUMBERS NOT APPLICABLE

- ITEM NOT ILLUSTRATED

HAP

25-21-47-22B

BOEING PROPRIETARY - Copyright © - Unpublished Work - See title page for details.

25-21-47
FIG. 22B
PAGE 3
OCT 10/06

 **BOEING**
737-600/700/800/900
PARTS CATALOG (MAINTENANCE)

FIG ITEM	PART NUMBER	1 2 3 4 5 6 7	NOMENCLATURE	EFFECT FROM TO	UNITS PER ASSY
22B 280	411N1510-101SP	.	GRILLE ASSY-20.5 IN. PNL WITH SHORT LATCH AND BAFFLE (EQUIPMENT/ FURNISHINGS ONLY) FUNCTIONAL REFERENCE: PLACARDS AND MARKINGS FOR DETAILS SEE 11-30-54-22B	001014	6
285	411N1522-1	..	CLIP-SPR RTNR	001014	1
290	6100-12	..	RETAINER-CLIP SUPPLIER CODE: V97464	001014	9
295	411N1522-5	..	PIN-HINGE	001014	2
300	411N1521-1SP	..	LATCH	001014	2
305	411N1527-1	..	PAD	001014	2
310	411N1527-2	..	PAD	001014	2
315	411N1528-3	..	BAFFLE ASSY	001014	1
320	411N1520-1SP	..	GRILLE	001014	1
325	411N1510-105SP	.	GRILLE ASSY-20.5 IN. PNL WITH CENTERED IFE, SHORT BAFFLE AND LONG LATCH (EQUIPMENT/FURNISHINGS ONLY) FUNCTIONAL REFERENCE: PLACARDS AND MARKINGS FOR DETAILS SEE 11-30-54-22B	001014	2
330	411N1522-1	..	CLIP-SPR RTNR	001014	1
335	6100-12	..	RETAINER-CLIP SUPPLIER CODE: V97464	001014	11
340	411N1527-3	..	PAD	001014	1
345	411N1522-5	..	PIN-HINGE	001014	2
350	411N1521-2SP	..	LATCH	001014	2
355	411N1527-1	..	PAD	001014	2
360	411N1527-2	..	PAD	001014	2
365	411N1528-3	..	BAFFLE ASSY	001014	1
370	411N1520-1SP	..	GRILLE	001014	1
375	411N1510-103SP	.	GRILLE ASSY-22.5 IN. PNL WITH SHORT LATCH AND BAFFLE (EQUIPMENT/ FURNISHINGS ONLY) FUNCTIONAL REFERENCE: PLACARDS AND MARKINGS FOR DETAILS SEE 11-30-54-22B	001014	9

MISSING ITEM NUMBERS NOT APPLICABLE

— ITEM NOT ILLUSTRATED

HAP

25-21-47-22B

BOEING PROPRIETARY - Copyright © - Unpublished Work - See title page for details.

25-21-47
FIG. 22B
PAGE 4
OCT 10/06

BOEING
737-600/700/800/900
PARTS CATALOG (MAINTENANCE)

FIG ITEM	PART NUMBER	1 2 3 4 5 6 7	NOMENCLATURE	EFFECT FROM TO	UNITS PER ASSY
22B 380	411N1510-103SP		.GRILLE ASSY-22.5 IN. PNL WITH SHORT LATCH AND BAFFLE (EQUIPMENT/ FURNISHINGS ONLY) POST SERVICE BULLETIN: 25-1542 FUNCTIONAL REFERENCE: PLACARDS AND MARKINGS FOR DETAILS SEE 11-30-54-22B	001014	1
385	411N1522-2		..CLIP-SPR RTNR	001014	1
390	6100-12		..RETAINER- SUPPLIER CODE: V97464	001014	9
395	411N1522-5		..PIN-HINGE	001014	2
400	411N1521-1SP		..LATCH	001014	2
405	411N1527-1		..PAD	001014	2
410	411N1527-2		..PAD	001014	2
415	411N1528-3		..BAFFLE ASSY	001014	1
420	411N1520-2SP		..GRILLE	001014	1
425	411N1510-34SP		.GRILLE ASSY-20.5 IN. BLANK PNL, PLUG AND SNAP-ON LATCH (EQUIPMENT/ FURNISHINGS ONLY) FUNCTIONAL REFERENCE: PLACARDS AND MARKINGS FOR DETAILS SEE 11-30-54-22B	001014	1
430	411N1510-33SP		.GRILLE ASSY-22.5 IN. BLANK PNL, PLUG AND SNAP-ON LATCH (EQUIPMENT/ FURNISHINGS ONLY) FUNCTIONAL REFERENCE: PLACARDS AND MARKINGS FOR DETAILS SEE 11-30-54-22B	001014	1
435	411N1522-3		..SPRING-RTNR CLIP ATTACHING PARTS	001014	1
- 440	NAS1801-3-5		..SCREW	001014	2
- 445	BACW10P5CC		..WASHER -----*-----	001014	2
450	411N1521-3SP		..PLUG	001014	2
455	411N1407-3		..CLIP	001014	2
460	411N1407-7		..SPACER	001014	2
465	411N1523-3		..STIFFENER ASSY- USED ON: 411N1510-34SP	001014	1

MISSING ITEM NUMBERS NOT APPLICABLE

- ITEM NOT ILLUSTRATED

HAP

25-21-47-22B

BOEING PROPRIETARY - Copyright © - Unpublished Work - See title page for details.

25-21-47
FIG. 22B
PAGE 5
OCT 10/06

BOEING
737-600/700/800/900
PARTS CATALOG (MAINTENANCE)

FIG ITEM	PART NUMBER	1 2 3 4 5 6 7	NOMENCLATURE	EFFECT FROM TO	UNITS PER ASSY
22B 470	411N1523-2	..	STIFFENER ASSY- USED ON: 411N1510-33SP	001014	1
475	BACI12S3	...	INSERT	001014	2
480	411N1520-5SP	..	GRILLE- USED ON: 411N1510-34SP	001014	1
485	411N1520-4SP	..	GRILLE- USED ON: 411N1510-33SP	001014	1
490	411N1510-109SP	.	GRILLE ASSY-20.5 IN. PNL SHORTENED, SHORT LATCH AND BAFFLE (EQUIPMENT/ FURNISHINGS ONLY) FUNCTIONAL REFERENCE: PLACARDS AND MARKINGS FOR DETAILS SEE 11-30-54-22B	001014	2
495	411N1522-1	..	CLIP-SPR RTNR	001014	1
500	6100-12	..	RETAINER-CLIP SUPPLIER CODE: V97464	001014	9
505	411N1522-5	..	PIN-HINGE	001014	2
510	411N1521-1SP	..	LATCH	001014	2
515	411N1527-1	..	PAD	001014	2
520	411N1527-2	..	PAD	001014	2
525	411N1528-3	..	BAFFLE ASSY	001014	1
530	411N1520-12SP	..	GRILLE	001014	1
535	411N1510-35SP	.	GRILLE ASSY-23.5 IN. BLANK PNL, PLUG AND SNAP-ON LATCH (EQUIPMENT/ FURNISHINGS ONLY) FUNCTIONAL REFERENCE: PLACARDS AND MARKINGS FOR DETAILS SEE 11-30-54-22B	001014	1
540	411N1522-3	..	SPRING-RTNR CLIP ATTACHING PARTS	001014	1
- 545	NAS1801-3-5	..	SCREW	001014	2
- 550	BACW10P5CC	..	WASHER -----*-----	001014	2
555	411N1521-3SP	..	PLUG	001014	2
560	411N1407-3	..	CLIP	001014	2
565	411N1407-7	..	SPACER	001014	2
570	411N1523-2	..	STIFFENER ASSY	001014	1
575	BACI12S3	...	INSERT	001014	2
580	411N1520-10SP	..	GRILLE	001014	1

MISSING ITEM NUMBERS NOT APPLICABLE

- ITEM NOT ILLUSTRATED

HAP

25-21-47-22B

BOEING PROPRIETARY - Copyright © - Unpublished Work - See title page for details.

25-21-47
FIG. 22B
PAGE 6
OCT 10/06

BOEING
737-600/700/800/900
PARTS CATALOG (MAINTENANCE)

FIG ITEM	PART NUMBER	1 2 3 4 5 6 7	NOMENCLATURE	EFFECT FROM TO	UNITS PER ASSY
22B 585	411N1510-107SP		.GRILLE ASSY-22.5 IN. PNL WITH 4 IN. EXTENSION OPP CLIP, LONG LATCH AND SHORT BAFFLE (EQUIPMENT/FURNISHINGS ONLY) FUNCTIONAL REFERENCE: PLACARDS AND MARKINGS FOR DETAILS SEE 11-30-54-22B	001014	1
590	411N1522-2		..CLIP-SPR RTNR	001014	1
595	6100-12		..RETAINER-CLIP SUPPLIER CODE: V97464	001014	9
600	411N1522-5		..PIN-HINGE	001014	2
605	411N1521-2SP		..LATCH	001014	2
610	411N1527-1		..PAD	001014	2
615	411N1527-2		..PAD	001014	2
620	411N1528-3		..BAFFLE ASSY	001014	1
625	411N1524-2SP		..EXTENSION	001014	1
630	411N1520-2SP		..GRILLE	001014	1
635	411N1510-113SP		.GRILLE ASSY-22.5 IN. PNL WITH SHORT LATCH AND BAFFLE AND CENTERED IFE (EQUIPMENT/FURNISHINGS ONLY) FUNCTIONAL REFERENCE: PLACARDS AND MARKINGS FOR DETAILS SEE 11-30-54-22B	001014	1
640	411N1522-2		..CLIP-SPR RTNR	001014	1
645	6100-12		..RETAINER-CLIP SUPPLIER CODE: V97464	001014	11
650	411N1527-3		..PAD	001014	1
655	411N1522-5		..PIN-HINGE	001014	2
660	411N1521-1SP		..LATCH	001014	2
665	411N1527-1		..PAD	001014	2
670	411N1527-2		..PAD	001014	2
675	411N1528-3		..BAFFLE ASSY	001014	1
680	411N1520-2SP		..GRILLE	001014	1
685	411N1510-106SP		.GRILLE ASSY-22.5 IN. PNL WITH SHORT LATCH AND LARGE BAFFLE (EQUIPMENT/ FURNISHINGS ONLY) FUNCTIONAL REFERENCE: PLACARDS AND MARKINGS FOR DETAILS SEE 11-30-54-22B	001014	7

MISSING ITEM NUMBERS NOT APPLICABLE

— ITEM NOT ILLUSTRATED

HAP

25-21-47-22B

BOEING PROPRIETARY - Copyright © - Unpublished Work - See title page for details.

25-21-47
FIG. 22B
PAGE 7
OCT 10/06

BOEING
737-600/700/800/900
PARTS CATALOG (MAINTENANCE)

FIG ITEM	PART NUMBER	1 2 3 4 5 6 7	NOMENCLATURE	EFFECT FROM TO	UNITS PER ASSY
22B					
690	411N1522-2	..	CLIP-SPR RTNR	001014	1
695	6100-12	..	RETAINER-CLIP	001014	9
			SUPPLIER CODE: V97464		
700	411N1522-5	..	PIN-HINGE	001014	2
705	411N1521-1SP	..	LATCH	001014	2
710	411N1527-1	..	PAD	001014	2
715	411N1527-2	..	PAD	001014	2
720	411N1528-2	..	BAFFLE ASSY	001014	1
725	411N1520-2SP	..	GRILLE	001014	1
730	411N1510-102SP	.GRILLE ASSY-20.5 IN. PNL	WITH SHORT LATCH AND LARGE BAFFLE (EQUIPMENT/ FURNISHINGS ONLY) FUNCTIONAL REFERENCE: PLACARDS AND MARKINGS FOR DETAILS SEE 11-30-54-22B	001014	12
735	411N1522-1	..	CLIP-SPR RTNR	001014	1
740	6100-12	..	RETAINER-CLIP	001014	9
			SUPPLIER CODE: V97464		
745	411N1522-5	..	PIN-HINGE	001014	2
750	411N1521-1SP	..	LATCH	001014	2
755	411N1527-1	..	PAD	001014	2
760	411N1527-2	..	PAD	001014	2
765	411N1528-2	..	BAFFLE ASSY	001014	1
770	411N1520-1SP	..	GRILLE	001014	1
775	411N1510-110SP	.GRILLE ASSY-20.5 IN. PNL 8	IN. EXTENSION WITH OPP CLIP AND LARGE BAFFLE (EQUIPMENT/FURNISHINGS ONLY) FUNCTIONAL REFERENCE: PLACARDS AND MARKINGS FOR DETAILS SEE 11-30-54-22B	001014	1
780	411N1522-1	..	CLIP-SPR RTNR	001014	1
785	6100-12	..	RETAINER-CLIP	001014	9
			SUPPLIER CODE: V97464		
790	411N1522-5	..	PIN-HINGE	001014	2
795	411N1521-2SP	..	LATCH	001014	2
800	411N1527-1	..	PAD	001014	2
805	411N1527-2	..	PAD	001014	2
810	411N1528-2	..	BAFFLE ASSY	001014	1
815	411N1524-1SP	..	EXTENSION	001014	1
820	411N1520-1SP	..	GRILLE	001014	1

MISSING ITEM NUMBERS NOT APPLICABLE

— ITEM NOT ILLUSTRATED

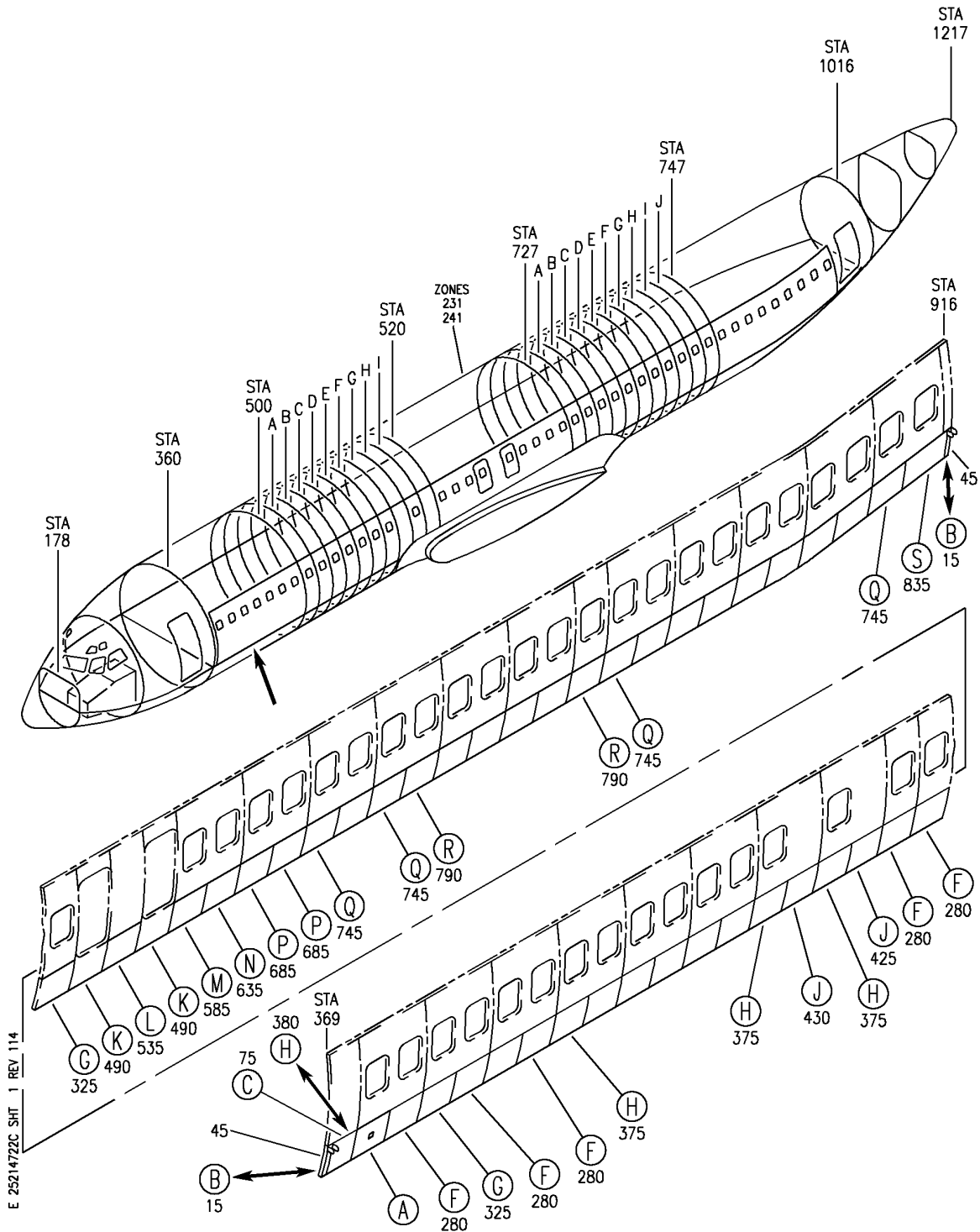
HAP

25-21-47-22B

BOEING PROPRIETARY - Copyright © - Unpublished Work - See title page for details.

25-21-47
FIG. 22B
PAGE 8
OCT 10/06

BOEING
 737-600/700/800/900
 PARTS CATALOG (MAINTENANCE)



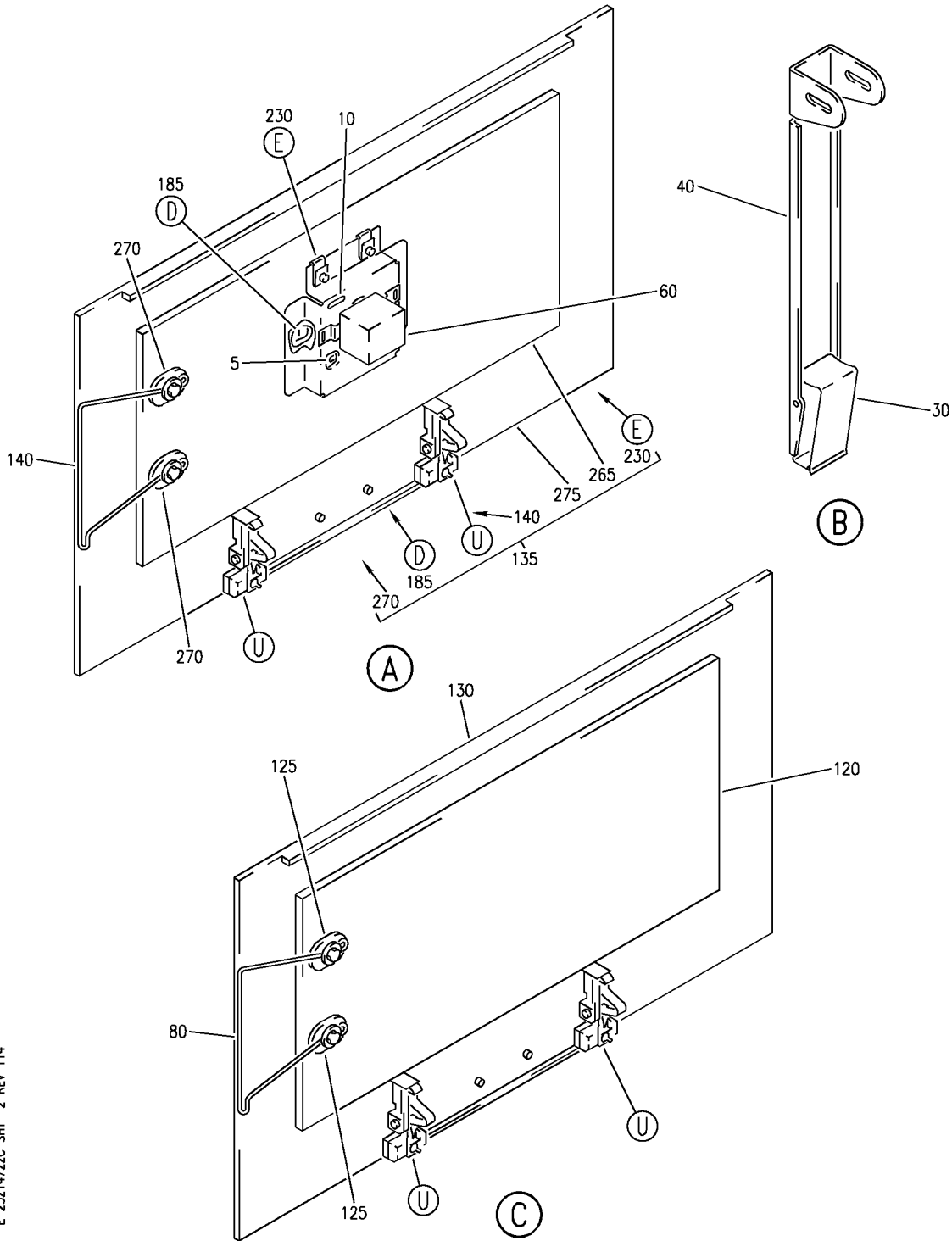
GRILLE INSTL-LH PASS. CAB. AIR RETURN
 FIGURE 22C (SHEET 1)

25-21-47-22C

HAP
 OCT 10/06

25-21-47-22C
 PAGE 0

BOEING
 737-600/700/800/900
 PARTS CATALOG (MAINTENANCE)



E 25214722C SHT 2 REV 114

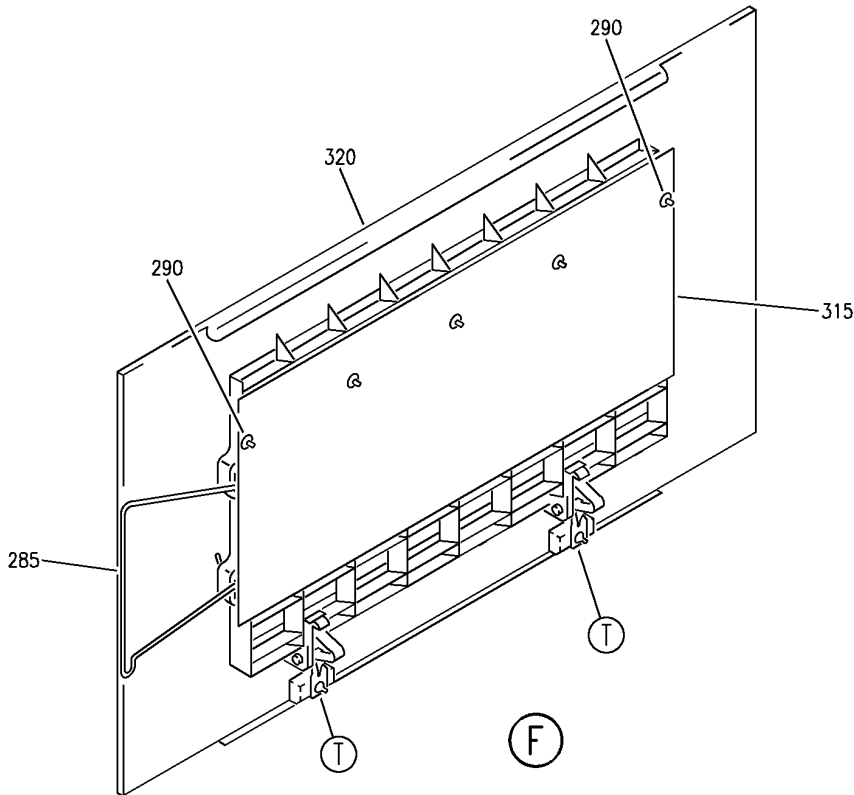
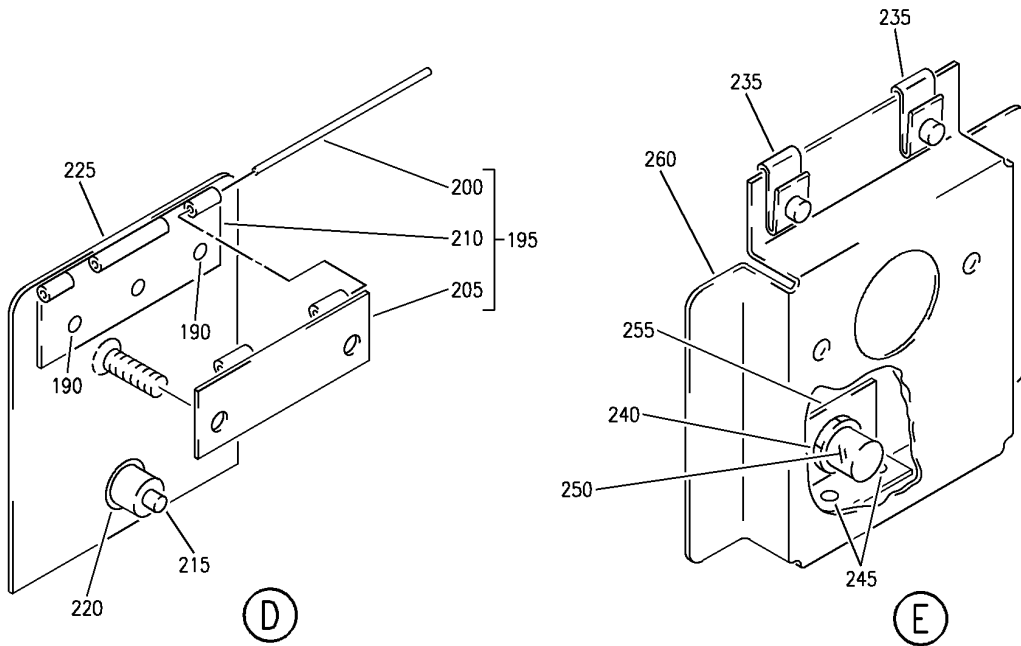
GRILLE INSTL-LH PASS. CAB. AIR RETURN
 FIGURE 22C (SHEET 2)

25-21-47-22C

HAP
 OCT 10/06

25-21-47-22C
 PAGE 0A

BOEING
 737-600/700/800/900
 PARTS CATALOG (MAINTENANCE)



E 25214722C SHT 3 REV 114

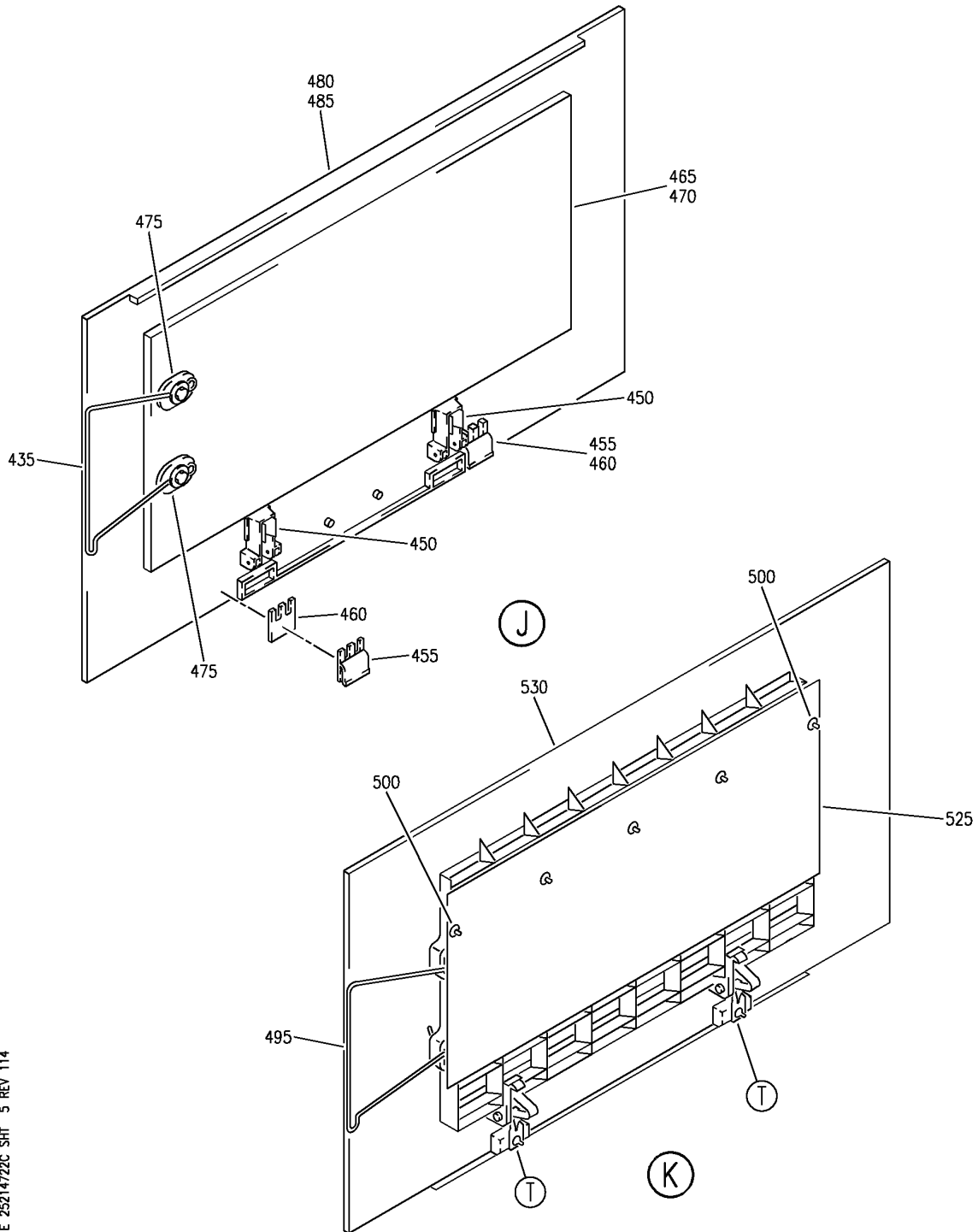
GRILLE INSTL-LH PASS. CAB. AIR RETURN
 FIGURE 22C (SHEET 3)

25-21-47-22C

HAP
 OCT 10/06

25-21-47-22C
 PAGE 0B

BOEING
 737-600/700/800/900
 PARTS CATALOG (MAINTENANCE)



E 25214722C SHT 5 REV 114

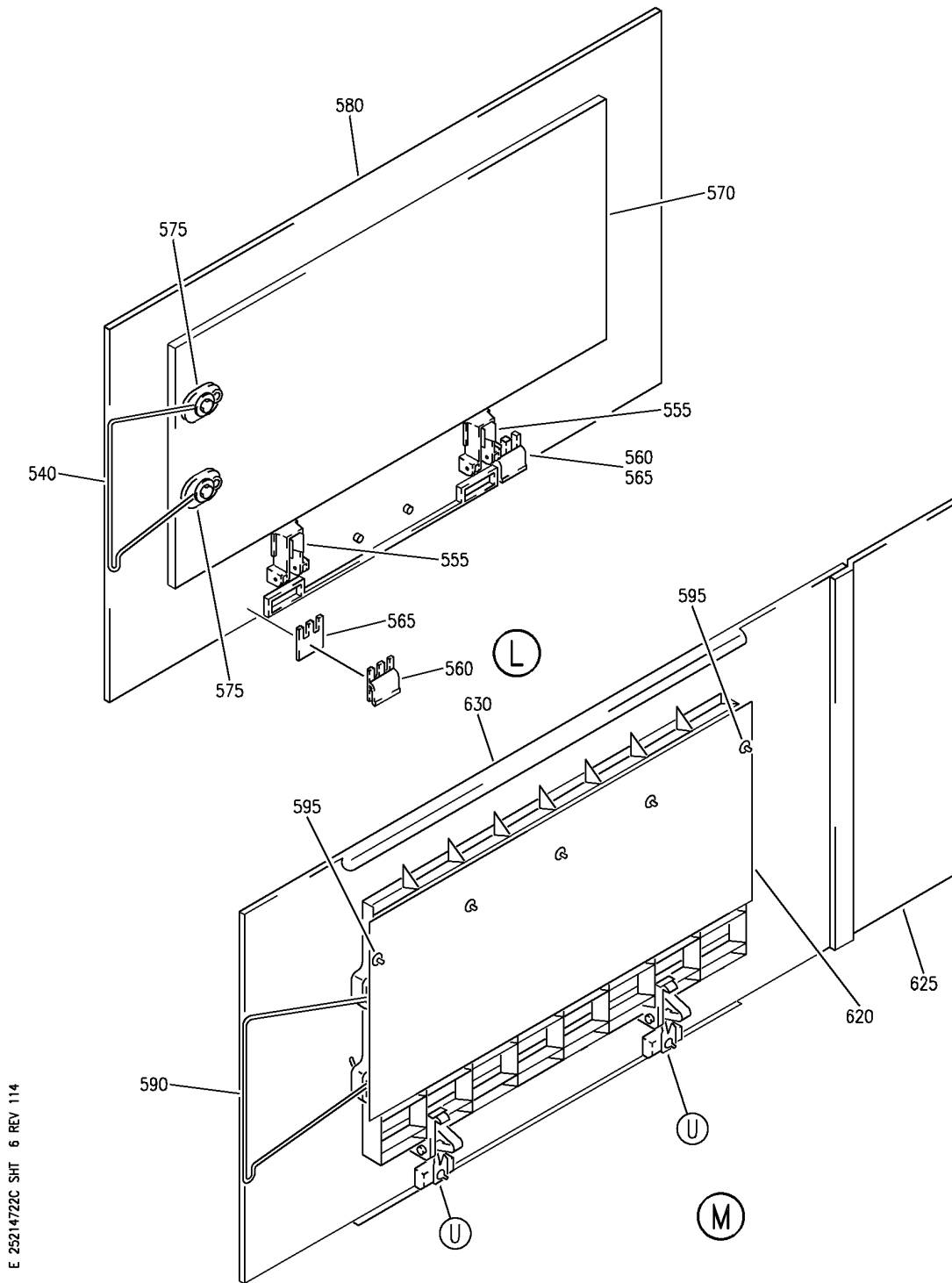
GRILLE INSTL-LH PASS. CAB. AIR RETURN
 FIGURE 22C (SHEET 5)

25-21-47-22C

HAP
 OCT 10/06

25-21-47-22C
 PAGE 0D

BOEING
 737-600/700/800/900
 PARTS CATALOG (MAINTENANCE)



E 25214722C SHT 6 REV 114

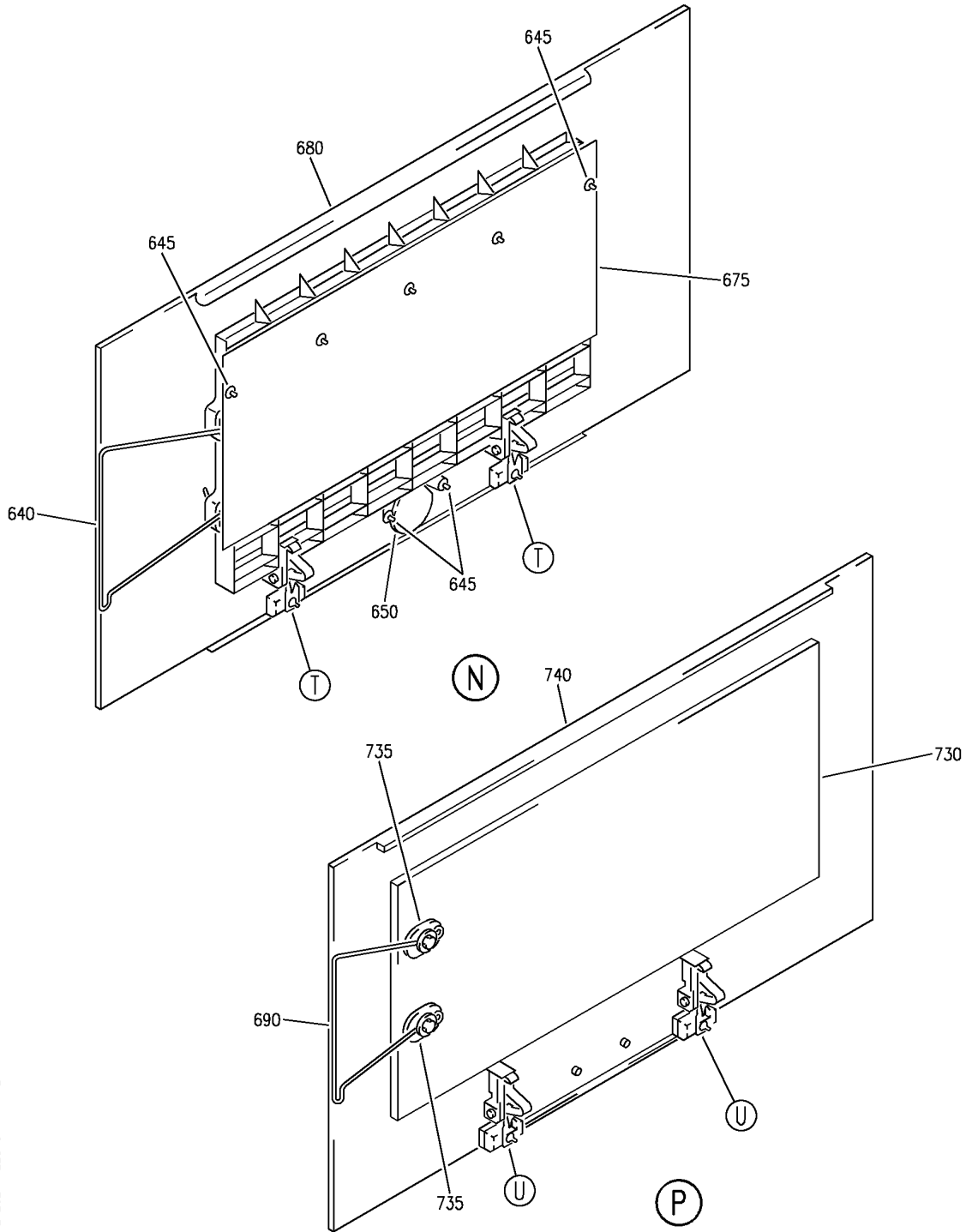
GRILLE INSTL-LH PASS. CAB. AIR RETURN
 FIGURE 22C (SHEET 6)

25-21-47-22C

HAP
 OCT 10/06

25-21-47-22C
 PAGE 0E

BOEING
 737-600/700/800/900
 PARTS CATALOG (MAINTENANCE)



E 25214722C SHT 7 REV 114

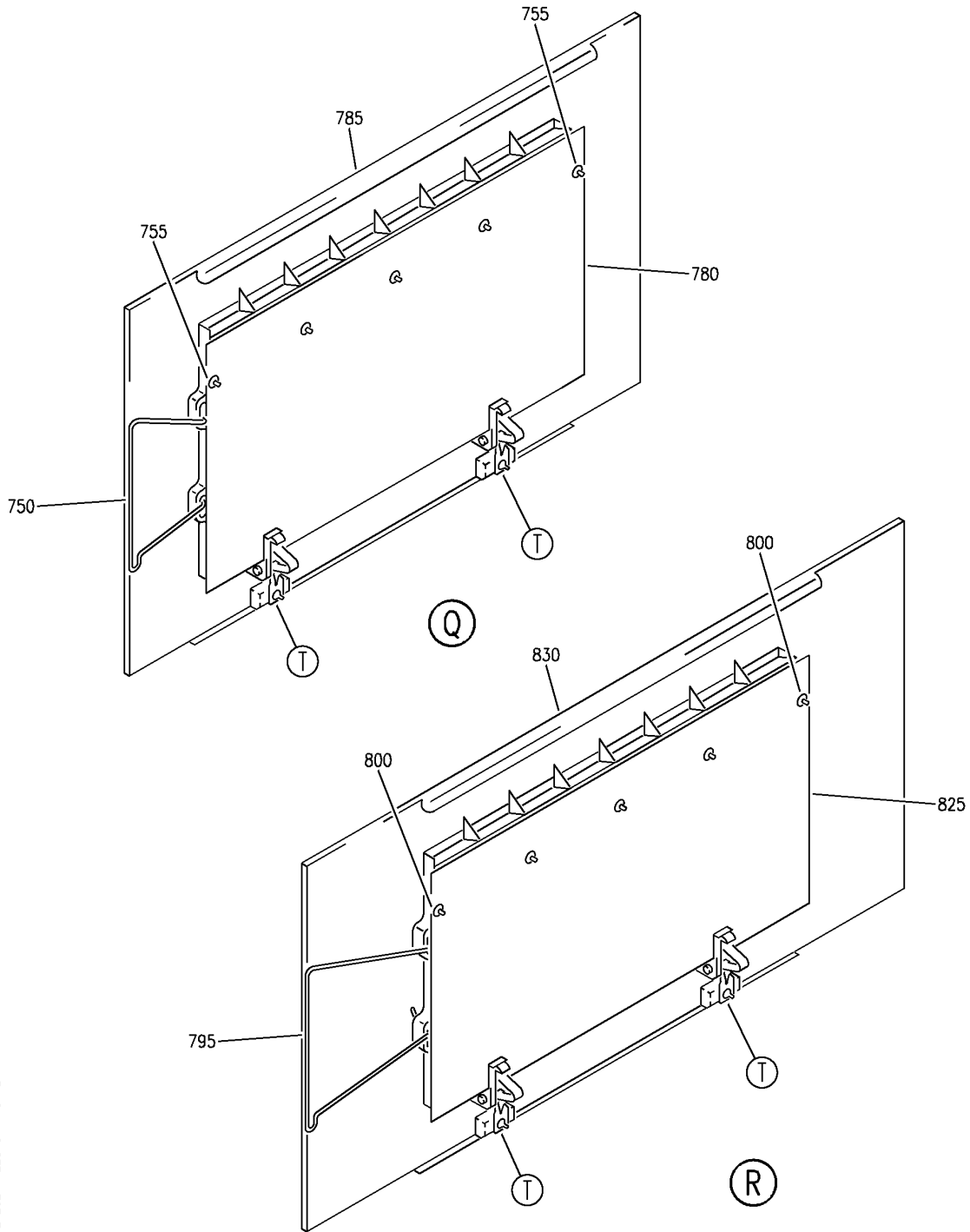
GRILLE INSTL-LH PASS. CAB. AIR RETURN
 FIGURE 22C (SHEET 7)

25-21-47-22C

HAP
 OCT 10/06

25-21-47-22C
 PAGE OF

BOEING
 737-600/700/800/900
 PARTS CATALOG (MAINTENANCE)



E 25214722C SHT 8 REV 114

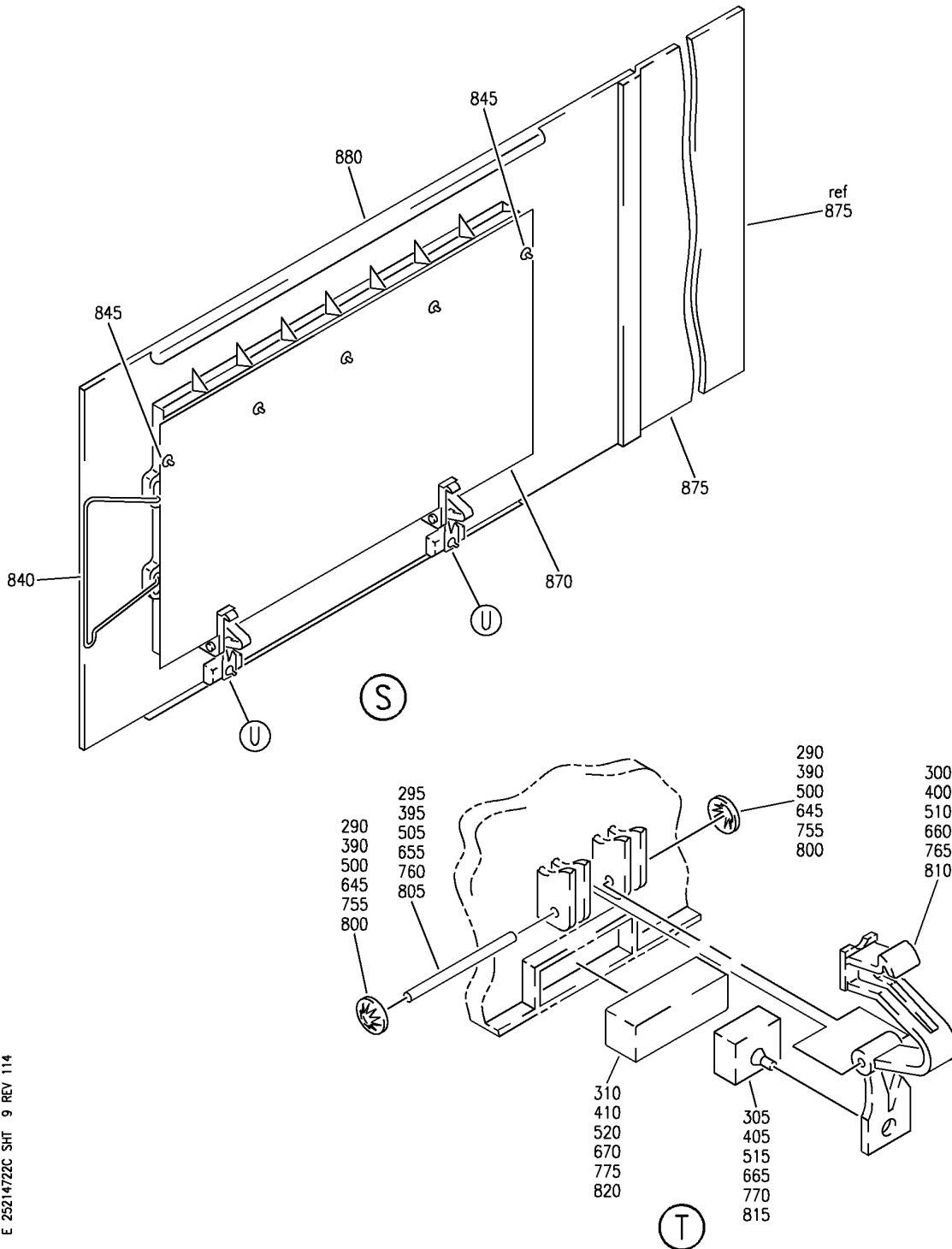
GRILLE INSTL-LH PASS. CAB. AIR RETURN
 FIGURE 22C (SHEET 8)

25-21-47-22C

HAP
 OCT 10/06

25-21-47-22C
 PAGE 08

BOEING
 737-600/700/800/900
 PARTS CATALOG (MAINTENANCE)



E 25214722C SHT 9 REV 114

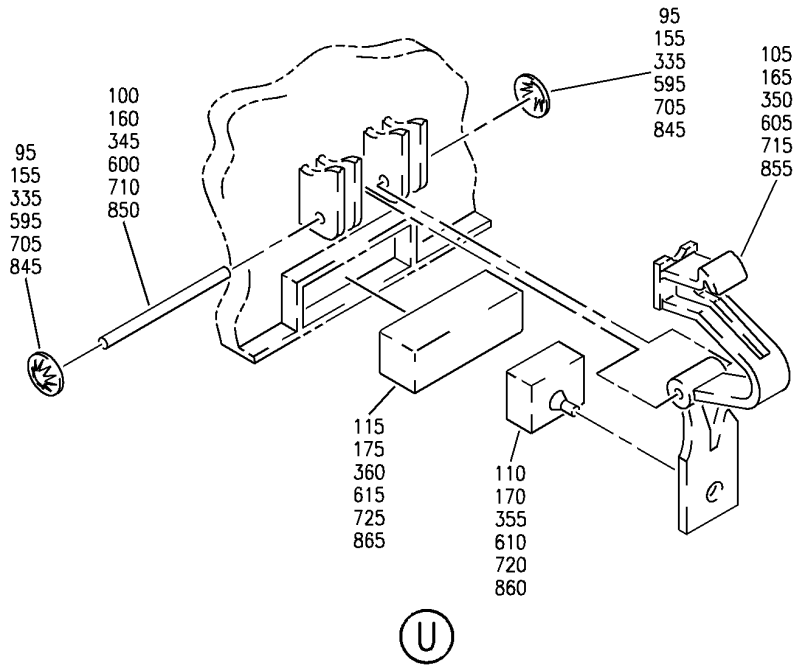
GRILLE INSTL-LH PASS. CAB. AIR RETURN
 FIGURE 22C (SHEET 9)

25-21-47-22C

HAP
 OCT 10/06

25-21-47-22C
 PAGE 0H

BOEING
 737-600/700/800/900
 PARTS CATALOG (MAINTENANCE)



E 25214722C SHT 10 REV 114

GRILLE INSTL-LH PASS. CAB. AIR RETURN
 FIGURE 22C (SHEET 10)

25-21-47-22C

HAP
 OCT 10/06

25-21-47-22C
 PAGE 01

BOEING
737-600/700/800/900
PARTS CATALOG (MAINTENANCE)

FIG ITEM	PART NUMBER	1 2 3 4 5 6 7	NOMENCLATURE	EFFECT FROM TO	UNITS PER ASSY
22C			GRILLE INSTL-LH PASS. CAB. AIR RETURN	015030	
- 1	411A1110-3091C		GRILLE INSTL-PASS. CAB. AIR RETURN POSITION DATA: LH FOR NHA SEE: 21-23-00-15B	015030	RF
5	BAC27TPPS6425		.MARKER- PLACARD CONTENT: 28V DC	015030	1
10	BAC27TPPS6427		.MARKER- PLACARD CONTENT: D12100	015030	1
15	411N1525-1		.TRIM ASSY- PRE SERVICE BULLETIN: 25-1542 ATTACHING PARTS	015030	2
- 20	NAS1801-3-6		.SCREW	015030	2
- 25	NAS1149D0316J		.WASHER	015030	2
			-----*-----		
30	411N1525-3		..SPRING ATTACHING PARTS	015030	1
- 35	BACR15CE3AD		..RIVET- SIZE DETERMINED ON INSTL.	015030	2
			-----*-----		
40	411N1525-2		..TRIM	015030	1
45	411N1525-20		.TRIM ASSY- PRE SERVICE BULLETIN: 25-1542 ATTACHING PARTS	015030	2
- 50	NAS1801-3-6		.SCREW	015030	2
- 55	NAS1149D0316J		.WASHER	015030	2
			-----*-----		
60	7210B		.OUTLET- SUPPLIER CODE: V74545 ATTACHING PARTS	015030	1
- 65	NAS1801-06-8		.SCREW	015030	2
- 70	NAS1149DN616J		.WASHER	015030	2
			-----*-----		

MISSING ITEM NUMBERS NOT APPLICABLE

- ITEM NOT ILLUSTRATED

HAP

25-21-47-22C

BOEING PROPRIETARY - Copyright © - Unpublished Work - See title page for details.

25-21-47
FIG. 22C
PAGE 1
OCT 15/08

BOEING
737-600/700/800/900
PARTS CATALOG (MAINTENANCE)

FIG ITEM	PART NUMBER	1 2 3 4 5 6 7	NOMENCLATURE	EFFECT FROM TO	UNITS PER ASSY
22C 75	411N1510-49SP		.GRILLE ASSY-12.5 IN. BLANK PNL, LONG LATCH (EQUIPMENT/FURNISHINGS ONLY) PRE SERVICE BULLETIN: 25-1542 FUNCTIONAL REFERENCE: PLACARDS AND MARKINGS FOR DETAILS SEE 11-30-54-22C	015030	1
80	411N1522-3		..SPRING-RTNR CLIP ATTACHING PARTS	015030	1
- 85	NAS1801-3-5		..SCREW	015030	2
- 90	BACW10P5CC		..WASHER -----*-----	015030	2
95	6100-12		..RETAINER-CLIP SUPPLIER CODE: V97464	015030	4
100	411N1522-4		..PIN-HINGE OPTIONAL PART: 411N1522-5	015030	2
100	411N1522-5		..PIN-HINGE OPTIONAL PART: 411N1522-4	015030	2
105	411N1521-2SP		..LATCH	015030	2
110	411N1527-1		..PAD	015030	2
115	411N1527-2		..PAD	015030	2
120	411N1523-7		..STIFFENER ASSY	015030	1
125	BACI12S3		...INSERT	015030	2
130	411N1520-9SP		..GRILLE	015030	1
135	411N1510-50SP		.GRILLE ASSY-20.5 IN. BLANK PNL, LONG LATCH SINGLE OUTLET (EQUIPMENT/ FURNISHINGS ONLY) FUNCTIONAL REFERENCE: PLACARDS AND MARKINGS FOR DETAILS SEE 11-30-54-22C	015030	1
140	411N1522-3		..SPRING-RTNR CLIP ATTACHING PARTS	015030	1
- 145	NAS1801-3-5		..SCREW	015030	2
- 150	BACW10P5CC		..WASHER -----*-----	015030	2
155	6100-12		..RETAINER-CLIP SUPPLIER CODE: V97464	015030	4
160	411N1522-5		..PIN-HINGE OPTIONAL PART: 411N1522-4	015030	2

MISSING ITEM NUMBERS NOT APPLICABLE

- ITEM NOT ILLUSTRATED

HAP

25-21-47-22C

BOEING PROPRIETARY - Copyright © - Unpublished Work - See title page for details.

25-21-47
FIG. 22C
PAGE 2
OCT 10/06

BOEING
737-600/700/800/900
PARTS CATALOG (MAINTENANCE)

FIG ITEM	PART NUMBER	1 2 3 4 5 6 7	NOMENCLATURE	EFFECT FROM TO	UNITS PER ASSY
22C 160	411N1522-4	..	PIN-HINGE OPTIONAL PART: 411N1522-5	015030	2
165	411N1521-2SP	..	LATCH	015030	2
170	411N1527-1	..	PAD	015030	2
175	411N1527-2	..	PAD	015030	2
- 180	NAS514P1032-12	..	SCREW	015030	2
185	65C32613-9SP	..	COVER ASSY	015030	1
190	BACR15BA4D	...	RIVET- SIZE DETERMINED ON INSTL.	015030	3
195	65C32613-3	...	HINGE ASSY	015030	1
200	MS20253P2-285	PIN	015030	1
205	65C32613-5	HINGE	015030	1
210	65C32613-6	HINGE	015030	1
215	15S1-1-1AC	...	BUTTON- SUPPLIER CODE: V71286	015030	1
220	15S11-2AE	...	RETAINER- SUPPLIER CODE: V71286	015030	1
225	69-76599-17SP	...	COVER	015030	1
230	65C32613-8	..	BOX ASSY	015030	1
235	BRC600-8-3	...	NUT SUPPLIER CODE: V52828 SPECIFICATION NUMBER: BACN10YD1 OPTIONAL PART: 130120 V60119	015030	2
240	99N10-01A1	...	NUT- SUPPLIER CODE: V71286	015030	1
245	BACR15BB5D	...	RIVET- SIZE DETERMINED ON INSTL.	015030	2
250	15R1-1AC	...	RECEPTACLE- SUPPLIER CODE: V29372	015030	1
255	65C32613-4	...	BRACKET	015030	1
260	69-76599-16	...	BRACKET	015030	1
265	411N1523-3	..	STIFFENER ASSY	015030	1
270	BACI12S3	...	INSERT	015030	2
275	411N1520-5SP	..	GRILLE	015030	1

MISSING ITEM NUMBERS NOT APPLICABLE

- ITEM NOT ILLUSTRATED

HAP

25-21-47-22C

BOEING PROPRIETARY - Copyright © - Unpublished Work - See title page for details.

25-21-47
FIG. 22C
PAGE 3
OCT 10/06

 **BOEING**
737-600/700/800/900
PARTS CATALOG (MAINTENANCE)

FIG ITEM	PART NUMBER	1 2 3 4 5 6 7	NOMENCLATURE	EFFECT FROM TO	UNITS PER ASSY
22C 280	411N1510-101SP		.GRILLE ASSY-20.5 IN. PNL WITH SHORT LATCH AND BAFFLE (EQUIPMENT/ FURNISHINGS ONLY) FUNCTIONAL REFERENCE: PLACARDS AND MARKINGS FOR DETAILS SEE 11-30-54-22C	015030	6
285	411N1522-1		..CLIP-SPR RTNR	015030	1
290	6100-12		..RETAINER-CLIP SUPPLIER CODE: V97464	015030	9
295	411N1522-5		..PIN-HINGE	015030	2
300	411N1521-1SP		..LATCH	015030	2
305	411N1527-1		..PAD	015030	2
310	411N1527-2		..PAD	015030	2
315	411N1528-3		..BAFFLE ASSY	015030	1
320	411N1520-1SP		..GRILLE	015030	1
325	411N1510-105SP		.GRILLE ASSY-20.5 IN. PNL WITH CENTERED IFE, SHORT BAFFLE AND LONG LATCH (EQUIPMENT/FURNISHINGS ONLY) FUNCTIONAL REFERENCE: PLACARDS AND MARKINGS FOR DETAILS SEE 11-30-54-22C	015030	2
330	411N1522-1		..CLIP-SPR RTNR	015030	1
335	6100-12		..RETAINER-CLIP SUPPLIER CODE: V97464	015030	11
340	411N1527-3		..PAD	015030	1
345	411N1522-5		..PIN-HINGE	015030	2
350	411N1521-2SP		..LATCH	015030	2
355	411N1527-1		..PAD	015030	2
360	411N1527-2		..PAD	015030	2
365	411N1528-3		..BAFFLE ASSY	015030	1
370	411N1520-1SP		..GRILLE	015030	1
375	411N1510-103SP		.GRILLE ASSY-22.5 IN. PNL WITH SHORT LATCH AND BAFFLE (EQUIPMENT/ FURNISHINGS ONLY) FUNCTIONAL REFERENCE: PLACARDS AND MARKINGS FOR DETAILS SEE 11-30-54-22C	015030	8

MISSING ITEM NUMBERS NOT APPLICABLE

— ITEM NOT ILLUSTRATED

HAP

25-21-47-22C

BOEING PROPRIETARY - Copyright © - Unpublished Work - See title page for details.

25-21-47
FIG. 22C
PAGE 4
OCT 10/06

BOEING
737-600/700/800/900
PARTS CATALOG (MAINTENANCE)

FIG ITEM	PART NUMBER	1 2 3 4 5 6 7	NOMENCLATURE	EFFECT FROM TO	UNITS PER ASSY
22C 380	411N1510-103SP		.GRILLE ASSY-22.5 IN. PNL WITH SHORT LATCH AND BAFFLE (EQUIPMENT/ FURNISHINGS ONLY) POST SERVICE BULLETIN: 25-1542 FUNCTIONAL REFERENCE: PLACARDS AND MARKINGS FOR DETAILS SEE 11-30-54-22C	016017 019030	1
385	411N1522-2		..CLIP-SPR RTNR	015015 018018	1
385	411N1522-2		..CLIP-SPR RTNR	016017 019030	1
390	6100-12		..RETAINER- SUPPLIER CODE: V97464	015015 018018	9
390	6100-12		..RETAINER- SUPPLIER CODE: V97464	016017 019030	9
395	411N1522-5		..PIN-HINGE	015015 018018	2
395	411N1522-5		..PIN-HINGE	016017 019030	2
400	411N1521-1SP		..LATCH	015015 018018	2
400	411N1521-1SP		..LATCH	016017 019030	2
405	411N1527-1		..PAD	015015 018018	2
405	411N1527-1		..PAD	016017 019030	2
410	411N1527-2		..PAD	015015 018018	2
410	411N1527-2		..PAD	016017 019030	2
415	411N1528-3		..BAFFLE ASSY	015015 018018	1
415	411N1528-3		..BAFFLE ASSY	016017 019030	1
420	411N1520-2SP		..GRILLE	015015 018018	1
420	411N1520-2SP		..GRILLE	016017 019030	1

MISSING ITEM NUMBERS NOT APPLICABLE

— ITEM NOT ILLUSTRATED

HAP

25-21-47-22C

BOEING PROPRIETARY - Copyright © - Unpublished Work - See title page for details.

25-21-47
FIG. 22C
PAGE 5
OCT 10/06

BOEING
737-600/700/800/900
PARTS CATALOG (MAINTENANCE)

FIG ITEM	PART NUMBER	1 2 3 4 5 6 7	NOMENCLATURE	EFFECT FROM TO	UNITS PER ASSY
22C 425	411N1510-34SP		.GRILLE ASSY-20.5 IN. BLANK PNL, PLUG AND SNAP-ON LATCH (EQUIPMENT/ FURNISHINGS ONLY) FUNCTIONAL REFERENCE: PLACARDS AND MARKINGS FOR DETAILS SEE 11-30-54-22C	015030	1
430	411N1510-33SP		.GRILLE ASSY-22.5 IN. BLANK PNL, PLUG AND SNAP-ON LATCH (EQUIPMENT/ FURNISHINGS ONLY) FUNCTIONAL REFERENCE: PLACARDS AND MARKINGS FOR DETAILS SEE 11-30-54-22C	015030	1
435	411N1522-3		..SPRING-RTNR CLIP ATTACHING PARTS	015030	1
- 440	NAS1801-3-5		..SCREW	015030	2
- 445	BACW10P5CC		..WASHER -----*-----	015030	2
450	411N1521-3SP		..PLUG	015030	2
455	411N1407-3		..CLIP	015030	2
460	411N1407-7		..SPACER	015030	2
465	411N1523-3		..STIFFENER ASSY- USED ON: 411N1510-34SP	015030	1
470	411N1523-2		..STIFFENER ASSY- USED ON: 411N1510-33SP	015030	1
475	BACI12S3		...INSERT	015030	2
480	411N1520-5SP		..GRILLE- USED ON: 411N1510-34SP	015030	1
485	411N1520-4SP		..GRILLE- USED ON: 411N1510-33SP	015030	1
490	411N1510-109SP		.GRILLE ASSY-20.5 IN. PNL SHORTENED, SHORT LATCH AND BAFFLE (EQUIPMENT/ FURNISHINGS ONLY) FUNCTIONAL REFERENCE: PLACARDS AND MARKINGS FOR DETAILS SEE 11-30-54-22C	015030	2
495	411N1522-1		..CLIP-SPR RTNR	015030	1
500	6100-12		..RETAINER-CLIP SUPPLIER CODE: V97464	015030	9

MISSING ITEM NUMBERS NOT APPLICABLE

- ITEM NOT ILLUSTRATED

HAP

25-21-47-22C

BOEING PROPRIETARY - Copyright © - Unpublished Work - See title page for details.

25-21-47
FIG. 22C
PAGE 6
OCT 10/06

BOEING
737-600/700/800/900
PARTS CATALOG (MAINTENANCE)

FIG ITEM	PART NUMBER	1 2 3 4 5 6 7	NOMENCLATURE	EFFECT FROM TO	UNITS PER ASSY
22C					
505	411N1522-5	..	PIN-HINGE	015030	2
510	411N1521-1SP	..	LATCH	015030	2
515	411N1527-1	..	PAD	015030	2
520	411N1527-2	..	PAD	015030	2
525	411N1528-3	..	BAFFLE ASSY	015030	1
530	411N1520-12SP	..	GRILLE	015030	1
535	411N1510-35SP	.	GRILLE ASSY-23.5 IN. BLANK PNL, PLUG AND SNAP-ON LATCH (EQUIPMENT/ FURNISHINGS ONLY) FUNCTIONAL REFERENCE: PLACARDS AND MARKINGS FOR DETAILS SEE 11-30-54-22C	015030	1
540	411N1522-3	..	SPRING-RTNR CLIP ATTACHING PARTS	015030	1
- 545	NAS1801-3-5	..	SCREW	015030	2
- 550	BACW10P5CC	..	WASHER -----*-----	015030	2
555	411N1521-3SP	..	PLUG	015030	2
560	411N1407-3	..	CLIP	015030	2
565	411N1407-7	..	SPACER	015030	2
570	411N1523-2	..	STIFFENER ASSY	015030	1
575	BACI12S3	...	INSERT	015030	2
580	411N1520-10SP	..	GRILLE	015030	1
585	411N1510-107SP	.	GRILLE ASSY-22.5 IN. PNL WITH 4 IN. EXTENSION OPP CLIP, LONG LATCH AND SHORT BAFFLE (EQUIPMENT/FURNISHINGS ONLY) FUNCTIONAL REFERENCE: PLACARDS AND MARKINGS FOR DETAILS SEE 11-30-54-22C	015030	1
590	411N1522-2	..	CLIP-SPR RTNR	015030	1
595	6100-12	..	RETAINER-CLIP SUPPLIER CODE: V97464	015030	9
600	411N1522-5	..	PIN-HINGE	015030	2
605	411N1521-2SP	..	LATCH	015030	2
610	411N1527-1	..	PAD	015030	2
615	411N1527-2	..	PAD	015030	2
620	411N1528-3	..	BAFFLE ASSY	015030	1
625	411N1524-2SP	..	EXTENSION	015030	1
630	411N1520-2SP	..	GRILLE	015030	1

MISSING ITEM NUMBERS NOT APPLICABLE

- ITEM NOT ILLUSTRATED

HAP

25-21-47-22C

BOEING PROPRIETARY - Copyright © - Unpublished Work - See title page for details.

25-21-47
FIG. 22C
PAGE 7
OCT 10/06

BOEING
737-600/700/800/900
PARTS CATALOG (MAINTENANCE)

FIG ITEM	PART NUMBER	1 2 3 4 5 6 7	NOMENCLATURE	EFFECT FROM TO	UNITS PER ASSY
22C 635	411N1510-113SP		.GRILLE ASSY-22.5 IN. PNL WITH SHORT LATCH AND BAFFLE AND CENTERED IFE (EQUIPMENT/FURNISHINGS ONLY) FUNCTIONAL REFERENCE: PLACARDS AND MARKINGS FOR DETAILS SEE 11-30-54-22C	015030	1
640	411N1522-2		..CLIP-SPR RTNR	015030	1
645	6100-12		..RETAINER-CLIP SUPPLIER CODE: V97464	015030	11
650	411N1527-3		..PAD	015030	1
655	411N1522-5		..PIN-HINGE	015030	2
660	411N1521-1SP		..LATCH	015030	2
665	411N1527-1		..PAD	015030	2
670	411N1527-2		..PAD	015030	2
675	411N1528-3		..BAFFLE ASSY	015030	1
680	411N1520-2SP		..GRILLE	015030	1
685	411N1510-27SP		.GRILLE ASSY-22.5 IN. BLANK PNL, LONG LATCH (EQUIPMENT/FURNISHINGS ONLY) FUNCTIONAL REFERENCE: PLACARDS AND MARKINGS FOR DETAILS SEE 11-30-54-22C	015030	2
690	411N1522-3		..SPRING-RTNR CLIP ATTACHING PARTS	015030	1
- 695	NAS1801-3-5		..SCREW	015030	2
- 700	BACW10P5CC		..WASHER -----*-----	015030	2
705	6100-12		..RETAINER-CLIP SUPPLIER CODE: V97464	015030	4
710	411N1522-4		..PIN-HINGE OPTIONAL PART: 411N1522-5	015030	2
710	411N1522-5		..PIN-HINGE OPTIONAL PART: 411N1522-4	015030	2
715	411N1521-2SP		..LATCH	015030	2
720	411N1527-1		..PAD	015030	2
725	411N1527-2		..PAD	015030	2
730	411N1523-2		..STIFFENER ASSY	015030	1
735	BACI12S3		...INSERT	015030	2
740	411N1520-4SP		..GRILLE	015030	1

MISSING ITEM NUMBERS NOT APPLICABLE

- ITEM NOT ILLUSTRATED

HAP

25-21-47-22C

BOEING PROPRIETARY - Copyright © - Unpublished Work - See title page for details.

25-21-47
FIG. 22C
PAGE 8
OCT 10/06

BOEING
737-600/700/800/900
PARTS CATALOG (MAINTENANCE)

FIG ITEM	PART NUMBER	1 2 3 4 5 6 7	NOMENCLATURE	EFFECT FROM TO	UNITS PER ASSY
22C 745	411N1510-102SP	.	GRILLE ASSY-20.5 IN. PNL WITH SHORT LATCH AND LARGE BAFFLE (EQUIPMENT/ FURNISHINGS ONLY) FUNCTIONAL REFERENCE: PLACARDS AND MARKINGS FOR DETAILS SEE 11-30-54-22C	015030	12
750	411N1522-1	..	CLIP-SPR RTNR	015030	1
755	6100-12	..	RETAINER-CLIP SUPPLIER CODE: V97464	015030	9
760	411N1522-5	..	PIN-HINGE	015030	2
765	411N1521-1SP	..	LATCH	015030	2
770	411N1527-1	..	PAD	015030	2
775	411N1527-2	..	PAD	015030	2
780	411N1528-2	..	BAFFLE ASSY	015030	1
785	411N1520-1SP	..	GRILLE	015030	1
790	411N1510-106SP	.	GRILLE ASSY-22.5 IN. PNL WITH SHORT LATCH AND LARGE BAFFLE (EQUIPMENT/ FURNISHINGS ONLY) FUNCTIONAL REFERENCE: PLACARDS AND MARKINGS FOR DETAILS SEE 11-30-54-22C	015030	6
795	411N1522-2	..	CLIP-SPR RTNR	015030	1
800	6100-12	..	RETAINER-CLIP SUPPLIER CODE: V97464	015030	9
805	411N1522-5	..	PIN-HINGE	015030	2
810	411N1521-1SP	..	LATCH	015030	2
815	411N1527-1	..	PAD	015030	2
820	411N1527-2	..	PAD	015030	2
825	411N1528-2	..	BAFFLE ASSY	015030	1
830	411N1520-2SP	..	GRILLE	015030	1
835	411N1510-110SP	.	GRILLE ASSY-20.5 IN. PNL 8 IN. EXTENSION WITH OPP CLIP AND LARGE BAFFLE (EQUIPMENT/FURNISHINGS ONLY) FUNCTIONAL REFERENCE: PLACARDS AND MARKINGS FOR DETAILS SEE 11-30-54-22C	015030	1
840	411N1522-1	..	CLIP-SPR RTNR	015030	1
845	6100-12	..	RETAINER-CLIP SUPPLIER CODE: V97464	015030	9

MISSING ITEM NUMBERS NOT APPLICABLE

— ITEM NOT ILLUSTRATED

HAP

25-21-47-22C

BOEING PROPRIETARY - Copyright © - Unpublished Work - See title page for details.

25-21-47
FIG. 22C
PAGE 9
OCT 10/06

BOEING
737-600/700/800/900
PARTS CATALOG (MAINTENANCE)

FIG ITEM	PART NUMBER	1 2 3 4 5 6 7	NOMENCLATURE	EFFECT FROM TO	UNITS PER ASSY
22C					
850	411N1522-5	..	PIN-HINGE	015030	2
855	411N1521-2SP	..	LATCH	015030	2
860	411N1527-1	..	PAD	015030	2
865	411N1527-2	..	PAD	015030	2
870	411N1528-2	..	BAFFLE ASSY	015030	1
875	411N1524-1SP	..	EXTENSION	015030	1
880	411N1520-1SP	..	GRILLE	015030	1

MISSING ITEM NUMBERS NOT APPLICABLE

— ITEM NOT ILLUSTRATED

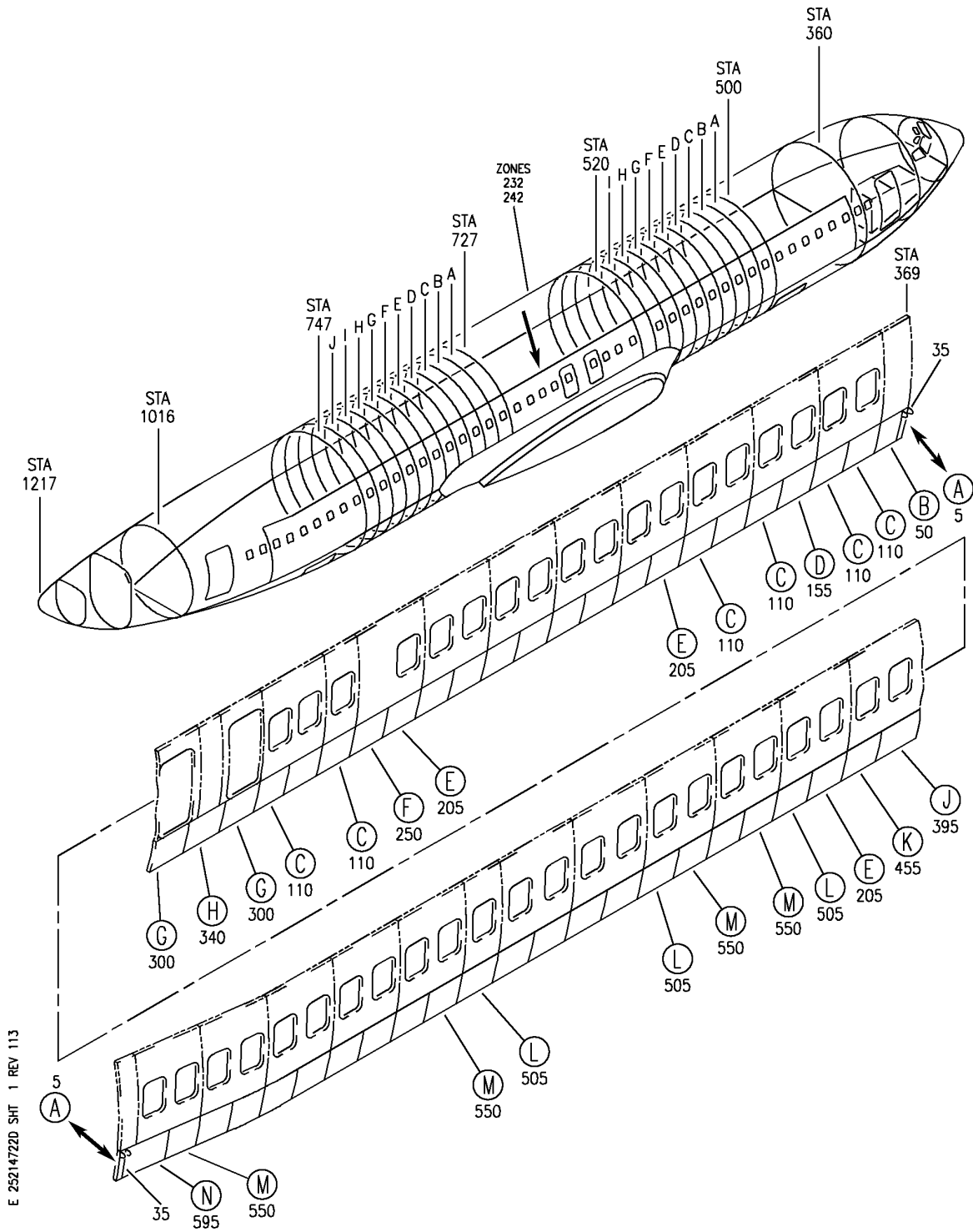
HAP

25-21-47-22C

BOEING PROPRIETARY - Copyright © - Unpublished Work - See title page for details.

25-21-47
FIG. 22C
PAGE 10
OCT 10/06

BOEING
 737-600/700/800/900
 PARTS CATALOG (MAINTENANCE)



E 25214722D SHT 1 REV 113

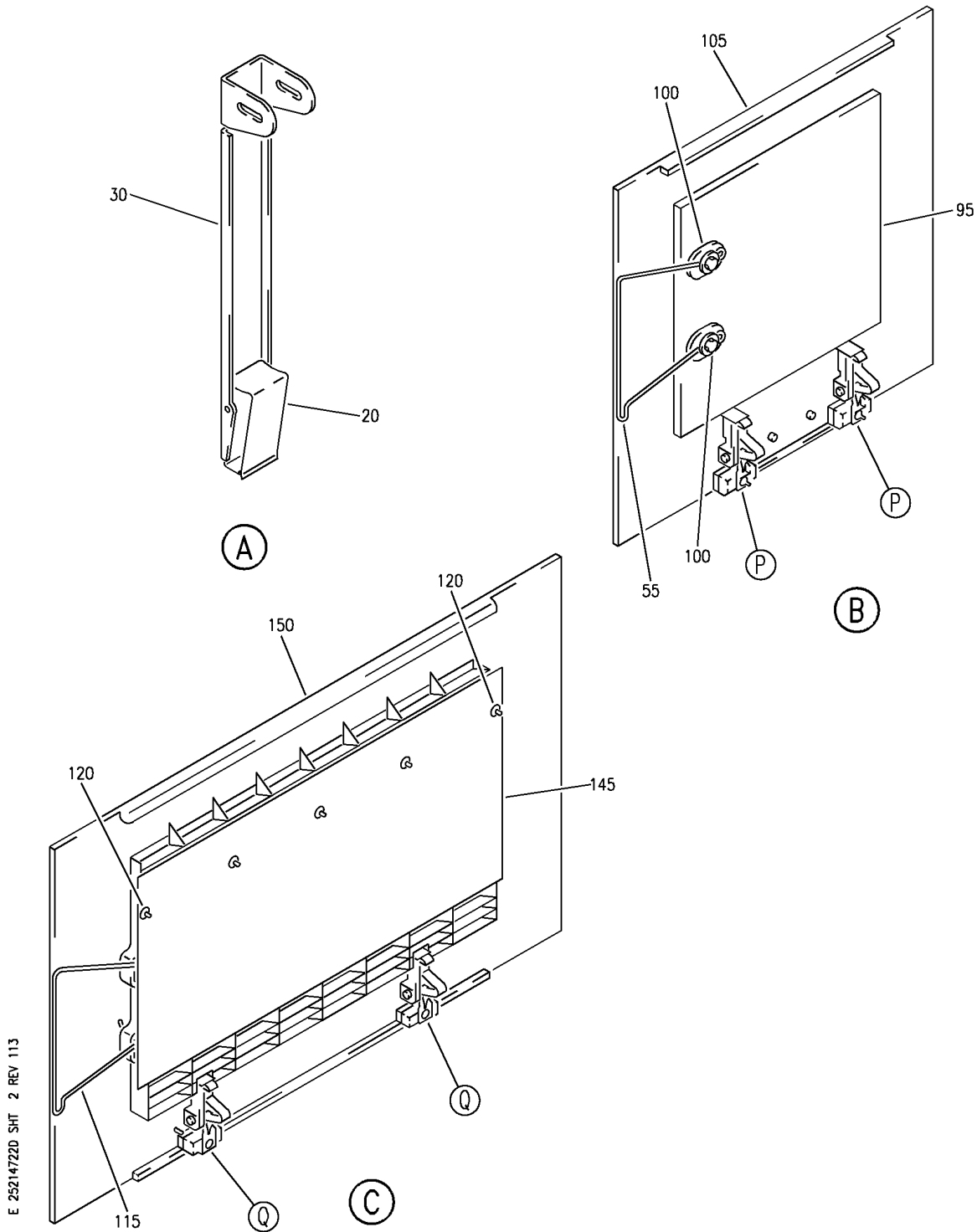
GRILLE INSTL-RH PASS. CAB. AIR RETURN
 FIGURE 22D (SHEET 1)

25-21-47-22D

HAP
 OCT 10/06

25-21-47-22D
 PAGE 0

BOEING
 737-600/700/800/900
 PARTS CATALOG (MAINTENANCE)



E 25214722D SHT 2 REV 113

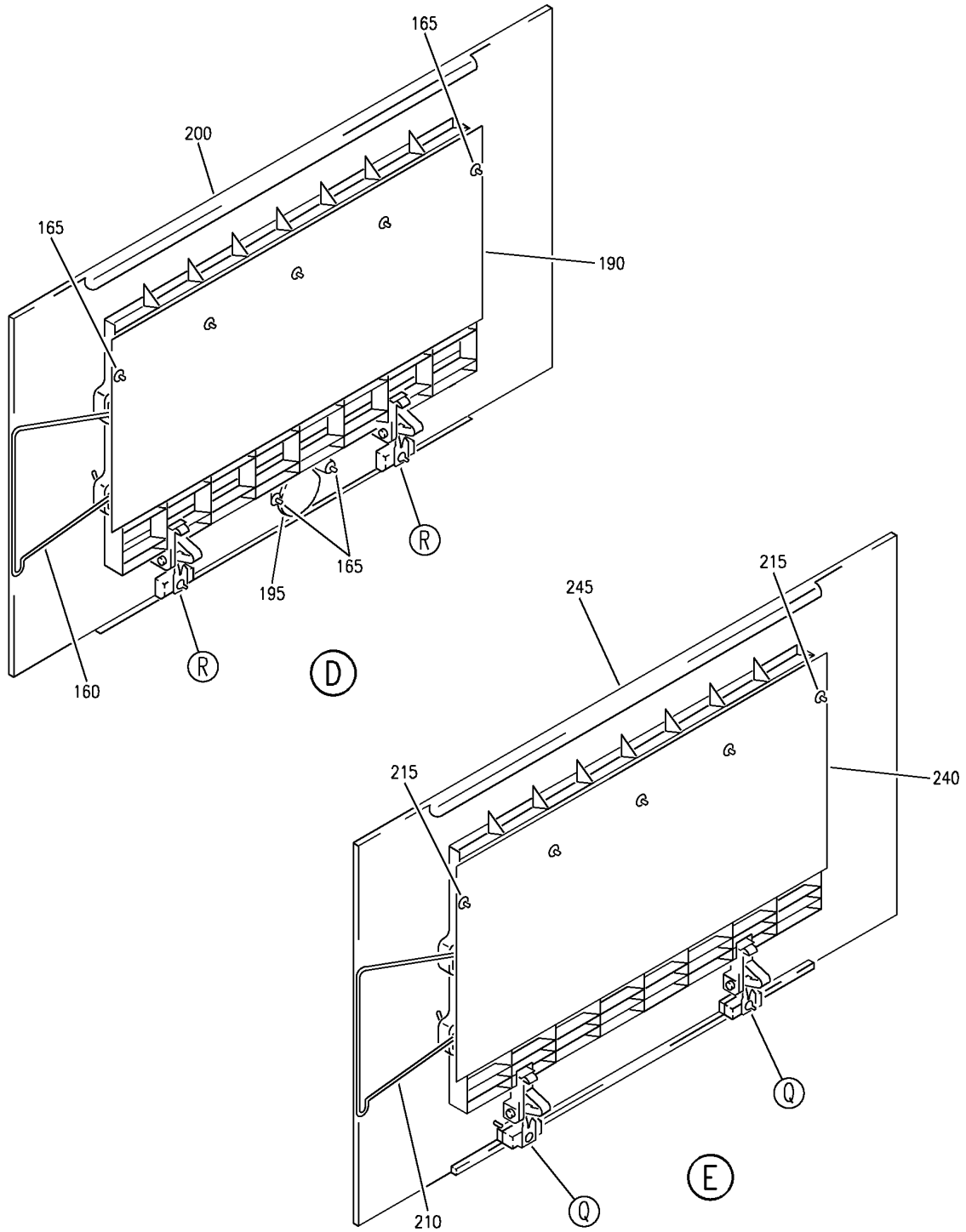
GRILLE INSTL-RH PASS. CAB. AIR RETURN
 FIGURE 22D (SHEET 2)

25-21-47-22D

HAP
 OCT 10/06

25-21-47-22D
 PAGE 0A

BOEING
 737-600/700/800/900
 PARTS CATALOG (MAINTENANCE)



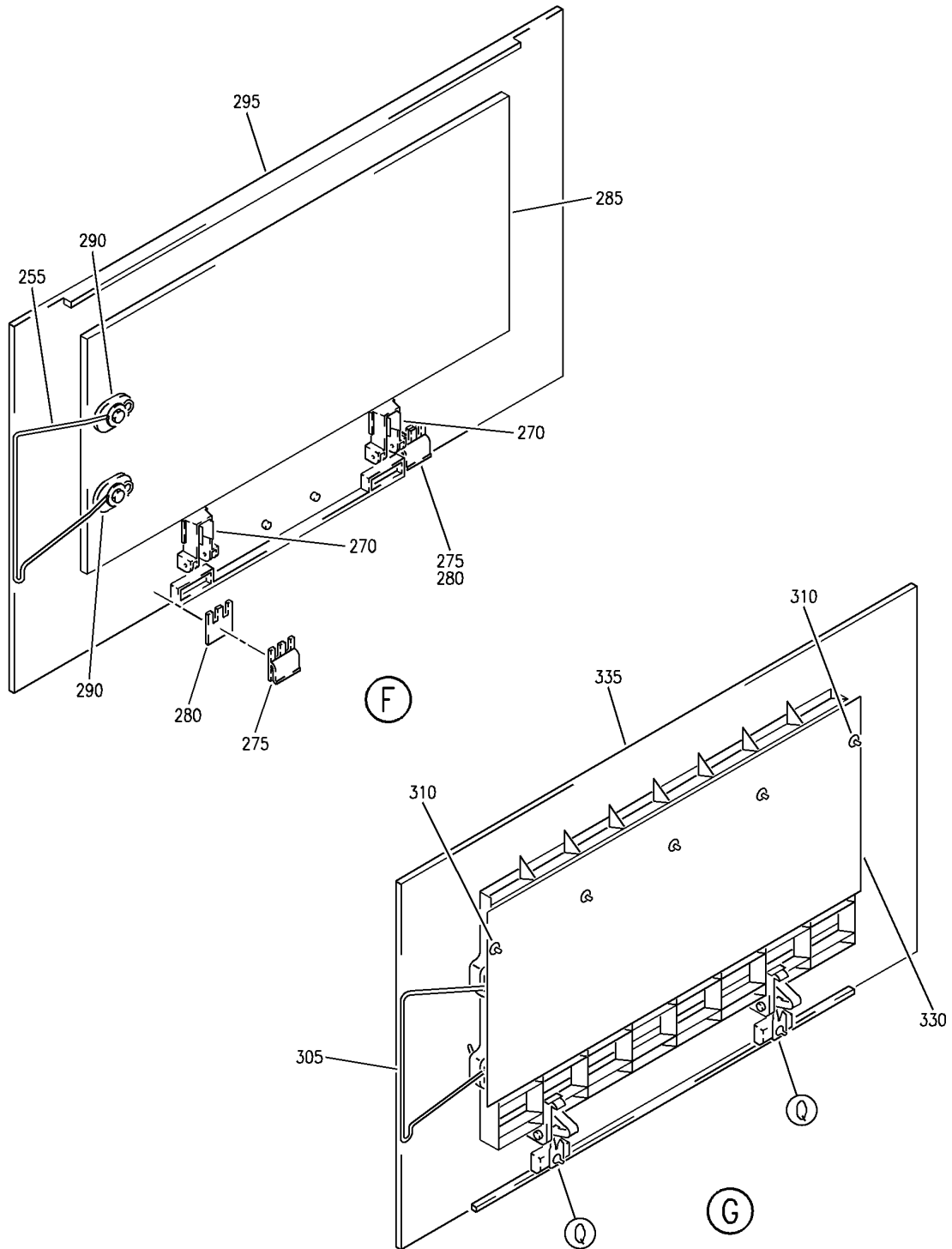
E 25214722D SHT 3 REV 113

GRILLE INSTL-RH PASS. CAB. AIR RETURN
 FIGURE 22D (SHEET 3)

25-21-47-22D

HAP
 OCT 10/06

25-21-47-22D
 PAGE 0B



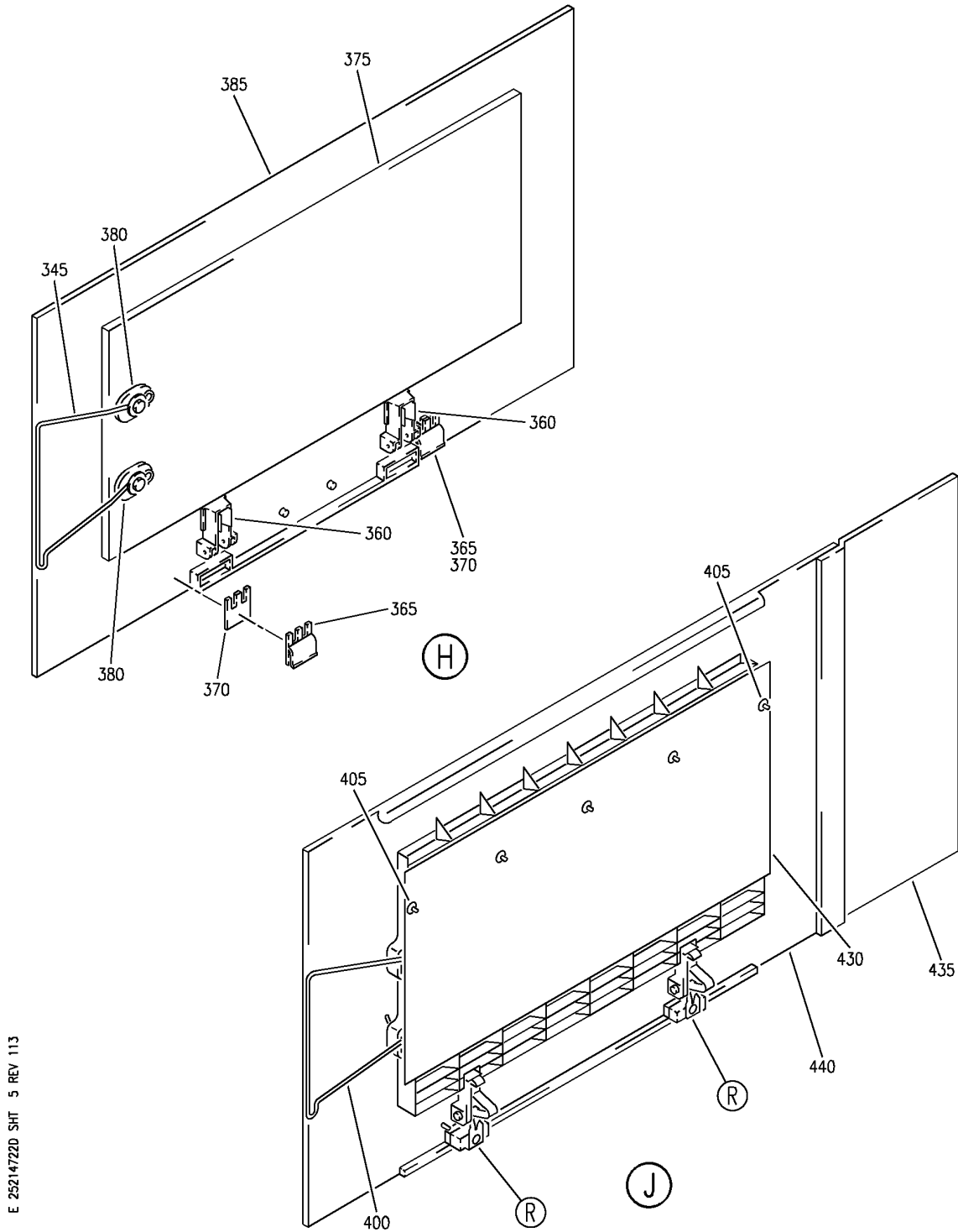
E 25214722D SHT 4 REV 113

GRILLE INSTL-RH PASS. CAB. AIR RETURN
 FIGURE 22D (SHEET 4)

25-21-47-22D

HAP
 OCT 10/06

25-21-47-22D
 PAGE 0C



E 25214722D SHT 5 REV 113

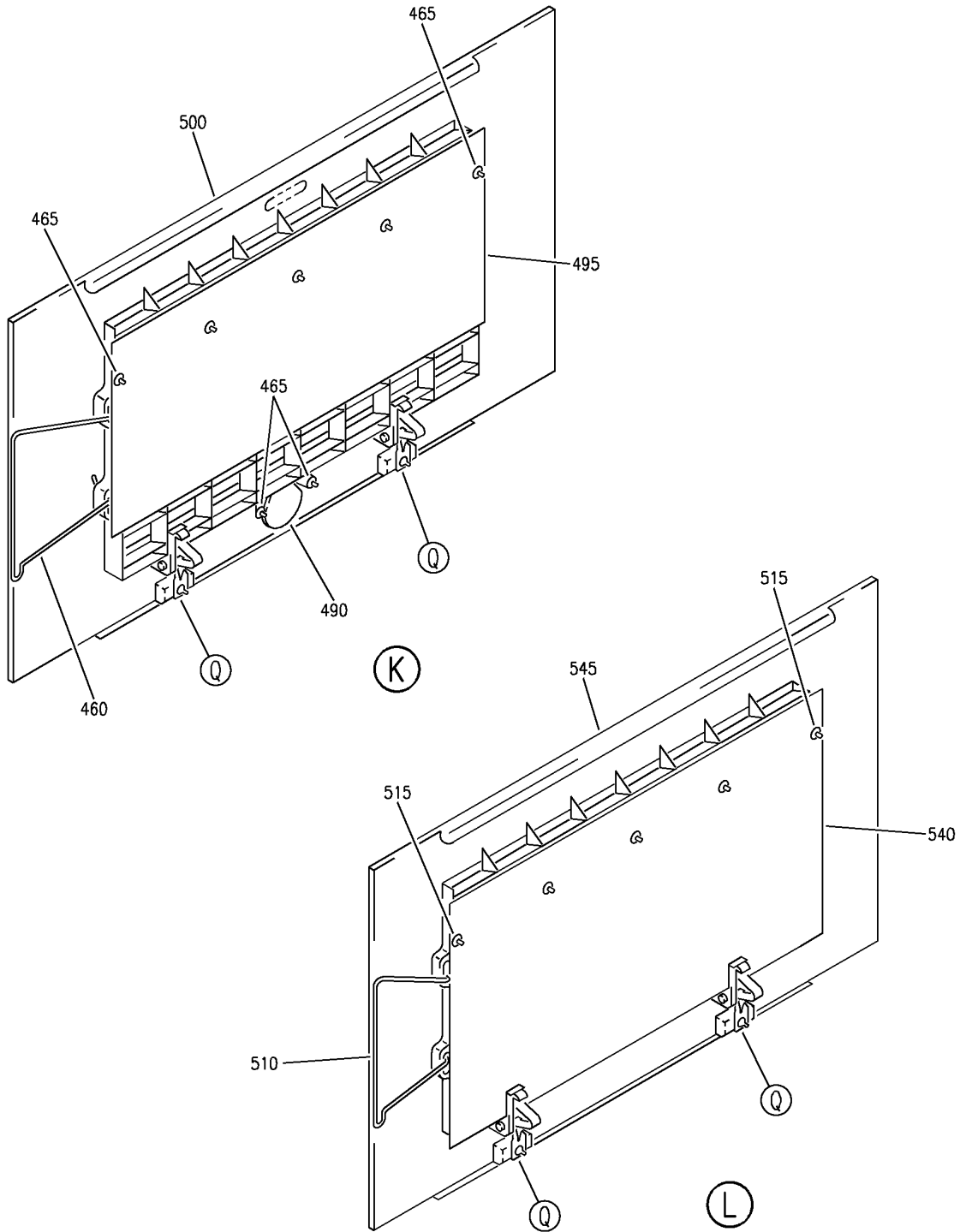
GRILLE INSTL-RH PASS. CAB. AIR RETURN
 FIGURE 22D (SHEET 5)

25-21-47-22D

HAP
 OCT 10/06

25-21-47-22D
 PAGE 0D

BOEING
 737-600/700/800/900
 PARTS CATALOG (MAINTENANCE)



E 25214722D SHT 6 REV 113

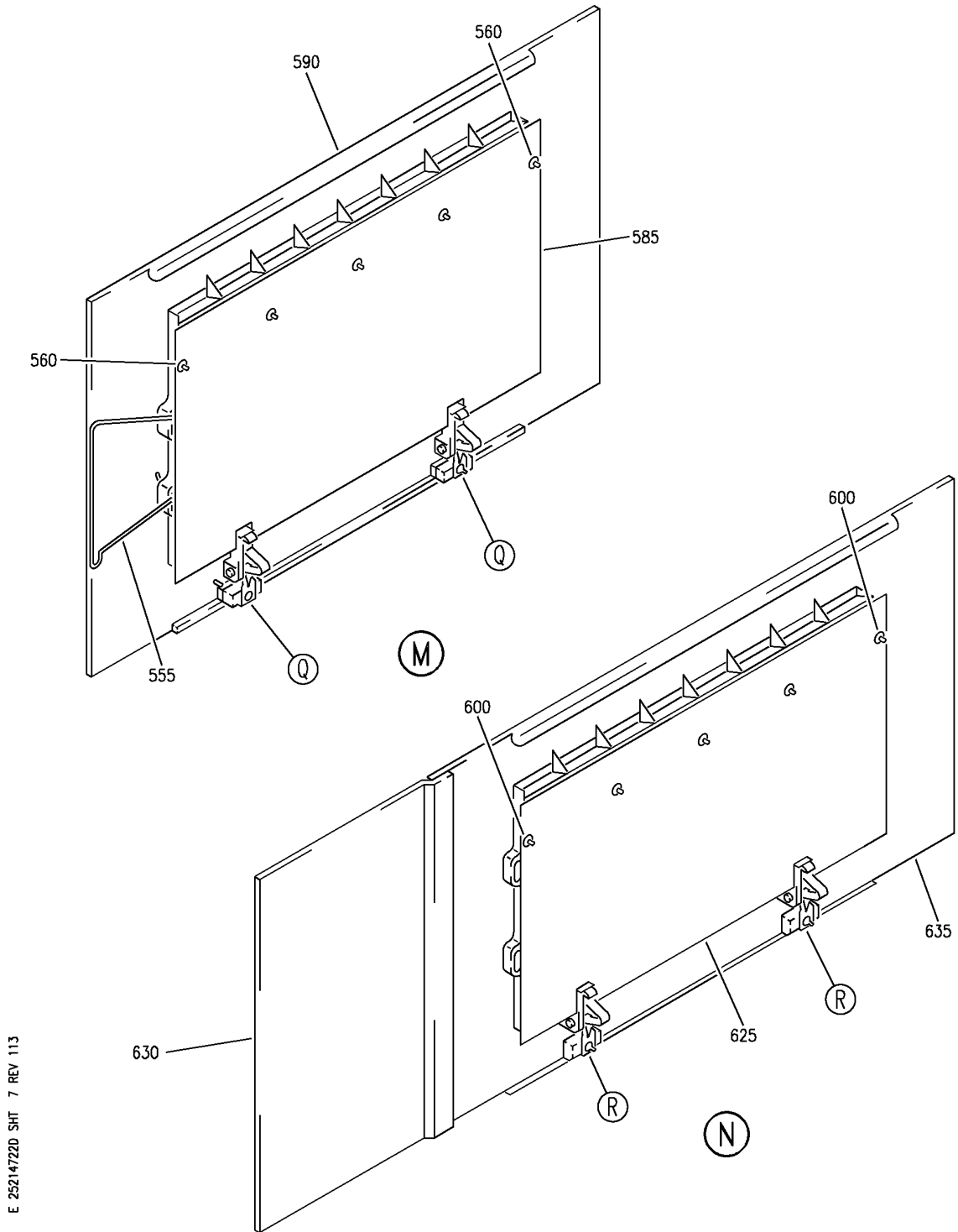
GRILLE INSTL-RH PASS. CAB. AIR RETURN
 FIGURE 22D (SHEET 6)

25-21-47-22D

HAP
 OCT 10/06

25-21-47-22D
 PAGE 0E

BOEING
 737-600/700/800/900
 PARTS CATALOG (MAINTENANCE)



E 25214722D SHT 7 REV 113

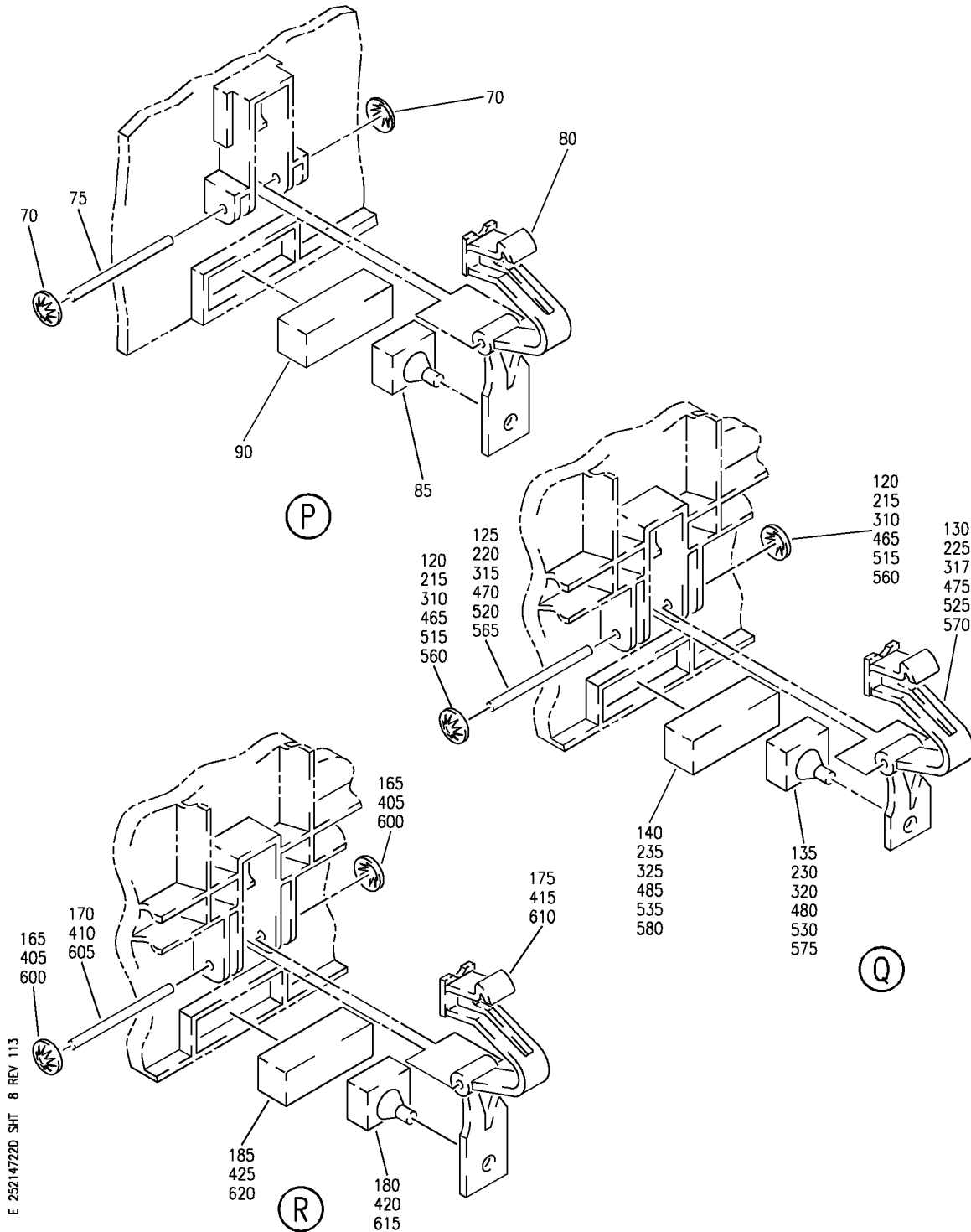
GRILLE INSTL-RH PASS. CAB. AIR RETURN
 FIGURE 22D (SHEET 7)

25-21-47-22D

HAP
 OCT 10/06

25-21-47-22D
 PAGE OF

BOEING
 737-600/700/800/900
 PARTS CATALOG (MAINTENANCE)



GRILLE INSTL-RH PASS. CAB. AIR RETURN
 FIGURE 22D (SHEET 8)

25-21-47-22D

HAP
 OCT 10/06

25-21-47-22D
 PAGE 08

BOEING
737-600/700/800/900
PARTS CATALOG (MAINTENANCE)

FIG ITEM	PART NUMBER	1 2 3 4 5 6 7	NOMENCLATURE	EFFECT FROM TO	UNITS PER ASSY
22D			GRILLE INSTL-RH PASS. CAB. AIR RETURN	001014	
- 1	411A1110-3002SP		GRILLE INSTL-PASS. CAB. AIR RETURN POSITION DATA: RH FOR NHA SEE: 21-23-00-15B	001014	RF
5	411N1525-1		.TRIM ASSY- ATTACHING PARTS	001014	2
- 10	NAS1801-3-6		.SCREW	001014	2
- 15	NAS1149D0316J		.WASHER	001014	2
			-----*-----		
20	411N1525-3		..SPRING ATTACHING PARTS	001014	1
- 25	BACR15CE3AD		..RIVET- SIZE DETERMINED ON INSTL.	001014	2
			-----*-----		
30	411N1525-2		..TRIM	001014	1
35	411N1525-20		.TRIM ASSY- ATTACHING PARTS	001014	2
- 40	NAS1801-3-6		.SCREW	001014	1
- 45	NAS1149DN616J		.WASHER	001014	1
			-----*-----		
50	411N1510-49SP		.GRILLE ASSY-12.5 IN. BLANK PNL LONG LATCH (EQUIPMENT/FURNISHINGS ONLY) FUNCTIONAL REFERENCE: PLACARDS AND MARKINGS FOR DETAILS SEE 11-30-54-22D	001014	1
55	411N1522-3		..SPRING ATTACHING PARTS	001014	1
- 60	NAS1801-3-5		..SCREW	001014	2
- 65	BACW10P5CC		..WASHER	001014	2
			-----*-----		
70	6100-12		..RETAINER-CLIP SUPPLIER CODE: V97464	001014	4
75	411N1522-4		..PIN-HINGE OPTIONAL PART: 411N1522-5	001014	2
75	411N1522-5		..PIN-HINGE OPTIONAL PART: 411N1522-4	001014	2
80	411N1521-2SP		..LATCH	001014	2
85	411N1527-1		..PAD	001014	2
90	411N1527-2		..PAD	001014	2

MISSING ITEM NUMBERS NOT APPLICABLE

- ITEM NOT ILLUSTRATED

HAP

25-21-47-22D

BOEING PROPRIETARY - Copyright © - Unpublished Work - See title page for details.

25-21-47
FIG. 22D
PAGE 1
FEB 15/09

 **BOEING**
737-600/700/800/900
PARTS CATALOG (MAINTENANCE)

FIG ITEM	PART NUMBER	1 2 3 4 5 6 7	NOMENCLATURE	EFFECT FROM TO	UNITS PER ASSY
22D					
95	411N1523-7	..	STIFFENER ASSY	001014	1
100	BACI12S3	...	INSERT	001014	2
105	411N1520-9SP	..	GRILLE	001014	1
110	411N1510-101SP	.GRILLE ASSY-20.5 IN. PNL WITH SHORT LATCH AND BAFFLE (EQUIPMENT/ FURNISHINGS ONLY) FUNCTIONAL REFERENCE: PLACARDS AND MARKINGS FOR DETAILS SEE 11-30-54-22D		001014	8
115	411N1522-1	..	CLIP	001014	1
120	6100-12	..	RETAINER-CLIP SUPPLIER CODE: V97464	001014	9
125	411N1522-5	..	PIN-HINGE	001014	2
130	411N1521-1SP	..	LATCH	001014	2
135	411N1527-1	..	PAD	001014	2
140	411N1527-2	..	PAD	001014	2
145	411N1528-3	..	BAFFLE ASSY	001014	1
150	411N1520-1SP	..	GRILLE	001014	1
155	411N1510-105SP	.GRILLE ASSY-20.5 IN. PNL SHORT BAFFLE AND LONG LATCH WITH CENTERED IFE (EQUIPMENT/FURNISHINGS ONLY) FUNCTIONAL REFERENCE: PLACARDS AND MARKINGS FOR DETAILS SEE 11-30-54-22D		001014	1
160	411N1522-1	..	CLIP	001014	1
165	6100-12	..	RETAINER-CLIP SUPPLIER CODE: V97464	001014	11
170	411N1522-5	..	PIN-HINGE	001014	2
175	411N1521-2SP	..	LATCH	001014	2
180	411N1527-1	..	PAD	001014	2
185	411N1527-2	..	PAD	001014	2
190	411N1528-3	..	BAFFLE ASSY	001014	1
195	411N1527-3	..	PAD	001014	1
200	411N1520-1SP	..	GRILLE	001014	1
205	411N1510-103SP	.GRILLE ASSY-22.5 IN. PNL WITH SHORT LATCH AND BAFFLE (EQUIPMENT/ FURNISHINGS ONLY) FUNCTIONAL REFERENCE: PLACARDS AND MARKINGS FOR DETAILS SEE 11-30-54-22D		001014	10

MISSING ITEM NUMBERS NOT APPLICABLE

— ITEM NOT ILLUSTRATED

HAP

25-21-47-22D

BOEING PROPRIETARY - Copyright © - Unpublished Work - See title page for details.

25-21-47
FIG. 22D
PAGE 2
FEB 15/09

BOEING
737-600/700/800/900
PARTS CATALOG (MAINTENANCE)

FIG ITEM	PART NUMBER	1 2 3 4 5 6 7	NOMENCLATURE	EFFECT FROM TO	UNITS PER ASSY
22D					
210	411N1522-2	..	CLIP	001014	1
215	6100-12	..	RETAINER-CLIP SUPPLIER CODE: V97464	001014	9
220	411N1522-5	..	PIN-HINGE	001014	2
225	411N1521-1SP	..	LATCH	001014	2
230	411N1527-1	..	PAD	001014	2
235	411N1527-2	..	PAD	001014	2
240	411N1528-3	..	BAFFLE ASSY	001014	1
245	411N1520-2SP	..	GRILLE	001014	1
250	411N1510-34SP	.GRILLE ASSY-20.5 IN. BLANK PNL WITH PLUG AND SNAP-ON LATCH (EQUIPMENT/FURNISHINGS ONLY) FUNCTIONAL REFERENCE: PLACARDS AND MARKINGS FOR DETAILS SEE 11-30-54-22D	001014	1	
255	411N1522-3	..	SPRING ATTACHING PARTS	001014	1
- 260	NAS1801-3-5	..	SCREW	001014	2
- 265	BACW10P5CC	..	WASHER -----*-----	001014	2
270	411N1521-3SP	..	PLUG	001014	2
275	411N1407-3	..	CLIP	001014	2
280	411N1407-7	..	SPACER	001014	2
285	411N1523-3	..	STIFFENER ASSY	001014	1
290	BACI12S3	...	INSERT	001014	2
295	411N1520-5SP	..	GRILLE	001014	1
300	411N1510-109SP	.GRILLE ASSY-20.5 IN. SHORTENED PNL WITH SHORT LATCH AND BAFFLE (EQUIPMENT/FURNISHINGS ONLY) FUNCTIONAL REFERENCE: PLACARDS AND MARKINGS FOR DETAILS SEE 11-30-54-22D	001014	2	
305	411N1522-1	..	CLIP	001014	1
310	6100-12	..	RETAINER-CLIP SUPPLIER CODE: V97464	001014	9
315	411N1522-5	..	PIN-HINGE	001014	2
317	411N1521-1SP	..	LATCH	001014	2
320	411N1527-1	..	PAD	001014	2
325	411N1527-2	..	PAD	001014	2
330	411N1528-3	..	BAFFLE ASSY	001014	1
335	411N1520-12SP	..	GRILLE	001014	1

MISSING ITEM NUMBERS NOT APPLICABLE

- ITEM NOT ILLUSTRATED

HAP

25-21-47-22D

BOEING PROPRIETARY - Copyright © - Unpublished Work - See title page for details.

25-21-47
FIG. 22D
PAGE 3
FEB 15/09

BOEING
737-600/700/800/900
PARTS CATALOG (MAINTENANCE)

FIG ITEM	PART NUMBER	1 2 3 4 5 6 7	NOMENCLATURE	EFFECT FROM TO	UNITS PER ASSY
22D 340	411N1510-35SP		.GRILLE ASSY-23.5 IN. BLANK PNL WITH PLUG AND SNAP-ON LATCH (EQUIPMENT/FURNISHINGS ONLY) FUNCTIONAL REFERENCE: PLACARDS AND MARKINGS FOR DETAILS SEE 11-30-54-22D	001014	1
345	411N1522-3		..SPRING ATTACHING PARTS	001014	1
- 350	NAS1801-3-5		..SCREW	001014	2
- 355	BACW10P5CC		..WASHER -----*-----	001014	2
360	411N1521-3SP		..PLUG	001014	2
365	411N1407-3		..CLIP	001014	2
370	411N1407-7		..SPACER	001014	2
375	411N1523-2		..STIFFENER ASSY	001014	1
380	BACI12S3		...INSERT	001014	2
385	411N1520-10SP		..GRILLE	001014	1
395	411N1510-107SP		.GRILLE ASSY-22.5 IN. PNL LONG LATCH AND SHORT BAFFLE WITH 4 IN. EXTENSION AND OPP CLIP (EQUIPMENT/FURNISHINGS ONLY) FUNCTIONAL REFERENCE: PLACARDS AND MARKINGS FOR DETAILS SEE 11-30-54-22D	001014	1
400	411N1522-2		..CLIP-SPR RTNR	001014	1
405	6100-12		..RETAINER-CLIP SUPPLIER CODE: V97464	001014	9
410	411N1522-5		..PIN-HINGE ATTACHING PARTS	001014	2
415	411N1521-2SP		..LATCH -----*-----	001014	2
420	411N1527-1		..PAD	001014	2
425	411N1527-2		..PAD	001014	2
430	411N1528-3		..BAFFLE ASSY	001014	1
435	411N1524-2SP		..EXTENSION	001014	1
440	411N1520-2SP		..GRILLE	001014	1

MISSING ITEM NUMBERS NOT APPLICABLE

- ITEM NOT ILLUSTRATED

HAP

25-21-47-22D

BOEING PROPRIETARY - Copyright © - Unpublished Work - See title page for details.

25-21-47
FIG. 22D
PAGE 4
FEB 15/09

BOEING
737-600/700/800/900
PARTS CATALOG (MAINTENANCE)

FIG ITEM	PART NUMBER	1 2 3 4 5 6 7	NOMENCLATURE	EFFECT FROM TO	UNITS PER ASSY
22D 455	411N1510-113SP	.	GRILLE ASSY-22.5 IN. PNL SHORT LATCH AND BAFFLE WITH CENTERED IFE (EQUIPMENT/FURNISHINGS ONLY) FUNCTIONAL REFERENCE: PLACARDS AND MARKINGS FOR DETAILS SEE 11-30-54-22D	001014	1
460	411N1522-2	..	CLIP	001014	1
465	6100-12	..	RETAINER-CLIP SUPPLIER CODE: V97464	001014	11
470	411N1522-5	..	PIN-HINGE	001014	2
475	411N1521-1SP	..	LATCH	001014	2
480	411N1527-1	..	PAD	001014	2
485	411N1527-2	..	PAD	001014	2
490	411N1527-3	..	PAD	001014	1
495	411N1528-3	..	BAFFLE ASSY	001014	1
500	411N1520-2SP	..	GRILLE	001014	1
505	411N1510-106SP	.	GRILLE ASSY-22.5 IN. PNL WITH SHORT LATCH AND LARGE BAFFLE (EQUIPMENT/FURNISHINGS ONLY) FUNCTIONAL REFERENCE: PLACARDS AND MARKINGS FOR DETAILS SEE 11-30-54-22D	001014	7
510	411N1522-2	..	CLIP	001014	1
515	6100-12	..	RETAINER-CLIP SUPPLIER CODE: V97464	001014	9
520	411N1522-5	..	PIN-HINGE	001014	2
525	411N1521-1SP	..	LATCH	001014	2
530	411N1527-1	..	PAD	001014	2
535	411N1527-2	..	PAD	001014	2
540	411N1528-2	..	BAFFLE ASSY	001014	1
545	411N1520-2SP	..	GRILLE	001014	1
550	411N1510-102SP	.	GRILLE ASSY-20.5 IN. PNL WITH SHORT LATCH AND LARGE BAFFLE (EQUIPMENT/FURNISHINGS ONLY) FUNCTIONAL REFERENCE: PLACARDS AND MARKINGS FOR DETAILS SEE 11-30-54-22D	001014	12
555	411N1522-1	..	CLIP-SPR RTNR	001014	1

MISSING ITEM NUMBERS NOT APPLICABLE

— ITEM NOT ILLUSTRATED

HAP

25-21-47-22D

BOEING PROPRIETARY - Copyright © - Unpublished Work - See title page for details.

25-21-47
FIG. 22D
PAGE 5
FEB 15/09

BOEING
737-600/700/800/900
PARTS CATALOG (MAINTENANCE)

FIG ITEM	PART NUMBER	1 2 3 4 5 6 7	NOMENCLATURE	EFFECT FROM TO	UNITS PER ASSY
22D 560	6100-12		..RETAINER-CLIP SUPPLIER CODE: V97464	001014	9
565	411N1522-5		..PIN-HINGE	001014	2
570	411N1521-1SP		..LATCH	001014	2
575	411N1527-1		..PAD	001014	2
580	411N1527-2		..PAD	001014	2
585	411N1528-2		..BAFFLE ASSY	001014	1
590	411N1520-1SP		..GRILLE	001014	1
595	411N1510-112SP		.GRILLE ASSY-22.5 IN. PNL LONG LATCH AND LARGE BAFFLE WITH 8 IN. EXTENSION WITH CLIP SIDE (EQUIPMENT/FURNISHINGS ONLY) FUNCTIONAL REFERENCE: PLACARDS AND MARKINGS FOR DETAILS SEE 11-30-54-22D	001014	1
600	6100-12		..RETAINER-CLIP SUPPLIER CODE: V97464	001014	9
605	411N1522-5		..PIN-HINGE	001014	2
610	411N1521-2SP		..LATCH	001014	2
615	411N1527-1		..PAD	001014	2
620	411N1527-2		..PAD	001014	2
625	411N1528-2		..BAFFLE ASSY	001014	1
630	411N1524-1SP		..EXTENSION	001014	1
635	411N1520-2SP		..GRILLE	001014	1

MISSING ITEM NUMBERS NOT APPLICABLE

— ITEM NOT ILLUSTRATED

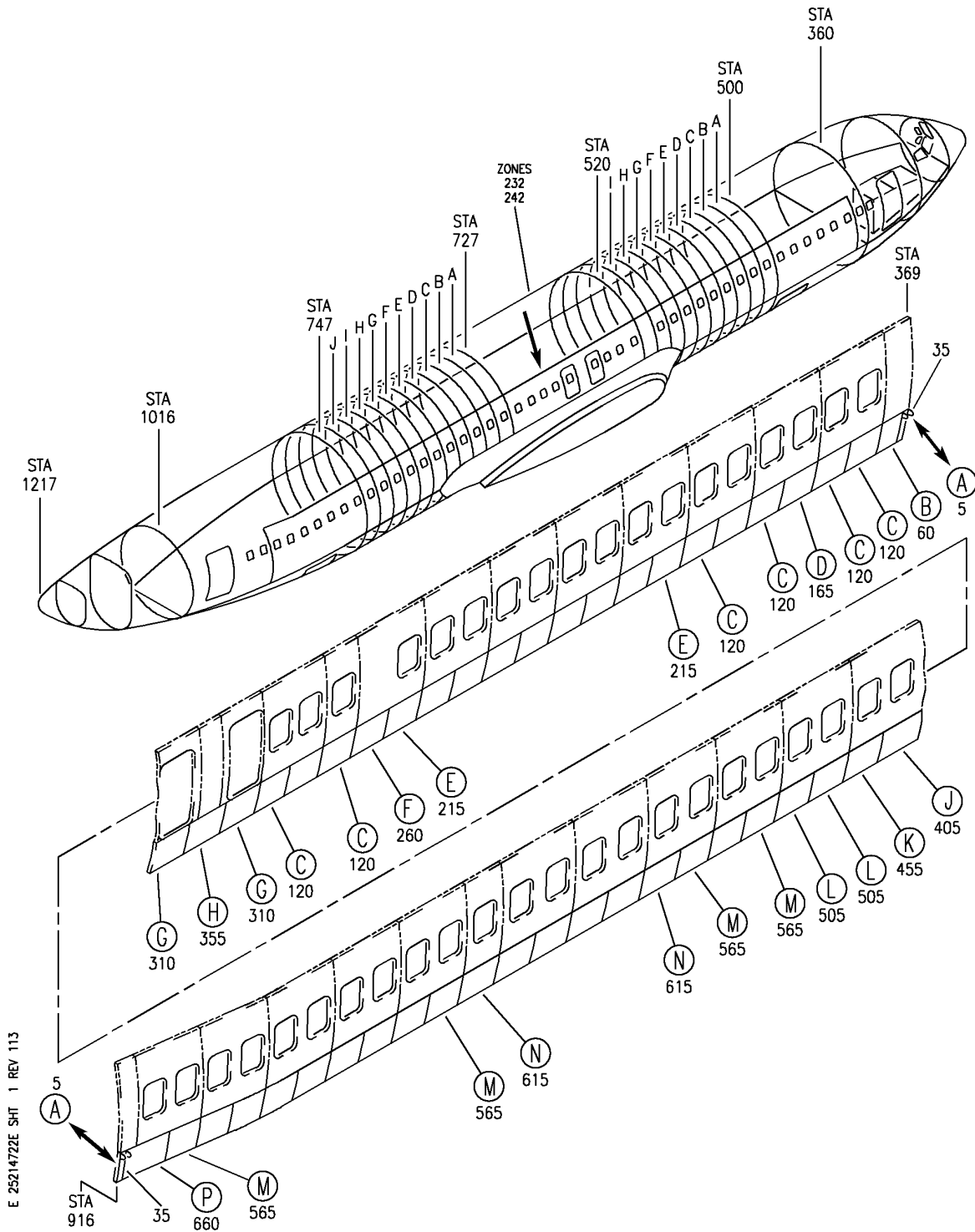
HAP

25-21-47-22D

BOEING PROPRIETARY - Copyright © - Unpublished Work - See title page for details.

25-21-47
FIG. 22D
PAGE 6
FEB 15/09

BOEING
 737-600/700/800/900
 PARTS CATALOG (MAINTENANCE)



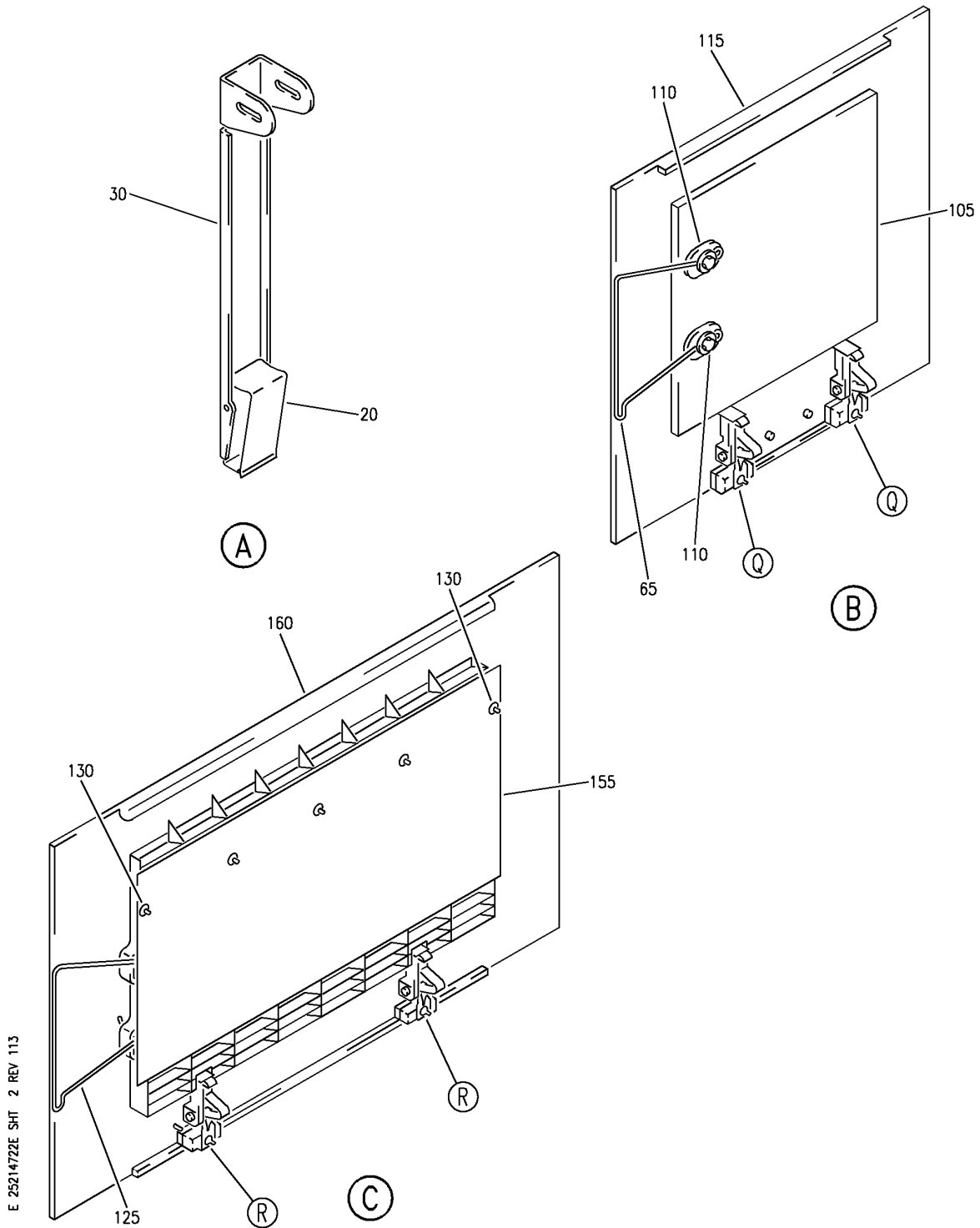
GRILLE INSTL-RH PASS. CAB. AIR RETURN
 FIGURE 22E (SHEET 1)

25-21-47-22E

HAP
 OCT 10/06

25-21-47-22E
 PAGE 0

BOEING
 737-600/700/800/900
 PARTS CATALOG (MAINTENANCE)



E 25214722E SHT 2 REV 113

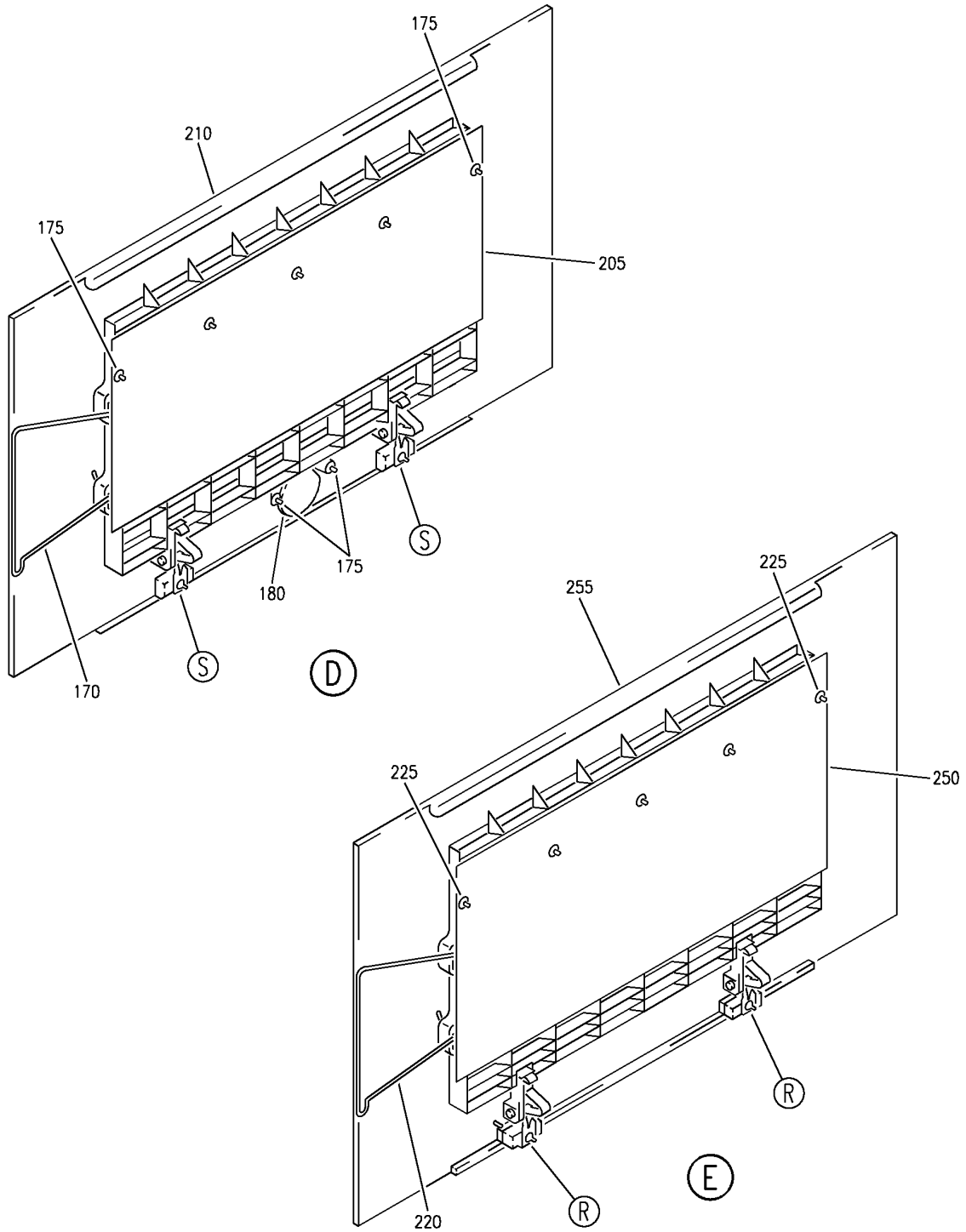
GRILLE INSTL-RH PASS. CAB. AIR RETURN
 FIGURE 22E (SHEET 2)

25-21-47-22E

HAP
 OCT 10/06

25-21-47-22E
 PAGE 0A

BOEING
 737-600/700/800/900
 PARTS CATALOG (MAINTENANCE)



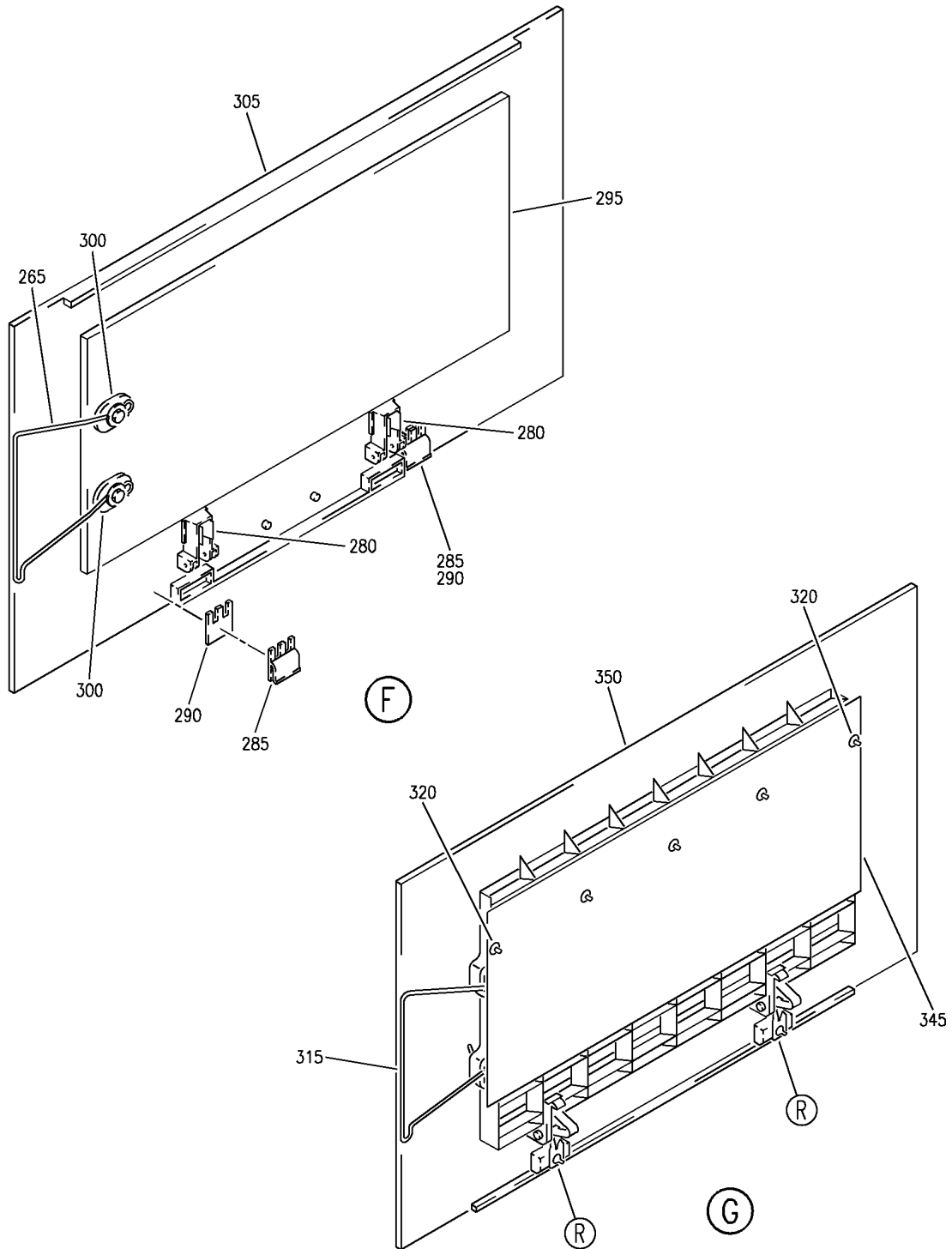
E 25214722E SHT 3 REV 113

GRILLE INSTL-RH PASS. CAB. AIR RETURN
 FIGURE 22E (SHEET 3)

25-21-47-22E

HAP
 OCT 10/06

25-21-47-22E
 PAGE 0B



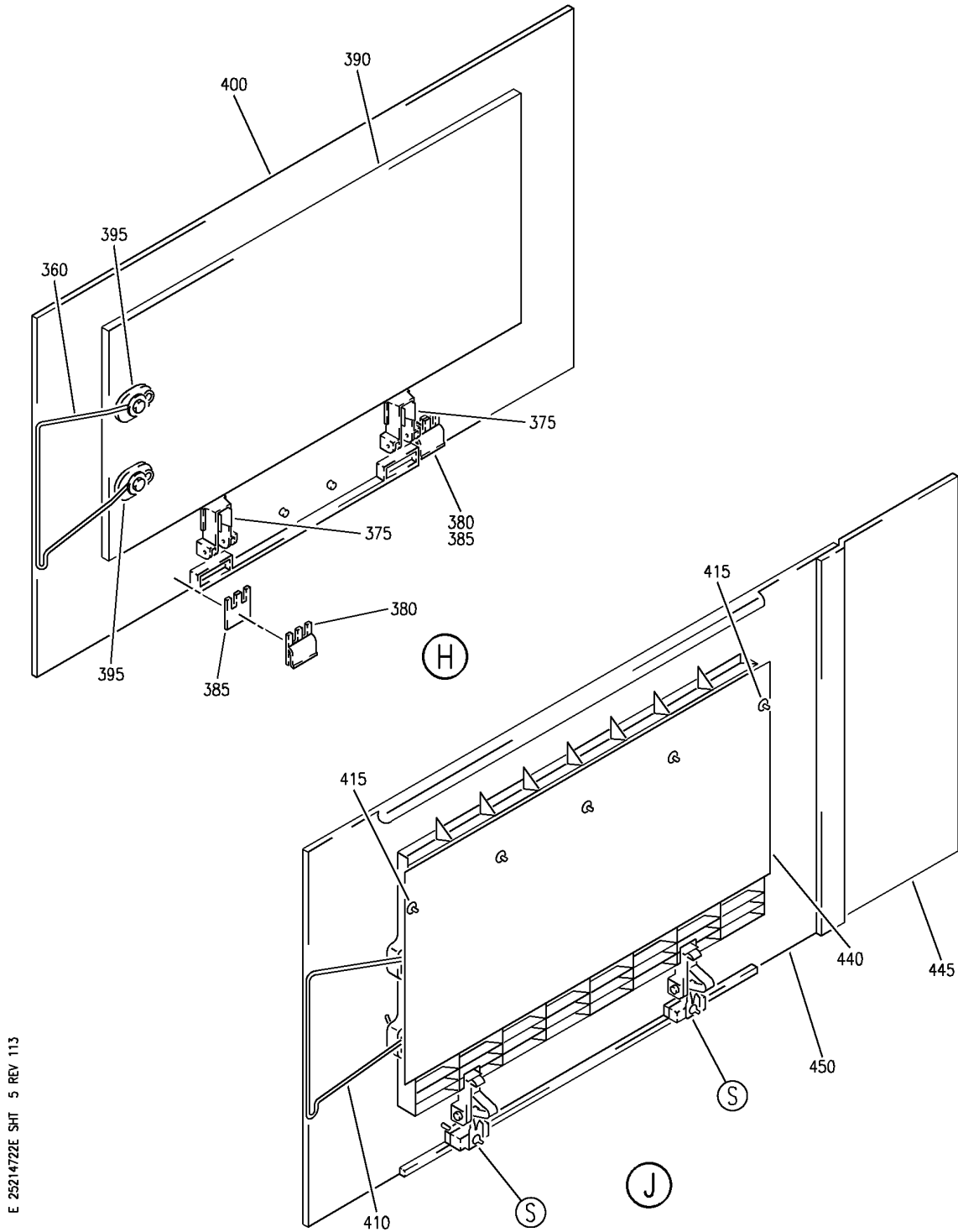
E 25214722E SHT 4 REV 113

GRILLE INSTL-RH PASS. CAB. AIR RETURN
 FIGURE 22E (SHEET 4)

25-21-47-22E

HAP
 OCT 10/06

25-21-47-22E
 PAGE 0C



E 25214722E SHT 5 REV 113

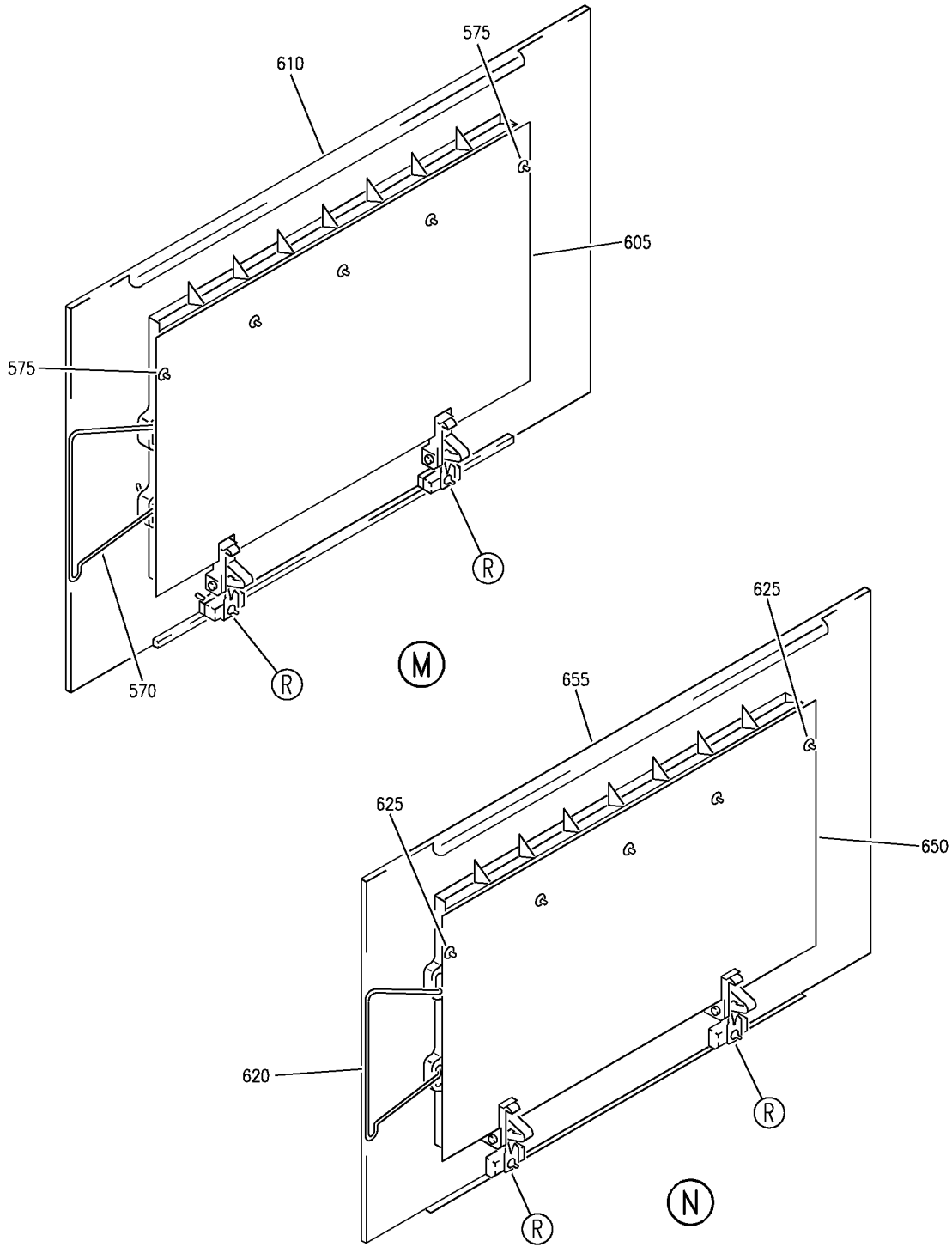
GRILLE INSTL-RH PASS. CAB. AIR RETURN
 FIGURE 22E (SHEET 5)

25-21-47-22E

HAP
 OCT 10/06

25-21-47-22E
 PAGE 0D

BOEING
 737-600/700/800/900
 PARTS CATALOG (MAINTENANCE)



E 25214722E SHT 7 REV 113

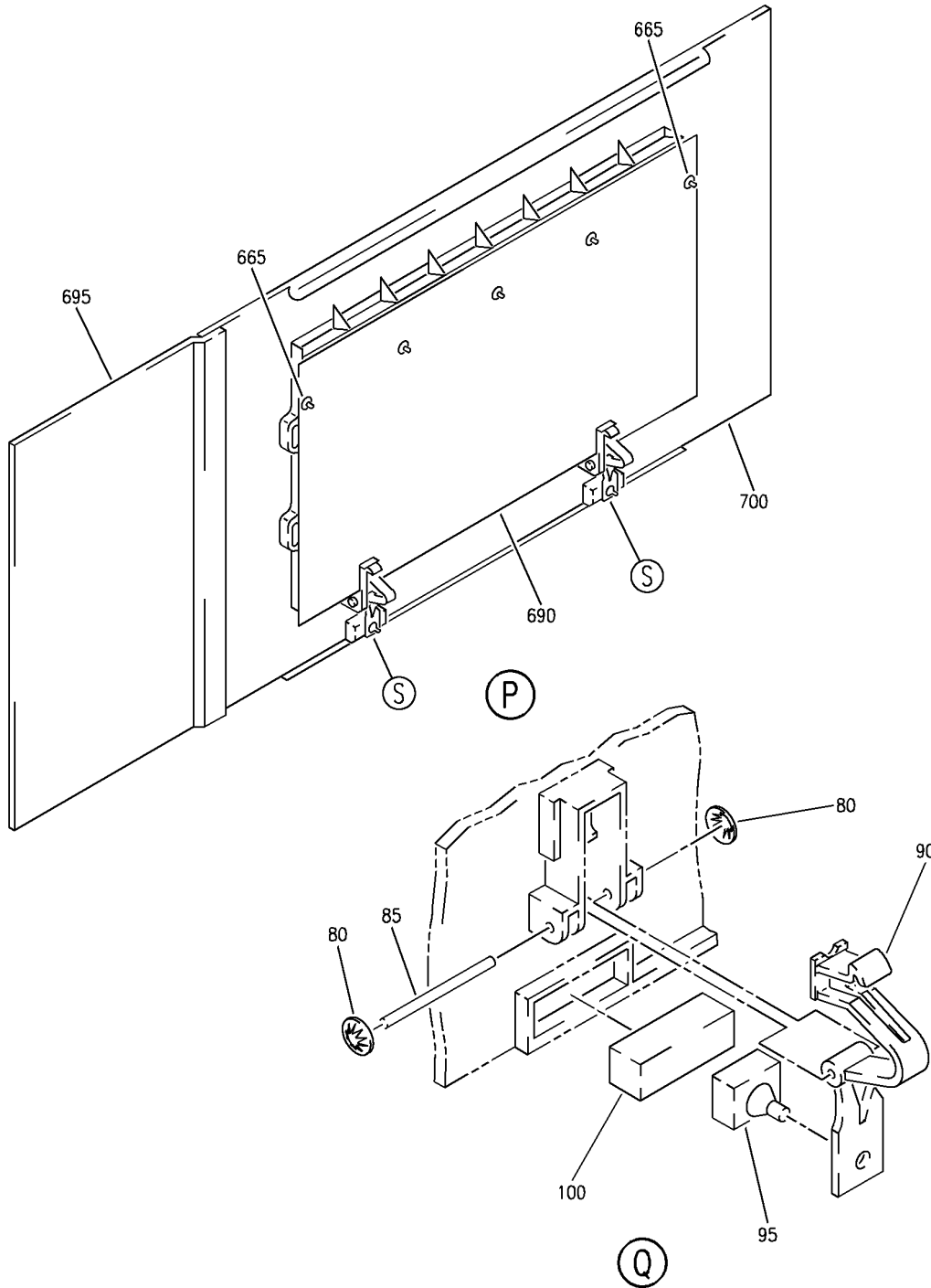
GRILLE INSTL-RH PASS. CAB. AIR RETURN
 FIGURE 22E (SHEET 7)

25-21-47-22E

HAP
 OCT 10/06

25-21-47-22E
 PAGE OF

BOEING
 737-600/700/800/900
 PARTS CATALOG (MAINTENANCE)



E 25214722E SHT 8 REV 113

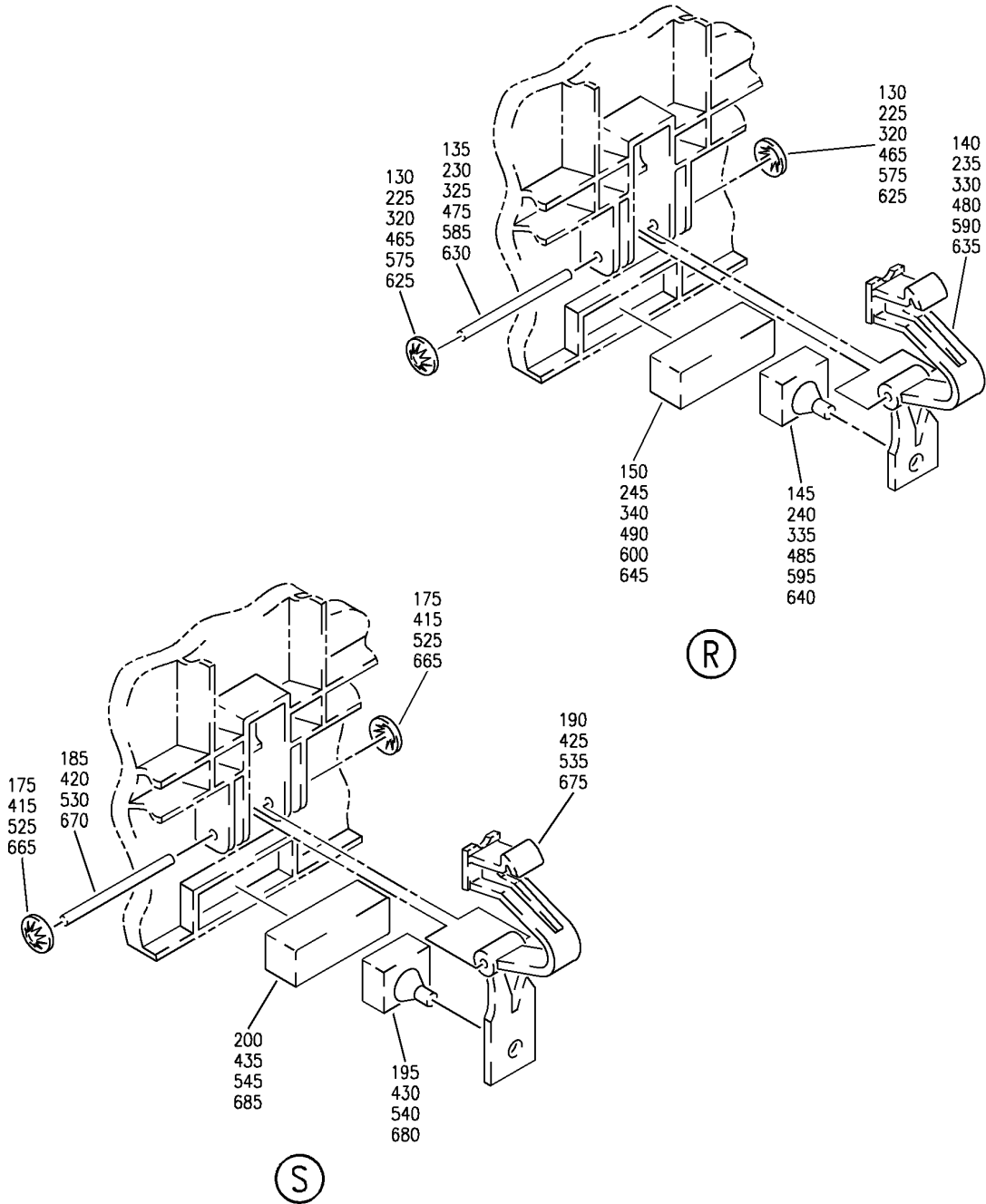
GRILLE INSTL-RH PASS. CAB. AIR RETURN
 FIGURE 22E (SHEET 8)

25-21-47-22E

HAP
 OCT 10/06

25-21-47-22E
 PAGE 06

BOEING
 737-600/700/800/900
 PARTS CATALOG (MAINTENANCE)



E 25214722E SHT 9 REV 113

GRILLE INSTL-RH PASS. CAB. AIR RETURN
 FIGURE 22E (SHEET 9)

25-21-47-22E

HAP
 OCT 10/06

25-21-47-22E
 PAGE 0H

BOEING
737-600/700/800/900
PARTS CATALOG (MAINTENANCE)

FIG ITEM	PART NUMBER	1 2 3 4 5 6 7	NOMENCLATURE	EFFECT FROM TO	UNITS PER ASSY
22E			GRILLE INSTL-RH PASS. CAB. AIR RETURN	015030	
- 1	411A1110-3092C		GRILLE INSTL-PASS. CAB. AIR RETURN POSITION DATA: RH FOR NHA SEE: 21-23-00-15B	015030	RF
5	411N1525-1		.TRIM ASSY- ATTACHING PARTS	015030	2
- 10	NAS1801-3-6		.SCREW	015030	2
- 15	NAS1149D0316J		.WASHER	015030	2
			-----*-----		
20	411N1525-3		..SPRING ATTACHING PARTS	015030	1
- 25	BACR15CE3AD		..RIVET- SIZE DETERMINED ON INSTL.	015030	2
			-----*-----		
30	411N1525-2		..TRIM	015030	1
35	411N1525-20		.TRIM ASSY- ATTACHING PARTS	015030	2
- 40	NAS1801-3-6		.SCREW	015030	2
- 45	NAS1149D0316J		.WASHER	015030	2
			-----*-----		
60	411N1510-49SP		.GRILLE ASSY-12.5 IN. BLANK PNL WITH LONG LATCH (EQUIPMENT/FURNISHINGS ONLY) FUNCTIONAL REFERENCE: PLACARDS AND MARKINGS FOR DETAILS SEE 11-30-54-22E	015030	1
65	411N1522-3		..SPRING ATTACHING PARTS	015030	1
- 70	NAS1801-3-5		..SCREW	015030	2
- 75	BACW10P5CC		..WASHER	015030	2
			-----*-----		
80	6100-12		..RETAINER-CLIP SUPPLIER CODE: V97464	015030	4
85	411N1522-4		..PIN-HINGE OPTIONAL PART: 411N1522-5	015030	2
85	411N1522-5		..PIN-HINGE OPTIONAL PART: 411N1522-4	015030	2
90	411N1521-2SP		..LATCH	015030	2
95	411N1527-1		..PAD	015030	2
100	411N1527-2		..PAD	015030	2

MISSING ITEM NUMBERS NOT APPLICABLE

- ITEM NOT ILLUSTRATED

HAP

25-21-47-22E

BOEING PROPRIETARY - Copyright © - Unpublished Work - See title page for details.

25-21-47
FIG. 22E
PAGE 1
OCT 15/08

BOEING
737-600/700/800/900
PARTS CATALOG (MAINTENANCE)

FIG ITEM	PART NUMBER	1 2 3 4 5 6 7	NOMENCLATURE	EFFECT FROM TO	UNITS PER ASSY
22E					
105	411N1523-7	..	STIFFENER ASSY	015030	1
110	BACI12S3	...	INSERT	015030	2
115	411N1520-9SP	..	GRILLE	015030	1
120	411N1510-101SP	.GRILLE ASSY-20.5 IN. PNL WITH SHORT LATCH AND BAFFLE (EQUIPMENT/ FURNISHINGS ONLY) FUNCTIONAL REFERENCE: PLACARDS AND MARKINGS FOR DETAILS SEE 11-30-54-22E		015030	8
125	411N1522-1	..	CLIP-SPR RTNR	015030	1
130	6100-12	..	RETAINER-CLIP SUPPLIER CODE: V97464	015030	9
135	411N1522-5	..	PIN-HINGE	015030	2
140	411N1521-1SP	..	LATCH	015030	2
145	411N1527-1	..	PAD	015030	2
150	411N1527-2	..	PAD	015030	2
155	411N1528-3	..	BAFFLE ASSY	015030	1
160	411N1520-1SP	..	GRILLE	015030	1
165	411N1510-105SP	.GRILLE ASSY-20.5 IN. PNL SHORT BAFFLE AND LONG LATCH WITH CENTERED IFE (EQUIPMENT/FURNISHINGS ONLY) FUNCTIONAL REFERENCE: PLACARDS AND MARKINGS FOR DETAILS SEE 11-30-54-22E		015030	1
170	411N1522-1	..	CLIP-SPR RTNR	015030	1
175	6100-12	..	RETAINER-CLIP SUPPLIER CODE: V97464	015030	11
180	411N1527-3	..	PAD	015030	1
185	411N1522-5	..	PIN-HINGE	015030	2
190	411N1521-2SP	..	LATCH	015030	2
195	411N1527-1	..	PAD	015030	2
200	411N1527-2	..	PAD	015030	2
205	411N1528-3	..	BAFFLE ASSY	015030	1
210	411N1520-1SP	..	GRILLE	015030	1
215	411N1510-103SP	.GRILLE ASSY-22.5 IN. PNL WITH SHORT LATCH AND BAFFLE (EQUIPMENT/ FURNISHINGS ONLY) FUNCTIONAL REFERENCE: PLACARDS AND MARKINGS FOR DETAILS SEE 11-30-54-22E		015030	9

MISSING ITEM NUMBERS NOT APPLICABLE

— ITEM NOT ILLUSTRATED

HAP

25-21-47-22E

BOEING PROPRIETARY - Copyright © - Unpublished Work - See title page for details.

25-21-47
FIG. 22E
PAGE 2
OCT 15/08

BOEING
737-600/700/800/900
PARTS CATALOG (MAINTENANCE)

FIG ITEM	PART NUMBER	1 2 3 4 5 6 7	NOMENCLATURE	EFFECT FROM TO	UNITS PER ASSY
22E					
220	411N1522-2	..	CLIP	015030	1
225	6100-12	..	RETAINER-	015030	9
			SUPPLIER CODE: V97464		
230	411N1522-5	..	PIN-HINGE	015030	2
235	411N1521-1SP	..	LATCH	015030	2
240	411N1527-1	..	PAD	015030	2
245	411N1527-2	..	PAD	015030	2
250	411N1528-3	..	BAFFLE ASSY	015030	1
255	411N1520-2SP	..	GRILLE	015030	1
260	411N1510-34SP	.GRILLE ASSY-20.5 IN. BLANK PNL WITH PLUG AND SNAP-ON LATCH (EQUIPMENT/FURNISHINGS ONLY) FUNCTIONAL REFERENCE: PLACARDS AND MARKINGS FOR DETAILS SEE 11-30-54-22E	015030	1	
265	411N1522-3	..	SPRING	015030	1
			ATTACHING PARTS		
- 270	NAS1801-3-5	..	SCREW	015030	2
- 275	BACW10P5CC	..	WASHER	015030	2
			-----*-----		
280	411N1521-3SP	..	PLUG	015030	2
285	411N1407-3	..	CLIP	015030	2
290	411N1407-7	..	SPACER	015030	2
295	411N1523-3	..	STIFFENER ASSY	015030	1
300	BACI12S3	...	INSERT	015030	2
305	411N1520-5SP	..	GRILLE	015030	1
310	411N1510-109SP	.GRILLE ASSY-20.5 IN. SHORTENED PNL WITH SHORT LATCH AND BAFFLE (EQUIPMENT/FURNISHINGS ONLY) FUNCTIONAL REFERENCE: PLACARDS AND MARKINGS FOR DETAILS SEE 11-30-54-22E	015030	2	
315	411N1522-1	..	CLIP	015030	1
320	6100-12	..	RETAINER-CLIP	015030	9
			SUPPLIER CODE: V97464		
325	411N1522-5	..	PIN-HINGE	015030	2
330	411N1521-1SP	..	LATCH	015030	2
335	411N1527-1	..	PAD	015030	2
340	411N1527-2	..	PAD	015030	2
345	411N1528-3	..	BAFFLE ASSY	015030	1
350	411N1520-12SP	..	GRILLE	015030	1

MISSING ITEM NUMBERS NOT APPLICABLE

- ITEM NOT ILLUSTRATED

HAP

25-21-47-22E

BOEING PROPRIETARY - Copyright © - Unpublished Work - See title page for details.

25-21-47
FIG. 22E
PAGE 3
OCT 15/08

BOEING
737-600/700/800/900
PARTS CATALOG (MAINTENANCE)

FIG ITEM	PART NUMBER	1 2 3 4 5 6 7	NOMENCLATURE	EFFECT FROM TO	UNITS PER ASSY
22E 355	411N1510-35SP		.GRILLE ASSY-23.5 IN. BLANK PNL WITH PLUG AND SNAP-ON LATCH (EQUIPMENT/FURNISHINGS ONLY) FUNCTIONAL REFERENCE: PLACARDS AND MARKINGS FOR DETAILS SEE 11-30-54-22E	015030	1
360	411N1522-3		..SPRING ATTACHING PARTS	015030	1
- 365	NAS1801-3-5		..SCREW	015030	2
- 370	BACW10P5CC		..WASHER -----*-----	015030	2
375	411N1521-3SP		..PLUG	015030	2
380	411N1407-3		..CLIP	015030	2
385	411N1407-7		..SPACER	015030	2
390	411N1523-2		..STIFFENER ASSY	015030	1
395	BACI12S3		...INSERT	015030	2
400	411N1520-10SP		..GRILLE	015030	1
405	411N1510-107SP		.GRILLE ASSY-22.5 IN. PNL LONG LATCH AND SHORT BAFFLE WITH 4 IN. EXTENSION AND OPP CLIP (EQUIPMENT/FURNISHINGS ONLY) FUNCTIONAL REFERENCE: PLACARDS AND MARKINGS FOR DETAILS SEE 11-30-54-22E	015030	1
410	411N1522-2		..CLIP-SPR RTNR	015030	1
415	6100-12		..RETAINER-CLIP SUPPLIER CODE: V97464	015030	9
420	411N1522-5		..PIN-HINGE	015030	2
425	411N1521-2SP		..LATCH	015030	2
430	411N1527-1		..PAD	015030	2
435	411N1527-2		..PAD	015030	2
440	411N1528-3		..BAFFLE ASSY	015030	1
445	411N1524-2SP		..EXTENSION	015030	1
450	411N1520-2SP		..GRILLE	015030	1

MISSING ITEM NUMBERS NOT APPLICABLE

- ITEM NOT ILLUSTRATED

HAP

25-21-47-22E

BOEING PROPRIETARY - Copyright © - Unpublished Work - See title page for details.

25-21-47
FIG. 22E
PAGE 4
OCT 15/08

BOEING
737-600/700/800/900
PARTS CATALOG (MAINTENANCE)

FIG ITEM	PART NUMBER	1 2 3 4 5 6 7	NOMENCLATURE	EFFECT FROM TO	UNITS PER ASSY
22E 455	411N1510-113SP	.	GRILLE ASSY-22.5 IN. PNL SHORT LATCH AND BAFFLE WITH CENTERED IFE (EQUIPMENT/FURNISHINGS ONLY) FUNCTIONAL REFERENCE: PLACARDS AND MARKINGS FOR DETAILS SEE 11-30-54-22E	015030	1
460	411N1522-2	..	CLIP	015030	1
465	6100-12	..	RETAINER-CLIP SUPPLIER CODE: V97464	015030	11
470	411N1527-3	..	PAD	015030	1
475	411N1522-5	..	PIN-HINGE	015030	2
480	411N1521-1SP	..	LATCH	015030	2
485	411N1527-1	..	PAD	015030	2
490	411N1527-2	..	PAD	015030	2
495	411N1528-3	..	BAFFLE ASSY	015030	1
500	411N1520-2SP	..	GRILLE	015030	1
505	411N1510-27SP	.	GRILLE ASSY-22.5 IN. BLANK PNL WITH LONG LATCH (EQUIPMENT/FURNISHINGS ONLY) FUNCTIONAL REFERENCE: PLACARDS AND MARKINGS FOR DETAILS SEE 11-30-54-22E	015030	2
510	411N1522-3	..	SPRING ATTACHING PARTS	015030	1
- 515	NAS1801-3-5	..	SCREW	015030	2
- 520	BACW10P5CC	..	WASHER	015030	2
			-----*-----		
525	6100-12	..	RETAINER-CLIP SUPPLIER CODE: V97464	015030	4
530	411N1522-4	..	PIN-HINGE OPTIONAL PART: 411N1522-5	015030	2
530	411N1522-5	..	PIN-HINGE OPTIONAL PART: 411N1522-4	015030	2
535	411N1521-2SP	..	LATCH	015030	2
540	411N1527-1	..	PAD	015030	2
545	411N1527-2	..	PAD	015030	2
550	411N1523-2	..	STIFFENER ASSY	015030	1
555	BACI12S3	...	INSERT	015030	2
560	411N1520-4SP	..	GRILLE	015030	1

MISSING ITEM NUMBERS NOT APPLICABLE

- ITEM NOT ILLUSTRATED

HAP

25-21-47-22E

BOEING PROPRIETARY - Copyright © - Unpublished Work - See title page for details.

25-21-47
FIG. 22E
PAGE 5
OCT 15/08

BOEING
737-600/700/800/900
PARTS CATALOG (MAINTENANCE)

FIG ITEM	PART NUMBER	1 2 3 4 5 6 7	NOMENCLATURE	EFFECT FROM TO	UNITS PER ASSY
22E 565	411N1510-102SP	.	GRILLE ASSY-20.5 IN. PNL WITH SHORT LATCH AND LARGE BAFFLE (EQUIPMENT/FURNISHINGS ONLY) FUNCTIONAL REFERENCE: PLACARDS AND MARKINGS FOR DETAILS SEE 11-30-54-22E	015030	12
570	411N1522-1	..	CLIP-SPR RTNR	015030	1
575	6100-12	..	RETAINER-CLIP SUPPLIER CODE: V97464	015030	9
585	411N1522-5	..	PIN-HINGE	015030	2
590	411N1521-1SP	..	LATCH	015030	2
595	411N1527-1	..	PAD	015030	2
600	411N1527-2	..	PAD	015030	2
605	411N1528-2	..	BAFFLE ASSY	015030	1
610	411N1520-1SP	..	GRILLE	015030	1
615	411N1510-106SP	.	GRILLE ASSY-22.5 IN. PNL WITH SHORT LATCH AND LARGE BAFFLE (EQUIPMENT/FURNISHINGS ONLY) FUNCTIONAL REFERENCE: PLACARDS AND MARKINGS FOR DETAILS SEE 11-30-54-22E	015030	6
620	411N1522-2	..	CLIP	015030	1
625	6100-12	..	RETAINER-CLIP SUPPLIER CODE: V97464	015030	9
630	411N1522-5	..	PIN-HINGE	015030	2
635	411N1521-1SP	..	LATCH	015030	2
640	411N1527-1	..	PAD	015030	2
645	411N1527-2	..	PAD	015030	2
650	411N1528-2	..	BAFFLE ASSY	015030	1
655	411N1520-2SP	..	GRILLE	015030	1
660	411N1510-112SP	.	GRILLE ASSY-22.5 IN. PNL LONG LATCH AND LARGE BAFFLE WITH 8 IN. EXTENSION AND CLIP SIDE (EQUIPMENT/FURNISHINGS ONLY) FUNCTIONAL REFERENCE: PLACARDS AND MARKINGS FOR DETAILS SEE 11-30-54-22E	015030	1

MISSING ITEM NUMBERS NOT APPLICABLE

— ITEM NOT ILLUSTRATED

HAP

25-21-47-22E

BOEING PROPRIETARY - Copyright © - Unpublished Work - See title page for details.

25-21-47
FIG. 22E
PAGE 6
OCT 10/06

BOEING
737-600/700/800/900
PARTS CATALOG (MAINTENANCE)

FIG ITEM	PART NUMBER	1 2 3 4 5 6 7	NOMENCLATURE	EFFECT FROM TO	UNITS PER ASSY
22 E 665	6100-12		..RETAINER-CLIP SUPPLIER CODE: V97464	015030	9
670	411N1522-5		..PIN-HINGE	015030	2
675	411N1521-2SP		..LATCH	015030	2
680	411N1527-1		..PAD	015030	2
685	411N1527-2		..PAD	015030	2
690	411N1528-2		..BAFFLE ASSY	015030	1
695	411N1524-1SP		..EXTENSION	015030	1
700	411N1520-2SP		..GRILLE	015030	1

MISSING ITEM NUMBERS NOT APPLICABLE

— ITEM NOT ILLUSTRATED

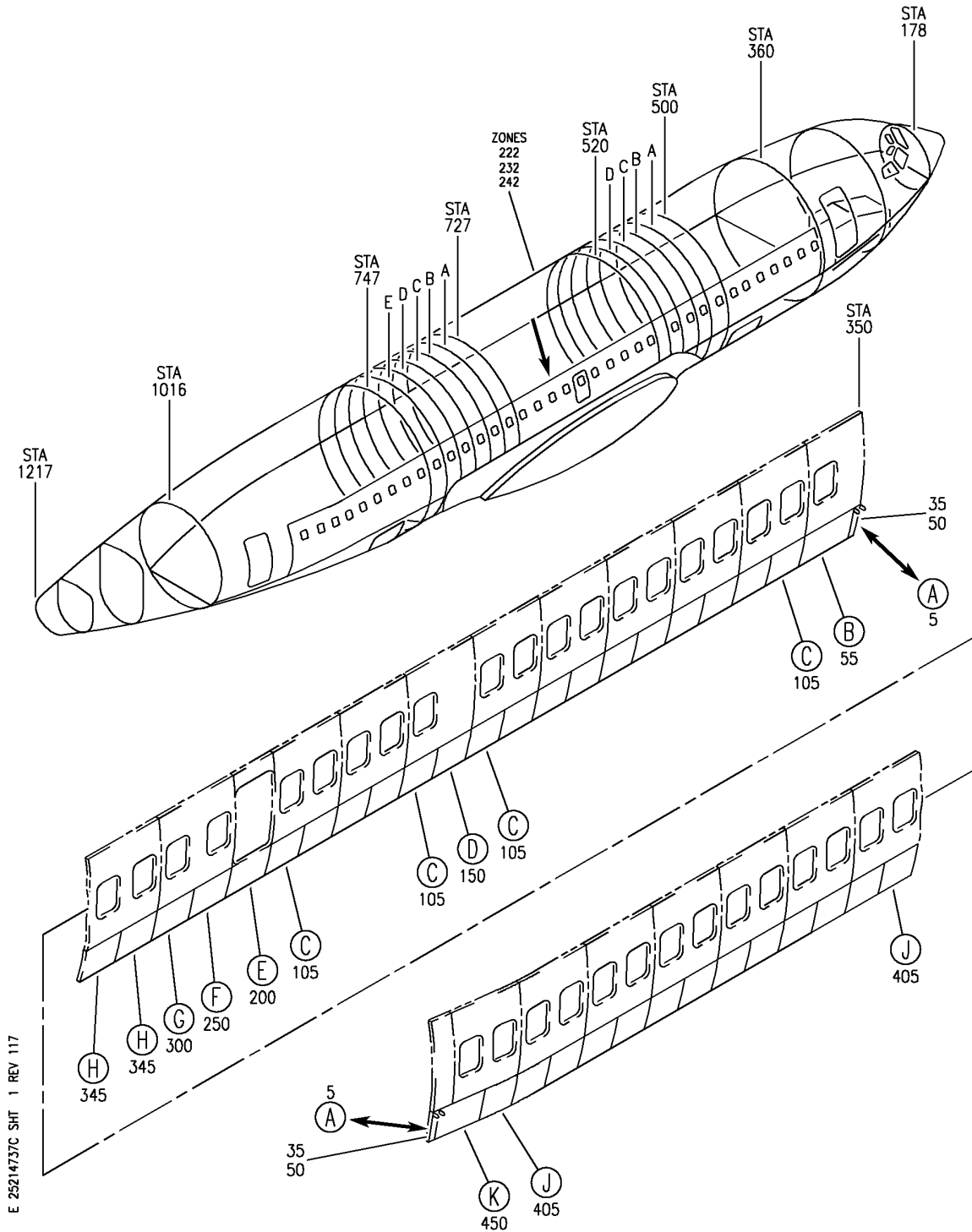
HAP

25-21-47-22E

BOEING PROPRIETARY - Copyright © - Unpublished Work - See title page for details.

25-21-47
FIG. 22E
PAGE 7
OCT 10/06

BOEING
 737-600/700/800/900
 PARTS CATALOG (MAINTENANCE)



E 25214737C SHT 1 REV 117

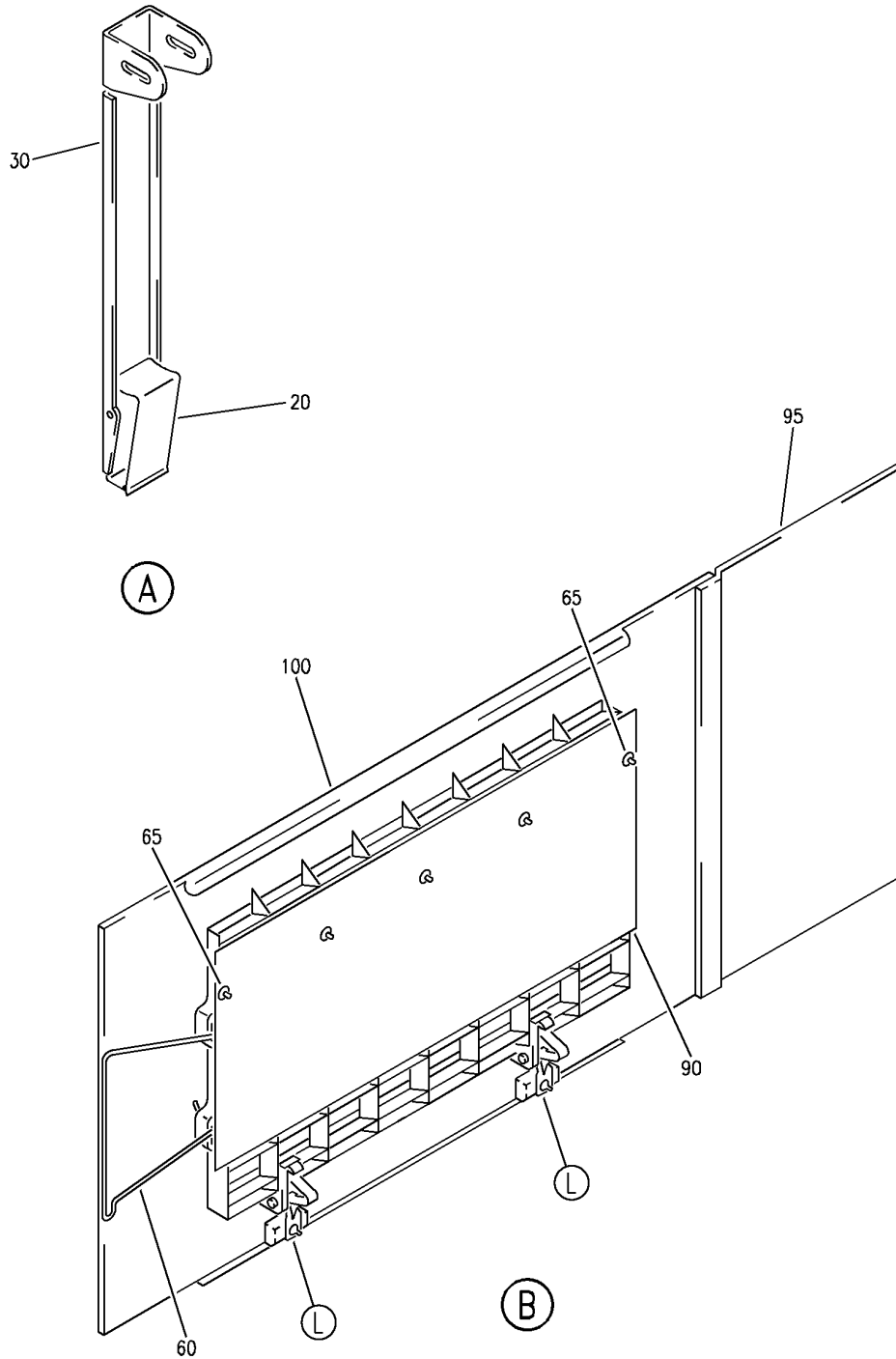
GRILLE INSTL-RH PASS. CAB. AIR RETURN
 FIGURE 37C (SHEET 1)

25-21-47-37C

HAP
 OCT 15/08

25-21-47-37C
 PAGE 0

BOEING
 737-600/700/800/900
 PARTS CATALOG (MAINTENANCE)



E 25214737C SHT 2 REV 117

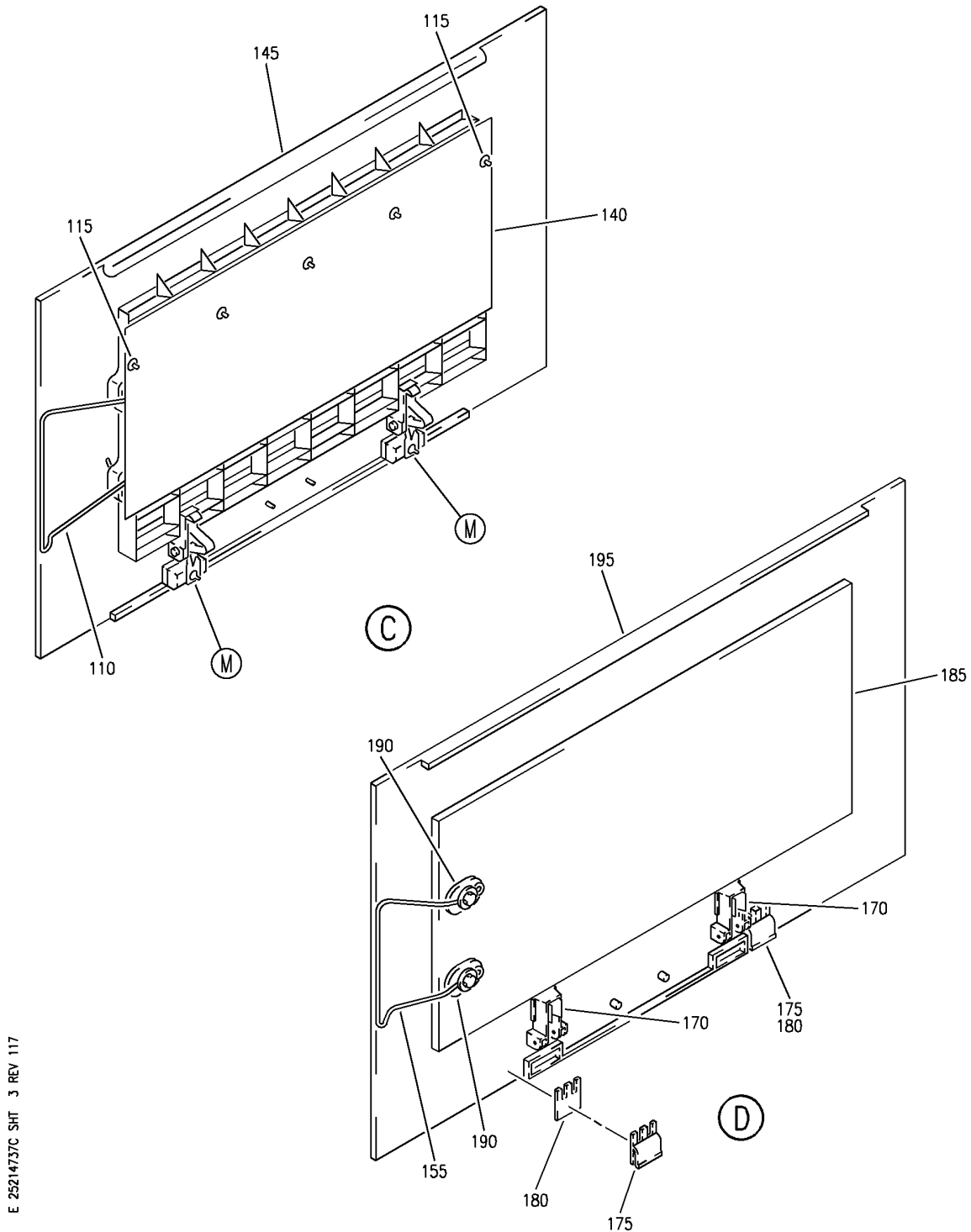
GRILLE INSTL-RH PASS. CAB. AIR RETURN
 FIGURE 37C (SHEET 2)

25-21-47-37C

HAP
 OCT 15/08

25-21-47-37C
 PAGE 0A

BOEING
 737-600/700/800/900
 PARTS CATALOG (MAINTENANCE)



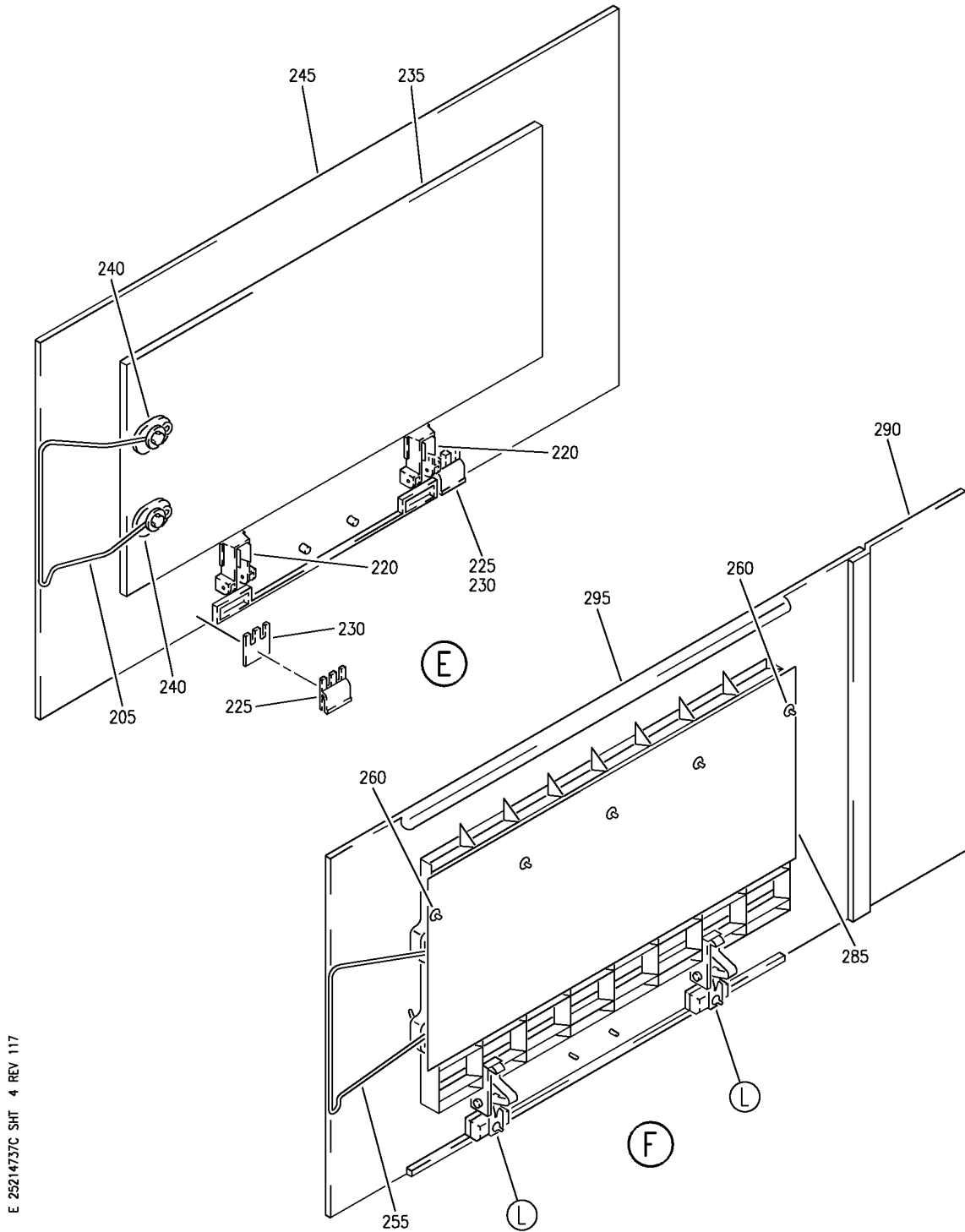
E 25214737C SHT 3 REV 117

GRILLE INSTL-RH PASS. CAB. AIR RETURN
 FIGURE 37C (SHEET 3)

25-21-47-37C

HAP
 OCT 15/08

25-21-47-37C
 PAGE 0B



E 25214737C SHT 4 REV 117

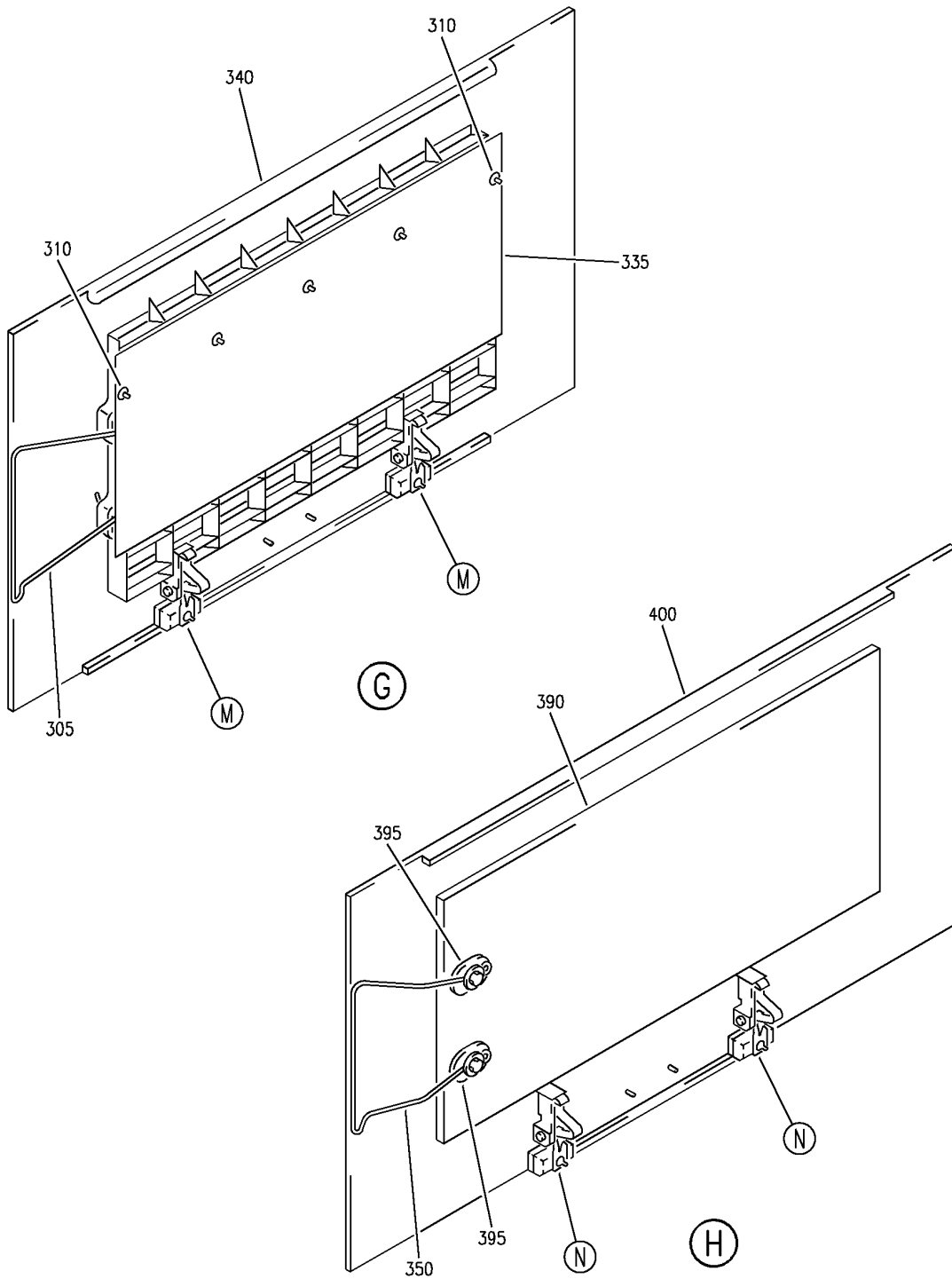
GRILLE INSTL-RH PASS. CAB. AIR RETURN
 FIGURE 37C (SHEET 4)

25-21-47-37C

HAP
 OCT 15/08

25-21-47-37C
 PAGE 0C

BOEING
 737-600/700/800/900
 PARTS CATALOG (MAINTENANCE)



E 25214737C SHT 5 REV 117

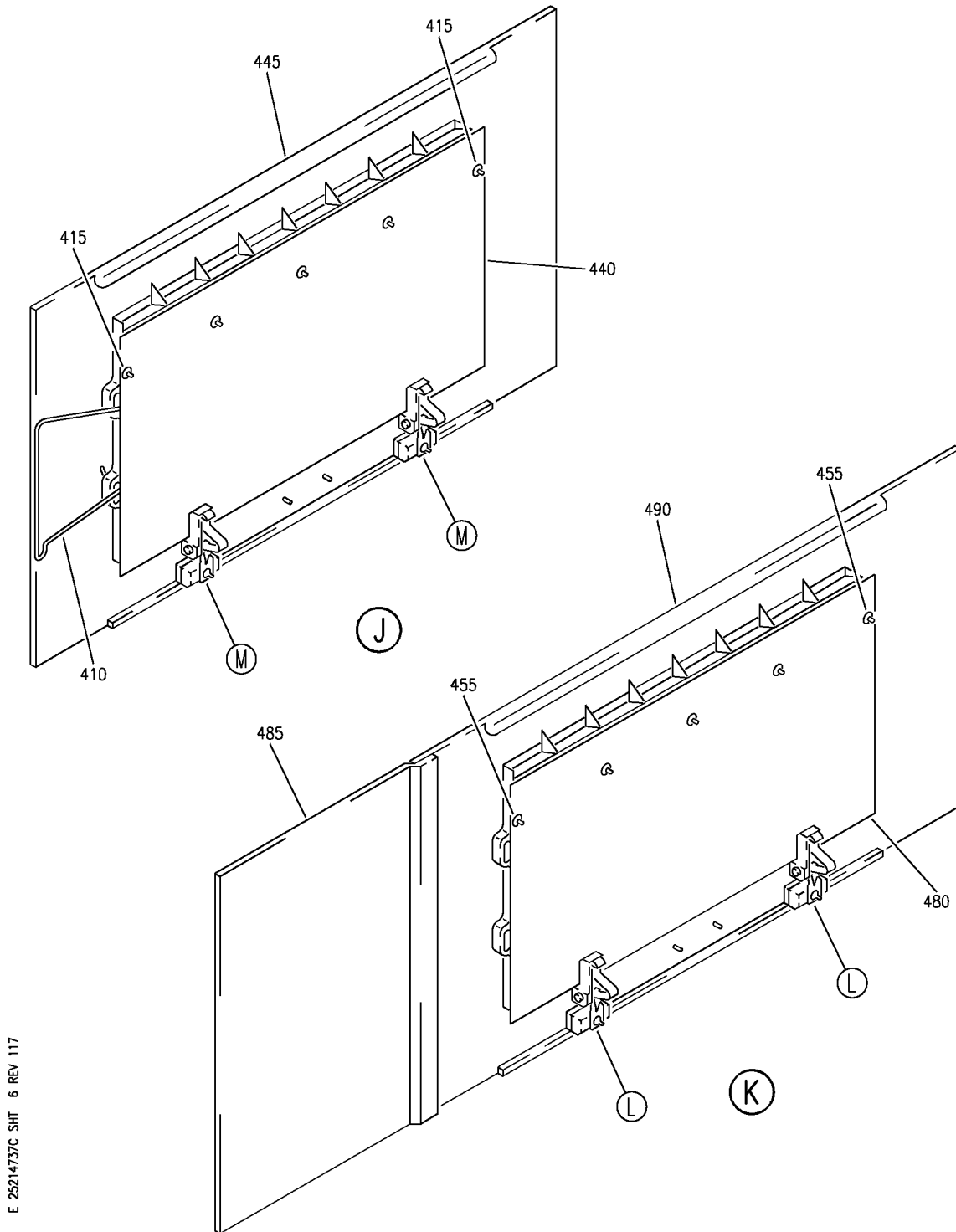
GRILLE INSTL-RH PASS. CAB. AIR RETURN
 FIGURE 37C (SHEET 5)

25-21-47-37C

HAP
 OCT 15/08

25-21-47-37C
 PAGE 0D

BOEING
 737-600/700/800/900
 PARTS CATALOG (MAINTENANCE)



E 25214737C SHT 6 REV 117

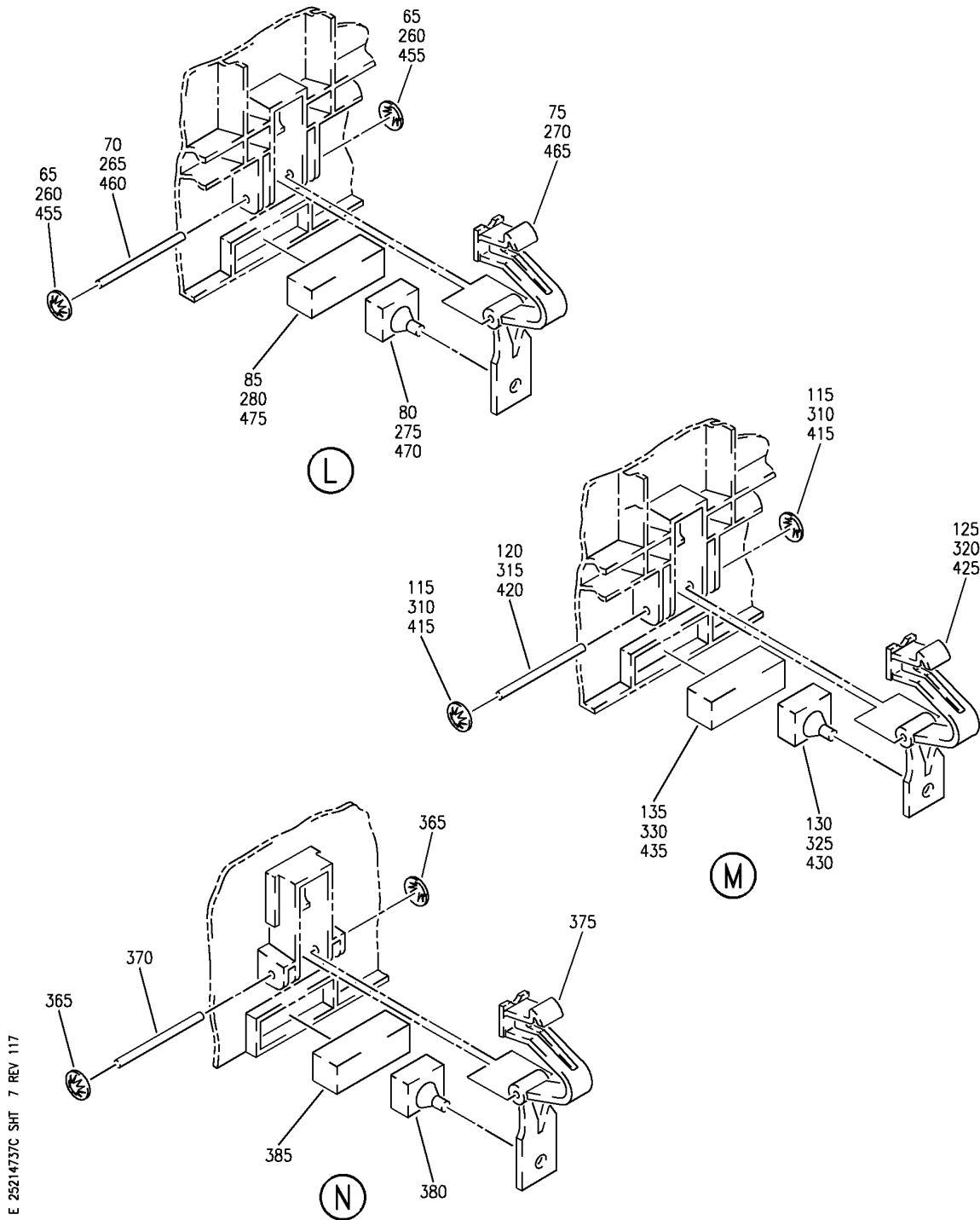
GRILLE INSTL-RH PASS. CAB. AIR RETURN
 FIGURE 37C (SHEET 6)

25-21-47-37C

HAP
 OCT 15/08

25-21-47-37C
 PAGE 0E

BOEING
 737-600/700/800/900
 PARTS CATALOG (MAINTENANCE)



E 25214737C SHT 7 REV 117

GRILLE INSTL-RH PASS. CAB. AIR RETURN
 FIGURE 37C (SHEET 7)

25-21-47-37C

HAP
 OCT 15/08

25-21-47-37C
 PAGE OF

BOEING
737-600/700/800/900
PARTS CATALOG (MAINTENANCE)

FIG ITEM	PART NUMBER	1 2 3 4 5 6 7	NOMENCLATURE	EFFECT FROM TO	UNITS PER ASSY
37C			GRILLE INSTL-RH PASS. CAB. AIR RETURN	201967	
- 1	411A1110-2028SP		GRILLE INSTL-PASS. CAB. AIR RETURN POSITION DATA: RH FOR NHA SEE: 21-23-00-15A	201967	RF
5	411N1525-1		.TRIM ASSY- ATTACHING PARTS	201967	2
- 10	NAS1801-3-6		.SCREW	201967	2
- 15	NAS1149D0316J		.WASHER	201967	2
			-----*-----		
20	411N1525-3		..SPRING-TRIM ATTACHING PARTS	201967	1
- 25	BACR15CE3AD		..RIVET- SIZE DETERMINED ON INSTL.	201967	2
			-----*-----		
30	411N1525-2		..TRIM	201967	1
35	411N1525-20		.TRIM ASSY- ATTACHING PARTS	201967	2
- 40	NAS1801-3-6		.SCREW	201967	2
- 45	NAS1149D0316J		.WASHER	201967	2
			-----*-----		
50	411N1525-19		..TRIM	201967	1
55	411N1510-111SP		.GRILLE ASSY-22.5 IN. PNL WITH 8IN. EXTENSION OPP CLIP, SHORT BAFFLE AND LONG LATCH (EQUIPMENT/ FURNISHINGS ONLY) FUNCTIONAL REFERENCE: PLACARDS AND MARKINGS FOR DETAILS SEE 11-30-54-37C	201967	1
60	411N1522-2		..CLIP	201967	1
65	6100-12		..RETAINER-CLIP SUPPLIER CODE: V97464	201967	9
70	411N1522-5		..PIN-HINGE	201967	2
75	411N1521-2SP		..LATCH	201967	2
80	411N1527-1		..PAD	201967	2
85	411N1527-2		..PAD	201967	2
90	411N1528-3		..BAFFLE ASSY	201967	1
95	411N1524-1SP		..EXTENSION	201967	1
100	411N1520-2SP		..GRILLE	201967	1

MISSING ITEM NUMBERS NOT APPLICABLE

- ITEM NOT ILLUSTRATED

HAP

25-21-47-37C

BOEING PROPRIETARY - Copyright © - Unpublished Work - See title page for details.

25-21-47
FIG. 37C
PAGE 1
OCT 15/08

BOEING
737-600/700/800/900
PARTS CATALOG (MAINTENANCE)

FIG ITEM	PART NUMBER	1 2 3 4 5 6 7	NOMENCLATURE	EFFECT FROM TO	UNITS PER ASSY
37C 105	411N1510-101SP	.	GRILLE ASSY-20.5 IN. PNL WITH SHORT LATCH AND SHORT BAFFLE (EQUIPMENT/ FURNISHINGS ONLY) FUNCTIONAL REFERENCE: PLACARDS AND MARKINGS FOR DETAILS SEE 11-30-54-37C	201967	15
110	411N1522-1	..	CLIP-SPR RTNR	201967	1
115	6100-12	..	RETAINER-CLIP SUPPLIER CODE: V97464	201967	9
120	411N1522-5	..	PIN-HINGE	201967	2
125	411N1521-1SP	..	LATCH	201967	2
130	411N1527-1	..	PAD	201967	2
135	411N1527-2	..	PAD	201967	2
140	411N1528-3	..	BAFFLE ASSY	201967	1
145	411N1520-1SP	..	GRILLE	201967	1
150	411N1510-34SP	.	GRILLE ASSY-20.5 IN. BLANK PNL, PLUG AND SNAP-ON LATCH (EQUIPMENT/ FURNISHINGS ONLY) FUNCTIONAL REFERENCE: PLACARDS AND MARKINGS FOR DETAILS SEE 11-30-54-37C	201967	1
155	411N1522-3	..	SPRING ATTACHING PARTS	201967	1
- 160	NAS1801-3-5	..	SCREW	201967	2
- 165	BACW10P5CC	..	WASHER -----*-----	201967	2
170	411N1521-3SP	..	PLUG	201967	2
175	411N1407-3	..	CLIP	201967	2
180	411N1407-7	..	SPACER	201967	2
185	411N1523-3	..	STIFFENER ASSY	201967	1
190	BACI12S3	...	INSERT	201967	2
195	411N1520-5SP	..	GRILLE	201967	1
200	411N1510-35SP	.	GRILLE ASSY-23.5 IN. BLANK PNL, PLUG AND SNAP-ON LATCH (EQUIPMENT/ FURNISHINGS ONLY) FUNCTIONAL REFERENCE: PLACARDS AND MARKINGS FOR DETAILS SEE 11-30-54-37C	201967	1
205	411N1522-3	..	SPRING ATTACHING PARTS	201967	1
- 210	NAS1801-3-5	..	SCREW	201967	2

MISSING ITEM NUMBERS NOT APPLICABLE

- ITEM NOT ILLUSTRATED

HAP

25-21-47-37C

BOEING PROPRIETARY - Copyright © - Unpublished Work - See title page for details.

25-21-47
FIG. 37C
PAGE 2
OCT 15/08

BOEING
737-600/700/800/900
PARTS CATALOG (MAINTENANCE)

FIG ITEM	PART NUMBER	1 2 3 4 5 6 7	NOMENCLATURE	EFFECT FROM TO	UNITS PER ASSY
37C					
- 215	BACW10P5CC	..	WASHER -----*-----	201967	2
220	411N1521-3SP	..	PLUG	201967	2
225	411N1407-3	..	CLIP	201967	2
230	411N1407-7	..	SPACER	201967	2
235	411N1523-2	..	STIFFENER ASSY	201967	1
240	BACI12S3	...	INSERT	201967	2
245	411N1520-10SP	..	GRILLE	201967	1
250	411N1510-107SP	.GRILLE ASSY-22.5 IN. PNL WITH 4 IN. EXTENSION OPP CLIP, LONG LATCH AND SHORT BAFFLE (EQUIPMENT/FURNISHINGS ONLY) FUNCTIONAL REFERENCE: PLACARDS AND MARKINGS FOR DETAILS SEE 11-30-54-37C	201967	1	
255	411N1522-2	..	CLIP-SPR RTNR	201967	1
260	6100-12	..	RETAINER-CLIP SUPPLIER CODE: V97464	201967	9
265	411N1522-5	..	PIN-HINGE	201967	2
270	411N1521-2SP	..	LATCH	201967	2
275	411N1527-1	..	PAD	201967	2
280	411N1527-2	..	PAD	201967	2
285	411N1528-3	..	BAFFLE ASSY	201967	1
290	411N1524-2SP	..	EXTENSION	201967	1
295	411N1520-2SP	..	GRILLE	201967	1
300	411N1510-103SP	.GRILLE ASSY-22.5 IN. PNL WITH SHORT LATCH AND SHORT BAFFLE (EQUIPMENT/ FURNISHINGS ONLY) FUNCTIONAL REFERENCE: PLACARDS AND MARKINGS FOR DETAILS SEE 11-30-54-37C	201967	1	
305	411N1522-2	..	CLIP-SPR RTNR	201967	1
310	6100-12	..	RETAINER-CLIP SUPPLIER CODE: V97464	201967	9
315	411N1522-5	..	PIN-HINGE	201967	2
320	411N1521-1SP	..	LATCH	201967	2
325	411N1527-1	..	PAD	201967	2
330	411N1527-2	..	PAD	201967	2
335	411N1528-3	..	BAFFLE ASSY	201967	1
340	411N1520-2SP	..	GRILLE	201967	1

MISSING ITEM NUMBERS NOT APPLICABLE

- ITEM NOT ILLUSTRATED

HAP

25-21-47-37C

BOEING PROPRIETARY - Copyright © - Unpublished Work - See title page for details.

25-21-47
FIG. 37C
PAGE 3
OCT 15/08

BOEING
737-600/700/800/900
PARTS CATALOG (MAINTENANCE)

FIG ITEM	PART NUMBER	1 2 3 4 5 6 7	NOMENCLATURE	EFFECT FROM TO	UNITS PER ASSY
37C 345	411N1510-27SP		.GRILLE ASSY-22.5 IN. BLANK PNL, LONG LATCH (EQUIPMENT/FURNISHINGS ONLY) FUNCTIONAL REFERENCE: PLACARDS AND MARKINGS FOR DETAILS SEE 11-30-54-37C	201967	2
350	411N1522-3		..SPRING ATTACHING PARTS	201967	1
- 355	NAS1801-3-5		..SCREW	201967	2
- 360	BACW10P5CC		..WASHER	201967	2
			-----*-----		
365	6100-12		..RETAINER-CLIP SUPPLIER CODE: V97464	201967	4
370	411N1522-4		..PIN-HINGE OPTIONAL PART: 411N1522-5	201967	2
375	411N1521-2SP		..LATCH	201967	2
380	411N1527-1		..PAD	201967	2
385	411N1527-2		..PAD	201967	2
390	411N1523-2		..STIFFENER ASSY	201967	1
395	BACI12S3		...INSERT	201967	2
400	411N1520-4SP		..GRILLE	201967	1
405	411N1510-102SP		.GRILLE ASSY-20.5 IN. PNL WITH SHORT LATCH AND LARGE BAFFLE (EQUIPMENT/ FURNISHINGS ONLY) FUNCTIONAL REFERENCE: PLACARDS AND MARKINGS FOR DETAILS SEE 11-30-54-37C	201967	13
410	411N1522-1		..CLIP-SPR RTNR	201967	1
415	6100-12		..RETAINER-CLIP SUPPLIER CODE: V97464	201967	9
420	411N1522-5		..PIN-HINGE	201967	2
425	411N1521-1SP		..LATCH	201967	2
430	411N1527-1		..PAD	201967	2
435	411N1527-2		..PAD	201967	2
440	411N1528-2		..BAFFLE ASSY	201967	1
445	411N1520-1SP		..GRILLE	201967	1

MISSING ITEM NUMBERS NOT APPLICABLE

- ITEM NOT ILLUSTRATED

HAP

25-21-47-37C

BOEING PROPRIETARY - Copyright © - Unpublished Work - See title page for details.

25-21-47
FIG. 37C
PAGE 4
OCT 15/08

BOEING
737-600/700/800/900
PARTS CATALOG (MAINTENANCE)

FIG ITEM	PART NUMBER	1 2 3 4 5 6 7	NOMENCLATURE	EFFECT FROM TO	UNITS PER ASSY
37C 450	411N1510-112SP		.GRILLE ASSY-22.5 IN. PNL WITH 8 IN. EXTENSION CLIP SIDE, LONG LATCH AND LARGE BAFFLE (EQUIPMENT/FURNISHINGS ONLY) FUNCTIONAL REFERENCE: PLACARDS AND MARKINGS FOR DETAILS SEE 11-30-54-37C	201967	1
455	6100-12		..RETAINER-CLIP SUPPLIER CODE: V97464	201967	9
460	411N1522-5		..PIN-HINGE	201967	2
465	411N1521-2SP		..LATCH	201967	2
470	411N1527-1		..PAD	201967	2
475	411N1527-2		..PAD	201967	2
480	411N1528-2		..BAFFLE ASSY	201967	1
485	411N1524-1SP		..EXTENSION	201967	1
490	411N1520-2SP		..GRILLE	201967	1

MISSING ITEM NUMBERS NOT APPLICABLE

— ITEM NOT ILLUSTRATED

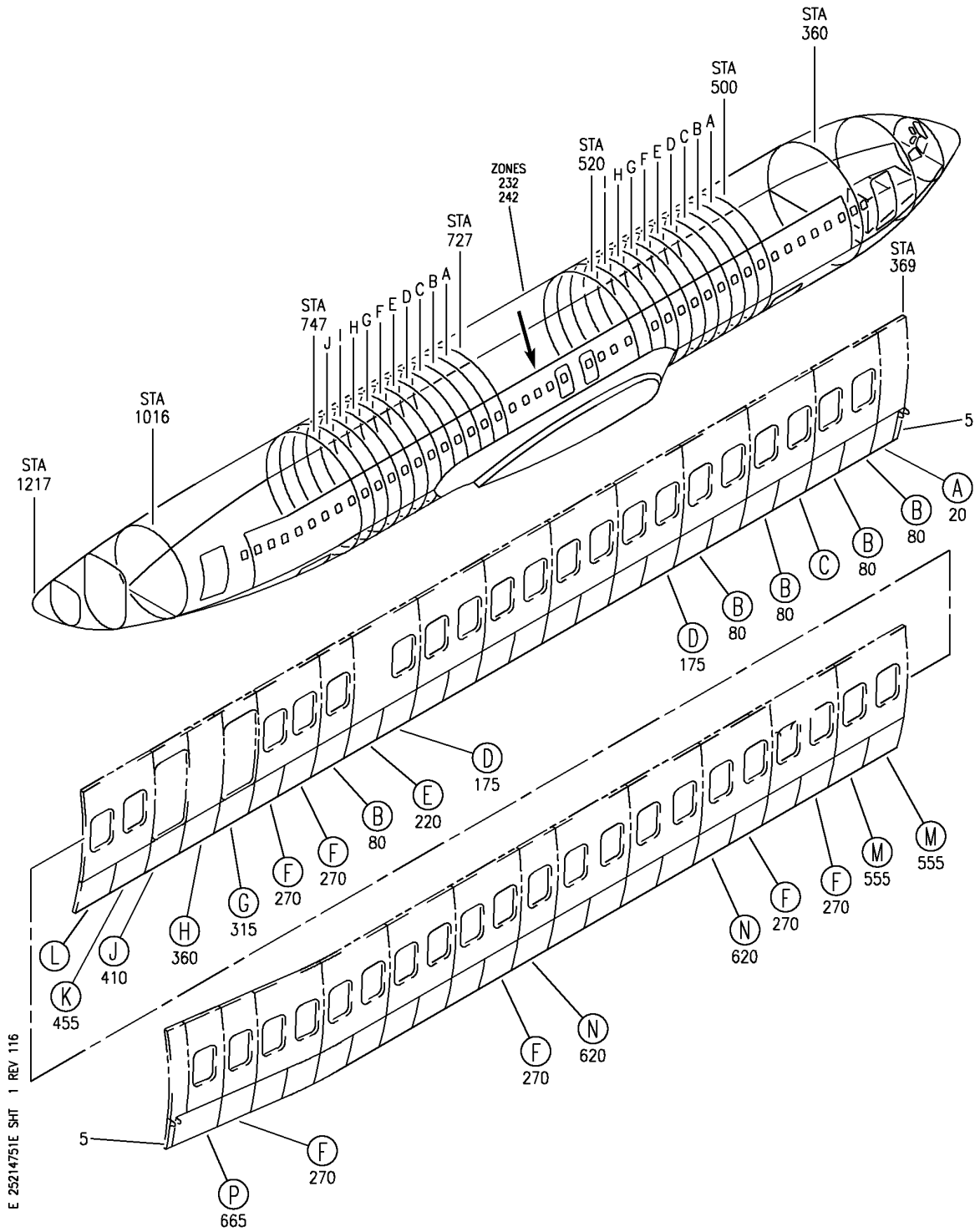
HAP

25-21-47-37C

BOEING PROPRIETARY - Copyright © - Unpublished Work - See title page for details.

25-21-47
FIG. 37C
PAGE 5
OCT 15/08

BOEING
 737-600/700/800/900
 PARTS CATALOG (MAINTENANCE)



E 25214751E SHT 1 REV 116

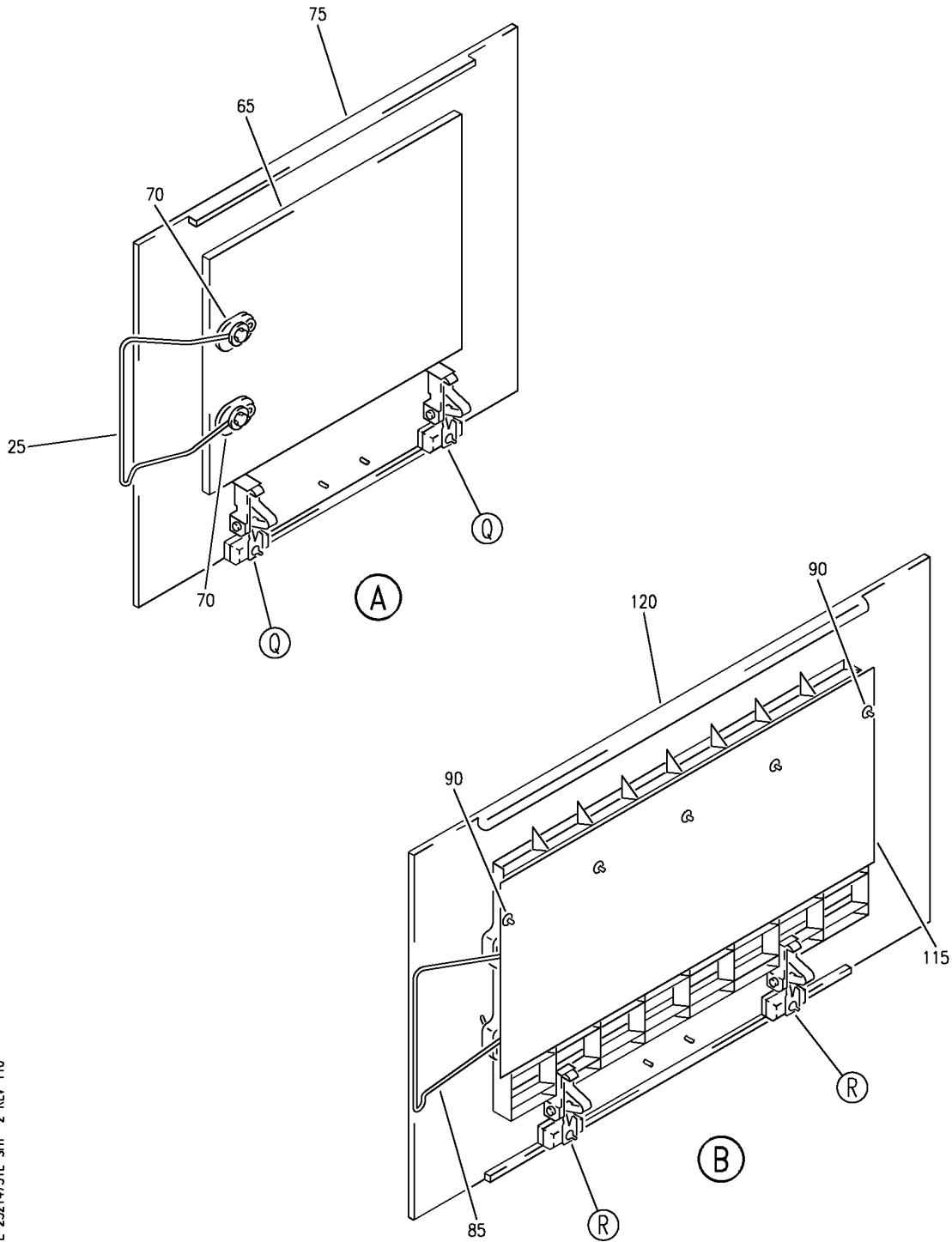
GRILLE INSTL-RH PASS. CAB. AIR RETURN
 FIGURE 51E (SHEET 1)

25-21-47-51E

HAP
 OCT 10/06

25-21-47-51E
 PAGE 0

BOEING
 737-600/700/800/900
 PARTS CATALOG (MAINTENANCE)



E 25214751E SHT 2 REV 116

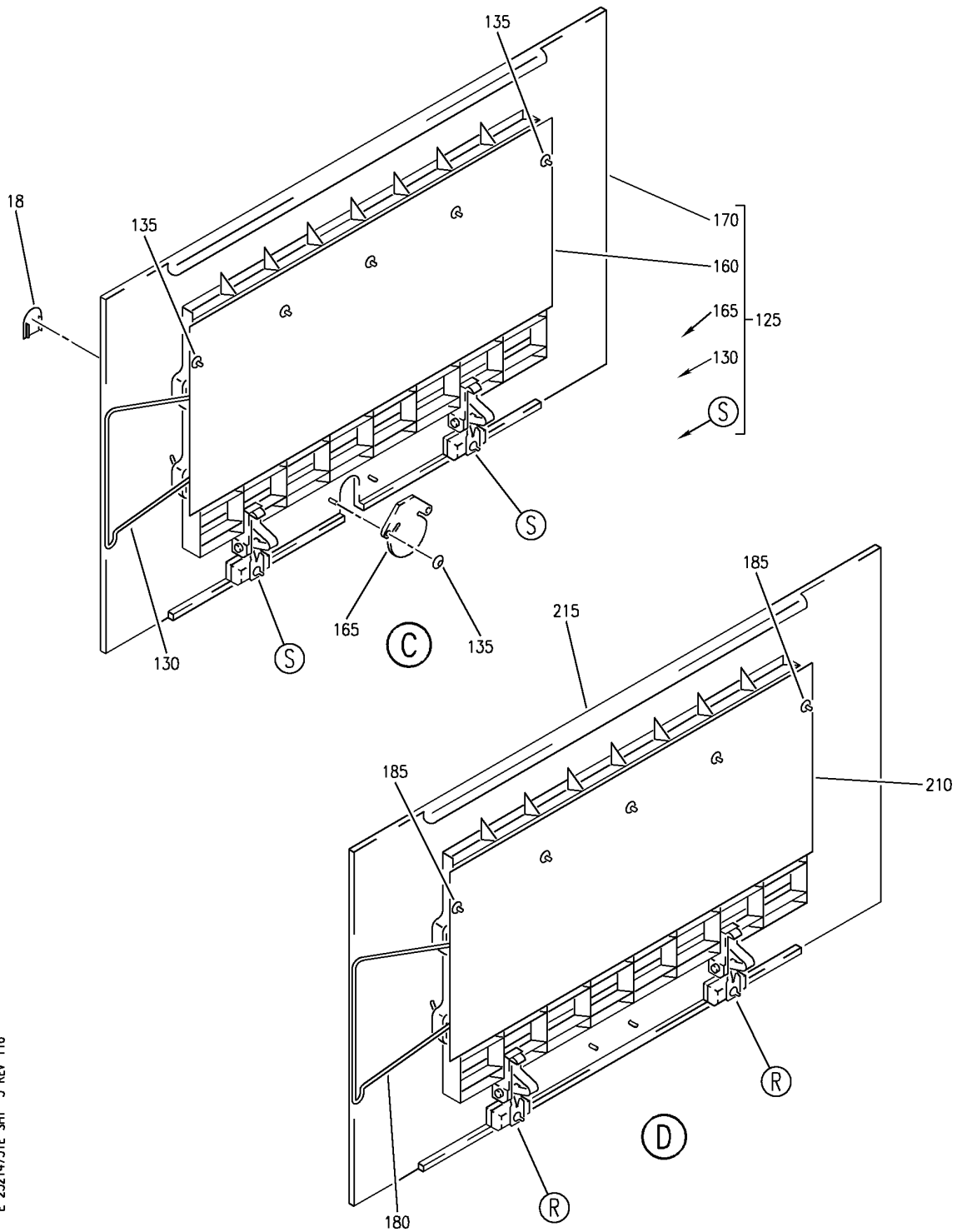
GRILLE INSTL-RH PASS. CAB. AIR RETURN
 FIGURE 51E (SHEET 2)

25-21-47-51E

HAP
 OCT 10/06

25-21-47-51E
 PAGE 0A

BOEING
 737-600/700/800/900
 PARTS CATALOG (MAINTENANCE)



E 25214751E SHT 3 REV 116

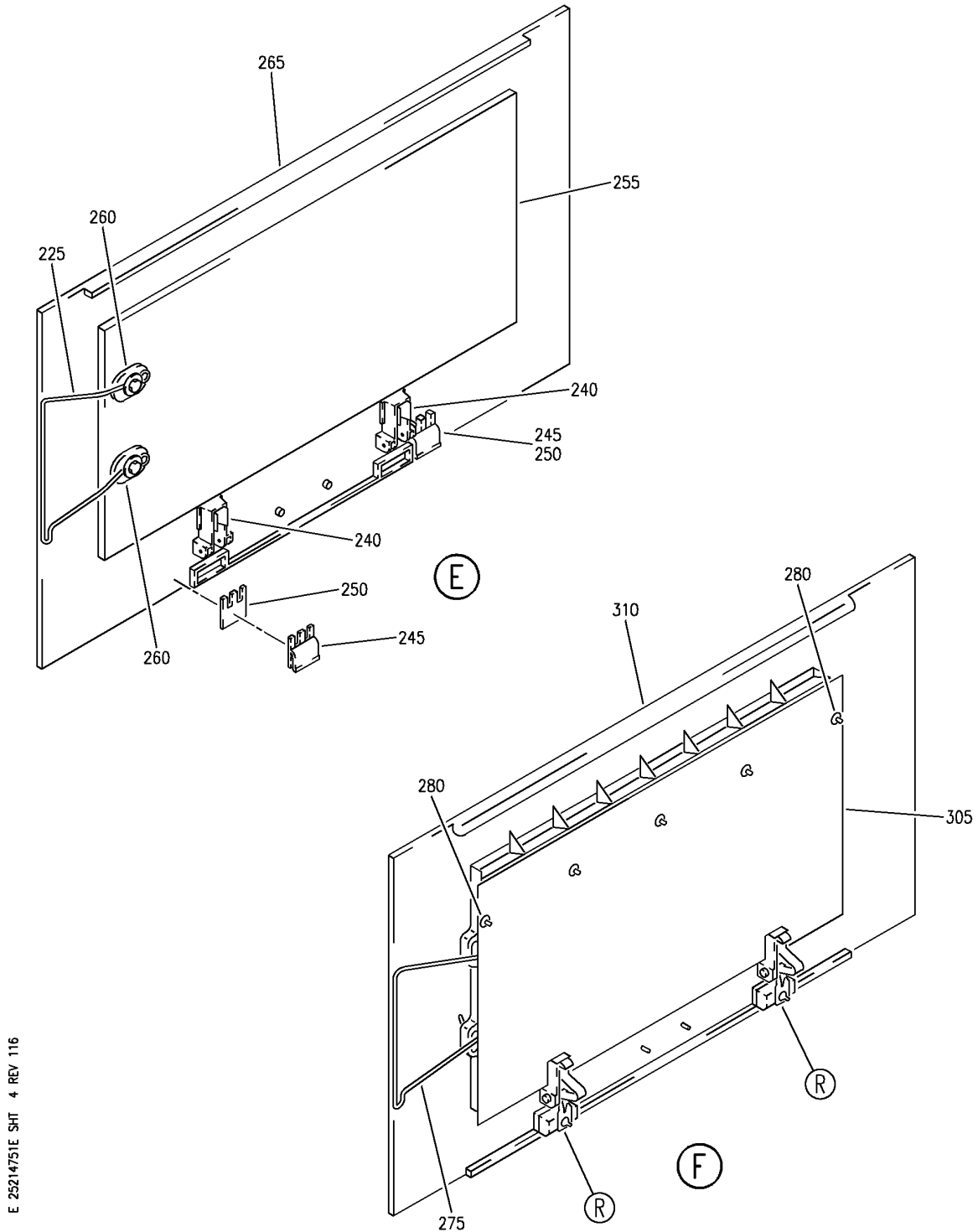
GRILLE INSTL-RH PASS. CAB. AIR RETURN
 FIGURE 51E (SHEET 3)

25-21-47-51E

HAP
 OCT 10/06

25-21-47-51E
 PAGE 0B

BOEING
 737-600/700/800/900
 PARTS CATALOG (MAINTENANCE)



E 25214751E SHT 4 REV 116

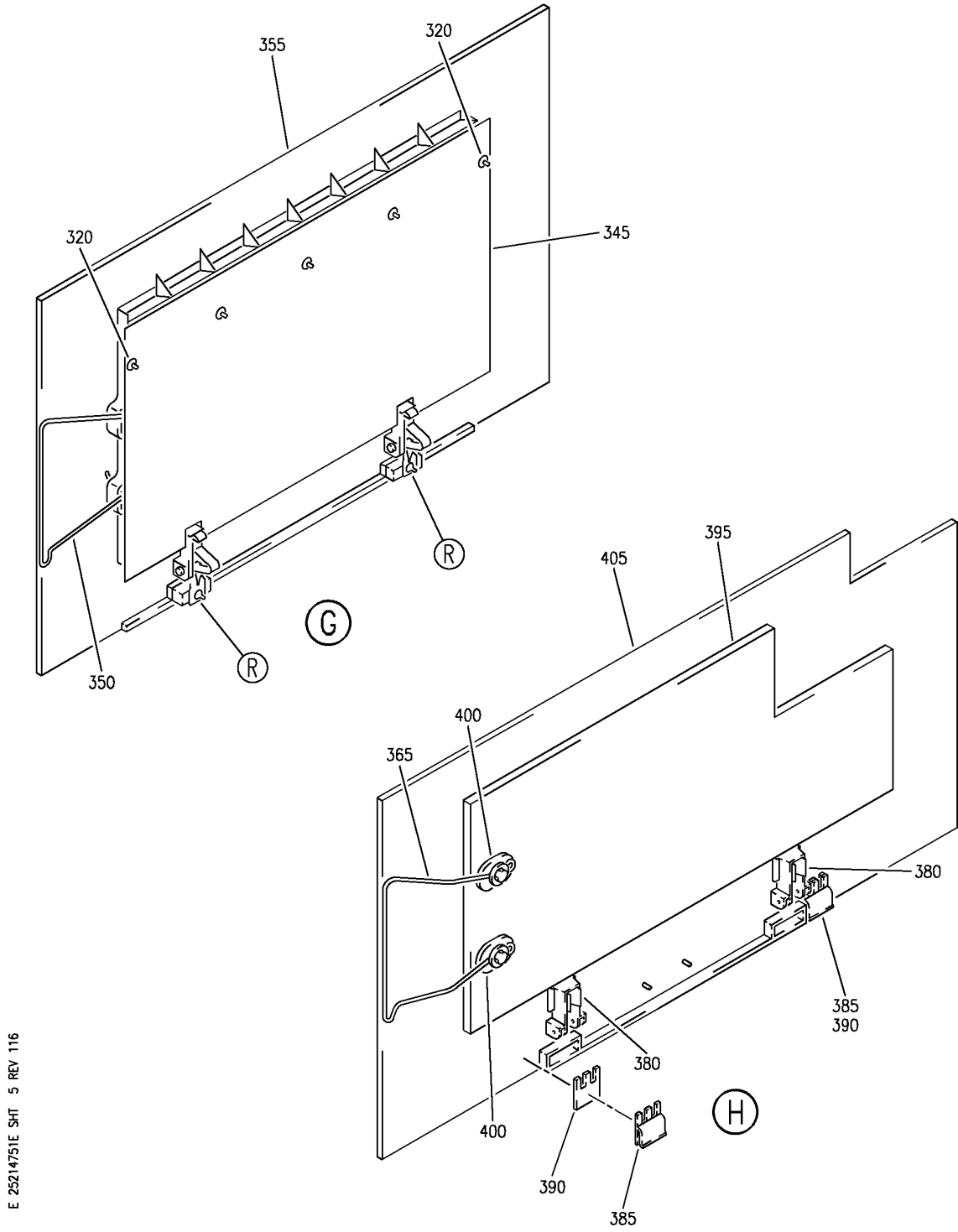
GRILLE INSTL-RH PASS. CAB. AIR RETURN
 FIGURE 51E (SHEET 4)

25-21-47-51E

HAP
 OCT 10/06

25-21-47-51E
 PAGE 0C

BOEING
 737-600/700/800/900
 PARTS CATALOG (MAINTENANCE)



E 25214751E SHT 5 REV 116

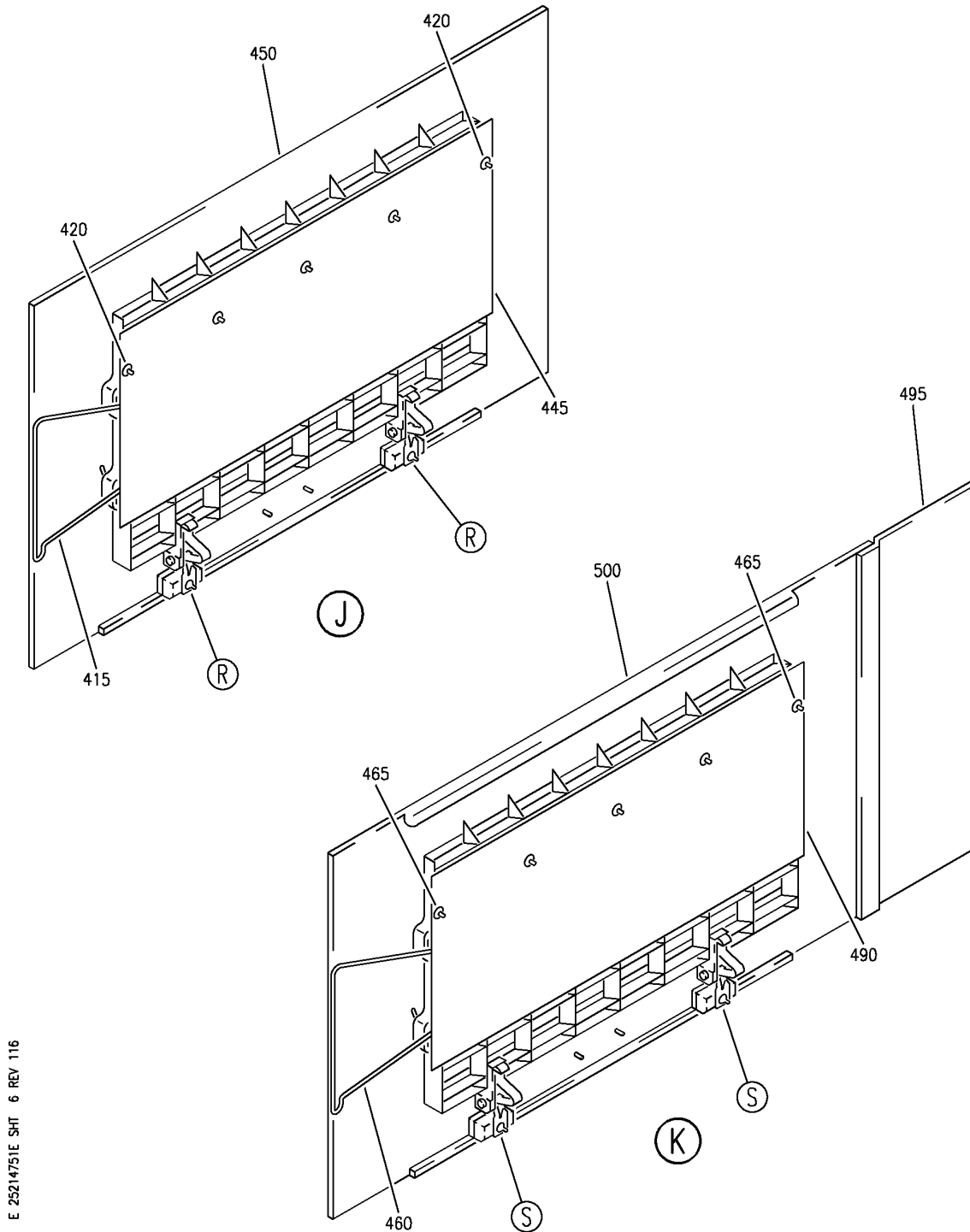
GRILLE INSTL-RH PASS. CAB. AIR RETURN
 FIGURE 51E (SHEET 5)

25-21-47-51E

HAP
 OCT 10/06

25-21-47-51E
 PAGE 0D

BOEING
 737-600/700/800/900
 PARTS CATALOG (MAINTENANCE)



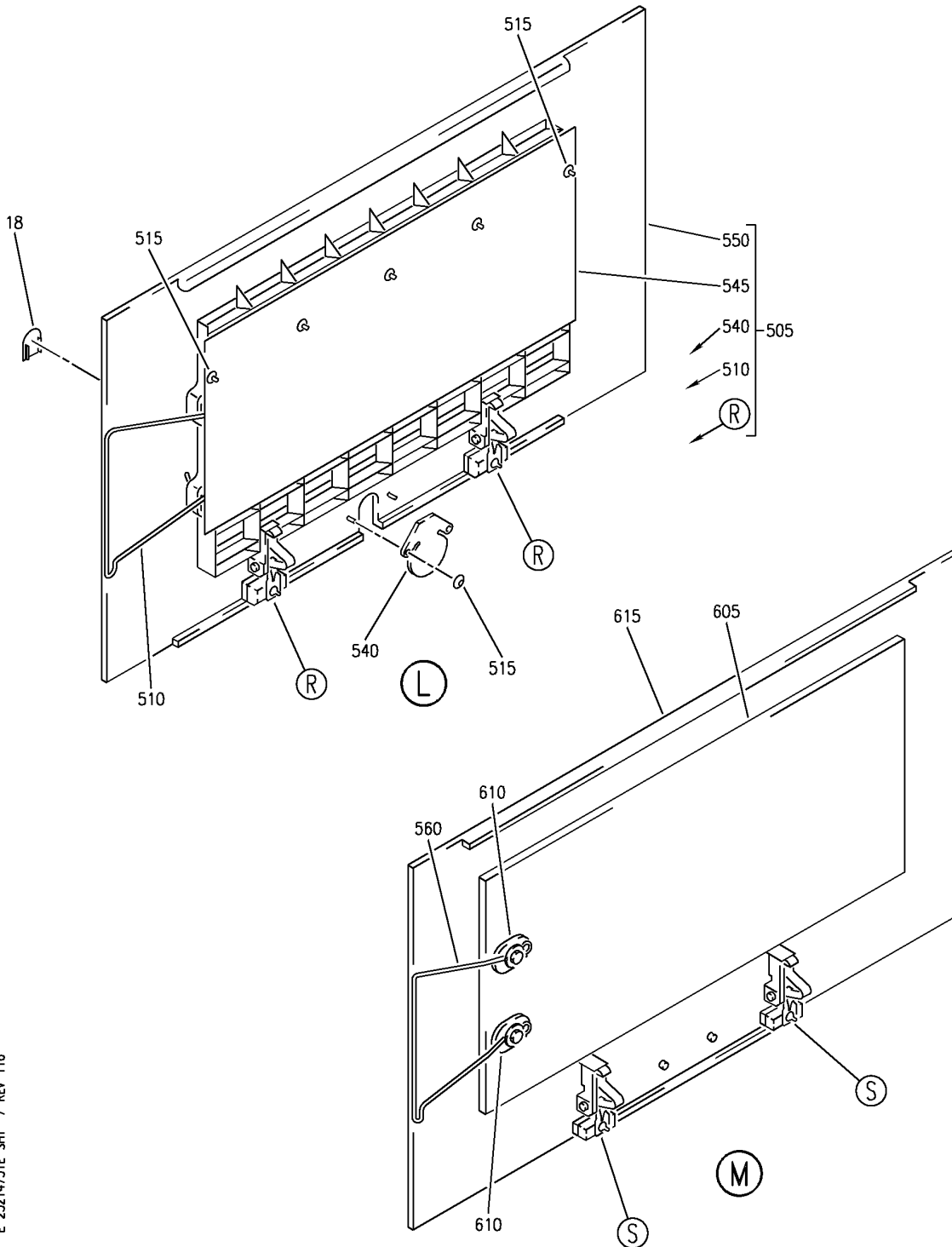
E 25214751E SHT 6 REV 116

GRILLE INSTL-RH PASS. CAB. AIR RETURN
 FIGURE 51E (SHEET 6)

HAP
 OCT 10/06

25-21-47-51E

25-21-47-51E
 PAGE 0E



E 25214751E SHT 7 REV 116

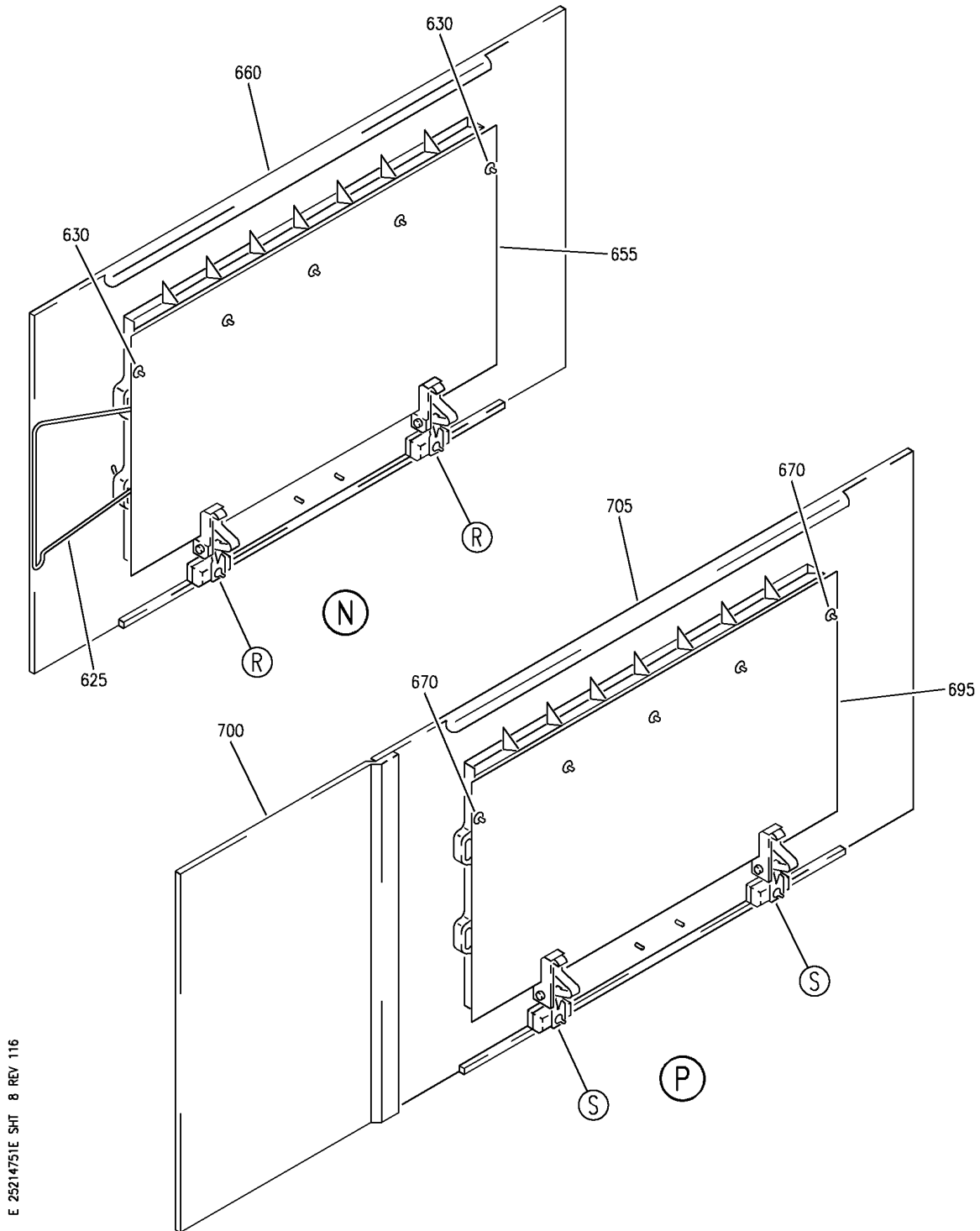
GRILLE INSTL-RH PASS. CAB. AIR RETURN
 FIGURE 51E (SHEET 7)

25-21-47-51E

HAP
 OCT 10/06

25-21-47-51E
 PAGE OF

BOEING
737-600/700/800/900
PARTS CATALOG (MAINTENANCE)



E 25214751E SHT 8 REV 116

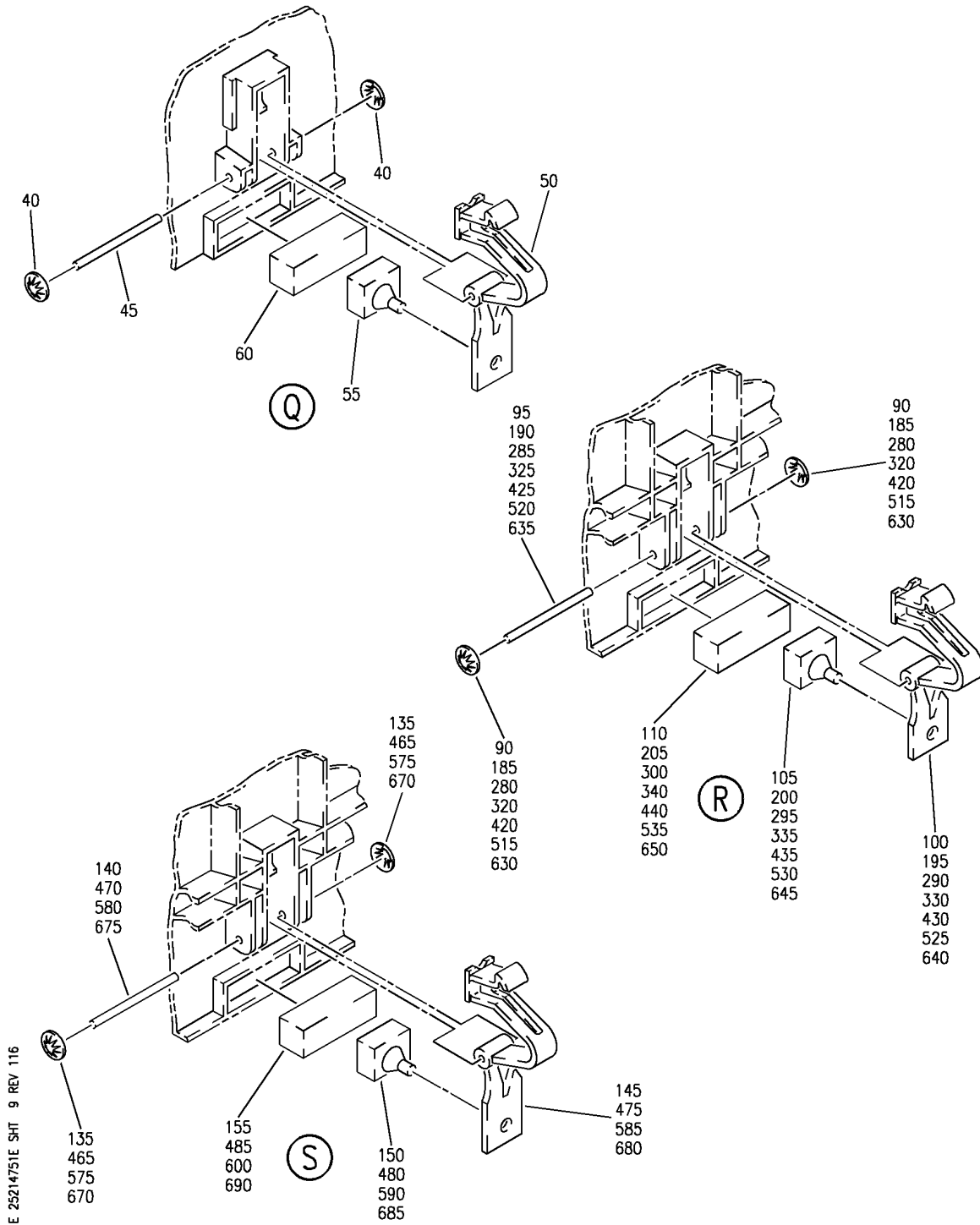
GRILLE INSTL-RH PASS. CAB. AIR RETURN
FIGURE 51E (SHEET 8)

HAP
OCT 10/06

25-21-47-51E

25-21-47-51E
PAGE 08

BOEING
 737-600/700/800/900
 PARTS CATALOG (MAINTENANCE)



GRILLE INSTL-RH PASS. CAB. AIR RETURN
 FIGURE 51E (SHEET 9)

25-21-47-51E

HAP
 OCT 10/06

25-21-47-51E
 PAGE 0H

BOEING
737-600/700/800/900
PARTS CATALOG (MAINTENANCE)

FIG ITEM	PART NUMBER	1 2 3 4 5 6 7	NOMENCLATURE	EFFECT FROM TO	UNITS PER ASSY
51E			GRILLE INSTL-RH PASS. CAB. AIR RETURN	031047	
- 1	MODREF227557		GRILLE INSTL-PASS. CAB. AIR RETURN MODULE NUMBER: 411A1101-3062C REV A POSITION DATA: RH	031047	1
5	411N1525-20		.TRIM ASSY ATTACHING PARTS	031047	2
- 10	BACS12HN3-6		.SCREW	031047	2
- 15	NAS1149D0316J		.WASHER	031047	2
			-----*-----		
18	411N1521-5SP		.PLUG	031047	AR
20	411N1510-49SP		.GRILLE ASSY-12.5 IN. BLANK PNL, LONG LATCH (EQUIPMENT/FURNISHINGS ONLY) FUNCTIONAL REFERENCE: PLACARDS AND MARKINGS FOR DETAILS SEE 11-30-54-51E	031047	1
25	411N1522-3		..SPRING ATTACHING PARTS	031047	1
- 30	NAS1801-3-5		..SCREW	031047	2
- 35	BACW10P5CC		..WASHER	031047	2
			-----*-----		
40	6100-12		..RETAINER-CLIP SUPPLIER CODE: V97464	031047	4
45	411N1522-4		..PIN-HINGE OPTIONAL PART: 411N1522-5	031047	2
45	411N1522-5		..PIN-HINGE OPTIONAL PART: 411N1522-4	031047	2
50	411N1521-2SP		..LATCH	031047	2
55	411N1527-1		..PAD	031047	2
60	411N1527-2		..PAD	031047	2
65	411N1523-7		..STIFFENER ASSY	031047	1
70	BACI12S3		...INSERT	031047	2
75	411N1520-9SP		..GRILLE	031047	1

MISSING ITEM NUMBERS NOT APPLICABLE

- ITEM NOT ILLUSTRATED

HAP

25-21-47-51E

BOEING PROPRIETARY - Copyright © - Unpublished Work - See title page for details.

25-21-47
FIG. 51E
PAGE 1
OCT 15/08

BOEING
737-600/700/800/900
PARTS CATALOG (MAINTENANCE)

FIG ITEM	PART NUMBER	1 2 3 4 5 6 7	NOMENCLATURE	EFFECT FROM TO	UNITS PER ASSY
51E 80	411N1510-101SP	.	GRILLE ASSY-20.5 IN. PNL WITH SHORT LATCH AND SHORT BAFFLE (EQUIPMENT/FURNISHINGS ONLY) FUNCTIONAL REFERENCE: PLACARDS AND MARKINGS FOR DETAILS SEE 11-30-54-51E	031047	6
85	411N1522-1	..	CLIP-SPR RTNR	031047	1
90	6100-12	..	RETAINER-CLIP SUPPLIER CODE: V97464	031047	9
95	411N1522-5	..	PIN-HINGE	031047	2
100	411N1521-1SP	..	LATCH	031047	2
105	411N1527-1	..	PAD	031047	2
110	411N1527-2	..	PAD	031047	2
115	411N1528-3	..	BAFFLE ASSY	031047	1
120	411N1520-1SP	..	GRILLE	031047	1
125	411N1510-105SP	.	GRILLE ASSY-20.5 IN. PNL WITH IFE AT CTR, SHORT BAFFLE AND LONG LATCH (EQUIPMENT/FURNISHINGS ONLY) FUNCTIONAL REFERENCE: PLACARDS AND MARKINGS FOR DETAILS SEE 11-30-54-51E	031047	1
130	411N1522-1	..	CLIP-SPR RTNR	031047	1
135	6100-12	..	RETAINER-CLIP SUPPLIER CODE: V97464	031047	11
140	411N1522-5	..	PIN-HINGE	031047	2
145	411N1521-2SP	..	LATCH	031047	2
150	411N1527-1	..	PAD	031047	2
155	411N1527-2	..	PAD	031047	2
160	411N1528-3	..	BAFFLE ASSY	031047	1
165	411N1527-3	..	PAD	031047	1
170	411N1520-1SP	..	GRILLE	031047	1
175	411N1510-103SP	.	GRILLE ASSY-22.5 IN. PNL WITH SHORT LATCH AND SHORT BAFFLE (EQUIPMENT/FURNISHINGS ONLY) FUNCTIONAL REFERENCE: PLACARDS AND MARKINGS FOR DETAILS SEE 11-30-54-51E	031047	9
180	411N1522-2	..	CLIP-SPR RTNR	031047	1

MISSING ITEM NUMBERS NOT APPLICABLE

— ITEM NOT ILLUSTRATED

HAP

25-21-47-51E

BOEING PROPRIETARY - Copyright © - Unpublished Work - See title page for details.

25-21-47
FIG. 51E
PAGE 2
OCT 15/08

BOEING
737-600/700/800/900
PARTS CATALOG (MAINTENANCE)

FIG ITEM	PART NUMBER	1 2 3 4 5 6 7	NOMENCLATURE	EFFECT FROM TO	UNITS PER ASSY
51E 185	6100-12		..RETAINER-CLIP SUPPLIER CODE: V97464	031047	9
190	411N1522-5		..PIN-HINGE	031047	2
195	411N1521-1SP		..LATCH	031047	2
200	411N1527-1		..PAD	031047	2
205	411N1527-2		..PAD	031047	2
210	411N1528-3		..BAFFLE ASSY	031047	1
215	411N1520-2SP		..GRILLE	031047	1
220	411N1510-34SP		.GRILLE ASSY-20.5 IN. BLANK PNL, PLUG AND SNAP-ON LATCH (EQUIPMENT/ FURNISHINGS ONLY) FUNCTIONAL REFERENCE: PLACARDS AND MARKINGS FOR DETAILS SEE 11-30-54-51E	031047	1
225	411N1522-3		..SPRING ATTACHING PARTS	031047	1
- 230	NAS1801-3-5		..SCREW	031047	2
- 235	BACW10P5CC		..WASHER -----*-----	031047	2
240	411N1521-3SP		..PLUG	031047	2
245	411N1407-3		..CLIP	031047	2
250	411N1407-7		..SPACER	031047	2
255	411N1523-3		..STIFFENER ASSY	031047	1
260	BACI12S3		...INSERT	031047	2
265	411N1520-5SP		..GRILLE	031047	1
270	411N1510-102SP		.GRILLE ASSY-20.5 IN. PNL WITH SHORT LATCH AND LARGE BAFFLE (EQUIPMENT/ FURNISHINGS ONLY) FUNCTIONAL REFERENCE: PLACARDS AND MARKINGS FOR DETAILS SEE 11-30-54-51E	031047	14
275	411N1522-1		..CLIP-SPR RTNR	031047	1
280	6100-12		..RETAINER-CLIP SUPPLIER CODE: V97464	031047	9
285	411N1522-5		..PIN-HINGE	031047	2
290	411N1521-1SP		..LATCH	031047	2
295	411N1527-1		..PAD	031047	2
300	411N1527-2		..PAD	031047	2
305	411N1528-2		..BAFFLE ASSY	031047	1
310	411N1520-1SP		..GRILLE	031047	1

MISSING ITEM NUMBERS NOT APPLICABLE

- ITEM NOT ILLUSTRATED

HAP

25-21-47-51E

BOEING PROPRIETARY - Copyright © - Unpublished Work - See title page for details.

25-21-47
FIG. 51E
PAGE 3
OCT 15/08

BOEING
737-600/700/800/900
PARTS CATALOG (MAINTENANCE)

FIG ITEM	PART NUMBER	1 2 3 4 5 6 7	NOMENCLATURE	EFFECT FROM TO	UNITS PER ASSY
51E 315	411N1510-194SP	.	GRILLE ASSY-20.5 IN. PNL SHORTENED, SHORT LATCH, LARGE BAFFLE (EQUIPMENT/ FURNISHINGS ONLY) FUNCTIONAL REFERENCE: PLACARDS AND MARKINGS FOR DETAILS SEE 11-30-54-51E	031047	1
320	6100-12	..	RETAINER-CLIP SUPPLIER CODE: V97464	031047	9
325	411N1522-5	..	PIN-HINGE	031047	2
330	411N1521-1SP	..	LATCH	031047	2
335	411N1527-1	..	PAD	031047	2
340	411N1527-2	..	PAD	031047	2
345	411N1528-2	..	BAFFLE ASSY	031047	1
350	411N1522-1	..	CLIP	031047	1
355	411N1520-12SP	..	GRILLE	031047	1
360	411N1510-198SP	.	GRILLE ASSY-(EQUIPMENT/ FURNISHINGS ONLY) FUNCTIONAL REFERENCE: PLACARDS AND MARKINGS FOR DETAILS SEE 11-30-54-51E	031047	1
365	411N1522-3	..	SPRING ATTACHING PARTS	031047	1
- 370	NAS1801-3-5	..	SCREW	031047	2
- 375	BACW10P5CC	..	WASHER -----*-----	031047	2
380	411N1521-3SP	..	PLUG	031047	2
385	411N1407-3	..	CLIP	031047	2
390	411N1407-7	..	SPACER	031047	2
395	411N1523-28	..	STIFFENER ASSY	031047	1
400	BACI12S3	...	INSERT	031047	2
405	411N1520-10SP	..	GRILLE	031047	1
410	411N1510-109SP	.	GRILLE ASSY-20.5 IN. PNL SHORTENED, SHORT LATCH AND SHORT BAFFLE (EQUIPMENT/FURNISHINGS ONLY) FUNCTIONAL REFERENCE: PLACARDS AND MARKINGS FOR DETAILS SEE 11-30-54-51E	031047	1
415	411N1522-1	..	CLIP-SPR RTNR	031047	1
420	6100-12	..	RETAINER-CLIP SUPPLIER CODE: V97464	031047	9
425	411N1522-5	..	PIN-HINGE	031047	2

MISSING ITEM NUMBERS NOT APPLICABLE

- ITEM NOT ILLUSTRATED

HAP

25-21-47-51E

BOEING PROPRIETARY - Copyright © - Unpublished Work - See title page for details.

25-21-47
FIG. 51E
PAGE 4
OCT 15/08

BOEING
737-600/700/800/900
PARTS CATALOG (MAINTENANCE)

FIG ITEM	PART NUMBER	1 2 3 4 5 6 7	NOMENCLATURE	EFFECT FROM TO	UNITS PER ASSY
51E					
430	411N1521-1SP	..	LATCH	031047	2
435	411N1527-1	..	PAD	031047	2
440	411N1527-2	..	PAD	031047	2
445	411N1528-3	..	BAFFLE ASSY	031047	1
450	411N1520-12SP	..	GRILLE	031047	1
455	411N1510-107SP	.	GRILLE ASSY-22.5 IN. PNL WITH 4 IN. EXTENSION OPP CLIP, LONG LATCH AND SHORT BAFFLE (EQUIPMENT/FURNISHINGS ONLY) FUNCTIONAL REFERENCE: PLACARDS AND MARKINGS FOR DETAILS SEE 11-30-54-51E	031047	1
460	411N1522-2	..	CLIP-SPR RTNR	031047	1
465	6100-12	..	RETAINER-CLIP SUPPLIER CODE: V97464	031047	9
470	411N1522-5	..	PIN-HINGE	031047	2
475	411N1521-2SP	..	LATCH	031047	2
480	411N1527-1	..	PAD	031047	2
485	411N1527-2	..	PAD	031047	2
490	411N1528-3	..	BAFFLE ASSY	031047	1
495	411N1524-2SP	..	EXTENSION	031047	1
500	411N1520-2SP	..	GRILLE	031047	1
505	411N1510-113SP	.	GRILLE ASSY-22.5 IN. PNL WITH SHORT LATCH, SHORT BAFFLE AND IFE AT CTR (EQUIPMENT/FURNISHINGS ONLY) FUNCTIONAL REFERENCE: PLACARDS AND MARKINGS FOR DETAILS SEE 11-30-54-51E	031047	1
510	411N1522-2	..	CLIP-SPR RTNR	031047	1
515	6100-12	..	RETAINER-CLIP SUPPLIER CODE: V97464	031047	11
520	411N1522-5	..	PIN-HINGE	031047	2
525	411N1521-1SP	..	LATCH	031047	2
530	411N1527-1	..	PAD	031047	2
535	411N1527-2	..	PAD	031047	2
540	411N1527-3	..	PAD	031047	1
545	411N1528-3	..	BAFFLE ASSY	031047	1
550	411N1520-2SP	..	GRILLE	031047	1

MISSING ITEM NUMBERS NOT APPLICABLE

— ITEM NOT ILLUSTRATED

HAP

25-21-47-51E

BOEING PROPRIETARY - Copyright © - Unpublished Work - See title page for details.

25-21-47
FIG. 51E
PAGE 5
OCT 15/08

BOEING
737-600/700/800/900
PARTS CATALOG (MAINTENANCE)

FIG ITEM	PART NUMBER	1 2 3 4 5 6 7	NOMENCLATURE	EFFECT FROM TO	UNITS PER ASSY
51E 555	411N1510-27SP	.	GRILLE ASSY-22.5 IN. BLANK PNL, LONG LATCH (EQUIPMENT/FURNISHINGS ONLY) FUNCTIONAL REFERENCE: PLACARDS AND MARKINGS FOR DETAILS SEE 11-30-54-51E	031047	2
560	411N1522-3	..	SPRING ATTACHING PARTS	031047	1
- 565	NAS1801-3-5	..	SCREW	031047	2
- 570	BACW10P5CC	..	WASHER	031047	2
			-----*-----		
575	6100-12	..	RETAINER-CLIP SUPPLIER CODE: V97464	031047	4
580	411N1522-4	..	PIN-HINGE OPTIONAL PART: 411N1522-5	031047	2
580	411N1522-5	..	PIN-HINGE OPTIONAL PART: 411N1522-4	031047	2
585	411N1521-2SP	..	LATCH	031047	2
590	411N1527-1	..	PAD	031047	2
600	411N1527-2	..	PAD	031047	2
605	411N1523-2	..	STIFFENER ASSY	031047	1
610	BACI12S3	...	INSERT	031047	2
615	411N1520-4SP	..	GRILLE	031047	1
620	411N1510-106SP	.	GRILLE ASSY-22.5 IN. PNL WITH SHORT LATCH AND LARGE BAFFLE (EQUIPMENT/FURNISHINGS ONLY) FUNCTIONAL REFERENCE: PLACARDS AND MARKINGS FOR DETAILS SEE 11-30-54-51E	031047	6
625	411N1522-2	..	CLIP-SPR RTNR	031047	1
630	6100-12	..	RETAINER-CLIP SUPPLIER CODE: V97464	031047	9
635	411N1522-5	..	PIN-HINGE	031047	2
640	411N1521-1SP	..	LATCH	031047	2
645	411N1527-1	..	PAD	031047	2
650	411N1527-2	..	PAD	031047	2
655	411N1528-2	..	BAFFLE ASSY	031047	1
660	411N1520-2SP	..	GRILLE	031047	1

MISSING ITEM NUMBERS NOT APPLICABLE

- ITEM NOT ILLUSTRATED

HAP

25-21-47-51E

BOEING PROPRIETARY - Copyright © - Unpublished Work - See title page for details.

25-21-47
FIG. 51E
PAGE 6
OCT 15/08

BOEING
737-600/700/800/900
PARTS CATALOG (MAINTENANCE)

FIG ITEM	PART NUMBER	1 2 3 4 5 6 7	NOMENCLATURE	EFFECT FROM TO	UNITS PER ASSY
51E 665	411N1510-112SP		.GRILLE ASSY-22.5 IN. PNL WITH 8 IN. EXTENSION CLIP SIDE, LONG LATCH AND LARGE BAFFLE (EQUIPMENT/FURNISHINGS ONLY) FUNCTIONAL REFERENCE: PLACARDS AND MARKINGS FOR DETAILS SEE 11-30-54-51E	031047	1
670	6100-12		..RETAINER-CLIP SUPPLIER CODE: V97464	031047	9
675	411N1522-5		..PIN-HINGE	031047	2
680	411N1521-2SP		..LATCH	031047	2
685	411N1527-1		..PAD	031047	2
690	411N1527-2		..PAD	031047	2
695	411N1528-2		..BAFFLE ASSY	031047	1
700	411N1524-1SP		..EXTENSION	031047	1
705	411N1520-2SP		..GRILLE	031047	1

MISSING ITEM NUMBERS NOT APPLICABLE

— ITEM NOT ILLUSTRATED

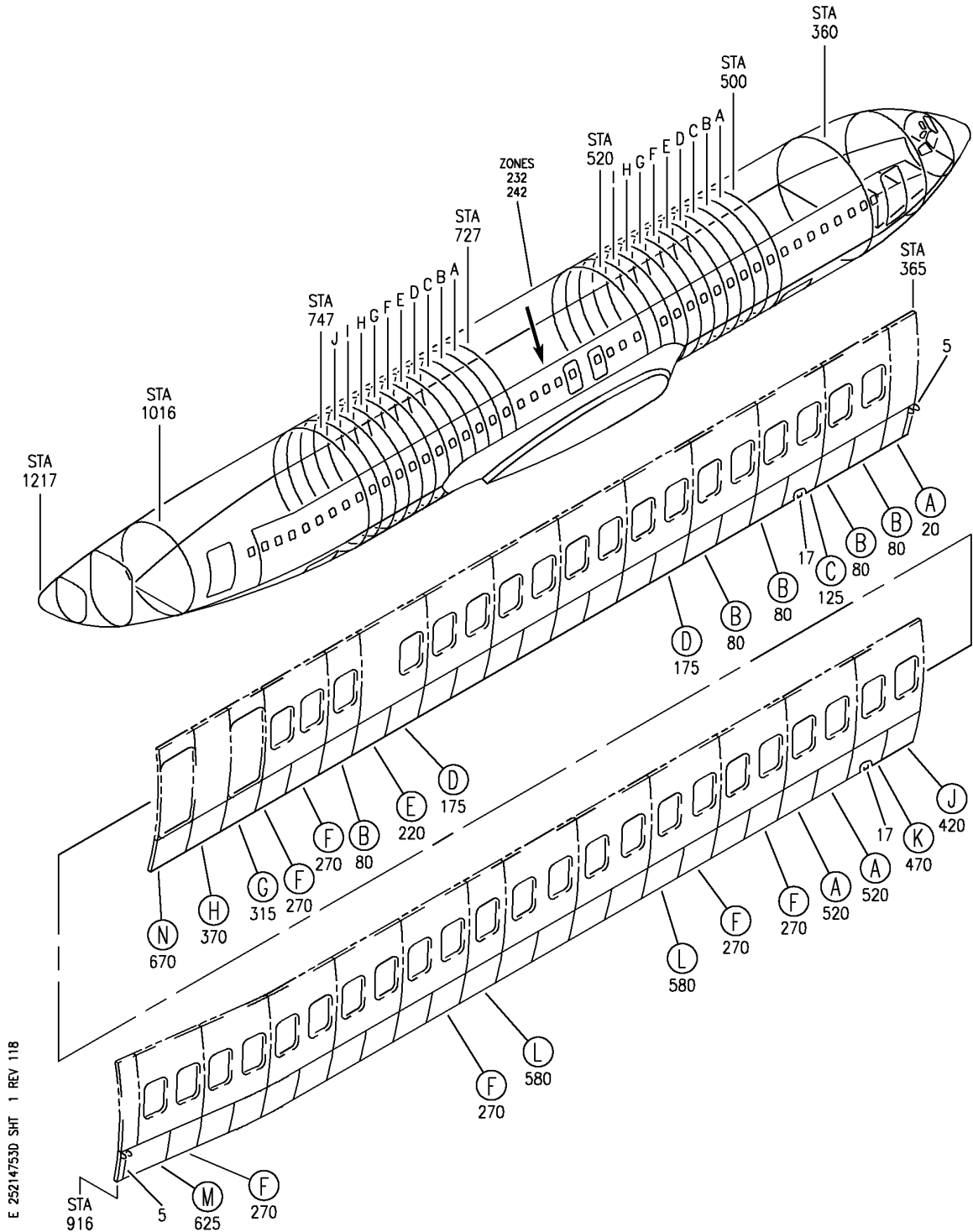
HAP

25-21-47-51E

BOEING PROPRIETARY - Copyright © - Unpublished Work - See title page for details.

25-21-47
FIG. 51E
PAGE 7
OCT 15/08

BOEING
 737-600/700/800/900
 PARTS CATALOG (MAINTENANCE)



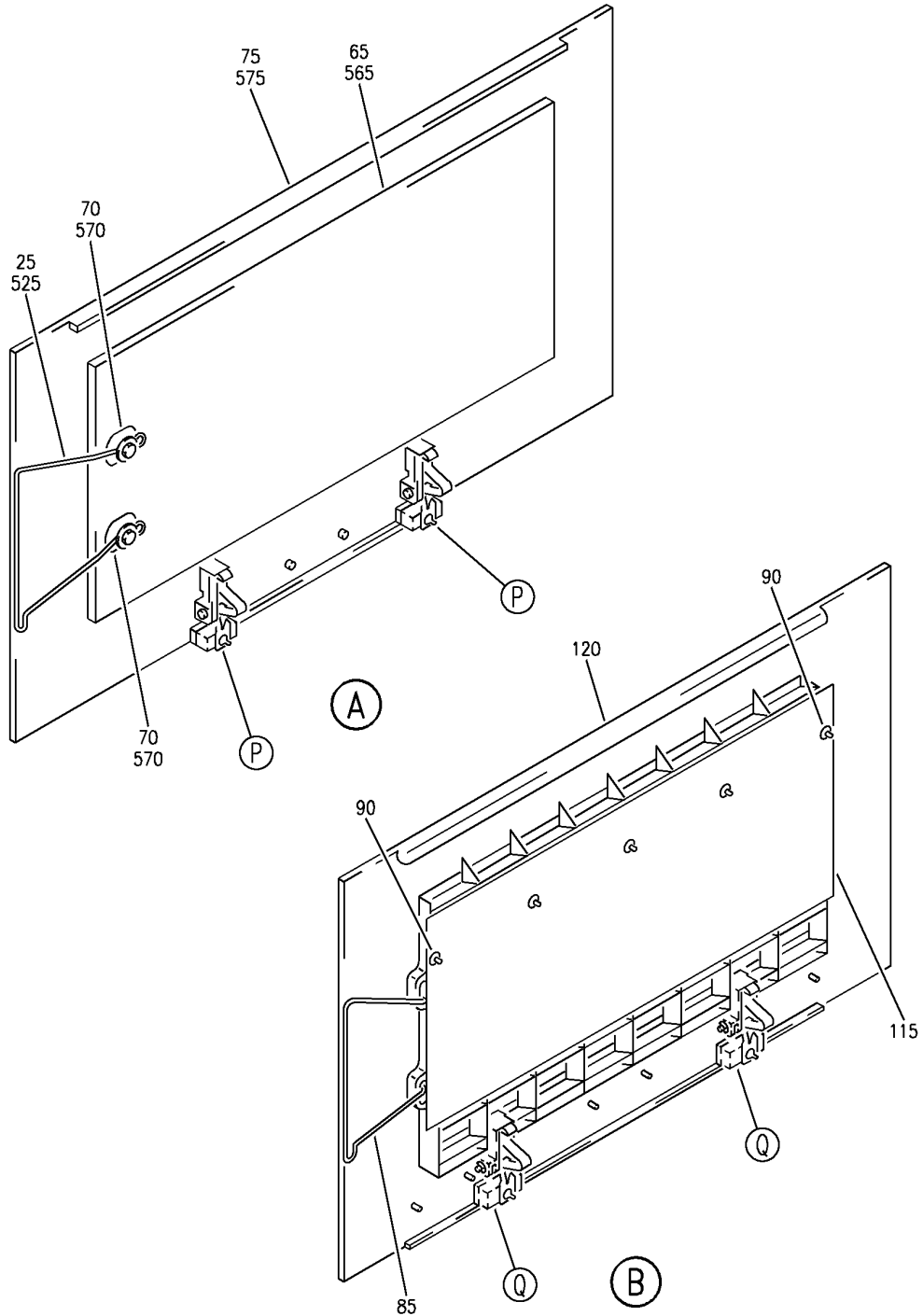
E 25214753D SHT 1 REV 118

GRILLE INSTL-RH PASS. CAB. AIR RETURN
 FIGURE 53D (SHEET 1)

25-21-47-53D

HAP
 OCT 15/08

25-21-47-53D
 PAGE 0



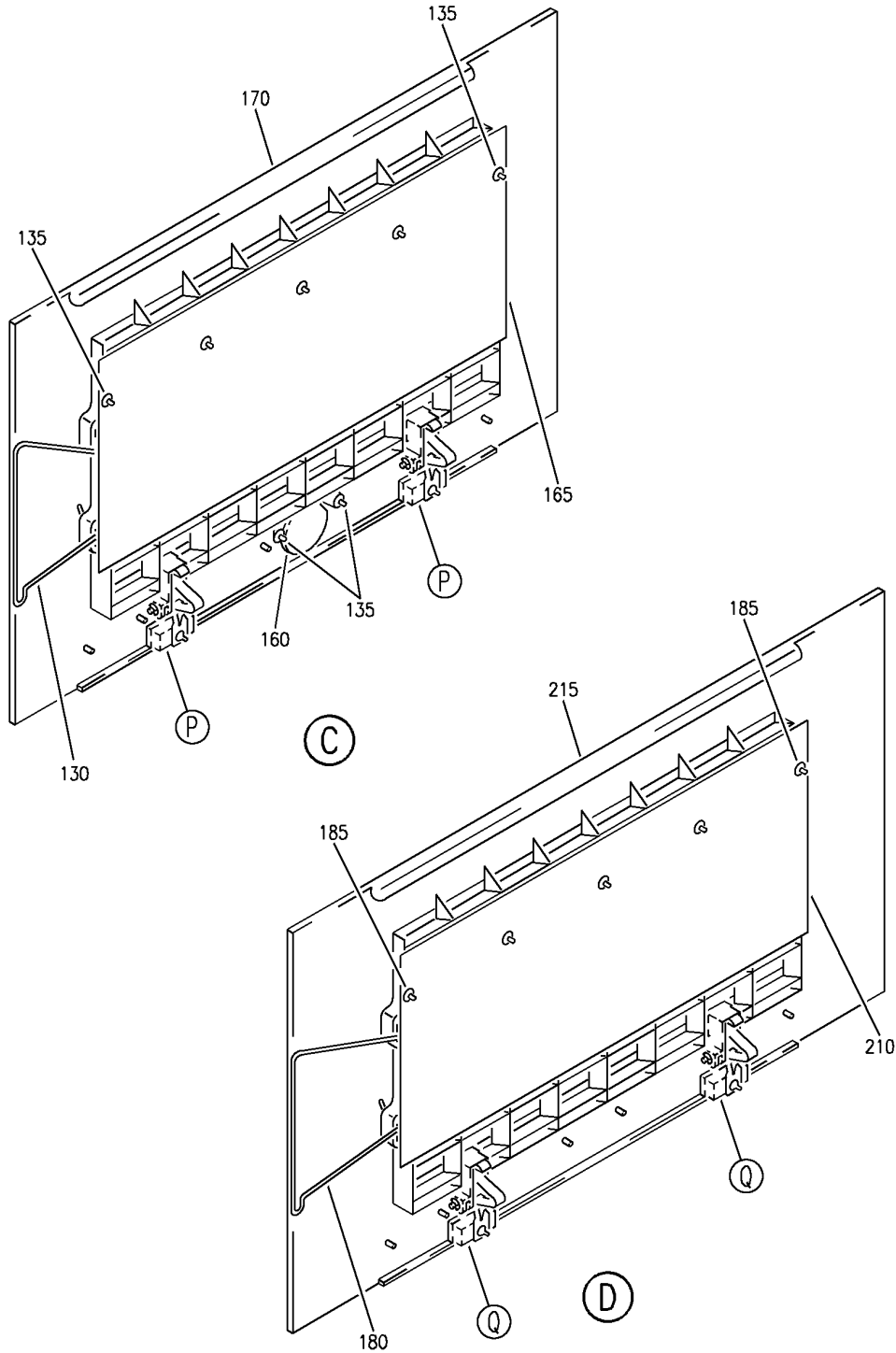
E 25214753D SHT 2 REV 118

GRILLE INSTL-RH PASS. CAB. AIR RETURN
 FIGURE 53D (SHEET 2)

25-21-47-53D

HAP
 OCT 15/08

25-21-47-53D
 PAGE 0A



E 25214753D SHT 3 REV 118

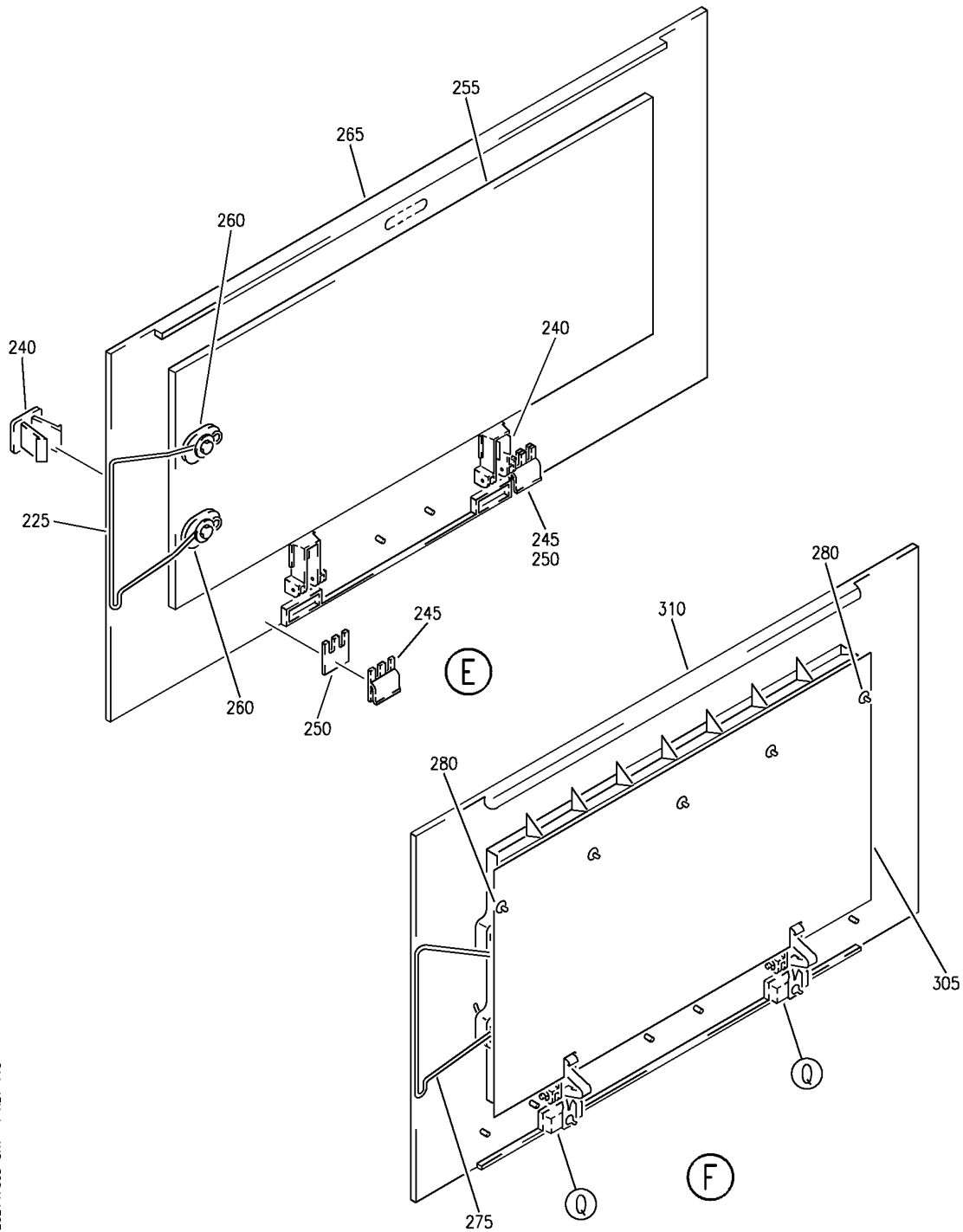
GRILLE INSTL-RH PASS. CAB. AIR RETURN
 FIGURE 53D (SHEET 3)

25-21-47-53D

HAP
 OCT 15/08

25-21-47-53D
 PAGE 0B

BOEING
 737-600/700/800/900
 PARTS CATALOG (MAINTENANCE)



E 25214753D SHT 4 REV 118

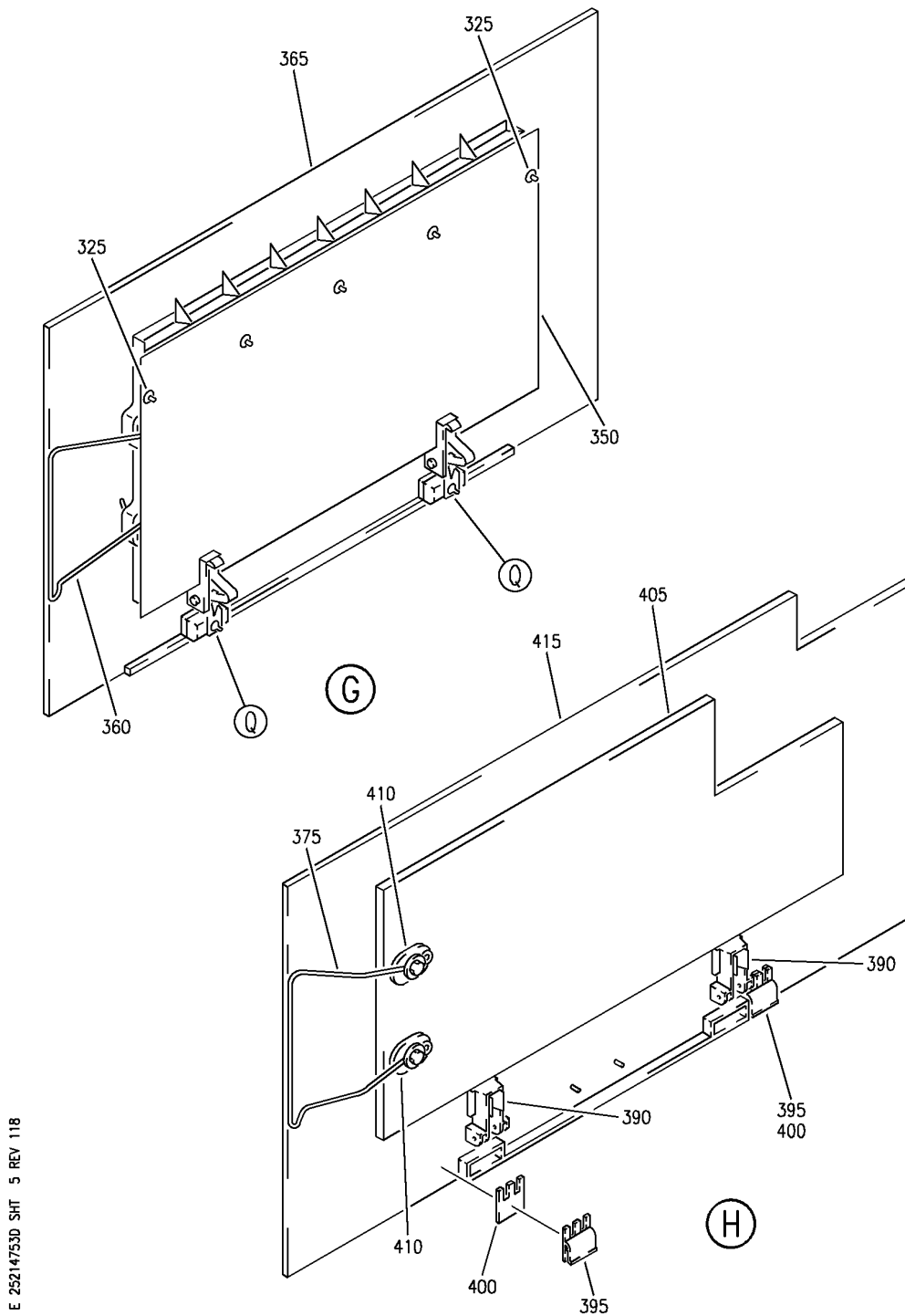
GRILLE INSTL-RH PASS. CAB. AIR RETURN
 FIGURE 53D (SHEET 4)

25-21-47-53D

HAP
 OCT 15/08

25-21-47-53D
 PAGE 0C

BOEING
 737-600/700/800/900
 PARTS CATALOG (MAINTENANCE)



E 25214753D SHT 5 REV 118

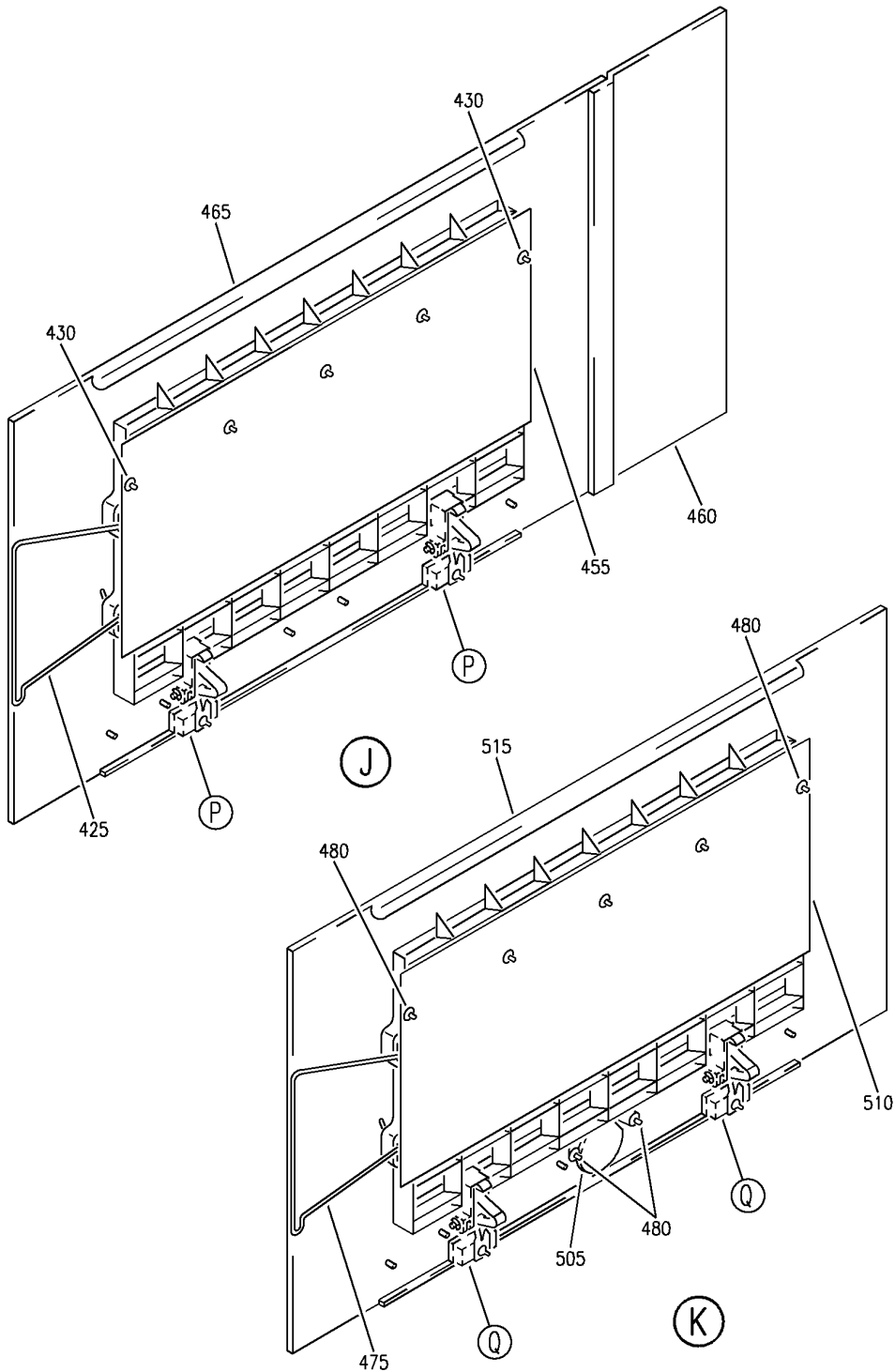
GRILLE INSTL-RH PASS. CAB. AIR RETURN
 FIGURE 53D (SHEET 5)

25-21-47-53D

HAP
 OCT 15/08

25-21-47-53D
 PAGE 0D

BOEING
737-600/700/800/900
PARTS CATALOG (MAINTENANCE)



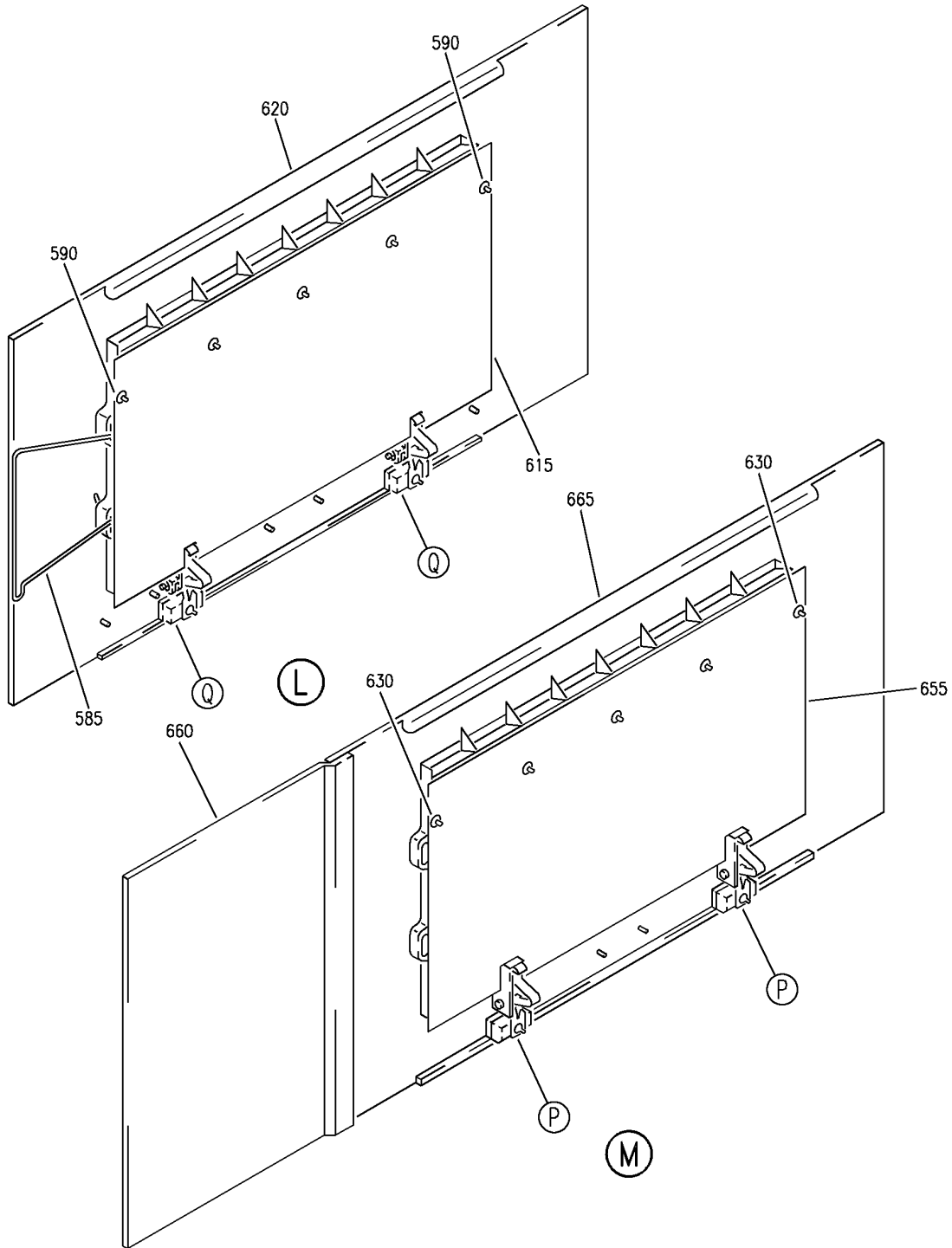
E 25214753D SHT 6 REV 118

GRILLE INSTL-RH PASS. CAB. AIR RETURN
FIGURE 53D (SHEET 6)

25-21-47-53D

HAP
OCT 15/08

25-21-47-53D
PAGE 0E



E 25214753D SHT 7 REV 118

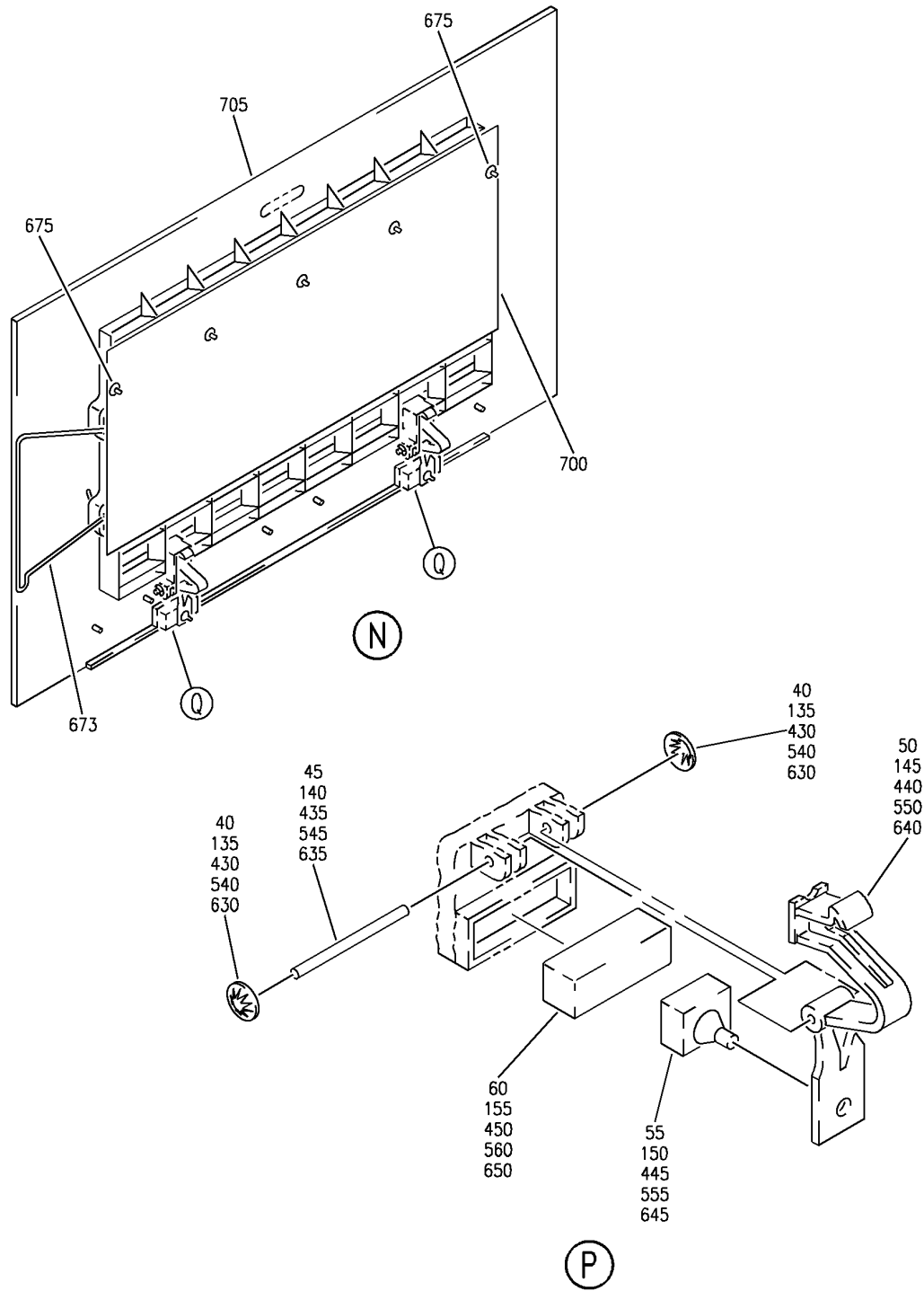
GRILLE INSTL-RH PASS. CAB. AIR RETURN
 FIGURE 53D (SHEET 7)

25-21-47-53D

HAP
 OCT 15/08

25-21-47-53D
 PAGE OF

BOEING
 737-600/700/800/900
 PARTS CATALOG (MAINTENANCE)



E 25214753D SHT 8 REV 118

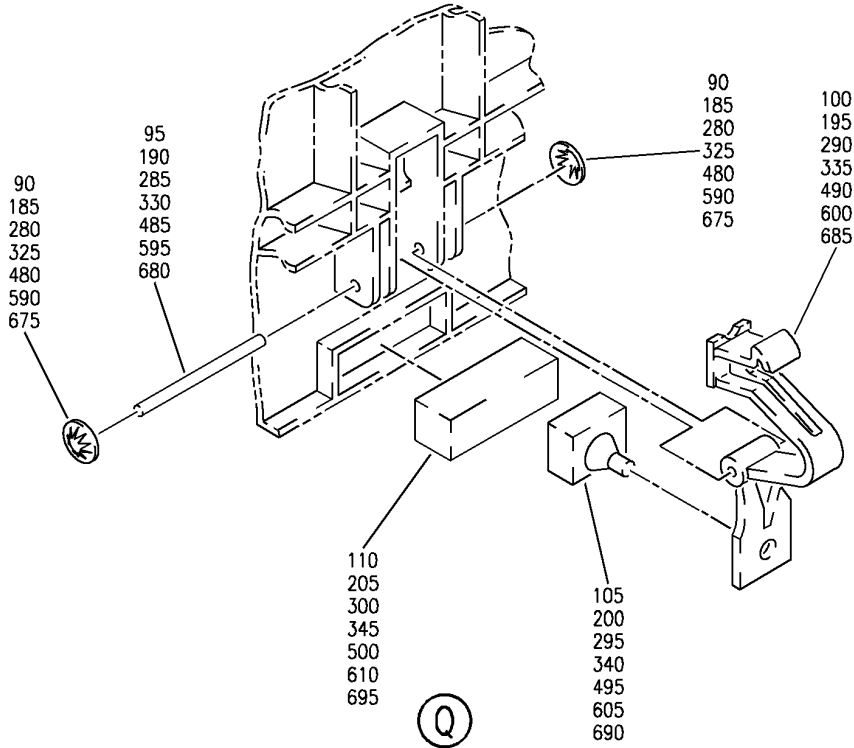
GRILLE INSTL-RH PASS. CAB. AIR RETURN
 FIGURE 53D (SHEET 8)

25-21-47-53D

HAP
 OCT 15/08

25-21-47-53D
 PAGE 08

BOEING
 737-600/700/800/900
 PARTS CATALOG (MAINTENANCE)



E 25214753D SHT 9 REV 118

GRILLE INSTL-RH PASS. CAB. AIR RETURN
 FIGURE 53D (SHEET 9)

25-21-47-53D

HAP
 OCT 15/08

25-21-47-53D
 PAGE 0H

BOEING
737-600/700/800/900
PARTS CATALOG (MAINTENANCE)

FIG ITEM	PART NUMBER	1 2 3 4 5 6 7	NOMENCLATURE	EFFECT FROM TO	UNITS PER ASSY
53D			GRILLE INSTL-RH PASS. CAB. AIR RETURN	048100	
- 1	MODREF217769		GRILLE INSTL-PASS. CAB. AIR RETURN MODULE NUMBER: 411A1101-3058C REV A POSITION DATA: RH	048100	1
5	411N1525-20		.TRIM ASSY ATTACHING PARTS	048100	2
- 10	BACS12HN3-6		.SCREW	048100	2
- 15	NAS1149D0316J		.WASHER	048100	2
			-----*-----		
17	411N1521-5SP		.PLUG	048100	2
20	411N1510-30SP		.GRILLE ASSY-16.5 IN. BLANK PNL, LONG LATCH (EQUIPMENT/FURNISHINGS ONLY) FUNCTIONAL REFERENCE: PLACARDS AND MARKINGS FOR DETAILS SEE 11-30-54-53D	048100	1
25	411N1522-3		..SPRING ATTACHING PARTS	048100	1
- 30	NAS1801-3-5		..SCREW	048100	2
- 35	BACW10P5CC		..WASHER	048100	2
			-----*-----		
40	6100-12		..RETAINER-CLIP SUPPLIER CODE: V97464	048100	4
45	411N1522-4		..PIN-HINGE OPTIONAL PART: 411N1522-5	048100	2
45	411N1522-5		..PIN-HINGE OPTIONAL PART: 411N1522-4	048100	2
50	411N1521-2SP		..LATCH	048100	2
55	411N1527-1		..PAD	048100	2
60	411N1527-2		..PAD	048100	2
65	411N1523-5		..STIFFENER ASSY	048100	1
70	BACI12S3		...INSERT	048100	2
75	411N1520-7SP		..GRILLE	048100	1

MISSING ITEM NUMBERS NOT APPLICABLE

- ITEM NOT ILLUSTRATED

HAP

25-21-47-53D

BOEING PROPRIETARY - Copyright © - Unpublished Work - See title page for details.

25-21-47
FIG. 53D
PAGE 1
OCT 15/08

BOEING
737-600/700/800/900
PARTS CATALOG (MAINTENANCE)

FIG ITEM	PART NUMBER	1 2 3 4 5 6 7	NOMENCLATURE	EFFECT FROM TO	UNITS PER ASSY
53D 80	411N1510-101SP	.	GRILLE ASSY-20.5 IN. PNL WITH SHORT LATCH AND SHORT BAFFLE (EQUIPMENT/ FURNISHINGS ONLY) FUNCTIONAL REFERENCE: PLACARDS AND MARKINGS FOR DETAILS SEE 11-30-54-53D	048100	6
85	411N1522-1	..	CLIP-SPR RTNR	048100	1
90	6100-12	..	RETAINER-CLIP SUPPLIER CODE: V97464	048100	9
95	411N1522-5	..	PIN-HINGE	048100	2
100	411N1521-1SP	..	LATCH	048100	2
105	411N1527-1	..	PAD	048100	2
110	411N1527-2	..	PAD	048100	2
115	411N1528-3	..	BAFFLE ASSY	048100	1
120	411N1520-1SP	..	GRILLE	048100	1
125	411N1510-105SP	.	GRILLE ASSY-20.5 IN. PNL WITH IFE AT CTR, SHORT BAFFLE AND LONG LATCH (EQUIPMENT/FURNISHINGS ONLY) FUNCTIONAL REFERENCE: PLACARDS AND MARKINGS FOR DETAILS SEE 11-30-54-53D	048100	1
130	411N1522-1	..	CLIP-SPR RTNR	048100	1
135	6100-12	..	RETAINER-CLIP SUPPLIER CODE: V97464	048100	11
140	411N1522-5	..	PIN-HINGE	048100	2
145	411N1521-2SP	..	LATCH	048100	2
150	411N1527-1	..	PAD	048100	2
155	411N1527-2	..	PAD	048100	2
160	411N1527-3	..	PAD	048100	1
165	411N1528-3	..	BAFFLE ASSY	048100	1
170	411N1520-1SP	..	GRILLE	048100	1
175	411N1510-103SP	.	GRILLE ASSY-22.5 IN. PNL WITH SHORT LATCH AND SHORT BAFFLE (EQUIPMENT/ FURNISHINGS ONLY) FUNCTIONAL REFERENCE: PLACARDS AND MARKINGS FOR DETAILS SEE 11-30-54-53D	048100	9
180	411N1522-2	..	CLIP-SPR RTNR	048100	1

MISSING ITEM NUMBERS NOT APPLICABLE

— ITEM NOT ILLUSTRATED

HAP

25-21-47-53D

BOEING PROPRIETARY - Copyright © - Unpublished Work - See title page for details.

25-21-47
FIG. 53D
PAGE 2
OCT 15/08

BOEING
737-600/700/800/900
PARTS CATALOG (MAINTENANCE)

FIG ITEM	PART NUMBER	1 2 3 4 5 6 7	NOMENCLATURE	EFFECT FROM TO	UNITS PER ASSY
53D 185	6100-12	..	RETAINER-CLIP SUPPLIER CODE: V97464	048100	9
190	411N1522-5	..	PIN-HINGE	048100	2
195	411N1521-1SP	..	LATCH	048100	2
200	411N1527-1	..	PAD	048100	2
205	411N1527-2	..	PAD	048100	2
210	411N1528-3	..	BAFFLE ASSY	048100	1
215	411N1520-2SP	..	GRILLE	048100	1
220	411N1510-34SP	.GRILLE ASSY-20.5 IN. BLANK PNL, WITH PLUG AND SNAP-ON LATCH (EQUIPMENT/FURNISHINGS ONLY) FUNCTIONAL REFERENCE: PLACARDS AND MARKINGS FOR DETAILS SEE 11-30-54-53D	048100	1	
225	411N1522-3	..	SPRING-RTNR CLIP ATTACHING PARTS	048100	1
- 230	NAS1801-3-5	..	SCREW	048100	2
- 235	BACW10P5CC	..	WASHER -----*-----	048100	2
240	411N1521-3SP	..	PLUG	048100	2
245	411N1407-3	..	CLIP	048100	2
250	411N1407-7	..	SPACER	048100	2
255	411N1523-3	..	STIFFENER ASSY	048100	1
260	BACI12S3	...	INSERT	048100	2
265	411N1520-5SP	..	GRILLE	048100	1
270	411N1510-102SP	.GRILLE ASSY-20.5 IN. PNL WITH SHORT LATCH AND LARGE BAFFLE (EQUIPMENT/ FURNISHINGS ONLY) FUNCTIONAL REFERENCE: PLACARDS AND MARKINGS FOR DETAILS SEE 11-30-54-53D	048100	14	
275	411N1522-1	..	CLIP-SPR RTNR	048100	1
280	6100-12	..	RETAINER-CLIP SUPPLIER CODE: V97464	048100	9
285	411N1522-5	..	PIN-HINGE	048100	2
290	411N1521-1SP	..	LATCH	048100	2
295	411N1527-1	..	PAD	048100	2
300	411N1527-2	..	PAD	048100	2
305	411N1528-2	..	BAFFLE ASSY	048100	1
310	411N1520-1SP	..	GRILLE	048100	1

MISSING ITEM NUMBERS NOT APPLICABLE

- ITEM NOT ILLUSTRATED

HAP

25-21-47-53D

BOEING PROPRIETARY - Copyright © - Unpublished Work - See title page for details.

25-21-47
FIG. 53D
PAGE 3
OCT 15/08

BOEING
737-600/700/800/900
PARTS CATALOG (MAINTENANCE)

FIG ITEM	PART NUMBER	1 2 3 4 5 6 7	NOMENCLATURE	EFFECT FROM TO	UNITS PER ASSY
53D 315	411N1510-194SP	.	GRILLE ASSY-20.5 IN. PNL SHORTENED, SHORT LATCH AND LARGE BAFFLE (EQUIPMENT/FURNISHINGS ONLY) FUNCTIONAL REFERENCE: PLACARDS AND MARKINGS FOR DETAILS SEE 11-30-54-53D	048100	1
325	6100-12	..	RETAINER-CLIP SUPPLIER CODE: V97464	048100	9
330	411N1522-5	..	PIN-HINGE	048100	2
335	411N1521-1SP	..	LATCH-	048100	2
340	411N1527-1	..	PAD	048100	2
345	411N1527-2	..	PAD	048100	2
350	411N1528-2	..	BAFFLE ASSY	048100	1
360	411N1522-1	..	CLIP-SPR RTNR	048100	1
365	411N1520-12SP	..	GRILLE-	048100	1
370	411N1510-198SP	.	GRILLE ASSY- (EQUIPMENT/FURNISHINGS ONLY) FUNCTIONAL REFERENCE: PLACARDS AND MARKINGS FOR DETAILS SEE 11-30-54-53D	048100	1
375	411N1522-3	..	SPRING ATTACHING PARTS	048100	1
- 380	NAS1801-3-5	..	SCREW	048100	2
- 385	BACW10P5CC	..	WASHER -----*-----	048100	2
390	411N1521-3SP	..	PLUG-	048100	2
395	411N1407-3	..	CLIP	048100	2
400	411N1407-7	..	SPACER	048100	2
405	411N1523-28	..	STIFFENER ASSY	048100	1
- 407	411N1523-2	...	STIFFENER ASSY	048100	1
410	BACI12S3	INSERT	048100	2
415	411N1520-10SP	..	GRILLE-MOLDED	048100	1
420	411N1510-107SP	.	GRILLE ASSY-22.5 IN. PNL WITH 4 IN. EXTENSION (OPP CLIP), LONG LATCH AND SHORT BAFFLE (EQUIPMENT/FURNISHINGS ONLY) FUNCTIONAL REFERENCE: PLACARDS AND MARKINGS FOR DETAILS SEE 11-30-54-53D	048100	1
425	411N1522-2	..	CLIP-SPR RTNR	048100	1

MISSING ITEM NUMBERS NOT APPLICABLE

- ITEM NOT ILLUSTRATED

HAP

25-21-47-53D

BOEING PROPRIETARY - Copyright © - Unpublished Work - See title page for details.

25-21-47
FIG. 53D
PAGE 4
OCT 15/08

BOEING
737-600/700/800/900
PARTS CATALOG (MAINTENANCE)

FIG ITEM	PART NUMBER	1 2 3 4 5 6 7	NOMENCLATURE	EFFECT FROM TO	UNITS PER ASSY
53D 430	6100-12		..RETAINER-CLIP SUPPLIER CODE: V97464	048100	9
435	411N1522-5		..PIN-HINGE	048100	2
440	411N1521-2SP		..LATCH	048100	2
445	411N1527-1		..PAD	048100	2
450	411N1527-2		..PAD	048100	2
455	411N1528-3		..BAFFLE ASSY	048100	1
460	411N1524-2SP		..EXTENSION	048100	1
465	411N1520-2SP		..GRILLE	048100	1
470	411N1510-113SP		.GRILLE ASSY-22.5 IN. PNL WITH SHORT LATCH,SHORT BAFFLE AND IFE AT CTR (EQUIPMENT/FURNISHINGS ONLY) FUNCTIONAL REFERENCE: PLACARDS AND MARKINGS FOR DETAILS SEE 11-30-54-53D	048100	1
475	411N1522-2		..CLIP-SPR RTNR	048100	1
480	6100-12		..RETAINER-CLIP SUPPLIER CODE: V97464	048100	11
485	411N1522-5		..PIN-HINGE	048100	2
490	411N1521-1SP		..LATCH	048100	2
495	411N1527-1		..PAD	048100	2
500	411N1527-2		..PAD	048100	2
505	411N1527-3		..PAD	048100	1
510	411N1528-3		..BAFFLE ASSY	048100	1
515	411N1520-2SP		..GRILLE	048100	1
520	411N1510-27SP		.GRILLE ASSY-22.5 IN. BLANK PNL, LONG LATCH (EQUIPMENT/FURNISHINGS ONLY) FUNCTIONAL REFERENCE: PLACARDS AND MARKINGS FOR DETAILS SEE 11-30-54-53D	048100	2
525	411N1522-3		..SPRING ATTACHING PARTS	048100	1
- 530	NAS1801-3-5		..SCREW	048100	2
- 535	BACW10P5CC		..WASHER -----*-----	048100	2
540	6100-12		..RETAINER-CLIP SUPPLIER CODE: V97464	048100	4
545	411N1522-4		..PIN-HINGE OPTIONAL PART: 411N1522-5	048100	2

MISSING ITEM NUMBERS NOT APPLICABLE

- ITEM NOT ILLUSTRATED

HAP

25-21-47-53D

BOEING PROPRIETARY - Copyright © - Unpublished Work - See title page for details.

25-21-47
FIG. 53D
PAGE 5
OCT 15/08

BOEING
737-600/700/800/900
PARTS CATALOG (MAINTENANCE)

FIG ITEM	PART NUMBER	1 2 3 4 5 6 7	NOMENCLATURE	EFFECT FROM TO	UNITS PER ASSY
53D					
545	411N1522-4	..	PIN-HINGE OPTIONAL PART: 411N1522-5	048100	2
550	411N1521-2SP	..	LATCH	048100	2
555	411N1527-1	..	PAD	048100	2
560	411N1527-2	..	PAD	048100	2
565	411N1523-2	..	STIFFENER ASSY	048100	1
570	BACI12S3	...	INSERT	048100	2
575	411N1520-4SP	..	GRILLE	048100	1
580	411N1510-106SP	.GRILLE ASSY-22.5 IN. PNL WITH SHORT LATCH AND LARGE BAFFLE (EQUIPMENT/ FURNISHINGS ONLY) FUNCTIONAL REFERENCE: PLACARDS AND MARKINGS FOR DETAILS SEE 11-30-54-53D		048100	6
585	411N1522-2	..	CLIP-SPR RTNR	048100	1
590	6100-12	..	RETAINER-CLIP SUPPLIER CODE: V97464	048100	9
595	411N1522-5	..	PIN-HINGE	048100	2
600	411N1521-1SP	..	LATCH	048100	2
605	411N1527-1	..	PAD	048100	2
610	411N1527-2	..	PAD	048100	2
615	411N1528-2	..	BAFFLE ASSY	048100	1
620	411N1520-2SP	..	GRILLE	048100	1
625	411N1510-112SP	.GRILLE ASSY-22.5 IN. PNL WITH 8 IN. EXTENSION (CLIP SIDE), LONG LATCH AND LARGE BAFFLE (EQUIPMENT/FURNISHINGS ONLY) FUNCTIONAL REFERENCE: PLACARDS AND MARKINGS FOR DETAILS SEE 11-30-54-53D		048100	1
630	6100-12	..	RETAINER-CLIP SUPPLIER CODE: V97464	048100	9
635	411N1522-5	..	PIN-HINGE	048100	2
640	411N1521-2SP	..	LATCH	048100	2
645	411N1527-1	..	PAD	048100	2
650	411N1527-2	..	PAD	048100	2
655	411N1528-2	..	BAFFLE ASSY	048100	1
660	411N1524-1SP	..	EXTENSION	048100	1
665	411N1520-2SP	..	GRILLE	048100	1

MISSING ITEM NUMBERS NOT APPLICABLE

— ITEM NOT ILLUSTRATED

HAP

25-21-47-53D

BOEING PROPRIETARY - Copyright © - Unpublished Work - See title page for details.

25-21-47
FIG. 53D
PAGE 6
OCT 15/08

BOEING
737-600/700/800/900
PARTS CATALOG (MAINTENANCE)

FIG ITEM	PART NUMBER	1 2 3 4 5 6 7	NOMENCLATURE	EFFECT FROM TO	UNITS PER ASSY
53D 670	411N1510-109SP		.GRILLE ASSY-20.5 IN. PNL SHORTENED, SHORT LATCH AND SHORT BAFFLE (EQUIPMENT/FURNISHINGS ONLY) FUNCTIONAL REFERENCE: PLACARDS AND MARKINGS FOR DETAILS SEE 11-30-54-53D	048100	1
673	411N1522-1		..CLIP-SPR RTNR	048100	1
675	6100-12		..RETAINER-CLIP SUPPLIER CODE: V97464	048100	9
680	411N1522-5		..PIN-HINGE	048100	2
685	411N1521-1SP		..LATCH	048100	2
690	411N1527-1		..PAD	048100	2
695	411N1527-2		..PAD	048100	2
700	411N1528-2		..BAFFLE ASSY	048100	1
705	411N1520-12SP		..GRILLE	048100	1

MISSING ITEM NUMBERS NOT APPLICABLE

— ITEM NOT ILLUSTRATED

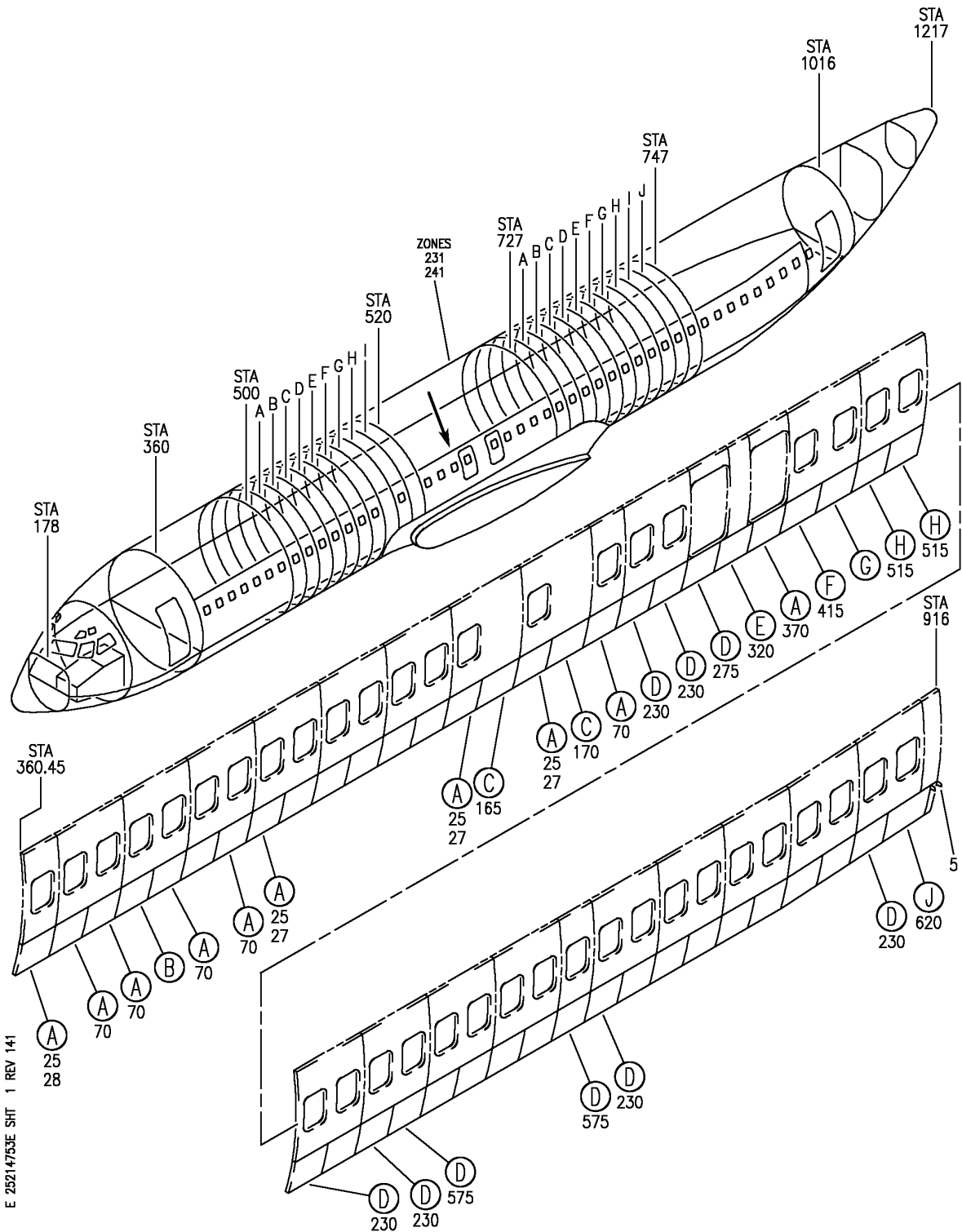
HAP

25-21-47-53D

BOEING PROPRIETARY - Copyright © - Unpublished Work - See title page for details.

25-21-47
FIG. 53D
PAGE 7
OCT 15/08

BOEING
 737-600/700/800/900
 PARTS CATALOG (MAINTENANCE)



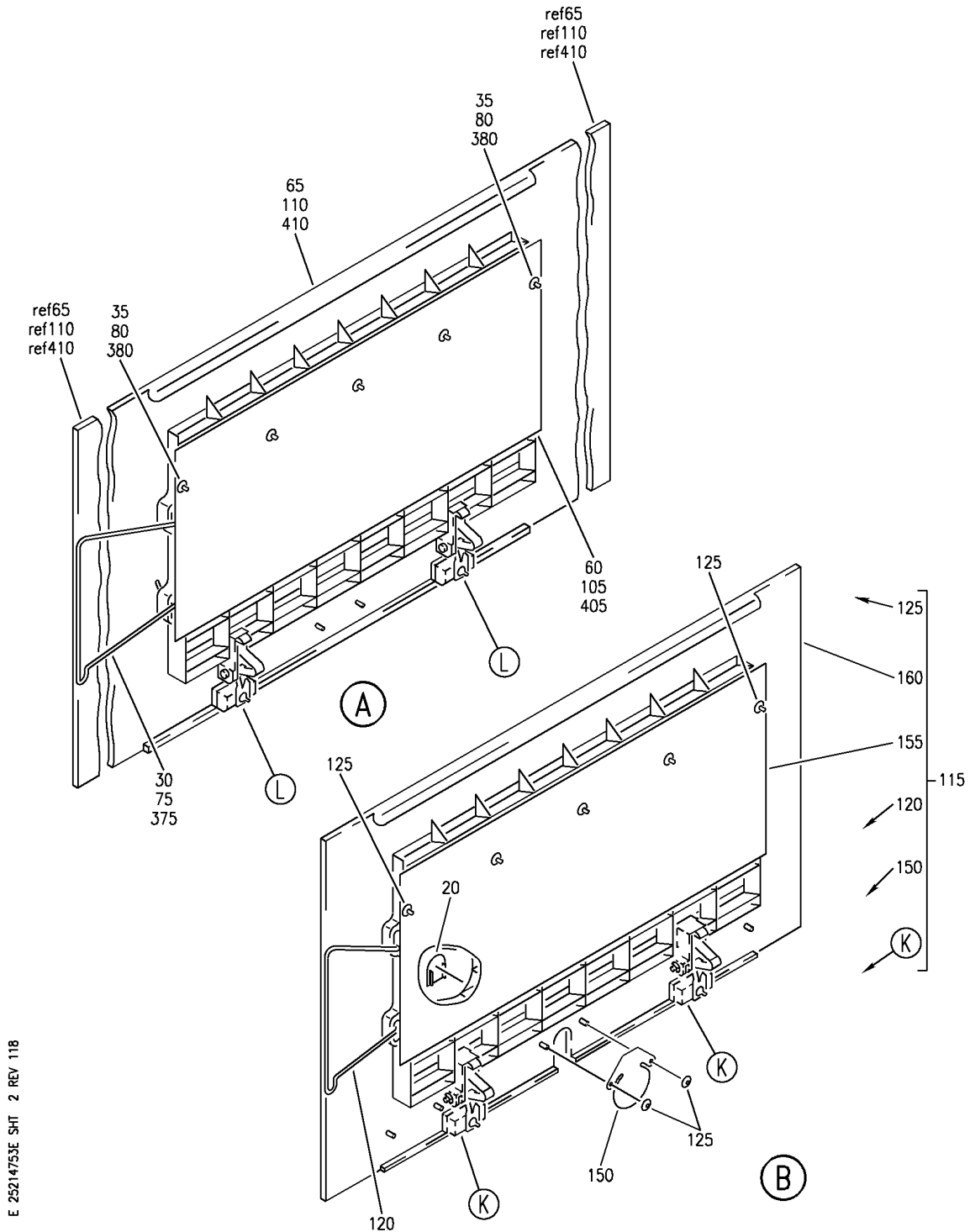
GRILLE INSTL-LH PASS. CAB. AIR RETURN
 FIGURE 53E (SHEET 1)

25-21-47-53E

HAP
 JUN 15/08

25-21-47-53E
 PAGE 0

BOEING
 737-600/700/800/900
 PARTS CATALOG (MAINTENANCE)



E 25214753E SHT 2 REV 118

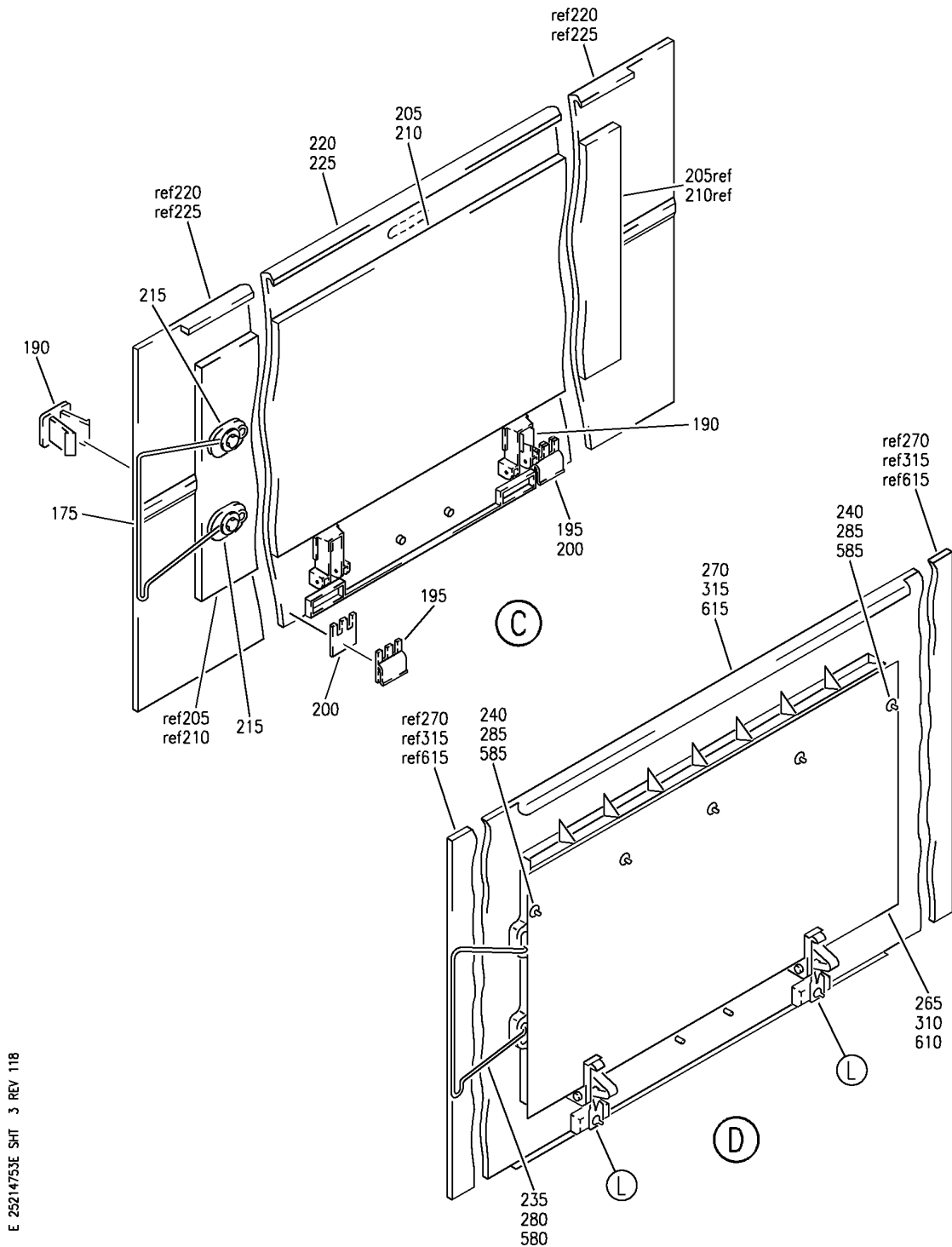
GRILLE INSTL-LH PASS. CAB. AIR RETURN
 FIGURE 53E (SHEET 2)

25-21-47-53E

HAP
 OCT 10/06

25-21-47-53E
 PAGE 0A

BOEING
 737-600/700/800/900
 PARTS CATALOG (MAINTENANCE)



E 25214753E SHT 3 REV 118

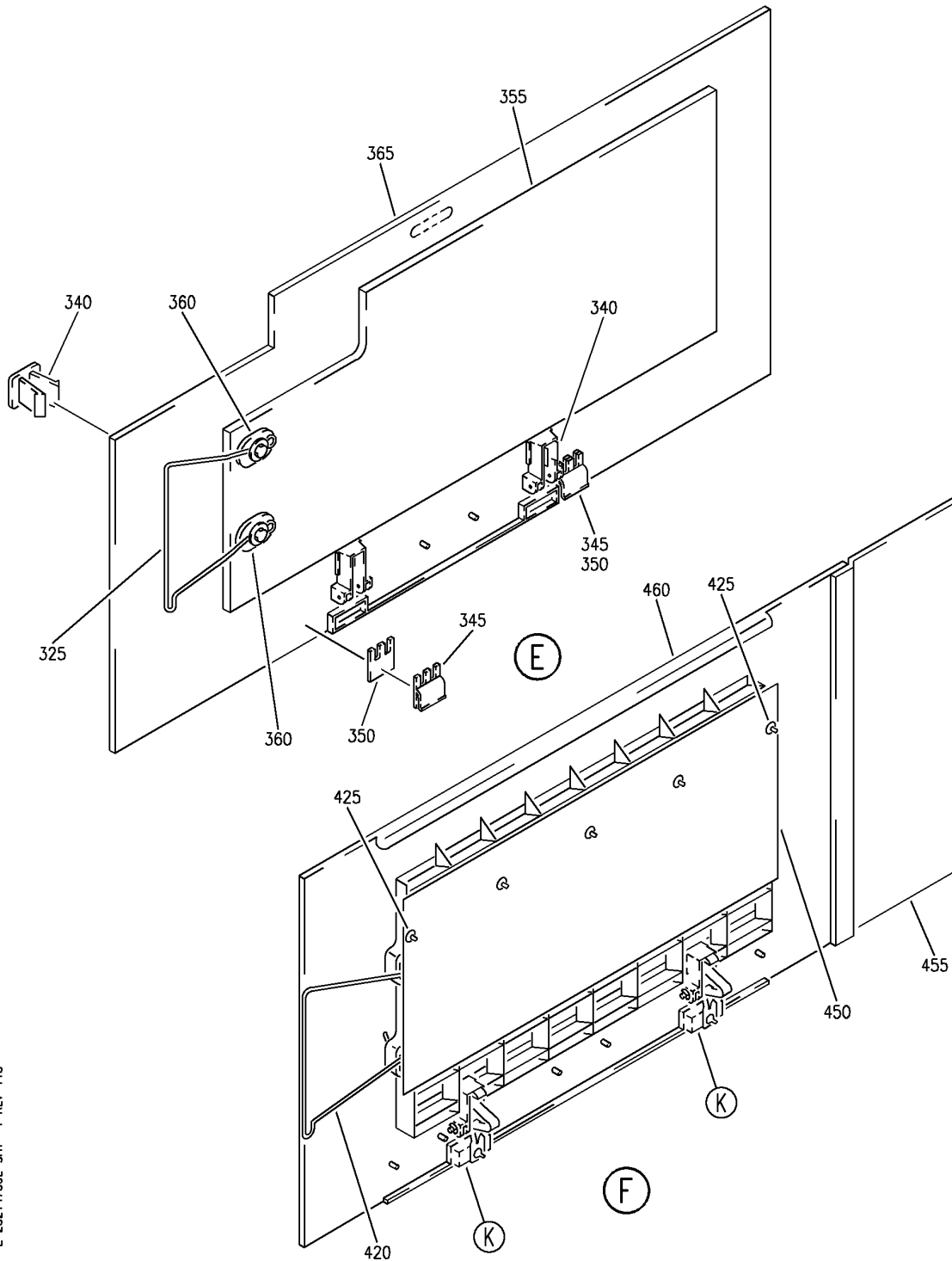
GRILLE INSTL-LH PASS. CAB. AIR RETURN
 FIGURE 53E (SHEET 3)

25-21-47-53E

HAP
 OCT 10/06

25-21-47-53E
 PAGE 0B

BOEING
 737-600/700/800/900
 PARTS CATALOG (MAINTENANCE)



E 25214753E SHT 4 REV 118

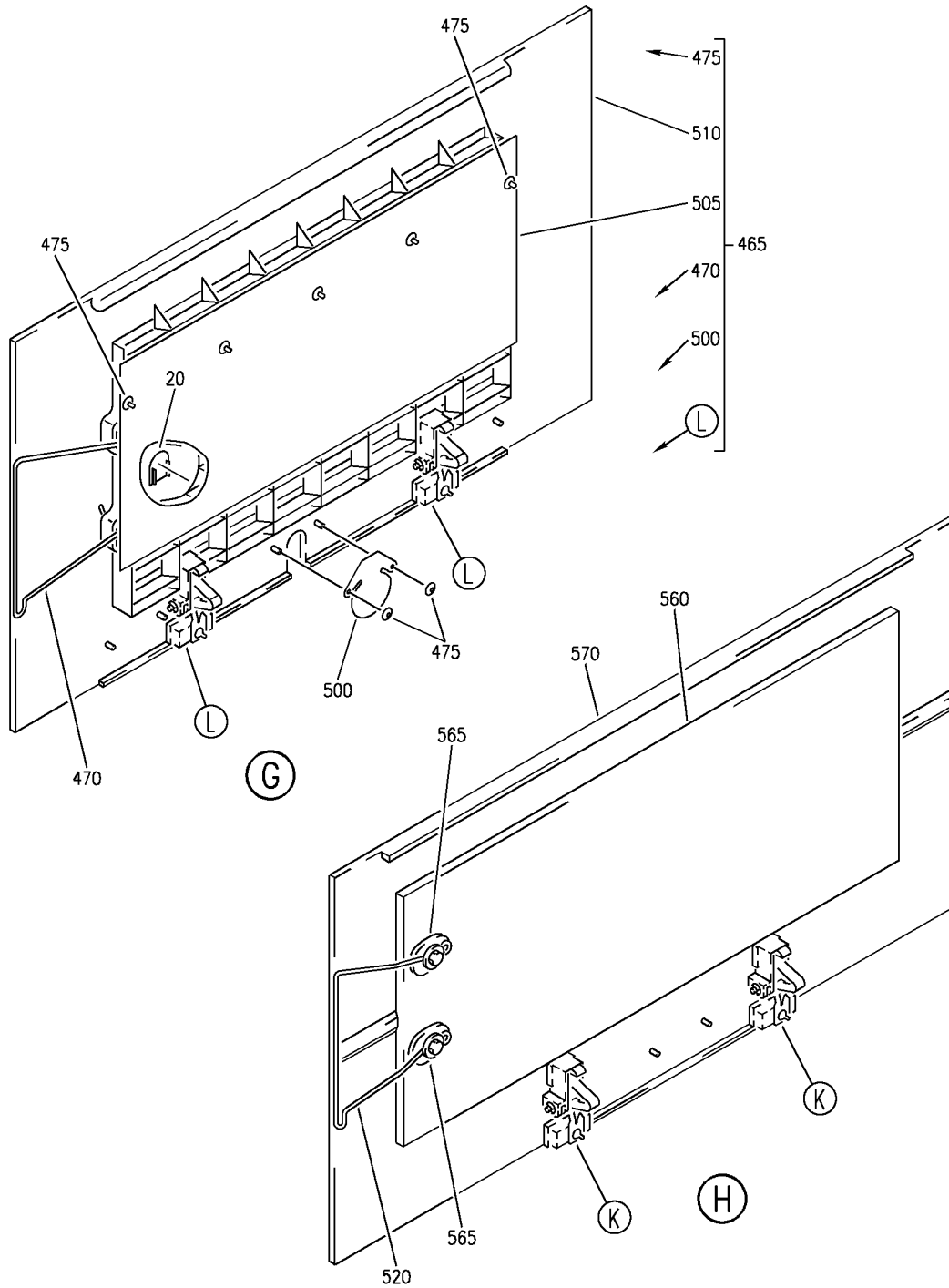
GRILLE INSTL-LH PASS. CAB. AIR RETURN
 FIGURE 53E (SHEET 4)

25-21-47-53E

HAP
 OCT 10/06

25-21-47-53E
 PAGE 0C

BOEING
 737-600/700/800/900
 PARTS CATALOG (MAINTENANCE)



E 25214753E SHT 5 REV 118

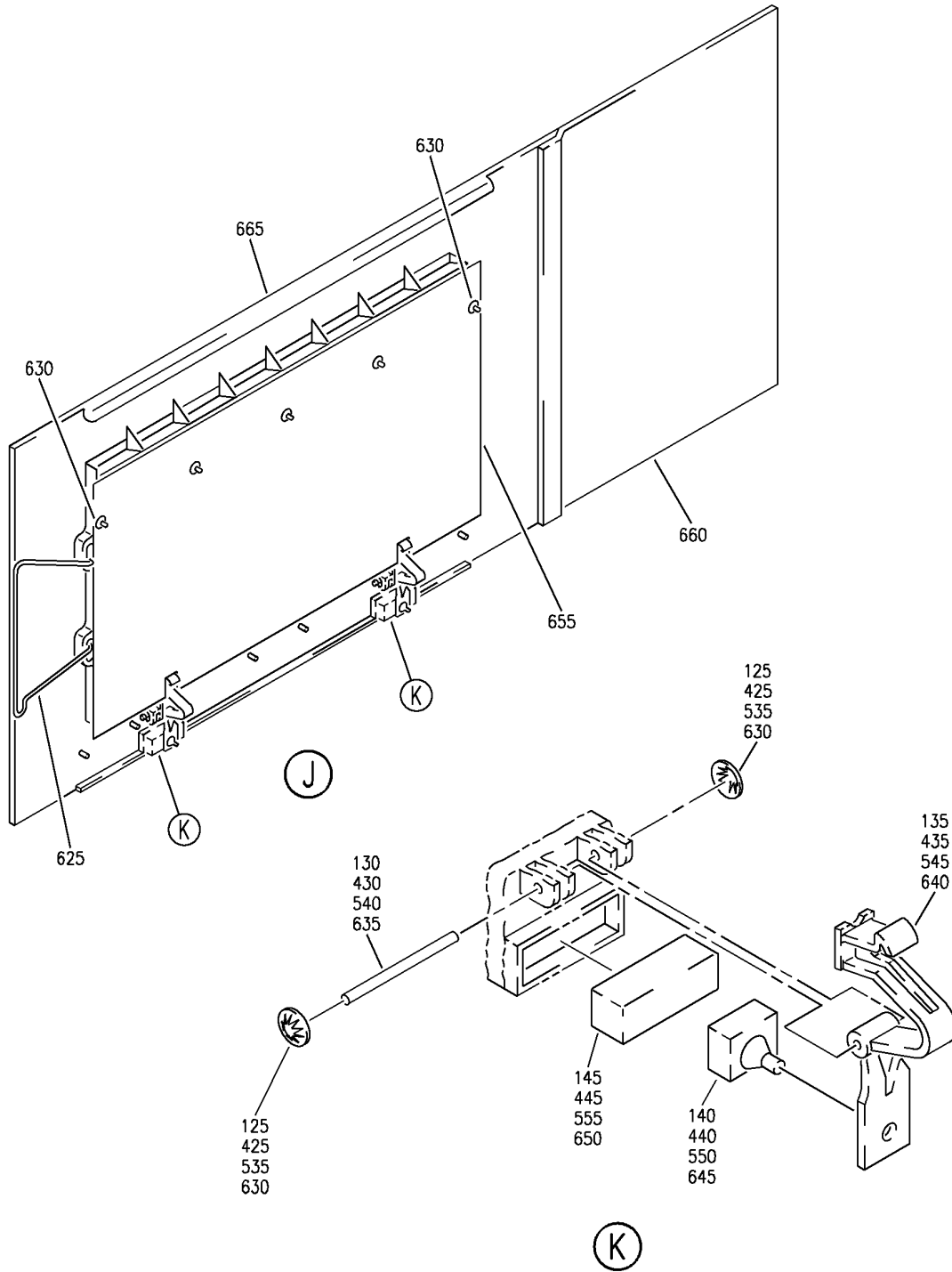
GRILLE INSTL-LH PASS. CAB. AIR RETURN
 FIGURE 53E (SHEET 5)

25-21-47-53E

HAP
 OCT 10/06

25-21-47-53E
 PAGE 0D

BOEING
 737-600/700/800/900
 PARTS CATALOG (MAINTENANCE)



E 25214753E SHT 6 REV 118

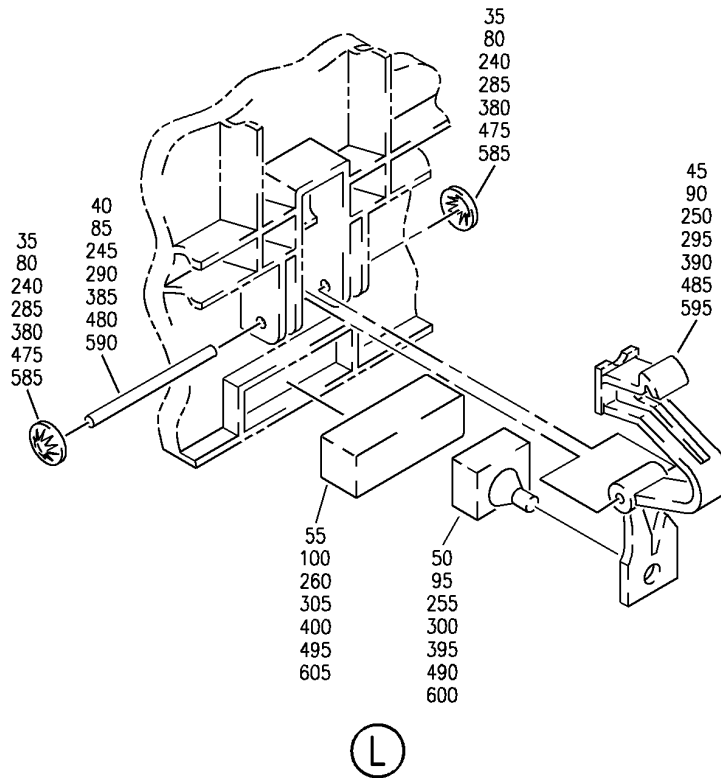
GRILLE INSTL-LH PASS. CAB. AIR RETURN
 FIGURE 53E (SHEET 6)

25-21-47-53E

HAP
 OCT 10/06

25-21-47-53E
 PAGE 0E

BOEING
 737-600/700/800/900
 PARTS CATALOG (MAINTENANCE)



E 25214753E SHT 7 REV 118

GRILLE INSTL-LH PASS. CAB. AIR RETURN
 FIGURE 53E (SHEET 7)

25-21-47-53E

HAP
 OCT 10/06

25-21-47-53E
 PAGE OF

BOEING
737-600/700/800/900
PARTS CATALOG (MAINTENANCE)

FIG ITEM	PART NUMBER	1 2 3 4 5 6 7	NOMENCLATURE	EFFECT FROM TO	UNITS PER ASSY
53E			GRILLE INSTL-LH PASS. CAB. AIR RETURN	031100	
- 1	MODREF217770		GRILLE INSTL-PASS. CAB. AIR RETURN MODULE NUMBER: 411A1101-3075C REV A POSITION DATA: LH	031100	1
5	411N1525-20		.TRIM ASSY ATTACHING PARTS	031100	1
- 10	BACS12HN3-6		.SCREW	031100	1
- 15	NAS1149D0316J		.WASHER	031100	1
			-----*-----		
20	411N1521-5SP		.PLUG	031100	AR
25	411N1510-103SP		.GRILLE ASSY-22.5 IN. PNL WITH SHORT LATCH AND SHORT BAFFLE (EQUIPMENT/ FURNISHINGS ONLY) FUNCTIONAL REFERENCE: PLACARDS AND MARKINGS FOR DETAILS SEE 11-30-54-53E	031100	9
30	411N1522-2		..CLIP-SPR RTNR	031100	1
35	6100-12		..RETAINER-CLIP SUPPLIER CODE: V97464	031100	9
40	411N1522-5		..PIN-HINGE	031100	2
45	411N1521-1SP		..LATCH	031100	2
50	411N1527-1		..PAD	031100	2
55	411N1527-2		..PAD	031100	2
60	411N1528-3		..BAFFLE ASSY	031100	1
65	411N1520-2SP		..GRILLE	031100	1
70	411N1510-101SP		.GRILLE ASSY-20.5 IN. PNL WITH SHORT LATCH AND SHORT BAFFLE (EQUIPMENT/ FURNISHINGS ONLY) FUNCTIONAL REFERENCE: PLACARDS AND MARKINGS FOR DETAILS SEE 11-30-54-53E	031100	6
75	411N1522-1		..CLIP-SPR RTNR	031100	1
80	6100-12		..RETAINER-CLIP SUPPLIER CODE: V97464	031100	9
85	411N1522-5		..PIN-HINGE	031100	2
90	411N1521-1SP		..LATCH	031100	2
95	411N1527-1		..PAD	031100	2
100	411N1527-2		..PAD	031100	2
105	411N1528-3		..BAFFLE ASSY	031100	1

MISSING ITEM NUMBERS NOT APPLICABLE

- ITEM NOT ILLUSTRATED

HAP

25-21-47-53E

BOEING PROPRIETARY - Copyright © - Unpublished Work - See title page for details.

25-21-47
FIG. 53E
PAGE 1
FEB 10/07

BOEING
737-600/700/800/900
PARTS CATALOG (MAINTENANCE)

FIG ITEM	PART NUMBER	1 2 3 4 5 6 7	NOMENCLATURE	EFFECT FROM TO	UNITS PER ASSY
53E					
110	411N1520-1SP	..	GRILLE	031100	1
115	411N1510-105SP	.GRILLE ASSY-20.5 IN. PNL WITH IFE (CTR), SHORT BAFFLE, AND LONG LATCH (EQUIPMENT/FURNISHINGS ONLY) FUNCTIONAL REFERENCE: PLACARDS AND MARKINGS FOR DETAILS SEE 11-30-54-53E		031100	1
120	411N1522-1	..	CLIP-SPR RTNR	031100	1
125	6100-12	..	RETAINER-CLIP SUPPLIER CODE: V97464	031100	11
130	411N1522-5	..	PIN-HINGE	031100	2
135	411N1521-2SP	..	LATCH	031100	2
140	411N1527-1	..	PAD	031100	2
145	411N1527-2	..	PAD	031100	2
150	411N1527-3	..	PAD	031100	1
155	411N1528-3	..	BAFFLE ASSY	031100	1
160	411N1520-1SP	..	GRILLE	031100	1
165	411N1510-33SP	.GRILLE ASSY-22.5 IN. BLANK PNL, PLUG AND SNAP-ON LATCH (EQUIPMENT/FURNISHINGS ONLY) FUNCTIONAL REFERENCE: PLACARDS AND MARKINGS FOR DETAILS SEE 11-30-54-53E		031100	1
170	411N1510-34SP	.GRILLE ASSY-20.5 IN. BLANK PNL, PLUG AND SNAP-ON LATCH (EQUIPMENT/FURNISHINGS ONLY) FUNCTIONAL REFERENCE: PLACARDS AND MARKINGS FOR DETAILS SEE 11-30-54-53E		031100	1
175	411N1522-3	..	SPRING-RTNR CLIP ATTACHING PARTS	031100	1
- 180	NAS1801-3-5	..	SCREW	031100	2
- 185	BACW10P5CC	..	WASHER -----*-----	031100	2
190	411N1521-3SP	..	PLUG	031100	2
195	411N1407-3	..	CLIP	031100	2
200	411N1407-7	..	SPACER	031100	2
205	411N1523-2	..	STIFFENER ASSY- USED ON: 411N1510-33SP	031100	1

MISSING ITEM NUMBERS NOT APPLICABLE

- ITEM NOT ILLUSTRATED

HAP

25-21-47-53E

BOEING PROPRIETARY - Copyright © - Unpublished Work - See title page for details.

25-21-47
FIG. 53E
PAGE 2
FEB 10/07

BOEING
737-600/700/800/900
PARTS CATALOG (MAINTENANCE)

FIG ITEM	PART NUMBER	1 2 3 4 5 6 7	NOMENCLATURE	EFFECT FROM TO	UNITS PER ASSY
53E					
210	411N1523-3	..	STIFFENER ASSY- USED ON: 411N1510-34SP	031100	1
215	BACI12S3	...	INSERT	031100	2
220	411N1520-4SP	..	GRILLE- USED ON: 411N1510-33SP	031100	1
225	411N1520-5SP	..	GRILLE- USED ON: 411N1510-34SP	031100	1
230	411N1510-102SP	.	GRILLE ASSY-20.5 IN. PNL WITH SHORT LATCH AND LARGE BAFFLE (EQUIPMENT/ FURNISHINGS ONLY) FUNCTIONAL REFERENCE: PLACARDS AND MARKINGS FOR DETAILS SEE 11-30-54-53E	031100	14
235	411N1522-1	..	CLIP-SPR RTNR	031100	1
240	6100-12	..	RETAINER-CLIP SUPPLIER CODE: V97464	031100	9
245	411N1522-5	...	PIN-HINGE	031100	2
250	411N1521-1SP	..	LATCH	031100	2
255	411N1527-1	..	PAD	031100	2
260	411N1527-2	..	PAD	031100	2
265	411N1528-2	..	BAFFLE ASSY	031100	1
270	411N1520-1SP	..	GRILLE	031100	1
275	411N1510-194SP	.	GRILLE ASSY-20.5 IN. PNL SHORTENED, SHORT LATCH, LARGE BAFFLE (EQUIPMENT/ FURNISHINGS ONLY) FUNCTIONAL REFERENCE: PLACARDS AND MARKINGS FOR DETAILS SEE 11-30-54-53E	031100	1
280	411N1522-1	..	CLIP-SPR RTNR	031100	1
285	6100-12	..	RETAINER-CLIP SUPPLIER CODE: V97464	031100	9
290	411N1522-5	..	PIN-HINGE	031100	2
295	411N1521-1SP	..	LATCH	031100	2
300	411N1527-1	..	PAD	031100	2
305	411N1527-2	..	PAD	031100	2
310	411N1528-2	..	BAFFLE ASSY	031100	1
315	411N1520-12SP	..	GRILLE	031100	1

MISSING ITEM NUMBERS NOT APPLICABLE

— ITEM NOT ILLUSTRATED

HAP

25-21-47-53E

BOEING PROPRIETARY - Copyright © - Unpublished Work - See title page for details.

25-21-47
FIG. 53E
PAGE 3
FEB 10/07

BOEING
737-600/700/800/900
PARTS CATALOG (MAINTENANCE)

FIG ITEM	PART NUMBER	1 2 3 4 5 6 7	NOMENCLATURE	EFFECT FROM TO	UNITS PER ASSY
53E 320	411N1510-197SP	.	GRILLE ASSY-(EQUIPMENT/ FURNISHINGS ONLY) FUNCTIONAL REFERENCE: PLACARDS AND MARKINGS FOR DETAILS SEE 11-30-54-53E	031100	1
325	411N1522-3	..	SPRING-RTNR CLIP ATTACHING PARTS	031100	1
- 330	NAS1801-3-5	..	SCREW	031100	2
- 335	BACW10P5CC	..	WASHER -----*-----	031100	2
340	411N1521-3SP	..	PLUG	031100	2
345	411N1407-3	..	CLIP	031100	2
350	411N1407-7	..	SPACER	031100	2
355	411N1523-27	..	STIFFENER ASSY	031100	1
- 357	411N1523-2	...	STIFFENER ASSY	031100	1
360	BACI12S3	INSERT	031100	2
365	411N1520-10SP	..	GRILLE-MOLDED	031100	1
370	411N1510-109SP	.	GRILLE ASSY-20.5 IN. PNL, SHORTENED, SHORT LATCH AND SHORT BAFFLE (EQUIPMENT/FURNISHINGS ONLY) FUNCTIONAL REFERENCE: PLACARDS AND MARKINGS FOR DETAILS SEE 11-30-54-53E	031100	1
375	411N1522-1	..	CLIP-SPR RTNR	031100	1
380	6100-12	..	RETAINER-CLIP SUPPLIER CODE: V97464	031100	9
385	411N1522-5	..	PIN-HINGE	031100	2
390	411N1521-1SP	..	LATCH	031100	2
395	411N1527-1	..	PAD	031100	2
400	411N1527-2	..	PAD	031100	2
405	411N1528-3	..	BAFFLE ASSY	031100	1
410	411N1520-12SP	..	GRILLE	031100	1
415	411N1510-107SP	.	GRILLE ASSY-22.5 IN. PNL WITH 4 IN. EXTENSION (OPP CLIP), LONG LATCH AND SHORT BAFFLE (EQUIPMENT/FURNISHINGS ONLY) FUNCTIONAL REFERENCE: PLACARDS AND MARKINGS FOR DETAILS SEE 11-30-54-53E	031100	1
420	411N1522-2	..	CLIP-SPR RTNR	031100	1

MISSING ITEM NUMBERS NOT APPLICABLE

- ITEM NOT ILLUSTRATED

HAP

25-21-47-53E

BOEING PROPRIETARY - Copyright © - Unpublished Work - See title page for details.

25-21-47
FIG. 53E
PAGE 4
FEB 10/07

BOEING
737-600/700/800/900
PARTS CATALOG (MAINTENANCE)

FIG ITEM	PART NUMBER	1 2 3 4 5 6 7	NOMENCLATURE	EFFECT FROM TO	UNITS PER ASSY
53E					
425	6100-12	..	RETAINER-CLIP SUPPLIER CODE: V97464	031100	9
430	411N1522-5	..	PIN-HINGE	031100	2
435	411N1521-2SP	..	LATCH	031100	2
440	411N1527-1	..	PAD	031100	2
445	411N1527-2	..	PAD	031100	2
450	411N1528-3	..	BAFFLE ASSY	031100	1
455	411N1524-2SP	..	EXTENSION	031100	1
460	411N1520-2SP	..	GRILLE	031100	1
465	411N1510-113SP	.GRILLE ASSY-22.5 IN. PNL WITH SHORT LATCH, SHORT BAFFLE AND IFE AT CTR (EQUIPMENT/FURNISHINGS ONLY) FUNCTIONAL REFERENCE: PLACARDS AND MARKINGS FOR DETAILS SEE 11-30-54-53E	031100	1	
470	411N1522-2	..	CLIP-SPR RTNR	031100	1
475	6100-12	..	RETAINER-CLIP SUPPLIER CODE: V97464	031100	11
480	411N1522-5	..	PIN-HINGE	031100	2
485	411N1521-1SP	..	LATCH	031100	2
490	411N1527-1	..	PAD	031100	2
495	411N1527-2	..	PAD	031100	2
500	411N1527-3	..	PAD	031100	1
505	411N1528-3	..	BAFFLE ASSY	031100	1
510	411N1520-2SP	..	GRILLE	031100	1
515	411N1510-27SP	.GRILLE ASSY-22.5 IN. BLANK PNL, LONG LATCH (EQUIPMENT/FURNISHINGS ONLY) FUNCTIONAL REFERENCE: PLACARDS AND MARKINGS FOR DETAILS SEE 11-30-54-53E	031100	2	
520	411N1522-3	..	SPRING-RTNR CLIP ATTACHING PARTS	031100	1
- 525	NAS1801-3-5	..	SCREW	031100	2
- 530	BACW10P5CC	..	WASHER	031100	2
			-----*-----		
535	6100-12	..	RETAINER-CLIP SUPPLIER CODE: V97464	031100	4
540	411N1522-4	..	PIN-HINGE OPTIONAL PART: 411N1522-5	031100	2

MISSING ITEM NUMBERS NOT APPLICABLE

- ITEM NOT ILLUSTRATED

HAP

25-21-47-53E

BOEING PROPRIETARY - Copyright © - Unpublished Work - See title page for details.

25-21-47
FIG. 53E
PAGE 5
FEB 10/07

BOEING
737-600/700/800/900
PARTS CATALOG (MAINTENANCE)

FIG ITEM	PART NUMBER	1 2 3 4 5 6 7	NOMENCLATURE	EFFECT FROM TO	UNITS PER ASSY
53E					
540	411N1522-5	..	PIN-HINGE OPTIONAL PART: 411N1522-4	031100	2
545	411N1521-2SP	..	LATCH	031100	2
550	411N1527-1	..	PAD	031100	2
555	411N1527-2	..	PAD	031100	2
560	411N1523-2	..	STIFFENER ASSY	031100	1
565	BACI12S3	...	INSERT	031100	2
570	411N1520-4SP	..	GRILLE	031100	1
575	411N1510-106SP	.GRILLE ASSY-22.5 IN. PNL WITH SHORT LATCH AND LARGE BAFFLE (EQUIPMENT/ FURNISHINGS ONLY) FUNCTIONAL REFERENCE: PLACARDS AND MARKINGS FOR DETAILS SEE 11-30-54-53E		031100	6
580	411N1522-2	..	CLIP-SPR RTNR	031100	1
585	6100-12	..	RETAINER-CLIP SUPPLIER CODE: V97464	031100	9
590	411N1522-5	..	PIN-HINGE	031100	2
595	411N1521-1SP	..	LATCH	031100	2
600	411N1527-1	..	PAD	031100	2
605	411N1527-2	..	PAD	031100	2
610	411N1528-2	..	BAFFLE ASSY	031100	1
615	411N1520-2SP	..	GRILLE	031100	1
620	411N1510-110SP	.GRILLE ASSY-20.5 IN. PNL WITH 8IN. EXTENSION (OPP CLIP) AND LARGE BAFFLE (EQUIPMENT/FURNISHINGS ONLY) FUNCTIONAL REFERENCE: PLACARDS AND MARKINGS FOR DETAILS SEE 11-30-54-53E		031100	1
625	411N1522-1	..	CLIP-SPR RTNR	031100	1
630	6100-12	..	RETAINER-CLIP SUPPLIER CODE: V97464	031100	9
635	411N1522-5	..	PIN-HINGE	031100	2
640	411N1521-2SP	..	LATCH	031100	2
645	411N1527-1	..	PAD	031100	2
650	411N1527-2	..	PAD	031100	2
655	411N1528-2	..	BAFFLE ASSY	031100	1
660	411N1524-1SP	..	EXTENSION	031100	1
665	411N1520-1SP	..	GRILLE	031100	1

MISSING ITEM NUMBERS NOT APPLICABLE

— ITEM NOT ILLUSTRATED

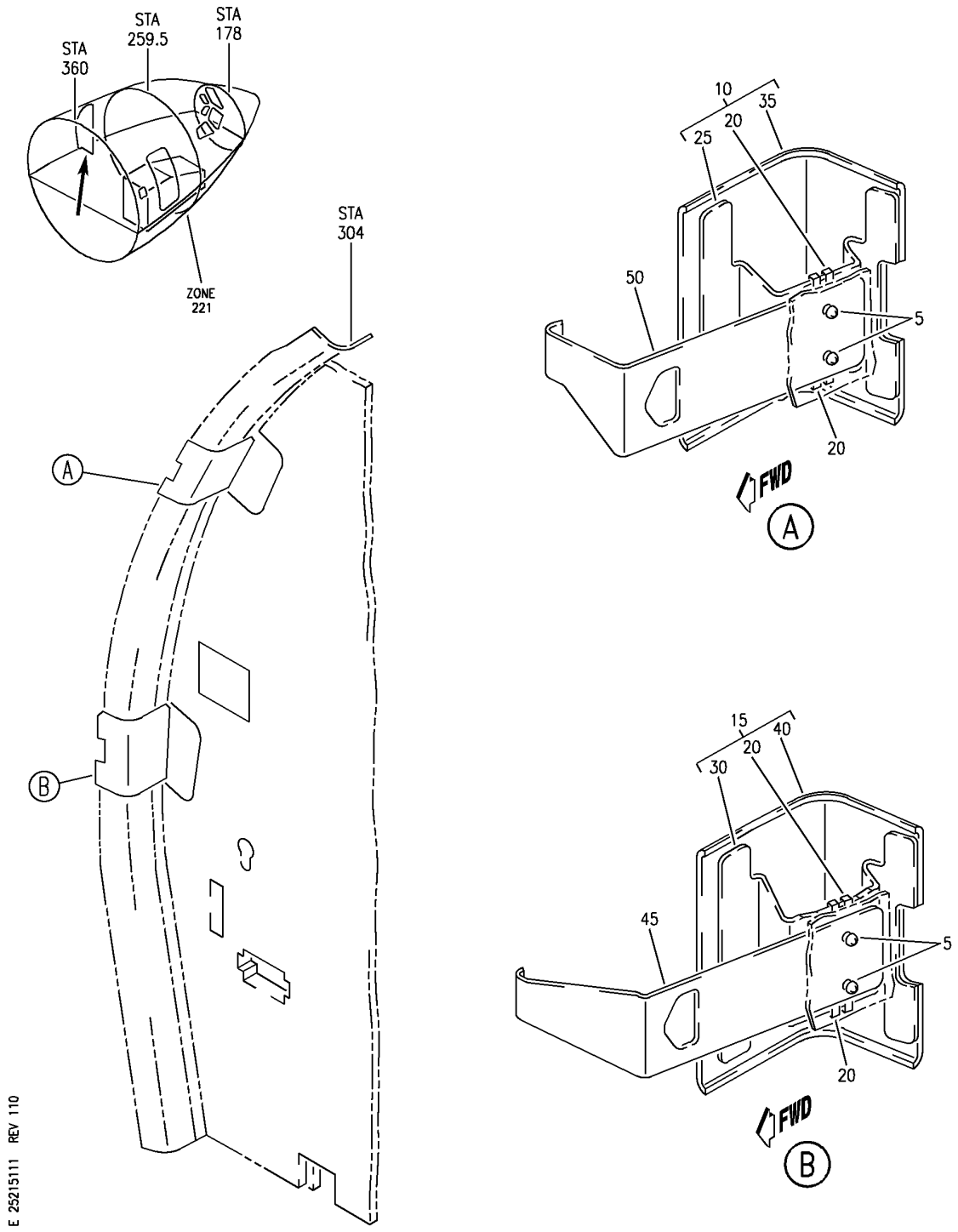
HAP

25-21-47-53E

BOEING PROPRIETARY - Copyright © - Unpublished Work - See title page for details.

25-21-47
FIG. 53E
PAGE 6
FEB 10/07

BOEING
737-600/700/800/900
PARTS CATALOG (MAINTENANCE)



E 25215111 REV 110

COVER INSTL-HINGE
FIGURE 11

25-21-51-11

HAP
OCT 10/06

25-21-51-11
PAGE 0

BOEING
737-600/700/800/900
PARTS CATALOG (MAINTENANCE)

FIG ITEM	PART NUMBER	1 2 3 4 5 6 7	NOMENCLATURE	EFFECT FROM TO	UNITS PER ASSY
11			COVER INSTL-HINGE	031200 968999	
- 1	MODREF267498		COVER INSTL-HINGE MODULE NUMBER: 411A2600-13B REV C	031036	1
- 1	MODREF309249		COVER INSTL-HINGE MODULE NUMBER: 411A2600-13B REV D	037200 968999	1
5	BACS12FA3K10		.SCREW	031200 968999	4
10	411A2215-8B		.COVER ASSY	031200 968999	1
15	411A2215-9B		.COVER ASSY	031200 968999	1
20	BRC600-10-3GP		..NUT SUPPLIER CODE: V52828 SPECIFICATION NUMBER: BACN10YD2G OPTIONAL PART: 130121G V60119	031200 968999	2
25	411A2229-280B		..BRACKET ASSY- USED ON: 411A2215-8B	031200 968999	1
30	411A2229-174B		..BRACKET ASSY- USED ON: 411A2215-9B	031200 968999	1
35	411A2225-7B		..COVER- USED ON: 411A2215-8B	031200 968999	1
40	411A2225-8B		..COVER- USED ON: 411A2215-9B	031200 968999	1
45	411A2229-283		.BRACKET	031200 968999	1
50	411A2229-290		.BRACKET	031200 968999	1

MISSING ITEM NUMBERS NOT APPLICABLE

- ITEM NOT ILLUSTRATED

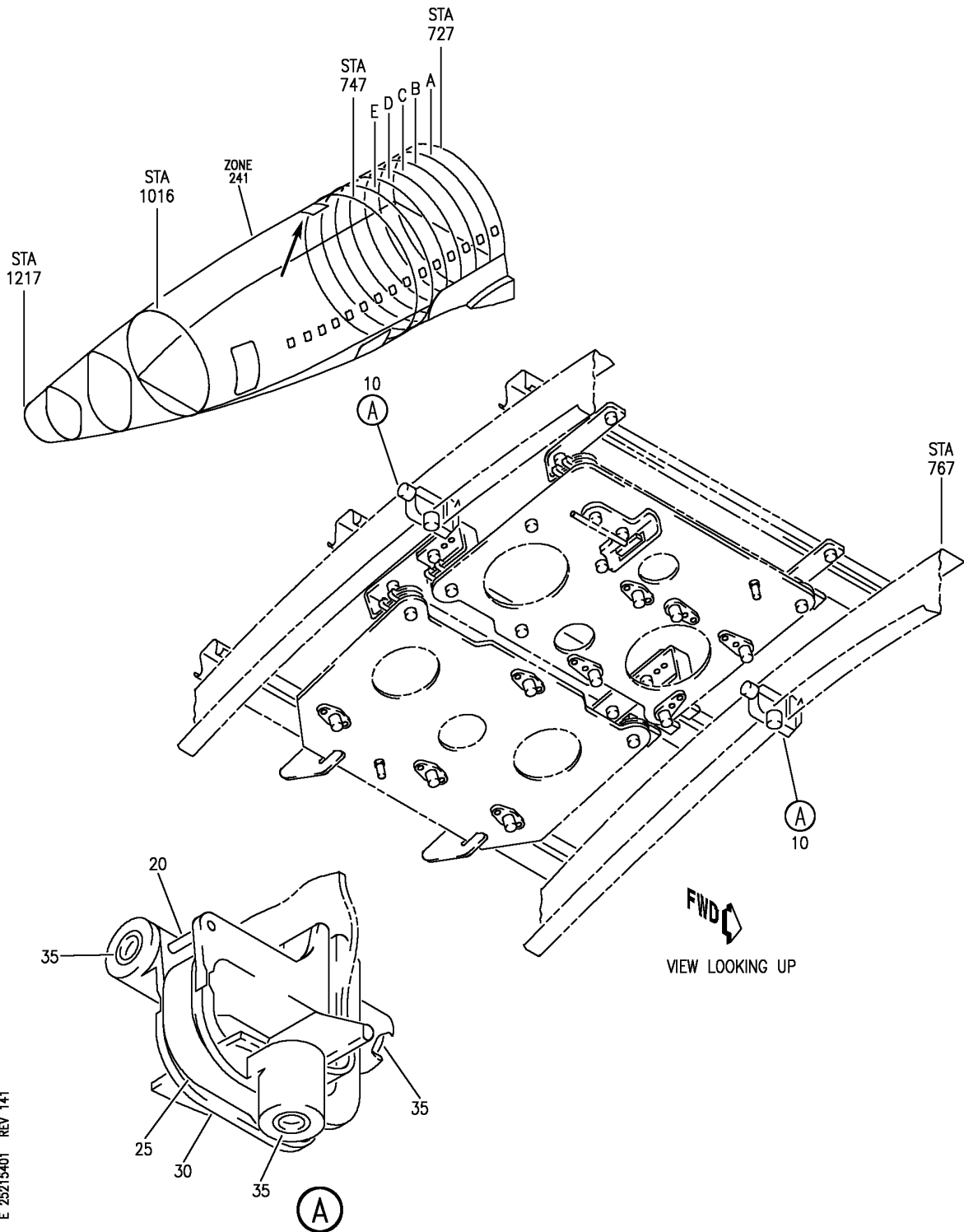
HAP

25-21-51-11

BOEING PROPRIETARY - Copyright © - Unpublished Work - See title page for details.

25-21-51
FIG. 11
PAGE 1
OCT 15/08

BOEING
 737-600/700/800/900
 PARTS CATALOG (MAINTENANCE)



E 25215401 REV 141

WIRE BUNDLE INSTL-L PASS. SIDEWALL VDU TRAY
 FIGURE 1

25-21-54-01

HAP
 JUN 15/08

25-21-54-01
 PAGE 0

BOEING
737-600/700/800/900
PARTS CATALOG (MAINTENANCE)

FIG ITEM	PART NUMBER	1 2 3 4 5 6 7	NOMENCLATURE	EFFECT FROM TO	UNITS PER ASSY
1			WIRE BUNDLE INSTL-L PASS. SIDEWALL VDU TRAY	101200 968999	
- 1	MODREF259179		WIRE BUNDLE INSTL-PASS. SIDEWALL VDU TRAY MODULE NUMBER: 288A4467-7 REV A POSITION DATA: STA 767 TO STA 787 L	101200 968999	1
10	411A4902-7		.CLIP ASSY	101200 968999	2
20	MS16562-194		..PIN	101200 968999	1
25	411A4902-8		..CLIP	101200 968999	1
30	411A4902-4		..RETAINER ASSY	101200 968999	1
35	H02030-2L		...INSERT- SUPPLIER CODE: V07EU2	101200 968999	3

MISSING ITEM NUMBERS NOT APPLICABLE

- ITEM NOT ILLUSTRATED

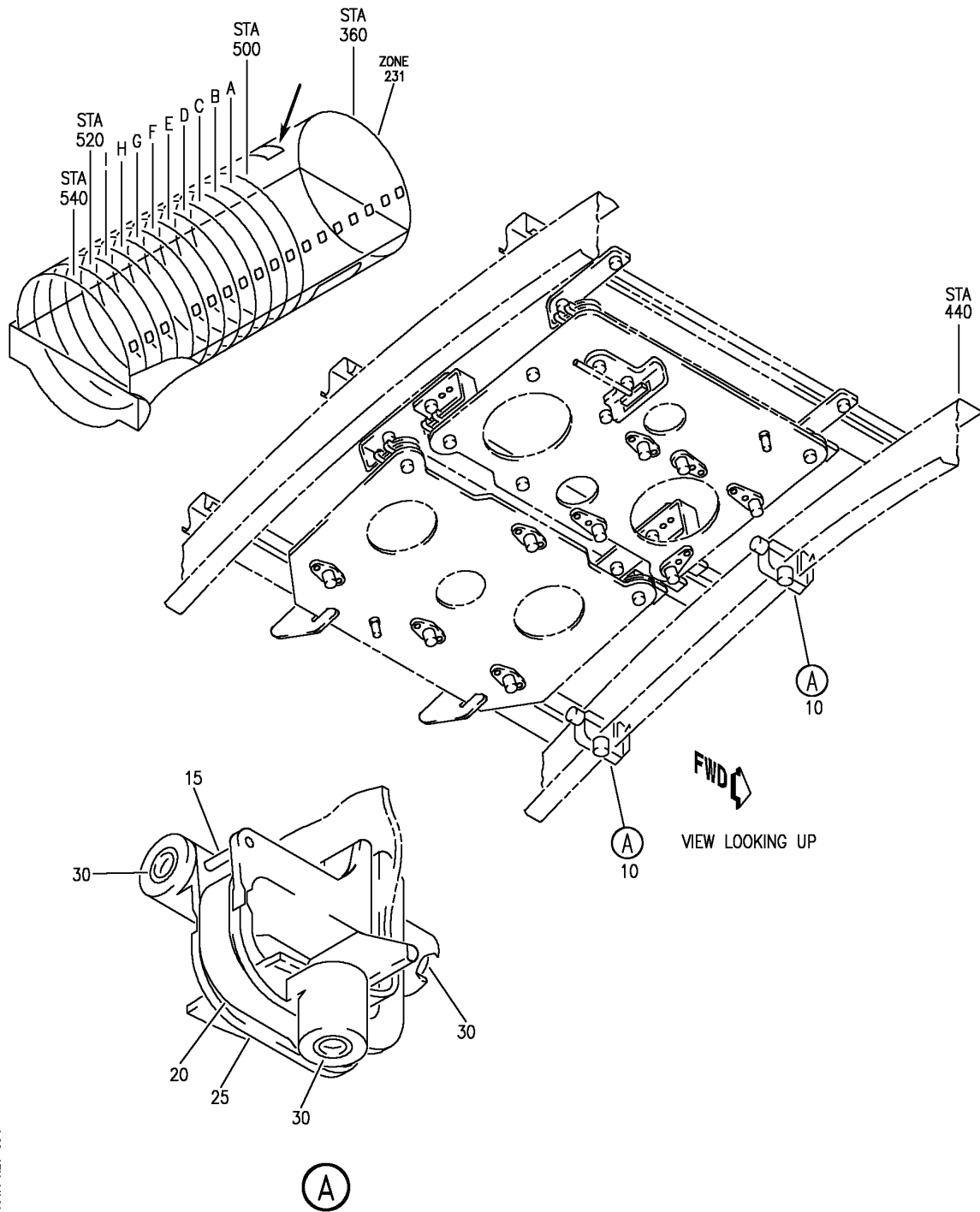
HAP

25-21-54-01

BOEING PROPRIETARY - Copyright © - Unpublished Work - See title page for details.

25-21-54
FIG. 01
PAGE 1
OCT 15/08

BOEING
 737-600/700/800/900
 PARTS CATALOG (MAINTENANCE)



E 25215401A REV 094

WIRE BUNDLE INSTL-L PASS. SIDEWALL VDU TRAY
 FIGURE 1A

25-21-54-01A

HAP
 JUN 15/08

25-21-54-01A
 PAGE 0

BOEING
737-600/700/800/900
PARTS CATALOG (MAINTENANCE)

FIG ITEM	PART NUMBER	1 2 3 4 5 6 7	NOMENCLATURE	EFFECT FROM TO	UNITS PER ASSY	
R R R R R R R R R R	1 A		WIRE BUNDLE INSTL-L PASS. SIDEWALL VDU TRAY	054100		
	- 1	MODREF206153	WIRE BUNDLE INSTL-PASS. SIDEWALL VDU TRAY MODULE NUMBER: 288A4353-5 REV A POSITION DATA: STA 440 TO STA 460 L	054100	1	
	10	411A4902-7	.CLIP ASSY	054100	2	
	15	MS16562-194	..PIN	054100	1	
	20	411A4902-8	..CLIP	054100	1	
	25	411A4902-4	..RETAINER ASSY	054100	1	
	30	H02030-2L	...INSERT- SUPPLIER CODE: V07EU2	054100	3	

MISSING ITEM NUMBERS NOT APPLICABLE

- ITEM NOT ILLUSTRATED

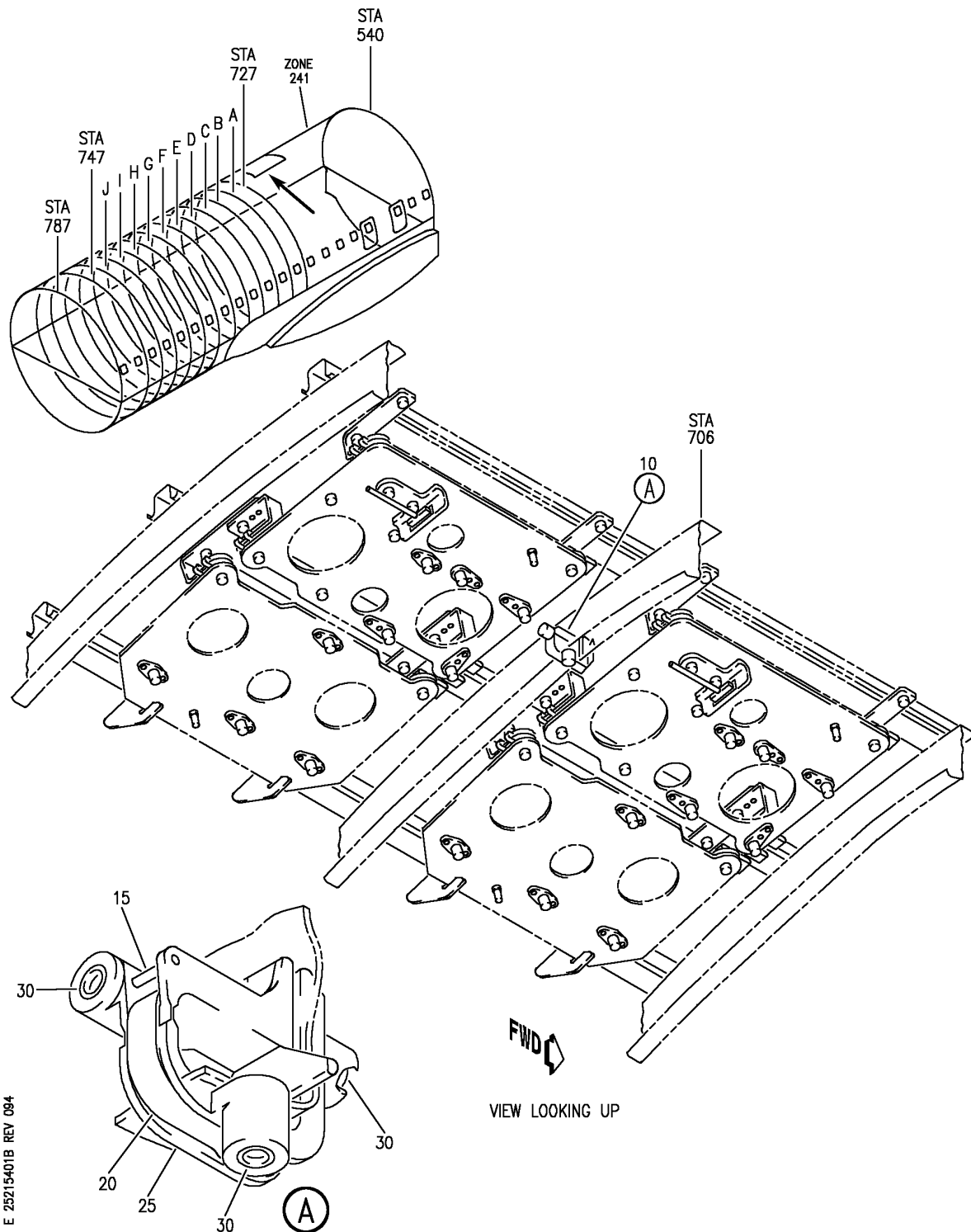
HAP

25-21-54-01A

BOEING PROPRIETARY - Copyright © - Unpublished Work - See title page for details.

25-21-54
FIG. 01A
PAGE 1
JUN 15/09

BOEING
 737-600/700/800/900
 PARTS CATALOG (MAINTENANCE)



E 25215401B REV 094

WIRE BUNDLE INSTL-L PASS. SIDEWALL VDU TRAY 3
 FIGURE 1B

25-21-54-01B

HAP
 OCT 10/06

25-21-54-01B
 PAGE 0

BOEING
737-600/700/800/900
PARTS CATALOG (MAINTENANCE)

FIG ITEM	PART NUMBER	1 2 3 4 5 6 7	NOMENCLATURE	EFFECT FROM TO	UNITS PER ASSY
1B			WIRE BUNDLE INSTL-L PASS. SIDEWALL VDU TRAY 3	031200 968999	
- 1	MODREF214765		WIRE BUNDLE INSTL-PASS. SIDEWALL VDU TRAY 3 MODULE NUMBER: 288A4445-7 REV A POSITION DATA: STA 706 TO STA 720 L	101200 968999	1
R R R R R R R R R	- 1	MODREF206157	WIRE BUNDLE INSTL-PASS. SIDEWALL VDU TRAY 3 MODULE NUMBER: 288A4445-5 REV A POSITION DATA: STA 706 TO STA 720 L	054100	1
R R R R R R R R	- 1	MODREF211163	WIRE BUNDLE INSTL-PASS. SIDEWALL VDU TRAY 3 MODULE NUMBER: 288A4445-3 REV A POSITION DATA: STA 685 TO STA 706 L	031053	1
	10	411A4902-7	.CLIP ASSY	031200 968999	1
	15	MS16562-194	..PIN	031200 968999	1
	20	411A4902-8	..CLIP	031200 968999	1
	25	411A4902-4	..RETAINER ASSY	031200 968999	1
	30	H02030-2L	...INSERT- SUPPLIER CODE: V07EU2	031200 968999	3

MISSING ITEM NUMBERS NOT APPLICABLE

- ITEM NOT ILLUSTRATED

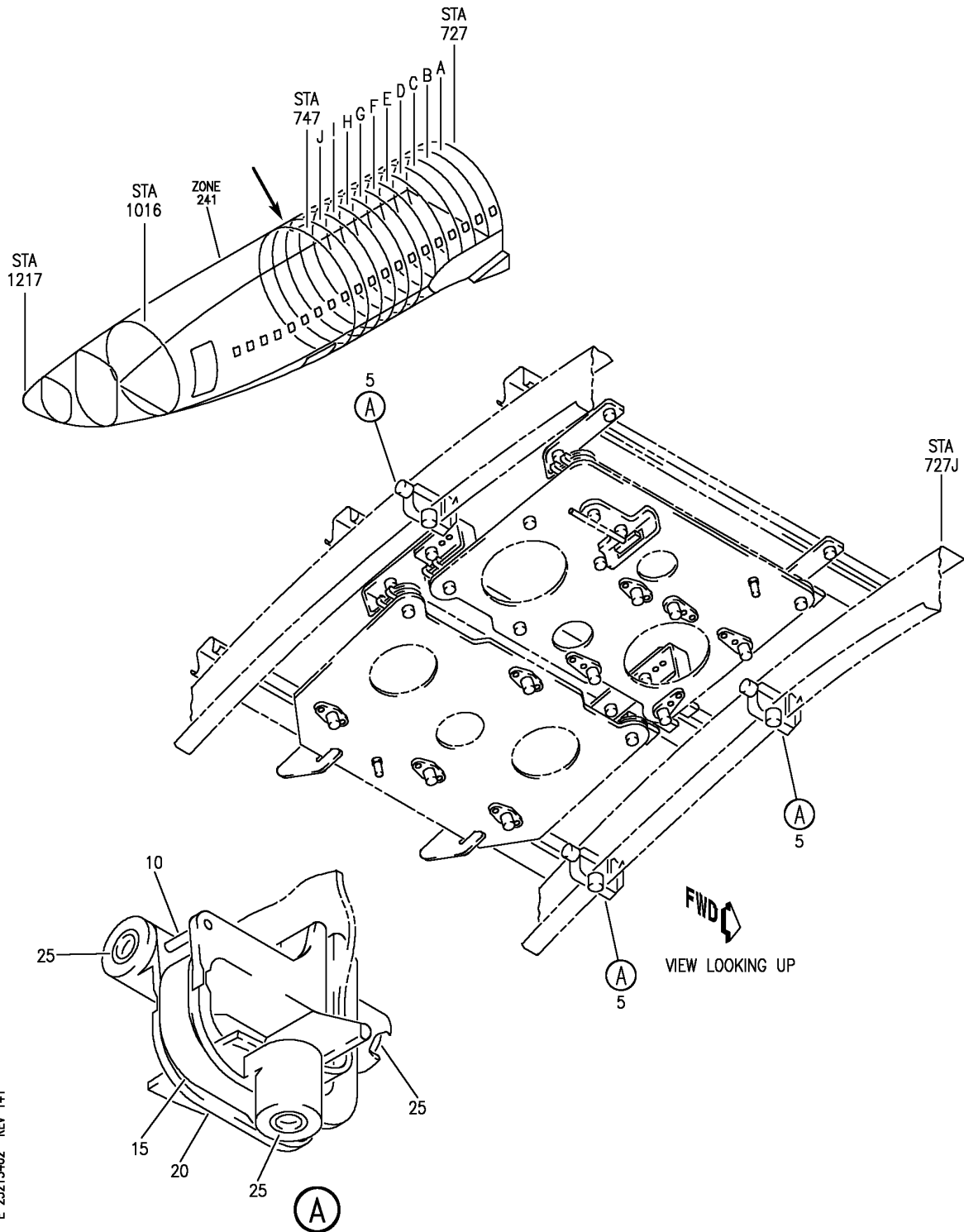
HAP

25-21-54-01B

BOEING PROPRIETARY - Copyright © - Unpublished Work - See title page for details.

25-21-54
FIG. 01B
PAGE 1
JUN 15/09

BOEING
 737-600/700/800/900
 PARTS CATALOG (MAINTENANCE)



E 25215402 REV 141

WIRE BUNDLE INSTL-L PASS. SIDEWALL VDU TRAY 4
 FIGURE 2

25-21-54-02

HAP
 JUN 15/08

25-21-54-02
 PAGE 0

BOEING
737-600/700/800/900
PARTS CATALOG (MAINTENANCE)

FIG ITEM	PART NUMBER	1 2 3 4 5 6 7	NOMENCLATURE	EFFECT FROM TO	UNITS PER ASSY	
R R R R R R R R R R	2		WIRE BUNDLE INSTL-L PASS. SIDEWALL VDU TRAY 4	031100		
	- 1	MODREF211164	WIRE BUNDLE INSTL-PASS. SIDEWALL VDU TRAY 4 MODULE NUMBER: 288A4467-2 REV A POSITION DATA: STA 727J TO STA 747 L	031053	1	
	- 1	MODREF206158	WIRE BUNDLE INSTL-PASS. SIDEWALL VDU TRAY 4 MODULE NUMBER: 288A4467-5 REV A POSITION DATA: STA 727J TO STA 747 L	054100	1	
	5	411A4902-7	.CLIP ASSY	031100	3	
	10	MS16562-194	..PIN	031100	1	
	15	411A4902-8	..CLIP	031100	1	
	20	411A4902-4	..RETAINER ASSY	031100	1	
	25	H02030-2L	...INSERT- SUPPLIER CODE: V07EU2	031100	3	

MISSING ITEM NUMBERS NOT APPLICABLE

- ITEM NOT ILLUSTRATED

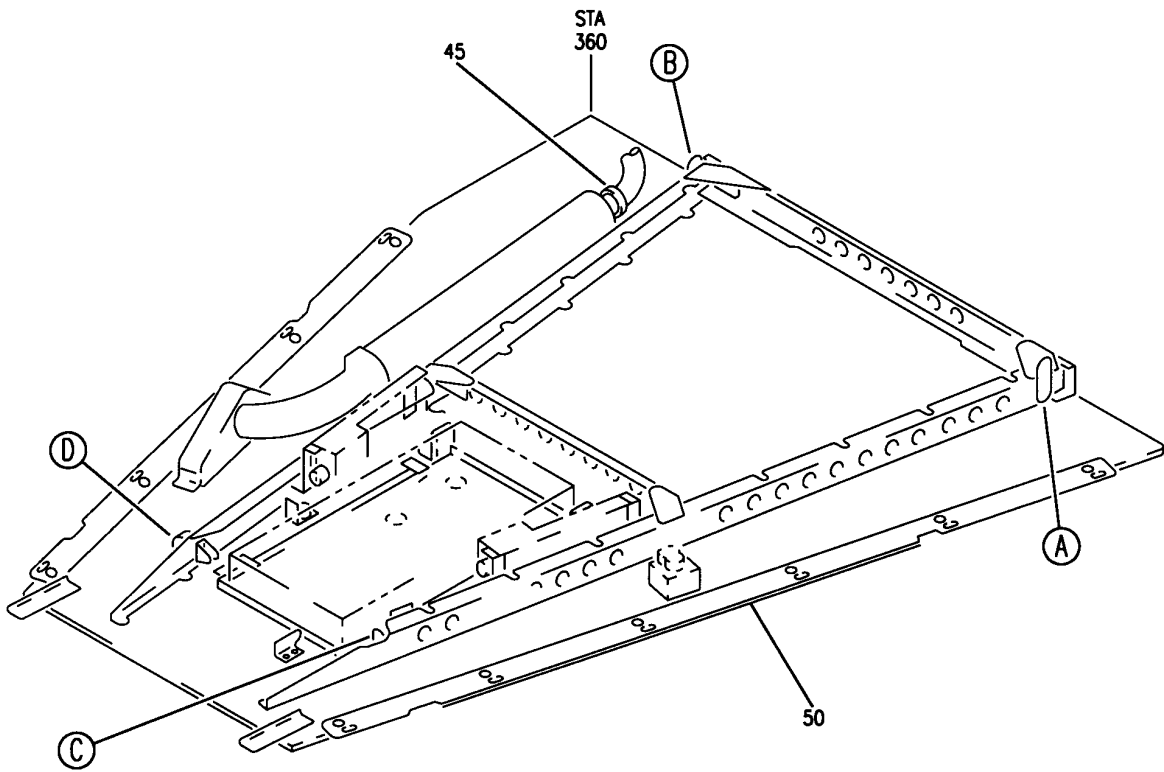
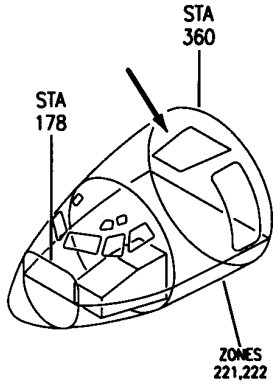
HAP

25-21-54-02

BOEING PROPRIETARY - Copyright © - Unpublished Work - See title page for details.

25-21-54
FIG. 02
PAGE 1
JUN 15/09

BOEING
737-600/700/800/900
PARTS CATALOG (MAINTENANCE)



E 25217101 SHT 1 REV 002

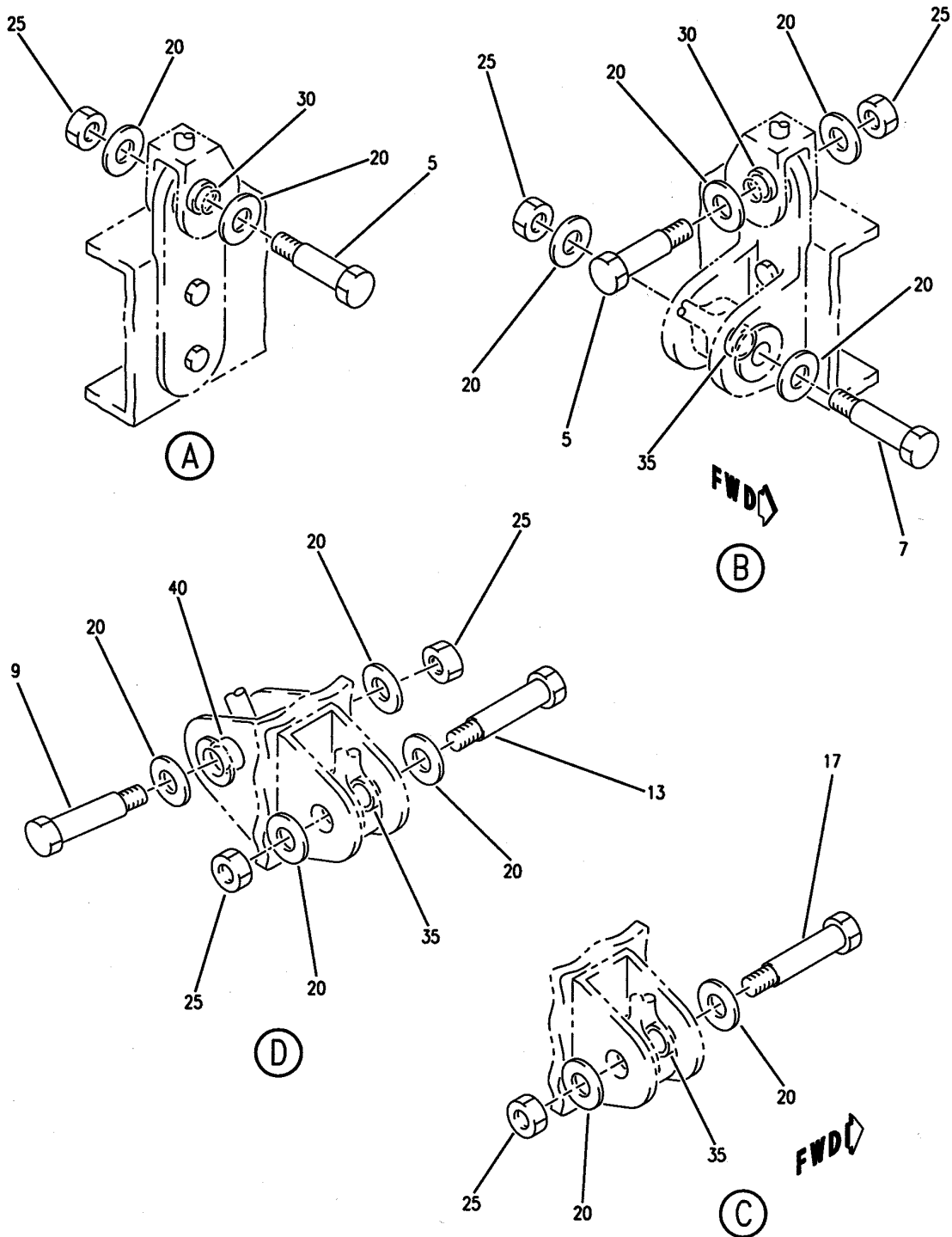
CEILING INSTL-LOWERED FWD ENTRY
FIGURE 1 (SHEET 1)

25-21-71-01

HAP
OCT 10/06

25-21-71-01
PAGE 0

BOEING
 737-600/700/800/900
 PARTS CATALOG (MAINTENANCE)



E 25217101 SHT 2 REV 037

CEILING INSTL-LOWERED FWD ENTRY
 FIGURE 1 (SHEET 2)

25-21-71-01

HAP
 OCT 10/06

25-21-71-01
 PAGE 0A

BOEING
737-600/700/800/900
PARTS CATALOG (MAINTENANCE)

FIG ITEM	PART NUMBER	1 2 3 4 5 6 7	NOMENCLATURE	EFFECT FROM TO	UNITS PER ASSY
1			CEILING INSTL-LOWERED FWD ENTRY	031036	
- 1	MODREF271729		CEILING INSTL-LOWERED ENTRY MODULE NUMBER: 411A3200-243B REV C POSITION DATA: FWD	031036	1
5	BACB30NR4K12		.BOLT-	031036	2
7	BACB30NR4K16		.BOLT-	031036	1
9	BACB30NR4K14		.BOLT	031036	1
13	BACB30NR4K17		.BOLT- POSITION DATA: FAR SIDE	031036	1
17	BACB30NR4K14		.BOLT-	031036	1
20	NAS1149D0463J		.WASHER-	031036	12
25	PLH54CD		.NUT SUPPLIER CODE: VF0224 SPECIFICATION NUMBER: BACN10YR4CD OPTIONAL PART: H52732-4CD V15653	031036	6
30	BACB28AK04-026		.BUSHING	031036	2
35	BACB28AK04-042		.BUSHING	031036	3
40	BACB28AK04-056		.BUSHING	031036	1
45	PLT3SM		.STRAP- SUPPLIER CODE: V06383 SPECIFICATION NUMBER: BACS38K7 OPTIONAL PART: T0510 V53421 MAINTENANCE MANUAL REF: 21-26-01	031036	1

MISSING ITEM NUMBERS NOT APPLICABLE

- ITEM NOT ILLUSTRATED

HAP

25-21-71-01

BOEING PROPRIETARY - Copyright © - Unpublished Work - See title page for details.

25-21-71
FIG. 01
PAGE 1
FEB 15/09

BOEING
737-600/700/800/900
PARTS CATALOG (MAINTENANCE)

FIG ITEM	PART NUMBER	1 2 3 4 5 6 7 NOMENCLATURE	EFFECT FROM TO	UNITS PER ASSY
1 50	411A3220-104B	.CEILING ASSY-ENTRY POSITION DATA: FWD FUNCTIONAL REFERENCE: AIR CONDITIONING FOR DETAILS SEE 21-26-01-01 21-26-51-13 EQUIPMENT/FURNISHINGS FOR DETAILS SEE 25-21-71-40A LIGHTS FOR DETAILS SEE 33-26-01-19 33-29-00-09 33-51-06-04	031036	1

MISSING ITEM NUMBERS NOT APPLICABLE

— ITEM NOT ILLUSTRATED

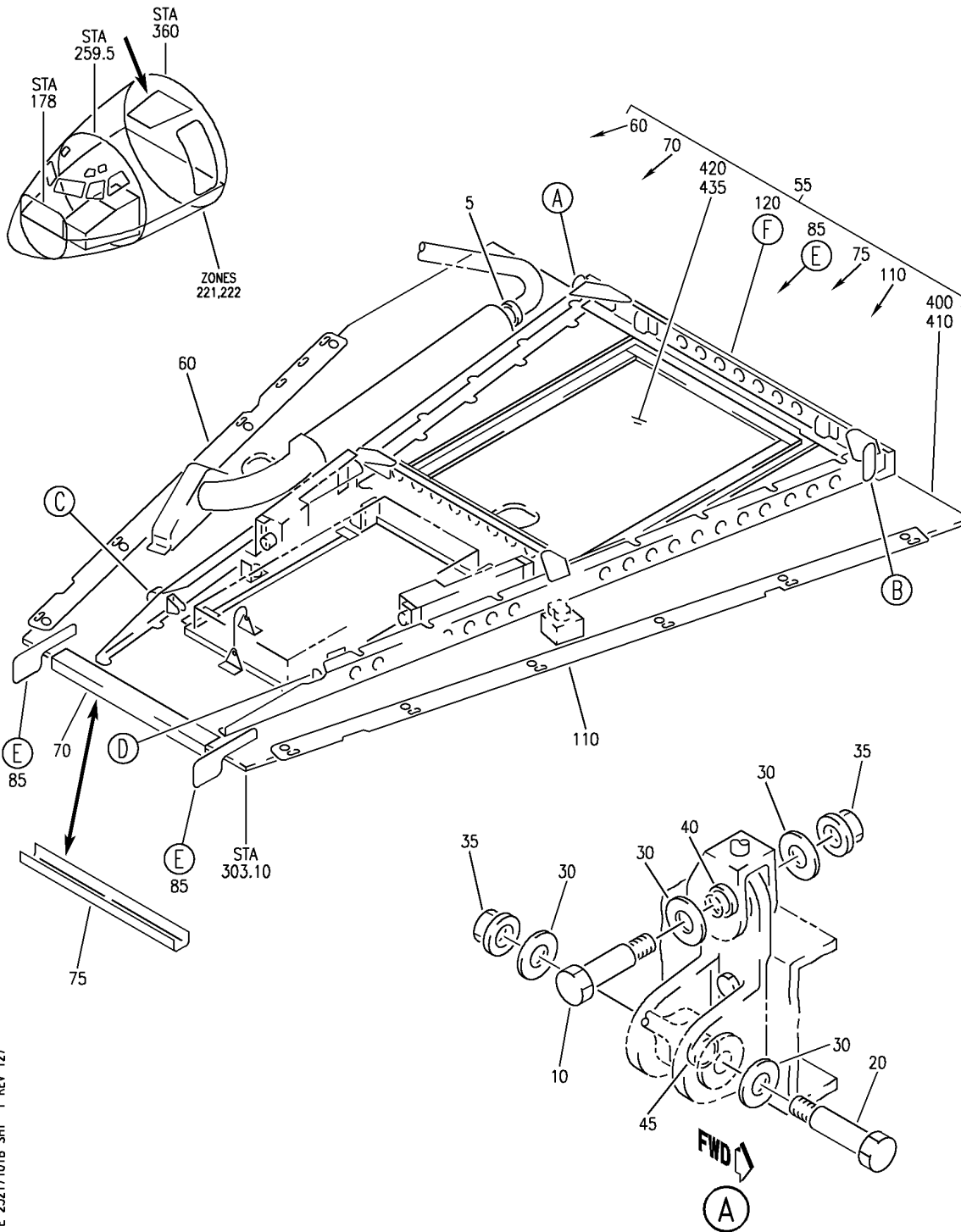
HAP

25-21-71-01

BOEING PROPRIETARY - Copyright © - Unpublished Work - See title page for details.

25-21-71
FIG. 01
PAGE 2
FEB 10/07

BOEING
 737-600/700/800/900
 PARTS CATALOG (MAINTENANCE)



E 25217101B SHT 1 REV 127

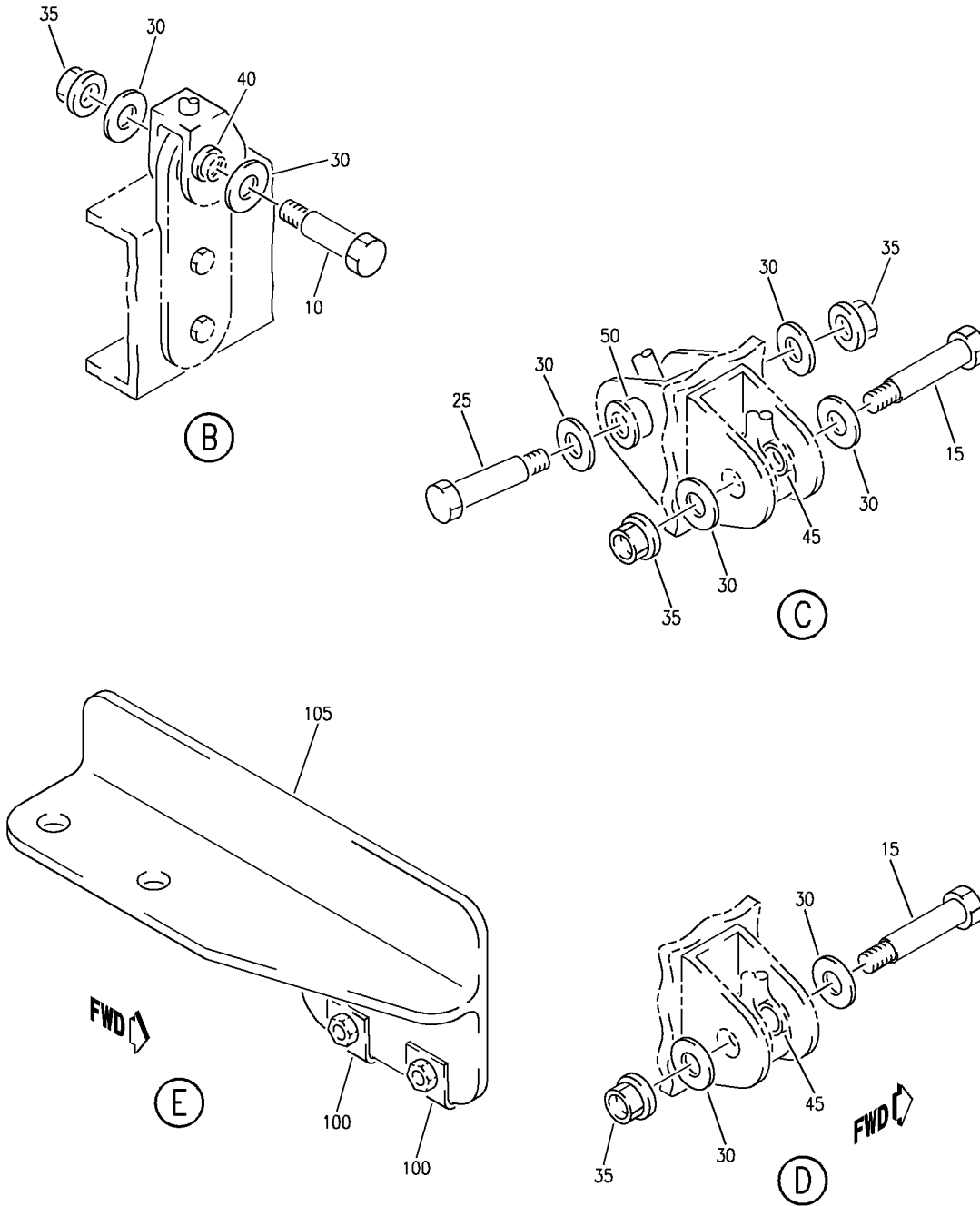
CEILING INSTL-FWD ENTRY LOWERED
 FIGURE 1B (SHEET 1)

25-21-71-01B

HAP
 FEB 10/07

25-21-71-01B
 PAGE 0

BOEING
 737-600/700/800/900
 PARTS CATALOG (MAINTENANCE)



E 25217101B SHT 2 REV 113

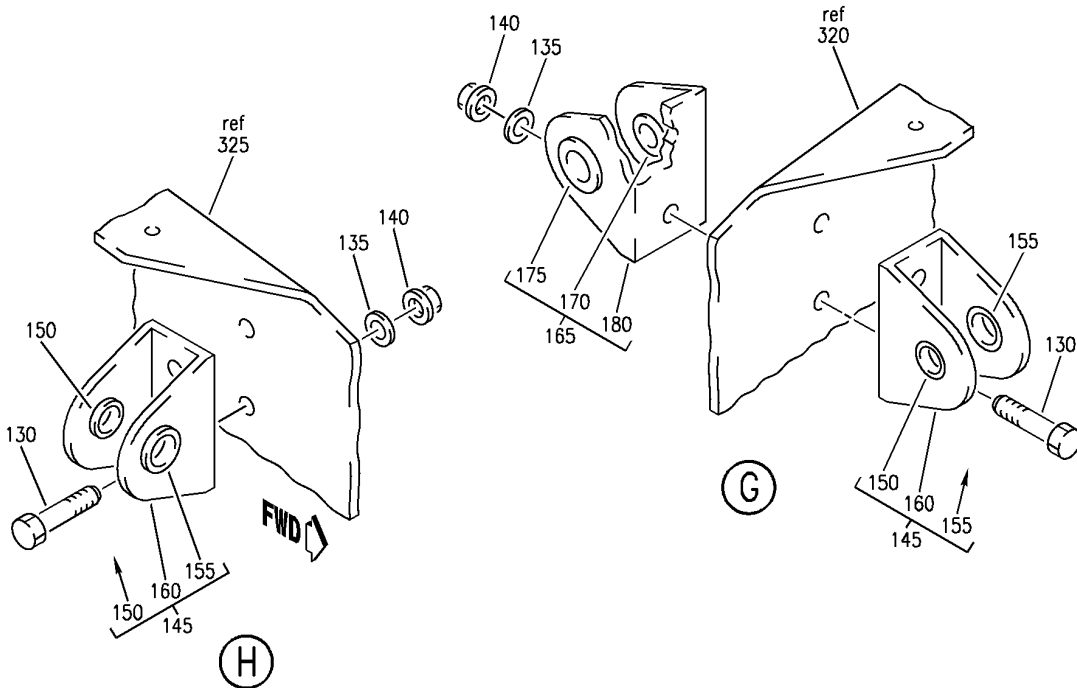
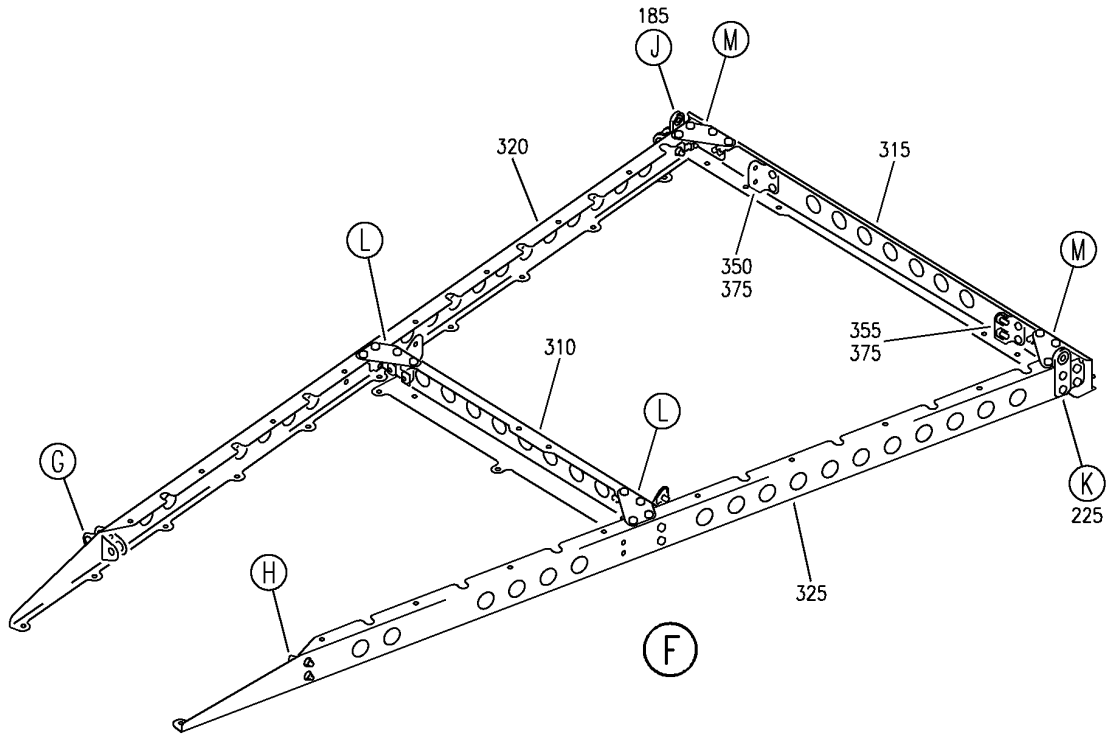
CEILING INSTL-FWD ENTRY LOWERED
 FIGURE 1B (SHEET 2)

25-21-71-01B

HAP
 FEB 10/07

25-21-71-01B
 PAGE 0A

BOEING
 737-600/700/800/900
 PARTS CATALOG (MAINTENANCE)



E 25217101B SHT 3 REV 117

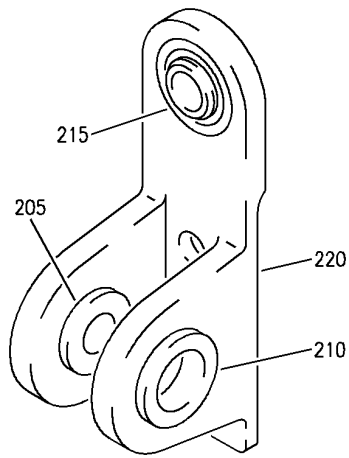
CEILING INSTL-FWD ENTRY LOWERED
 FIGURE 1B (SHEET 3)

25-21-71-01B

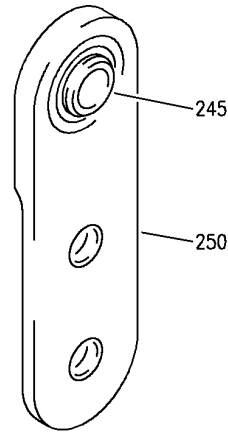
HAP
 FEB 10/07

25-21-71-01B
 PAGE 0B

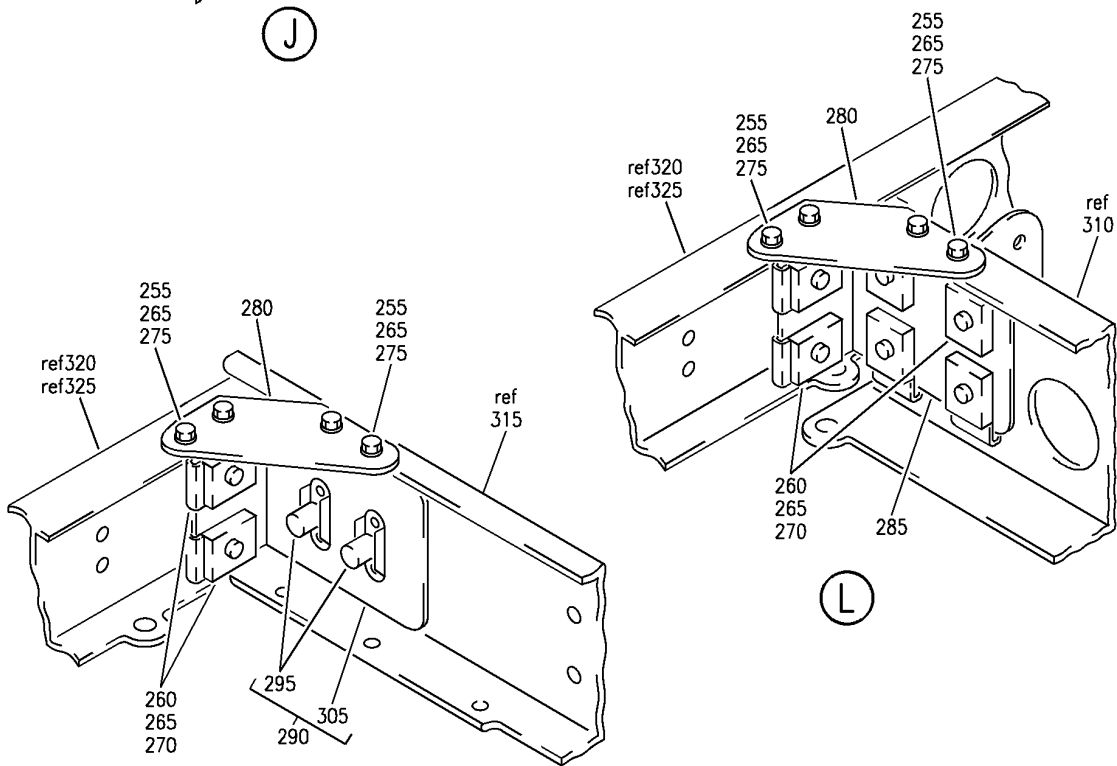
BOEING
 737-600/700/800/900
 PARTS CATALOG (MAINTENANCE)



(J)



(K)



(M)

E 25217101B SHT 4 REV 113

CEILING INSTL-FWD ENTRY LOWERED
 FIGURE 1B (SHEET 4)

25-21-71-01B

HAP
 FEB 10/07

25-21-71-01B
 PAGE 0C

BOEING
737-600/700/800/900
PARTS CATALOG (MAINTENANCE)

FIG ITEM	PART NUMBER	1 2 3 4 5 6 7	NOMENCLATURE	EFFECT FROM TO	UNITS PER ASSY
1B			CEILING INSTL-FWD ENTRY LOWERED	037200 968999	
- 1	MODREF329524		CEILING INSTL-ENTRY LOWERED MODULE NUMBER: 411A3200-249B REV A POSITION DATA: FWD	037040 042043 101101 968969	1
- 1	MODREF338138		CEILING INSTL-ENTRY LOWERED MODULE NUMBER: 411A3200-249B REV B POSITION DATA: FWD	041041 044100 102200 970999	1
5	PLT3SM		.STRAP SUPPLIER CODE: V06383 SPECIFICATION NUMBER: BACS38K7 OPTIONAL PART: T0510 V53421 MAINTENANCE MANUAL REF: 21-26-01	037200 968999	1
10	BACB30NR4K12		.BOLT	037200 968999	2
15	BACB30NR4K14		.BOLT	037200 968999	2
20	BACB30NR4K16		.BOLT	037200 968999	1
25	BACB30NR4K17		.BOLT	037200 968999	1
30	NAS1149D0463J		.WASHER	037200 968999	12
35	PLH54CD		.NUT SUPPLIER CODE: VF0224 SPECIFICATION NUMBER: BACN10YR4CD OPTIONAL PART: H52732-4CD V15653	037200 968999	6
40	BACB28AK04-026		.BUSHING	037200 968999	2
45	BACB28AK04-042		.BUSHING	037200 968999	3
50	BACB28AK04-056		.BUSHING	037200 968999	1

MISSING ITEM NUMBERS NOT APPLICABLE

- ITEM NOT ILLUSTRATED

HAP

25-21-71-01B

BOEING PROPRIETARY - Copyright © - Unpublished Work - See title page for details.

25-21-71
FIG. 01B
PAGE 1
FEB 15/09

BOEING
737-600/700/800/900
PARTS CATALOG (MAINTENANCE)

FIG ITEM	PART NUMBER	1 2 3 4 5 6 7	NOMENCLATURE	EFFECT FROM TO	UNITS PER ASSY
1B 55	411A3220-126B	.	CEILING ASSY-(EQUIPMENT/ FURNISHINGS ONLY) FUNCTIONAL REFERENCE: AIR CONDITIONING FOR DETAILS SEE 21-26-01-01B 21-26-51-13B LIGHTS FOR DETAILS SEE 33-26-01-04B 33-29-00-09B 33-51-06-04C	037200 968999	1
60	411A3080-5	..	BRACKET ATTACHING PARTS	037200 968999	1
- 65	BACS12FA3K5	..	SCREW -----*-----	037200 968999	5
70	411A3080-131	..	SUPPORT- OPTIONAL PART: 411U5513-140	037200 968999	1
75	411U5513-140	..	SUPPORT- OPTIONAL PART: 411A3080-131 ATTACHING PARTS	037200 968999	1
- 80	BACS12FA3K5	..	SCREW -----*-----	037200 968999	5
85	411A3081-45	..	BRACKET ASSY ATTACHING PARTS	037200 968999	2
- 90	BACS12GU3K5	..	SCREW	037200 968999	4
- 95	NAS1149D0332J	..	WASHER -----*-----	037200 968999	4
100	BRC600-8-3	...	NUT SUPPLIER CODE: V52828 SPECIFICATION NUMBER: BACN10YD1 OPTIONAL PART: 130120 V60119	037200 968999	2
105	411A3081-46	...	BRACKET	037200 968999	1
110	411A3080-4	..	BRACKET	037200 968999	1

MISSING ITEM NUMBERS NOT APPLICABLE

- ITEM NOT ILLUSTRATED

HAP

25-21-71-01B

BOEING PROPRIETARY - Copyright © - Unpublished Work - See title page for details.

25-21-71
FIG. 01B
PAGE 2
OCT 15/08

BOEING
737-600/700/800/900
PARTS CATALOG (MAINTENANCE)

FIG ITEM	PART NUMBER	1 2 3 4 5 6 7	NOMENCLATURE	EFFECT FROM TO	UNITS PER ASSY
1B			ATTACHING PARTS		
- 115	BACS12FA3K5	..	SCREW	037200 968999	6
			-----*-----		
120	411A3220-69	..	CEILING SUB ASSY	037200 968999	1
			ATTACHING PARTS		
- 125	BACS12FA3K5	..	SCREW	037200 968999	27
			-----*-----		
130	BACB30NM3K3	...	BOLT	037200 968999	4
135	NAS1149D0332J	...	WASHER	037200 968999	4
140	PLH53CD	...	NUT	037200 968999	4
			SUPPLIER CODE: VFO224		
			SPECIFICATION NUMBER: BACN10YR3CD		
			OPTIONAL PART: H52732-3CD V15653		
145	411A3081-15	...	FITTING ASSY	037200 968999	2
150	BACB28AP04P009	BUSHING	037200 968999	1
155	BACB28AT06B009C	BUSHING	037200 968999	1
160	411A3081-16	FITTING	037200 968999	1
165	411A3081-17	...	FITTING ASSY	037200 968999	1
170	BACB28AP04P009	BUSHING	037200 968999	1
175	BACB28AT06B009C	BUSHING	037200 968999	1
180	411A3081-18	FITTING	037200 968999	1
185	411A3081-21	...	FITTING ASSY	037200 968999	1
			ATTACHING PARTS		
- 190	BACB30NT3K3	...	BOLT	037200 968999	2
- 195	NAS1149D0332J	...	WASHER	037200 968999	2

MISSING ITEM NUMBERS NOT APPLICABLE

- ITEM NOT ILLUSTRATED

HAP

25-21-71-01B

BOEING PROPRIETARY - Copyright © - Unpublished Work - See title page for details.

25-21-71
FIG. 01B
PAGE 3
JUN 15/09

BOEING
737-600/700/800/900
PARTS CATALOG (MAINTENANCE)

FIG ITEM	PART NUMBER	1 2 3 4 5 6 7	NOMENCLATURE	EFFECT FROM TO	UNITS PER ASSY
1B - 200	PLH53CD	...	NUT SUPPLIER CODE: VFO224 SPECIFICATION NUMBER: BACN10YR3CD OPTIONAL PART: H52732-3CD V15653 -----*-----	037200 968999	2
205	BACB28AP04P018	BUSHING	037200 968999	1
210	BACB28AT06B018C	BUSHING	037200 968999	1
215	AG4V4009	BEARING- SUPPLIER CODE: V15860 SPECIFICATION NUMBER: 60B00180-68 OPTIONAL PART: LHBG4BAC V73134 NC4G12 V56644	037200 968999	1
220	411A3081-22	FITTING	037200 968999	1
225	411A3081-19	...	FITTING ASSY	037200 968999	1
- 230	BACB30NM3K3	...	ATTACHING PARTS BOLT	037200 968999	2
- 235	NAS1149D0332J	...	WASHER	037200 968999	2
- 240	PLH53CD	...	NUT SUPPLIER CODE: VFO224 SPECIFICATION NUMBER: BACN10YR3CD OPTIONAL PART: H52732-3CD V15653 -----*-----	037200 968999	2

MISSING ITEM NUMBERS NOT APPLICABLE

- ITEM NOT ILLUSTRATED

HAP

25-21-71-01B

BOEING PROPRIETARY - Copyright © - Unpublished Work - See title page for details.

25-21-71
FIG. 01B
PAGE 4
FEB 15/09

BOEING
737-600/700/800/900
PARTS CATALOG (MAINTENANCE)

FIG ITEM	PART NUMBER	1 2 3 4 5 6 7	NOMENCLATURE	EFFECT FROM TO	UNITS PER ASSY
1B 245	AG4V4009	BEARING- SUPPLIER CODE: V15860 SPECIFICATION NUMBER: 60B00180-68 OPTIONAL PART: LHBG4BAC V73134 NC4G12 V56644	037200 968999	1
250	411A3081-20	FITTING	037200 968999	1
255	BACB30NM3K2	...	BOLT	037200 968999	16
260	BACB30NM3K3	...	BOLT	037200 968999	16
265	NAS1149D0332J	...	WASHER	037200 968999	32
270	130069	...	NUT SUPPLIER CODE: V60119 SPECIFICATION NUMBER: BACN10FX16 OPTIONAL PART: A11330-6-3 V72962 A4972-6-02 V72962	037200 968999	16
275	BRC600-10-3	...	NUT SUPPLIER CODE: V52828 SPECIFICATION NUMBER: BACN10YD2 OPTIONAL PART: 130121 V60119	037200 968999	16
280	411A3080-10	...	GUSSET	037200 968999	4
285	411A3080-18	...	BRACKET	037200 968999	2
290	411A3080-16	...	BRACKET ASSY	037200 968999	2
295	BACN11G3A4CD	NUTPLATE	037200 968999	2
- 300	BACR15BA3ADC	ATTACHING PARTS RIVET- SIZE DETERMINED ON INSTL. -----*-----	037200 968999	4

MISSING ITEM NUMBERS NOT APPLICABLE

- ITEM NOT ILLUSTRATED

HAP

25-21-71-01B

BOEING PROPRIETARY - Copyright © - Unpublished Work - See title page for details.

25-21-71
FIG. 01B
PAGE 5
FEB 15/09

BOEING
737-600/700/800/900
PARTS CATALOG (MAINTENANCE)

FIG ITEM	PART NUMBER	1 2 3 4 5 6 7	NOMENCLATURE	EFFECT FROM TO	UNITS PER ASSY
1B					
305	411A3080-17	BRACKET	037200 968999	1
310	411A3081-3	...	CROSSMEMBER	037200 968999	1
315	411A3081-4	...	CROSSMEMBER	037200 968999	1
320	411A3081-2	...	RAIL	037200 968999	1
325	411A3081-1	...	RAIL	037200 968999	1
350	411A3081-42	...	BRACKET ASSY-VIDEO MON SPRT	037200 968999	1
355	411A3081-43	...	BRACKET ASSY-VIDEO MON SPRT	037200 968999	1
			ATTACHING PARTS		
- 360	BACB30NM3K2	...	BOLT	037200 968999	8
- 365	NAS1149D0332J	...	WASHER	037200 968999	8
- 370	PLH53CD	...	NUT	037200 968999	8
			SUPPLIER CODE: VFO224		
			SPECIFICATION NUMBER: BACN10YR3CD		
			OPTIONAL PART: H52732-3CD V15653		
			-----*-----		
375	411A3081-44	BRACKET	037200 968999	1
R R	400	..	PANEL ASSY-BASE	037200 968999	1
-	405	...	INSERT-	037200 968999	78
			SUPPLIER CODE: V97393		
R R R R R	410	...	PANEL-STOCK	037200 968999	1
			OPTIONAL PART: 432W8503-4B		
	410	...	PANEL-STOCK	037200 968999	1
			OPTIONAL PART: 432W8503-10B		
	420	..	PANEL ASSY-ACCESS	037200 968999	1
			OPTIONAL PART: 411A3490-14B		
	420	..	PANEL ASSY-ACCESS	037200 968999	1
			OPTIONAL PART: 411A3490-12B		

MISSING ITEM NUMBERS NOT APPLICABLE

- ITEM NOT ILLUSTRATED

HAP

25-21-71-01B

BOEING PROPRIETARY - Copyright © - Unpublished Work - See title page for details.

25-21-71
FIG. 01B
PAGE 6
JUN 15/09


BOEING
 737-600/700/800/900
PARTS CATALOG (MAINTENANCE)

FIG ITEM	PART NUMBER	1 2 3 4 5 6 7	NOMENCLATURE	EFFECT FROM TO	UNITS PER ASSY
1 B - 427	SL2334-3A1		... INSERT- SUPPLIER CODE: V97393	037200 968999	8
435	432W8502-42		... PANEL	037200 968999	1

MISSING ITEM NUMBERS NOT APPLICABLE

- ITEM NOT ILLUSTRATED

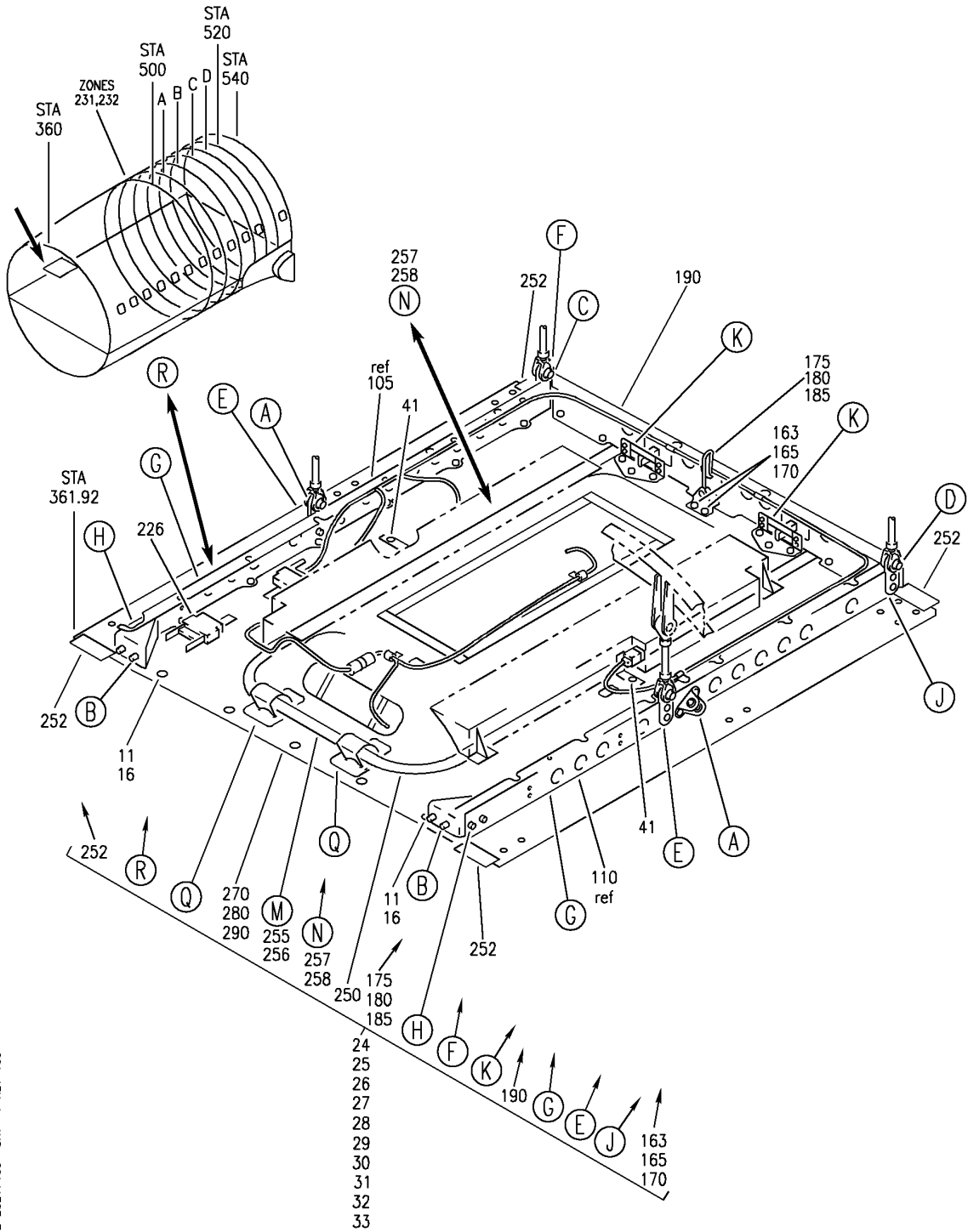
HAP

25-21-71-01B

BOEING PROPRIETARY - Copyright © - Unpublished Work - See title page for details.

25-21-71
 FIG. 01B
 PAGE 7
 FEB 15/09

BOEING
737-600/700/800/900
PARTS CATALOG (MAINTENANCE)



E 25217103 SHT 1 REV 109

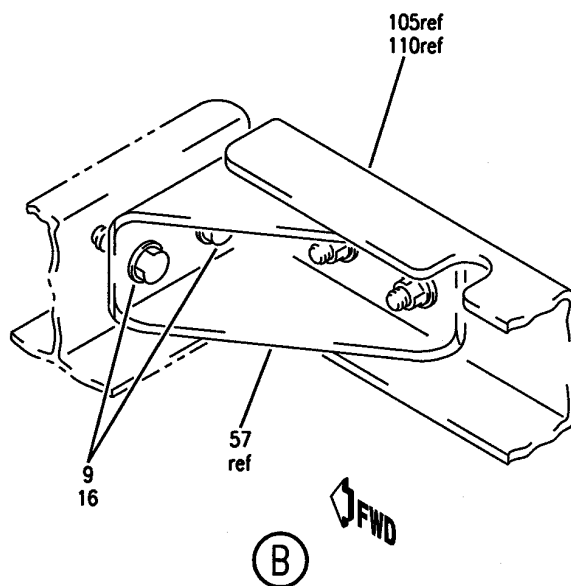
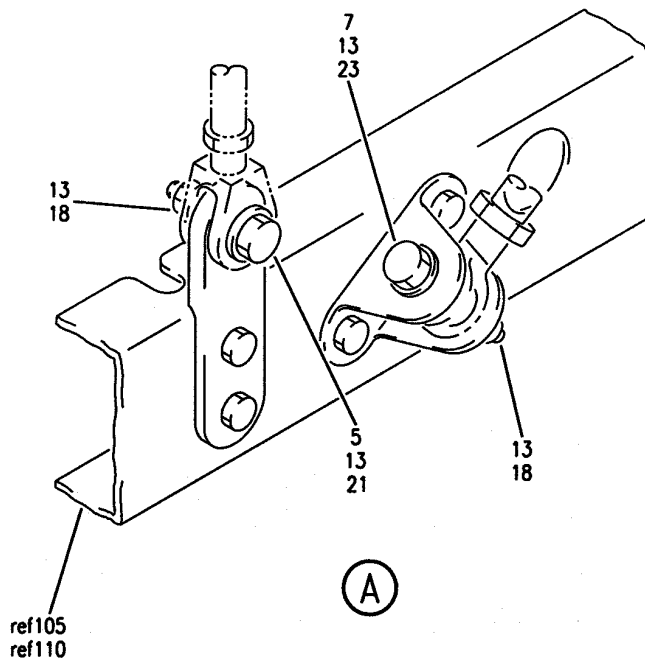
CEILING INSTL-LOWERED FWD HORSESHOE
FIGURE 3 (SHEET 1)

25-21-71-03

HAP
OCT 10/06

25-21-71-03
PAGE 0

BOEING
 737-600/700/800/900
 PARTS CATALOG (MAINTENANCE)



E 25217103 SH1 2 REV 040

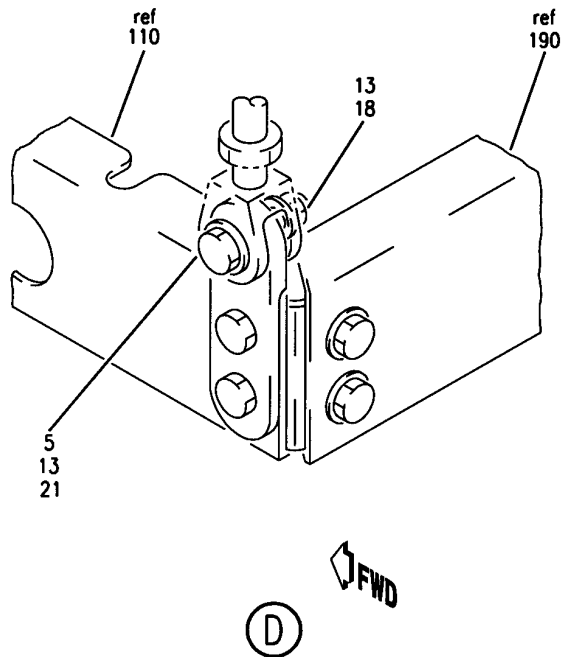
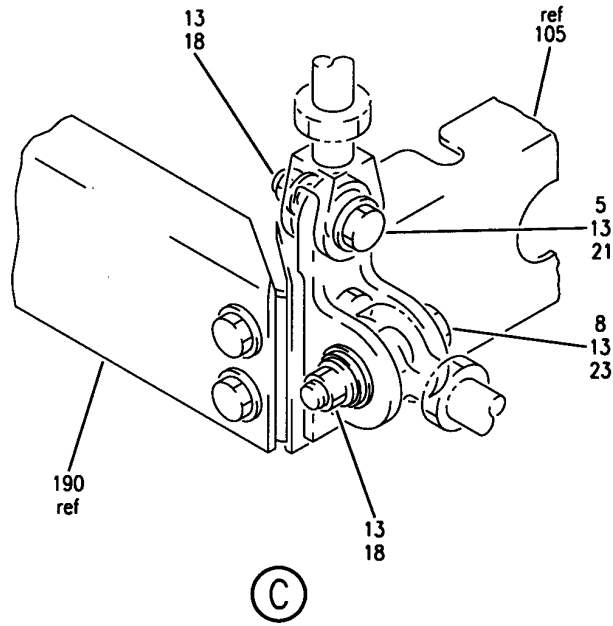
CEILING INSTL-LOWERED FWD HORSESHOE
 FIGURE 3 (SHEET 2)

25-21-71-03

HAP
 OCT 10/06

25-21-71-03
 PAGE 0A

BOEING
 737-600/700/800/900
 PARTS CATALOG (MAINTENANCE)



E 25217103 SHT 3 REV 024

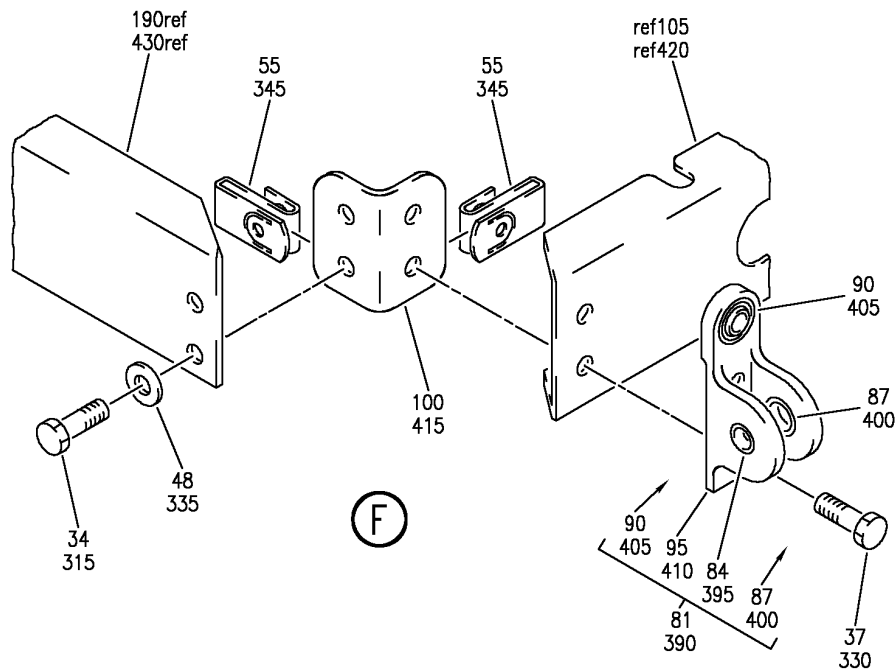
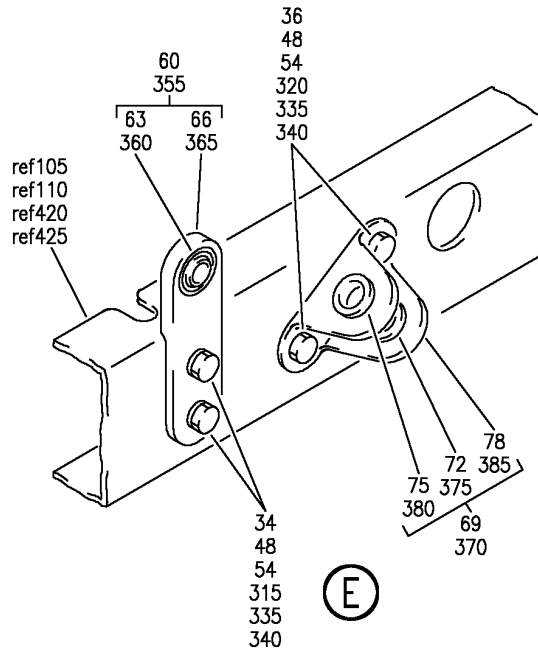
CEILING INSTL-LOWERED FWD HORSESHOE
 FIGURE 3 (SHEET 3)

25-21-71-03

HAP
 OCT 10/06

25-21-71-03
 PAGE 0B

BOEING
737-600/700/800/900
PARTS CATALOG (MAINTENANCE)



E 25217103 SHT 4 REV 096

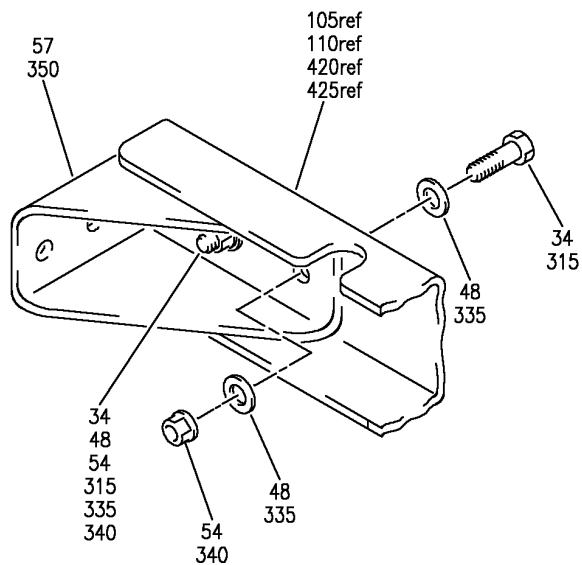
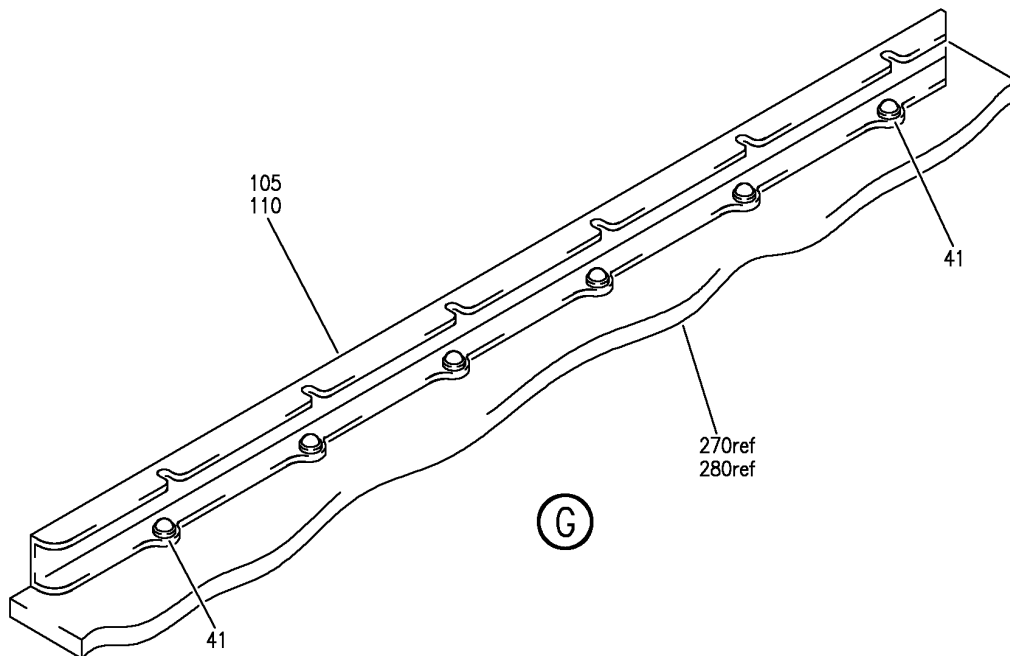
CEILING INSTL-LOWERED FWD HORSESHOE
 FIGURE 3 (SHEET 4)

25-21-71-03

HAP
 OCT 10/06

25-21-71-03
 PAGE 0C

BOEING
 737-600/700/800/900
 PARTS CATALOG (MAINTENANCE)



E 25217103 SH1 5 REV 096

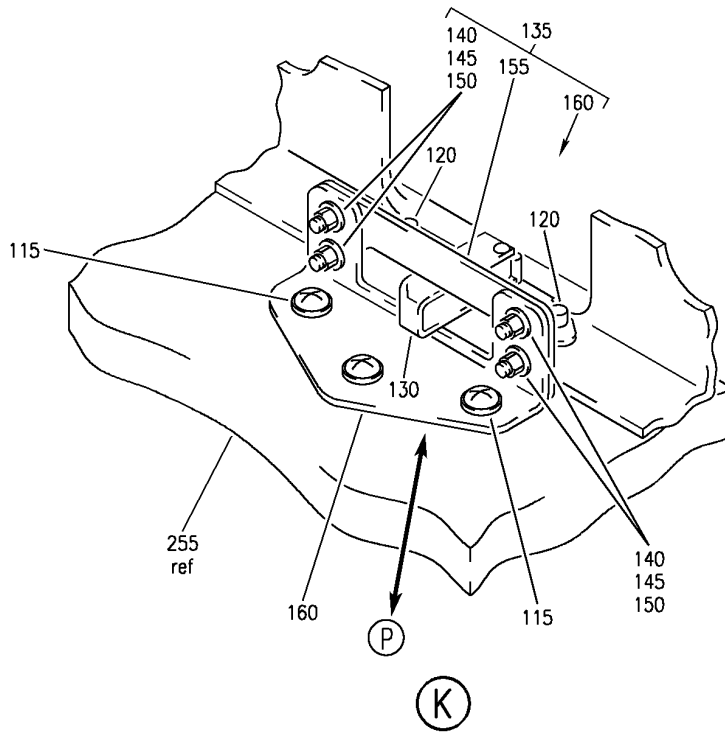
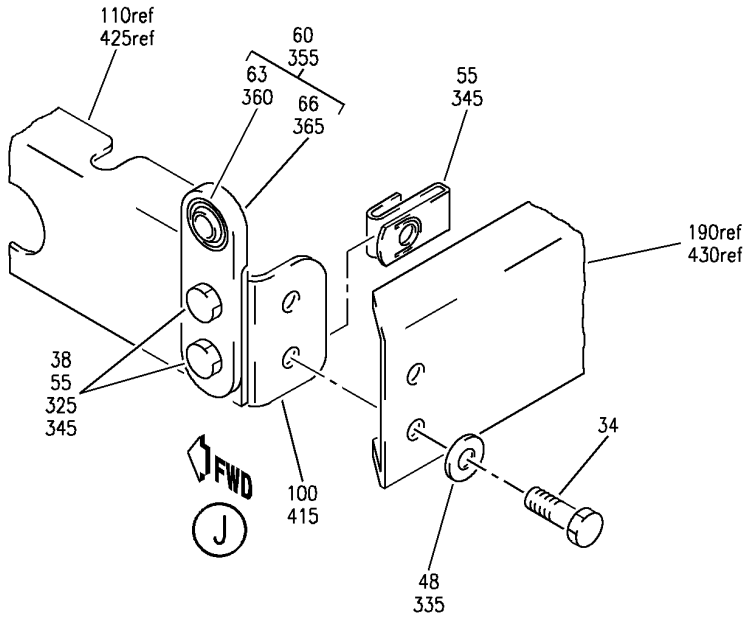
CEILING INSTL-LOWERED FWD HORSESHOE
 FIGURE 3 (SHEET 5)

25-21-71-03

HAP
 OCT 10/06

25-21-71-03
 PAGE 0D

BOEING
737-600/700/800/900
PARTS CATALOG (MAINTENANCE)



E 25217103 SH1 6 REV 109

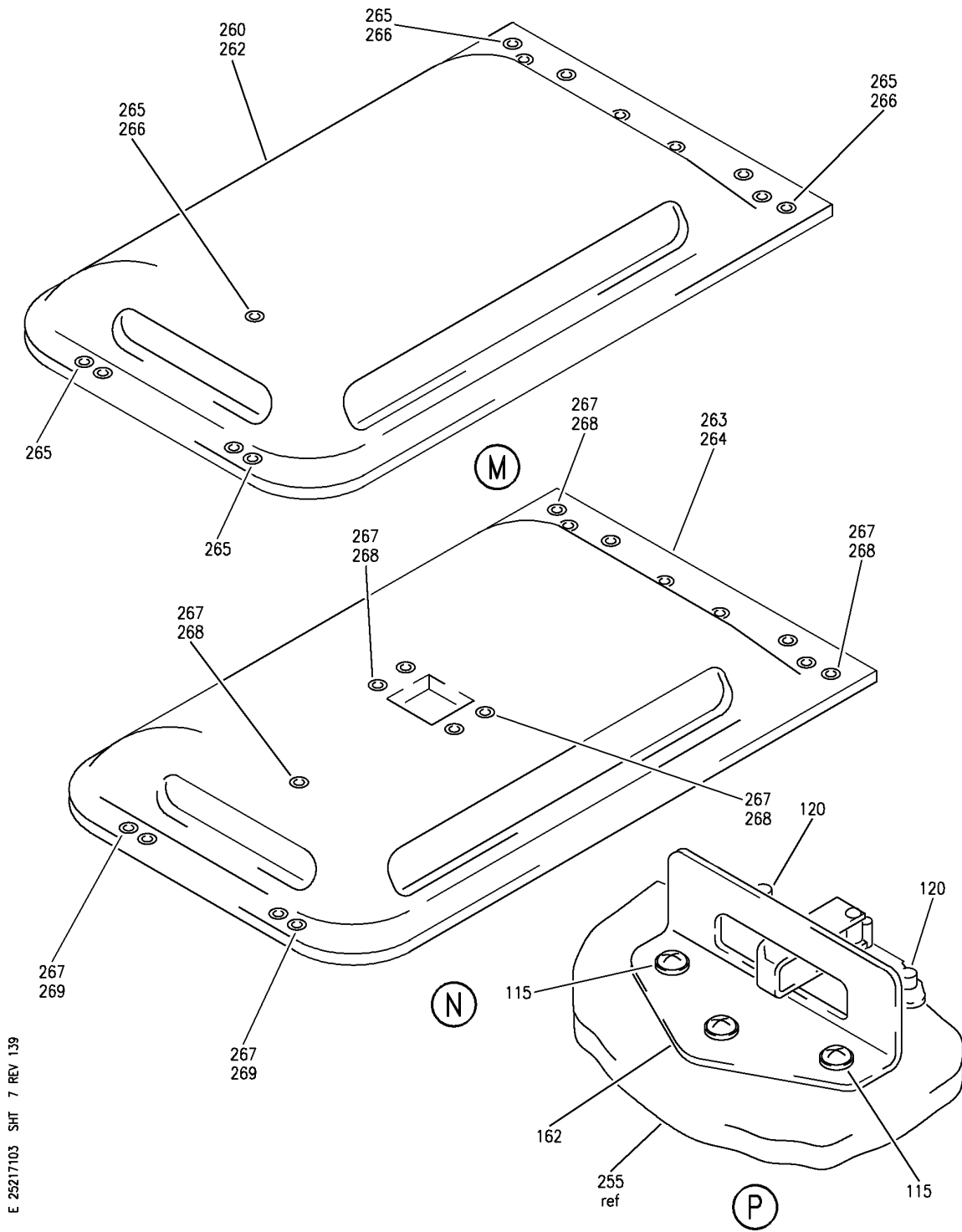
CEILING INSTL-LOWERED FWD HORSESHOE
 FIGURE 3 (SHEET 6)

25-21-71-03

HAP
 OCT 10/06

25-21-71-03
 PAGE 0E

BOEING
 737-600/700/800/900
 PARTS CATALOG (MAINTENANCE)



E 25217103 SHT 7 REV 139

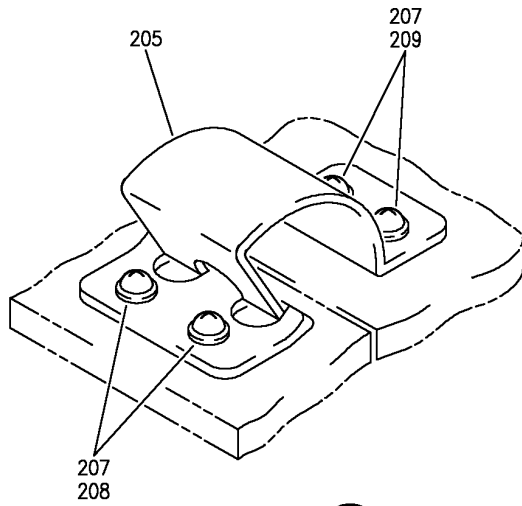
CEILING INSTL-LOWERED FWD HORSESHOE
 FIGURE 3 (SHEET 7)

25-21-71-03

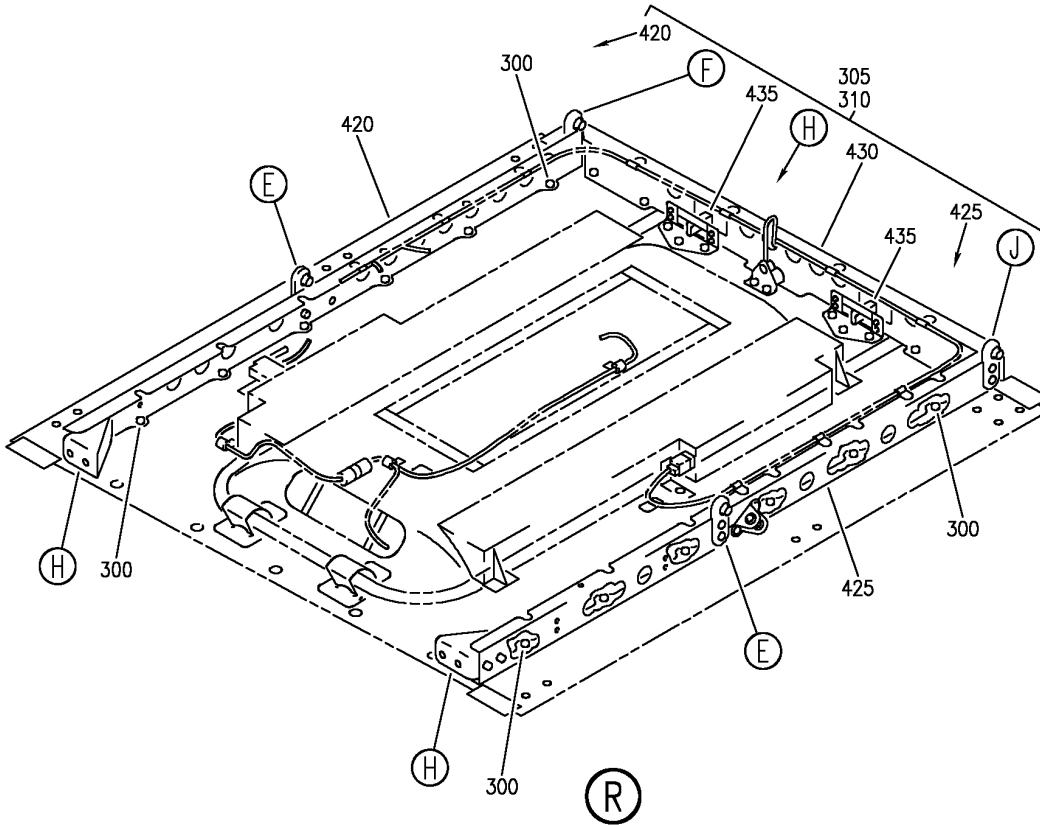
HAP
 FEB 15/08

25-21-71-03
 PAGE OF

BOEING
 737-600/700/800/900
 PARTS CATALOG (MAINTENANCE)



Q



R

E 25217103 SHT 8 REV 096

CEILING INSTL-LOWERED FWD HORSESHOE
 FIGURE 3 (SHEET 8)

25-21-71-03

HAP
 OCT 10/06

25-21-71-03
 PAGE 06

BOEING
737-600/700/800/900
PARTS CATALOG (MAINTENANCE)

FIG ITEM	PART NUMBER	1 2 3 4 5 6 7	NOMENCLATURE	EFFECT FROM TO	UNITS PER ASSY
3			CEILING INSTL-LOWERED FWD HORSESHOE		
- 1	411A3200-315SP		CEILING INSTL-LOWERED HORSESHOE POSITION DATA: FWD FOR NHA SEE: 25-21-00-01D	028030	RF
- 1	411A3200-301SP		CEILING INSTL-LOWERED HORSESHOE POSITION DATA: FWD FOR NHA SEE: 25-21-00-01A 25-21-00-01D	001027 201967	RF
- 1	MODREF90250		CEILING INSTL-LOWERED HORSESHOE MODULE NUMBER: 411A3200-311B REV A POSITION DATA: FWD	031200 968999	1
5	BACB30NR4K12		.BOLT-		4
7	BACB30NR4K14		.BOLT-		2
8	BACB30NR4K16		.BOLT-		1
9	BACB30NM3K7		.BOLT		4
11	BACS12GU3K5		.SCREW		5
13	NAS1149D0463J		.WASHER-		14
16	NAS1149D0332J		.WASHER		9
18	PLH54CD		.NUT SUPPLIER CODE: VF0224 SPECIFICATION NUMBER: BACN10YR4CD OPTIONAL PART: H52732-4CD V15653		7
21	BACB28AK04-026		.BUSHING		4
23	BACB28AK04-042		.BUSHING-		3
26	411A3230-1A		.CEILING ASSY-(EQUIPMENT/ FURNISHINGS ONLY) FUNCTIONAL REFERENCE: LIGHTS FOR DETAILS SEE 33-22-00-03 33-26-03-33	001027 201967	1

MISSING ITEM NUMBERS NOT APPLICABLE

- ITEM NOT ILLUSTRATED

HAP

25-21-71-03

BOEING PROPRIETARY - Copyright © - Unpublished Work - See title page for details.

25-21-71
FIG. 03
PAGE 1
FEB 15/09

BOEING
737-600/700/800/900
PARTS CATALOG (MAINTENANCE)

FIG ITEM	PART NUMBER	1 2 3 4 5 6 7	NOMENCLATURE	EFFECT FROM TO	UNITS PER ASSY
3					
26	411A3230-14SP		. CEILING ASSY-(EQUIPMENT/ FURNISHINGS ONLY) FUNCTIONAL REFERENCE: LIGHTS FOR DETAILS SEE 33-22-00-03A 33-26-03-33	028030	1
31	411A3230-18B		. CEILING ASSY-(EQUIPMENT/ FURNISHINGS ONLY) FUNCTIONAL REFERENCE: LIGHTS FOR DETAILS SEE 33-22-00-03D 33-26-03-33 33-51-00-04	031200 968999	1
34	BACB30NM3K3		.. BOLT		12
36	BACB30NM3K2		.. BOLT		4
37	BACB30NT3K4		.. BOLT		2
38	BACB30NM3K4		.. BOLT		2
41	BACS12FA3K5		.. SCREW-		12
48	NAS1149D0332J		.. WASHER		20
54	PLH53CD		.. NUT SUPPLIER CODE: VFO224 SPECIFICATION NUMBER: BACN10YR3CD OPTIONAL PART: H52732-3CD V15653		12
55	130069		.. NUT SUPPLIER CODE: V60119 SPECIFICATION NUMBER: BACN10FX16 OPTIONAL PART: A11330-6-3 V72962 A4972-6-02 V72962		8
57	411A3081-13		.. BRACKET-SPLICE		2
60	411A3081-19		.. FITTING ASSY-BLADE		3

MISSING ITEM NUMBERS NOT APPLICABLE

- ITEM NOT ILLUSTRATED

HAP

25-21-71-03

BOEING PROPRIETARY - Copyright © - Unpublished Work - See title page for details.

25-21-71
FIG. 03
PAGE 2
FEB 15/09

BOEING
737-600/700/800/900
PARTS CATALOG (MAINTENANCE)

FIG ITEM	PART NUMBER	1 2 3 4 5 6 7	NOMENCLATURE	EFFECT FROM TO	UNITS PER ASSY
3					
63	AG4V4009	...	BEARING- SUPPLIER CODE: V15860 SPECIFICATION NUMBER: 60B00180-68 OPTIONAL PART: LHBG4BAC V73134 NC4G12 V56644		1
66	411A3081-20	...	FITTING		1
69	411A3081-23	..	FITTING ASSY		2
72	BACB28AP04P009	...	BUSHING		1
75	BACB28AT06B009C	...	BUSHING		1
78	411A3081-24	...	FITTING		1
81	411A3081-21	..	FITTING ASSY-PIE		1
84	BACB28AP04P018	...	BUSHING		1
87	BACB28AT06B018C	...	BUSHING		1
90	AG4V4009	...	BEARING- SUPPLIER CODE: V15860 SPECIFICATION NUMBER: 60B00180-68 OPTIONAL PART: LHBG4BAC V73134 NC4G12 V56644		1
95	411A3081-22	...	FITTING	001046 054104 201972	1
100	411A3081-40	..	BRACKET-"L" SHAPED	001027 201967	2
105	411A3081-8	..	RAIL	001027 201967	1
110	411A3081-7	..	RAIL	001027 201967	1
115	BACS12FA3K4	..	SCREW-	001027 201967	6
115	BACS12FA3K5	..	SCREW-	028200 968999	6
120	BACS12ER3K6	..	SCREW	001027 201967	4
130	H2957-5	..	LATCH- SUPPLIER CODE: V83014 SPECIFICATION NUMBER: S411T302-3	001027 201967	2

MISSING ITEM NUMBERS NOT APPLICABLE

— ITEM NOT ILLUSTRATED

HAP

25-21-71-03

BOEING PROPRIETARY - Copyright © - Unpublished Work - See title page for details.

25-21-71
FIG. 03
PAGE 3
FEB 15/09

BOEING
737-600/700/800/900
PARTS CATALOG (MAINTENANCE)

FIG ITEM	PART NUMBER	1 2 3 4 5 6 7	NOMENCLATURE	EFFECT FROM TO	UNITS PER ASSY
3					
135	411T3096-178	..	LATCH ASSY-STRIKE OPTIONAL PART: 411T3096-216		2
140	NAS1801-3-6	...	SCREW		4
145	AN960JD10L	...	WASHER		4
150	MS21042L3	...	NUT		4
155	411T3096-176	...	STRIKE		1
160	411T3096-175	...	BASE		1
162	411T3096-216	..	LATCH- OPTIONAL PART: 411T3096-178	028200 968999	2
163	BACS12FA3K6	..	SCREW		2
165	BACS12FA3K7	..	SCREW		2
175	411A3081-5	..	BRACKET-LANYARD		1
180	411A3082-6	..	BLOCK		1
185	H3583-1	..	LANYARD- SUPPLIER CODE: V83014 OPTIONAL PART: H3583K3260 V83014		1
185	H3583K3260	..	LANYARD- SUPPLIER CODE: V83014 OPTIONAL PART: H3583-1 V83014		1
190	411A3081-6	..	CROSSMEMBER- ATTACHING PARTS	001027 201967	1
- 193	BACS12FA3K5	..	SCREW- -----*-----	001027 201967	4
205	SAM273-1	..	HINGE- SUPPLIER CODE: V31845 MISCELLANEOUS DATA: NOT A POTENTIAL SPARE ATTACHING PARTS		2
208	BACS12FA3K4	..	SCREW		4
209	BACS12FA3K5	..	SCREW -----*-----		4
250	411A3083-3	..	SEAL-GAP COVER	001030 201967	1
250	411A3083-16	..	SEAL-GAP COVER OPTIONAL PART: 411A3083-24	028200 968999	1

MISSING ITEM NUMBERS NOT APPLICABLE

- ITEM NOT ILLUSTRATED

HAP

25-21-71-03

BOEING PROPRIETARY - Copyright © - Unpublished Work - See title page for details.

25-21-71
FIG. 03
PAGE 4
OCT 15/08

BOEING
737-600/700/800/900
PARTS CATALOG (MAINTENANCE)

FIG ITEM	PART NUMBER	1 2 3 4 5 6 7	NOMENCLATURE	EFFECT FROM TO	UNITS PER ASSY
3					
250	411A3083-24	..	SEAL-KIT OPTIONAL PART: 411A3083-16	028200 968999	1
252	411A3083-1	..	SEAL		AR
255	411A3250-1A	..	PANEL ASSY-RECESSED DOOR	001027 201967	1
256	411A3250-10SP	..	PANEL ASSY-RECESSED DOOR	028030	1
258	411A3250-8B	..	PANEL ASSY-RECESSED DOOR	031200 968999	1
260	411A3251-1	...	PANEL ASSY-RECESSED DOOR	001027 201967	1
262	411A3250-11	...	PANEL ASSY-RECESSED DOOR	028030	1
264	411A3250-9	...	PANEL ASSY-RECESSED DOOR	031200 968999	1
265	SL2334-3A1	INSERT- SUPPLIER CODE: V97393	001027 201967	13
266	SL2334-3A1	INSERT- SUPPLIER CODE: V97393	028030	9
268	SL2334-3A1	INSERT- SUPPLIER CODE: V97393	031200 968999	13
269	SL618-3A	INSERT- SUPPLIER CODE: V97393	028200 968999	4
270	411A3231-1	..	PANEL ASSY-BASE	001027 201967	1
270	411A3230-11SP	..	PANEL ASSY-BASE	028030	1
270	411A3230-11B	..	PANEL ASSY-BASE	031200 968999	1
- 282	SL2334-3A1	...	INSERT- SUPPLIER CODE: V97393		33
290	432W8502-42	...	PANEL-STOCK	001027 201967	1
290	432W8503-4SP	...	PANEL-STOCK	028030	1
290	432W8503-4B	...	PANEL-STOCK	031200 968999	1
300	BACS12FA3K5	..	SCREW	028200 968999	12
305	411A3230-22	..	FRAME ASSY-SUB	028200 968999	1
315	BACB30NM3K3	...	BOLT	028200 968999	12
320	BACB30NM3K2	...	BOLT	028200 968999	4
325	BACB30NM3K4	...	BOLT	028200 968999	2

MISSING ITEM NUMBERS NOT APPLICABLE

- ITEM NOT ILLUSTRATED

HAP

25-21-71-03

25-21-71
FIG. 03
PAGE 5
OCT 15/08

BOEING
737-600/700/800/900
PARTS CATALOG (MAINTENANCE)

FIG ITEM	PART NUMBER	1 2 3 4 5 6 7	NOMENCLATURE	EFFECT FROM TO	UNITS PER ASSY
3					
330	BACB30NT3K4	...	BOLT	028200 968999	2
335	NAS1149D0332J	...	WASHER	028200 968999	20
340	PLH53CD	...	NUT SUPPLIER CODE: VFO224 SPECIFICATION NUMBER: BACN10YR3CD OPTIONAL PART: H52732-3CD V15653	028200 968999	12
345	130069	...	NUT SUPPLIER CODE: V60119 SPECIFICATION NUMBER: BACN10FX16 OPTIONAL PART: A11330-6-3 V72962 A4972-6-02 V72962	028200 968999	8
350	411A3081-13	...	BRACKET-SPLICE	028200 968999	2
355	411A3081-19	...	FITTING ASSY-BLADE	028200 968999	3
360	AG4V4009	BEARING- SUPPLIER CODE: V15860 SPECIFICATION NUMBER: 60B00180-68 OPTIONAL PART: LHBG4BAC V73134 NC4G12 V56644	028200 968999	1
365	411A3081-20	FITTING	028200 968999	1
370	411A3081-23	...	FITTING ASSY	028200 968999	2
375	BACB28AP04P009	BUSHING	028200 968999	1
380	BACB28AT06B009C	BUSHING	028200 968999	1
385	411A3081-24	FITTING	028200 968999	1
390	411A3081-21	...	FITTING ASSY-PIE	028200 968999	1

MISSING ITEM NUMBERS NOT APPLICABLE

— ITEM NOT ILLUSTRATED

HAP

25-21-71-03

BOEING PROPRIETARY - Copyright © - Unpublished Work - See title page for details.

25-21-71
FIG. 03
PAGE 6
FEB 15/09

BOEING
737-600/700/800/900
PARTS CATALOG (MAINTENANCE)

FIG ITEM	PART NUMBER	1 2 3 4 5 6 7	NOMENCLATURE	EFFECT FROM TO	UNITS PER ASSY
3					
395	BACB28AP04P018	BUSHING	028200 968999	1
400	BACB28AT06B018C	BUSHING	028200 968999	1
405	AG4V4009	BEARING- SUPPLIER CODE: V15860 SPECIFICATION NUMBER: 60B00180-68 OPTIONAL PART: LHBG4BAC V73134 NC4G12 V56644	028200 968999	1
410	411A3081-22	FITTING	028200 968999	1
415	411A3081-40	...	BRACKET-"L" SHAPED	028200 968999	2
420	411A3081-8	...	RAIL	028200 968999	1
425	411A3081-7	...	RAIL	028200 968999	1
430	411A3081-6	...	CROSSMEMBER	028200 968999	1
435	H2957-5	LATCH- SUPPLIER CODE: V83014 SPECIFICATION NUMBER: S411T302-3	028200 968999	2
- 440	BACS12ER3K6	...	ATTACHING PARTS SCREW -----*-----	028200 968999	4

MISSING ITEM NUMBERS NOT APPLICABLE

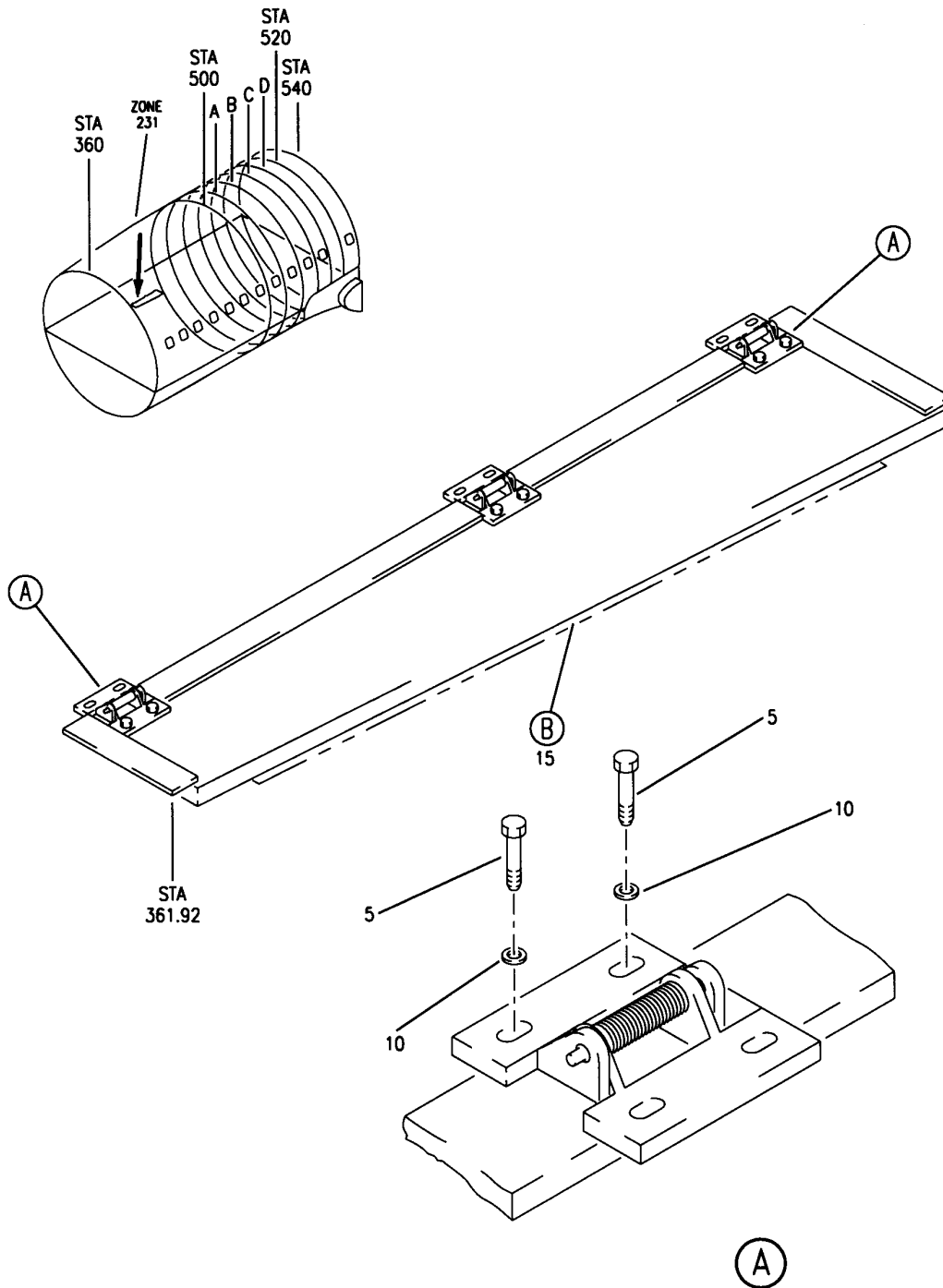
- ITEM NOT ILLUSTRATED

HAP

25-21-71-03

BOEING PROPRIETARY - Copyright © - Unpublished Work - See title page for details.

25-21-71
FIG. 03
PAGE 7
FEB 15/09



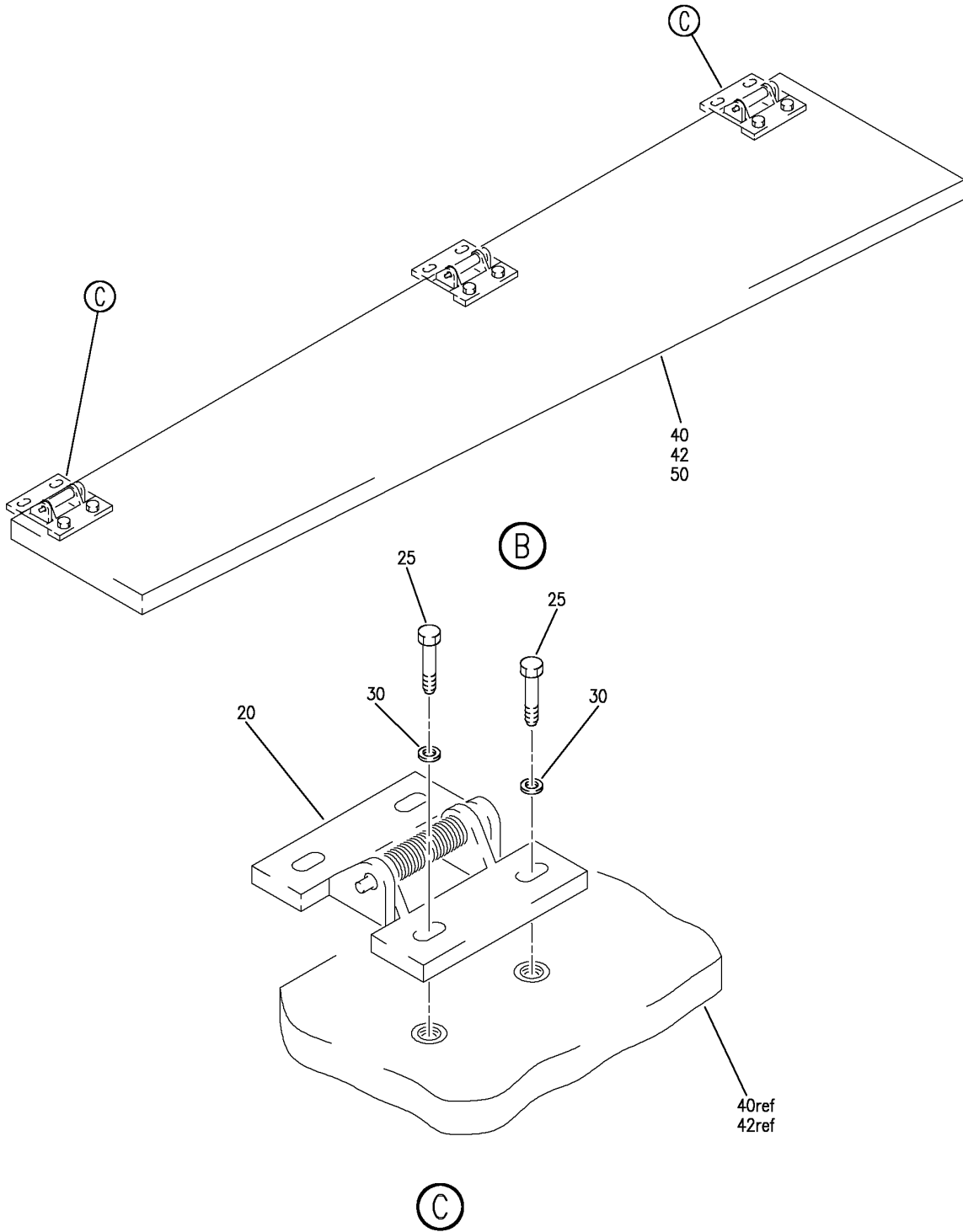
E 25217104 SH1 1 REV 008

CEILING INSTL-LOWERED FWD LEFT PLUG
 FIGURE 4 (SHEET 1)

25-21-71-04

HAP
 OCT 10/06

25-21-71-04
 PAGE 0



E 25217104 SH1 2 REV 073

CEILING INSTL-LOWERED FWD LEFT PLUG
 FIGURE 4 (SHEET 2)

25-21-71-04

HAP
 OCT 10/06

25-21-71-04
 PAGE 0A

BOEING
737-600/700/800/900
PARTS CATALOG (MAINTENANCE)

FIG ITEM	PART NUMBER	1 2 3 4 5 6 7	NOMENCLATURE	EFFECT FROM TO	UNITS PER ASSY
4			CEILING INSTL-LOWERED FWD LEFT PLUG		
- 1	411A3200-501SP		CEILING INSTL-LOWERED PLUG POSITION DATA: FWD LEFT FOR NHA SEE: 25-21-00-01A 25-21-00-01D	001027 201967	RF
- 1	411A3200-511SP		CEILING INSTL-LOWERED PLUG POSITION DATA: FWD L FOR NHA SEE: 25-21-00-01D	028030	RF
- 1	MODREF90258		CEILING INSTL-LOWERED PLUG MODULE NUMBER: 411A3200-511B REV A POSITION DATA: FWD L	031200 968999	1
5	BACS12GU3K6		.SCREW		6
10	NAS1149D0332J		.WASHER		6
15	411A3260-1SP		.CEILING ASSY	001027 201967	1
15	411A3260-13SP		.CEILING ASSY	028030	1
15	411A3260-13B		.CEILING ASSY	031200 968999	1
20	H3-1604-1		..HINGE- SUPPLIER CODE: V34941 ATTACHING PARTS		3
25	BACS12GU3K6		..SCREW		6
30	NAS1149D0332J		..WASHER		6
			-----*-----		
40	411A3261-1		..PANEL ASSY-BASE	001027 201967	1
40	411A3260-15SP		..PANEL ASSY-BASE	028030	1
40	411A3260-15B		..PANEL ASSY-BASE	031200 968999	1
- 45	SL2334-3A1		...INSERT- SUPPLIER CODE: V97393		6
50	432W8503-4SP		...PANEL-STOCK	028030	AR
50	432W8502-42		...PANEL-STOCK	001027 201967	AR
50	432W8503-4B		...PANEL-STOCK	031200 968999	AR

MISSING ITEM NUMBERS NOT APPLICABLE

- ITEM NOT ILLUSTRATED

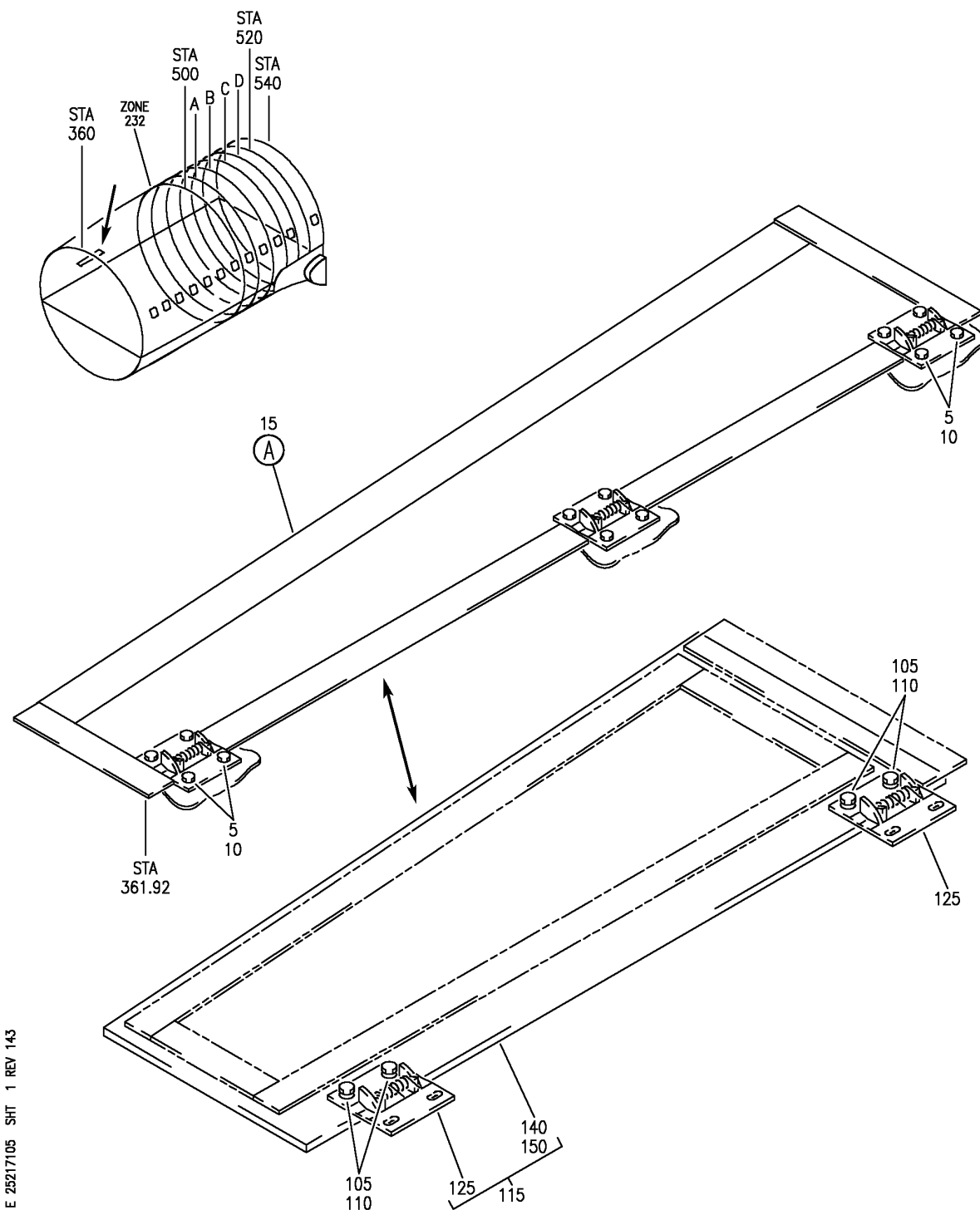
HAP

25-21-71-04

BOEING PROPRIETARY - Copyright © - Unpublished Work - See title page for details.

25-21-71
FIG. 04
PAGE 1
OCT 15/08

BOEING
 737-600/700/800/900
 PARTS CATALOG (MAINTENANCE)



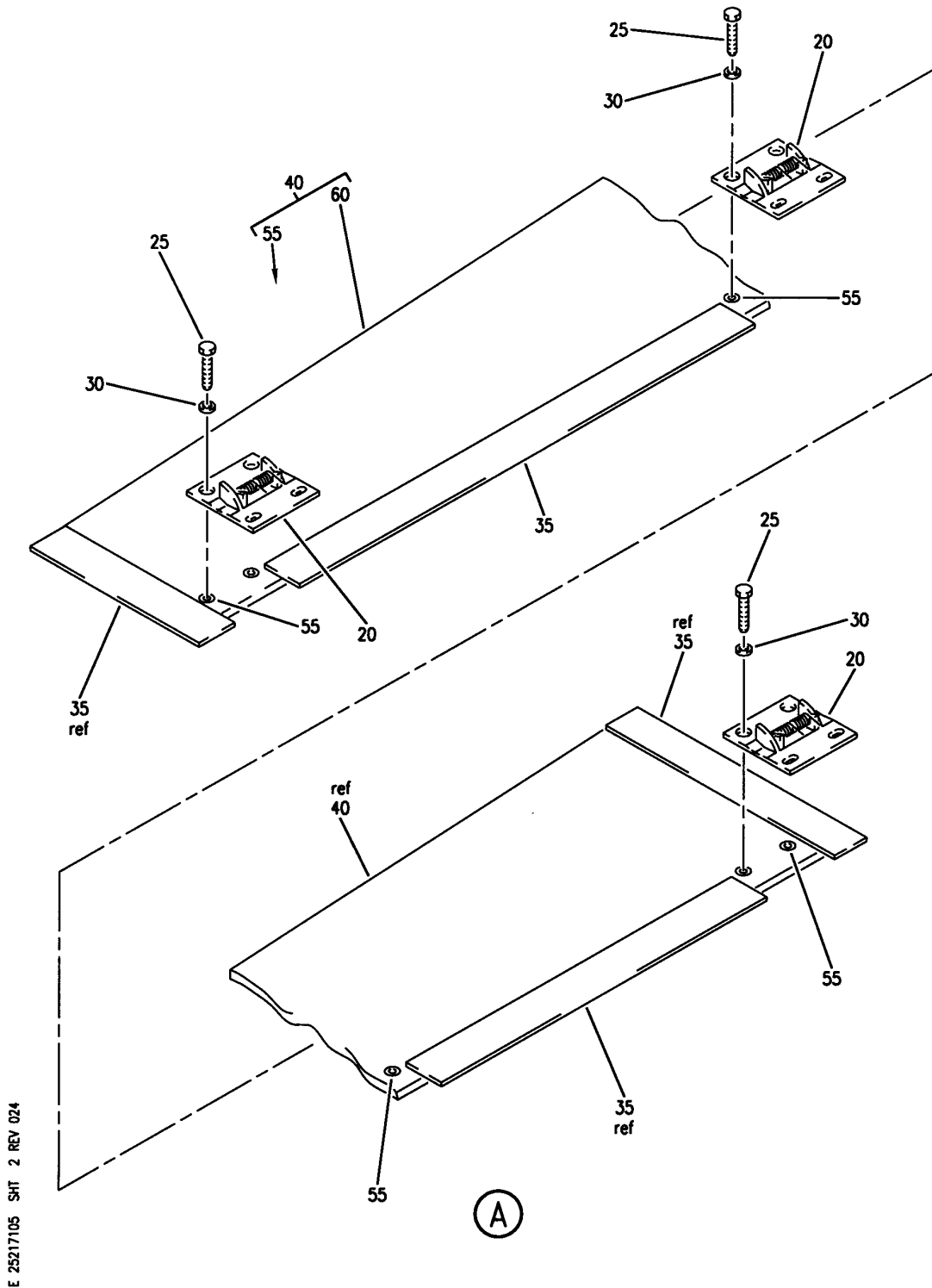
E 25217105 SHT 1 REV 143

CEILING INSTL-LOWERED FWD RIGHT PLUG
 FIGURE 5 (SHEET 1)

25-21-71-05

HAP
 JUN 15/08

25-21-71-05
 PAGE 0



E 25217105 SHT 2 REV 024

CEILING INSTL-LOWERED FWD RIGHT PLUG
 FIGURE 5 (SHEET 2)

25-21-71-05

HAP
 OCT 10/06

25-21-71-05
 PAGE 0A

BOEING
737-600/700/800/900
PARTS CATALOG (MAINTENANCE)

FIG ITEM	PART NUMBER	1 2 3 4 5 6 7	NOMENCLATURE	EFFECT FROM TO	UNITS PER ASSY
5			CEILING INSTL-LOWERED FWD RIGHT PLUG		
- 1	411A3200-601SP		CEILING INSTL-LOWERED PLUG POSITION DATA: FWD R FOR NHA SEE: 25-21-00-01A 25-21-00-01D	001027 201967	RF
- 1	411A3200-611SP		CEILING INSTL-LOWERED PLUG POSITION DATA: FWD R FOR NHA SEE: 25-21-00-01D	028030	RF
- 1	MODREF90261		CEILING INSTL-LOWERED PLUG MODULE NUMBER: 411A3200-611B REV A POSITION DATA: FWD R	031200 968999	1
5	BACS12GU3K6		.SCREW		6
10	NAS1149D0332J		.WASHER		6
15	411A3260-14SP		.CEILING ASSY-	028030	1
15	411A3260-2SP		.CEILING ASSY-	001027 201967	1
15	411A3260-14B		.CEILING ASSY-	031200 968999	1
20	H3-1604-1		..HINGE- SUPPLIER CODE: V34941 ATTACHING PARTS		3
25	BACS12GU3K6		..SCREW		6
30	NAS1149D0332J		..WASHER		6
35	411A3083-1		..SEAL-GAP COVER		AR
40	411A3261-2		..PANEL ASSY-BASE	001027 201967	1
40	411A3260-16SP		..PANEL ASSY-BASE	028030	1
40	411A3260-16B		..PANEL ASSY-BASE	031200 968999	1
55	SL2334-3A1		...INSERT- SUPPLIER CODE: V97393		6
60	432W8503-4SP		...PANEL-STOCK	028030	1
60	432W8502-42		...PANEL-STOCK	001027 201967	1
60	432W8503-4B		...PANEL-STOCK	031200 968999	1

MISSING ITEM NUMBERS NOT APPLICABLE

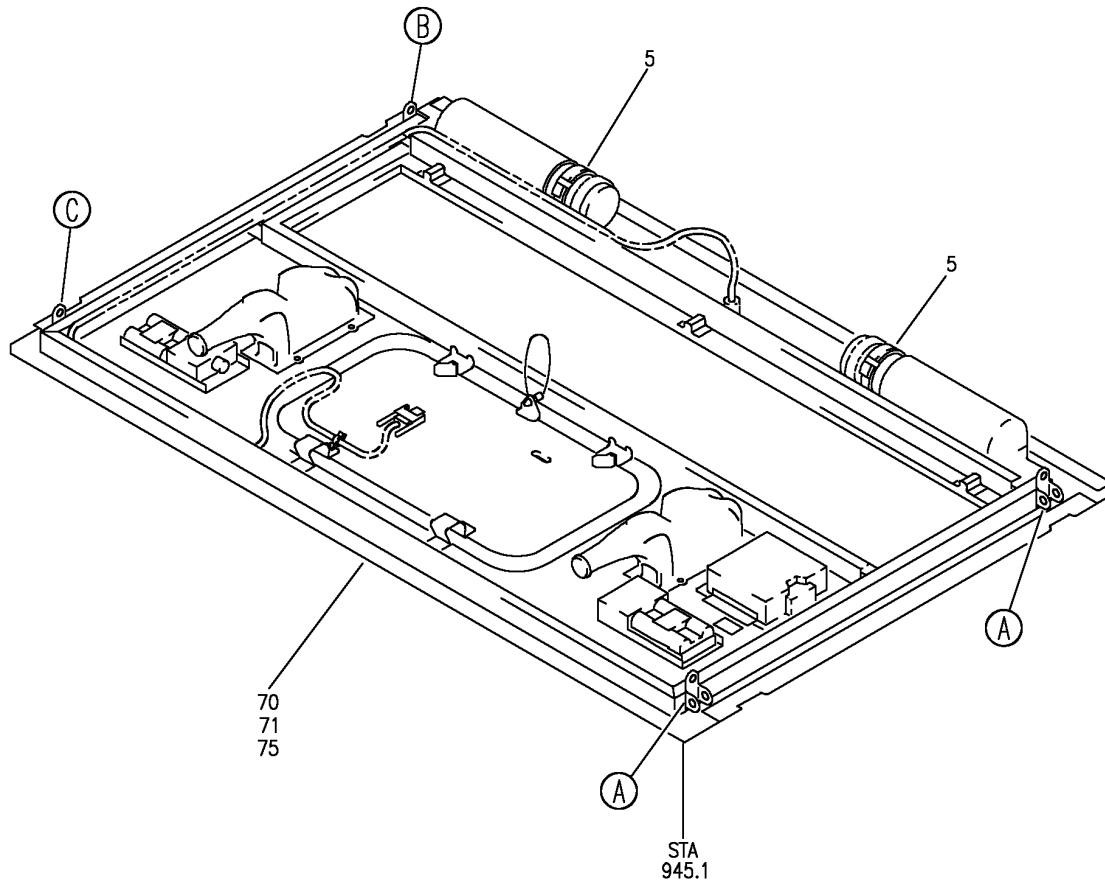
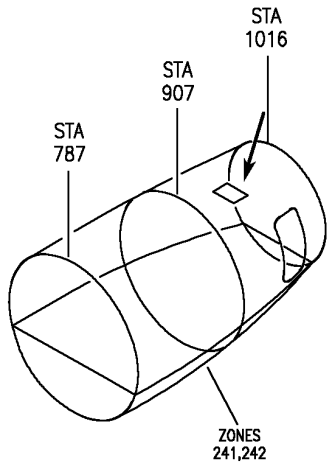
- ITEM NOT ILLUSTRATED

HAP

25-21-71-05

25-21-71
FIG. 05
PAGE 1
OCT 15/08

BOEING
 737-600/700/800/900
 PARTS CATALOG (MAINTENANCE)



E 25217106 SHT 1 REV 152

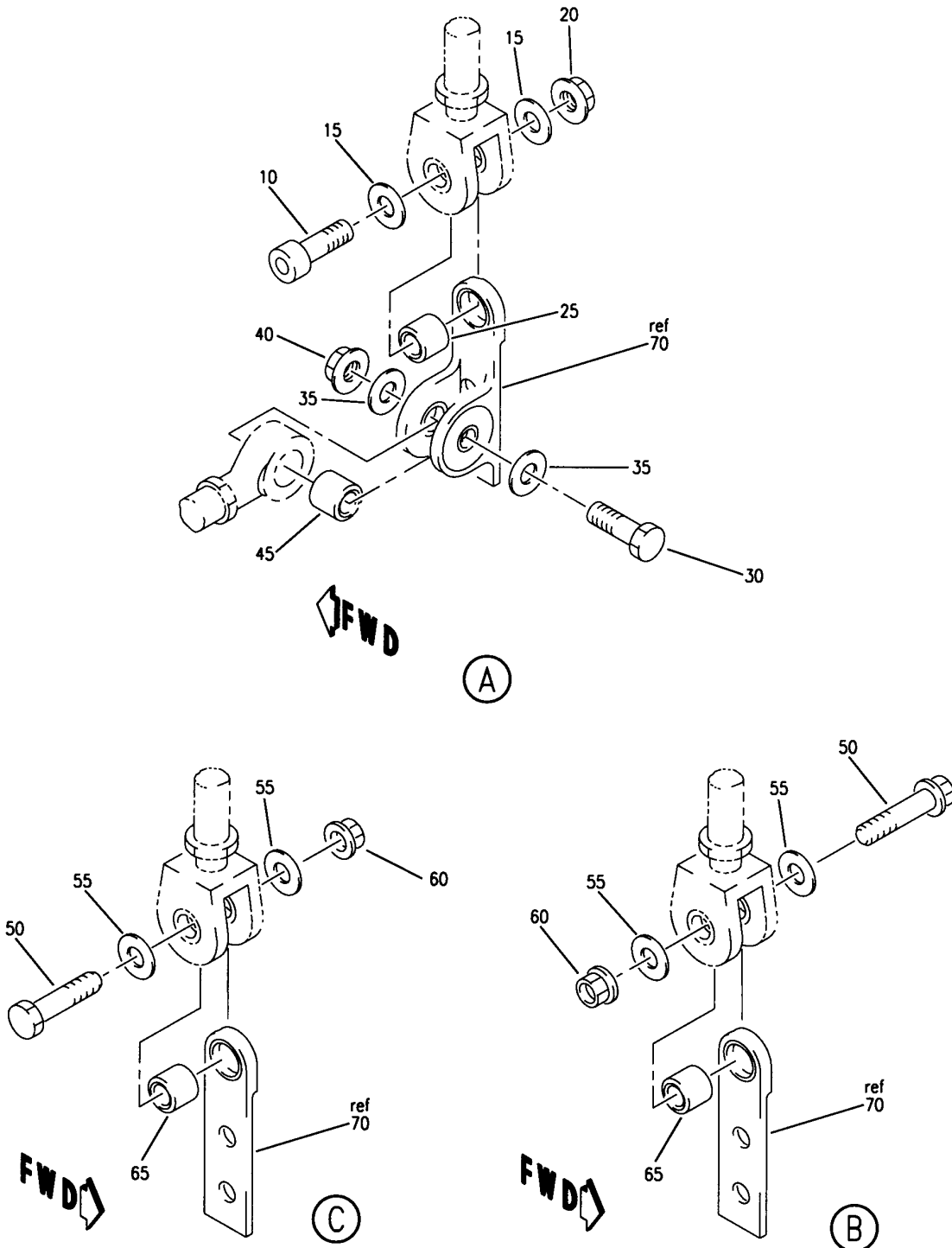
CEILING INSTL-LOWERED AFT ENTRY
 FIGURE 6 (SHEET 1)

25-21-71-06

HAP
 JUN 15/09

25-21-71-06
 PAGE 0

BOEING
 737-600/700/800/900
 PARTS CATALOG (MAINTENANCE)



E 25217106 SHT 2 REV 003

CEILING INSTL-LOWERED AFT ENTRY
 FIGURE 6 (SHEET 2)

25-21-71-06

HAP
 OCT 10/06

25-21-71-06
 PAGE 0A

BOEING
737-600/700/800/900
PARTS CATALOG (MAINTENANCE)

FIG ITEM	PART NUMBER	1 2 3 4 5 6 7	NOMENCLATURE	EFFECT FROM TO	UNITS PER ASSY
6			CEILING INSTL-LOWERED AFT ENTRY	001030 201967	
- 1	411A3400-222SP		CEILING INSTL-LOWERED ENTRY POSITION DATA: AFT FOR NHA SEE: 25-21-00-01D	028030	RF
- 1	411A3400-202SP		CEILING INSTL-LOWERED ENTRY POSITION DATA: AFT FOR NHA SEE: 25-21-00-01A 25-21-00-01D	001020 201967	RF
- 1	411A3400-211B		CEILING INSTL-LOWERED ENTRY POSITION DATA: AFT FOR NHA SEE: 25-21-00-01D	021027	RF
5	PLT3SM		.STRAP SUPPLIER CODE: V06383 SPECIFICATION NUMBER: BACS38K7 OPTIONAL PART: T0510 V53421 MAINTENANCE MANUAL REF: 21-26-01	001030 201967	2
10	BACB30NR4K12		.BOLT- POSITION DATA: FAR SIDE	001030 201967	2
15	NAS1149D0463J		.WASHER-	001030 201967	4
20	PLH54CD		.NUT SUPPLIER CODE: VF0224 SPECIFICATION NUMBER: BACN10YR4CD OPTIONAL PART: H52732-4CD V15653	001030 201967	2
25	BACB28AK04-026		.BUSHING- POSITION DATA: FAR SIDE	001030 201967	2
30	BACB30NR4K16		.BOLT-	001030 201967	2
35	NAS1149D0463J		.WASHER-	001030 201967	4

MISSING ITEM NUMBERS NOT APPLICABLE

- ITEM NOT ILLUSTRATED

HAP

25-21-71-06

BOEING PROPRIETARY - Copyright © - Unpublished Work - See title page for details.

25-21-71
FIG. 06
PAGE 1
FEB 15/09

BOEING
737-600/700/800/900
PARTS CATALOG (MAINTENANCE)

FIG ITEM	PART NUMBER	1 2 3 4 5 6 7	NOMENCLATURE	EFFECT FROM TO	UNITS PER ASSY
6	40	PLH54CD	.NUT- SUPPLIER CODE: VF0224 SPECIFICATION NUMBER: BACN10YR4CD OPTIONAL PART: H52732-4CD V15653 POSITION DATA: FAR SIDE	001030 201967	2
	45	BACB28AK04-042	.BUSHING	001030 201967	2
	50	BACB30NR4K11	.BOLT	001030 201967	2
	50	BACB30NR4K12	.BOLT- POSITION DATA: FAR SIDE	001030 201967	2
	55	NAS1149D0463J	.WASHER-	001030 201967	4
	60	PLH54CD	.NUT- SUPPLIER CODE: VF0224 SPECIFICATION NUMBER: BACN10YR4CD OPTIONAL PART: H52732-4CD V15653 POSITION DATA: FAR SIDE	001030 201967	2
	65	BACB28AK04-026	.BUSHING	001030 201967	2
	70	411A3420-2A	.CEILING ASSY-ENTRY POSITION DATA: AFT FUNCTIONAL REFERENCE: AIR CONDITIONING FOR DETAILS SEE 21-26-51-16 EQUIPMENT/FURNISHINGS FOR DETAILS SEE 25-21-71-18 LIGHTS FOR DETAILS SEE 33-51-06-05	001020 201967	1

MISSING ITEM NUMBERS NOT APPLICABLE

— ITEM NOT ILLUSTRATED

HAP

25-21-71-06

BOEING PROPRIETARY - Copyright © - Unpublished Work - See title page for details.

25-21-71
FIG. 06
PAGE 2
FEB 15/09

BOEING
737-600/700/800/900
PARTS CATALOG (MAINTENANCE)

FIG ITEM	PART NUMBER	1 2 3 4 5 6 7	NOMENCLATURE	EFFECT FROM TO	UNITS PER ASSY
6	70 411A3420-11B		.CEILING ASSY-ENTRY POSITION DATA: AFT FUNCTIONAL REFERENCE: AIR CONDITIONING FOR DETAILS SEE 21-26-51-16 EQUIPMENT/FURNISHINGS FOR DETAILS SEE 25-21-71-18 LIGHTS FOR DETAILS SEE 33-51-06-05	021027	1
	71 411A3420-22SP		.CEILING ASSY-ENTRY POSITION DATA: AFT FUNCTIONAL REFERENCE: AIR CONDITIONING FOR DETAILS SEE 21-26-51-16 EQUIPMENT/FURNISHINGS FOR DETAILS SEE 25-21-71-18A LIGHTS FOR DETAILS SEE 33-51-06-05	028030	1

MISSING ITEM NUMBERS NOT APPLICABLE

— ITEM NOT ILLUSTRATED

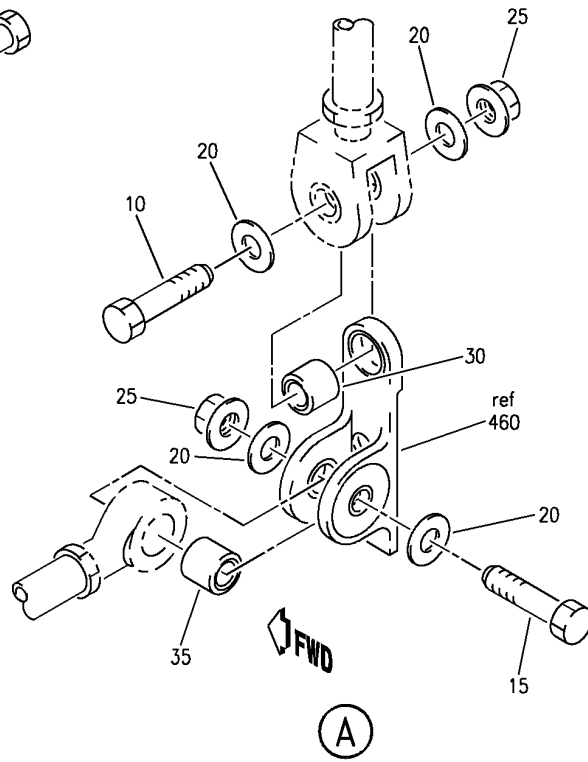
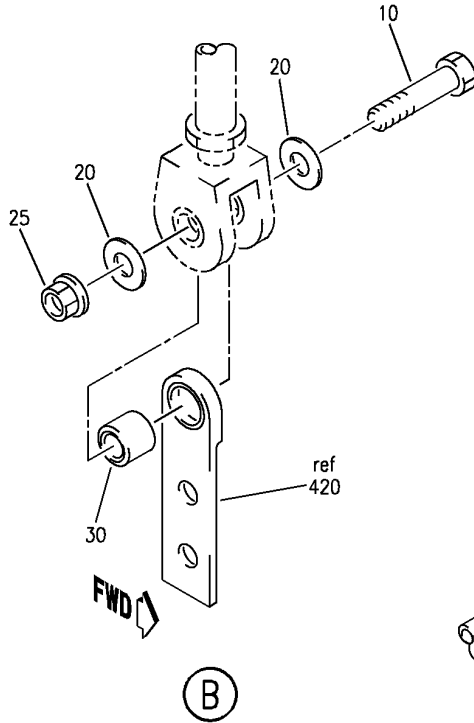
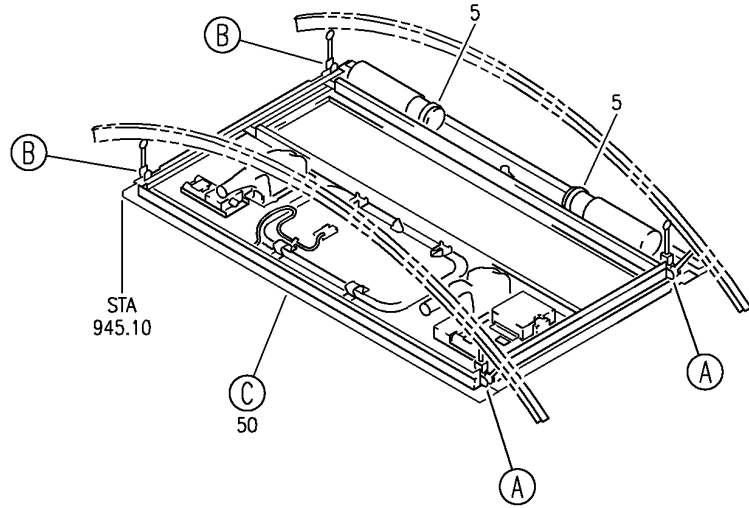
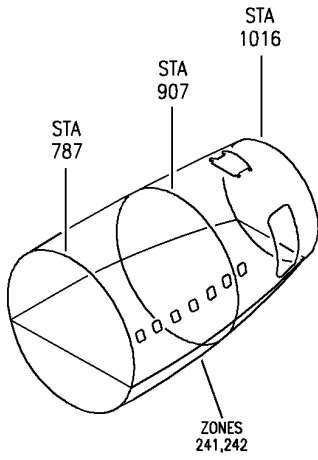
HAP

25-21-71-06

BOEING PROPRIETARY - Copyright © - Unpublished Work - See title page for details.

25-21-71
FIG. 06
PAGE 3
FEB 10/07

BOEING
 737-600/700/800/900
 PARTS CATALOG (MAINTENANCE)



E 25217106G SHT 1 REV 124

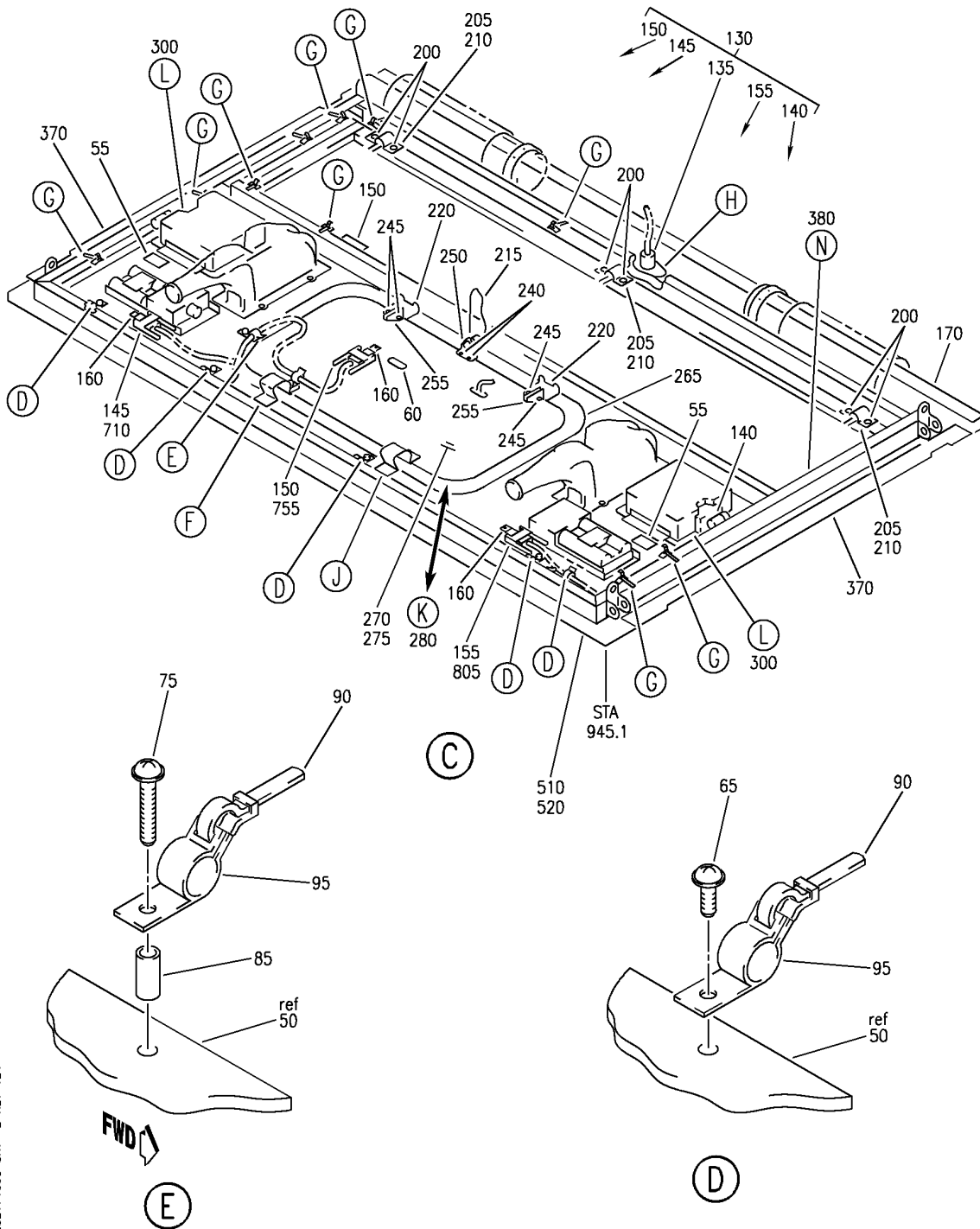
CEILING INSTL-AFT ENTRY LOWERED
 FIGURE 6G (SHEET 1)

25-21-71-06G

HAP
 FEB 10/07

25-21-71-06G
 PAGE 0

BOEING
 737-600/700/800/900
 PARTS CATALOG (MAINTENANCE)



E 25217106G SHT 2 REV 124

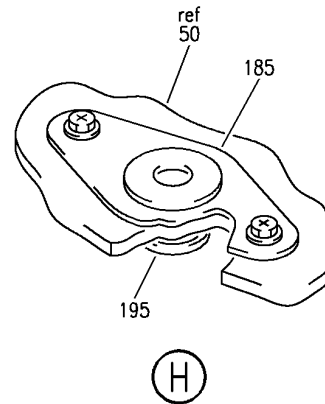
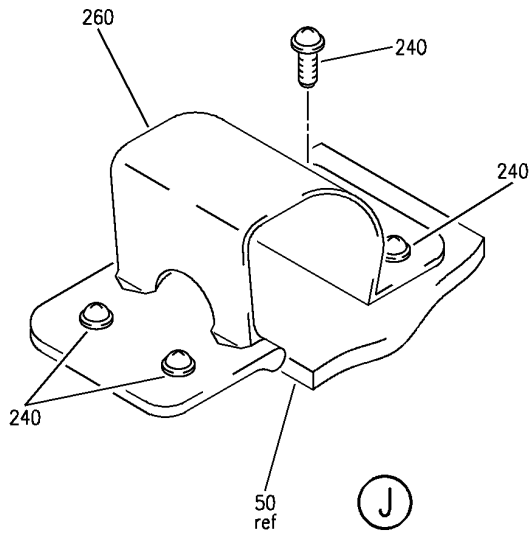
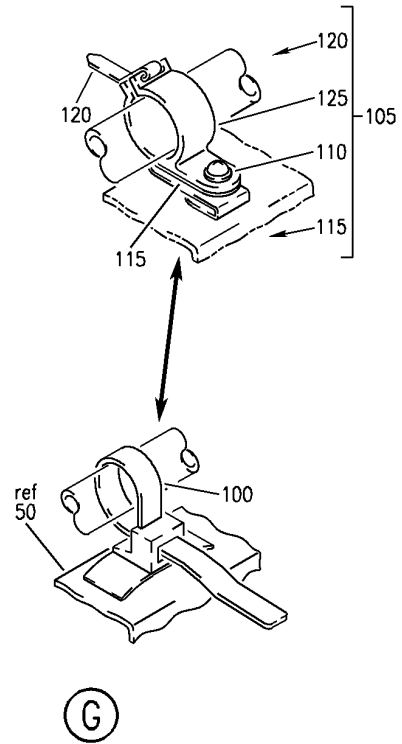
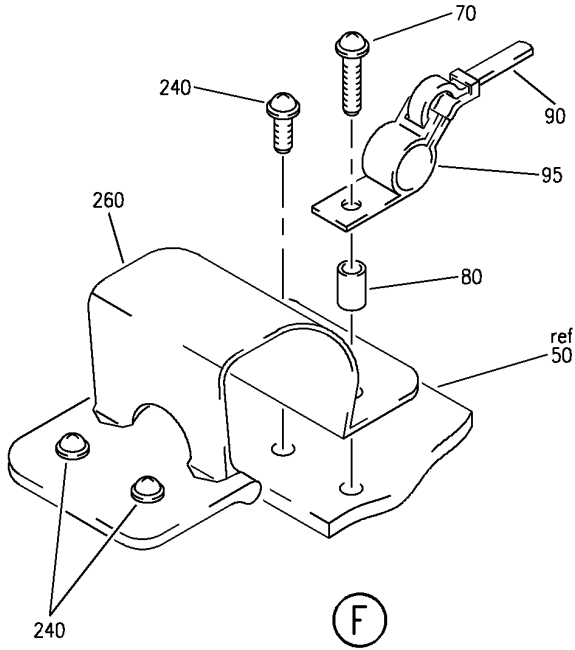
CEILING INSTL-AFT ENTRY LOWERED
 FIGURE 6G (SHEET 2)

25-21-71-06G

HAP
 FEB 10/07

25-21-71-06G
 PAGE 0A

BOEING
 737-600/700/800/900
 PARTS CATALOG (MAINTENANCE)



E 25217106G SHT 3 REV 124

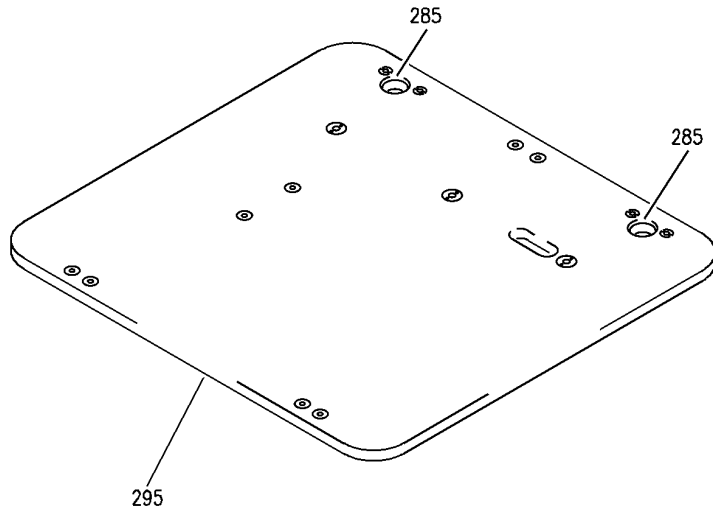
CEILING INSTL-AFT ENTRY LOWERED
 FIGURE 6G (SHEET 3)

25-21-71-06G

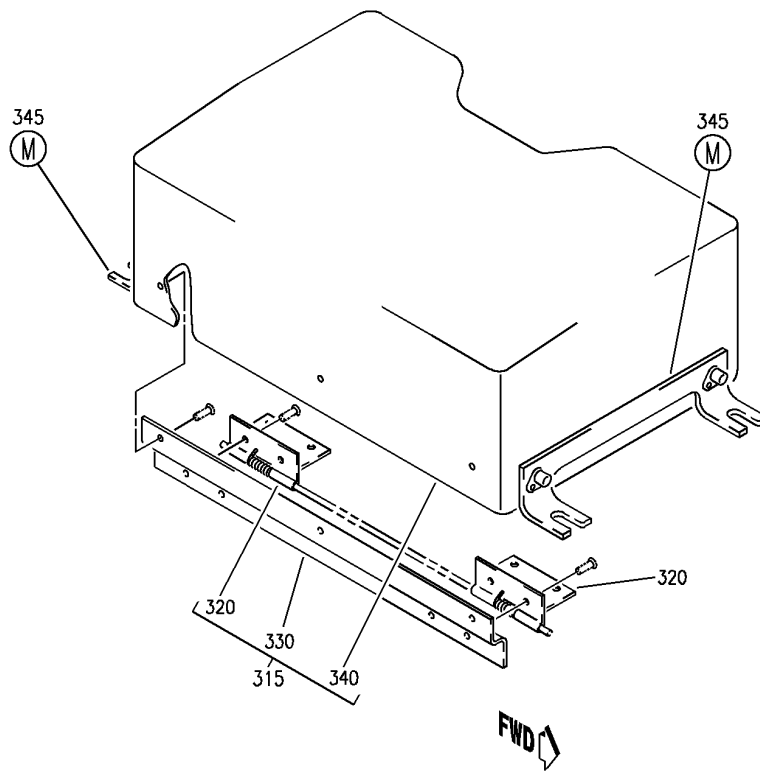
HAP
 FEB 10/07

25-21-71-06G
 PAGE 0B

BOEING
 737-600/700/800/900
 PARTS CATALOG (MAINTENANCE)



(K)



(L)

E 25217106G SHT 4 REV 124

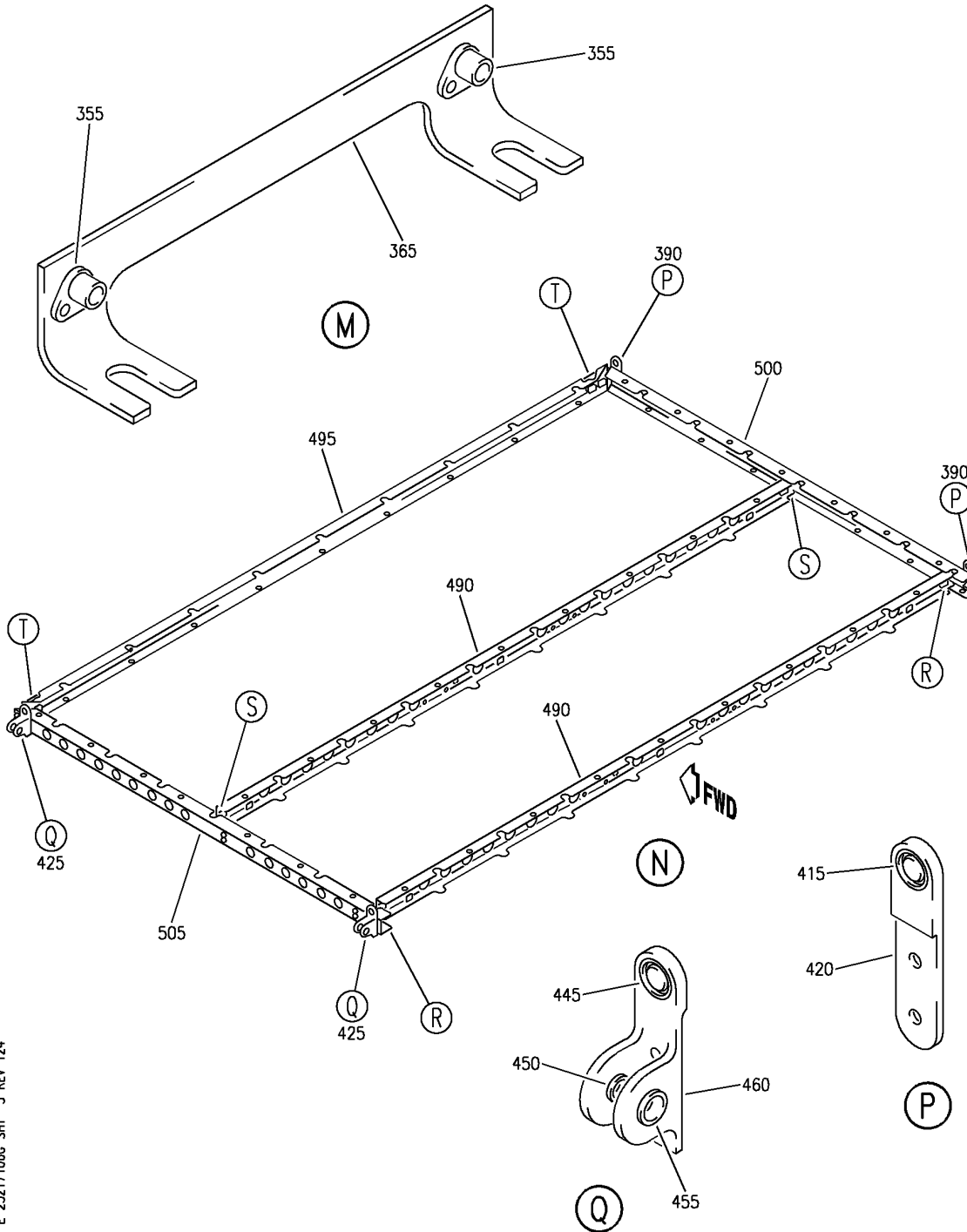
CEILING INSTL-AFT ENTRY LOWERED
 FIGURE 6G (SHEET 4)

25-21-71-06G

HAP
 FEB 10/07

25-21-71-06G
 PAGE 0C

BOEING
 737-600/700/800/900
 PARTS CATALOG (MAINTENANCE)



E 25217106G SHT 5 REV 124

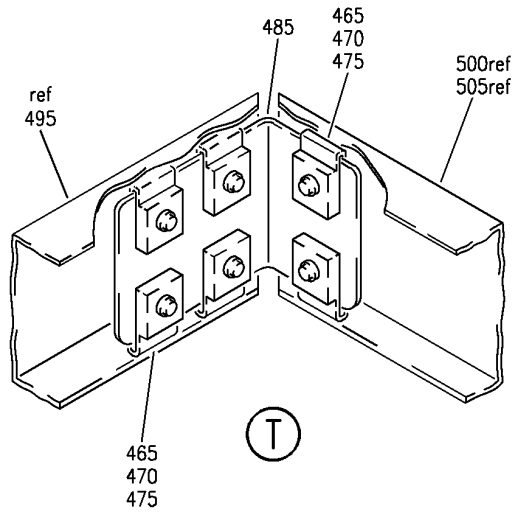
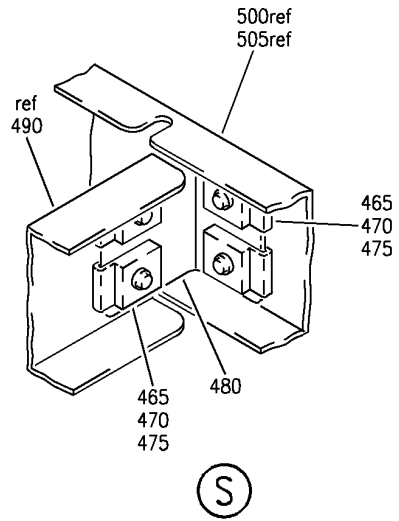
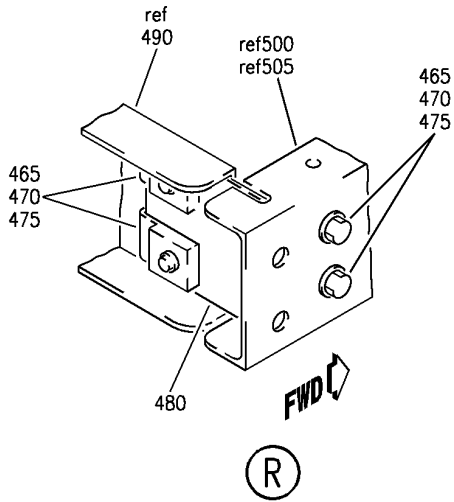
CEILING INSTL-AFT ENTRY LOWERED
 FIGURE 6G (SHEET 5)

25-21-71-06G

HAP
 FEB 10/07

25-21-71-06G
 PAGE 0D

BOEING
 737-600/700/800/900
 PARTS CATALOG (MAINTENANCE)



E 25217106G SHT 6 REV 124

CEILING INSTL-AFT ENTRY LOWERED
 FIGURE 6G (SHEET 6)

25-21-71-06G

HAP
 FEB 10/07

25-21-71-06G
 PAGE 0E

BOEING
737-600/700/800/900
PARTS CATALOG (MAINTENANCE)

FIG ITEM	PART NUMBER	1 2 3 4 5 6 7	NOMENCLATURE	EFFECT FROM TO	UNITS PER ASSY
6G			CEILING INSTL-AFT ENTRY LOWERED	031200 968999	
- 1	MODREF253312		CEILING INSTL-ENTRY LOWERED MODULE NUMBER: 411A3400-231B REV C POSITION DATA: AFT	031200 968999	1
5	PLT3SM		.STRAP SUPPLIER CODE: V06383 SPECIFICATION NUMBER: BACS38K7 OPTIONAL PART: T0510 V53421	031200 968999	2
10	BACB30NR4K12		.BOLT	031200 968999	4
15	BACB30NR4K16		.BOLT	031200 968999	2
20	NAS1149D0463J		.WASHER	031200 968999	12
25	PLH54CD		.NUT SUPPLIER CODE: VF0224 SPECIFICATION NUMBER: BACN10YR4CD OPTIONAL PART: H52732-4CD V15653	031200 968999	6
30	BACB28AK04-026		.BUSHING	031200 968999	4
35	BACB28AK04-042		.BUSHING	031200 968999	2
50	411A3420-45B		.CEILING ASSY-ENTRY (EQUIPMENT/FURNISHINGS ONLY) FUNCTIONAL REFERENCE: AIR CONDITIONING FOR DETAILS SEE 21-26-51-16A LIGHTS FOR DETAILS SEE 33-51-06-05A	031200 968999	1
55	BAC27DPA5118		..MARKER-ALUMINUM FOIL PLACARD CONTENT: M1834 ATTENDANTS OXYGEN BOX	031200 968999	2

MISSING ITEM NUMBERS NOT APPLICABLE

- ITEM NOT ILLUSTRATED

HAP

25-21-71-06G

BOEING PROPRIETARY - Copyright © - Unpublished Work - See title page for details.

25-21-71
FIG. 06G
PAGE 1
FEB 15/09

BOEING
737-600/700/800/900
PARTS CATALOG (MAINTENANCE)

FIG ITEM	PART NUMBER	1 2 3 4 5 6 7	NOMENCLATURE	EFFECT FROM TO	UNITS PER ASSY
6G					
60	BAC29PPS8810	..	MARKER-ALUMINUM FOIL PLACARD CONTENT: L1223 EXIT LOCATOR	031200 968999	1
65	BACS12FA3K6	..	SCREW	031200 968999	5
70	BACS12FA3K15	..	SCREW	031200 968999	1
75	BACS12FA3K17	..	SCREW	031200 968999	1
80	NAS43DD3-32FC	..	SPACER	031200 968999	1
85	NAS43DD3-48FC	..	SPACER	031200 968999	1
90	PLT1-5IM	..	STRAP SUPPLIER CODE: V06383 SPECIFICATION NUMBER: BACS38K5 OPTIONAL PART: T03R0 V53421	031200 968999	7
95	287T0011-1	..	CLAMP	031200 968999	7
100	PLWP1SAD	..	TIE-CABLE OPTIONAL PART: 411A3220-102	031200 968999	10
105	411A3220-102	..	SUB KIT ASSY-WIRE BUNDLE HARDWARE OPTIONAL PART: PLWP1SAD	031200 968999	10
110	BACS12FA3K8	...	SCREW	031200 968999	1
115	BRC600-10-3	...	NUT SUPPLIER CODE: V52828 SPECIFICATION NUMBER: BACN10YD2 OPTIONAL PART: 130121 V60119	031200 968999	1
120	PLT1-5IM	...	STRAP SUPPLIER CODE: V06383 SPECIFICATION NUMBER: BACS38K5 OPTIONAL PART: T03R0 V53421	031200 968999	1

MISSING ITEM NUMBERS NOT APPLICABLE

— ITEM NOT ILLUSTRATED

HAP

25-21-71-06G

BOEING PROPRIETARY - Copyright © - Unpublished Work - See title page for details.

25-21-71
FIG. 06G
PAGE 2
OCT 15/08

BOEING
737-600/700/800/900
PARTS CATALOG (MAINTENANCE)

FIG ITEM	PART NUMBER	1 2 3 4 5 6 7	NOMENCLATURE	EFFECT FROM TO	UNITS PER ASSY
6G					
125	287T0011-1	...	CLAMP	031200 968999	1
130	286A0152-005	..	WIRE BUNDLE ASSY	031200 968999	1
135	2J1865A	...	JACK-SVCE CAB. SUPPLIER CODE: V82389 POSITION DATA: AFT ELECTRICAL EQUIP NUMBER: D06015 WIRING DIAGRAM REF: 234111 OPTIONAL PART: BCREFD00032 V82389	031200 968999	1
135	2J1659	...	JACK-SVCE CAB. SUPPLIER CODE: V82389 POSITION DATA: AFT ELECTRICAL EQUIP NUMBER: D06015 WIRING DIAGRAM REF: 234111	031200 968999	1
140	AMC02PA03R	...	PLUG- SUPPLIER CODE: VS5065 ELECTRICAL EQUIP NUMBER: D11368 WIRING DIAGRAM REF: 352121	031200 968999	1
145	BACC65AK271P	...	RECEPTACLE- ELECTRICAL EQUIP NUMBER: D40026J WIRING DIAGRAM REF: 332911	031200 968999	1
150	BACC65AJ121S	...	PLUG- ELECTRICAL EQUIP NUMBER: D10180 D11460 WIRING DIAGRAM REF: 332722	031200 968999	2
155	BACC65AK212P	...	RECEPTACLE- ELECTRICAL EQUIP NUMBER: D40032J WIRING DIAGRAM REF: 233111	031200 968999	1

R
R
R
R
R
R
R
R
R
R
R

MISSING ITEM NUMBERS NOT APPLICABLE

- ITEM NOT ILLUSTRATED

HAP

25-21-71-06G

BOEING PROPRIETARY - Copyright © - Unpublished Work - See title page for details.

25-21-71
FIG. 06G
PAGE 3
JUN 15/09

BOEING
737-600/700/800/900
PARTS CATALOG (MAINTENANCE)

FIG ITEM	PART NUMBER	1 2 3 4 5 6 7	NOMENCLATURE	EFFECT FROM TO	UNITS PER ASSY
6G					
160	BACT44E1S		..TRACK-ELECTRICAL CONN. MTG ATTACHING PARTS	031200 968999	3
- 165	BACS12GU3K5		..SCREW	031200 968999	6
			-----*-----		
170	411A3082-8B		..TRIM-CLOSE OUT ATTACHING PARTS	031200 968999	1
- 175	BACS12GU3K5		..SCREW	031200 968999	6
- 180	BACW10P6AL		..WASHER	031200 968999	6
			-----*-----		
185	411A3082-5		..PLATE ATTACHING PARTS	031200 968999	1
- 190	BACS12FA3K5		..SCREW	031200 968999	2
			-----*-----		
195	411A3082-7A		..GROMMET	031200 968999	1
200	BACS12CK3-6		..SCREW	031200 968999	6
205	SAM225-1		..LATCH- SUPPLIER CODE: V31845	031200 968999	3
210	417A5464-21		..BRACKET ASSY	031200 968999	3
215	H3583-1		..LANYARD- SUPPLIER CODE: V83014 OPTIONAL PART: H3583K3260 V83014	031200 968999	1
215	H3583K3260		..LANYARD- SUPPLIER CODE: V83014 OPTIONAL PART: H3583-1 V83014	031200 968999	1
220	411A3080-19		..BRACKET ASSY ATTACHING PARTS	031200 968999	2
- 225	BACB30NM3K2		..BOLT	031200 968999	4
- 230	NAS1149D0332J		..WASHER	031200 968999	8

MISSING ITEM NUMBERS NOT APPLICABLE

- ITEM NOT ILLUSTRATED

HAP

25-21-71-06G

BOEING PROPRIETARY - Copyright © - Unpublished Work - See title page for details.

25-21-71
FIG. 06G
PAGE 4
JUN 15/09

BOEING
737-600/700/800/900
PARTS CATALOG (MAINTENANCE)

FIG ITEM	PART NUMBER	1 2 3 4 5 6 7	NOMENCLATURE	EFFECT FROM TO	UNITS PER ASSY
6G - 235	PLH53CD	..	NUT SUPPLIER CODE: VFO224 SPECIFICATION NUMBER: BACN10YR3CD OPTIONAL PART: H52732-3CD V15653 -----*-----	031200 968999	4
240	BACS12FA3K5	..	SCREW	031200 968999	9
245	BACS12FA3K6	..	SCREW	031200 968999	4
250	411A3081-5	..	BRACKET	031200 968999	1
255	SAM226-1	..	LATCH- SUPPLIER CODE: V31845	031200 968999	2
260	SAM273-1	..	HINGE- SUPPLIER CODE: V31845	031200 968999	2
265	411A3083-4	..	SEAL	031200 968999	1
270	411A3490-1A	..	PANEL ASSY-ACCESS OPTIONAL PART: 411A3490-9B	031200 968999	1
275	411A3491-1	...	PANEL ASSY-BASE OPTIONAL PART: 411A3491-7	031200 968999	1
275	411A3491-7	...	PANEL ASSY-BASE OPTIONAL PART: 411A3491-1	031200 968999	1
280	411A3490-9B	..	PANEL ASSY-ACCESS OPTIONAL PART: 411A3490-1A	031200 968999	1
285	411A3082-7A	...	GROMMET	031200 968999	2
- 290	SL2334-3A1	...	INSERT- SUPPLIER CODE: V97393	031200 968999	8
295	432W8503-10B	...	PANEL-STOCK	031200 968999	1

MISSING ITEM NUMBERS NOT APPLICABLE

- ITEM NOT ILLUSTRATED

HAP

25-21-71-06G

BOEING PROPRIETARY - Copyright © - Unpublished Work - See title page for details.

25-21-71
FIG. 06G
PAGE 5
FEB 15/09

BOEING
737-600/700/800/900
PARTS CATALOG (MAINTENANCE)

FIG ITEM	PART NUMBER	1 2 3 4 5 6 7	NOMENCLATURE	EFFECT FROM TO	UNITS PER ASSY
6G 300	417N3810-155B		..BOX ASSY-ATTENDANT SVCE OXY (EQUIPMENT/ FURNISHINGS ONLY) POSITION DATA: LH ELECTRICAL EQUIP NUMBER: M01834 COMPONENT MAINT MANUAL REF: 35-21-34 FUNCTIONAL REFERENCE: OXYGEN FOR DETAILS SEE 35-22-11-06L 35-22-21-06F 35-22-31-27F ATTACHING PARTS	031200 968999	2
- 305	BACS12GU3K6		..SCREW	031200 968999	8
- 310	BACW10P43AL		..WASHER	031200 968999	8
			-----*-----		
315	417N3810-16		...BOX ASSY	031200 968999	1
320	417N3811-3	HINGE	031200 968999	2
			ATTACHING PARTS		
- 325	BACR15BB4D	RIVET- SIZE DETERMINED ON INSTL.	031200 968999	4
			-----*-----		
330	417N3811-4	BRACKET-MTG	031200 968999	1
			ATTACHING PARTS		
- 335	BACR15BA3D	RIVET- SIZE DETERMINED ON INSTL.	031200 968999	3
			-----*-----		
340	417N3813-6	BOX	031200 968999	1
345	417N3811-43		...SUPPORT ASSY	031200 968999	2
			ATTACHING PARTS		
- 350	BACS12FA08K5		...SCREW	031200 968999	4
			-----*-----		

MISSING ITEM NUMBERS NOT APPLICABLE

- ITEM NOT ILLUSTRATED

HAP

25-21-71-06G

BOEING PROPRIETARY - Copyright © - Unpublished Work - See title page for details.

25-21-71
FIG. 06G
PAGE 6
OCT 15/08

BOEING
737-600/700/800/900
PARTS CATALOG (MAINTENANCE)

FIG ITEM	PART NUMBER	1 2 3 4 5 6 7	NOMENCLATURE	EFFECT FROM TO	UNITS PER ASSY
6G 355	T8078S832	NUTPLATE SUPPLIER CODE: V11815 SPECIFICATION NUMBER: BACN10JP08 OPTIONAL PART: MK3000-08BAC V15653 NS103199-82 V80539 RMA9205M82 V72962 VN203A1-82 V92215 BRM300A08 V52828 ATTACHING PARTS	031200 968999	2
- 360	BACR15DR3F	RIVET- SIZE DETERMINED ON INSTL. -----*-----	031200 968999	4
365	417N3811-44	ANGLE	031200 968999	1
370	411A3080-3	..	BRACKET ATTACHING PARTS	031200 968999	2
- 375	BACS12FA3K5	..	SCREW -----*-----	031200 968999	10
380	411A3420-33	..	CEILING SUB ASSY ATTACHING PARTS	031200 968999	1
- 385	BACS12FA3K5	..	SCREW -----*-----	031200 968999	39
390	411A3081-19	...	FITTING ASSY-BLADE ATTACHING PARTS	031200 968999	2
- 400	BACB30NM3K3	...	BOLT	031200 968999	4
- 405	NAS1149D0332J	...	WASHER- POSITION DATA: FAR SIDE	031200 968999	4

MISSING ITEM NUMBERS NOT APPLICABLE

- ITEM NOT ILLUSTRATED

HAP

25-21-71-06G

BOEING PROPRIETARY - Copyright © - Unpublished Work - See title page for details.

25-21-71
FIG. 06G
PAGE 7
OCT 15/08

BOEING
737-600/700/800/900
PARTS CATALOG (MAINTENANCE)

FIG ITEM	PART NUMBER	1 2 3 4 5 6 7	NOMENCLATURE	EFFECT FROM TO	UNITS PER ASSY
6G - 410	PLH53CD		...NUT- SUPPLIER CODE: VFO224 SPECIFICATION NUMBER: BACN10YR3CD OPTIONAL PART: H52732-3CD V15653 POSITION DATA: FAR SIDE -----*-----	031200 968999	4
415	AG4V4009	BEARING- SUPPLIER CODE: V15860 SPECIFICATION NUMBER: 60B00180-68 OPTIONAL PART: LHBG4BAC V73134 NC4G12 V56644	031200 968999	1
420	411A3081-20	FITTING	031200 968999	1
425	411A3081-21		...FITTING ASSY	031200 968999	2
- 430	BACB30NT3K3		ATTACHING PARTS ...BOLT	031200 968999	4
- 435	NAS1149D0332J		...WASHER- POSITION DATA: FAR SIDE	031200 968999	4
- 440	PLH53CD		...NUT- SUPPLIER CODE: VFO224 SPECIFICATION NUMBER: BACN10YR3CD OPTIONAL PART: H52732-3CD V15653 POSITION DATA: FAR SIDE -----*-----	031200 968999	4

MISSING ITEM NUMBERS NOT APPLICABLE

- ITEM NOT ILLUSTRATED

HAP

25-21-71-06G

BOEING PROPRIETARY - Copyright © - Unpublished Work - See title page for details.

25-21-71
FIG. 06G
PAGE 8
FEB 15/09

BOEING
737-600/700/800/900
PARTS CATALOG (MAINTENANCE)

FIG ITEM	PART NUMBER	1 2 3 4 5 6 7	NOMENCLATURE	EFFECT FROM TO	UNITS PER ASSY
6G 445	AG4V4009	BEARING- SUPPLIER CODE: V15860 SPECIFICATION NUMBER: 60B00180-68 OPTIONAL PART: LHBG4BAC V73134 NC4G12 V56644	031200 968999	1
450	BACB28AP04P018	BUSHING	031200 968999	1
455	BACB28AT06B018C	BUSHING	031200 968999	1
460	411A3081-22	FITTING	031200 968999	1
465	BACB30NM3K3	...	BOLT- POSITION DATA: FAR SIDE	031200 968999	28
470	NAS1149D0332J	...	WASHER	031200 968999	28
475	130069	...	NUT SUPPLIER CODE: V60119 SPECIFICATION NUMBER: BACN10FX16 OPTIONAL PART: A11330-6-3 V72962 A4972-6-02 V72962	031200 968999	28
480	411A3081-37	...	BRACKET	031200 968999	4
485	411A3081-41	...	BRACKET	031200 968999	2
490	411A3081-30	...	CROSSMEMBER	031200 968999	2
495	411A3081-29	...	CROSSMEMBER	031200 968999	1
500	411A3081-32	...	RAIL	031200 968999	1
505	411A3081-31	...	RAIL	031200 968999	1
510	411A3420-28B	..	PANEL ASSY-BASE	031200 968999	1
- 515	SL2334-3A1	...	INSERT- SUPPLIER CODE: V97393	031200 968999	118

MISSING ITEM NUMBERS NOT APPLICABLE

- ITEM NOT ILLUSTRATED

HAP

25-21-71-06G

BOEING PROPRIETARY - Copyright © - Unpublished Work - See title page for details.

25-21-71
FIG. 06G
PAGE 9
FEB 15/09

BOEING
737-600/700/800/900
PARTS CATALOG (MAINTENANCE)

FIG ITEM	PART NUMBER	1 2 3 4 5 6 7	NOMENCLATURE	EFFECT FROM TO	UNITS PER ASSY
6G					
520	432W8503-10B	...	PANEL-STOCK OPTIONAL PART: 432W8503-4B	031200 968999	1
520	432W8503-4B	...	PANEL-STOCK OPTIONAL PART: 432W8503-10B	031200 968999	1
- 702	286A3058-439		WIRE BUNDLE ASSY	031036	RF
- 703	286A3058-465		WIRE BUNDLE ASSY	037048	RF
- 703	286A3058-121		WIRE BUNDLE ASSY	054100 101106 968999	RF
710	BACC65AJ171S	.PLUG-	ELECTRICAL EQUIP NUMBER: D40026P WIRING DIAGRAM REF: 332911	031048 054106 968999	1
- 750	286A0052-002		WIRE BUNDLE ASSY	031048 054106 968999	RF
755	BACC65AK221P	.RECEPTACLE-	ELECTRICAL EQUIP NUMBER: D11462 WIRING DIAGRAM REF: 332911	031048 054106 968999	1
- 800	286A7359-005		WIRE BUNDLE ASSY	101106 968999	RF
- 800	286A7359-006		WIRE BUNDLE ASSY	031048 054100	RF
805	BACC65AJ112S	.PLUG-	ELECTRICAL EQUIP NUMBER: D40032P WIRING DIAGRAM REF: 234111	031048 054106 968999	1

MISSING ITEM NUMBERS NOT APPLICABLE

- ITEM NOT ILLUSTRATED

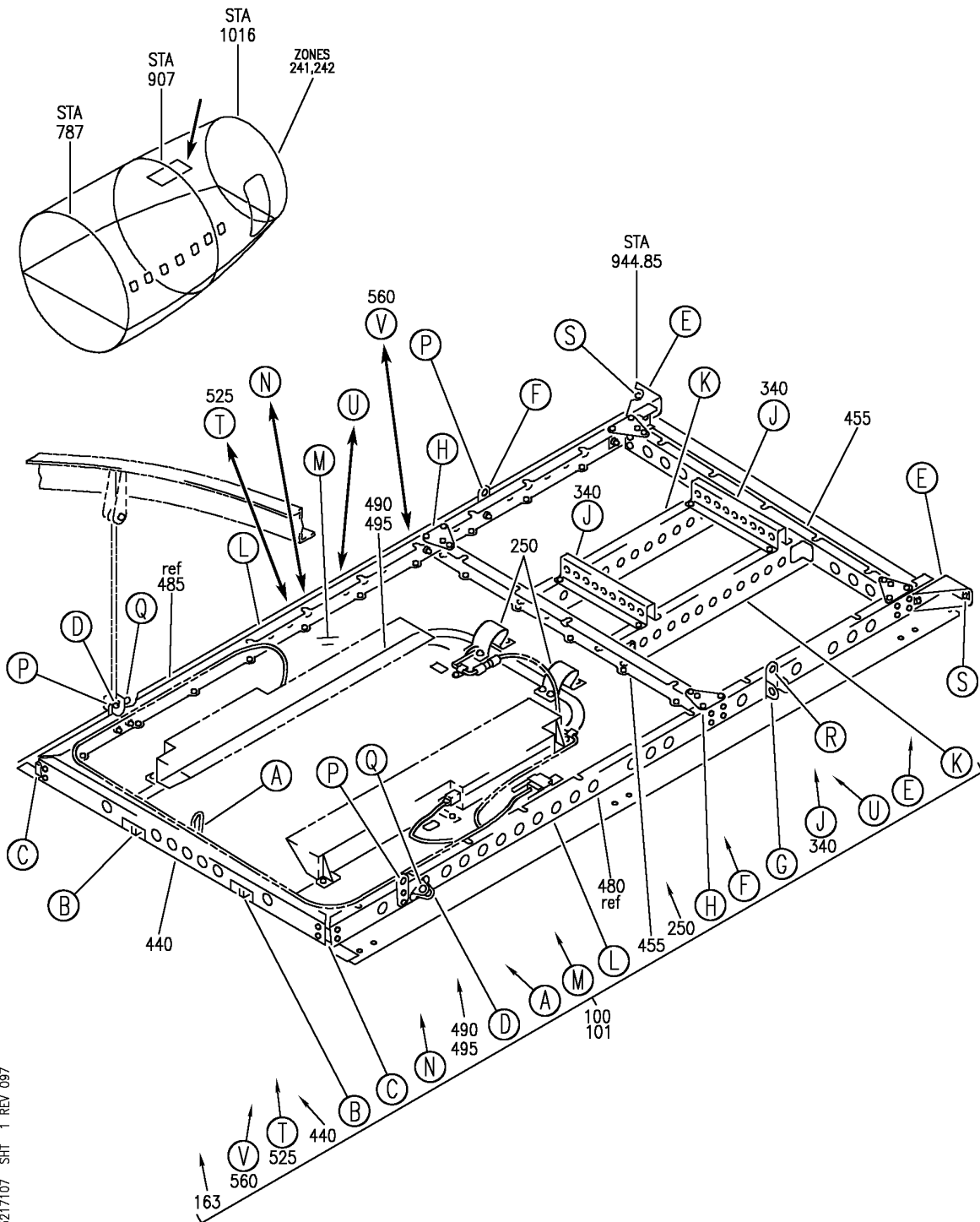
HAP

25-21-71-06G

BOEING PROPRIETARY - Copyright © - Unpublished Work - See title page for details.

25-21-71
FIG. 06G
PAGE 10
FEB 15/09

BOEING
 737-600/700/800/900
 PARTS CATALOG (MAINTENANCE)



E 25217107 SHT 1 REV 097

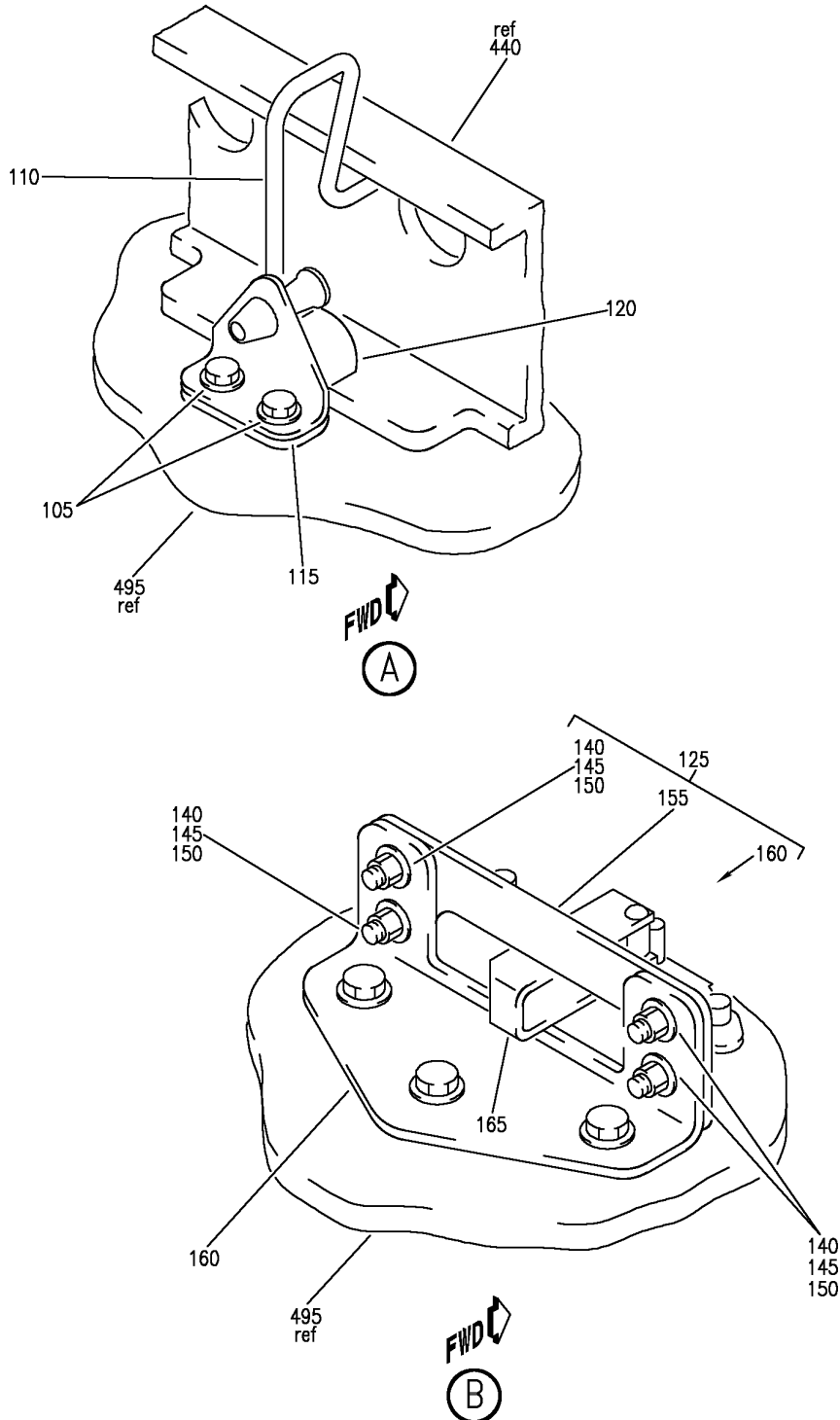
CEILING INSTL-LOWERED AFT HORSESHOE
 FIGURE 7 (SHEET 1)

25-21-71-07

HAP
 OCT 10/06

25-21-71-07
 PAGE 0

BOEING
 737-600/700/800/900
 PARTS CATALOG (MAINTENANCE)



E 25217107 SHT 2 REV 097

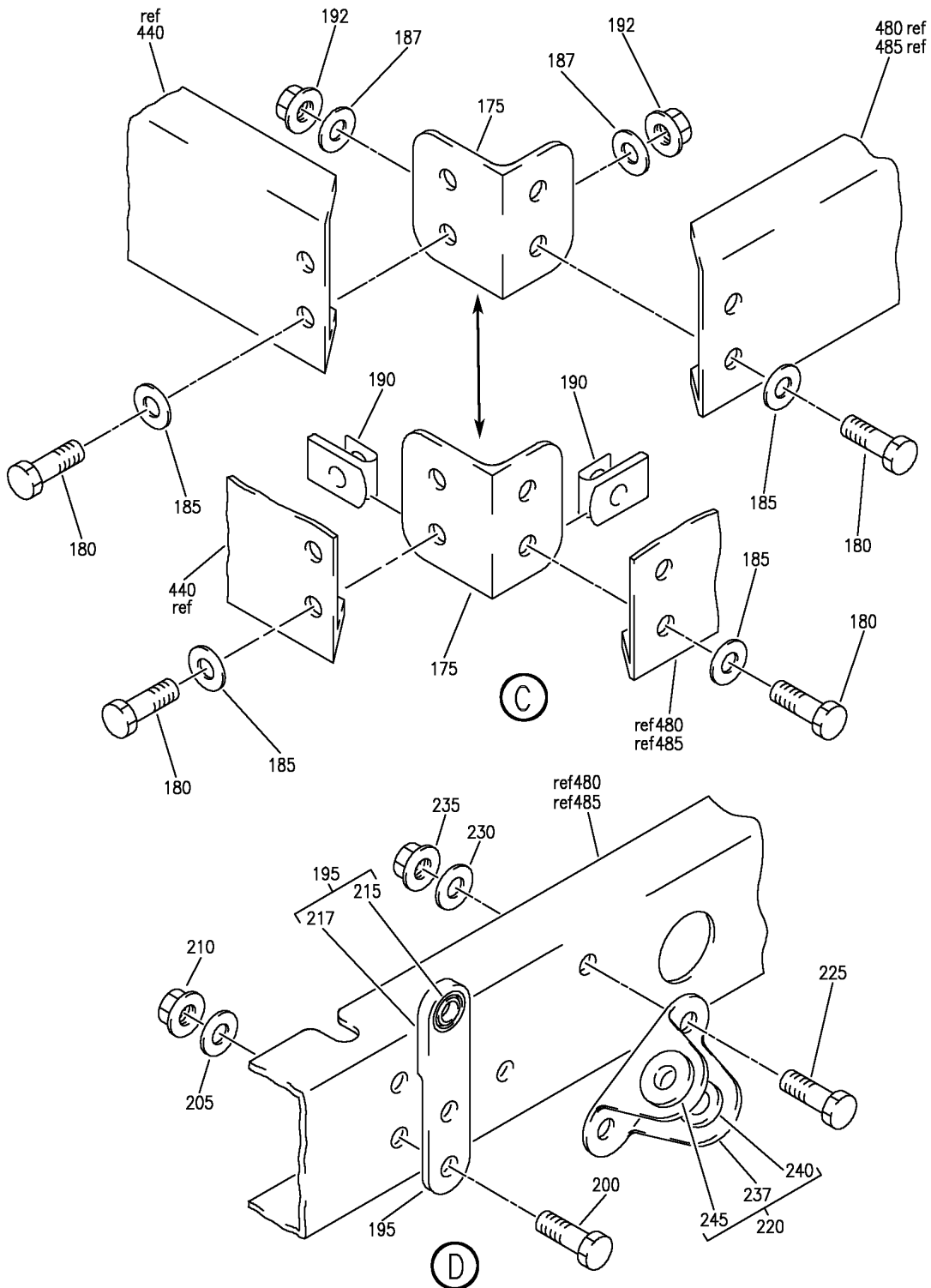
CEILING INSTL-LOWERED AFT HORSESHOE
 FIGURE 7 (SHEET 2)

25-21-71-07

HAP
 OCT 10/06

25-21-71-07
 PAGE 0A

BOEING
 737-600/700/800/900
 PARTS CATALOG (MAINTENANCE)



E 25217107 SHT 3 REV 097

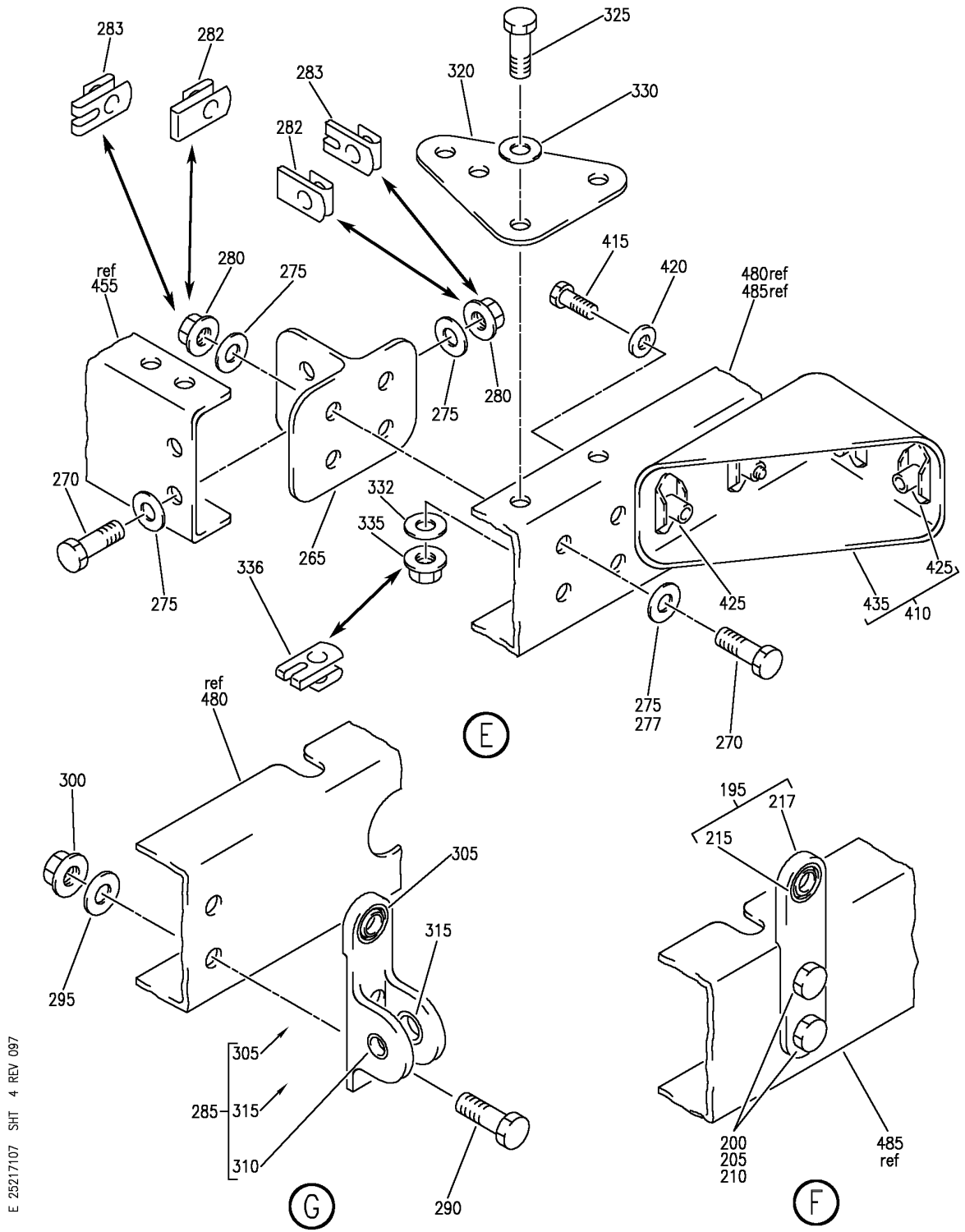
CEILING INSTL-LOWERED AFT HORSESHOE
 FIGURE 7 (SHEET 3)

25-21-71-07

HAP
 OCT 10/06

25-21-71-07
 PAGE 0B

BOEING
 737-600/700/800/900
 PARTS CATALOG (MAINTENANCE)



E 25217107 SHT 4 REV 097

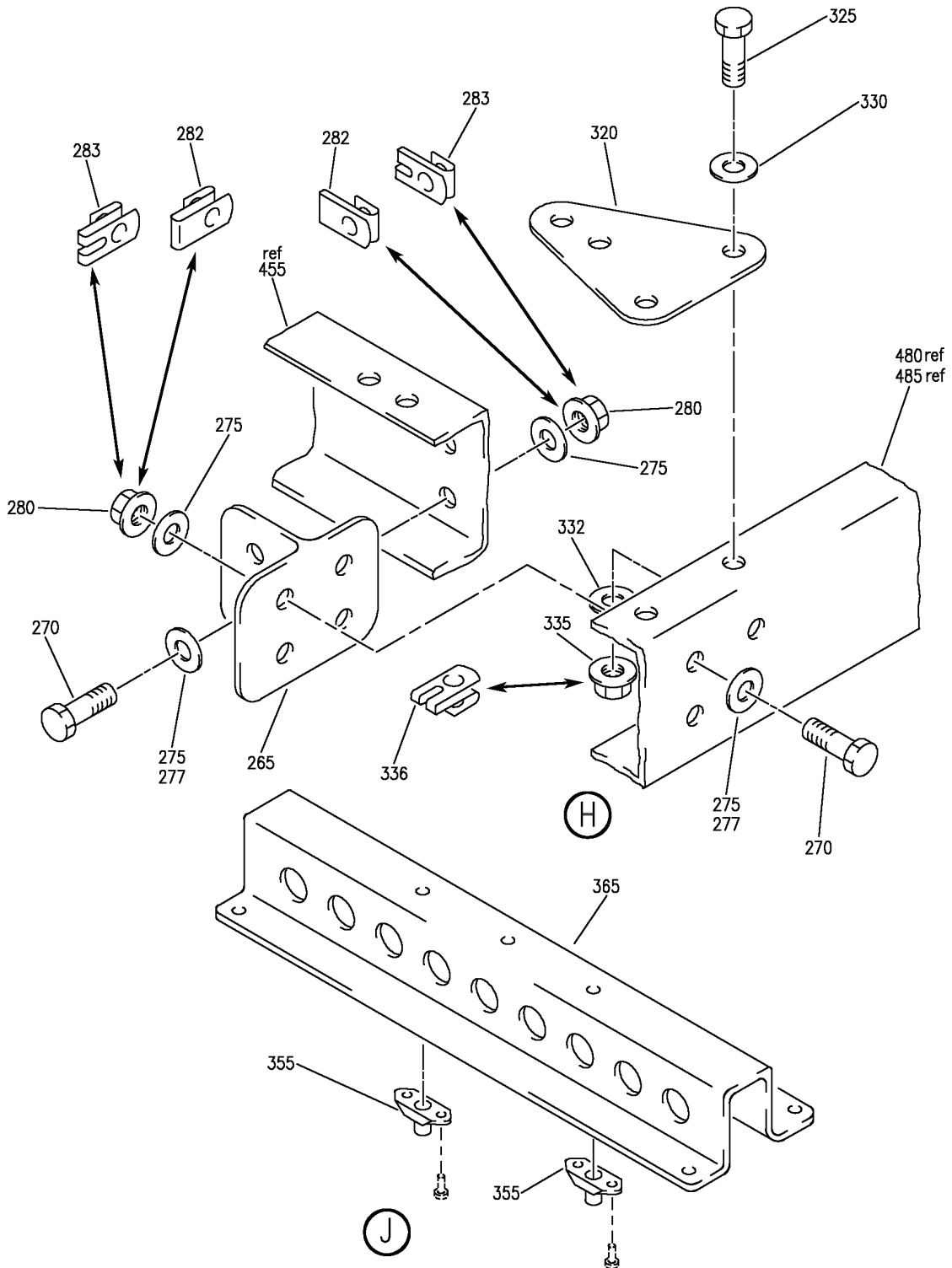
CEILING INSTL-LOWERED AFT HORSESHOE
 FIGURE 7 (SHEET 4)

25-21-71-07

HAP
 OCT 10/06

25-21-71-07
 PAGE 0C

BOEING
 737-600/700/800/900
 PARTS CATALOG (MAINTENANCE)



E 25217107 SHT 5 REV 097

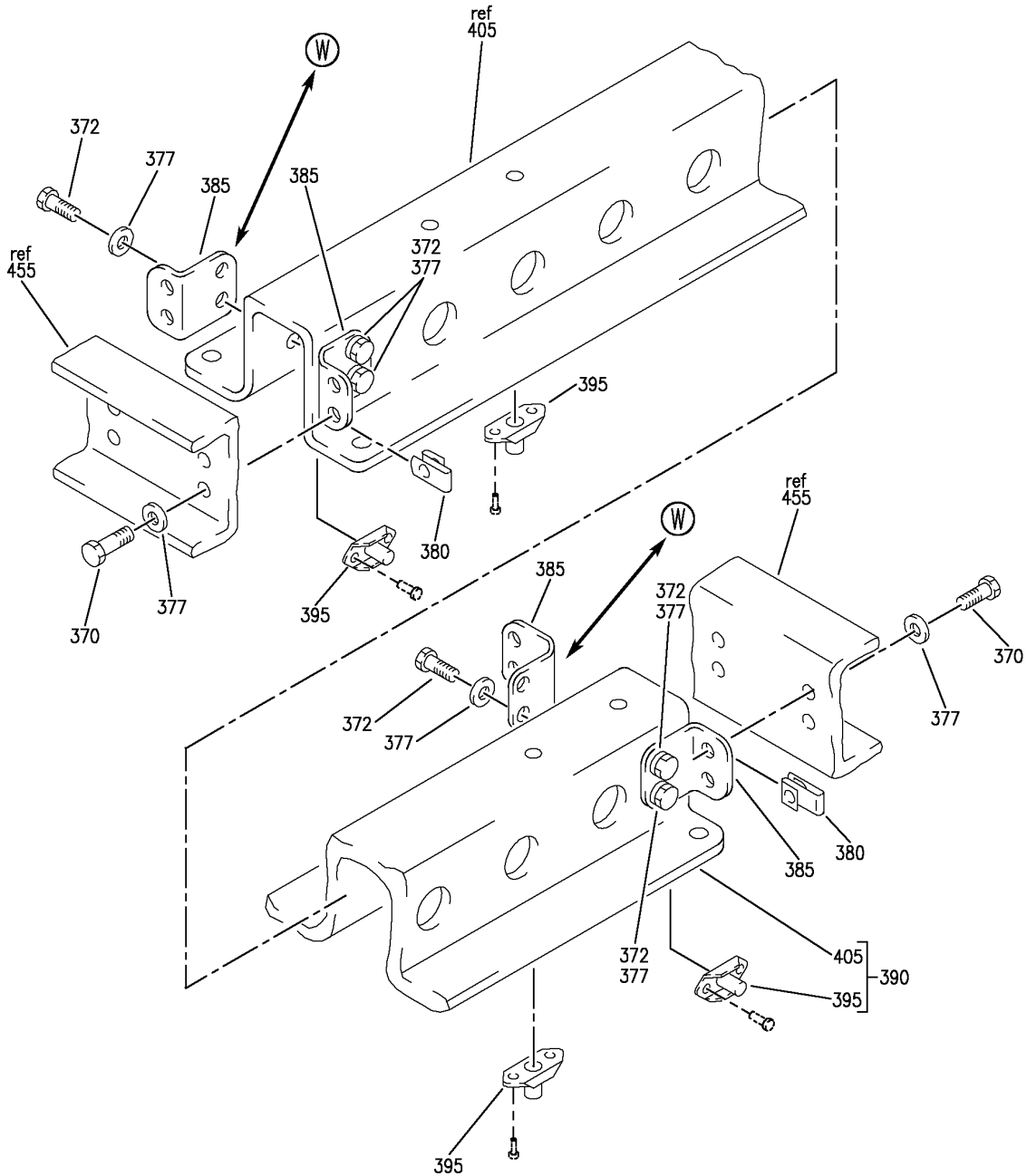
CEILING INSTL-LOWERED AFT HORSESHOE
 FIGURE 7 (SHEET 5)

25-21-71-07

HAP
 OCT 10/06

25-21-71-07
 PAGE 0D

BOEING
737-600/700/800/900
PARTS CATALOG (MAINTENANCE)



(K)

E 25217107 SHT 6 REV 065

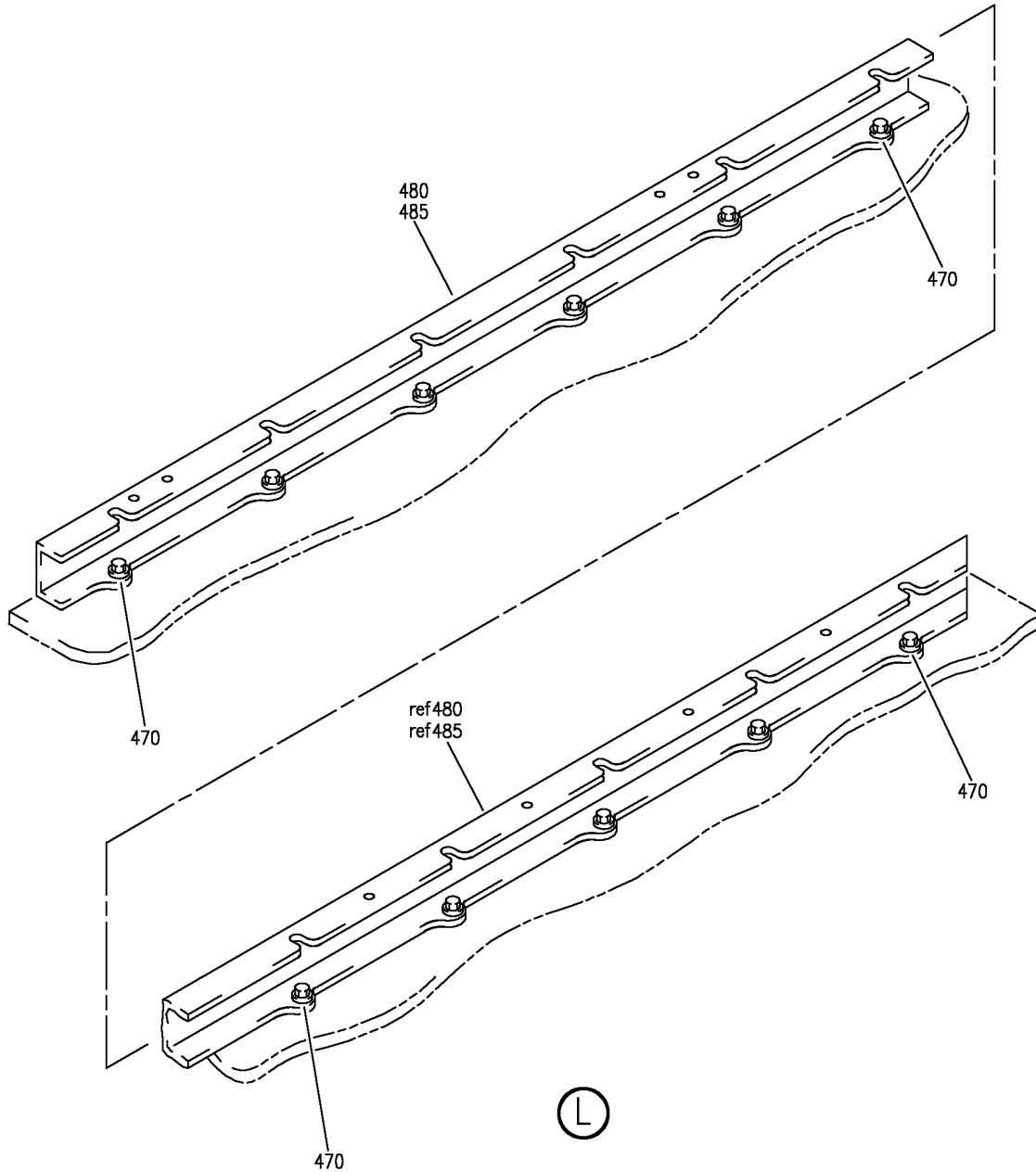
CEILING INSTL-LOWERED AFT HORSESHOE
FIGURE 7 (SHEET 6)

25-21-71-07

HAP
OCT 10/06

25-21-71-07
PAGE 0E

BOEING
737-600/700/800/900
PARTS CATALOG (MAINTENANCE)



E 25217107 SHT 7 REV 097

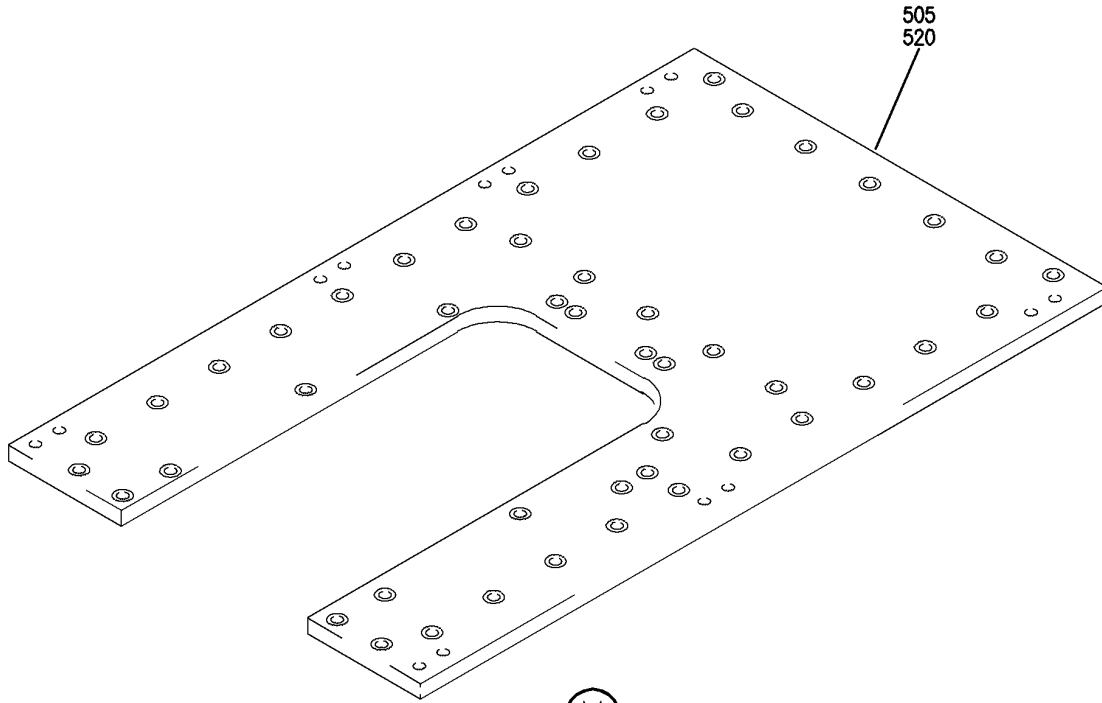
CEILING INSTL-LOWERED AFT HORSESHOE
FIGURE 7 (SHEET 7)

25-21-71-07

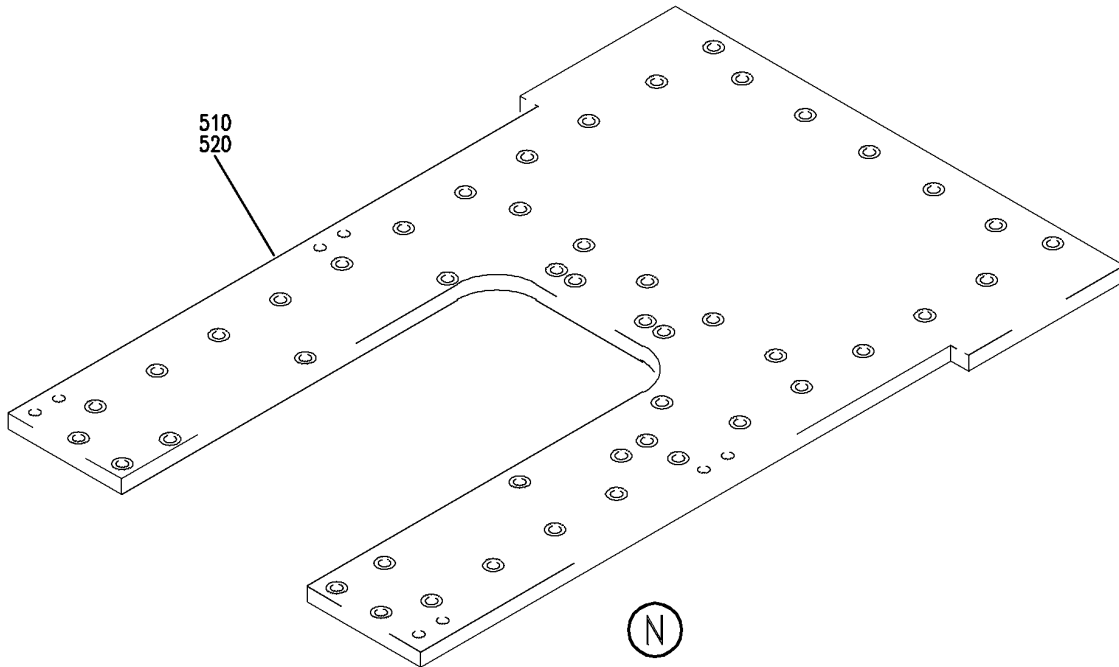
HAP
OCT 10/06

25-21-71-07
PAGE OF

BOEING
737-600/700/800/900
PARTS CATALOG (MAINTENANCE)



(M)



(N)

E 25217107 SHT 8 REV 058

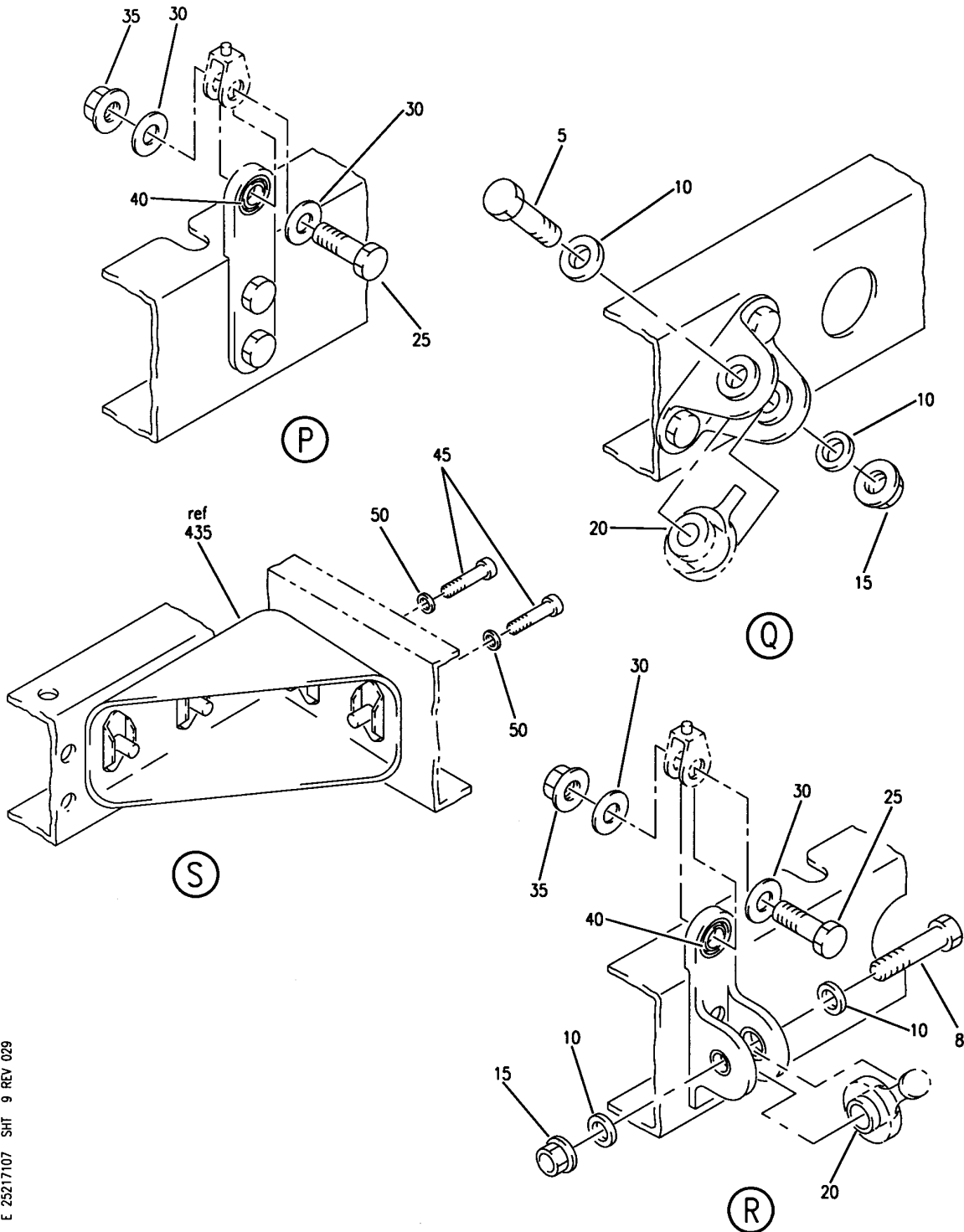
CEILING INSTL-LOWERED AFT HORSESHOE
FIGURE 7 (SHEET 8)

25-21-71-07

HAP
OCT 10/06

25-21-71-07
PAGE 06

BOEING
 737-600/700/800/900
 PARTS CATALOG (MAINTENANCE)



E 25217107 SHT 9 REV 029

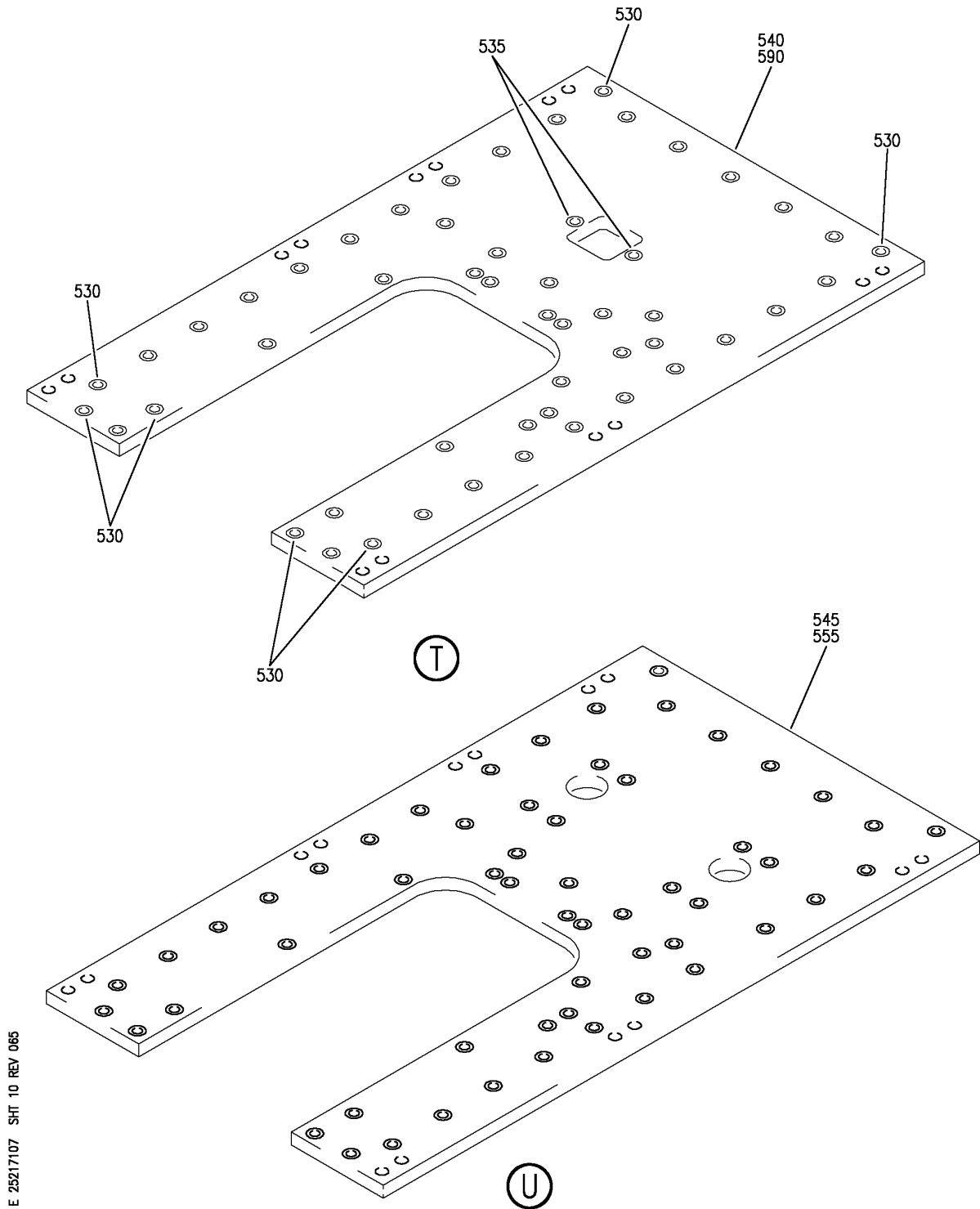
CEILING INSTL-LOWERED AFT HORSESHOE
 FIGURE 7 (SHEET 9)

25-21-71-07

HAP
 OCT 10/06

25-21-71-07
 PAGE 0H

BOEING
737-600/700/800/900
PARTS CATALOG (MAINTENANCE)



E 25217107 SHT 10 REV 065

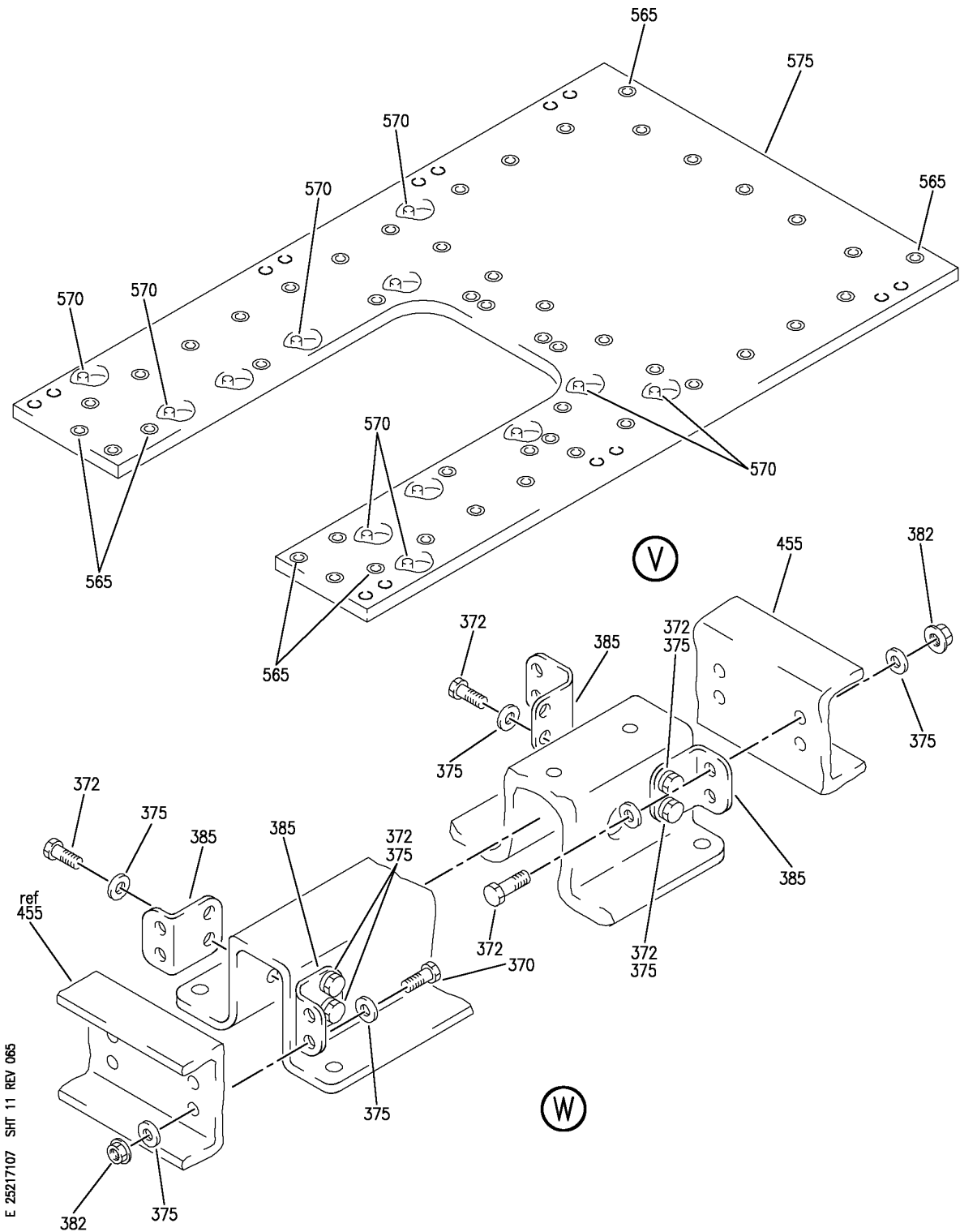
CEILING INSTL-LOWERED AFT HORSESHOE
FIGURE 7 (SHEET 10)

25-21-71-07

HAP
OCT 10/06

25-21-71-07
PAGE 01

BOEING
 737-600/700/800/900
 PARTS CATALOG (MAINTENANCE)



E 25217107 SHT 11 REV 065

CEILING INSTL-LOWERED AFT HORSESHOE
 FIGURE 7 (SHEET 11)

25-21-71-07

HAP
 OCT 10/06

25-21-71-07
 PAGE 0J

 **BOEING**
737-600/700/800/900
PARTS CATALOG (MAINTENANCE)

FIG ITEM	PART NUMBER	1 2 3 4 5 6 7	NOMENCLATURE	EFFECT FROM TO	UNITS PER ASSY
7			CEILING INSTL-LOWERED AFT HORSESHOE	001030 201967	
- 1	411A3400-301SP		CEILING INSTL-LOWERED HORSESHOE POSITION DATA: AFT FOR NHA SEE: 25-21-00-01A 25-21-00-01D	001020 201967	RF
- 1	411A3400-310B		CEILING INSTL-LOWERED HORSESHOE POSITION DATA: AFT FOR NHA SEE: 25-21-00-01D	021027	RF
- 2	411A3400-319SP		CEILING INSTL-LOWERED HORSESHOE POSITION DATA: AFT FOR NHA SEE: 25-21-00-01D	028030	RF
5	BACB30NR4K14		.BOLT-	001030 201967	2
8	BACB30NR4K16		.BOLT-	001030 201967	1
10	NAS1149D0463J		.WASHER-	001030 201967	6
15	PLH54CD		.NUT SUPPLIER CODE: VF0224 SPECIFICATION NUMBER: BACN10YR4CD OPTIONAL PART: H52732-4CD V15653	001030 201967	3
20	BACB28AK04-042		.BUSHING	001030 201967	3
25	BACB30NR4K12		.BOLT-	001030 201967	4
30	NAS1149D0463J		.WASHER-	001030 201967	8
35	PLH54CD		.NUT SUPPLIER CODE: VF0224 SPECIFICATION NUMBER: BACN10YR4CD OPTIONAL PART: H52732-4CD V15653	001030 201967	4

MISSING ITEM NUMBERS NOT APPLICABLE

- ITEM NOT ILLUSTRATED

HAP

25-21-71-07

BOEING PROPRIETARY - Copyright © - Unpublished Work - See title page for details.

25-21-71
FIG. 07
PAGE 1
FEB 15/09

BOEING
737-600/700/800/900
PARTS CATALOG (MAINTENANCE)

FIG ITEM	PART NUMBER	1 2 3 4 5 6 7	NOMENCLATURE	EFFECT FROM TO	UNITS PER ASSY
7					
40	BACB28AK04-026	.	BUSHING	001030 201967	4
45	BACB30NM3K5	.	BOLT	001030 201967	4
50	NAS1149D0332J	.	WASHER	001030 201967	4
100	411A3430-1A	.	CEILING ASSY-HORSESHOE (EQUIPMENT/FURNISHINGS ONLY) POSITION DATA: AFT FUNCTIONAL REFERENCE: LIGHTS FOR DETAILS SEE 33-22-00-04 33-26-03-01	001020 201967	1
100	411A3430-10B	.	CEILING ASSY-HORSESHOE (EQUIPMENT/FURNISHINGS ONLY) POSITION DATA: AFT FUNCTIONAL REFERENCE: LIGHTS FOR DETAILS SEE 33-22-00-04 33-26-03-01	021027	1
101	411A3430-18SP	.	CEILING ASSY-HORSESHOE (EQUIPMENT/FURNISHINGS ONLY) POSITION DATA: AFT FUNCTIONAL REFERENCE: LIGHTS FOR DETAILS SEE 33-22-00-04D 33-26-03-01 EQUIPMENT/FURNISHINGS FOR DETAILS SEE 25-21-71-07A	028030	1
105	BACS12FA3K6	..	SCREW-	001027 201967	2
110	H3583-1	..	LANYARD- SUPPLIER CODE: V83014 OPTIONAL PART: H3583K3260 V83014	001027 201967	1

MISSING ITEM NUMBERS NOT APPLICABLE

— ITEM NOT ILLUSTRATED

HAP

25-21-71-07

BOEING PROPRIETARY - Copyright © - Unpublished Work - See title page for details.

25-21-71
FIG. 07
PAGE 2
OCT 15/08

BOEING
737-600/700/800/900
PARTS CATALOG (MAINTENANCE)

FIG ITEM	PART NUMBER	1 2 3 4 5 6 7	NOMENCLATURE	EFFECT FROM TO	UNITS PER ASSY
7					
110	H3583K3260	..	LANYARD- SUPPLIER CODE: V83014 OPTIONAL PART: H3583-1 V83014	001027 201967	1
115	411A3081-5	..	BRACKET	001027 201967	1
120	411A3082-6	..	BLOCK-ALIGN.	001027 201967	1
125	411T3096-178	..	LATCH ASSY	001027 201967	2
			ATTACHING PARTS		
- 130	BACS12FA3K4	..	SCREW- -----*-----	001027 201967	6
140	NAS1801-3-6	...	SCREW	001027 201967	4
145	AN960JD10L	...	WASHER	001027 201967	4
150	MS21042L3	...	NUT	001027 201967	4
155	411T3096-176	...	STRIKE	001027 201967	1
160	411T3096-175	...	BASE	001027 201967	1
165	H2957-5	..	LATCH- SUPPLIER CODE: V83014 SPECIFICATION NUMBER: S411T302-3 ATTACHING PARTS	001027 201967	2
- 170	BACS12ER3K7	..	SCREW- POSITION DATA: FAR SIDE -----*-----	001027 201967	4
175	411A3081-39	..	BRACKET ATTACHING PARTS	001027 201967	2
180	BACB30NM3K3	..	BOLT- POSITION DATA: FAR SIDE	001027 201967	8
185	NAS1149D0332J	..	WASHER- POSITION DATA: FARSIDE	001027 201967	8
187	NAS1149D0332J	..	WASHER	001027 201967	8

MISSING ITEM NUMBERS NOT APPLICABLE

- ITEM NOT ILLUSTRATED

HAP

25-21-71-07

25-21-71
FIG. 07
PAGE 3
OCT 15/08

BOEING
737-600/700/800/900
PARTS CATALOG (MAINTENANCE)

FIG ITEM	PART NUMBER	1 2 3 4 5 6 7	NOMENCLATURE	EFFECT FROM TO	UNITS PER ASSY
7 190	130069		..NUT- SUPPLIER CODE: V60119 SPECIFICATION NUMBER: BACN10FX16 OPTIONAL PART: A11330-6-3 V72962 A4972-6-02 V72962 -----*-----	001027 201967	8
195	411A3081-19		..FITTING ASSY-BLADE OPTIONAL PART: 411A3081-79	001027 201967	3
195	411A3081-79		..FITTING ASSY-BLADE OPTIONAL PART: 411A3081-19 ATTACHING PARTS	001027 201967	3
200	BACB30NM3K3		..BOLT	001027 201967	6
205	NAS1149D0332J		..WASHER- POSITION DATA: FAR SIDE	001027 201967	6
210	PLH53CD		..NUT- SUPPLIER CODE: VFO224 SPECIFICATION NUMBER: BACN10YR3CD OPTIONAL PART: H52732-3CD V15653 POSITION DATA: FAR SIDE -----*-----	001027 201967	6
215	AG4V4009		...BEARING- SUPPLIER CODE: V15860 SPECIFICATION NUMBER: 60B00180-68 OPTIONAL PART: LHBG4BAC V73134 NC4G12 V56644 USED ON: 411A3081-19	001027 201967	1
215	S012T237-301		...BEARING- USED ON: 411A3081-79	001027 201967	1

MISSING ITEM NUMBERS NOT APPLICABLE

— ITEM NOT ILLUSTRATED

HAP

25-21-71-07

BOEING PROPRIETARY - Copyright © - Unpublished Work - See title page for details.

25-21-71
FIG. 07
PAGE 4
FEB 15/09

BOEING
737-600/700/800/900
PARTS CATALOG (MAINTENANCE)

FIG ITEM	PART NUMBER	1 2 3 4 5 6 7	NOMENCLATURE	EFFECT FROM TO	UNITS PER ASSY
7					
217	411A3081-20	...	FITTING	001027 201967	1
220	411A3081-23	..	FITTING ASSY	001027 201967	2
			ATTACHING PARTS		
225	BACB30NM3K2	..	BOLT-	001027 201967	4
230	NAS1149D0332J	..	WASHER- POSITION DATA: FAR SIDE	001027 201967	4
235	PLH53CD	..	NUT- SUPPLIER CODE: VFO224 SPECIFICATION NUMBER: BACN10YR3CD OPTIONAL PART: H52732-3CD V15653 POSITION DATA: FAR SIDE -----*-----	001027 201967	4
237	411A3081-24	...	FITTING	001027 201967	1
240	BACB28AP04P009	...	BUSHING	001027 201967	1
245	BACB28AT06B009C	...	BUSHING	001027 201967	1
250	SAM273-1	..	HINGE- SUPPLIER CODE: V31845 ATTACHING PARTS	001027 201967	2
- 255	BACS12FA3K4	..	SCREW- -----*-----	001027 201967	8
265	411A3081-38	..	BRACKET ATTACHING PARTS	001027 201967	4
270	BACB30NM3K3	..	BOLT	001027 201967	16
275	NAS1149D0332J	..	WASHER	001027 201967	32

MISSING ITEM NUMBERS NOT APPLICABLE

- ITEM NOT ILLUSTRATED

HAP

25-21-71-07

BOEING PROPRIETARY - Copyright © - Unpublished Work - See title page for details.

25-21-71
FIG. 07
PAGE 5
FEB 15/09

BOEING
737-600/700/800/900
PARTS CATALOG (MAINTENANCE)

FIG ITEM	PART NUMBER	1 2 3 4 5 6 7	NOMENCLATURE	EFFECT FROM TO	UNITS PER ASSY
7 280	PLH53CD	..	NUT- SUPPLIER CODE: VFO224 SPECIFICATION NUMBER: BACN10YR3CD OPTIONAL PART: H52732-3CD V15653 -----*-----	001027 201967	16
285	411A3081-21	..	FITTING ASSY-PI OPTIONAL PART: 411A3081-71	001027 201967	1
285	411A3081-71	..	FITTING ASSY-PI OPTIONAL PART: 411A3081-21 ATTACHING PARTS	001027 201967	1
290	BACB30NT3K3	..	BOLT-	001027 201967	2
295	NAS1149D0332J	..	WASHER- POSITION DATA: FAR SIDE	001027 201967	2
300	PLH53CD	..	NUT- SUPPLIER CODE: VFO224 SPECIFICATION NUMBER: BACN10YR3CD OPTIONAL PART: H52732-3CD V15653 POSITION DATA: FAR SIDE -----*-----	001027 201967	2
305	AG4V4009	...	BEARING- SUPPLIER CODE: V15860 SPECIFICATION NUMBER: 60B00180-68 OPTIONAL PART: LHBG4BAC V73134 NC4G12 V56644 USED ON: 411A3081-21	001027 201967	1
305	S012T237-301	...	BEARING- USED ON: 411A3081-71	001027 201967	1
310	BACB28AP04P018	...	BUSHING-	001027 201967	1

MISSING ITEM NUMBERS NOT APPLICABLE

— ITEM NOT ILLUSTRATED

HAP

25-21-71-07

BOEING PROPRIETARY - Copyright © - Unpublished Work - See title page for details.

25-21-71
FIG. 07
PAGE 6
FEB 15/09

BOEING
737-600/700/800/900
PARTS CATALOG (MAINTENANCE)

FIG ITEM	PART NUMBER	1 2 3 4 5 6 7	NOMENCLATURE	EFFECT FROM TO	UNITS PER ASSY
7					
315	BACB28AT06B018C	...	BUSHING-	001027 201967	1
320	411A3080-11	..	GUSSET	001027 201967	4
			ATTACHING PARTS		
325	BACB30NM3K2	..	BOLT-	001027 201967	16
330	NAS1149D0332J	..	WASHER	001027 201967	16
332	NAS1149D0332J	..	WASHER- POSITION DATA: FAR SIDE	001027 201967	16
335	PLH53CD	..	NUT- SUPPLIER CODE: VFO224 SPECIFICATION NUMBER: BACN10YR3CD OPTIONAL PART: H52732-3CD V15653 POSITION DATA: FAR SIDE -----*-----	001027 201967	16
340	411A3080-6	..	BRACKET ASSY-SPRT	001027 201967	2
			ATTACHING PARTS		
- 345	BACB30NM3K5	..	BOLT-	001027 201967	8
- 350	NAS1149D0332J	..	WASHER	001027 201967	8
			-----*-----		
355	BACN11G3A4CD	...	NUTPLATE	001027 201967	3
			ATTACHING PARTS		
- 360	BACR15BA3ADC	...	RIVET- SIZE DETERMINED ON INSTL. -----*-----	001027 201967	6
365	411A3080-7	...	BRACKET	001027 201967	1
370	BACB30NM3K3	..	BOLT	001027 201967	16
372	BACB30NM3K5	..	BOLT	001027 201967	16
375	NAS1149D0332J	..	WASHER	001027 201967	48

MISSING ITEM NUMBERS NOT APPLICABLE

- ITEM NOT ILLUSTRATED

HAP

25-21-71-07

25-21-71
FIG. 07
PAGE 7
FEB 15/09

BOEING
737-600/700/800/900
PARTS CATALOG (MAINTENANCE)

FIG ITEM	PART NUMBER	1 2 3 4 5 6 7	NOMENCLATURE	EFFECT FROM TO	UNITS PER ASSY
7 382	PLH53CD		..NUT- SUPPLIER CODE: VFO224 SPECIFICATION NUMBER: BACN10YR3CD OPTIONAL PART: H52732-3CD V15653 POSITION DATA: FAR SIDE	001027 201967	16
385	411A3081-39		..BRACKET	001027 201967	8
390	411A3080-12		..BRACKET ASSY-SPRT	001027 201967	2
395	BACN11G3A4CD		...NUTPLATE	001027 201967	12
- 400	BACR15BA3ADC		ATTACHING PARTS ...RIVET- SIZE DETERMINED ON INSTL. -----*-----	001027 201967	24
405	411A3080-13		...BRACKET	001027 201967	1
410	411A3081-12		..BRACKET ASSY-SPLICE	001027 201967	2
415	BACB30NM3K5		ATTACHING PARTS ..BOLT- POSITION DATA: FAR SIDE	001027 201967	4
420	NAS1149D0332J		..WASHER- POSITION DATA: FAR SIDE -----*-----	001027 201967	4
425	BACN11G3A4CD		...NUTPLATE	001027 201967	4
- 430	BACR15BA3ADC		ATTACHING PARTS ...RIVET- SIZE DETERMINED ON INSTL. -----*-----	001027 201967	8
435	411A3081-13		...BRACKET	001027 201967	1
440	411A3081-6		..CROSSMEMBER	001027 201967	1
- 445	BACS12FA3K4		ATTACHING PARTS ..SCREW- -----*-----	001027 201967	4
455	411A3081-28		..CROSSMEMBER	001027 201967	2

MISSING ITEM NUMBERS NOT APPLICABLE

- ITEM NOT ILLUSTRATED

HAP

25-21-71-07

25-21-71
FIG. 07
PAGE 8
FEB 15/09

BOEING
737-600/700/800/900
PARTS CATALOG (MAINTENANCE)

FIG ITEM	PART NUMBER	1 2 3 4 5 6 7	NOMENCLATURE	EFFECT FROM TO	UNITS PER ASSY
7			ATTACHING PARTS		
- 460	BACS12FA3K4		.. SCREW-	001027 201967	10
			-----*-----		
470	BACS12FA3K4		.. SCREW-	001027 201967	22
480	411A3081-35		.. RAIL	001027 201967	1
485	411A3081-36		.. RAIL	001027 201967	1
490	411A3250-1A		.. PANEL ASSY-	001027 201967	1
495	411A3251-1		... PANEL ASSY-BASE	001027 201967	1
- 500	SL2334-3A1	 INSERT- SUPPLIER CODE: V97393	001027 201967	13
505	411A3431-1		.. PANEL ASSY-BASE	001027 201967	1
- 515	SL2334-3A1		... INSERT- SUPPLIER CODE: V97393	001027 201967	48
520	432W8502-42		... PANEL-STOCK	001027 201967	AR

MISSING ITEM NUMBERS NOT APPLICABLE

- ITEM NOT ILLUSTRATED

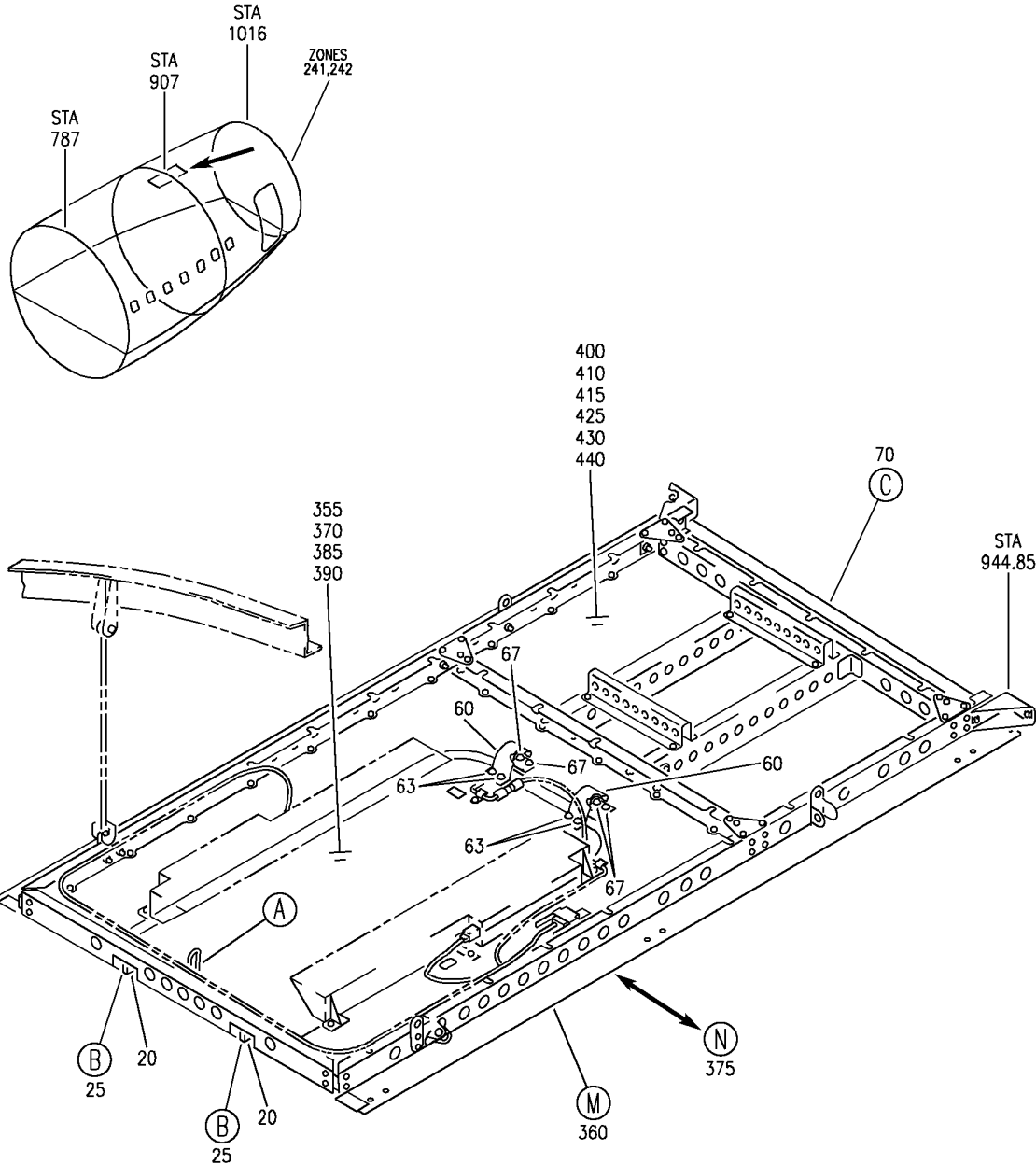
HAP

25-21-71-07

BOEING PROPRIETARY - Copyright © - Unpublished Work - See title page for details.

25-21-71
FIG. 07
PAGE 9
OCT 15/08

BOEING
 737-600/700/800/900
 PARTS CATALOG (MAINTENANCE)



E 25217107A SHT 1 REV 139

CEILING ASSY-AFT HORSESHOE (EQUIPMENT/FURNISHINGS ONLY)
 FIGURE 7A (SHEET 1)

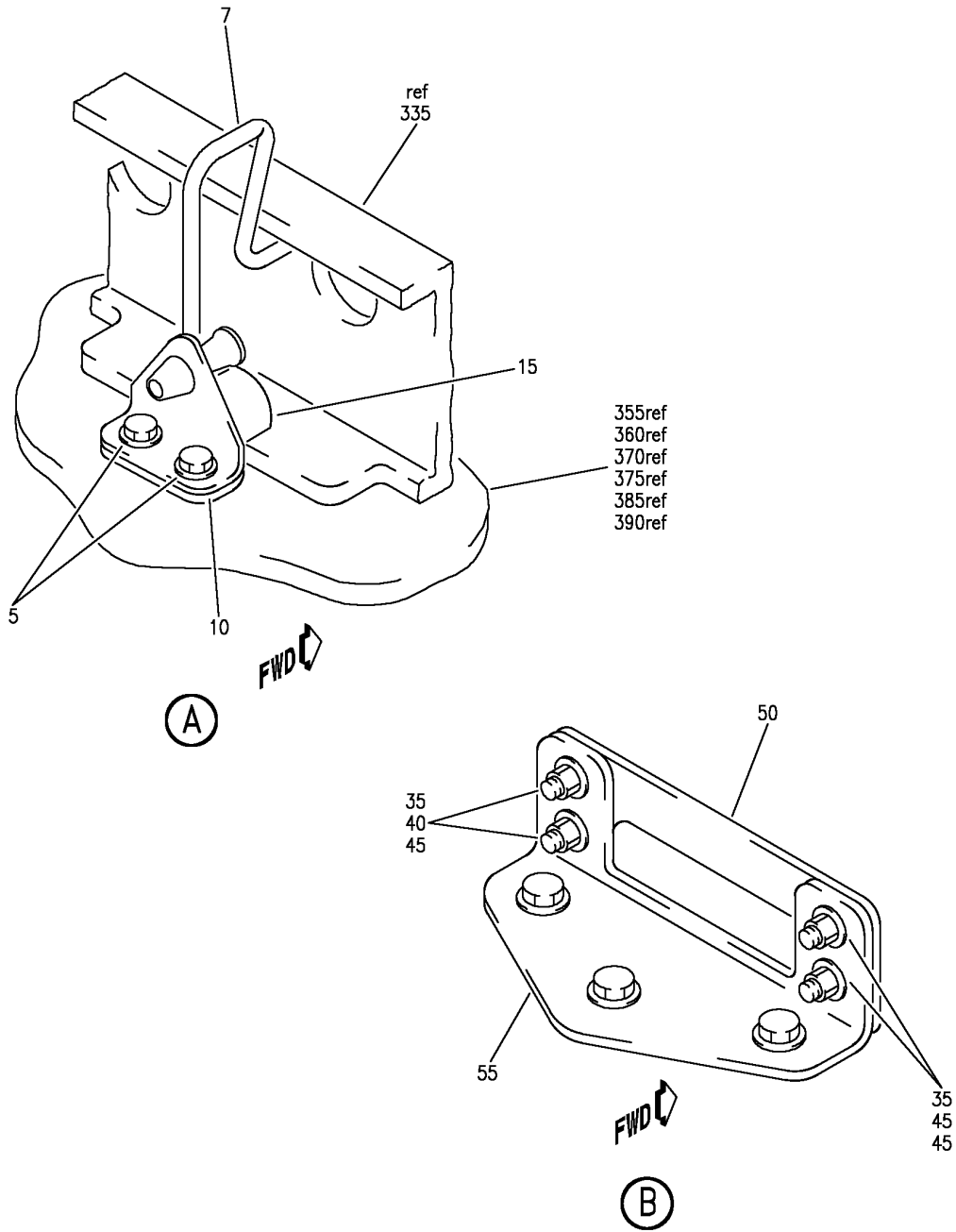
25-21-71-07A

HAP
 FEB 15/08

25-21-71-07A
 PAGE 0

BOEING PROPRIETARY - Copyright © - Unpublished Work - See title page for details.

BOEING
 737-600/700/800/900
 PARTS CATALOG (MAINTENANCE)



E 25217107A SHT 2 REV 097

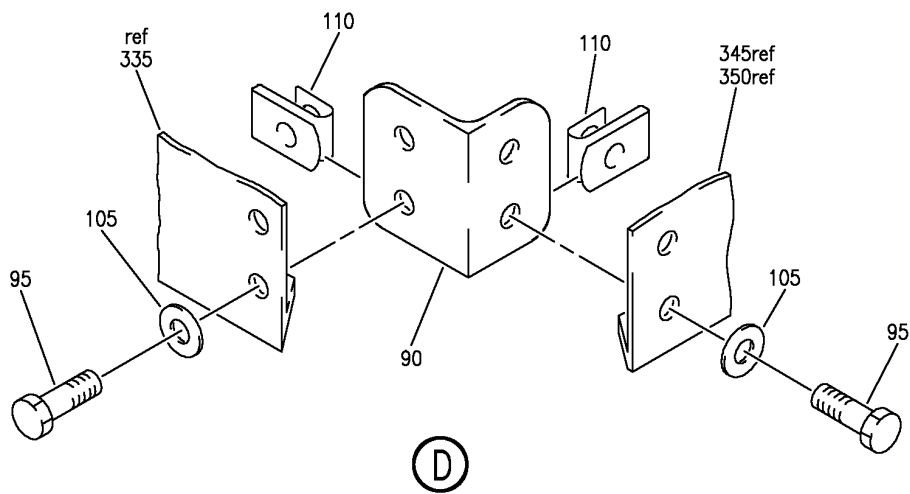
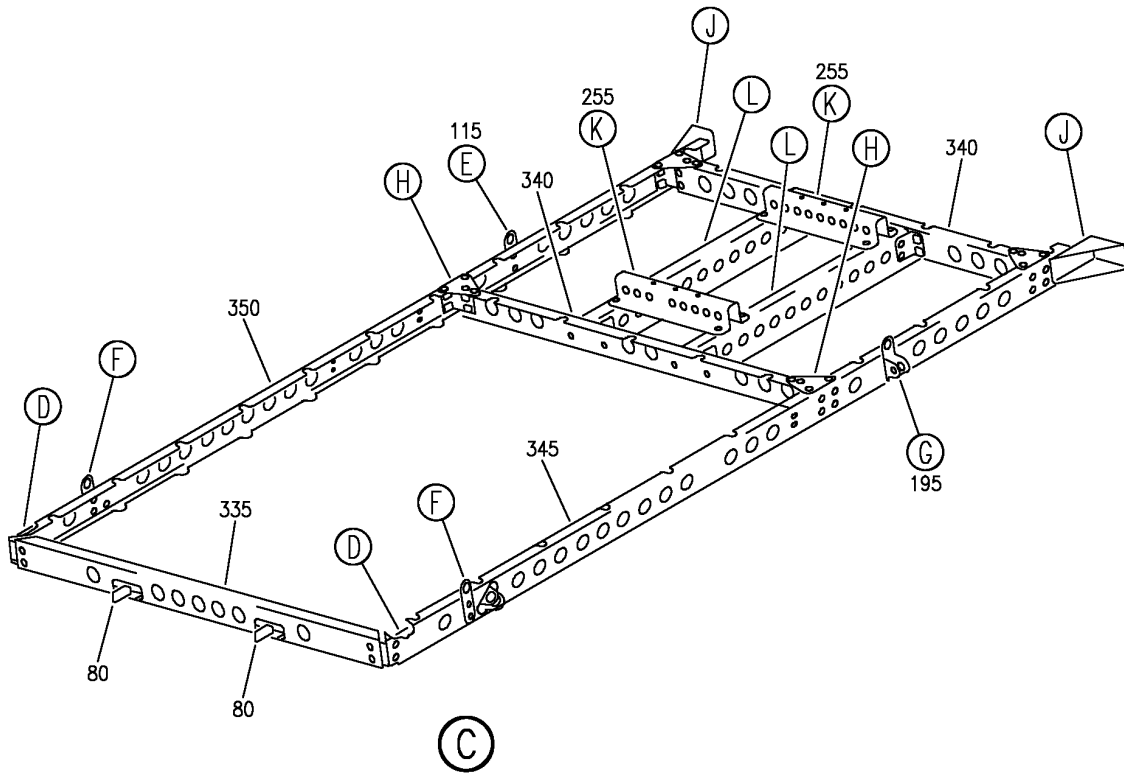
CEILING ASSY-AFT HORSESHOE (EQUIPMENT/FURNISHINGS ONLY)
 FIGURE 7A (SHEET 2)

25-21-71-07A

HAP
 OCT 10/06

25-21-71-07A
 PAGE 0A

BOEING
 737-600/700/800/900
 PARTS CATALOG (MAINTENANCE)



E 25217107A SHT 3 REV 097

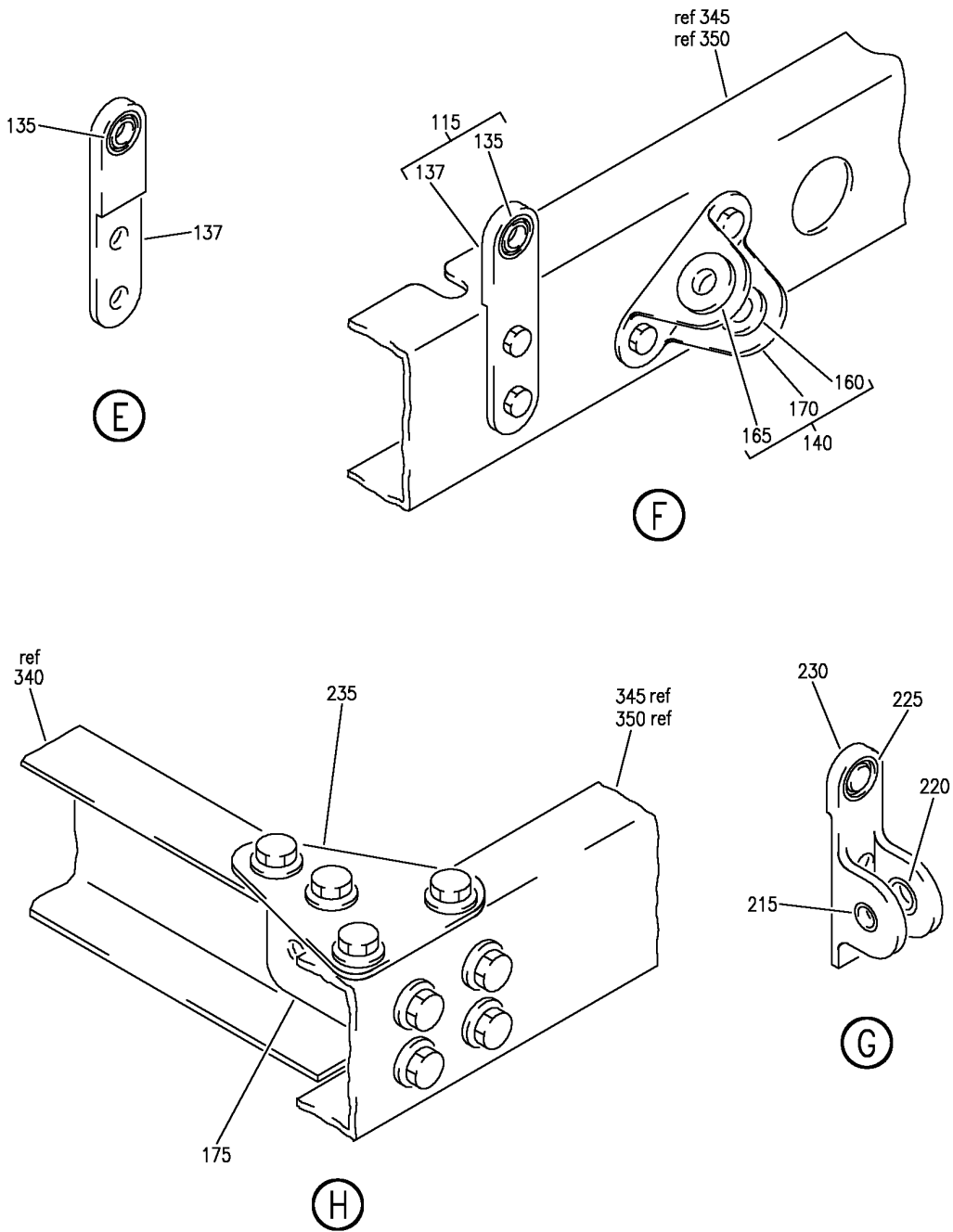
CEILING ASSY-AFT HORSESHOE (EQUIPMENT/FURNISHINGS ONLY)
 FIGURE 7A (SHEET 3)

25-21-71-07A

HAP
 OCT 10/06

25-21-71-07A
 PAGE 0B

BOEING
 737-600/700/800/900
 PARTS CATALOG (MAINTENANCE)



E 25217107A SHT 4 REV 097

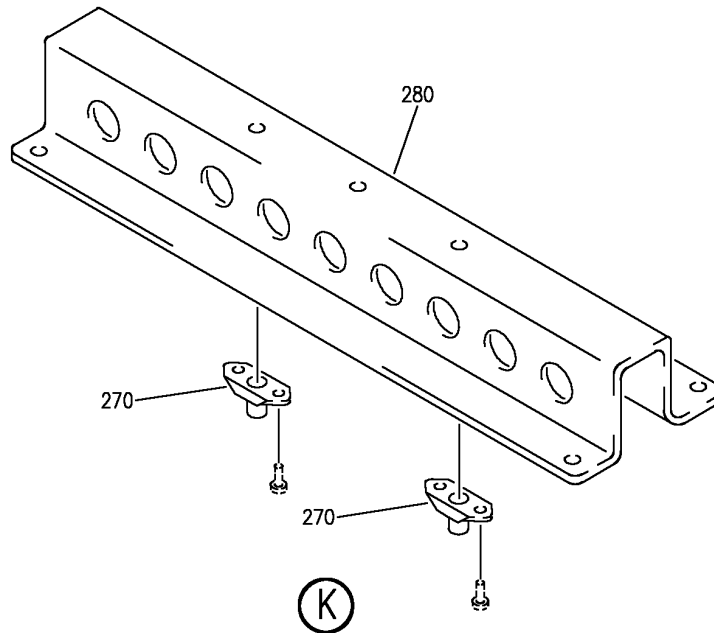
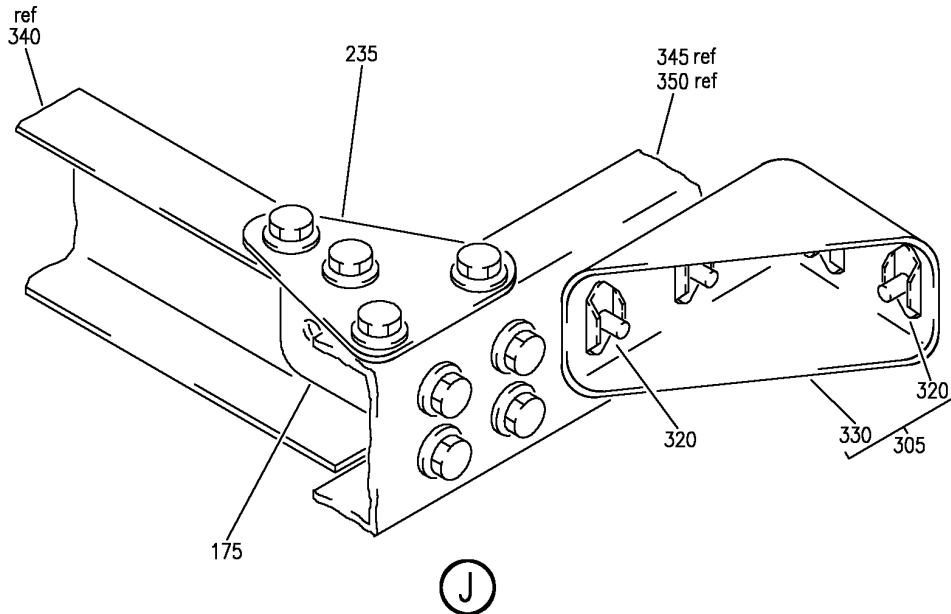
CEILING ASSY-AFT HORSESHOE (EQUIPMENT/FURNISHINGS ONLY)
 FIGURE 7A (SHEET 4)

25-21-71-07A

HAP
 OCT 10/06

25-21-71-07A
 PAGE 0C

BOEING
 737-600/700/800/900
 PARTS CATALOG (MAINTENANCE)



E 25217107A SHT 5 REV 097

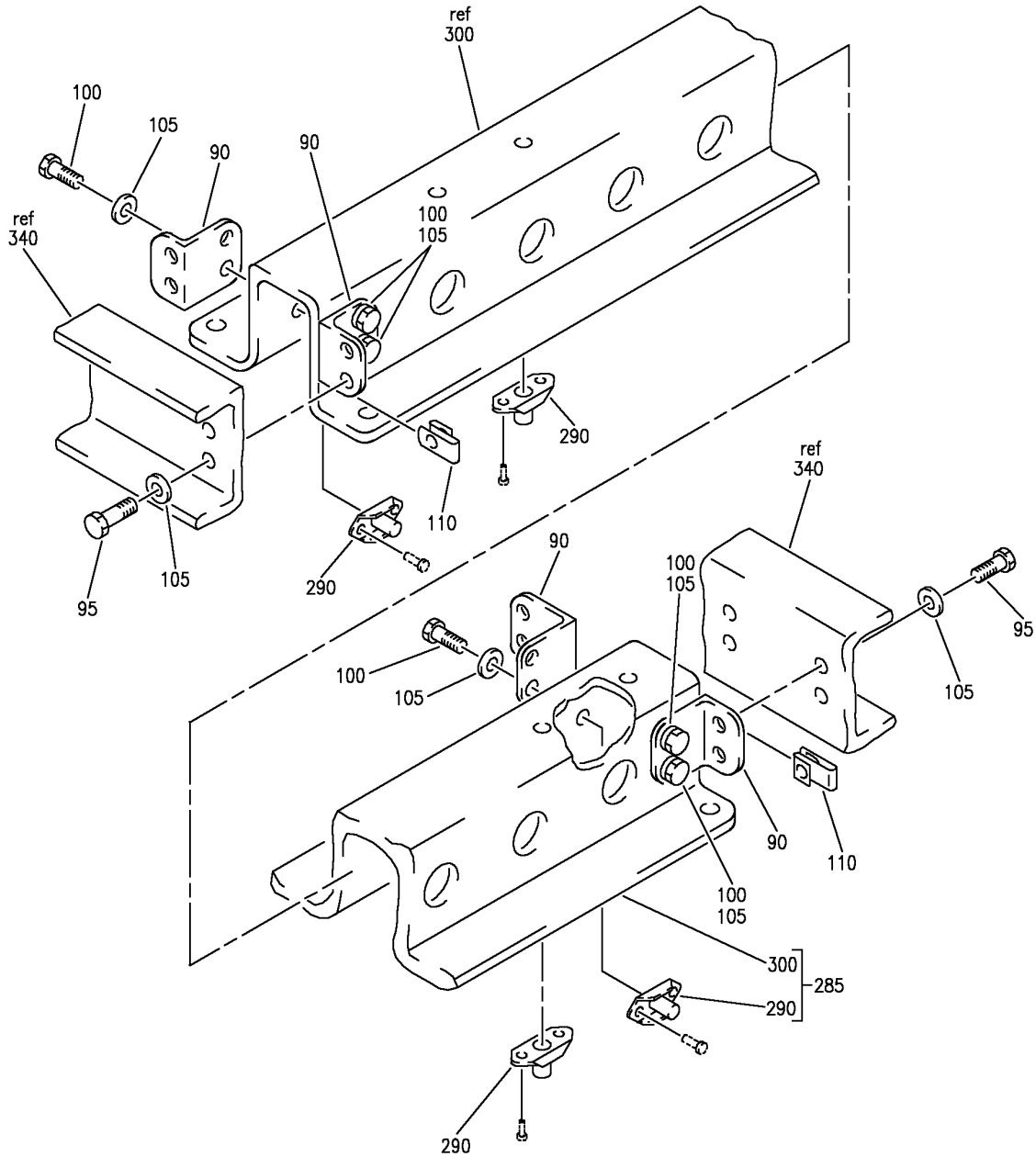
CEILING ASSY-AFT HORSESHOE (EQUIPMENT/FURNISHINGS ONLY)
 FIGURE 7A (SHEET 5)

25-21-71-07A

HAP
 OCT 10/06

25-21-71-07A
 PAGE 0D

BOEING
 737-600/700/800/900
 PARTS CATALOG (MAINTENANCE)



(L)

E 25217107A SHT 6 REV 097

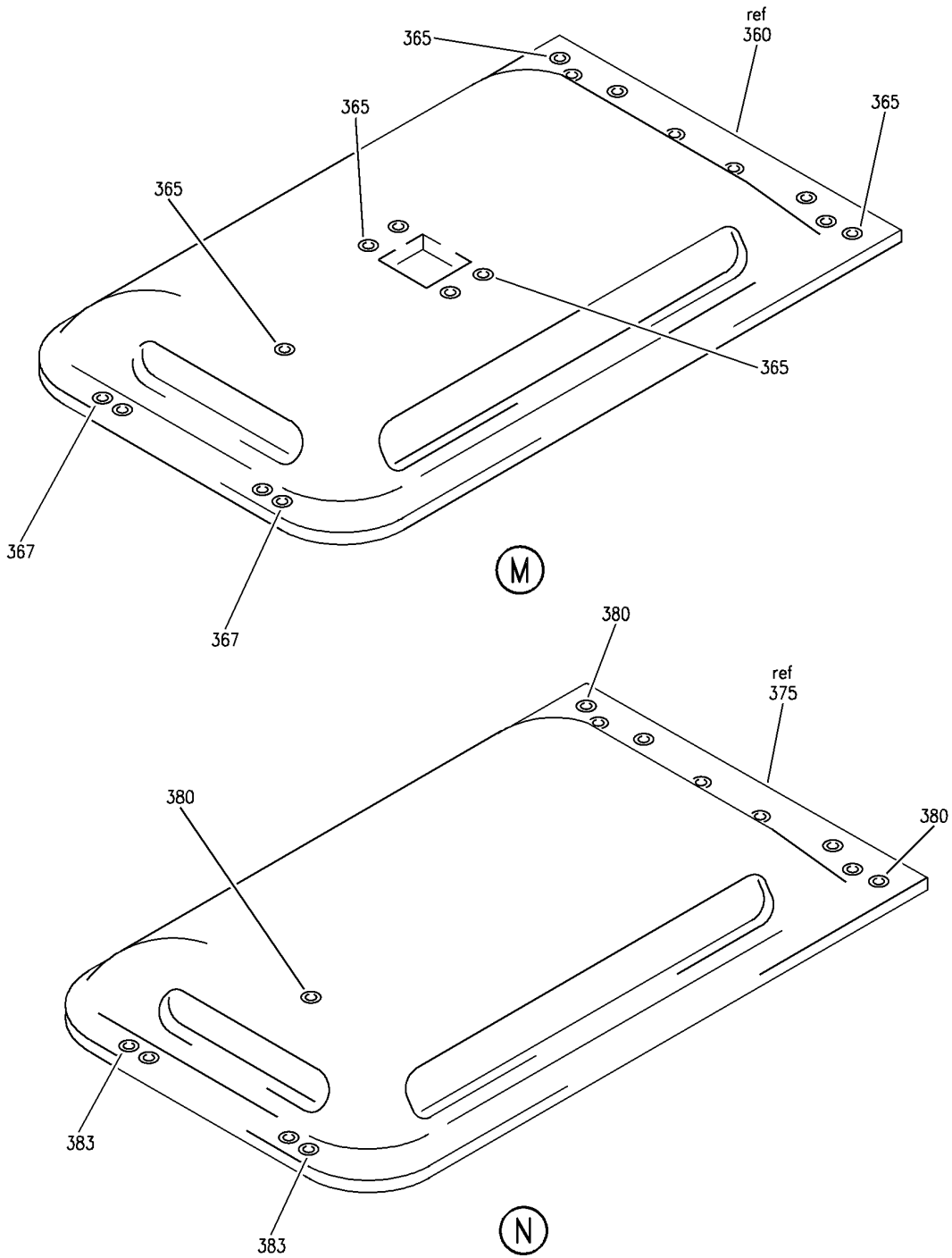
CEILING ASSY-AFT HORSESHOE (EQUIPMENT/FURNISHINGS ONLY)
 FIGURE 7A (SHEET 6)

25-21-71-07A

HAP
 OCT 10/06

25-21-71-07A
 PAGE 0E

BOEING
737-600/700/800/900
PARTS CATALOG (MAINTENANCE)



E 25217107A SHT 7 REV 139

CEILING ASSY-AFT HORSESHOE (EQUIPMENT/FURNISHINGS ONLY)
FIGURE 7A (SHEET 7)

25-21-71-07A

HAP
FEB 15/08

25-21-71-07A
PAGE OF

BOEING
737-600/700/800/900
PARTS CATALOG (MAINTENANCE)

FIG ITEM	PART NUMBER	1 2 3 4 5 6 7	NOMENCLATURE	EFFECT FROM TO	UNITS PER ASSY
7A			CEILING ASSY-AFT HORSESHOE (EQUIPMENT/FURNISHINGS ONLY)	028030	
- 1	411A3430-18SP		CEILING ASSY-HORSESHOE (EQUIPMENT/FURNISHINGS ONLY) POSITION DATA: AFT FOR NHA/OTHER SYS DET SEE: 25-21-71-07	028030	1
5	BACS12FA3K7		.SCREW	028030	2
7	H3583-1		.LANYARD- SUPPLIER CODE: V83014 OPTIONAL PART: H3583K3260 V83014	028030	1
7	H3583K3260		.LANYARD- SUPPLIER CODE: V83014 OPTIONAL PART: H3583-1 V83014	028030	1
10	411A3081-5		.BRACKET	028030	1
15	411A3082-6		.BLOCK-ALIGN	028030	1
20	411T3096-216		.LATCH- OPTIONAL PART: 411T3096-178	028030	2
25	411T3096-178		.LATCH ASSY- OPTIONAL PART: 411T3096-216 ATTACHING PARTS	028030	2
- 30	BACS12FA3K5		.SCREW -----*-----	028030	6
35	NAS1801-3-6		..SCREW	028030	4
40	AN960JD10L		..WASHER	028030	4
45	MS21042L3		..NUT	028030	4
50	411T3096-176		..STRIKE	028030	1
55	411T3096-175		..BASE	028030	1
60	SAM273-1		.HINGE- SUPPLIER CODE: V31845 ATTACHING PARTS	028030	2
63	BACS12FA3K4		.SCREW	028030	4
67	BACS12FA3K5		.SCREW -----*-----	028030	4
70	411A3430-31		.CEILING SUB ASSY	028030	1

MISSING ITEM NUMBERS NOT APPLICABLE

- ITEM NOT ILLUSTRATED

HAP

25-21-71-07A

BOEING PROPRIETARY - Copyright © - Unpublished Work - See title page for details.

25-21-71
FIG. 07A
PAGE 1
OCT 10/07

BOEING
737-600/700/800/900
PARTS CATALOG (MAINTENANCE)

FIG ITEM	PART NUMBER	1 2 3 4 5 6 7	NOMENCLATURE	EFFECT FROM TO	UNITS PER ASSY
7A			ATTACHING PARTS		
- 75	BACS12FA3K5		.SCREW	028030	36
			-----*-----		
80	H2957-5		..LATCH-	028030	2
			SUPPLIER CODE: V83014		
			SPECIFICATION NUMBER: S411T302-3		
			ATTACHING PARTS		
- 85	BACS12ER3K7		..SCREW	028030	4
			-----*-----		
90	411A3081-39		..BRACKET	028030	10
			ATTACHING PARTS		
95	BACB30NM3K3		..BOLT	028030	24
100	BACB30NM3K5		..BOLT	028030	16
105	NAS1149D0332J		..WASHER	028030	40
110	130069		..NUT	028030	24
			SUPPLIER CODE: V60119		
			SPECIFICATION NUMBER: BACN10FX16		
			OPTIONAL PART: A11330-6-3		
			V72962		
			A4972-6-02		
			V72962		
			-----*-----		
115	411A3081-19		..FITTING ASSY-BLADE	028030	3
			OPTIONAL PART: 411A3081-79		
115	411A3081-79		..FITTING ASSY-BLADE	028030	3
			OPTIONAL PART: 411A3081-19		
			ATTACHING PARTS		
- 120	BACB30NM3K3		..BOLT	028030	6
- 125	NAS1149D0332J		..WASHER	028030	6
- 130	PLH53CD		..NUT	028030	6
			SUPPLIER CODE: VF0224		
			SPECIFICATION NUMBER: BACN10YR3CD		
			OPTIONAL PART: H52732-3CD		
			V15653		
			-----*-----		

MISSING ITEM NUMBERS NOT APPLICABLE

- ITEM NOT ILLUSTRATED

HAP

25-21-71-07A

BOEING PROPRIETARY - Copyright © - Unpublished Work - See title page for details.

25-21-71
FIG. 07A
PAGE 2
FEB 15/09

BOEING
737-600/700/800/900
PARTS CATALOG (MAINTENANCE)

FIG ITEM	PART NUMBER	1 2 3 4 5 6 7	NOMENCLATURE	EFFECT FROM TO	UNITS PER ASSY
7A 135	AG4V4009	...	BEARING- SUPPLIER CODE: V15860 SPECIFICATION NUMBER: 60B00180-68 OPTIONAL PART: LHBG4BAC V73134 NC4G12 V56644 USED ON: 411A3081-19	028030	1
135	S012T237-301	...	BEARING- USED ON: 411A3081-79	028030	1
137	411A3081-20	...	FITTING	028030	1
140	411A3081-23	..	FITTING ASSY ATTACHING PARTS	028030	2
- 145	BACB30NM3K2	..	BOLT	028030	4
- 150	NAS1149D0332J	..	WASHER	028030	4
- 155	PLH53CD	..	NUT SUPPLIER CODE: VFO224 SPECIFICATION NUMBER: BACN10YR3CD OPTIONAL PART: H52732-3CD V15653 -----*-----	028030	4
160	BACB28AP04P009	...	BUSHING	028030	1
165	BACB28AT06B009C	...	BUSHING	028030	1
170	411A3081-24	...	FITTING	028030	1
175	411A3081-38	..	BRACKET ATTACHING PARTS	028030	4
- 180	BACB30NM3K3	..	BOLT	028030	24
- 185	NAS1149D0332J	..	WASHER	028030	24
- 190	130069	..	NUT SUPPLIER CODE: V60119 SPECIFICATION NUMBER: BACN10FX16 OPTIONAL PART: A11330-6-3 V72962 A4972-6-02 V72962 -----*-----	028030	24

MISSING ITEM NUMBERS NOT APPLICABLE

- ITEM NOT ILLUSTRATED

HAP

25-21-71-07A

BOEING PROPRIETARY - Copyright © - Unpublished Work - See title page for details.

25-21-71
FIG. 07A
PAGE 3
FEB 15/09

BOEING
737-600/700/800/900
PARTS CATALOG (MAINTENANCE)

FIG ITEM	PART NUMBER	1 2 3 4 5 6 7	NOMENCLATURE	EFFECT FROM TO	UNITS PER ASSY
7A					
195	411A3081-21	..	FITTING ASSY-PI OPTIONAL PART: 411A3081-71	028030	1
195	411A3081-71	..	FITTING ASSY-PI OPTIONAL PART: 411A3081-21 ATTACHING PARTS	028030	1
- 200	BACB30NT3K3	..	BOLT	028030	2
- 205	NAS1149D0332J	..	WASHER	028030	2
- 210	PLH53CD	..	NUT SUPPLIER CODE: VFO224 SPECIFICATION NUMBER: BACN10YR3CD OPTIONAL PART: H52732-3CD V15653 -----*-----	028030	2
215	BACB28AP04P018	...	BUSHING	028030	1
220	BACB28AT06B018C	...	BUSHING	028030	1
225	AG4V4009	...	BEARING- SUPPLIER CODE: V15860 SPECIFICATION NUMBER: 60B00180-68 OPTIONAL PART: LHBG4BAC V73134 NC4G12 V56644 USED ON: 411A3081-21	028030	1
225	S012T237-301	...	BEARING- USED ON: 411A3081-71	028030	1
230	411A3081-22	...	FITTING	028030	1
235	411A3080-11	..	GUSSET ATTACHING PARTS	028030	4
- 240	BACB30NM3K2	..	BOLT	028030	16
- 245	NAS1149D0332J	..	WASHER	028030	32
- 250	PLH53CD	..	NUT SUPPLIER CODE: VFO224 SPECIFICATION NUMBER: BACN10YR3CD OPTIONAL PART: H52732-3CD V15653 -----*-----	028030	16

MISSING ITEM NUMBERS NOT APPLICABLE

- ITEM NOT ILLUSTRATED

HAP

25-21-71-07A

BOEING PROPRIETARY - Copyright © - Unpublished Work - See title page for details.

25-21-71
FIG. 07A
PAGE 4
FEB 15/09

BOEING
737-600/700/800/900
PARTS CATALOG (MAINTENANCE)

FIG ITEM	PART NUMBER	1 2 3 4 5 6 7	NOMENCLATURE	EFFECT FROM TO	UNITS PER ASSY
7A					
255	411A3080-6	..	BRACKET ASSY-SPRT ATTACHING PARTS	028030	2
- 260	BACB30NM3K5	..	BOLT	028030	8
- 265	NAS1149D0332J	..	WASHER	028030	8
			-----*-----		
270	BACN11G3A4CD	...	NUTPLATE ATTACHING PARTS	028030	3
- 275	BACR15BA3ADC	...	RIVET- SIZE DETERMINED ON INSTL.	028030	6
			-----*-----		
280	411A3080-7	...	BRACKET	028030	1
285	411A3080-12	..	BRACKET ASSY-SPRT	028030	2
290	BACN11G3A4CD	...	NUTPLATE ATTACHING PARTS	028030	12
- 295	BACR15BA3ADC	...	RIVET- SIZE DETERMINED ON INSTL.	028030	24
			-----*-----		
300	411A3080-13	...	BRACKET	028030	1
305	411A3081-12	..	BRACKET ASSY-SPLICE ATTACHING PARTS	028030	2
- 310	BACB30NM3K5	..	BOLT	028030	4
- 315	NAS1149D0332J	..	WASHER	028030	4
			-----*-----		
320	BACN11G3A4CD	...	NUTPLATE ATTACHING PARTS	028030	4
- 325	BACR15BA3ADC	...	RIVET- SIZE DETERMINED ON INSTL.	028030	8
			-----*-----		
330	411A3081-13	...	BRACKET	028030	1
335	411A3081-6	..	CROSSMEMBER	028030	1
340	411A3081-28	..	CROSSMEMBER	028030	2
345	411A3081-35	..	RAIL	028030	1
350	411A3081-36	..	RAIL	028030	1
370	411A3250-10SP	.	PANEL ASSY	028030	1
375	411A3250-11	..	PANEL ASSY-BASE	028030	1
380	SL2334-3A1	...	INSERT- SUPPLIER CODE: V97393	028030	9
383	SL618-3A	...	INSERT- SUPPLIER CODE: V97393	028030	4
415	411A3430-28SP	.	PANEL ASSY-BASE	028030	1
- 420	SL2334-3A1	..	INSERT- SUPPLIER CODE: V97393	028030	48
425	432W8503-4SP	..	PANEL-STOCK	028030	AR

MISSING ITEM NUMBERS NOT APPLICABLE

- ITEM NOT ILLUSTRATED

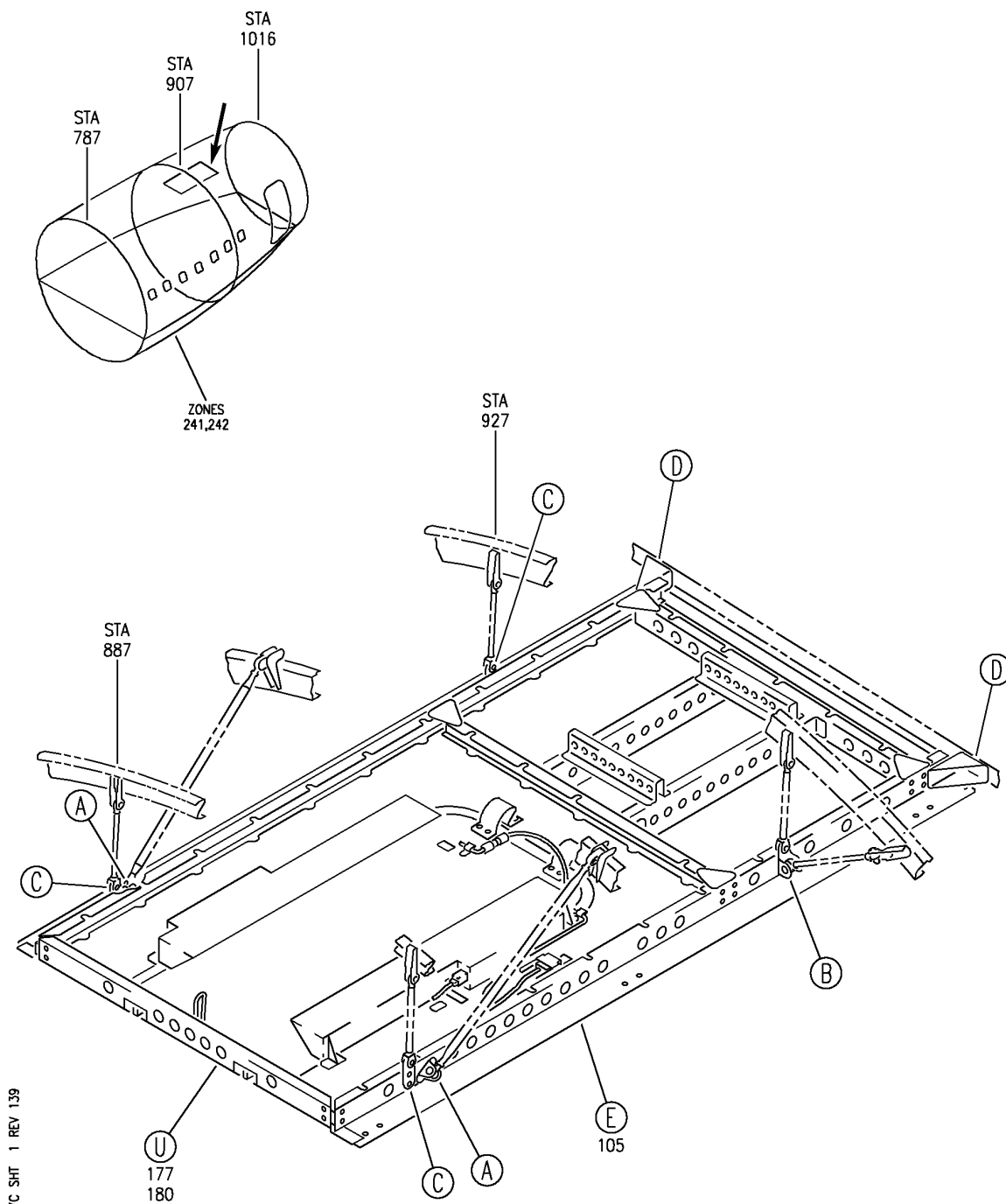
HAP

25-21-71-07A

BOEING PROPRIETARY - Copyright © - Unpublished Work - See title page for details.

25-21-71
FIG. 07A
PAGE 5
FEB 15/08

BOEING
 737-600/700/800/900
 PARTS CATALOG (MAINTENANCE)



E 25217107C SHT 1 REV 139

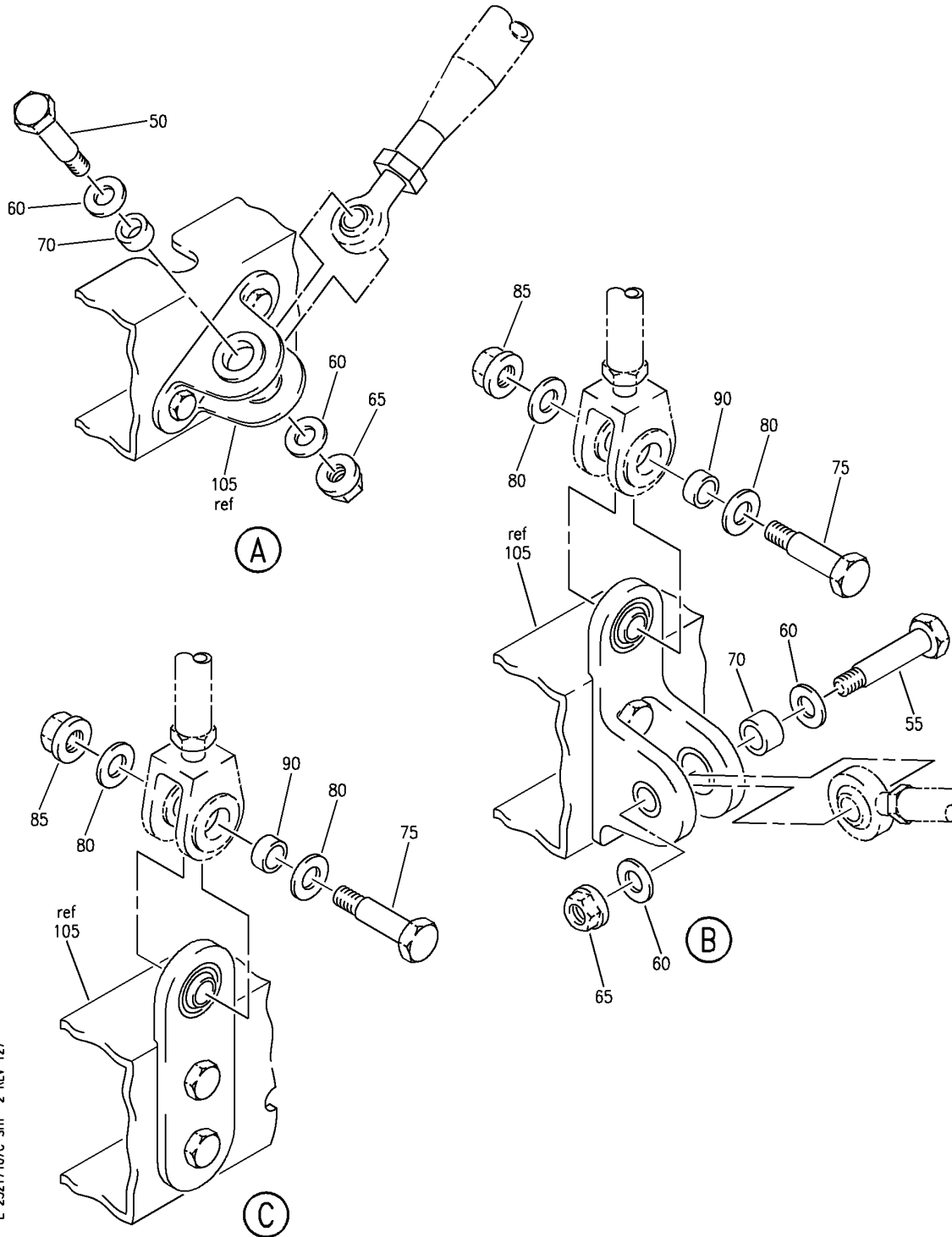
CEILING INSTL-LOWERED AFT HORSESHOE
 FIGURE 7C (SHEET 1)

25-21-71-07C

HAP
 FEB 15/08

25-21-71-07C
 PAGE 0

BOEING
 737-600/700/800/900
 PARTS CATALOG (MAINTENANCE)



E 25217107C SHT 2 REV 127

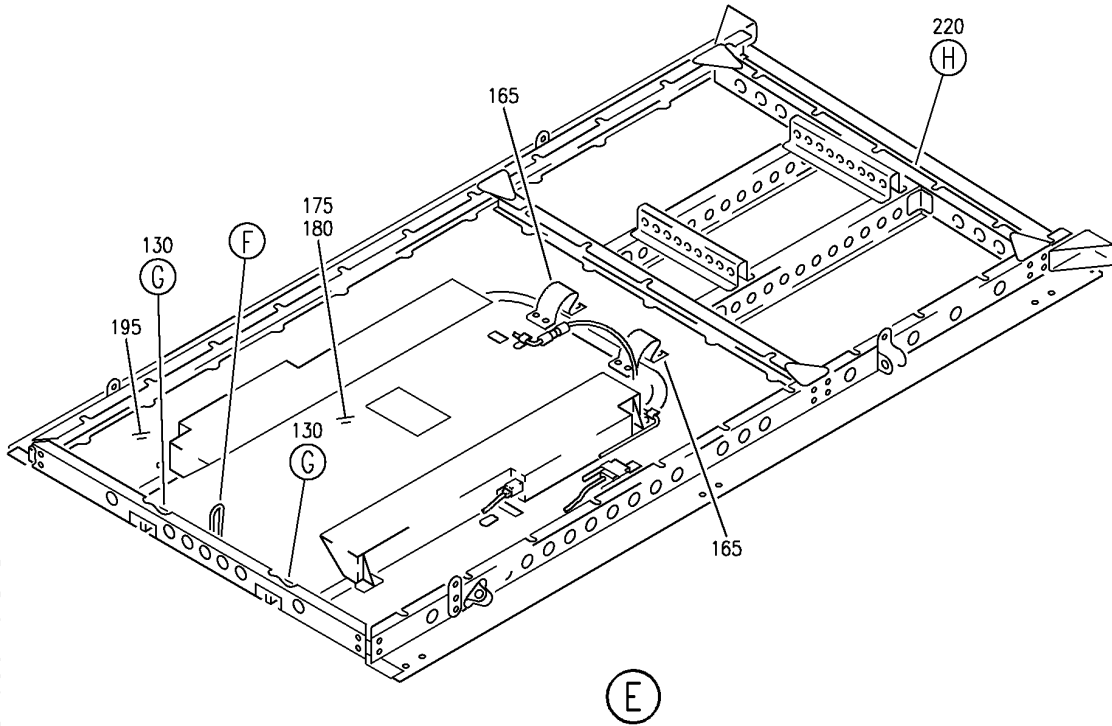
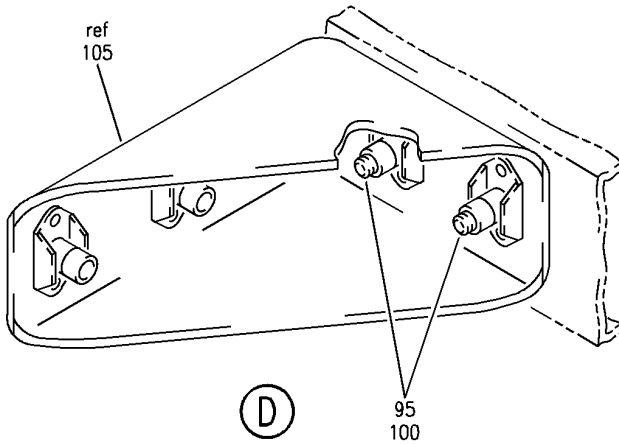
CEILING INSTL-LOWERED AFT HORSESHOE
 FIGURE 7C (SHEET 2)

25-21-71-07C

HAP
 FEB 10/07

25-21-71-07C
 PAGE 0A

BOEING
 737-600/700/800/900
 PARTS CATALOG (MAINTENANCE)



E 25217107C SHT 3 REV 127

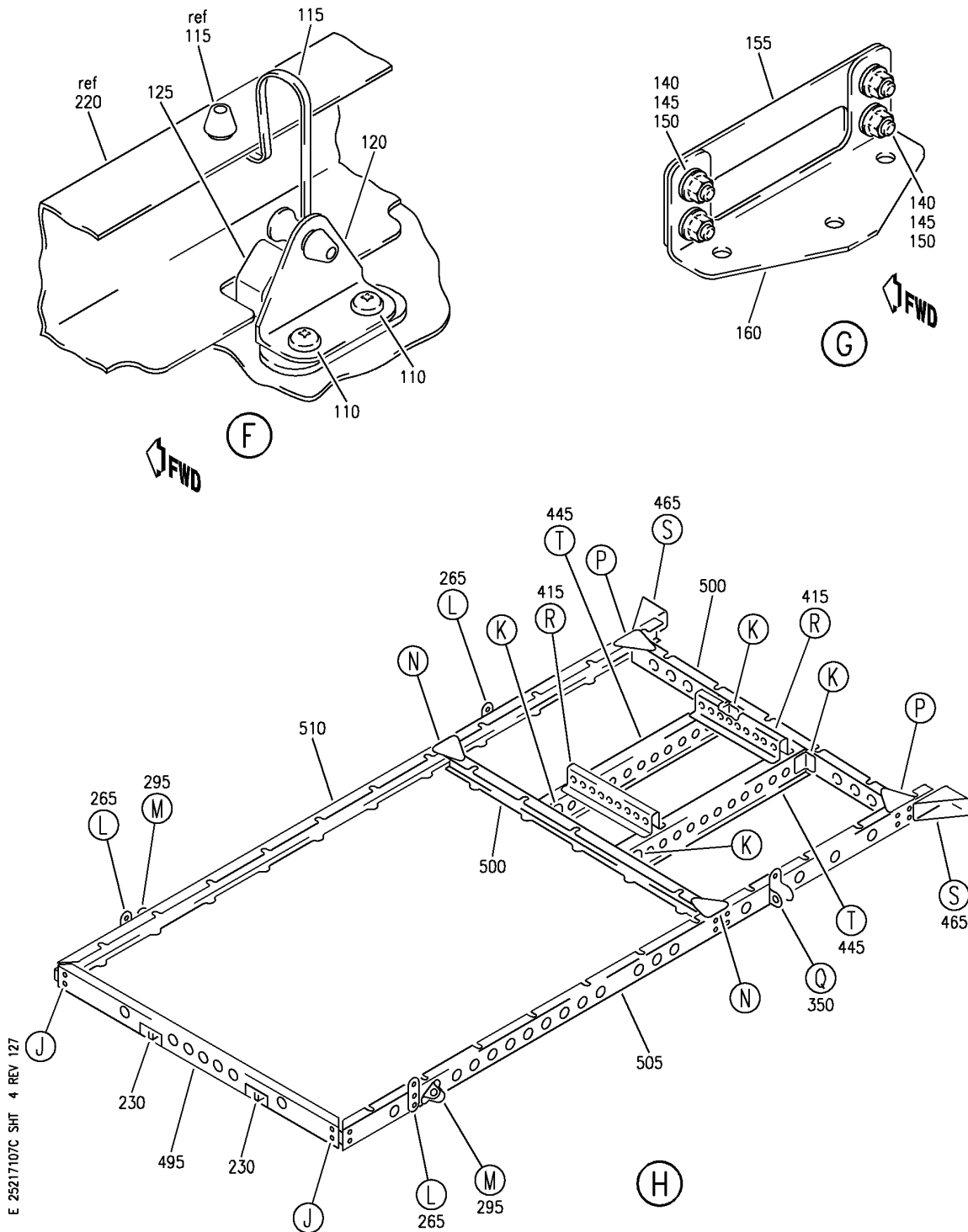
CEILING INSTL-LOWERED AFT HORSESHOE
 FIGURE 7C (SHEET 3)

25-21-71-07C

HAP
 FEB 10/07

25-21-71-07C
 PAGE 0B


BOEING
 737-600/700/800/900
PARTS CATALOG (MAINTENANCE)



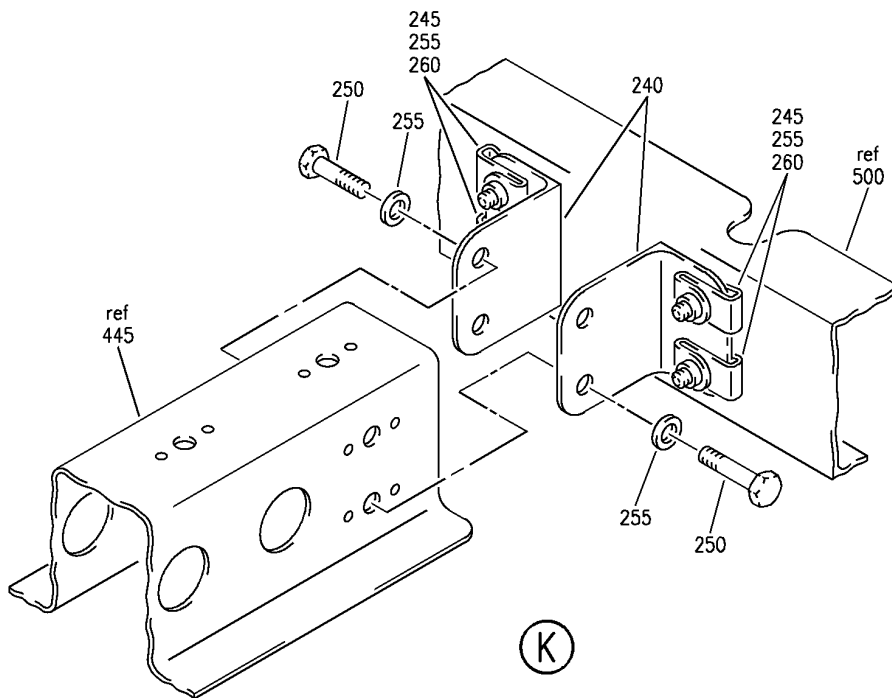
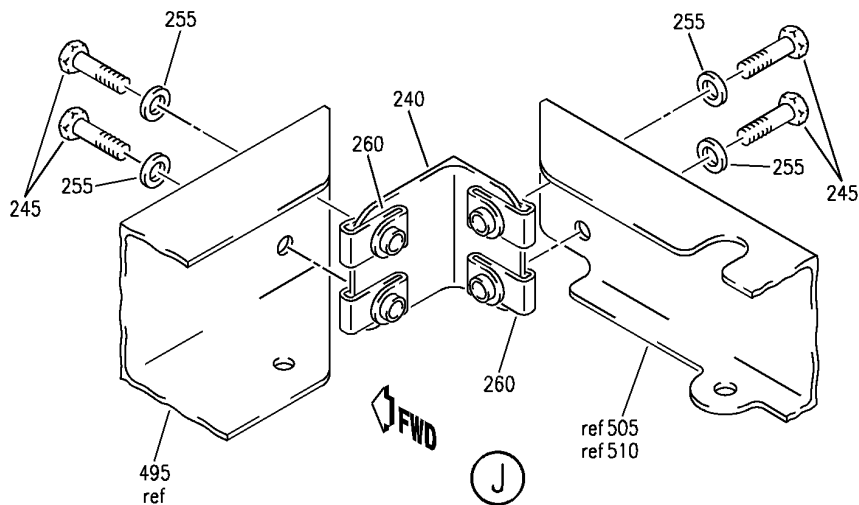
CEILING INSTL-LOWERED AFT HORSESHOE
 FIGURE 7C (SHEET 4)

25-21-71-07C

HAP
 FEB 10/07

25-21-71-07C
 PAGE 0C

BOEING
 737-600/700/800/900
 PARTS CATALOG (MAINTENANCE)



E 25217107C SHT 5 REV 127

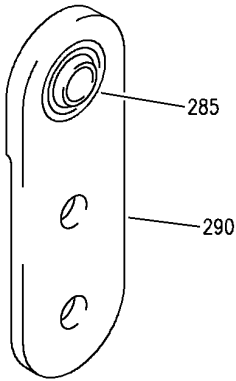
CEILING INSTL-LOWERED AFT HORSESHOE
 FIGURE 7C (SHEET 5)

25-21-71-07C

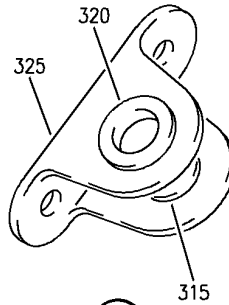
HAP
 FEB 10/07

25-21-71-07C
 PAGE 0D

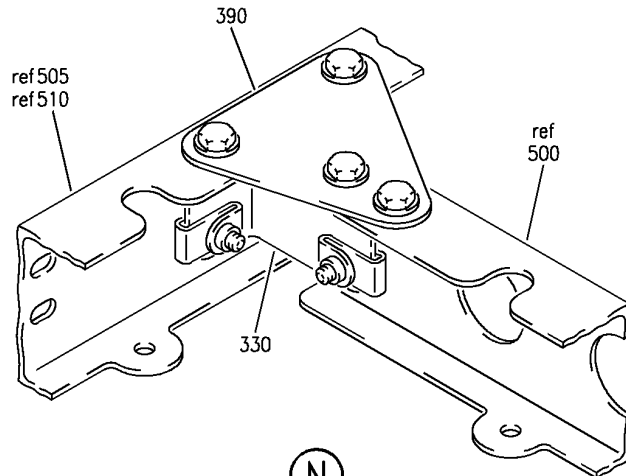
BOEING
 737-600/700/800/900
 PARTS CATALOG (MAINTENANCE)



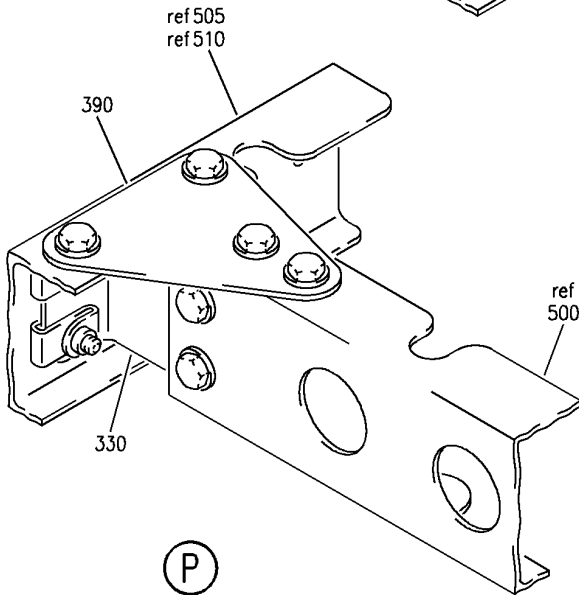
(L)



(M)



(N)



(P)

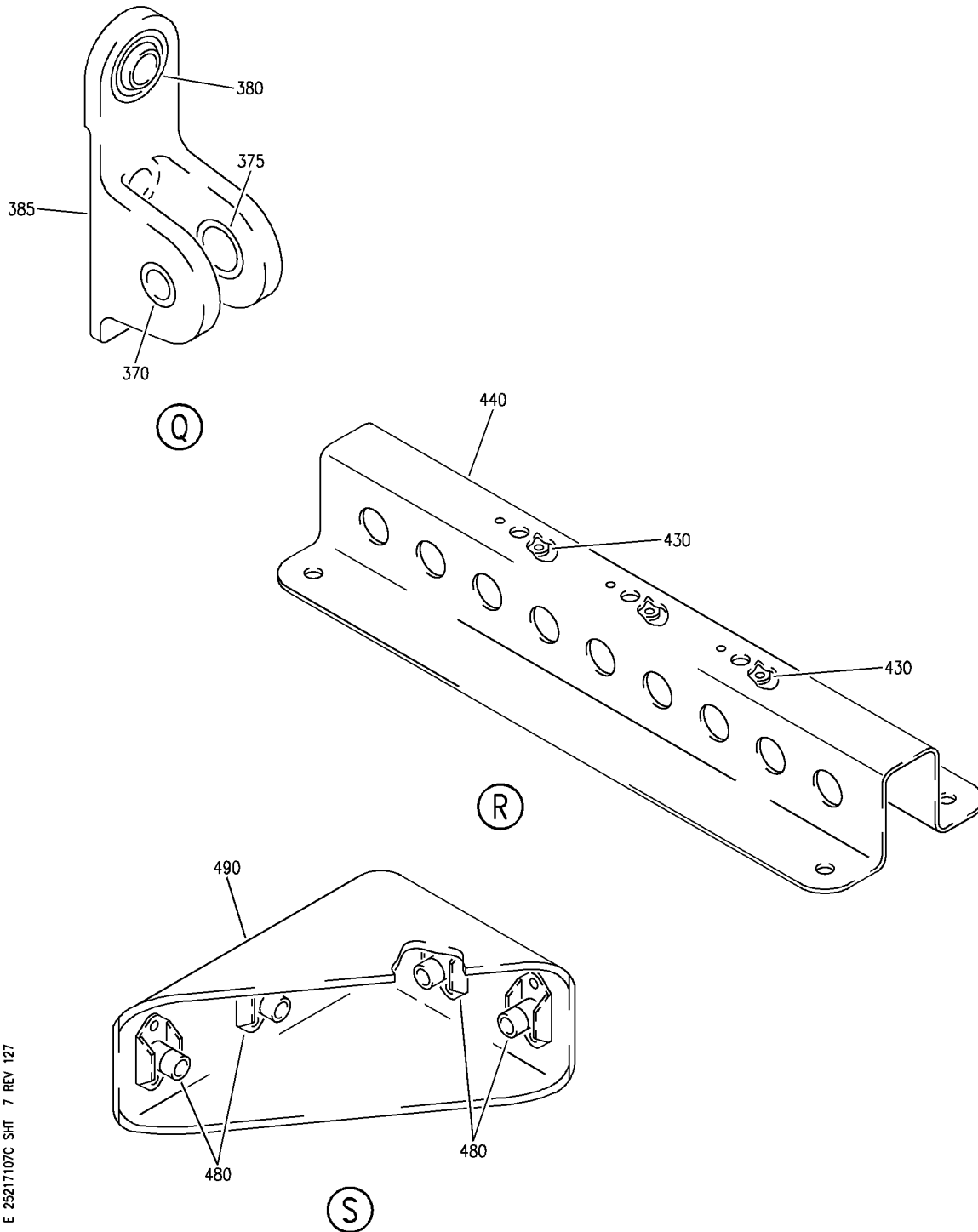
E 25217107C SHT 6 REV 127

CEILING INSTL-LOWERED AFT HORSESHOE
 FIGURE 7C (SHEET 6)

25-21-71-07C

HAP
 FEB 10/07

25-21-71-07C
 PAGE 0E



E 25217107C SHT 7 REV 127

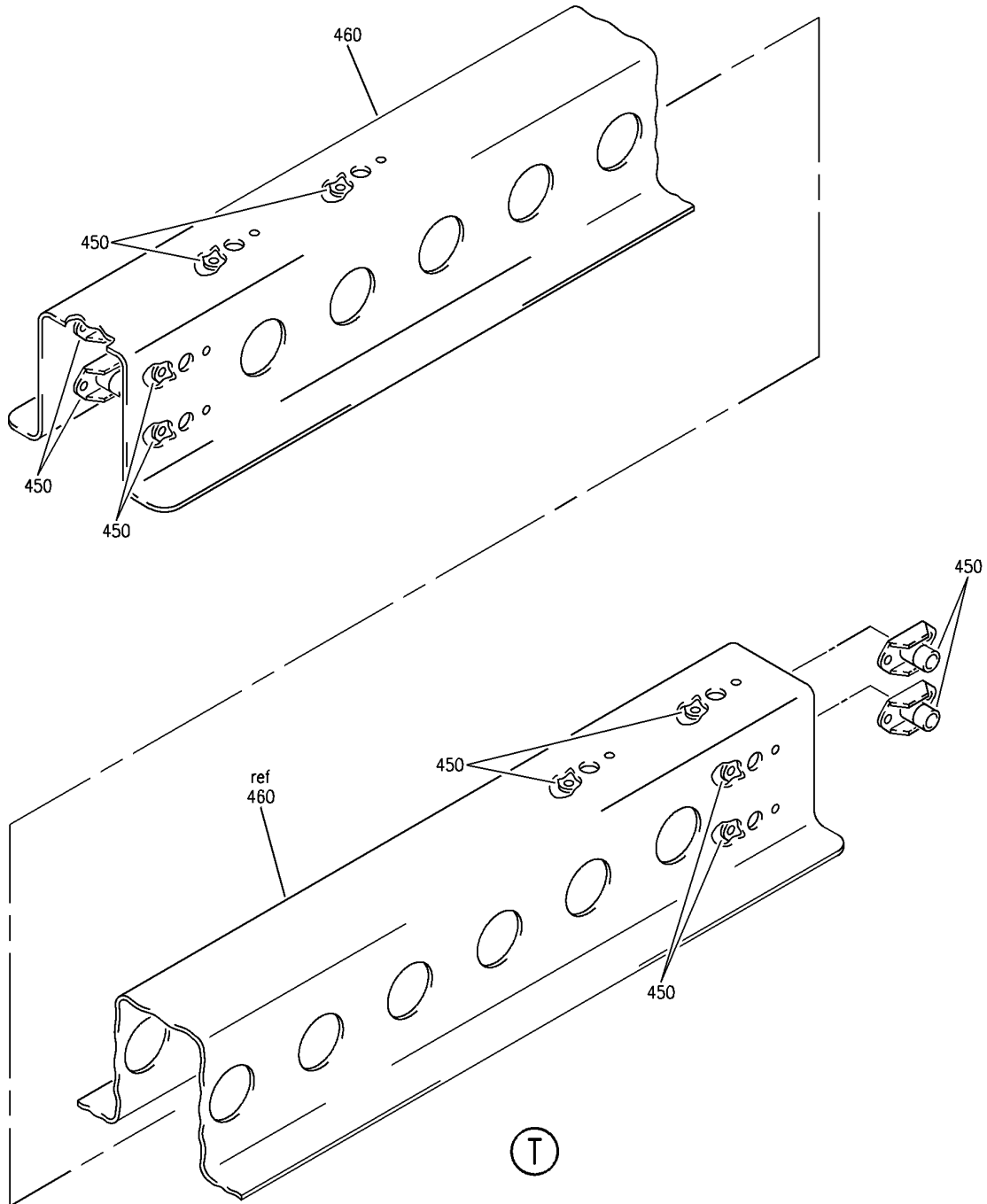
CEILING INSTL-LOWERED AFT HORSESHOE
FIGURE 7C (SHEET 7)

25-21-71-07C

HAP
FEB 10/07

25-21-71-07C
PAGE OF

BOEING
737-600/700/800/900
PARTS CATALOG (MAINTENANCE)



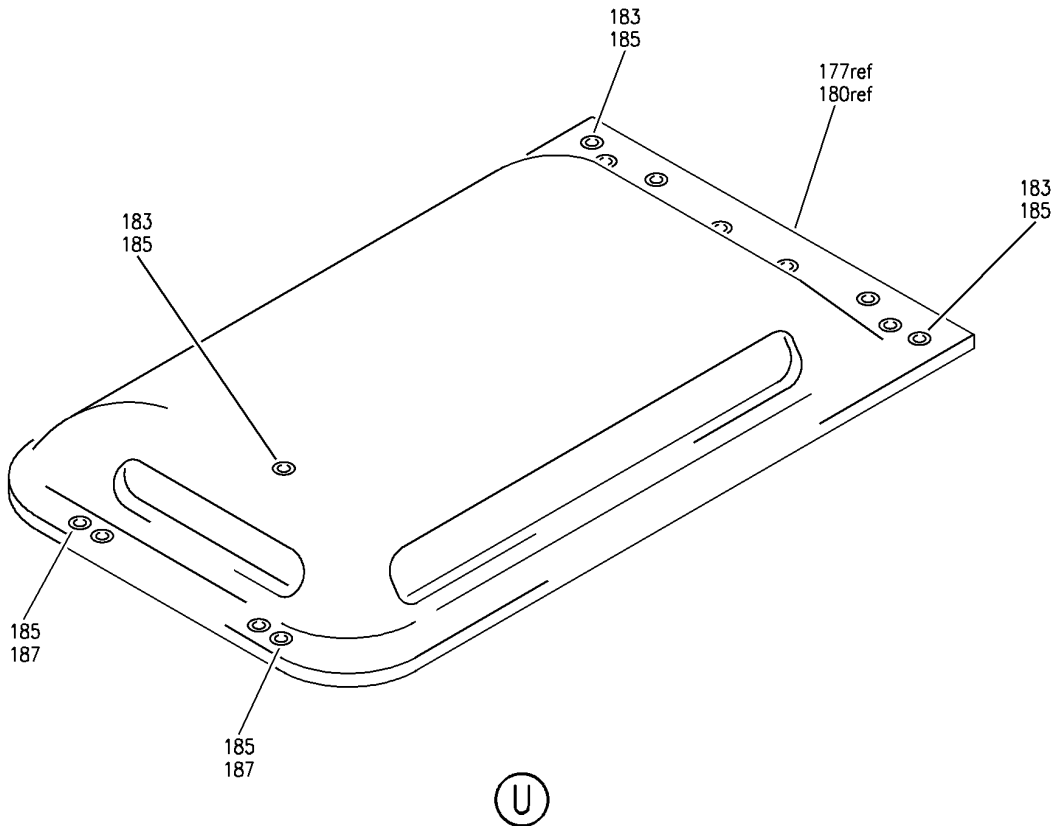
E 25217107C SHT 8 REV 127

CEILING INSTL-LOWERED AFT HORSESHOE
FIGURE 7C (SHEET 8)

25-21-71-07C

HAP
FEB 10/07

25-21-71-07C
PAGE 06



E 25217107C SHT 9 REV 139

CEILING INSTL-LOWERED AFT HORSESHOE
FIGURE 7C (SHEET 9)

25-21-71-07C

HAP
FEB 15/08

25-21-71-07C
PAGE 0H

 **BOEING**
737-600/700/800/900
PARTS CATALOG (MAINTENANCE)

FIG ITEM	PART NUMBER	1 2 3 4 5 6 7	NOMENCLATURE	EFFECT FROM TO	UNITS PER ASSY
7C			CEILING INSTL-LOWERED AFT HORSESHOE	031200 968999	
- 1	MODREF90327		CEILING INSTL-LOWERED HORSESHOE MODULE NUMBER: 411A3400-321B REV A POSITION DATA: AFT	031200 968999	1
50	BACB30NR4K14		.BOLT	031200 968999	2
55	BACB30NR4K16		.BOLT	031200 968999	1
60	NAS1149D0463J		.WASHER	031200 968999	6
65	PLH54CD		.NUT SUPPLIER CODE: VF0224 SPECIFICATION NUMBER: BACN10YR4CD OPTIONAL PART: H52732-4CD V15653	031200 968999	3
70	BACB28AK04-042		.BUSHING	031200 968999	3
75	BACB30NR4K12		.BOLT	031200 968999	4
80	NAS1149D0463J		.WASHER	031200 968999	8
85	PLH54CD		.NUT SUPPLIER CODE: VF0224 SPECIFICATION NUMBER: BACN10YR4CD OPTIONAL PART: H52732-4CD V15653	031200 968999	4
90	BACB28AK04-026		.BUSHING	031200 968999	4
95	BACB30NM3K5		.BOLT	031200 968999	4
100	NAS1149D0332J		.WASHER	031200 968999	4

MISSING ITEM NUMBERS NOT APPLICABLE

- ITEM NOT ILLUSTRATED

HAP

25-21-71-07C

BOEING PROPRIETARY - Copyright © - Unpublished Work - See title page for details.

25-21-71
FIG. 07C
PAGE 1
FEB 15/09

BOEING
737-600/700/800/900
PARTS CATALOG (MAINTENANCE)

FIG ITEM	PART NUMBER	1 2 3 4 5 6 7	NOMENCLATURE	EFFECT FROM TO	UNITS PER ASSY
7C 105	411A3430-20B	.	CEILING ASSY-HORSESHOE (EQUIPMENT/FURNISHINGS ONLY) POSITION DATA: AFT FUNCTIONAL REFERENCE: LIGHTS FOR DETAILS SEE 33-22-00-04B 33-26-03-04G 33-51-00-05	031200 968999	1
110	BACS12FA3K7	..	SCREW	031200 968999	2
115	H3583-1	..	LANYARD- SUPPLIER CODE: V83014 OPTIONAL PART: H3583K3260 V83014	031200 968999	1
115	H3583K3260	..	LANYARD- SUPPLIER CODE: V83014 OPTIONAL PART: H3583-1 V83014	031200 968999	1
120	411A3081-5	..	BRACKET	031200 968999	1
125	411A3082-6	..	BLOCK-ALIGN.	031200 968999	1
130	411T3096-178	..	LATCH ASSY- OPTIONAL PART: 411T3096-216	031200 968999	2
130	411T3096-216	..	LATCH- OPTIONAL PART: 411T3096-178 ATTACHING PARTS	031200 968999	2
- 135	BACS12FA3K5	..	SCREW	031200 968999	6
140	NAS1801-3-6	..	SCREW	031200 968999	4
145	AN960JD10L	..	WASHER	031200 968999	4
150	MS21042L3	..	NUT	031200 968999	4
155	411T3096-176	..	STRIKE	031200 968999	1
160	411T3096-175	..	BASE	031200 968999	1

MISSING ITEM NUMBERS NOT APPLICABLE

- ITEM NOT ILLUSTRATED

HAP

25-21-71-07C

BOEING PROPRIETARY - Copyright © - Unpublished Work - See title page for details.

25-21-71
FIG. 07C
PAGE 2
OCT 15/08

BOEING
737-600/700/800/900
PARTS CATALOG (MAINTENANCE)

FIG ITEM	PART NUMBER	1 2 3 4 5 6 7	NOMENCLATURE	EFFECT FROM TO	UNITS PER ASSY
7C 165	SAM273-1	..	HINGE- SUPPLIER CODE: V31845 ATTACHING PARTS	031200 968999	2
- 170	BACS12FA3K5	..	SCREW	031200 968999	8
			-----*-----		
175	411A3250-8B	..	PANEL ASSY	031200 968999	1
180	411A3250-9	...	PANEL ASSY-BASE	031200 968999	1
185	SL2334-3A1	INSERT- SUPPLIER CODE: V97393	031200 968999	13
187	SL618-3A	INSERT- SUPPLIER CODE: V97393	031200 968999	4
195	411A3430-28B	..	PANEL ASSY-BASE	031200 968999	1
- 205	SL2334-3A1	...	INSERT- SUPPLIER CODE: V97393	031200 968999	48
220	411A3430-31	..	CEILING SUB ASSY	031200 968999	1
			ATTACHING PARTS		
- 225	BACS12FA3K5	..	SCREW	031200 968999	37
			-----*-----		
230	H2957-5	...	LATCH- SUPPLIER CODE: V83014 SPECIFICATION NUMBER: S411T302-3 ATTACHING PARTS	031200 968999	2
- 235	BACS12ER3K7	...	SCREW	031200 968999	4
			-----*-----		
240	411A3081-39	...	BRACKET	031200 968999	10
			ATTACHING PARTS		
245	BACB30NM3K3	...	BOLT	031200 968999	24
250	BACB30NM3K5	...	BOLT	031200 968999	16
255	NAS1149D0332J	...	WASHER	031200 968999	40

MISSING ITEM NUMBERS NOT APPLICABLE

- ITEM NOT ILLUSTRATED

HAP

25-21-71-07C

BOEING PROPRIETARY - Copyright © - Unpublished Work - See title page for details.

25-21-71
FIG. 07C
PAGE 3
OCT 15/08

BOEING
737-600/700/800/900
PARTS CATALOG (MAINTENANCE)

FIG ITEM	PART NUMBER	1 2 3 4 5 6 7	NOMENCLATURE	EFFECT FROM TO	UNITS PER ASSY
7C 260	130069		...NUT SUPPLIER CODE: V60119 SPECIFICATION NUMBER: BACN10FX16 OPTIONAL PART: A11330-6-3 V72962 A4972-6-02 V72962 -----*-----	031200 968999	24
265	411A3081-19		...FITTING ASSY-BLADE OPTIONAL PART: 411A3081-79	031200 968999	3
265	411A3081-79		...FITTING ASSY-BLADE OPTIONAL PART: 411A3081-19 ATTACHING PARTS	031200 968999	3
- 270	BACB30NM3K3		...BOLT	031200 968999	6
- 275	NAS1149D0332J		...WASHER	031200 968999	6
- 280	PLH53CD		...NUT SUPPLIER CODE: VFO224 SPECIFICATION NUMBER: BACN10YR3CD OPTIONAL PART: H52732-3CD V15653 -----*-----	031200 968999	6
285	AG4V4009	BEARING- SUPPLIER CODE: V15860 SPECIFICATION NUMBER: 60B00180-68 OPTIONAL PART: LHBG4BAC V73134 NC4G12 V56644 USED ON: 411A3081-19	031200 968999	1
285	S012T237-301	BEARING- USED ON: 411A3081-79	031200 968999	1
290	411A3081-20	FITTING	031200 968999	1

MISSING ITEM NUMBERS NOT APPLICABLE

- ITEM NOT ILLUSTRATED

HAP

25-21-71-07C

BOEING PROPRIETARY - Copyright © - Unpublished Work - See title page for details.

25-21-71
FIG. 07C
PAGE 4
FEB 15/09

BOEING
737-600/700/800/900
PARTS CATALOG (MAINTENANCE)

FIG ITEM	PART NUMBER	1 2 3 4 5 6 7	NOMENCLATURE	EFFECT FROM TO	UNITS PER ASSY
7C 295	411A3081-23	...	FITTING ASSY	031200 968999	2
			ATTACHING PARTS		
- 300	BACB30NM3K2	...	BOLT	031200 968999	4
- 305	NAS1149D0332J	...	WASHER	031200 968999	4
- 310	PLH53CD	...	NUT	031200 968999	4
			SUPPLIER CODE: VFO224		
			SPECIFICATION NUMBER: BACN10YR3CD		
			OPTIONAL PART: H52732-3CD V15653		
			-----*-----		
315	BACB28AP04P009	BUSHING	031200 968999	1
320	BACB28AT06B009C	BUSHING	031200 968999	1
325	411A3081-24	FITTING	031200 968999	1
330	411A3081-38	...	BRACKET	031200 968999	4
			ATTACHING PARTS		
- 335	BACB30NM3K3	...	BOLT	031200 968999	24
- 340	NAS1149D0332J	...	WASHER	031200 968999	24
- 345	130069	...	NUT	031200 968999	24
			SUPPLIER CODE: V60119		
			SPECIFICATION NUMBER: BACN10FX16		
			OPTIONAL PART: A11330-6-3 V72962 A4972-6-02 V72962		
			-----*-----		
350	411A3081-21	...	FITTING ASSY-PI	031200 968999	1
			OPTIONAL PART: 411A3081-71		
350	411A3081-71	...	FITTING ASSY-PI	031200 968999	1
			OPTIONAL PART: 411A3081-21		
			ATTACHING PARTS		
- 355	BACB30NT3K3	...	BOLT	031200 968999	2

MISSING ITEM NUMBERS NOT APPLICABLE

- ITEM NOT ILLUSTRATED

HAP

25-21-71-07C

BOEING PROPRIETARY - Copyright © - Unpublished Work - See title page for details.

25-21-71
FIG. 07C
PAGE 5
FEB 15/09

BOEING
737-600/700/800/900
PARTS CATALOG (MAINTENANCE)

FIG ITEM	PART NUMBER	1 2 3 4 5 6 7	NOMENCLATURE	EFFECT FROM TO	UNITS PER ASSY
7C					
- 360	NAS1149D0332J	...	WASHER	031200 968999	2
- 365	PLH53CD	...	NUT SUPPLIER CODE: VFO224 SPECIFICATION NUMBER: BACN10YR3CD OPTIONAL PART: H52732-3CD V15653 -----*-----	031200 968999	2
370	BACB28AP04P018	BUSHING	031200 968999	1
375	BACB28AT06B018C	BUSHING	031200 968999	1
380	AG4V4009	BEARING- SUPPLIER CODE: V15860 SPECIFICATION NUMBER: 60B00180-68 OPTIONAL PART: LHBG4BAC V73134 NC4G12 V56644 USED ON: 411A3081-21	031200 968999	1
380	S012T237-301	BEARING- USED ON: 411A3081-71	031200 968999	1
385	411A3081-22	FITTING	031200 968999	1
390	411A3080-11	...	GUSSET	031200 968999	4
			ATTACHING PARTS		
- 400	BACB30NM3K2	...	BOLT	031200 968999	16
- 405	NAS1149D0332J	...	WASHER	031200 968999	32
- 410	PLH53CD	...	NUT SUPPLIER CODE: VFO224 SPECIFICATION NUMBER: BACN10YR3CD OPTIONAL PART: H52732-3CD V15653 -----*-----	031200 968999	16

MISSING ITEM NUMBERS NOT APPLICABLE

- ITEM NOT ILLUSTRATED

HAP

25-21-71-07C

BOEING PROPRIETARY - Copyright © - Unpublished Work - See title page for details.

25-21-71
FIG. 07C
PAGE 6
FEB 15/09

BOEING
737-600/700/800/900
PARTS CATALOG (MAINTENANCE)

FIG ITEM	PART NUMBER	1 2 3 4 5 6 7	NOMENCLATURE	EFFECT FROM TO	UNITS PER ASSY
7C 415	411A3080-6	...	BRACKET ASSY-SPRT	031200 968999	2
			ATTACHING PARTS		
- 420	BACB30NM3K5	...	BOLT	031200 968999	8
- 425	NAS1149D0332J	...	WASHER	031200 968999	8
			-----*-----		
430	BACN11G3A4CD	NUTPLATE	031200 968999	3
			ATTACHING PARTS		
- 435	BACR15BA3ADC	RIVET- SIZE DETERMINED ON INSTL.	031200 968999	6
			-----*-----		
440	411A3080-7	BRACKET	031200 968999	1
445	411A3080-12	...	BRACKET ASSY-SPRT	031200 968999	2
450	BACN11G3A4CD	NUTPLATE	031200 968999	12
			ATTACHING PARTS		
- 455	BACR15BA3ADC	RIVET- SIZE DETERMINED ON INSTL.	031200 968999	24
			-----*-----		
460	411A3080-13	BRACKET	031200 968999	1
465	411A3081-12	...	BRACKET ASSY-SPLICE	031200 968999	2
			ATTACHING PARTS		
- 470	BACB30NM3K5	...	BOLT	031200 968999	4
- 475	NAS1149D0332J	...	WASHER	031200 968999	4
			-----*-----		
480	BACN11G3A4CD	NUTPLATE	031200 968999	4
			ATTACHING PARTS		
- 485	BACR15BA3ADC	RIVET- SIZE DETERMINED ON INSTL.	031200 968999	8
			-----*-----		
490	411A3081-13	BRACKET	031200 968999	1
495	411A3081-6	...	CROSSMEMBER	031200 968999	1
500	411A3081-28	...	CROSSMEMBER	031200 968999	2
505	411A3081-35	...	RAIL	031200 968999	1

MISSING ITEM NUMBERS NOT APPLICABLE

- ITEM NOT ILLUSTRATED

HAP

25-21-71-07C

BOEING PROPRIETARY - Copyright © - Unpublished Work - See title page for details.

25-21-71
FIG. 07C
PAGE 7
FEB 15/09


BOEING
 737-600/700/800/900
PARTS CATALOG (MAINTENANCE)

FIG ITEM	PART NUMBER	1 2 3 4 5 6 7 NOMENCLATURE	EFFECT FROM TO	UNITS PER ASSY
7C 510	411A3081-36	...RAIL	031200 968999	1

MISSING ITEM NUMBERS NOT APPLICABLE

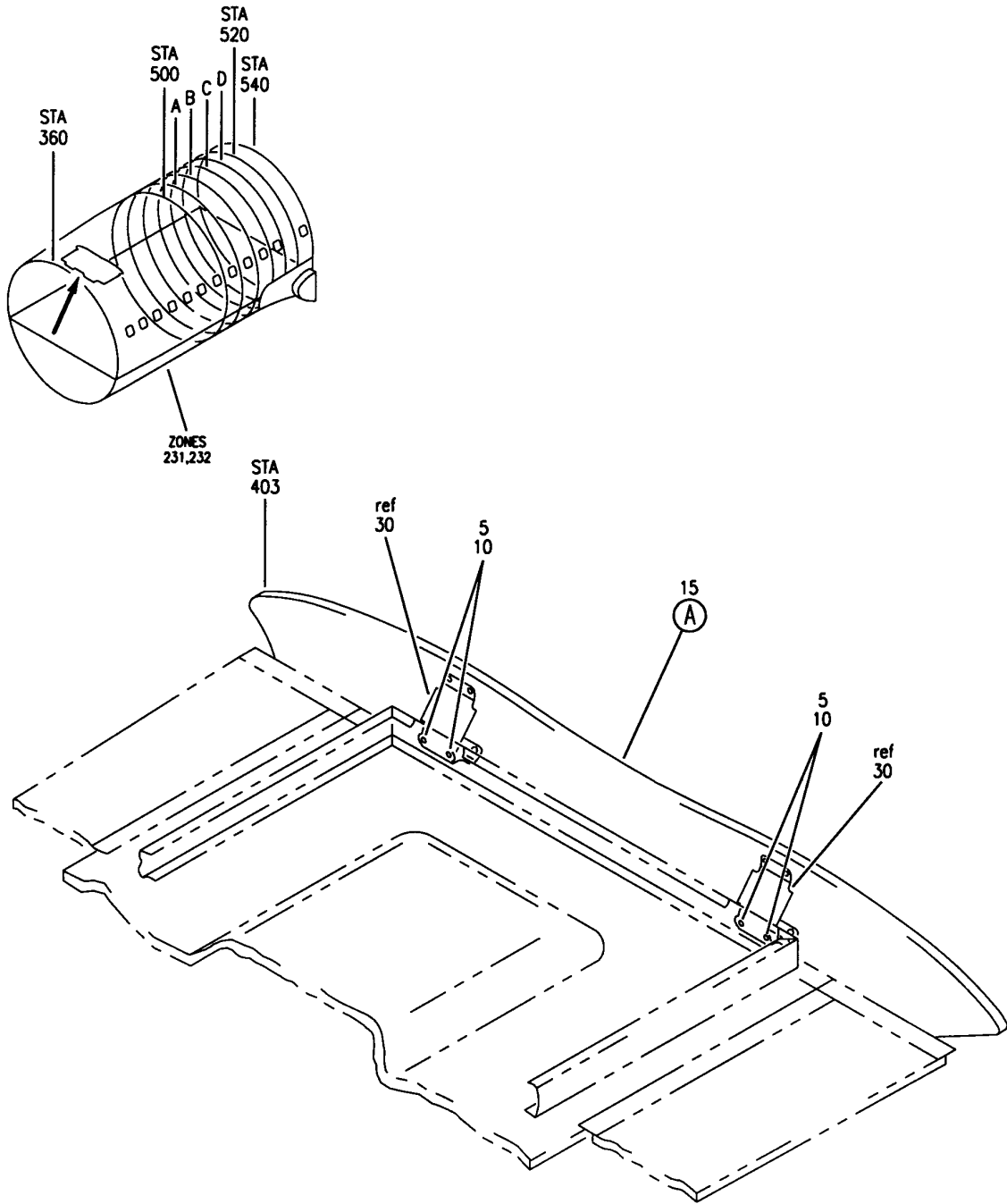
— ITEM NOT ILLUSTRATED

HAP

25-21-71-07C

BOEING PROPRIETARY - Copyright © - Unpublished Work - See title page for details.

25-21-71
 FIG. 07C
 PAGE 8
 FEB 15/09



E 25217109 SHT 1 REV 013

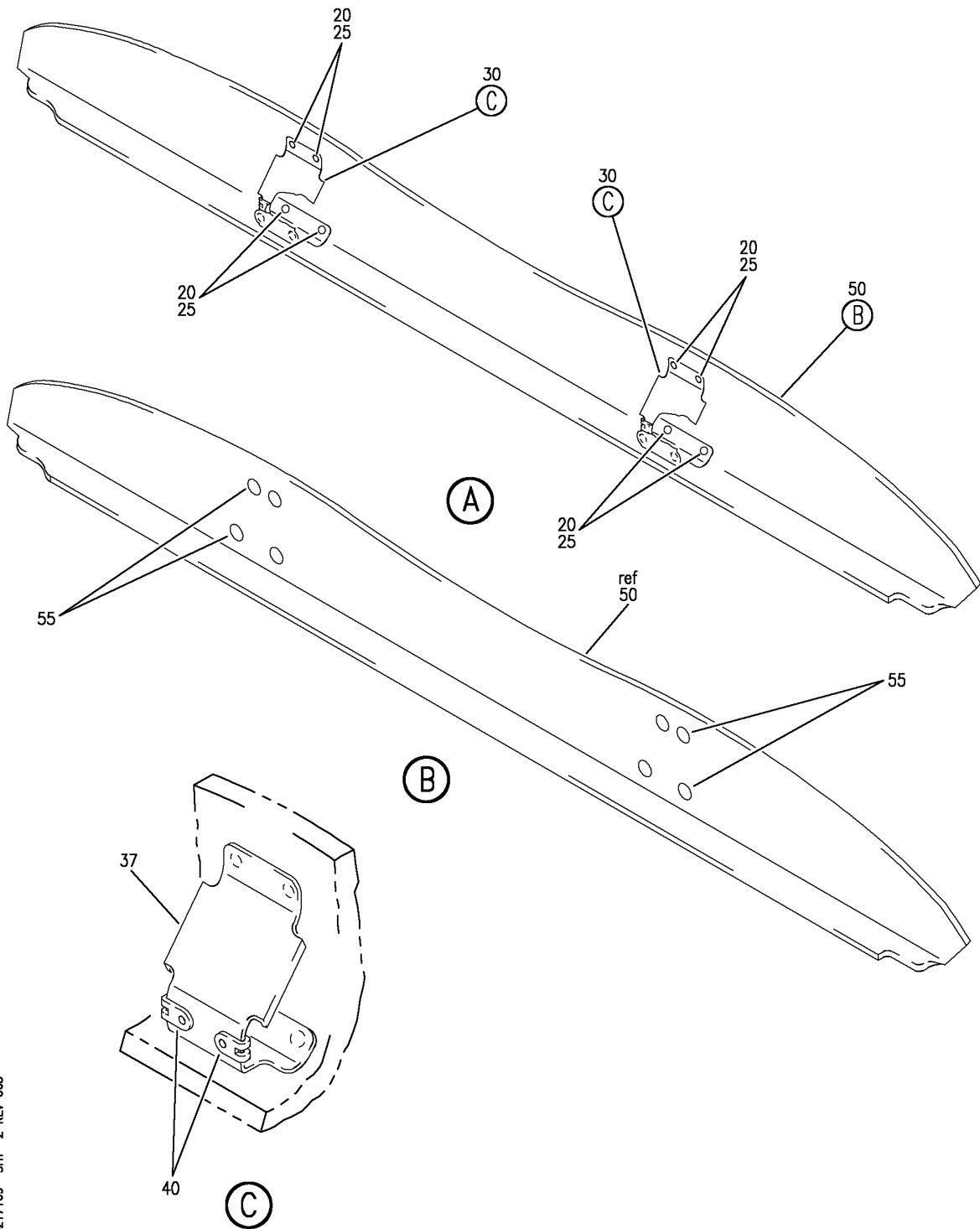
CEILING INSTL-LOWERED FWD BULLNOSE
 FIGURE 9 (SHEET 1)

25-21-71-09

HAP
 OCT 10/06

25-21-71-09
 PAGE 0

BOEING
 737-600/700/800/900
 PARTS CATALOG (MAINTENANCE)



E 25217109 SHT 2 REV 065

CEILING INSTL-LOWERED FWD BULLNOSE
 FIGURE 9 (SHEET 2)

25-21-71-09

HAP
 OCT 10/06

25-21-71-09
 PAGE 0A

BOEING
737-600/700/800/900
PARTS CATALOG (MAINTENANCE)

FIG ITEM	PART NUMBER	1 2 3 4 5 6 7	NOMENCLATURE	EFFECT FROM TO	UNITS PER ASSY
9			CEILING INSTL-LOWERED FWD BULLNOSE		
- 1	411A3200-401SP		CEILING INSTL-LOWERED BULLNOSE POSITION DATA: FWD FOR NHA SEE: 25-21-00-01A 25-21-00-01D	001027 201967	RF
- 1	411A3200-405SP		CEILING INSTL-LOWERED BULLNOSE FOR NHA SEE: 25-21-00-01D	028030	RF
- 1	MODREF90255		CEILING INSTL-LOWERED BULLNOSE MODULE NUMBER: 411A3200-405B REV A	031200 968999	1
5	BACS12GU3K8		.SCREW-		4
10	NAS1149D0332J		.WASHER		4
15	411A3240-1SP		.CEILING ASSY-	001027 201967	1
15	411A3240-9SP		.CEILING ASSY-	028030	1
15	411A3240-9B		.CEILING ASSY-	031200 968999	1
20	BACS12GU3K5		..SCREW		8
25	NAS1149D0332J		..WASHER		8
30	411A3080-29		..SUPPORT ASSY-		2
37	411A3080-28		...BRACKET-		1
40	BRC600-8-3		...NUT-		2
			SUPPLIER CODE: V52828 SPECIFICATION NUMBER: BACN10YD1 OPTIONAL PART: 130120 V60119		
50	411A3241-1		..BASE PANEL ASSY-	001027 201967	1
50	411A3240-10		..BASE PANEL ASSY-	028200 968999	1
55	SL2334-3A1		...INSERT- SUPPLIER CODE: V97393		8

MISSING ITEM NUMBERS NOT APPLICABLE

- ITEM NOT ILLUSTRATED

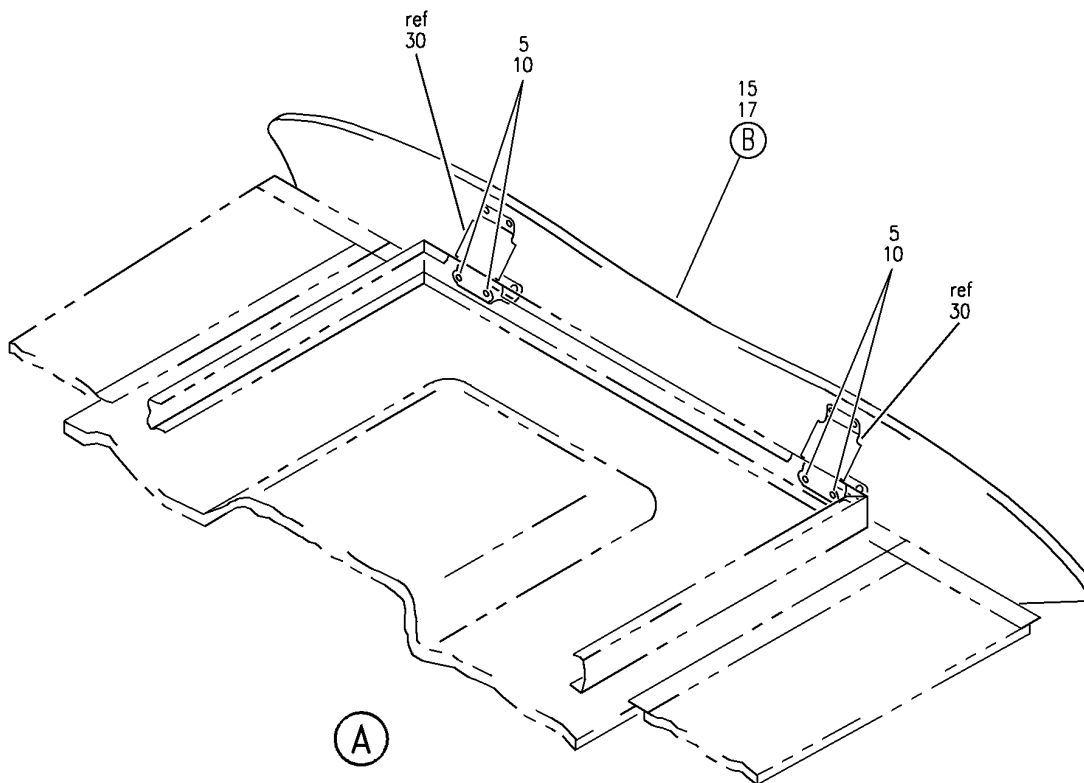
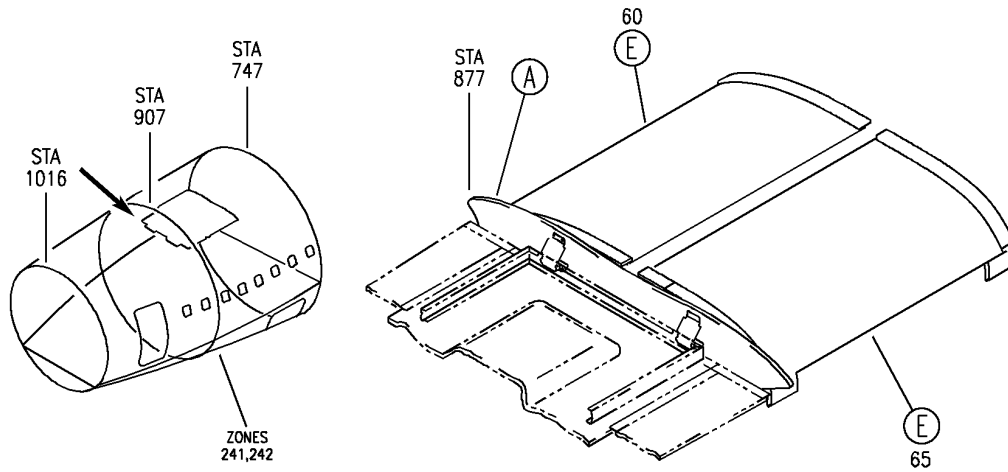
HAP

25-21-71-09

BOEING PROPRIETARY - Copyright © - Unpublished Work - See title page for details.

25-21-71
FIG. 09
PAGE 1
OCT 15/08

BOEING
 737-600/700/800/900
 PARTS CATALOG (MAINTENANCE)



E 25217110 SHT 1 REV 134

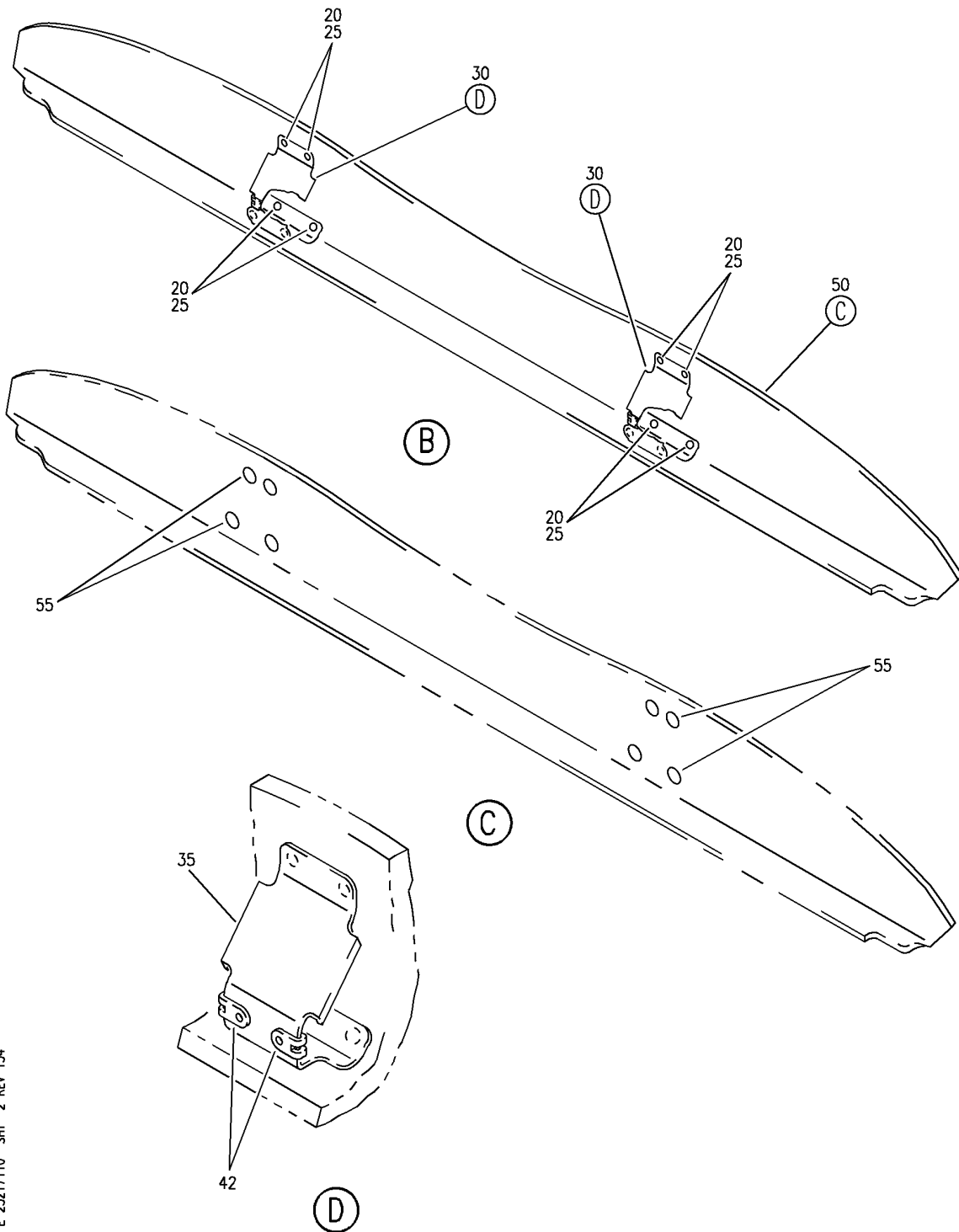
CEILING INSTL-LOWERED AFT BULLNOSE
 FIGURE 10 (SHEET 1)

25-21-71-10

HAP
 OCT 10/07

25-21-71-10
 PAGE 0

BOEING
737-600/700/800/900
PARTS CATALOG (MAINTENANCE)



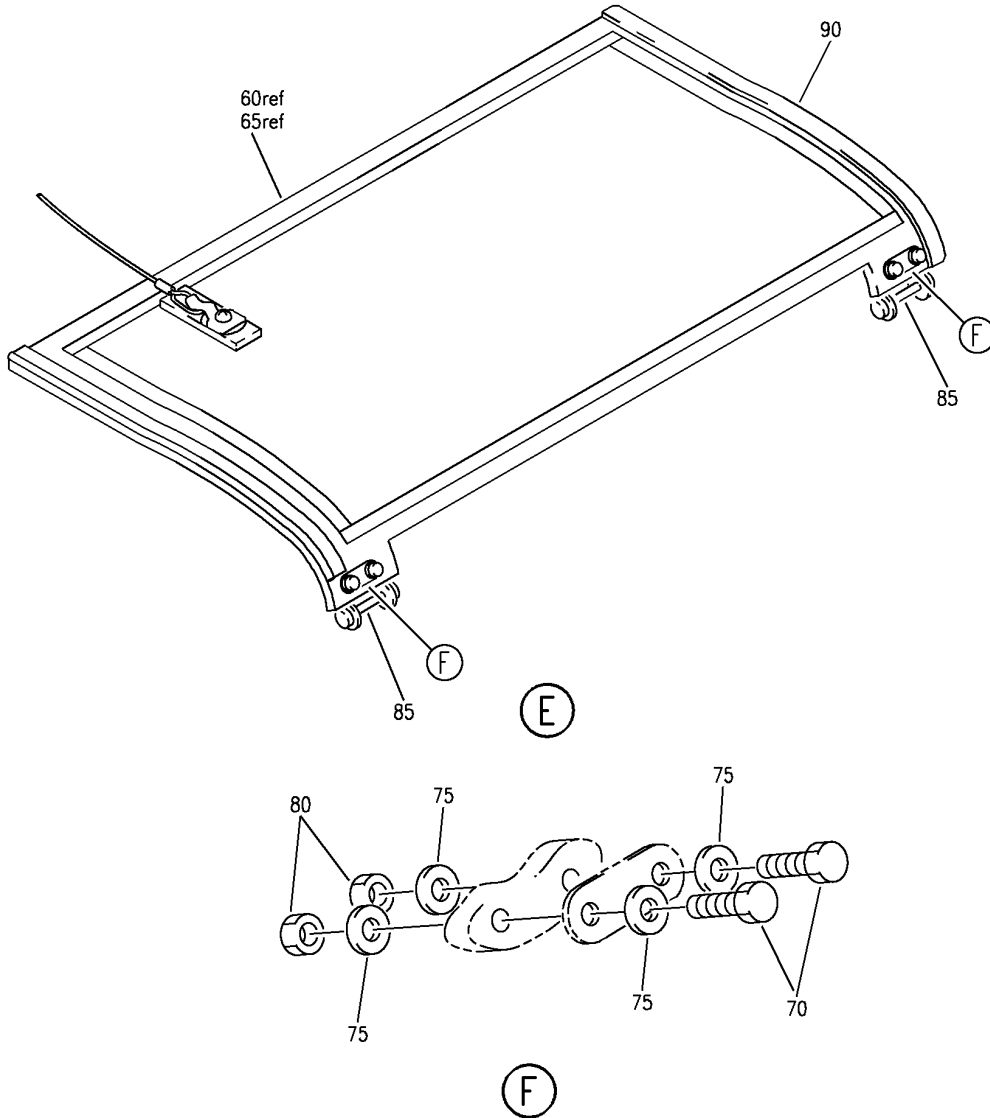
E 25217110 SH1 2 REV 134

CEILING INSTL-LOWERED AFT BULLNOSE
FIGURE 10 (SHEET 2)

25-21-71-10

HAP
OCT 10/07

25-21-71-10
PAGE 0A



E 25217110 SH1 3 REV 134

CEILING INSTL-LOWERED AFT BULLNOSE
 FIGURE 10 (SHEET 3)

25-21-71-10

HAP
 OCT 10/07

25-21-71-10
 PAGE 0B

BOEING
737-600/700/800/900
PARTS CATALOG (MAINTENANCE)

FIG ITEM	PART NUMBER	1 2 3 4 5 6 7	NOMENCLATURE	EFFECT FROM TO	UNITS PER ASSY
10			CEILING INSTL-LOWERED AFT BULLNOSE		
- 1	411A3400-401SP		CEILING INSTL-LOWERED BULLNOSE POSITION DATA: AFT FOR NHA SEE: 25-21-00-01A 25-21-00-01D	001027 201967	RF
- 1	411A3400-405SP		CEILING INSTL-LOWERED BULLNOSE POSITION DATA: AFT FOR NHA SEE: 25-21-00-01D	028030	RF
- 1	MODREF90330		CEILING INSTL-LOWERED BULLNOSE MODULE NUMBER: 411A3400-405B REV A POSITION DATA: AFT	031200 968999	1
5	BACS12GU3K8		.SCREW-		4
10	NAS1149D0332J		.WASHER		4
15	411A3240-2SP		.CEILING ASSY-	001027 201967	1
15	411A3240-11SP		.CEILING ASSY-	028030	1
15	411A3240-11B		.CEILING ASSY-	031200 968999	1
20	BACS12GU3K5		..SCREW		8
25	NAS1149D0332J		..WASHER		8
30	411A3080-29		..SUPPORT ASSY-		2
35	411A3080-28		...BRACKET-		1
42	BRC600-8-3		...NUT-		2
			SUPPLIER CODE: V52828 SPECIFICATION NUMBER: BACN10YD1 OPTIONAL PART: 130120 V60119		
50	411A3241-2		..BASE PANEL ASSY-	001027 201967	1
50	411A3240-12		..CEILING ASSY-	028200 968999	1
55	SL2334-3A1		...INSERT- SUPPLIER CODE: V97393		8

MISSING ITEM NUMBERS NOT APPLICABLE

- ITEM NOT ILLUSTRATED

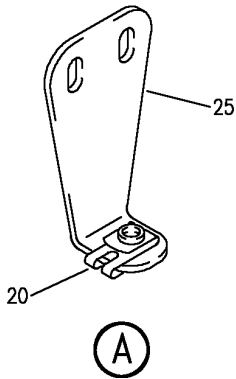
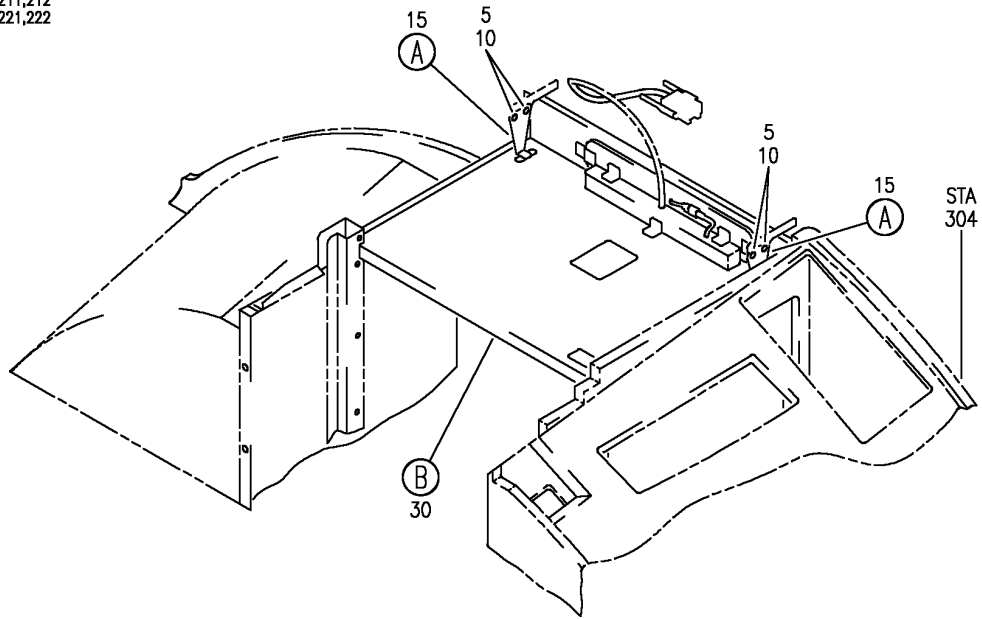
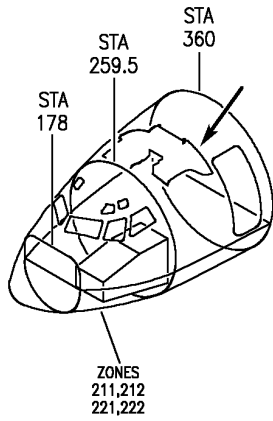
HAP

25-21-71-10

BOEING PROPRIETARY - Copyright © - Unpublished Work - See title page for details.

25-21-71
FIG. 10
PAGE 1
OCT 15/08

BOEING
 737-600/700/800/900
 PARTS CATALOG (MAINTENANCE)



E 25217114 SH1 1 REV 154

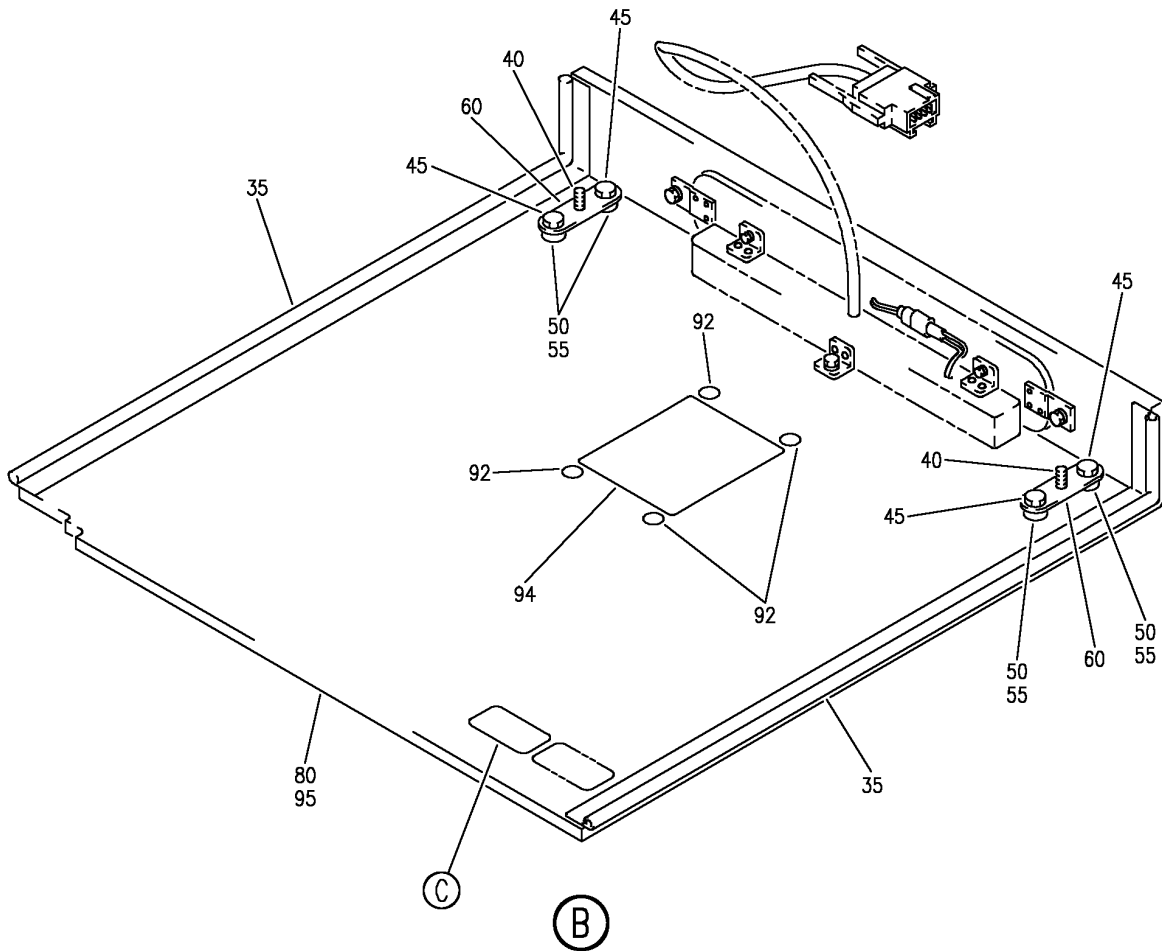
CEILING INSTL-FWD CLOSE OUT LOWERED
 FIGURE 14 (SHEET 1)

25-21-71-14

HAP
 JUN 15/09

25-21-71-14
 PAGE 0

BOEING
 737-600/700/800/900
 PARTS CATALOG (MAINTENANCE)



33

C&D INTERIORS HUNTINGTON BEACH, CA		
PART NO.	REV.	BOEING PART NO.
B221309-		
C&D DOC. NO.		
CDRB22-1-18		

E 25217114 SH1 2 REV 154

CEILING INSTL-FWD CLOSE OUT LOWERED
 FIGURE 14 (SHEET 2)

25-21-71-14

HAP
 JUN 15/09

25-21-71-14
 PAGE 0A

BOEING
737-600/700/800/900
PARTS CATALOG (MAINTENANCE)

FIG ITEM	PART NUMBER	1 2 3 4 5 6 7	NOMENCLATURE	EFFECT FROM TO	UNITS PER ASSY
14			CEILING INSTL-FWD CLOSE OUT LOWERED	001036 201967	
- 1	411A3200-102SP		CEILING INSTL-CLOSE OUT LOWERED POSITION DATA: FWD FOR NHA SEE: 25-21-00-01A 25-21-00-01D	001030 201967	RF
- 1	MODREF222373		CEILING INSTL-CLOSE OUT LOWERED MODULE NUMBER: 411A3200-107B REV B POSITION DATA: FWD	031036	1
5	BACB30NM3K2		.BOLT	001036 201967	4
10	NAS1149D0332J		.WASHER	001036 201967	4
15	411A3080-26		.BRACKET ASSY-SPRT	001036 201967	2
20	BRC600-8-3		..NUT-CLIP SUPPLIER CODE: V52828 SPECIFICATION NUMBER: BACN10YD1 OPTIONAL PART: 130120 V60119	001036 201967	1
25	411A3080-27		..BRACKET	001036 201967	1
30	411A3210-2SP		.CEILING ASSY-(EQUIPMENT/ FURNISHINGS ONLY) FUNCTIONAL REFERENCE: LIGHTS FOR DETAILS SEE 33-51-01-14	001030 201967	1
30	411A3210-13B		.CEILING ASSY-(EQUIPMENT/ FURNISHINGS ONLY) FUNCTIONAL REFERENCE: LIGHTS FOR DETAILS SEE 33-51-01-14	031036	1
35	411A3210-301		..SEAL	001036 201967	AR
40	BACS12FA3K7		..SCREW	001036 201967	2
45	BACB30NM3K4		..BOLT	001036 201967	4

MISSING ITEM NUMBERS NOT APPLICABLE

- ITEM NOT ILLUSTRATED

HAP

25-21-71-14

25-21-71
FIG. 14
PAGE 1
OCT 15/08

BOEING
737-600/700/800/900
PARTS CATALOG (MAINTENANCE)

FIG ITEM	PART NUMBER	1 2 3 4 5 6 7	NOMENCLATURE	EFFECT FROM TO	UNITS PER ASSY
14					
50	BACS18K10-16W	..	SPACER- POSITION DATA: FAR SIDE	001036 201967	4
55	NAS1149D0332J	..	WASHER	001036 201967	4
60	411A3080-25	..	BRACKET-	001036 201967	2
80	411A3211-2	..	PANEL ASSY-	201967	1
80	411A3211-12	..	PANEL ASSY-	031036	1
- 90	SL2334-3A1	...	INSERT- SUPPLIER CODE: V97393	031036 201967	7
95	B221309-601	..	PANEL ASSY-CEILING SUPPLIER CODE: V56135 POST SERVICE BULLETIN: 25-1496 POST SERVICE BULLETIN: STC1335LA V56135	001030	1

R
R
R
R
R
R
R

MISSING ITEM NUMBERS NOT APPLICABLE

- ITEM NOT ILLUSTRATED

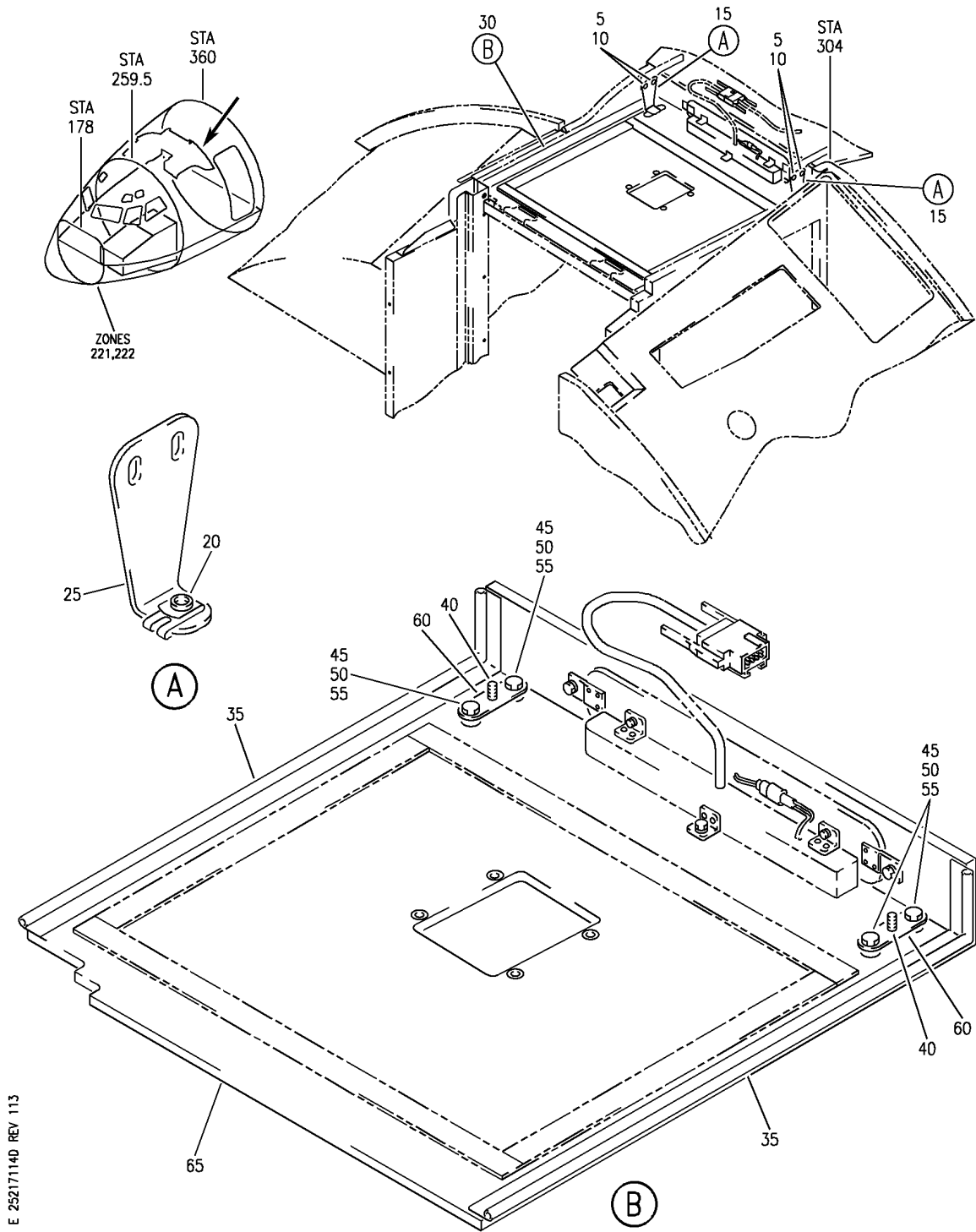
HAP

25-21-71-14

BOEING PROPRIETARY - Copyright © - Unpublished Work - See title page for details.

25-21-71
FIG. 14
PAGE 2
JUN 15/09

BOEING
 737-600/700/800/900
 PARTS CATALOG (MAINTENANCE)



E 25217114D REV 113

CEILING INSTL-FWD CLOSE OUT LOWERED
 FIGURE 14D

25-21-71-14D

HAP
 FEB 10/07

25-21-71-14D
 PAGE 0

BOEING
737-600/700/800/900
PARTS CATALOG (MAINTENANCE)

FIG ITEM	PART NUMBER	1 2 3 4 5 6 7	NOMENCLATURE	EFFECT FROM TO	UNITS PER ASSY
14D			CEILING INSTL-FWD CLOSE OUT LOWERED	037200 968999	
- 1	MODREF329348		CEILING INSTL-CLOSE OUT LOWERED MODULE NUMBER: 411A3200-116B REV A POSITION DATA: FWD	037040 042043 101101 968969	1
- 1	MODREF338137		CEILING INSTL-CLOSE OUT LOWERED MODULE NUMBER: 411A3200-116B REV B POSITION DATA: FWD	041041 044100 102200 970999	1
5	BACB30NM3K2		.BOLT	037200 968999	4
10	NAS1149D0332J		.WASHER	037200 968999	4
15	411A3080-26		.BRACKET ASSY-SPRT	037200 968999	2
20	BRC600-8-3		..NUT SUPPLIER CODE: V52828 SPECIFICATION NUMBER: BACN10YD1 OPTIONAL PART: 130120 V60119	037200 968999	1
25	411A3080-27		..BRACKET	037200 968999	1
30	411A3210-19B		.CEILING ASSY-(EQUIPMENT/ FURNISHINGS ONLY) FUNCTIONAL REFERENCE: LIGHTS FOR DETAILS SEE 33-51-01-14D	037200 968999	1
35	411A3210-301		..SEAL	037200 968999	AR
40	BACS12FA3K7		..SCREW	037200 968999	2
45	BACB30NM3K4		..BOLT	037200 968999	4
50	BACS18K10-16W		..SPACER- POSITION DATA: FAR SIDE	037200 968999	4
55	NAS1149D0332J		..WASHER	037200 968999	4
60	411A3080-25		..BRACKET	037200 968999	2

MISSING ITEM NUMBERS NOT APPLICABLE

- ITEM NOT ILLUSTRATED

HAP

25-21-71-14D

BOEING PROPRIETARY - Copyright © - Unpublished Work - See title page for details.

25-21-71
FIG. 14D
PAGE 1
OCT 15/08


BOEING
 737-600/700/800/900
PARTS CATALOG (MAINTENANCE)

FIG ITEM	PART NUMBER	1 2 3 4 5 6 7	NOMENCLATURE	EFFECT FROM TO	UNITS PER ASSY
14D 65	411A3211-21		..PANEL ASSY	037200 968999	1
- 72	SL2334-3A1		...INSERT- SUPPLIER CODE: V97393	037200 968999	13

MISSING ITEM NUMBERS NOT APPLICABLE

- ITEM NOT ILLUSTRATED

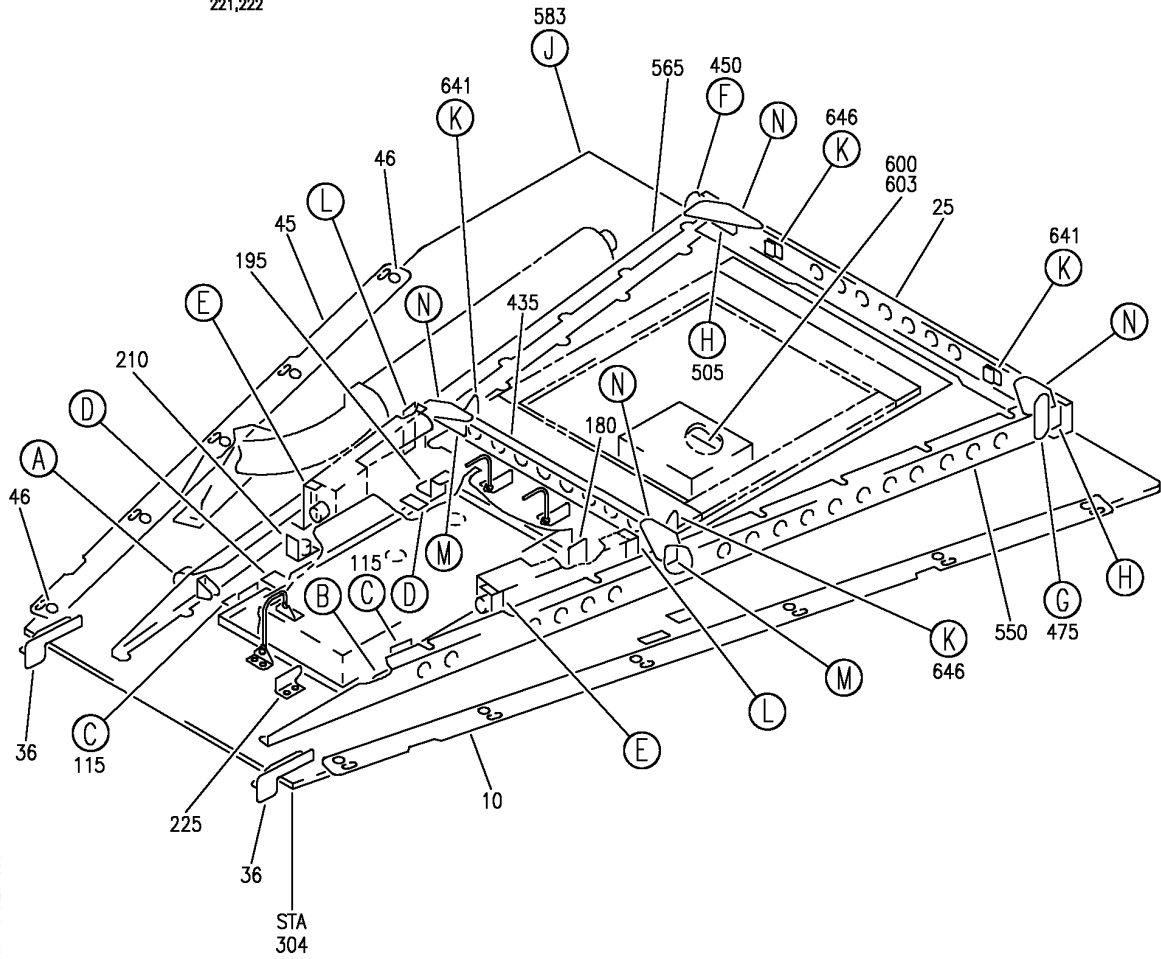
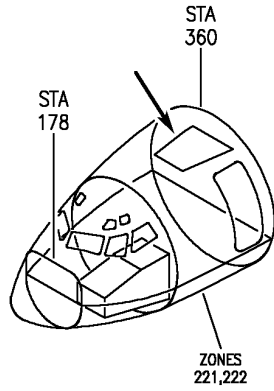
HAP

25-21-71-14D

BOEING PROPRIETARY - Copyright © - Unpublished Work - See title page for details.

25-21-71
 FIG. 14D
 PAGE 2
 OCT 15/08

BOEING
 737-600/700/800/900
 PARTS CATALOG (MAINTENANCE)



E 25217115 SHT 1 REV 097

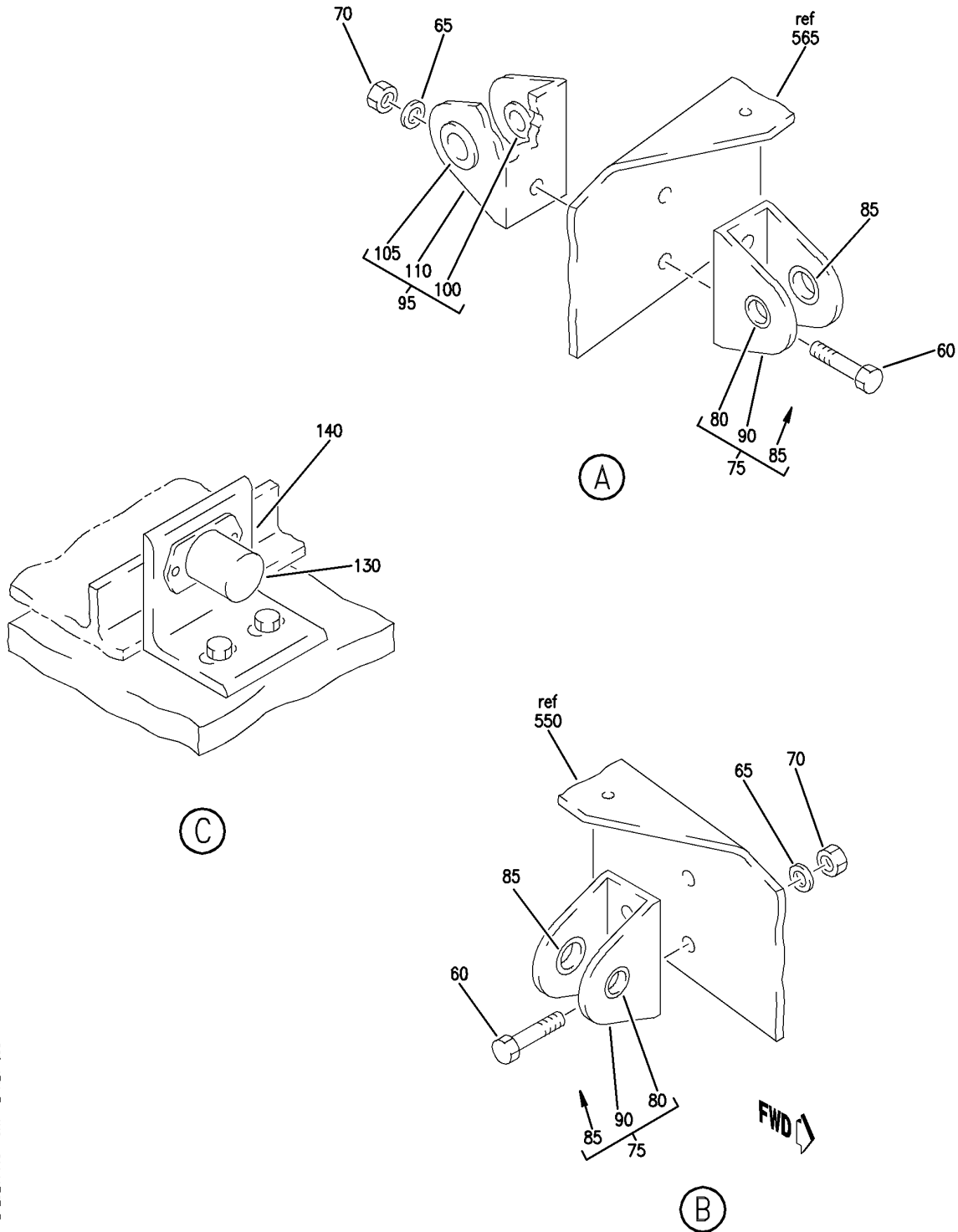
CEILING ASSY-FWD ENTRY (EQUIPMENT/FURNISHINGS ONLY)
 FIGURE 15 (SHEET 1)

25-21-71-15

HAP
 OCT 15/08

25-21-71-15
 PAGE 0

BOEING
 737-600/700/800/900
 PARTS CATALOG (MAINTENANCE)



E 25217115 SHT 2 REV 0568

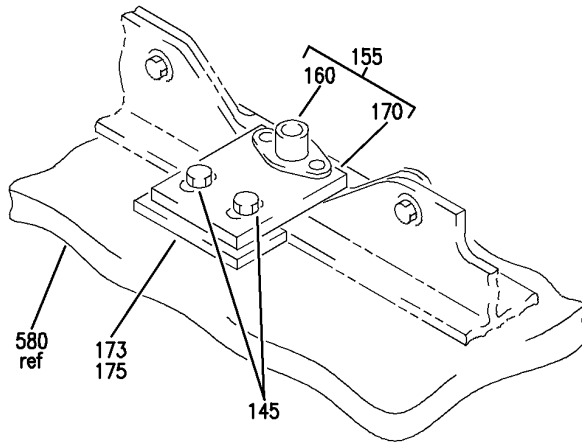
CEILING ASSY-FWD ENTRY (EQUIPMENT/FURNISHINGS ONLY)
 FIGURE 15 (SHEET 2)

25-21-71-15

HAP
 OCT 15/08

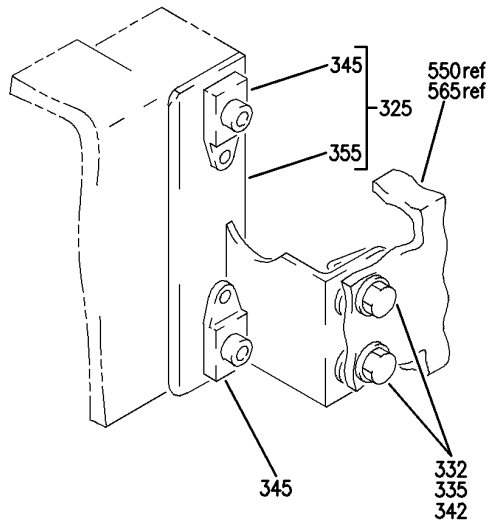
25-21-71-15
 PAGE 0A

BOEING
 737-600/700/800/900
 PARTS CATALOG (MAINTENANCE)



FWD →

(D)



(E)

E 25217115 SHT 3 REV 061

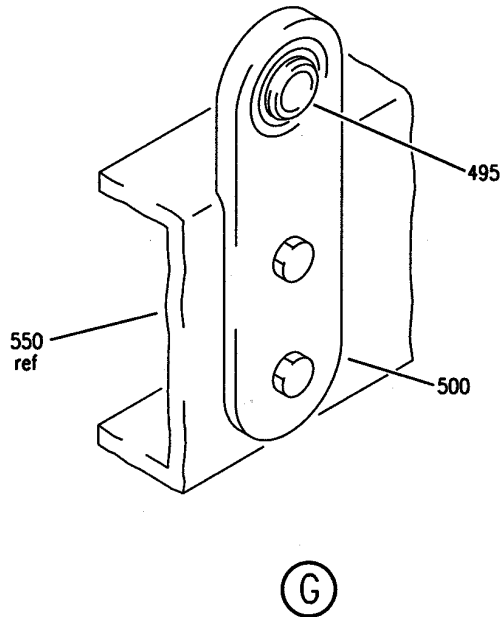
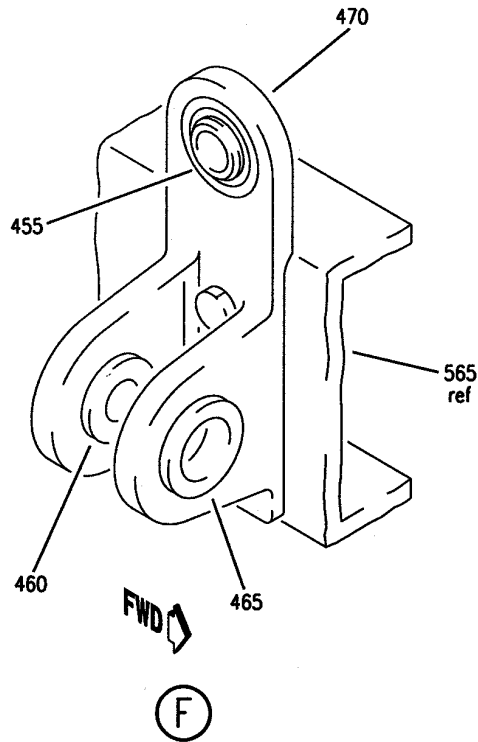
CEILING ASSY-FWD ENTRY (EQUIPMENT/FURNISHINGS ONLY)
 FIGURE 15 (SHEET 3)

25-21-71-15

HAP
 OCT 15/08

25-21-71-15
 PAGE 0B

BOEING
737-600/700/800/900
PARTS CATALOG (MAINTENANCE)



E 25217115 SHT 4 REV 038

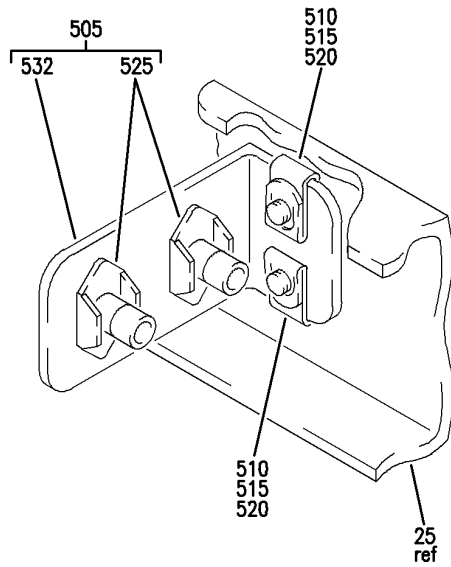
CEILING ASSY-FWD ENTRY (EQUIPMENT/FURNISHINGS ONLY)
FIGURE 15 (SHEET 4)

25-21-71-15

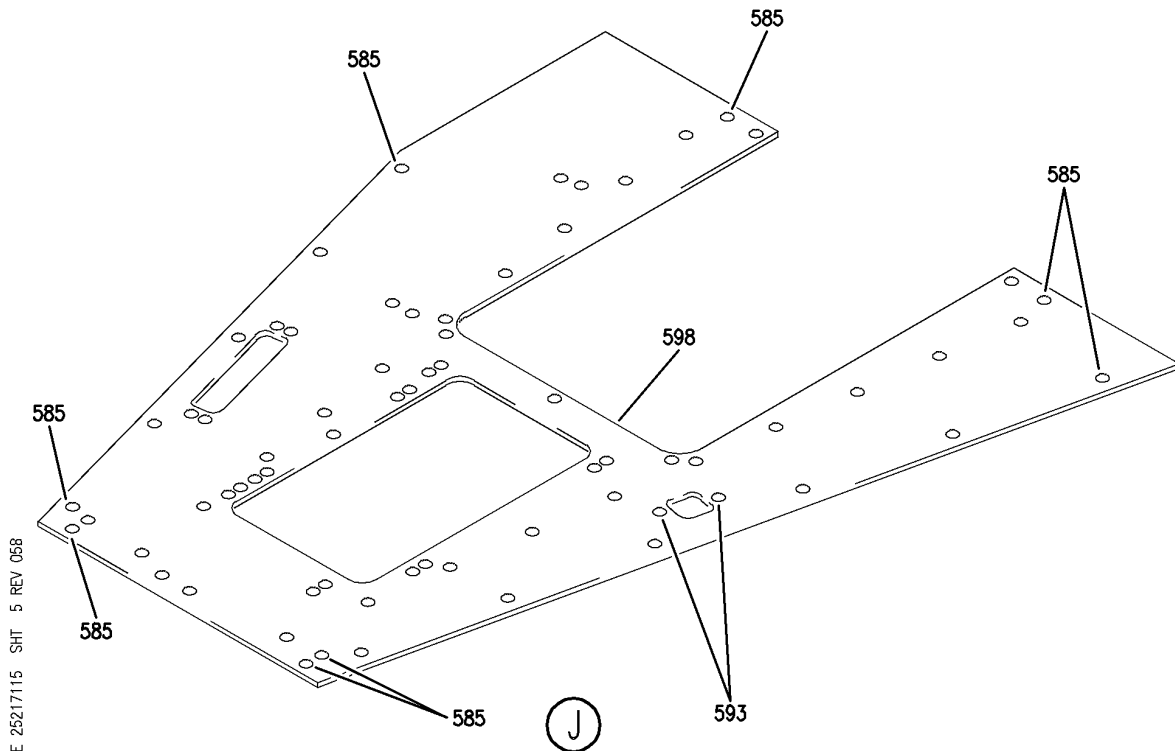
HAP
OCT 15/08

25-21-71-15
PAGE 0C

BOEING
 737-600/700/800/900
 PARTS CATALOG (MAINTENANCE)



(H)



E 25217115 SHT 5 REV 068

(J)

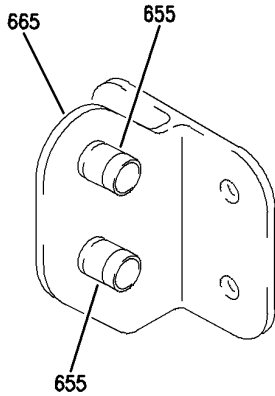
CEILING ASSY-FWD ENTRY (EQUIPMENT/FURNISHINGS ONLY)
 FIGURE 15 (SHEET 5)

25-21-71-15

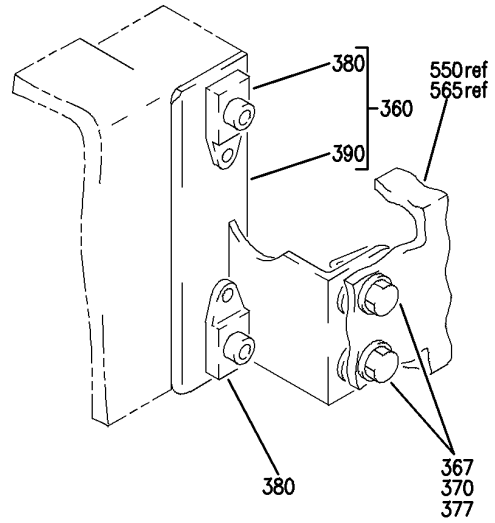
HAP
 OCT 15/08

25-21-71-15
 PAGE 0D

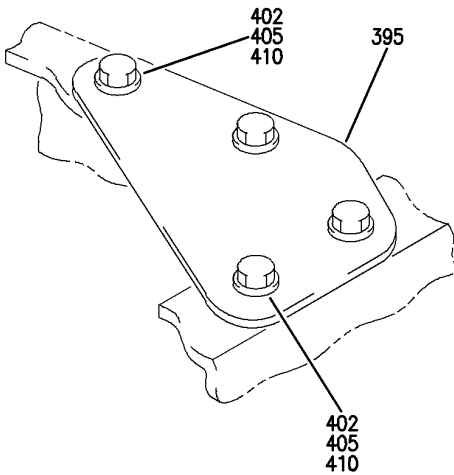
BOEING
 737-600/700/800/900
 PARTS CATALOG (MAINTENANCE)



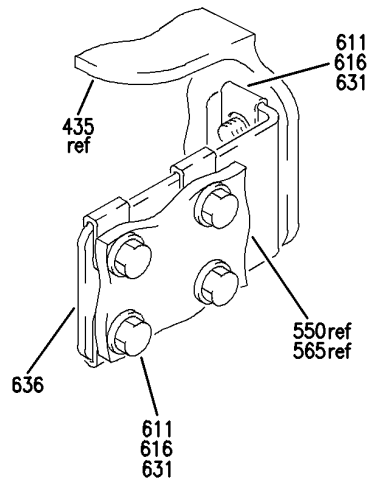
(K)



(L)



(N)



(M)

E 25217115 SHT 6 REV 068

CEILING ASSY-FWD ENTRY (EQUIPMENT/FURNISHINGS ONLY)
 FIGURE 15 (SHEET 6)

25-21-71-15

HAP
 OCT 15/08

25-21-71-15
 PAGE 0E

BOEING
737-600/700/800/900
PARTS CATALOG (MAINTENANCE)

FIG ITEM	PART NUMBER	1 2 3 4 5 6 7	NOMENCLATURE	EFFECT FROM TO	UNITS PER ASSY
15			CEILING ASSY-FWD ENTRY (EQUIPMENT/FURNISHINGS ONLY)	201967	
- 1	411A3220-8B		CEILING ASSY-ENTRY (EQUIPMENT/FURNISHINGS ONLY) POSITION DATA: FWD FOR NHA/OTHER SYS DET SEE: 25-21-71-36	201967	RF
10	411A3080-4		.BRACKET ATTACHING PARTS	201967	1
- 15	BACS12FA3K4		.SCREW -----*-----	201967	6
25	411A3081-4		.CROSSMEMBER ATTACHING PARTS	201967	1
- 28	BACS12FA3K4		.SCREW -----*-----	201967	4
36	411A3081-45		.BRACKET ASSY ATTACHING PARTS	201967	2
- 39	BACS12GU3K5		.SCREW	201967	4
- 43	NAS1149D0332J		.WASHER -----*-----	201967	4
45	411A3080-5		.BRACKET ATTACHING PARTS	201967	1
46	BACS12FA3K4		.SCREW -----*-----	201967	5
60	BACB30NM3K3		.BOLT- POSITION DATA: FAR SIDE	201967	4
65	NAS1149D0332J		.WASHER- POSITION DATA: FAR SIDE	201967	4
70	PLH53CD		.NUT- SUPPLIER CODE: VF0224 SPECIFICATION NUMBER: BACN10YR3CD OPTIONAL PART: H52732-3CD V15653 POSITION DATA: FAR SIDE	201967	4
75	411A3081-15		.FITTING ASSY	201967	2
80	BACB28AP04P009		..BUSHING	201967	1
85	BACB28AT06B009C		..BUSHING	201967	1
90	411A3081-16		..FITTING	201967	1
95	411A3081-17		.FITTING ASSY-ANGLED	201967	1
100	BACB28AP04009		..BUSHING	201967	1

MISSING ITEM NUMBERS NOT APPLICABLE

- ITEM NOT ILLUSTRATED

HAP

25-21-71-15

25-21-71
FIG. 15
PAGE 1
FEB 15/09

BOEING
737-600/700/800/900
PARTS CATALOG (MAINTENANCE)

FIG ITEM	PART NUMBER	1 2 3 4 5 6 7	NOMENCLATURE	EFFECT FROM TO	UNITS PER ASSY
15					
105	BACB28AT06B009C	..	BUSHING	201967	1
110	411A3081-18	..	FITTING	201967	1
115	417A5464-12	.BRACKET ASSY		201967	2
			ATTACHING PARTS		
- 120	BACS12FA3K5	.SCREW		201967	4
			-----*-----		
130	4R41-1	..	RECEPTACLE	201967	1
			SUPPLIER CODE: V71286		
			SPECIFICATION NUMBER: BACR11AE2		
			ATTACHING PARTS		
- 135	AF517-3-3	..	RIVET	201967	2
			SUPPLIER CODE: V53551		
			SPECIFICATION NUMBER: BACR15DR3P3		
			OPTIONAL PART: CCR274SS3-3		
			V11815		
			RV570A3-3		
			V98996		
			-----*-----		
140	417A5464-13	..	BRACKET	201967	1
145	BACS12FA3K7	.SCREW		201967	4
155	65C27481-231	.BRACKET ASSY		201967	2
160	BACR11Y3A	..	RECEPTACLE	201967	1
			ATTACHING PARTS		
- 165	AF517-3-3	..	RIVET	201967	2
			SUPPLIER CODE: V53551		
			SPECIFICATION NUMBER: BACR15DR3P3		
			OPTIONAL PART: CCR274SS3-3		
			V11815		
			RV570A3-3		
			V98996		
			-----*-----		
170	65C27481-224	..	PLATE	201967	1
173	411A3080-56	.BRACKET-		201967	2
			OPTIONAL PART: BACS40R010E015F		
175	BACS40R010E015F	.SHIM-		201967	2
			OPTIONAL PART: 411A3080-56		
180	417A5464-11	.BRACKET		201967	1

MISSING ITEM NUMBERS NOT APPLICABLE

- ITEM NOT ILLUSTRATED

HAP

25-21-71-15

BOEING PROPRIETARY - Copyright © - Unpublished Work - See title page for details.

25-21-71
FIG. 15
PAGE 2
OCT 15/08

BOEING
737-600/700/800/900
PARTS CATALOG (MAINTENANCE)

FIG ITEM	PART NUMBER	1 2 3 4 5 6 7	NOMENCLATURE	EFFECT FROM TO	UNITS PER ASSY
15			ATTACHING PARTS		
- 185	BACS12FA3K5		.SCREW -----*-----	201967	2
195	417A5464-10		.BRACKET	201967	1
- 200	BACS12FA3K5		ATTACHING PARTS .SCREW- -----*-----	201967	2
210	MABMSS10M70		.PLATE SUPPLIER CODE: V06383 SPECIFICATION NUMBER: STBP19H1 OPTIONAL PART: MABMS V06383 TC105 V59730	201967	1
- 215	BACS12FA3K4		ATTACHING PARTS .SCREW -----*-----	201967	1
225	65C34653-6		.BRACKET	201967	1
- 230	BACS12FA3K4		ATTACHING PARTS .SCREW -----*-----	201967	2
325	65C27367-16		.BRACKET ASSY	201967	2
332	BACB30NM3K3		ATTACHING PARTS .BOLT- POSITION DATA: FAR SIDE	201967	4
335	NAS1149D0332J		.WASHER- POSITION DATA: FAR SIDE	201967	4
342	130069		.NUT SUPPLIER CODE: V60119 SPECIFICATION NUMBER: BACN10FX16 OPTIONAL PART: A11330-6-3 V72962 A4972-6-02 V72962 -----*-----	201967	4

MISSING ITEM NUMBERS NOT APPLICABLE

- ITEM NOT ILLUSTRATED

HAP

25-21-71-15

BOEING PROPRIETARY - Copyright © - Unpublished Work - See title page for details.

25-21-71
FIG. 15
PAGE 3
FEB 15/09

BOEING
737-600/700/800/900
PARTS CATALOG (MAINTENANCE)

FIG ITEM	PART NUMBER	1 2 3 4 5 6 7	NOMENCLATURE	EFFECT FROM TO	UNITS PER ASSY
15 345	BRF100C3D		..NUTPLATE SUPPLIER CODE: V52828 SPECIFICATION NUMBER: BACN10KB3CFD OPTIONAL PART: NS202478-02 V80539 102F9207P3 V72962 F51604-3 V15653 ATTACHING PARTS	201967	2
- 350	BACR15BA3AD		..RIVET- SIZE DETERMINED ON INSTL. -----*-----	201967	4
355	65C27367-24		..BRACKET	201967	1
360	65C27367-15		.BRACKET ASSY ATTACHING PARTS	201967	2
367	BACB30NM3K3		.BOLT- POSITION DATA: FAR SIDE	201967	4
370	NAS1149D0332J		.WASHER- POSITION DATA: FAR SIDE	201967	4
377	130069		.NUT SUPPLIER CODE: V60119 SPECIFICATION NUMBER: BACN10FX16 OPTIONAL PART: A11330-6-3 V72962 A4972-6-02 V72962 -----*-----	201967	4
380	BRF100C3D		..NUTPLATE SUPPLIER CODE: V52828 SPECIFICATION NUMBER: BACN10KB3CFD OPTIONAL PART: NS202478-02 V80539 102F9207P3 V72962 F51604-3 V15653	201967	2

MISSING ITEM NUMBERS NOT APPLICABLE

- ITEM NOT ILLUSTRATED

HAP

25-21-71-15

BOEING PROPRIETARY - Copyright © - Unpublished Work - See title page for details.

25-21-71
FIG. 15
PAGE 4
FEB 15/09

BOEING
737-600/700/800/900
PARTS CATALOG (MAINTENANCE)

FIG ITEM	PART NUMBER	1 2 3 4 5 6 7	NOMENCLATURE	EFFECT FROM TO	UNITS PER ASSY
15			ATTACHING PARTS		
- 382	BACR15BA3AD		..RIVET- SIZE DETERMINED ON INSTL. -----*-----	201967	4
390	65C27367-23		..BRACKET	201967	1
395	411A3080-10		.GUSSET	201967	4
			ATTACHING PARTS		
402	BACB30NM3K2		.BOLT	201967	16
405	NAS1149D0332J		.WASHER	201967	16
410	BRC600-10-3		.NUT- SUPPLIER CODE: V52828 SPECIFICATION NUMBER: BACN10YD2 OPTIONAL PART: 130121 V60119 POSITION DATA: FAR SIDE -----*-----	201967	16
435	411A3081-3		.CROSSMEMBER	201967	1
			ATTACHING PARTS		
- 440	BACS12FA3K4		.SCREW -----*-----	201967	3
450	411A3081-21		.FITTING ASSY-PI	201967	1
455	AG4V4009		..BEARING- SUPPLIER CODE: V15860 SPECIFICATION NUMBER: 60B00180-68 OPTIONAL PART: LHBG4BAC V73134 NC4G12 V56644	201967	1
460	BACB28AP04P018		..BUSHING	201967	1
465	BACB28AT06B018C		..BUSHING	201967	1
470	411A3081-22		..FITTING	201967	1
475	411A3081-19		.FITTING ASSY ATTACHING PARTS	201967	1
- 480	BACB30NM3K3		.BOLT	201967	2
- 485	NAS1149D0332J		.WASHER	201967	2

MISSING ITEM NUMBERS NOT APPLICABLE

- ITEM NOT ILLUSTRATED

HAP

25-21-71-15

BOEING PROPRIETARY - Copyright © - Unpublished Work - See title page for details.

25-21-71
FIG. 15
PAGE 5
FEB 15/09

BOEING
737-600/700/800/900
PARTS CATALOG (MAINTENANCE)

FIG ITEM	PART NUMBER	1 2 3 4 5 6 7	NOMENCLATURE	EFFECT FROM TO	UNITS PER ASSY
15 - 490	PLH53CD		.NUT SUPPLIER CODE: VF0224 SPECIFICATION NUMBER: BACN10YR3CD OPTIONAL PART: H52732-3CD V15653 -----*-----	201967	2
495	AG4V4009		..BEARING- SUPPLIER CODE: V15860 SPECIFICATION NUMBER: 60B00180-68 OPTIONAL PART: LHBG4BAC V73134 NC4G12 V56644	201967	1
500	411A3081-20		..FITTING	201967	1
505	411A3080-16		.BRACKET ASSY ATTACHING PARTS	201967	2
510	BACB30NM3K3		.BOLT- POSITION DATA: FAR SIDE	201967	4
515	NAS1149D0332J		.WASHER- POSITION DATA: FAR SIDE	201967	4
520	130069		.NUT SUPPLIER CODE: V60119 SPECIFICATION NUMBER: BACN10FX16 OPTIONAL PART: A11330-6-3 V72962 A4972-6-02 V72962 -----*-----	201967	4
525	BACN11G3A4CD		..NUTPLATE ATTACHING PARTS	201967	2
- 530	BACR15BA3ADC		..RIVET- SIZE DETERMINED ON INSTL. -----*-----	201967	4
532	411A3080-17		..BRACKET	201967	1
550	411A3081-1		.RAIL ATTACHING PARTS	201967	1
- 555	BACS12FA3K4		.SCREW -----*-----	201967	10

MISSING ITEM NUMBERS NOT APPLICABLE

- ITEM NOT ILLUSTRATED

HAP

25-21-71-15

BOEING PROPRIETARY - Copyright © - Unpublished Work - See title page for details.

25-21-71
FIG. 15
PAGE 6
FEB 15/09

 **BOEING**
737-600/700/800/900
PARTS CATALOG (MAINTENANCE)

FIG ITEM	PART NUMBER	1 2 3 4 5 6 7	NOMENCLATURE	EFFECT FROM TO	UNITS PER ASSY
15					
565	411A3081-2		.RAIL ATTACHING PARTS	201967	1
- 570	BACS12FA3K4		.SCREW -----*-----	201967	10
583	411A3221-2		.PANEL ASSY	201967	1
585	SL2334-3A1		..INSERT- SUPPLIER CODE: V97393	201967	67
593	SL2334-08A1		..INSERT- SUPPLIER CODE: V97393	201967	2
598	432W8502-42		..PANEL-STOCK	201967	1
600	411A3490-4B		.PANEL ASSY-ACCESS	201967	1
603	411A3491-4		..PANEL ASSY-BASE ACCESS	201967	1
- 605	SL2334-3A1		...INSERT- SUPPLIER CODE: V97393	201967	4
611	BACB30NM3K3		.BOLT	201967	12
616	NAS1149D0332J		.WASHER	201967	12
631	130069		.NUT SUPPLIER CODE: V60119 SPECIFICATION NUMBER: BACN10FX16 OPTIONAL PART: A11330-6-3 V72962 A4972-6-02 V72962	201967	12
636	411A3080-18		.BRACKET	201967	2
641	411A3081-43		.BRACKET ASSY	201967	2
646	411A3081-42		.BRACKET ASSY	201967	2
655	BACN11G3A4DC		..NUTPLATE ATTACHING PARTS	201967	2
- 660	BACR15BA3ADC		..RIVET- SIZE DETERMINED ON INSTL. -----*-----	201967	4
665	411A3081-44		..BRACKET	201967	1

MISSING ITEM NUMBERS NOT APPLICABLE

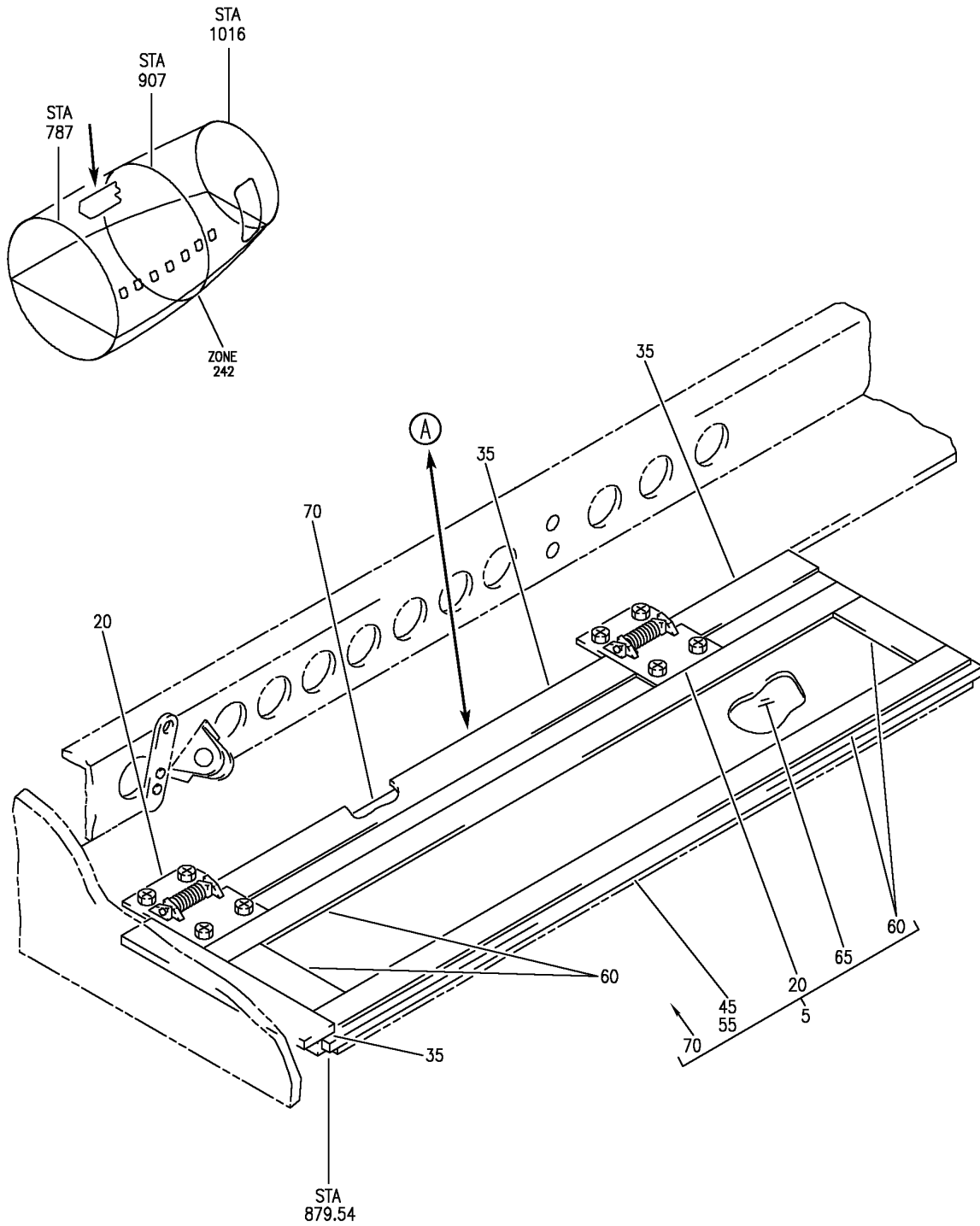
- ITEM NOT ILLUSTRATED

HAP

25-21-71-15

25-21-71
FIG. 15
PAGE 7
FEB 15/09

BOEING
 737-600/700/800/900
 PARTS CATALOG (MAINTENANCE)



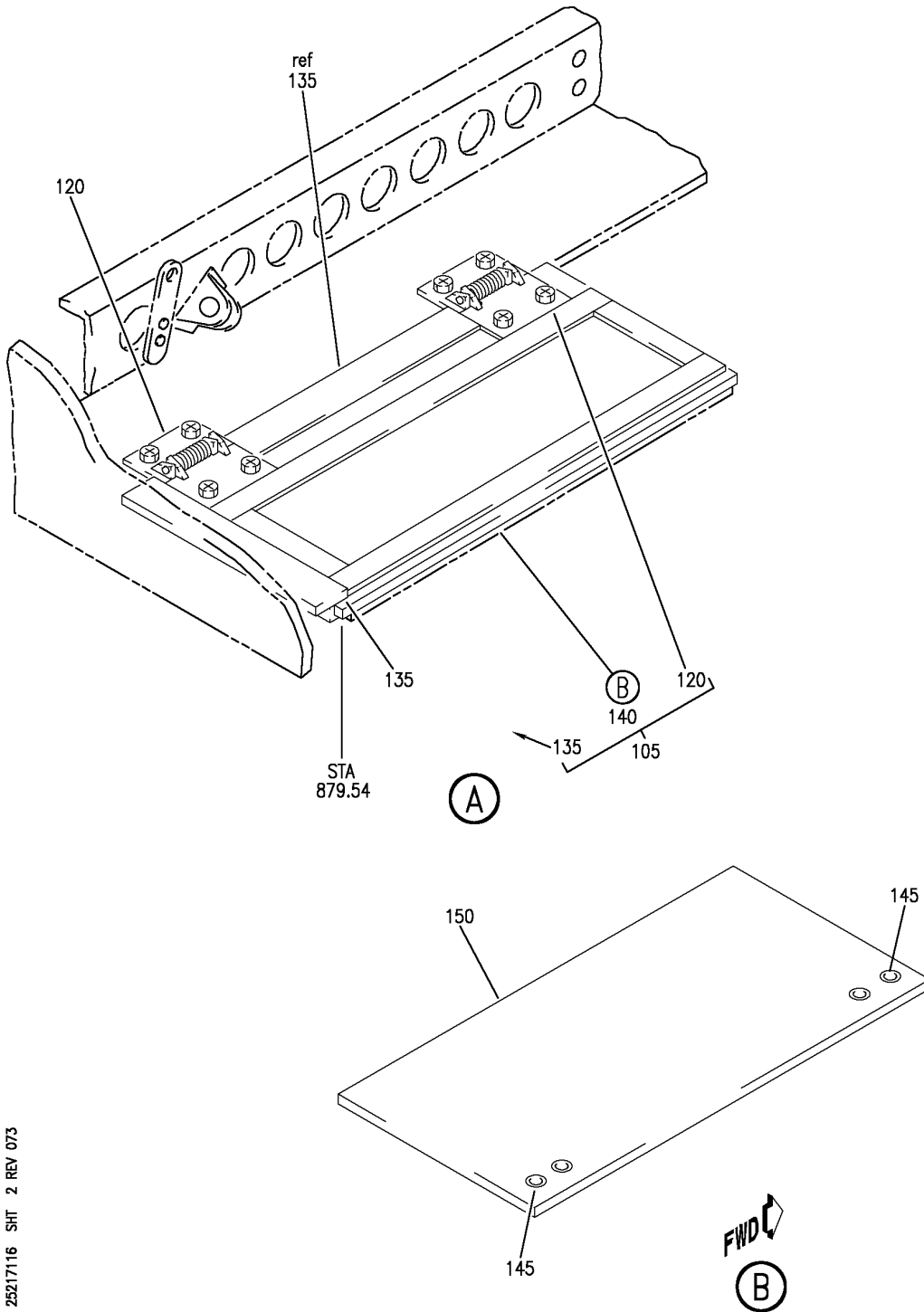
E 25217116 SHT 1 REV 087

CEILING INSTL-LOWERED AFT LEFT PLUG
 FIGURE 16 (SHEET 1)

25-21-71-16

HAP
 OCT 10/06

25-21-71-16
 PAGE 0



E 25217116 SH1 2 REV 073

CEILING INSTL-LOWERED AFT LEFT PLUG
 FIGURE 16 (SHEET 2)

25-21-71-16

HAP
 OCT 10/06

25-21-71-16
 PAGE 0A

BOEING
737-600/700/800/900
PARTS CATALOG (MAINTENANCE)

FIG ITEM	PART NUMBER	1 2 3 4 5 6 7	NOMENCLATURE	EFFECT FROM TO	UNITS PER ASSY
16			CEILING INSTL-LOWERED AFT LEFT PLUG		
- 1	411A3400-503SP		CEILING INSTL-LOWERED PLUG POSITION DATA: AFT LEFT FOR NHA SEE: 25-21-00-01A 25-21-00-01D	001027 201967	RF
- 1	411A3400-513SP		CEILING INSTL-LOWERED PLUG POSITION DATA: AFT L FOR NHA SEE: 25-21-00-01D	028030	RF
- 1	MODREF90333		CEILING INSTL-LOWERED PLUG MODULE NUMBER: 411A3400-513B REV A POSITION DATA: AFT L	031200 968999	1
5	411A3460-5SP		.CEILING ASSY-PLUG POSITION DATA: AFT	001027 201967	1
5	411A3460-17SP		.CEILING ASSY-PLUG POSITION DATA: AFT	028030	1
5	411A3460-17B		.CEILING ASSY-PLUG POSITION DATA: AFT	031200 968999	1
- 10	BACS12GU3K6		ATTACHING PARTS .SCREW		4
- 15	NAS1149D0332J		.WASHER -----*-----		4
20	H3-1604-1		..HINGE- SUPPLIER CODE: V34941 ATTACHING PARTS		2
- 25	BACS12GU3K6		..SCREW		4
- 30	NAS1149D0332J		..WASHER -----*-----		4
35	411A3083-1		..SEAL		AR
45	411A3461-5		..PANEL ASSY-BASE PLUG POSITION DATA: AFT LEFT	001027 201967	1

MISSING ITEM NUMBERS NOT APPLICABLE

- ITEM NOT ILLUSTRATED

HAP

25-21-71-16

BOEING PROPRIETARY - Copyright © - Unpublished Work - See title page for details.

25-21-71
FIG. 16
PAGE 1
OCT 15/08

BOEING
737-600/700/800/900
PARTS CATALOG (MAINTENANCE)

FIG ITEM	PART NUMBER	1 2 3 4 5 6 7	NOMENCLATURE	EFFECT FROM TO	UNITS PER ASSY
16					
45	411A3460-18SP	..	PANEL ASSY-BASE PLUG POSITION DATA: AFT	028030	1
45	411A3460-18B	..	PANEL ASSY-BASE PLUG POSITION DATA: AFT	031200 968999	1
- 50	SL2334-3A1	...	INSERT- SUPPLIER CODE: V97393		4
55	432W8502-42	...	PANEL-STOCK	001027 201967	AR
55	432W8503-4SP	...	PANEL-STOCK	028030	AR
55	432W8503-4B	...	PANEL-STOCK	031200 968999	AR

MISSING ITEM NUMBERS NOT APPLICABLE

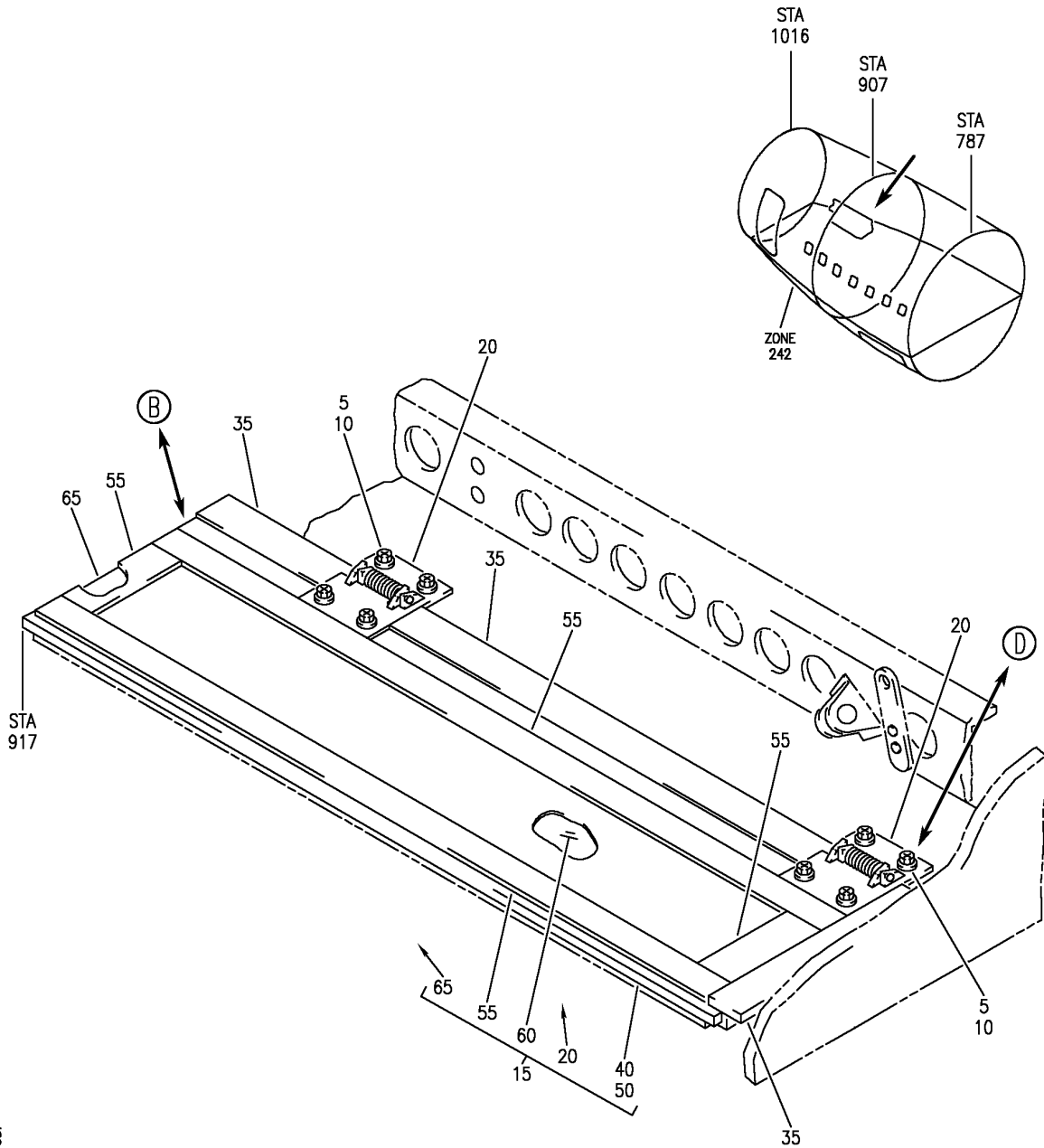
- ITEM NOT ILLUSTRATED

HAP

25-21-71-16

BOEING PROPRIETARY - Copyright © - Unpublished Work - See title page for details.

25-21-71
FIG. 16
PAGE 2
OCT 15/08



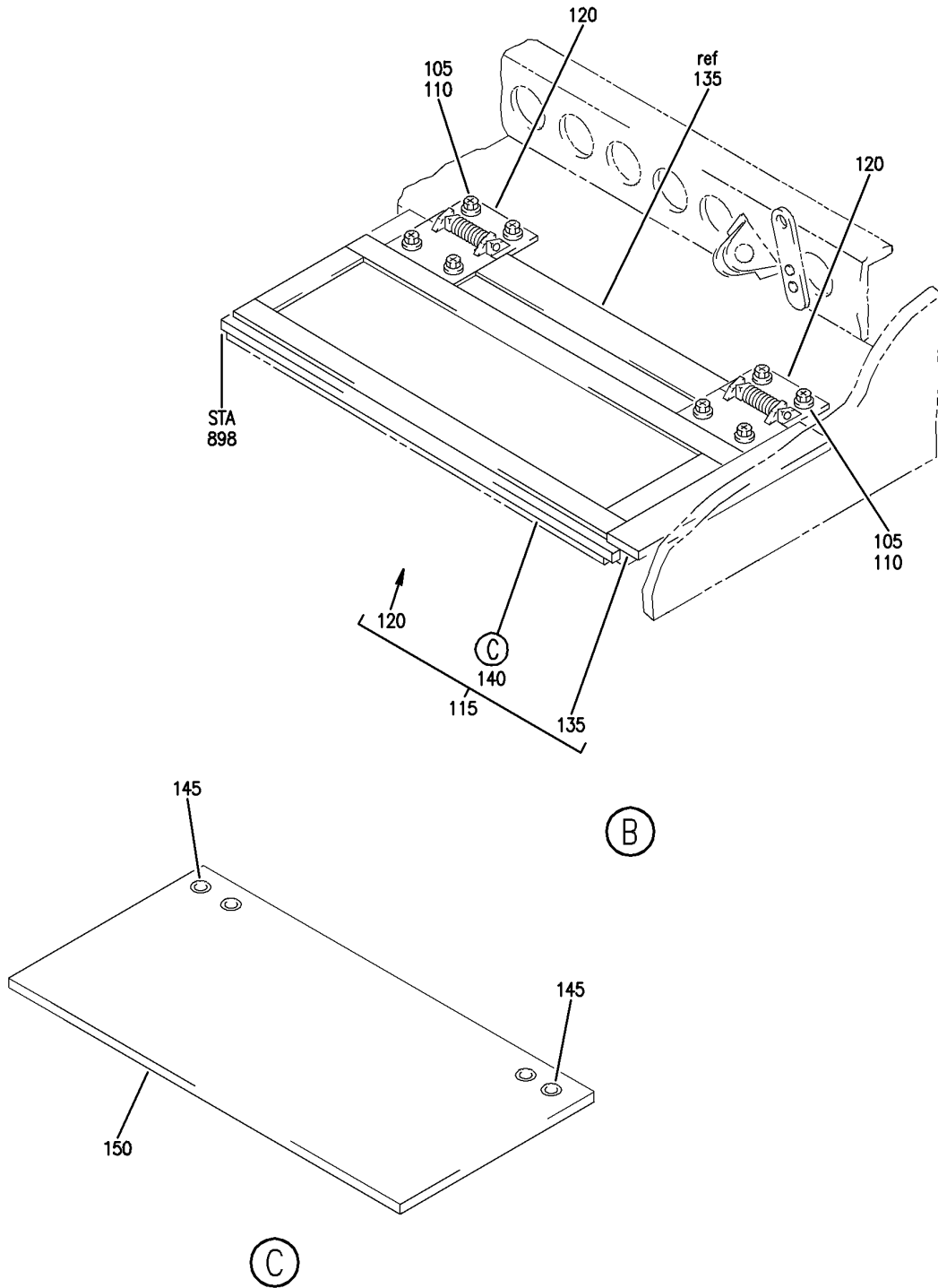
E 25217117 SHT 1 REV 087

CEILING INSTL-LOWERED AFT PLUG
 FIGURE 17 (SHEET 1)

25-21-71-17

HAP
 OCT 10/06

25-21-71-17
 PAGE 0



E 25217117 SHT 2 REV 045

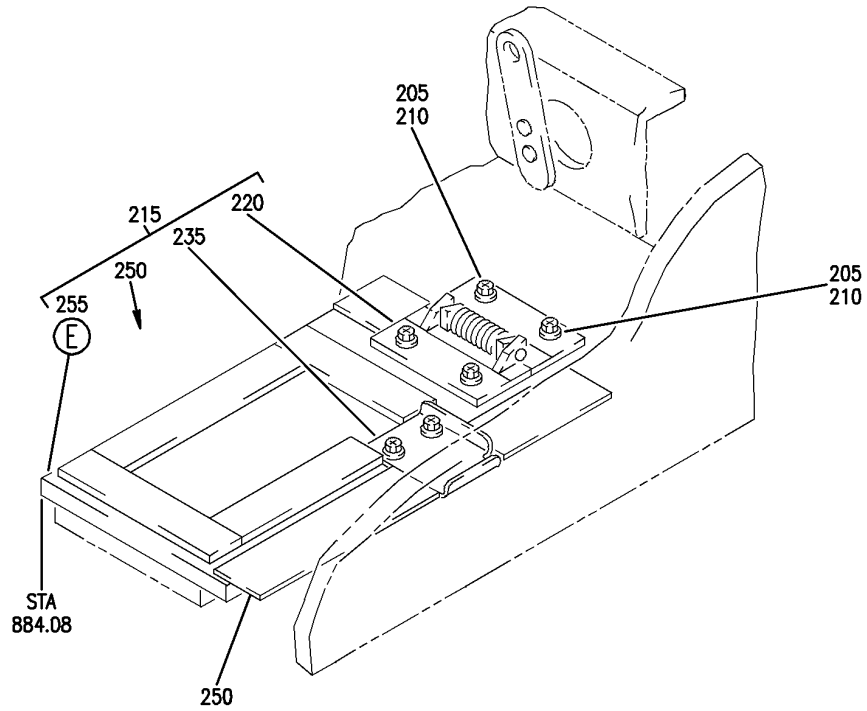
CEILING INSTL-LOWERED AFT PLUG
 FIGURE 17 (SHEET 2)

25-21-71-17

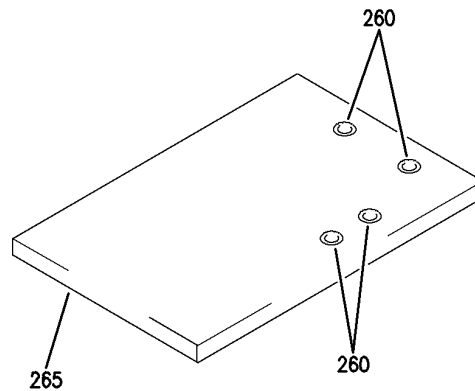
HAP
 OCT 10/06

25-21-71-17
 PAGE 0A

BOEING
 737-600/700/800/900
 PARTS CATALOG (MAINTENANCE)



(D)



(E)

E 25217117 SHT 3 REV 045

CEILING INSTL-LOWERED AFT PLUG
 FIGURE 17 (SHEET 3)

25-21-71-17

HAP
 OCT 10/06

25-21-71-17
 PAGE 0B

BOEING
737-600/700/800/900
PARTS CATALOG (MAINTENANCE)

FIG ITEM	PART NUMBER	1 2 3 4 5 6 7	NOMENCLATURE	EFFECT FROM TO	UNITS PER ASSY
17			CEILING INSTL-LOWERED AFT PLUG		
- 1	411A3400-603SP		CEILING INSTL-LOWERED PLUG POSITION DATA: FWD RH FOR NHA SEE: 25-21-00-01A 25-21-00-01D	001027 201967	RF
- 1	411A3400-613SP		CEILING INSTL-LOWERED PLUG POSITION DATA: FWD RH FOR NHA SEE: 25-21-00-01D	028030	RF
- 1	MODREF90338		CEILING INSTL-LOWERED PLUG MODULE NUMBER: 411A3400-613B REV A POSITION DATA: FWD RH	031200 968999	1
5	BACS12GU3K6		.SCREW-		4
10	NAS1149D0332J		.WASHER		4
15	411A3460-6SP		.CEILING ASSY-	001027 201967	1
15	411A3460-19SP		.CEILING ASSY-	028030	1
15	411A3460-19B		.CEILING ASSY-	031200 968999	1
20	H3-1604-1		..HINGE- SUPPLIER CODE: V34941 ATTACHING PARTS		2
- 25	BACS12GU3K6		..SCREW		4
- 30	NAS1149D0332J		..WASHER -----*-----		4
35	411A3083-1		..SEAL		AR
40	411A3461-6		..PANEL ASSY-	001027 201967	1
40	411A3460-20SP		..PANEL ASSY-	028030	1
40	411A3460-20B		..PANEL ASSY-	031200 968999	1
- 45	SL2334-3A1		...INSERT- SUPPLIER CODE: V97393		4
50	432W8502-42		...PANEL-STOCK	001027 201967	AR
50	432W8503-4SP		...PANEL-STOCK	028030	AR
50	432W8503-4B		...PANEL-STOCK	031200 968999	AR

MISSING ITEM NUMBERS NOT APPLICABLE

- ITEM NOT ILLUSTRATED

HAP

25-21-71-17

25-21-71
FIG. 17
PAGE 1
OCT 15/08

BOEING
737-600/700/800/900
PARTS CATALOG (MAINTENANCE)

FIG ITEM	PART NUMBER	1 2 3 4 5 6 7	NOMENCLATURE	EFFECT FROM TO	UNITS PER ASSY
R R R R R R	17 55	413W1160-106	.. FELT- MANUFACTURED FROM: SH FELT PER MILF5656 TYPE 53.05 IN 3.30 IN 3.30 IN SPARES ORDER MATERIAL CODE: 5370630510	001027 201967	AR
	60	411A3460-101SP	.. LAMINATE-DECORATIVE	001027 201967	1
	65	411A3460-201SP	.. TRIM-	001027 201967	1

MISSING ITEM NUMBERS NOT APPLICABLE

— ITEM NOT ILLUSTRATED

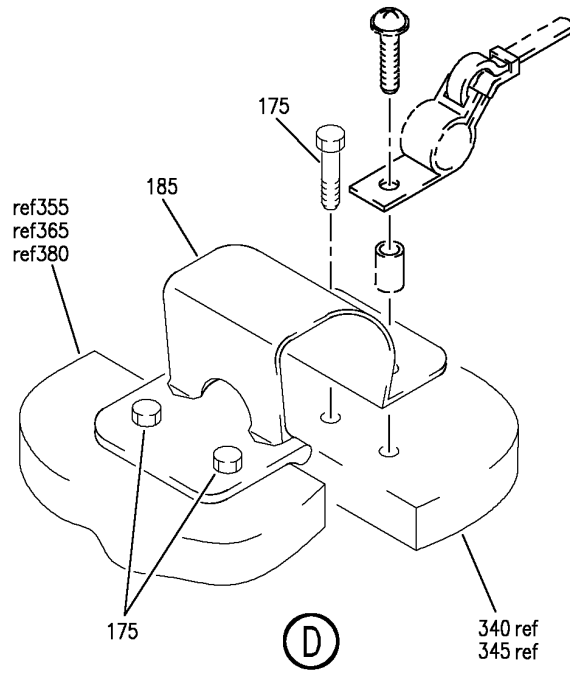
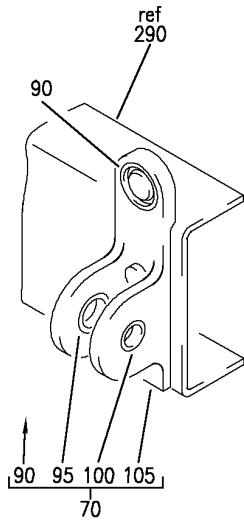
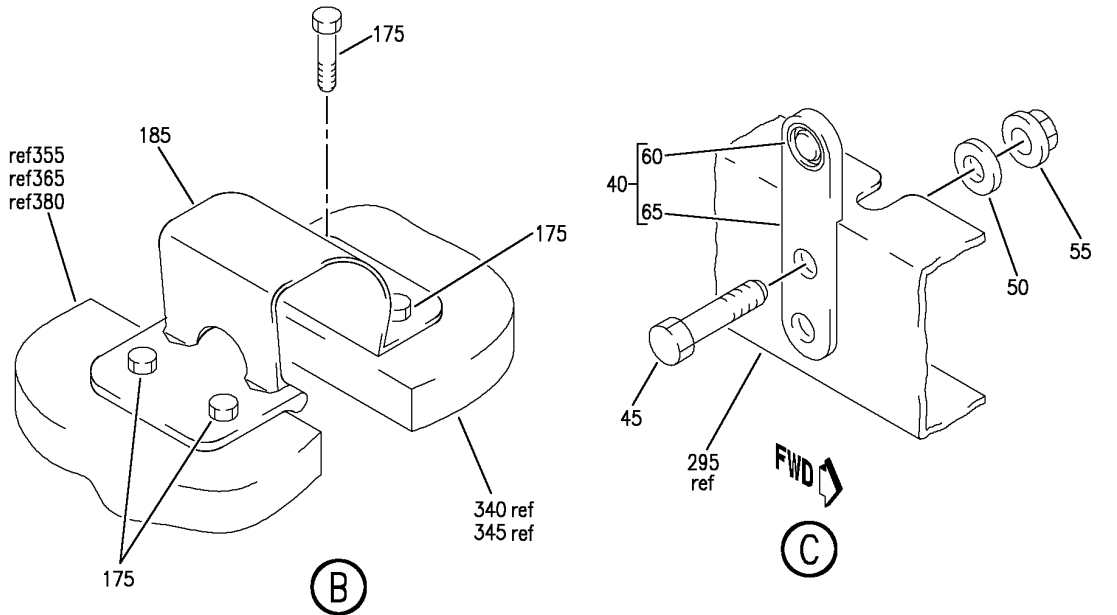
HAP

25-21-71-17

BOEING PROPRIETARY - Copyright © - Unpublished Work - See title page for details.

25-21-71
FIG. 17
PAGE 2
JUN 15/09

BOEING
737-600/700/800/900
PARTS CATALOG (MAINTENANCE)



E 25217118 SH1 2 REV 067

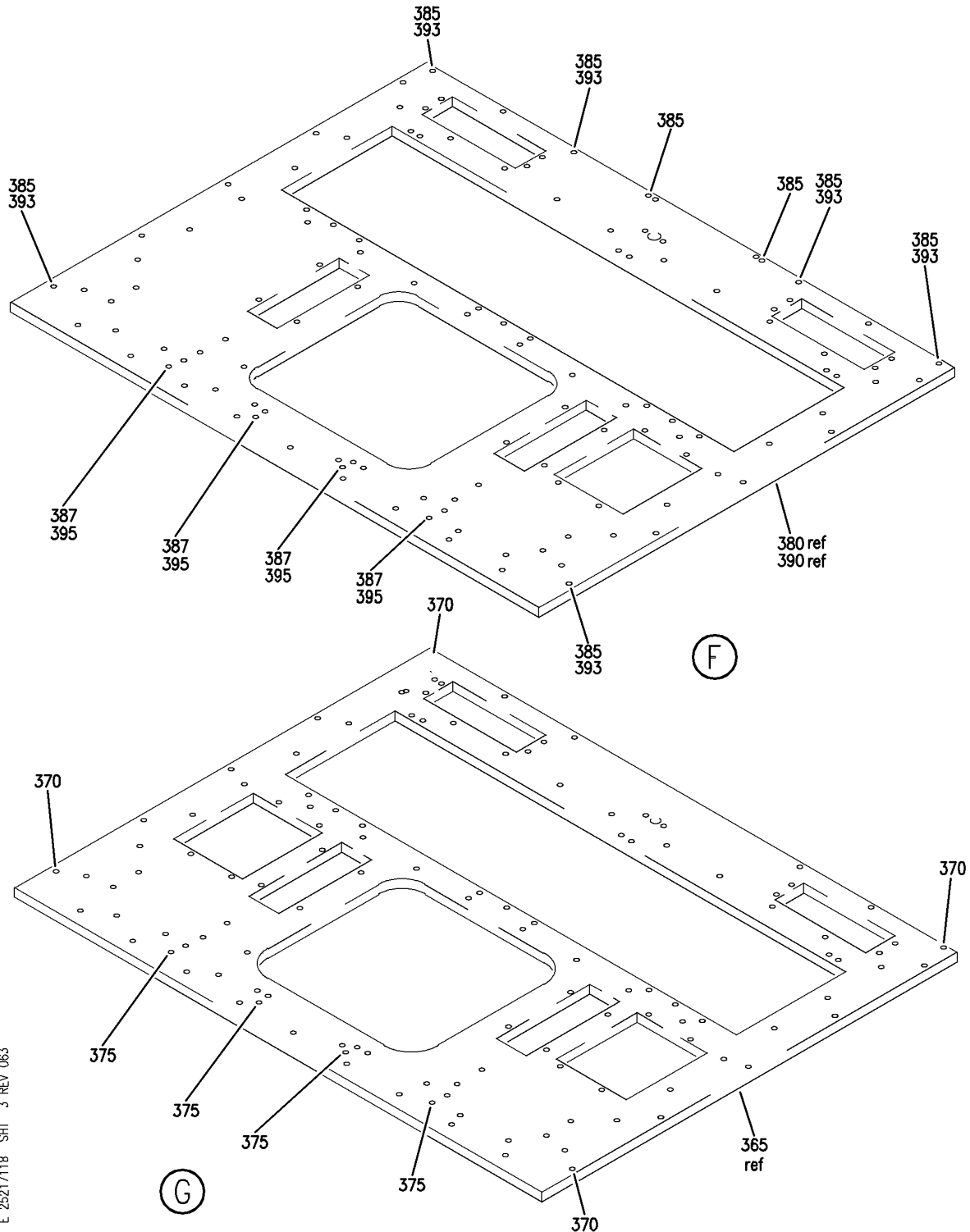
CEILING ASSY-AFT ENTRY (EQUIPMENT/FURNISHINGS ONLY)
FIGURE 18 (SHEET 2)

25-21-71-18

HAP
OCT 10/06

25-21-71-18
PAGE 0A

BOEING
 737-600/700/800/900
 PARTS CATALOG (MAINTENANCE)



E 25217118 SHT 3 REV 063

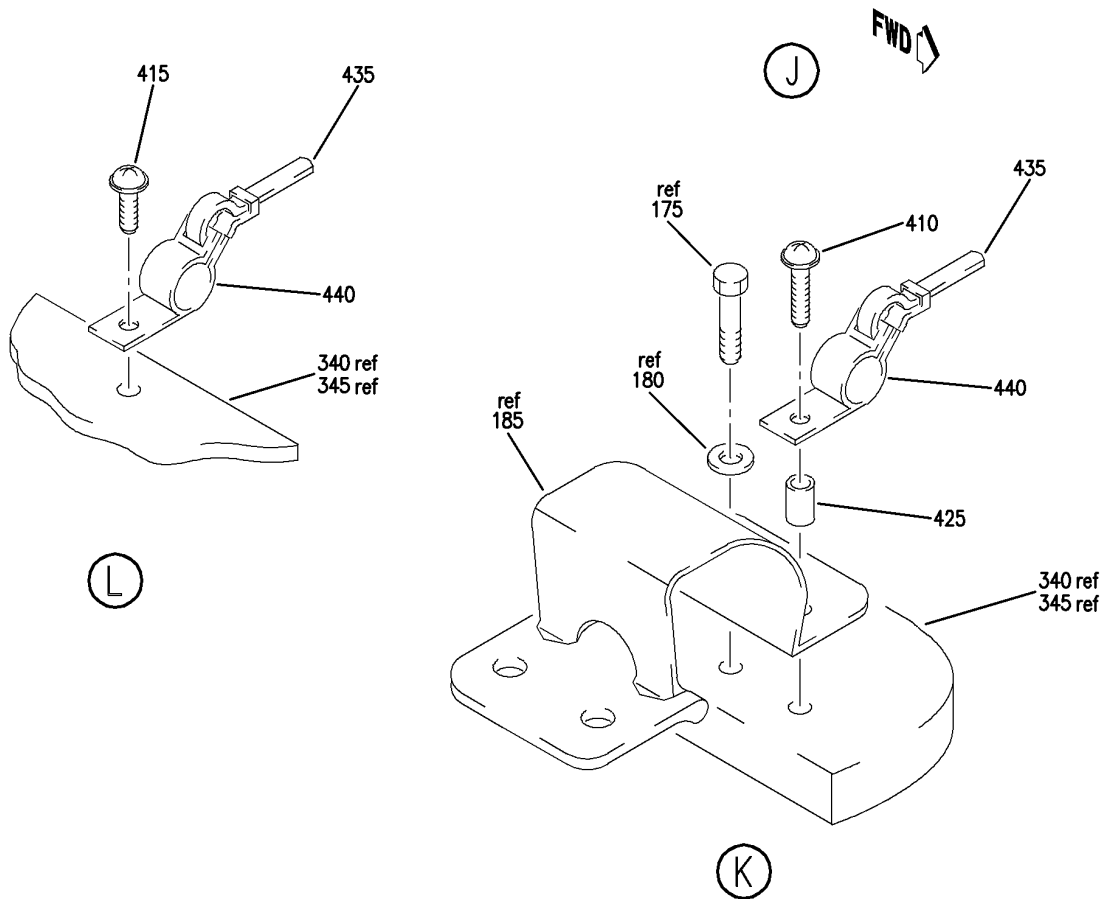
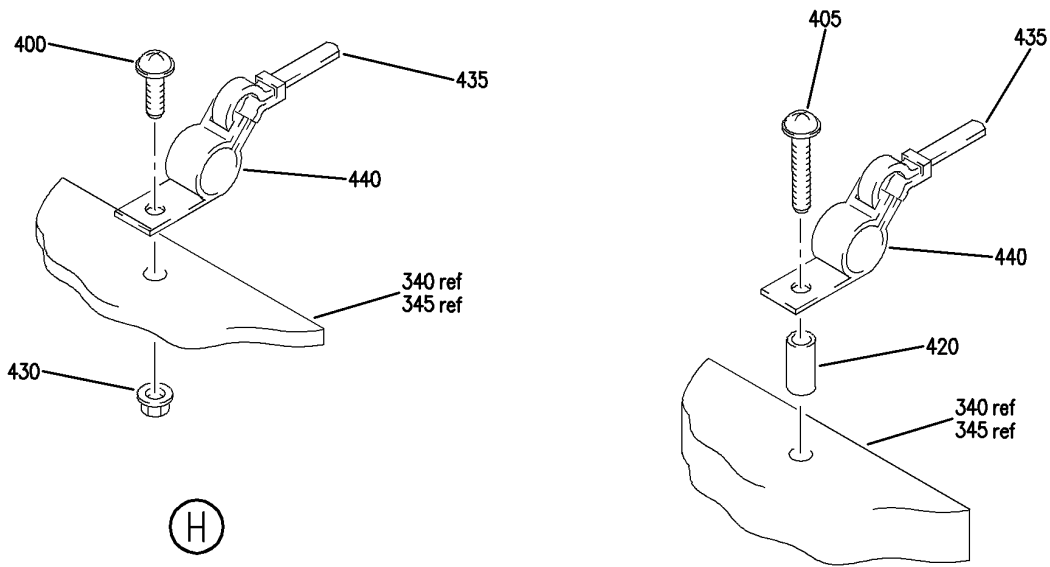
CEILING ASSY-AFT ENTRY (EQUIPMENT/FURNISHINGS ONLY)
 FIGURE 18 (SHEET 3)

25-21-71-18

HAP
 OCT 10/06

25-21-71-18
 PAGE 0B

BOEING
 737-600/700/800/900
 PARTS CATALOG (MAINTENANCE)



E 25217118 SHT 4 REV 046

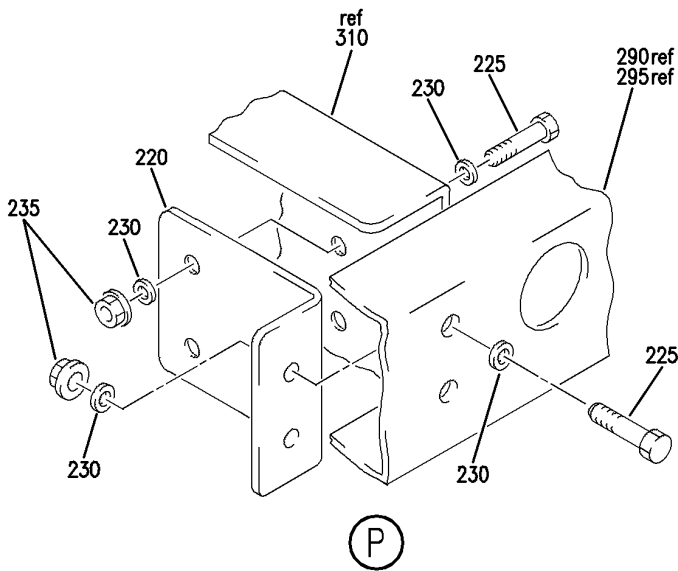
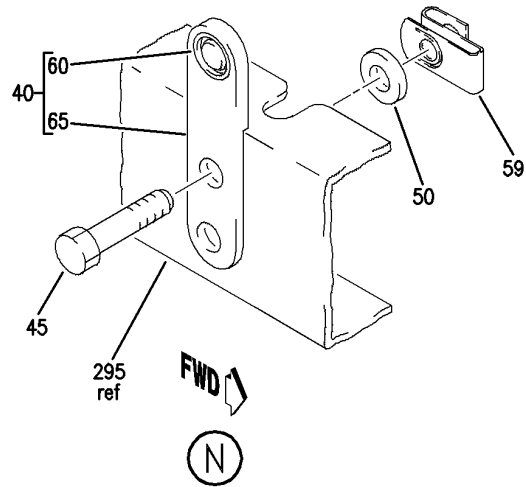
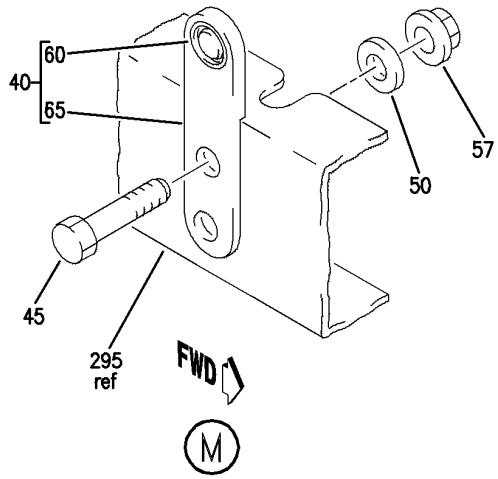
CEILING ASSY-AFT ENTRY (EQUIPMENT/FURNISHINGS ONLY)
 FIGURE 18 (SHEET 4)

25-21-71-18

HAP
 OCT 10/06

25-21-71-18
 PAGE 0C

BOEING
 737-600/700/800/900
 PARTS CATALOG (MAINTENANCE)



E 25217118 SHT 5 REV 060

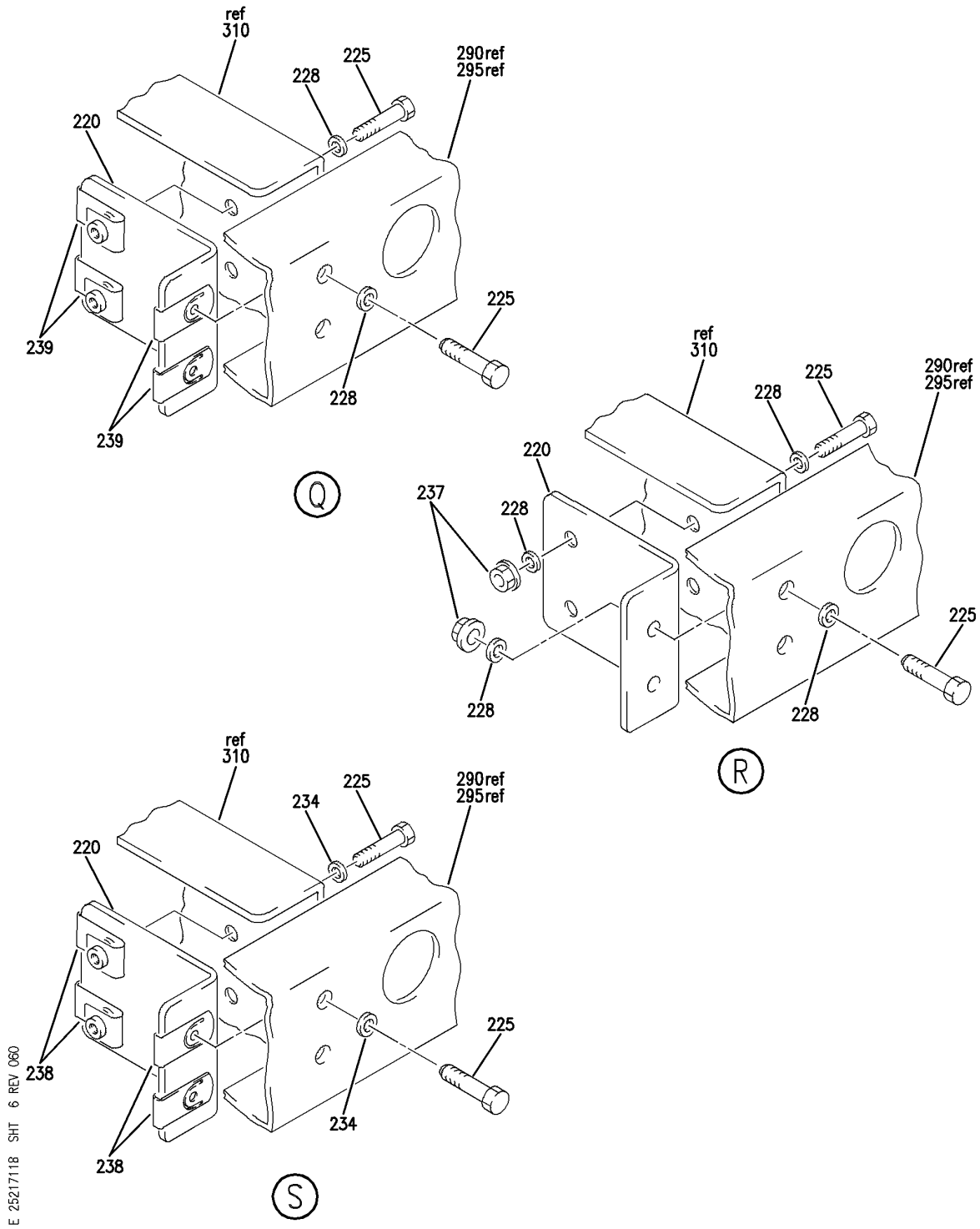
CEILING ASSY-AFT ENTRY (EQUIPMENT/FURNISHINGS ONLY)
 FIGURE 18 (SHEET 5)

25-21-71-18

HAP
 OCT 10/06

25-21-71-18
 PAGE 0D

BOEING
 737-600/700/800/900
 PARTS CATALOG (MAINTENANCE)



E 25217118 SH 6 REV 060

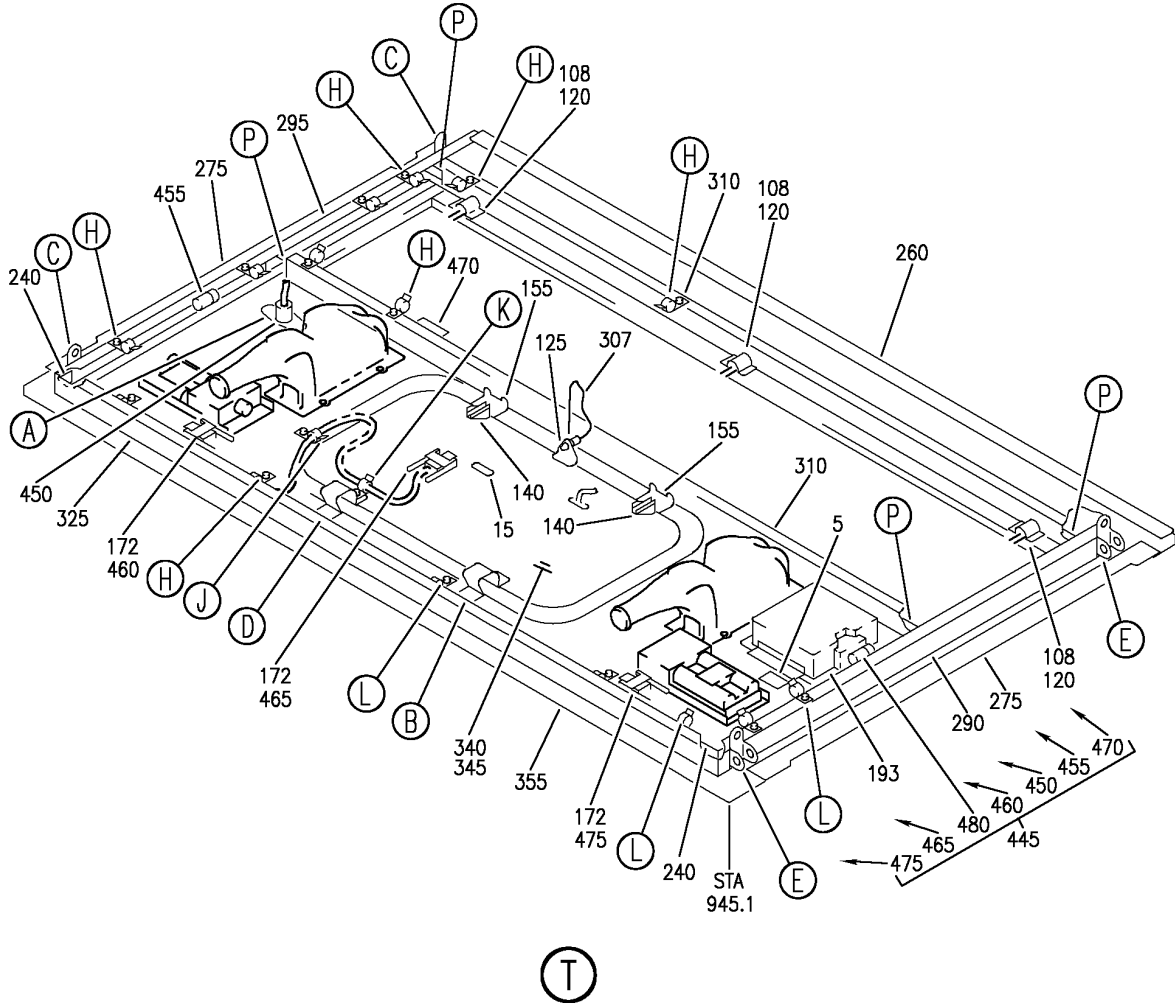
CEILING ASSY-AFT ENTRY (EQUIPMENT/FURNISHINGS ONLY)
 FIGURE 18 (SHEET 6)

25-21-71-18

HAP
 OCT 10/06

25-21-71-18
 PAGE 0E

BOEING
 737-600/700/800/900
 PARTS CATALOG (MAINTENANCE)



E 25217118 SHT 7 REV 067

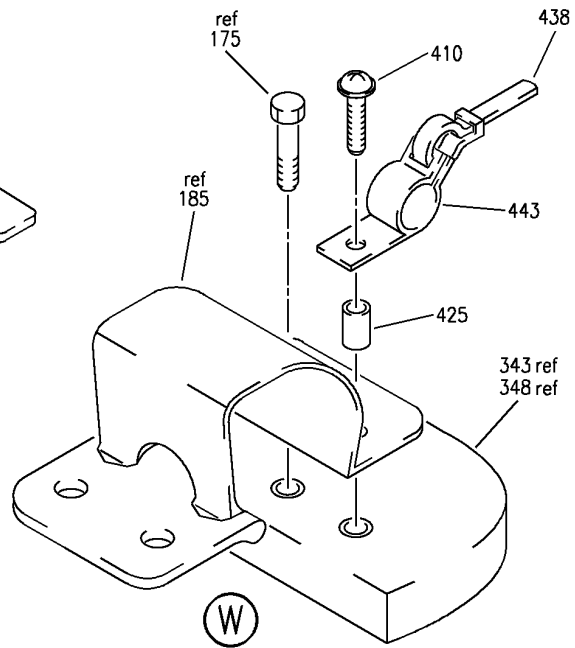
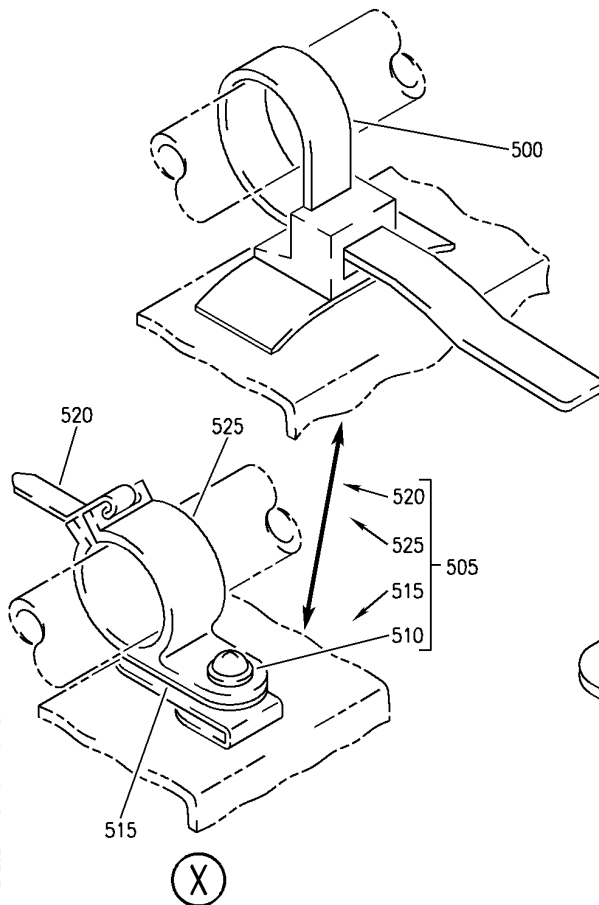
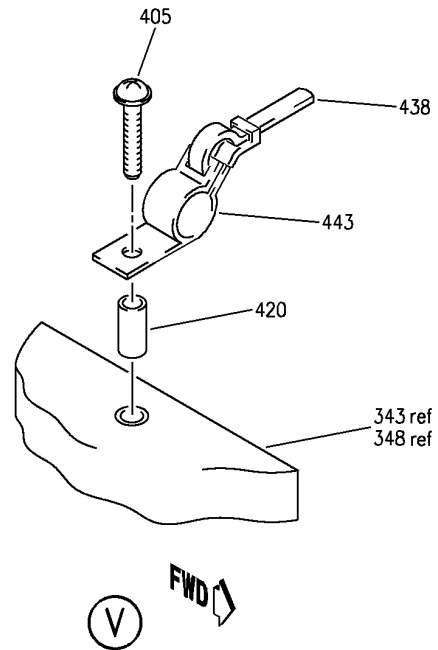
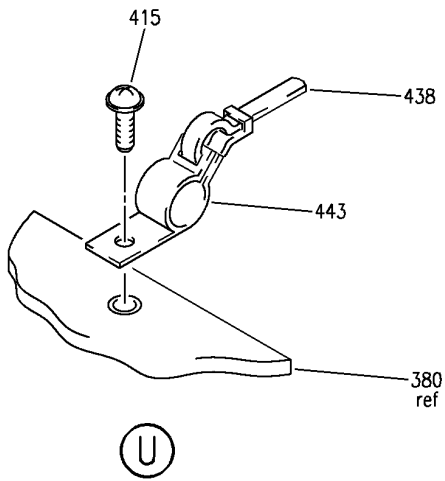
CEILING ASSY-AFT ENTRY (EQUIPMENT/FURNISHINGS ONLY)
 FIGURE 18 (SHEET 7)

25-21-71-18

HAP
 OCT 10/06

25-21-71-18
 PAGE OF

BOEING
 737-600/700/800/900
 PARTS CATALOG (MAINTENANCE)



E 25217118 SHT 8 REV 111

CEILING ASSY-AFT ENTRY (EQUIPMENT/FURNISHINGS ONLY)
 FIGURE 18 (SHEET 8)

25-21-71-18

HAP
 OCT 10/06

25-21-71-18
 PAGE 06

BOEING
737-600/700/800/900
PARTS CATALOG (MAINTENANCE)

FIG ITEM	PART NUMBER	1 2 3 4 5 6 7	NOMENCLATURE	EFFECT FROM TO	UNITS PER ASSY
18			CEILING ASSY-AFT ENTRY (EQUIPMENT/FURNISHINGS ONLY)	001027 201967	
- 1	411A3420-2A		CEILING ASSY-ENTRY (EQUIPMENT/FURNISHINGS ONLY) POSITION DATA: AFT FOR NHA/OTHER SYS DET SEE: 25-21-71-06	001020 201967	RF
- 1	411A3420-11B		CEILING ASSY-ENTRY (EQUIPMENT/FURNISHINGS ONLY) POSITION DATA: AFT FOR NHA/OTHER SYS DET SEE: 25-21-71-06	021027	RF
10	BAC27DPA5118		.MARKER-ALUMINUM FOIL PLACARD CONTENT: M1834 ATTENDANTS OXYGEN ONLY	001027 201967	2
15	BAC29PPS8810		.MARKER-ALUMINUM FOIL PLACARD CONTENT: L1223 EXIT LOCATOR	001027 201967	1
20	411A3082-5		.PLATE- ATTACHING PARTS	001027 201967	1
- 25	BACS12FA3K4		.SCREW- -----*-----	001027 201967	2
35	411A3082-7A		.GROMMET-	001027 201967	1
40	411A3081-19		.FITTING ASSY-BLADE ATTACHING PARTS	001027 201967	2
45	BACB30NM3K3		.BOLT- POSITION DATA: FAR SIDE	001027 201967	4
50	NAS1149D0332J		.WASHER- POSITION DATA: FAR SIDE	001027 201967	4

MISSING ITEM NUMBERS NOT APPLICABLE

- ITEM NOT ILLUSTRATED

HAP

25-21-71-18

BOEING PROPRIETARY - Copyright © - Unpublished Work - See title page for details.

25-21-71
FIG. 18
PAGE 1
OCT 15/08

BOEING
737-600/700/800/900
PARTS CATALOG (MAINTENANCE)

FIG ITEM	PART NUMBER	1 2 3 4 5 6 7	NOMENCLATURE	EFFECT FROM TO	UNITS PER ASSY
18 55	PLH53CD	.	NUT- SUPPLIER CODE: VF0224 SPECIFICATION NUMBER: BACN10YR3CD OPTIONAL PART: H52732-3CD V15653 POSITION DATA: FAR SIDE -----*-----	001027 201967	4
60	AG4V4009	..	BEARING- SUPPLIER CODE: V15860 SPECIFICATION NUMBER: 60B00180-68 OPTIONAL PART: LHBG4BAC V73134 NC4G12 V56644	001027 201967	1
65	411A3081-20	..	FITTING	001027 201967	1
70	411A3081-21	.	FITTING ASSY-PI ATTACHING PARTS	001027 201967	2
- 75	BACB30NT3K3	.	BOLT-	001027 201967	4
- 80	NAS1149D0332J	.	WASHER- POSITION DATA: FAR SIDE	001027 201967	4
- 85	PLH53CD	.	NUT- SUPPLIER CODE: VF0224 SPECIFICATION NUMBER: BACN10YR3CD OPTIONAL PART: H52732-3CD V15653 POSITION DATA: FAR SIDE -----*-----	001027 201967	4

MISSING ITEM NUMBERS NOT APPLICABLE

- ITEM NOT ILLUSTRATED

HAP

25-21-71-18

BOEING PROPRIETARY - Copyright © - Unpublished Work - See title page for details.

25-21-71
FIG. 18
PAGE 2
FEB 15/09

BOEING
737-600/700/800/900
PARTS CATALOG (MAINTENANCE)

FIG ITEM	PART NUMBER	1 2 3 4 5 6 7	NOMENCLATURE	EFFECT FROM TO	UNITS PER ASSY
18					
90	AG4V4009	..	BEARING- SUPPLIER CODE: V15860 SPECIFICATION NUMBER: 60B00180-68 OPTIONAL PART: LHBG4BAC V73134 NC4G12 V56644	001027 201967	1
95	BACB28AP04P018	..	BUSHING	001027 201967	1
100	BACB28AT06B018C	..	BUSHING	001027 201967	1
105	411A3081-22	..	FITTING	001027 201967	1
108	417A5464-21	.	BRACKET ASSY	001027 201967	3
			ATTACHING PARTS		
- 115	BACS12FA3K6	.	SCREW-	001027 201967	6
			-----*-----		
120	SAM225-1	.	LATCH- SUPPLIER CODE: V31845	001027 201967	3
125	411A3081-5	.	BRACKET	001027 201967	1
			ATTACHING PARTS		
- 130	BACS12FA3K4	.	SCREW-	001027 201967	2
			-----*-----		
140	SAM226-1	.	LATCH- SUPPLIER CODE: V31845	001027 201967	2
			ATTACHING PARTS		
- 145	BACS12FA3K4	.	SCREW-	001027 201967	4
			-----*-----		
155	411A3080-19	.	BRACKET ASSY	001027 201967	2
			ATTACHING PARTS		
- 160	BACB30NM3K2	.	BOLT-	001027 201967	4
- 165	NAS1149D0332J	.	WASHER	001027 201967	8

MISSING ITEM NUMBERS NOT APPLICABLE

- ITEM NOT ILLUSTRATED

HAP

25-21-71-18

BOEING PROPRIETARY - Copyright © - Unpublished Work - See title page for details.

25-21-71
FIG. 18
PAGE 3
OCT 15/08

BOEING
737-600/700/800/900
PARTS CATALOG (MAINTENANCE)

FIG ITEM	PART NUMBER	1 2 3 4 5 6 7	NOMENCLATURE	EFFECT FROM TO	UNITS PER ASSY
18 - 170	PLH53CD		.NUT SUPPLIER CODE: VF0224 SPECIFICATION NUMBER: BACN10YR3CD OPTIONAL PART: H52732-3CD V15653 -----*-----	001027 201967	4
175	BACS12FA3K4		.SCREW-	001027 201967	7
185	SAM273-1		.HINGE- SUPPLIER CODE: V31845	001027 201967	2
195	417N3810-125A		.BOX ASSY-OXY ATTENDANT SVCE UNIT ELECTRICAL EQUIP NUMBER: M01834 COMPONENT MAINT MANUAL REF: 35-21-34 FUNCTIONAL REFERENCE: EQUIPMENT/FURNISHINGS FOR DETAILS SEE 25-21-71-19 OXYGEN FOR DETAILS SEE 35-22-11-06 35-22-21-06 35-22-31-27 ATTACHING PARTS	001027 201967	2
- 205	BACS12GU3K5		.SCREW -----*-----	001027 201967	8
220	411A3081-37		.BRACKET ATTACHING PARTS	001027 201967	4
225	BACB30NM3K3		.BOLT- POSITION DATA: FAR SIDE	001027 201967	16
234	NAS1149D0332J		.WASHER	001027 201967	16

MISSING ITEM NUMBERS NOT APPLICABLE

- ITEM NOT ILLUSTRATED

HAP

25-21-71-18

BOEING PROPRIETARY - Copyright © - Unpublished Work - See title page for details.

25-21-71
FIG. 18
PAGE 4
FEB 15/09

BOEING
737-600/700/800/900
PARTS CATALOG (MAINTENANCE)

FIG ITEM	PART NUMBER	1 2 3 4 5 6 7	NOMENCLATURE	EFFECT FROM TO	UNITS PER ASSY
18 238	130069		.NUT SUPPLIER CODE: V60119 SPECIFICATION NUMBER: BACN10FX16 OPTIONAL PART: A11330-6-3 V72962 A4972-6-02 V72962 -----*-----	001027 201967	16
240	411A3081-41		.BRACKET ATTACHING PARTS	001027 201967	2
- 245	BACB30NM3K3		.BOLT- POSITION DATA: FAR SIDE	001027 201967	12
- 252	NAS1149D0332J		.WASHER	001027 201967	12
- 255	130069		.NUT- SUPPLIER CODE: V60119 SPECIFICATION NUMBER: BACN10FX16 OPTIONAL PART: A11330-6-3 V72962 A4972-6-02 V72962 -----*-----	001027 201967	12
260	411A3082-8B		.TRIM-CLOSE OUT OPTIONAL PART: 411A3082-1A	001027 201967	1
260	411A3082-1A		.TRIM-CLOSE OUT OPTIONAL PART: 411A3082-8B ATTACHING PARTS	001020 201967	1
- 265	BACS12GU3K5		.SCREW	001027 201967	6
- 270	BACW10P6AL		.WASHER-	001027 201967	6
275	411A3080-3		.BRACKET ATTACHING PARTS	001027 201967	2
- 280	BACS12FA3K4		.SCREW- -----*-----	001027 201967	10

MISSING ITEM NUMBERS NOT APPLICABLE

- ITEM NOT ILLUSTRATED

HAP

25-21-71-18

BOEING PROPRIETARY - Copyright © - Unpublished Work - See title page for details.

25-21-71
FIG. 18
PAGE 5
FEB 15/09

BOEING
737-600/700/800/900
PARTS CATALOG (MAINTENANCE)

FIG ITEM	PART NUMBER	1 2 3 4 5 6 7	NOMENCLATURE	EFFECT FROM TO	UNITS PER ASSY
18					
290	411A3081-31	.RAIL		001027 201967	1
295	411A3081-32	.RAIL		001027 201967	1
- 300	BACS12FA3K4	.SCREW-	ATTACHING PARTS	001027 201967	14
		-----*-----			
307	H3583-1	.LANYARD-	SUPPLIER CODE: V83014 OPTIONAL PART: H3583K3260 V83014	001027 201967	1
307	H3583K3260	.LANYARD-	SUPPLIER CODE: V83014 OPTIONAL PART: H3583-1 V83014	001027 201967	1
310	411A3081-30	.CROSSMEMBER		001027 201967	2
- 315	BACS12FA3K4	.SCREW-	ATTACHING PARTS	001027 201967	16
		-----*-----			
325	411A3081-29	.CROSSMEMBER		001027 201967	1
- 330	BACS12FA3K4	.SCREW-	ATTACHING PARTS	001027 201967	9
		-----*-----			
340	411A3490-1SP	.PANEL ASSY-ACCESS	OPTIONAL PART: 411A3490-9SP	001027 201967	1
343	411A3490-9SP	.PANEL ASSY-ACCESS	OPTIONAL PART: 411A3490-1SP	001027 201967	1
345	411A3491-1	..PANEL ASSY-BASE	OPTIONAL PART: 411A3491-7 USED ON: 411A3490-1SP	001027 201967	1
345	411A3491-7	..PANEL ASSY-BASE	OPTIONAL PART: 411A3491-1 USED ON: 411A3490-1SP	001027 201967	1

MISSING ITEM NUMBERS NOT APPLICABLE

- ITEM NOT ILLUSTRATED

HAP

25-21-71-18

25-21-71
FIG. 18
PAGE 6
FEB 15/09

 **BOEING**
737-600/700/800/900
PARTS CATALOG (MAINTENANCE)

FIG ITEM	PART NUMBER	1 2 3 4 5 6 7	NOMENCLATURE	EFFECT FROM TO	UNITS PER ASSY
18					
348	432W8503-10B	..	PANEL-STOCK USED ON: 411A3490-9SP	001027 201967	1
- 350	SL2334-3A1	...	INSERT- SUPPLIER CODE: V97393 USED ON: 411A3490-1SP	001027 201967	12
- 353	SL2334-3A1	...	INSERT- SUPPLIER CODE: V97393 USED ON: 411A3490-9SP	001027 201967	8
365	411A3421-2	.	PANEL ASSY-BASE	001027 201967	1
375	SL2334-06A1	..	INSERT- SUPPLIER CODE: V97393	001027 201967	4
400	BACS12FA3K8	.	SCREW	001027 201967	10
405	BACS12FA3K17	.	SCREW	001027 201967	1
410	BACS12FA3K15	.	SCREW	001027 201967	1
415	BACS12FA3K5	.	SCREW	001027 201967	5
420	NAS43DD3-48FC	.	SPACER	001027 201967	1
425	NAS43DD3-32FC	.	SPACER	001027 201967	1
430	BRC600-10-3	.	NUT SUPPLIER CODE: V52828 SPECIFICATION NUMBER: BACN10YD2 OPTIONAL PART: 130121 V60119	001027 201967	10
435	PLT1-5IM	.	STRAP SUPPLIER CODE: V06383 SPECIFICATION NUMBER: BACS38K5 OPTIONAL PART: T03R0 V53421	001027 201967	17
440	287T0011-1	.	CLAMP	001027 201967	17

MISSING ITEM NUMBERS NOT APPLICABLE

- ITEM NOT ILLUSTRATED

HAP

25-21-71-18

BOEING PROPRIETARY - Copyright © - Unpublished Work - See title page for details.

25-21-71
FIG. 18
PAGE 7
FEB 15/09

BOEING
737-600/700/800/900
PARTS CATALOG (MAINTENANCE)

FIG ITEM	PART NUMBER	1 2 3 4 5 6 7	NOMENCLATURE	EFFECT FROM TO	UNITS PER ASSY
18					
445	286A0152-001		.WIRE BUNDLE ASSY-	001027 201967	1
450	2J1865A		..JACK-SVCE CAB. SUPPLIER CODE: V82389 POSITION DATA: AFT ELECTRICAL EQUIP NUMBER: D06019 WIRING DIAGRAM REF: 234111 OPTIONAL PART: BCREFD00032 V82389	001027 201967	1
450	2J1659		..JACK-SVCE CAB. SUPPLIER CODE: V82389 POSITION DATA: AFT ELECTRICAL EQUIP NUMBER: D06019 WIRING DIAGRAM REF: 234111	001027 201967	1
455	AMC02PA03R		..PLUG- SUPPLIER CODE: VS5065 ELECTRICAL EQUIP NUMBER: D11480 WIRING DIAGRAM REF: 352122	001027 201967	1
460	S280W557-271		..RECEPTACLE- ELECTRICAL EQUIP NUMBER: D40026J WIRING DIAGRAM REF: 332911	001027 201967	1
465	S280W557-121		..PLUG- ELECTRICAL EQUIP NUMBER: D10180 WIRING DIAGRAM REF: 337221	001027 201967	1
470	S280W557-121		..PLUG- ELECTRICAL EQUIP NUMBER: D11460 WIRING DIAGRAM REF: 332911	001027 201967	1

R
R
R
R
R
R
R
R
R
R

MISSING ITEM NUMBERS NOT APPLICABLE

- ITEM NOT ILLUSTRATED

HAP

25-21-71-18

BOEING PROPRIETARY - Copyright © - Unpublished Work - See title page for details.

25-21-71
FIG. 18
PAGE 8
JUN 15/09

BOEING
737-600/700/800/900
PARTS CATALOG (MAINTENANCE)

FIG ITEM	PART NUMBER	1 2 3 4 5 6 7	NOMENCLATURE	EFFECT FROM TO	UNITS PER ASSY
18 475	S280W557-212		..RECEPTACLE- ELECTRICAL EQUIP NUMBER: D40032J WIRING DIAGRAM REF: 233111	001027 201967	1
480	AMC02PA03R		..PLUG- SUPPLIER CODE: VS5065 ELECTRICAL EQUIP NUMBER: D11368 WIRING DIAGRAM REF: 352122	001027 201967	1
900			ILLUSTRATION REFERENCE: SIGN INSTL-LIGHTED EXIT 33-51-01-04	001005 008027	RF
900			ILLUSTRATION REFERENCE: SIGN INSTL-LIGHTED 33-51-01-29	006007	RF
902			ILLUSTRATION REFERENCE: SIGN INSTL-LIGHTED (EXIT SIGN ONLY) 33-51-01-24	201967	RF

MISSING ITEM NUMBERS NOT APPLICABLE

— ITEM NOT ILLUSTRATED

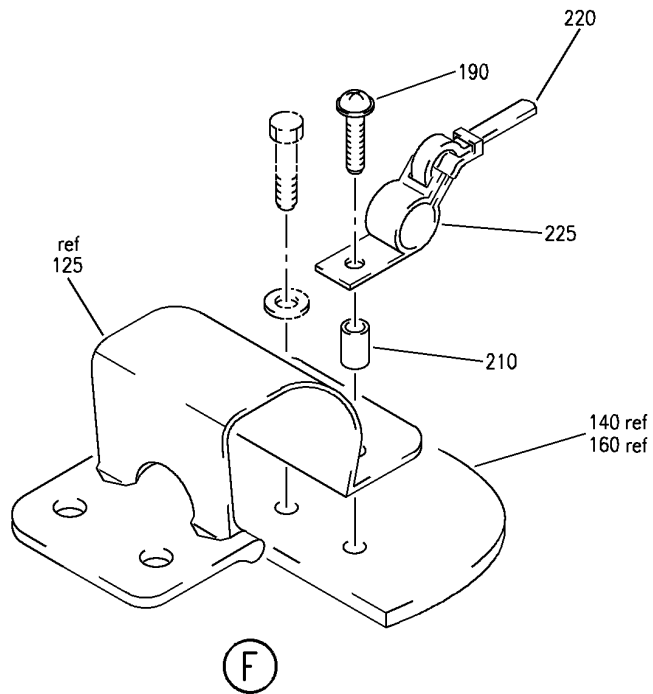
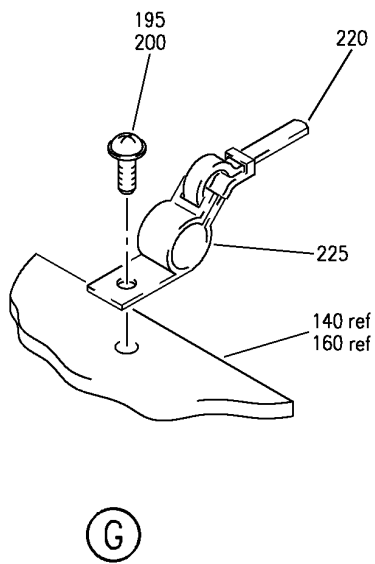
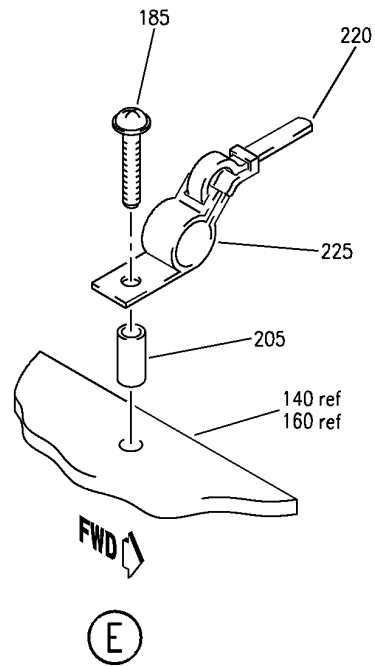
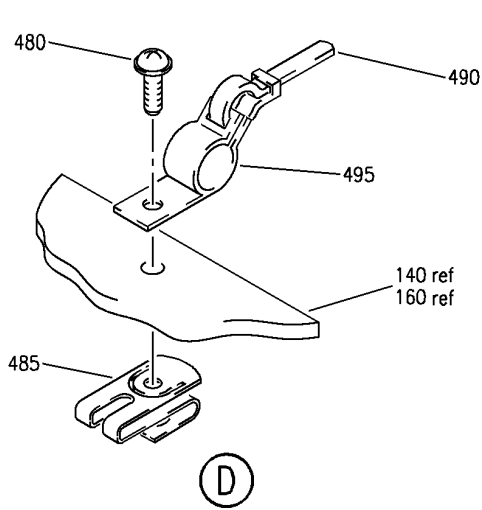
HAP

25-21-71-18

BOEING PROPRIETARY - Copyright © - Unpublished Work - See title page for details.

25-21-71
FIG. 18
PAGE 9
JUN 15/09

BOEING
 737-600/700/800/900
 PARTS CATALOG (MAINTENANCE)



E 25217118A SHT 3 REV 110

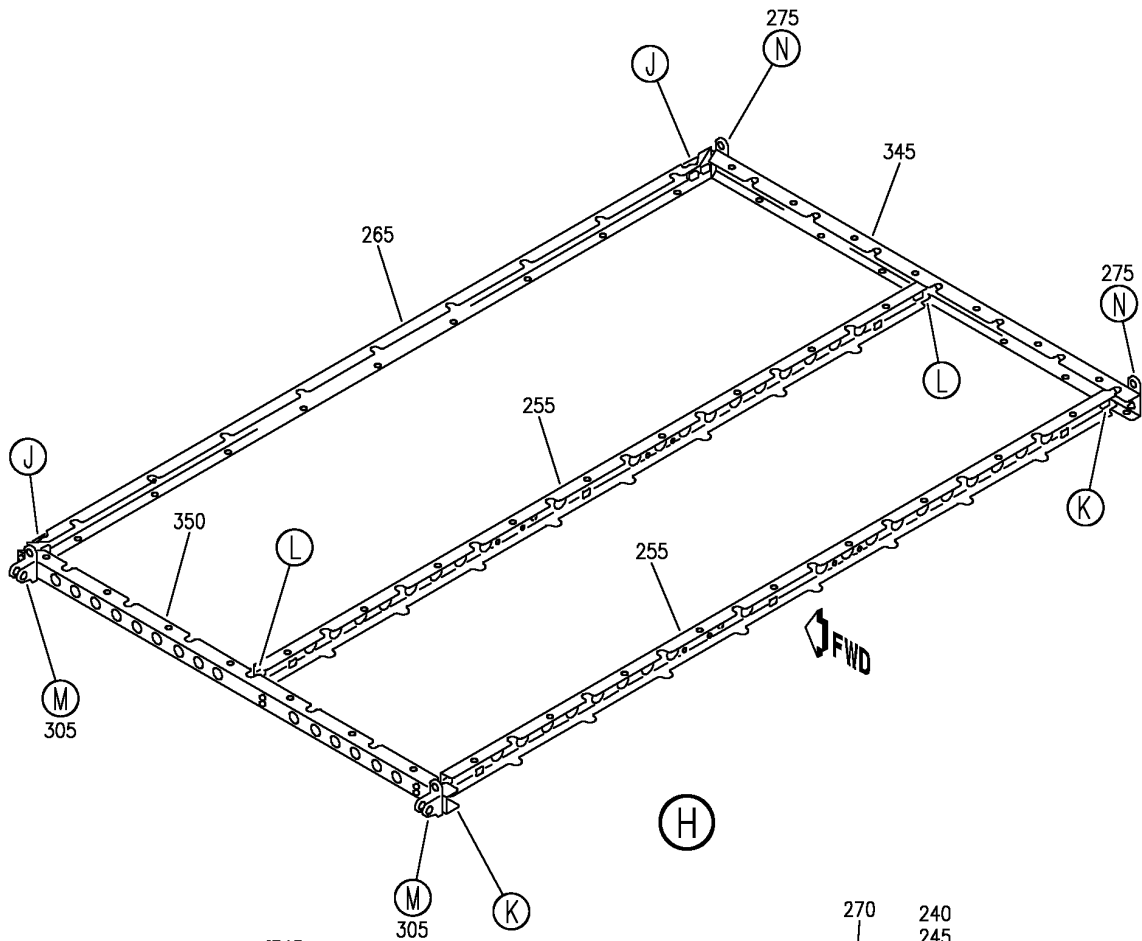
CEILING ASSY-AFT ENTRY (EQUIPMENT/FURNISHINGS ONLY)
 FIGURE 18A (SHEET 3)

25-21-71-18A

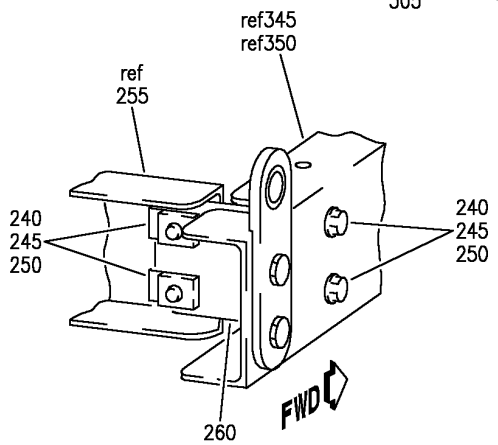
HAP
 OCT 10/06

25-21-71-18A
 PAGE 0B

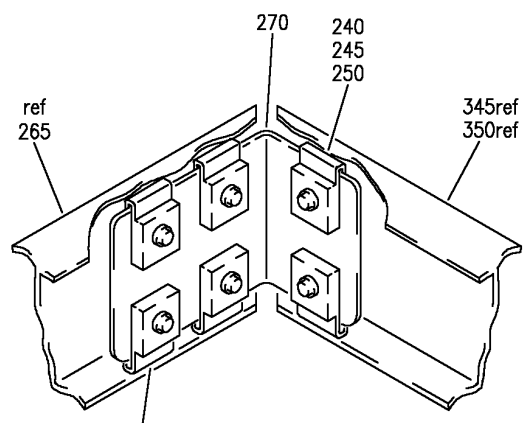
BOEING
 737-600/700/800/900
 PARTS CATALOG (MAINTENANCE)



(H)



(K)



(J)

E 25217118A SHT 4 REV 089

CEILING ASSY-AFT ENTRY (EQUIPMENT/FURNISHINGS ONLY)
 FIGURE 18A (SHEET 4)

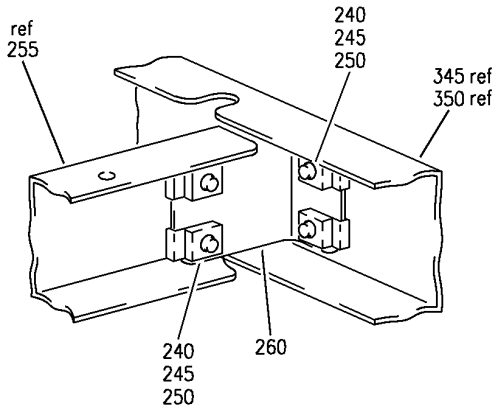
25-21-71-18A

HAP
 OCT 10/06

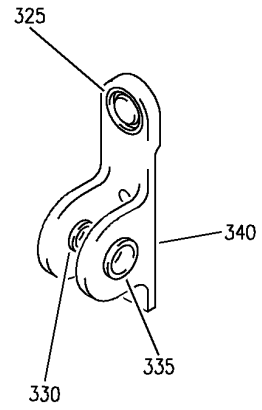
25-21-71-18A
 PAGE 0C

BOEING PROPRIETARY - Copyright © - Unpublished Work - See title page for details.

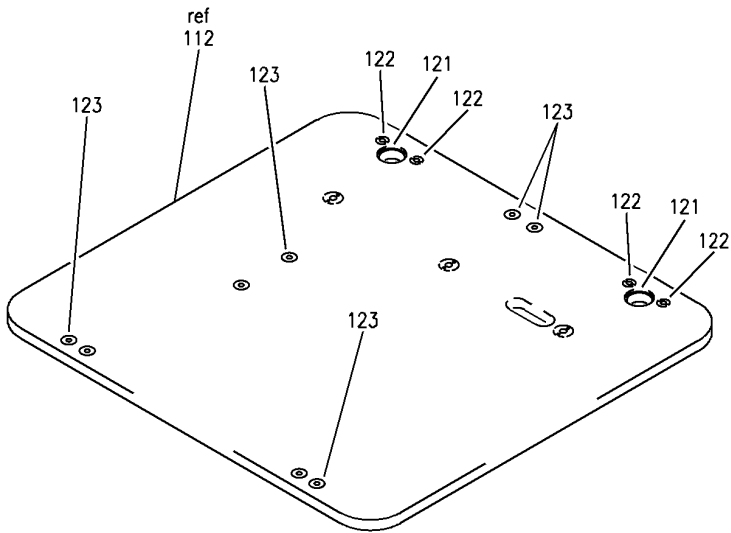
BOEING
 737-600/700/800/900
 PARTS CATALOG (MAINTENANCE)



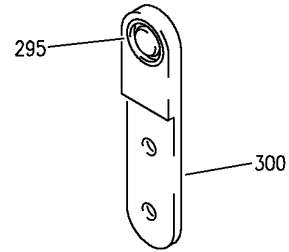
(L)



(M)



(P)



(N)

E 25217118A SHT 5 REV 110

CEILING ASSY-AFT ENTRY (EQUIPMENT/FURNISHINGS ONLY)
 FIGURE 18A (SHEET 5)

25-21-71-18A

HAP
 OCT 10/06

25-21-71-18A
 PAGE 0D

BOEING PROPRIETARY - Copyright © - Unpublished Work - See title page for details.

BOEING
737-600/700/800/900
PARTS CATALOG (MAINTENANCE)

FIG ITEM	PART NUMBER	1 2 3 4 5 6 7	NOMENCLATURE	EFFECT FROM TO	UNITS PER ASSY
18A			CEILING ASSY-AFT ENTRY (EQUIPMENT/FURNISHINGS ONLY)	028030	
- 1	411A3420-22SP		CEILING ASSY-ENTRY (EQUIPMENT/FURNISHINGS ONLY) POSITION DATA: AFT FOR NHA/OTHER SYS DET SEE: 25-21-71-06	028030	RF
15	BAC29PPS8810		.MARKER-ALUMINUM FOIL PLACARD CONTENT: L1223 EXIT LOCATOR	028030	1
20	411A3082-8B		.TRIM-CLOSE OUT ATTACHING PARTS	028030	1
- 25	BACCS12GU3K5		.SCREW	028030	6
- 30	BACW10P6AL		.WASHER	028030	6
			-----*-----		
35	411A3082-5		.PLATE ATTACHING PARTS	028030	1
- 40	BACCS12FA3K5		.SCREW	028030	2
			-----*-----		
45	411A3082-7A		.GROMMET	028030	1
50	417A5464-21		.BRACKET ASSY	028030	3
60	SAM225-1		.LATCH- SUPPLIER CODE: V31845	028030	3
65	411A3081-5		.BRACKET ATTACHING PARTS	028030	1
- 70	BACCS12FA3K5		.SCREW	028030	2
			-----*-----		
75	H3583-1		.LANYARD- SUPPLIER CODE: V83014 OPTIONAL PART: H3583K3260 V83014	028030	1
75	H3583K3260		.LANYARD- SUPPLIER CODE: V83014 OPTIONAL PART: H3583-1 V83014	028030	1
80	411A3080-19		.BRACKET ASSY ATTACHING PARTS	028030	2
- 85	BACB30NM3K2		.BOLT	028030	4
- 90	NAS1149D0332J		.WASHER	028030	8

MISSING ITEM NUMBERS NOT APPLICABLE

- ITEM NOT ILLUSTRATED

HAP

25-21-71-18A

BOEING PROPRIETARY - Copyright © - Unpublished Work - See title page for details.

25-21-71
FIG. 18A
PAGE 1
FEB 10/07

BOEING
737-600/700/800/900
PARTS CATALOG (MAINTENANCE)

FIG ITEM	PART NUMBER	1 2 3 4 5 6 7	NOMENCLATURE	EFFECT FROM TO	UNITS PER ASSY
18A - 95	PLH53CD	.	NUT SUPPLIER CODE: VF0224 SPECIFICATION NUMBER: BACN10YR3CD OPTIONAL PART: H52732-3CD V15653 -----*-----	028030	4
100	SAM226-1	.	LATCH- SUPPLIER CODE: V31845 ATTACHING PARTS	028030	2
- 105	BACS12FA3K6	.	SCREW -----*-----	028030	4
110	411A3490-1A	.	PANEL ASSY-ACCESS OPTIONAL PART: 411A3490-9B	028030	1
115	411A3491-1	..	PANEL ASSY-BASE OPTIONAL PART: 411A3491-7 USED ON: 411A3490-1A	028030	1
115	411A3491-7	..	PANEL ASSY-BASE OPTIONAL PART: 411A3491-1 USED ON: 411A3490-1A	028030	1
- 120	SL2334-3A1	...	INSERT- SUPPLIER CODE: V97393	028030	12
125	SAM273-1	.	HINGE- SUPPLIER CODE: V31845 ATTACHING PARTS	028030	2
- 127	BACS12FA3K5	.	SCREW -----*-----	028030	7
130	411A3080-3	.	BRACKET ATTACHING PARTS	028030	2
- 135	BACS12FA3K5	.	SCREW -----*-----	028030	10
185	BACS12FA3K17	.	SCREW	028030	1
190	BACS12FA3K15	.	SCREW	028030	1
205	NAS43DD3-48FC	.	SPACER	028030	1
210	NAS43DD3-32FC	.	SPACER	028030	1

MISSING ITEM NUMBERS NOT APPLICABLE

- ITEM NOT ILLUSTRATED

HAP

25-21-71-18A

BOEING PROPRIETARY - Copyright © - Unpublished Work - See title page for details.

25-21-71
FIG. 18A
PAGE 2
FEB 15/09

BOEING
737-600/700/800/900
PARTS CATALOG (MAINTENANCE)

FIG ITEM	PART NUMBER	1 2 3 4 5 6 7	NOMENCLATURE	EFFECT FROM TO	UNITS PER ASSY
18A 220	PLT1-5IM	.	STRAP SUPPLIER CODE: V06383 SPECIFICATION NUMBER: BACS38K5 OPTIONAL PART: T03R0 V53421	028030	7
225	287T0011-1	.	CLAMP	028030	7
230	411A3420-33	.	CEILING SUB ASSY ATTACHING PARTS	028030	1
- 235	BACS12FA3K5	.	SCREW	028030	39
			-----*-----		
240	BACB30NM3K3	..	BOLT- POSITION DATA: FAR SIDE	028030	28
245	NAS1149D0332J	..	WASHER	028030	28
250	130069	..	NUT SUPPLIER CODE: V60119 SPECIFICATION NUMBER: BACN10FX16 OPTIONAL PART: A11330-6-3 V72962 A4972-6-02 V72962	028030	28
255	411A3081-30	..	CROSSMEMBER	028030	2
260	411A3081-37	..	BRACKET	028030	4
265	411A3081-29	..	CROSSMEMBER	028030	1
270	411A3081-41	..	BRACKET	028030	2
275	411A3081-19	..	FITTING ASSY-BLADE ATTACHING PARTS	028030	2
- 280	BACB30NM3K3	..	BOLT- POSITION DATA: FAR SIDE	028030	4
- 285	NAS1149D0332J	..	WASHER- POSITION DATA: FAR SIDE	028030	4

MISSING ITEM NUMBERS NOT APPLICABLE

- ITEM NOT ILLUSTRATED

HAP

25-21-71-18A

BOEING PROPRIETARY - Copyright © - Unpublished Work - See title page for details.

25-21-71
FIG. 18A
PAGE 3
FEB 15/09

BOEING
737-600/700/800/900
PARTS CATALOG (MAINTENANCE)

FIG ITEM	PART NUMBER	1 2 3 4 5 6 7	NOMENCLATURE	EFFECT FROM TO	UNITS PER ASSY
18A - 290	PLH53CD	..	NUT- SUPPLIER CODE: VF0224 SPECIFICATION NUMBER: BACN10YR3CD OPTIONAL PART: H52732-3CD V15653 POSITION DATA: FAR SIDE -----*-----	028030	4
295	AG4V4009	...	BEARING- SUPPLIER CODE: V15860 SPECIFICATION NUMBER: 60B00180-68 OPTIONAL PART: LHBG4BAC V73134 NC4G12 V56644	028030	1
300	411A3081-20	...	FITTING	028030	1
305	411A3081-21	..	FITTING ASSY-PI ATTACHING PARTS	028030	2
- 310	BACB30NT3K3	..	BOLT	028030	4
- 315	NAS1149D0332J	..	WASHER- POSITION DATA: FAR SIDE	028030	4
- 320	PLH53CD	..	NUT- SUPPLIER CODE: VF0224 SPECIFICATION NUMBER: BACN10YR3CD OPTIONAL PART: H52732-3CD V15653 POSITION DATA: FAR SIDE -----*-----	028030	4
325	AG4V4009	...	BEARING- SUPPLIER CODE: V15860 SPECIFICATION NUMBER: 60B00180-68 OPTIONAL PART: LHBG4BAC V73134 NC4G12 V56644	028030	1

MISSING ITEM NUMBERS NOT APPLICABLE

- ITEM NOT ILLUSTRATED

HAP

25-21-71-18A

BOEING PROPRIETARY - Copyright © - Unpublished Work - See title page for details.

25-21-71
FIG. 18A
PAGE 4
FEB 15/09

BOEING
737-600/700/800/900
PARTS CATALOG (MAINTENANCE)

FIG ITEM	PART NUMBER	1 2 3 4 5 6 7	NOMENCLATURE	EFFECT FROM TO	UNITS PER ASSY
18A					
330	BACB28AP04P018	...	BUSHING	028030	1
335	BACB28AT06B018C	...	BUSHING	028030	1
340	411A3081-22	...	FITTING	028030	1
345	411A3081-32	..	RAIL	028030	1
350	411A3081-31	..	RAIL	028030	1
370	417N3810-155SP	.BOX	ASSY-OXY	028030	2
			ELECTRICAL EQUIP NUMBER: M01834		
			COMPONENT MAINT MANUAL REF: 35-21-34		
			FUNCTIONAL REFERENCE: EQUIPMENT/FURNISHINGS FOR DETAILS SEE 25-21-71-19J OXYGEN FOR DETAILS SEE 35-22-11-06J 35-22-21-06J 35-22-31-27J		
			ATTACHING PARTS		
- 395	BACS12GU3K6	.SCREW		028030	8
- 405	BACW10P43AL	.WASHER		028030	8
		-----*-----			
450	286A0152-005	.WIRE	BUNDLE ASSY	028030	1
455	2J1865A	..JACK-SVCE	CAB. SUPPLIER CODE: V82389 POSITION DATA: AFT ELECTRICAL EQUIP NUMBER: D06015 WIRING DIAGRAM REF: 234111 OPTIONAL PART: BCREFD00032 V82389	028030	1
455	2J1659	..JACK-SVCE	CAB. SUPPLIER CODE: V82389 POSITION DATA: AFT ELECTRICAL EQUIP NUMBER: D06015 WIRING DIAGRAM REF: 234111	028030	1
470	PLWP1SAD	.TIE-CABLE		028030	10
			OPTIONAL PART: 411A3220-102		

MISSING ITEM NUMBERS NOT APPLICABLE

- ITEM NOT ILLUSTRATED

HAP

25-21-71-18A

BOEING PROPRIETARY - Copyright © - Unpublished Work - See title page for details.

25-21-71
FIG. 18A
PAGE 5
JUN 15/09

BOEING
737-600/700/800/900
PARTS CATALOG (MAINTENANCE)

FIG ITEM	PART NUMBER	1 2 3 4 5 6 7	NOMENCLATURE	EFFECT FROM TO	UNITS PER ASSY
18A 475	411A3220-102		.SUB KIT ASSY-WIRE BUNDLE HARDWARE OPTIONAL PART: PLWP1SAD	028030	10
480	BACS12FA3K8		..SCREW	028030	1
485	BRC600-10-3		..NUT SUPPLIER CODE: V52828 SPECIFICATION NUMBER: BACN10YD2 OPTIONAL PART: 130121 V60119	028030	1
490	PLT1-5IM		..STRAP SUPPLIER CODE: V06383 SPECIFICATION NUMBER: BACS38K5 OPTIONAL PART: T03R0 V53421	028030	1
495 900	287T0011-1		..CLAMP ILLUSTRATION REFERENCE: SIGN INSTL-LIGHTED EXIT 33-51-01-04	028030 028030	1 RF

MISSING ITEM NUMBERS NOT APPLICABLE

— ITEM NOT ILLUSTRATED

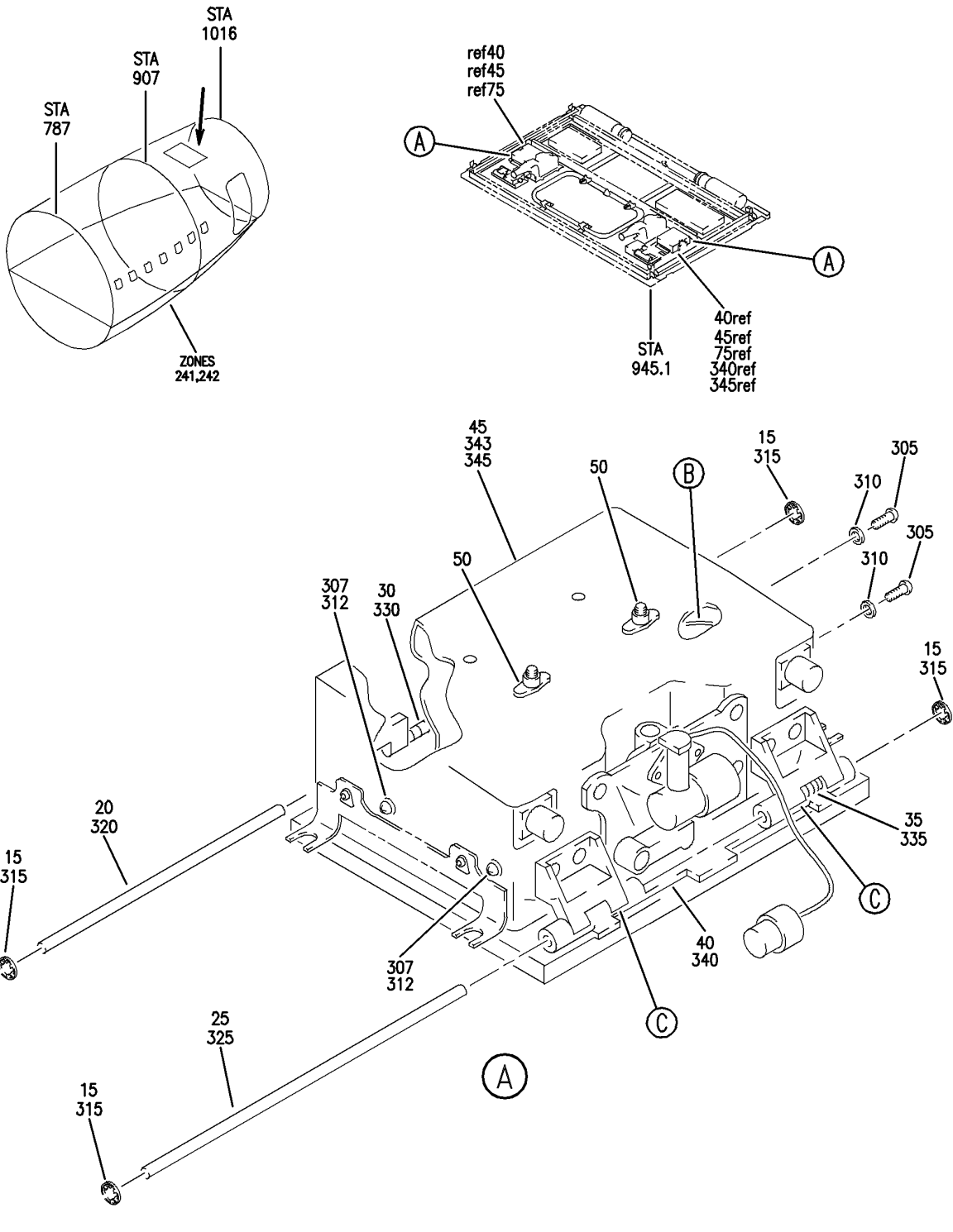
HAP

25-21-71-18A

BOEING PROPRIETARY - Copyright © - Unpublished Work - See title page for details.

25-21-71
FIG. 18A
PAGE 6
JUN 15/09

BOEING
 737-600/700/800/900
 PARTS CATALOG (MAINTENANCE)



E 25217119 SHT 1 REV 059

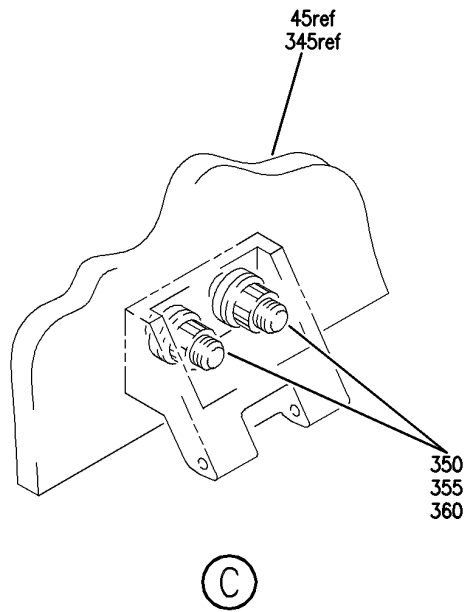
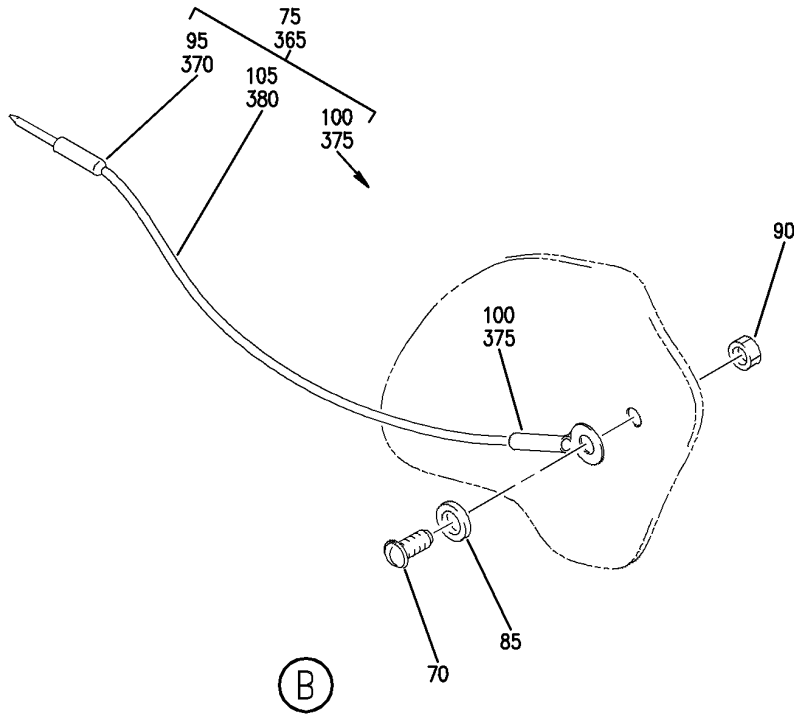
BOX ASSY-OXY ATTENDANT SVCE UNIT
 FIGURE 19 (SHEET 1)

25-21-71-19

HAP
 OCT 10/06

25-21-71-19
 PAGE 0

BOEING
 737-600/700/800/900
 PARTS CATALOG (MAINTENANCE)



E 25217119 SHT 2 REV 050

BOX ASSY-OXY ATTENDANT SVCE UNIT
 FIGURE 19 (SHEET 2)

25-21-71-19

HAP
 OCT 10/06

25-21-71-19
 PAGE 0A

BOEING
737-600/700/800/900
PARTS CATALOG (MAINTENANCE)

FIG ITEM	PART NUMBER	1 2 3 4 5 6 7	NOMENCLATURE	EFFECT FROM TO	UNITS PER ASSY
19			BOX ASSY-OXY ATTENDANT SVCE UNIT	001027 201967	
- 1	417N3810-125A		BOX ASSY-OXY ATTENDANT SVCE UNIT ELECTRICAL EQUIP NUMBER: M01834 COMPONENT MAINT MANUAL REF: 35-21-34 FOR NHA/OTHER SYS DET SEE: 25-21-71-18	001027 201967	RF
15	6100-9		.RETAINER- SUPPLIER CODE: V2X013	001027 201967	4
20	MS20253P2-825		.PIN	001027 201967	1
25	MS20253P2-780		.PIN	001027 201967	1
30	417N3173-3		.SPRING	001027 201967	1
35	417N3173-4		.SPRING	001027 201967	1
40	417N3133-2		.LATCH	001027 201967	1
45	417N3810-16		.BOX ASSY	001027 201967	1
50	T8076S832		..NUTPLATE SUPPLIER CODE: V11815 SPECIFICATION NUMBER: BACN10JP08A OPTIONAL PART: MK1000-08BAC V15653 NS103197-82 V80539 RMA9201M82 V72962 VN202A1-82 V92215 BRM200A08 V52828	001027 201967	2
- 55	CR3252-4-3		ATTACHING PARTS ..RIVET SUPPLIER CODE: V92215 SPECIFICATION NUMBER: BACR15FP4E3	001027 201967	4
- 60	NAS42DD5-6FC		..SPACER	001027 201967	1

MISSING ITEM NUMBERS NOT APPLICABLE

- ITEM NOT ILLUSTRATED

HAP

25-21-71-19

25-21-71
FIG. 19
PAGE 1
OCT 15/08

BOEING
737-600/700/800/900
PARTS CATALOG (MAINTENANCE)

FIG ITEM	PART NUMBER	1 2 3 4 5 6 7	NOMENCLATURE	EFFECT FROM TO	UNITS PER ASSY
19					
- 65	BACR15FP3E	.	RIVET	001027 201967	1
			-----*-----		
75	417N3137-2	.	CABLE ASSY	001027 201967	1
			ATTACHING PARTS		
85	AN960JD8L	.	WASHER	001027 201967	1
90	MS21042L08	.	NUT	001027 201967	1
			-----*-----		
95	417N3137-6	..	PIN	001027 201967	1
100	417N3137-7	..	CABLE EYE	001027 201967	1
105	417N3137-5	..	CABLE	001027 201967	1

MISSING ITEM NUMBERS NOT APPLICABLE

- ITEM NOT ILLUSTRATED

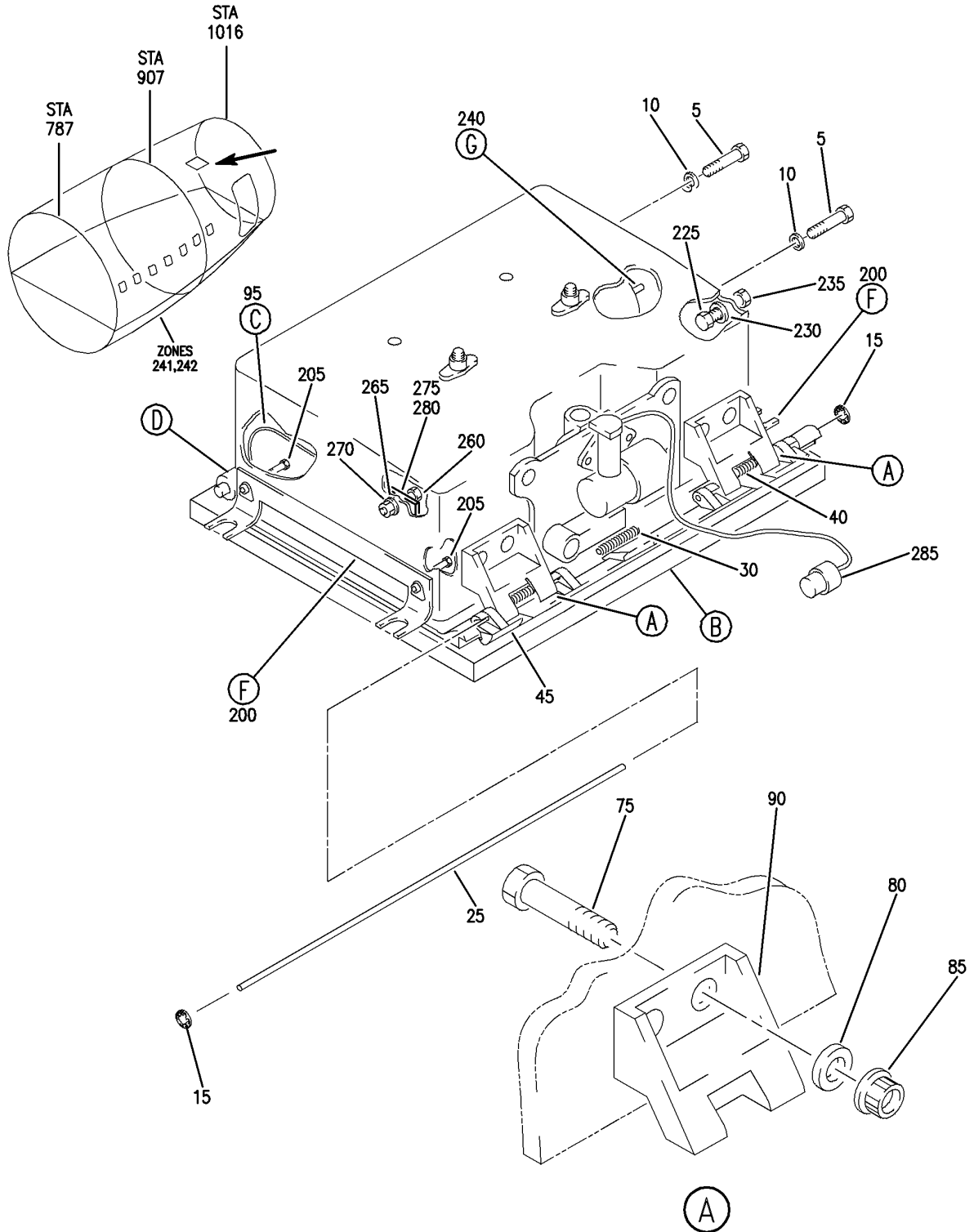
HAP

25-21-71-19

BOEING PROPRIETARY - Copyright © - Unpublished Work - See title page for details.

25-21-71
FIG. 19
PAGE 2
OCT 15/08

BOEING
 737-600/700/800/900
 PARTS CATALOG (MAINTENANCE)



E 25217119J SHT 1 REV 046

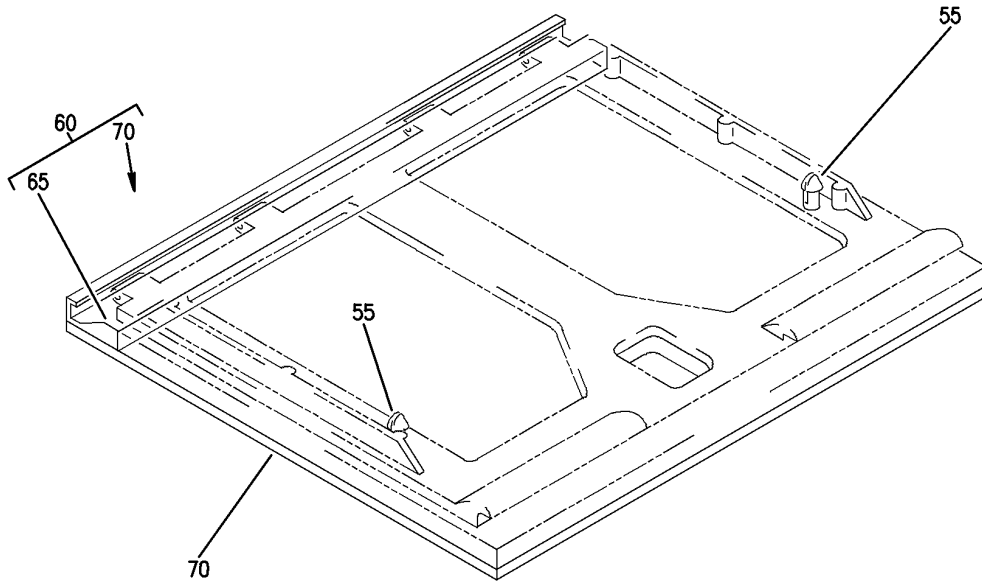
BOX ASSY-OXY (EQUIPMENT/FURNISHINGS ONLY)
 FIGURE 19J (SHEET 1)

25-21-71-19J

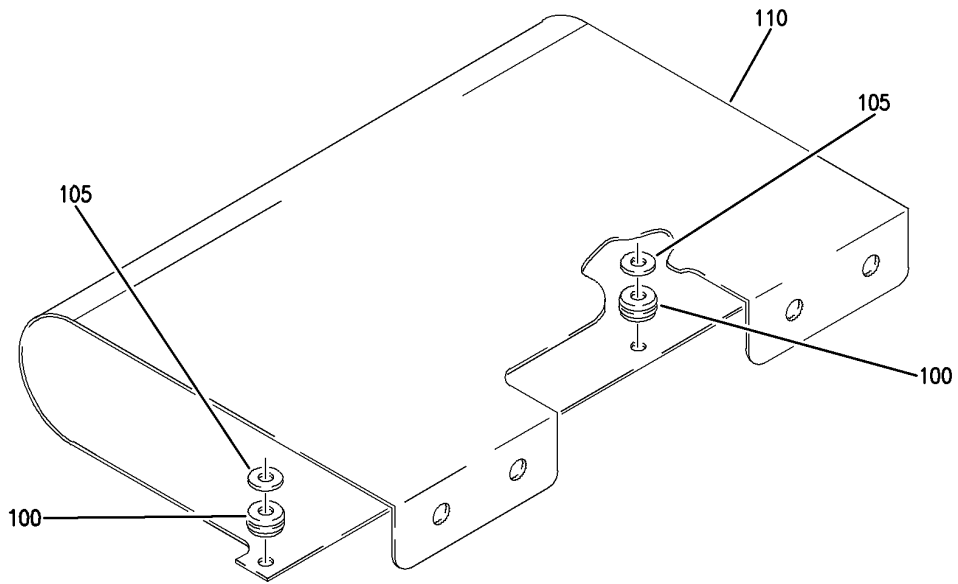
HAP
 OCT 10/06

25-21-71-19J
 PAGE 0

BOEING
 737-600/700/800/900
 PARTS CATALOG (MAINTENANCE)



(B)



(C)

E 2521719J SHT 2 REV 046

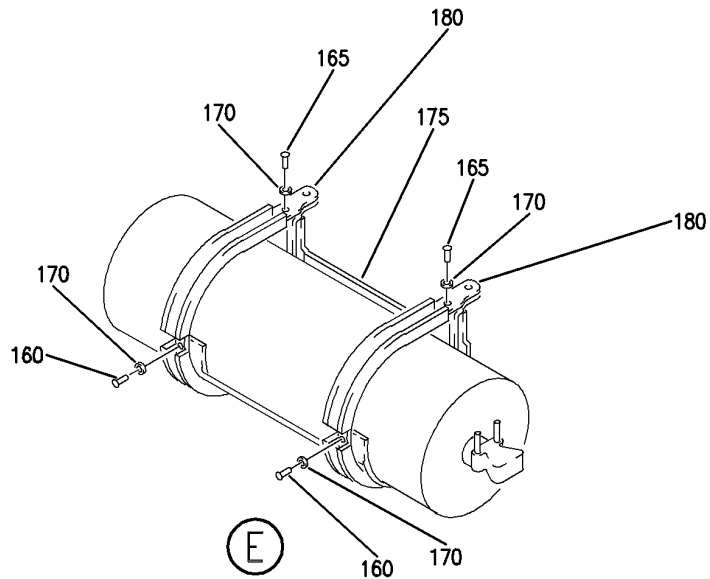
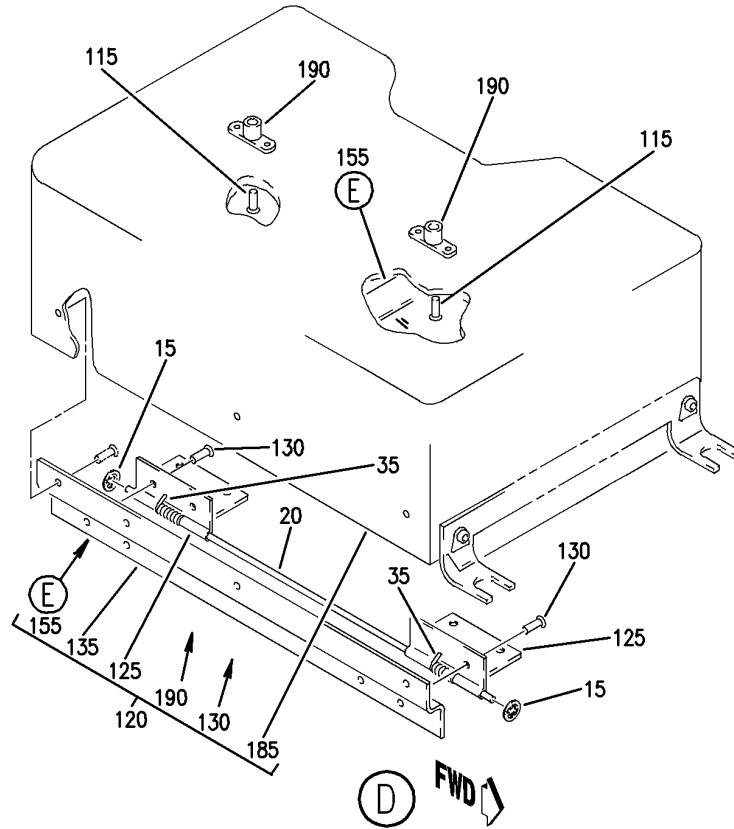
BOX ASSY-OXY (EQUIPMENT/FURNISHINGS ONLY)
 FIGURE 19J (SHEET 2)

25-21-71-19J

HAP
 OCT 10/06

25-21-71-19J
 PAGE 0A

BOEING
 737-600/700/800/900
 PARTS CATALOG (MAINTENANCE)



E 2521719J SHT 3 REV 046

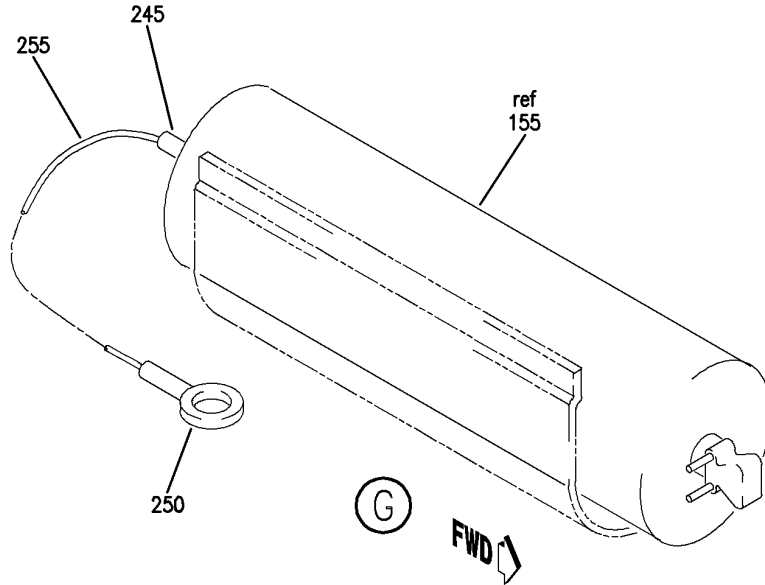
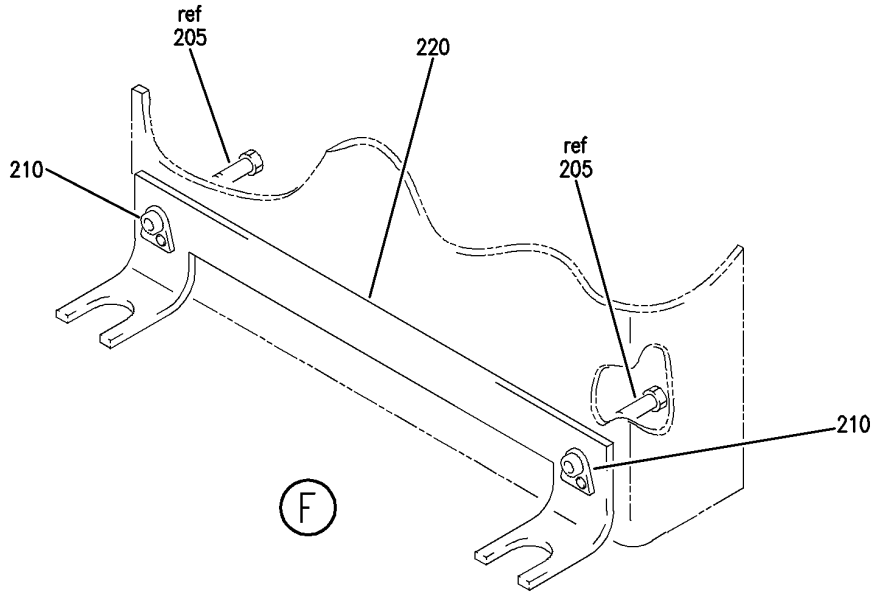
BOX ASSY-OXY (EQUIPMENT/FURNISHINGS ONLY)
 FIGURE 19J (SHEET 3)

25-21-71-19J

HAP
 OCT 10/06

25-21-71-19J
 PAGE 0B

BOEING
 737-600/700/800/900
 PARTS CATALOG (MAINTENANCE)



E 25217119J SHT 4 REV 046

BOX ASSY-OXY (EQUIPMENT/FURNISHINGS ONLY)
 FIGURE 19J (SHEET 4)

25-21-71-19J

HAP
 OCT 10/06

25-21-71-19J
 PAGE 0C

BOEING
737-600/700/800/900
PARTS CATALOG (MAINTENANCE)

FIG ITEM	PART NUMBER	1 2 3 4 5 6 7	NOMENCLATURE	EFFECT FROM TO	UNITS PER ASSY
19J			BOX ASSY-OXY (EQUIPMENT/FURNISHINGS ONLY)	028030	
- 1	417N3810-155SP		BOX ASSY-OXY (EQUIPMENT/FURNISHINGS ONLY) ELECTRICAL EQUIP NUMBER: M01834 COMPONENT MAINT MANUAL REF: 35-21-34 FOR NHA/OTHER SYS DET SEE: 25-21-71-18A	028030	RF
15	6100-9		.RETAINER- SUPPLIER CODE: V2X013	028030	4
20	MS20253P2-825		.PIN	028030	1
25	MS20253P2-780		.PIN	028030	1
35	417N3173-3		.SPRING	028030	2
40	417N3173-4		.SPRING	028030	1
45	417N3133-2		.LATCH	028030	1
50	417N3830-19B		.DOOR ASSY	028030	1
55	27PIF0018		..FASTENER-PUSH-IN SUPPLIER CODE: V0738B	028030	2
60	417N3831-21D		..PANEL ASSY- OPTIONAL PART: 417N3831-38B 417N3831-50B	028030	1
60	417N3831-38B		..PANEL ASSY- OPTIONAL PART: 417N3831-21D	028030	1
60	417N3831-50B		..PANEL ASSY- OPTIONAL PART: 417N3831-21D	028030	1
65	417N3831-8		...EDGING- USED ON: 417N3831-21D	028030	1
70	417N3831-22BCLY		...COVER-DECORATIVE USED ON: 417N3831-21D	028030	1
70	401U3500-52266		...COVER-DECORATIVE USED ON: 417N3831-50B	028030	1
75	BACS12FA08K5		.SCREW	028030	4
80	NAS1149DN816J		.WASHER	028030	4
85	MS21042L08		.NUT	028030	4
90	417N3133-3		.LATCH	028030	2
95	417N3816-16		.LINER ASSY-EJECTION	028030	1
100	MS35489-1		..GROMMET	028030	2

MISSING ITEM NUMBERS NOT APPLICABLE

- ITEM NOT ILLUSTRATED

HAP

25-21-71-19J

25-21-71
FIG. 19J
PAGE 1
JUN 15/09

BOEING
737-600/700/800/900
PARTS CATALOG (MAINTENANCE)

FIG ITEM	PART NUMBER	1 2 3 4 5 6 7	NOMENCLATURE	EFFECT FROM TO	UNITS PER ASSY
19J 105	17W04401		.. WASHER- SUPPLIER CODE: V0738B	028030	2
110	417N3816-14		.. LINER	028030	1
115	BACS12FA08K7		. SCREW	028030	2
120	417N3810-16		. BOX ASSY	028030	1
125	417N3811-3		.. HINGE ATTACHING PARTS	028030	2
- 130	BACR15BB4D		.. RIVET- SIZE DETERMINED ON INSTL. -----*-----	028030	4
135	417N3811-4		.. BRACKET-MTG ATTACHING PARTS	028030	1
- 140	BACR15BA3D		.. RIVET- SIZE DETERMINED ON INSTL. -----*-----	028030	3
- 145	CR3252-4-3		.. RIVET SUPPLIER CODE: V92215 SPECIFICATION NUMBER: BACR15FP4E3	028030	2
- 150	NAS42DD5-6FC		.. SPACER	028030	2
155	417N3816-5		.. SHIELD ASSY	028030	1
160	BACR15BA3A		... RIVET- SIZE DETERMINED ON INSTL.	028030	2
165	BACR15BB3A		... RIVET- SIZE DETERMINED ON INSTL.	028030	2
170	AN960KD3L		... WASHER	028030	4
175	417N3816-6		... SHIELD	028030	1
180	417N3816-7		... CLAMP	028030	2
185	417N3813-6		.. BOX	028030	1
190	T8076S832		.. NUTPLATE SUPPLIER CODE: V11815 SPECIFICATION NUMBER: BACN10JP08A OPTIONAL PART: MK1000-08BAC V15653 NS103197-82 V80539 RMA9201M82 V72962 VN202A1-82 V92215 BRM200A08 V52828	028030	2

MISSING ITEM NUMBERS NOT APPLICABLE

- ITEM NOT ILLUSTRATED

HAP

25-21-71-19J

BOEING PROPRIETARY - Copyright © - Unpublished Work - See title page for details.

25-21-71
FIG. 19J
PAGE 2
JUN 15/09

BOEING
737-600/700/800/900
PARTS CATALOG (MAINTENANCE)

FIG ITEM	PART NUMBER	1 2 3 4 5 6 7	NOMENCLATURE	EFFECT FROM TO	UNITS PER ASSY
19J			ATTACHING PARTS		
- 195	BACR15CE3AD		..RIVET- SIZE DETERMINED ON INSTL. -----*-----	028030	4
200	417N3811-43		.SUPPORT ASSY ATTACHING PARTS	028030	2
205	BACS12FA08K5		.SCREW -----*-----	028030	4
210	T8078S832		..NUTPLATE SUPPLIER CODE: V11815 SPECIFICATION NUMBER: BACN10JP08C OPTIONAL PART: MK3000-08BAC V15653 NS103199-82 V80539 RMA9205M82 V72962 VN203A1-82 V92215 BRM300A08 V52828	028030	2
- 215	BACR15DR3		ATTACHING PARTS ..RIVET- SIZE DETERMINED ON INSTL. -----*-----	028030	4
220	417N3811-44		..ANGLE	028030	1
225	BACS12FA08K5		.SCREW- POSITION DATA: FAR SIDE	028030	1
230	NAS1149DN816J		.WASHER	028030	1
235	MS21042L08		.NUT	028030	1
240	417N3137-2		.CABLE ASSY	028030	1
245	417N3137-6		..PIN	028030	1
250	417N3137-7		..CABLE EYE	028030	1
255	417N3137-5		..CABLE	028030	1
260	BACS12FA08K7		.SCREW	028030	1
265	NAS1149DN816J		.WASHER	028030	1
270	MS21042L08		.NUT	028030	1
275	287T0011-1		.CLAMP- OPTIONAL PART: 287T0011-2	028030	1
275	287T0011-2		.CLAMP- OPTIONAL PART: 287T0011-1	028030	1
280	MS3367-4-9		.STRAP	028030	1

MISSING ITEM NUMBERS NOT APPLICABLE

- ITEM NOT ILLUSTRATED

HAP

25-21-71-19J

BOEING PROPRIETARY - Copyright © - Unpublished Work - See title page for details.

25-21-71
FIG. 19J
PAGE 3
JUN 15/09


BOEING
 737-600/700/800/900
PARTS CATALOG (MAINTENANCE)

FIG ITEM	PART NUMBER	1 2 3 4 5 6 7 NOMENCLATURE	EFFECT FROM TO	UNITS PER ASSY
19J 285	AMC02RA03R	.CONNECTOR- SUPPLIER CODE: V05574	028030	1

MISSING ITEM NUMBERS NOT APPLICABLE

— ITEM NOT ILLUSTRATED

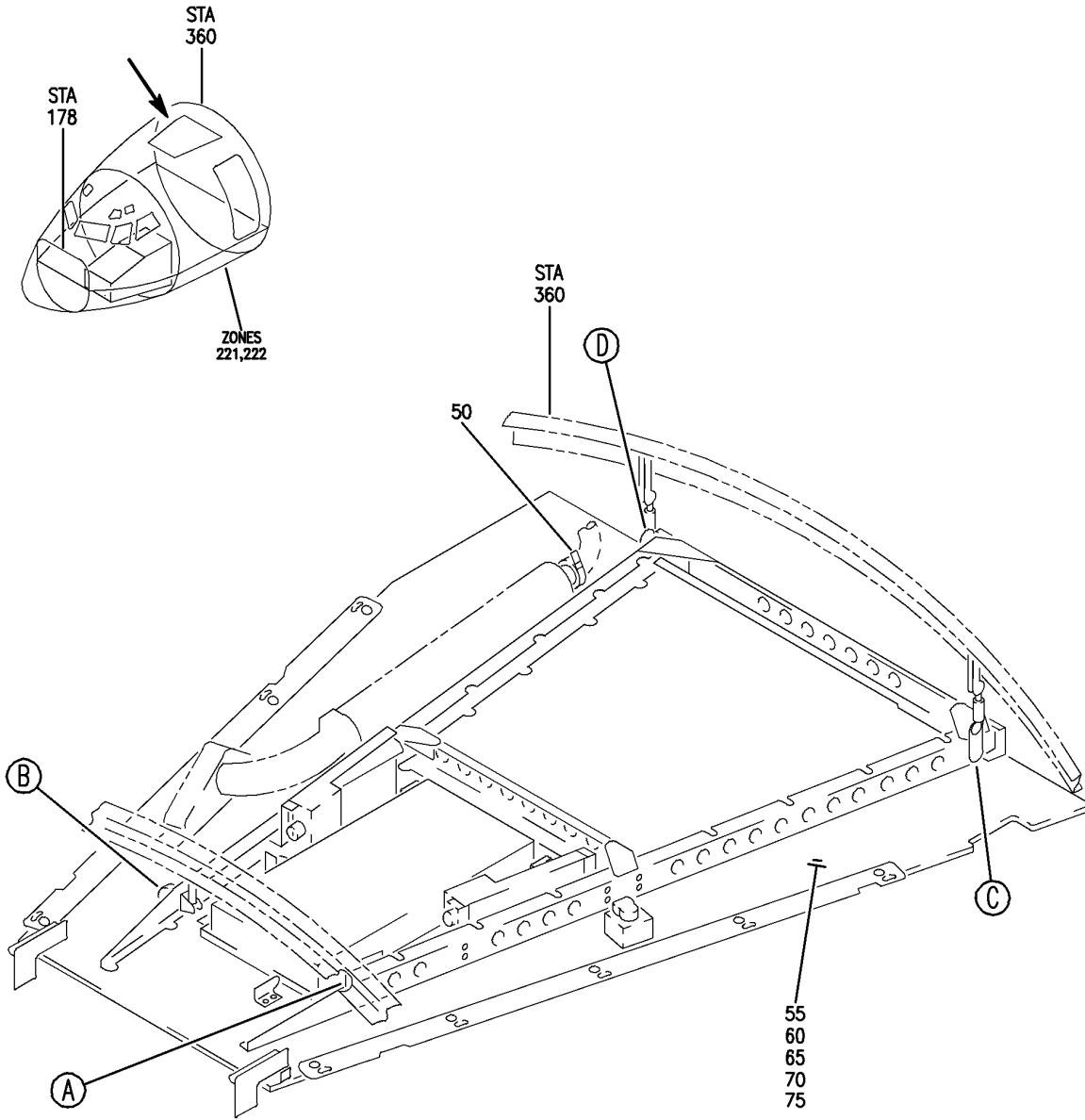
HAP

25-21-71-19J

BOEING PROPRIETARY - Copyright © - Unpublished Work - See title page for details.

25-21-71
 FIG. 19J
 PAGE 4
 JUN 15/09

BOEING
 737-600/700/800/900
 PARTS CATALOG (MAINTENANCE)



E 25217135 SHT 1 REV 064

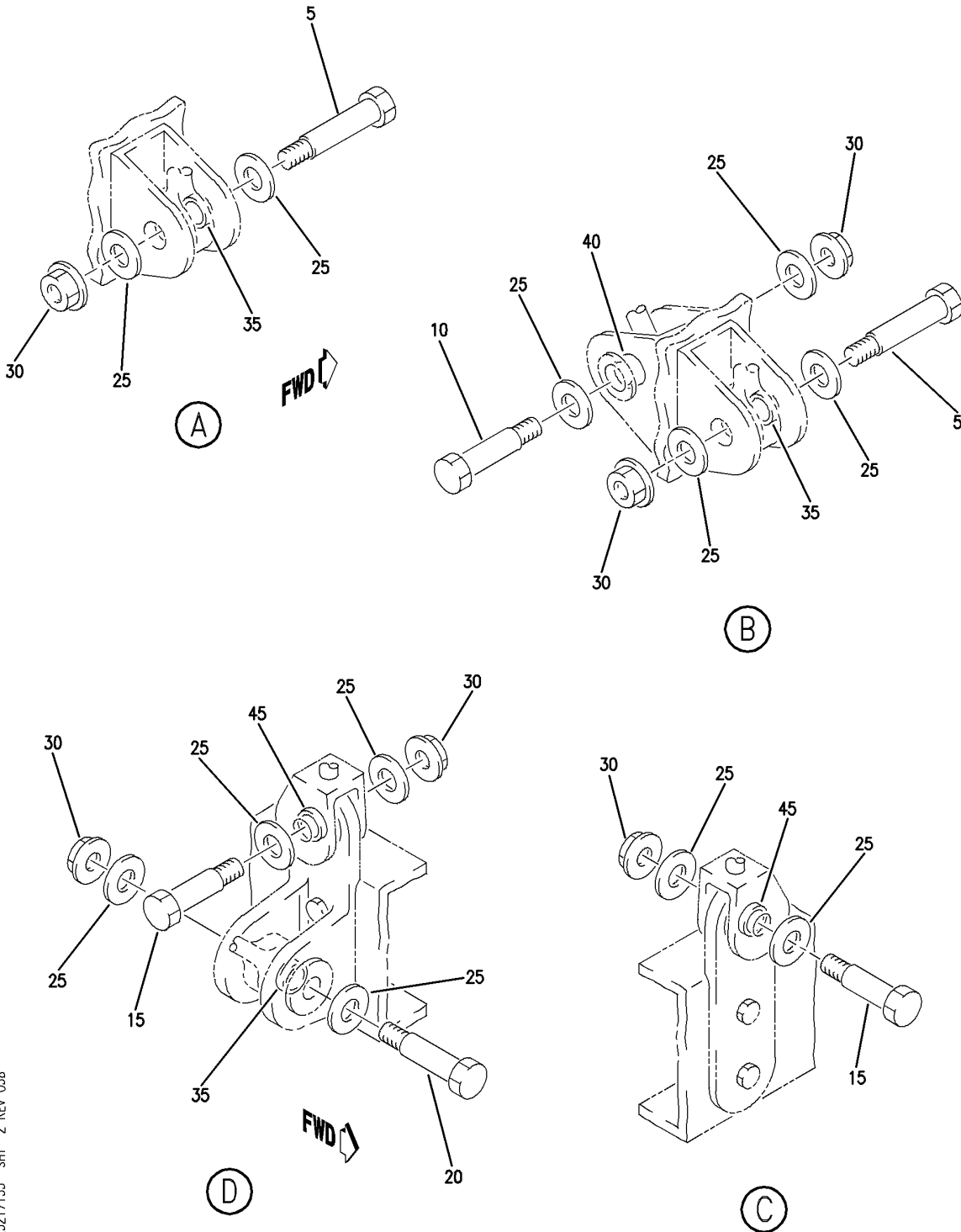
CEILING INSTL-FWD ENTRY
 FIGURE 35 (SHEET 1)

25-21-71-35

HAP
 OCT 10/06

25-21-71-35
 PAGE 0

BOEING
 737-600/700/800/900
 PARTS CATALOG (MAINTENANCE)



E 25217135 SH1 2 REV 068

CEILING INSTL-FWD ENTRY
 FIGURE 35 (SHEET 2)

25-21-71-35

HAP
 OCT 10/06

25-21-71-35
 PAGE 0A

BOEING
737-600/700/800/900
PARTS CATALOG (MAINTENANCE)

FIG ITEM	PART NUMBER	1 2 3 4 5 6 7	NOMENCLATURE	EFFECT FROM TO	UNITS PER ASSY
35					
- 1	411A3200-203SP		CEILING INSTL-FWD ENTRY CEILING INSTL-ENTRY POSITION DATA: FWD FOR NHA SEE: 25-21-00-01D	001030 001027	RF
- 1	411A3200-226SP		CEILING INSTL-ENTRY POSITION DATA: FWD FOR NHA SEE: 25-21-00-01D	028030	RF
5	BACB30NR4K14		.BOLT	001030	2
10	BACB30NR4K17		.BOLT	001030	1
15	BACB30NR4K12		.BOLT	001030	2
20	BACB30NR4K16		.BOLT	001030	1
25	NAS1149D0463J		.WASHER	001030	12
30	PLH54CD		.NUT	001030	6
			SUPPLIER CODE: VF0224 SPECIFICATION NUMBER: BACN10YR4CD OPTIONAL PART: H52732-4CD V15653		
35	BACB28AK04-042		.BUSHING	001030	3
40	BACB28AK04-056		.BUSHING	001030	1
45	BACB28AK04-026		.BUSHING	001030	2
50	PLT3SM		.STRAP	001030	1
			SUPPLIER CODE: V06383 SPECIFICATION NUMBER: BACS38K7 OPTIONAL PART: T0510 V53421 MAINTENANCE MANUAL REF: 21-26-01		

MISSING ITEM NUMBERS NOT APPLICABLE

- ITEM NOT ILLUSTRATED

HAP

25-21-71-35

BOEING PROPRIETARY - Copyright © - Unpublished Work - See title page for details.

25-21-71
FIG. 35
PAGE 1
FEB 15/09

BOEING
737-600/700/800/900
PARTS CATALOG (MAINTENANCE)

FIG ITEM	PART NUMBER	1 2 3 4 5 6 7	NOMENCLATURE	EFFECT FROM TO	UNITS PER ASSY
35 55	411A3220-3A		.CEILING ASSY- FUNCTIONAL REFERENCE: AIR CONDITIONING FOR DETAILS SEE 21-26-01-01 21-26-51-13 EQUIPMENT/FURNISHINGS FOR DETAILS SEE 25-21-71-41 LIGHTS FOR DETAILS SEE 33-26-01-04 33-29-00-09 33-51-06-04	001027	1
75	411A3220-31SP		.CEILING ASSY- FUNCTIONAL REFERENCE: AIR CONDITIONING FOR DETAILS SEE 21-26-01-01 21-26-51-13 EQUIPMENT/FURNISHINGS FOR DETAILS SEE 25-21-71-41A LIGHTS FOR DETAILS SEE 33-26-01-17 33-29-00-09 33-51-06-04	028030	1

MISSING ITEM NUMBERS NOT APPLICABLE

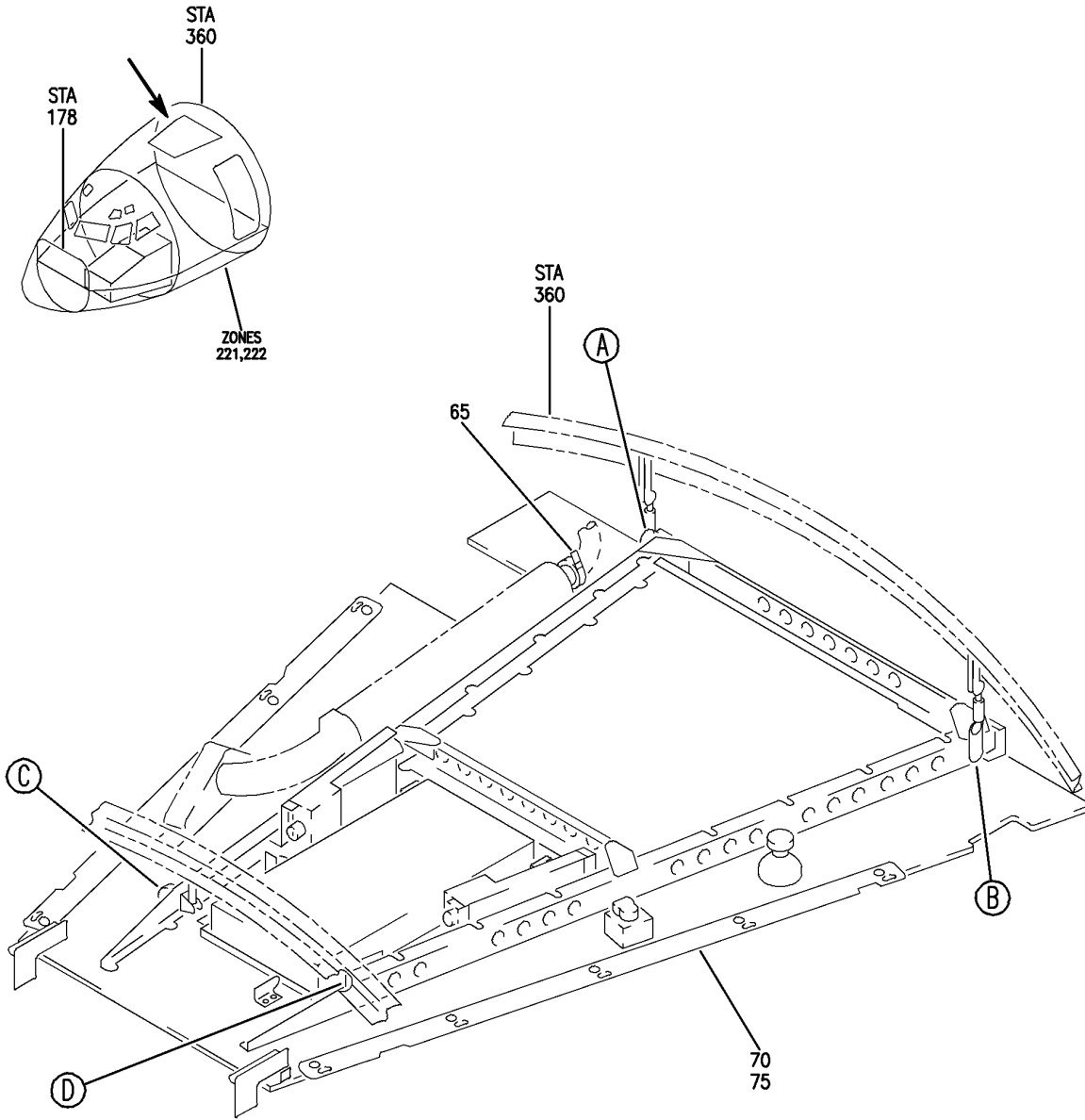
— ITEM NOT ILLUSTRATED

HAP

25-21-71-35

BOEING PROPRIETARY - Copyright © - Unpublished Work - See title page for details.

25-21-71
FIG. 35
PAGE 2
JUN 15/08



E 25217136 SHT 1 REV 064

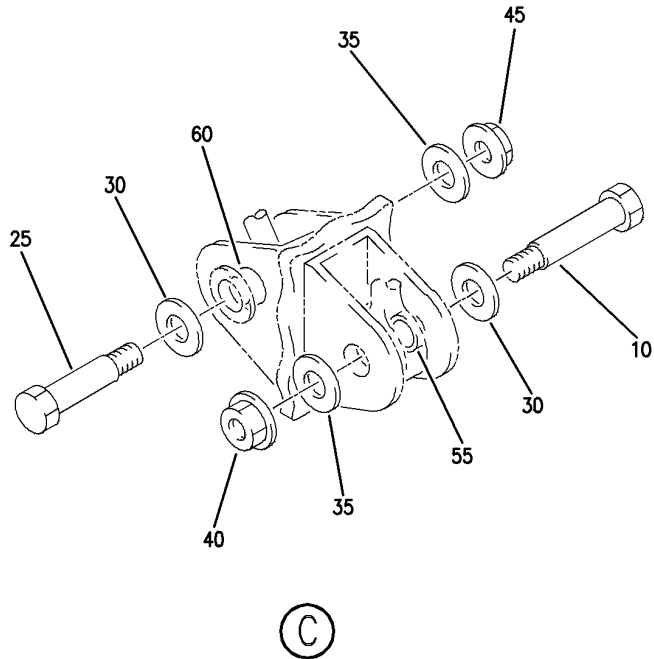
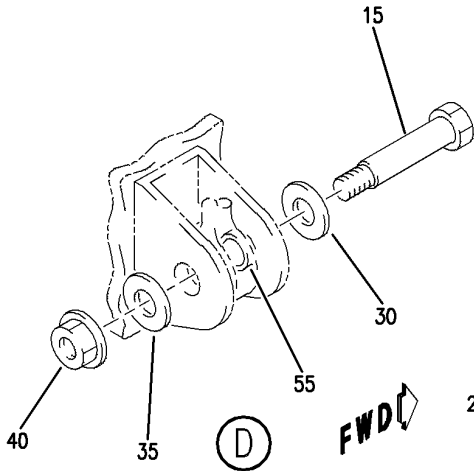
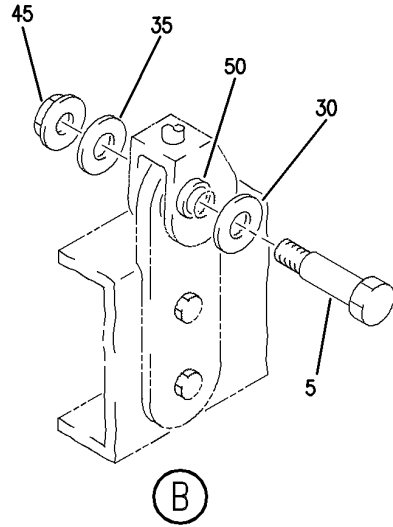
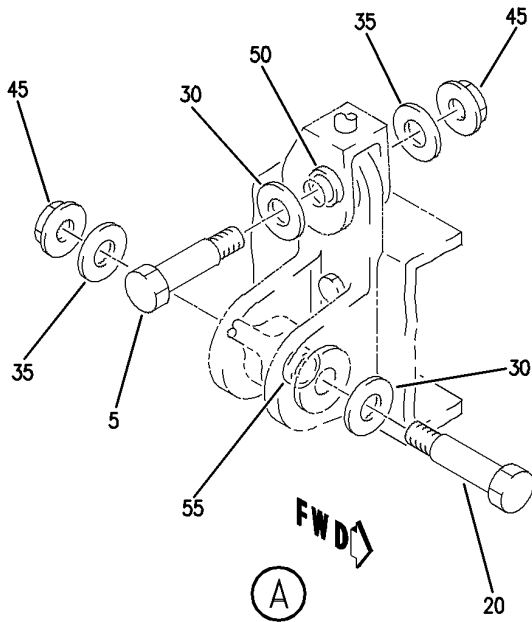
CEILING INSTL-FWD ENTRY
FIGURE 36 (SHEET 1)

25-21-71-36

HAP
OCT 15/08

25-21-71-36
PAGE 0

BOEING
 737-600/700/800/900
 PARTS CATALOG (MAINTENANCE)



E 25217136 SH1 2 REV 068

CEILING INSTL-FWD ENTRY
 FIGURE 36 (SHEET 2)

25-21-71-36

HAP
 OCT 15/08

25-21-71-36
 PAGE 0A

BOEING
737-600/700/800/900
PARTS CATALOG (MAINTENANCE)

FIG ITEM	PART NUMBER	1 2 3 4 5 6 7	NOMENCLATURE	EFFECT FROM TO	UNITS PER ASSY
36			CEILING INSTL-FWD ENTRY	201967	
- 1	411A3200-208SP		CEILING INSTL-ENTRY POSITION DATA: FWD FOR NHA SEE: 25-21-00-01A	201967	RF
5	BACB30NR4K12		.BOLT	201967	2
10	BACB30NR4K14		.BOLT	201967	1
15	BACB30NR4K14		.BOLT- POSITION DATA: FAR SIDE	201967	1
20	BACB30NR4K16		.BOLT	201967	1
25	BACB30NR4K17		.BOLT- POSITION DATA: FAR SIDE	201967	1
30	NAS1149D0463J		.WASHER	201967	6
35	NAS1149D0463J		.WASHER- POSITION DATA: FAR SIDE	201967	6
40	PLH54CD		.NUT SUPPLIER CODE: VF0224 SPECIFICATION NUMBER: BACN10YR4CD OPTIONAL PART: H52732-4CD V15653	201967	2
45	PLH54CD		.NUT- SUPPLIER CODE: VF0224 SPECIFICATION NUMBER: BACN10YR4CD OPTIONAL PART: H52732-4CD V15653 POSITION DATA: FAR SIDE	201967	4
50	BACB28AK04-026		.BUSHING	201967	2
55	BACB28AK04-042		.BUSHING	201967	3
60	BACB28AK04-056		.BUSHING- POSITION DATA: FAR SIDE	201967	1

MISSING ITEM NUMBERS NOT APPLICABLE

- ITEM NOT ILLUSTRATED

HAP

25-21-71-36

BOEING PROPRIETARY - Copyright © - Unpublished Work - See title page for details.

25-21-71
FIG. 36
PAGE 1
FEB 15/09

BOEING
737-600/700/800/900
PARTS CATALOG (MAINTENANCE)

FIG ITEM	PART NUMBER	1 2 3 4 5 6 7	NOMENCLATURE	EFFECT FROM TO	UNITS PER ASSY
36 65	PLT3SM		.STRAP SUPPLIER CODE: V06383 SPECIFICATION NUMBER: BACS38K7 OPTIONAL PART: T0510 V53421 MAINTENANCE MANUAL REF: 21-26-01	201967	1
70	411A3220-8B		.CEILING ASSY-ENTRY POSITION DATA: FWD FUNCTIONAL REFERENCE: AIR CONDITIONING FOR DETAILS SEE 21-26-01-01 21-26-51-13 EQUIPMENT/FURNISHINGS FOR DETAILS SEE 25-21-71-15 LIGHTS FOR DETAILS SEE 33-26-01-04 33-29-00-09 33-51-06-04	201967	1

MISSING ITEM NUMBERS NOT APPLICABLE

— ITEM NOT ILLUSTRATED

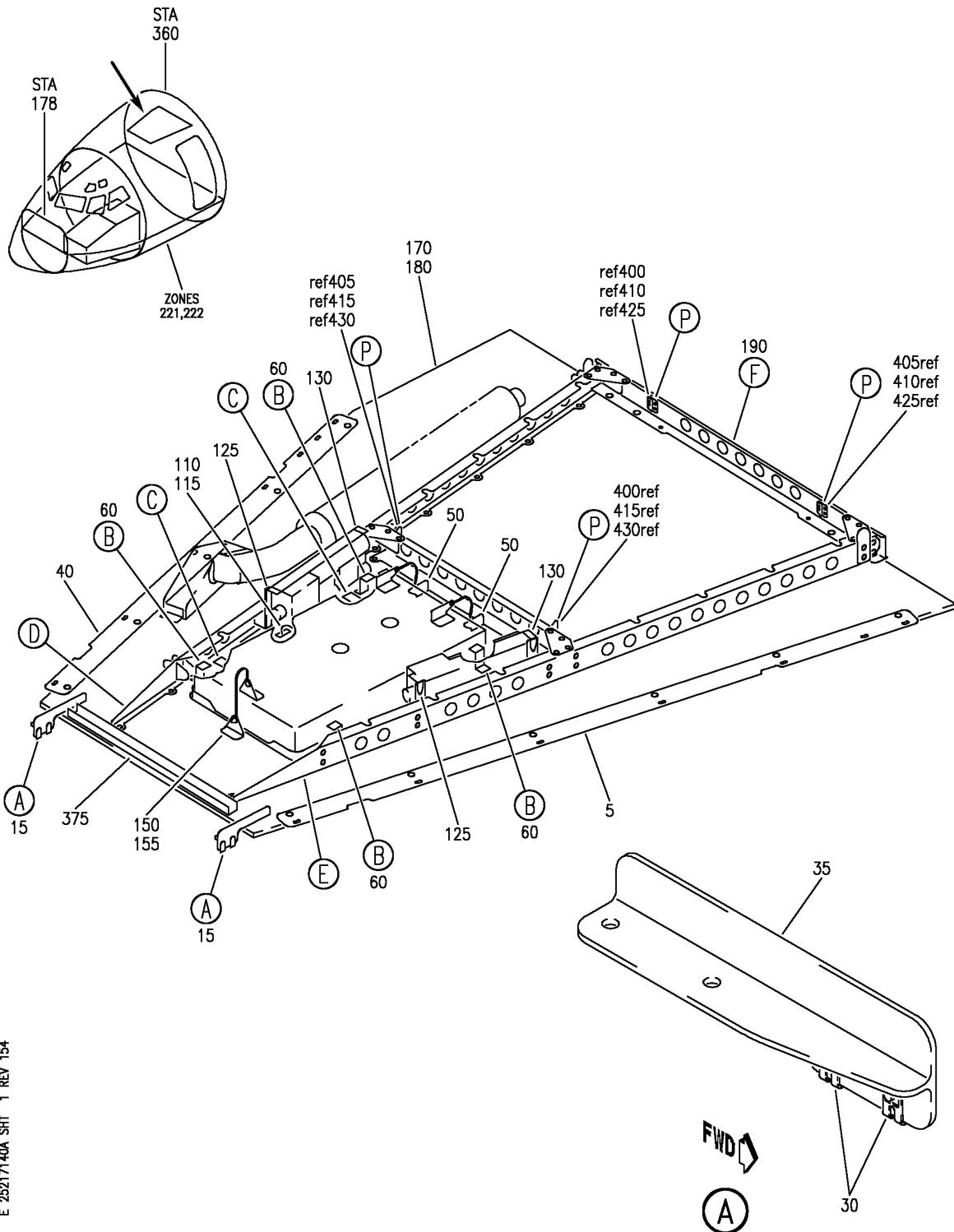
HAP

25-21-71-36

BOEING PROPRIETARY - Copyright © - Unpublished Work - See title page for details.

25-21-71
FIG. 36
PAGE 2
OCT 15/08

BOEING
 737-600/700/800/900
 PARTS CATALOG (MAINTENANCE)



E 25217140A SHT 1 REV 154

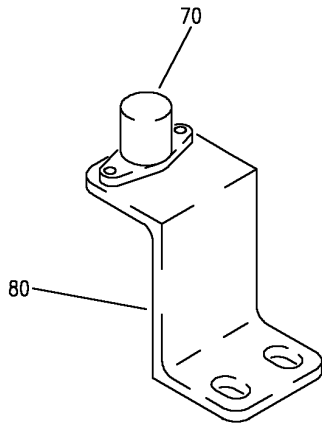
CEILING ASSY-FWD ENTRY (EQUIPMENT/FURNISHINGS ONLY)
 FIGURE 40A (SHEET 1)

25-21-71-40A

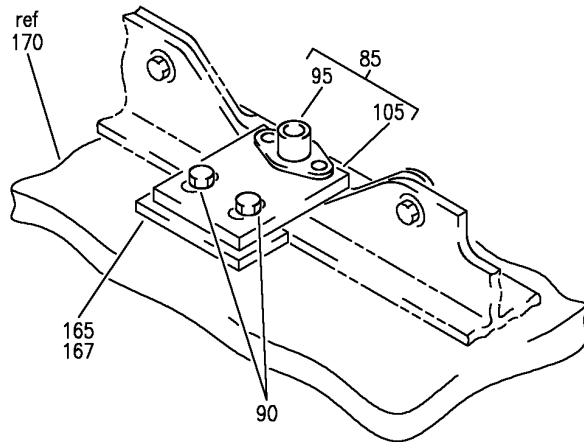
HAP
 JUN 15/09

25-21-71-40A
 PAGE 0

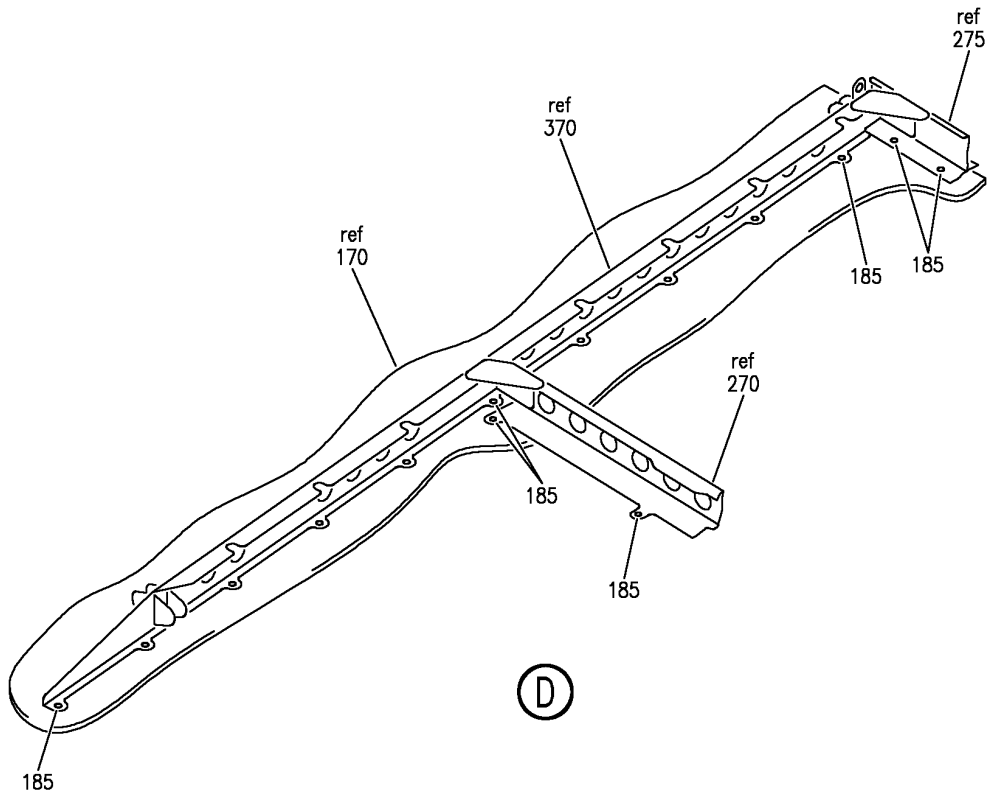
BOEING
 737-600/700/800/900
 PARTS CATALOG (MAINTENANCE)



(B)



FWD
 (C)



(D)

E 25217140A SHT 2 REV 097

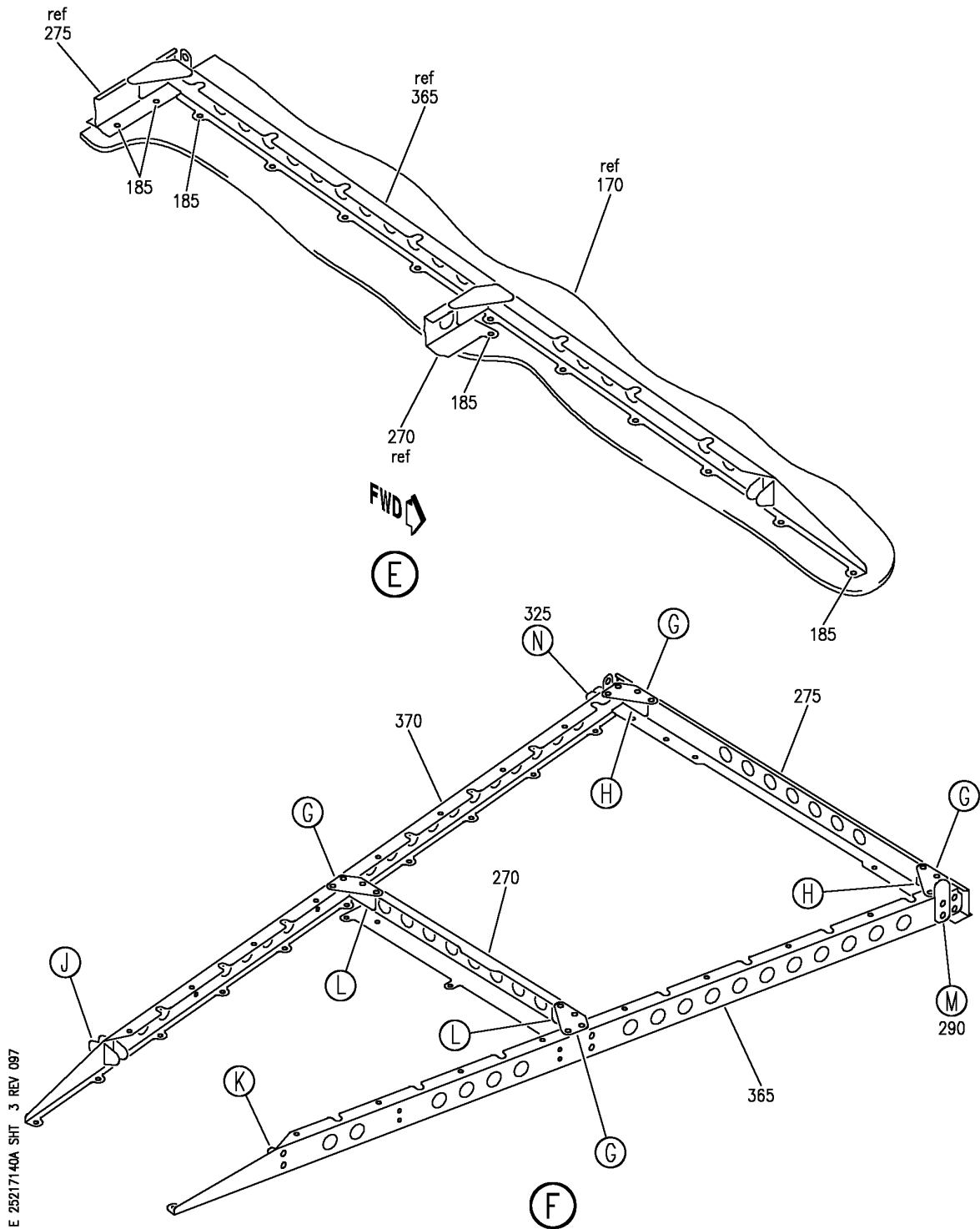
CEILING ASSY-FWD ENTRY (EQUIPMENT/FURNISHINGS ONLY)
 FIGURE 40A (SHEET 2)

25-21-71-40A

HAP
 OCT 10/06

25-21-71-40A
 PAGE 0A

BOEING
 737-600/700/800/900
 PARTS CATALOG (MAINTENANCE)



E 25217140A SHT. 3 REV 097

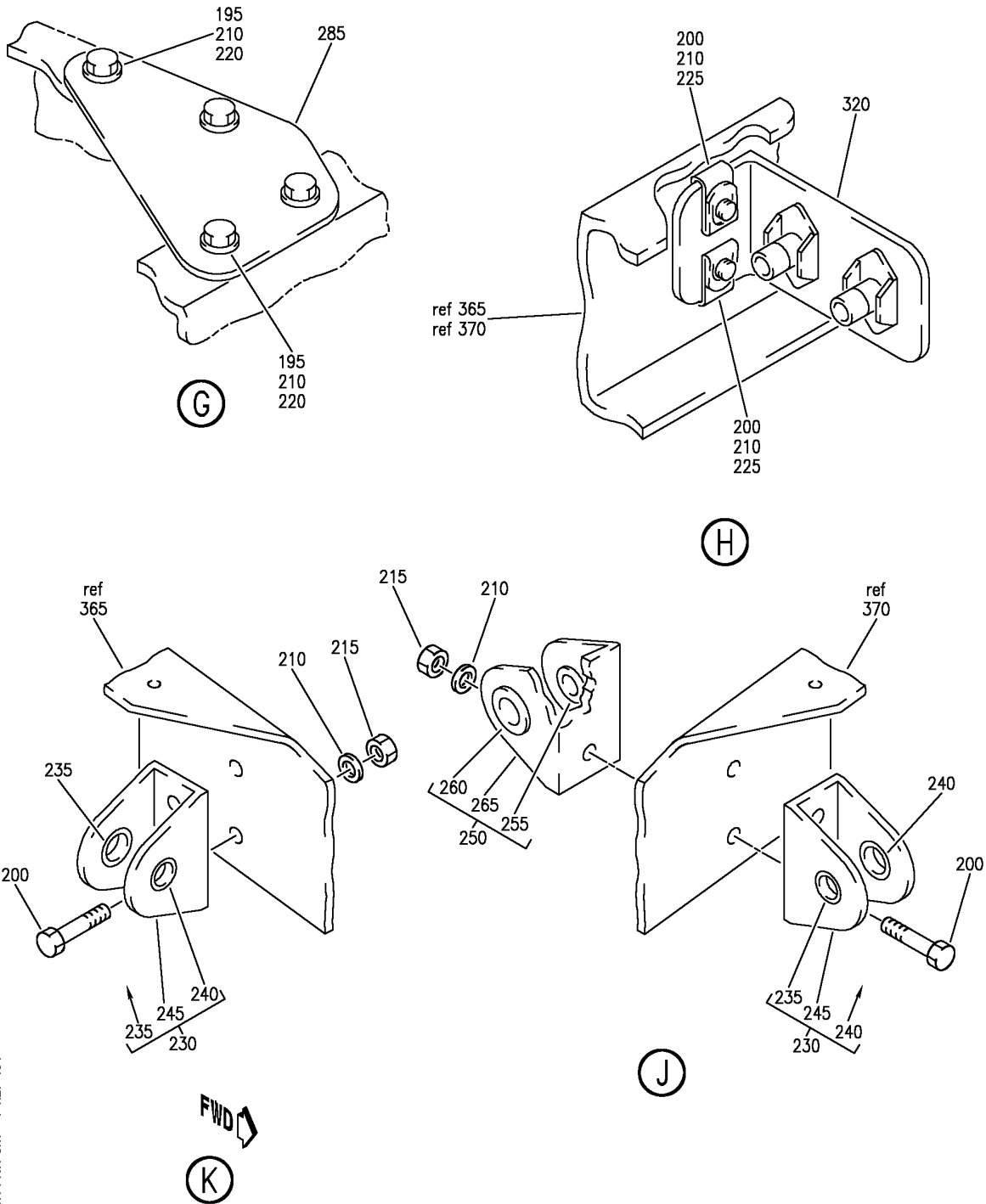
CEILING ASSY-FWD ENTRY (EQUIPMENT/FURNISHINGS ONLY)
 FIGURE 40A (SHEET 3)

25-21-71-40A

HAP
 OCT 10/06

25-21-71-40A
 PAGE 0B

BOEING
 737-600/700/800/900
 PARTS CATALOG (MAINTENANCE)



E 25217140A SHT 4 REV 154

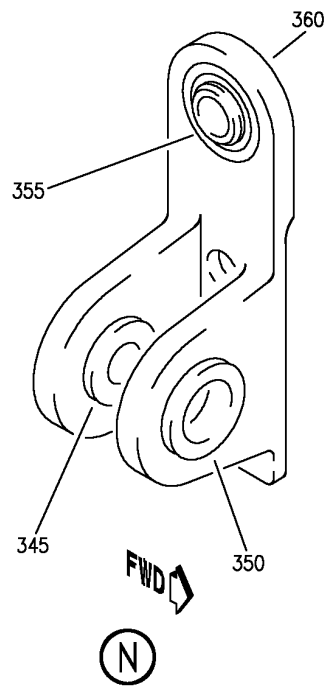
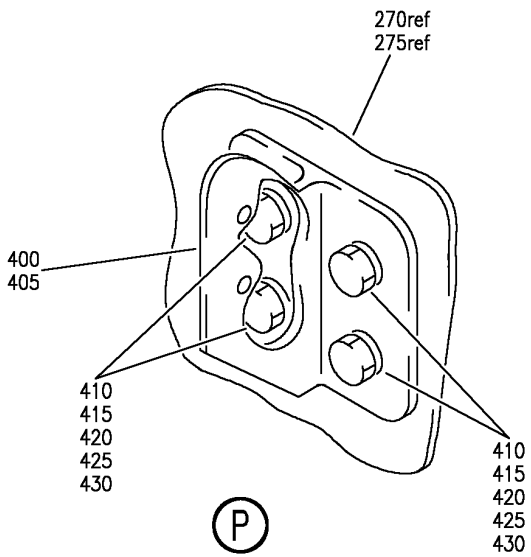
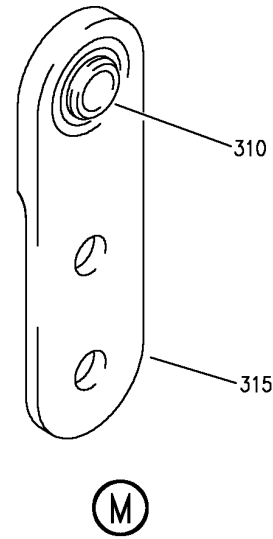
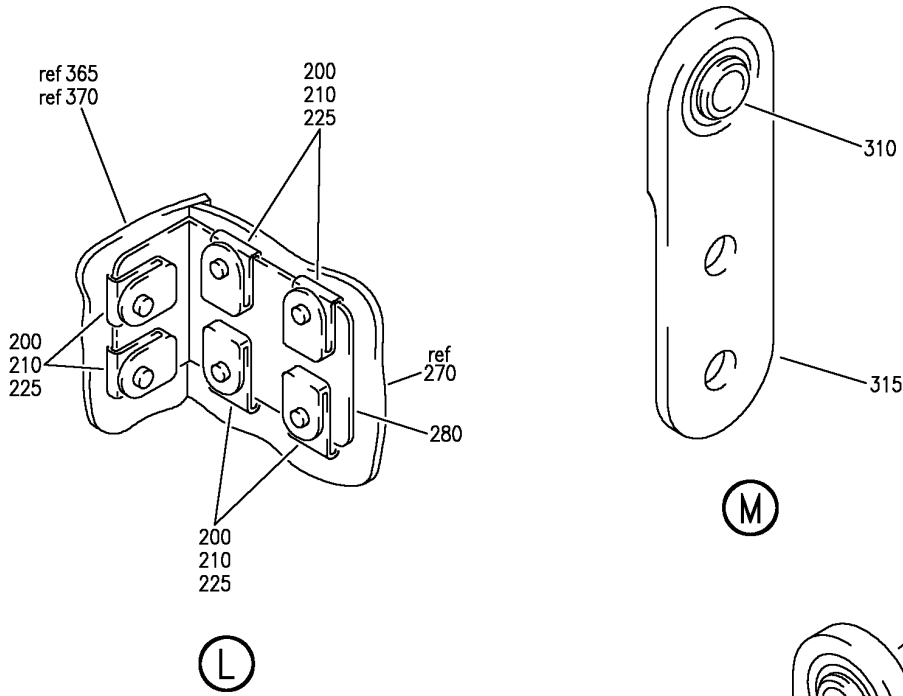
CEILING ASSY-FWD ENTRY (EQUIPMENT/FURNISHINGS ONLY)
 FIGURE 40A (SHEET 4)

25-21-71-40A

HAP
 JUN 15/09

25-21-71-40A
 PAGE 0C

BOEING
 737-600/700/800/900
 PARTS CATALOG (MAINTENANCE)



E 25217140A SHT 5 REV 154

CEILING ASSY-FWD ENTRY (EQUIPMENT/FURNISHINGS ONLY)
 FIGURE 40A (SHEET 5)

25-21-71-40A

HAP
 JUN 15/09

25-21-71-40A
 PAGE 0D

BOEING
737-600/700/800/900
PARTS CATALOG (MAINTENANCE)

FIG ITEM	PART NUMBER	1 2 3 4 5 6 7	NOMENCLATURE	EFFECT FROM TO	UNITS PER ASSY
40A			CEILING ASSY-FWD ENTRY (EQUIPMENT/FURNISHINGS ONLY)	031036	
- 1	411A3220-104B		CEILING ASSY-ENTRY (EQUIPMENT/FURNISHINGS ONLY) POSITION DATA: FWD FOR NHA/OTHER SYS DET SEE: 25-21-71-01	031036	RF
5	411A3080-4		.BRACKET ATTACHING PARTS	031036	1
- 10	BACS12FA3K5		.SCREW -----*-----	031036	6
15	411A3081-45		.BRACKET ASSY ATTACHING PARTS	031036	2
- 20	BACS12GU3K5		.SCREW	031036	4
- 25	NAS1149D0332J		.WASHER -----*-----	031036	4
30	BRC600-8-3		..NUT SUPPLIER CODE: V52828 SPECIFICATION NUMBER: BACN10YD1 OPTIONAL PART: 130120 V60119	031036	2
35	411A3081-46		..BRACKET	031036	1
40	411A3080-5		.BRACKET ATTACHING PARTS	031036	1
- 45	BACS12FA3K5		.SCREW -----*-----	031036	5
50	65C34653-11		.BRACKET ATTACHING PARTS	031036	2
- 55	BACS12FA3K5		.SCREW -----*-----	031036	4
60	417A5464-25		.BRACKET ASSY ATTACHING PARTS	031036	4
- 65	BACS12FA3K5		.SCREW -----*-----	031036	8
70	BACR11AW3A		..RECEPTACLE	031036	1

MISSING ITEM NUMBERS NOT APPLICABLE

- ITEM NOT ILLUSTRATED

HAP

25-21-71-40A

BOEING PROPRIETARY - Copyright © - Unpublished Work - See title page for details.

25-21-71
FIG. 40A
PAGE 1
FEB 10/07

BOEING
737-600/700/800/900
PARTS CATALOG (MAINTENANCE)

FIG ITEM	PART NUMBER	1 2 3 4 5 6 7	NOMENCLATURE	EFFECT FROM TO	UNITS PER ASSY
40A			ATTACHING PARTS		
- 75	AF5141-3C3	..	RIVET SUPPLIER CODE: V53551 SPECIFICATION NUMBER: BACR15DR3AC3 OPTIONAL PART: CCR264CS3-3IT V11815 RV541A3C3 V98996 -----*-----	031036	2
80	417A5464-26	..	BRACKET	031036	1
85	65C27481-231	.	BRACKET ASSY	031036	2
90	BACS12FA3K7	.	SCREW	031036	4
95	BACR11Y3A	..	RECEPTACLE	031036	1
- 100	AF517-3-3	..	ATTACHING PARTS RIVET SUPPLIER CODE: V53551 SPECIFICATION NUMBER: BACR15DR3P3 OPTIONAL PART: CCR274SS3-3 V11815 RV570A3-3 V98996 -----*-----	031036	2
105	65C27481-224	..	PLATE	031036	1
110	MS29523-1	.	HOOK	031036	1
115	MABMSS10M70	.	PLATE SUPPLIER CODE: V06383 SPECIFICATION NUMBER: STBP19H1 OPTIONAL PART: MABMS V06383 TC105 V59730	031036	1
- 120	BACS12FA3K4	.	ATTACHING PARTS SCREW -----*-----	031036	1
125	65C27367-16	.	BRACKET ASSY	031036	2
130	65C27367-15	.	BRACKET ASSY	031036	2
- 135	BACB30NM3K3	.	ATTACHING PARTS BOLT	031036	8
- 140	NAS1149D0332J	.	WASHER	031036	8

MISSING ITEM NUMBERS NOT APPLICABLE

- ITEM NOT ILLUSTRATED

HAP

25-21-71-40A

BOEING PROPRIETARY - Copyright © - Unpublished Work - See title page for details.

25-21-71
FIG. 40A
PAGE 2
FEB 10/07

BOEING
737-600/700/800/900
PARTS CATALOG (MAINTENANCE)

FIG ITEM	PART NUMBER	1 2 3 4 5 6 7	NOMENCLATURE	EFFECT FROM TO	UNITS PER ASSY
40A - 145	130069		.NUT SUPPLIER CODE: V60119 SPECIFICATION NUMBER: BACN10FX16 OPTIONAL PART: A11330-6-3 V72962 A4972-6-02 V72962 -----*-----	031036	8
150	H3583-1		.LANYARD- SUPPLIER CODE: V83014 OPTIONAL PART: H3583K3260 V83014	031036	1
150	H3583K3260		.LANYARD- SUPPLIER CODE: V83014 OPTIONAL PART: H3583-1 V83014	031036	1
155	411A3081-5		.BRACKET ATTACHING PARTS	031036	1
- 160	BACS12FA3K5		.SCREW -----*-----	031036	2
165	411A3080-56		.BRACKET- OPTIONAL PART: BACS40R010E015F	031036	2
167	BACS40R010E015F		.SHIM- OPTIONAL PART: 411A3080-56	031036	2
170	411A3220-99B		.PANEL ASSY-	031036	1
- 177	SL2334-3A1		..INSERT- SUPPLIER CODE: V97393	031036	78
180	432W8503-4B		..PANEL-STOCK	031036	AR
185	BACS12FA3K5		.SCREW	031036	27
190	411A3220-68		.CEILING SUB ASSY	031036	1
195	BACB30NM3K2		..BOLT	031036	16
200	BACB30NM3K3		..BOLT	031036	20
210	NAS1149D0332J		..WASHER	031036	36

MISSING ITEM NUMBERS NOT APPLICABLE

- ITEM NOT ILLUSTRATED

HAP

25-21-71-40A

BOEING PROPRIETARY - Copyright © - Unpublished Work - See title page for details.

25-21-71
FIG. 40A
PAGE 3
FEB 15/09

BOEING
737-600/700/800/900
PARTS CATALOG (MAINTENANCE)

FIG ITEM	PART NUMBER	1 2 3 4 5 6 7	NOMENCLATURE	EFFECT FROM TO	UNITS PER ASSY
40A 215	PLH53CD	..	NUT SUPPLIER CODE: VF0224 SPECIFICATION NUMBER: BACN10YR3CD OPTIONAL PART: H52732-3CD V15653	031036	4
220	BRC600-10-3	..	NUT SUPPLIER CODE: V52828 SPECIFICATION NUMBER: BACN10YD2 OPTIONAL PART: 130121 V60119	031036	16
225	130069	..	NUT SUPPLIER CODE: V60119 SPECIFICATION NUMBER: BACN10FX16 OPTIONAL PART: A11330-6-3 V72962 A4972-6-02 V72962	031036	16
230	411A3081-15	..	FITTING ASSY	031036	2
235	BACB28AP04P009	...	BUSHING	031036	1
240	BACB28AT06B009C	...	BUSHING	031036	1
245	411A3081-16	...	FITTING	031036	1
250	411A3081-17	..	FITTING ASSY	031036	1
255	BACB28AP04P009	...	BUSHING	031036	1
260	BACB28AT06B009C	...	BUSHING	031036	1
265	411A3081-18	...	FITTING	031036	1
270	411A3081-3	..	CROSSMEMBER	031036	1
275	411A3081-4	..	CROSSMEMBER	031036	1
280	411A3080-18	..	BRACKET	031036	2
285	411A3080-10	..	GUSSET	031036	4
290	411A3081-19	..	FITTING ASSY	031036	1
			ATTACHING PARTS		
- 295	BACB30NM3K3	..	BOLT	031036	2
- 300	NAS1149D0332J	..	WASHER	031036	2

MISSING ITEM NUMBERS NOT APPLICABLE

- ITEM NOT ILLUSTRATED

HAP

25-21-71-40A

BOEING PROPRIETARY - Copyright © - Unpublished Work - See title page for details.

25-21-71
FIG. 40A
PAGE 4
FEB 15/09

BOEING
737-600/700/800/900
PARTS CATALOG (MAINTENANCE)

FIG ITEM	PART NUMBER	1 2 3 4 5 6 7	NOMENCLATURE	EFFECT FROM TO	UNITS PER ASSY
40A - 305	PLH53CD	..	NUT SUPPLIER CODE: VF0224 SPECIFICATION NUMBER: BACN10YR3CD OPTIONAL PART: H52732-3CD V15653 -----*-----	031036	2
310	AG4V4009	...	BEARING- SUPPLIER CODE: V15860 SPECIFICATION NUMBER: 60B00180-68 OPTIONAL PART: LHBG4BAC V73134 NC4G12 V56644	031036	1
315	411A3081-20	...	FITTING	031036	1
320	411A3080-16	..	BRACKET ASSY	031036	2
325	411A3081-21	..	FITTING ASSY	031036	1
- 330	BACB30NT3K3	..	BOLT	031036	2
- 335	NAS1149D0332J	..	WASHER	031036	2
- 340	PLH53CD	..	NUT SUPPLIER CODE: VF0224 SPECIFICATION NUMBER: BACN10YR3CD OPTIONAL PART: H52732-3CD V15653 -----*-----	031036	2
345	BACB28AP04P018	...	BUSHING	031036	1
350	BACB28AT06B018C	...	BUSHING	031036	1
355	AG4V4009	...	BEARING- SUPPLIER CODE: V15860 SPECIFICATION NUMBER: 60B00180-68 OPTIONAL PART: LHBG4BAC V73134 NC4G12 V56644	031036	1
360	411A3081-22	...	FITTING	031036	1
365	411A3081-1	..	RAIL	031036	1
370	411A3081-2	..	RAIL	031036	1

MISSING ITEM NUMBERS NOT APPLICABLE

- ITEM NOT ILLUSTRATED

HAP

25-21-71-40A

BOEING PROPRIETARY - Copyright © - Unpublished Work - See title page for details.

25-21-71
FIG. 40A
PAGE 5
FEB 15/09


BOEING
 737-600/700/800/900
PARTS CATALOG (MAINTENANCE)

FIG ITEM	PART NUMBER	1 2 3 4 5 6 7	NOMENCLATURE	EFFECT FROM TO	UNITS PER ASSY
40A 375	411A3080-131		. SUPPORT- ATTACHING PARTS	031036	1
- 380	BACS12FA3K5		. SCREW -----*-----	031036	5

MISSING ITEM NUMBERS NOT APPLICABLE

- ITEM NOT ILLUSTRATED

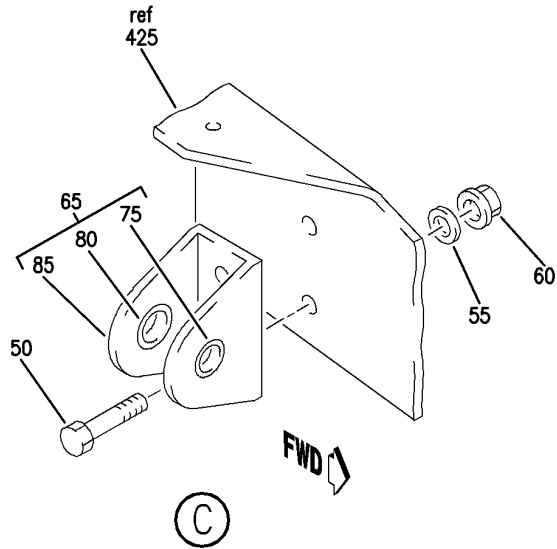
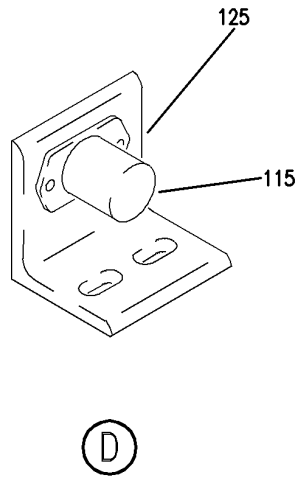
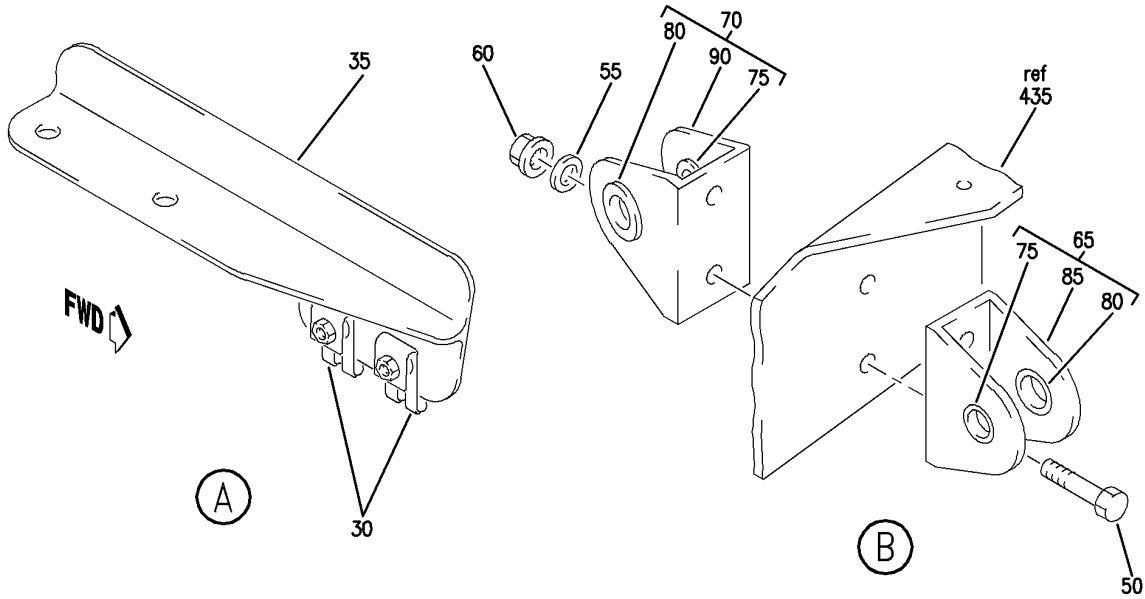
HAP

25-21-71-40A

BOEING PROPRIETARY - Copyright © - Unpublished Work - See title page for details.

25-21-71
 FIG. 40A
 PAGE 6
 FEB 10/07

BOEING
 737-600/700/800/900
 PARTS CATALOG (MAINTENANCE)



E 25217141 SHT 2 REV 058

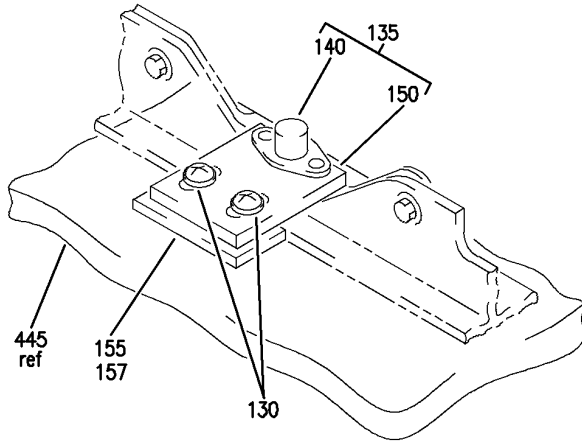
CEILING ASSY-FWD ENTRY (EQUIPMENT/FURNISHINGS ONLY)
 FIGURE 41 (SHEET 2)

25-21-71-41

HAP
 OCT 10/06

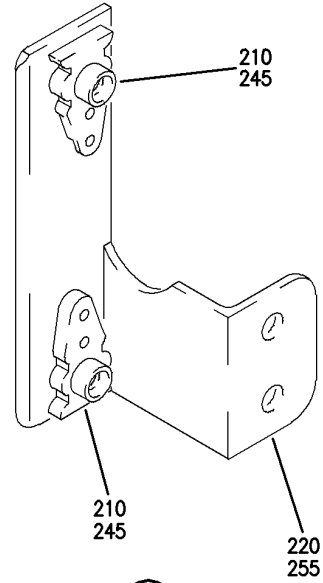
25-21-71-41
 PAGE 0A

BOEING
 737-600/700/800/900
 PARTS CATALOG (MAINTENANCE)

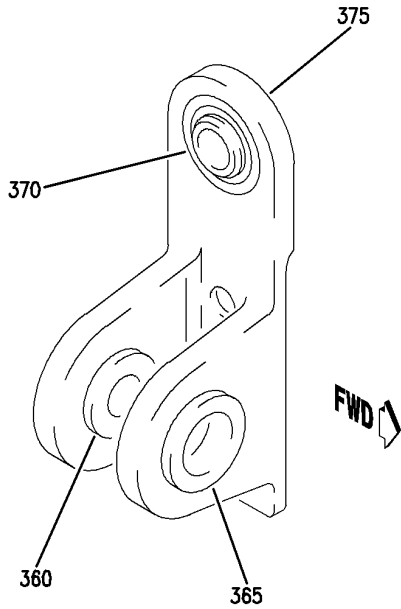


FWD ↘

(E)

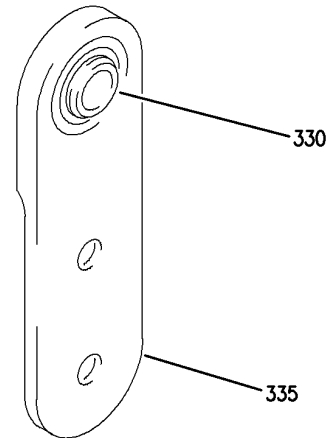


(F)



FWD ↘

(H)



(G)

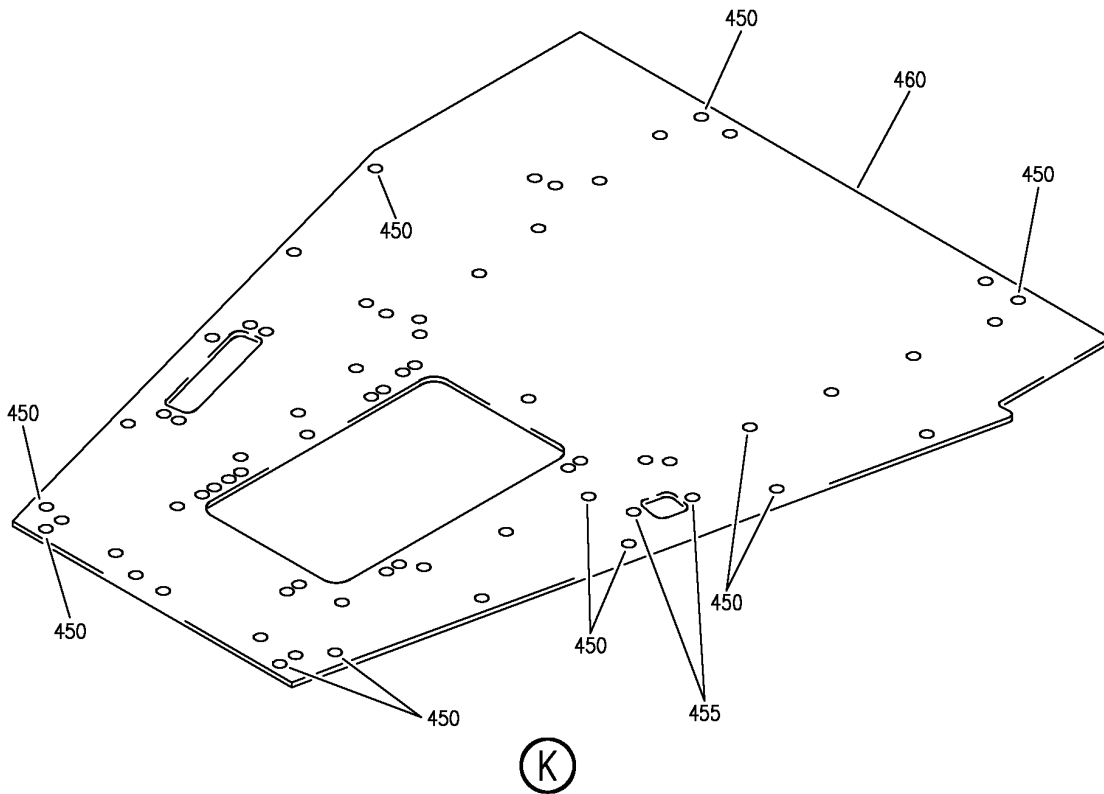
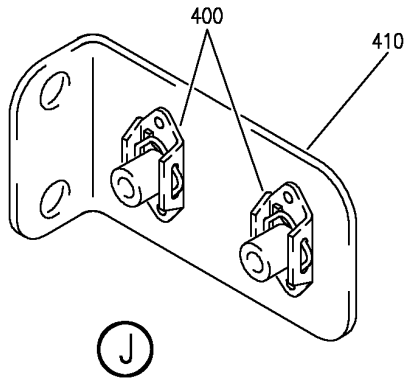
E 25217141 SHT 3 REV 061

CEILING ASSY-FWD ENTRY (EQUIPMENT/FURNISHINGS ONLY)
 FIGURE 41 (SHEET 3)

25-21-71-41

HAP
 OCT 10/06

25-21-71-41
 PAGE 0B



E 25217141 SH1 4 REV 087

CEILING ASSY-FWD ENTRY (EQUIPMENT/FURNISHINGS ONLY)
FIGURE 41 (SHEET 4)

25-21-71-41

HAP
OCT 10/06

25-21-71-41
PAGE 0C

BOEING
737-600/700/800/900
PARTS CATALOG (MAINTENANCE)

FIG ITEM	PART NUMBER	1 2 3 4 5 6 7	NOMENCLATURE	EFFECT FROM TO	UNITS PER ASSY
41			CEILING ASSY-FWD ENTRY (EQUIPMENT/FURNISHINGS ONLY)	001027	
- 1	411A3220-3A		CEILING ASSY-ENTRY (EQUIPMENT/FURNISHINGS ONLY) POSITION DATA: FWD FOR NHA/OTHER SYS DET SEE: 25-21-71-35	001027	RF
	5 411A3080-21		.BRACKET- OPTIONAL PART: 411A3080-37	001027	1
	5 411A3080-37		.BRACKET- OPTIONAL PART: 411A3080-21	001027	1
- 10	BACS12FA3K4		ATTACHING PARTS .SCREW -----*-----	001027	5
	15 411A3081-45		.BRACKET ASSY ATTACHING PARTS	001027	2
- 20	BACS12GU3K5		.SCREW	001027	4
- 25	NAS1149D0332J		.WASHER -----*-----	001027	4
	30 BRC600-8-3		. . NUT SUPPLIER CODE: V52828 SPECIFICATION NUMBER: BACN10YD1 OPTIONAL PART: 130120 V60119	001027	2
	35 411A3081-46		. . BRACKET	001027	1
	40 411A3080-5		.BRACKET ATTACHING PARTS	001027	1
- 45	BACS12FA3K4		.SCREW -----*-----	001027	5
	50 BACB30NM3K3		.BOLT	001027	4
	55 NAS1149D0332J		.WASHER	001027	4
	60 PLH53CD		.NUT SUPPLIER CODE: VF0224 SPECIFICATION NUMBER: BACN10YR3CD OPTIONAL PART: H52732-3CD V15653	001027	4
	65 411A3081-15		.FITTING ASSY	001027	2
	70 411A3081-17		.FITTING ASSY	001027	1

MISSING ITEM NUMBERS NOT APPLICABLE

- ITEM NOT ILLUSTRATED

HAP

25-21-71-41

25-21-71
FIG. 41
PAGE 1
FEB 15/09

BOEING
737-600/700/800/900
PARTS CATALOG (MAINTENANCE)

FIG ITEM	PART NUMBER	1 2 3 4 5 6 7	NOMENCLATURE	EFFECT FROM TO	UNITS PER ASSY
41					
75	BACB28AP04P009	..	BUSHING	001027	1
80	BACB28AT06B009C	..	BUSHING	001027	1
85	411A3081-16	..	FITTING- USED ON: 411A3081-15	001027	1
90	411A3081-18	..	FITTING- USED ON: 411A3081-17	001027	1
95	65C34653-6	.	BRACKET ATTACHING PARTS	001027	1
- 97	BACS12FA3K4	.	SCREW -----*-----	001027	2
108	417A5464-12	.	BRACKET ASSY ATTACHING PARTS	001027	2
- 110	BACS12FA3K5	.	SCREW -----*-----	001027	4
115	4R41-1	..	RECEPTACLE SUPPLIER CODE: V71286 SPECIFICATION NUMBER: BACR11AE2 ATTACHING PARTS	001027	1
- 120	AF517-3-3	..	RIVET SUPPLIER CODE: V53551 SPECIFICATION NUMBER: BACR15DR3P3 OPTIONAL PART: CCR274SS3-3 V11815 RV570A3-3 V98996 -----*-----	001027	2
125	417A5464-13	..	BRACKET	001027	1
130	BACS12FA3K7	.	SCREW	001027	4
135	65C27481-231	.	BRACKET ASSY	001027	2
140	BACR11Y3A	..	RECEPTACLE ATTACHING PARTS	001027	1
- 145	AF517-3-3	..	RIVET SUPPLIER CODE: V53551 SPECIFICATION NUMBER: BACR15DR3P3 OPTIONAL PART: CCR274SS3-3 V11815 RV570A3-3 V98996 -----*-----	001027	2

MISSING ITEM NUMBERS NOT APPLICABLE

- ITEM NOT ILLUSTRATED

HAP

25-21-71-41

BOEING PROPRIETARY - Copyright © - Unpublished Work - See title page for details.

25-21-71
FIG. 41
PAGE 2
OCT 10/06

BOEING
737-600/700/800/900
PARTS CATALOG (MAINTENANCE)

FIG ITEM	PART NUMBER	1 2 3 4 5 6 7	NOMENCLATURE	EFFECT FROM TO	UNITS PER ASSY
41					
150	65C27481-224		. . PLATE	001027	1
155	411A3080-56		. BRACKET-	001027	2
			OPTIONAL PART: BACS40R010E015F		
157	BACS40R010E015F		. SHIM-	001027	2
			OPTIONAL PART: 411A3080-56		
160	MABMSS10M70		. PLATE	001027	1
			SUPPLIER CODE: V06383		
			SPECIFICATION NUMBER: STBP19H1		
			OPTIONAL PART: MABMS V06383 TC105 V59730		
			ATTACHING PARTS		
- 165	BACS12FA3K4		. SCREW	001027	1
			-----*-----		
170	417A5464-11		. BRACKET	001027	1
			ATTACHING PARTS		
- 175	BACS12FA3K5		. SCREW	001027	2
			-----*-----		
180	417A5464-10		. BRACKET	001027	1
			ATTACHING PARTS		
- 185	BACS12FA3K5		. SCREW	001027	2
			-----*-----		
190	65C27367-16		. BRACKET ASSY	001027	2
			ATTACHING PARTS		
- 195	BACB30NM3K3		. BOLT-	001027	4
			POSITION DATA: FAR SIDE		
- 200	NAS1149D0332J		. WASHER-	001027	4
			POSITION DATA: FAR SIDE		
- 205	130069		. NUT	001027	4
			SUPPLIER CODE: V60119		
			SPECIFICATION NUMBER: BACN10FX16		
			OPTIONAL PART: A11330-6-3 V72962 A4972-6-02 V72962		
			-----*-----		

MISSING ITEM NUMBERS NOT APPLICABLE

- ITEM NOT ILLUSTRATED

HAP

25-21-71-41

BOEING PROPRIETARY - Copyright © - Unpublished Work - See title page for details.

25-21-71
FIG. 41
PAGE 3
FEB 15/09

BOEING
737-600/700/800/900
PARTS CATALOG (MAINTENANCE)

FIG ITEM	PART NUMBER	1 2 3 4 5 6 7	NOMENCLATURE	EFFECT FROM TO	UNITS PER ASSY
41 210	BRF100C3D		..NUTPLATE SUPPLIER CODE: V52828 SPECIFICATION NUMBER: BACN10KB3CFD OPTIONAL PART: NS202478-02 V80539 102F9207P3 V72962 F51604-3 V15653 ATTACHING PARTS	001027	2
- 215	BACR15BA3AD		..RIVET- SIZE DETERMINED ON INSTL. -----*-----	001027	4
220	65C27367-24		..BRACKET	001027	1
225	65C27367-15		.BRACKET ASSY ATTACHING PARTS	001027	2
- 230	BACB30NM3K3		.BOLT- POSITION DATA: FAR SIDE	001027	4
- 235	NAS1149D0332J		.WASHER- POSITION DATA: FAR SIDE	001027	4
- 240	130069		.NUT SUPPLIER CODE: V60119 SPECIFICATION NUMBER: BACN10FX16 OPTIONAL PART: A11330-6-3 V72962 A4972-6-02 V72962 -----*-----	001027	4
245	BRF100C3D		..NUTPLATE SUPPLIER CODE: V52828 SPECIFICATION NUMBER: BACN10KB3CFD OPTIONAL PART: NS202478-02 V80539 102F9207P3 V72962 F51604-3 V15653	001027	2

MISSING ITEM NUMBERS NOT APPLICABLE

- ITEM NOT ILLUSTRATED

HAP

25-21-71-41

BOEING PROPRIETARY - Copyright © - Unpublished Work - See title page for details.

25-21-71
FIG. 41
PAGE 4
FEB 15/09

BOEING
737-600/700/800/900
PARTS CATALOG (MAINTENANCE)

FIG ITEM	PART NUMBER	1 2 3 4 5 6 7	NOMENCLATURE	EFFECT FROM TO	UNITS PER ASSY
41			ATTACHING PARTS		
- 250	BACR15BA3AD	..	RIVET- SIZE DETERMINED ON INSTL. -----*-----	001027	4
255	65C27367-23	..	BRACKET	001027	1
260	411A3080-10	.	GUSSET	001027	4
			ATTACHING PARTS		
- 265	BACB30NM3K2	.	BOLT	001027	16
- 270	NAS1149D0332J	.	WASHER	001027	16
- 275	BRC600-10-3	.	NUT- SUPPLIER CODE: V52828 SPECIFICATION NUMBER: BACN10YD2 OPTIONAL PART: 130121 V60119 POSITION DATA: FAR SIDE -----*-----	001027	16
280	411A3080-18	.	BRACKET	001027	2
			ATTACHING PARTS		
- 285	BACB30NM3K3	.	BOLT	001027	12
- 290	NAS1149D0332J	.	WASHER	001027	12
- 295	130069	.	NUT SUPPLIER CODE: V60119 SPECIFICATION NUMBER: BACN10FX16 OPTIONAL PART: A11330-6-3 V72962 A4972-6-02 V72962 -----*-----	001027	12
300	411A3081-3	.	CROSSMEMBER	001027	1
			ATTACHING PARTS		
- 305	BACS12FA3K4	.	SCREW	001027	3
			-----*-----		
310	411A3081-19	.	FITTING ASSY	001027	1
			ATTACHING PARTS		
- 315	BACB30NM3K3	.	BOLT	001027	2
- 320	NAS1149D0332J	.	WASHER	001027	2

MISSING ITEM NUMBERS NOT APPLICABLE

- ITEM NOT ILLUSTRATED

HAP

25-21-71-41

BOEING PROPRIETARY - Copyright © - Unpublished Work - See title page for details.

25-21-71
FIG. 41
PAGE 5
FEB 15/09

BOEING
737-600/700/800/900
PARTS CATALOG (MAINTENANCE)

FIG ITEM	PART NUMBER	1 2 3 4 5 6 7	NOMENCLATURE	EFFECT FROM TO	UNITS PER ASSY
41 - 325	PLH53CD	.NUT	SUPPLIER CODE: VF0224 SPECIFICATION NUMBER: BACN10YR3CD OPTIONAL PART: H52732-3CD V15653 -----*-----	001027	2
330	AG4V4009	..BEARING-	SUPPLIER CODE: V15860 SPECIFICATION NUMBER: 60B00180-68 OPTIONAL PART: LHBG4BAC V73134 NC4G12 V56644	001027	1
335	411A3081-20	..FITTING		001027	1
340	411A3081-21	.FITTING ASSY	ATTACHING PARTS	001027	1
- 345	BACB30NT3K3	.BOLT		001027	2
- 350	NAS1149D0332J	.WASHER		001027	2
- 355	PLH53CD	.NUT	SUPPLIER CODE: VF0224 SPECIFICATION NUMBER: BACN10YR3CD OPTIONAL PART: H52732-3CD V15653 -----*-----	001027	2
360	BACB28AP04P018	..BUSHING		001027	1
365	BACB28AT06B018C	..BUSHING		001027	1
370	AG4V4009	..BEARING-	SUPPLIER CODE: V15860 SPECIFICATION NUMBER: 60B00180-68 OPTIONAL PART: LHBG4BAC V73134 NC4G12 V56644	001027	1
375	411A3081-22	..FITTING		001027	1
380	411A3080-16	.BRACKET ASSY		001027	2

MISSING ITEM NUMBERS NOT APPLICABLE

- ITEM NOT ILLUSTRATED

HAP

25-21-71-41

BOEING PROPRIETARY - Copyright © - Unpublished Work - See title page for details.

25-21-71
FIG. 41
PAGE 6
FEB 15/09

BOEING
737-600/700/800/900
PARTS CATALOG (MAINTENANCE)

FIG ITEM	PART NUMBER	1 2 3 4 5 6 7	NOMENCLATURE	EFFECT FROM TO	UNITS PER ASSY
41			ATTACHING PARTS		
- 385	BACB30NM3K3		.BOLT- POSITION DATA: FAR SIDE	001027	4
- 390	NAS1149D0332J		.WASHER- POSITION DATA: FAR SIDE	001027	4
- 395	130069		.NUT SUPPLIER CODE: V60119 SPECIFICATION NUMBER: BACN10FX16 OPTIONAL PART: A11330-6-3 V72962 A4972-6-02 V72962	001027	4
			-----*-----		
400	BACN11G3A4CD		..NUTPLATE ATTACHING PARTS	001027	2
- 405	BACR15BA3ADC		..RIVET- SIZE DETERMINED ON INSTL.	001027	4
			-----*-----		
410	411A3080-17		..BRACKET	001027	1
415	411A3081-4		.CROSSMEMBER	001027	1
- 420	BACS12FA3K4		ATTACHING PARTS .SCREW	001027	4
			-----*-----		
425	411A3081-1		.RAIL ATTACHING PARTS	001027	1
- 430	BACS12FA3K4		.SCREW	001027	10
			-----*-----		
435	411A3081-2		.RAIL ATTACHING PARTS	001027	1
- 440	BACS12FA3K4		.SCREW	001027	10
			-----*-----		
445	411A3221-3		.PANEL ASSY	001027	1
450	SL2334-3A1		..INSERT- SUPPLIER CODE: V97393	001027	66
455	SL2334-08A1		..INSERT- SUPPLIER CODE: V97393	001027	2
460	432W8502-42		..PANEL-STOCK	001027	AR

MISSING ITEM NUMBERS NOT APPLICABLE

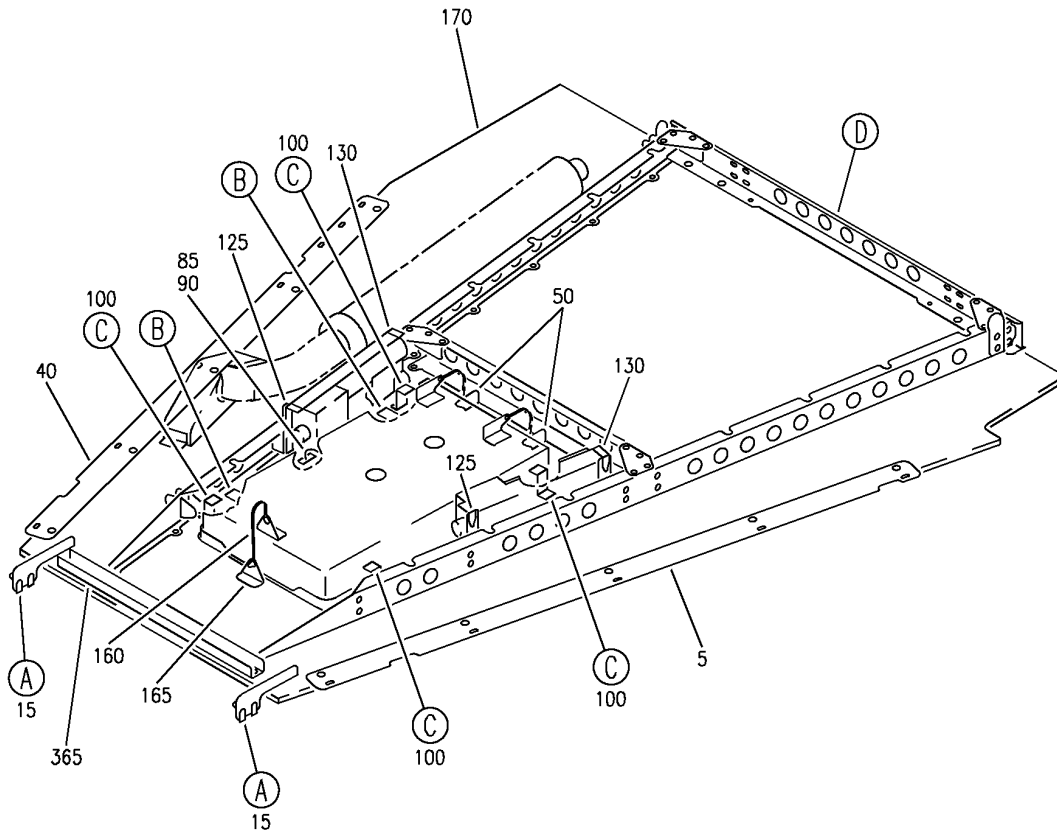
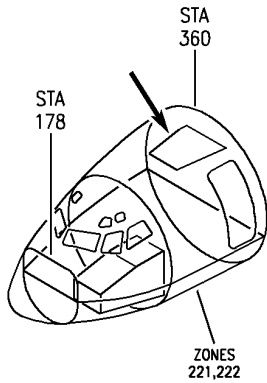
- ITEM NOT ILLUSTRATED

HAP

25-21-71-41

25-21-71
FIG. 41
PAGE 7
FEB 15/09

BOEING
 737-600/700/800/900
 PARTS CATALOG (MAINTENANCE)



E 25217141A SHT 1 REV 107

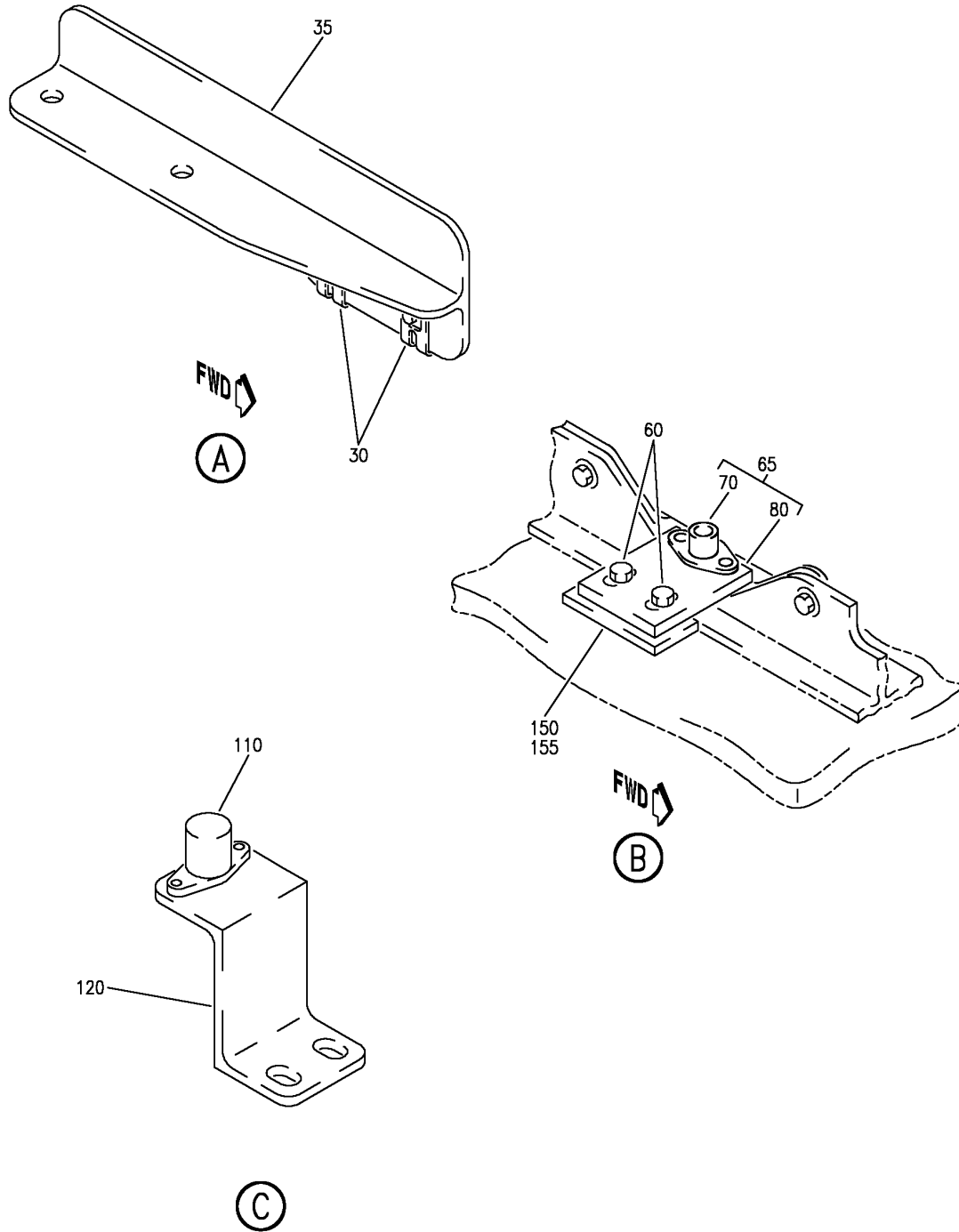
CEILING ASSY-FWD ENTRY (EQUIPMENT/FURNISHINGS ONLY)
 FIGURE 41A (SHEET 1)

25-21-71-41A

HAP
 OCT 10/06

25-21-71-41A
 PAGE 0

BOEING
737-600/700/800/900
PARTS CATALOG (MAINTENANCE)



E 25217141A SHT 2 REV 097

CEILING ASSY-FWD ENTRY (EQUIPMENT/FURNISHINGS ONLY)
FIGURE 41A (SHEET 2)

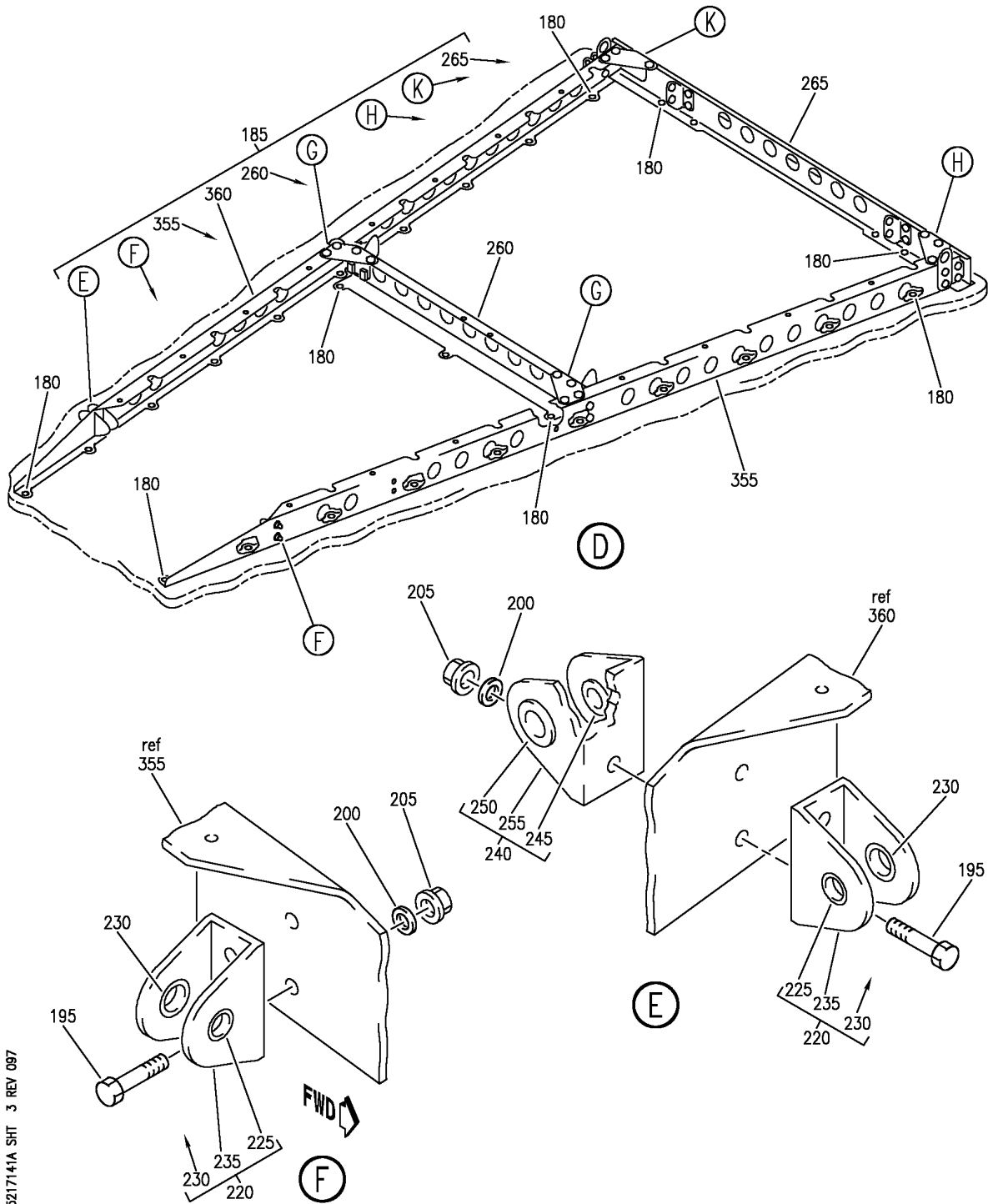
25-21-71-41A

HAP
OCT 10/06

25-21-71-41A
PAGE 0A

BOEING PROPRIETARY - Copyright © - Unpublished Work - See title page for details.

BOEING
 737-600/700/800/900
 PARTS CATALOG (MAINTENANCE)



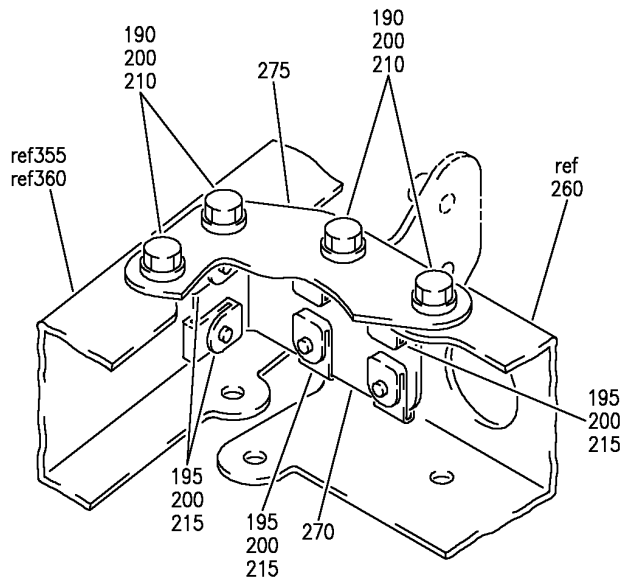
CEILING ASSY-FWD ENTRY (EQUIPMENT/FURNISHINGS ONLY)
 FIGURE 41A (SHEET 3)

25-21-71-41A

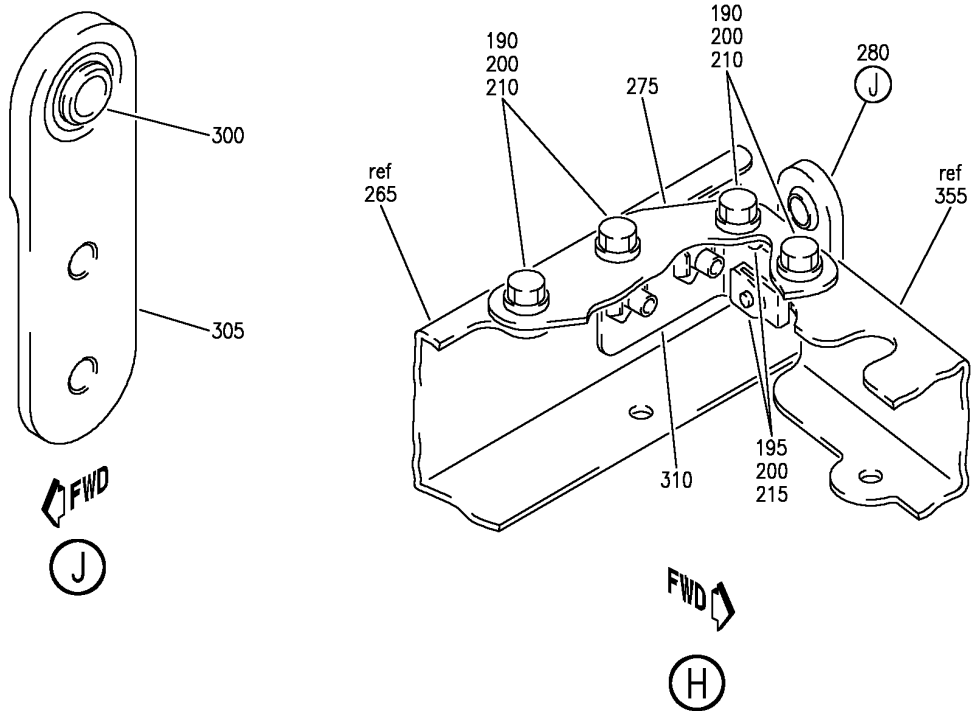
HAP
 OCT 10/06

25-21-71-41A
 PAGE 0B

BOEING
 737-600/700/800/900
 PARTS CATALOG (MAINTENANCE)



(G)



(H)

E 25217141A SHT 4 REV 097

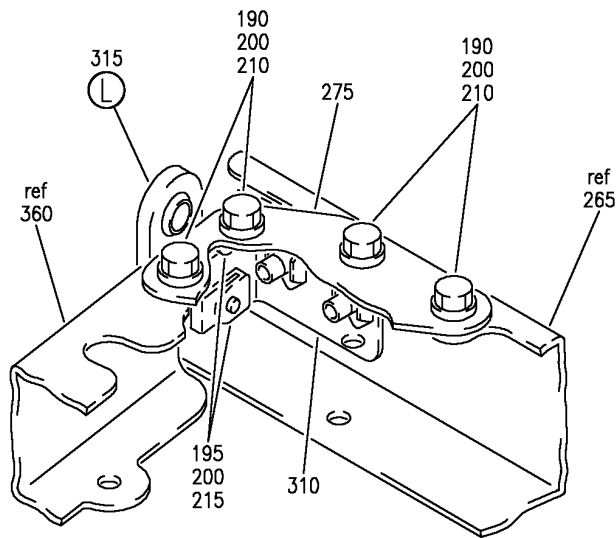
CEILING ASSY-FWD ENTRY (EQUIPMENT/FURNISHINGS ONLY)
 FIGURE 41A (SHEET 4)

25-21-71-41A

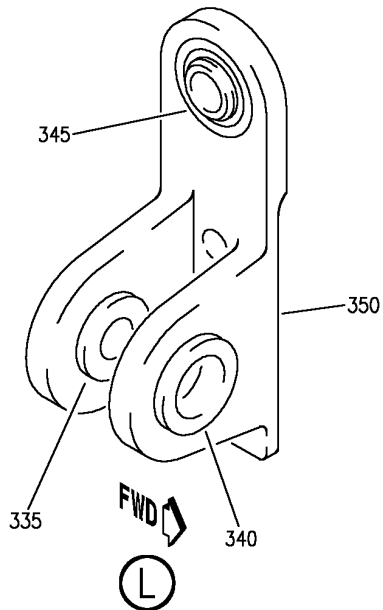
HAP
 OCT 10/06

25-21-71-41A
 PAGE 0C

BOEING
 737-600/700/800/900
 PARTS CATALOG (MAINTENANCE)



(K)



E 25217141A SHT 5 REV 097

CEILING ASSY-FWD ENTRY (EQUIPMENT/FURNISHINGS ONLY)
 FIGURE 41A (SHEET 5)

25-21-71-41A

HAP
 OCT 10/06

25-21-71-41A
 PAGE 0D

BOEING PROPRIETARY - Copyright © - Unpublished Work - See title page for details.

BOEING
737-600/700/800/900
PARTS CATALOG (MAINTENANCE)

FIG ITEM	PART NUMBER	1 2 3 4 5 6 7	NOMENCLATURE	EFFECT FROM TO	UNITS PER ASSY
41A			CEILING ASSY-FWD ENTRY (EQUIPMENT/FURNISHINGS ONLY)	028030	
- 1	411A3220-31SP		CEILING ASSY-ENTRY (EQUIPMENT/FURNISHINGS ONLY) POSITION DATA: FWD FOR NHA/OTHER SYS DET SEE: 25-21-71-35	028030	RF
	5 411A3080-37		.BRACKET- OPTIONAL PART: 411A3080-21	028030	1
	5 411A3080-21		.BRACKET- OPTIONAL PART: 411A3080-37	028030	1
- 10	BACS12FA3K5		ATTACHING PARTS .SCREW	028030	5
	15 411A3081-45		-----*----- .BRACKET ASSY ATTACHING PARTS	028030	2
- 20	BACS12GU3K5		.SCREW	028030	4
- 25	NAS1149D0332J		.WASHER	028030	4
	30 BRC600-8-3		-----*----- . .NUT SUPPLIER CODE: V52828 SPECIFICATION NUMBER: BACN10YD1 OPTIONAL PART: 130120 V60119	028030	2
	35 411A3081-46		. .BRACKET	028030	1
	40 411A3080-5		.BRACKET ATTACHING PARTS	028030	1
- 45	BACS12FA3K5		.SCREW	028030	5
	50 65C34653-11		-----*----- .BRACKET ATTACHING PARTS	028030	2
- 55	BACS12FA3K5		.SCREW	028030	4
	60 BACS12FA3K7		-----*----- .SCREW	028030	4
	65 65C27481-231		.BRACKET ASSY	028030	2
	70 BACR11Y3A		. .RECEPTACLE	028030	1

MISSING ITEM NUMBERS NOT APPLICABLE

- ITEM NOT ILLUSTRATED

HAP

25-21-71-41A

BOEING PROPRIETARY - Copyright © - Unpublished Work - See title page for details.

25-21-71
FIG. 41A
PAGE 1
OCT 10/06

BOEING
737-600/700/800/900
PARTS CATALOG (MAINTENANCE)

FIG ITEM	PART NUMBER	1 2 3 4 5 6 7	NOMENCLATURE	EFFECT FROM TO	UNITS PER ASSY
41A			ATTACHING PARTS		
- 75	AF517-3-3	..	RIVET SUPPLIER CODE: V53551 SPECIFICATION NUMBER: BACR15DR3P3 OPTIONAL PART: CCR274SS3-3 V11815 RV570A3-3 V98996 -----*-----	028030	2
80	65C27481-224	..	PLATE	028030	1
85	MS29523-1	.H	HOOK-MTG	028030	1
90	MABMSS10M70	.P	PLATE-MTG SUPPLIER CODE: V06383 SPECIFICATION NUMBER: STBP19H1 OPTIONAL PART: MABMS V06383 TC105 V59730	028030	1
- 95	BACS12FA3K4	.S	ATTACHING PARTS SCREW -----*-----	028030	1
100	417A5464-25	.B	BRACKET ASSY ATTACHING PARTS	028030	4
- 105	BACS12FA3K5	.S	SCREW -----*-----	028030	8
110	BACR11AW3A	..	RECEPTACLE ATTACHING PARTS	028030	1
- 115	AF5141-3C3	..	RIVET- SUPPLIER CODE: V53551 SPECIFICATION NUMBER: BACR15DR3AC3 OPTIONAL PART: CCR264CS3-3IT V11815 RV541A3C3 V98996 SIZE DETERMINED ON INSTL. -----*-----	028030	2
120	417A5464-26	..	BRACKET	028030	1
125	65C27367-16	.B	BRACKET ASSY	028030	2
130	65C27367-15	.B	BRACKET ASSY	028030	2

MISSING ITEM NUMBERS NOT APPLICABLE

- ITEM NOT ILLUSTRATED

HAP

25-21-71-41A

BOEING PROPRIETARY - Copyright © - Unpublished Work - See title page for details.

25-21-71
FIG. 41A
PAGE 2
OCT 10/06

BOEING
737-600/700/800/900
PARTS CATALOG (MAINTENANCE)

FIG ITEM	PART NUMBER	1 2 3 4 5 6 7	NOMENCLATURE	EFFECT FROM TO	UNITS PER ASSY
41A			ATTACHING PARTS		
- 135	BACB30NM3K3		.BOLT	028030	8
- 140	NAS1149D0332J		.WASHER	028030	8
- 145	130069		.NUT-	028030	8
			SUPPLIER CODE: V60119		
			SPECIFICATION NUMBER: BACN10FX16		
			OPTIONAL PART: A11330-6-3		
			V72962		
			A4972-6-02		
			V72962		
			POSITION DATA: FAR SIDE		
			-----*-----		
150	411A3080-56		.BRACKET-	028030	2
			OPTIONAL PART: BACS40R010E015F		
155	BACS40R010E015F		.SHIM-	028030	2
			OPTIONAL PART: 411A3080-56		
160	H3583-1		.LANYARD-	028030	1
			SUPPLIER CODE: V83014		
			OPTIONAL PART: H3583K3260		
			V83014		
160	H3583K3260		.LANYARD-	028030	1
			SUPPLIER CODE: V83014		
			OPTIONAL PART: H3583-1		
			V83014		
165	411A3081-5		.BRACKET	028030	1
			ATTACHING PARTS		
- 167	BACS12FA3K5		.SCREW	028030	2
			-----*-----		
170	411A3220-47B		.PANEL ASSY-	028030	1
- 175	SL2334-3A1		..INSERT-	028030	72
			SUPPLIER CODE: V97393		
180	BACS12FA3K5		.SCREW	028030	27
185	411A3220-68		.CEILING SUB ASSY	028030	1
190	BACB30NM3K2		..BOLT	028030	16
195	BACB30NM3K3		..BOLT	028030	20
200	NAS1149D0332J		..WASHER	028030	36

MISSING ITEM NUMBERS NOT APPLICABLE

- ITEM NOT ILLUSTRATED

HAP

25-21-71-41A

BOEING PROPRIETARY - Copyright © - Unpublished Work - See title page for details.

25-21-71
FIG. 41A
PAGE 3
FEB 15/09

BOEING
737-600/700/800/900
PARTS CATALOG (MAINTENANCE)

FIG ITEM	PART NUMBER	1 2 3 4 5 6 7	NOMENCLATURE	EFFECT FROM TO	UNITS PER ASSY
41A 205	PLH53CD	..	NUT SUPPLIER CODE: VF0224 SPECIFICATION NUMBER: BACN10YR3CD OPTIONAL PART: H52732-3CD V15653	028030	4
210	BRC600-10-3	..	NUT SUPPLIER CODE: V52828 SPECIFICATION NUMBER: BACN10YD2 OPTIONAL PART: 130121 V60119	028030	16
215	130069	..	NUT SUPPLIER CODE: V60119 SPECIFICATION NUMBER: BACN10FX16 OPTIONAL PART: A11330-6-3 V72962 A4972-6-02 V72962	028030	16
220	411A3081-15	..	FITTING ASSY	028030	2
225	BACB28AP04P009	...	BUSHING	028030	1
230	BACB28AT06B009C	...	BUSHING	028030	1
235	411A3081-16	...	FITTING	028030	1
240	411A3081-17	..	FITTING ASSY	028030	1
245	BACB28AP04P009	...	BUSHING	028030	1
250	BACB28AT06B009C	...	BUSHING	028030	1
255	411A3081-18	...	FITTING	028030	1
260	411A3081-3	..	CROSSMEMBER	028030	1
265	411A3081-4	..	CROSSMEMBER	028030	1
270	411A3080-18	..	BRACKET	028030	2
275	411A3080-10	..	GUSSET	028030	4
280	411A3081-19	..	FITTING ASSY	028030	1
			ATTACHING PARTS		
- 285	BACB30NM3K3	..	BOLT	028030	2
- 290	NAS1149D0332J	..	WASHER	028030	2

MISSING ITEM NUMBERS NOT APPLICABLE

- ITEM NOT ILLUSTRATED

HAP

25-21-71-41A

BOEING PROPRIETARY - Copyright © - Unpublished Work - See title page for details.

25-21-71
FIG. 41A
PAGE 4
FEB 15/09

BOEING
737-600/700/800/900
PARTS CATALOG (MAINTENANCE)

FIG ITEM	PART NUMBER	1 2 3 4 5 6 7	NOMENCLATURE	EFFECT FROM TO	UNITS PER ASSY
41A - 295	PLH53CD	..	NUT SUPPLIER CODE: VF0224 SPECIFICATION NUMBER: BACN10YR3CD OPTIONAL PART: H52732-3CD V15653 -----*-----	028030	2
300	AG4V4009	...	BEARING- SUPPLIER CODE: V15860 SPECIFICATION NUMBER: 60B00180-68 OPTIONAL PART: LHBG4BAC V73134 NC4G12 V56644	028030	1
305	411A3081-20	...	FITTING	028030	1
310	411A3080-16	..	BRACKET ASSY	028030	2
315	411A3081-21	..	FITTING ASSY ATTACHING PARTS	028030	1
- 320	BACB30NT3K3	..	BOLT	028030	2
- 325	NAS1149D0332J	..	WASHER	028030	2
- 330	PLH53CD	..	NUT SUPPLIER CODE: VF0224 SPECIFICATION NUMBER: BACN10YR3CD OPTIONAL PART: H52732-3CD V15653 -----*-----	028030	2
335	BACB28AP04P018	...	BUSHING	028030	1
340	BACB28AT06B018C	...	BUSHING	028030	1
345	AG4V4009	...	BEARING- SUPPLIER CODE: V15860 SPECIFICATION NUMBER: 60B00180-68 OPTIONAL PART: LHBG4BAC V73134 NC4G12 V56644	028030	1
350	411A3081-22	...	FITTING	028030	1
355	411A3081-1	..	RAIL	028030	1
360	411A3081-2	..	RAIL	028030	1

MISSING ITEM NUMBERS NOT APPLICABLE

- ITEM NOT ILLUSTRATED

HAP

25-21-71-41A

BOEING PROPRIETARY - Copyright © - Unpublished Work - See title page for details.

25-21-71
FIG. 41A
PAGE 5
FEB 15/09