

## PASSENGER SEATS

HAP  
OCT 10/06

25-22-00  
SECTION TITLE  
PAGE 1

NON-ILLUSTRATED FIGURE

THE ITEMS REFLECTED IN THIS FIGURE ARE INTENTIONALLY  
NON-ILLUSTRATED. THEY ARE REFERENCED TO EITHER A  
NEXT HIGHER OR NEXT LOWER ASSEMBLY/INSTALLATION FIGURE.

E 25220001D REV 051

FUNCTIONAL COLLECTOR 737-700 CUSTOMER UNIQUE (PASSENGER SEATS ONLY)  
FIGURE 1D

**25-22-00-01D**

HAP  
OCT 15/08

25-22-00-01D  
PAGE 0

**BOEING**  
737-600/700/800/900  
PARTS CATALOG (MAINTENANCE)

FIG ITEM	PART NUMBER	1 2 3 4 5 6 7	NOMENCLATURE	EFFECT FROM TO	UNITS PER ASSY
1D			FUNCTIONAL COLLECTOR 737-700 CUSTOMER UNIQUE (PASSENGER SEATS ONLY)	201967	
- 2	400A9101-2610		FUNCTIONAL COLLECTOR- CUSTOMER UNIQUE (PASSENGER SEATS ONLY)	201967	RF
- 185	414A1107-19J		FOR NHA/OTHER SYS DET SEE: 25-00-00-02B .SEAT INSTL-148 T/C PASS. (PEB) FOR DETAILS SEE: 25-22-00-19	201967	1

MISSING ITEM NUMBERS NOT APPLICABLE

- ITEM NOT ILLUSTRATED

HAP

# 25-22-00-01D

BOEING PROPRIETARY - Copyright © - Unpublished Work - See title page for details.

25-22-00  
FIG. 01D  
PAGE 1  
OCT 15/08

NON-ILLUSTRATED FIGURE

THE ITEMS REFLECTED IN THIS FIGURE ARE INTENTIONALLY  
NON-ILLUSTRATED. THEY ARE REFERENCED TO EITHER A  
NEXT HIGHER OR NEXT LOWER ASSEMBLY/INSTALLATION FIGURE.

E 25220001E REV 051

FUNCTIONAL COLLECTOR CUSTOMER UNIQUE (PASSENGER SEATS ONLY)  
FIGURE 1E

**25-22-00-01E**

HAP  
OCT 10/06

25-22-00-01E  
PAGE 0

**BOEING**  
737-600/700/800/900  
PARTS CATALOG (MAINTENANCE)

FIG ITEM	PART NUMBER	1 2 3 4 5 6 7	NOMENCLATURE	EFFECT FROM TO	UNITS PER ASSY
1 E			FUNCTIONAL COLLECTOR CUSTOMER UNIQUE (PASSENGER SEATS ONLY)	001030	
- 1	400A9101-3001		FUNCTIONAL COLLECTOR- CUSTOMER UNIQUE (PASSENGER SEATS ONLY) FOR NHA/OTHER SYS DET SEE: 25-00-00-02C	001017 019019	RF
- 10	400A0028-3001		FUNCTIONAL COLLECTOR- CUSTOMER UNIQUE (PASSENGER SEATS ONLY) FOR NHA/OTHER SYS DET SEE: 25-00-00-02C	018018 020030	RF
- 20	414A1108-1		.SEAT INSTL-184 TOURIST CLASS PASS. FOR DETAILS SEE: 25-22-00-73	001011	1
- 20	414A1108-55DD		.SEAT INSTL-184 TOURIST CLASS PASS. FOR DETAILS SEE: 25-22-00-81	012030	1

MISSING ITEM NUMBERS NOT APPLICABLE

- ITEM NOT ILLUSTRATED

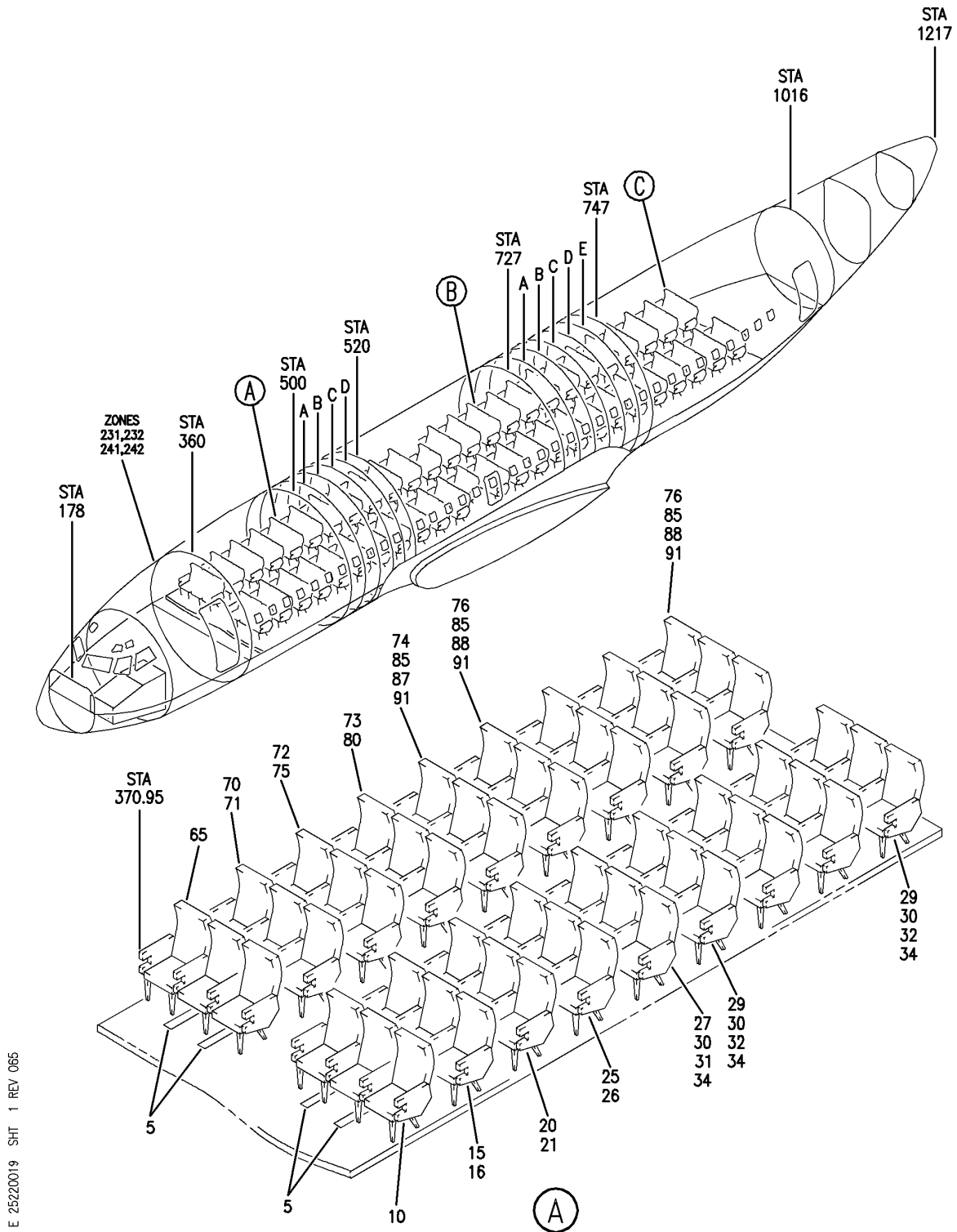
HAP

# 25-22-00-01E

BOEING PROPRIETARY - Copyright © - Unpublished Work - See title page for details.

25-22-00  
FIG. 01E  
PAGE 1  
OCT 10/06

**BOEING**  
 737-600/700/800/900  
 PARTS CATALOG (MAINTENANCE)



E 25220019 SHT 1 REV 065

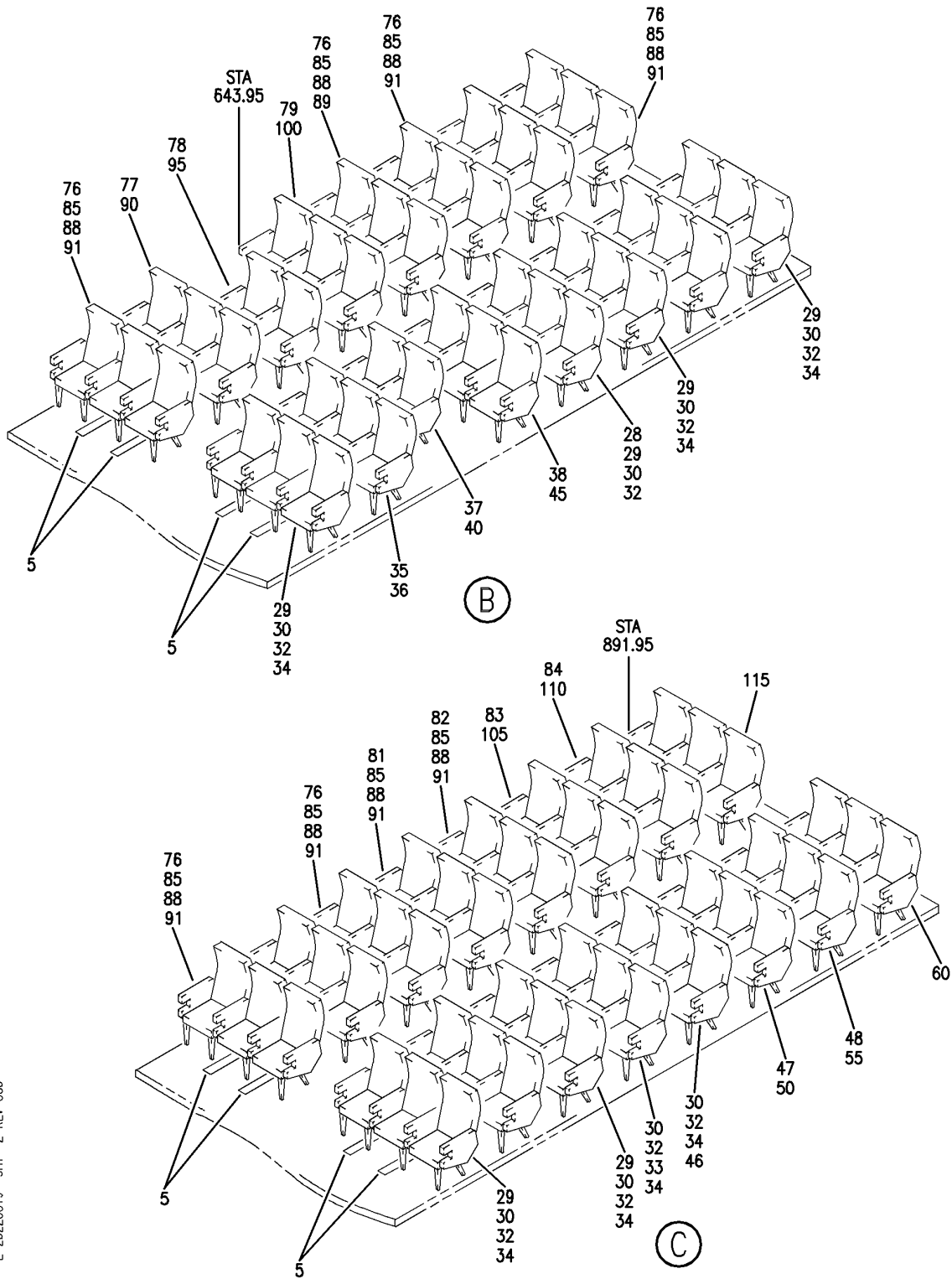
SEAT INSTL (PEB) 737-700  
 FIGURE 19 (SHEET 1)

**25-22-00-19**

HAP  
 OCT 15/08

25-22-00-19  
 PAGE 0

**BOEING**  
 737-600/700/800/900  
 PARTS CATALOG (MAINTENANCE)



E 25220019 SHT 2 REV 065

SEAT INSTL (PEB) 737-700  
 FIGURE 19 (SHEET 2)

**25-22-00-19**

HAP  
 OCT 15/08

25-22-00-19  
 PAGE 0A

**BOEING**  
737-600/700/800/900  
PARTS CATALOG (MAINTENANCE)

FIG ITEM	PART NUMBER	1 2 3 4 5 6 7	NOMENCLATURE	EFFECT FROM TO	UNITS PER ASSY
19			SEAT INSTL (PEB) 737-700	201967	
- 1	414A1107-19J		SEAT INSTL-148 T/C PASS. (PEB) FOR NHA SEE: 25-22-00-01D	201967	RF
5	65C37062-9E		.COVER-SEAT TRACK	201967	12
10	772-31-21		.SEAT- SUPPLIER CODE: V92802	201967	1
15	772-31-05		.SEAT- SUPPLIER CODE: V92802	201967	1
20	772-31-04		.SEAT- SUPPLIER CODE: V92802	201967	1
25	772-31-03		.SEAT- SUPPLIER CODE: V92802	201967	1
28	772-31-01		.SEAT- SUPPLIER CODE: V92802 MISCELLANEOUS DATA: REMOVED FOR 132 MC CONFIGURATION REFERENCE AIRLINE MOD: EOC 124591-03 VDLH	201201	1
30	772-31-01		.SEAT- SUPPLIER CODE: V92802	202967	15
34	772-31-01		.SEAT- SUPPLIER CODE: V92802	201201	14
35	772-31-02		.SEAT- SUPPLIER CODE: V92802	201967	1

MISSING ITEM NUMBERS NOT APPLICABLE

- ITEM NOT ILLUSTRATED

HAP

# 25-22-00-19

25-22-00  
FIG. 19  
PAGE 1  
OCT 15/08



**BOEING**  
737-600/700/800/900  
PARTS CATALOG (MAINTENANCE)

FIG ITEM	PART NUMBER	1 2 3 4 5 6 7	NOMENCLATURE	EFFECT FROM TO	UNITS PER ASSY
19					
40	772-21-01		.SEAT- SUPPLIER CODE: V92802 MISCELLANEOUS DATA: REMOVED FOR 132 MC CONFIGURATION REFERENCE AIRLINE MOD: EOC 124501-03 VDLH	201967	1
45	772-31-22		.SEAT- SUPPLIER CODE: V92802	201967	1
50	772-31-06		.SEAT- SUPPLIER CODE: V92802	201967	1
55	772-31-07		.SEAT- SUPPLIER CODE: V92802	201967	1
60	772-31-08		.SEAT- SUPPLIER CODE: V92802	201967	1
65	772-32-21		.SEAT- SUPPLIER CODE: V92802	201967	1
70	772-32-05		.SEAT- SUPPLIER CODE: V92802	201967	1
75	772-32-04		.SEAT- SUPPLIER CODE: V92802	201967	1
80	772-32-03		.SEAT- SUPPLIER CODE: V92802 MISCELLANEOUS DATA: REMOVED FOR 132 MC CONFIGURATION REFERENCE AIRLINE MOD: EOC 124591-03 VDLH	201967	1
85	772-32-01		.SEAT- SUPPLIER CODE: V92802	201967	15

MISSING ITEM NUMBERS NOT APPLICABLE

— ITEM NOT ILLUSTRATED

HAP

# 25-22-00-19

BOEING PROPRIETARY - Copyright © - Unpublished Work - See title page for details.

25-22-00  
FIG. 19  
PAGE 2  
OCT 15/08

**BOEING**  
737-600/700/800/900  
PARTS CATALOG (MAINTENANCE)

FIG ITEM	PART NUMBER	1 2 3 4 5 6 7	NOMENCLATURE	EFFECT FROM TO	UNITS PER ASSY
19					
89	772-32-01		.SEAT- SUPPLIER CODE: V92802 MISCELLANEOUS DATA: REMOVED FOR 132 MC CONFIGURATION REFERENCE AIRLINE MOD: EOC 124591-03 VDLH	201201	1
90	772-32-02		.SEAT- SUPPLIER CODE: V92802	201967	1
91	772-32-01		.SEAT- SUPPLIER CODE: V92802	201201	14
95	772-22-01		.SEAT- SUPPLIER CODE: V92802 MISCELLANEOUS DATA: REMOVED FOR 132 MC CONFIGURATION REFERENCE AIRLINE MOD: EOC 124591-03 VDLH	201967	1
100	772-32-22		.SEAT- SUPPLIER CODE: V92802	201967	1
105	772-32-06		.SEAT- SUPPLIER CODE: V92802	201967	1
110	772-32-07		.SEAT- SUPPLIER CODE: V92802	201967	1
115	772-32-08		.SEAT- SUPPLIER CODE: V92802	201967	1

MISSING ITEM NUMBERS NOT APPLICABLE

— ITEM NOT ILLUSTRATED

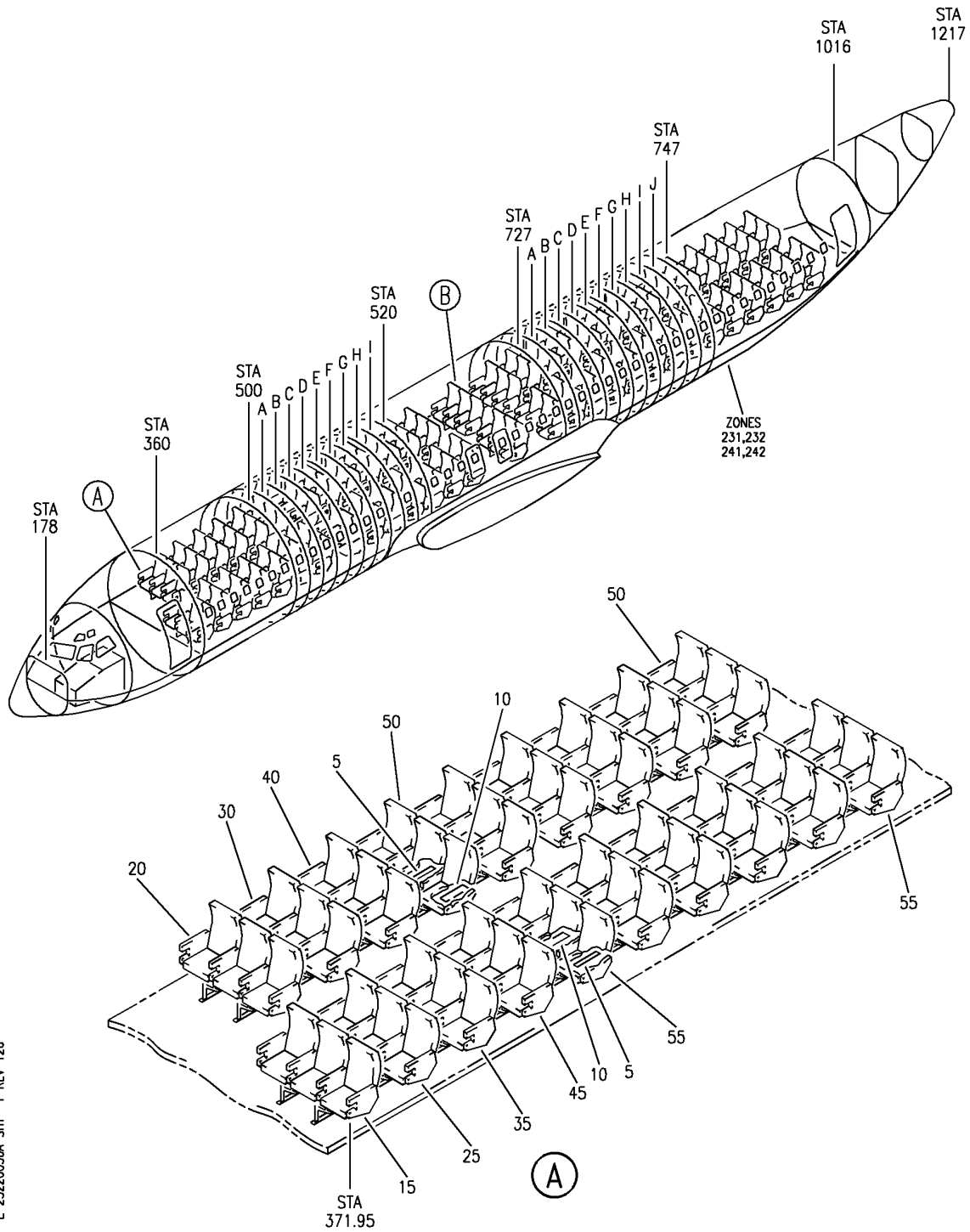
HAP

# 25-22-00-19

BOEING PROPRIETARY - Copyright © - Unpublished Work - See title page for details.

25-22-00  
FIG. 19  
PAGE 3  
OCT 15/08

**BOEING**  
**737-600/700/800/900**  
**PARTS CATALOG (MAINTENANCE)**



E 25220036A SHT 1 REV 126

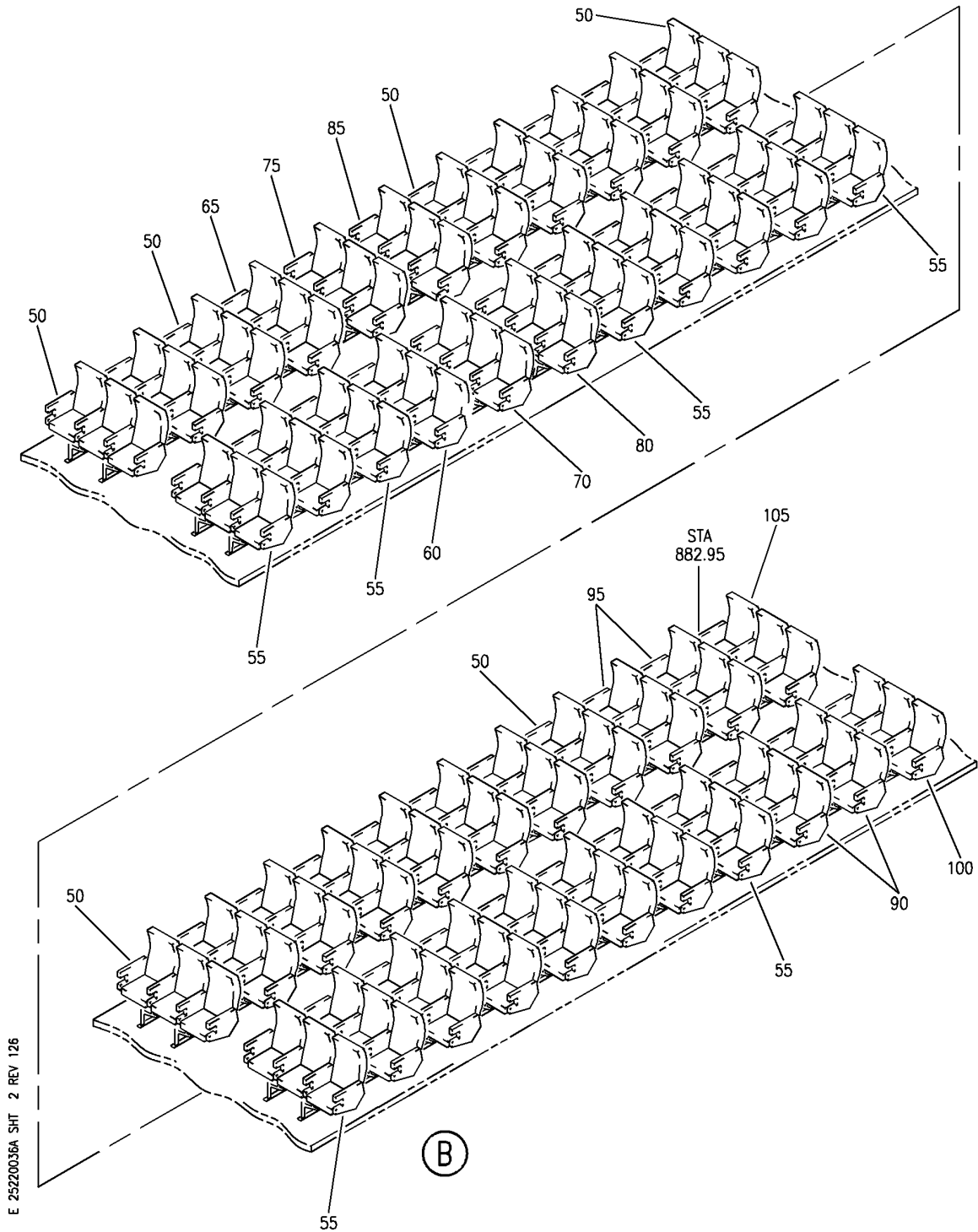
SEAT INSTL-189 TOTAL PASS.  
 FIGURE 36A (SHEET 1)

**25-22-00-36A**

HAP  
 FEB 10/07

25-22-00-36A  
 PAGE 0

**BOEING**  
 737-600/700/800/900  
 PARTS CATALOG (MAINTENANCE)



E 25220036A SHT 2 REV 126

SEAT INSTL-189 TOTAL PASS.  
 FIGURE 36A (SHEET 2)

**25-22-00-36A**

HAP  
 FEB 10/07

25-22-00-36A  
 PAGE 0A

**BOEING**  
737-600/700/800/900  
PARTS CATALOG (MAINTENANCE)

FIG ITEM	PART NUMBER	1 2 3 4 5 6 7	NOMENCLATURE	EFFECT FROM TO	UNITS PER ASSY
36A			SEAT INSTL-189 TOTAL PASS.	038038 041047 049100	
R -	1 MODREF318463		SEAT INSTL-189 TOTAL PASS. MODULE NUMBER: 414A1108-247B REV A	038038 041047 049049 051100	1
R -	1 MODREF416630		SEAT INSTL-189 TOTAL PASS. MODULE NUMBER: 414A1108-342B REV A	050050	1
R	5 65C37062-61B		.COVER-NON-AUDIO TRACK	038038 041047 049100	8
R	10 65C37062-62B		.COVER-AUDIO TRACK	038038 041047 049100	8
R	15 3510A388-31-011		.SEAT-TRIPLE ECONOMY CLASS SUPPLIER CODE: VC1084 POSITION DATA: LH	038038 041047 049100	1
R	20 3510A388-32-011		.SEAT-TRIPLE ECONOMY CLASS SUPPLIER CODE: VC1084 POSITION DATA: RH	038038 041047 049100	1
R	25 3510A388-31-021		.SEAT-TRIPLE ECONOMY CLASS SUPPLIER CODE: VC1084 POSITION DATA: LH	038038 041047 049100	1
R	30 3510A388-32-021		.SEAT-ECONOMY CLASS NARROW TRIPLE SUPPLIER CODE: VC1084 POSITION DATA: RH	038038 041047 049100	1
R	35 3510A388-31-031		.SEAT-TRIPLE ECONOMY CLASS SUPPLIER CODE: VC1084 POSITION DATA: LH	038038 041047 049100	1
R	40 3510A388-32-031		.SEAT-TRIPLE ECONOMY CLASS SUPPLIER CODE: VC1084 POSITION DATA: RH	038038 041047 049100	1

MISSING ITEM NUMBERS NOT APPLICABLE

- ITEM NOT ILLUSTRATED

HAP

# 25-22-00-36A

BOEING PROPRIETARY - Copyright © - Unpublished Work - See title page for details.

25-22-00  
FIG. 36A  
PAGE 1  
JUN 15/09

**BOEING**  
737-600/700/800/900  
PARTS CATALOG (MAINTENANCE)

FIG ITEM	PART NUMBER	1 2 3 4 5 6 7	NOMENCLATURE	EFFECT FROM TO	UNITS PER ASSY
36A 45	3510A388-31-041		.SEAT-TRIPLE ECONOMY CLASS SUPPLIER CODE: VC1084 POSITION DATA: LH	038038 041047 049100	1
50	3510A388-32-051		.SEAT-TRIPLE ECONOMY CLASS SUPPLIER CODE: VC1084 POSITION DATA: RH	038038 041047 049100	22
55	3510A388-31-051		.SEAT-TRIPLE ECONOMY CLASS SUPPLIER CODE: VC1084 POSITION DATA: LH	038038 041047 049100	22
60	3510A388-31-061		.SEAT-TRIPLE ECONOMY CLASS SUPPLIER CODE: VC1084 POSITION DATA: LH	038038 041047 049100	1
65	3510A388-32-061		.SEAT-TRIPLE ECONOMY CLASS NO BACKTABLE SUPPLIER CODE: VC1084 POSITION DATA: RH	038038 041047 049100	1
70	3510A388-31-071		.SEAT-TRIPLE ECONOMY CLASS NO BACKTABLE SUPPLIER CODE: VC1084 POSITION DATA: LH	038038 041047 049100	1
75	3510A388-32-071		.SEAT-TRIPLE ECONOMY CLASS NO BACKTABLE SUPPLIER CODE: VC1084 POSITION DATA: RH	038038 041047 049100	1
80	3510A388-31-081		.SEAT-TRIPLE ECONOMY CLASS SUPPLIER CODE: VC1084 POSITION DATA: LH	038038 041047 049100	1
85	3510A388-32-081		.SEAT-TRIPLE ECONOMY CLASS SUPPLIER CODE: VC1084 POSITION DATA: RH	038038 041047 049100	1

MISSING ITEM NUMBERS NOT APPLICABLE

— ITEM NOT ILLUSTRATED

HAP

# 25-22-00-36A

BOEING PROPRIETARY - Copyright © - Unpublished Work - See title page for details.

25-22-00  
FIG. 36A  
PAGE 2  
JUN 15/09

**BOEING**  
737-600/700/800/900  
PARTS CATALOG (MAINTENANCE)

FIG ITEM	PART NUMBER	1 2 3 4 5 6 7	NOMENCLATURE	EFFECT FROM TO	UNITS PER ASSY
36A 90	3510A388-31-091	.	SEAT-TRIPLE ECONOMY CLASS SUPPLIER CODE: VC1084 POSITION DATA: LH	038038 041047 049100	2
95	3510A388-32-091	.	SEAT-TRIPLE ECONOMY CLASS SUPPLIER CODE: VC1084 POSITION DATA: RH	038038 041047 049100	2
100	3510A388-31-101	.	SEAT-TRIPLE ECONOMY CLASS SUPPLIER CODE: VC1084 POSITION DATA: LH	038038 041047 049100	1
105	3510A388-32-101	.	SEAT-TRIPLE ECONOMY CLASS NO BACKTABLE SUPPLIER CODE: VC1084 POSITION DATA: RH	038038 041047 049100	1

MISSING ITEM NUMBERS NOT APPLICABLE

— ITEM NOT ILLUSTRATED

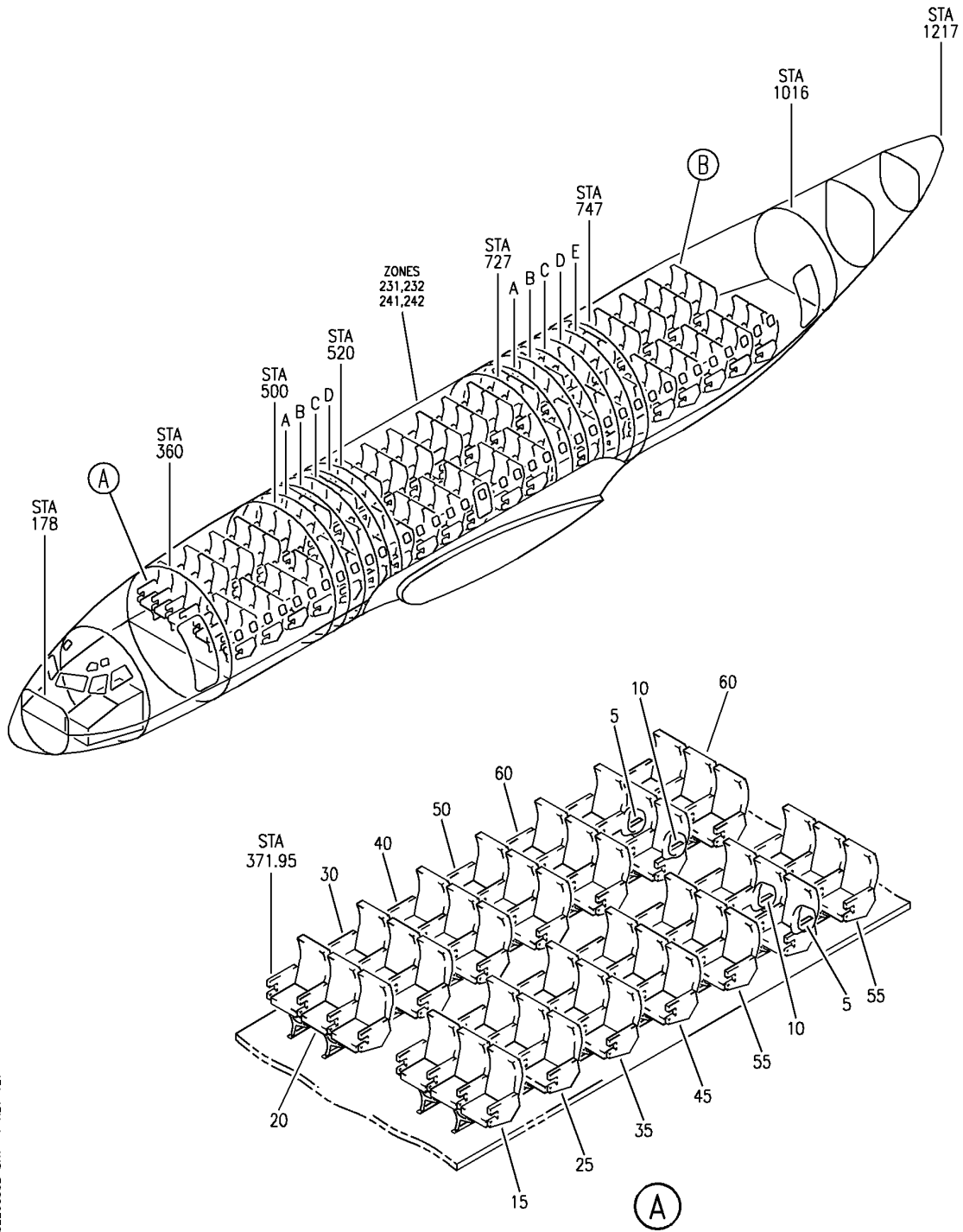
HAP

# 25-22-00-36A

BOEING PROPRIETARY - Copyright © - Unpublished Work - See title page for details.

25-22-00  
FIG. 36A  
PAGE 3  
JUN 15/09

**BOEING**  
 737-600/700/800/900  
 PARTS CATALOG (MAINTENANCE)



E 25220036B SHT 1 REV 127

SEAT INSTL-148 TOTAL PASS.  
 FIGURE 36B (SHEET 1)

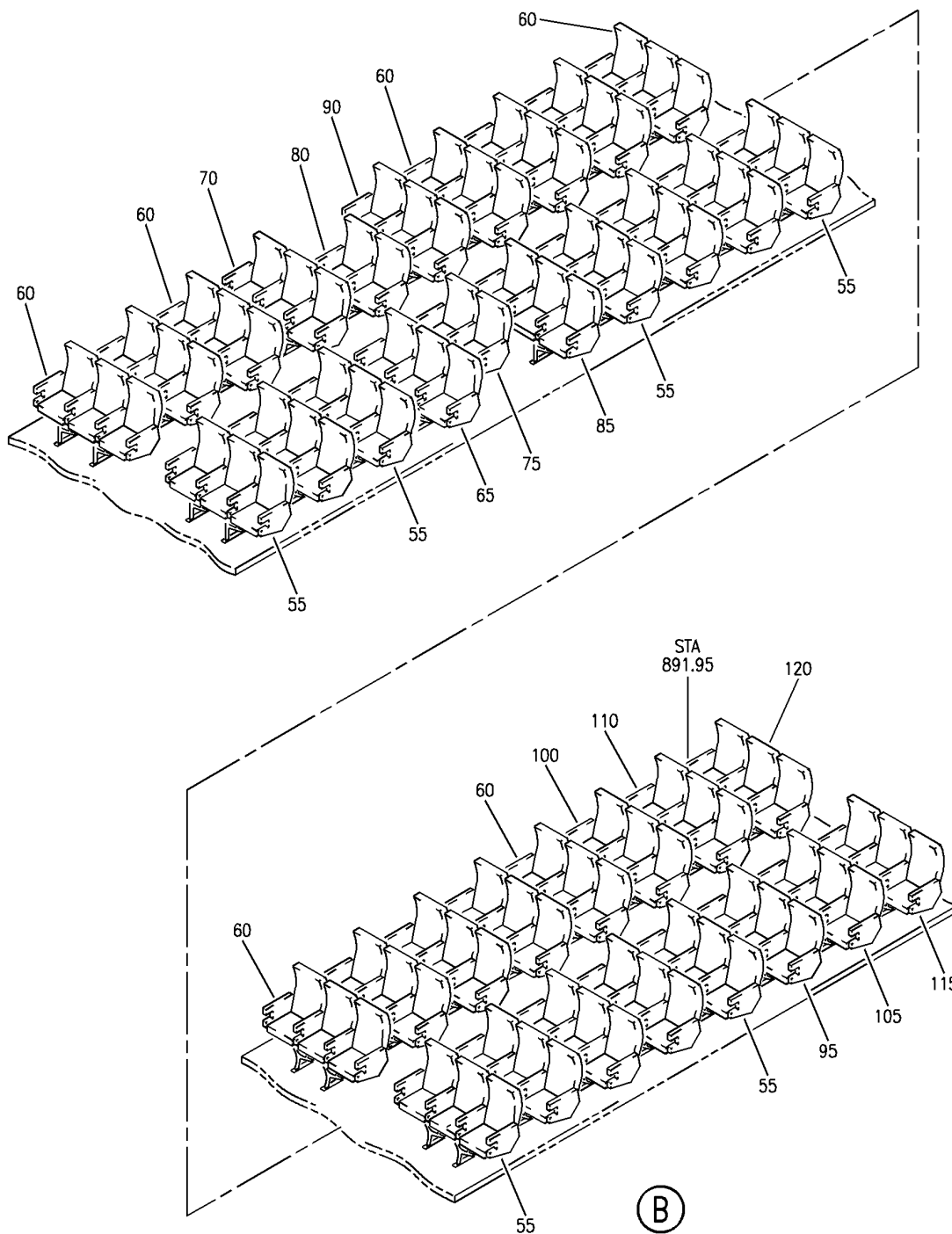
**25-22-00-36B**

HAP  
 FEB 10/07

25-22-00-36B  
 PAGE 0



**BOEING**  
 737-600/700/800/900  
 PARTS CATALOG (MAINTENANCE)



E 25220036B SHT 2 REV 127

SEAT INSTL-148 TOTAL PASS.  
 FIGURE 36B (SHEET 2)

**25-22-00-36B**

HAP  
 FEB 10/07

25-22-00-36B  
 PAGE 0A

**BOEING**  
737-600/700/800/900  
PARTS CATALOG (MAINTENANCE)

FIG ITEM	PART NUMBER	1 2 3 4 5 6 7	NOMENCLATURE	EFFECT FROM TO	UNITS PER ASSY
36B			SEAT INSTL-148 TOTAL PASS.	101200 968999	
- 1	MODREF319953		SEAT INSTL-148 TOTAL PASS. MODULE NUMBER: 414A1107-176B REV A	101200 968999	1
5	65C37062-61P		.COVER-NON-AUDIO TRACK	101200 968999	7
10	65C37062-62P		.COVER-AUDIO TRACK	101200 968999	7
15	3510A388-31-211		.SEAT-TOURIST CLASS TRIPLE SUPPLIER CODE: VC1084 POSITION DATA: LH	101200 968999	1
20	3510A388-32-211		.SEAT-TOURIST CLASS TRIPLE SUPPLIER CODE: VC1084 POSITION DATA: RH	101200 968999	1
25	3510A388-31-221		.SEAT-TOURIST CLASS TRIPLE SUPPLIER CODE: VC1084 POSITION DATA: LH	101200 968999	1
30	3510A388-32-221		.SEAT-TOURIST CLASS TRIPLE SUPPLIER CODE: VC1084 POSITION DATA: RH	101200 968999	1
35	3510A388-31-231		.SEAT-TOURIST CLASS TRIPLE SUPPLIER CODE: VC1084 POSITION DATA: LH	101200 968999	1
40	3510A388-32-231		.SEAT-TOURIST CLASS TRIPLE SUPPLIER CODE: VC1084 POSITION DATA: RH	101200 968999	1
45	3510A388-31-241		.SEAT-TOURIST CLASS TRIPLE SUPPLIER CODE: VC1084 POSITION DATA: LH	101200 968999	1
50	3510A388-32-241		.SEAT-TOURIST CLASS TRIPLE SUPPLIER CODE: VC1084 POSITION DATA: RH	101200 968999	1

MISSING ITEM NUMBERS NOT APPLICABLE

- ITEM NOT ILLUSTRATED

HAP

# 25-22-00-36B

BOEING PROPRIETARY - Copyright © - Unpublished Work - See title page for details.

25-22-00  
FIG. 36B  
PAGE 1  
OCT 15/08

**BOEING**  
737-600/700/800/900  
PARTS CATALOG (MAINTENANCE)

FIG ITEM	PART NUMBER	1 2 3 4 5 6 7	NOMENCLATURE	EFFECT FROM TO	UNITS PER ASSY
36B					
55	3510A388-31-251	.	SEAT-TOURIST CLASS TRIPLE SUPPLIER CODE: VC1084 POSITION DATA: LH	101200 968999	15
60	3510A388-32-251	.	SEAT-TOURIST CLASS TRIPLE SUPPLIER CODE: VC1084 POSITION DATA: RH	101200 968999	15
65	3510A388-31-261	.	SEAT-TOURIST CLASS TRIPLE SUPPLIER CODE: VC1084 POSITION DATA: LH	101200 968999	1
70	3510A388-32-261	.	SEAT-TOURIST CLASS TRIPLE SUPPLIER CODE: VC1084 POSITION DATA: RH	101200 968999	1
75	3510A388-21-211	.	SEAT-TOURIST CLASS DBL SUPPLIER CODE: VC1084 POSITION DATA: LH	101200 968999	1
80	3510A388-22-211	.	SEAT-TOURIST CLASS DBL SUPPLIER CODE: VC1084 POSITION DATA: RH	101200 968999	1
85	3510A388-31-271	.	SEAT-TOURIST CLASS TRIPLE SUPPLIER CODE: VC1084 POSITION DATA: LH	101200 968999	1
90	3510A388-32-271	.	SEAT-TOURIST CLASS TRIPLE SUPPLIER CODE: VC1084 POSITION DATA: RH	101200 968999	1
95	3510A388-31-281	.	SEAT-TOURIST CLASS TRIPLE SUPPLIER CODE: VC1084 POSITION DATA: LH	101200 968999	1

MISSING ITEM NUMBERS NOT APPLICABLE

— ITEM NOT ILLUSTRATED

HAP

# 25-22-00-36B

BOEING PROPRIETARY - Copyright © - Unpublished Work - See title page for details.

25-22-00  
FIG. 36B  
PAGE 2  
OCT 15/08

**BOEING**  
737-600/700/800/900  
PARTS CATALOG (MAINTENANCE)

FIG ITEM	PART NUMBER	1 2 3 4 5 6 7	NOMENCLATURE	EFFECT FROM TO	UNITS PER ASSY
36B 100	3510A388-32-281	.	SEAT-TOURIST CLASS TRIPLE SUPPLIER CODE: VC1084 POSITION DATA: RH	101200 968999	1
105	3510A388-31-291	.	SEAT-TOURIST CLASS TRIPLE SUPPLIER CODE: VC1084 POSITION DATA: LH	101200 968999	1
110	3510A388-32-291	.	SEAT-TOURIST CLASS TRIPLE SUPPLIER CODE: VC1084 POSITION DATA: RH	101200 968999	1
115	3510A388-31-301	.	SEAT-TOURIST CLASS TRIPLE SUPPLIER CODE: VC1084 POSITION DATA: LH	101200 968999	1
120	3510A388-32-301	.	SEAT-TOURIST CLASS TRIPLE SUPPLIER CODE: VC1084 POSITION DATA: RH	101200 968999	1

MISSING ITEM NUMBERS NOT APPLICABLE

— ITEM NOT ILLUSTRATED

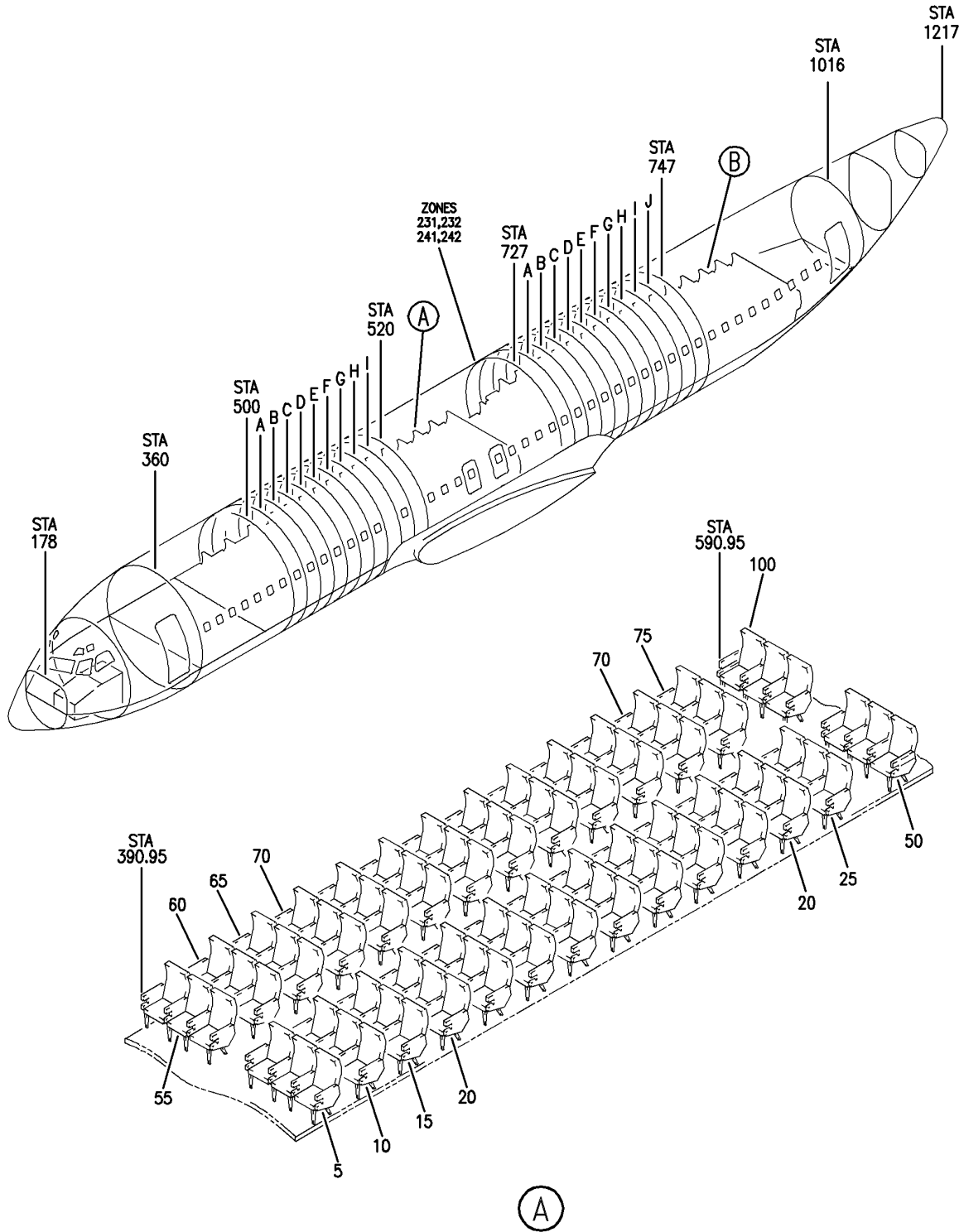
HAP

# 25-22-00-36B

BOEING PROPRIETARY - Copyright © - Unpublished Work - See title page for details.

25-22-00  
FIG. 36B  
PAGE 3  
OCT 15/08

**BOEING**  
 737-600/700/800/900  
 PARTS CATALOG (MAINTENANCE)



E 25220073 SH1 1 REV 047

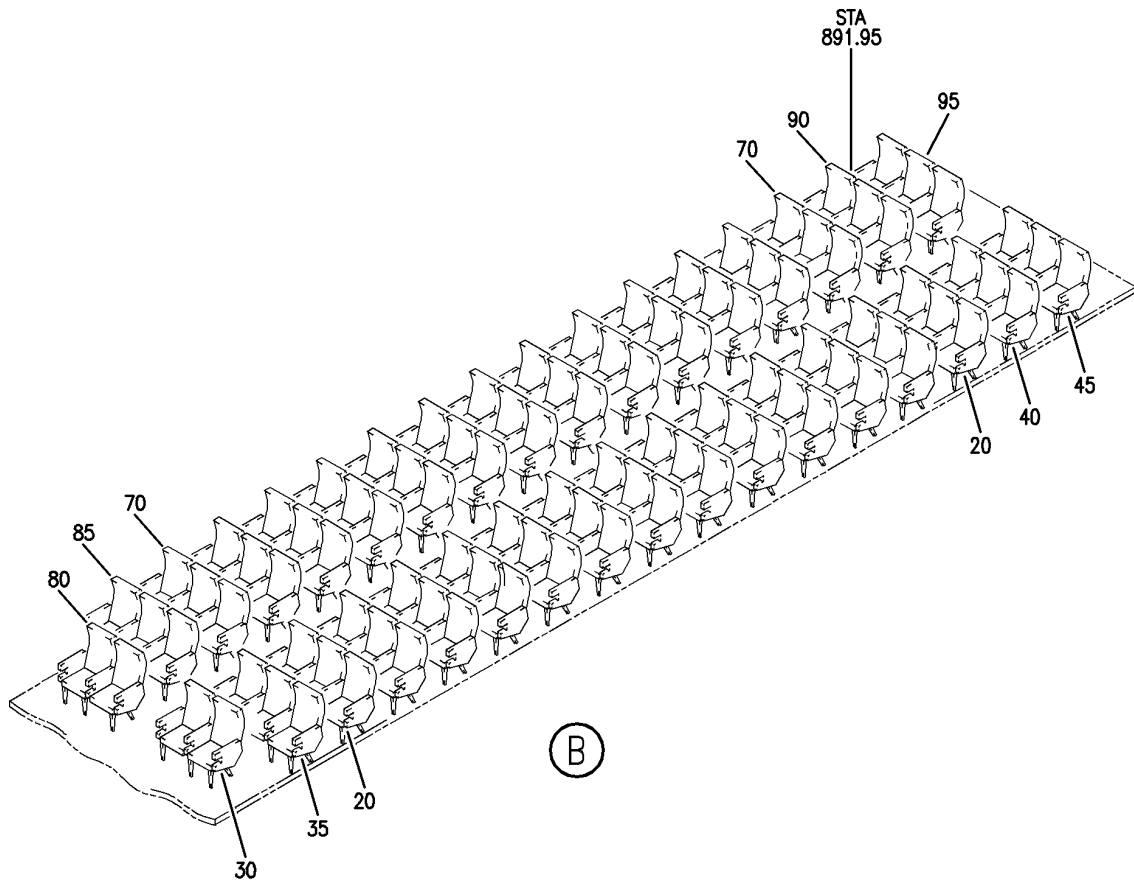
SEAT INSTL-184 T/C PASS.  
 FIGURE 73 (SHEET 1)

**25-22-00-73**

HAP  
 OCT 10/06

25-22-00-73  
 PAGE 0

**BOEING**  
737-600/700/800/900  
PARTS CATALOG (MAINTENANCE)



E 25220073 SHT 2 REV 047

SEAT INSTL-184 T/C PASS.  
FIGURE 73 (SHEET 2)

**25-22-00-73**

HAP  
OCT 10/06

25-22-00-73  
PAGE 0A

**BOEING**  
737-600/700/800/900  
PARTS CATALOG (MAINTENANCE)

FIG ITEM	PART NUMBER	1 2 3 4 5 6 7	NOMENCLATURE	EFFECT FROM TO	UNITS PER ASSY
73					
- 1	414A1108-1		SEAT INSTL-184 T/C PASS. SEAT INSTL-184 T/C PASS. FOR NHA SEE: 25-22-00-01E	001011 001011	RF
5	756-31-11		.SEAT-TRIPLE, NARROW SUPPLIER CODE: V92802 POSITION DATA: LH	001001	1
5	756-31-11		.SEAT-TRIPLE, NARROW (CUSTOMER FURNISHED) SUPPLIER CODE: V92802 POSITION DATA: LH	002011	1
10	756-31-02		.SEAT-TRIPLE, NARROW SUPPLIER CODE: V92802 POSITION DATA: LH	001001	1
10	756-31-02		.SEAT-TRIPLE, NARROW (CUSTOMER FURNISHED) SUPPLIER CODE: V92802 POSITION DATA: LH	002011	1
15	756-31-06		.SEAT-TRIPLE, NARROW SUPPLIER CODE: V92802 POSITION DATA: LH	001001	1
15	756-31-06		.SEAT-TRIPLE, NARROW (CUSTOMER FURNISHED) SUPPLIER CODE: V92802 POSITION DATA: LH	002011	1
20	756-31-01		.SEAT-TRIPLE, STD SUPPLIER CODE: V92802 POSITION DATA: LH	001001	22
20	756-31-01		.SEAT-TRIPLE, STD (CUSTOMER FURNISHED) SUPPLIER CODE: V92802 POSITION DATA: LH	002011	22

MISSING ITEM NUMBERS NOT APPLICABLE

- ITEM NOT ILLUSTRATED

HAP

# 25-22-00-73

BOEING PROPRIETARY - Copyright © - Unpublished Work - See title page for details.

25-22-00  
FIG. 73  
PAGE 1  
OCT 10/06

**BOEING**  
737-600/700/800/900  
PARTS CATALOG (MAINTENANCE)

FIG ITEM	PART NUMBER	1 2 3 4 5 6 7	NOMENCLATURE	EFFECT FROM TO	UNITS PER ASSY
73					
25	756-31-03		.SEAT-TRIPLE, NO BACK TABLES, NO RECLINE AND NO B/O SUPPLIER CODE: V92802 POSITION DATA: LH	001001	1
25	756-31-03		.SEAT-TRIPLE NO BACKTABLES, NO RECLINE AND NO B/O (CUSTOMER FURNISHED) SUPPLIER CODE: V92802 POSITION DATA: LH	002011	1
30	756-21-01		.SEAT-DBL STD SUPPLIER CODE: V92802 POSITION DATA: LH	001001	1
30	756-21-01		.SEAT-DBL STD (CUSTOMER FURNISHED) SUPPLIER CODE: V92802 POSITION DATA: LH	002011	1
35	756-31-04		.SEAT-TRIPLE SUPPLIER CODE: V92802 POSITION DATA: LH	001001	1
35	756-31-04		.SEAT-TRIPLE (CUSTOMER FURNISHED) SUPPLIER CODE: V92802 POSITION DATA: LH	002011	1
40	756-31-07		.SEAT-TRIPLE, NARROW SUPPLIER CODE: V92802 POSITION DATA: LH	001001	1
40	756-31-07		.SEAT-TRIPLE, NARROW (CUSTOMER FURNISHED) SUPPLIER CODE: V92802 POSITION DATA: LH	002011	1

MISSING ITEM NUMBERS NOT APPLICABLE

— ITEM NOT ILLUSTRATED

HAP

# 25-22-00-73

BOEING PROPRIETARY - Copyright © - Unpublished Work - See title page for details.

25-22-00  
FIG. 73  
PAGE 2  
OCT 10/06



**BOEING**  
737-600/700/800/900  
PARTS CATALOG (MAINTENANCE)

FIG ITEM	PART NUMBER	1 2 3 4 5 6 7	NOMENCLATURE	EFFECT FROM TO	UNITS PER ASSY
73					
45	756-31-05		.SEAT-TRIPLE, NARROW, NO BACKTABLES, NO RECLINE SUPPLIER CODE: V92802 POSITION DATA: LH	001001	1
45	756-31-05		.SEAT-TRIPLE, NARROW, NO BACKTABLES, NO RECLINE (CUSTOMER FURNISHED) SUPPLIER CODE: V92802 POSITION DATA: LH	002011	1
50	756-31-12		.SEAT-TRIPLE, NO BACKTABLES, NO ARMREST, NO RECLINE AND NO B/O SUPPLIER CODE: V92802 POSITION DATA: LH	001001	1
50	756-31-12		.SEAT-TRIPLE, NO BACKTABLE, NO ARMREST, NO RECLINE AND NO B/O (CUSTOMER FURNISHED) SUPPLIER CODE: V92802 POSITION DATA: LH	002011	1
55	756-32-11		.SEAT-TRIPLE, NARROW SUPPLIER CODE: V92802 POSITION DATA: RH	001001	1
55	756-32-11		.SEAT-TRIPLE, NARROW (CUSTOMER FURNISHED) SUPPLIER CODE: V92802 POSITION DATA: RH	002011	1
60	756-32-02		.SEAT-TRIPLE, NARROW SUPPLIER CODE: V92802 POSITION DATA: RH	001001	1

MISSING ITEM NUMBERS NOT APPLICABLE

— ITEM NOT ILLUSTRATED

HAP

# 25-22-00-73

BOEING PROPRIETARY - Copyright © - Unpublished Work - See title page for details.

25-22-00  
FIG. 73  
PAGE 3  
OCT 10/06

**BOEING**  
737-600/700/800/900  
PARTS CATALOG (MAINTENANCE)

FIG ITEM	PART NUMBER	1 2 3 4 5 6 7	NOMENCLATURE	EFFECT FROM TO	UNITS PER ASSY
73					
60	756-32-02		.SEAT-TRIPLE, NARROW (CUSTOMER FURNISHED) SUPPLIER CODE: V92802 POSITION DATA: RH	002011	1
65	756-32-06		.SEAT-TRIPLE, NARROW SUPPLIER CODE: V92802 POSITION DATA: RH	001001	1
65	756-32-06		.SEAT-TRIPLE, NARROW (CUSTOMER FURNISHED) SUPPLIER CODE: V92802 POSITION DATA: RH	002011	1
70	756-32-01		.SEAT-TRIPLE, STD SUPPLIER CODE: V92802 POSITION DATA: RH	001001	22
70	756-32-01		.SEAT-TRIPLE, STD (CUSTOMER FURNISHED) SUPPLIER CODE: V92802 POSITION DATA: RH	002011	22
75	756-32-03		.SEAT-TRIPLE, NO BACKTABLES, NO RECLINE AND NO B/O SUPPLIER CODE: V92802 POSITION DATA: RH	001001	1
75	756-32-03		.SEAT-TRIPLE NO BACKTABLES, NO RECLINE AND NO B/O (CUSTOMER FURNISHED) SUPPLIER CODE: V92802 POSITION DATA: RH	002011	1
80	756-22-01		.SEAT-DBL STD SUPPLIER CODE: V92802 POSITION DATA: RH	001001	1

MISSING ITEM NUMBERS NOT APPLICABLE

— ITEM NOT ILLUSTRATED

HAP

# 25-22-00-73

BOEING PROPRIETARY - Copyright © - Unpublished Work - See title page for details.

25-22-00  
FIG. 73  
PAGE 4  
OCT 10/06

**BOEING**  
737-600/700/800/900  
PARTS CATALOG (MAINTENANCE)

FIG ITEM	PART NUMBER	1 2 3 4 5 6 7	NOMENCLATURE	EFFECT FROM TO	UNITS PER ASSY
73					
80	756-22-01		.SEAT-DBL STD (CUSTOMER FURNISHED) SUPPLIER CODE: V92802 POSITION DATA: RH	002011	1
85	756-32-04		.SEAT-TRIPLE SUPPLIER CODE: V92802 POSITION DATA: RH	001001	1
85	756-32-04		.SEAT-TRIPLE (CUSTOMER FURNISHED) SUPPLIER CODE: V92802 POSITION DATA: RH	002011	1
90	756-32-07		.SEAT-TRIPLE, NARROW SUPPLIER CODE: V92802 POSITION DATA: RH	001001	1
90	756-32-07		.SEAT-TRIPLE, NARROW (CUSTOMER FURNISHED) SUPPLIER CODE: V92802 POSITION DATA: RH	002011	1
95	756-32-05		.SEAT-NARROW NO BACKTABLES, NO RECLINE SUPPLIER CODE: V92802 POSITION DATA: RH	001001	1
95	756-32-05		.SEAT-NARROW, NO BACKTABLES, NO RECLINE (CUSTOMER FURNISHED) SUPPLIER CODE: V92802 POSITION DATA: RH	002011	1

MISSING ITEM NUMBERS NOT APPLICABLE

— ITEM NOT ILLUSTRATED

HAP

# 25-22-00-73

BOEING PROPRIETARY - Copyright © - Unpublished Work - See title page for details.

25-22-00  
FIG. 73  
PAGE 5  
OCT 10/06

**BOEING**  
737-600/700/800/900  
PARTS CATALOG (MAINTENANCE)

FIG ITEM	PART NUMBER	1 2 3 4 5 6 7	NOMENCLATURE	EFFECT FROM TO	UNITS PER ASSY
73 100	756-32-12		.SEAT-TRIPLE NO BACKTABLE, NO ARMREST, NO RECLINE AND NO B/O SUPPLIER CODE: V92802 POSITION DATA: RH	001001	1
100	756-32-12		.SEAT-TRIPLE, NO BACKTABLE, NO ARMREST, NO RECLINE AND NO B/O (CUSTOMER FURNISHED) SUPPLIER CODE: V92802 POSITION DATA: RH	002011	1

MISSING ITEM NUMBERS NOT APPLICABLE

— ITEM NOT ILLUSTRATED

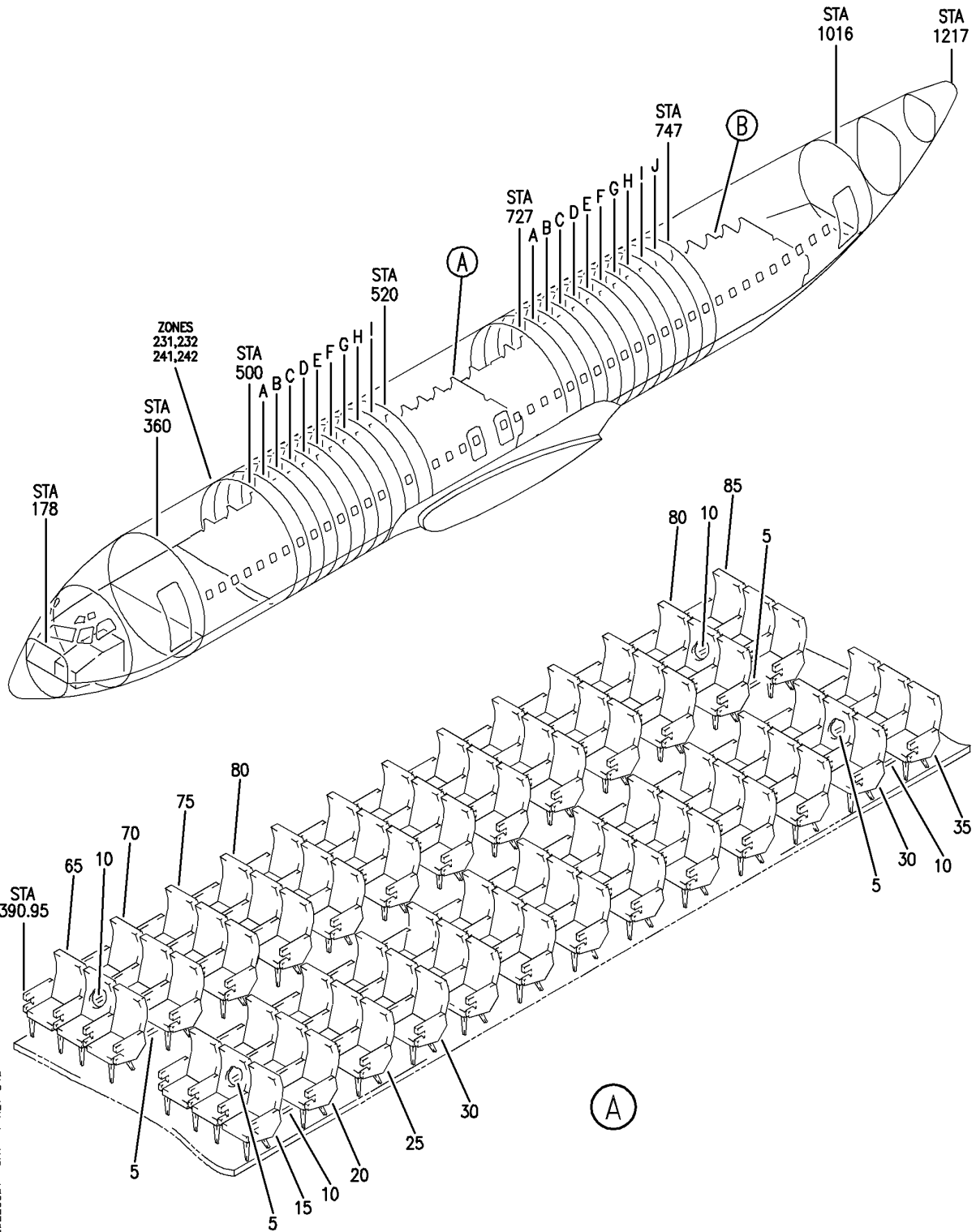
HAP

# 25-22-00-73

BOEING PROPRIETARY - Copyright © - Unpublished Work - See title page for details.

25-22-00  
FIG. 73  
PAGE 6  
OCT 10/06

**BOEING**  
 737-600/700/800/900  
 PARTS CATALOG (MAINTENANCE)



E 25220081 SHT 1 REV 048

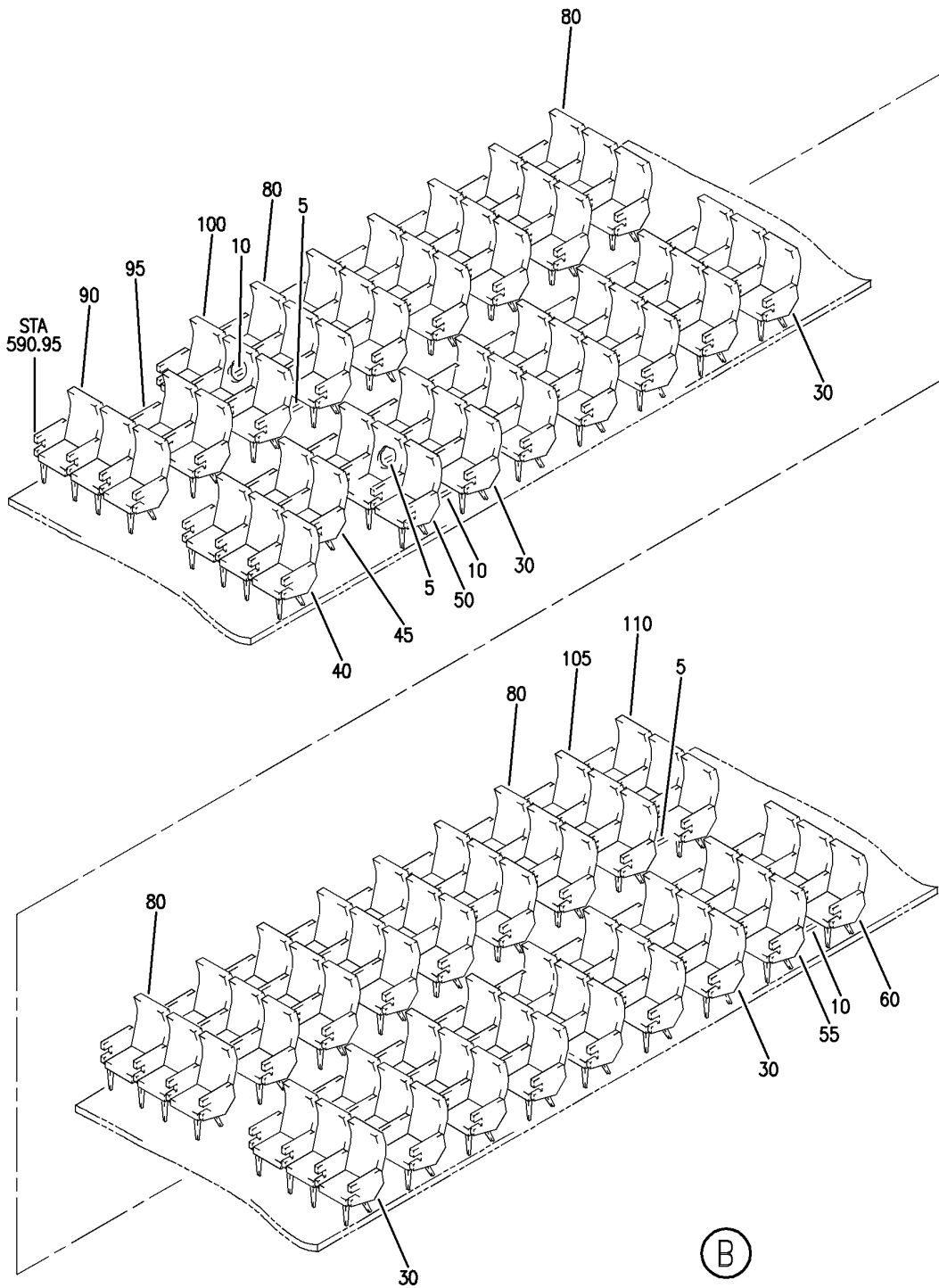
SEAT INSTL- PASS. 737-800  
 FIGURE 81 (SHEET 1)

**25-22-00-81**

HAP  
 OCT 10/06

25-22-00-81  
 PAGE 0

**BOEING**  
 737-600/700/800/900  
 PARTS CATALOG (MAINTENANCE)



E 25220081 SHT 2 REV 048

SEAT INSTL- PASS. 737-800  
 FIGURE 81 (SHEET 2)

**25-22-00-81**

HAP  
 OCT 10/06

25-22-00-81  
 PAGE 0A

**BOEING**  
737-600/700/800/900  
PARTS CATALOG (MAINTENANCE)

FIG ITEM	PART NUMBER	1 2 3 4 5 6 7	NOMENCLATURE	EFFECT FROM TO	UNITS PER ASSY
81			SEAT INSTL- PASS. 737-800	012030	
- 1	414A1108-55DD		SEAT INSTL-184 T/C PASS. FOR NHA SEE: 25-22-00-01E	012030	RF
5	65C37062-50A		.COVER-SEAT TRACK	012030	7
10	65C37062-9B		.COVER-SEAT TRACK	012030	7
15	756-31-11		.SEAT-TRIPLE, NARROW SUPPLIER CODE: V92802 POSITION DATA: LH SIDE	012030	1
20	756-31-02		.SEAT-TRIPLE, NARROW SUPPLIER CODE: V92802 POSITION DATA: LH SIDE	012030	1
25	756-31-06		.SEAT-TRIPLE, NARROW SUPPLIER CODE: V92802 POSITION DATA: LH SIDE	012030	1
30	756-31-01		.SEAT-TRIPLE STD SUPPLIER CODE: V92802 POSITION DATA: LH SIDE	012030	22
35	756-31-03		.SEAT-TRIPLE, NO BACKTABLES, NO RECLINE AND NO B/O SUPPLIER CODE: V92802 POSITION DATA: LH SIDE	012030	1
40	756-31-12		.SEAT-TRIPLE, NO BACKTABLE,NO ARMREST, NO RECLINE AND NO B/O SUPPLIER CODE: V92802 POSITION DATA: LH SIDE	012030	1
45	756-21-01		.SEAT-DBL STD SUPPLIER CODE: V92802 POSITION DATA: LH SIDE	012030	1

MISSING ITEM NUMBERS NOT APPLICABLE

- ITEM NOT ILLUSTRATED

HAP

# 25-22-00-81

BOEING PROPRIETARY - Copyright © - Unpublished Work - See title page for details.

25-22-00  
FIG. 81  
PAGE 1  
OCT 10/06

**BOEING**  
737-600/700/800/900  
PARTS CATALOG (MAINTENANCE)

FIG ITEM	PART NUMBER	1 2 3 4 5 6 7	NOMENCLATURE	EFFECT FROM TO	UNITS PER ASSY
81					
50	756-31-04		.SEAT-TRIPLE SUPPLIER CODE: V92802 POSITION DATA: LH SIDE	012030	1
55	756-31-07		.SEAT-TRIPLE, NARROW SUPPLIER CODE: V92802 POSITION DATA: LH SIDE	012030	1
60	756-31-05		.SEAT-TRIPLE, NARROW, NO BACKTABLES NO RECLINE SUPPLIER CODE: V92802 POSITION DATA: LH SIDE	012030	1
65	756-32-11		.SEAT-TRIPLE, NARROW SUPPLIER CODE: V92802 POSITION DATA: RH SIDE	012030	1
70	756-32-02		.SEAT-TRIPLE, NARROW SUPPLIER CODE: V92802 POSITION DATA: RH SIDE	012030	1
75	756-32-06		.SEAT-TRIPLE NARROW SUPPLIER CODE: V92802 POSITION DATA: RH SIDE	012030	1
80	756-32-01		.SEAT-TRIPLE STD SUPPLIER CODE: V92802 POSITION DATA: RH SIDE	012030	22
85	756-32-03		.SEAT-TRIPLE NO BACKTABLES, NO RECLINE AND NO B/O SUPPLIER CODE: V92802 POSITION DATA: RH SIDE	012030	1

MISSING ITEM NUMBERS NOT APPLICABLE

— ITEM NOT ILLUSTRATED

HAP

# 25-22-00-81

BOEING PROPRIETARY - Copyright © - Unpublished Work - See title page for details.

25-22-00  
FIG. 81  
PAGE 2  
OCT 10/06



**BOEING**  
737-600/700/800/900  
PARTS CATALOG (MAINTENANCE)

FIG ITEM	PART NUMBER	1 2 3 4 5 6 7	NOMENCLATURE	EFFECT FROM TO	UNITS PER ASSY
81					
90	756-32-12		.SEAT-TRIPLE, NO BACKTABLE, NO ARMREST, NO RECLINE AND NO B/O SUPPLIER CODE: V92802 POSITION DATA: RH SIDE	012030	1
95	756-22-01		.SEAT-DBL STD SUPPLIER CODE: V92802 POSITION DATA: RH SIDE	012030	1
100	756-32-04		.SEAT-TRIPLE SUPPLIER CODE: V92802 POSITION DATA: RH SIDE	012030	1
105	756-32-07		.SEAT-TRIPLE, NARROW SUPPLIER CODE: V92802 POSITION DATA: RH SIDE	012030	1
110	756-32-05		.SEAT-NARROW, NO BACKTABLES, NO RECLINE SUPPLIER CODE: V92802 POSITION DATA: RH SIDE	012030	1

MISSING ITEM NUMBERS NOT APPLICABLE

— ITEM NOT ILLUSTRATED

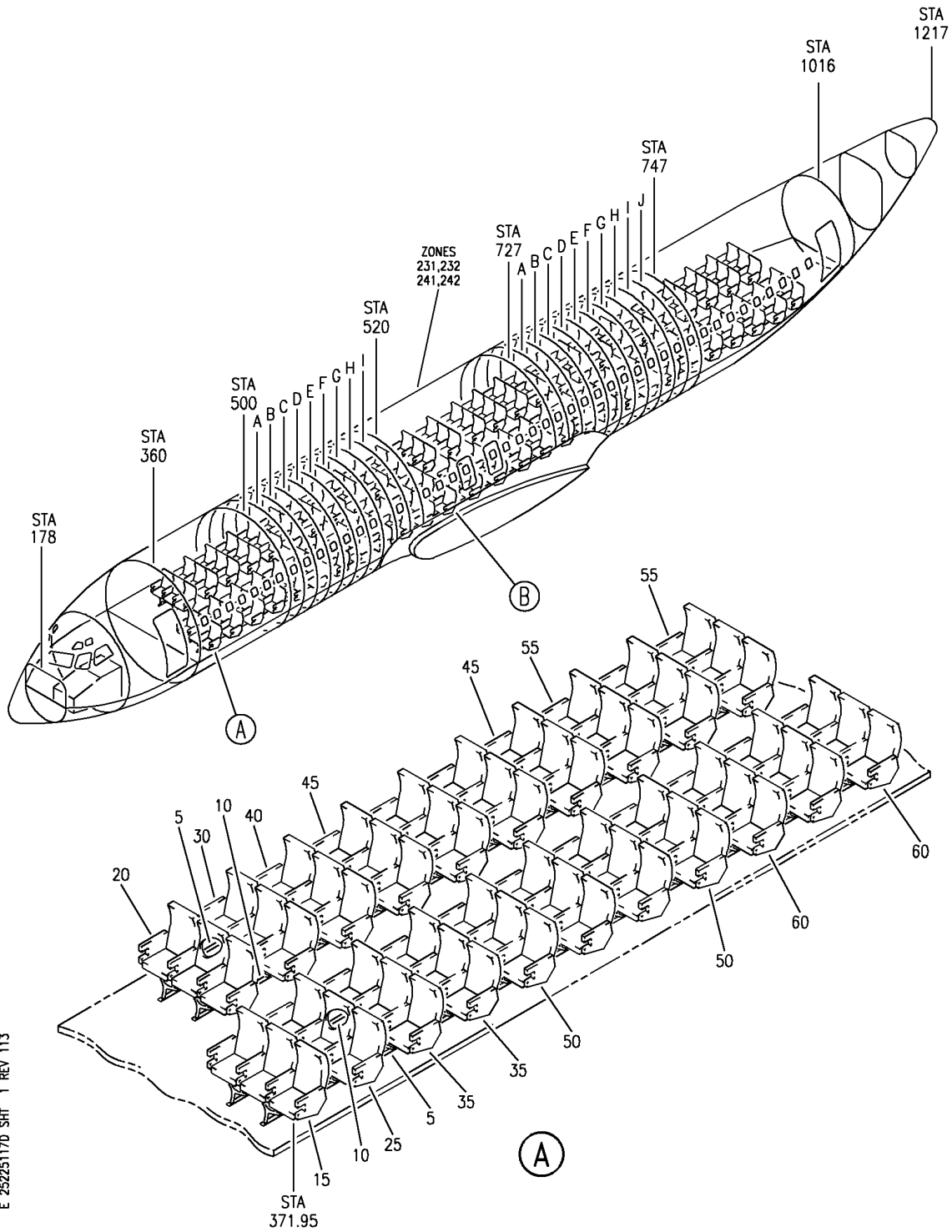
HAP

# 25-22-00-81

BOEING PROPRIETARY - Copyright © - Unpublished Work - See title page for details.

25-22-00  
FIG. 81  
PAGE 3  
OCT 10/06

**BOEING**  
**737-600/700/800/900**  
**PARTS CATALOG (MAINTENANCE)**



E 25225117D SHT 1 REV 113

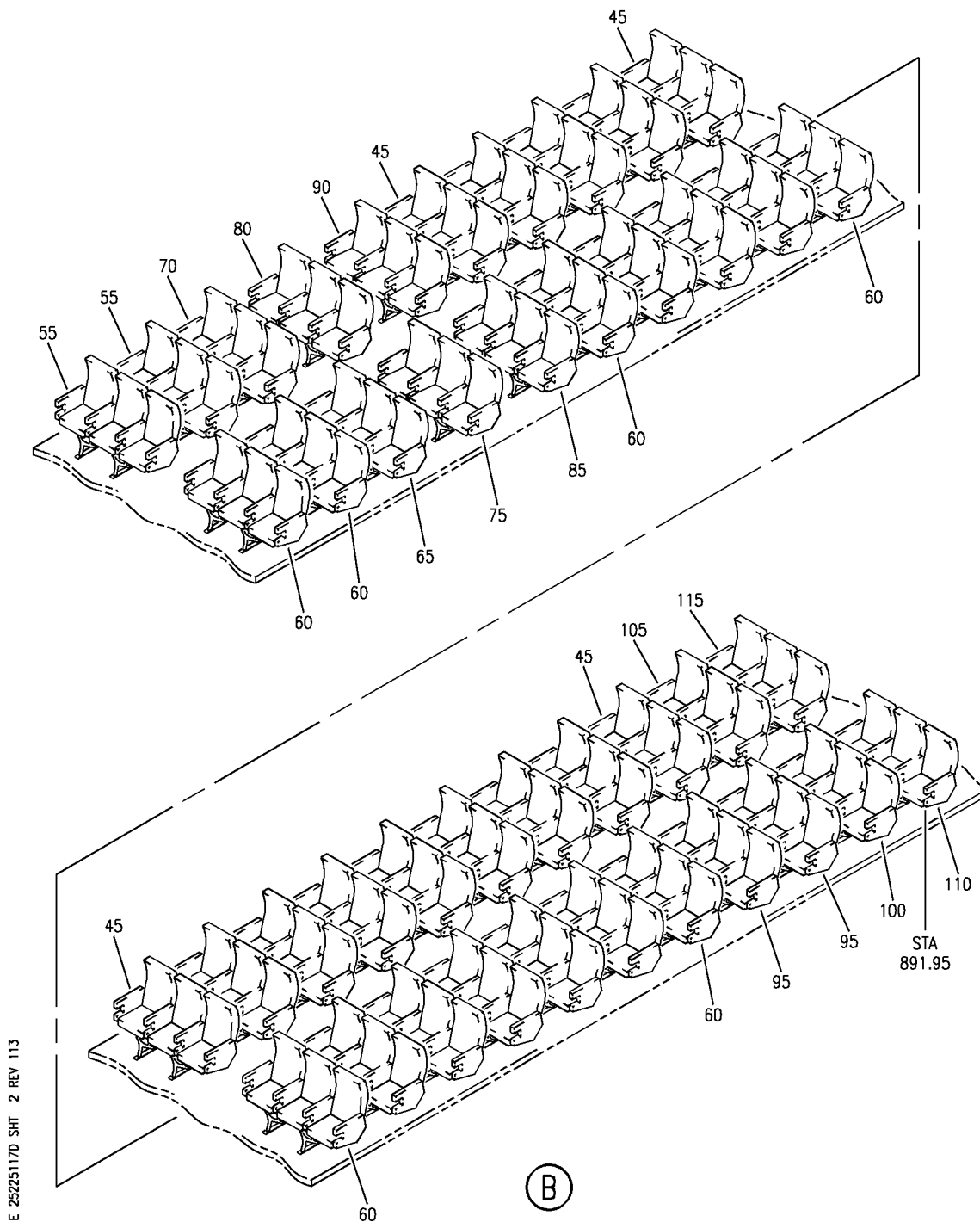
SEAT INSTL-189 TOTAL PASS.  
 FIGURE 17D (SHEET 1)

**25-22-51-17D**

HAP  
 OCT 10/06

25-22-51-17D  
 PAGE 0

**BOEING**  
 737-600/700/800/900  
 PARTS CATALOG (MAINTENANCE)



E 25225117D SHT 2 REV 113

SEAT INSTL-189 TOTAL PASS.  
 FIGURE 17D (SHEET 2)

**25-22-51-17D**

HAP  
 OCT 10/06

25-22-51-17D  
 PAGE 0A

**BOEING**  
737-600/700/800/900  
PARTS CATALOG (MAINTENANCE)

FIG ITEM	PART NUMBER	1 2 3 4 5 6 7	NOMENCLATURE	EFFECT FROM TO	UNITS PER ASSY
17D			SEAT INSTL-189 TOTAL PASS.	031037 039040 048048	
- 1	MODREF276218		SEAT INSTL-189 TOTAL PASS. MODULE NUMBER: 414A1108-216B REV A	031037 039040 048048	1
5	65C37062-61B		.COVER-NONAUDIO TRACK	031037 039040 048048	6
10	65C37062-62B		.COVER-AUDIO TRACK	031037 039040 048048	6
15	3510A357-31-611		.SEAT-TRIPLE E/C IAT SUPPLIER CODE: VC1084	031037 039040 048048	1
20	3510A357-32-611		.SEAT-TRIPLE IAT E/C PAX SUPPLIER CODE: VC1084	031037 039040 048048	1
25	3510A357-31-461		.SEAT-TRIPLE PADDED ARMCAP NARROW E/C PAX SUPPLIER CODE: VC1084 POSITION DATA: LH	031037 039040 048048	1
30	3510A357-32-461		.SEAT-TRIPLE PADDED ARMCAP NARROW E/C PAX SUPPLIER CODE: VC1084 POSITION DATA: RH	031037 039040 048048	1
35	3510A357-31-481		.SEAT-TRIPLE HANDICAP ARMREST E/C PAX SUPPLIER CODE: VC1084 POSITION DATA: LH	031037 039040 048048	2
40	3510A357-32-481		.SEAT-TRIPLE PADDED ARMCAP E/C PAX SUPPLIER CODE: VC1084 POSITION DATA: RH	031037 039040 048048	1
45	3510A357-32-411		.SEAT-TRIPLE STD E/C PAX SUPPLIER CODE: VC1084 POSITION DATA: RH	031037 039040 048048	18

MISSING ITEM NUMBERS NOT APPLICABLE

- ITEM NOT ILLUSTRATED

HAP

# 25-22-51-17D

BOEING PROPRIETARY - Copyright © - Unpublished Work - See title page for details.

25-22-51  
FIG. 17D  
PAGE 1  
JUN 15/08

**BOEING**  
737-600/700/800/900  
PARTS CATALOG (MAINTENANCE)

FIG ITEM	PART NUMBER	1 2 3 4 5 6 7	NOMENCLATURE	EFFECT FROM TO	UNITS PER ASSY
17D 50	3510A357-31-421	.	SEAT-TRIPLE HANDICAP ARMREST E/C PAX SUPPLIER CODE: VC1084 POSITION DATA: LH	031037 039040 048048	4
55	3510A357-32-421	.	SEAT-TRIPLE HANDICAP ARMREST E/C PAX SUPPLIER CODE: VC1084 POSITION DATA: RH	031037 039040 048048	5
60	3510A357-31-411	.	SEAT-TRIPLE STD E/C PAX SUPPLIER CODE: VC1084 POSITION DATA: LH	031037 039040 048048	17
65	3510A357-31-431	.	SEAT-TRIPLE NO RECLINE OWE E/C PAX SUPPLIER CODE: VC1084 POSITION DATA: LH	031037 039040 048048	1
70	3510A357-32-431	.	SEAT-TRIPLE NO RECLINE HANDICAP ARMREST OWE E/C PAX SUPPLIER CODE: VC1084 POSITION DATA: RH	031037 039040 048048	1
75	3510A357-31-631	.	SEAT-TRIPLE NO RECLINE SPECIAL UPRIGHT OWE IAT E/C PAX SUPPLIER CODE: VC1084 POSITION DATA: LH	031037 039040 048048	1
80	3510A357-32-631	.	SEAT-TRIPLE NO RECLINE SPECIAL UPRIGHT OWE IAT E/C PAX SUPPLIER CODE: VC1084 POSITION DATA: RH	031037 039040 048048	1

MISSING ITEM NUMBERS NOT APPLICABLE

— ITEM NOT ILLUSTRATED

HAP

# 25-22-51-17D

BOEING PROPRIETARY - Copyright © - Unpublished Work - See title page for details.

25-22-51  
FIG. 17D  
PAGE 2  
JUN 15/08

**BOEING**  
737-600/700/800/900  
PARTS CATALOG (MAINTENANCE)

FIG ITEM	PART NUMBER	1 2 3 4 5 6 7	NOMENCLATURE	EFFECT FROM TO	UNITS PER ASSY
17D 85	3510A357-31-621	.	SEAT-TRIPLE OWE IAT E/C PAX SUPPLIER CODE: VC1084 POSITION DATA: LH	031037 039040 048048	1
90	3510A357-32-621	.	SEAT-TRIPLE OWE IAT E/C PAX SUPPLIER CODE: VC1084 POSITION DATA: RH	031037 039040 048048	1
95	3510A357-31-491	.	SEAT-TRIPLE E/C PAX SUPPLIER CODE: VC1084 POSITION DATA: LH	031037 039040 048048	2
100	3510A357-31-441	.	SEAT-TRIPLE NARROW E/C PAX SUPPLIER CODE: VC1084 POSITION DATA: LH	031037 039040 048048	1
105	3510A357-32-441	.	SEAT-TRIPLE NARROW E/C PAX SUPPLIER CODE: VC1084 POSITION DATA: RH	031037 039040 048048	1
110	3510A357-31-451	.	SEAT-TRIPLE NO RECLINE NARROW E/C PAX SUPPLIER CODE: VC1084 POSITION DATA: LH	031037 039040 048048	1
115	3510A357-32-451	.	SEAT-TRIPLE NO RECLINE NARROW E/C PAX SUPPLIER CODE: VC1084 POSITION DATA: RH	031037 039040 048048	1

MISSING ITEM NUMBERS NOT APPLICABLE

— ITEM NOT ILLUSTRATED

HAP

# 25-22-51-17D

BOEING PROPRIETARY - Copyright © - Unpublished Work - See title page for details.

25-22-51  
FIG. 17D  
PAGE 3  
JUN 15/08