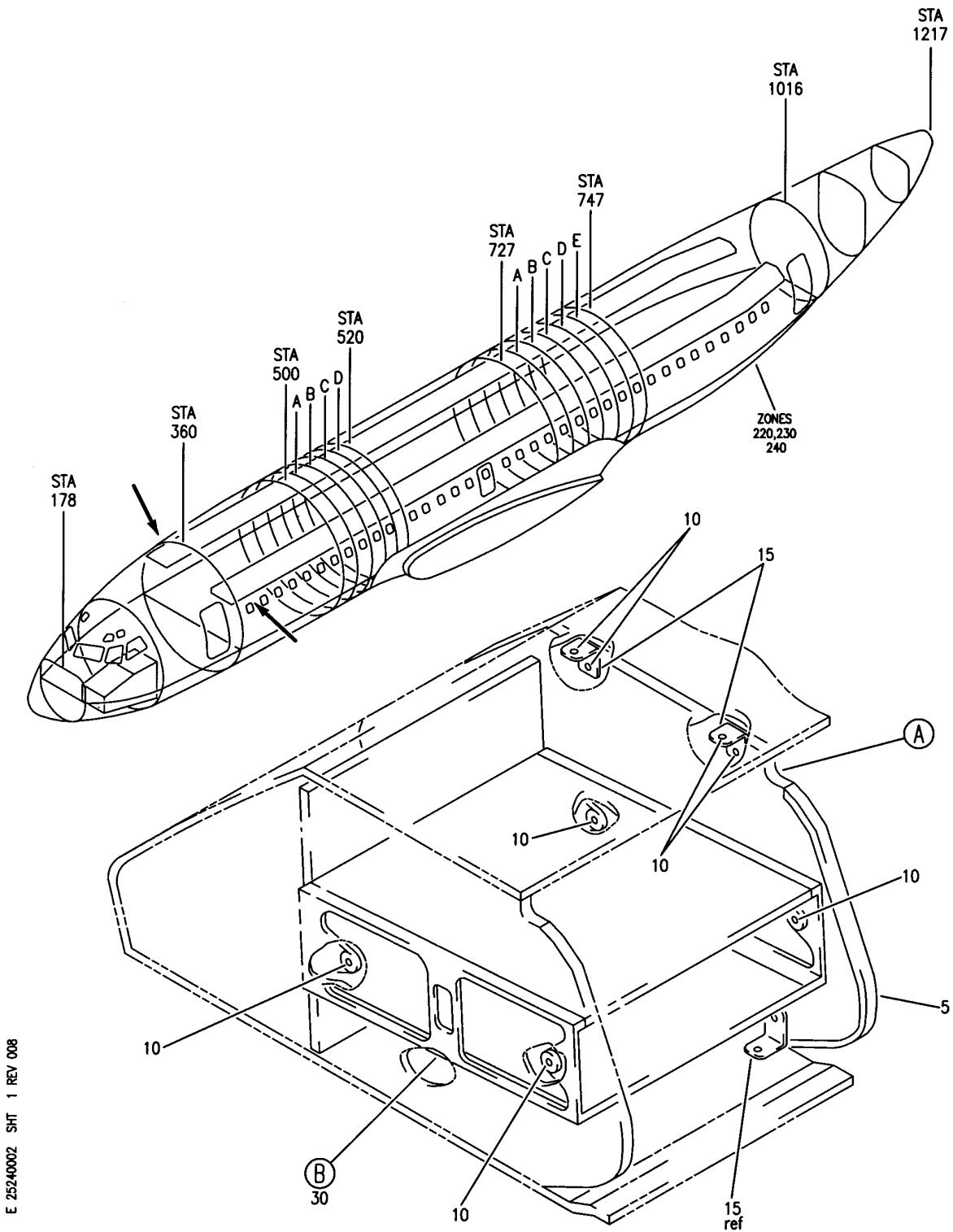


PASSENGER CABIN PARTITIONS AND COMPARTMENTS

HAP
OCT 10/06

25-24-00
SECTION TITLE
PAGE 1

BOEING
 737-600/700/800/900
 PARTS CATALOG (MAINTENANCE)



E 25240002 SHT 1 REV 008

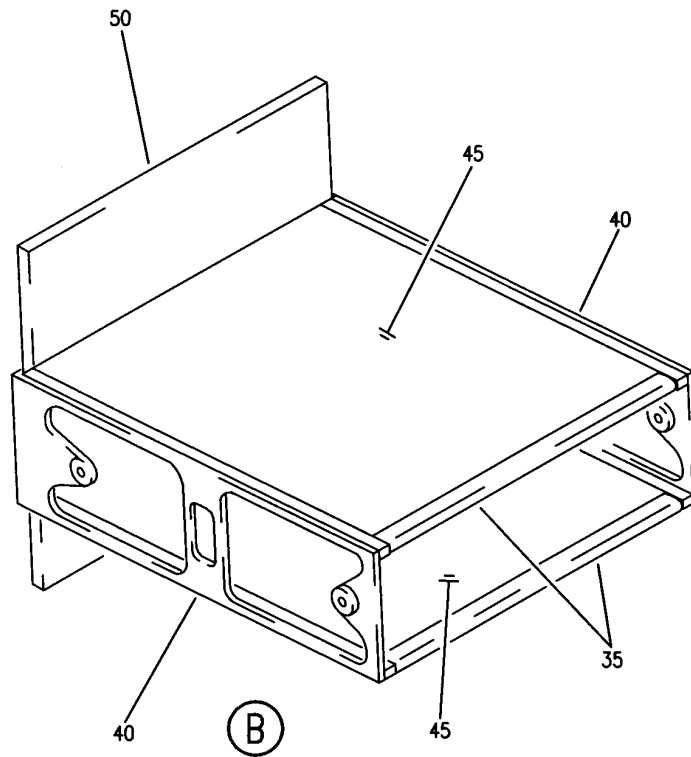
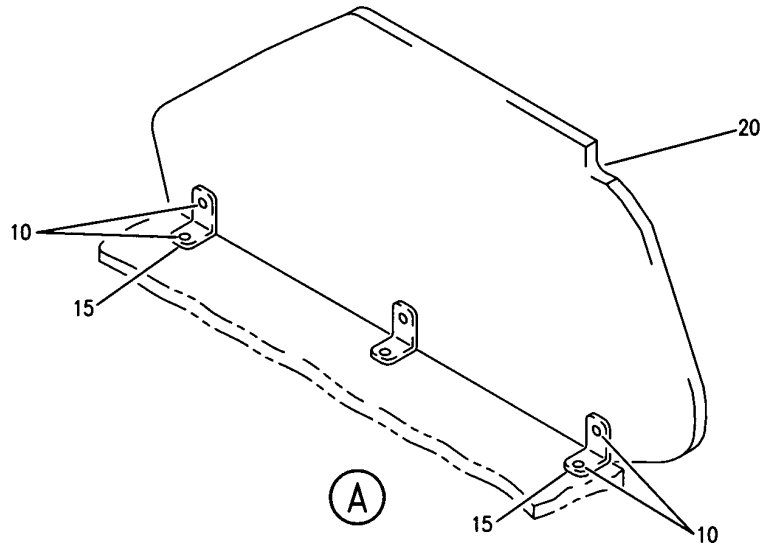
RACK ASSY-OVHD STOWAGE COMPT MAGAZINE
 FIGURE 2 (SHEET 1)

25-24-00-02

HAP
 OCT 15/08

25-24-00-02
 PAGE 0

BOEING
737-600/700/800/900
PARTS CATALOG (MAINTENANCE)



E 25240002 SH1 2 REV 008

RACK ASSY-OVHD STOWAGE COMPT MAGAZINE
FIGURE 2 (SHEET 2)

25-24-00-02

HAP
OCT 15/08

25-24-00-02
PAGE 0A

BOEING
737-600/700/800/900
PARTS CATALOG (MAINTENANCE)

FIG ITEM	PART NUMBER	1 2 3 4 5 6 7	NOMENCLATURE	EFFECT FROM TO	UNITS PER ASSY
2			RACK ASSY-OVHD STOWAGE COMPT MAGAZINE	201967	
- 1	412A1910-23SP		RACK ASSY-OVHD STOWAGE COMPT MAGAZINE FOR NHA SEE: 25-24-30-27	201967	RF
5	412A1250-91A		.TRIM-EDGE	201967	1
10	BACS12FA3K5		.SCREW-	201967	14
15	412A1220-61A		.CLIP-	201967	5
20	412A1213-46A		.PANEL ASSY-DIVIDER	201967	1
- 25	SL2334-3A1		..INSERT- SUPPLIER CODE: V97393	201967	11
30	412A1910-3A		.RACK ASSY-	201967	1
35	412A1450-17A		..TRIM-	201967	2
40	412N1212-4A		..SUPPORT-SHELF	201967	2
45	412A1213-20A		..SHELF ASSY-	201967	2
50	412A1213-32A		..PANEL ASSY-RACK OPTIONAL PART: 412A1213-69B	201967	1
50	412A1213-69B		..PANEL ASSY-BACK OPTIONAL PART: 412A1213-32A	201967	1

MISSING ITEM NUMBERS NOT APPLICABLE

- ITEM NOT ILLUSTRATED

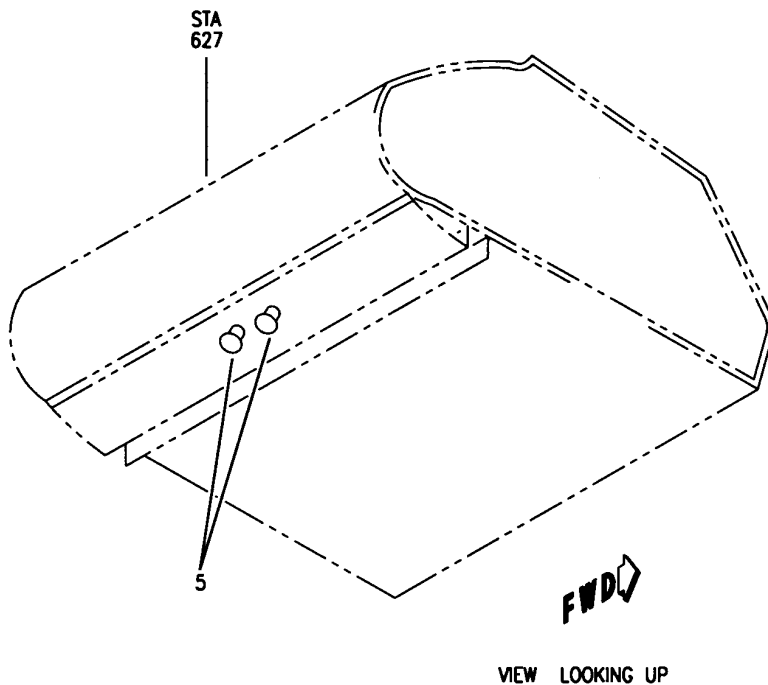
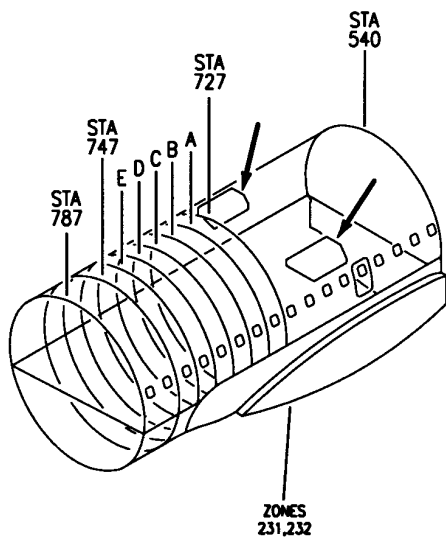
HAP

25-24-00-02

BOEING PROPRIETARY - Copyright © - Unpublished Work - See title page for details.

25-24-00
FIG. 02
PAGE 1
OCT 15/08

BOEING
 737-600/700/800/900
 PARTS CATALOG (MAINTENANCE)



E 25240003 REV 012

LOCATOR INSTL-TACTILE BULLNOSE SINGLE OVERWING EXIT 737-600, 737-700
 FIGURE 3

25-24-00-03

HAP
 FEB 10/07

25-24-00-03
 PAGE 0


BOEING
 737-600/700/800/900
PARTS CATALOG (MAINTENANCE)

FIG ITEM	PART NUMBER	1 2 3 4 5 6 7	NOMENCLATURE	EFFECT FROM TO	UNITS PER ASSY
3			LOCATOR INSTL-TACTILE BULLNOSE SINGLE OVERWING EXIT 737-600, 737-700	101999	
- 1	416A1998-1		LOCATOR INSTL-TACTILE BULLNOSE SINGLE OVERWING EXIT 737-600, 737-700	201967	RF
- 1	MODREF95801		FOR NHA SEE: 25-60-00-40A LOCATOR INSTL-TACTILE BULLNOSE SINGLE OVERWING EXIT 737-600, 737-700	101200 968999	1
5	66-27067-3		MODULE NUMBER: 416A1998-5 REV A .END CAP	101999	4

MISSING ITEM NUMBERS NOT APPLICABLE

- ITEM NOT ILLUSTRATED

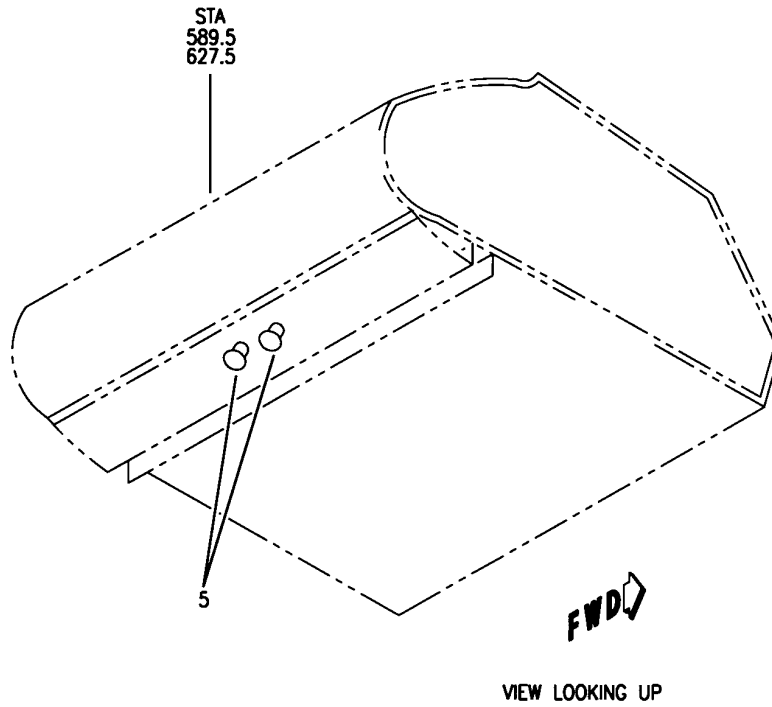
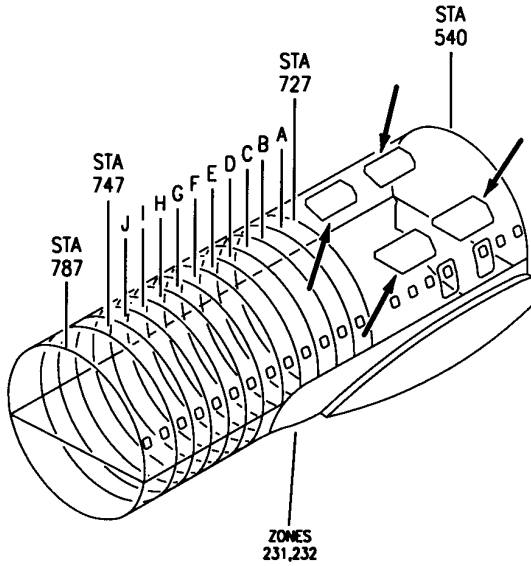
HAP

25-24-00-03

BOEING PROPRIETARY - Copyright © - Unpublished Work - See title page for details.

25-24-00
 FIG. 03
 PAGE 1
 OCT 15/08

BOEING
 737-600/700/800/900
 PARTS CATALOG (MAINTENANCE)



E 25240004 REV 012

LOCATOR INSTL-TACTILE HNDRL
 FIGURE 4

25-24-00-04

HAP
 OCT 10/06

25-24-00-04
 PAGE 0

BOEING
737-600/700/800/900
PARTS CATALOG (MAINTENANCE)

FIG ITEM	PART NUMBER	1 2 3 4 5 6 7	NOMENCLATURE	EFFECT FROM TO	UNITS PER ASSY
4					
- 1	416A1998-4		LOCATOR INSTL-TACTILE HNDRL LOCATOR INSTL-TACTILE HNDRL FOR NHA SEE: 25-60-00-40B	001030 001030	RF
5	66-27067-3		.END CAP	001030	8

MISSING ITEM NUMBERS NOT APPLICABLE

- ITEM NOT ILLUSTRATED

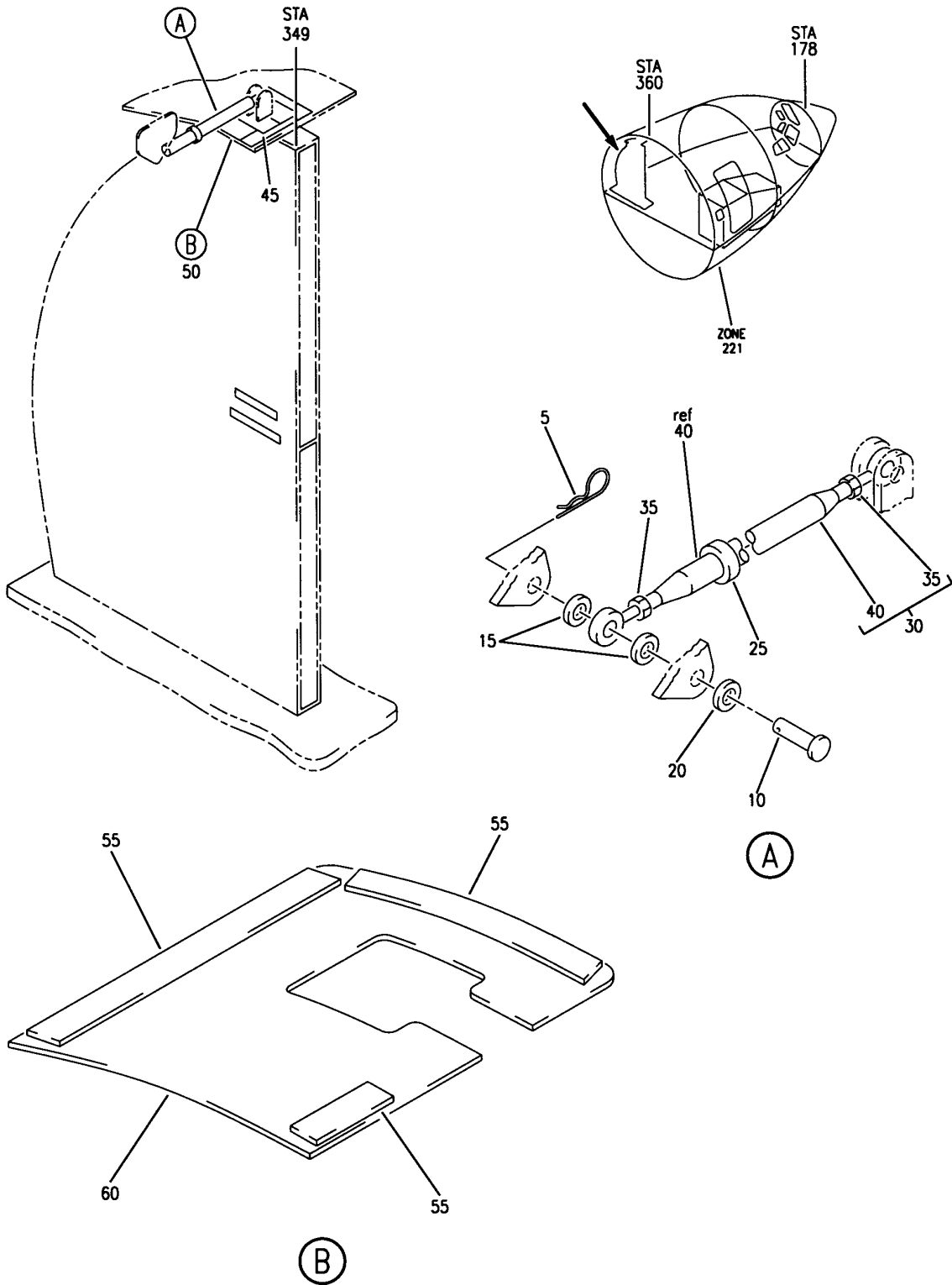
HAP

25-24-00-04

BOEING PROPRIETARY - Copyright © - Unpublished Work - See title page for details.

25-24-00
FIG. 04
PAGE 1
OCT 10/06

BOEING
 737-600/700/800/900
 PARTS CATALOG (MAINTENANCE)



E 25240006 REV 019

TIE ROD INSTL-UPR ATTACHMENT BFE CLOSET
 FIGURE 6

25-24-00-06

HAP
 OCT 10/06

25-24-00-06
 PAGE 0

BOEING
737-600/700/800/900
PARTS CATALOG (MAINTENANCE)

FIG ITEM	PART NUMBER	1 2 3 4 5 6 7	NOMENCLATURE	EFFECT FROM TO	UNITS PER ASSY	
R R R R R R R R R R R R R R	6		TIE ROD INSTL-UPR ATTACHMENT BFE CLOSET	031037 039041 047048 054106 968999		
	- 1	MODREF92316	TIE ROD INSTL-ATTACHMENT BFE CLOSET MODULE NUMBER: 413A3900-3B REV A POSITION DATA: UPR	031037 039041 047048 054106 968999	1	
	5	AN415-4	.PIN	031037 039041 047048 054106 968999	1	
	10	MS20392-3C27	.PIN	031037 039041 047048 054106 968999	1	
	15	NAS1149E0416P	.WASHER	031037 039041 047048 054106 968999	2	
	20	NAS1149E0463P	.WASHER	031037 039041 047048 054106 968999	1	
	25	413A3900-4	.TRAP-MOISTURE	031037 039041 047048 054106 968999	1	
	30	413A3107-4	.ROD ASSY	031037 039041 047048 054106 968999	1	
	35	AN316-5R	. . NUT	031037 039041 047048 054106 968999	2	
	MISSING ITEM NUMBERS NOT APPLICABLE					

- ITEM NOT ILLUSTRATED

HAP

25-24-00-06

BOEING PROPRIETARY - Copyright © - Unpublished Work - See title page for details.

25-24-00
FIG. 06
PAGE 1
JUN 15/09

BOEING
737-600/700/800/900
PARTS CATALOG (MAINTENANCE)

FIG ITEM	PART NUMBER	1 2 3 4 5 6 7	NOMENCLATURE	EFFECT FROM TO	UNITS PER ASSY
R R R R R R R R R R R R R R R R R R R R	6 40	1293-87	. . ROD- SUPPLIER CODE: V34742	031037 039041 047048 054106 968999	1
	45	413A3105-21	. SEAL-COVER	031037 039041 047048 054106 968999	1
	50	413A3105-16A	. COVER ASSY-	031037 039041 047048 054106 968999	1
	55	413A3105-7	. . TAPE-VELCRO	031037 039041 047048 054106 968999	3
	60	413A3106-4BATC	. . COVER-	031037 039041 047048 054106 968999	1

MISSING ITEM NUMBERS NOT APPLICABLE

— ITEM NOT ILLUSTRATED

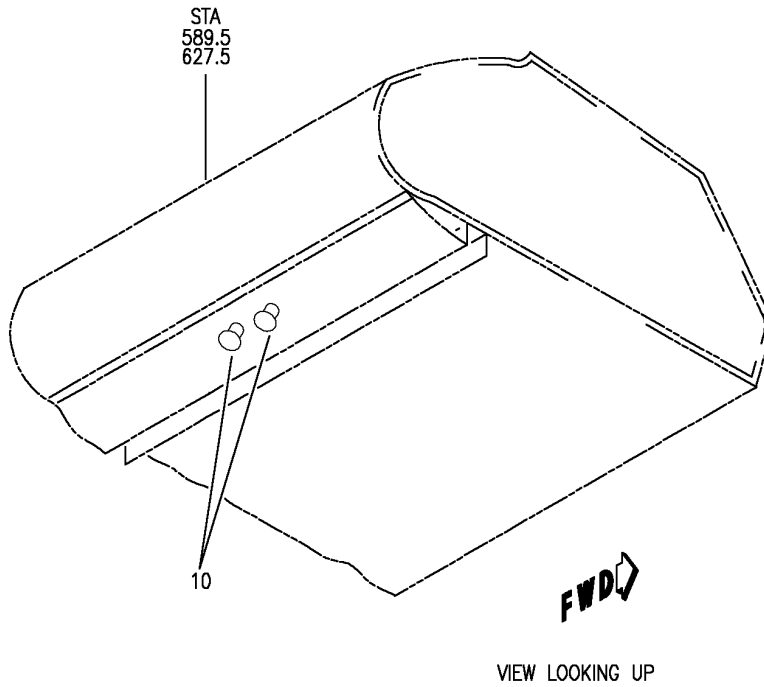
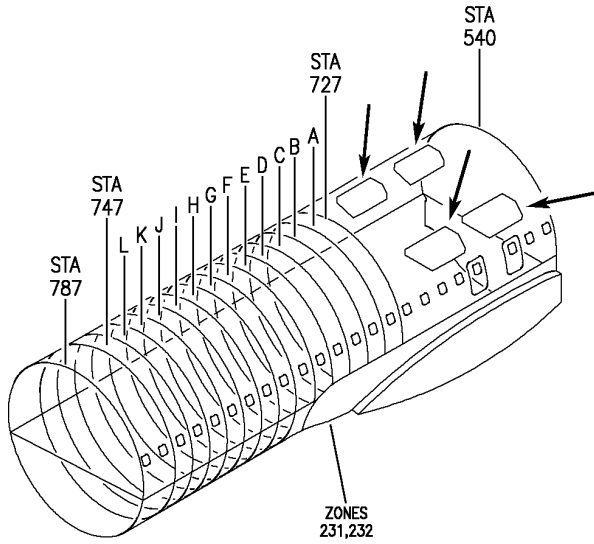
HAP

25-24-00-06

BOEING PROPRIETARY - Copyright © - Unpublished Work - See title page for details.

25-24-00
FIG. 06
PAGE 2
JUN 15/09

BOEING
 737-600/700/800/900
 PARTS CATALOG (MAINTENANCE)



E 25240007 REV 07B

LOCATOR INSTL-TACTILE BULLNOSE- DOUBLE OVERWING EXIT
 FIGURE 7

25-24-00-07

HAP
 OCT 10/06

25-24-00-07
 PAGE 0


BOEING
 737-600/700/800/900
PARTS CATALOG (MAINTENANCE)

FIG ITEM	PART NUMBER	1 2 3 4 5 6 7	NOMENCLATURE	EFFECT FROM TO	UNITS PER ASSY
7			LOCATOR INSTL-TACTILE BULLNOSE- DOUBLE OVERWING EXIT	031100	
- 1	MODREF95802		LOCATOR INSTL-TACTILE BULLNOSE- DOUBLE OVERWING EXIT	031100	1
10	66-27067-3		MODULE NUMBER: 416A1998-6 REV A .END CAP-OVER WING EMER EXIT INDICATOR	031100	8

MISSING ITEM NUMBERS NOT APPLICABLE

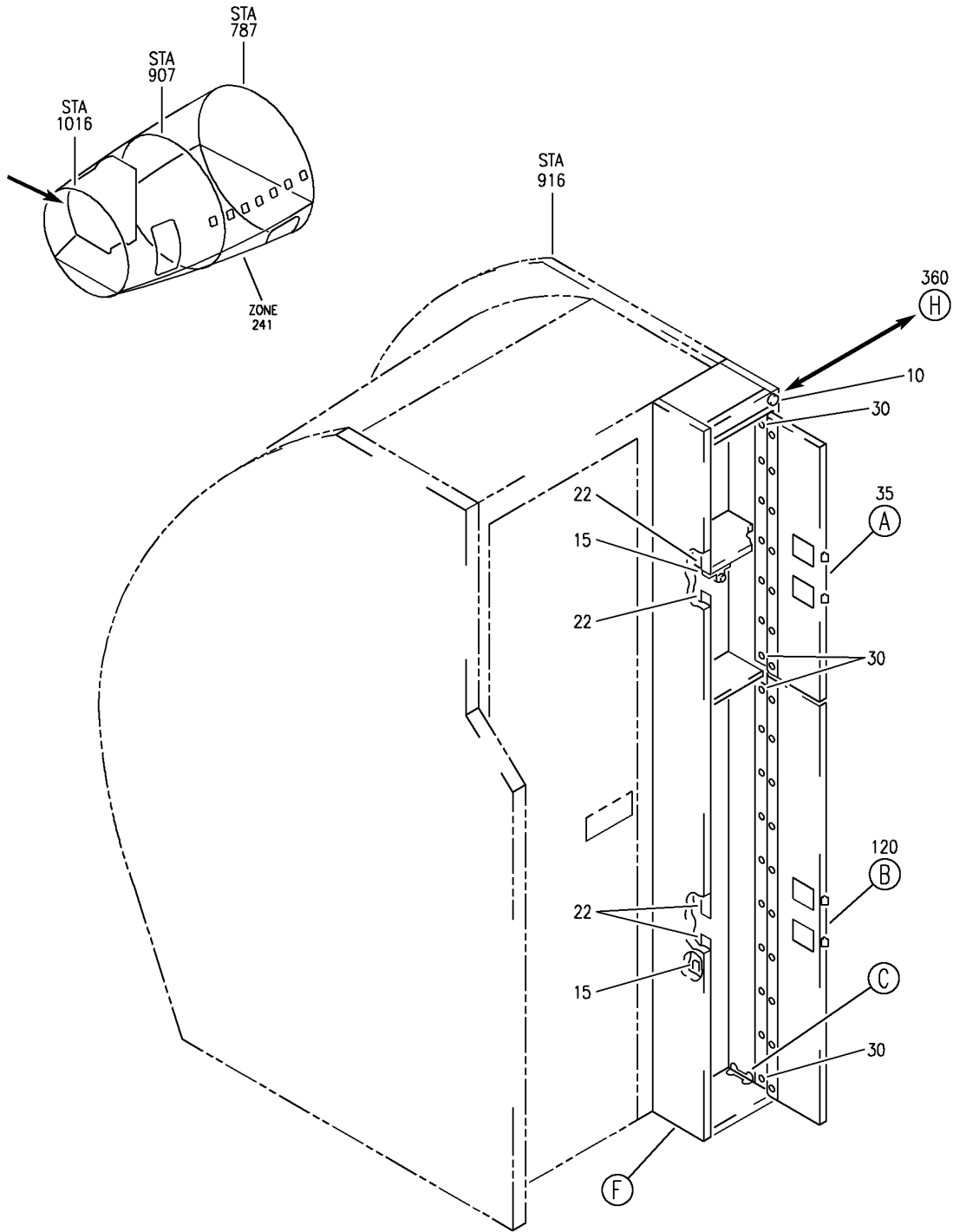
- ITEM NOT ILLUSTRATED

HAP

25-24-00-07

BOEING PROPRIETARY - Copyright © - Unpublished Work - See title page for details.

25-24-00
 FIG. 07
 PAGE 1
 JUN 10/07



E 25240008 SHT 1 REV 106

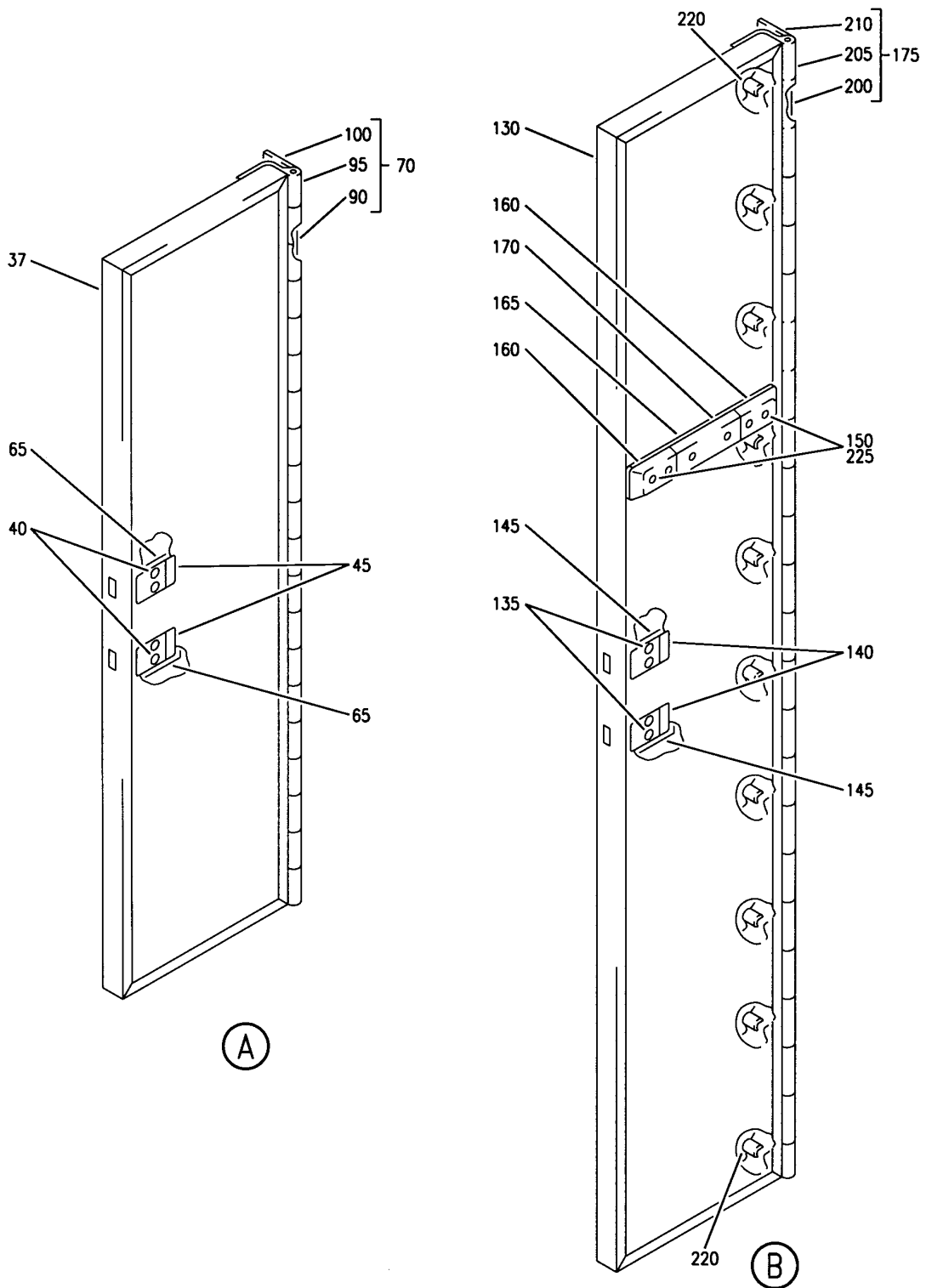
BOX ASSY-STOWAGE LAV D AISLE FACING
 FIGURE 8 (SHEET 1)

25-24-00-08

HAP
 OCT 10/06

25-24-00-08
 PAGE 0

BOEING
 737-600/700/800/900
 PARTS CATALOG (MAINTENANCE)



E 25240008 SHT 2 REV 026

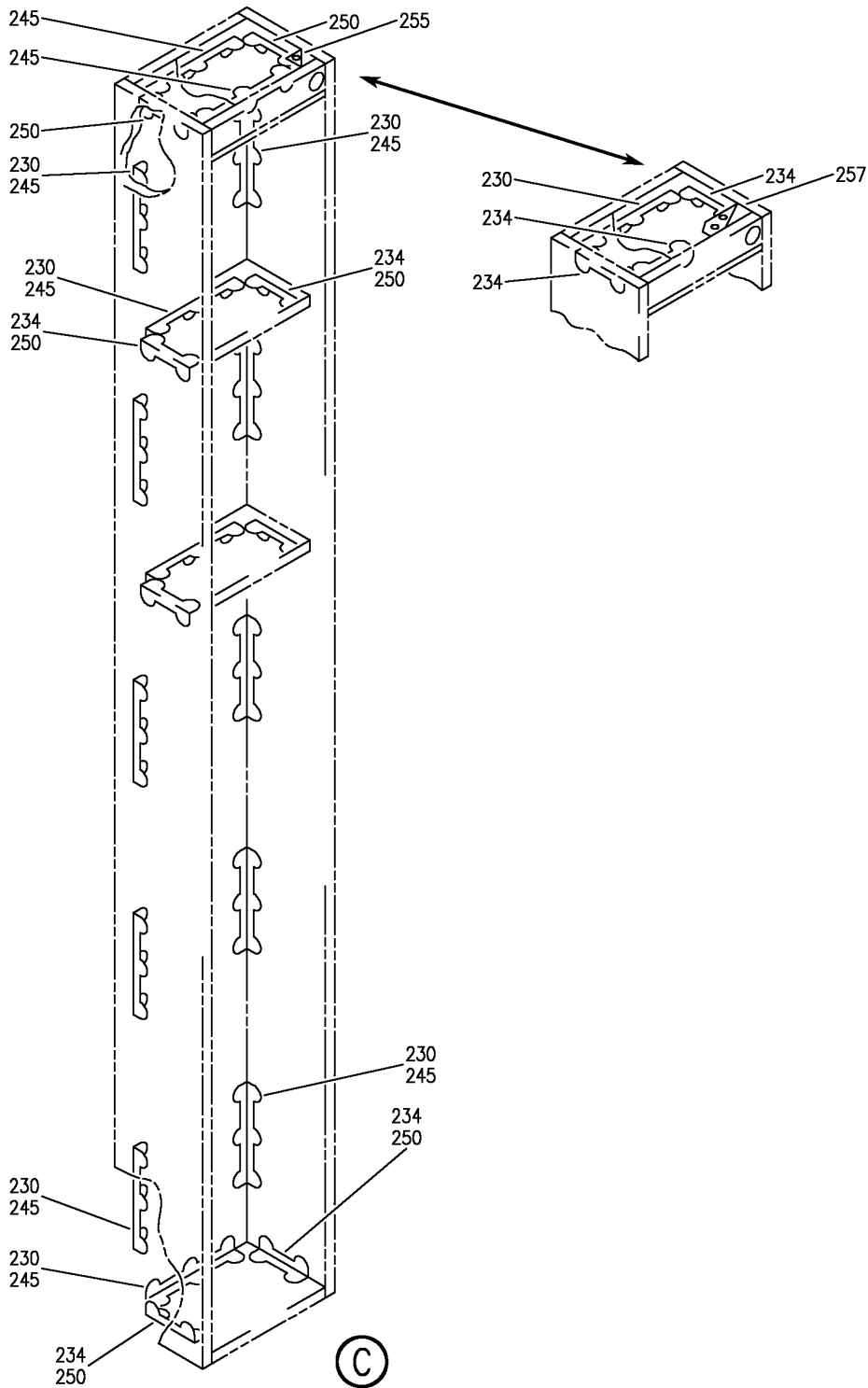
BOX ASSY-STOWAGE LAV D AISLE FACING
 FIGURE 8 (SHEET 2)

25-24-00-08

HAP
 OCT 10/06

25-24-00-08
 PAGE 0A

BOEING
 737-600/700/800/900
 PARTS CATALOG (MAINTENANCE)



E 25240008 SHT 3 REV 101

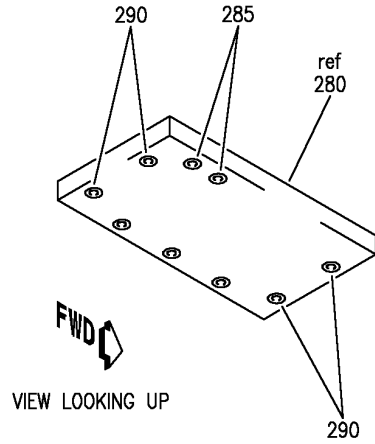
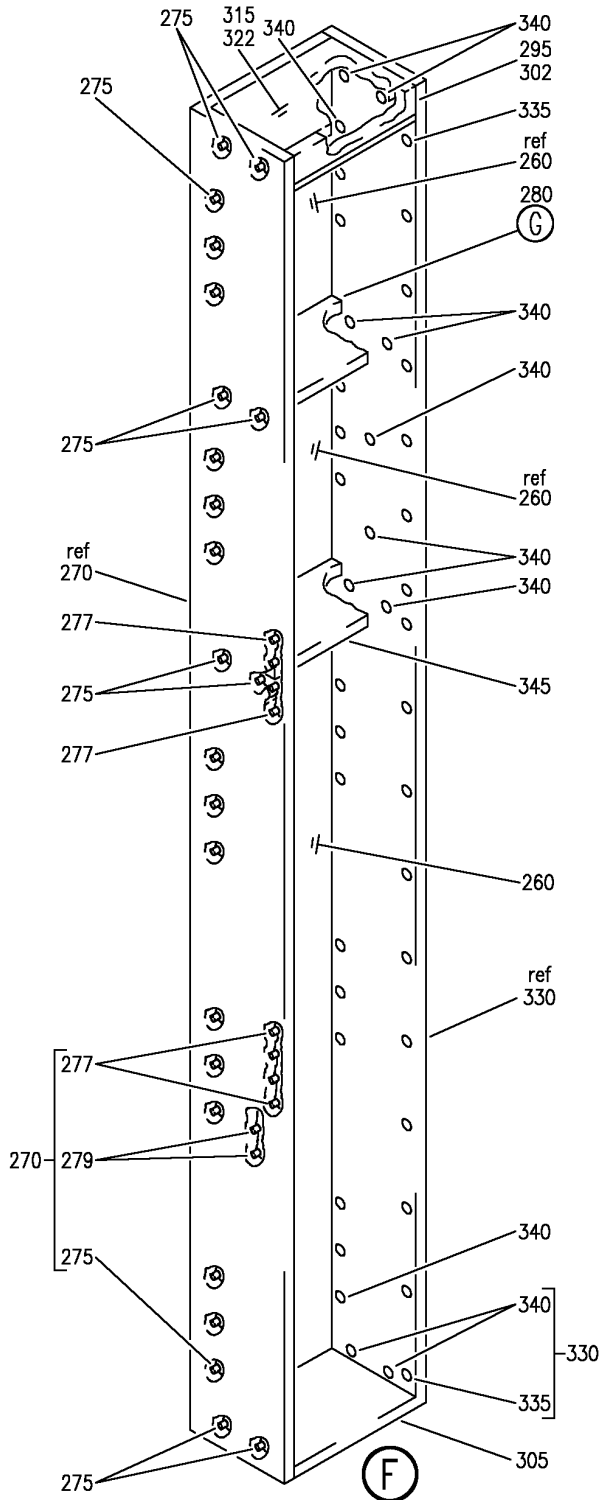
BOX ASSY-STOWAGE LAV D AISLE FACING
 FIGURE 8 (SHEET 3)

25-24-00-08

HAP
 OCT 10/06

25-24-00-08
 PAGE 08


BOEING
 737-600/700/800/900
PARTS CATALOG (MAINTENANCE)



(G)

E 25240008 SHT 4 REV 101

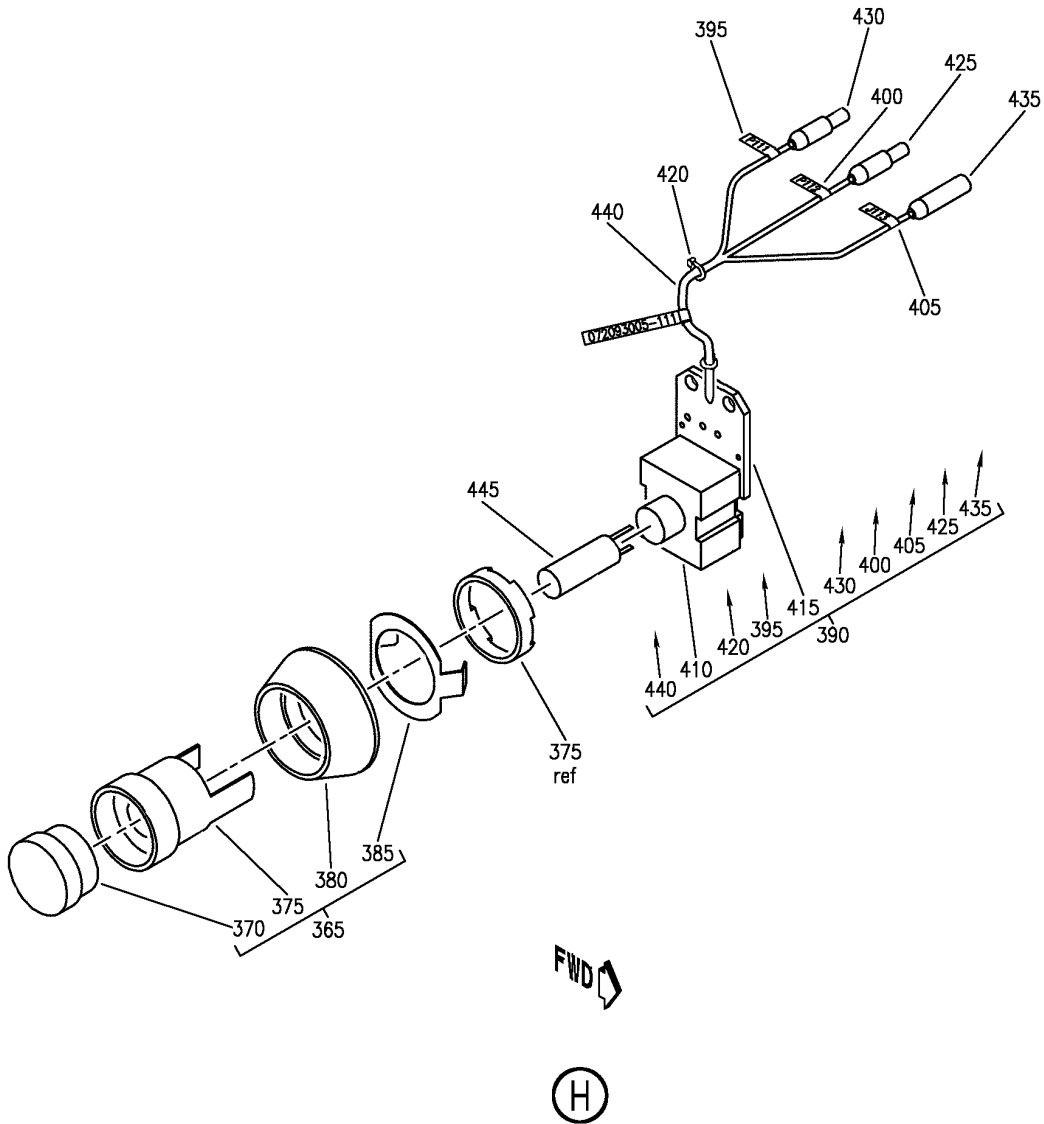
BOX ASSY-STOWAGE LAV D AISLE FACING
 FIGURE 8 (SHEET 4)

25-24-00-08

HAP
OCT 10/06

25-24-00-08
 PAGE 0C

BOEING
 737-600/700/800/900
 PARTS CATALOG (MAINTENANCE)



E 25240008 SH1 5 REV 106

BOX ASSY-STOWAGE LAV D AISLE FACING
 FIGURE 8 (SHEET 5)

25-24-00-08

HAP
 OCT 10/06

25-24-00-08
 PAGE 08

BOEING
737-600/700/800/900
PARTS CATALOG (MAINTENANCE)

FIG ITEM	PART NUMBER	1 2 3 4 5 6 7	NOMENCLATURE	EFFECT FROM TO	UNITS PER ASSY
8			BOX ASSY-STOWAGE LAV D AISLE FACING	001030	
- 1	416A1300-1SP		BOX ASSY-STOWAGE LAV D AISLE FACING FOR NHA SEE: 25-64-00-23A	028030	RF
- 1	416A1300-1A		BOX ASSY-STOWAGE LAV D AISLE FACING FOR NHA SEE: 25-64-00-23 25-64-00-23A	001027	RF
10	837101-401		.SWITCH-LT SUPPLIER CODE: V92824	001030	1
15	H2-1061-1		.STOP-DOOR SUPPLIER CODE: V34941	001030	2
- 20	NAS602-5P		ATTACHING PARTS .SCREW- -----*-----	001030	4
22	S1031-9		.PLATE-STRIKE SUPPLIER CODE: V31845	001030	4
- 26	NAS514P632-5		ATTACHING PARTS .SCREW	001030	8
- 28	BACW10UC6		.WASHER -----*-----	001030	8
30	NAS514P632-5		.SCREW	001030	17
35	413N3615-385SP		.DOOR ASSY	028030	1
35	413N3615-385C		.PANEL ASSY	001027	1
40	NAS514P1032-6		..SCREW	001030	4
45	SAM223-11		..LATCH- SUPPLIER CODE: V31845	001030	2
65	413N3215-61		..PLATE	001030	2
70	413N3616-57		..HINGE ASSY ATTACHING PARTS	001030	1
- 75	NAS514P632-5		..SCREW -----*-----	001030	7
90	MS20253P2-2925		...PIN	001030	1
95	413N3616-60		...HINGE-HALF	001030	1
100	413N3616-61		...HINGE-HALF	001030	1
- 110	SL2334-06A2		..INSERT- SUPPLIER CODE: V97393	001030	7
120	413N3615-386SP		.DOOR ASSY	028030	1
120	413N3615-386C		.PANEL ASSY	001027	1
130	413U3165-40		..TRIM-	001030	1
135	NAS514P1032-6		..SCREW	001030	4

MISSING ITEM NUMBERS NOT APPLICABLE

- ITEM NOT ILLUSTRATED

HAP

25-24-00-08

25-24-00
FIG. 08
PAGE 1
OCT 10/06

BOEING
737-600/700/800/900
PARTS CATALOG (MAINTENANCE)

FIG ITEM	PART NUMBER	1 2 3 4 5 6 7	NOMENCLATURE	EFFECT FROM TO	UNITS PER ASSY
8					
140	SAM223-11	..	LATCH- SUPPLIER CODE: V31845	001030	2
145	413N3215-61	..	PLATE	001030	2
150	NAS603-6P	..	SCREW	001030	6
160	414N3300-1SP	..	CAP-END	028030	2
160	414N3300-1AA	..	CAP-END	001027	2
165	414N3300-52SP	..	RETAINER-RUBSTRIP	028030	1
165	414N3300-52AA	..	RETAINER-RUBSTRIP	001027	1
170	414N3300-53SP	..	RUBSTRIP-	028030	1
170	414N3300-53AA	..	RUBSTRIP-	001027	1
175	413N3616-56	..	HINGE ASSY ATTACHING PARTS	001030	1
- 180	NAS514P632-5	..	SCREW -----*-----	001030	10
200	MS20253P2-4620	...	PIN	001030	1
205	413N3616-58	...	HINGE-HALF	001030	1
210	413N3616-59	...	HINGE-HALF	001030	1
220	SL2334-06A2	..	INSERT- SUPPLIER CODE: V97393	001030	10
225	SL2334-3A3	..	INSERT- SUPPLIER CODE: V97393	001030	6
245	413T3167-2SP	.	ANGLE	028030	15
245	413T3167-2B	.	ANGLE- ATTACHING PARTS	001027	15
- 247	NAS603-6P	.	SCREW -----*-----	001030	90
250	413T3167-1SP	.	ANGLE	028030	8
250	413T3167-1B	.	ANGLE- ATTACHING PARTS	001027	8
- 252	NAS603-6P	.	SCREW -----*-----	001030	32
255	413N3211-405SP	.	PLATE-COVER	028030	1
255	413N3211-405B	.	PLATE-COVER ATTACHING PARTS	001027	1
- 256	NAS603-6P	.	SCREW -----*-----	001030	1
260	413N3214-391SP	.	PANEL ASSY-BACK	028030	1
260	413N3214-391B	.	PANEL ASSY-BACK	001027	1
- 265	SL2334-3A3	..	INSERT- SUPPLIER CODE: V97393	001030	56
270	416A1320-32SP	.	PANEL ASSY-AFT	028030	1
270	416A1320-32B	.	PANEL ASSY-AFT	001027	1
275	SL2334-3A3	..	INSERT- SUPPLIER CODE: V97393	001030	23

MISSING ITEM NUMBERS NOT APPLICABLE

- ITEM NOT ILLUSTRATED

HAP

25-24-00-08

25-24-00
FIG. 08
PAGE 2
JUN 15/09

BOEING
737-600/700/800/900
PARTS CATALOG (MAINTENANCE)

FIG ITEM	PART NUMBER	1 2 3 4 5 6 7	NOMENCLATURE	EFFECT FROM TO	UNITS PER ASSY
8					
277	SL2334-06A3	..	INSERT- SUPPLIER CODE: V97393	001030	8
279	SL2334-08A3	..	INSERT- SUPPLIER CODE: V97393	001030	2
280	413N3214-394SP	.	PANEL ASSY-SHELF	028030	1
280	413N3214-394B	.	PANEL ASSY-SHELF	001027	1
285	SL2334-08A2	..	INSERT- SUPPLIER CODE: V97393	001030	2
290	SL2334-3A3	..	INSERT- SUPPLIER CODE: V97393	001030	7
295	413N3214-395SP	.	PANEL ASSY-HEADER	028030	1
295	413N3214-395B	.	PANEL ASSY-HEADER	001027	1
- 300	SL2334-3A3	..	INSERT- SUPPLIER CODE: V97393	001030	3
305	413N3214-396B	.	PANEL ASSY-FLOOR	001027	1
305	413N3214-396SP	.	PANEL ASSY-FLOOR	028030	1
- 310	SL2334-3A3	..	INSERT- SUPPLIER CODE: V97393	001030	7
315	413N3214-397SP	.	PANEL ASSY-TOP	028030	1
315	413N3214-397B	.	PANEL ASSY-TOP	001027	1
- 320	SL2334-3A3	..	INSERT- SUPPLIER CODE: V97393	001030	13
330	416A1320-27SP	.	PANEL ASSY-SIDE	028030	1
330	416A1320-27B	.	PANEL ASSY-SIDE	001027	1
335	SL2334-06A2	..	INSERT- SUPPLIER CODE: V97393	001030	17
340	SL2334-3A3	..	INSERT- SUPPLIER CODE: V97393	001030	25
345	416A1320-31SP	.	PANEL ASSY	028030	1
345	416A1320-31B	.	PANEL ASSY	001027	1
- 350	SL2334-3A3	..	INSERT- SUPPLIER CODE: V97393	001030	7

MISSING ITEM NUMBERS NOT APPLICABLE

- ITEM NOT ILLUSTRATED

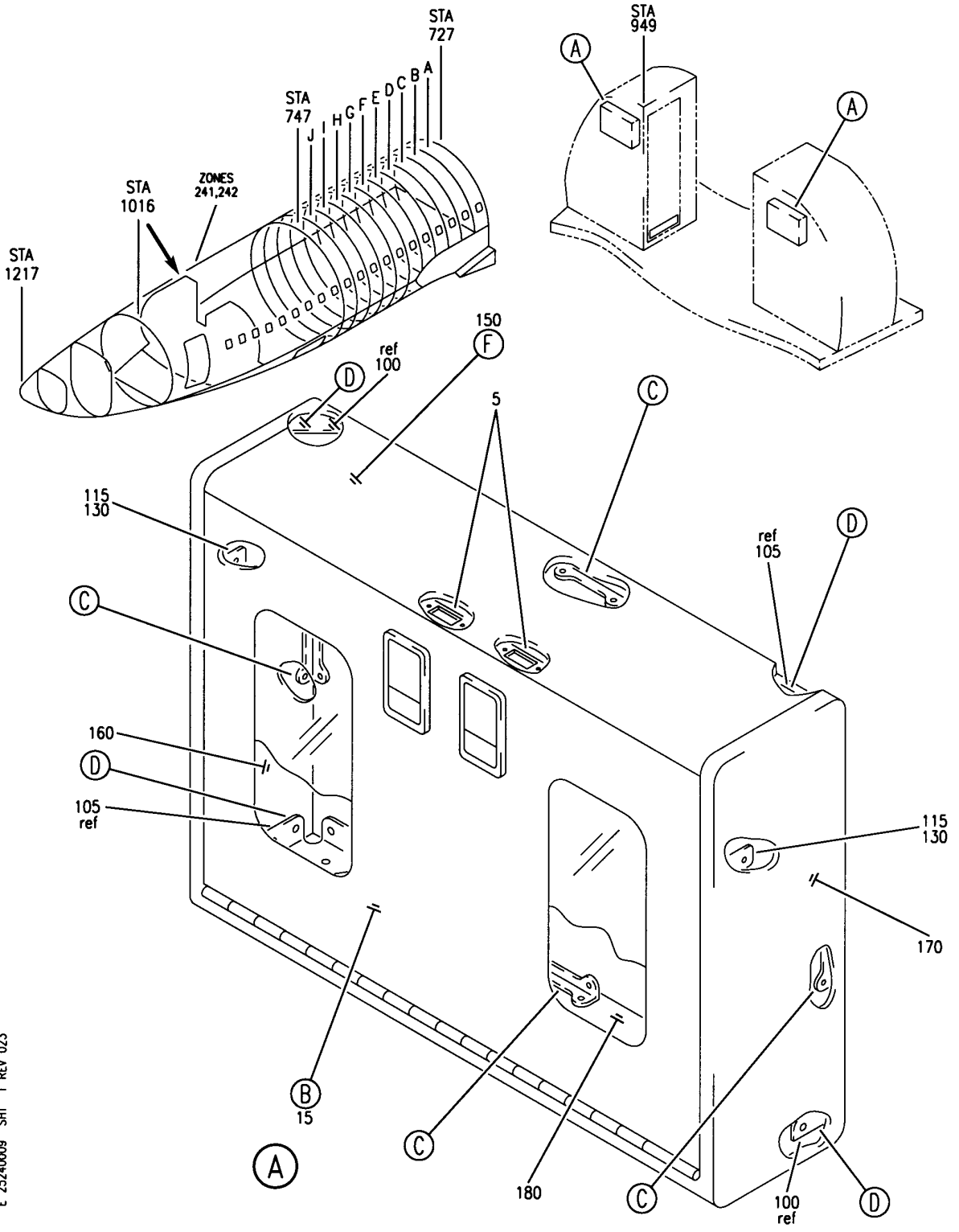
HAP

25-24-00-08

BOEING PROPRIETARY - Copyright © - Unpublished Work - See title page for details.

25-24-00
FIG. 08
PAGE 3
JUN 15/09


BOEING
 737-600/700/800/900
PARTS CATALOG (MAINTENANCE)



E 25240009 SHT 1 REV 023

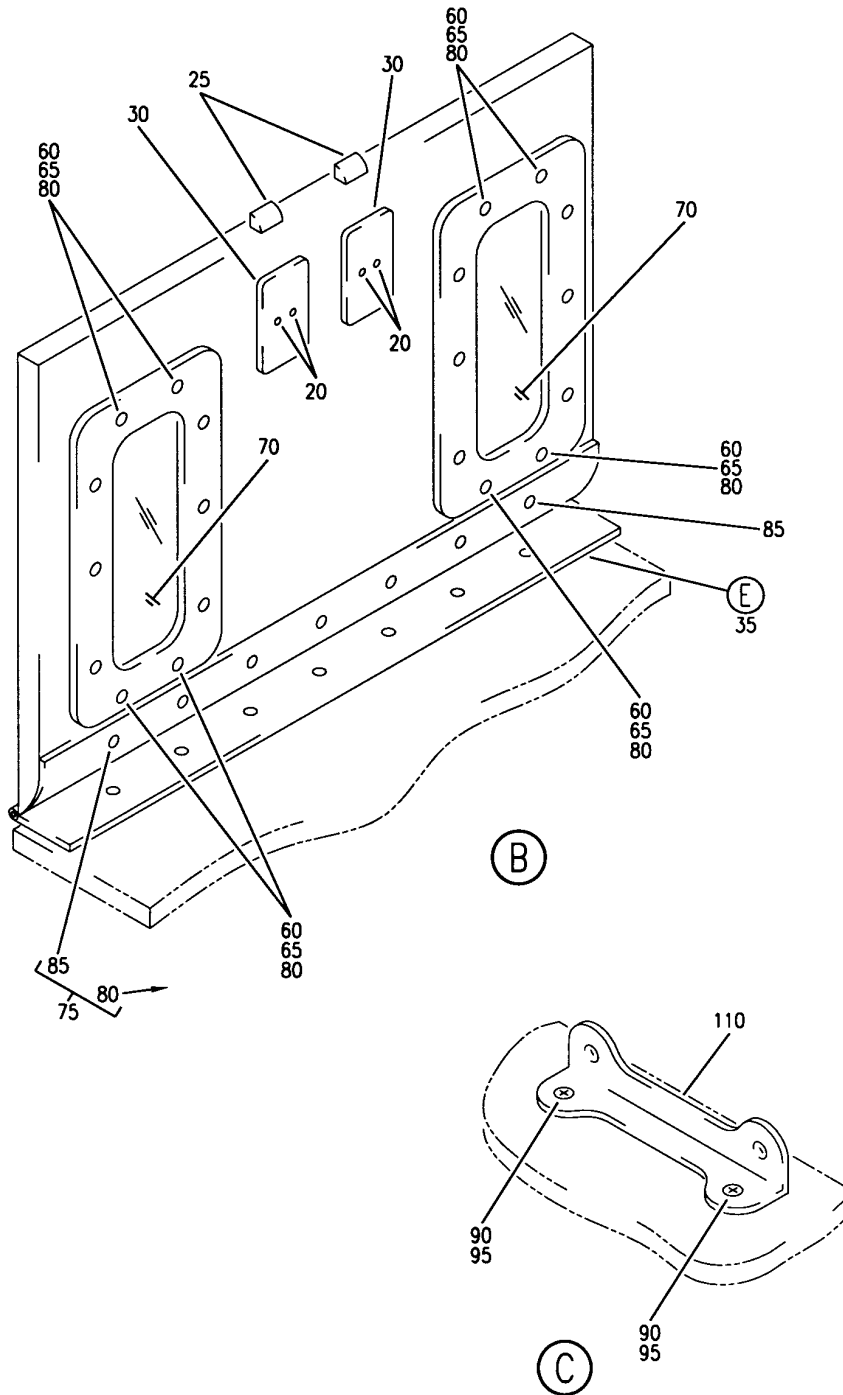
BOX ASSY-STOWAGE LAV D AND LAV E
FIGURE 9 (SHEET 1)

25-24-00-09

HAP
OCT 10/06

25-24-00-09
PAGE 0

BOEING
 737-600/700/800/900
 PARTS CATALOG (MAINTENANCE)



E 25240009 SH1 2 REV 023

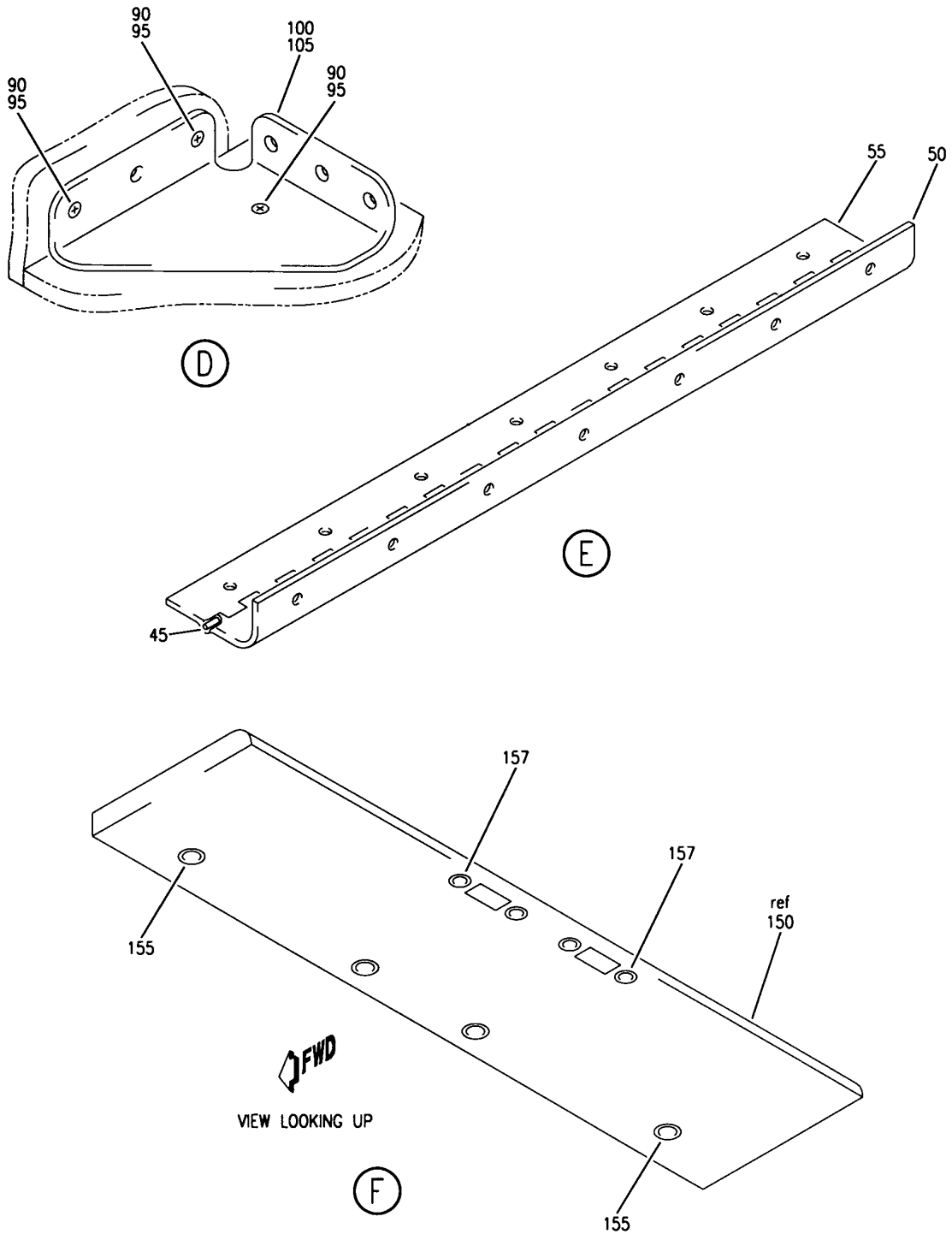
BOX ASSY-STOWAGE LAV D AND LAV E
 FIGURE 9 (SHEET 2)

25-24-00-09

HAP
 OCT 10/06

25-24-00-09
 PAGE 0A

BOEING
 737-600/700/800/900
 PARTS CATALOG (MAINTENANCE)



E 25240009 SHT 3 REV 023

BOX ASSY-STOWAGE LAV D AND LAV E
 FIGURE 9 (SHEET 3)

25-24-00-09

HAP
 OCT 10/06

25-24-00-09
 PAGE 08

BOEING
737-600/700/800/900
PARTS CATALOG (MAINTENANCE)

FIG ITEM	PART NUMBER	1 2 3 4 5 6 7	NOMENCLATURE	EFFECT FROM TO	UNITS PER ASSY
9			BOX ASSY-STOWAGE LAV D AND LAV E	001030 050050 053053 101200 968999	
- 1	416A1300-3SP		BOX ASSY-STOWAGE LAV D AND E FOR NHA SEE: 25-64-00-23 25-64-00-23A	001012 020030	RF
- 1	RR97065-464-1		BOX ASSY-STOWAGE LAV D AND E POST RAPID REVISION: RR97065-464A RR97089-35A RR97089-35C RR97169-122A FOR NHA SEE: 25-64-00-23	013019	RF
- 3	416A1300-3G		BOX ASSY-STOWAGE EMER EQPT FOR NHA SEE: 25-64-51-85E 25-64-51-85G	101106 968999	RF
- 3	416A1300-3L		BOX ASSY-STOWAGE EMER EQPT FOR NHA SEE: 25-64-51-77C 25-64-51-85G	050050 053053 107200	RF
5	AR50-3		.PLATE-STRIKE SUPPLIER CODE: V80477	001030 050050 053053 101200 968999	2
- 10	NAS514P632-4		ATTACHING PARTS .SCREW	001030 050050 053053 101200 968999	4
			-----*-----		
15	416A1320-9SP		.PANEL ASSY-DOOR	001030	1
15	416A1320-9G		.PANEL ASSY-DOOR	101106 968999	1
15	416A1320-9L		.PANEL ASSY-DOOR	050050 053053 107200	1

MISSING ITEM NUMBERS NOT APPLICABLE

- ITEM NOT ILLUSTRATED

HAP

25-24-00-09

BOEING PROPRIETARY - Copyright © - Unpublished Work - See title page for details.

25-24-00
FIG. 09
PAGE 1
FEB 15/09

BOEING
737-600/700/800/900
PARTS CATALOG (MAINTENANCE)

FIG ITEM	PART NUMBER	1 2 3 4 5 6 7	NOMENCLATURE	EFFECT FROM TO	UNITS PER ASSY
9					
20	BACS12CK06-5	..	SCREW	001030 050050 053053 101200 968999	4
25	A23001-4-3S	..	LATCH- SUPPLIER CODE: V52607	001030 050050 053053 101200 968999	2
30	65B67153-75	..	BRACKET-MTG	001030 050050 053053 101200 968999	2
35	416N1046-32	..	HINGE ASSY	001030 050050 053053 101200 968999	1
- 40	NAS514P832-5	..	ATTACHING PARTS SCREW	001030 050050 053053 101200 968999	7
45	MS20253P2-1865*	PIN	001030 050050 053053 101200 968999	1
50	416N1046-33	...	HINGE-HALF ALTERED FROM PART NUMBER: MS20001H10-1870	001030 050050 053053 101200 968999	1
55	416N1046-34	...	HINGE-HALF ALTERED FROM PART NUMBER: MS20001H6-1870	001030 050050 053053 101200 968999	1
60	BACS12CK3-6	..	SCREW	001030 050050 053053 101200 968999	20

MISSING ITEM NUMBERS NOT APPLICABLE

- ITEM NOT ILLUSTRATED

HAP

25-24-00-09

BOEING PROPRIETARY - Copyright © - Unpublished Work - See title page for details.

25-24-00
FIG. 09
PAGE 2
FEB 15/09

BOEING
737-600/700/800/900
PARTS CATALOG (MAINTENANCE)

FIG ITEM	PART NUMBER	1 2 3 4 5 6 7	NOMENCLATURE	EFFECT FROM TO	UNITS PER ASSY
9					
65	MS51859-5	..	WASHER	001030 050050 053053 101200 968999	20
70	416A1320-11	..	LENS-	001030 050050 053053 101200 968999	2
75	416A1320-10SP	..	PANEL ASSY	001030	1
75	416A1320-10G	..	PANEL ASSY	101106 968999	1
75	416A1320-10L	..	PANEL ASSY	050050 053053 107200	1
80	SL2334-3A1	...	INSERT- SUPPLIER CODE: V97393	001030 050050 053053 101200 968999	20
85	SL626A08	...	INSERT- SUPPLIER CODE: V97393	001030 050050 053053 101200 968999	7
90	BACS12CK3-6	.	SCREW	001030 050050 053053 101200 968999	20
95	NAS1149D0316J	.	WASHER	001030 050050 053053 101200 968999	20
100	413N3215-87SP	.	BRACKET-GUSSET	001030	2
100	413N3215-87D	.	BRACKET-GUSSET	050050 053053 101200 968999	2
105	413N3215-88SP	.	BRACKET-GUSSET	001030	2
105	413N3215-88D	.	BRACKET-GUSSET	050050 053053 101200 968999	2
110	413T3167-1SP	.	ANGLE	001030	4

MISSING ITEM NUMBERS NOT APPLICABLE

- ITEM NOT ILLUSTRATED

HAP

25-24-00-09

BOEING PROPRIETARY - Copyright © - Unpublished Work - See title page for details.

25-24-00
FIG. 09
PAGE 3
FEB 15/09

BOEING
737-600/700/800/900
PARTS CATALOG (MAINTENANCE)

FIG ITEM	PART NUMBER	1 2 3 4 5 6 7	NOMENCLATURE	EFFECT FROM TO	UNITS PER ASSY
9					
110	413T3167-1B	.	ANGLE	050050 053053 101200 968999	4
115	65C28092-64SP	.	BRACKET ASSY	001030	2
115	65C28092-64E	.	BRACKET ASSY	050050 053053 101200 968999	2
- 120	BACS12GU3K5		ATTACHING PARTS . SCREW	001030 050050 053053 101200 968999	4
- 125	NAS1149D0316J	.	WASHER	001030 050050 053053 101200 968999	4
130	65C28092-65	-----*	.. BRACKET	001030 050050 053053 101200 968999	1
150	416A1320-15SP	.	PANEL ASSY-TOP	001030	1
150	416A1320-15P	.	PANEL ASSY-TOP	101106 968999	1
150	416A1320-15L	.	PANEL ASSY-TOP	050050 053053 107200	1
155	SL2334-3A3	..	INSERT- SUPPLIER CODE: V97393	001030 050050 053053 101200 968999	4
157	SL626A06	..	INSERT- SUPPLIER CODE: V97393	001030 050050 053053 101200 968999	4
160	416A1320-17SP	.	PANEL ASSY-SIDE	001030	1
160	416A1320-17P	.	PANEL ASSY-SIDE	101106 968999	1
160	416A1320-17L	.	PANEL ASSY-SIDE	050050 053053 107200	1

MISSING ITEM NUMBERS NOT APPLICABLE

- ITEM NOT ILLUSTRATED

HAP

25-24-00-09

25-24-00
FIG. 09
PAGE 4
FEB 15/09

BOEING
737-600/700/800/900
PARTS CATALOG (MAINTENANCE)

FIG ITEM	PART NUMBER	1 2 3 4 5 6 7	NOMENCLATURE	EFFECT FROM TO	UNITS PER ASSY
9					
- 165	SL2334-3A3		.. INSERT- SUPPLIER CODE: V97393	001030 050050 053053 101200 968999	8
170	416A1320-18SP		.PANEL ASSY-SIDE	001030	1
170	416A1320-18P		.PANEL ASSY-SIDE	101106 968999	1
170	416A1320-18L		.PANEL ASSY-SIDE	050050 053053 107200	1
- 175	SL2334-3A3		.. INSERT- SUPPLIER CODE: V97393	001030 050050 053053 101200 968999	8
180	416A1320-13SP		.PANEL ASSY-BOTTOM	001030	1
180	416A1320-13P		.PANEL ASSY-BOTTOM	101106 968999	1
180	416A1320-13L		.PANEL ASSY-BOTTOM	050050 053053 107200	1
- 185	SL618-08A		.. INSERT- SUPPLIER CODE: V97393	001030 050050 053053 101200 968999	7
- 190	SL2334-3A3		.. INSERT- SUPPLIER CODE: V97393	001030 050050 053053 101200 968999	4

MISSING ITEM NUMBERS NOT APPLICABLE

- ITEM NOT ILLUSTRATED

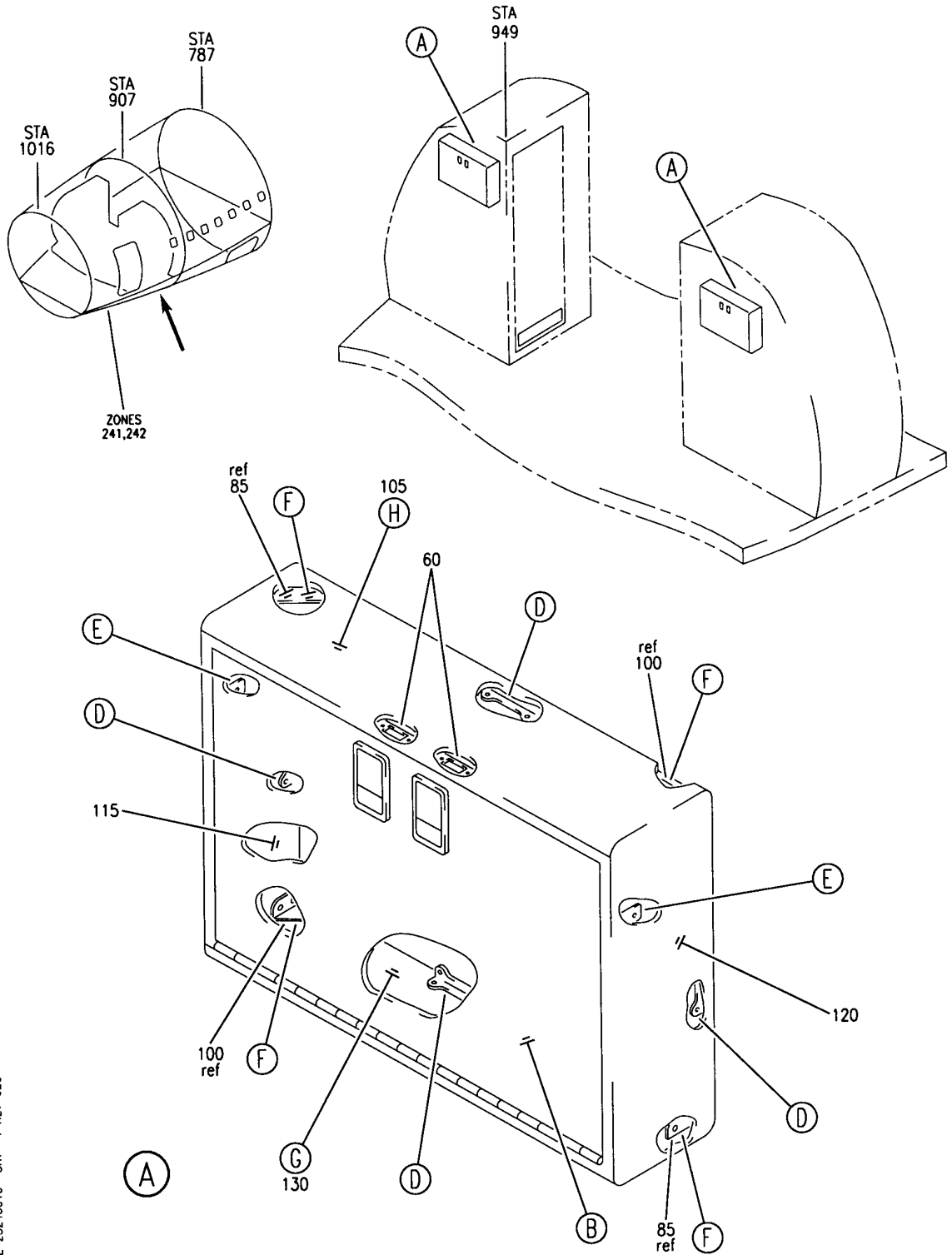
HAP

25-24-00-09

BOEING PROPRIETARY - Copyright © - Unpublished Work - See title page for details.

25-24-00
FIG. 09
PAGE 5
FEB 15/09

BOEING
 737-600/700/800/900
 PARTS CATALOG (MAINTENANCE)



E 25240010 SHT 1 REV 023

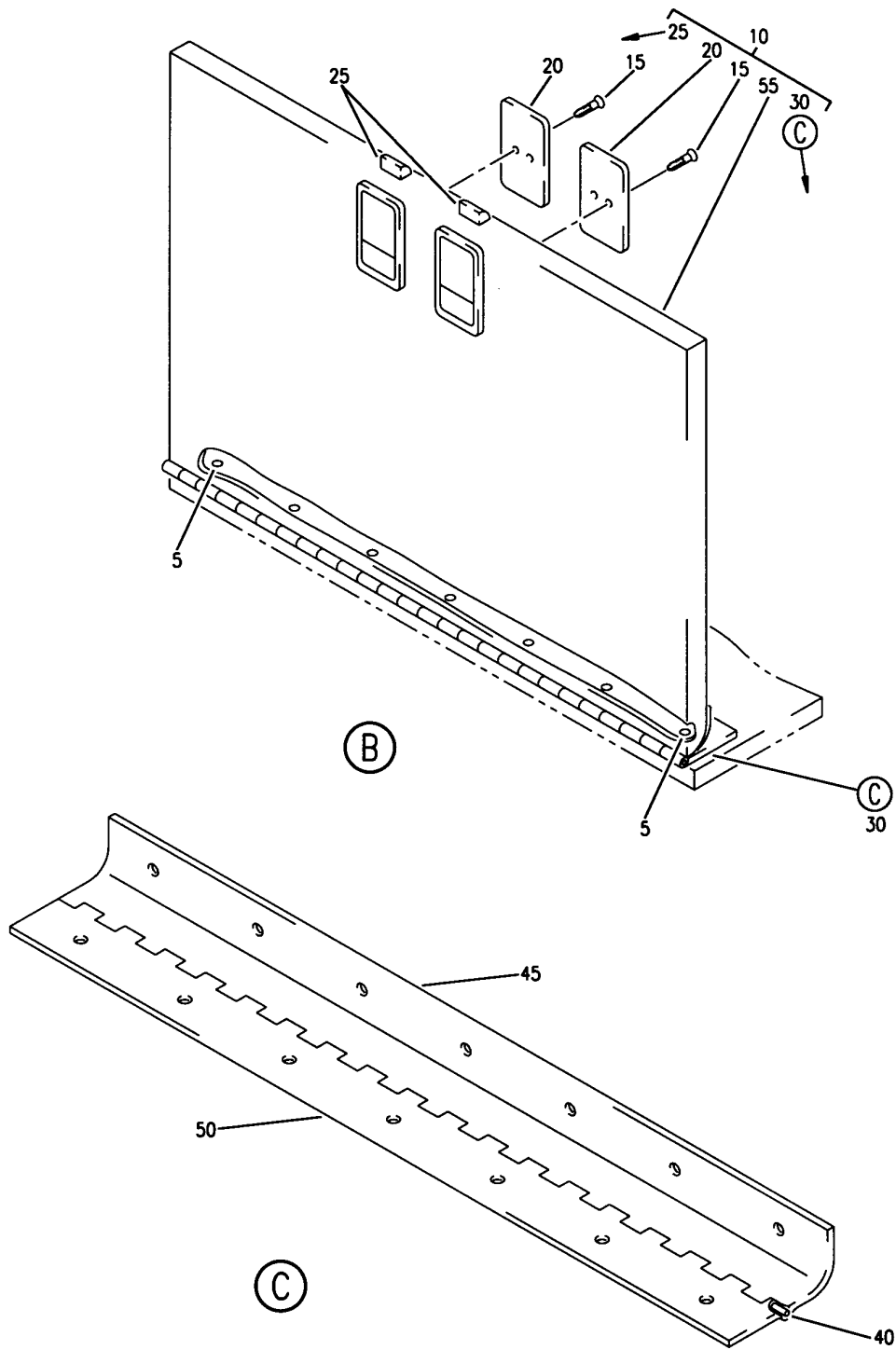
BOX ASSY-STOWAGE LAV D AND LAV E
 FIGURE 10 (SHEET 1)

25-24-00-10

HAP
 OCT 15/08

25-24-00-10
 PAGE 0

BOEING
 737-600/700/800/900
 PARTS CATALOG (MAINTENANCE)



E 25240010 SH1 2 REV 018

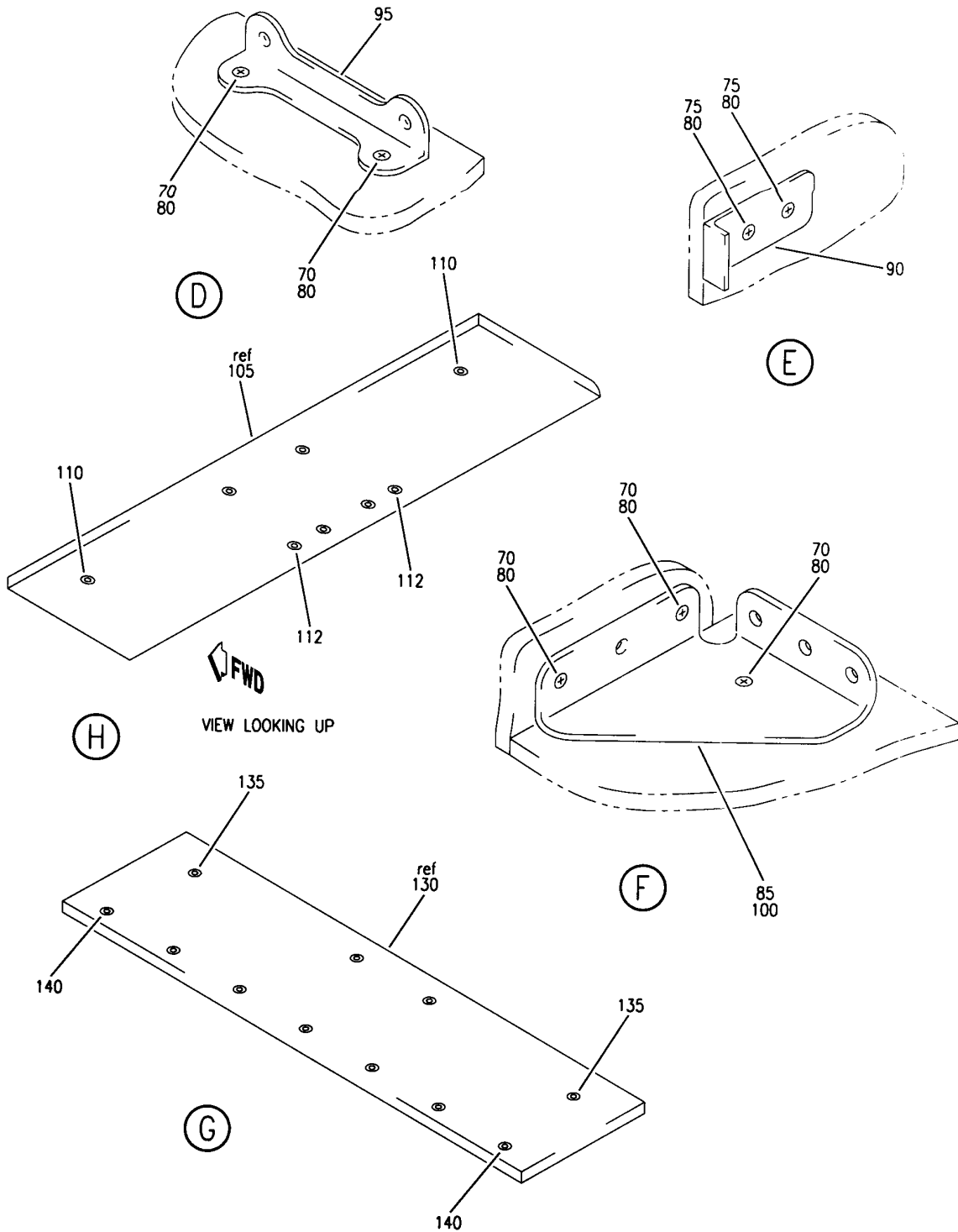
BOX ASSY-STOWAGE LAV D AND LAV E
 FIGURE 10 (SHEET 2)

25-24-00-10

HAP
 OCT 15/08

25-24-00-10
 PAGE 0A

BOEING
 737-600/700/800/900
 PARTS CATALOG (MAINTENANCE)



E 25240010 SHT 3 REV 023

BOX ASSY-STOWAGE LAV D AND LAV E
 FIGURE 10 (SHEET 3)

25-24-00-10

HAP
 OCT 15/08

25-24-00-10
 PAGE 0B

BOEING
737-600/700/800/900
PARTS CATALOG (MAINTENANCE)

FIG ITEM	PART NUMBER	1 2 3 4 5 6 7	NOMENCLATURE	EFFECT FROM TO	UNITS PER ASSY
10			BOX ASSY-STOWAGE LAV D AND LAV E	201967	
- 1	416A1300-9SP		BOX ASSY-STOWAGE LAV D AND LAV E FOR NHA SEE: 25-64-00-26	201967	RF
5	NAS514P832-5		.SCREW	201967	7
10	416A1320-29SP		.PANEL ASSY-DOOR	201967	1
15	BACS12CK06-5		..SCREW	201967	4
20	65B67153-75		..BRACKET-MTG	201967	2
25	A23001-4-3S		..LATCH- SUPPLIER CODE: V52607	201967	2
30	416N1046-32		..HINGE ASSY ATTACHING PARTS	201967	1
- 35	NAS514P832-5		..SCREW -----*-----	201967	7
40	MS20253P2-1865		...PIN	201967	1
45	416N1046-33		...HINGE- ALTERED FROM PART NUMBER: MS20001H10-1870	201967	1
50	416N1046-34		...HINGE- ALTERED FROM PART NUMBER: MS20001H6-1870	201967	1
55	416A1320-30SP		..PANEL ASSY-DOOR	201967	1
- 57	SL626A08		..INSERT- SUPPLIER CODE: V97393	201967	7
60	AR50-3		.PLATE-STRIKE SUPPLIER CODE: V80477 ATTACHING PARTS	201967	2
- 65	NAS514P632-4		.SCREW -----*-----	201967	4
70	BACS12CK3-6		.SCREW	201967	20
75	BACS12GU3K5		.SCREW	201967	4
80	NAS1149D0316J		.WASHER	201967	24
85	413N3215-87SP		.BRACKET-GUSSET	201967	2
90	65C28092-64SP		.BRACKET ASSY-	201967	2
95	413T3167-1SP		.ANGLE-	201967	4
100	413N3215-88SP		.BRACKET-GUSSET	201967	2
105	416A1320-15SP		.PANEL ASSY- POSITION DATA: TOP	201967	1
110	SL2334-3A3		..INSERT- SUPPLIER CODE: V97393	201967	4

MISSING ITEM NUMBERS NOT APPLICABLE

- ITEM NOT ILLUSTRATED

HAP

25-24-00-10

BOEING PROPRIETARY - Copyright © - Unpublished Work - See title page for details.

25-24-00
FIG. 10
PAGE 1
OCT 15/08

BOEING
737-600/700/800/900
PARTS CATALOG (MAINTENANCE)

FIG ITEM	PART NUMBER	1 2 3 4 5 6 7	NOMENCLATURE	EFFECT FROM TO	UNITS PER ASSY
10					
112	SL626A06		..INSERT- SUPPLIER CODE: V97393	201967	4
115	416A1320-17SP		.PANEL ASSY- POSITION DATA: SIDE	201967	1
120	416A1320-18SP		.PANEL ASSY- POSITION DATA: SIDE	201967	1
- 125	SL2334-3A3		..INSERT- SUPPLIER CODE: V97393	201967	8
130	416A1320-13SP		.PANEL ASSY- POSITION DATA: BOTTOM	201967	1
135	SL2334-3A3		..INSERT- SUPPLIER CODE: V97393	201967	4
140	SL618-08A		..INSERT- SUPPLIER CODE: V97393	201967	7

MISSING ITEM NUMBERS NOT APPLICABLE

- ITEM NOT ILLUSTRATED

HAP

25-24-00-10

BOEING PROPRIETARY - Copyright © - Unpublished Work - See title page for details.

25-24-00
FIG. 10
PAGE 2
OCT 15/08

NON-ILLUSTRATED FIGURE

THE ITEMS REFLECTED IN THIS FIGURE ARE INTENTIONALLY
NON-ILLUSTRATED. THEY ARE REFERENCED TO EITHER A
NEXT HIGHER OR NEXT LOWER ASSEMBLY/INSTALLATION FIGURE.

E 25240013A REV 072

FUNCTIONAL COLLECTOR CUSTOMER UNIQUE (PASSENGER CABIN PARTITIONS AND COMPARTMENTS ONLY)

FIGURE 13A

25-24-00-13A

HAP
OCT 10/06

25-24-00-13A
PAGE 0

BOEING
737-600/700/800/900
PARTS CATALOG (MAINTENANCE)

FIG ITEM	PART NUMBER	1 2 3 4 5 6 7	NOMENCLATURE	EFFECT FROM TO	UNITS PER ASSY
13A			FUNCTIONAL COLLECTOR CUSTOMER UNIQUE (PASSENGER CABIN PARTITIONS AND COMPARTMENTS ONLY)	001030	
- 1	400A9101-3001		FUNCTIONAL COLLECTOR- CUSTOMER UNIQUE (PASSENGER CABIN PARTITIONS AND COMPARTMENTS ONLY) FOR NHA/OTHER SYS DET SEE: 25-00-00-02C	001017 019019	RF
- 10	400A0028-3001		FUNCTIONAL COLLECTOR- CUSTOMER UNIQUE (PASSENGER CABIN PARTITIONS AND COMPARTMENTS ONLY) FOR NHA/OTHER SYS DET SEE: 25-00-00-02C	018018 020030	RF
- 90	412A1010-3SP		.COMPARTMENT INSTL-OVHD STOWAGE HNDRL CONFIGURATION POSITION DATA: FWD LH FOR DETAILS SEE: 25-24-30-17A	001001 006007	1
- 90	412A1010-103SP		.COMPARTMENT INSTL-OVHD STOWAGE HNDRL CONFIGURATION POSITION DATA: FWD LH FOR DETAILS SEE: 25-24-30-11E	002005	1
- 90	412A1010-141SP		.COMPARTMENT INSTL-OVHD STOWAGE HNDRL CONFIGURATION POSITION DATA: FWD LH FOR DETAILS SEE: 25-24-30-11E	008008	1
- 90	412A1010-241SP		.COMPARTMENT INSTL-OVHD STOWAGE HNDRL CONFIGURATION POSITION DATA: FWD LH FOR DETAILS SEE: 25-24-30-11E	009030	1

MISSING ITEM NUMBERS NOT APPLICABLE

- ITEM NOT ILLUSTRATED

HAP

25-24-00-13A

BOEING PROPRIETARY - Copyright © - Unpublished Work - See title page for details.

25-24-00
FIG. 13A
PAGE 1
OCT 10/06

BOEING
737-600/700/800/900
PARTS CATALOG (MAINTENANCE)

FIG ITEM	PART NUMBER	1 2 3 4 5 6 7	NOMENCLATURE	EFFECT FROM TO	UNITS PER ASSY
13A - 160	412A1020-3SP	.	COMPARTMENT INSTL-OVHD STOWAGE HANDLING CONFIGURATION POSITION DATA: FWD RH FOR DETAILS SEE: 25-24-30-22	001001 006007	1
- 160	412A1020-103SP	.	COMPARTMENT INSTL-OVHD STOWAGE HANDLING CONFIGURATION POSITION DATA: FWD RH FOR DETAILS SEE: 25-24-30-24B	002005	1
- 160	412A1020-147SP	.	COMPARTMENT INSTL-OVHD STOWAGE HANDLING CONFIGURATION POSITION DATA: FWD RH FOR DETAILS SEE: 25-24-30-24B	008008	1
- 160	412A1020-247SP	.	COMPARTMENT INSTL-OVHD STOWAGE HANDLING CONFIGURATION POSITION DATA: FWD RH FOR DETAILS SEE: 25-24-30-24B	009030	1
- 200	412A1030-3SP	.	COMPARTMENT INSTL-OVHD STOWAGE HANDLING CONFIGURATION POSITION DATA: AFT LH FOR DETAILS SEE: 25-24-30-39	001001 006007	1
- 200	412A1030-103SP	.	COMPARTMENT INSTL-OVHD STOWAGE HANDLING CONFIGURATION POSITION DATA: AFT LH FOR DETAILS SEE: 25-24-30-36	002005 008008	1
- 200	412A1030-203SP	.	COMPARTMENT INSTL-OVHD STOWAGE HANDLING CONFIGURATION POSITION DATA: AFT LH FOR DETAILS SEE: 25-24-30-36	009030	1

MISSING ITEM NUMBERS NOT APPLICABLE

- ITEM NOT ILLUSTRATED

HAP

25-24-00-13A

BOEING PROPRIETARY - Copyright © - Unpublished Work - See title page for details.

25-24-00
FIG. 13A
PAGE 2
OCT 10/06

BOEING
737-600/700/800/900
PARTS CATALOG (MAINTENANCE)

FIG ITEM	PART NUMBER	1 2 3 4 5 6 7	NOMENCLATURE	EFFECT FROM TO	UNITS PER ASSY
13A - 260	412A1040-3SP	.	COMPARTMENT INSTL-OVHD STOWAGE HNDRL CONFIGURATION POSITION DATA: AFT RH FOR DETAILS SEE: 25-24-30-47B	001001 006007	1
- 260	412A1040-103SP	.	COMPARTMENT INSTL-OVHD STOWAGE HNDRL CONFIGURATION POSITION DATA: AFT RH FOR DETAILS SEE: 25-24-30-47B	002005 008008	1
- 260	412A1040-203SP	.	COMPARTMENT INSTL-OVHD STOWAGE HNDRL CONFIGURATION POSITION DATA: AFT RH FOR DETAILS SEE: 25-24-30-49D	009030	1
- 290	412A1080-1SP	.	COMPARTMENT INSTL-OVHD STOWAGE HNDRL CONFIGURATION FOR DETAILS SEE: 25-24-30-49D	001001 006007	1
- 290	412A1080-101SP	.	COMPARTMENT INSTL-OVHD STOWAGE HNDRL CONFIGURATION FOR DETAILS SEE: 25-24-30-80A	002005 008008	1
- 290	412A1080-201SP	.	COMPARTMENT INSTL-OVHD STOWAGE HNDRL CONFIGURATION FOR DETAILS SEE: 25-24-30-80A	009030	1
- 330	412A2100-103	.	SUPPORT INSTL-OVHD STOWAGE BIN VAR SECT. POSITION DATA: FWD LH FOR DETAILS SEE: 25-24-51-07	001020	1
- 330	412A2100-113	.	SUPPORT INSTL-OVHD STOWAGE BIN VAR SECT. POSITION DATA: FWD LH FOR DETAILS SEE: 25-24-51-07	021030	1

MISSING ITEM NUMBERS NOT APPLICABLE

- ITEM NOT ILLUSTRATED

HAP

25-24-00-13A

BOEING PROPRIETARY - Copyright © - Unpublished Work - See title page for details.

25-24-00
FIG. 13A
PAGE 3
OCT 10/06

BOEING
737-600/700/800/900
PARTS CATALOG (MAINTENANCE)

FIG ITEM	PART NUMBER	1 2 3 4 5 6 7	NOMENCLATURE	EFFECT FROM TO	UNITS PER ASSY
13A - 340	412A2100-203	.	SUPPORT INSTL-OVHD STOWAGE BIN VAR SECT. POSITION DATA: FWD RH FOR DETAILS SEE: 25-24-51-07A	001020	1
- 340	412A2100-213	.	SUPPORT INSTL-OVHD STOWAGE BIN VAR SECT. POSITION DATA: FWD RH FOR DETAILS SEE: 25-24-51-07A	021030	1
- 350	412A2100-301	.	SUPPORT INSTL-OVHD STOWAGE BIN VAR SECT. POSITION DATA: AFT LH FOR DETAILS SEE: 25-24-51-09	001020	1
- 350	412A2100-311	.	SUPPORT INSTL-OVHD STOWAGE BIN VAR SECT. POSITION DATA: AFT LH FOR DETAILS SEE: 25-24-51-09	021030	1
- 360	412A2100-401	.	SUPPORT INSTL-OVHD STOWAGE BIN VAR SECT. POSITION DATA: AFT RH FOR DETAILS SEE: 25-24-51-09A	001020	1
- 360	412A2100-411	.	SUPPORT INSTL-OVHD STOWAGE BIN VAR SECT. POSITION DATA: AFT RH FOR DETAILS SEE: 25-24-51-09A	021030	1
- 385	412A4100-100SP	.	BOX INSTL-OVHD STOWAGE POSITION DATA: FWD CTR FOR DETAILS SEE: 25-24-40-05	001030	1
- 400	412A4100-200SP	.	BOX INSTL-OVHD STOWAGE POSITION DATA: MID CTR FOR DETAILS SEE: 25-24-40-06	001027	1

MISSING ITEM NUMBERS NOT APPLICABLE

- ITEM NOT ILLUSTRATED

HAP

25-24-00-13A

BOEING PROPRIETARY - Copyright © - Unpublished Work - See title page for details.

25-24-00
FIG. 13A
PAGE 4
OCT 10/06

 **BOEING**
737-600/700/800/900
PARTS CATALOG (MAINTENANCE)

FIG ITEM	PART NUMBER	1 2 3 4 5 6 7	NOMENCLATURE	EFFECT FROM TO	UNITS PER ASSY
13A - 400	412A4100-210SP		.BOX INSTL-OVHD STOWAGE POSITION DATA: MID CTR FOR DETAILS SEE: 25-24-40-06	028030	1
- 400	412A4100-250SP		.BOX INSTL-OVHD STOWAGE POSITION DATA: MID CTR FOR DETAILS SEE: 25-24-40-07	001030	1
- 410	412A4100-300SP		.BOX INSTL-OVHD STOWAGE POSITION DATA: AFT CTR FOR DETAILS SEE: 25-24-40-08	001030	1
- 420	412A4200-100		.TIE ROD INSTL-OVHD STOWAGE POSITION DATA: CTR FOR DETAILS SEE: 25-24-31-10	001030	1
- 425	412A4200-200		.TIE ROD INSTL-OVHD STOWAGE POSITION DATA: CTR FOR DETAILS SEE: 25-24-31-11	001030	1
- 430	412A4200-250		.TIE ROD INSTL-OVHD STOWAGE POSITION DATA: CTR FOR DETAILS SEE: 25-24-31-12	001030	1
- 435	412A4200-300		.TIE ROD INSTL-OVHD STOWAGE POSITION DATA: CTR FOR DETAILS SEE: 25-24-31-13	001030	1
- 470	412A4500-100		.INTERCOSTAL INSTL-OVHD STOWAGE POSITION DATA: MID CTR FOR DETAILS SEE: 25-24-51-78	001030	1

MISSING ITEM NUMBERS NOT APPLICABLE

- ITEM NOT ILLUSTRATED

HAP

25-24-00-13A

BOEING PROPRIETARY - Copyright © - Unpublished Work - See title page for details.

25-24-00
FIG. 13A
PAGE 5
OCT 10/06

BOEING
737-600/700/800/900
PARTS CATALOG (MAINTENANCE)

FIG ITEM	PART NUMBER	1 2 3 4 5 6 7	NOMENCLATURE	EFFECT FROM TO	UNITS PER ASSY
13A - 480	412A4500-200		.INTERCOSTAL INSTL-OVHD STOWAGE POSITION DATA: MID CTR FOR DETAILS SEE: 25-24-51-79	001030	1
- 490	412A4500-250		.INTERCOSTAL INSTL-OVHD STOWAGE POSITION DATA: MID CTR FOR DETAILS SEE: 25-24-51-80	001030	1
- 500	412A4500-300		.INTERCOSTAL INSTL-OVHD STOWAGE POSITION DATA: MID CTR FOR DETAILS SEE: 25-24-51-82	001030	1

MISSING ITEM NUMBERS NOT APPLICABLE

- ITEM NOT ILLUSTRATED

HAP

25-24-00-13A

BOEING PROPRIETARY - Copyright © - Unpublished Work - See title page for details.

25-24-00
FIG. 13A
PAGE 6
OCT 10/06

NON-ILLUSTRATED FIGURE

THE ITEMS REFLECTED IN THIS FIGURE ARE INTENTIONALLY
NON-ILLUSTRATED. THEY ARE REFERENCED TO EITHER A
NEXT HIGHER OR NEXT LOWER ASSEMBLY/INSTALLATION FIGURE.

E 25240013B REV 051

FUNCTIONAL COLLECTOR CUSTOMER UNIQUE (PASSENGER CABIN PARTITIONS AND COMPARTMENTS ONLY)

FIGURE 13B

25-24-00-13B

HAP
OCT 10/06

25-24-00-13B
PAGE 0

BOEING
737-600/700/800/900
PARTS CATALOG (MAINTENANCE)

FIG ITEM	PART NUMBER	1 2 3 4 5 6 7	NOMENCLATURE	EFFECT FROM TO	UNITS PER ASSY
13B			FUNCTIONAL COLLECTOR CUSTOMER UNIQUE (PASSENGER CABIN PARTITIONS AND COMPARTMENTS ONLY)	001030	
- 1	400A9101-3001		FUNCTIONAL COLLECTOR- CUSTOMER UNIQUE (PASSENGER CABIN PARTITIONS AND COMPARTMENTS ONLY) FOR NHA/OTHER SYS DET SEE: 25-00-00-02C	001017 019019	RF
- 10	400A0028-3001		FUNCTIONAL COLLECTOR- CUSTOMER UNIQUE (PASSENGER CABIN PARTITIONS AND COMPARTMENTS ONLY) FOR NHA/OTHER SYS DET SEE: 25-00-00-02C	018018 020030	RF
- 60	403A3200-7A		.SEAL INSTL-LT VALANCE POSITION DATA: LH FOR DETAILS SEE: 25-24-31-93D	001030	1
- 65	403A3200-8A		.SEAL INSTL-LT VALANCE POSITION DATA: RH FOR DETAILS SEE: 25-24-31-93D	001030	1
- 70	403A3200-9SP		.SEAL INSTL-LARGE TAPER POSITION DATA: STA 460 LH FOR DETAILS SEE: 25-24-31-93A	001030	1
- 75	403A3200-10SP		.SEAL INSTL-LARGE TAPER POSITION DATA: STA 460 RH FOR DETAILS SEE: 25-24-31-93A	001030	1
- 80	403A3200-11SP		.SEAL INSTL-SMALL TAPER POSITION DATA: STA 820 LH FOR DETAILS SEE: 25-24-31-93A	001030	1
- 85	403A3200-12SP		.SEAL INSTL-SMALL TAPER POSITION DATA: STA 820 RH FOR DETAILS SEE: 25-24-31-93A	001030	1

MISSING ITEM NUMBERS NOT APPLICABLE

- ITEM NOT ILLUSTRATED

HAP

25-24-00-13B

BOEING PROPRIETARY - Copyright © - Unpublished Work - See title page for details.

25-24-00
FIG. 13B
PAGE 1
OCT 10/06

BOEING
737-600/700/800/900
PARTS CATALOG (MAINTENANCE)

FIG ITEM	PART NUMBER	1 2 3 4 5 6 7	NOMENCLATURE	EFFECT FROM TO	UNITS PER ASSY
13B - 90	403A3200-13SP		.SEAL INSTL-LT VALANCE/ BULLNOSE POSITION DATA: FWD LH FOR DETAILS SEE: 25-24-31-93A	001030	1
- 95	403A3200-14SP		.SEAL INSTL-LT VALANCE/ BULLNOSE POSITION DATA: FWD RH FOR DETAILS SEE: 25-24-31-93A	001030	1
- 100	403A3200-15SP		.SEAL INSTL-LT VALANCE/ BULLNOSE POSITION DATA: FWD LH FOR DETAILS SEE: 25-24-31-93A	001030	1
- 105	403A3200-16SP		.SEAL INSTL-LT VALANCE/ BULLNOSE POSITION DATA: FWD RH FOR DETAILS SEE: 25-24-31-93A	001030	1
- 301	413A3601-1A		.CURTAIN AND HEADER INSTL- GALLEY AREA POSITION DATA: FWD FOR DETAILS SEE: 25-24-50-02	001011	1
- 301	413A3601-31C		.CURTAIN AND HEADER INSTL- GALLEY AREA POSITION DATA: FWD FOR DETAILS SEE: 25-24-50-38	012030	1
- 317	413A3603-1T		.CURTAIN AND TRACK INSTL- CLG MOUNTED POSITION DATA: AFT FOR DETAILS SEE: 25-24-50-40	001030	1
- 336	413A3604-1A		.CURTAIN AND TRACK INSTL- MONUMENT MOUNTED FOR DETAILS SEE: 25-24-50-60	001027	1

MISSING ITEM NUMBERS NOT APPLICABLE

- ITEM NOT ILLUSTRATED

HAP

25-24-00-13B

BOEING PROPRIETARY - Copyright © - Unpublished Work - See title page for details.

25-24-00
FIG. 13B
PAGE 2
OCT 10/06


BOEING
 737-600/700/800/900
PARTS CATALOG (MAINTENANCE)

FIG ITEM	PART NUMBER	1 2 3 4 5 6 7	NOMENCLATURE	EFFECT FROM TO	UNITS PER ASSY
13B - 336	413A3604-14B		.CURTAIN AND TRACK INSTL- MONUMENT MOUNTED FOR DETAILS SEE: 25-24-50-60	028030	1
- 346	413A3502-1		.ITEM INSTL-MISC FOR DETAILS SEE: 25-24-51-03	001030	1

MISSING ITEM NUMBERS NOT APPLICABLE

- ITEM NOT ILLUSTRATED

HAP

25-24-00-13B

BOEING PROPRIETARY - Copyright © - Unpublished Work - See title page for details.

25-24-00
 FIG. 13B
 PAGE 3
 OCT 10/06

NON-ILLUSTRATED FIGURE

THE ITEMS REFLECTED IN THIS FIGURE ARE INTENTIONALLY
NON-ILLUSTRATED. THEY ARE REFERENCED TO EITHER A
NEXT HIGHER OR NEXT LOWER ASSEMBLY/INSTALLATION FIGURE.

E 25240013E REV 053

FUNCTIONAL COLLECTOR BASIC AND STABLE (PASSENGER CABIN PARTITIONS AND COMPARTMENTS ONLY)

FIGURE 13E

25-24-00-13E

HAP
OCT 15/08

25-24-00-13E
PAGE 0

BOEING
737-600/700/800/900
PARTS CATALOG (MAINTENANCE)

FIG ITEM	PART NUMBER	1 2 3 4 5 6 7	NOMENCLATURE	EFFECT FROM TO	UNITS PER ASSY
13E			FUNCTIONAL COLLECTOR BASIC AND STABLE (PASSENGER CABIN PARTITIONS AND COMPARTMENTS ONLY)	201967	
- 1	400A9101-700		FUNCTIONAL COLLECTOR-MINOR MODEL BASIC AND STABLE FOR NHA/OTHER SYS DET SEE: 25-00-00-06D	201967	RF
- 30	412A2100-603		.SUPPORT INSTL-OVHD STOWAGE BIN POSITION DATA: LH FOR DETAILS SEE: 25-24-51-18A	201967	1
- 35	412A2100-604		.SUPPORT INSTL-OVHD STOWAGE BIN POSITION DATA: RH FOR DETAILS SEE: 25-24-51-18	201967	1

MISSING ITEM NUMBERS NOT APPLICABLE

- ITEM NOT ILLUSTRATED

HAP

25-24-00-13E

BOEING PROPRIETARY - Copyright © - Unpublished Work - See title page for details.

25-24-00
FIG. 13E
PAGE 1
OCT 15/08

NON-ILLUSTRATED FIGURE

THE ITEMS REFLECTED IN THIS FIGURE ARE INTENTIONALLY
NON-ILLUSTRATED. THEY ARE REFERENCED TO EITHER A
NEXT HIGHER OR NEXT LOWER ASSEMBLY/INSTALLATION FIGURE.

E 25240013F REV 053

FUNCTIONAL COLLECTOR BASIC AND STABLE (PASSENGER CABIN PARTITIONS AND COMPARTMENTS ONLY)
FIGURE 13F

HAP
OCT 10/06

25-24-00-13F

25-24-00-13F
PAGE 0

BOEING
737-600/700/800/900
PARTS CATALOG (MAINTENANCE)

FIG ITEM	PART NUMBER	1 2 3 4 5 6 7	NOMENCLATURE	EFFECT FROM TO	UNITS PER ASSY
13F			FUNCTIONAL COLLECTOR BASIC AND STABLE (PASSENGER CABIN PARTITIONS AND COMPARTMENTS ONLY)	001030	
- 1	400A9101-800		FUNCTIONAL COLLECTOR-MINOR MODEL BASIC AND STABLE FOR NHA/OTHER SYS DET SEE: 25-00-00-06B	001017 019019	RF
- 10	400A0000-800		FUNCTIONAL COLLECTOR-MINOR MODEL BASIC AND STABLE FOR NHA/OTHER SYS DET SEE: 25-00-00-06B	018018 020030	RF
- 30	412A2100-605		.SUPPORT INSTL-OVHD STOWAGE BIN POSITION DATA: LH FOR DETAILS SEE: 25-24-51-19	001020	1
- 30	412A2100-615		.SUPPORT INSTL-OVHD STOWAGE BIN POSITION DATA: LH FOR DETAILS SEE: 25-24-51-19	021030	1
- 35	412A2100-606		.SUPPORT INSTL-OVHD STOWAGE BIN POSITION DATA: RH FOR DETAILS SEE: 25-24-51-19A	001020	1
- 35	412A2100-616		.SUPPORT INSTL-OVHD STOWAGE BIN POSITION DATA: RH FOR DETAILS SEE: 25-24-51-19A	021030	1

MISSING ITEM NUMBERS NOT APPLICABLE

- ITEM NOT ILLUSTRATED

HAP

25-24-00-13F

BOEING PROPRIETARY - Copyright © - Unpublished Work - See title page for details.

25-24-00
FIG. 13F
PAGE 1
OCT 10/06

NON-ILLUSTRATED FIGURE

THE ITEMS REFLECTED IN THIS FIGURE ARE INTENTIONALLY
NON-ILLUSTRATED. THEY ARE REFERENCED TO EITHER A
NEXT HIGHER OR NEXT LOWER ASSEMBLY/INSTALLATION FIGURE.

E 25240015A REV 057

FUNCTIONAL COLLECTOR CUSTOMER UNIQUE (PASSENGER CABIN PARTITIONS AND COMPARTMENTS ONLY)

FIGURE 15A

25-24-00-15A

HAP
OCT 15/08

25-24-00-15A
PAGE 0

BOEING
737-600/700/800/900
PARTS CATALOG (MAINTENANCE)

FIG ITEM	PART NUMBER	1 2 3 4 5 6 7	NOMENCLATURE	EFFECT FROM TO	UNITS PER ASSY
15A			FUNCTIONAL COLLECTOR CUSTOMER UNIQUE (PASSENGER CABIN PARTITIONS AND COMPARTMENTS ONLY)	201967	
- 2	400A9101-2610		FUNCTIONAL COLLECTOR- CUSTOMER UNIQUE (PASSENGER CABIN PARTITIONS AND COMPARTMENTS ONLY)	201967	RF
- 156	412A1010-125SP		FOR NHA/OTHER SYS DET SEE: 25-00-00-02B .COMPARTMENT INSTL-60 IN. REDUCED WITH EMER EQPT 44 IN. DOUBLE REDUCED WITH EMER EQPT AND MAGAZINE RACK PROVISIONS BULLNOSE CONFIGURATION OVHD STOWAGE POSITION DATA: FWD LH FOR DETAILS SEE: 25-24-30-15B	202967	1
- 156	412A1010-225SP		.COMPARTMENT INSTL-60 IN. REDUCED WITH EMER EQPT PROVISIONS 44 IN. DOUBLE REDUCED WITH EMER EQPT AND MAGAZINE RACK PROVISIONS OVHD STOWAGE POSITION DATA: FWD LH FOR DETAILS SEE: 25-24-30-15B	201201	1
- 160	412A1020-102SP		.COMPARTMENT INSTL-60 IN. REDUCED CROSS SECT. AND 44 DOUBLE REDUCED CROSS SECT. AND 12 IN. MAG RACK BULLNOSE CONFIGURATION OVHD STOWAGE POSITION DATA: FWD RH FOR DETAILS SEE: 25-24-30-27	202967	1

MISSING ITEM NUMBERS NOT APPLICABLE

- ITEM NOT ILLUSTRATED

HAP

25-24-00-15A

BOEING PROPRIETARY - Copyright © - Unpublished Work - See title page for details.

25-24-00
FIG. 15A
PAGE 1
OCT 15/08

BOEING
737-600/700/800/900
PARTS CATALOG (MAINTENANCE)

FIG ITEM	PART NUMBER	1 2 3 4 5 6 7	NOMENCLATURE	EFFECT FROM TO	UNITS PER ASSY
15A - 161	412A1020-202SP	.	COMPARTMENT INSTL-60 IN. 60 IN. REDUCED CROSS SECT. AND 44 IN. DOUBLE REDUCED CROSS SECT. AND 12 IN. MAG RACK BULLNOSE CONFIGURATION OVHD STOWAGE POSITION DATA: FWD RH FOR DETAILS SEE: 25-24-30-27	201201	1
- 200	413A3004-1SP	.	WINDSCREEN INSTL- FOR DETAILS SEE: 25-24-15-02A	201967	1
- 410	413A3601-13B	.	CURTAIN AND HEADER INSTL- GALLEY AREA POSITION DATA: FWD FOR DETAILS SEE: 25-24-50-05	201967	1
- 525	413A3602-7B	.	CURTAIN AND TRACK INSTL- CLG MOUNTED POSITION DATA: FWD FOR DETAILS SEE: 25-24-50-28	201967	1
- 610	413A3603-1W	.	CURTAIN AND TRACK INSTL- CLG MOUNTED POSITION DATA: AFT FOR DETAILS SEE: 25-24-50-40	201967	1
- 715	412A1030-102SP	.	COMPARTMENT INSTL-60 IN. STD CROSS SECT SECT AND AND 31 IN. STD CROSS SECT. WITH 12 IN. MAGAZINE RACK BULLNOSE CONFIGURATION OVHD STOWAGE POSITION DATA: AFT LH FOR DETAILS SEE: 25-24-30-37	202967	1

MISSING ITEM NUMBERS NOT APPLICABLE

- ITEM NOT ILLUSTRATED

HAP

25-24-00-15A

BOEING PROPRIETARY - Copyright © - Unpublished Work - See title page for details.

25-24-00
FIG. 15A
PAGE 2
OCT 15/08

BOEING
737-600/700/800/900
PARTS CATALOG (MAINTENANCE)

FIG ITEM	PART NUMBER	1 2 3 4 5 6 7	NOMENCLATURE	EFFECT FROM TO	UNITS PER ASSY
15A - 715	412A1030-202SP		.COMPARTMENT INSTL-60 IN. STD CROSS SECT. AND 31 IN. STD CROSS SECT. WITH 12 IN. MAGAZINE RACK BULLNOSE CONFIGURATION OVHD STOWAGE POSITION DATA: AFT LH FOR DETAILS SEE: 25-24-30-37	201201	1
- 720	412A1040-119SP		.COMPARTMENT INSTL-60 IN. STD CROSS SECT. WITH 40 IN. LOCKABLE DOOR VIDEO CONT CTR DIVIDER PANEL AND 31 IN. STD CROSS SECT. WITH MAG RACK PROVISIONS BULLNOSE CONFIGURATION OVHD STOWAGE POSITION DATA: AFT RH FOR DETAILS SEE: 25-24-30-49	202967	1
- 721	412A1040-219SP		.COMPARTMENT INSTL-60 IN. STD CROSS SECT. WITH 40 IN. LOCKABLE DOOR VIDEO CONT CTR DIVIDER PANEL AND 31 IN. STD CROSS WITH MAG RACK PROVISIONS BULLNOSE CONFIGURATION OVHD STOWAGE POSITION DATA: AFT RH FOR DETAILS SEE: 25-24-30-49	201201	1
- 725	412A1070-102SP		.COMPARTMENT INSTL- BULLNOSE CONFIGURATION WITH 80 IN. MCD DOOR BIN OVHD STOWAGE FOR DETAILS SEE: 25-24-30-71	202967	1
- 725	412A1070-202SP		.COMPARTMENT INSTL- BULLNOSE CONFIGURATION WITH 80 IN. MCD DOOR BIN OVHD STOWAGE FOR DETAILS SEE: 25-24-30-71	201201	1

MISSING ITEM NUMBERS NOT APPLICABLE

- ITEM NOT ILLUSTRATED

HAP

25-24-00-15A

BOEING PROPRIETARY - Copyright © - Unpublished Work - See title page for details.

25-24-00
FIG. 15A
PAGE 3
OCT 15/08

BOEING
737-600/700/800/900
PARTS CATALOG (MAINTENANCE)

FIG ITEM	PART NUMBER	1 2 3 4 5 6 7	NOMENCLATURE	EFFECT FROM TO	UNITS PER ASSY
15A - 730	412A2100-104		.SUPPORT INSTL-OVHD STOWAVE BIN VAR SECT. POSITION DATA: FWD LH FOR DETAILS SEE: 25-24-51-06	201967	1
- 730	412A2100-301		.SUPPORT INSTL-OVHD STOWAGE BIN VAR SECT. POSITION DATA: AFT LH FOR DETAILS SEE: 25-24-51-09	201967	1
- 735	412A2100-204		.SUPPORT INSTL-OVHD STOWAGE BIN VAR SECT. POSITION DATA: FWD RH FOR DETAILS SEE: 25-24-51-08	201967	1
- 735	412A2100-401		.SUPPORT INSTL-OVHD STOWAGE BIN VAR SECT. POSITION DATA: AFT RH FOR DETAILS SEE: 25-24-51-09A	201967	1
- 786	403A3200-9SP		.SEAL INSTL-LARGE TAPER POSITION DATA: STA 460 LH FOR DETAILS SEE: 25-24-31-93A	201967	1
- 787	403A3200-10SP		.SEAL INSTL-LARGE TAPER POSITION DATA: STA 460 RH FOR DETAILS SEE: 25-24-31-93A	201967	1
- 788	403A3200-12SP		.SEAL INSTL-SMALL TAPER POSITION DATA: STA 820 RH FOR DETAILS SEE: 25-24-31-93A	201967	1
- 789	403A3200-13SP		.SEAL INSTL-LT VALANCE/ BULLNOSE POSITION DATA: FWD LH FOR DETAILS SEE: 25-24-31-93A	201967	1

MISSING ITEM NUMBERS NOT APPLICABLE

- ITEM NOT ILLUSTRATED

HAP

25-24-00-15A

BOEING PROPRIETARY - Copyright © - Unpublished Work - See title page for details.

25-24-00
FIG. 15A
PAGE 4
OCT 15/08

BOEING
737-600/700/800/900
PARTS CATALOG (MAINTENANCE)

FIG ITEM	PART NUMBER	1 2 3 4 5 6 7	NOMENCLATURE	EFFECT FROM TO	UNITS PER ASSY
15A - 790	403A3200-14SP		.SEAL INSTL-LT VALANCE/ BULLNOSE POSITION DATA: FWD RH FOR DETAILS SEE: 25-24-31-93A	201967	1
- 791	403A3200-15SP		.SEAL INSTL-LT VALANCE/ BULLNOSE POSITION DATA: FWD LH FOR DETAILS SEE: 25-24-31-93A	201967	1
- 792	403A3200-16SP		.SEAL INSTL-LT VALANCE/ BULLNOSE POSITION DATA: FWD RH FOR DETAILS SEE: 25-24-31-93A	201967	1
- 793	403A3200-11SP		.SEAL INSTL-SMALL TAPER POSITION DATA: STA 820 LH FOR DETAILS SEE: 25-24-31-93A	201967	1
- 794	403A3200-5A		.SEAL INSTL-LT VALANCE POSITION DATA: LH FOR DETAILS SEE: 25-24-31-93C	201967	1
- 795	403A3200-6A		.SEAL INSTL-LT VALANCE POSITION DATA: RH FOR DETAILS SEE: 25-24-31-93C	201967	1

MISSING ITEM NUMBERS NOT APPLICABLE

- ITEM NOT ILLUSTRATED

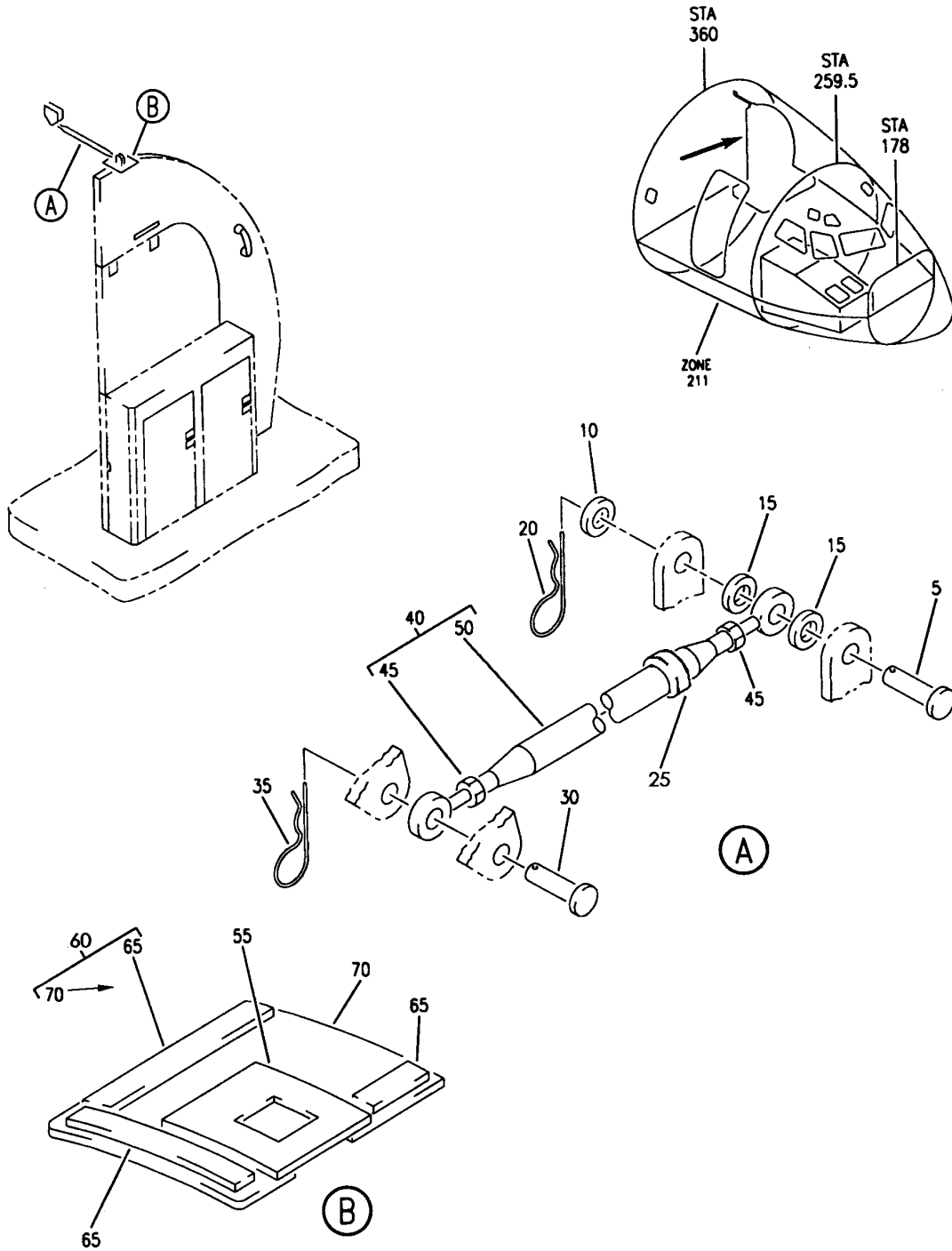
HAP

25-24-00-15A

BOEING PROPRIETARY - Copyright © - Unpublished Work - See title page for details.

25-24-00
FIG. 15A
PAGE 5
OCT 15/08

BOEING
 737-600/700/800/900
 PARTS CATALOG (MAINTENANCE)



E 25241502A REV 02B

WINDSCREEN INSTL
 FIGURE 2A

25-24-15-02A

HAP
 OCT 15/08

25-24-15-02A
 PAGE 0

BOEING
737-600/700/800/900
PARTS CATALOG (MAINTENANCE)

FIG ITEM	PART NUMBER	1 2 3 4 5 6 7	NOMENCLATURE	EFFECT FROM TO	UNITS PER ASSY
2A					
- 1	413A3004-1SP		WINDSCREEN INSTL WINDSCREEN INSTL- FOR NHA SEE: 25-24-00-15A	201967 201967	RF
5	BACP18BD3C27		.PIN	201967	1
10	NAS1149E0463P		.WASHER	201967	1
15	NAS1149E0416P		.WASHER	201967	2
20	AN415-4		.PIN	201967	1
25	413A3004-2		.TRAP-MOISTURE	201967	1
30	MS27039-4-16		.SCREW	201967	1
35	SP90C3		.PIN	201967	1
40	413A3107-4		.ROD ASSY-TIE	201967	1
45	AN316-5R		..NUT	201967	2
50	1293-87		..ROD- SUPPLIER CODE: V34742	201967	1
55	413A3105-21		.SEAL-COVER	201967	1
60	413A3105-16SP		.COVER ASSY	201967	1
65	413A3105-7		..TAPE-VELCRO	201967	3
70	413A3106-4SP		..COVER	201967	1
85	MS35206-214		.SCREW	201967	4
90	HW14-6		.NUT- SUPPLIER CODE: VK6807	201967	2
95	7377PBWGA00		.WINDSCREEN- SUPPLIER CODE: VK6162	201967	1

MISSING ITEM NUMBERS NOT APPLICABLE

- ITEM NOT ILLUSTRATED

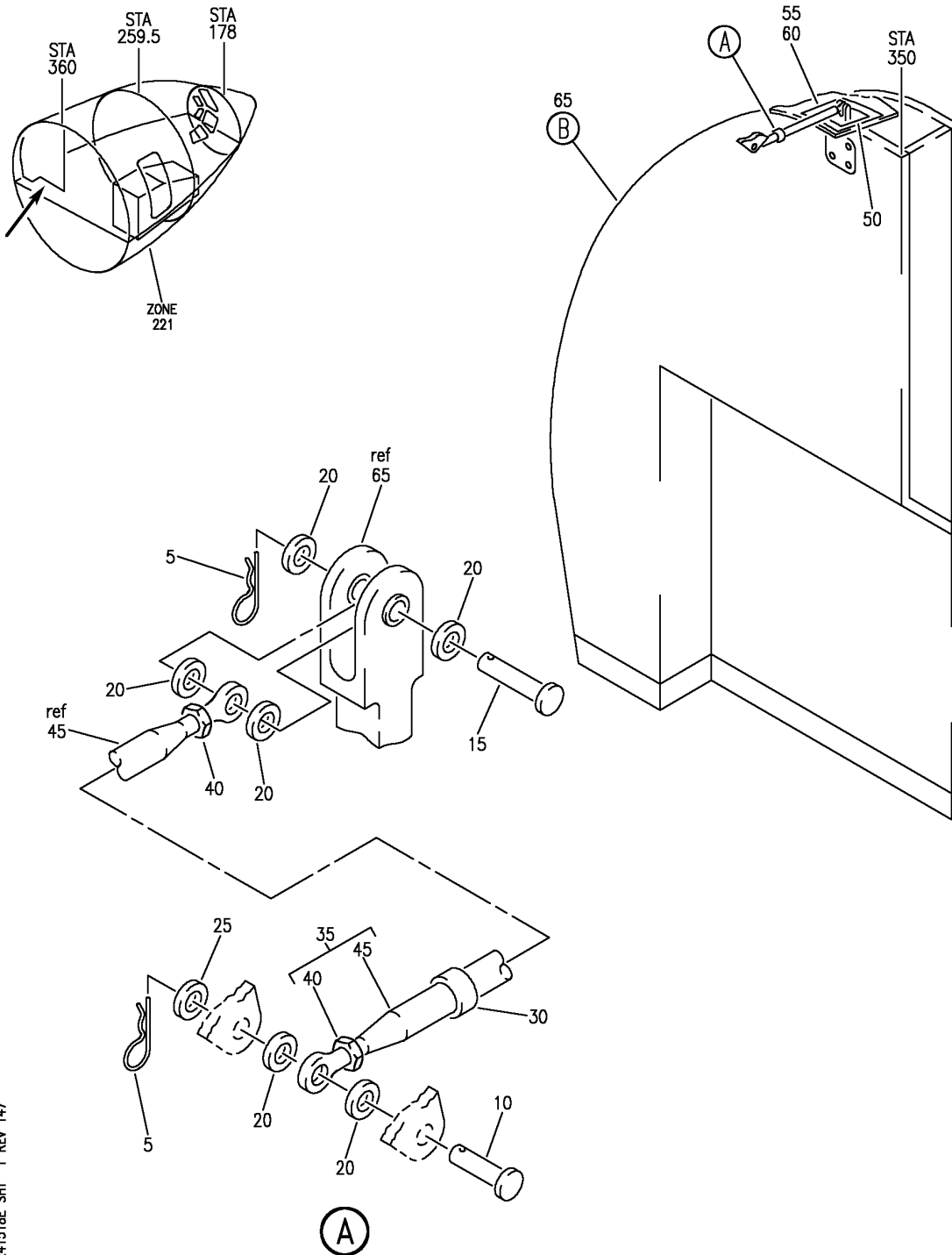
HAP

25-24-15-02A

BOEING PROPRIETARY - Copyright © - Unpublished Work - See title page for details.

25-24-15
FIG. 02A
PAGE 1
OCT 15/08

BOEING
 737-600/700/800/900
 PARTS CATALOG (MAINTENANCE)



E 25241518E SHT 1 REV 147

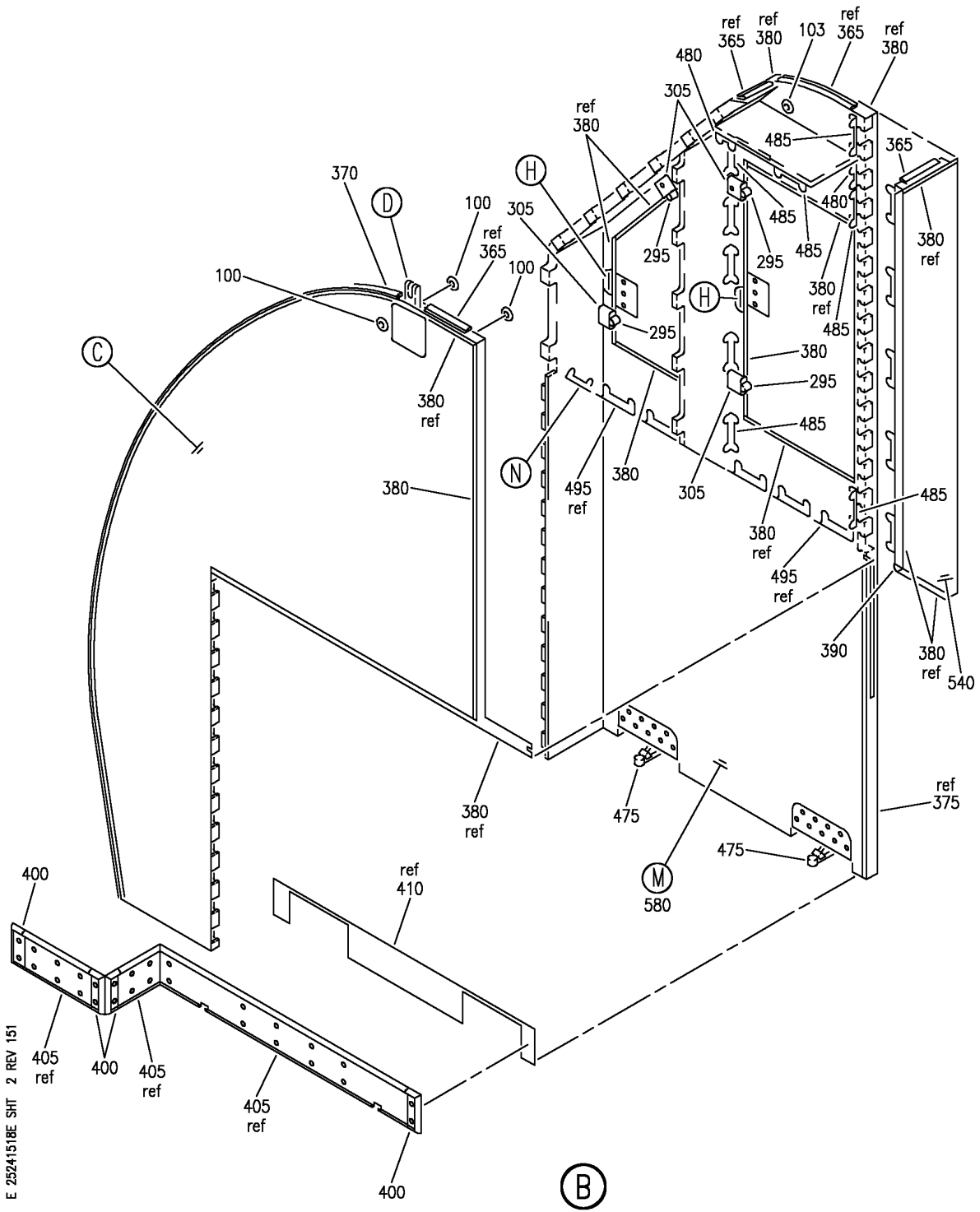
WINDSCREEN INSTL-FWD LH
 FIGURE 18E (SHEET 1)

25-24-15-18E

HAP
 OCT 15/08

25-24-15-18E
 PAGE 0


BOEING
 737-600/700/800/900
PARTS CATALOG (MAINTENANCE)



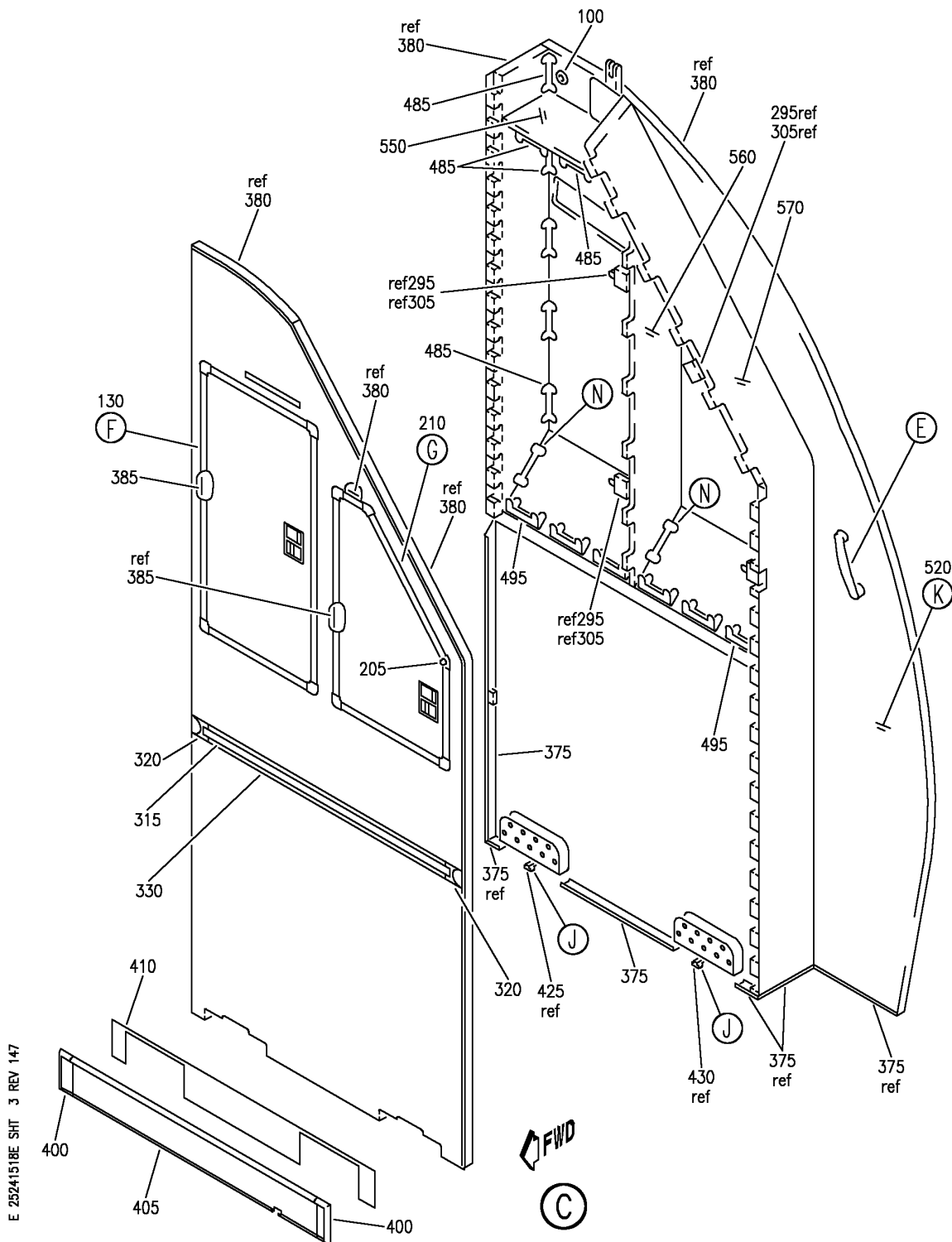
WINDSCREEN INSTL-FWD LH
 FIGURE 18E (SHEET 2)

25-24-15-18E

HAP
 FEB 15/09

25-24-15-18E
 PAGE 0A

BOEING
737-600/700/800/900
PARTS CATALOG (MAINTENANCE)



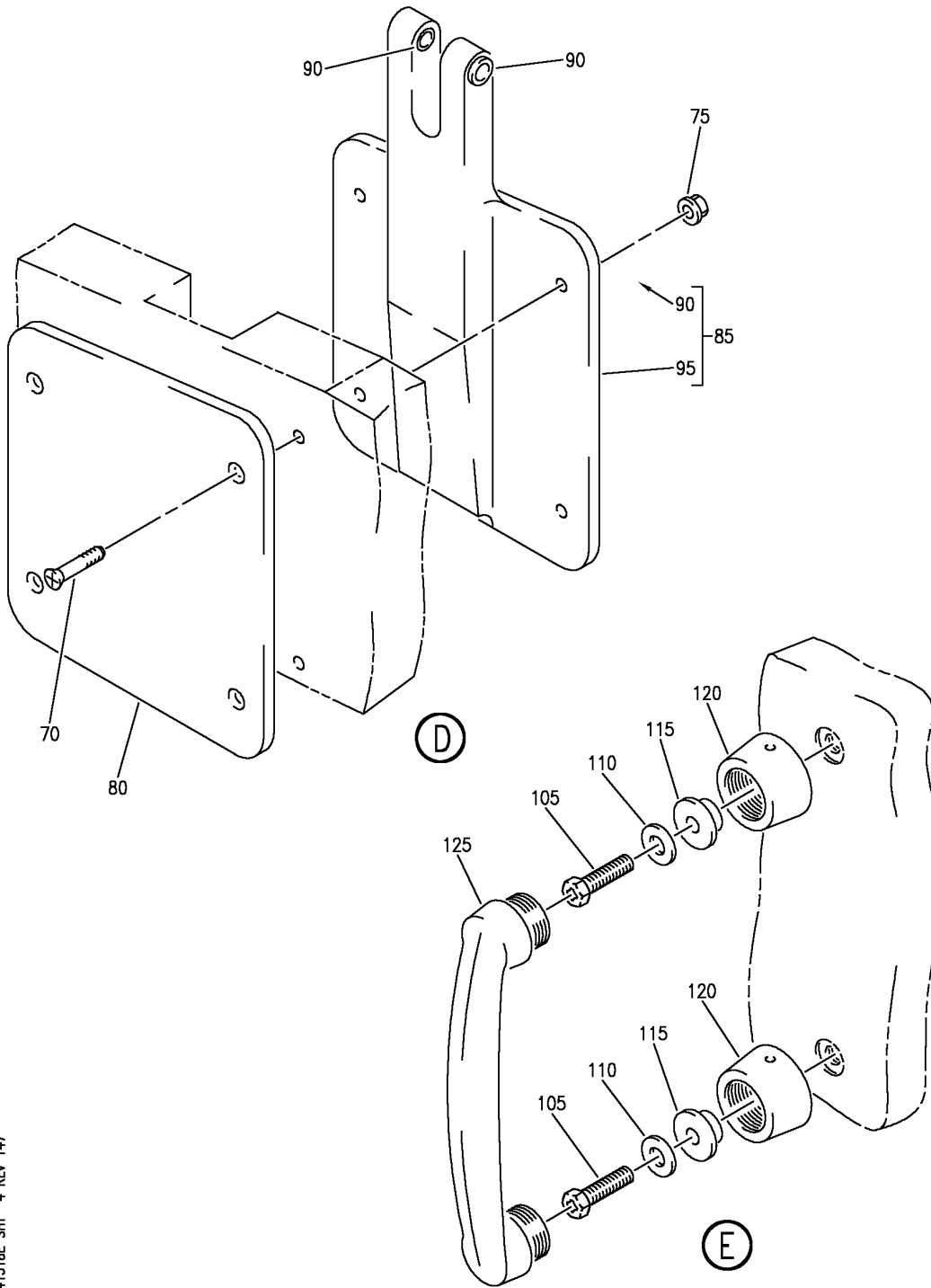
WINDSCREEN INSTL-FWD LH
FIGURE 18E (SHEET 3)

25-24-15-18E

HAP
OCT 15/08

25-24-15-18E
PAGE 0B

BOEING
 737-600/700/800/900
 PARTS CATALOG (MAINTENANCE)



E 25241518E SHT 4 REV 147

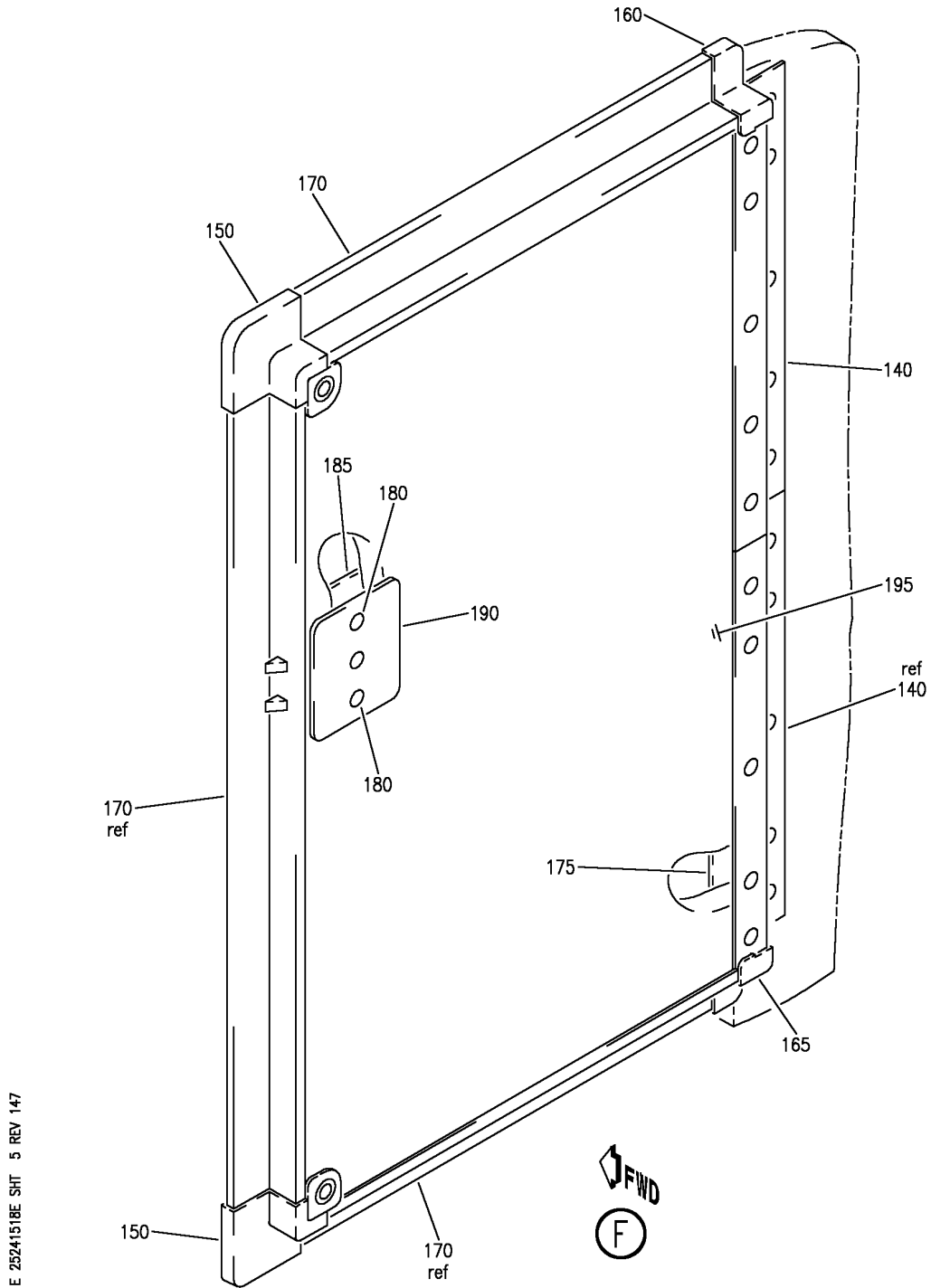
WINDSCREEN INSTL-FWD LH
 FIGURE 18E (SHEET 4)

25-24-15-18E

HAP
 OCT 15/08

25-24-15-18E
 PAGE 0C

BOEING
 737-600/700/800/900
 PARTS CATALOG (MAINTENANCE)



E 25241518E SHT 5 REV 147

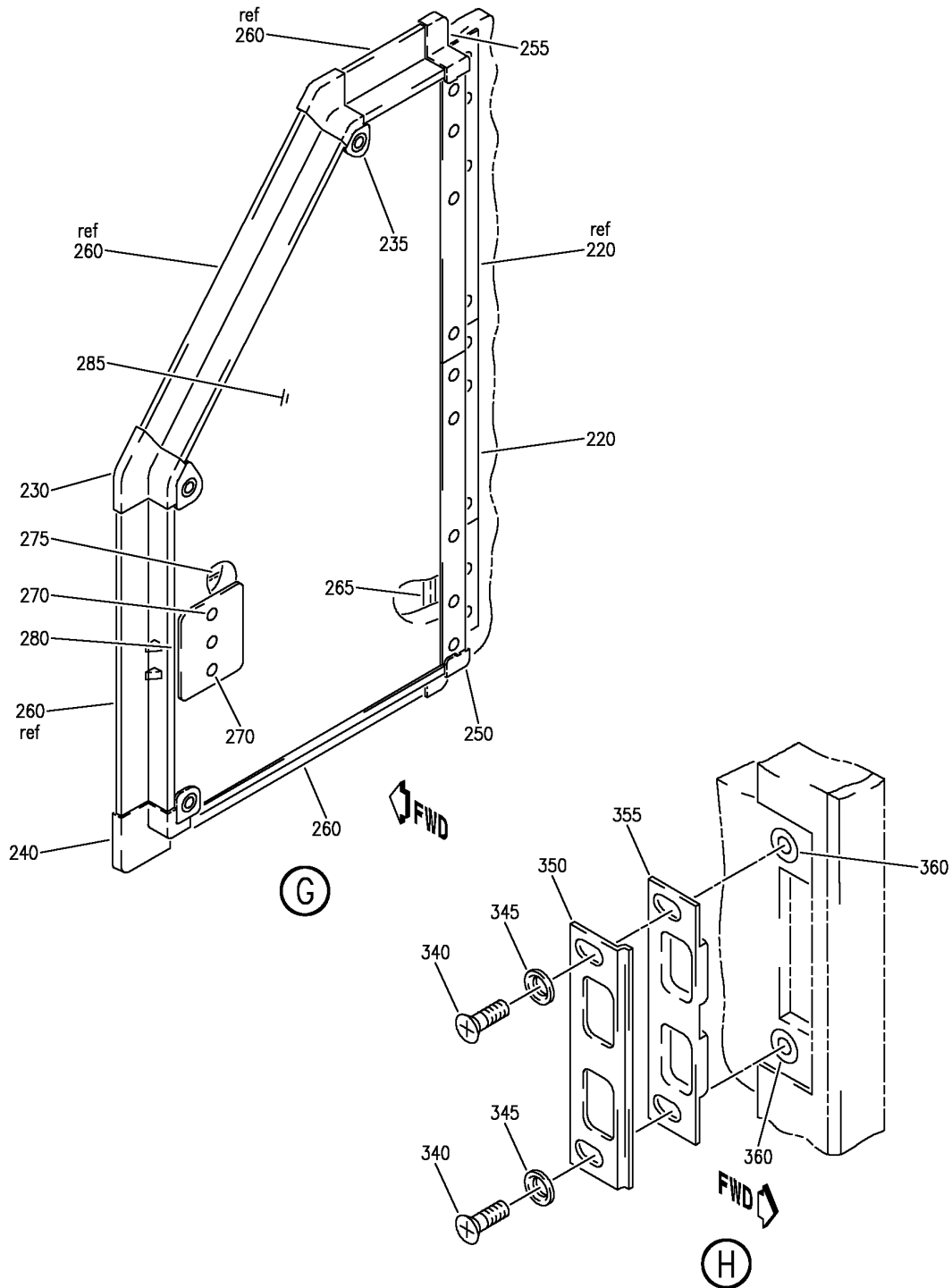
WINDSCREEN INSTL-FWD LH
 FIGURE 18E (SHEET 5)

25-24-15-18E

HAP
 OCT 15/08

25-24-15-18E
 PAGE 0D

BOEING
 737-600/700/800/900
 PARTS CATALOG (MAINTENANCE)



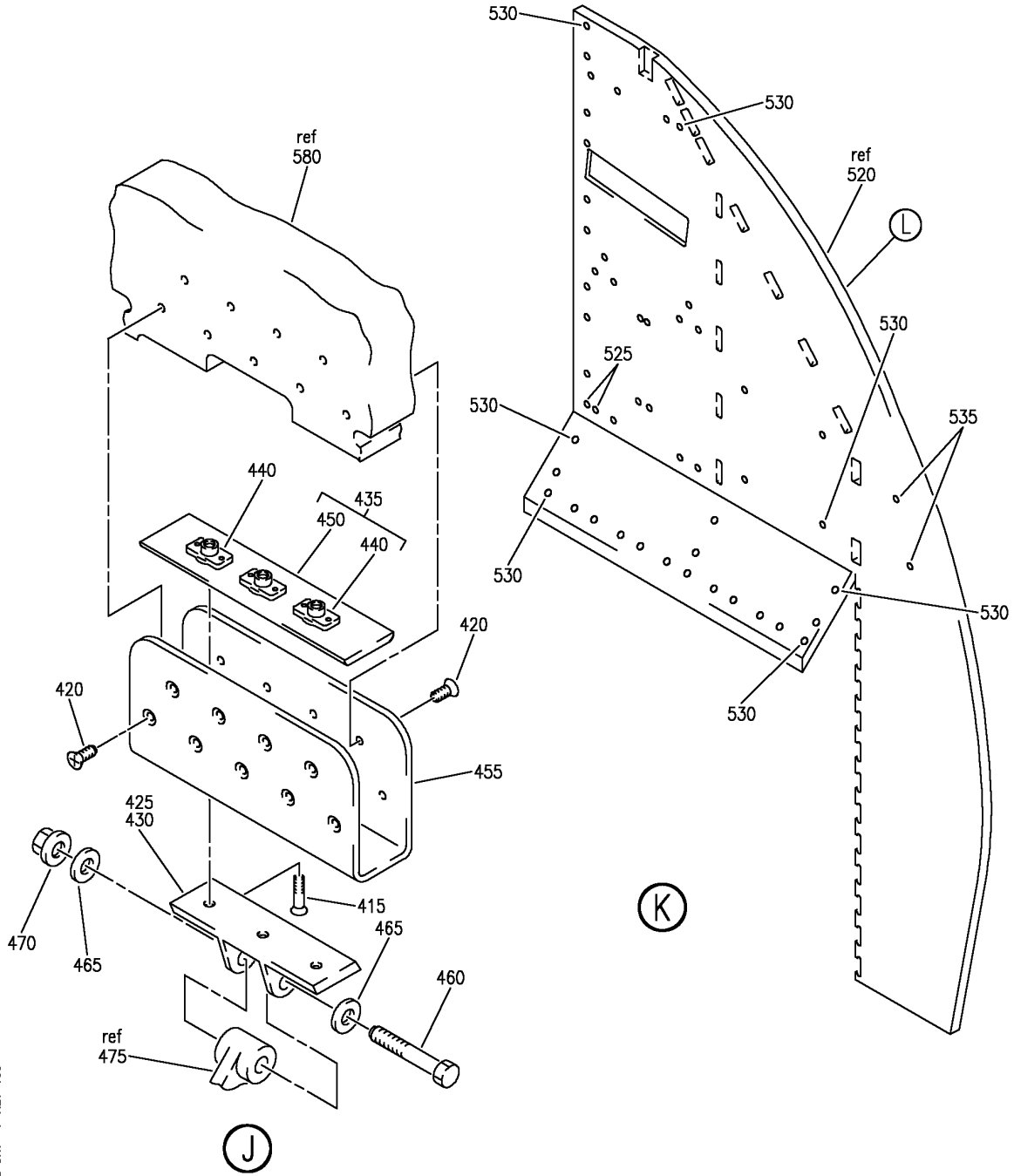
E 25241518E SHT 6 REV 147

WINDSCREEN INSTL-FWD LH
 FIGURE 18E (SHEET 6)

25-24-15-18E

HAP
 OCT 15/08

25-24-15-18E
 PAGE 0E



E 25241518E SHT 7 REV 153

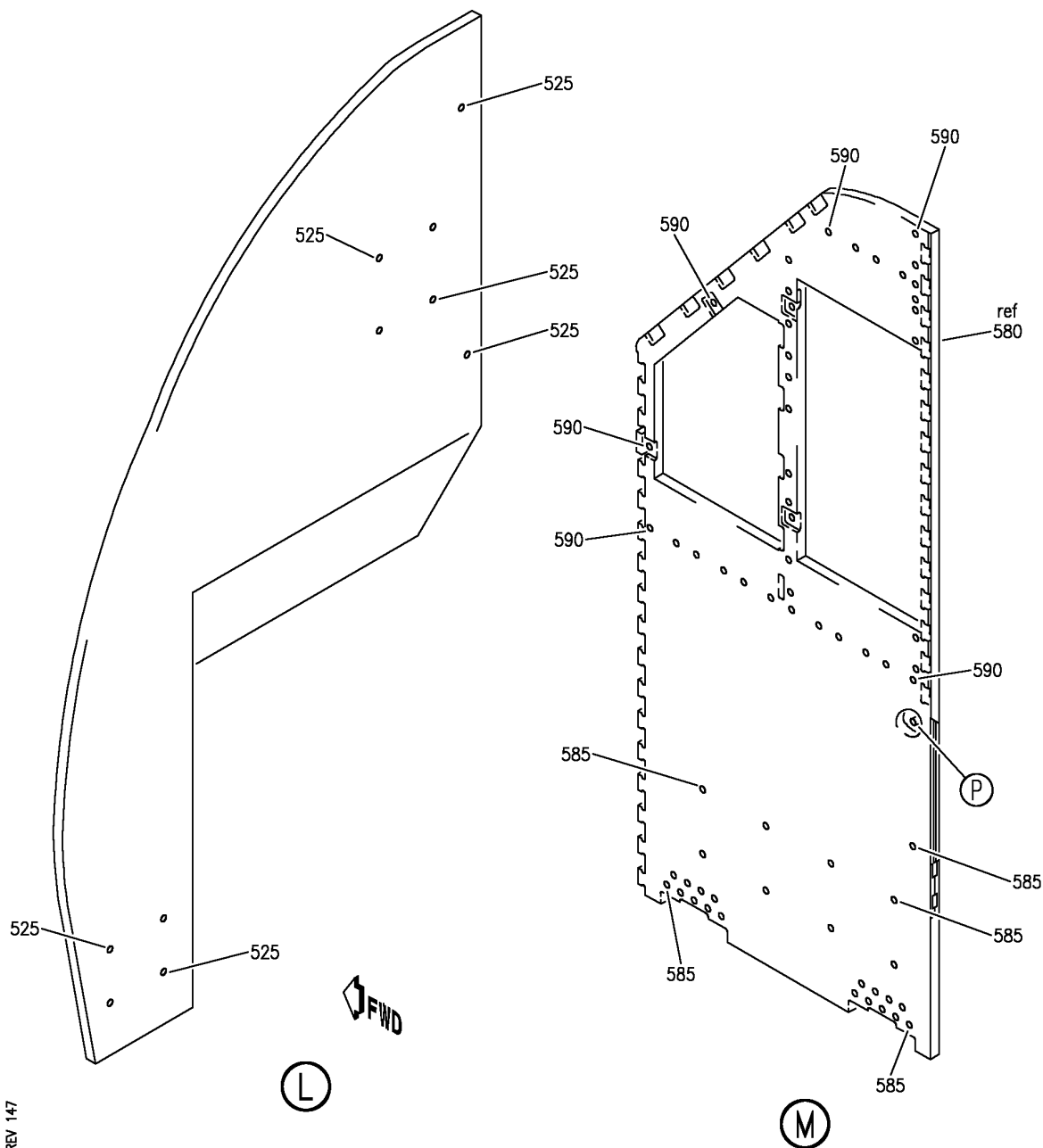
WINDSCREEN INSTL-FWD LH
 FIGURE 18E (SHEET 7)

25-24-15-18E

HAP
 JUN 15/09

25-24-15-18E
 PAGE OF

BOEING
 737-600/700/800/900
 PARTS CATALOG (MAINTENANCE)



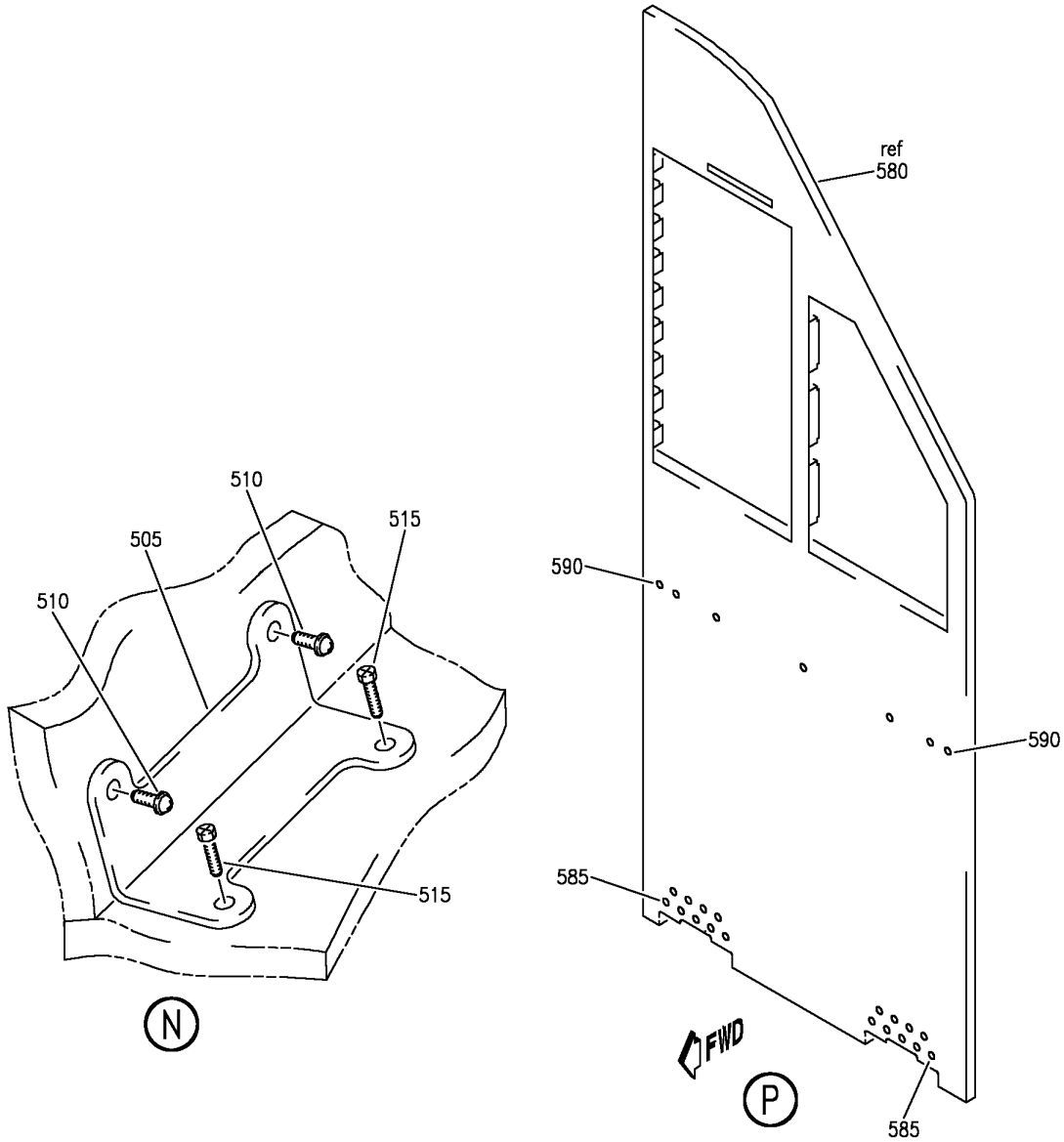
E 25241518E SHT 8 REV 147

WINDSCREEN INSTL-FWD LH
 FIGURE 18E (SHEET 8)

25-24-15-18E

HAP
 OCT 15/08

25-24-15-18E
 PAGE 08



E 25241518E SHT 9 REV 147

WINDSCREEN INSTL-FWD LH
 FIGURE 18E (SHEET 9)

25-24-15-18E

HAP
 OCT 15/08

25-24-15-18E
 PAGE 0H

BOEING
737-600/700/800/900
PARTS CATALOG (MAINTENANCE)

FIG ITEM	PART NUMBER	1 2 3 4 5 6 7	NOMENCLATURE	EFFECT FROM TO	UNITS PER ASSY
18E			WINDSCREEN INSTL-FWD LH	048050 053053 107200	
R -	1 MODREF393126		WINDSCREEN INSTL- MODULE NUMBER: 413A3101-143B REV A POSITION DATA: FWD LH	048050 107200	1
R -	1 MODREF414908		WINDSCREEN INSTL- MODULE NUMBER: 413A3101-146B REV A POSITION DATA: FWD LH	053053	1
R	5 AA55487-4		.PIN- SUPPLIER CODE: V58536	048050 053053 107200	2
R	10 BACP18BD3C27		.PIN	048050 053053 107200	1
R	15 BACP18BD3C45		.PIN	048050 053053 107200	1
R	20 NAS1149E0416P		.WASHER	048050 053053 107200	6
R	25 NAS1149E0463P		.WASHER	048050 053053 107200	1
R	30 413A3101-4		.TRAP-MOISTURE	048050 053053 107200	1
R	35 413A3107-4		.ROD ASSY	048050 053053 107200	1
R	40 AN316-5R		..NUT	048050 053053 107200	2
R	45 1293-87		..ROD- SUPPLIER CODE: V34742	048050 053053 107200	1
R	50 413A3105-36		.SEAL-COVER	048050 053053 107200	1
R	55 413A3105-16A		.COVER ASSY	048050 053053 107200	1
R	60 413A3106-4BATC		..COVER	048050 053053 107200	1

MISSING ITEM NUMBERS NOT APPLICABLE

- ITEM NOT ILLUSTRATED

HAP

25-24-15-18E

BOEING PROPRIETARY - Copyright © - Unpublished Work - See title page for details.

25-24-15
FIG. 18E
PAGE 1
JUN 15/09

BOEING
737-600/700/800/900
PARTS CATALOG (MAINTENANCE)

FIG ITEM	PART NUMBER	1 2 3 4 5 6 7	NOMENCLATURE	EFFECT FROM TO	UNITS PER ASSY
18E 65	413A3110-136B	.STOWAGE ASSY-FOOTWELL (EQUIPMENT/FURNISHINGS ONLY) FUNCTIONAL REFERENCE: LIGHTS FOR DETAILS SEE 33-51-05-18E		048050 053053 107200	1
R R R R R R	65	413A3110-141B	.STOWAGE ASSY-FOOTWELL (EQUIPMENT/FURNISHINGS ONLY) FUNCTIONAL REFERENCE: LIGHTS FOR DETAILS SEE 33-51-05-18E	053053	1
	70	BACB30NN3K20	..BOLT	048050 053053 107200	4
	75	PLH53CD	..NUT SUPPLIER CODE: VF0224 SPECIFICATION NUMBER: BACN10YR3CD OPTIONAL PART: H52732-3CD V15653	048050 053053 107200	4
	80	413N3215-181B	..DOUBLER	048050 053053 107200	1
	85	413N3109-662B	..CLEVIS ASSY	048050 053053 107200	1
	90	BACB28X4C038	...BUSHING	048050 053053 107200	2
	95	413N3109-663B	...CLEVIS	048050 053053 107200	1
	100	NAS1368N8A	..GROMMET	048050 053053 107200	3
	103	NAS1368N6A	..GROMMET	048050 053053 107200	1
	105	BACS12HN3-10	..SCREW	048050 053053 107200	2
	110	NAS1149D0332J	..WASHER	048050 053053 107200	2

MISSING ITEM NUMBERS NOT APPLICABLE

— ITEM NOT ILLUSTRATED

HAP

25-24-15-18E

BOEING PROPRIETARY - Copyright © - Unpublished Work - See title page for details.

25-24-15
FIG. 18E
PAGE 2
JUN 15/09

BOEING
737-600/700/800/900
PARTS CATALOG (MAINTENANCE)

FIG ITEM	PART NUMBER	1 2 3 4 5 6 7	NOMENCLATURE	EFFECT FROM TO	UNITS PER ASSY
18E 115	66-4302	..	COLLAR	048050 053053 107200	2
120	65-5458-21E	..	NUT	048050 053053 107200	2
125	65-5458-20E	..	HANDLE-ASSIST	048050 053053 107200	1
130	413A3615-127B	..	DOOR ASSY	048050 053053 107200	1
			ATTACHING PARTS		
- 135	BACS12FA3K5	..	SCREW	048050 053053 107200	10
			-----*-----		
140	SAM340-16	...	HINGE- SUPPLIER CODE: V31845	048050 053053 107200	1
			ATTACHING PARTS		
- 145	BACS12FA3K6	...	SCREW	048050 053053 107200	10
			-----*-----		
150	432W6540-29	...	CAP-CORNER, 90 DEGREE	048050 053053 107200	2
			ATTACHING PARTS		
- 155	NAS514P1032-6	...	SCREW	048050 053053 107200	2
			-----*-----		
160	432W6540-31	...	CAP-HINGE	048050 053053 107200	1
165	432W6540-30	...	CAP-HINGE	048050 053053 107200	1
170	413U3165-265	...	TRIM	048050 053053 107200	1
175	413U3165-264	...	TRIM-	048050 053053 107200	1
175	432W6540-47	...	TRIM-	048050 053053 107200	1

MISSING ITEM NUMBERS NOT APPLICABLE

- ITEM NOT ILLUSTRATED

HAP

25-24-15-18E

BOEING PROPRIETARY - Copyright © - Unpublished Work - See title page for details.

25-24-15
FIG. 18E
PAGE 3
JUN 15/09

BOEING
737-600/700/800/900
PARTS CATALOG (MAINTENANCE)

FIG ITEM	PART NUMBER	1 2 3 4 5 6 7	NOMENCLATURE	EFFECT FROM TO	UNITS PER ASSY
18E 180	NAS514P1032-6	...	SCREW	048050 053053 107200	3
185	SAM271-5	...	LATCH- SUPPLIER CODE: V31845	048050 053053 107200	1
190	S2271-13	...	PLATE-MTG SUPPLIER CODE: V31845	048050 053053 107200	1
195	413A3615-128B	...	PANEL ASSY	048050 053053 107200	1
- 200	SL2334-3A3	INSERT- SUPPLIER CODE: V97393	048050 053053 107200	12
205	SJ5303	..	BUMPER- SUPPLIER CODE: V26066	048050 053053 107200	1
210	413A3615-115B	..	DOOR ASSY	048050 053053 107200	1
- 215	BACS12FA3K5	..	ATTACHING PARTS SCREW	048050 053053 107200	9
220	SAM340-16	...	HINGE- SUPPLIER CODE: V31845	048050 053053 107200	1
- 225	BACS12FA3K6	...	ATTACHING PARTS SCREW	048050 053053 107200	9
230	432W6540-27	...	CAP-CORNER, 40 DEGREE	048050 053053 107200	1
235	432W6540-28	...	CAP-CORNER, 50 DEGREE	048050 053053 107200	1
240	432W6540-29	...	CAP-CORNER, 90 DEGREE	048050 053053 107200	1
- 245	NAS514P1032-6	...	ATTACHING PARTS SCREW	048050 053053 107200	3

MISSING ITEM NUMBERS NOT APPLICABLE

- ITEM NOT ILLUSTRATED

HAP

25-24-15-18E

BOEING PROPRIETARY - Copyright © - Unpublished Work - See title page for details.

25-24-15
FIG. 18E
PAGE 4
JUN 15/09

BOEING
737-600/700/800/900
PARTS CATALOG (MAINTENANCE)

FIG ITEM	PART NUMBER	1 2 3 4 5 6 7	NOMENCLATURE	EFFECT FROM TO	UNITS PER ASSY
18E 250	432W6540-31	...	CAP-HINGE	048050 053053 107200	1
255	432W6540-30	...	CAP-HINGE	048050 053053 107200	1
260	413U3165-265	...	TRIM	048050 053053 107200	1
265	413U3165-264	...	TRIM-	048050 053053 107200	1
265	432W6540-47	...	TRIM-	048050 053053 107200	1
270	NAS514P1032-6	...	SCREW	048050 053053 107200	3
275	SAM271-5	...	LATCH- SUPPLIER CODE: V31845	048050 053053 107200	1
280	S2271-13	...	PLATE-MTG SUPPLIER CODE: V31845	048050 053053 107200	1
285	413A3615-116B	...	PANEL ASSY	048050 053053 107200	1
- 290	SL2334-3A3	INSERT- SUPPLIER CODE: V97393	048050 053053 107200	12
295	H2-1061-2	..	STOP- SUPPLIER CODE: V34941 OPTIONAL PART: H2-1061-1 V34941	048050 053053 107200	4
295	H2-1061-1	..	STOP- SUPPLIER CODE: V34941 OPTIONAL PART: H2-1061-2 V34941	048050 053053 107200	4
- 300	BACS12CK3-6	..	SCREW ATTACHING PARTS	048050 053053 107200	8
			-----*-----		

MISSING ITEM NUMBERS NOT APPLICABLE

- ITEM NOT ILLUSTRATED

HAP

25-24-15-18E

BOEING PROPRIETARY - Copyright © - Unpublished Work - See title page for details.

25-24-15
FIG. 18E
PAGE 5
JUN 15/09

BOEING
737-600/700/800/900
PARTS CATALOG (MAINTENANCE)

FIG ITEM	PART NUMBER	1 2 3 4 5 6 7	NOMENCLATURE	EFFECT FROM TO	UNITS PER ASSY
18E 305	413A3214-198B		.. PANEL ASSY	048050 053053 107200	4
			ATTACHING PARTS		
- 310	BACS12ER3K18		.. SCREW	048050 053053 107200	4
			-----*-----		
315	432W7100-2C		.. RUBSTRIP-INSERT	048050 053053 107200	1
320	432W7101-6C		.. CAP-END	048050 053053 107200	2
			ATTACHING PARTS		
- 325	BACS12FA3K5		.. SCREW	048050 053053 107200	2
			-----*-----		
330	432W7100-1C		.. RUBSTRIP-BASE	048050 053053 107200	1
			ATTACHING PARTS		
- 335	BACS12FA3K5		.. SCREW	048050 053053 107200	5
			-----*-----		
340	BACB30VF3K1		.. BOLT	048050 053053 107200	4
345	BACW10UC6		.. WASHER	048050 053053 107200	4
350	S1031-27		.. STRIKER- SUPPLIER CODE: V31845	048050 053053 107200	2
355	S1031-23		.. INSERT- SUPPLIER CODE: V31845	048050 053053 107200	2
360	BACI12AD3-14		.. INSERT	048050 053053 107200	4
365	415U9010-71		.. EXTRUSION	048050 053053 107200	1
370	415U9010-135		.. EXTRUSION	048050 053053 107200	1

MISSING ITEM NUMBERS NOT APPLICABLE

- ITEM NOT ILLUSTRATED

HAP

25-24-15-18E

BOEING PROPRIETARY - Copyright © - Unpublished Work - See title page for details.

25-24-15
FIG. 18E
PAGE 6
JUN 15/09

BOEING
737-600/700/800/900
PARTS CATALOG (MAINTENANCE)

FIG ITEM	PART NUMBER	1 2 3 4 5 6 7	NOMENCLATURE	EFFECT FROM TO	UNITS PER ASSY
18E 375	413U3165-7	..	TRIM- OPTIONAL PART: 413U3165-6	048050 053053 107200	2
375	413U3165-6	..	TRIM- OPTIONAL PART: 413U3165-7	048050 053053 107200	2
380	413U3165-81	..	TRIM	048050 053053 107200	3
385	413U3165-129	..	TRIM	048050 053053 107200	1
390	413U3165-30	..	TRIM	048050 053053 107200	1
- 395	BCREF9492	..	ATTACHING PARTS RIVET- SUPPLIER CODE: V31272 OVERLENGTH PART NUMBER: 201-120911-00-0101 -----*-----	048050 053053 107200	40
400	432W7200-18H	..	CAP	048050 053053 107200	6
405	432W7200-1H	..	KICKSTRIP	048050 053053 107200	1
410	432W7201-1H	..	KICKSTRIP	048050 053053 107200	1
415	BACB30NN3K5	..	BOLT	048050 053053 107200	6
420	BACS12ER3K5	..	SCREW	048050 053053 107200	36
425	69-66152-9	..	FITTING	048050 053053 107200	1
430	69-66152-39	..	FITTING	048050 053053 107200	1
435	413N3211-701	..	FILLER ASSY	048050 053053 107200	2

MISSING ITEM NUMBERS NOT APPLICABLE

- ITEM NOT ILLUSTRATED

HAP

25-24-15-18E

BOEING PROPRIETARY - Copyright © - Unpublished Work - See title page for details.

25-24-15
FIG. 18E
PAGE 7
JUN 15/09

BOEING
737-600/700/800/900
PARTS CATALOG (MAINTENANCE)

FIG ITEM	PART NUMBER	1 2 3 4 5 6 7	NOMENCLATURE	EFFECT FROM TO	UNITS PER ASSY
18E 440	MF53049-3		...NUTPLATE SUPPLIER CODE: V15653 SPECIFICATION NUMBER: BACN10JN3 OPTIONAL PART: BRFM20A3 V52828 MF1000-3BAC V15653 NS103218-02 V80539 RMF9201M3 V72962 VN252A02 V92215 T8124S3S V11815 ATTACHING PARTS	048050 053053 107200	3
- 445	BACR15BA3A		...RIVET- SIZE DETERMINED ON INSTL. -----*-----	048050 053053 107200	6
450	413N3211-702		...FILLER	048050 053053 107200	1
455	413N3211-687		..BRACKET	048050 053053 107200	2
460	BACB30PW4-18		..BOLT	048050 053053 107200	2
465	BACW10BP4P		..WASHER	048050 053053 107200	4
470	PLH53CD		..NUT SUPPLIER CODE: VF0224 SPECIFICATION NUMBER: BACN10YR3CD OPTIONAL PART: H52732-3CD V15653	048050 053053 107200	2
475	43995-23		..FITTING-SEAT TRACK SUPPLIER CODE: V31272	048050 053053 107200	2
480	436W5505-44A		..ANGLE	048050 053053 107200	2

MISSING ITEM NUMBERS NOT APPLICABLE

- ITEM NOT ILLUSTRATED

HAP

25-24-15-18E

BOEING PROPRIETARY - Copyright © - Unpublished Work - See title page for details.

25-24-15
FIG. 18E
PAGE 8
FEB 15/09

BOEING
737-600/700/800/900
PARTS CATALOG (MAINTENANCE)

FIG ITEM	PART NUMBER	1 2 3 4 5 6 7	NOMENCLATURE	EFFECT FROM TO	UNITS PER ASSY	
18E 485	436W5505-2A	..	ANGLE	048050 053053 107200	16	
- 490	BACS12FA3K5	..	ATTACHING PARTS SCREW	048050 053053 107200	72	
			-----*-----			
495	436W5505-135B	..	ANGLE	048050 053053 107200	6	
			ATTACHING PARTS			
- 500	BACS12GU3K6	..	SCREW	048050 053053 107200	24	
			-----*-----			
505	436W5505-2A	..	ANGLE	048050 053053 107200	3	
			ATTACHING PARTS			
510	BACS12FA3K6	..	SCREW	048050 053053 107200	6	
515	BACS12GU3K6	..	SCREW	048050 053053 107200	6	
			-----*-----			
R R R R R R	520	413A3111-84B	..	PANEL ASSY-WINDSCREEN	048050 107200	1
	520	413A3111-88B	..	PANEL ASSY-WINDSCREEN	053053	1
	525	SL2334-3A3	...	INSERT- SUPPLIER CODE: V97393	048050 053053 107200	12
	530	SL2334-3A5	...	INSERT- SUPPLIER CODE: V97393	048050 053053 107200	48
	535	SL2334-3A8	...	INSERT- SUPPLIER CODE: V97393	048050 053053 107200	2
	540	413A3214-200B	..	PANEL ASSY-INBD	048050 053053 107200	1
-	545	SL2334-3A5	...	INSERT- SUPPLIER CODE: V97393	048050 053053 107200	30
	550	413A3214-201B	..	PANEL ASSY-CLG	048050 053053 107200	1

MISSING ITEM NUMBERS NOT APPLICABLE

- ITEM NOT ILLUSTRATED

HAP

25-24-15-18E

BOEING PROPRIETARY - Copyright © - Unpublished Work - See title page for details.

25-24-15
FIG. 18E
PAGE 9
JUN 15/09

BOEING
737-600/700/800/900
PARTS CATALOG (MAINTENANCE)

FIG ITEM	PART NUMBER	1 2 3 4 5 6 7	NOMENCLATURE	EFFECT FROM TO	UNITS PER ASSY
18E - 555	SL2334-3A3	...	INSERT- SUPPLIER CODE: V97393	048050 053053 107200	8
560	413A3214-202B	..	PANEL ASSY-TOP DIVIDER	048050 053053 107200	1
- 565	SL2334-3A3	...	INSERT- SUPPLIER CODE: V97393	048050 053053 107200	21
570	413A3214-203C	..	PANEL ASSY-OUTB	048050 053053 107200	1
- 575	SL2334-3A5	...	INSERT- SUPPLIER CODE: V97393	048050 053053 107200	2
580	413A3111-85B	..	PANEL ASSY-FWD	048050 053053 107200	1
585	SL2334-3A3	...	INSERT- SUPPLIER CODE: V97393	048050 053053 107200	45
590	SL2334-3A5	...	INSERT- SUPPLIER CODE: V97393	048050 053053 107200	45

MISSING ITEM NUMBERS NOT APPLICABLE

- ITEM NOT ILLUSTRATED

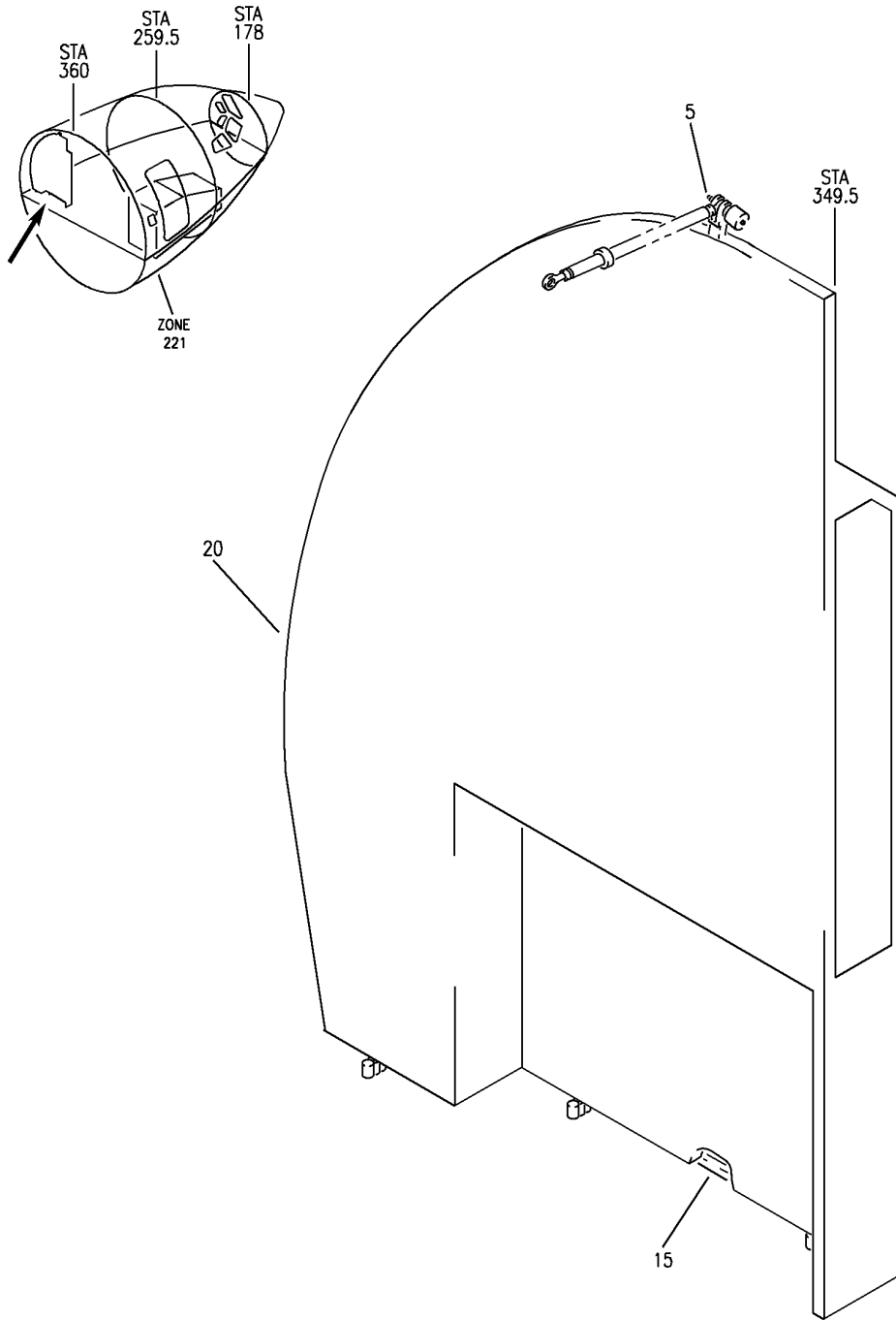
HAP

25-24-15-18E

BOEING PROPRIETARY - Copyright © - Unpublished Work - See title page for details.

25-24-15
FIG. 18E
PAGE 10
FEB 15/09

BOEING
737-600/700/800/900
PARTS CATALOG (MAINTENANCE)



E 252415-45A REV 116

WINDSCREEN INSTL-CLASS DIVIDER
FIGURE 45A

25-24-15-45A

HAP
OCT 10/06

25-24-15-45A
PAGE 0

BOEING
737-600/700/800/900
PARTS CATALOG (MAINTENANCE)

FIG ITEM	PART NUMBER	1 2 3 4 5 6 7	NOMENCLATURE	EFFECT FROM TO	UNITS PER ASSY
45A			WINDSCREEN INSTL-CLASS DIVIDER	031037 039041 047047 054100	
- 1	MODREF279529		WINDSCREEN INSTL-CLASS DIVIDER MODULE NUMBER: 415A1119-39 REV A POSITION DATA: LH	031036	1
- 1	MODREF319741		WINDSCREEN INSTL-CLASS DIVIDER MODULE NUMBER: 415A1119-39 REV B POSITION DATA: LH	037037 039040	1
- 1	MODREF338323		WINDSCREEN INSTL-CLASS DIVIDER MODULE NUMBER: 415A1119-45 REV A POSITION DATA: LH	041041 047047 054100	1
5	BLC4B9S		.PIN SUPPLIER CODE: V84256 SPECIFICATION NUMBER: BACP18AM4B9HC OPTIONAL PART: LG4CB9 V83014 SLC4B9 V16258	031036	1
5	BLC4B10S		.PIN SUPPLIER CODE: V84256 SPECIFICATION NUMBER: BACP18AM4B10HC OPTIONAL PART: LG4CB10 V83014 SLC4B10 V16258	037037 039041 047047 054100	1
- 10	NAS1149E0416P		ATTACHING PARTS .WASHER -----*-----	031037 039041 047047 054100	4

MISSING ITEM NUMBERS NOT APPLICABLE

- ITEM NOT ILLUSTRATED

HAP

25-24-15-45A

BOEING PROPRIETARY - Copyright © - Unpublished Work - See title page for details.

25-24-15
FIG. 45A
PAGE 1
FEB 15/09

BOEING
737-600/700/800/900
PARTS CATALOG (MAINTENANCE)

FIG ITEM	PART NUMBER	1 2 3 4 5 6 7	NOMENCLATURE	EFFECT FROM TO	UNITS PER ASSY
45A 15	65C35726-138	.	SEAL-FLOOR	031037 039041 047047 054100	1
20	1021C14B00000	.	WINDSCREEN ASSY- SUPPLIER CODE: VD2249 COMPONENT MAINT MANUAL REF: 25-01-85 FOR DETAILS SEE: 25-24-15-45E	031037 039040	1
20	1021C14D00000	.	WINDSCREEN ASSY- SUPPLIER CODE: VD2249 COMPONENT MAINT MANUAL REF: 25-01-85 FOR DETAILS SEE: 25-24-15-45E	041041 047047 054100	1

MISSING ITEM NUMBERS NOT APPLICABLE

— ITEM NOT ILLUSTRATED

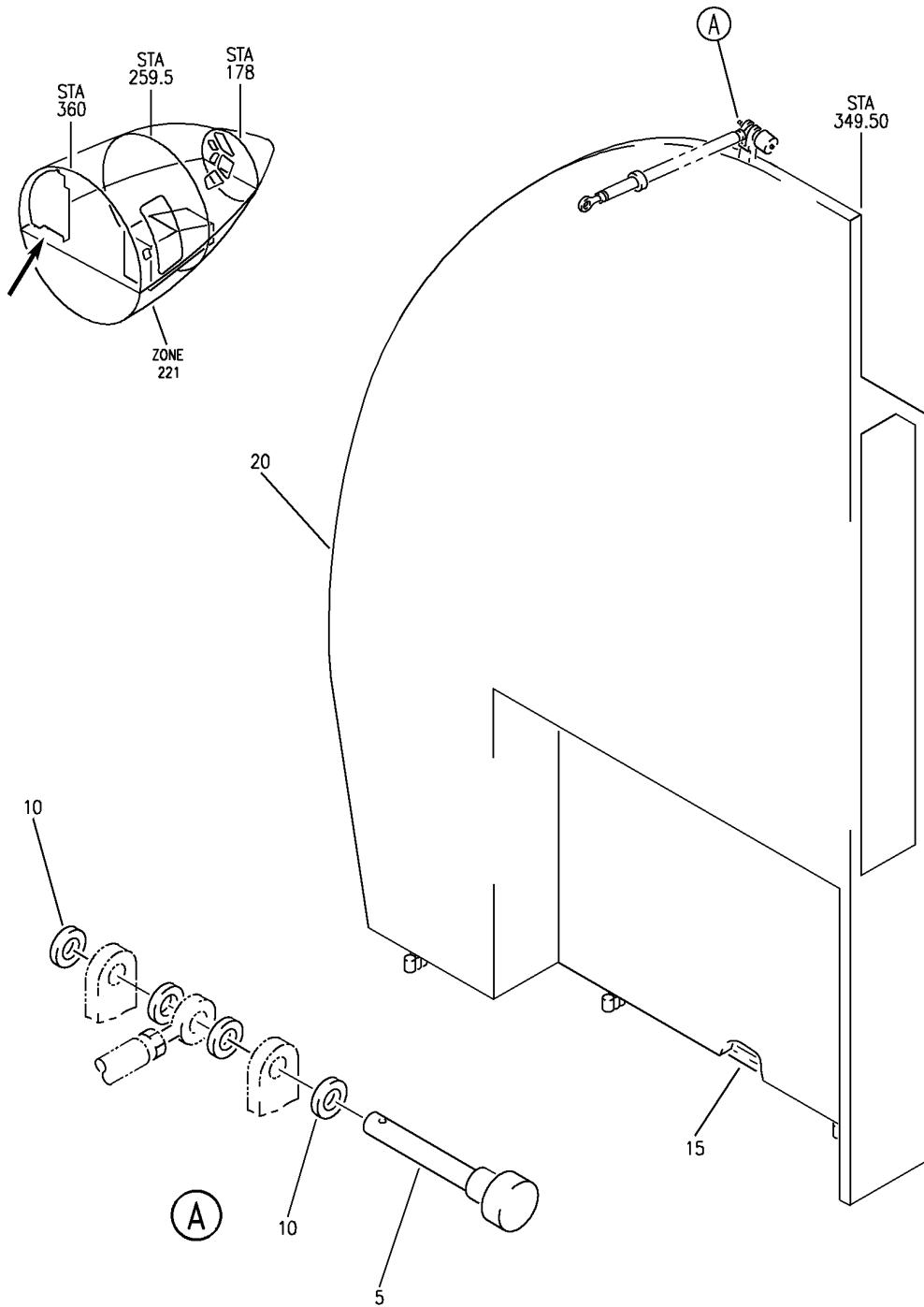
HAP

25-24-15-45A

BOEING PROPRIETARY - Copyright © - Unpublished Work - See title page for details.

25-24-15
FIG. 45A
PAGE 2
FEB 15/09

BOEING
737-600/700/800/900
PARTS CATALOG (MAINTENANCE)



E 252415-45B REV 128

WINDSCREEN INSTL-CLASS DIVIDER
FIGURE 45B

25-24-15-45B

HAP
JUN 10/07

25-24-15-45B
PAGE 0

BOEING
737-600/700/800/900
PARTS CATALOG (MAINTENANCE)

FIG ITEM	PART NUMBER	1 2 3 4 5 6 7	NOMENCLATURE	EFFECT FROM TO	UNITS PER ASSY
45B			WINDSCREEN INSTL-CLASS DIVIDER	101106 968999	
- 1	MODREF324390		WINDSCREEN INSTL-CLASS DIVIDER	101106 968999	1
			MODULE NUMBER: 415A1119-44 REV A POSITION DATA: LH		
5	BLC4B10S		.PIN	101106 968999	1
			SUPPLIER CODE: V84256 SPECIFICATION NUMBER: BACP18AM4B10HC OPTIONAL PART: LG4CB10 V83014 SLC4B10 V16258		
10	NAS1149E0416P		.WASHER	101106 968999	4
15	65C35726-138		.SEAL-FLOOR	101106 968999	1
20	1021C14C00000		.WINDSCREEN ASSY- SUPPLIER CODE: VD2249 COMPONENT MAINT MANUAL REF: 25-01-85 FOR DETAILS SEE: 25-24-15-45E	101106 968999	1

MISSING ITEM NUMBERS NOT APPLICABLE

- ITEM NOT ILLUSTRATED

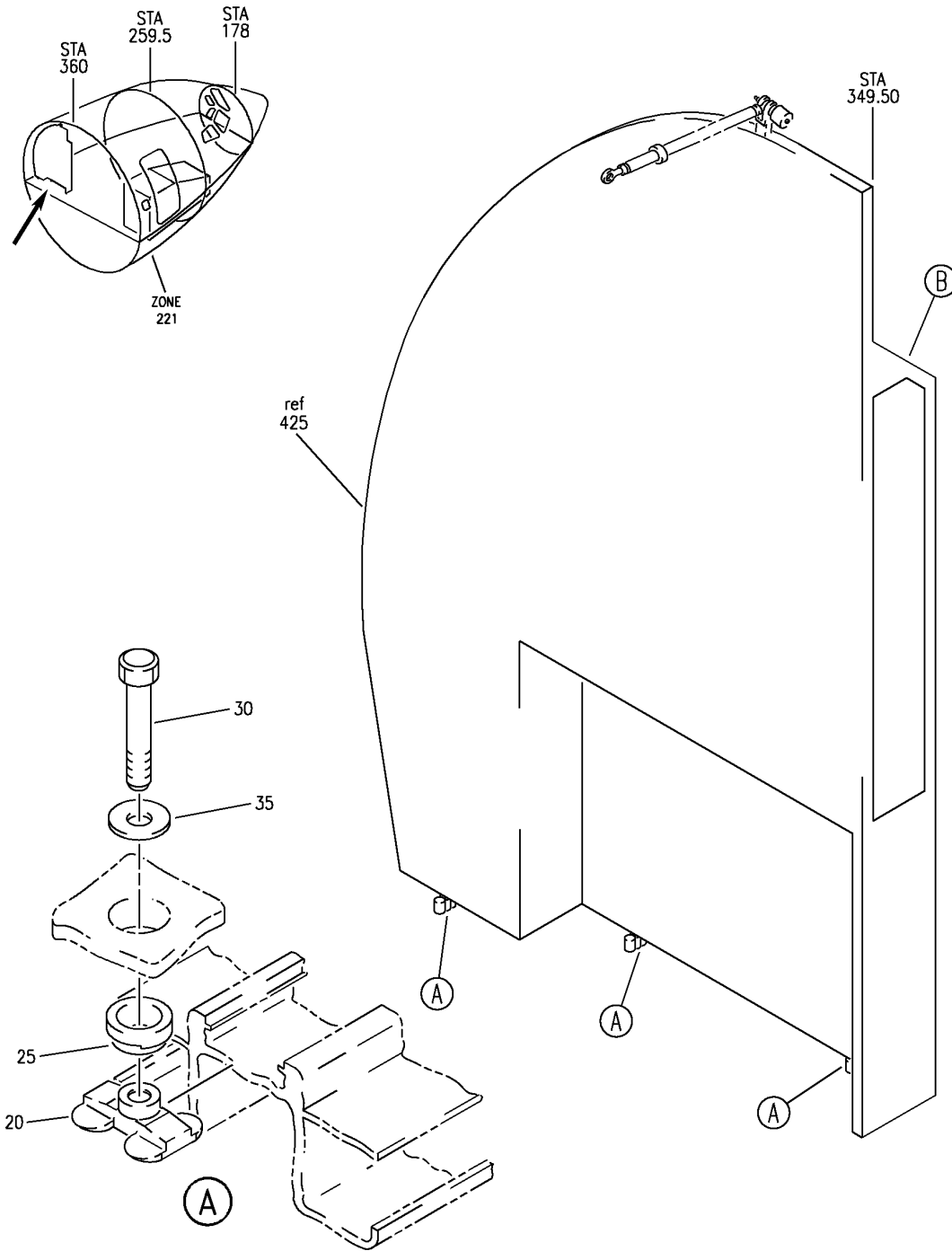
HAP

25-24-15-45B

BOEING PROPRIETARY - Copyright © - Unpublished Work - See title page for details.

25-24-15
FIG. 45B
PAGE 1
OCT 15/08

BOEING
 737-600/700/800/900
 PARTS CATALOG (MAINTENANCE)



E 25241545E SHT 1 REV 138

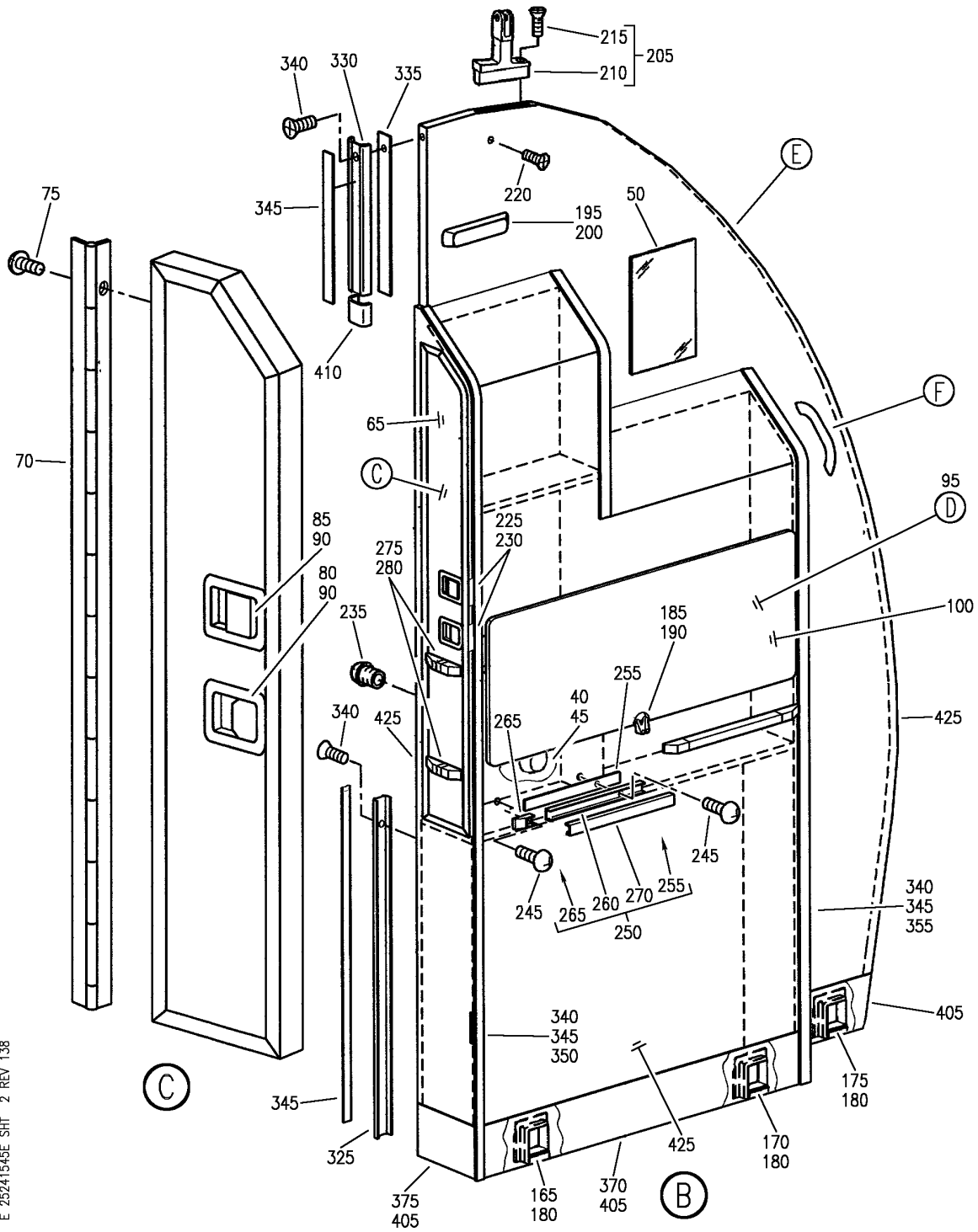
WINDSCREEN ASSY-PARTITION FWD LH
 FIGURE 45E (SHEET 1)

25-24-15-45E

HAP
 FEB 15/08

25-24-15-45E
 PAGE 0

BOEING
737-600/700/800/900
PARTS CATALOG (MAINTENANCE)



E 25241545E SH1 2 REV 138

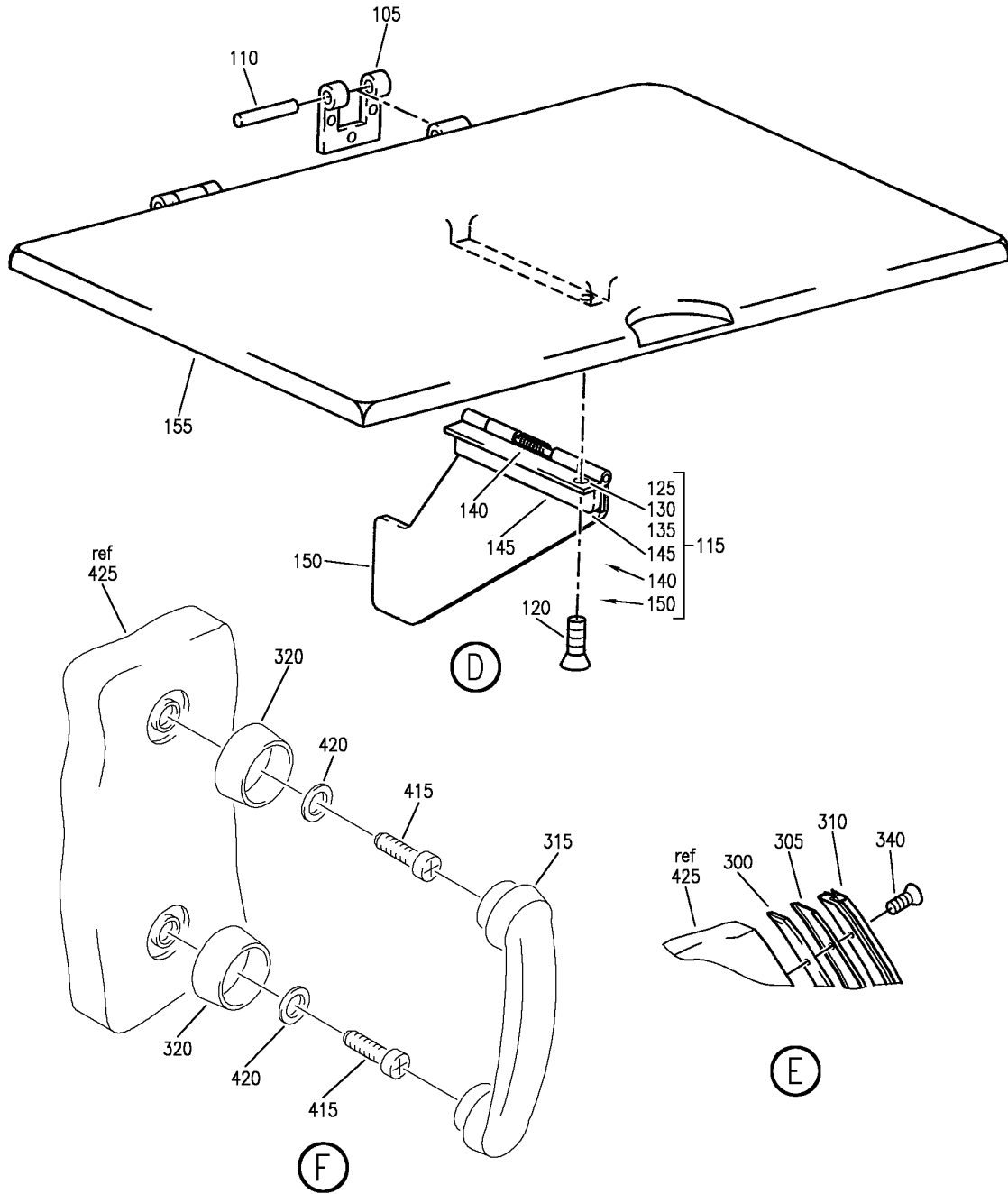
WINDSCREEN ASSY-PARTITION FWD LH
FIGURE 45E (SHEET 2)

25-24-15-45E

HAP
FEB 15/08

25-24-15-45E
PAGE 0A

BOEING
 737-600/700/800/900
 PARTS CATALOG (MAINTENANCE)



E 25241545E SH1 3 REV 138

WINDSCREEN ASSY-PARTITION FWD LH
 FIGURE 45E (SHEET 3)

25-24-15-45E

HAP
 FEB 15/08

25-24-15-45E
 PAGE 0B

BOEING
737-600/700/800/900
PARTS CATALOG (MAINTENANCE)

FIG ITEM	PART NUMBER	1 2 3 4 5 6 7	NOMENCLATURE	EFFECT FROM TO	UNITS PER ASSY
45E			WINDSCREEN ASSY-PARTITION FWD LH	031037 039041 047047 054106 968999	
- 1	1021C14B00000		WINDSCREEN ASSY-PARTITION SUPPLIER CODE: VD2249 POSITION DATA: FWD LH COMPONENT MAINT MANUAL REF: 25-01-85 FOR NHA SEE: 25-24-15-45A	031037 039040	RF
- 1	1021C14C00000		WINDSCREEN ASSY-PARTITION SUPPLIER CODE: VD2249 POSITION DATA: FWD LH COMPONENT MAINT MANUAL REF: 25-01-85 FOR NHA SEE: 25-24-15-45B	101106 968999	RF
- 1	1021C14D00000		WINDSCREEN ASSY-PARTITION SUPPLIER CODE: VD2249 POSITION DATA: FWD LH COMPONENT MAINT MANUAL REF: 25-01-85 FOR NHA SEE: 25-24-15-45A	041041 047047 054100	RF
- 10	1021C14B60000		.PLACARD INSTL- SUPPLIER CODE: VD2249 FOR DETAILS SEE: 11-32-03-46E	031037 039040	RF
- 10	1021C14C60000		.PLACARD INSTL- SUPPLIER CODE: VD2249 FOR DETAILS SEE: 11-32-03-46E	101106 968999	RF
- 10	1021C14D60000		.PLACARD INSTL- SUPPLIER CODE: VD2249 FOR DETAILS SEE: 11-32-03-46E	041041 047047 054100	RF

MISSING ITEM NUMBERS NOT APPLICABLE

- ITEM NOT ILLUSTRATED

HAP

25-24-15-45E

BOEING PROPRIETARY - Copyright © - Unpublished Work - See title page for details.

25-24-15
FIG. 45E
PAGE 1
FEB 15/09

BOEING
737-600/700/800/900
PARTS CATALOG (MAINTENANCE)

FIG ITEM	PART NUMBER	1 2 3 4 5 6 7	NOMENCLATURE	EFFECT FROM TO	UNITS PER ASSY
45E - 15	1021C14B20000		.ELECTRICAL SYSTEM INSTL- SUPPLIER CODE: VD2249 FUNCTIONAL REFERENCE: EQUIPMENT/FURNISHINGS FOR DETAILS SEE 25-31-60-53G LIGHTS FOR DETAILS SEE 33-26-02-45E	031037 039040	RF
- 15	1021C14C20000		.ELECTRICAL SYSTEM INSTL- SUPPLIER CODE: VD2249 FUNCTIONAL REFERENCE: EQUIPMENT/FURNISHINGS FOR DETAILS SEE 25-31-60-53G LIGHTS FOR DETAILS SEE 33-26-02-45E	041041 047047 054106 968999	RF
20	0-126-006600000		.FITTING- SUPPLIER CODE: VD2249	031037 039041 047047 054106 968999	3
25	0-126-006700000		.FITTING- SUPPLIER CODE: VD2249	031037 039041 047047 054106 968999	3
30	NAS6604-19		.SCREW	031037 039041 047047 054106 968999	3
35	AN960-416		.WASHER	031037 039041 047047 054106 968999	3
40	1021C13A70000B		.BUMPER- SUPPLIER CODE: VD2249	031037 039040	2
45	NAS514P832-6		.SCREW	031037 039040	2
50	0-199-000500003		.MIRROR- SUPPLIER CODE: VD2249	041041 047047 054106 968999	1

MISSING ITEM NUMBERS NOT APPLICABLE

- ITEM NOT ILLUSTRATED

HAP

25-24-15-45E

BOEING PROPRIETARY - Copyright © - Unpublished Work - See title page for details.

25-24-15
FIG. 45E
PAGE 2
FEB 15/09


BOEING
 737-600/700/800/900
PARTS CATALOG (MAINTENANCE)

FIG ITEM	PART NUMBER	1 2 3 4 5 6 7	NOMENCLATURE	EFFECT FROM TO	UNITS PER ASSY
45E					
- 55	1021C14B10000	.	STRUCTURE ASSY- SUPPLIER CODE: VD2249	031037 039040	RF
- 55	1021C14C10000	.	STRUCTURE ASSY- SUPPLIER CODE: VD2249	041041 047047 054106 968999	RF
- 60	1021C14B10600	..	DOOR ASSY- SUPPLIER CODE: VD2249	031037 039041 047047 054106 968999	1
			ATTACHING PARTS		
65	0-121-000500000	..	SCREW- SUPPLIER CODE: VD2249	031037 039041 047047 054106 968999	8
			-----*-----		
70	21C14B10600-02	...	HINGE- SUPPLIER CODE: VD2249 MANUFACTURED FROM: MS20001P3	031037 039041 047047 054106 968999	1
75	0-121-000530000	...	SCREW- SUPPLIER CODE: VD2249	031037 039041 047047 054106 968999	4
80	A23001-2-5S	...	LATCH- SUPPLIER CODE: V52607	031037 039041 047047 054106 968999	1
85	A20001-3-13	...	LATCH- SUPPLIER CODE: V52607	031037 039041 047047 054106 968999	1
90	NAS514P632-5	...	SCREW	031037 039041 047047 054106 968999	4
95	1021C14B10840	..	TABLE ASSY- SUPPLIER CODE: VD2249	031037 039041 047047 054106 968999	1

MISSING ITEM NUMBERS NOT APPLICABLE

- ITEM NOT ILLUSTRATED

HAP

25-24-15-45E

BOEING PROPRIETARY - Copyright © - Unpublished Work - See title page for details.

25-24-15
 FIG. 45E
 PAGE 3
 FEB 15/09

BOEING
737-600/700/800/900
PARTS CATALOG (MAINTENANCE)

FIG ITEM	PART NUMBER	1 2 3 4 5 6 7	NOMENCLATURE	EFFECT FROM TO	UNITS PER ASSY
45E			ATTACHING PARTS		
100	NAS514P1032-7	..	SCREW	031037 039041 047047 054106 968999	6
			-----*-----		
105	1021C14A10840B	...	HINGE- SUPPLIER CODE: VD2249	031037 039041 047047 054106 968999	2
110	LN1013-14301	...	BOLT- SUPPLIER CODE: VD2249	031037 039041 047047 054106 968999	2
115	1022L41A108411	...	SUPPORT ASSY- SUPPLIER CODE: VD2249	031037 039041 047047 054106 968999	1
			ATTACHING PARTS		
120	NAS514P832-4	...	SCREW	031037 039041 047047 054106 968999	3
			-----*-----		
125	1008L24A00841A	HINGE- SUPPLIER CODE: VD2249	031037 039041 047047 054106 968999	1
130	1022L41108411C	HINGE- SUPPLIER CODE: VD2249	031037 039041 047047 054106 968999	1
135	NAS514P832-6	SCREW	031037 039041 047047 054106 968999	4
140	5011-02-0001	SPRING- SUPPLIER CODE: VD2249	031037 039041 047047 054106 968999	1

MISSING ITEM NUMBERS NOT APPLICABLE

— ITEM NOT ILLUSTRATED

HAP

25-24-15-45E

BOEING PROPRIETARY - Copyright © - Unpublished Work - See title page for details.

25-24-15
FIG. 45E
PAGE 4
FEB 15/09

BOEING
737-600/700/800/900
PARTS CATALOG (MAINTENANCE)

FIG ITEM	PART NUMBER	1 2 3 4 5 6 7	NOMENCLATURE	EFFECT FROM TO	UNITS PER ASSY
45 E 145	1022L41A108411B	PLATE- SUPPLIER CODE: VD2249	031037 039041 047047 054106 968999	1
150	090436	PLATE-205 X 119 MM: 8.1 X 4.7 IN. SUPPLIER CODE: VD2249	031037 039041 047047 054106 968999	1
155	1021C14A10840A	...	TABLE- SUPPLIER CODE: VD2249	031037 039041 047047 054106 968999	1
- 160	1021C14A10840C	...	STRIP-SLIDING SUPPLIER CODE: VD2249	031037 039041 047047 054106 968999	1
165	1021C14B10000A	..	BRACKET-ATTACHMENT SUPPLIER CODE: VD2249 POSITION DATA: LWR	031037 039041 047047 054106 968999	1
170	1021C14B10000B	..	BRACKET-ATTACHMENT SUPPLIER CODE: VD2249 POSITION DATA: LWR	031037 039041 047047 054106 968999	1
175	1021C14B10000C	..	BRACKET-ATTACHMENT SUPPLIER CODE: VD2249 POSITION DATA: LWR	031037 039041 047047 054106 968999	1
180	NAS514P1032-9	..	SCREW	031037 039041 047047 054106 968999	24
185	1021C14A100001	..	CATCH-SINGLE REVOLVING SUPPLIER CODE: VD2249	031037 039041 047047 054106 968999	2

MISSING ITEM NUMBERS NOT APPLICABLE

- ITEM NOT ILLUSTRATED

HAP

25-24-15-45E

BOEING PROPRIETARY - Copyright © - Unpublished Work - See title page for details.

25-24-15
FIG. 45E
PAGE 5
FEB 15/09

BOEING
737-600/700/800/900
PARTS CATALOG (MAINTENANCE)

FIG ITEM	PART NUMBER	1 2 3 4 5 6 7	NOMENCLATURE	EFFECT FROM TO	UNITS PER ASSY
45E 190	1021C14A10000D	..	SPACER- SUPPLIER CODE: VD2249	031037 039041 047047 054106 968999	2
195	1021C14B10000J	..	BRACKET- SUPPLIER CODE: VD2249	031037 039041 047047 054106 968999	1
200	NAS514P832-20	..	SCREW	031037 039041 047047 054106 968999	2
205	1021C14B102002	..	BRACKET ASSY-ATTACHMENT SUPPLIER CODE: VD2249 POSITION DATA: UPR	031037 039041	1
205	1021C14C102002	..	BRACKET ASSY-ATTACHMENT SUPPLIER CODE: VD2249 POSITION DATA: UPR	041041 047047 054106 968999	1
210	1021C14B102002A	...	BRACKET- SUPPLIER CODE: VD2249	031037 039041	1
210	1021C14C102002A	...	BRACKET- SUPPLIER CODE: VD2249	041041 047047 054106 968999	1
215	NAS514P428-18	...	ATTACHING PARTS SCREW	031037 039041 047047 054106 968999	2
220	NAS514P832-6	..	-----*----- SCREW	031037 039041 047047 054106 968999	12
225	0-195-003000000	..	STRIKE- SUPPLIER CODE: VD2249	031037 039041 047047 054106 968999	2

MISSING ITEM NUMBERS NOT APPLICABLE

— ITEM NOT ILLUSTRATED

HAP

25-24-15-45E

BOEING PROPRIETARY - Copyright © - Unpublished Work - See title page for details.

25-24-15
FIG. 45E
PAGE 6
FEB 15/09

BOEING
737-600/700/800/900
PARTS CATALOG (MAINTENANCE)

FIG ITEM	PART NUMBER	1 2 3 4 5 6 7	NOMENCLATURE	EFFECT FROM TO	UNITS PER ASSY
45E 230	NAS514P632-6	..	SCREW	031037 039041 047047 054106 968999	4
235	0-121-000700000	..	BUSHING-BABY BASSINET SUPPLIER CODE: VD2249	031037 039041 047047 054106 968999	2
- 240	1021C14B70000	.MATERIALS	ASSY-DECORATIVE SUPPLIER CODE: VD2249	031037 039040	RF
- 240	1021C14C70000	.MATERIALS	ASSY-DECORATIVE SUPPLIER CODE: VD2249	101106 968999	RF
- 240	1021C14D70000	.MATERIALS	ASSY-DECORATIVE SUPPLIER CODE: VD2249	041041 047047 054100	RF
245	NAS602-9	..	SCREW	031037 039041 047047 054106 968999	6
250	1021C14B700002	..	STRIP ASSY-PROTECTING SUPPLIER CODE: VD2249	031037 039041 047047 054106 968999	2
255	1021C14B700001A	...	SPACER- SUPPLIER CODE: VD2249	031037 039041 047047 054106 968999	1
260	21C14B700002-02	...	STRIP- SUPPLIER CODE: VD2249 MANUFACTURED FROM: 432W7100-1C	031037 039041 047047 054106 968999	1
265	432W7101-6C	...	CAP-END	031037 039041 047047 054106 968999	2
270	21C14B700002-03	...	STRIP- SUPPLIER CODE: VD2249 MANUFACTURED FROM: 432W7100-2C	031037 039041 047047 054106 968999	1

MISSING ITEM NUMBERS NOT APPLICABLE

- ITEM NOT ILLUSTRATED

HAP

25-24-15-45E

BOEING PROPRIETARY - Copyright © - Unpublished Work - See title page for details.

25-24-15
FIG. 45E
PAGE 7
FEB 15/09

BOEING
737-600/700/800/900
PARTS CATALOG (MAINTENANCE)

FIG ITEM	PART NUMBER	1 2 3 4 5 6 7	NOMENCLATURE	EFFECT FROM TO	UNITS PER ASSY
45E 275	NAS602-6	..	SCREW	031037 039041 047047 054106 968999	4
280	1021C14B700001	..	STRIP ASSY-PROTECTING SUPPLIER CODE: VD2249	031037 039041 047047 054106 968999	2
- 285	21C14B700001-02	...	STRIP- SUPPLIER CODE: VD2249 MANUFACTURED FROM: 432W7100-1C	031037 039041 047047 054106 968999	1
- 290	21C14B700001-03	...	STRIP- SUPPLIER CODE: VD2249 MANUFACTURED FROM: 432W7100-2C	031037 039041 047047 054106 968999	1
- 295	432W7101-6C	...	CAP-END	031037 039041 047047 054106 968999	2
300	21C14B70000-24	..	SHIM- SUPPLIER CODE: VD2249 MANUFACTURED FROM: 090435	031037 039040	1
300	21C14C70000-24	..	SHIM- SUPPLIER CODE: VD2249 MANUFACTURED FROM: 090435	101106 968999	1
300	21C14D70000-24	..	SHIM- SUPPLIER CODE: VD2249 MANUFACTURED FROM: 090435	041041 047047 054100	1
305	1021C14B70000L	..	EXTRUSION- SUPPLIER CODE: VD2249	031037 039040	AR
305	1021C14C70000L	..	EXTRUSION- SUPPLIER CODE: VD2249	101106 968999	AR
305	1021C14D70000L	..	EXTRUSION- SUPPLIER CODE: VD2249	041041 047047 054100	AR

MISSING ITEM NUMBERS NOT APPLICABLE

- ITEM NOT ILLUSTRATED

HAP

25-24-15-45E

BOEING PROPRIETARY - Copyright © - Unpublished Work - See title page for details.

25-24-15
FIG. 45E
PAGE 8
FEB 15/09

BOEING
737-600/700/800/900
PARTS CATALOG (MAINTENANCE)

FIG ITEM	PART NUMBER	1 2 3 4 5 6 7	NOMENCLATURE	EFFECT FROM TO	UNITS PER ASSY
45E 310	21C14B70000-22	..	PROFILE-SEALING SUPPLIER CODE: VD2249 MANUFACTURED FROM: 415U9010-135	031037 039040	AR
310	21C14C70000-22	..	PROFILE-SEALING SUPPLIER CODE: VD2249 MANUFACTURED FROM: 415U9010-135	101106 968999	AR
310	21C14D70000-22	..	PROFILE-SEALING SUPPLIER CODE: VD2249 MANUFACTURED FROM: 415U9010-135	041041 047047 054100	AR
315	65-5458-20E	..	HANDLE	031037 039041 047047 054106 968999	1
320	65-5458-21E	..	NUT	031037 039041 047047 054106 968999	2
325	21C14B70000-19	..	EXTRUSION-1800 MM: 70.8 IN. LG SUPPLIER CODE: VD2249 MANUFACTURED FROM: 5029-02-0080	031037 039040	1
325	21C14C70000-19	..	EXTRUSION-1800 MM: 70.8 IN. LG SUPPLIER CODE: VD2249 MANUFACTURED FROM: 5029-02-0080	101106 968999	1
325	21C14D70000-19	..	EXTRUSION-1800 MM: 70.8 IN. LG SUPPLIER CODE: VD2249 MANUFACTURED FROM: 5029-02-0080	041041 047047 054100	1
330	1021C14B70000K	..	EXTRUSION- SUPPLIER CODE: VD2249	031037 039040	AR
330	1021C14C70000K	..	EXTRUSION- SUPPLIER CODE: VD2249	101106 968999	AR

MISSING ITEM NUMBERS NOT APPLICABLE

— ITEM NOT ILLUSTRATED

HAP

25-24-15-45E

BOEING PROPRIETARY - Copyright © - Unpublished Work - See title page for details.

25-24-15
FIG. 45E
PAGE 9
FEB 15/09

BOEING
737-600/700/800/900
PARTS CATALOG (MAINTENANCE)

FIG ITEM	PART NUMBER	1 2 3 4 5 6 7	NOMENCLATURE	EFFECT FROM TO	UNITS PER ASSY
45E 330	1021C14D70000K	..	EXTRUSION- SUPPLIER CODE: VD2249	041041 047047 054100	AR
335	21C14B70000-23	..	SHIM- SUPPLIER CODE: VD2249 MANUFACTURED FROM: 090435	031037 039040	1
335	21C14C70000-23	..	SHIM- SUPPLIER CODE: VD2249 MANUFACTURED FROM: 090435	101106 968999	1
335	21C14D70000-23	..	SHIM- SUPPLIER CODE: VD2249 MANUFACTURED FROM: 090435	041041 047047 054100	1
340	NAS514P632-6	..	SCREW	031037 039041 047047 054106 968999	48
345	0-111-008600000	..	STRIP-7000 MM: 275.6 IN. LG SUPPLIER CODE: VD2249	031037 039041 047047 054106 968999	AR
350	1021C14B70000G	..	EXTRUSION- SUPPLIER CODE: VD2249	031037 039040	1
350	1021C14C70000G	..	EXTRUSION- SUPPLIER CODE: VD2249	101106 968999	1
350	1021C14D70000G	..	EXTRUSION- SUPPLIER CODE: VD2249	041041 047047 054100	1
355	1021C14B70000H	..	EXTRUSION- SUPPLIER CODE: VD2249	031037 039040	1
355	1021C14C70000H	..	EXTRUSION- SUPPLIER CODE: VD2249	101106 968999	1
355	1021C14D70000H	..	EXTRUSION- SUPPLIER CODE: VD2249	041041 047047 054100	1
- 360	1021C14B70000J	..	EXTRUSION- SUPPLIER CODE: VD2249	031037 039040	1

MISSING ITEM NUMBERS NOT APPLICABLE

- ITEM NOT ILLUSTRATED

HAP

25-24-15-45E

BOEING PROPRIETARY - Copyright © - Unpublished Work - See title page for details.

25-24-15
FIG. 45E
PAGE 10
FEB 15/09

BOEING
737-600/700/800/900
PARTS CATALOG (MAINTENANCE)

FIG ITEM	PART NUMBER	1 2 3 4 5 6 7	NOMENCLATURE	EFFECT FROM TO	UNITS PER ASSY
45E					
- 360	1021C14C70000J	..	EXTRUSION- SUPPLIER CODE: VD2249	101106 968999	1
- 360	1021C14D70000J	..	EXTRUSION- SUPPLIER CODE: VD2249	041041 047047 054100	1
- 365	1021C14B700003	..	KICKSTRIP- SUPPLIER CODE: VD2249	031037 039041 047047 054106 968999	1
370	1021C14B70000A	..	KICKSTRIP- SUPPLIER CODE: VD2249	031037 039041 047047 054106 968999	1
375	1021C14B70000B	..	KICKSTRIP- SUPPLIER CODE: VD2249	031037 039040	1
375	1021C14C70000B	..	KICKSTRIP- SUPPLIER CODE: VD2249	041041 047047 054106 968999	1
- 380	1021C14B70000C	..	KICKSTRIP- SUPPLIER CODE: VD2249	031037 039040	1
- 380	1021C14C70000C	..	KICKSTRIP- SUPPLIER CODE: VD2249	101106 968999	1
- 380	1021C14D70000C	..	KICKSTRIP- SUPPLIER CODE: VD2249	041041 047047 054100	1
- 385	1021C14B70000D	..	KICKSTRIP- SUPPLIER CODE: VD2249	031037 039040	1
- 385	1021C14C70000D	..	KICKSTRIP- SUPPLIER CODE: VD2249	101106 968999	1
- 385	1021C14D70000D	..	KICKSTRIP- SUPPLIER CODE: VD2249	041041 047047 054100	1
- 390	1021C14B70000E	..	KICKSTRIP- SUPPLIER CODE: VD2249	031037 039040	1
- 390	1021C14C70000E	..	KICKSTRIP- SUPPLIER CODE: VD2249	101106 968999	1

MISSING ITEM NUMBERS NOT APPLICABLE

- ITEM NOT ILLUSTRATED

HAP

25-24-15-45E

BOEING PROPRIETARY - Copyright © - Unpublished Work - See title page for details.

25-24-15
FIG. 45E
PAGE 11
FEB 15/09

BOEING
737-600/700/800/900
PARTS CATALOG (MAINTENANCE)

FIG ITEM	PART NUMBER	1 2 3 4 5 6 7	NOMENCLATURE	EFFECT FROM TO	UNITS PER ASSY
45E - 390	1021C14D70000E	..	KICKSTRIP- SUPPLIER CODE: VD2249	041041 047047 054100	1
- 395	1021C14B70000F	..	KICKSTRIP- SUPPLIER CODE: VD2249	031037 039040	1
- 395	1021C14C70000F	..	KICKSTRIP- SUPPLIER CODE: VD2249	101106 968999	1
- 395	1021C14D70000F	..	KICKSTRIP- SUPPLIER CODE: VD2249	041041 047047 054100	1
- 400	1021C14B700004	..	KICKSTRIP- SUPPLIER CODE: VD2249	031037 039041 047047 054106 968999	1
405	21C14B70000-34	..	TAPE-ADHESIVE SUPPLIER CODE: VD2249 MANUFACTURED FROM: 70523	031037 039040	AR
405	21C14C70000-34	..	TAPE-ADHESIVE SUPPLIER CODE: VD2249 MANUFACTURED FROM: 70523	101106 968999	AR
405	21C14D70000-34	..	TAPE-ADHESIVE SUPPLIER CODE: VD2249 MANUFACTURED FROM: 70523	041041 047047 054100	AR
410	1021C14A70000M	..	EXTRUSION- SUPPLIER CODE: VD2249	031037 039041 047047 054106 968999	1
415	NAS604-7	..	SCREW	031037 039041 047047 054106 968999	2
420	66-9776-1	..	WASHER	031037 039041 047047 054106 968999	2

MISSING ITEM NUMBERS NOT APPLICABLE

- ITEM NOT ILLUSTRATED

HAP

25-24-15-45E

BOEING PROPRIETARY - Copyright © - Unpublished Work - See title page for details.

25-24-15
FIG. 45E
PAGE 12
FEB 15/09

BOEING
737-600/700/800/900
PARTS CATALOG (MAINTENANCE)

FIG ITEM	PART NUMBER	1 2 3 4 5 6 7	NOMENCLATURE	EFFECT FROM TO	UNITS PER ASSY
45E 425	BAC94449	..	MATERIAL	031037 039041 047047 054100	AR
- 430	NAS514P832-6	..	SCREW	031037 039040	9
- 435	MS24693C48	..	SCREW	041041 047047 054106 968999	10

MISSING ITEM NUMBERS NOT APPLICABLE

- ITEM NOT ILLUSTRATED

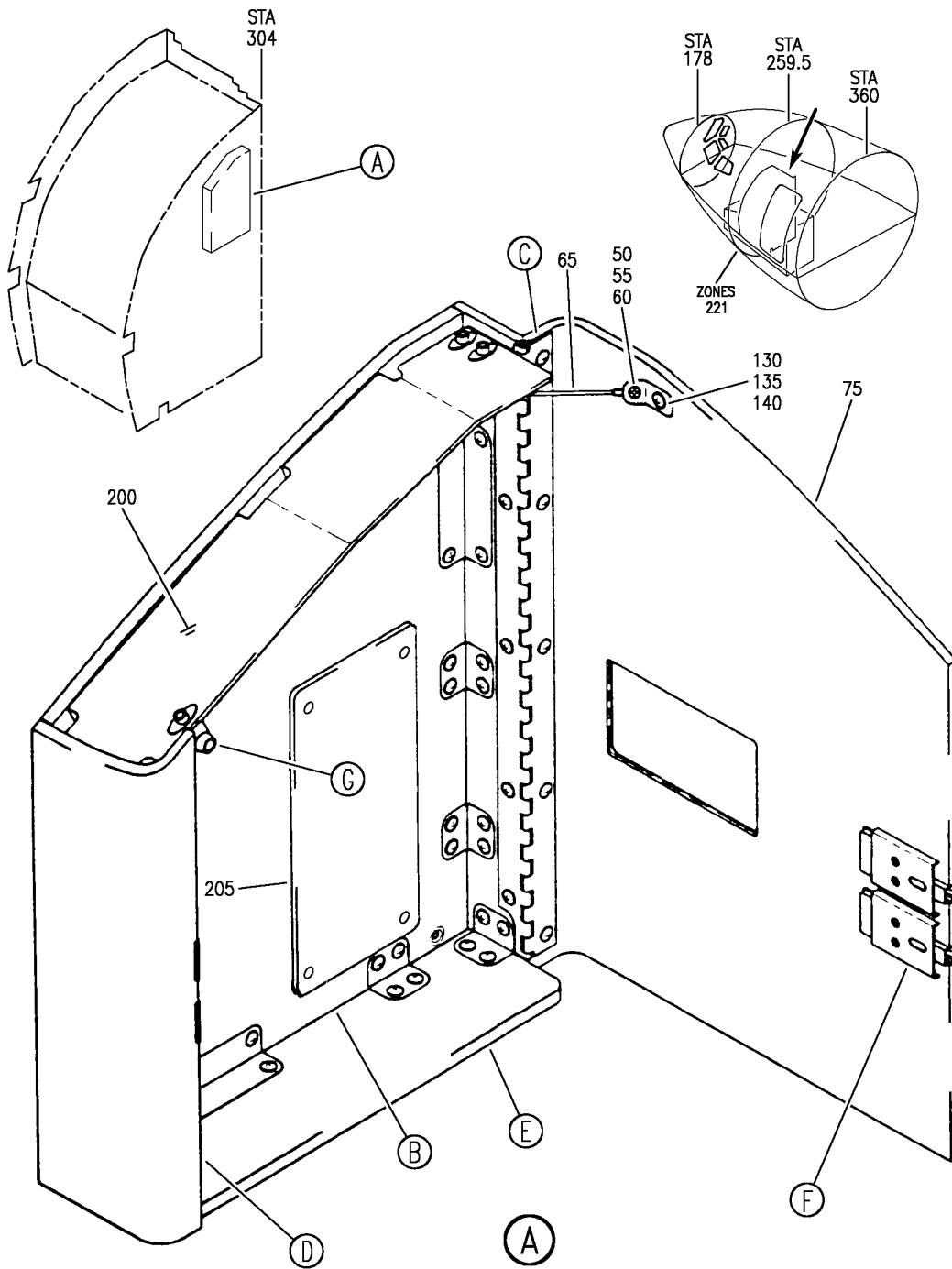
HAP

25-24-15-45E

BOEING PROPRIETARY - Copyright © - Unpublished Work - See title page for details.

25-24-15
FIG. 45E
PAGE 13
FEB 15/09

BOEING
 737-600/700/800/900
 PARTS CATALOG (MAINTENANCE)



E 25241550 SHT 1 REV 080

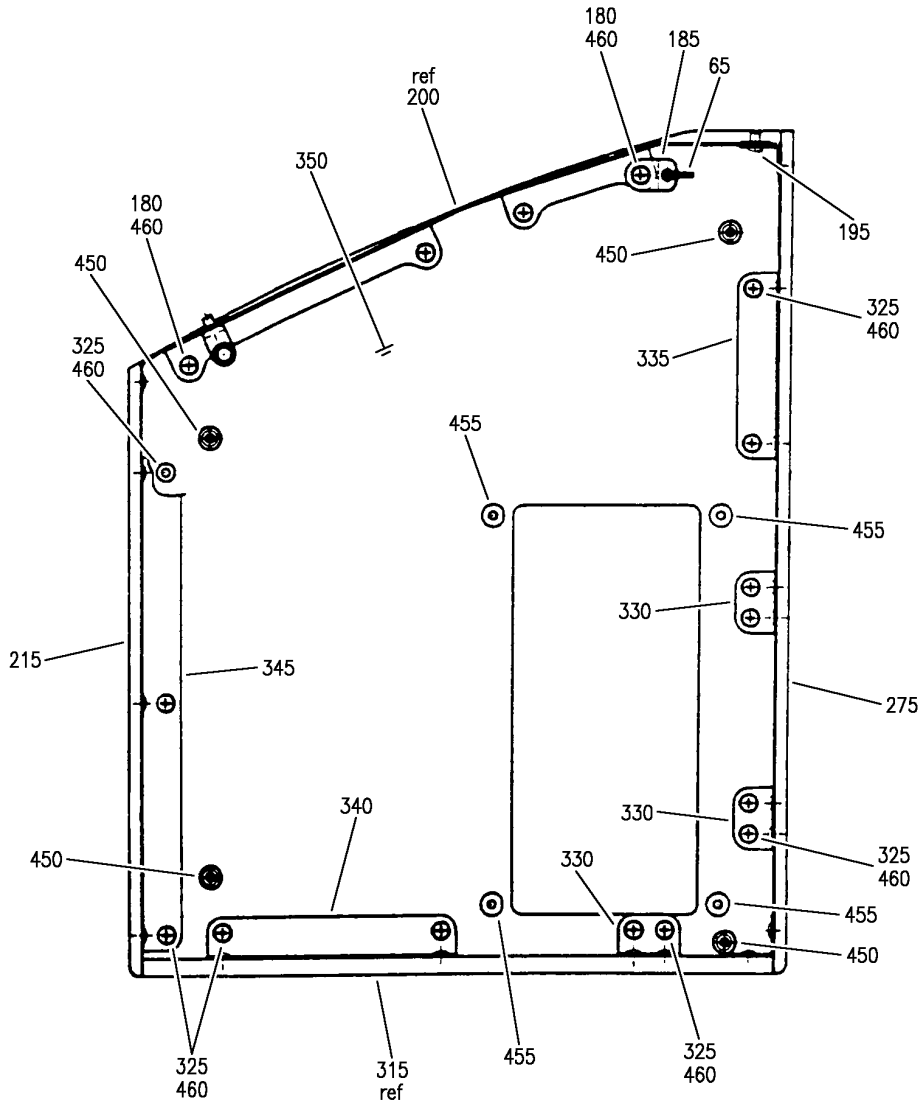
BOX ASSY-STOWAGE
 FIGURE 50 (SHEET 1)

25-24-15-50

HAP
 OCT 10/06

25-24-15-50
 PAGE 0

BOEING
 737-600/700/800/900
 PARTS CATALOG (MAINTENANCE)



(B)

E 25241550 SH1 2 REV 080

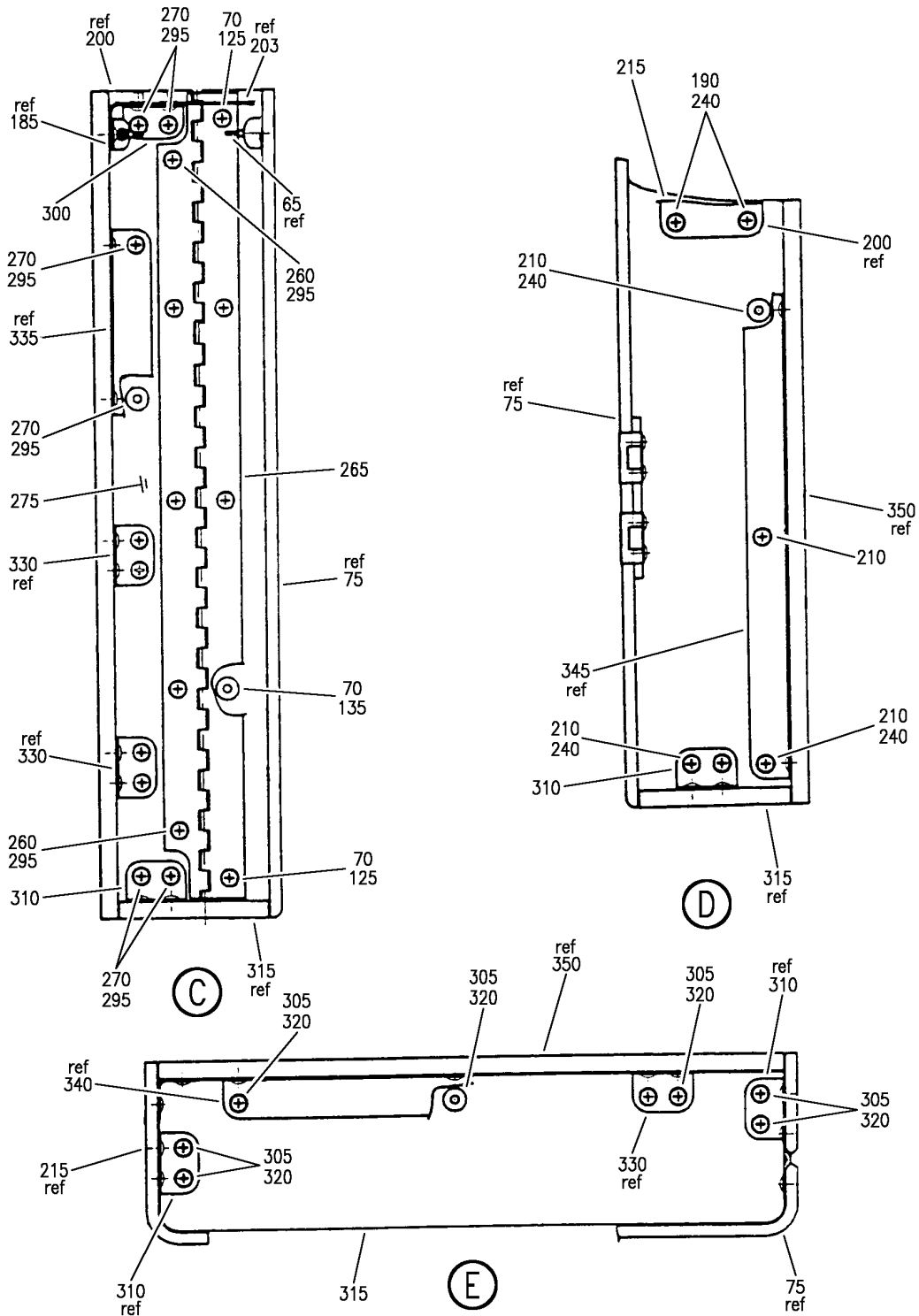
BOX ASSY-STOWAGE
 FIGURE 50 (SHEET 2)

25-24-15-50

HAP
 OCT 10/06

25-24-15-50
 PAGE 0A

BOEING
737-600/700/800/900
PARTS CATALOG (MAINTENANCE)



E 25241550 SHT 3 REV 080

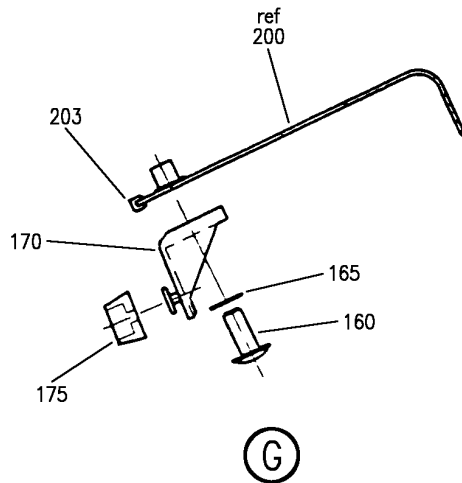
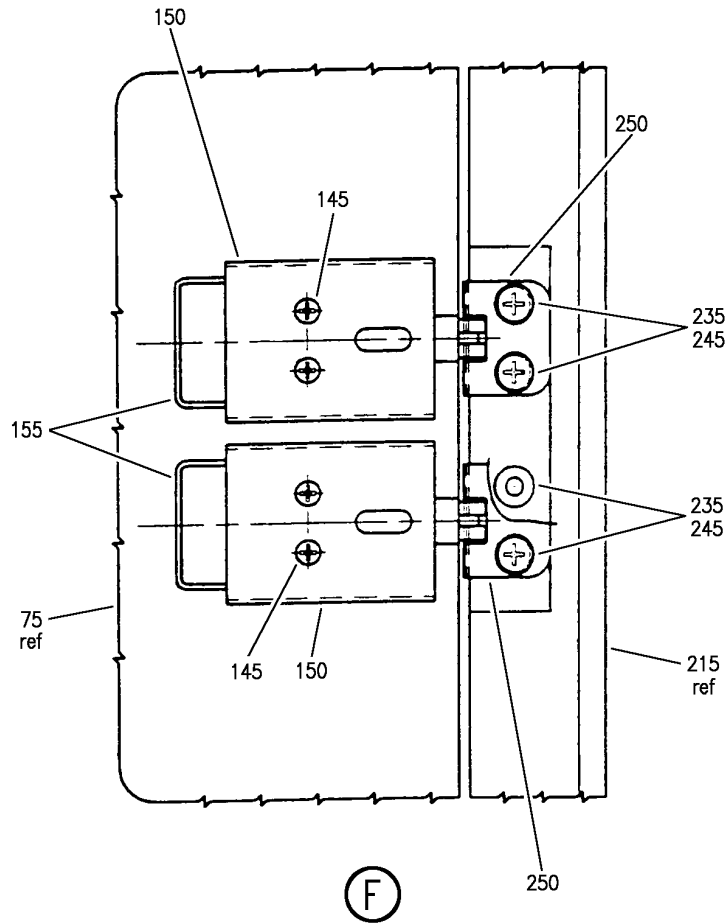
BOX ASSY-STOWAGE
FIGURE 50 (SHEET 3)

25-24-15-50

HAP
OCT 10/06

25-24-15-50
PAGE 0B

BOEING
 737-600/700/800/900
 PARTS CATALOG (MAINTENANCE)



E 25241550 SH1 4 REV 080

BOX ASSY-STOWAGE
 FIGURE 50 (SHEET 4)

25-24-15-50

HAP
 OCT 10/06

25-24-15-50
 PAGE 0C

BOEING
737-600/700/800/900
PARTS CATALOG (MAINTENANCE)

FIG ITEM	PART NUMBER	1 2 3 4 5 6 7	NOMENCLATURE	EFFECT FROM TO	UNITS PER ASSY
50			BOX ASSY-STOWAGE	001030	
- 16	H0656-9C		BOX ASSY-STOWAGE SUPPLIER CODE: V12794 SPECIFICATION NUMBER: S416A130-2004 COMPONENT MAINT MANUAL REF: 25-21-01 FOR NHA SEE: 25-64-00-23 25-64-00-23A	001030	RF
50	NAS601-4P	.	SCREW	001030	2
55	NAS1149DN632	.	WASHER	001030	2
60	MS21042L06	.	NUT	001030	2
65	S2420-12	.	LANYARD- SUPPLIER CODE: V12794	001030	1
70	BACS12FA3K3	.	SCREW	001030	5
- 105	H0660-2C	.	PANEL ASSY-DOOR SUPPLIER CODE: V12794	001030	1
125	SL6224-3A	..	INSERT- SUPPLIER CODE: V97393	001030	5
130	NAS1836-3-07	..	INSERT	001030	1
135	BACS12FA3K3	.	SCREW	001030	1
140	H0662-11	.	ANGLE- SUPPLIER CODE: V12794	001030	1
145	NAS601-4P	.	SCREW	001030	4
150	H0662-9	.	CHANNEL- SUPPLIER CODE: V12794	001030	2
155	SAM222-11	.	LATCH ASSY- SUPPLIER CODE: V31845	001030	2
160	BACS12FA3K8	.	SCREW	001030	1
165	MS35333-39	.	WASHER	001030	1
170	412N1162-1	.	BRACKET- SUPPLIER CODE: V81205	001030	1
175	412N1245-1	.	BUMPER- SUPPLIER CODE: V12794	001030	1
180	BACS12FA3K5	.	SCREW	001030	4
185	H0662-13	.	ANGLE- SUPPLIER CODE: V12794	001030	1
190	BACS12FA3K3	.	SCREW	001030	2

MISSING ITEM NUMBERS NOT APPLICABLE

- ITEM NOT ILLUSTRATED

HAP

25-24-15-50

25-24-15
FIG. 50
PAGE 1
OCT 10/06

BOEING
737-600/700/800/900
PARTS CATALOG (MAINTENANCE)

FIG ITEM	PART NUMBER	1 2 3 4 5 6 7	NOMENCLATURE	EFFECT FROM TO	UNITS PER ASSY
50					
195	BACS12FA3K5	.	SCREW	001030	2
200	H0661-1	.	TOP-	001030	1
			SUPPLIER CODE: V12794		
203	BACG20ZA002000	.	GROMMET	001030	1
210	BACS12FA3K3	.	SCREW	001030	5
- 225	H0659-1C	.	PANEL ASSY-	001030	1
			SUPPLIER CODE: V12794		
			POSITION DATA: SIDE		
235	NAS1836-3-11	..	INSERT	001030	4
240	SL6224-3A	..	INSERT-	001030	7
			SUPPLIER CODE: V97393		
245	BACS12FA3K4	.	SCREW	001030	4
250	S1031-15	.	STRIKER ASSY-	001030	2
			SUPPLIER CODE: V12794		
260	BACS12FA3K3	.	SCREW	001030	5
265	H0663-1	.	HINGE-	001030	1
			SUPPLIER CODE: V12794		
270	BACS12FA3K3	.	SCREW	001030	10
- 285	H0659-3C	.	PANEL ASSY-	001030	1
			SUPPLIER CODE: V12794		
			POSITION DATA: SIDE		
295	SL6224-3A	..	INSERT-	001030	15
			SUPPLIER CODE: V97393		
300	H0662-15	.	ANGLE ASSY-	001030	1
			SUPPLIER CODE: V12794		
305	BACS12FA3K5	.	SCREW	001030	8
310	H0662-1	.	ANGLE-	001030	2
			SUPPLIER CODE: V12794		
315	H0658-1	.	PANEL ASSY-	001030	1
			SUPPLIER CODE: V12794		
			POSITION DATA: BOTTOM		
320	SL2334-3A1	..	INSERT-	001030	8
			SUPPLIER CODE: V97393		
325	BACS12FA3K5	.	SCREW	001030	13

MISSING ITEM NUMBERS NOT APPLICABLE

- ITEM NOT ILLUSTRATED

HAP

25-24-15-50

BOEING PROPRIETARY - Copyright © - Unpublished Work - See title page for details.

25-24-15
FIG. 50
PAGE 2
OCT 10/06

BOEING
737-600/700/800/900
PARTS CATALOG (MAINTENANCE)

FIG ITEM	PART NUMBER	1 2 3 4 5 6 7	NOMENCLATURE	EFFECT FROM TO	UNITS PER ASSY
50					
330	H0662-1		. ANGLE- SUPPLIER CODE: V12794	001030	3
335	H0662-3		. ANGLE- SUPPLIER CODE: V12794	001030	1
340	H0662-5		. ANGLE- SUPPLIER CODE: V12794	001030	1
345	H0662-7		. ANGLE- SUPPLIER CODE: V12794	001030	1
- 400	H0657-7C		. PANEL ASSY- SUPPLIER CODE: V12794 POSITION DATA: BACK	001030	1
450	NAS1834A3K420		.. INSERT	001030	4
455	SL2334-3A1		.. INSERT- SUPPLIER CODE: V97393	001030	8
460	NAS1836-3-11		.. INSERT	001030	17

MISSING ITEM NUMBERS NOT APPLICABLE

- ITEM NOT ILLUSTRATED

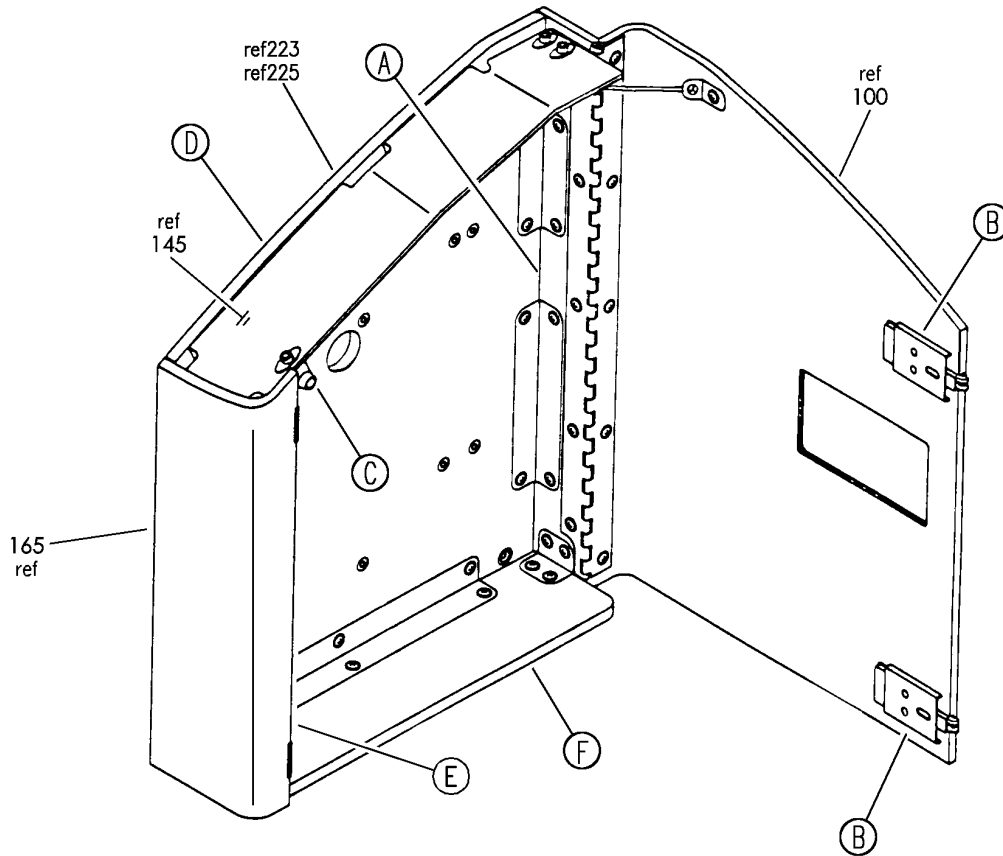
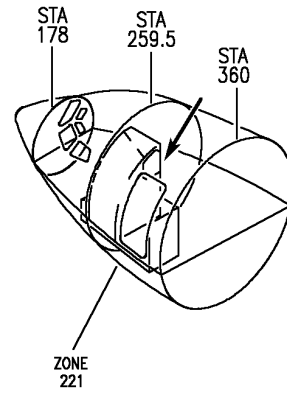
HAP

25-24-15-50

BOEING PROPRIETARY - Copyright © - Unpublished Work - See title page for details.

25-24-15
FIG. 50
PAGE 3
OCT 10/06

BOEING
 737-600/700/800/900
 PARTS CATALOG (MAINTENANCE)



E 25241550A SHT 1 REV 125

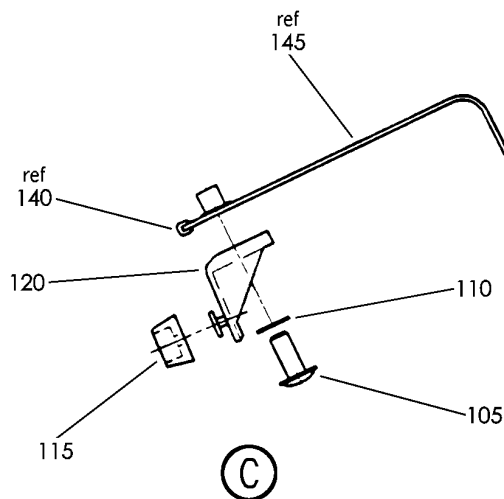
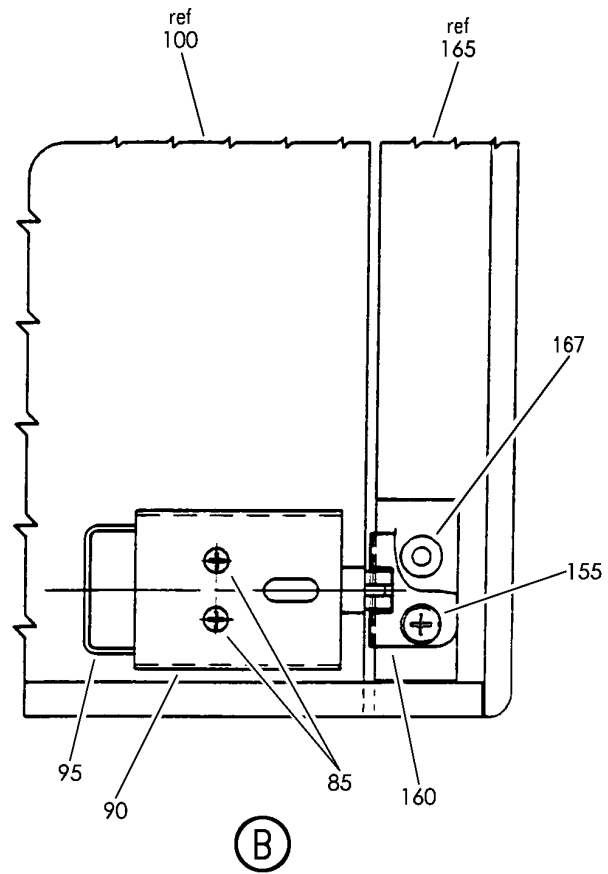
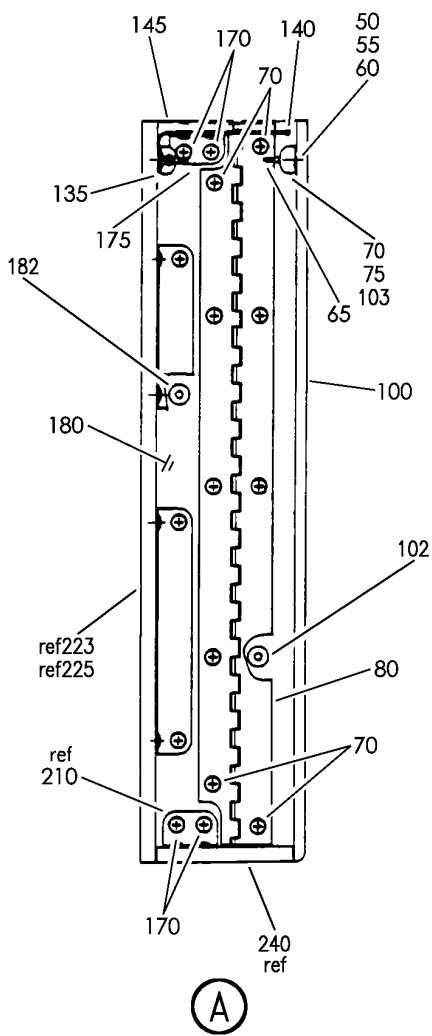
BOX ASSY-STOWAGE
 FIGURE 50A (SHEET 1)

25-24-15-50A

HAP
 FEB 10/07

25-24-15-50A
 PAGE 0

BOEING
 737-600/700/800/900
 PARTS CATALOG (MAINTENANCE)



E 25241550A SHT 2 REV 125

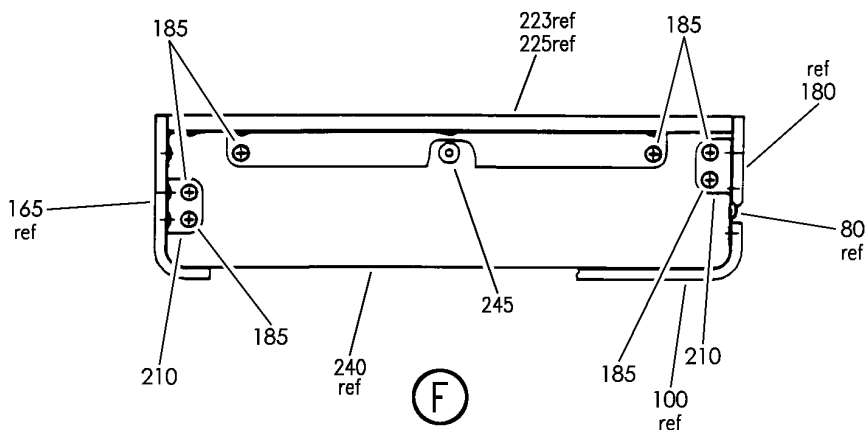
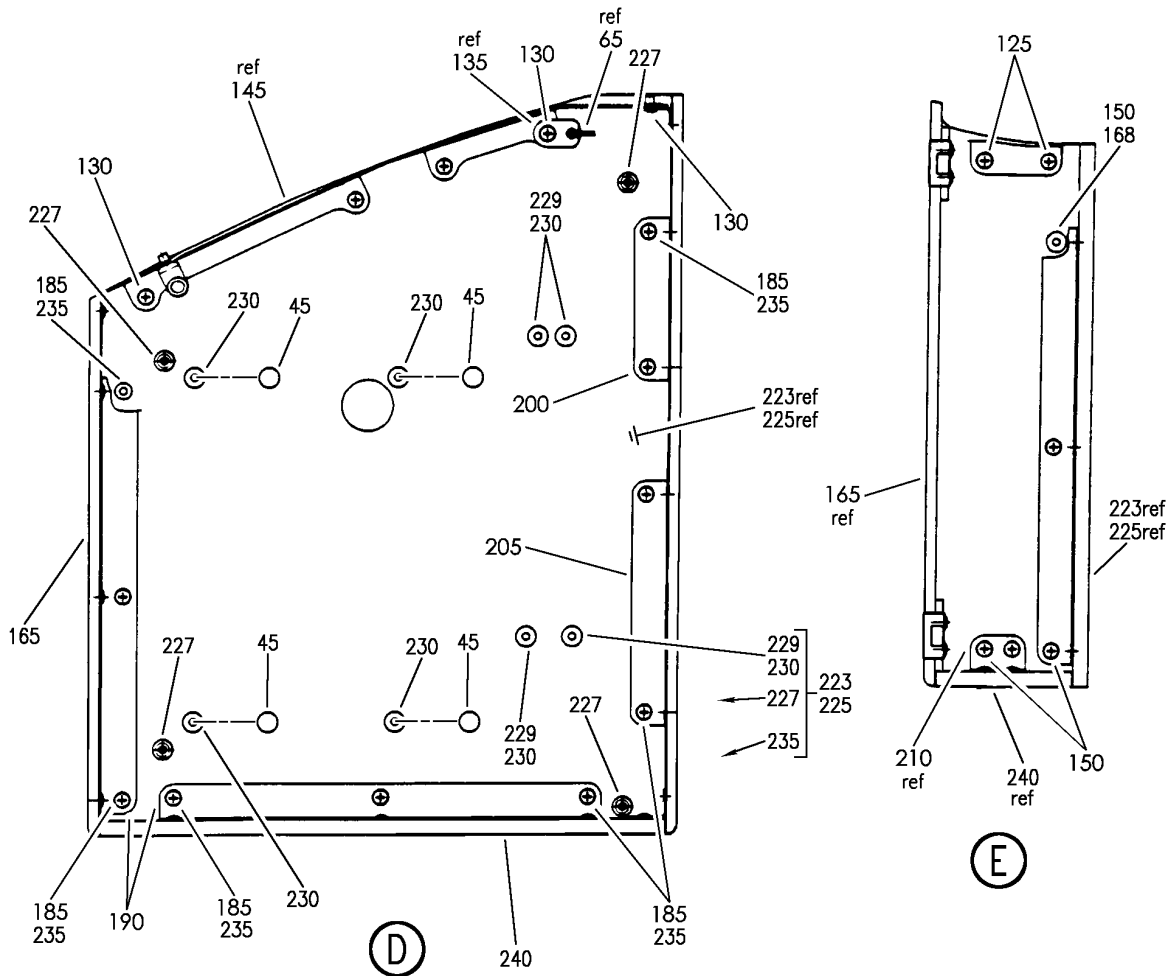
BOX ASSY-STOWAGE
 FIGURE 50A (SHEET 2)

25-24-15-50A

HAP
 FEB 10/07

25-24-15-50A
 PAGE 0A

BOEING
737-600/700/800/900
PARTS CATALOG (MAINTENANCE)



E 25241550A SHT 3 REV 125

BOX ASSY-STOWAGE
FIGURE 50A (SHEET 3)

25-24-15-50A

HAP
FEB 10/07

25-24-15-50A
PAGE 0B

BOEING
737-600/700/800/900
PARTS CATALOG (MAINTENANCE)

FIG ITEM	PART NUMBER	1 2 3 4 5 6 7	NOMENCLATURE	EFFECT FROM TO	UNITS PER ASSY
50A			BOX ASSY-STOWAGE	031037 039040 048048 201967	
- 1	H0656-101C		BOX ASSY-STOWAGE SUPPLIER CODE: V12794 SPECIFICATION NUMBER: S416A130-2002 COMPONENT MAINT MANUAL REF: 25-21-01 FOR NHA SEE: 25-64-00-26	201967	RF
- 20	H0656-108B		BOX ASSY-STOWAGE SUPPLIER CODE: V12794 SPECIFICATION NUMBER: S416A130-2023 COMPONENT MAINT MANUAL REF: 25-21-01 FOR NHA SEE: 25-64-51-77A 25-64-51-77B	031031 037037 039040 048048	RF
- 20	RR97089-57-100		BOX ASSY-STOWAGE ALTERED FROM PART NUMBER: H0656-108B V12794 POST RAPID REVISION: RR97089-57D FOR NHA SEE: 25-64-51-77A	032036	1
50	NAS601-4P		.SCREW	031037 039040 048048 201967	2
55	NAS1149DN632		.WASHER	031037 039040 048048 201967	2
60	MS21042L06		.NUT	031037 039040 048048 201967	2
65	S2420-12		.LANYARD- SUPPLIER CODE: V12794	031037 039040 048048 201967	1

MISSING ITEM NUMBERS NOT APPLICABLE

- ITEM NOT ILLUSTRATED

HAP

25-24-15-50A

BOEING PROPRIETARY - Copyright © - Unpublished Work - See title page for details.

25-24-15
FIG. 50A
PAGE 1
OCT 15/08

BOEING
737-600/700/800/900
PARTS CATALOG (MAINTENANCE)

FIG ITEM	PART NUMBER	1 2 3 4 5 6 7	NOMENCLATURE	EFFECT FROM TO	UNITS PER ASSY
50A					
70	BACS12FA3K3	.	SCREW	031037 039040 048048 201967	11
75	H0662-11	.	ANGLE- SUPPLIER CODE: V12794	031037 039040 048048 201967	1
80	H0663-1	.	HINGE- SUPPLIER CODE: V12794	031037 039040 048048 201967	1
85	NAS601-4P	.	SCREW	031037 039040 048048 201967	4
90	H0662-9	.	CHANNEL- SUPPLIER CODE: V12794	031037 039040 048048 201967	2
95	SAM222-11	.	LATCH ASSY- SUPPLIER CODE: V31845	031037 039040 048048 201967	2
100	H0660-4C	.	PANEL ASSY-DOOR SUPPLIER CODE: V12794	201967	1
100	H0660-5B	.	PANEL ASSY-DOOR SUPPLIER CODE: V12794	031031 036037 039040 048048	1
102	SL6224-3A	..	INSERT- SUPPLIER CODE: V97393	031037 039040 048048 201967	5
103	NAS1836-3-07	..	INSERT	031037 039040 048048 201967	1
105	BACS12FA3K8	.	SCREW	031037 039040 048048 201967	1
110	MS35333-39	.	WASHER	031037 039040 048048 201967	1

MISSING ITEM NUMBERS NOT APPLICABLE

— ITEM NOT ILLUSTRATED

HAP

25-24-15-50A

BOEING PROPRIETARY - Copyright © - Unpublished Work - See title page for details.

25-24-15
FIG. 50A
PAGE 2
OCT 15/08

BOEING
737-600/700/800/900
PARTS CATALOG (MAINTENANCE)

FIG ITEM	PART NUMBER	1 2 3 4 5 6 7	NOMENCLATURE	EFFECT FROM TO	UNITS PER ASSY
50A 115	412N1245-1		.BUMPER- SUPPLIER CODE: V12794	031037 039040 048048 201967	1
120	412N1162-1		.BRACKET- SUPPLIER CODE: V81205	031037 039040 048048 201967	1
125	BACS12FA3K3		.SCREW	031037 039040 048048 201967	2
130	BACS12FA3K5		.SCREW	031037 039040 048048 201967	6
135	H0662-13		.ANGLE- SUPPLIER CODE: V12794	031037 039040 048048 201967	1
140	BACG20ZA002000		.GROMMET	031037 039040 048048 201967	1
145	H0661-5		.TOP- SUPPLIER CODE: V12794	031037 039040 048048 201967	1
150	BACS12FA3K3		.SCREW	031037 039040 048048 201967	7
155	BACS12FA3K4		.SCREW	031037 039040 048048 201967	4
160	S1031-15		.STRIKER ASSY- SUPPLIER CODE: V12794	031037 039040 048048 201967	2
165	H0659-7B		.PANEL ASSY- SUPPLIER CODE: V12794 POSITION DATA: SIDE	031031 036037 039040 048048	1

MISSING ITEM NUMBERS NOT APPLICABLE

— ITEM NOT ILLUSTRATED

HAP

25-24-15-50A

BOEING PROPRIETARY - Copyright © - Unpublished Work - See title page for details.

25-24-15
FIG. 50A
PAGE 3
OCT 15/08

BOEING
737-600/700/800/900
PARTS CATALOG (MAINTENANCE)

FIG ITEM	PART NUMBER	1 2 3 4 5 6 7	NOMENCLATURE	EFFECT FROM TO	UNITS PER ASSY
50A 165	H0659-7C		.PANEL ASSY- SUPPLIER CODE: V12794 POSITION DATA: SIDE	201967	1
167	NAS1836-3-11		..INSERT	031037 039040 048048 201967	4
168	SL6224-3A		..INSERT- SUPPLIER CODE: V97393	031037 039040 048048 201967	7
170	BACS12FA3K3		.SCREW	031037 039040 048048 201967	8
175	H0662-15		.ANGLE ASSY- SUPPLIER CODE: V12794	031037 039040 048048 201967	1
180	H0659-9B		.PANEL- SUPPLIER CODE: V12794 POSITION DATA: SIDE	031031 036037 039040 048048	1
180	H0659-9C		.PANEL- SUPPLIER CODE: V12794 POSITION DATA: SIDE	201967	1
182	SL6224-3A		..INSERT- SUPPLIER CODE: V97393	031037 039040 048048 201967	15
185	BACS12FA3K5		.SCREW	031037 039040 048048 201967	17
190	H0662-7		.ANGLE- SUPPLIER CODE: V12794	031037 039040 048048 201967	2
200	H0662-3		.ANGLE- SUPPLIER CODE: V12794	031037 039040 048048 201967	1

MISSING ITEM NUMBERS NOT APPLICABLE

— ITEM NOT ILLUSTRATED

HAP

25-24-15-50A

BOEING PROPRIETARY - Copyright © - Unpublished Work - See title page for details.

25-24-15
FIG. 50A
PAGE 4
OCT 15/08

BOEING
737-600/700/800/900
PARTS CATALOG (MAINTENANCE)

FIG ITEM	PART NUMBER	1 2 3 4 5 6 7	NOMENCLATURE	EFFECT FROM TO	UNITS PER ASSY
50A 205	H0662-5	. ANGLE-	SUPPLIER CODE: V12794	031037 039040 048048 201967	1
210	H0662-1	. ANGLE-	SUPPLIER CODE: V12794	031037 039040 048048 201967	2
- 215	H0662-1	. ANGLE-	SUPPLIER CODE: V12794	031037 039040 048048 201967	1
223	H0657-10C	. PANEL ASSY-	SUPPLIER CODE: V12794 POSITION DATA: BACK	201967	1
223	H0657-24B	. PANEL ASSY-	SUPPLIER CODE: V12794 POSITION DATA: BACK	031031 036037 039040 048048	1
227	NAS1834A3K420	.. INSERT		031031 037037 039040 048048 201967	4
229	SL2334-3A1	.. INSERT-	SUPPLIER CODE: V97393 POST RAPID REVISION: RR97089-57D	032036	4
230	SL2334-3A1	.. INSERT-	SUPPLIER CODE: V97393	031037 039040 048048 201967	8
235	NAS1836-3-11	.. INSERT		031037 039040 048048 201967	17
240	H0658-2	. PANEL ASSY-	SUPPLIER CODE: V12794 POSITION DATA: BOTTOM	031037 039040 048048 201967	1
245	SL2334-3A1	.. INSERT-	SUPPLIER CODE: V97393	031037 039040 048048 201967	7

MISSING ITEM NUMBERS NOT APPLICABLE

- ITEM NOT ILLUSTRATED

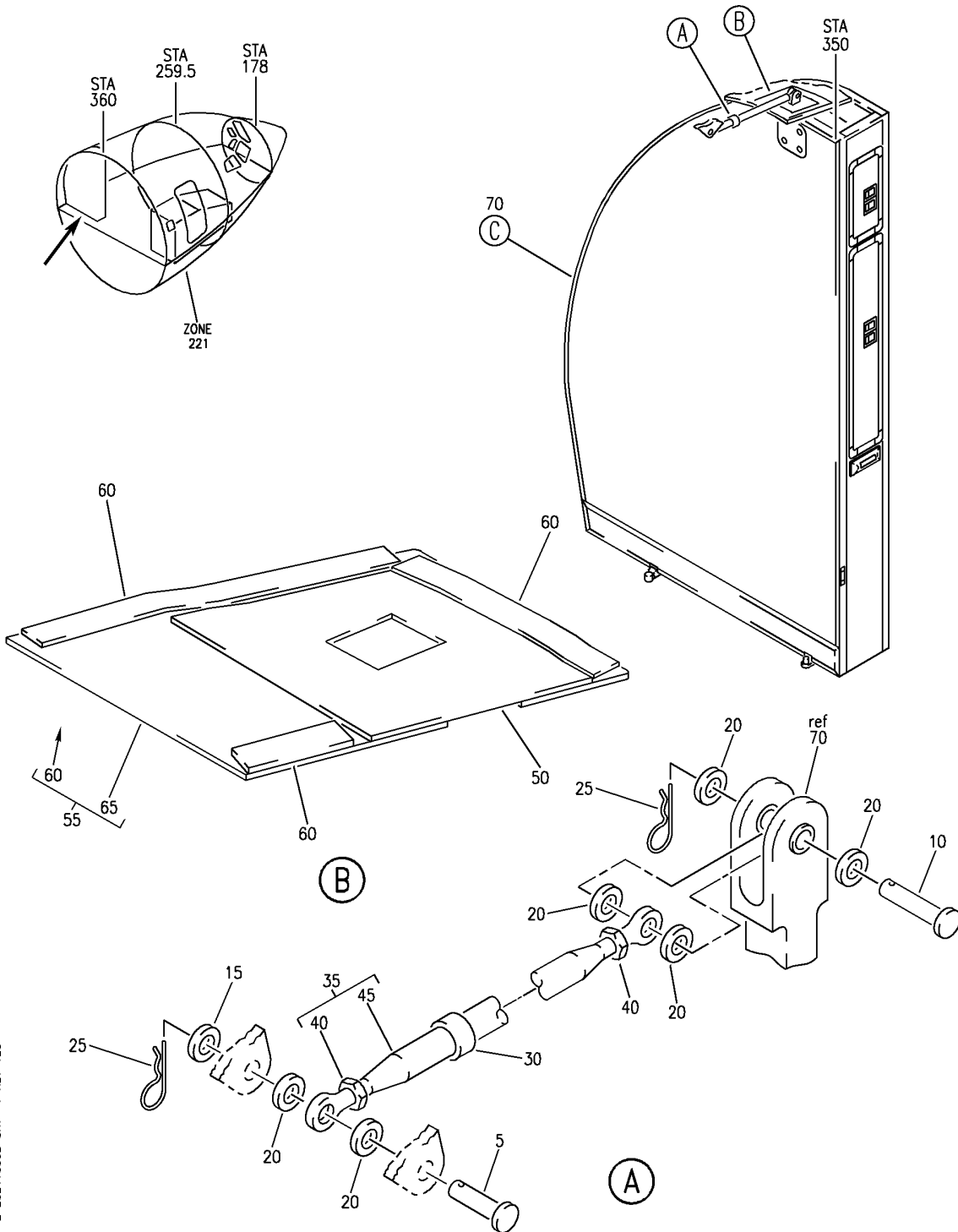
HAP

25-24-15-50A

BOEING PROPRIETARY - Copyright © - Unpublished Work - See title page for details.

25-24-15
FIG. 50A
PAGE 5
OCT 15/08

BOEING
 737-600/700/800/900
 PARTS CATALOG (MAINTENANCE)



E 25241555B SHT 1 REV 128

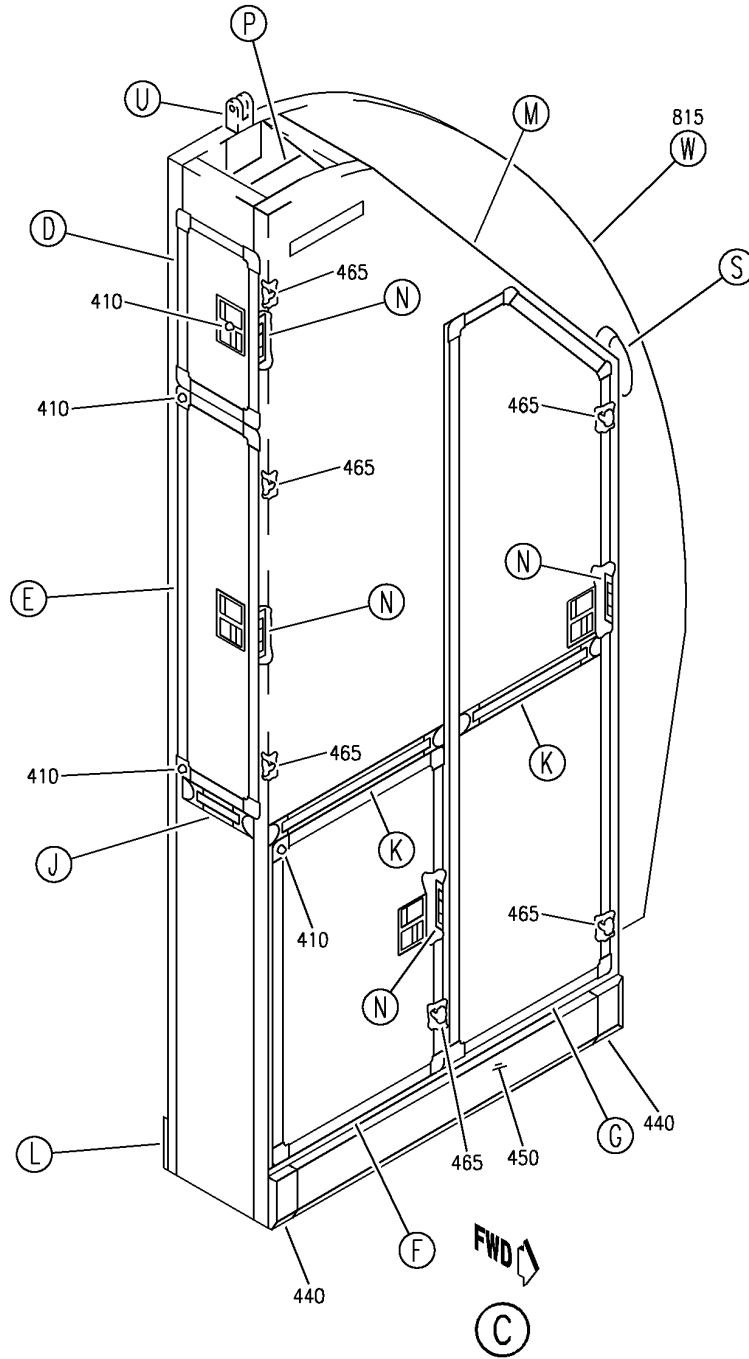
WINDSCREEN INSTL-FWD LH
 FIGURE 55B (SHEET 1)

25-24-15-55B

HAP
 JUN 10/07

25-24-15-55B
 PAGE 0

BOEING
 737-600/700/800/900
 PARTS CATALOG (MAINTENANCE)



E 25241555B SH1 2 REV 128

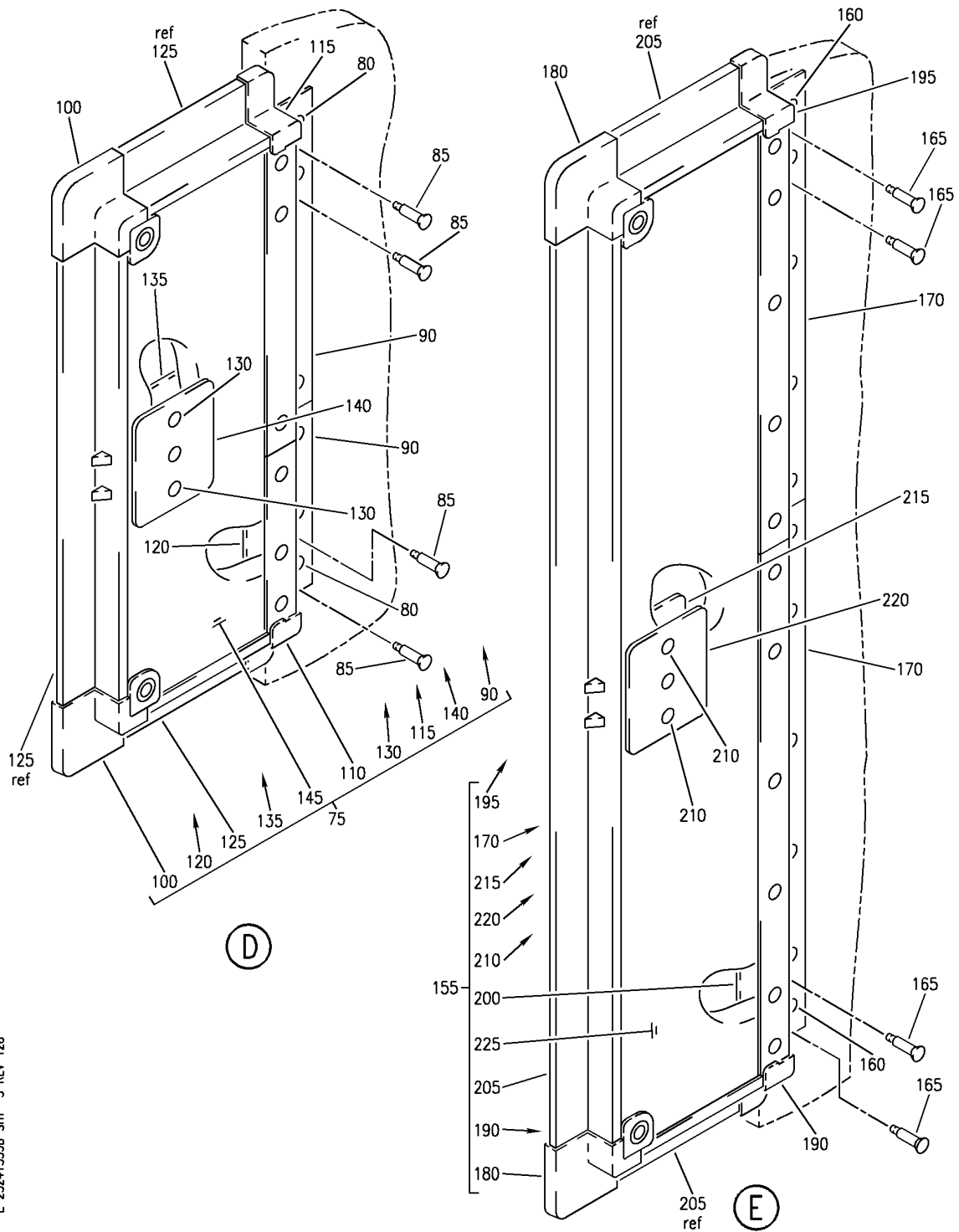
WINDSCREEN INSTL-FWD LH
 FIGURE 55B (SHEET 2)

25-24-15-55B

HAP
 JUN 10/07

25-24-15-55B
 PAGE 0A


BOEING
 737-600/700/800/900
PARTS CATALOG (MAINTENANCE)



E 25241555B SHT 3 REV 128

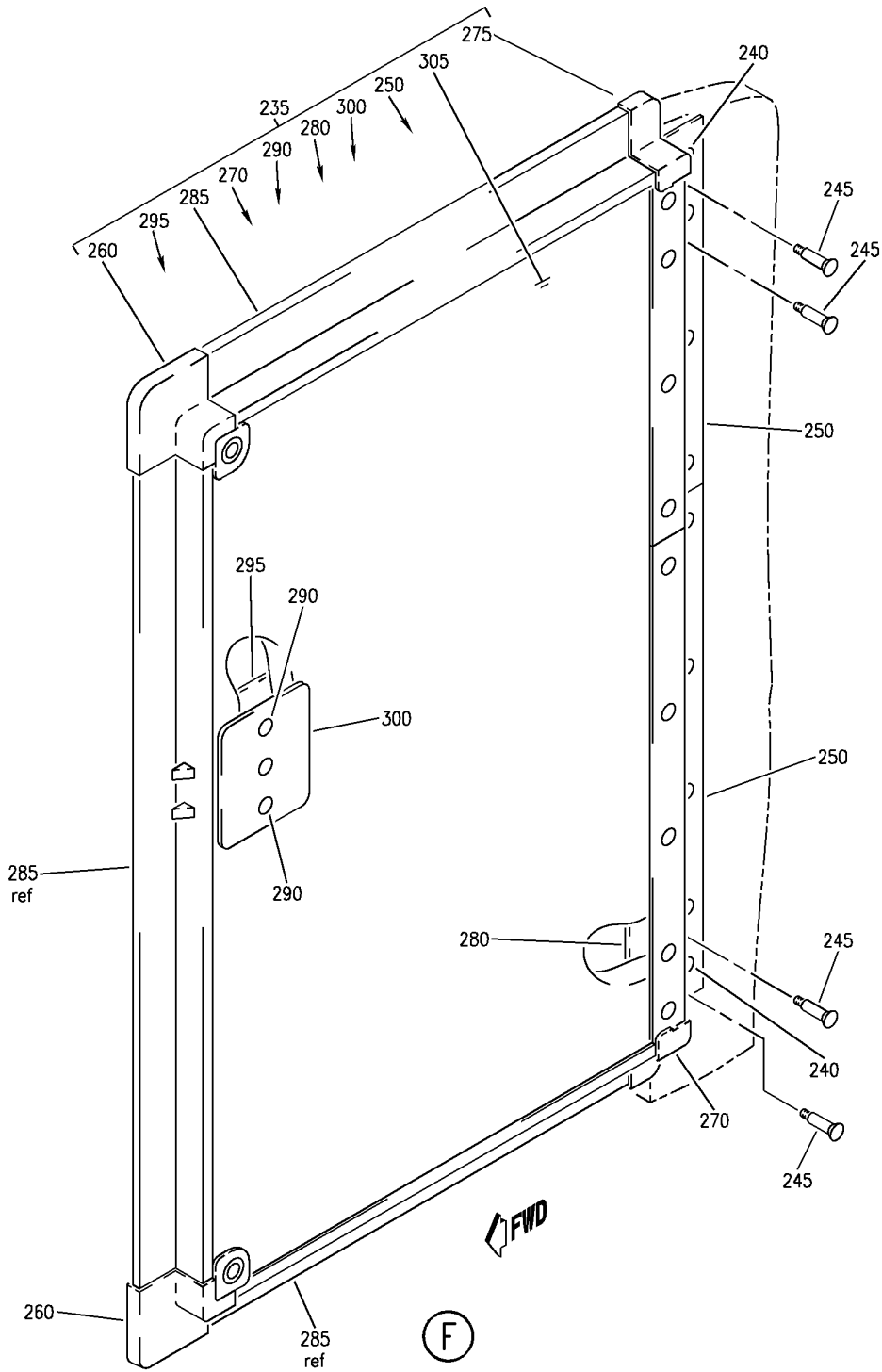
WINDSCREEN INSTL-FWD LH
FIGURE 55B (SHEET 3)

25-24-15-55B

HAP
JUN 10/07

25-24-15-55B
PAGE 0B

BOEING
737-600/700/800/900
PARTS CATALOG (MAINTENANCE)



E 25241555B SHT 4 REV 128

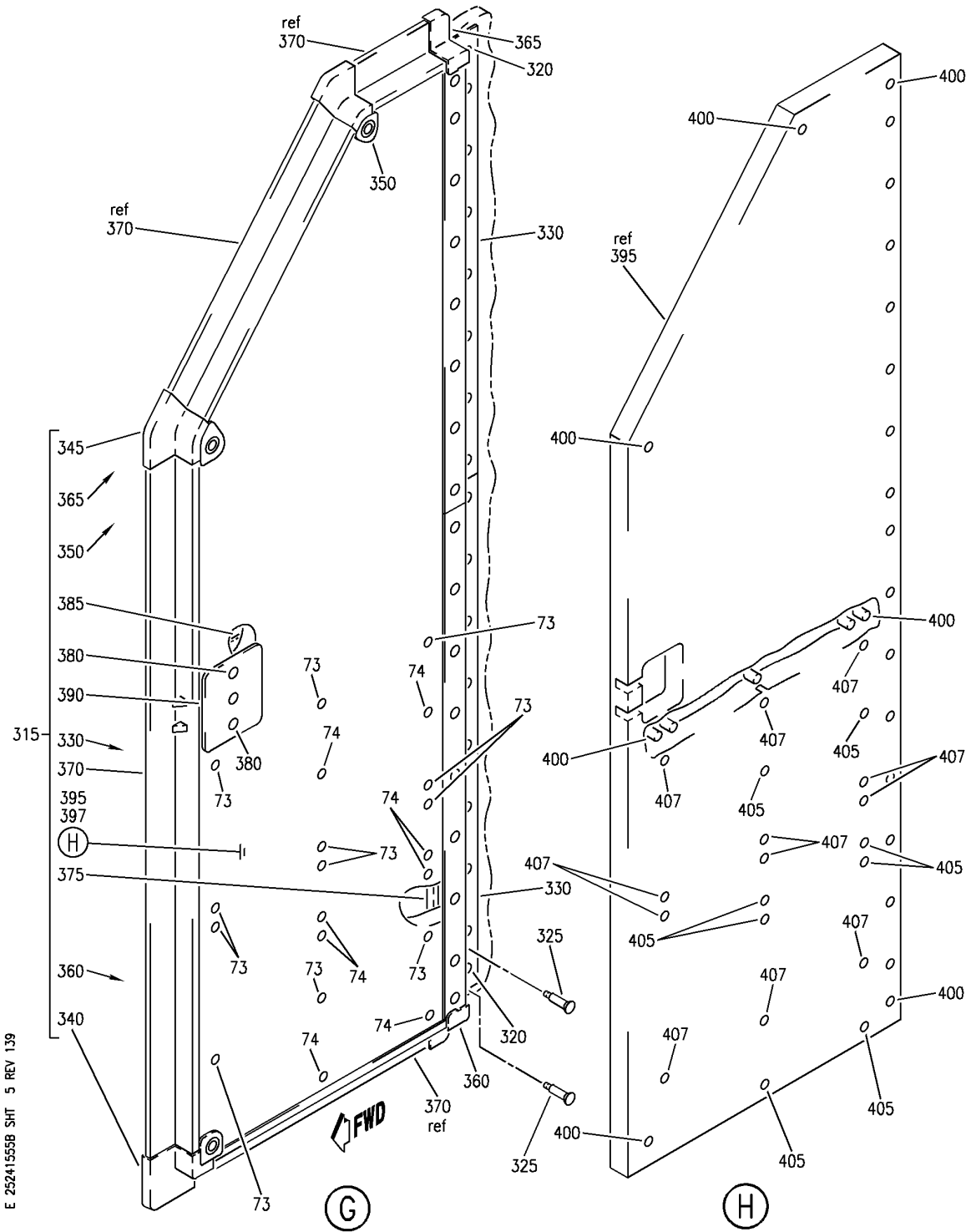
WINDSCREEN INSTL-FWD LH
 FIGURE 55B (SHEET 4)

25-24-15-55B

HAP
 JUN 10/07

25-24-15-55B
 PAGE 0C

BOEING
 737-600/700/800/900
 PARTS CATALOG (MAINTENANCE)



E 25241555B SHT 5 REV 139

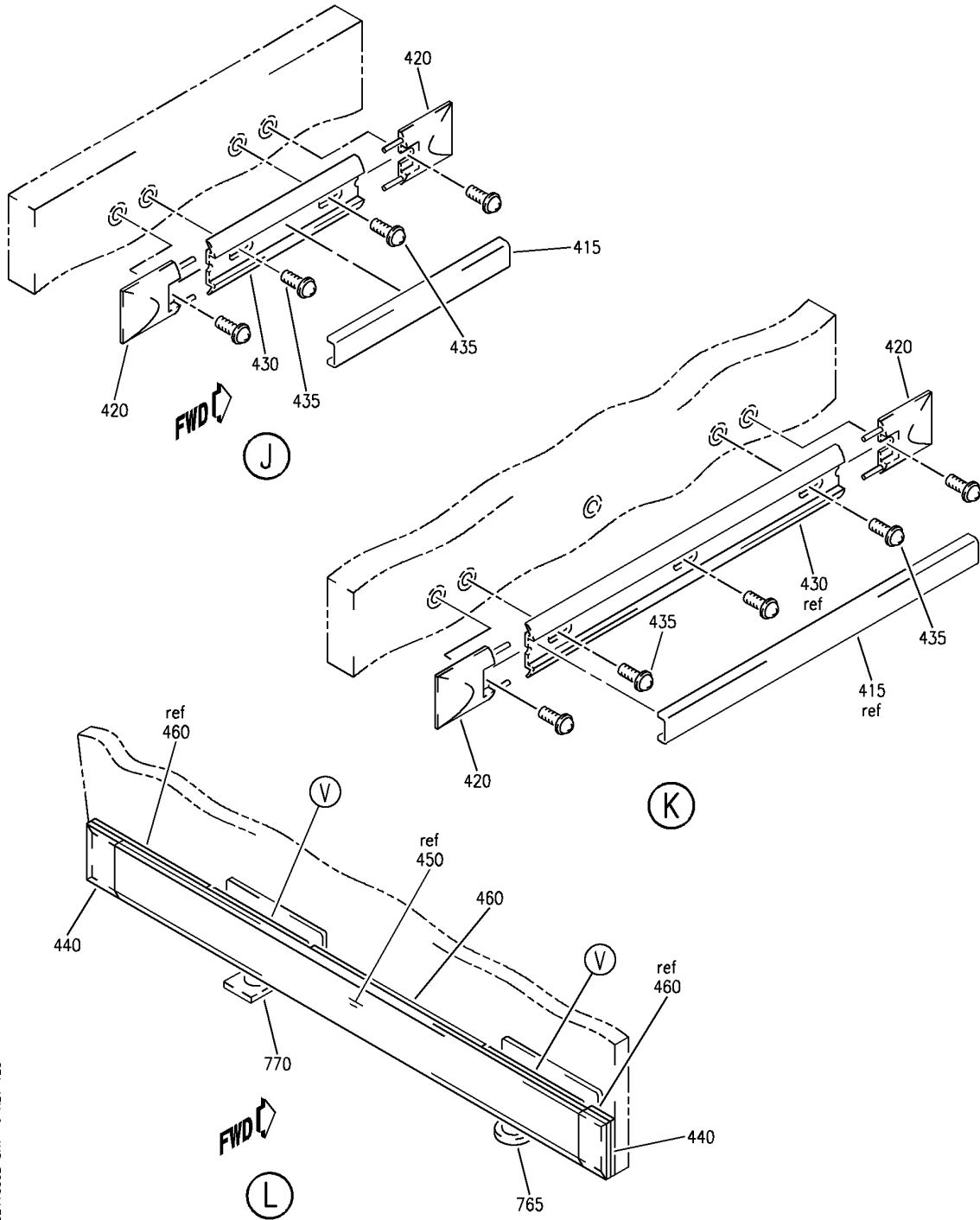
WINDSCREEN INSTL-FWD LH
 FIGURE 55B (SHEET 5)

25-24-15-55B

HAP
 FEB 15/08

25-24-15-55B
 PAGE 0D

BOEING
 737-600/700/800/900
 PARTS CATALOG (MAINTENANCE)



E 25241555B SHT 6 REV 128

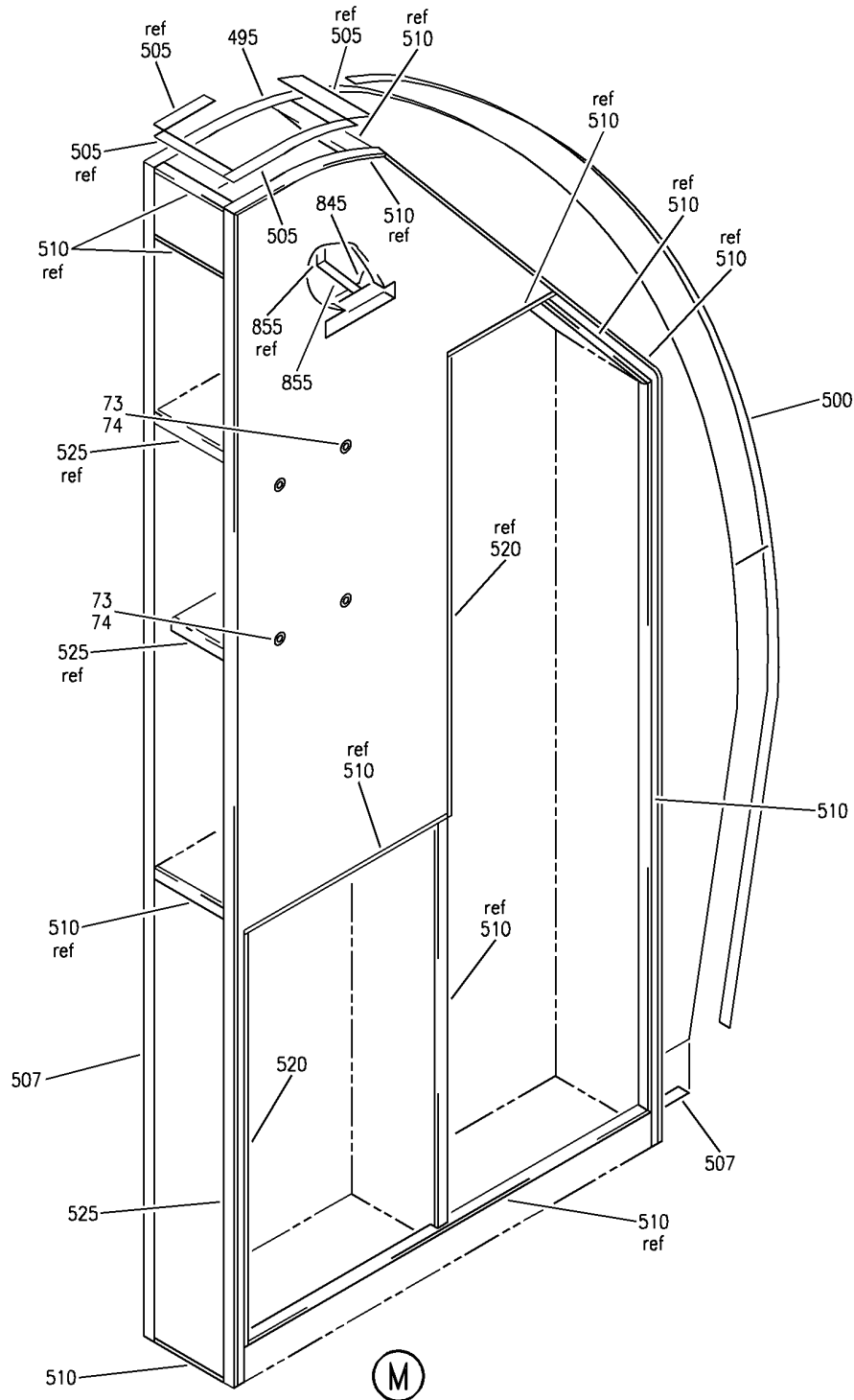
WINDSCREEN INSTL-FWD LH
 FIGURE 55B (SHEET 6)

25-24-15-55B

HAP
 JUN 10/07

25-24-15-55B
 PAGE 0E

BOEING
737-600/700/800/900
PARTS CATALOG (MAINTENANCE)



E 25241555B SHT 7 REV 139

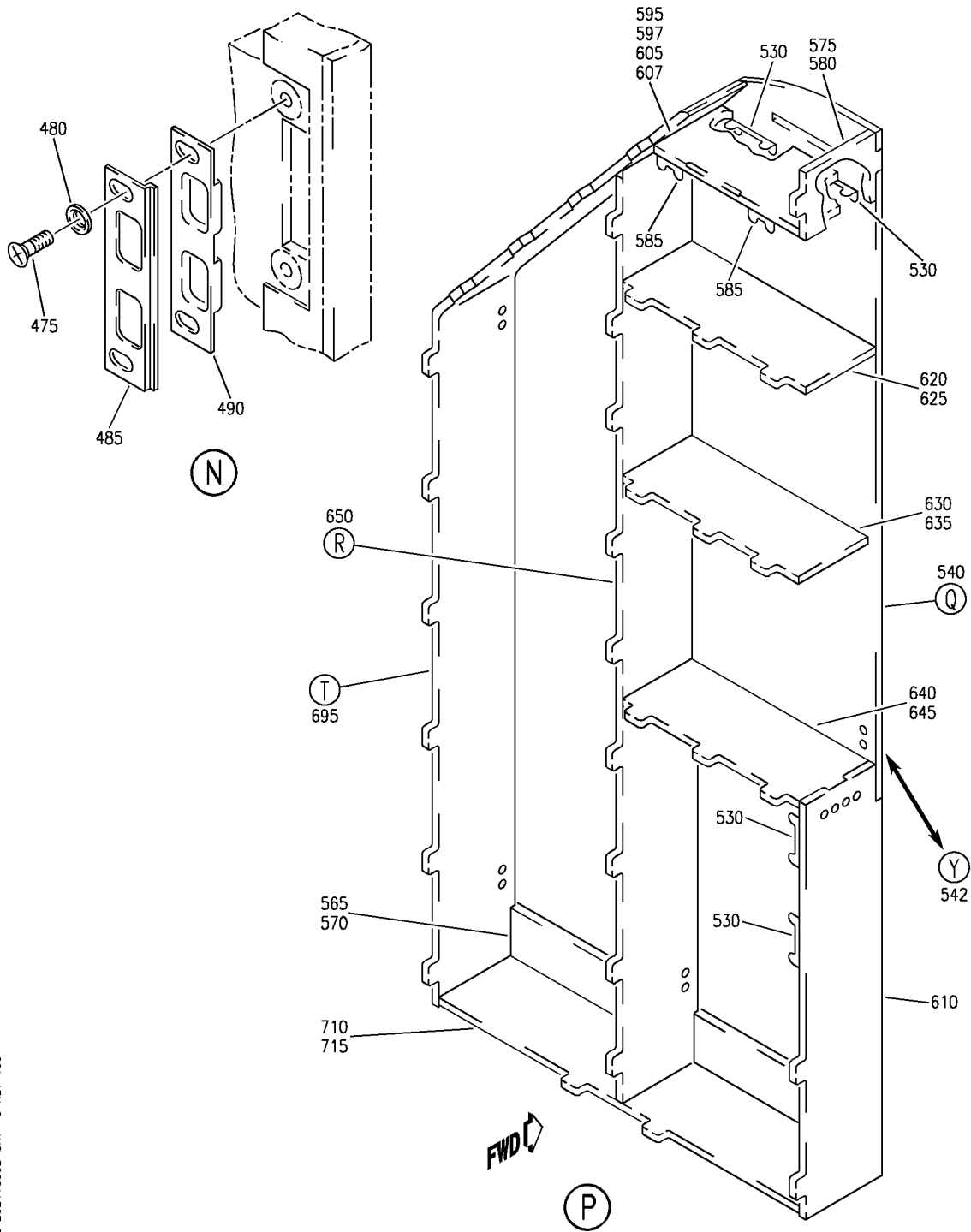
WINDSCREEN INSTL-FWD LH
 FIGURE 55B (SHEET 7)

25-24-15-55B

HAP
 FEB 15/08

25-24-15-55B
 PAGE OF

BOEING
 737-600/700/800/900
 PARTS CATALOG (MAINTENANCE)



E 25241555B SHT 8 REV 139

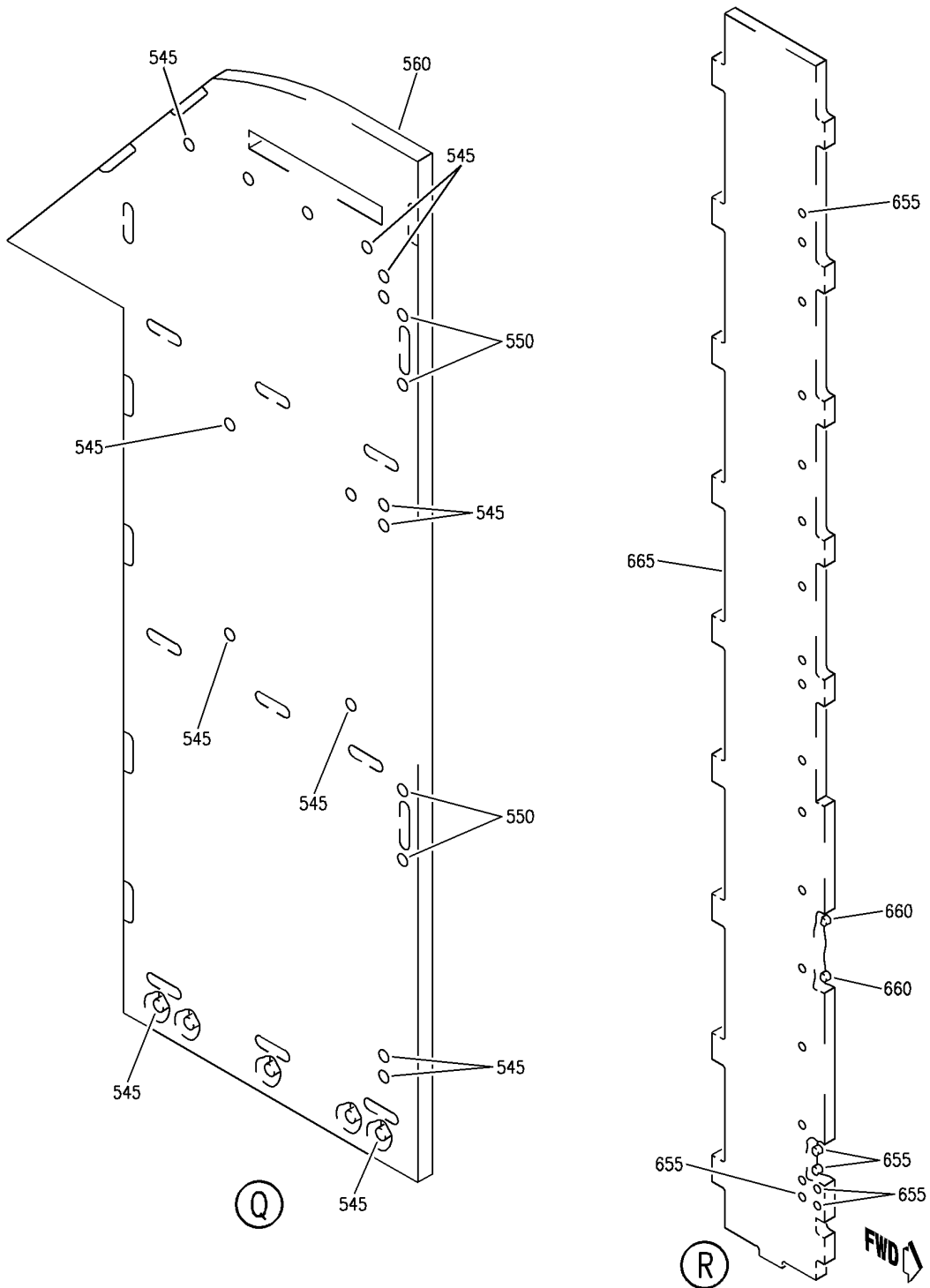
WINDSCREEN INSTL-FWD LH
 FIGURE 55B (SHEET 8)

25-24-15-55B

HAP
 FEB 15/08

25-24-15-55B
 PAGE 08

BOEING
 737-600/700/800/900
 PARTS CATALOG (MAINTENANCE)



E 25241555B SHT 9 REV 128

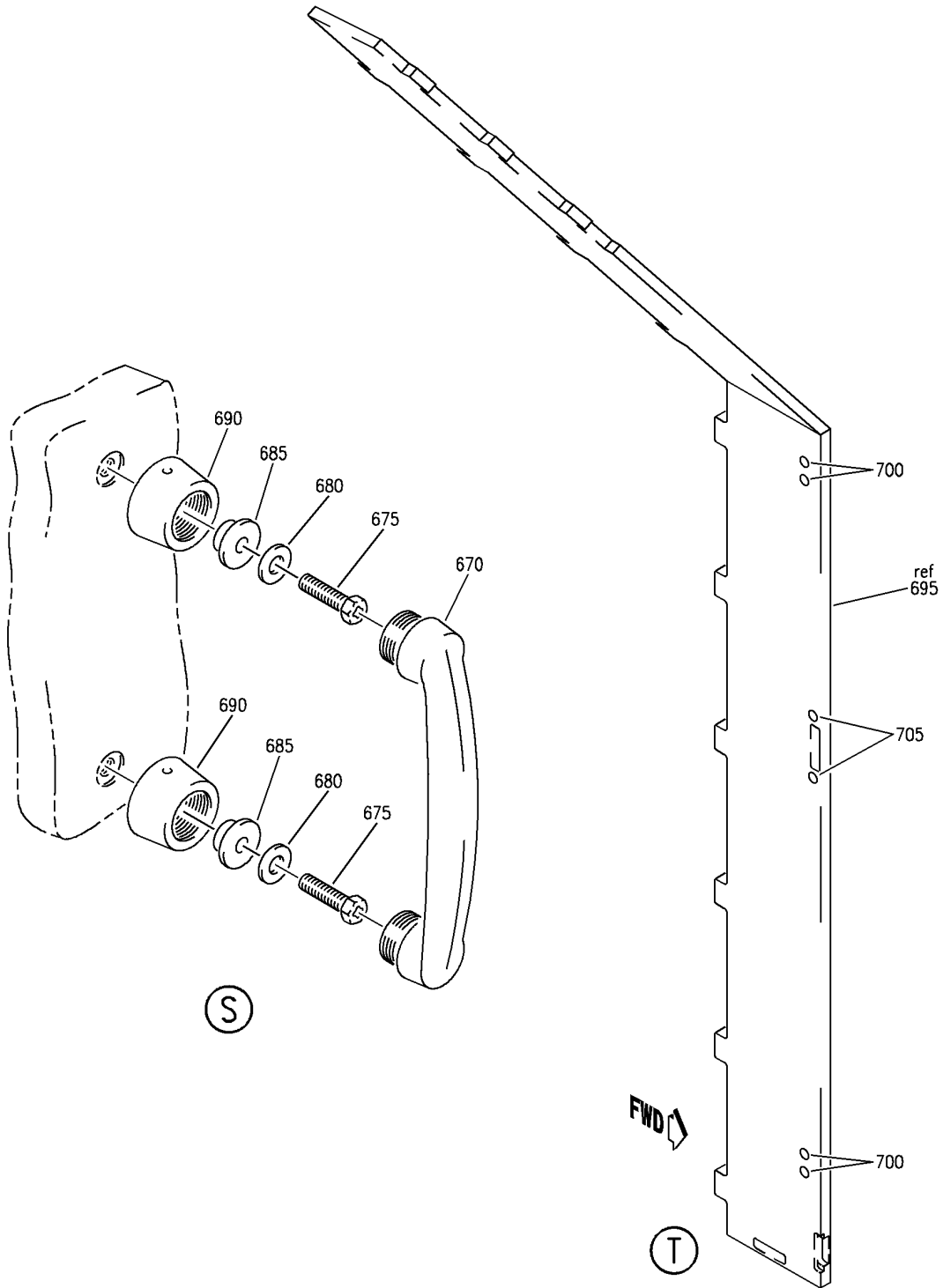
WINDSCREEN INSTL-FWD LH
 FIGURE 55B (SHEET 9)

25-24-15-55B

HAP
 JUN 10/07

25-24-15-55B
 PAGE 0H

BOEING
 737-600/700/800/900
 PARTS CATALOG (MAINTENANCE)



E 25241555B SHT 10 REV 128

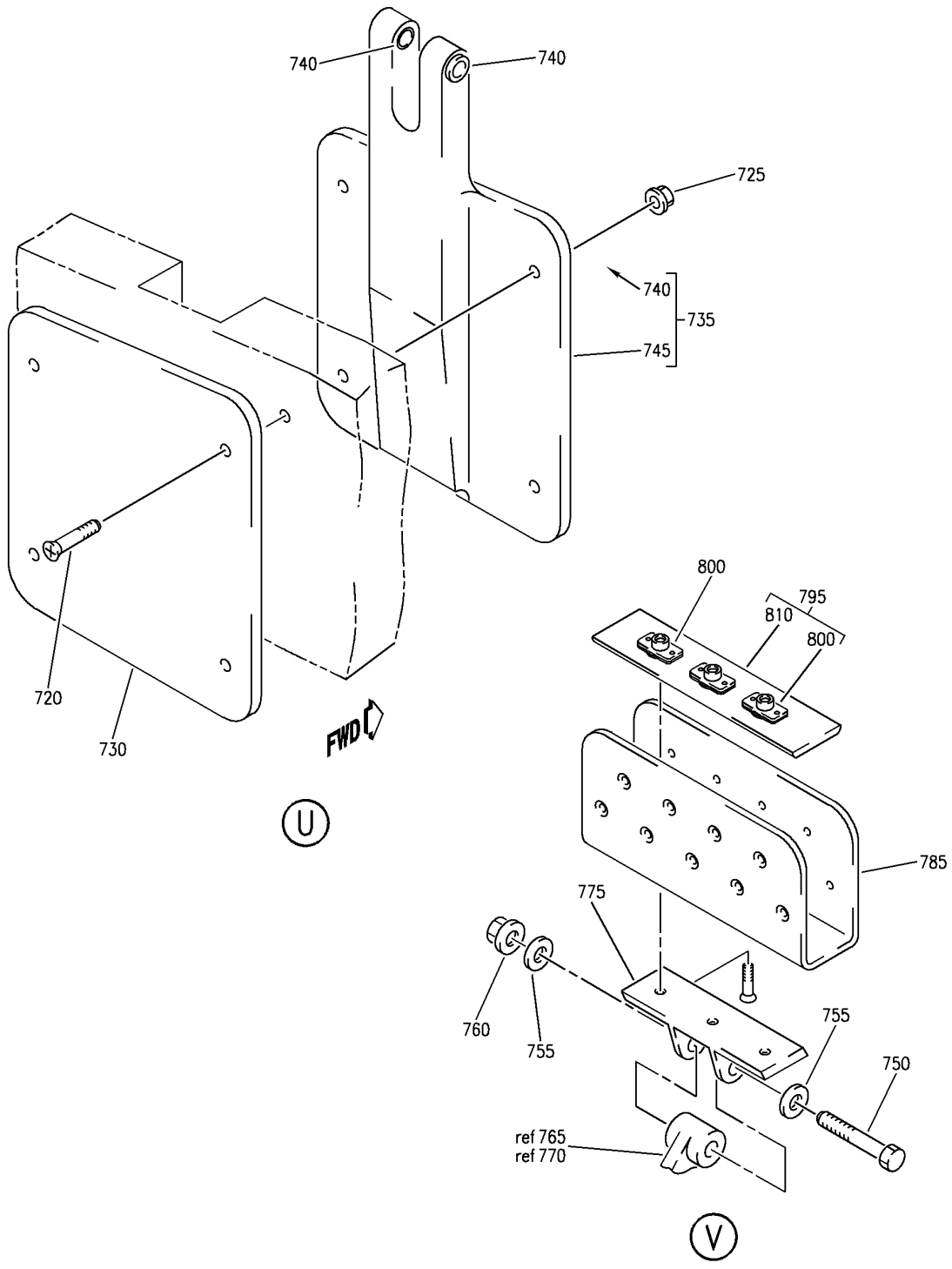
WINDSCREEN INSTL-FWD LH
 FIGURE 55B (SHEET 10)

25-24-15-55B

HAP
 JUN 10/07

25-24-15-55B
 PAGE 01

BOEING
 737-600/700/800/900
 PARTS CATALOG (MAINTENANCE)



E 25241555B SHT 11 REV 128

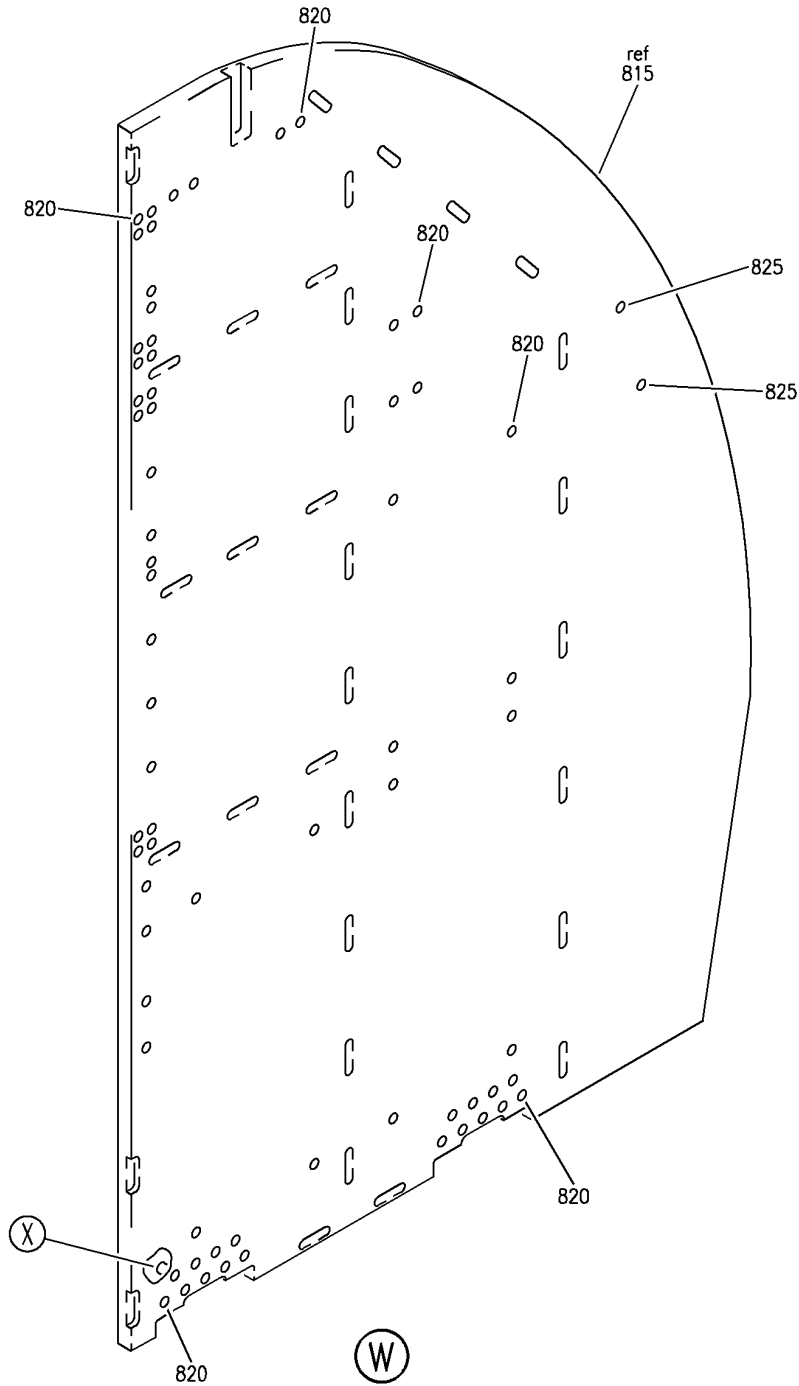
WINDSCREEN INSTL-FWD LH
 FIGURE 55B (SHEET 11)

25-24-15-55B

HAP
 JUN 10/07

25-24-15-55B
 PAGE 0J

BOEING
737-600/700/800/900
PARTS CATALOG (MAINTENANCE)



E 25241555B SHT 12 REV 128

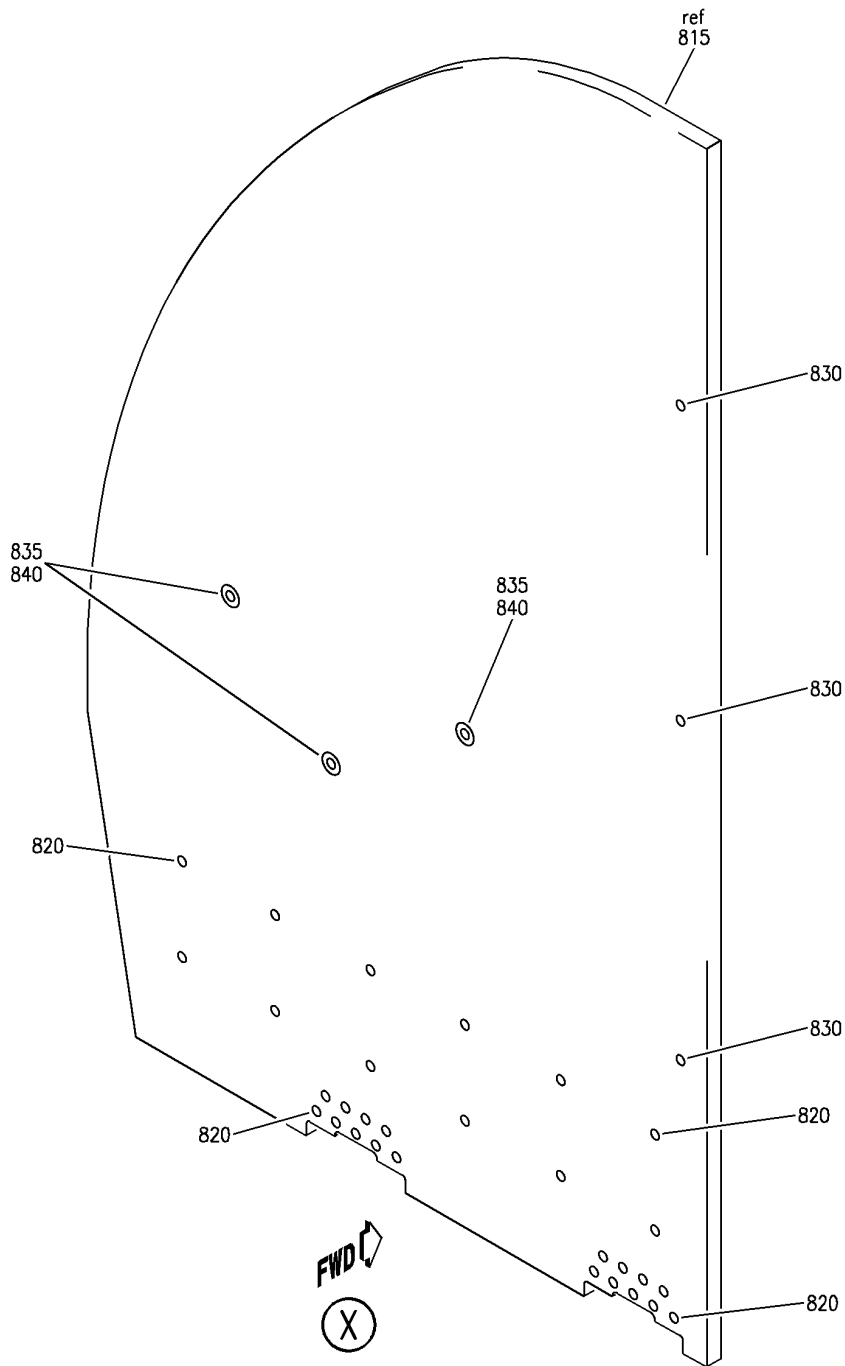
WINDSCREEN INSTL-FWD LH
FIGURE 55B (SHEET 12)

25-24-15-55B

HAP
JUN 10/07

25-24-15-55B
PAGE OK

BOEING
737-600/700/800/900
PARTS CATALOG (MAINTENANCE)



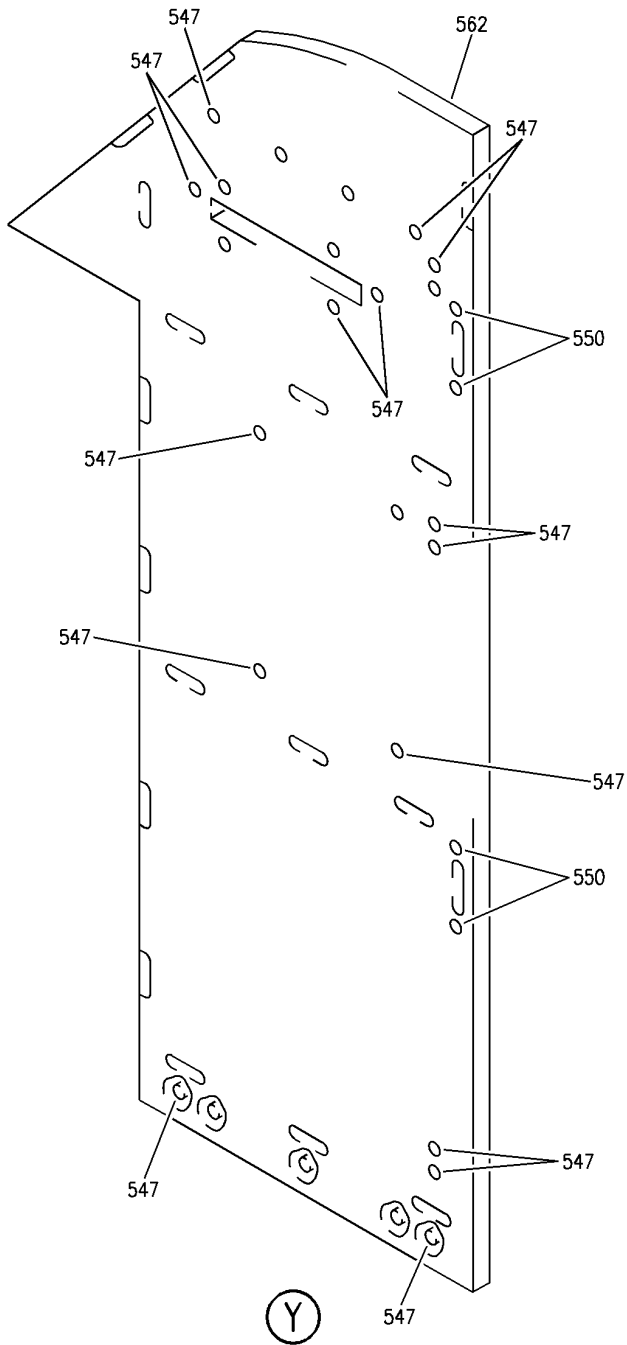
E 25241555B SHT 13 REV 128

WINDSCREEN INSTL-FWD LH
FIGURE 55B (SHEET 13)

25-24-15-55B

HAP
JUN 10/07

25-24-15-55B
PAGE 01



E 25241555B SHT 14 REV 139

WINDSCREEN INSTL-FWD LH
FIGURE 55B (SHEET 14)

25-24-15-55B

HAP
FEB 15/08

25-24-15-55B
PAGE 0M

BOEING
737-600/700/800/900
PARTS CATALOG (MAINTENANCE)

FIG ITEM	PART NUMBER	1 2 3 4 5 6 7	NOMENCLATURE	EFFECT FROM TO	UNITS PER ASSY
55B			WINDSCREEN INSTL-FWD LH	038038 042046 051052	
- 1	MODREF317131		WINDSCREEN INSTL- MODULE NUMBER: 413A3101-127B REV A POSITION DATA: FWD LH	038038 042046	1
- 1	MODREF395532		WINDSCREEN INSTL- MODULE NUMBER: 413A3101-144B REV A POSITION DATA: FWD LH	051052	1
5	BACP18BD3C27		.PIN	038038 042046 051052	1
10	BACP18BD3C45		.PIN	038038 042046 051052	1
15	NAS1149E0463P		.WASHER	038038 042046 051052	1
20	NAS1149E0416P		.WASHER	038038 042046 051052	6
25	AA55487-4		.PIN- SUPPLIER CODE: V58536	038038 042046 051052	2
30	413A3101-4		.TRAP-MOISTURE	038038 042046 051052	1
35	413A3107-4		.ROD ASSY	038038 042046 051052	1
40	AN316-5R		..NUT	038038 042046 051052	2
45	1293-87		..ROD- SUPPLIER CODE: V34742	038038 042046 051052	1
50	413A3105-36		.SEAL-COVER	038038 042046 051052	1
55	413A3105-16A		.COVER ASSY	038038 042046 051052	1
60	413A3105-7		..TAPE-VELCRO	038038 042046 051052	3

MISSING ITEM NUMBERS NOT APPLICABLE

- ITEM NOT ILLUSTRATED

HAP

25-24-15-55B

BOEING PROPRIETARY - Copyright © - Unpublished Work - See title page for details.

25-24-15
FIG. 55B
PAGE 1
FEB 15/09

BOEING
737-600/700/800/900
PARTS CATALOG (MAINTENANCE)

FIG ITEM	PART NUMBER	1 2 3 4 5 6 7	NOMENCLATURE	EFFECT FROM TO	UNITS PER ASSY
55B 65	413A3106-4BATC	..	COVER	038038 042046 051052	1
70	413A3110-117B	.	STOWAGE ASSY-TAB AND SLOT (EQUIPMENT/FURNISHINGS ONLY) FUNCTIONAL REFERENCE: LIGHTS FOR DETAILS SEE 33-51-05-59Z	038038 042046	1
70	413A3110-137B	.	STOWAGE ASSY-TAB AND SLOT (EQUIPMENT/FURNISHINGS ONLY) FUNCTIONAL REFERENCE: LIGHTS FOR DETAILS SEE 33-51-05-59Z	051052	1
73	412A1811-2B	..	PLUG	051052	AR
74	412A1811-2B	..	PLUG	038038 042046	AR
75	413A3615-89B	..	DOOR ASSY	038038 042046 051052	1
80	BACS12FA3K6	..	ATTACHING PARTS SCREW	038038 042046 051052	AR
85	BACB30VF3K1	..	BOLT	038038 042046 051052	4
90	SAM340-16	... -----*	HINGE- SUPPLIER CODE: V31845 ATTACHING PARTS	038038 042046 051052	2
- 95	BACS12FA3K6	... -----*	SCREW	038038 042046 051052	6
100	432W6540-29	... -----*	CAP-CORNER, 90 DEGREE	038038 042046 051052	2
- 105	NAS514P1032-6	... -----*	ATTACHING PARTS SCREW	038038 042046 051052	2

MISSING ITEM NUMBERS NOT APPLICABLE

- ITEM NOT ILLUSTRATED

HAP

25-24-15-55B

BOEING PROPRIETARY - Copyright © - Unpublished Work - See title page for details.

25-24-15
FIG. 55B
PAGE 2
FEB 15/09

BOEING
737-600/700/800/900
PARTS CATALOG (MAINTENANCE)

FIG ITEM	PART NUMBER	1 2 3 4 5 6 7	NOMENCLATURE	EFFECT FROM TO	UNITS PER ASSY
55B 110	432W6540-31	...	CAP-CORNER, HINGE	038038 042046 051052	1
115	432W6540-30	...	CAP-CORNER, HINGE	038038 042046 051052	1
120	413U3165-264	...	TRIM- OPTIONAL PART: 432W6540-47	038038 042046 051052	1
120	432W6540-47	...	TRIM- OPTIONAL PART: 413U3165-264	038038 042046 051052	1
125	413U3165-265	...	TRIM	038038 042046 051052	1
130	NAS514P1032-6	...	SCREW	038038 042046 051052	3
135	SAM271-5	...	LATCH- SUPPLIER CODE: V31845	038038 042046 051052	1
140	S2271-13	...	PLATE-MTG SUPPLIER CODE: V31845	038038 042046 051052	1
145	413A3615-90B	...	PANEL ASSY	038038 042046 051052	1
- 150	SL2334-3A3	INSERT- SUPPLIER CODE: V97393	038038 042046 051052	8
155	413A3615-87B	..	DOOR ASSY	038038 042046 051052	1
160	BACS12FA3K6	..	ATTACHING PARTS SCREW	038038 042046 051052	AR
165	BACB30VF3K1	..	BOLT	038038 042046 051052	4
170	SAM340-16	...	HINGE- SUPPLIER CODE: V31845	038038 042046 051052	2
- 175	BACS12FA3K6	...	ATTACHING PARTS SCREW	038038 042046 051052	11

MISSING ITEM NUMBERS NOT APPLICABLE

- ITEM NOT ILLUSTRATED

HAP

25-24-15-55B

BOEING PROPRIETARY - Copyright © - Unpublished Work - See title page for details.

25-24-15
FIG. 55B
PAGE 3
FEB 15/09

BOEING
737-600/700/800/900
PARTS CATALOG (MAINTENANCE)

FIG ITEM	PART NUMBER	1 2 3 4 5 6 7	NOMENCLATURE	EFFECT FROM TO	UNITS PER ASSY
55B 180	432W6540-29	...	CAP-CORNER, 90 DEGREE	038038 042046 051052	2
- 185	NAS514P1032-6	...	ATTACHING PARTS SCREW	038038 042046 051052	2
190	432W6540-31	-----*-----	...CAP-CORNER, HINGE	038038 042046 051052	1
195	432W6540-30	...	CAP-CORNER, HINGE	038038 042046 051052	1
200	413U3165-264	...	TRIM- OPTIONAL PART: 432W6540-47	038038 042046 051052	1
200	432W6540-47	...	TRIM- OPTIONAL PART: 413U3165-264	038038 042046 051052	1
205	413U3165-265	...	TRIM	038038 042046 051052	1
210	NAS514P1032-6	...	SCREW	038038 042046 051052	3
215	SAM271-5	...	LATCH- SUPPLIER CODE: V31845	038038 042046 051052	1
220	S2271-13	...	PLATE-MTG SUPPLIER CODE: V31845	038038 042046 051052	1
225	413A3615-88B	...	PANEL ASSY	038038 042046 051052	1
- 230	SL2334-3A3	INSERT- SUPPLIER CODE: V97393	038038 042046 051052	13
235	413A3615-85B	..	DOOR ASSY	038038 042046 051052	1
240	BACS12FA3K6	..	ATTACHING PARTS SCREW	038038 042046 051052	AR
245	BACB30VF3K1	..	BOLT	038038 042046 051052	4
		-----*-----			

MISSING ITEM NUMBERS NOT APPLICABLE

- ITEM NOT ILLUSTRATED

HAP

25-24-15-55B

BOEING PROPRIETARY - Copyright © - Unpublished Work - See title page for details.

25-24-15
FIG. 55B
PAGE 4
FEB 15/09

BOEING
737-600/700/800/900
PARTS CATALOG (MAINTENANCE)

FIG ITEM	PART NUMBER	1 2 3 4 5 6 7	NOMENCLATURE	EFFECT FROM TO	UNITS PER ASSY
55B 250	SAM340-16	...	HINGE- SUPPLIER CODE: V31845	038038 042046 051052	2
- 255	BACS12FA3K6	...	SCREW	038038 042046 051052	9
260	432W6540-29	-----*-----	...CAP-CORNER, 90 DEGREE	038038 042046 051052	2
- 265	NAS514P1032-6	...	ATTACHING PARTS SCREW	038038 042046 051052	2
270	432W6540-31	-----*-----	...CAP-CORNER, HINGE	038038 042046 051052	1
275	432W6540-30	...	CAP-CORNER, HINGE	038038 042046 051052	1
280	413U3165-264	...	TRIM- OPTIONAL PART: 432W6540-47	038038 042046 051052	1
280	432W6540-47	...	TRIM- OPTIONAL PART: 413U3165-264	038038 042046 051052	1
285	413U3165-265	...	TRIM	038038 042046 051052	1
290	NAS514P1032-6	...	SCREW	038038 042046 051052	3
295	SAM271-5	...	LATCH- SUPPLIER CODE: V31845	038038 042046 051052	1
300	S2271-13	...	PLATE-MTG SUPPLIER CODE: V31845	038038 042046 051052	1
305	413A3615-86B	...	PANEL ASSY	038038 042046 051052	1
- 310	SL2334-3A3	INSERT- SUPPLIER CODE: V97393	038038 042046 051052	11
315	413A3615-93B	..	DOOR ASSY	038038 042046 051052	1

MISSING ITEM NUMBERS NOT APPLICABLE

- ITEM NOT ILLUSTRATED

HAP

25-24-15-55B

BOEING PROPRIETARY - Copyright © - Unpublished Work - See title page for details.

25-24-15
FIG. 55B
PAGE 5
FEB 15/09

BOEING
737-600/700/800/900
PARTS CATALOG (MAINTENANCE)

FIG ITEM	PART NUMBER	1 2 3 4 5 6 7	NOMENCLATURE	EFFECT FROM TO	UNITS PER ASSY
55B			ATTACHING PARTS		
320	BACS12FA3K6	..	SCREW	038038 042046 051052	AR
325	BACB30VF3K1	..	BOLT	038038 042046 051052	2
330	SAM340-16	-----*	HINGE- SUPPLIER CODE: V31845	038038 042046 051052	2
- 335	BACS12FA3K6	...	ATTACHING PARTS SCREW	038038 042046 051052	17
340	432W6540-29	-----*	CAP-CORNER, 90 DEGREE	038038 042046 051052	1
345	432W6540-27	...	CAP-CORNER, 40 DEGREE	038038 042046 051052	1
350	432W6540-28	...	CAP-CORNER, 50 DEGREE	038038 042046 051052	1
- 355	NAS514P1032-6	...	ATTACHING PARTS SCREW	038038 042046 051052	3
360	432W6540-31	-----*	CAP-HINGE	038038 042046 051052	1
365	432W6540-30	...	CAP-HINGE	038038 042046 051052	1
370	413U3165-265	...	TRIM	038038 042046 051052	1
375	413U3165-264	...	TRIM- OPTIONAL PART: 432W6540-47	038038 042046 051052	1
375	432W6540-47	...	TRIM- OPTIONAL PART: 413U3165-264	038038 042046 051052	1
380	NAS514P1032-6	...	SCREW	038038 042046 051052	3

MISSING ITEM NUMBERS NOT APPLICABLE

- ITEM NOT ILLUSTRATED

HAP

25-24-15-55B

BOEING PROPRIETARY - Copyright © - Unpublished Work - See title page for details.

25-24-15
FIG. 55B
PAGE 6
FEB 15/09

BOEING
737-600/700/800/900
PARTS CATALOG (MAINTENANCE)

FIG ITEM	PART NUMBER	1 2 3 4 5 6 7	NOMENCLATURE	EFFECT FROM TO	UNITS PER ASSY
55B 385	SAM271-5	...	LATCH- SUPPLIER CODE: V31845	038038 042046 051052	1
390	S2271-13	...	PLATE-MTG SUPPLIER CODE: V31845	038038 042046 051052	1
395	413A3615-94B	...	PANEL ASSY	038038 042046 051052	1
400	SL2334-3A3	INSERT- SUPPLIER CODE: V97393	038038 042046 051052	25
405	SL2334-08A1	INSERT- SUPPLIER CODE: V97393	038038 042046 051052	8
410	SJ5303	..	BUMPER- SUPPLIER CODE: V26066	038038 042046 051052	4
415	432W7100-2C	..	RUBSTRIP-INSERT	038038 042046 051052	1
420	432W7101-6C	..	CAP-END	038038 042046 051052	6
- 425	BACS12FA3K6	..	ATTACHING PARTS SCREW	038038 042046 051052	6
430	432W7100-1C	..	-----*----- RUBSTRIP-BASE	038038 042046 051052	1
435	BACS12FA3K6	..	ATTACHING PARTS SCREW	038038 042046 051052	8
440	432W7200-18H	..	-----*----- CAP	038038 042046 051052	4
- 445	BCREF9492	..	ATTACHING PARTS RIVET- SUPPLIER CODE: V31272 OVERLENGTH PART NUMBER: 201-120911-00-0101 -----*-----	038038 042046 051052	8

MISSING ITEM NUMBERS NOT APPLICABLE

- ITEM NOT ILLUSTRATED

HAP

25-24-15-55B

BOEING PROPRIETARY - Copyright © - Unpublished Work - See title page for details.

25-24-15
FIG. 55B
PAGE 7
FEB 15/09

BOEING
737-600/700/800/900
PARTS CATALOG (MAINTENANCE)

FIG ITEM	PART NUMBER	1 2 3 4 5 6 7	NOMENCLATURE	EFFECT FROM TO	UNITS PER ASSY
55B 450	432W7200-1H		.. KICKSTRIP	038038 042046 051052	1
- 455	BCREF9492		ATTACHING PARTS .. RIVET- SUPPLIER CODE: V31272 OVERLENGTH PART NUMBER: 201-120911-00-0101 -----*-----	038038 042046 051052	24
460	432W7201-1H		.. KICKSTRIP	038038 042046 051052	1
465	H2-1061-1		.. STOP- SUPPLIER CODE: V34941	038038 042046 051052	6
465	H2-1061-2		.. STOP- SUPPLIER CODE: V34941 OPTIONAL PART: H2-1061-1 ATTACHING PARTS	051052	6
- 470	BACS12CK3-6		.. SCREW	038038 042046 051052	12
475	BACB30VF3K1		.. BOLT	038038 042046 051052	8
480	BACW10UC6		.. WASHER	038038 042046 051052	8
485	S1031-27		.. STRIKER- SUPPLIER CODE: V31845 QUALIFIED I/W DATA: S1031-27 CAN REPLACE OR BE REPLACED BY S1031-21 BY INCREASING CUTOUT BY .07 INCHES OPTIONAL PART: S1031-21 V31845	038038 042046 051052	4

MISSING ITEM NUMBERS NOT APPLICABLE

- ITEM NOT ILLUSTRATED

HAP

25-24-15-55B

BOEING PROPRIETARY - Copyright © - Unpublished Work - See title page for details.

25-24-15
FIG. 55B
PAGE 8
FEB 15/09

BOEING
737-600/700/800/900
PARTS CATALOG (MAINTENANCE)

FIG ITEM	PART NUMBER	1 2 3 4 5 6 7	NOMENCLATURE	EFFECT FROM TO	UNITS PER ASSY
55B 485	S1031-21		.. STRIKER- SUPPLIER CODE: V31845 QUALIFIED I/W DATA: S1031-27 CAN REPLACE OR BE REPLACED BY S1031-21 BY INCREASING CUTOUT BY .07 INCHES OPTIONAL PART: S1031-27 V31845	038038 042046 051052	4
490	S1031-23		.. INSERT- SUPPLIER CODE: V31845	038038 042046 051052	4
495	413U3165-7		.. TRIM- OPTIONAL PART: 413U3165-6	038038 042046 051052	1
495	413U3165-6		.. TRIM- OPTIONAL PART: 413U3165-7	038038 042046 051052	1
500	415U9010-135		.. EXTRUSION	038038 042046 051052	1
505	415U9010-71		.. EXTRUSION	038038 042046 051052	1
507	413U3165-81		.. TRIM	038038 042046 051052	2
510	413U3165-178		.. TRIM- OPTIONAL PART: 413U3165-81	038038 042046 051052	3
510	413U3165-81		.. TRIM- OPTIONAL PART: 413U3165-178	038038 042046 051052	3
520	413U3165-129		.. TRIM	038038 042046 051052	1
525	413U3165-4		.. TRIM	038038 042046 051052	1
525	413U3165-178		.. TRIM- OPTIONAL PART: 413U3165-4	038038 042046 051052	1
530	436W5505-2A		.. ANGLE	038038 042046 051052	4

MISSING ITEM NUMBERS NOT APPLICABLE

— ITEM NOT ILLUSTRATED

HAP

25-24-15-55B

BOEING PROPRIETARY - Copyright © - Unpublished Work - See title page for details.

25-24-15
FIG. 55B
PAGE 9
FEB 15/09

BOEING
737-600/700/800/900
PARTS CATALOG (MAINTENANCE)

FIG ITEM	PART NUMBER	1 2 3 4 5 6 7	NOMENCLATURE	EFFECT FROM TO	UNITS PER ASSY
55B			ATTACHING PARTS		
- 535	BACS12FA3K6	..	SCREW	038038 042046 051052	16
			-----*-----		
540	413A3214-142B	..	PANEL ASSY-FWD	038038 042046	1
542	413A3214-195B	..	PANEL ASSY-FWD	051052	1
545	SL2334-3A3	...	INSERT- SUPPLIER CODE: V97393	038038 042046	19
547	SL2334-3A3	...	INSERT- SUPPLIER CODE: V97393	051052	25
550	BACI12AD3-14	...	INSERT	038038 042046 051052	4
560	432W8501-53B	...	PANEL ASSY	038038 042046	1
562	432W8501-53B	...	PANEL ASSY	051052	1
565	413A3214-140B	..	PANEL ASSY-SILL	038038 042046 051052	1
570	432W8501-58B	...	PANEL ASSY	038038 042046 051052	1
575	413A3214-104B	..	PANEL ASSY-HEADER	038038 042046 051052	1
580	432W8501-53B	...	PANEL ASSY	038038 042046 051052	1
585	436W5505-44A	..	ANGLE	038038 042046 051052	2
			ATTACHING PARTS		
- 590	BACS12FA3K6	..	SCREW	038038 042046 051052	8
			-----*-----		
595	413A3214-100B	..	PANEL ASSY-SHELF	038038 042046	1
597	413A3214-186B	..	PANEL ASSY-SHELF	051052	1
- 600	SL2334-3A3	...	INSERT- SUPPLIER CODE: V97393	038038 042046 051052	8
605	432W8501-63B	...	PANEL	038038 042046	1
607	432W8501-63B	...	PANEL	051052	1

MISSING ITEM NUMBERS NOT APPLICABLE

- ITEM NOT ILLUSTRATED

HAP

25-24-15-55B

BOEING PROPRIETARY - Copyright © - Unpublished Work - See title page for details.

25-24-15
FIG. 55B
PAGE 10
FEB 15/09

BOEING
737-600/700/800/900
PARTS CATALOG (MAINTENANCE)

FIG ITEM	PART NUMBER	1 2 3 4 5 6 7	NOMENCLATURE	EFFECT FROM TO	UNITS PER ASSY
55B 610	413A3214-144B	..	PANEL ASSY-INBD	038038 042046 051052	1
- 615	SL2334-3A3	...	INSERT- SUPPLIER CODE: V97393	038038 042046 051052	21
620	413A3214-145B	..	PANEL ASSY-UPR SHELF	038038 042046 051052	1
625	432W8501-63B	...	PANEL	038038 042046 051052	1
630	413A3214-146B	..	PANEL ASSY-MID SHELF	038038 042046 051052	1
635	432W8501-63B	...	PANEL	038038 042046 051052	1
640	413A3214-147B	..	PANEL ASSY-LWR SHELF	038038 042046 051052	1
645	432W8501-63B	...	PANEL	038038 042046 051052	1
650	413A3214-141B	..	PANEL ASSY-DIVIDER	038038 042046 051052	1
655	SL2334-3A3	...	INSERT- SUPPLIER CODE: V97393	038038 042046 051052	21
660	BACI12AD3-14	...	INSERT	038038 042046 051052	2
665	432W8501-63B	...	PANEL	038038 042046 051052	1
670	65-5458-20E	..	HANDLE-ASSIST	038038 042046 051052	1
675	BACS12HN3-10	..	SCREW	038038 042046 051052	2
680	NAS1149D0332J	..	WASHER	038038 042046 051052	2
685	66-4302	..	COLLAR	038038 042046 051052	2

MISSING ITEM NUMBERS NOT APPLICABLE

- ITEM NOT ILLUSTRATED

HAP

25-24-15-55B

BOEING PROPRIETARY - Copyright © - Unpublished Work - See title page for details.

25-24-15
FIG. 55B
PAGE 11
FEB 15/09

BOEING
737-600/700/800/900
PARTS CATALOG (MAINTENANCE)

FIG ITEM	PART NUMBER	1 2 3 4 5 6 7	NOMENCLATURE	EFFECT FROM TO	UNITS PER ASSY
55B 690	65-5458-21E	..	NUT	038038 042046 051052	2
695	413A3214-139B	..	PANEL ASSY-OUTBD	038038 042046 051052	1
700	SL2334-3A3	...	INSERT- SUPPLIER CODE: V97393	038038 042046 051052	4
705	BACI12AD3-14	...	INSERT	038038 042046 051052	2
710	413A3214-159B	..	PANEL ASSY-FLOOR	038038 042046 051052	1
715	432W8501-53B	...	PANEL ASSY	038038 042046 051052	1
720	BACB30NN3K20	..	BOLT	038038 042046 051052	4
725	PLH53CD	..	NUT SUPPLIER CODE: VFO224 SPECIFICATION NUMBER: BACN10YR3CD OPTIONAL PART: H52732-3CD V15653	038038 042046 051052	4
730	413N3215-181B	..	DOUBLER	038038 042046 051052	1
735	413N3109-662B	..	CLEVIS ASSY	038038 042046 051052	1
740	BACB28X4C038	...	BUSHING	038038 042046 051052	2
745	413N3109-663B	...	CLEVIS	038038 042046 051052	1
750	BACB30PW4-18	..	BOLT	038038 042046 051052	2
755	BACW10BP4P	..	WASHER	038038 042046 051052	4

MISSING ITEM NUMBERS NOT APPLICABLE

— ITEM NOT ILLUSTRATED

HAP

25-24-15-55B

BOEING PROPRIETARY - Copyright © - Unpublished Work - See title page for details.

25-24-15
FIG. 55B
PAGE 12
FEB 15/09

BOEING
737-600/700/800/900
PARTS CATALOG (MAINTENANCE)

FIG ITEM	PART NUMBER	1 2 3 4 5 6 7	NOMENCLATURE	EFFECT FROM TO	UNITS PER ASSY
55B 760	PLH53CD		..NUT SUPPLIER CODE: VF0224 SPECIFICATION NUMBER: BACN10YR3CD OPTIONAL PART: H52732-3CD V15653	038038 042046 051052	2
765	44585-20		..FITTING- SUPPLIER CODE: V31272	038038 042046 051052	1
770	43995-23		..FITTING-SEAT TRACK SUPPLIER CODE: V31272	038038 042046 051052	1
775	69-66152-9		..FITTING	038038 042046 051052	2
- 780	BACB30NN3K5		ATTACHING PARTS ..BOLT	038038 042046 051052	6
785	413N3211-687		-----*----- ..BRACKET	038038 042046 051052	2
- 790	BACS12ER3K5		ATTACHING PARTS ..SCREW	038038 042046 051052	AR
795	413N3211-701		-----*----- ..FILLER ASSY	038038 042046 051052	2

MISSING ITEM NUMBERS NOT APPLICABLE

- ITEM NOT ILLUSTRATED

HAP

25-24-15-55B

BOEING PROPRIETARY - Copyright © - Unpublished Work - See title page for details.

25-24-15
FIG. 55B
PAGE 13
FEB 15/09

BOEING
737-600/700/800/900
PARTS CATALOG (MAINTENANCE)

FIG ITEM	PART NUMBER	1 2 3 4 5 6 7	NOMENCLATURE	EFFECT FROM TO	UNITS PER ASSY
55B 800	MF53049-3		...NUTPLATE SUPPLIER CODE: V15653 SPECIFICATION NUMBER: BACN10JN3 OPTIONAL PART: BRFM20A3 V52828 MF1000-3BAC V15653 NS103218-02 V80539 RMF9201M3 V72962 VN252A02 V92215 T8124S3S V11815 ATTACHING PARTS	038038 042046 051052	3
- 805	BACR15BA3A		...RIVET- SIZE DETERMINED ON INSTL. -----*-----	038038 042046 051052	6
810	413N3211-702		...FILLER	038038 042046 051052	1
815	413A3111-79B		..WINDSCREEN ASSY	038038 042046 051052	1
820	SL2334-3A3		...INSERT- SUPPLIER CODE: V97393	038038 042046 051052	97
825	SL2334-3A8		...INSERT- SUPPLIER CODE: V97393	038038 042046 051052	2
830	BACI12AD3-14		...INSERT	038038 042046 051052	3
835	GAB2007-1		...FITTING-BASSINET SUPPLIER CODE: V62063	038038 042046 051052	3
840	GAB2007-2-090		...SLEEVE-BASSINET SUPPLIER CODE: V62063	038038 042046 051052	3
845	413A3007-104B		..PLATE-COVER ATTACHING PARTS	051052	1
- 850	BACS12FA3K6		..SCREW -----*-----	051052	6
855	413T3150-40		..RACEWAY	051052	1

MISSING ITEM NUMBERS NOT APPLICABLE

- ITEM NOT ILLUSTRATED

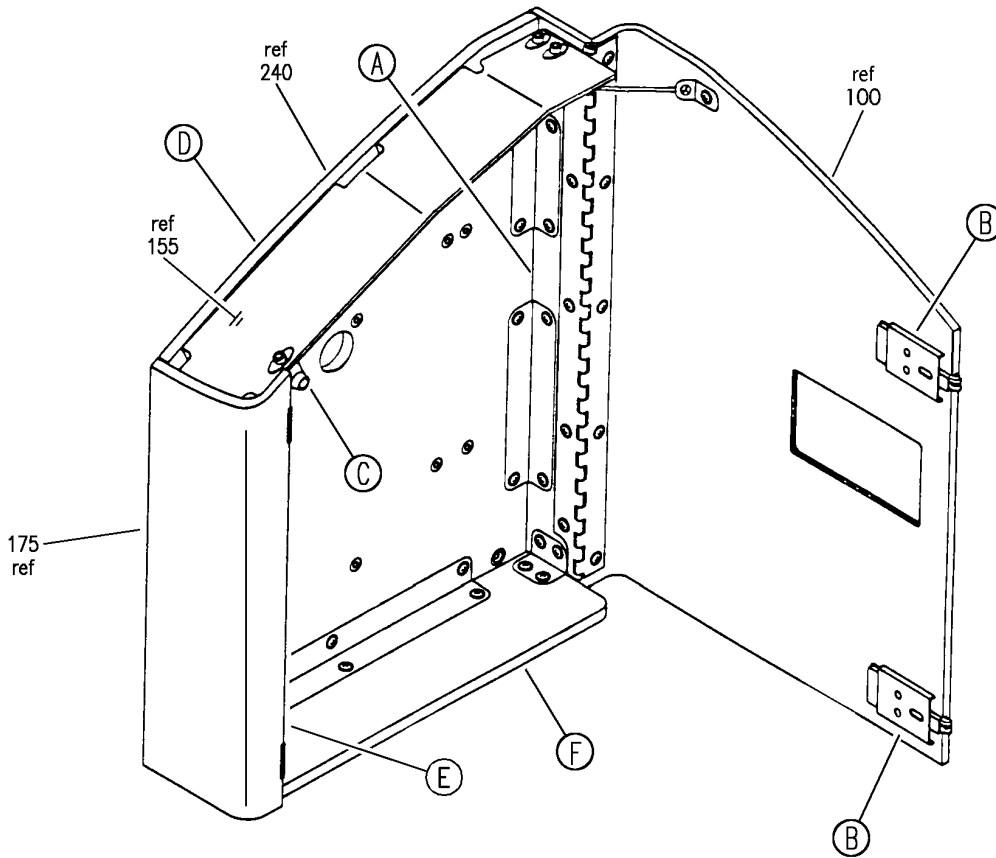
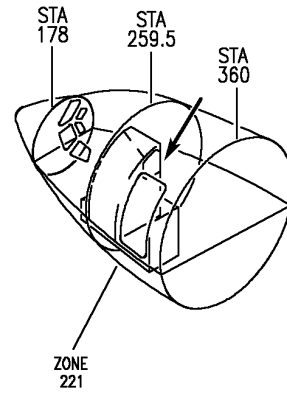
HAP

25-24-15-55B

BOEING PROPRIETARY - Copyright © - Unpublished Work - See title page for details.

25-24-15
FIG. 55B
PAGE 14
FEB 15/09

BOEING
 737-600/700/800/900
 PARTS CATALOG (MAINTENANCE)



E 25241591G SHT 1 REV 146

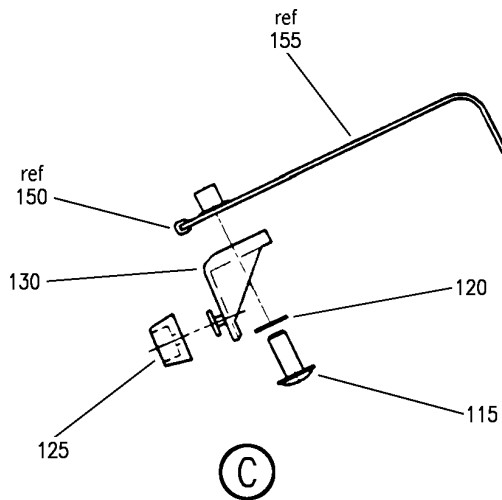
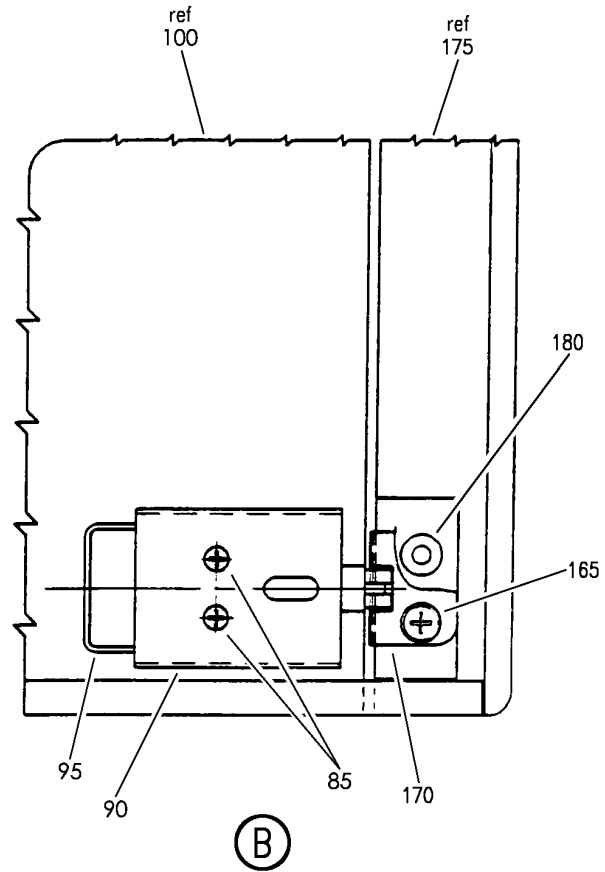
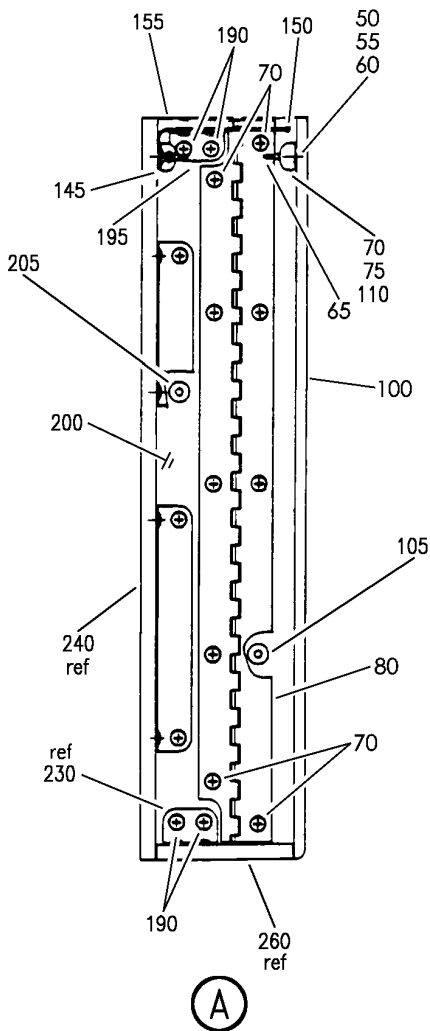
BOX ASSY-STOWAGE
 FIGURE 91G (SHEET 1)

25-24-15-91G

HAP
 OCT 15/08

25-24-15-91G
 PAGE 0

BOEING
 737-600/700/800/900
 PARTS CATALOG (MAINTENANCE)



E 25241591G SHT 2 REV 146

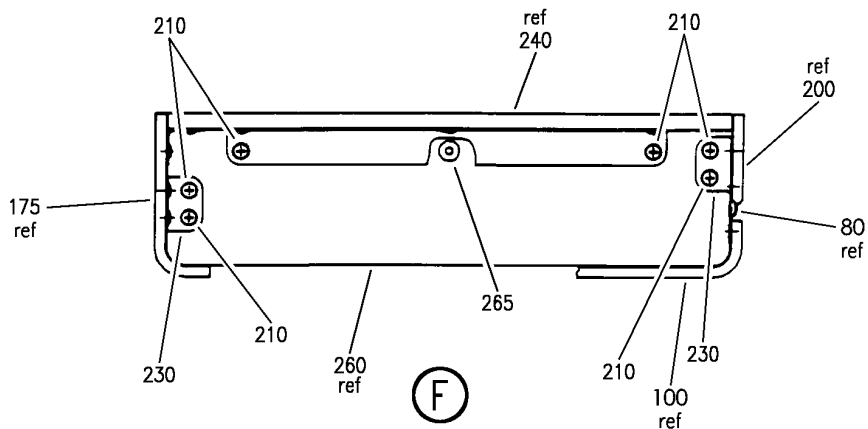
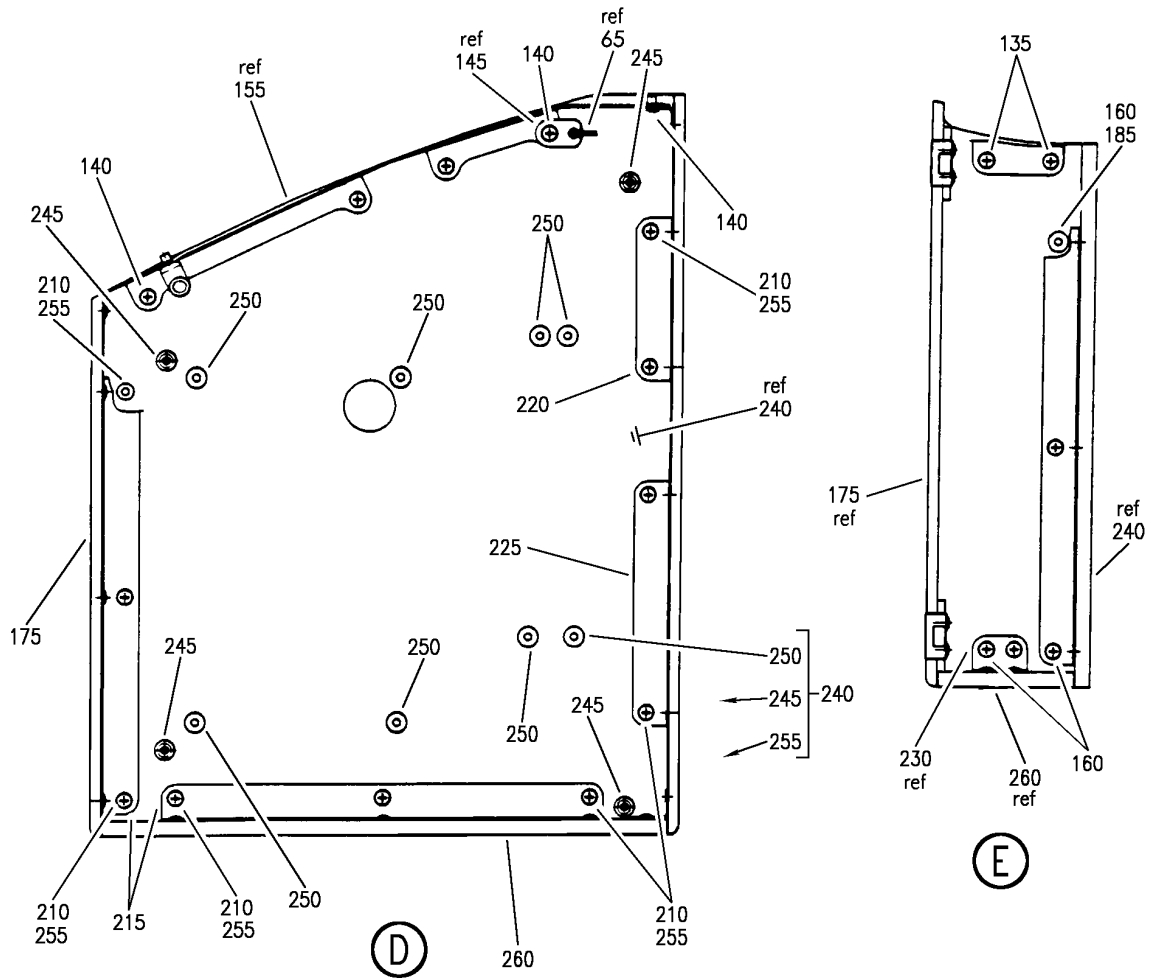
BOX ASSY-STOWAGE
 FIGURE 91G (SHEET 2)

25-24-15-91G

HAP
 OCT 15/08

25-24-15-91G
 PAGE 0A


BOEING
 737-600/700/800/900
PARTS CATALOG (MAINTENANCE)



E 25241591G SHT 3 REV 146

BOX ASSY-STOWAGE
 FIGURE 91G (SHEET 3)

25-24-15-91G

HAP
OCT 15/08

25-24-15-91G
 PAGE 0B

BOEING
737-600/700/800/900
PARTS CATALOG (MAINTENANCE)

FIG ITEM	PART NUMBER	1 2 3 4 5 6 7	NOMENCLATURE	EFFECT FROM TO	UNITS PER ASSY
91G					
- 1	H0656-108B		BOX ASSY-STOWAGE BOX ASSY-STOWAGE SUPPLIER CODE: V12794 SPECIFICATION NUMBER: S416A130-2023 COMPONENT MAINT MANUAL REF: 25-21-01 FOR NHA SEE: 25-64-51-85G	107200 107200	RF
50	NAS601-4P	.	SCREW	107200	2
55	NAS1149DN632	.	WASHER	107200	2
60	MS21042L06	.	NUT	107200	2
65	S2420-12	.	LANYARD- SUPPLIER CODE: V12794	107200	1
70	BACS12FA3K3	.	SCREW	107200	11
75	H0662-11	.	ANGLE- SUPPLIER CODE: V12794	107200	1
80	H0663-1	.	HINGE- SUPPLIER CODE: V12794	107200	1
85	NAS601-4P	.	SCREW	107200	4
90	H0662-9	.	CHANNEL- SUPPLIER CODE: V12794	107200	2
95	SAM222-11	.	LATCH ASSY- SUPPLIER CODE: V31845	107200	2
100	H0660-5B	.	PANEL ASSY-DOOR SUPPLIER CODE: V12794	107200	1
105	SL6224-3A	..	INSERT- SUPPLIER CODE: V97393	107200	5
110	NAS1836-3-07	..	INSERT	107200	1
115	BACS12FA3K8	.	SCREW	107200	1
120	MS35333-39	.	WASHER	107200	1
125	412N1245-1	.	BUMPER- SUPPLIER CODE: V12794	107200	1
130	412N1162-1	.	BRACKET- SUPPLIER CODE: V81205	107200	1
135	BACS12FA3K3	.	SCREW	107200	2
140	BACS12FA3K5	.	SCREW	107200	6

MISSING ITEM NUMBERS NOT APPLICABLE

- ITEM NOT ILLUSTRATED

HAP

25-24-15-91G

BOEING PROPRIETARY - Copyright © - Unpublished Work - See title page for details.

25-24-15
FIG. 91G
PAGE 1
OCT 15/08

BOEING
737-600/700/800/900
PARTS CATALOG (MAINTENANCE)

FIG ITEM	PART NUMBER	1 2 3 4 5 6 7	NOMENCLATURE	EFFECT FROM TO	UNITS PER ASSY
91G 145	H0662-13		.ANGLE- SUPPLIER CODE: V12794	107200	1
150	BACG20ZA002000		.GROMMET	107200	1
155	H0661-5		.TOP- SUPPLIER CODE: V12794	107200	1
160	BACS12FA3K3		.SCREW	107200	7
165	BACS12FA3K4		.SCREW	107200	4
170	S1031-15		.STRIKER ASSY- SUPPLIER CODE: V12794	107200	2
175	H0659-7B		.PANEL ASSY- SUPPLIER CODE: V12794 POSITION DATA: SIDE	107200	1
180	NAS1836-3-11		..INSERT	107200	4
185	SL6224-3A		..INSERT- SUPPLIER CODE: V97393	107200	7
190	BACS12FA3K3		.SCREW	107200	8
195	H0662-15		.ANGLE ASSY- SUPPLIER CODE: V12794	107200	1
200	H0659-9B		.PANEL- SUPPLIER CODE: V12794 POSITION DATA: SIDE	107200	1
205	SL6224-3A		..INSERT- SUPPLIER CODE: V97393	107200	15
210	BACS12FA3K5		.SCREW	107200	17
215	H0662-7		.ANGLE- SUPPLIER CODE: V12794	107200	2
220	H0662-3		.ANGLE- SUPPLIER CODE: V12794	107200	1
225	H0662-5		.ANGLE- SUPPLIER CODE: V12794	107200	1
230	H0662-1		.ANGLE- SUPPLIER CODE: V12794	107200	2
- 235	H0662-1		.ANGLE- SUPPLIER CODE: V12794	107200	1

MISSING ITEM NUMBERS NOT APPLICABLE

- ITEM NOT ILLUSTRATED

HAP

25-24-15-91G

BOEING PROPRIETARY - Copyright © - Unpublished Work - See title page for details.

25-24-15
FIG. 91G
PAGE 2
OCT 15/08

BOEING
737-600/700/800/900
PARTS CATALOG (MAINTENANCE)

FIG ITEM	PART NUMBER	1 2 3 4 5 6 7	NOMENCLATURE	EFFECT FROM TO	UNITS PER ASSY
91G 240	H0657-24B		.PANEL ASSY- SUPPLIER CODE: V12794 POSITION DATA: BACK	107200	1
245	NAS1834A3K420		..INSERT	107200	4
250	SL2334-3A1		..INSERT- SUPPLIER CODE: V97393	107200	8
255	NAS1836-3-11		..INSERT	107200	17
260	H0658-2		.PANEL ASSY- SUPPLIER CODE: V12794 POSITION DATA: BOTTOM	107200	1
265	SL2334-3A1		..INSERT- SUPPLIER CODE: V97393	107200	7

MISSING ITEM NUMBERS NOT APPLICABLE

— ITEM NOT ILLUSTRATED

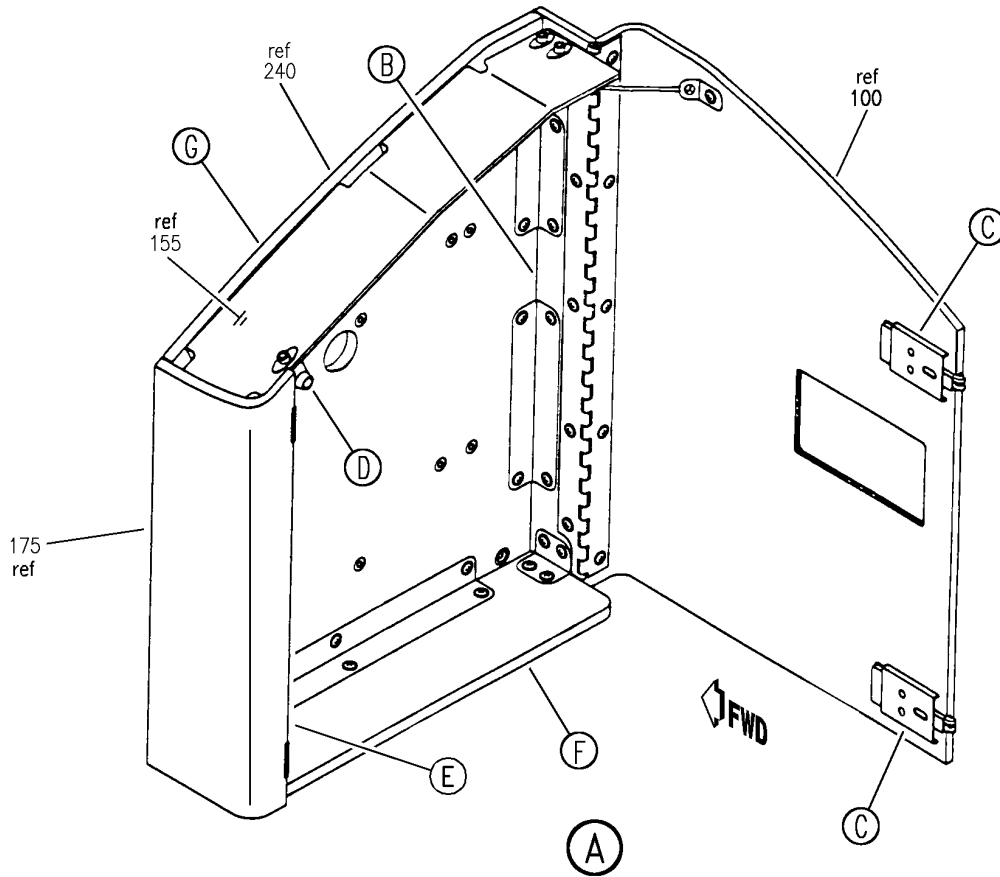
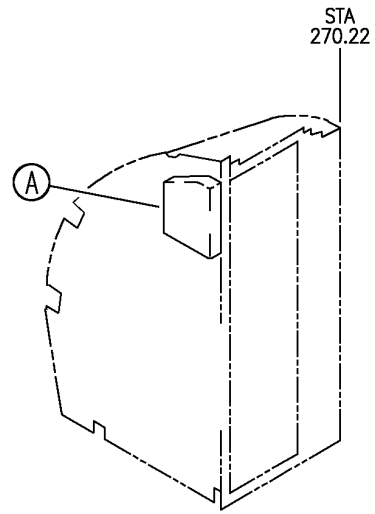
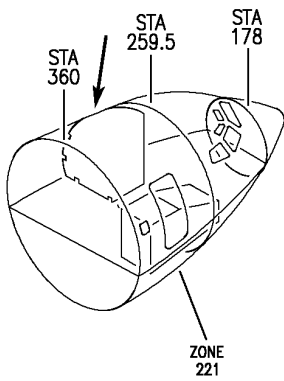
HAP

25-24-15-91G

BOEING PROPRIETARY - Copyright © - Unpublished Work - See title page for details.

25-24-15
FIG. 91G
PAGE 3
OCT 15/08

BOEING
737-600/700/800/900
PARTS CATALOG (MAINTENANCE)



E 25241592B SHT 1 REV 122

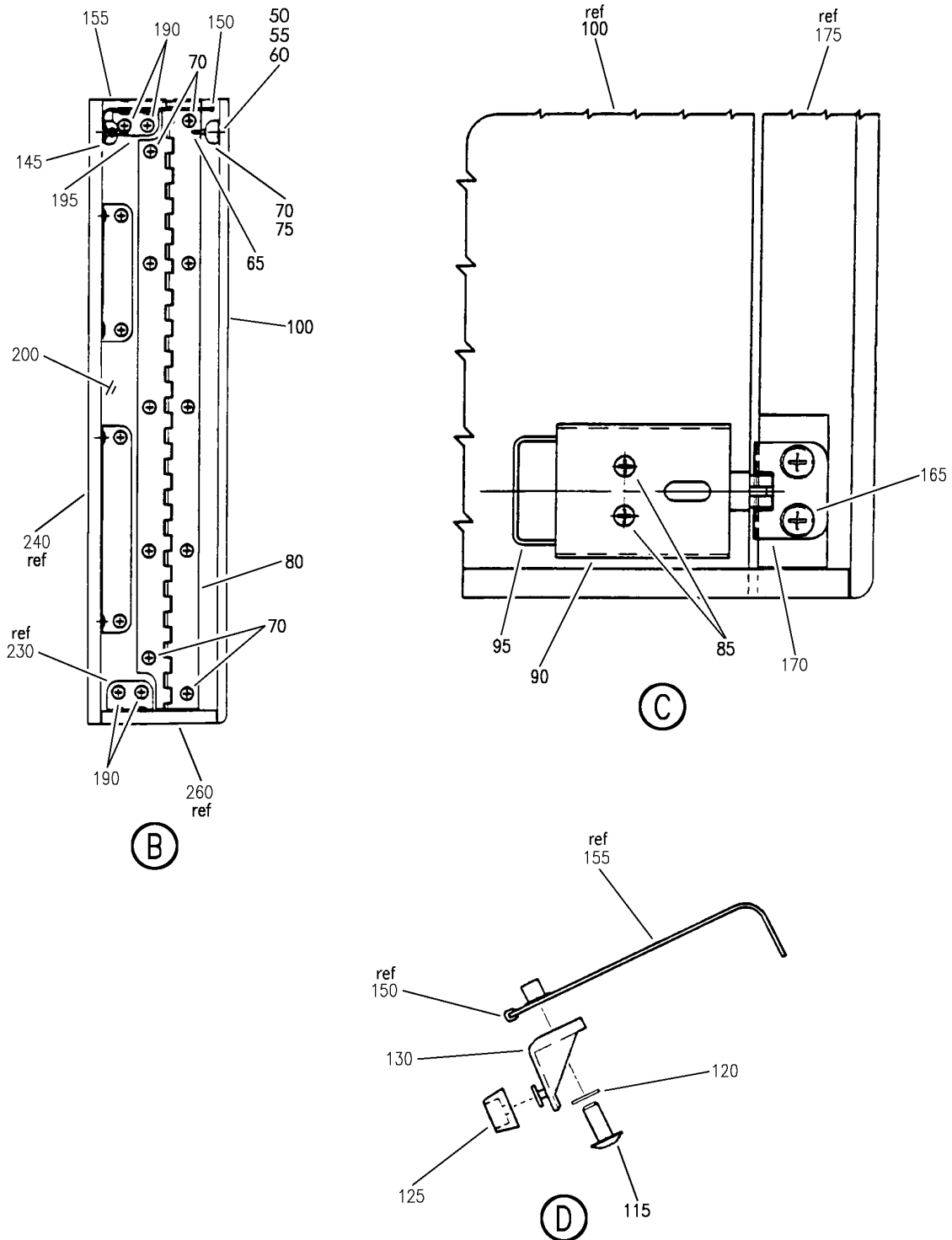
BOX ASSY-STORAGE
FIGURE 92B (SHEET 1)

25-24-15-92B

HAP
FEB 10/07

25-24-15-92B
PAGE 0

BOEING
 737-600/700/800/900
 PARTS CATALOG (MAINTENANCE)



E 25241592B SHT 2 REV 122

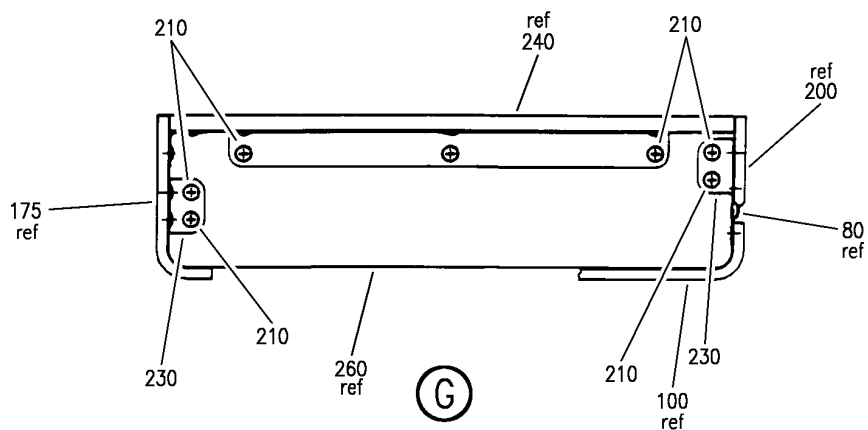
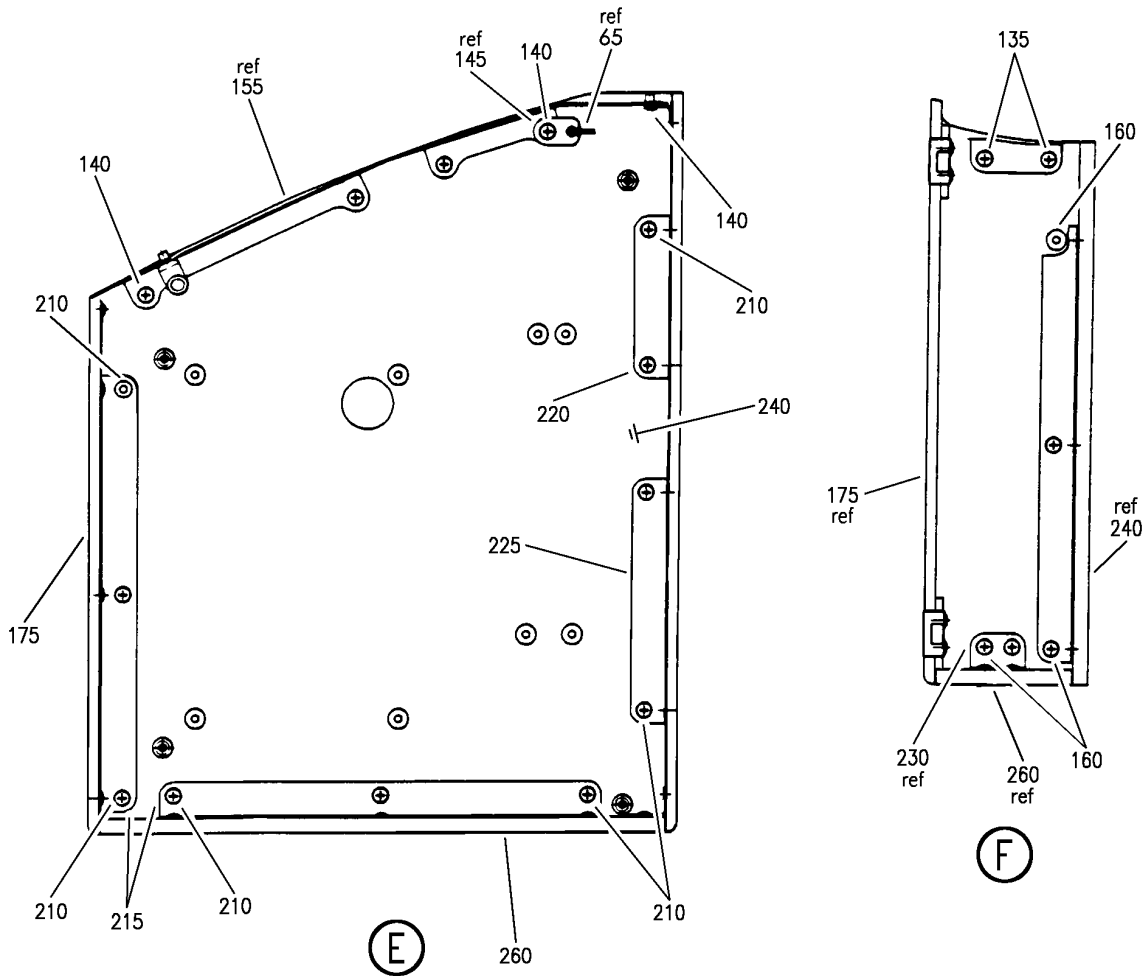
BOX ASSY-STOWAGE
 FIGURE 92B (SHEET 2)

25-24-15-92B

HAP
 FEB 10/07

25-24-15-92B
 PAGE 0A


BOEING
 737-600/700/800/900
PARTS CATALOG (MAINTENANCE)



E 25241592B SHT 3 REV 122

BOX ASSY-STOWAGE
 FIGURE 92B (SHEET 3)

25-24-15-92B

HAP
FEB 10/07

25-24-15-92B
 PAGE 0B

BOEING
737-600/700/800/900
PARTS CATALOG (MAINTENANCE)

FIG ITEM	PART NUMBER	1 2 3 4 5 6 7	NOMENCLATURE	EFFECT FROM TO	UNITS PER ASSY
92B			BOX ASSY-STOWAGE	038038 042046 051052	
- 1	H0656-103B		BOX ASSY-STOWAGE SUPPLIER CODE: V12794 SPECIFICATION NUMBER: S416A130-2005 COMPONENT MAINT MANUAL REF: 25-21-01 FOR NHA SEE: 25-64-51-71A	038038 042046 051052	RF
50	NAS601-4P		.SCREW	038038 042046 051052	2
55	NAS1149DN632		.WASHER	038038 042046 051052	2
60	MS21042L06		.NUT	038038 042046 051052	2
65	S2420-12		.LANYARD- SUPPLIER CODE: V12794	038038 042046 051052	1
70	BACS12FA3K3		.SCREW	038038 042046 051052	11
75	H0662-11		.ANGLE- SUPPLIER CODE: V12794	038038 042046 051052	1
80	H0663-1		.HINGE- SUPPLIER CODE: V12794	038038 042046 051052	1
85	NAS601-4P		.SCREW	038038 042046 051052	4
90	H0662-9		.CHANNEL- SUPPLIER CODE: V12794	038038 042046 051052	2
95	SAM222-11		.LATCH ASSY- SUPPLIER CODE: V31845	038038 042046 051052	2
100	H0660-5B		.PANEL ASSY-DOOR SUPPLIER CODE: V12794	038038 042046 051052	1
- 105	SL6224-3A		..INSERT- SUPPLIER CODE: V97393	038038 042046 051052	5

MISSING ITEM NUMBERS NOT APPLICABLE

- ITEM NOT ILLUSTRATED

HAP

25-24-15-92B

BOEING PROPRIETARY - Copyright © - Unpublished Work - See title page for details.

25-24-15
FIG. 92B
PAGE 1
FEB 15/09

BOEING
737-600/700/800/900
PARTS CATALOG (MAINTENANCE)

FIG ITEM	PART NUMBER	1 2 3 4 5 6 7	NOMENCLATURE	EFFECT FROM TO	UNITS PER ASSY
92B					
115	BACS12FA3K8	.	SCREW	038038 042046 051052	1
120	MS35333-39	.	WASHER	038038 042046 051052	1
125	412N1245-1	.	BUMPER- SUPPLIER CODE: V12794	038038 042046 051052	1
130	412N1162-1	.	BRACKET- SUPPLIER CODE: V81205	038038 042046 051052	1
135	BACS12FA3K3	.	SCREW	038038 042046 051052	2
140	BACS12FA3K5	.	SCREW	038038 042046 051052	6
145	H0662-13	.	ANGLE- SUPPLIER CODE: V12794	038038 042046 051052	1
150	BACG20ZA002000	.	GROMMET	038038 042046 051052	1
155	H0661-5	.	TOP- SUPPLIER CODE: V12794	038038 042046 051052	1
160	BACS12FA3K3	.	SCREW	038038 042046 051052	7
165	BACS12FA3K4	.	SCREW	038038 042046 051052	4
170	S1031-15	.	STRIKER ASSY- SUPPLIER CODE: V12794	038038 042046 051052	2
175	H0659-7B	.	PANEL ASSY-SIDE SUPPLIER CODE: V12794	038038 042046 051052	1
- 185	SL6224-3A	..	INSERT- SUPPLIER CODE: V97393	038038 042046 051052	7
190	BACS12FA3K3	.	SCREW	038038 042046 051052	8
195	H0662-15	.	ANGLE ASSY- SUPPLIER CODE: V12794	038038 042046 051052	1

MISSING ITEM NUMBERS NOT APPLICABLE

- ITEM NOT ILLUSTRATED

HAP

25-24-15-92B

BOEING PROPRIETARY - Copyright © - Unpublished Work - See title page for details.

25-24-15
FIG. 92B
PAGE 2
FEB 15/09

BOEING
737-600/700/800/900
PARTS CATALOG (MAINTENANCE)

FIG ITEM	PART NUMBER	1 2 3 4 5 6 7	NOMENCLATURE	EFFECT FROM TO	UNITS PER ASSY
92B 200	H0659-9B		.PANEL-SIDE SUPPLIER CODE: V12794	038038 042046 051052	1
- 205	SL6224-3A		..INSERT- SUPPLIER CODE: V97393	038038 042046 051052	15
210	BACS12FA3K5		.SCREW	038038 042046 051052	17
215	H0662-7		.ANGLE- SUPPLIER CODE: V12794	038038 042046 051052	2
220	H0662-3		.ANGLE- SUPPLIER CODE: V12794	038038 042046 051052	1
225	H0662-5		.ANGLE- SUPPLIER CODE: V12794	038038 042046 051052	1
230	H0662-1		.ANGLE- SUPPLIER CODE: V12794	038038 042046 051052	2
- 235	H0662-1		.ANGLE- SUPPLIER CODE: V12794	038038 042046 051052	1
240	H0657-12B		.PANEL ASSY-BACK SUPPLIER CODE: V12794	038038 042046 051052	1
- 250	SL2334-3A1		..INSERT- SUPPLIER CODE: V97393	038038 042046 051052	8
260	H0658-2		.PANEL ASSY-BOTTOM SUPPLIER CODE: V12794	038038 042046 051052	1
- 265	SL2334-3A1		..INSERT- SUPPLIER CODE: V97393	038038 042046 051052	7

MISSING ITEM NUMBERS NOT APPLICABLE

- ITEM NOT ILLUSTRATED

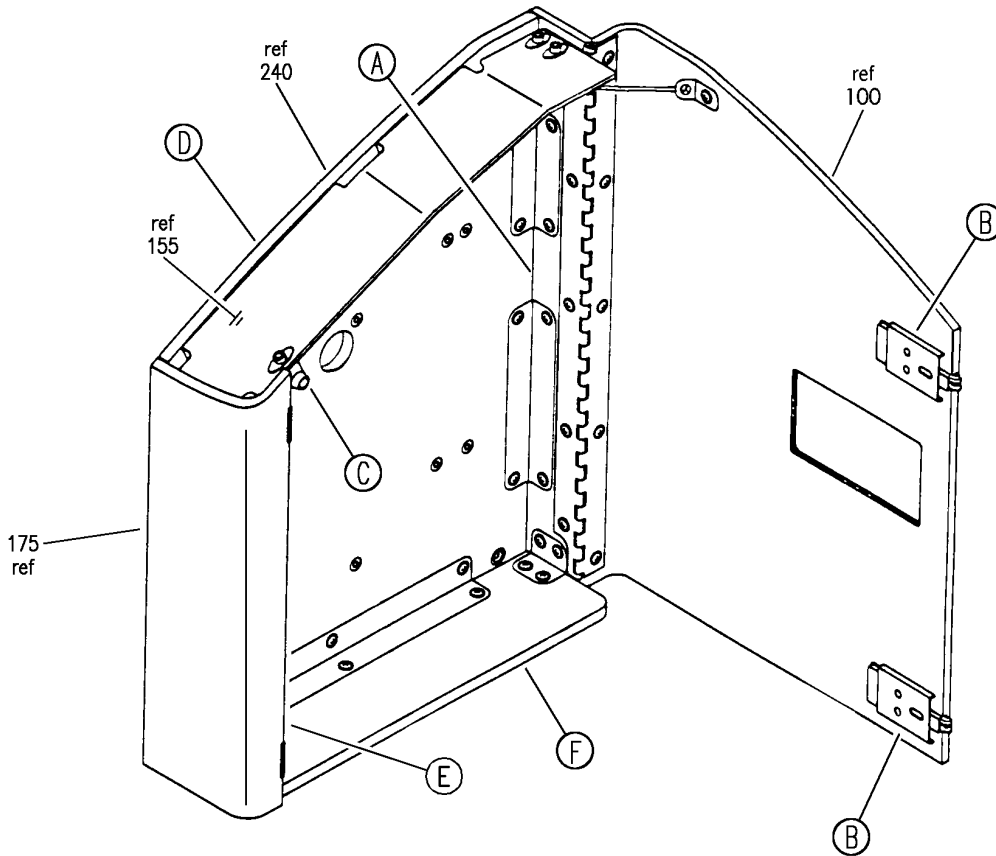
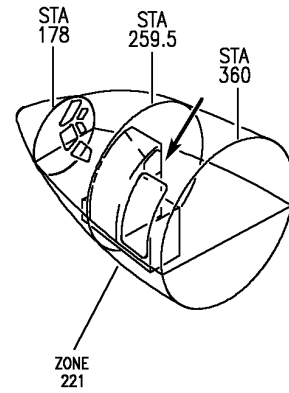
HAP

25-24-15-92B

BOEING PROPRIETARY - Copyright © - Unpublished Work - See title page for details.

25-24-15
FIG. 92B
PAGE 3
FEB 15/09

BOEING
 737-600/700/800/900
 PARTS CATALOG (MAINTENANCE)



E 25241592G SHT 1 REV 133

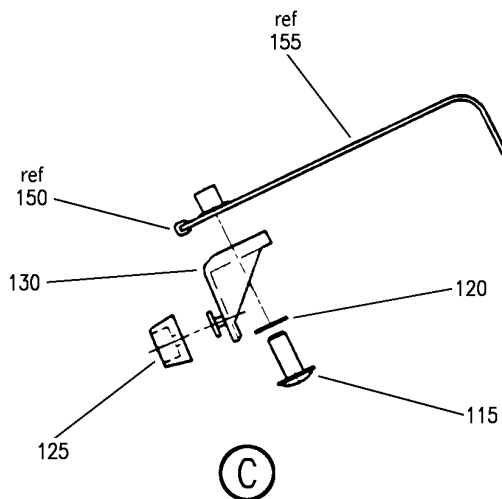
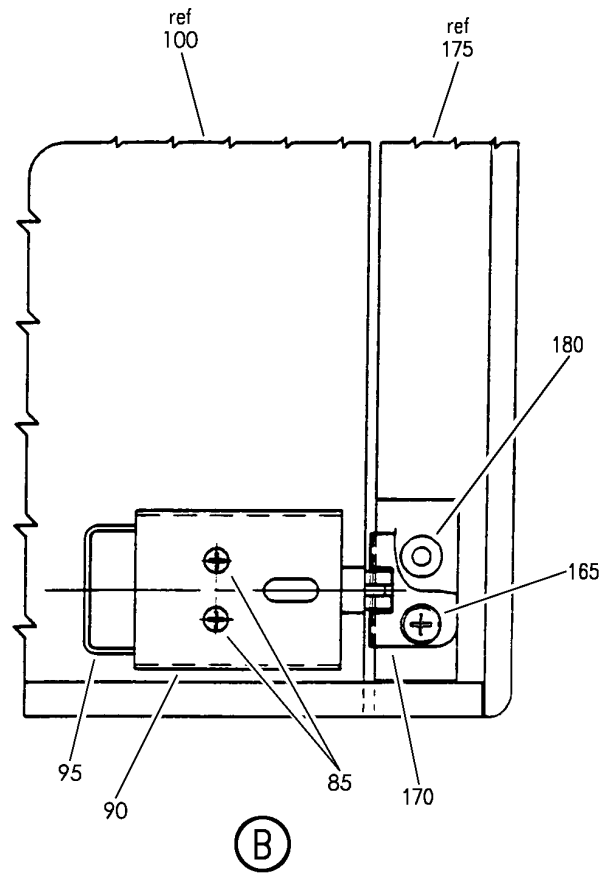
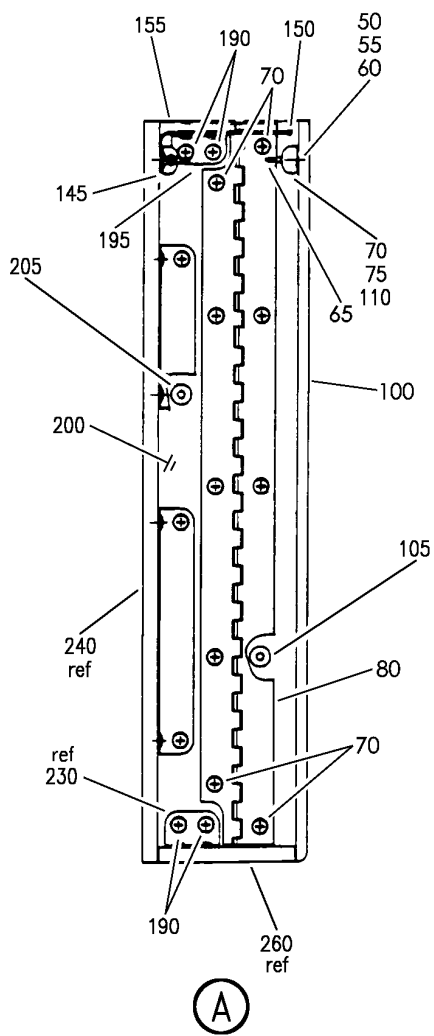
BOX ASSY-STOWAGE
 FIGURE 92G (SHEET 1)

25-24-15-92G

HAP
 OCT 10/07

25-24-15-92G
 PAGE 0

BOEING
 737-600/700/800/900
 PARTS CATALOG (MAINTENANCE)



E 25241592G SHT 2 REV 133

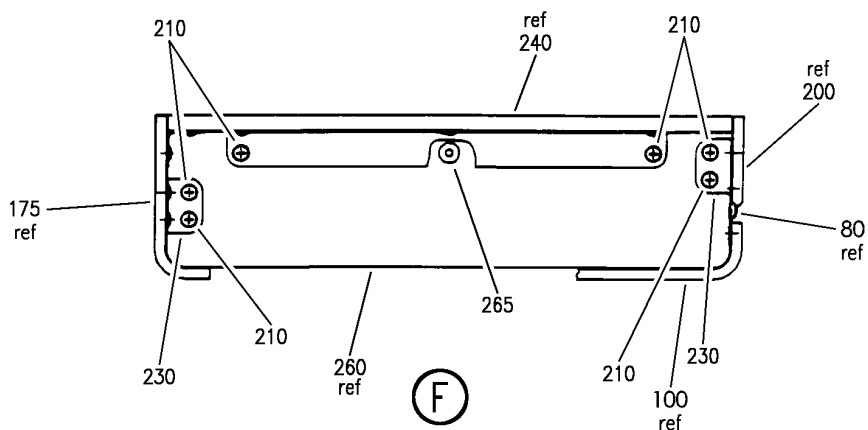
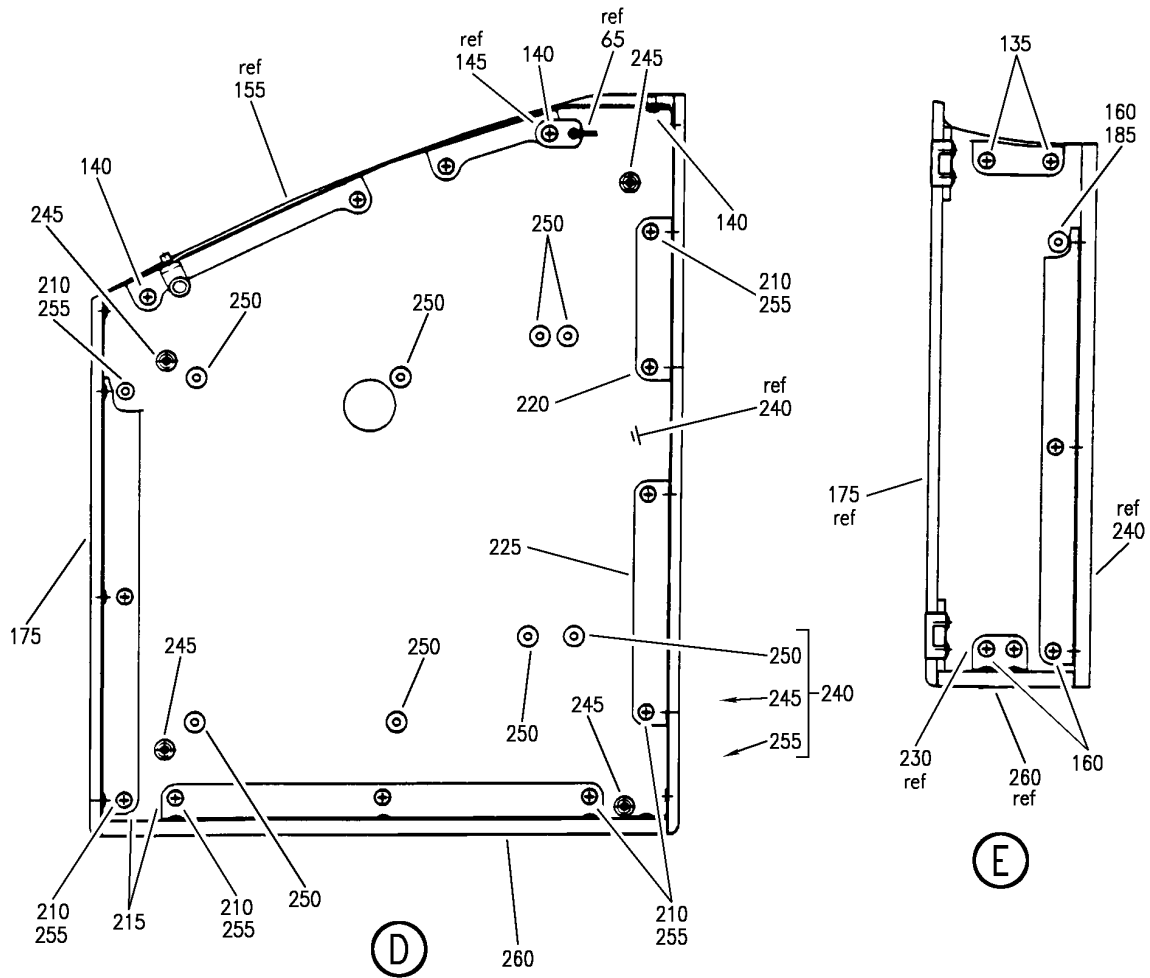
BOX ASSY-STOWAGE
 FIGURE 92G (SHEET 2)

25-24-15-92G

HAP
 OCT 10/07

25-24-15-92G
 PAGE 0A

BOEING
737-600/700/800/900
PARTS CATALOG (MAINTENANCE)



E 25241592G SHT 3 REV 133

BOX ASSY-STOWAGE
FIGURE 92G (SHEET 3)

25-24-15-92G

HAP
OCT 10/07

25-24-15-92G
PAGE 0B

BOEING
737-600/700/800/900
PARTS CATALOG (MAINTENANCE)

FIG ITEM	PART NUMBER	1 2 3 4 5 6 7	NOMENCLATURE	EFFECT FROM TO	UNITS PER ASSY
92G			BOX ASSY-STOWAGE	041041 047047 049049 054100	
- 1	H0656-108B		BOX ASSY-STOWAGE SUPPLIER CODE: V12794 SPECIFICATION NUMBER: S416A130-2023 COMPONENT MAINT MANUAL REF: 25-21-01 FOR NHA SEE: 25-64-51-87F	041041 047047 049049 054100	RF
50	NAS601-4P		.SCREW	041041 047047 049049 054100	2
55	NAS1149DN632		.WASHER	041041 047047 049049 054100	2
60	MS21042L06		.NUT	041041 047047 049049 054100	2
65	S2420-12		.LANYARD- SUPPLIER CODE: V12794	041041 047047 049049 054100	1
70	BACS12FA3K3		.SCREW	041041 047047 049049 054100	11
75	H0662-11		.ANGLE- SUPPLIER CODE: V12794	041041 047047 049049 054100	1
80	H0663-1		.HINGE- SUPPLIER CODE: V12794	041041 047047 049049 054100	1
85	NAS601-4P		.SCREW	041041 047047 049049 054100	4
90	H0662-9		.CHANNEL- SUPPLIER CODE: V12794	041041 047047 049049 054100	2

MISSING ITEM NUMBERS NOT APPLICABLE

- ITEM NOT ILLUSTRATED

HAP

25-24-15-92G

BOEING PROPRIETARY - Copyright © - Unpublished Work - See title page for details.

25-24-15
FIG. 92G
PAGE 1
FEB 15/09

BOEING
737-600/700/800/900
PARTS CATALOG (MAINTENANCE)

FIG ITEM	PART NUMBER	1 2 3 4 5 6 7	NOMENCLATURE	EFFECT FROM TO	UNITS PER ASSY
92G 95	SAM222-11		.LATCH ASSY- SUPPLIER CODE: V31845	041041 047047 049049 054100	2
100	H0660-5B		.PANEL ASSY-DOOR SUPPLIER CODE: V12794	041041 047047 049049 054100	1
105	SL6224-3A		..INSERT- SUPPLIER CODE: V97393	041041 047047 049049 054100	5
110	NAS1836-3-07		..INSERT	041041 047047 049049 054100	1
115	BACS12FA3K8		.SCREW	041041 047047 049049 054100	1
120	MS35333-39		.WASHER	041041 047047 049049 054100	1
125	412N1245-1		.BUMPER- SUPPLIER CODE: V12794	041041 047047 049049 054100	1
130	412N1162-1		.BRACKET- SUPPLIER CODE: V81205	041041 047047 049049 054100	1
135	BACS12FA3K3		.SCREW	041041 047047 049049 054100	2
140	BACS12FA3K5		.SCREW	041041 047047 049049 054100	6
145	H0662-13		.ANGLE- SUPPLIER CODE: V12794	041041 047047 049049 054100	1
150	BACG20ZA002000		.GROMMET	041041 047047 049049 054100	1

MISSING ITEM NUMBERS NOT APPLICABLE

— ITEM NOT ILLUSTRATED

HAP

25-24-15-92G

BOEING PROPRIETARY - Copyright © - Unpublished Work - See title page for details.

25-24-15
FIG. 92G
PAGE 2
FEB 15/09

BOEING
737-600/700/800/900
PARTS CATALOG (MAINTENANCE)

FIG ITEM	PART NUMBER	1 2 3 4 5 6 7	NOMENCLATURE	EFFECT FROM TO	UNITS PER ASSY
92G 155	H0661-5		.TOP- SUPPLIER CODE: V12794	041041 047047 049049 054100	1
160	BACS12FA3K3		.SCREW	041041 047047 049049 054100	7
165	BACS12FA3K4		.SCREW	041041 047047 049049 054100	4
170	S1031-15		.STRIKER ASSY- SUPPLIER CODE: V12794	041041 047047 049049 054100	2
175	H0659-7B		.PANEL ASSY- SUPPLIER CODE: V12794 POSITION DATA: SIDE	041041 047047 049049 054100	1
180	NAS1836-3-11		..INSERT	041041 047047 049049 054100	4
185	SL6224-3A		..INSERT- SUPPLIER CODE: V97393	041041 047047 049049 054100	7
190	BACS12FA3K3		.SCREW	041041 047047 049049 054100	8
195	H0662-15		.ANGLE ASSY- SUPPLIER CODE: V12794	041041 047047 049049 054100	1
200	H0659-9B		.PANEL- SUPPLIER CODE: V12794 POSITION DATA: SIDE	041041 047047 049049 054100	1
205	SL6224-3A		..INSERT- SUPPLIER CODE: V97393	041041 047047 049049 054100	15

MISSING ITEM NUMBERS NOT APPLICABLE

— ITEM NOT ILLUSTRATED

HAP

25-24-15-92G

BOEING PROPRIETARY - Copyright © - Unpublished Work - See title page for details.

25-24-15
FIG. 92G
PAGE 3
FEB 15/09

BOEING
737-600/700/800/900
PARTS CATALOG (MAINTENANCE)

FIG ITEM	PART NUMBER	1 2 3 4 5 6 7	NOMENCLATURE	EFFECT FROM TO	UNITS PER ASSY
92G 210	BACS12FA3K5	.	SCREW	041041 047047 049049 054100	17
215	H0662-7	.	ANGLE- SUPPLIER CODE: V12794	041041 047047 049049 054100	2
220	H0662-3	.	ANGLE- SUPPLIER CODE: V12794	041041 047047 049049 054100	1
225	H0662-5	.	ANGLE- SUPPLIER CODE: V12794	041041 047047 049049 054100	1
230	H0662-1	.	ANGLE- SUPPLIER CODE: V12794	041041 047047 049049 054100	2
- 235	H0662-1	.	ANGLE- SUPPLIER CODE: V12794	041041 047047 049049 054100	1
240	H0657-24B	.	PANEL ASSY- SUPPLIER CODE: V12794 POSITION DATA: BACK	041041 047047 049049 054100	1
245	NAS1834A3K420	..	INSERT	041041 047047 049049 054100	4
250	SL2334-3A1	..	INSERT- SUPPLIER CODE: V97393	041041 047047 049049 054100	8
255	NAS1836-3-11	..	INSERT	041041 047047 049049 054100	17
260	H0658-2	.	PANEL ASSY- SUPPLIER CODE: V12794 POSITION DATA: BOTTOM	041041 047047 049049 054100	1

MISSING ITEM NUMBERS NOT APPLICABLE

- ITEM NOT ILLUSTRATED

HAP

25-24-15-92G

BOEING PROPRIETARY - Copyright © - Unpublished Work - See title page for details.

25-24-15
FIG. 92G
PAGE 4
FEB 15/09

BOEING
737-600/700/800/900
PARTS CATALOG (MAINTENANCE)

FIG ITEM	PART NUMBER	1 2 3 4 5 6 7 NOMENCLATURE	EFFECT FROM TO	UNITS PER ASSY
92G 265	SL2334-3A1	.. INSERT- SUPPLIER CODE: V97393	041041 047047 049049 054100	7

MISSING ITEM NUMBERS NOT APPLICABLE

— ITEM NOT ILLUSTRATED

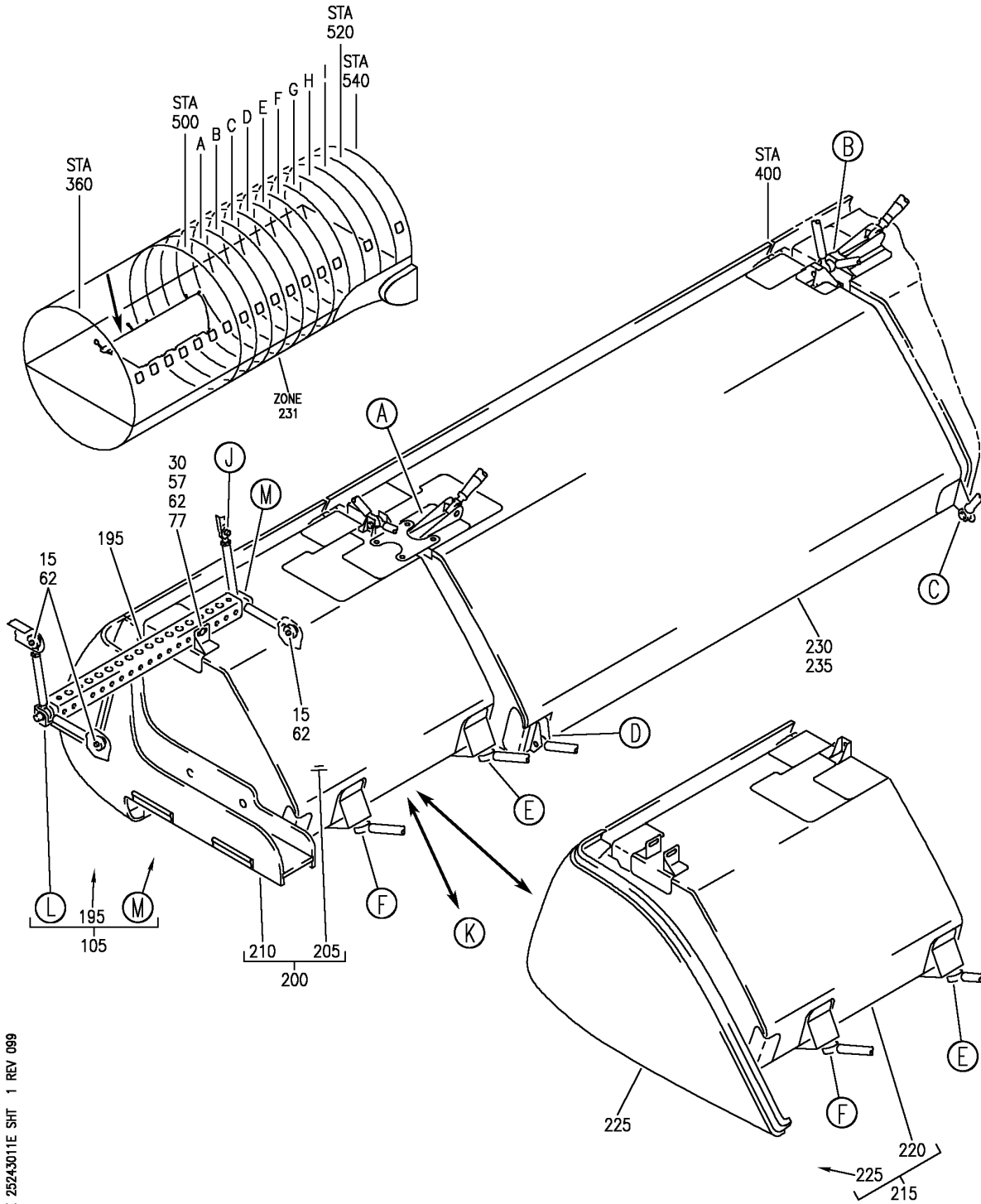
HAP

25-24-15-92G

BOEING PROPRIETARY - Copyright © - Unpublished Work - See title page for details.

25-24-15
FIG. 92G
PAGE 5
FEB 15/09

BOEING
 737-600/700/800/900
 PARTS CATALOG (MAINTENANCE)



E 25243011E SHT 1 REV 089

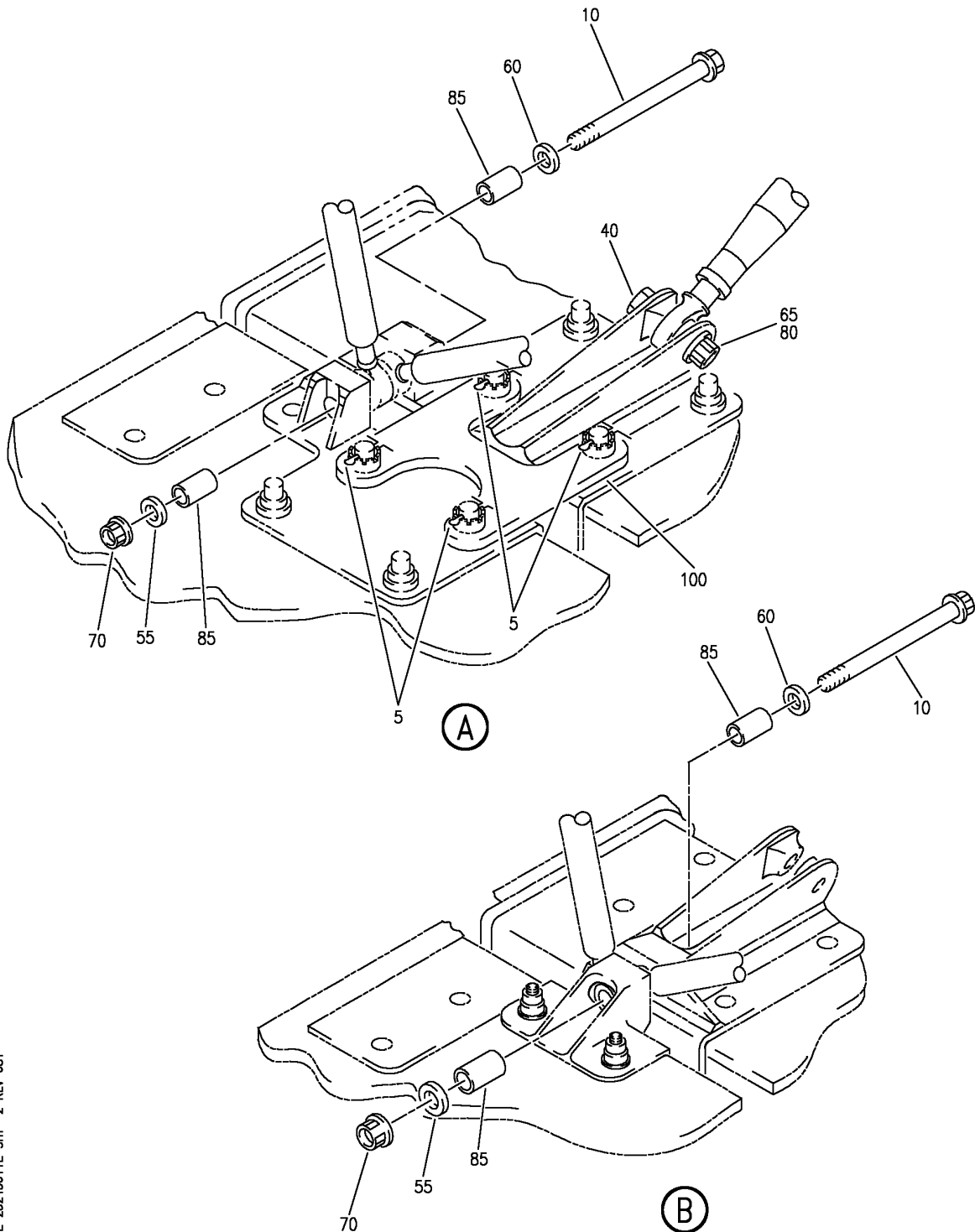
COMPARTMENT INSTL-FWD LH OVHD STOWAGE HNDRL CONFIGURATION
 FIGURE 11E (SHEET 1)

25-24-30-11E

HAP
 OCT 10/06

25-24-30-11E
 PAGE 0

BOEING
 737-600/700/800/900
 PARTS CATALOG (MAINTENANCE)



E 25243011E SHT 2 REV 081

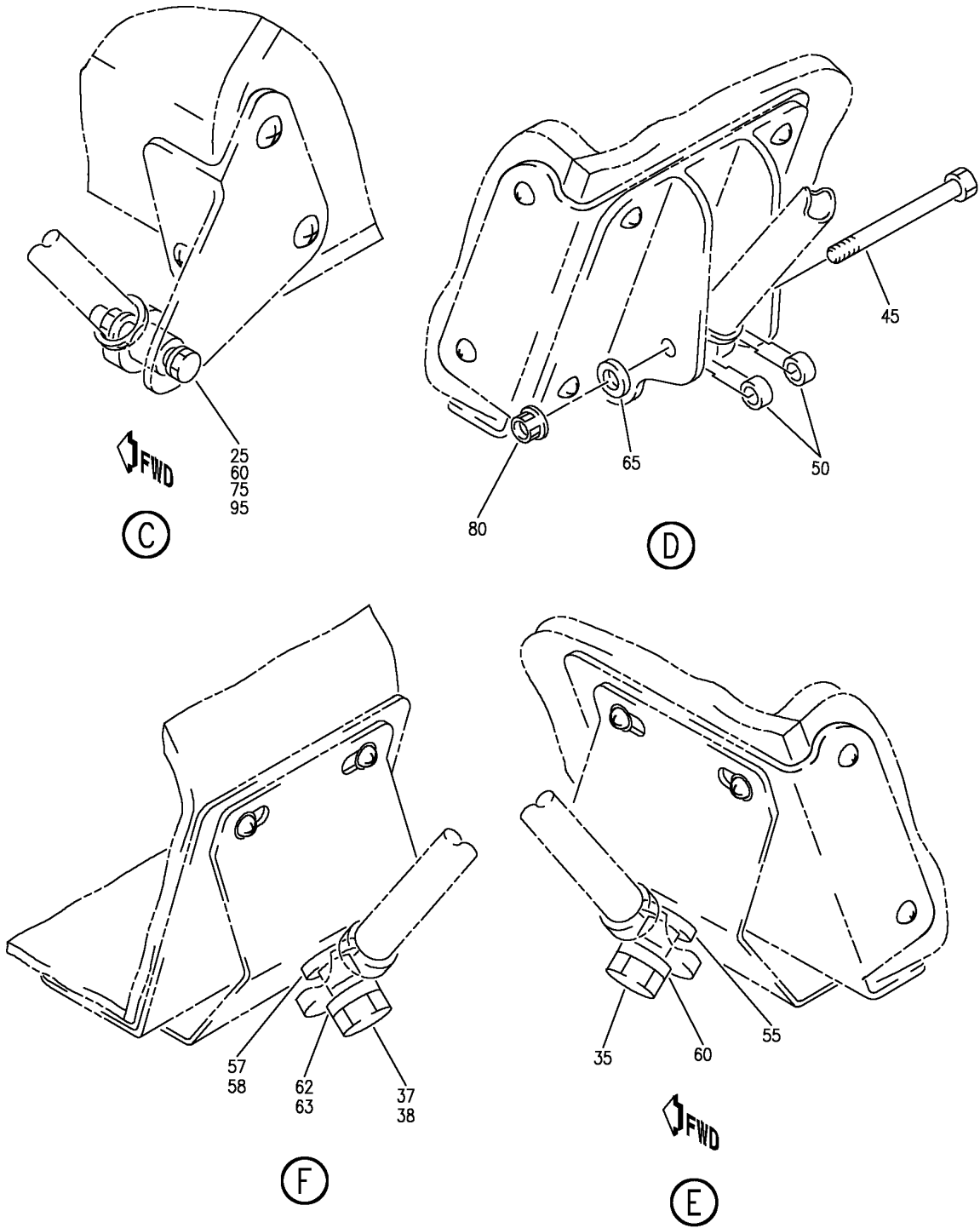
COMPARTMENT INSTL-FWD LH OVHD STOWAGE HNDRL CONFIGURATION
 FIGURE 11E (SHEET 2)

25-24-30-11E

HAP
 OCT 10/06

25-24-30-11E
 PAGE 0A

BOEING
 737-600/700/800/900
 PARTS CATALOG (MAINTENANCE)



E 25243011E SHT 3 REV 089

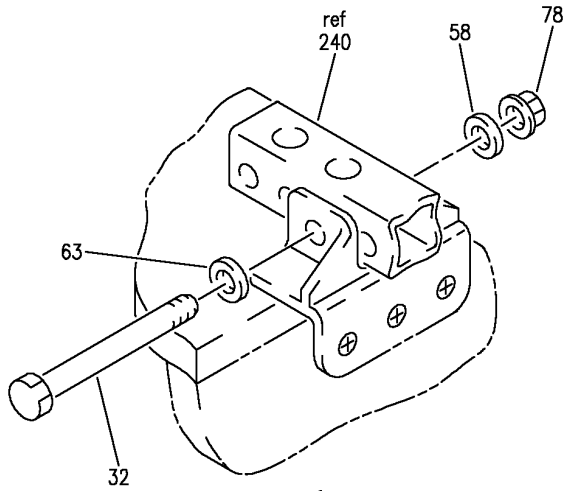
COMPARTMENT INSTL-FWD LH OVHD STOWAGE HNDRL CONFIGURATION
 FIGURE 11E (SHEET 3)

25-24-30-11E

HAP
 OCT 10/06

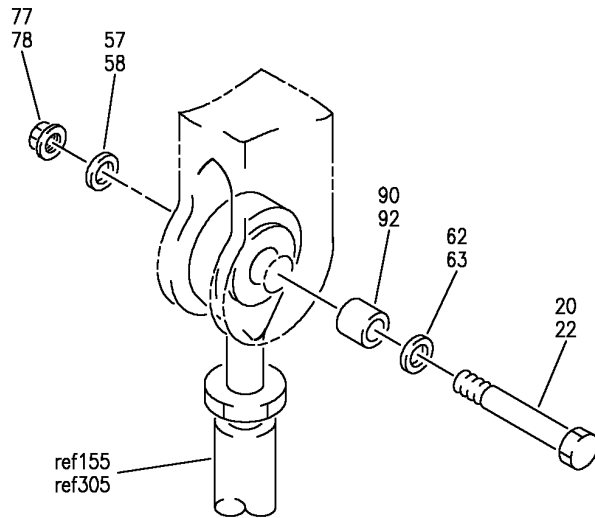
25-24-30-11E
 PAGE 0B

BOEING
 737-600/700/800/900
 PARTS CATALOG (MAINTENANCE)



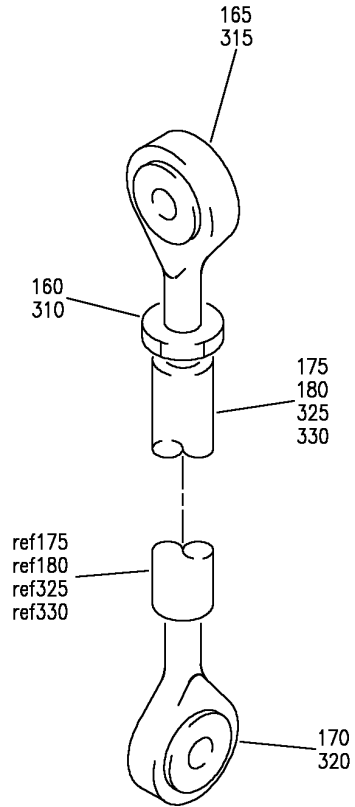
FWD

(G)



FWD

(J)



(H)

E 25243011E SHT 4 REV 089

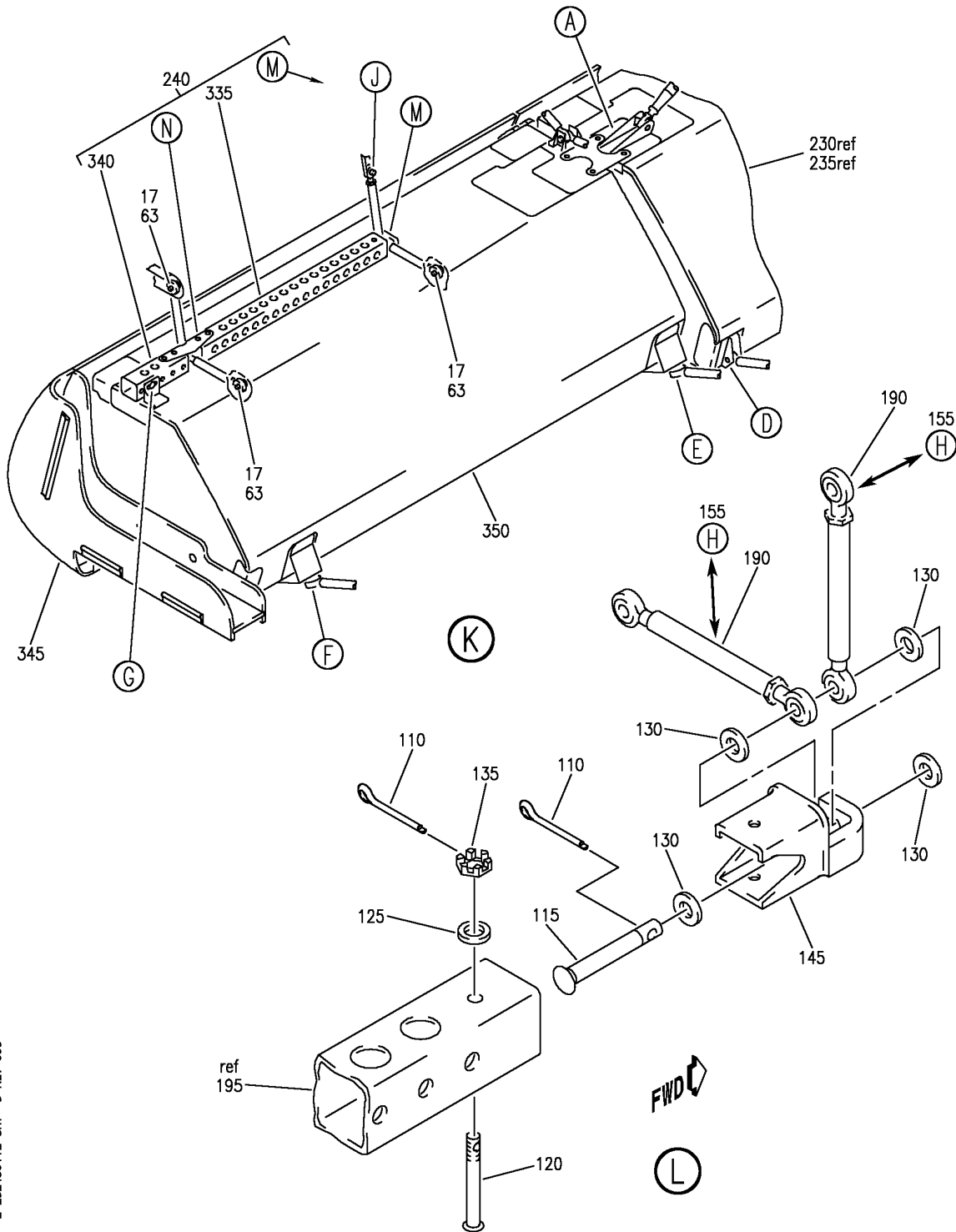
COMPARTMENT INSTL-FWD LH OVHD STOWAGE HNDRL CONFIGURATION
 FIGURE 11E (SHEET 4)

25-24-30-11E

HAP
 OCT 10/06

25-24-30-11E
 PAGE 0C

BOEING
 737-600/700/800/900
 PARTS CATALOG (MAINTENANCE)



E 25243011E SHT 5 REV 089

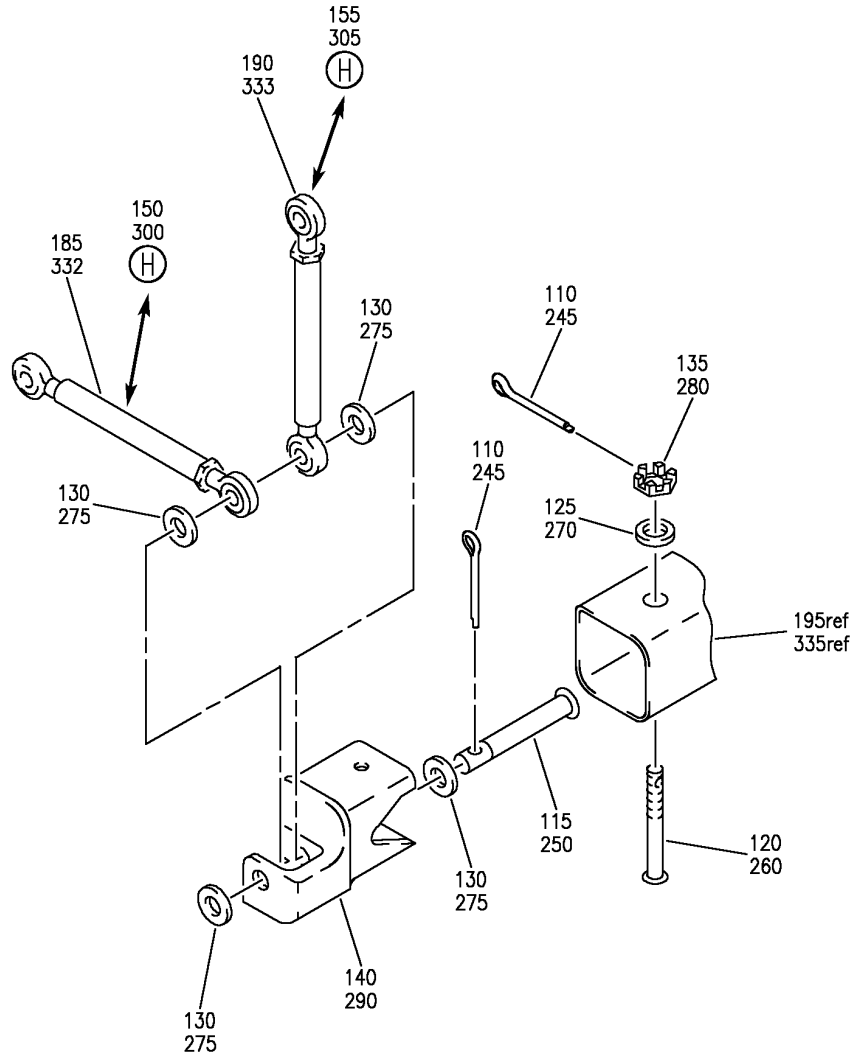
COMPARTMENT INSTL-FWD LH OVHD STOWAGE HNDRL CONFIGURATION
 FIGURE 11E (SHEET 5)

25-24-30-11E

HAP
 OCT 10/06

25-24-30-11E
 PAGE 0D

BOEING
 737-600/700/800/900
 PARTS CATALOG (MAINTENANCE)



FWD

(M)

E 25243011E SHT 6 REV 099

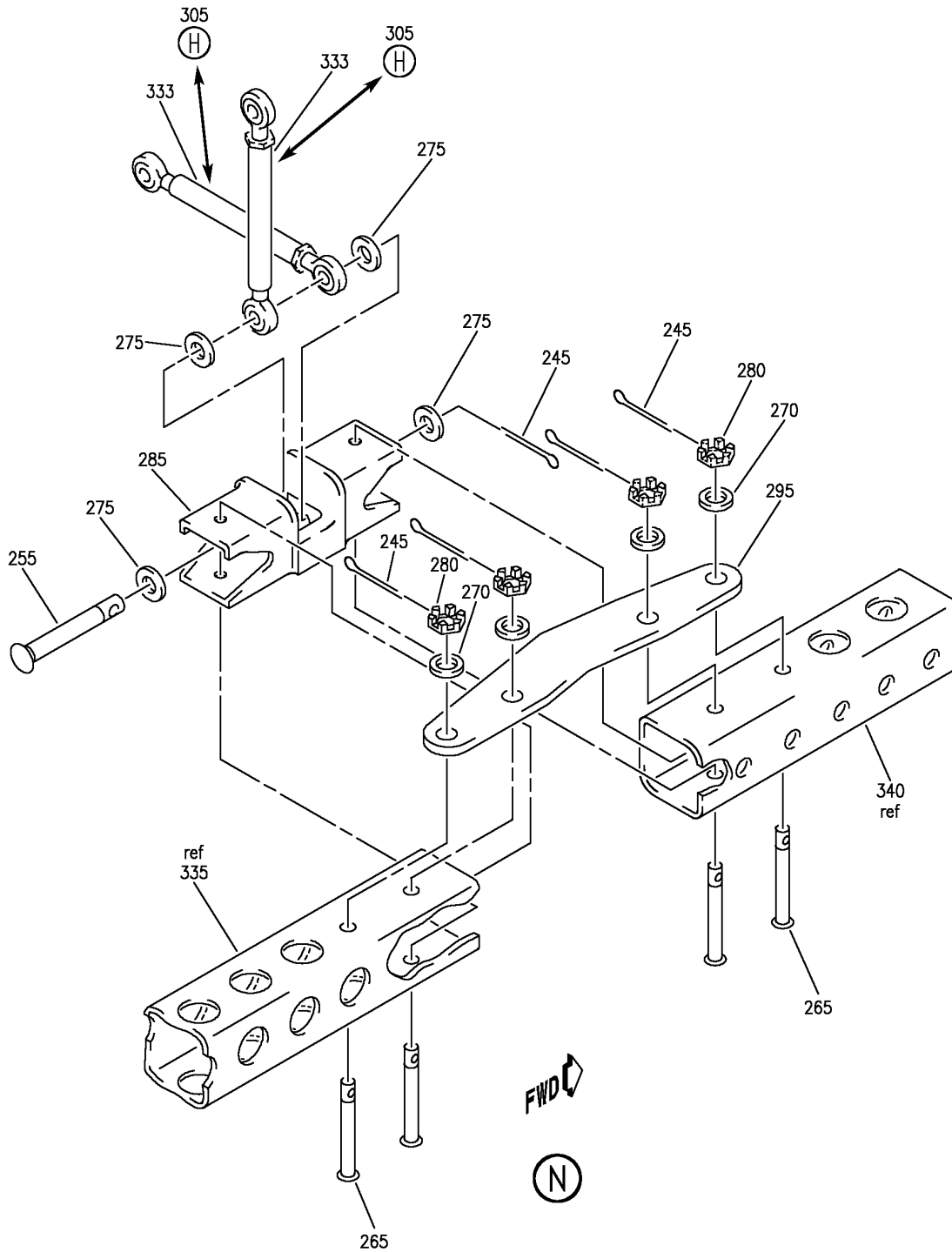
COMPARTMENT INSTL-FWD LH OVHD STOWAGE HNDRL CONFIGURATION
 FIGURE 11E (SHEET 6)

25-24-30-11E

HAP
 OCT 10/06

25-24-30-11E
 PAGE 0E

BOEING
 737-600/700/800/900
 PARTS CATALOG (MAINTENANCE)



E 25243011E SHT 7 REV 089

COMPARTMENT INSTL-FWD LH OVHD STOWAGE HNDRL CONFIGURATION
 FIGURE 11E (SHEET 7)

25-24-30-11E

HAP
 OCT 10/06

25-24-30-11E
 PAGE OF

BOEING
737-600/700/800/900
PARTS CATALOG (MAINTENANCE)

FIG ITEM	PART NUMBER	1 2 3 4 5 6 7	NOMENCLATURE	EFFECT FROM TO	UNITS PER ASSY
11E			COMPARTMENT INSTL-FWD LH OVHD STOWAGE HNDRL CONFIGURATION	002005 008030	
- 1	412A1010-103SP		COMPARTMENT INSTL-OVHD STOWAGE HNDRL CONFIGURATION POSITION DATA: FWD LH FOR NHA SEE: 25-24-00-13A	002005	RF
- 1	412A1010-141SP		COMPARTMENT INSTL-OVHD STOWAGE HNDRL CONFIGURATION POSITION DATA: FWD LH FOR NHA SEE: 25-24-00-13A	008008	RF
- 1	412A1010-241SP		COMPARTMENT INSTL-OVHD STOWAGE HNDRL CONFIGURATION POSITION DATA: FWD LH FOR NHA SEE: 25-24-00-13A	009030	RF
5	BACP18BC02A06P		.PIN	002005 008030	4
10	BACB30US4K33		.BOLT	002005 008030	2
15	BACB30NR4K8		.BOLT- PRE SERVICE BULLETIN: 25-1542	002005 008030	3
17	BACB30NR4K8		.BOLT- POST SERVICE BULLETIN: 25-1542	002005 008014 016017 019030	3
20	BACB30NR4K12		.BOLT- PRE SERVICE BULLETIN: 25-1542	002005 008030	1
22	BACB30NR4K12		.BOLT- POST SERVICE BULLETIN: 25-1542	002005 008014 016017 019030	1
25	BACB30NR4K13		.BOLT	002005 008030	1
30	BACB30NR4K26		.BOLT- PRE SERVICE BULLETIN: 25-1542	002005 008030	1

MISSING ITEM NUMBERS NOT APPLICABLE

- ITEM NOT ILLUSTRATED

HAP

25-24-30-11E

BOEING PROPRIETARY - Copyright © - Unpublished Work - See title page for details.

25-24-30
FIG. 11E
PAGE 1
OCT 10/06

BOEING
737-600/700/800/900
PARTS CATALOG (MAINTENANCE)

FIG ITEM	PART NUMBER	1 2 3 4 5 6 7	NOMENCLATURE	EFFECT FROM TO	UNITS PER ASSY
11E					
32	BACB30NR4K26	.BOLT-	POST SERVICE BULLETIN: 25-1542	002005 008014 016017 019030	1
35	BACB30NR4K7	.BOLT		002005 008030	1
37	BACB30NR4K7	.BOLT-	PRE SERVICE BULLETIN: 25-1542	002005 008030	1
38	BACB30NR4K7	.BOLT-	POST SERVICE BULLETIN: 25-1542	002005 008014 016017 019030	1
40	BACB30PW4-12	.BOLT		002005 008030	1
45	BACB30PW4-16	.BOLT		002005 008030	1
50	412A1350-2	.SPACER		002005 008030	2
55	BACW10BP4DP	.WASHER		002005 008030	3
57	BACW10BP4DP	.WASHER-	PRE SERVICE BULLETIN: 25-1542	002005 008030	3
58	BACW10BP4DP	.WASHER-	POST SERVICE BULLETIN: 25-1542	002005 008014 016017 019030	3
60	BACW10BP4CD	.WASHER		002005 008030	4
62	BACW10BP4CD	.WASHER-	PRE SERVICE BULLETIN: 25-1542	002005 008030	6
63	BACW10BP4CD	.WASHER-	POST SERVICE BULLETIN: 25-1542	002005 008014 016017 019030	6
65	BACW10BP3DP	.WASHER		002005 008030	2

MISSING ITEM NUMBERS NOT APPLICABLE

— ITEM NOT ILLUSTRATED

HAP

25-24-30-11E

BOEING PROPRIETARY - Copyright © - Unpublished Work - See title page for details.

25-24-30
FIG. 11E
PAGE 2
OCT 10/06

BOEING
737-600/700/800/900
PARTS CATALOG (MAINTENANCE)

FIG ITEM	PART NUMBER	1 2 3 4 5 6 7	NOMENCLATURE	EFFECT FROM TO	UNITS PER ASSY
11E 70	BMN5024CWD34	.NUT	SUPPLIER CODE: V97928 SPECIFICATION NUMBER: BACN10HR4CD OPTIONAL PART: H51560-4 V15653 102CH9031-4 V72962 SL7108C428 V11815 67832CD428 V56878 BMN5024CWD3-4 V97928 BH00303CM4 V27238 SL7108C4 V11815 VCU0005D4 V06710 102LH90314 V72962 67832CD4 V56878 H964CD V15653 RMLH224CD V72962 VAL280094CD V06710 678324CD V56878 CR6030-4 VF0224	002005 008030	2
75	PLH54CD	.NUT	SUPPLIER CODE: VF0224 SPECIFICATION NUMBER: BACN10YR4CD OPTIONAL PART: H52732-4CD V15653	002005 008030	1

MISSING ITEM NUMBERS NOT APPLICABLE

— ITEM NOT ILLUSTRATED

HAP

25-24-30-11E

BOEING PROPRIETARY - Copyright © - Unpublished Work - See title page for details.

25-24-30
FIG. 11E
PAGE 3
FEB 15/09

BOEING
737-600/700/800/900
PARTS CATALOG (MAINTENANCE)

FIG ITEM	PART NUMBER	1 2 3 4 5 6 7	NOMENCLATURE	EFFECT FROM TO	UNITS PER ASSY
11E 77	PLH54CD	.NUT-	SUPPLIER CODE: VF0224 SPECIFICATION NUMBER: BACN10YR4CD OPTIONAL PART: H52732-4CD V15653 PRE SERVICE BULLETIN: 25-1542	002005 008030	2
78	PLH54CD	.NUT-	SUPPLIER CODE: VF0224 SPECIFICATION NUMBER: BACN10YR4CD OPTIONAL PART: H52732-4CD V15653 POST SERVICE BULLETIN: 25-1542	002005 008014 016017 019030	2
80	PLH53CD	.NUT	SUPPLIER CODE: VF0224 SPECIFICATION NUMBER: BACN10YR3CD OPTIONAL PART: H52732-3CD V15653	002005 008030	2
85	BACB28AK04-071	.BUSHING		002005 008030	4
90	BACB28AK04-025	.BUSHING-	PRE SERVICE BULLETIN: 25-1542	002005 008030	1
92	BACB28AK04-025	.BUSHING-	POST SERVICE BULLETIN: 25-1542	002005 008014 016017 019030	1
95	BACB28Z4-036	.BUSHING		002005 008030	1
100	412A1220-73	.PLATE-BIN JT		002005 008030	1
105	412A2251-9	.SUPPORT ASSY-RAIL	POSITION DATA: UPR PRE SERVICE BULLETIN: 25-1542	002005 008030	1
110	BACP18C02C06P	..PIN		002005 008030	4

MISSING ITEM NUMBERS NOT APPLICABLE

— ITEM NOT ILLUSTRATED

HAP

25-24-30-11E

BOEING PROPRIETARY - Copyright © - Unpublished Work - See title page for details.

25-24-30
FIG. 11E
PAGE 4
FEB 15/09

BOEING
737-600/700/800/900
PARTS CATALOG (MAINTENANCE)

FIG ITEM	PART NUMBER	1 2 3 4 5 6 7	NOMENCLATURE	EFFECT FROM TO	UNITS PER ASSY
11E					
115	MS20392-3C47	..	PIN	002005 008030	2
120	NAS8703AD22	..	BOLT- OPTIONAL PART: BACB30LH3K21	002005 008030	2
120	BACB30LH3K21	..	BOLT- OPTIONAL PART: NAS8703AD22	002005 008030	2
125	NAS1149D0332J	..	WASHER	002005 008030	2
130	NAS1515H4L	..	WASHER	002005 008030	8
135	BACN10JD103CD	..	NUT	002005 008030	2
140	412A1230-91	..	FITTING	002005 008030	1
145	412A1230-92	..	FITTING	002005 008030	1
150	65-80898-35	..	TURNBUCKLE ASSY- OPTIONAL PART: 1488-5 V34742	002005 008030	1
155	65-80898-37	..	TURNBUCKLE ASSY- OPTIONAL PART: 1488-7 V34742	002005 008030	3
160	AN316-4R	...	NUT	002005 008030	1
165	1486-3	...	ROD END ASSY- SUPPLIER CODE: V34742	002005 008030	1
170	1486-3L	...	ROD END ASSY- SUPPLIER CODE: V34742	002005 008030	1
175	65-81149-48	...	TUBE- USED ON: 65-80898-35	002005 008030	1
180	65-81149-49	...	TUBE- USED ON: 65-80898-37	002005 008030	1
185	1488-5	..	TURNBUCKLE ASSY- SUPPLIER CODE: V34742 OPTIONAL PART: 65-80898-35	002005 008030	1

MISSING ITEM NUMBERS NOT APPLICABLE

— ITEM NOT ILLUSTRATED

HAP

25-24-30-11E

BOEING PROPRIETARY - Copyright © - Unpublished Work - See title page for details.

25-24-30
FIG. 11E
PAGE 5
FEB 15/09

BOEING
737-600/700/800/900
PARTS CATALOG (MAINTENANCE)

FIG ITEM	PART NUMBER	1 2 3 4 5 6 7	NOMENCLATURE	EFFECT FROM TO	UNITS PER ASSY
11E 190	1488-7		.. ROD ASSY-TIE SUPPLIER CODE: V34742 OPTIONAL PART: 65-80898-37	002005 008030	3
195	412A2251-2		.. RAIL	002005 008030	1
200	412A1050-113SP		. COMPONENT ASSY- PRE SERVICE BULLETIN: 25-1373	002005	1
200	412A1050-291SP		. COMPONENT ASSY- PRE SERVICE BULLETIN: 25-1373	008008	1
200	412A1050-313SP		. COMPONENT ASSY- POST SERVICE BULLETIN: 25-1373 PRE SERVICE BULLETIN: 25-1542	002005	1
200	412A1050-491SP		. COMPONENT ASSY- POST SERVICE BULLETIN: 25-1373 PRE SERVICE BULLETIN: 25-1542	008030	1
205	412A1150-109SP		.. COMPARTMENT ASSY-25 IN. PRE SERVICE BULLETIN: 25-1373 FUNCTIONAL REFERENCE: EQUIPMENT/FURNISHINGS FOR DETAILS SEE 25-24-31-54 LIGHTS FOR DETAILS SEE 33-51-03-26	002005 008008	1
205	412A1150-309B		.. COMPARTMENT ASSY-25 IN. PRE SERVICE BULLETIN: 25-1542 FUNCTIONAL REFERENCE: EQUIPMENT/FURNISHINGS FOR DETAILS SEE 25-24-31-54 LIGHTS FOR DETAILS SEE 33-51-03-26	009030	1

MISSING ITEM NUMBERS NOT APPLICABLE

— ITEM NOT ILLUSTRATED

HAP

25-24-30-11E

BOEING PROPRIETARY - Copyright © - Unpublished Work - See title page for details.

25-24-30
FIG. 11E
PAGE 6
FEB 15/09

BOEING
737-600/700/800/900
PARTS CATALOG (MAINTENANCE)

FIG ITEM	PART NUMBER	1 2 3 4 5 6 7	NOMENCLATURE	EFFECT FROM TO	UNITS PER ASSY
11E 205	412A1150-309SP	..	COMPARTMENT ASSY-25 IN. POST SERVICE BULLETIN: 25-1373 PRE SERVICE BULLETIN: 25-1542 FUNCTIONAL REFERENCE: EQUIPMENT/FURNISHINGS FOR DETAILS SEE 25-24-31-54 LIGHTS FOR DETAILS SEE 33-51-03-26	002005 008008	1
210	412A1310-361SP	..	MOUNTING ASSY-END CAP POST SERVICE BULLETIN: 25-1360 PRE SERVICE BULLETIN: 25-1542 FOR DETAILS SEE: 25-24-33-40C	008030	1
210	412A1310-309SP	..	MOUNTING ASSY-END CAP PRE SERVICE BULLETIN: 25-1360 FOR DETAILS SEE: 25-24-33-40	002005	1
230	412A1050-121SP	.	COMPONENT ASSY- PRE SERVICE BULLETIN: 25-1373	002005 008008	1
230	412A1050-321SP	.	COMPONENT ASSY- POST SERVICE BULLETIN: 25-1373	002005 008030	1
235	412A1150-103SP	..	COMPARTMENT ASSY-60 IN. PRE SERVICE BULLETIN: 25-1373 FUNCTIONAL REFERENCE: EQUIPMENT/FURNISHINGS FOR DETAILS SEE 25-24-31-55 LIGHTS FOR DETAILS SEE 33-22-00-24	002005 008008	1
235	412A1150-303B	..	COMPARTMENT ASSY-60 IN. FUNCTIONAL REFERENCE: EQUIPMENT/FURNISHINGS FOR DETAILS SEE 25-24-31-55 LIGHTS FOR DETAILS SEE 33-22-00-24	009030	1

MISSING ITEM NUMBERS NOT APPLICABLE

— ITEM NOT ILLUSTRATED

HAP

25-24-30-11E

BOEING PROPRIETARY - Copyright © - Unpublished Work - See title page for details.

25-24-30
FIG. 11E
PAGE 7
OCT 10/06

BOEING
737-600/700/800/900
PARTS CATALOG (MAINTENANCE)

FIG ITEM	PART NUMBER	1 2 3 4 5 6 7	NOMENCLATURE	EFFECT FROM TO	UNITS PER ASSY
11E 235	412A1150-303SP	..	COMPARTMENT ASSY-60 IN. POST SERVICE BULLETIN: 25-1373 FUNCTIONAL REFERENCE: EQUIPMENT/FURNISHINGS FOR DETAILS SEE 25-24-31-55 LIGHTS FOR DETAILS SEE 33-22-00-24	002005 008008	1
240	412A2251-11	.S	SUPPORT ASSY-UPR RAIL POST SERVICE BULLETIN: 25-1542	002005 008014 016017 019030	1
245	BACP18BC02C06P	..	PIN	002005 008014 016017 019030	7
250	MS20392-3C47	..	PIN	002005 008014 016017 019030	1
255	MS20392-3C53	..	PIN	002005 008014 016017 019030	1
260	NAS8703AD22	..	BOLT- OPTIONAL PART: BACB30LH3K21	002005 008014 016017 019030	1
260	BACB30LH3K21	..	BOLT- OPTIONAL PART: NAS8703AD22	002005 008014 016017 019030	1
265	NAS8703AD23	..	BOLT- OPTIONAL PART: BACB30LH3K23	002005 008014 016017 019030	4
265	BACB30LH3K23	..	BOLT- OPTIONAL PART: NAS8703AD23	002005 008014 016017 019030	4
270	NAS1149D0332J	..	WASHER	002005 008014 016017 019030	5

MISSING ITEM NUMBERS NOT APPLICABLE

— ITEM NOT ILLUSTRATED

HAP

25-24-30-11E

BOEING PROPRIETARY - Copyright © - Unpublished Work - See title page for details.

25-24-30
FIG. 11E
PAGE 8
OCT 10/06

BOEING
737-600/700/800/900
PARTS CATALOG (MAINTENANCE)

FIG ITEM	PART NUMBER	1 2 3 4 5 6 7	NOMENCLATURE	EFFECT FROM TO	UNITS PER ASSY
11E 275	NAS1515H4L	..	WASHER	002005 008014 016017 019030	8
280	BACN10JD103CD	..	NUT-	002005 008014 016017 019030	5
285	412A1230-50	..	FITTING	002005 008014 016017 019030	1
290	412A1230-91	..	FITTING	002005 008014 016017 019030	1
295	412A1220-69	..	PLATE-TENSION	002005 008014 016017 019030	1
300	65-80898-35	..	TURNBUCKLE ASSY- OPTIONAL PART: 1488-5 V34742	002005 008014 016017 019030	1
305	65-80898-37	..	TURNBUCKLE ASSY- OPTIONAL PART: 1488-7 V34742	002005 008014 016017 019030	3
310	AN316-4R	...	NUT	002005 008014 016017 019030	1
315	1486-3	...	ROD END ASSY- SUPPLIER CODE: V34742	002005 008014 016017 019030	1
320	1486-3L	...	ROD END ASSY- SUPPLIER CODE: V34742	002005 008014 016017 019030	1
325	65-81149-48	...	TUBE- USED ON: 65-80898-35	002005 008014 016017 019030	1
330	65-81149-49	...	TUBE- USED ON: 65-80898-37	002005 008014 016017 019030	1

MISSING ITEM NUMBERS NOT APPLICABLE

- ITEM NOT ILLUSTRATED

HAP

25-24-30-11E

BOEING PROPRIETARY - Copyright © - Unpublished Work - See title page for details.

25-24-30
FIG. 11E
PAGE 9
OCT 10/06

BOEING
737-600/700/800/900
PARTS CATALOG (MAINTENANCE)

FIG ITEM	PART NUMBER	1 2 3 4 5 6 7	NOMENCLATURE	EFFECT FROM TO	UNITS PER ASSY
11E 332	1488-5		..TURNBUCKLE ASSY- SUPPLIER CODE: V34742 OPTIONAL PART: 65-80898-35	002005 008014 016017 019030	1
333	1488-7		..ROD ASSY- SUPPLIER CODE: V34742	002005 008014 016017 019030	3
335	412A2251-4		..RAIL	002005 008014 016017 019030	1
340	412A2251-5		..RAIL	002005 008014 016017 019030	1
345	412A1310-361SP		.MOUNTING ASSY- POST SERVICE BULLETIN: 25-1542 FOR DETAILS SEE: 25-24-33-40C	002005 008014 016017 019030	1
350	412A1150-335B		.COMPARTMENT ASSY-60 IN. POST SERVICE BULLETIN: 25-1542 FUNCTIONAL REFERENCE: EQUIPMENT/FURNISHINGS FOR DETAILS SEE 25-24-31-41B LIGHTS FOR DETAILS SEE 33-51-03-20	002005 008014 016017 019030	1

MISSING ITEM NUMBERS NOT APPLICABLE

— ITEM NOT ILLUSTRATED

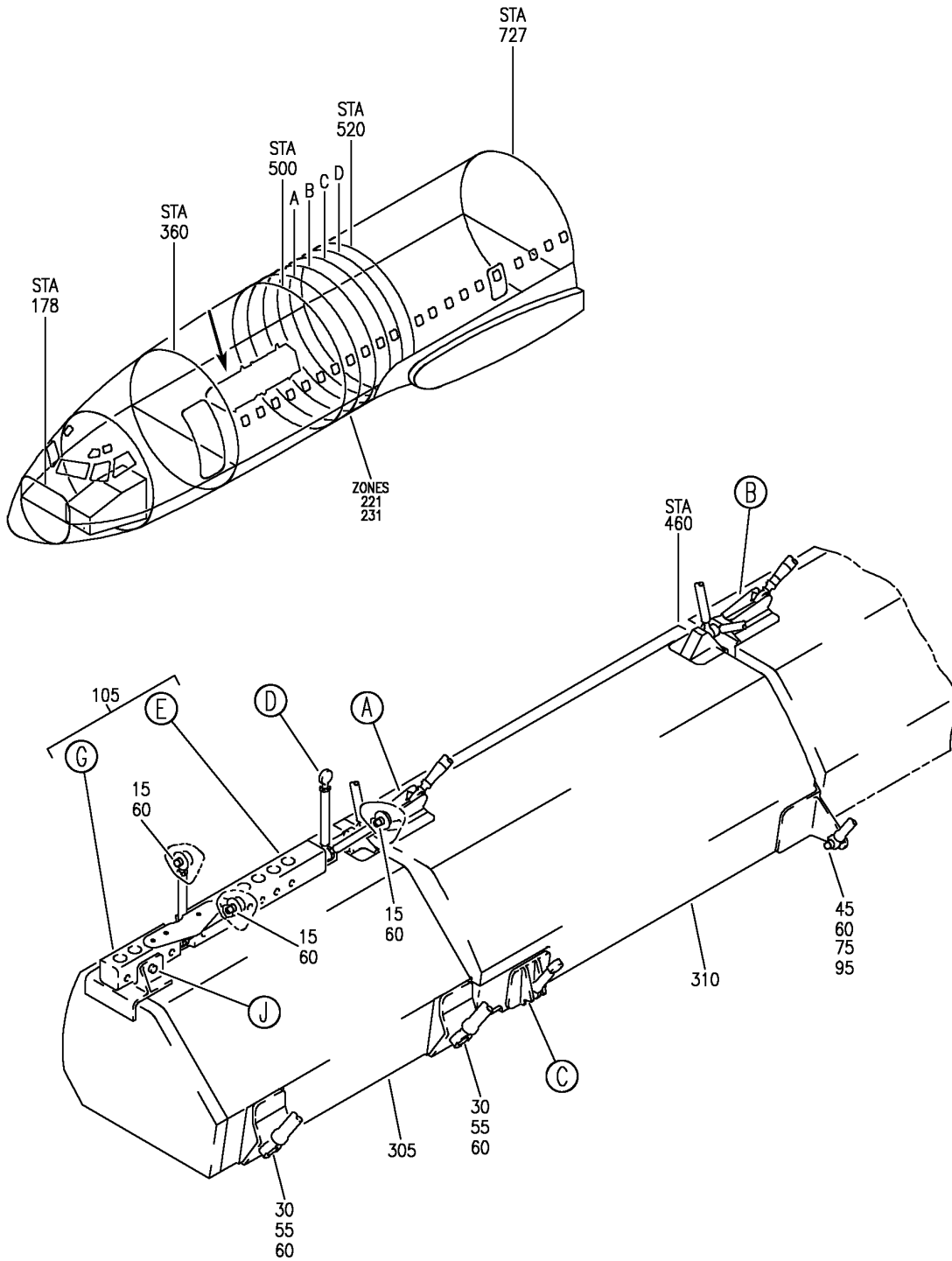
HAP

25-24-30-11E

BOEING PROPRIETARY - Copyright © - Unpublished Work - See title page for details.

25-24-30
FIG. 11E
PAGE 10
OCT 10/06

BOEING
 737-600/700/800/900
 PARTS CATALOG (MAINTENANCE)



E 25243012 SHT 1 REV 081

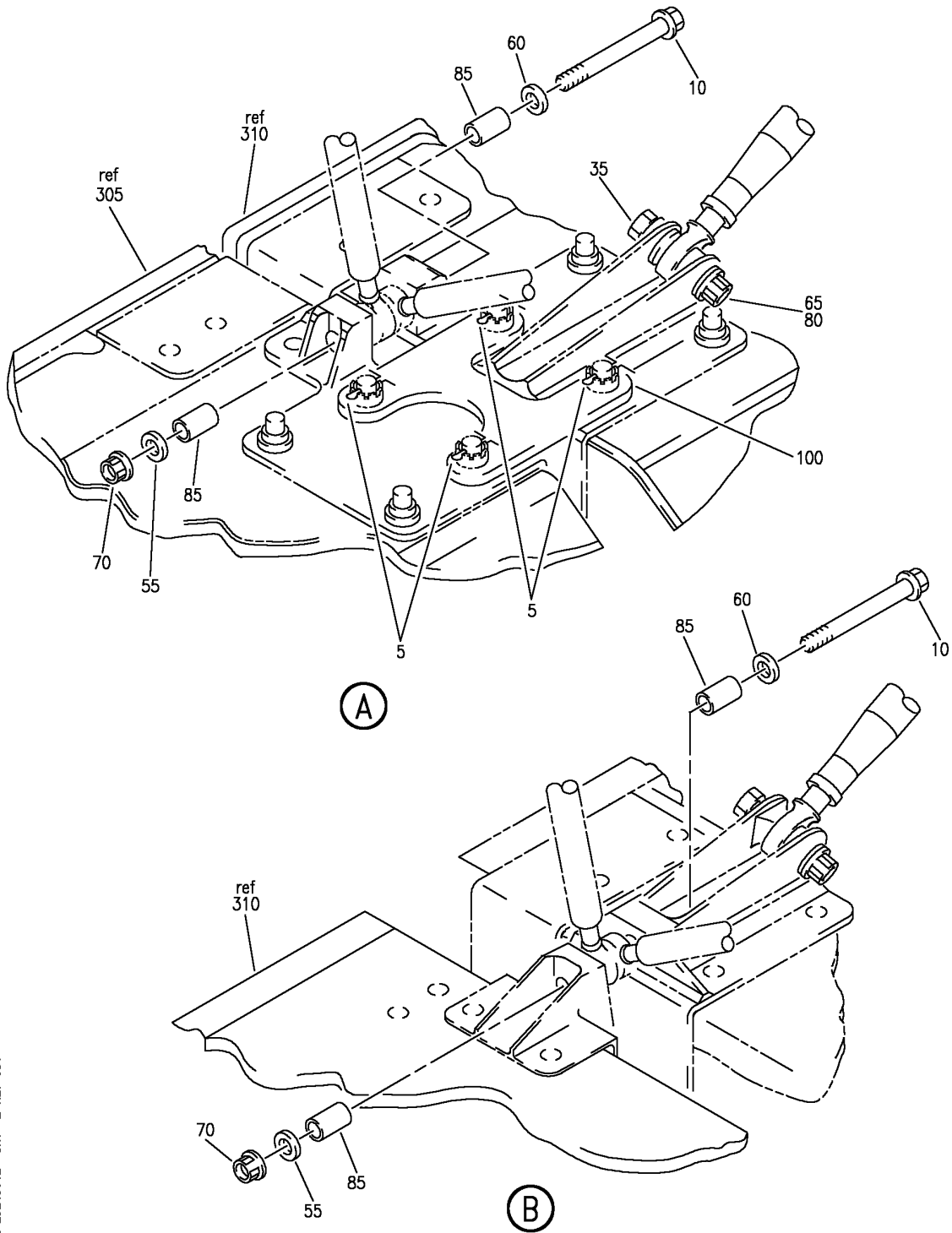
COMPARTMENT INSTL-FWD LH OVHD STOWAGE BIG BIN BULLNOSE CONFIGURATION
 FIGURE 12 (SHEET 1)

25-24-30-12

HAP
 OCT 10/06

25-24-30-12
 PAGE 0

BOEING
 737-600/700/800/900
 PARTS CATALOG (MAINTENANCE)



E 25243012 SHT 2 REV 081

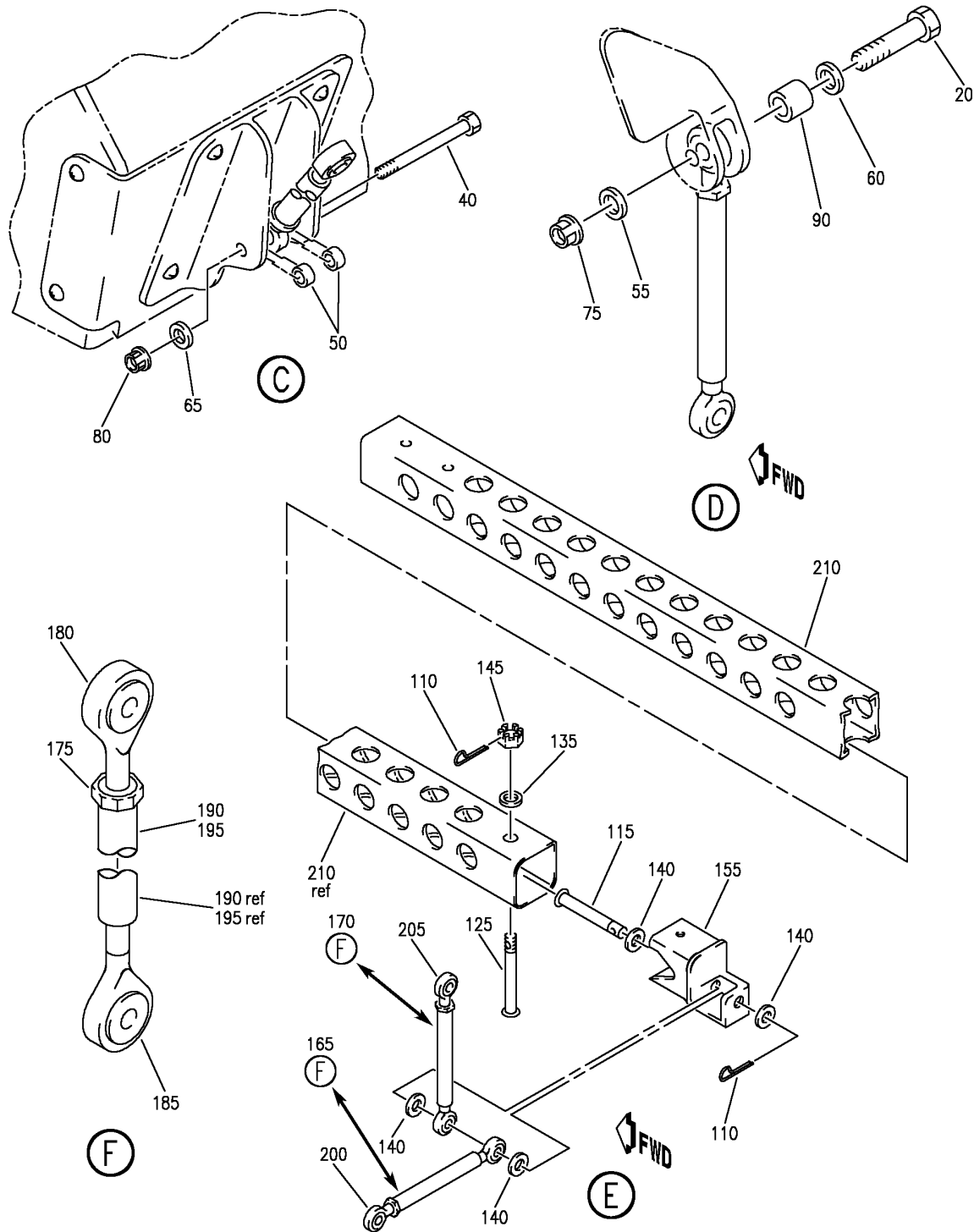
COMPARTMENT INSTL-FWD LH OVHD STOWAGE BIG BIN BULLNOSE CONFIGURATION
 FIGURE 12 (SHEET 2)

25-24-30-12

HAP
 OCT 10/06

25-24-30-12
 PAGE 0A

BOEING
 737-600/700/800/900
 PARTS CATALOG (MAINTENANCE)



E 25243012 SHT 3 REV 081

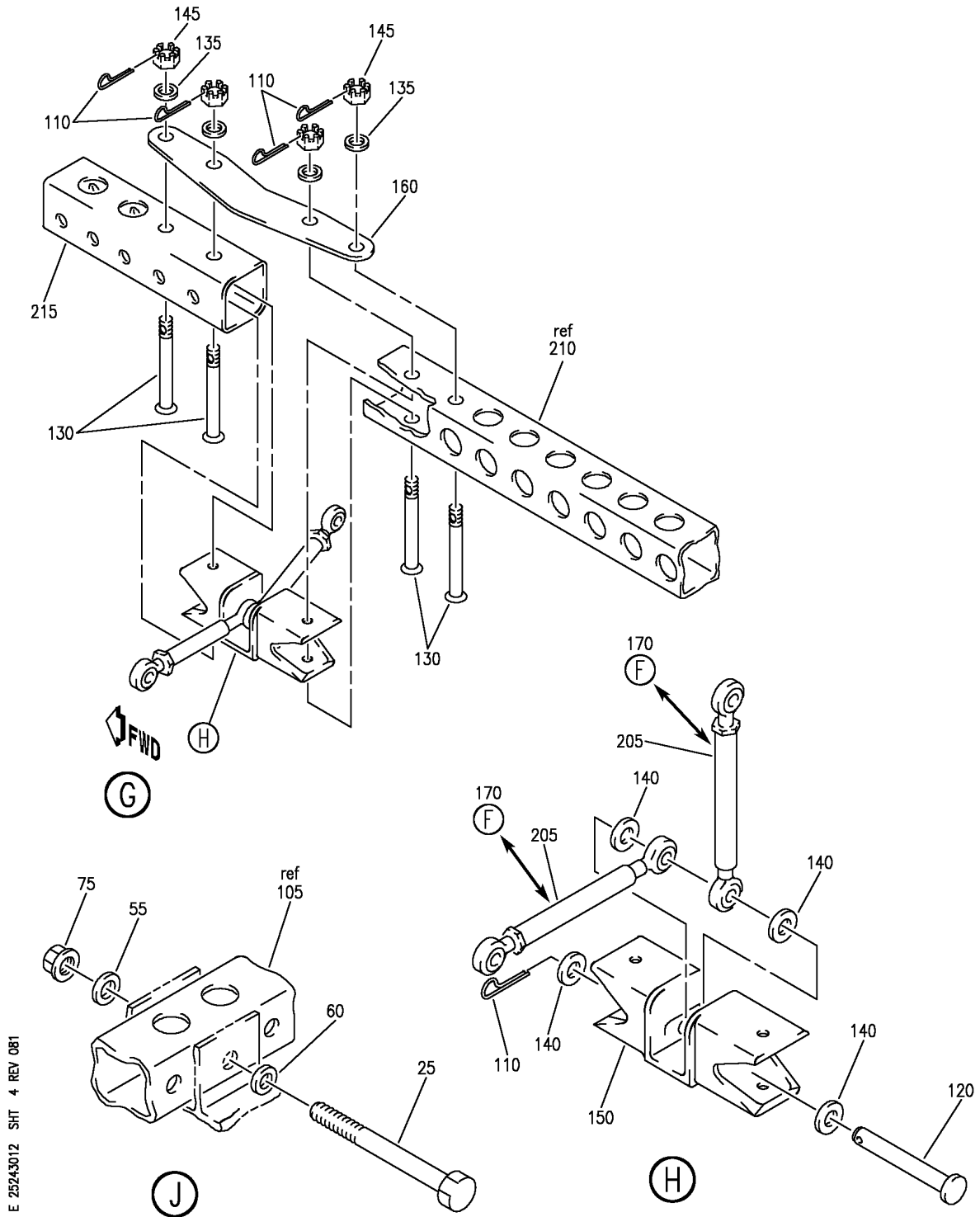
COMPARTMENT INSTL-FWD LH OVHD STORAGE BIG BIN BULLNOSE CONFIGURATION
 FIGURE 12 (SHEET 3)

25-24-30-12

HAP
 OCT 10/06

25-24-30-12
 PAGE 0B


BOEING
 737-600/700/800/900
PARTS CATALOG (MAINTENANCE)



E 25243012 SHT 4 REV 081

COMPARTMENT INSTL-FWD LH OVHD STOWAGE BIG BIN BULLNOSE CONFIGURATION
 FIGURE 12 (SHEET 4)

25-24-30-12

HAP
OCT 10/06

25-24-30-12
PAGE 0C

BOEING
737-600/700/800/900
PARTS CATALOG (MAINTENANCE)

FIG ITEM	PART NUMBER	1 2 3 4 5 6 7	NOMENCLATURE	EFFECT FROM TO	UNITS PER ASSY
12			COMPARTMENT INSTL-FWD LH OVHD STOWAGE BIG BIN BULLNOSE CONFIGURATION	031200 968999	
- 1	MODREF224175		COMPARTMENT INSTL-OVHD STOWAGE BIG BIN BULLNOSE CONFIGURATION MODULE NUMBER: 412A1010-1223B REV A POSITION DATA: FWD LH	031031	1
- 1	MODREF291657		COMPARTMENT INSTL-OVHD STOWAGE BIG BIN BULLNOSE CONFIGURATION MODULE NUMBER: 412A1010-1223B REV B POSITION DATA: FWD LH	032043 101101 968971	1
- 1	MODREF349962		COMPARTMENT INSTL-OVHD STOWAGE BIG BIN BULLNOSE CONFIGURATION MODULE NUMBER: 412A1010-1223B REV C POSITION DATA: FWD LH	044100 102200 972999	1
5	BACP18BC02A06P		.PIN	031200 968999	4
10	BACB30US4K33		.BOLT	031200 968999	2
15	BACB30NR4K8		.BOLT	031200 968999	3
20	BACB30NR4K12		.BOLT	031200 968999	1
25	BACB30NR4K26		.BOLT	031200 968999	1
30	BACB30NR4K7		.BOLT	031200 968999	2
35	BACB30PW4-12		.BOLT	031200 968999	1
40	BACB30PW4-16		.BOLT	031200 968999	1
45	BACB30NR4K13		.BOLT	031200 968999	1
50	412A1350-2		.SPACER	031200 968999	2
55	BACW10BP4DP		.WASHER	031200 968999	6
60	BACW10BP4CD		.WASHER	031200 968999	10

MISSING ITEM NUMBERS NOT APPLICABLE

- ITEM NOT ILLUSTRATED

HAP

25-24-30-12

25-24-30
FIG. 12
PAGE 1
OCT 15/08

BOEING
737-600/700/800/900
PARTS CATALOG (MAINTENANCE)

FIG ITEM	PART NUMBER	1 2 3 4 5 6 7	NOMENCLATURE	EFFECT FROM TO	UNITS PER ASSY
12					
65	BACW10BP3DP	.	WASHER	031200 968999	2
70	BMN5024CWD34	.	NUT	031200 968999	2
			SUPPLIER CODE: V97928		
			SPECIFICATION NUMBER: BACN10HR4CD		
			OPTIONAL PART: H51560-4		
			V15653		
			102CH9031-4		
			V72962		
			SL7108C428		
			V11815		
			67832CD428		
			V56878		
			BMN5024CWD3-4		
			V97928		
			BH00303CM4		
			V27238		
			SL7108C4		
			V11815		
			VCU0005D4		
			V06710		
			102LH90314		
			V72962		
			67832CD4		
			V56878		
			H964CD		
			V15653		
			RMLH224CD		
			V72962		
			VAL280094CD		
			V06710		
			678324CD		
			V56878		
			CR6030-4		
			VF0224		
75	PLH54CD	.	NUT	031200 968999	3
			SUPPLIER CODE: VF0224		
			SPECIFICATION NUMBER: BACN10YR4CD		
			OPTIONAL PART: H52732-4CD		
			V15653		

MISSING ITEM NUMBERS NOT APPLICABLE

— ITEM NOT ILLUSTRATED

HAP

25-24-30-12

BOEING PROPRIETARY - Copyright © - Unpublished Work - See title page for details.

25-24-30
FIG. 12
PAGE 2
FEB 15/09

BOEING
737-600/700/800/900
PARTS CATALOG (MAINTENANCE)

FIG ITEM	PART NUMBER	1 2 3 4 5 6 7	NOMENCLATURE	EFFECT FROM TO	UNITS PER ASSY
12					
80	PLH53CD	.	NUT SUPPLIER CODE: VF0224 SPECIFICATION NUMBER: BACN10YR3CD OPTIONAL PART: H52732-3CD V15653	031200 968999	2
85	BACB28AK04-071	.	BUSHING	031200 968999	4
90	BACB28AK04-025	.	BUSHING	031200 968999	1
95	BACB28Z4-036	.	BUSHING	031200 968999	1
100	412A1220-73	.	PLATE-BIN JT	031200 968999	1
105	412A2251-11	.	SUPPORT ASSY-RAIL POSITION DATA: UPR	031200 968999	1
110	BACP18C02C06P	..	PIN	031200 968999	7
115	MS20392-3C47	..	PIN	031200 968999	1
120	MS20392-3C53	..	PIN	031200 968999	1
125	NAS8703AD22	..	BOLT- OPTIONAL PART: BACB30LH3K21	031200 968999	1
125	BACB30LH3K21	..	BOLT- OPTIONAL PART: NAS8703AD22	031200 968999	1
130	NAS8703AD23	..	BOLT- OPTIONAL PART: BACB30LH3K23	031200 968999	4
130	BACB30LH3K23	..	BOLT- OPTIONAL PART: NAS8703AD23	031200 968999	4
135	NAS1149D0332J	..	WASHER	031200 968999	5
140	NAS1515H4L	..	WASHER	031200 968999	8
145	BACN10JD103CD	..	NUT	031200 968999	5
150	412A1230-50	..	FITTING	031200 968999	1
155	412A1230-91	..	FITTING	031200 968999	1
160	412A1220-69	..	PLATE-TNSN	031200 968999	1

MISSING ITEM NUMBERS NOT APPLICABLE

— ITEM NOT ILLUSTRATED

HAP

25-24-30-12

25-24-30
FIG. 12
PAGE 3
FEB 15/09

BOEING
737-600/700/800/900
PARTS CATALOG (MAINTENANCE)

FIG ITEM	PART NUMBER	1 2 3 4 5 6 7	NOMENCLATURE	EFFECT FROM TO	UNITS PER ASSY
12					
165	65-80898-35	..	TURNBUCKLE ASSY- OPTIONAL PART: 1488-5 V34742	031200 968999	1
170	65-80898-37	..	TURNBUCKLE ASSY- OPTIONAL PART: 1488-7 V34742	031200 968999	3
175	AN316-4R	...	NUT	031200 968999	1
180	1486-3	...	ROD END ASSY- SUPPLIER CODE: V34742	031200 968999	1
185	1486-3L	...	ROD END ASSY- SUPPLIER CODE: V34742	031200 968999	1
190	65-81149-48	...	TUBE- USED ON: 65-80898-35	031200 968999	1
195	65-81149-49	...	TUBE- USED ON: 65-80898-37	031200 968999	1
200	1488-5	..	TURNBUCKLE ASSY- SUPPLIER CODE: V34742 OPTIONAL PART: 65-80898-35	031200 968999	1
205	1488-7	..	ROD ASSY-TIE SUPPLIER CODE: V34742 OPTIONAL PART: 65-80898-37	031200 968999	3
210	412A2251-4	..	RAIL	031200 968999	1
215	412A2251-5	..	RAIL	031200 968999	1
305	412A1052-57B	.TOP	ASSY-44 IN. FOR DETAILS SEE: 25-24-31-32E	031031	1
305	412A1052-87B	.TOP	ASSY-44 IN. FOR DETAILS SEE: 25-24-31-32E	032043 101101 968971	1
305	412A1052-1087B	.TOP	ASSY-44 IN. FOR DETAILS SEE: 25-24-31-32F	044100 102200 972999	1

MISSING ITEM NUMBERS NOT APPLICABLE

— ITEM NOT ILLUSTRATED

HAP

25-24-30-12

BOEING PROPRIETARY - Copyright © - Unpublished Work - See title page for details.

25-24-30
FIG. 12
PAGE 4
FEB 15/09

BOEING
737-600/700/800/900
PARTS CATALOG (MAINTENANCE)

FIG ITEM	PART NUMBER	1 2 3 4 5 6 7	NOMENCLATURE	EFFECT FROM TO	UNITS PER ASSY
12 310	412A1052-15C		.TOP ASSY-60 IN. FUNCTIONAL REFERENCE: EQUIPMENT/FURNISHINGS FOR DETAILS SEE 25-24-31-19B LIGHTS FOR DETAILS SEE 33-22-00-64C	031043 101101 968971	1
310	412A1052-1015C		.TOP ASSY-60 IN. FUNCTIONAL REFERENCE: EQUIPMENT/FURNISHINGS FOR DETAILS SEE 25-24-31-19K LIGHTS FOR DETAILS SEE 33-22-00-64C	044100 102200 972999	1

MISSING ITEM NUMBERS NOT APPLICABLE

— ITEM NOT ILLUSTRATED

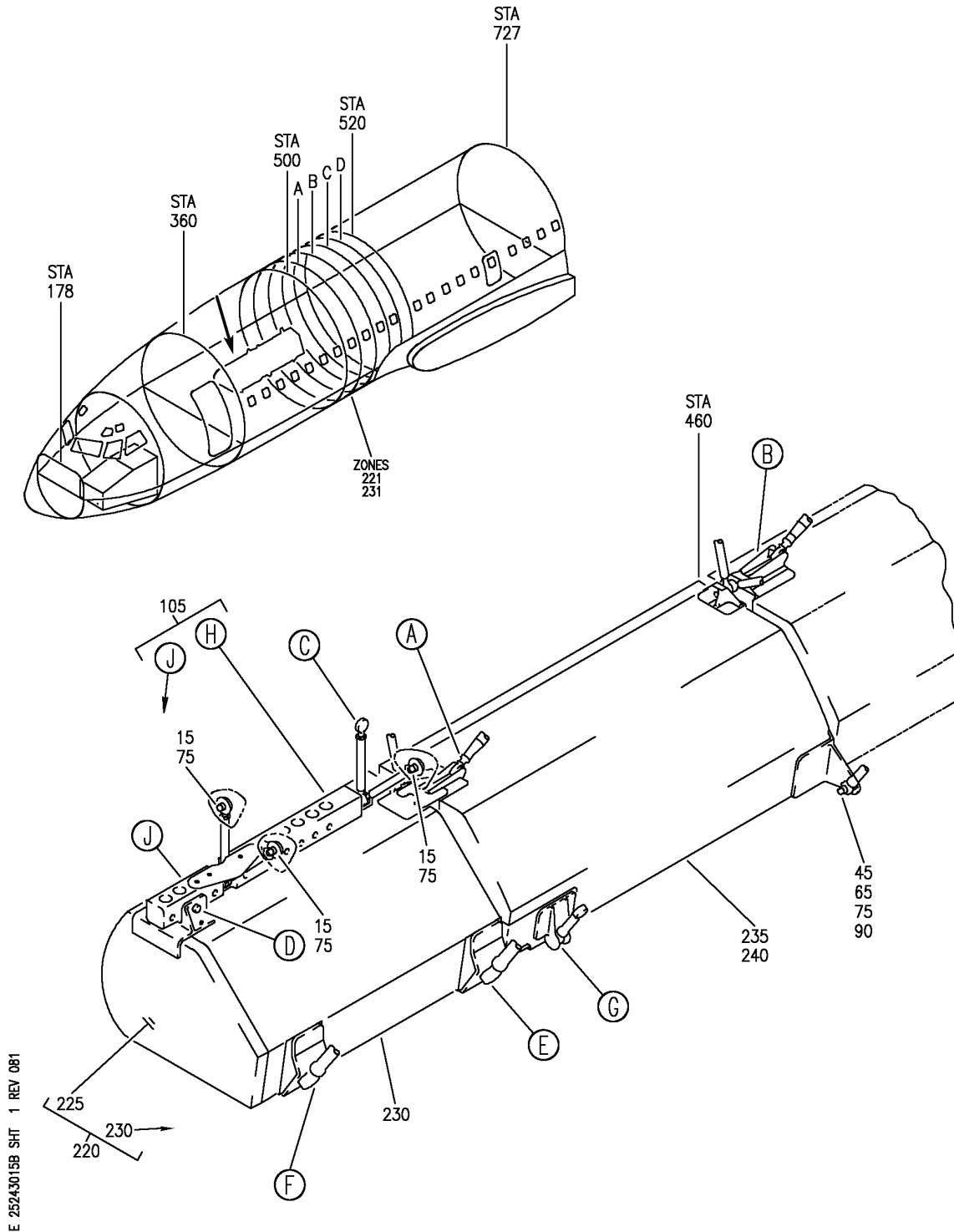
HAP

25-24-30-12

BOEING PROPRIETARY - Copyright © - Unpublished Work - See title page for details.

25-24-30
FIG. 12
PAGE 5
FEB 15/09

BOEING
 737-600/700/800/900
 PARTS CATALOG (MAINTENANCE)



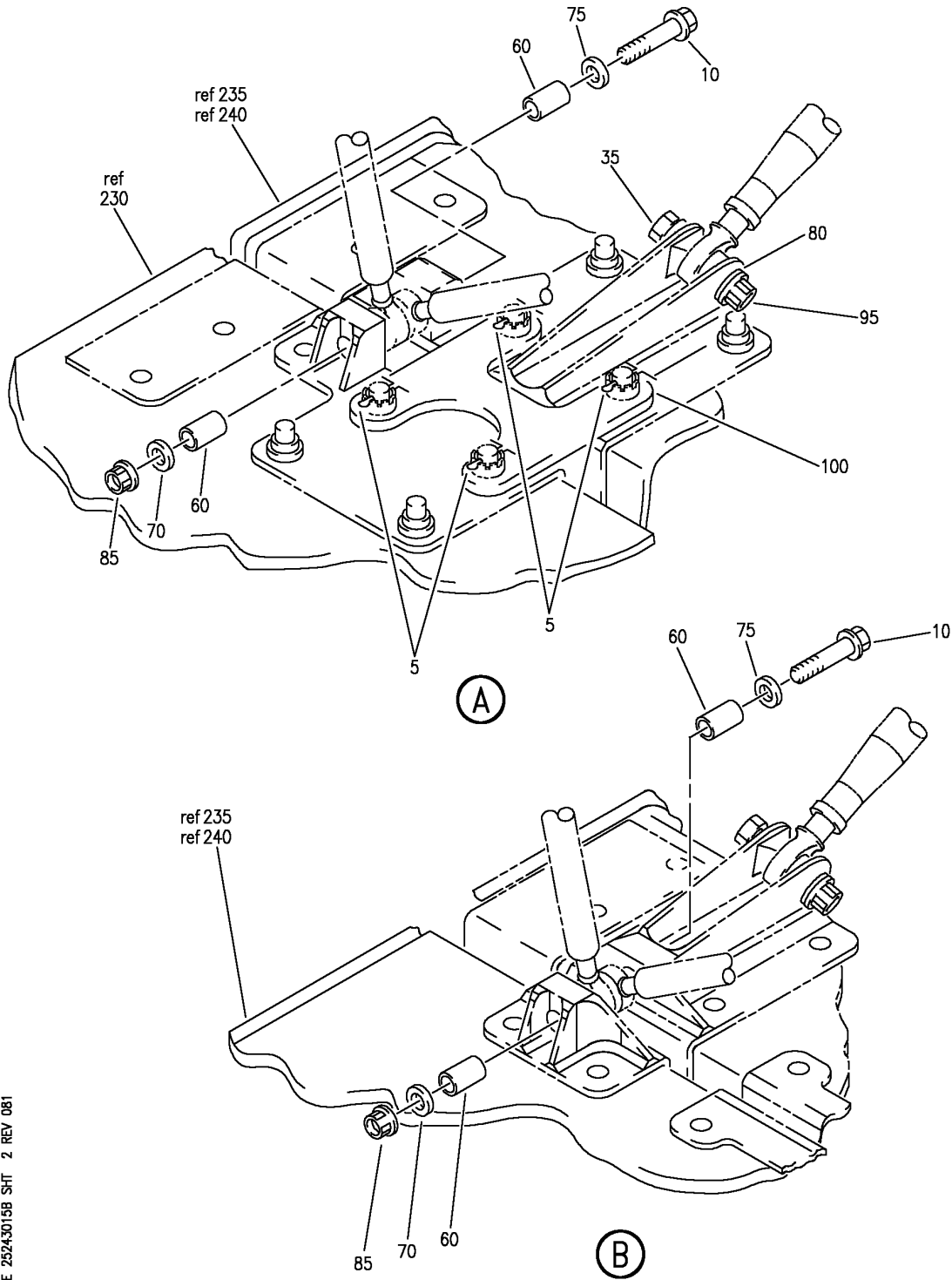
COMPARTMENT INSTL-FWD LH OVHD STOWAGE BULLNOSE CONFIGURATION
 FIGURE 15B (SHEET 1)

25-24-30-15B

HAP
 OCT 15/08

25-24-30-15B
 PAGE 0

BOEING
 737-600/700/800/900
 PARTS CATALOG (MAINTENANCE)



E 25243015B SHT 2 REV 081

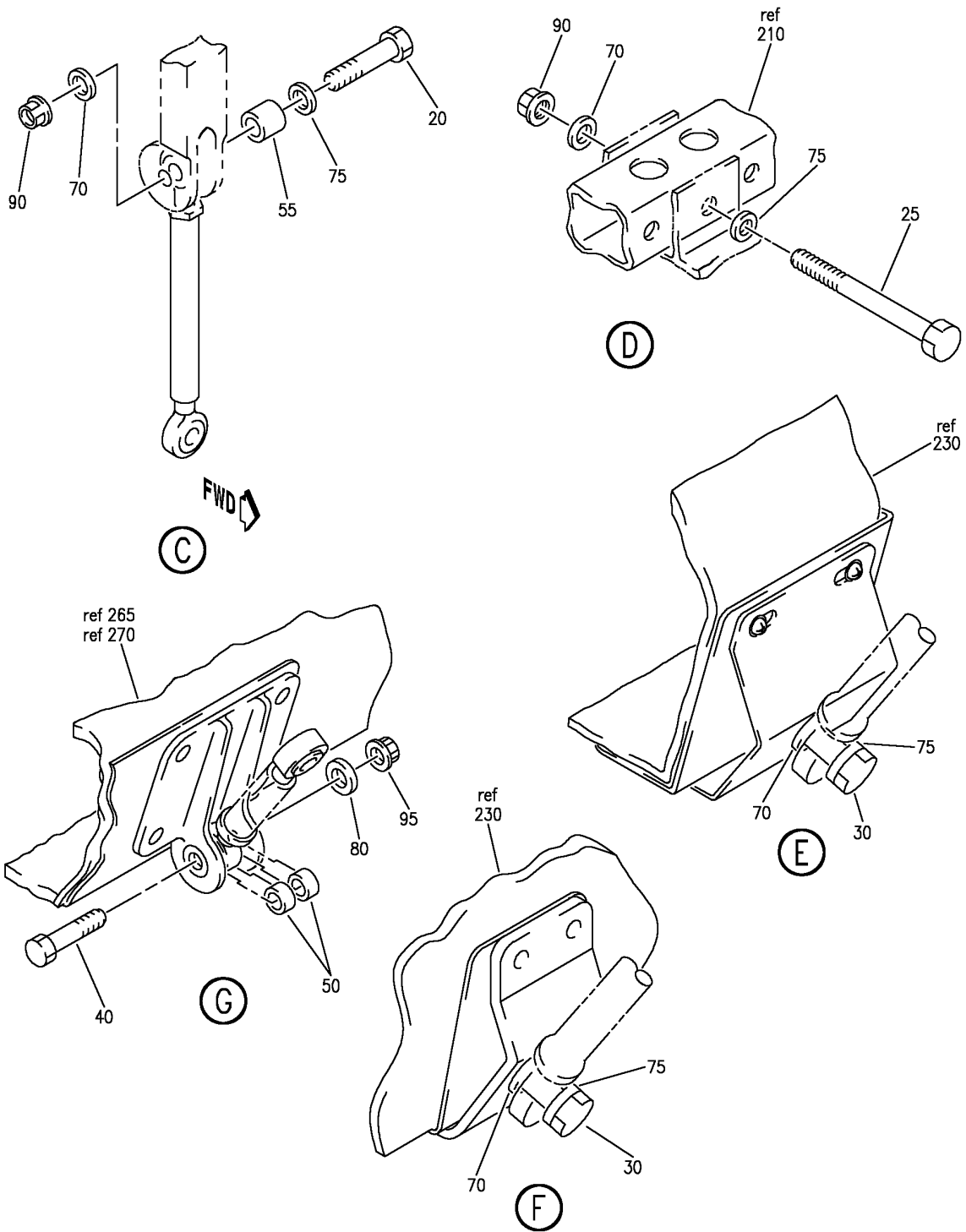
COMPARTMENT INSTL-FWD LH OVHD STOWAGE BULLNOSE CONFIGURATION
 FIGURE 15B (SHEET 2)

25-24-30-15B

HAP
 OCT 15/08

25-24-30-15B
 PAGE 0A

BOEING
 737-600/700/800/900
 PARTS CATALOG (MAINTENANCE)



E 25243015B SHT 3 REV 081

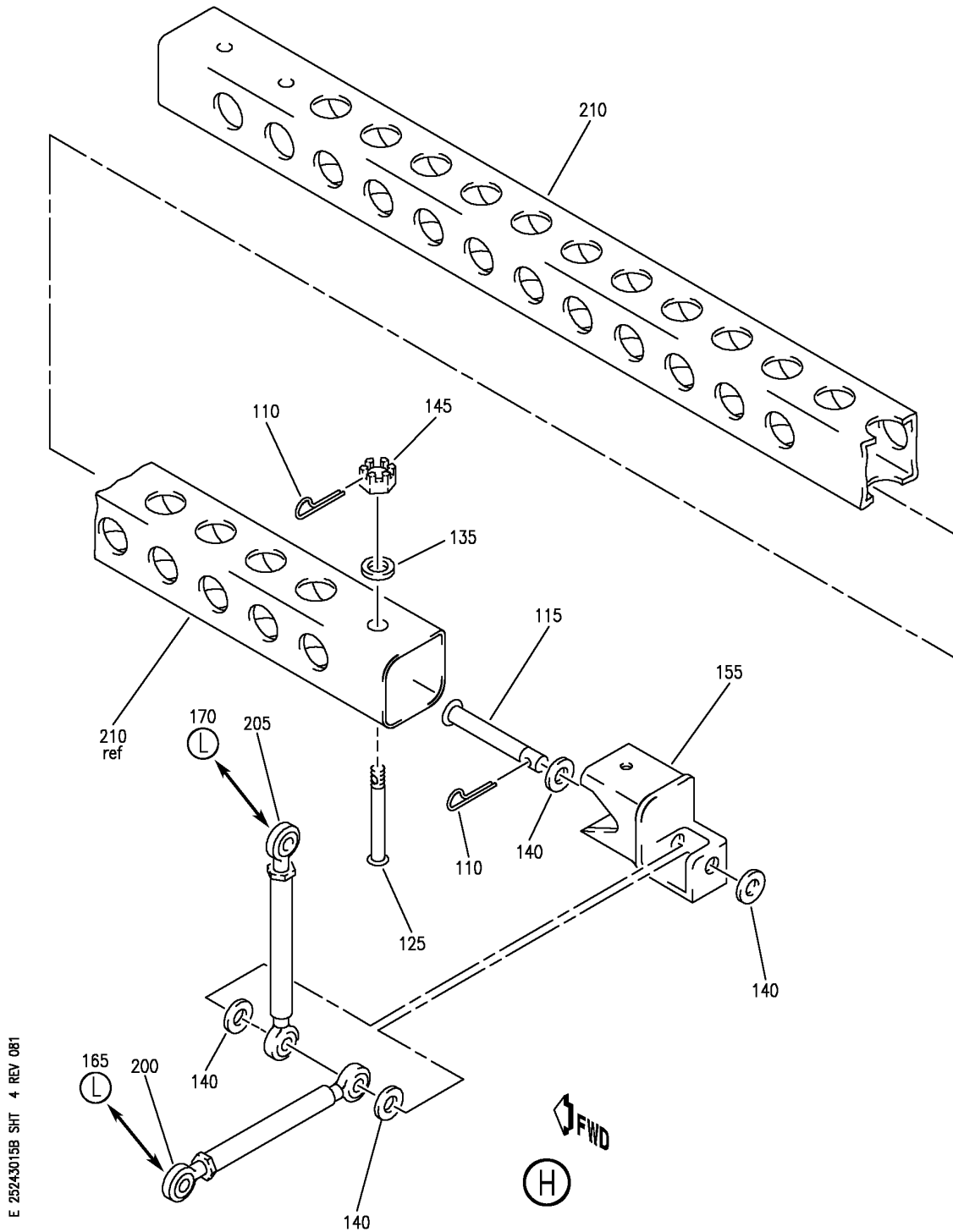
COMPARTMENT INSTL-FWD LH OVHD STOWAGE BULLNOSE CONFIGURATION
 FIGURE 15B (SHEET 3)

25-24-30-15B

HAP
 OCT 15/08

25-24-30-15B
 PAGE 0B

BOEING
 737-600/700/800/900
 PARTS CATALOG (MAINTENANCE)



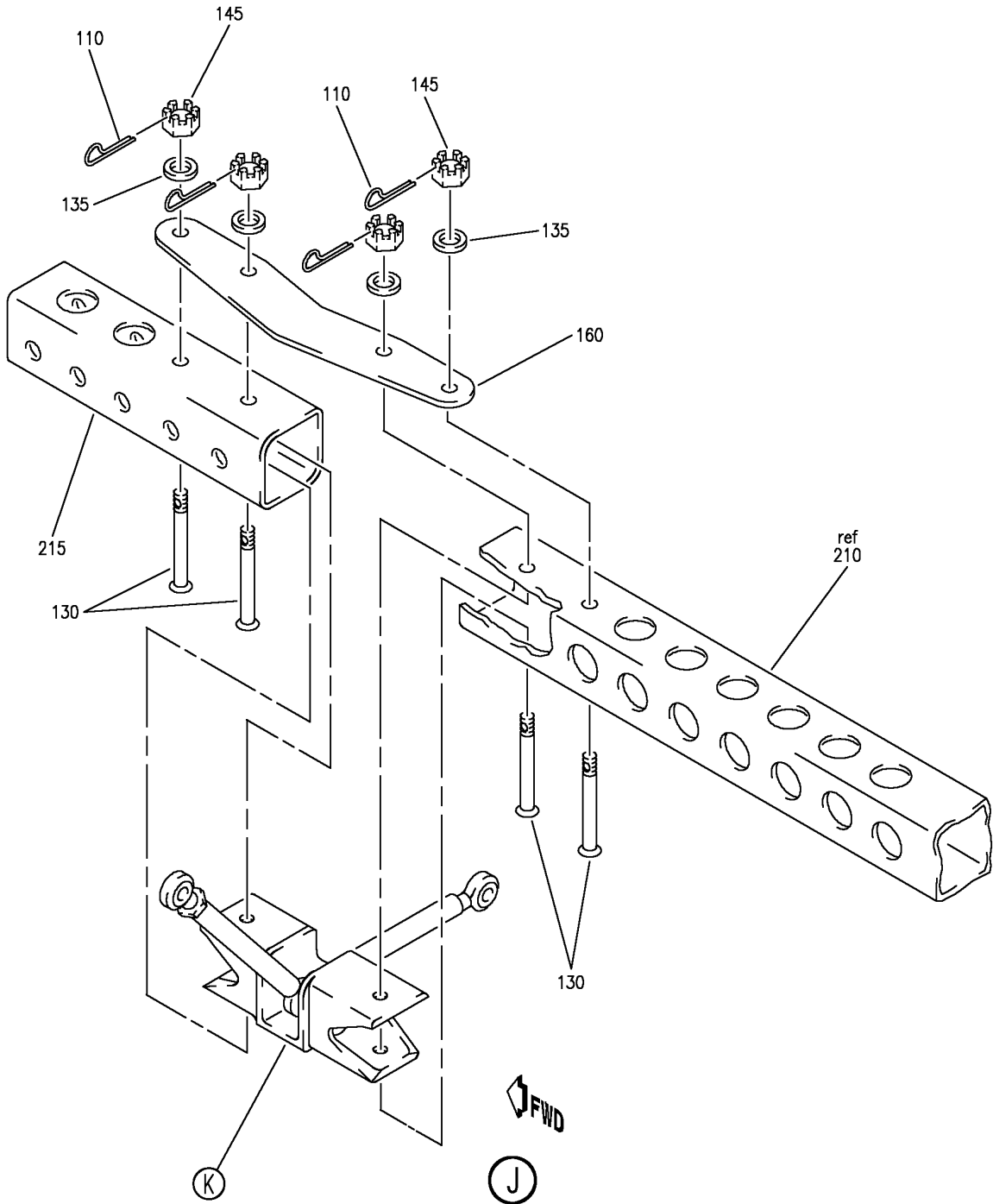
COMPARTMENT INSTL-FWD LH OVHD STOWAGE BULLNOSE CONFIGURATION
 FIGURE 15B (SHEET 4)

25-24-30-15B

HAP
 OCT 15/08

25-24-30-15B
 PAGE 0C

BOEING
 737-600/700/800/900
 PARTS CATALOG (MAINTENANCE)



E 25243015B SHT 5 REV 081

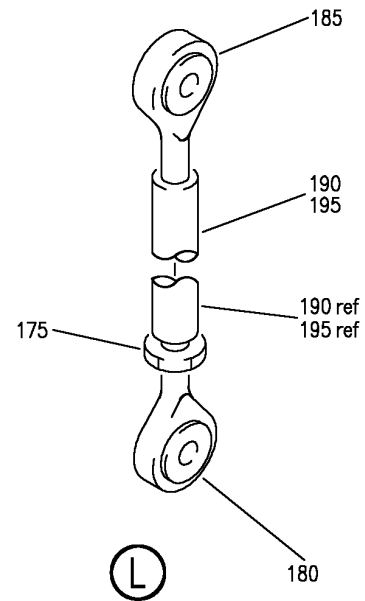
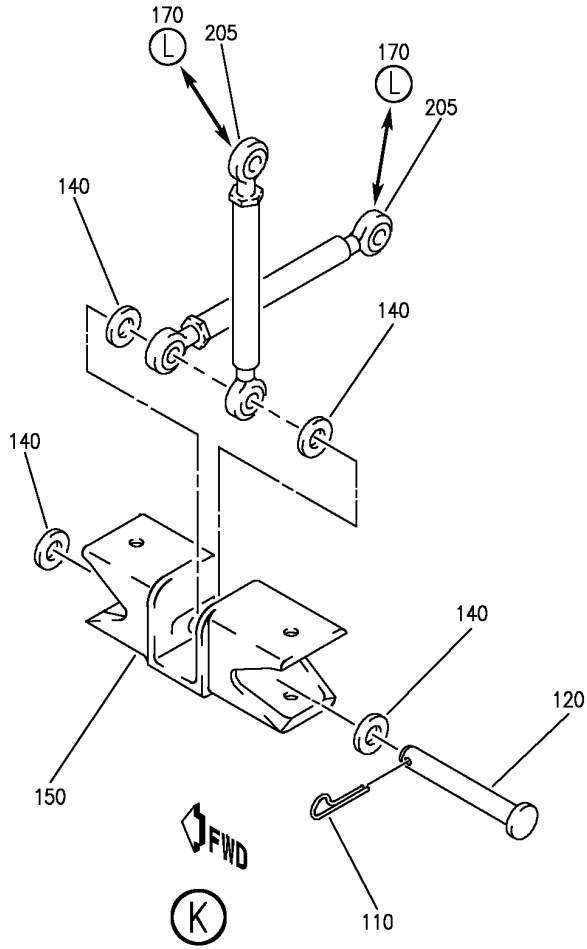
COMPARTMENT INSTL-FWD LH OVHD STOWAGE BULLNOSE CONFIGURATION
 FIGURE 15B (SHEET 5)

25-24-30-15B

HAP
 OCT 15/08

25-24-30-15B
 PAGE 0D

BOEING
 737-600/700/800/900
 PARTS CATALOG (MAINTENANCE)



E 25243015B SHT 6 REV 081

COMPARTMENT INSTL-FWD LH OVHD STOWAGE BULLNOSE CONFIGURATION
 FIGURE 15B (SHEET 6)

25-24-30-15B

HAP
 OCT 15/08

25-24-30-15B
 PAGE 0E

BOEING
737-600/700/800/900
PARTS CATALOG (MAINTENANCE)

FIG ITEM	PART NUMBER	1 2 3 4 5 6 7	NOMENCLATURE	EFFECT FROM TO	UNITS PER ASSY
15B			COMPARTMENT INSTL-FWD LH OVHD STOWAGE BULLNOSE CONFIGURATION	201967	
- 1	412A1010-125SP		COMPARTMENT INSTL-OVHD STOWAGE BULLNOSE CONFIGURATION POSITION DATA: FWD LH FOR NHA SEE: 25-24-00-15A	202967	RF
- 1	412A1010-225SP		COMPARTMENT INSTL-OVHD STOWAGE BULLNOSE CONFIGURATION POSITION DATA: FWD LH FOR NHA SEE: 25-24-00-15A	201201	RF
5	BACP18BC02A06P		.PIN	201967	4
10	BACB30US4K33		.BOLT	201967	2
15	BACB30NR4K8		.BOLT	201967	3
20	BACB30NR4K12		.BOLT	201967	1
25	BACB30NR4K26		.BOLT	201967	1
30	BACB30NR4K7		.BOLT	201967	2
35	BACB30PW4-12		.BOLT	201967	1
40	BACB30PW4-16		.BOLT	201967	1
45	BACB30NR4K13		.BOLT	201967	1
50	412A1350-2		.SPACER	201967	2
55	BACB28AK04-025		.BUSHING	201967	1
60	BACB28AK04-071		.BUSHING	201967	4
65	BACB28Z4-036		.BUSHING	201967	1
70	BACW10BP4DP		.WASHER	201967	6
75	BACW10BP4CD		.WASHER	201967	10
80	BACW10BP3DP		.WASHER	201967	2

MISSING ITEM NUMBERS NOT APPLICABLE

- ITEM NOT ILLUSTRATED

HAP

25-24-30-15B

BOEING PROPRIETARY - Copyright © - Unpublished Work - See title page for details.

25-24-30
FIG. 15B
PAGE 1
OCT 15/08

BOEING
737-600/700/800/900
PARTS CATALOG (MAINTENANCE)

FIG ITEM	PART NUMBER	1 2 3 4 5 6 7	NOMENCLATURE	EFFECT FROM TO	UNITS PER ASSY
15B 85	BMN5024CWD34	.NUT	SUPPLIER CODE: V97928 SPECIFICATION NUMBER: BACN10HR4CD OPTIONAL PART: H51560-4 V15653 102CH9031-4 V72962 SL7108C428 V11815 67832CD428 V56878 BMN5024CWD3-4 V97928 BH00303CM4 V27238 SL7108C4 V11815 VCU0005D4 V06710 102LH90314 V72962 67832CD4 V56878 H964CD V15653 RMLH224CD V72962 VAL280094CD V06710 678324CD V56878 CR6030-4 VF0224	201967	2
90	PLH54CD	.NUT	SUPPLIER CODE: VF0224 SPECIFICATION NUMBER: BACN10YR4CD OPTIONAL PART: H52732-4CD V15653	201967	3

MISSING ITEM NUMBERS NOT APPLICABLE

— ITEM NOT ILLUSTRATED

HAP

25-24-30-15B

BOEING PROPRIETARY - Copyright © - Unpublished Work - See title page for details.

25-24-30
FIG. 15B
PAGE 2
FEB 15/09

BOEING
737-600/700/800/900
PARTS CATALOG (MAINTENANCE)

FIG ITEM	PART NUMBER	1 2 3 4 5 6 7	NOMENCLATURE	EFFECT FROM TO	UNITS PER ASSY
15B 95	PLH53CD	.NUT	SUPPLIER CODE: VF0224 SPECIFICATION NUMBER: BACN10YR3CD OPTIONAL PART: H52732-3CD V15653	201967	2
100	412A1220-73	.PLATE-BIN JOINT		201967	1
105	412A2251-11	.SUPPORT ASSY-RAIL	POSITION DATA: UPR	201967	1
110	BACP18C02C06P	..PIN		201967	7
115	MS20392-3C47	..PIN		201967	1
120	MS20392-3C53	..PIN		201967	1
125	NAS8703AD22	..BOLT-	OPTIONAL PART: BACB30LH3K21	201967	1
125	BACB30LH3K21	..BOLT-	OPTIONAL PART: NAS8703AD22	201967	1
130	NAS8703AD23	..BOLT-	OPTIONAL PART: BACB30LH3K23	201967	4
130	BACB30LH3K23	..BOLT-	OPTIONAL PART: NAS8703AD23	201967	4
135	NAS1149D0332J	..WASHER		201967	5
140	NAS1515H4L	..WASHER		201967	8
145	BACN10JD3CD	..NUT		201967	5
150	412A1230-50	..FITTING		201967	1
155	412A1230-91	..FITTING		201967	1
160	412A1220-69	..PLATE-TENSION		201967	1
165	65-80898-35	..TURNBUCKLE ASSY-	OPTIONAL PART: 1488-5 V34742	201967	1
170	65-80898-37	..TURNBUCKLE ASSY-	OPTIONAL PART: 1488-7 V34742	201967	3
175	AN316-4R	...NUT		201967	1
180	1486-3	...ROD END ASSY-	SUPPLIER CODE: V34742	201967	1
185	1486-3L	...ROD END ASSY-	SUPPLIER CODE: V34742	201967	1

MISSING ITEM NUMBERS NOT APPLICABLE

- ITEM NOT ILLUSTRATED

HAP

25-24-30-15B

BOEING PROPRIETARY - Copyright © - Unpublished Work - See title page for details.

25-24-30
FIG. 15B
PAGE 3
FEB 15/09

 **BOEING**
737-600/700/800/900
PARTS CATALOG (MAINTENANCE)

FIG ITEM	PART NUMBER	1 2 3 4 5 6 7	NOMENCLATURE	EFFECT FROM TO	UNITS PER ASSY
15B 190	65-81149-48	...	TUBE- USED ON: 65-80898-35	201967	1
195	65-81149-49	...	TUBE- USED ON: 65-80898-37	201967	1
200	1488-5	..	TURNBUCKLE ASSY- SUPPLIER CODE: V34742 OPTIONAL PART: 65-80898-35	201967	1
205	1488-7	..	ROD ASSY-TIE SUPPLIER CODE: V34742 OPTIONAL PART: 65-80898-37	201967	3
210	412A2251-4	..	RAIL	201967	1
215	412A2251-5	..	RAIL	201967	1
220	412A1050-195SP	.	COMPONENT ASSY-VAR	202967	1
220	412A1050-395SP	.	COMPONENT ASSY-VAR	201201	1
225	412A1310-605SP	..	MOUNTING ASSY- FOR DETAILS SEE: 25-24-33-39B	201967	1
230	412A1170-135SP	..	COMPARTMENT ASSY-44 IN. FUNCTIONAL REFERENCE: EQUIPMENT/FURNISHINGS FOR DETAILS SEE 25-24-31-32 LIGHTS FOR DETAILS SEE 33-51-03-21	202967	1
230	412A1170-335B	..	COMPARTMENT ASSY-44 IN. FUNCTIONAL REFERENCE: EQUIPMENT/FURNISHINGS FOR DETAILS SEE 25-24-31-32 LIGHTS FOR DETAILS SEE 33-51-03-21	201201	1
235	412A1050-101SP	.	COMPONENT ASSY-VAR	202967	1
235	412A1050-301SP	.	COMPONENT ASSY-VAR	201201	1
240	412A1170-103SP	..	COMPARTMENT ASSY-60 IN. FUNCTIONAL REFERENCE: EQUIPMENT/FURNISHINGS FOR DETAILS SEE 25-24-31-19 LIGHTS FOR DETAILS SEE 33-22-00-13	202967	1

MISSING ITEM NUMBERS NOT APPLICABLE

— ITEM NOT ILLUSTRATED

HAP

25-24-30-15B

BOEING PROPRIETARY - Copyright © - Unpublished Work - See title page for details.

25-24-30
FIG. 15B
PAGE 4
FEB 15/09

BOEING
737-600/700/800/900
PARTS CATALOG (MAINTENANCE)

FIG ITEM	PART NUMBER	1 2 3 4 5 6 7 NOMENCLATURE	EFFECT FROM TO	UNITS PER ASSY
15B 240	412A1170-303B	.. COMPARTMENT ASSY-60 IN. FUNCTIONAL REFERENCE: EQUIPMENT/FURNISHINGS FOR DETAILS SEE 25-24-31-19 LIGHTS FOR DETAILS SEE 33-22-00-13	201201	1

MISSING ITEM NUMBERS NOT APPLICABLE

— ITEM NOT ILLUSTRATED

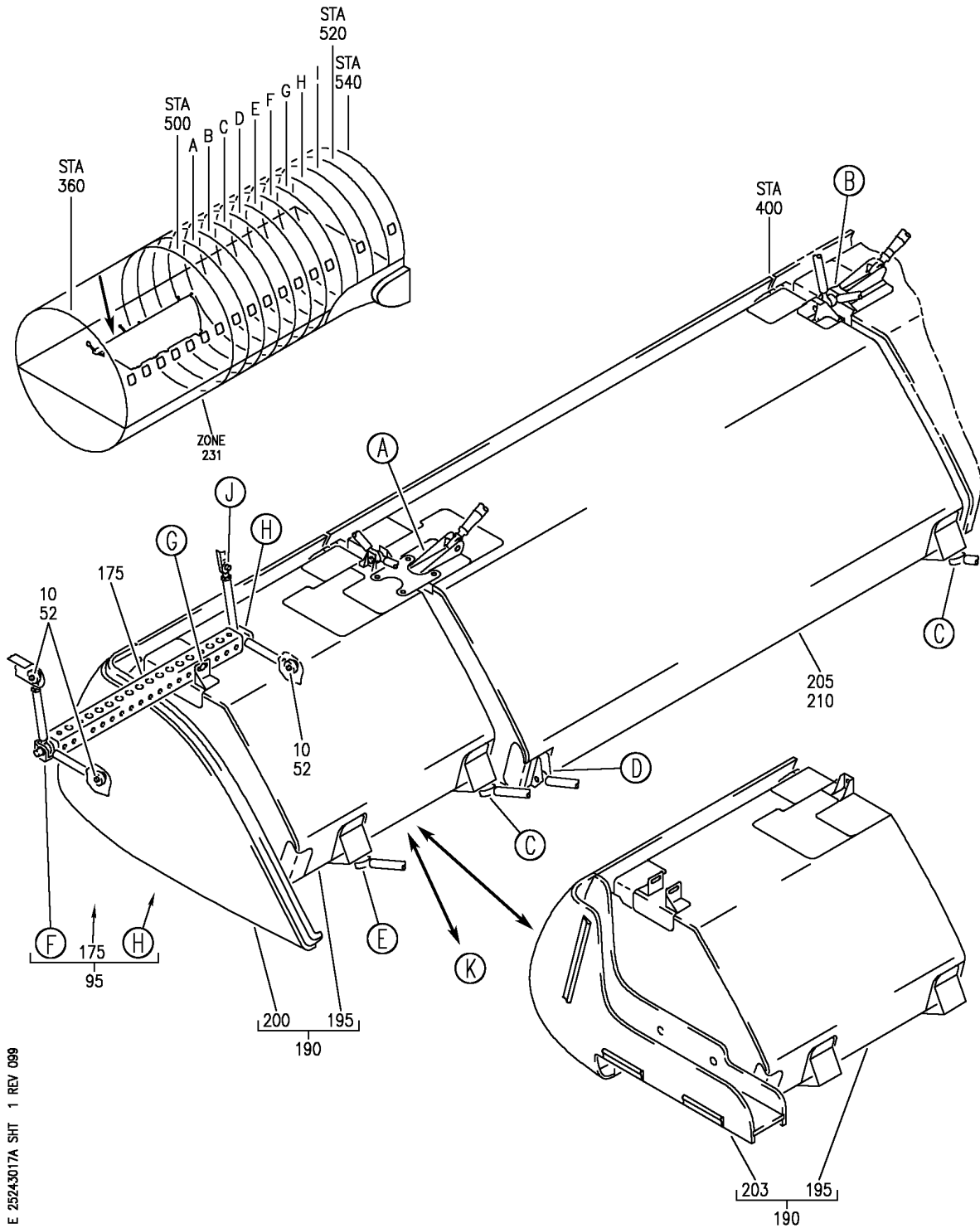
HAP

25-24-30-15B

BOEING PROPRIETARY - Copyright © - Unpublished Work - See title page for details.

25-24-30
FIG. 15B
PAGE 5
FEB 15/09

BOEING
 737-600/700/800/900
 PARTS CATALOG (MAINTENANCE)



E 25243017A SHT 1 REV 099

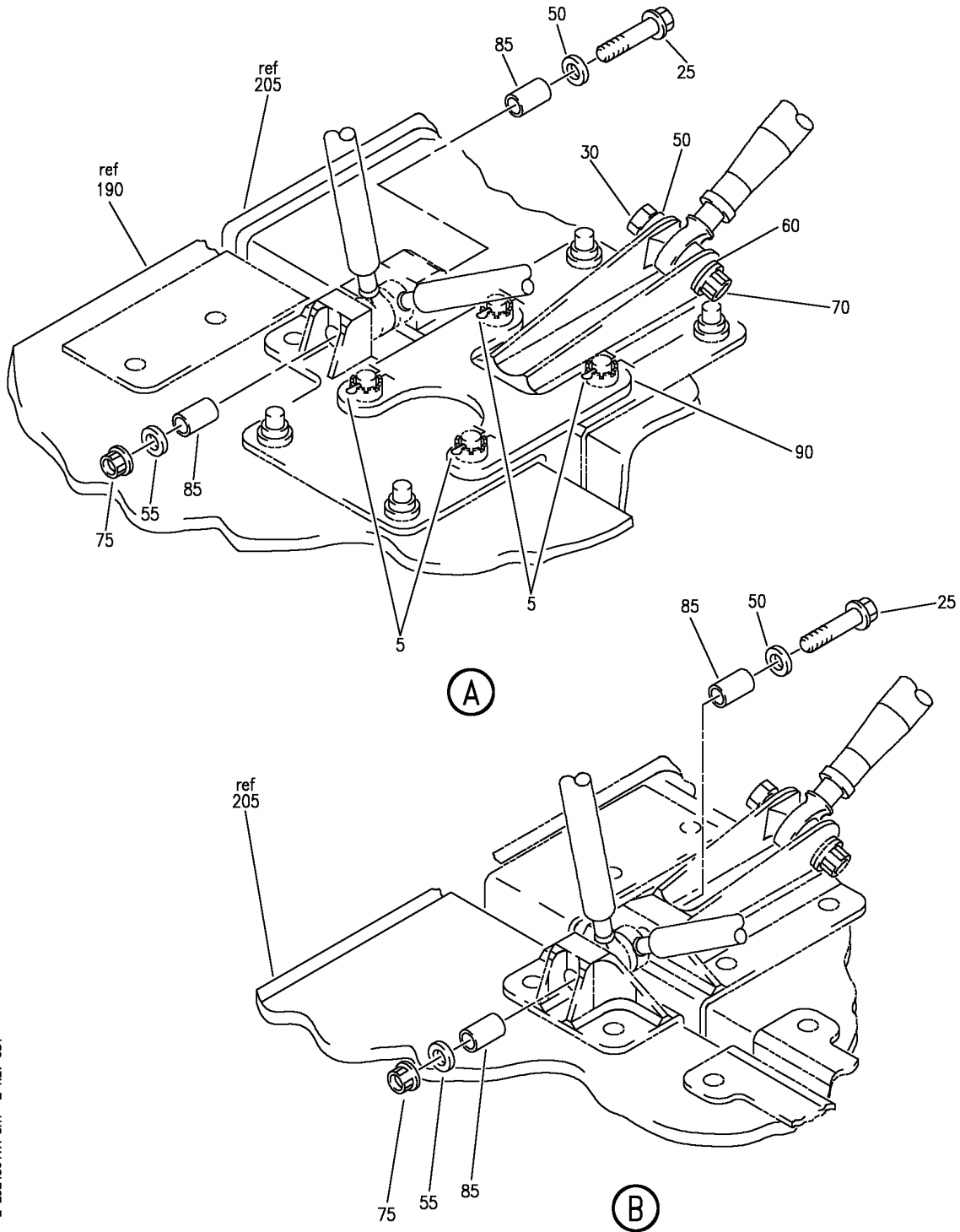
COMPARTMENT INSTL-FWD LH OVHD STOWAGE HNDRL CONFIGURATION
 FIGURE 17A (SHEET 1)

25-24-30-17A

HAP
 OCT 10/06

25-24-30-17A
 PAGE 0

BOEING
 737-600/700/800/900
 PARTS CATALOG (MAINTENANCE)



E 25243017A SHT 2 REV 081

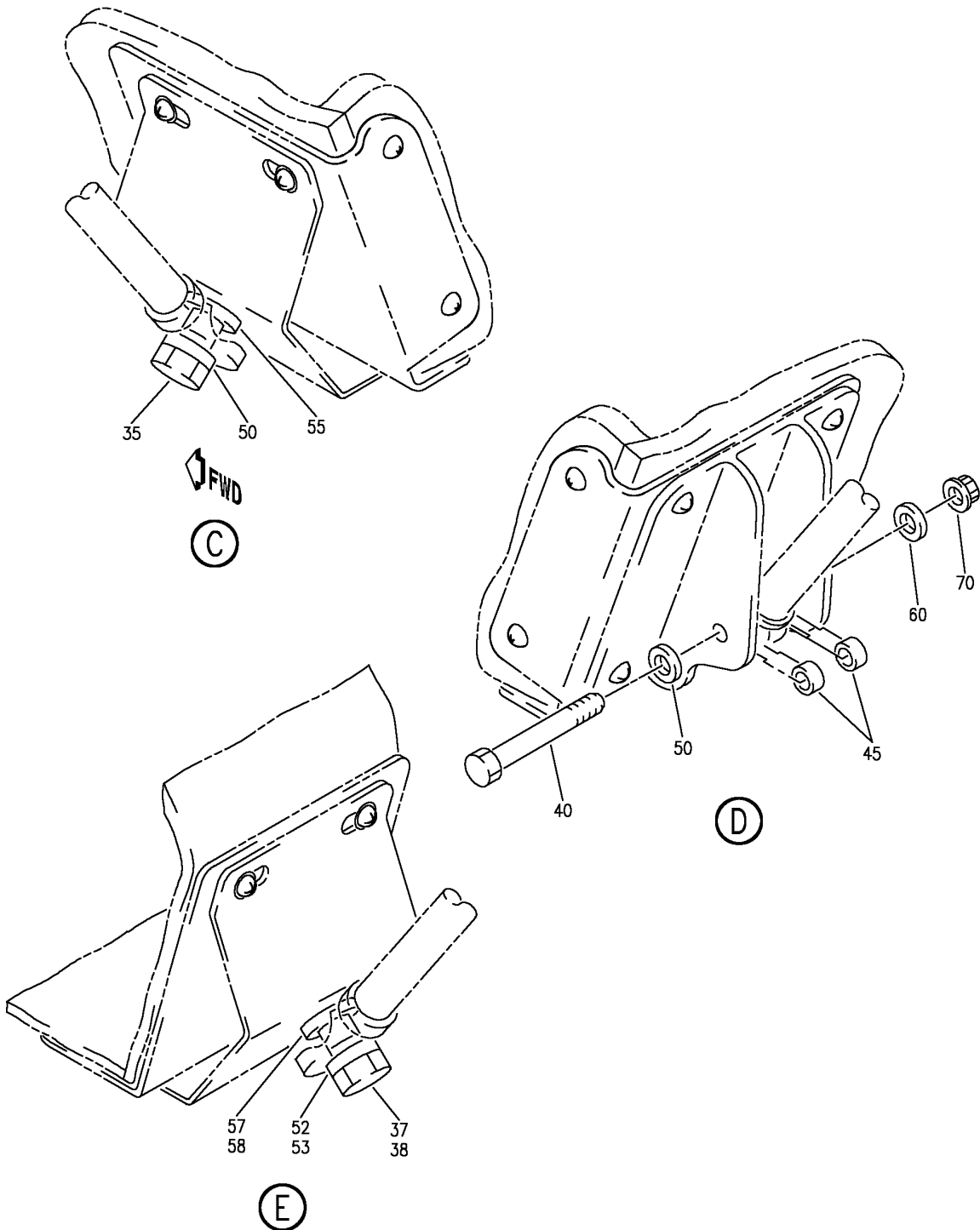
COMPARTMENT INSTL-FWD LH OVHD STOWAGE HNDRL CONFIGURATION
 FIGURE 17A (SHEET 2)

25-24-30-17A

HAP
 OCT 10/06

25-24-30-17A
 PAGE 0A

BOEING
 737-600/700/800/900
 PARTS CATALOG (MAINTENANCE)



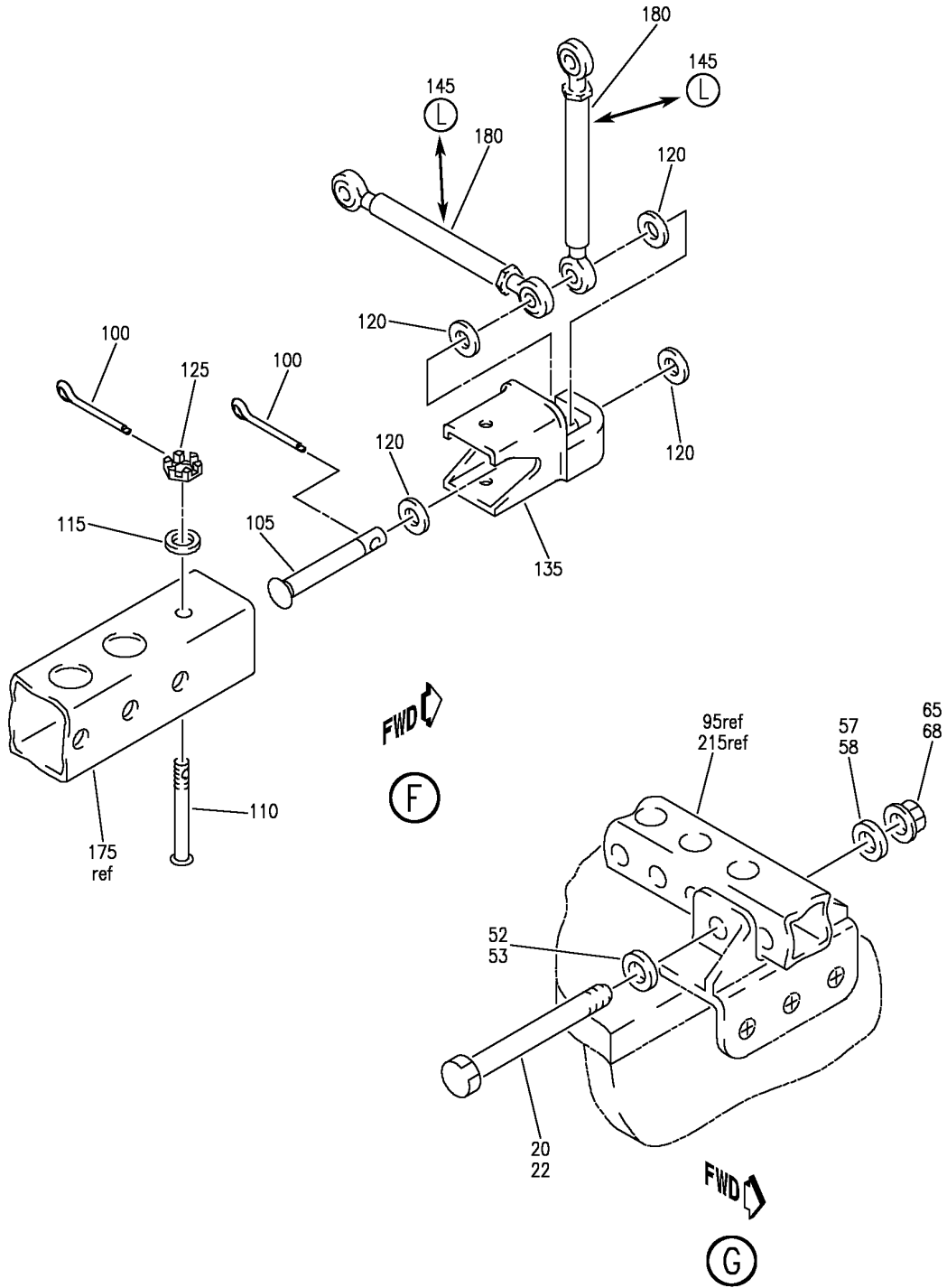
COMPARTMENT INSTL-FWD LH OVHD STOWAGE HNDRL CONFIGURATION
 FIGURE 17A (SHEET 3)

25-24-30-17A

HAP
 OCT 10/06

25-24-30-17A
 PAGE 0B

BOEING
 737-600/700/800/900
 PARTS CATALOG (MAINTENANCE)



E 25243017A SHT 4 REV 089

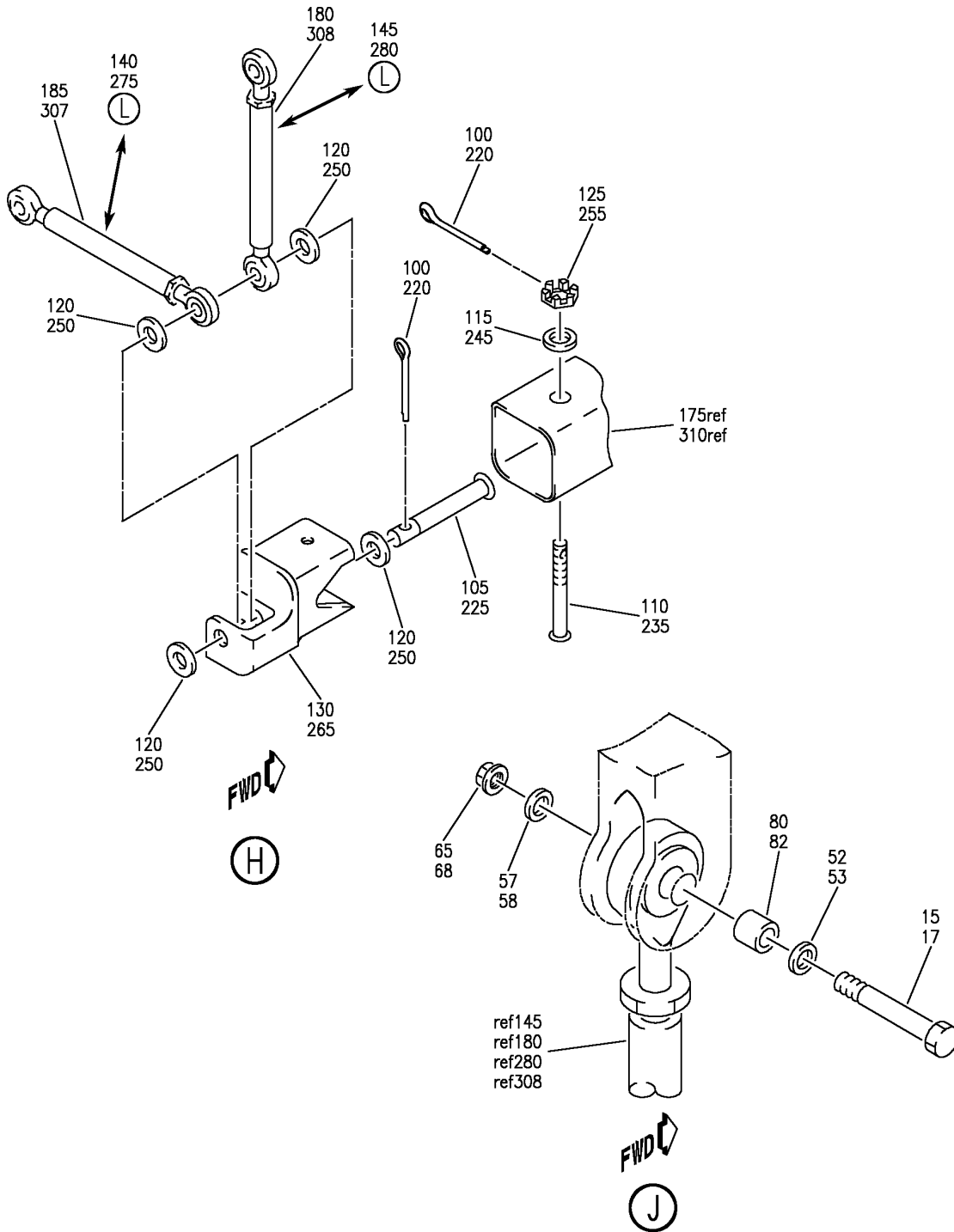
COMPARTMENT INSTL-FWD LH OVHD STOWAGE HNDRL CONFIGURATION
 FIGURE 17A (SHEET 4)

25-24-30-17A

HAP
 OCT 10/06

25-24-30-17A
 PAGE 0C


BOEING
 737-600/700/800/900
PARTS CATALOG (MAINTENANCE)



E 25243017A SH1 5 REV 089

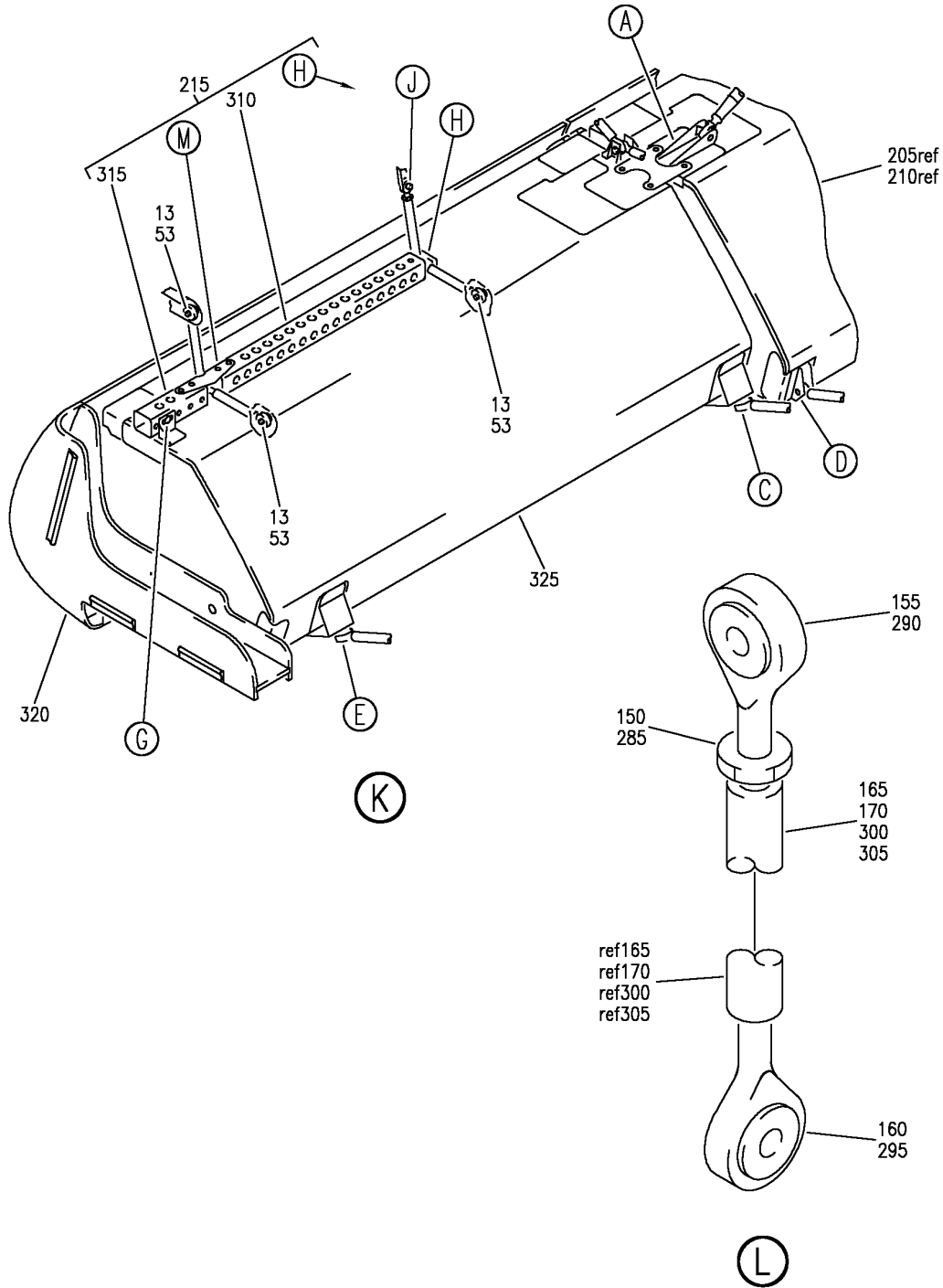
COMPARTMENT INSTL-FWD LH OVHD STOWAGE HNDRL CONFIGURATION
 FIGURE 17A (SHEET 5)

25-24-30-17A

HAP
OCT 10/06

25-24-30-17A
PAGE 0D

BOEING
 737-600/700/800/900
 PARTS CATALOG (MAINTENANCE)



E 25243017A SH1 6 REV 099

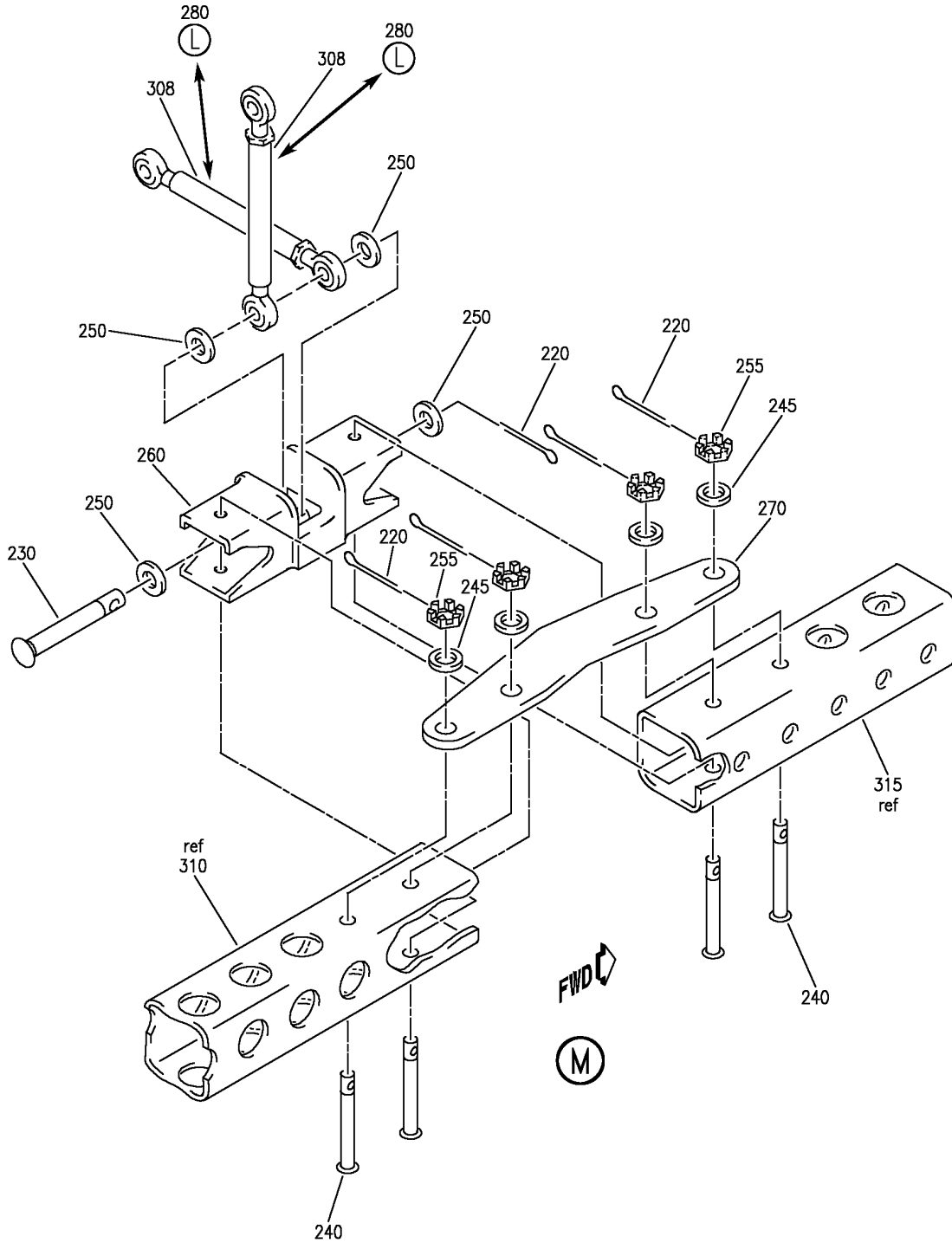
COMPARTMENT INSTL-FWD LH OVHD STOWAGE HNDRL CONFIGURATION
 FIGURE 17A (SHEET 6)

25-24-30-17A

HAP
 OCT 10/06

25-24-30-17A
 PAGE 0E

BOEING
 737-600/700/800/900
 PARTS CATALOG (MAINTENANCE)



E 25243017A SHT 7 REV 089

COMPARTMENT INSTL-FWD LH OVHD STOWAGE HNDRL CONFIGURATION
 FIGURE 17A (SHEET 7)

25-24-30-17A

HAP
 OCT 10/06

25-24-30-17A
 PAGE OF

BOEING
737-600/700/800/900
PARTS CATALOG (MAINTENANCE)

FIG ITEM	PART NUMBER	1 2 3 4 5 6 7	NOMENCLATURE	EFFECT FROM TO	UNITS PER ASSY
17A			COMPARTMENT INSTL-FWD LH OVHD STOWAGE HNDRL CONFIGURATION	001001 006007	
- 1	412A1010-3SP		COMPARTMENT INSTL-OVHD STOWAGE HNDRL CONFIGURATION POSITION DATA: FWD LH FOR NHA SEE: 25-24-00-13A	001001 006007	RF
5	BACP18BC02A06P		.PIN	001001 006007	4
10	BACB30NR4K8		.BOLT- PRE SERVICE BULLETIN: 25-1542	001001 006007	3
13	BACB30NR4K8		.BOLT- POST SERVICE BULLETIN: 25-1542	001001 006007	3
15	BACB30NR4K12		.BOLT- PRE SERVICE BULLETIN: 25-1542	001001 006007	1
17	BACB30NR4K12		.BOLT- POST SERVICE BULLETIN: 25-1542	001001 006007	1
20	BACB30NR4K26		.BOLT- PRE SERVICE BULLETIN: 25-1542	001001 006007	1
22	BACB30NR4K26		.BOLT- POST SERVICE BULLETIN: 25-1542	001001 006007	1
25	BACB30US4K33		.BOLT	001001 006007	2
30	BACB30PW4-13		.BOLT	001001 006007	1
35	BACB30NR4K7		.BOLT	001001 006007	2
37	BACB30NR4K7		.BOLT- PRE SERVICE BULLETIN: 25-1542	001001 006007	1
38	BACB30NR4K7		.BOLT- POST SERVICE BULLETIN: 25-1542	001001 006007	1
40	BACB30PW4-17		.BOLT	001001 006007	1
45	NAS43HT4-13		.SPACER	001001 006007	2
50	BACW10BP4CD		.WASHER	001001 006007	6

MISSING ITEM NUMBERS NOT APPLICABLE

- ITEM NOT ILLUSTRATED

HAP

25-24-30-17A

BOEING PROPRIETARY - Copyright © - Unpublished Work - See title page for details.

25-24-30
FIG. 17A
PAGE 1
OCT 10/06

BOEING
737-600/700/800/900
PARTS CATALOG (MAINTENANCE)

FIG ITEM	PART NUMBER	1 2 3 4 5 6 7	NOMENCLATURE	EFFECT FROM TO	UNITS PER ASSY
17A					
52	BACW10BP4CD	.WASHER-	PRE SERVICE BULLETIN: 25-1542	001001 006007	6
53	BACW10BP4CD	.WASHER-	POST SERVICE BULLETIN: 25-1542	001001 006007	6
55	BACW10BP4DP	.WASHER		001001 006007	4
57	BACW10BP4DP	.WASHER-	PRE SERVICE BULLETIN: 25-1542	001001 006007	3
58	BACW10BP4DP	.WASHER-	POST SERVICE BULLETIN: 25-1542	001001 006007	3
60	BACW10BP3DP	.WASHER		001001 006007	2
65	PLH54CD	.NUT-	SUPPLIER CODE: VF0224 SPECIFICATION NUMBER: BACN10YR4CD OPTIONAL PART: H52732-4CD V15653 PRE SERVICE BULLETIN: 25-1542	001001 006007	2
68	PLH54CD	.NUT-	SUPPLIER CODE: VF0224 SPECIFICATION NUMBER: BACN10YR4CD OPTIONAL PART: H52732-4CD V15653 POST SERVICE BULLETIN: 25-1542	001001 006007	2
70	PLH53CD	.NUT	SUPPLIER CODE: VF0224 SPECIFICATION NUMBER: BACN10YR3CD OPTIONAL PART: H52732-3CD V15653	001001 006007	2

MISSING ITEM NUMBERS NOT APPLICABLE

— ITEM NOT ILLUSTRATED

HAP

25-24-30-17A

BOEING PROPRIETARY - Copyright © - Unpublished Work - See title page for details.

25-24-30
FIG. 17A
PAGE 2
FEB 15/09

BOEING
737-600/700/800/900
PARTS CATALOG (MAINTENANCE)

FIG ITEM	PART NUMBER	1 2 3 4 5 6 7	NOMENCLATURE	EFFECT FROM TO	UNITS PER ASSY
17A 75	BMN5024CWD34	.	NUT SUPPLIER CODE: V97928 SPECIFICATION NUMBER: BACN10HR4CD OPTIONAL PART: H51560-4 V15653 102CH9031-4 V72962 SL7108C428 V11815 67832CD428 V56878 BMN5024CWD3-4 V97928 BH00303CM4 V27238 SL7108C4 V11815 VCU0005D4 V06710 102LH90314 V72962 67832CD4 V56878 H964CD V15653 RMLH224CD V72962 VAL280094CD V06710 678324CD V56878 CR6030-4 VF0224	001001 006007	2
80	BACB28AK04-025	.	BUSHING- PRE SERVICE BULLETIN: 25-1542	001001 006007	1
82	BACB28AK04-025	.	BUSHING- POST SERVICE BULLETIN: 25-1542	001001 006007	1
85	BACB28AK04-071	.	BUSHING	001001 006007	4
90	412A1220-73	.	PLATE-BIN JT	001001 006007	1
95	412A2251-9	.	SUPPORT ASSY-UPR RAIL PRE SERVICE BULLETIN: 25-1542	001001 006007	1

MISSING ITEM NUMBERS NOT APPLICABLE

— ITEM NOT ILLUSTRATED

HAP

25-24-30-17A

BOEING PROPRIETARY - Copyright © - Unpublished Work - See title page for details.

25-24-30
FIG. 17A
PAGE 3
FEB 15/09

BOEING
737-600/700/800/900
PARTS CATALOG (MAINTENANCE)

FIG ITEM	PART NUMBER	1 2 3 4 5 6 7	NOMENCLATURE	EFFECT FROM TO	UNITS PER ASSY
17A					
100	BACP18C02C06P	..	PIN	001001 006007	4
105	MS20392-3C47	..	PIN	001001 006007	2
110	NAS8703AD22	..	BOLT- OPTIONAL PART: BACB30LH3K21	001001 006007	2
110	BACB30LH3K21	..	BOLT- OPTIONAL PART: NAS8703AD22	001001 006007	2
115	NAS1149D0332J	..	WASHER	001001 006007	2
120	NAS1515H4L	..	WASHER	001001 006007	8
125	BACN10JD103CD	..	NUT	001001 006007	2
130	412A1230-91	..	FITTING	001001 006007	1
135	412A1230-92	..	FITTING	001001 006007	1
140	65-80898-35	..	TURNBUCKLE ASSY- OPTIONAL PART: 1488-5 V34742	001001 006007	1
145	65-80898-37	..	TURNBUCKLE ASSY- OPTIONAL PART: 1488-7 V34742	001001 006007	3
150	AN316-4R	...	NUT	001001 006007	1
155	1486-3	...	ROD END ASSY- SUPPLIER CODE: V34742	001001 006007	1
160	1486-3L	...	ROD END ASSY- SUPPLIER CODE: V34742	001001 006007	1
165	65-81149-48	...	TUBE- USED ON: 65-80898-35	001001 006007	1
170	65-81149-49	...	TUBE- USED ON: 65-80898-37	001001 006007	1
175	412A2251-2	..	RAIL	001001 006007	1
180	1488-7	..	ROD ASSY-TIE SUPPLIER CODE: V34742 OPTIONAL PART: 65-80898-37	001001 006007	3

MISSING ITEM NUMBERS NOT APPLICABLE

— ITEM NOT ILLUSTRATED

HAP

25-24-30-17A

BOEING PROPRIETARY - Copyright © - Unpublished Work - See title page for details.

25-24-30
FIG. 17A
PAGE 4
FEB 15/09

BOEING
737-600/700/800/900
PARTS CATALOG (MAINTENANCE)

FIG ITEM	PART NUMBER	1 2 3 4 5 6 7	NOMENCLATURE	EFFECT FROM TO	UNITS PER ASSY
17A 185	1488-5		..TURNBUCKLE ASSY- SUPPLIER CODE: V34742 OPTIONAL PART: 65-80898-35	001001 006007	1
190	412A1050-13SP		.COMPONENT ASSY-VAR PRE SERVICE BULLETIN: 25-1373	001001 006007	1
190	002A0007-32N		.COMPONENT ASSY-VAR POST SERVICE BULLETIN: 25-1373 PRE SERVICE BULLETIN: 25-1542	001001 006007	1
195	412A1150-9SP		..COMPARTMENT ASSY-25 IN. PRE SERVICE BULLETIN: 25-1373 FUNCTIONAL REFERENCE: EQUIPMENT/FURNISHINGS FOR DETAILS SEE 25-24-31-21E LIGHTS FOR DETAILS SEE 33-51-03-26	001001 006007	1
195	002A0007-75N		..COMPARTMENT ASSY-25 IN. POST SERVICE BULLETIN: 25-1373 PRE SERVICE BULLETIN: 25-1542 FUNCTIONAL REFERENCE: EQUIPMENT/FURNISHINGS FOR DETAILS SEE 25-24-31-21E LIGHTS FOR DETAILS SEE 33-51-03-26	001001 006007	1
200	412A1310-309SP		..MOUNTING ASSY- PRE SERVICE BULLETIN: 25-1360 FOR DETAILS SEE: 25-24-33-40	001001 006007	1
203	412A1310-361SP		..MOUNTING ASSY- POST SERVICE BULLETIN: 25-1360 PRE SERVICE BULLETIN: 25-1542 FOR DETAILS SEE: 25-24-33-40C	001001 006007	1

MISSING ITEM NUMBERS NOT APPLICABLE

— ITEM NOT ILLUSTRATED

HAP

25-24-30-17A

BOEING PROPRIETARY - Copyright © - Unpublished Work - See title page for details.

25-24-30
FIG. 17A
PAGE 5
FEB 15/09

BOEING
737-600/700/800/900
PARTS CATALOG (MAINTENANCE)

FIG ITEM	PART NUMBER	1 2 3 4 5 6 7	NOMENCLATURE	EFFECT FROM TO	UNITS PER ASSY
17A 205	412A1050-21SP	.	COMPONENT ASSY-VAR PRE SERVICE BULLETIN: 25-1373	001001 006007	1
205	002A0007-39N	.	COMPONENT ASSY-VAR POST SERVICE BULLETIN: 25-1373	001001 006007	1
210	412A1150-3SP	..	COMPARTMENT ASSY-60 IN. PRE SERVICE BULLETIN: 25-1373 FUNCTIONAL REFERENCE: EQUIPMENT/FURNISHINGS FOR DETAILS SEE 25-24-31-67A LIGHTS FOR DETAILS SEE 33-22-00-24	001001 006007	1
210	002A0007-73N	..	COMPARTMENT ASSY-60 IN. POST SERVICE BULLETIN: 25-1373 FUNCTIONAL REFERENCE: EQUIPMENT/FURNISHINGS FOR DETAILS SEE 25-24-31-67A LIGHTS FOR DETAILS SEE 33-22-00-24	001001 006007	1
215	412A2251-11	.	SUPPORT ASSY-UPR RAIL POST SERVICE BULLETIN: 25-1542	001001 006007	1
220	BACP18BC02C06P	..	PIN	001001 006007	7
225	MS20392-3C47	..	PIN	001001 006007	1
230	MS20392-3C53	..	PIN	001001 006007	1
235	NAS8703AD22	..	BOLT- OPTIONAL PART: BACB30LH3K21	001001 006007	1
235	BACB30LH3K21	..	BOLT- OPTIONAL PART: NAS8703AD22	001001 006007	1
240	NAS8703AD23	..	BOLT- OPTIONAL PART: BACB30LH3K23	001001 006007	4
240	BACB30LH3K23	..	BOLT- OPTIONAL PART: NAS8703AD23	001001 006007	4
245	NAS1149D0332J	..	WASHER	001001 006007	5

MISSING ITEM NUMBERS NOT APPLICABLE

— ITEM NOT ILLUSTRATED

HAP

25-24-30-17A

BOEING PROPRIETARY - Copyright © - Unpublished Work - See title page for details.

25-24-30
FIG. 17A
PAGE 6
FEB 15/09

BOEING
737-600/700/800/900
PARTS CATALOG (MAINTENANCE)

FIG ITEM	PART NUMBER	1 2 3 4 5 6 7	NOMENCLATURE	EFFECT FROM TO	UNITS PER ASSY
17A					
250	NAS1515H4L	..	WASHER	001001 006007	8
255	BACN10JD103CD	..	NUT	001001 006007	5
260	412A1230-50	..	FITTING	001001 006007	1
265	412A1230-91	..	FITTING	001001 006007	1
270	412A1220-69	..	PLATE-TENSION	001001 006007	1
275	65-80898-35	..	TURNBUCKLE ASSY- OPTIONAL PART: 1488-5 V34742	001001 006007	1
280	65-80898-37	..	TURNBUCKLE ASSY- OPTIONAL PART: 1488-7 V34742	001001 006007	3
285	AN316-4R	...	NUT	001001 006007	1
290	1486-3	...	ROD END ASSY- SUPPLIER CODE: V34742	001001 006007	1
295	1486-3L	...	ROD END ASSY- SUPPLIER CODE: V34742	001001 006007	1
300	65-81149-48	...	TUBE- USED ON: 65-80898-35	001001 006007	1
305	65-81149-49	...	TUBE- USED ON: 65-80898-37	001001 006007	1
307	1488-5	..	TURNBUCKLE ASSY- SUPPLIER CODE: V34742 OPTIONAL PART: 65-80898-35	001001 006007	1
308	1488-7	..	ROD ASSY- SUPPLIER CODE: V34742 OPTIONAL PART: 65-80898-37	001001 006007	3
310	412A2251-4	..	RAIL	001001 006007	1
315	412A2251-5	..	RAIL	001001 006007	1

MISSING ITEM NUMBERS NOT APPLICABLE

— ITEM NOT ILLUSTRATED

HAP

25-24-30-17A

BOEING PROPRIETARY - Copyright © - Unpublished Work - See title page for details.

25-24-30
FIG. 17A
PAGE 7
FEB 15/09

BOEING
737-600/700/800/900
PARTS CATALOG (MAINTENANCE)

FIG ITEM	PART NUMBER	1 2 3 4 5 6 7	NOMENCLATURE	EFFECT FROM TO	UNITS PER ASSY
17A 320	412A1310-361SP		.MOUNTING ASSY- POST SERVICE BULLETIN: 25-1542 FOR DETAILS SEE: 25-24-33-40C	001001 006007	1
325	412A1150-335B		.COMPARTMENT ASSY-60 IN. POST SERVICE BULLETIN: 25-1542 FUNCTIONAL REFERENCE: EQUIPMENT/FURNISHINGS FOR DETAILS SEE 25-24-31-41B LIGHTS FOR DETAILS SEE 33-51-03-20	001001 006007	1

MISSING ITEM NUMBERS NOT APPLICABLE

— ITEM NOT ILLUSTRATED

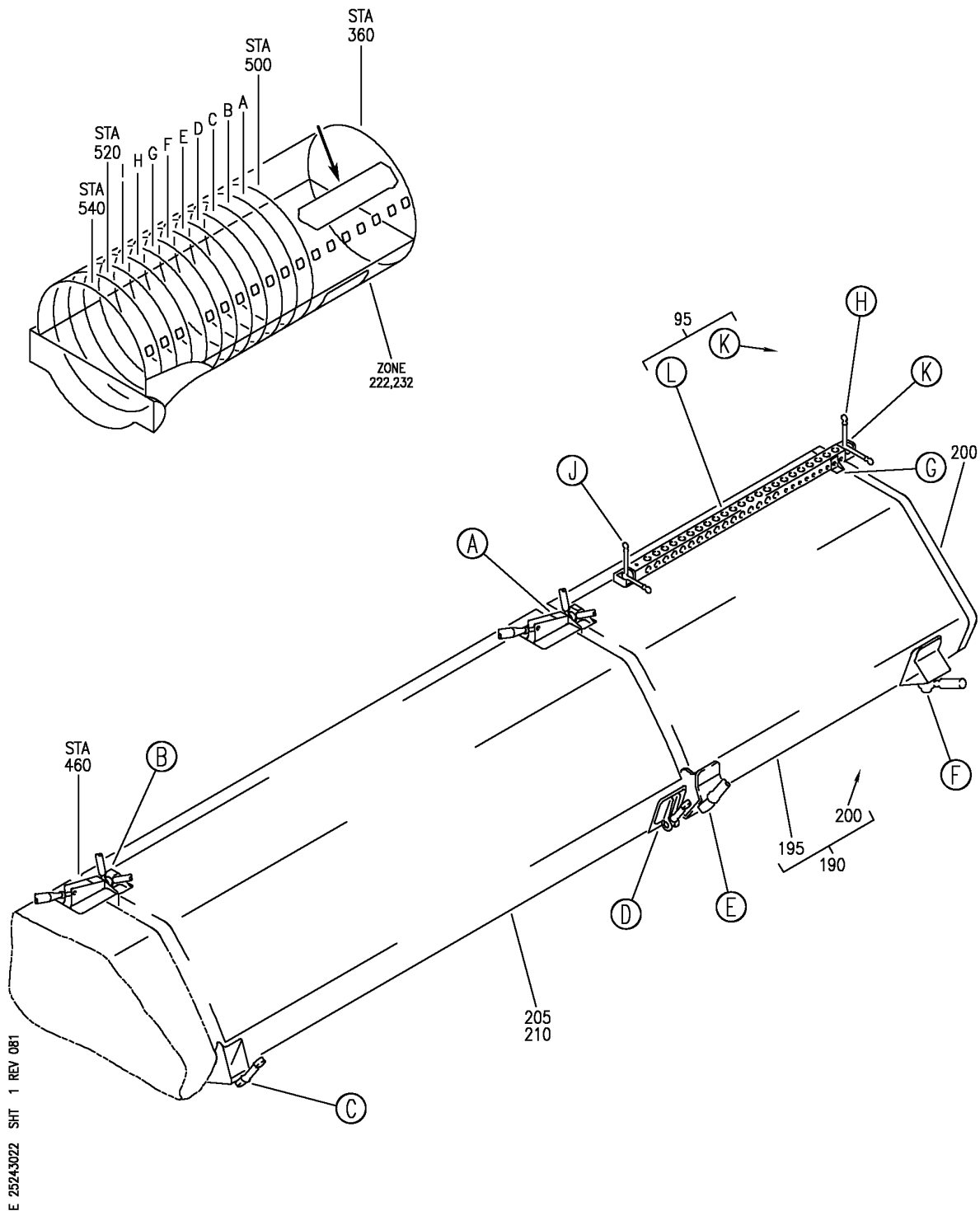
HAP

25-24-30-17A

BOEING PROPRIETARY - Copyright © - Unpublished Work - See title page for details.

25-24-30
FIG. 17A
PAGE 8
FEB 15/09

BOEING
 737-600/700/800/900
 PARTS CATALOG (MAINTENANCE)



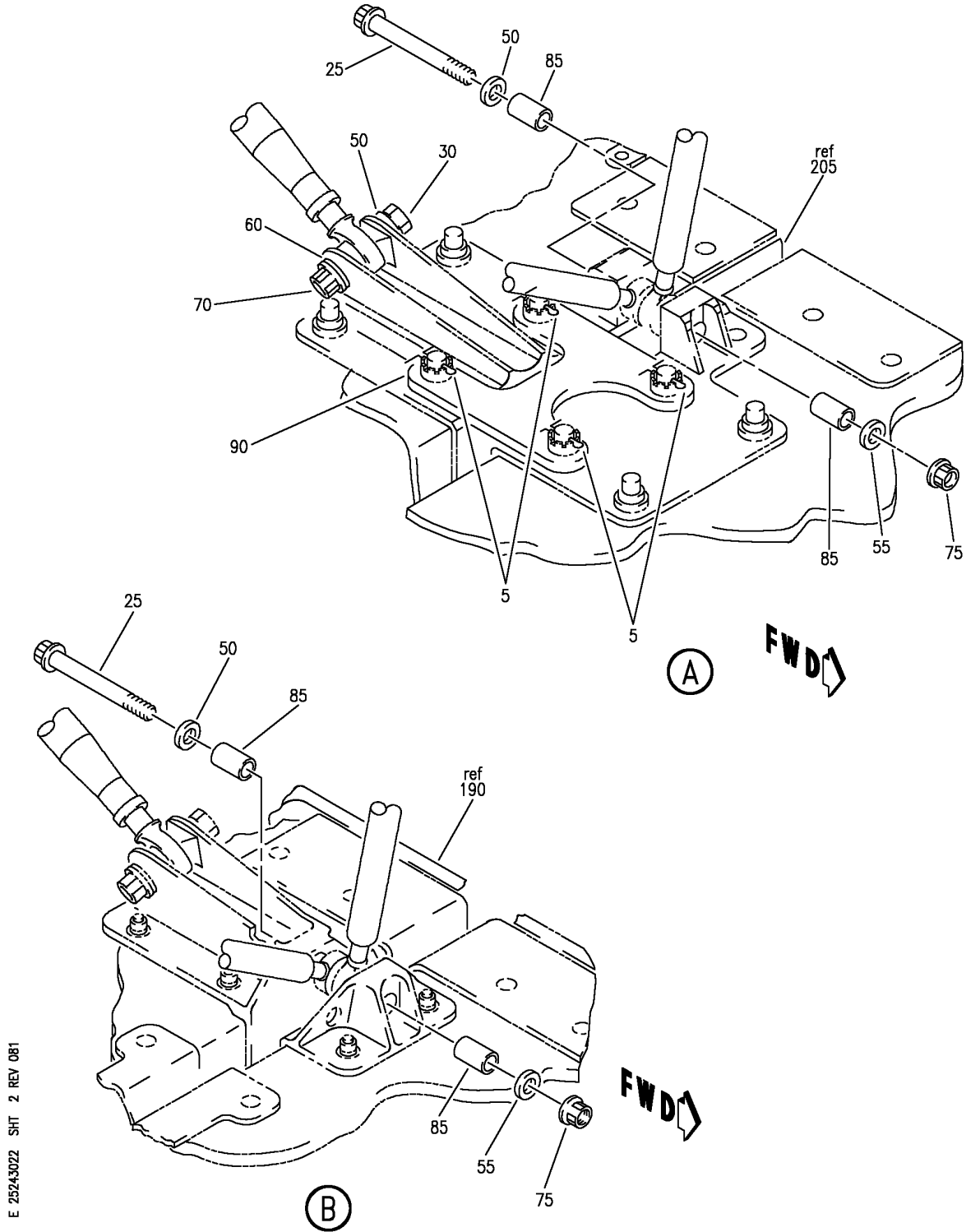
COMPARTMENT INSTL-FWD RH OVHD STOWAGE HNDRL CONFIGURATION
 FIGURE 22 (SHEET 1)

25-24-30-22

HAP
 OCT 10/06

25-24-30-22
 PAGE 0

BOEING
 737-600/700/800/900
 PARTS CATALOG (MAINTENANCE)



E 25243022 SHT 2 REV 081

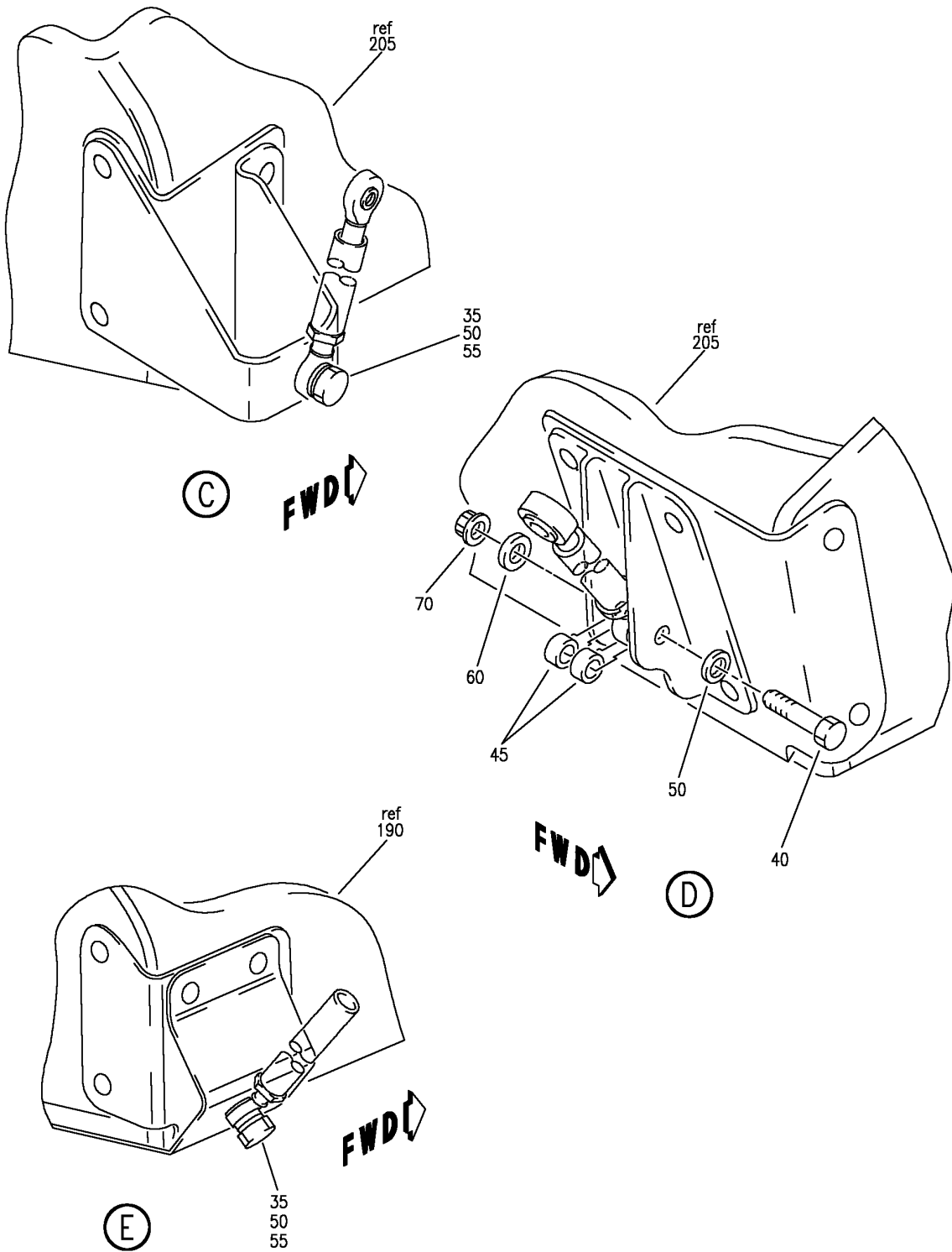
COMPARTMENT INSTL-FWD RH OVHD STOWAGE HNDRL CONFIGURATION
 FIGURE 22 (SHEET 2)

25-24-30-22

HAP
 OCT 10/06

25-24-30-22
 PAGE 0A

BOEING
 737-600/700/800/900
 PARTS CATALOG (MAINTENANCE)



E 25243022 SH1 3 REV 081

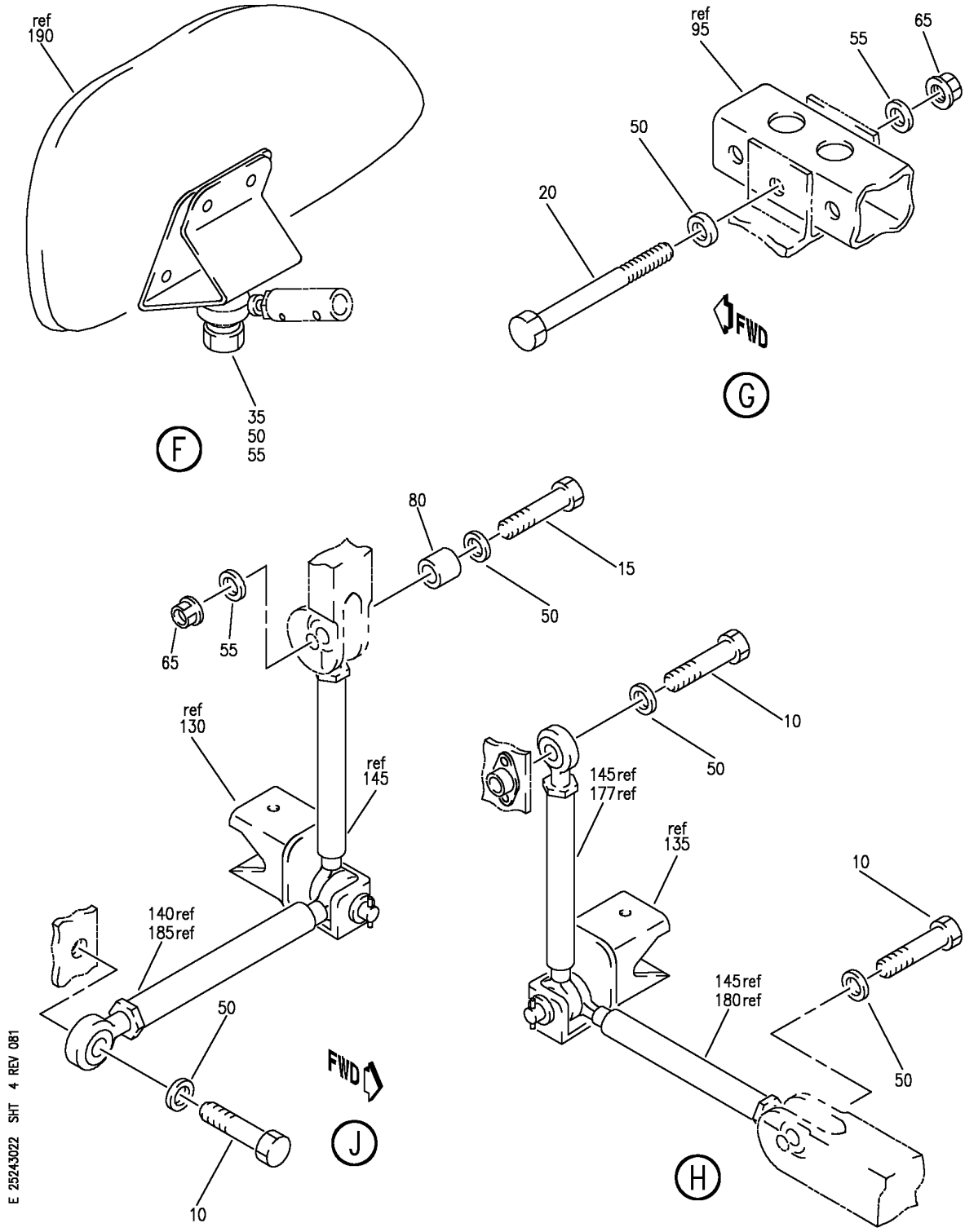
COMPARTMENT INSTL-FWD RH OVHD STOWAGE HNDRL CONFIGURATION
 FIGURE 22 (SHEET 3)

25-24-30-22

HAP
 OCT 10/06

25-24-30-22
 PAGE 0B

BOEING
737-600/700/800/900
PARTS CATALOG (MAINTENANCE)



E 25243022 SHT 4 REV 081

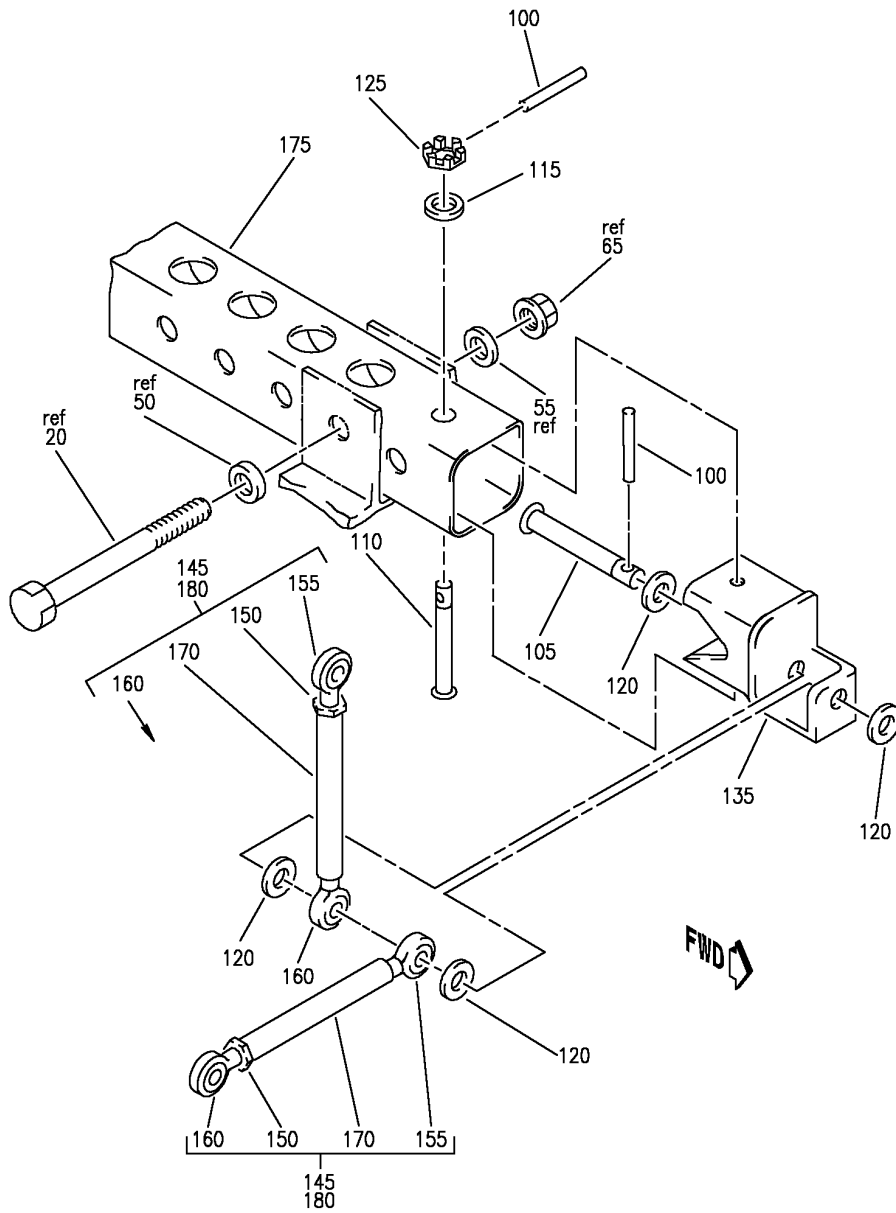
COMPARTMENT INSTL-FWD RH OVHD STOWAGE HANDRL CONFIGURATION
FIGURE 22 (SHEET 4)

25-24-30-22

HAP
OCT 10/06

25-24-30-22
PAGE 0C

BOEING
 737-600/700/800/900
 PARTS CATALOG (MAINTENANCE)



(K)

E 25243022 SH1 5 REV 081

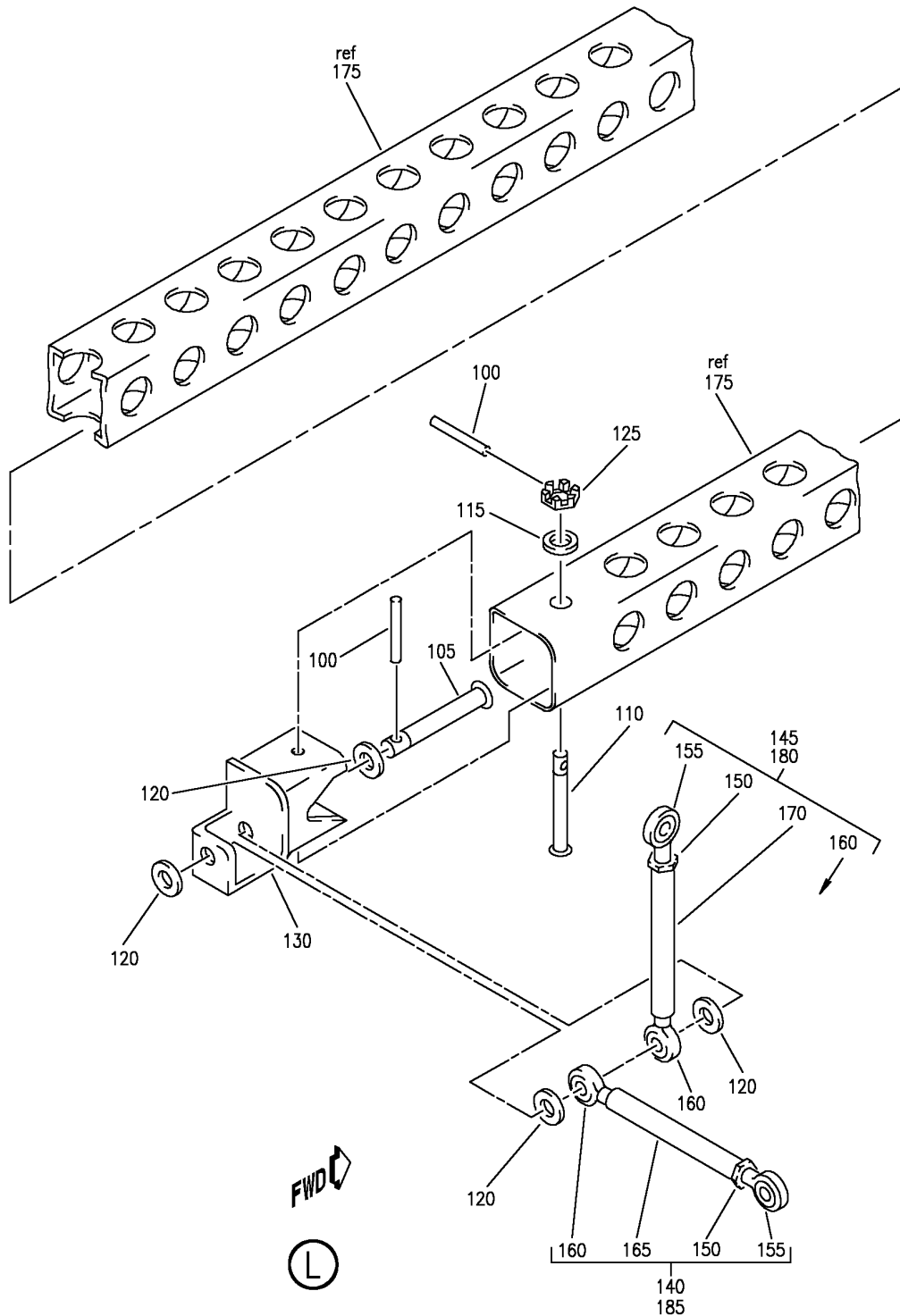
COMPARTMENT INSTL-FWD RH OVHD STOWAGE HNDRL CONFIGURATION
 FIGURE 22 (SHEET 5)

25-24-30-22

HAP
 OCT 10/06

25-24-30-22
 PAGE 0D

BOEING
 737-600/700/800/900
 PARTS CATALOG (MAINTENANCE)



E 25243022 SHT 6 REV 081

COMPARTMENT INSTL-FWD RH OVHD STOWAGE HNDRL CONFIGURATION
 FIGURE 22 (SHEET 6)

25-24-30-22

HAP
 OCT 10/06

25-24-30-22
 PAGE 0E

BOEING
737-600/700/800/900
PARTS CATALOG (MAINTENANCE)

FIG ITEM	PART NUMBER	1 2 3 4 5 6 7	NOMENCLATURE	EFFECT FROM TO	UNITS PER ASSY
22			COMPARTMENT INSTL-FWD RH OVHD STOWAGE HNDRL CONFIGURATION	001001 006007	
- 1	412A1020-3SP		COMPARTMENT INSTL-OVHD STOWAGE HNDRL CONFIGURATION POSITION DATA: FWD RH PRE SERVICE BULLETIN: 25-1373 FOR NHA SEE: 25-24-00-13A	001001 006007	RF
	5 BACP18BC02A06P		.PIN	001001 006007	4
	10 BACB30NR4K8		.BOLT	001001 006007	3
	15 BACB30NR4K12		.BOLT	001001 006007	1
	20 BACB30NR4K26		.BOLT	001001 006007	1
	25 BACB30US4K33		.BOLT	001001 006007	2
	30 BACB30PW4-13		.BOLT	001001 006007	1
	35 BACB30NR4K7		.BOLT	001001 006007	3
	40 BACB30PW4-17		.BOLT	001001 006007	1
	45 NAS43HT4-13		.SPACER	001001 006007	2
	50 BACW10BP4CD		.WASHER	001001 006007	12
	55 BACW10BP4DP		.WASHER	001001 006007	7
	60 BACW10BP3DP		.WASHER	001001 006007	2
	65 PLH54CD		.NUT SUPPLIER CODE: VF0224 SPECIFICATION NUMBER: BACN10YR4CD OPTIONAL PART: H52732-4CD V15653	001001 006007	2

MISSING ITEM NUMBERS NOT APPLICABLE

- ITEM NOT ILLUSTRATED

HAP

25-24-30-22

BOEING PROPRIETARY - Copyright © - Unpublished Work - See title page for details.

25-24-30
FIG. 22
PAGE 1
FEB 15/09

BOEING
737-600/700/800/900
PARTS CATALOG (MAINTENANCE)

FIG ITEM	PART NUMBER	1 2 3 4 5 6 7	NOMENCLATURE	EFFECT FROM TO	UNITS PER ASSY
22					
70	PLH53CD	.NUT	SUPPLIER CODE: VF0224 SPECIFICATION NUMBER: BACN10YR3CD OPTIONAL PART: H52732-3CD V15653	001001 006007	2
75	BMN5024CWD34	.NUT	SUPPLIER CODE: V97928 SPECIFICATION NUMBER: BACN10HR4CD OPTIONAL PART: H51560-4 V15653 102CH9031-4 V72962 SL7108C428 V11815 67832CD428 V56878 BMN5024CWD3-4 V97928 BH00303CM4 V27238 SL7108C4 V11815 VCU0005D4 V06710 102LH90314 V72962 67832CD4 V56878 H964CD V15653 RMLH224CD V72962 VAL280094CD V06710 678324CD V56878 CR6030-4 VF0224	001001 006007	2
80	BACB28AK04-025	.BUSHING		001001 006007	1
85	BACB28AK04-071	.BUSHING		001001 006007	4

MISSING ITEM NUMBERS NOT APPLICABLE

— ITEM NOT ILLUSTRATED

HAP

25-24-30-22

BOEING PROPRIETARY - Copyright © - Unpublished Work - See title page for details.

25-24-30
FIG. 22
PAGE 2
FEB 15/09

BOEING
737-600/700/800/900
PARTS CATALOG (MAINTENANCE)

FIG ITEM	PART NUMBER	1 2 3 4 5 6 7	NOMENCLATURE	EFFECT FROM TO	UNITS PER ASSY
22					
90	412A1220-73	.	PLATE-BIN JOINT	001001 006007	1
95	412A2251-10	.	SUPPORT ASSY-UPR RAIL	001001 006007	1
100	BACP18C02C06P	..	PIN	001001 006007	4
105	MS20392-3C47	..	PIN	001001 006007	2
110	NAS8703AD22	..	BOLT-	001001 006007	2
			OPTIONAL PART: BACB30LH3K21		
110	BACB30LH3K21	..	BOLT-	001001 006007	2
			OPTIONAL PART: NAS8703AD22		
115	NAS1149D0332J	..	WASHER	001001 006007	2
120	NAS1515H4L	..	WASHER	001001 006007	8
125	BACN10JD103CD	..	NUT	001001 006007	2
130	412A1230-91	..	FITTING	001001 006007	1
135	412A1230-92	..	FITTING	001001 006007	1
135	412A1230-92	..	FITTING	001001 006007	1
140	65-80898-35	..	TURNBUCKLE ASSY-	001001 006007	1
			OPTIONAL PART: 1488-5 V34742		
145	65-80898-37	..	TURNBUCKLE ASSY-	001001 006007	3
			OPTIONAL PART: 1488-7 V34742		
150	AN316-4R	...	NUT	001001 006007	1
155	1486-3	...	ROD END ASSY-	001001 006007	1
			SUPPLIER CODE: V34742		
160	1486-3L	...	ROD END ASSY-	001001 006007	1
			SUPPLIER CODE: V34742		
165	65-81149-48	...	TUBE-	001001 006007	1
			USED ON: 65-80898-35		
170	65-81149-49	...	TUBE-	001001 006007	1
			USED ON: 65-80898-37		

MISSING ITEM NUMBERS NOT APPLICABLE

- ITEM NOT ILLUSTRATED

HAP

25-24-30-22

25-24-30
FIG. 22
PAGE 3
FEB 15/09

BOEING
737-600/700/800/900
PARTS CATALOG (MAINTENANCE)

FIG ITEM	PART NUMBER	1 2 3 4 5 6 7	NOMENCLATURE	EFFECT FROM TO	UNITS PER ASSY
22					
175	412A2251-2	..	RAIL	001001 006007	1
180	1488-7	..	ROD ASSY-TIE SUPPLIER CODE: V34742 OPTIONAL PART: 65-80898-37	001001 006007	3
185	1488-5	..	TURNBUCKLE ASSY- SUPPLIER CODE: V34742 OPTIONAL PART: 65-80898-35	001001 006007	1
190	412A1050-14SP	.COMPONENT ASSY-VAR	PRE SERVICE BULLETIN: 25-1373	001001 006007	1
190	002A0007-33N	.COMPONENT ASSY-VAR	POST SERVICE BULLETIN: 25-1373	001001 006007	1
195	412A1150-10SP	..COMPARTMENT ASSY-25 IN.	PRE SERVICE BULLETIN: 25-1373 FOR DETAILS SEE: 25-24-31-21E	001001 006007	1
195	002A0007-76N	..COMPARTMENT ASSY-25 IN.	POST SERVICE BULLETIN: 25-1373 FOR DETAILS SEE: 25-24-31-21E	001001 006007	1
200	412A1310-310SP	..MOUNTING ASSY-	PRE SERVICE BULLETIN: 25-1360 FOR DETAILS SEE: 25-24-33-40A	001001 006007	1
200	412A1310-362SP	..MOUNTING ASSY-	POST SERVICE BULLETIN: 25-1360 FOR DETAILS SEE: 25-24-33-40B	001001 006007	1
205	412A1050-22SP	.COMPONENT ASSY-VAR	PRE SERVICE BULLETIN: 25-1373	001001 006007	1
205	002A0007-40N	.COMPONENT ASSY-VAR	POST SERVICE BULLETIN: 25-1373	001001 006007	1

MISSING ITEM NUMBERS NOT APPLICABLE

— ITEM NOT ILLUSTRATED

HAP

25-24-30-22

25-24-30
FIG. 22
PAGE 4
FEB 15/09

BOEING PROPRIETARY - Copyright © - Unpublished Work - See title page for details.

BOEING
737-600/700/800/900
PARTS CATALOG (MAINTENANCE)

FIG ITEM	PART NUMBER	1 2 3 4 5 6 7	NOMENCLATURE	EFFECT FROM TO	UNITS PER ASSY
22 210	412A1150-4SP		..COMPARTMENT ASSY-60 IN. PRE SERVICE BULLETIN: 25-1373 FUNCTIONAL REFERENCE: AIR CONDITIONING FOR DETAILS SEE 21-61-06-05 21-61-10-11 21-61-11-12 EQUIPMENT/FURNISHINGS FOR DETAILS SEE 25-24-31-61D LIGHTS FOR DETAILS SEE 33-22-00-25 33-51-03-05B	001001 006007	1
210	002A0007-74N		..COMPARTMENT ASSY-60 IN. POST SERVICE BULLETIN: 25-1373 FUNCTIONAL REFERENCE: AIR CONDITIONING FOR DETAILS SEE 21-61-10-11 21-61-11-12 EQUIPMENT/FURNISHINGS FOR DETAILS SEE 25-24-31-61D LIGHTS FOR DETAILS SEE 33-22-00-25 33-51-03-05B	001001 006007	1

MISSING ITEM NUMBERS NOT APPLICABLE

— ITEM NOT ILLUSTRATED

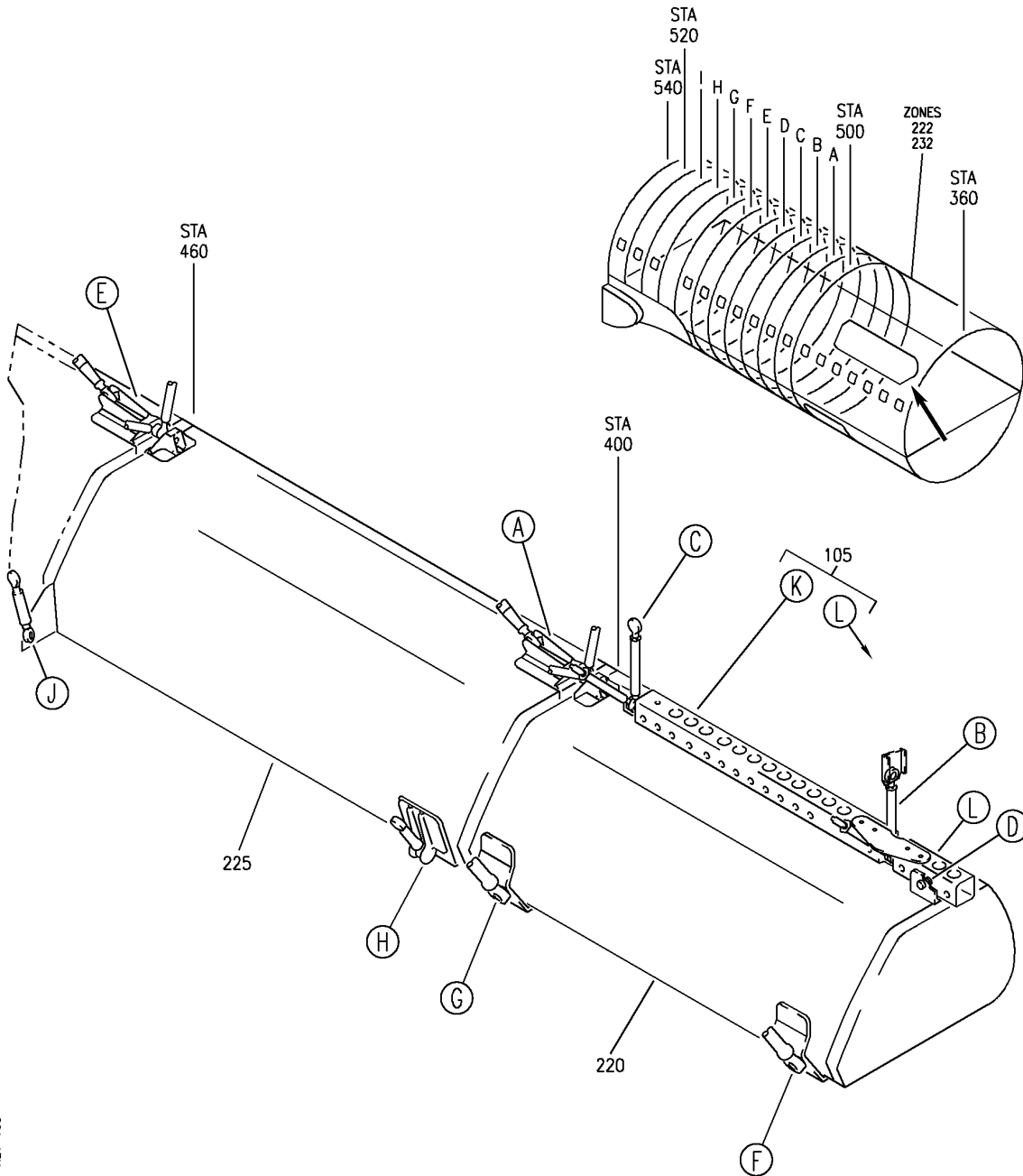
HAP

25-24-30-22

BOEING PROPRIETARY - Copyright © - Unpublished Work - See title page for details.

25-24-30
FIG. 22
PAGE 5
FEB 15/09

BOEING
 737-600/700/800/900
 PARTS CATALOG (MAINTENANCE)



E 2524-3022B SHT 1 REV 105

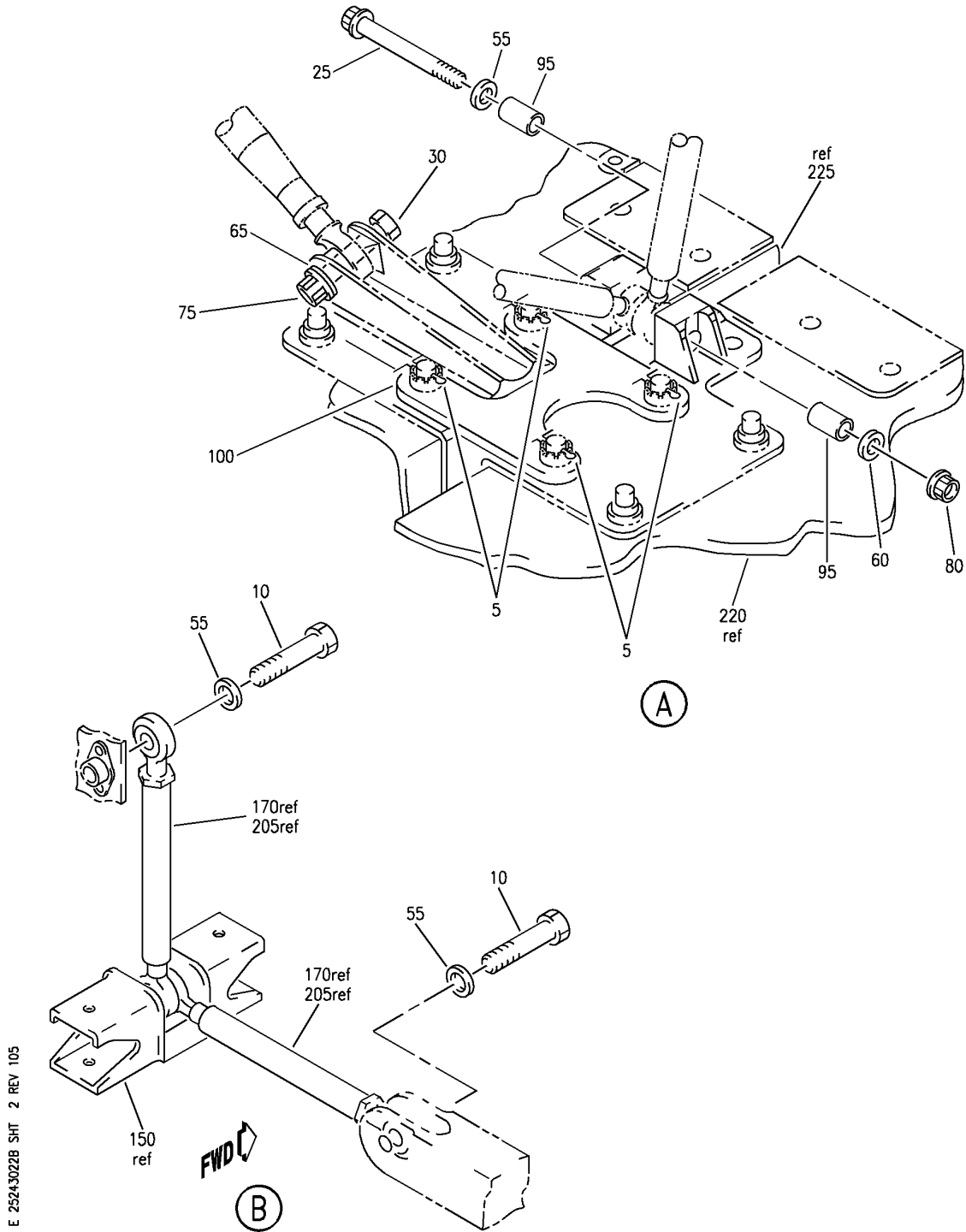
COMPARTMENT INSTL-FWD RH OVHD STOWAGE BIG BIN BULLNOSE CONFIGURATION
 FIGURE 22B (SHEET 1)

25-24-30-22B

HAP
 FEB 10/07

25-24-30-22B
 PAGE 0

BOEING
 737-600/700/800/900
 PARTS CATALOG (MAINTENANCE)



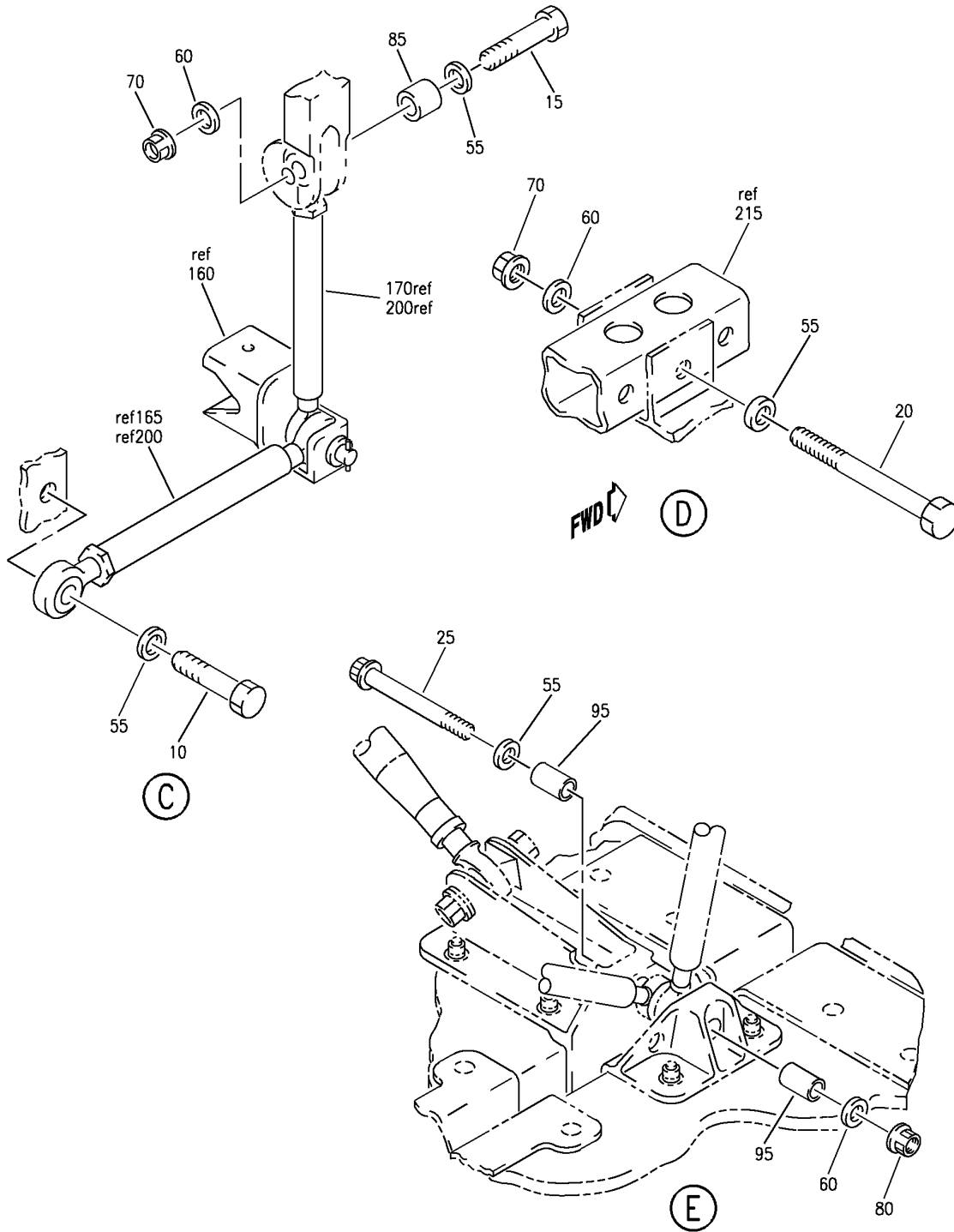
COMPARTMENT INSTL-FWD RH OVHD STOWAGE BIG BIN BULLNOSE CONFIGURATION
 FIGURE 22B (SHEET 2)

25-24-30-22B

HAP
 FEB 10/07

25-24-30-22B
 PAGE 0A

BOEING
 737-600/700/800/900
 PARTS CATALOG (MAINTENANCE)



E 2524-3022B SHT 3 REV 105

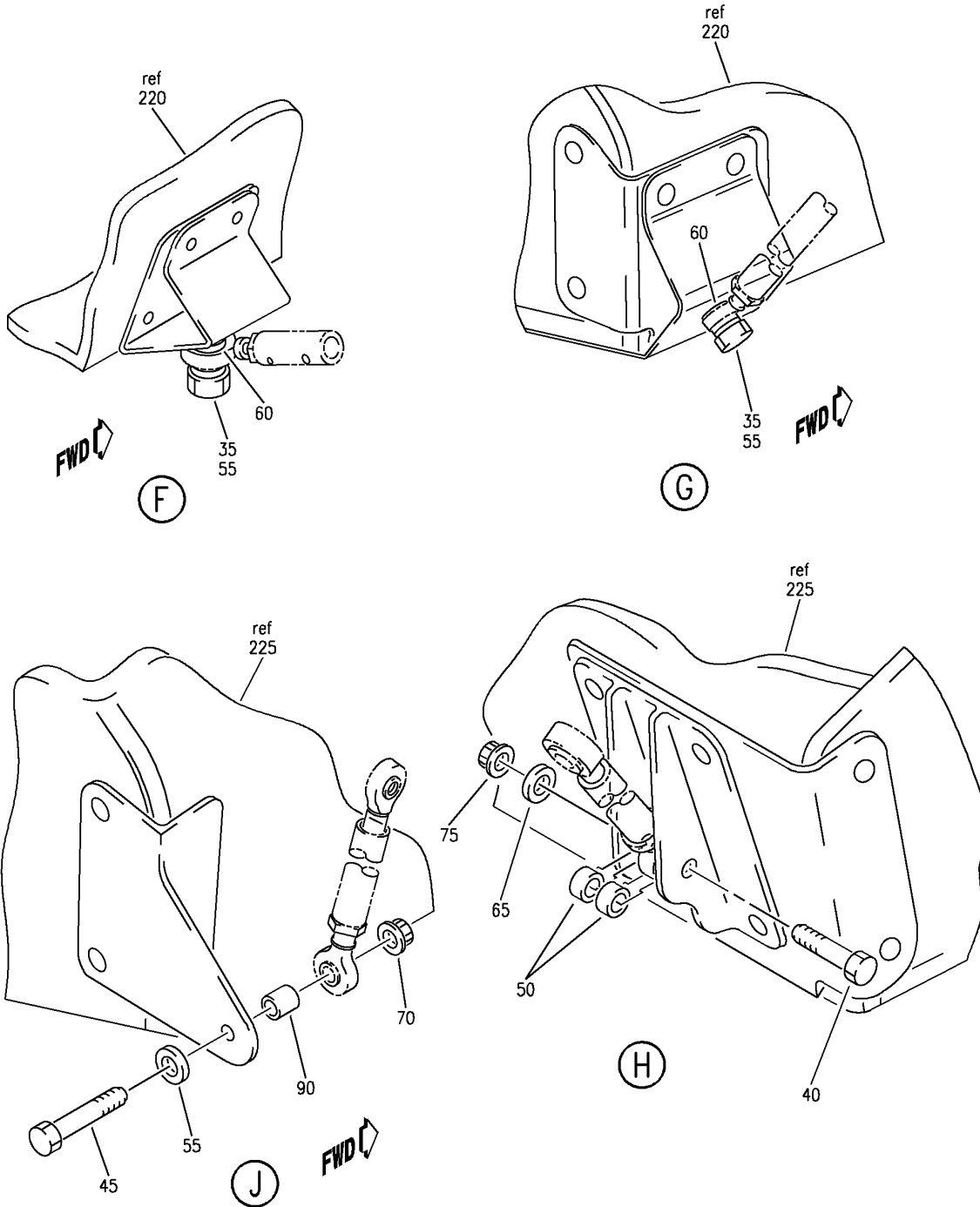
COMPARTMENT INSTL-FWD RH OVHD STOWAGE BIG BIN BULLNOSE CONFIGURATION
 FIGURE 22B (SHEET 3)

25-24-30-22B

HAP
 FEB 10/07

25-24-30-22B
 PAGE 08

BOEING
 737-600/700/800/900
 PARTS CATALOG (MAINTENANCE)



E 2524-3022B SHT 4 REV 105

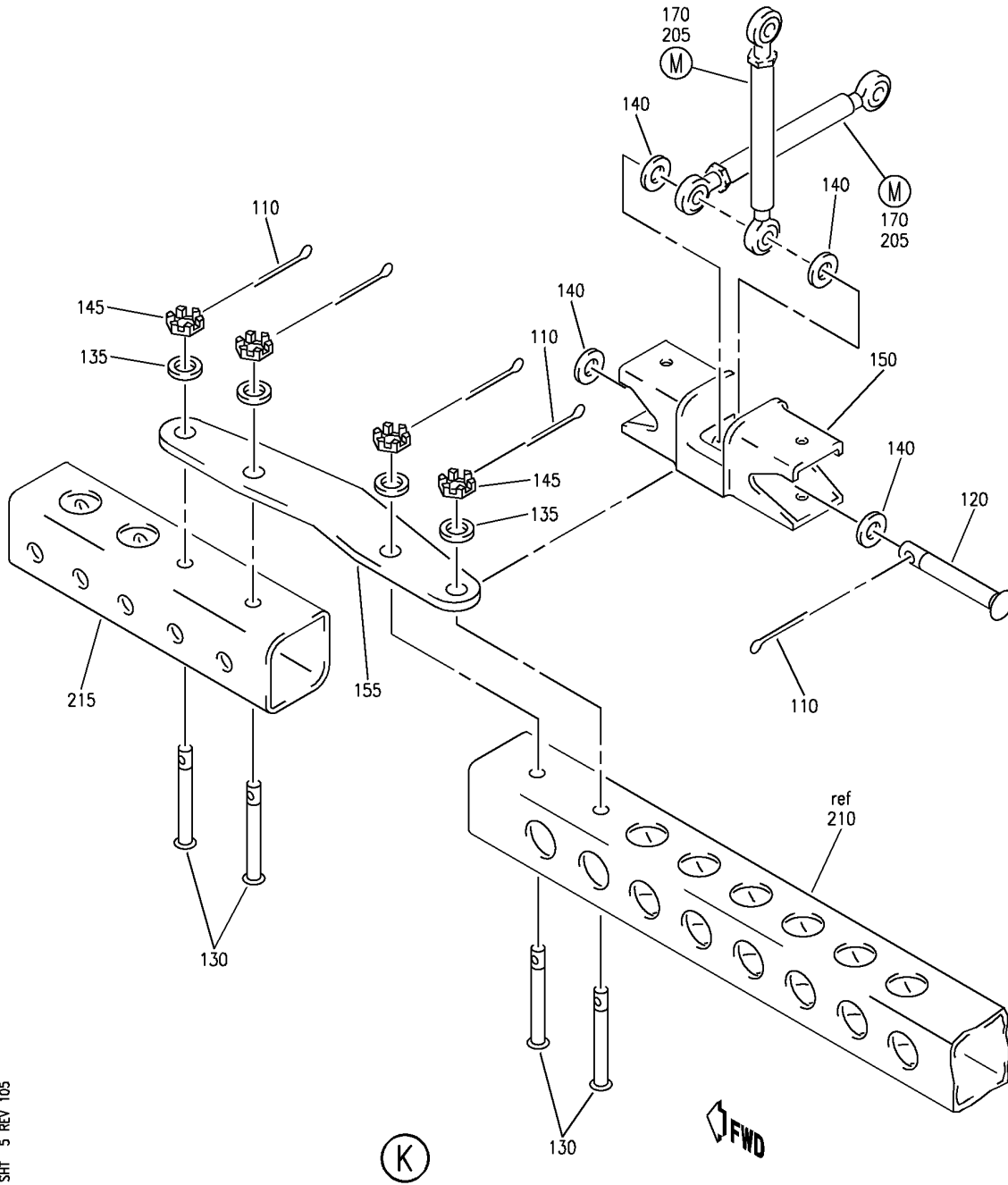
COMPARTMENT INSTL-FWD RH OVHD STOWAGE BIG BIN BULLNOSE CONFIGURATION
 FIGURE 22B (SHEET 4)

25-24-30-22B

HAP
 FEB 10/07

25-24-30-22B
 PAGE 0C

BOEING
 737-600/700/800/900
 PARTS CATALOG (MAINTENANCE)



E 2524-3022B SHT 5 REV 105

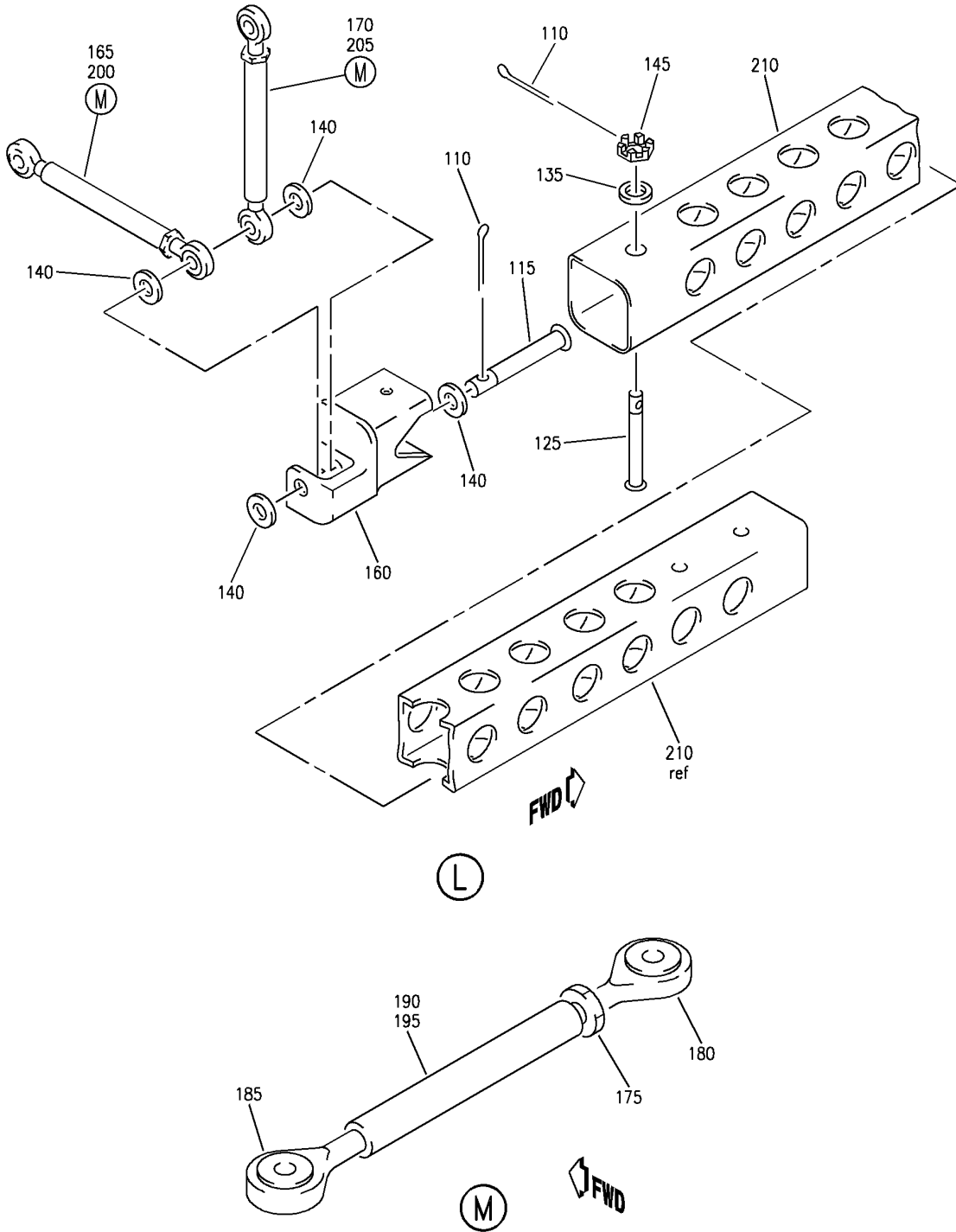
COMPARTMENT INSTL-FWD RH OVHD STOWAGE BIG BIN BULLNOSE CONFIGURATION
 FIGURE 22B (SHEET 5)

25-24-30-22B

HAP
 FEB 10/07

25-24-30-22B
 PAGE 0D

BOEING
 737-600/700/800/900
 PARTS CATALOG (MAINTENANCE)



E 2524-3022B SHT 6 REV 105

COMPARTMENT INSTL-FWD RH OVHD STOWAGE BIG BIN BULLNOSE CONFIGURATION
 FIGURE 22B (SHEET 6)

25-24-30-22B

HAP
 FEB 10/07

25-24-30-22B
 PAGE 0E

BOEING
737-600/700/800/900
PARTS CATALOG (MAINTENANCE)

FIG ITEM	PART NUMBER	1 2 3 4 5 6 7	NOMENCLATURE	EFFECT FROM TO	UNITS PER ASSY
22B			COMPARTMENT INSTL-FWD RH OVHD STOWAGE BIG BIN BULLNOSE CONFIGURATION	101200 968999	
- 1	MODREF312972		COMPARTMENT INSTL-OVHD STOWAGE BIG BIN BULLNOSE CONFIGURATION MODULE NUMBER: 412A1020-1349B REV A POSITION DATA: FWD RH	101101 968971	1
- 1	MODREF351895		COMPARTMENT INSTL-OVHD STOWAGE BIG BIN BULLNOSE CONFIGURATION MODULE NUMBER: 412A1020-1349B REV B POSITION DATA: FWD RH	102200 972999	1
R	5	BACP18BC02A06P	.PIN	101200 968999	4
R	10	BACB30NR4K8	.BOLT	101200 968999	3
R	15	BACB30NR4K12	.BOLT	101200 968999	1
R	20	BACB30NR4K26	.BOLT	101200 968999	1
R	25	BACB30US4K33	.BOLT	101200 968999	2
R	30	BACB30PW4-12	.BOLT	101200 968999	1
R	35	BACB30NR4K7	.BOLT	101200 968999	2
R	40	BACB30PW4-16	.BOLT	101200 968999	1
R	45	BACB30NR4K13	.BOLT	101200 968999	1
R	50	412A1350-2	.SPACER	101200 968999	2
R	55	BACW10BP4CD	.WASHER	101200 968999	10
R	60	BACW10BP4DP	.WASHER	101200 968999	6
R	65	BACW10BP3DP	.WASHER	101200 968999	2

MISSING ITEM NUMBERS NOT APPLICABLE

- ITEM NOT ILLUSTRATED

HAP

25-24-30-22B

BOEING PROPRIETARY - Copyright © - Unpublished Work - See title page for details.

25-24-30
FIG. 22B
PAGE 1
JUN 15/09


BOEING
 737-600/700/800/900
PARTS CATALOG (MAINTENANCE)

FIG ITEM	PART NUMBER	1 2 3 4 5 6 7	NOMENCLATURE	EFFECT FROM TO	UNITS PER ASSY
22B 70	PLH54CD	.NUT	SUPPLIER CODE: VF0224 SPECIFICATION NUMBER: BACN10YR4CD OPTIONAL PART: H52732-4CD V15653	101200 968999	3

R
R
R
R
R
R
R
R
R
R
R
R
R
R
R

MISSING ITEM NUMBERS NOT APPLICABLE

- ITEM NOT ILLUSTRATED

HAP

25-24-30-22B

BOEING PROPRIETARY - Copyright © - Unpublished Work - See title page for details.

25-24-30
 FIG. 22B
 PAGE 2
 JUN 15/09

BOEING
737-600/700/800/900
PARTS CATALOG (MAINTENANCE)

FIG ITEM	PART NUMBER	1 2 3 4 5 6 7	NOMENCLATURE	EFFECT FROM TO	UNITS PER ASSY	
R R R R R R R R R R R R R R	22B 80	BMN5024CWD34	.NUT SUPPLIER CODE: V97928 SPECIFICATION NUMBER: BACN10HR4CD OPTIONAL PART: H51560-4 V15653 102CH9031-4 V72962 SL7108C428 V11815 67832CD428 V56878 BMN5024CWD3-4 V97928 BH00303CM4 V27238 SL7108C4 V11815 VCU0005D4 V06710 102LH90314 V72962 67832CD4 V56878 H964CD V15653 RMLH224CD V72962 VAL280094CD V06710 678324CD V56878 CR6030-4 VF0224	101200 968999	2	
	85	BACB28AK04-025	.BUSHING	101200 968999	1	
	90	BACB28Z4-036	.BUSHING	101200 968999	1	
	95	BACB28AK04-071	.BUSHING	101200 968999	4	
	100	412A1220-73	.PLATE-BIN JT	101200 968999	1	
	105	412A2251-12	.SUPPORT ASSY-RAIL	101200 968999	1	
	110	BACP18BC02C06P	..PIN	101200 968999	7	
	MISSING ITEM NUMBERS NOT APPLICABLE					

- ITEM NOT ILLUSTRATED

HAP

25-24-30-22B

BOEING PROPRIETARY - Copyright © - Unpublished Work - See title page for details.

25-24-30
FIG. 22B
PAGE 3
JUN 15/09

BOEING
737-600/700/800/900
PARTS CATALOG (MAINTENANCE)

FIG ITEM	PART NUMBER	1 2 3 4 5 6 7	NOMENCLATURE	EFFECT FROM TO	UNITS PER ASSY
22B					
R	115	MS20392-3C47	..PIN	101200 968999	1
R	120	MS20392-3C53	..PIN	101200 968999	1
R	125	BACB30LH3K21	..BOLT- OPTIONAL PART: NAS8703AD22	101200 968999	1
R	125	NAS8703AD22	..BOLT- OPTIONAL PART: BACB30LH3K21	101200 968999	1
R	130	BACB30LH3K23	..BOLT- OPTIONAL PART: NAS8703AD23	101200 968999	4
R	130	NAS8703AD23	..BOLT- OPTIONAL PART: BACB30LH3K23	101200 968999	4
R	135	NAS1149D0332J	..WASHER	101200 968999	5
R	140	NAS1515H4L	..WASHER	101200 968999	8
R	145	BACN10JD103CD	..NUT	101200 968999	5
R	150	412A1230-50	..FITTING	101200 968999	1
R	155	412A1220-69	..PLATE-TNSN	101200 968999	1
R	160	412A1230-92	..FITTING	101200 968999	1
R	165	65-80898-35	..TURNBUCKLE ASSY- OPTIONAL PART: 1488-5 V34742	101200 968999	1
R	170	65-80898-37	..TURNBUCKLE ASSY- OPTIONAL PART: 1488-7 V34742	101200 968999	3
R	175	AN316-4R	...NUT	101200 968999	1
R	180	1486-3	...ROD END ASSY- SUPPLIER CODE: V34742	101200 968999	1
R	185	1486-3L	...ROD END ASSY- SUPPLIER CODE: V34742	101200 968999	1
R	190	65-81149-48	...TUBE- USED ON: 65-80898-35	101200 968999	1

MISSING ITEM NUMBERS NOT APPLICABLE

- ITEM NOT ILLUSTRATED

HAP

25-24-30-22B

BOEING PROPRIETARY - Copyright © - Unpublished Work - See title page for details.

25-24-30
FIG. 22B
PAGE 4
JUN 15/09

BOEING
737-600/700/800/900
PARTS CATALOG (MAINTENANCE)

FIG ITEM	PART NUMBER	1 2 3 4 5 6 7	NOMENCLATURE	EFFECT FROM TO	UNITS PER ASSY
R R R R R R R R R R	22B 195	65-81149-49	...TUBE- USED ON: 65-80898-37	101200 968999	1
	200	1488-5	..TURNBUCKLE ASSY- SUPPLIER CODE: V34742 OPTIONAL PART: 65-80898-35	101200 968999	1
	205	1488-7	..ROD ASSY- SUPPLIER CODE: V34742 OPTIONAL PART: 65-80898-37	101200 968999	3
	210	412A2251-4	..RAIL	101200 968999	1
	215	412A2251-5	..RAIL	101200 968999	1
	220	412A1052-122B	.TOP ASSY-44 IN. BIG BIN FOR DETAILS SEE: 25-24-31-47F	101101 968971	1
	220	412A1052-1122B	.TOP ASSY-44 IN. BIG BIN FOR DETAILS SEE: 25-24-31-47K	102200 972999	1
	225	412A1052-58B	.TOP ASSY-60 IN. BIG BIN FUNCTIONAL REFERENCE: AIR CONDITIONING FOR DETAILS SEE 21-61-06-09 21-61-10-13 21-61-11-19 EQUIPMENT/FURNISHINGS FOR DETAILS SEE 25-24-31-19C LIGHTS FOR DETAILS SEE 33-22-00-64	101101 968971	1
	225	412A1052-1058B	.TOP ASSY-60 IN. BIG BIN FUNCTIONAL REFERENCE: AIR CONDITIONING FOR DETAILS SEE 21-61-06-09 21-61-10-13 21-61-11-19 EQUIPMENT/FURNISHINGS FOR DETAILS SEE 25-24-31-19L LIGHTS FOR DETAILS SEE 33-22-00-64	102200 972999	1

MISSING ITEM NUMBERS NOT APPLICABLE

— ITEM NOT ILLUSTRATED

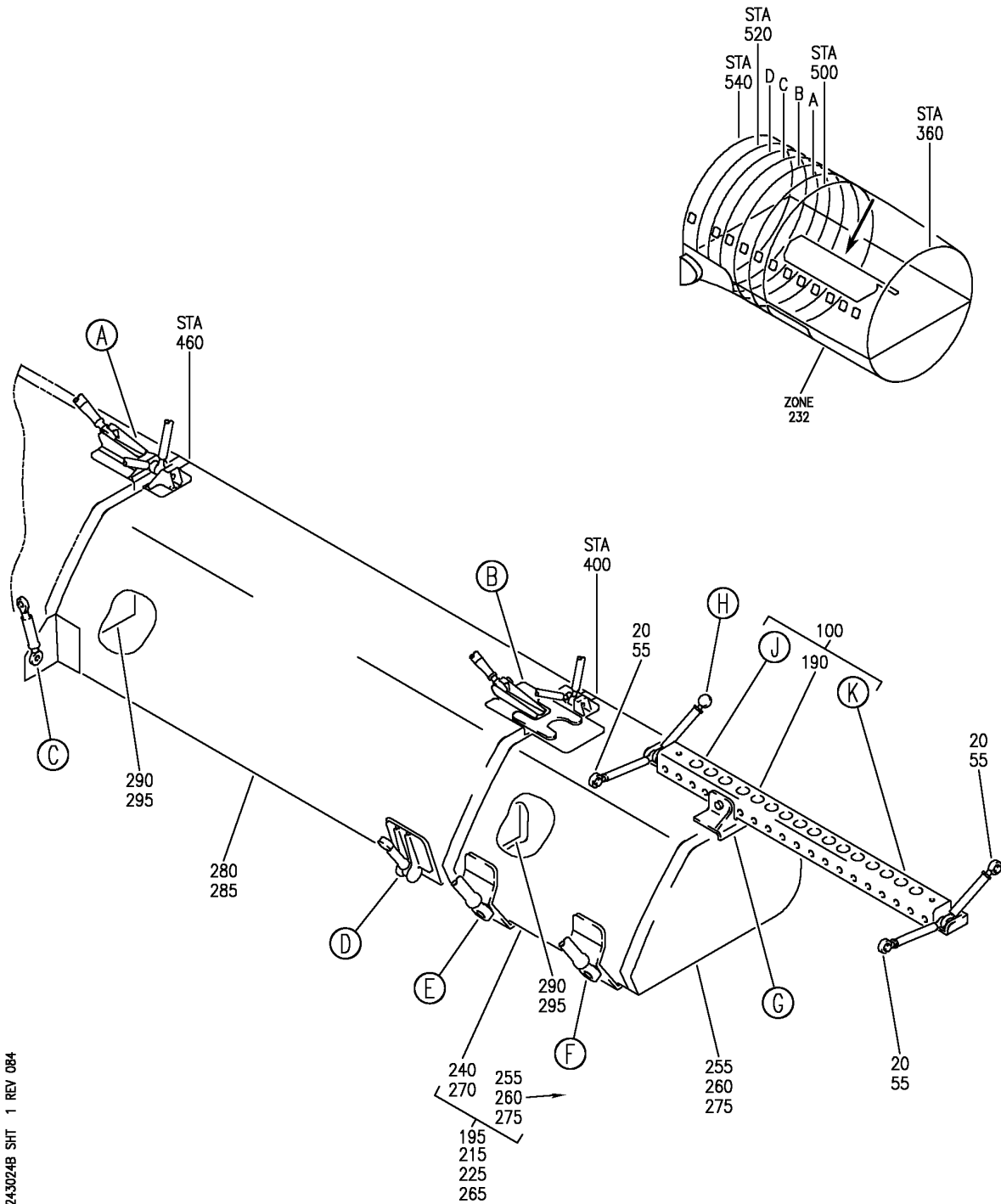
HAP

25-24-30-22B

BOEING PROPRIETARY - Copyright © - Unpublished Work - See title page for details.

25-24-30
FIG. 22B
PAGE 5
JUN 15/09

BOEING
 737-600/700/800/900
 PARTS CATALOG (MAINTENANCE)



E 25243024B SHT 1 REV 084

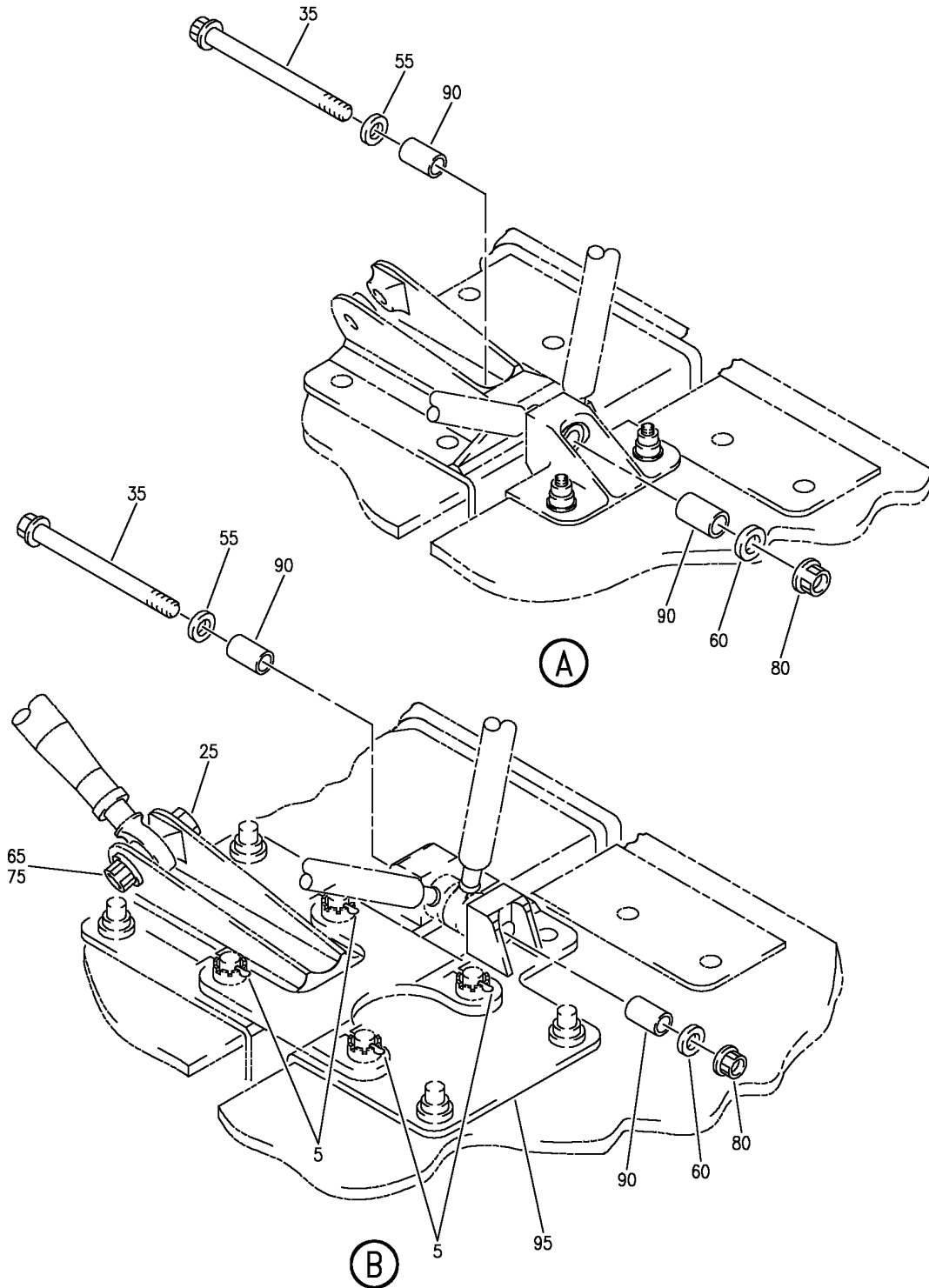
COMPARTMENT INSTL-FWD RH OVHD STOWAGE HNDRL CONFIGURATION
 FIGURE 24B (SHEET 1)

25-24-30-24B

HAP
 OCT 10/06

25-24-30-24B
 PAGE 0

BOEING
 737-600/700/800/900
 PARTS CATALOG (MAINTENANCE)



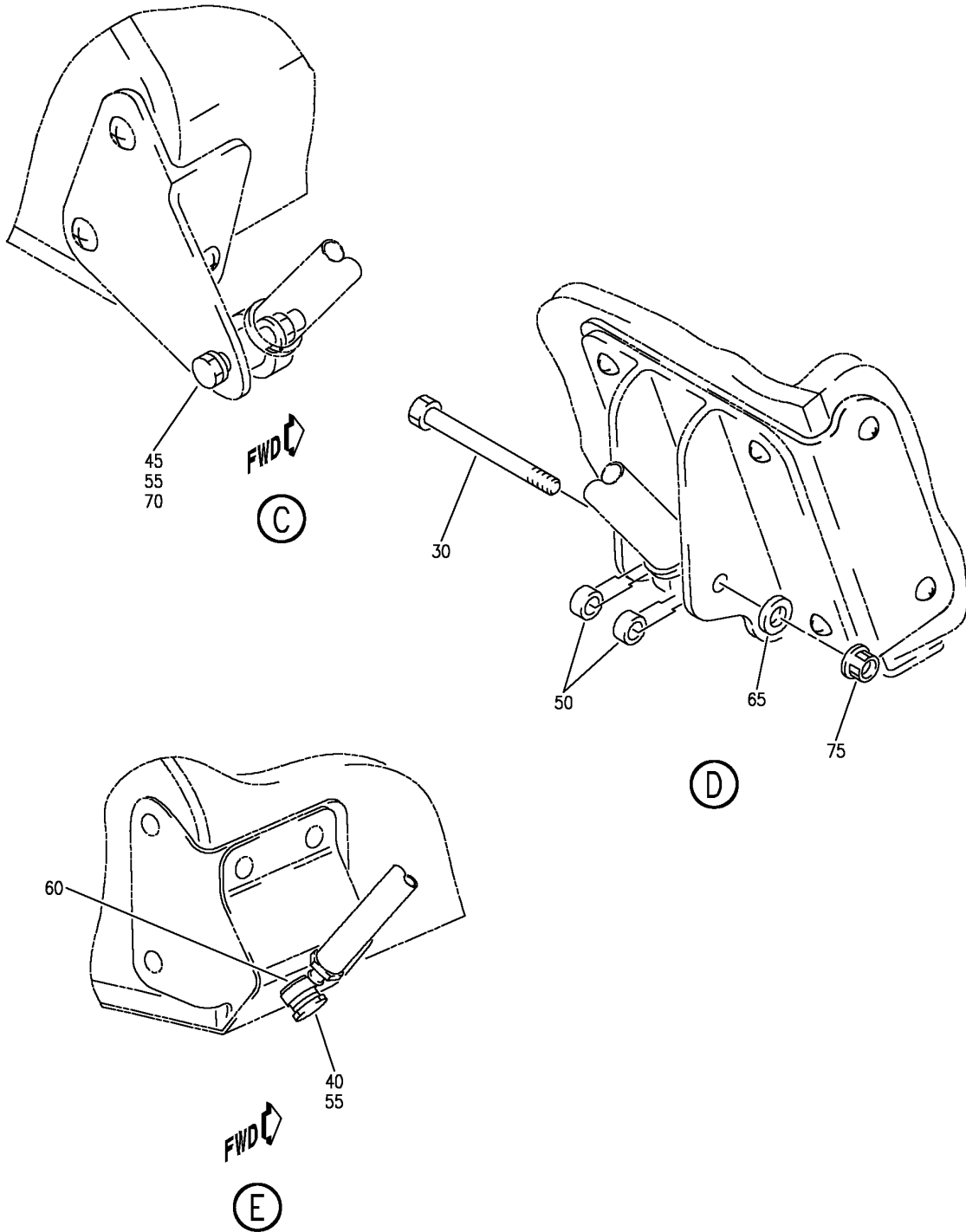
E 25243024B SHT 2 REV 081

COMPARTMENT INSTL-FWD RH OVHD STOWAGE HNDRL CONFIGURATION
 FIGURE 24B (SHEET 2)

25-24-30-24B

HAP
 OCT 10/06

25-24-30-24B
 PAGE 0A



E 25243024B SHT 3 REV 081

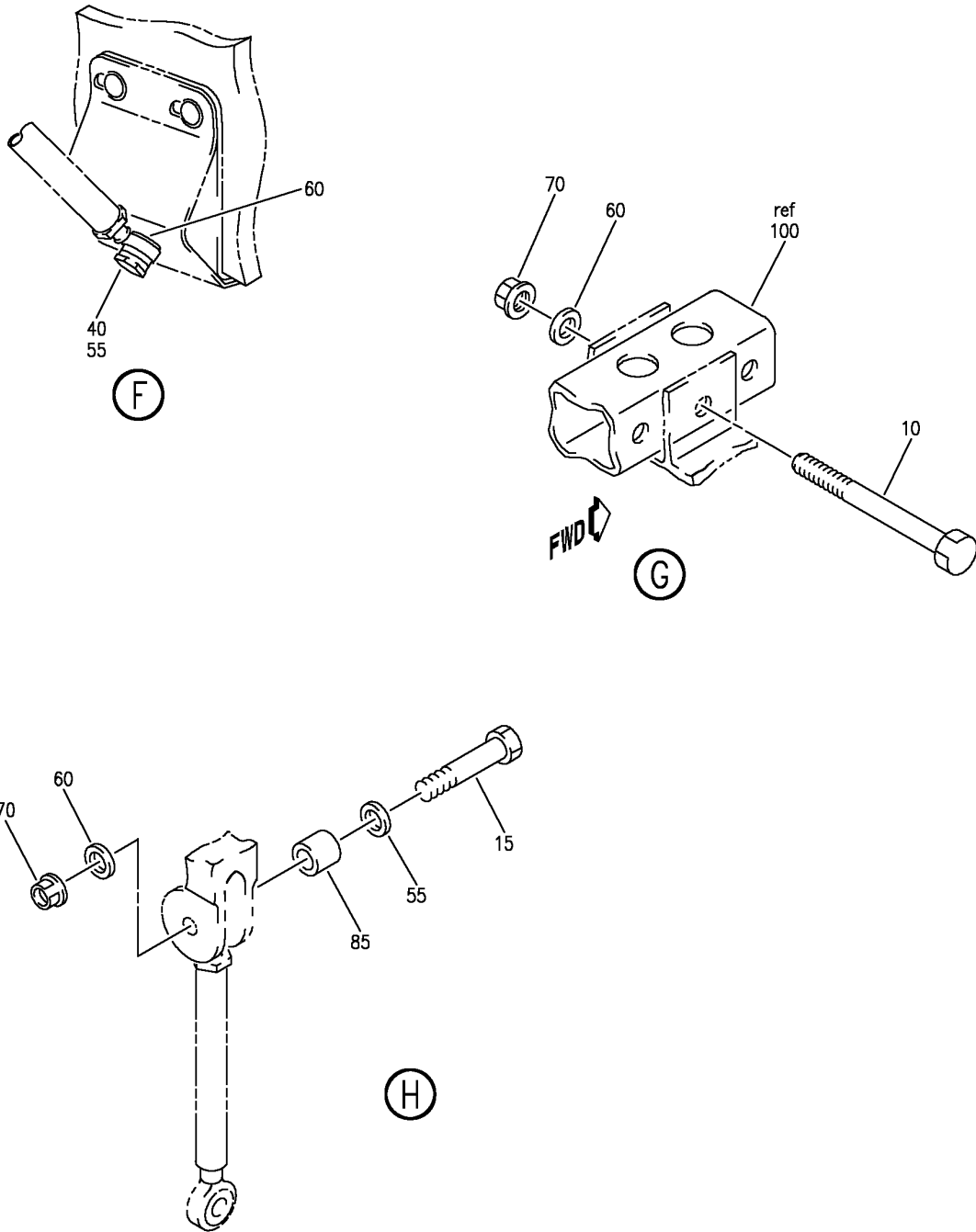
COMPARTMENT INSTL-FWD RH OVHD STOWAGE HNDRL CONFIGURATION
 FIGURE 24B (SHEET 3)

25-24-30-24B

HAP
 OCT 10/06

25-24-30-24B
 PAGE 0B

BOEING
 737-600/700/800/900
 PARTS CATALOG (MAINTENANCE)



E 25243024B SHT 4 REV 081

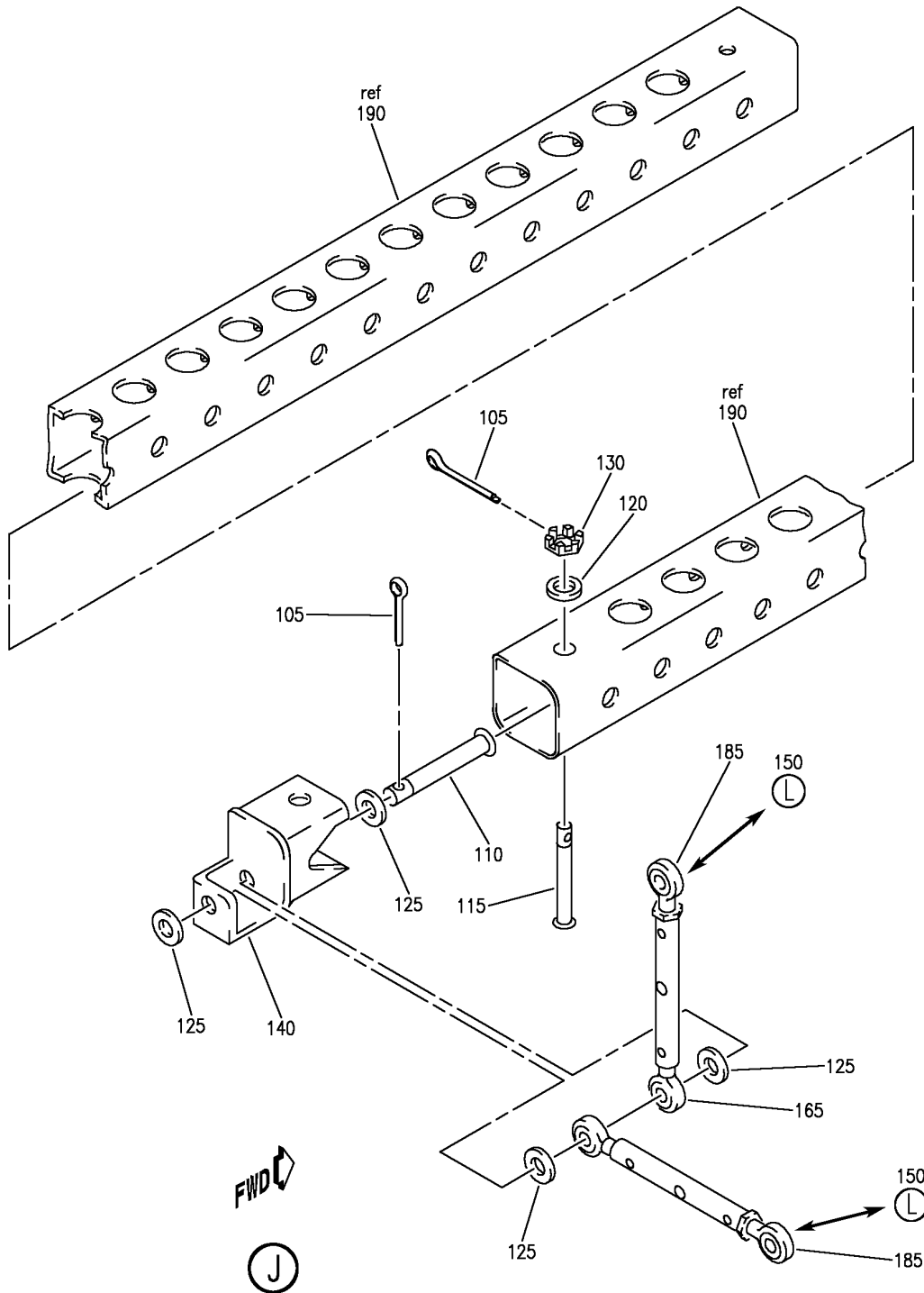
COMPARTMENT INSTL-FWD RH OVHD STOWAGE HNDRL CONFIGURATION
 FIGURE 24B (SHEET 4)

25-24-30-24B

HAP
 OCT 10/06

25-24-30-24B
 PAGE 0C

BOEING
 737-600/700/800/900
 PARTS CATALOG (MAINTENANCE)



E 25243024B SHT 5 REV 081

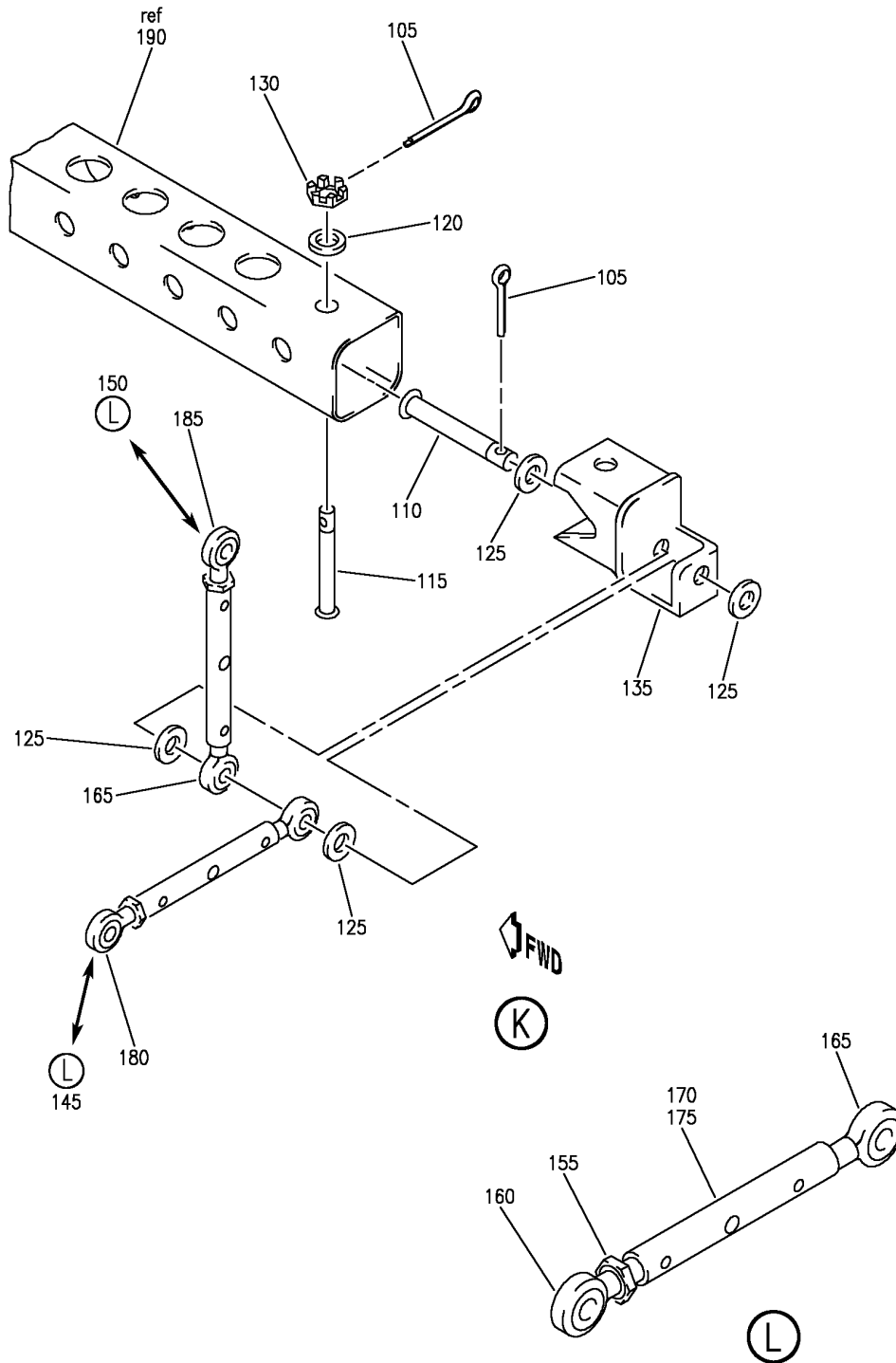
COMPARTMENT INSTL-FWD RH OVHD STOWAGE HNDRL CONFIGURATION
 FIGURE 24B (SHEET 5)

25-24-30-24B

HAP
 OCT 10/06

25-24-30-24B
 PAGE 0D


BOEING
 737-600/700/800/900
PARTS CATALOG (MAINTENANCE)



E 25243024B SHT 6 REV 081

COMPARTMENT INSTL-FWD RH OVHD STOWAGE HNDRL CONFIGURATION
 FIGURE 24B (SHEET 6)

25-24-30-24B

HAP
OCT 10/06

25-24-30-24B
 PAGE 0E

BOEING
737-600/700/800/900
PARTS CATALOG (MAINTENANCE)

FIG ITEM	PART NUMBER	1 2 3 4 5 6 7	NOMENCLATURE	EFFECT FROM TO	UNITS PER ASSY
24B			COMPARTMENT INSTL-FWD RH OVHD STOWAGE HNDRL CONFIGURATION	002005 008030	
- 1	412A1020-103SP		COMPARTMENT INSTL-OVHD STOWAGE HNDRL CONFIGURATION POSITION DATA: FWD RH FOR NHA SEE: 25-24-00-13A	002005	RF
- 1	412A1020-147SP		COMPARTMENT INSTL-OVHD STOWAGE HNDRL CONFIGURATION POSITION DATA: FWD RH FOR NHA SEE: 25-24-00-13A	008008	RF
- 1	412A1020-247SP		COMPARTMENT INSTL-OVHD STOWAGE HNDRL CONFIGURATION POSITION DATA: FWD RH FOR NHA SEE: 25-24-00-13A	009030	RF
5	BACP18BC02A06P		.PIN	002005 008030	4
10	BACB30NR4K26		.BOLT	002005 008030	1
15	BACB30NR4K12		.BOLT	002005 008030	1
20	BACB30NR4K8		.BOLT	002005 008030	3
25	BACB30PW4-12		.BOLT	002005 008030	1
30	BACB30PW4-16		.BOLT	002005 008030	1
35	BACB30US4K33		.BOLT	002005 008030	2
40	BACB30NR4K7		.BOLT	002005 008030	2
45	BACB30NR4K13		.BOLT	002005 008030	1
50	412A1350-2		.SPACER	002005 008030	2
55	BACW10BP4CD		.WASHER	002005 008030	9
60	BACW10BP4DP		.WASHER	002005 008030	6

MISSING ITEM NUMBERS NOT APPLICABLE

- ITEM NOT ILLUSTRATED

HAP

25-24-30-24B

BOEING PROPRIETARY - Copyright © - Unpublished Work - See title page for details.

25-24-30
FIG. 24B
PAGE 1
OCT 10/06

BOEING
737-600/700/800/900
PARTS CATALOG (MAINTENANCE)

FIG ITEM	PART NUMBER	1 2 3 4 5 6 7	NOMENCLATURE	EFFECT FROM TO	UNITS PER ASSY
24B					
65	BACW10BP3DP	.	WASHER	002005 008030	2
70	PLH54CD	.	NUT	002005 008030	3
			SUPPLIER CODE: VF0224		
			SPECIFICATION NUMBER: BACN10YR4CD		
			OPTIONAL PART: H52732-4CD		
			V15653		
75	PLH53CD	.	NUT	002005 008030	2
			SUPPLIER CODE: VF0224		
			SPECIFICATION NUMBER: BACN10YR3CD		
			OPTIONAL PART: H52732-3CD		
			V15653		

MISSING ITEM NUMBERS NOT APPLICABLE

— ITEM NOT ILLUSTRATED

HAP

25-24-30-24B

BOEING PROPRIETARY - Copyright © - Unpublished Work - See title page for details.

25-24-30
FIG. 24B
PAGE 2
FEB 15/09

BOEING
737-600/700/800/900
PARTS CATALOG (MAINTENANCE)

FIG ITEM	PART NUMBER	1 2 3 4 5 6 7	NOMENCLATURE	EFFECT FROM TO	UNITS PER ASSY
24B 80	BMN5024CWD34	.	NUT SUPPLIER CODE: V97928 SPECIFICATION NUMBER: BACN10HR4CD OPTIONAL PART: H51560-4 V15653 102CH9031-4 V72962 SL7108C428 V11815 67832CD428 V56878 BMN5024CWD3-4 V97928 BH00303CM4 V27238 SL7108C4 V11815 VCU0005D4 V06710 102LH90314 V72962 67832CD4 V56878 H964CD V15653 RMLH224CD V72962 VAL280094CD V06710 678324CD V56878 CR6030-4 VF0224	002005 008030	2
85	BACB28AK04-025	.	BUSHING	002005 008030	1
90	BACB28AK04-071	.	BUSHING	002005 008030	4
95	412A1220-73	.	PLATE-BIN JOINT	002005 008030	1
100	412A2251-10	.	SUPPORT ASSY-UPR RAIL	002005 008030	1
105	BACP18C02C06P	..	PIN	002005 008030	4
110	MS20392-3C47	..	PIN	002005 008030	2

MISSING ITEM NUMBERS NOT APPLICABLE

— ITEM NOT ILLUSTRATED

HAP

25-24-30-24B

BOEING PROPRIETARY - Copyright © - Unpublished Work - See title page for details.

25-24-30
FIG. 24B
PAGE 3
FEB 15/09

BOEING
737-600/700/800/900
PARTS CATALOG (MAINTENANCE)

FIG ITEM	PART NUMBER	1 2 3 4 5 6 7	NOMENCLATURE	EFFECT FROM TO	UNITS PER ASSY
24B 115	NAS8703AD22	..	BOLT- OPTIONAL PART: BACB30LH3K21	002005 008030	2
115	BACB30LH3K21	..	BOLT- OPTIONAL PART: NAS8703AD22	002005 008030	2
120	NAS1149D0332J	..	WASHER	002005 008030	2
125	NAS1515H4L	..	WASHER	002005 008030	8
130	BACN10JD103CD	..	NUT	002005 008030	2
135	412A1230-91	..	FITTING	002005 008030	1
140	412A1230-92	..	FITTING	002005 008030	1
145	65-80898-35	..	TURNBUCKLE ASSY- OPTIONAL PART: 1488-5 V34742	002005 008030	1
150	65-80898-37	..	TURNBUCKLE ASSY- OPTIONAL PART: 1488-7 V34742	002005 008030	3
155	AN316-4R	...	NUT	002005 008030	1
160	1486-3	...	ROD END ASSY- SUPPLIER CODE: V34742	002005 008030	1
165	1486-3L	...	ROD END ASSY- SUPPLIER CODE: V34742	002005 008030	1
170	65-81149-48	...	TUBE- USED ON: 65-80898-35	002005 008030	1
175	65-81149-49	...	TUBE- USED ON: 65-80898-37	002005 008030	1
180	1488-5	..	TURNBUCKLE ASSY- SUPPLIER CODE: V34742 OPTIONAL PART: 65-80898-35	002005 008030	1
185	1488-7	..	ROD ASSY-TIE SUPPLIER CODE: V34742 OPTIONAL PART: 65-80898-37	002005 008030	3

MISSING ITEM NUMBERS NOT APPLICABLE

- ITEM NOT ILLUSTRATED

HAP

25-24-30-24B

BOEING PROPRIETARY - Copyright © - Unpublished Work - See title page for details.

25-24-30
FIG. 24B
PAGE 4
FEB 15/09

BOEING
737-600/700/800/900
PARTS CATALOG (MAINTENANCE)

FIG ITEM	PART NUMBER	1 2 3 4 5 6 7	NOMENCLATURE	EFFECT FROM TO	UNITS PER ASSY
24B 190	412A2251-2	. .	RAIL	002005 008030	1
195	412A1050-114SP	. .	COMPONENT ASSY- PRE SERVICE BULLETIN: 25-1373	002005	1
195	412A1050-292SP	. .	COMPONENT ASSY- PRE SERVICE BULLETIN: 25-1373	008008	1
195	412A1050-314SP	. .	COMPONENT ASSY- POST SERVICE BULLETIN: 25-1373	002005	1
195	412A1050-492SP	. .	COMPONENT ASSY- POST SERVICE BULLETIN: 25-1373	008030	1
240	412A1150-110SP	. .	COMPARTMENT ASSY-25 IN. PRE SERVICE BULLETIN: 25-1373 FOR DETAILS SEE: 25-24-31-57	002005 008008	1
240	412A1150-310SP	. .	COMPARTMENT ASSY-25 IN. POST SERVICE BULLETIN: 25-1373 FOR DETAILS SEE: 25-24-31-57	002005 008008	1
240	412A1150-310B	. .	COMPARTMENT ASSY-25 IN. FOR DETAILS SEE: 25-24-31-57	009030	1
260	412A1310-310SP	. .	MOUNTING ASSY- PRE SERVICE BULLETIN: 25-1360 FOR DETAILS SEE: 25-24-33-40A	002005	1
260	412A1310-362SP	. .	MOUNTING ASSY- POST SERVICE BULLETIN: 25-1360 FOR DETAILS SEE: 25-24-33-40B	002005 008030	1
280	412A1050-122SP	. .	COMPONENT ASSY-VAR PRE SERVICE BULLETIN: 25-1373	002005 008008	1
280	412A1050-322SP	. .	COMPONENT ASSY-VAR POST SERVICE BULLETIN: 25-1373	008030	1

MISSING ITEM NUMBERS NOT APPLICABLE

— ITEM NOT ILLUSTRATED

HAP

25-24-30-24B

BOEING PROPRIETARY - Copyright © - Unpublished Work - See title page for details.

25-24-30
FIG. 24B
PAGE 5
FEB 15/09

BOEING
737-600/700/800/900
PARTS CATALOG (MAINTENANCE)

FIG ITEM	PART NUMBER	1 2 3 4 5 6 7	NOMENCLATURE	EFFECT FROM TO	UNITS PER ASSY
24B 285	412A1150-104SP		..COMPARTMENT ASSY-60 IN. PRE SERVICE BULLETIN: 25-1373 FUNCTIONAL REFERENCE: AIR CONDITIONING FOR DETAILS SEE 21-61-06-05 21-61-10-11 21-61-11-12 EQUIPMENT/FURNISHINGS FOR DETAILS SEE 25-24-31-58 LIGHTS FOR DETAILS SEE 33-22-00-25 33-51-03-05B	002005 008008	1
285	412A1150-304SP		..COMPARTMENT ASSY-60 IN. POST SERVICE BULLETIN: 25-1373 FUNCTIONAL REFERENCE: AIR CONDITIONING FOR DETAILS SEE 21-61-06-05 21-61-10-11 21-61-11-12 EQUIPMENT/FURNISHINGS FOR DETAILS SEE 25-24-31-58 LIGHTS FOR DETAILS SEE 33-22-00-25 33-51-03-05B	002005 008008	1
285	412A1150-304B		..COMPARTMENT ASSY-60 IN. FUNCTIONAL REFERENCE: AIR CONDITIONING FOR DETAILS SEE 21-61-06-05 21-61-10-11 21-61-11-12 EQUIPMENT/FURNISHINGS FOR DETAILS SEE 25-24-31-58 LIGHTS FOR DETAILS SEE 33-22-00-25 33-51-03-05B	009030	1

MISSING ITEM NUMBERS NOT APPLICABLE

— ITEM NOT ILLUSTRATED

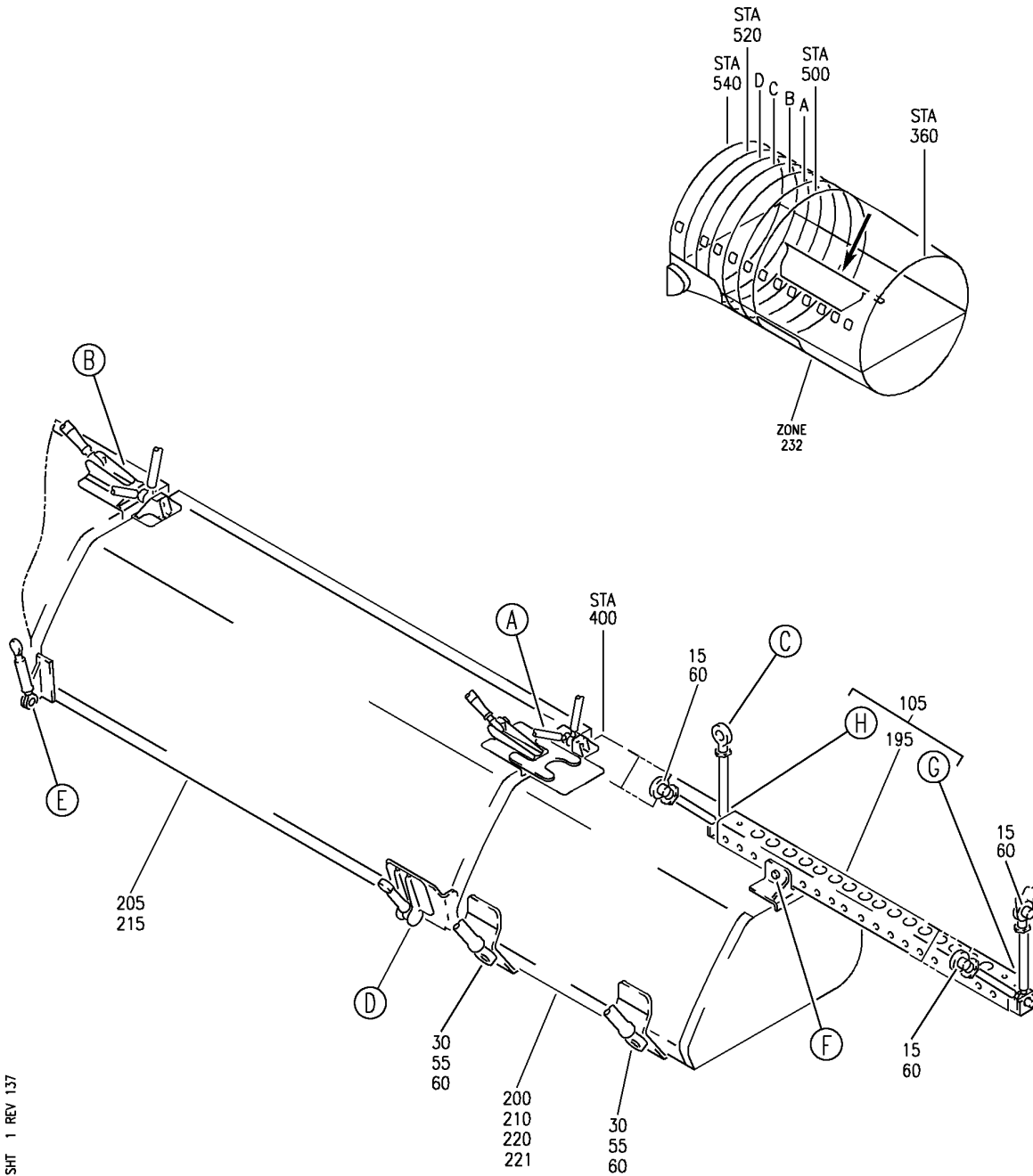
HAP

25-24-30-24B

BOEING PROPRIETARY - Copyright © - Unpublished Work - See title page for details.

25-24-30
FIG. 24B
PAGE 6
FEB 15/09

BOEING
 737-600/700/800/900
 PARTS CATALOG (MAINTENANCE)



E 2524-3026 SHT 1 REV 137

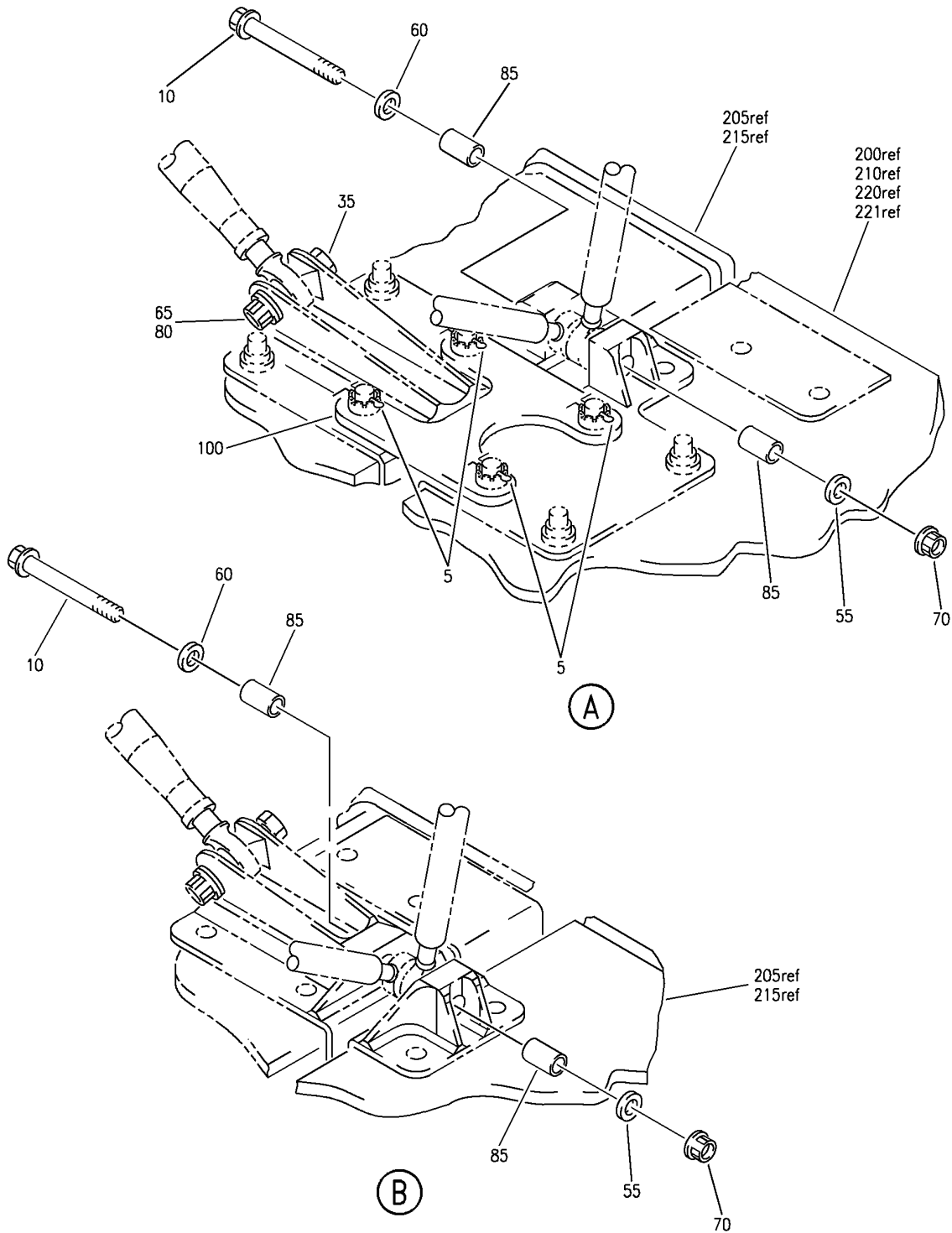
COMPARTMENT INSTL-FWD RH OVHD STOWAGE BIG BIN BULLNOSE CONFIGURATION
 FIGURE 26 (SHEET 1)

25-24-30-26

HAP
 FEB 15/08

25-24-30-26
 PAGE 0

BOEING
 737-600/700/800/900
 PARTS CATALOG (MAINTENANCE)



E 2524-3026 SHT 2 REV 137

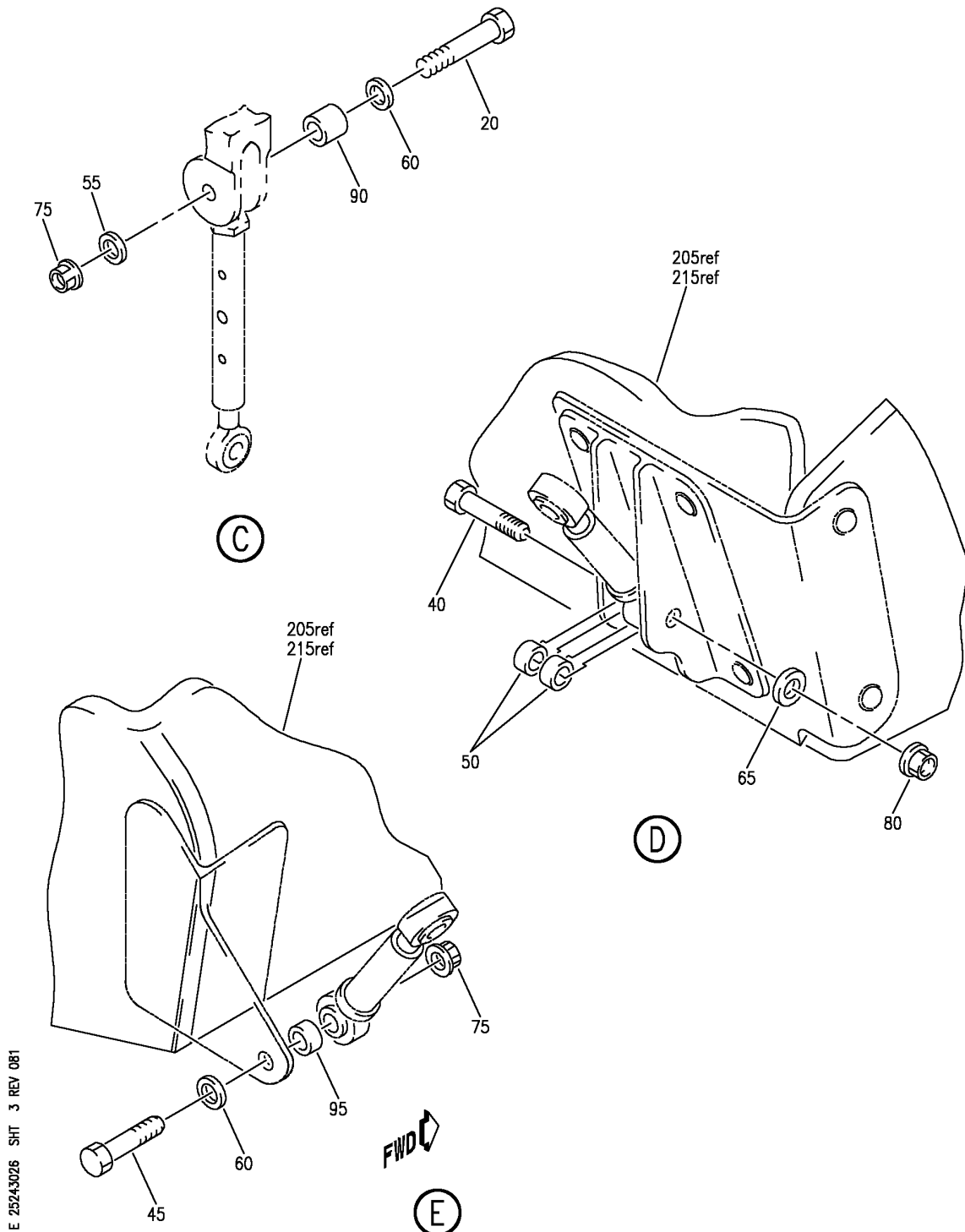
COMPARTMENT INSTL-FWD RH OVHD STOWAGE BIG BIN BULLNOSE CONFIGURATION
 FIGURE 26 (SHEET 2)

25-24-30-26

HAP
 FEB 15/08

25-24-30-26
 PAGE 0A

BOEING
 737-600/700/800/900
 PARTS CATALOG (MAINTENANCE)



E 25243026 SH1 3 REV 081

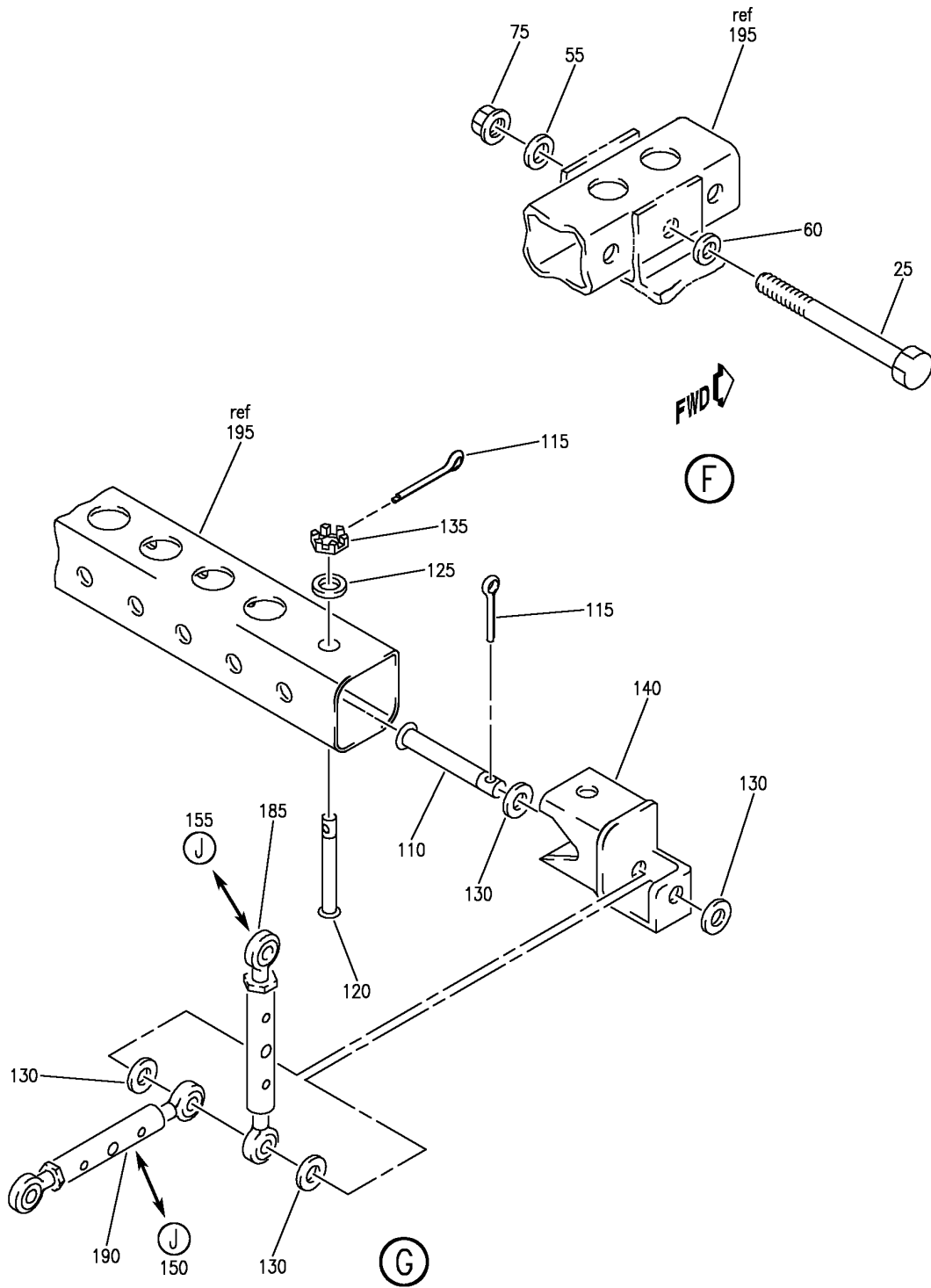
COMPARTMENT INSTL-FWD RH OVHD STOWAGE BIG BIN BULLNOSE CONFIGURATION
 FIGURE 26 (SHEET 3)

25-24-30-26

HAP
 OCT 10/06

25-24-30-26
 PAGE 0B

BOEING
 737-600/700/800/900
 PARTS CATALOG (MAINTENANCE)



E 25243026 SH1 4 REV 081

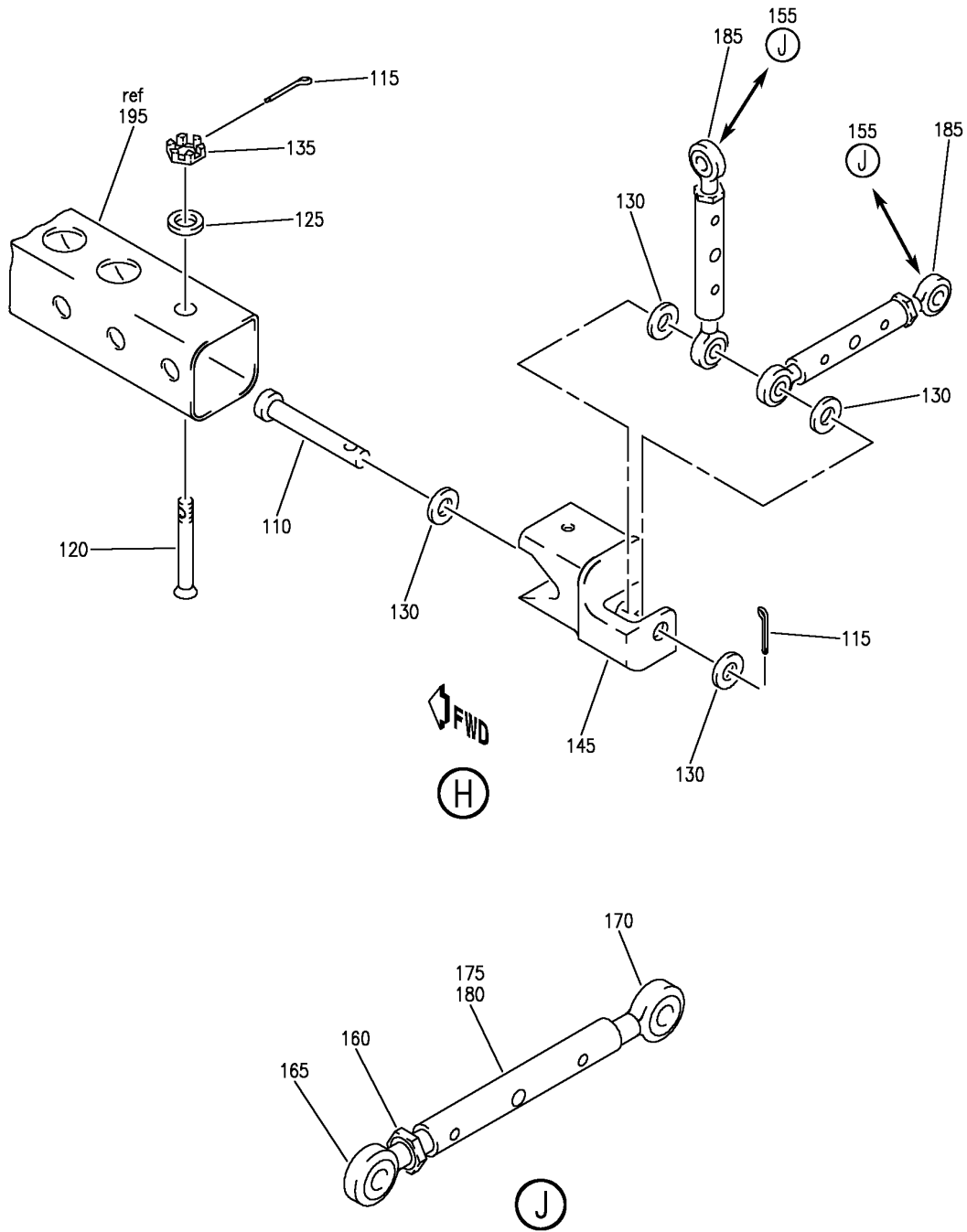
COMPARTMENT INSTL-FWD RH OVHD STOWAGE BIG BIN BULLNOSE CONFIGURATION
 FIGURE 26 (SHEET 4)

25-24-30-26

HAP
 OCT 10/06

25-24-30-26
 PAGE 0C

BOEING
737-600/700/800/900
PARTS CATALOG (MAINTENANCE)



E 25243026 SH1 5 REV 081

COMPARTMENT INSTL-FWD RH OVHD STOWAGE BIG BIN BULLNOSE CONFIGURATION
FIGURE 26 (SHEET 5)

25-24-30-26

HAP
OCT 10/06

25-24-30-26
PAGE 0D

BOEING
737-600/700/800/900
PARTS CATALOG (MAINTENANCE)

FIG ITEM	PART NUMBER	1 2 3 4 5 6 7	NOMENCLATURE	EFFECT FROM TO	UNITS PER ASSY
26			COMPARTMENT INSTL-FWD RH OVHD STOWAGE BIG BIN BULLNOSE CONFIGURATION	031100	
- 1	MODREF267860		COMPARTMENT INSTL-OVHD STOWAGE BIG BIN BULLNOSE CONFIGURATION MODULE NUMBER: 412A1020-1334B REV A POSITION DATA: FWD RH	031037 039041	1
- 2	MODREF305791		COMPARTMENT INSTL-OVHD STOWAGE BIG BIN BULLNOSE CONFIGURATION MODULE NUMBER: 412A1020-1346B REV A POSITION DATA: FWD RH	038038 042043	1
- 2	MODREF347924		COMPARTMENT INSTL-OVHD STOWAGE BIG BIN BULLNOSE CONFIGURATION MODULE NUMBER: 412A1020-1362B REV A POSITION DATA: FWD RH	048050 053100	1
- 3	MODREF349970		COMPARTMENT INSTL-OVHD STOWAGE BIG BIN BULLNOSE CONFIGURATION MODULE NUMBER: 412A1020-1334B REV B POSITION DATA: FWD RH	047047	1
- 3	MODREF353609		COMPARTMENT INSTL-OVHD STOWAGE BIG BIN BULLNOSE CONFIGURATION MODULE NUMBER: 412A1020-1346B REV B POSITION DATA: FWD RH	044046	1
- 3	MODREF394976		COMPARTMENT INSTL-OVHD STOWAGE BIG BIN BULLNOSE CONFIGURATION MODULE NUMBER: 412A1020-1373B REV A POSITION DATA: FWD RH	051052	1
5	BACP18BC02A06P	.PIN		031100	4
10	BACB30US4K33	.BOLT		031100	2
15	BACB30NR4K8	.BOLT		031100	3
20	BACB30NR4K12	.BOLT		031100	1

MISSING ITEM NUMBERS NOT APPLICABLE

- ITEM NOT ILLUSTRATED

HAP

25-24-30-26

BOEING PROPRIETARY - Copyright © - Unpublished Work - See title page for details.

25-24-30
FIG. 26
PAGE 1
FEB 15/09

 **BOEING**
737-600/700/800/900
PARTS CATALOG (MAINTENANCE)

FIG ITEM	PART NUMBER	1 2 3 4 5 6 7	NOMENCLATURE	EFFECT FROM TO	UNITS PER ASSY
26					
25	BACB30NR4K26	.	BOLT	031100	1
30	BACB30NR4K7	.	BOLT	031100	2
35	BACB30PW4-12	.	BOLT	031100	1
40	BACB30PW4-16	.	BOLT	031100	1
45	BACB30NR4K13	.	BOLT	031100	1
50	412A1350-2	.	SPACER	031100	2
55	BACW10BP4DP	.	WASHER	031100	6
60	BACW10BP4CD	.	WASHER	031100	10
65	BACW10BP3DP	.	WASHER	031100	2
70	BMN5024CWD34	.	NUT	031100	2
			SUPPLIER CODE: V97928		
			SPECIFICATION NUMBER: BACN10HR4CD		
			OPTIONAL PART: H51560-4		
			V15653		
			102CH9031-4		
			V72962		
			SL7108C428		
			V11815		
			67832CD428		
			V56878		
			BMN5024CWD3-4		
			V97928		
			BH00303CM4		
			V27238		
			SL7108C4		
			V11815		
			VCU0005D4		
			V06710		
			102LH90314		
			V72962		
			67832CD4		
			V56878		
			H964CD		
			V15653		
			RMLH224CD		
			V72962		
			VAL280094CD		
			V06710		
			678324CD		
			V56878		
			CR6030-4		
			VF0224		
MISSING ITEM NUMBERS NOT APPLICABLE					

- ITEM NOT ILLUSTRATED

HAP

25-24-30-26

BOEING PROPRIETARY - Copyright © - Unpublished Work - See title page for details.

25-24-30
FIG. 26
PAGE 2
FEB 15/09

 **BOEING**
737-600/700/800/900
PARTS CATALOG (MAINTENANCE)

FIG ITEM	PART NUMBER	1 2 3 4 5 6 7	NOMENCLATURE	EFFECT FROM TO	UNITS PER ASSY
26					
75	PLH54CD	.NUT	SUPPLIER CODE: VF0224 SPECIFICATION NUMBER: BACN10YR4CD OPTIONAL PART: H52732-4CD V15653	031100	3
80	PLH53CD	.NUT	SUPPLIER CODE: VF0224 SPECIFICATION NUMBER: BACN10YR3CD OPTIONAL PART: H52732-3CD V15653	031100	2
85	BACB28AK04-071	.BUSHING		031100	4
90	BACB28AK04-025	.BUSHING		031100	1
95	BACB28Z4-036	.BUSHING		031100	1
100	412A1220-73	.PLATE-BIN JOINT		031100	1
105	412A2251-10	.SUPPORT ASSY-RAIL	POSITION DATA: UPR	031100	1
110	MS20392-3C47	..PIN		031100	2
115	BACP18C02C06P	..PIN		031100	4
120	NAS8703AD22	..BOLT-	OPTIONAL PART: BACB30LH3K21	031100	2
120	BACB30LH3K21	..BOLT-	OPTIONAL PART: NAS8703AD22	031100	2
125	NAS1149D0332J	..WASHER		031100	2
130	NAS1515H4L	..WASHER		031100	8
135	BACN10JD103CD	..NUT		031100	2
140	412A1230-91	..FITTING		031100	1
145	412A1230-92	..FITTING		031100	1
150	65-80898-35	..TURNBUCKLE ASSY-	OPTIONAL PART: 1488-5 V34742	031100	1
155	65-80898-37	..TURNBUCKLE ASSY-	OPTIONAL PART: 1488-7 V34742	031100	3
160	AN316-4R	...NUT		031100	1
165	1486-3	...ROD END ASSY-	SUPPLIER CODE: V34742	031100	1

MISSING ITEM NUMBERS NOT APPLICABLE

— ITEM NOT ILLUSTRATED

HAP

25-24-30-26

BOEING PROPRIETARY - Copyright © - Unpublished Work - See title page for details.

25-24-30
FIG. 26
PAGE 3
FEB 15/09

BOEING
737-600/700/800/900
PARTS CATALOG (MAINTENANCE)

FIG ITEM	PART NUMBER	1 2 3 4 5 6 7	NOMENCLATURE	EFFECT FROM TO	UNITS PER ASSY
26 170	1486-3L		...ROD END ASSY- SUPPLIER CODE: V34742	031100	1
175	65-81149-48		...TUBE- USED ON: 65-80898-35	031100	1
180	65-81149-49		...TUBE- USED ON: 65-80898-37	031100	1
185	1488-7		..ROD ASSY-TIE SUPPLIER CODE: V34742 OPTIONAL PART: 65-80898-37	031100	1
190	1488-5		..TURNBUCKLE ASSY- SUPPLIER CODE: V34742 OPTIONAL PART: 65-80898-35	031100	1
195	412A1230-2		..SUPPORT	031100	1
205	412A1052-96B		.TOP ASSY-60 IN. FUNCTIONAL REFERENCE: AIR CONDITIONING FOR DETAILS SEE 21-61-06-09 21-61-10-13 21-61-11-19 EQUIPMENT/FURNISHINGS FOR DETAILS SEE 25-24-31-19C LIGHTS FOR DETAILS SEE 33-22-00-64	031043	1
205	412A1052-1096B		.TOP ASSY-60 IN. FUNCTIONAL REFERENCE: AIR CONDITIONING FOR DETAILS SEE 21-61-06-09 21-61-10-13 21-61-11-19 EQUIPMENT/FURNISHINGS FOR DETAILS SEE 25-24-31-19L LIGHTS FOR DETAILS SEE 33-22-00-64	044100	1

MISSING ITEM NUMBERS NOT APPLICABLE

— ITEM NOT ILLUSTRATED

HAP

25-24-30-26

BOEING PROPRIETARY - Copyright © - Unpublished Work - See title page for details.

25-24-30
FIG. 26
PAGE 4
FEB 15/09

BOEING
737-600/700/800/900
PARTS CATALOG (MAINTENANCE)

FIG ITEM	PART NUMBER	1 2 3 4 5 6 7	NOMENCLATURE	EFFECT FROM TO	UNITS PER ASSY
26 210	412A1052-94B		.TOP ASSY-25 IN. TERMINATION FOR DETAILS SEE: 25-24-31-21G	031037 039041	1
210	412A1052-120B		.TOP ASSY-25 IN. FOR DETAILS SEE: 25-24-31-21K	038038 042043	1
210	412A1052-1094B		.TOP ASSY-25 IN. TERMINATION FOR DETAILS SEE: 25-24-31-21M	047047	1
210	412A1052-1120B		.TOP ASSY-25 IN. FOR DETAILS SEE: 25-24-31-21Q	044046	1
220	412A1052-1032B		.TOP ASSY-29 IN. TERMINATION FOR DETAILS SEE: 25-24-31-20K	048050 053100	1
221	412A1052-1056B		.TOP ASSY-29 IN. TERMINATION FOR DETAILS SEE: 25-24-31-20Q	051052	1

MISSING ITEM NUMBERS NOT APPLICABLE

— ITEM NOT ILLUSTRATED

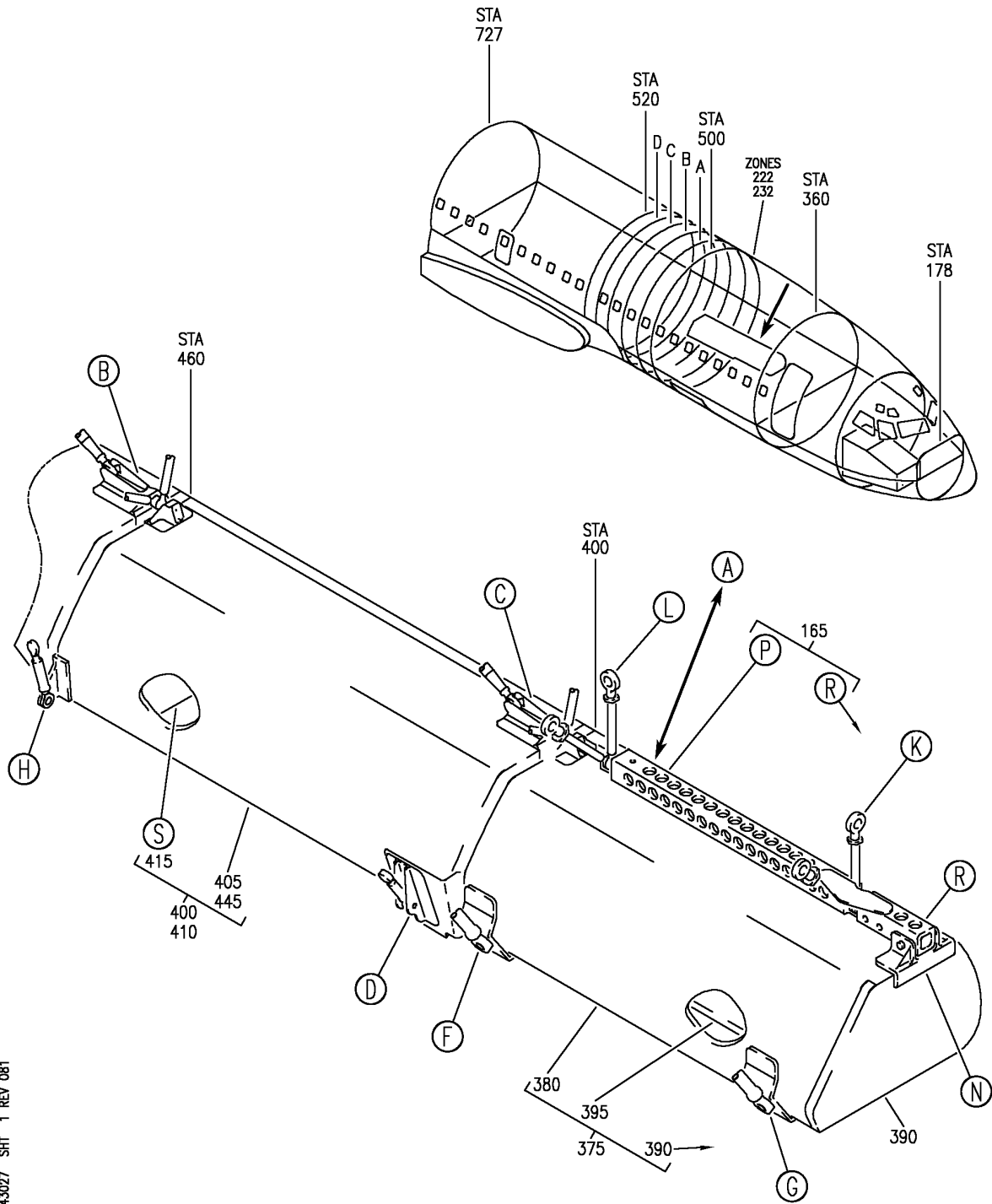
HAP

25-24-30-26

BOEING PROPRIETARY - Copyright © - Unpublished Work - See title page for details.

25-24-30
FIG. 26
PAGE 5
FEB 15/09

BOEING
 737-600/700/800/900
 PARTS CATALOG (MAINTENANCE)



E 25243027 SHT 1 REV 081

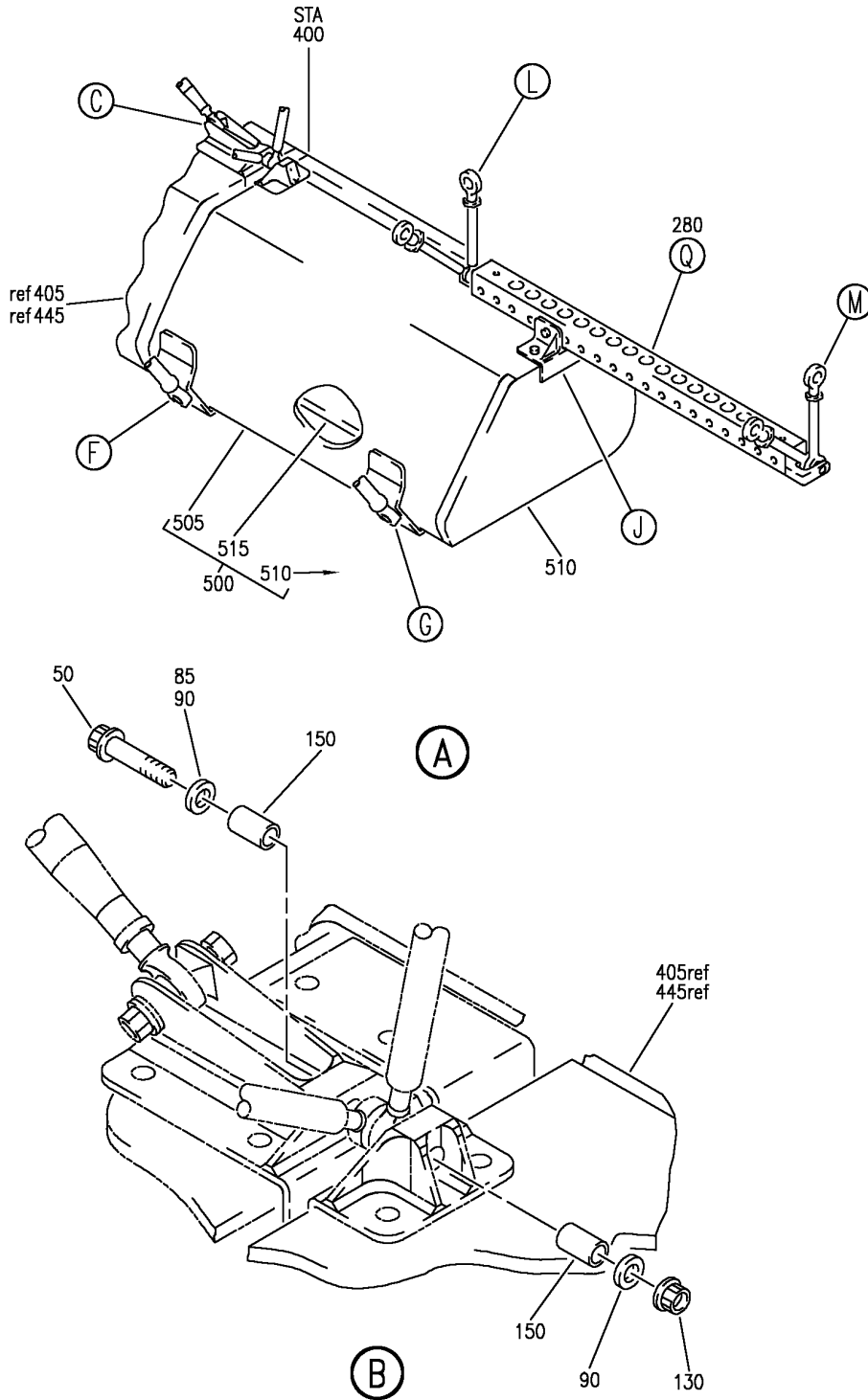
COMPARTMENT INSTL-FWD RH OVHD STOWAGE BULLNOSE CONFIGURATION
 FIGURE 27 (SHEET 1)

25-24-30-27

HAP
 OCT 15/08

25-24-30-27
 PAGE 0

BOEING
 737-600/700/800/900
 PARTS CATALOG (MAINTENANCE)



E 25243027 SH1 2 REV 081

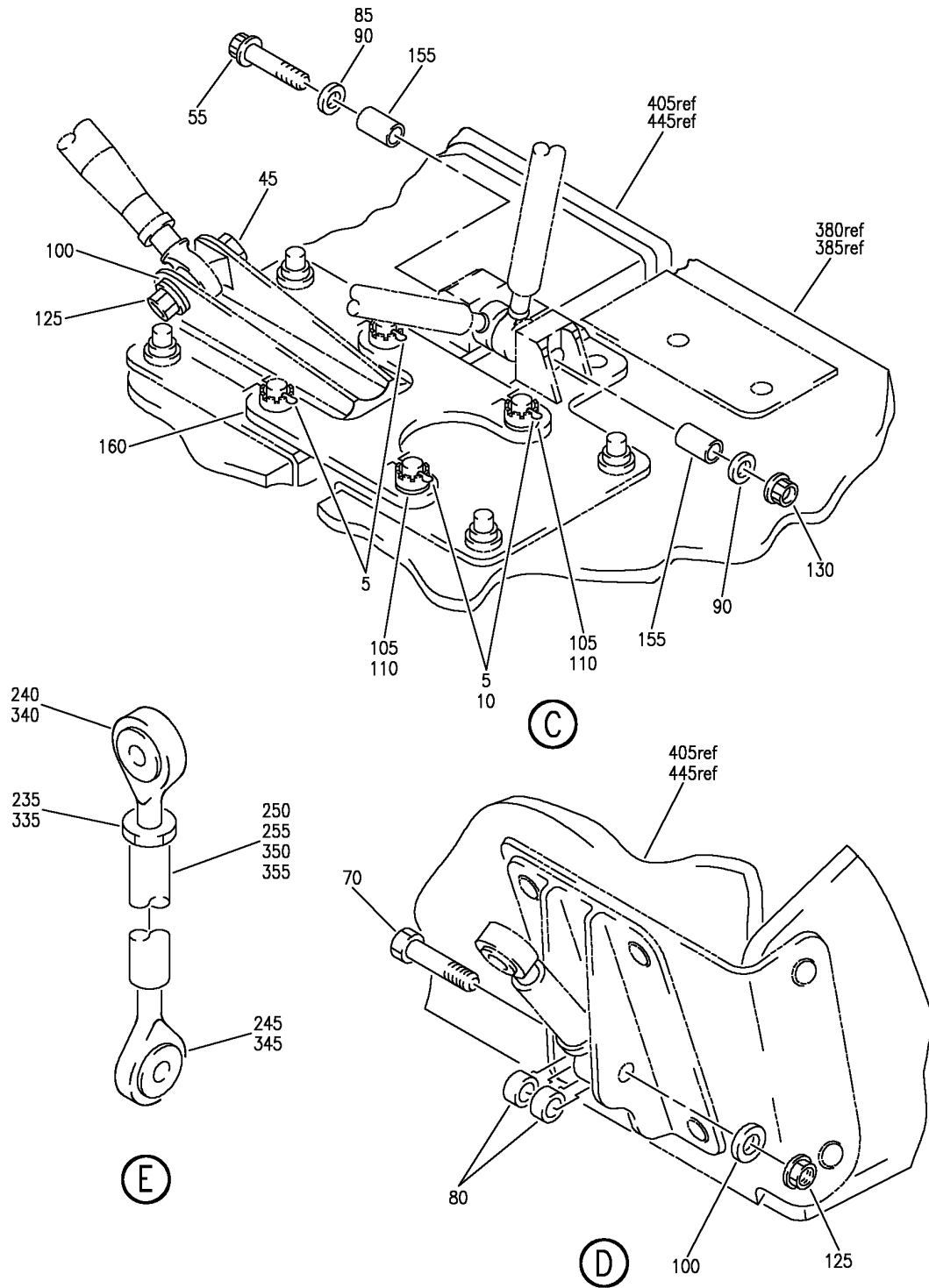
COMPARTMENT INSTL-FWD RH OVHD STOWAGE BULLNOSE CONFIGURATION
 FIGURE 27 (SHEET 2)

25-24-30-27

HAP
 OCT 15/08

25-24-30-27
 PAGE 0A

BOEING
 737-600/700/800/900
 PARTS CATALOG (MAINTENANCE)



E 25243027 SHT 3 REV 081

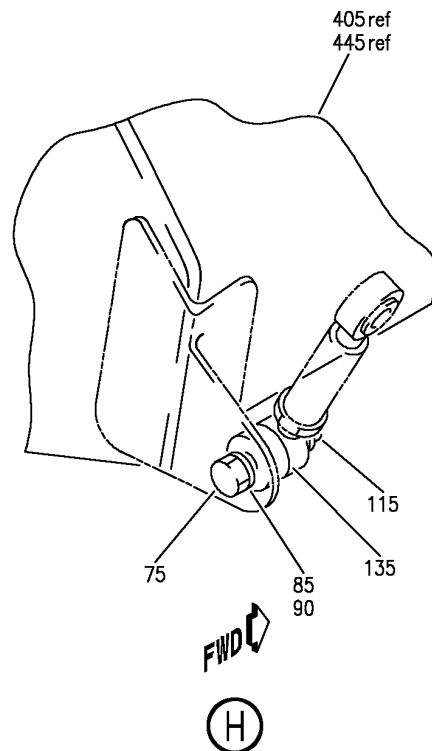
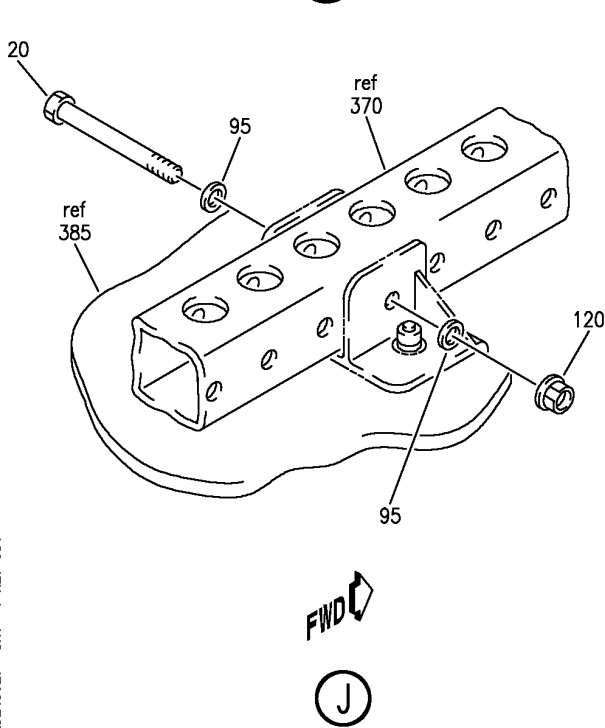
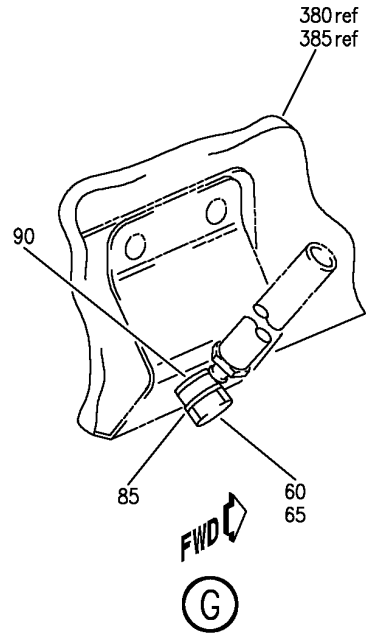
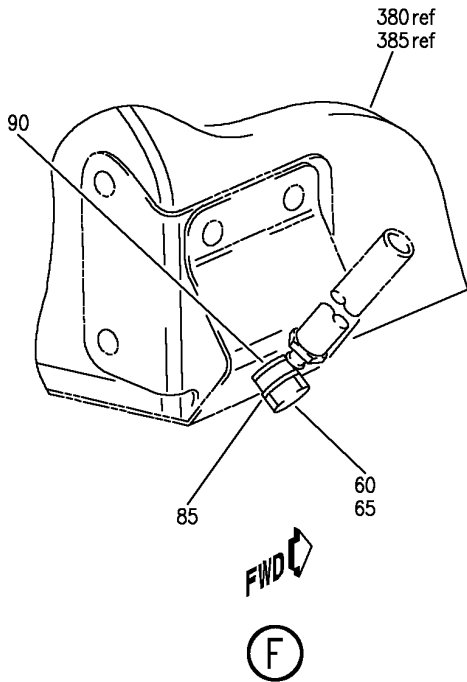
COMPARTMENT INSTL-FWD RH OVHD STOWAGE BULLNOSE CONFIGURATION
 FIGURE 27 (SHEET 3)

25-24-30-27

HAP
 OCT 15/08

25-24-30-27
 PAGE 0B

BOEING
 737-600/700/800/900
 PARTS CATALOG (MAINTENANCE)



E 25243027 SH1 4 REV 081

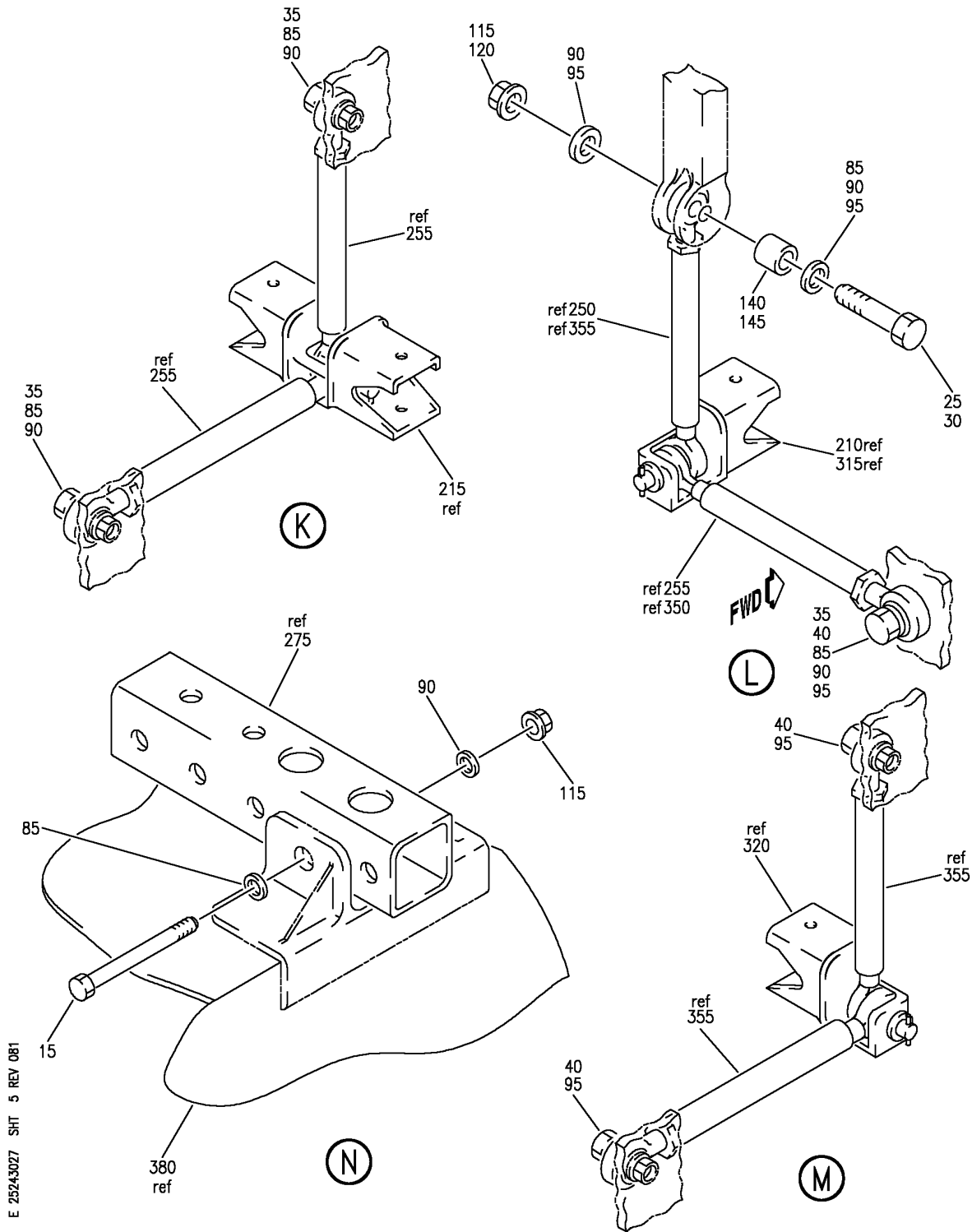
COMPARTMENT INSTL-FWD RH OVHD STOWAGE BULLNOSE CONFIGURATION
 FIGURE 27 (SHEET 4)

25-24-30-27

HAP
 OCT 15/08

25-24-30-27
 PAGE 0C

BOEING
 737-600/700/800/900
 PARTS CATALOG (MAINTENANCE)



E 25243027 SHT 5 REV 081

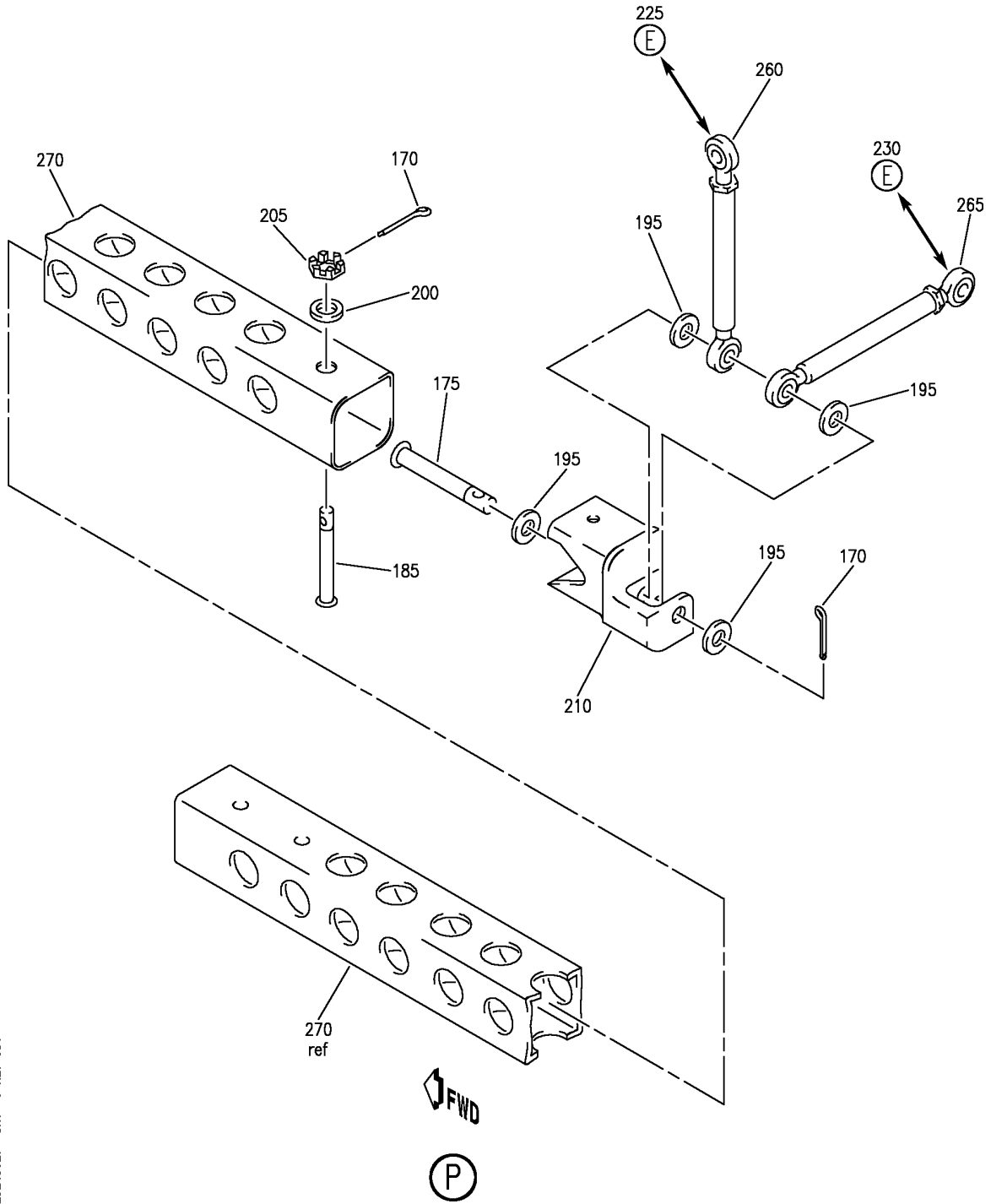
COMPARTMENT INSTL-FWD RH OVHD STOWAGE BULLNOSE CONFIGURATION
 FIGURE 27 (SHEET 5)

25-24-30-27

HAP
 OCT 15/08

25-24-30-27
 PAGE 0D

BOEING
 737-600/700/800/900
 PARTS CATALOG (MAINTENANCE)



E 25243027 SH1 6 REV 081

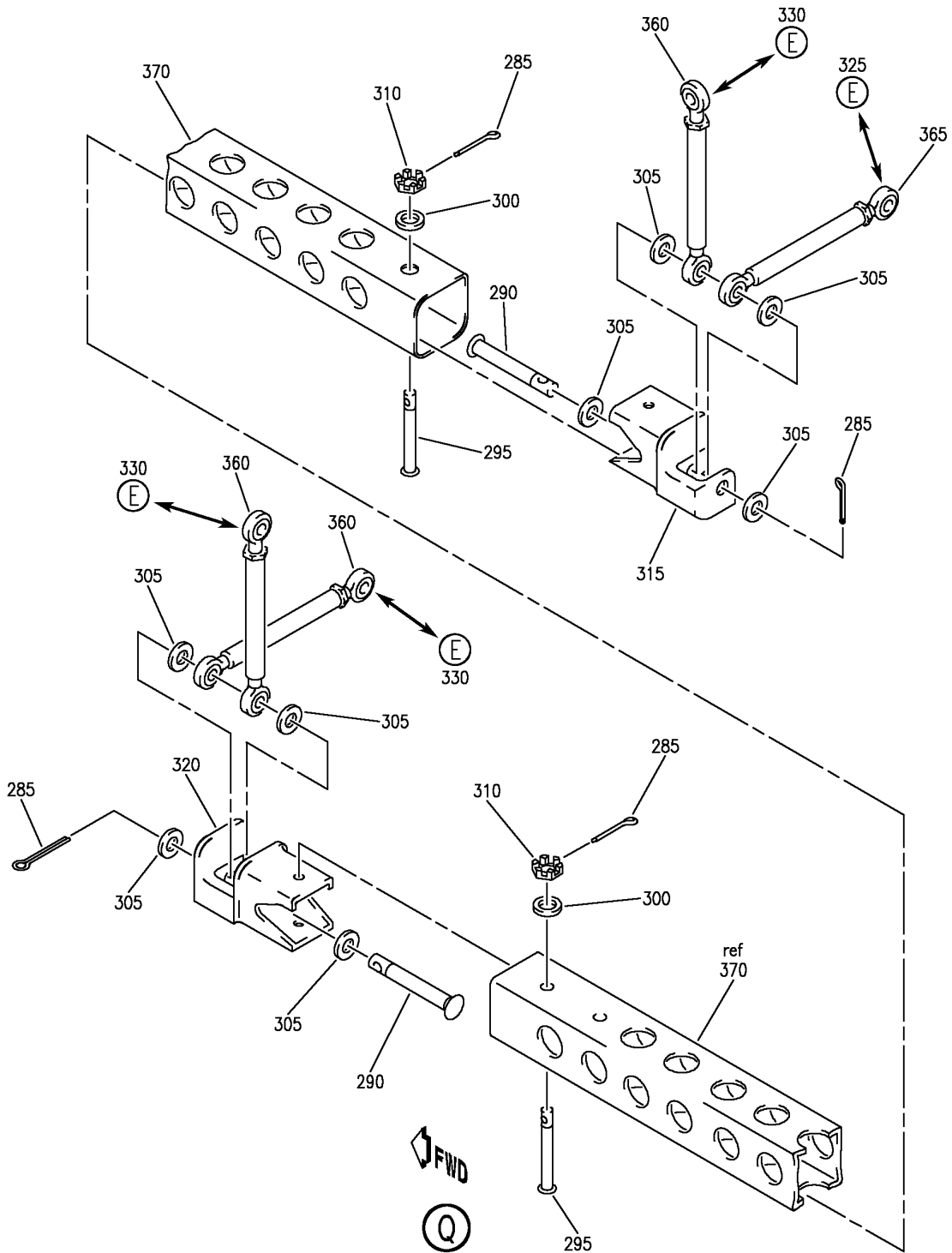
COMPARTMENT INSTL-FWD RH OVHD STOWAGE BULLNOSE CONFIGURATION
 FIGURE 27 (SHEET 6)

25-24-30-27

HAP
 OCT 15/08

25-24-30-27
 PAGE 0E

BOEING
 737-600/700/800/900
 PARTS CATALOG (MAINTENANCE)



E 25243027 SHT 7 REV 081

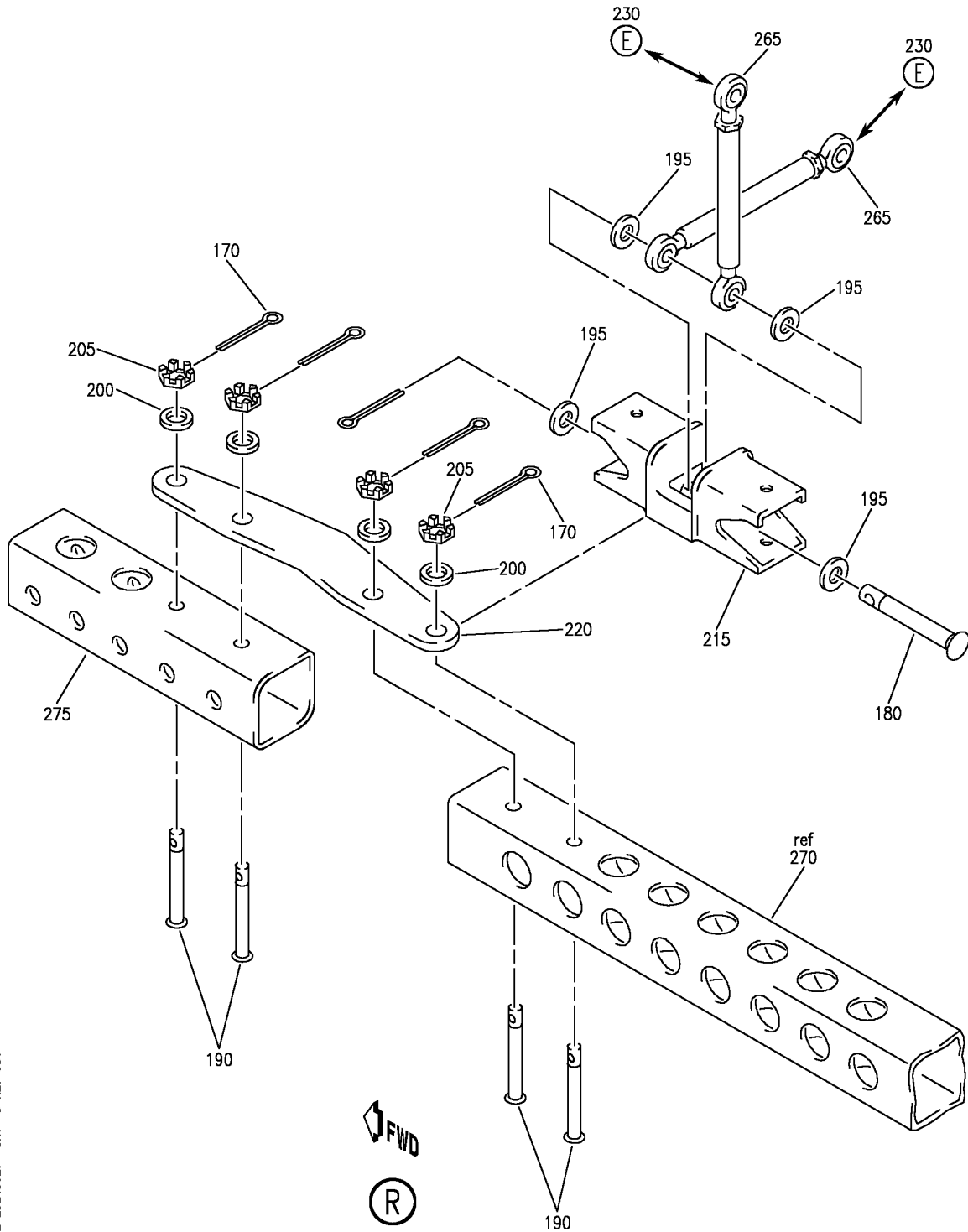
COMPARTMENT INSTL-FWD RH OVHD STOWAGE BULLNOSE CONFIGURATION
 FIGURE 27 (SHEET 7)

25-24-30-27

HAP
 OCT 15/08

25-24-30-27
 PAGE OF

BOEING
 737-600/700/800/900
 PARTS CATALOG (MAINTENANCE)



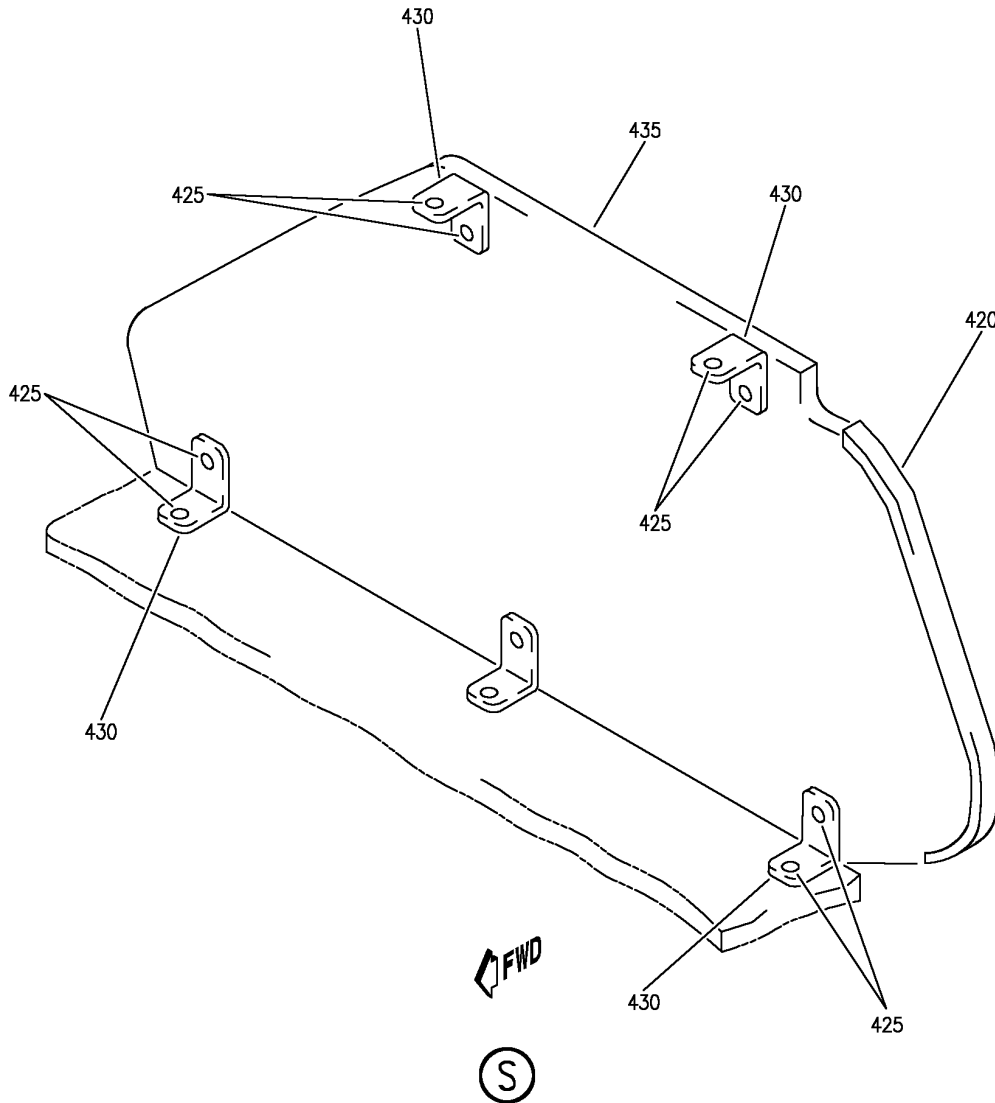
E 25243027 SHT 8 REV 081

COMPARTMENT INSTL-FWD RH OVHD STOWAGE BULLNOSE CONFIGURATION
 FIGURE 27 (SHEET 8)

25-24-30-27

HAP
 OCT 15/08

25-24-30-27
 PAGE 08



E 25243027 SH1 9 REV 081

COMPARTMENT INSTL-FWD RH OVHD STOWAGE BULLNOSE CONFIGURATION
FIGURE 27 (SHEET 9)

25-24-30-27

HAP
OCT 15/08

25-24-30-27
PAGE 0H

BOEING
737-600/700/800/900
PARTS CATALOG (MAINTENANCE)

FIG ITEM	PART NUMBER	1 2 3 4 5 6 7	NOMENCLATURE	EFFECT FROM TO	UNITS PER ASSY
27			COMPARTMENT INSTL-FWD RH OVHD STOWAGE BULLNOSE CONFIGURATION	201967	
- 1	412A1020-102SP		COMPARTMENT INSTL-OVHD STOWAGE BULLNOSE CONFIGURATION POSITION DATA: FWD RH FOR NHA SEE: 25-24-00-15A	202967	RF
- 1	412A1020-202SP		COMPARTMENT INSTL-OVHD STOWAGE BULLNOSE CONFIGURATION POSITION DATA: FWD RH FOR NHA SEE: 25-24-00-15A	201201	RF
5	BACP18BC02A06P		.PIN	201967	4
15	BACB30NR4K26		.BOLT-	201967	1
25	BACB30NR4K12		.BOLT-	201967	1
35	BACB30NR4K8		.BOLT-	201967	3
45	BACB30PW4-12		.BOLT	201967	1
50	BACB30US4K33		.BOLT	201967	1
55	BACB30US4K33		.BOLT-	201967	1
60	BACB30NR4K7		.BOLT-	201967	2
70	BACB30PW4-16		.BOLT	201967	1
75	BACB30NR4K13		.BOLT	201967	1
80	412A1350-2		.SPACER	201967	2
90	BACW10BP4CD		.WASHER-	201967	13
100	BACW10BP3DP		.WASHER	201967	2
115	PLH54CD		.NUT-	201967	3
			SUPPLIER CODE: VF0224 SPECIFICATION NUMBER: BACN10YR4CD OPTIONAL PART: H52732-4CD V15653		
125	PLH53CD		.NUT SUPPLIER CODE: VF0224 SPECIFICATION NUMBER: BACN10YR3CD OPTIONAL PART: H52732-3CD V15653	201967	2

MISSING ITEM NUMBERS NOT APPLICABLE

- ITEM NOT ILLUSTRATED

HAP

25-24-30-27

BOEING PROPRIETARY - Copyright © - Unpublished Work - See title page for details.

25-24-30
FIG. 27
PAGE 1
FEB 15/09

BOEING
737-600/700/800/900
PARTS CATALOG (MAINTENANCE)

FIG ITEM	PART NUMBER	1 2 3 4 5 6 7	NOMENCLATURE	EFFECT FROM TO	UNITS PER ASSY
27 130	BMN5024CWD34	.NUT	SUPPLIER CODE: V97928 SPECIFICATION NUMBER: BACN10HR4CD OPTIONAL PART: H51560-4 V15653 102CH9031-4 V72962 SL7108C428 V11815 67832CD428 V56878 BMN5024CWD3-4 V97928 BH00303CM4 V27238 SL7108C4 V11815 VCU0005D4 V06710 102LH90314 V72962 67832CD4 V56878 H964CD V15653 RMLH224CD V72962 VAL280094CD V06710 678324CD V56878 CR6030-4 VF0224	201967	2
135	BACB28Z4-036	.BUSHING		201967	1
140	BACB28AK04-025	.BUSHING-		201967	1
150	BACB28AK04-071	.BUSHING		201967	2
155	BACB28AK04-071	.BUSHING-		201967	2
160	412A1220-73	.PLATE-BIN JOINT		201967	1
165	412A2251-12	.SUPPORT ASSY-UPR RAIL		201967	1
170	BACP18C02C06P	..PIN		201967	7
175	MS20392-3C47	..PIN		201967	1
180	MS20392-3C53	..PIN		201967	1
185	NAS8703AD22	..BOLT-		201967	1
		OPTIONAL PART: BACB30LH3K21			

MISSING ITEM NUMBERS NOT APPLICABLE

- ITEM NOT ILLUSTRATED

HAP

25-24-30-27

BOEING PROPRIETARY - Copyright © - Unpublished Work - See title page for details.

25-24-30
FIG. 27
PAGE 2
FEB 15/09

BOEING
737-600/700/800/900
PARTS CATALOG (MAINTENANCE)

FIG ITEM	PART NUMBER	1 2 3 4 5 6 7	NOMENCLATURE	EFFECT FROM TO	UNITS PER ASSY
27 185	BACB30LH3K21	..	BOLT- OPTIONAL PART: NAS8703AD22	201967	1
190	NAS8703AD23	..	BOLT- OPTIONAL PART: BACB30LH3K23	201967	4
190	BACB30LH3K23	..	BOLT- OPTIONAL PART: NAS8703AD23	201967	4
195	NAS1515H4L	..	WASHER	201967	8
200	NAS1149D0332J	..	WASHER	201967	5
205	BACN10JD103CD	..	NUT	201967	5
210	412A1230-92	..	FITTING	201967	1
215	412A1230-50	..	FITTING	201967	1
220	412A1220-69	..	PLATE-TNSN	201967	1
225	65-80898-35	..	TURNBUCKLE ASSY- OPTIONAL PART: 1488-5 V34742	201967	1
230	65-80898-37	..	TURNBUCKLE ASSY- OPTIONAL PART: 1488-7 V34742	201967	3
235	AN316-4R	...	NUT	201967	1
240	1486-3	...	ROD END ASSY- SUPPLIER CODE: V34742	201967	1
245	1486-3L	...	ROD END ASSY- SUPPLIER CODE: V34742	201967	1
250	65-81149-48	...	TUBE- USED ON: 65-80898-35	201967	1
255	65-81149-49	...	TUBE- USED ON: 65-80898-37	201967	1
260	1488-5	..	TURNBUCKLE ASSY- SUPPLIER CODE: V34742 OPTIONAL PART: 65-80898-35	201967	1
265	1488-7	..	ROD ASSY-TIE SUPPLIER CODE: V34742 OPTIONAL PART: 65-80898-37	201967	3
270	412A2251-4	..	RAIL	201967	1
275	412A2251-5	..	RAIL	201967	1
375	412A1050-110SP	.	COMPONENT ASSY-VAR	202967	1

MISSING ITEM NUMBERS NOT APPLICABLE

- ITEM NOT ILLUSTRATED

HAP

25-24-30-27

25-24-30
FIG. 27
PAGE 3
FEB 15/09

BOEING
737-600/700/800/900
PARTS CATALOG (MAINTENANCE)

FIG ITEM	PART NUMBER	1 2 3 4 5 6 7	NOMENCLATURE	EFFECT FROM TO	UNITS PER ASSY
27					
375	412A1050-310SP	.	COMPONENT ASSY-VAR	201201	1
380	412A1170-136SP	..	COMPARTMENT ASSY-44 IN. FOR DETAILS SEE: 25-24-31-35	202967	1
380	412A1170-336B	..	COMPARTMENT ASSY-44 IN. FOR DETAILS SEE: 25-24-31-35	201201	1
390	412A1310-310SP	..	MOUNTING ASSY-END CAP FOR DETAILS SEE: 25-24-33-40A	201967	1
395	412A1910-23SP	..	RACK ASSY-MAGAZINE FOR DETAILS SEE: 25-24-00-02	201967	1
400	412A1050-102SP	.	COMPONENT ASSY-VAR	202967	1
400	412A1050-302SP	.	COMPONENT ASSY-VAR	201201	1
405	412A1170-104SP	..	COMPARTMENT ASSY-60 IN FUNCTIONAL REFERENCE: AIR CONDITIONING FOR DETAILS SEE 21-61-06-04 21-61-10-08 21-61-11-11 EQUIPMENT/FURNISHINGS FOR DETAILS SEE 25-24-31-33 LIGHTS FOR DETAILS SEE 33-22-00-16 33-51-03-12	202967	1
405	412A1170-304B	..	COMPARTMENT ASSY-60 IN. FUNCTIONAL REFERENCE: AIR CONDITIONING FOR DETAILS SEE 21-61-06-04 21-61-10-08 21-61-11-11 EQUIPMENT/FURNISHINGS FOR DETAILS SEE 25-24-31-33 LIGHTS FOR DETAILS SEE 33-22-00-16 33-51-03-12	201201	1

MISSING ITEM NUMBERS NOT APPLICABLE

— ITEM NOT ILLUSTRATED

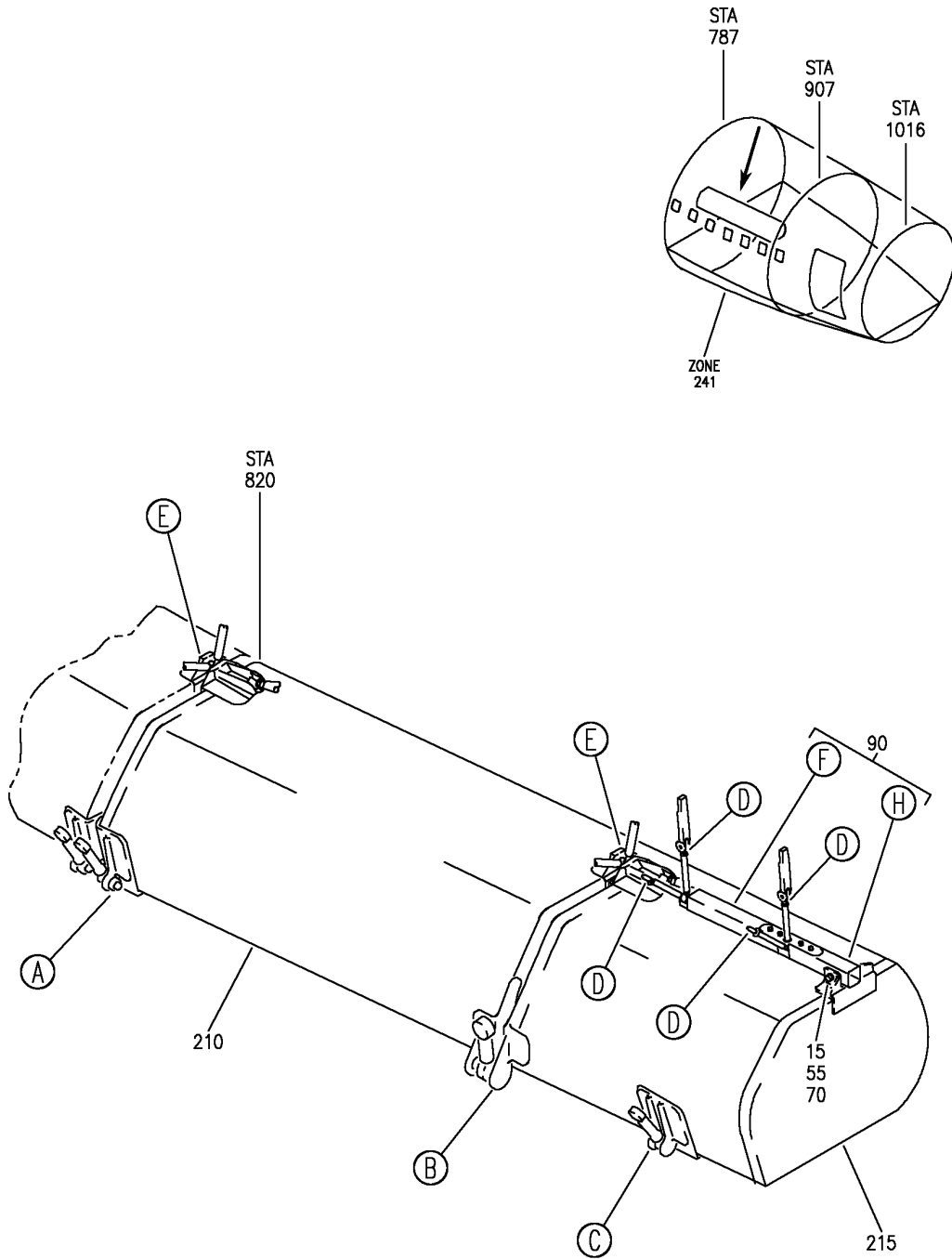
HAP

25-24-30-27

BOEING PROPRIETARY - Copyright © - Unpublished Work - See title page for details.

25-24-30
FIG. 27
PAGE 4
FEB 15/09

BOEING
 737-600/700/800/900
 PARTS CATALOG (MAINTENANCE)



E 25243031 SH1 1 REV 081

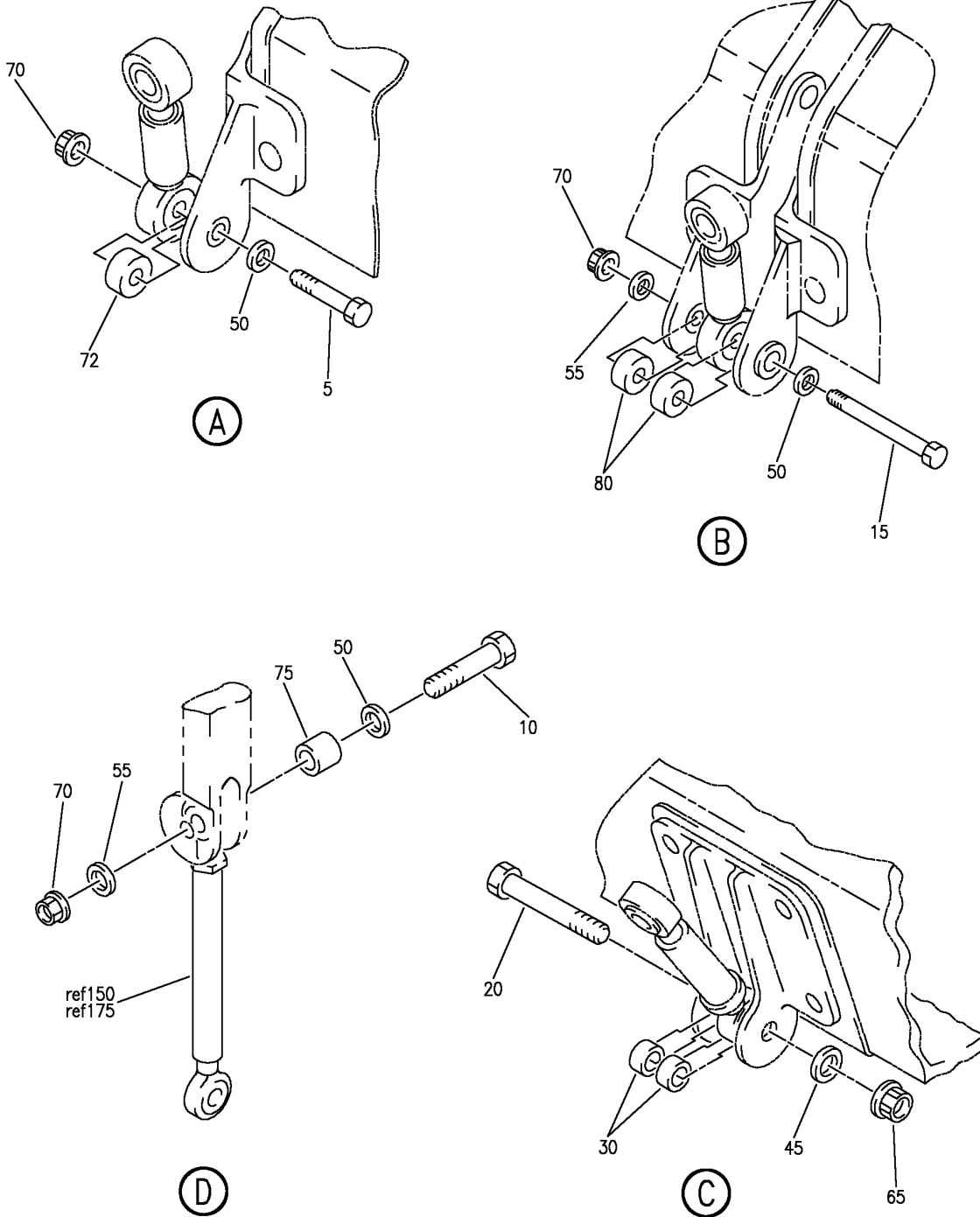
COMPARTMENT INSTL-AFT LH OVHD STOWAGE BIG BIN BULLNOSE CONFIGURATION
 FIGURE 31 (SHEET 1)

25-24-30-31

HAP
 OCT 10/06

25-24-30-31
 PAGE 0

BOEING
 737-600/700/800/900
 PARTS CATALOG (MAINTENANCE)



E 25243031 SHT 2 REV 092

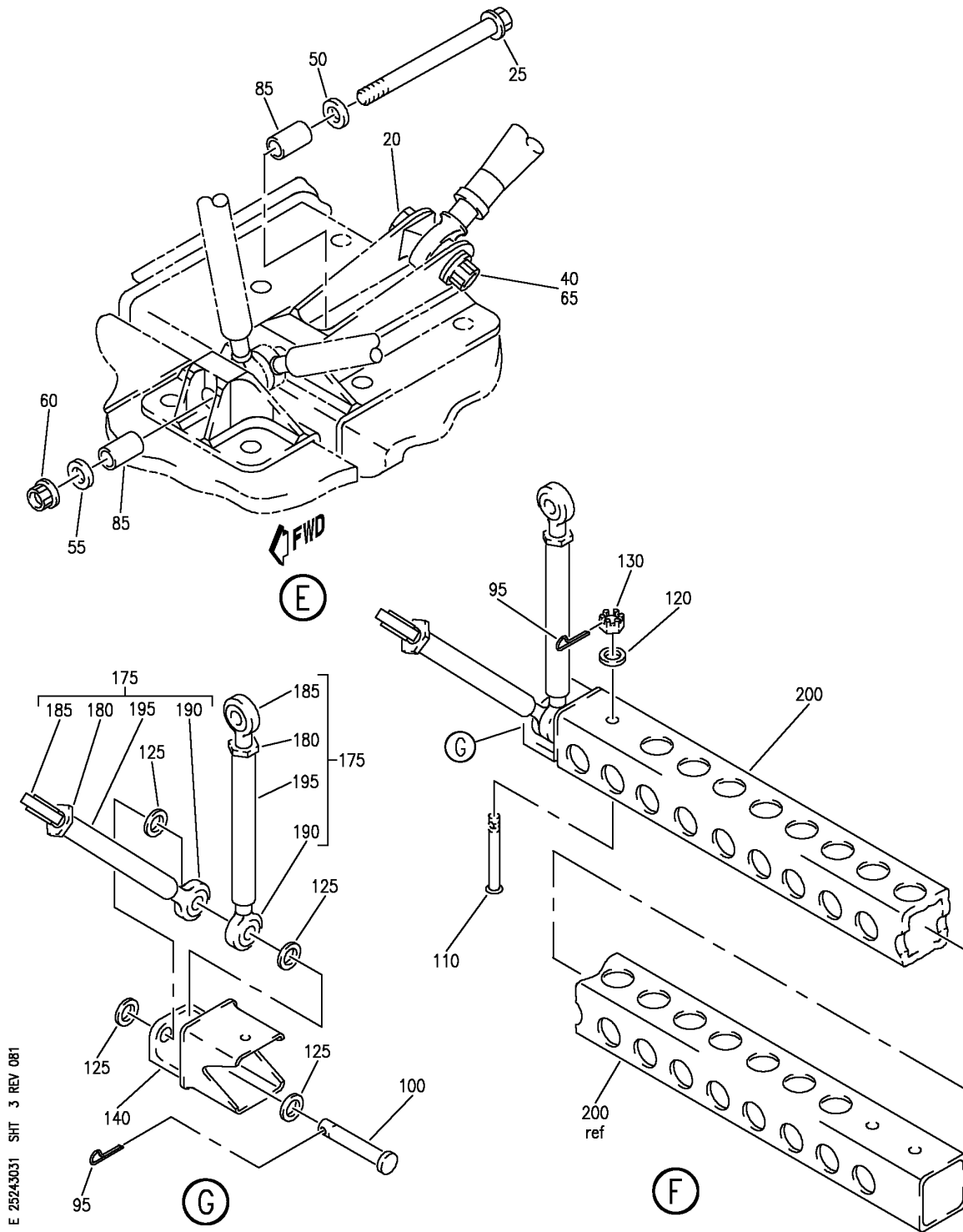
COMPARTMENT INSTL-AFT LH OVHD STOWAGE BIG BIN BULLNOSE CONFIGURATION
 FIGURE 31 (SHEET 2)

25-24-30-31

HAP
 OCT 10/06

25-24-30-31
 PAGE 0A


BOEING
 737-600/700/800/900
PARTS CATALOG (MAINTENANCE)



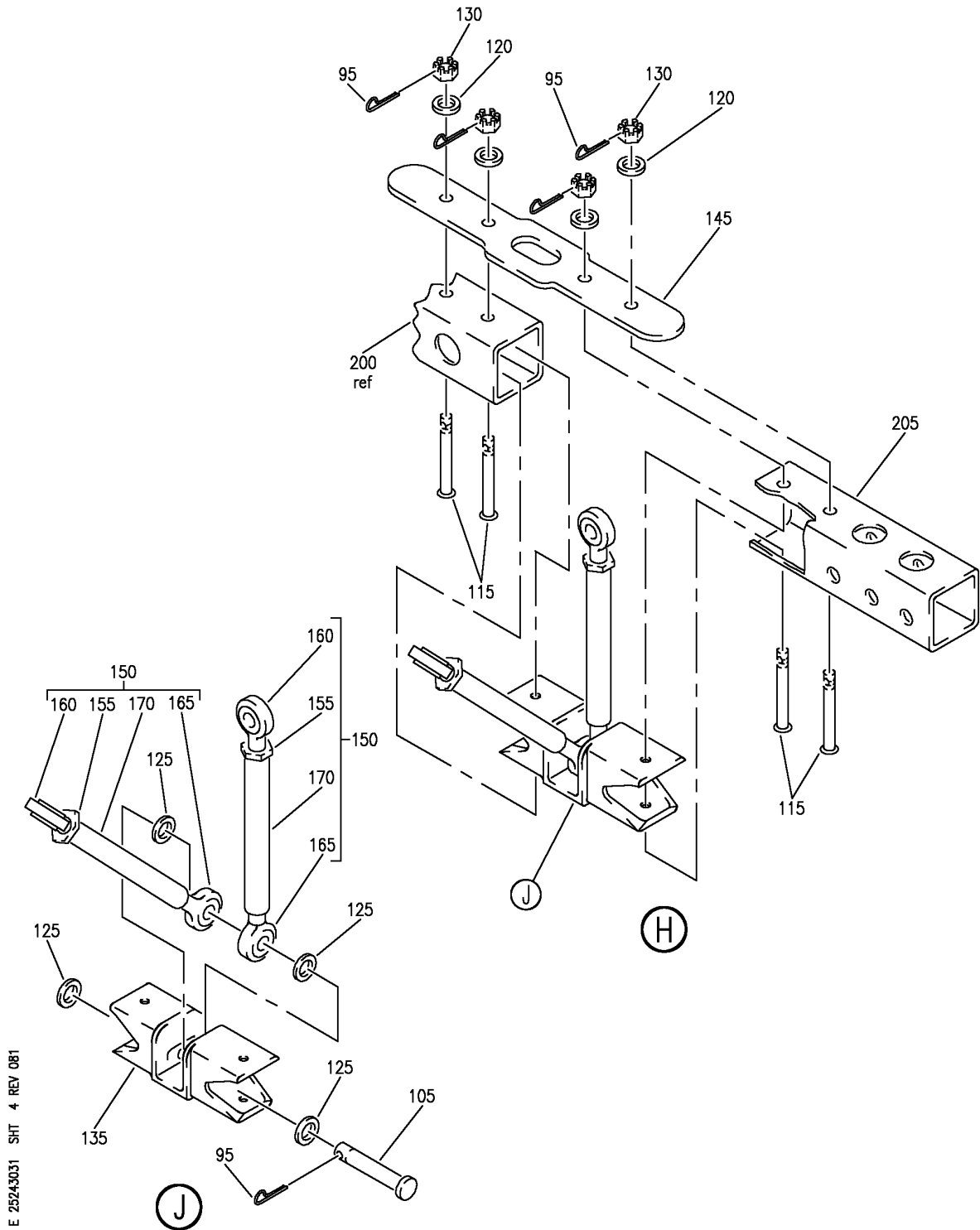
COMPARTMENT INSTL-AFT LH OVHD STOWAGE BIG BIN BULLNOSE CONFIGURATION
 FIGURE 31 (SHEET 3)

HAP
OCT 10/06

25-24-30-31

25-24-30-31
 PAGE 08

BOEING
 737-600/700/800/900
 PARTS CATALOG (MAINTENANCE)



E 25243031 SH1 4 REV 081

COMPARTMENT INSTL-AFT LH OVHD STOWAGE BIG BIN BULLNOSE CONFIGURATION
 FIGURE 31 (SHEET 4)

25-24-30-31

HAP
 OCT 10/06

25-24-30-31
 PAGE 0C

BOEING
737-600/700/800/900
PARTS CATALOG (MAINTENANCE)

FIG ITEM	PART NUMBER	1 2 3 4 5 6 7	NOMENCLATURE	EFFECT FROM TO	UNITS PER ASSY
31			COMPARTMENT INSTL-AFT LH OVHD STOWAGE BIG BIN BULLNOSE CONFIGURATION	031200 968999	
- 1	MODREF220012		COMPARTMENT INSTL-OVHD STOWAGE BIG BIN BULLNOSE CONFIGURATION MODULE NUMBER: 412A1030-1221C REV B POSITION DATA: AFT LH	031043 101101 968971	1
- 1	MODREF345209		COMPARTMENT INSTL-OVHD STOWAGE BIG BIN BULLNOSE CONFIGURATION MODULE NUMBER: 412A1030-1221C REV C POSITION DATA: AFT LH	044100 102200 972999	1
5	BACB30NR4K10		.BOLT	031200 968999	1
10	BACB30NR4K12		.BOLT	031200 968999	4
15	BACB30NR4K26		.BOLT	031200 968999	2
20	BACB30PW4-16		.BOLT	031200 968999	3
25	BACB30US4K33		.BOLT	031200 968999	2
30	412A1350-2		.SPACER	031200 968999	2
40	BACW10BN3SP		.WASHER	031200 968999	2
45	BACW10BP3DP		.WASHER	031200 968999	1
50	BACW10BP4CD		.WASHER	031200 968999	8
55	BACW10BP4DP		.WASHER	031200 968999	8

MISSING ITEM NUMBERS NOT APPLICABLE

- ITEM NOT ILLUSTRATED

HAP

25-24-30-31

BOEING PROPRIETARY - Copyright © - Unpublished Work - See title page for details.

25-24-30
FIG. 31
PAGE 1
OCT 15/08

BOEING
737-600/700/800/900
PARTS CATALOG (MAINTENANCE)

FIG ITEM	PART NUMBER	1 2 3 4 5 6 7	NOMENCLATURE	EFFECT FROM TO	UNITS PER ASSY
31 60	BMN5024CWD34	.NUT	SUPPLIER CODE: V97928 SPECIFICATION NUMBER: BACN10HR4CD OPTIONAL PART: H51560-4 V15653 102CH9031-4 V72962 SL7108C428 V11815 67832CD428 V56878 BMN5024CWD3-4 V97928 BH00303CM4 V27238 SL7108C4 V11815 VCU0005D4 V06710 102LH90314 V72962 67832CD4 V56878 H964CD V15653 RMLH224CD V72962 VAL280094CD V06710 678324CD V56878 CR6030-4 VF0224	031200 968999	2
65	PLH53CD	.NUT	SUPPLIER CODE: VF0224 SPECIFICATION NUMBER: BACN10YR3CD OPTIONAL PART: H52732-3CD V15653	031200 968999	3

MISSING ITEM NUMBERS NOT APPLICABLE

— ITEM NOT ILLUSTRATED

HAP

25-24-30-31

BOEING PROPRIETARY - Copyright © - Unpublished Work - See title page for details.

25-24-30
FIG. 31
PAGE 2
FEB 15/09

BOEING
737-600/700/800/900
PARTS CATALOG (MAINTENANCE)

FIG ITEM	PART NUMBER	1 2 3 4 5 6 7	NOMENCLATURE	EFFECT FROM TO	UNITS PER ASSY
31					
70	PLH54CD	.NUT	SUPPLIER CODE: VF0224 SPECIFICATION NUMBER: BACN10YR4CD OPTIONAL PART: H52732-4CD V15653	031200 968999	7
72	BACB28Z4-020	.BUSHING		031200 968999	1
75	BACB28AK04-025	.BUSHING		031200 968999	4
80	BACB28AK04-060	.BUSHING		031200 968999	2
85	BACB28AK04-071	.BUSHING		031200 968999	4
90	412A2251-13	.SUPPORT ASSY-UPR RAIL		031200 968999	1
95	BACP18BC02C06P	..PIN		031200 968999	7
100	MS20392-3C47	..PIN		031200 968999	1
105	MS20392-3C53	..PIN		031200 968999	1
110	NAS8703AD22	..BOLT-	OPTIONAL PART: BACB30LH3K21	031200 968999	1
110	BACB30LH3K21	..BOLT-	OPTIONAL PART: NAS8703AD22	031200 968999	1
115	NAS8703AD23	..BOLT-	OPTIONAL PART: BACB30LH3K23	031200 968999	4
115	BACB30LH3K23	..BOLT-	OPTIONAL PART: NAS8703AD23	031200 968999	4
120	NAS1149D0332J	..WASHER		031200 968999	5
125	NAS1515H4L	..WASHER		031200 968999	8
130	BACN10JD103CD	..NUT		031200 968999	5
135	412A1230-50	..FITTING		031200 968999	1
140	412A1230-92	..FITTING		031200 968999	1
145	412A1220-70	..PLATE-TNSN		031200 968999	1

MISSING ITEM NUMBERS NOT APPLICABLE

— ITEM NOT ILLUSTRATED

HAP

25-24-30-31

25-24-30
FIG. 31
PAGE 3
FEB 15/09

BOEING
737-600/700/800/900
PARTS CATALOG (MAINTENANCE)

FIG ITEM	PART NUMBER	1 2 3 4 5 6 7	NOMENCLATURE	EFFECT FROM TO	UNITS PER ASSY
31					
150	65-80898-43	..	TURNBUCKLE ASSY	031200 968999	2
155	AN316-4R	...	NUT	031200 968999	1
160	1486-5	...	ROD END ASSY- SUPPLIER CODE: V34742	031200 968999	1
165	1486-5L	...	ROD END ASSY- SUPPLIER CODE: V34742	031200 968999	1
170	65-81149-47	...	TUBE	031200 968999	1
175	65-80898-50	..	TURNBUCKLE ASSY	031200 968999	2
180	AN316-4R	...	NUT	031200 968999	1
185	1254-1	...	BEARING-ROD END SUPPLIER CODE: V34742 OPTIONAL PART: ACM4-3 V56644 AHM4-104 V50294 FM4-7 V02695 M44-9A V73134	031200 968999	1
185	ACM4-3	...	BEARING-ROD END SUPPLIER CODE: V56644 OPTIONAL PART: 1254-1 V34742 AHM4-104 V50294 FM4-7 V02695 M44-9A V73134	031200 968999	1

MISSING ITEM NUMBERS NOT APPLICABLE

— ITEM NOT ILLUSTRATED

HAP

25-24-30-31

BOEING PROPRIETARY - Copyright © - Unpublished Work - See title page for details.

25-24-30
FIG. 31
PAGE 4
FEB 15/09

BOEING
737-600/700/800/900
PARTS CATALOG (MAINTENANCE)

FIG ITEM	PART NUMBER	1 2 3 4 5 6 7	NOMENCLATURE	EFFECT FROM TO	UNITS PER ASSY
31 185	AHM4-104		...BEARING-ROD END SUPPLIER CODE: V50294 OPTIONAL PART: 1254-1 V34742 ACM4-3 V56644 FM4-7 V02695 M44-9A V73134	031200 968999	1
185	FM4-7		...BEARING-ROD END SUPPLIER CODE: V02695 OPTIONAL PART: 1254-1 V34742 ACM4-3 V56644 AHM4-104 V50294 M44-9A V73134	031200 968999	1
185	M44-9A		...BEARING-ROD END SUPPLIER CODE: V73134 OPTIONAL PART: 1254-1 V34742 ACM4-3 V56644 AHM4-104 V50294 FM4-7 V02695	031200 968999	1
190	1254-1L		...BEARING-ROD END SUPPLIER CODE: V34742 OPTIONAL PART: ACB4-3 V56644 AHML4-104 V50294 ML44-9A V73134 FML4-7 V76474	031200 968999	1

MISSING ITEM NUMBERS NOT APPLICABLE

— ITEM NOT ILLUSTRATED

HAP

25-24-30-31

BOEING PROPRIETARY - Copyright © - Unpublished Work - See title page for details.

25-24-30
FIG. 31
PAGE 5
OCT 15/08

BOEING
737-600/700/800/900
PARTS CATALOG (MAINTENANCE)

FIG ITEM	PART NUMBER	1 2 3 4 5 6 7	NOMENCLATURE	EFFECT FROM TO	UNITS PER ASSY
31 190	ACB4-3		...BEARING-ROD END SUPPLIER CODE: V56644 OPTIONAL PART: 1254-1L V34742 AHML4-104 V50294 FML4-7 V76474 ML44-9A V73134	031200 968999	1
190	AHML4-104		...BEARING-ROD END SUPPLIER CODE: V50294 OPTIONAL PART: 1254-1L V34742 ACB4-3 V56644 FML4-7 V76474 ML44-9A V73134	031200 968999	1
190	FML4-7		...BEARING-ROD END SUPPLIER CODE: V76474 OPTIONAL PART: 1254-1L V34742 ACB4-3 V56644 AHML4-104 V50294 ML44-9A V73134	031200 968999	1
190	ML44-9A		...BEARING-ROD END SUPPLIER CODE: V73134 OPTIONAL PART: 1254-1L V34742 ACB4-3 V56644 AHML4-104 V50294 FML4-7 V76474	031200 968999	1

MISSING ITEM NUMBERS NOT APPLICABLE

— ITEM NOT ILLUSTRATED

HAP

25-24-30-31

BOEING PROPRIETARY - Copyright © - Unpublished Work - See title page for details.

25-24-30
FIG. 31
PAGE 6
OCT 15/08

BOEING
737-600/700/800/900
PARTS CATALOG (MAINTENANCE)

FIG ITEM	PART NUMBER	1 2 3 4 5 6 7	NOMENCLATURE	EFFECT FROM TO	UNITS PER ASSY
31					
195	65-81149-11	. . .	TUBE	031200 968999	1
200	412A2251-4	. . .	RAIL	031200 968999	1
205	412A2251-5	. . .	RAIL	031200 968999	1
210	412A1052-17C	.TOP	ASSY-60 IN. FUNCTIONAL REFERENCE: EQUIPMENT/FURNISHINGS FOR DETAILS SEE 25-24-31-19D LIGHTS FOR DETAILS SEE 33-22-00-64D	031043 101101 968971	1
210	412A1052-1017C	.TOP	ASSY-60 IN. FUNCTIONAL REFERENCE: EQUIPMENT/FURNISHINGS FOR DETAILS SEE 25-24-31-65M LIGHTS FOR DETAILS SEE 33-22-00-64D	044100 102200 972999	1
215	412A1052-75C	.TOP	ASSY-31 IN. FOR DETAILS SEE: 25-24-31-30B	031043 101101 968971	1
215	412A1052-1075C	.TOP	ASSY-31 IN. FOR DETAILS SEE: 25-24-31-30K	044100 102200 972999	1

MISSING ITEM NUMBERS NOT APPLICABLE

— ITEM NOT ILLUSTRATED

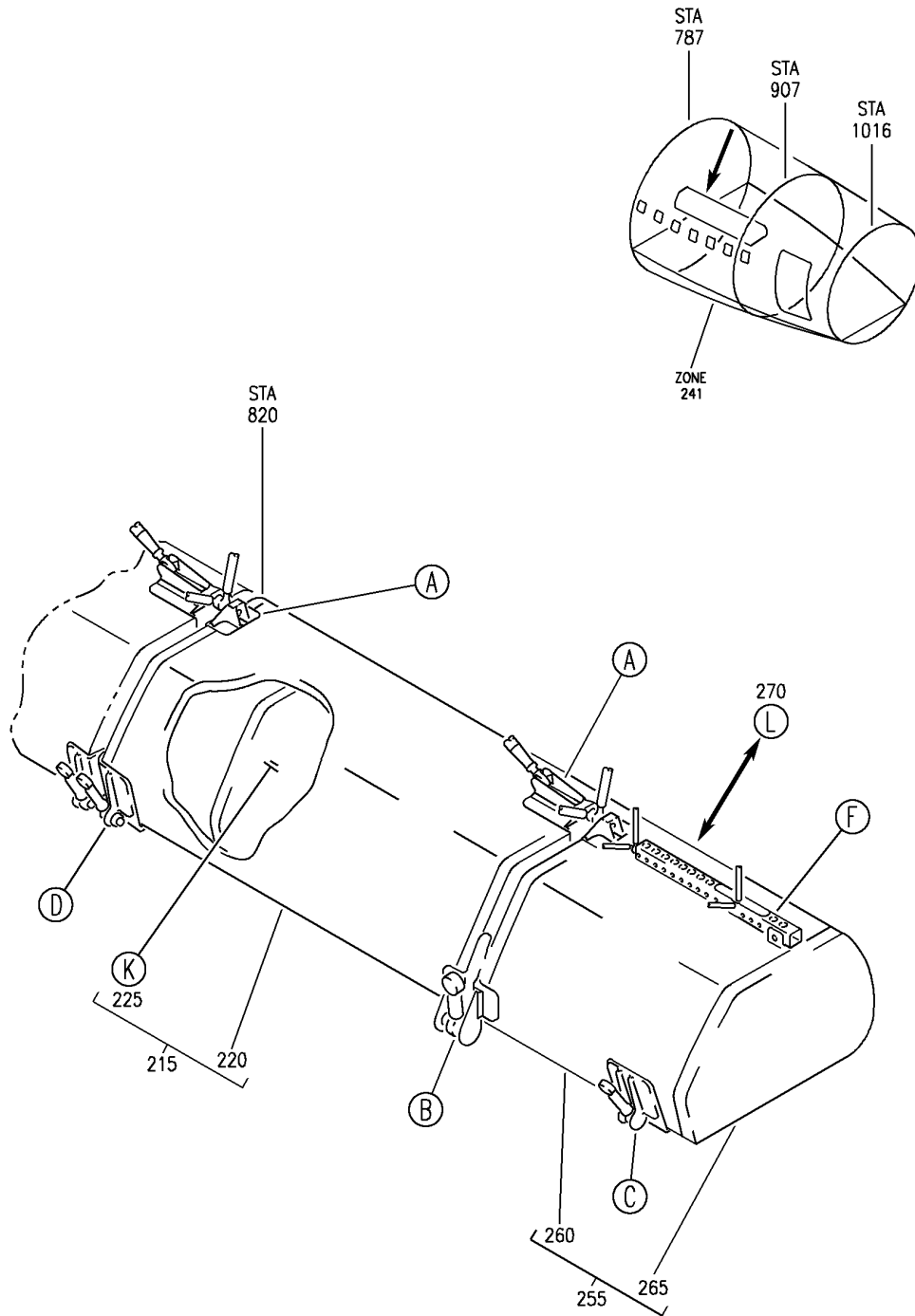
HAP

25-24-30-31

BOEING PROPRIETARY - Copyright © - Unpublished Work - See title page for details.

25-24-30
FIG. 31
PAGE 7
OCT 15/08

BOEING
 737-600/700/800/900
 PARTS CATALOG (MAINTENANCE)



E 25243036 SHT 1 REV 139

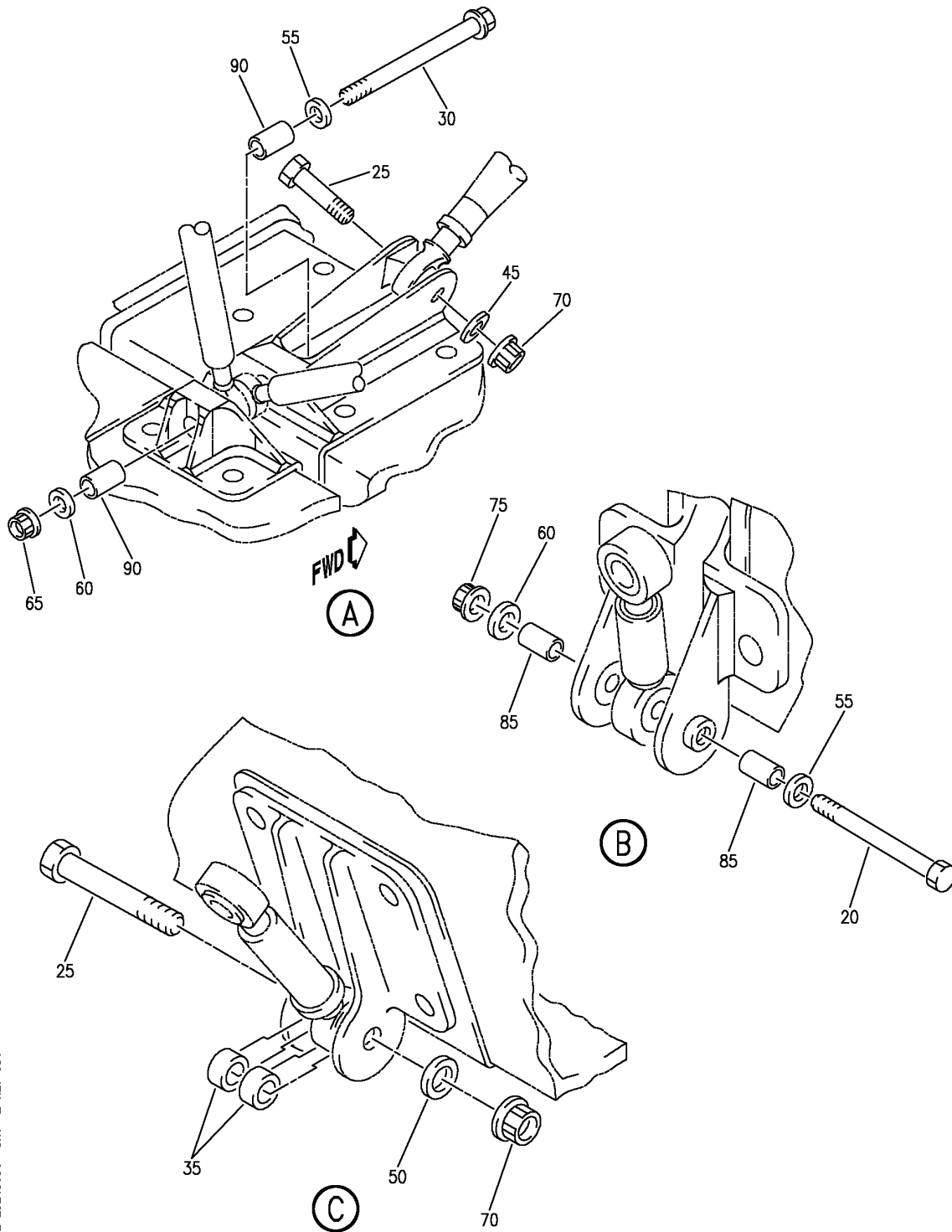
COMPARTMENT INSTL-AFT LH OVHD STOWAGE HANDRL CONFIGURATION
 FIGURE 36 (SHEET 1)

25-24-30-36

HAP
 FEB 15/08

25-24-30-36
 PAGE 0

BOEING
 737-600/700/800/900
 PARTS CATALOG (MAINTENANCE)



E 25243036 SH1 2 REV 081

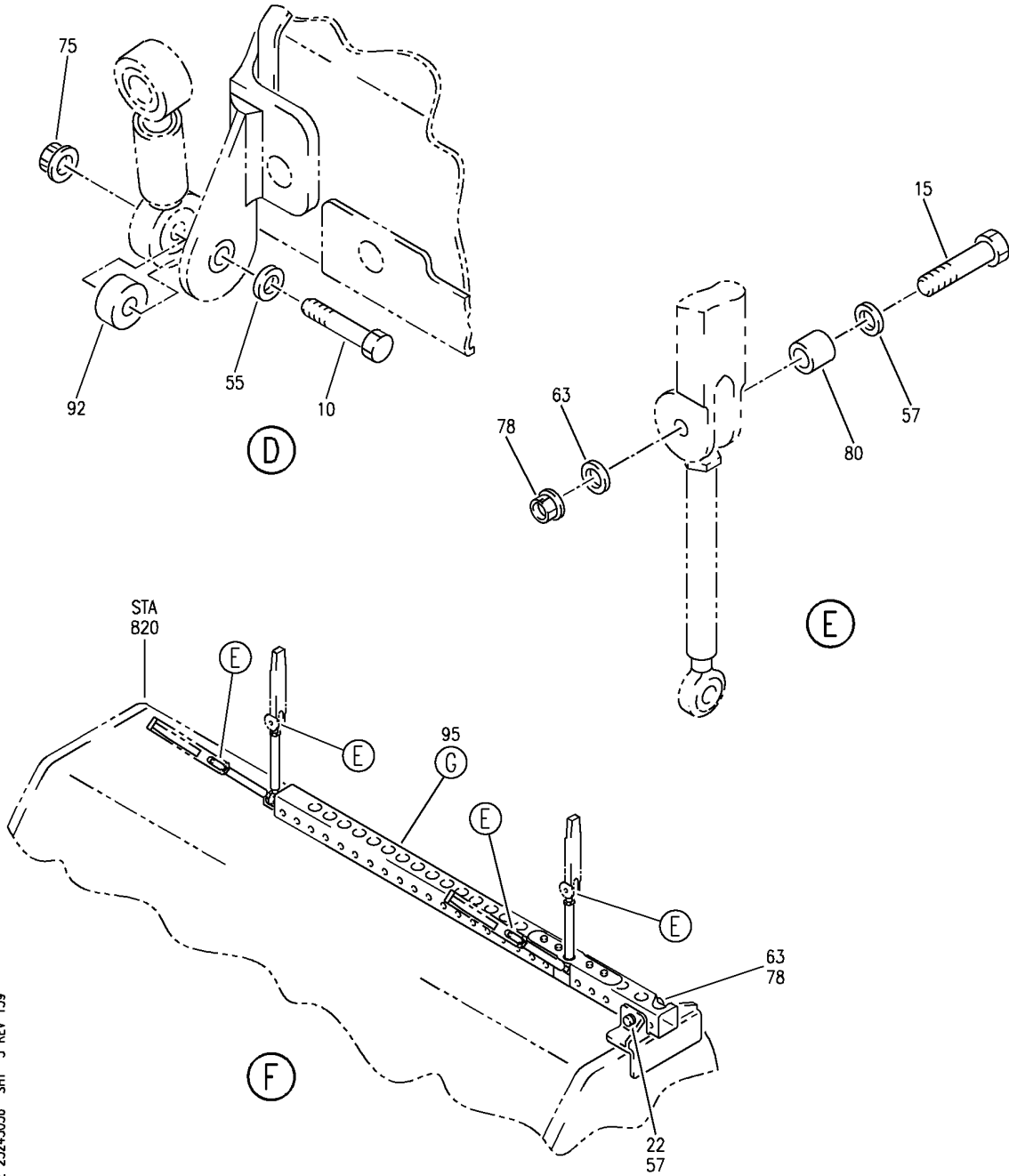
COMPARTMENT INSTL-AFT LH OVHD STOWAGE HNDRL CONFIGURATION
 FIGURE 36 (SHEET 2)

25-24-30-36

HAP
 OCT 10/06

25-24-30-36
 PAGE 0A

BOEING
 737-600/700/800/900
 PARTS CATALOG (MAINTENANCE)



E 25243036 SHT 3 REV 139

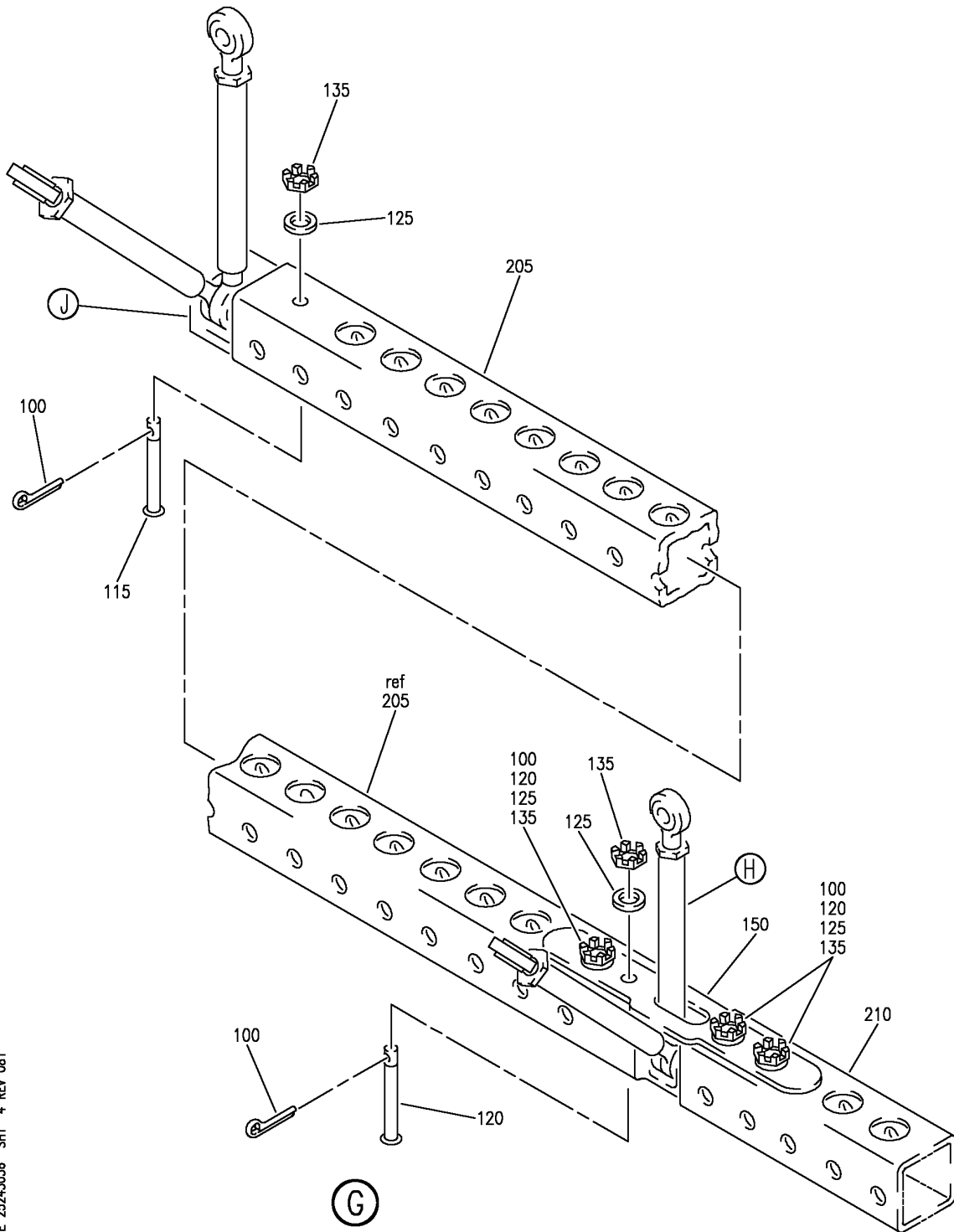
COMPARTMENT INSTL-AFT LH OVHD STOWAGE HNDRL CONFIGURATION
 FIGURE 36 (SHEET 3)

25-24-30-36

HAP
 FEB 15/08

25-24-30-36
 PAGE 0B

BOEING
 737-600/700/800/900
 PARTS CATALOG (MAINTENANCE)



E 25243036 SH1 4 REV 081

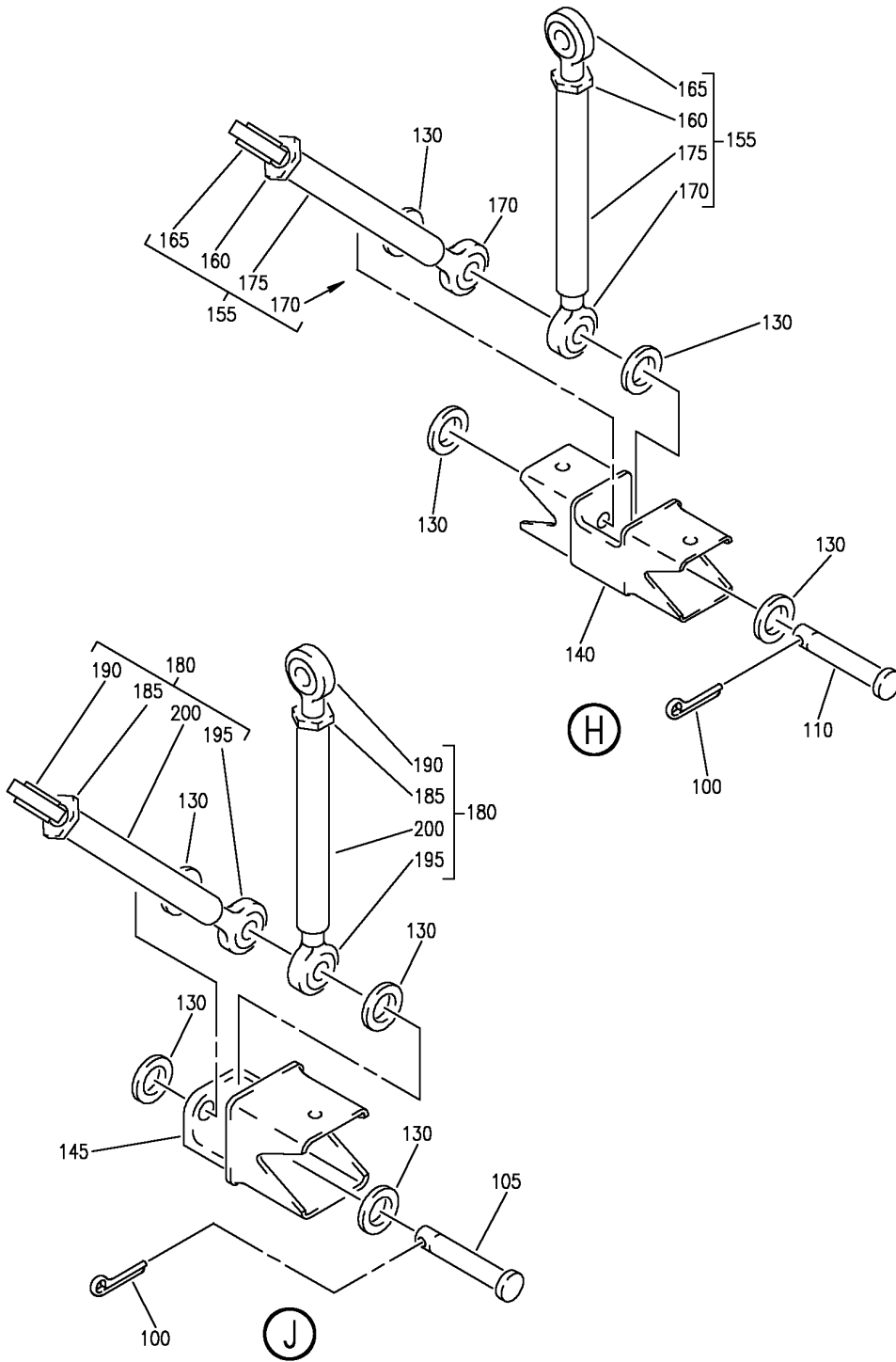
COMPARTMENT INSTL-AFT LH OVHD STOWAGE HNDRL CONFIGURATION
 FIGURE 36 (SHEET 4)

25-24-30-36

HAP
 OCT 10/06

25-24-30-36
 PAGE 0C


BOEING
 737-600/700/800/900
PARTS CATALOG (MAINTENANCE)



E 25243036 SHT 5 REV 081

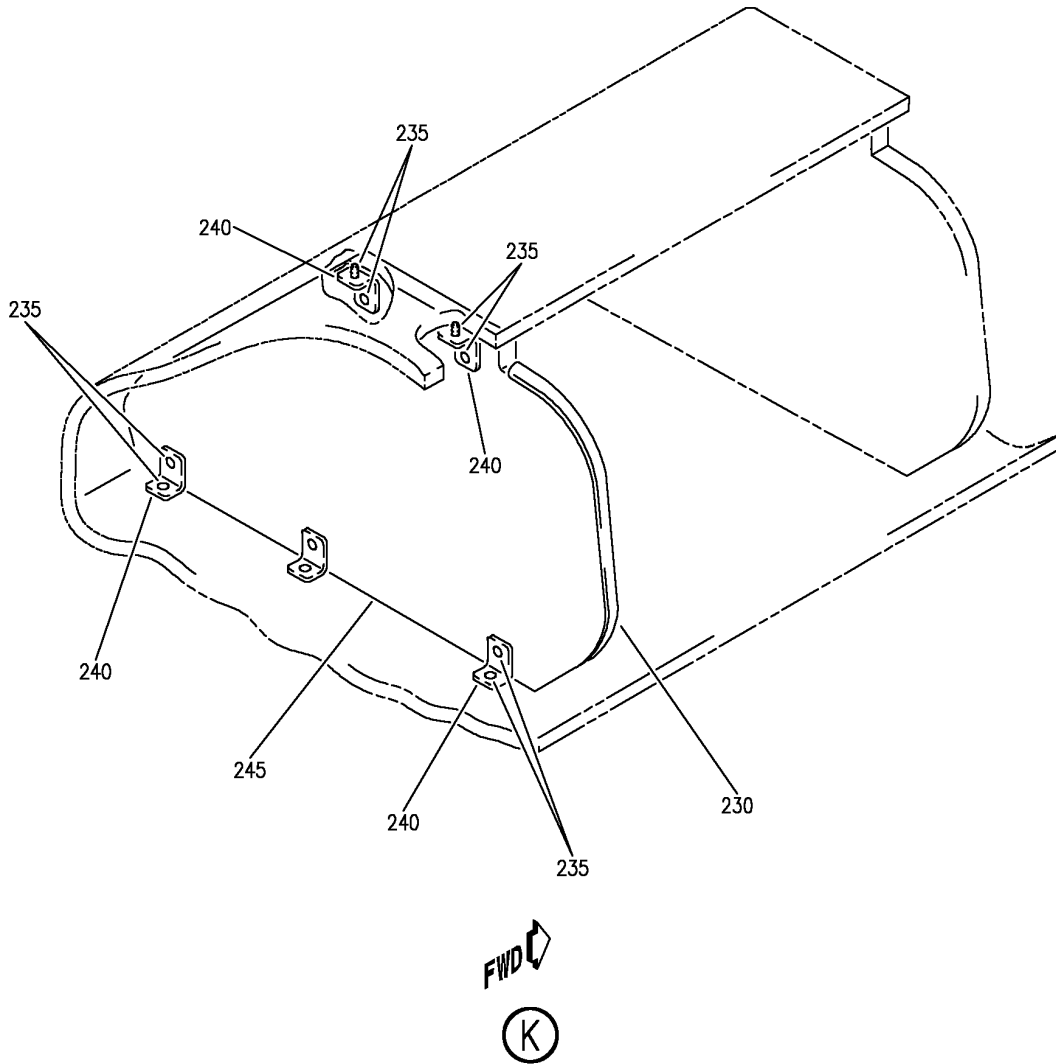
COMPARTMENT INSTL-AFT LH OVHD STOWAGE HNDRL CONFIGURATION
 FIGURE 36 (SHEET 5)

25-24-30-36

HAP
OCT 10/06

25-24-30-36
PAGE 0D

BOEING
737-600/700/800/900
PARTS CATALOG (MAINTENANCE)



E 25243036 SH1 6 REV 081

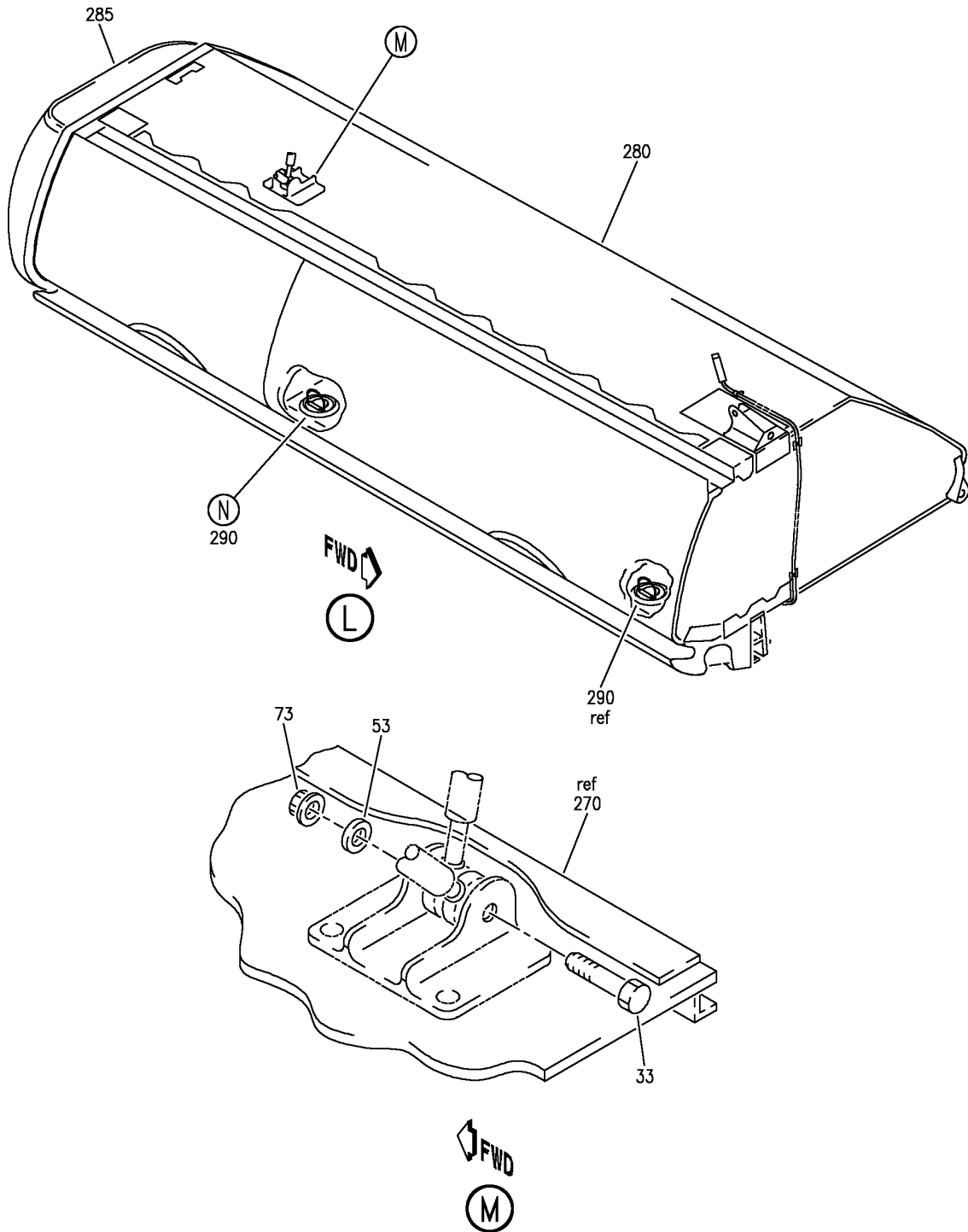
COMPARTMENT INSTL-AFT LH OVHD STOWAGE HNDRL CONFIGURATION
FIGURE 36 (SHEET 6)

25-24-30-36

HAP
OCT 10/06

25-24-30-36
PAGE 0E

BOEING
 737-600/700/800/900
 PARTS CATALOG (MAINTENANCE)



E 25243036 SH1 7 REV 146

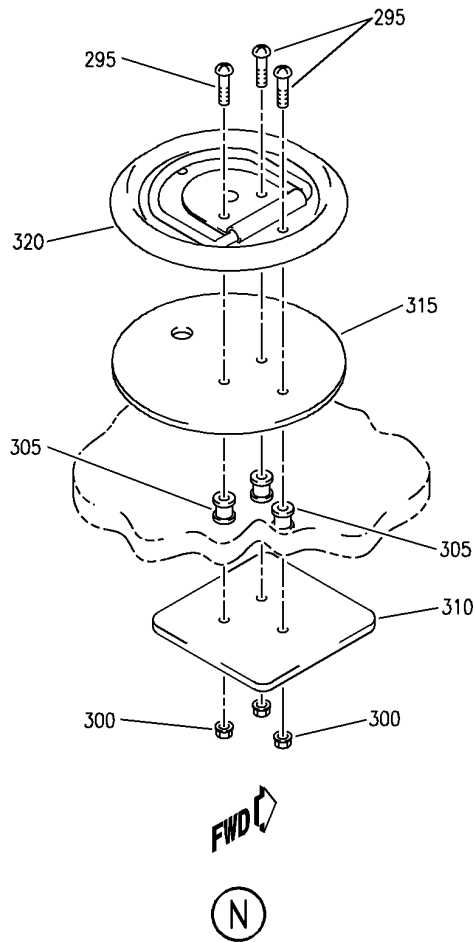
COMPARTMENT INSTL-AFT LH OVHD STOWAGE HNDRL CONFIGURATION
 FIGURE 36 (SHEET 7)

25-24-30-36

HAP
 OCT 15/08

25-24-30-36
 PAGE OF

BOEING
737-600/700/800/900
PARTS CATALOG (MAINTENANCE)



E 25243036 SH8 8 REV 139

COMPARTMENT INSTL-AFT LH OVHD STOWAGE HNDRL CONFIGURATION
FIGURE 36 (SHEET 8)

25-24-30-36

HAP
FEB 15/08

25-24-30-36
PAGE 06

BOEING
737-600/700/800/900
PARTS CATALOG (MAINTENANCE)

FIG ITEM	PART NUMBER	1 2 3 4 5 6 7	NOMENCLATURE	EFFECT FROM TO	UNITS PER ASSY
36			COMPARTMENT INSTL-AFT LH OVHD STOWAGE HNDRL CONFIGURATION	002005 008030	
- 1	412A1030-103SP		COMPARTMENT INSTL-OVHD STOWAGE HNDRL CONFIGURATION POSITION DATA: AFT LH FOR NHA SEE: 25-24-00-13A	002005 008008	RF
- 1	412A1030-203SP		COMPARTMENT INSTL-OVHD STOWAGE HNDRL CONFIGURATION POSITION DATA: AFT LH FOR NHA SEE: 25-24-00-13A	009030	RF
10	BACB30NR4K10		.BOLT	002005 008030	1
15	BACB30NR4K12		.BOLT-	002005 008030	4
20	BACB30NR4K26		.BOLT	002005 008030	1
22	BACB30NR4K26		.BOLT-	002005 008030	1
25	BACB30PW4-16		.BOLT	002005 008030	3
30	BACB30US4K33		.BOLT	002005 008030	2
35	412A1350-2		.SPACER	002005 008030	2
45	BACW10BN3SP		.WASHER	002005 008030	2
50	BACW10BP3DP		.WASHER	002005 008030	1
55	BACW10BP4CD		.WASHER	002005 008030	4
57	BACW10BP4CD		.WASHER-	002005 008030	5
60	BACW10BP4DP		.WASHER	002005 008030	3
63	BACW10BP4DP		.WASHER-	002005 008030	5

MISSING ITEM NUMBERS NOT APPLICABLE

- ITEM NOT ILLUSTRATED

HAP

25-24-30-36

25-24-30
FIG. 36
PAGE 1
FEB 15/08

BOEING
737-600/700/800/900
PARTS CATALOG (MAINTENANCE)

FIG ITEM	PART NUMBER	1 2 3 4 5 6 7	NOMENCLATURE	EFFECT FROM TO	UNITS PER ASSY
36 65	BMN5024CWD34	.NUT-	SUPPLIER CODE: V97928 SPECIFICATION NUMBER: BACN10HR4CD OPTIONAL PART: H51560-4 V15653 102CH9031-4 V72962 SL7108C428 V11815 67832CD428 V56878 BMN5024CWD3-4 V97928 BH00303CM4 V27238 SL7108C4 V11815 VCU0005D4 V06710 102LH90314 V72962 67832CD4 V56878 H964CD V15653 RMLH224CD V72962 VAL280094CD V06710 678324CD V56878 CR6030-4 VF0224	002005 008030	2
70	PLH53CD	.NUT-	SUPPLIER CODE: VF0224 SPECIFICATION NUMBER: BACN10YR3CD OPTIONAL PART: H52732-3CD V15653	002005 008030	3

MISSING ITEM NUMBERS NOT APPLICABLE

- ITEM NOT ILLUSTRATED

HAP

25-24-30-36

BOEING PROPRIETARY - Copyright © - Unpublished Work - See title page for details.

25-24-30
FIG. 36
PAGE 2
FEB 15/09

BOEING
737-600/700/800/900
PARTS CATALOG (MAINTENANCE)

FIG ITEM	PART NUMBER	1 2 3 4 5 6 7	NOMENCLATURE	EFFECT FROM TO	UNITS PER ASSY
36					
75	PLH54CD	.NUT-	SUPPLIER CODE: VF0224 SPECIFICATION NUMBER: BACN10YR4CD OPTIONAL PART: H52732-4CD V15653	002005 008030	2
78	PLH54CD	.NUT-	SUPPLIER CODE: VF0224 SPECIFICATION NUMBER: BACN10YR4CD OPTIONAL PART: H52732-4CD V15653	002005 008030	5
80	BACB28AK04-025	.BUSHING-		002005 008030	4
85	BACB28AK04-060	.BUSHING		002005 008030	2
90	BACB28AK04-071	.BUSHING		002005 008030	4
92	BACB28Z4-020	.BUSHING		002005 008030	1
95	412A2251-13	.SUPPORT ASSY-UPR RAIL		002005 008030	1
100	BACP18BC02C06P	..PIN		002005 008030	7
105	MS20392-3C47	..PIN		002005 008030	1
110	MS20392-3C53	..PIN		002005 008030	1
115	NAS8703AD22	..BOLT-	OPTIONAL PART: BACB30LH3K21	002005 008030	1
115	BACB30LH3K21	..BOLT-	OPTIONAL PART: NAS8703AD22	002005 008030	1
120	NAS8703AD23	..BOLT-	OPTIONAL PART: BACB30LH3K23	002005 008030	4
120	BACB30LH3K23	..BOLT-	OPTIONAL PART: NAS8703AD23	002005 008030	4
125	NAS1149D0332J	..WASHER		002005 008030	5
130	NAS1515H4L	..WASHER		002005 008030	8

MISSING ITEM NUMBERS NOT APPLICABLE

— ITEM NOT ILLUSTRATED

HAP

25-24-30-36

BOEING PROPRIETARY - Copyright © - Unpublished Work - See title page for details.

25-24-30
FIG. 36
PAGE 3
FEB 15/09

BOEING
737-600/700/800/900
PARTS CATALOG (MAINTENANCE)

FIG ITEM	PART NUMBER	1 2 3 4 5 6 7	NOMENCLATURE	EFFECT FROM TO	UNITS PER ASSY
36					
135	BACN10JD103CD	..	NUT	002005 008030	5
140	412A1230-50	..	FITTING	002005 008030	1
145	412A1230-92	..	FITTING	002005 008030	1
150	412A1220-70	..	PLATE-TENSION	002005 008030	1
155	65-80898-43	..	TURNBUCKLE ASSY	002005 008030	2
160	AN316-4R	...	NUT-	002005 008030	1
165	1486-5	...	ROD END ASSY- SUPPLIER CODE: V34742	002005 008030	1
170	1486-5L	...	ROD END ASSY- SUPPLIER CODE: V34742	002005 008030	1
175	65-81149-47	...	TUBE	002005 008030	1
180	65-80898-50	..	TURNBUCKLE ASSY	002005 008030	2
185	AN316-4R	...	NUT-	002005 008030	1
190	1254-1	...	BEARING-ROD END SUPPLIER CODE: V34742 OPTIONAL PART: ACM4-3 V56644 FM4-7 V02695 AHM4-104 V50294 M44-9A V73134	002005 008030	1
190	ACM4-3	...	BEARING-ROD END SUPPLIER CODE: V56644 OPTIONAL PART: 1254-1 V34742 FM4-7 V02695 AHM4-104 V50294 M44-9A V73134	002005 008030	1

MISSING ITEM NUMBERS NOT APPLICABLE

- ITEM NOT ILLUSTRATED

HAP

25-24-30-36

BOEING PROPRIETARY - Copyright © - Unpublished Work - See title page for details.

25-24-30
FIG. 36
PAGE 4
FEB 15/09

BOEING
737-600/700/800/900
PARTS CATALOG (MAINTENANCE)

FIG ITEM	PART NUMBER	1 2 3 4 5 6 7	NOMENCLATURE	EFFECT FROM TO	UNITS PER ASSY
36 190	FM4-7		...BEARING-ROD END SUPPLIER CODE: V02695 OPTIONAL PART: 1254-1 V34742 ACM4-3 V56644 AHM4-104 V50294 M44-9A V73134	002005 008030	1
190	AHM4-104		...BEARING-ROD END SUPPLIER CODE: V50294 OPTIONAL PART: 1254-1 V34742 ACM4-3 V56644 FM4-7 V02695 M44-9A V73134	002005 008030	1
190	M44-9A		...BEARING-ROD END SUPPLIER CODE: V73134 OPTIONAL PART: 1254-1 V34742 ACM4-3 V56644 FM4-7 V02695 AHM4-104 V50294	002005 008030	1
195	1254-1L		...BEARING-ROD END SUPPLIER CODE: V34742 OPTIONAL PART: ACB4-3 V56644 AHML4-104 V50294 ML44-9A V73134 FML4-7 V76474	002005 008030	1

MISSING ITEM NUMBERS NOT APPLICABLE

— ITEM NOT ILLUSTRATED

HAP

25-24-30-36

BOEING PROPRIETARY - Copyright © - Unpublished Work - See title page for details.

25-24-30
FIG. 36
PAGE 5
FEB 15/09

BOEING
737-600/700/800/900
PARTS CATALOG (MAINTENANCE)

FIG ITEM	PART NUMBER	1 2 3 4 5 6 7	NOMENCLATURE	EFFECT FROM TO	UNITS PER ASSY
36 195	ACB4-3		...BEARING-ROD END SUPPLIER CODE: V56644 OPTIONAL PART: 1254-1L V34742 AHML4-104 V50294 ML44-9A V73134 FML4-7 V76474	002005 008030	1
195	AHML4-104		...BEARING-ROD END SUPPLIER CODE: V50294 OPTIONAL PART: 1254-1L V34742 ACB4-3 V56644 ML44-9A V73134 FML4-7 V76474	002005 008030	1
195	ML44-9A		...BEARING-ROD END SUPPLIER CODE: V73134 OPTIONAL PART: 1254-1L V34742 ACB4-3 V56644 AHML4-104 V50294 FML4-7 V76474	002005 008030	1
195	FML4-7		...BEARING-ROD END SUPPLIER CODE: V76474 OPTIONAL PART: 1254-1L V34742 ACB4-3 V56644 AHML4-104 V50294 ML44-9A V73134	002005 008030	1

MISSING ITEM NUMBERS NOT APPLICABLE

— ITEM NOT ILLUSTRATED

HAP

25-24-30-36

BOEING PROPRIETARY - Copyright © - Unpublished Work - See title page for details.

25-24-30
FIG. 36
PAGE 6
FEB 15/09

BOEING
737-600/700/800/900
PARTS CATALOG (MAINTENANCE)

FIG ITEM	PART NUMBER	1 2 3 4 5 6 7	NOMENCLATURE	EFFECT FROM TO	UNITS PER ASSY
36					
200	65-81149-11	. . .	TUBE	002005 008030	1
205	412A2251-4	. . .	RAIL	002005 008030	1
210	412A2251-5	. . .	RAIL	002005 008030	1
215	412A1050-133SP	. . .	COMPONENT ASSY-60 IN. PRE SERVICE BULLETIN: 25-1373	002005 008008	1
215	412A1050-333SP	. . .	COMPONENT ASSY-60 IN. POST SERVICE BULLETIN: 25-1373	002005 008030	1
220	412A1150-101SP	. . .	COMPARTMENT ASSY- PRE SERVICE BULLETIN: 25-1373 FUNCTIONAL REFERENCE: EQUIPMENT/FURNISHINGS FOR DETAILS SEE 25-24-31-61 LIGHTS FOR DETAILS SEE 33-22-00-29	002005 008008	1
220	412A1150-301B	. . .	COMPARTMENT ASSY- FUNCTIONAL REFERENCE: EQUIPMENT/FURNISHINGS FOR DETAILS SEE 25-24-31-61 LIGHTS FOR DETAILS SEE 33-22-00-29	009030	1
220	412A1150-301SP	. . .	COMPARTMENT ASSY- POST SERVICE BULLETIN: 25-1373 FUNCTIONAL REFERENCE: EQUIPMENT/FURNISHINGS FOR DETAILS SEE 25-24-31-61 LIGHTS FOR DETAILS SEE 33-22-00-29	002005 008008	1
255	412A1050-115SP	. . .	COMPONENT ASSY-31 IN. PRE SERVICE BULLETIN: 25-1373	002005 008008	1
255	412A1050-315SP	. . .	COMPONENT ASSY-31 IN. POST SERVICE BULLETIN: 25-1373	002005 008030	1

MISSING ITEM NUMBERS NOT APPLICABLE

— ITEM NOT ILLUSTRATED

HAP

25-24-30-36

BOEING PROPRIETARY - Copyright © - Unpublished Work - See title page for details.

25-24-30
FIG. 36
PAGE 7
FEB 15/09

BOEING
737-600/700/800/900
PARTS CATALOG (MAINTENANCE)

FIG ITEM	PART NUMBER	1 2 3 4 5 6 7	NOMENCLATURE	EFFECT FROM TO	UNITS PER ASSY
36 260	412A1150-119SP		..COMPARTMENT ASSY- PRE SERVICE BULLETIN: 25-1373 FUNCTIONAL REFERENCE: EQUIPMENT/FURNISHINGS FOR DETAILS SEE 25-24-31-60 LIGHTS FOR DETAILS SEE 33-51-03-35	002005 008008	1
260	412A1150-319B		..COMPARTMENT ASSY- FUNCTIONAL REFERENCE: EQUIPMENT/FURNISHINGS FOR DETAILS SEE 25-24-31-60 LIGHTS FOR DETAILS SEE 33-51-03-35	009030	1
260	412A1150-319SP		..COMPARTMENT ASSY- POST SERVICE BULLETIN: 25-1373 FUNCTIONAL REFERENCE: EQUIPMENT/FURNISHINGS FOR DETAILS SEE 25-24-31-60 LIGHTS FOR DETAILS SEE 33-51-03-35	002005 008008	1
265	412A1310-333SP		..MOUNTING ASSY-END CAP FOR DETAILS SEE: 25-24-33-28	002005 008030	1

MISSING ITEM NUMBERS NOT APPLICABLE

— ITEM NOT ILLUSTRATED

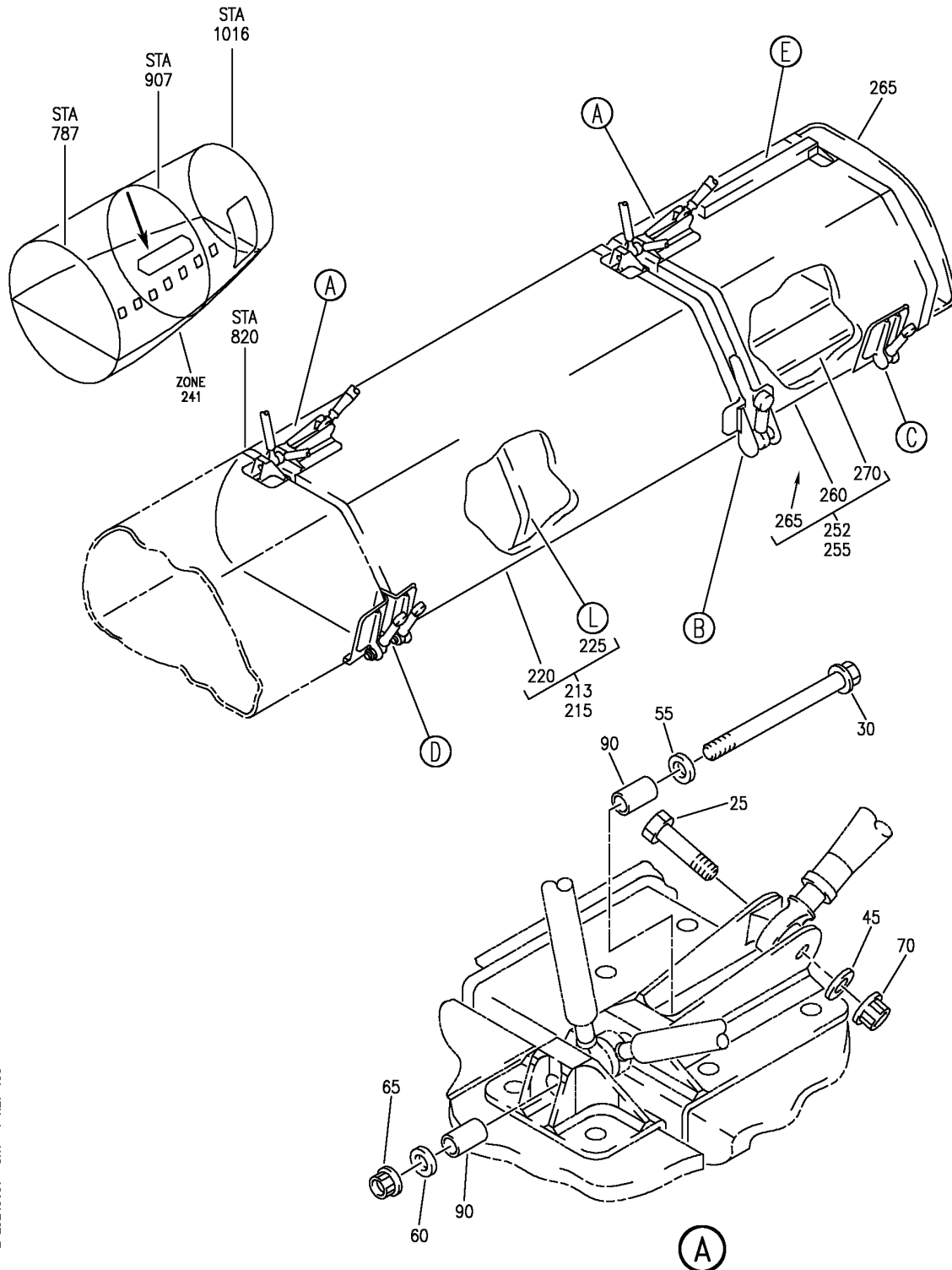
HAP

25-24-30-36

BOEING PROPRIETARY - Copyright © - Unpublished Work - See title page for details.

25-24-30
FIG. 36
PAGE 8
FEB 15/09

BOEING
 737-600/700/800/900
 PARTS CATALOG (MAINTENANCE)



E 25243037 SH1 1 REV 153

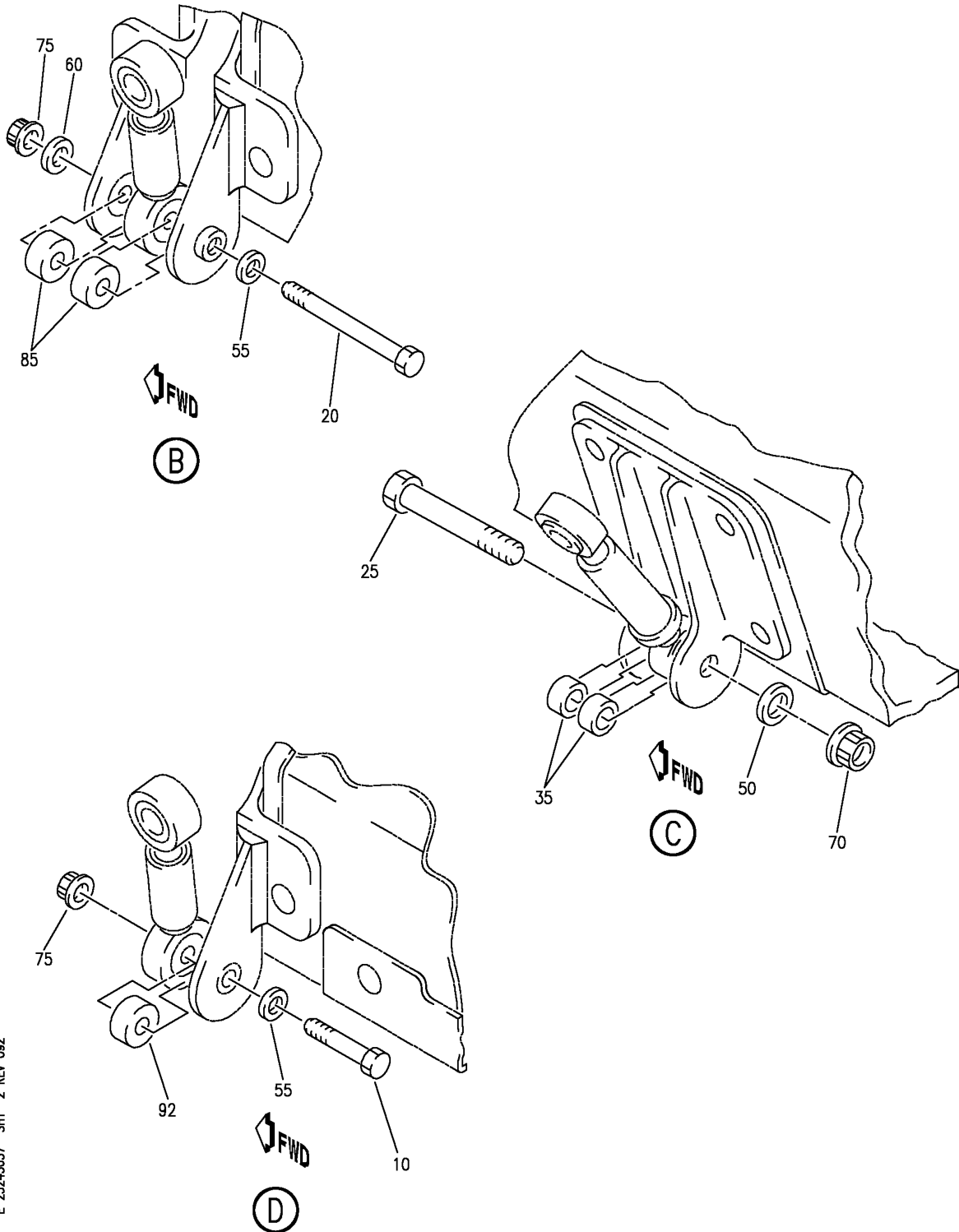
COMPARTMENT INSTL-AFT LH OVHD STOWAGE BULLNOSE CONFIGURATION
 FIGURE 37 (SHEET 1)

25-24-30-37

HAP
 JUN 15/09

25-24-30-37
 PAGE 0

BOEING
 737-600/700/800/900
 PARTS CATALOG (MAINTENANCE)



E 25243037 SH1 2 REV 082

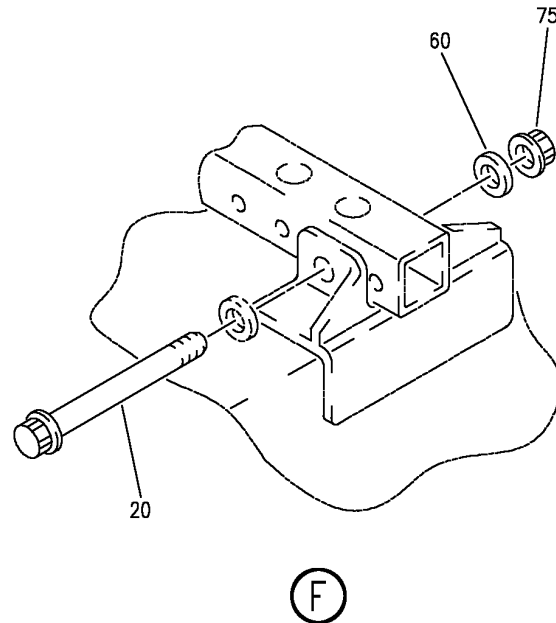
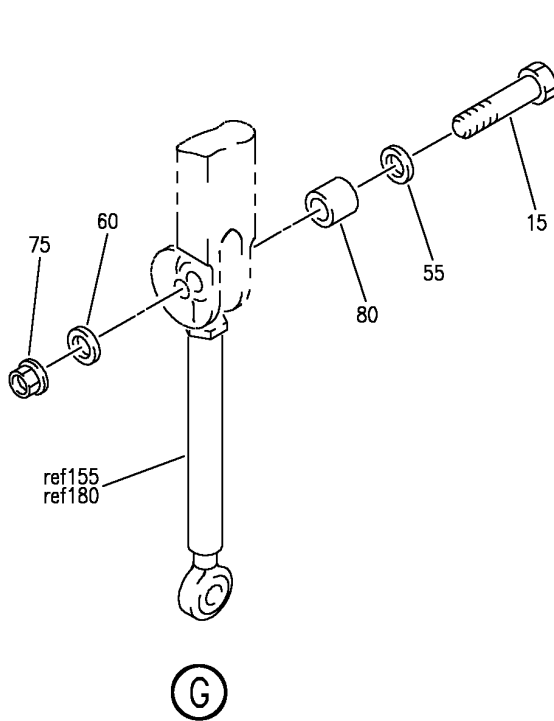
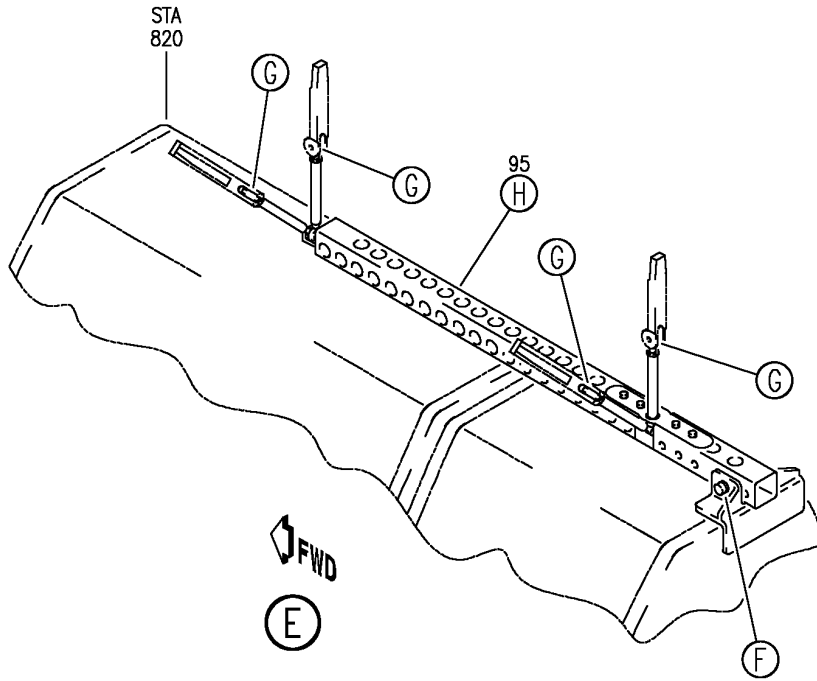
COMPARTMENT INSTL-AFT LH OVHD STOWAGE BULLNOSE CONFIGURATION
 FIGURE 37 (SHEET 2)

25-24-30-37

HAP
 OCT 15/08

25-24-30-37
 PAGE 0A

BOEING
 737-600/700/800/900
 PARTS CATALOG (MAINTENANCE)



E 25243037 SH1 3 REV 082

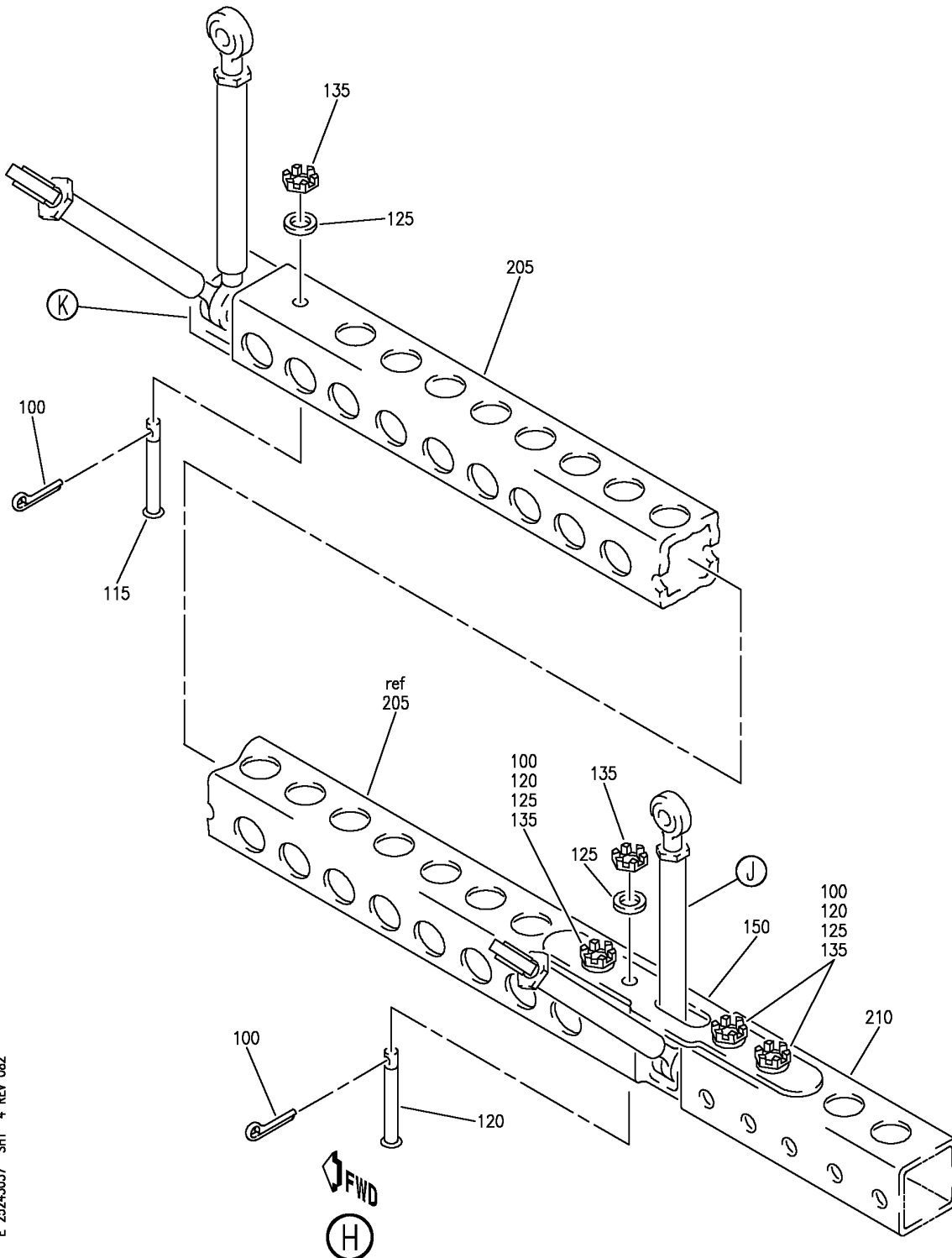
COMPARTMENT INSTL-AFT LH OVHD STOWAGE BULLNOSE CONFIGURATION
 FIGURE 37 (SHEET 3)

25-24-30-37

HAP
 OCT 15/08

25-24-30-37
 PAGE 0B

BOEING
 737-600/700/800/900
 PARTS CATALOG (MAINTENANCE)



E 25243037 SH1 4 REV 082

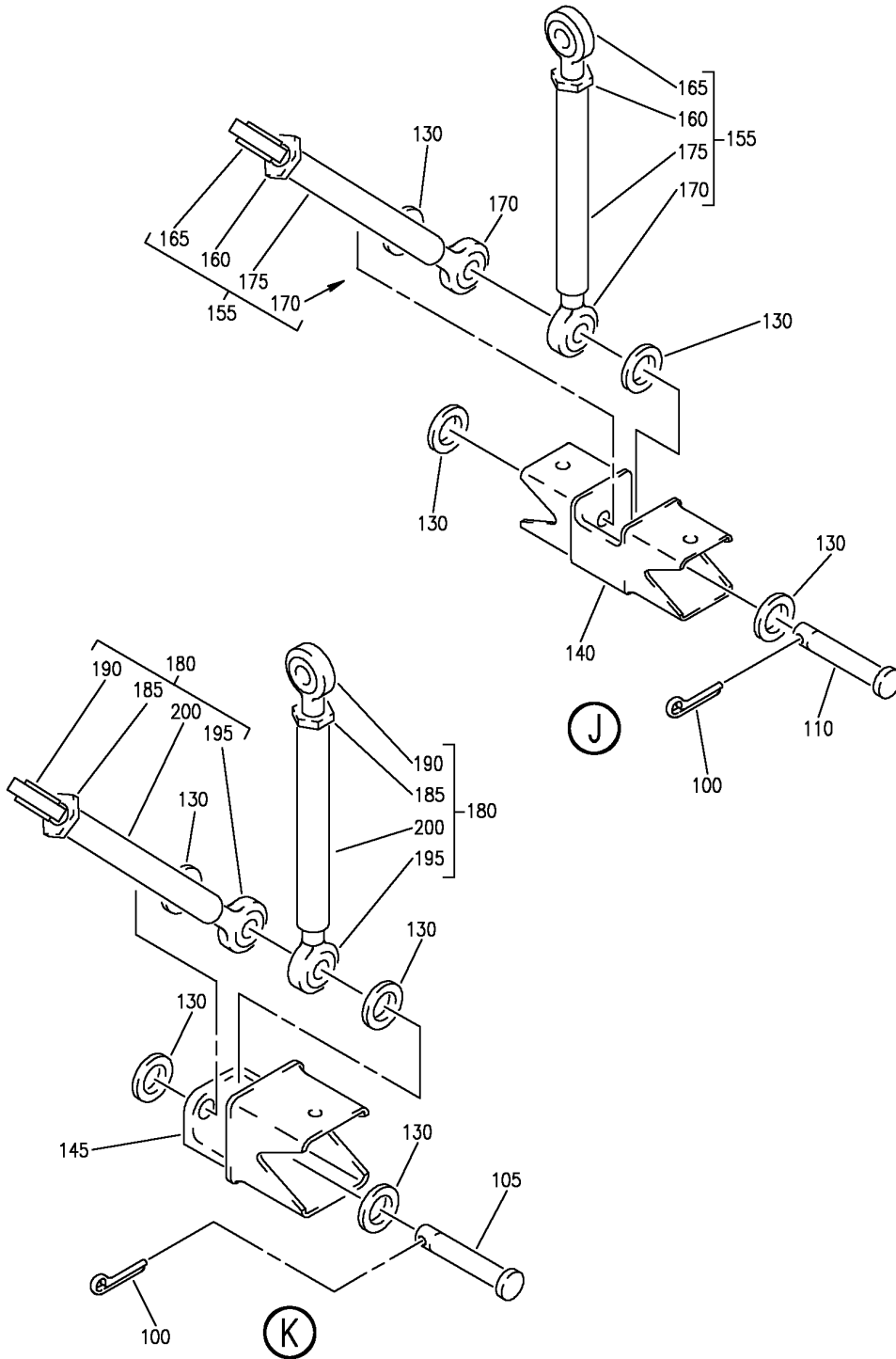
COMPARTMENT INSTL-AFT LH OVHD STOWAGE BULLNOSE CONFIGURATION
 FIGURE 37 (SHEET 4)

25-24-30-37

HAP
 OCT 15/08

25-24-30-37
 PAGE 0C

BOEING
 737-600/700/800/900
 PARTS CATALOG (MAINTENANCE)



E 25243037 SH1 5 REV 082

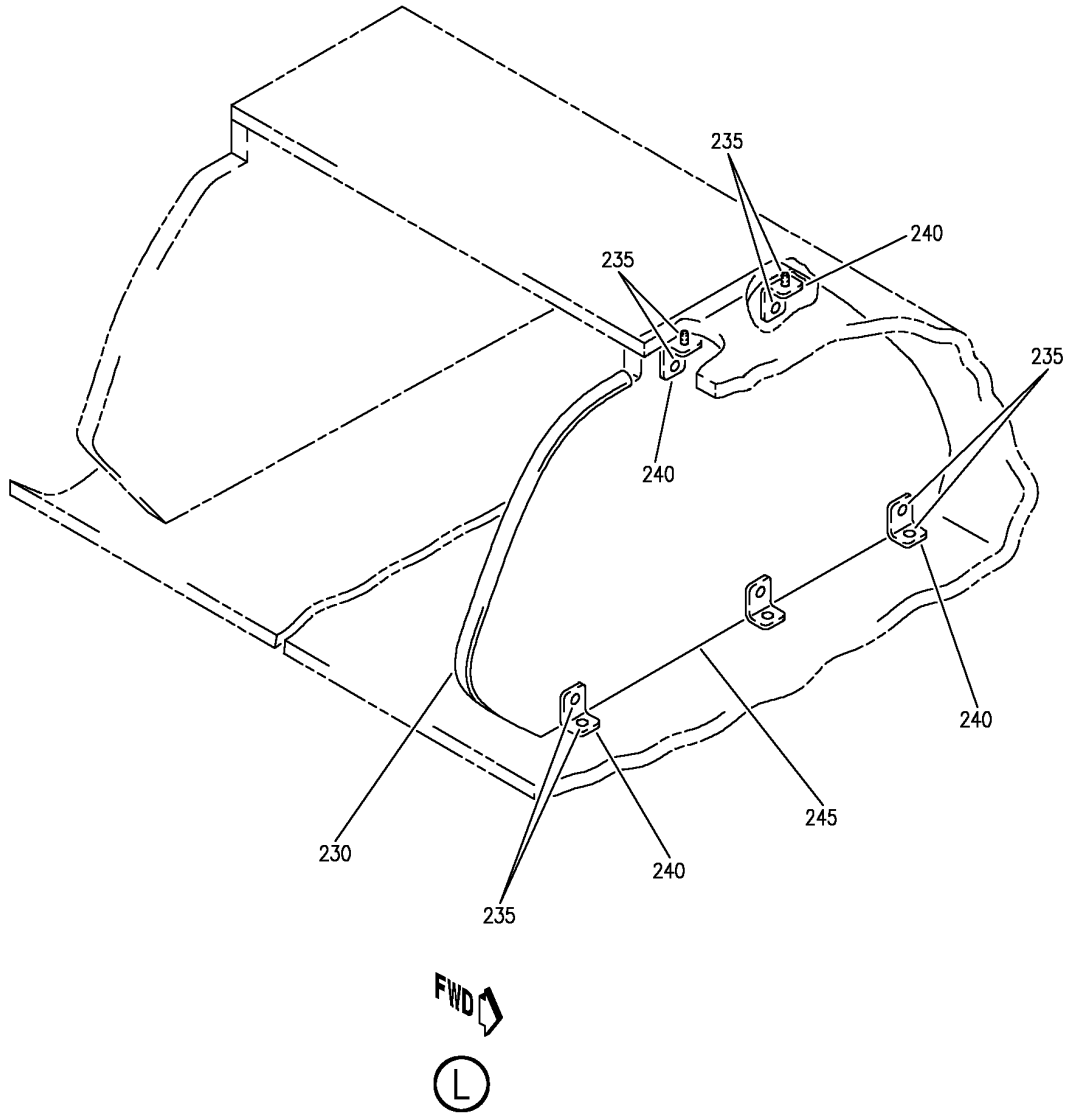
COMPARTMENT INSTL-AFT LH OVHD STOWAGE BULLNOSE CONFIGURATION
 FIGURE 37 (SHEET 5)

25-24-30-37

HAP
 OCT 15/08

25-24-30-37
 PAGE 0D

BOEING
737-600/700/800/900
PARTS CATALOG (MAINTENANCE)



E 25243037 SH1 6 REV 082

COMPARTMENT INSTL-AFT LH OVHD STOWAGE BULLNOSE CONFIGURATION
FIGURE 37 (SHEET 6)

25-24-30-37

HAP
OCT 15/08

25-24-30-37
PAGE 0E

BOEING
737-600/700/800/900
PARTS CATALOG (MAINTENANCE)

FIG ITEM	PART NUMBER	1 2 3 4 5 6 7	NOMENCLATURE	EFFECT FROM TO	UNITS PER ASSY
37			COMPARTMENT INSTL-AFT LH OVHD STOWAGE BULLNOSE CONFIGURATION	201967	
- 1	412A1030-102SP		COMPARTMENT INSTL-OVHD STOWAGE BULLNOSE CONFIGURATION POSITION DATA: AFT LH FOR NHA SEE: 25-24-00-15A	202967	RF
- 1	412A1030-202SP		COMPARTMENT INSTL-OVHD STOWAGE BULLNOSE CONFIGURATION POSITION DATA: AFT LH FOR NHA SEE: 25-24-00-15A	201201	RF
10	BACB30NR4K10		.BOLT	201967	1
15	BACB30NR4K12		.BOLT	201967	4
20	BACB30NR4K26		.BOLT	201967	2
25	BACB30PW4-16		.BOLT	201967	3
30	BACB30US4K33		.BOLT	201967	2
35	412A1350-2		.SPACER	201967	2
45	BACW10BN3SP		.WASHER	201967	2
50	BACW10BP3DP		.WASHER	201967	1
55	BACW10BP4CD		.WASHER	201967	8
60	BACW10BP4DP		.WASHER	201967	8

MISSING ITEM NUMBERS NOT APPLICABLE

- ITEM NOT ILLUSTRATED

HAP

25-24-30-37

BOEING PROPRIETARY - Copyright © - Unpublished Work - See title page for details.

25-24-30
FIG. 37
PAGE 1
OCT 15/08

BOEING
737-600/700/800/900
PARTS CATALOG (MAINTENANCE)

FIG ITEM	PART NUMBER	1 2 3 4 5 6 7	NOMENCLATURE	EFFECT FROM TO	UNITS PER ASSY
37 65	BMN5024CWD34	.NUT	SUPPLIER CODE: V97928 SPECIFICATION NUMBER: BACN10HR4CD OPTIONAL PART: H51560-4 V15653 102CH9031-4 V72962 SL7108C428 V11815 67832CD428 V56878 BMN5024CWD3-4 V97928 BH00303CM4 V27238 SL7108C4 V11815 VCU0005D4 V06710 102LH90314 V72962 67832CD4 V56878 H964CD V15653 RMLH224CD V72962 VAL280094CD V06710 678324CD V56878 CR6030-4 VF0224	201967	2
70	PLH53CD	.NUT	SUPPLIER CODE: VF0224 SPECIFICATION NUMBER: BACN10YR3CD OPTIONAL PART: H52732-3CD V15653	201967	3

MISSING ITEM NUMBERS NOT APPLICABLE

— ITEM NOT ILLUSTRATED

HAP

25-24-30-37

BOEING PROPRIETARY - Copyright © - Unpublished Work - See title page for details.

25-24-30
FIG. 37
PAGE 2
FEB 15/09

BOEING
737-600/700/800/900
PARTS CATALOG (MAINTENANCE)

FIG ITEM	PART NUMBER	1 2 3 4 5 6 7	NOMENCLATURE	EFFECT FROM TO	UNITS PER ASSY
37					
75	PLH54CD	.NUT	SUPPLIER CODE: VF0224 SPECIFICATION NUMBER: BACN10YR4CD OPTIONAL PART: H52732-4CD V15653	201967	7
80	BACB28AK04-025	.BUSHING		201967	4
85	BACB28AK04-060	.BUSHING		201967	2
90	BACB28AK04-071	.BUSHING		201967	4
92	BACB28Z4-020	.BUSHING		201967	1
95	412A2251-13	.SUPPORT ASSY-UPR RAIL		201967	1
100	BACP18BC02C06P	..PIN		201967	7
105	MS20392-3C47	..PIN		201967	1
110	MS20392-3C53	..PIN		201967	1
115	NAS8703AD22	..BOLT-	OPTIONAL PART: BACB30LH3K21	201967	1
115	BACB30LH3K21	..BOLT-	OPTIONAL PART: NAS8703AD22	201967	1
120	NAS8703AD23	..BOLT-	OPTIONAL PART: BACB30LH3K23	201967	4
120	BACB30LH3K23	..BOLT-	OPTIONAL PART: NAS8703AD23	201967	4
125	NAS1149D0332J	..WASHER		201967	5
130	NAS1515H4L	..WASHER		201967	8
135	BACN10JD103CD	..NUT		201967	5
140	412A1230-50	..FITTING		201967	1
145	412A1230-92	..FITTING		201967	1
150	412A1220-70	..PLATE-TENSION		201967	1
155	65-80898-43	..TURNBUCKLE ASSY		201967	2
160	AN316-4R	...NUT		201967	1
165	1486-5	...ROD END ASSY-	SUPPLIER CODE: V34742	201967	1
170	1486-5L	...ROD END ASSY-	SUPPLIER CODE: V34742	201967	1
175	65-81149-47	...TUBE		201967	1
180	65-80898-50	..TURNBUCKLE ASSY		201967	2
185	AN316-4R	...NUT		201967	1

MISSING ITEM NUMBERS NOT APPLICABLE

— ITEM NOT ILLUSTRATED

HAP

25-24-30-37

25-24-30
FIG. 37
PAGE 3
FEB 15/09

BOEING
737-600/700/800/900
PARTS CATALOG (MAINTENANCE)

FIG ITEM	PART NUMBER	1 2 3 4 5 6 7	NOMENCLATURE	EFFECT FROM TO	UNITS PER ASSY
37 190	ACM4-3		...BEARING-ROD END SUPPLIER CODE: V56644 OPTIONAL PART: FM4-7 V02695 AHM4-104 V50294 1254-1 V34742 M44-9A V73134	201967	1
190	AHM4-104		...BEARING-ROD END SUPPLIER CODE: V50294 OPTIONAL PART: FM4-7 V02695 1254-1 V34742 ACM4-3 V56644 M44-9A V73134	201967	1
190	FM4-7		...BEARING-ROD END SUPPLIER CODE: V02695 OPTIONAL PART: ACM4-3 V56644 AHM4-104 V50294 M44-9A V73134 1254-1 V34742	201967	1
190	M44-9A		...BEARING-ROD END SUPPLIER CODE: V73134 OPTIONAL PART: ACM4-3 V56644 AHM4-104 V50294 1254-1 V34742 FM4-7 V02695	201967	1

MISSING ITEM NUMBERS NOT APPLICABLE

— ITEM NOT ILLUSTRATED

HAP

25-24-30-37

BOEING PROPRIETARY - Copyright © - Unpublished Work - See title page for details.

25-24-30
FIG. 37
PAGE 4
FEB 15/09

BOEING
737-600/700/800/900
PARTS CATALOG (MAINTENANCE)

FIG ITEM	PART NUMBER	1 2 3 4 5 6 7	NOMENCLATURE	EFFECT FROM TO	UNITS PER ASSY
37 190	1254-1		...BEARING-ROD END SUPPLIER CODE: V34742 OPTIONAL PART: ACM4-3 V56644 AHM4-104 V50294 FM4-7 V02695 M44-9A V73134	201967	1
195	ACB4-3		...BEARING-ROD END SUPPLIER CODE: V56644 OPTIONAL PART: 1254-1L V34742 AHML4-104 V50294 ML44-9A V73134 FML4-7 V76474	201967	1
195	FML4-7		...BEARING-ROD END SUPPLIER CODE: V76474 OPTIONAL PART: 1254-1L V34742 ACB4-3 V56644 AHML4-104 V50294 ML44-9A V73134	201967	1
195	AHML4-104		...BEARING-ROD END SUPPLIER CODE: V50294 OPTIONAL PART: 1254-1L V34742 ACB4-3 V56644 ML44-9A V73134 FML4-7 V76474	201967	1

MISSING ITEM NUMBERS NOT APPLICABLE

— ITEM NOT ILLUSTRATED

HAP

25-24-30-37

BOEING PROPRIETARY - Copyright © - Unpublished Work - See title page for details.

25-24-30
FIG. 37
PAGE 5
FEB 15/09

BOEING
737-600/700/800/900
PARTS CATALOG (MAINTENANCE)

FIG ITEM	PART NUMBER	1 2 3 4 5 6 7	NOMENCLATURE	EFFECT FROM TO	UNITS PER ASSY
37 195	ML44-9A		... BEARING-ROD END SUPPLIER CODE: V73134 OPTIONAL PART: 1254-1L V34742 ACB4-3 V56644 AHML4-104 V50294 FML4-7 V76474	201967	1
195	1254-1L		... BEARING-ROD END SUPPLIER CODE: V34742 OPTIONAL PART: ML44-9A V73134 ACB4-3 V56644 AHML4-104 V50294 FML4-7 V76474	201967	1
200	65-81149-11		... TUBE	201967	1
205	412A2251-4		.. RAIL	201967	1
210	412A2251-5		.. RAIL	201967	1
215	412A1050-103SP		. COMPONENT ASSY-VAR	202967	1
215	412A1050-303B		. COMPONENT ASSY-VAR	201201	1
220	412A1170-101SP		.. COMPARTMENT ASSY-60 IN. FUNCTIONAL REFERENCE: EQUIPMENT/FURNISHINGS FOR DETAILS SEE 25-24-31-24 LIGHTS FOR DETAILS SEE 33-22-00-30	202967	1
220	412A1170-301B		.. COMPARTMENT ASSY-60 IN. FUNCTIONAL REFERENCE: EQUIPMENT/FURNISHINGS FOR DETAILS SEE 25-24-31-24 LIGHTS FOR DETAILS SEE 33-22-00-30	201201	1
255	412A1050-111SP		. COMPONENT ASSY-VAR	202967	1
255	412A1050-311SP		. COMPONENT ASSY-VAR	201201	1

MISSING ITEM NUMBERS NOT APPLICABLE

— ITEM NOT ILLUSTRATED

HAP

25-24-30-37

BOEING PROPRIETARY - Copyright © - Unpublished Work - See title page for details.

25-24-30
FIG. 37
PAGE 6
FEB 15/09

BOEING
737-600/700/800/900
PARTS CATALOG (MAINTENANCE)

FIG ITEM	PART NUMBER	1 2 3 4 5 6 7	NOMENCLATURE	EFFECT FROM TO	UNITS PER ASSY
37 260	412A1170-119SP		..COMPARTMENT ASSY-31 IN. FUNCTIONAL REFERENCE: EQUIPMENT/FURNISHINGS FOR DETAILS SEE 25-24-31-27 LIGHTS FOR DETAILS SEE 33-51-03-24	202967	1
260	412A1170-319B		..COMPARTMENT ASSY-31 IN. FUNCTIONAL REFERENCE: EQUIPMENT/FURNISHINGS FOR DETAILS SEE 25-24-31-27 LIGHTS FOR DETAILS SEE 33-51-03-24	201201	1
265	412A1310-333A		..MOUNTING ASSY-END CAP FOR DETAILS SEE: 25-24-33-28	201967	1
270	412A1910-24SP		..RACK ASSY-MAGAZINE MTG FOR DETAILS SEE: 25-24-51-61C	201967	1

MISSING ITEM NUMBERS NOT APPLICABLE

— ITEM NOT ILLUSTRATED

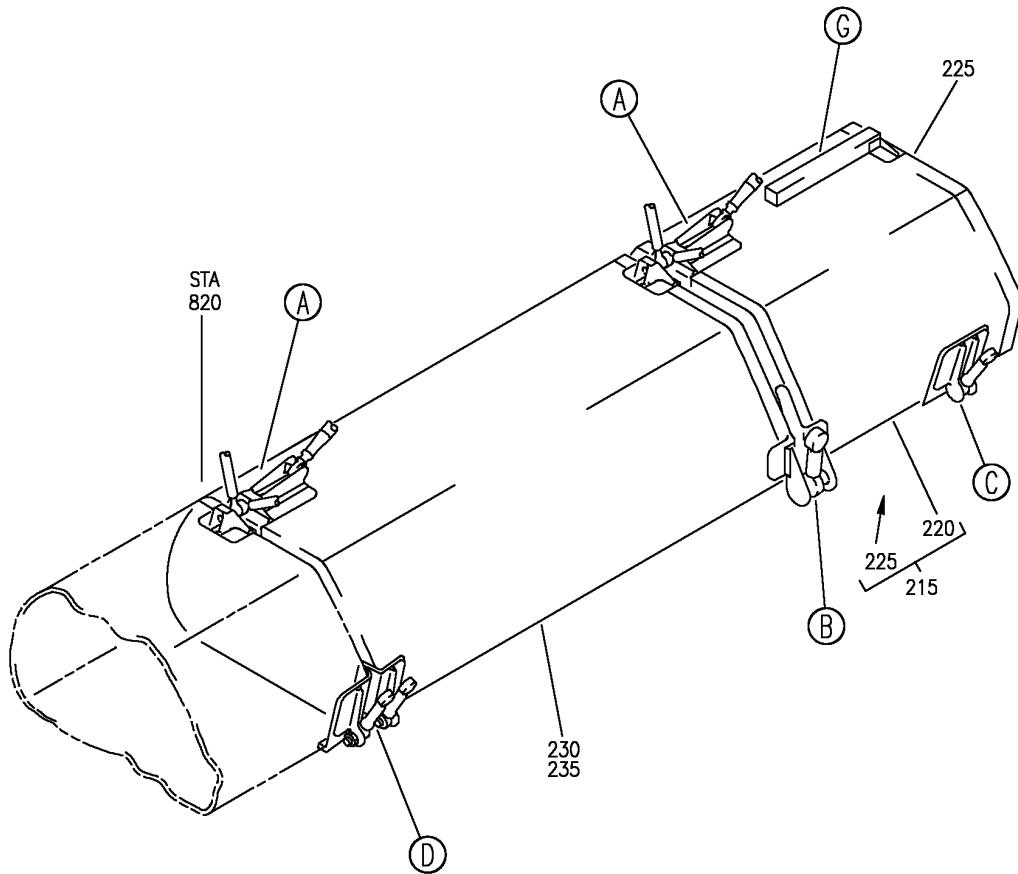
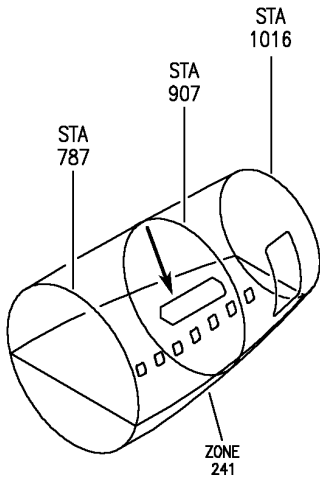
HAP

25-24-30-37

BOEING PROPRIETARY - Copyright © - Unpublished Work - See title page for details.

25-24-30
FIG. 37
PAGE 7
FEB 15/09

BOEING
 737-600/700/800/900
 PARTS CATALOG (MAINTENANCE)



E 25243039 SH1 1 REV 081

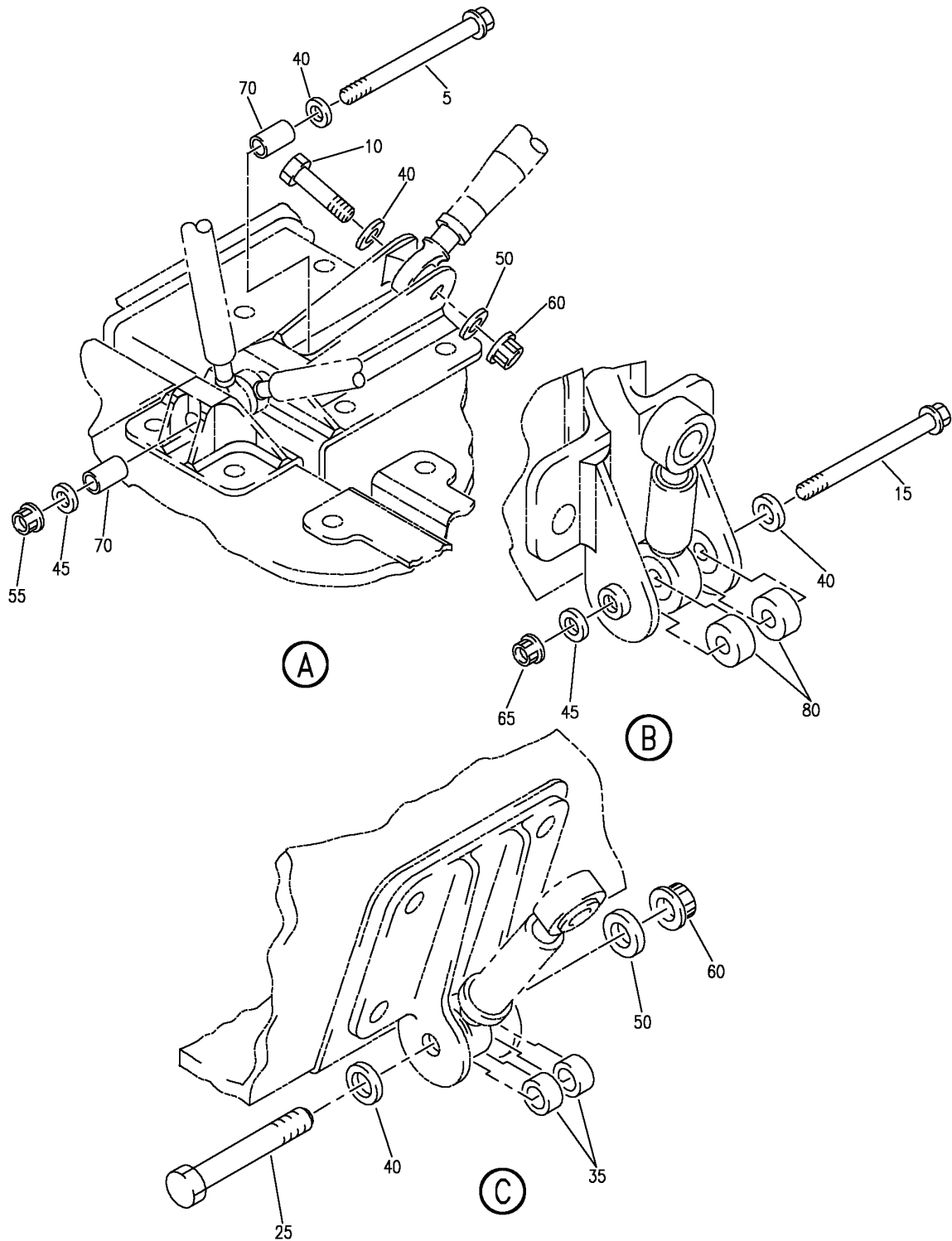
COMPARTMENT INSTL-AFT LH OVHD STOWAGE HANDLING CONFIGURATION
 FIGURE 39 (SHEET 1)

25-24-30-39

HAP
 OCT 10/06

25-24-30-39
 PAGE 0

BOEING
 737-600/700/800/900
 PARTS CATALOG (MAINTENANCE)



E 25243039 SH1 2 REV 081

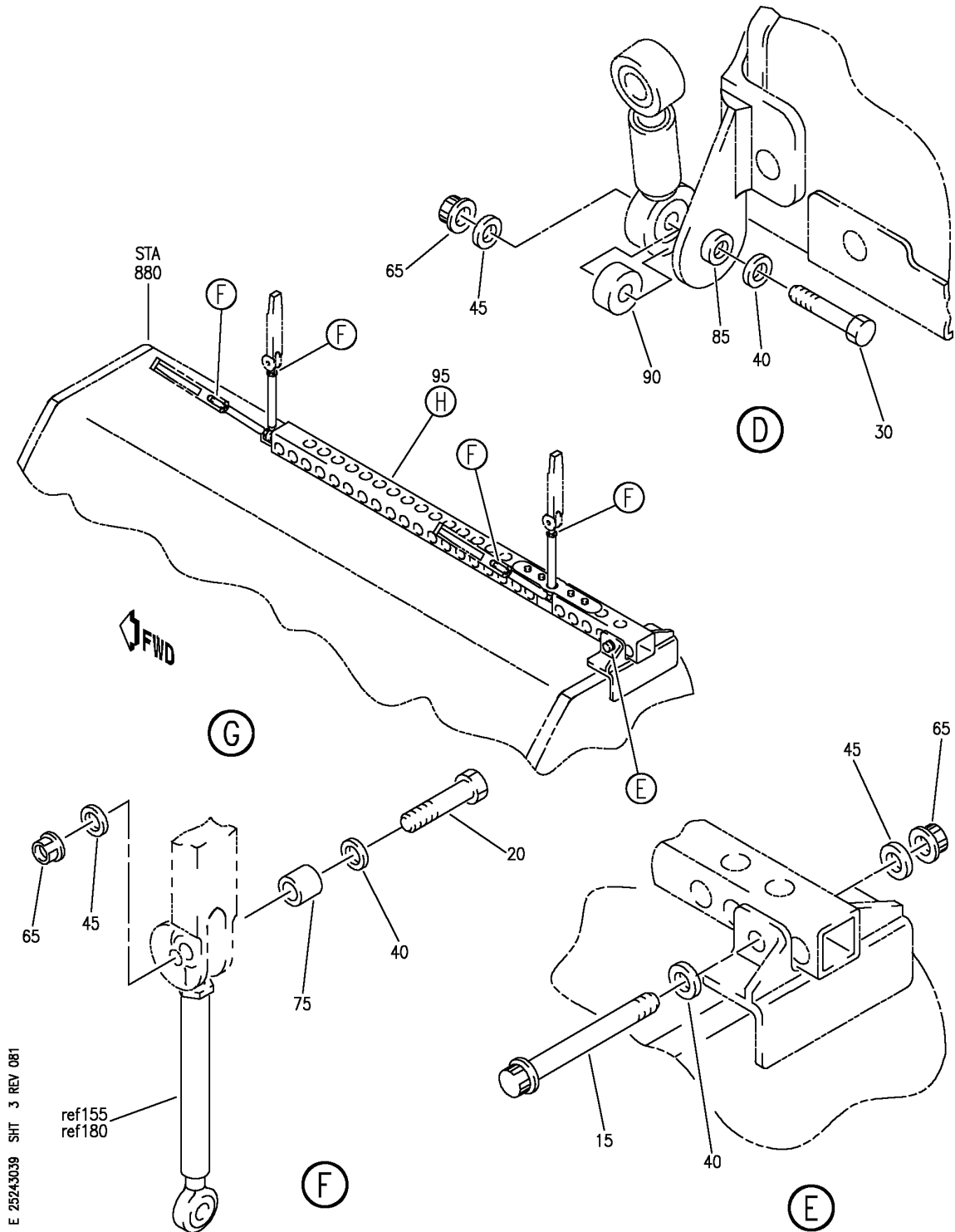
COMPARTMENT INSTL-AFT LH OVHD STOWAGE HNDRL CONFIGURATION
 FIGURE 39 (SHEET 2)

25-24-30-39

HAP
 OCT 10/06

25-24-30-39
 PAGE 0A

BOEING
 737-600/700/800/900
 PARTS CATALOG (MAINTENANCE)



E 25243039 SH1 3 REV 081

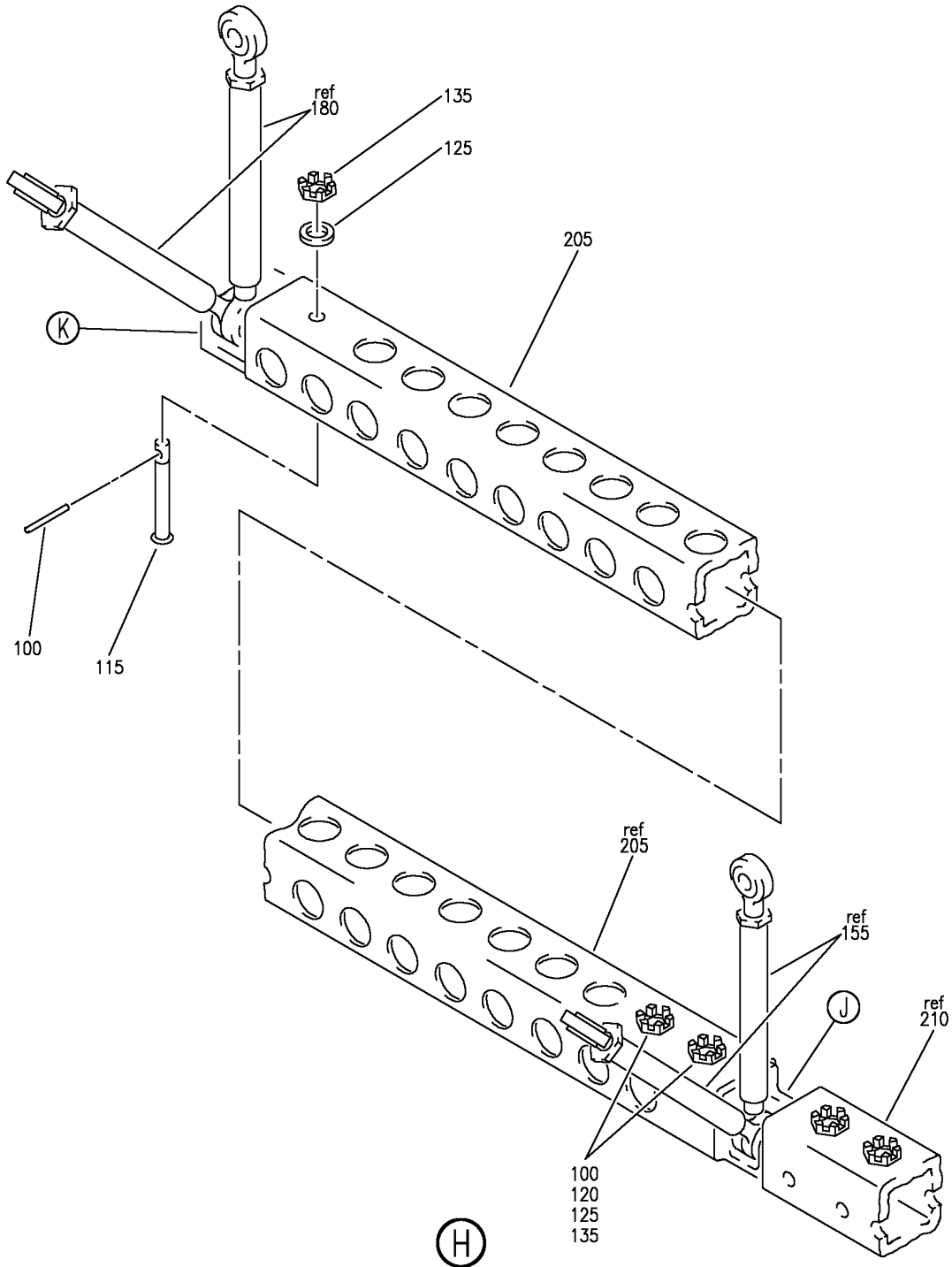
COMPARTMENT INSTL-AFT LH OVHD STORAGE HNDRL CONFIGURATION
 FIGURE 39 (SHEET 3)

25-24-30-39

HAP
 OCT 10/06

25-24-30-39
 PAGE 0B

BOEING
 737-600/700/800/900
 PARTS CATALOG (MAINTENANCE)



E 25243039 SH1 4 REV 081

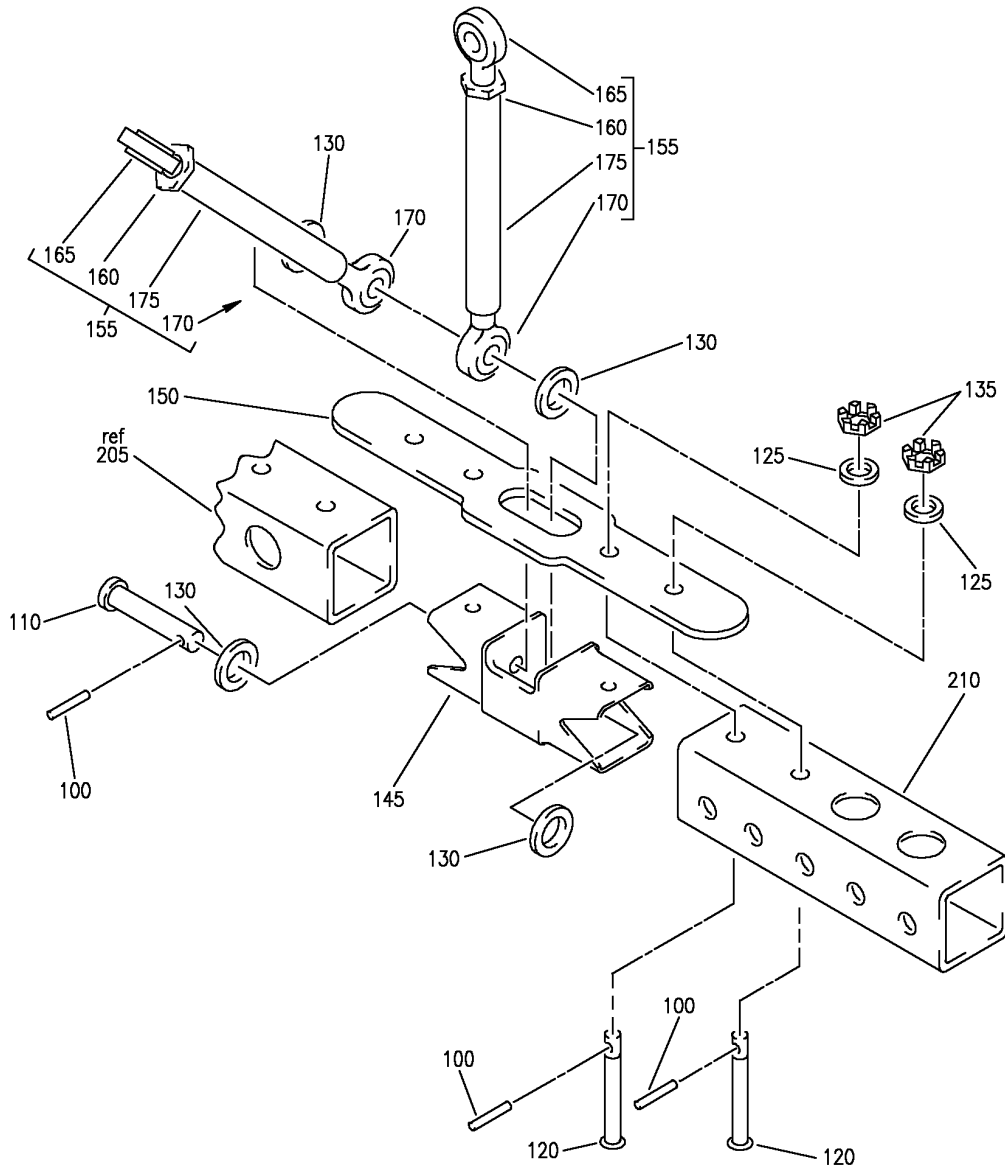
COMPARTMENT INSTL-AFT LH OVHD STOWAGE HNDRL CONFIGURATION
 FIGURE 39 (SHEET 4)

25-24-30-39

HAP
 OCT 10/06

25-24-30-39
 PAGE 0C

BOEING
 737-600/700/800/900
 PARTS CATALOG (MAINTENANCE)



E 25243039 SH1 5 REV 081

(J)

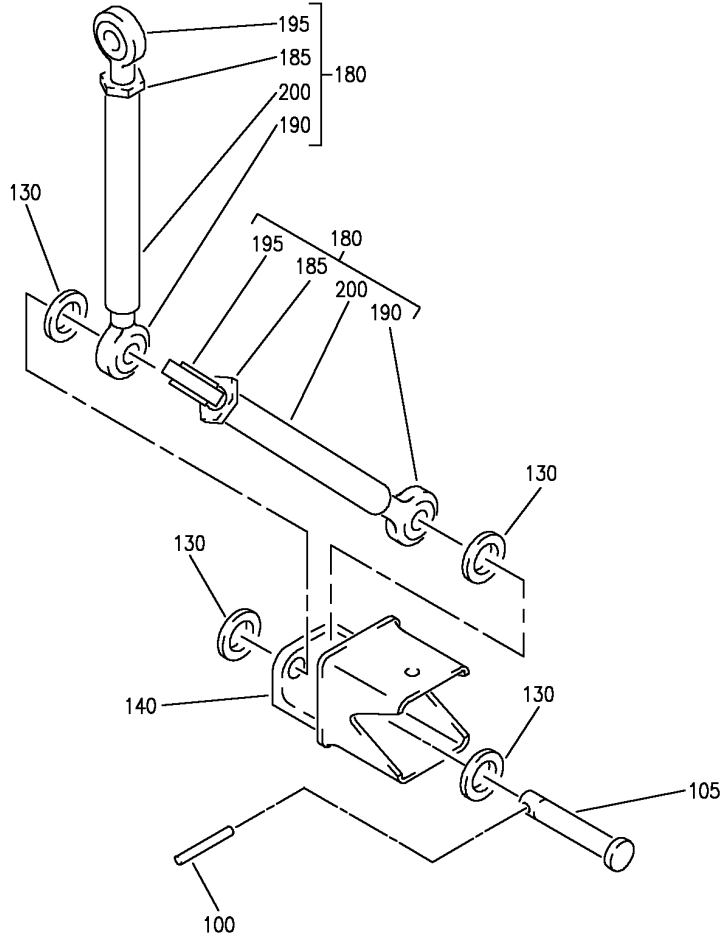
COMPARTMENT INSTL-AFT LH OVHD STOWAGE HNDRL CONFIGURATION
 FIGURE 39 (SHEET 5)

25-24-30-39

HAP
 OCT 10/06

25-24-30-39
 PAGE 0D

BOEING
737-600/700/800/900
PARTS CATALOG (MAINTENANCE)



(K)

E 25243039 SH1 6 REV 081

COMPARTMENT INSTL-AFT LH OVHD STOWAGE HNDRL CONFIGURATION
FIGURE 39 (SHEET 6)

25-24-30-39

HAP
OCT 10/06

25-24-30-39
PAGE 0E

BOEING
737-600/700/800/900
PARTS CATALOG (MAINTENANCE)

FIG ITEM	PART NUMBER	1 2 3 4 5 6 7	NOMENCLATURE	EFFECT FROM TO	UNITS PER ASSY
39			COMPARTMENT INSTL-AFT LH OVHD STOWAGE HNDRL CONFIGURATION	001001 006007	
- 1	412A1030-3SP		COMPARTMENT INSTL-OVHD STOWAGE HNDRL CONFIGURATION POSITION DATA: AFT LH FOR NHA SEE: 25-24-00-13A	001001 006007	RF
5	BACB30US4K33		.BOLT	001001 006007	2
10	BACB30PW4-18		.BOLT	001001 006007	2
15	BACB30NR4K26		.BOLT	001001 006007	2
20	BACB30NR4K12		.BOLT	001001 006007	4
25	BACB30PW4-17		.BOLT	001001 006007	1
30	BACB30NR4K11		.BOLT	001001 006007	1
35	NAS43HT4-13		.SPACER	001001 006007	2
40	BACW10BP4CD		.WASHER	001001 006007	12
45	BACW10BP4DP		.WASHER	001001 006007	9
50	BACW10BP3DP		.WASHER	001001 006007	3

MISSING ITEM NUMBERS NOT APPLICABLE

- ITEM NOT ILLUSTRATED

HAP

25-24-30-39

BOEING PROPRIETARY - Copyright © - Unpublished Work - See title page for details.

25-24-30
FIG. 39
PAGE 1
OCT 10/06

BOEING
737-600/700/800/900
PARTS CATALOG (MAINTENANCE)

FIG ITEM	PART NUMBER	1 2 3 4 5 6 7	NOMENCLATURE	EFFECT FROM TO	UNITS PER ASSY
39 55	BMN5024CWD34	.NUT	SUPPLIER CODE: V97928 SPECIFICATION NUMBER: BACN10HR4CD OPTIONAL PART: H51560-4 V15653 102CH9031-4 V72962 SL7108C428 V11815 67832CD428 V56878 BMN5024CWD3-4 V97928 BH00303CM4 V27238 SL7108C4 V11815 VCU0005D4 V06710 102LH90314 V72962 67832CD4 V56878 H964CD V15653 RMLH224CD V72962 VAL280094CD V06710 678324CD V56878 CR6030-4 VF0224	001001 006007	2
60	PLH53CD	.NUT	SUPPLIER CODE: VF0224 SPECIFICATION NUMBER: BACN10YR3CD OPTIONAL PART: H52732-3CD V15653	001001 006007	3

MISSING ITEM NUMBERS NOT APPLICABLE

— ITEM NOT ILLUSTRATED

HAP

25-24-30-39

BOEING PROPRIETARY - Copyright © - Unpublished Work - See title page for details.

25-24-30
FIG. 39
PAGE 2
FEB 15/09

BOEING
737-600/700/800/900
PARTS CATALOG (MAINTENANCE)

FIG ITEM	PART NUMBER	1 2 3 4 5 6 7	NOMENCLATURE	EFFECT FROM TO	UNITS PER ASSY
39					
65	PLH54CD	.NUT	SUPPLIER CODE: VF0224 SPECIFICATION NUMBER: BACN10YR4CD OPTIONAL PART: H52732-4CD V15653	001001 006007	7
70	BACB28AK04-071	.BUSHING		001001 006007	4
75	BACB28AK04-025	.BUSHING		001001 006007	4
80	BACB28AK04-060	.BUSHING		001001 006007	2
85	BACB28AK04-016	.BUSHING		001001 006007	1
90	BACB28Z4-013	.BUSHING		001001 006007	1
95	412A2251-13	.SUPPORT ASSY-RAIL POSITION DATA: UPR		001001 006007	1
100	BACP18C02C06P	..PIN		001001 006007	7
105	MS20392-3C47	..PIN		001001 006007	1
110	MS20392-3C53	..PIN		001001 006007	1
115	BACB30LH3K21	..BOLT- OPTIONAL PART: NAS8703AD22		001001 006007	1
115	NAS8703AD22	..BOLT- OPTIONAL PART: BACB30LH3K21		001001 006007	1
120	BACB30LH3K23	..BOLT- OPTIONAL PART: NAS8703AD23		001001 006007	4
120	NAS8703AD23	..BOLT- OPTIONAL PART: BACB30LH3K23		001001 006007	4
125	NAS1149D0332J	..WASHER		001001 006007	5
130	NAS1515H4L	..WASHER		001001 006007	8
135	BACN10JD103CD	..NUT		001001 006007	5
140	412A1230-92	..FITTING		001001 006007	1
145	412A1230-50	..FITTING		001001 006007	1

MISSING ITEM NUMBERS NOT APPLICABLE

— ITEM NOT ILLUSTRATED

HAP

25-24-30-39

25-24-30
FIG. 39
PAGE 3
FEB 15/09

BOEING
737-600/700/800/900
PARTS CATALOG (MAINTENANCE)

FIG ITEM	PART NUMBER	1 2 3 4 5 6 7	NOMENCLATURE	EFFECT FROM TO	UNITS PER ASSY
39					
150	412A1220-70	..	PLATE-TENSION	001001 006007	1
155	65-80898-43	..	TURNBUCKLE ASSY	001001 006007	2
160	AN316-4R	...	NUT	001001 006007	1
165	1486-5	...	ROD END ASSY- SUPPLIER CODE: V34742	001001 006007	1
170	1486-5L	...	ROD END ASSY- SUPPLIER CODE: V34742	001001 006007	1
175	65-81149-47	...	TUBE	001001 006007	1
180	65-80898-50	..	TURNBUCKLE ASSY	001001 006007	2
185	AN316-4R	...	NUT	001001 006007	1
190	ACB4-3	...	BEARING-ROD END SUPPLIER CODE: V56644 OPTIONAL PART: 1254-1L V34742 AHML4-104 V50294 FML4-7 V76474 ML44-9A V73134	001001 006007	1
190	AHML4-104	...	BEARING-ROD END SUPPLIER CODE: V50294 OPTIONAL PART: 1254-1L V34742 ACB4-3 V56644 FML4-7 V76474 ML44-9A V73134	001001 006007	1

MISSING ITEM NUMBERS NOT APPLICABLE

— ITEM NOT ILLUSTRATED

HAP

25-24-30-39

BOEING PROPRIETARY - Copyright © - Unpublished Work - See title page for details.

25-24-30
FIG. 39
PAGE 4
FEB 15/09

BOEING
737-600/700/800/900
PARTS CATALOG (MAINTENANCE)

FIG ITEM	PART NUMBER	1 2 3 4 5 6 7	NOMENCLATURE	EFFECT FROM TO	UNITS PER ASSY
39 190	FML4-7		...BEARING-ROD END SUPPLIER CODE: V76474 OPTIONAL PART: 1254-1L V34742 ACB4-3 V56644 AHML4-104 V50294 ML44-9A V73134	001001 006007	1
190	ML44-9A		...BEARING-ROD END SUPPLIER CODE: V73134 OPTIONAL PART: 1254-1L V34742 ACB4-3 V56644 AHML4-104 V50294 FML4-7 V76474	001001 006007	1
190	1254-1L		...BEARING-ROD END SUPPLIER CODE: V34742 OPTIONAL PART: ACB4-3 V56644 AHML4-104 V50294 ML44-9A V73134 FML4-7 V76474	001001 006007	1
195	ACM4-3		...BEARING-ROD END SUPPLIER CODE: V56644 OPTIONAL PART: 1254-1 V34742 AHM4-104 V50294 FM4-7 V02695 M44-9A V73134	001001 006007	1

MISSING ITEM NUMBERS NOT APPLICABLE

— ITEM NOT ILLUSTRATED

HAP

25-24-30-39

BOEING PROPRIETARY - Copyright © - Unpublished Work - See title page for details.

25-24-30
FIG. 39
PAGE 5
FEB 15/09

BOEING
737-600/700/800/900
PARTS CATALOG (MAINTENANCE)

FIG ITEM	PART NUMBER	1 2 3 4 5 6 7	NOMENCLATURE	EFFECT FROM TO	UNITS PER ASSY
39 195	AHM4-104		...BEARING-ROD END SUPPLIER CODE: V50294 OPTIONAL PART: 1254-1 V34742 ACM4-3 V56644 FM4-7 V02695 M44-9A V73134	001001 006007	1
195	FM4-7		...BEARING-ROD END SUPPLIER CODE: V02695 OPTIONAL PART: 1254-1 V34742 ACM4-3 V56644 AHM4-104 V50294 M44-9A V73134	001001 006007	1
195	M44-9A		...BEARING-ROD END SUPPLIER CODE: V73134 OPTIONAL PART: 1254-1 V34742 ACM4-3 V56644 AHM4-104 V50294 FM4-7 V02695	001001 006007	1
195	1254-1		...BEARING-ROD END SUPPLIER CODE: V34742 OPTIONAL PART: ACM4-3 V56644 AHM4-104 V50294 FM4-7 V02695 M44-9A V73134	001001 006007	1

MISSING ITEM NUMBERS NOT APPLICABLE

— ITEM NOT ILLUSTRATED

HAP

25-24-30-39

BOEING PROPRIETARY - Copyright © - Unpublished Work - See title page for details.

25-24-30
FIG. 39
PAGE 6
FEB 15/09

BOEING
737-600/700/800/900
PARTS CATALOG (MAINTENANCE)

FIG ITEM	PART NUMBER	1 2 3 4 5 6 7	NOMENCLATURE	EFFECT FROM TO	UNITS PER ASSY
39					
200	65-81149-11	. . .	TUBE	001001 006007	1
205	412A2251-4	. . .	RAIL	001001 006007	1
210	412A2251-5	. . .	RAIL	001001 006007	1
215	412A1050-15SP	. . .	COMPONENT ASSY- PRE SERVICE BULLETIN: 25-1373	001001 006007	1
215	002A0007-34N	. . .	COMPONENT ASSY- POST SERVICE BULLETIN: 25-1373	001001 006007	1
220	412A1150-19SP	. . .	COMPARTMENT ASSY- PRE SERVICE BULLETIN: 25-1373 FUNCTIONAL REFERENCE: EQUIPMENT/FURNISHINGS FOR DETAILS SEE 25-24-31-60E LIGHTS FOR DETAILS SEE 33-51-03-35	001001 006007	1
220	002A0007-77N	. . .	COMPARTMENT ASSY- POST SERVICE BULLETIN: 25-1373 FUNCTIONAL REFERENCE: EQUIPMENT/FURNISHINGS FOR DETAILS SEE 25-24-31-60E LIGHTS FOR DETAILS SEE 33-51-03-35	001001 006007	1
225	412A1310-333SP	. . .	MOUNTING ASSY-END CAP FOR DETAILS SEE: 25-24-33-28	001001 006007	1
230	412A1050-23SP	. . .	COMPONENT ASSY- PRE SERVICE BULLETIN: 25-1373	001001 006007	1
230	002A0007-41N	. . .	COMPONENT ASSY- POST SERVICE BULLETIN: 25-1373	001001 006007	1

MISSING ITEM NUMBERS NOT APPLICABLE

— ITEM NOT ILLUSTRATED

HAP

25-24-30-39

25-24-30
FIG. 39
PAGE 7
FEB 15/09

BOEING
737-600/700/800/900
PARTS CATALOG (MAINTENANCE)

FIG ITEM	PART NUMBER	1 2 3 4 5 6 7	NOMENCLATURE	EFFECT FROM TO	UNITS PER ASSY
39 235	412A1150-1SP		..COMPARTMENT ASSY- PRE SERVICE BULLETIN: 25-1373 FUNCTIONAL REFERENCE: EQUIPMENT/FURNISHINGS FOR DETAILS SEE 25-24-31-61E LIGHTS FOR DETAILS SEE 33-22-00-29	001001 006007	1
235	002A0007-71N		..COMPARTMENT ASSY- POST SERVICE BULLETIN: 25-1373 FUNCTIONAL REFERENCE: EQUIPMENT/FURNISHINGS FOR DETAILS SEE 25-24-31-61E LIGHTS FOR DETAILS SEE 33-22-00-29	001001 006007	1

MISSING ITEM NUMBERS NOT APPLICABLE

— ITEM NOT ILLUSTRATED

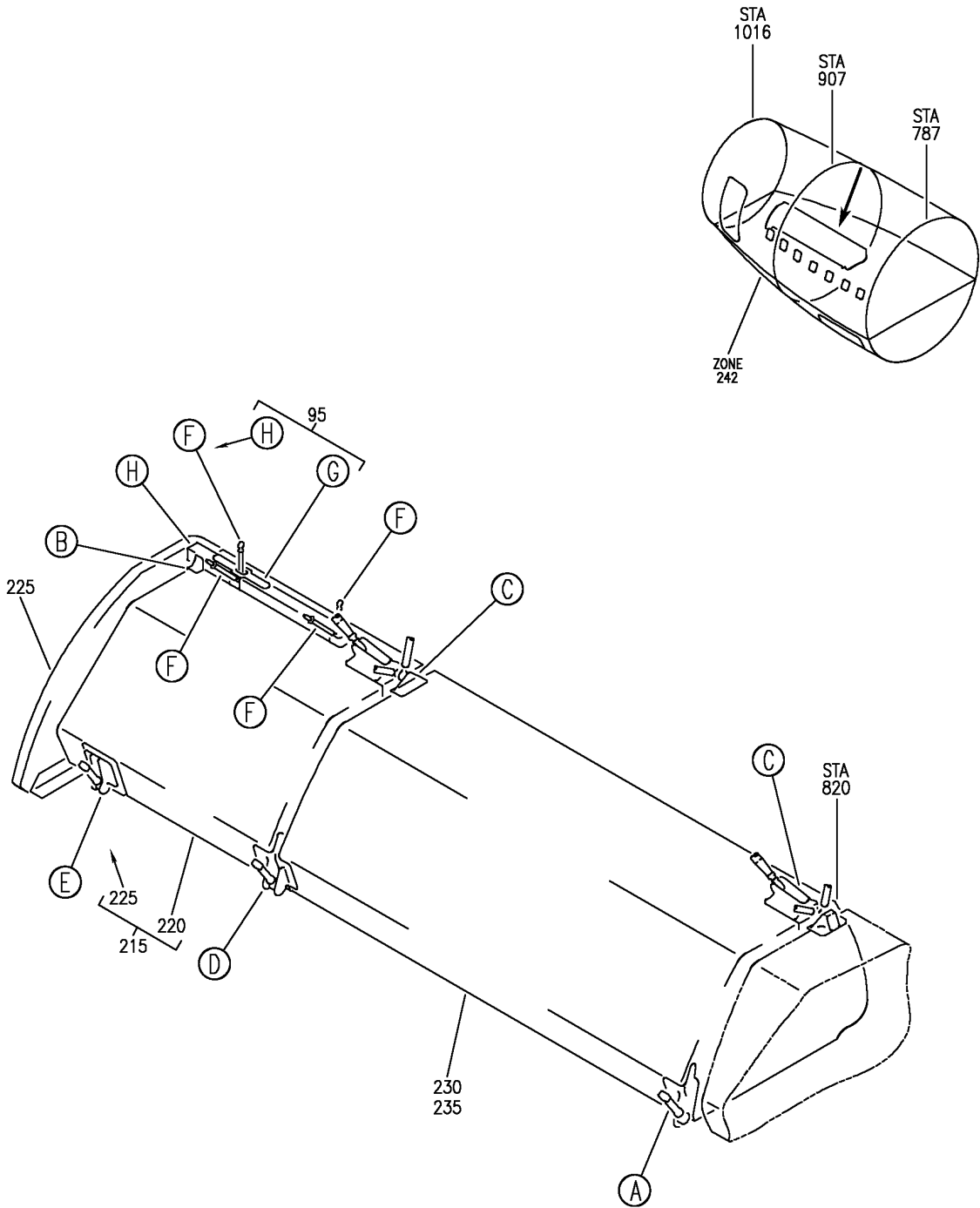
HAP

25-24-30-39

BOEING PROPRIETARY - Copyright © - Unpublished Work - See title page for details.

25-24-30
FIG. 39
PAGE 8
FEB 15/09

BOEING
 737-600/700/800/900
 PARTS CATALOG (MAINTENANCE)



E 25243047B SHT 1 REV 081

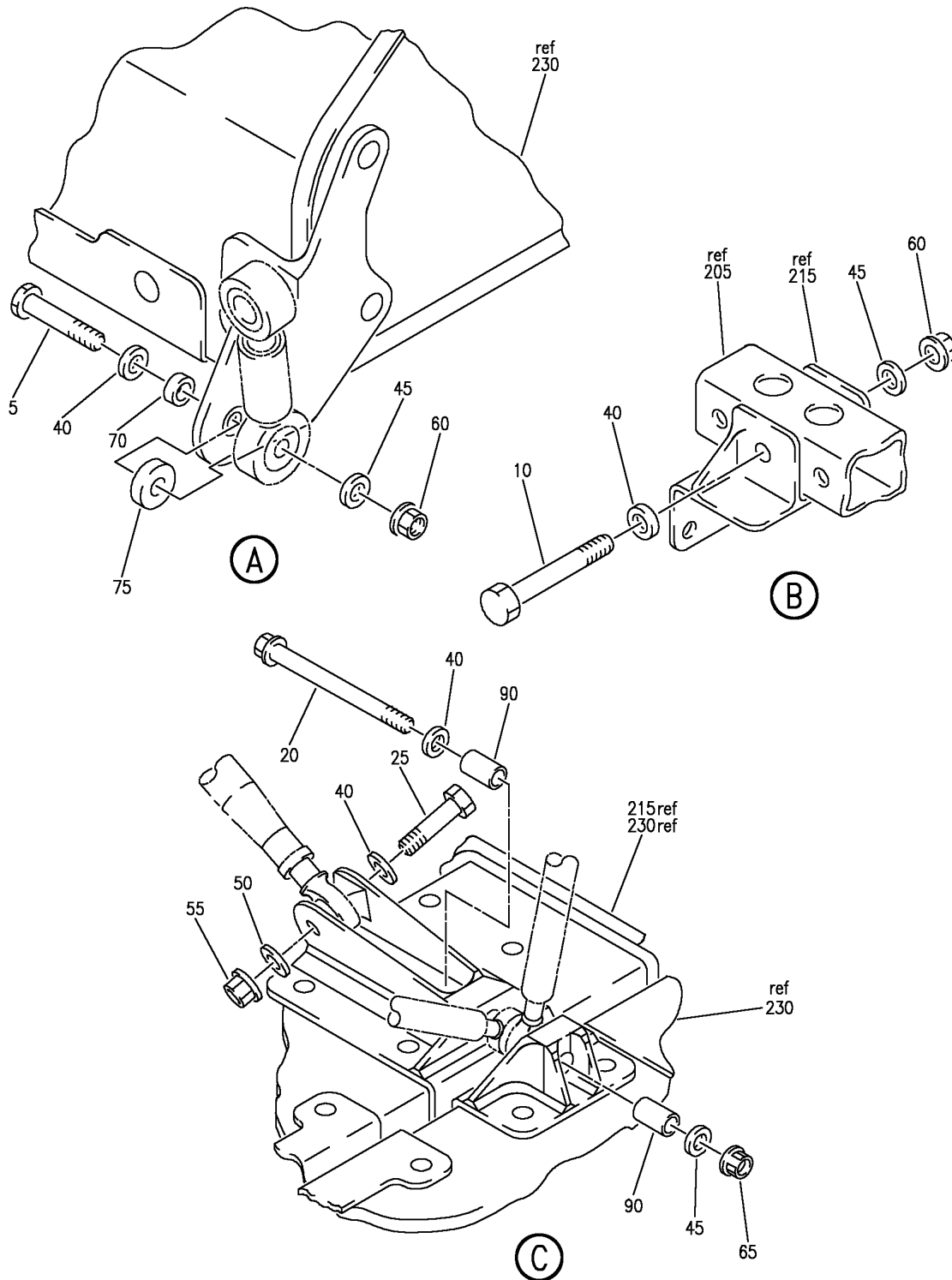
COMPARTMENT INSTL-AFT RH OVHD STOWAGE HNDRL CONFIGURATION
 FIGURE 47B (SHEET 1)

25-24-30-47B

HAP
 OCT 10/06

25-24-30-47B
 PAGE 0

BOEING
 737-600/700/800/900
 PARTS CATALOG (MAINTENANCE)



E 25243047B SHT 2 REV 081

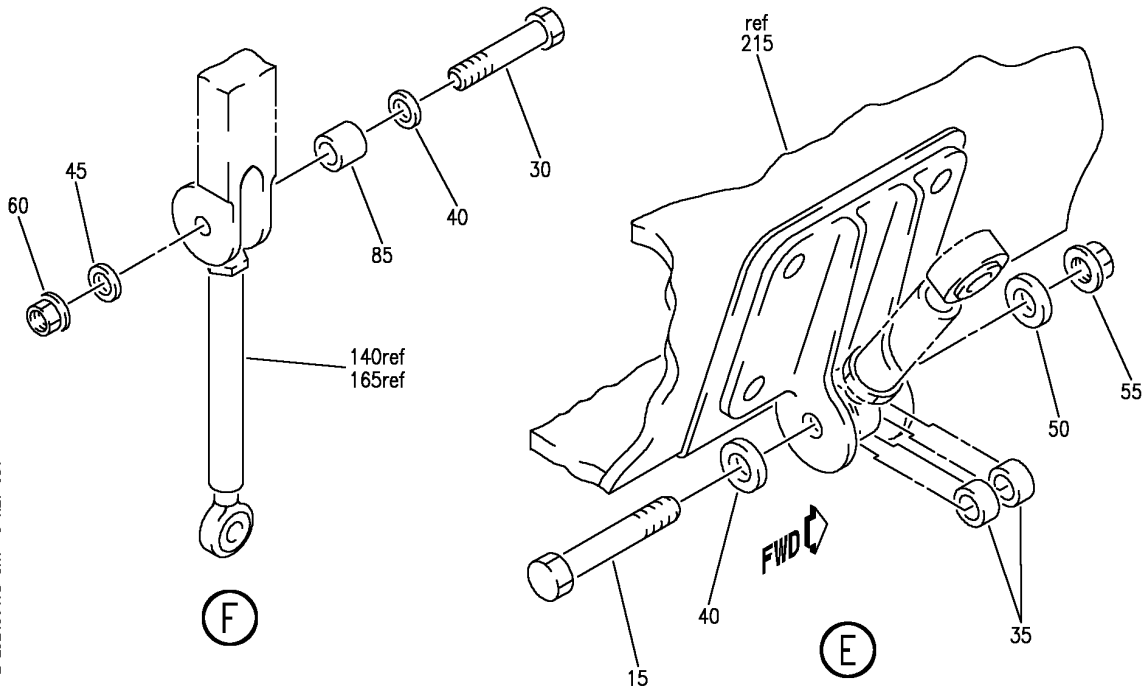
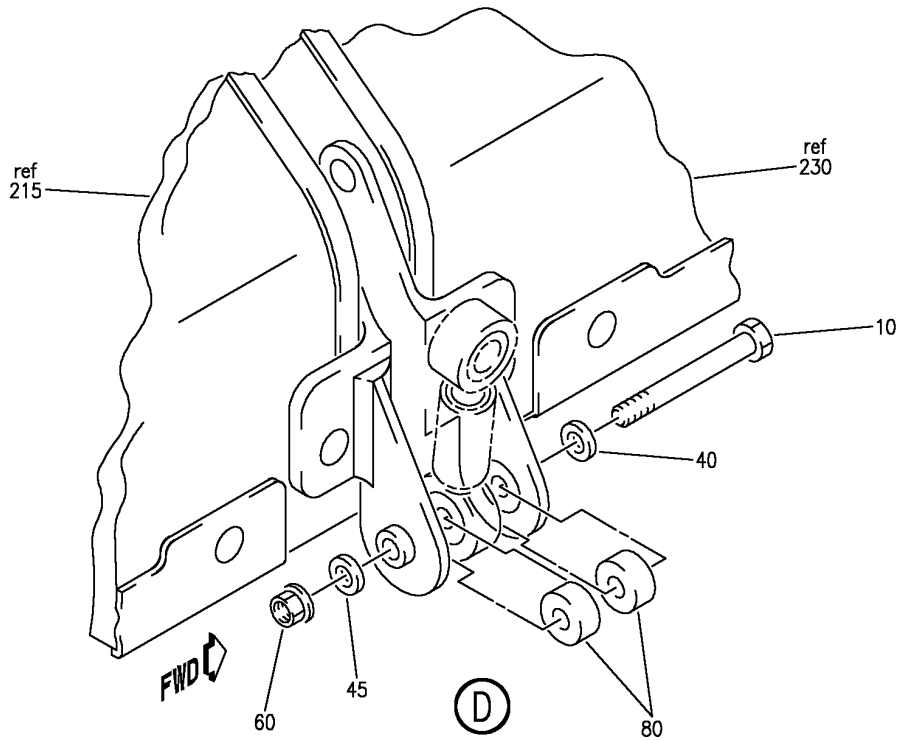
COMPARTMENT INSTL-AFT RH OVHD STOWAGE HNDRL CONFIGURATION
 FIGURE 47B (SHEET 2)

25-24-30-47B

HAP
 OCT 10/06

25-24-30-47B
 PAGE 0A

BOEING
 737-600/700/800/900
 PARTS CATALOG (MAINTENANCE)



E 25243047B SHT 3 REV 081

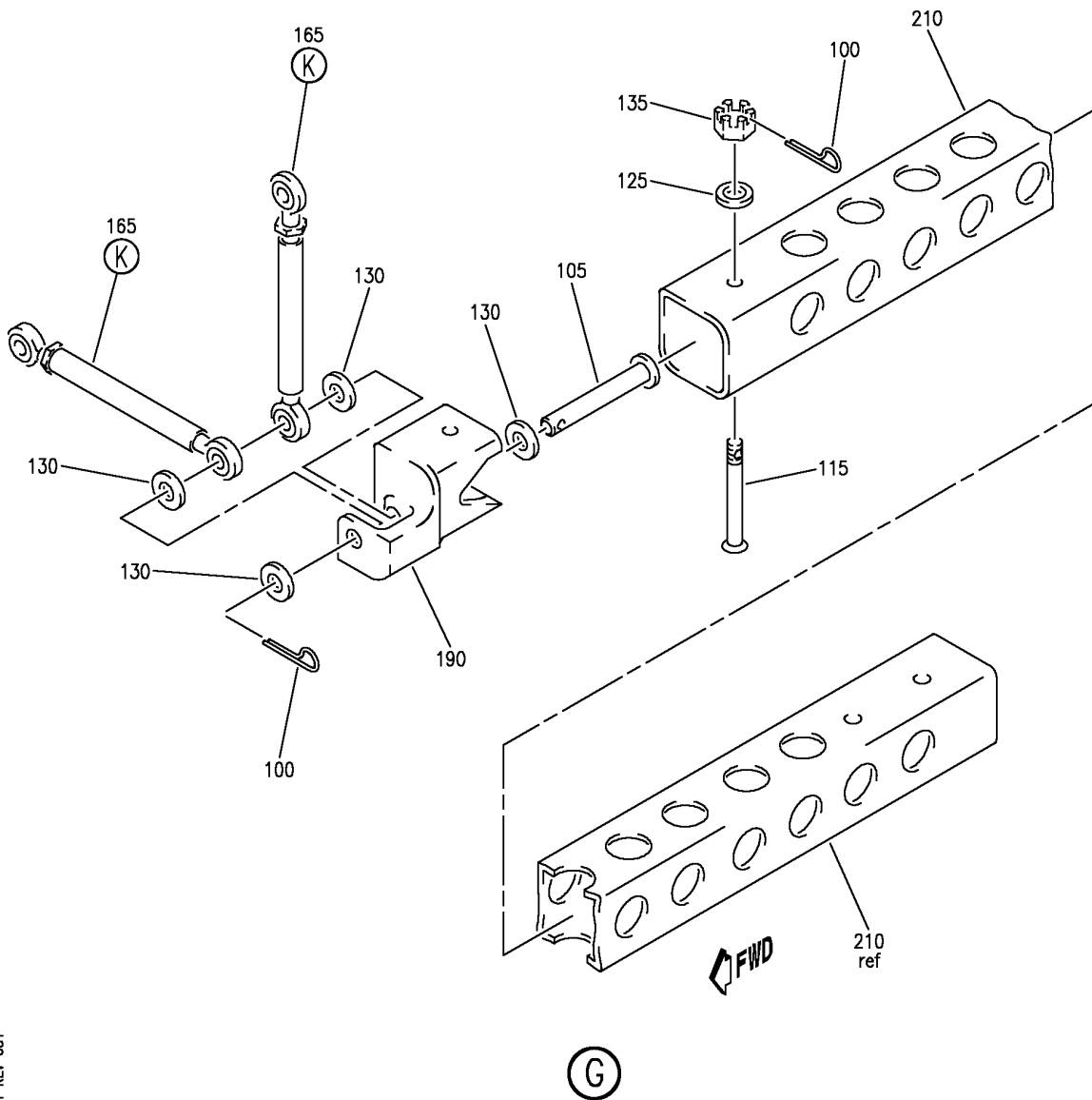
COMPARTMENT INSTL-AFT RH OVHD STOWAGE HNDRL CONFIGURATION
 FIGURE 47B (SHEET 3)

25-24-30-47B

HAP
 OCT 10/06

25-24-30-47B
 PAGE 0B

BOEING
 737-600/700/800/900
 PARTS CATALOG (MAINTENANCE)



E 25243047B SHT 4 REV 081

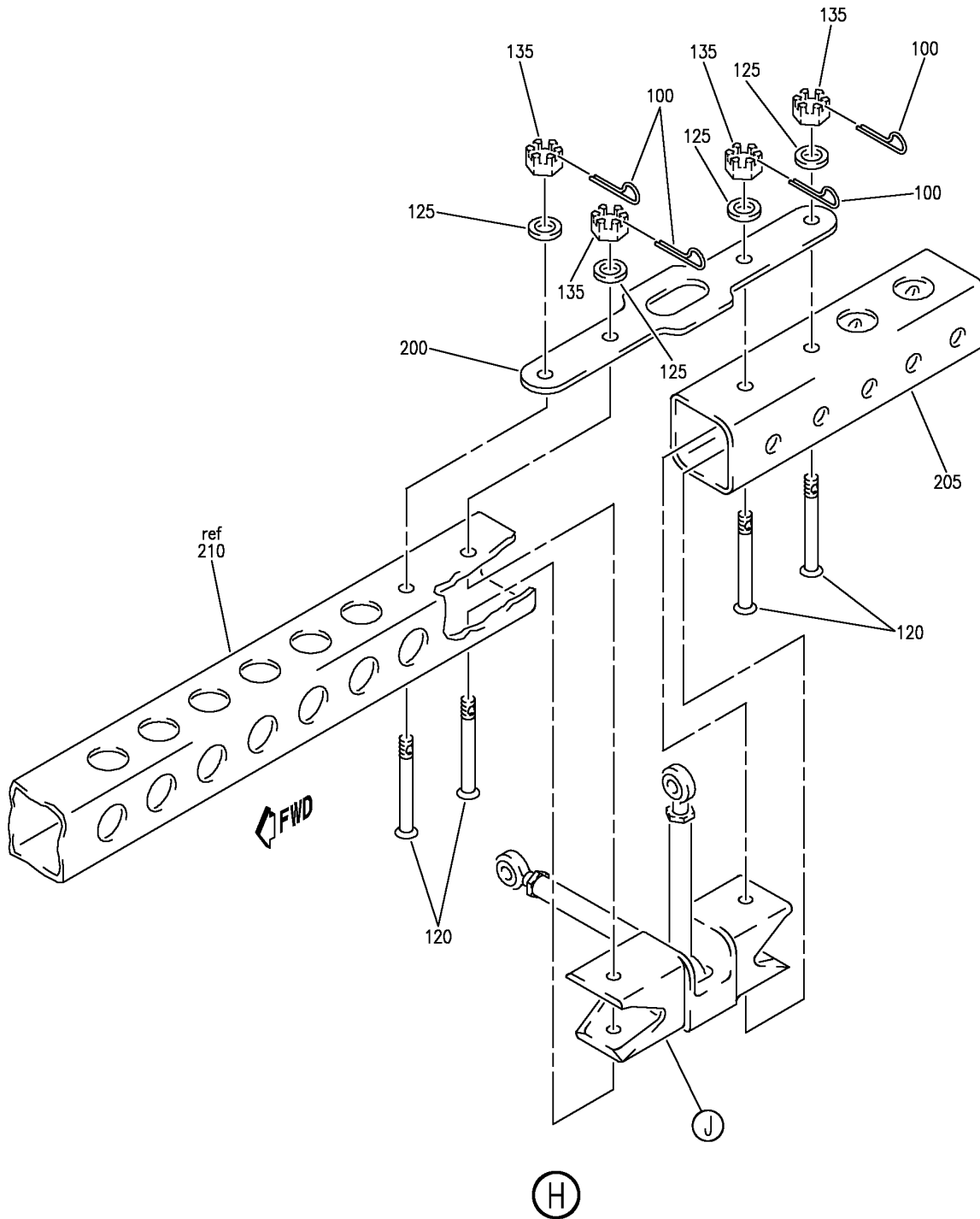
COMPARTMENT INSTL-AFT RH OVHD STOWAGE HNDRL CONFIGURATION
 FIGURE 47B (SHEET 4)

25-24-30-47B

HAP
 OCT 10/06

25-24-30-47B
 PAGE 0C

BOEING
 737-600/700/800/900
 PARTS CATALOG (MAINTENANCE)



E 25243047B SHT 5 REV 081

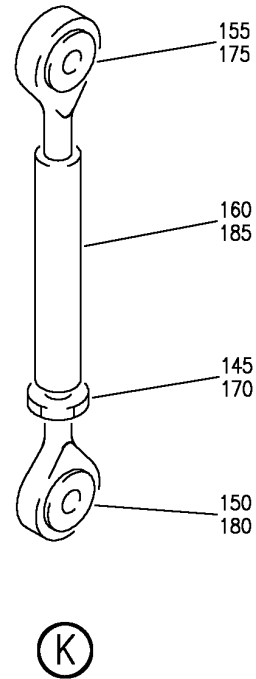
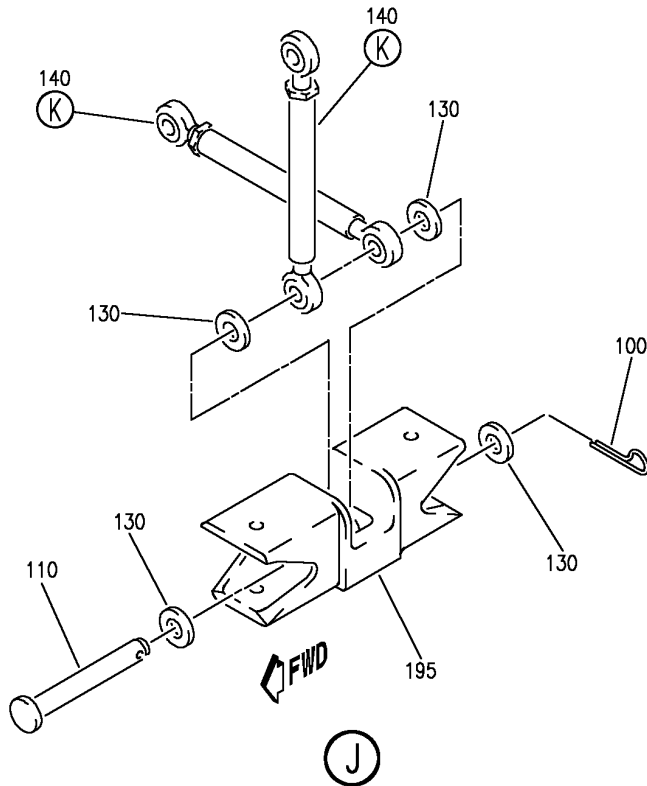
COMPARTMENT INSTL-AFT RH OVHD STOWAGE HNDRL CONFIGURATION
 FIGURE 47B (SHEET 5)

25-24-30-47B

HAP
 OCT 10/06

25-24-30-47B
 PAGE 0D

BOEING
 737-600/700/800/900
 PARTS CATALOG (MAINTENANCE)



E 25243047B SHT 6 REV 081

COMPARTMENT INSTL-AFT RH OVHD STOWAGE HANDRL CONFIGURATION
 FIGURE 47B (SHEET 6)

25-24-30-47B

HAP
 OCT 10/06

25-24-30-47B
 PAGE 0E

BOEING
737-600/700/800/900
PARTS CATALOG (MAINTENANCE)

FIG ITEM	PART NUMBER	1 2 3 4 5 6 7	NOMENCLATURE	EFFECT FROM TO	UNITS PER ASSY
47B			COMPARTMENT INSTL-AFT RH OVHD STOWAGE HNDRL CONFIGURATION	001001 006007	
- 1	412A1040-3SP		COMPARTMENT INSTL-OVHD STOWAGE HNDRL CONFIGURATION POSITION DATA: AFT RH FOR NHA SEE: 25-24-00-13A	001001 006007	RF
5	BACB30NR4K11		.BOLT	001001 006007	1
10	BACB30NR4K26		.BOLT	001001 006007	2
15	BACB30PW4-17		.BOLT	001001 006007	1
20	BACB30US4K33		.BOLT	001001 006007	2
25	BACB30PW4-18		.BOLT	001001 006007	2
30	BACB30NR4K12		.BOLT	001001 006007	4
35	NAS43HT4-13		.SPACER	001001 006007	2
40	BACW10BP4CD		.WASHER	001001 006007	12
45	BACW10BP4DP		.WASHER	001001 006007	9
50	BACW10BP3DP		.WASHER	001001 006007	3
55	PLH53CD		.NUT SUPPLIER CODE: VF0224 SPECIFICATION NUMBER: BACN10YR3CD OPTIONAL PART: H52732-3CD V15653	001001 006007	3
60	PLH54CD		.NUT SUPPLIER CODE: VF0224 SPECIFICATION NUMBER: BACN10YR4CD OPTIONAL PART: H52732-4CD V15653	001001 006007	7

MISSING ITEM NUMBERS NOT APPLICABLE

- ITEM NOT ILLUSTRATED

HAP

25-24-30-47B

BOEING PROPRIETARY - Copyright © - Unpublished Work - See title page for details.

25-24-30
FIG. 47B
PAGE 1
FEB 15/09

BOEING
737-600/700/800/900
PARTS CATALOG (MAINTENANCE)

FIG ITEM	PART NUMBER	1 2 3 4 5 6 7	NOMENCLATURE	EFFECT FROM TO	UNITS PER ASSY
47B 65	BMN5024CWD34	.	NUT SUPPLIER CODE: V97928 SPECIFICATION NUMBER: BACN10HR4CD OPTIONAL PART: H51560-4 V15653 102CH9031-4 V72962 SL7108C428 V11815 67832CD428 V56878 BMN5024CWD3-4 V97928 BH00303CM4 V27238 SL7108C4 V11815 VCU0005D4 V06710 102LH90314 V72962 67832CD4 V56878 H964CD V15653 RMLH224CD V72962 VAL280094CD V06710 678324CD V56878 CR6030-4 VF0224	001001 006007	2
70	BACB28AK04-016	.	BUSHING	001001 006007	1
75	BACB28Z4-013	.	BUSHING	001001 006007	1
80	BACB28AK04-060	.	BUSHING	001001 006007	2
85	BACB28AK04-025	.	BUSHING	001001 006007	4
90	BACB28AK04-071	.	BUSHING	001001 006007	4
95	412A2251-14	.	SUPPORT ASSY-RAIL POSITION DATA: UPR	001001 006007	1

MISSING ITEM NUMBERS NOT APPLICABLE

— ITEM NOT ILLUSTRATED

HAP

25-24-30-47B

BOEING PROPRIETARY - Copyright © - Unpublished Work - See title page for details.

25-24-30
FIG. 47B
PAGE 2
FEB 15/09

BOEING
737-600/700/800/900
PARTS CATALOG (MAINTENANCE)

FIG ITEM	PART NUMBER	1 2 3 4 5 6 7	NOMENCLATURE	EFFECT FROM TO	UNITS PER ASSY
47B					
100	BACP18BC02C06P	..	PIN	001001 006007	7
105	MS20392-3C47	..	PIN	001001 006007	1
110	MS20392-3C53	..	PIN	001001 006007	1
115	NAS8703AD22	..	BOLT-	001001 006007	1
			OPTIONAL PART: BACB30LH3K21		
115	BACB30LH3K21	..	BOLT-	001001 006007	1
			OPTIONAL PART: NAS8703AD22		
120	NAS8703AD23	..	BOLT-	001001 006007	4
			OPTIONAL PART: BACB30LH3K23		
120	BACB30LH3K23	..	BOLT-	001001 006007	4
			OPTIONAL PART: NAS8703AD23		
125	NAS1149D0332J	..	WASHER	001001 006007	5
130	NAS1515H4L	..	WASHER	001001 006007	8
135	BACN10JD103CD	..	NUT	001001 006007	5
140	65-80898-43	..	TURNBUCKLE ASSY	001001 006007	2
145	AN316-4R	...	NUT	001001 006007	1
150	1486-5	...	ROD END ASSY-	001001 006007	1
			SUPPLIER CODE: V34742		
155	1486-5L	...	ROD END ASSY-	001001 006007	1
			SUPPLIER CODE: V34742		
160	65-81149-47	...	TUBE	001001 006007	1
165	65-80898-50	..	TURNBUCKLE ASSY	001001 006007	2
170	AN316-4R	...	NUT	001001 006007	1

MISSING ITEM NUMBERS NOT APPLICABLE

— ITEM NOT ILLUSTRATED

HAP

25-24-30-47B

BOEING PROPRIETARY - Copyright © - Unpublished Work - See title page for details.

25-24-30
FIG. 47B
PAGE 3
FEB 15/09

BOEING
737-600/700/800/900
PARTS CATALOG (MAINTENANCE)

FIG ITEM	PART NUMBER	1 2 3 4 5 6 7	NOMENCLATURE	EFFECT FROM TO	UNITS PER ASSY
47B 175	ACB4-3		...BEARING-ROD END SUPPLIER CODE: V56644 OPTIONAL PART: 1254-1L V34742 AHML4-3 V50294 FML4-7 V76474 ML44-9A V73134	001001 006007	1
175	AHML4-104		...BEARING-ROD END SUPPLIER CODE: V50294 OPTIONAL PART: 1254-1L V34742 ACB4-3 V56644 FML4-7 V76474 ML44-9A V73134	001001 006007	1
175	FML4-7		...BEARING-ROD END SUPPLIER CODE: V76474 OPTIONAL PART: 1254-1L V34742 ACB4-3 V56644 AHML4-104 V50294 ML44-9A V73134	001001 006007	1
175	ML44-9A		...BEARING-ROD END SUPPLIER CODE: V73134 OPTIONAL PART: 1254-1L V34742 ACB4-3 V56644 AHML4-104 V50294 FML4-7 V76474	001001 006007	1

MISSING ITEM NUMBERS NOT APPLICABLE

— ITEM NOT ILLUSTRATED

HAP

25-24-30-47B

BOEING PROPRIETARY - Copyright © - Unpublished Work - See title page for details.

25-24-30
FIG. 47B
PAGE 4
FEB 10/07

BOEING
737-600/700/800/900
PARTS CATALOG (MAINTENANCE)

FIG ITEM	PART NUMBER	1 2 3 4 5 6 7	NOMENCLATURE	EFFECT FROM TO	UNITS PER ASSY
47B 175	1254-1L		...BEARING-ROD END SUPPLIER CODE: V34742 OPTIONAL PART: ACB4-3 V56644 AHML4-104 V50294 ML44-9A V73134 FML4-7 V76474	001001 006007	1
180	ACM4-3		...BEARING-ROD END SUPPLIER CODE: V56644 OPTIONAL PART: 1254-1 V34742 AHM4-104 V50294 FM4-7 V02695 M44-9A V73134	001001 006007	1
180	AHM4-104		...BEARING-ROD END SUPPLIER CODE: V50294 OPTIONAL PART: 1254-1 V34742 ACM4-3 V56644 FM4-7 V02695 M44-9A V73134	001001 006007	1
180	FM4-7		...BEARING-ROD END SUPPLIER CODE: V02695 OPTIONAL PART: 1254-1 V34742 ACM4-3 V56644 AHM4-104 V50294 M44-9A V73134	001001 006007	1

MISSING ITEM NUMBERS NOT APPLICABLE

— ITEM NOT ILLUSTRATED

HAP

25-24-30-47B

BOEING PROPRIETARY - Copyright © - Unpublished Work - See title page for details.

25-24-30
FIG. 47B
PAGE 5
FEB 10/07

BOEING
737-600/700/800/900
PARTS CATALOG (MAINTENANCE)

FIG ITEM	PART NUMBER	1 2 3 4 5 6 7	NOMENCLATURE	EFFECT FROM TO	UNITS PER ASSY
47B 180	M44-9A	...	BEARING-ROD END SUPPLIER CODE: V73134 OPTIONAL PART: 1254-1 V34742 ACM4-3 V56644 AHM4-104 V50294 FM4-7 V02695	001001 006007	1
180	1254-1	...	BEARING-ROD END SUPPLIER CODE: V34742 OPTIONAL PART: ACM4-3 V56644 AHM4-104 V50294 FM4-7 V02695 M44-9A V73134	001001 006007	1
185	65-81149-11	...	TUBE	001001 006007	1
190	412A1230-91	..	FITTING	001001 006007	1
195	412A1230-50	..	FITTING	001001 006007	1
200	412A1220-70	..	PLATE-TENSION	001001 006007	1
205	412A2251-5	..	RAIL	001001 006007	1
210	412A2251-4	..	RAIL	001001 006007	1
215	412A1050-16SP	.COMPONENT ASSY-VAR	PRE SERVICE BULLETIN: 25-1373	001001 006007	1
215	002A0007-35N	.COMPONENT ASSY-VAR	POST SERVICE BULLETIN: 25-1373	001001 006007	1
220	412A1150-20SP	..COMPARTMENT ASSY-31 IN.	PRE SERVICE BULLETIN: 25-1373 FOR DETAILS SEE: 25-24-31-63C	001001 006007	1

MISSING ITEM NUMBERS NOT APPLICABLE

— ITEM NOT ILLUSTRATED

HAP

25-24-30-47B

BOEING PROPRIETARY - Copyright © - Unpublished Work - See title page for details.

25-24-30
FIG. 47B
PAGE 6
FEB 10/07

BOEING
737-600/700/800/900
PARTS CATALOG (MAINTENANCE)

FIG ITEM	PART NUMBER	1 2 3 4 5 6 7	NOMENCLATURE	EFFECT FROM TO	UNITS PER ASSY
47B 220	002A0007-78N		..COMPARTMENT ASSY-31 IN. POST SERVICE BULLETIN: 25-1373 FOR DETAILS SEE: 25-24-31-63C	001001 006007	1
225	412A1310-334SP		..MOUNTING ASSY-END CAP FOR DETAILS SEE: 25-24-33-28	001001 006007	1
230	412A1050-24SP		.COMPONENT ASSY-VAR PRE SERVICE BULLETIN: 25-1373	001001 006007	1
230	002A0007-42N		.COMPONENT ASSY-VAR POST SERVICE BULLETIN: 25-1373	001001 006007	1
235	412A1150-2SP		..COMPARTMENT ASSY-60 IN. PRE SERVICE BULLETIN: 25-1373 FUNCTIONAL REFERENCE: EQUIPMENT/FURNISHINGS FOR DETAILS SEE 25-24-31-64B LIGHTS FOR DETAILS SEE 33-22-00-31 33-51-03-05A	001001 006007	1
235	002A0007-72N		..COMPARTMENT ASSY-60 IN. POST SERVICE BULLETIN: 25-1373 FUNCTIONAL REFERENCE: EQUIPMENT/FURNISHINGS FOR DETAILS SEE 25-24-31-64B LIGHTS FOR DETAILS SEE 33-22-00-31 33-51-03-05A	001001 006007	1

MISSING ITEM NUMBERS NOT APPLICABLE

— ITEM NOT ILLUSTRATED

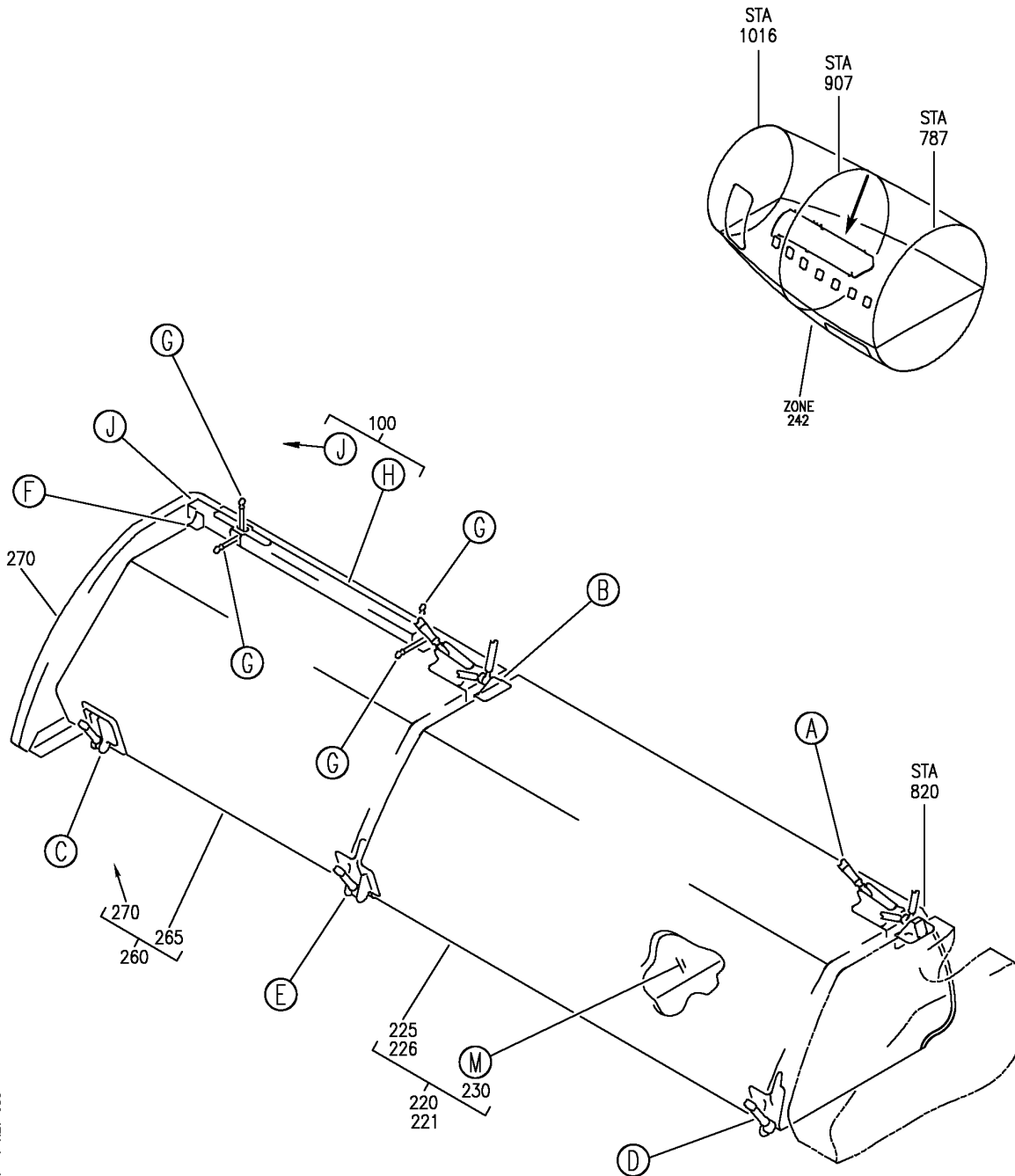
HAP

25-24-30-47B

BOEING PROPRIETARY - Copyright © - Unpublished Work - See title page for details.

25-24-30
FIG. 47B
PAGE 7
FEB 10/07

BOEING
 737-600/700/800/900
 PARTS CATALOG (MAINTENANCE)



E 25243049 SH1 1 REV 085

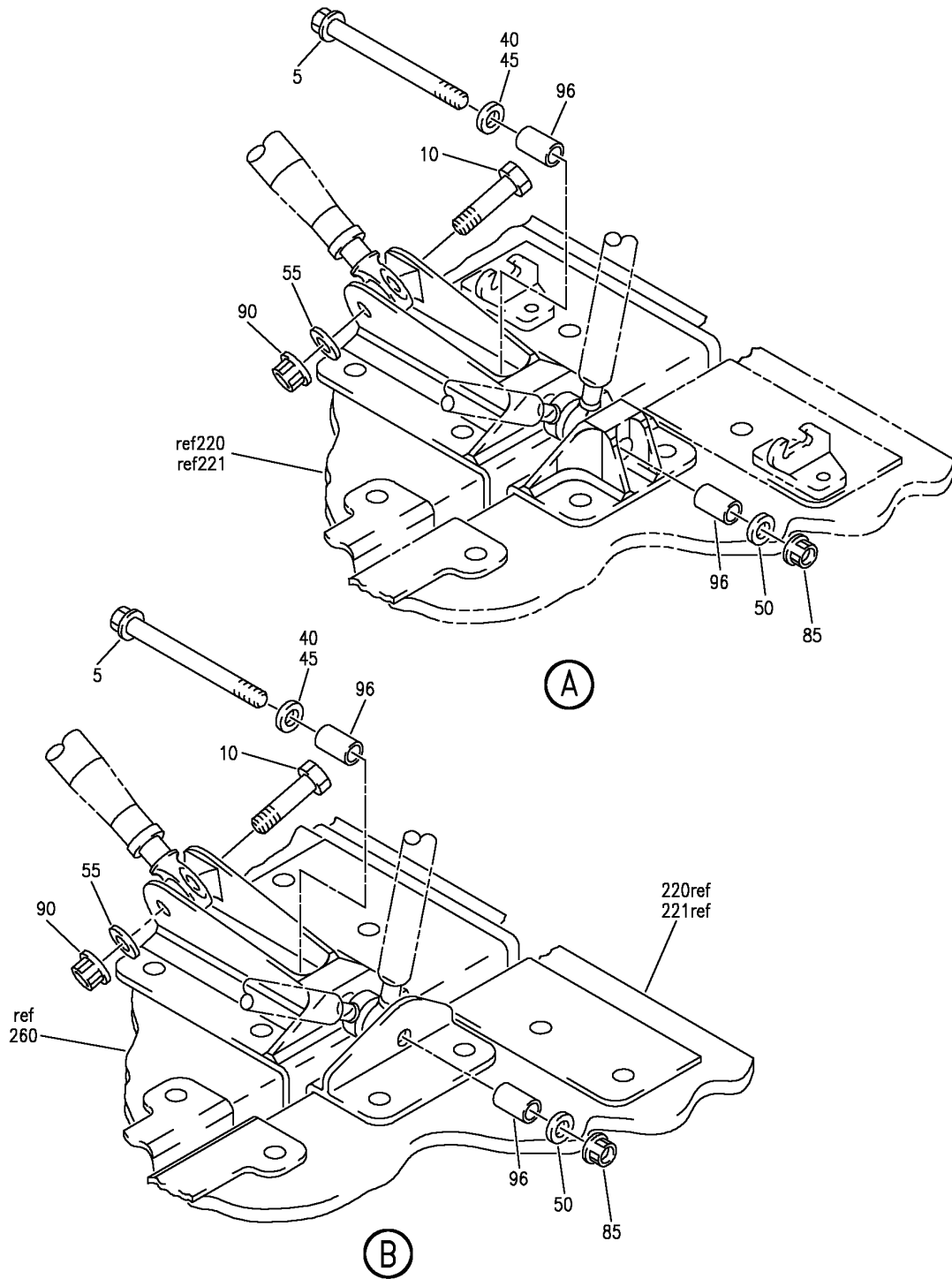
COMPARTMENT INSTL-AFT RH OVHD STOWAGE BULLNOSE CONFIGURATION
 FIGURE 49 (SHEET 1)

25-24-30-49

HAP
 OCT 15/08

25-24-30-49
 PAGE 0

BOEING
 737-600/700/800/900
 PARTS CATALOG (MAINTENANCE)



E 25243049 SH1 2 REV 082

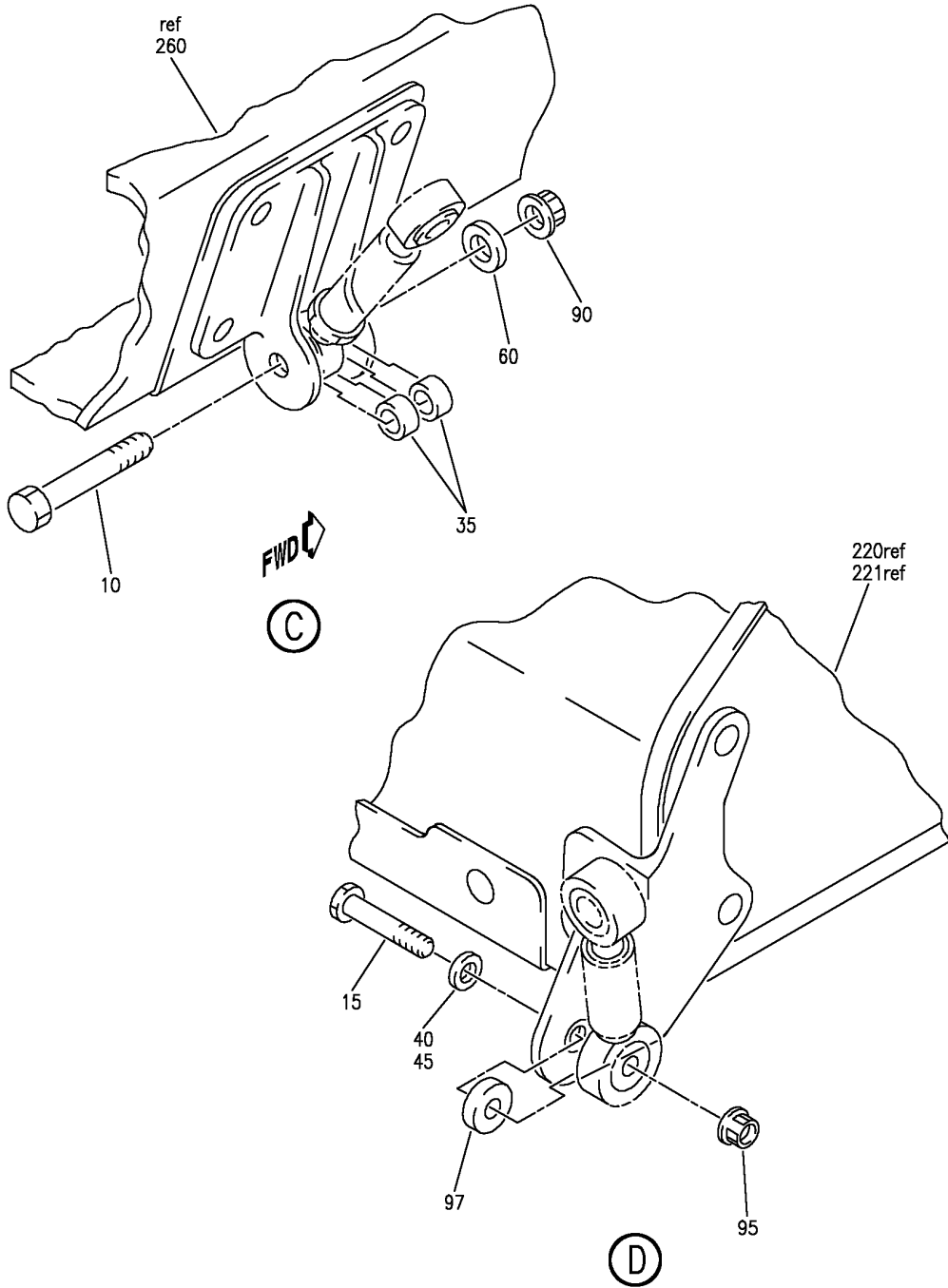
COMPARTMENT INSTL-AFT RH OVHD STOWAGE BULLNOSE CONFIGURATION
 FIGURE 49 (SHEET 2)

25-24-30-49

HAP
 OCT 15/08

25-24-30-49
 PAGE 0A

BOEING
 737-600/700/800/900
 PARTS CATALOG (MAINTENANCE)



E 25243049 SH1 3 REV 082

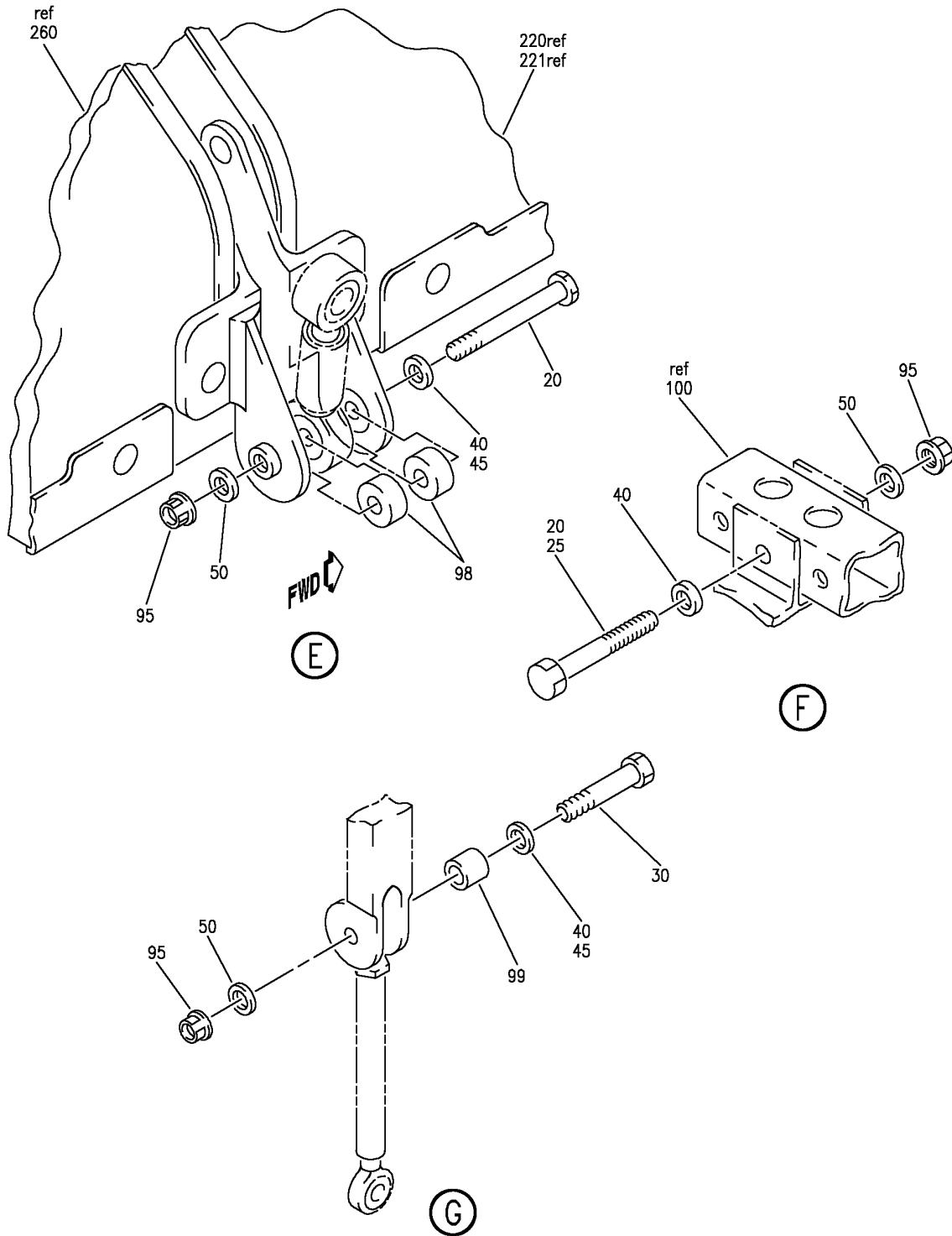
COMPARTMENT INSTL-AFT RH OVHD STOWAGE BULLNOSE CONFIGURATION
 FIGURE 49 (SHEET 3)

25-24-30-49

HAP
 OCT 15/08

25-24-30-49
 PAGE 0B

BOEING
 737-600/700/800/900
 PARTS CATALOG (MAINTENANCE)



E 25243049 SHIT 4 REV 092

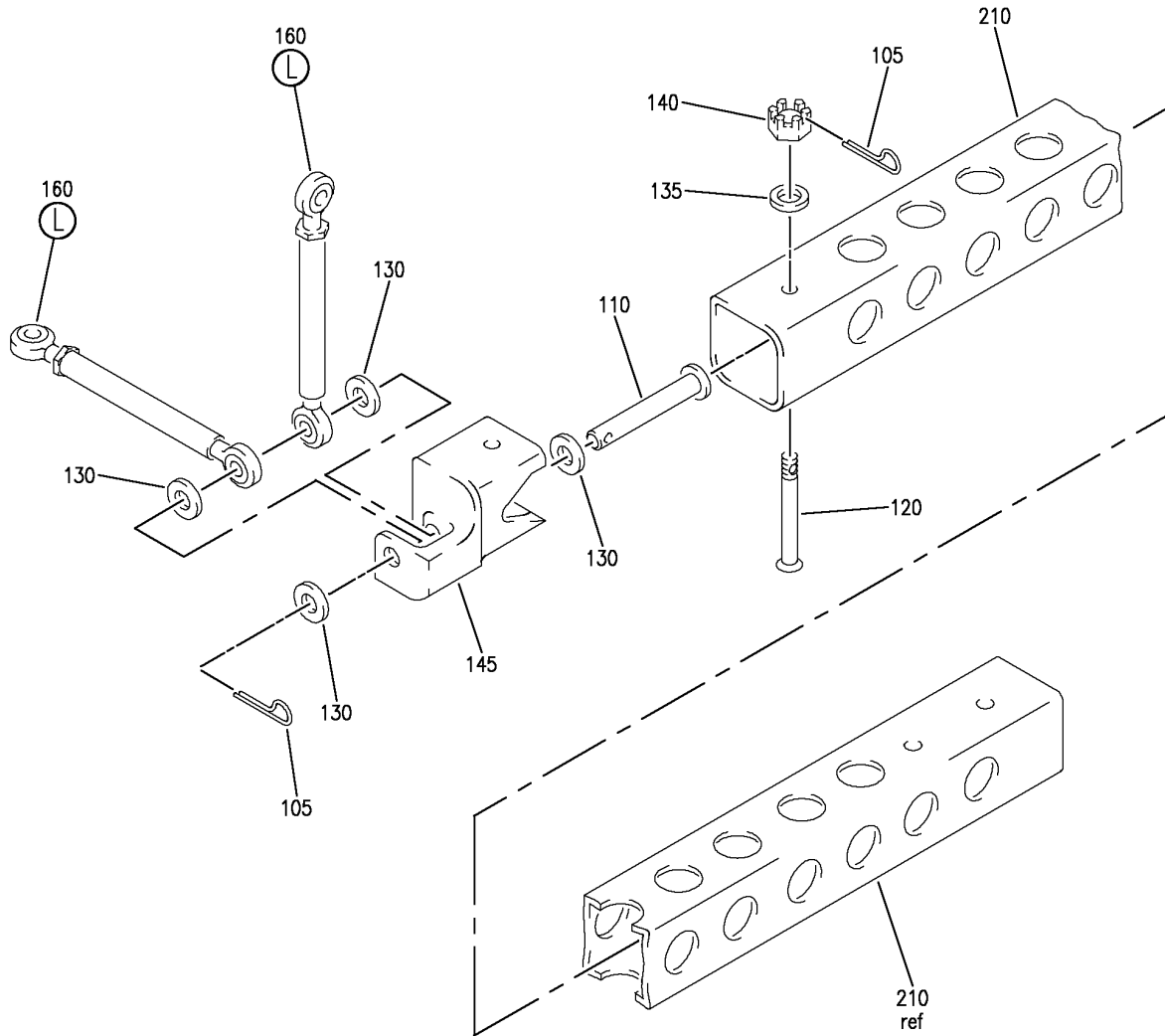
COMPARTMENT INSTL-AFT RH OVHD STOWAGE BULLNOSE CONFIGURATION
 FIGURE 49 (SHEET 4)

25-24-30-49

HAP
 OCT 15/08

25-24-30-49
 PAGE 0C

BOEING
 737-600/700/800/900
 PARTS CATALOG (MAINTENANCE)



E 25243049 SH1 5 REV 081



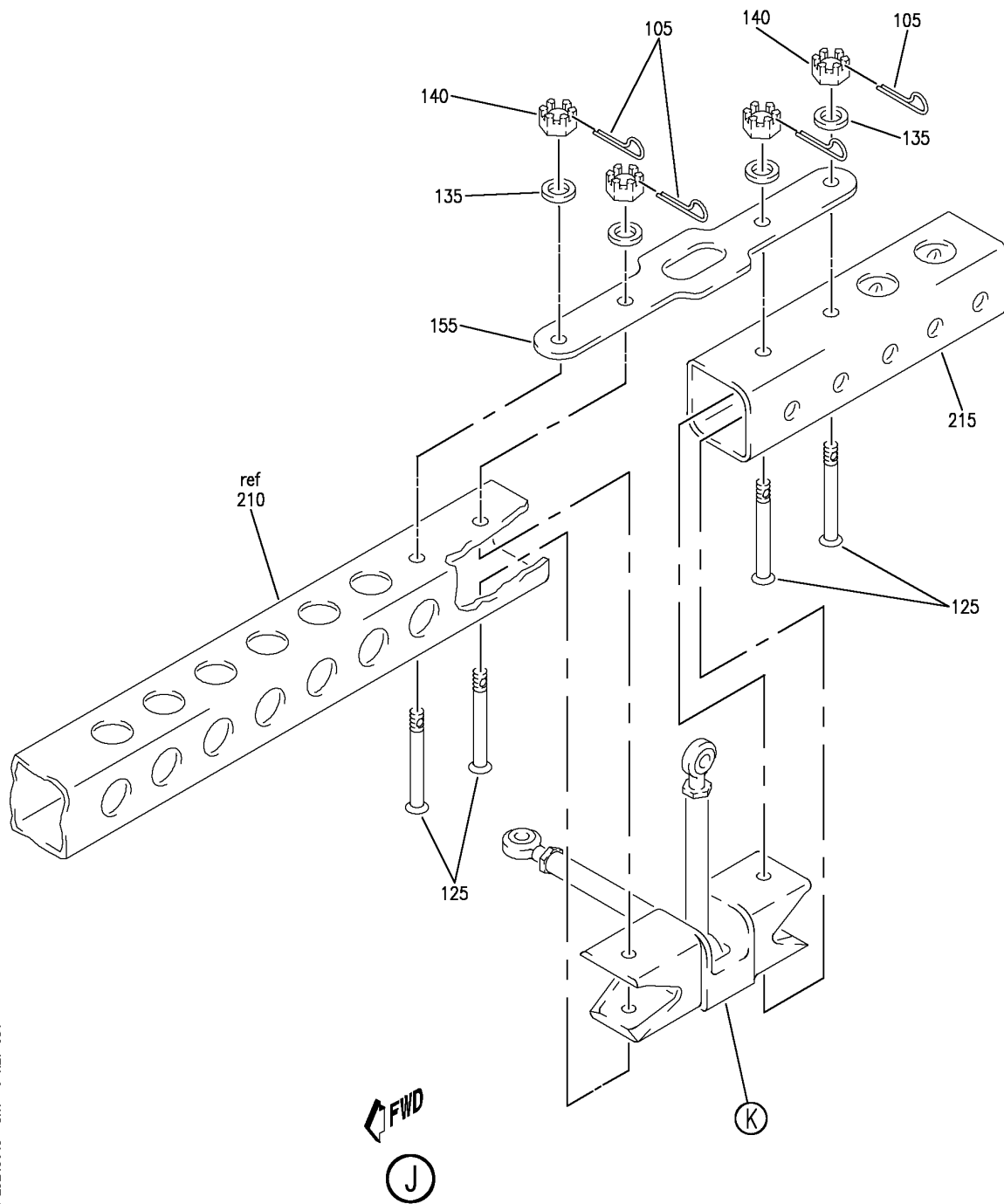
COMPARTMENT INSTL-AFT RH OVHD STOWAGE BULLNOSE CONFIGURATION
 FIGURE 49 (SHEET 5)

25-24-30-49

HAP
 OCT 15/08

25-24-30-49
 PAGE 0D

BOEING
 737-600/700/800/900
 PARTS CATALOG (MAINTENANCE)



E 25243049 SH1 6 REV 081

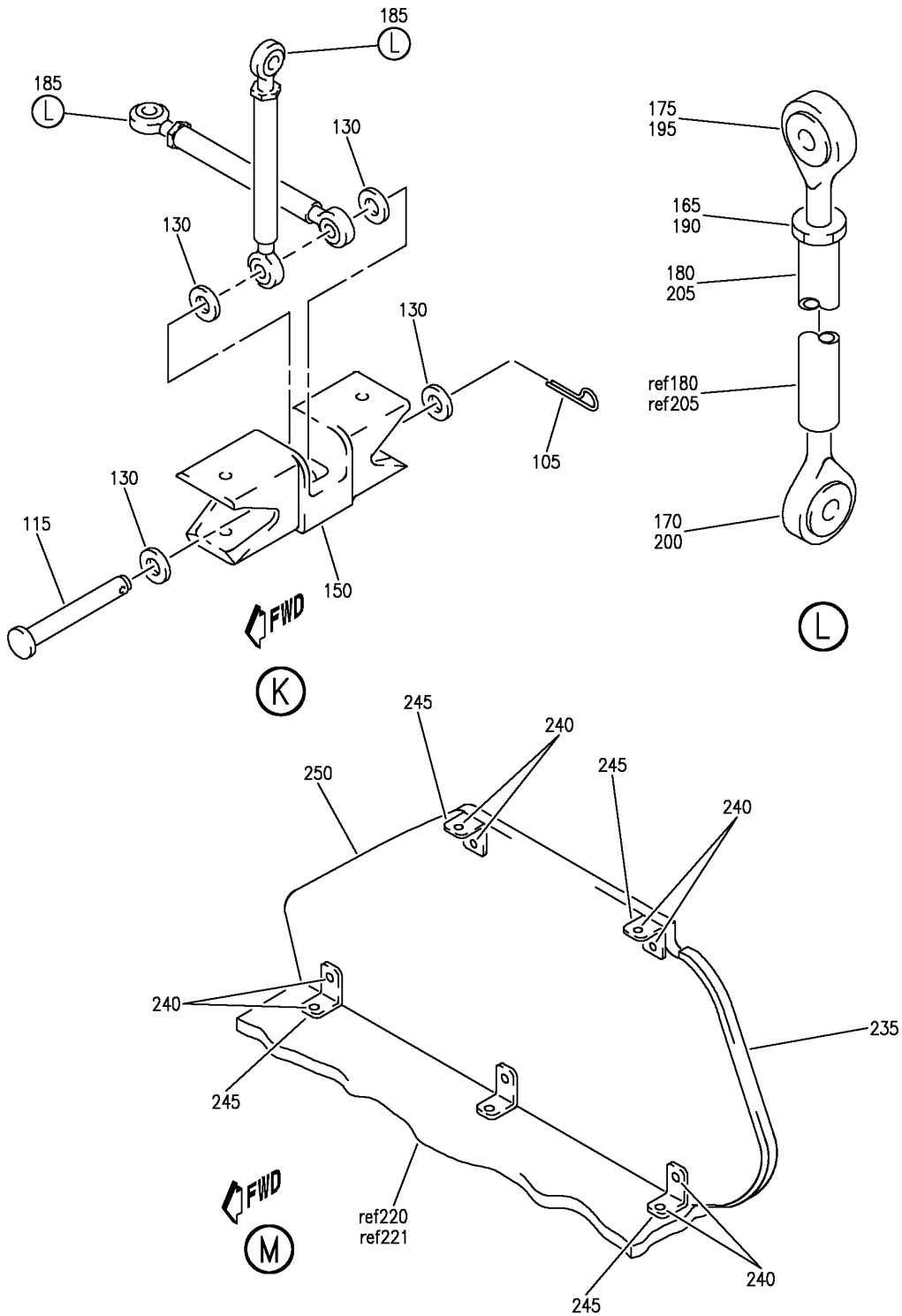
COMPARTMENT INSTL-AFT RH OVHD STOWAGE BULLNOSE CONFIGURATION
 FIGURE 49 (SHEET 6)

25-24-30-49

HAP
 OCT 15/08

25-24-30-49
 PAGE 0E

BOEING
 737-600/700/800/900
 PARTS CATALOG (MAINTENANCE)



E 25243049 SH1 7 REV 085

COMPARTMENT INSTL-AFT RH OVHD STOWAGE BULLNOSE CONFIGURATION
 FIGURE 49 (SHEET 7)

25-24-30-49

HAP
 OCT 15/08

25-24-30-49
 PAGE OF

BOEING
737-600/700/800/900
PARTS CATALOG (MAINTENANCE)

FIG ITEM	PART NUMBER	1 2 3 4 5 6 7	NOMENCLATURE	EFFECT FROM TO	UNITS PER ASSY
49			COMPARTMENT INSTL-AFT RH OVHD STOWAGE BULLNOSE CONFIGURATION	201967	
- 1	412A1040-119SP		COMPARTMENT INSTL-OVHD STOWAGE BULLNOSE CONFIGURATION POSITION DATA: AFT RH FOR NHA SEE: 25-24-00-15A	202967	RF
- 1	412A1040-219SP		COMPARTMENT INSTL-OVHD STOWAGE BULLNOSE CONFIGURATION POSITION DATA: AFT RH FOR NHA SEE: 25-24-00-15A	201201	RF
5	BACB30US4K33		.BOLT	201967	2
10	BACB30PW4-16		.BOLT	201967	3
15	BACB30NR4K10		.BOLT	201967	1
25	BACB30NR4K26		.BOLT	201967	1
30	BACB30NR4K12		.BOLT	201967	4
35	412A1350-2		.SPACER	201967	2
45	BACW10BP4CD		.WASHER	201967	8
50	BACW10BP4DP		.WASHER	201967	8
55	BACW10BN3SP		.WASHER	201967	2
60	BACW10BP3DP		.WASHER	201967	1

MISSING ITEM NUMBERS NOT APPLICABLE

- ITEM NOT ILLUSTRATED

HAP

25-24-30-49

BOEING PROPRIETARY - Copyright © - Unpublished Work - See title page for details.

25-24-30
FIG. 49
PAGE 1
OCT 15/08

BOEING
737-600/700/800/900
PARTS CATALOG (MAINTENANCE)

FIG ITEM	PART NUMBER	1 2 3 4 5 6 7	NOMENCLATURE	EFFECT FROM TO	UNITS PER ASSY
49 85	BMN5024CWD34	.NUT	SUPPLIER CODE: V97928 SPECIFICATION NUMBER: BACN10HR4CD OPTIONAL PART: H51560-4 V15653 102CH9031-4 V72962 SL7108C428 V11815 67832CD428 V56878 BMN5024CWD3-4 V97928 BH00303CM4 V27238 SL7108C4 V11815 VCU0005D4 V06710 102LH90314 V72962 67832CD4 V56878 H964CD V15653 RMLH224CD V72962 VAL280094CD V06710 678324CD V56878 CR6030-4 VF0224	201967	2
90	PLH53CD	.NUT	SUPPLIER CODE: VF0224 SPECIFICATION NUMBER: BACN10YR3CD OPTIONAL PART: H52732-3CD V15653	201967	3

MISSING ITEM NUMBERS NOT APPLICABLE

— ITEM NOT ILLUSTRATED

HAP

25-24-30-49

BOEING PROPRIETARY - Copyright © - Unpublished Work - See title page for details.

25-24-30
FIG. 49
PAGE 2
FEB 15/09

 **BOEING**
737-600/700/800/900
PARTS CATALOG (MAINTENANCE)

FIG ITEM	PART NUMBER	1 2 3 4 5 6 7	NOMENCLATURE	EFFECT FROM TO	UNITS PER ASSY
49					
95	PLH54CD	.NUT	SUPPLIER CODE: VF0224 SPECIFICATION NUMBER: BACN10YR4CD OPTIONAL PART: H52732-4CD V15653	201967	7
96	BACB28AK04-071	.BUSHING		201967	4
97	BACB28Z4-020	.BUSHING		201967	1
98	BACB28AK04-060	.BUSHING		201967	2
99	BACB28AK04-025	.BUSHING		201967	4
100	412A2251-14	.SUPPORT ASSY-RAIL	POSITION DATA: UPR	201967	1
105	BACP18BC02C06P	..PIN		201967	7
110	MS20392-3C47	..PIN		201967	1
115	MS20392-3C53	..PIN		201967	1
120	NAS8703AD22	..BOLT-	OPTIONAL PART: BACB30LH3K21	201967	1
120	BACB30LH3K21	..BOLT-	OPTIONAL PART: NAS8703AD22	201967	1
125	NAS8703AD23	..BOLT-	OPTIONAL PART: BACB30LH3K23	201967	4
125	BACB30LH3K23	..BOLT-	OPTIONAL PART: NAS8703AD23	201967	4
130	NAS1515H4L	..WASHER		201967	8
135	NAS1149D0332J	..WASHER		201967	5
140	BACN10JD103CD	..NUT		201967	5
145	412A1230-91	..FITTING		201967	1
150	412A1230-50	..FITTING		201967	1
155	412A1220-70	..PLATE		201967	1
160	65-80898-50	..TURNBUCKLE ASSY		201967	2
165	AN316-4R	...NUT		201967	1

MISSING ITEM NUMBERS NOT APPLICABLE

— ITEM NOT ILLUSTRATED

HAP

25-24-30-49

25-24-30
FIG. 49
PAGE 3
FEB 15/09

BOEING
737-600/700/800/900
PARTS CATALOG (MAINTENANCE)

FIG ITEM	PART NUMBER	1 2 3 4 5 6 7	NOMENCLATURE	EFFECT FROM TO	UNITS PER ASSY
49 170	ACB4-3		...BEARING-ROD END SUPPLIER CODE: V56644 OPTIONAL PART: 1254-1L V34742 AHML4-104 V50294 ML44-9A V73134 FML4-7 V76474	201967	1
170	AHML4-104		...BEARING-ROD END SUPPLIER CODE: V50294 OPTIONAL PART: 1254-1L V34742 ACB4-3 V56644 ML44-9A V73134 FML4-7 V76474	201967	1
170	FML4-7		...BEARING-ROD END SUPPLIER CODE: V76474 OPTIONAL PART: 1254-1L V34742 ACB4-3 V56644 AHML4-104 V50294 ML44-9A V73134	201967	1
170	ML44-9A		...BEARING-ROD END SUPPLIER CODE: V73134 OPTIONAL PART: 1254-1L V34742 ACB4-3 V56644 AHML4-104 V50294 FML4-7 V76474	201967	1

MISSING ITEM NUMBERS NOT APPLICABLE

— ITEM NOT ILLUSTRATED

HAP

25-24-30-49

BOEING PROPRIETARY - Copyright © - Unpublished Work - See title page for details.

25-24-30
FIG. 49
PAGE 4
OCT 15/08

BOEING
737-600/700/800/900
PARTS CATALOG (MAINTENANCE)

FIG ITEM	PART NUMBER	1 2 3 4 5 6 7	NOMENCLATURE	EFFECT FROM TO	UNITS PER ASSY
49 170	1254-1L		...BEARING-ROD END SUPPLIER CODE: V34742 OPTIONAL PART: ACB4-3 V56644 AHML4-104 V50294 ML44-9A V73134 FML4-7 V76474	201967	1
175	ACM4-3		...BEARING-ROD END SUPPLIER CODE: V56644 OPTIONAL PART: 1254-1 V34742 AHM4-104 V50294 FM4-7 V02695 M44-9A V73134	201967	1
175	AHM4-104		...BEARING-ROD END SUPPLIER CODE: V50294 OPTIONAL PART: 1254-1 V34742 ACM4-3 V56644 FM4-7 V02695 M44-9A V73134	201967	1
175	FM4-7		...BEARING-ROD END SUPPLIER CODE: V02695 OPTIONAL PART: 1254-1 V34742 ACM4-3 V56644 AHM4-104 V50294 M44-9A V73134	201967	1

MISSING ITEM NUMBERS NOT APPLICABLE

— ITEM NOT ILLUSTRATED

HAP

25-24-30-49

BOEING PROPRIETARY - Copyright © - Unpublished Work - See title page for details.

25-24-30
FIG. 49
PAGE 5
OCT 15/08

BOEING
737-600/700/800/900
PARTS CATALOG (MAINTENANCE)

FIG ITEM	PART NUMBER	1 2 3 4 5 6 7	NOMENCLATURE	EFFECT FROM TO	UNITS PER ASSY
49 175	M44-9A		...BEARING-ROD END SUPPLIER CODE: V73134 OPTIONAL PART: 1254-1 V34742 ACM4-3 V56644 AHM4-104 V50294 FM4-7 V02695	201967	1
175	1254-1		...BEARING-ROD END SUPPLIER CODE: V34742 OPTIONAL PART: ACM4-3 V56644 AHM4-104 V50294 FM4-7 V02695 M44-9A V73134	201967	1
180	65-81149-11		...TUBE	201967	1
185	65-80898-43		..TURNBUCKLE ASSY	201967	2
190	AN316-4R		...NUT	201967	1
195	1486-5		...ROD END ASSY- SUPPLIER CODE: V34742	201967	1
200	1486-5L		...ROD END ASSY- SUPPLIER CODE: V34742	201967	1
205	65-81149-47		...TUBE	201967	1
210	412A2251-4		..RAIL	201967	1
215	412A2251-5		..RAIL	201967	1
220	412A1050-214SP		.COMPONENT ASSY-VAR	202967	1
220	412A1050-414SP		.COMPONENT ASSY-VAR	201201	1
225	412A1170-218SP		..COMPARTMENT ASSY-60 IN. FUNCTIONAL REFERENCE: EQUIPMENT/FURNISHINGS FOR DETAILS SEE 25-24-31-25C LIGHTS FOR DETAILS SEE 33-22-00-32 33-51-03-16A	202967	1

MISSING ITEM NUMBERS NOT APPLICABLE

— ITEM NOT ILLUSTRATED

HAP

25-24-30-49

BOEING PROPRIETARY - Copyright © - Unpublished Work - See title page for details.

25-24-30
FIG. 49
PAGE 6
OCT 15/08

BOEING
737-600/700/800/900
PARTS CATALOG (MAINTENANCE)

FIG ITEM	PART NUMBER	1 2 3 4 5 6 7	NOMENCLATURE	EFFECT FROM TO	UNITS PER ASSY
49 225	412A1170-418B		..COMPARTMENT ASSY-60 IN. FUNCTIONAL REFERENCE: EQUIPMENT/FURNISHINGS FOR DETAILS SEE 25-24-31-25E LIGHTS FOR DETAILS SEE 33-22-00-32 33-51-03-16A	201201	1
230	412A1910-36SP		..PANEL ASSY-MTG	201967	1
235	412A1250-91SP		...TRIM-	201967	1
240	BACS12FA3K5		...SCREW	201967	10
245	412A1220-61SP		...CLIP-	201967	5
250	412A1213-49SP		...PANEL ASSY-DIVIDER	201967	1
- 255	SL2334-3A1	INSERT- SUPPLIER CODE: V97393	201967	11
260	412A1050-112SP		.COMPONENT ASSY-VAR	202967	1
260	412A1050-312SP		.COMPONENT ASSY-VAR	201201	1
265	412A1170-120SP		..COMPARTMENT ASSY-31 IN. FOR DETAILS SEE: 25-24-31-30	202967	1
265	412A1170-320B		..COMPARTMENT ASSY-31 IN. FOR DETAILS SEE: 25-24-31-30	201201	1
270	412A1310-334SP		..MOUNTING ASSY-END CAP FOR DETAILS SEE: 25-24-33-28	202967	1

MISSING ITEM NUMBERS NOT APPLICABLE

- ITEM NOT ILLUSTRATED

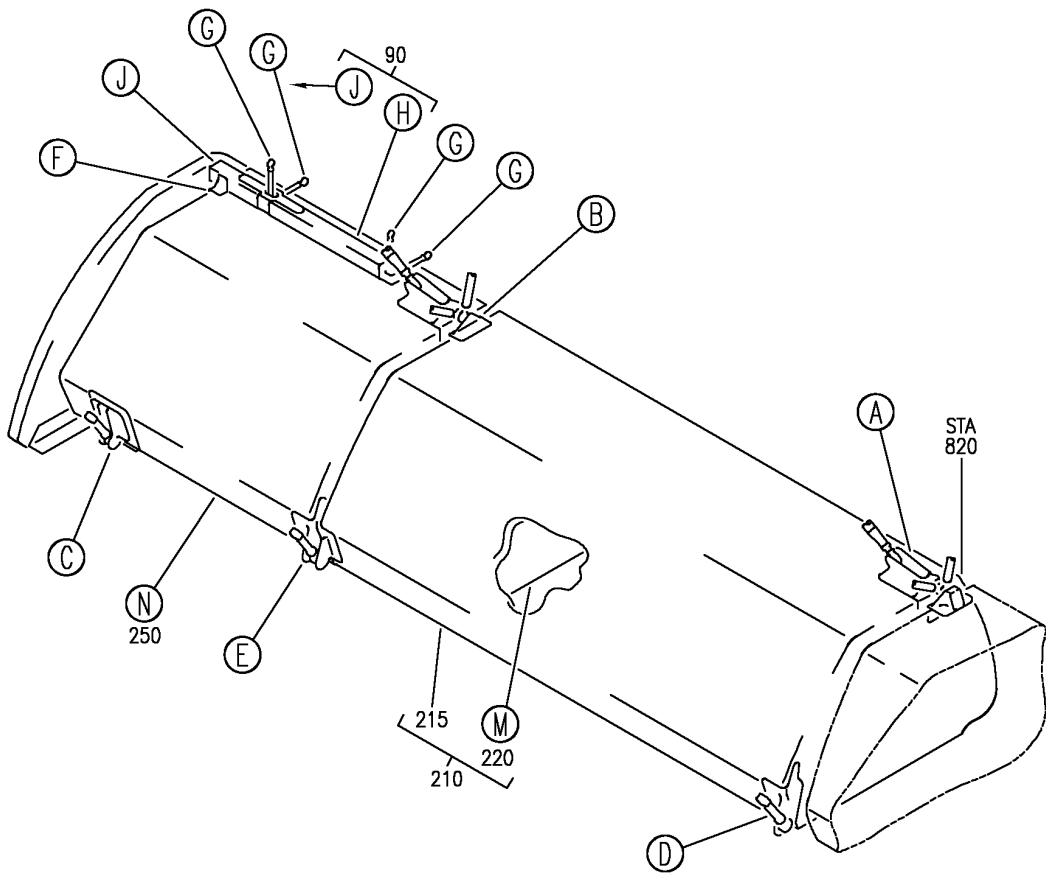
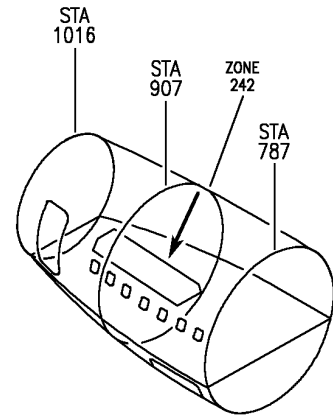
HAP

25-24-30-49

BOEING PROPRIETARY - Copyright © - Unpublished Work - See title page for details.

25-24-30
FIG. 49
PAGE 7
OCT 15/08

BOEING
 737-600/700/800/900
 PARTS CATALOG (MAINTENANCE)



E 25243049D SHT 1 REV 081

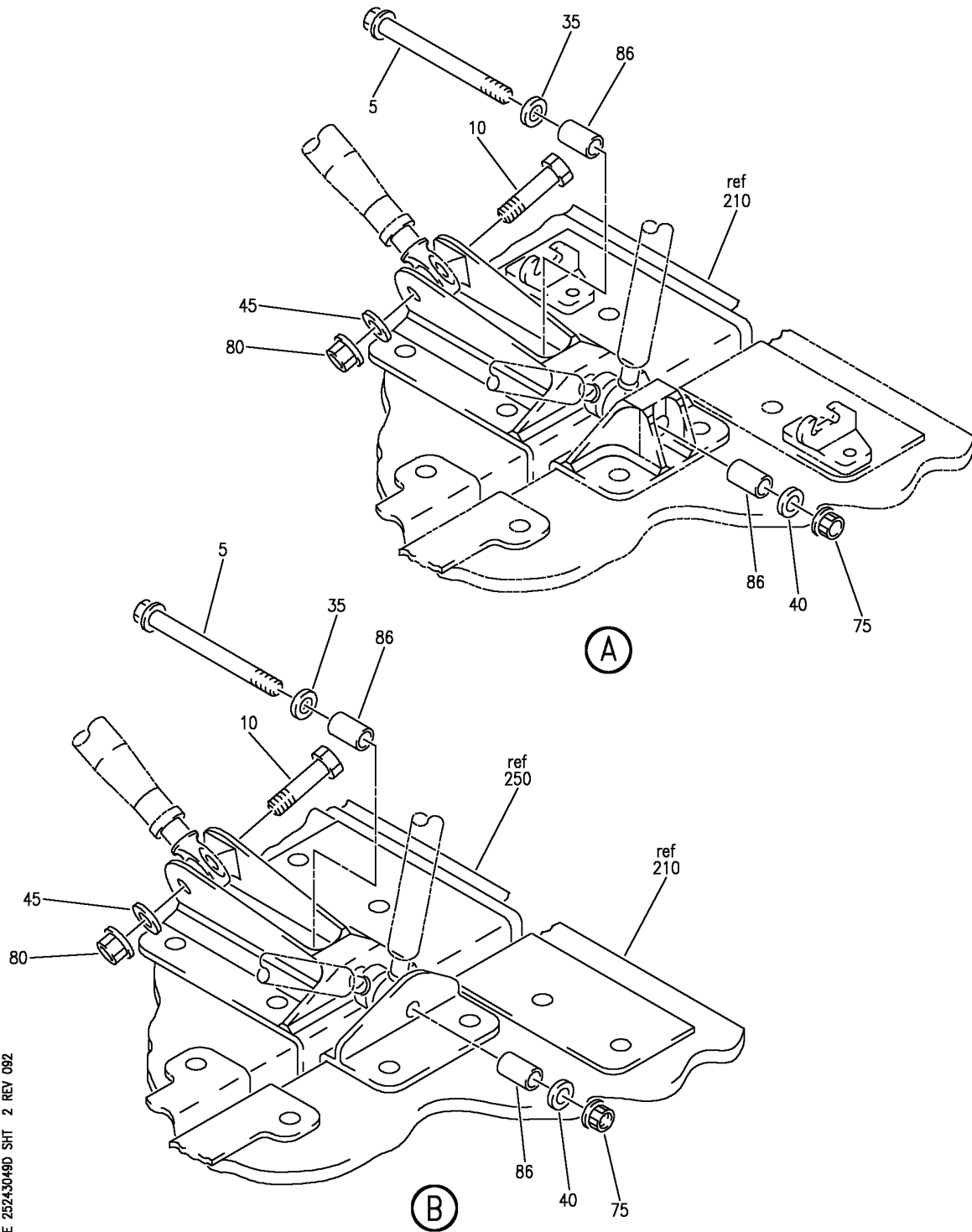
COMPARTMENT INSTL-AFT RH OVHD STOWAGE HNDRL CONFIGURATION
 FIGURE 49D (SHEET 1)

25-24-30-49D

HAP
 OCT 10/06

25-24-30-49D
 PAGE 0

BOEING
 737-600/700/800/900
 PARTS CATALOG (MAINTENANCE)



E 25243049D SHT 2 REV 092

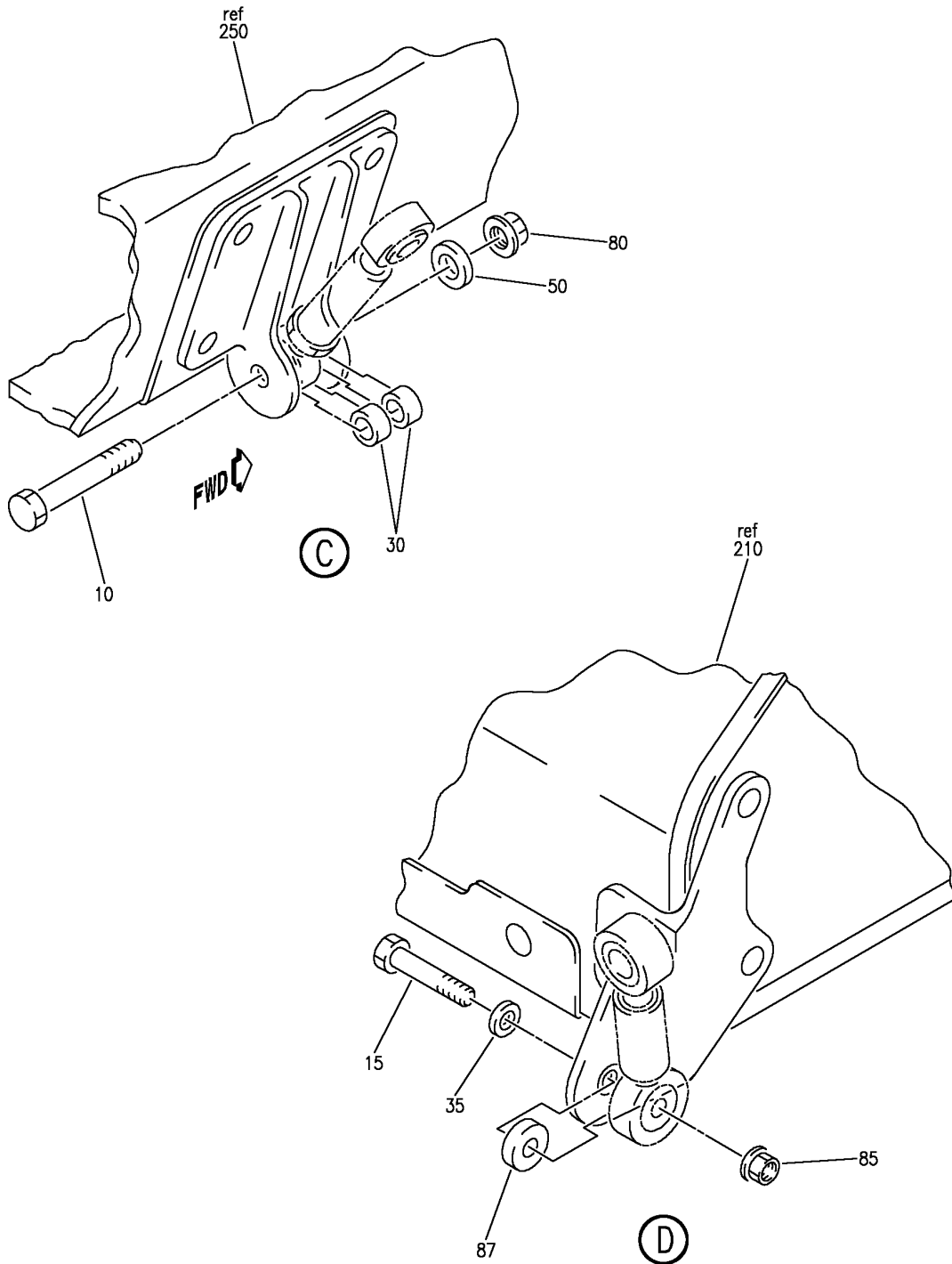
COMPARTMENT INSTL-AFT RH OVHD STOWAGE HNDRL CONFIGURATION
 FIGURE 49D (SHEET 2)

25-24-30-49D

HAP
 OCT 10/06

25-24-30-49D
 PAGE 0A

BOEING
737-600/700/800/900
PARTS CATALOG (MAINTENANCE)



E 25243049D SHT 3 REV 092

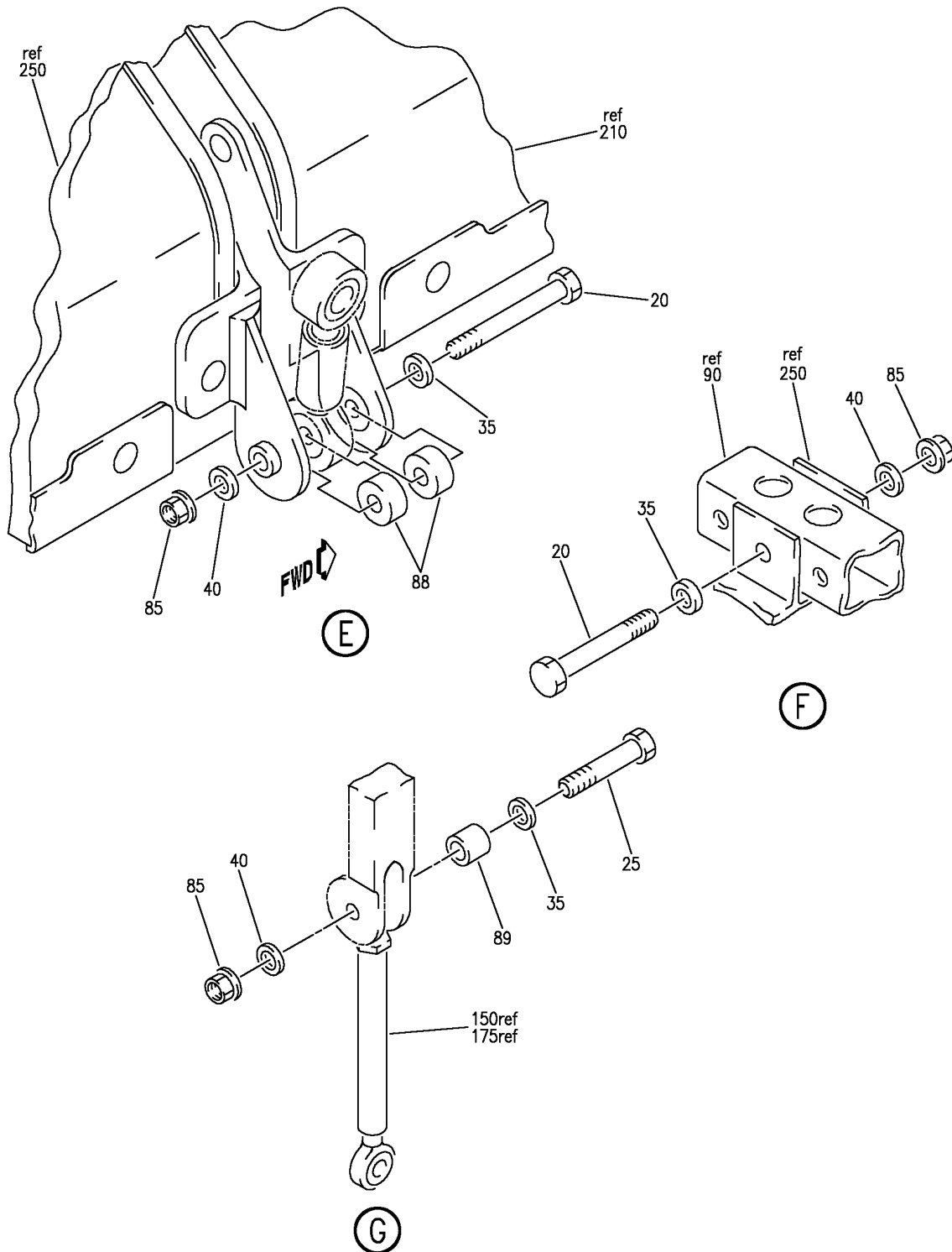
COMPARTMENT INSTL-AFT RH OVHD STOWAGE HANDRL CONFIGURATION
FIGURE 49D (SHEET 3)

25-24-30-49D

HAP
OCT 10/06

25-24-30-49D
PAGE 0B

BOEING
 737-600/700/800/900
 PARTS CATALOG (MAINTENANCE)



E 25243049D SHT 4 REV 092

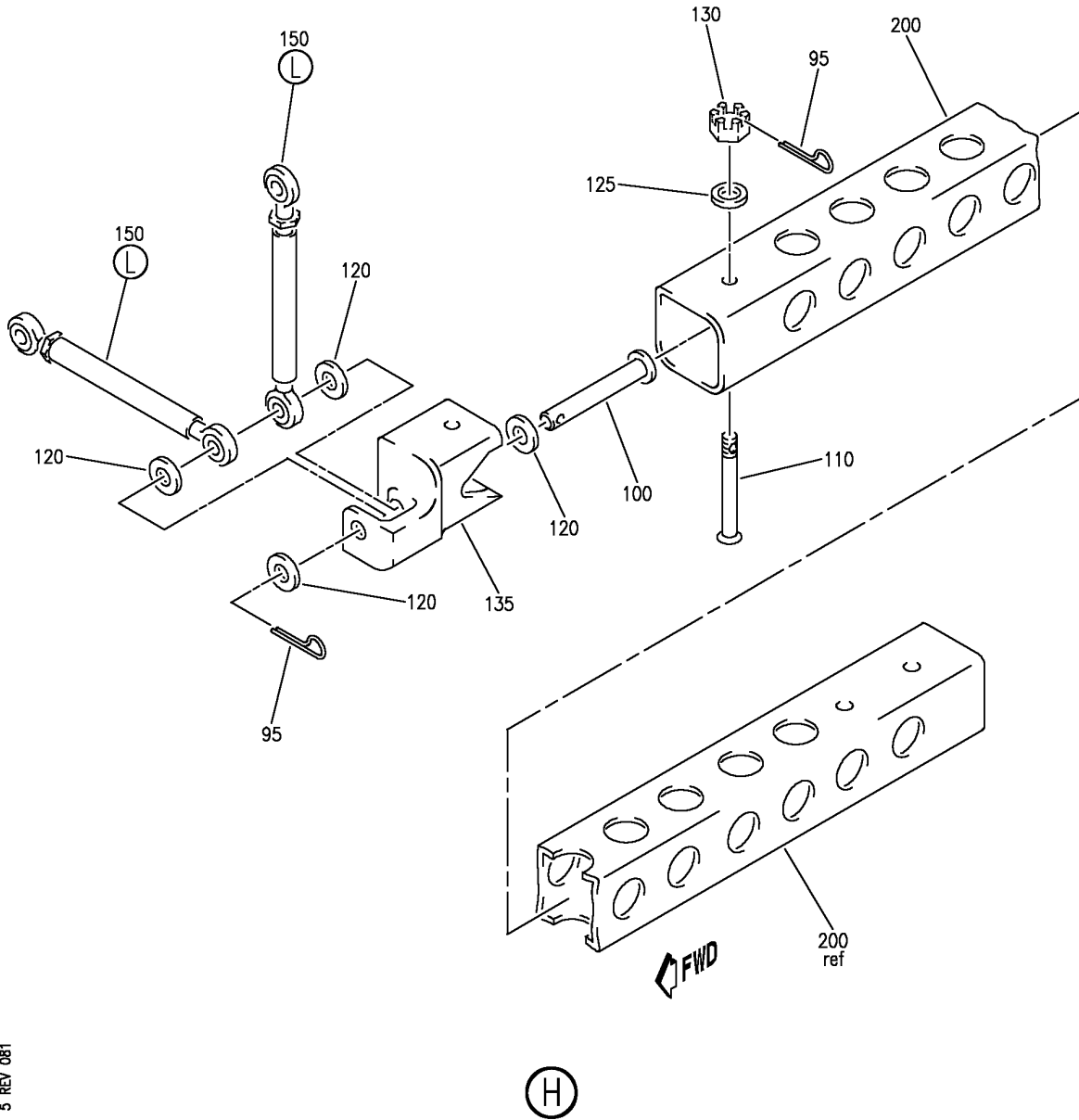
COMPARTMENT INSTL-AFT RH OVHD STOWAGE HNDRL CONFIGURATION
 FIGURE 49D (SHEET 4)

25-24-30-49D

HAP
 OCT 10/06

25-24-30-49D
 PAGE 0C

BOEING
 737-600/700/800/900
 PARTS CATALOG (MAINTENANCE)



E 25243049D SHT 5 REV 081

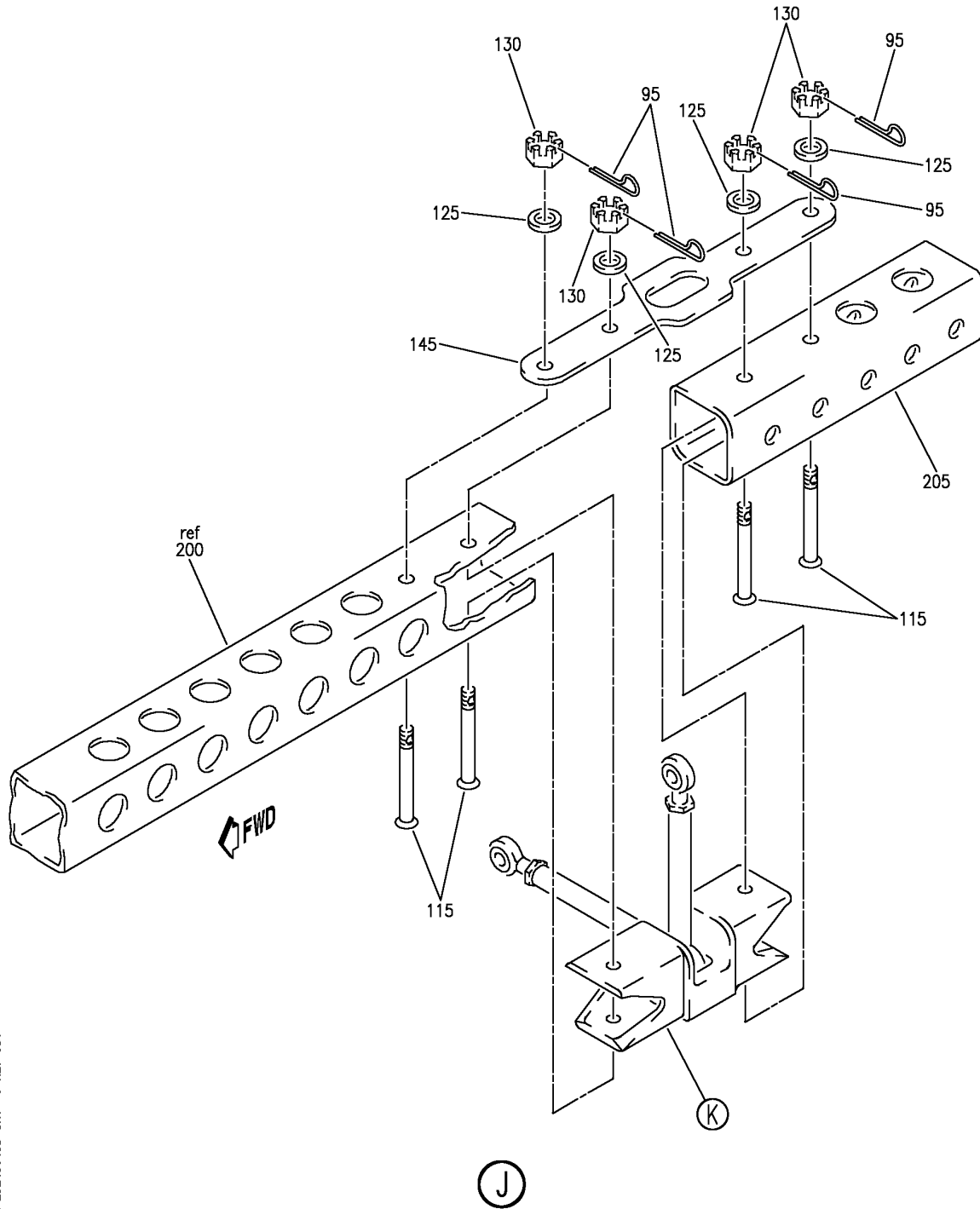
COMPARTMENT INSTL-AFT RH OVHD STOWAGE HNDRL CONFIGURATION
 FIGURE 49D (SHEET 5)

25-24-30-49D

HAP
 OCT 10/06

25-24-30-49D
 PAGE 0D

BOEING
 737-600/700/800/900
 PARTS CATALOG (MAINTENANCE)



E 25243049D SHT 6 REV 081

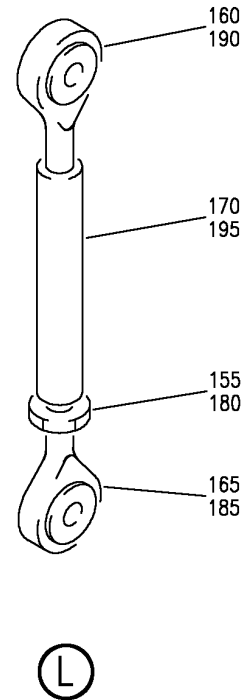
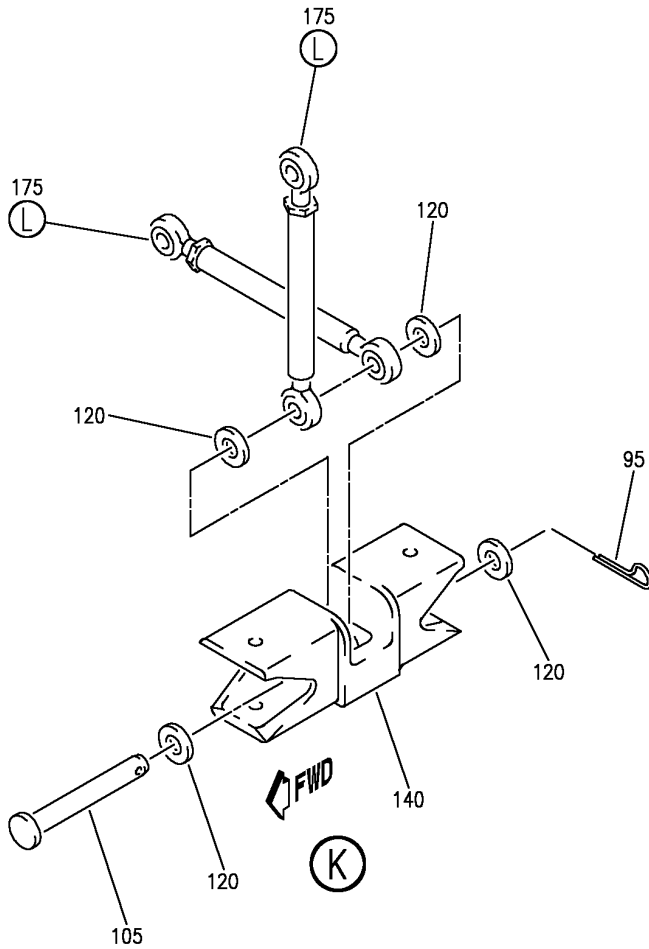
COMPARTMENT INSTL-AFT RH OVHD STOWAGE HNDRL CONFIGURATION
 FIGURE 49D (SHEET 6)

25-24-30-49D

HAP
 OCT 10/06

25-24-30-49D
 PAGE 0E

BOEING
 737-600/700/800/900
 PARTS CATALOG (MAINTENANCE)



E 25243049D SHT 7 REV 081

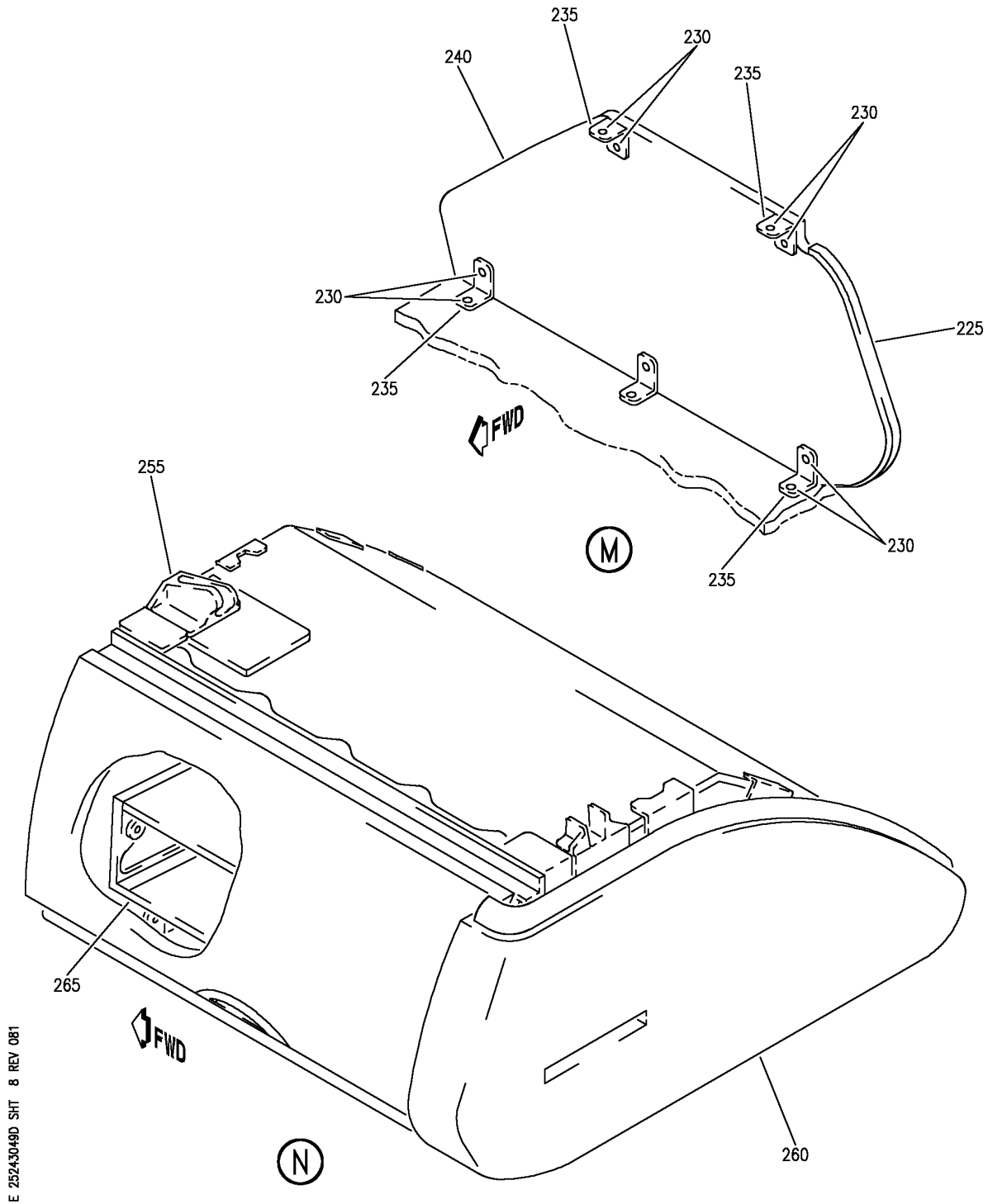
COMPARTMENT INSTL-AFT RH OVHD STOWAGE HNDRL CONFIGURATION
 FIGURE 49D (SHEET 7)

25-24-30-49D

HAP
 OCT 10/06

25-24-30-49D
 PAGE OF

BOEING
 737-600/700/800/900
 PARTS CATALOG (MAINTENANCE)



E 25243049D SHT 8 REV 081

COMPARTMENT INSTL-AFT RH OVHD STOWAGE HNDRL CONFIGURATION
 FIGURE 49D (SHEET 8)

25-24-30-49D

HAP
 OCT 10/06

25-24-30-49D
 PAGE 08

BOEING
737-600/700/800/900
PARTS CATALOG (MAINTENANCE)

FIG ITEM	PART NUMBER	1 2 3 4 5 6 7	NOMENCLATURE	EFFECT FROM TO	UNITS PER ASSY
49D			COMPARTMENT INSTL-AFT RH OVHD STOWAGE HNDRL CONFIGURATION	002005 008030	
- 1	412A1040-103SP		COMPARTMENT INSTL-OVHD STOWAGE HNDRL CONFIGURATION POSITION DATA: AFT RH FOR NHA SEE: 25-24-00-13A	002005 008008	RF
- 1	412A1040-203SP		COMPARTMENT INSTL-OVHD STOWAGE HNDRL CONFIGURATION POSITION DATA: AFT RH FOR NHA SEE: 25-24-00-13A	009030	RF
5	BACB30US4K33		.BOLT	002005 008030	2
10	BACB30PW4-16		.BOLT	002005 008030	3
15	BACB30NR4K10		.BOLT	002005 008030	1
20	BACB30NR4K26		.BOLT	002005 008030	2
25	BACB30NR4K12		.BOLT	002005 008030	4
30	412A1350-2		.SPACER	002005 008030	2
35	BACW10BP4CD		.WASHER	002005 008030	9
40	BACW10BP4DP		.WASHER	002005 008030	8
45	BACW10BN3SP		.WASHER	002005 008030	2
50	BACW10BP3DP		.WASHER	002005 008030	1

MISSING ITEM NUMBERS NOT APPLICABLE

- ITEM NOT ILLUSTRATED

HAP

25-24-30-49D

BOEING PROPRIETARY - Copyright © - Unpublished Work - See title page for details.

25-24-30
FIG. 49D
PAGE 1
OCT 10/06

BOEING
737-600/700/800/900
PARTS CATALOG (MAINTENANCE)

FIG ITEM	PART NUMBER	1 2 3 4 5 6 7	NOMENCLATURE	EFFECT FROM TO	UNITS PER ASSY
49D 75	BMN5024CWD34	.NUT	SUPPLIER CODE: V97928 SPECIFICATION NUMBER: BACN10HR4CD OPTIONAL PART: H51560-4 V15653 102CH9031-4 V72962 SL7108C428 V11815 67832CD428 V56878 BMN5024CWD3-4 V97928 BH00303CM4 V27238 SL7108C4 V11815 VCU0005D4 V06710 102LH90314 V72962 67832CD4 V56878 H964CD V15653 RMLH224CD V72962 VAL280094CD V06710 678324CD V56878 CR6030-4 VF0224	002005 008030	2
80	PLH53CD	.NUT	SUPPLIER CODE: VF0224 SPECIFICATION NUMBER: BACN10YR3CD OPTIONAL PART: H52732-3CD V15653	002005 008030	3

MISSING ITEM NUMBERS NOT APPLICABLE

— ITEM NOT ILLUSTRATED

HAP

25-24-30-49D

BOEING PROPRIETARY - Copyright © - Unpublished Work - See title page for details.

25-24-30
FIG. 49D
PAGE 2
FEB 15/09

BOEING
737-600/700/800/900
PARTS CATALOG (MAINTENANCE)

FIG ITEM	PART NUMBER	1 2 3 4 5 6 7	NOMENCLATURE	EFFECT FROM TO	UNITS PER ASSY
49D 85	PLH54CD	.	NUT SUPPLIER CODE: VF0224 SPECIFICATION NUMBER: BACN10YR4CD OPTIONAL PART: H52732-4CD V15653	002005 008030	7
86	BACB28AK04-071	.	BUSHING	002005 008030	4
87	BACB28Z4-020	.	BUSHING	002005 008030	1
88	BACB28AK04-060	.	BUSHING	002005 008030	2
89	BACB28AK04-025	.	BUSHING	002005 008030	4
90	412A2251-14	.	SUPPORT ASSY-RAIL POSITION DATA: UPR	002005 008030	1
95	BACP18BC02C06P	..	PIN	002005 008030	7
100	MS20392-3C47	..	PIN	002005 008030	1
105	MS20392-3C53	..	PIN	002005 008030	1
110	NAS8703AD22	..	BOLT- OPTIONAL PART: BACB30LH3K21	002005 008030	1
110	BACB30LH3K21	..	BOLT- OPTIONAL PART: NAS8703AD22	002005 008030	1
115	NAS8703AD23	..	BOLT- OPTIONAL PART: BACB30LH3K23	002005 008030	4
115	BACB30LH3K23	..	BOLT- OPTIONAL PART: NAS8703AD23	002005 008030	4
120	NAS1515H4L	..	WASHER	002005 008030	8
125	NAS1149D0332J	..	WASHER	002005 008030	5
130	BACN10JD103CD	..	NUT	002005 008030	5
135	412A1230-91	..	FITTING	002005 008030	1
140	412A1230-50	..	FITTING	002005 008030	1
145	412A1220-70	..	PLATE	002005 008030	1

MISSING ITEM NUMBERS NOT APPLICABLE

— ITEM NOT ILLUSTRATED

HAP

25-24-30-49D

BOEING PROPRIETARY - Copyright © - Unpublished Work - See title page for details.

25-24-30
FIG. 49D
PAGE 3
FEB 15/09

BOEING
737-600/700/800/900
PARTS CATALOG (MAINTENANCE)

FIG ITEM	PART NUMBER	1 2 3 4 5 6 7	NOMENCLATURE	EFFECT FROM TO	UNITS PER ASSY
49D 150	65-80898-50	..	TURNBUCKLE ASSY	002005 008030	2
155	AN316-4R	...	NUT	002005 008030	1
160	ACB4-3	...	BEARING-ROD END SUPPLIER CODE: V56644 OPTIONAL PART: 1254-1L V34742 AHML4-104 V50294 ML44-9A V73134 FML4-7 V76474	002005 008030	1
160	AHML4-104	...	BEARING-ROD END SUPPLIER CODE: V50294 OPTIONAL PART: 1254-1L V34742 ACB4-3 V56644 ML44-9A V73134 FML4-7 V76474	002005 008030	1
160	FML4-7	...	BEARING-ROD END SUPPLIER CODE: V76474 OPTIONAL PART: 1254-1L V34742 ACB4-3 V56644 AHML4-104 V50294 ML44-9A V73134	002005 008030	1

MISSING ITEM NUMBERS NOT APPLICABLE

— ITEM NOT ILLUSTRATED

HAP

25-24-30-49D

BOEING PROPRIETARY - Copyright © - Unpublished Work - See title page for details.

25-24-30
FIG. 49D
PAGE 4
FEB 15/09

BOEING
737-600/700/800/900
PARTS CATALOG (MAINTENANCE)

FIG ITEM	PART NUMBER	1 2 3 4 5 6 7	NOMENCLATURE	EFFECT FROM TO	UNITS PER ASSY
49D 160	ML44-9A		...BEARING-ROD END SUPPLIER CODE: V73134 OPTIONAL PART: 1254-1L V34742 ACB4-3 V56644 AHML4-104 V50294 FML4-7 V76474	002005 008030	1
160	1254-1L		...BEARING-ROD END SUPPLIER CODE: V34742 OPTIONAL PART: ACB4-3 V56644 AHML4-104 V50294 ML44-9A V73134 FML4-7 V76474	002005 008030	1
165	ACM4-3		...BEARING-ROD END SUPPLIER CODE: V56644 OPTIONAL PART: 1254-1 V34742 AHM4-104 V50294 FM4-7 V02695 M44-9A V73134	002005 008030	1
165	AHM4-104		...BEARING-ROD END SUPPLIER CODE: V50294 OPTIONAL PART: 1254-1 V34742 ACM4-3 V56644 FM4-7 V02695 M44-9A V73134	002005 008030	1

MISSING ITEM NUMBERS NOT APPLICABLE

— ITEM NOT ILLUSTRATED

HAP

25-24-30-49D

BOEING PROPRIETARY - Copyright © - Unpublished Work - See title page for details.

25-24-30
FIG. 49D
PAGE 5
FEB 10/07

BOEING
737-600/700/800/900
PARTS CATALOG (MAINTENANCE)

FIG ITEM	PART NUMBER	1 2 3 4 5 6 7	NOMENCLATURE	EFFECT FROM TO	UNITS PER ASSY
49D 165	FM4-7		...BEARING-ROD END SUPPLIER CODE: V02695 OPTIONAL PART: 1254-1 V34742 ACM4-3 V56644 AHM4-104 V50294 M44-9A V73134	002005 008030	1
165	M44-9A		...BEARING-ROD END SUPPLIER CODE: V73134 OPTIONAL PART: 1254-1 V34742 ACM4-3 V56644 AHM4-104 V50294 FM4-7 V02695	002005 008030	1
165	1254-1		...BEARING-ROD END SUPPLIER CODE: V34742 OPTIONAL PART: ACM4-3 V56644 AHM4-104 V50294 FM4-7 V02695 M44-9A V73134	002005 008030	1
170	65-81149-11		...TUBE	002005 008030	1
175	65-80898-43		..TURNBUCKLE ASSY	002005 008030	2
180	AN316-4R		...NUT	002005 008030	1
185	1486-5		...ROD END ASSY- SUPPLIER CODE: V34742	002005 008030	1
190	1486-5L		...ROD END ASSY- SUPPLIER CODE: V34742	002005 008030	1

MISSING ITEM NUMBERS NOT APPLICABLE

— ITEM NOT ILLUSTRATED

HAP

25-24-30-49D

BOEING PROPRIETARY - Copyright © - Unpublished Work - See title page for details.

25-24-30
FIG. 49D
PAGE 6
OCT 10/06

BOEING
737-600/700/800/900
PARTS CATALOG (MAINTENANCE)

FIG ITEM	PART NUMBER	1 2 3 4 5 6 7	NOMENCLATURE	EFFECT FROM TO	UNITS PER ASSY
49D					
195	65-81149-47	. . .	TUBE	002005 008030	1
200	412A2251-4	. . .	RAIL	002005 008030	1
205	412A2251-5	. . .	RAIL	002005 008030	1
210	412A1050-134SP	. . .	COMPONENT ASSY-60 IN.	002005 008008	1
210	412A1050-334SP	. . .	COMPONENT ASSY-60 IN.	009030	1
215	412A1150-102SP	. . .	COMPARTMENT ASSY- PRE SERVICE BULLETIN: 25-1373 FUNCTIONAL REFERENCE: EQUIPMENT/FURNISHINGS FOR DETAILS SEE 25-24-31-64 LIGHTS FOR DETAILS SEE 33-22-00-31 33-51-03-05A	002005 008008	1
215	412A1150-302SP	. . .	COMPARTMENT ASSY- POST SERVICE BULLETIN: 25-1373 FUNCTIONAL REFERENCE: EQUIPMENT/FURNISHINGS FOR DETAILS SEE 25-24-31-64 LIGHTS FOR DETAILS SEE 33-22-00-31 33-51-03-05A	002005 008008	1
215	412A1150-302B	. . .	COMPARTMENT ASSY- FUNCTIONAL REFERENCE: EQUIPMENT/FURNISHINGS FOR DETAILS SEE 25-24-31-64 LIGHTS FOR DETAILS SEE 33-22-00-31 33-51-03-05A	009030	1
250	412A1050-116SP	. . .	COMPONENT ASSY-31 IN.	002005 008008	1
250	412A1050-316SP	. . .	COMPONENT ASSY-31 IN.	009030	1
255	412A1150-120SP	. . .	COMPARTMENT ASSY- PRE SERVICE BULLETIN: 25-1373 FOR DETAILS SEE: 25-24-31-63	002005 008008	1

MISSING ITEM NUMBERS NOT APPLICABLE

— ITEM NOT ILLUSTRATED

HAP

25-24-30-49D

BOEING PROPRIETARY - Copyright © - Unpublished Work - See title page for details.

25-24-30
FIG. 49D
PAGE 7
OCT 10/06

BOEING
737-600/700/800/900
PARTS CATALOG (MAINTENANCE)

FIG ITEM	PART NUMBER	1 2 3 4 5 6 7	NOMENCLATURE	EFFECT FROM TO	UNITS PER ASSY
49D 255	412A1150-320SP		..COMPARTMENT ASSY- POST SERVICE BULLETIN: 25-1373 FOR DETAILS SEE: 25-24-31-63	002005 008008	1
255	412A1150-320B		..COMPARTMENT ASSY- FOR DETAILS SEE: 25-24-31-63	009030	1
260	412A1310-334SP		..MOUNTING ASSY-END CAP FOR DETAILS SEE: 25-24-33-28	002005 008030	1

MISSING ITEM NUMBERS NOT APPLICABLE

— ITEM NOT ILLUSTRATED

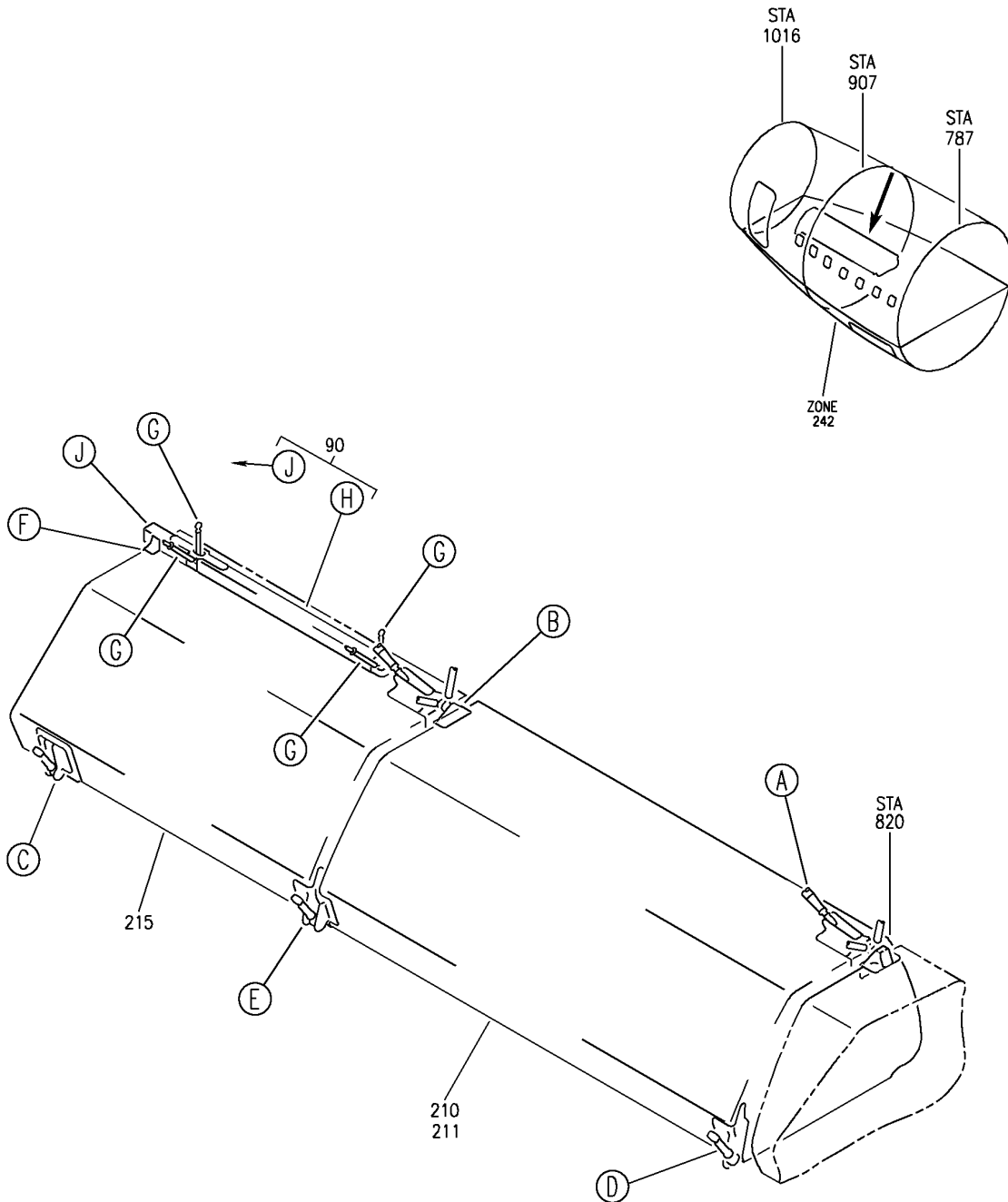
HAP

25-24-30-49D

BOEING PROPRIETARY - Copyright © - Unpublished Work - See title page for details.

25-24-30
FIG. 49D
PAGE 8
OCT 10/06

BOEING
 737-600/700/800/900
 PARTS CATALOG (MAINTENANCE)



E 2524-30-49E SHT 1 REV 135

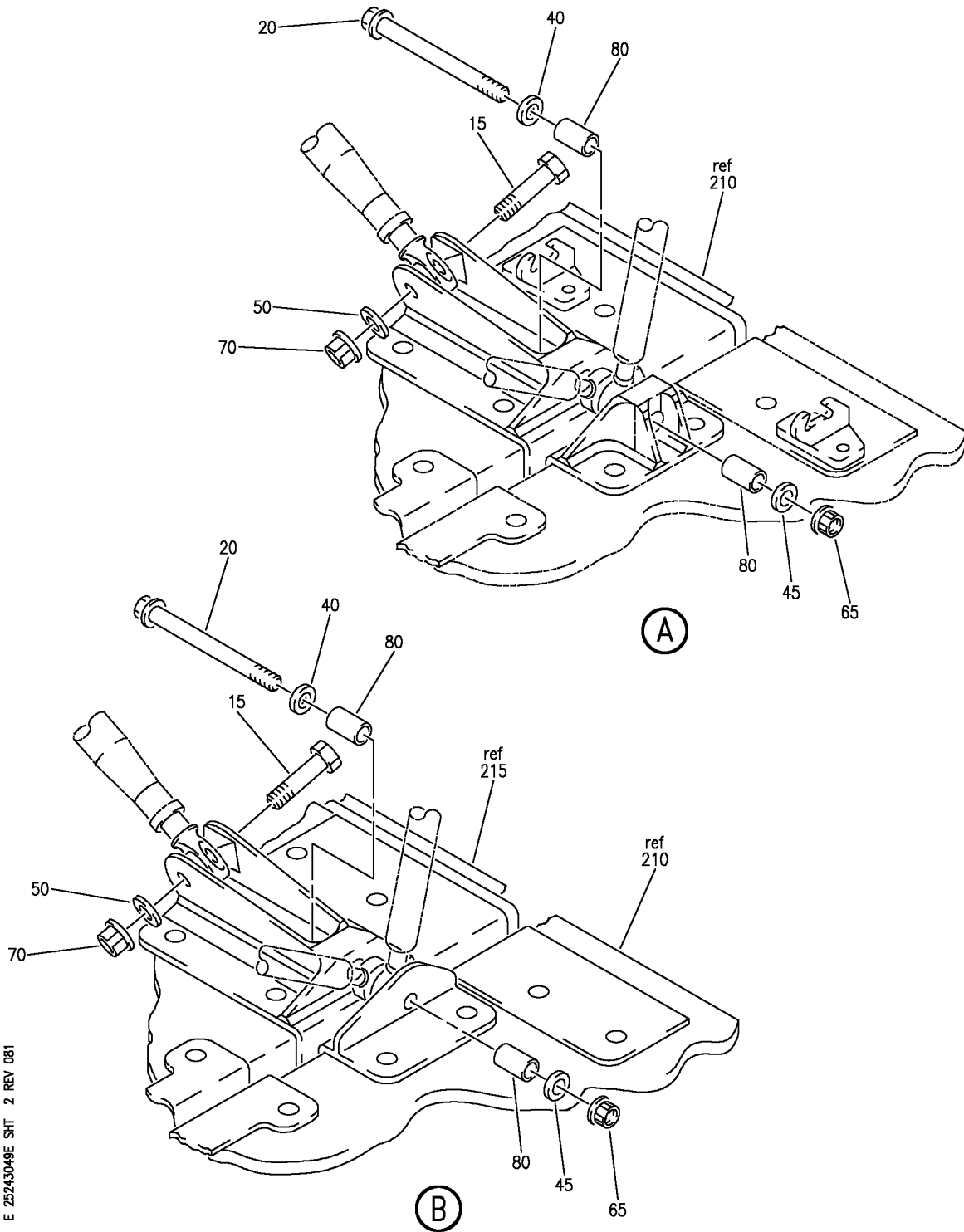
COMPARTMENT INSTL-AFT RH OVHD STOWAGE BIG BIN BULLNOSE CONFIGURATION
 FIGURE 49E (SHEET 1)

25-24-30-49E

HAP
 OCT 10/07

25-24-30-49E
 PAGE 0

BOEING
 737-600/700/800/900
 PARTS CATALOG (MAINTENANCE)



E 25243049E SHT 2 REV 081

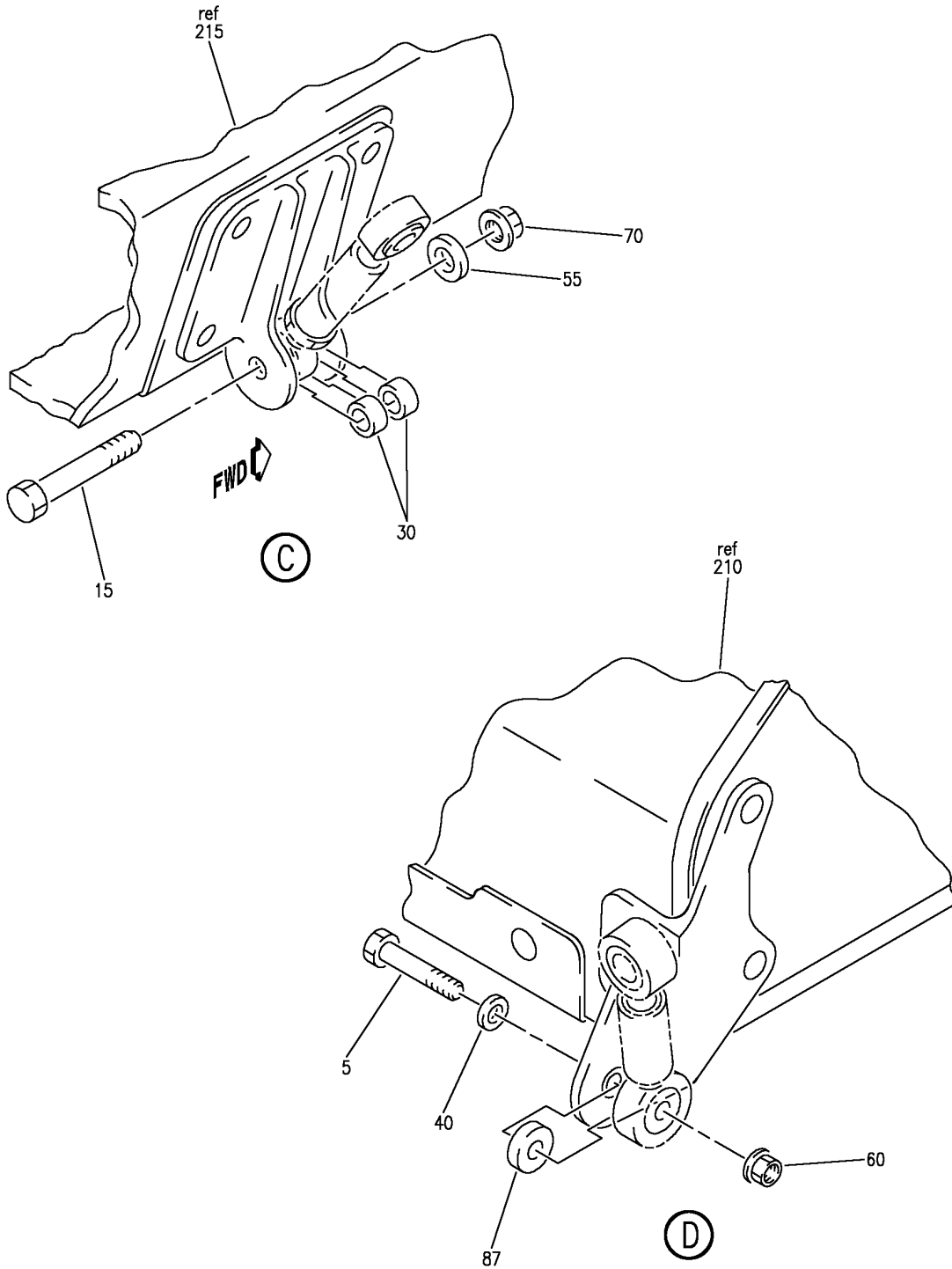
COMPARTMENT INSTL-AFT RH OVHD STOWAGE BIG BIN BULLNOSE CONFIGURATION
 FIGURE 49E (SHEET 2)

25-24-30-49E

HAP
 OCT 10/06

25-24-30-49E
 PAGE 0A

BOEING
 737-600/700/800/900
 PARTS CATALOG (MAINTENANCE)



E 25243049E SH1 3 REV 082

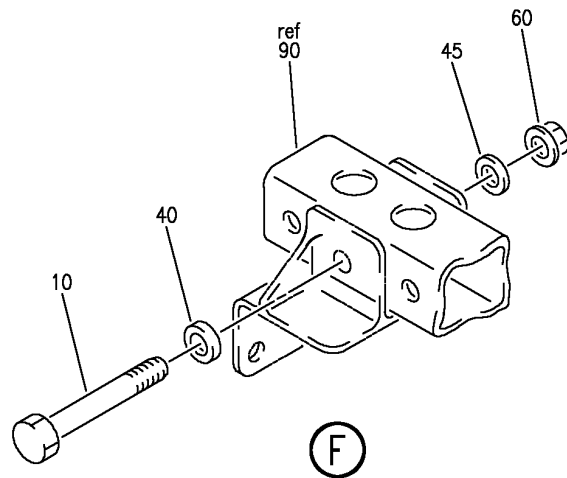
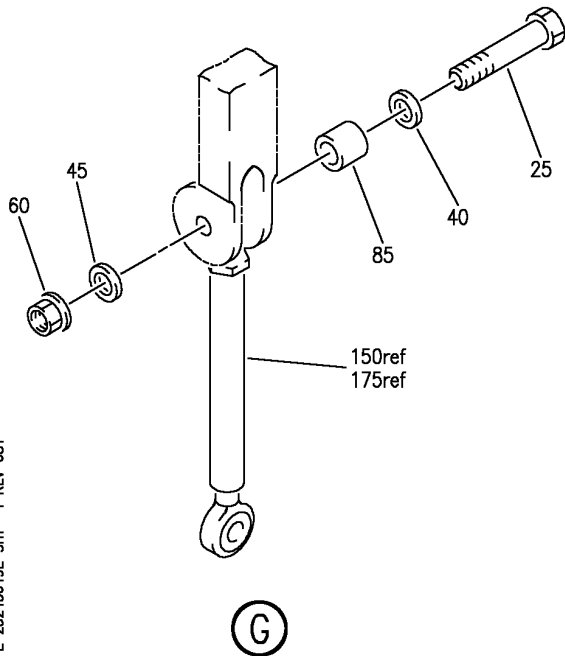
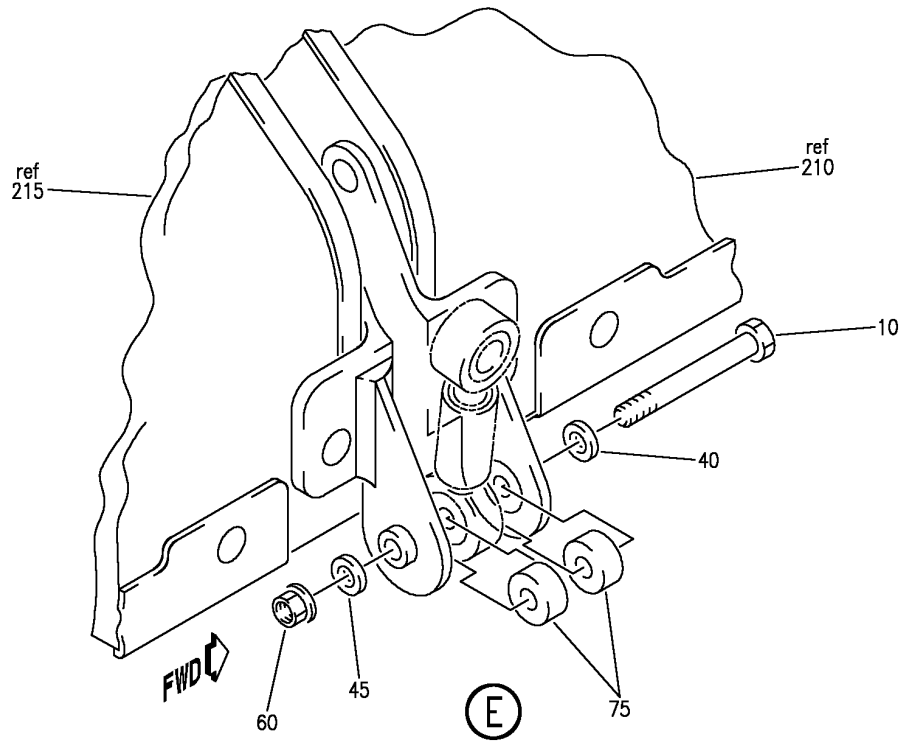
COMPARTMENT INSTL-AFT RH OVHD STOWAGE BIG BIN BULLNOSE CONFIGURATION
 FIGURE 49E (SHEET 3)

25-24-30-49E

HAP
 OCT 10/06

25-24-30-49E
 PAGE 0B

BOEING
 737-600/700/800/900
 PARTS CATALOG (MAINTENANCE)



E 25243049E SH1 4 REV 081

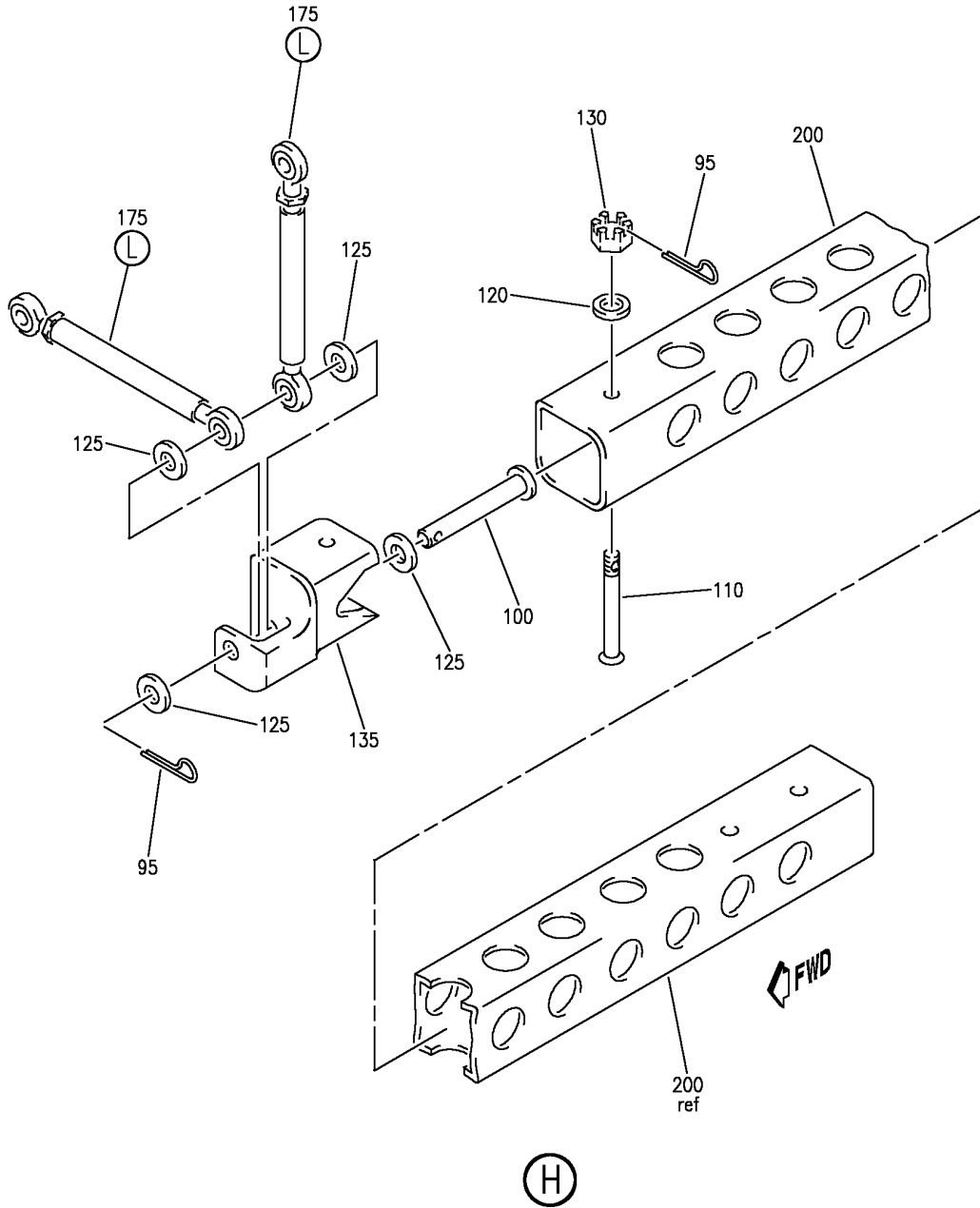
COMPARTMENT INSTL-AFT RH OVHD STOWAGE BIG BIN BULLNOSE CONFIGURATION
 FIGURE 49E (SHEET 4)

25-24-30-49E

HAP
 OCT 10/06

25-24-30-49E
 PAGE 0C

BOEING
 737-600/700/800/900
 PARTS CATALOG (MAINTENANCE)



E 25243049E SHT 5 REV 081

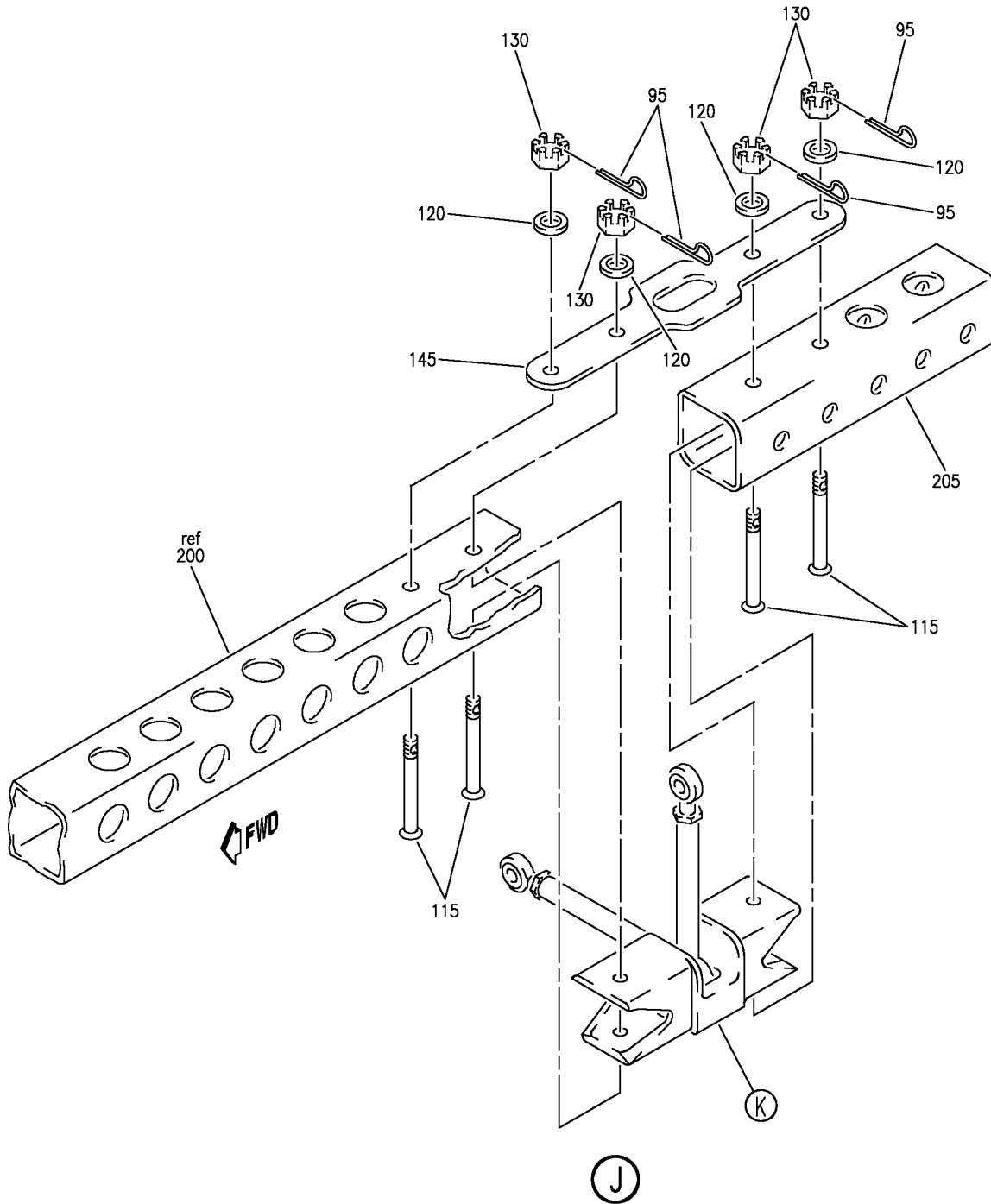
COMPARTMENT INSTL-AFT RH OVHD STORAGE BIG BIN BULLNOSE CONFIGURATION
 FIGURE 49E (SHEET 5)

25-24-30-49E

HAP
 OCT 10/06

25-24-30-49E
 PAGE 0D

BOEING
 737-600/700/800/900
 PARTS CATALOG (MAINTENANCE)



E 25243049E SH1 6 REV 081

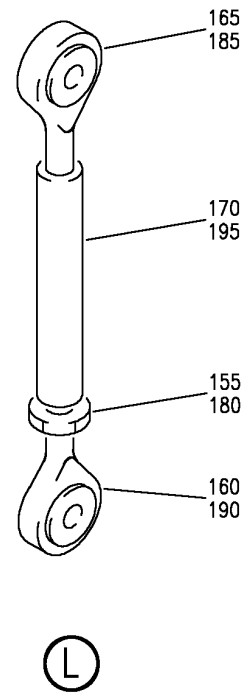
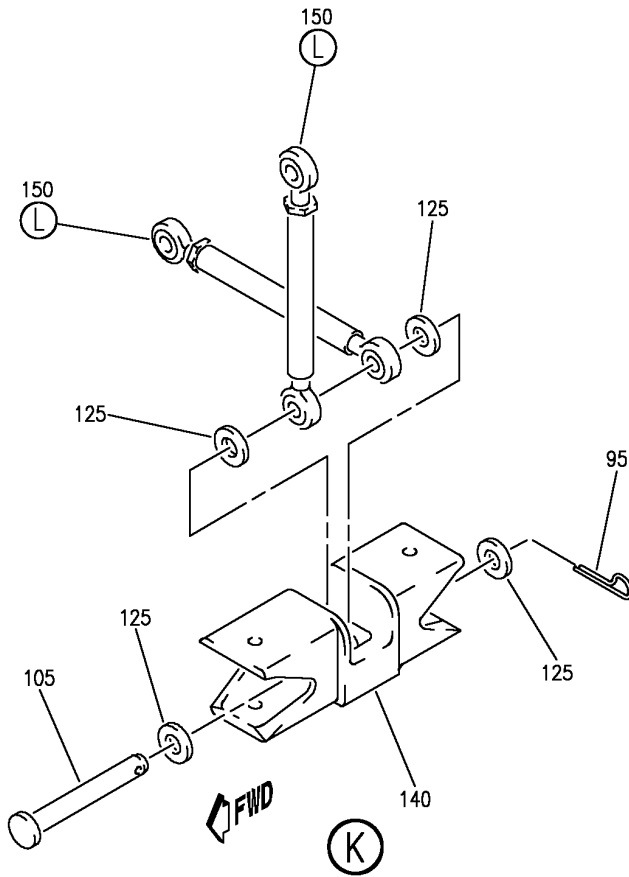
COMPARTMENT INSTL-AFT RH OVHD STOWAGE BIG BIN BULLNOSE CONFIGURATION
 FIGURE 49E (SHEET 6)

HAP
 OCT 10/06

25-24-30-49E

25-24-30-49E
 PAGE 0E

BOEING
 737-600/700/800/900
 PARTS CATALOG (MAINTENANCE)



E 25243049E SH1 7 REV 081

COMPARTMENT INSTL-AFT RH OVHD STOWAGE BIG BIN BULLNOSE CONFIGURATION
 FIGURE 49E (SHEET 7)

25-24-30-49E

HAP
 OCT 10/06

25-24-30-49E
 PAGE OF

BOEING
737-600/700/800/900
PARTS CATALOG (MAINTENANCE)

FIG ITEM	PART NUMBER	1 2 3 4 5 6 7	NOMENCLATURE	EFFECT FROM TO	UNITS PER ASSY
49E			COMPARTMENT INSTL-AFT RH OVHD STOWAGE BIG BIN BULLNOSE CONFIGURATION	031200 968999	
- 1	MODREF267861		COMPARTMENT INSTL-OVHD STOWAGE BIG BIN BULLNOSE CONFIGURATION MODULE NUMBER: 412A1040-1280B REV A POSITION DATA: AFT RH	031036 041041	1
- 1	MODREF320575		COMPARTMENT INSTL-OVHD STOWAGE BIG BIN BULLNOSE CONFIGURATION MODULE NUMBER: 412A1040-1293B REV A POSITION DATA: AFT RH	038038 042043	1
- 2	MODREF325136		COMPARTMENT INSTL-OVHD STOWAGE BIG BIN BULLNOSE CONFIGURATION MODULE NUMBER: 412A1040-1271B REV A POSITION DATA: AFT RH	037037 039040 101101 968971	1
R - 2	MODREF345184		COMPARTMENT INSTL-OVHD STOWAGE BIG BIN BULLNOSE CONFIGURATION MODULE NUMBER: 412A1040-1216B REV C POSITION DATA: AFT RH POST RAPID REVISION: RR97237-36B	047047 049049 107200	1
R - 2	MODREF351904		COMPARTMENT INSTL-OVHD STOWAGE BIG BIN BULLNOSE CONFIGURATION MODULE NUMBER: 412A1040-1271B REV B POSITION DATA: AFT RH	048048 050050 053100 102106 972999	1
R - 2	MODREF353701		COMPARTMENT INSTL-OVHD STOWAGE BIG BIN BULLNOSE CONFIGURATION MODULE NUMBER: 412A1040-1293B REV B POSITION DATA: AFT RH	044046 051052	1
5	BACB30NR4K10		.BOLT	031200 968999	1

MISSING ITEM NUMBERS NOT APPLICABLE

- ITEM NOT ILLUSTRATED

HAP

25-24-30-49E

25-24-30
FIG. 49E
PAGE 1
JUN 15/09

BOEING
737-600/700/800/900
PARTS CATALOG (MAINTENANCE)

FIG ITEM	PART NUMBER	1 2 3 4 5 6 7	NOMENCLATURE	EFFECT FROM TO	UNITS PER ASSY
49E					
10	BACB30NR4K26	.	BOLT	031200 968999	2
15	BACB30PW4-16	.	BOLT	031200 968999	3
20	BACB30US4K33	.	BOLT	031200 968999	2
25	BACB30NR4K12	.	BOLT	031200 968999	4
30	412A1350-2	.	SPACER	031200 968999	2
40	BACW10BP4CD	.	WASHER	031200 968999	9
45	BACW10BP4DP	.	WASHER	031200 968999	8
50	BACW10BN3SP	.	WASHER	031200 968999	2
55	BACW10BP3DP	.	WASHER	031200 968999	1
60	PLH54CD	.	NUT	031200 968999	7
			SUPPLIER CODE: VF0224		
			SPECIFICATION NUMBER: BACN10YR4CD		
			OPTIONAL PART: H52732-4CD V15653		

MISSING ITEM NUMBERS NOT APPLICABLE

— ITEM NOT ILLUSTRATED

HAP

25-24-30-49E

BOEING PROPRIETARY - Copyright © - Unpublished Work - See title page for details.

25-24-30
FIG. 49E
PAGE 2
JUN 15/09

BOEING
737-600/700/800/900
PARTS CATALOG (MAINTENANCE)

FIG ITEM	PART NUMBER	1 2 3 4 5 6 7	NOMENCLATURE	EFFECT FROM TO	UNITS PER ASSY
49E 65	BMN5024CWD34	.NUT	SUPPLIER CODE: V97928 SPECIFICATION NUMBER: BACN10HR4CD OPTIONAL PART: H51560-4 V15653 102CH9031-4 V72962 SL7108C428 V11815 67832CD428 V56878 BMN5024CWD3-4 V97928 BH00303CM4 V27238 SL7108C4 V11815 VCU0005D4 V06710 102LH90314 V72962 67832CD4 V56878 H964CD V15653 RMLH224CD V72962 VAL280094CD V06710 678324CD V56878 CR6030-4 VF0224	031200 968999	2
70	PLH53CD	.NUT	SUPPLIER CODE: VF0224 SPECIFICATION NUMBER: BACN10YR3CD OPTIONAL PART: H52732-3CD V15653	031200 968999	3
75	BACB28AK04-060	.BUSHING		031200 968999	2
80	BACB28AK04-071	.BUSHING		031200 968999	4

MISSING ITEM NUMBERS NOT APPLICABLE

— ITEM NOT ILLUSTRATED

HAP

25-24-30-49E

BOEING PROPRIETARY - Copyright © - Unpublished Work - See title page for details.

25-24-30
FIG. 49E
PAGE 3
FEB 15/09

BOEING
737-600/700/800/900
PARTS CATALOG (MAINTENANCE)

FIG ITEM	PART NUMBER	1 2 3 4 5 6 7	NOMENCLATURE	EFFECT FROM TO	UNITS PER ASSY
49E					
85	BACB28AK04-025	.BUSHING		031200 968999	4
87	BACB28Z4-020	.BUSHING		031200 968999	1
90	412A2251-14	.SUPPORT ASSY-RAIL POSITION DATA: UPR		031200 968999	1
95	BACP18C02C06P	..PIN		031200 968999	7
100	MS20392-3C47	..PIN		031200 968999	1
105	MS20392-3C53	..PIN		031200 968999	1
110	NAS8703AD22	..BOLT- OPTIONAL PART: BACB30LH3K21		031200 968999	1
110	BACB30LH3K21	..BOLT- OPTIONAL PART: NAS8703AD22		031200 968999	1
115	NAS8703AD23	..BOLT- OPTIONAL PART: BACB30LH3K23		031200 968999	4
115	BACB30LH3K23	..BOLT- OPTIONAL PART: NAS8703AD23		031200 968999	4
120	NAS1149D0332J	..WASHER		031200 968999	5
125	NAS1515H4L	..WASHER		031200 968999	8
130	BACN10JD103CD	..NUT		031200 968999	5
135	412A1230-91	..FITTING		031200 968999	1
140	412A1230-50	..FITTING		031200 968999	1
145	412A1220-70	..PLATE-TNSN		031200 968999	1
150	65-80898-43	..TURNBUCKLE ASSY		031200 968999	2
155	AN316-4R	...NUT		031200 968999	1
160	1486-5	...ROD END ASSY- SUPPLIER CODE: V34742		031200 968999	1
165	1486-5L	...ROD END ASSY- SUPPLIER CODE: V34742		031200 968999	1
170	65-81149-47	...TUBE		031200 968999	1

MISSING ITEM NUMBERS NOT APPLICABLE

— ITEM NOT ILLUSTRATED

HAP

25-24-30-49E

BOEING PROPRIETARY - Copyright © - Unpublished Work - See title page for details.

25-24-30
FIG. 49E
PAGE 4
FEB 15/09

BOEING
737-600/700/800/900
PARTS CATALOG (MAINTENANCE)

FIG ITEM	PART NUMBER	1 2 3 4 5 6 7	NOMENCLATURE	EFFECT FROM TO	UNITS PER ASSY
49E 175	65-80898-50	..	TURNBUCKLE ASSY	031200 968999	2
180	AN316-4R	...	NUT	031200 968999	1
185	ACB4-3	...	BEARING-ROD END SUPPLIER CODE: V56644 OPTIONAL PART: 1254-1L V34742 AHML4-104 V50294 FML4-7 V76474 ML44-9A V73134	031200 968999	1
185	AHML4-104	...	BEARING-ROD END SUPPLIER CODE: V50294 OPTIONAL PART: 1254-1L V34742 ACB4-3 V56644 FML4-7 V76474 ML44-9A V73134	031200 968999	1
185	FML4-7	...	BEARING-ROD END SUPPLIER CODE: V76474 OPTIONAL PART: 1254-1L V34742 ACB4-3 V56644 AHML4-104 V50294 ML44-9A V73134	031200 968999	1

MISSING ITEM NUMBERS NOT APPLICABLE

— ITEM NOT ILLUSTRATED

HAP

25-24-30-49E

BOEING PROPRIETARY - Copyright © - Unpublished Work - See title page for details.

25-24-30
FIG. 49E
PAGE 5
FEB 15/09

BOEING
737-600/700/800/900
PARTS CATALOG (MAINTENANCE)

FIG ITEM	PART NUMBER	1 2 3 4 5 6 7	NOMENCLATURE	EFFECT FROM TO	UNITS PER ASSY
49E 185	ML44-9A		...BEARING-ROD END SUPPLIER CODE: V73134 OPTIONAL PART: 1254-1L V34742 ACB4-3 V56644 AHML4-104 V50294 FML4-7 V76474	031200 968999	1
185	1254-1L		...BEARING-ROD END SUPPLIER CODE: V34742 OPTIONAL PART: ACB4-3 V56644 AHML4-104 V50294 ML44-9A V73134 FML4-7 V76474	031200 968999	1
190	ACM4-3		...BEARING-ROD END SUPPLIER CODE: V56644 OPTIONAL PART: 1254-1 V34742 AHM4-104 V50294 FM4-7 V02695 M44-9A V73134	031200 968999	1
190	AHM4-104		...BEARING-ROD END SUPPLIER CODE: V50294 OPTIONAL PART: 1254-1 V34742 ACM4-3 V56644 M44-9A V73134 FM4-7 V02695	031200 968999	1

MISSING ITEM NUMBERS NOT APPLICABLE

— ITEM NOT ILLUSTRATED

HAP

25-24-30-49E

BOEING PROPRIETARY - Copyright © - Unpublished Work - See title page for details.

25-24-30
FIG. 49E
PAGE 6
FEB 15/09

BOEING
737-600/700/800/900
PARTS CATALOG (MAINTENANCE)

FIG ITEM	PART NUMBER	1 2 3 4 5 6 7	NOMENCLATURE	EFFECT FROM TO	UNITS PER ASSY
49E 190	FM4-7		... BEARING-ROD END SUPPLIER CODE: V02695 OPTIONAL PART: 1254-1 V34742 ACM4-3 V56644 AHM4-104 V50294 M44-9A V73134	031200 968999	1
190	M44-9A		... BEARING-ROD END SUPPLIER CODE: V73134 OPTIONAL PART: 1254-1 V34742 ACM4-3 V56644 AHM4-104 V50294 FM4-7 V02695	031200 968999	1
190	1254-1		... BEARING-ROD END SUPPLIER CODE: V34742 OPTIONAL PART: ACM4-3 V56644 AHM4-104 V50294 FM4-7 V02695 M44-9A V73134	031200 968999	1
195	65-81149-11		... TUBE	031200 968999	1
200	412A2251-4		.. RAIL	031200 968999	1
205	412A2251-5		.. RAIL	031200 968999	1

MISSING ITEM NUMBERS NOT APPLICABLE

— ITEM NOT ILLUSTRATED

HAP

25-24-30-49E

BOEING PROPRIETARY - Copyright © - Unpublished Work - See title page for details.

25-24-30
FIG. 49E
PAGE 7
FEB 15/09

BOEING
737-600/700/800/900
PARTS CATALOG (MAINTENANCE)

FIG ITEM	PART NUMBER	1 2 3 4 5 6 7	NOMENCLATURE	EFFECT FROM TO	UNITS PER ASSY
49E 210	412A1052-98B		.TOP ASSY-60 IN. TRANSITION FUNCTIONAL REFERENCE: EQUIPMENT/FURNISHINGS FOR DETAILS SEE 25-24-31-19E LIGHTS FOR DETAILS SEE 33-22-00-64E	031036 041041	1
210	412A1052-140B		.TOP ASSY-60 IN. TRANSITION FUNCTIONAL REFERENCE: EQUIPMENT/FURNISHINGS FOR DETAILS SEE 25-24-31-19E LIGHTS FOR DETAILS SEE 33-22-00-64E	037040 042043 101101 968971	1
210	412A1052-1038B		.TOP ASSY-60 IN. TRANSITION POST RAPID REVISION: RR97237-36B FUNCTIONAL REFERENCE: EQUIPMENT/FURNISHINGS FOR DETAILS SEE 25-24-31-19J LIGHTS FOR DETAILS SEE 33-22-00-64E	047047 049049 107200	1
211	412A1052-1140B		.TOP ASSY-60 IN. TRANSITION FUNCTIONAL REFERENCE: EQUIPMENT/FURNISHINGS FOR DETAILS SEE 25-24-31-61N LIGHTS FOR DETAILS SEE 33-22-00-64E	044046 048048 050100 102106 972999	1
215	412A1052-76B		.TOP ASSY-31 IN. FOR DETAILS SEE: 25-24-31-30E	031037 039041 101101 968971	1
215	412A1052-108B		.TOP ASSY-31 IN. FOR DETAILS SEE: 25-24-31-30F	038038 042043	1
215	412A1052-1076B		.TOP ASSY-31 IN. FOR DETAILS SEE: 25-24-31-30M	047050 053100 102200 972999	1

MISSING ITEM NUMBERS NOT APPLICABLE

— ITEM NOT ILLUSTRATED

HAP

25-24-30-49E

BOEING PROPRIETARY - Copyright © - Unpublished Work - See title page for details.

25-24-30
FIG. 49E
PAGE 8
JUN 15/09


BOEING
 737-600/700/800/900
PARTS CATALOG (MAINTENANCE)

FIG ITEM	PART NUMBER	1 2 3 4 5 6 7 NOMENCLATURE	EFFECT FROM TO	UNITS PER ASSY
49E 215	412A1052-1108B	.TOP ASSY-31 IN. FOR DETAILS SEE: 25-24-31-30P	044046 051052	1

MISSING ITEM NUMBERS NOT APPLICABLE

— ITEM NOT ILLUSTRATED

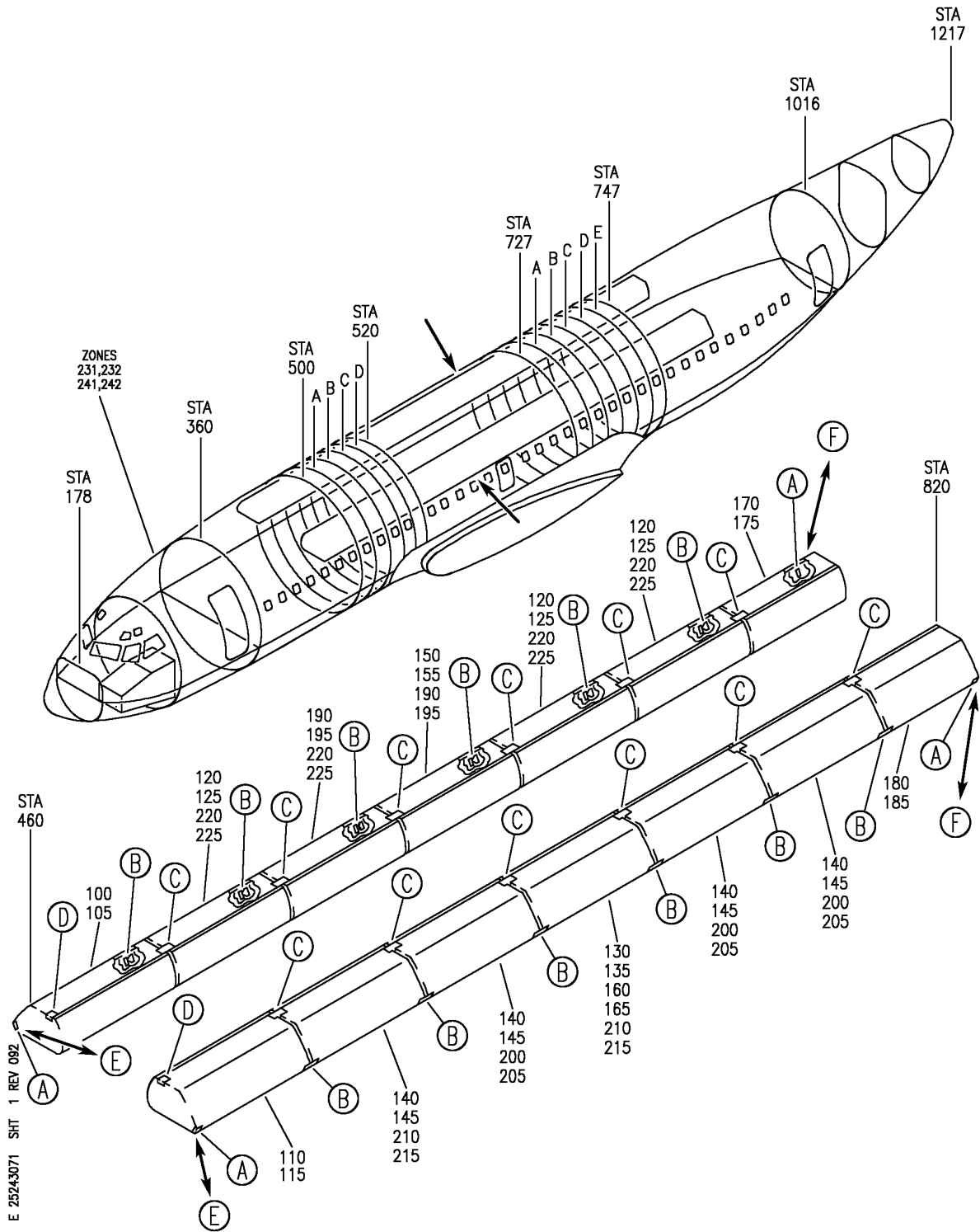
HAP

25-24-30-49E

BOEING PROPRIETARY - Copyright © - Unpublished Work - See title page for details.

25-24-30
 FIG. 49E
 PAGE 9
 FEB 15/09

BOEING
 737-600/700/800/900
 PARTS CATALOG (MAINTENANCE)



E 25243071 SHT 1 REV 082

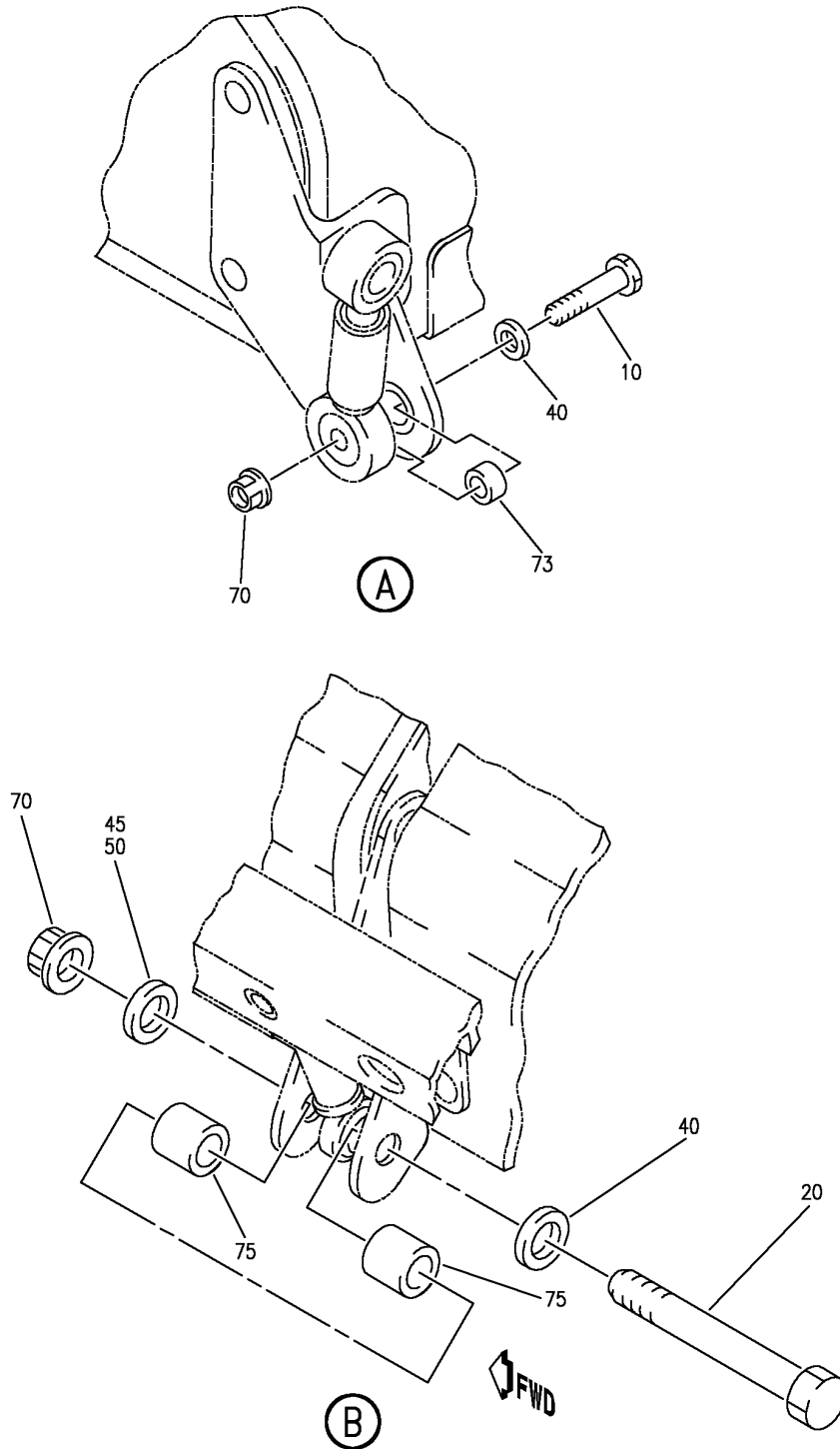
COMPARTMENT INSTL-OVHD STOWAGE BULLNOSE CONFIGURATION
 FIGURE 71 (SHEET 1)

25-24-30-71

HAP
 OCT 15/08

25-24-30-71
 PAGE 0

BOEING
 737-600/700/800/900
 PARTS CATALOG (MAINTENANCE)



E 25243071 SH1 2 REV 092

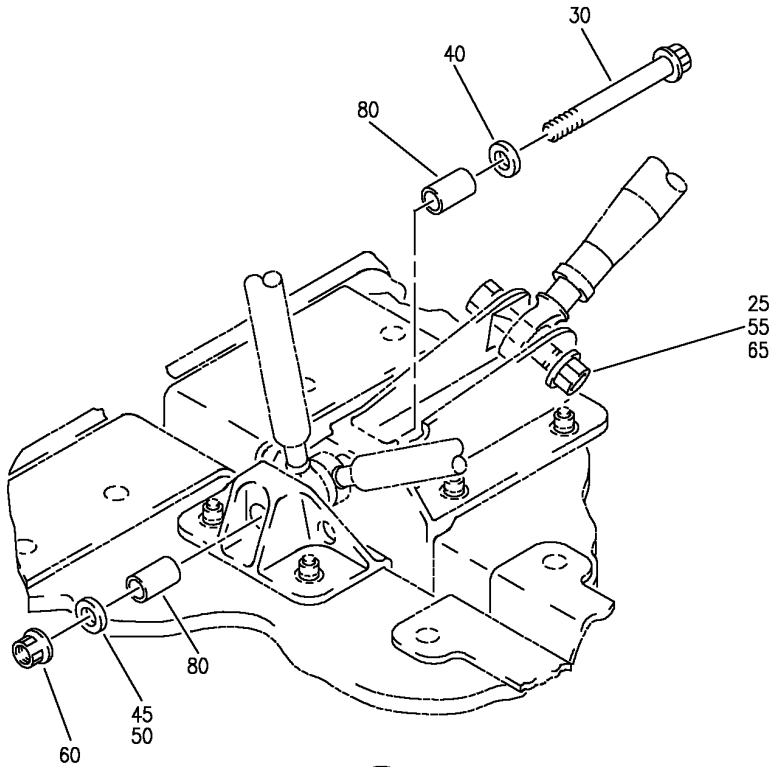
COMPARTMENT INSTL-OVHD STORAGE BULLNOSE CONFIGURATION
 FIGURE 71 (SHEET 2)

25-24-30-71

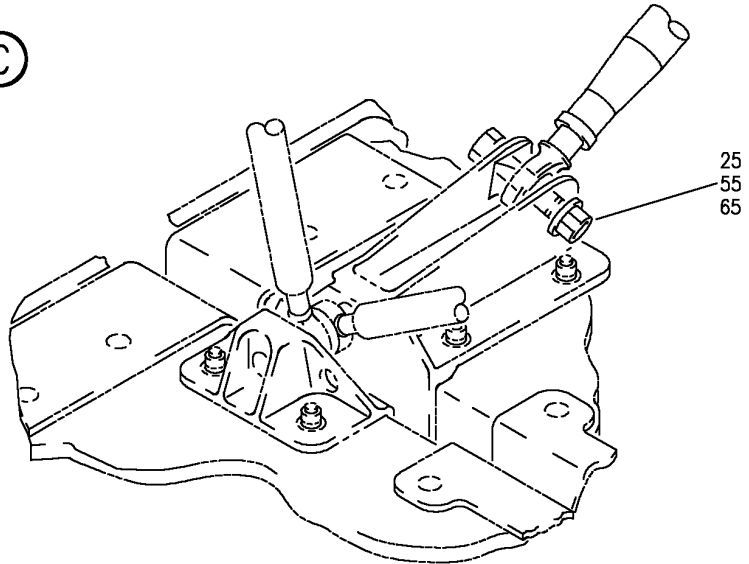
HAP
 OCT 15/08

25-24-30-71
 PAGE 0A

BOEING
 737-600/700/800/900
 PARTS CATALOG (MAINTENANCE)



(C)



(D)

E 25243071 SH1 3 REV 092

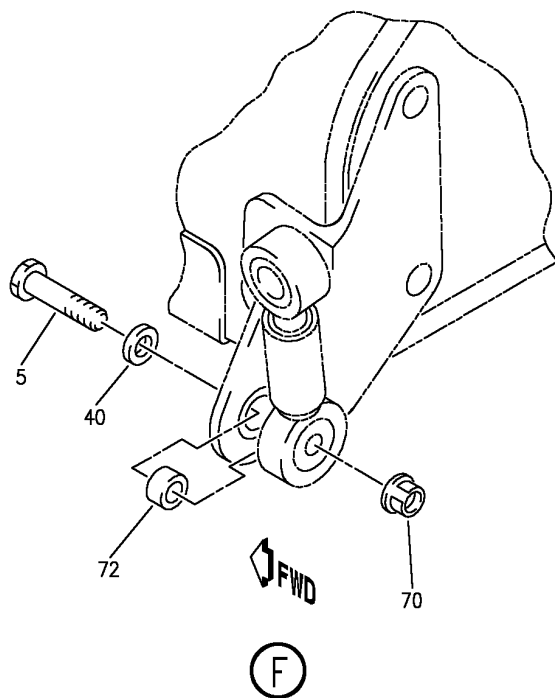
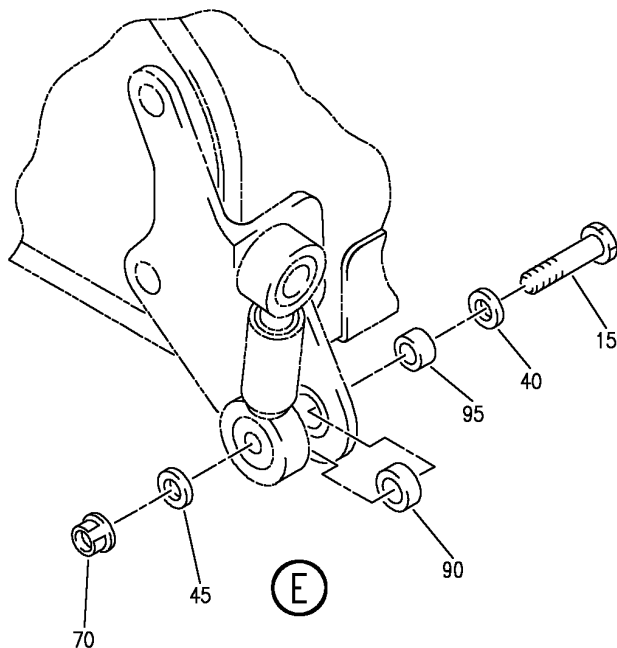
COMPARTMENT INSTL-OVHD STORAGE BULLNOSE CONFIGURATION
 FIGURE 71 (SHEET 3)

25-24-30-71

HAP
 OCT 15/08

25-24-30-71
 PAGE 0B

BOEING
 737-600/700/800/900
 PARTS CATALOG (MAINTENANCE)



E 25243071 SH1 4 REV 082

COMPARTMENT INSTL-OVHD STORAGE BULLNOSE CONFIGURATION
 FIGURE 71 (SHEET 4)

25-24-30-71

HAP
 OCT 15/08

25-24-30-71
 PAGE 0C

BOEING
737-600/700/800/900
PARTS CATALOG (MAINTENANCE)

FIG ITEM	PART NUMBER	1 2 3 4 5 6 7	NOMENCLATURE	EFFECT FROM TO	UNITS PER ASSY
71			COMPARTMENT INSTL-OVHD STOWAGE BULLNOSE CONFIGURATION	201967	
- 1	412A1070-102SP		COMPARTMENT INSTL-OVHD STOWAGE BULLNOSE CONFIGURATION FOR NHA SEE: 25-24-00-15A	202967	RF
- 1	412A1070-202SP		COMPARTMENT INSTL-OVHD STOWAGE BULLNOSE CONFIGURATION FOR NHA SEE: 25-24-00-15A	201201	RF
10	BACB30NR4K10	.BOLT		201967	4
20	BACB30NR4K26	.BOLT		201967	12
25	BACB30PW4-16	.BOLT		201967	14
30	BACB30US4K33	.BOLT		201967	12
40	BACW10BP4CD	.WASHER		201967	28
50	BACW10BP4DP	.WASHER		201967	24
55	BACW10BN3SP	.WASHER		201967	14

MISSING ITEM NUMBERS NOT APPLICABLE

- ITEM NOT ILLUSTRATED

HAP

25-24-30-71

BOEING PROPRIETARY - Copyright © - Unpublished Work - See title page for details.

25-24-30
FIG. 71
PAGE 1
OCT 15/08

BOEING
737-600/700/800/900
PARTS CATALOG (MAINTENANCE)

FIG ITEM	PART NUMBER	1 2 3 4 5 6 7	NOMENCLATURE	EFFECT FROM TO	UNITS PER ASSY
71 60	BMN5024CWD34	.NUT	SUPPLIER CODE: V97928 SPECIFICATION NUMBER: BACN10HR4CD OPTIONAL PART: H51560-4 V15653 102CH9031-4 V72962 SL7108C428 V11815 67832CD428 V56878 BMN5024CWD3-4 V97928 BH00303CM4 V27238 SL7108C4 V11815 VCU0005D4 V06710 102LH90314 V72962 67832CD4 V56878 H964CD V15653 RMLH224CD V72962 VAL280094CD V06710 678324CD V56878 CR6030-4 VF0224	201967	12
65	PLH53CD	.NUT	SUPPLIER CODE: VF0224 SPECIFICATION NUMBER: BACN10YR3CD OPTIONAL PART: H52732-3CD V15653	201967	14

MISSING ITEM NUMBERS NOT APPLICABLE

— ITEM NOT ILLUSTRATED

HAP

25-24-30-71

BOEING PROPRIETARY - Copyright © - Unpublished Work - See title page for details.

25-24-30
FIG. 71
PAGE 2
FEB 15/09

BOEING
737-600/700/800/900
PARTS CATALOG (MAINTENANCE)

FIG ITEM	PART NUMBER	1 2 3 4 5 6 7	NOMENCLATURE	EFFECT FROM TO	UNITS PER ASSY
71 70	PLH54CD	.	NUT SUPPLIER CODE: VF0224 SPECIFICATION NUMBER: BACN10YR4CD OPTIONAL PART: H52732-4CD V15653	201967	16
73	BACB28Z4-020	.	BUSHING	201967	4
75	BACB28AK04-060	.	BUSHING	201967	24
80	BACB28AK04-071	.	BUSHING	201967	24
100	412A1055-104SP	.	COMPONENT ASSY-VAR	202967	1
100	412A1055-304SP	.	COMPONENT ASSY-VAR	201201	1
105	412A1120-108SP	..	COMPARTMENT ASSY-80 IN. FUNCTIONAL REFERENCE: EQUIPMENT/FURNISHINGS FOR DETAILS SEE 25-24-31-15D LIGHTS FOR DETAILS SEE 33-22-00-12 33-51-03-04	202967	1
105	412A1120-208B	..	COMPARTMENT ASSY-80 IN. FUNCTIONAL REFERENCE: EQUIPMENT/FURNISHINGS FOR DETAILS SEE 25-24-31-15G LIGHTS FOR DETAILS SEE 33-22-00-12 33-51-03-04	201201	1
110	412A1055-103SP	.	COMPONENT ASSY-VAR	202967	1
110	412A1055-303SP	.	COMPONENT ASSY-VAR	201201	1
115	412A1120-107SP	..	COMPARTMENT ASSY-80 IN. FUNCTIONAL REFERENCE: EQUIPMENT/FURNISHINGS FOR DETAILS SEE 25-24-31-14C LIGHTS FOR DETAILS SEE 33-22-00-11 33-51-03-07	202967	1

MISSING ITEM NUMBERS NOT APPLICABLE

— ITEM NOT ILLUSTRATED

HAP

25-24-30-71

25-24-30
FIG. 71
PAGE 3
FEB 15/09

 **BOEING**
737-600/700/800/900
PARTS CATALOG (MAINTENANCE)

FIG ITEM	PART NUMBER	1 2 3 4 5 6 7	NOMENCLATURE	EFFECT FROM TO	UNITS PER ASSY
71 115	412A1120-207B		..COMPARTMENT ASSY-80 IN. FUNCTIONAL REFERENCE: EQUIPMENT/FURNISHINGS FOR DETAILS SEE 25-24-31-14C LIGHTS FOR DETAILS SEE 33-22-00-11 33-51-03-07	201201	1
140	412A1055-101SP		.COMPONENT ASSY-VAR	202967	4
140	412A1055-301SP		.COMPONENT ASSY-VAR	201201	4
145	412A1120-101SP		..COMPARTMENT ASSY-80 IN. FUNCTIONAL REFERENCE: EQUIPMENT/FURNISHINGS FOR DETAILS SEE 25-24-31-14 LIGHTS FOR DETAILS SEE 33-22-00-11 33-51-03-07	202967	1
145	412A1120-201C		..COMPARTMENT ASSY-80 IN. FUNCTIONAL REFERENCE: EQUIPMENT/FURNISHINGS FOR DETAILS SEE 25-24-31-14 LIGHTS FOR DETAILS SEE 33-22-00-11 33-51-03-07	201201	1
150	412A1055-112SP		.COMPONENT ASSY-VAR	202967	1
150	412A1055-312SP		.COMPONENT ASSY-VAR	201201	1
155	412A1120-112SP		..COMPARTMENT ASSY-80 IN. FUNCTIONAL REFERENCE: EQUIPMENT/FURNISHINGS FOR DETAILS SEE 25-24-31-15D LIGHTS FOR DETAILS SEE 33-22-00-12 33-51-03-04A	202967	1
155	412A1120-212B		..COMPARTMENT ASSY-TO IN. FUNCTIONAL REFERENCE: EQUIPMENT/FURNISHINGS FOR DETAILS SEE 25-24-31-15H LIGHTS FOR DETAILS SEE 33-22-00-12 33-51-03-04A	201201	1

MISSING ITEM NUMBERS NOT APPLICABLE

— ITEM NOT ILLUSTRATED

HAP

25-24-30-71

BOEING PROPRIETARY - Copyright © - Unpublished Work - See title page for details.

25-24-30
FIG. 71
PAGE 4
FEB 15/09

BOEING
737-600/700/800/900
PARTS CATALOG (MAINTENANCE)

FIG ITEM	PART NUMBER	1 2 3 4 5 6 7	NOMENCLATURE	EFFECT FROM TO	UNITS PER ASSY
71					
160	412A1055-111SP	.	COMPONENT ASSY-VAR	202967	1
160	412A1055-311SP	.	COMPONENT ASSY-VAR	201201	1
165	412A1120-111SP	..	COMPARTMENT ASSY-80 IN. FUNCTIONAL REFERENCE: EQUIPMENT/FURNISHINGS FOR DETAILS SEE 25-24-31-14E LIGHTS FOR DETAILS SEE 33-22-00-11 33-51-03-07	202967	1
165	412A1120-211B	..	COMPARTMENT ASSY-80 IN. FUNCTIONAL REFERENCE: EQUIPMENT/FURNISHINGS FOR DETAILS SEE 25-24-31-14E LIGHTS FOR DETAILS SEE 33-22-00-11 33-51-03-07	201201	1
170	412A1055-108SP	.	COMPONENT ASSY-VAR	202967	1
170	412A1055-308SP	.	COMPONENT ASSY-VAR	201201	1
175	412A1120-104SP	..	COMPARTMENT ASSY-60 IN. FUNCTIONAL REFERENCE: EQUIPMENT/FURNISHINGS FOR DETAILS SEE 25-24-31-21 LIGHTS FOR DETAILS SEE 33-22-00-15	202967	1
175	412A1120-204B	..	COMPARTMENT ASSY-60 IN. FUNCTIONAL REFERENCE: EQUIPMENT/FURNISHINGS FOR DETAILS SEE 25-24-31-21 LIGHTS FOR DETAILS SEE 33-22-00-15	201201	1
180	412A1055-107SP	.	COMPONENT ASSY-VAR	202967	1
180	412A1055-307SP	.	COMPONENT ASSY-VAR	201201	1
185	412A1120-103SP	..	COMPARTMENT ASSY-60 IN. FUNCTIONAL REFERENCE: EQUIPMENT/FURNISHINGS FOR DETAILS SEE 25-24-31-20 LIGHTS FOR DETAILS SEE 33-22-00-14 33-51-03-16	202967	1

MISSING ITEM NUMBERS NOT APPLICABLE

— ITEM NOT ILLUSTRATED

HAP

25-24-30-71

BOEING PROPRIETARY - Copyright © - Unpublished Work - See title page for details.

25-24-30
FIG. 71
PAGE 5
FEB 15/09

BOEING
737-600/700/800/900
PARTS CATALOG (MAINTENANCE)

FIG ITEM	PART NUMBER	1 2 3 4 5 6 7	NOMENCLATURE	EFFECT FROM TO	UNITS PER ASSY
71 185	412A1120-203B		..COMPARTMENT ASSY-60 IN. FUNCTIONAL REFERENCE: EQUIPMENT/FURNISHINGS FOR DETAILS SEE 25-24-31-20 LIGHTS FOR DETAILS SEE 33-22-00-14 33-51-03-16	201201	1
220	412A1055-102SP		.COMPONENT ASSY-VAR	202967	4
220	412A1055-302SP		.COMPONENT ASSY-VAR	201201	4
225	412A1120-102SP		..COMPARTMENT ASSY-80 IN. FUNCTIONAL REFERENCE: EQUIPMENT/FURNISHINGS FOR DETAILS SEE 25-24-31-15D LIGHTS FOR DETAILS SEE 33-22-00-12 33-51-03-04	202967	1
225	412A1120-202C		..COMPARTMENT ASSY-80 IN. FUNCTIONAL REFERENCE: EQUIPMENT/FURNISHINGS FOR DETAILS SEE 25-24-31-15 LIGHTS FOR DETAILS SEE 33-22-00-12 33-51-03-04	201201	1

MISSING ITEM NUMBERS NOT APPLICABLE

— ITEM NOT ILLUSTRATED

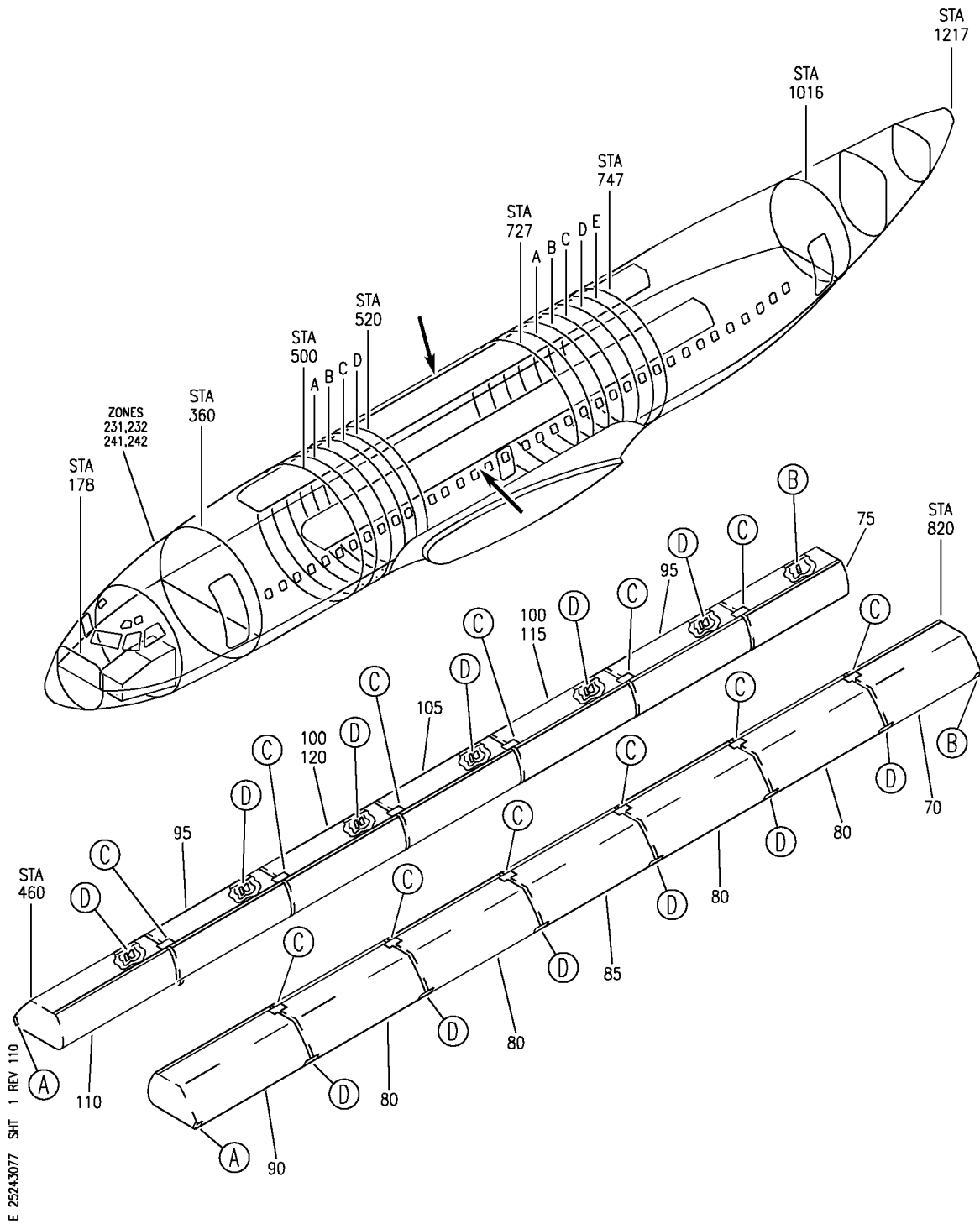
HAP

25-24-30-71

BOEING PROPRIETARY - Copyright © - Unpublished Work - See title page for details.

25-24-30
FIG. 71
PAGE 6
FEB 15/09

BOEING
 737-600/700/800/900
 PARTS CATALOG (MAINTENANCE)



E 2524-3077 SHT 1 REV 110

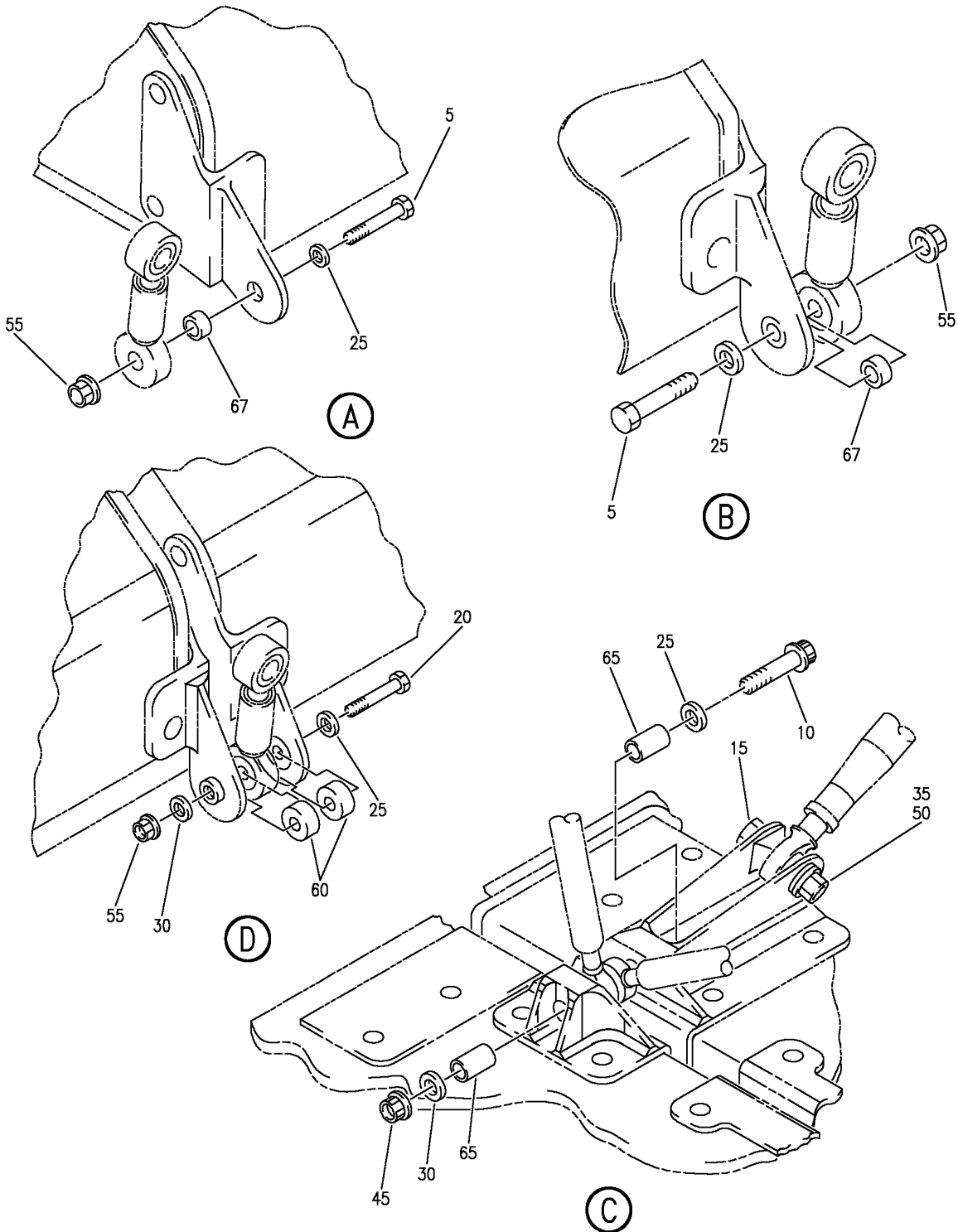
COMPARTMENT INSTL-OVHD STOWAGE BIG BIN BULLNOSE CONFIGURATION
 FIGURE 77 (SHEET 1)

25-24-30-77

HAP
 FEB 10/07

25-24-30-77
 PAGE 0

BOEING
 737-600/700/800/900
 PARTS CATALOG (MAINTENANCE)



E 25243077 SHT 2 REV 092

COMPARTMENT INSTL-OVHD STOWAGE BIG BIN BULLNOSE CONFIGURATION
 FIGURE 77 (SHEET 2)

25-24-30-77

HAP
 FEB 10/07

25-24-30-77
 PAGE 0A

BOEING
737-600/700/800/900
PARTS CATALOG (MAINTENANCE)

FIG ITEM	PART NUMBER	1 2 3 4 5 6 7	NOMENCLATURE	EFFECT FROM TO	UNITS PER ASSY
77			COMPARTMENT INSTL-OVHD STOWAGE BIG BIN BULLNOSE CONFIGURATION	101200 968999	
- 1	MODREF104103		COMPARTMENT INSTL-OVHD STOWAGE BIG BIN BULLNOSE CONFIGURATION	101101 968971	1
- 1	MODREF351907		MODULE NUMBER: 412A1070-1212C REV B COMPARTMENT INSTL-OVHD STOWAGE BIG BIN BULLNOSE CONFIGURATION	102200 972999	1
5	BACB30NR4K10		.BOLT	101200 968999	4
10	BACB30US4K33		.BOLT	101200 968999	12
15	BACB30PW4-16		.BOLT	101200 968999	12
20	BACB30NR4K26		.BOLT	101200 968999	12
25	BACW10BP4CD		.WASHER	101200 968999	28
30	BACW10BP4DP		.WASHER	101200 968999	24
35	BACW10BN3SP		.WASHER	101200 968999	12

MISSING ITEM NUMBERS NOT APPLICABLE

- ITEM NOT ILLUSTRATED

HAP

25-24-30-77

BOEING PROPRIETARY - Copyright © - Unpublished Work - See title page for details.

25-24-30
FIG. 77
PAGE 1
OCT 15/08

BOEING
737-600/700/800/900
PARTS CATALOG (MAINTENANCE)

FIG ITEM	PART NUMBER	1 2 3 4 5 6 7	NOMENCLATURE	EFFECT FROM TO	UNITS PER ASSY
77 45	BMN5024CWD34	.NUT	SUPPLIER CODE: V97928 SPECIFICATION NUMBER: BACN10HR4CD OPTIONAL PART: H51560-4 V15653 102CH9031-4 V72962 SL7108C428 V11815 67832CD428 V56878 BMN5024CWD3-4 V97928 BH00303CM4 V27238 SL7108C4 V11815 VCU0005D4 V06710 102LH90314 V72962 67832CD4 V56878 H964CD V15653 RMLH224CD V72962 VAL280094CD V06710 678324CD V56878 CR6030-4 VF0224	101200 968999	12
50	PLH53CD	.NUT	SUPPLIER CODE: VF0224 SPECIFICATION NUMBER: BACN10YR3CD OPTIONAL PART: H52732-3CD V15653	101200 968999	12

MISSING ITEM NUMBERS NOT APPLICABLE

— ITEM NOT ILLUSTRATED

HAP

25-24-30-77

BOEING PROPRIETARY - Copyright © - Unpublished Work - See title page for details.

25-24-30
FIG. 77
PAGE 2
FEB 15/09

 **BOEING**
737-600/700/800/900
PARTS CATALOG (MAINTENANCE)

FIG ITEM	PART NUMBER	1 2 3 4 5 6 7	NOMENCLATURE	EFFECT FROM TO	UNITS PER ASSY
77 55	PLH54CD	.	NUT SUPPLIER CODE: VF0224 SPECIFICATION NUMBER: BACN10YR4CD OPTIONAL PART: H52732-4CD V15653	101200 968999	16
60	BACB28AK04-060	.	BUSHING	101200 968999	24
65	BACB28AK04-071	.	BUSHING	101200 968999	24
67	BACB28Z4-020	.	BUSHING	101200 968999	4
70	412A1057-17C	.	TOP ASSY-60 IN. POSITION DATA: LH FUNCTIONAL REFERENCE: EQUIPMENT/FURNISHINGS FOR DETAILS SEE 25-24-31-19F LIGHTS FOR DETAILS SEE 33-22-00-65 33-51-03-40	101101 968971	1
70	412A1057-1017C	.	TOP ASSY-60 IN. POSITION DATA: LH FUNCTIONAL REFERENCE: EQUIPMENT/FURNISHINGS FOR DETAILS SEE 25-24-31-64P LIGHTS FOR DETAILS SEE 33-22-00-65J 33-51-03-40	102200 972999	1
75	412A1057-18C	.	TOP ASSY-60 IN. POSITION DATA: RH FUNCTIONAL REFERENCE: EQUIPMENT/FURNISHINGS FOR DETAILS SEE 25-24-31-19G LIGHTS FOR DETAILS SEE 33-22-00-65	101101 968971	1

MISSING ITEM NUMBERS NOT APPLICABLE

— ITEM NOT ILLUSTRATED

HAP

25-24-30-77

BOEING PROPRIETARY - Copyright © - Unpublished Work - See title page for details.

25-24-30
FIG. 77
PAGE 3
FEB 15/09

BOEING
737-600/700/800/900
PARTS CATALOG (MAINTENANCE)

FIG ITEM	PART NUMBER	1 2 3 4 5 6 7	NOMENCLATURE	EFFECT FROM TO	UNITS PER ASSY
77 75	412A1057-1018C		.TOP ASSY-60 IN. POSITION DATA: RH FUNCTIONAL REFERENCE: EQUIPMENT/FURNISHINGS FOR DETAILS SEE 25-24-31-64Q LIGHTS FOR DETAILS SEE 33-22-00-65K	102200 972999	1
80	412A1057-1B		.TOP ASSY-80 IN. POSITION DATA: LH FUNCTIONAL REFERENCE: EQUIPMENT/FURNISHINGS FOR DETAILS SEE 25-24-31-14G LIGHTS FOR DETAILS SEE 33-22-00-84 33-51-03-39	101101 968971	4
80	412A1057-1001B		.TOP ASSY-80 IN. POSITION DATA: LH FUNCTIONAL REFERENCE: EQUIPMENT/FURNISHINGS FOR DETAILS SEE 25-24-31-14K LIGHTS FOR DETAILS SEE 33-22-00-84 33-51-03-39	102200 972999	4
85	412A1057-15C		.TOP ASSY-80 IN. POSITION DATA: LH FUNCTIONAL REFERENCE: EQUIPMENT/FURNISHINGS FOR DETAILS SEE 25-24-31-80 LIGHTS FOR DETAILS SEE 33-22-00-84C 33-51-03-37	101101 968971	1

MISSING ITEM NUMBERS NOT APPLICABLE

— ITEM NOT ILLUSTRATED

HAP

25-24-30-77

BOEING PROPRIETARY - Copyright © - Unpublished Work - See title page for details.

25-24-30
FIG. 77
PAGE 4
FEB 15/09

BOEING
737-600/700/800/900
PARTS CATALOG (MAINTENANCE)

FIG ITEM	PART NUMBER	1 2 3 4 5 6 7	NOMENCLATURE	EFFECT FROM TO	UNITS PER ASSY
77 85	412A1057-1015C		.TOP ASSY-80 IN. POSITION DATA: LH FUNCTIONAL REFERENCE: EQUIPMENT/FURNISHINGS FOR DETAILS SEE 25-24-31-14L LIGHTS FOR DETAILS SEE 33-22-00-84C 33-51-03-37	102200 972999	1
90	412A1057-19C		.TOP ASSY-80 IN. POSITION DATA: LH FUNCTIONAL REFERENCE: EQUIPMENT/FURNISHINGS FOR DETAILS SEE 25-24-31-81A LIGHTS FOR DETAILS SEE 33-22-00-84D 33-51-03-39A	101101 968971	1
90	412A1057-1019C		.TOP ASSY-80 IN. POSITION DATA: LH FUNCTIONAL REFERENCE: EQUIPMENT/FURNISHINGS FOR DETAILS SEE 25-24-31-82N LIGHTS FOR DETAILS SEE 33-22-00-84D 33-51-03-39A	102200 972999	1
95	412A1057-2B		.TOP ASSY-80 IN. POSITION DATA: RH FUNCTIONAL REFERENCE: EQUIPMENT/FURNISHINGS FOR DETAILS SEE 25-24-31-14F LIGHTS FOR DETAILS SEE 33-22-00-83 33-51-03-36	101101 968971	2

MISSING ITEM NUMBERS NOT APPLICABLE

— ITEM NOT ILLUSTRATED

HAP

25-24-30-77

BOEING PROPRIETARY - Copyright © - Unpublished Work - See title page for details.

25-24-30
FIG. 77
PAGE 5
FEB 15/09

BOEING
737-600/700/800/900
PARTS CATALOG (MAINTENANCE)

FIG ITEM	PART NUMBER	1 2 3 4 5 6 7	NOMENCLATURE	EFFECT FROM TO	UNITS PER ASSY
77 95	412A1057-1002B		.TOP ASSY-80 IN. POSITION DATA: RH FUNCTIONAL REFERENCE: EQUIPMENT/FURNISHINGS FOR DETAILS SEE 25-24-31-14N LIGHTS FOR DETAILS SEE 33-22-00-83 33-51-03-36	102200 972999	2
100	412A1057-4B		.TOP ASSY-80 IN. POSITION DATA: RH FUNCTIONAL REFERENCE: EQUIPMENT/FURNISHINGS FOR DETAILS SEE 25-24-31-82A LIGHTS FOR DETAILS SEE 33-22-00-83D 33-51-03-36A	101101 968971	2
100	412A1057-1004B		.TOP ASSY-80 IN. POSITION DATA: RH FUNCTIONAL REFERENCE: EQUIPMENT/FURNISHINGS FOR DETAILS SEE 25-24-31-14Q LIGHTS FOR DETAILS SEE 33-22-00-83D 33-51-03-36A	102200 972999	2
105	412A1057-16C		.TOP ASSY-80 IN. POSITION DATA: RH FUNCTIONAL REFERENCE: EQUIPMENT/FURNISHINGS FOR DETAILS SEE 25-24-31-82B LIGHTS FOR DETAILS SEE 33-22-00-83E 33-51-03-38	101101 968971	1

MISSING ITEM NUMBERS NOT APPLICABLE

— ITEM NOT ILLUSTRATED

HAP

25-24-30-77

BOEING PROPRIETARY - Copyright © - Unpublished Work - See title page for details.

25-24-30
FIG. 77
PAGE 6
FEB 15/09

BOEING
737-600/700/800/900
PARTS CATALOG (MAINTENANCE)

FIG ITEM	PART NUMBER	1 2 3 4 5 6 7	NOMENCLATURE	EFFECT FROM TO	UNITS PER ASSY
77 105	412A1057-1016C		.TOP ASSY-80 IN. POSITION DATA: RH FUNCTIONAL REFERENCE: EQUIPMENT/FURNISHINGS FOR DETAILS SEE 25-24-31-14M LIGHTS FOR DETAILS SEE 33-22-00-83E 33-51-03-38	102200 972999	1
110	412A1057-20C		.TOP ASSY-80 IN. POSITION DATA: RH FUNCTIONAL REFERENCE: EQUIPMENT/FURNISHINGS FOR DETAILS SEE 25-24-31-82C LIGHTS FOR DETAILS SEE 33-22-00-83F 33-51-03-36B	101101 968971	1
110	412A1057-1020C		.TOP ASSY-80 IN. POSITION DATA: RH FUNCTIONAL REFERENCE: EQUIPMENT/FURNISHINGS FOR DETAILS SEE 25-24-31-82P LIGHTS FOR DETAILS SEE 33-22-00-83F 33-51-03-36B	102200 972999	1

MISSING ITEM NUMBERS NOT APPLICABLE

— ITEM NOT ILLUSTRATED

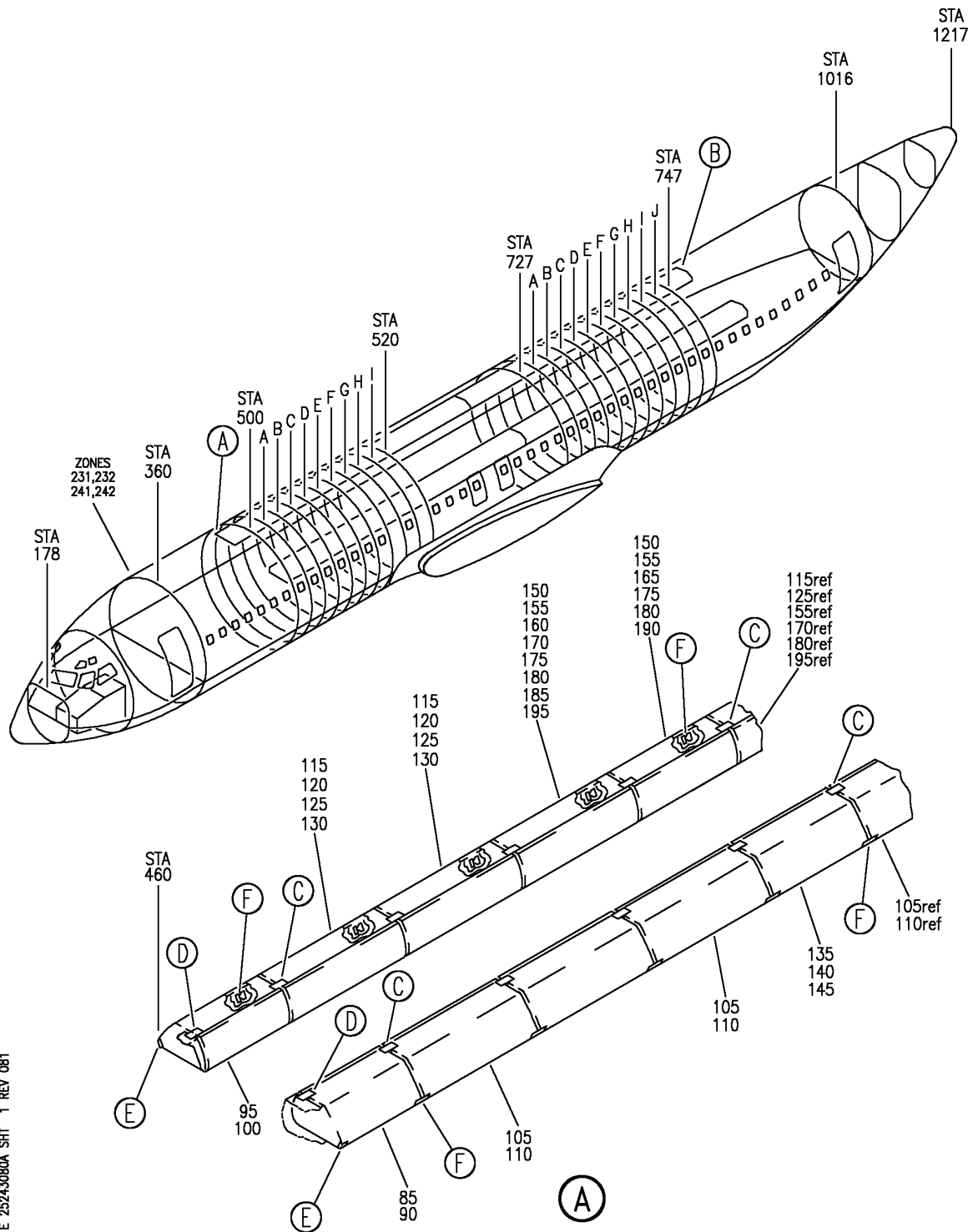
HAP

25-24-30-77

BOEING PROPRIETARY - Copyright © - Unpublished Work - See title page for details.

25-24-30
FIG. 77
PAGE 7
FEB 15/09

BOEING
 737-600/700/800/900
 PARTS CATALOG (MAINTENANCE)



E 25243080A SH1 1 REV 081

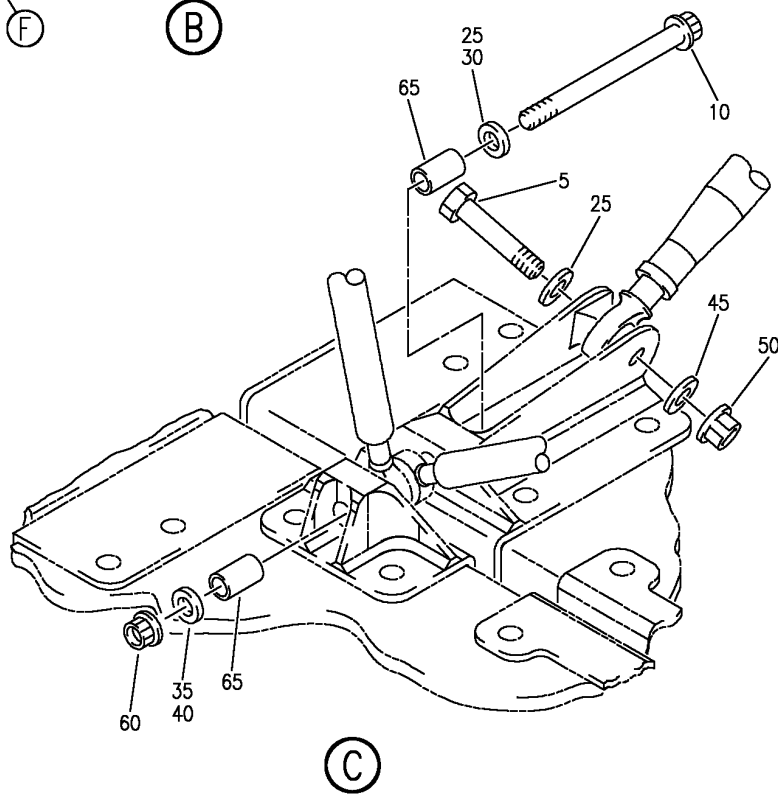
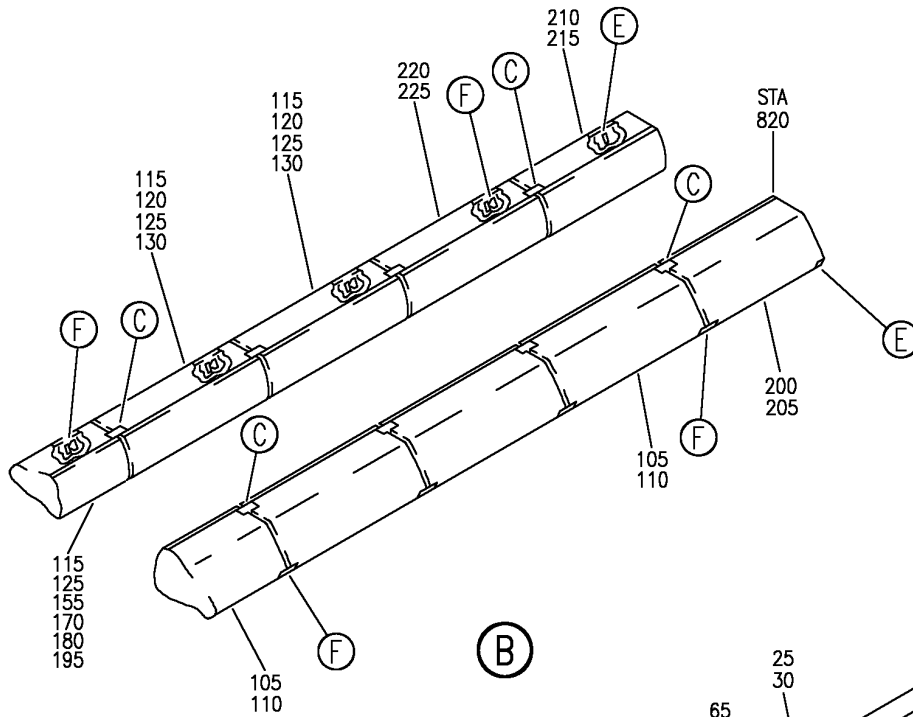
COMPARTMENT INSTL-OVHD STOWAGE HNDRL CONFIGURATION
 FIGURE 80A (SHEET 1)

25-24-30-80A

HAP
 OCT 10/06

25-24-30-80A
 PAGE 0

BOEING
 737-600/700/800/900
 PARTS CATALOG (MAINTENANCE)



E 25243080A SHT 2 REV 081

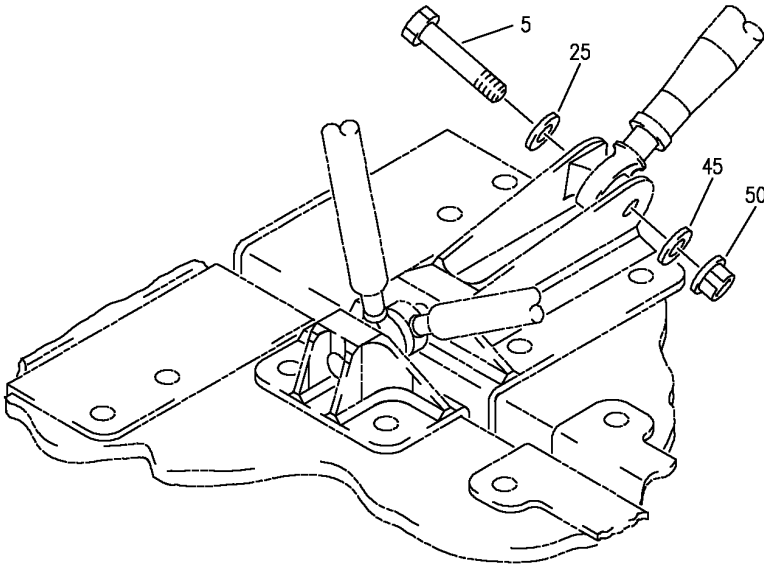
COMPARTMENT INSTL-OVHD STOWAGE HNDRL CONFIGURATION
 FIGURE 80A (SHEET 2)

25-24-30-80A

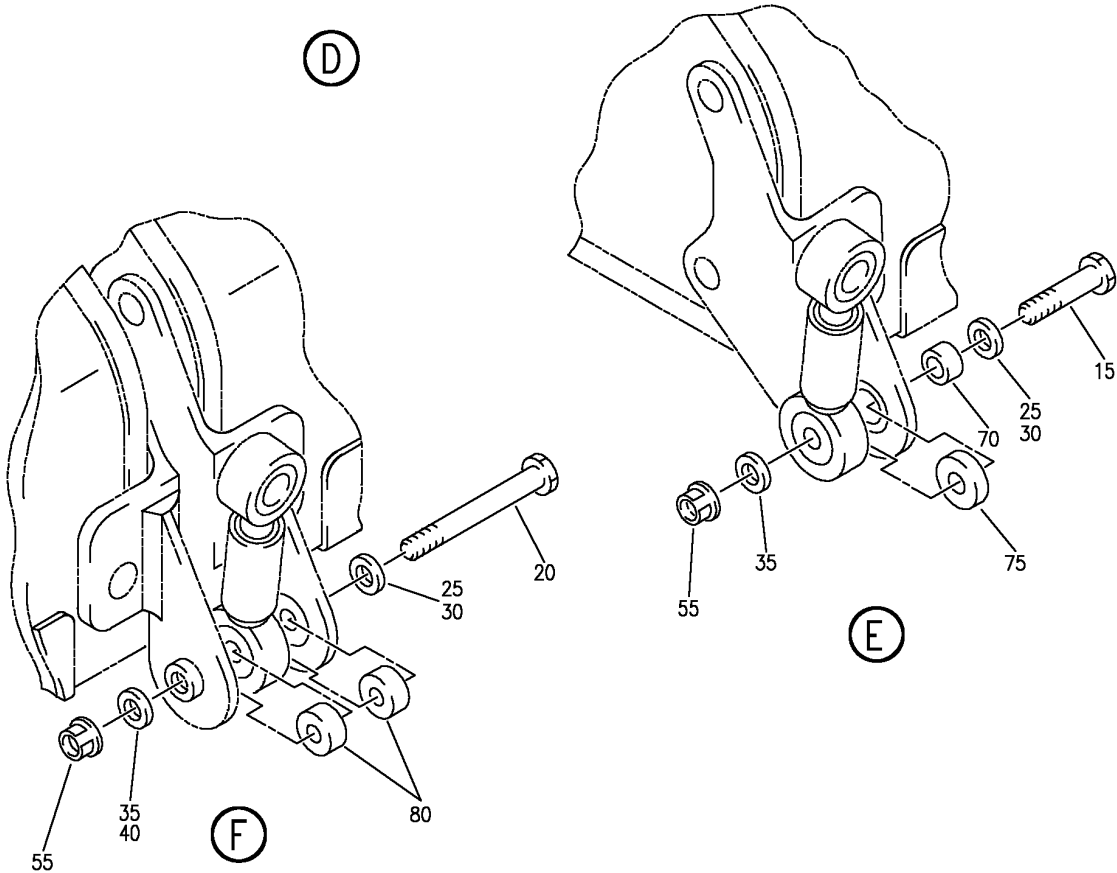
HAP
 OCT 10/06

25-24-30-80A
 PAGE 0A

BOEING
 737-600/700/800/900
 PARTS CATALOG (MAINTENANCE)



(D)



(E)

(F)

E 25243080A SHT 3 REV 081

COMPARTMENT INSTL-OVHD STOWAGE HNDRL CONFIGURATION
 FIGURE 80A (SHEET 3)

25-24-30-80A

HAP
 OCT 10/06

25-24-30-80A
 PAGE 0B

BOEING
737-600/700/800/900
PARTS CATALOG (MAINTENANCE)

FIG ITEM	PART NUMBER	1 2 3 4 5 6 7	NOMENCLATURE	EFFECT FROM TO	UNITS PER ASSY
80A			COMPARTMENT INSTL-OVHD STOWAGE HNDRL CONFIGURATION	001008	
- 1	412A1080-1SP		COMPARTMENT INSTL-OVHD STOWAGE HNDRL CONFIGURATION FOR NHA SEE: 25-24-00-13A	001001 006007	RF
- 1	412A1080-101SP		COMPARTMENT INSTL-OVHD STOWAGE HNDRL CONFIGURATION FOR NHA SEE: 25-24-00-13A	002005 008008	RF
5	BACB30PW4-18		.BOLT	001001 006007	20
5	BACB30PW4-16		.BOLT	002005 008008	20
10	BACB30US4K33		.BOLT	001008	18
15	BACB30NR4K11		.BOLT	001001 006007	4
15	BACB30NR4K10		.BOLT	002005 008008	4
20	BACB30NR4K26		.BOLT	001008	18
25	BACW10BP4CD		.WASHER	001001 006007	60
30	BACW10BP4CD		.WASHER	002005 008008	40
35	BACW10BP4DP		.WASHER	001001 006007	40
40	BACW10BP4DP		.WASHER	002005 008008	36
45	BACW10BP3DP		.WASHER	001001 006007	20
45	BACW10BN3SP		.WASHER	002005 008008	20
50	PLH53CD		.NUT	001008	20
			SUPPLIER CODE: VF0224 SPECIFICATION NUMBER: BACN10YR3CD OPTIONAL PART: H52732-3CD V15653		

MISSING ITEM NUMBERS NOT APPLICABLE

- ITEM NOT ILLUSTRATED

HAP

25-24-30-80A

BOEING PROPRIETARY - Copyright © - Unpublished Work - See title page for details.

25-24-30
FIG. 80A
PAGE 1
FEB 15/09

BOEING
737-600/700/800/900
PARTS CATALOG (MAINTENANCE)

FIG ITEM	PART NUMBER	1 2 3 4 5 6 7	NOMENCLATURE	EFFECT FROM TO	UNITS PER ASSY
80A 55	PLH54CD	.NUT	SUPPLIER CODE: VF0224 SPECIFICATION NUMBER: BACN10YR4CD OPTIONAL PART: H52732-4CD V15653	001008	22
60	BMN5024CWD34	.NUT	SUPPLIER CODE: V97928 SPECIFICATION NUMBER: BACN10HR4CD OPTIONAL PART: H51560-4 V15653 102CH9031-4 V72962 SL7108C428 V11815 67832CD428 V56878 BMN5024CWD3-4 V97928 BH00303CM4 V27238 SL7108C4 V11815 VCU0005D4 V06710 102LH90314 V72962 67832CD4 V56878 H964CD V15653 RMLH224CD V72962 VAL280094CD V06710 678324CD V56878 CR6030-4 VF0224	001008	18
65	BACB28AK04-071	.BUSHING		001008	36
70	BACB28AK04-016	.BUSHING		001001 006007	4
75	BACB28Z4-013	.BUSHING		001001 006007	4

MISSING ITEM NUMBERS NOT APPLICABLE

— ITEM NOT ILLUSTRATED

HAP

25-24-30-80A

BOEING PROPRIETARY - Copyright © - Unpublished Work - See title page for details.

25-24-30
FIG. 80A
PAGE 2
FEB 15/09

 **BOEING**
737-600/700/800/900
PARTS CATALOG (MAINTENANCE)

FIG ITEM	PART NUMBER	1 2 3 4 5 6 7	NOMENCLATURE	EFFECT FROM TO	UNITS PER ASSY
80A					
75	BACB28Z4-020	.	BUSHING	002005 008008	4
80	BACB28AK04-060	.	BUSHING	001008	36
85	412A1055-21SP	.	COMPONENT ASSY-VAR PRE SERVICE BULLETIN: 25-1373	001001 006007	1
85	412A1055-121SP	.	COMPONENT ASSY-VAR PRE SERVICE BULLETIN: 25-1373	002005 008008	1
85	412A1055-321SP	.	COMPONENT ASSY-VAR POST SERVICE BULLETIN: 25-1373	002005 008008	1
85	002A0007-15N	.	COMPONENT ASSY-VAR POST SERVICE BULLETIN: 25-1373	001001 006007	1
90	412A1100-5SP	..	COMPARTMENT ASSY-60 IN. PRE SERVICE BULLETIN: 25-1373 FUNCTIONAL REFERENCE: EQUIPMENT/FURNISHINGS FOR DETAILS SEE 25-24-31-42D LIGHTS FOR DETAILS SEE 33-22-00-22	001001 006007	1
90	412A1100-105SP	..	COMPARTMENT ASSY-60 IN. PRE SERVICE BULLETIN: 25-1373 FUNCTIONAL REFERENCE: EQUIPMENT/FURNISHINGS FOR DETAILS SEE 25-24-31-42 LIGHTS FOR DETAILS SEE 33-22-00-22	002005 008008	1
90	412A1100-205SP	..	COMPARTMENT ASSY-60 IN. POST SERVICE BULLETIN: 25-1373 FUNCTIONAL REFERENCE: EQUIPMENT/FURNISHINGS FOR DETAILS SEE 25-24-31-42 LIGHTS FOR DETAILS SEE 33-22-00-22	002005 008008	1

MISSING ITEM NUMBERS NOT APPLICABLE

— ITEM NOT ILLUSTRATED

HAP

25-24-30-80A

BOEING PROPRIETARY - Copyright © - Unpublished Work - See title page for details.

25-24-30
FIG. 80A
PAGE 3
FEB 15/09

BOEING
737-600/700/800/900
PARTS CATALOG (MAINTENANCE)

FIG ITEM	PART NUMBER	1 2 3 4 5 6 7	NOMENCLATURE	EFFECT FROM TO	UNITS PER ASSY
80A 90	002A0007-54N	..	COMPARTMENT ASSY-60 IN. POST SERVICE BULLETIN: 25-1373 FUNCTIONAL REFERENCE: EQUIPMENT/FURNISHINGS FOR DETAILS SEE 25-24-31-42D LIGHTS FOR DETAILS SEE 33-22-00-22	001001 006007	1
95	412A1055-22SP	.COMPONENT ASSY-VAR	PRE SERVICE BULLETIN: 25-1373	001001 006007	1
95	412A1055-122SP	.COMPONENT ASSY-VAR	PRE SERVICE BULLETIN: 25-1373	002005 008008	1
95	412A1055-322SP	.COMPONENT ASSY-VAR	POST SERVICE BULLETIN: 25-1373	002005 008008	1
95	002A0007-16N	.COMPARTMENT ASSY-VAR	POST SERVICE BULLETIN: 25-1373	001001 006007	1
100	412A1100-6SP	..	COMPARTMENT ASSY-60 IN. PRE SERVICE BULLETIN: 25-1373 FUNCTIONAL REFERENCE: EQUIPMENT/FURNISHINGS FOR DETAILS SEE 25-24-31-60D LIGHTS FOR DETAILS SEE 33-22-00-21 33-51-03-05A	001001 006007	1
100	412A1100-106SP	..	COMPARTMENT ASSY-60 IN. PRE SERVICE BULLETIN: 25-1373 FUNCTIONAL REFERENCE: EQUIPMENT/FURNISHINGS FOR DETAILS SEE 25-24-31-41 LIGHTS FOR DETAILS SEE 33-22-00-21 33-51-03-05A	002005 008008	1

MISSING ITEM NUMBERS NOT APPLICABLE

— ITEM NOT ILLUSTRATED

HAP

25-24-30-80A

BOEING PROPRIETARY - Copyright © - Unpublished Work - See title page for details.

25-24-30
FIG. 80A
PAGE 4
FEB 15/09

BOEING
737-600/700/800/900
PARTS CATALOG (MAINTENANCE)

FIG ITEM	PART NUMBER	1 2 3 4 5 6 7	NOMENCLATURE	EFFECT FROM TO	UNITS PER ASSY
80A 100	412A1100-206SP	..	COMPARTMENT ASSY-60 IN. POST SERVICE BULLETIN: 25-1373 FUNCTIONAL REFERENCE: EQUIPMENT/FURNISHINGS FOR DETAILS SEE 25-24-31-41 LIGHTS FOR DETAILS SEE 33-22-00-21 33-51-03-05A	002005 008008	1
100	002A0007-55N	..	COMPARTMENT ASSY-60 IN. POST SERVICE BULLETIN: 25-1373 FUNCTIONAL REFERENCE: EQUIPMENT/FURNISHINGS FOR DETAILS SEE 25-24-31-60D LIGHTS FOR DETAILS SEE 33-22-00-21	001001 006007	1
105	412A1055-15SP	.COMPONENT ASSY-VAR	PRE SERVICE BULLETIN: 25-1373	001001 006007	7
105	412A1055-115SP	.COMPONENT ASSY-VAR	PRE SERVICE BULLETIN: 25-1373	002005 008008	7
105	412A1055-315SP	.COMPONENT ASSY-VAR	POST SERVICE BULLETIN: 25-1373	002005 008008	7
105	002A0007-11N	.COMPONENT ASSY-VAR	POST SERVICE BULLETIN: 25-1373	001001 006007	7
110	412A1100-1SP	..	COMPARTMENT ASSY-80 IN. PRE SERVICE BULLETIN: 25-1373 FUNCTIONAL REFERENCE: EQUIPMENT/FURNISHINGS FOR DETAILS SEE 25-24-31-36 LIGHTS FOR DETAILS SEE 33-22-00-17 33-51-03-09	001001 006007	1

MISSING ITEM NUMBERS NOT APPLICABLE

— ITEM NOT ILLUSTRATED

HAP

25-24-30-80A

BOEING PROPRIETARY - Copyright © - Unpublished Work - See title page for details.

25-24-30
FIG. 80A
PAGE 5
FEB 15/09

BOEING
737-600/700/800/900
PARTS CATALOG (MAINTENANCE)

FIG ITEM	PART NUMBER	1 2 3 4 5 6 7	NOMENCLATURE	EFFECT FROM TO	UNITS PER ASSY
80A 110	412A1100-101SP	..	COMPARTMENT ASSY-80 IN. PRE SERVICE BULLETIN: 25-1373 FUNCTIONAL REFERENCE: EQUIPMENT/FURNISHINGS FOR DETAILS SEE 25-24-31-36B LIGHTS FOR DETAILS SEE 33-22-00-43 33-51-03-09	002005 008008	1
110	412A1100-201SP	..	COMPARTMENT ASSY-80 IN. POST SERVICE BULLETIN: 25-1373 FUNCTIONAL REFERENCE: EQUIPMENT/FURNISHINGS FOR DETAILS SEE 25-24-31-36B LIGHTS FOR DETAILS SEE 33-22-00-43 33-51-03-09	002005 008008	1
110	002A0007-52N	..	COMPARTMENT ASSY-80 IN. POST SERVICE BULLETIN: 25-1373 FUNCTIONAL REFERENCE: EQUIPMENT/FURNISHINGS FOR DETAILS SEE 25-24-31-36 LIGHTS FOR DETAILS SEE 33-22-00-17 33-51-03-09	001001 006007	1
115	412A1055-16SP	.	COMPONENT ASSY-VAR PRE SERVICE BULLETIN: 25-1373	001001 006007	5
115	412A1055-116SP	.	COMPONENT ASSY-VAR PRE SERVICE BULLETIN: 25-1373	002005 008008	5
115	412A1055-316SP	.	COMPONENT ASSY-VAR POST SERVICE BULLETIN: 25-1373	002005 008008	5
115	002A0007-12NP	.	COMPONENT ASSY-VAR POST SERVICE BULLETIN: 25-1373	001001 006007	5

MISSING ITEM NUMBERS NOT APPLICABLE

— ITEM NOT ILLUSTRATED

HAP

25-24-30-80A

BOEING PROPRIETARY - Copyright © - Unpublished Work - See title page for details.

25-24-30
FIG. 80A
PAGE 6
FEB 15/09

BOEING
737-600/700/800/900
PARTS CATALOG (MAINTENANCE)

FIG ITEM	PART NUMBER	1 2 3 4 5 6 7	NOMENCLATURE	EFFECT FROM TO	UNITS PER ASSY
80A 125	412A1100-2SP		..COMPARTMENT ASSY-80 IN. PRE SERVICE BULLETIN: 25-1373 FUNCTIONAL REFERENCE: EQUIPMENT/FURNISHINGS FOR DETAILS SEE 25-24-31-37 LIGHTS FOR DETAILS SEE 33-22-00-18 33-51-03-09A	001001 006007	1
125	412A1100-102SP		..COMPARTMENT ASSY-80 IN. PRE SERVICE BULLETIN: 25-1373 FUNCTIONAL REFERENCE: EQUIPMENT/FURNISHINGS FOR DETAILS SEE 25-24-31-37B LIGHTS FOR DETAILS SEE 33-22-00-44 33-51-03-09A	002005 008008	1
125	002A0007-53N		..COMPARTMENT ASSY-80 IN. POST SERVICE BULLETIN: 25-1373 FUNCTIONAL REFERENCE: EQUIPMENT/FURNISHINGS FOR DETAILS SEE 25-24-31-37 LIGHTS FOR DETAILS SEE 33-22-00-18 33-51-03-09A	001001 006007	1
125	412A1100-202SP		..COMPARTMENT ASSY-80 IN. POST SERVICE BULLETIN: 25-1373 FUNCTIONAL REFERENCE: EQUIPMENT/FURNISHINGS FOR DETAILS SEE 25-24-31-37B LIGHTS FOR DETAILS SEE 33-22-00-44 33-51-03-09A	002005 008008	1
135	412A1055-19SP		.COMPONENT ASSY-VAR PRE SERVICE BULLETIN: 25-1373	001001 006007	1

MISSING ITEM NUMBERS NOT APPLICABLE

— ITEM NOT ILLUSTRATED

HAP

25-24-30-80A

BOEING PROPRIETARY - Copyright © - Unpublished Work - See title page for details.

25-24-30
FIG. 80A
PAGE 7
FEB 15/09

BOEING
737-600/700/800/900
PARTS CATALOG (MAINTENANCE)

FIG ITEM	PART NUMBER	1 2 3 4 5 6 7	NOMENCLATURE	EFFECT FROM TO	UNITS PER ASSY
80A 135	412A1055-119SP	.	COMPONENT ASSY-VAR PRE SERVICE BULLETIN: 25-1373	002005 008008	1
135	002A0007-13N	.	COMPONENT ASSY-VAR POST SERVICE BULLETIN: 25-1373	001001 006007	1
135	412A1055-319SP	.	COMPONENT ASSY-VAR POST SERVICE BULLETIN: 25-1373	002005 008008	1
140	412A1100-9SP	..	COMPARTMENT ASSY-80 IN. PRE SERVICE BULLETIN: 25-1373 FUNCTIONAL REFERENCE: EQUIPMENT/FURNISHINGS FOR DETAILS SEE 25-24-31-36 LIGHTS FOR DETAILS SEE 33-22-00-17 33-51-03-09	001001 006007	1
140	412A1100-109SP	..	COMPARTMENT ASSY-80 IN. PRE SERVICE BULLETIN: 25-1373 FUNCTIONAL REFERENCE: EQUIPMENT/FURNISHINGS FOR DETAILS SEE 25-24-31-36F LIGHTS FOR DETAILS SEE 33-22-00-43 33-51-03-09	002005 008008	1
140	002A0007-56N	..	COMPARTMENT ASSY-80 IN. POST SERVICE BULLETIN: 25-1373 FUNCTIONAL REFERENCE: EQUIPMENT/FURNISHINGS FOR DETAILS SEE 25-24-31-36 LIGHTS FOR DETAILS SEE 33-22-00-17 33-51-03-09	001001 006007	1

MISSING ITEM NUMBERS NOT APPLICABLE

— ITEM NOT ILLUSTRATED

HAP

25-24-30-80A

BOEING PROPRIETARY - Copyright © - Unpublished Work - See title page for details.

25-24-30
FIG. 80A
PAGE 8
FEB 15/09

BOEING
737-600/700/800/900
PARTS CATALOG (MAINTENANCE)

FIG ITEM	PART NUMBER	1 2 3 4 5 6 7	NOMENCLATURE	EFFECT FROM TO	UNITS PER ASSY
80A 145	412A1100-209SP	..	COMPARTMENT ASSY-80 IN. POST SERVICE BULLETIN: 25-1373 FUNCTIONAL REFERENCE: EQUIPMENT/FURNISHINGS FOR DETAILS SEE 25-24-31-36F LIGHTS FOR DETAILS SEE 33-22-00-43 33-51-03-09	002005 008008	1
150	412A1055-20SP	.	COMPONENT ASSY-VAR PRE SERVICE BULLETIN: 25-1373	001001 006007	2
150	412A1055-120SP	.	COMPONENT ASSY-VAR PRE SERVICE BULLETIN: 25-1373	002005 008008	2
150	412A1055-320SP	.	COMPONENT ASSY-VAR POST SERVICE BULLETIN: 25-1373	002005 008008	2
150	002A0007-14N	.	COMPONENT ASSY-VAR POST SERVICE BULLETIN: 25-1373	001001 006007	2
175	412A1100-10SP	..	COMPARTMENT ASSY-80 IN. PRE SERVICE BULLETIN: 25-1373 FUNCTIONAL REFERENCE: EQUIPMENT/FURNISHINGS FOR DETAILS SEE 25-24-31-37 LIGHTS FOR DETAILS SEE 33-22-00-18 33-51-03-09A	001001 006007	1
175	412A1100-110SP	..	COMPARTMENT ASSY-80 IN. PRE SERVICE BULLETIN: 25-1373 FUNCTIONAL REFERENCE: EQUIPMENT/FURNISHINGS FOR DETAILS SEE 25-24-31-37D LIGHTS FOR DETAILS SEE 33-22-00-44 33-51-03-09A	002005 008008	1

MISSING ITEM NUMBERS NOT APPLICABLE

— ITEM NOT ILLUSTRATED

HAP

25-24-30-80A

BOEING PROPRIETARY - Copyright © - Unpublished Work - See title page for details.

25-24-30
FIG. 80A
PAGE 9
FEB 15/09

BOEING
737-600/700/800/900
PARTS CATALOG (MAINTENANCE)

FIG ITEM	PART NUMBER	1 2 3 4 5 6 7	NOMENCLATURE	EFFECT FROM TO	UNITS PER ASSY
80A 175	002A0007-57N		..COMPARTMENT ASSY-80 IN. POST SERVICE BULLETIN: 25-1373 FUNCTIONAL REFERENCE: EQUIPMENT/FURNISHINGS FOR DETAILS SEE 25-24-31-37 LIGHTS FOR DETAILS SEE 33-22-00-18 33-51-03-09A	001001 006007	1
175	412A1100-210SP		..COMPARTMENT ASSY-80 IN. POST SERVICE BULLETIN: 25-1373 FUNCTIONAL REFERENCE: EQUIPMENT/FURNISHINGS FOR DETAILS SEE 25-24-31-37D LIGHTS FOR DETAILS SEE 33-22-00-44 33-51-03-09A	002005 008008	1
200	412A1055-23SP		.COMPONENT ASSY-VAR PRE SERVICE BULLETIN: 25-1373	001001 006007	1
200	412A1055-123SP		.COMPONENT ASSY-VAR PRE SERVICE BULLETIN: 25-1373	002005 008008	1
200	412A1055-323SP		.COMPONENT ASSY-VAR POST SERVICE BULLETIN: 25-1373	002005 008008	1
200	002A0007-17N		.COMPONENT ASSY-VAR POST SERVICE BULLETIN: 25-1373	001001 006007	1
205	412A1100-19SP		..COMPARTMENT ASSY-70 IN. PRE SERVICE BULLETIN: 25-1373 FUNCTIONAL REFERENCE: EQUIPMENT/FURNISHINGS FOR DETAILS SEE 25-24-31-71B LIGHTS FOR DETAILS SEE 33-22-00-23 33-51-03-14	001001 006007	1

MISSING ITEM NUMBERS NOT APPLICABLE

— ITEM NOT ILLUSTRATED

HAP

25-24-30-80A

BOEING PROPRIETARY - Copyright © - Unpublished Work - See title page for details.

25-24-30
FIG. 80A
PAGE 10
FEB 15/09

BOEING
737-600/700/800/900
PARTS CATALOG (MAINTENANCE)

FIG ITEM	PART NUMBER	1 2 3 4 5 6 7	NOMENCLATURE	EFFECT FROM TO	UNITS PER ASSY
80A 205	412A1100-119SP	..	COMPARTMENT ASSY-70 IN. PRE SERVICE BULLETIN: 25-1373 FUNCTIONAL REFERENCE: EQUIPMENT/FURNISHINGS FOR DETAILS SEE 25-24-31-43 LIGHTS FOR DETAILS SEE 33-22-00-23 33-51-03-14	002005 008008	1
205	412A1100-219SP	..	COMPARTMENT ASSY-70 IN. POST SERVICE BULLETIN: 25-1373 FUNCTIONAL REFERENCE: EQUIPMENT/FURNISHINGS FOR DETAILS SEE 25-24-31-43 LIGHTS FOR DETAILS SEE 33-22-00-23 33-51-03-14	002005 008008	1
205	002A0007-58N	..	COMPARTMENT ASSY-70 IN. POST SERVICE BULLETIN: 25-1373 FUNCTIONAL REFERENCE: EQUIPMENT/FURNISHINGS FOR DETAILS SEE 25-24-31-71B LIGHTS FOR DETAILS SEE 33-22-00-23 33-51-03-14	001001 006007	1
210	412A1055-24SP	.	COMPONENT ASSY-VAR PRE SERVICE BULLETIN: 25-1373	001001 006007	1
210	412A1055-124SP	.	COMPONENT ASSY-VAR PRE SERVICE BULLETIN: 25-1373	002005 008008	1
210	002A0007-18N	.	COMPONENT ASSY-VAR POST SERVICE BULLETIN: 25-1373	001001 006007	1
210	412A1055-324SP	.	COMPONENT ASSY-VAR POST SERVICE BULLETIN: 25-1373	002005 008008	1

MISSING ITEM NUMBERS NOT APPLICABLE

— ITEM NOT ILLUSTRATED

HAP

25-24-30-80A

BOEING PROPRIETARY - Copyright © - Unpublished Work - See title page for details.

25-24-30
FIG. 80A
PAGE 11
FEB 15/09

BOEING
737-600/700/800/900
PARTS CATALOG (MAINTENANCE)

FIG ITEM	PART NUMBER	1 2 3 4 5 6 7	NOMENCLATURE	EFFECT FROM TO	UNITS PER ASSY
80A 215	412A1100-20SP		..COMPARTMENT ASSY-70 IN. PRE SERVICE BULLETIN: 25-1373 FUNCTIONAL REFERENCE: EQUIPMENT/FURNISHINGS FOR DETAILS SEE 25-24-31-71B LIGHTS FOR DETAILS SEE 33-22-00-20 33-51-03-14	001001 006007	1
215	412A1100-120SP		..COMPARTMENT ASSY-70 IN. PRE SERVICE BULLETIN: 25-1373 FUNCTIONAL REFERENCE: EQUIPMENT/FURNISHINGS FOR DETAILS SEE 25-24-31-39 LIGHTS FOR DETAILS SEE 33-22-00-20 33-51-03-14	002005 008008	1
215	412A1100-220SP		..COMPARTMENT ASSY-70 IN. POST SERVICE BULLETIN: 25-1373 FUNCTIONAL REFERENCE: EQUIPMENT/FURNISHINGS FOR DETAILS SEE 25-24-31-39 LIGHTS FOR DETAILS SEE 33-22-00-20 33-51-03-14	002005 008008	1
215	002A0007-59N		..COMPARTMENT ASSY-70 IN. POST SERVICE BULLETIN: 25-1373 FUNCTIONAL REFERENCE: EQUIPMENT/FURNISHINGS FOR DETAILS SEE 25-24-31-71B LIGHTS FOR DETAILS SEE 33-22-00-20 33-51-03-14	001001 006007	1
220	412A1055-36SP		.COMPONENT ASSY-VAR PRE SERVICE BULLETIN: 25-1373	001001 006007	1

MISSING ITEM NUMBERS NOT APPLICABLE

— ITEM NOT ILLUSTRATED

HAP

25-24-30-80A

BOEING PROPRIETARY - Copyright © - Unpublished Work - See title page for details.

25-24-30
FIG. 80A
PAGE 12
FEB 15/09

BOEING
737-600/700/800/900
PARTS CATALOG (MAINTENANCE)

FIG ITEM	PART NUMBER	1 2 3 4 5 6 7	NOMENCLATURE	EFFECT FROM TO	UNITS PER ASSY
80A 220	412A1055-136SP	.	COMPONENT ASSY-VAR PRE SERVICE BULLETIN: 25-1373	002005 008008	1
220	002A0007-19N	.	COMPONENT ASSY-VAR POST SERVICE BULLETIN: 25-1373	001001 006007	1
220	412A1055-336SP	.	COMPONENT ASSY-VAR POST SERVICE BULLETIN: 25-1373	002005 008008	1
225	412A1100-24SP	..	COMPARTMENT ASSY-80 IN. PRE SERVICE BULLETIN: 25-1373 FUNCTIONAL REFERENCE: AIR CONDITIONING FOR DETAILS SEE 21-61-06-06 21-61-10-05 21-61-11-17 EQUIPMENT/FURNISHINGS FOR DETAILS SEE 25-24-31-38D LIGHTS FOR DETAILS SEE 33-22-00-19 33-51-03-13	001001 006007	1
225	412A1100-124SP	..	COMPARTMENT ASSY-80 IN. PRE SERVICE BULLETIN: 25-1373 FUNCTIONAL REFERENCE: AIR CONDITIONING FOR DETAILS SEE 21-61-06-06 21-61-10-05 21-61-11-17 EQUIPMENT/FURNISHINGS FOR DETAILS SEE 25-24-31-38 LIGHTS FOR DETAILS SEE 33-22-00-19 33-51-03-13	002005 008008	1

MISSING ITEM NUMBERS NOT APPLICABLE

— ITEM NOT ILLUSTRATED

HAP

25-24-30-80A

BOEING PROPRIETARY - Copyright © - Unpublished Work - See title page for details.

25-24-30
FIG. 80A
PAGE 13
FEB 15/09

BOEING
737-600/700/800/900
PARTS CATALOG (MAINTENANCE)

FIG ITEM	PART NUMBER	1 2 3 4 5 6 7	NOMENCLATURE	EFFECT FROM TO	UNITS PER ASSY
80A 225	002A0007-60N		.. COMPARTMENT ASSY-80 IN. POST SERVICE BULLETIN: 25-1373 FUNCTIONAL REFERENCE: AIR CONDITIONING FOR DETAILS SEE 21-61-06-06 21-61-10-05 21-61-11-17 EQUIPMENT/FURNISHINGS FOR DETAILS SEE 25-24-31-38D LIGHTS FOR DETAILS SEE 33-22-00-19 33-51-03-13	001001 006007	1
225	412A1100-224SP		.. COMPARTMENT ASSY-80 IN. POST SERVICE BULLETIN: 25-1373 FUNCTIONAL REFERENCE: AIR CONDITIONING FOR DETAILS SEE 21-61-06-06 21-61-10-05 21-61-11-17 EQUIPMENT/FURNISHINGS FOR DETAILS SEE 25-24-31-38 LIGHTS FOR DETAILS SEE 33-22-00-19 33-51-03-13	002005 008008	1

MISSING ITEM NUMBERS NOT APPLICABLE

— ITEM NOT ILLUSTRATED

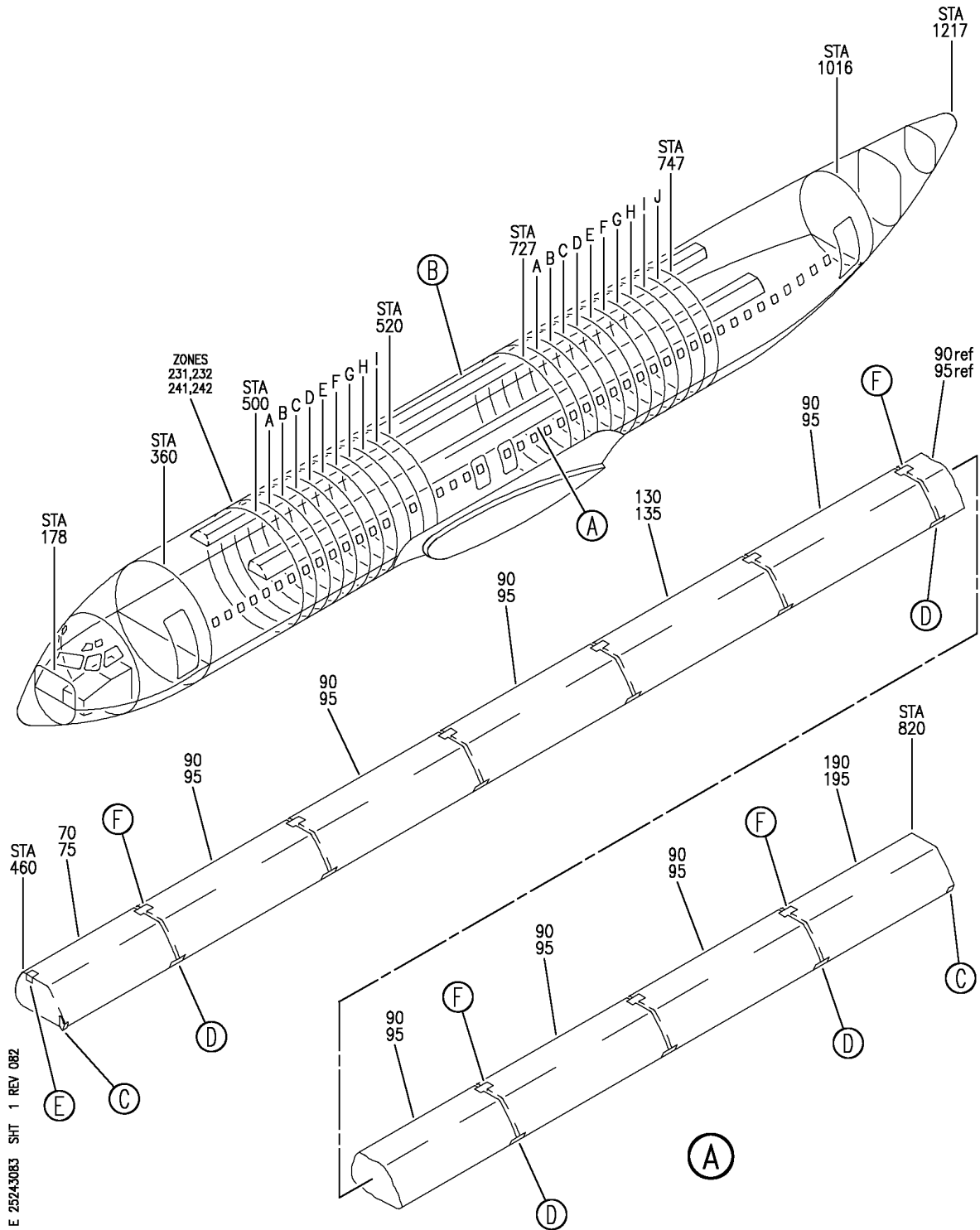
HAP

25-24-30-80A

BOEING PROPRIETARY - Copyright © - Unpublished Work - See title page for details.

25-24-30
FIG. 80A
PAGE 14
FEB 15/09

BOEING
 737-600/700/800/900
 PARTS CATALOG (MAINTENANCE)



E 25243083 SHT 1 REV 082

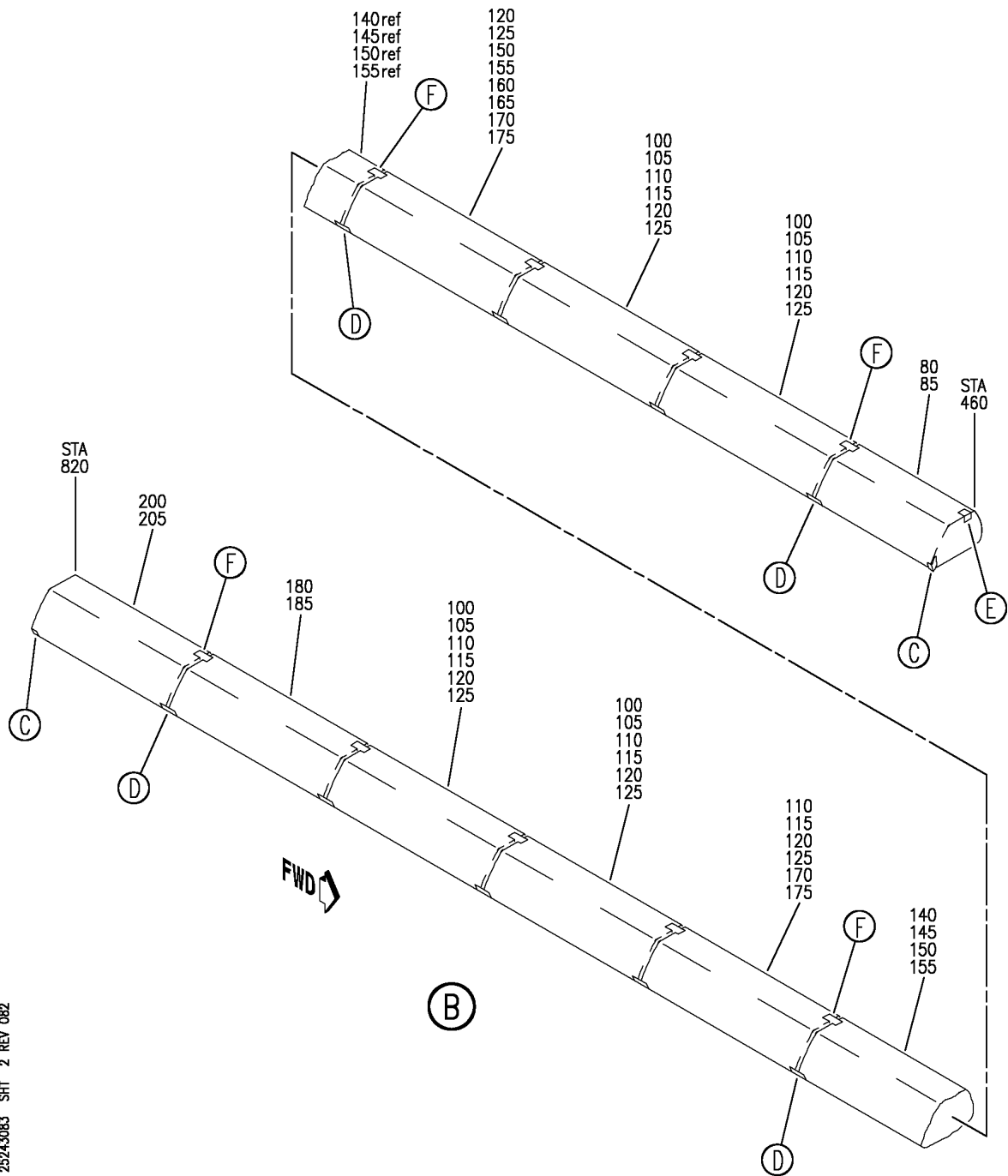
COMPARTMENT INSTL-OVHD STOWAGE HNDRL CONFIGURATION
 FIGURE 83 (SHEET 1)

25-24-30-83

HAP
 OCT 10/06

25-24-30-83
 PAGE 0

BOEING
 737-600/700/800/900
 PARTS CATALOG (MAINTENANCE)



E 25243083 SH1 2 REV 082

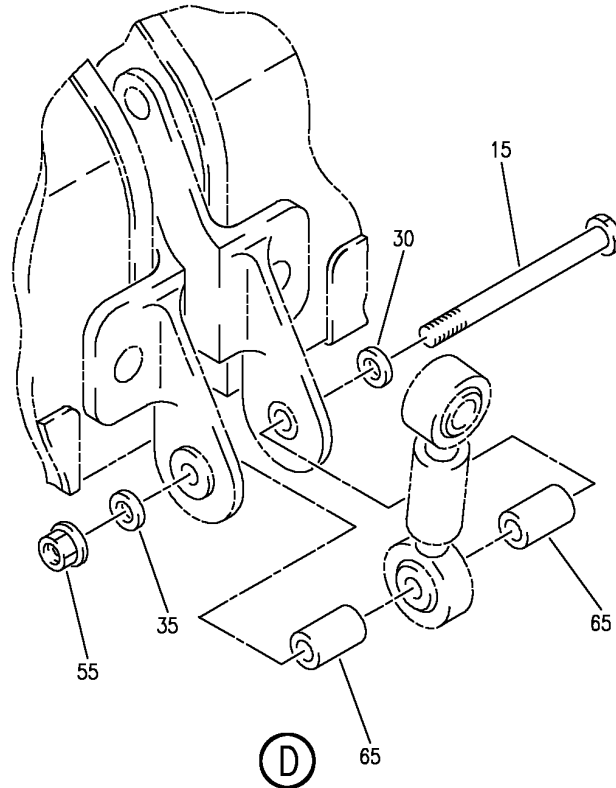
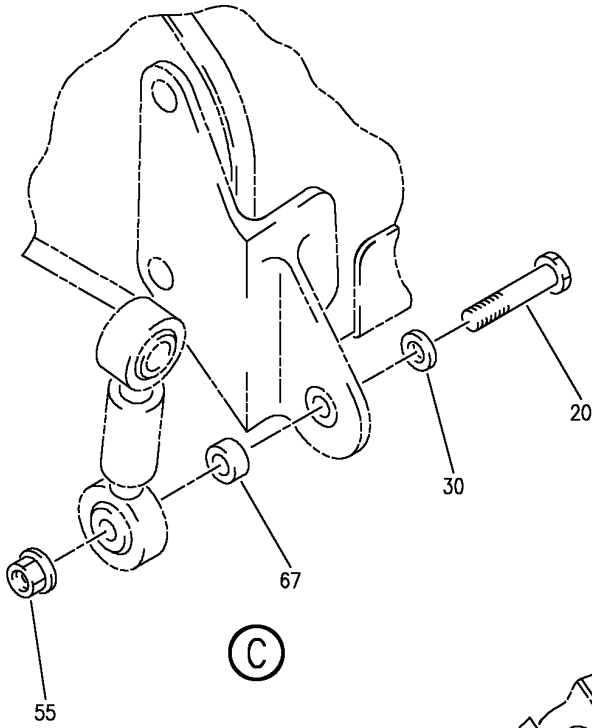
COMPARTMENT INSTL-OVHD STOWAGE HNDRL CONFIGURATION
 FIGURE 83 (SHEET 2)

25-24-30-83

HAP
 OCT 10/06

25-24-30-83
 PAGE 0A

BOEING
737-600/700/800/900
PARTS CATALOG (MAINTENANCE)



E 25243083 SHT 3 REV 092

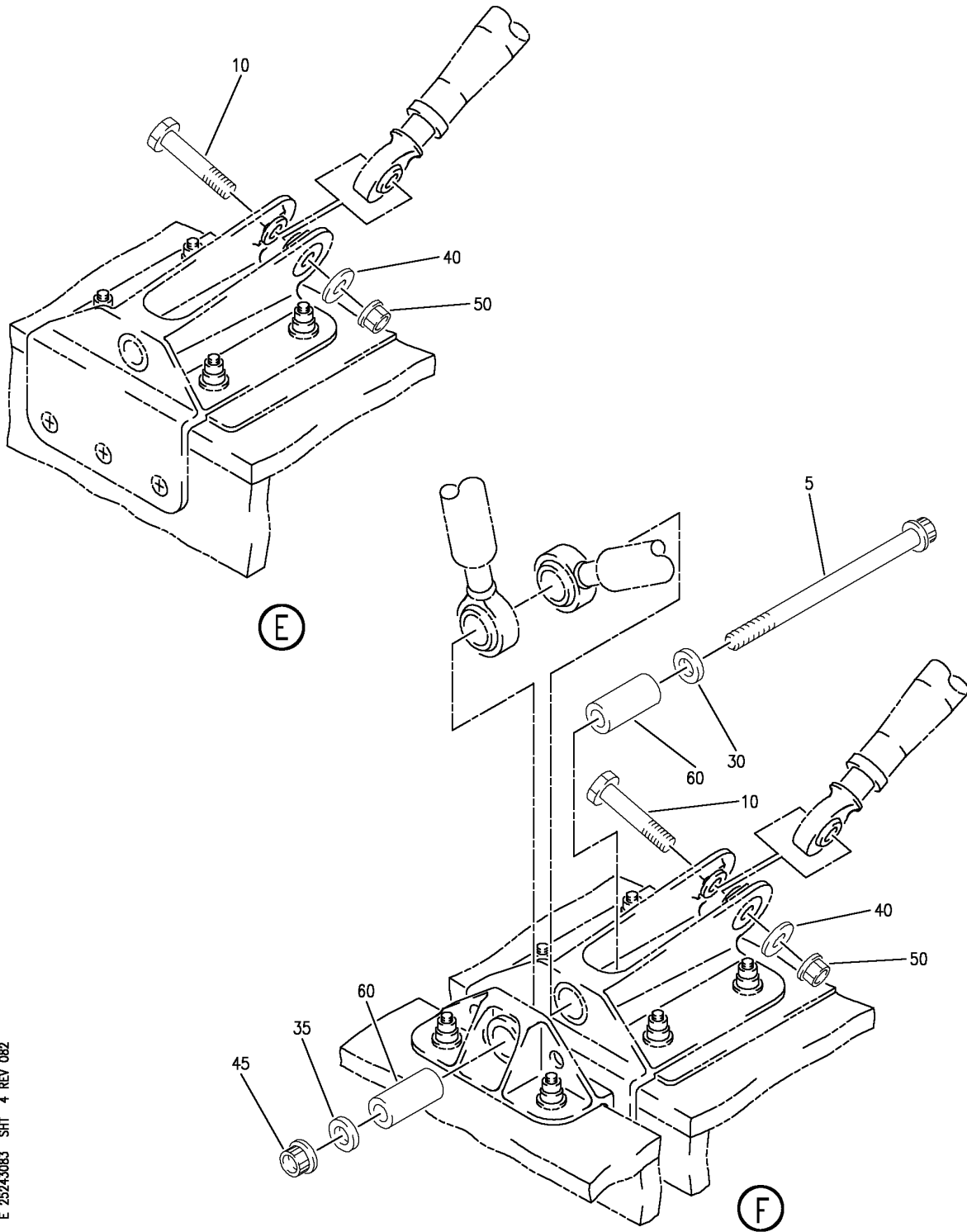
COMPARTMENT INSTL-OVHD STOWAGE HNDRL CONFIGURATION
FIGURE 83 (SHEET 3)

25-24-30-83

HAP
OCT 10/06

25-24-30-83
PAGE 0B

BOEING
 737-600/700/800/900
 PARTS CATALOG (MAINTENANCE)



E 25243083 SH1 4 REV 082

COMPARTMENT INSTL-OVHD STOWAGE HNDRL CONFIGURATION
 FIGURE 83 (SHEET 4)

25-24-30-83

HAP
 OCT 10/06

25-24-30-83
 PAGE 0C

 **BOEING**
737-600/700/800/900
PARTS CATALOG (MAINTENANCE)

FIG ITEM	PART NUMBER	1 2 3 4 5 6 7	NOMENCLATURE	EFFECT FROM TO	UNITS PER ASSY
83			COMPARTMENT INSTL-OVHD STOWAGE HNDRL CONFIGURATION	009030	
- 1	412A1080-201SP		COMPARTMENT INSTL-OVHD STOWAGE HNDRL CONFIGURATION FOR NHA SEE: 25-24-00-13A	009030	RF
5	BACB30US4K33		.BOLT	009030	18
10	BACB30PW4-16		.BOLT	009030	20
15	BACB30NR4K26		.BOLT	009030	18
20	BACB30NR4K10		.BOLT	009030	4
30	BACW10BP4CD		.WASHER	009030	40
35	BACW10BP4DP		.WASHER	009030	36
40	BACW10BN3SP		.WASHER	009030	20

MISSING ITEM NUMBERS NOT APPLICABLE

- ITEM NOT ILLUSTRATED

HAP

25-24-30-83

BOEING PROPRIETARY - Copyright © - Unpublished Work - See title page for details.

25-24-30
FIG. 83
PAGE 1
OCT 10/06

BOEING
737-600/700/800/900
PARTS CATALOG (MAINTENANCE)

FIG ITEM	PART NUMBER	1 2 3 4 5 6 7	NOMENCLATURE	EFFECT FROM TO	UNITS PER ASSY
83 45	BMN5024CWD34	.NUT	SUPPLIER CODE: V97928 SPECIFICATION NUMBER: BACN10HR4CD OPTIONAL PART: H51560-4 V15653 102CH9031-4 V72962 SL7108C428 V11815 67832CD428 V56878 BMN5024CWD3-4 V97928 BH00303CM4 V27238 SL7108C4 V11815 VCU0005D4 V06710 102LH90314 V72962 67832CD4 V56878 H964CD V15653 RMLH224CD V72962 VAL280094CD V06710 678324CD V56878 CR6030-4 VF0224	009030	18
50	PLH53CD	.NUT	SUPPLIER CODE: VF0224 SPECIFICATION NUMBER: BACN10YR3CD OPTIONAL PART: H52732-3CD V15653	009030	20

MISSING ITEM NUMBERS NOT APPLICABLE

— ITEM NOT ILLUSTRATED

HAP

25-24-30-83

BOEING PROPRIETARY - Copyright © - Unpublished Work - See title page for details.

25-24-30
FIG. 83
PAGE 2
FEB 15/09

BOEING
737-600/700/800/900
PARTS CATALOG (MAINTENANCE)

FIG ITEM	PART NUMBER	1 2 3 4 5 6 7	NOMENCLATURE	EFFECT FROM TO	UNITS PER ASSY
83					
55	PLH54CD	.	NUT SUPPLIER CODE: VF0224 SPECIFICATION NUMBER: BACN10YR4CD OPTIONAL PART: H52732-4CD V15653	009030	22
60	BACB28AK04-071	.	BUSHING	009030	36
65	BACB28AK04-060	.	BUSHING	009030	36
67	BACB28Z4-020	.	BUSHING	009030	4
70	412A1055-321SP	.	COMPONENT ASSY-VAR	009030	1
75	412A1100-205B	..	COMPARTMENT ASSY-60 IN. FUNCTIONAL REFERENCE: EQUIPMENT/FURNISHINGS FOR DETAILS SEE 25-24-31-42 LIGHTS FOR DETAILS SEE 33-22-00-22	009030	1
80	412A1055-322SP	.	COMPONENT ASSY-VAR	009030	1
85	412A1100-206B	..	COMPARTMENT ASSY-60 IN. FUNCTIONAL REFERENCE: EQUIPMENT/FURNISHINGS FOR DETAILS SEE 25-24-31-41 LIGHTS FOR DETAILS SEE 33-22-00-21 33-51-03-05A	009030	1
90	412A1055-315SP	.	COMPONENT ASSY-VAR	009030	7
95	412A1100-201B	..	COMPARTMENT ASSY-80 IN. FUNCTIONAL REFERENCE: EQUIPMENT/FURNISHINGS FOR DETAILS SEE 25-24-31-36B LIGHTS FOR DETAILS SEE 33-22-00-43 33-51-03-09	009030	1
110	412A1055-316SP	.	COMPONENT ASSY-VAR	009030	5

MISSING ITEM NUMBERS NOT APPLICABLE

— ITEM NOT ILLUSTRATED

HAP

25-24-30-83

BOEING PROPRIETARY - Copyright © - Unpublished Work - See title page for details.

25-24-30
FIG. 83
PAGE 3
FEB 15/09

BOEING
737-600/700/800/900
PARTS CATALOG (MAINTENANCE)

FIG ITEM	PART NUMBER	1 2 3 4 5 6 7	NOMENCLATURE	EFFECT FROM TO	UNITS PER ASSY
83 115	412A1100-202B		..COMPARTMENT ASSY-80 IN. FUNCTIONAL REFERENCE: EQUIPMENT/FURNISHINGS FOR DETAILS SEE 25-24-31-37B LIGHTS FOR DETAILS SEE 33-22-00-44 33-51-03-09A	009030	1
130	412A1055-319SP		.COMPONENT ASSY-VAR	009030	1
135	412A1100-209B		..COMPARTMENT ASSY-80 IN. FUNCTIONAL REFERENCE: EQUIPMENT/FURNISHINGS FOR DETAILS SEE 25-24-31-36F LIGHTS FOR DETAILS SEE 33-22-00-43 33-51-03-09	009030	1
150	412A1055-320SP		.COMPONENT ASSY-VAR	009030	2
155	412A1100-210B		..COMPARTMENT ASSY-80 IN. FUNCTIONAL REFERENCE: EQUIPMENT/FURNISHINGS FOR DETAILS SEE 25-24-31-37D LIGHTS FOR DETAILS SEE 33-22-00-44 33-51-03-09A	009030	1
180	412A1055-336SP		.COMPONENT ASSY-VAR	009030	1
185	412A1100-224B		..COMPARTMENT ASSY-80 IN. FUNCTIONAL REFERENCE: AIR CONDITIONING FOR DETAILS SEE 21-61-06-06 21-61-10-05 21-61-11-17 EQUIPMENT/FURNISHINGS FOR DETAILS SEE 25-24-31-38 LIGHTS FOR DETAILS SEE 33-22-00-19 33-51-03-13	009030	1
190	412A1055-323SP		.COMPONENT ASSY-VAR	009030	1

MISSING ITEM NUMBERS NOT APPLICABLE

— ITEM NOT ILLUSTRATED

HAP

25-24-30-83

BOEING PROPRIETARY - Copyright © - Unpublished Work - See title page for details.

25-24-30
FIG. 83
PAGE 4
OCT 10/06

BOEING
737-600/700/800/900
PARTS CATALOG (MAINTENANCE)

FIG ITEM	PART NUMBER	1 2 3 4 5 6 7	NOMENCLATURE	EFFECT FROM TO	UNITS PER ASSY
83 195	412A1100-219B		..COMPARTMENT ASSY-60 IN. FUNCTIONAL REFERENCE: EQUIPMENT/FURNISHINGS FOR DETAILS SEE 25-24-31-43 LIGHTS FOR DETAILS SEE 33-22-00-23 33-51-03-14	009030	1
200	412A1055-324SP		.COMPONENT ASSY-VAR	009030	1
205	412A1100-220B		..COMPARTMENT ASSY-70 IN. FUNCTIONAL REFERENCE: EQUIPMENT/FURNISHINGS FOR DETAILS SEE 25-24-31-39 LIGHTS FOR DETAILS SEE 33-22-00-20 33-51-03-14	009030	1

MISSING ITEM NUMBERS NOT APPLICABLE

— ITEM NOT ILLUSTRATED

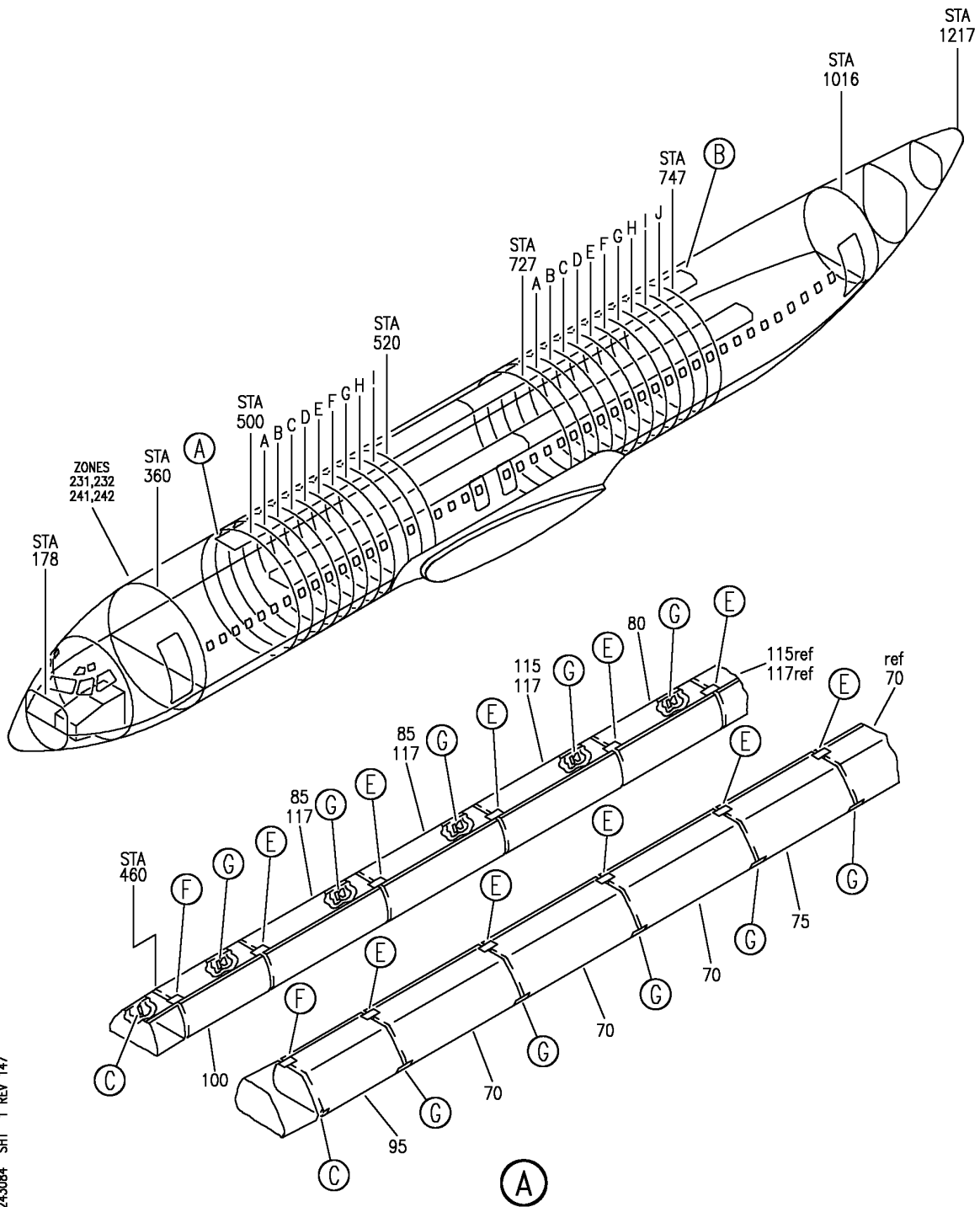
HAP

25-24-30-83

BOEING PROPRIETARY - Copyright © - Unpublished Work - See title page for details.

25-24-30
FIG. 83
PAGE 5
OCT 10/06

BOEING
 737-600/700/800/900
 PARTS CATALOG (MAINTENANCE)



E 25243084 SHT 1 REV 147

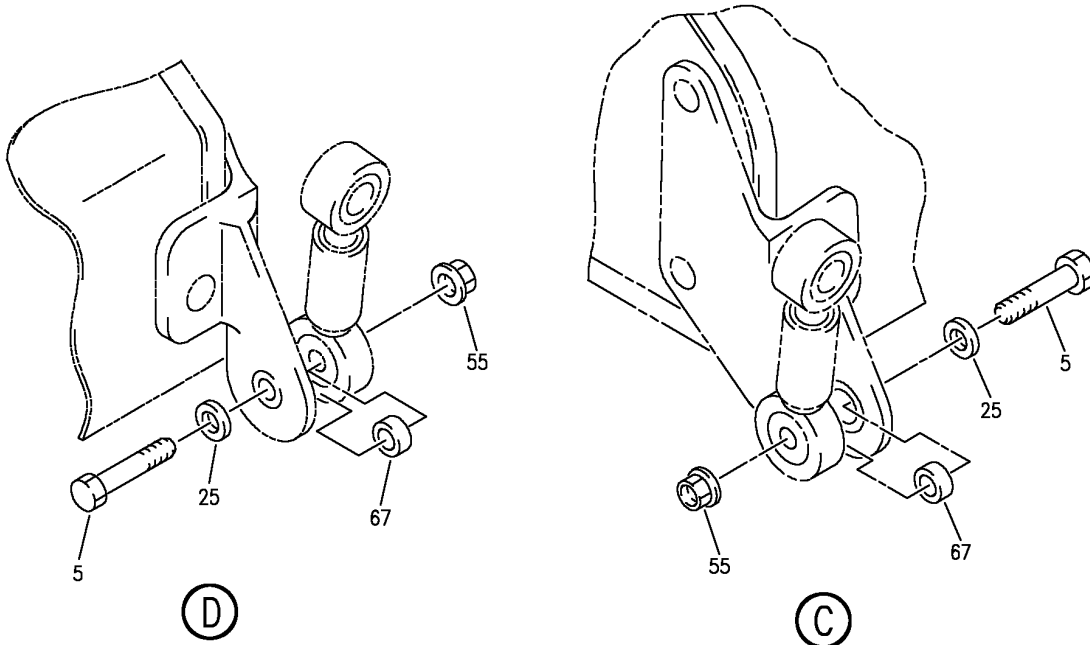
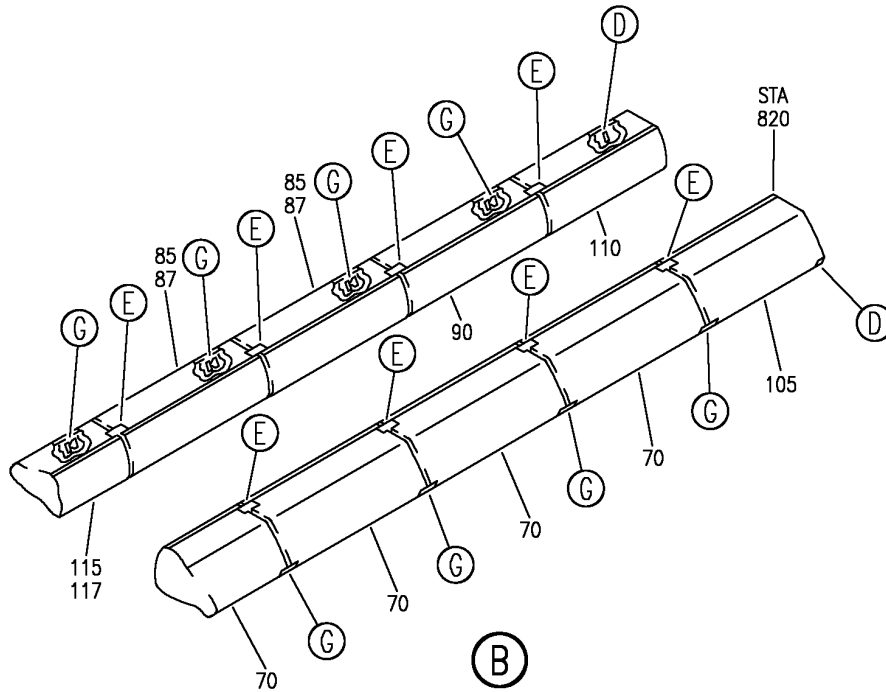
COMPARTMENT INSTL-BIG BIN OVHD STOWAGE BULLNOSE CONFIGURATION
 FIGURE 84 (SHEET 1)

25-24-30-84

HAP
 OCT 15/08

25-24-30-84
 PAGE 0

BOEING
 737-600/700/800/900
 PARTS CATALOG (MAINTENANCE)



E 25243084 SHT 2 REV 147

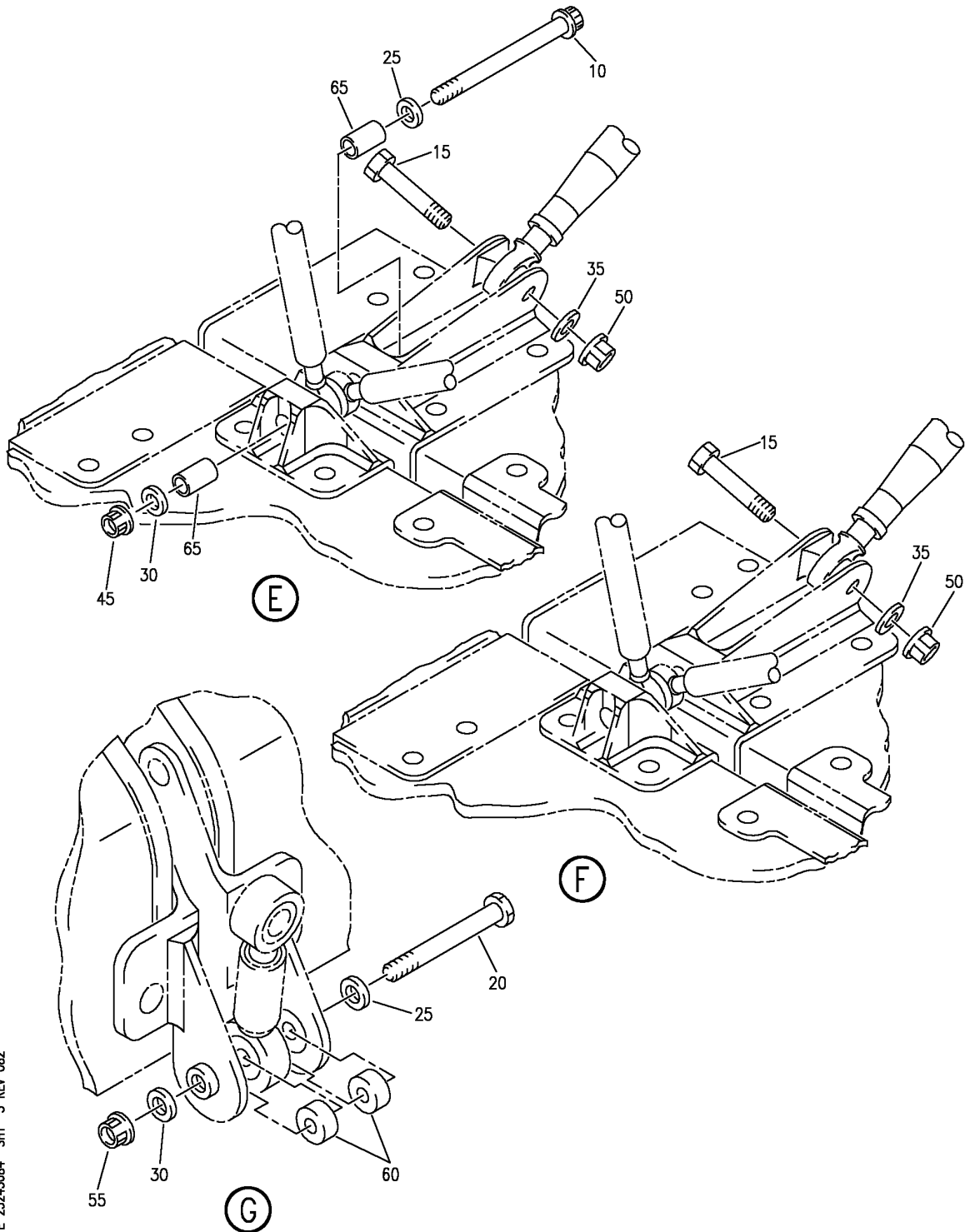
COMPARTMENT INSTL-BIG BIN OVHD STOWAGE BULLNOSE CONFIGURATION
 FIGURE 84 (SHEET 2)

25-24-30-84

HAP
 OCT 15/08

25-24-30-84
 PAGE 0A

BOEING
 737-600/700/800/900
 PARTS CATALOG (MAINTENANCE)



E 25243084 SHT 3 REV 082

COMPARTMENT INSTL-BIG BIN OVHD STOWAGE BULLNOSE CONFIGURATION
 FIGURE 84 (SHEET 3)

25-24-30-84

HAP
 OCT 10/06

25-24-30-84
 PAGE 0B

BOEING
737-600/700/800/900
PARTS CATALOG (MAINTENANCE)

FIG ITEM	PART NUMBER	1 2 3 4 5 6 7	NOMENCLATURE	EFFECT FROM TO	UNITS PER ASSY
84			COMPARTMENT INSTL-BIG BIN OVHD STOWAGE BULLNOSE CONFIGURATION	031100	
- 1	MODREF174675		COMPARTMENT INSTL-BIG BIN OVHD STOWAGE BULLNOSE CONFIGURATION	031043	1
- 1	MODREF345226		MODULE NUMBER: 412A1080-1210B REV A COMPARTMENT INSTL-BIG BIN OVHD STOWAGE BULLNOSE CONFIGURATION	044100	1
			MODULE NUMBER: 412A1080-1210B REV B POST RAPID REVISION: RR97237-17B		
5	BACB30NR4K10		.BOLT	031100	4
10	BACB30US4K33		.BOLT	031100	18
15	BACB30PW4-16		.BOLT	031100	20
20	BACB30NR4K26		.BOLT	031100	18
25	BACW10BP4CD		.WASHER	031100	40
30	BACW10BP4DP		.WASHER	031100	36
35	BACW10BN3SP		.WASHER	031100	20

MISSING ITEM NUMBERS NOT APPLICABLE

- ITEM NOT ILLUSTRATED

HAP

25-24-30-84

BOEING PROPRIETARY - Copyright © - Unpublished Work - See title page for details.

25-24-30
FIG. 84
PAGE 1
FEB 15/09

BOEING
737-600/700/800/900
PARTS CATALOG (MAINTENANCE)

FIG ITEM	PART NUMBER	1 2 3 4 5 6 7	NOMENCLATURE	EFFECT FROM TO	UNITS PER ASSY
84 45	BMN5024CWD34	.NUT	SUPPLIER CODE: V97928 SPECIFICATION NUMBER: BACN10HR4CD OPTIONAL PART: H51560-4 V15653 102CH9031-4 V72962 SL7108C428 V11815 67832CD428 V56878 BMN5024CWD3-4 V97928 BH00303CM4 V27238 SL7108C4 V11815 VCU0005D4 V06710 102LH90314 V72962 67832CD4 V56878 H964CD V15653 RMLH224CD V72962 VAL280094CD V06710 678324CD V56878 CR6030-4 VF0224	031100	18
50	PLH53CD	.NUT	SUPPLIER CODE: VF0224 SPECIFICATION NUMBER: BACN10YR3CD OPTIONAL PART: H52732-3CD V15653	031100	20

MISSING ITEM NUMBERS NOT APPLICABLE

— ITEM NOT ILLUSTRATED

HAP

25-24-30-84

BOEING PROPRIETARY - Copyright © - Unpublished Work - See title page for details.

25-24-30
FIG. 84
PAGE 2
FEB 15/09

BOEING
737-600/700/800/900
PARTS CATALOG (MAINTENANCE)

FIG ITEM	PART NUMBER	1 2 3 4 5 6 7	NOMENCLATURE	EFFECT FROM TO	UNITS PER ASSY
84 55	PLH54CD	.	NUT SUPPLIER CODE: VF0224 SPECIFICATION NUMBER: BACN10YR4CD OPTIONAL PART: H52732-4CD V15653	031100	22
60	BACB28AK04-060	.	BUSHING	031100	36
65	BACB28AK04-071	.	BUSHING	031100	36
67	BACB28Z4-020	.	BUSHING	031100	4
70	412A1057-1B	.	TOP ASSY-80 IN. POSITION DATA: LH FUNCTIONAL REFERENCE: EQUIPMENT/FURNISHINGS FOR DETAILS SEE 25-24-31-14G LIGHTS FOR DETAILS SEE 33-22-00-84 33-51-03-39	031043	7
70	412A1057-1001B	.	TOP ASSY-80 IN. POSITION DATA: LH POST RAPID REVISION: RR97237-17B FUNCTIONAL REFERENCE: EQUIPMENT/FURNISHINGS FOR DETAILS SEE 25-24-31-14K LIGHTS FOR DETAILS SEE 33-22-00-84 33-51-03-39	044100	7
75	412A1057-15C	.	TOP ASSY-80 IN. POSITION DATA: LH FUNCTIONAL REFERENCE: EQUIPMENT/FURNISHINGS FOR DETAILS SEE 25-24-31-80 LIGHTS FOR DETAILS SEE 33-22-00-84C 33-51-03-37	031043	1

MISSING ITEM NUMBERS NOT APPLICABLE

— ITEM NOT ILLUSTRATED

HAP

25-24-30-84

BOEING PROPRIETARY - Copyright © - Unpublished Work - See title page for details.

25-24-30
FIG. 84
PAGE 3
FEB 15/09

BOEING
737-600/700/800/900
PARTS CATALOG (MAINTENANCE)

FIG ITEM	PART NUMBER	1 2 3 4 5 6 7	NOMENCLATURE	EFFECT FROM TO	UNITS PER ASSY
84 75	412A1057-1015C		.TOP ASSY-80 IN. POSITION DATA: LH POST RAPID REVISION: RR97237-17B FUNCTIONAL REFERENCE: EQUIPMENT/FURNISHINGS FOR DETAILS SEE 25-24-31-14L LIGHTS FOR DETAILS SEE 33-22-00-84C 33-51-03-37	044100	1
80	412A1057-16C		.TOP ASSY-80 IN. POSITION DATA: RH FUNCTIONAL REFERENCE: EQUIPMENT/FURNISHINGS FOR DETAILS SEE 25-24-31-82B LIGHTS FOR DETAILS SEE 33-22-00-83E 33-51-03-38	031043	1
80	412A1057-1016C		.TOP ASSY-80 IN. POSITION DATA: RH POST RAPID REVISION: RR97237-17B FUNCTIONAL REFERENCE: EQUIPMENT/FURNISHINGS FOR DETAILS SEE 25-24-31-14M LIGHTS FOR DETAILS SEE 33-22-00-83E 33-51-03-38	044100	1
85	412A1057-2B		.TOP ASSY-80 IN. POSITION DATA: RH FUNCTIONAL REFERENCE: EQUIPMENT/FURNISHINGS FOR DETAILS SEE 25-24-31-14F LIGHTS FOR DETAILS SEE 33-22-00-83 33-51-03-36	031043	4

MISSING ITEM NUMBERS NOT APPLICABLE

— ITEM NOT ILLUSTRATED

HAP

25-24-30-84

BOEING PROPRIETARY - Copyright © - Unpublished Work - See title page for details.

25-24-30
FIG. 84
PAGE 4
FEB 15/09

BOEING
737-600/700/800/900
PARTS CATALOG (MAINTENANCE)

FIG ITEM	PART NUMBER	1 2 3 4 5 6 7	NOMENCLATURE	EFFECT FROM TO	UNITS PER ASSY
84 85	412A1057-1002B		.TOP ASSY-80 IN. POSITION DATA: RH POST RAPID REVISION: RR97237-17B FUNCTIONAL REFERENCE: EQUIPMENT/FURNISHINGS FOR DETAILS SEE 25-24-31-14N LIGHTS FOR DETAILS SEE 33-22-00-83 33-51-03-36	044100	4
90	412A1057-32B		.TOP ASSY-80 IN. POSITION DATA: RH FUNCTIONAL REFERENCE: AIR CONDITIONING FOR DETAILS SEE 21-61-06-11 21-61-10-14 21-61-11-20 EQUIPMENT/FURNISHINGS FOR DETAILS SEE 25-24-31-80A LIGHTS FOR DETAILS SEE 33-22-00-66 33-51-03-41	031043	1
90	412A1057-1032B		.TOP ASSY-80 IN. POSITION DATA: RH POST RAPID REVISION: RR97237-17B FUNCTIONAL REFERENCE: AIR CONDITIONING FOR DETAILS SEE 21-61-06-11 21-61-10-14 21-61-11-20 EQUIPMENT/FURNISHINGS FOR DETAILS SEE 25-24-31-14P LIGHTS FOR DETAILS SEE 33-22-00-66 33-51-03-41	044100	1

MISSING ITEM NUMBERS NOT APPLICABLE

— ITEM NOT ILLUSTRATED

HAP

25-24-30-84

BOEING PROPRIETARY - Copyright © - Unpublished Work - See title page for details.

25-24-30
FIG. 84
PAGE 5
FEB 15/09

BOEING
737-600/700/800/900
PARTS CATALOG (MAINTENANCE)

FIG ITEM	PART NUMBER	1 2 3 4 5 6 7	NOMENCLATURE	EFFECT FROM TO	UNITS PER ASSY
84 95	412A1057-33B		.TOP ASSY-60 IN. POSITION DATA: LH FUNCTIONAL REFERENCE: EQUIPMENT/FURNISHINGS FOR DETAILS SEE 25-24-31-64C LIGHTS FOR DETAILS SEE 33-22-00-67	031043	1
95	412A1057-1033B		.TOP ASSY-60 IN. POSITION DATA: LH POST RAPID REVISION: RR9237-17B FUNCTIONAL REFERENCE: EQUIPMENT/FURNISHINGS FOR DETAILS SEE 25-24-31-64L LIGHTS FOR DETAILS SEE 33-22-00-67G	044100	1
100	412A1057-34B		.TOP ASSY-60 IN. POSITION DATA: RH FUNCTIONAL REFERENCE: EQUIPMENT/FURNISHINGS FOR DETAILS SEE 25-24-31-64C LIGHTS FOR DETAILS SEE 33-22-00-67 33-51-03-61	031043	1
100	412A1057-1034B		.TOP ASSY-60 IN. POSITION DATA: RH POST RAPID REVISION: RR9237-17B FUNCTIONAL REFERENCE: EQUIPMENT/FURNISHINGS FOR DETAILS SEE 25-24-31-64M LIGHTS FOR DETAILS SEE 33-22-00-67H 33-51-03-61	044100	1

MISSING ITEM NUMBERS NOT APPLICABLE

— ITEM NOT ILLUSTRATED

HAP

25-24-30-84

BOEING PROPRIETARY - Copyright © - Unpublished Work - See title page for details.

25-24-30
FIG. 84
PAGE 6
FEB 15/09

BOEING
737-600/700/800/900
PARTS CATALOG (MAINTENANCE)

FIG ITEM	PART NUMBER	1 2 3 4 5 6 7	NOMENCLATURE	EFFECT FROM TO	UNITS PER ASSY
84 105	412A1057-37C		.TOP ASSY-70 IN. POSITION DATA: LH FUNCTIONAL REFERENCE: EQUIPMENT/FURNISHINGS FOR DETAILS SEE 25-24-31-71E LIGHTS FOR DETAILS SEE 33-22-00-71 33-51-03-70	031043	1
105	412A1057-1037C		.TOP ASSY-70 IN. POSITION DATA: LH POST RAPID REVISION: RR97237-17B FUNCTIONAL REFERENCE: EQUIPMENT/FURNISHINGS FOR DETAILS SEE 25-24-31-71L LIGHTS FOR DETAILS SEE 33-22-00-71C 33-51-03-70G	044100	1
110	412A1057-38C		.TOP ASSY-70 IN. POSITION DATA: RH FUNCTIONAL REFERENCE: EQUIPMENT/FURNISHINGS FOR DETAILS SEE 25-24-31-71E LIGHTS FOR DETAILS SEE 33-22-00-71 33-51-03-70	031043	1
110	412A1057-1038C		.TOP ASSY-70 IN. POSITION DATA: RH POST RAPID REVISION: RR97237-17B FUNCTIONAL REFERENCE: EQUIPMENT/FURNISHINGS FOR DETAILS SEE 25-24-31-71M LIGHTS FOR DETAILS SEE 33-22-00-71D 33-51-03-70H	044100	1

MISSING ITEM NUMBERS NOT APPLICABLE

— ITEM NOT ILLUSTRATED

HAP

25-24-30-84

BOEING PROPRIETARY - Copyright © - Unpublished Work - See title page for details.

25-24-30
FIG. 84
PAGE 7
FEB 15/09

BOEING
737-600/700/800/900
PARTS CATALOG (MAINTENANCE)

FIG ITEM	PART NUMBER	1 2 3 4 5 6 7	NOMENCLATURE	EFFECT FROM TO	UNITS PER ASSY
84 115	412A1057-4B		.TOP ASSY-80 IN. POSITION DATA: RH FUNCTIONAL REFERENCE: EQUIPMENT/FURNISHINGS FOR DETAILS SEE 25-24-31-82A LIGHTS FOR DETAILS SEE 33-22-00-83D 33-51-03-36A	031043	2
115	412A1057-1004B		.TOP ASSY-80 IN. POSITION DATA: RH POST RAPID REVISION: RR97237-17B FUNCTIONAL REFERENCE: EQUIPMENT/FURNISHINGS FOR DETAILS SEE 25-24-31-14Q LIGHTS FOR DETAILS SEE 33-22-00-83D 33-51-03-36A	044100	2

MISSING ITEM NUMBERS NOT APPLICABLE

— ITEM NOT ILLUSTRATED

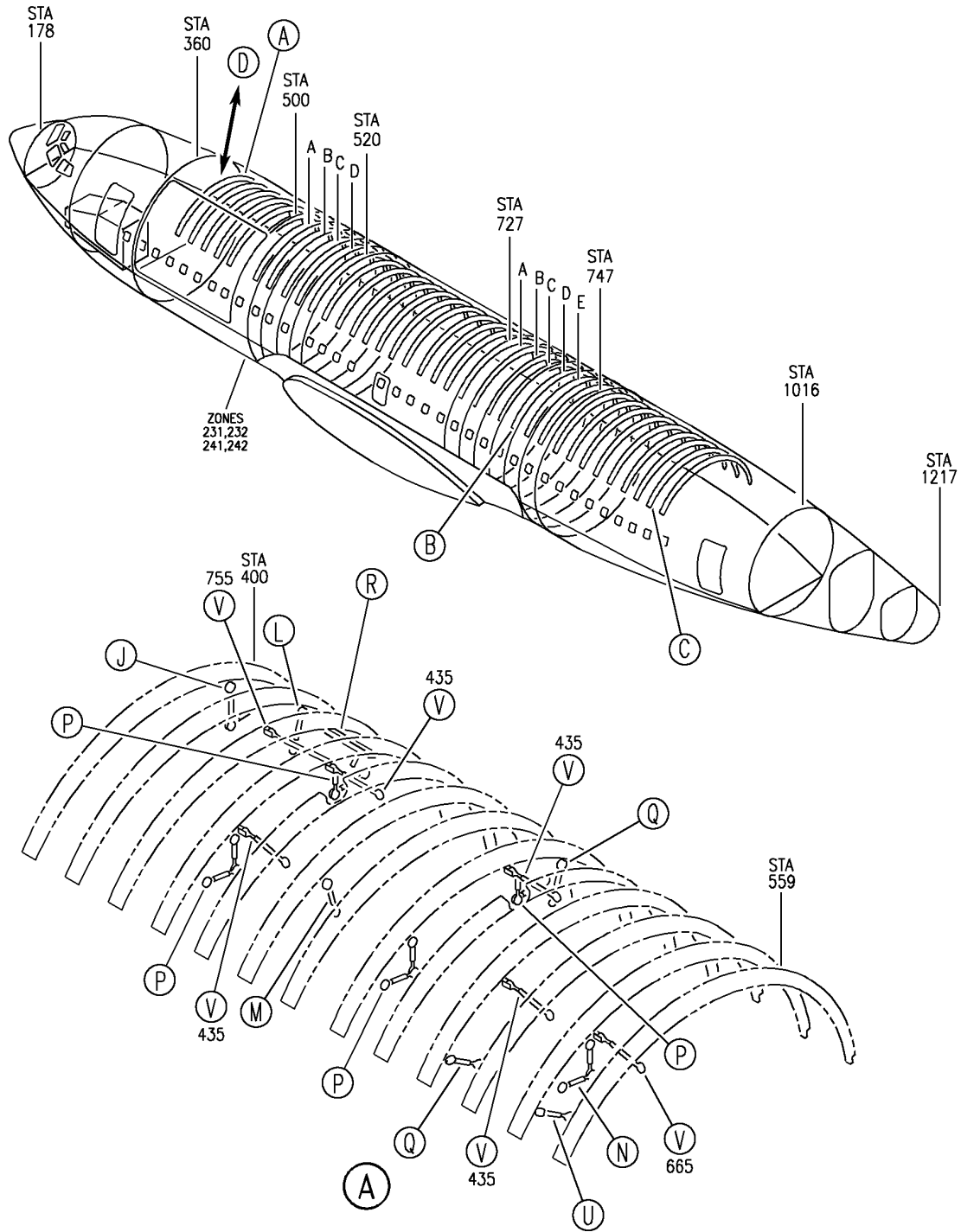
HAP

25-24-30-84

BOEING PROPRIETARY - Copyright © - Unpublished Work - See title page for details.

25-24-30
FIG. 84
PAGE 8
FEB 15/09

BOEING
 737-600/700/800/900
 PARTS CATALOG (MAINTENANCE)



E 25243110 SHT 1 REV 122

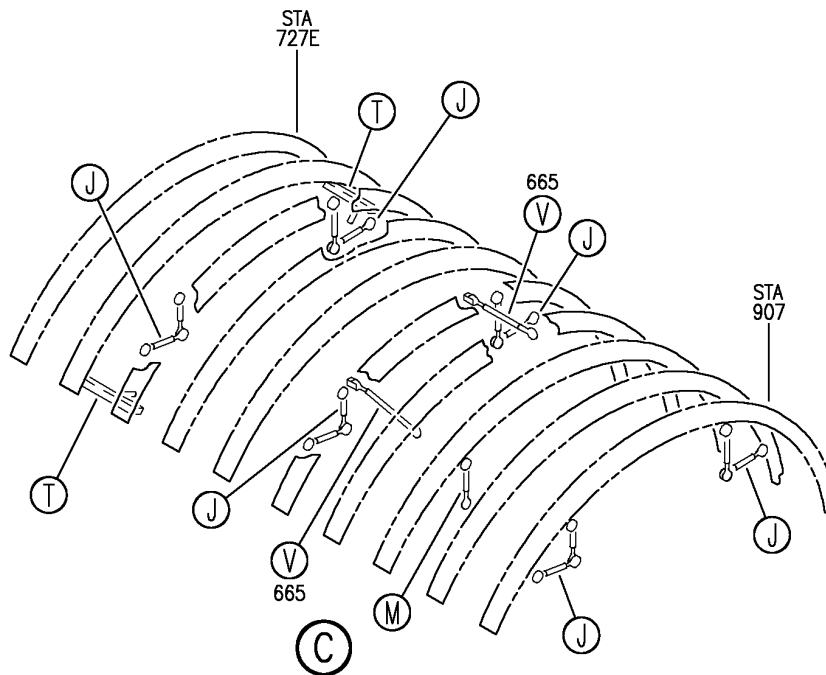
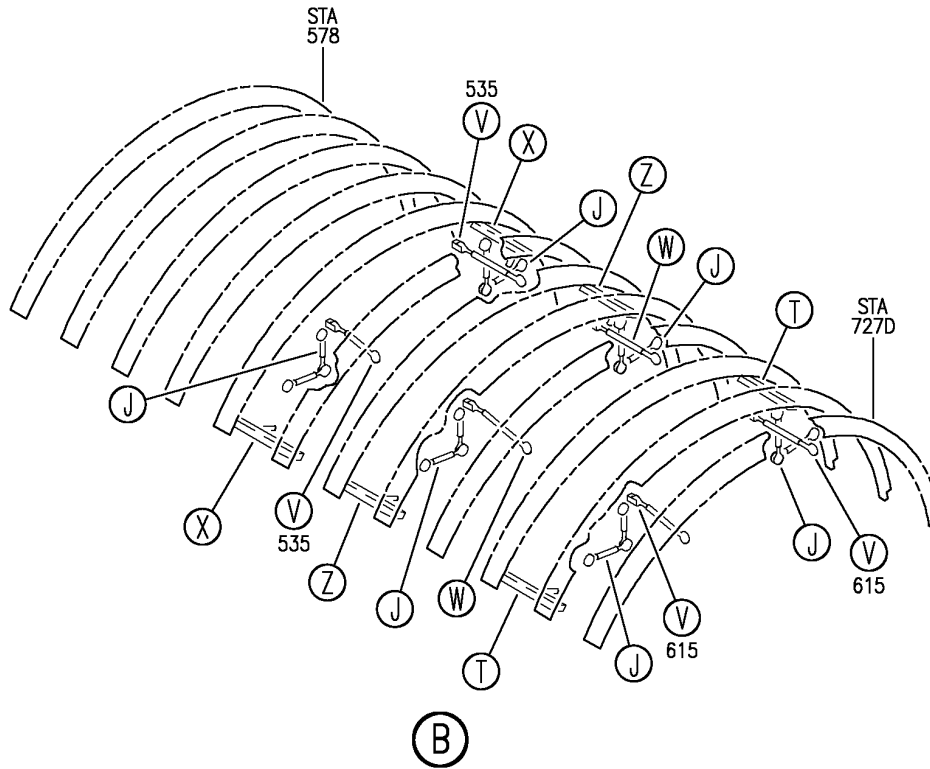
TIE ROD INSTL-CTR OVHD STOWAGE
 FIGURE 10 (SHEET 1)

25-24-31-10

HAP
 OCT 10/06

25-24-31-10
 PAGE 0

BOEING
 737-600/700/800/900
 PARTS CATALOG (MAINTENANCE)



E 25243110 SH1 2 REV 074

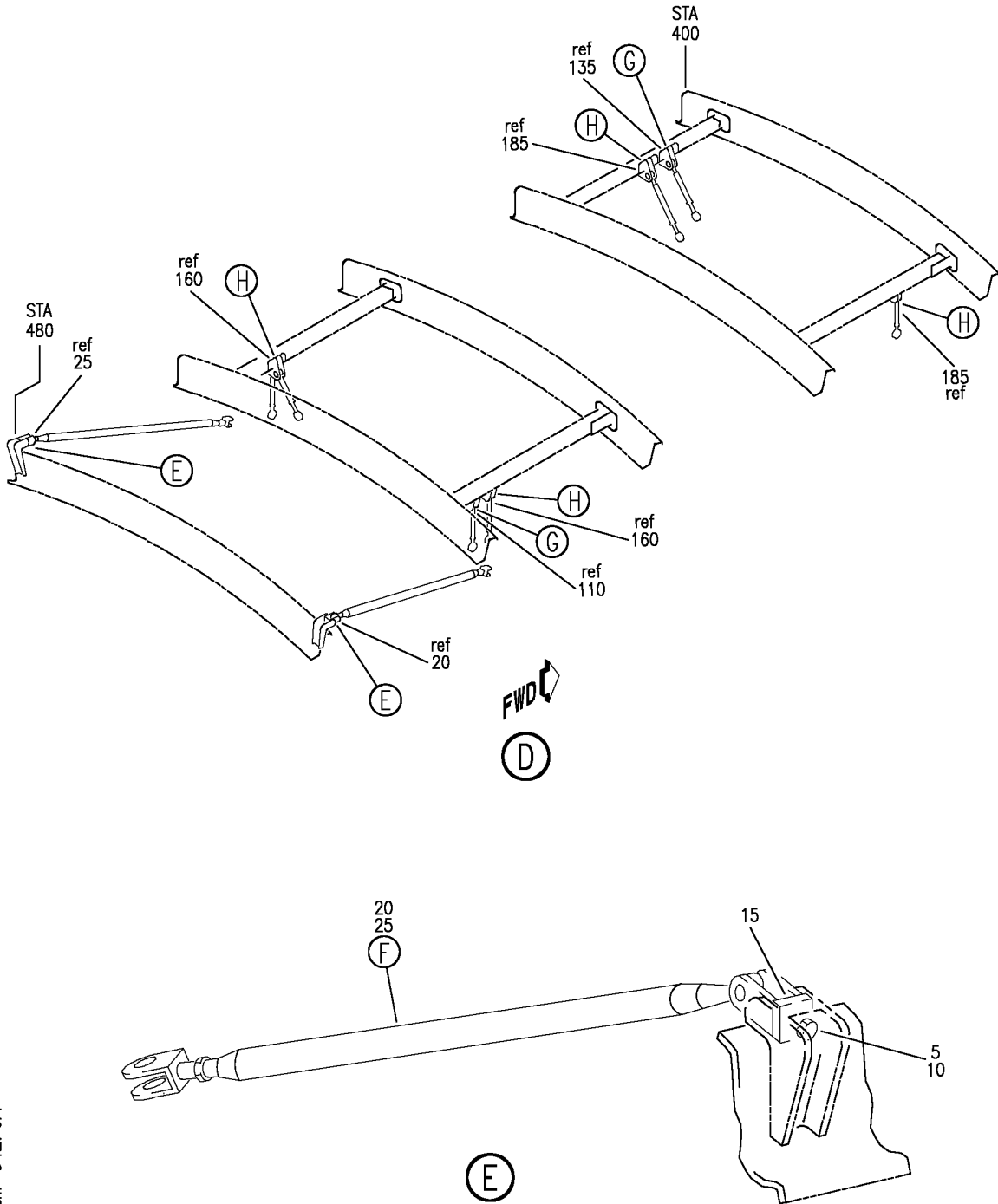
TIE ROD INSTL-CTR OVHD STOWAGE
 FIGURE 10 (SHEET 2)

25-24-31-10

HAP
 OCT 10/06

25-24-31-10
 PAGE 0A

BOEING
 737-600/700/800/900
 PARTS CATALOG (MAINTENANCE)



E 25243110 SH1 3 REV 074

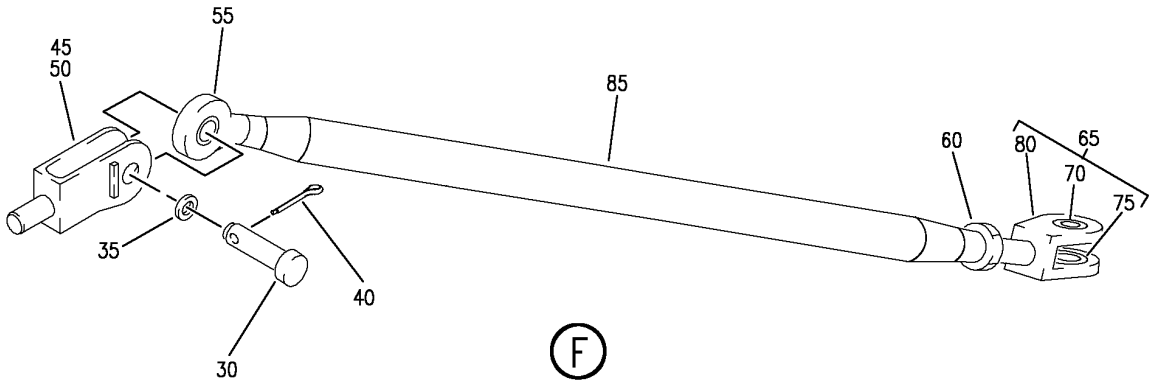
TIE ROD INSTL-CTR OVHD STOWAGE
 FIGURE 10 (SHEET 3)

25-24-31-10

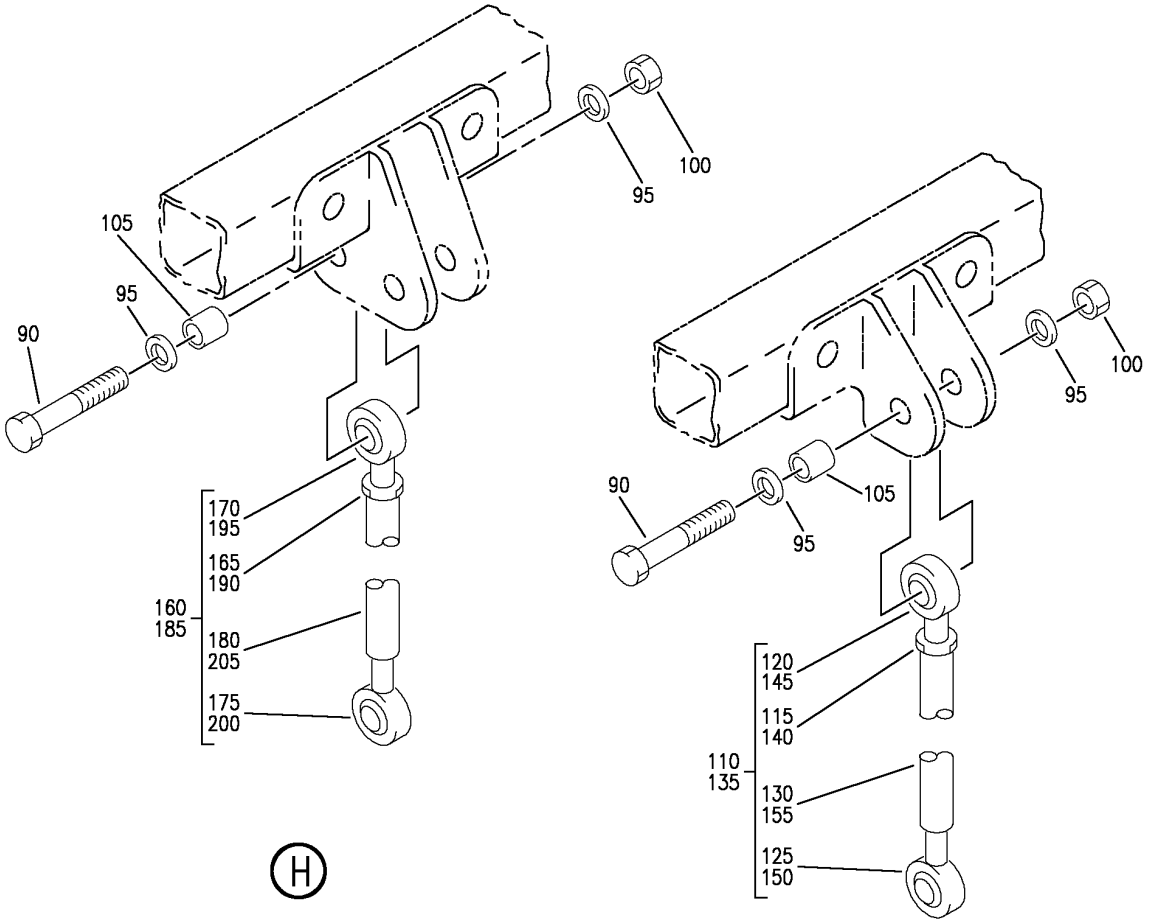
HAP
 OCT 10/06

25-24-31-10
 PAGE 0B

BOEING
 737-600/700/800/900
 PARTS CATALOG (MAINTENANCE)



(F)



(H)

(G)

E 25243110 SHIT 4 REV 074

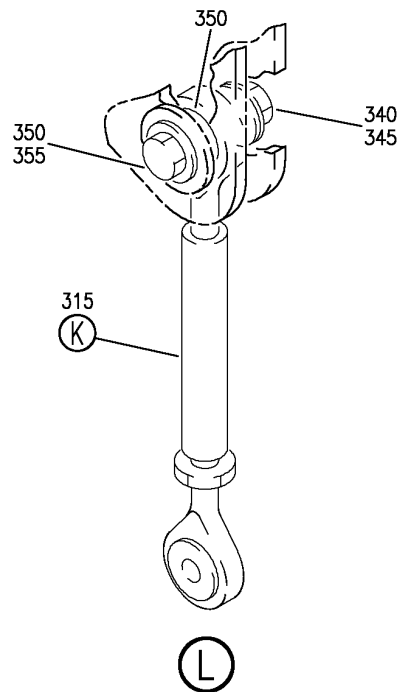
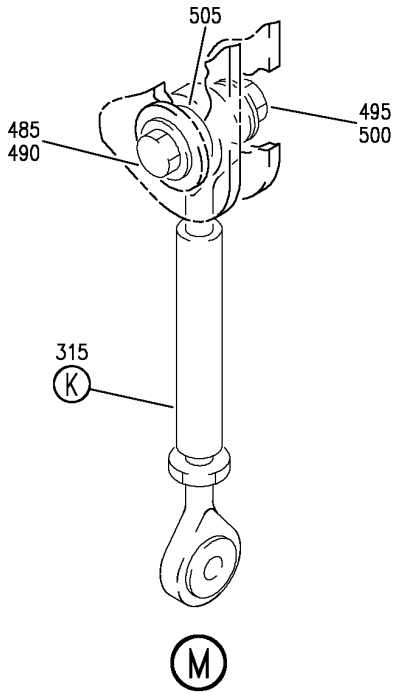
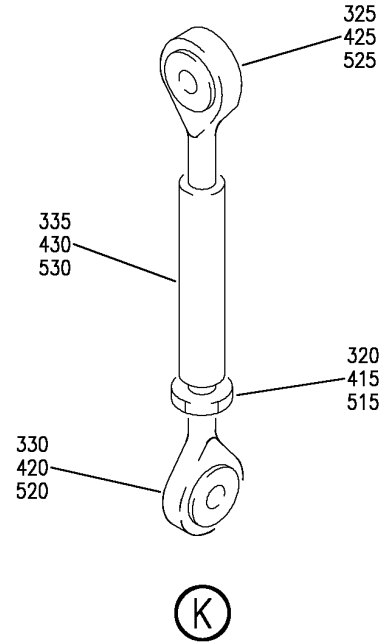
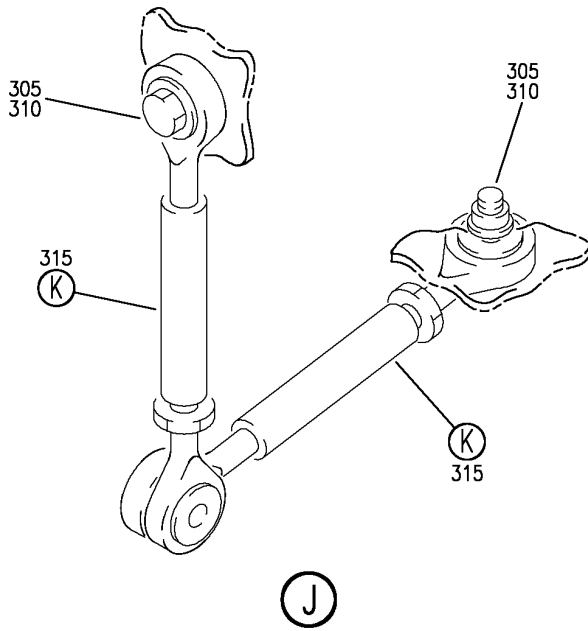
TIE ROD INSTL-CTR OVHD STOWAGE
 FIGURE 10 (SHEET 4)

25-24-31-10

HAP
 OCT 10/06

25-24-31-10
 PAGE 0C

BOEING
 737-600/700/800/900
 PARTS CATALOG (MAINTENANCE)



E 25243110 SH1 5 REV 074

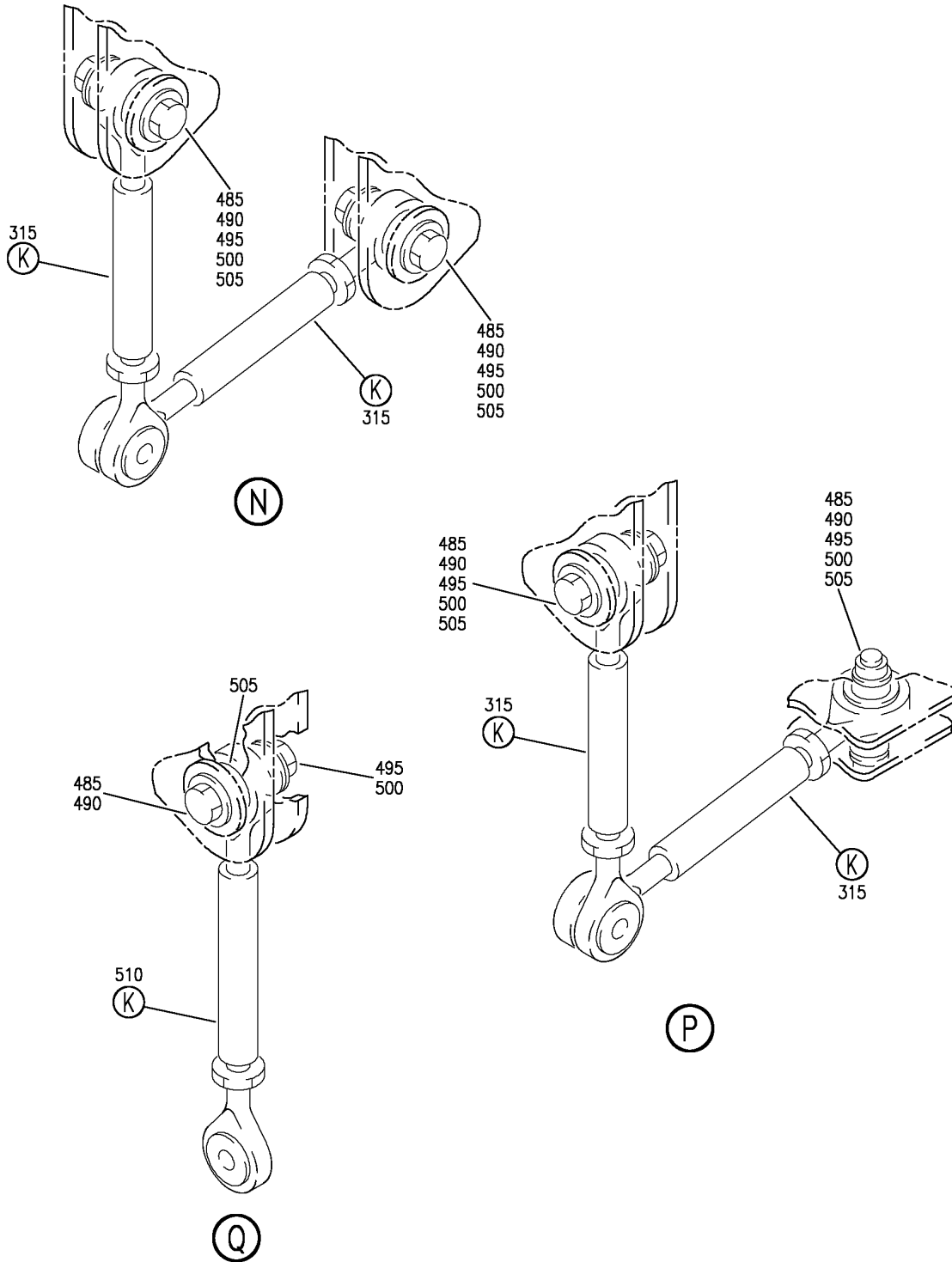
TIE ROD INSTL-CTR OVHD STOWAGE
 FIGURE 10 (SHEET 5)

25-24-31-10

HAP
 OCT 10/06

25-24-31-10
 PAGE 00

BOEING
 737-600/700/800/900
 PARTS CATALOG (MAINTENANCE)



E 25243110 SH1 6 REV 074

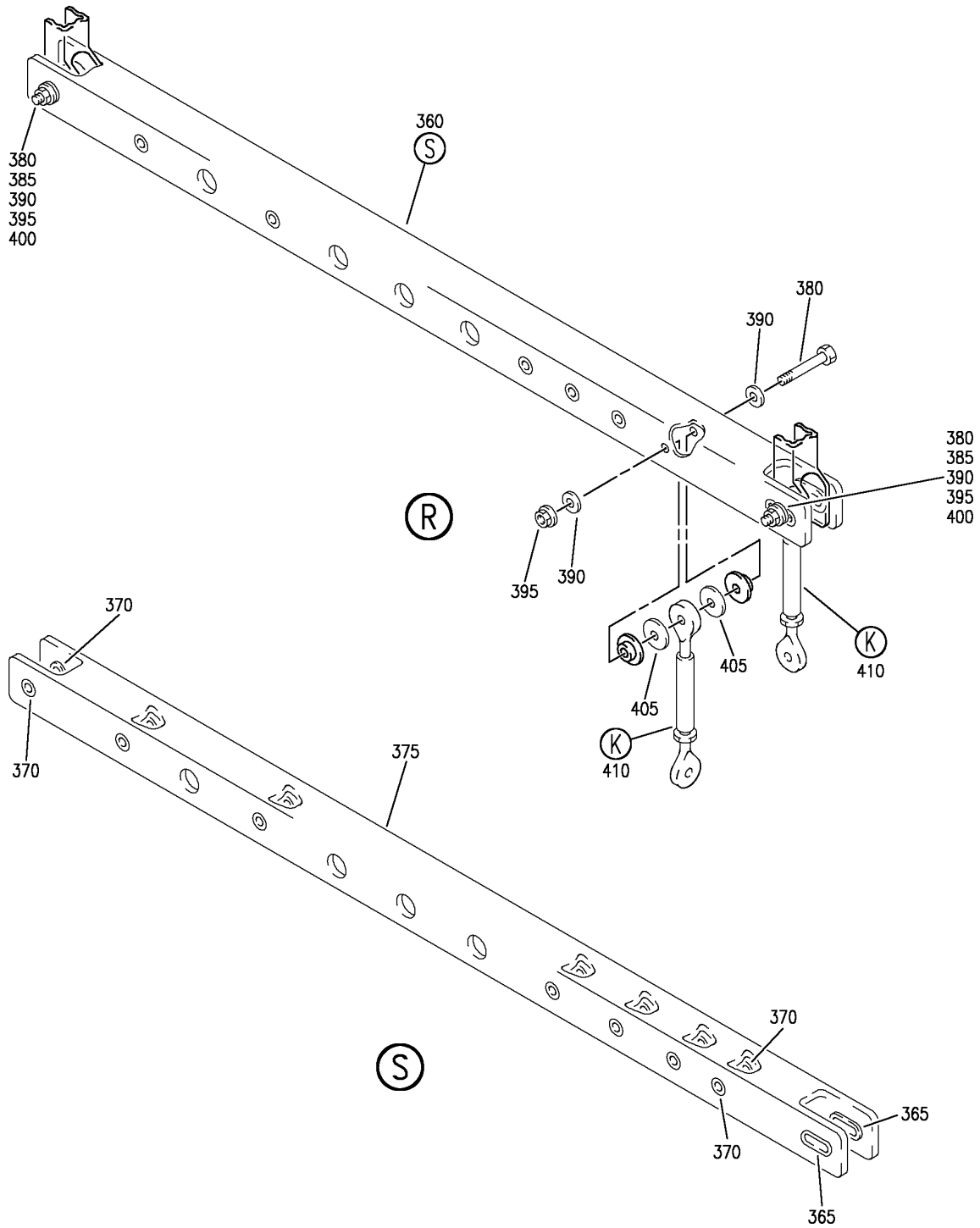
TIE ROD INSTL-CTR OVHD STOWAGE
 FIGURE 10 (SHEET 6)

25-24-31-10

HAP
 OCT 10/06

25-24-31-10
 PAGE 0E

BOEING
 737-600/700/800/900
 PARTS CATALOG (MAINTENANCE)



E 25243110 SH1 7 REV 074

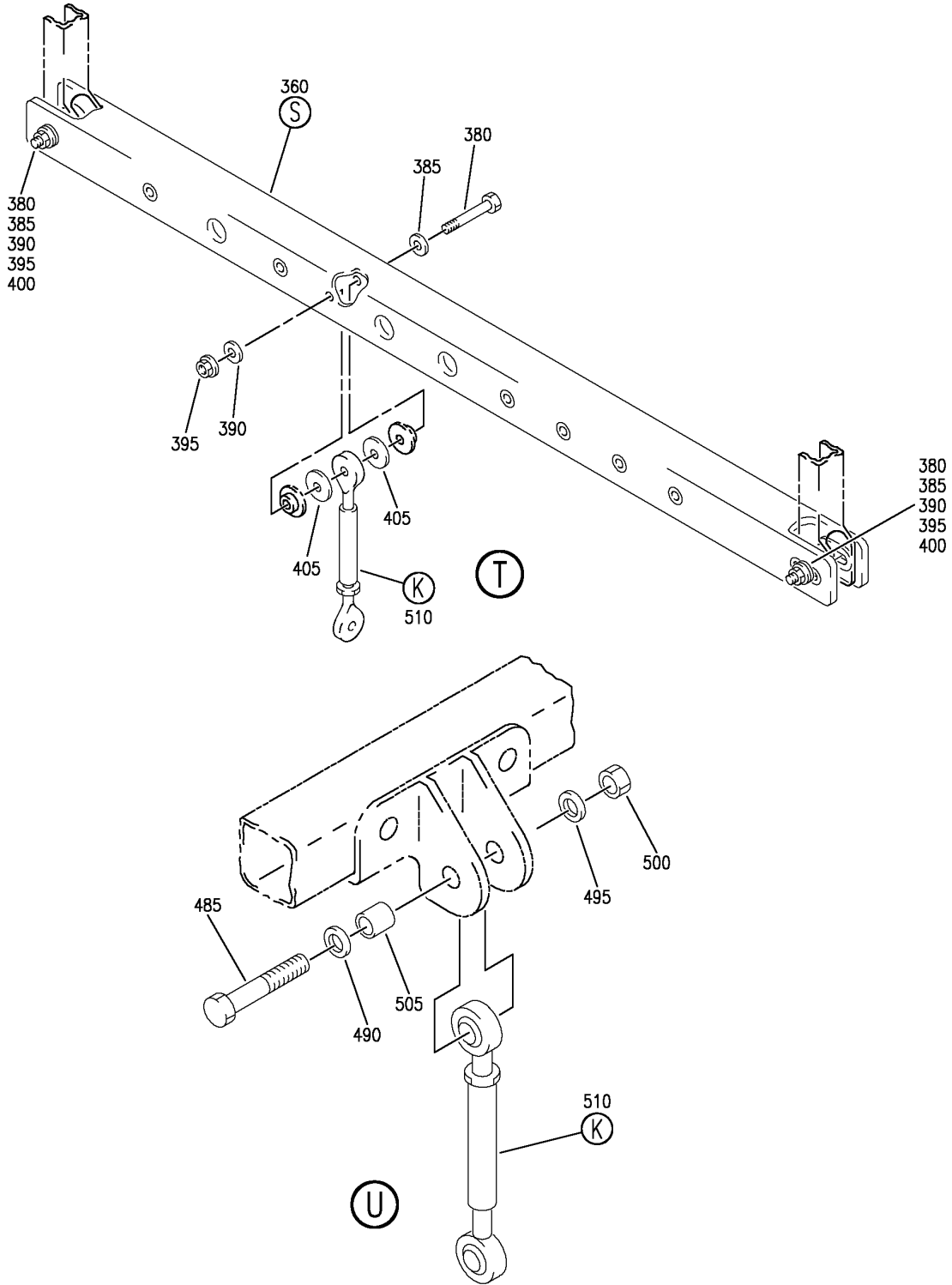
TIE ROD INSTL-CTR OVHD STOWAGE
 FIGURE 10 (SHEET 7)

25-24-31-10

HAP
 OCT 10/06

25-24-31-10
 PAGE OF

BOEING
 737-600/700/800/900
 PARTS CATALOG (MAINTENANCE)



E 25243110 SH1 8 REV 074

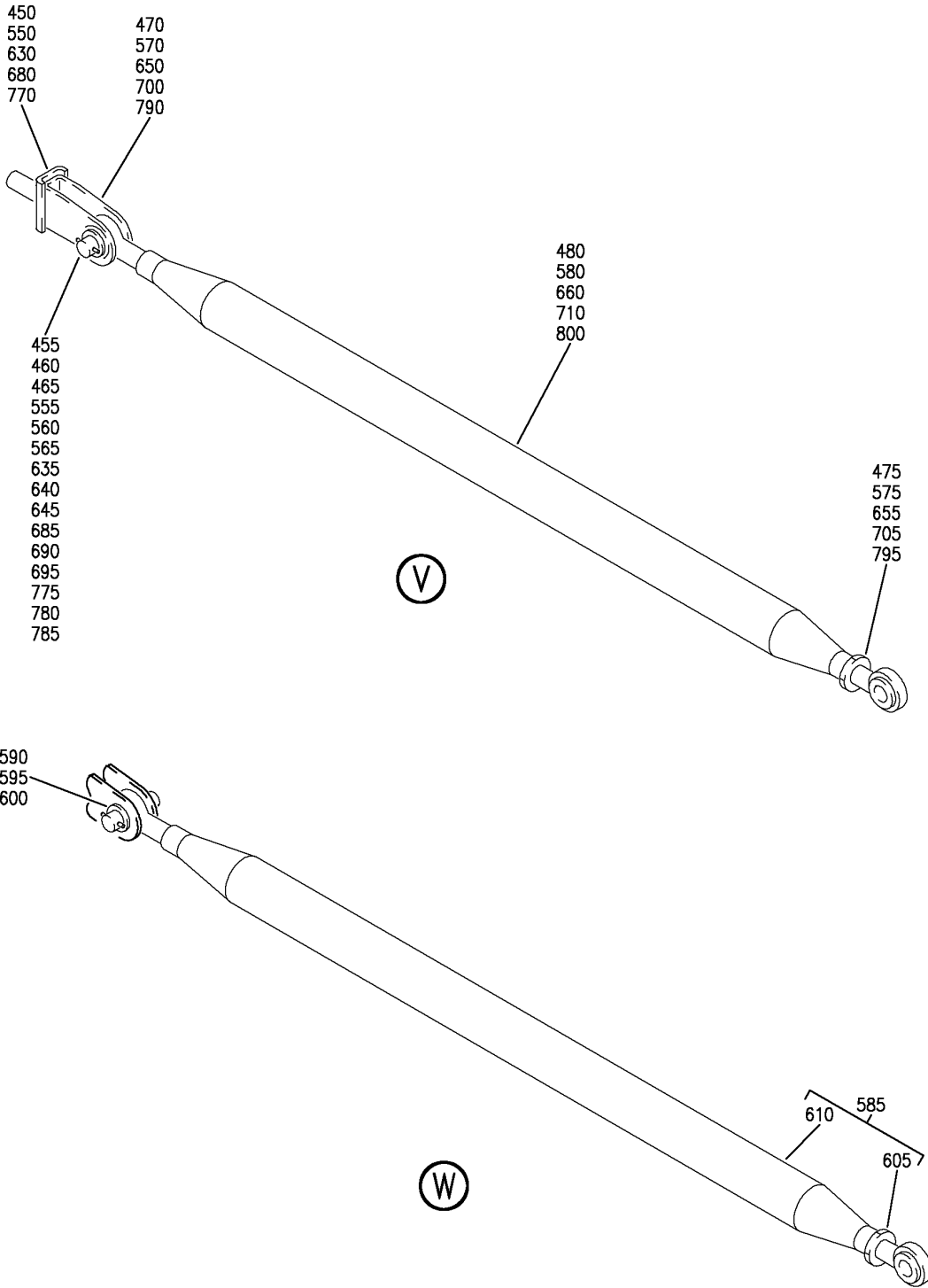
TIE ROD INSTL-CTR OVHD STOWAGE
 FIGURE 10 (SHEET 8)

25-24-31-10

HAP
 OCT 10/06

25-24-31-10
 PAGE 06

BOEING
 737-600/700/800/900
 PARTS CATALOG (MAINTENANCE)



E 25243110 SH1 9 REV 074

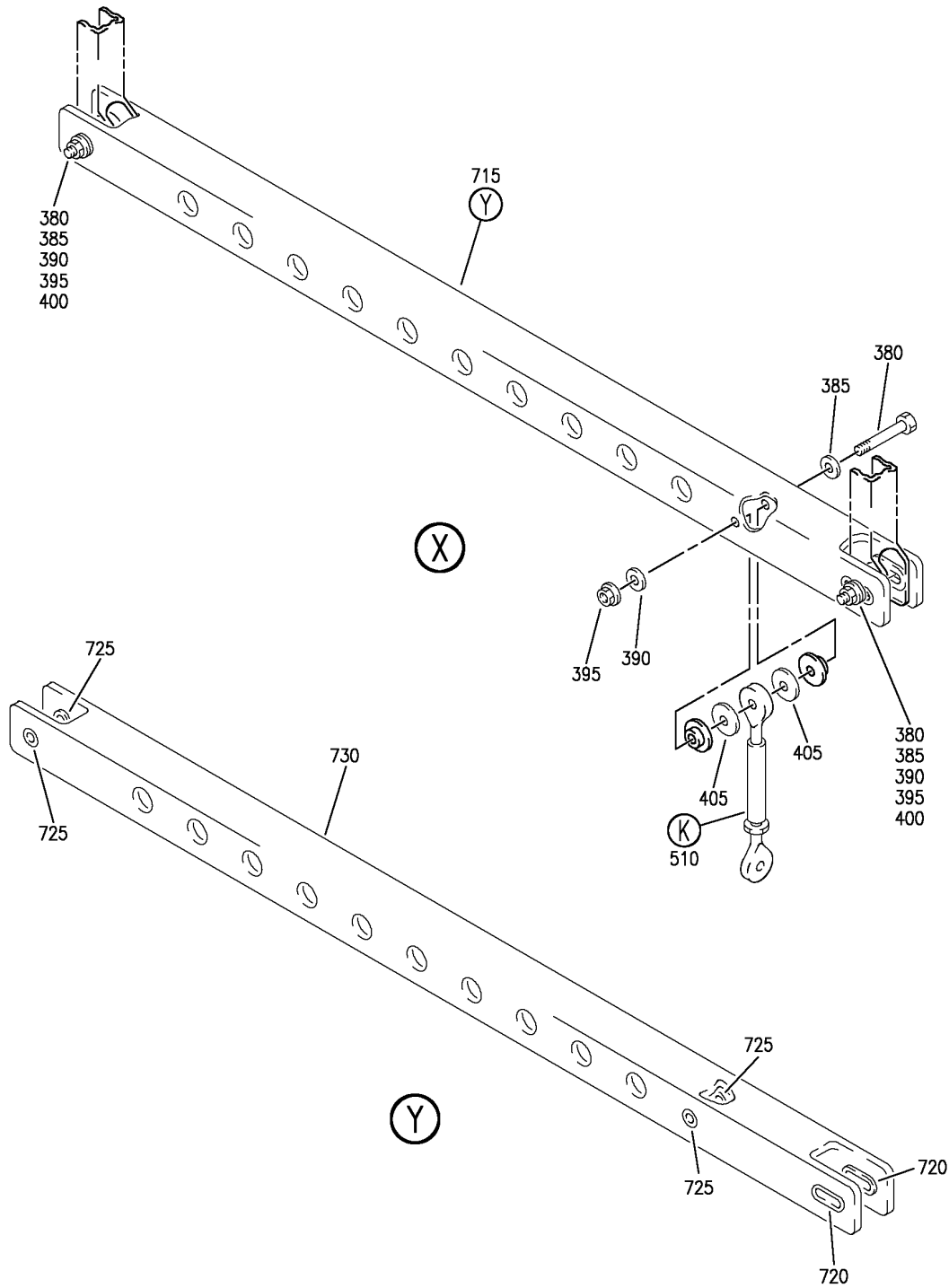
TIE ROD INSTL-CTR OVHD STOWAGE
 FIGURE 10 (SHEET 9)

25-24-31-10

HAP
 OCT 10/06

25-24-31-10
 PAGE 0H

BOEING
 737-600/700/800/900
 PARTS CATALOG (MAINTENANCE)



E 25243110 SH1 10 REV 074

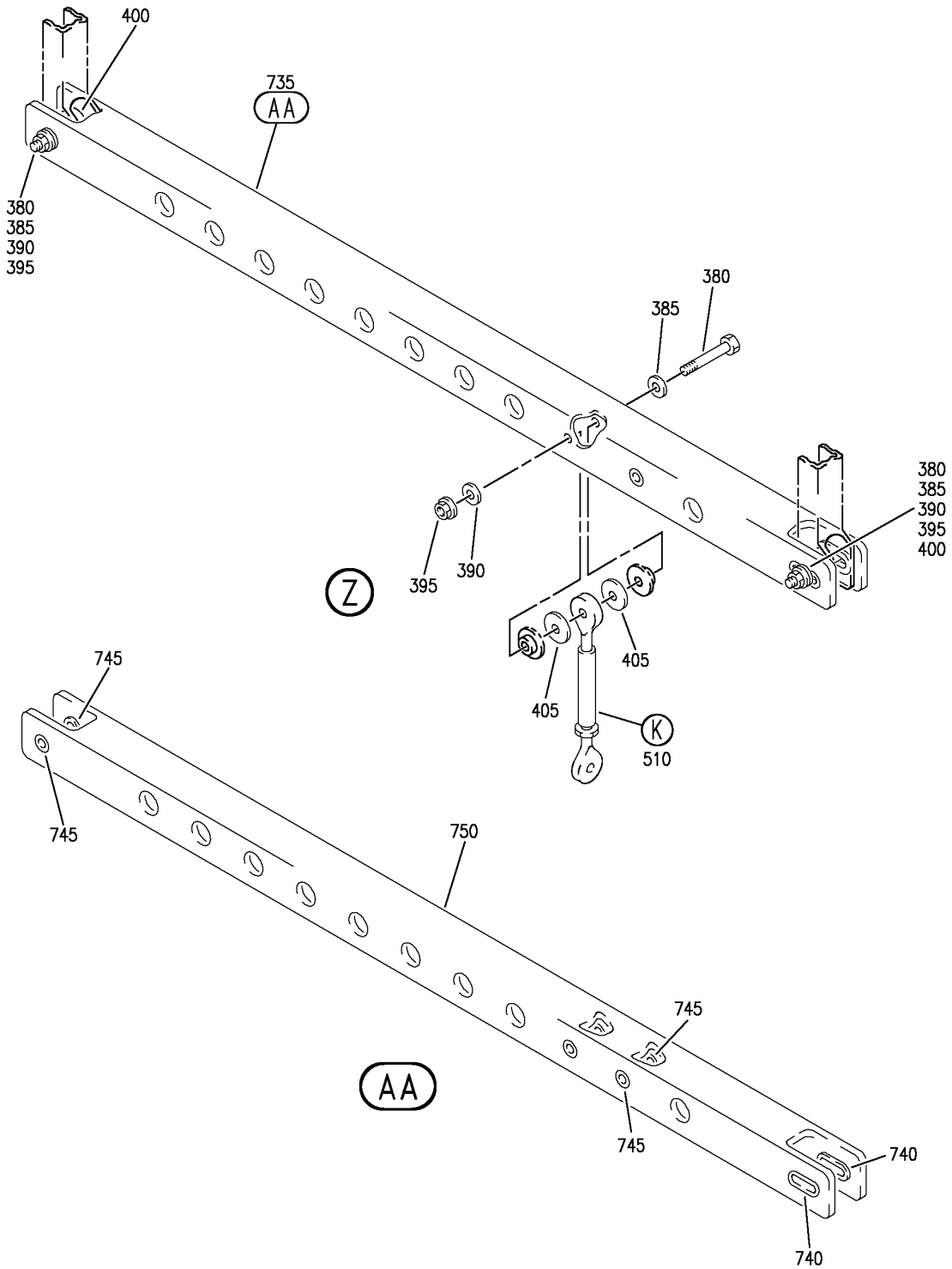
TIE ROD INSTL-CTR OVHD STOWAGE
 FIGURE 10 (SHEET 10)

25-24-31-10

HAP
 OCT 10/06

25-24-31-10
 PAGE 01

BOEING
 737-600/700/800/900
 PARTS CATALOG (MAINTENANCE)



E 25243110 SH11 REV 074

TIE ROD INSTL-CTR OVHD STOWAGE
 FIGURE 10 (SHEET 11)

25-24-31-10

HAP
 OCT 10/06

25-24-31-10
 PAGE 0J

BOEING
737-600/700/800/900
PARTS CATALOG (MAINTENANCE)

FIG ITEM	PART NUMBER	1 2 3 4 5 6 7	NOMENCLATURE	EFFECT FROM TO	UNITS PER ASSY
10			TIE ROD INSTL-CTR OVHD STOWAGE	001200 968999	
- 1	412A4200-100		TIE ROD INSTL-OVHD STOWAGE POSITION DATA: CTR FOR NHA SEE: 25-24-00-13A	001030	RF
- 1	MODREF91677		TIE ROD INSTL-OVHD STOWAGE MODULE NUMBER: 412A4200-100 REV A POSITION DATA: CTR	031200 968999	1
5	BACW10BP5DP		.WASHER-	001200 968999	2
10	PLH55CD		.NUT- SUPPLIER CODE: VF0224 SPECIFICATION NUMBER: BACN10YR5CD OPTIONAL PART: H52732-5CD V15653	001200 968999	2
15	412N2032-3		.INSULATOR-CLEVIS MANUFACTURED FROM: FIN F-6.10 COMPRESSION MOLDED PHENOLIC, GLASS FIBER FILLED PER BMS8-271A, TYPE 1 OPTIONAL PART: 412N2032-4 OPTIONAL PART: 412N2032-6	001200 968999	2
15	412N2032-6		.INSULATOR-CLEVIS MANUFACTURED FROM: FIN F-25.01 COMPRESSION MOLDED PHENOLIC, GLASS FIBER FILLED PER BMS8-271A, TYPE 1. OPTIONAL PART: 412N2032-3	001200 968999	2
20	411A3270-22		.ROD ASSY-TIE	001200 968999	1
25	411A3270-21		.ROD ASSY-TIE	001200 968999	1
30	MS20392-3C17		..PIN	001200 968999	1

MISSING ITEM NUMBERS NOT APPLICABLE

- ITEM NOT ILLUSTRATED

HAP

25-24-31-10

BOEING PROPRIETARY - Copyright © - Unpublished Work - See title page for details.

25-24-31
FIG. 10
PAGE 1
FEB 15/09

BOEING
737-600/700/800/900
PARTS CATALOG (MAINTENANCE)

FIG ITEM	PART NUMBER	1 2 3 4 5 6 7	NOMENCLATURE	EFFECT FROM TO	UNITS PER ASSY
10					
35	NAS1149D0416J	..	WASHER	001200 968999	1
40	BACP18C02C06P	..	PIN	001200 968999	1
45	411A3081-26	..	CLEVIS- USED ON: 411A3270-22	001200 968999	1
50	411A3081-25	..	CLEVIS- USED ON: 411A3270-21	001200 968999	1
55	1290-1L	..	END-ROD SUPPLIER CODE: V34742 OPTIONAL PART: 411A1290-101	001200 968999	1
55	411A1290-101	..	END-ROD OPTIONAL PART: 1290-1L V34742	001200 968999	1
60	MS35691-13	..	NUT	001200 968999	1
65	411A3272-3	..	END ASSY-TIE ROD	001200 968999	1
70	BACB28AP04P010	...	BUSHING	001200 968999	1
75	BACB28AT06B010C	...	BUSHING	001200 968999	1
80	411A3272-4	...	END	001200 968999	1
85	411A3271-6	..	TUBE	001200 968999	1
90	BACB30NR4K11	.	BOLT-	001200 968999	6
95	NAS1149D0432J	.	WASHER-	001200 968999	12
100	PLH54CD	.	NUT- SUPPLIER CODE: VF0224 SPECIFICATION NUMBER: BACN10YR4CD OPTIONAL PART: H52732-4CD V15653	001200 968999	6
105	BACB28AK04-025	.	BUSHING-	001200 968999	6
110	65-80898-52	.	TURNBUCKLE ASSY-	001200 968999	1
115	AN316-4L	..	NUT	001200 968999	1

MISSING ITEM NUMBERS NOT APPLICABLE

- ITEM NOT ILLUSTRATED

HAP

25-24-31-10

25-24-31
FIG. 10
PAGE 2
FEB 15/09

BOEING
737-600/700/800/900
PARTS CATALOG (MAINTENANCE)

FIG ITEM	PART NUMBER	1 2 3 4 5 6 7	NOMENCLATURE	EFFECT FROM TO	UNITS PER ASSY
10 120	1254-1L	..	BEARING-ROD END SUPPLIER CODE: V34742 OPTIONAL PART: AHML4-104 V50294 ML44-9A V73134	001200 968999	1
120	FML4-7	..	BEARING-ROD END SUPPLIER CODE: V76474 OPTIONAL PART: AHML4-104 V50294 ML44-9A V73134	001200 968999	1
120	AHML4-104	..	BEARING-ROD END SUPPLIER CODE: V50294 OPTIONAL PART: 1254-1L V34742 ML44-9A V73134 FML4-7 V76474	001200 968999	1
120	ML44-9A	..	BEARING-ROD END SUPPLIER CODE: V73134 OPTIONAL PART: 1254-1L V34742 AHML4-104 V50294 FML4-7 V76474	001200 968999	1
125	1254-1	..	BEARING-ROD END SUPPLIER CODE: V34742 OPTIONAL PART: FM4-7 V02695 AHM4-104 V50294 M44-9A V73134	001200 968999	1

MISSING ITEM NUMBERS NOT APPLICABLE

— ITEM NOT ILLUSTRATED

HAP

25-24-31-10

BOEING PROPRIETARY - Copyright © - Unpublished Work - See title page for details.

25-24-31
FIG. 10
PAGE 3
OCT 15/08

BOEING
737-600/700/800/900
PARTS CATALOG (MAINTENANCE)

FIG ITEM	PART NUMBER	1 2 3 4 5 6 7	NOMENCLATURE	EFFECT FROM TO	UNITS PER ASSY
10 125	FM4-7	..	BEARING-ROD END SUPPLIER CODE: V02695 OPTIONAL PART: 1254-1 V34742 AHM4-104 V50294 M44-9A V73134	001200 968999	1
125	AHM4-104	..	BEARING-ROD END SUPPLIER CODE: V50294 OPTIONAL PART: 1254-1 V34742 FM4-7 V02695 M44-9A V73134	001200 968999	1
125	M44-9A	..	BEARING-ROD END SUPPLIER CODE: V73134 OPTIONAL PART: 1254-1 V34742 AHM4-104 V50294 FM4-7 V02695	001200 968999	1
130	65-81149-37	..	TUBE	001200 968999	1
135	65-80898-49	.	TURNBUCKLE ASSY-	001200 968999	1
140	AN316-4R	..	NUT-	001200 968999	1
145	1254-1L	..	BEARING-ROD END SUPPLIER CODE: V34742 OPTIONAL PART: ACB4-3 V56644 AHML4-104 V50294 ML44-9A V73134	001200 968999	1

MISSING ITEM NUMBERS NOT APPLICABLE

- ITEM NOT ILLUSTRATED

HAP

25-24-31-10

BOEING PROPRIETARY - Copyright © - Unpublished Work - See title page for details.

25-24-31
FIG. 10
PAGE 4
OCT 15/08

BOEING
737-600/700/800/900
PARTS CATALOG (MAINTENANCE)

FIG ITEM	PART NUMBER	1 2 3 4 5 6 7	NOMENCLATURE	EFFECT FROM TO	UNITS PER ASSY
10 145	ACB4-3		.. BEARING-ROD END SUPPLIER CODE: V56644 OPTIONAL PART: 1254-1L V34742 AHML4-104 V50294 ML44-9A V73134 FML4-7 V76474	001200 968999	1
145	FML4-7		.. BEARING-ROD END SUPPLIER CODE: V76474 OPTIONAL PART: ACB4-3 V56644 AHML4-104 V50294 ML44-9A V73134	001200 968999	1
145	AHML4-104		.. BEARING-ROD END SUPPLIER CODE: V50294 OPTIONAL PART: 1254-1L V34742 ACB4-3 V56644 ML44-9A V73134 FML4-7 V76474	001200 968999	1
145	ML44-9A		.. BEARING-ROD END SUPPLIER CODE: V73134 OPTIONAL PART: 1254-1L V34742 ACB4-3 V56644 AHML4-104 V50294 FML4-7 V76474	001200 968999	1

MISSING ITEM NUMBERS NOT APPLICABLE

— ITEM NOT ILLUSTRATED

HAP

25-24-31-10

BOEING PROPRIETARY - Copyright © - Unpublished Work - See title page for details.

25-24-31
FIG. 10
PAGE 5
OCT 15/08

BOEING
737-600/700/800/900
PARTS CATALOG (MAINTENANCE)

FIG ITEM	PART NUMBER	1 2 3 4 5 6 7	NOMENCLATURE	EFFECT FROM TO	UNITS PER ASSY
10 150	1254-1		.. BEARING-ROD END SUPPLIER CODE: V34742 OPTIONAL PART: ACM4-3 V56644 FM4-7 V02695 AHM4-104 V50294 M44-9A V73134	001200 968999	1
150	ACM4-3		.. BEARING-ROD END SUPPLIER CODE: V56644 OPTIONAL PART: 1254-1 V34742 AHM4-104 V50294 FM4-7 V02695 M44-9A V73134	001200 968999	1
150	FM4-7		.. BEARING-ROD END SUPPLIER CODE: V02695 OPTIONAL PART: 1254-1 V34742 ACM4-3 V56644 AHM4-104 V50294 M44-9A V73134	001200 968999	1
150	AHM4-104		.. BEARING-ROD END SUPPLIER CODE: V50294 OPTIONAL PART: 1254-1 V34742 ACM4-3 V56644 FM4-7 V02695 M44-9A V73134	001200 968999	1

MISSING ITEM NUMBERS NOT APPLICABLE

— ITEM NOT ILLUSTRATED

HAP

25-24-31-10

BOEING PROPRIETARY - Copyright © - Unpublished Work - See title page for details.

25-24-31
FIG. 10
PAGE 6
OCT 15/08

BOEING
737-600/700/800/900
PARTS CATALOG (MAINTENANCE)

FIG ITEM	PART NUMBER	1 2 3 4 5 6 7	NOMENCLATURE	EFFECT FROM TO	UNITS PER ASSY
10					
150	M44-9A		.. BEARING-ROD END SUPPLIER CODE: V73134 OPTIONAL PART: 1254-1 V34742 ACM4-3 V56644 AHM4-104 V50294 FM4-7 V02695	001200 968999	1
155	65-81149-28		.. TUBE	001200 968999	1
160	1488-5		. TURNBUCKLE ASSY- SUPPLIER CODE: V34742 OPTIONAL PART: 65-80898-35	001200 968999	2
160	65-80898-35		. TURNBUCKLE ASSY- OPTIONAL PART: 1488-5 V34742	001200 968999	2
165	AN316-4R		.. NUT-	001200 968999	1
170	1486-3L		.. ROD END ASSY-ROD END SUPPLIER CODE: V34742	001200 968999	1
175	1486-3		.. ROD END ASSY-ROD END SUPPLIER CODE: V34742	001200 968999	1
180	65-81149-48		.. TUBE-	001200 968999	1
185	65B67822-45		. TURNBUCKLE ASSY-	001200 968999	2
190	NAS509L4		.. NUT	001200 968999	1
195	1254-15L		.. BEARING-ROD END SUPPLIER CODE: V34742	001200 968999	1
200	1254-15		.. BEARING-ROD END SUPPLIER CODE: V34742	001200 968999	1
205	65B67822-44		.. TUBE	001200 968999	1

MISSING ITEM NUMBERS NOT APPLICABLE

- ITEM NOT ILLUSTRATED

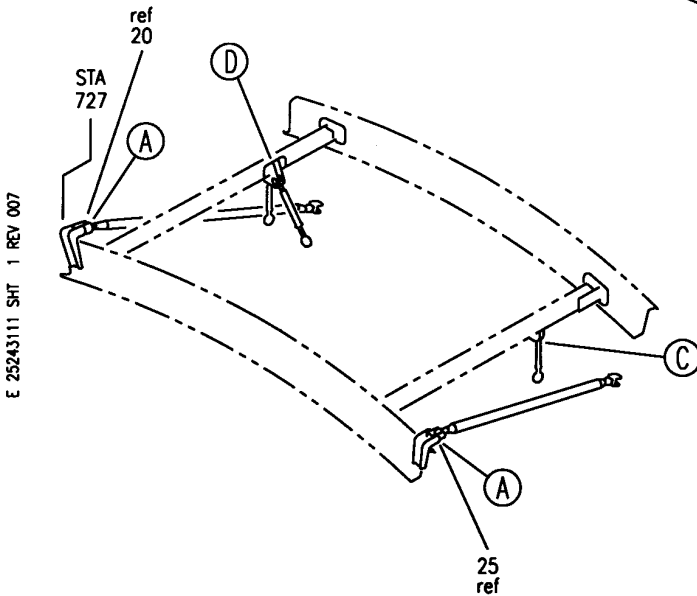
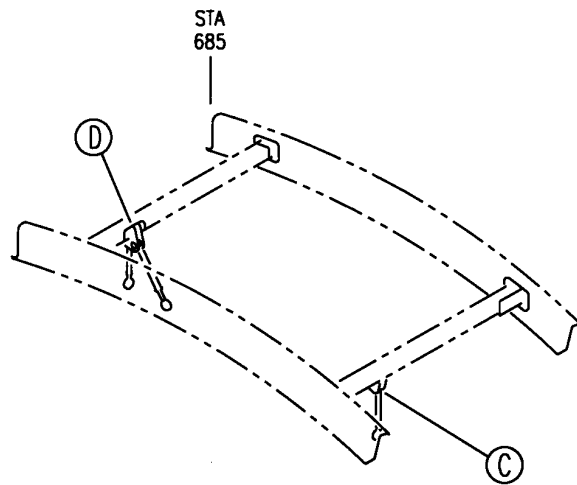
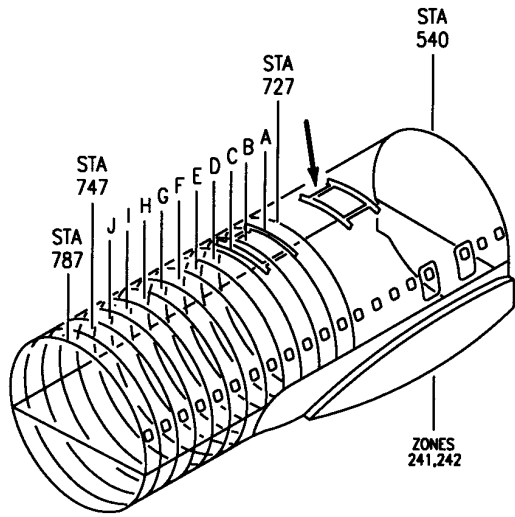
HAP

25-24-31-10

BOEING PROPRIETARY - Copyright © - Unpublished Work - See title page for details.

25-24-31
FIG. 10
PAGE 7
OCT 15/08

BOEING
 737-600/700/800/900
 PARTS CATALOG (MAINTENANCE)



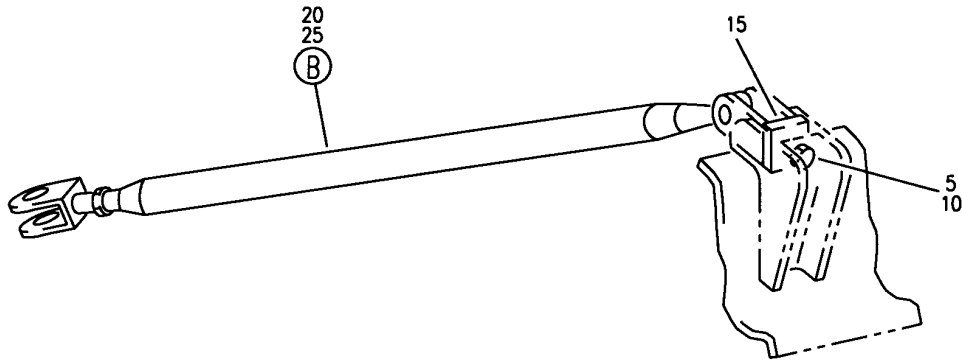
E 25243111 SHT 1 REV 007

TIE ROD INSTL-CTR OVHD STOWAGE
 FIGURE 11 (SHEET 1)

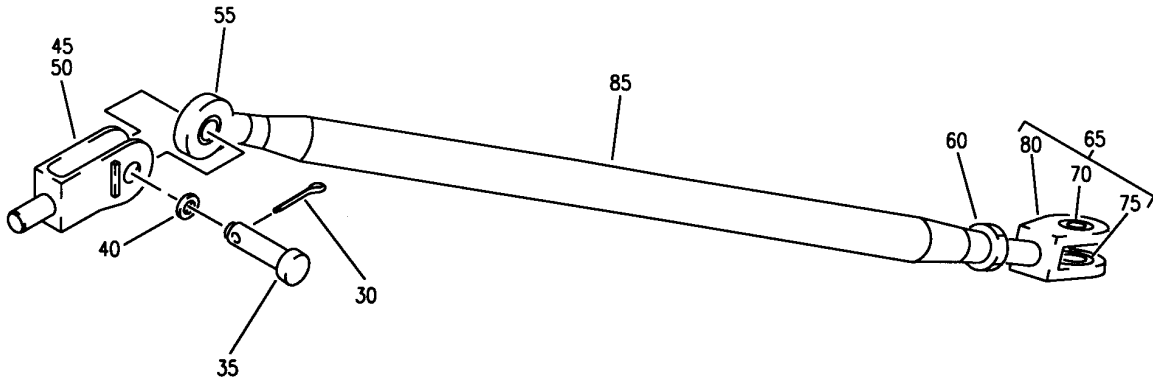
25-24-31-11

HAP
 OCT 10/06

25-24-31-11
 PAGE 0



(A)



(B)

E 25243111 SHT 2 REV 007

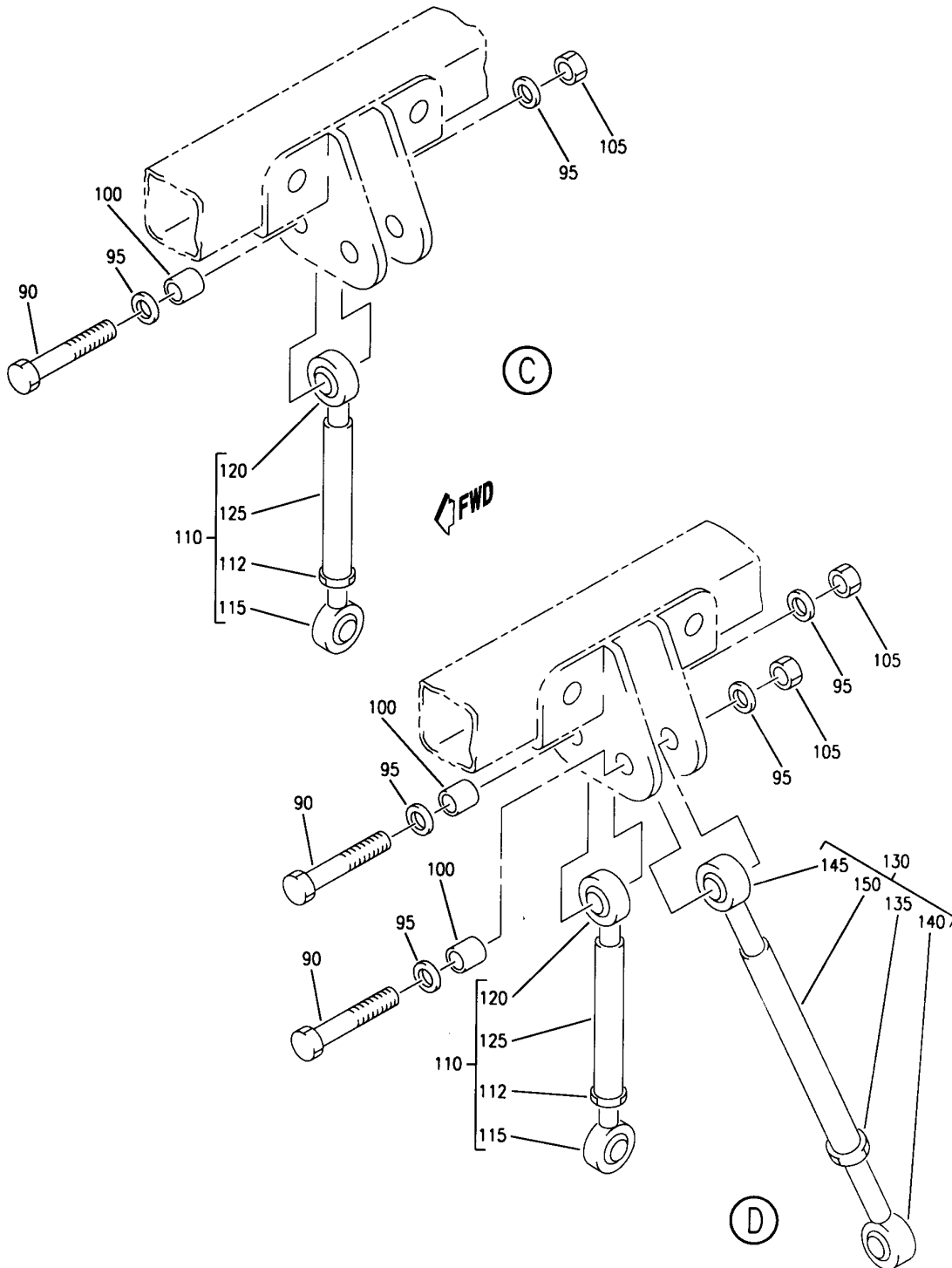
TIE ROD INSTL-CTR OVHD STOWAGE
 FIGURE 11 (SHEET 2)

25-24-31-11

HAP
 OCT 10/06

25-24-31-11
 PAGE 0A

BOEING
 737-600/700/800/900
 PARTS CATALOG (MAINTENANCE)



E 25243111 SH1 3 REV 023

TIE ROD INSTL-CTR OVHD STOWAGE
 FIGURE 11 (SHEET 3)

25-24-31-11

HAP
 OCT 10/06

25-24-31-11
 PAGE 0B

BOEING
737-600/700/800/900
PARTS CATALOG (MAINTENANCE)

FIG ITEM	PART NUMBER	1 2 3 4 5 6 7	NOMENCLATURE	EFFECT FROM TO	UNITS PER ASSY
11			TIE ROD INSTL-CTR OVHD STOWAGE	001100	
- 1	412A4200-200		TIE ROD INSTL-OVHD STOWAGE POSITION DATA: CTR FOR NHA SEE: 25-24-00-13A	001030	RF
- 1	MODREF91679		TIE ROD INSTL-OVHD STOWAGE MODULE NUMBER: 412A4200-200 REV A POSITION DATA: CTR	031100	1
5	BACW10BP5DP		.WASHER-	001100	2
10	PLH55CD		.NUT- SUPPLIER CODE: VF0224 SPECIFICATION NUMBER: BACN10YR5CD OPTIONAL PART: H52732-5CD V15653	001100	2
15	412N2032-3		.INSULATOR-CLEVIS MANUFACTURED FROM: FIN F-6.10 COMPRESSION MOLDED PHENOLIC, GLASS FIBER FILLED PER BMS8-271A, TYPE 1 OPTIONAL PART: 412N2032-4 OPTIONAL PART: 412N2032-6	001100	2
15	412N2032-6		.INSULATOR-CLEVIS MANUFACTURED FROM: FIN F-25.01 COMPRESSION MOLDED PHENOLIC, GLASS FIBER FILLED PER BMS8-271A, TYPE 1. OPTIONAL PART: 412N2032-3	001100	2
20	411A3270-23		.ROD ASSY-TIE	001100	1
25	411A3270-24		.ROD ASSY-TIE	001100	1
30	BACP18BC02C06P		..PIN	001100	1
35	MS20392-3C17		..PIN	001100	1
40	NAS1149D0416J		..WASHER	001100	1
45	411A3081-25		..CLEVIS- USED ON: 411A3270-23	001100	1

MISSING ITEM NUMBERS NOT APPLICABLE

- ITEM NOT ILLUSTRATED

HAP

25-24-31-11

BOEING PROPRIETARY - Copyright © - Unpublished Work - See title page for details.

25-24-31
FIG. 11
PAGE 1
FEB 15/09

BOEING
737-600/700/800/900
PARTS CATALOG (MAINTENANCE)

FIG ITEM	PART NUMBER	1 2 3 4 5 6 7	NOMENCLATURE	EFFECT FROM TO	UNITS PER ASSY
11					
50	411A3081-26	..	CLEVIS- USED ON: 411A3270-24	001100	1
55	1290-1L	..	END-ROD SUPPLIER CODE: V34742 OPTIONAL PART: 411A1290-101	001100	1
55	411A1290-101	..	END-ROD OPTIONAL PART: 1290-1L V34742	001100	1
60	MS35691-13	..	NUT	001100	1
65	411A3272-3	..	END ASSY-TIE ROD	001100	1
70	BACB28AP04P010	...	BUSHING	001100	1
75	BACB28AT06B010C	...	BUSHING	001100	1
80	411A3272-4	...	END	001100	1
85	411A3271-7	..	TUBE	001100	1
90	BACB30NR4K11	.	BOLT-	001100	6
95	NAS1149D0432J	.	WASHER-	001100	12
100	BACB28AK04-025	.	BUSHING-	001100	6
105	PLH54CD	.	NUT- SUPPLIER CODE: VF0224 SPECIFICATION NUMBER: BACN10YR4CD OPTIONAL PART: H52732-4CD V15653	001100	6
110	65-80898-25	.	TURNBUCKLE ASSY-	001100	4
112	AN316-4L	..	NUT	001100	1
115	ACB4-3	..	BEARING-ROD END SUPPLIER CODE: V56644 OPTIONAL PART: 1254-1L V34742 AHML4-104 V50294 ML44-9A V73134 FML4-7 V76474	001100	1

MISSING ITEM NUMBERS NOT APPLICABLE

- ITEM NOT ILLUSTRATED

HAP

25-24-31-11

BOEING PROPRIETARY - Copyright © - Unpublished Work - See title page for details.

25-24-31
FIG. 11
PAGE 2
FEB 15/09

BOEING
737-600/700/800/900
PARTS CATALOG (MAINTENANCE)

FIG ITEM	PART NUMBER	1 2 3 4 5 6 7	NOMENCLATURE	EFFECT FROM TO	UNITS PER ASSY
11 115	AHML4-104		.. BEARING-ROD END SUPPLIER CODE: V50294 OPTIONAL PART: 1254-1L V34742 ACB4-3 V56644 ML44-9A V73134 FML4-7 V76474	001100	1
115	FML4-7		.. BEARING-ROD END SUPPLIER CODE: V76474 OPTIONAL PART: ACB4-3 V56644 AHML4-104 V50294 ML44-9A V73134	001100	1
115	ML44-9A		.. BEARING-ROD END SUPPLIER CODE: V73134 OPTIONAL PART: 1254-1L V34742 ACB4-3 V56644 AHML4-104 V50294 FML4-7 V76474	001100	1
115	1254-1L		.. BEARING-ROD END SUPPLIER CODE: V34742 OPTIONAL PART: ACB4-3 V56644 AHML4-104 V50294 ML44-9A V73134	001100	1

MISSING ITEM NUMBERS NOT APPLICABLE

— ITEM NOT ILLUSTRATED

HAP

25-24-31-11

BOEING PROPRIETARY - Copyright © - Unpublished Work - See title page for details.

25-24-31
FIG. 11
PAGE 3
JUN 15/08

BOEING
737-600/700/800/900
PARTS CATALOG (MAINTENANCE)

FIG ITEM	PART NUMBER	1 2 3 4 5 6 7	NOMENCLATURE	EFFECT FROM TO	UNITS PER ASSY
11 120	ACM4-3		.. BEARING-ROD END SUPPLIER CODE: V56644 OPTIONAL PART: 1254-1 V34742 AHM4-104 V50294 FM4-7 V02695 M44-9A V73134	001100	1
120	AHM4-104		.. BEARING-ROD END SUPPLIER CODE: V50294 OPTIONAL PART: 1254-1 V34742 ACM4-3 V56644 FM4-7 V02695 M44-9A V73134	001100	1
120	FM4-7		.. BEARING-ROD END SUPPLIER CODE: V02695 OPTIONAL PART: 1254-1 V34742 ACM4-3 V56644 AHM4-104 V50294 M44-9A V73134	001100	1
120	M44-9A		.. BEARING-ROD END SUPPLIER CODE: V73134 OPTIONAL PART: 1254-1 V34742 ACM4-3 V56644 AHM4-104 V50294 FM4-7 V02695	001100	1

MISSING ITEM NUMBERS NOT APPLICABLE

— ITEM NOT ILLUSTRATED

HAP

25-24-31-11

BOEING PROPRIETARY - Copyright © - Unpublished Work - See title page for details.

25-24-31
FIG. 11
PAGE 4
FEB 10/07

BOEING
737-600/700/800/900
PARTS CATALOG (MAINTENANCE)

FIG ITEM	PART NUMBER	1 2 3 4 5 6 7	NOMENCLATURE	EFFECT FROM TO	UNITS PER ASSY
11 120	1254-1		.. BEARING-ROD END SUPPLIER CODE: V34742 OPTIONAL PART: ACM4-3 V56644 AHM4-104 V50294 FM4-7 V02695 M44-9A V73134	001100	1
125	65-81149-15		.. TUBE	001100	1
130	65B67822-45		. TURNBUCKLE ASSY-	001100	2
135	NAS509L4		.. NUT	001100	1
140	1254-15L		.. BEARING-ROD SUPPLIER CODE: V34742	001100	1
145	1254-15		.. BEARING-ROD SUPPLIER CODE: V34742	001100	1
150	65B67822-44		.. TUBE	001100	1

MISSING ITEM NUMBERS NOT APPLICABLE

— ITEM NOT ILLUSTRATED

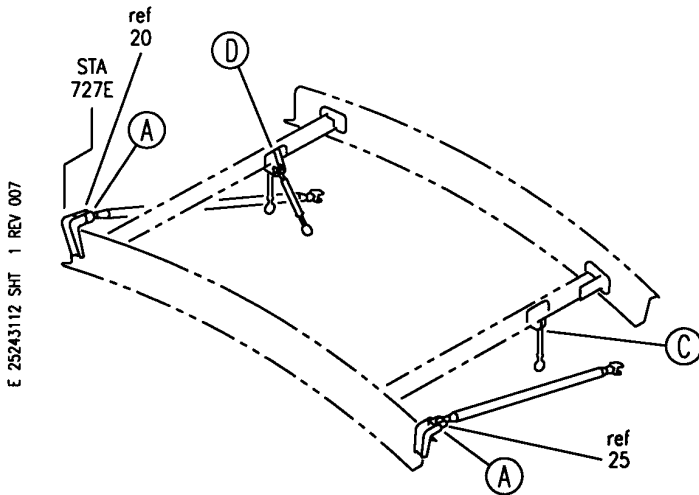
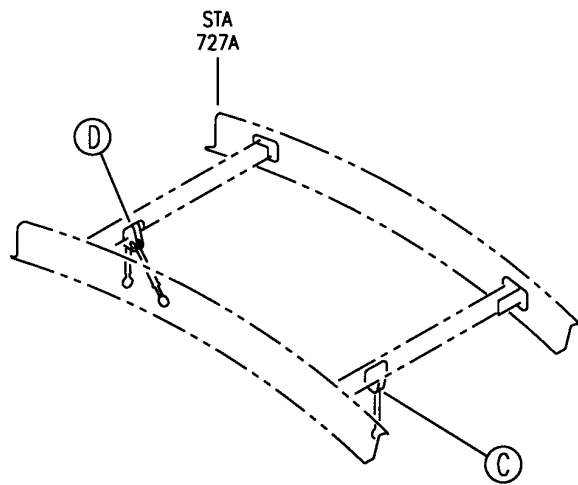
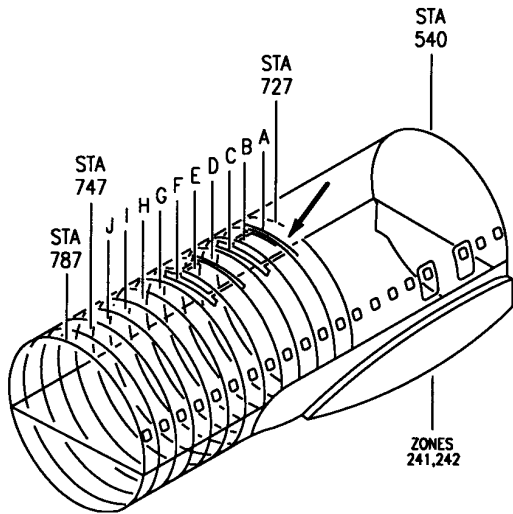
HAP

25-24-31-11

BOEING PROPRIETARY - Copyright © - Unpublished Work - See title page for details.

25-24-31
FIG. 11
PAGE 5
FEB 10/07

BOEING
 737-600/700/800/900
 PARTS CATALOG (MAINTENANCE)



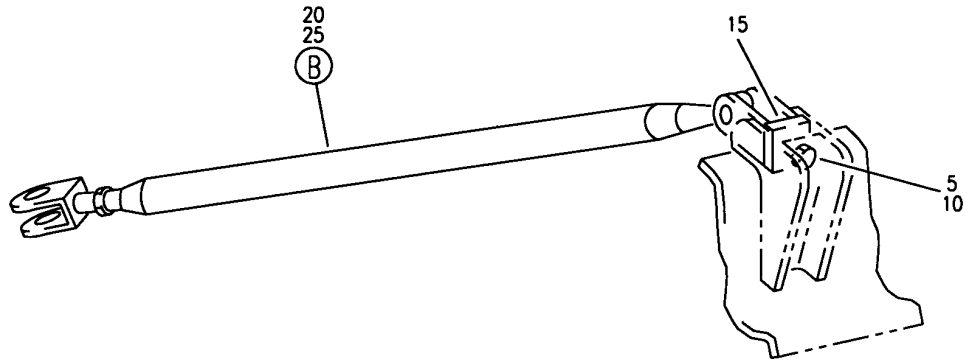
E 25243112 SHT 1 REV 007

TIE ROD INSTL-CTR OVHD STOWAGE
 FIGURE 12 (SHEET 1)

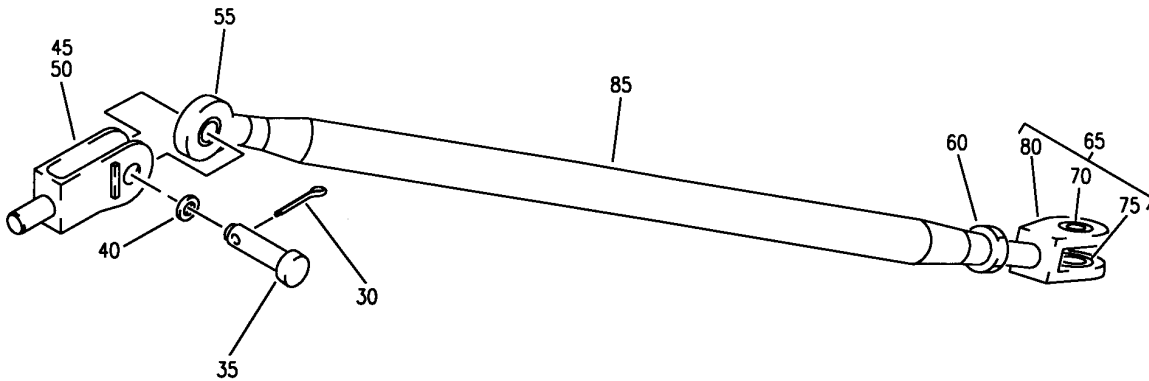
25-24-31-12

HAP
 OCT 10/06

25-24-31-12
 PAGE 0



(A)



(B)

E 25243112 SHT 2 REV 007

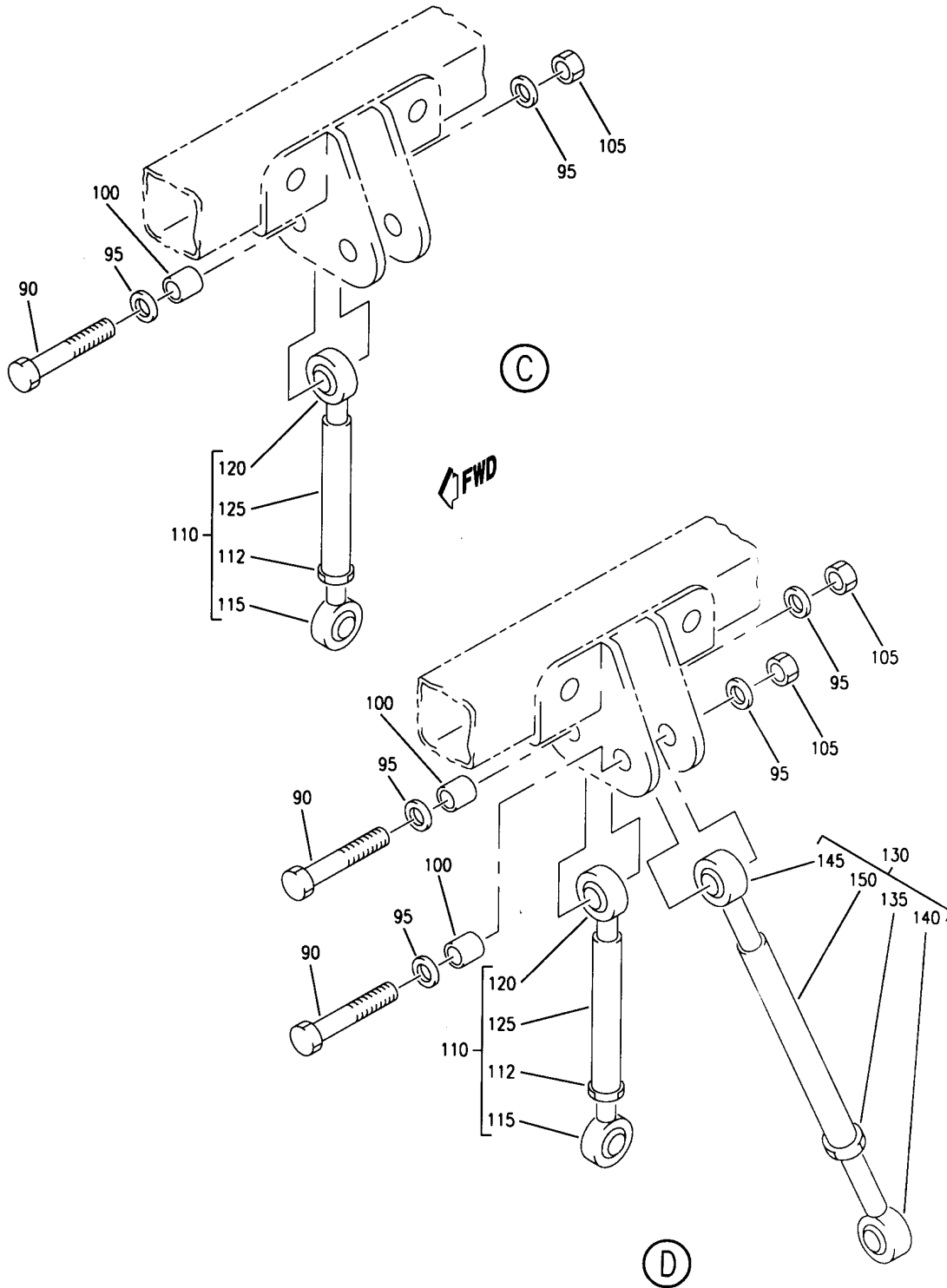
TIE ROD INSTL-CTR OVHD STOWAGE
 FIGURE 12 (SHEET 2)

25-24-31-12

HAP
 OCT 10/06

25-24-31-12
 PAGE 0A

BOEING
 737-600/700/800/900
 PARTS CATALOG (MAINTENANCE)



E 25243112 SH1 3 REV 023

TIE ROD INSTL-CTR OVHD STOWAGE
 FIGURE 12 (SHEET 3)

25-24-31-12

HAP
 OCT 10/06

25-24-31-12
 PAGE 0B

BOEING
737-600/700/800/900
PARTS CATALOG (MAINTENANCE)

FIG ITEM	PART NUMBER	1 2 3 4 5 6 7	NOMENCLATURE	EFFECT FROM TO	UNITS PER ASSY
12			TIE ROD INSTL-CTR OVHD STOWAGE	001100	
- 1	412A4200-250		TIE ROD INSTL-OVHD STOWAGE POSITION DATA: CTR FOR NHA SEE: 25-24-00-13A	001030	RF
- 1	MODREF91682		TIE ROD INSTL-OVHD STOWAGE MODULE NUMBER: 412A4200-250 REV A POSITION DATA: CTR	031100	1
5	BACW10BP5DP		.WASHER-	001100	2
10	PLH55CD		.NUT- SUPPLIER CODE: VF0224 SPECIFICATION NUMBER: BACN10YR5CD OPTIONAL PART: H52732-5CD V15653	001100	2
15	412N2032-3		.INSULATOR-CLEVIS MANUFACTURED FROM: FIN F-6.10 COMPRESSION MOLDED PHENOLIC, GLASS FIBER FILLED PER BMS8-271A, TYPE 1 OPTIONAL PART: 412N2032-4 OPTIONAL PART: 412N2032-6	001100	2
15	412N2032-6		.INSULATOR-CLEVIS MANUFACTURED FROM: FIN F-25.01 COMPRESSION MOLDED PHENOLIC, GLASS FIBER FILLED PER BMS8-271A, TYPE 1. OPTIONAL PART: 412N2032-3	001100	2
20	411A3270-25		.ROD ASSY-TIE	001100	1
25	411A3270-26		.ROD ASSY-TIE	001100	1
30	BACP18BC02C06P		..PIN	001100	1
35	MS20392-3C17		..PIN	001100	1
40	NAS1149D0416J		..WASHER	001100	1
45	411A3081-25		..CLEVIS- USED ON: 411A3270-25	001100	1

MISSING ITEM NUMBERS NOT APPLICABLE

- ITEM NOT ILLUSTRATED

HAP

25-24-31-12

BOEING PROPRIETARY - Copyright © - Unpublished Work - See title page for details.

25-24-31
FIG. 12
PAGE 1
FEB 15/09

BOEING
737-600/700/800/900
PARTS CATALOG (MAINTENANCE)

FIG ITEM	PART NUMBER	1 2 3 4 5 6 7	NOMENCLATURE	EFFECT FROM TO	UNITS PER ASSY
12					
50	411A3081-26	..	CLEVIS- USED ON: 411A3270-26	001100	1
55	1290-1L	..	END-ROD SUPPLIER CODE: V34742 OPTIONAL PART: 411A1290-101	001100	1
55	411A1290-101	..	END-ROD OPTIONAL PART: 1290-1L V34742	001100	1
60	MS35691-13	..	NUT	001100	1
65	411A3272-3	..	END ASSY-TIE ROD	001100	1
70	BACB28AP04P010	...	BUSHING	001100	1
75	BACB28AT06B010C	...	BUSHING	001100	1
80	411A3272-4	...	END	001100	1
85	411A3271-1	..	TUBE	001100	1
90	BACB30NR4K11	.	BOLT-	001100	6
95	NAS1149D0432J	.	WASHER-	001100	12
100	BACB28AK04-025	.	BUSHING-	001100	6
105	PLH54CD	.	NUT- SUPPLIER CODE: VF0224 SPECIFICATION NUMBER: BACN10YR4CD OPTIONAL PART: H52732-4CD V15653	001100	6
110	65-80898-25	.	TURNBUCKLE ASSY-	001100	4
112	AN316-4L	..	NUT	001100	1
115	ACB4-3	..	BEARING-ROD END SUPPLIER CODE: V56644 OPTIONAL PART: 1254-1L V34742 AHML4-104 V50294 ML44-9A V73134 FML4-7 V76474	001100	1

MISSING ITEM NUMBERS NOT APPLICABLE

- ITEM NOT ILLUSTRATED

HAP

25-24-31-12

BOEING PROPRIETARY - Copyright © - Unpublished Work - See title page for details.

25-24-31
FIG. 12
PAGE 2
FEB 15/09

BOEING
737-600/700/800/900
PARTS CATALOG (MAINTENANCE)

FIG ITEM	PART NUMBER	1 2 3 4 5 6 7	NOMENCLATURE	EFFECT FROM TO	UNITS PER ASSY
12 115	AHML4-104		.. BEARING-ROD END SUPPLIER CODE: V50294 OPTIONAL PART: 1254-1L V34742 ACB4-3 V56644 ML44-9A V73134 FML4-7 V76474	001100	1
115	FML4-7		.. BEARING-ROD END SUPPLIER CODE: V76474 OPTIONAL PART: ACB4-3 V56644 AHML4-104 V50294 ML44-9A V73134	001100	1
115	ML44-9A		.. BEARING-ROD END SUPPLIER CODE: V73134 OPTIONAL PART: 1254-1L V34742 ACB4-3 V56644 AHML4-104 V50294 FML4-7 V76474	001100	1
115	1254-1L		.. BEARING-ROD END SUPPLIER CODE: V34742 OPTIONAL PART: ACB4-3 V56644 AHML4-104 V50294 ML44-9A V73134	001100	1

MISSING ITEM NUMBERS NOT APPLICABLE

— ITEM NOT ILLUSTRATED

HAP

25-24-31-12

BOEING PROPRIETARY - Copyright © - Unpublished Work - See title page for details.

25-24-31
FIG. 12
PAGE 3
JUN 15/08

BOEING
737-600/700/800/900
PARTS CATALOG (MAINTENANCE)

FIG ITEM	PART NUMBER	1 2 3 4 5 6 7	NOMENCLATURE	EFFECT FROM TO	UNITS PER ASSY
12 120	ACM4-3		.. BEARING-ROD END SUPPLIER CODE: V56644 OPTIONAL PART: 1254-1 V34742 AHM4-104 V50294 FM4-7 V02695 M44-9A V73134	001100	1
120	AHM4-104		.. BEARING-ROD END SUPPLIER CODE: V50294 OPTIONAL PART: 1254-1 V34742 ACM4-3 V56644 FM4-7 V02695 M44-9A V73134	001100	1
120	FM4-7		.. BEARING-ROD END SUPPLIER CODE: V02695 OPTIONAL PART: 1254-1 V34742 ACM4-3 V56644 AHM4-104 V50294 M44-9A V73134	001100	1
120	M44-9A		.. BEARING-ROD END SUPPLIER CODE: V73134 OPTIONAL PART: 1254-1 V34742 ACM4-3 V56644 AHM4-104 V50294 FM4-7 V02695	001100	1

MISSING ITEM NUMBERS NOT APPLICABLE

— ITEM NOT ILLUSTRATED

HAP

25-24-31-12

BOEING PROPRIETARY - Copyright © - Unpublished Work - See title page for details.

25-24-31
FIG. 12
PAGE 4
FEB 10/07

 **BOEING**
737-600/700/800/900
PARTS CATALOG (MAINTENANCE)

FIG ITEM	PART NUMBER	1 2 3 4 5 6 7	NOMENCLATURE	EFFECT FROM TO	UNITS PER ASSY
12 120	1254-1		.. BEARING-ROD END SUPPLIER CODE: V34742 OPTIONAL PART: ACM4-3 V56644 AHM4-104 V50294 FM4-7 V02695 M44-9A V73134	001100	1
125	65-81149-15		.. TUBE	001100	1
130	65B67822-45		. TURNBUCKLE ASSY-	001100	2
135	NAS509L4		.. NUT	001100	1
140	1254-15L		.. BEARING-ROD SUPPLIER CODE: V34742	001100	1
145	1254-15		.. BEARING-ROD SUPPLIER CODE: V34742	001100	1
150	65B67822-44		.. TUBE	001100	1

MISSING ITEM NUMBERS NOT APPLICABLE

— ITEM NOT ILLUSTRATED

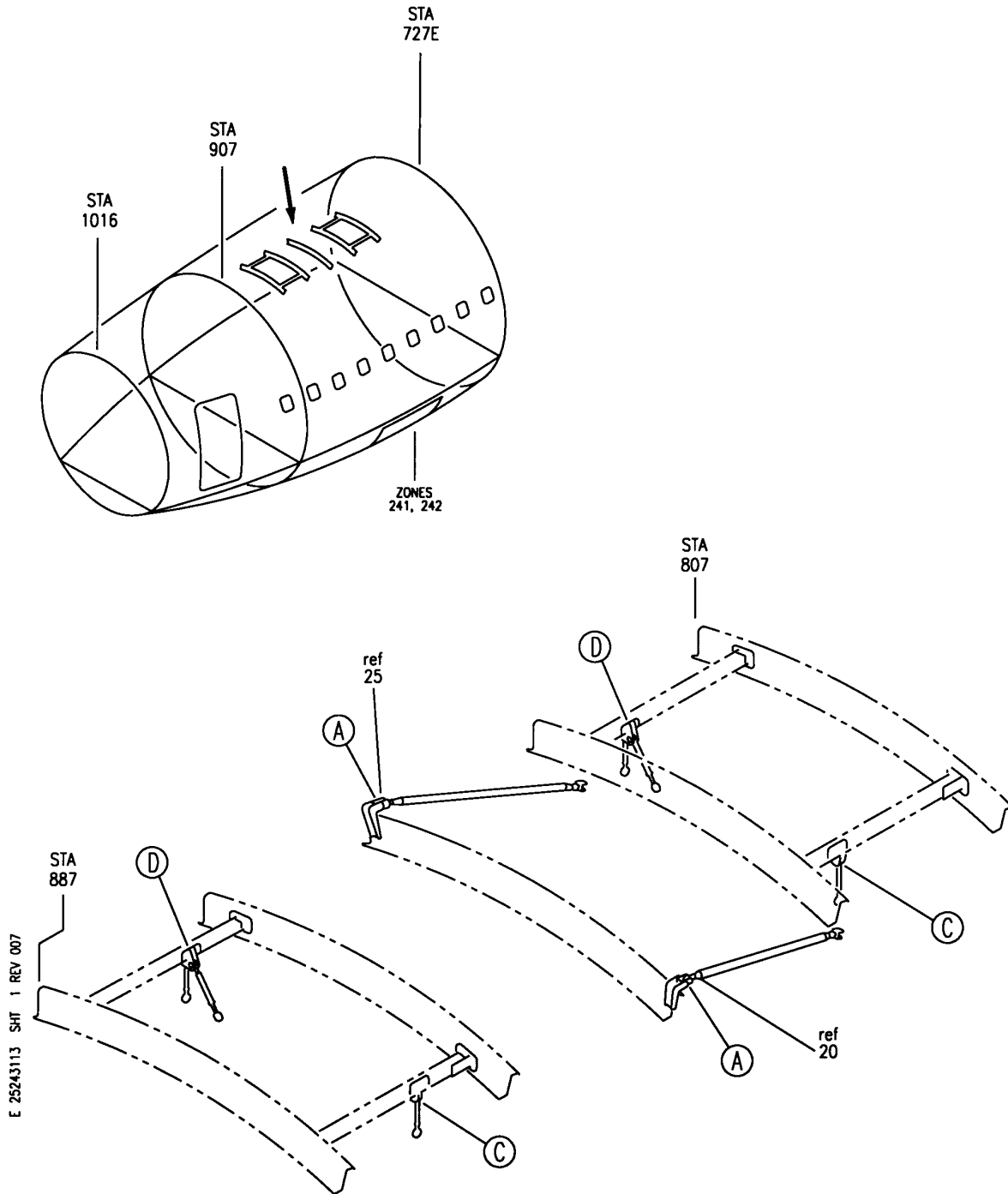
HAP

25-24-31-12

BOEING PROPRIETARY - Copyright © - Unpublished Work - See title page for details.

25-24-31
FIG. 12
PAGE 5
FEB 10/07

BOEING
737-600/700/800/900
PARTS CATALOG (MAINTENANCE)

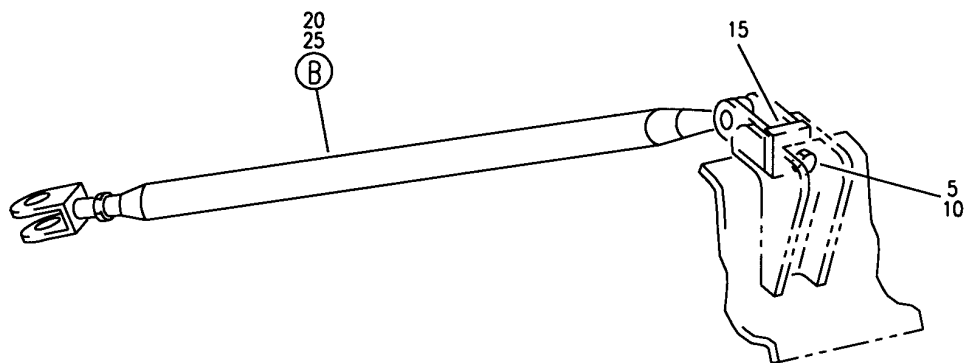


TIE ROD INSTL-CTR OVHD STOWAGE
FIGURE 13 (SHEET 1)

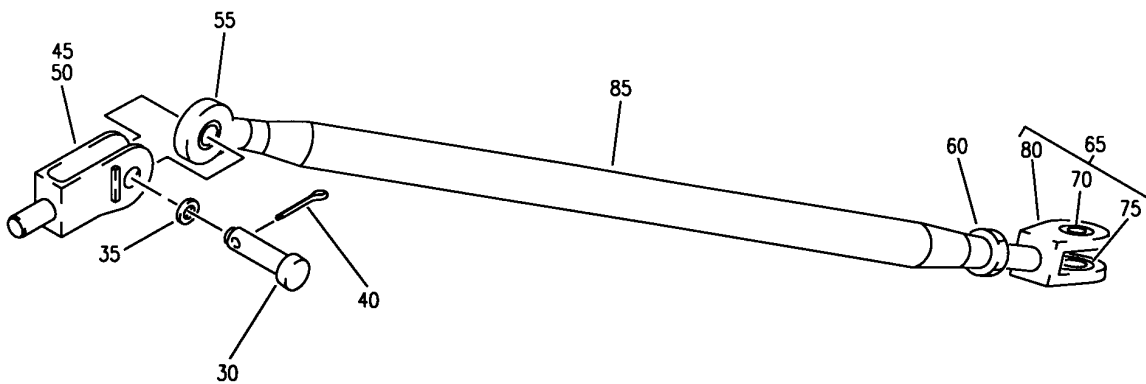
25-24-31-13

HAP
OCT 10/06

25-24-31-13
PAGE 0



(A)



(B)

E 25243113 SH1 2 REV 007

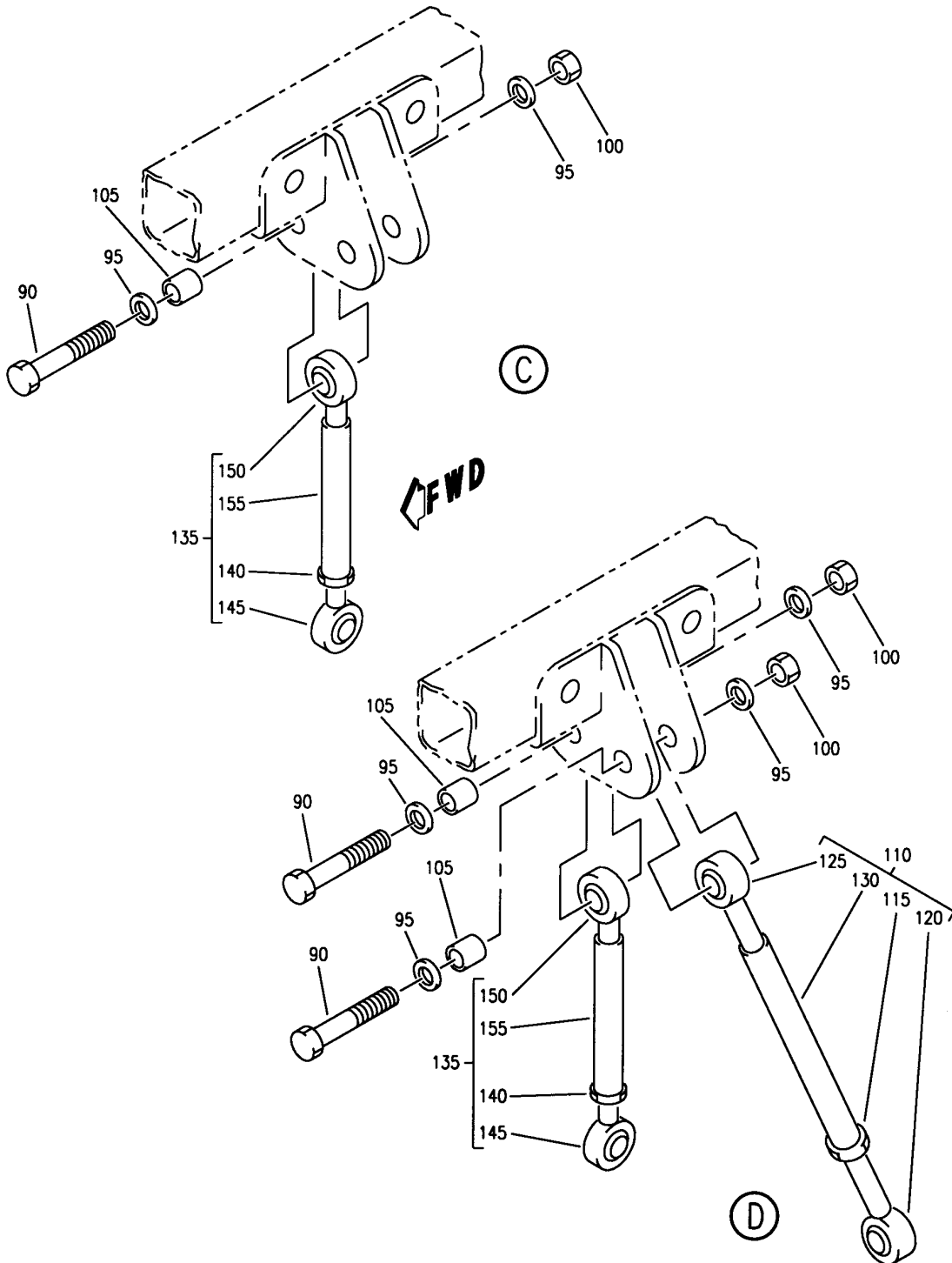
TIE ROD INSTL-CTR OVHD STOWAGE
 FIGURE 13 (SHEET 2)

25-24-31-13

HAP
 OCT 10/06

25-24-31-13
 PAGE 0A

BOEING
 737-600/700/800/900
 PARTS CATALOG (MAINTENANCE)



E 25243113 SHT 3 REV 007

TIE ROD INSTL-CTR OVHD STOWAGE
 FIGURE 13 (SHEET 3)

25-24-31-13

HAP
 OCT 10/06

25-24-31-13
 PAGE 0B

BOEING
737-600/700/800/900
PARTS CATALOG (MAINTENANCE)

FIG ITEM	PART NUMBER	1 2 3 4 5 6 7	NOMENCLATURE	EFFECT FROM TO	UNITS PER ASSY
13			TIE ROD INSTL-CTR OVHD STOWAGE	001100	
- 1	412A4200-300		TIE ROD INSTL-OVHD STOWAGE POSITION DATA: CTR FOR NHA SEE: 25-24-00-13A	001030	RF
- 1	MODREF91685		TIE ROD INSTL-OVHD STOWAGE MODULE NUMBER: 412A4200-300 REV A POSITION DATA: CTR	031100	1
5	BACW10BP5DP		.WASHER	001100	2
10	PLH55CD		.NUT SUPPLIER CODE: VF0224 SPECIFICATION NUMBER: BACN10YR5CD OPTIONAL PART: H52732-5CD V15653	001100	2
15	412N2032-3		.INSULATOR-CLEVIS MANUFACTURED FROM: FIN F-6.10 COMPRESSION MOLDED PHENOLIC, GLASS FIBER FILLED PER BMS8-271A, TYPE 1 OPTIONAL PART: 412N2032-4 OPTIONAL PART: 412N2032-6	001100	2
15	412N2032-6		.INSULATOR-CLEVIS MANUFACTURED FROM: FIN F-25.01 COMPRESSION MOLDED PHENOLIC, GLASS FIBER FILLED PER BMS8-271A, TYPE 1. OPTIONAL PART: 412N2032-3	001100	2
20	411A3270-22		.ROD ASSY-TIE	001100	1
25	411A3270-21		.ROD ASSY-TIE	001100	1
30	MS20392-3C17		..PIN	001100	1
35	NAS1149D0416J		..WASHER	001100	1
40	BACP18BC02C06P		..PIN	001100	1
45	411A3081-26		..CLEVIS- USED ON: 411A3270-22	001100	1

MISSING ITEM NUMBERS NOT APPLICABLE

- ITEM NOT ILLUSTRATED

HAP

25-24-31-13

BOEING PROPRIETARY - Copyright © - Unpublished Work - See title page for details.

25-24-31
FIG. 13
PAGE 1
FEB 15/09

BOEING
737-600/700/800/900
PARTS CATALOG (MAINTENANCE)

FIG ITEM	PART NUMBER	1 2 3 4 5 6 7	NOMENCLATURE	EFFECT FROM TO	UNITS PER ASSY
13					
50	411A3081-25	..	CLEVIS- USED ON: 411A3270-21	001100	1
55	1290-1L	..	END-ROD SUPPLIER CODE: V34742 OPTIONAL PART: 411A1290-101	001100	1
55	411A1290-101	..	END-ROD OPTIONAL PART: 1290-1L V34742	001100	1
60	MS35691-13	..	NUT	001100	1
65	411A3272-3	..	END ASSY-ROD	001100	1
70	BACB28AP04P010	...	BUSHING	001100	1
75	BACB28AT06B010C	...	BUSHING	001100	1
80	411A3272-4	...	END-ROD	001100	1
85	411A3271-6	..	TUBE	001100	1
90	BACB30NR4K11	.	BOLT	001100	6
95	NAS1149D0432J	.	WASHER	001100	12
100	PLH54CD	.	NUT SUPPLIER CODE: VF0224 SPECIFICATION NUMBER: BACN10YR4CD OPTIONAL PART: H52732-4CD V15653	001100	6
105	BACB28AK04-025	.	BUSHING	001100	6
110	65B67822-45	.	TURNBUCKLE ASSY	001100	2
115	NAS509L4	..	NUT	001100	1
120	1254-15L	..	BEARING-ROD END SUPPLIER CODE: V34742	001100	1
125	1254-15	..	BEARING-ROD END SUPPLIER CODE: V34742	001100	1
130	65B67822-44	..	TUBE	001100	1
135	65-80898-25	.	TURNBUCKLE ASSY-	001100	4
140	AN316-4L	..	NUT	001100	1

MISSING ITEM NUMBERS NOT APPLICABLE

— ITEM NOT ILLUSTRATED

HAP

25-24-31-13

BOEING PROPRIETARY - Copyright © - Unpublished Work - See title page for details.

25-24-31
FIG. 13
PAGE 2
FEB 15/09

BOEING
737-600/700/800/900
PARTS CATALOG (MAINTENANCE)

FIG ITEM	PART NUMBER	1 2 3 4 5 6 7	NOMENCLATURE	EFFECT FROM TO	UNITS PER ASSY
13 145	1254-1L		.. BEARING-ROD END SUPPLIER CODE: V34742 OPTIONAL PART: ACB4-3 V56644 AHML4-104 V50294 ML44-9A V73134	001100	1
145	ACB4-3		.. BEARING-ROD END SUPPLIER CODE: V56644 OPTIONAL PART: 1254-1L V34742 AHML4-104 V50294 ML44-9A V73134 FML4-7 V76474	001100	1
145	FML4-7		.. BEARING-ROD END SUPPLIER CODE: V76474 OPTIONAL PART: ACB4-3 V56644 AHML4-104 V50294 ML44-9A V73134	001100	1
145	AHML4-104		.. BEARING-ROD END SUPPLIER CODE: V50294 OPTIONAL PART: 1254-1L V34742 ACB4-3 V56644 ML44-9A V73134 FML4-7 V76474	001100	1

MISSING ITEM NUMBERS NOT APPLICABLE

— ITEM NOT ILLUSTRATED

HAP

25-24-31-13

BOEING PROPRIETARY - Copyright © - Unpublished Work - See title page for details.

25-24-31
FIG. 13
PAGE 3
JUN 15/08

BOEING
737-600/700/800/900
PARTS CATALOG (MAINTENANCE)

FIG ITEM	PART NUMBER	1 2 3 4 5 6 7	NOMENCLATURE	EFFECT FROM TO	UNITS PER ASSY
13 145	ML44-9A		.. BEARING-ROD END SUPPLIER CODE: V73134 OPTIONAL PART: 1254-1L V34742 ACB4-3 V56644 AHML4-104 V50294 FML4-7 V76474	001100	1
150	1254-1		.. BEARING-ROD END SUPPLIER CODE: V34742 OPTIONAL PART: ACM4-3 V56644 FM4-7 V02695 AHM4-104 V50294 M44-9A V73134	001100	1
150	ACM4-3		.. BEARING-ROD END SUPPLIER CODE: V56644 OPTIONAL PART: 1254-1 V34742 AHM4-104 V50294 FM4-7 V02695 M44-9A V73134	001100	1
150	FM4-7		.. BEARING-ROD END SUPPLIER CODE: V02695 OPTIONAL PART: 1254-1 V34742 ACM4-3 V56644 AHM4-104 V50294 M44-9A V73134	001100	1

MISSING ITEM NUMBERS NOT APPLICABLE

— ITEM NOT ILLUSTRATED

HAP

25-24-31-13

BOEING PROPRIETARY - Copyright © - Unpublished Work - See title page for details.

25-24-31
FIG. 13
PAGE 4
FEB 10/07

 **BOEING**
737-600/700/800/900
PARTS CATALOG (MAINTENANCE)

FIG ITEM	PART NUMBER	1 2 3 4 5 6 7	NOMENCLATURE	EFFECT FROM TO	UNITS PER ASSY
13 150	AHM4-104		.. BEARING-ROD END SUPPLIER CODE: V50294 OPTIONAL PART: 1254-1 V34742 ACM4-3 V56644 FM4-7 V02695 M44-9A V73134	001100	1
150	M44-9A		.. BEARING-ROD END SUPPLIER CODE: V73134 OPTIONAL PART: 1254-1 V34742 ACM4-3 V56644 AHM4-104 V50294 FM4-7 V02695	001100	1
155	65-81149-28		.. TUBE	001100	1

MISSING ITEM NUMBERS NOT APPLICABLE

— ITEM NOT ILLUSTRATED

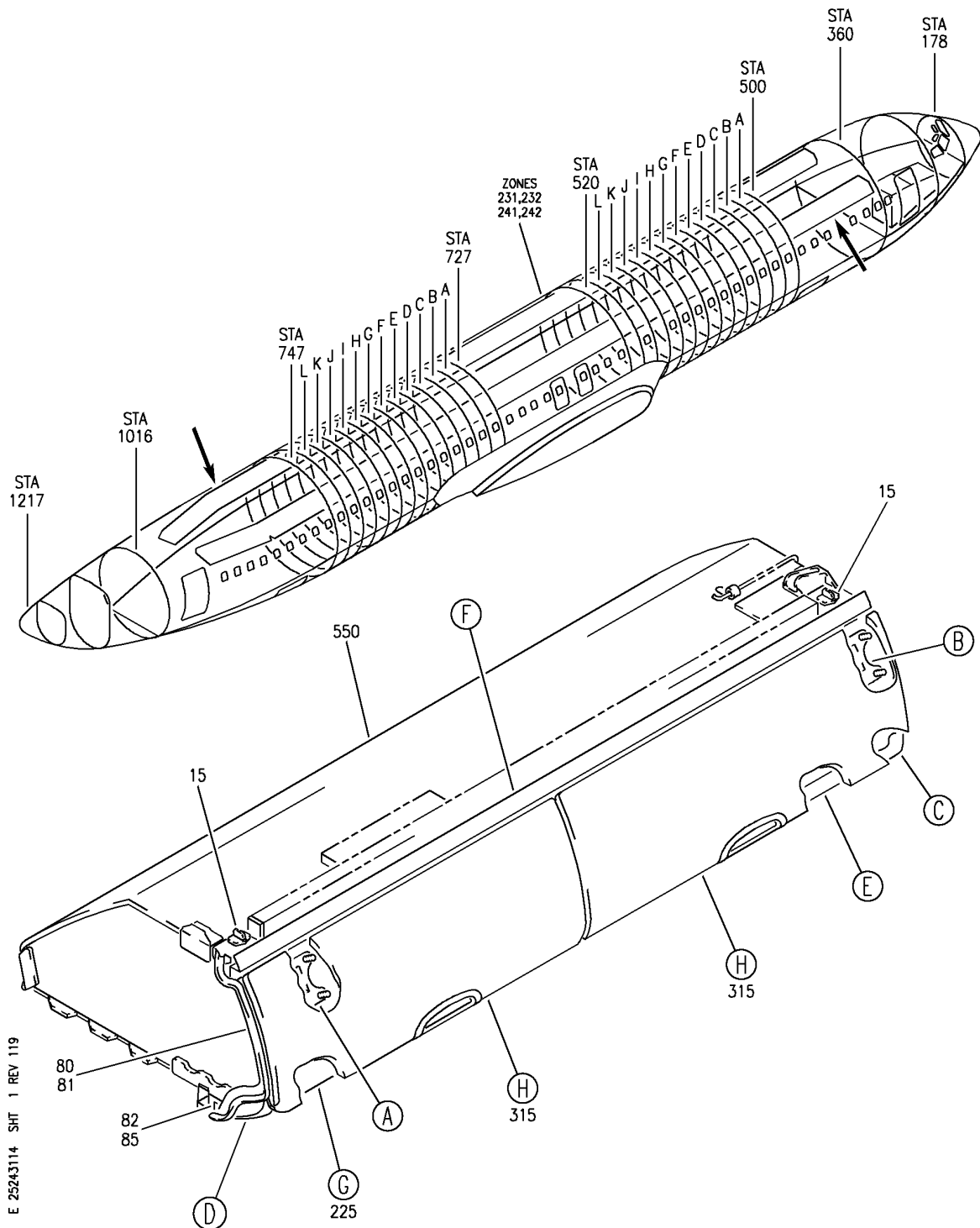
HAP

25-24-31-13

BOEING PROPRIETARY - Copyright © - Unpublished Work - See title page for details.

25-24-31
FIG. 13
PAGE 5
FEB 10/07

BOEING
 737-600/700/800/900
 PARTS CATALOG (MAINTENANCE)



E 25243114 SHT 1 REV 119

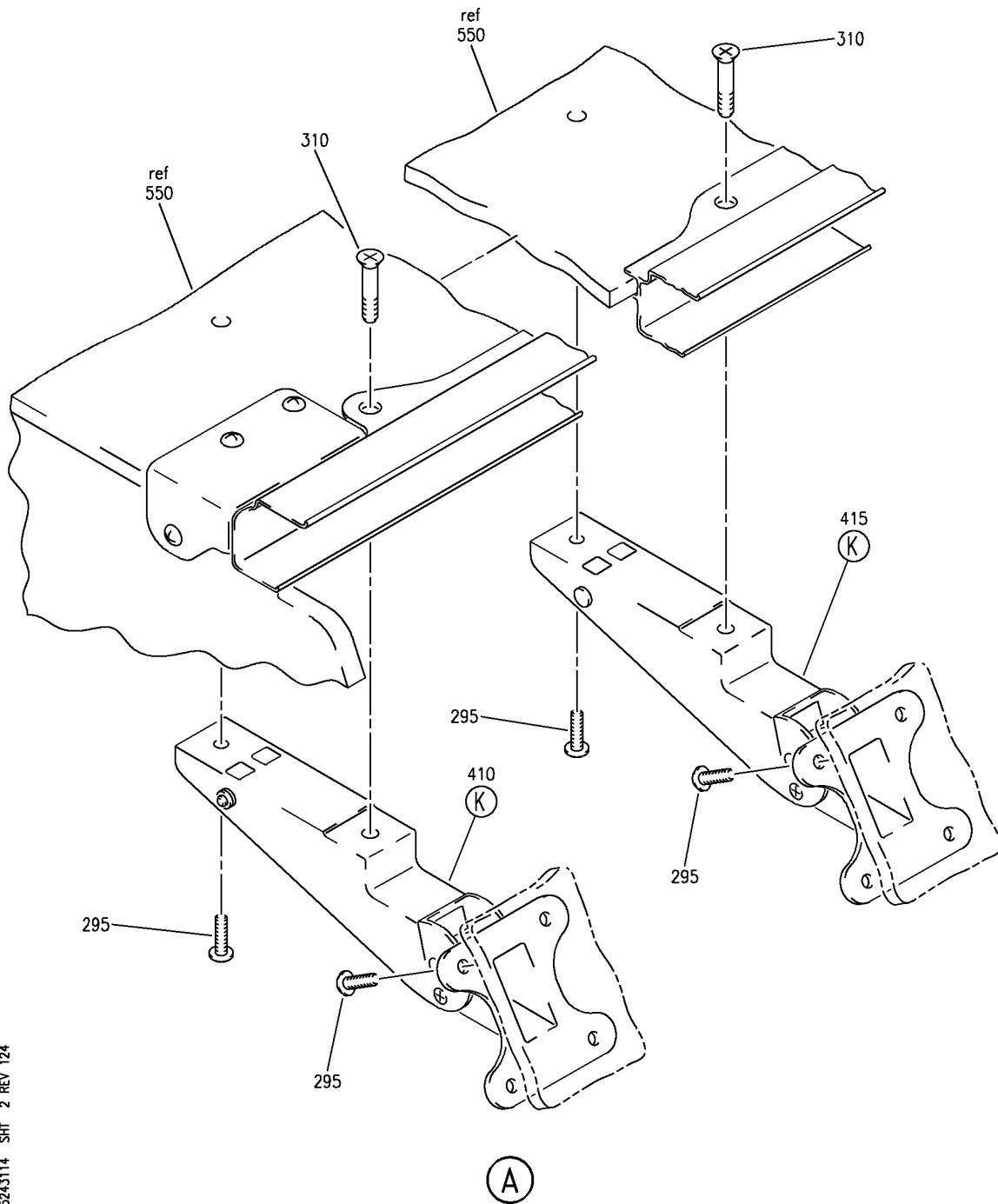
COMPARTMENT ASSY-80 IN. OVHD STOWAGE BULLNOSE CONFIGURATION (EQUIPMENT/ FURNISHINGS ONLY)
 FIGURE 14 (SHEET 1)

25-24-31-14

HAP
 OCT 15/08

25-24-31-14
 PAGE 0

BOEING
 737-600/700/800/900
 PARTS CATALOG (MAINTENANCE)



E 25243114 SHT 2 REV 124

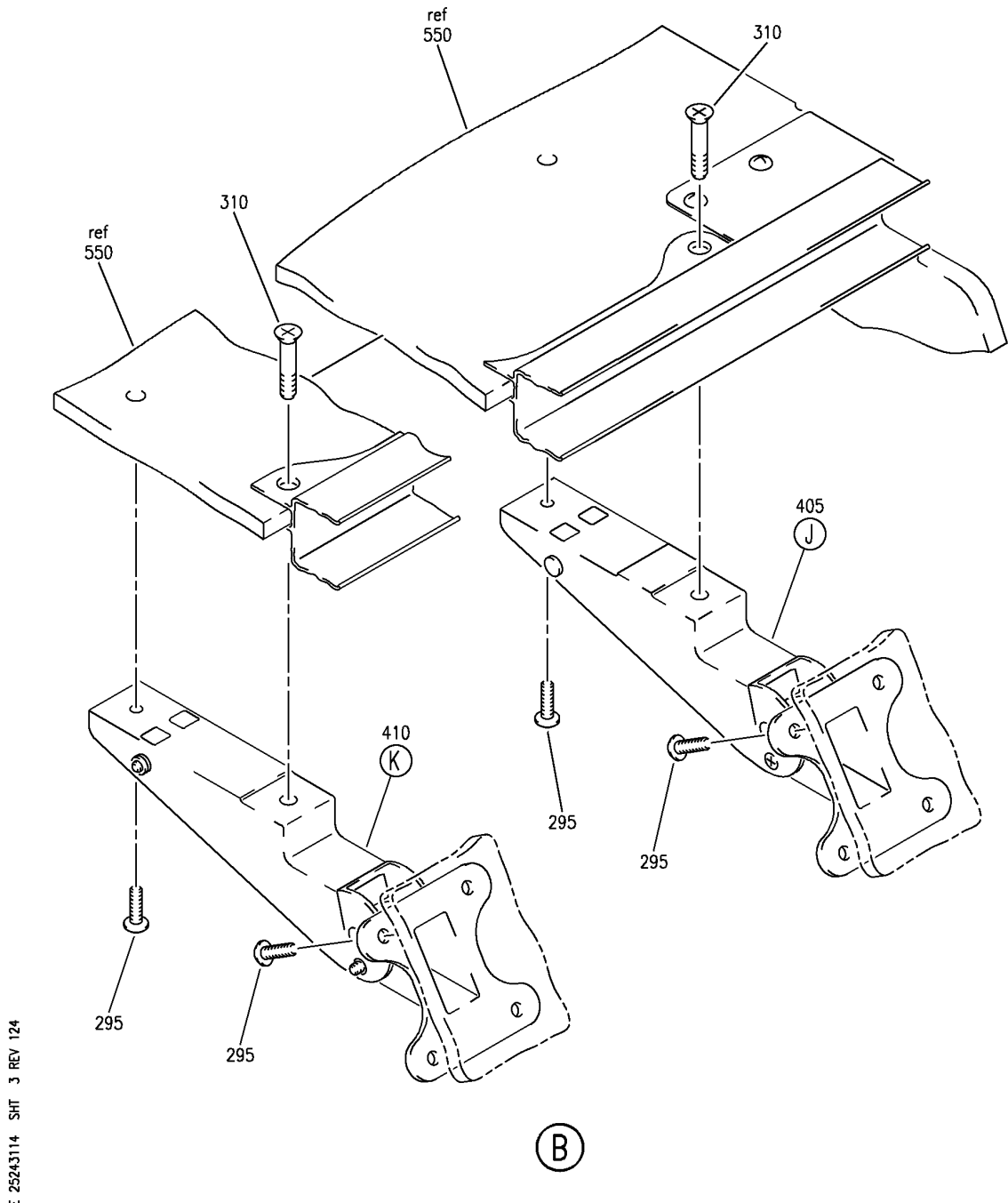
COMPARTMENT ASSY-80 IN. OVHD STOWAGE BULLNOSE CONFIGURATION (EQUIPMENT/ FURNISHINGS ONLY)
 FIGURE 14 (SHEET 2)

HAP
 OCT 15/08

25-24-31-14

25-24-31-14
 PAGE 0A

BOEING
 737-600/700/800/900
 PARTS CATALOG (MAINTENANCE)



E 25243114 SH1 3 REV 124

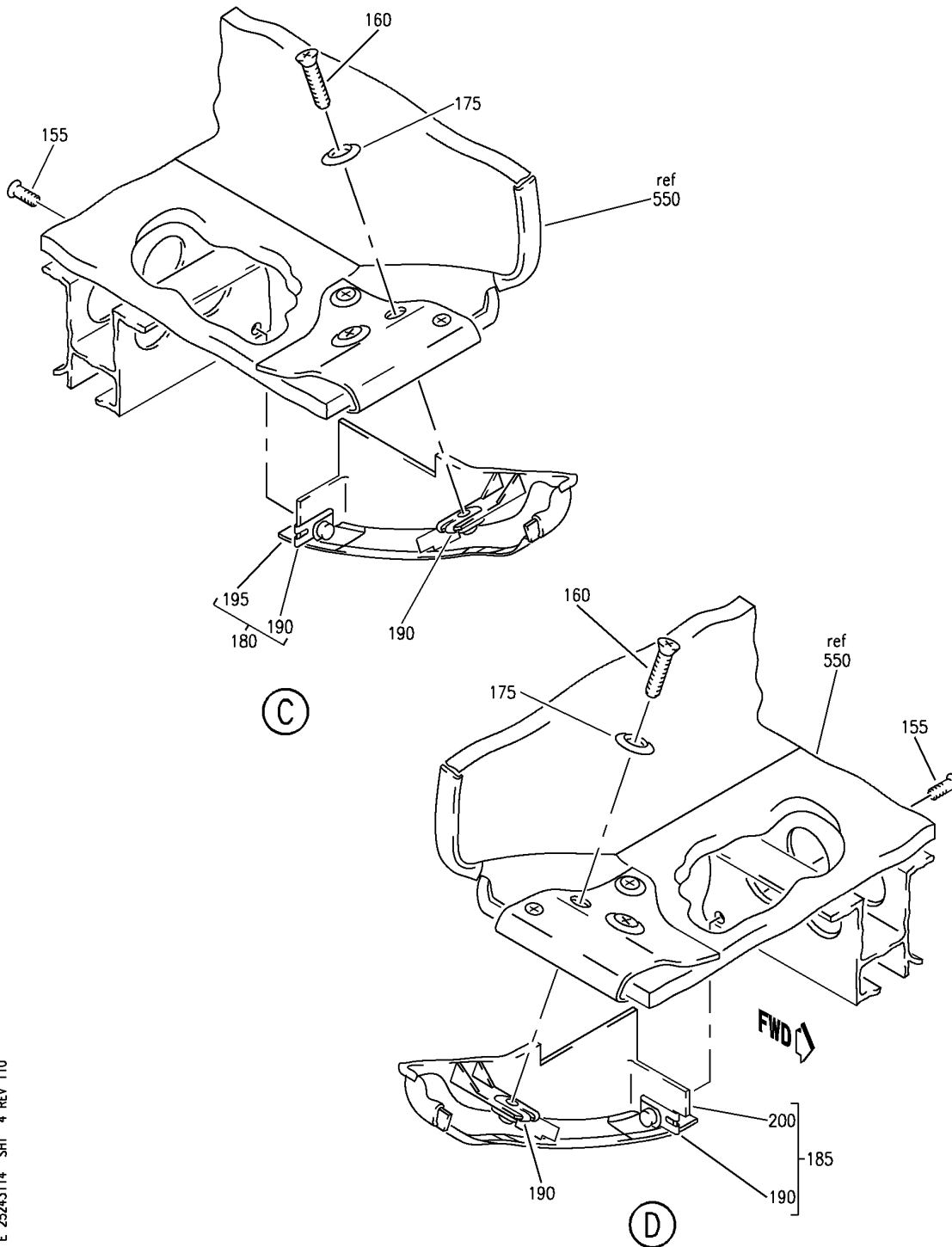
COMPARTMENT ASSY-80 IN. OVHD STOWAGE BULLNOSE CONFIGURATION (EQUIPMENT/ FURNISHINGS ONLY)
 FIGURE 14 (SHEET 3)

HAP
 OCT 15/08

25-24-31-14

25-24-31-14
 PAGE 0B

BOEING
 737-600/700/800/900
 PARTS CATALOG (MAINTENANCE)



E 25243114 SHT 4 REV 110

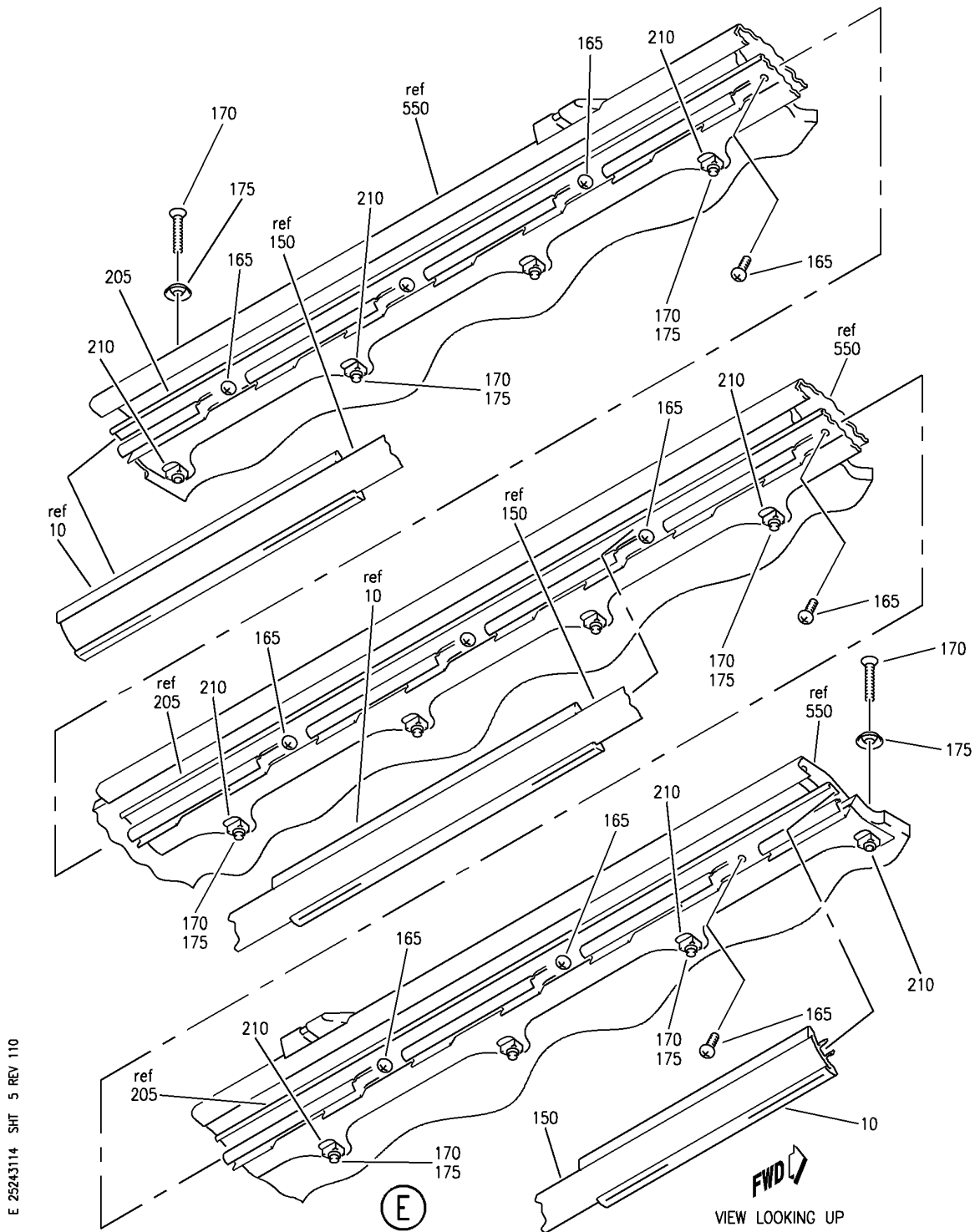
COMPARTMENT ASSY-80 IN. OVHD STOWAGE BULLNOSE CONFIGURATION (EQUIPMENT/ FURNISHINGS ONLY)
 FIGURE 14 (SHEET 4)

25-24-31-14

HAP
 OCT 15/08

25-24-31-14
 PAGE 0C

BOEING
 737-600/700/800/900
 PARTS CATALOG (MAINTENANCE)



E 25243114 SHT 5 REV 110

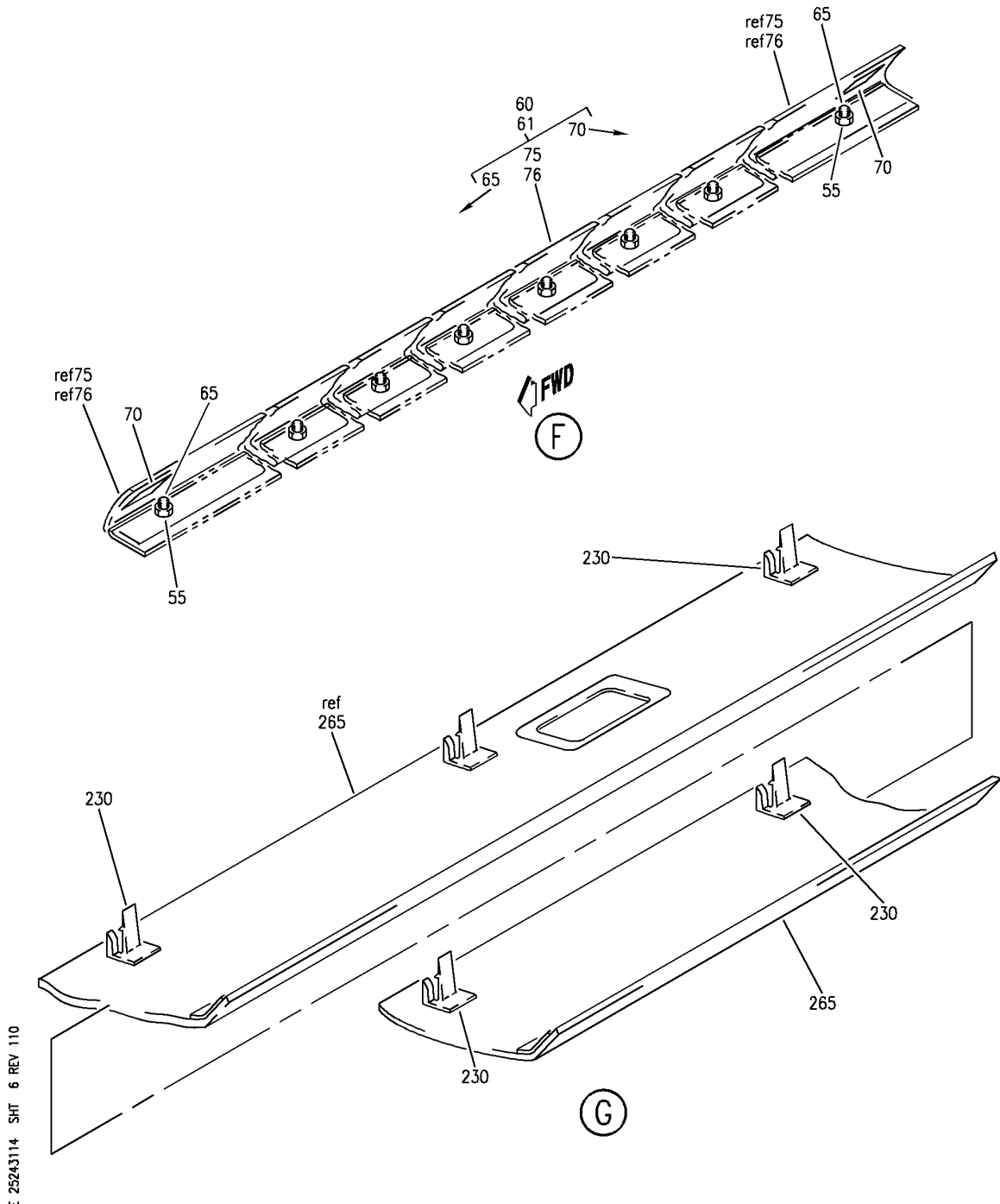
COMPARTMENT ASSY-80 IN. OVHD STOWAGE BULLNOSE CONFIGURATION (EQUIPMENT/ FURNISHINGS ONLY)
 FIGURE 14 (SHEET 5)

HAP
 OCT 15/08

25-24-31-14

25-24-31-14
 PAGE 0D

BOEING
 737-600/700/800/900
 PARTS CATALOG (MAINTENANCE)



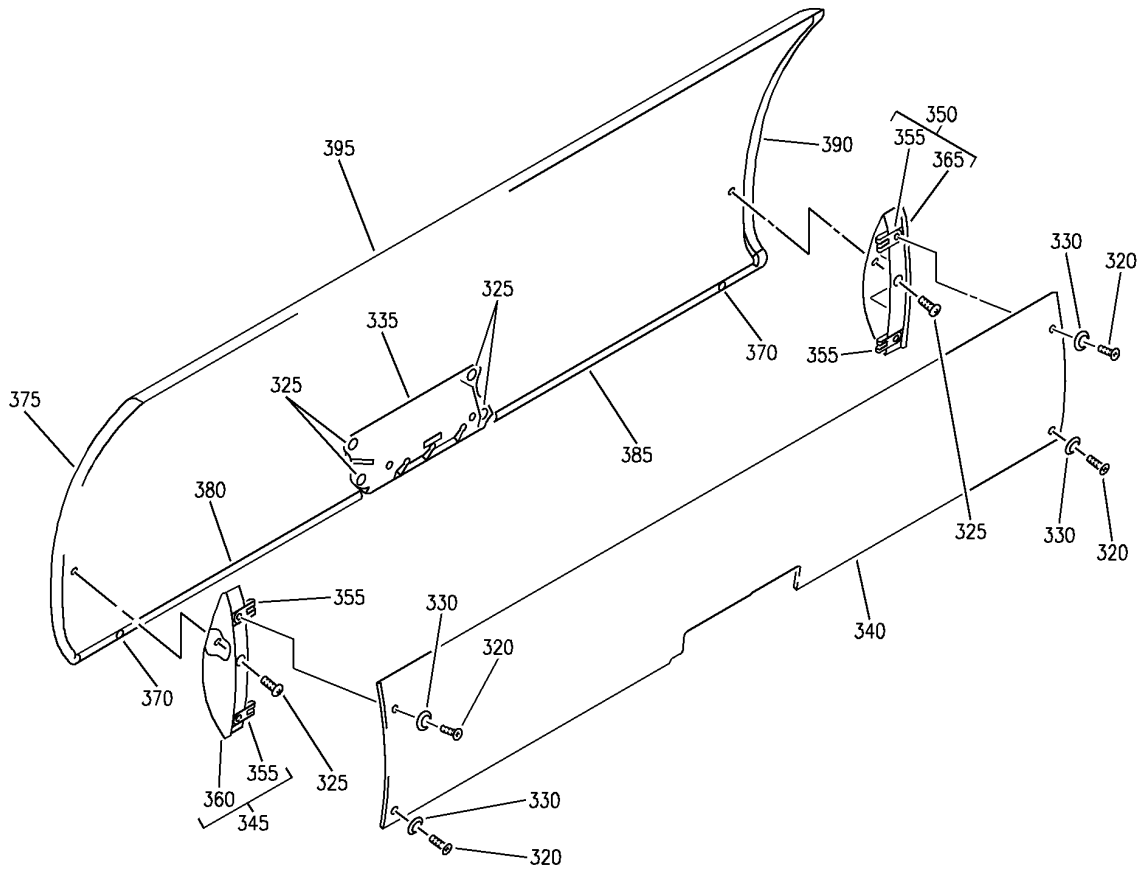
COMPARTMENT ASSY-80 IN. OVHD STOWAGE BULLNOSE CONFIGURATION (EQUIPMENT/ FURNISHINGS ONLY)
 FIGURE 14 (SHEET 6)

HAP
 OCT 15/08

25-24-31-14

25-24-31-14
 PAGE 0E

BOEING
 737-600/700/800/900
 PARTS CATALOG (MAINTENANCE)



E 25243114 SH7 7 REV 110

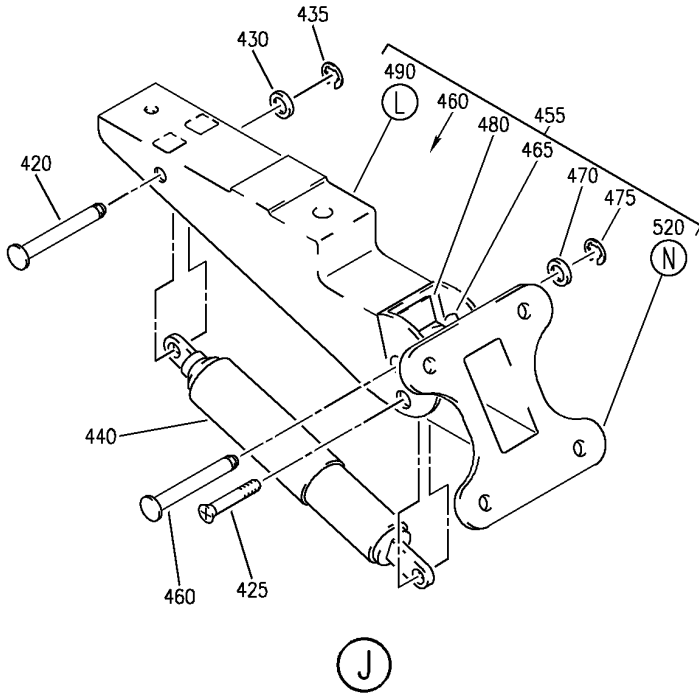
COMPARTMENT ASSY-80 IN. OVHD STOWAGE BULLNOSE CONFIGURATION (EQUIPMENT/ FURNISHINGS ONLY)
 FIGURE 14 (SHEET 7)

25-24-31-14

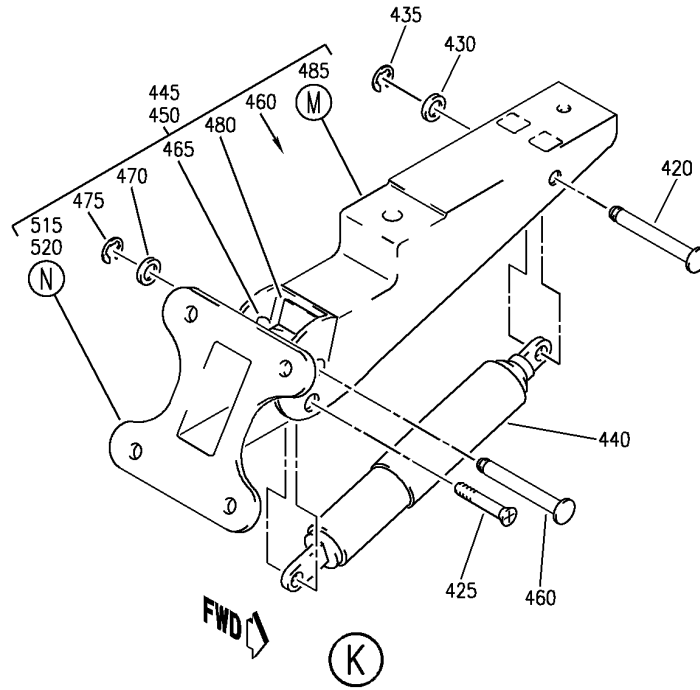
HAP
 OCT 15/08

25-24-31-14
 PAGE OF

BOEING
 737-600/700/800/900
 PARTS CATALOG (MAINTENANCE)



(J)



(K)

E 25243114 SHT 8 REV 110

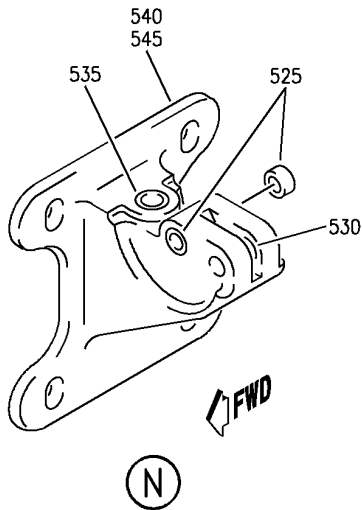
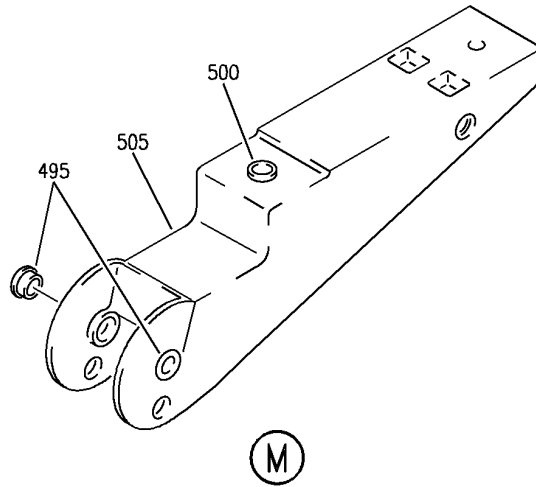
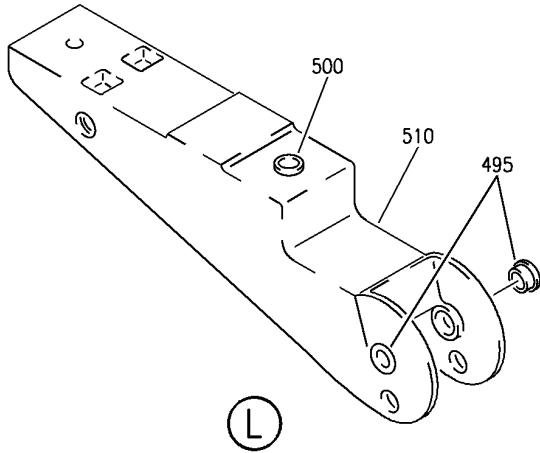
COMPARTMENT ASSY-80 IN. OVHD STOWAGE BULLNOSE CONFIGURATION (EQUIPMENT/ FURNISHINGS ONLY)
 FIGURE 14 (SHEET 8)

HAP
 OCT 15/08

25-24-31-14

25-24-31-14
 PAGE 06

BOEING
 737-600/700/800/900
 PARTS CATALOG (MAINTENANCE)



E 25243114 SHT 9 REV 110

COMPARTMENT ASSY-80 IN. OVHD STOWAGE BULLNOSE CONFIGURATION (EQUIPMENT/ FURNISHINGS ONLY)
 FIGURE 14 (SHEET 9)

HAP
 OCT 15/08

25-24-31-14

25-24-31-14
 PAGE 0H

BOEING
737-600/700/800/900
PARTS CATALOG (MAINTENANCE)

FIG ITEM	PART NUMBER	1 2 3 4 5 6 7	NOMENCLATURE	EFFECT FROM TO	UNITS PER ASSY
14			COMPARTMENT ASSY-80 IN. OVHD STOWAGE BULLNOSE CONFIGURATION (EQUIPMENT/ FURNISHINGS ONLY)	201967	
- 1	412A1120-101SP		COMPARTMENT ASSY-80 IN. OVHD STOWAGE BULLNOSE CONFIGURATION (EQUIPMENT/ FURNISHINGS ONLY) POSITION DATA: LH FOR NHA/OTHER SYS DET SEE: 25-24-30-71	202967	RF
- 1	412A1120-201C		COMPARTMENT ASSY-80 IN. OVHD STOWAGE BULLNOSE CONFIGURATION (EQUIPMENT/ FURNISHINGS ONLY) POSITION DATA: LH FOR NHA/OTHER SYS DET SEE: 25-24-30-71	201201	RF
10	412A1420-1SP		.EXTRUSION-	202967	1
10	412A1420-1A		.EXTRUSION-	201201	1
15	H3-1592-1		.LATCH- SUPPLIER CODE: V34941 SPECIFICATION NUMBER: S411A001-1	201967	2
- 20	BACS12GU3K7		ATTACHING PARTS .SCREW	201967	4
- 25	NAS1149D0332J		.WASHER -----*-----	201967	4
55	BACN10YJ3F		.NUT	201967	8
60	412A1700-101SP		.VALANCE ASSY- OPTIONAL PART: 412A1700-1SP	202967	1
60	412A1700-1A		.VALANCE ASSY- OPTIONAL PART: 412A1700-101B	201967	1
60	412A1700-101B		.VALANCE ASSY- OPTIONAL PART: 412A1700-1A	201201	1
65	BACS21DW3C10FN		..STUD	201967	8
70	412A1700-6		..TAPE-VELCRO	201967	2
75	412A1710-1A		..PANEL ASSY- USED ON: 412A1700-1A	201967	1
75	412A1710-101SP		..PANEL ASSY- USED ON: 412A1700-101SP	202967	1

MISSING ITEM NUMBERS NOT APPLICABLE

- ITEM NOT ILLUSTRATED

HAP

25-24-31-14

25-24-31
FIG. 14
PAGE 1
OCT 15/08

BOEING
737-600/700/800/900
PARTS CATALOG (MAINTENANCE)

FIG ITEM	PART NUMBER	1 2 3 4 5 6 7	NOMENCLATURE	EFFECT FROM TO	UNITS PER ASSY
14					
75	412A1710-101B	..	PANEL ASSY- USED ON: 412A1700-101B	201201	1
80	403A3210-21SP	.SEAL	ASSY-	201967	1
80	403A3210-91SP	.SEAL	ASSY-	201967	1
82	412A1310-701	.TAPE-	VELCRO LOOP	201201	AR
85	412A1310-700	.TAPE-	VELCRO HOOK	201201	AR
150	412A1451-2SP	.STRIP-		202967	1
150	412A1451-2BCWK	.STRIP-		201201	1
155	BACB30VF3K3	.BOLT		201967	2
160	BACS12ER3K11	.SCREW		201967	2
165	BACS12FA3K5	.SCREW		201967	11
170	BACS12ER3K14	.SCREW		201967	12
175	H3-1233A3	.WASHER-		201967	14
			SUPPLIER CODE: V34941		
			SPECIFICATION NUMBER: S411A001-1		
180	412A1465-5SP	.CLOSEOUT	ASSY- POSITION DATA: LH	202967	1
180	412A1465-5A	.CLOSEOUT	ASSY- POSITION DATA: LH	201201	1
185	412A1465-6SP	.CLOSEOUT	ASSY- POSITION DATA: RH	202967	1
185	412A1465-6A	.CLOSEOUT	ASSY- POSITION DATA: RH	201201	1
190	BACN10VR4CGN	..NUT-		201967	2
			OPTIONAL PART: BACN10VR4CG		
190	BACN10VR4CG	..NUT-		201967	2
			OPTIONAL PART: BACN10VR4CGN		
195	412A1465-7SP	..CLOSEOUT-		201967	1
			POSITION DATA: LH SIDE		
200	412A1465-8SP	..CLOSEOUT-		201967	1
			POSITION DATA: RH SIDE		
205	412A1244-1	.EXTRUSION	ASSY	201967	1

MISSING ITEM NUMBERS NOT APPLICABLE

— ITEM NOT ILLUSTRATED

HAP

25-24-31-14

25-24-31
FIG. 14
PAGE 2
OCT 15/08

BOEING
737-600/700/800/900
PARTS CATALOG (MAINTENANCE)

FIG ITEM	PART NUMBER	1 2 3 4 5 6 7	NOMENCLATURE	EFFECT FROM TO	UNITS PER ASSY
14 210	FS1651-3		..NUTPLATE SUPPLIER CODE: V15653 SPECIFICATION NUMBER: BACN10KH3CD OPTIONAL PART: 102F9209M3 V72962 NS202496-02 V80539	201967	12
- 215	BACR15BA3ADC		..RIVET- SIZE DETERMINED ON INSTL. -----*-----	201967	24
225	412A1605-1A		.COVER ASSY-	201967	1
230	412A1460-2		..CLIP	201967	5
265	412A1615-3A		..PANEL ASSY-	201967	1
- 275	OBA8		.PLUG- SUPPLIER CODE: VOBV87 OPTIONAL PART: 412A1811-1B 412A1811-2B 412A1100-96	201967	AR
- 276	412A1811-1B		.PLUG- OPTIONAL PART: OBA8 VOBV87 412A1100-96 412A1811-2B	201201	AR
- 276	412A1811-2B		.PLUG- OPTIONAL PART: OBA8 VOBV87 412A1100-96 412A1811-1B	201201	AR
- 280	412A1100-96		.KIT ASSY-SCR AND WASHER OPTIONAL PART: OBA8 VOBV87 412A1811-1B 412A1811-2B	201201	AR
- 285	NAS514P1032-5		..SCREW	201201	1
- 290	H3-1233A3		..WASHER- SUPPLIER CODE: V34941 SPECIFICATION NUMBER: S411A001-1	201201	1
295	BAC S12FA3K6		.SCREW	201967	20

MISSING ITEM NUMBERS NOT APPLICABLE

- ITEM NOT ILLUSTRATED

HAP

25-24-31-14

BOEING PROPRIETARY - Copyright © - Unpublished Work - See title page for details.

25-24-31
FIG. 14
PAGE 3
OCT 15/08

 **BOEING**
737-600/700/800/900
PARTS CATALOG (MAINTENANCE)

FIG ITEM	PART NUMBER	1 2 3 4 5 6 7	NOMENCLATURE	EFFECT FROM TO	UNITS PER ASSY
14					
310	BACS12FA3K15	.	SCREW	201967	4
315	412A1500-1SP	.	DOOR ASSY-40 IN.	202967	2
315	412A1500-101SP	.	DOOR ASSY-40 IN.	201201	2
320	BACS12ER3K9	..	SCREW	201967	4
325	BACS12FA3K4	..	SCREW	201967	6
330	H3-1233A3	..	WASHER-	201967	4
			SUPPLIER CODE: V34941		
			SPECIFICATION NUMBER: S411A001-1		
335	HA225-1	..	LATCH ASSY-	201967	1
			SUPPLIER CODE: V83014		
			SPECIFICATION NUMBER: S412A001-1A		
335	HA225-7	..	LATCH ASSY-	201967	1
			SUPPLIER CODE: V83014		
			SPECIFICATION NUMBER: S412A001-11B		
340	412A1615-100SP	..	PANEL ASSY-FILLER	201967	1
			OPTIONAL PART: 412A1615-1100SP		
340	412A1615-1100SP	..	PANEL ASSY-FILLER	201201	1
			OPTIONAL PART: 412A1615-100SP		
345	412A1480-3SP	..	BRACKET ASSY	201967	1
350	412A1480-4SP	..	BRACKET ASSY	201967	1
355	BACN10VR4CGN	...	NUT	201967	2
360	412A1480-1SP	...	BRACKET-	201967	1
			USED ON: 412A1480-3SP		
365	412A1480-2SP	...	BRACKET-	201967	1
			USED ON: 412A1480-4SP		
370	412A1810-1SP	..	BUMPER	201967	2
375	412A1450-4SP	..	TRIM-EDGE	201967	1
380	412A1450-6SP	..	TRIM-EDGE	201967	1
385	412A1450-5SP	..	TRIM-EDGE	201967	1
390	412A1450-3SP	..	TRIM-EDGE	201967	1
395	412A1510-2SP	..	PANEL ASSY	201967	1
- 400	SL618-3A	...	INSERT-	201967	14
			SUPPLIER CODE: V97393		
405	412A1100-54SP	.	HINGE ASSY-COLLECTOR	201967	1
410	412A1100-51SP	.	HINGE ASSY-COLLECTOR	201967	2
415	412A1100-52SP	.	HINGE ASSY-COLLECTOR	201967	1
420	412A1230-21	..	PIN	201967	1
425	BACB30VF3K7	..	BOLT	201967	1

MISSING ITEM NUMBERS NOT APPLICABLE

- ITEM NOT ILLUSTRATED

HAP

25-24-31-14

25-24-31
FIG. 14
PAGE 4
OCT 15/08

BOEING
737-600/700/800/900
PARTS CATALOG (MAINTENANCE)

FIG ITEM	PART NUMBER	1 2 3 4 5 6 7	NOMENCLATURE	EFFECT FROM TO	UNITS PER ASSY
14					
430	NAS1149D0316J	..	WASHER	201967	1
435	MS16633-4018	..	RING	201967	1
440	SP20522	..	ACTUATOR ASSY-	201967	1
			SUPPLIER CODE: V24403		
			SPECIFICATION NUMBER: S412A002-2		
445	412A1455-1SP	..	HINGE ASSY-	201967	1
			USED ON: 412A1100-51SP		
450	412A1455-2SP	..	HINGE ASSY-	201967	1
			USED ON: 412A1100-52SP		
455	412A1455-4SP	..	HINGE ASSY-	201967	1
			USED ON: 412A1100-54SP		
460	412A1230-21	...	PIN	201967	1
465	MS51023-54	...	SCREW	201967	1
470	NAS1149D0316J	...	WASHER	201967	1
475	MS16633-4018	...	RING	201967	1
480	412A1220-1	...	CLIP	201967	1
485	412A1454-3SP	...	HOUSING ASSY-	201967	1
			USED ON: 412A1455-1SP 412A1455-2SP		
490	412A1454-12SP	...	HOUSING ASSY-	201967	1
			USED ON: 412A1455-4SP		
495	BACB28Y3F020	BUSHING	201967	2
500	6041L3BR375	INSERT-	201967	1
			SUPPLIER CODE: V01556		
505	412A1454-1SP	HOUSING-	201967	1
			USED ON: 412A1454-3SP		
510	412A1454-11SP	HOUSING-	201967	1
			USED ON: 412A1454-12SP		
515	412A1454-9SP	...	BRACKET ASSY-	201967	1
			USED ON: 412A1455-1SP		
520	412A1454-10SP	...	BRACKET ASSY-	201967	1
			USED ON: 412A1455-2SP 412A1455-4SP		
525	BACB28Y3F025	BUSHING	201967	2
530	6041-3BR225	INSERT-	201967	1
			SUPPLIER CODE: V01556		

MISSING ITEM NUMBERS NOT APPLICABLE

— ITEM NOT ILLUSTRATED

HAP

25-24-31-14

BOEING PROPRIETARY - Copyright © - Unpublished Work - See title page for details.

25-24-31
FIG. 14
PAGE 5
OCT 15/08

BOEING
737-600/700/800/900
PARTS CATALOG (MAINTENANCE)

FIG ITEM	PART NUMBER	1 2 3 4 5 6 7	NOMENCLATURE	EFFECT FROM TO	UNITS PER ASSY
14 535	6041L3BR375	INSERT- SUPPLIER CODE: V01556	201967	1
540	412A1454-7SP	BRACKET- USED ON: 412A1454-9SP	201967	1
545	412A1454-8SP	BRACKET- USED ON: 412A1454-10SP	201967	1
550	412A1200-101A	.BOX	ASSY-80 IN. BIN OPTIONAL PART: 412A1200-1101B FOR DETAILS SEE: 25-24-32-80F	201967	1
550	412A1200-1101B	.BOX	ASSY-80 IN. BIN OPTIONAL PART: 412A1200-101A FOR DETAILS SEE: 25-24-32-80F	201967	1

MISSING ITEM NUMBERS NOT APPLICABLE

— ITEM NOT ILLUSTRATED

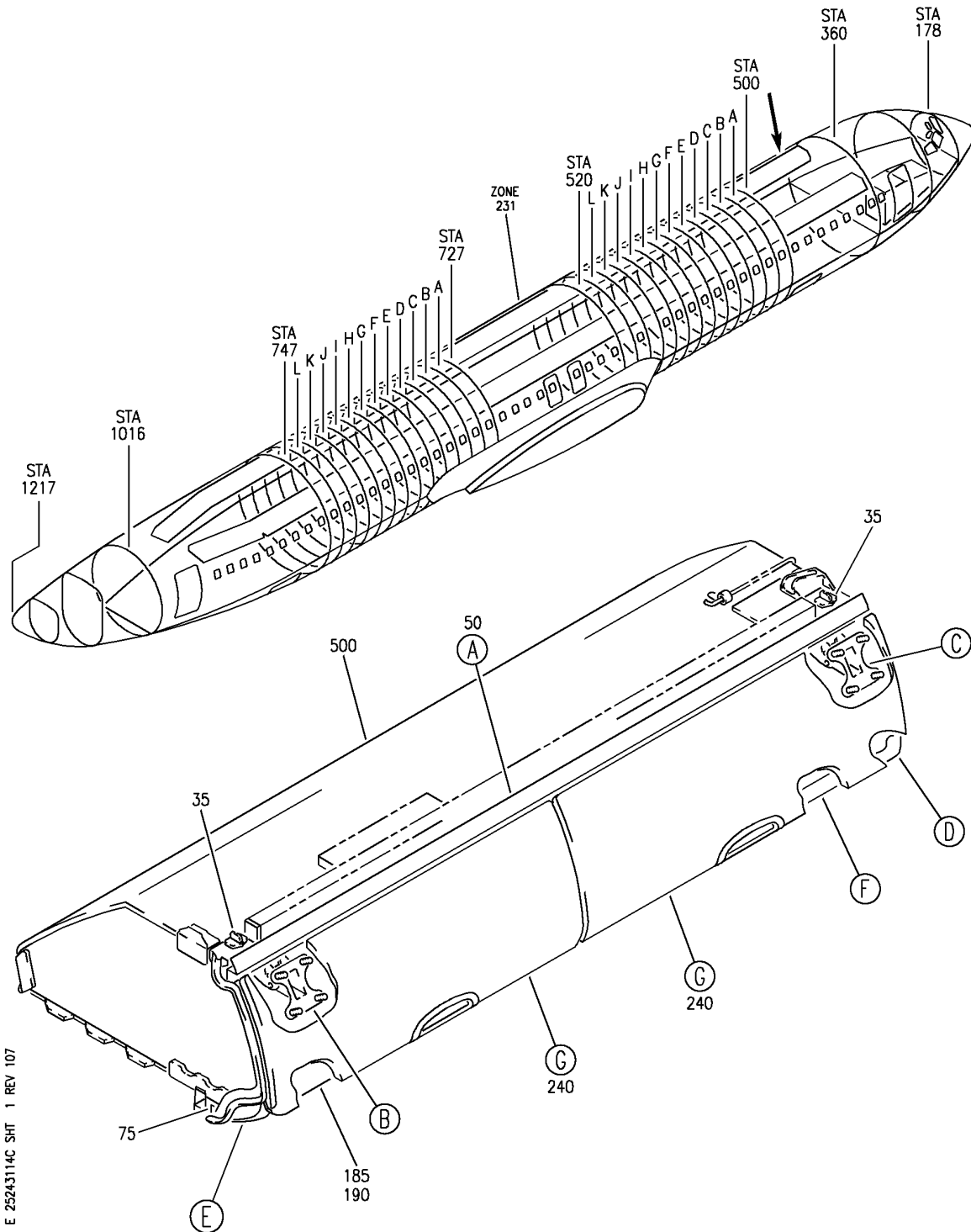
HAP

25-24-31-14

BOEING PROPRIETARY - Copyright © - Unpublished Work - See title page for details.

25-24-31
FIG. 14
PAGE 6
OCT 15/08

BOEING
 737-600/700/800/900
 PARTS CATALOG (MAINTENANCE)



E 25243114C SHT 1 REV 107

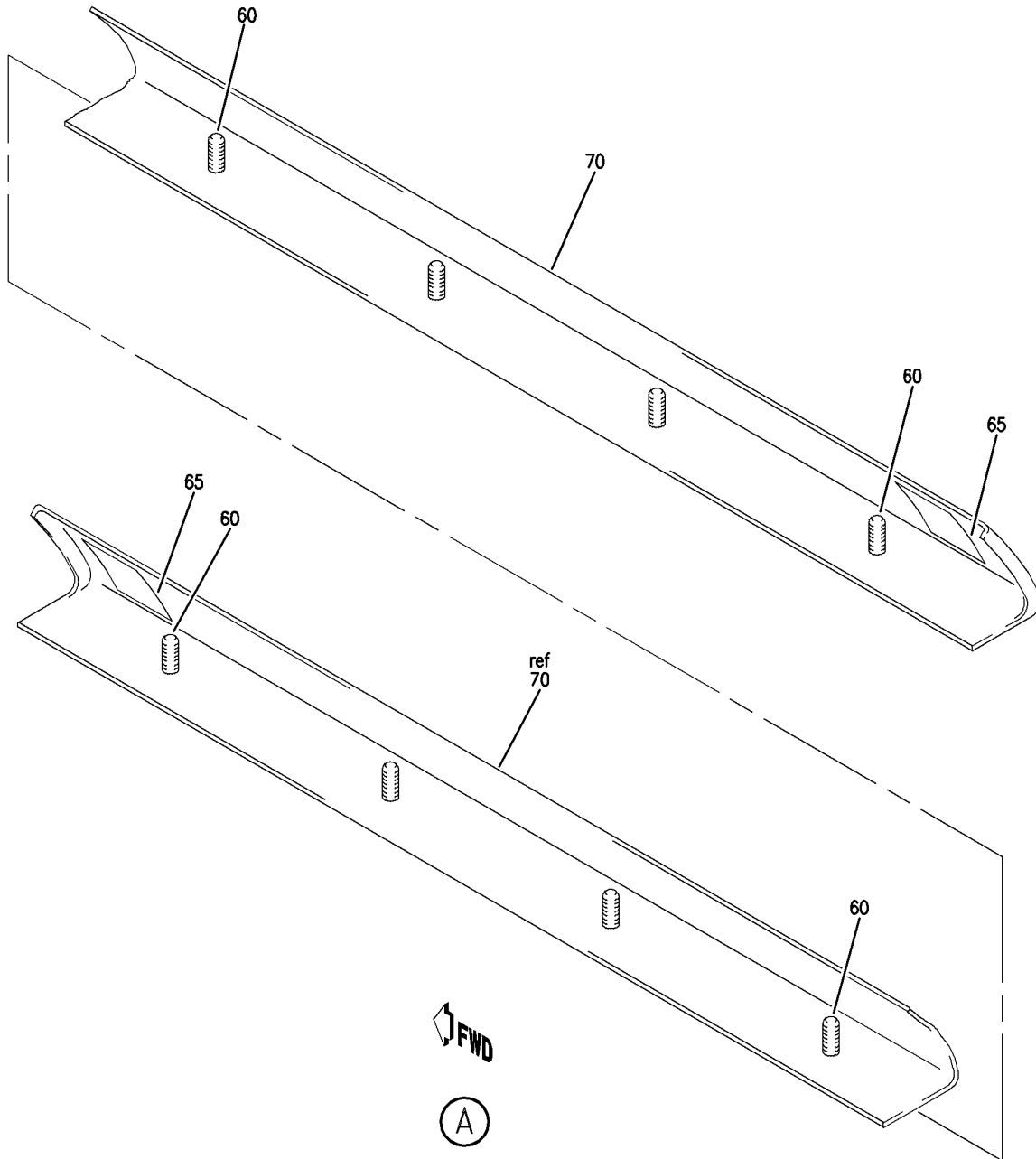
COMPARTMENT ASSY-80 IN. OVHD STOWAGE BULLNOSE CONFIGURATION (EQUIPMENT/ FURNISHINGS ONLY)
 FIGURE 14C (SHEET 1)

HAP
 OCT 15/08

25-24-31-14C

25-24-31-14C
 PAGE 0

BOEING PROPRIETARY - Copyright © - Unpublished Work - See title page for details.



E 25243114C SHT 2 REV 059

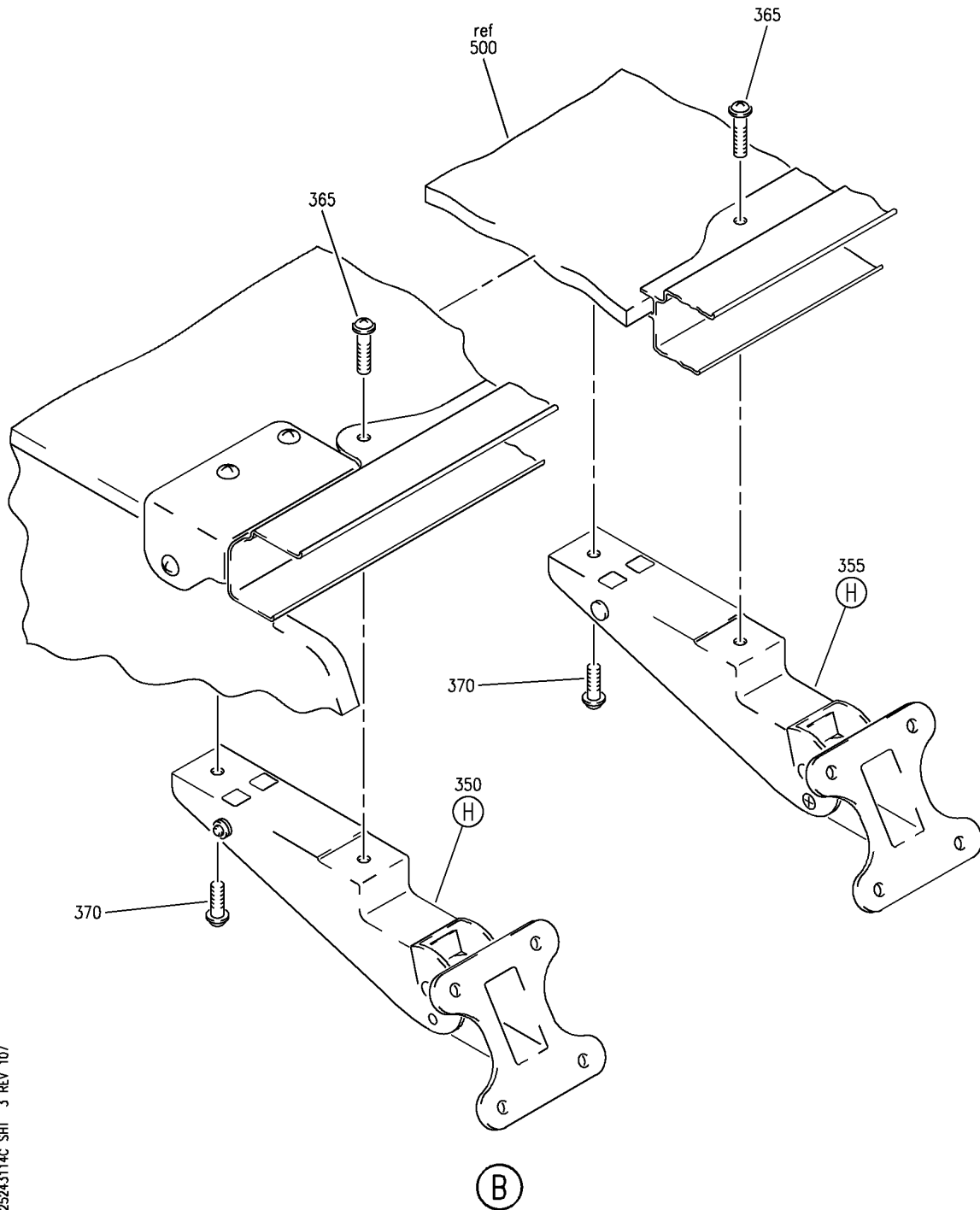
COMPARTMENT ASSY-80 IN. OVHD STOWAGE BULLNOSE CONFIGURATION (EQUIPMENT/ FURNISHINGS ONLY)
 FIGURE 14C (SHEET 2)

HAP
 OCT 15/08

25-24-31-14C

25-24-31-14C
 PAGE 0A

BOEING
737-600/700/800/900
PARTS CATALOG (MAINTENANCE)



E 25243114C SHT 3 REV 107

COMPARTMENT ASSY-80 IN. OVHD STOWAGE BULLNOSE CONFIGURATION (EQUIPMENT/ FURNISHINGS ONLY)
FIGURE 14C (SHEET 3)

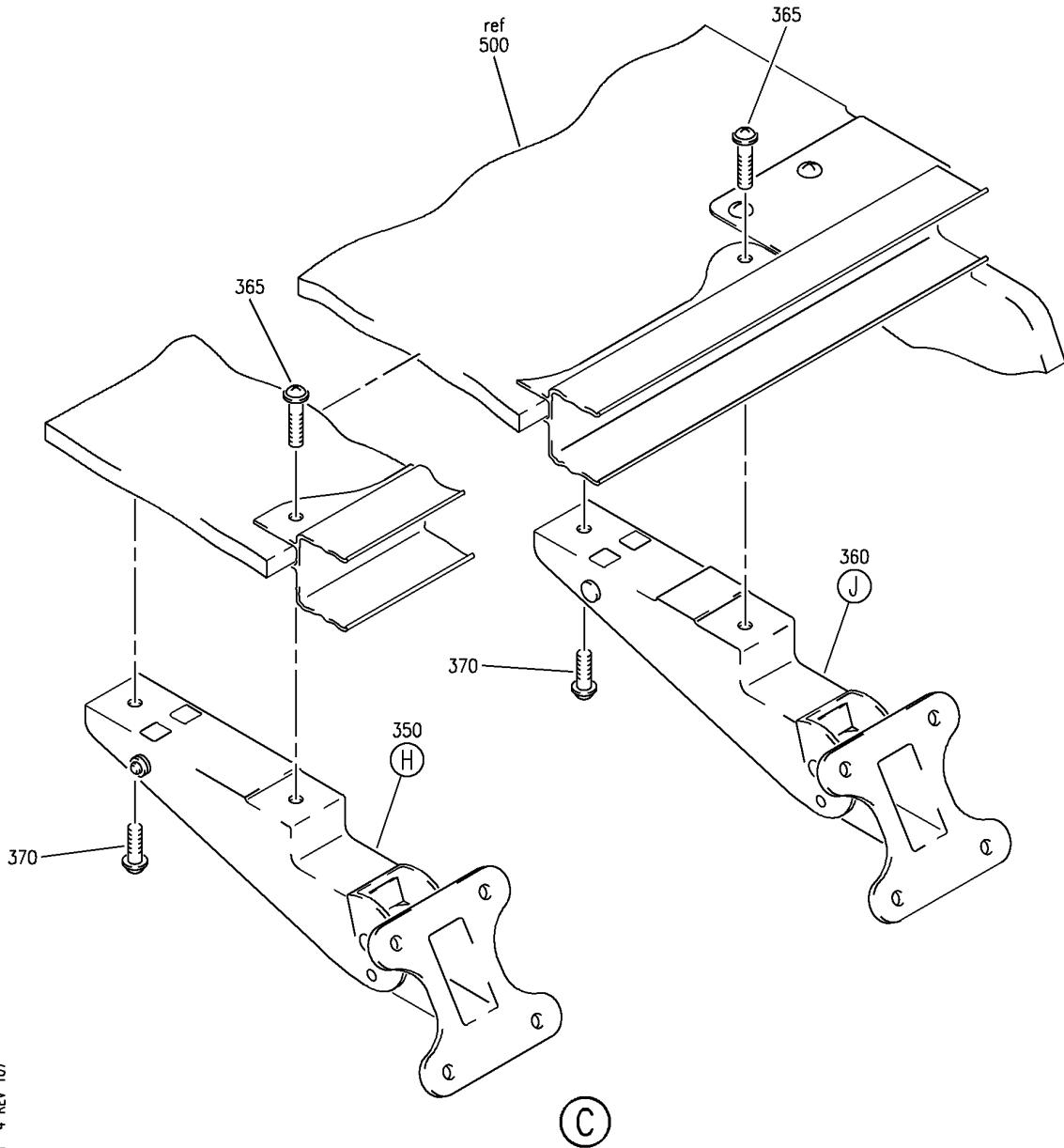
HAP
OCT 15/08

25-24-31-14C

25-24-31-14C
PAGE 0B

BOEING PROPRIETARY - Copyright © - Unpublished Work - See title page for details.

BOEING
737-600/700/800/900
PARTS CATALOG (MAINTENANCE)



E 25243114C SHT 4 REV 107

COMPARTMENT ASSY-80 IN. OVHD STOWAGE BULLNOSE CONFIGURATION (EQUIPMENT/ FURNISHINGS ONLY)
FIGURE 14C (SHEET 4)

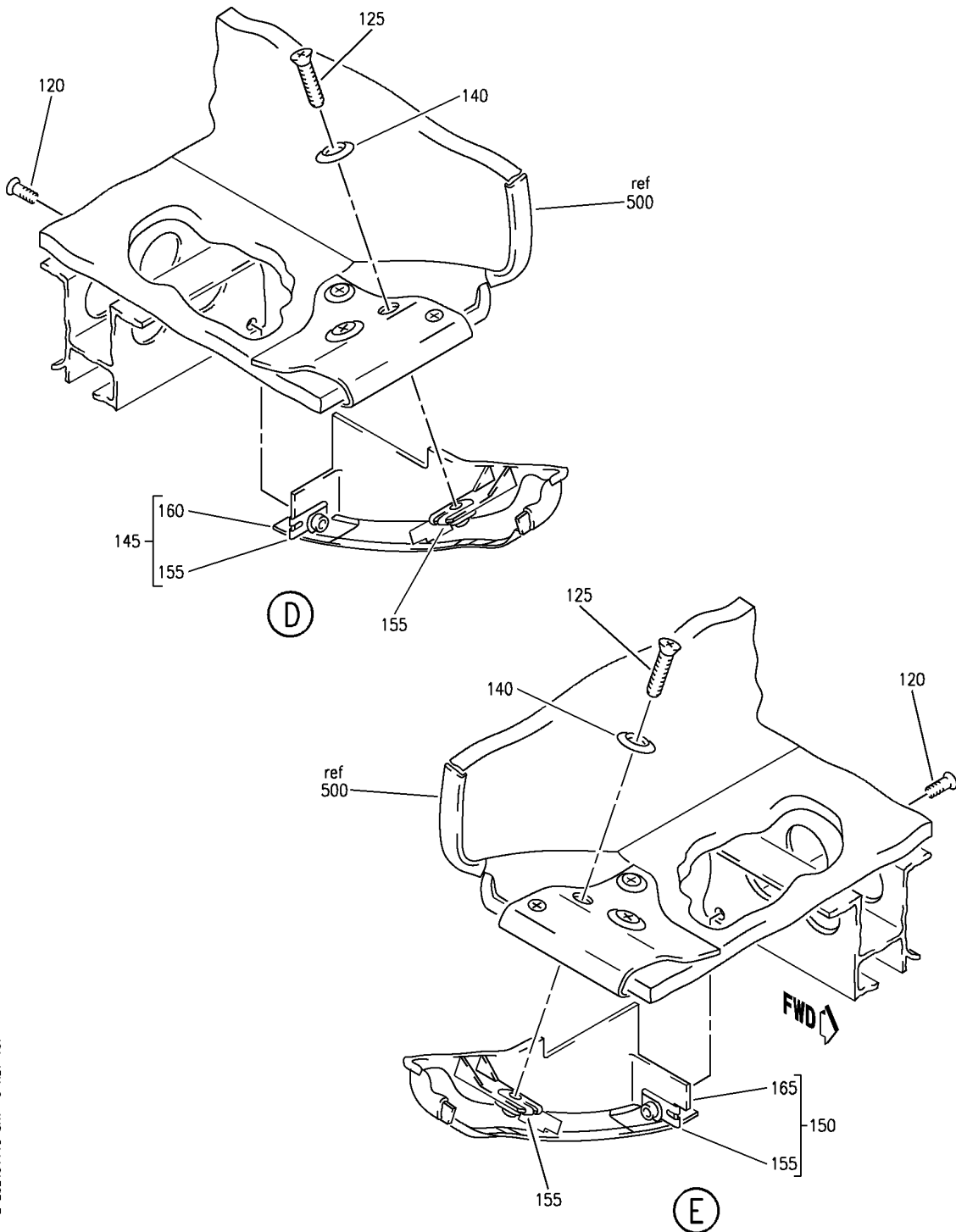
HAP
OCT 15/08

25-24-31-14C

25-24-31-14C
PAGE 0C

BOEING PROPRIETARY - Copyright © - Unpublished Work - See title page for details.

BOEING
 737-600/700/800/900
 PARTS CATALOG (MAINTENANCE)



E 25243114C SHT 5 REV 107

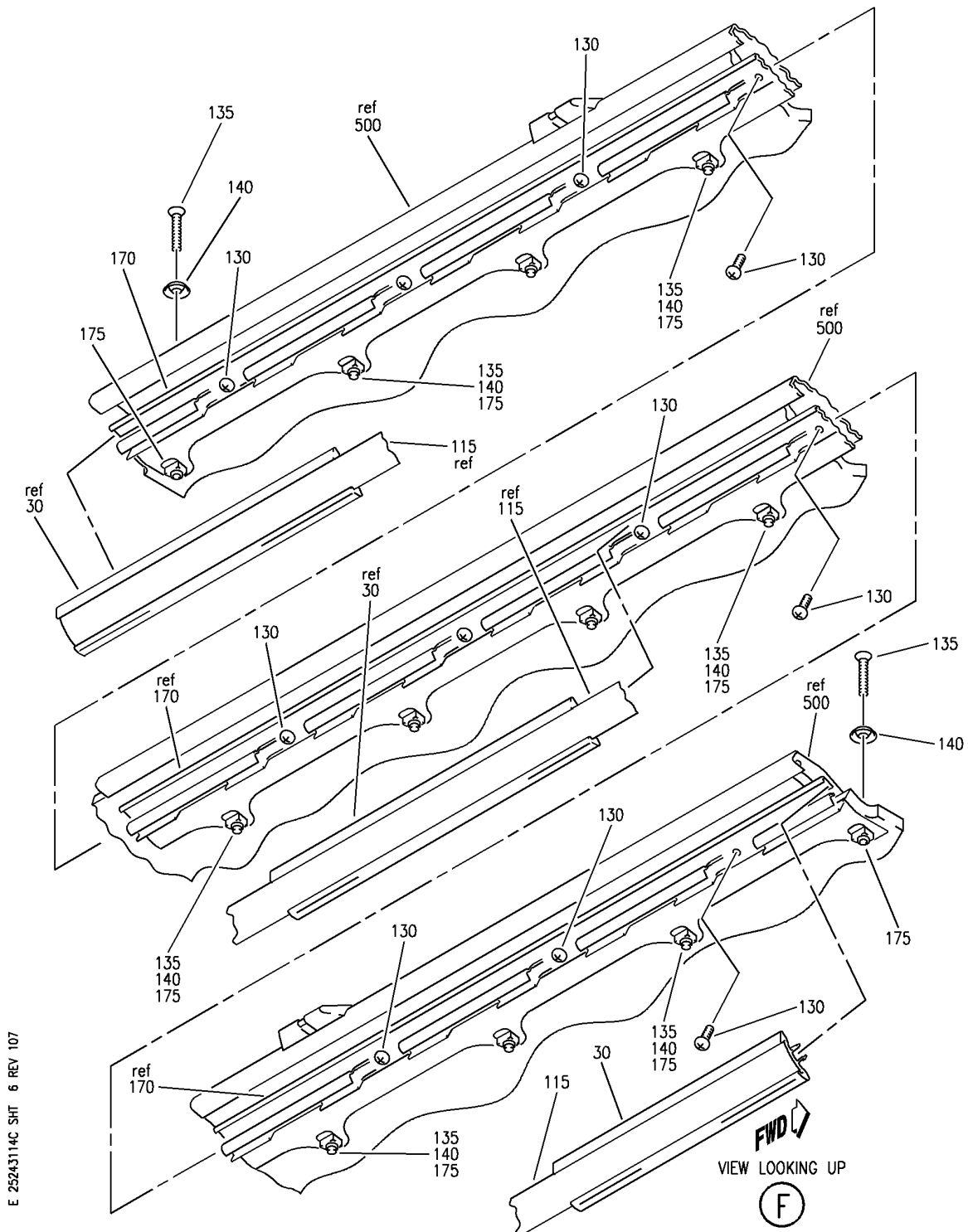
COMPARTMENT ASSY-80 IN. OVHD STORAGE BULLNOSE CONFIGURATION (EQUIPMENT/ FURNISHINGS ONLY)
 FIGURE 14C (SHEET 5)

25-24-31-14C

HAP
 OCT 15/08

25-24-31-14C
 PAGE 0D

BOEING
 737-600/700/800/900
 PARTS CATALOG (MAINTENANCE)



E 25243114C SHT 6 REV 107

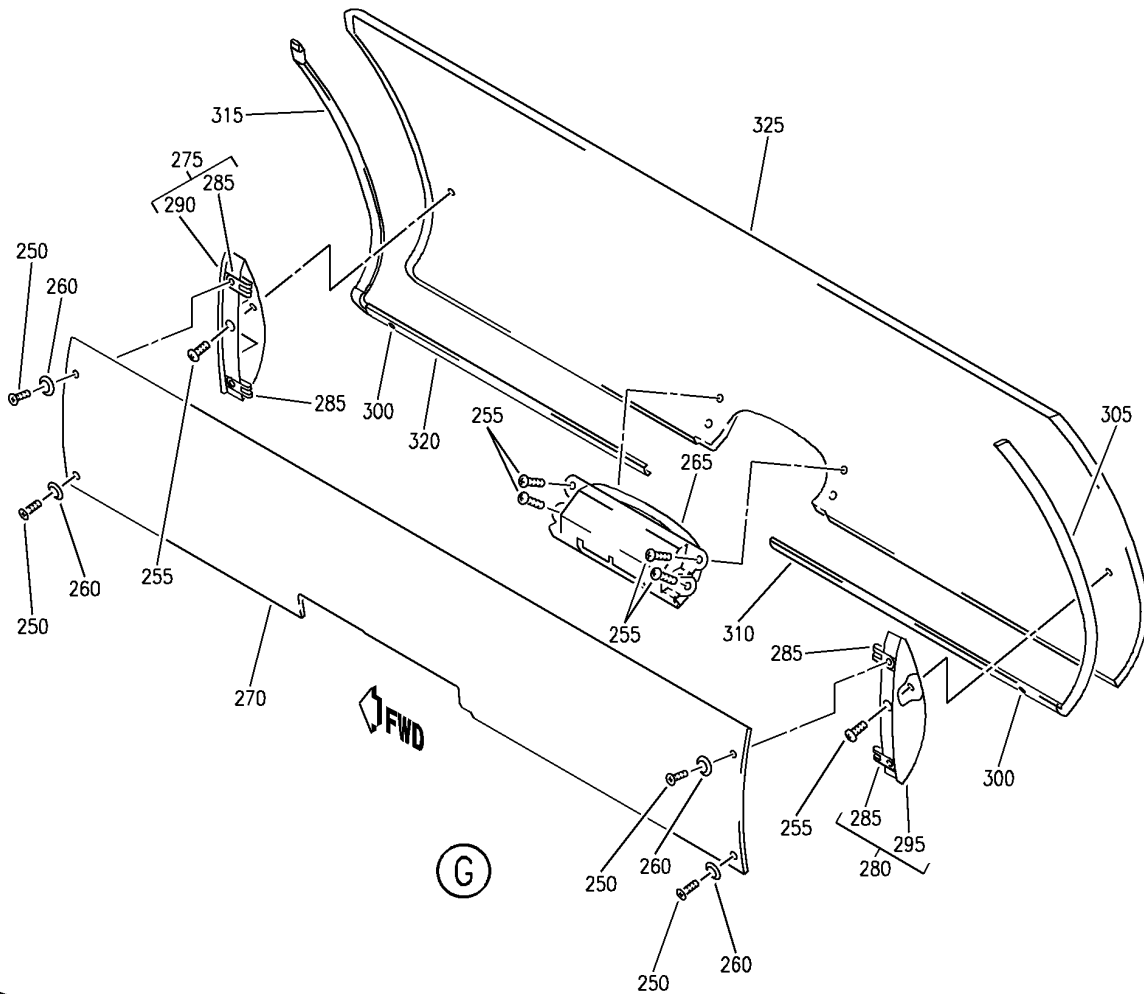
COMPARTMENT ASSY-80 IN. OVHD STOWAGE BULLNOSE CONFIGURATION (EQUIPMENT/ FURNISHINGS ONLY)
 FIGURE 14C (SHEET 6)

HAP
 OCT 15/08

25-24-31-14C

25-24-31-14C
 PAGE 0E

BOEING
 737-600/700/800/900
 PARTS CATALOG (MAINTENANCE)



E 25243114C SHT 7 REV 107

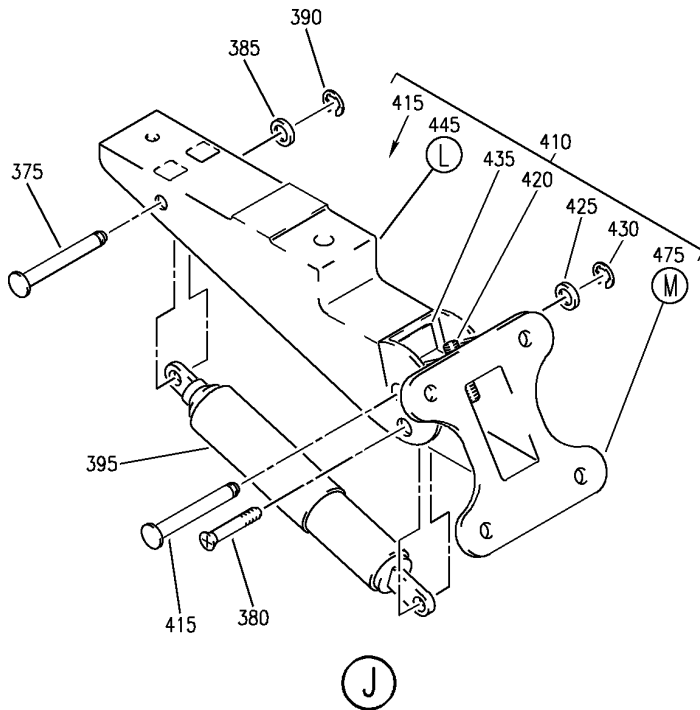
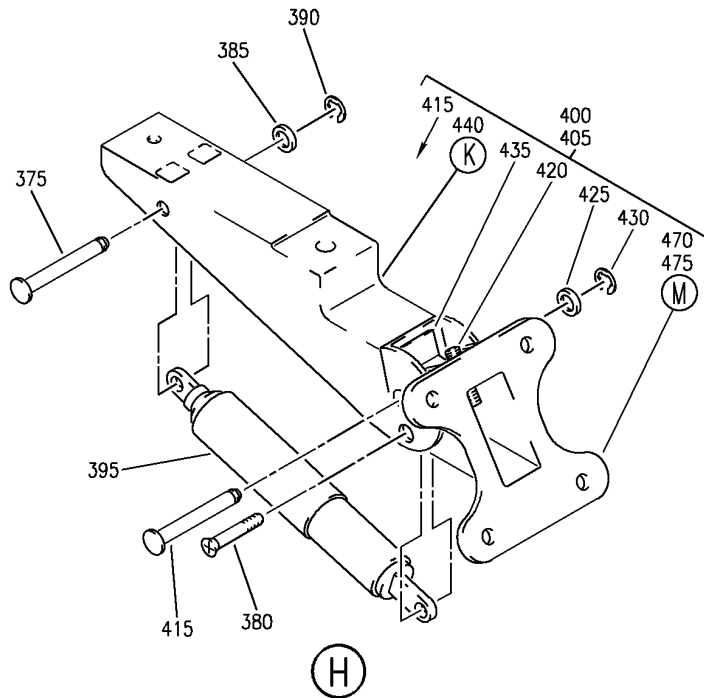
COMPARTMENT ASSY-80 IN. OVHD STOWAGE BULLNOSE CONFIGURATION (EQUIPMENT/ FURNISHINGS ONLY)
 FIGURE 14C (SHEET 7)

25-24-31-14C

HAP
 OCT 15/08

25-24-31-14C
 PAGE OF

BOEING
 737-600/700/800/900
 PARTS CATALOG (MAINTENANCE)



E 2524-31-14C SHT 8 REV 107

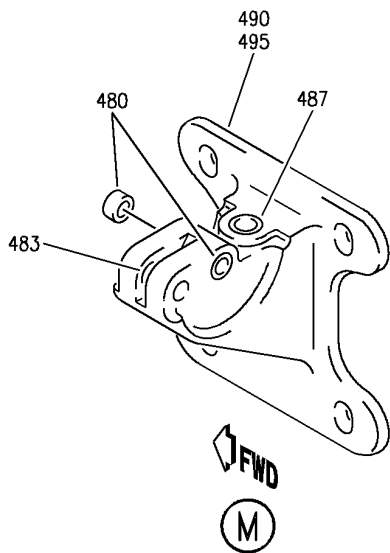
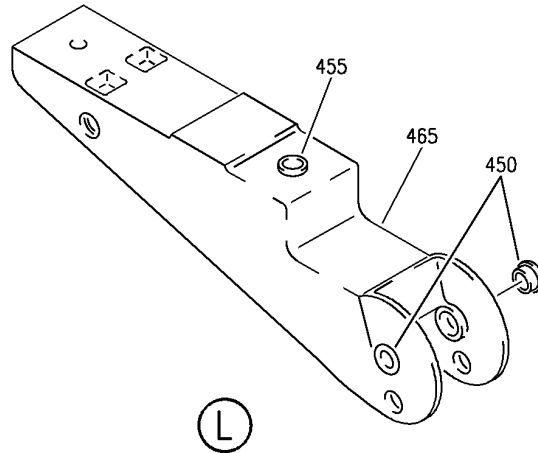
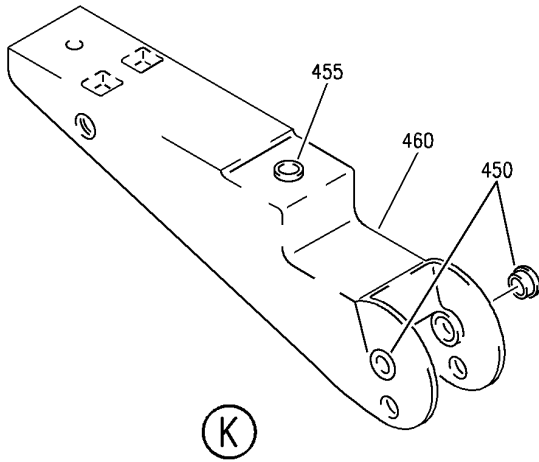
COMPARTMENT ASSY-80 IN. OVHD STOWAGE BULLNOSE CONFIGURATION (EQUIPMENT/ FURNISHINGS ONLY)
 FIGURE 14C (SHEET 8)

HAP
 OCT 15/08

25-24-31-14C

25-24-31-14C
 PAGE 08

BOEING
 737-600/700/800/900
 PARTS CATALOG (MAINTENANCE)



E 25243114C SHT 9 REV 107

COMPARTMENT ASSY-80 IN. OVHD STORAGE BULLNOSE CONFIGURATION (EQUIPMENT/ FURNISHINGS ONLY)
 FIGURE 14C (SHEET 9)

25-24-31-14C

HAP
 OCT 15/08

25-24-31-14C
 PAGE 0H

BOEING
737-600/700/800/900
PARTS CATALOG (MAINTENANCE)

FIG ITEM	PART NUMBER	1 2 3 4 5 6 7	NOMENCLATURE	EFFECT FROM TO	UNITS PER ASSY
14C			COMPARTMENT ASSY-80 IN. OVHD STOWAGE BULLNOSE CONFIGURATION (EQUIPMENT/ FURNISHINGS ONLY)	201967	
- 1	412A1120-107SP		COMPARTMENT ASSY-80 IN. OVHD STOWAGE BULLNOSE CONFIGURATION (EQUIPMENT/ FURNISHINGS ONLY) POSITION DATA: LH FOR NHA/OTHER SYS DET SEE: 25-24-30-71	202967	RF
- 5	412A1120-207B		COMPARTMENT ASSY-80 IN. OVHD STOWAGE BULLNOSE CONFIGURATION (EQUIPMENT/ FURNISHINGS ONLY) POSITION DATA: LH FOR NHA/OTHER SYS DET SEE: 25-24-30-71	201201	RF
30	412A1420-1A		.EXTRUSION-	201201	1
30	412A1420-1SP		.EXTRUSION-	202967	1
35	H3-1592-1		.LATCH-CLG SUPPLIER CODE: V34941 SPECIFICATION NUMBER: S411A001-1 ATTACHING PARTS	201967	2
- 40	BACS12GU3K7		.SCREW	201967	4
- 45	NAS1149D0332J		.WASHER -----*-----	201967	4
50	412A1700-1SP		.VALANCE ASSY-LT OPTIONAL PART: 412A1700-101SP	202967	1
50	412A1700-101SP		.VALANCE ASSY-LT OPTIONAL PART: 412A1700-1SP	202967	1
50	412A1700-1A		.VALANCE ASSY-LT OPTIONAL PART: 412A1700-101B	201201	1
50	412A1700-101B		.VALANCE ASSY-LT OPTIONAL PART: 412A1700-1A ATTACHING PARTS	201201	1
- 55	BACN10YJ3F		.NUT -----*-----	201967	8
60	BACS21DW3C10FN		..STUD	201967	8
65	412A1700-6		..TAPE-VELCRO	201967	2

MISSING ITEM NUMBERS NOT APPLICABLE

- ITEM NOT ILLUSTRATED

HAP

25-24-31-14C

BOEING PROPRIETARY - Copyright © - Unpublished Work - See title page for details.

25-24-31
FIG. 14C
PAGE 1
OCT 15/08

 **BOEING**
737-600/700/800/900
PARTS CATALOG (MAINTENANCE)

FIG ITEM	PART NUMBER	1 2 3 4 5 6 7	NOMENCLATURE	EFFECT FROM TO	UNITS PER ASSY
14C					
70	412A1710-1SP	..	PANEL ASSY- USED ON: 412A1700-1SP	202967	1
70	412A1710-1A	..	PANEL ASSY- USED ON: 412A1700-1A	201201	1
71	412A1710-101SP	..	PANEL ASSY- USED ON: 412A1700-101SP 412A1700-101B	201967	1
75	403A3210-91SP	.SEAL	ASSY-	201967	1
75	403A3210-21SP	.SEAL	ASSY-	201967	1
115	412A1451-2BCWK	.STRIP-	USED ON: 412A1120-207B 412A1120-237B 412A1120-263B	201201	1
115	412A1451-2SP	.STRIP-	USED ON: 412A1120-107SP 412A1120-207SP	202967	1
120	BACB30VF3K3	.BOLT		201967	2
125	BACS12ER3K11	.SCREW		201967	2
130	BACS12FA3K5	.SCREW		201967	11
135	BACS12ER3K14	.SCREW		201967	12
140	H3-1233A3	.WASHER-	SUPPLIER CODE: V34941 SPECIFICATION NUMBER: S411A001-1	201967	14
145	412A1465-5A	.CLOSEOUT	ASSY- POSITION DATA: LH	201201	1
145	412A1465-5SP	.CLOSEOUT	ASSY- POSITION DATA: LH	202967	1
150	412A1465-6A	.CLOSEOUT	ASSY- POSITION DATA: RH	201201	1
150	412A1465-6SP	.CLOSEOUT	ASSY- POSITION DATA: RH	202967	1
155	BACN10VR4CG	..NUT-	OPTIONAL PART: BACN10VR4CGN	201967	2
155	BACN10VR4CGN	..NUT-	OPTIONAL PART: BACN10VR4CG	201967	2

MISSING ITEM NUMBERS NOT APPLICABLE

- ITEM NOT ILLUSTRATED

HAP

25-24-31-14C

BOEING PROPRIETARY - Copyright © - Unpublished Work - See title page for details.

25-24-31
FIG. 14C
PAGE 2
OCT 15/08

BOEING
737-600/700/800/900
PARTS CATALOG (MAINTENANCE)

FIG ITEM	PART NUMBER	1 2 3 4 5 6 7	NOMENCLATURE	EFFECT FROM TO	UNITS PER ASSY
14C 160	412A1465-7SP	..	CLOSEOUT- POSITION DATA: LH SIDE	201967	1
165	412A1465-8SP	..	CLOSEOUT- POSITION DATA: RH SIDE	201967	1
170	412A1244-1	.	EXTRUSION ASSY	201967	1
175	FS1651-3	..	NUTPLATE SUPPLIER CODE: V15653 SPECIFICATION NUMBER: BACN10KH3CD OPTIONAL PART: 102F9209M3 V72962 NS202496-02 V80539	201967	12
- 180	BACR15BA3ADC	..	RIVET- SIZE DETERMINED ON INSTL. -----*-----	201967	24
185	412A1605-1SP	.	COVER ASSY- USED ON: 412A1120-107SP 412A1120-207SP	202967	1
185	412A1605-1A	.	COVER ASSY- USED ON: 412A1120-207B 412A1120-207C 412A1120-207D 412A1120-237B	201201	1
188	412A1460-2	..	CLIP	201967	5
190	412A1615-3SP	..	PANEL ASSY- USED ON: 412A1605-1SP	202967	1
190	412A1615-3A	..	PANEL ASSY- USED ON: 412A1605-1A	201201	1
220	412A1310-700	.	TAPE-VELCRO HOOK	201201	AR
225	412A1310-701	.	TAPE-VELCRO LOOP	201201	AR
240	412A1500-101SP	.	DOOR ASSY-40 IN.	201201	2
240	412A1500-1SP	.	DOOR ASSY-40 IN. ATTACHING PARTS	202967	2
- 245	BACS12FA3K6	.	SCREW -----*-----	201967	16
250	BACS12ER3K9	..	SCREW	201967	4
255	BACS12FA3K4	..	SCREW	201967	6

MISSING ITEM NUMBERS NOT APPLICABLE

- ITEM NOT ILLUSTRATED

HAP

25-24-31-14C

BOEING PROPRIETARY - Copyright © - Unpublished Work - See title page for details.

25-24-31
FIG. 14C
PAGE 3
OCT 15/08

BOEING
737-600/700/800/900
PARTS CATALOG (MAINTENANCE)

FIG ITEM	PART NUMBER	1 2 3 4 5 6 7	NOMENCLATURE	EFFECT FROM TO	UNITS PER ASSY
14C 260	H3-1233A3	..	WASHER- SUPPLIER CODE: V34941 SPECIFICATION NUMBER: S411A001-1	201967	4
265	HA225-7	..	LATCH ASSY- SUPPLIER CODE: V83014 SPECIFICATION NUMBER: S412A001-11B	201967	1
265	HA225-1	..	LATCH ASSY- SUPPLIER CODE: V83014 SPECIFICATION NUMBER: S412A001-1A	201967	1
270	412A1615-100SP	..	PANEL ASSY-FILLER OPTIONAL PART: 412A1615-1100SP	201967	1
270	412A1615-1100SP	..	PANEL ASSY-FILLER OPTIONAL PART: 412A1615-100SP	201967	1
275	412A1480-3SP	..	BRACKET ASSY	201967	1
280	412A1480-4SP	..	BRACKET ASSY	201967	1
285	BACN10VR4CGN	...	NUT	201967	2
290	412A1480-1SP	...	BRACKET- USED ON: 412A1480-3SP	201967	1
295	412A1480-2SP	...	BRACKET- USED ON: 412A1480-4SP	201967	1
300	412A1810-1SP	..	BUMPER	201967	2
305	412A1450-3SP	..	TRIM-EDGE	201967	1
310	412A1450-5SP	..	TRIM-EDGE	201967	1
315	412A1450-4SP	..	TRIM-EDGE	201967	1
320	412A1450-6SP	..	TRIM-EDGE	201967	1
325	412A1510-2SP	..	PANEL ASSY	201967	1
- 330	SL618-3A	...	INSERT- SUPPLIER CODE: V97393	201967	14
350	412A1100-51SP	.HINGE ASSY		201967	2
355	412A1100-52SP	.HINGE ASSY		201967	1
360	412A1100-54SP	.HINGE ASSY	ATTACHING PARTS	201967	1
365	BACS12FA3K15	.SCREW		201967	4
370	BACS12FA3K6	.SCREW		201967	4
		-----*			
375	412A1230-21	..	PIN	201967	1
380	BACB30VF3K7	..	BOLT	201967	1
385	NAS1149D0316J	..	WASHER	201967	1

MISSING ITEM NUMBERS NOT APPLICABLE

- ITEM NOT ILLUSTRATED

HAP

25-24-31-14C

25-24-31
FIG. 14C
PAGE 4
FEB 15/09

BOEING
737-600/700/800/900
PARTS CATALOG (MAINTENANCE)

FIG ITEM	PART NUMBER	1 2 3 4 5 6 7	NOMENCLATURE	EFFECT FROM TO	UNITS PER ASSY
14C					
390	MS16633-4018	..	RING	201967	1
395	SP20522	..	ACTUATOR ASSY- SUPPLIER CODE: V24403 SPECIFICATION NUMBER: S412A002-2	201967	1
400	412A1455-1SP	..	HINGE ASSY- USED ON: 412A1100-51SP	201967	1
405	412A1455-2SP	..	HINGE ASSY- USED ON: 412A1100-52SP	201967	1
410	412A1455-4SP	..	HINGE ASSY- USED ON: 412A1100-54SP	201967	1
415	412A1230-21	...	PIN	201967	1
420	MS51023-54	...	SCREW	201967	1
425	NAS1149D0316J	...	WASHER	201967	1
430	MS16633-4018	...	RING	201967	1
435	412A1220-1	...	CLIP	201967	1
440	412A1454-3SP	...	HOUSING ASSY- USED ON: 412A1455-1SP 412A1455-2SP	201967	1
445	412A1454-12SP	...	HOUSING ASSY- USED ON: 412A1455-4SP	201967	1
450	BACB28Y3F020	BUSHING	201967	2
455	6041L3BR375	INSERT- SUPPLIER CODE: V01556	201967	1
460	412A1454-1SP	HOUSING- USED ON: 412A1454-3SP	201967	1
465	412A1454-11SP	HOUSING- USED ON: 412A1454-12SP	201967	1
470	412A1454-9SP	...	BRACKET ASSY- USED ON: 412A1455-1SP	201967	1
475	412A1454-10SP	...	BRACKET ASSY- USED ON: 412A1455-2SP 412A1455-4SP	201967	1
480	BACB28Y3F025	BUSHING	201967	2
483	6041-3BR225	INSERT- SUPPLIER CODE: V01556	201967	1

MISSING ITEM NUMBERS NOT APPLICABLE

— ITEM NOT ILLUSTRATED

HAP

25-24-31-14C

BOEING PROPRIETARY - Copyright © - Unpublished Work - See title page for details.

25-24-31
FIG. 14C
PAGE 5
FEB 15/09

BOEING
737-600/700/800/900
PARTS CATALOG (MAINTENANCE)

FIG ITEM	PART NUMBER	1 2 3 4 5 6 7	NOMENCLATURE	EFFECT FROM TO	UNITS PER ASSY
14C 487	6041L3BR375	INSERT- SUPPLIER CODE: V01556	201967	1
490	412A1454-7SP	BRACKET- USED ON: 412A1454-9SP	201967	1
495	412A1454-8SP	BRACKET- USED ON: 412A1454-10SP	201967	1
500	412A1200-107SP	.BOX	ASSY-80 IN. BIN OPTIONAL PART: 412A1200-1107SP FOR DETAILS SEE: 25-24-32-82	202967	1
500	412A1200-1107SP	.BOX	ASSY-80 IN. BIN OPTIONAL PART: 412A1200-107SP FOR DETAILS SEE: 25-24-32-82	202967	1
500	412A1200-107A	.BOX	ASSY-80 IN. BIN OPTIONAL PART: 412A1200-1107B FOR DETAILS SEE: 25-24-32-82	201201	1
500	412A1200-1107B	.BOX	ASSY-80 IN. BIN OPTIONAL PART: 412A1200-107A FOR DETAILS SEE: 25-24-32-82	201201	1
- 505	OBA8	.PLUG-	SUPPLIER CODE: VOBV87	202967	AR
- 505	OBA8	.PLUG-	SUPPLIER CODE: VOBV87 OPTIONAL PART: 412A1100-96 412A1811-1SP 412A1811-2SP	201201	AR
- 505	412A1811-1SP	.PLUG-	OPTIONAL PART: 412A1100-96 OBA8 VOBV87 412A1811-2SP	201201	AR

MISSING ITEM NUMBERS NOT APPLICABLE

- ITEM NOT ILLUSTRATED

HAP

25-24-31-14C

BOEING PROPRIETARY - Copyright © - Unpublished Work - See title page for details.

25-24-31
FIG. 14C
PAGE 6
FEB 15/09

BOEING
737-600/700/800/900
PARTS CATALOG (MAINTENANCE)

FIG ITEM	PART NUMBER	1 2 3 4 5 6 7	NOMENCLATURE	EFFECT FROM TO	UNITS PER ASSY
14C - 505	412A1811-2SP		. PLUG- OPTIONAL PART: 412A1100-96 OBA8 VOBV87 412A1811-1SP	201201	AR
- 510	412A1100-96		. KIT ASSY-SCR AND WASHER OPTIONAL PART: 412A1811-1SP	201201	AR
- 515	NAS514P1032-5		.. SCREW	201201	1
- 520	H3-1233A3		.. WASHER- SUPPLIER CODE: V34941 SPECIFICATION NUMBER: S411A001-1	201201	1

MISSING ITEM NUMBERS NOT APPLICABLE

- ITEM NOT ILLUSTRATED

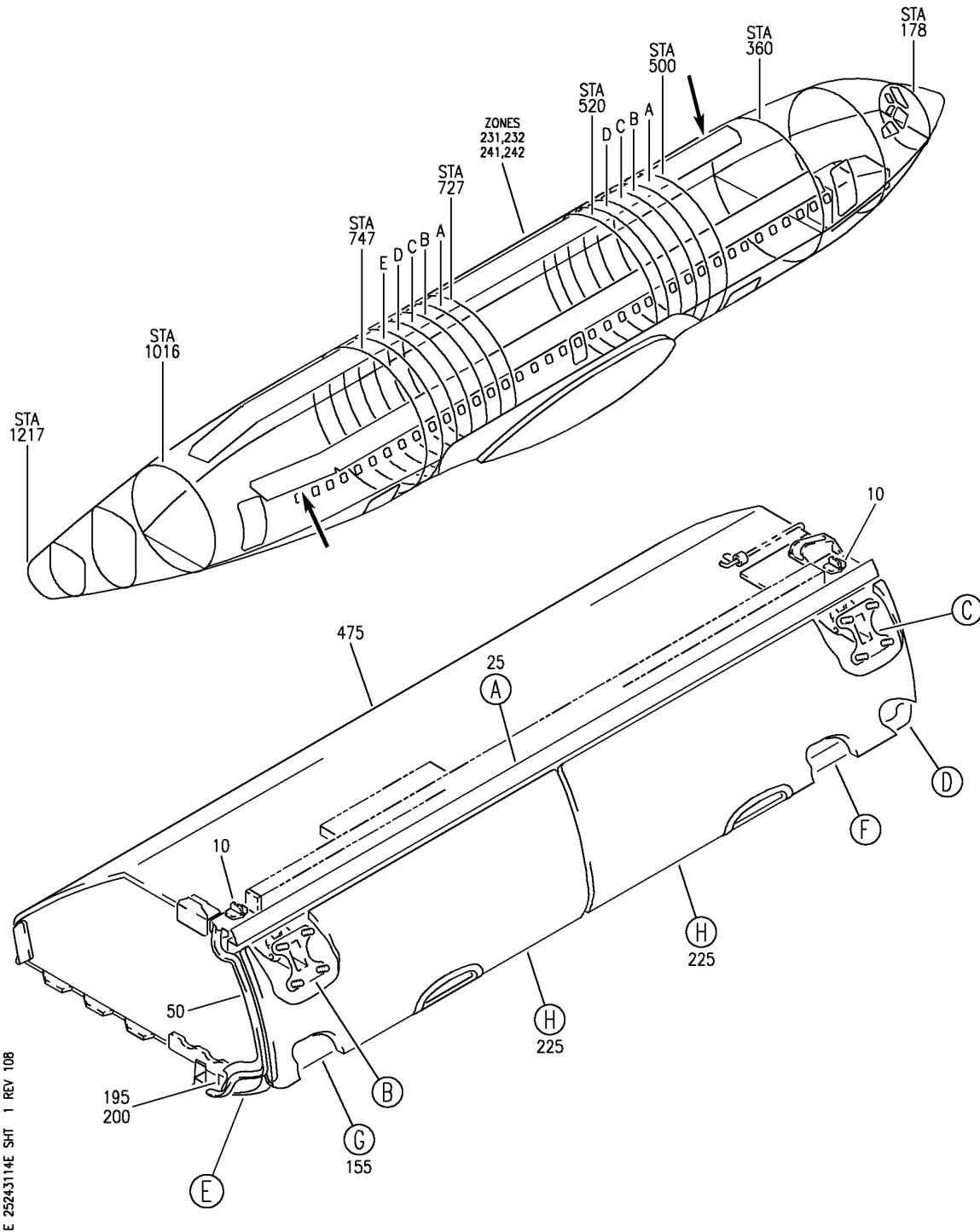
HAP

25-24-31-14C

BOEING PROPRIETARY - Copyright © - Unpublished Work - See title page for details.

25-24-31
FIG. 14C
PAGE 7
OCT 15/08

BOEING
 737-600/700/800/900
 PARTS CATALOG (MAINTENANCE)



E 25243114E SHT 1 REV 108

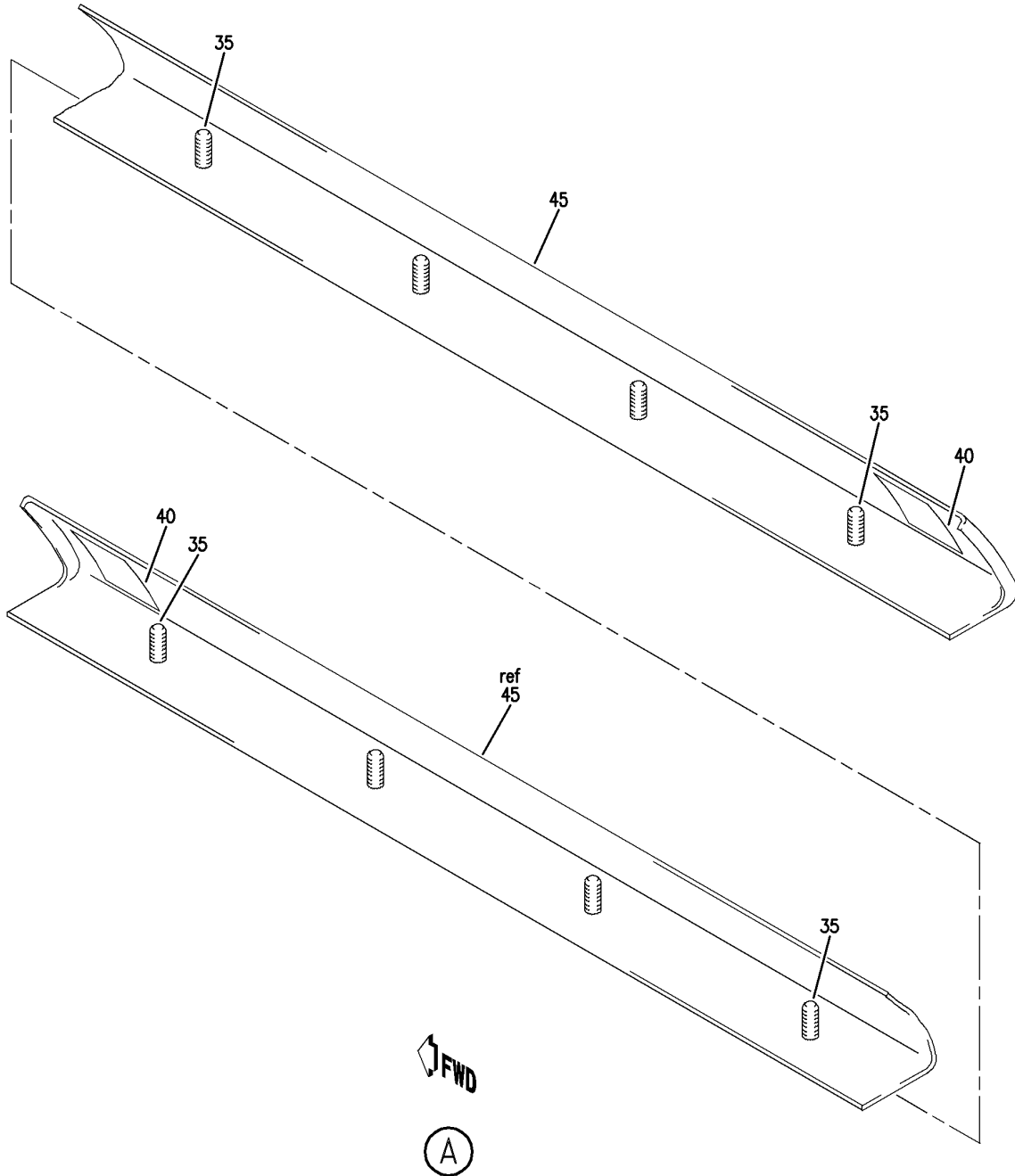
COMPARTMENT ASSY-80 IN. OVHD STOWAGE BULLNOSE CONFIGURATION (EQUIPMENT/ FURNISHINGS ONLY)
 FIGURE 14E (SHEET 1)

25-24-31-14E

HAP
 OCT 15/08

25-24-31-14E
 PAGE 0

BOEING
 737-600/700/800/900
 PARTS CATALOG (MAINTENANCE)



E 25243114E SHT 2 REV 064

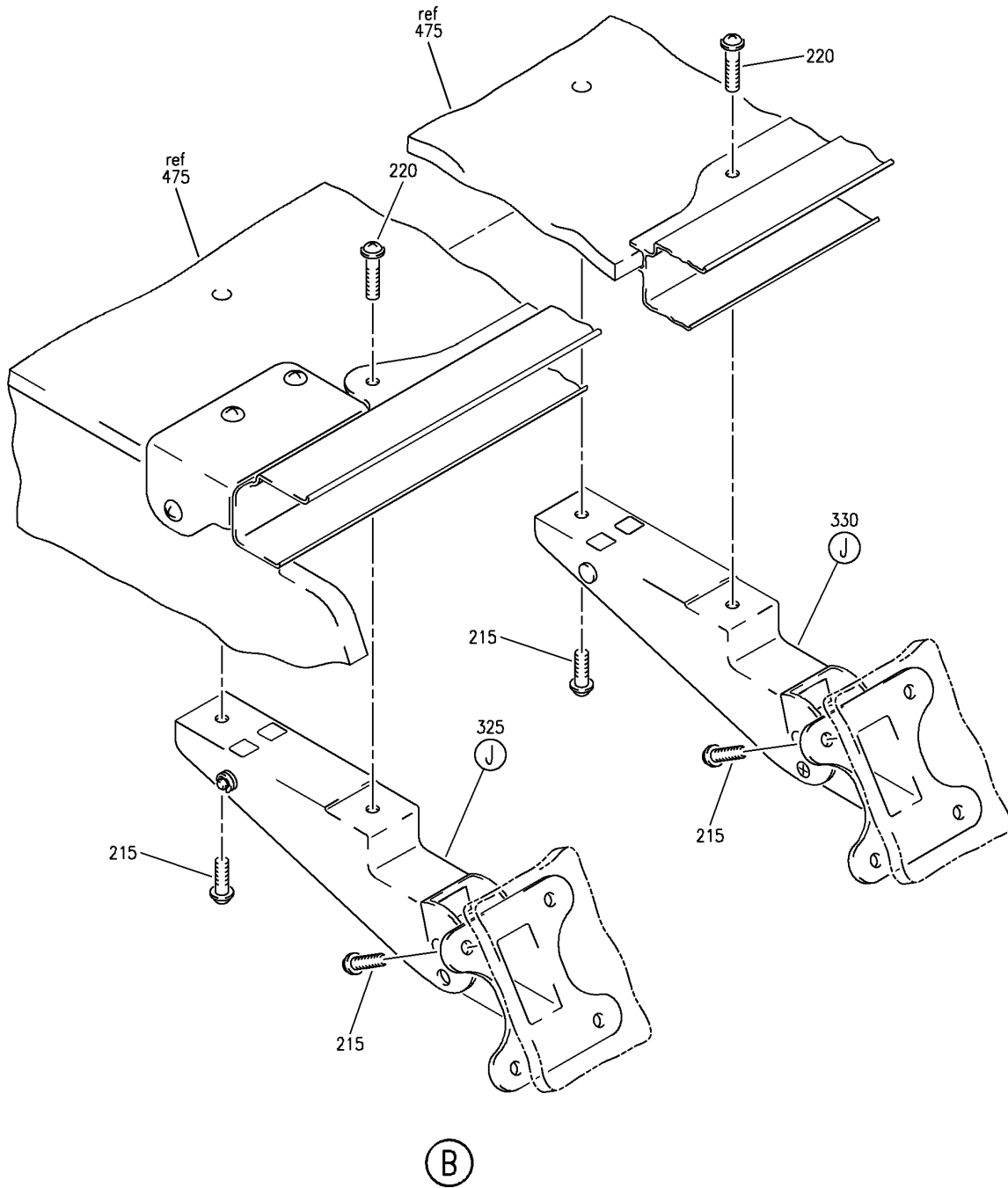
COMPARTMENT ASSY-80 IN. OVHD STOWAGE BULLNOSE CONFIGURATION (EQUIPMENT/ FURNISHINGS ONLY)
 FIGURE 14E (SHEET 2)

HAP
 OCT 15/08

25-24-31-14E

25-24-31-14E
 PAGE 0A

BOEING
737-600/700/800/900
PARTS CATALOG (MAINTENANCE)



E 2524-31-14E SHT 3 REV 108

COMPARTMENT ASSY-80 IN. OVHD STORAGE BULLNOSE CONFIGURATION (EQUIPMENT/ FURNISHINGS ONLY)
FIGURE 14E (SHEET 3)

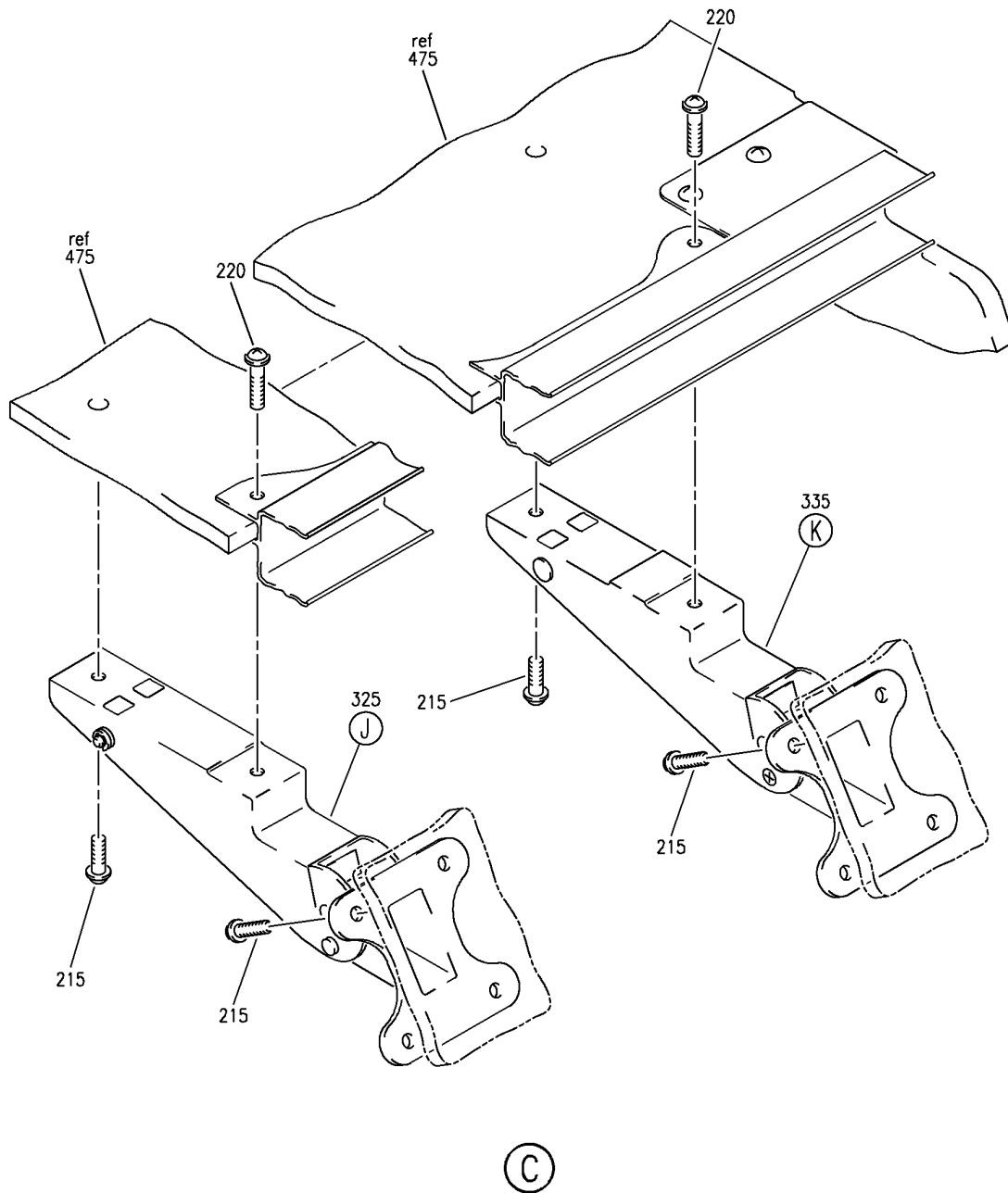
HAP
OCT 15/08

25-24-31-14E

25-24-31-14E
PAGE 0B

BOEING PROPRIETARY - Copyright © - Unpublished Work - See title page for details.

BOEING
 737-600/700/800/900
 PARTS CATALOG (MAINTENANCE)



E 2524-31-14E SHT 4 REV 108

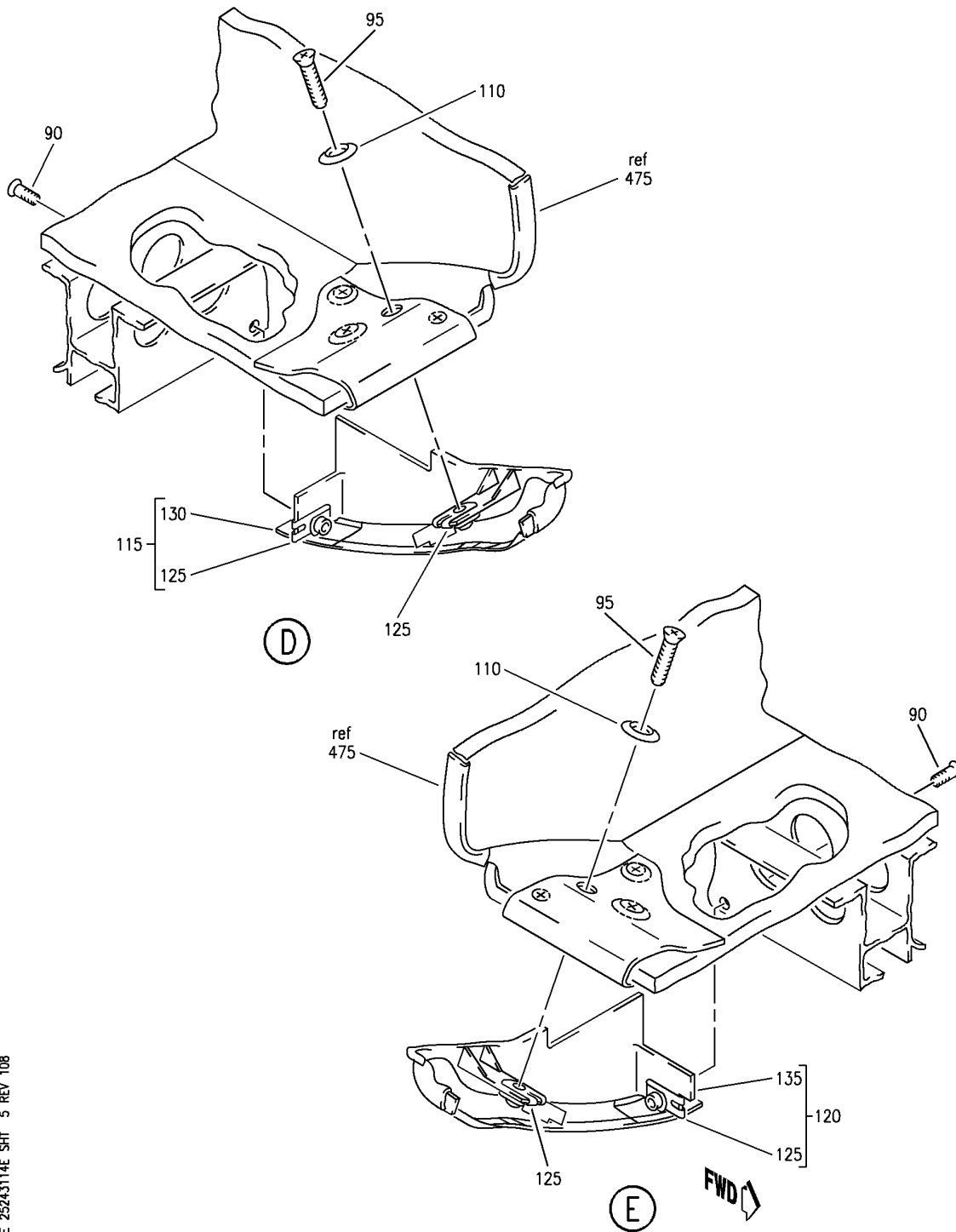
COMPARTMENT ASSY-80 IN. OVHD STOWAGE BULLNOSE CONFIGURATION (EQUIPMENT/ FURNISHINGS ONLY)
 FIGURE 14E (SHEET 4)

25-24-31-14E

HAP
 OCT 15/08

25-24-31-14E
 PAGE 0C

BOEING
 737-600/700/800/900
 PARTS CATALOG (MAINTENANCE)



E 25243114E SHT 5 REV 108

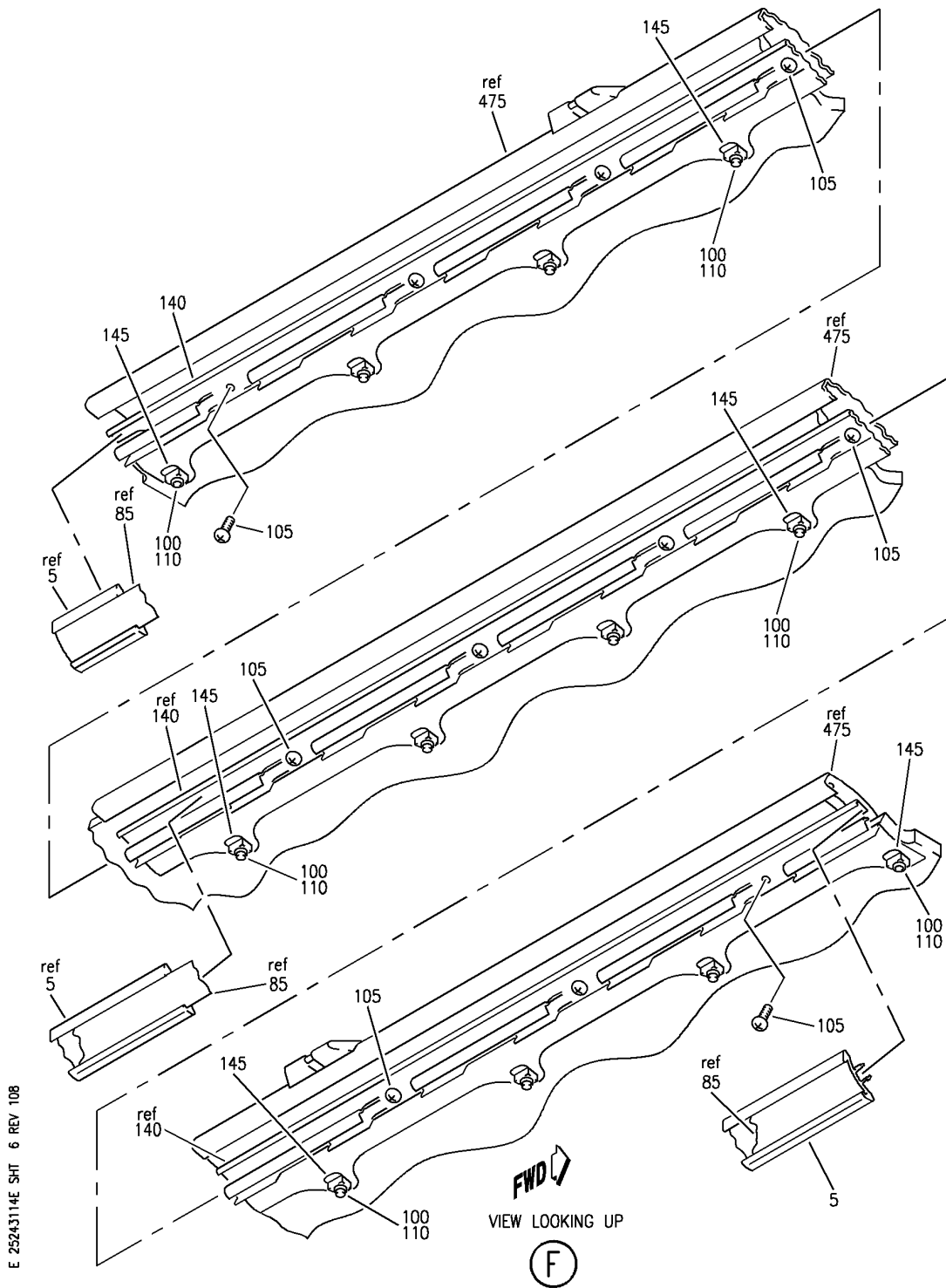
COMPARTMENT ASSY-80 IN. OVHD STOWAGE BULLNOSE CONFIGURATION (EQUIPMENT/ FURNISHINGS ONLY)
 FIGURE 14E (SHEET 5)

25-24-31-14E

HAP
 OCT 15/08

25-24-31-14E
 PAGE 0D

BOEING
 737-600/700/800/900
 PARTS CATALOG (MAINTENANCE)



E 25243114E SHT 6 REV 108

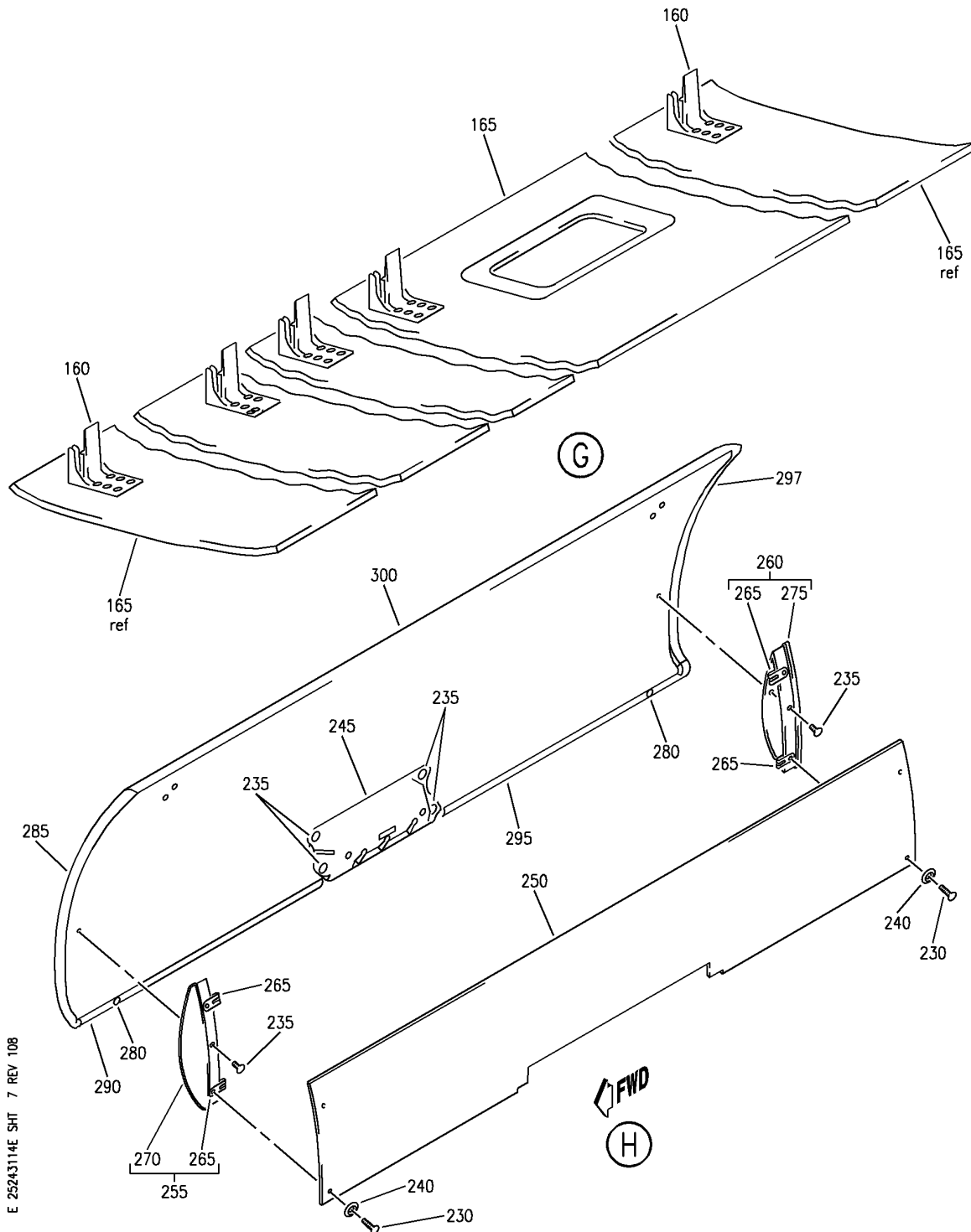
COMPARTMENT ASSY-80 IN. OVHD STOWAGE BULLNOSE CONFIGURATION (EQUIPMENT/ FURNISHINGS ONLY)
 FIGURE 14E (SHEET 6)

25-24-31-14E

HAP
 OCT 15/08

25-24-31-14E
 PAGE 0E

BOEING
 737-600/700/800/900
 PARTS CATALOG (MAINTENANCE)



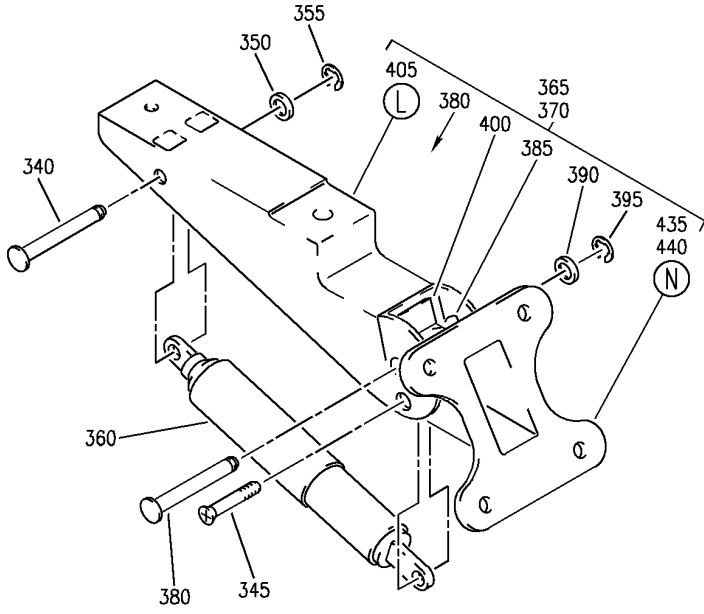
COMPARTMENT ASSY-80 IN. OVHD STOWAGE BULLNOSE CONFIGURATION (EQUIPMENT/ FURNISHINGS ONLY)
 FIGURE 14E (SHEET 7)

25-24-31-14E

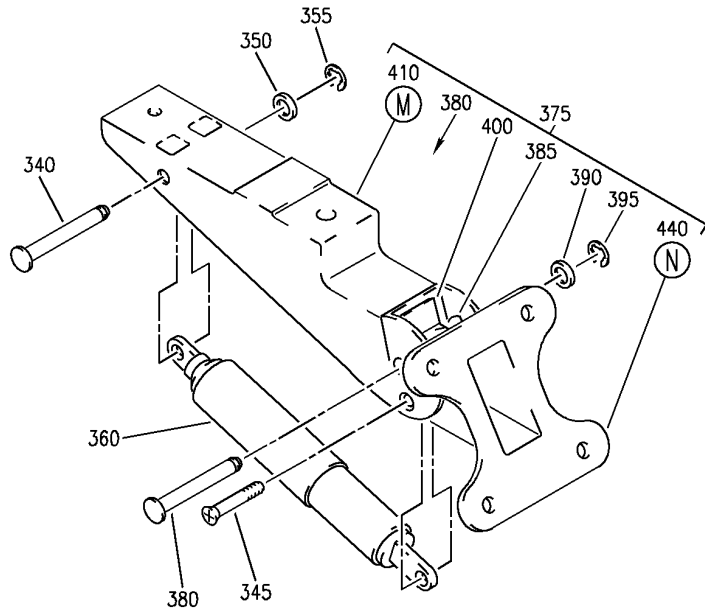
HAP
 OCT 15/08

25-24-31-14E
 PAGE OF

BOEING
 737-600/700/800/900
 PARTS CATALOG (MAINTENANCE)



(J)



(K)

E 2524-3114E SHT 8 REV 108

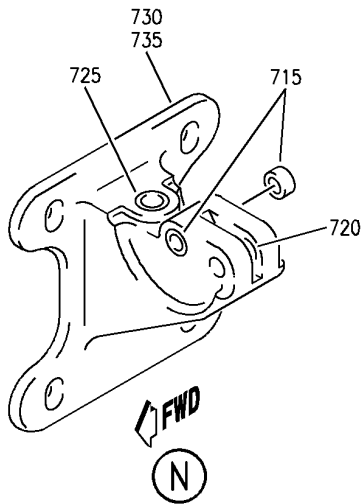
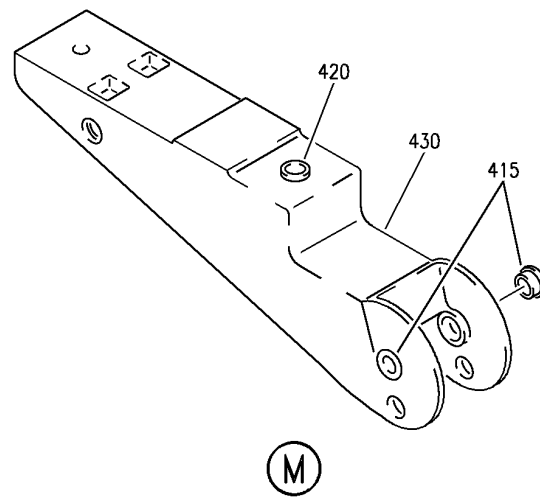
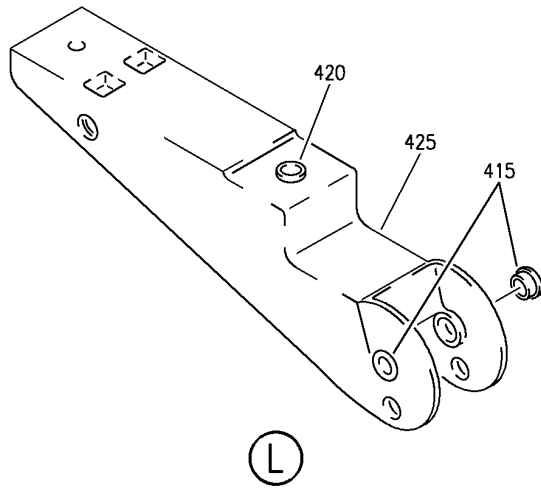
COMPARTMENT ASSY-80 IN. OVHD STOWAGE BULLNOSE CONFIGURATION (EQUIPMENT/ FURNISHINGS ONLY)
 FIGURE 14E (SHEET 8)

HAP
 OCT 15/08

25-24-31-14E

25-24-31-14E
 PAGE 08

BOEING
 737-600/700/800/900
 PARTS CATALOG (MAINTENANCE)



E 25243114E SHT 9 REV 108

COMPARTMENT ASSY-80 IN. OVHD STOWAGE BULLNOSE CONFIGURATION (EQUIPMENT/ FURNISHINGS ONLY)
 FIGURE 14E (SHEET 9)

HAP
 OCT 15/08

25-24-31-14E

25-24-31-14E
 PAGE 0H

BOEING PROPRIETARY - Copyright © - Unpublished Work - See title page for details.

BOEING
737-600/700/800/900
PARTS CATALOG (MAINTENANCE)

FIG ITEM	PART NUMBER	1 2 3 4 5 6 7	NOMENCLATURE	EFFECT FROM TO	UNITS PER ASSY
14E			COMPARTMENT ASSY-80 IN. OVHD STOWAGE BULLNOSE CONFIGURATION (EQUIPMENT/ FURNISHINGS ONLY)	201967	
- 1	412A1120-111SP		COMPARTMENT ASSY-80 IN. OVHD STOWAGE BULLNOSE CONFIGURATION (EQUIPMENT/ FURNISHINGS ONLY) POSITION DATA: LH FOR NHA/OTHER SYS DET SEE: 25-24-30-71	202967	RF
- 1	412A1120-211B		COMPARTMENT ASSY-80 IN. OVHD STOWAGE BULLNOSE CONFIGURATION (EQUIPMENT/ FURNISHINGS ONLY) POSITION DATA: LH FOR NHA/OTHER SYS DET SEE: 25-24-30-71	201201	RF
5	412A1420-1SP		.EXTRUSION-	202967	1
5	412A1420-1A		.EXTRUSION-	201201	1
10	H3-1592-1		.LATCH-CLG SUPPLIER CODE: V34941 SPECIFICATION NUMBER: S411A001-1 ATTACHING PARTS	201967	2
- 15	BACS12GU3K7		.SCREW	201967	4
- 20	NAS1149D0332J		.WASHER -----*-----	201967	4
25	412A1700-1SP		.VALANCE ASSY-LT OPTIONAL PART: 412A1700-101SP	202967	1
25	412A1700-101SP		.VALANCE ASSY-LT OPTIONAL PART: 412A1700-1SP	202967	1
25	412A1700-1A		.VALANCE ASSY-LT OPTIONAL PART: 412A1700-101B	201201	1
25	412A1700-101B		.VALANCE ASSY-LT OPTIONAL PART: 412A1700-1A ATTACHING PARTS	201201	1
- 30	BACN10YJ3F		.NUT -----*-----	201967	8
35	BACS21DW3C10FN		..STUD	201967	8
40	412A1700-6		..TAPE-VELCRO	201967	2

MISSING ITEM NUMBERS NOT APPLICABLE

- ITEM NOT ILLUSTRATED

HAP

25-24-31-14E

BOEING PROPRIETARY - Copyright © - Unpublished Work - See title page for details.

25-24-31
FIG. 14E
PAGE 1
OCT 15/08

BOEING
737-600/700/800/900
PARTS CATALOG (MAINTENANCE)

FIG ITEM	PART NUMBER	1 2 3 4 5 6 7	NOMENCLATURE	EFFECT FROM TO	UNITS PER ASSY
14E					
45	412A1710-1SP	..	PANEL ASSY- USED ON: 412A1700-1SP	202967	1
45	412A1710-101SP	..	PANEL ASSY- USED ON: 412A1700-101SP	202967	1
45	412A1710-1A	..	PANEL ASSY- USED ON: 412A1700-1A	201201	1
45	412A1710-101B	..	PANEL ASSY- USED ON: 412A1700-101B	201201	1
50	403A3210-21SP	.SEAL	ASSY-	201967	1
50	403A3210-91SP	.SEAL	ASSY-	201967	1
85	412A1451-2SP	.STRIP-		202967	1
85	412A1451-2BCWK	.STRIP-		201201	1
90	BACB30VF3K3	.BOLT		201967	2
95	BACS12ER3K11	.SCREW		201967	2
100	BACS12ER3K14	.SCREW		201967	12
105	BACS12FA3K5	.SCREW		201967	11
110	H3-1233A3	.WASHER-		201967	14
			SUPPLIER CODE: V34941		
			SPECIFICATION NUMBER: S411A001-1		
115	412A1465-5SP	.CLOSEOUT	ASSY- POSITION DATA: LH	202967	1
115	412A1465-5A	.CLOSEOUT	ASSY- POSITION DATA: LH	201201	1
120	412A1465-6SP	.CLOSEOUT	ASSY- POSITION DATA: RH	202967	1
120	412A1465-6A	.CLOSEOUT	ASSY- POSITION DATA: RH	201201	1
125	BACN10VR4CGN	..NUT-		201967	2
			OPTIONAL PART: BACN10VR4CG		
125	BACN10VR4CG	..NUT-		201967	2
			OPTIONAL PART: BACN10VR4CGN		
130	412A1465-7SP	..	CLOSEOUT- USED ON: 412A1465-5SP 412A1465-5A	201967	1

MISSING ITEM NUMBERS NOT APPLICABLE

- ITEM NOT ILLUSTRATED

HAP

25-24-31-14E

BOEING PROPRIETARY - Copyright © - Unpublished Work - See title page for details.

25-24-31
FIG. 14E
PAGE 2
OCT 15/08

BOEING
737-600/700/800/900
PARTS CATALOG (MAINTENANCE)

FIG ITEM	PART NUMBER	1 2 3 4 5 6 7	NOMENCLATURE	EFFECT FROM TO	UNITS PER ASSY
14E 135	412A1465-8SP	..	CLOSEOUT- USED ON: 412A1465-6SP 412A1465-6A	201967	1
140	412A1244-1	.	EXTRUSION ASSY	201967	1
145	FS1651-3	..	NUTPLATE SUPPLIER CODE: V15653 SPECIFICATION NUMBER: BACN10KH3CD OPTIONAL PART: 102F9209M3 V72962 NS202496-02 V80539 ATTACHING PARTS	201967	12
- 150	BACR15BA3ADC	..	RIVET- SIZE DETERMINED ON INSTL. -----*-----	201967	24
155	412A1605-45A	.	COVER ASSY-	201967	1
160	412A1460-2	..	CLIP	201967	5
165	412A1615-45A	..	PANEL ASSY- USED ON: 412A1605-45A	201967	1
195	412A1310-700	.	TAPE-VELCRO HOOK	201201	AR
200	412A1310-701	.	TAPE-VELCRO LOOP	201201	AR
215	BACS12FA3K6	.	SCREW	201967	20
220	BACS12FA3K15	.	SCREW	201967	4
225	412A1500-1SP	.	DOOR ASSY-40 IN.	202967	2
225	412A1500-101SP	.	DOOR ASSY-40 IN.	201201	2
230	BACS12ER3K9	..	SCREW	201967	4
235	BACS12FA3K4	..	SCREW	201967	6
240	H3-1233A3	..	WASHER- SUPPLIER CODE: V34941 SPECIFICATION NUMBER: S411A001-1	201967	4
245	HA225-1	..	LATCH ASSY- SUPPLIER CODE: V83014 SPECIFICATION NUMBER: S412A001-1A	201967	1
245	HA225-7	..	LATCH ASSY- SUPPLIER CODE: V83014 SPECIFICATION NUMBER: S412A001-11B	201967	1

MISSING ITEM NUMBERS NOT APPLICABLE

- ITEM NOT ILLUSTRATED

HAP

25-24-31-14E

BOEING PROPRIETARY - Copyright © - Unpublished Work - See title page for details.

25-24-31
FIG. 14E
PAGE 3
OCT 15/08

BOEING
737-600/700/800/900
PARTS CATALOG (MAINTENANCE)

FIG ITEM	PART NUMBER	1 2 3 4 5 6 7	NOMENCLATURE	EFFECT FROM TO	UNITS PER ASSY
14E					
250	412A1615-100SP	..	PANEL ASSY-FILLER OPTIONAL PART: 412A1615-1100SP	201967	1
250	412A1615-1100SP	..	PANEL ASSY-FILLER OPTIONAL PART: 412A1615-100SP	201201	1
255	412A1480-3SP	..	BRACKET ASSY	201967	1
260	412A1480-4SP	..	BRACKET ASSY	201967	1
265	BACN10VR4CGN	...	NUT	201967	2
270	412A1480-1SP	...	BRACKET- USED ON: 412A1480-3SP	201967	1
275	412A1480-2SP	...	BRACKET- USED ON: 412A1480-4SP	201967	1
280	412A1810-1SP	..	BUMPER	201967	2
285	412A1450-4SP	..	TRIM-EDGE	201967	1
290	412A1450-6SP	..	TRIM-EDGE	201967	1
295	412A1450-5SP	..	TRIM-EDGE	201967	1
297	412A1450-3SP	..	TRIM-EDGE	201967	1
300	412A1510-2SP	..	PANEL ASSY	201967	1
- 305	SL618-3A	...	INSERT- SUPPLIER CODE: V97393	201967	14
325	412A1100-51SP	.HINGE	ASSY-COLLECTOR	201967	2
330	412A1100-52SP	.HINGE	ASSY-COLLECTOR	201967	1
335	412A1100-54SP	.HINGE	ASSY-COLLECTOR	201967	1
340	412A1230-21	..	PIN	201967	1
345	BACB30VF3K7	..	BOLT	201967	1
350	NAS1149D0316J	..	WASHER	201967	1
355	MS16633-4018	..	RING	201967	1
360	SP20522	..	ACTUATOR ASSY- SUPPLIER CODE: V24403 SPECIFICATION NUMBER: S412A002-2	201967	1
365	412A1455-1SP	..	HINGE ASSY- USED ON: 412A1100-51SP	201967	1
370	412A1455-2SP	..	HINGE ASSY- USED ON: 412A1100-52SP	201967	1
375	412A1455-4SP	..	HINGE ASSY- USED ON: 412A1100-54SP	201967	1
380	412A1230-21	...	PIN	201967	1
385	MS51023-54	...	SCREW	201967	1
390	NAS1149D0316J	...	WASHER	201967	1
395	MS16633-4018	...	RING	201967	1

MISSING ITEM NUMBERS NOT APPLICABLE

- ITEM NOT ILLUSTRATED

HAP

25-24-31-14E

BOEING PROPRIETARY - Copyright © - Unpublished Work - See title page for details.

25-24-31
FIG. 14E
PAGE 4
OCT 15/08

BOEING
737-600/700/800/900
PARTS CATALOG (MAINTENANCE)

FIG ITEM	PART NUMBER	1 2 3 4 5 6 7	NOMENCLATURE	EFFECT FROM TO	UNITS PER ASSY
14 E					
400	412A1220-1	...	CLIP	201967	1
405	412A1454-3SP	...	HOUSING ASSY	201967	1
410	412A1454-12SP	...	HOUSING ASSY	201967	1
415	BACB28Y3F020	BUSHING	201967	2
420	6041L3BR375	INSERT- SUPPLIER CODE: V01556	201967	1
425	412A1454-1SP	HOUSING	201967	1
430	412A1454-11SP	HOUSING	201967	1
435	412A1454-9SP	...	BRACKET ASSY- USED ON: 412A1455-1SP	201967	1
440	412A1454-10SP	...	BRACKET ASSY- USED ON: 412A1455-2SP 412A1455-4SP	201967	1
445	BACB28Y3F025	BUSHING	201967	2
450	6041-3BR225	INSERT- SUPPLIER CODE: V01556	201967	1
455	6041L3BR375	INSERT- SUPPLIER CODE: V01556	201967	1
460	412A1454-7SP	BRACKET- USED ON: 412A1454-9SP	201967	1
465	412A1454-8SP	BRACKET- USED ON: 412A1454-10SP	201967	1
475	412A1200-111A	.BOX ASSY-80 IN. BIN	OPTIONAL PART: 412A1200-1111B FOR DETAILS SEE: 25-24-32-81B	201967	1
475	412A1200-1111B	.BOX ASSY-80 IN. BIN	OPTIONAL PART: 412A1200-111A FOR DETAILS SEE: 25-24-32-81B	201967	1
- 480	OBA8	.PLUG-	SUPPLIER CODE: VOBV87 OPTIONAL PART: 412A1811-1B 412A1811-2B 412A1100-96	201201	AR

MISSING ITEM NUMBERS NOT APPLICABLE

- ITEM NOT ILLUSTRATED

HAP

25-24-31-14E

BOEING PROPRIETARY - Copyright © - Unpublished Work - See title page for details.

25-24-31
FIG. 14E
PAGE 5
OCT 15/08

BOEING
737-600/700/800/900
PARTS CATALOG (MAINTENANCE)

FIG ITEM	PART NUMBER	1 2 3 4 5 6 7	NOMENCLATURE	EFFECT FROM TO	UNITS PER ASSY
14E - 480	412A1811-1B		.PLUG- OPTIONAL PART: 412A1100-96 OBA8 VOBV87 412A1811-2B	201201	AR
- 480	OBA8		.PLUG- SUPPLIER CODE: VOBV87	202967	AR
- 480	412A1811-2B		.PLUG- OPTIONAL PART: 412A1100-96 412A1811-1B OBA8 VOBV87	201201	AR
- 485	412A1100-96		.KIT ASSY-SCR AND WASHER OPTIONAL PART: 412A1811-1B 412A1811-2B OBA8 VOBV87	201201	40
- 490	NAS514P1032-5		..SCREW	201201	1
- 495	H3-1233A3		..WASHER- SUPPLIER CODE: V34941 SPECIFICATION NUMBER: S411A001-1	201201	1

MISSING ITEM NUMBERS NOT APPLICABLE

- ITEM NOT ILLUSTRATED

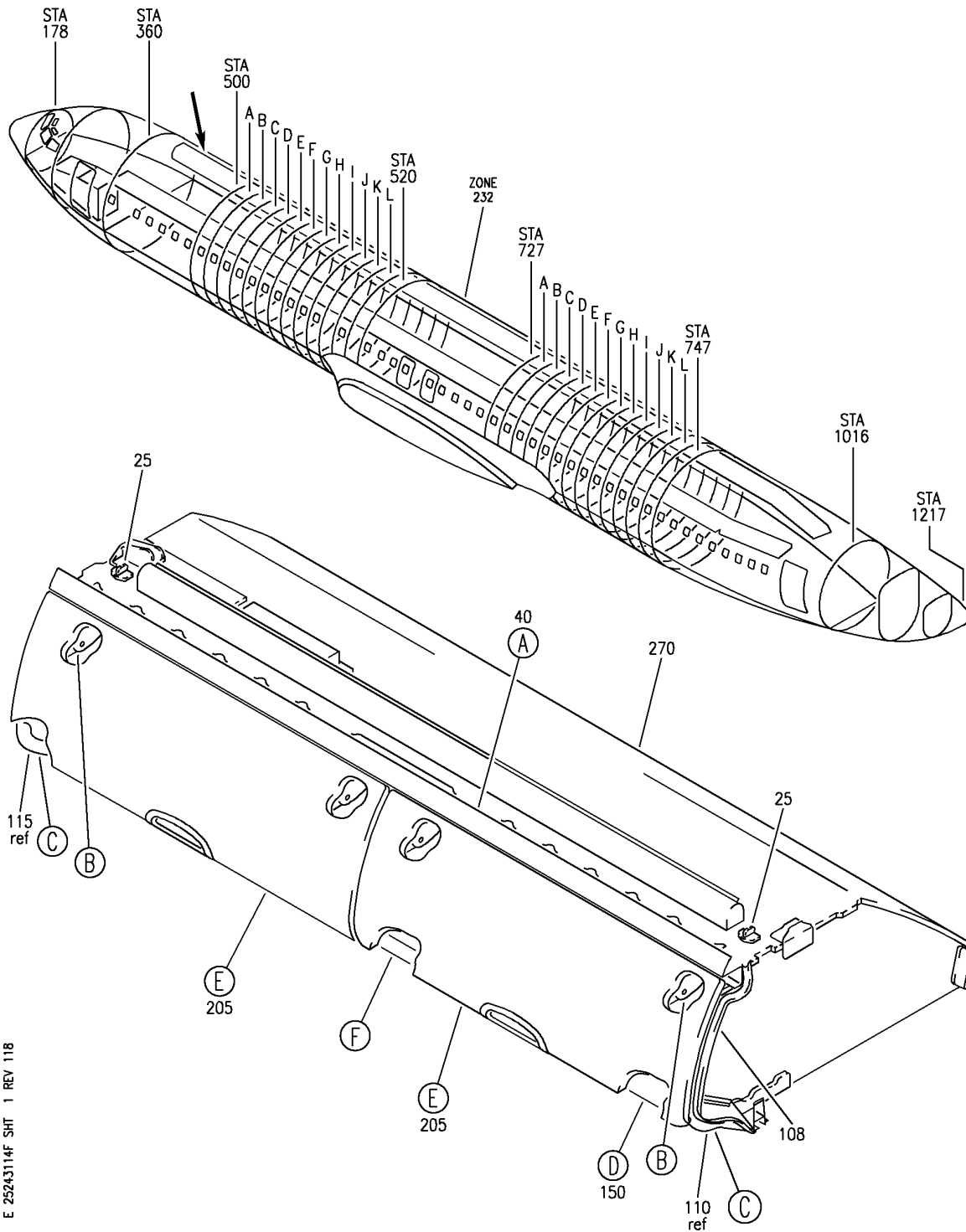
HAP

25-24-31-14E

BOEING PROPRIETARY - Copyright © - Unpublished Work - See title page for details.

25-24-31
FIG. 14E
PAGE 6
OCT 15/08


BOEING
 737-600/700/800/900
PARTS CATALOG (MAINTENANCE)



E 2524-31-14F SHT 1 REV 118

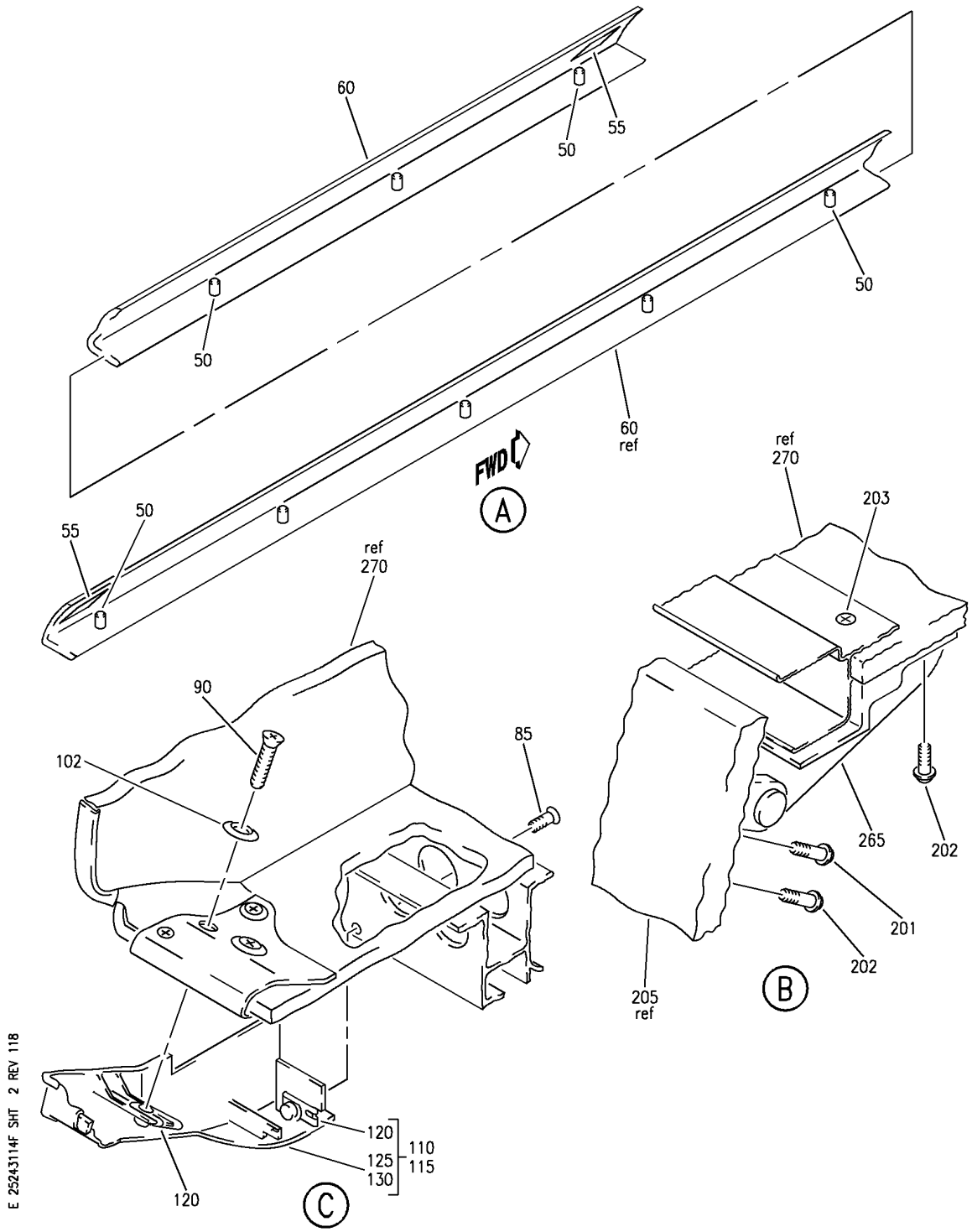
TOP ASSY-RH 80 IN. OVHD STOWAGE BIG BIN BULLNOSE CONFIGURATION (EQUIPMENT/FURNISHINGS ONLY)
 FIGURE 14F (SHEET 1)

HAP
OCT 10/07

25-24-31-14F

25-24-31-14F
 PAGE 0

BOEING
 737-600/700/800/900
 PARTS CATALOG (MAINTENANCE)



E 25243114F SHT 2 REV 118

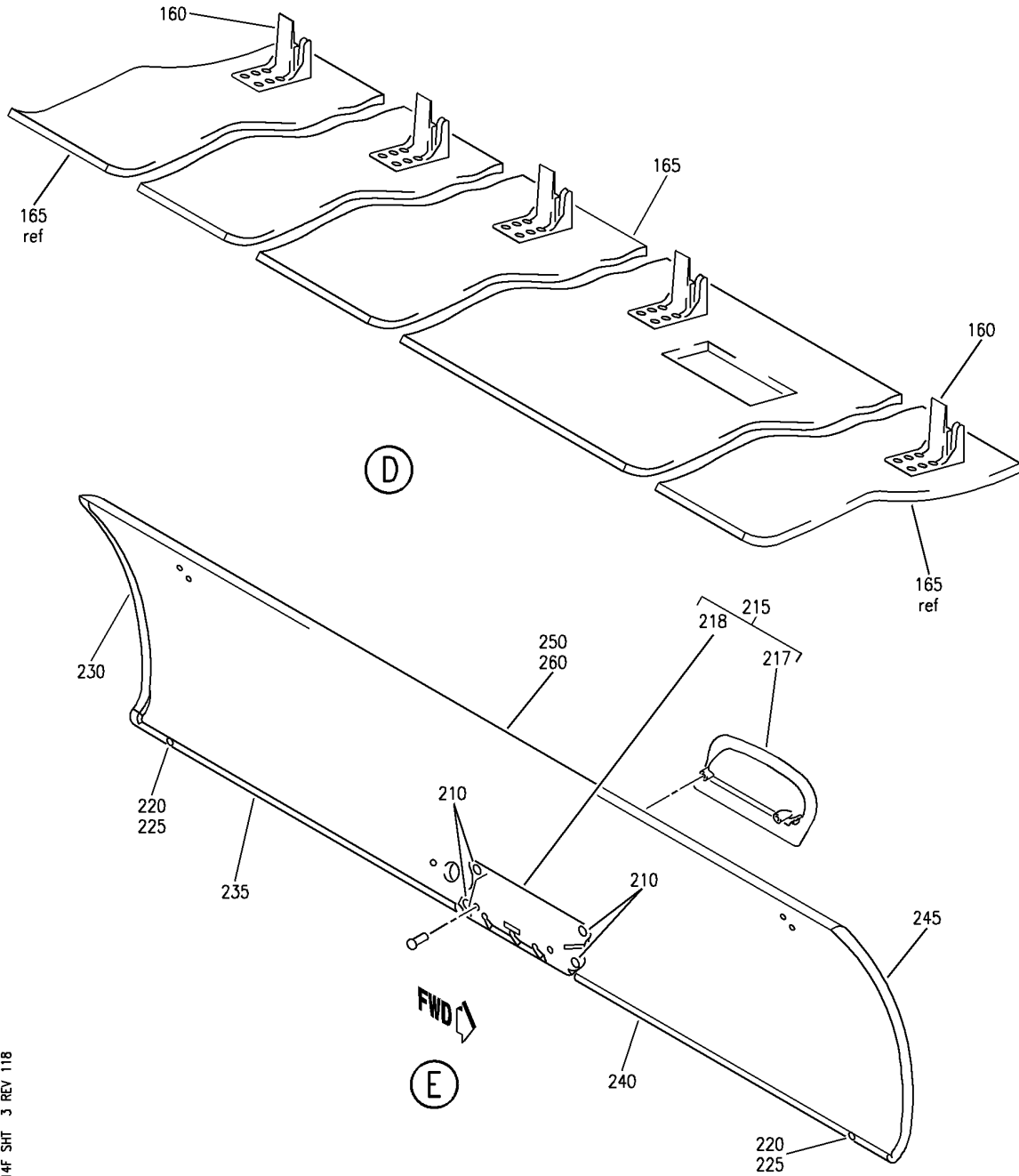
TOP ASSY-RH 80 IN. OVHD STOWAGE BIG BIN BULLNOSE CONFIGURATION (EQUIPMENT/FURNISHINGS ONLY)
 FIGURE 14F (SHEET 2)

HAP
 OCT 10/07

25-24-31-14F

25-24-31-14F
 PAGE 0A

BOEING
 737-600/700/800/900
 PARTS CATALOG (MAINTENANCE)



E 25243114F SHT 3 REV 118

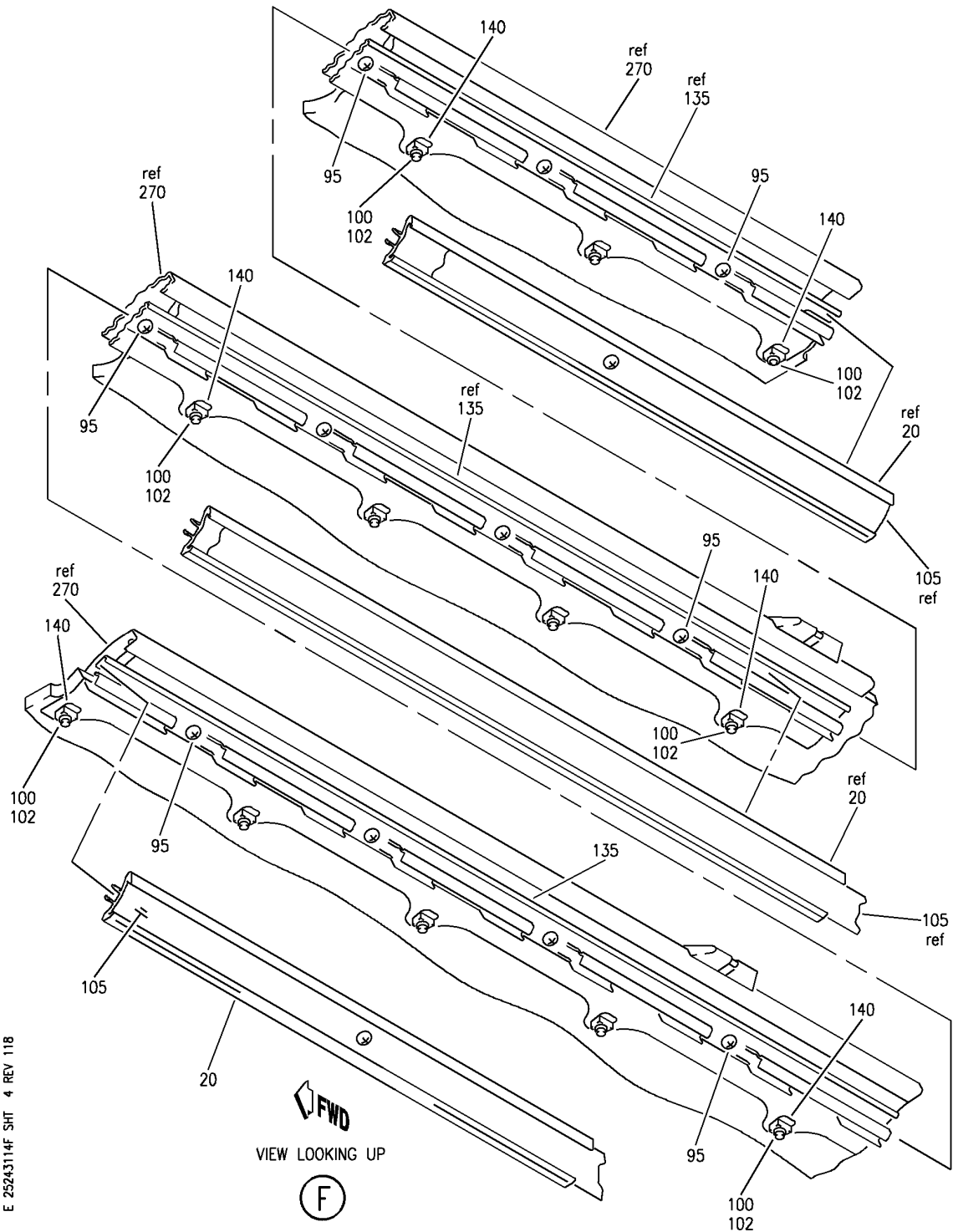
TOP ASSY-RH 80 IN. OVHD STOWAGE BIG BIN BULLNOSE CONFIGURATION (EQUIPMENT/FURNISHINGS ONLY)
 FIGURE 14F (SHEET 3)

HAP
 OCT 10/07

25-24-31-14F

25-24-31-14F
 PAGE 0B

BOEING
 737-600/700/800/900
 PARTS CATALOG (MAINTENANCE)



E 25243114F SHT 4 REV 118

TOP ASSY-RH 80 IN. OVHD STOWAGE BIG BIN BULLNOSE CONFIGURATION (EQUIPMENT/FURNISHINGS ONLY)
 FIGURE 14F (SHEET 4)

HAP
 OCT 10/07

25-24-31-14F

25-24-31-14F
 PAGE 0C

BOEING
737-600/700/800/900
PARTS CATALOG (MAINTENANCE)

FIG ITEM	PART NUMBER	1 2 3 4 5 6 7	NOMENCLATURE	EFFECT FROM TO	UNITS PER ASSY
14 F			TOP ASSY-RH 80 IN. OVHD STOWAGE BIG BIN BULLNOSE CONFIGURATION (EQUIPMENT/FURNISHINGS ONLY)	031043 101101 968971	
- 1	412A1057-2B		TOP ASSY-80 IN. OVHD STOWAGE BIG BIN BULLNOSE CONFIGURATION (EQUIPMENT/FURNISHINGS ONLY) POSITION DATA: RH FOR NHA/OTHER SYS DET SEE: 25-24-30-77 25-24-30-84	031043 101101 968971	RF
20	412A1420-1A		.EXTRUSION-SEAT ROW MARKER	101101 968971	1
20	412A1420-1A		.EXTRUSION-SEAT ROW MARKER	031043	1
25	H3-1592-1		.LATCH-CLG SUPPLIER CODE: V34941 SPECIFICATION NUMBER: S411A001-1	101101 968971	2
25	H3-1592-1		.LATCH-CLG SUPPLIER CODE: V34941 SPECIFICATION NUMBER: S411A001-1	031043	2
- 30	BACS12GU3K7		ATTACHING PARTS .SCREW	101101 968971	4
- 30	BACS12GU3K7		.SCREW	031043	4
- 35	NAS1149D0332J		.WASHER	101101 968971	4
- 35	NAS1149D0332J		.WASHER	031043	4
			-----*-----		
40	412A1700-1A		.VALANCE ASSY-LT	101101 968971	1
40	412A1700-1A		.VALANCE ASSY-LT ATTACHING PARTS	031043	1
- 45	BACN10YJ3F		.NUT	101101 968971	8
- 45	BACN10YJ3F		.NUT	031043	8
			-----*-----		
50	BACS21DW3C10FN		..STUD	101101 968971	8
50	BACS21DW3C10FN		..STUD	031043	8
55	412A1700-6		..TAPE-VELCRO	101101 968971	2

MISSING ITEM NUMBERS NOT APPLICABLE

- ITEM NOT ILLUSTRATED

HAP

25-24-31-14F

BOEING PROPRIETARY - Copyright © - Unpublished Work - See title page for details.

25-24-31
FIG. 14F
PAGE 1
FEB 15/08

BOEING
737-600/700/800/900
PARTS CATALOG (MAINTENANCE)

FIG ITEM	PART NUMBER	1 2 3 4 5 6 7	NOMENCLATURE	EFFECT FROM TO	UNITS PER ASSY
14 F					
55	412A1700-6	..	TAPE-VELCRO	031043	2
60	412A1710-1A	..	PANEL ASSY	101101	1
				968971	
60	412A1710-1A	..	PANEL ASSY	031043	1
85	BACB30VF3K3	.	BOLT	101101	2
				968971	
85	BACB30VF3K3	.	BOLT	031043	2
90	BACS12ER3K11	.	SCREW	101101	2
				968971	
90	BACS12ER3K11	.	SCREW	031043	2
95	BACS12FA3K5	.	SCREW	101101	11
				968971	
95	BACS12FA3K5	.	SCREW	031043	11
100	BACS12ER3K14	.	SCREW	101101	12
				968971	
100	BACS12ER3K14	.	SCREW	031043	12
102	H3-1233A3	.	WASHER-	101101	14
			SUPPLIER CODE:	968971	
			V34941		
			SPECIFICATION NUMBER:		
			S411A001-1		
102	H3-1233A3	.	WASHER-	031043	14
			SUPPLIER CODE:		
			V34941		
			SPECIFICATION NUMBER:		
			S411A001-1		
105	412A1451-2BCWK	.	STRIP	101101	1
				968971	
105	412A1451-2BCWK	.	STRIP	031043	1
108	403A3210-96B	.	SEAL ASSY	101101	1
				968971	
108	403A3210-96B	.	SEAL ASSY	031043	1
110	412A1467-1B	.	CLOSEOUT ASSY	101101	1
				968971	
110	412A1467-1B	.	CLOSEOUT ASSY	031043	1
115	412A1467-2B	.	CLOSEOUT ASSY	101101	1
				968971	
115	412A1467-2B	.	CLOSEOUT ASSY	031043	1
120	BACN10VR4CGN	..	NUT-	101101	2
			OPTIONAL PART:	968971	
			BACN10VR4CG		
120	BACN10VR4CGN	..	NUT-	031043	2
			OPTIONAL PART:		
			BACN10VR4CG		
120	BACN10VR4CG	..	NUT-	101101	2
			OPTIONAL PART:	968971	
			BACN10VR4CGN		

MISSING ITEM NUMBERS NOT APPLICABLE

- ITEM NOT ILLUSTRATED

HAP

25-24-31-14F

BOEING PROPRIETARY - Copyright © - Unpublished Work - See title page for details.

25-24-31
FIG. 14F
PAGE 2
JUN 15/08

BOEING
737-600/700/800/900
PARTS CATALOG (MAINTENANCE)

FIG ITEM	PART NUMBER	1 2 3 4 5 6 7	NOMENCLATURE	EFFECT FROM TO	UNITS PER ASSY
14 F 120	BACN10VR4CG	..	NUT- OPTIONAL PART: BACN10VR4CGN	031043	2
125	412A1467-5B	..	CLOSEOUT- USED ON: 412A1467-1B	101101 968971	1
125	412A1467-5B	..	CLOSEOUT- USED ON: 412A1467-1B	031043	1
130	412A1467-6B	..	CLOSEOUT- USED ON: 412A1467-2B	101101 968971	1
130	412A1467-6B	..	CLOSEOUT- USED ON: 412A1467-2B	031043	1
135	412A1244-1	.	EXTRUSION ASSY	101101 968971	1
135	412A1244-1	.	EXTRUSION ASSY	031043	1
140	FS1651-3	..	NUTPLATE SUPPLIER CODE: V15653 SPECIFICATION NUMBER: BACN10KH3CD OPTIONAL PART: 102F9209M3 V72962 NS202496-02 V80539	101101 968971	12
140	FS1651-3	..	NUTPLATE SUPPLIER CODE: V15653 SPECIFICATION NUMBER: BACN10KH3CD OPTIONAL PART: 102F9209M3 V72962 NS202496-02 V80539	031043	12
- 145	BACR15BA3ADC	..	ATTACHING PARTS RIVET- SIZE DETERMINED ON INSTL.	101101 968971	24
- 145	BACR15BA3ADC	..	RIVET- SIZE DETERMINED ON INSTL. -----*-----	031043	24
150	412A1607-1B	.	COVER ASSY	101101 968971	1
150	412A1607-1B	.	COVER ASSY	031043	1
160	412A1460-2	..	CLIP	101101 968971	5

MISSING ITEM NUMBERS NOT APPLICABLE

- ITEM NOT ILLUSTRATED

HAP

25-24-31-14F

BOEING PROPRIETARY - Copyright © - Unpublished Work - See title page for details.

25-24-31
FIG. 14F
PAGE 3
JUN 15/08

BOEING
737-600/700/800/900
PARTS CATALOG (MAINTENANCE)

FIG ITEM	PART NUMBER	1 2 3 4 5 6 7	NOMENCLATURE	EFFECT FROM TO	UNITS PER ASSY
14 F					
160	412A1460-2	..	CLIP	031043	5
165	412A1617-2B	..	PANEL	101101	1
				968971	
165	412A1617-2B	..	PANEL	031043	1
- 190	412A1811-2B	.PLUG-		101101	AR
			OPTIONAL PART: 412A1811-1B	968971	
- 190	412A1811-2B	.PLUG-		031043	AR
			OPTIONAL PART: 412A1811-1B		
- 190	412A1811-1B	.PLUG-		101101	AR
			OPTIONAL PART: 412A1811-2B	968971	
- 190	412A1811-1B	.PLUG-		031043	AR
			OPTIONAL PART: 412A1811-2B		
201	BACS12FA3K7	.SCREW		101101	4
				968971	
201	BACS12FA3K7	.SCREW		031043	4
202	BACS12FA3K6	.SCREW		101101	8
				968971	
202	BACS12FA3K6	.SCREW		031043	8
203	BACS12FA3K15	.SCREW		101101	4
				968971	
203	BACS12FA3K15	.SCREW		031043	4
205	412A1505-1B	.DOOR ASSY-40 IN.		101101	2
				968971	
205	412A1505-1B	.DOOR ASSY-40 IN.		031043	2
210	BACS12FA3K4	..SCREW		101101	4
				968971	
210	BACS12FA3K4	..SCREW		031043	4
215	HA951-1	..LATCH ASSY-		101101	1
			SUPPLIER CODE: V83014	968971	
			SPECIFICATION NUMBER: S412A003-1		
215	HA951-1	..LATCH ASSY-		031043	1
			SUPPLIER CODE: V83014		
			SPECIFICATION NUMBER: S412A003-1		
220	412A1810-2B	..BUMPER-		101101	2
			QUALIFIED I/W DATA: PN 412A1810-3B CAN REPLACE BUT NOT BE REPLACED BY PN 412A1810-2B FOR 737-600/700/800/900 ONLY.	968971	

MISSING ITEM NUMBERS NOT APPLICABLE

- ITEM NOT ILLUSTRATED

HAP

25-24-31-14F

BOEING PROPRIETARY - Copyright © - Unpublished Work - See title page for details.

25-24-31
FIG. 14F
PAGE 4
OCT 15/08

BOEING
737-600/700/800/900
PARTS CATALOG (MAINTENANCE)

FIG ITEM	PART NUMBER	1 2 3 4 5 6 7	NOMENCLATURE	EFFECT FROM TO	UNITS PER ASSY
14 F 220	412A1810-2B	..	BUMPER- QUALIFIED I/W DATA: PN 412A1810-3B CAN REPLACE BUT NOT BE REPLACED BY PN 412A1810-2B FOR 737-600/700/800/900 ONLY.	031043	2
225	412A1810-1A	..	BUMPER-	101101 968971	2
225	412A1810-1A	..	BUMPER-	031043	2
230	412A1452-4B	..	TRIM-VERT	101101 968971	1
230	412A1452-4B	..	TRIM-VERT	031043	1
235	412A1452-6B	..	TRIM-HORIZ	101101 968971	1
235	412A1452-6B	..	TRIM-HORIZ	031043	1
240	412A1452-5B	..	TRIM-HORIZ	101101 968971	1
240	412A1452-5B	..	TRIM-HORIZ	031043	1
245	412A1452-3B	..	TRIM-VERT	101101 968971	1
245	412A1452-3B	..	TRIM-VERT	031043	1
250	412A1513-2B	..	PANEL ASSY	101101 968971	1
250	412A1513-2B	..	PANEL ASSY	031043	1
- 255	SL618-3A	...	INSERT- SUPPLIER CODE: V97393	101101 968971	8
- 255	SL618-3A	...	INSERT- SUPPLIER CODE: V97393	031043	8
260	412A1513-1B	...	PANEL ASSY	101101 968971	1
260	412A1513-1B	...	PANEL ASSY	031043	1
265	SP21757	.HINGE ASSY-	SUPPLIER CODE: V24403 SPECIFICATION NUMBER: S412A004-1	101101 968971	4
265	SP21757	.HINGE ASSY-	SUPPLIER CODE: V24403 SPECIFICATION NUMBER: S412A004-1	031043	4

MISSING ITEM NUMBERS NOT APPLICABLE

- ITEM NOT ILLUSTRATED

HAP

25-24-31-14F

BOEING PROPRIETARY - Copyright © - Unpublished Work - See title page for details.

25-24-31
FIG. 14F
PAGE 5
OCT 15/08


BOEING
 737-600/700/800/900
PARTS CATALOG (MAINTENANCE)

FIG ITEM	PART NUMBER	1 2 3 4 5 6 7	NOMENCLATURE	EFFECT FROM TO	UNITS PER ASSY
14 F 270	412A1205-2B		.BOX ASSY-80 IN. BIN USED ON: 412A1057-2C 412A1057-2B 412A1057-2D FOR DETAILS SEE: 25-24-32-83B	101101 968971	1
270	412A1205-2B		.BOX ASSY-80 IN. BIN USED ON: 412A1057-2B FOR DETAILS SEE: 25-24-32-83B	031043	1

MISSING ITEM NUMBERS NOT APPLICABLE

— ITEM NOT ILLUSTRATED

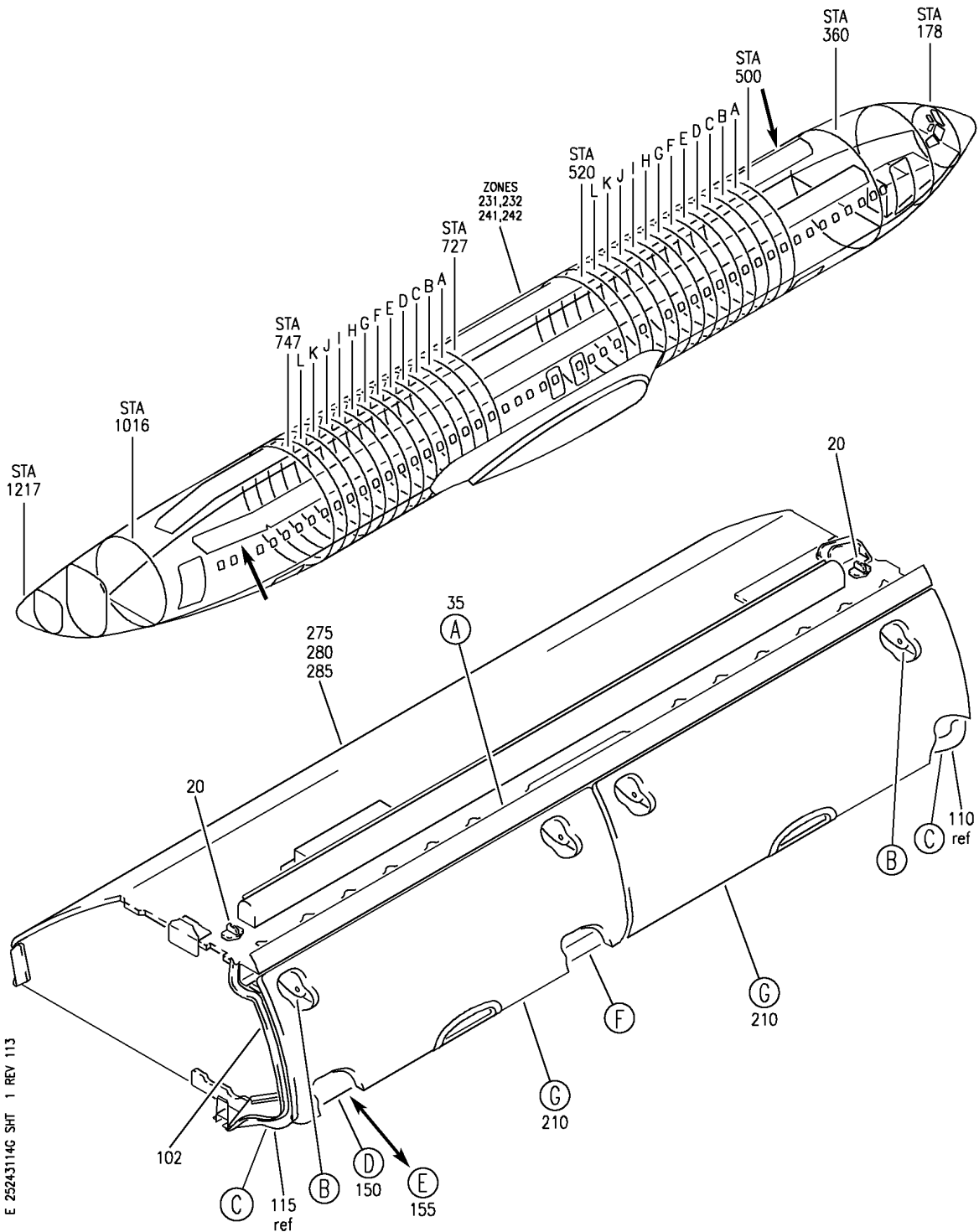
HAP

25-24-31-14F

BOEING PROPRIETARY - Copyright © - Unpublished Work - See title page for details.

25-24-31
 FIG. 14F
 PAGE 6
 OCT 15/08


BOEING
 737-600/700/800/900
PARTS CATALOG (MAINTENANCE)



E 25243114G SHT 1 REV 113

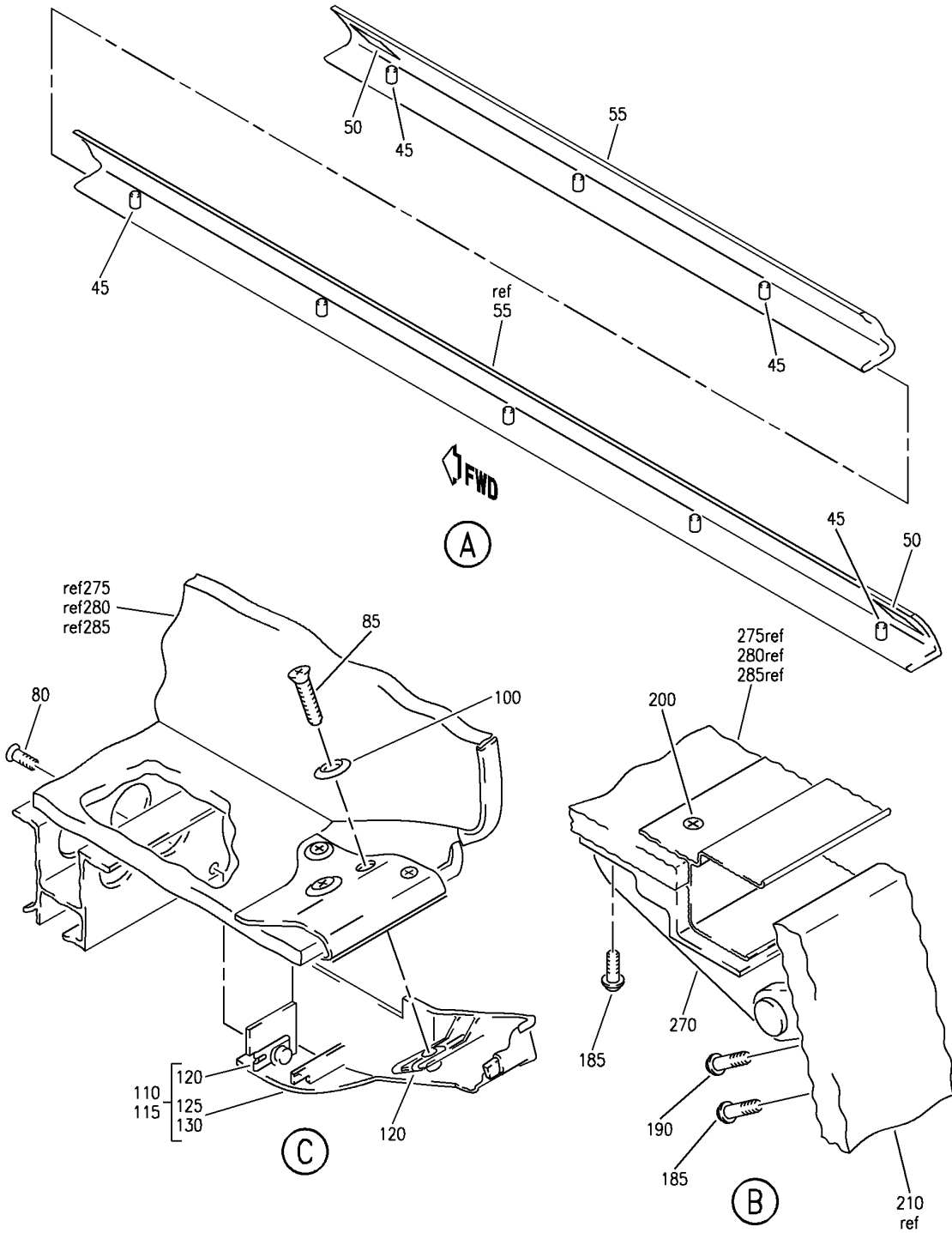
TOP ASSY-80 IN. OVHD STORAGE BULLNOSE CONFIGURATION LH (EQUIPMENT/FURNISHINGS ONLY)
 FIGURE 14G (SHEET 1)

HAP
 OCT 10/06

25-24-31-14G

25-24-31-14G
 PAGE 0

BOEING
 737-600/700/800/900
 PARTS CATALOG (MAINTENANCE)



E 25243114G SHT 2 REV 113

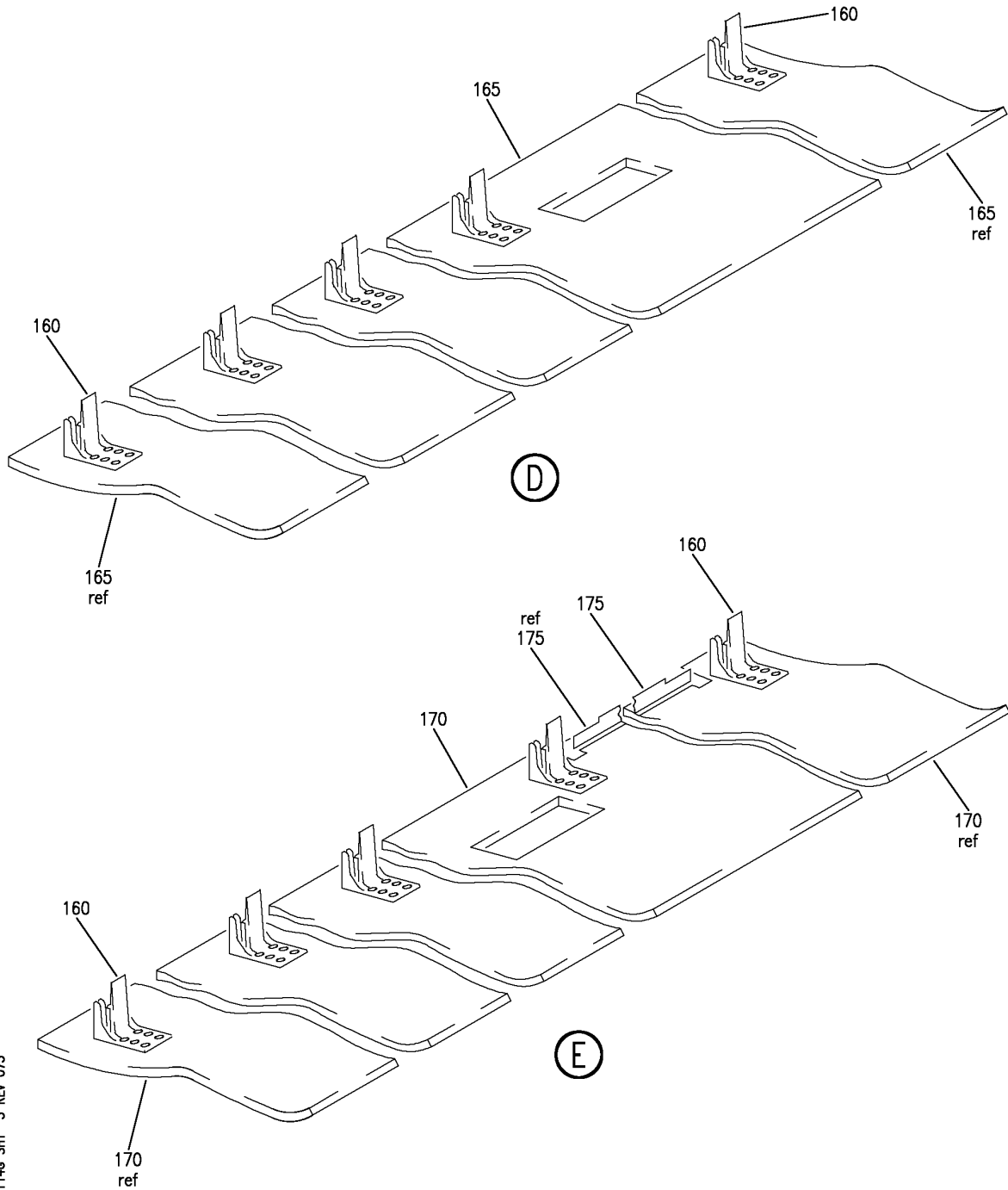
TOP ASSY-80 IN. OVHD STORAGE BULLNOSE CONFIGURATION LH (EQUIPMENT/FURNISHINGS ONLY)
 FIGURE 14G (SHEET 2)

HAP
 OCT 10/06

25-24-31-14G

25-24-31-14G
 PAGE 0A

BOEING
 737-600/700/800/900
 PARTS CATALOG (MAINTENANCE)



E 25243114G SHT 3 REV 073

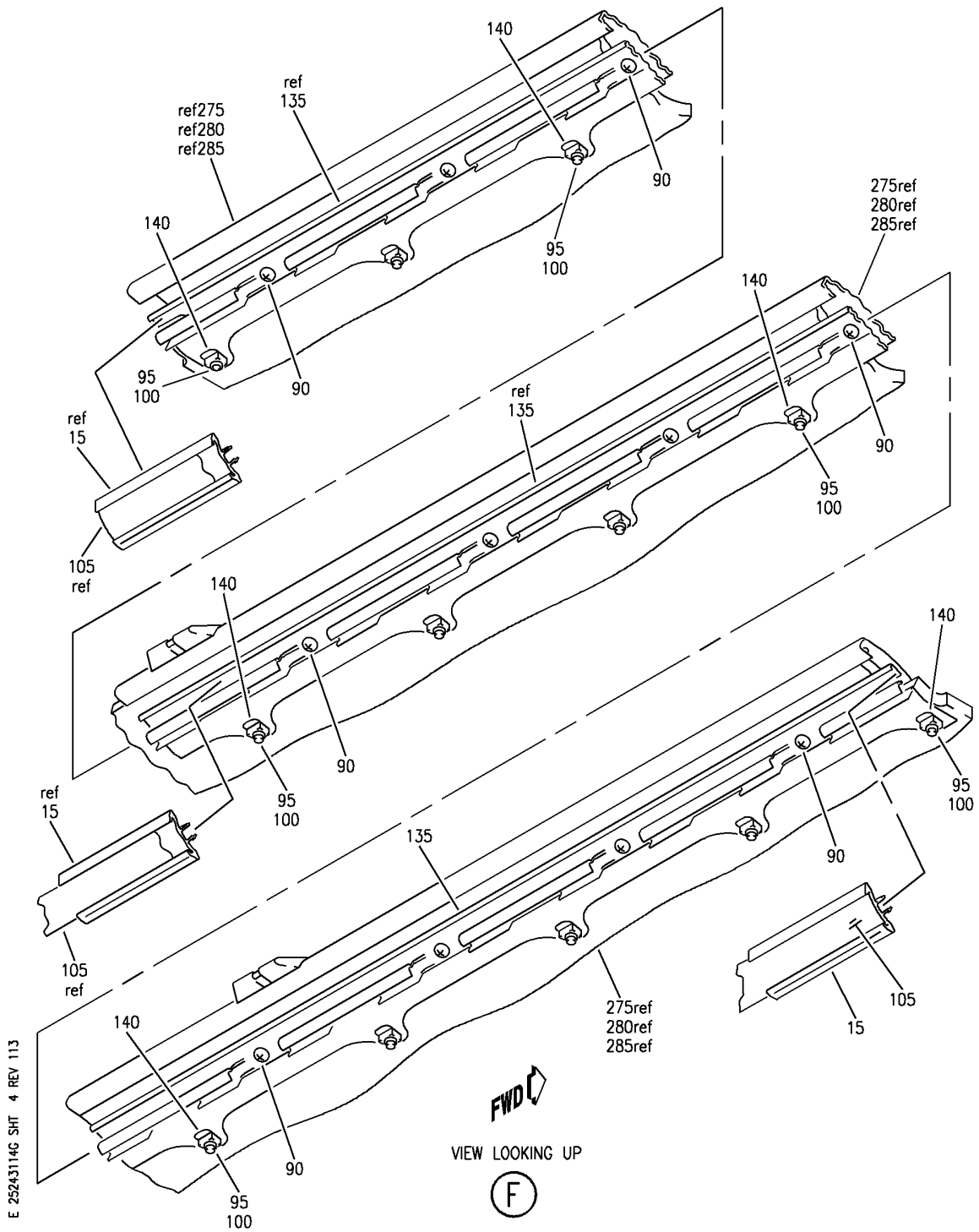
TOP ASSY-80 IN. OVHD STORAGE BULLNOSE CONFIGURATION LH (EQUIPMENT/FURNISHINGS ONLY)
 FIGURE 14G (SHEET 3)

HAP
 OCT 10/06

25-24-31-14G

25-24-31-14G
 PAGE 0B

BOEING
737-600/700/800/900
PARTS CATALOG (MAINTENANCE)



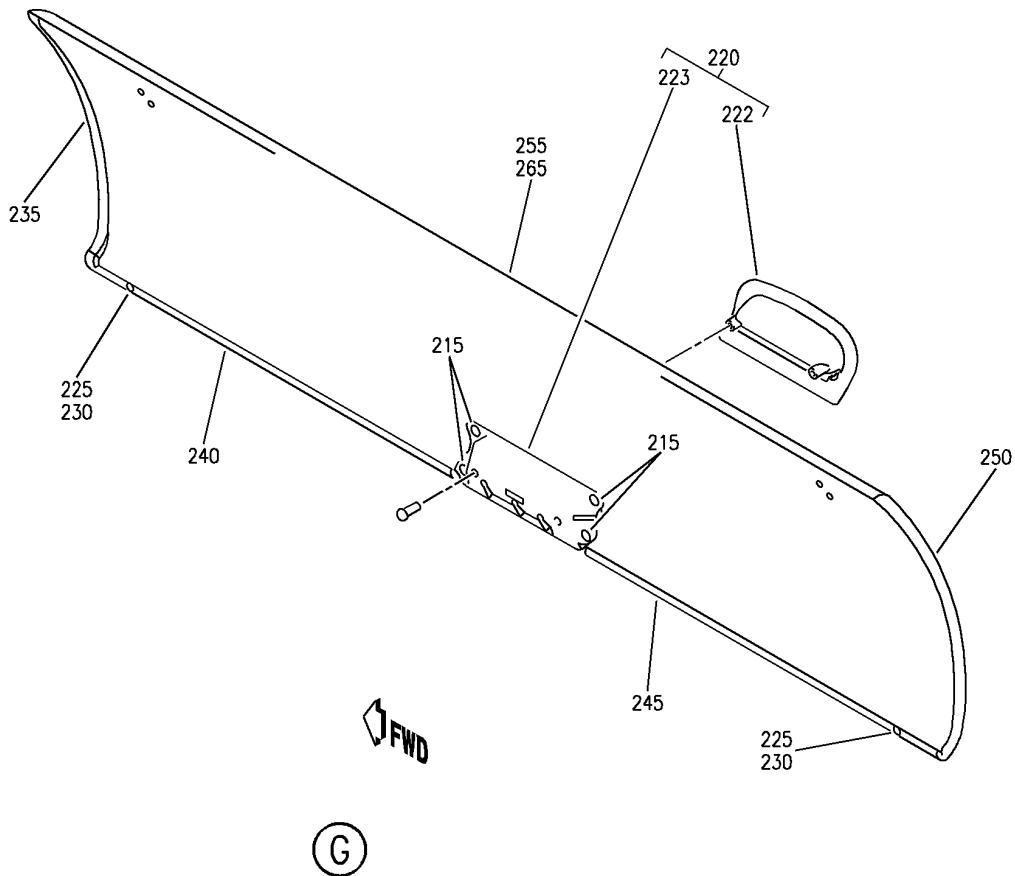
TOP ASSY-80 IN. OVHD STORAGE BULLNOSE CONFIGURATION LH (EQUIPMENT/FURNISHINGS ONLY)
 FIGURE 14G (SHEET 4)

HAP
 OCT 10/06

25-24-31-14G

25-24-31-14G
 PAGE 0C

BOEING
 737-600/700/800/900
 PARTS CATALOG (MAINTENANCE)



E 25243114G SHT 5 REV 118

TOP ASSY-80 IN. OVHD STOWAGE BULLNOSE CONFIGURATION LH (EQUIPMENT/FURNISHINGS ONLY)
 FIGURE 14G (SHEET 5)

25-24-31-14G

HAP
 OCT 10/06

25-24-31-14G
 PAGE 0D

BOEING
737-600/700/800/900
PARTS CATALOG (MAINTENANCE)

FIG ITEM	PART NUMBER	1 2 3 4 5 6 7	NOMENCLATURE	EFFECT FROM TO	UNITS PER ASSY
14G			TOP ASSY-80 IN. OVHD STOWAGE BULLNOSE CONFIGURATION LH (EQUIPMENT/FURNISHINGS ONLY)	031043 101101 968971	
- 1	412A1057-1B		TOP ASSY-80 IN. OVHD STOWAGE BULLNOSE CONFIGURATION (EQUIPMENT/FURNISHINGS ONLY) POSITION DATA: LH FOR NHA/OTHER SYS DET SEE: 25-24-30-77 25-24-30-84	031043 101101 968971	RF
15	412A1420-1A		.EXTRUSION-SEAT ROW MARKER	101101 968971	1
15	412A1420-1A		.EXTRUSION-SEAT ROW MARKER	031043	1
20	H3-1592-1		.LATCH-CLG SUPPLIER CODE: V34941 SPECIFICATION NUMBER: S411A001-1	101101 968971	2
20	H3-1592-1		.LATCH-CLG SUPPLIER CODE: V34941 SPECIFICATION NUMBER: S411A001-1	031043	2
- 25	BACS12GU3K7		ATTACHING PARTS .SCREW	101101 968971	4
- 25	BACS12GU3K7		.SCREW	031043	4
- 30	NAS1149D0332J		.WASHER	101101 968971	4
- 30	NAS1149D0332J		.WASHER	031043	4
35	412A1700-1A		-----*----- .VALANCE ASSY-LT	101101 968971	1
35	412A1700-1A		.VALANCE ASSY-LT ATTACHING PARTS	031043	1
- 40	BACN10YJ3F		.NUT	101101 968971	8
- 40	BACN10YJ3F		.NUT	031043	8
45	BACS21DW3C10FN		-----*----- ..STUD	101101 968971	8
45	BACS21DW3C10FN		..STUD	031043	8
50	412A1700-6		..TAPE-VELCRO	101101 968971	2

MISSING ITEM NUMBERS NOT APPLICABLE

- ITEM NOT ILLUSTRATED

HAP

25-24-31-14G

BOEING PROPRIETARY - Copyright © - Unpublished Work - See title page for details.

25-24-31
FIG. 14G
PAGE 1
FEB 15/08

 **BOEING**
737-600/700/800/900
PARTS CATALOG (MAINTENANCE)

FIG ITEM	PART NUMBER	1 2 3 4 5 6 7	NOMENCLATURE	EFFECT FROM TO	UNITS PER ASSY
14G					
50	412A1700-6	..	TAPE-VELCRO	031043	2
55	412A1710-1A	..	PANEL ASSY	101101	1
				968971	
55	412A1710-1A	..	PANEL ASSY	031043	1
80	BACB30VF3K3	.	BOLT	101101	2
				968971	
80	BACB30VF3K3	.	BOLT	031043	2
85	BACS12ER3K11	.	SCREW	101101	2
				968971	
85	BACS12ER3K11	.	SCREW	031043	2
90	BACS12FA3K5	.	SCREW	101101	11
				968971	
90	BACS12FA3K5	.	SCREW	031043	11
95	BACS12ER3K14	.	SCREW	101101	12
				968971	
95	BACS12ER3K14	.	SCREW	031043	12
100	H3-1233A3	.	WASHER-	101101	14
			SUPPLIER CODE:	968971	
			V34941		
			SPECIFICATION NUMBER:		
			S411A001-1		
100	H3-1233A3	.	WASHER-	031043	14
			SUPPLIER CODE:		
			V34941		
			SPECIFICATION NUMBER:		
			S411A001-1		
102	403A3210-95B	.	SEAL ASSY	101101	1
				968971	
102	403A3210-95B	.	SEAL ASSY	031043	1
105	412A1451-2BCWK	.	STRIP	101101	1
				968971	
105	412A1451-2BCWK	.	STRIP	031043	1
110	412A1467-1B	.	CLOSEOUT ASSY	101101	1
				968971	
110	412A1467-1B	.	CLOSEOUT ASSY	031043	1
115	412A1467-2B	.	CLOSEOUT ASSY	101101	1
				968971	
115	412A1467-2B	.	CLOSEOUT ASSY	031043	1
120	BACN10VR4CGN	..	NUT-	101101	2
			OPTIONAL PART:	968971	
			BACN10VR4CG		
120	BACN10VR4CGN	..	NUT-	031043	2
			OPTIONAL PART:		
			BACN10VR4CG		
120	BACN10VR4CG	..	NUT-	101101	2
			OPTIONAL PART:	968971	
			BACN10VR4CGN		

MISSING ITEM NUMBERS NOT APPLICABLE

- ITEM NOT ILLUSTRATED

HAP

25-24-31-14G

BOEING PROPRIETARY - Copyright © - Unpublished Work - See title page for details.

25-24-31
FIG. 14G
PAGE 2
JUN 15/08

BOEING
737-600/700/800/900
PARTS CATALOG (MAINTENANCE)

FIG ITEM	PART NUMBER	1 2 3 4 5 6 7	NOMENCLATURE	EFFECT FROM TO	UNITS PER ASSY
14G 120	BACN10VR4CG	..	NUT- OPTIONAL PART: BACN10VR4CGN	031043	2
125	412A1467-5B	..	CLOSEOUT- USED ON: 412A1467-1B	101101 968971	1
125	412A1467-5B	..	CLOSEOUT- USED ON: 412A1467-1B	031043	1
130	412A1467-6B	..	CLOSEOUT- USED ON: 412A1467-2B	101101 968971	1
130	412A1467-6B	..	CLOSEOUT- USED ON: 412A1467-2B	031043	1
135	412A1244-1	.	EXTRUSION ASSY	101101 968971	1
135	412A1244-1	.	EXTRUSION ASSY	031043	1
140	FS1651-3	..	NUTPLATE SUPPLIER CODE: V15653 SPECIFICATION NUMBER: BACN10KH3CD OPTIONAL PART: 102F9209M3 V72962 NS202496-02 V80539	101101 968971	12
140	FS1651-3	..	NUTPLATE SUPPLIER CODE: V15653 SPECIFICATION NUMBER: BACN10KH3CD OPTIONAL PART: 102F9209M3 V72962 NS202496-02 V80539	031043	12
- 145	BACR15BA3ADC	..	ATTACHING PARTS RIVET	101101 968971	24
- 145	BACR15BA3ADC	..	RIVET -----*-----	031043	24
150	412A1607-1B	.	COVER ASSY	101101 968971	1
150	412A1607-1B	.	COVER ASSY	031043	1
160	412A1460-2	..	CLIP	101101 968971	5
160	412A1460-2	..	CLIP	031043	5

MISSING ITEM NUMBERS NOT APPLICABLE

- ITEM NOT ILLUSTRATED

HAP

25-24-31-14G

BOEING PROPRIETARY - Copyright © - Unpublished Work - See title page for details.

25-24-31
FIG. 14G
PAGE 3
JUN 15/08

BOEING
737-600/700/800/900
PARTS CATALOG (MAINTENANCE)

FIG ITEM	PART NUMBER	1 2 3 4 5 6 7	NOMENCLATURE	EFFECT FROM TO	UNITS PER ASSY
14G					
165	412A1617-2B	..	PANEL	101101 968971	1
165	412A1617-2B	..	PANEL	031043	1
185	BACS12FA3K6	..	SCREW	101101 968971	8
185	BACS12FA3K6	..	SCREW	031043	8
190	BACS12FA3K7	..	SCREW	101101 968971	4
190	BACS12FA3K7	..	SCREW	031043	4
200	BACS12FA3K15	..	SCREW	101101 968971	4
200	BACS12FA3K15	..	SCREW	031043	4
210	412A1505-1B	..	DOOR ASSY-40 IN.	101101 968971	2
210	412A1505-1B	..	DOOR ASSY-40 IN.	031043	2
215	BACS12FA3K4	..	SCREW	101101 968971	4
215	BACS12FA3K4	..	SCREW	031043	4
220	HA951-1	..	LATCH ASSY- SUPPLIER CODE: V83014 SPECIFICATION NUMBER: S412A003-1	101101 968971	1
220	HA951-1	..	LATCH ASSY- SUPPLIER CODE: V83014 SPECIFICATION NUMBER: S412A003-1	031043	1
225	412A1810-2B	..	BUMPER- QUALIFIED I/W DATA: PN 412A1810-3B CAN REPLACE BUT NOT BE REPLACED BY PN 412A1810-2B FOR 737-600/700/800/900 ONLY.	101101 968971	2
225	412A1810-2B	..	BUMPER- QUALIFIED I/W DATA: PN 412A1810-3B CAN REPLACE BUT NOT BE REPLACED BY PN 412A1810-2B FOR 737-600/700/800/900 ONLY.	031043	2
230	412A1810-1A	..	BUMPER-	101101 968971	2
230	412A1810-1A	..	BUMPER-	031043	2
235	412A1452-4B	..	TRIM-VERT	101101 968971	1

MISSING ITEM NUMBERS NOT APPLICABLE

— ITEM NOT ILLUSTRATED

HAP

25-24-31-14G

BOEING PROPRIETARY - Copyright © - Unpublished Work - See title page for details.

25-24-31
FIG. 14G
PAGE 4
OCT 15/08

BOEING
737-600/700/800/900
PARTS CATALOG (MAINTENANCE)

FIG ITEM	PART NUMBER	1 2 3 4 5 6 7	NOMENCLATURE	EFFECT FROM TO	UNITS PER ASSY
14G					
235	412A1452-4B	..	TRIM-VERT	031043	1
240	412A1452-6B	..	TRIM-HORIZ	101101	1
				968971	
240	412A1452-6B	..	TRIM-HORIZ	031043	1
245	412A1452-5B	..	TRIM-HORIZ	101101	1
				968971	
245	412A1452-5B	..	TRIM-HORIZ	031043	1
250	412A1452-3B	..	TRIM-VERT	101101	1
				968971	
250	412A1452-3B	..	TRIM-VERT	031043	1
255	412A1513-2B	..	PANEL ASSY	101101	1
				968971	
255	412A1513-2B	..	PANEL ASSY	031043	1
- 260	SL618-3A	...	INSERT- SUPPLIER CODE: V97393	101101	8
				968971	
- 260	SL618-3A	...	INSERT- SUPPLIER CODE: V97393	031043	8
265	412A1513-1B	...	PANEL ASSY	101101	1
				968971	
265	412A1513-1B	...	PANEL ASSY	031043	1
270	SP21757	.HINGE ASSY-	SUPPLIER CODE: V24403	101101	4
				968971	
			SPECIFICATION NUMBER: S412A004-1		
270	SP21757	.HINGE ASSY-	SUPPLIER CODE: V24403	031043	4
			SPECIFICATION NUMBER: S412A004-1		
275	412A1205-1B	.BOX ASSY-80 IN. BIN	FOR DETAILS SEE: 25-24-32-83F	101101	1
				968971	
275	412A1205-1B	.BOX ASSY-80 IN. BIN	FOR DETAILS SEE: 25-24-32-83F	031043	1
- 290	412A1811-2B	.PLUG-		101101	AR
				968971	
- 290	412A1811-2B	.PLUG-	OPTIONAL PART: 412A1211-1B	031043	AR
- 290	412A1811-1B	.PLUG-	OPTIONAL PART: 412A1811-2B	031043	AR

MISSING ITEM NUMBERS NOT APPLICABLE

- ITEM NOT ILLUSTRATED

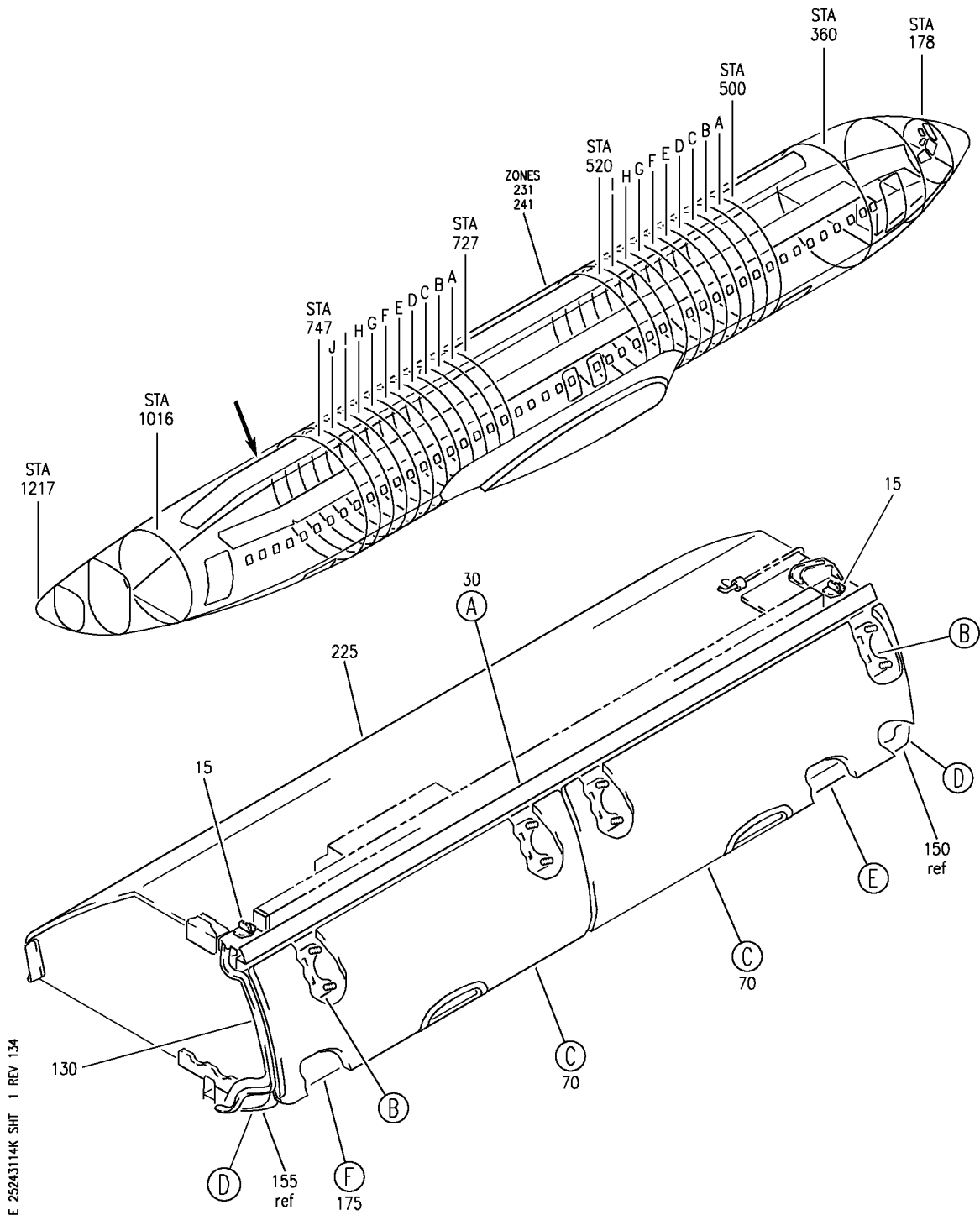
HAP

25-24-31-14G

BOEING PROPRIETARY - Copyright © - Unpublished Work - See title page for details.

25-24-31
FIG. 14G
PAGE 5
OCT 15/08

BOEING
 737-600/700/800/900
 PARTS CATALOG (MAINTENANCE)



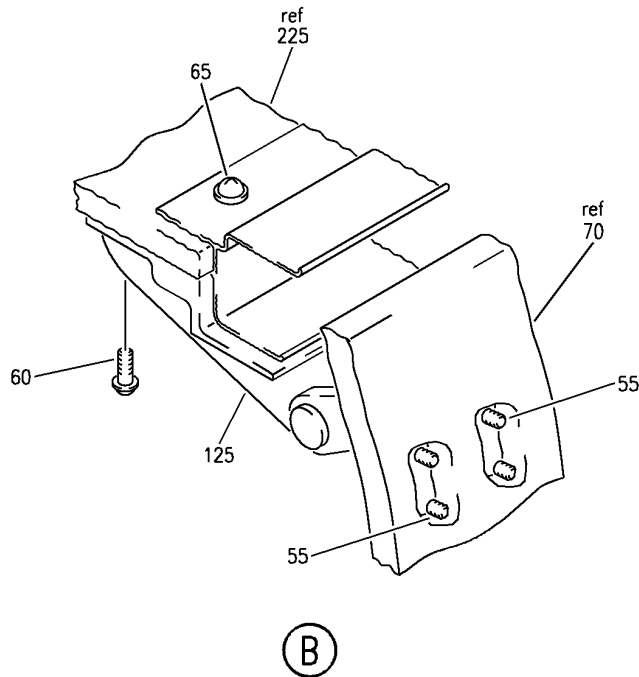
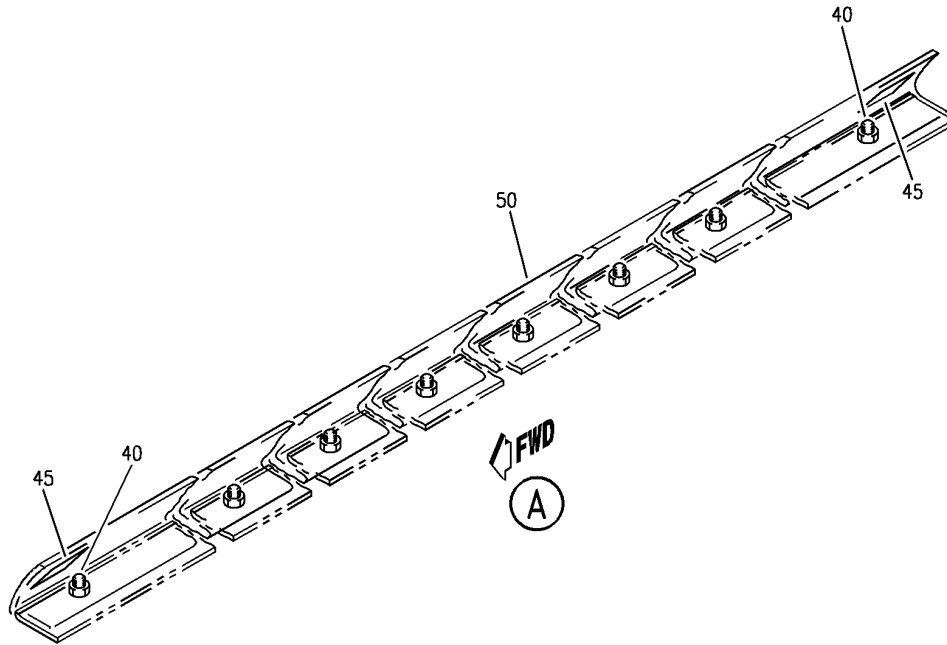
TOP ASSY-LH 80 IN. OVHD STOWAGE BIG BIN BULLNOSE CONFIGURATION (EQUIPMENT/FURNISHINGS ONLY)
 FIGURE 14K (SHEET 1)

HAP
 OCT 10/07

25-24-31-14K

25-24-31-14K
 PAGE 0

BOEING
 737-600/700/800/900
 PARTS CATALOG (MAINTENANCE)



E 25243114K SHT 2 REV 134

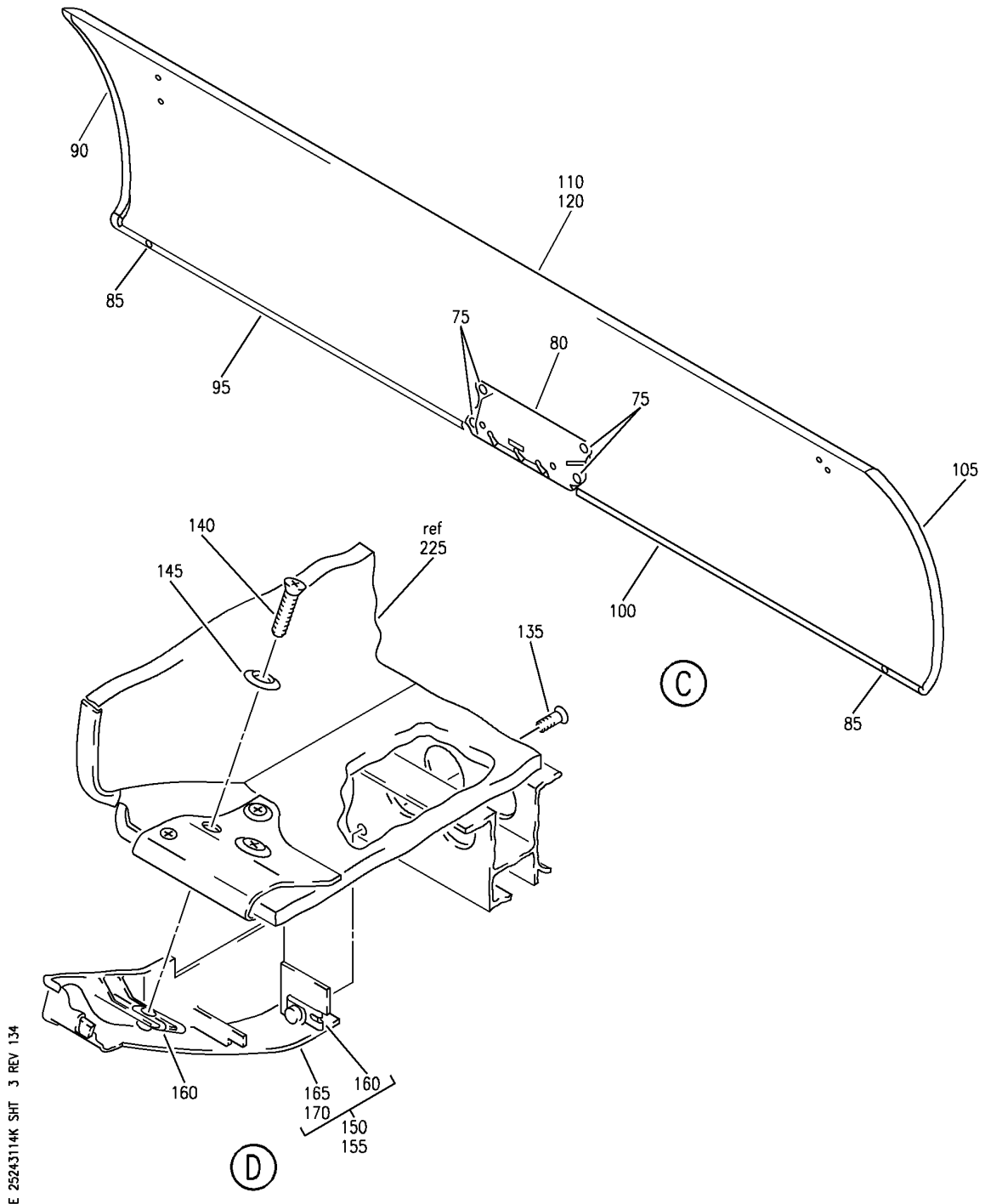
TOP ASSY-LH 80 IN. OVHD STOWAGE BIG BIN BULLNOSE CONFIGURATION (EQUIPMENT/FURNISHINGS ONLY)
 FIGURE 14K (SHEET 2)

25-24-31-14K

HAP
 OCT 10/07

25-24-31-14K
 PAGE 0A

BOEING
 737-600/700/800/900
 PARTS CATALOG (MAINTENANCE)



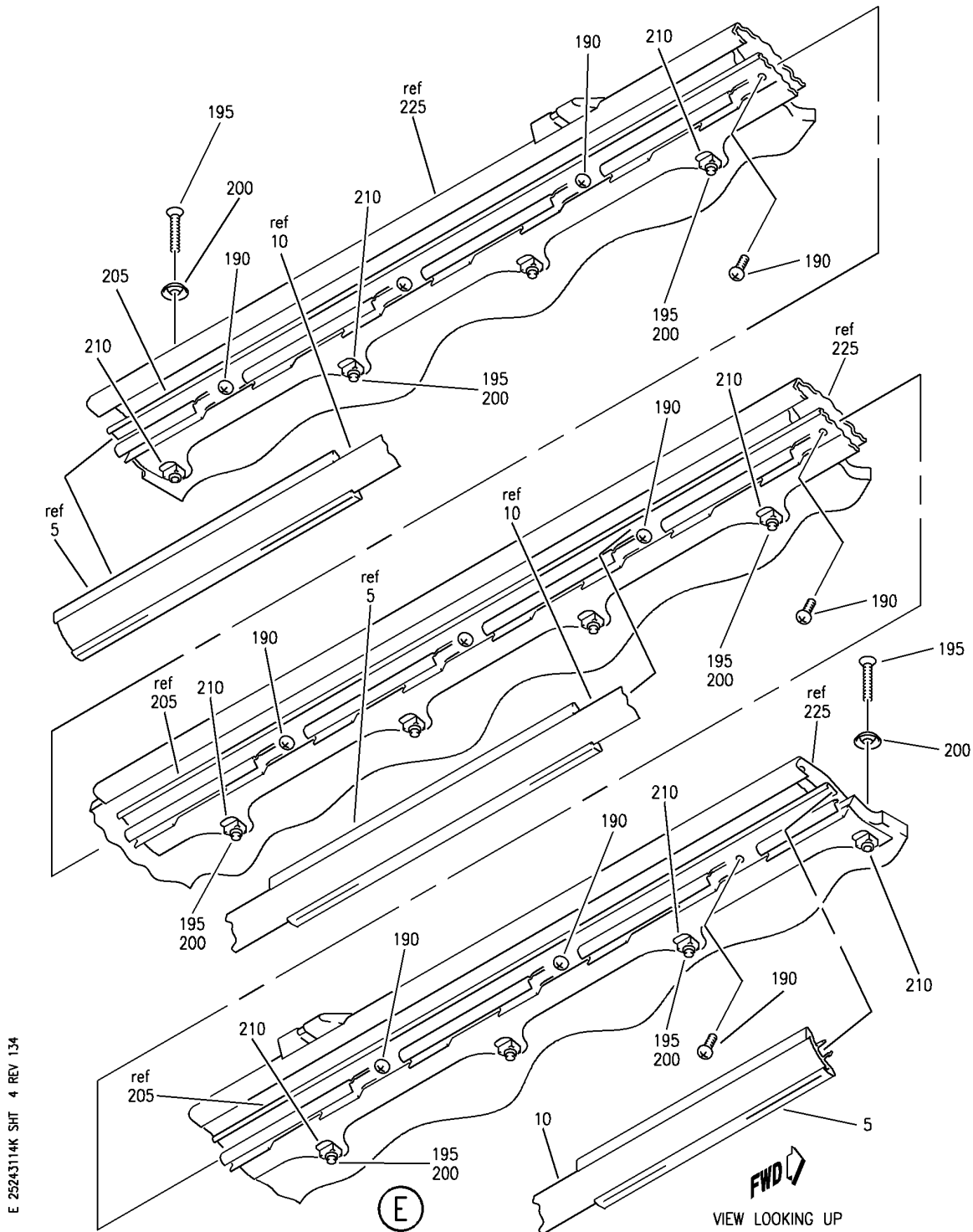
TOP ASSY-LH 80 IN. OVHD STOWAGE BIG BIN BULLNOSE CONFIGURATION (EQUIPMENT/FURNISHINGS ONLY)
 FIGURE 14K (SHEET 3)

HAP
 OCT 10/07

25-24-31-14K

25-24-31-14K
 PAGE 08

BOEING
 737-600/700/800/900
 PARTS CATALOG (MAINTENANCE)



E 2524-31-14K SHT 4 REV 134

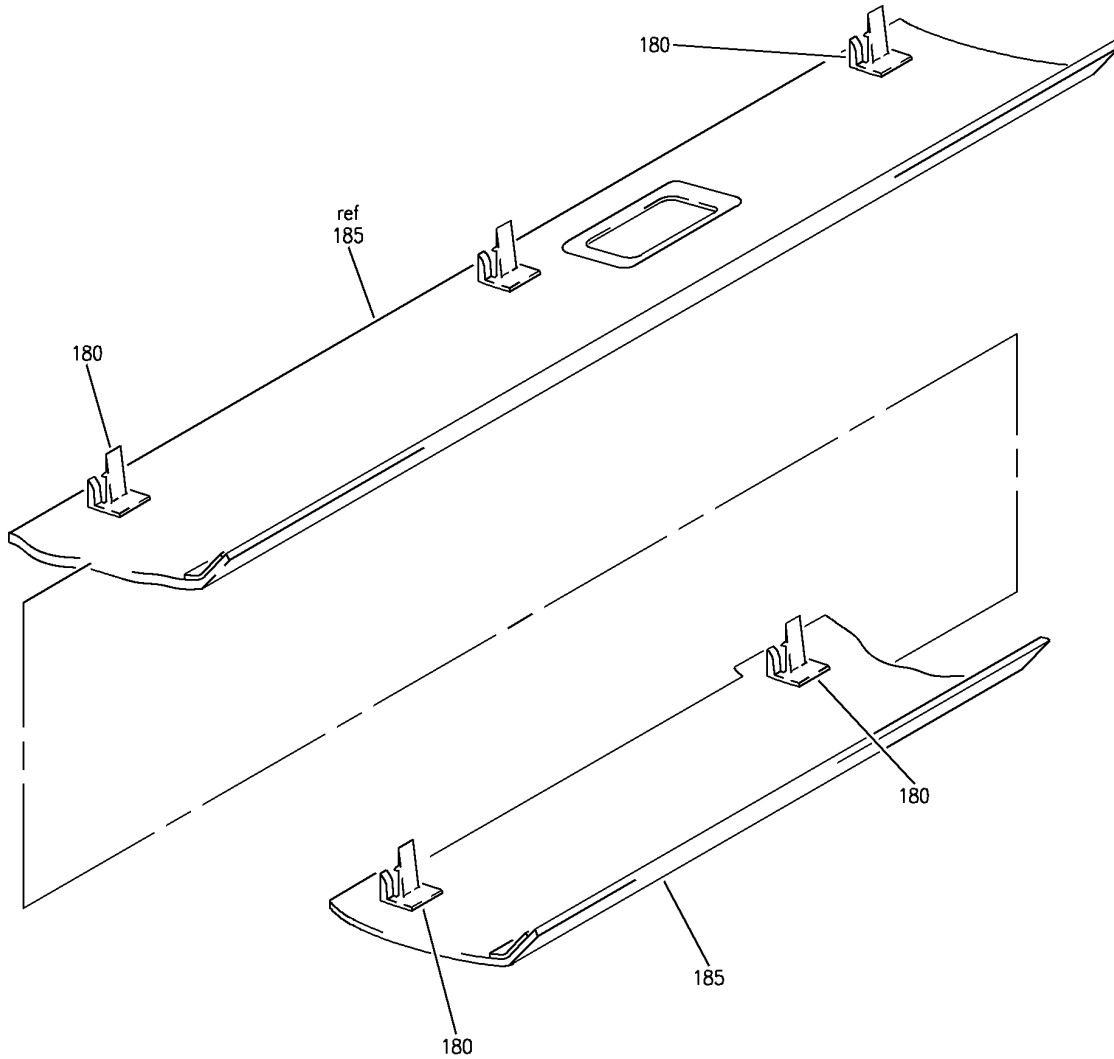
TOP ASSY-LH 80 IN. OVHD STOWAGE BIG BIN BULLNOSE CONFIGURATION (EQUIPMENT/FURNISHINGS ONLY)
 FIGURE 14K (SHEET 4)

HAP
 OCT 10/07

25-24-31-14K

25-24-31-14K
 PAGE 0C

BOEING
737-600/700/800/900
PARTS CATALOG (MAINTENANCE)



E 25243114K SHT 5 REV 134

TOP ASSY-LH 80 IN. OVHD STOWAGE BIG BIN BULLNOSE CONFIGURATION (EQUIPMENT/FURNISHINGS ONLY)
FIGURE 14K (SHEET 5)

HAP
OCT 10/07

25-24-31-14K

25-24-31-14K
PAGE 0D

BOEING PROPRIETARY - Copyright © - Unpublished Work - See title page for details.

BOEING
737-600/700/800/900
PARTS CATALOG (MAINTENANCE)

FIG ITEM	PART NUMBER	1 2 3 4 5 6 7	NOMENCLATURE	EFFECT FROM TO	UNITS PER ASSY
14K			TOP ASSY-LH 80 IN. OVHD STOWAGE BIG BIN BULLNOSE CONFIGURATION (EQUIPMENT/FURNISHINGS ONLY)	044100 102200 972999	
- 1	412A1057-1001B		TOP ASSY-80 IN. OVHD STOWAGE BIG BIN BULLNOSE CONFIGURATION (EQUIPMENT/ FURNISHINGS ONLY) POSITION DATA: LH POST RAPID REVISION: RR97237-17B FOR NHA/OTHER SYS DET SEE: 25-24-30-77 25-24-30-84	044100 102200 972999	RF
5	412A1420-1A		.EXTRUSION-SEAT ROW MARKER	044100	1
5	412A1420-1A		.EXTRUSION-SEAT ROW MARKER	102200 972999	1
10	412A1451-2BCWK		.STRIP-TRIM	044100	1
10	412A1451-2BCWK		.STRIP-TRIM	102200 972999	1
15	H3-1592-1		.LATCH-CLG SUPPLIER CODE: V34941 SPECIFICATION NUMBER: S411A001-1	044100	2
15	H3-1592-1		.LATCH-CLG SUPPLIER CODE: V34941 SPECIFICATION NUMBER: S411A001-1	102200 972999	2
- 20	BACS12GU3K7		.SCREW	044100	4
- 20	BACS12GU3K7		.SCREW	102200 972999	4
- 25	NAS1149D0332J		.WASHER	044100	4
- 25	NAS1149D0332J		.WASHER	102200 972999	4
30	412A1700-1A		-----*----- .VALANCE ASSY-LT	044100	1
30	412A1700-1A		.VALANCE ASSY-LT	102200 972999	1
- 35	BACN10YJ3F		ATTACHING PARTS .NUT	044100	8
- 35	BACN10YJ3F		.NUT	102200 972999	8
40	BACS21DW3C10FN		-----*----- . . STUD	044100	8

MISSING ITEM NUMBERS NOT APPLICABLE

- ITEM NOT ILLUSTRATED

HAP

25-24-31-14K

BOEING PROPRIETARY - Copyright © - Unpublished Work - See title page for details.

25-24-31
FIG. 14K
PAGE 1
FEB 15/09

BOEING
737-600/700/800/900
PARTS CATALOG (MAINTENANCE)

FIG ITEM	PART NUMBER	1 2 3 4 5 6 7	NOMENCLATURE	EFFECT FROM TO	UNITS PER ASSY
14K					
40	BACS21DW3C10FN	..	STUD	102200 972999	8
45	412A1700-6	..	TAPE-VELCRO	044100	2
45	412A1700-6	..	TAPE-VELCRO	102200 972999	2
50	412A1710-1A	..	PANEL ASSY	044100	1
50	412A1710-1A	..	PANEL ASSY	102200 972999	1
55	BACS12FA3K5	.	SCREW	044100	16
55	BACS12FA3K5	.	SCREW	102200 972999	16
60	BACS12FA3K6	.	SCREW	044100	4
60	BACS12FA3K6	.	SCREW	102200 972999	4
65	BACS12FA3K15	.	SCREW	044100	4
65	BACS12FA3K15	.	SCREW	102200 972999	4
70	412A1505-101B	.	DOOR ASSY-40 IN.	044100	2
70	412A1505-101B	.	DOOR ASSY-40 IN.	102200 972999	2
75	BACS12FA3K4	..	SCREW	044100	4
75	BACS12FA3K4	..	SCREW	102200 972999	4
80	HA951-1	..	LATCH ASSY- SUPPLIER CODE: V83014 SPECIFICATION NUMBER: S412A003-1	044100	1
80	HA951-1	..	LATCH ASSY- SUPPLIER CODE: V83014 SPECIFICATION NUMBER: S412A003-1	102200 972999	1
85	412A1810-3B	..	BUMPER- QUALIFIED I/W DATA: PN 412A1810-3B CAN REPLACE BUT NOT BE REPLACED BY PN 412A1810-2B FOR 737-600/700/800/900 ONLY.	044100	2
85	412A1810-3B	..	BUMPER- QUALIFIED I/W DATA: PN 412A1810-3B CAN REPLACE BUT NOT BE REPLACED BY PN 412A1810-2B FOR 737-600/700/800/900 ONLY.	102200 972999	2

MISSING ITEM NUMBERS NOT APPLICABLE

— ITEM NOT ILLUSTRATED

HAP

25-24-31-14K

BOEING PROPRIETARY - Copyright © - Unpublished Work - See title page for details.

25-24-31
FIG. 14K
PAGE 2
OCT 15/08

BOEING
737-600/700/800/900
PARTS CATALOG (MAINTENANCE)

FIG ITEM	PART NUMBER	1 2 3 4 5 6 7	NOMENCLATURE	EFFECT FROM TO	UNITS PER ASSY
14K					
90	412A1452-104B	..	TRIM-VERT	044100	1
90	412A1452-104B	..	TRIM-VERT	102200	1
				972999	
95	412A1452-106B	..	TRIM-HORIZ	044100	1
95	412A1452-106B	..	TRIM-HORIZ	102200	1
				972999	
100	412A1452-105B	..	TRIM-HORIZ	044100	1
100	412A1452-105B	..	TRIM-HORIZ	102200	1
				972999	
105	412A1452-103B	..	TRIM-VERT	044100	1
105	412A1452-103B	..	TRIM-VERT	102200	1
				972999	
110	412A1513-102B	..	PANEL ASSY	044100	1
110	412A1513-102B	..	PANEL ASSY	102200	1
				972999	
- 115	SL618-3A	...	INSERT- SUPPLIER CODE: V97393	044100	12
- 115	SL618-3A	...	INSERT- SUPPLIER CODE: V97393	102200	12
				972999	
120	412A1513-101B	...	PANEL ASSY	044100	1
120	412A1513-101B	...	PANEL ASSY	102200	1
				972999	
125	SP23011	.HINGE ASSY- SUPPLIER CODE: V24403 SPECIFICATION NUMBER: S412A004-3		044100	4
125	SP23011	.HINGE ASSY- SUPPLIER CODE: V24403 SPECIFICATION NUMBER: S412A004-3		102200	4
				972999	
130	403A3210-95B	.SEAL ASSY		044100	1
130	403A3210-95B	.SEAL ASSY		102200	1
				972999	
135	BACB30VF3K3	.BOLT		044100	2
135	BACB30VF3K3	.BOLT		102200	2
				972999	
140	BACS12ER3K11	.SCREW		044100	2
140	BACS12ER3K11	.SCREW		102200	2
				972999	
145	H3-1233A3	.WASHER- SUPPLIER CODE: V34941 SPECIFICATION NUMBER: S411A001-1		044100	2

MISSING ITEM NUMBERS NOT APPLICABLE

- ITEM NOT ILLUSTRATED

HAP

25-24-31-14K

BOEING PROPRIETARY - Copyright © - Unpublished Work - See title page for details.

25-24-31
FIG. 14K
PAGE 3
OCT 15/08

BOEING
737-600/700/800/900
PARTS CATALOG (MAINTENANCE)

FIG ITEM	PART NUMBER	1 2 3 4 5 6 7	NOMENCLATURE	EFFECT FROM TO	UNITS PER ASSY
14K 145	H3-1233A3	.	WASHER- SUPPLIER CODE: V34941 SPECIFICATION NUMBER: S411A001-1	102200 972999	2
150	412A1467-1B	.	CLOSEOUT ASSY	044100	1
150	412A1467-1B	.	CLOSEOUT ASSY	102200 972999	1
155	412A1467-2B	.	CLOSEOUT ASSY	044100	1
155	412A1467-2B	.	CLOSEOUT ASSY	102200 972999	1
160	BACN10VR4CGN	..	NUT- OPTIONAL PART: BACN10VR4CG	044100	2
160	BACN10VR4CGN	..	NUT- OPTIONAL PART: BACN10VR4CG	102200 972999	2
160	BACN10VR4CG	..	NUT- OPTIONAL PART: BACN10VR4CGN	044100	2
160	BACN10VR4CG	..	NUT- OPTIONAL PART: BACN10VR4CGN	102200 972999	2
165	412A1467-5B	..	CLOSEOUT- USED ON: 412A1467-1B	044100	1
165	412A1467-5B	..	CLOSEOUT- USED ON: 412A1467-1B	102200 972999	1
170	412A1467-6B	..	CLOSEOUT- USED ON: 412A1467-2B	044100	1
170	412A1467-6B	..	CLOSEOUT- USED ON: 412A1467-2B	102200 972999	1
175	412A1607-1B	.	COVER ASSY	044100	1
175	412A1607-1B	.	COVER ASSY	102200 972999	1
180	412A1460-2	..	CLIP	044100	5
180	412A1460-2	..	CLIP	102200 972999	5
185	412A1617-2B	..	PANEL	044100	1
185	412A1617-2B	..	PANEL	102200 972999	1
190	BACS12FA3K5	.	SCREW	044100	11
190	BACS12FA3K5	.	SCREW	102200 972999	11
195	BACS12ER3K14	.	SCREW	044100	12

MISSING ITEM NUMBERS NOT APPLICABLE

— ITEM NOT ILLUSTRATED

HAP

25-24-31-14K

25-24-31
FIG. 14K
PAGE 4
OCT 15/08

BOEING PROPRIETARY - Copyright © - Unpublished Work - See title page for details.

BOEING
737-600/700/800/900
PARTS CATALOG (MAINTENANCE)

FIG ITEM	PART NUMBER	1 2 3 4 5 6 7	NOMENCLATURE	EFFECT FROM TO	UNITS PER ASSY
14K 195	BACS12ER3K14	.	SCREW	102200 972999	12
200	H3-1233A3	.	WASHER- SUPPLIER CODE: V34941 SPECIFICATION NUMBER: S411A001-1	044100	12
200	H3-1233A3	.	WASHER- SUPPLIER CODE: V34941 SPECIFICATION NUMBER: S411A001-1	102200 972999	12
205	412A1244-1	.	EXTRUSION ASSY	044100	1
205	412A1244-1	.	EXTRUSION ASSY	102200 972999	1
210	FS1651-3	..	NUTPLATE SUPPLIER CODE: V15653 SPECIFICATION NUMBER: BACN10KH3CD OPTIONAL PART: 102F9209M3 V72962 NS202496-02 V80539	044100	12
210	FS1651-3	..	NUTPLATE SUPPLIER CODE: V15653 SPECIFICATION NUMBER: BACN10KH3CD OPTIONAL PART: 102F9209M3 V72962 NS202496-02 V80539	102200 972999	12
- 215	BACR15BA3ADC	..	ATTACHING PARTS RIVET- SIZE DETERMINED ON INSTL.	044100	24
- 215	BACR15BA3ADC	..	RIVET- SIZE DETERMINED ON INSTL. -----*-----	102200 972999	24
- 220	412A1811-2B	.	PLUG	044100	AR
- 220	412A1811-2B	.	PLUG	102200 972999	AR
225	412A1205-1B	.	BOX ASSY-80 IN. BIG BIN FOR DETAILS SEE: 25-24-32-83F	044100	1

MISSING ITEM NUMBERS NOT APPLICABLE

- ITEM NOT ILLUSTRATED

HAP

25-24-31-14K

BOEING PROPRIETARY - Copyright © - Unpublished Work - See title page for details.

25-24-31
FIG. 14K
PAGE 5
OCT 15/08


BOEING
 737-600/700/800/900
PARTS CATALOG (MAINTENANCE)

FIG ITEM	PART NUMBER	1 2 3 4 5 6 7 NOMENCLATURE	EFFECT FROM TO	UNITS PER ASSY
14K 225	412A1205-1B	.BOX ASSY-80 IN. BIG BIN FOR DETAILS SEE: 25-24-32-83F	102200 972999	1

MISSING ITEM NUMBERS NOT APPLICABLE

— ITEM NOT ILLUSTRATED

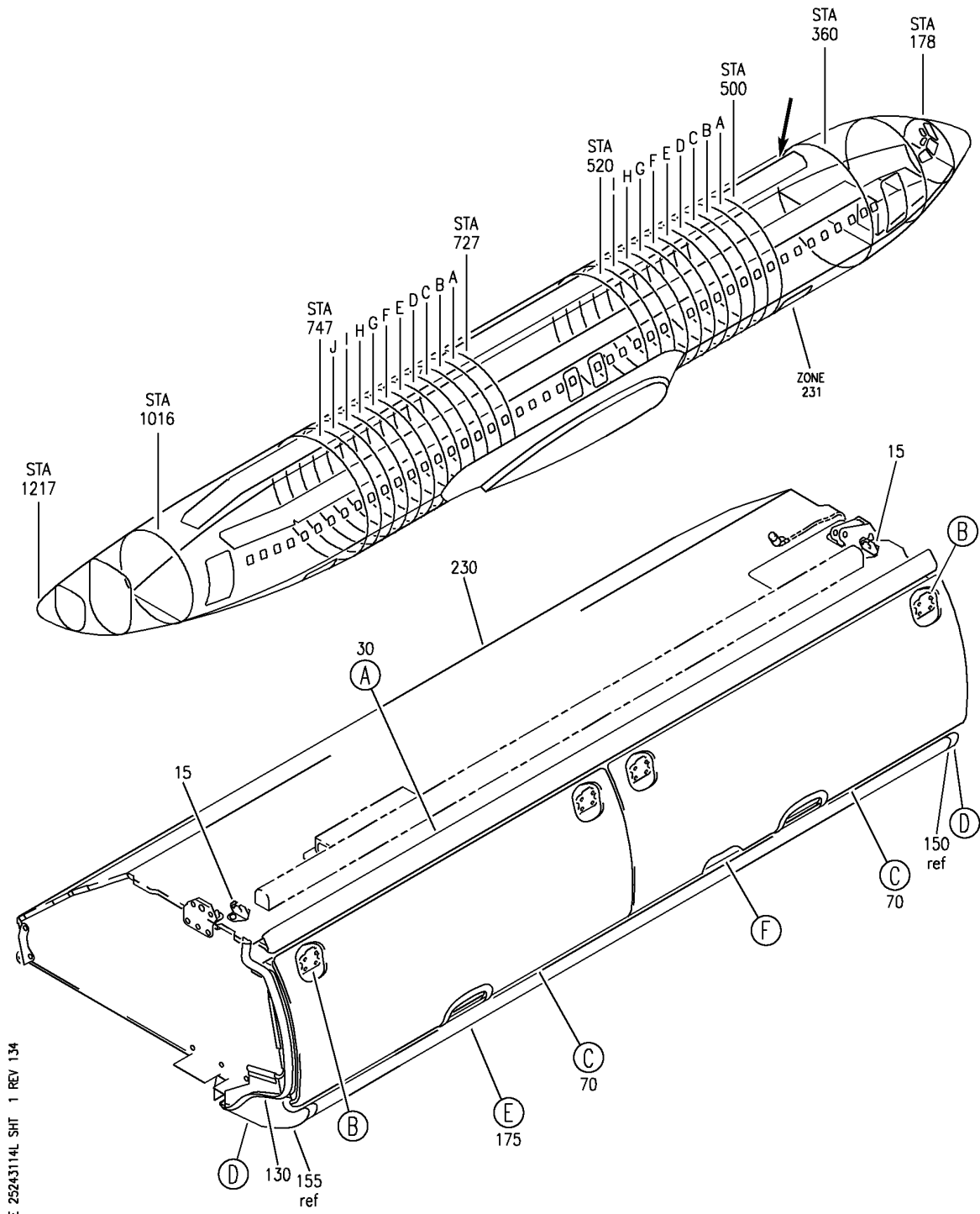
HAP

25-24-31-14K

BOEING PROPRIETARY - Copyright © - Unpublished Work - See title page for details.

25-24-31
 FIG. 14K
 PAGE 6
 OCT 15/08

BOEING
 737-600/700/800/900
 PARTS CATALOG (MAINTENANCE)



E 25243114L SHT 1 REV 134

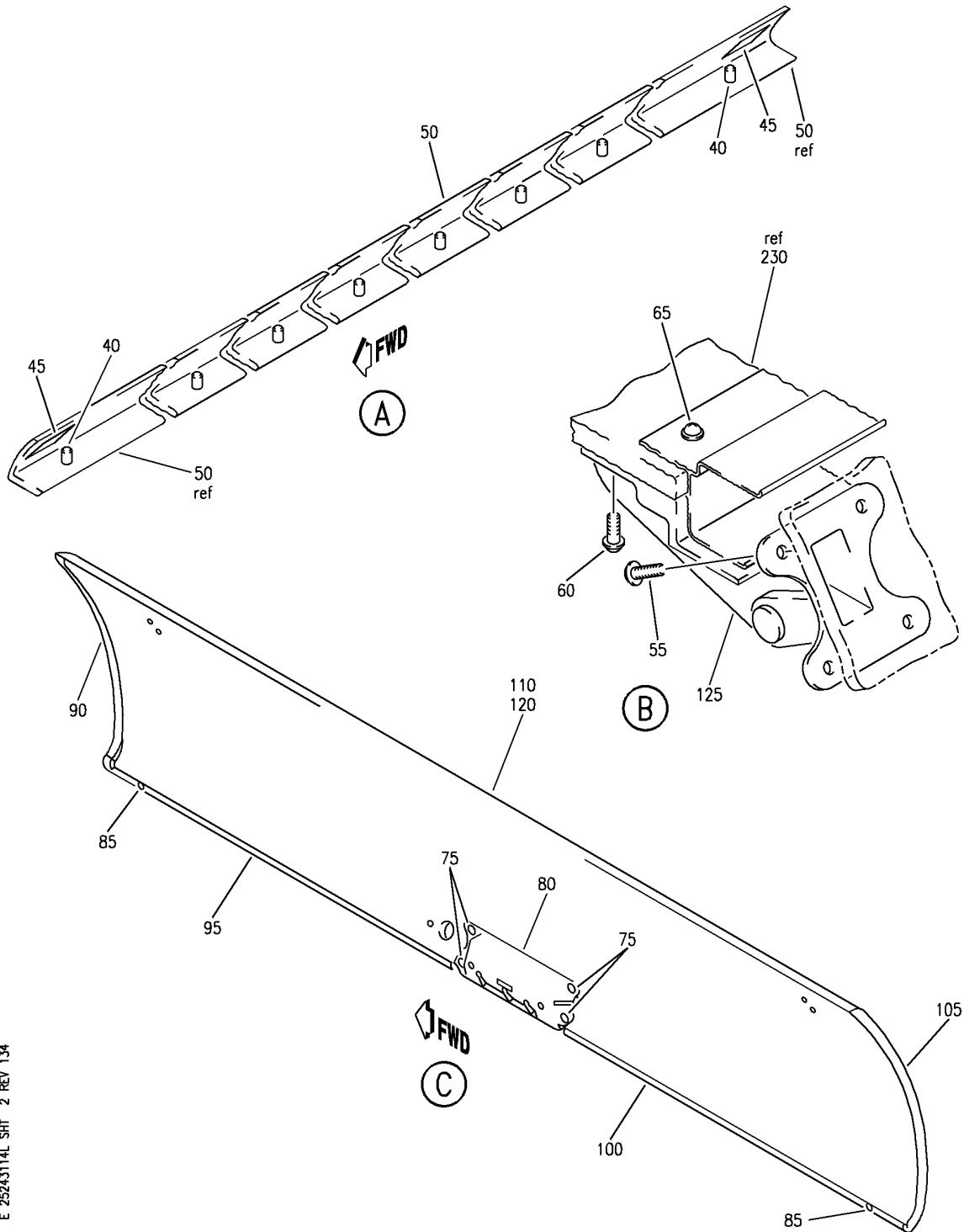
TOP ASSY-LH 80 IN. OVHD STOWAGE BIG BIN BULLNOSE CONFIGURATION (EQUIPMENT/FURNISHINGS ONLY)
 FIGURE 14L (SHEET 1)

25-24-31-14L

HAP
 OCT 10/07

25-24-31-14L
 PAGE 0

BOEING
 737-600/700/800/900
 PARTS CATALOG (MAINTENANCE)



E 25243114L SHT 2 REV 134

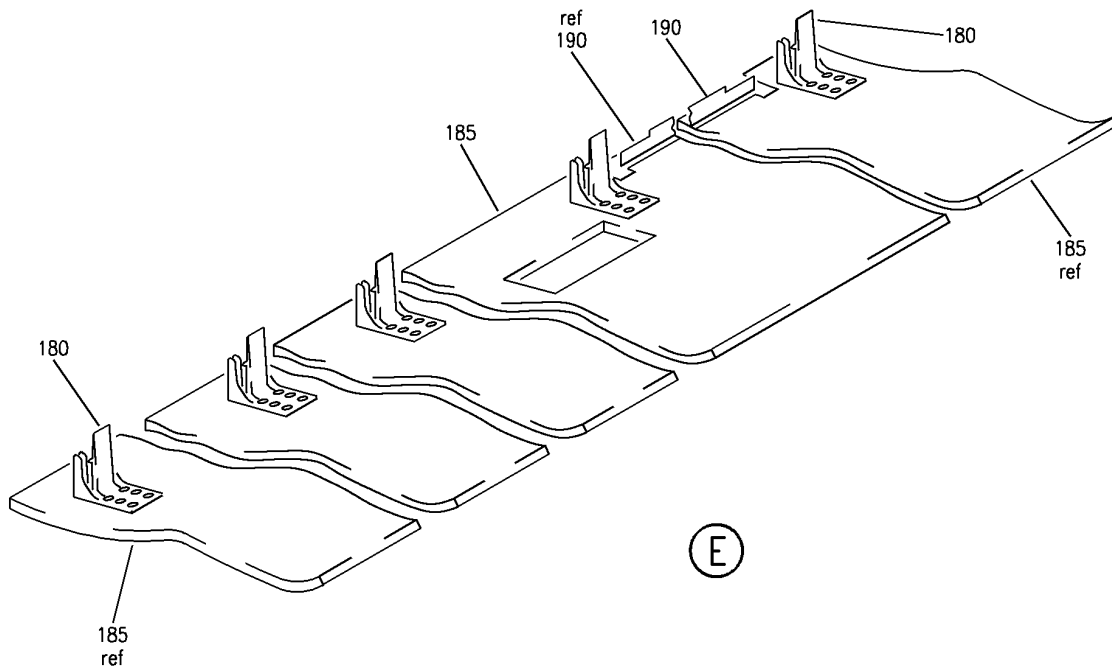
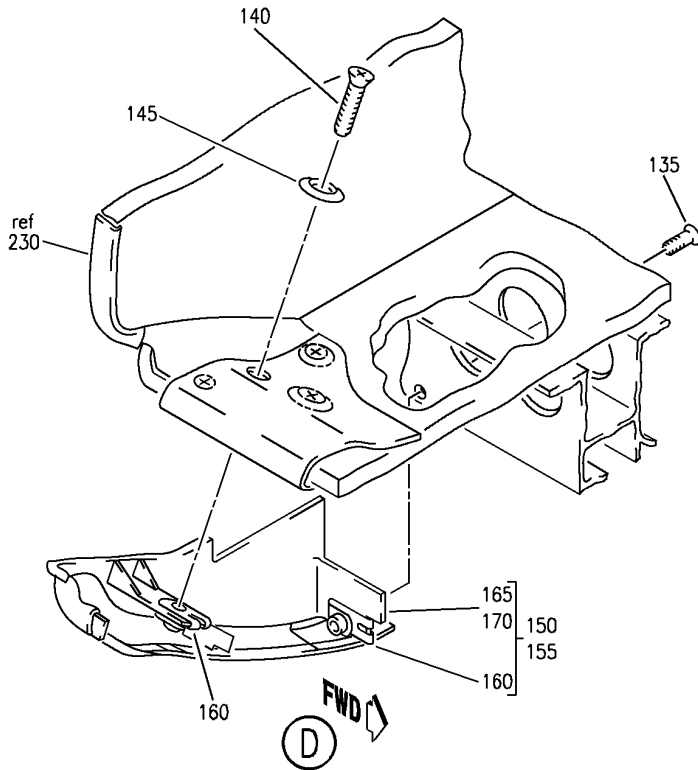
TOP ASSY-LH 80 IN. OVHD STOWAGE BIG BIN BULLNOSE CONFIGURATION (EQUIPMENT/FURNISHINGS ONLY)
 FIGURE 14L (SHEET 2)

HAP
 OCT 10/07

25-24-31-14L

25-24-31-14L
 PAGE 0A

BOEING
 737-600/700/800/900
 PARTS CATALOG (MAINTENANCE)



E 25243114L SHT 3 REV 134

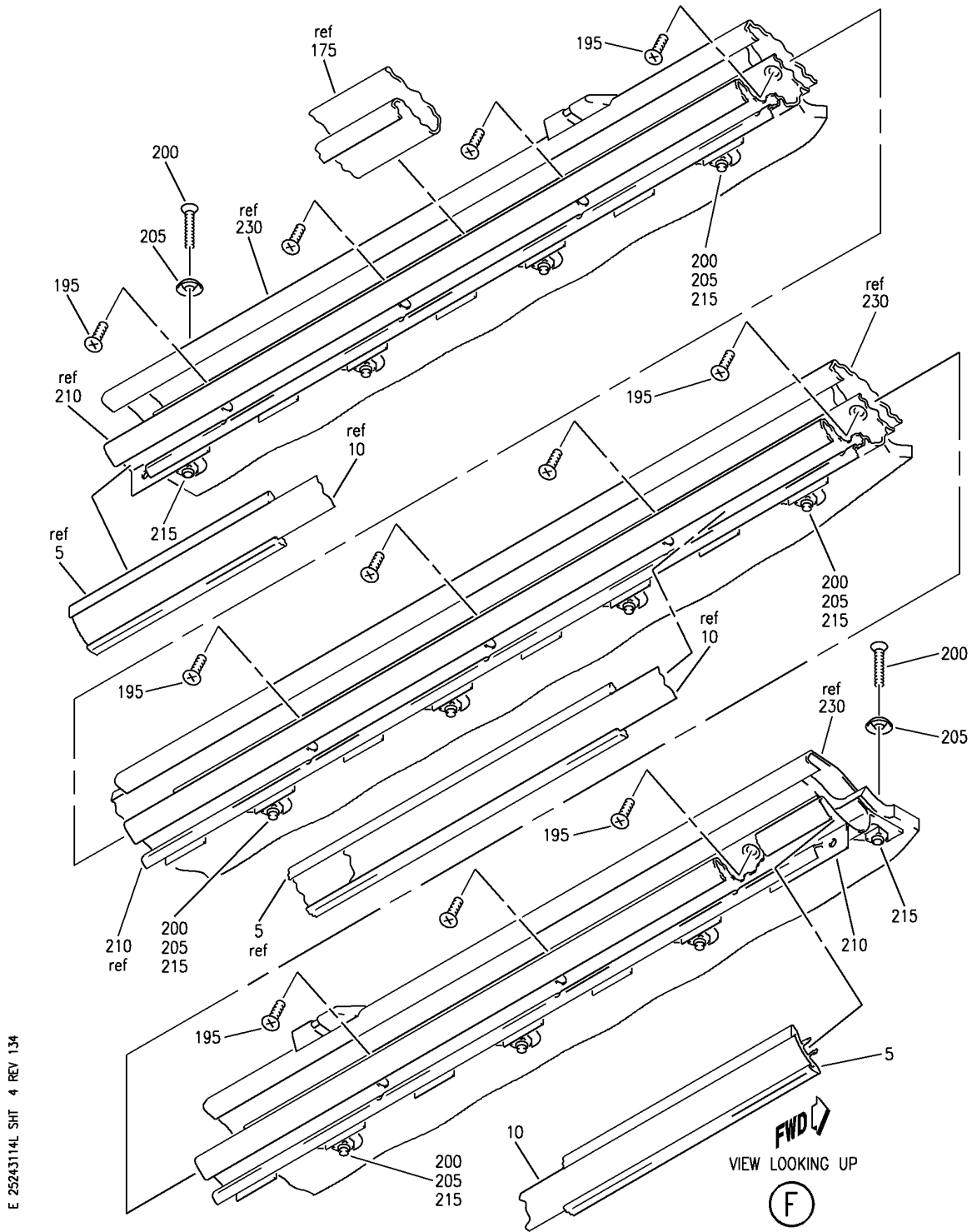
TOP ASSY-LH 80 IN. OVHD STOWAGE BIG BIN BULLNOSE CONFIGURATION (EQUIPMENT/FURNISHINGS ONLY)
 FIGURE 14L (SHEET 3)

HAP
 OCT 10/07

25-24-31-14L

25-24-31-14L
 PAGE 08

BOEING
 737-600/700/800/900
 PARTS CATALOG (MAINTENANCE)



E 25243114L SHT 4 REV 134

TOP ASSY-LH 80 IN. OVHD STOWAGE BIG BIN BULLNOSE CONFIGURATION (EQUIPMENT/FURNISHINGS ONLY)
 FIGURE 14L (SHEET 4)

25-24-31-14L

HAP
 OCT 10/07

25-24-31-14L
 PAGE 0C

BOEING PROPRIETARY - Copyright © - Unpublished Work - See title page for details.

BOEING
737-600/700/800/900
PARTS CATALOG (MAINTENANCE)

FIG ITEM	PART NUMBER	1 2 3 4 5 6 7	NOMENCLATURE	EFFECT FROM TO	UNITS PER ASSY
14L			TOP ASSY-LH 80 IN. OVHD STOWAGE BIG BIN BULLNOSE CONFIGURATION (EQUIPMENT/FURNISHINGS ONLY)	044100 102200 972999	
- 1	412A1057-1015C		TOP ASSY-80 IN. OVHD STOWAGE BIG BIN BULLNOSE CONFIGURATION (EQUIPMENT/ FURNISHINGS ONLY) POSITION DATA: LH POST RAPID REVISION: RR97237-17B FOR NHA/OTHER SYS DET SEE: 25-24-30-77 25-24-30-84	044100 102200 972999	RF
5	412A1420-1A		.EXTRUSION-SEAT ROW MARKER	044100 102200 972999	1
10	412A1451-2BCWK		.STRIP-TRIM	044100 102200 972999	1
15	H3-1592-1		.LATCH-CLG SUPPLIER CODE: V34941 SPECIFICATION NUMBER: S411A001-1 ATTACHING PARTS	044100 102200 972999	2
- 20	BACS12GU3K7		.SCREW	044100 102200 972999	4
- 25	NAS1149D0332J		.WASHER	044100 102200 972999	4
30	412A1700-1A		-----*----- .VALANCE ASSY-LT	044100 102200 972999	1
- 35	BACN10YJ3F		ATTACHING PARTS .NUT	044100 102200 972999	8
40	BACS21DW3C10FN		-----*----- . .STUD	044100 102200 972999	8
45	412A1700-6		. .TAPE-VELCRO	044100 102200 972999	2

MISSING ITEM NUMBERS NOT APPLICABLE

- ITEM NOT ILLUSTRATED

HAP

25-24-31-14L

BOEING PROPRIETARY - Copyright © - Unpublished Work - See title page for details.

25-24-31
FIG. 14L
PAGE 1
FEB 15/09

BOEING
737-600/700/800/900
PARTS CATALOG (MAINTENANCE)

FIG ITEM	PART NUMBER	1 2 3 4 5 6 7	NOMENCLATURE	EFFECT FROM TO	UNITS PER ASSY
14L					
50	412A1710-1A	..	PANEL ASSY	044100 102200 972999	1
55	BACS12FA3K5	.S	SCREW	044100 102200 972999	16
60	BACS12FA3K6	.S	SCREW	044100 102200 972999	4
65	BACS12FA3K15	.S	SCREW	044100 102200 972999	4
70	412A1505-101B	.D	DOOR ASSY-40 IN.	044100 102200 972999	2
75	BACS12FA3K4	..S	SCREW	044100 102200 972999	4
80	HA951-1	..L	LATCH ASSY- SUPPLIER CODE: V83014 SPECIFICATION NUMBER: S412A003-1	044100 102200 972999	1
85	412A1810-3B	..B	BUMPER- QUALIFIED I/W DATA: PN 412A1810-3B CAN REPLACE BUT NOT BE REPLACED BY PN 412A1810-2B FOR 737-600/700/800/900 ONLY.	044100 102200 972999	2
90	412A1452-104B	..T	TRIM-VERT	044100 102200 972999	1
95	412A1452-106B	..T	TRIM-HORIZ	044100 102200 972999	1
100	412A1452-105B	..T	TRIM-HORIZ	044100 102200 972999	1
105	412A1452-103B	..T	TRIM-VERT	044100 102200 972999	1
110	412A1513-102B	..	PANEL ASSY	044100 102200 972999	1
- 115	SL618-3A	...I	INSERT- SUPPLIER CODE: V97393	044100 102200 972999	12

MISSING ITEM NUMBERS NOT APPLICABLE

- ITEM NOT ILLUSTRATED

HAP

25-24-31-14L

BOEING PROPRIETARY - Copyright © - Unpublished Work - See title page for details.

25-24-31
FIG. 14L
PAGE 2
OCT 15/08

BOEING
737-600/700/800/900
PARTS CATALOG (MAINTENANCE)

FIG ITEM	PART NUMBER	1 2 3 4 5 6 7	NOMENCLATURE	EFFECT FROM TO	UNITS PER ASSY
14L 120	412A1513-101B	...	PANEL ASSY	044100 102200 972999	1
125	SP23011	.HINGE ASSY-	SUPPLIER CODE: V24403 SPECIFICATION NUMBER: S412A004-3	044100 102200 972999	4
130	403A3210-95B	.SEAL ASSY		044100 102200 972999	1
135	BACB30VF3K3	.BOLT		044100 102200 972999	2
140	BACS12ER3K11	.SCREW		044100 102200 972999	2
145	H3-1233A3	.WASHER-	SUPPLIER CODE: V34941 SPECIFICATION NUMBER: S411A001-1	044100 102200 972999	2
150	412A1467-1B	.CLOSEOUT ASSY		044100 102200 972999	1
155	412A1467-2B	.CLOSEOUT ASSY		044100 102200 972999	1
160	BACN10VR4CGN	..NUT-	OPTIONAL PART: BACN10VR4CG	044100 102200 972999	2
160	BACN10VR4CG	..NUT-	OPTIONAL PART: BACN10VR4CGN	044100 102200 972999	2
165	412A1467-5B	..CLOSEOUT-	USED ON: 412A1467-1B	044100 102200 972999	1
170	412A1467-6B	..CLOSEOUT-	USED ON: 412A1467-2B	044100 102200 972999	1
175	412A1607-21B	.COVER ASSY		044100 102200 972999	1
180	412A1460-2	..CLIP		044100 102200 972999	5
185	412A1450-22A	..TRIM		044100 102200 972999	1

MISSING ITEM NUMBERS NOT APPLICABLE

- ITEM NOT ILLUSTRATED

HAP

25-24-31-14L

BOEING PROPRIETARY - Copyright © - Unpublished Work - See title page for details.

25-24-31
FIG. 14L
PAGE 3
OCT 15/08

BOEING
737-600/700/800/900
PARTS CATALOG (MAINTENANCE)

FIG ITEM	PART NUMBER	1 2 3 4 5 6 7	NOMENCLATURE	EFFECT FROM TO	UNITS PER ASSY
14L 190	412A1617-17B	. .	PANEL	044100 102200 972999	1
195	BACS12FA3K5	. .	SCREW	044100 102200 972999	11
200	BACS12ER3K14	. .	SCREW	044100 102200 972999	12
205	H3-1233A3	. .	WASHER- SUPPLIER CODE: V34941 SPECIFICATION NUMBER: S411A001-1	044100 102200 972999	12
210	412A1244-1	. .	EXTRUSION ASSY	044100 102200 972999	1
215	FS1651-3	. .	NUTPLATE SUPPLIER CODE: V15653 SPECIFICATION NUMBER: BACN10KH3CD OPTIONAL PART: 102F9209M3 V72962 NS202496-02 V80539 ATTACHING PARTS	044100 102200 972999	12
- 220	BACR15BA3ADC	. .	RIVET- SIZE DETERMINED ON INSTL. -----*-----	044100 102200 972999	24
- 225	412A1811-2B	. .	PLUG	044100 102200 972999	AR
230	412A1205-15B	. .	BOX ASSY-80 IN. BIG BIN FOR DETAILS SEE: 25-24-32-83G	044100 102200 972999	1

MISSING ITEM NUMBERS NOT APPLICABLE

- ITEM NOT ILLUSTRATED

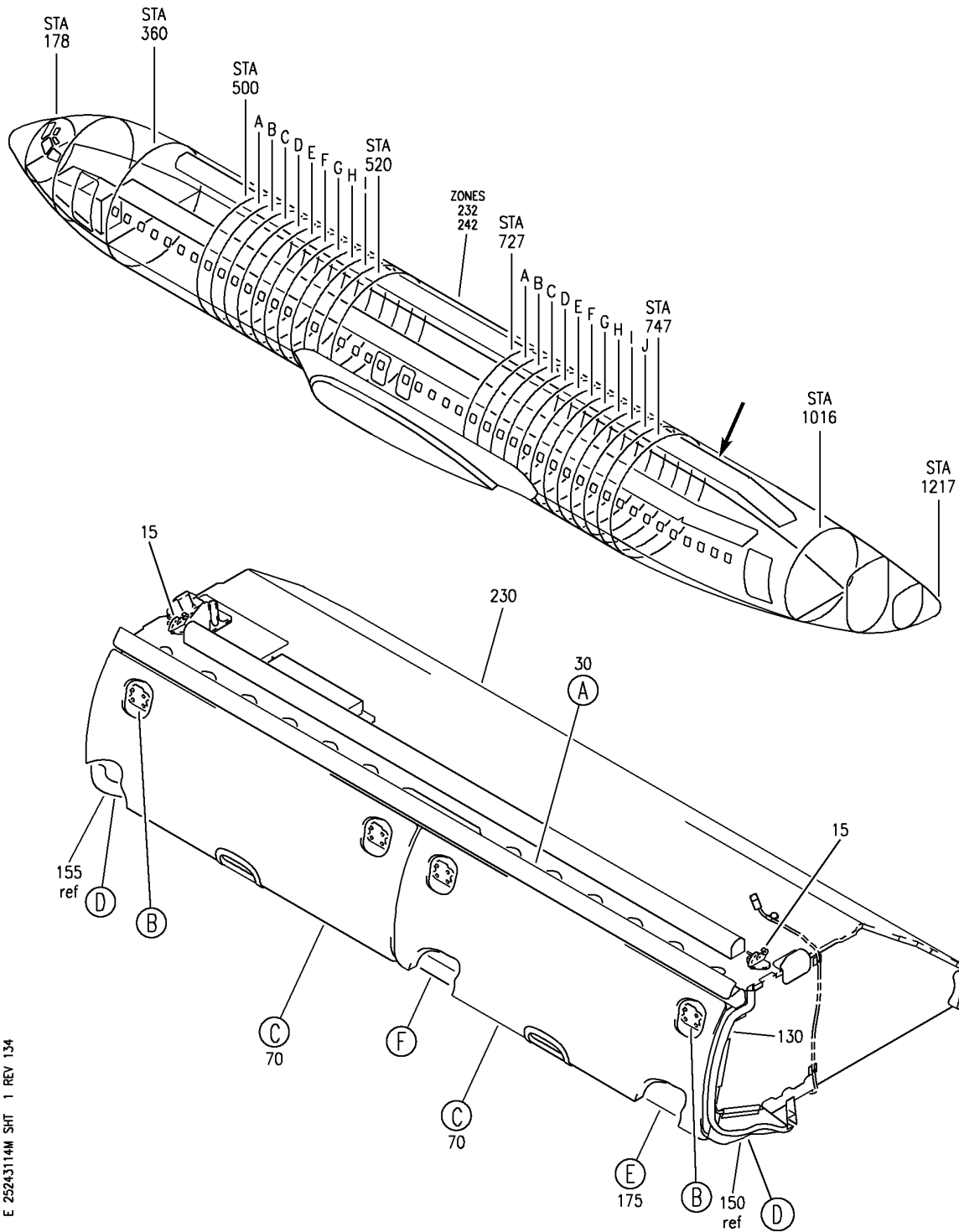
HAP

25-24-31-14L

BOEING PROPRIETARY - Copyright © - Unpublished Work - See title page for details.

25-24-31
FIG. 14L
PAGE 4
OCT 15/08

BOEING
737-600/700/800/900
PARTS CATALOG (MAINTENANCE)



E 25243114M SHT 1 REV 134

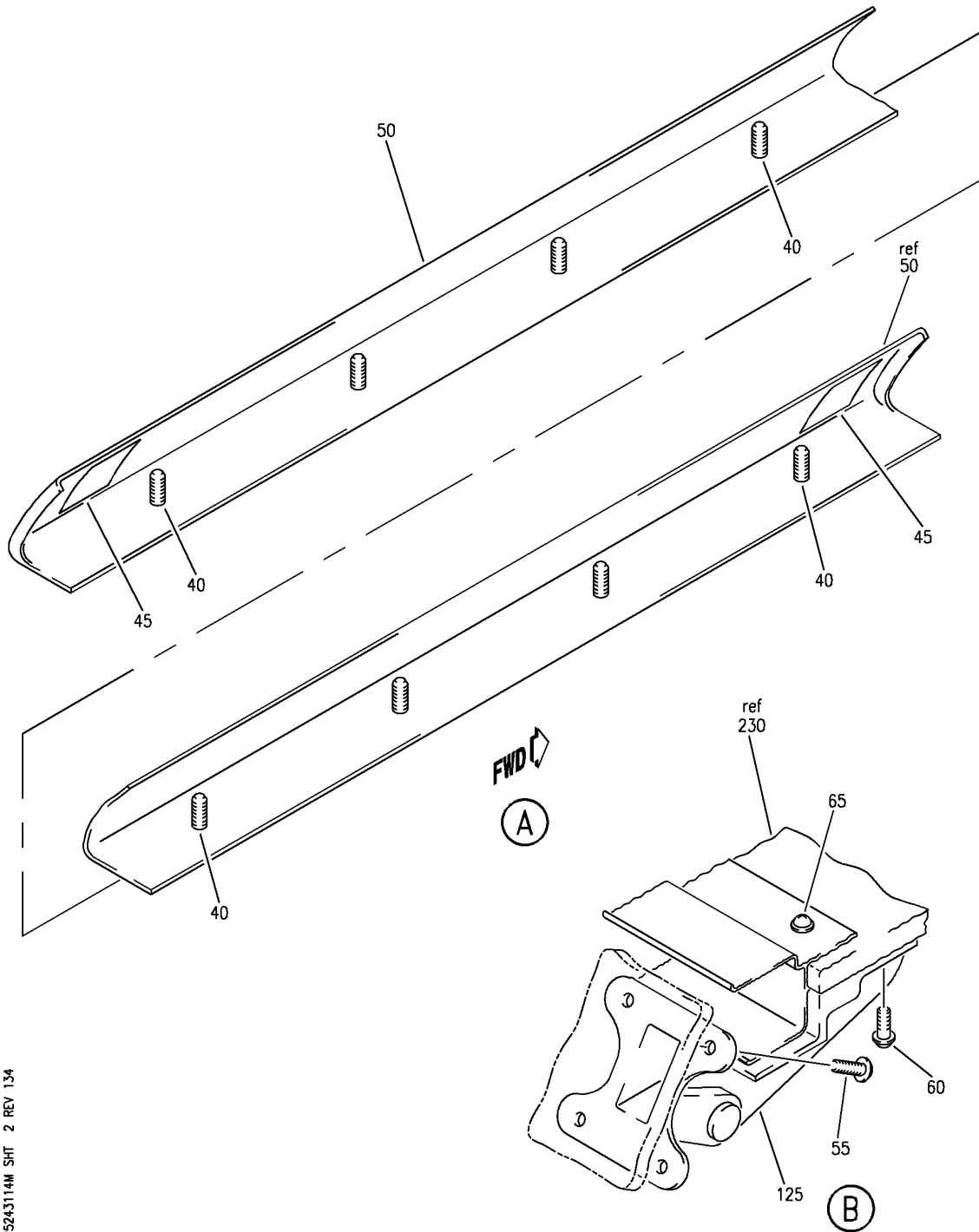
TOP ASSY-RH 80 IN. OVHD STOWAGE BIG BIN BULLNOSE CONFIGURATION (EQUIPMENT/FURNISHINGS ONLY)
 FIGURE 14M (SHEET 1)

HAP
 OCT 10/07

25-24-31-14M

25-24-31-14M
 PAGE 0

BOEING
 737-600/700/800/900
 PARTS CATALOG (MAINTENANCE)



E 25243114M SHT 2 REV 134

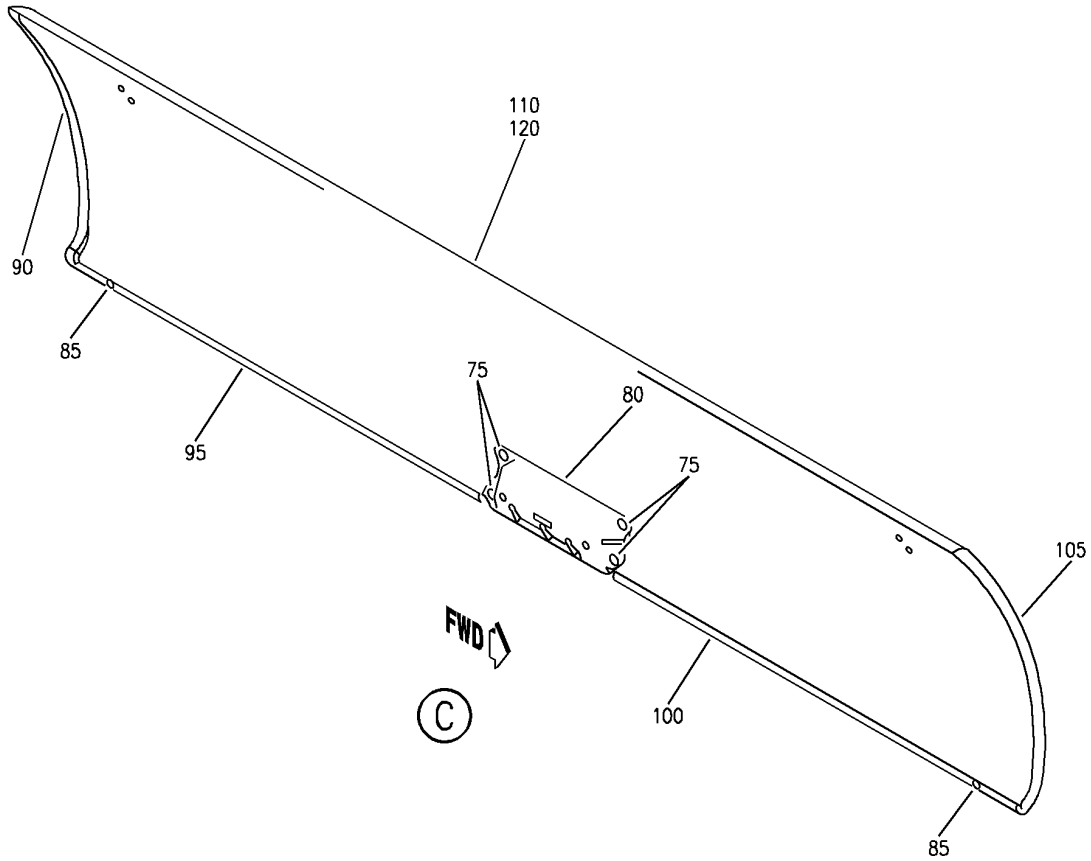
TOP ASSY-RH 80 IN. OVHD STOWAGE BIG BIN BULLNOSE CONFIGURATION (EQUIPMENT/FURNISHINGS ONLY)
 FIGURE 14M (SHEET 2)

HAP
 OCT 10/07

25-24-31-14M

25-24-31-14M
 PAGE 0A

BOEING
737-600/700/800/900
PARTS CATALOG (MAINTENANCE)



E 2524-31-14M SHT 3 REV 134

TOP ASSY-RH 80 IN. OVHD STOWAGE BIG BIN BULLNOSE CONFIGURATION (EQUIPMENT/FURNISHINGS ONLY)
FIGURE 14M (SHEET 3)

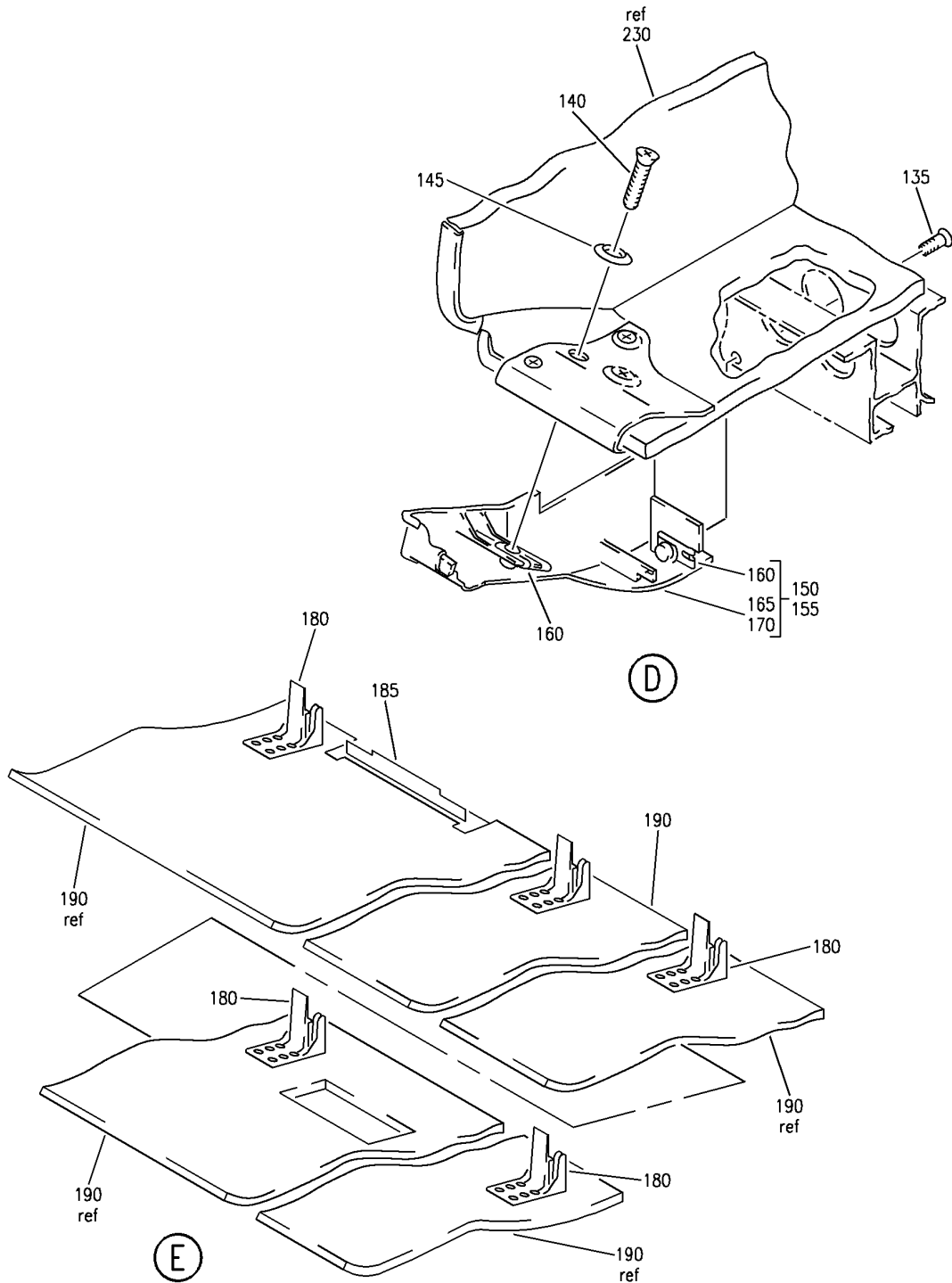
HAP
OCT 10/07

25-24-31-14M

25-24-31-14M
PAGE 08

BOEING PROPRIETARY - Copyright © - Unpublished Work - See title page for details.

BOEING
 737-600/700/800/900
 PARTS CATALOG (MAINTENANCE)



E 25243114M SHT 4 REV 134

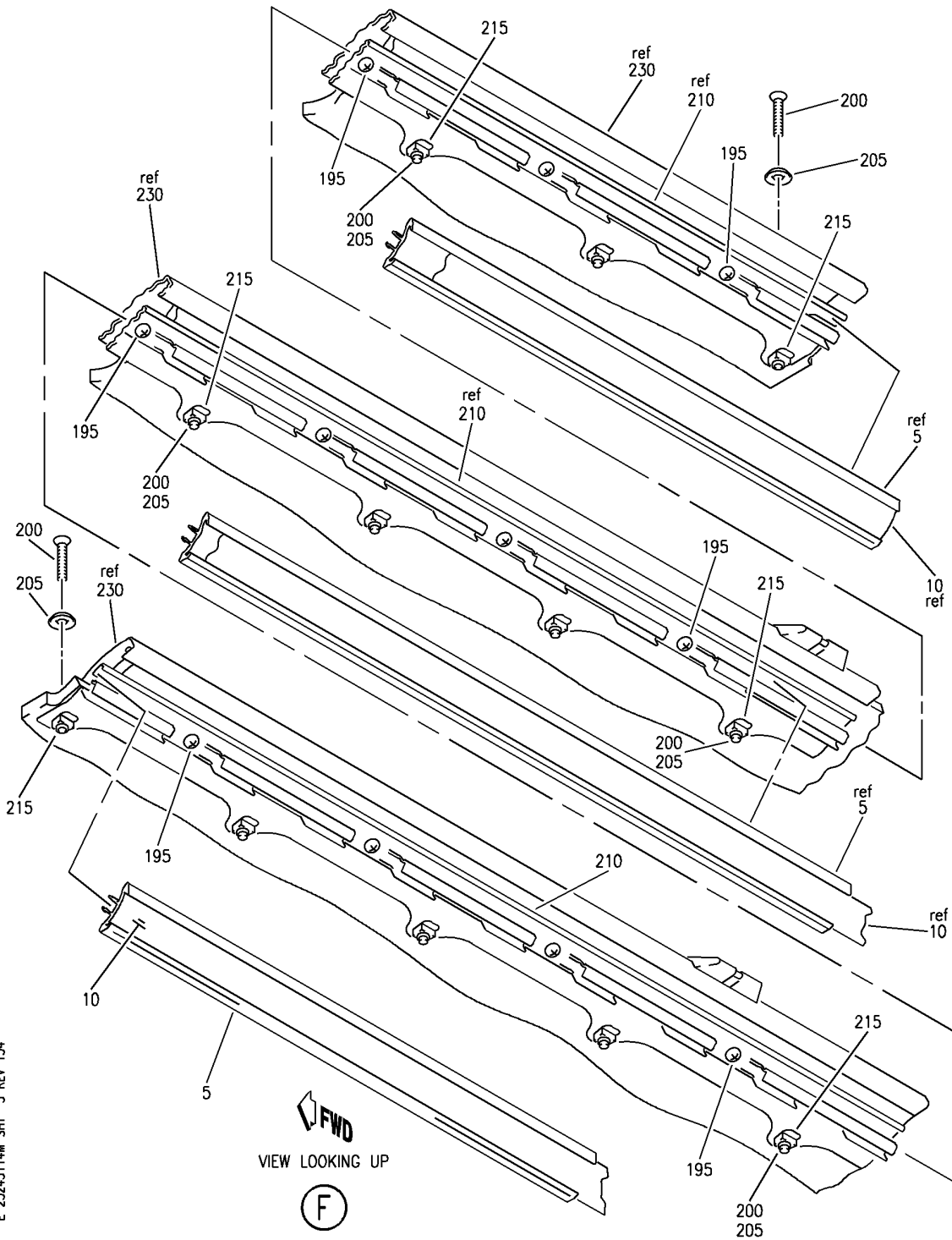
TOP ASSY-RH 80 IN. OVHD STOWAGE BIG BIN BULLNOSE CONFIGURATION (EQUIPMENT/FURNISHINGS ONLY)
 FIGURE 14M (SHEET 4)

HAP
 OCT 10/07

25-24-31-14M

25-24-31-14M
 PAGE 0C

BOEING
 737-600/700/800/900
 PARTS CATALOG (MAINTENANCE)



E 25243114M SHT 5 REV 134

TOP ASSY-RH 80 IN. OVHD STOWAGE BIG BIN BULLNOSE CONFIGURATION (EQUIPMENT/FURNISHINGS ONLY)
 FIGURE 14M (SHEET 5)

HAP
 OCT 10/07

25-24-31-14M

25-24-31-14M
 PAGE 0D

BOEING PROPRIETARY - Copyright © - Unpublished Work - See title page for details.

BOEING
737-600/700/800/900
PARTS CATALOG (MAINTENANCE)

FIG ITEM	PART NUMBER	1 2 3 4 5 6 7	NOMENCLATURE	EFFECT FROM TO	UNITS PER ASSY
14M			TOP ASSY-RH 80 IN. OVHD STOWAGE BIG BIN BULLNOSE CONFIGURATION (EQUIPMENT/FURNISHINGS ONLY)	044100 102200 972999	
- 1	412A1057-1016C		TOP ASSY-80 IN. OVHD STOWAGE BIG BIN BULLNOSE CONFIGURATION (EQUIPMENT/ FURNISHINGS ONLY) POSITION DATA: RH POST RAPID REVISION: RR97237-17B FOR NHA/OTHER SYS DET SEE: 25-24-30-77 25-24-30-84	044100 102200 972999	RF
5	412A1420-1A		.EXTRUSION-SEAT ROW MARKER	044100 102200 972999	1
10	412A1451-2BCWK		.STRIP-TRIM	044100 102200 972999	1
15	H3-1592-1		.LATCH-CLG SUPPLIER CODE: V34941 SPECIFICATION NUMBER: S411A001-1 ATTACHING PARTS	044100 102200 972999	2
- 20	BACS12GU3K7		.SCREW	044100 102200 972999	4
- 25	NAS1149D0332J		.WASHER	044100 102200 972999	4
30	412A1700-1A		-----*----- .VALANCE ASSY-LT	044100 102200 972999	1
- 35	BACN10YJ3F		ATTACHING PARTS .NUT	044100 102200 972999	8
40	BACS21DW3C10FN		-----*----- ..STUD	044100 102200 972999	8
45	412A1700-6		..TAPE-VELCRO	044100 102200 972999	2

MISSING ITEM NUMBERS NOT APPLICABLE

- ITEM NOT ILLUSTRATED

HAP

25-24-31-14M

BOEING PROPRIETARY - Copyright © - Unpublished Work - See title page for details.

25-24-31
FIG. 14M
PAGE 1
FEB 15/09

BOEING
737-600/700/800/900
PARTS CATALOG (MAINTENANCE)

FIG ITEM	PART NUMBER	1 2 3 4 5 6 7	NOMENCLATURE	EFFECT FROM TO	UNITS PER ASSY
14M					
50	412A1710-1A	..	PANEL ASSY	044100 102200 972999	1
55	BACS12FA3K5	.S	SCREW	044100 102200 972999	16
60	BACS12FA3K6	.S	SCREW	044100 102200 972999	4
65	BACS12FA3K15	.S	SCREW	044100 102200 972999	4
70	412A1505-101B	.D	DOOR ASSY-40 IN.	044100 102200 972999	2
75	BACS12FA3K4	..S	SCREW	044100 102200 972999	4
80	HA951-1	..L	LATCH ASSY- SUPPLIER CODE: V83014 SPECIFICATION NUMBER: S412A003-1	044100 102200 972999	1
85	412A1810-3B	..B	BUMPER- QUALIFIED I/W DATA: PN 412A1810-3B CAN REPLACE BUT NOT BE REPLACED BY PN 412A1810-2B FOR 737-600/700/800/900 ONLY.	044100 102200 972999	2
90	412A1452-104B	..T	TRIM-VERT	044100 102200 972999	1
95	412A1452-106B	..T	TRIM-HORIZ	044100 102200 972999	1
100	412A1452-105B	..T	TRIM-HORIZ	044100 102200 972999	1
105	412A1452-103B	..T	TRIM-VERT	044100 102200 972999	1
110	412A1513-102B	..	PANEL ASSY	044100 102200 972999	1
- 115	SL618-3A	...I	INSERT- SUPPLIER CODE: V97393	044100 102200 972999	12

MISSING ITEM NUMBERS NOT APPLICABLE

- ITEM NOT ILLUSTRATED

HAP

25-24-31-14M

BOEING PROPRIETARY - Copyright © - Unpublished Work - See title page for details.

25-24-31
FIG. 14M
PAGE 2
OCT 15/08

BOEING
737-600/700/800/900
PARTS CATALOG (MAINTENANCE)

FIG ITEM	PART NUMBER	1 2 3 4 5 6 7	NOMENCLATURE	EFFECT FROM TO	UNITS PER ASSY
14M 120	412A1513-101B	...	PANEL ASSY	044100 102200 972999	1
125	SP23011	.HINGE ASSY-	SUPPLIER CODE: V24403 SPECIFICATION NUMBER: S412A004-3	044100 102200 972999	4
130	403A3210-96B	.SEAL ASSY		044100 102200 972999	1
135	BACB30VF3K3	.BOLT		044100 102200 972999	2
140	BACS12ER3K11	.SCREW		044100 102200 972999	2
145	H3-1233A3	.WASHER-	SUPPLIER CODE: V34941 SPECIFICATION NUMBER: S411A001-1	044100 102200 972999	2
150	412A1467-1B	.CLOSEOUT ASSY		044100 102200 972999	1
155	412A1467-2B	.CLOSEOUT ASSY		044100 102200 972999	1
160	BACN10VR4CGN	..NUT-	OPTIONAL PART: BACN10VR4CG	044100 102200 972999	2
160	BACN10VR4CG	..NUT-	OPTIONAL PART: BACN10VR4CGN	044100 102200 972999	2
165	412A1467-5B	..CLOSEOUT-	USED ON: 412A1467-1B	044100 102200 972999	1
170	412A1467-6B	..CLOSEOUT-	USED ON: 412A1467-2B	044100 102200 972999	1
175	412A1607-22B	.COVER ASSY		044100 102200 972999	1
180	412A1460-2	..CLIP		044100 102200 972999	5
185	412A1450-22A	..TRIM		044100 102200 972999	1

MISSING ITEM NUMBERS NOT APPLICABLE

- ITEM NOT ILLUSTRATED

HAP

25-24-31-14M

BOEING PROPRIETARY - Copyright © - Unpublished Work - See title page for details.

25-24-31
FIG. 14M
PAGE 3
OCT 15/08

BOEING
737-600/700/800/900
PARTS CATALOG (MAINTENANCE)

FIG ITEM	PART NUMBER	1 2 3 4 5 6 7	NOMENCLATURE	EFFECT FROM TO	UNITS PER ASSY
14M 190	412A1617-22B	. .	PANEL	044100 102200 972999	1
195	BACS12FA3K5	. .	SCREW	044100 102200 972999	11
200	BACS12ER3K14	. .	SCREW	044100 102200 972999	12
205	H3-1233A3	. .	WASHER- SUPPLIER CODE: V34941 SPECIFICATION NUMBER: S411A001-1	044100 102200 972999	12
210	412A1244-1	. .	EXTRUSION ASSY	044100 102200 972999	1
215	FS1651-3	. .	NUTPLATE SUPPLIER CODE: V15653 SPECIFICATION NUMBER: BACN10KH3CD OPTIONAL PART: 102F9209M3 V72962 NS202496-02 V80539 ATTACHING PARTS	044100 102200 972999	12
- 220	BACR15BA3ADC	. .	RIVET- SIZE DETERMINED ON INSTL. -----*-----	044100 102200 972999	24
- 225	412A1811-2B	. .	PLUG	044100 102200 972999	AR
230	412A1205-16B	. .	BOX ASSY-80 IN. BIG BIN FOR DETAILS SEE: 25-24-32-83C	044100 102200 972999	1

MISSING ITEM NUMBERS NOT APPLICABLE

- ITEM NOT ILLUSTRATED

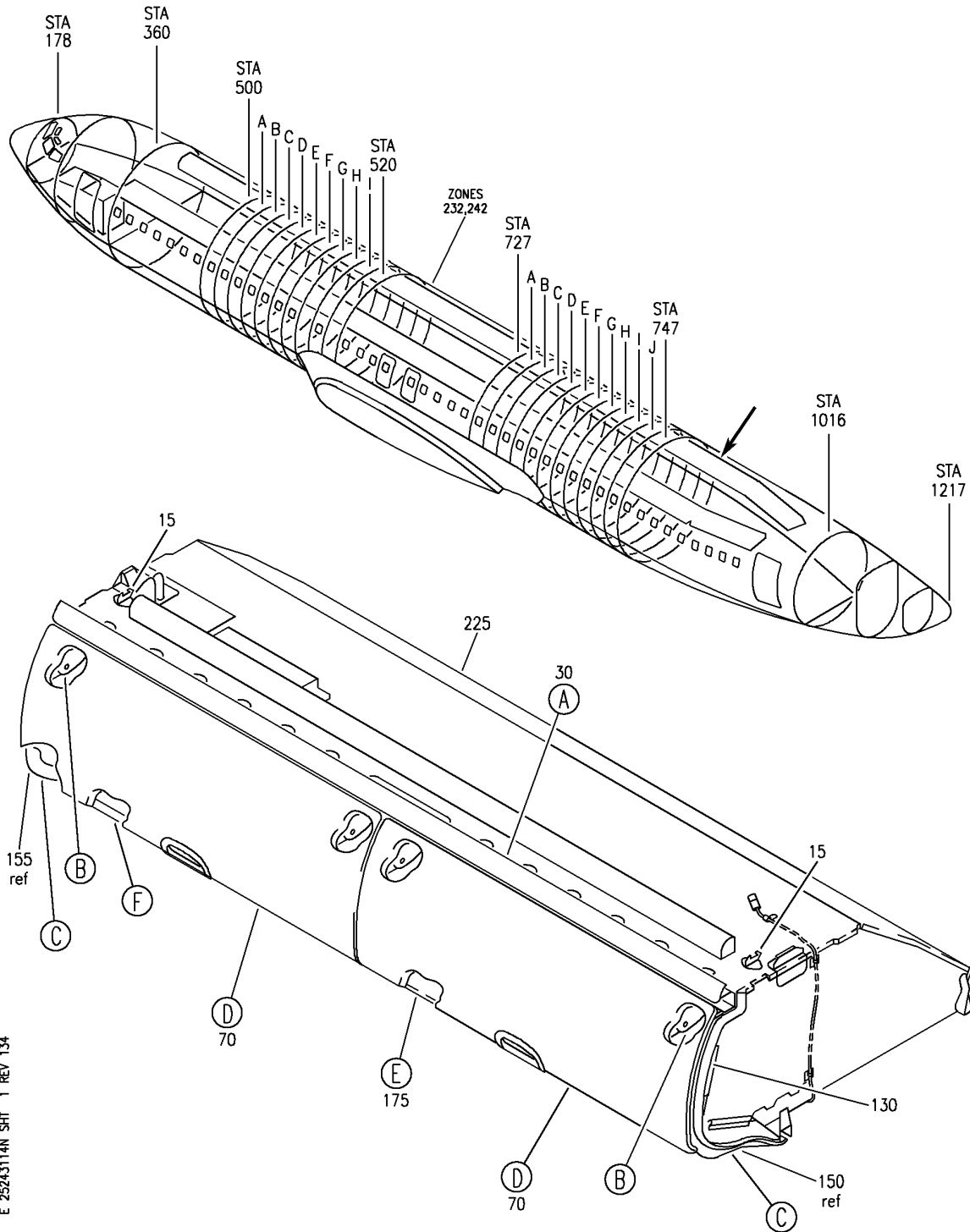
HAP

25-24-31-14M

BOEING PROPRIETARY - Copyright © - Unpublished Work - See title page for details.

25-24-31
FIG. 14M
PAGE 4
OCT 15/08

BOEING
 737-600/700/800/900
 PARTS CATALOG (MAINTENANCE)



E 25243114N SHT 1 REV 134

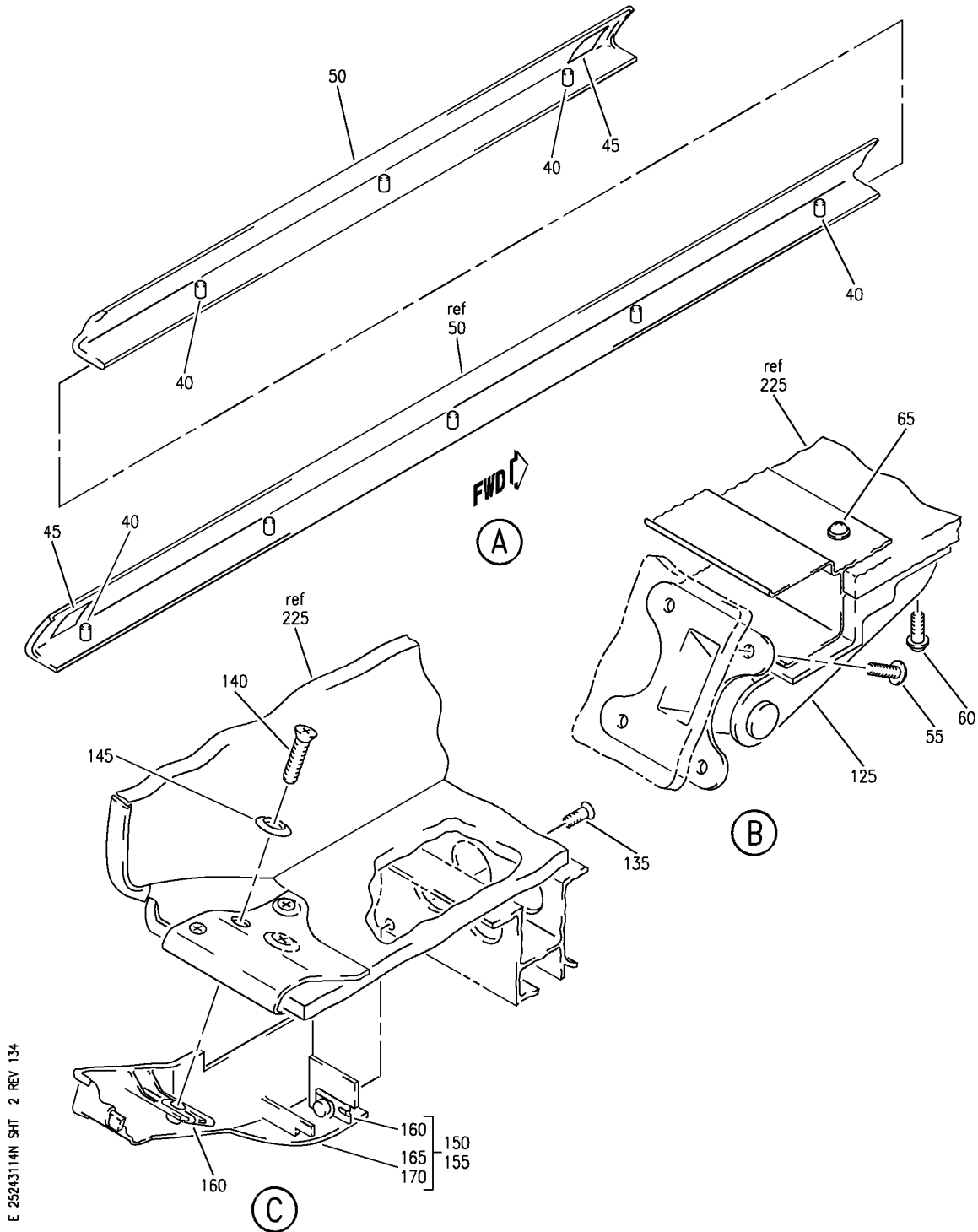
TOP ASSY-RH 80 IN. OVHD STOWAGE BIG BIN BULLNOSE CONFIGURATION (EQUIPMENT/FURNISHINGS ONLY)
 FIGURE 14N (SHEET 1)

HAP
 OCT 10/07

25-24-31-14N

25-24-31-14N
 PAGE 0

BOEING
 737-600/700/800/900
 PARTS CATALOG (MAINTENANCE)



E 25243114N SHT 2 REV 134

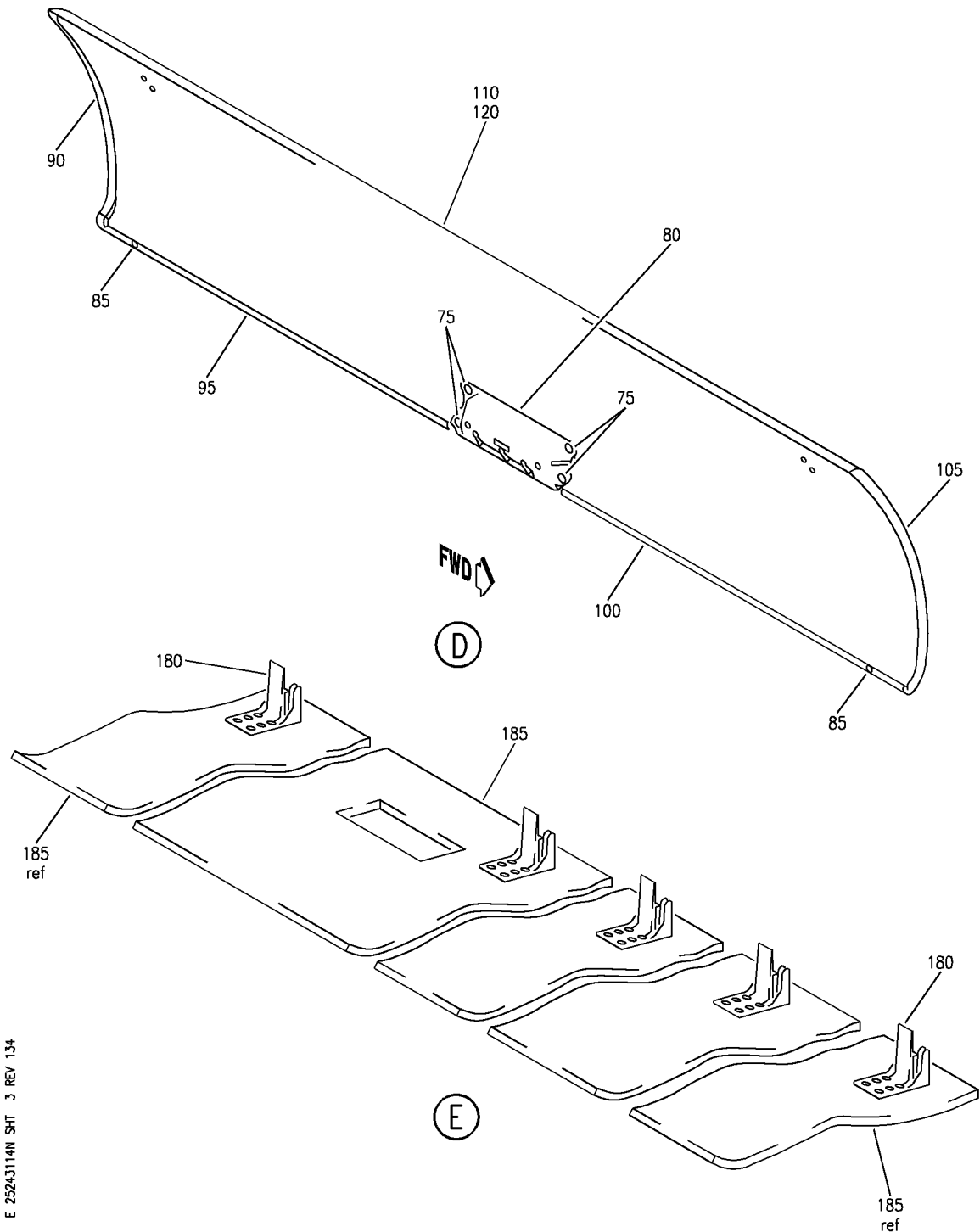
TOP ASSY-RH 80 IN. OVHD STOWAGE BIG BIN BULLNOSE CONFIGURATION (EQUIPMENT/FURNISHINGS ONLY)
 FIGURE 14N (SHEET 2)

HAP
 OCT 10/07

25-24-31-14N

25-24-31-14N
 PAGE 0A

BOEING
 737-600/700/800/900
 PARTS CATALOG (MAINTENANCE)



E 25243114N SHT 3 REV 134

TOP ASSY-RH 80 IN. OVHD STOWAGE BIG BIN BULLNOSE CONFIGURATION (EQUIPMENT/FURNISHINGS ONLY)
 FIGURE 14N (SHEET 3)

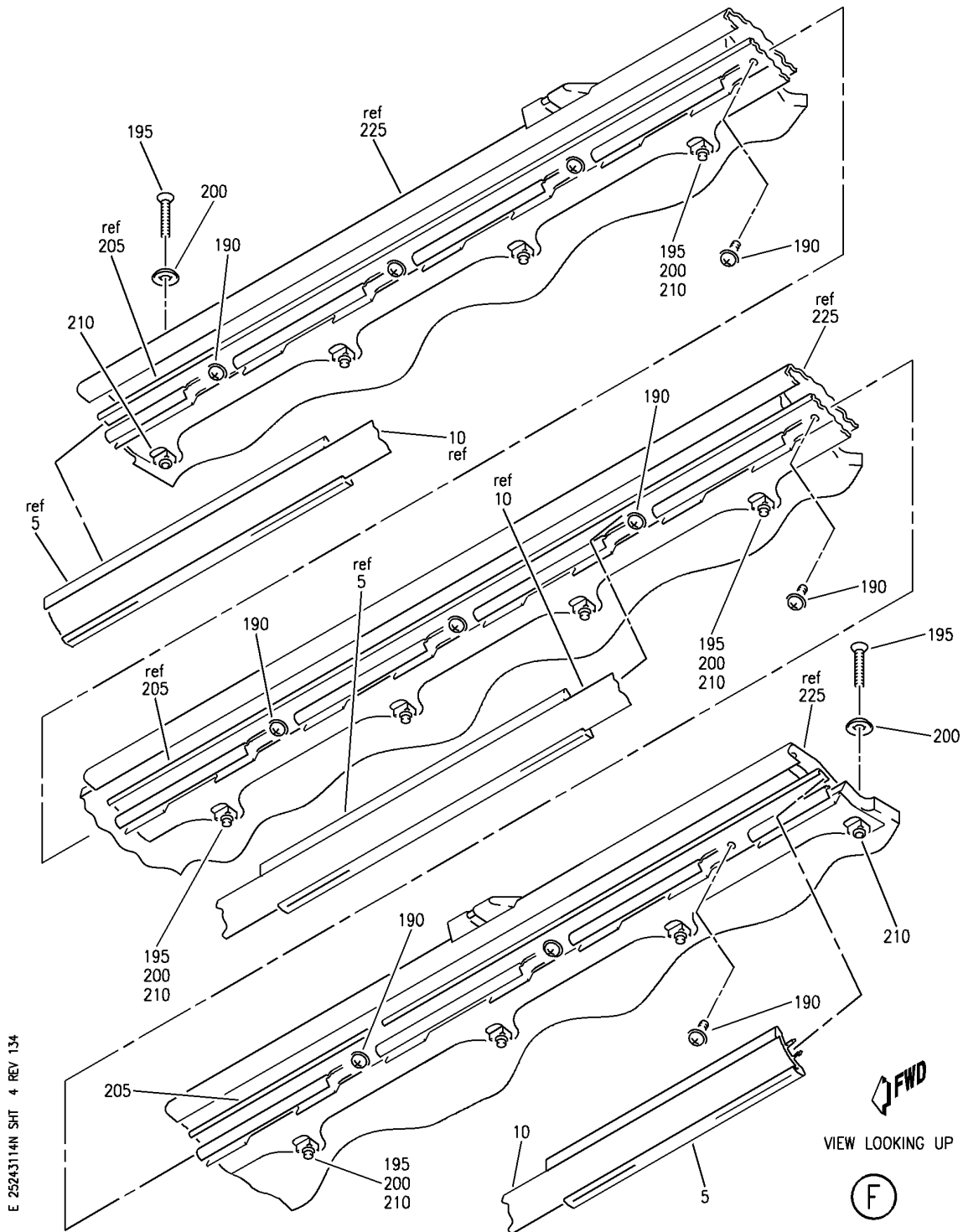
HAP
 OCT 10/07

25-24-31-14N

25-24-31-14N
 PAGE 0B

BOEING PROPRIETARY - Copyright © - Unpublished Work - See title page for details.

BOEING
 737-600/700/800/900
 PARTS CATALOG (MAINTENANCE)



E 25243114N SHT 4 REV 134

TOP ASSY-RH 80 IN. OVHD STOWAGE BIG BIN BULLNOSE CONFIGURATION (EQUIPMENT/FURNISHINGS ONLY)
 FIGURE 14N (SHEET 4)

HAP
 OCT 10/07

25-24-31-14N

25-24-31-14N
 PAGE 0C

BOEING
737-600/700/800/900
PARTS CATALOG (MAINTENANCE)

FIG ITEM	PART NUMBER	1 2 3 4 5 6 7	NOMENCLATURE	EFFECT FROM TO	UNITS PER ASSY
14N			TOP ASSY-RH 80 IN. OVHD STOWAGE BIG BIN BULLNOSE CONFIGURATION (EQUIPMENT/FURNISHINGS ONLY)	044100 102200 972999	
- 1	412A1057-1002B		TOP ASSY-80 IN. OVHD STOWAGE BIG BIN BULLNOSE CONFIGURATION (EQUIPMENT/ FURNISHINGS ONLY) POSITION DATA: RH FOR NHA/OTHER SYS DET SEE: 25-24-30-77 25-24-30-84	044047 049100 102200 972999	RF
R R R R R R R R	- 1	412A1057-1002B	TOP ASSY-80 IN. OVHD STOWAGE BIG BIN BULLNOSE CONFIGURATION (EQUIPMENT/ FURNISHINGS ONLY) POSITION DATA: RH POST RAPID REVISION: RR97237-17B FOR NHA/OTHER SYS DET SEE: 25-24-30-84	048048	RF
	5	412A1420-1A	.EXTRUSION-SEAT ROW MARKER	044100	1
	5	412A1420-1A	.EXTRUSION-SEAT ROW MARKER	102200 972999	1
	10	412A1451-2BCWK	.STRIP-TRIM	044100	1
	10	412A1451-2BCWK	.STRIP-TRIM	102200 972999	1
	15	H3-1592-1	.LATCH-CLG SUPPLIER CODE: V34941 SPECIFICATION NUMBER: S411A001-1	044100	2
	15	H3-1592-1	.LATCH-CLG SUPPLIER CODE: V34941 SPECIFICATION NUMBER: S411A001-1	102200 972999	2
	- 20	BACS12GU3K7	.SCREW	044100	4
	- 20	BACS12GU3K7	.SCREW	102200 972999	4
	- 25	NAS1149D0332J	.WASHER	044100	4
	- 25	NAS1149D0332J	.WASHER	102200 972999	4
	30	412A1700-1A	-----*----- .VALANCE ASSY-LT	044100	1

MISSING ITEM NUMBERS NOT APPLICABLE

- ITEM NOT ILLUSTRATED

HAP

25-24-31-14N

BOEING PROPRIETARY - Copyright © - Unpublished Work - See title page for details.

25-24-31
FIG. 14N
PAGE 1
JUN 15/09

BOEING
737-600/700/800/900
PARTS CATALOG (MAINTENANCE)

FIG ITEM	PART NUMBER	1 2 3 4 5 6 7	NOMENCLATURE	EFFECT FROM TO	UNITS PER ASSY
14N					
30	412A1700-1A	.	VALANCE ASSY-LT	102200 972999	1
			ATTACHING PARTS		
- 35	BACN10YJ3F	.	NUT	044100	8
- 35	BACN10YJ3F	.	NUT	102200 972999	8
			-----*-----		
40	BACS21DW3C10FN	..	STUD	044100	8
40	BACS21DW3C10FN	..	STUD	102200 972999	8
45	412A1700-6	..	TAPE-VELCRO	044100	2
45	412A1700-6	..	TAPE-VELCRO	102200 972999	2
50	412A1710-1A	..	PANEL ASSY	044100	1
50	412A1710-1A	..	PANEL ASSY	102200 972999	1
55	BACS12FA3K5	.	SCREW	044100	16
55	BACS12FA3K5	.	SCREW	102200 972999	16
60	BACS12FA3K6	.	SCREW	044100	4
60	BACS12FA3K6	.	SCREW	102200 972999	4
65	BACS12FA3K15	.	SCREW	044100	4
65	BACS12FA3K15	.	SCREW	102200 972999	4
70	412A1505-101B	.	DOOR ASSY-40 IN.	044100	2
70	412A1505-101B	.	DOOR ASSY-40 IN.	102200 972999	2
75	BACS12FA3K4	..	SCREW	044100	4
75	BACS12FA3K4	..	SCREW	102200 972999	4
80	HA951-1	..	LATCH ASSY- SUPPLIER CODE: V83014 SPECIFICATION NUMBER: S412A003-1	044100	1
80	HA951-1	..	LATCH ASSY- SUPPLIER CODE: V83014 SPECIFICATION NUMBER: S412A003-1	102200 972999	1
85	412A1810-3B	..	BUMPER- QUALIFIED I/W DATA: PN 412A1810-3B CAN REPLACE BUT NOT BE REPLACED BY PN 412A1810-2B FOR 737-600/700/800/900 ONLY.	044100	2

MISSING ITEM NUMBERS NOT APPLICABLE

- ITEM NOT ILLUSTRATED

HAP

25-24-31-14N

BOEING PROPRIETARY - Copyright © - Unpublished Work - See title page for details.

25-24-31
FIG. 14N
PAGE 2
FEB 15/09

BOEING
737-600/700/800/900
PARTS CATALOG (MAINTENANCE)

FIG ITEM	PART NUMBER	1 2 3 4 5 6 7	NOMENCLATURE	EFFECT FROM TO	UNITS PER ASSY
14N 85	412A1810-3B	..	BUMPER- QUALIFIED I/W DATA: PN 412A1810-3B CAN REPLACE BUT NOT BE REPLACED BY PN 412A1810-2B FOR 737-600/700/800/900 ONLY.	102200 972999	2
90	412A1452-104B	..	TRIM-VERT	044100	1
90	412A1452-104B	..	TRIM-VERT	102200 972999	1
95	412A1452-106B	..	TRIM-HORIZ	044100	1
95	412A1452-106B	..	TRIM-HORIZ	102200 972999	1
100	412A1452-105B	..	TRIM-HORIZ	044100	1
100	412A1452-105B	..	TRIM-HORIZ	102200 972999	1
105	412A1452-103B	..	TRIM-VERT	044100	1
105	412A1452-103B	..	TRIM-VERT	102200 972999	1
110	412A1513-102B	..	PANEL ASSY	044100	1
110	412A1513-102B	..	PANEL ASSY	102200 972999	1
- 115	SL618-3A	...	INSERT- SUPPLIER CODE: V97393	044100	12
- 115	SL618-3A	...	INSERT- SUPPLIER CODE: V97393	102200 972999	12
120	412A1513-101B	...	PANEL ASSY	044100	1
120	412A1513-101B	...	PANEL ASSY	102200 972999	1
125	SP23011	.HINGE ASSY- SUPPLIER CODE: V24403 SPECIFICATION NUMBER: S412A004-3		044100	4
125	SP23011	.HINGE ASSY- SUPPLIER CODE: V24403 SPECIFICATION NUMBER: S412A004-3		102200 972999	4
130	403A3210-96B	.SEAL ASSY		044100	1
130	403A3210-96B	.SEAL ASSY		102200 972999	1
135	BACB30VF3K3	.BOLT		044100	2
135	BACB30VF3K3	.BOLT		102200 972999	2
140	BACS12ER3K11	.SCREW		044100	2

MISSING ITEM NUMBERS NOT APPLICABLE

- ITEM NOT ILLUSTRATED

HAP

25-24-31-14N

BOEING PROPRIETARY - Copyright © - Unpublished Work - See title page for details.

25-24-31
FIG. 14N
PAGE 3
FEB 15/09

BOEING
737-600/700/800/900
PARTS CATALOG (MAINTENANCE)

FIG ITEM	PART NUMBER	1 2 3 4 5 6 7	NOMENCLATURE	EFFECT FROM TO	UNITS PER ASSY
14N					
140	BACS12ER3K11	.	SCREW	102200 972999	2
145	H3-1233A3	.	WASHER-	044100	2
			SUPPLIER CODE: V34941		
			SPECIFICATION NUMBER: S411A001-1		
145	H3-1233A3	.	WASHER-	102200 972999	2
			SUPPLIER CODE: V34941		
			SPECIFICATION NUMBER: S411A001-1		
150	412A1467-1B	.	CLOSEOUT ASSY	044100	1
150	412A1467-1B	.	CLOSEOUT ASSY	102200 972999	1
155	412A1467-2B	.	CLOSEOUT ASSY	044100	1
155	412A1467-2B	.	CLOSEOUT ASSY	102200 972999	1
160	BACN10VR4CGN	..	NUT-	044100	2
			OPTIONAL PART: BACN10VR4CG		
160	BACN10VR4CGN	..	NUT-	102200 972999	2
			OPTIONAL PART: BACN10VR4CG		
160	BACN10VR4CG	..	NUT-	044100	2
			OPTIONAL PART: BACN10VR4CGN		
160	BACN10VR4CG	..	NUT-	102200 972999	2
			OPTIONAL PART: BACN10VR4CGN		
165	412A1467-5B	..	CLOSEOUT-	044100	1
			USED ON: 412A1467-1B		
165	412A1467-5B	..	CLOSEOUT-	102200 972999	1
			USED ON: 412A1467-1B		
170	412A1467-6B	..	CLOSEOUT-	044100	1
			USED ON: 412A1467-2B		
170	412A1467-6B	..	CLOSEOUT-	102200 972999	1
			USED ON: 412A1467-2B		
175	412A1607-1B	.	COVER ASSY	044100	1
175	412A1607-1B	.	COVER ASSY	102200 972999	1
180	412A1460-2	..	CLIP	044100	5
180	412A1460-2	..	CLIP	102200 972999	5
185	412A1617-2B	..	PANEL	044100	1

MISSING ITEM NUMBERS NOT APPLICABLE

— ITEM NOT ILLUSTRATED

HAP

25-24-31-14N

BOEING PROPRIETARY - Copyright © - Unpublished Work - See title page for details.

25-24-31
FIG. 14N
PAGE 4
FEB 15/09

BOEING
737-600/700/800/900
PARTS CATALOG (MAINTENANCE)

FIG ITEM	PART NUMBER	1 2 3 4 5 6 7	NOMENCLATURE	EFFECT FROM TO	UNITS PER ASSY
14N 185	412A1617-2B	. .	PANEL	102200 972999	1
190	BACS12FA3K5	. .	SCREW	044100	11
190	BACS12FA3K5	. .	SCREW	102200 972999	11
195	BACS12ER3K14	. .	SCREW- POSITION DATA: FAR SIDE	044100	12
195	BACS12ER3K14	. .	SCREW- POSITION DATA: FAR SIDE	102200 972999	12
200	H3-1233A3	. .	WASHER- SUPPLIER CODE: V34941 POSITION DATA: FAR SIDE SPECIFICATION NUMBER: S411A001-1	044100	12
200	H3-1233A3	. .	WASHER- SUPPLIER CODE: V34941 POSITION DATA: FAR SIDE SPECIFICATION NUMBER: S411A001-1	102200 972999	12
205	412A1244-1	. .	EXTRUSION ASSY	044100	1
205	412A1244-1	. .	EXTRUSION ASSY	102200 972999	1
210	FS1651-3	. .	NUTPLATE SUPPLIER CODE: V15653 SPECIFICATION NUMBER: BACN10KH3CD OPTIONAL PART: 102F9209M3 V72962 NS202496-02 V80539	044100	12
210	FS1651-3	. .	NUTPLATE SUPPLIER CODE: V15653 SPECIFICATION NUMBER: BACN10KH3CD OPTIONAL PART: 102F9209M3 V72962 NS202496-02 V80539	102200 972999	12

MISSING ITEM NUMBERS NOT APPLICABLE

- ITEM NOT ILLUSTRATED

HAP

25-24-31-14N

BOEING PROPRIETARY - Copyright © - Unpublished Work - See title page for details.

25-24-31
FIG. 14N
PAGE 5
FEB 15/09

BOEING
737-600/700/800/900
PARTS CATALOG (MAINTENANCE)

FIG ITEM	PART NUMBER	1 2 3 4 5 6 7	NOMENCLATURE	EFFECT FROM TO	UNITS PER ASSY
14N			ATTACHING PARTS		
- 215	BACR15BA3ADC		..RIVET-	044100	24
			SIZE DETERMINED ON INSTL.		
- 215	BACR15BA3ADC		..RIVET-	102200	24
			SIZE DETERMINED ON INSTL.	972999	
			-----*-----		
- 220	412A1811-2B		.PLUG	044100	AR
- 220	412A1811-2B		.PLUG	102200	AR
				972999	
225	412A1205-2B		.BOX ASSY-80 IN. BIG BIN	044100	1
			FOR DETAILS SEE:		
			25-24-32-83B		
225	412A1205-2B		.BOX ASSY-80 IN. BIG BIN	102200	1
			FOR DETAILS SEE:	972999	
			25-24-32-83B		

MISSING ITEM NUMBERS NOT APPLICABLE

- ITEM NOT ILLUSTRATED

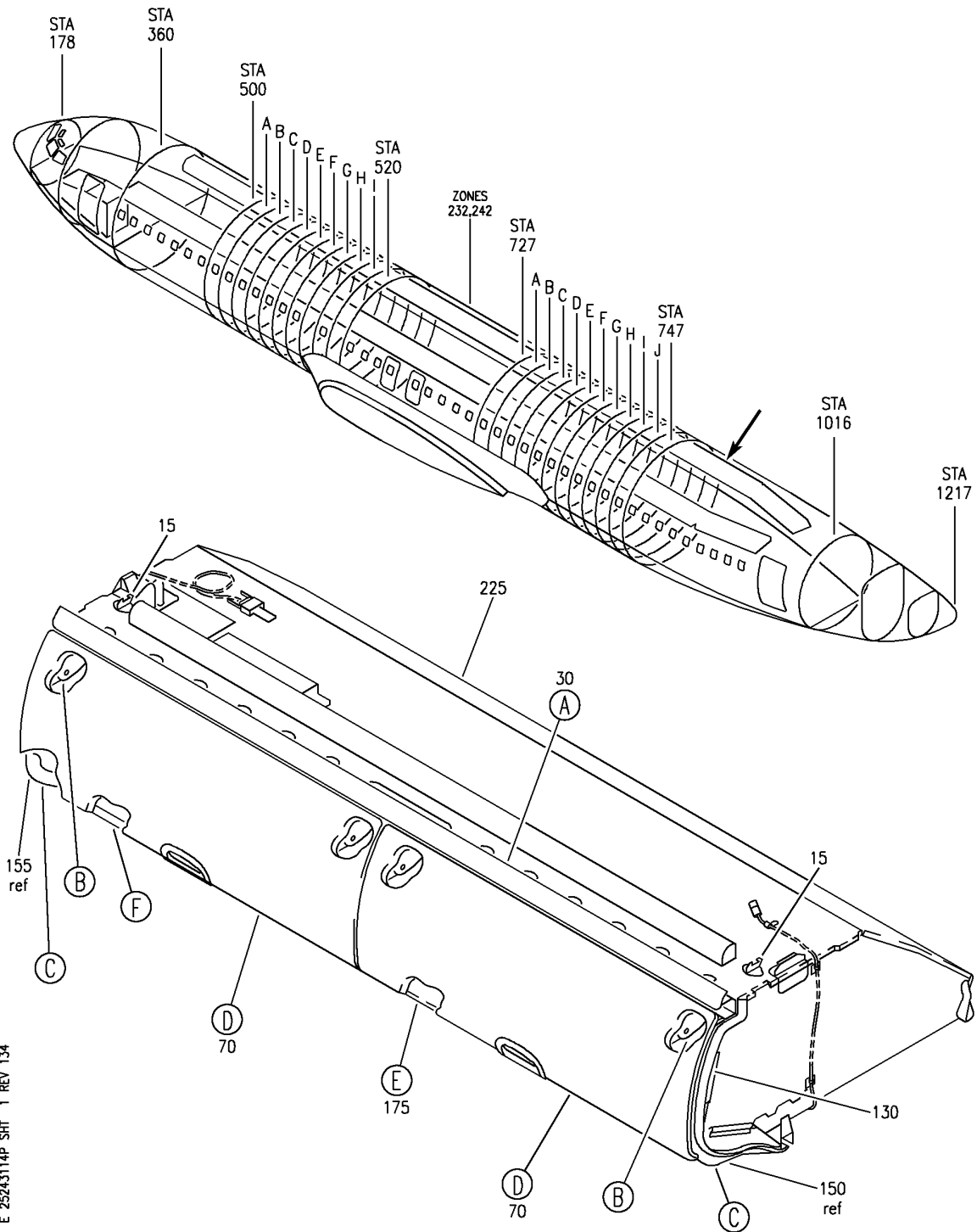
HAP

25-24-31-14N

BOEING PROPRIETARY - Copyright © - Unpublished Work - See title page for details.

25-24-31
FIG. 14N
PAGE 6
FEB 15/09

BOEING
 737-600/700/800/900
 PARTS CATALOG (MAINTENANCE)



E 25243114P SHT 1 REV 134

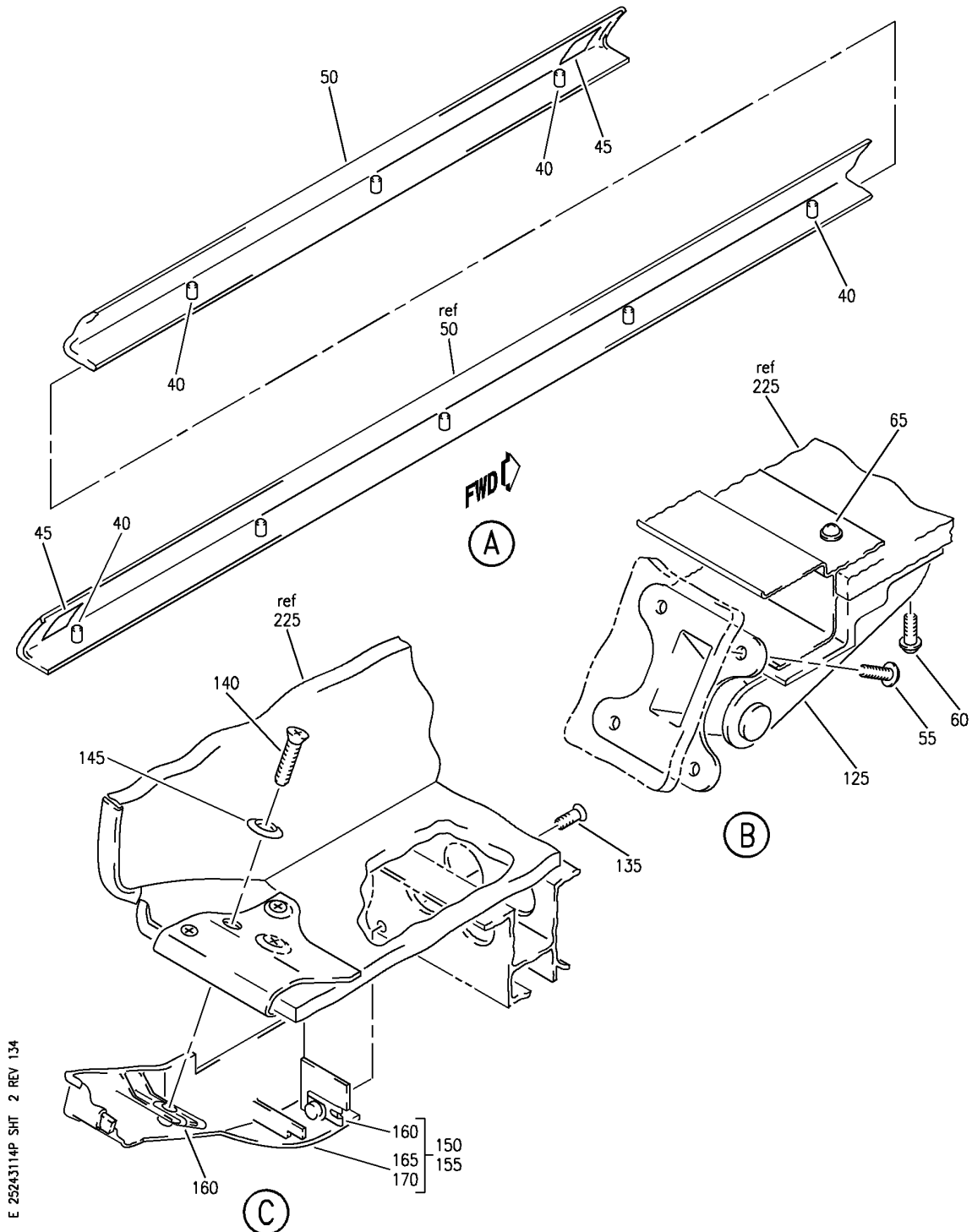
TOP ASSY-RH 80 IN. OVHD STOWAGE BIG BIN BULLNOSE CONFIGURATION (EQUIPMENT/FURNISHINGS ONLY)
 FIGURE 14P (SHEET 1)

HAP
 OCT 10/07

25-24-31-14P

25-24-31-14P
 PAGE 0

BOEING
 737-600/700/800/900
 PARTS CATALOG (MAINTENANCE)



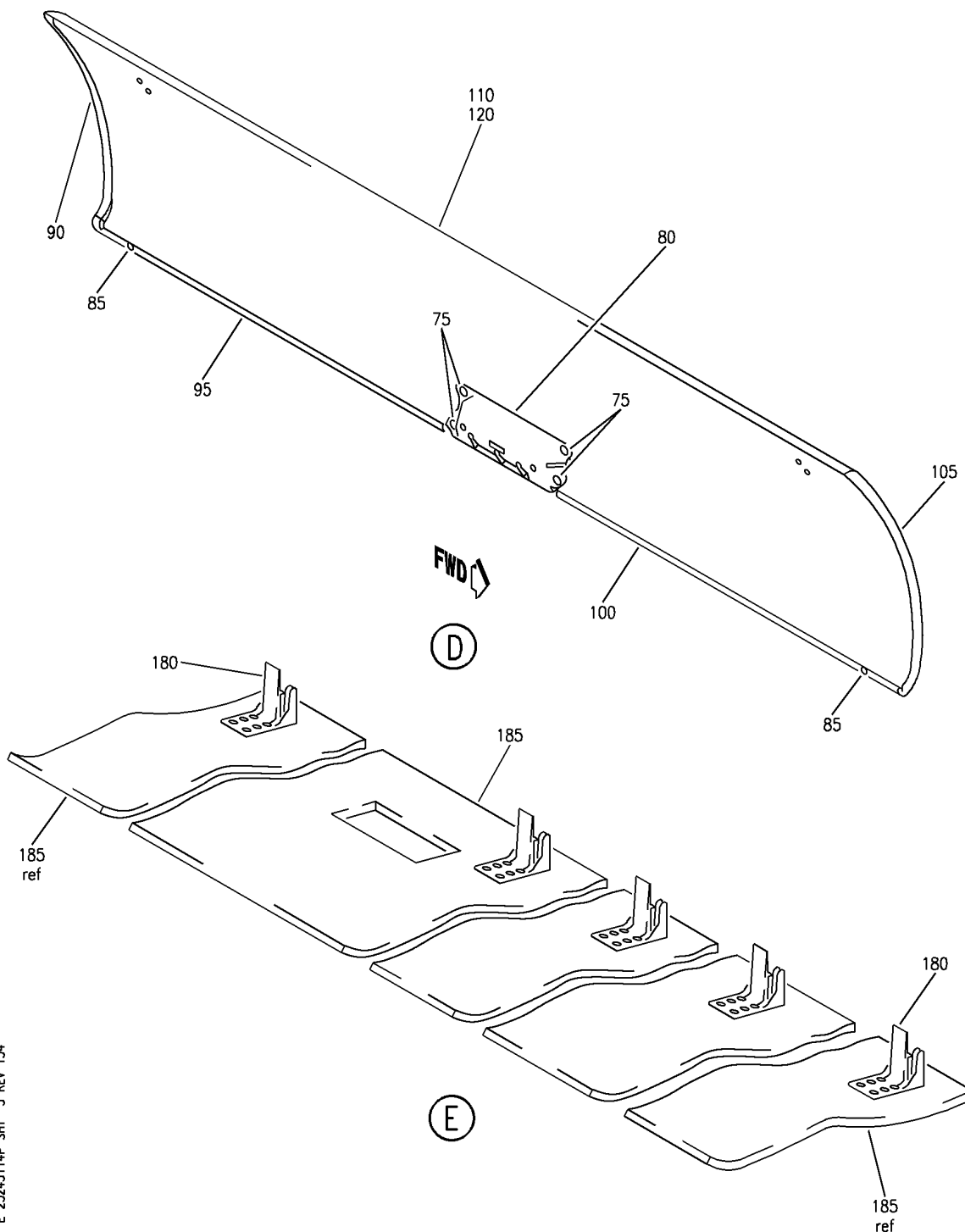
TOP ASSY-RH 80 IN. OVHD STOWAGE BIG BIN BULLNOSE CONFIGURATION (EQUIPMENT/FURNISHINGS ONLY)
 FIGURE 14P (SHEET 2)

HAP
 OCT 10/07

25-24-31-14P

25-24-31-14P
 PAGE 0A

BOEING
 737-600/700/800/900
 PARTS CATALOG (MAINTENANCE)



E 25243114P SHT 3 REV 134

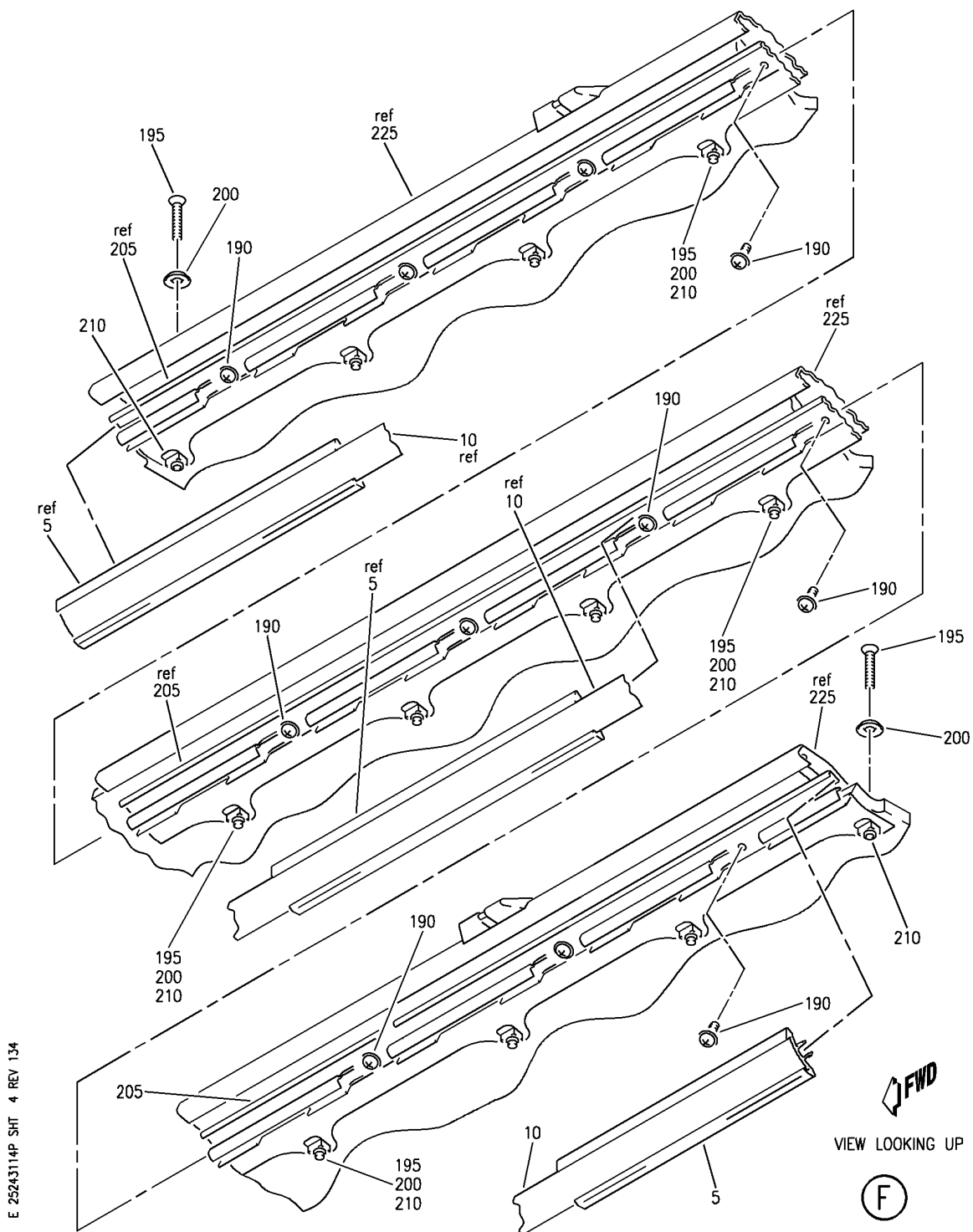
TOP ASSY-RH 80 IN. OVHD STOWAGE BIG BIN BULLNOSE CONFIGURATION (EQUIPMENT/FURNISHINGS ONLY)
 FIGURE 14P (SHEET 3)

HAP
 OCT 10/07

25-24-31-14P

25-24-31-14P
 PAGE 0B

BOEING
 737-600/700/800/900
 PARTS CATALOG (MAINTENANCE)



E 25243114P SHT 4 REV 134

TOP ASSY-RH 80 IN. OVHD STOWAGE BIG BIN BULLNOSE CONFIGURATION (EQUIPMENT/FURNISHINGS ONLY)
 FIGURE 14P (SHEET 4)

25-24-31-14P

HAP
 OCT 10/07

25-24-31-14P
 PAGE 0C

BOEING
737-600/700/800/900
PARTS CATALOG (MAINTENANCE)

FIG ITEM	PART NUMBER	1 2 3 4 5 6 7	NOMENCLATURE	EFFECT FROM TO	UNITS PER ASSY
14P			TOP ASSY-RH 80 IN. OVHD STOWAGE BIG BIN BULLNOSE CONFIGURATION (EQUIPMENT/FURNISHINGS ONLY)	044100	
- 1	412A1057-1032B		TOP ASSY-80 IN. OVHD STOWAGE BIG BIN BULLNOSE CONFIGURATION (EQUIPMENT/ FURNISHINGS ONLY) POSITION DATA: RH POST RAPID REVISION: RR97237-17B FOR NHA/OTHER SYS DET SEE: 25-24-30-84	044100	RF
5	412A1420-1A		.EXTRUSION-SEAT ROW MARKER	044100	1
10	412A1451-2BCWK		.STRIP-TRIM	044100	1
15	H3-1592-1		.LATCH-CLG SUPPLIER CODE: V34941 SPECIFICATION NUMBER: S411A001-1	044100	2
- 20	BACS12GU3K7		ATTACHING PARTS .SCREW	044100	4
- 25	NAS1149D0332J		.WASHER -----*-----	044100	4
30	412A1700-1A		.VALANCE ASSY-LT ATTACHING PARTS	044100	1
- 35	BACN10YJ3F		.NUT -----*-----	044100	8
40	BACS21DW3C10FN		..STUD	044100	8
45	412A1700-6		..TAPE-VELCRO	044100	2
50	412A1710-1A		..PANEL ASSY	044100	1
55	BACS12FA3K5		.SCREW	044100	16
60	BACS12FA3K6		.SCREW	044100	4
65	BACS12FA3K15		.SCREW	044100	4
70	412A1505-101B		.DOOR ASSY-40 IN.	044100	2
75	BACS12FA3K4		..SCREW	044100	4
80	HA951-1		..LATCH ASSY- SUPPLIER CODE: V83014 SPECIFICATION NUMBER: S412A003-1	044100	1

MISSING ITEM NUMBERS NOT APPLICABLE

- ITEM NOT ILLUSTRATED

HAP

25-24-31-14P

BOEING PROPRIETARY - Copyright © - Unpublished Work - See title page for details.

25-24-31
FIG. 14P
PAGE 1
FEB 15/09

BOEING
737-600/700/800/900
PARTS CATALOG (MAINTENANCE)

FIG ITEM	PART NUMBER	1 2 3 4 5 6 7	NOMENCLATURE	EFFECT FROM TO	UNITS PER ASSY
14P 85	412A1810-3B	..	BUMPER- QUALIFIED I/W DATA: PN 412A1810-3B CAN REPLACE BUT NOT BE REPLACED BY PN 412A1810-2B FOR 737-600/700/800/900 ONLY.	044100	2
90	412A1452-104B	..	TRIM-VERT	044100	1
95	412A1452-106B	..	TRIM-HORIZ	044100	1
100	412A1452-105B	..	TRIM-HORIZ	044100	1
105	412A1452-103B	..	TRIM-VERT	044100	1
110	412A1513-102B	..	PANEL ASSY	044100	1
- 115	SL618-3A	...	INSERT- SUPPLIER CODE: V97393	044100	12
120	412A1513-101B	...	PANEL ASSY	044100	1
125	SP23011	.HINGE ASSY- SUPPLIER CODE: V24403 SPECIFICATION NUMBER: S412A004-3	044100	4	
130	403A3210-96B	.SEAL ASSY	044100	1	
135	BACB30VF3K3	.BOLT	044100	2	
140	BACS12ER3K11	.SCREW	044100	2	
145	H3-1233A3	.WASHER- SUPPLIER CODE: V34941 SPECIFICATION NUMBER: S411A001-1	044100	2	
150	412A1467-1B	.CLOSEOUT ASSY	044100	1	
155	412A1467-2B	.CLOSEOUT ASSY	044100	1	
160	BACN10VR4CGN	..NUT- OPTIONAL PART: BACN10VR4CG	044100	2	
160	BACN10VR4CG	..NUT- OPTIONAL PART: BACN10VR4CGN	044100	2	
165	412A1467-5B	..CLOSEOUT- USED ON: 412A1467-1B	044100	1	
170	412A1467-6B	..CLOSEOUT- USED ON: 412A1467-2B	044100	1	
175	412A1607-36B	.COVER ASSY	044100	1	
180	412A1460-2	..CLIP	044100	5	
185	412A1617-32B	..PANEL	044100	1	
190	BACS12FA3K5	.SCREW	044100	11	
195	BACS12ER3K14	.SCREW	044100	12	

MISSING ITEM NUMBERS NOT APPLICABLE

- ITEM NOT ILLUSTRATED

HAP

25-24-31-14P

BOEING PROPRIETARY - Copyright © - Unpublished Work - See title page for details.

25-24-31
FIG. 14P
PAGE 2
OCT 15/08

BOEING
737-600/700/800/900
PARTS CATALOG (MAINTENANCE)

FIG ITEM	PART NUMBER	1 2 3 4 5 6 7	NOMENCLATURE	EFFECT FROM TO	UNITS PER ASSY
14P 200	H3-1233A3		.WASHER- SUPPLIER CODE: V34941 SPECIFICATION NUMBER: S411A001-1	044100	12
205 210	412A1244-1 FS1651-3		.EXTRUSION ASSY ..NUTPLATE SUPPLIER CODE: V15653 SPECIFICATION NUMBER: BACN10KH3CD OPTIONAL PART: 102F9209M3 V72962 NS202496-02 V80539 ATTACHING PARTS ..RIVET- SIZE DETERMINED ON INSTL. -----*-----	044100 044100	1 12
- 215	BACR15BA3ADC			044100	24
- 220 225	412A1811-2B 412A1205-32B		.PLUG .BOX ASSY-BIN FOR DETAILS SEE: 25-24-32-83A	044100 044100	AR 1

MISSING ITEM NUMBERS NOT APPLICABLE

- ITEM NOT ILLUSTRATED

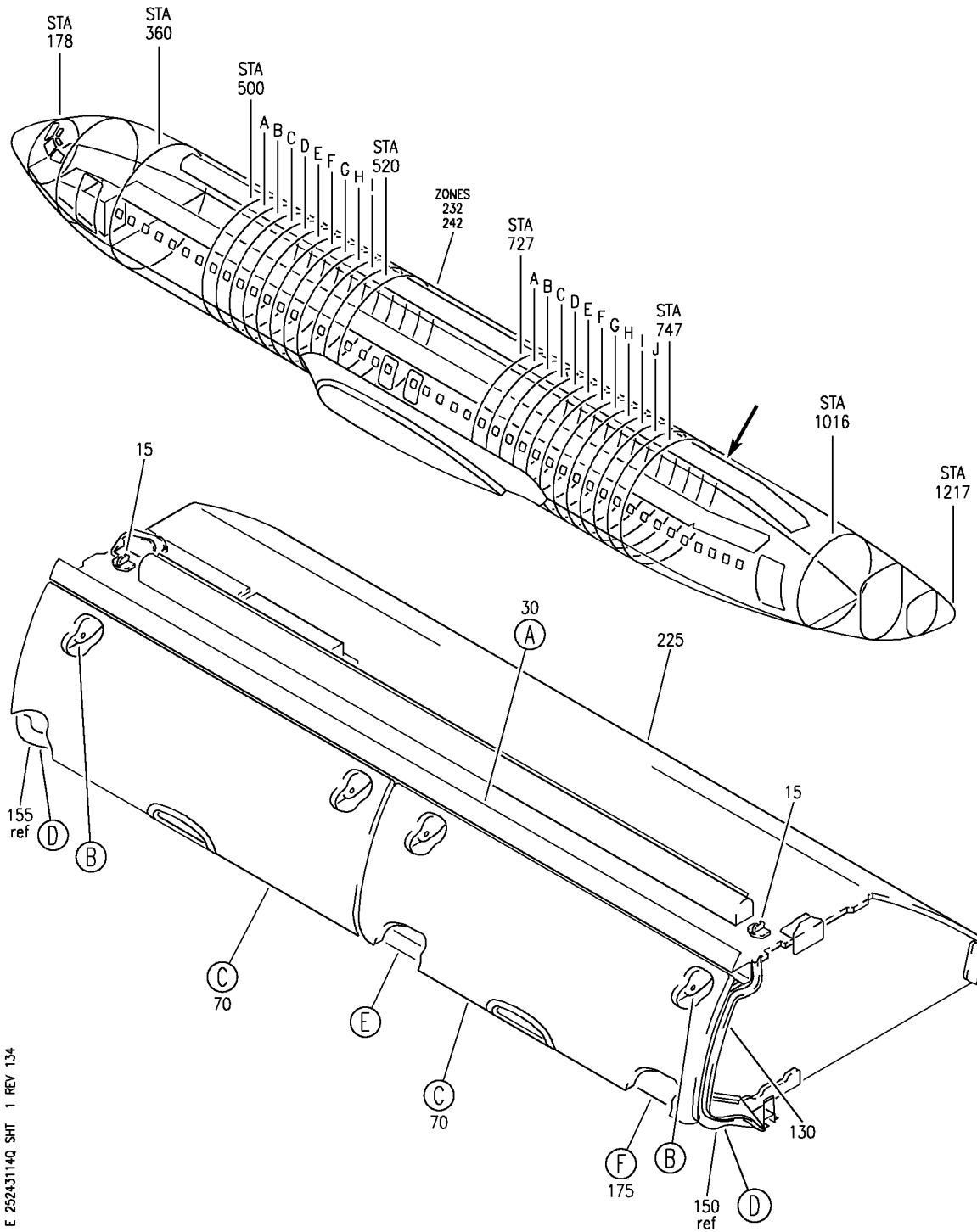
HAP

25-24-31-14P

BOEING PROPRIETARY - Copyright © - Unpublished Work - See title page for details.

25-24-31
FIG. 14P
PAGE 3
OCT 15/08

BOEING
737-600/700/800/900
PARTS CATALOG (MAINTENANCE)



E 2524-31-14Q SHT 1 REV 134

TOP ASSY-RH 80 IN. OVHD STOWAGE BIG BIN BULLNOSE CONFIGURATION (EQUIPMENT/FURNISHINGS ONLY)
 FIGURE 14Q (SHEET 1)

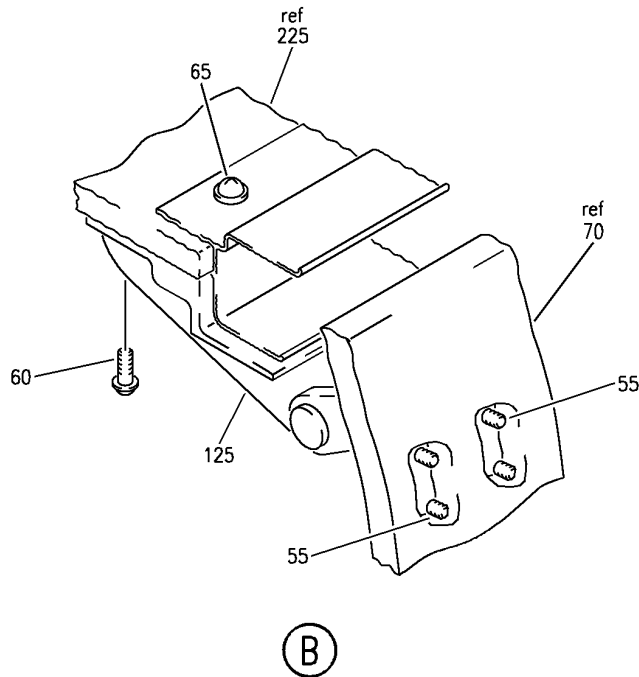
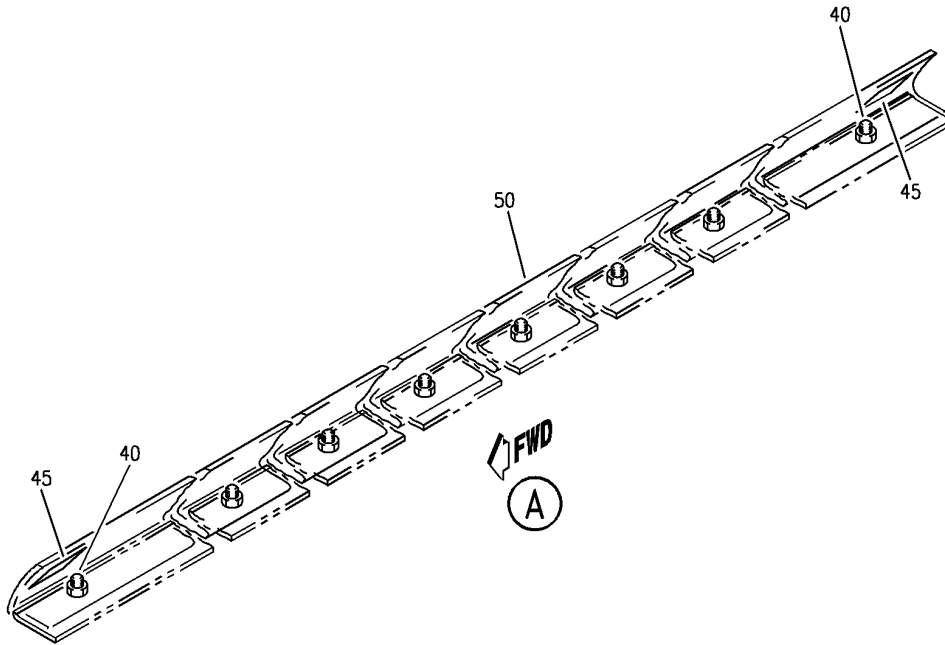
HAP
 OCT 10/07

25-24-31-14Q

25-24-31-14Q
 PAGE 0

BOEING PROPRIETARY - Copyright © - Unpublished Work - See title page for details.

BOEING
 737-600/700/800/900
 PARTS CATALOG (MAINTENANCE)



E 25243114Q SHT 2 REV 134

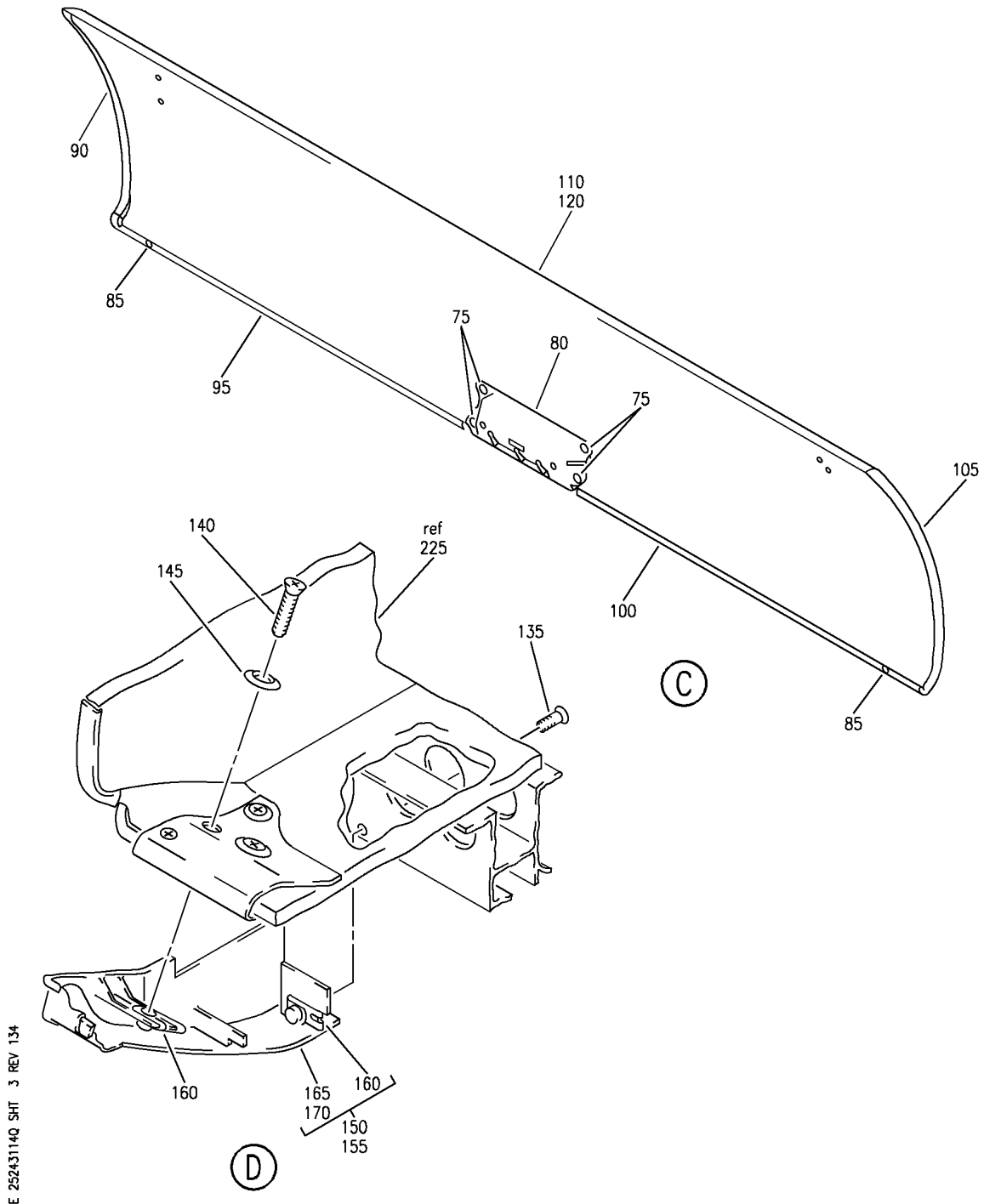
TOP ASSY-RH 80 IN. OVHD STOWAGE BIG BIN BULLNOSE CONFIGURATION (EQUIPMENT/FURNISHINGS ONLY)
 FIGURE 14Q (SHEET 2)

HAP
 OCT 10/07

25-24-31-14Q

25-24-31-14Q
 PAGE 0A

BOEING
 737-600/700/800/900
 PARTS CATALOG (MAINTENANCE)



E 25243114Q SHT 3 REV 134

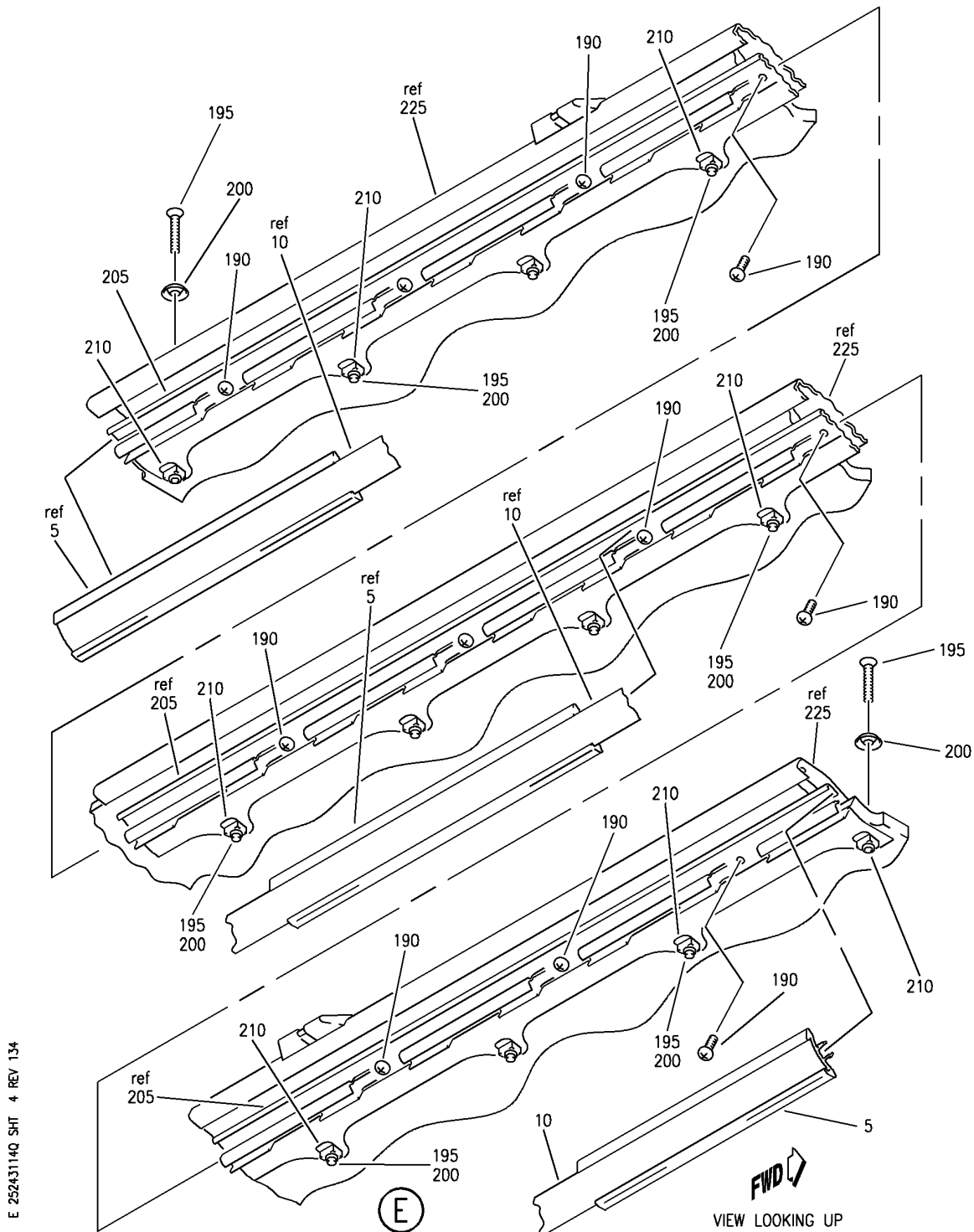
TOP ASSY-RH 80 IN. OVHD STOWAGE BIG BIN BULLNOSE CONFIGURATION (EQUIPMENT/FURNISHINGS ONLY)
 FIGURE 14Q (SHEET 3)

HAP
 OCT 10/07

25-24-31-14Q

25-24-31-14Q
 PAGE 08

BOEING
 737-600/700/800/900
 PARTS CATALOG (MAINTENANCE)



E 25243114Q SHT 4 REV 134

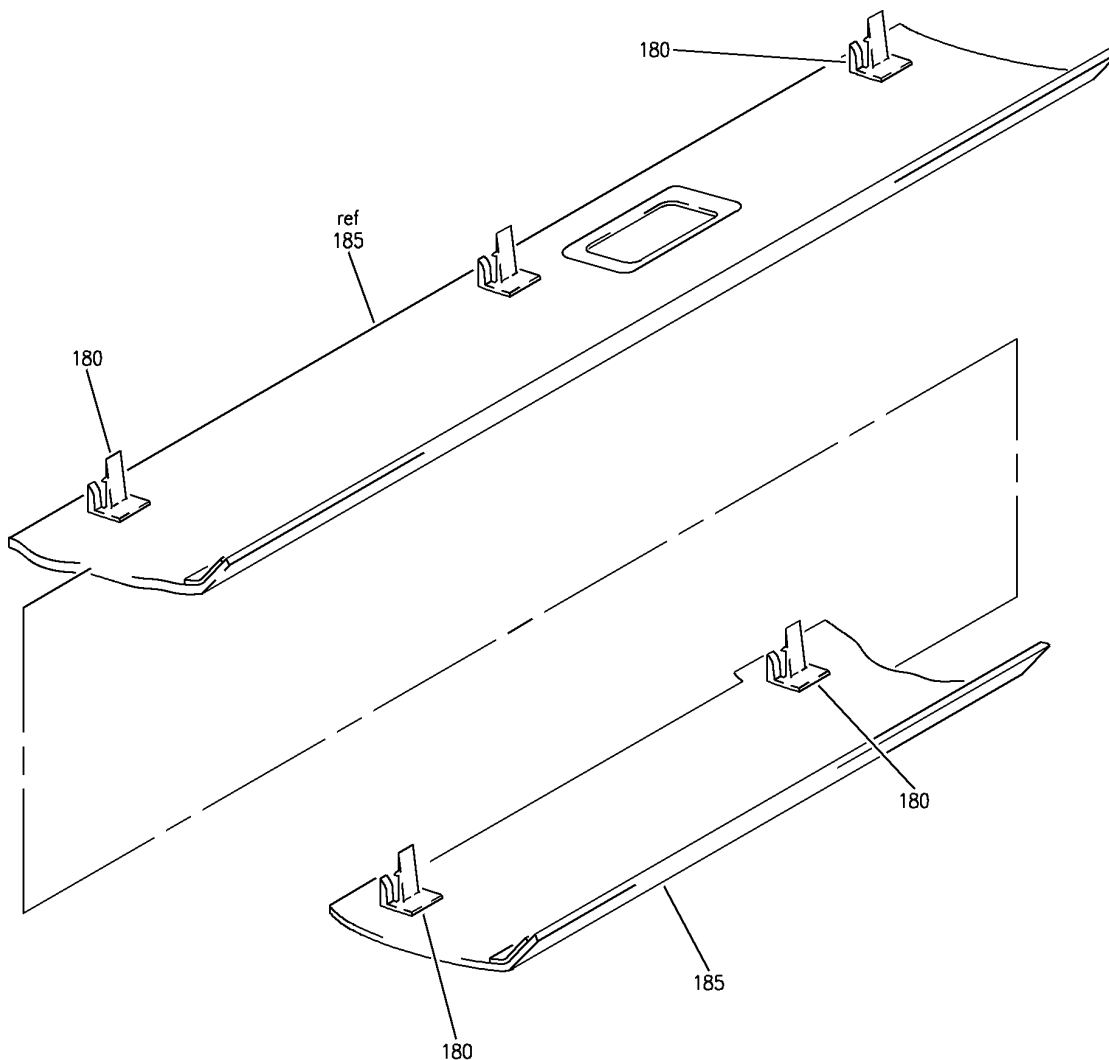
TOP ASSY-RH 80 IN. OVHD STOWAGE BIG BIN BULLNOSE CONFIGURATION (EQUIPMENT/FURNISHINGS ONLY)
 FIGURE 14Q (SHEET 4)

HAP
 OCT 10/07

25-24-31-14Q

25-24-31-14Q
 PAGE 0C

BOEING
737-600/700/800/900
PARTS CATALOG (MAINTENANCE)



E 25243114Q SHT 5 REV 134

(F)

TOP ASSY-RH 80 IN. OVHD STOWAGE BIG BIN BULLNOSE CONFIGURATION (EQUIPMENT/FURNISHINGS ONLY)
FIGURE 14Q (SHEET 5)

HAP
OCT 10/07

25-24-31-14Q

25-24-31-14Q
PAGE 0D

BOEING PROPRIETARY - Copyright © - Unpublished Work - See title page for details.

BOEING
737-600/700/800/900
PARTS CATALOG (MAINTENANCE)

FIG ITEM	PART NUMBER	1 2 3 4 5 6 7	NOMENCLATURE	EFFECT FROM TO	UNITS PER ASSY
14Q			TOP ASSY-RH 80 IN. OVHD STOWAGE BIG BIN BULLNOSE CONFIGURATION (EQUIPMENT/FURNISHINGS ONLY)	044100 102200 972999	
- 1	412A1057-1004B		TOP ASSY-80 IN. OVHD STOWAGE BIG BIN BULLNOSE CONFIGURATION (EQUIPMENT/ FURNISHINGS ONLY) POSITION DATA: RH POST RAPID REVISION: RR97237-17B FOR NHA/OTHER SYS DET SEE: 25-24-30-77 25-24-30-84	044100 102200 972999	RF
5	412A1420-1A		.EXTRUSION-SEAT ROW MARKER	044100 102200 972999	1
10	412A1451-2BCWK		.STRIP-TRIM	044100 102200 972999	1
15	H3-1592-1		.LATCH-CLG SUPPLIER CODE: V34941 SPECIFICATION NUMBER: S411A001-1 ATTACHING PARTS	044100 102200 972999	2
- 20	BACS12GU3K7		.SCREW	044100 102200 972999	4
- 25	NAS1149D0332J		.WASHER	044100 102200 972999	4
30	412A1700-1A		-----*----- .VALANCE ASSY-LT	044100 102200 972999	1
- 35	BACN10YJ3F		ATTACHING PARTS .NUT	044100 102200 972999	8
40	BACS21DW3C10FN		-----*----- ..STUD	044100 102200 972999	8
45	412A1700-6		..TAPE-VELCRO	044100 102200 972999	2

MISSING ITEM NUMBERS NOT APPLICABLE

- ITEM NOT ILLUSTRATED

HAP

25-24-31-14Q

BOEING PROPRIETARY - Copyright © - Unpublished Work - See title page for details.

25-24-31
FIG. 14Q
PAGE 1
FEB 15/09

BOEING
737-600/700/800/900
PARTS CATALOG (MAINTENANCE)

FIG ITEM	PART NUMBER	1 2 3 4 5 6 7	NOMENCLATURE	EFFECT FROM TO	UNITS PER ASSY
14Q					
50	412A1710-1A	..	PANEL ASSY	044100 102200 972999	1
55	BACS12FA3K5	.S	SCREW	044100 102200 972999	16
60	BACS12FA3K6	.S	SCREW	044100 102200 972999	4
65	BACS12FA3K15	.S	SCREW	044100 102200 972999	4
70	412A1505-101B	.D	DOOR ASSY-40 IN.	044100 102200 972999	2
75	BACS12FA3K4	..S	SCREW	044100 102200 972999	4
80	HA951-1	..L	LATCH ASSY- SUPPLIER CODE: V83014 SPECIFICATION NUMBER: S412A003-1	044100 102200 972999	1
85	412A1810-3B	..B	BUMPER- QUALIFIED I/W DATA: PN 412A1810-3B CAN REPLACE BUT NOT BE REPLACED BY PN 412A1810-2B FOR 737-600/700/800/900 ONLY.	044100 102200 972999	2
90	412A1452-104B	..T	TRIM-VERT	044100 102200 972999	1
95	412A1452-106B	..T	TRIM-HORIZ	044100 102200 972999	1
100	412A1452-105B	..T	TRIM-HORIZ	044100 102200 972999	1
105	412A1452-103B	..T	TRIM-VERT	044100 102200 972999	1
110	412A1513-102B	..	PANEL ASSY	044100 102200 972999	1
- 115	SL618-3A	...I	INSERT- SUPPLIER CODE: V97393	044100 102200 972999	12

MISSING ITEM NUMBERS NOT APPLICABLE

- ITEM NOT ILLUSTRATED

HAP

25-24-31-14Q

BOEING PROPRIETARY - Copyright © - Unpublished Work - See title page for details.

25-24-31
FIG. 14Q
PAGE 2
OCT 15/08

BOEING
737-600/700/800/900
PARTS CATALOG (MAINTENANCE)

FIG ITEM	PART NUMBER	1 2 3 4 5 6 7	NOMENCLATURE	EFFECT FROM TO	UNITS PER ASSY
14Q 120	412A1513-101B	...	PANEL ASSY	044100 102200 972999	1
125	SP23011	.HINGE ASSY-	SUPPLIER CODE: V24403 SPECIFICATION NUMBER: S412A004-3	044100 102200 972999	4
130	403A3210-96B	.SEAL ASSY		044100 102200 972999	1
135	BACB30VF3K3	.BOLT		044100 102200 972999	2
140	BACS12ER3K11	.SCREW		044100 102200 972999	2
145	H3-1233A3	.WASHER-	SUPPLIER CODE: V34941 SPECIFICATION NUMBER: S411A001-1	044100 102200 972999	2
150	412A1467-1B	.CLOSEOUT ASSY		044100 102200 972999	1
155	412A1467-2B	.CLOSEOUT ASSY		044100 102200 972999	1
160	BACN10VR4CGN	..NUT-	OPTIONAL PART: BACN10VR4CG	044100 102200 972999	2
160	BACN10VR4CG	..NUT-	OPTIONAL PART: BACN10VR4CGN	044100 102200 972999	2
165	412A1467-5B	..CLOSEOUT-	USED ON: 412A1467-1B	044100 102200 972999	1
170	412A1467-6B	..CLOSEOUT-	USED ON: 412A1467-2B	044100 102200 972999	1
175	412A1607-1B	.COVER ASSY		044100 102200 972999	1
180	412A1460-2	..CLIP		044100 102200 972999	5
185	412A1617-2B	..PANEL		044100 102200 972999	1

MISSING ITEM NUMBERS NOT APPLICABLE

- ITEM NOT ILLUSTRATED

HAP

25-24-31-14Q

BOEING PROPRIETARY - Copyright © - Unpublished Work - See title page for details.

25-24-31
FIG. 14Q
PAGE 3
OCT 15/08

BOEING
737-600/700/800/900
PARTS CATALOG (MAINTENANCE)

FIG ITEM	PART NUMBER	1 2 3 4 5 6 7	NOMENCLATURE	EFFECT FROM TO	UNITS PER ASSY
14Q 190	BACS12FA3K5	.	SCREW	044100 102200 972999	11
195	BACS12ER3K14	.	SCREW	044100 102200 972999	12
200	H3-1233A3	.	WASHER- SUPPLIER CODE: V34941 SPECIFICATION NUMBER: S411A001-1	044100 102200 972999	12
205	412A1244-1	.	EXTRUSION ASSY	044100 102200 972999	1
210	FS1651-3	..	NUTPLATE SUPPLIER CODE: V15653 SPECIFICATION NUMBER: BACN10KH3CD OPTIONAL PART: 102F9209M3 V72962 NS202496-02 V80539 ATTACHING PARTS	044100 102200 972999	12
- 215	BACR15BA3ADC	..	RIVET- SIZE DETERMINED ON INSTL. -----*-----	044100 102200 972999	24
- 220	412A1811-2B	.	PLUG	044100 102200 972999	AR
225	412A1205-4B	.	BOX ASSY-80 IN. BIN FOR DETAILS SEE: 25-24-32-83H	044100 102200 972999	1

MISSING ITEM NUMBERS NOT APPLICABLE

- ITEM NOT ILLUSTRATED

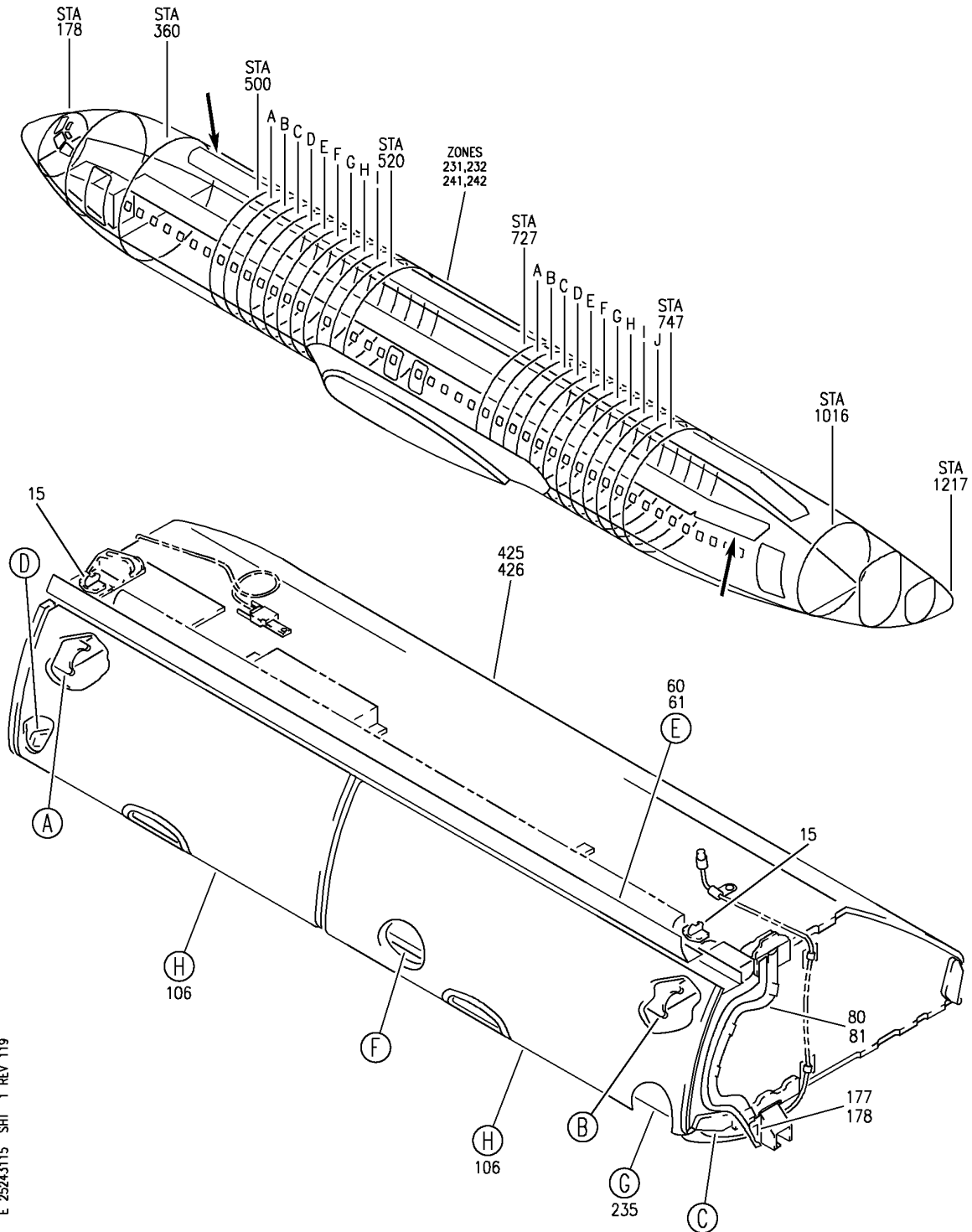
HAP

25-24-31-14Q

BOEING PROPRIETARY - Copyright © - Unpublished Work - See title page for details.

25-24-31
FIG. 14Q
PAGE 4
OCT 15/08

BOEING
 737-600/700/800/900
 PARTS CATALOG (MAINTENANCE)



E 25243115 SHT 1 REV 119

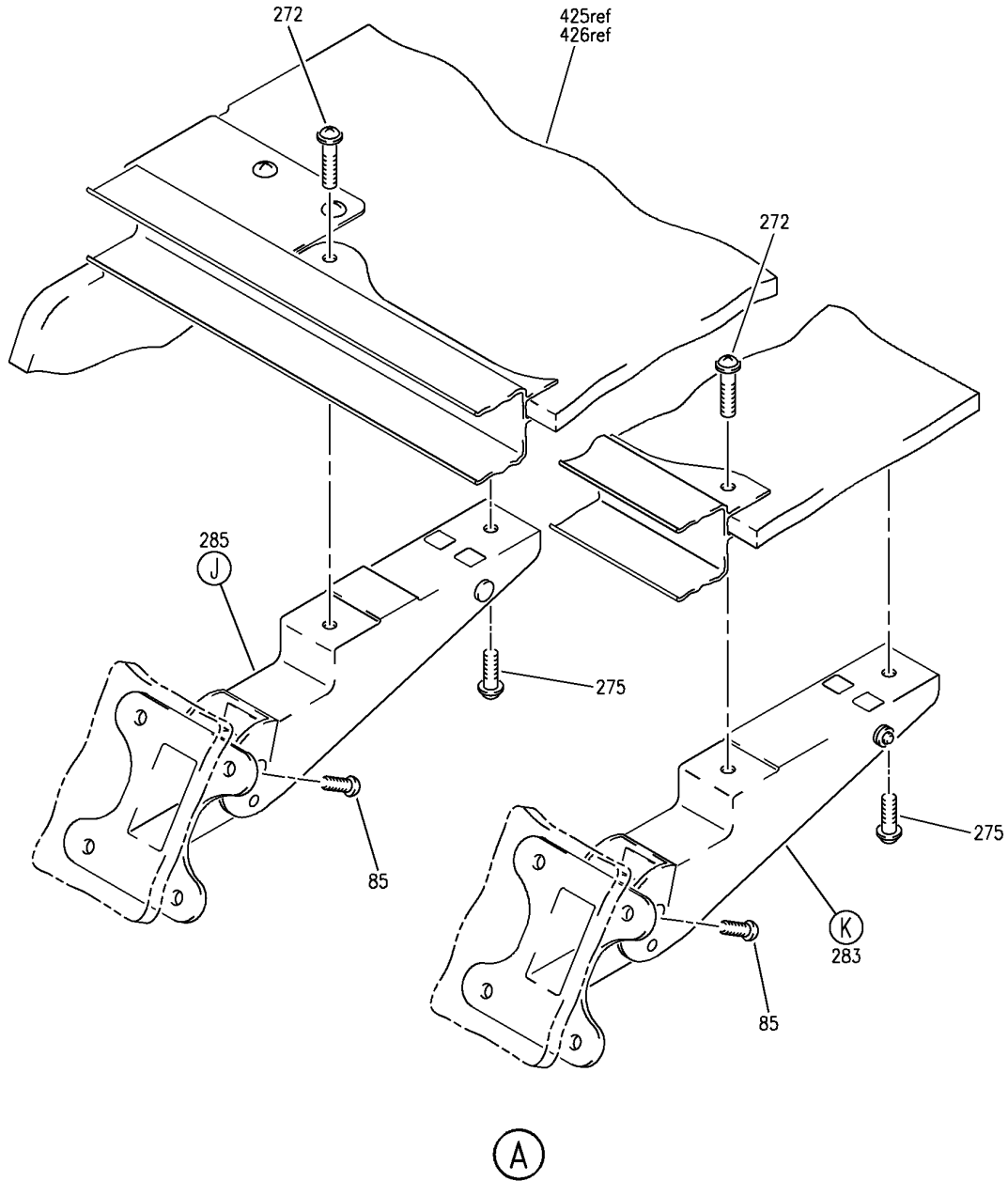
COMPARTMENT ASSY-80 IN. OVHD STOWAGE BULLNOSE CONFIGURATION (EQUIPMENT/ FURNISHINGS ONLY)
 FIGURE 15 (SHEET 1)

HAP
 OCT 15/08

25-24-31-15

25-24-31-15
 PAGE 0

BOEING
737-600/700/800/900
PARTS CATALOG (MAINTENANCE)



E 25243115 SH2 2 REV 104

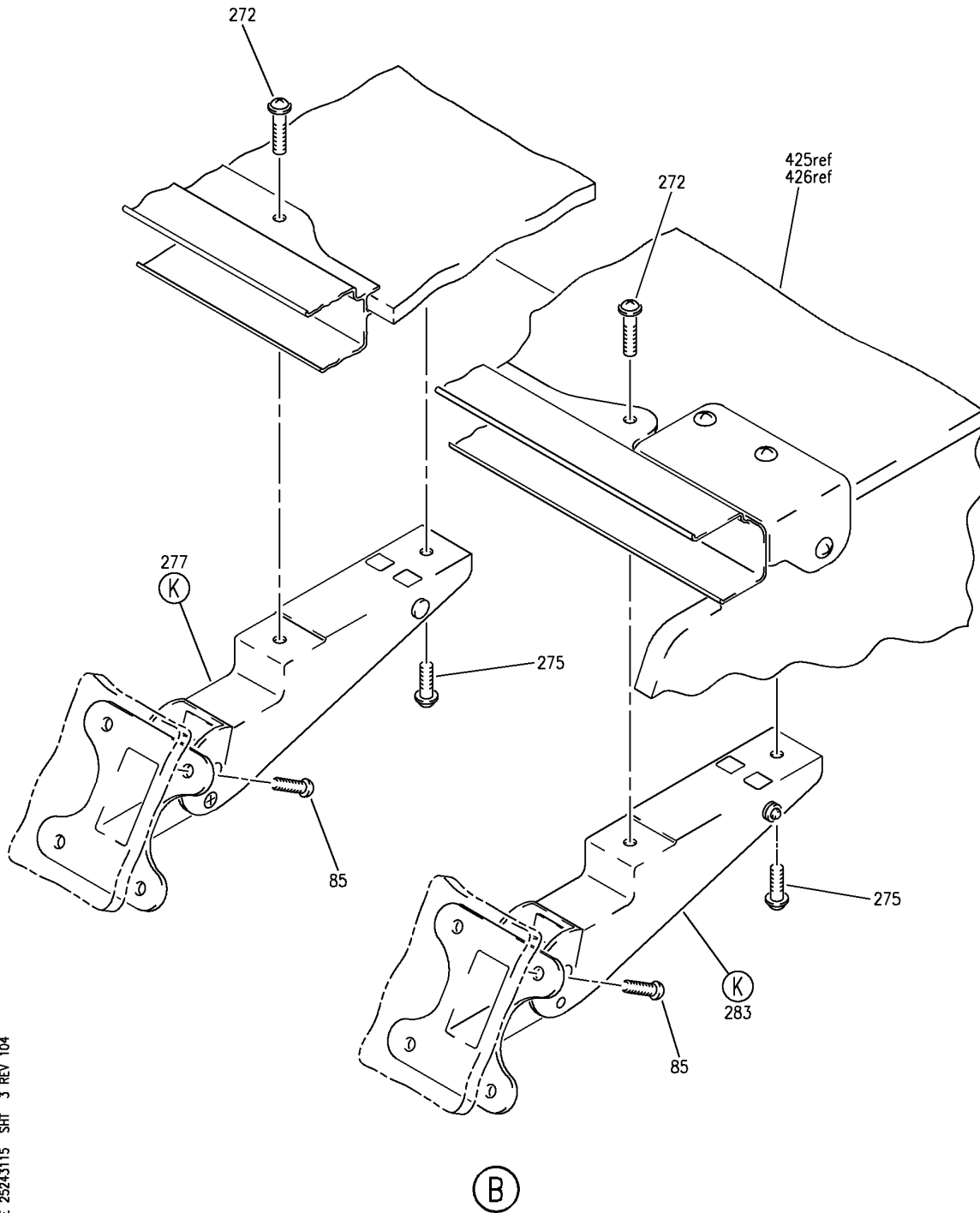
COMPARTMENT ASSY-80 IN. OVHD STOWAGE BULLNOSE CONFIGURATION (EQUIPMENT/ FURNISHINGS ONLY)
FIGURE 15 (SHEET 2)

HAP
OCT 15/08

25-24-31-15

25-24-31-15
PAGE 0A

BOEING
 737-600/700/800/900
 PARTS CATALOG (MAINTENANCE)



E 25243115 SHT 3 REV 104

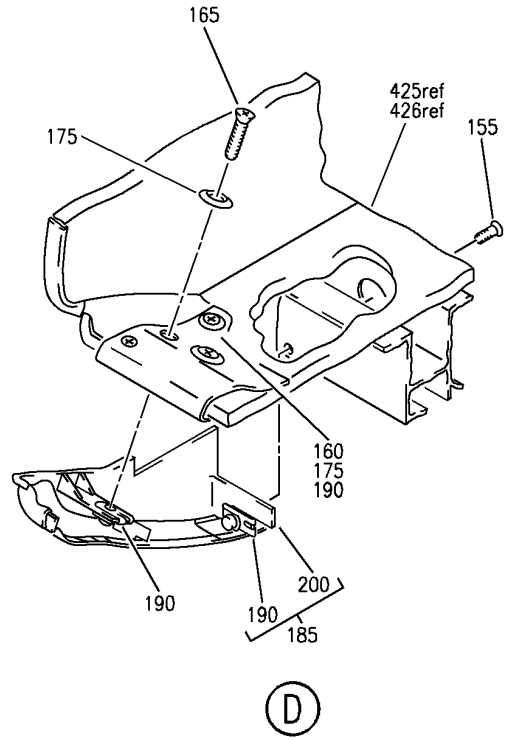
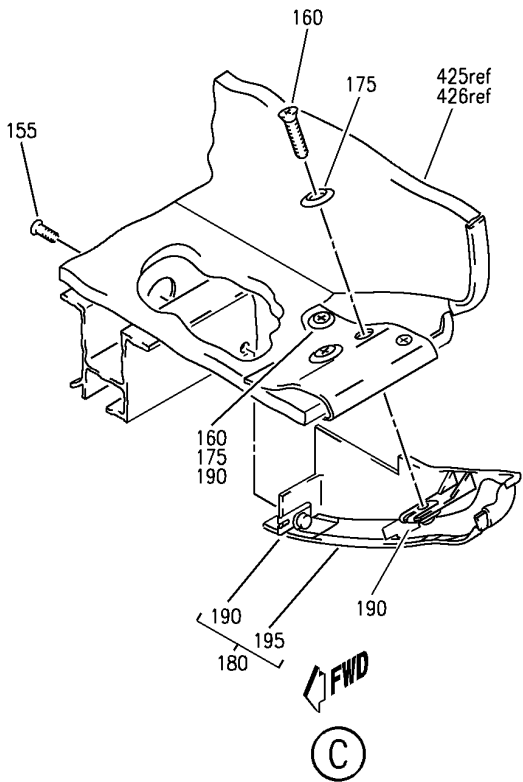
COMPARTMENT ASSY-80 IN. OVHD STOWAGE BULLNOSE CONFIGURATION (EQUIPMENT/ FURNISHINGS ONLY)
 FIGURE 15 (SHEET 3)

HAP
 OCT 15/08

25-24-31-15

25-24-31-15
 PAGE 0B

BOEING
 737-600/700/800/900
 PARTS CATALOG (MAINTENANCE)



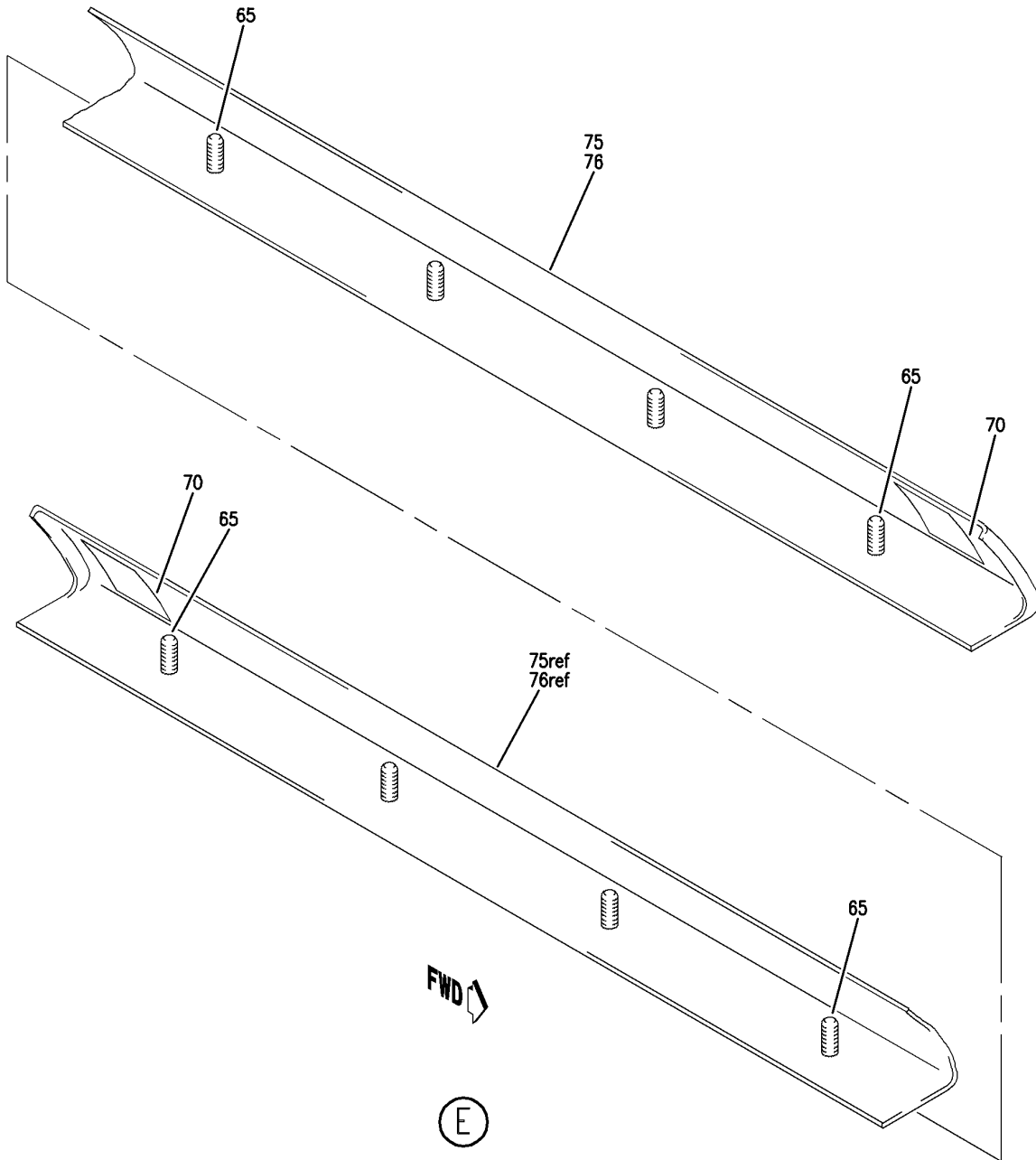
E 2524-3115 SH1 4 REV 104

COMPARTMENT ASSY-80 IN. OVHD STOWAGE BULLNOSE CONFIGURATION (EQUIPMENT/ FURNISHINGS ONLY)
 FIGURE 15 (SHEET 4)

25-24-31-15

HAP
 OCT 15/08

25-24-31-15
 PAGE 0C



E 25243115 SHT 5 REV 060

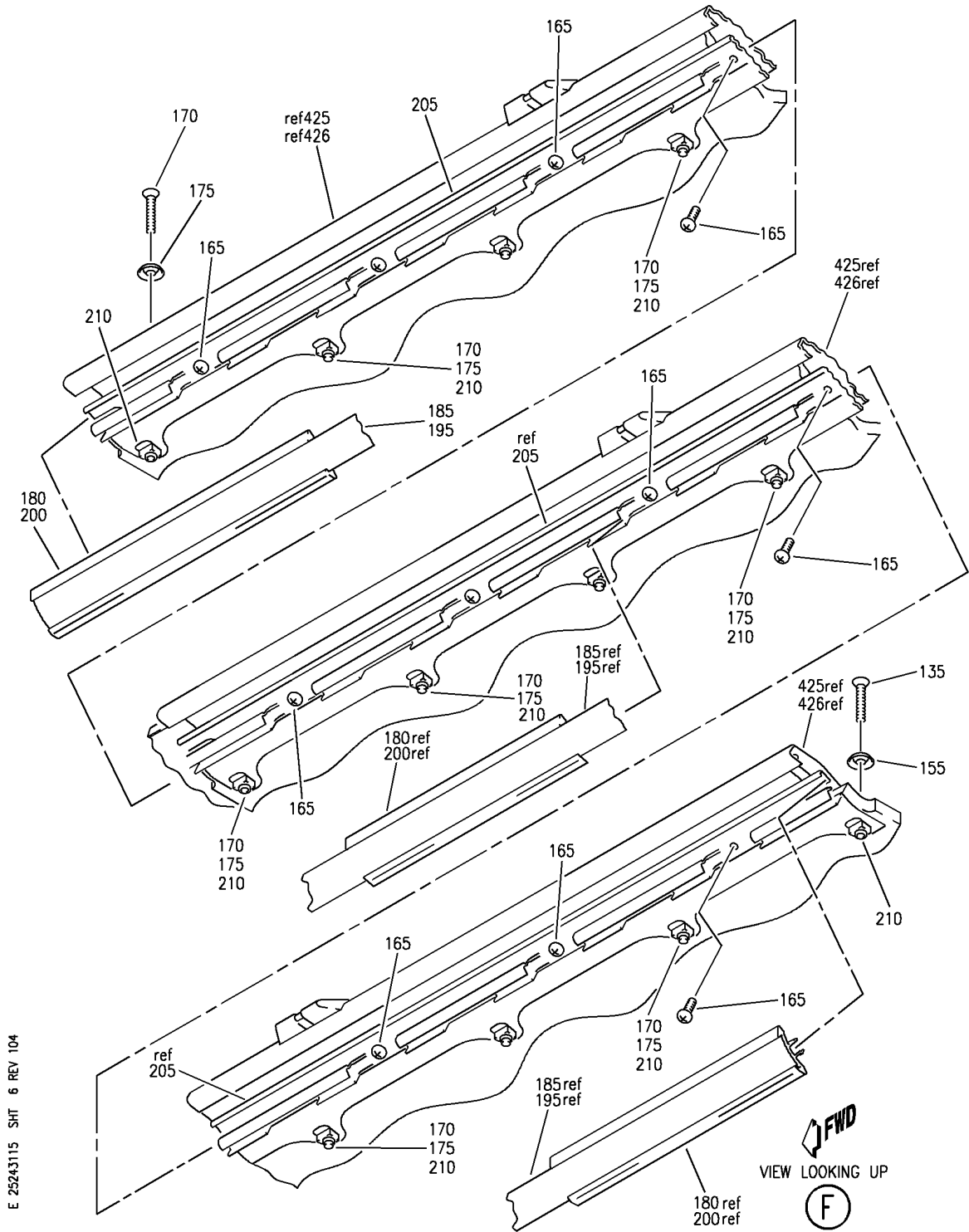
COMPARTMENT ASSY-80 IN. OVHD STOWAGE BULLNOSE CONFIGURATION (EQUIPMENT/ FURNISHINGS ONLY)
 FIGURE 15 (SHEET 5)

HAP
 OCT 15/08

25-24-31-15

25-24-31-15
 PAGE 0D

BOEING
737-600/700/800/900
PARTS CATALOG (MAINTENANCE)



E 25243115 SH 6 REV 104

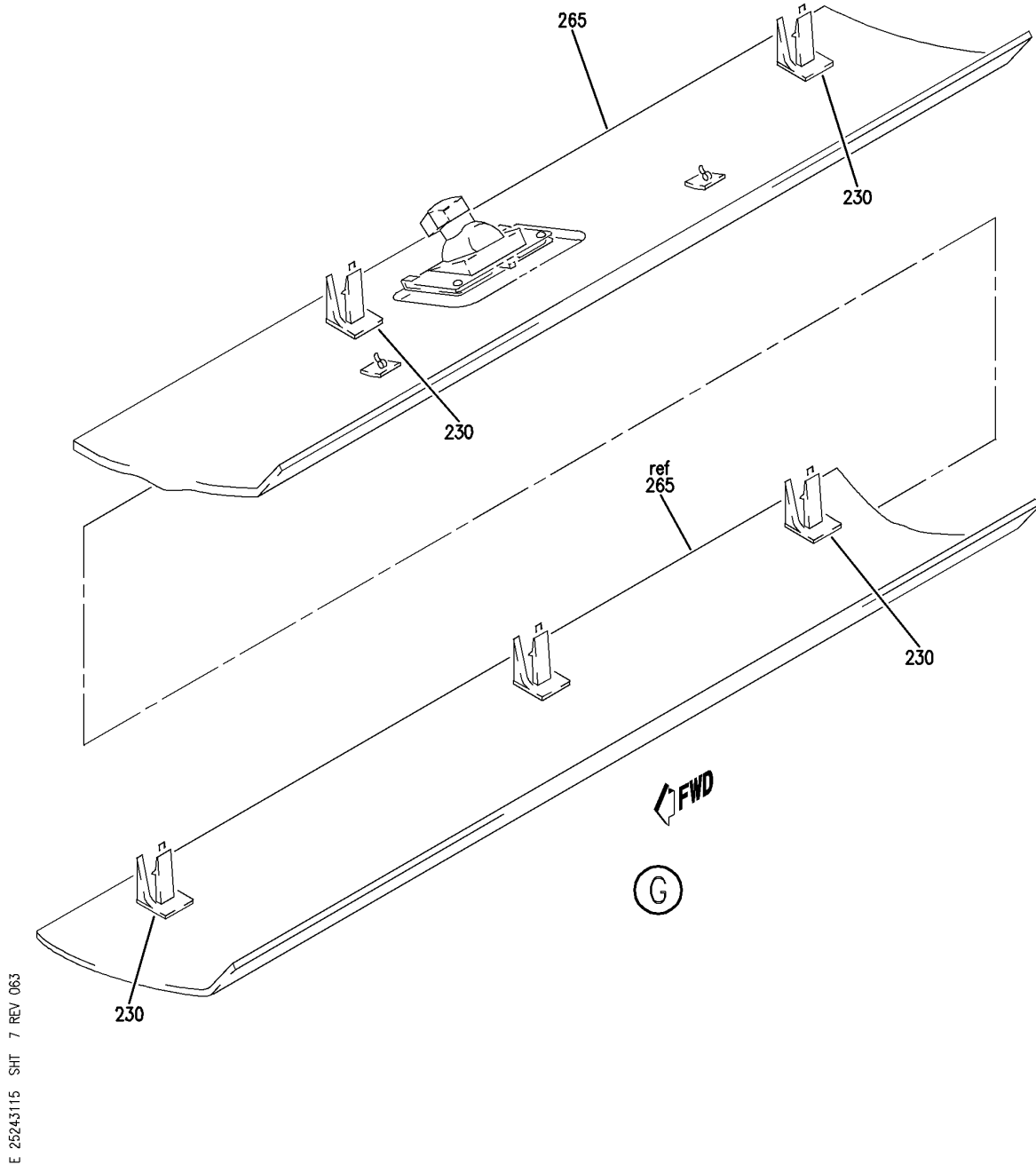
COMPARTMENT ASSY-80 IN. OVHD STOWAGE BULLNOSE CONFIGURATION (EQUIPMENT/ FURNISHINGS ONLY)
 FIGURE 15 (SHEET 6)

25-24-31-15

HAP
 OCT 15/08

25-24-31-15
 PAGE 0E

BOEING
737-600/700/800/900
PARTS CATALOG (MAINTENANCE)



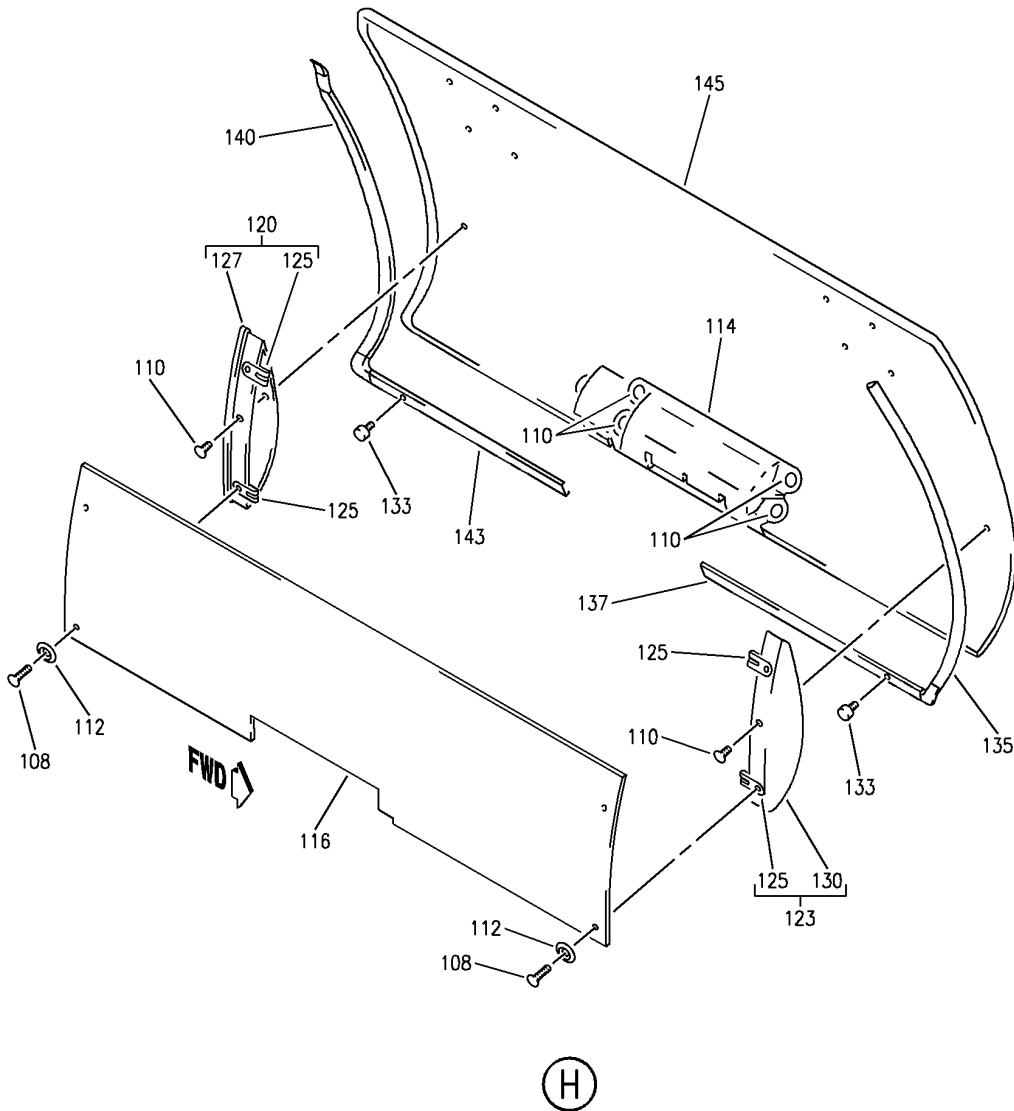
COMPARTMENT ASSY-80 IN. OVHD STOWAGE BULLNOSE CONFIGURATION (EQUIPMENT/ FURNISHINGS ONLY)
FIGURE 15 (SHEET 7)

HAP
OCT 15/08

25-24-31-15

25-24-31-15
PAGE OF

BOEING
 737-600/700/800/900
 PARTS CATALOG (MAINTENANCE)



E 2524-3115 SHT 8 REV 104

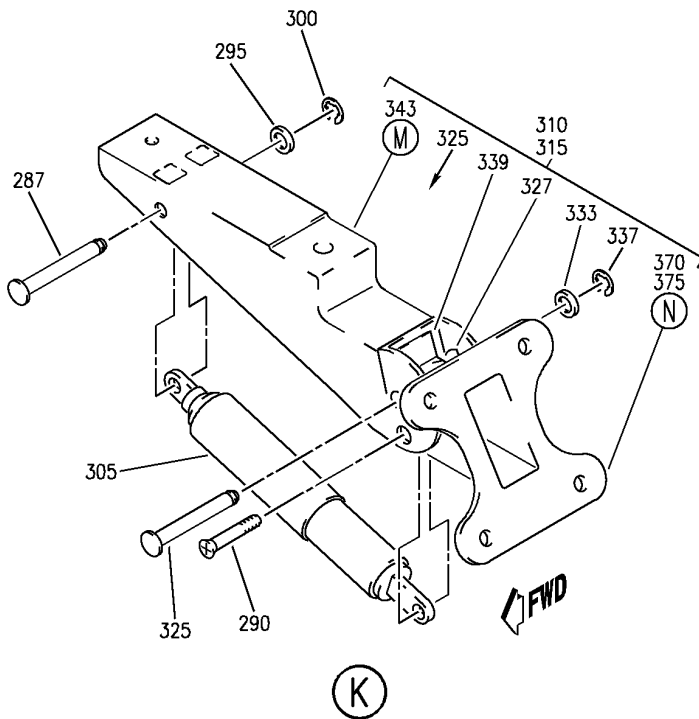
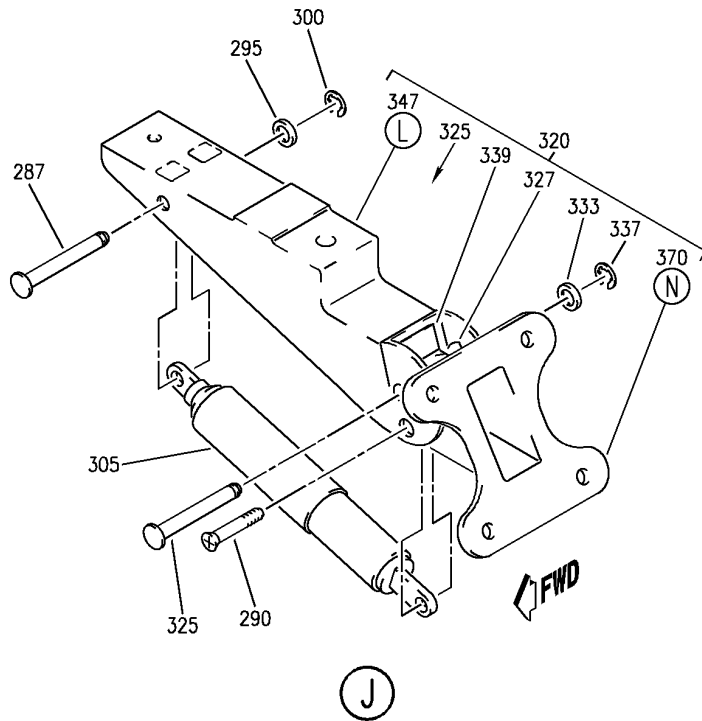
COMPARTMENT ASSY-80 IN. OVHD STOWAGE BULLNOSE CONFIGURATION (EQUIPMENT/ FURNISHINGS ONLY)
 FIGURE 15 (SHEET 8)

25-24-31-15

HAP
 OCT 15/08

25-24-31-15
 PAGE 06

BOEING
 737-600/700/800/900
 PARTS CATALOG (MAINTENANCE)



E 2524-3115 SHT 9 REV 104

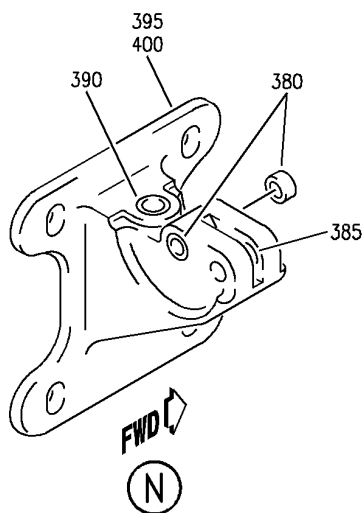
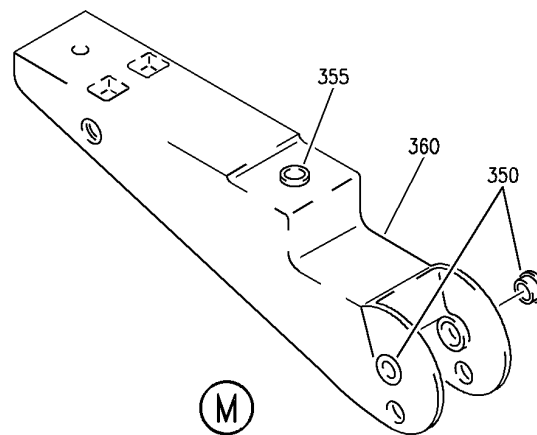
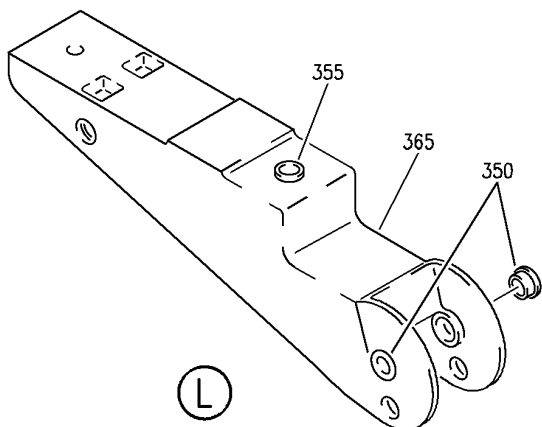
COMPARTMENT ASSY-80 IN. OVHD STOWAGE BULLNOSE CONFIGURATION (EQUIPMENT/ FURNISHINGS ONLY)
 FIGURE 15 (SHEET 9)

25-24-31-15

HAP
 OCT 15/08

25-24-31-15
 PAGE 0H

BOEING
 737-600/700/800/900
 PARTS CATALOG (MAINTENANCE)



E 25243115 SHT 10 REV 104

COMPARTMENT ASSY-80 IN. OVHD STOWAGE BULLNOSE CONFIGURATION (EQUIPMENT/ FURNISHINGS ONLY)
 FIGURE 15 (SHEET 10)

HAP
 OCT 15/08

25-24-31-15

25-24-31-15
 PAGE 01

BOEING
737-600/700/800/900
PARTS CATALOG (MAINTENANCE)

FIG ITEM	PART NUMBER	1 2 3 4 5 6 7	NOMENCLATURE	EFFECT FROM TO	UNITS PER ASSY
15			COMPARTMENT ASSY-80 IN. OVHD STOWAGE BULLNOSE CONFIGURATION (EQUIPMENT/ FURNISHINGS ONLY)	201201	
- 1	412A1120-202C		COMPARTMENT ASSY-80 IN. OVHD STOWAGE BULLNOSE CONFIGURATION (EQUIPMENT/ FURNISHINGS ONLY) POSITION DATA: RH FOR NHA/OTHER SYS DET SEE: 25-24-30-71	201201	RF
10	412A1420-1A		.EXTRUSION	201201	1
15	H3-1592-1		.LATCH-CLG SUPPLIER CODE: V34941 SPECIFICATION NUMBER: S411A001-1 ATTACHING PARTS	201201	2
- 18	BACS12GU3K7		.SCREW	201201	4
- 19	NAS1149D0332J		.WASHER	201201	4
			-----*-----		
60	412A1700-1A		.VALANCE ASSY-LT OPTIONAL PART: 412A1700-101B	201201	1
61	412A1700-101B		.VALANCE ASSY-LT OPTIONAL PART: 412A1700-1A ATTACHING PARTS	201201	1
- 63	BACN10YJ3F		.NUT	201201	8
			-----*-----		
65	BACS21DW3C10FN		..STUD	201201	8
70	412A1700-6		..TAPE-VELCRO	201201	2
75	412A1710-101SP		..PANEL ASSY- USED ON: 412A1700-101SP	201201	1
75	412A1710-1A		..PANEL ASSY- USED ON: 412A1700-1A	201201	1
80	403A3210-92SP		.SEAL ASSY-	201201	1
80	403A3210-22SP		.SEAL ASSY-	201201	1
85	BACS12FA3K6		.SCREW	201201	16
106	412A1500-101C		.DOOR ASSY-40 IN.	201201	2
108	BACS12ER3K9		..SCREW	201201	4
110	BACS12FA3K4		..SCREW	201201	6

MISSING ITEM NUMBERS NOT APPLICABLE

- ITEM NOT ILLUSTRATED

HAP

25-24-31-15

25-24-31
FIG. 15
PAGE 1
OCT 15/08

BOEING
737-600/700/800/900
PARTS CATALOG (MAINTENANCE)

FIG ITEM	PART NUMBER	1 2 3 4 5 6 7	NOMENCLATURE	EFFECT FROM TO	UNITS PER ASSY
15					
112	H3-1233A3	..	WASHER- SUPPLIER CODE: V34941 SPECIFICATION NUMBER: S411A001-1	201201	4
114	HA225-7	..	LATCH ASSY- SUPPLIER CODE: V83014 SPECIFICATION NUMBER: S412A001-11B	201201	1
116	412A1615-100A	..	PANEL ASSY-FILLER OPTIONAL PART: 412A1615-1100B	201201	1
116	412A1615-1100B	..	PANEL ASSY-FILLER OPTIONAL PART: 412A1615-100A	201201	1
120	412A1480-3A	..	BRACKET ASSY	201201	1
123	412A1480-4A	..	BRACKET ASSY	201201	1
125	BACN10VR4CGN	...	NUT	201201	2
127	412A1480-1A	...	BRACKET- USED ON: 412A1480-3A	201201	1
130	412A1480-2A	...	BRACKET- USED ON: 412A1480-4A	201201	1
133	412A1810-1A	..	BUMPER	201201	2
135	412A1450-3A	..	TRIM-EDGE	201201	1
137	412A1450-5A	..	TRIM-EDGE	201201	1
140	412A1450-4A	..	TRIM-EDGE	201201	1
143	412A1450-6A	..	TRIM-EDGE	201201	1
145	412A1510-2A	..	PANEL ASSY	201201	1
- 147	SL618-3A	...	INSERT- SUPPLIER CODE: V97393	201201	14
150	412A1451-2BCWK	.S	STRIP	201201	1
155	BACB30VF3K3	.B	BOLT	201201	2
160	BACS12ER3K11	.S	SCREW	201201	2
165	BACS12FA3K5	.S	SCREW	201201	11
170	BACS12ER3K14	.S	SCREW	201201	12
175	H3-1233A3	.W	WASHER- SUPPLIER CODE: V34941 SPECIFICATION NUMBER: S411A001-1	201201	14
177	412A1310-700	.T	TAPE-VELCRO HOOK	201201	AR
178	412A1310-701	.T	TAPE-VELCRO LOOP	201201	AR
180	412A1465-5A	.C	CLOSEOUT ASSY- POSITION DATA: LH	201201	1

MISSING ITEM NUMBERS NOT APPLICABLE

- ITEM NOT ILLUSTRATED

HAP

25-24-31-15

BOEING PROPRIETARY - Copyright © - Unpublished Work - See title page for details.

25-24-31
FIG. 15
PAGE 2
OCT 15/08

BOEING
737-600/700/800/900
PARTS CATALOG (MAINTENANCE)

FIG ITEM	PART NUMBER	1 2 3 4 5 6 7	NOMENCLATURE	EFFECT FROM TO	UNITS PER ASSY
15					
185	412A1465-6A	.CLOSEOUT ASSY-	POSITION DATA:	201201	1
			RH		
190	BACN10VR4CGN	..NUT-	OPTIONAL PART:	201201	2
			BACN10VR4CG		
190	BACN10VR4CG	..NUT-	OPTIONAL PART:	201201	2
			BACN10VR4CGN		
195	412A1465-7SP	..CLOSEOUT-	POSITION DATA:	201201	1
			LH SIDE		
200	412A1465-8SP	..CLOSEOUT-	POSITION DATA:	201201	1
			RH SIDE		
205	412A1244-1	.EXTRUSION ASSY		201201	1
210	FS1651-3	..NUTPLATE	SUPPLIER CODE:	201201	12
			V15653		
			SPECIFICATION NUMBER:		
			BACN10KH3CD		
			OPTIONAL PART:		
			102F9209M3		
			V72962		
			NS202496-02		
			V80539		
			ATTACHING PARTS		
- 215	BACR15BA3ADC	..RIVET-	SIZE DETERMINED ON INSTL.	201201	24
			-----*-----		
225	412A1605-1A	.COVER ASSY		201201	1
230	412A1460-2	..CLIP		201201	5
265	412A1615-3A	..PANEL ASSY		201201	1
272	BACS12FA3K15	.SCREW		201201	4
275	BACS12FA3K6	.SCREW		201201	4
277	412A1100-51B	.HINGE ASSY-COLLECTOR		201201	1
283	412A1100-52B	.HINGE ASSY-COLLECTOR		201201	2
285	412A1100-53B	.HINGE ASSY-COLLECTOR		201201	1
287	412A1230-21	..PIN		201201	1
290	BACB30VF3K7	..BOLT		201201	1
295	NAS1149D0316J	..WASHER		201201	1
300	MS16633-4018	..RING		201201	1
305	SP20522	..ACTUATOR ASSY-	SUPPLIER CODE:	201201	1
			V24403		
			SPECIFICATION NUMBER:		
			S412A002-2		

MISSING ITEM NUMBERS NOT APPLICABLE

- ITEM NOT ILLUSTRATED

HAP

25-24-31-15

25-24-31
FIG. 15
PAGE 3
OCT 15/08

BOEING
737-600/700/800/900
PARTS CATALOG (MAINTENANCE)

FIG ITEM	PART NUMBER	1 2 3 4 5 6 7	NOMENCLATURE	EFFECT FROM TO	UNITS PER ASSY
15					
310	412A1455-1A	..	HINGE ASSY- USED ON: 412A1100-51B	201201	1
315	412A1455-2A	..	HINGE ASSY- USED ON: 412A1100-52B	201201	1
320	412A1455-3A	..	HINGE ASSY- USED ON: 412A1100-53B	201201	1
325	412A1230-21	...	PIN	201201	1
327	MS51023-54	...	SCREW	201201	1
333	NAS1149D0316J	...	WASHER	201201	1
337	MS16633-4018	...	RING	201201	1
339	412A1220-1	...	CLIP	201201	1
343	412A1454-3A	...	HOUSING ASSY- USED ON: 412A1455-1A 412A1455-2A	201201	1
347	412A1454-12A	...	HOUSING ASSY- USED ON: 412A1455-3A	201201	1
350	BACB28Y3F020	BUSHING	201201	2
- 355	6041L3BR375	INSERT- SUPPLIER CODE: V01556	201201	1
360	412A1454-1A	HOUSING- USED ON: 412A1454-3A	201201	1
365	412A1454-11A	HOUSING- USED ON: 412A1454-12A	201201	1
370	412A1454-9A	...	BRACKET ASSY- USED ON: 412A1455-1A 412A1455-3A	201201	1
375	412A1454-10A	...	BRACKET ASSY- USED ON: 412A1455-2A	201201	1
380	BACB28Y3F025	BUSHING	201201	2
385	6041-3BR225	INSERT- SUPPLIER CODE: V01556	201201	1
390	6041L3BR375	INSERT- SUPPLIER CODE: V01556	201201	1
395	412A1454-7A	BRACKET- USED ON: 412A1454-9A	201201	1

MISSING ITEM NUMBERS NOT APPLICABLE

- ITEM NOT ILLUSTRATED

HAP

25-24-31-15

BOEING PROPRIETARY - Copyright © - Unpublished Work - See title page for details.

25-24-31
FIG. 15
PAGE 4
OCT 15/08

BOEING
737-600/700/800/900
PARTS CATALOG (MAINTENANCE)

FIG ITEM	PART NUMBER	1 2 3 4 5 6 7	NOMENCLATURE	EFFECT FROM TO	UNITS PER ASSY
15 400	412A1454-8A	BRACKET- USED ON: 412A1454-10A	201201	1
425	412A1200-102A	.BOX	ASSY-80 IN. BIN OPTIONAL PART: 412A1200-1102B FOR DETAILS SEE: 25-24-32-80G	201201	1
425	412A1200-1102B	.BOX	ASSY-80 IN. BIN OPTIONAL PART: 412A1200-102A FOR DETAILS SEE: 25-24-32-80G	201201	1
- 455	OBA8	.PLUG-	SUPPLIER CODE: VOBV87 OPTIONAL PART: 412A1100-96 412A1811-1B 412A1811-2B	201201	AR
- 455	412A1811-1B	.PLUG-	OPTIONAL PART: 412A1100-96 412A1811-2B OBA8 VOBV87	201201	AR
- 455	412A1811-2B	.PLUG-	OPTIONAL PART: 412A1100-96 412A1811-1B OBA8 VOBV87	201201	AR
- 460	412A1100-96	.KIT	ASSY-SCR AND WASHER OPTIONAL PART: OBA8 VOBV87 412A1811-1B 412A1811-2B	201201	AR
- 465	NAS514P1032-5	..	SCREW	201201	1
- 470	H3-1233A3	..	WASHER- SUPPLIER CODE: V34941 SPECIFICATION NUMBER: S411A001-1	201201	1

MISSING ITEM NUMBERS NOT APPLICABLE

- ITEM NOT ILLUSTRATED

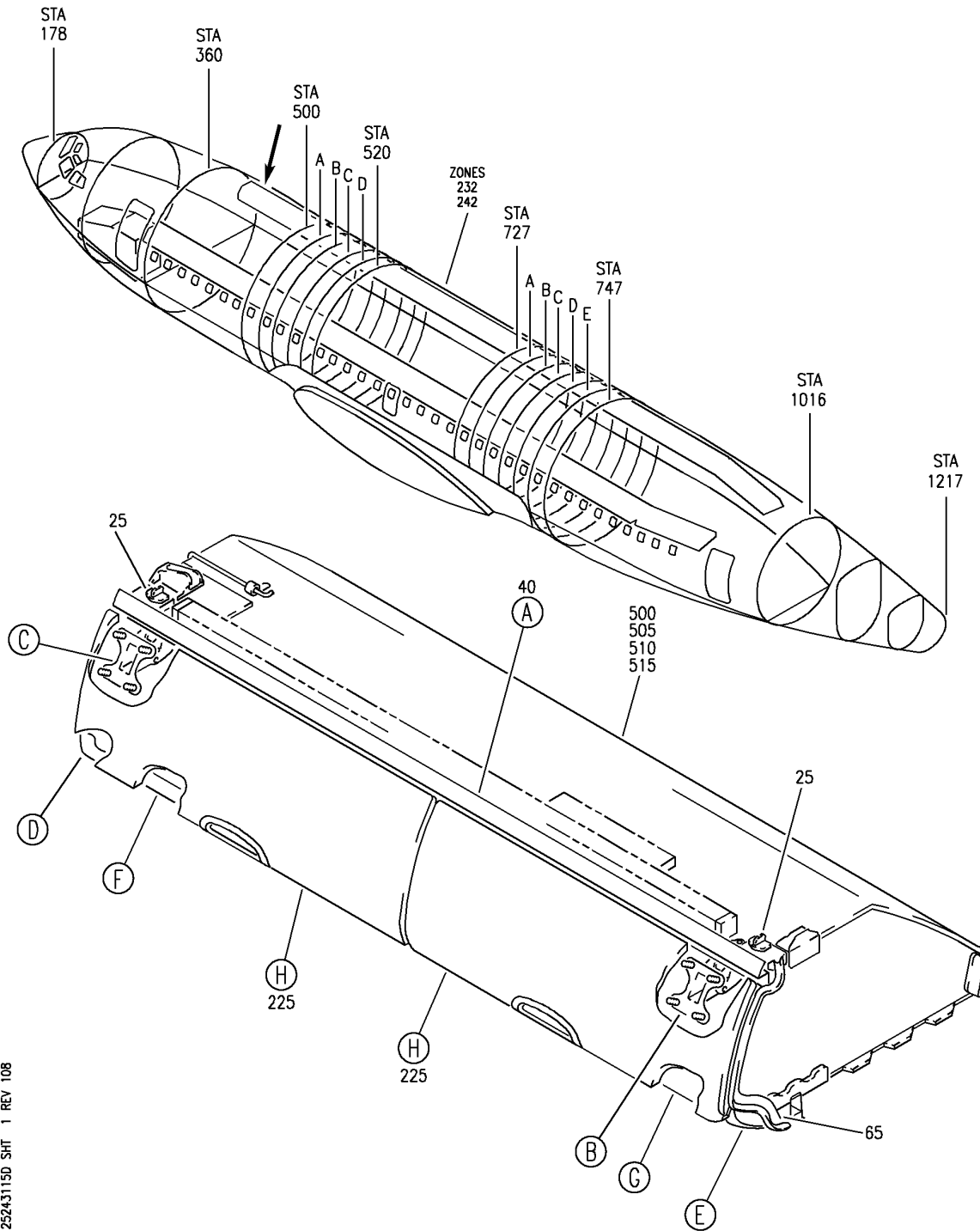
HAP

25-24-31-15

BOEING PROPRIETARY - Copyright © - Unpublished Work - See title page for details.

25-24-31
FIG. 15
PAGE 5
OCT 15/08


BOEING
 737-600/700/800/900
PARTS CATALOG (MAINTENANCE)



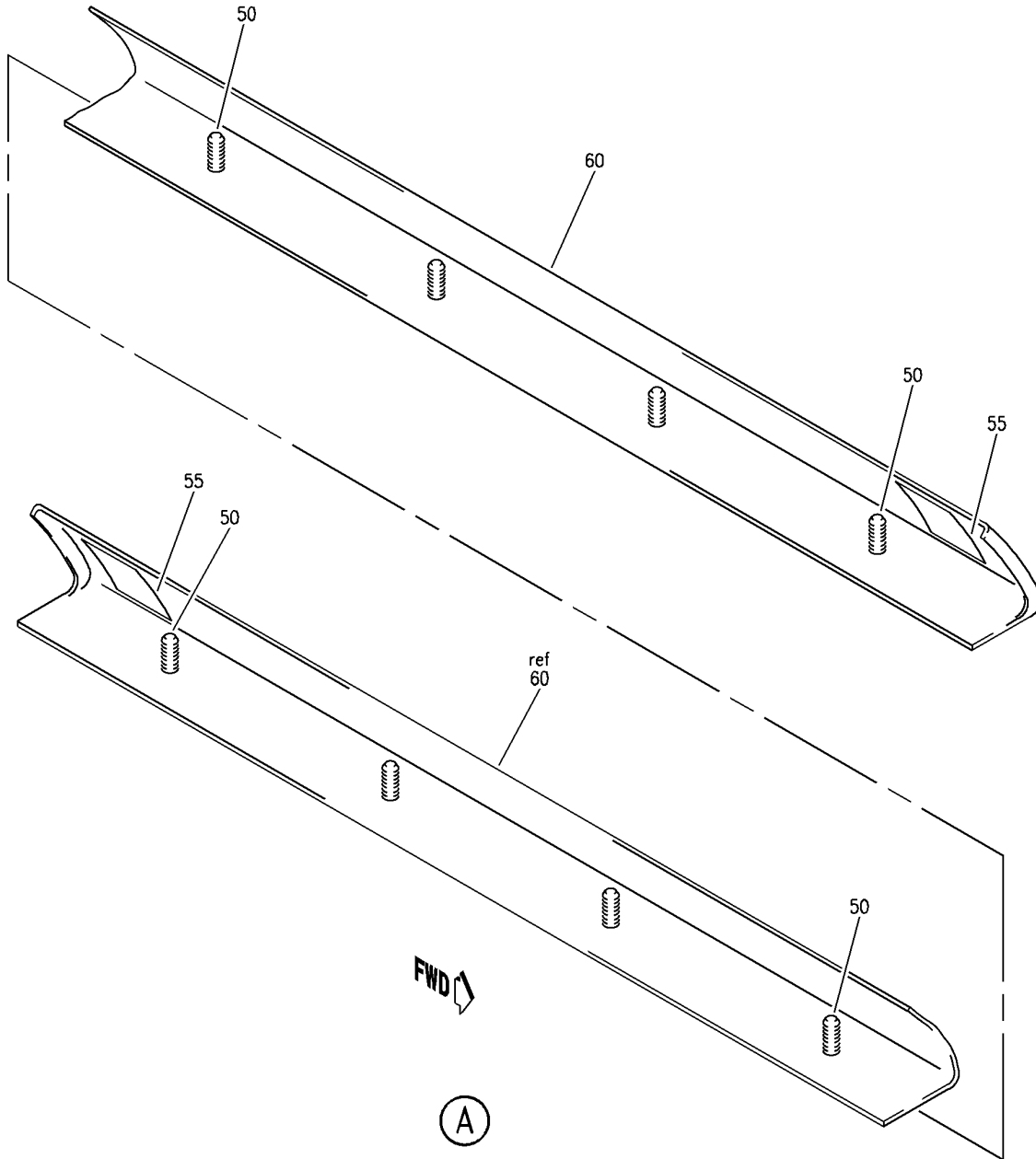
E 25243115D SHT 1 REV 108

COMPARTMENT ASSY-80 IN. OVHD STOWAGE BULLNOSE CONFIGURATION (EQUIPMENT/ FURNISHINGS ONLY)
 FIGURE 15D (SHEET 1)

25-24-31-15D

HAP
OCT 15/08

25-24-31-15D
PAGE 0



E 2524-31-15D SHT 2 REV 108

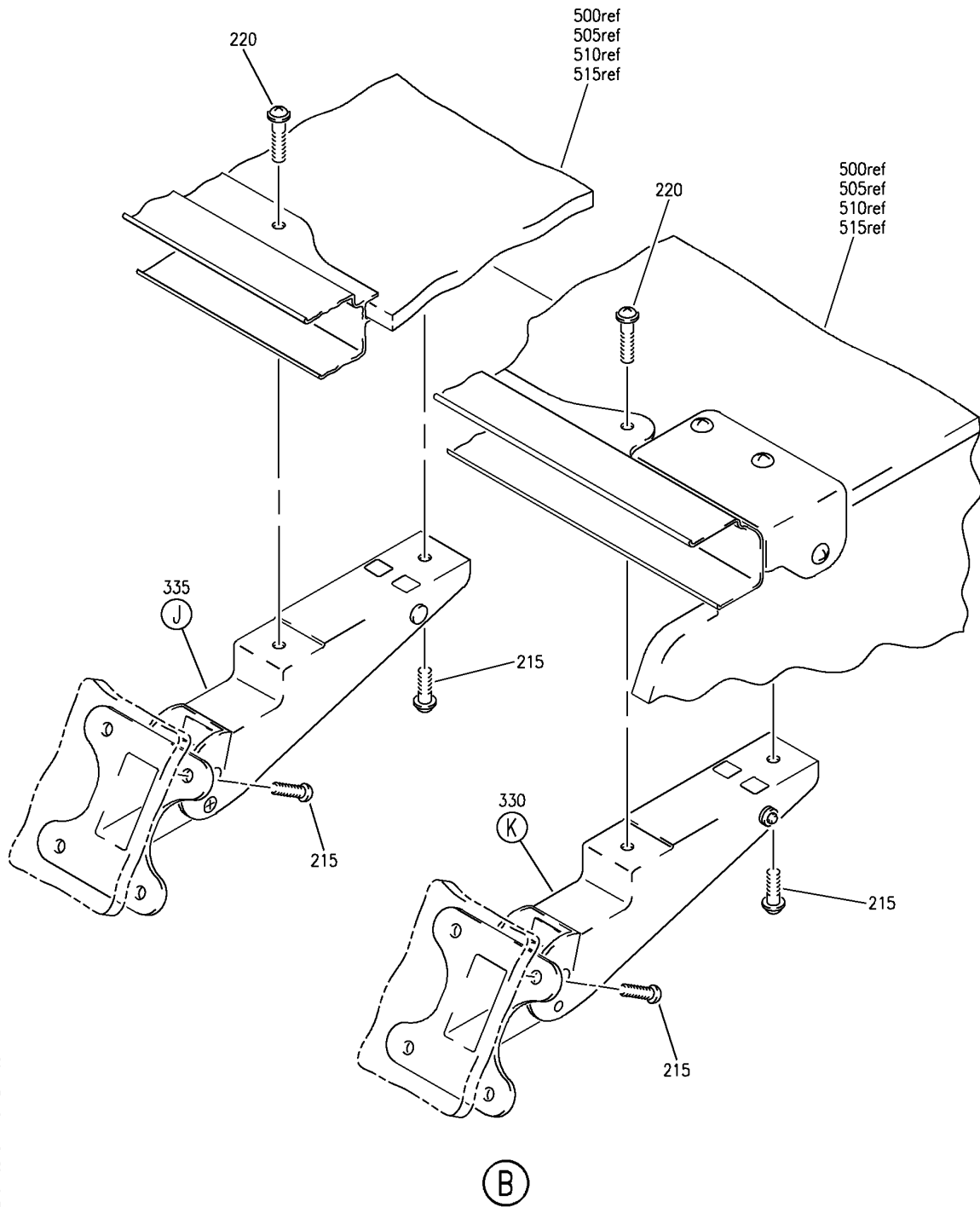
COMPARTMENT ASSY-80 IN. OVHD STOWAGE BULLNOSE CONFIGURATION (EQUIPMENT/ FURNISHINGS ONLY)
 FIGURE 15D (SHEET 2)

25-24-31-15D

HAP
 OCT 15/08

25-24-31-15D
 PAGE 0A

BOEING
 737-600/700/800/900
 PARTS CATALOG (MAINTENANCE)



E 2524-31-15D SHT 3 REV 108

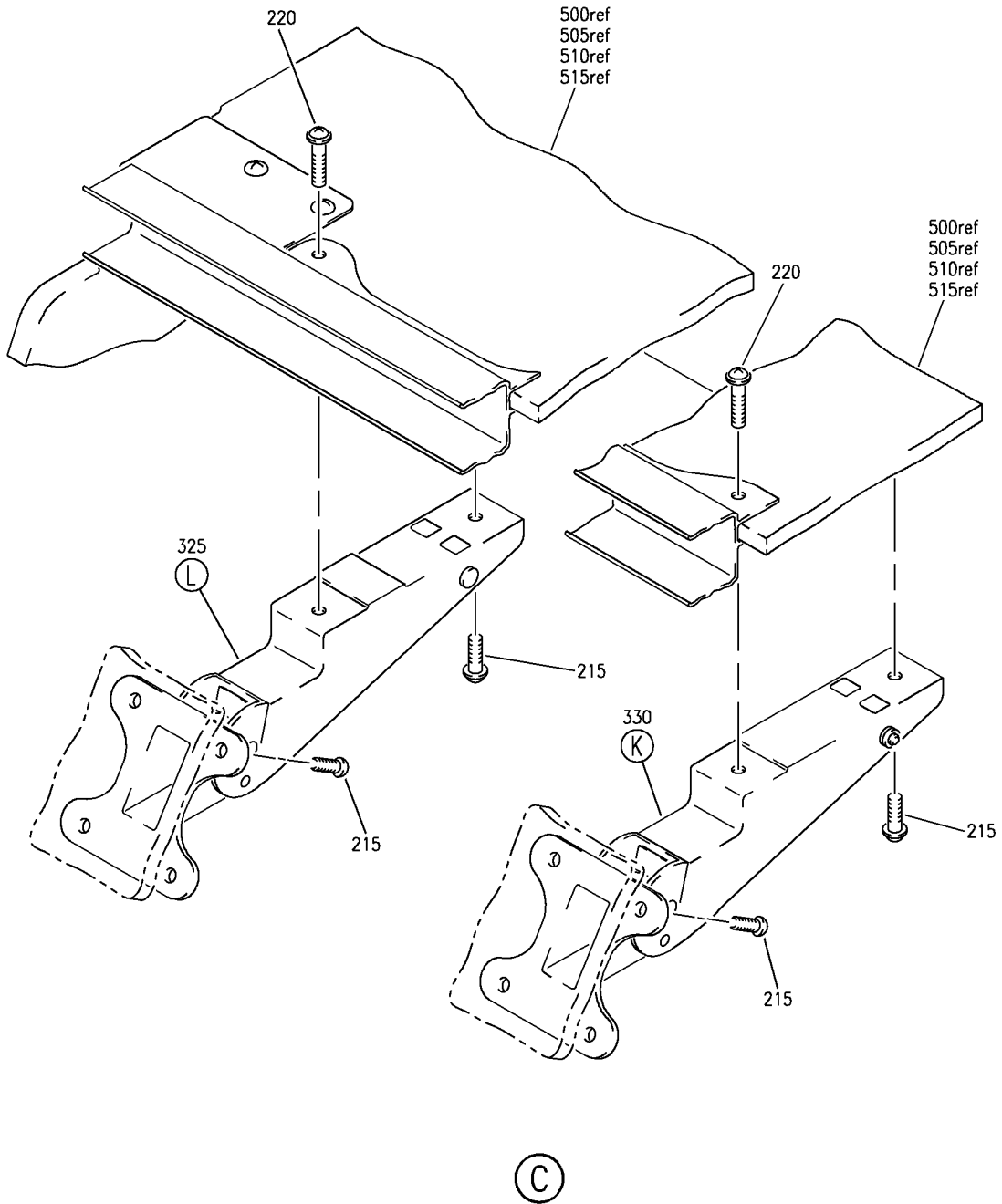
COMPARTMENT ASSY-80 IN. OVHD STOWAGE BULLNOSE CONFIGURATION (EQUIPMENT/ FURNISHINGS ONLY)
 FIGURE 15D (SHEET 3)

25-24-31-15D

HAP
 OCT 15/08

25-24-31-15D
 PAGE 0B

BOEING
 737-600/700/800/900
 PARTS CATALOG (MAINTENANCE)



E 2524-31-15D SHT 4 REV 108

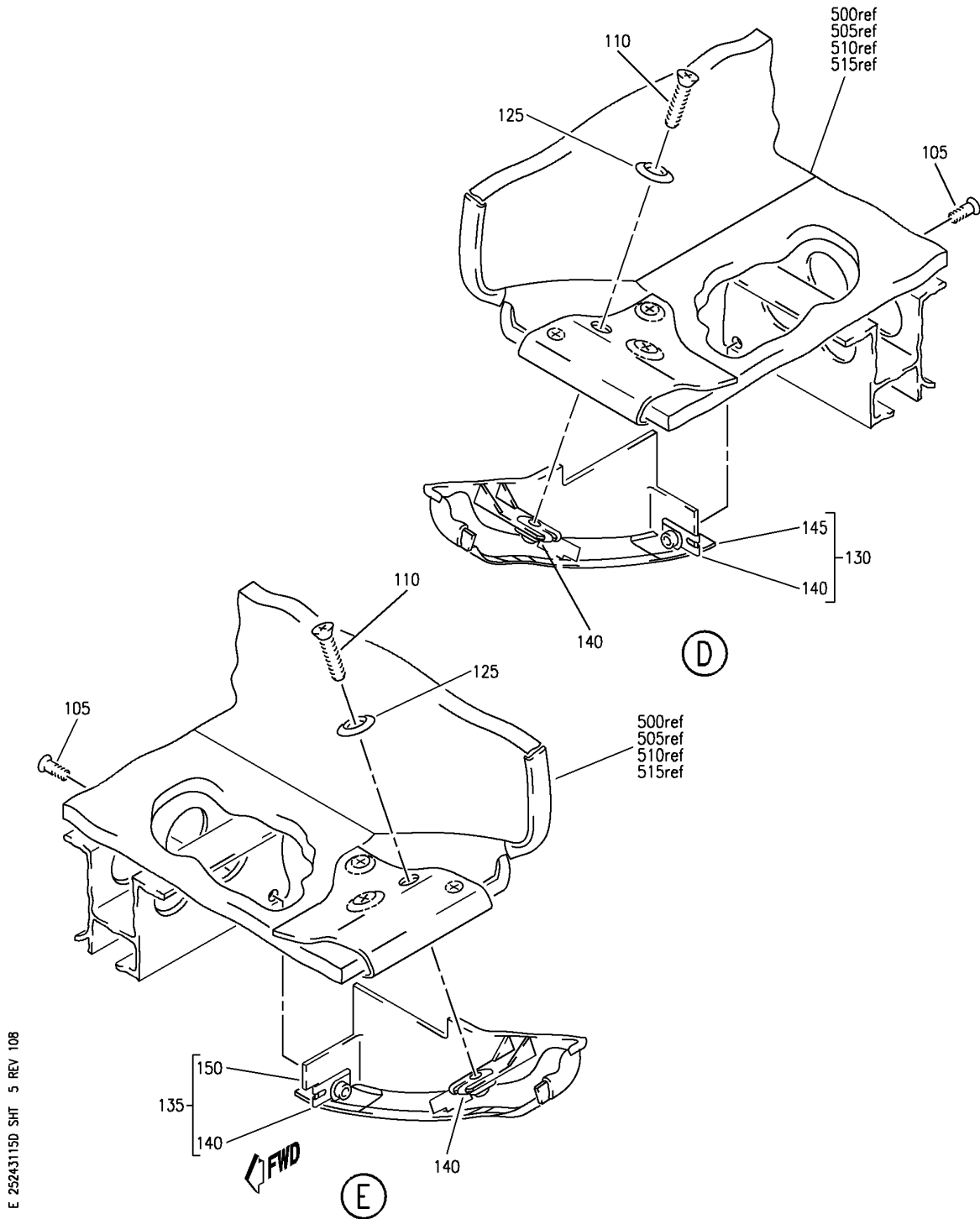
COMPARTMENT ASSY-80 IN. OVHD STOWAGE BULLNOSE CONFIGURATION (EQUIPMENT/ FURNISHINGS ONLY)
 FIGURE 15D (SHEET 4)

25-24-31-15D

HAP
 OCT 15/08

25-24-31-15D
 PAGE 0C

BOEING
 737-600/700/800/900
 PARTS CATALOG (MAINTENANCE)



E 2524-31-15D SHT 5 REV 108

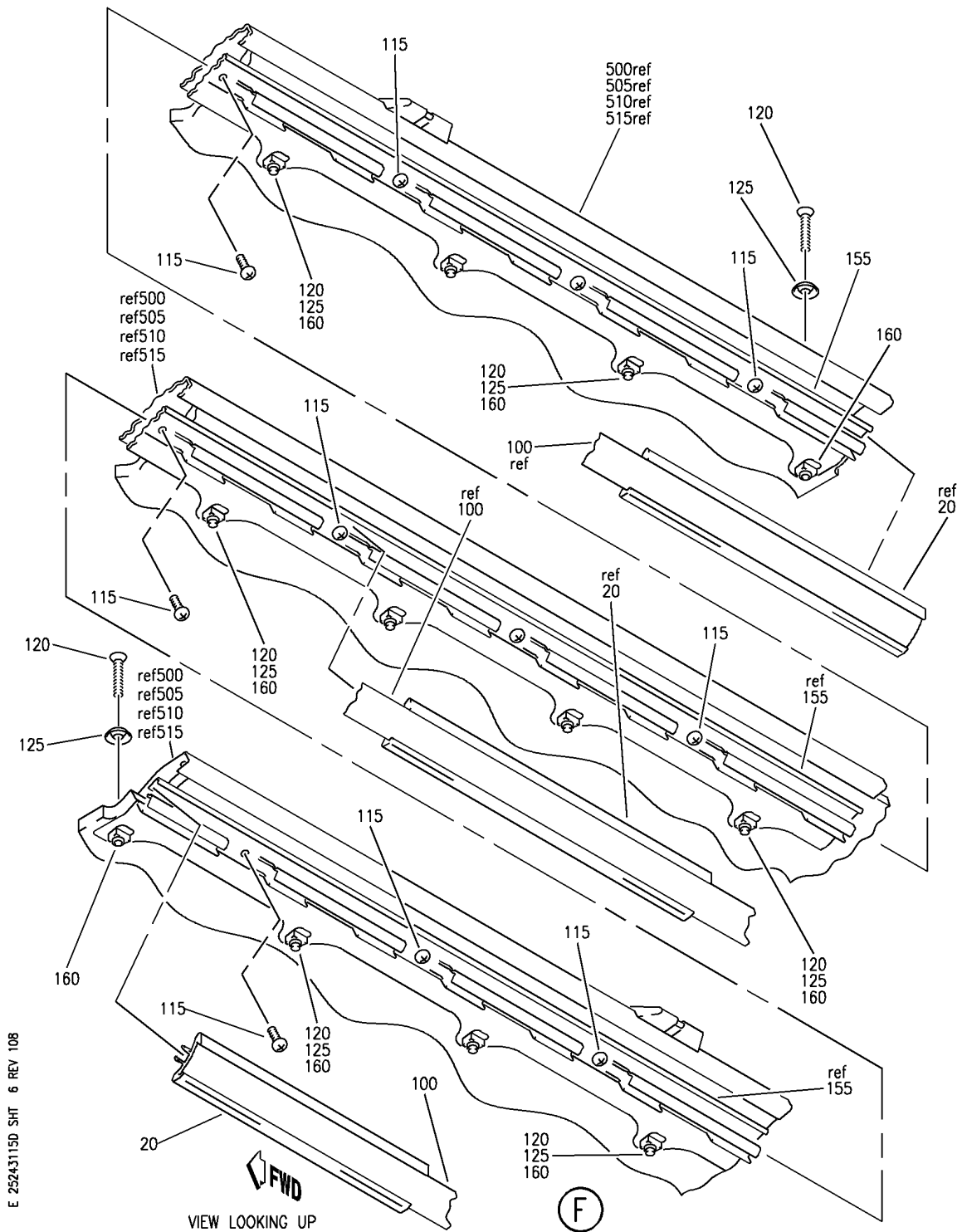
COMPARTMENT ASSY-80 IN. OVHD STOWAGE BULLNOSE CONFIGURATION (EQUIPMENT/ FURNISHINGS ONLY)
 FIGURE 15D (SHEET 5)

25-24-31-15D

HAP
 OCT 15/08

25-24-31-15D
 PAGE 0D

BOEING
737-600/700/800/900
PARTS CATALOG (MAINTENANCE)



E 2524-31-15D SHT 6 REV 108

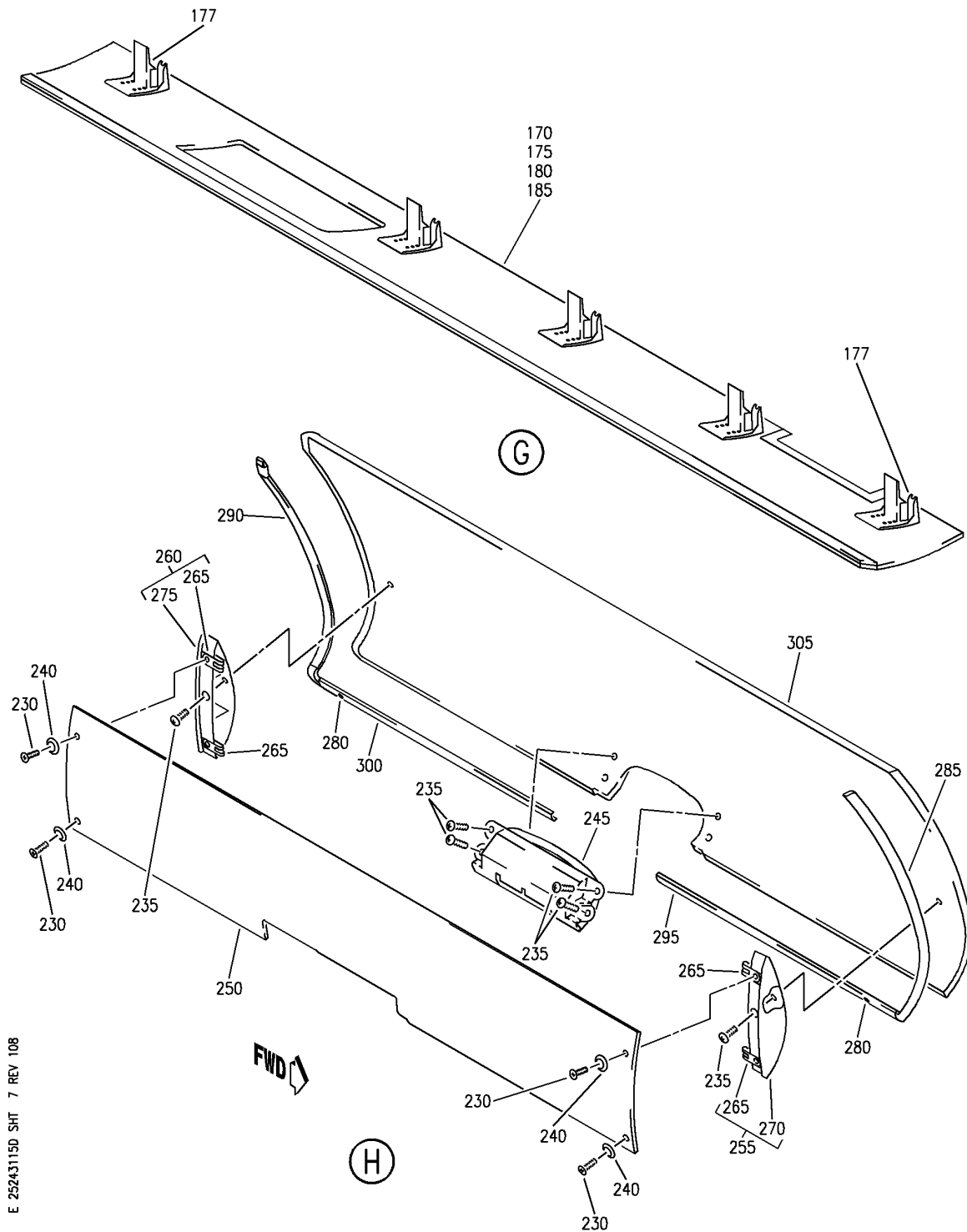
COMPARTMENT ASSY-80 IN. OVHD STORAGE BULLNOSE CONFIGURATION (EQUIPMENT/ FURNISHINGS ONLY)
 FIGURE 15D (SHEET 6)

HAP
 OCT 15/08

25-24-31-15D

25-24-31-15D
 PAGE 0E

BOEING
 737-600/700/800/900
 PARTS CATALOG (MAINTENANCE)



E 2524-31-15D SHT 7 REV 108

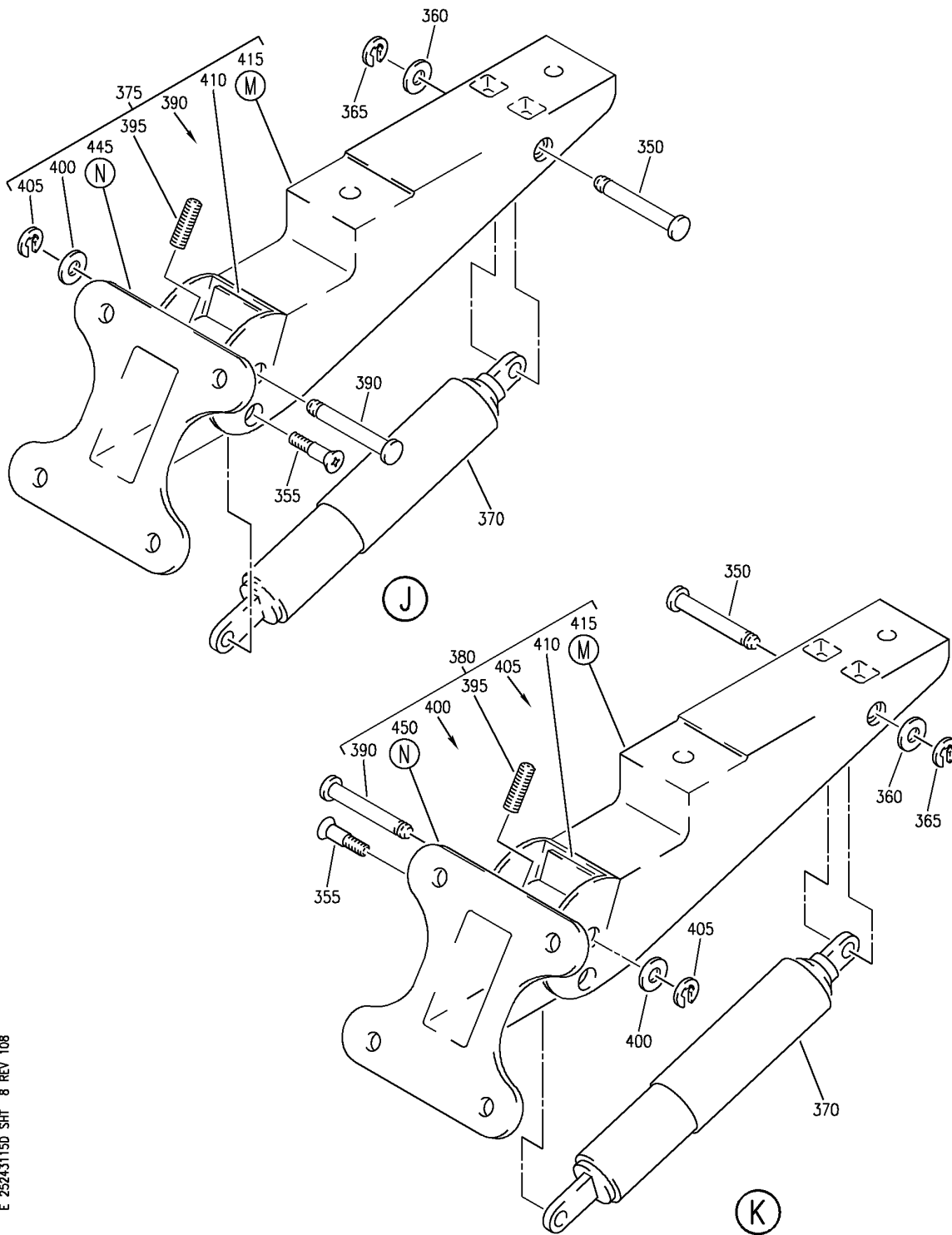
COMPARTMENT ASSY-80 IN. OVHD STOWAGE BULLNOSE CONFIGURATION (EQUIPMENT/ FURNISHINGS ONLY)
 FIGURE 15D (SHEET 7)

25-24-31-15D

HAP
 OCT 15/08

25-24-31-15D
 PAGE OF

BOEING
 737-600/700/800/900
 PARTS CATALOG (MAINTENANCE)



E 2524-31-15D SHT 8 REV 108

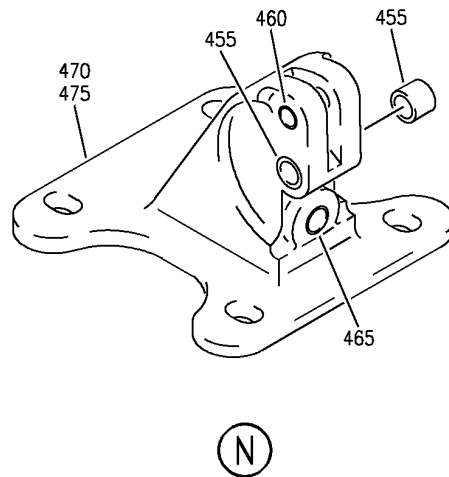
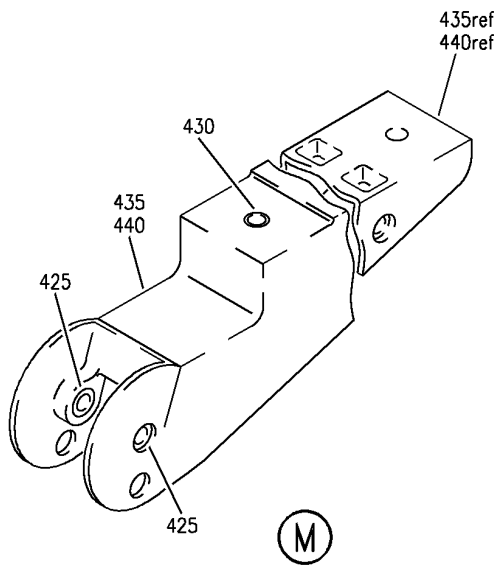
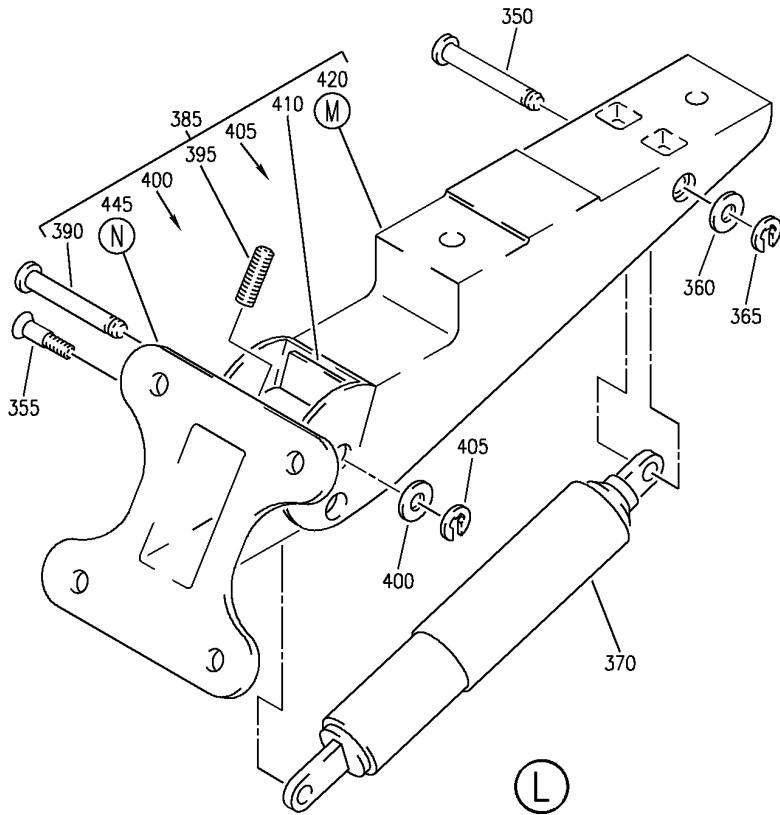
COMPARTMENT ASSY-80 IN. OVHD STOWAGE BULLNOSE CONFIGURATION (EQUIPMENT/ FURNISHINGS ONLY)
 FIGURE 15D (SHEET 8)

HAP
 OCT 15/08

25-24-31-15D

25-24-31-15D
 PAGE 08

BOEING
 737-600/700/800/900
 PARTS CATALOG (MAINTENANCE)



E 2524-31-15D SHT 9 REV 108

COMPARTMENT ASSY-80 IN. OVHD STORAGE BULLNOSE CONFIGURATION (EQUIPMENT/ FURNISHINGS ONLY)
 FIGURE 15D (SHEET 9)

25-24-31-15D

HAP
 OCT 15/08

25-24-31-15D
 PAGE 0H

BOEING
737-600/700/800/900
PARTS CATALOG (MAINTENANCE)

FIG ITEM	PART NUMBER	1 2 3 4 5 6 7	NOMENCLATURE	EFFECT FROM TO	UNITS PER ASSY
15D			COMPARTMENT ASSY-80 IN. OVHD STOWAGE BULLNOSE CONFIGURATION (EQUIPMENT/ FURNISHINGS ONLY)	202967	
- 1	412A1120-102SP		COMPARTMENT ASSY-80 IN. OVHD STOWAGE BULLNOSE CONFIGURATION (EQUIPMENT/ FURNISHINGS ONLY) POSITION DATA: RH FOR NHA/OTHER SYS DET SEE: 25-24-30-71	202967	RF
- 5	412A1120-108SP		COMPARTMENT ASSY-80 IN. OVHD STOWAGE BULLNOSE CONFIGURATION (EQUIPMENT/ FURNISHINGS ONLY) POSITION DATA: RH FOR NHA/OTHER SYS DET SEE: 25-24-30-71	202967	RF
- 15	412A1120-112SP		COMPARTMENT ASSY-80 IN. OVHD STOWAGE BULLNOSE CONFIGURATION (EQUIPMENT/ FURNISHINGS ONLY) POSITION DATA: RH FOR NHA/OTHER SYS DET SEE: 25-24-30-71	202967	RF
20	412A1420-1SP		.EXTRUSION	202967	1
25	H3-1592-1		.LATCH- SUPPLIER CODE: V34941 SPECIFICATION NUMBER: S411A001-1 ATTACHING PARTS	202967	2
- 30	BACS12GU3K7		.SCREW	202967	4
- 35	NAS1149D0332J		.WASHER -----*-----	202967	4
40	412A1700-101SP		.VALANCE ASSY-LT OPTIONAL PART: 412A1700-1A	202967	1
40	412A1700-1A		.VALANCE ASSY-LT OPTIONAL PART: 412A1700-101SP ATTACHING PARTS	202967	1
- 45	BACN10YJ3F		.NUT -----*-----	202967	8
50	BACS21DW3C10FN		..STUD	202967	8
55	412A1700-6		..TAPE-VELCRO	202967	2

MISSING ITEM NUMBERS NOT APPLICABLE

- ITEM NOT ILLUSTRATED

HAP

25-24-31-15D

BOEING PROPRIETARY - Copyright © - Unpublished Work - See title page for details.

25-24-31
FIG. 15D
PAGE 1
OCT 15/08

BOEING
737-600/700/800/900
PARTS CATALOG (MAINTENANCE)

FIG ITEM	PART NUMBER	1 2 3 4 5 6 7	NOMENCLATURE	EFFECT FROM TO	UNITS PER ASSY
15D					
60	412A1710-101SP	..	PANEL ASSY- USED ON: 412A1700-101SP	202967	1
60	412A1710-1A	..	PANEL ASSY- USED ON: 412A1700-1A	202967	1
65	403A3210-22SP	.SEAL	ASSY-	202967	1
65	403A3210-92SP	.SEAL	ASSY-	202967	1
100	412A1451-2SP	.STRIP		202967	1
105	BACB30VF3K3	.BOLT		202967	2
110	BACS12ER3K11	.SCREW		202967	2
115	BACS12FA3K5	.SCREW		202967	11
120	BACS12ER3K14	.SCREW		202967	12
125	H3-1233A3	.WASHER-		202967	14
			SUPPLIER CODE: V34941		
			SPECIFICATION NUMBER: S411A001-1		
130	412A1465-5SP	.CLOSEOUT	ASSY- POSITION DATA: LH	202967	1
135	412A1465-6SP	.CLOSEOUT	ASSY- POSITION DATA: RH	202967	1
140	BACN10VR4CGN	..NUT-		202967	2
			OPTIONAL PART: BACN10VR4CG		
140	BACN10VR4CG	..NUT-		202967	2
			OPTIONAL PART: BACN10VR4CGN		
145	412A1465-7SP	..CLOSEOUT-		202967	1
			POSITION DATA: LH SIDE		
150	412A1465-8SP	..CLOSEOUT-		202967	1
			POSITION DATA: RH SIDE		
155	412A1244-1	.EXTRUSION	ASSY	202967	1
160	FS1651-3	..NUTPLATE		202967	12
			SUPPLIER CODE: V15653		
			SPECIFICATION NUMBER: BACN10KH3CD		
			OPTIONAL PART: 102F9209M3		
			V72962		
			NS202496-02		
			V80539		

MISSING ITEM NUMBERS NOT APPLICABLE

- ITEM NOT ILLUSTRATED

HAP

25-24-31-15D

BOEING PROPRIETARY - Copyright © - Unpublished Work - See title page for details.

25-24-31
FIG. 15D
PAGE 2
OCT 15/08

BOEING
737-600/700/800/900
PARTS CATALOG (MAINTENANCE)

FIG ITEM	PART NUMBER	1 2 3 4 5 6 7	NOMENCLATURE	EFFECT FROM TO	UNITS PER ASSY
15D			ATTACHING PARTS		
- 165	BACR15BA3ADC		..RIVET- SIZE DETERMINED ON INSTL. -----*-----	202967	24
170	412A1605-1A		.COVER ASSY- USED ON: 412A1120-102SP 412A1120-108SP 412A1120-110SP	202967	1
175	412A1605-46A		.COVER ASSY- USED ON: 412A1120-112SP	202967	1
177	412A1460-2		.CLIP	202967	5
180	412A1615-3A		..PANEL ASSY- USED ON: 412A1605-1A	202967	1
185	412A1615-46A		..PANEL ASSY- USED ON: 412A1605-46A	202967	1
215	BACS12FA3K6		.SCREW	202967	20
220	BACS12FA3K15		.SCREW	202967	4
225	412A1500-1SP		.DOOR ASSY-40 IN.	202967	2
230	BACS12ER3K9		..SCREW	202967	4
235	BACS12FA3K4		..SCREW	202967	6
240	H3-1233A3		..WASHER- SUPPLIER CODE: V34941 SPECIFICATION NUMBER: S411A001-1	202967	4
245	HA225-1		..LATCH ASSY- SUPPLIER CODE: V83014 SPECIFICATION NUMBER: S412A001-1A	202967	1
245	HA225-7		..LATCH ASSY- SUPPLIER CODE: V83014 SPECIFICATION NUMBER: S412A001-11B	202967	1
250	412A1615-100SP		..PANEL ASSY-FILLER	202967	1
255	412A1480-3SP		..BRACKET ASSY	202967	1
260	412A1480-4SP		..BRACKET ASSY	202967	1
265	BACN10VR4CGN		...NUT	202967	2
270	412A1480-1SP		...BRACKET- USED ON: 412A1480-3SP	202967	1
275	412A1480-2SP		...BRACKET- USED ON: 412A1480-4SP	202967	1

MISSING ITEM NUMBERS NOT APPLICABLE

- ITEM NOT ILLUSTRATED

HAP

25-24-31-15D

BOEING PROPRIETARY - Copyright © - Unpublished Work - See title page for details.

25-24-31
FIG. 15D
PAGE 3
OCT 15/08

BOEING
737-600/700/800/900
PARTS CATALOG (MAINTENANCE)

FIG ITEM	PART NUMBER	1 2 3 4 5 6 7	NOMENCLATURE	EFFECT FROM TO	UNITS PER ASSY
15D					
280	412A1810-1SP	..	BUMPER	202967	2
285	412A1450-4SP	..	TRIM-EDGE	202967	1
290	412A1450-3SP	..	TRIM-EDGE	202967	1
295	412A1450-6SP	..	TRIM-EDGE	202967	1
300	412A1450-5SP	..	TRIM-EDGE	202967	1
305	412A1510-2SP	..	PANEL ASSY	202967	1
- 310	SL618-3A	...	INSERT- SUPPLIER CODE: V97393	202967	14
325	412A1100-53SP	.HINGE	ASSY-COLLECTOR	202967	1
330	412A1100-52SP	.HINGE	ASSY-COLLECTOR	202967	2
335	412A1100-51SP	.HINGE	ASSY-COLLECTOR	202967	1
350	412A1230-21	..	PIN	202967	1
355	BACB30VF3K7	..	BOLT	202967	1
360	NAS1149D0316J	..	WASHER	202967	1
365	MS16633-4018	..	RING	202967	1
370	SP20522	..	ACTUATOR ASSY- SUPPLIER CODE: V24403 SPECIFICATION NUMBER: S412A002-2	202967	1
375	412A1455-1SP	..HINGE	ASSY- USED ON: 412A1100-51SP	202967	1
380	412A1455-2SP	..HINGE	ASSY- USED ON: 412A1100-52SP	202967	1
385	412A1455-3SP	..HINGE	ASSY- USED ON: 412A1100-53SP	202967	1
390	412A1230-21	...	PIN	202967	1
395	MS51023-54	...	SCREW	202967	1
400	NAS1149D0316J	...	WASHER	202967	1
405	MS16633-4018	...	RING	202967	1
410	412A1220-1	...	CLIP	202967	1
415	412A1454-3SP	...	HOUSING ASSY- USED ON: 412A1455-1SP 412A1455-2SP	202967	1
420	412A1454-12SP	...	HOUSING ASSY- USED ON: 412A1455-3SP	202967	1
425	BACB28Y3F020	BUSHING	202967	2
430	6041L3BR375	INSERT- SUPPLIER CODE: V01556	202967	1
435	412A1454-1SP	HOUSING- USED ON: 412A1454-3SP	202967	1

MISSING ITEM NUMBERS NOT APPLICABLE

- ITEM NOT ILLUSTRATED

HAP

25-24-31-15D

BOEING PROPRIETARY - Copyright © - Unpublished Work - See title page for details.

25-24-31
FIG. 15D
PAGE 4
OCT 15/08

BOEING
737-600/700/800/900
PARTS CATALOG (MAINTENANCE)

FIG ITEM	PART NUMBER	1 2 3 4 5 6 7	NOMENCLATURE	EFFECT FROM TO	UNITS PER ASSY
15D 440	412A1454-11SP	HOUSING- USED ON: 412A1454-12SP	202967	1
445	412A1454-9SP	...	BRACKET ASSY- USED ON: 412A1455-1SP 412A1455-3SP	202967	1
450	412A1454-10SP	...	BRACKET ASSY- USED ON: 412A1455-2SP	202967	1
455	BACB28Y3F025	BUSHING	202967	2
460	6041-3BR225	INSERT- SUPPLIER CODE: V01556	202967	1
465	6041L3BR375	INSERT- SUPPLIER CODE: V01556	202967	1
470	412A1454-7SP	BRACKET- USED ON: 412A1454-9SP	202967	1
475	412A1454-8SP	BRACKET- USED ON: 412A1454-10SP	202967	1
500	412A1200-102A	.BOX	ASSY-80 IN. BIN USED ON: 412A1120-102SP FOR DETAILS SEE: 25-24-32-80G	202967	1
505	412A1200-108SP	.BOX	ASSY-80 IN. BIN USED ON: 412A1120-108SP FOR DETAILS SEE: 25-24-32-82E	202967	1
515	412A1200-112A	.BOX	ASSY-80 IN. BIN USED ON: 412A1120-112SP FOR DETAILS SEE: 25-24-32-80	202967	1

MISSING ITEM NUMBERS NOT APPLICABLE

— ITEM NOT ILLUSTRATED

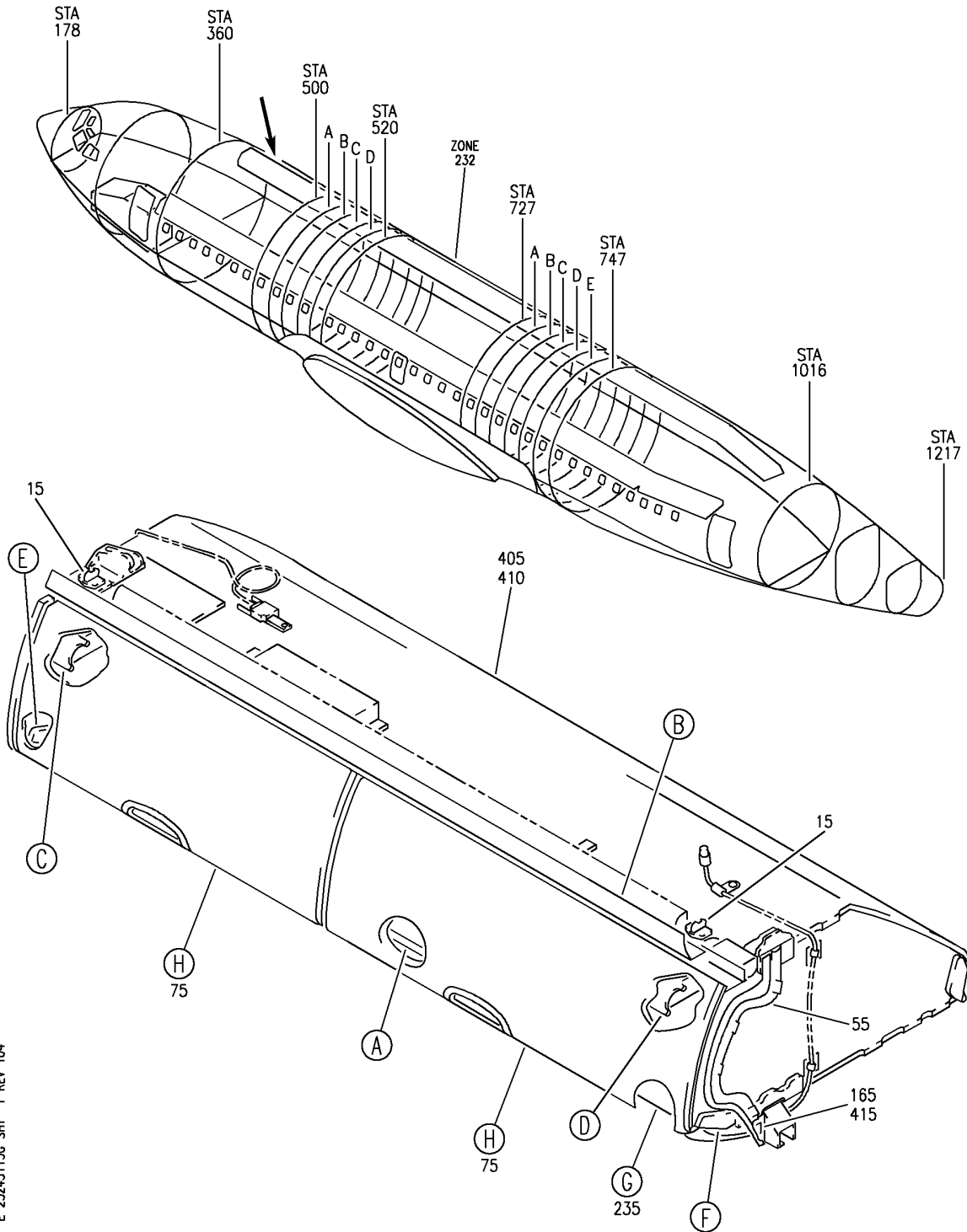
HAP

25-24-31-15D

BOEING PROPRIETARY - Copyright © - Unpublished Work - See title page for details.

25-24-31
FIG. 15D
PAGE 5
OCT 15/08

BOEING
 737-600/700/800/900
 PARTS CATALOG (MAINTENANCE)



E 25243115G SHT 1 REV 104

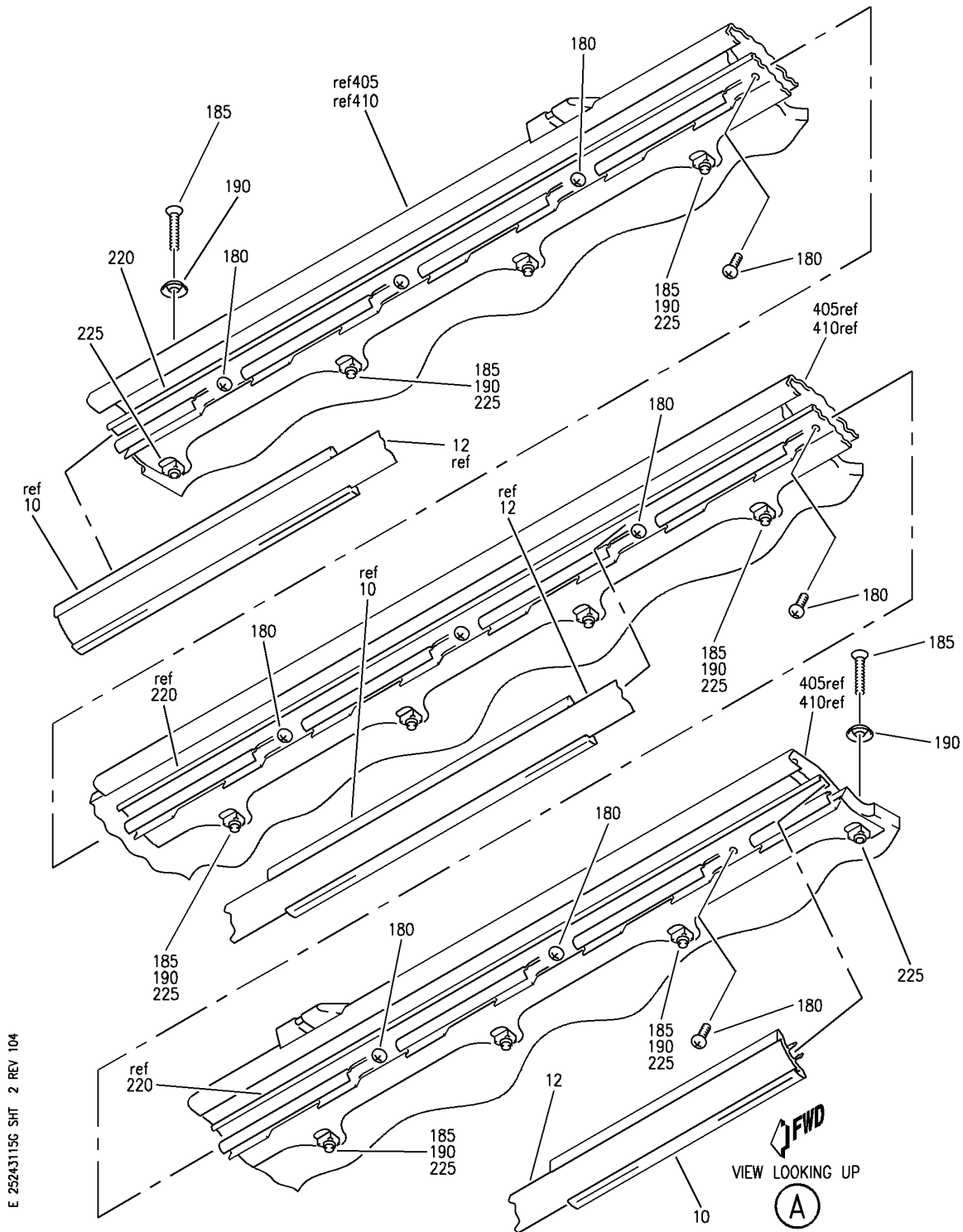
COMPARTMENT ASSY-80 IN. (EQUIPMENT/FURNISHINGS ONLY)
 FIGURE 15G (SHEET 1)

25-24-31-15G

HAP
 OCT 15/08

25-24-31-15G
 PAGE 0

BOEING
 737-600/700/800/900
 PARTS CATALOG (MAINTENANCE)



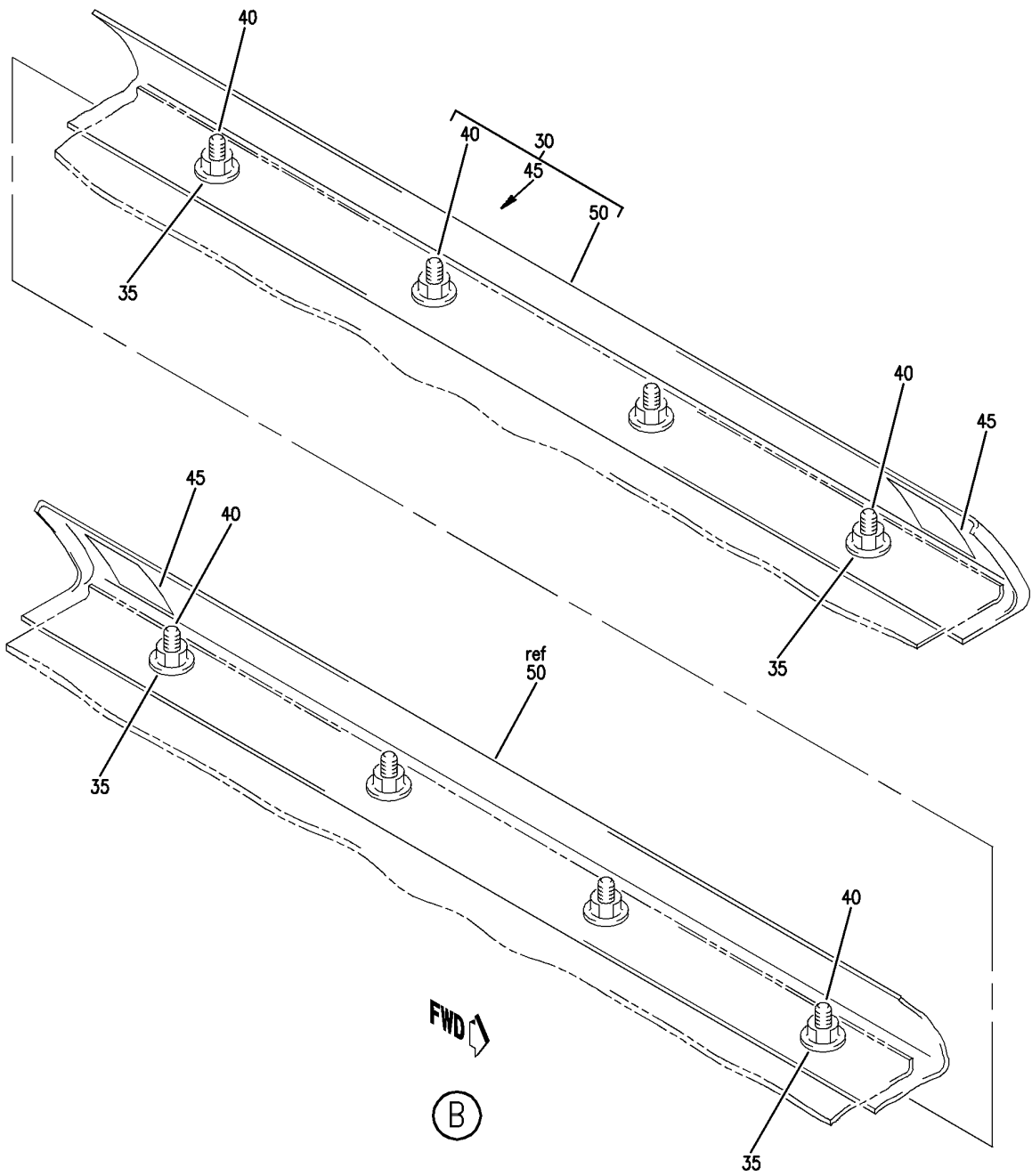
E 25243115G SHT 2 REV 104

COMPARTMENT ASSY-80 IN. (EQUIPMENT/FURNISHINGS ONLY)
 FIGURE 15G (SHEET 2)

25-24-31-15G

HAP
 OCT 15/08

25-24-31-15G
 PAGE 0A



E 25243115G SHT 3 REV 060

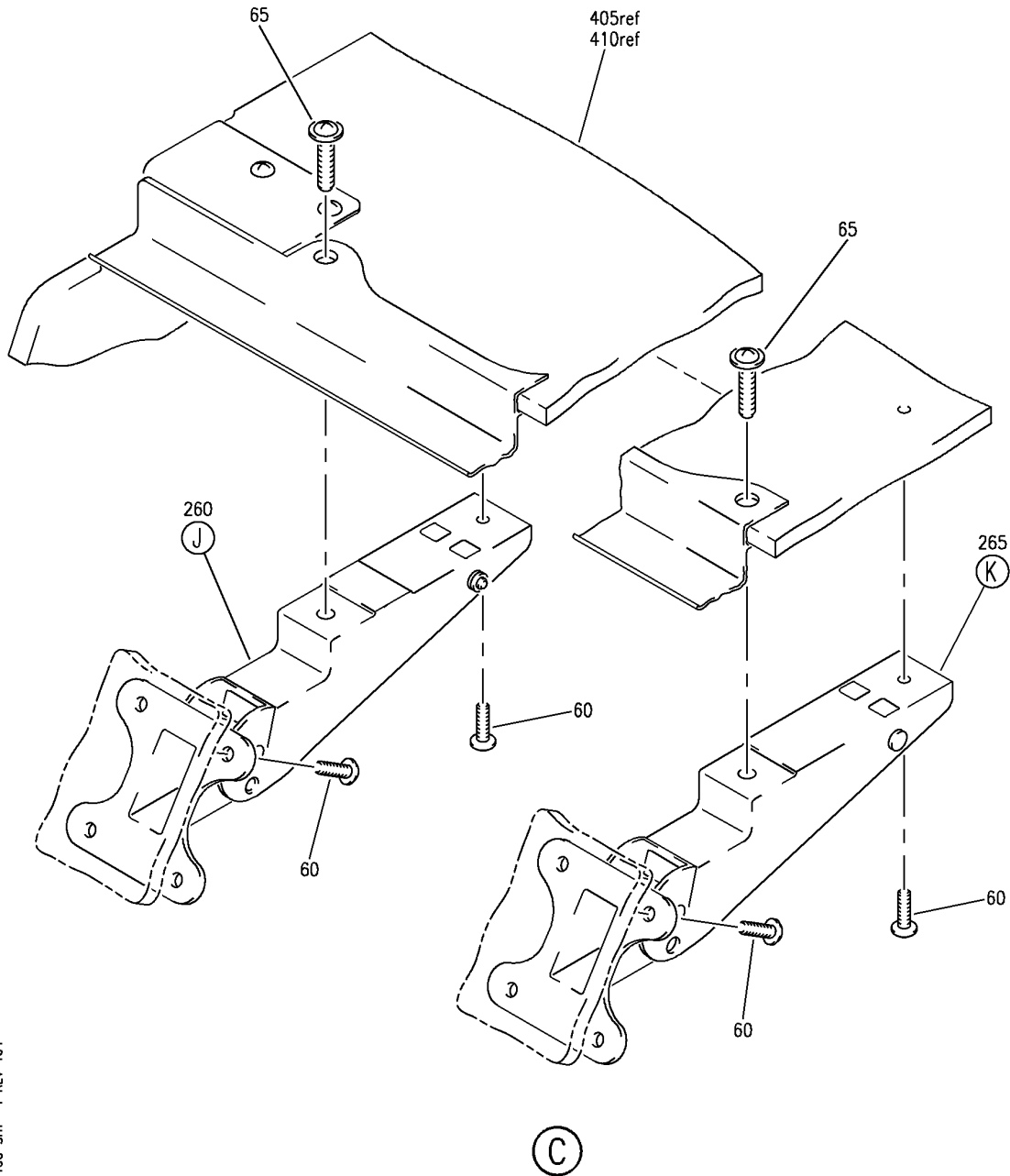
COMPARTMENT ASSY-80 IN. (EQUIPMENT/FURNISHINGS ONLY)
 FIGURE 15G (SHEET 3)

25-24-31-15G

HAP
 OCT 15/08

25-24-31-15G
 PAGE 0B

BOEING
737-600/700/800/900
PARTS CATALOG (MAINTENANCE)



E 25243115G SHT 4 REV 104

COMPARTMENT ASSY-80 IN. (EQUIPMENT/FURNISHINGS ONLY)
FIGURE 15G (SHEET 4)

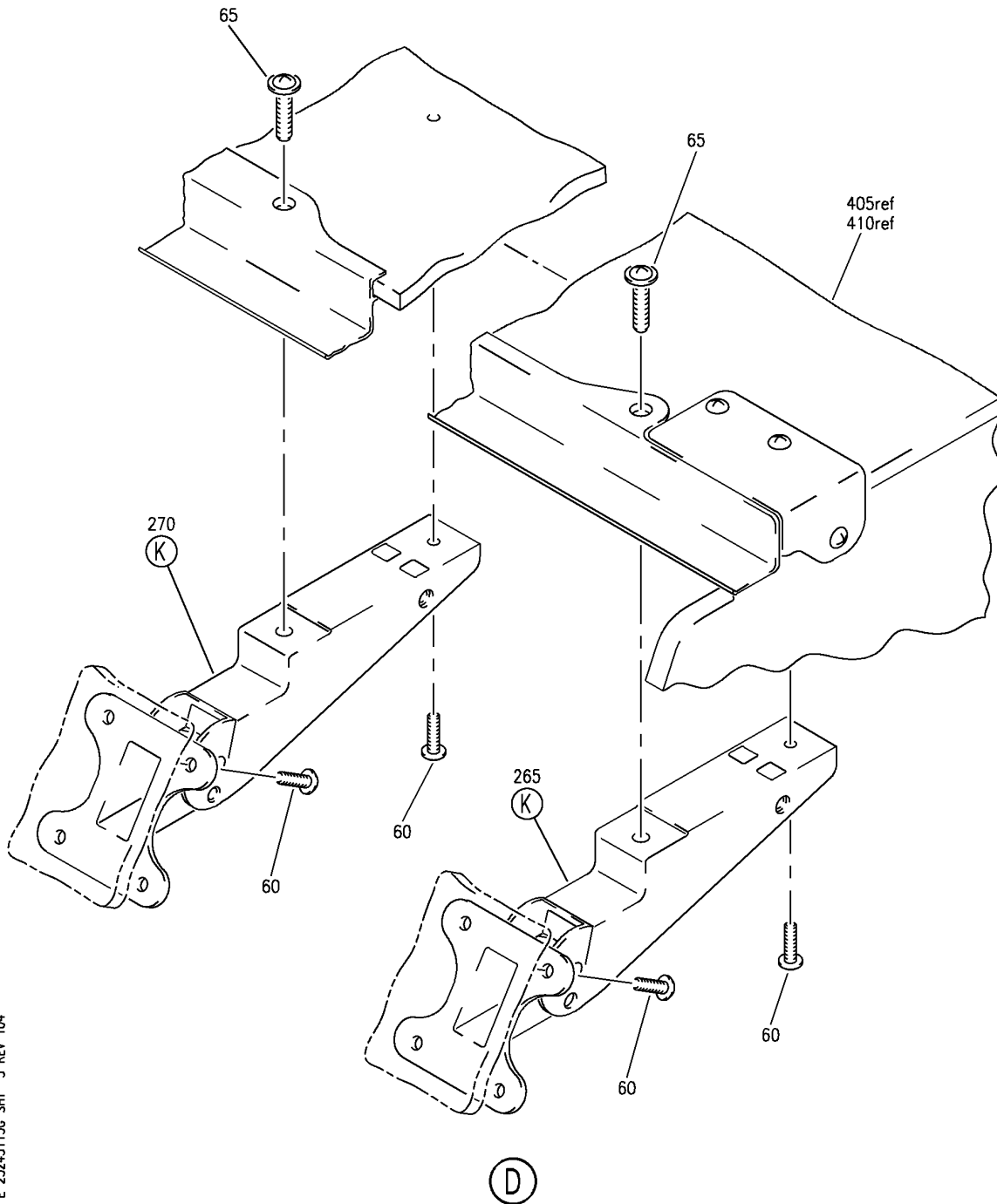
25-24-31-15G

HAP
OCT 15/08

25-24-31-15G
PAGE 0C

BOEING PROPRIETARY - Copyright © - Unpublished Work - See title page for details.

BOEING
737-600/700/800/900
PARTS CATALOG (MAINTENANCE)



E 25243115G SHT 5 REV 104

COMPARTMENT ASSY-80 IN. (EQUIPMENT/FURNISHINGS ONLY)
FIGURE 15G (SHEET 5)

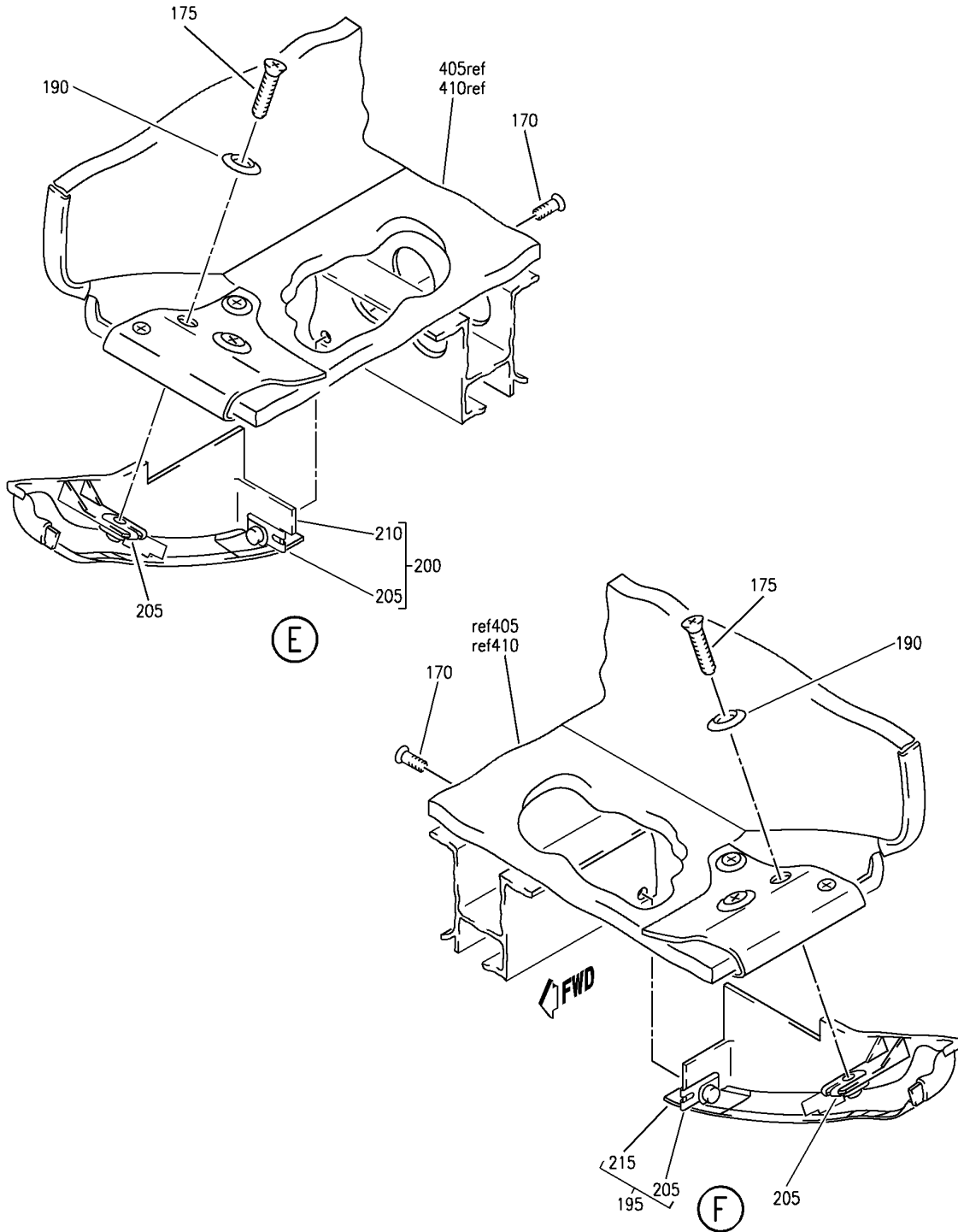
25-24-31-15G

HAP
OCT 15/08

25-24-31-15G
PAGE 0D

BOEING PROPRIETARY - Copyright © - Unpublished Work - See title page for details.

BOEING
 737-600/700/800/900
 PARTS CATALOG (MAINTENANCE)



E 25243115G SHT 6 REV 104

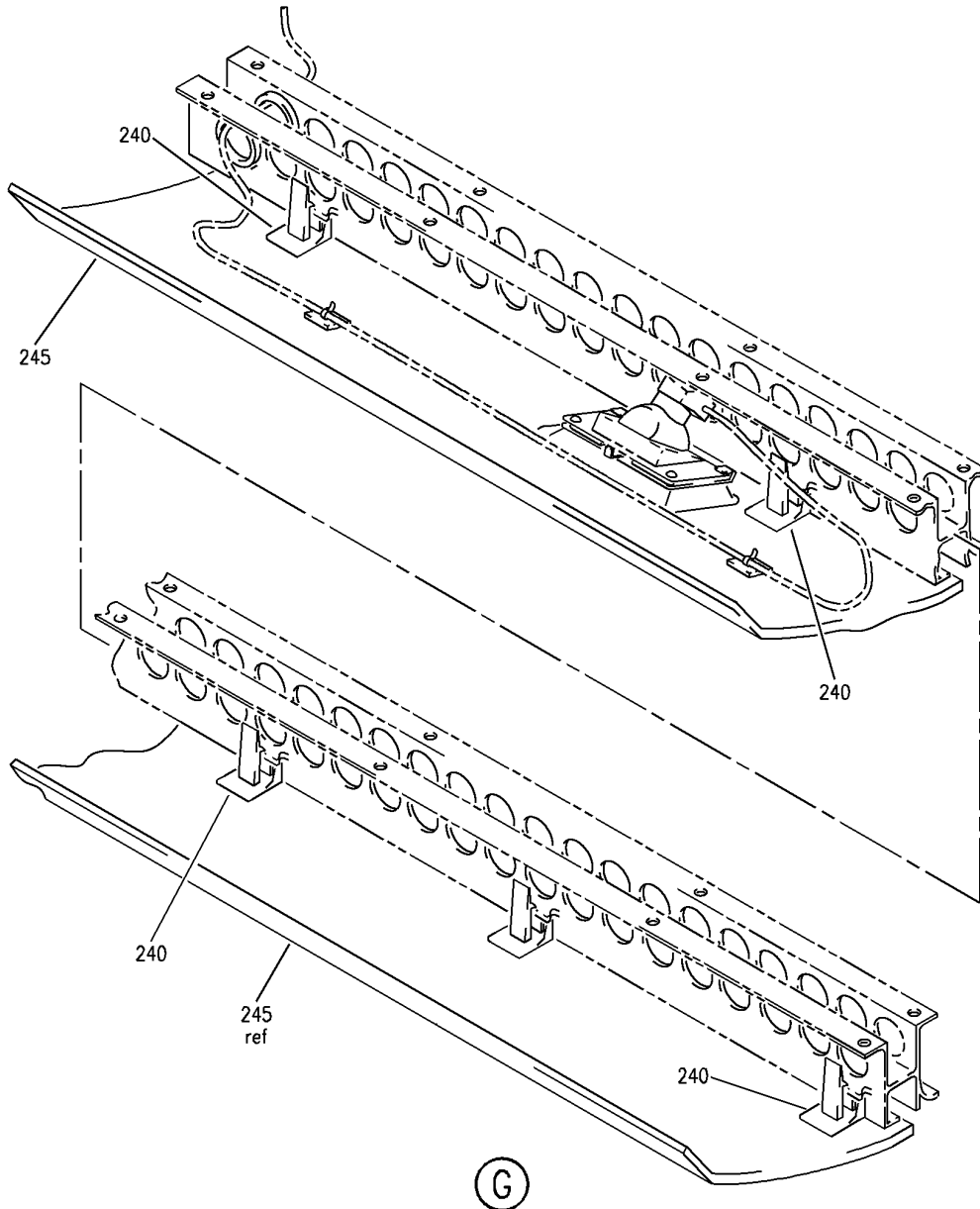
COMPARTMENT ASSY-80 IN. (EQUIPMENT/FURNISHINGS ONLY)
 FIGURE 15G (SHEET 6)

25-24-31-15G

HAP
 OCT 15/08

25-24-31-15G
 PAGE 0E

BOEING
737-600/700/800/900
PARTS CATALOG (MAINTENANCE)



E 25243115G SHT 7 REV 104

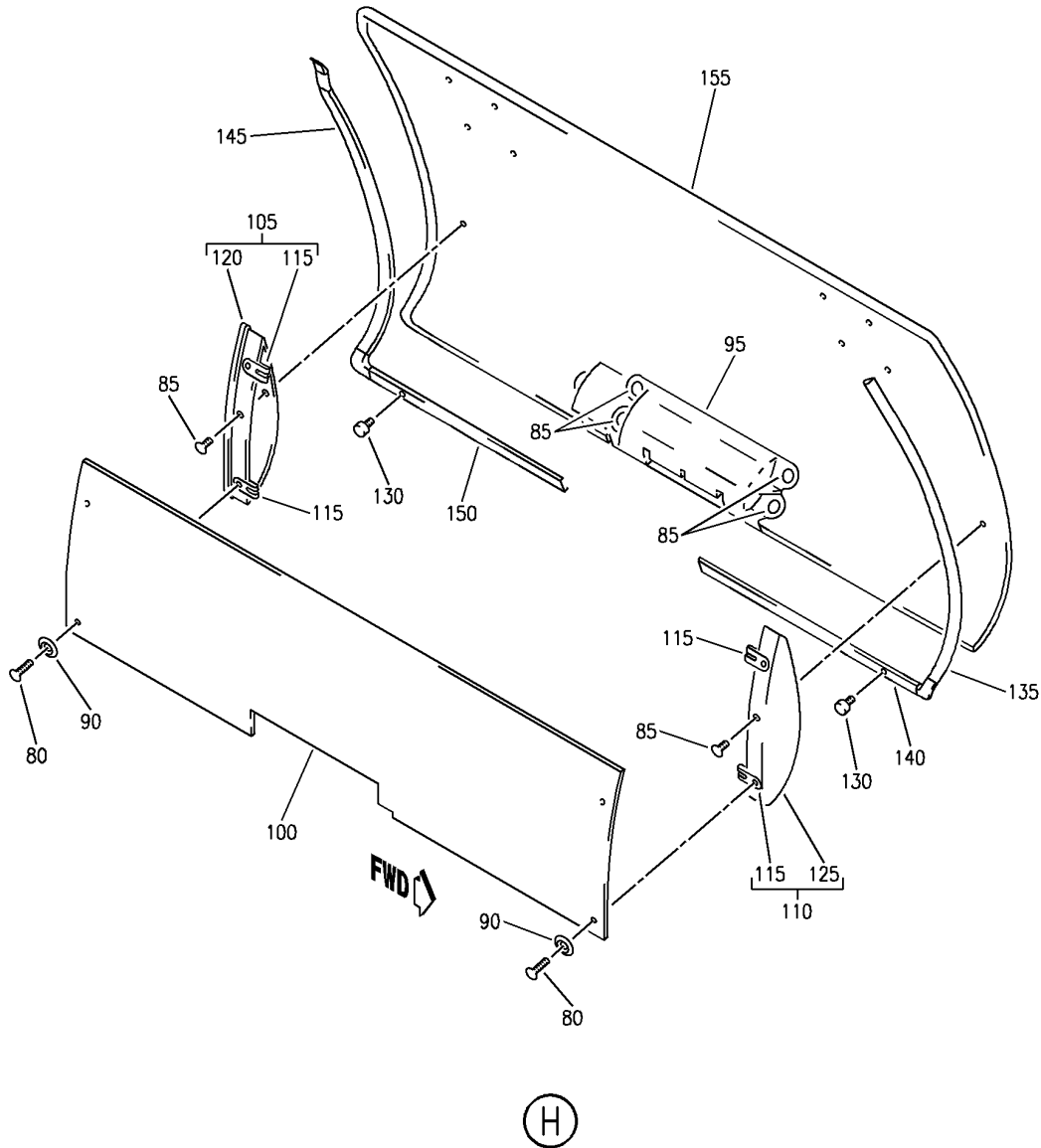
COMPARTMENT ASSY-80 IN. (EQUIPMENT/FURNISHINGS ONLY)
FIGURE 15G (SHEET 7)

25-24-31-15G

HAP
OCT 15/08

25-24-31-15G
PAGE OF

BOEING
 737-600/700/800/900
 PARTS CATALOG (MAINTENANCE)



E 25243115G SHT 8 REV 104

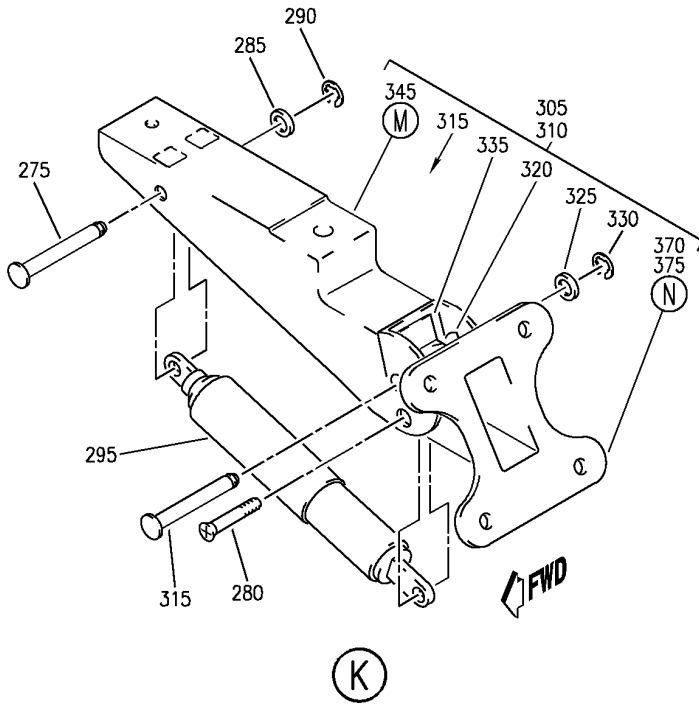
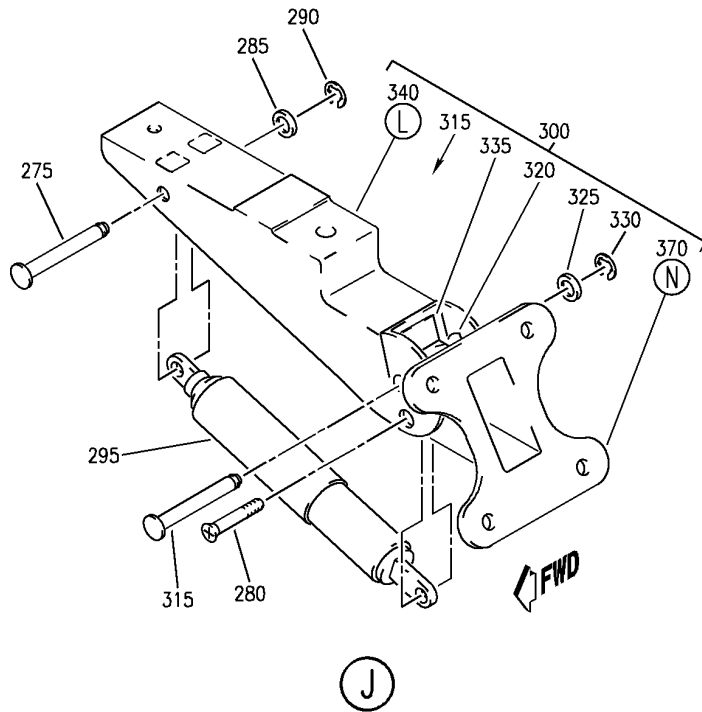
COMPARTMENT ASSY-80 IN. (EQUIPMENT/FURNISHINGS ONLY)
 FIGURE 15G (SHEET 8)

25-24-31-15G

HAP
 OCT 15/08

25-24-31-15G
 PAGE 0G

BOEING
 737-600/700/800/900
 PARTS CATALOG (MAINTENANCE)



E 2524-3115G SHT 9 REV 104

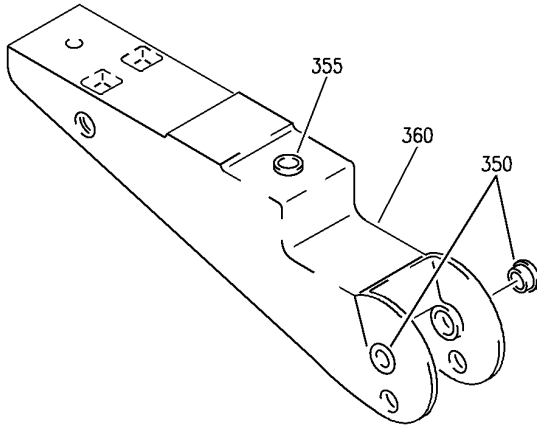
COMPARTMENT ASSY-80 IN. (EQUIPMENT/FURNISHINGS ONLY)
 FIGURE 15G (SHEET 9)

25-24-31-15G

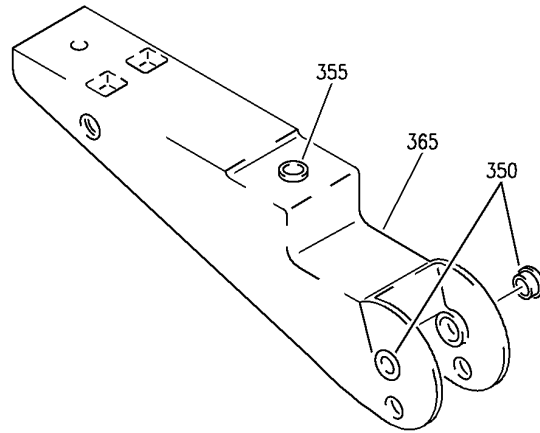
HAP
 OCT 15/08

25-24-31-15G
 PAGE 0H

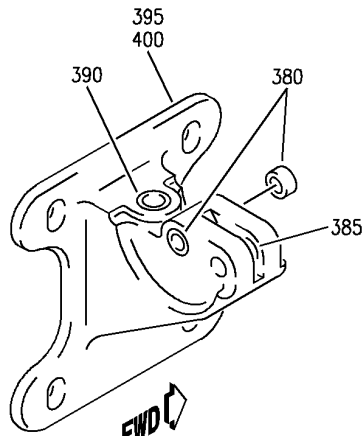
BOEING
 737-600/700/800/900
 PARTS CATALOG (MAINTENANCE)



(L)



(M)



(N)

E 25243115G SHT 10 REV 104

COMPARTMENT ASSY-80 IN. (EQUIPMENT/FURNISHINGS ONLY)
 FIGURE 15G (SHEET 10)

25-24-31-15G

HAP
 OCT 15/08

25-24-31-15G
 PAGE 01

BOEING PROPRIETARY - Copyright © - Unpublished Work - See title page for details.

BOEING
737-600/700/800/900
PARTS CATALOG (MAINTENANCE)

FIG ITEM	PART NUMBER	1 2 3 4 5 6 7	NOMENCLATURE	EFFECT FROM TO	UNITS PER ASSY
15G			COMPARTMENT ASSY-80 IN. (EQUIPMENT/FURNISHINGS ONLY)	201967	
- 1	412A1120-208B		COMPARTMENT ASSY-80 IN. (EQUIPMENT/FURNISHINGS ONLY) POSITION DATA: RH FOR NHA/OTHER SYS DET SEE: 25-24-30-71	201201	RF
10	412A1420-1A		.EXTRUSION-SEAT ROW MARKER	201201	1
12	412A1451-2BCWK		.STRIP-	201201	1
15	H3-1592-1		.LATCH- SUPPLIER CODE: V34941 SPECIFICATION NUMBER: S411A001-1	201201	2
- 20	BACS12GU3K7		.SCREW	201201	4
- 25	NAS1149D0332J		.WASHER	201201	4
			-----*-----		
30	412A1700-1A		.VALANCE ASSY- OPTIONAL PART: 412A1700-101B	201201	1
30	412A1700-101B		.VALANCE ASSY ATTACHING PARTS	201201	1
35	BACN10YJ3F		.NUT	201201	8
			-----*-----		
40	BACS21DW3C10FN		..STUD	201201	8
45	412A1700-6		..TAPE-VELCRO	201201	2
50	412A1710-1A		..PANEL ASSY- USED ON: 412A1700-1A	201201	1
50	412A1710-101B		..PANEL ASSY- USED ON: 412A1700-101B	201201	1
55	403A3210-22SP		.SEAL ASSY-	201201	1
55	403A3210-92SP		.SEAL ASSY-	201967	1
60	BACS12FA3K6		.SCREW	201201	20
65	BACS12FA3K15		.SCREW	201201	4
75	412A1500-101C		.DOOR ASSY-40 IN.	201201	2
80	BACS12ER3K9		..SCREW	201201	4
85	BACS12FA3K4		..SCREW	201201	6
90	H3-1233A3		..WASHER- SUPPLIER CODE: V34941 SPECIFICATION NUMBER: S411A001-1	201201	4

MISSING ITEM NUMBERS NOT APPLICABLE

- ITEM NOT ILLUSTRATED

HAP

25-24-31-15G

BOEING PROPRIETARY - Copyright © - Unpublished Work - See title page for details.

25-24-31
FIG. 15G
PAGE 1
OCT 15/08

BOEING
737-600/700/800/900
PARTS CATALOG (MAINTENANCE)

FIG ITEM	PART NUMBER	1 2 3 4 5 6 7	NOMENCLATURE	EFFECT FROM TO	UNITS PER ASSY
15G 95	HA225-7	..	LATCH ASSY- SUPPLIER CODE: V83014 SPECIFICATION NUMBER: S412A001-11B	201201	1
95	HA225-1	..	LATCH ASSY- SUPPLIER CODE: V83014 SPECIFICATION NUMBER: S412A001-1A	201201	1
100	412A1615-100A	..	PANEL ASSY-FILLER OPTIONAL PART: 412A1615-1100B	201201	1
100	412A1615-1100B	..	PANEL ASSY-FILLER OPTIONAL PART: 412A1615-100A	201201	1
105	412A1480-3A	..	BRACKET ASSY	201201	1
110	412A1480-4A	..	BRACKET ASSY	201201	1
115	BACN10VR4CGN	...	NUT	201201	2
120	412A1480-1A	...	BRACKET- USED ON: 412A1480-3A	201201	1
125	412A1480-2A	...	BRACKET- USED ON: 412A1480-4A	201201	1
130	412A1810-1A	..	BUMPER	201201	2
135	412A1450-3A	..	TRIM-EDGE	201201	1
140	412A1450-5A	..	TRIM-EDGE	201201	1
145	412A1450-4A	..	TRIM-EDGE	201201	1
150	412A1450-6A	..	TRIM-EDGE	201201	1
155	412A1510-2A	..	PANEL ASSY	201201	1
- 160	SL618-3A	...	INSERT- SUPPLIER CODE: V97393	201201	14
165	412A1310-700	.	TAPE-VELCRO HOOK	201201	AR
170	BACB30VF3K3	.	BOLT	201201	2
175	BACs12ER3K11	.	SCREW	201201	2
180	BACs12FA3K5	.	SCREW	201201	11
185	BACs12ER3K14	.	SCREW	201201	12
190	H3-1233A3	.	WASHER- SUPPLIER CODE: V34941 SPECIFICATION NUMBER: S411A001-1	201201	14
195	412A1465-5A	.	CLOSEOUT ASSY- POSITION DATA: LH	201201	1

MISSING ITEM NUMBERS NOT APPLICABLE

- ITEM NOT ILLUSTRATED

HAP

25-24-31-15G

BOEING PROPRIETARY - Copyright © - Unpublished Work - See title page for details.

25-24-31
FIG. 15G
PAGE 2
OCT 15/08

BOEING
737-600/700/800/900
PARTS CATALOG (MAINTENANCE)

FIG ITEM	PART NUMBER	1 2 3 4 5 6 7	NOMENCLATURE	EFFECT FROM TO	UNITS PER ASSY
15G 200	412A1465-6A	.	CLOSEOUT ASSY- POSITION DATA: RH	201201	1
205	BACN10VR4CGN	..	NUT- OPTIONAL PART: BACN10VR4CG	201201	2
205	BACN10VR4CG	..	NUT- OPTIONAL PART: BACN10VR4CGN	201201	2
210	412A1465-7A	..	CLOSEOUT- POSITION DATA: LH SIDE	201201	1
215	412A1465-8A	..	CLOSEOUT- POSITION DATA: RH SIDE	201201	1
220	412A1244-1	.	EXTRUSION ASSY	201201	1
225	FS1651-3	..	NUTPLATE SUPPLIER CODE: V15653 SPECIFICATION NUMBER: BACN10KH3CD OPTIONAL PART: 102F9209M3 V72962 NS202496-02 V80539	201201	12
- 230	BACR15BA3ADC	..	ATTACHING PARTS RIVET- SIZE DETERMINED ON INSTL. -----*-----	201201	24
235	412A1605-1A	.	COVER ASSY	201201	1
240	412A1460-2	..	CLIP	201201	5
245	412A1615-3A	..	PANEL ASSY	201201	1
260	412A1100-53B	.	HINGE ASSY-COLLECTOR	201201	1
265	412A1100-52B	.	HINGE ASSY-COLLECTOR	201201	2
270	412A1100-51B	.	HINGE ASSY-COLLECTOR	201201	1
275	412A1230-21	..	PIN	201201	1
280	BACB30VF3K7	..	BOLT	201201	1
285	NAS1149D0316J	..	WASHER	201201	1
290	MS16633-4018	..	RING	201201	1
295	SP20522	..	ACTUATOR ASSY- SUPPLIER CODE: V24403 SPECIFICATION NUMBER: S412A002-2	201201	1
300	412A1455-3A	..	HINGE ASSY- USED ON: 412A1100-53B	201201	1

MISSING ITEM NUMBERS NOT APPLICABLE

- ITEM NOT ILLUSTRATED

HAP

25-24-31-15G

BOEING PROPRIETARY - Copyright © - Unpublished Work - See title page for details.

25-24-31
FIG. 15G
PAGE 3
OCT 15/08

BOEING
737-600/700/800/900
PARTS CATALOG (MAINTENANCE)

FIG ITEM	PART NUMBER	1 2 3 4 5 6 7	NOMENCLATURE	EFFECT FROM TO	UNITS PER ASSY
15G					
305	412A1455-2A	..	HINGE ASSY- USED ON: 412A1100-52B	201201	1
310	412A1455-1A	..	HINGE ASSY- USED ON: 412A1100-51B	201201	1
315	412A1230-21	...	PIN	201201	1
320	MS51023-54	...	SCREW	201201	1
325	NAS1149D0316J	...	WASHER	201201	1
330	MS16633-4018	...	RING	201201	1
335	412A1220-1	...	CLIP	201201	1
340	412A1454-12A	...	HOUSING ASSY- USED ON: 412A1455-3A	201201	1
345	412A1454-3A	...	HOUSING ASSY- USED ON: 412A1455-2A 412A1455-1A	201201	1
350	BACB28Y3F020	BUSHING	201201	2
355	6041L3BR375	INSERT- SUPPLIER CODE: V01556	201201	1
360	412A1454-11A	HOUSING- USED ON: 412A1454-12A	201201	1
365	412A1454-1A	HOUSING- USED ON: 412A1454-3A	201201	1
370	412A1454-9A	...	BRACKET ASSY- USED ON: 412A1455-3A 412A1455-1A	201201	1
375	412A1454-10A	...	BRACKET ASSY- USED ON: 412A1455-2A	201201	1
380	BACB28Y3F025	BUSHING	201201	1
385	6041-3BR225	INSERT- SUPPLIER CODE: V01556	201201	1
390	6041L3BR375	INSERT- SUPPLIER CODE: V01556	201201	1
395	412A1454-7A	BRACKET- USED ON: 412A1454-9A	201201	1
400	412A1454-8A	BRACKET- USED ON: 412A1454-10A	201201	1

MISSING ITEM NUMBERS NOT APPLICABLE

— ITEM NOT ILLUSTRATED

HAP

25-24-31-15G

BOEING PROPRIETARY - Copyright © - Unpublished Work - See title page for details.

25-24-31
FIG. 15G
PAGE 4
OCT 15/08

BOEING
737-600/700/800/900
PARTS CATALOG (MAINTENANCE)

FIG ITEM	PART NUMBER	1 2 3 4 5 6 7	NOMENCLATURE	EFFECT FROM TO	UNITS PER ASSY
15G 405	412A1200-1108B		.BOX ASSY-80 IN. BIN OPTIONAL PART: 412A1200-108A FOR DETAILS SEE: 25-24-32-82E	201201	1
410	412A1200-108A		.BOX ASSY-80 IN. BIN OPTIONAL PART: 412A1200-1108B FOR DETAILS SEE: 25-24-32-82E	201201	1
415	412A1310-701		.TAPE-VELCRO LOOP	201201	AR
- 420	412A1811-2B		.PLUG- OPTIONAL PART: OBA8 VOBV87 412A1811-1B 412A1100-96	201201	AR
- 420	412A1811-1B		.PLUG- OPTIONAL PART: OBA8 VOBV87 412A1811-2B 412A1100-96	201201	AR
- 420	OBA8		.PLUG- SUPPLIER CODE: VOBV87 OPTIONAL PART: 412A1811-1B 412A1811-2B 412A1100-96	201201	AR
- 425	412A1100-96		.KIT ASSY- OPTIONAL PART: OBA8 VOBV87 412A1811-1B 412A1811-2B	201201	AR
- 430	NAS514P1032-5		.. SCREW	201201	1
- 435	H3-1233A3		.. WASHER- SUPPLIER CODE: V34941 SPECIFICATION NUMBER: S411A001-1	201201	1

MISSING ITEM NUMBERS NOT APPLICABLE

- ITEM NOT ILLUSTRATED

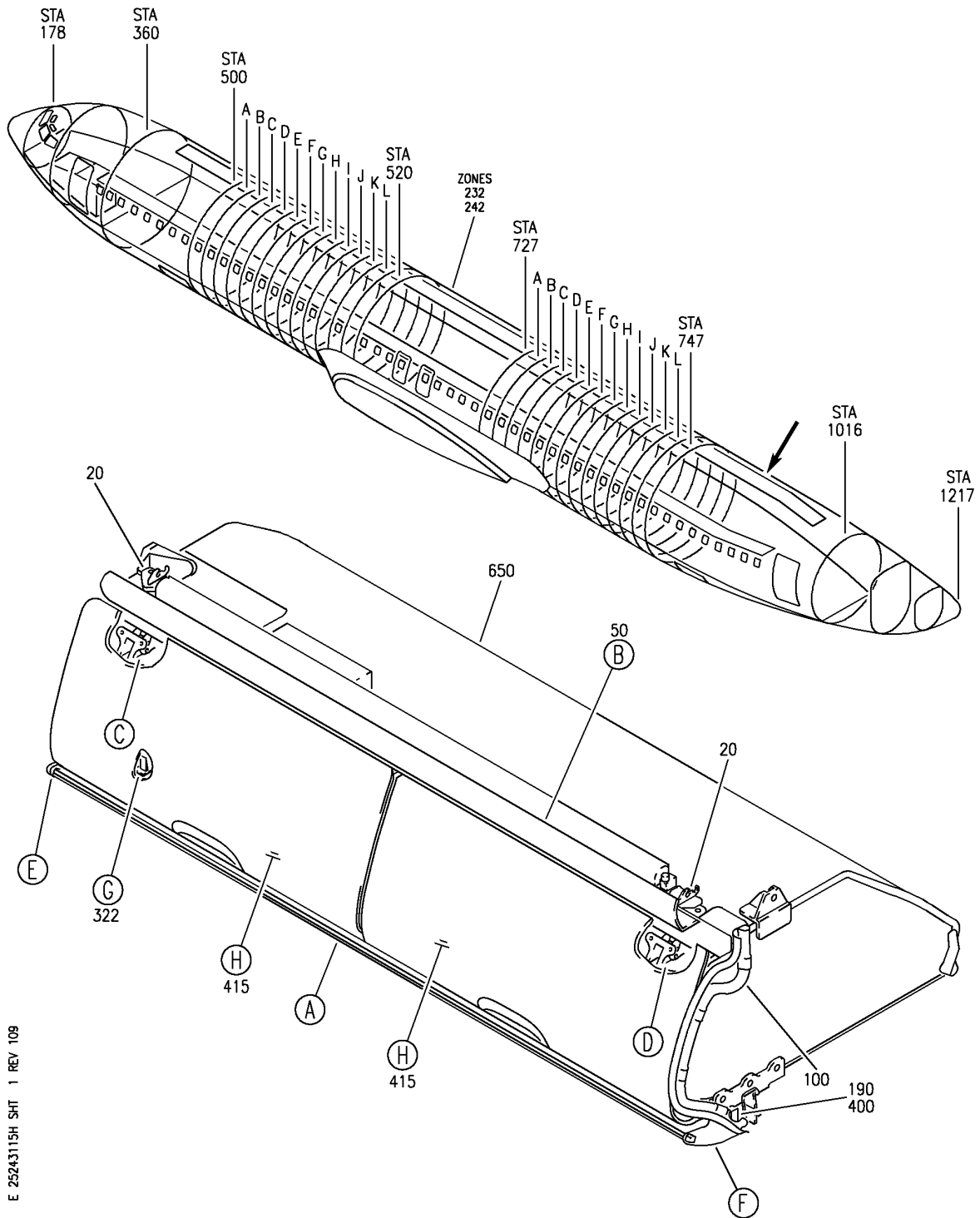
HAP

25-24-31-15G

BOEING PROPRIETARY - Copyright © - Unpublished Work - See title page for details.

25-24-31
FIG. 15G
PAGE 5
OCT 15/08

BOEING
 737-600/700/800/900
 PARTS CATALOG (MAINTENANCE)



E 2524-31-15H SHT 1 REV 108

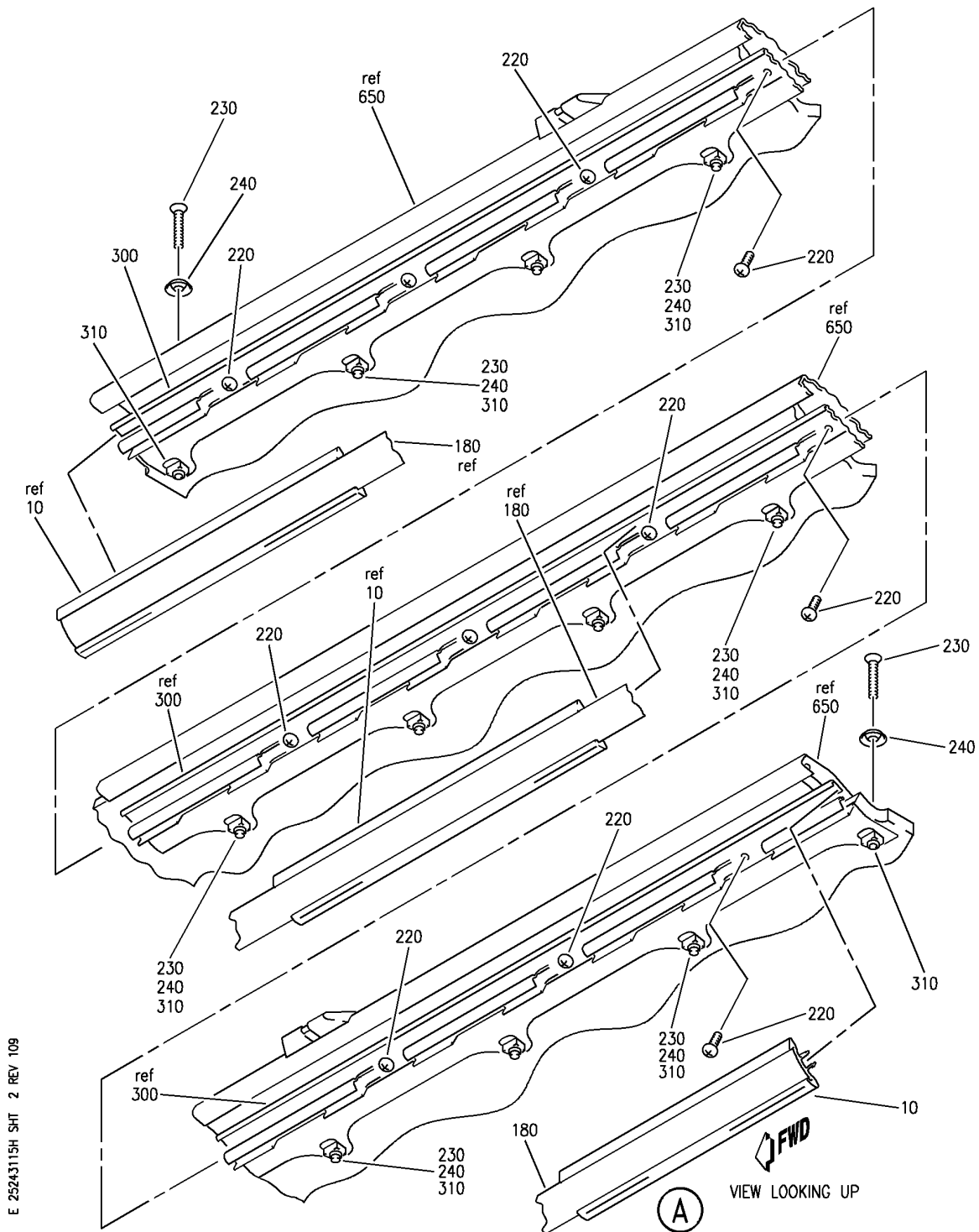
COMPARTMENT ASSY-80 IN. OVHD STOWAGE BULLNOSE CONFIGURATION (EQUIPMENT/ FURNISHINGS ONLY)
 FIGURE 15H (SHEET 1)

25-24-31-15H

HAP
 OCT 15/08

25-24-31-15H
 PAGE 0

BOEING
 737-600/700/800/900
 PARTS CATALOG (MAINTENANCE)



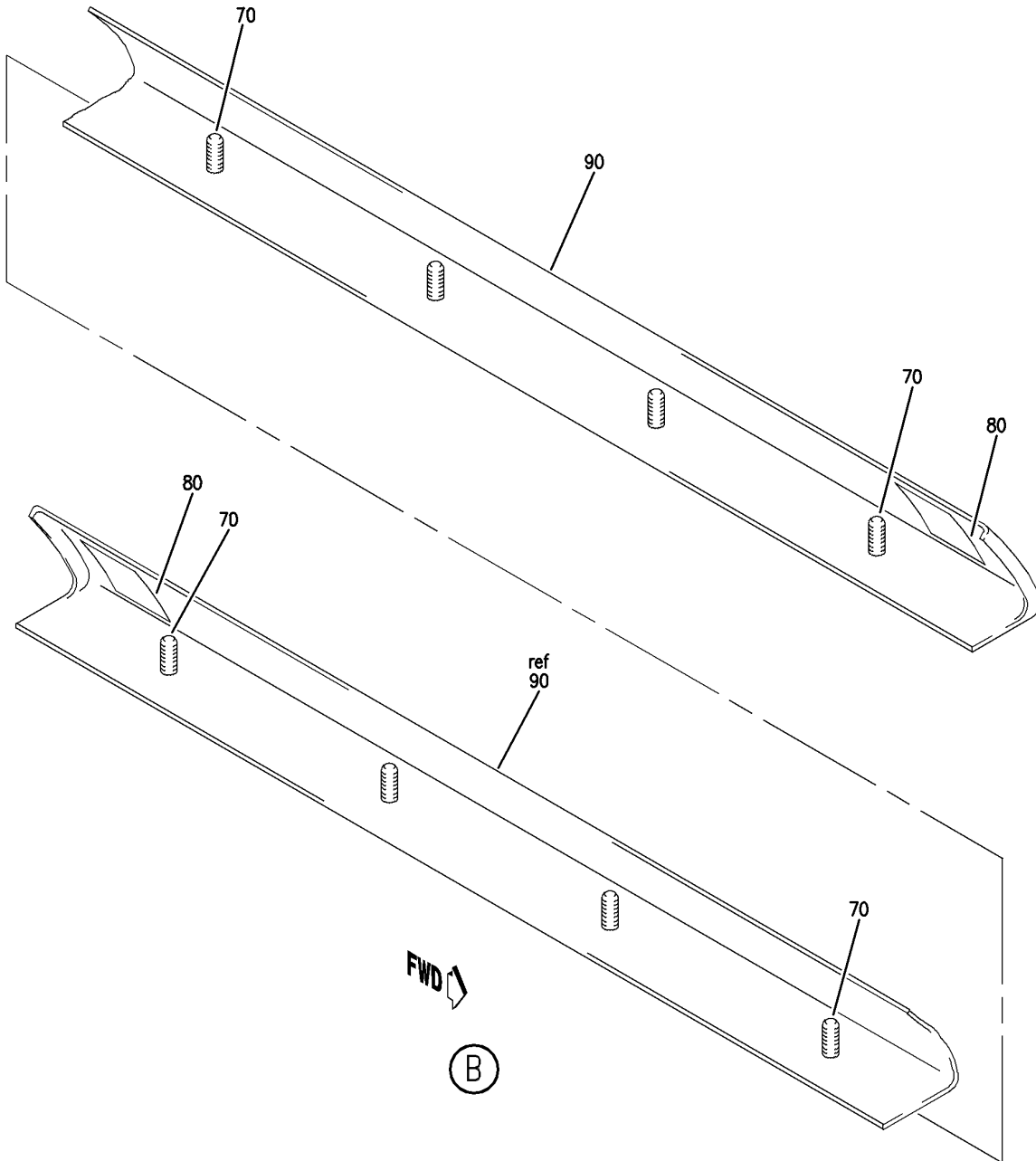
E 2524-31-15H SHT 2 REV 109

COMPARTMENT ASSY-80 IN. OVHD STOWAGE BULLNOSE CONFIGURATION (EQUIPMENT/ FURNISHINGS ONLY)
 FIGURE 15H (SHEET 2)

HAP
 OCT 15/08

25-24-31-15H

25-24-31-15H
 PAGE 0A



E 25243115H SHT 3 REV 060

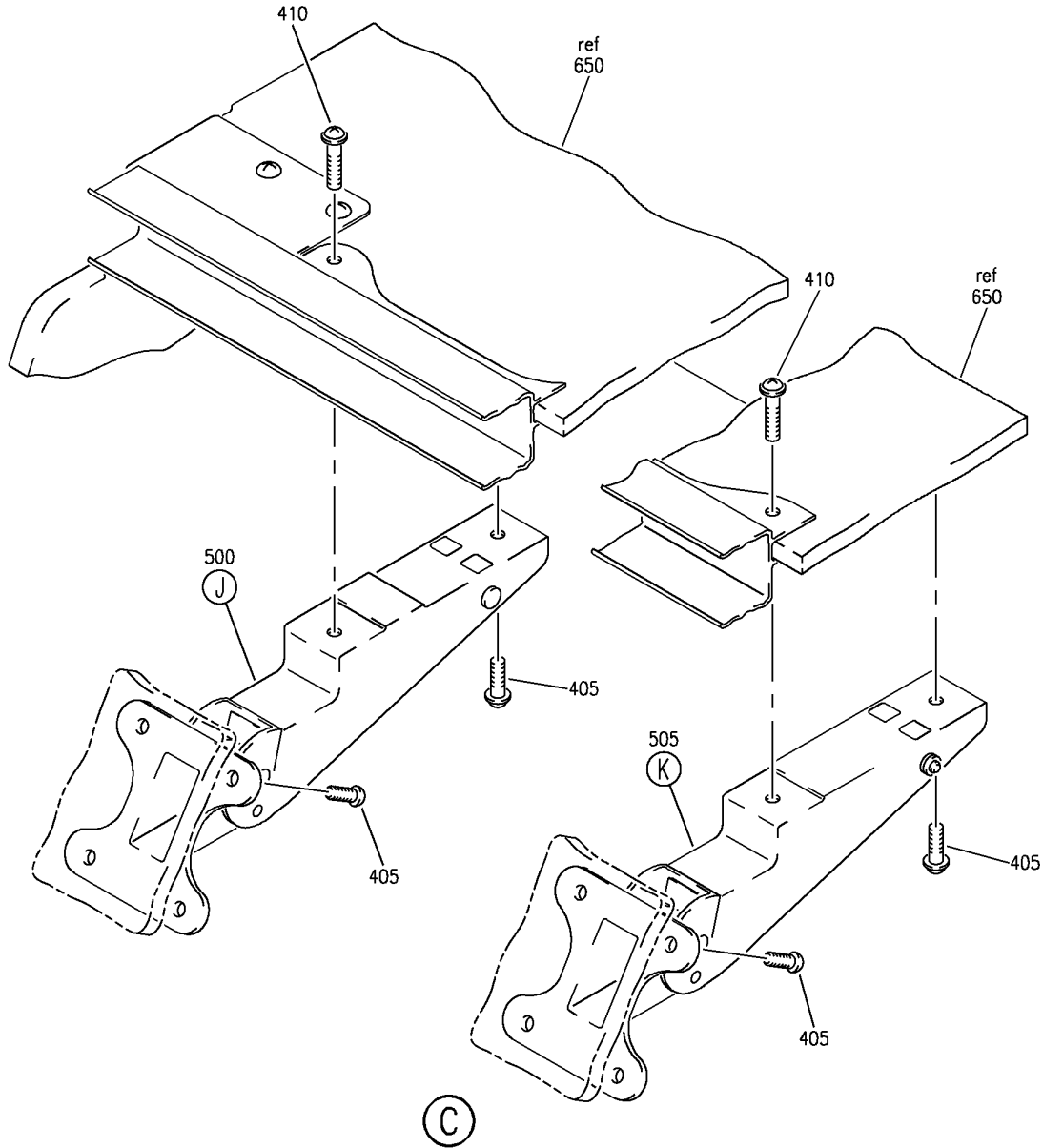
COMPARTMENT ASSY-80 IN. OVHD STORAGE BULLNOSE CONFIGURATION (EQUIPMENT/ FURNISHINGS ONLY)
 FIGURE 15H (SHEET 3)

HAP
 OCT 15/08

25-24-31-15H

25-24-31-15H
 PAGE 0B

BOEING
737-600/700/800/900
PARTS CATALOG (MAINTENANCE)



E 2524-31-15H SHT 4 REV 109

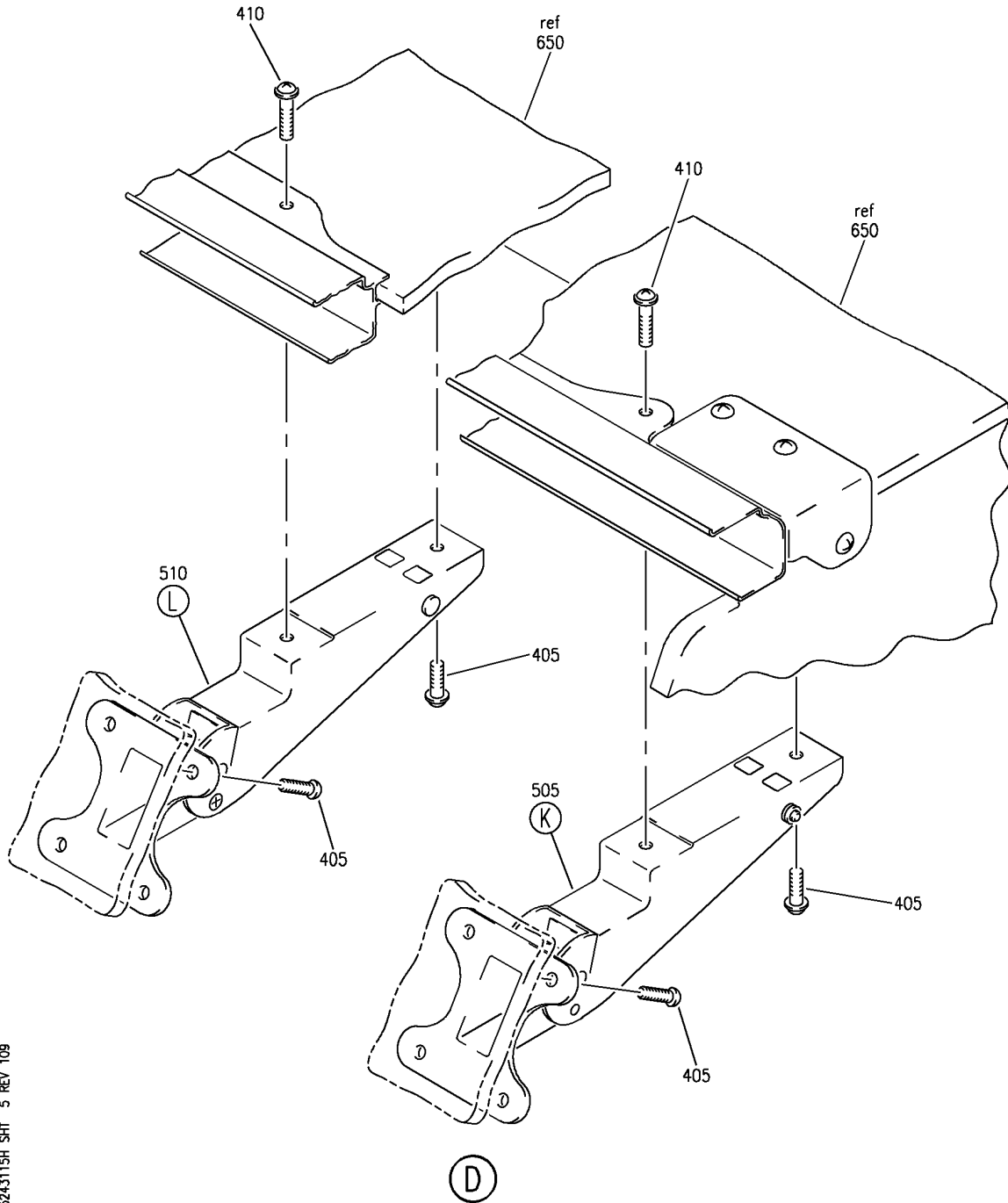
COMPARTMENT ASSY-80 IN. OVHD STOWAGE BULLNOSE CONFIGURATION (EQUIPMENT/ FURNISHINGS ONLY)
FIGURE 15H (SHEET 4)

HAP
OCT 15/08

25-24-31-15H

25-24-31-15H
PAGE 0C

BOEING
737-600/700/800/900
PARTS CATALOG (MAINTENANCE)



E 2524-31-15H SHT 5 REV 108

COMPARTMENT ASSY-80 IN. OVHD STOWAGE BULLNOSE CONFIGURATION (EQUIPMENT/ FURNISHINGS ONLY)
FIGURE 15H (SHEET 5)

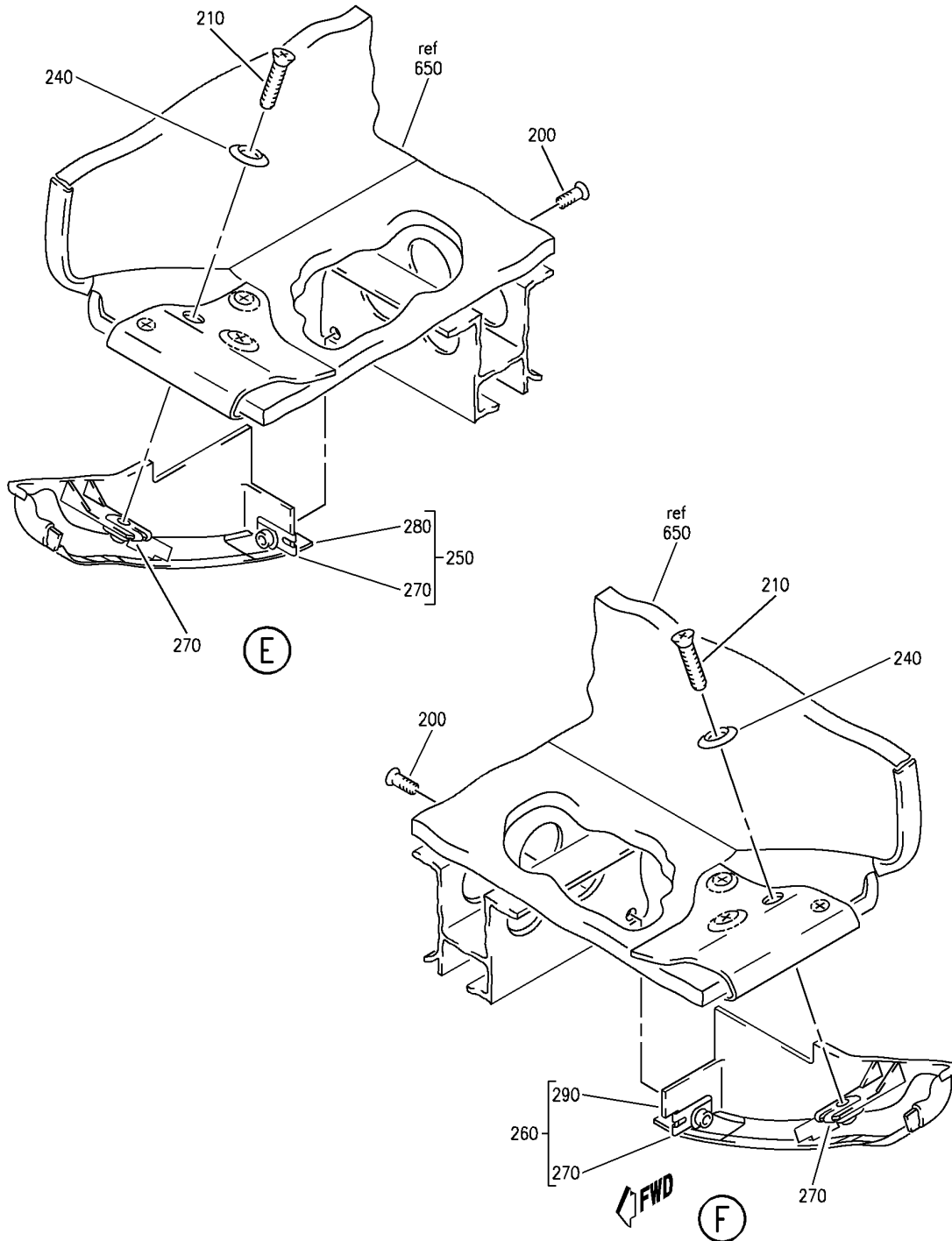
HAP
OCT 15/08

25-24-31-15H

25-24-31-15H
PAGE 08

BOEING PROPRIETARY - Copyright © - Unpublished Work - See title page for details.

BOEING
 737-600/700/800/900
 PARTS CATALOG (MAINTENANCE)



E 25243115H SHT 6 REV 109

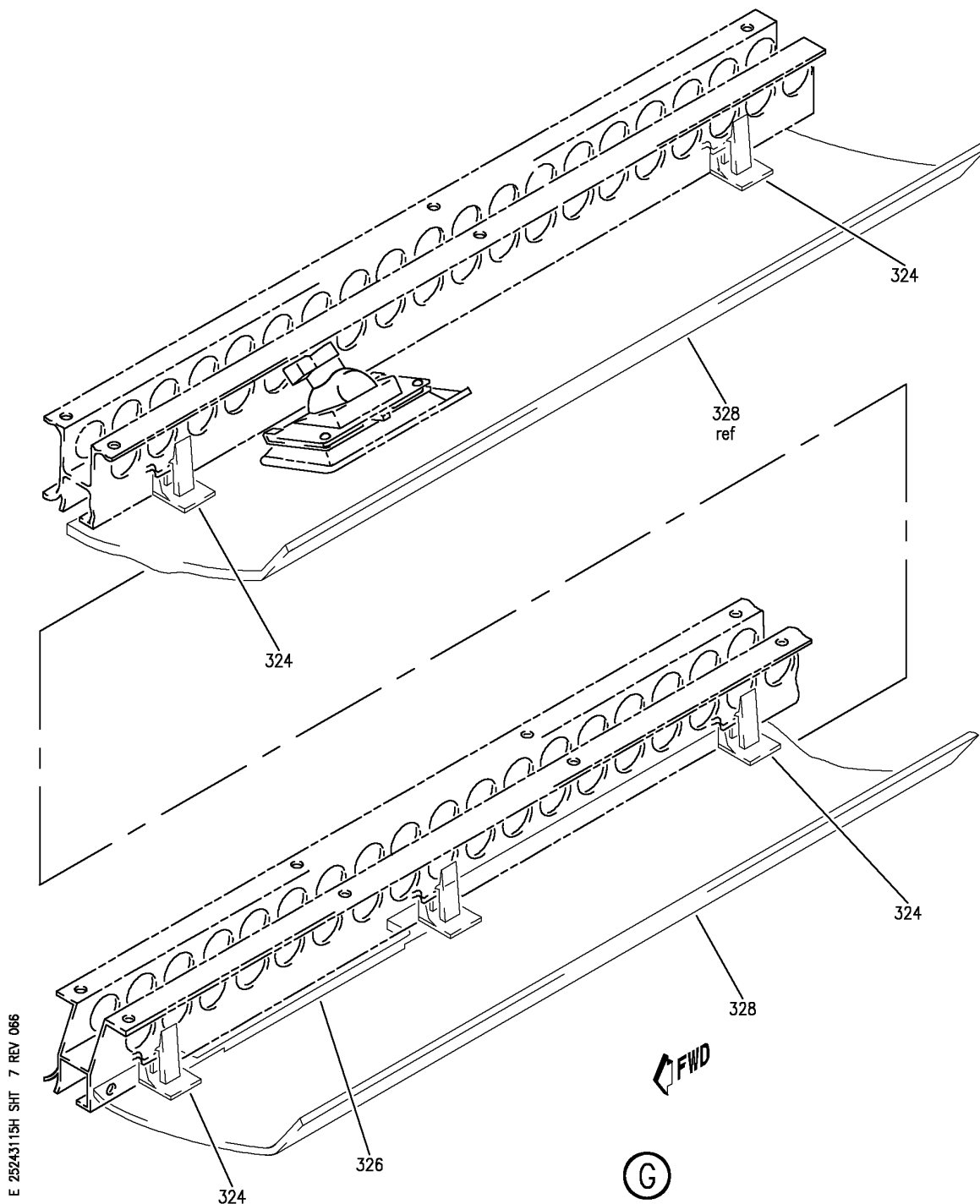
COMPARTMENT ASSY-80 IN. OVHD STORAGE BULLNOSE CONFIGURATION (EQUIPMENT/ FURNISHINGS ONLY)
 FIGURE 15H (SHEET 6)

HAP
 OCT 15/08

25-24-31-15H

25-24-31-15H
 PAGE 0E

BOEING
737-600/700/800/900
PARTS CATALOG (MAINTENANCE)



E 25243115H SHT 7 REV 066

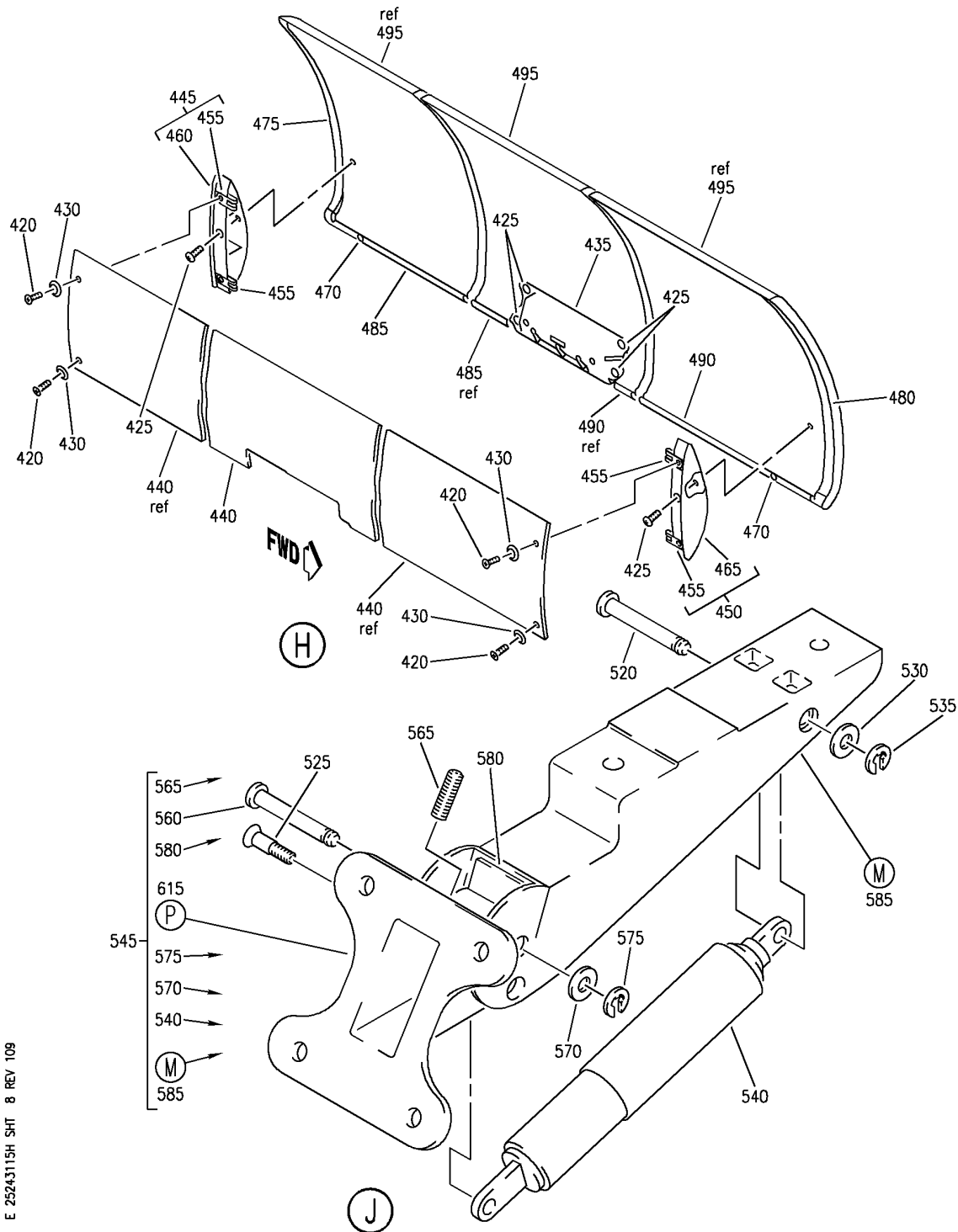
COMPARTMENT ASSY-80 IN. OVHD STORAGE BULLNOSE CONFIGURATION (EQUIPMENT/ FURNISHINGS ONLY)
FIGURE 15H (SHEET 7)

HAP
OCT 15/08

25-24-31-15H

25-24-31-15H
PAGE OF

BOEING
737-600/700/800/900
PARTS CATALOG (MAINTENANCE)



E 2524-3115H SHT 8 REV 109

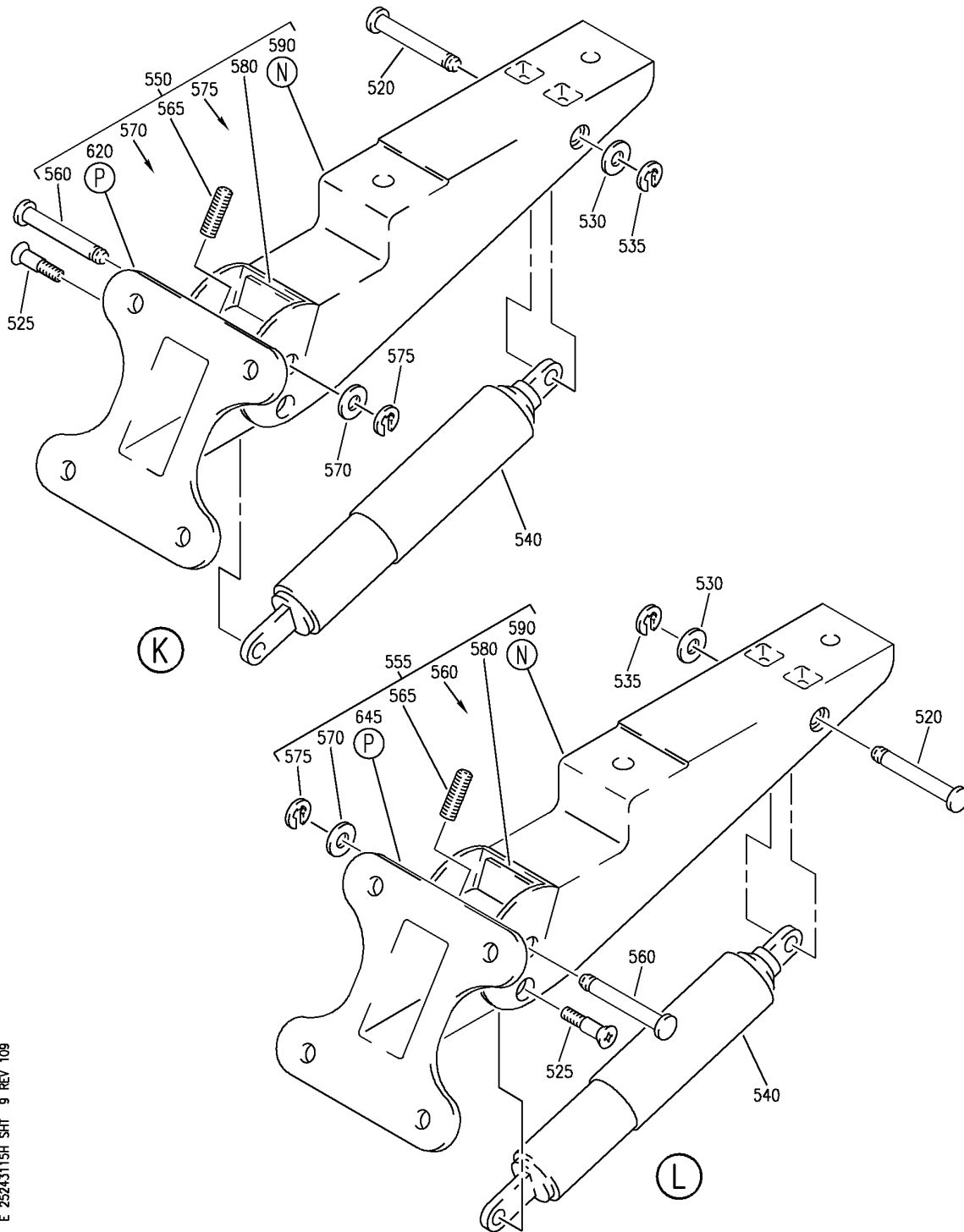
COMPARTMENT ASSY-80 IN. OVHD STOWAGE BULLNOSE CONFIGURATION (EQUIPMENT/ FURNISHINGS ONLY)
 FIGURE 15H (SHEET 8)

25-24-31-15H

HAP
 OCT 15/08

25-24-31-15H
 PAGE 0G

BOEING
 737-600/700/800/900
 PARTS CATALOG (MAINTENANCE)



E 2524-31-15H SHT 9 REV 109

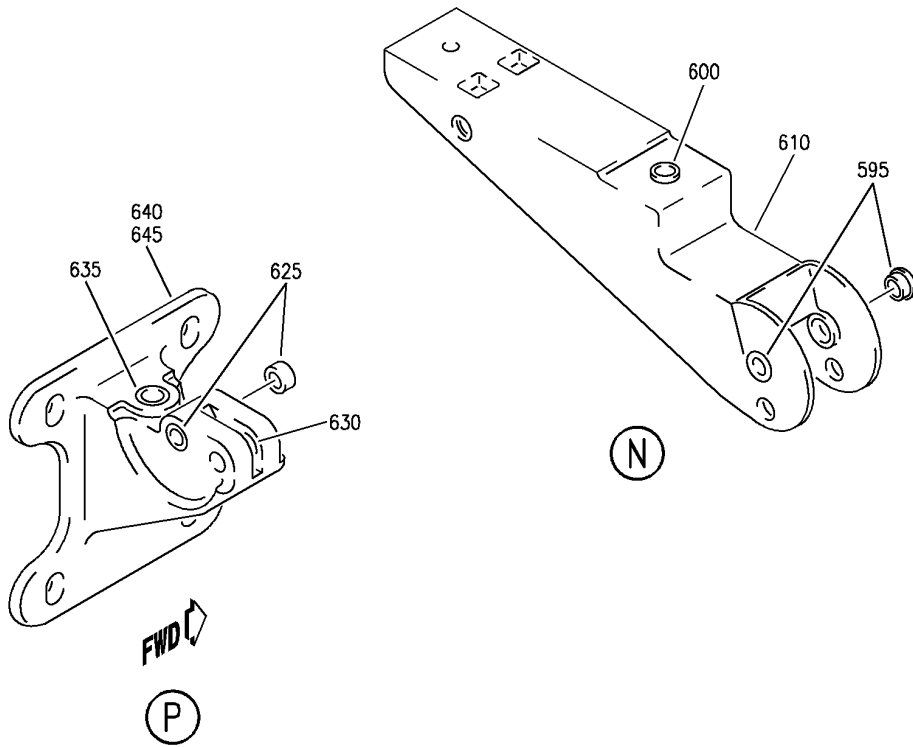
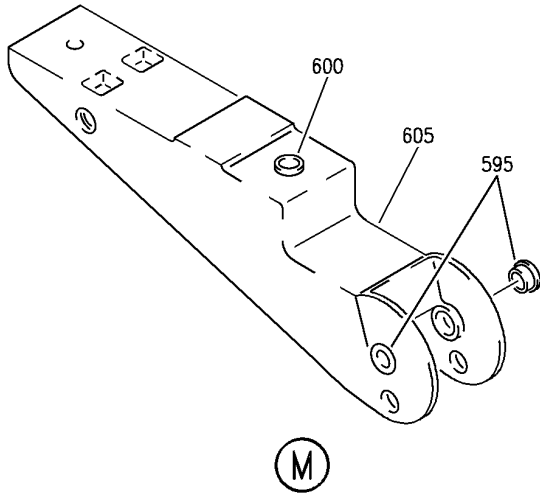
COMPARTMENT ASSY-80 IN. OVHD STOWAGE BULLNOSE CONFIGURATION (EQUIPMENT/ FURNISHINGS ONLY)
 FIGURE 15H (SHEET 9)

HAP
 OCT 15/08

25-24-31-15H

25-24-31-15H
 PAGE 0H

BOEING
 737-600/700/800/900
 PARTS CATALOG (MAINTENANCE)



E 25243115H SHT 10 REV 109

COMPARTMENT ASSY-80 IN. OVHD STOWAGE BULLNOSE CONFIGURATION (EQUIPMENT/ FURNISHINGS ONLY)
 FIGURE 15H (SHEET 10)

HAP
 OCT 15/08

25-24-31-15H

25-24-31-15H
 PAGE 01

BOEING
737-600/700/800/900
PARTS CATALOG (MAINTENANCE)

FIG ITEM	PART NUMBER	1 2 3 4 5 6 7	NOMENCLATURE	EFFECT FROM TO	UNITS PER ASSY
15H			COMPARTMENT ASSY-80 IN. OVHD STOWAGE BULLNOSE CONFIGURATION (EQUIPMENT/ FURNISHINGS ONLY)	201201	
- 1	412A1120-212B		COMPARTMENT ASSY-80 IN. OVHD STOWAGE BULLNOSE CONFIGURATION (EQUIPMENT/ FURNISHINGS ONLY) POSITION DATA: RH FOR NHA/OTHER SYS DET SEE: 25-24-30-71	201201	RF
10	412A1420-1A		.EXTRUSION-SEAT ROW MARKER	201201	1
20	H3-1592-1		.LATCH- SUPPLIER CODE: V34941 SPECIFICATION NUMBER: S411A001-1 ATTACHING PARTS	201201	2
- 30	BACS12GU3K7		.SCREW-	201201	4
- 40	NAS1149D0332J		.WASHER- -----*-----	201201	4
50	412A1700-1A		.VALANCE ASSY- OPTIONAL PART: 412A1700-101B	201201	1
50	412A1700-101B		.VALANCE ASSY- OPTIONAL PART: 412A1700-1A ATTACHING PARTS	201201	1
- 60	BACN10YJ3F		.NUT- -----*-----	201201	8
70	BACS21DW3C10FN		..STUD-	201201	8
80	412A1700-6		..TAPE-VELCRO	201201	2
90	412A1710-1A		..PANEL ASSY- USED ON: 412A1700-1A	201201	1
90	412A1710-101B		..PANEL ASSY- USED ON: 412A1700-101B	201201	1
100	403A3210-22SP		.SEAL ASSY-	201201	1
100	403A3210-92SP		.SEAL ASSY-	201201	1
180	412A1451-2BCWK		.STRIP-	201201	1
190	412A1310-700		.TAPE-VELCRO	201201	1
200	BACB30VF3K3		.BOLT-	201201	2
210	BACS12ER3K11		.SCREW-	201201	2
220	BACS12FA3K5		.SCREW-	201201	11
230	BACS12ER3K14		.SCREW-	201201	12

MISSING ITEM NUMBERS NOT APPLICABLE

- ITEM NOT ILLUSTRATED

HAP

25-24-31-15H

BOEING PROPRIETARY - Copyright © - Unpublished Work - See title page for details.

25-24-31
FIG. 15H
PAGE 1
OCT 15/08

BOEING
737-600/700/800/900
PARTS CATALOG (MAINTENANCE)

FIG ITEM	PART NUMBER	1 2 3 4 5 6 7	NOMENCLATURE	EFFECT FROM TO	UNITS PER ASSY
15H 240	H3-1233A3		.WASHER- SUPPLIER CODE: V34941 SPECIFICATION NUMBER: S411A001-1	201201	14
250	412A1465-5A		.CLOSEOUT ASSY- POSITION DATA: LH	201201	1
260	412A1465-6A		.CLOSEOUT ASSY- POSITION DATA: RH	201201	1
270	BACN10VR4CGN		..NUT- OPTIONAL PART: BACN10VR4CG	201201	2
270	BACN10VR4CG		..NUT- OPTIONAL PART: BACN10VR4CG	201201	2
280	412A1465-7A		..CLOSEOUT- POSITION DATA: LH SIDE	201201	1
290	412A1465-8A		..CLOSEOUT- POSITION DATA: RH SIDE	201201	1
300	412A1244-1		.EXTRUSION ASSY-	201201	1
310	FS1651-3		..NUTPLATE- SUPPLIER CODE: V15653 SPECIFICATION NUMBER: BACN10KH3CD OPTIONAL PART: 102F9209M3 V72962 NS202496-02 V80539 ATTACHING PARTS	201201	12
- 320	BACR15BA3ADC		..RIVET- SIZE DETERMINED ON INSTL. -----*-----	201201	24
322	412A1605-46A		.COVER ASSY-	201201	1
324	412A1460-2		..CLIP-	201201	5
326	412A1450-22A		..TRIM-	201201	1
328	412A1615-46A		..PANEL ASSY-	201201	1
- 380	OBA8		.PLUG- SUPPLIER CODE: VOBV87 OPTIONAL PART: 412A1811-1B 412A1811-2B 412A1100-96	201201	AR

MISSING ITEM NUMBERS NOT APPLICABLE

- ITEM NOT ILLUSTRATED

HAP

25-24-31-15H

BOEING PROPRIETARY - Copyright © - Unpublished Work - See title page for details.

25-24-31
FIG. 15H
PAGE 2
OCT 15/08

BOEING
737-600/700/800/900
PARTS CATALOG (MAINTENANCE)

FIG ITEM	PART NUMBER	1 2 3 4 5 6 7	NOMENCLATURE	EFFECT FROM TO	UNITS PER ASSY
15H - 380	412A1811-1B		.PLUG- OPTIONAL PART: 412A1100-96 OBA8 VOBV87 412A1811-2B	201201	AR
- 380	412A1811-2B		.PLUG- OPTIONAL PART: 412A1100-96 OBA8 VOBV87 412A1811-1B	201201	AR
- 385	412A1100-96		.KIT ASSY- OPTIONAL PART: 412A1811-1B 412A1811-2B OBA8 VOBV87	201201	AR
- 390	NAS514P1032-5		..SCREW	201201	1
- 395	H3-1233A3		..WASHER- SUPPLIER CODE: V34941 SPECIFICATION NUMBER: S411A001-1	201201	1
400	412A1310-701		.TAPE-VELCRO LOOP	201201	AR
405	BACS12FA3K6		.SCREW-	201201	20
410	BACS12FA3K15		.SCREW-	201201	4
415	412A1500-101C		.DOOR ASSY-40 IN.	201201	2
420	BACS12ER3K9		..SCREW	201201	4
425	BACS12FA3K4		..SCREW	201201	6
430	H3-1233A3		..WASHER- SUPPLIER CODE: V34941 SPECIFICATION NUMBER: S411A001-1	201201	4
435	HA225-7		..LATCH ASSY- SUPPLIER CODE: V83014 SPECIFICATION NUMBER: S412A001-11B	201201	1
435	HA225-1		..LATCH ASSY- SUPPLIER CODE: V83014 SPECIFICATION NUMBER: S412A001-1A	201201	1
440	412A1615-100A		..PANEL ASSY-FILLER OPTIONAL PART: 412A1615-1100B	201201	1

MISSING ITEM NUMBERS NOT APPLICABLE

- ITEM NOT ILLUSTRATED

HAP

25-24-31-15H

BOEING PROPRIETARY - Copyright © - Unpublished Work - See title page for details.

25-24-31
FIG. 15H
PAGE 3
OCT 15/08

BOEING
737-600/700/800/900
PARTS CATALOG (MAINTENANCE)

FIG ITEM	PART NUMBER	1 2 3 4 5 6 7	NOMENCLATURE	EFFECT FROM TO	UNITS PER ASSY
15H 440	412A1615-1100B	.	PANEL ASSY-FILLER OPTIONAL PART: 412A1615-100A	201201	1
445	412A1480-3A	..	BRACKET ASSY	201201	1
450	412A1480-4A	..	BRACKET ASSY	201201	1
455	BACN10VR4CGN	...	NUT	201201	2
460	412A1480-1A	...	BRACKET- USED ON: 412A1480-3A	201201	1
465	412A1480-2A	...	BRACKET- USED ON: 412A1480-4SP	201201	1
470	412A1810-1A	..	BUMPER	201201	2
475	412A1450-4A	..	TRIM-EDGE	201201	1
480	412A1450-3A	..	TRIM-EDGE	201201	1
485	412A1450-6A	..	TRIM-EDGE	201201	1
490	412A1450-5A	..	TRIM-EDGE	201201	1
495	412A1510-2A	..	PANEL ASSY	201201	1
500	412A1100-53B	.	HINGE ASSY-COLLECTOR	201201	1
505	412A1100-52B	.	HINGE ASSY-COLLECTOR	201201	2
510	412A1100-51B	.	HINGE ASSY-COLLECTOR	201201	1
520	412A1230-21	..	PIN	201201	1
525	BACB30VF3K7	..	BOLT	201201	1
530	NAS1149D0316J	..	WASHER	201201	1
535	MS16633-4018	..	RING	201201	1
540	SP20522	..	ACTUATOR ASSY- SUPPLIER CODE: V24403 SPECIFICATION NUMBER: S412A002-2	201201	1
545	412A1455-3SP	..	HINGE ASSY- USED ON: 412A1100-53B 412A1100-53SP	201201	1
550	412A1455-2SP	..	HINGE ASSY- USED ON: 412A1100-52B 412A1100-52SP	201201	2
555	412A1455-1SP	..	HINGE ASSY- USED ON: 412A1100-51B 412A1100-51SP	201201	1
560	412A1230-21	...	PIN	201201	1
565	MS51023-54	...	SCREW	201201	1
570	NAS1149D0316J	...	WASHER	201201	1
575	MS16633-4018	...	RING	201201	1
580	412A1220-1	...	CLIP	201201	1

MISSING ITEM NUMBERS NOT APPLICABLE

— ITEM NOT ILLUSTRATED

HAP

25-24-31-15H

BOEING PROPRIETARY - Copyright © - Unpublished Work - See title page for details.

25-24-31
FIG. 15H
PAGE 4
OCT 15/08

BOEING
737-600/700/800/900
PARTS CATALOG (MAINTENANCE)

FIG ITEM	PART NUMBER	1 2 3 4 5 6 7	NOMENCLATURE	EFFECT FROM TO	UNITS PER ASSY
15H 585	412A1454-12SP	...	HOUSING ASSY- USED ON: 412A1455-3SP	201201	1
590	412A1454-3SP	...	HOUSING ASSY- USED ON: 412A1455-1SP 412A1455-2SP	201201	1
595	BACB28Y3F020	BUSHING	201201	2
600	6041L3BR375	INSERT- SUPPLIER CODE: V01556	201201	1
605	412A1454-11SP	HOUSING	201201	1
610	412A1454-1SP	HOUSING	201201	1
615	412A1454-9SP	...	BRACKET ASSY- USED ON: 412A1455-3SP 412A1455-1SP	201201	1
620	412A1454-10SP	...	BRACKET ASSY- USED ON: 412A1455-2SP	201201	1
625	BACB28Y3F025	BUSHING	201201	2
630	6041-3BR225	INSERT- SUPPLIER CODE: V01556	201201	1
635	6041L3BR375	INSERT- SUPPLIER CODE: V01556	201201	1
640	412A1454-7SP	BRACKET- USED ON: 412A1454-9SP	201201	1
645	412A1454-8SP	BRACKET- USED ON: 412A1454-10SP	201201	1
650	412A1200-1112B	.BOX	ASSY-80 IN. BIN OPTIONAL PART: 412A1200-112A FOR DETAILS SEE: 25-24-32-80	201201	1
650	412A1200-112A	.BOX	ASSY-80 IN. BIN OPTIONAL PART: 412A1200-1112B FOR DETAILS SEE: 25-24-32-80	201201	1

MISSING ITEM NUMBERS NOT APPLICABLE

— ITEM NOT ILLUSTRATED

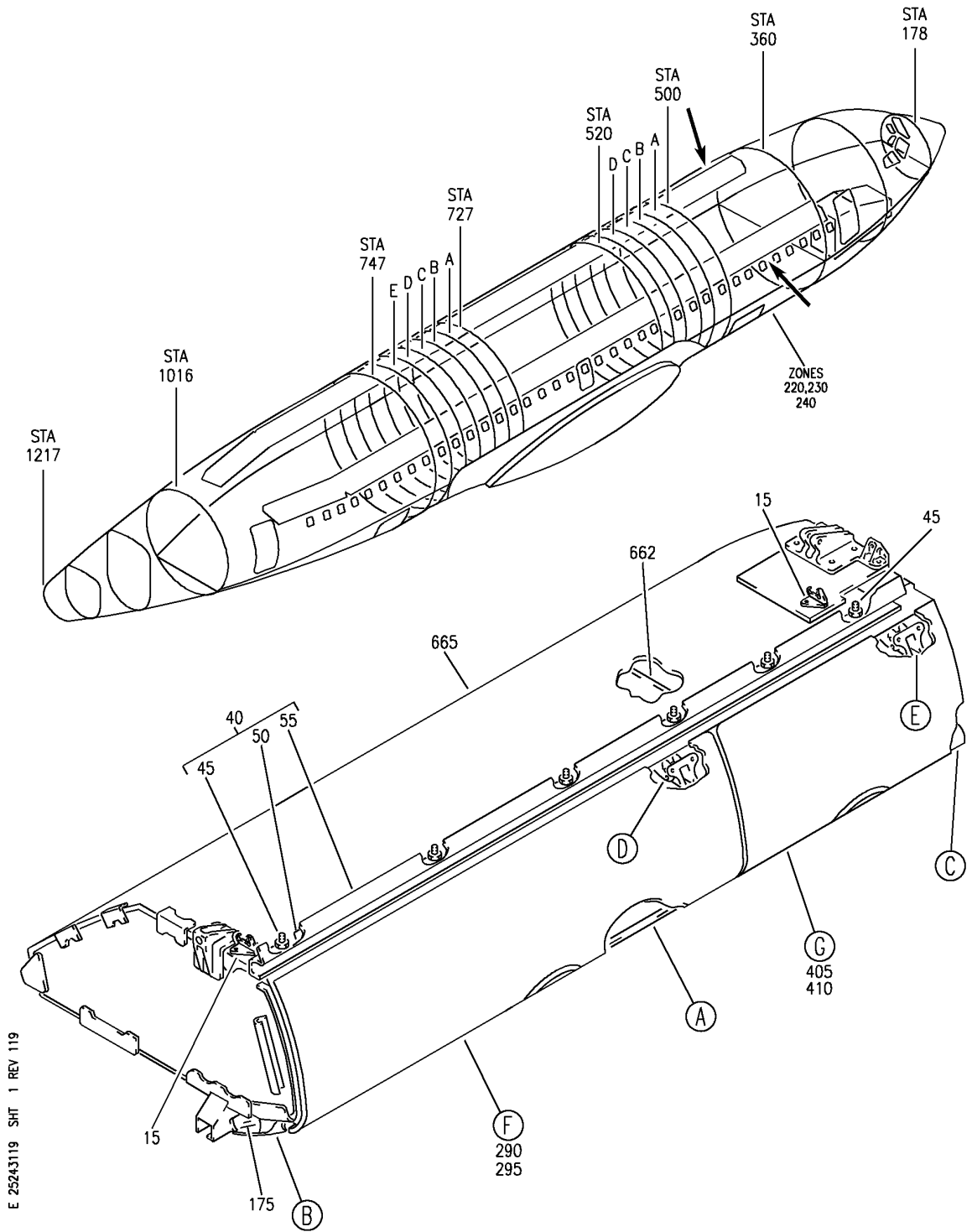
HAP

25-24-31-15H

BOEING PROPRIETARY - Copyright © - Unpublished Work - See title page for details.

25-24-31
FIG. 15H
PAGE 5
OCT 15/08

BOEING
 737-600/700/800/900
 PARTS CATALOG (MAINTENANCE)



E 25243119 SHT 1 REV 119

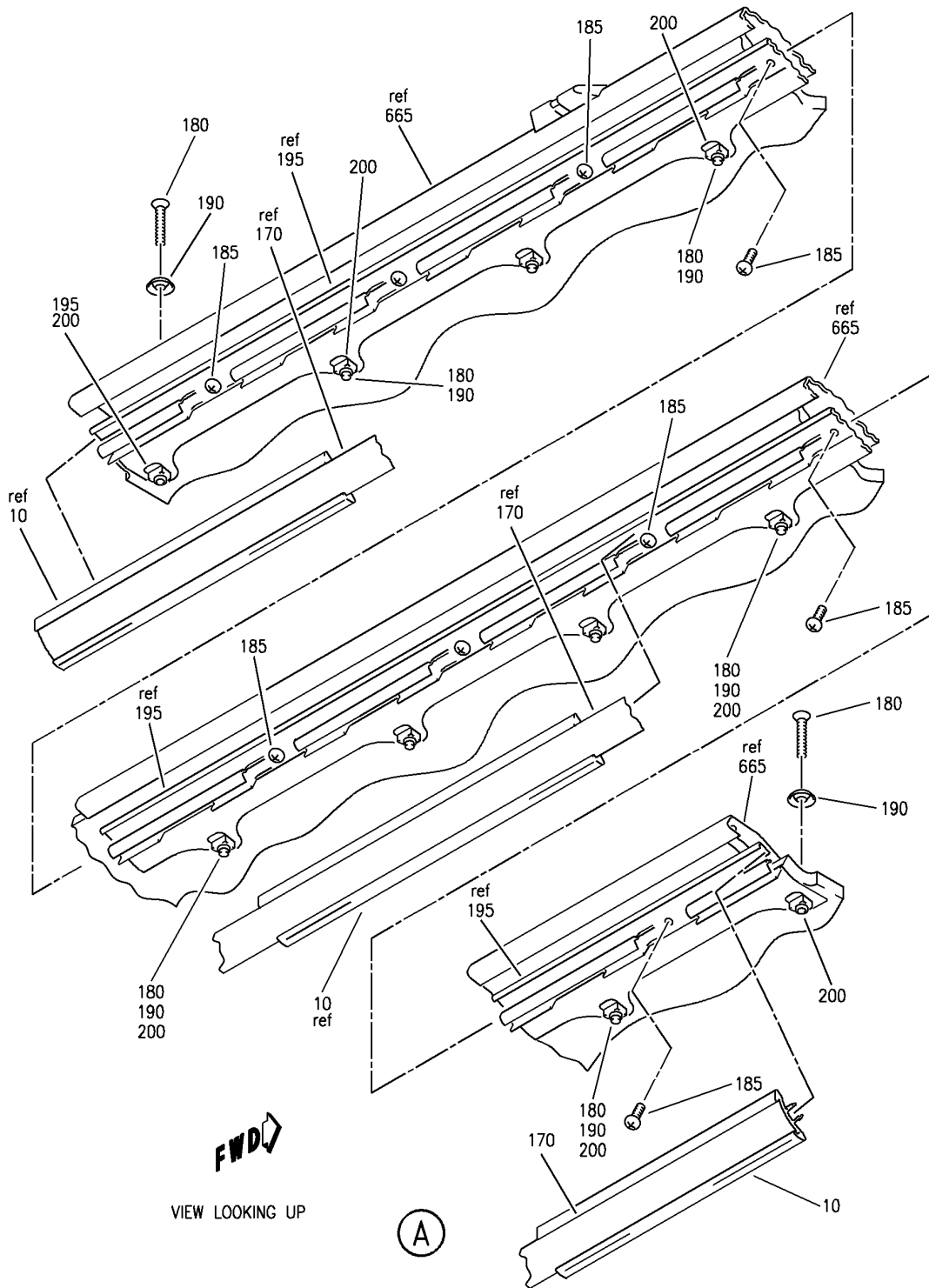
COMPARTMENT ASSY-FWD LH 60 IN. OVHD STOWAGE BULLNOSE CONFIGURATION (EQUIPMENT/FURNISHINGS ONLY)
 FIGURE 19 (SHEET 1)

25-24-31-19

HAP
 OCT 15/08

25-24-31-19
 PAGE 0

BOEING
 737-600/700/800/900
 PARTS CATALOG (MAINTENANCE)



E 25243119 SHT 2 REV 107

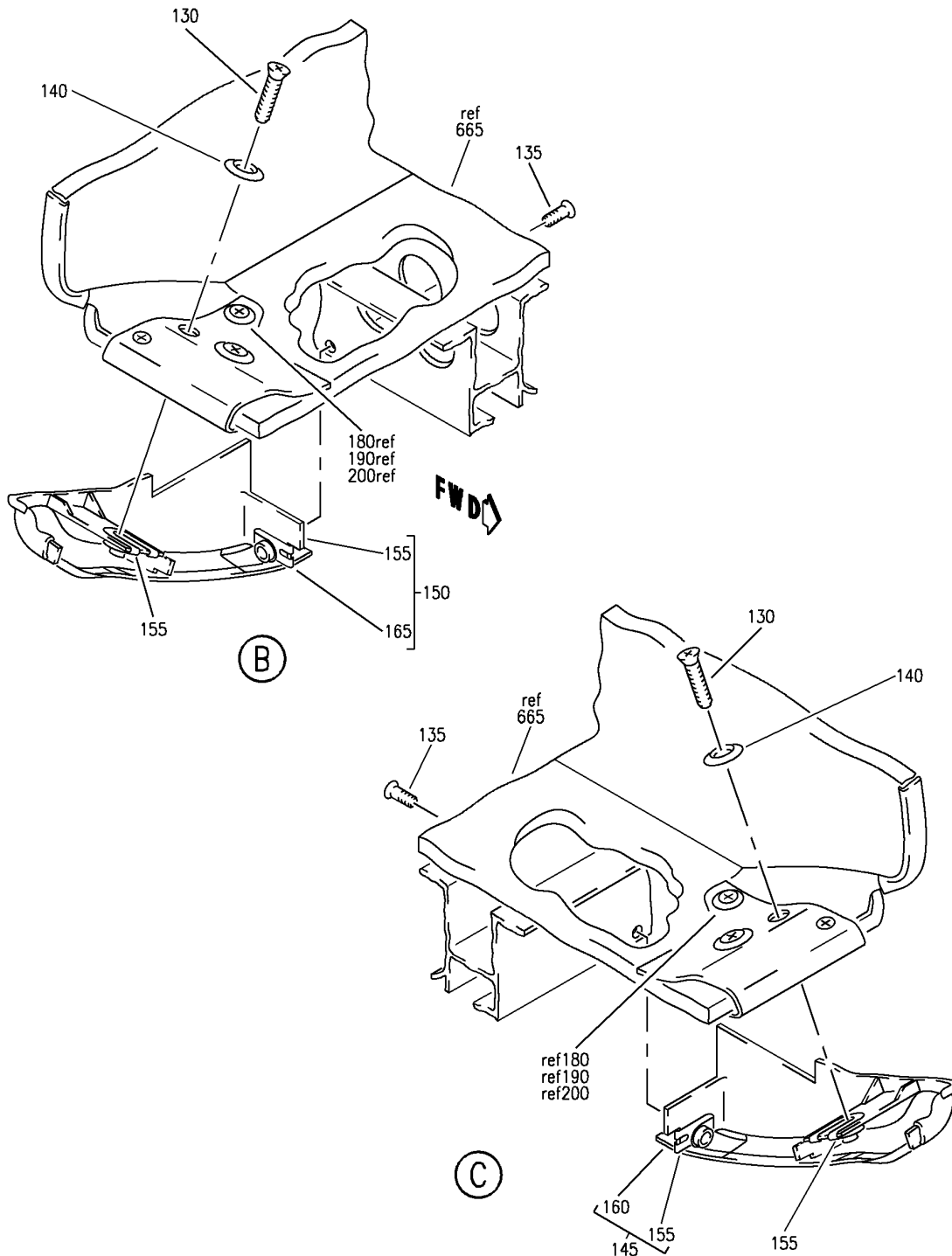
COMPARTMENT ASSY-FWD LH 60 IN. OVHD STOWAGE BULLNOSE CONFIGURATION (EQUIPMENT/FURNISHINGS ONLY)
 FIGURE 19 (SHEET 2)

HAP
 OCT 15/08

25-24-31-19

25-24-31-19
 PAGE 0A

BOEING
 737-600/700/800/900
 PARTS CATALOG (MAINTENANCE)



E 25243119 SH 3 REV 107

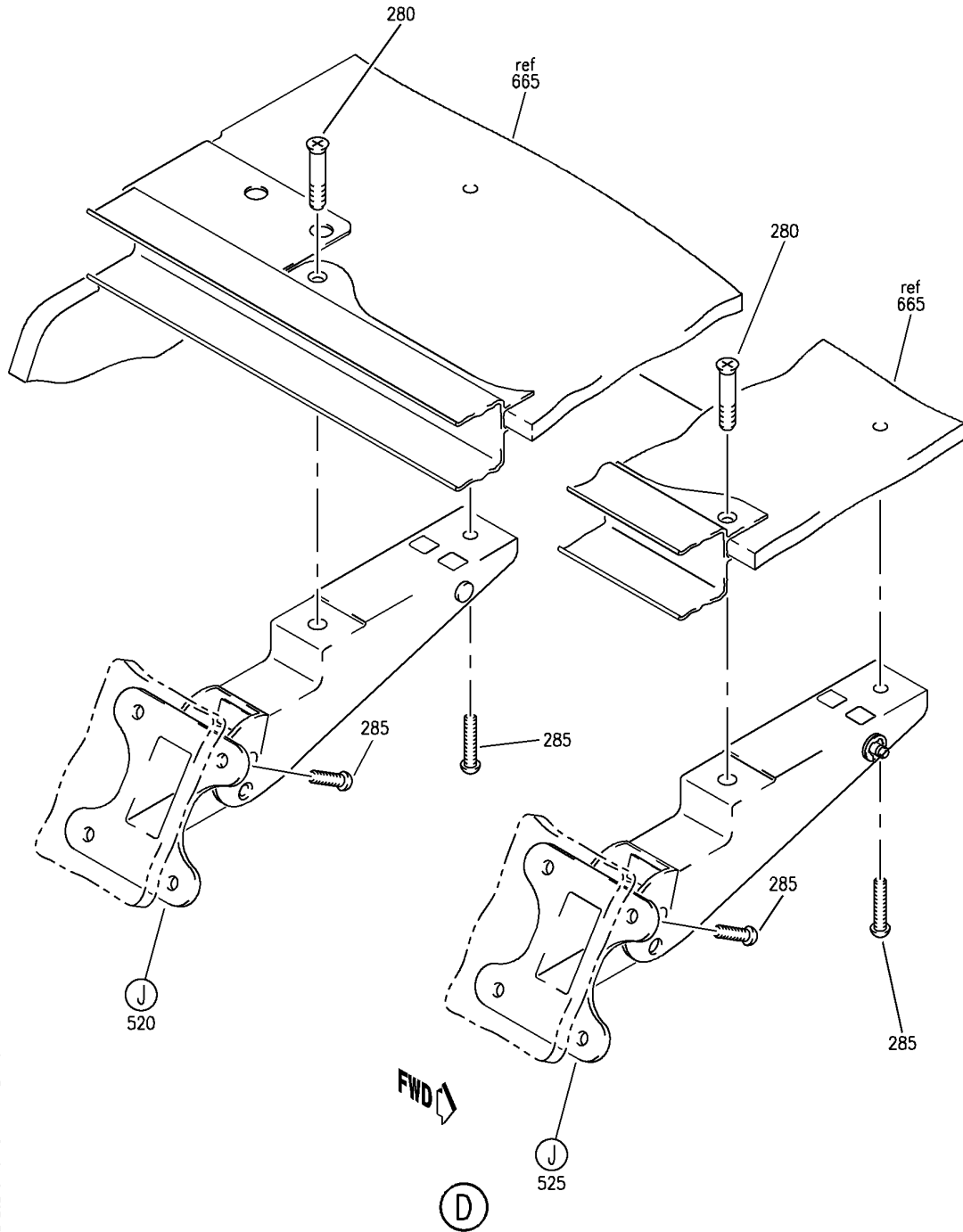
COMPARTMENT ASSY-FWD LH 60 IN. OVHD STOWAGE BULLNOSE CONFIGURATION (EQUIPMENT/FURNISHINGS ONLY)
 FIGURE 19 (SHEET 3)

HAP
 OCT 15/08

25-24-31-19

25-24-31-19
 PAGE 0B

BOEING
 737-600/700/800/900
 PARTS CATALOG (MAINTENANCE)



E 2524-3119 SHT 4 REV 107

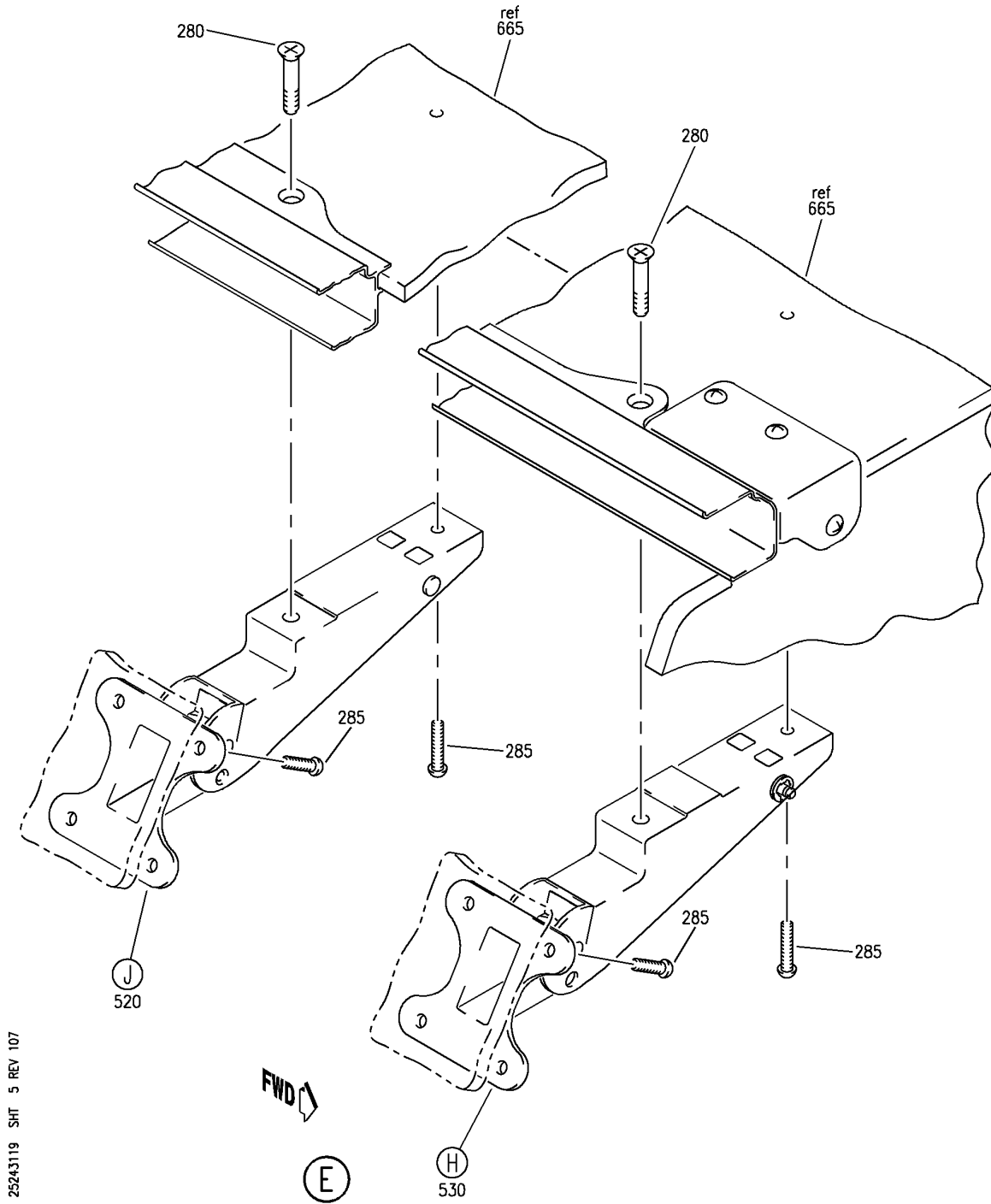
COMPARTMENT ASSY-FWD LH 60 IN. OVHD STOWAGE BULLNOSE CONFIGURATION (EQUIPMENT/FURNISHINGS ONLY)
 FIGURE 19 (SHEET 4)

HAP
 OCT 15/08

25-24-31-19

25-24-31-19
 PAGE 0C

BOEING
 737-600/700/800/900
 PARTS CATALOG (MAINTENANCE)



E 2524-3119 SHT 5 REV 107

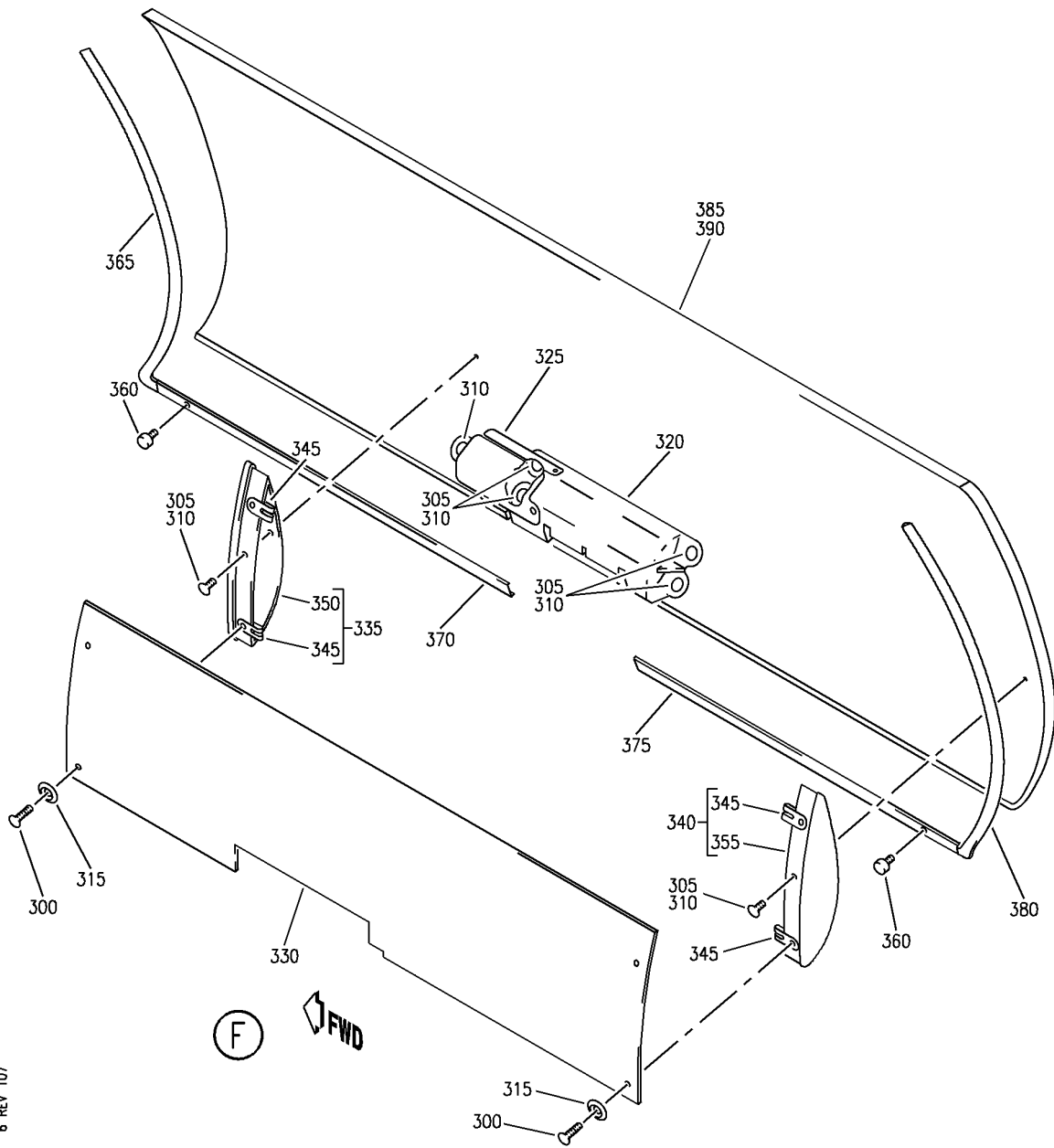
COMPARTMENT ASSY-FWD LH 60 IN. OVHD STOWAGE BULLNOSE CONFIGURATION (EQUIPMENT/FURNISHINGS ONLY)
 FIGURE 19 (SHEET 5)

HAP
 OCT 15/08

25-24-31-19

25-24-31-19
 PAGE 0D

BOEING
 737-600/700/800/900
 PARTS CATALOG (MAINTENANCE)



E 2524-3119 SHT 6 REV 107

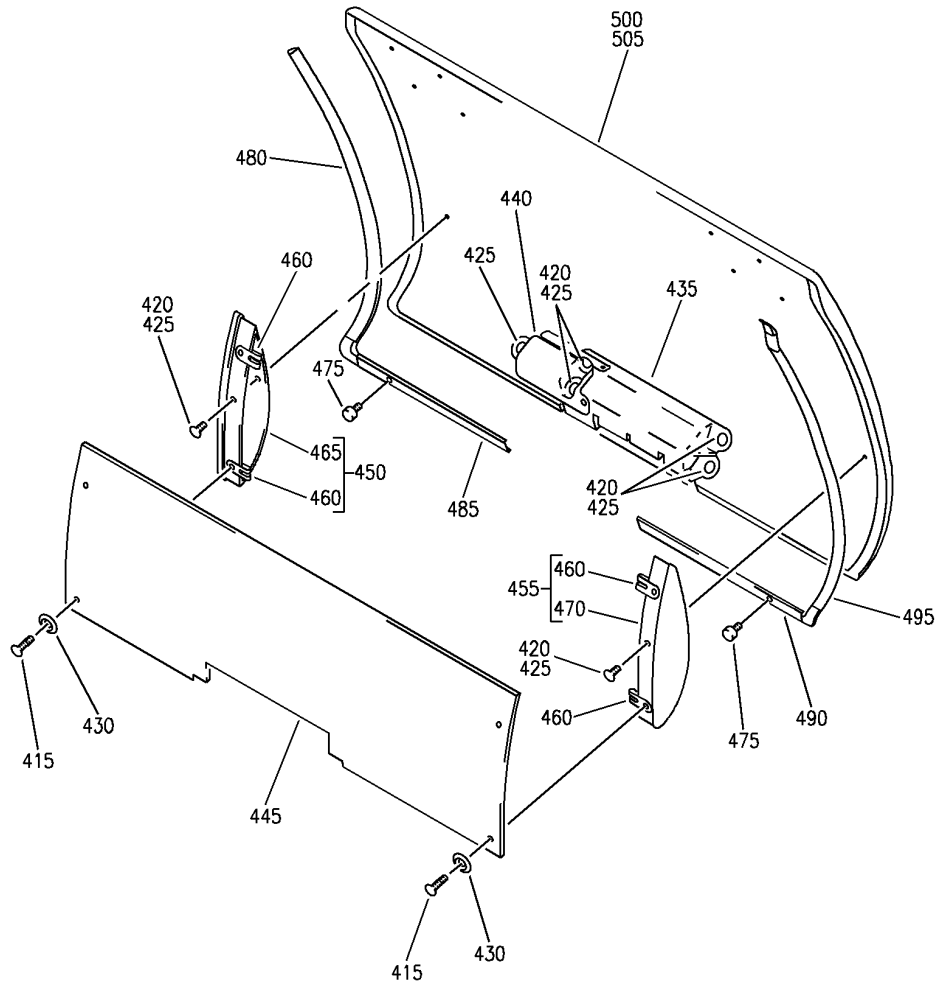
COMPARTMENT ASSY-FWD LH 60 IN. OVHD STOWAGE BULLNOSE CONFIGURATION (EQUIPMENT/FURNISHINGS ONLY)
 FIGURE 19 (SHEET 6)

HAP
 OCT 15/08

25-24-31-19

25-24-31-19
 PAGE 0E

BOEING
 737-600/700/800/900
 PARTS CATALOG (MAINTENANCE)



FWD

G

E 25243119 SH7 7 REV 107

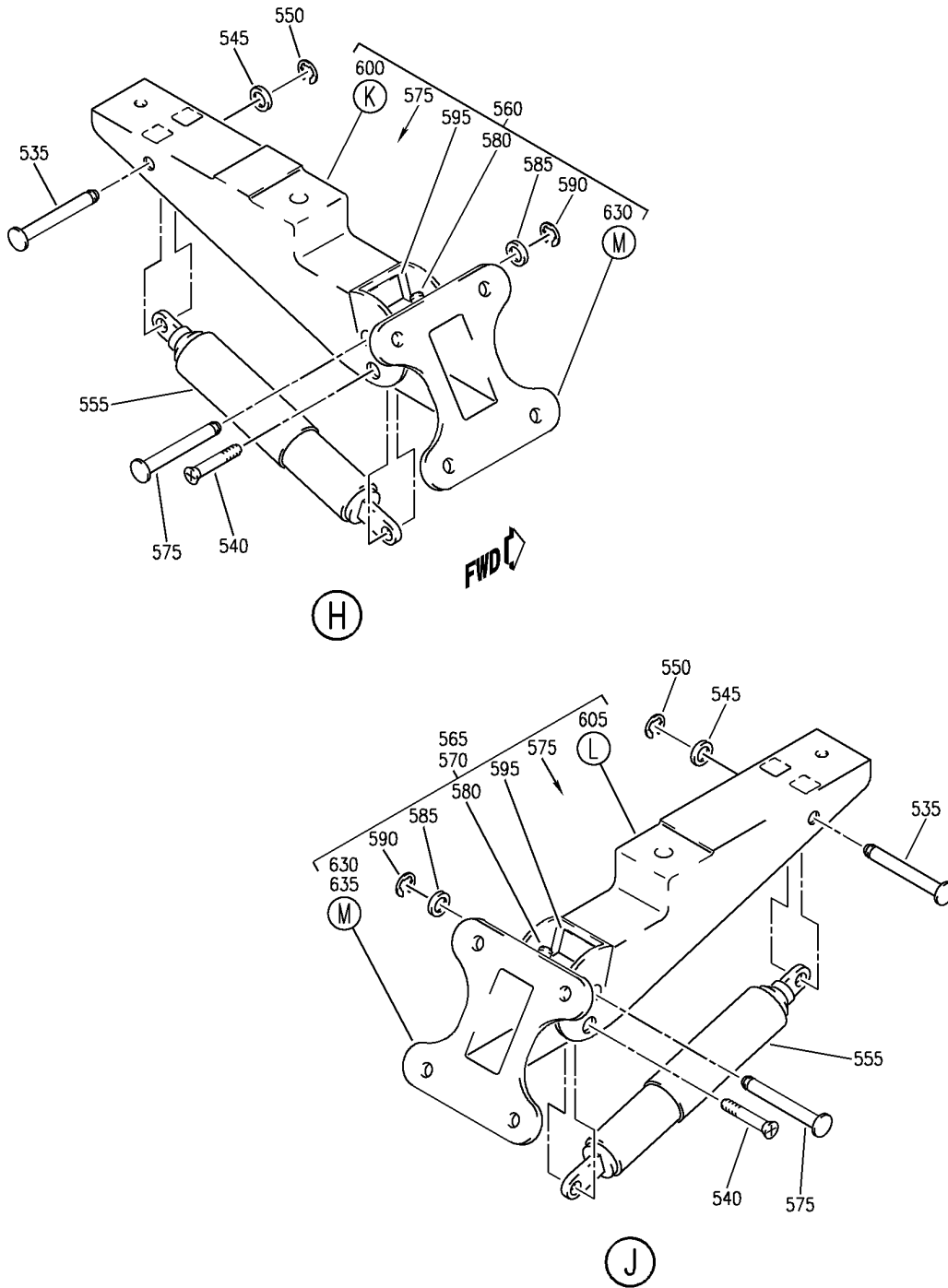
COMPARTMENT ASSY-FWD LH 60 IN. OVHD STOWAGE BULLNOSE CONFIGURATION (EQUIPMENT/FURNISHINGS ONLY)
 FIGURE 19 (SHEET 7)

25-24-31-19

HAP
 OCT 15/08

25-24-31-19
 PAGE OF

BOEING
737-600/700/800/900
PARTS CATALOG (MAINTENANCE)



E 2524-3119 SHT 8 REV 107

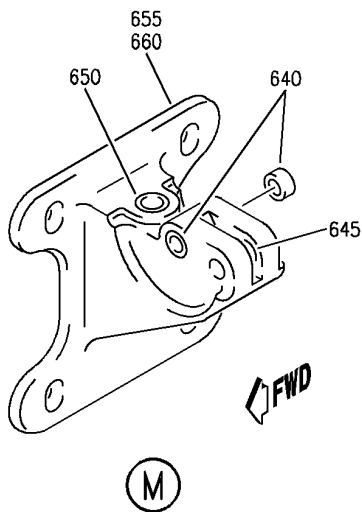
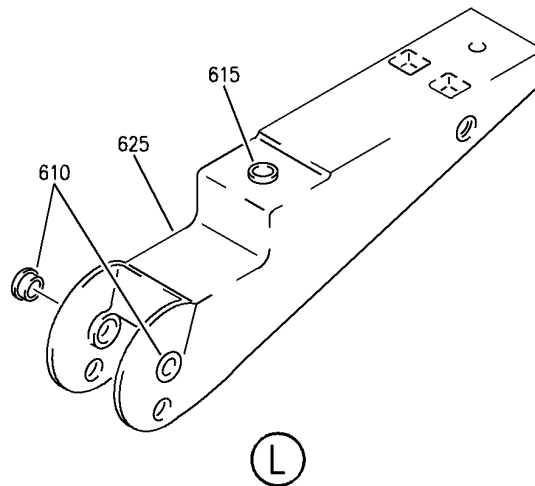
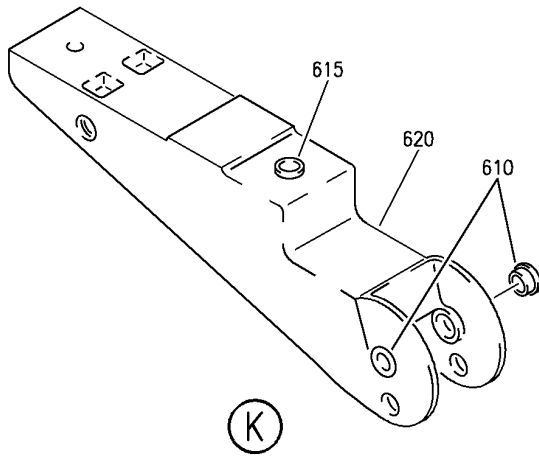
COMPARTMENT ASSY-FWD LH 60 IN. OVHD STOWAGE BULLNOSE CONFIGURATION (EQUIPMENT/FURNISHINGS ONLY)
 FIGURE 19 (SHEET 8)

HAP
 OCT 15/08

25-24-31-19

25-24-31-19
 PAGE 08

BOEING
 737-600/700/800/900
 PARTS CATALOG (MAINTENANCE)



E 25243119 SH1 9 REV 107

COMPARTMENT ASSY-FWD LH 60 IN. OVHD STOWAGE BULLNOSE CONFIGURATION (EQUIPMENT/FURNISHINGS ONLY)
 FIGURE 19 (SHEET 9)

HAP
 OCT 15/08

25-24-31-19

25-24-31-19
 PAGE 0H

BOEING PROPRIETARY - Copyright © - Unpublished Work - See title page for details.

BOEING
737-600/700/800/900
PARTS CATALOG (MAINTENANCE)

FIG ITEM	PART NUMBER	1 2 3 4 5 6 7	NOMENCLATURE	EFFECT FROM TO	UNITS PER ASSY
19			COMPARTMENT ASSY-FWD LH 60 IN. OVHD STOWAGE BULLNOSE CONFIGURATION (EQUIPMENT/FURNISHINGS ONLY)	201967	
- 5	412A1170-103SP		COMPARTMENT ASSY-60 IN. OVHD STOWAGE BULLNOSE CONFIGURATION (EQUIPMENT/ FURNISHINGS ONLY) POSITION DATA: FWD LH FOR NHA/OTHER SYS DET SEE: 25-24-30-15B	202967	RF
- 5	412A1170-303B		COMPARTMENT ASSY-60 IN. OVHD STOWAGE BULLNOSE CONFIGURATION (EQUIPMENT/ FURNISHINGS ONLY) POSITION DATA: FWD LH FOR NHA/OTHER SYS DET SEE: 25-24-30-15B	201201	RF
10	412A1420-2SP		.EXTRUSION-SEAT ROW MARKER	202967	1
10	412A1420-2A		.EXTRUSION-SEAT ROW MARKER	201201	1
15	H3-1592-1		.LATCH-CLG SUPPLIER CODE: V34941 SPECIFICATION NUMBER: S411A001-1 ATTACHING PARTS	201967	2
- 17	BACS12GU3K7		.SCREW	201967	4
- 18	NAS1149D0332J		.WASHER -----*-----	201967	4
40	412A1700-105SP		.VALANCE ASSY-LT OPTIONAL PART: 412A1700-5A	202967	1
40	412A1700-5A		.VALANCE ASSY-LT OPTIONAL PART: 412A1700-105B 412A1700-105SP	201967	1
40	412A1700-105B		.VALANCE ASSY-LT OPTIONAL PART: 412A1700-5A ATTACHING PARTS	201201	1
- 43	BACN10YJ3F		.NUT -----*-----	201967	6
45	BACS21DW3C10FN		..STUD	201967	6
50	412A1700-6		..TAPE-VELCRO	201967	1

MISSING ITEM NUMBERS NOT APPLICABLE

- ITEM NOT ILLUSTRATED

HAP

25-24-31-19

BOEING PROPRIETARY - Copyright © - Unpublished Work - See title page for details.

25-24-31
FIG. 19
PAGE 1
OCT 15/08

BOEING
737-600/700/800/900
PARTS CATALOG (MAINTENANCE)

FIG ITEM	PART NUMBER	1 2 3 4 5 6 7	NOMENCLATURE	EFFECT FROM TO	UNITS PER ASSY
19					
55	412A1711-105SP	..	PANEL ASSY- USED ON: 412A1700-105SP	202967	1
55	412A1711-5A	..	PANEL ASSY- USED ON: 412A1700-5A	201967	1
55	412A1711-105B	..	PANEL ASSY- USED ON: 412A1700-105B	201201	1
130	BACS12ER3K11	.	SCREW	201967	2
135	BACB30VF3K3	.	BOLT	201967	2
140	H3-1233A3	.	WASHER- SUPPLIER CODE: V34941 SPECIFICATION NUMBER: S411A001-1	201967	2
145	412A1465-5SP	.	CLOSEOUT ASSY-	202967	1
145	412A1465-5A	.	CLOSEOUT ASSY	201201	1
150	412A1465-6SP	.	CLOSEOUT ASSY-	202967	1
150	412A1465-6A	.	CLOSEOUT ASSY	201201	1
155	BACN10VR4CGN	..	NUT- OPTIONAL PART: BACN10VR4CG	201967	2
155	BACN10VR4CG	..	NUT- OPTIONAL PART: BACN10VR4CGN	201967	2
160	412A1465-7SP	..	CLOSEOUT- USED ON: 412A1465-5SP	202967	1
160	412A1465-7A	..	CLOSEOUT- USED ON: 412A1465-5A	201201	1
165	412A1465-8SP	..	CLOSEOUT- USED ON: 412A1465-6SP	202967	1
165	412A1465-8A	..	CLOSEOUT- USED ON: 412A1465-6A	201201	1
170	412A1451-2SP	.	STRIP-TRIM	202967	1
170	412A1451-2BCWK	.	STRIP-TRIM	201201	1
175	412A1605-3SP	.	COVER ASSY-	202967	1
175	412A1605-3A	.	COVER ASSY	201201	1
177	412A1460-2	..	CLIP	201967	4
178	412A1615-5SP	..	PANEL ASSY-	202967	1
178	412A1615-5A	..	PANEL ASSY	201201	1
180	BACS12ER3K14	.	SCREW	201967	10
185	BACS12FA3K5	.	SCREW	201967	9

MISSING ITEM NUMBERS NOT APPLICABLE

- ITEM NOT ILLUSTRATED

HAP

25-24-31-19

BOEING PROPRIETARY - Copyright © - Unpublished Work - See title page for details.

25-24-31
FIG. 19
PAGE 2
OCT 15/08

BOEING
737-600/700/800/900
PARTS CATALOG (MAINTENANCE)

FIG ITEM	PART NUMBER	1 2 3 4 5 6 7	NOMENCLATURE	EFFECT FROM TO	UNITS PER ASSY
19 190	H3-1233A3		. WASHER- SUPPLIER CODE: V34941 SPECIFICATION NUMBER: S411A001-1	201967	10
195 200	412A1244-2 FS1651-3		. EXTRUSION ASSY .. NUTPLATE SUPPLIER CODE: V15653 SPECIFICATION NUMBER: BACN10KH3CD OPTIONAL PART: 102F9209M3 V72962 NS202496-02 V80539 ATTACHING PARTS	201967 201967	1 10
- 205	BACR15BA3ADC		.. RIVET- SIZE DETERMINED ON INSTL. -----*-----	201967	20
- 215	OBA8		. PLUG- SUPPLIER CODE: VOBV87	202967	AR
- 225	412A1811-1B		. PLUG- OPTIONAL PART: 412A1100-96 412A1811-2B OBA8 VOBV87	201201	AR
- 225	OBA8		. PLUG- SUPPLIER CODE: VOBV87 OPTIONAL PART: 412A1100-96 412A1811-1B 412A1811-2B	201201	AR
- 225	412A1811-2B		. PLUG- OPTIONAL PART: OBA8 VOBV87 412A1100-96 412A1811-1B	201201	AR
- 240	412A1100-96		. KIT ASSY-SCR AND WASHER OPTIONAL PART: 412A1811-1B 412A1811-2B OBA8 VOBV87	201201	AR
- 255	NAS514P1032-5		.. SCREW	201201	1

MISSING ITEM NUMBERS NOT APPLICABLE

- ITEM NOT ILLUSTRATED

HAP

25-24-31-19

BOEING PROPRIETARY - Copyright © - Unpublished Work - See title page for details.

25-24-31
FIG. 19
PAGE 3
OCT 15/08

BOEING
737-600/700/800/900
PARTS CATALOG (MAINTENANCE)

FIG ITEM	PART NUMBER	1 2 3 4 5 6 7	NOMENCLATURE	EFFECT FROM TO	UNITS PER ASSY
19 - 270	H3-1233A3		.. WASHER- SUPPLIER CODE: V34941 SPECIFICATION NUMBER: S411A001-1	201201	1
280	BACB30VF3K8		. BOLT	201967	4
285	BACS12FA3K6		. SCREW	201967	20
290	412A1500-1SP		. DOOR ASSY-40 IN.	202967	1
290	412A1500-101SP		. DOOR ASSY-40 IN.	201201	1
300	BACS12ER3K9		.. SCREW	201967	4
305	BACS12FA3K4		.. SCREW	201967	6
315	H3-1233A3		.. WASHER- SUPPLIER CODE: V34941 SPECIFICATION NUMBER: S411A001-1	201967	4
320	HA225-1		.. LATCH ASSY- SUPPLIER CODE: V83014 SPECIFICATION NUMBER: S412A001-1A	201967	1
320	HA225-7		.. LATCH ASSY- SUPPLIER CODE: V83014 SPECIFICATION NUMBER: S412A001-11B	201967	1
330	412A1615-100SP		.. PANEL ASSY-FILLER OPTIONAL PART: 412A1615-1100SP	201967	1
330	412A1615-1100SP		.. PANEL ASSY-FILLER OPTIONAL PART: 412A1615-100SP	201201	1
335	412A1480-3SP		.. BRACKET ASSY	201967	1
340	412A1480-4SP		.. BRACKET ASSY	201967	1
345	BACN10VR4CGN		... NUT	201967	2
350	412A1480-1SP		... BRACKET- USED ON: 412A1480-3SP	201967	1
355	412A1480-2SP		... BRACKET- USED ON: 412A1480-4SP	201967	1
360	412A1810-1SP		.. BUMPER-	201967	2
365	412A1450-4SP		.. TRIM-EDGE	201967	1
370	412A1450-6SP		.. TRIM-EDGE	201967	1
375	412A1450-5SP		.. TRIM-EDGE	201967	1
380	412A1450-3SP		.. TRIM-EDGE	201967	1
385	412A1510-2SP		.. PANEL ASSY	201967	1

MISSING ITEM NUMBERS NOT APPLICABLE

- ITEM NOT ILLUSTRATED

HAP

25-24-31-19

25-24-31
FIG. 19
PAGE 4
OCT 15/08

BOEING
737-600/700/800/900
PARTS CATALOG (MAINTENANCE)

FIG ITEM	PART NUMBER	1 2 3 4 5 6 7	NOMENCLATURE	EFFECT FROM TO	UNITS PER ASSY
19					
- 395	SL618-3A		...INSERT- SUPPLIER CODE: V97393	201967	14
405	412A1500-2SP		.DOOR ASSY-20 IN.	202967	1
405	412A1500-102SP		.DOOR ASSY-20 IN.	201201	1
415	BACS12ER3K9		..SCREW	201967	4
420	BACS12FA3K4		..SCREW	201967	6
430	H3-1233A3		..WASHER- SUPPLIER CODE: V34941 SPECIFICATION NUMBER: S411A001-1	201967	4
435	HA225-1		..LATCH ASSY- SUPPLIER CODE: V83014 SPECIFICATION NUMBER: S412A001-1A	201967	1
435	HA225-7		..LATCH ASSY- SUPPLIER CODE: V83014 SPECIFICATION NUMBER: S412A001-11B	201967	1
445	412A1615-101SP		..PANEL ASSY-FILLER OPTIONAL PART: 412A1615-1101SP	201967	1
445	412A1615-1101SP		..PANEL ASSY-FILLER OPTIONAL PART: 412A1615-101SP	201201	1
450	412A1480-3SP		..BRACKET ASSY	201967	1
455	412A1480-4SP		..BRACKET ASSY	201967	1
460	BACN10VR4CGN		...NUT	201967	2
465	412A1480-1SP		...BRACKET- USED ON: 412A1480-3SP	201967	1
470	412A1480-2SP		...BRACKET- USED ON: 412A1480-4SP	201967	1
475	412A1810-1SP		..BUMPER- OPTIONAL PART: 412A1810-2SP	201967	2
475	412A1810-2SP		..BUMPER- OPTIONAL PART: 412A1810-1SP	201201	2
480	412A1450-4SP		..TRIM-EDGE	201967	1
485	412A1450-6SP		..TRIM-EDGE	201967	1
490	412A1450-5SP		..TRIM-EDGE	201967	1
495	412A1450-3SP		..TRIM-EDGE	201967	1
500	412A1511-2SP		..PANEL ASSY	201967	1

MISSING ITEM NUMBERS NOT APPLICABLE

- ITEM NOT ILLUSTRATED

HAP

25-24-31-19

25-24-31
FIG. 19
PAGE 5
OCT 15/08

BOEING
737-600/700/800/900
PARTS CATALOG (MAINTENANCE)

FIG ITEM	PART NUMBER	1 2 3 4 5 6 7	NOMENCLATURE	EFFECT FROM TO	UNITS PER ASSY
19					
- 510	SL618-3A		...INSERT- SUPPLIER CODE: V97393	201967	14
520	412A1100-51SP		.HINGE ASSY-COLLECTOR	201967	2
525	412A1100-52SP		.HINGE ASSY-COLLECTOR	201967	1
530	412A1100-54SP		.HINGE ASSY-COLLECTOR	201967	1
535	412A1230-21		..PIN	201967	1
540	BACB30VF3K7		..BOLT	201967	1
545	NAS1149D0316J		..WASHER	201967	1
550	MS16633-4018		..RING	201967	1
555	SP20522		..ACTUATOR ASSY- SUPPLIER CODE: V24403 SPECIFICATION NUMBER: S412A002-2	201967	1
560	412A1455-4SP		..HINGE ASSY- USED ON: 412A1100-54SP	201967	1
565	412A1455-1SP		..HINGE ASSY- USED ON: 412A1100-51SP	201967	1
570	412A1455-2SP		..HINGE ASSY- USED ON: 412A1100-52SP	201967	1
575	412A1230-21		...PIN	201967	1
580	MS51023-54		...SCREW	201967	1
585	NAS1149D0316J		...WASHER	201967	1
590	MS16633-4018		...RING	201967	1
595	412A1220-1		...CLIP	201967	1
600	412A1454-12SP		...HOUSING ASSY- USED ON: 412A1455-4SP	201967	1
605	412A1454-3SP		...HOUSING ASSY- USED ON: 412A1455-1SP 412A1455-2SP	201967	1
610	BACB28Y3F020	BUSHING	201967	2
615	6041L3BR375	INSERT- SUPPLIER CODE: V01556	201967	1
620	412A1454-11SP	HOUSING- USED ON: 412A1454-12SP	201967	1
625	412A1454-1SP	HOUSING- USED ON: 412A1454-3SP	201967	1

MISSING ITEM NUMBERS NOT APPLICABLE

- ITEM NOT ILLUSTRATED

HAP

25-24-31-19

25-24-31
FIG. 19
PAGE 6
OCT 15/08

BOEING
737-600/700/800/900
PARTS CATALOG (MAINTENANCE)

FIG ITEM	PART NUMBER	1 2 3 4 5 6 7	NOMENCLATURE	EFFECT FROM TO	UNITS PER ASSY
19 630	412A1454-10SP		...BRACKET ASSY- USED ON: 412A1455-2SP 412A1455-4SP	201967	1
635	412A1454-9SP		...BRACKET ASSY- USED ON: 412A1455-1SP	201967	1
640	BACB28Y3F025	BUSHING	201967	2
645	6041-3BR225	INSERT- SUPPLIER CODE: V01556	201967	1
650	6041L3BR375	INSERT- SUPPLIER CODE: V01556	201967	1
655	412A1454-8SP	BRACKET- USED ON: 412A1454-10SP	201967	1
660	412A1454-7SP	BRACKET- USED ON: 412A1454-9SP	201967	1
665	412A1250-103A		.BOX ASSY-60 IN. BIN OPTIONAL PART: 412A1250-1103B FOR DETAILS SEE: 25-24-32-69A	201967	1
665	412A1250-1103B		.BOX ASSY-60 IN. BIN OPTIONAL PART: 412A1250-103A FOR DETAILS SEE: 25-24-32-69A	201967	1

MISSING ITEM NUMBERS NOT APPLICABLE

— ITEM NOT ILLUSTRATED

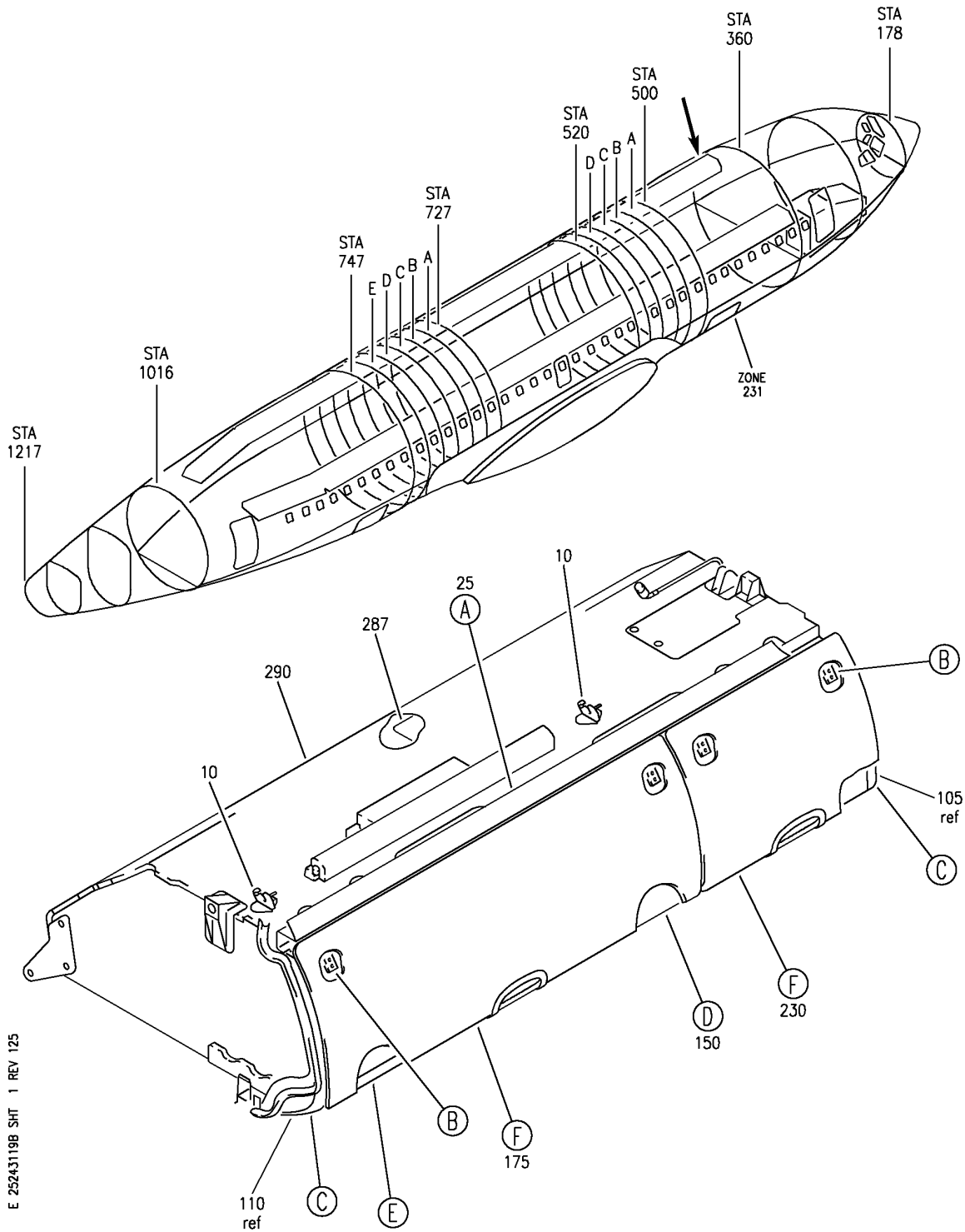
HAP

25-24-31-19

BOEING PROPRIETARY - Copyright © - Unpublished Work - See title page for details.

25-24-31
FIG. 19
PAGE 7
OCT 15/08

BOEING
 737-600/700/800/900
 PARTS CATALOG (MAINTENANCE)



E 25243119B SHT 1 REV 125

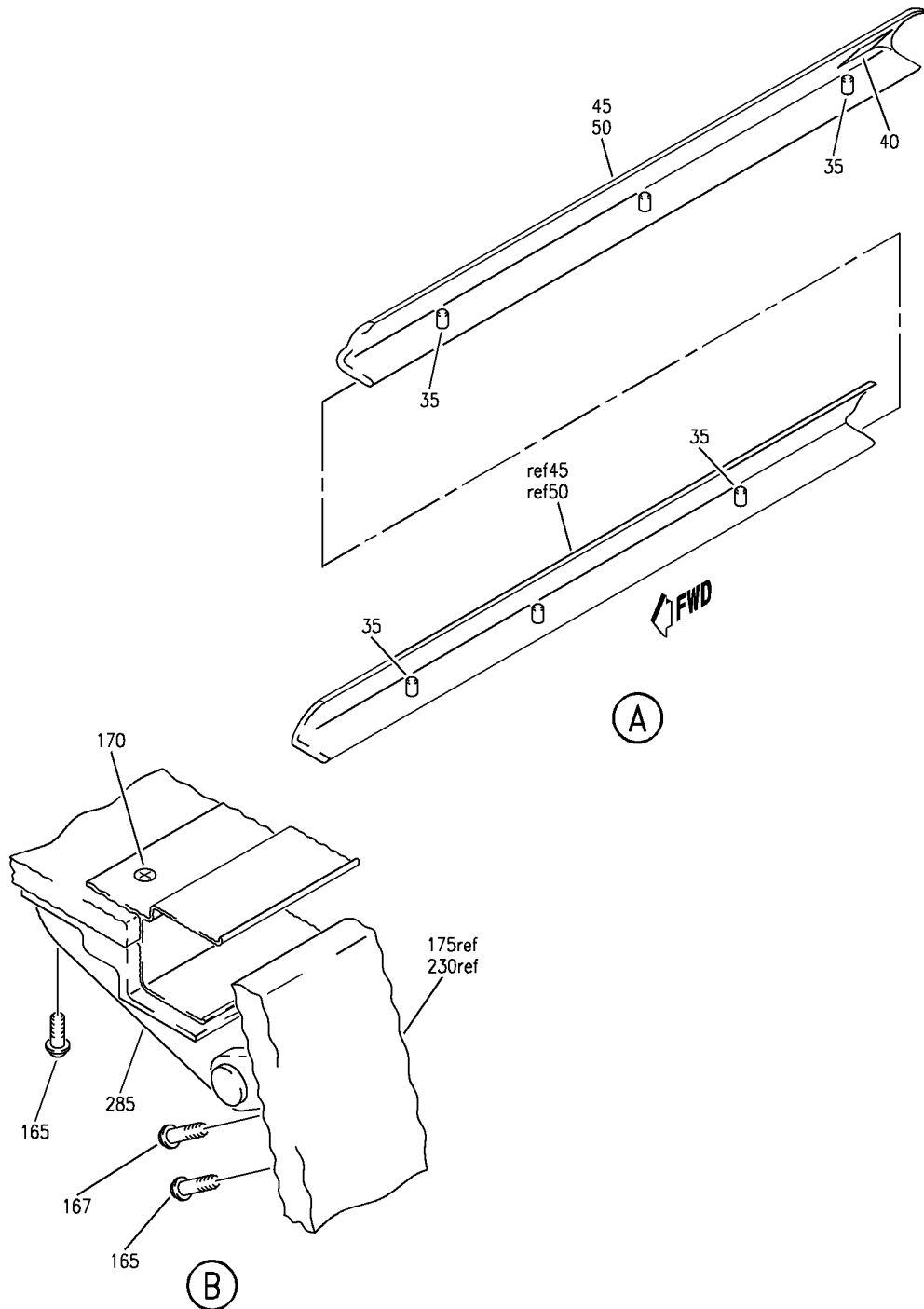
TOP ASSY-FWD LH 60 IN. OVHD STOWAGE BULLNOSE CONFIGURATION (EQUIPMENT/ FURNISHINGS ONLY)
 FIGURE 19B (SHEET 1)

HAP
 FEB 10/07

25-24-31-19B

25-24-31-19B
 PAGE 0

BOEING
 737-600/700/800/900
 PARTS CATALOG (MAINTENANCE)



E 25243119B SHT 2 REV 112

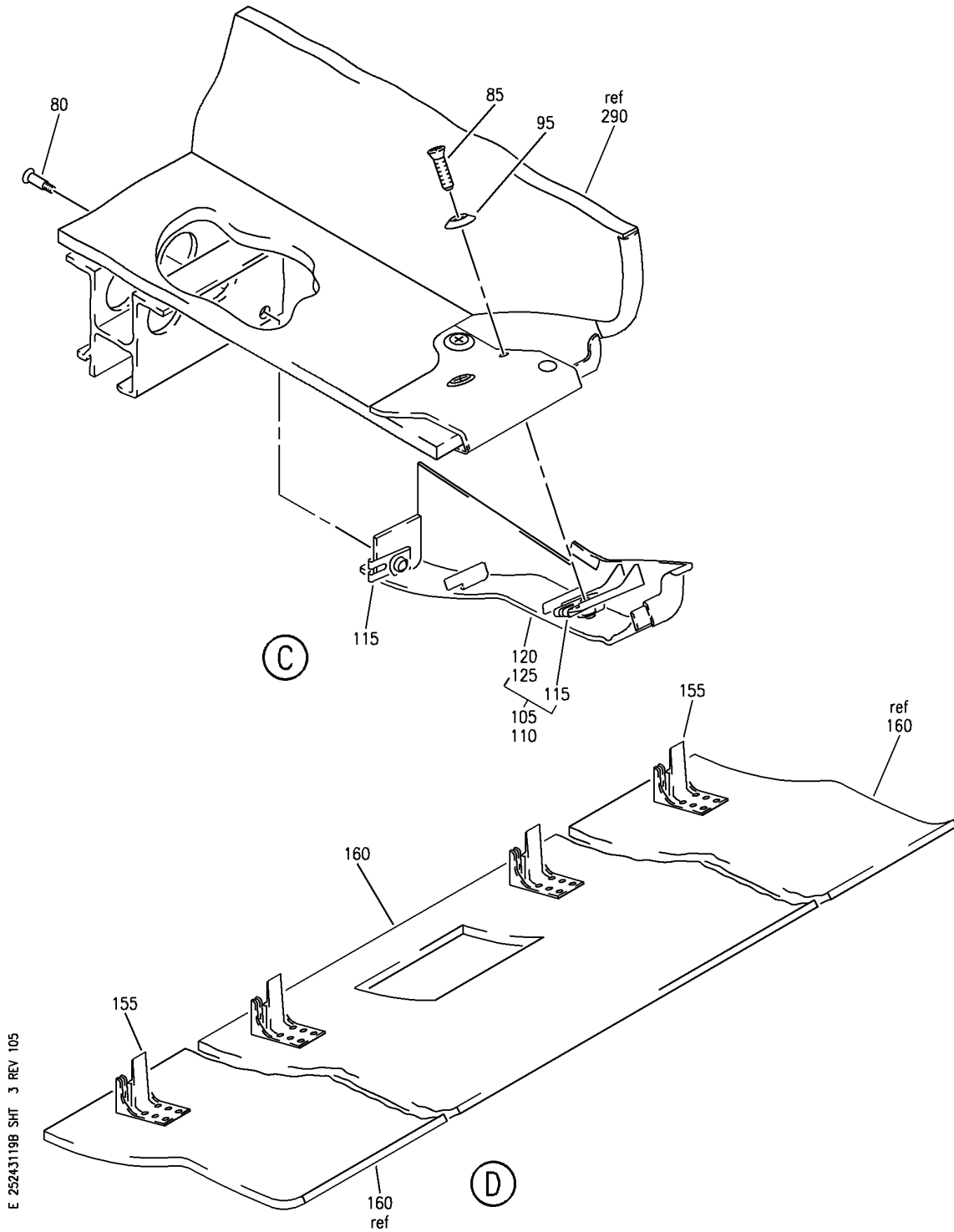
TOP ASSY-FWD LH 60 IN. OVHD STOWAGE BULLNOSE CONFIGURATION (EQUIPMENT/ FURNISHINGS ONLY)
 FIGURE 19B (SHEET 2)

HAP
 OCT 10/06

25-24-31-19B

25-24-31-19B
 PAGE 0A

BOEING
 737-600/700/800/900
 PARTS CATALOG (MAINTENANCE)



E 25243119B SHT 3 REV 105

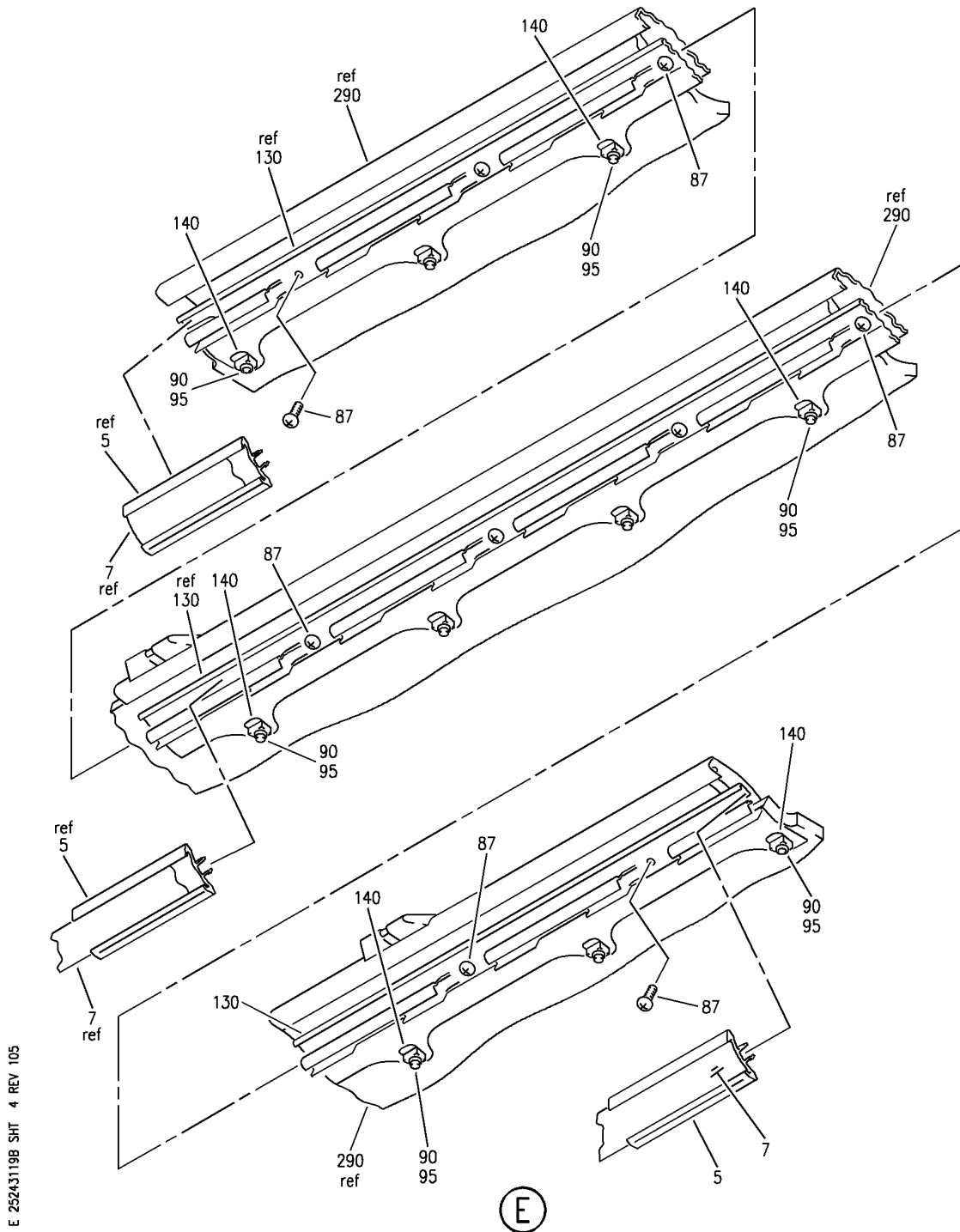
TOP ASSY-FWD LH 60 IN. OVHD STOWAGE BULLNOSE CONFIGURATION (EQUIPMENT/ FURNISHINGS ONLY)
 FIGURE 19B (SHEET 3)

HAP
 OCT 10/06

25-24-31-19B

25-24-31-19B
 PAGE 0B

BOEING
 737-600/700/800/900
 PARTS CATALOG (MAINTENANCE)



E 25243119B SHT 4 REV 105

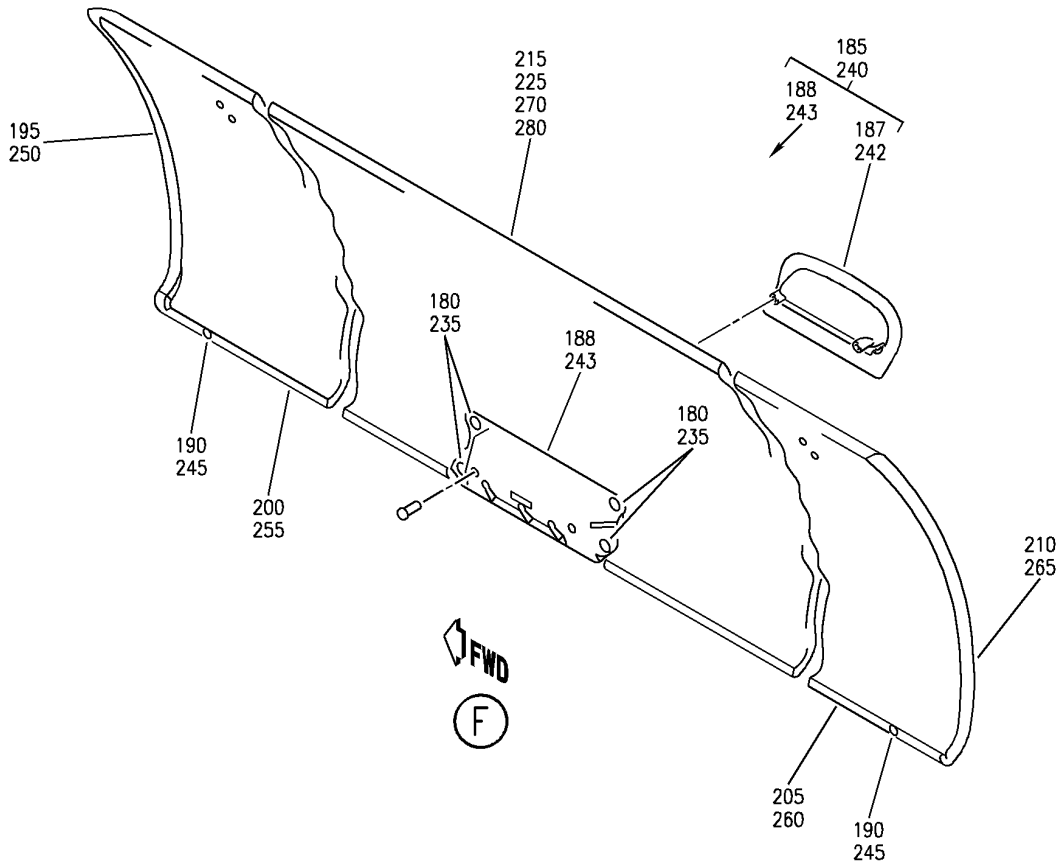
TOP ASSY-FWD LH 60 IN. OVHD STOWAGE BULLNOSE CONFIGURATION (EQUIPMENT/ FURNISHINGS ONLY)
 FIGURE 19B (SHEET 4)

HAP
 OCT 10/06

25-24-31-19B

25-24-31-19B
 PAGE 0C

BOEING
 737-600/700/800/900
 PARTS CATALOG (MAINTENANCE)



E 25243119B SHT 5 REV 118

TOP ASSY-FWD LH 60 IN. OVHD STOWAGE BULLNOSE CONFIGURATION (EQUIPMENT/ FURNISHINGS ONLY)
 FIGURE 19B (SHEET 5)

HAP
 OCT 10/06

25-24-31-19B

25-24-31-19B
 PAGE 0D

BOEING
737-600/700/800/900
PARTS CATALOG (MAINTENANCE)

FIG ITEM	PART NUMBER	1 2 3 4 5 6 7	NOMENCLATURE	EFFECT FROM TO	UNITS PER ASSY
19B			TOP ASSY-FWD LH 60 IN. OVHD STOWAGE BULLNOSE CONFIGURATION (EQUIPMENT/ FURNISHINGS ONLY)	031043 101101 968971	
- 1	412A1052-15C		TOP ASSY-60 IN. OVHD STOWAGE BULLNOSE CONFIGURATION (EQUIPMENT/ FURNISHINGS ONLY) POSITION DATA: FWD LH FOR NHA/OTHER SYS DET SEE: 25-24-30-12	031043 101101 968971	RF
5	412A1420-2A		.EXTRUSION-SEAT ROW MARKER	031043 101101 968971	1
7	412A1451-2BCWK		.STRIP	031043 101101 968971	1
10	H3-1592-1		.LATCH-CLG SUPPLIER CODE: V34941 SPECIFICATION NUMBER: S411A001-1 ATTACHING PARTS	031043 101101 968971	2
- 15	BACS12GU3K7		.SCREW	031043 101101 968971	4
- 20	NAS1149D0332J		.WASHER	031043 101101 968971	4
25	412A1700-5A		-----*----- .VALANCE ASSY-LT	031043 101101 968971	1
- 30	BACN10YJ3F		ATTACHING PARTS .NUT	031043 101101 968971	6
35	BACS21DW3C10FN		-----*----- ..STUD	031043 101101 968971	6
40	412A1700-6		..TAPE-HOOK	031043 101101 968971	1
45	412A1711-5A		..PANEL ASSY	031043 101101 968971	1

MISSING ITEM NUMBERS NOT APPLICABLE

- ITEM NOT ILLUSTRATED

HAP

25-24-31-19B

BOEING PROPRIETARY - Copyright © - Unpublished Work - See title page for details.

25-24-31
FIG. 19B
PAGE 1
FEB 15/08

BOEING
737-600/700/800/900
PARTS CATALOG (MAINTENANCE)

FIG ITEM	PART NUMBER	1 2 3 4 5 6 7	NOMENCLATURE	EFFECT FROM TO	UNITS PER ASSY
19B					
50	412A1711-1A	...	PANEL ASSY- OPTIONAL PART: 412A1711-101B	031043 101101 968971	1
50	412A1711-101B	...	PANEL ASSY- OPTIONAL PART: 412A1711-1A	031043 101101 968971	1
80	BACB30VF3K3	.	BOLT	031043 101101 968971	2
85	BACS12ER3K11	.	SCREW	031043 101101 968971	2
87	BACS12FA3K5	.	SCREW	031043 101101 968971	9
90	BACS12ER3K14	.	SCREW	031043 101101 968971	10
95	H3-1233A3	.	WASHER- SUPPLIER CODE: V34941 SPECIFICATION NUMBER: S411A001-1	031043 101101 968971	12
105	412A1467-1B	.	CLOSEOUT ASSY	031043 101101 968971	1
110	412A1467-2B	.	CLOSEOUT ASSY	031043 101101 968971	1
115	BACN10VR4CGN	..	NUT- OPTIONAL PART: BACN10VR4CG	031043 101101 968971	2
115	BACN10VR4CG	..	NUT- OPTIONAL PART: BACN10VR4CGN	031043 101101 968971	2
120	412A1467-5B	..	CLOSEOUT- USED ON: 412A1467-1B	031043 101101 968971	1
125	412A1467-6B	..	CLOSEOUT- USED ON: 412A1467-2B	031043 101101 968971	1
130	412A1244-2	.	EXTRUSION ASSY	031043 101101 968971	1

MISSING ITEM NUMBERS NOT APPLICABLE

- ITEM NOT ILLUSTRATED

HAP

25-24-31-19B

BOEING PROPRIETARY - Copyright © - Unpublished Work - See title page for details.

25-24-31
FIG. 19B
PAGE 2
JUN 15/08

BOEING
737-600/700/800/900
PARTS CATALOG (MAINTENANCE)

FIG ITEM	PART NUMBER	1 2 3 4 5 6 7	NOMENCLATURE	EFFECT FROM TO	UNITS PER ASSY
19B 140	FS1651-3		..NUTPLATE SUPPLIER CODE: V15653 SPECIFICATION NUMBER: BACN10KH3CD OPTIONAL PART: 102F9209M3 V72962 NS202496-02 V80539 ATTACHING PARTS	031043 101101 968971	10
- 145	BACR15BA3ADC		..RIVET- SIZE DETERMINED ON INSTL. -----*-----	031043 101101 968971	20
150	412A1607-10B		.COVER ASSY	031043 101101 968971	1
155	412A1460-2		..CLIP	031043 101101 968971	4
160	412A1617-11B		..PANEL	031043 101101 968971	1
165	BACS12FA3K6		.SCREW	031043 101101 968971	8
167	BACS12FA3K7		.SCREW	031043 101101 968971	4
170	BACB30VF3K8		.BOLT	031043 101101 968971	4
175	412A1505-1B		.DOOR ASSY-40 IN.	031043 101101 968971	1
180	BACS12FA3K4		..SCREW	031043 101101 968971	4
185	HA951-1		..LATCH ASSY- SUPPLIER CODE: V83014 SPECIFICATION NUMBER: S412A003-1	031043 101101 968971	1
190	412A1810-1A		..BUMPER-	031043 101101 968971	2

MISSING ITEM NUMBERS NOT APPLICABLE

- ITEM NOT ILLUSTRATED

HAP

25-24-31-19B

BOEING PROPRIETARY - Copyright © - Unpublished Work - See title page for details.

25-24-31
FIG. 19B
PAGE 3
OCT 15/08

BOEING
737-600/700/800/900
PARTS CATALOG (MAINTENANCE)

FIG ITEM	PART NUMBER	1 2 3 4 5 6 7	NOMENCLATURE	EFFECT FROM TO	UNITS PER ASSY	
19B 190	412A1810-2B	..	BUMPER- QUALIFIED I/W DATA: PN 412A1810-3B CAN REPLACE BUT NOT BE REPLACED BY PN 412A1810-2B FOR 737-600/700/800/900 ONLY.	031043 101101 968971	2	
195	412A1452-4B	..	TRIM-VERT	031043 101101 968971	1	
200	412A1452-6B	..	TRIM-HORIZ	031043 101101 968971	1	
205	412A1452-5B	..	TRIM-HORIZ	031043 101101 968971	1	
210	412A1452-3B	..	TRIM-VERT	031043 101101 968971	1	
215	412A1513-2B	..	PANEL ASSY	031043 101101 968971	1	
- 220	SL618-3A	...	INSERT- SUPPLIER CODE: V97393	031043 101101 968971	8	
225	412A1513-1B	...	PANEL ASSY	031043 101101 968971	1	
R R R R R R R	230	412A1505-2B	.DOOR ASSY-20 IN. QUALIFIED I/W DATA: THE 412A1505-102B DOOR ASSEMBLY PLUS (QTY 2) HINGE (SP23011) TOGETHER CAN REPLACE THE 412A1505-2B DOOR ASSEMBLY PLUS (QTY 2) HINGE (SP21757).	031043 101101 968971	1	
	235	BACS12FA3K4	..	SCREW	031043 101101 968971	4
	240	HA951-1	..	LATCH ASSY- SUPPLIER CODE: V83014 SPECIFICATION NUMBER: S412A003-1	031043 101101 968971	1
	245	412A1810-1A	..	BUMPER-	031043 101101 968971	2

MISSING ITEM NUMBERS NOT APPLICABLE

- ITEM NOT ILLUSTRATED

HAP

25-24-31-19B

BOEING PROPRIETARY - Copyright © - Unpublished Work - See title page for details.

25-24-31
FIG. 19B
PAGE 4
JUN 15/09

BOEING
737-600/700/800/900
PARTS CATALOG (MAINTENANCE)

FIG ITEM	PART NUMBER	1 2 3 4 5 6 7	NOMENCLATURE	EFFECT FROM TO	UNITS PER ASSY
19B 245	412A1810-2B	..	BUMPER- QUALIFIED I/W DATA: PN 412A1810-3B CAN REPLACE BUT NOT BE REPLACED BY PN 412A1810-2B FOR 737-600/700/800/900 ONLY.	031043 101101 968971	2
250	412A1452-4B	..	TRIM-VERT	031043 101101 968971	1
255	412A1452-6B	..	TRIM-HORIZ	031043 101101 968971	1
260	412A1452-5B	..	TRIM-HORIZ	031043 101101 968971	1
265	412A1452-3B	..	TRIM-VERT	031043 101101 968971	1
270	412A1514-2B	..	PANEL ASSY	031043 101101 968971	1
- 275	SL618-3A	...	INSERT- SUPPLIER CODE: V97393	031043 101101 968971	8
280	412A1514-1B	...	PANEL ASSY	031043 101101 968971	1
285	SP21757	.HINGE ASSY- SUPPLIER CODE: V24403 SPECIFICATION NUMBER: S412A004-1		031043 101101 968971	4
290	412A1255-15B	.BOX ASSY-60 IN. BIN FOR DETAILS SEE: 25-24-32-65C		031043 101101 968971	1
- 295	412A1811-2B	.PLUG		031043 101101 968971	AR

MISSING ITEM NUMBERS NOT APPLICABLE

- ITEM NOT ILLUSTRATED

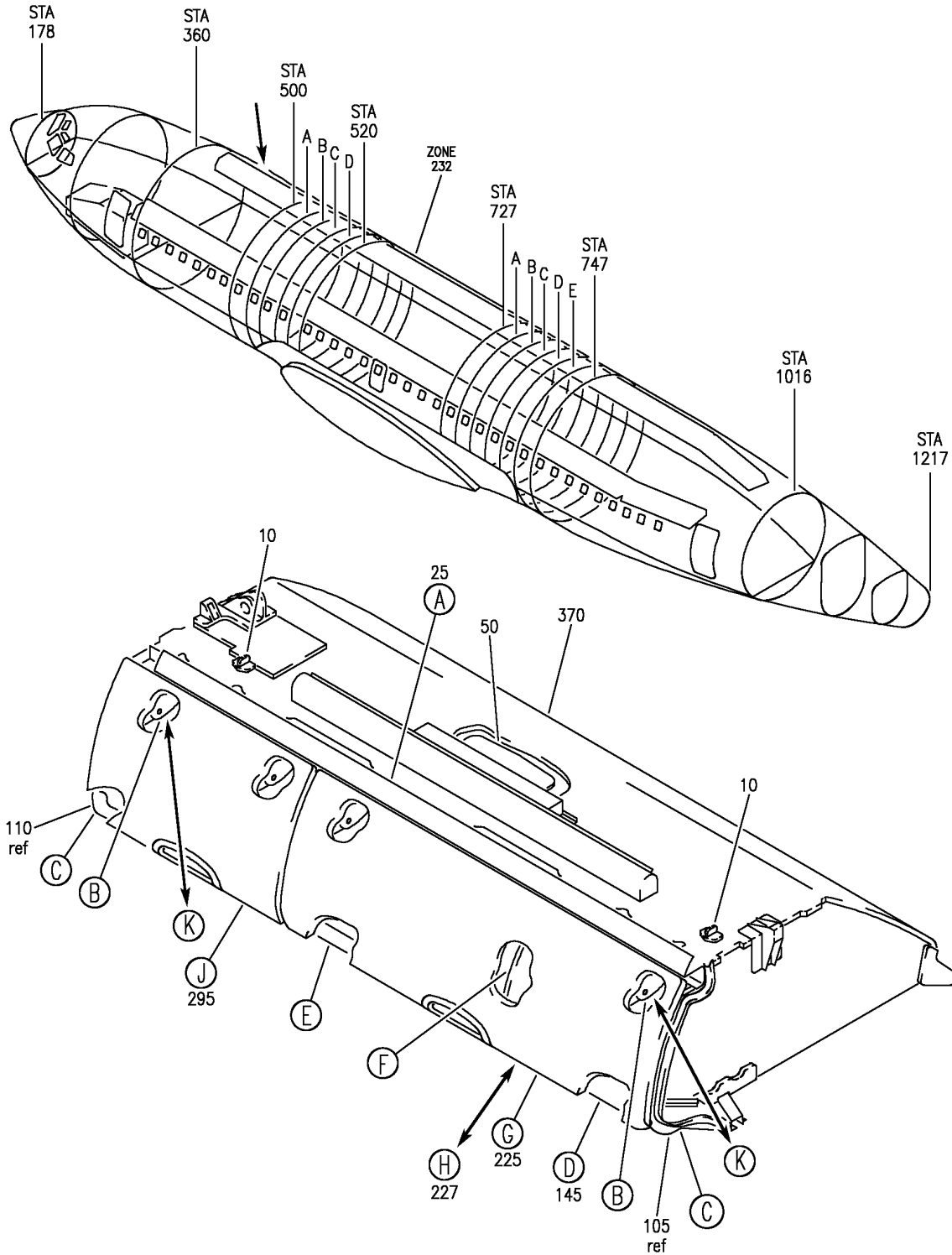
HAP

25-24-31-19B

BOEING PROPRIETARY - Copyright © - Unpublished Work - See title page for details.

25-24-31
FIG. 19B
PAGE 5
OCT 15/08


BOEING
 737-600/700/800/900
PARTS CATALOG (MAINTENANCE)



E 25243119C SHT 1 REV 142

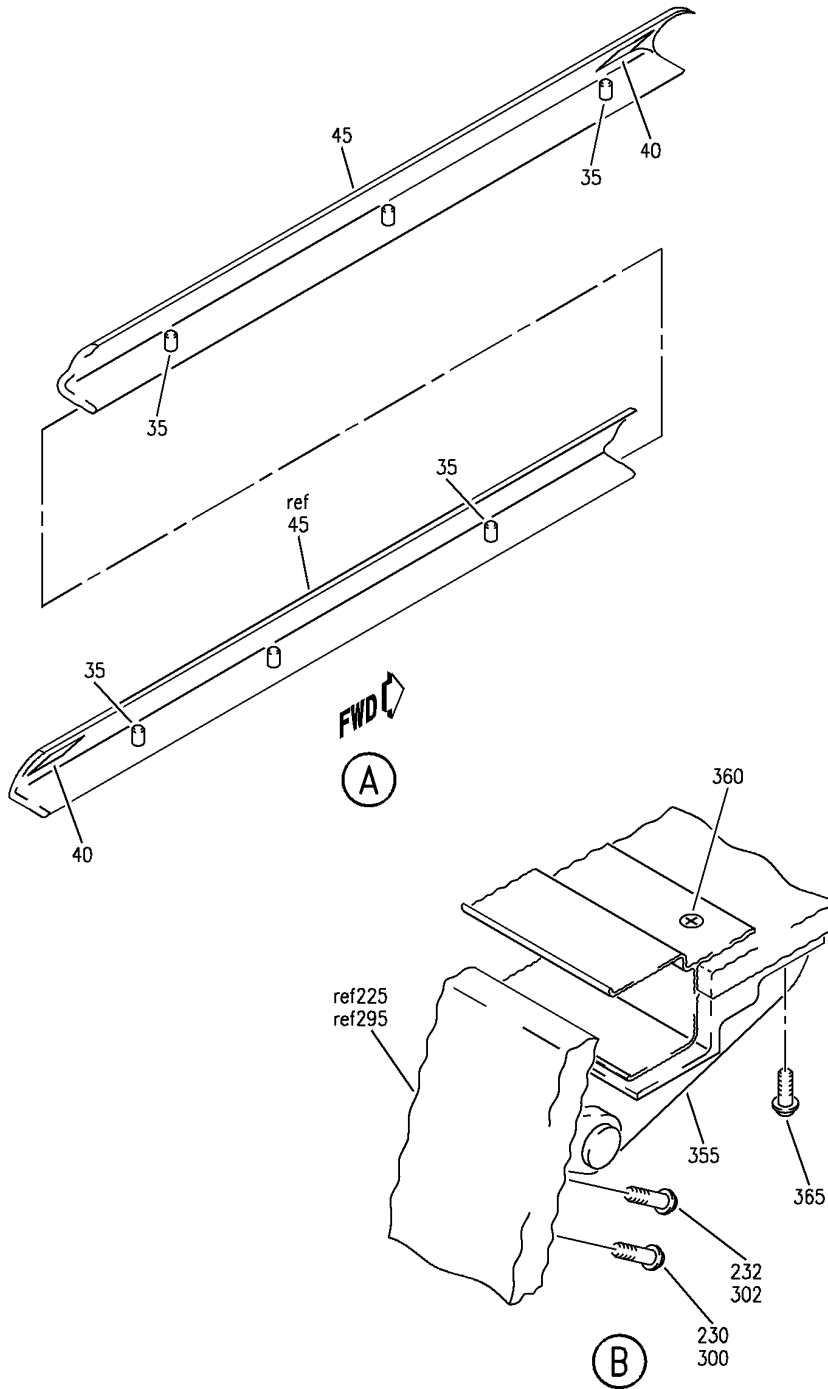
TOP ASSY-60 IN. FWD RH BIG BIN OVHD STOWAGE BULLNOSE CONFIGURATION (EQUIPMENT/ FURNISHINGS ONLY)
 FIGURE 19C (SHEET 1)

HAP
 JUN 15/08

25-24-31-19C

25-24-31-19C
 PAGE 0

BOEING
 737-600/700/800/900
 PARTS CATALOG (MAINTENANCE)



E 25243119C SHT 2 REV 112

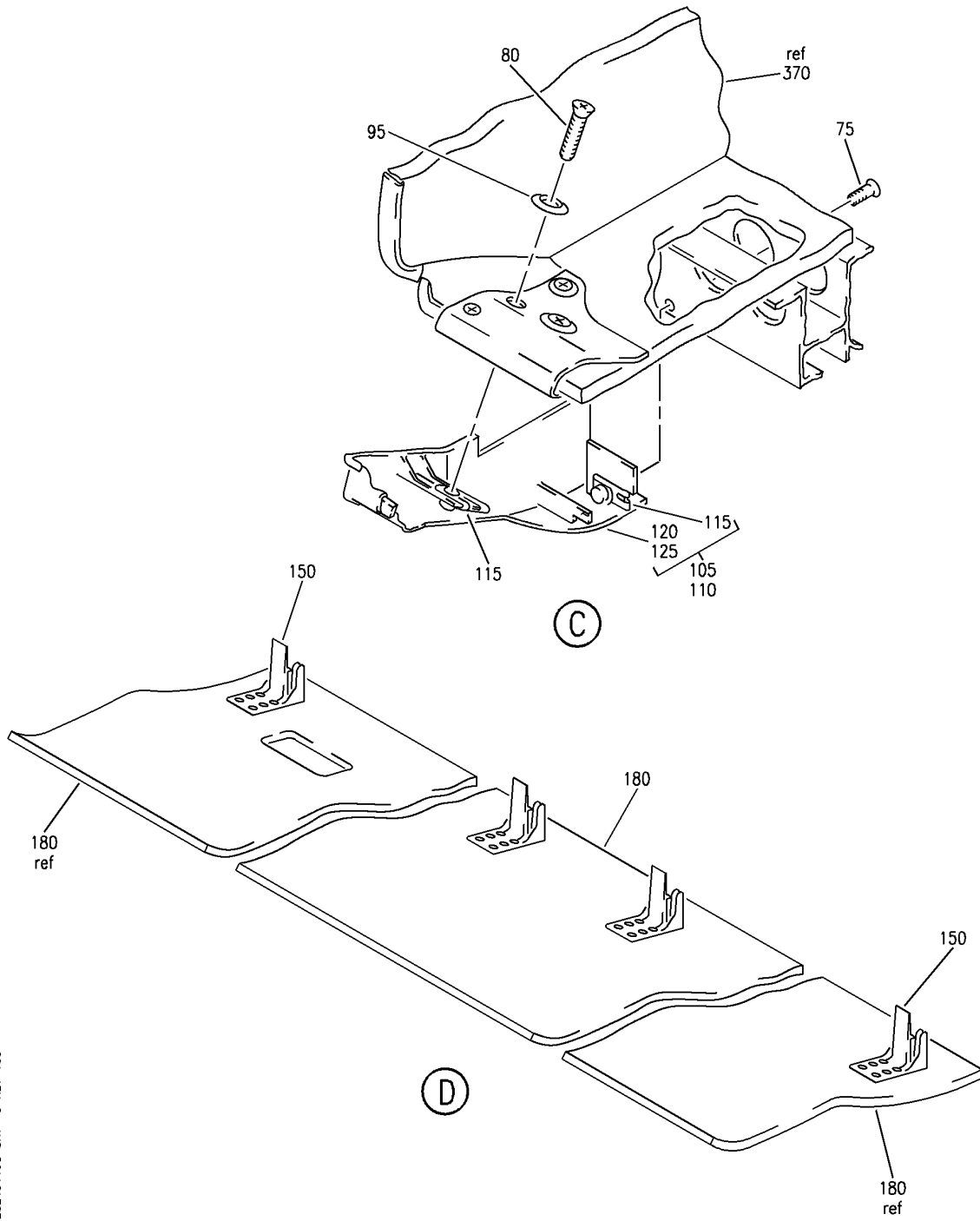
TOP ASSY-60 IN. FWD RH BIG BIN OVHD STOWAGE BULLNOSE CONFIGURATION (EQUIPMENT/ FURNISHINGS ONLY)
 FIGURE 19C (SHEET 2)

HAP
 OCT 10/06

25-24-31-19C

25-24-31-19C
 PAGE 0A

BOEING
 737-600/700/800/900
 PARTS CATALOG (MAINTENANCE)



E 25243119C SHT 3 REV 105

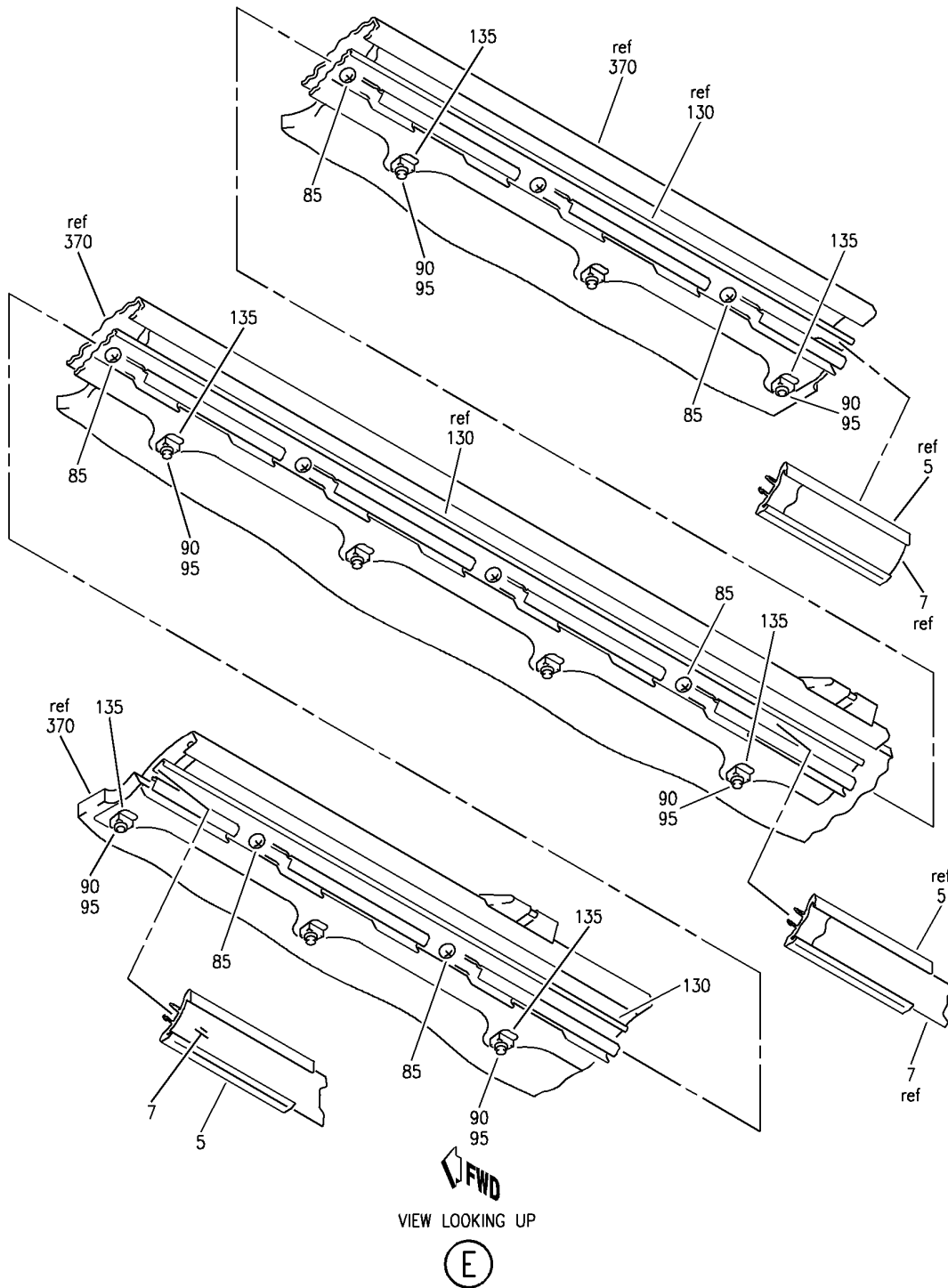
TOP ASSY-60 IN. FWD RH BIG BIN OVHD STOWAGE BULLNOSE CONFIGURATION (EQUIPMENT/ FURNISHINGS ONLY)
 FIGURE 19C (SHEET 3)

HAP
 OCT 10/06

25-24-31-19C

25-24-31-19C
 PAGE 0B

BOEING
737-600/700/800/900
PARTS CATALOG (MAINTENANCE)



E 25243119C SHT 4 REV 105

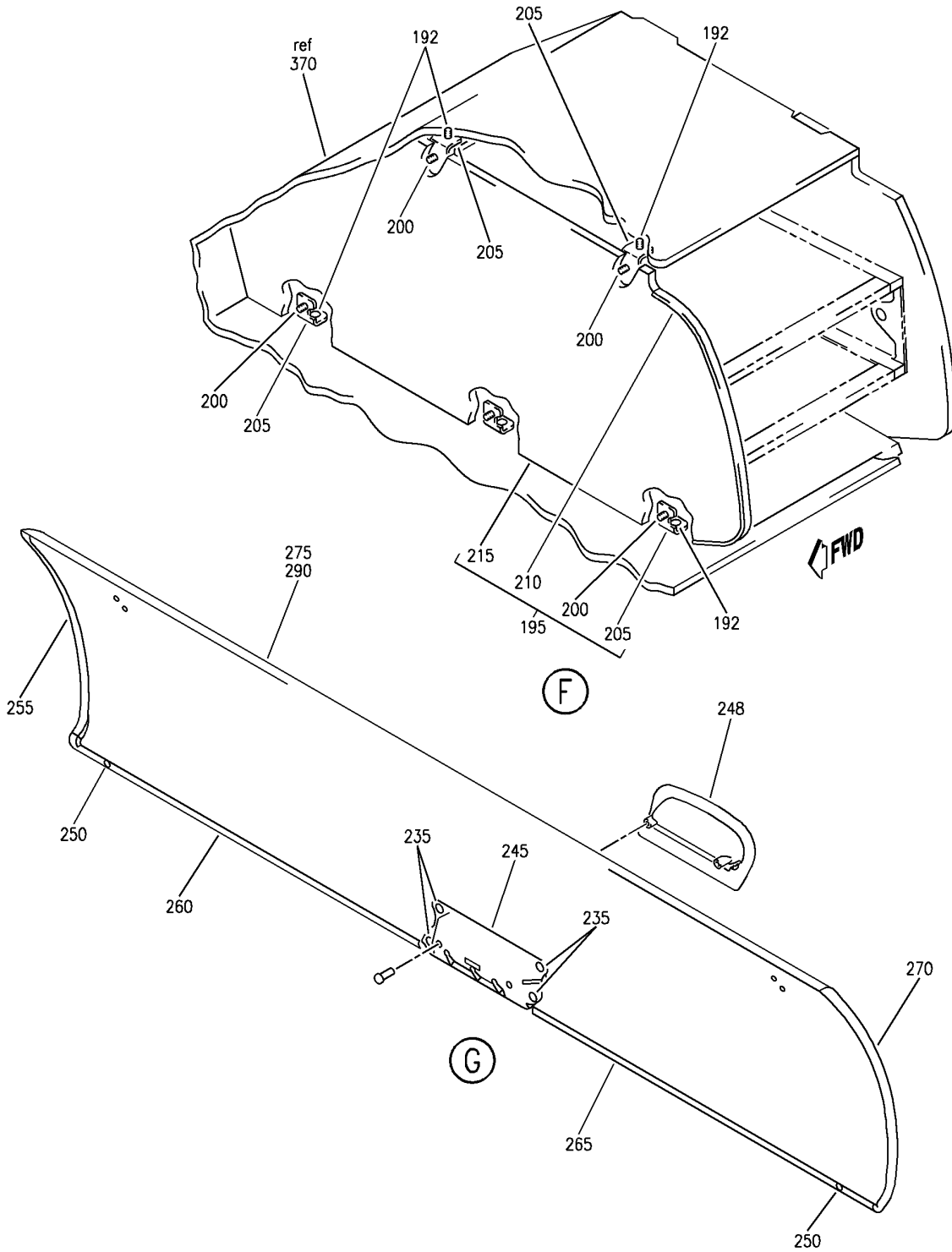
TOP ASSY-60 IN. FWD RH BIG BIN OVHD STOWAGE BULLNOSE CONFIGURATION (EQUIPMENT/ FURNISHINGS ONLY)
 FIGURE 19C (SHEET 4)

HAP
 OCT 10/06

25-24-31-19C

25-24-31-19C
 PAGE 0C

BOEING
 737-600/700/800/900
 PARTS CATALOG (MAINTENANCE)



E 25243119C SHT 5 REV 111

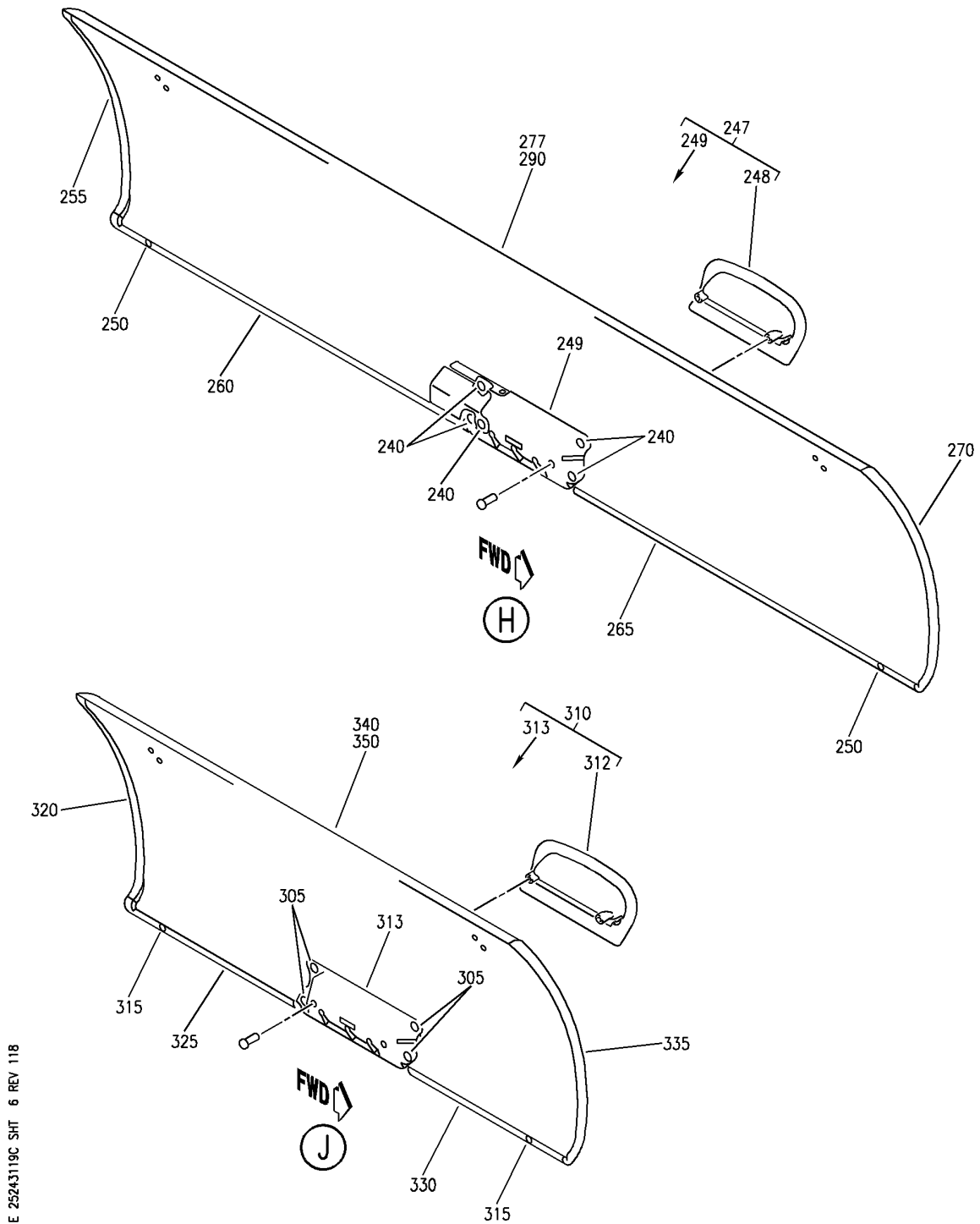
TOP ASSY-60 IN. FWD RH BIG BIN OVHD STOWAGE BULLNOSE CONFIGURATION (EQUIPMENT/ FURNISHINGS ONLY)
 FIGURE 19C (SHEET 5)

HAP
 OCT 10/06

25-24-31-19C

25-24-31-19C
 PAGE 0D

BOEING
 737-600/700/800/900
 PARTS CATALOG (MAINTENANCE)



E 25243119C SHT 6 REV 118

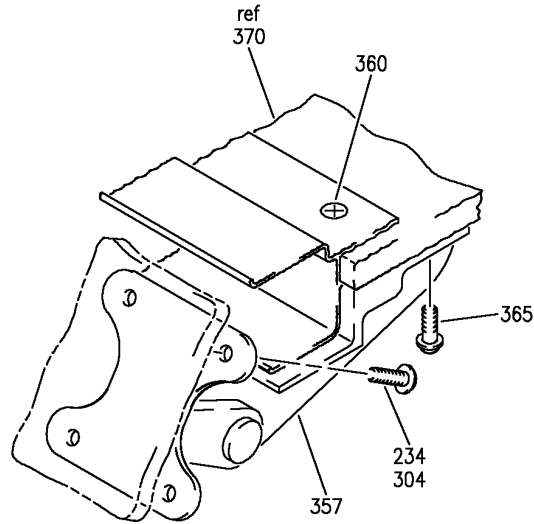
TOP ASSY-60 IN. FWD RH BIG BIN OVHD STOWAGE BULLNOSE CONFIGURATION (EQUIPMENT/ FURNISHINGS ONLY)
 FIGURE 19C (SHEET 6)

HAP
 OCT 10/06

25-24-31-19C

25-24-31-19C
 PAGE 0E

BOEING
737-600/700/800/900
PARTS CATALOG (MAINTENANCE)



(K)

E 25243119C SHT 7 REV 142

TOP ASSY-60 IN. FWD RH BIG BIN OVHD STOWAGE BULLNOSE CONFIGURATION (EQUIPMENT/ FURNISHINGS ONLY)
FIGURE 19C (SHEET 7)

HAP
JUN 15/08

25-24-31-19C

25-24-31-19C
PAGE OF

BOEING
737-600/700/800/900
PARTS CATALOG (MAINTENANCE)

FIG ITEM	PART NUMBER	1 2 3 4 5 6 7	NOMENCLATURE	EFFECT FROM TO	UNITS PER ASSY
19C			TOP ASSY-60 IN. FWD RH BIG BIN OVHD STOWAGE BULLNOSE CONFIGURATION (EQUIPMENT/FURNISHINGS ONLY)	031043 101101 968971	
- 1	412A1052-58B		TOP ASSY-60 IN. BIG BIN OVHD STOWAGE BULLNOSE CONFIGURATION (EQUIPMENT/FURNISHINGS ONLY) POSITION DATA: FWD RH FOR NHA/OTHER SYS DET SEE: 25-24-30-22B	101101 968971	RF
- 1	412A1052-96B		TOP ASSY-60 IN. BIG BIN OVHD STOWAGE BULLNOSE CONFIGURATION (EQUIPMENT/FURNISHINGS ONLY) POSITION DATA: FWD RH FOR NHA/OTHER SYS DET SEE: 25-24-30-26	031043	RF
5	412A1420-2A		.EXTRUSION-SEAT ROW MARKER	031043 101101 968971	1
7	412A1451-2BCWK		.STRIP-TRIM	031043 101101 968971	1
10	H3-1592-1		.LATCH-CLG SUPPLIER CODE: V34941 SPECIFICATION NUMBER: S411A001-1 ATTACHING PARTS	031043 101101 968971	2
- 15	BACS12GU3K7		.SCREW	031043 101101 968971	4
- 20	NAS1149D0332J		.WASHER	031043 101101 968971	4
25	412A1700-4A		-----*----- .VALANCE ASSY-LT	031043 101101 968971	1
- 30	BACN10YJ3F		ATTACHING PARTS .NUT -----*-----	031043 101101 968971	6

MISSING ITEM NUMBERS NOT APPLICABLE

- ITEM NOT ILLUSTRATED

HAP

25-24-31-19C

BOEING PROPRIETARY - Copyright © - Unpublished Work - See title page for details.

25-24-31
FIG. 19C
PAGE 1
FEB 15/08

BOEING
737-600/700/800/900
PARTS CATALOG (MAINTENANCE)

FIG ITEM	PART NUMBER	1 2 3 4 5 6 7	NOMENCLATURE	EFFECT FROM TO	UNITS PER ASSY
19C					
35	BACS21DW3C10FN	..	STUD	031043 101101 968971	6
40	412A1700-6	..	TAPE-HOOK	031043 101101 968971	2
45	412A1711-6A	..	PANEL ASSY	031043 101101 968971	1
75	BACB30VF3K3	.	BOLT	031043 101101 968971	2
80	BACS12ER3K11	.	SCREW	031043 101101 968971	2
85	BACS12FA3K5	.	SCREW	031043 101101 968971	9
90	BACS12ER3K14	.	SCREW	031043 101101 968971	10
95	H3-1233A3	.	WASHER- SUPPLIER CODE: V34941 SPECIFICATION NUMBER: S411A001-1	031043 101101 968971	12
105	412A1467-1B	.	CLOSEOUT ASSY	031043 101101 968971	1
110	412A1467-2B	.	CLOSEOUT ASSY	031043 101101 968971	1
115	BACN10VR4CGN	..	NUT- OPTIONAL PART: BACN10VR4CG	031043 101101 968971	2
115	BACN10VR4CG	..	NUT- OPTIONAL PART: BACN10VR4CGN	031043 101101 968971	2
120	412A1467-5B	..	CLOSEOUT- USED ON: 412A1467-1B	031043 101101 968971	1
125	412A1467-6B	..	CLOSEOUT- USED ON: 412A1467-2B	031043 101101 968971	1
130	412A1244-2	.	EXTRUSION ASSY	031043 101101 968971	1

MISSING ITEM NUMBERS NOT APPLICABLE

- ITEM NOT ILLUSTRATED

HAP

25-24-31-19C

BOEING PROPRIETARY - Copyright © - Unpublished Work - See title page for details.

25-24-31
FIG. 19C
PAGE 2
JUN 15/08

BOEING
737-600/700/800/900
PARTS CATALOG (MAINTENANCE)

FIG ITEM	PART NUMBER	1 2 3 4 5 6 7	NOMENCLATURE	EFFECT FROM TO	UNITS PER ASSY
19C 135	FS1651-3		..NUTPLATE SUPPLIER CODE: V15653 SPECIFICATION NUMBER: BACN10KH3CD OPTIONAL PART: 102F9209M3 V72962 NS202496-02 V80539 ATTACHING PARTS	031043 101101 968971	10
- 140	BACR15BA3ADC		..RIVET- SIZE DETERMINED ON INSTL. -----*-----	031043 101101 968971	20
145	412A1607-20B		.COVER ASSY	031043 101101 968971	1
150	412A1460-2		..CLIP	031043 101101 968971	4
180	412A1617-20B		..PANEL	031043 101101 968971	1
195	412A1912-3B		.PANEL ASSY-DIVIDER	031043 101101 968971	1
200	BACS12FA3K5		..SCREW	031043 101101 968971	5
205	412A1220-61A		..CLIP	031043 101101 968971	5
210	412A1250-91A		..TRIM	031043 101101 968971	1
215	412A1217-3B		..PANEL ASSY	031043 101101 968971	1
- 217	SL2334-3A1		...INSERT- SUPPLIER CODE: V97393	031043 101101 968971	11
227	412A1505-26B		.DOOR ASSY-40 IN. ATTACHING PARTS	031043 101101 968971	1
230	BACS12FA3K6		.SCREW-	031043 101101 968971	2

MISSING ITEM NUMBERS NOT APPLICABLE

- ITEM NOT ILLUSTRATED

HAP

25-24-31-19C

BOEING PROPRIETARY - Copyright © - Unpublished Work - See title page for details.

25-24-31
FIG. 19C
PAGE 3
JUN 15/08

BOEING
737-600/700/800/900
PARTS CATALOG (MAINTENANCE)

FIG ITEM	PART NUMBER	1 2 3 4 5 6 7	NOMENCLATURE	EFFECT FROM TO	UNITS PER ASSY
19C 232	BACS12FA3K7	.	SCREW-	031043 101101 968971	2
240	BACS12FA3K4	-----*	.. SCREW	031043 101101 968971	5
247	HA951-3	..	LATCH- SUPPLIER CODE: V83014 SPECIFICATION NUMBER: S412A003-2	031043 101101 968971	1
250	412A1810-1A	..	BUMPER-	031043 101101 968971	2
250	412A1810-2B	..	BUMPER- QUALIFIED I/W DATA: PN 412A1810-3B CAN REPLACE BUT NOT BE REPLACED BY PN 412A1810-2B FOR 737-600/700/800/900 ONLY.	031043 101101 968971	2
255	412A1452-4B	..	TRIM-VERT	031043 101101 968971	1
260	412A1452-6B	..	TRIM-HORIZ	031043 101101 968971	1
265	412A1452-5B	..	TRIM-HORIZ	031043 101101 968971	1
270	412A1452-3B	..	TRIM-VERT	031043 101101 968971	1
277	412A1513-26B	..	PANEL ASSY	031043 101101 968971	1
- 281	SL618-3A	...	INSERT- SUPPLIER CODE: V97393	031043 101101 968971	4
- 285	SL618-3A	...	INSERT- SUPPLIER CODE: V97393	031043 101101 968971	9
290	412A1513-1B	...	PANEL ASSY-	031043 101101 968971	1

MISSING ITEM NUMBERS NOT APPLICABLE

- ITEM NOT ILLUSTRATED

HAP

25-24-31-19C

BOEING PROPRIETARY - Copyright © - Unpublished Work - See title page for details.

25-24-31
FIG. 19C
PAGE 4
OCT 15/08

BOEING
737-600/700/800/900
PARTS CATALOG (MAINTENANCE)

FIG ITEM	PART NUMBER	1 2 3 4 5 6 7	NOMENCLATURE	EFFECT FROM TO	UNITS PER ASSY
R R R R R R R R R R R R R R R	19C 295	412A1505-2B	.DOOR ASSY-20 IN. QUALIFIED I/W DATA: THE 412A1505-102B DOOR ASSEMBLY PLUS (QTY 2) HINGE (SP23011) TOGETHER CAN REPLACE THE 412A1505-2B DOOR ASSEMBLY PLUS (QTY 2) HINGE (SP21757). ATTACHING PARTS	031043 101101 968971	1
	300	BACS12FA3K6	.SCREW-	031043 101101 968971	2
	302	BACS12FA3K7	.SCREW-	031043 101101 968971	2
	305	BACS12FA3K4	-----*----- ..SCREW	031043 101101 968971	4
	310	HA951-1	..LATCH ASSY- SUPPLIER CODE: V83014 SPECIFICATION NUMBER: S412A003-1	031043 101101 968971	1
	315	412A1810-1A	..BUMPER-	031043 101101 968971	2
	315	412A1810-2B	..BUMPER- QUALIFIED I/W DATA: PN 412A1810-3B CAN REPLACE BUT NOT BE REPLACED BY PN 412A1810-2B FOR 737-600/700/800/900 ONLY.	031043 101101 968971	2
	320	412A1452-4B	..TRIM-VERT	031043 101101 968971	1
	325	412A1452-6B	..TRIM-HORIZ	031043 101101 968971	1
	330	412A1452-5B	..TRIM-HORIZ	031043 101101 968971	1
	335	412A1452-3B	..TRIM-VERT	031043 101101 968971	1

MISSING ITEM NUMBERS NOT APPLICABLE

— ITEM NOT ILLUSTRATED

HAP

25-24-31-19C

BOEING PROPRIETARY - Copyright © - Unpublished Work - See title page for details.

25-24-31
FIG. 19C
PAGE 5
JUN 15/09

BOEING
737-600/700/800/900
PARTS CATALOG (MAINTENANCE)

FIG ITEM	PART NUMBER	1 2 3 4 5 6 7	NOMENCLATURE	EFFECT FROM TO	UNITS PER ASSY
19C 340	412A1514-2B		..PANEL ASSY-	031043 101101 968971	1
- 345	SL618-3A		...INSERT- SUPPLIER CODE: V97393	031043 101101 968971	4
- 346	SL618-3A		...INSERT- SUPPLIER CODE: V97393	031043 101101 968971	4
350	412A1514-1B		...PANEL ASSY-	031043 101101 968971	1
355	SP21757		.HINGE ASSY- SUPPLIER CODE: V24403 SPECIFICATION NUMBER: S412A004-1 ATTACHING PARTS	031043 101101 968971	4
360	BACB30VF3K8		.BOLT	031043 101101 968971	4
365	BACS12FA3K6		.SCREW	031043 101101 968971	4
370	412A1255-48B		-----*----- .BOX ASSY-60 IN. BIG BIN FOR DETAILS SEE: 25-24-32-65B	031043 101101 968971	1
- 375	412A1811-2B		.PLUG	031043 101101 968971	AR

MISSING ITEM NUMBERS NOT APPLICABLE

- ITEM NOT ILLUSTRATED

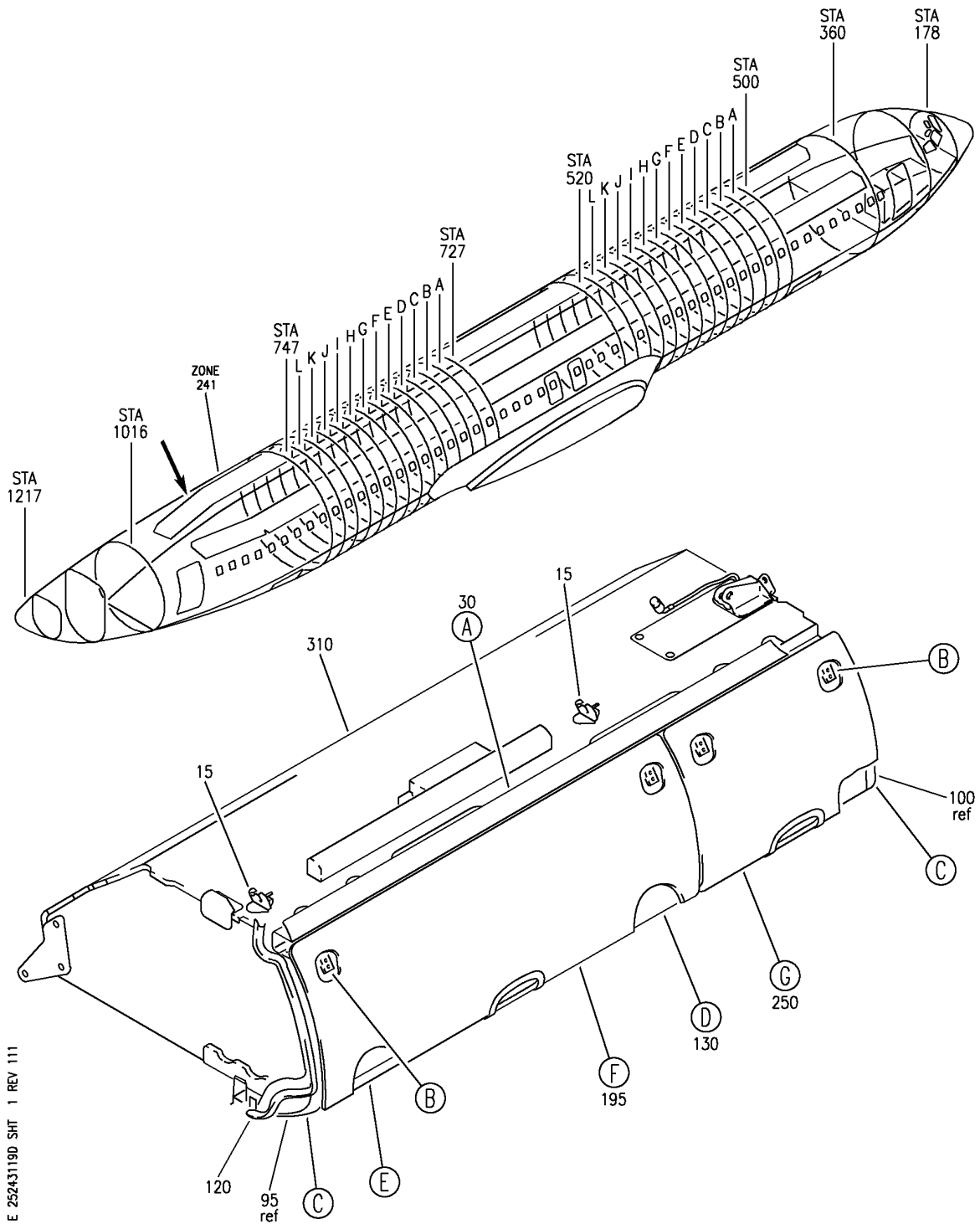
HAP

25-24-31-19C

BOEING PROPRIETARY - Copyright © - Unpublished Work - See title page for details.

25-24-31
FIG. 19C
PAGE 6
JUN 15/09

BOEING
 737-600/700/800/900
 PARTS CATALOG (MAINTENANCE)



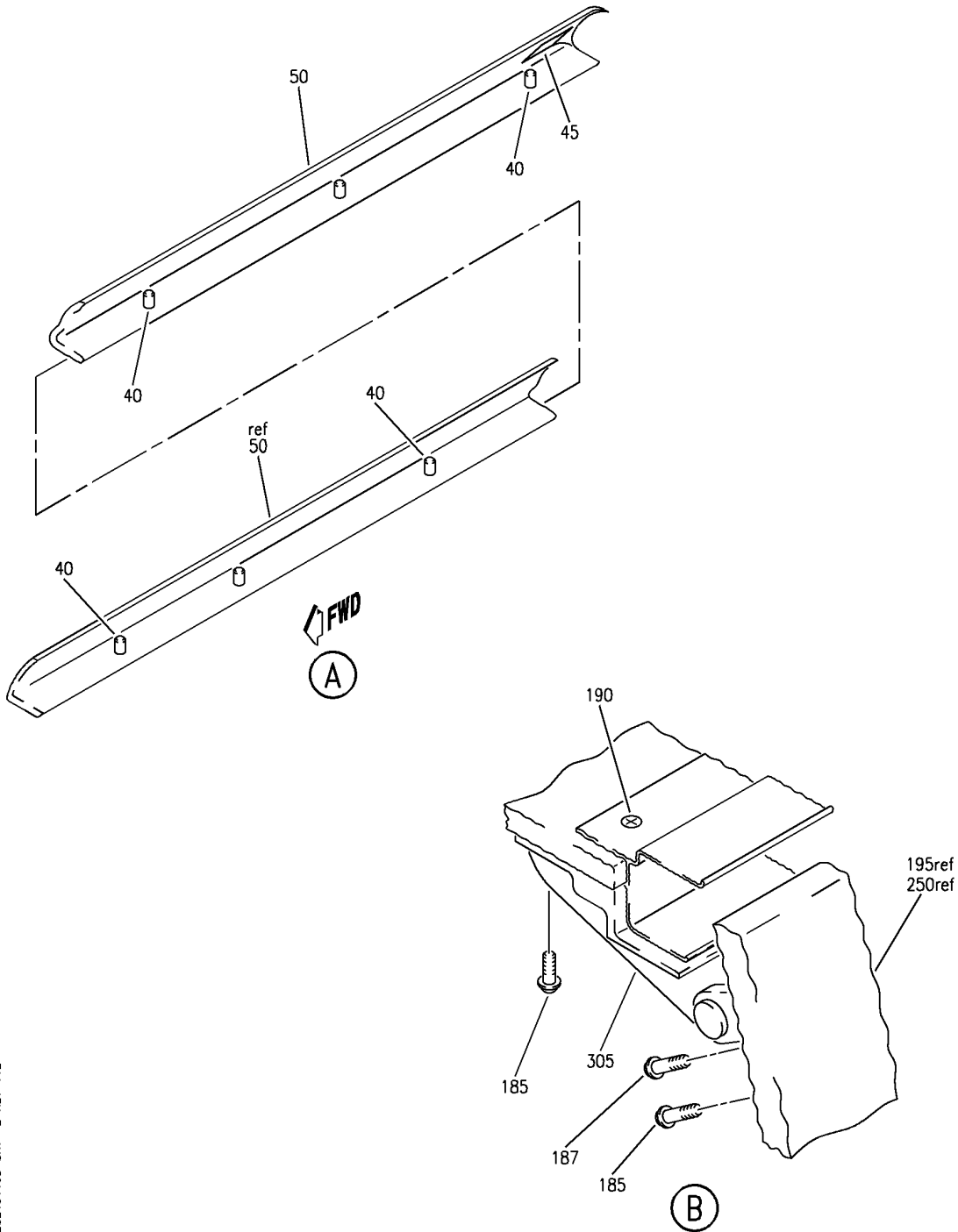
E 25243119D SHT 1 REV 111

TOP ASSY-AFT LH 60 IN. OVHD STOWAGE BULLNOSE CONFIGURATION (EQUIPMENT/FURNISHINGS ONLY)
 FIGURE 19D (SHEET 1)

HAP
 OCT 10/06

25-24-31-19D

25-24-31-19D
 PAGE 0



E 25243119D SHT 2 REV 112

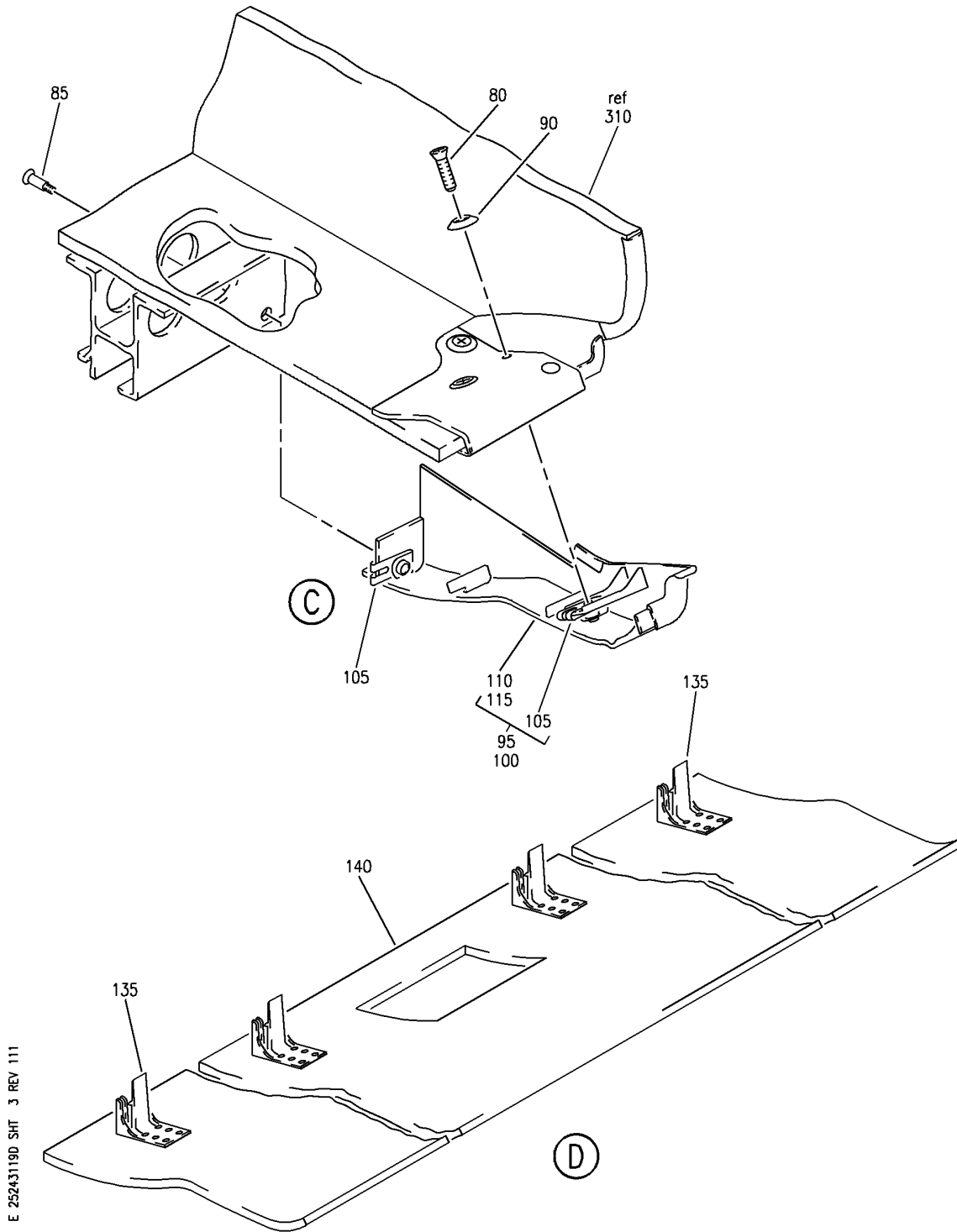
TOP ASSY-AFT LH 60 IN. OVHD STOWAGE BULLNOSE CONFIGURATION (EQUIPMENT/FURNISHINGS ONLY)
 FIGURE 19D (SHEET 2)

HAP
 OCT 10/06

25-24-31-19D

25-24-31-19D
 PAGE 0A

BOEING
 737-600/700/800/900
 PARTS CATALOG (MAINTENANCE)



E 25243119D SHT 3 REV 111

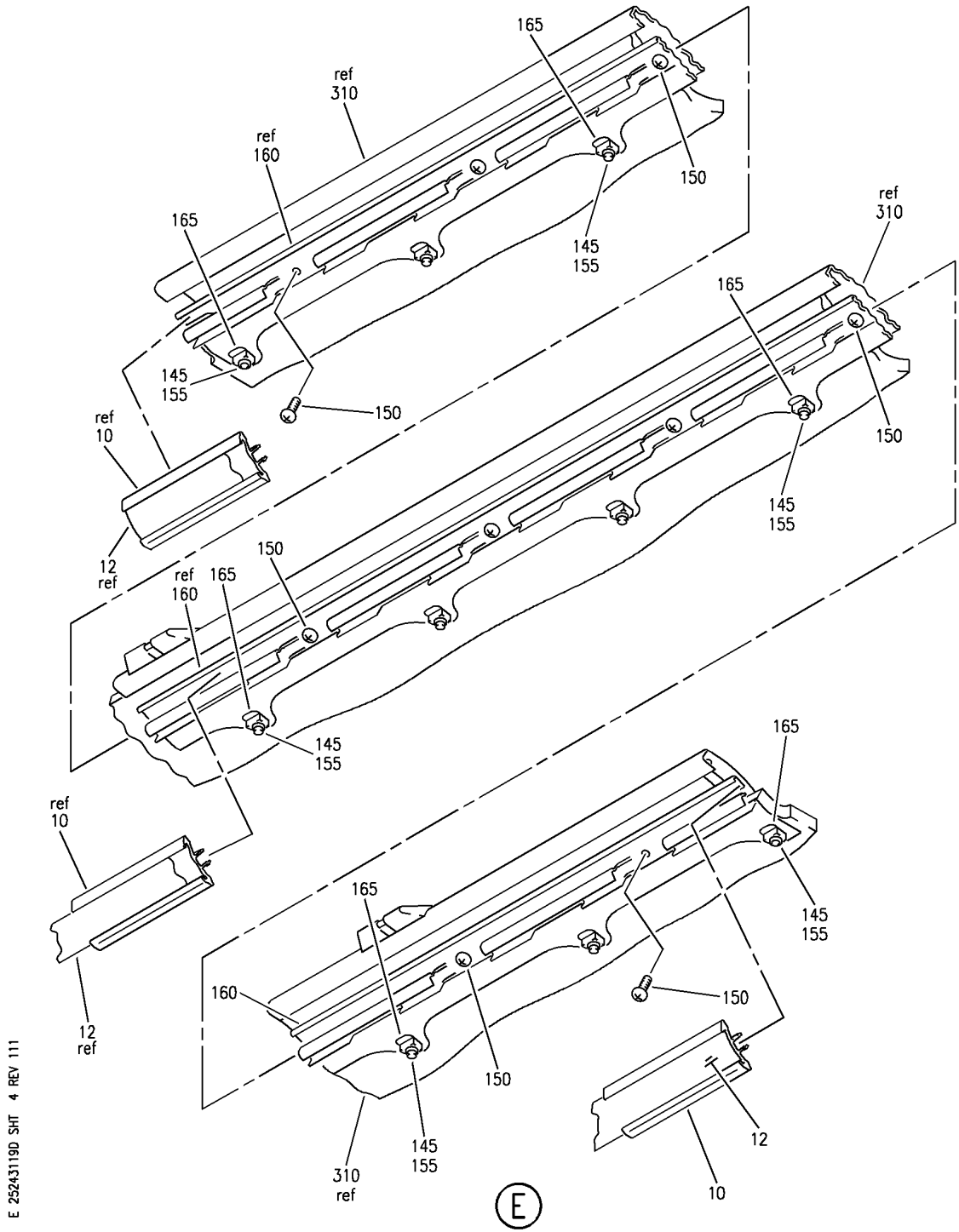
TOP ASSY-AFT LH 60 IN. OVHD STOWAGE BULLNOSE CONFIGURATION (EQUIPMENT/FURNISHINGS ONLY)
 FIGURE 19D (SHEET 3)

HAP
 OCT 10/06

25-24-31-19D

25-24-31-19D
 PAGE 08

BOEING
 737-600/700/800/900
 PARTS CATALOG (MAINTENANCE)



E 25243119D SHT 4 REV 111

TOP ASSY-AFT LH 60 IN. OVHD STORAGE BULLNOSE CONFIGURATION (EQUIPMENT/FURNISHINGS ONLY)
 FIGURE 19D (SHEET 4)

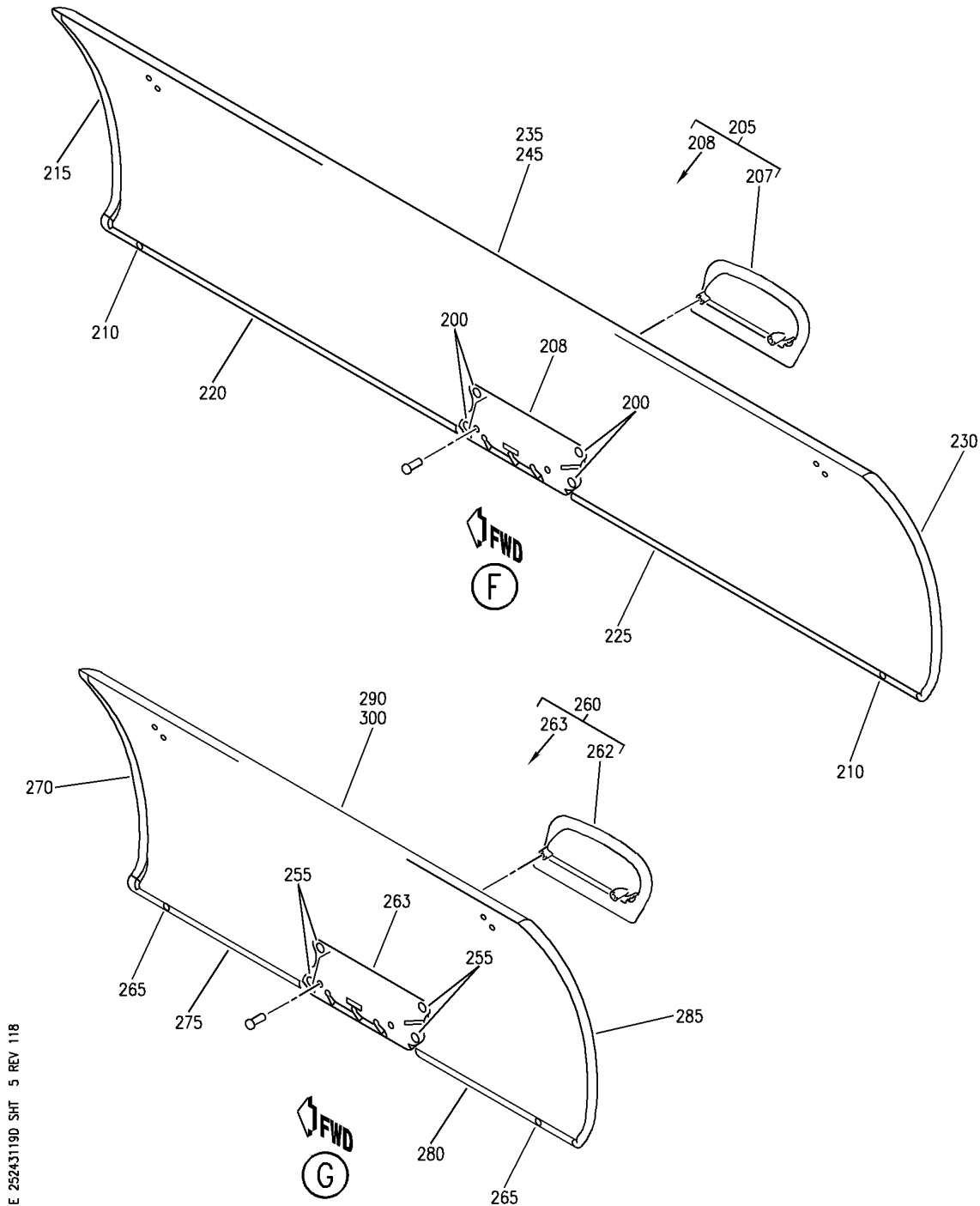
HAP
 OCT 10/06

25-24-31-19D

25-24-31-19D
 PAGE 0C

BOEING PROPRIETARY - Copyright © - Unpublished Work - See title page for details.

BOEING
 737-600/700/800/900
 PARTS CATALOG (MAINTENANCE)



E 25243119D SHT 5 REV 118

TOP ASSY-AFT LH 60 IN. OVHD STOWAGE BULLNOSE CONFIGURATION (EQUIPMENT/FURNISHINGS ONLY)
 FIGURE 19D (SHEET 5)

25-24-31-19D

HAP
 OCT 10/06

25-24-31-19D
 PAGE 0D

BOEING
737-600/700/800/900
PARTS CATALOG (MAINTENANCE)

FIG ITEM	PART NUMBER	1 2 3 4 5 6 7	NOMENCLATURE	EFFECT FROM TO	UNITS PER ASSY
19D			TOP ASSY-AFT LH 60 IN. OVHD STOWAGE BULLNOSE CONFIGURATION (EQUIPMENT/FURNISHINGS ONLY)	031043 101101 968971	
- 1	412A1052-17C		TOP ASSY-60 IN. OVHD STOWAGE BULLNOSE CONFIGURATION (EQUIPMENT/FURNISHINGS ONLY) POSITION DATA: AFT LH FOR NHA/OTHER SYS DET SEE: 25-24-30-31	031043 101101 968971	RF
10	412A1420-2A		.EXTRUSION-SEAT ROW MARKER	031043 101101 968971	1
12	412A1451-2BCWK		.STRIP-TRIM	031043 101101 968971	1
15	H3-1592-1		.LATCH-CLG SUPPLIER CODE: V34941 SPECIFICATION NUMBER: S411A001-1 ATTACHING PARTS	031043 101101 968971	2
- 20	BACS12GU3K7		.SCREW	031043 101101 968971	4
- 25	NAS1149D0332J		.WASHER	031043 101101 968971	4
30	412A1700-4A		-----*----- .VALANCE ASSY-LT	031043 101101 968971	1
- 35	BACN10YJ3F		ATTACHING PARTS .NUT	031043 101101 968971	6
40	BACS21DW3C10FN		-----*----- ..STUD	031043 101101 968971	6
45	412A1700-6		..TAPE-VELCRO	031043 101101 968971	1

MISSING ITEM NUMBERS NOT APPLICABLE

- ITEM NOT ILLUSTRATED

HAP

25-24-31-19D

BOEING PROPRIETARY - Copyright © - Unpublished Work - See title page for details.

25-24-31
FIG. 19D
PAGE 1
FEB 15/08

BOEING
737-600/700/800/900
PARTS CATALOG (MAINTENANCE)

FIG ITEM	PART NUMBER	1 2 3 4 5 6 7	NOMENCLATURE	EFFECT FROM TO	UNITS PER ASSY
19D					
50	412A1711-6A	..	PANEL ASSY	031043 101101 968971	1
80	BACS12ER3K11	.	SCREW	031043 101101 968971	2
85	BACB30VF3K3	.	BOLT	031043 101101 968971	2
90	H3-1233A3	.	WASHER- SUPPLIER CODE: V34941 SPECIFICATION NUMBER: S411A001-1	031043 101101 968971	2
95	412A1467-2B	.	CLOSEOUT ASSY	031043 101101 968971	1
100	412A1467-1B	.	CLOSEOUT ASSY	031043 101101 968971	1
105	BACN10VR4CGN	..	NUT- OPTIONAL PART: BACN10VR4CG	031043 101101 968971	2
105	BACN10VR4CG	..	NUT- OPTIONAL PART: BACN10VR4CGN	031043 101101 968971	2
110	412A1467-6B	..	CLOSEOUT- USED ON: 412A1467-2B	031043 101101 968971	1
115	412A1467-5B	..	CLOSEOUT- USED ON: 412A1467-1B	031043 101101 968971	1
120	403A3210-95B	.	SEAL ASSY	031043 101101 968971	1
130	412A1607-10B	.	COVER ASSY	031043 101101 968971	1
135	412A1460-2	..	CLIP	031043 101101 968971	4
140	412A1617-11B	..	PANEL	031043 101101 968971	1
145	BACS12ER3K14	.	SCREW	031043 101101 968971	10

MISSING ITEM NUMBERS NOT APPLICABLE

- ITEM NOT ILLUSTRATED

HAP

25-24-31-19D

BOEING PROPRIETARY - Copyright © - Unpublished Work - See title page for details.

25-24-31
FIG. 19D
PAGE 2
JUN 15/08

BOEING
737-600/700/800/900
PARTS CATALOG (MAINTENANCE)

FIG ITEM	PART NUMBER	1 2 3 4 5 6 7	NOMENCLATURE	EFFECT FROM TO	UNITS PER ASSY
19D 150	BACS12FA3K5	.	SCREW	031043 101101 968971	9
155	H3-1233A3	.	WASHER- SUPPLIER CODE: V34941 SPECIFICATION NUMBER: S411A001-1	031043 101101 968971	10
160	412A1244-2	.	EXTRUSION ASSY	031043 101101 968971	1
165	FS1651-3	..	NUTPLATE SUPPLIER CODE: V15653 SPECIFICATION NUMBER: BACN10KH3CD OPTIONAL PART: 102F9209M3 V72962 NS202496-02 V80539 ATTACHING PARTS	031043 101101 968971	10
- 170	BACR15BA3ADC	..	RIVET- SIZE DETERMINED ON INSTL. -----*-----	031043 101101 968971	20
185	BACS12FA3K6	.	SCREW	031043 101101 968971	8
187	BACS12FA3K7	.	SCREW	031043 101101 968971	4
190	BACB30VF3K8	.	BOLT	031043 101101 968971	4
195	412A1505-1B	.	DOOR ASSY-40 IN.	031043 101101 968971	1
200	BACS12FA3K4	..	SCREW	031043 101101 968971	4
205	HA951-1	..	LATCH ASSY- SUPPLIER CODE: V83014 SPECIFICATION NUMBER: S412A003-1	031043 101101 968971	1

MISSING ITEM NUMBERS NOT APPLICABLE

- ITEM NOT ILLUSTRATED

HAP

25-24-31-19D

BOEING PROPRIETARY - Copyright © - Unpublished Work - See title page for details.

25-24-31
FIG. 19D
PAGE 3
OCT 15/08

BOEING
737-600/700/800/900
PARTS CATALOG (MAINTENANCE)

FIG ITEM	PART NUMBER	1 2 3 4 5 6 7	NOMENCLATURE	EFFECT FROM TO	UNITS PER ASSY	
19D 210	412A1810-2B	..	BUMPER- QUALIFIED I/W DATA: PN 412A1810-3B CAN REPLACE BUT NOT BE REPLACED BY PN 412A1810-2B FOR 737-600/700/800/900 ONLY.	031043 101101 968971	2	
210	412A1810-1A	..	BUMPER-	031043 101101 968971	2	
215	412A1452-4B	..	TRIM-VERT	031043 101101 968971	1	
220	412A1452-6B	..	TRIM-HORIZ	031043 101101 968971	1	
225	412A1452-5B	..	TRIM-HORIZ	031043 101101 968971	1	
230	412A1452-3B	..	TRIM-VERT	031043 101101 968971	1	
235	412A1513-2B	..	PANEL ASSY	031043 101101 968971	1	
- 240	SL618-3A	...	INSERT- SUPPLIER CODE: V97393	031043 101101 968971	8	
245	412A1513-1B	...	PANEL ASSY	031043 101101 968971	1	
R R R R R R R R	250	412A1505-2B	.DOOR ASSY-20 IN. QUALIFIED I/W DATA: THE 412A1505-102B DOOR ASSEMBLY PLUS (QTY 2) HINGE (SP23011) TOGETHER CAN REPLACE THE 412A1505-2B DOOR ASSEMBLY PLUS (QTY 2) HINGE (SP21757).	031043 101101 968971	1	
	255	BACS12FA3K4	..	SCREW	031043 101101 968971	4
	260	HA951-1	..	LATCH ASSY- SUPPLIER CODE: V83014 SPECIFICATION NUMBER: S412A003-1	031043 101101 968971	1

MISSING ITEM NUMBERS NOT APPLICABLE

- ITEM NOT ILLUSTRATED

HAP

25-24-31-19D

BOEING PROPRIETARY - Copyright © - Unpublished Work - See title page for details.

25-24-31
FIG. 19D
PAGE 4
JUN 15/09

BOEING
737-600/700/800/900
PARTS CATALOG (MAINTENANCE)

FIG ITEM	PART NUMBER	1 2 3 4 5 6 7	NOMENCLATURE	EFFECT FROM TO	UNITS PER ASSY
19D 265	412A1810-2B	..	BUMPER- QUALIFIED I/W DATA: PN 412A1810-3B CAN REPLACE BUT NOT BE REPLACED BY PN 412A1810-2B FOR 737-600/700/800/900 ONLY.	031043 101101 968971	2
265	412A1810-1A	..	BUMPER-	031043 101101 968971	2
270	412A1452-4B	..	TRIM-VERT	031043 101101 968971	1
275	412A1452-6B	..	TRIM-HORIZ	031043 101101 968971	1
280	412A1452-5B	..	TRIM-HORIZ	031043 101101 968971	1
285	412A1452-3B	..	TRIM-VERT	031043 101101 968971	1
290	412A1514-2B	..	PANEL ASSY	031043 101101 968971	1
- 295	SL618-3A	...	INSERT- SUPPLIER CODE: V97393	031043 101101 968971	8
300	412A1514-1B	...	PANEL ASSY	031043 101101 968971	1
305	SP21757	.HINGE ASSY- SUPPLIER CODE: V24403 SPECIFICATION NUMBER: S412A004-1		031043 101101 968971	4
310	412A1255-17B	.BOX ASSY-60 IN. BIG BIN FOR DETAILS SEE: 25-24-32-65A		031043 101101 968971	1
- 315	412A1811-2B	.PLUG		031043 101101 968971	AR

MISSING ITEM NUMBERS NOT APPLICABLE

- ITEM NOT ILLUSTRATED

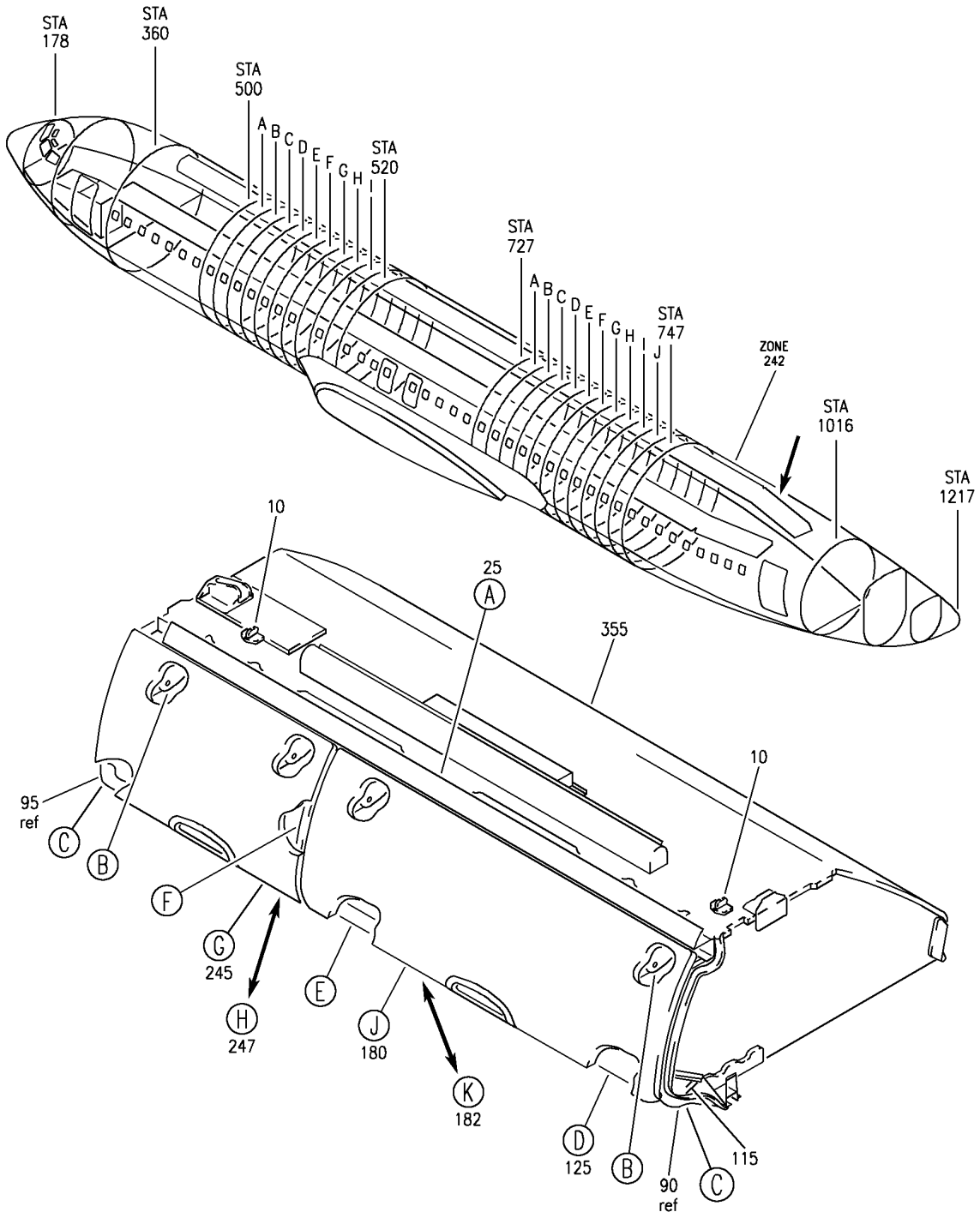
HAP

25-24-31-19D

BOEING PROPRIETARY - Copyright © - Unpublished Work - See title page for details.

25-24-31
FIG. 19D
PAGE 5
OCT 15/08

BOEING
737-600/700/800/900
PARTS CATALOG (MAINTENANCE)



E 25243119E SHT 1 REV 106

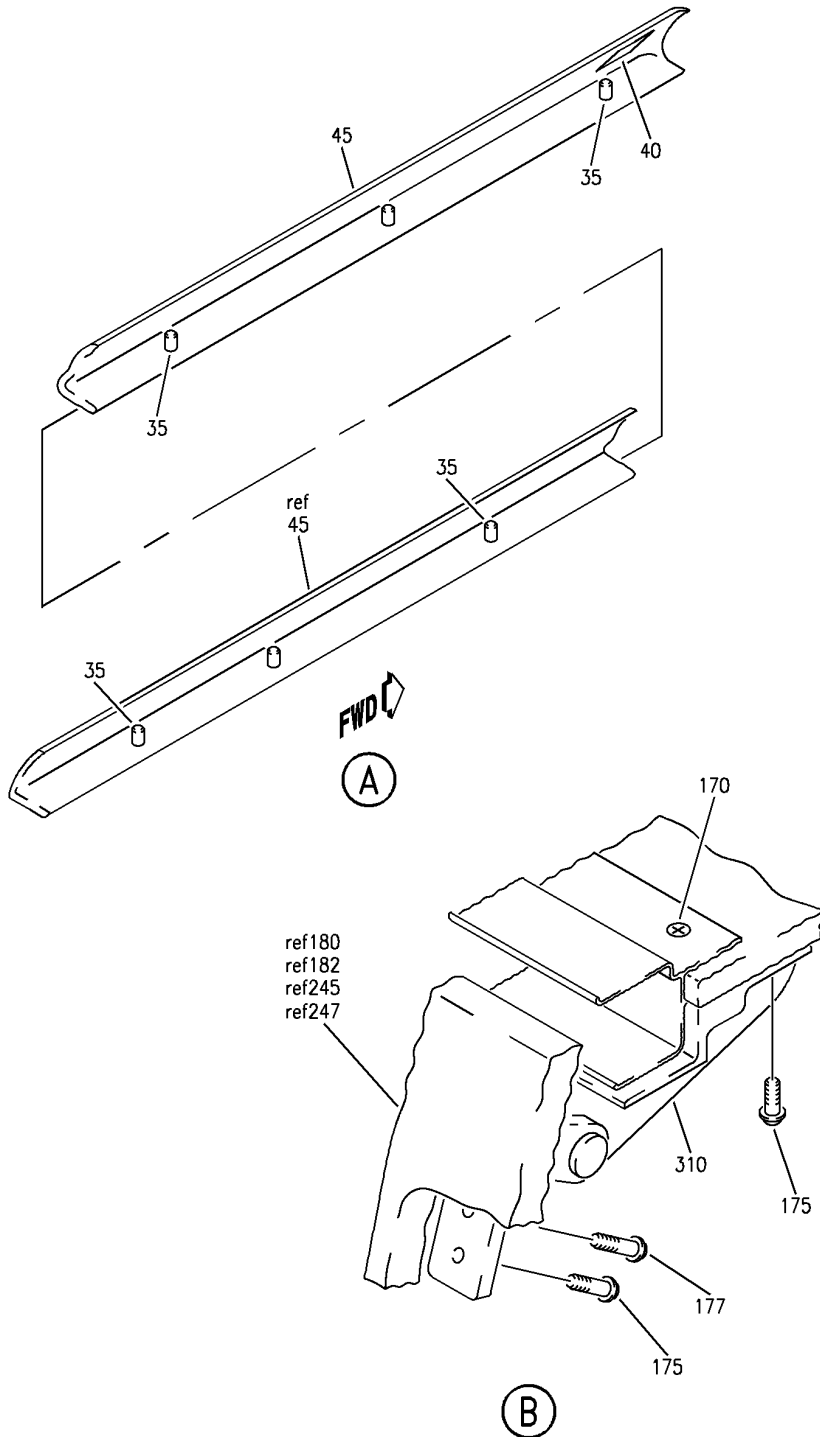
TOP ASSY-60 IN. AFT RH OVHD STOWAGE BIG BIN BULLNOSE CONFIGURATION (EQUIPMENT/FURNISHINGS ONLY)
 FIGURE 19E (SHEET 1)

HAP
 OCT 10/07

25-24-31-19E

25-24-31-19E
 PAGE 0

BOEING
 737-600/700/800/900
 PARTS CATALOG (MAINTENANCE)



E 25243119E SHT 2 REV 112

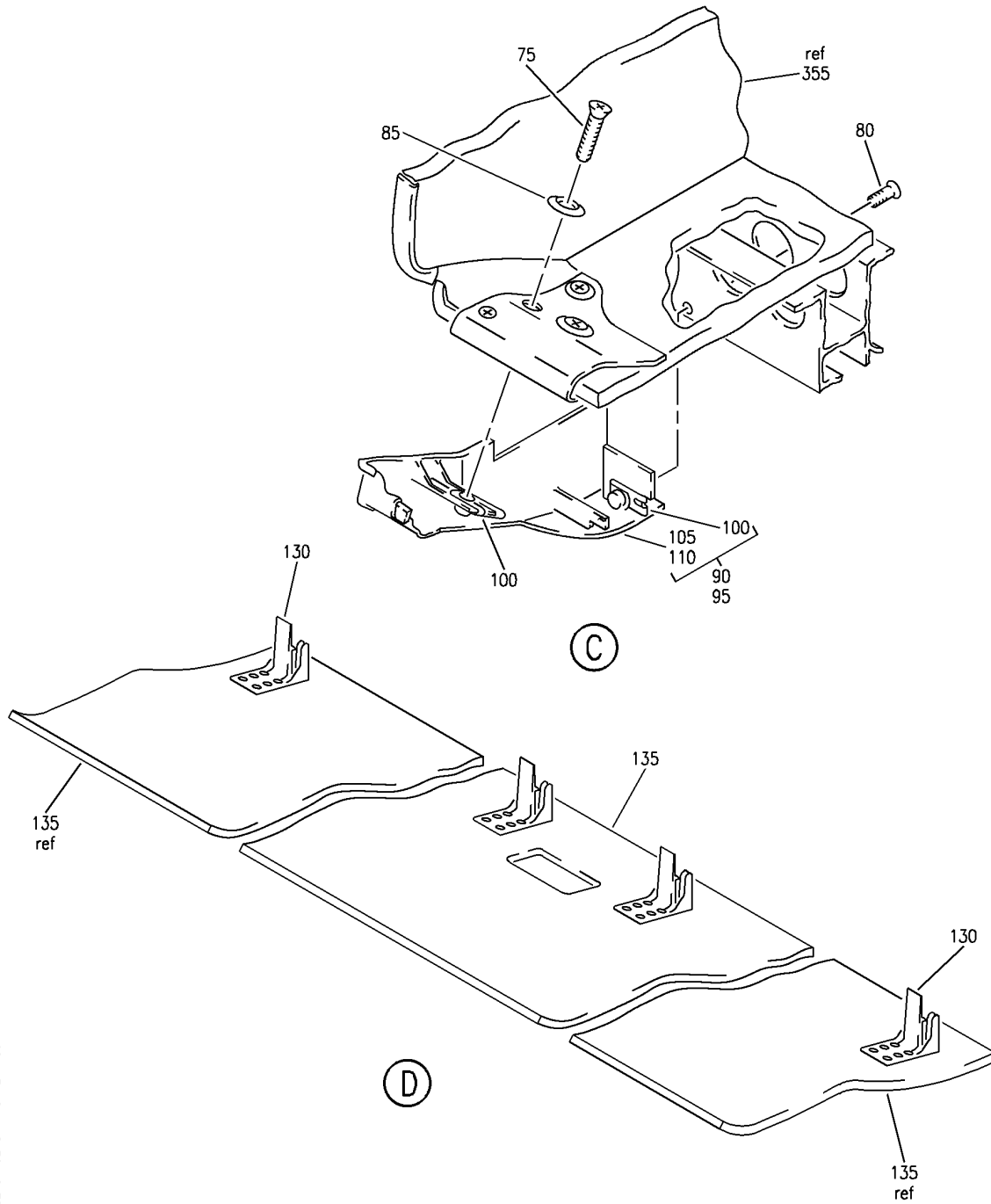
TOP ASSY-60 IN. AFT RH OVHD STOWAGE BIG BIN BULLNOSE CONFIGURATION (EQUIPMENT/FURNISHINGS ONLY)
 FIGURE 19E (SHEET 2)

HAP
 OCT 10/07

25-24-31-19E

25-24-31-19E
 PAGE 0A

BOEING
 737-600/700/800/900
 PARTS CATALOG (MAINTENANCE)



E 25243119E SHT 3 REV 106

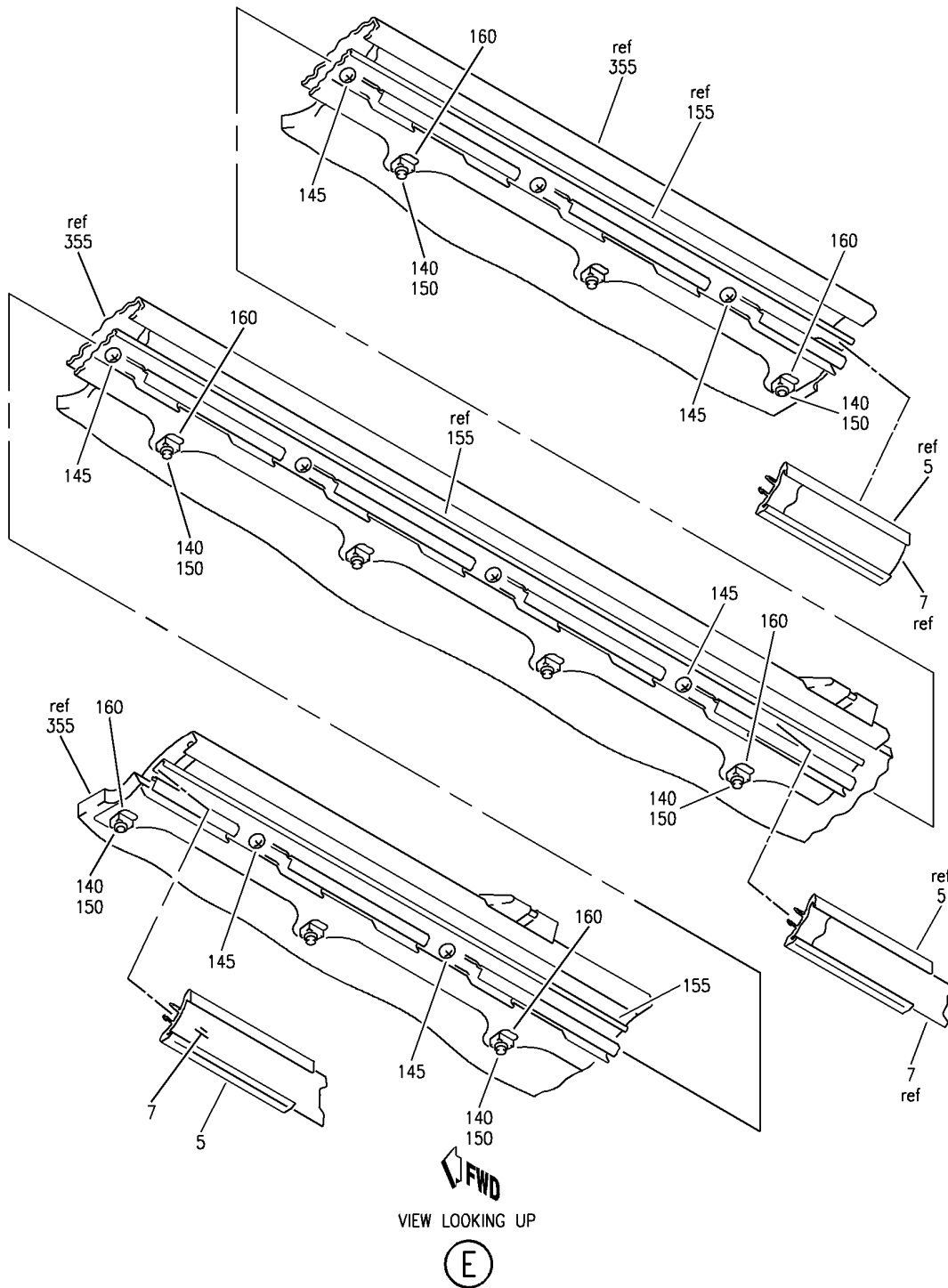
TOP ASSY-60 IN. AFT RH OVHD STOWAGE BIG BIN BULLNOSE CONFIGURATION (EQUIPMENT/FURNISHINGS ONLY)
 FIGURE 19E (SHEET 3)

HAP
 OCT 10/07

25-24-31-19E

25-24-31-19E
 PAGE 0B

BOEING
737-600/700/800/900
PARTS CATALOG (MAINTENANCE)



E 2524-31-19E SHT 4 REV 106

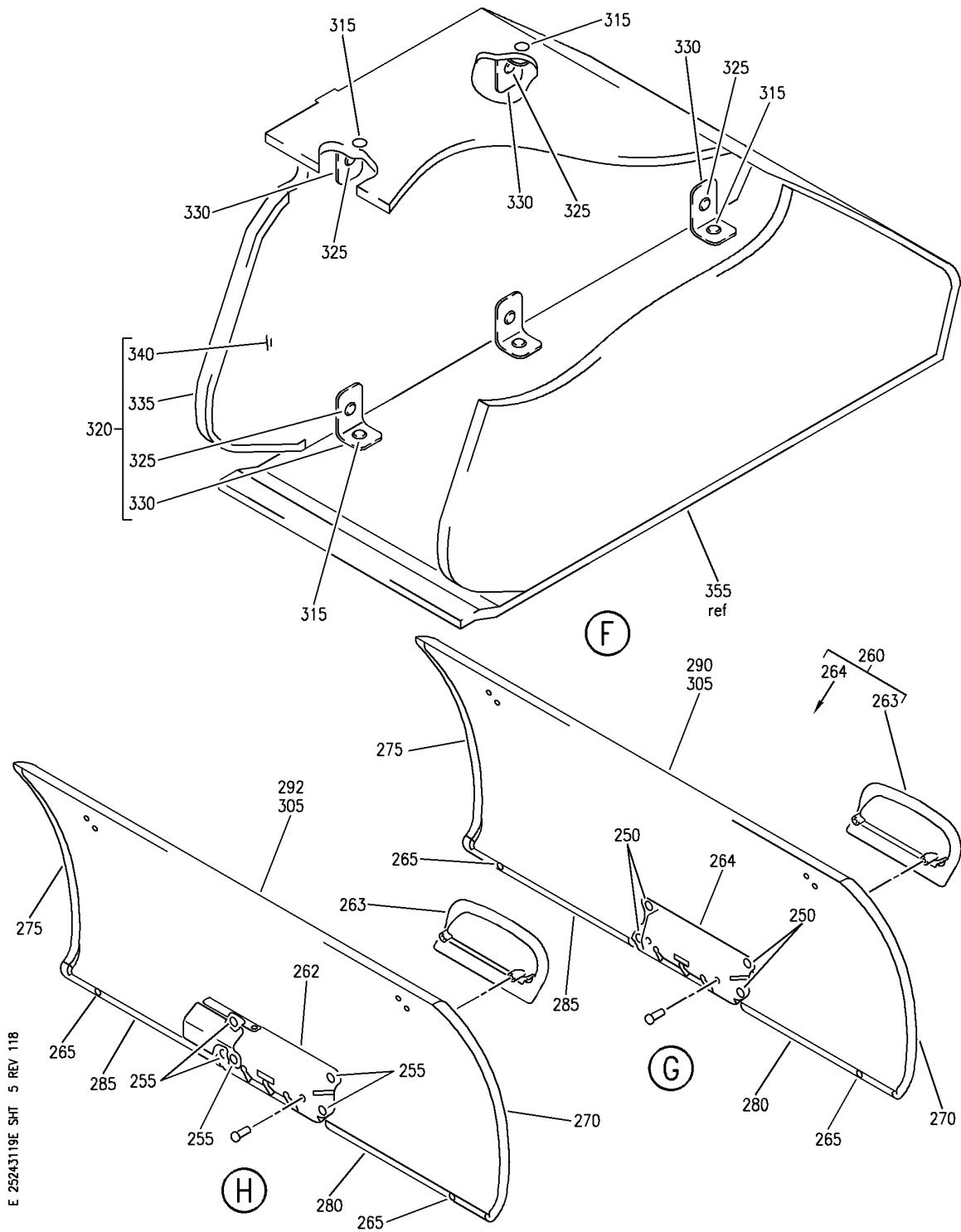
TOP ASSY-60 IN. AFT RH OVHD STOWAGE BIG BIN BULLNOSE CONFIGURATION (EQUIPMENT/FURNISHINGS ONLY)
 FIGURE 19E (SHEET 4)

HAP
 OCT 10/07

25-24-31-19E

25-24-31-19E
 PAGE 0C

BOEING
 737-600/700/800/900
 PARTS CATALOG (MAINTENANCE)



E 25243119E SHT 5 REV 118

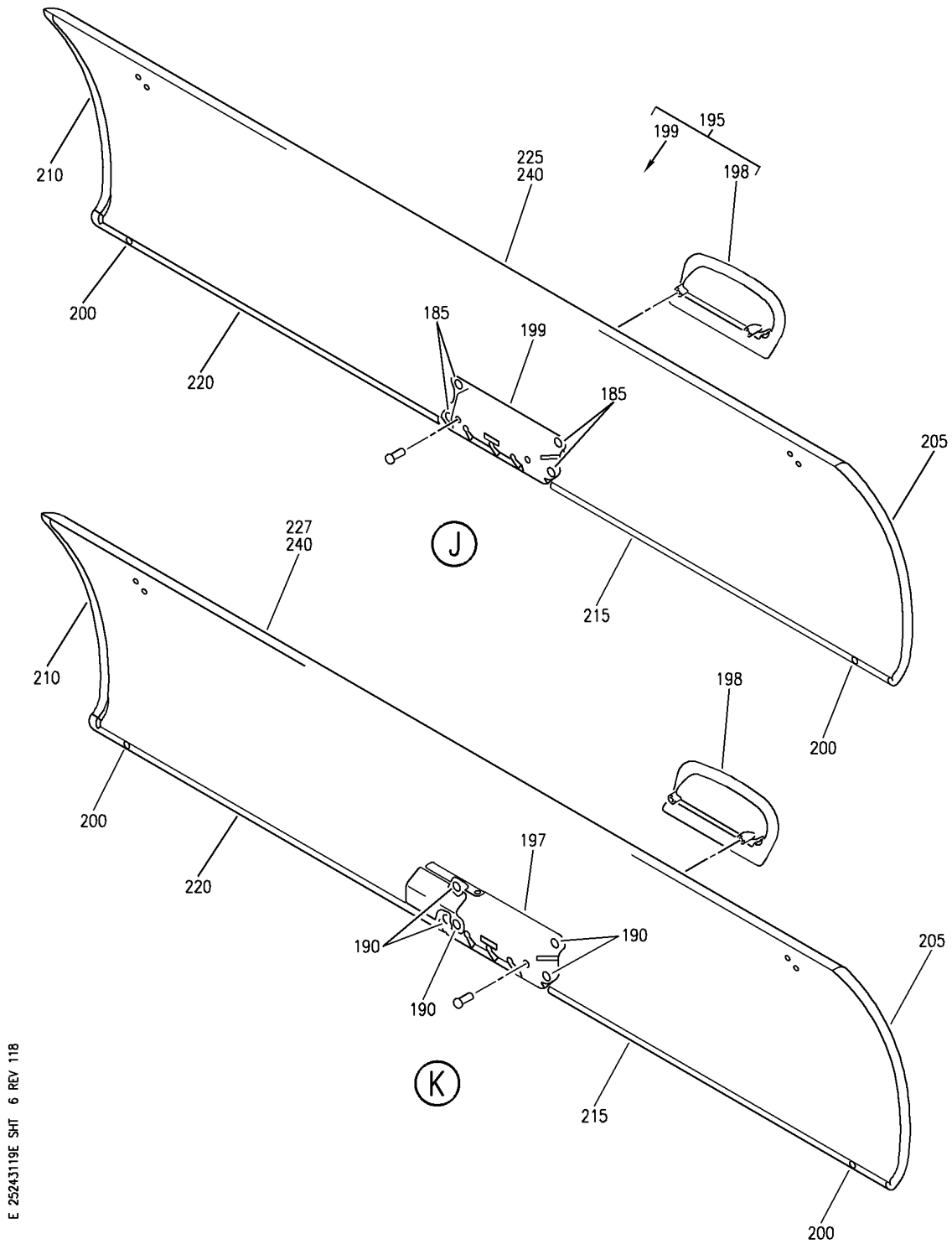
TOP ASSY-60 IN. AFT RH OVHD STOWAGE BIG BIN BULLNOSE CONFIGURATION (EQUIPMENT/FURNISHINGS ONLY)
 FIGURE 19E (SHEET 5)

HAP
 OCT 10/07

25-24-31-19E

25-24-31-19E
 PAGE 0D

BOEING
 737-600/700/800/900
 PARTS CATALOG (MAINTENANCE)



E 25243119E SHT 6 REV 118

TOP ASSY-60 IN. AFT RH OVHD STOWAGE BIG BIN BULLNOSE CONFIGURATION (EQUIPMENT/FURNISHINGS ONLY)
 FIGURE 19E (SHEET 6)

HAP
 OCT 10/07

25-24-31-19E

25-24-31-19E
 PAGE 0E

BOEING
737-600/700/800/900
PARTS CATALOG (MAINTENANCE)

FIG ITEM	PART NUMBER	1 2 3 4 5 6 7	NOMENCLATURE	EFFECT FROM TO	UNITS PER ASSY
19E			TOP ASSY-60 IN. AFT RH OVHD STOWAGE BIG BIN BULLNOSE CONFIGURATION (EQUIPMENT/FURNISHINGS ONLY)	031043 101101 968971	
- 1	412A1052-98B		TOP ASSY-60 IN. OVHD OVHD STOWAGE BIG BIN BULLNOSE CONFIGURATION (EQUIPMENT/FURNISHINGS ONLY) POSITION DATA: AFT RH FOR NHA/OTHER SYS DET SEE: 25-24-30-49E	031036 041041	RF
- 1	412A1052-140B		TOP ASSY-60 IN. OVHD OVHD STOWAGE BIG BIN BULLNOSE CONFIGURATION (EQUIPMENT/FURNISHINGS ONLY) POSITION DATA: AFT RH FOR NHA/OTHER SYS DET SEE: 25-24-30-49E	037040 042043 101101 968971	RF
5	412A1420-2A		.EXTRUSION-SEAT ROW MARKER	031043 101101 968971	1
7	412A1451-2BCWK		.STRIP-TRIM	031043 101101 968971	1
10	H3-1592-1		.LATCH-CLG SUPPLIER CODE: V34941 SPECIFICATION NUMBER: S411A001-1 ATTACHING PARTS	031043 101101 968971	2
- 15	BACS12GU3K7		.SCREW	031043 101101 968971	4
- 20	NAS1149D0332J		.WASHER	031043 101101 968971	4
25	412A1700-5A		-----*----- .VALANCE ASSY-LT	031043 101101 968971	1

MISSING ITEM NUMBERS NOT APPLICABLE

- ITEM NOT ILLUSTRATED

HAP

25-24-31-19E

BOEING PROPRIETARY - Copyright © - Unpublished Work - See title page for details.

25-24-31
FIG. 19E
PAGE 1
FEB 15/08

BOEING
737-600/700/800/900
PARTS CATALOG (MAINTENANCE)

FIG ITEM	PART NUMBER	1 2 3 4 5 6 7	NOMENCLATURE	EFFECT FROM TO	UNITS PER ASSY
19E			ATTACHING PARTS		
30	BACN10YJ3F		.NUT	031043 101101 968971	6
35	BACS21DW3C10FN		-----*----- ..STUD	031043 101101 968971	6
40	412A1700-6		..TAPE-VELCRO	031043 101101 968971	1
45	412A1711-5A		..PANEL ASSY	031043 101101 968971	1
75	BACS12ER3K11		.SCREW	031043 101101 968971	2
80	BACB30VF3K3		.BOLT	031043 101101 968971	2
85	H3-1233A3		.WASHER- SUPPLIER CODE: V34941 SPECIFICATION NUMBER: S411A001-1	031043 101101 968971	2
90	412A1467-1B		.CLOSEOUT ASSY	031043 101101 968971	1
95	412A1467-2B		.CLOSEOUT ASSY	031043 101101 968971	1
100	BACN10VR4CGN		..NUT- OPTIONAL PART: BACN10VR4CG	031043 101101 968971	2
100	BACN10VR4CG		..NUT- OPTIONAL PART: BACN10VR4CGN	031043 101101 968971	2
105	412A1467-5B		..CLOSEOUT- USED ON: 412A1467-1B	031043 101101 968971	1
110	412A1467-6B		..CLOSEOUT- USED ON: 412A1467-2B	031043 101101 968971	1
115	403A3210-96B		.SEAL ASSY	031043 101101 968971	1
125	412A1607-10B		.COVER ASSY	031043 101101 968971	1

MISSING ITEM NUMBERS NOT APPLICABLE

— ITEM NOT ILLUSTRATED

HAP

25-24-31-19E

BOEING PROPRIETARY - Copyright © - Unpublished Work - See title page for details.

25-24-31
FIG. 19E
PAGE 2
JUN 15/08

BOEING
737-600/700/800/900
PARTS CATALOG (MAINTENANCE)

FIG ITEM	PART NUMBER	1 2 3 4 5 6 7	NOMENCLATURE	EFFECT FROM TO	UNITS PER ASSY
19E 130	412A1460-2	..	CLIP	031043 101101 968971	4
135	412A1617-11B	..	PANEL	031043 101101 968971	1
140	BACS12ER3K14	.	SCREW	031043 101101 968971	10
145	BACS12FA3K5	.	SCREW	031043 101101 968971	9
150	H3-1233A3	.	WASHER- SUPPLIER CODE: V34941 SPECIFICATION NUMBER: S411A001-1	031043 101101 968971	10
155	412A1244-2	.	EXTRUSION ASSY	031043 101101 968971	1
160	FS1651-3	..	NUTPLATE SUPPLIER CODE: V15653 SPECIFICATION NUMBER: BACN10KH3CD OPTIONAL PART: 102F9209M3 V72962 NS202496-02 V80539 ATTACHING PARTS	031043 101101 968971	10
- 165	BACR15BA3ADC	..	RIVET- SIZE DETERMINED ON INSTL. -----*-----	031043 101101 968971	20
170	BACB30VF3K8	.	BOLT	031043 101101 968971	4
175	BACS12FA3K6	.	SCREW	031043 101101 968971	8
177	BACS12FA3K7	.	SCREW	031043 101101 968971	4
180	412A1505-1B	.	DOOR ASSY-40 IN.	031043 101101 968971	1

MISSING ITEM NUMBERS NOT APPLICABLE

- ITEM NOT ILLUSTRATED

HAP

25-24-31-19E

BOEING PROPRIETARY - Copyright © - Unpublished Work - See title page for details.

25-24-31
FIG. 19E
PAGE 3
JUN 15/08

BOEING
737-600/700/800/900
PARTS CATALOG (MAINTENANCE)

FIG ITEM	PART NUMBER	1 2 3 4 5 6 7	NOMENCLATURE	EFFECT FROM TO	UNITS PER ASSY
19E 185	BACS12FA3K4	..	SCREW	031043 101101 968971	4
195	HA951-1	..	LATCH ASSY- SUPPLIER CODE: V83014 SPECIFICATION NUMBER: S412A003-1	031043 101101 968971	1
200	412A1810-1A	..	BUMPER-	031043 101101 968971	2
200	412A1810-2B	..	BUMPER- QUALIFIED I/W DATA: PN 412A1810-3B CAN REPLACE BUT NOT BE REPLACED BY PN 412A1810-2B FOR 737-600/700/800/900 ONLY.	031043 101101 968971	2
205	412A1452-3B	..	TRIM-VERT	031043 101101 968971	1
210	412A1452-4B	..	TRIM-VERT	031043 101101 968971	1
215	412A1452-5B	..	TRIM-HORIZ	031043 101101 968971	1
220	412A1452-6B	..	TRIM-HORIZ	031043 101101 968971	1
225	412A1513-2B	..	PANEL ASSY	031043 101101 968971	1
- 230	SL618-3A	...	INSERT- SUPPLIER CODE: V97393	031043 101101 968971	8
240	412A1513-1B	...	PANEL ASSY	031043 101101 968971	1
R R R R R R R R	245	412A1505-2B	.DOOR ASSY-20 IN. QUALIFIED I/W DATA: THE 412A1505-102B DOOR ASSEMBLY PLUS (QTY 2) HINGE (SP23011) TOGETHER CAN REPLACE THE 412A1505-2B DOOR ASSEMBLY PLUS (QTY 2) HINGE (SP21757).	031043 101101 968971	1

MISSING ITEM NUMBERS NOT APPLICABLE

- ITEM NOT ILLUSTRATED

HAP

25-24-31-19E

BOEING PROPRIETARY - Copyright © - Unpublished Work - See title page for details.

25-24-31
FIG. 19E
PAGE 4
JUN 15/09

BOEING
737-600/700/800/900
PARTS CATALOG (MAINTENANCE)

FIG ITEM	PART NUMBER	1 2 3 4 5 6 7	NOMENCLATURE	EFFECT FROM TO	UNITS PER ASSY
19E 250	BACS12FA3K4	..	SCREW	031043 101101 968971	4
260	HA951-1	..	LATCH ASSY- SUPPLIER CODE: V83014 SPECIFICATION NUMBER: S412A003-1	031043 101101 968971	1
265	412A1810-1A	..	BUMPER-	031043 101101 968971	2
265	412A1810-2B	..	BUMPER- QUALIFIED I/W DATA: PN 412A1810-3B CAN REPLACE BUT NOT BE REPLACED BY PN 412A1810-2B FOR 737-600/700/800/900 ONLY.	031043 101101 968971	2
270	412A1452-3B	..	TRIM-VERT	031043 101101 968971	1
275	412A1452-4B	..	TRIM-VERT	031043 101101 968971	1
280	412A1452-5B	..	TRIM-HORIZ	031043 101101 968971	1
285	412A1452-6B	..	TRIM-HORIZ	031043 101101 968971	1
290	412A1514-2B	..	PANEL ASSY	031043 101101 968971	1
- 295	SL618-3A	...	INSERT- SUPPLIER CODE: V97393	031043 101101 968971	8
305	412A1514-1B	...	PANEL ASSY	031043 101101 968971	1
310	SP21757	.HINGE ASSY- SUPPLIER CODE: V24403 SPECIFICATION NUMBER: S412A004-1		031043 101101 968971	4
315	BACS12FA3K5	.SCREW		037043 101101 968971	5

MISSING ITEM NUMBERS NOT APPLICABLE

- ITEM NOT ILLUSTRATED

HAP

25-24-31-19E

BOEING PROPRIETARY - Copyright © - Unpublished Work - See title page for details.

25-24-31
FIG. 19E
PAGE 5
JUN 15/09

BOEING
737-600/700/800/900
PARTS CATALOG (MAINTENANCE)

FIG ITEM	PART NUMBER	1 2 3 4 5 6 7	NOMENCLATURE	EFFECT FROM TO	UNITS PER ASSY
19E 320	412A1912-1B		.PANEL ASSY-DIVIDER POST RAPID REVISION: RR97089-73B	037043 101101 968971	1
325	BACS12FA3K5		..SCREW	037043 101101 968971	5
330	412A1220-61A		..CLIP	037043 101101 968971	5
335	412A1250-91A		..TRIM	037043 101101 968971	1
340	412A1217-1B		..PANEL ASSY-DIVIDER	037043 101101 968971	1
- 345	SL2334-3A1		...INSERT- SUPPLIER CODE: V97393	037043 101101 968971	11
355	412A1255-38B		.BOX ASSY-60 IN. BIG BIN FOR DETAILS SEE: 25-24-32-65	031043 101101 968971	1
- 360	412A1811-2B		.PLUG	031043 101101 968971	AR

MISSING ITEM NUMBERS NOT APPLICABLE

- ITEM NOT ILLUSTRATED

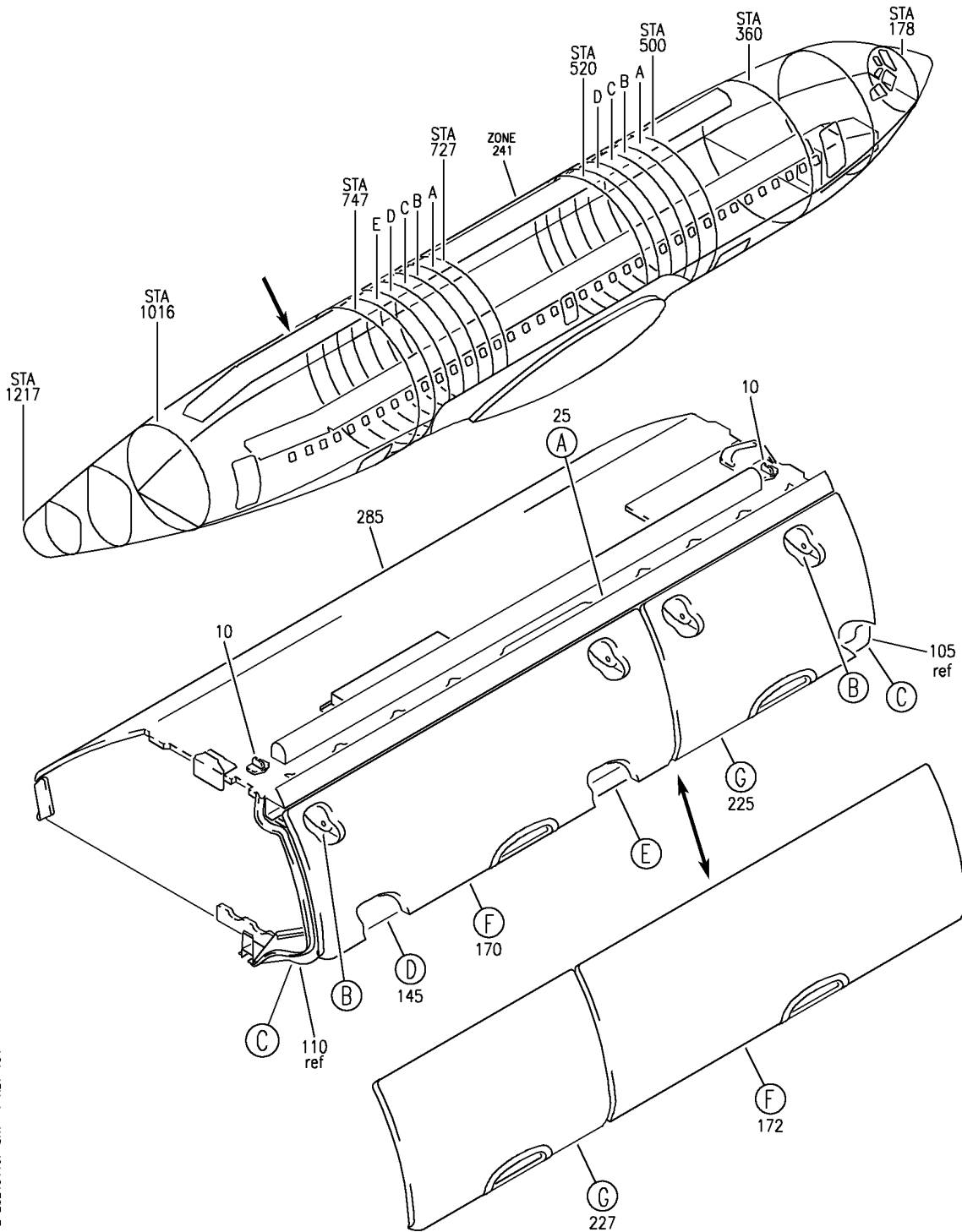
HAP

25-24-31-19E

BOEING PROPRIETARY - Copyright © - Unpublished Work - See title page for details.

25-24-31
FIG. 19E
PAGE 6
JUN 15/09

BOEING
 737-600/700/800/900
 PARTS CATALOG (MAINTENANCE)



E 25243119F SHT 1 REV 134

TOP ASSY-60 IN. OVHD STOWAGE BULLNOSE CONFIGURATION (EQUIPMENT/FURNISHINGS ONLY)
 FIGURE 19F (SHEET 1)

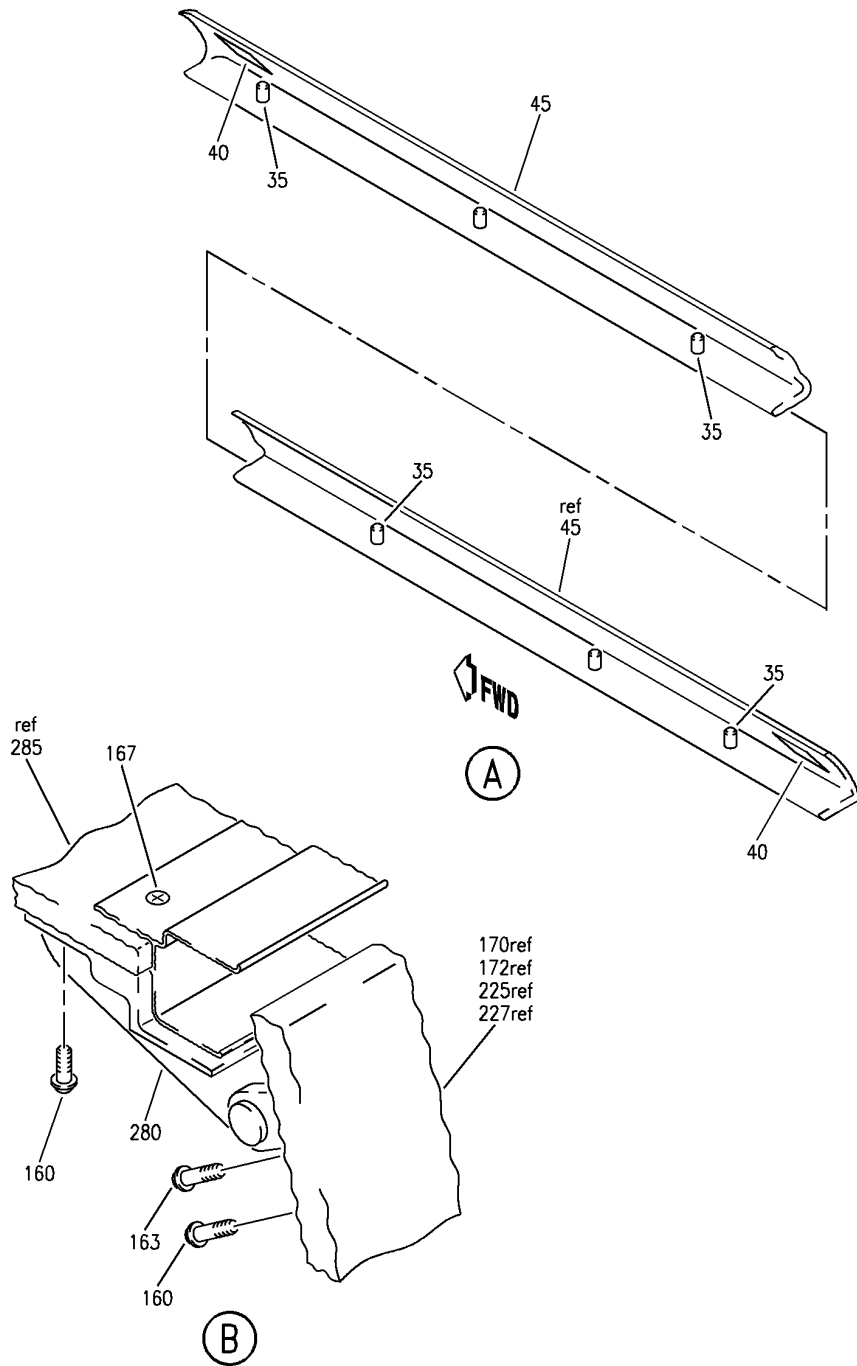
HAP
 OCT 10/07

25-24-31-19F

25-24-31-19F
 PAGE 0

BOEING PROPRIETARY - Copyright © - Unpublished Work - See title page for details.

BOEING
 737-600/700/800/900
 PARTS CATALOG (MAINTENANCE)



E 25243119F SHT 2 REV 134

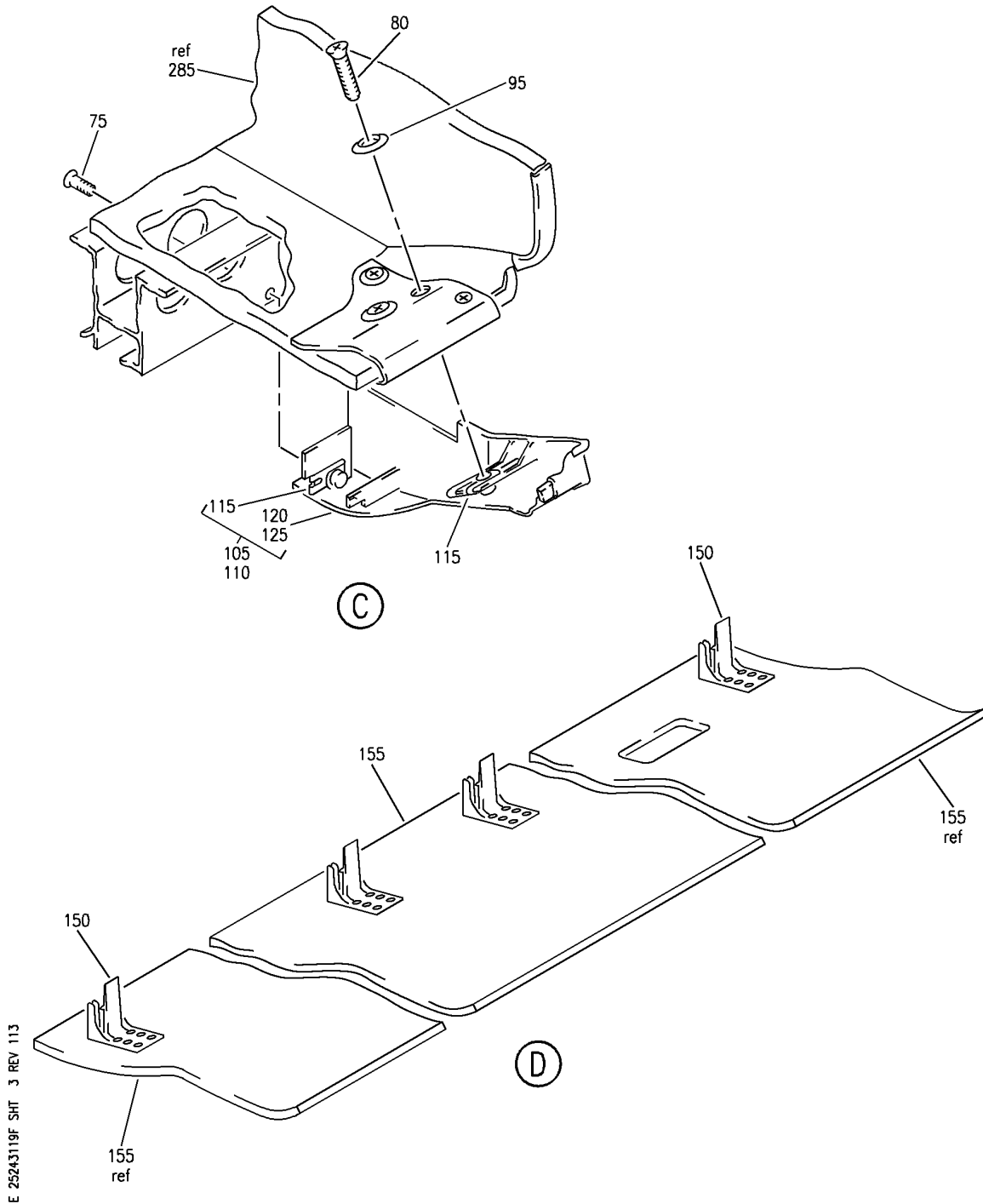
TOP ASSY-60 IN. OVHD STOWAGE BULLNOSE CONFIGURATION (EQUIPMENT/FURNISHINGS ONLY)
 FIGURE 19F (SHEET 2)

HAP
 OCT 10/07

25-24-31-19F

25-24-31-19F
 PAGE 0A

BOEING
 737-600/700/800/900
 PARTS CATALOG (MAINTENANCE)



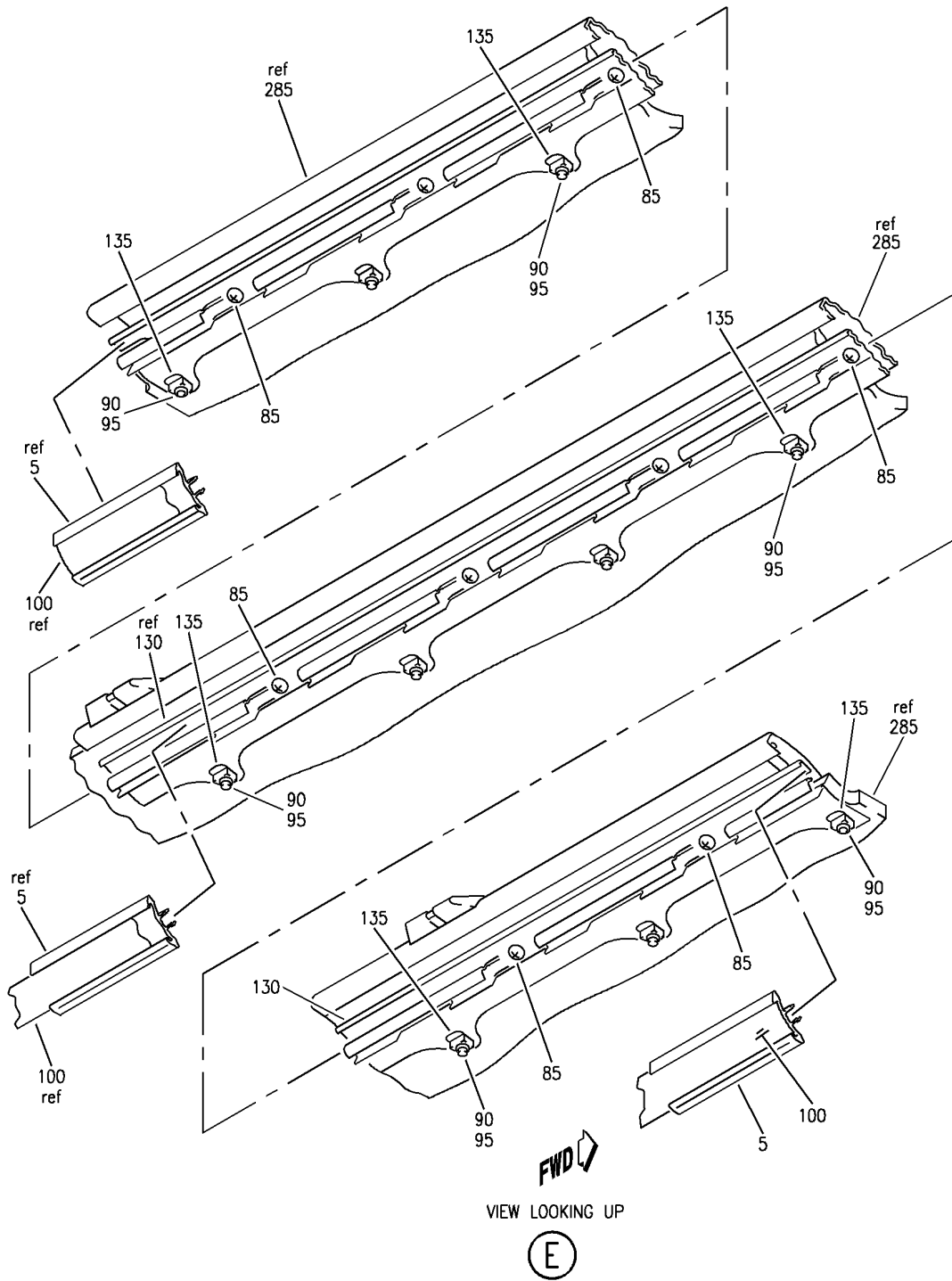
TOP ASSY-60 IN. OVHD STOWAGE BULLNOSE CONFIGURATION (EQUIPMENT/FURNISHINGS ONLY)
 FIGURE 19F (SHEET 3)

HAP
 FEB 10/07

25-24-31-19F

25-24-31-19F
 PAGE 0B

BOEING
737-600/700/800/900
PARTS CATALOG (MAINTENANCE)



E 25243119F SHT 4 REV 113

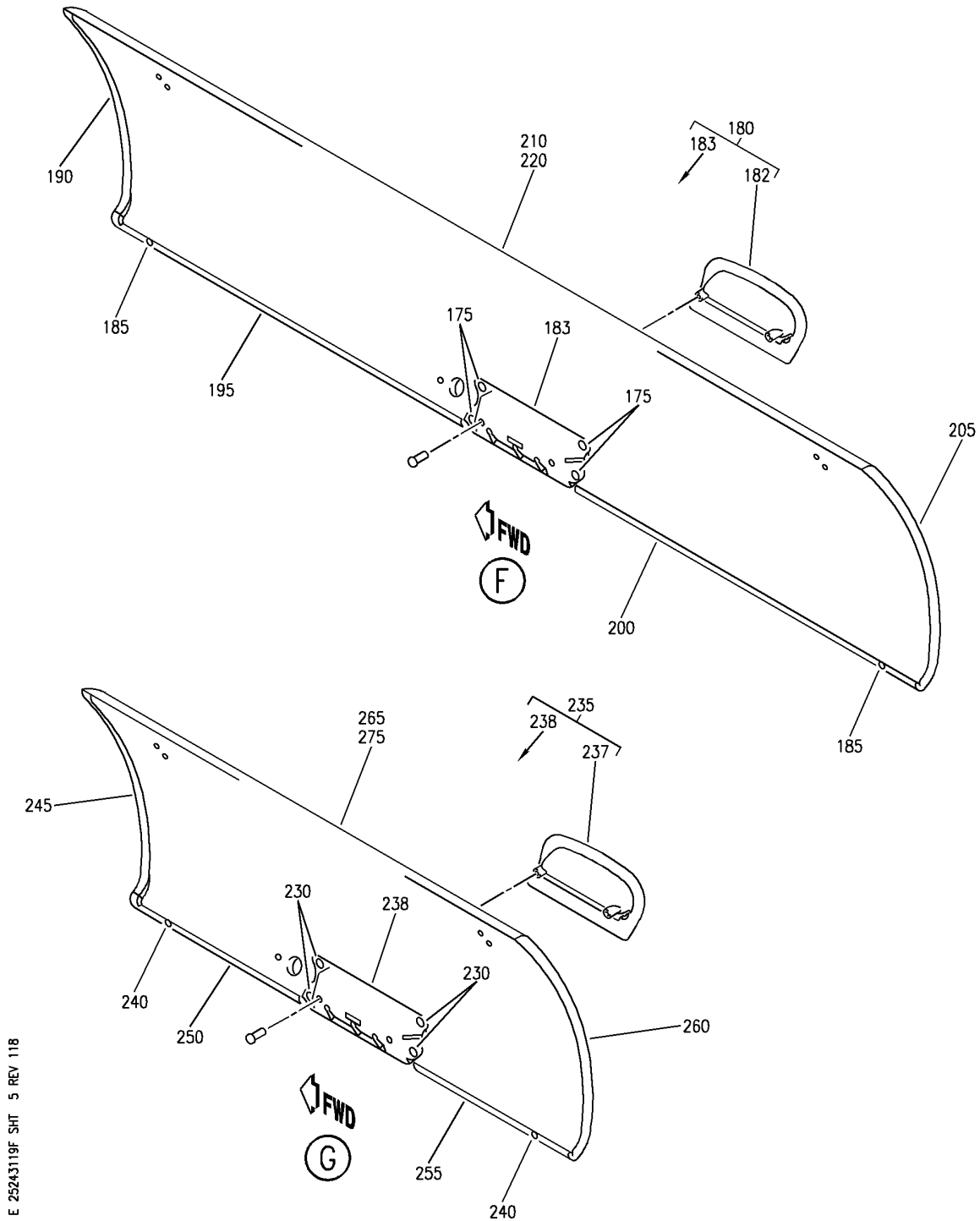
TOP ASSY-60 IN. OVHD STOWAGE BULLNOSE CONFIGURATION (EQUIPMENT/FURNISHINGS ONLY)
 FIGURE 19F (SHEET 4)

HAP
 FEB 10/07

25-24-31-19F

25-24-31-19F
 PAGE 0C

BOEING
 737-600/700/800/900
 PARTS CATALOG (MAINTENANCE)



E 25243119F SHT 5 REV 118

TOP ASSY-60 IN. OVHD STOWAGE BULLNOSE CONFIGURATION (EQUIPMENT/FURNISHINGS ONLY)
 FIGURE 19F (SHEET 5)

25-24-31-19F

HAP
 FEB 10/07

25-24-31-19F
 PAGE 0D

BOEING
737-600/700/800/900
PARTS CATALOG (MAINTENANCE)

FIG ITEM	PART NUMBER	1 2 3 4 5 6 7	NOMENCLATURE	EFFECT FROM TO	UNITS PER ASSY
19F			TOP ASSY-60 IN. OVHD STOWAGE BULLNOSE CONFIGURATION (EQUIPMENT/FURNISHINGS ONLY)	101101 968971	
- 1	412A1057-17C		TOP ASSY-60 IN. OVHD STOWAGE BULLNOSE CONFIGURATION (EQUIPMENT/FURNISHINGS ONLY) FOR NHA/OTHER SYS DET SEE: 25-24-30-77	101101 968971	RF
5	412A1420-2A		.EXTRUSION-SEAT ROW MARKER	101101 968971	1
10	H3-1592-1		.LATCH-CLG SUPPLIER CODE: V34941 SPECIFICATION NUMBER: S411A001-1 ATTACHING PARTS	101101 968971	2
- 15	BACS12GU3K7		.SCREW	101101 968971	4
- 20	NAS1149D0332J		.WASHER	101101 968971	4
25	412A1700-2A		-----*----- .VALANCE ASSY-LT ATTACHING PARTS	101101 968971	1
- 30	BACN10YJ3F		.NUT	101101 968971	6
35	BACS21DW3C10FN		-----*----- ..STUD	101101 968971	6
40	412A1700-6		..TAPE-VELCRO	101101 968971	2
45	412A1711-3A		..PANEL ASSY	101101 968971	1
75	BACB30VF3K3		.BOLT	101101 968971	2
80	BACS12ER3K11		.SCREW	101101 968971	2
85	BACS12FA3K5		.SCREW	101101 968971	9
90	BACS12ER3K14		.SCREW	101101 968971	10

MISSING ITEM NUMBERS NOT APPLICABLE

- ITEM NOT ILLUSTRATED

HAP

25-24-31-19F

BOEING PROPRIETARY - Copyright © - Unpublished Work - See title page for details.

25-24-31
FIG. 19F
PAGE 1
JUN 15/08

BOEING
737-600/700/800/900
PARTS CATALOG (MAINTENANCE)

FIG ITEM	PART NUMBER	1 2 3 4 5 6 7	NOMENCLATURE	EFFECT FROM TO	UNITS PER ASSY
19F 95	H3-1233A3	.	WASHER- SUPPLIER CODE: V34941 SPECIFICATION NUMBER: S411A001-1	101101 968971	12
100	412A1451-2BCWK	.	STRIP	101101 968971	1
105	412A1467-1B	.	CLOSEOUT ASSY	101101 968971	1
110	412A1467-2B	.	CLOSEOUT ASSY	101101 968971	1
115	BACN10VR4CGN	..	NUT- OPTIONAL PART: BACN10VR4CG	101101 968971	2
115	BACN10VR4CG	..	NUT- OPTIONAL PART: BACN10VR4CGN	101101 968971	2
120	412A1467-5B	..	CLOSEOUT- USED ON: 412A1467-1B	101101 968971	1
125	412A1467-6B	..	CLOSEOUT- USED ON: 412A1467-2B	101101 968971	1
130	412A1244-2	.	EXTRUSION ASSY	101101 968971	1
135	FS1651-3	..	NUTPLATE SUPPLIER CODE: V15653 SPECIFICATION NUMBER: BACN10KH3CD OPTIONAL PART: 102F9209M3 V72962 NS202496-02 V80539 ATTACHING PARTS	101101 968971	10
- 140	BACR15BA3ADC	..	RIVET- SIZE DETERMINED ON INSTL. -----*-----	101101 968971	20
145	412A1607-9B	.	COVER ASSY	101101 968971	1
150	412A1460-2	..	CLIP	101101 968971	4
155	412A1617-10B	..	PANEL	101101 968971	1
160	BACS12FA3K6	.	SCREW	101101 968971	8
163	BACS12FA3K7	.	SCREW	101101 968971	4

MISSING ITEM NUMBERS NOT APPLICABLE

- ITEM NOT ILLUSTRATED

HAP

25-24-31-19F

BOEING PROPRIETARY - Copyright © - Unpublished Work - See title page for details.

25-24-31
FIG. 19F
PAGE 2
JUN 15/08

BOEING
737-600/700/800/900
PARTS CATALOG (MAINTENANCE)

FIG ITEM	PART NUMBER	1 2 3 4 5 6 7	NOMENCLATURE	EFFECT FROM TO	UNITS PER ASSY
19F					
167	BACS12FA3K15	.	SCREW	101101 968971	4
170	412A1505-1B	.	DOOR ASSY-40 IN.	101101 968971	1
175	BACS12FA3K4	..	SCREW	101101 968971	4
180	HA951-1	..	LATCH ASSY- SUPPLIER CODE: V83014 SPECIFICATION NUMBER: S412A003-1	101101 968971	1
185	412A1810-2B	..	BUMPER- QUALIFIED I/W DATA: PN 412A1810-3B CAN REPLACE BUT NOT BE REPLACED BY PN 412A1810-2B FOR 737-600/700/800/900 ONLY.	101101 968971	2
185	412A1810-1A	..	BUMPER-	101101 968971	2
190	412A1452-4B	..	TRIM-VERT	101101 968971	1
195	412A1452-6B	..	TRIM-HORIZ	101101 968971	1
200	412A1452-5B	..	TRIM-HORIZ	101101 968971	1
205	412A1452-3B	..	TRIM-VERT	101101 968971	1
210	412A1513-2B	..	PANEL ASSY	101101 968971	1
- 215	SL618-3A	...	INSERT- SUPPLIER CODE: V97393	101101 968971	8
220	412A1513-1B	...	PANEL ASSY	101101 968971	1
225	412A1505-2B	.	DOOR ASSY-20 IN. QUALIFIED I/W DATA: THE 412A1505-102B DOOR ASSEMBLY PLUS (QTY 2) HINGE (SP23011) TOGETHER CAN REPLACE THE 412A1505-2B DOOR ASSEMBLY PLUS (QTY 2) HINGE (SP21757).	101101 968971	1
230	BACS12FA3K4	..	SCREW	101101 968971	4

MISSING ITEM NUMBERS NOT APPLICABLE

- ITEM NOT ILLUSTRATED

R
R
R
R
R
R
R
R

HAP

25-24-31-19F

BOEING PROPRIETARY - Copyright © - Unpublished Work - See title page for details.

25-24-31
FIG. 19F
PAGE 3
JUN 15/09

BOEING
737-600/700/800/900
PARTS CATALOG (MAINTENANCE)

FIG ITEM	PART NUMBER	1 2 3 4 5 6 7	NOMENCLATURE	EFFECT FROM TO	UNITS PER ASSY
19F 235	HA951-1		..LATCH ASSY- SUPPLIER CODE: V83014 SPECIFICATION NUMBER: S412A003-1	101101 968971	1
240	412A1810-1A		..BUMPER-	101101 968971	2
240	412A1810-2B		..BUMPER- QUALIFIED I/W DATA: PN 412A1810-3B CAN REPLACE BUT NOT BE REPLACED BY PN 412A1810-2B FOR 737-600/700/800/900 ONLY.	101101 968971	2
245	412A1452-4B		..TRIM-VERT	101101 968971	1
250	412A1452-6B		..TRIM-HORIZ	101101 968971	1
255	412A1452-5B		..TRIM-HORIZ	101101 968971	1
260	412A1452-3B		..TRIM-VERT	101101 968971	1
265	412A1514-2B		..PANEL ASSY	101101 968971	1
- 270	SL618-3A		...INSERT- SUPPLIER CODE: V97393	101101 968971	8
275	412A1514-1B		...PANEL ASSY	101101 968971	1
280	SP21757		.HINGE ASSY- SUPPLIER CODE: V24403 SPECIFICATION NUMBER: S412A004-1	101101 968971	4
285	412A1205-17B		.BOX ASSY-60 IN. BIN FOR DETAILS SEE: 25-24-32-64A	101101 968971	1
- 290	412A1811-2B		.PLUG	101101 968971	AR

MISSING ITEM NUMBERS NOT APPLICABLE

- ITEM NOT ILLUSTRATED

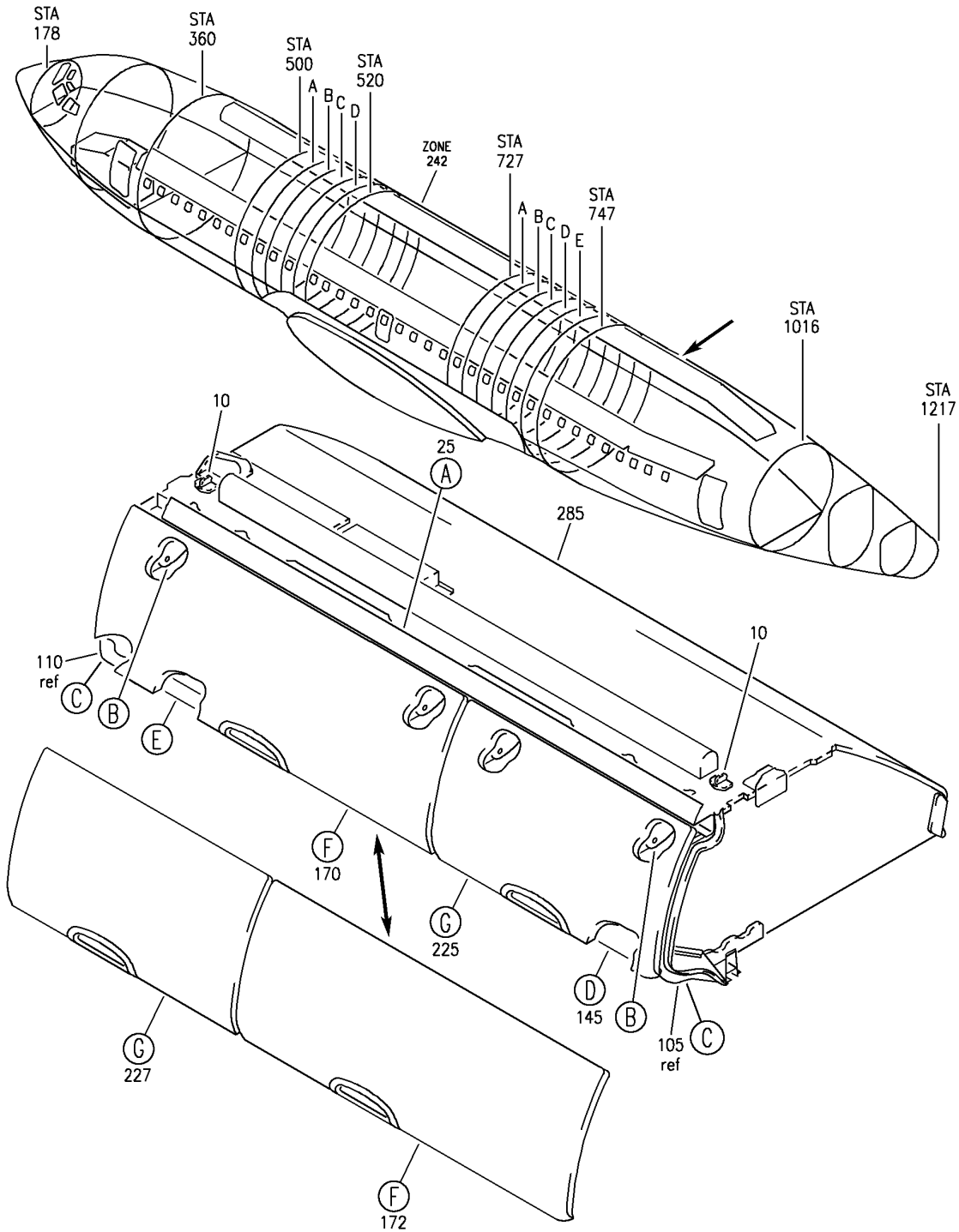
HAP

25-24-31-19F

BOEING PROPRIETARY - Copyright © - Unpublished Work - See title page for details.

25-24-31
FIG. 19F
PAGE 4
JUN 15/09

BOEING
 737-600/700/800/900
 PARTS CATALOG (MAINTENANCE)



E 25243119G SHT 1 REV 134

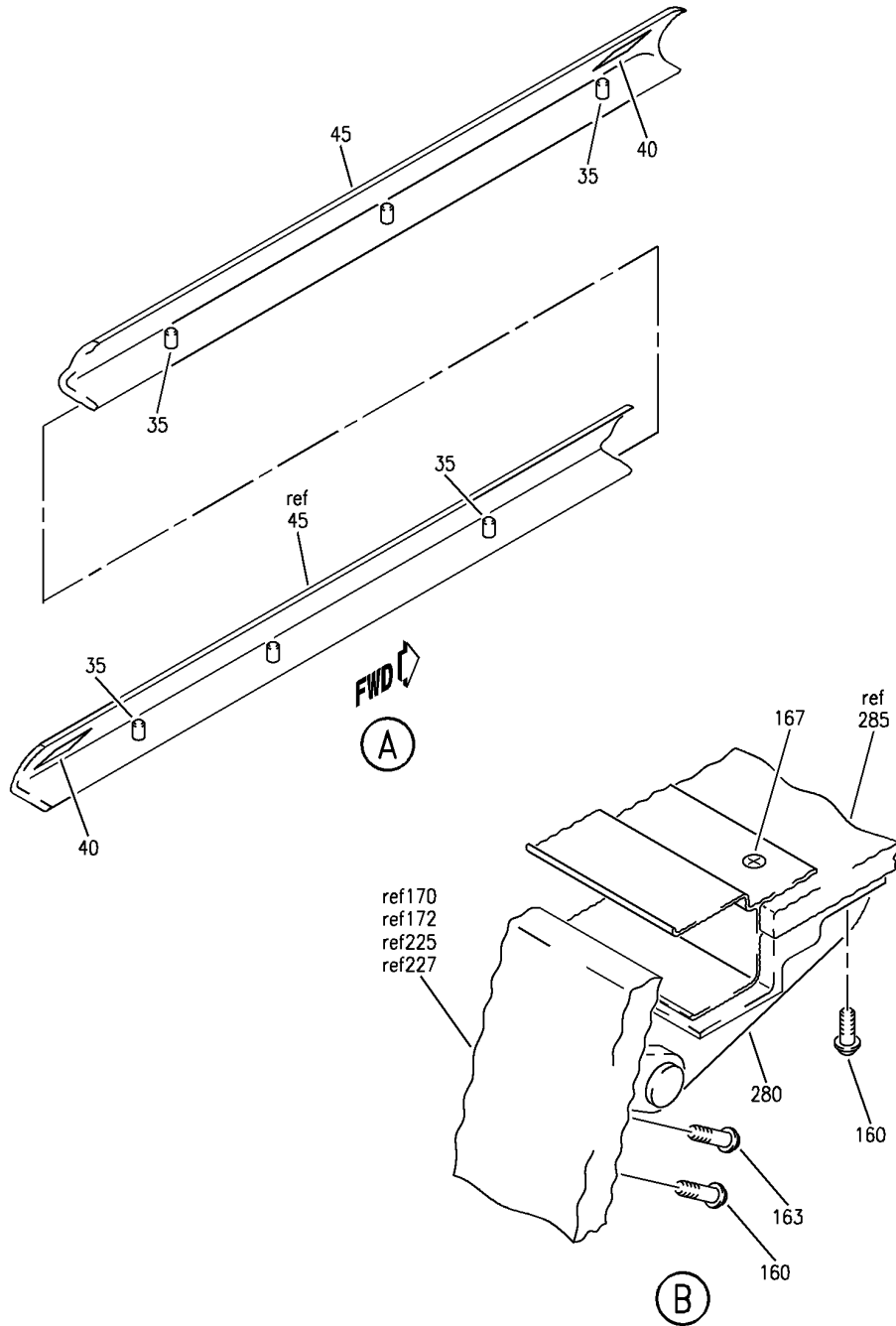
TOP ASSY-60 IN. OVHD STOWAGE BULLNOSE CONFIGURATION (EQUIPMENT/FURNISHINGS ONLY)
 FIGURE 19G (SHEET 1)

HAP
 OCT 10/07

25-24-31-19G

25-24-31-19G
 PAGE 0

BOEING
 737-600/700/800/900
 PARTS CATALOG (MAINTENANCE)



E 25243119G SHT 2 REV 134

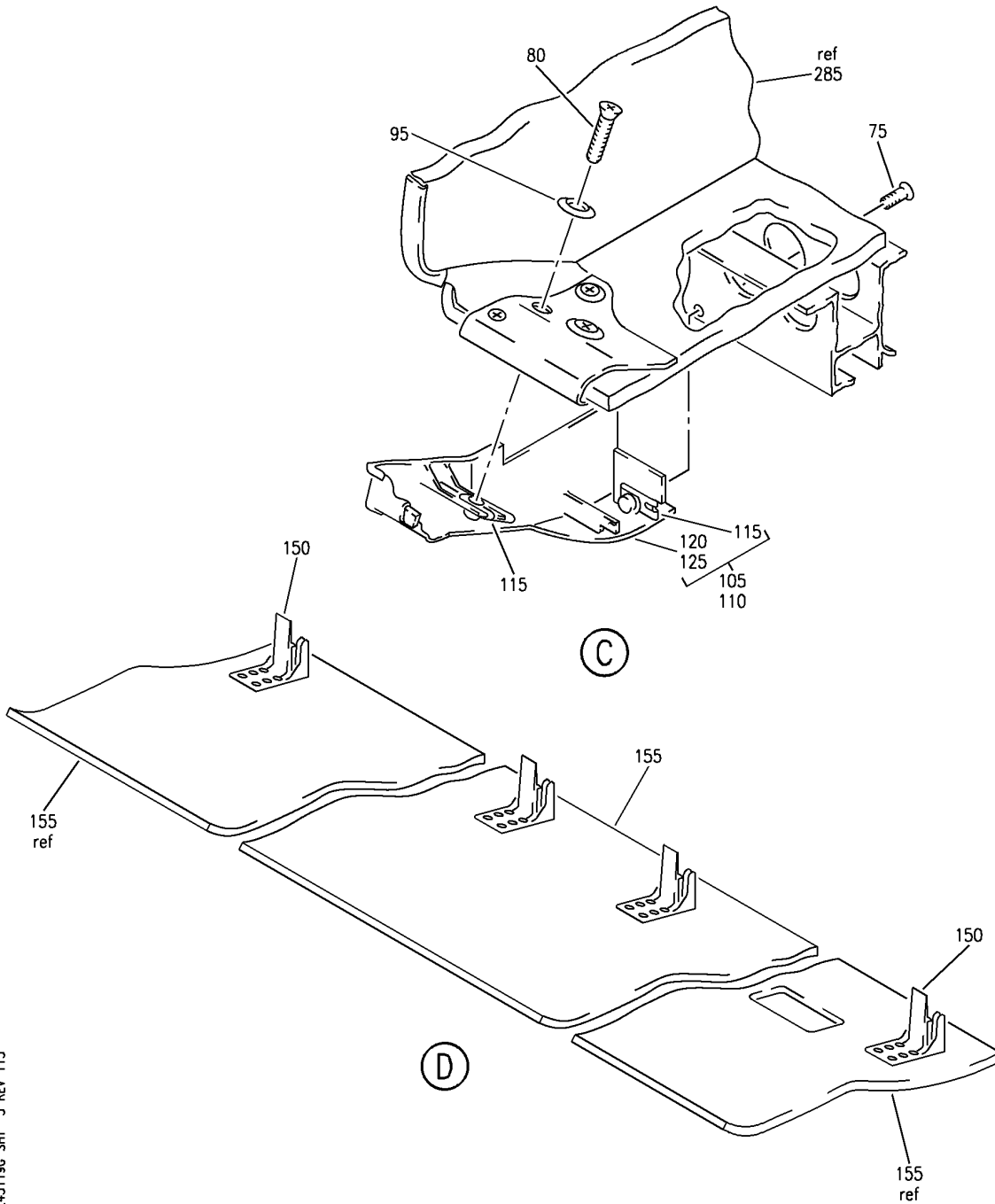
TOP ASSY-60 IN. OVHD STOWAGE BULLNOSE CONFIGURATION (EQUIPMENT/FURNISHINGS ONLY)
 FIGURE 19G (SHEET 2)

HAP
 OCT 10/07

25-24-31-19G

25-24-31-19G
 PAGE 0A

BOEING
 737-600/700/800/900
 PARTS CATALOG (MAINTENANCE)



E 25243119G SHT 3 REV 113

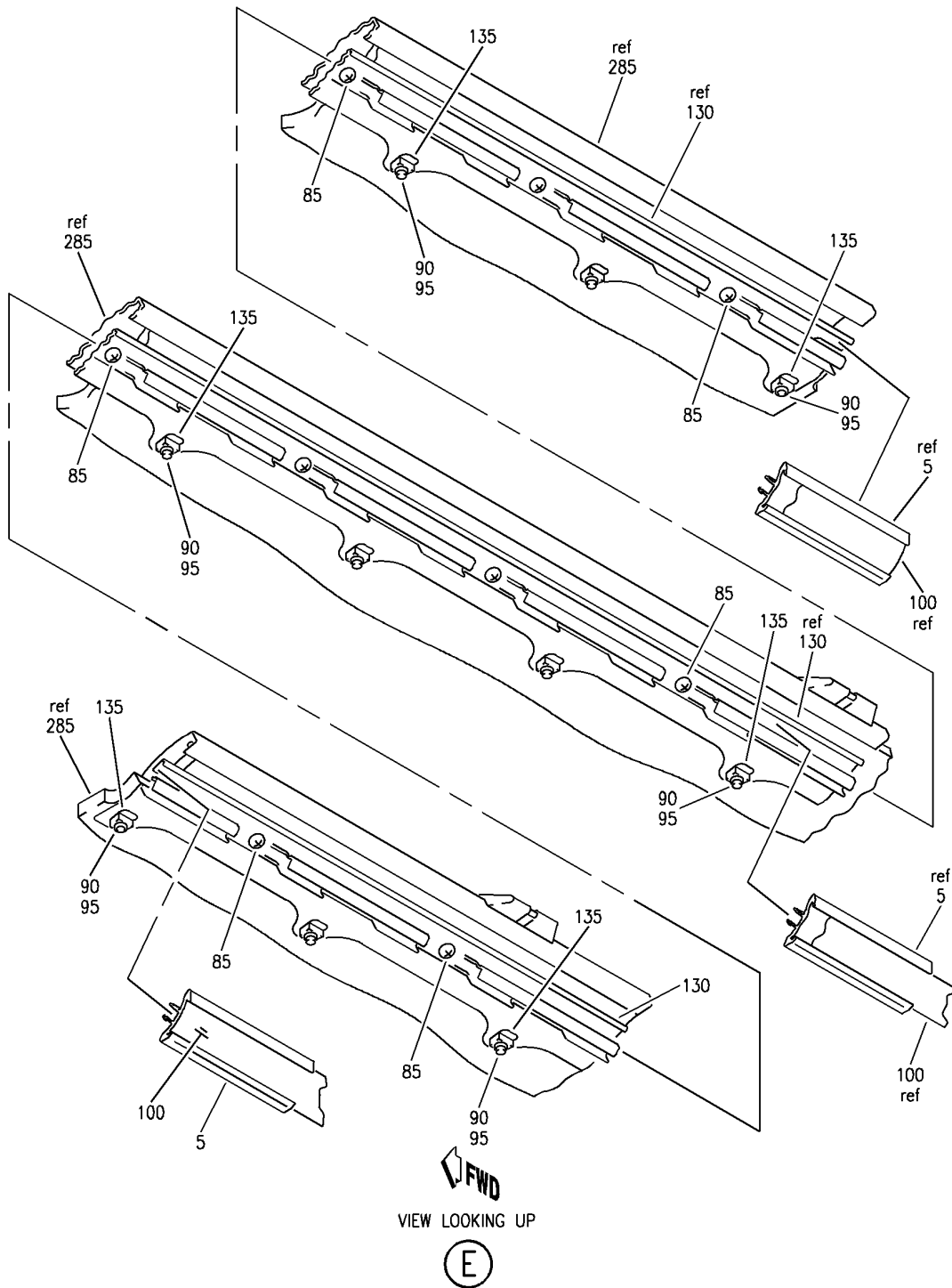
TOP ASSY-60 IN. OVHD STOWAGE BULLNOSE CONFIGURATION (EQUIPMENT/FURNISHINGS ONLY)
 FIGURE 19G (SHEET 3)

HAP
 FEB 10/07

25-24-31-19G

25-24-31-19G
 PAGE 0B

BOEING
737-600/700/800/900
PARTS CATALOG (MAINTENANCE)



E 25243119G SHT 4 REV 113

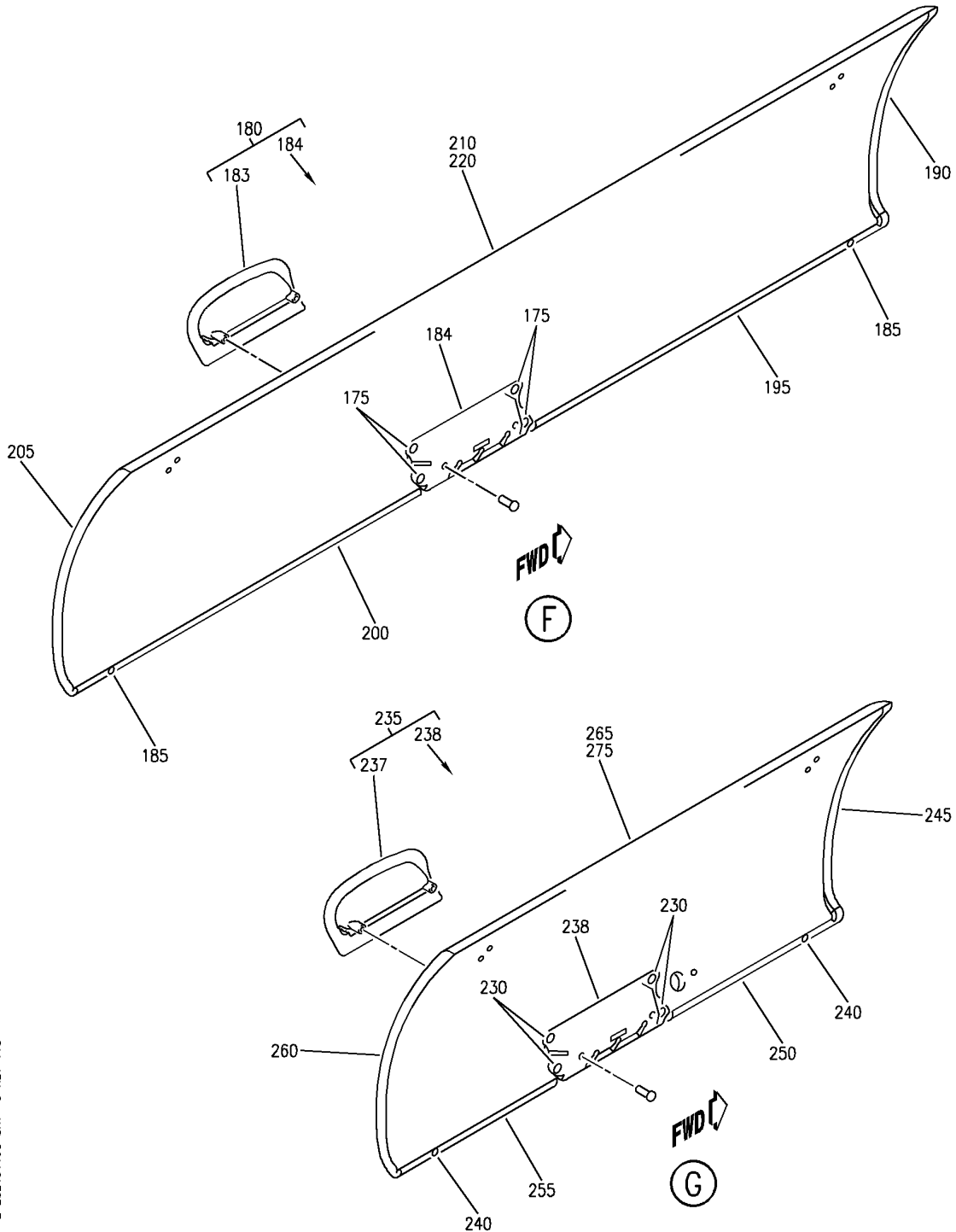
TOP ASSY-60 IN. OVHD STOWAGE BULLNOSE CONFIGURATION (EQUIPMENT/FURNISHINGS ONLY)
 FIGURE 19G (SHEET 4)

HAP
 FEB 10/07

25-24-31-19G

25-24-31-19G
 PAGE 0C

BOEING
 737-600/700/800/900
 PARTS CATALOG (MAINTENANCE)



E 25243119G SHT 5 REV 118

TOP ASSY-60 IN. OVHD STOWAGE BULLNOSE CONFIGURATION (EQUIPMENT/FURNISHINGS ONLY)
 FIGURE 19G (SHEET 5)

25-24-31-19G

HAP
 FEB 10/07

25-24-31-19G
 PAGE 0D

BOEING
737-600/700/800/900
PARTS CATALOG (MAINTENANCE)

FIG ITEM	PART NUMBER	1 2 3 4 5 6 7	NOMENCLATURE	EFFECT FROM TO	UNITS PER ASSY
19G			TOP ASSY-60 IN. OVHD STOWAGE BULLNOSE CONFIGURATION (EQUIPMENT/FURNISHINGS ONLY)	101101 968971	
- 1	412A1057-18C		TOP ASSY-60 IN. OVHD STOWAGE BULLNOSE CONFIGURATION (EQUIPMENT/FURNISHINGS ONLY) FOR NHA/OTHER SYS DET SEE: 25-24-30-77	101101 968971	RF
5	412A1420-2A		.EXTRUSION-SEAT ROW MARKER	101101 968971	1
10	H3-1592-1		.LATCH-CLG SUPPLIER CODE: V34941 SPECIFICATION NUMBER: S411A001-1 ATTACHING PARTS	101101 968971	2
- 15	BACS12GU3K7		.SCREW	101101 968971	4
- 20	NAS1149D0332J		.WASHER	101101 968971	4
25	412A1700-2A		-----*----- .VALANCE ASSY-LT ATTACHING PARTS	101101 968971	1
- 30	BACN10YJ3F		.NUT	101101 968971	6
35	BACS21DW3C10FN		-----*----- ..STUD	101101 968971	6
40	412A1700-6		..TAPE-VELCRO	101101 968971	2
45	412A1711-3A		..PANEL ASSY	101101 968971	1
75	BACB30VF3K3		.BOLT	101101 968971	2
80	BACS12ER3K11		.SCREW	101101 968971	2
85	BACS12FA3K5		.SCREW	101101 968971	9
90	BACS12ER3K14		.SCREW	101101 968971	10

MISSING ITEM NUMBERS NOT APPLICABLE

- ITEM NOT ILLUSTRATED

HAP

25-24-31-19G

BOEING PROPRIETARY - Copyright © - Unpublished Work - See title page for details.

25-24-31
FIG. 19G
PAGE 1
JUN 15/08

BOEING
737-600/700/800/900
PARTS CATALOG (MAINTENANCE)

FIG ITEM	PART NUMBER	1 2 3 4 5 6 7	NOMENCLATURE	EFFECT FROM TO	UNITS PER ASSY
19G 95	H3-1233A3		.WASHER- SUPPLIER CODE: V34941 SPECIFICATION NUMBER: S411A001-1	101101 968971	12
100	412A1451-2BCWK		.STRIP	101101 968971	1
105	412A1467-1B		.CLOSEOUT ASSY	101101 968971	1
110	412A1467-2B		.CLOSEOUT ASSY	101101 968971	1
115	BACN10VR4CGN		..NUT- OPTIONAL PART: BACN10VR4CG	101101 968971	2
115	BACN10VR4CG		..NUT- OPTIONAL PART: BACN10VR4CGN	101101 968971	2
120	412A1467-5B		..CLOSEOUT- USED ON: 412A1467-1B	101101 968971	1
125	412A1467-6B		..CLOSEOUT- USED ON: 412A1467-2B	101101 968971	1
130	412A1244-2		.EXTRUSION ASSY	101101 968971	1
135	FS1651-3		..NUTPLATE SUPPLIER CODE: V15653 SPECIFICATION NUMBER: BACN10KH3CD OPTIONAL PART: 102F9209M3 V72962 NS202496-02 V80539 ATTACHING PARTS	101101 968971	10
- 140	BACR15BA3ADC		..RIVET- SIZE DETERMINED ON INSTL. -----*-----	101101 968971	20
145	412A1607-10B		.COVER ASSY	101101 968971	1
150	412A1460-2		..CLIP	101101 968971	4
155	412A1617-11B		..PANEL	101101 968971	1
160	BACS12FA3K6		.SCREW	101101 968971	8
163	BACS12FA3K7		.SCREW	101101 968971	4

MISSING ITEM NUMBERS NOT APPLICABLE

- ITEM NOT ILLUSTRATED

HAP

25-24-31-19G

BOEING PROPRIETARY - Copyright © - Unpublished Work - See title page for details.

25-24-31
FIG. 19G
PAGE 2
JUN 15/08

BOEING
737-600/700/800/900
PARTS CATALOG (MAINTENANCE)

FIG ITEM	PART NUMBER	1 2 3 4 5 6 7	NOMENCLATURE	EFFECT FROM TO	UNITS PER ASSY
19G					
167	BACS12FA3K15	.	SCREW	101101 968971	4
170	412A1505-1B	.	DOOR ASSY-40 IN.	101101 968971	1
175	BACS12FA3K4	..	SCREW	101101 968971	4
180	HA951-1	..	LATCH ASSY- SUPPLIER CODE: V83014 SPECIFICATION NUMBER: S412A003-1	101101 968971	1
185	412A1810-2B	..	BUMPER- QUALIFIED I/W DATA: PN 412A1810-3B CAN REPLACE BUT NOT BE REPLACED BY PN 412A1810-2B FOR 737-600/700/800/900 ONLY.	101101 968971	2
185	412A1810-1A	..	BUMPER-	101101 968971	2
190	412A1452-4B	..	TRIM-VERT	101101 968971	1
195	412A1452-6B	..	TRIM-HORIZ	101101 968971	1
200	412A1452-5B	..	TRIM-HORIZ	101101 968971	1
205	412A1452-3B	..	TRIM-VERT	101101 968971	1
210	412A1513-2B	..	PANEL ASSY	101101 968971	1
- 215	SL618-3A	...	INSERT- SUPPLIER CODE: V97393	101101 968971	8
220	412A1513-1B	...	PANEL ASSY	101101 968971	1
225	412A1505-2B	.	DOOR ASSY-20 IN. QUALIFIED I/W DATA: THE 412A1505-102B DOOR ASSEMBLY PLUS (QTY 2) HINGE (SP23011) TOGETHER CAN REPLACE THE 412A1505-2B DOOR ASSEMBLY PLUS (QTY 2) HINGE (SP21757).	101101 968971	1
230	BACS12FA3K4	..	SCREW	101101 968971	4

MISSING ITEM NUMBERS NOT APPLICABLE

- ITEM NOT ILLUSTRATED

R
R
R
R
R
R
R
R

HAP

25-24-31-19G

BOEING PROPRIETARY - Copyright © - Unpublished Work - See title page for details.

25-24-31
FIG. 19G
PAGE 3
JUN 15/09

 **BOEING**
737-600/700/800/900
PARTS CATALOG (MAINTENANCE)

FIG ITEM	PART NUMBER	1 2 3 4 5 6 7	NOMENCLATURE	EFFECT FROM TO	UNITS PER ASSY
19G 235	HA951-1		..LATCH ASSY- SUPPLIER CODE: V83014 SPECIFICATION NUMBER: S412A003-1	101101 968971	1
240	412A1810-1A		..BUMPER-	101101 968971	2
240	412A1810-2B		..BUMPER- QUALIFIED I/W DATA: PN 412A1810-3B CAN REPLACE BUT NOT BE REPLACED BY PN 412A1810-2B FOR 737-600/700/800/900 ONLY.	101101 968971	2
245	412A1452-4B		..TRIM-VERT	101101 968971	1
250	412A1452-6B		..TRIM-HORIZ	101101 968971	1
255	412A1452-5B		..TRIM-HORIZ	101101 968971	1
260	412A1452-3B		..TRIM-VERT	101101 968971	1
265	412A1514-2B		..PANEL ASSY	101101 968971	1
- 270	SL618-3A		...INSERT- SUPPLIER CODE: V97393	101101 968971	8
275	412A1514-1B		...PANEL ASSY	101101 968971	1
280	SP21757		.HINGE ASSY- SUPPLIER CODE: V24403 SPECIFICATION NUMBER: S412A004-1	101101 968971	4
285	412A1205-18B		.BOX ASSY-60 IN. BIN FOR DETAILS SEE: 25-24-32-64	101101 968971	1
- 290	412A1811-2B		.PLUG	101101 968971	AR

MISSING ITEM NUMBERS NOT APPLICABLE

- ITEM NOT ILLUSTRATED

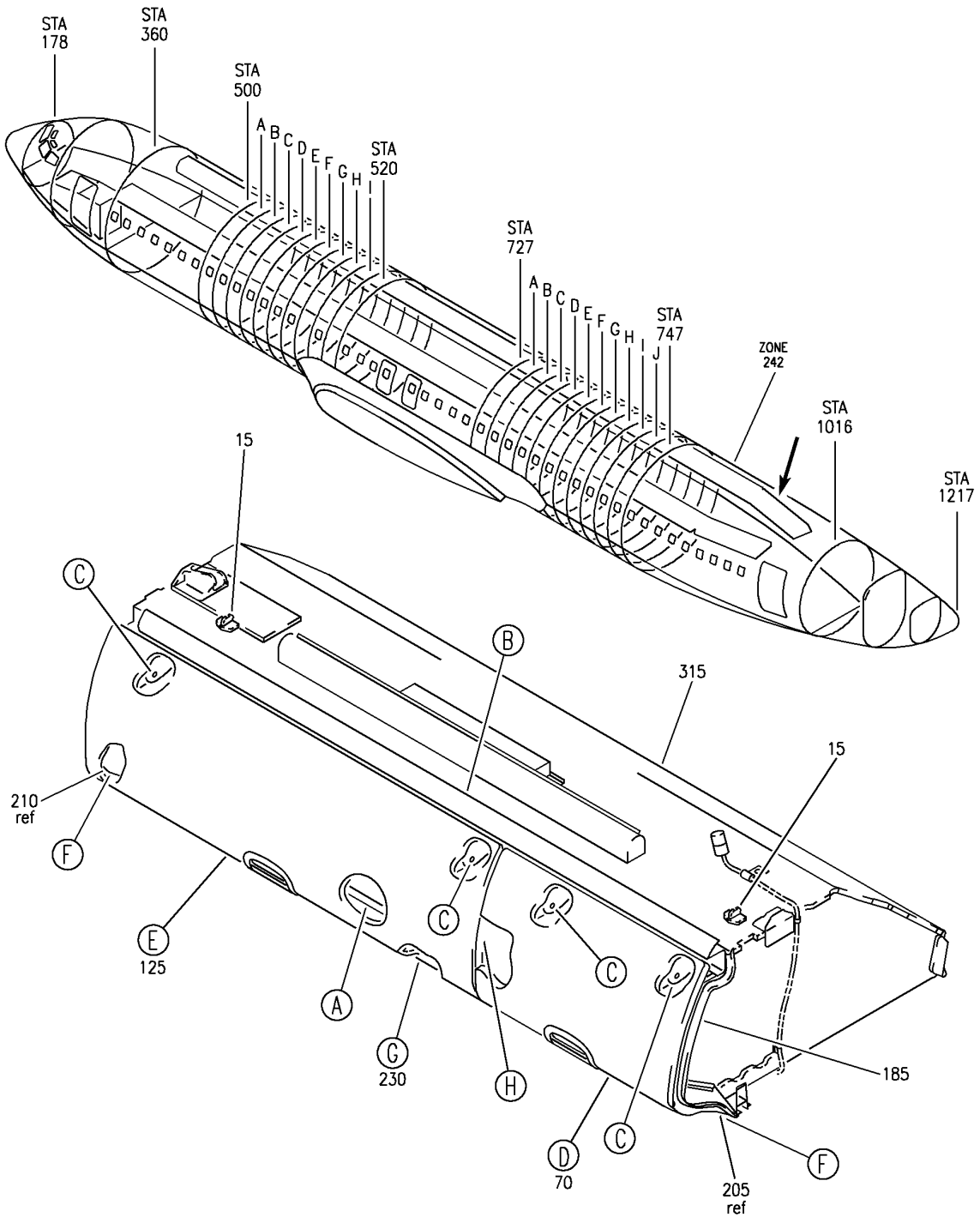
HAP

25-24-31-19G

BOEING PROPRIETARY - Copyright © - Unpublished Work - See title page for details.

25-24-31
FIG. 19G
PAGE 4
JUN 15/09

BOEING
737-600/700/800/900
PARTS CATALOG (MAINTENANCE)



E 2524-31-19J SHT 1 REV 133

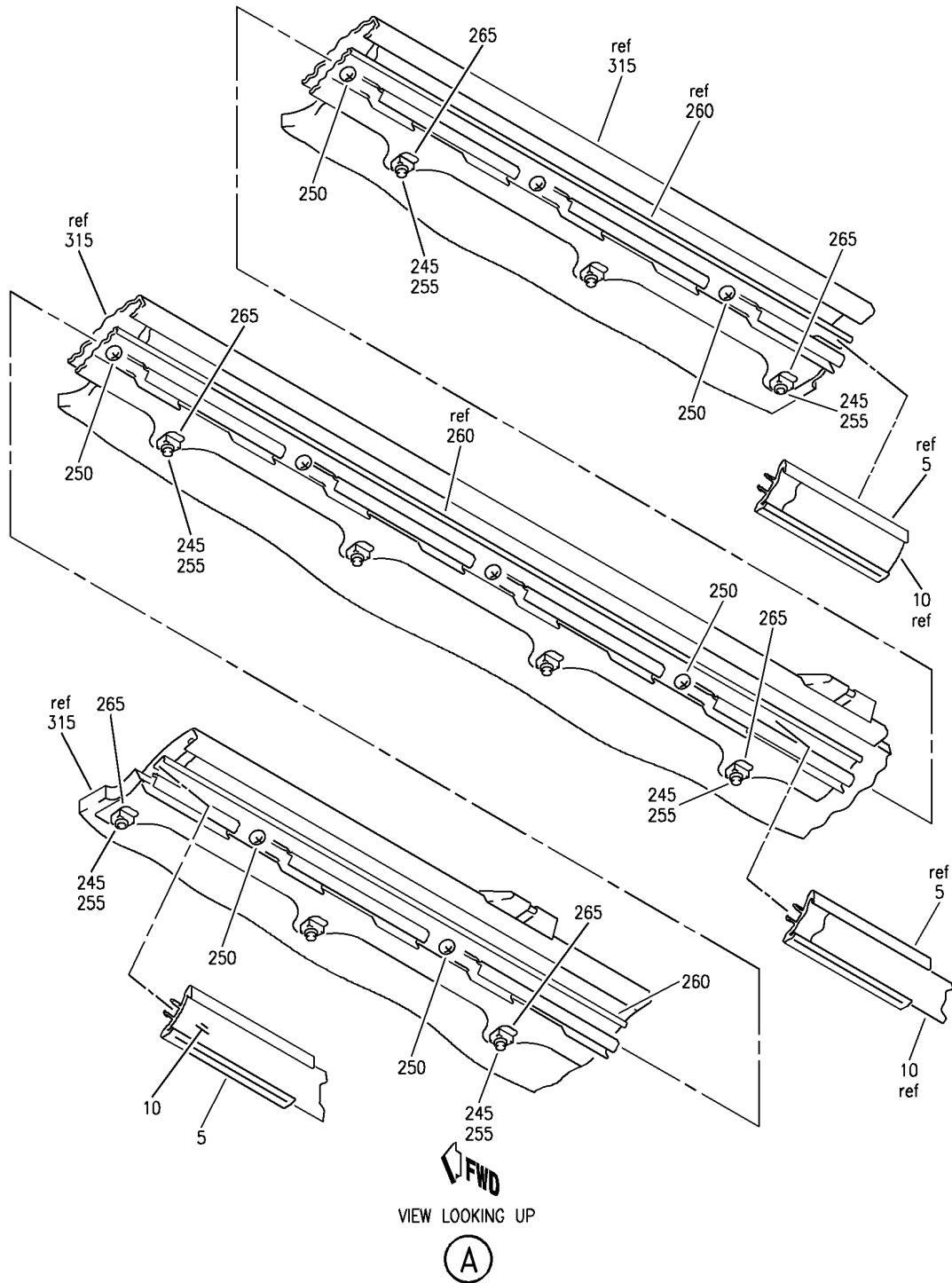
TOP ASSY-AFT RH 60 IN. OVHD STOWAGE BIG BIN BULLNOSE CONFIGURATION (EQUIPMENT/FURNISHINGS ONLY)
 FIGURE 19J (SHEET 1)

HAP
 FEB 15/08

25-24-31-19J

25-24-31-19J
 PAGE 0

BOEING
 737-600/700/800/900
 PARTS CATALOG (MAINTENANCE)



E 2524-31-19J SHT 2 REV 133

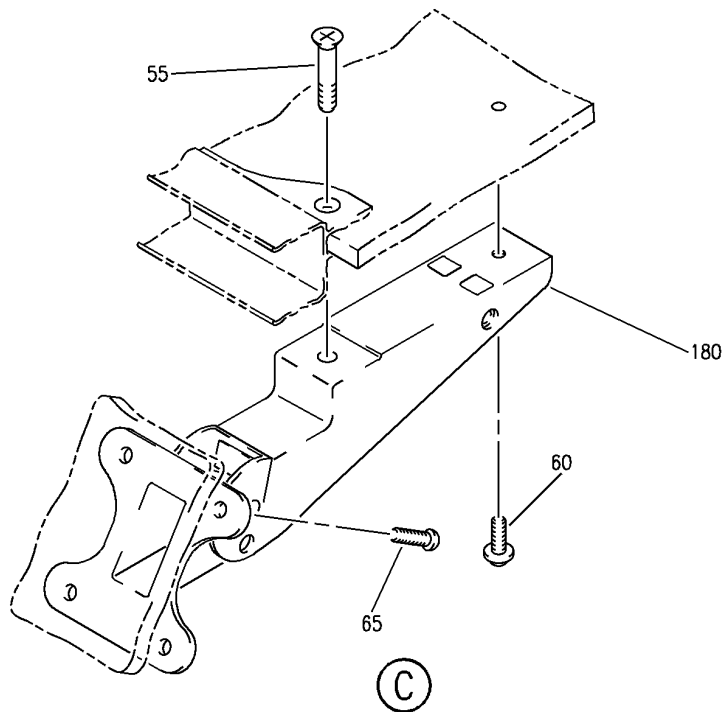
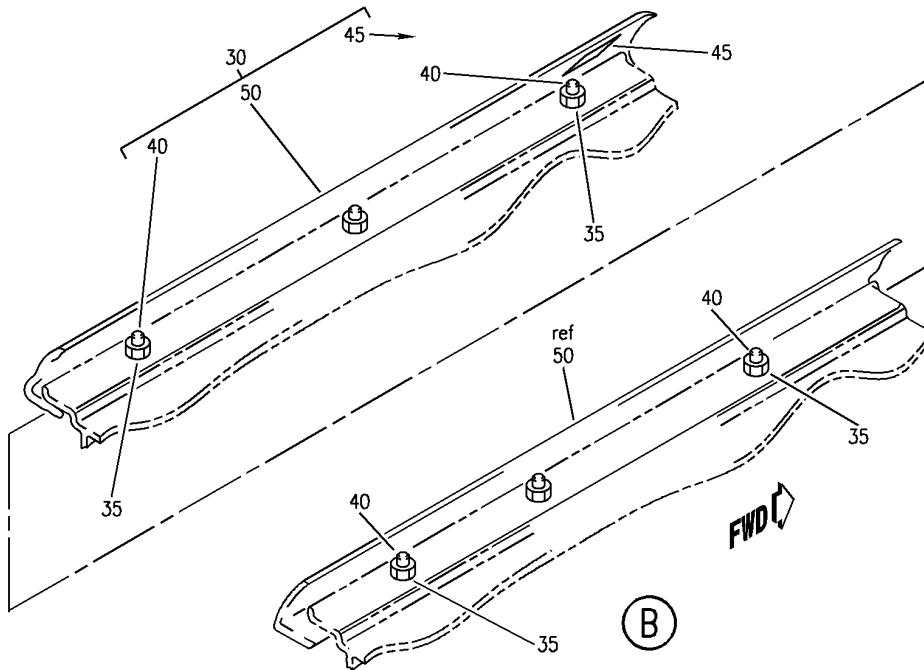
TOP ASSY-AFT RH 60 IN. OVHD STOWAGE BIG BIN BULLNOSE CONFIGURATION (EQUIPMENT/FURNISHINGS ONLY)
 FIGURE 19J (SHEET 2)

HAP
 FEB 15/08

25-24-31-19J

25-24-31-19J
 PAGE 0A

BOEING
 737-600/700/800/900
 PARTS CATALOG (MAINTENANCE)



E 2524-3119J SHT 3 REV 133

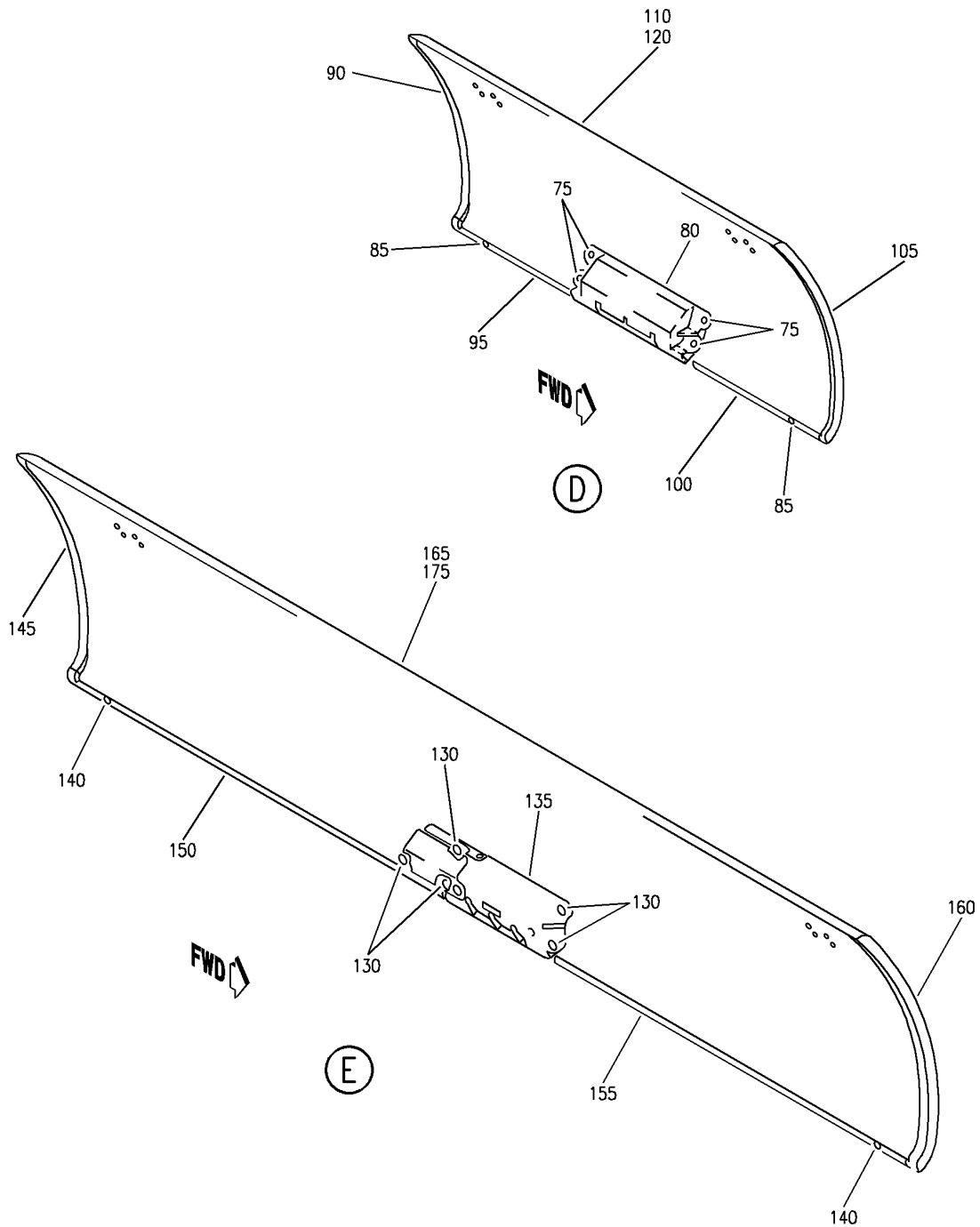
TOP ASSY-AFT RH 60 IN. OVHD STOWAGE BIG BIN BULLNOSE CONFIGURATION (EQUIPMENT/FURNISHINGS ONLY)
 FIGURE 19J (SHEET 3)

HAP
 FEB 15/08

25-24-31-19J

25-24-31-19J
 PAGE 0B

BOEING
737-600/700/800/900
PARTS CATALOG (MAINTENANCE)



E 2524-31-19J SHT 4 REV 133

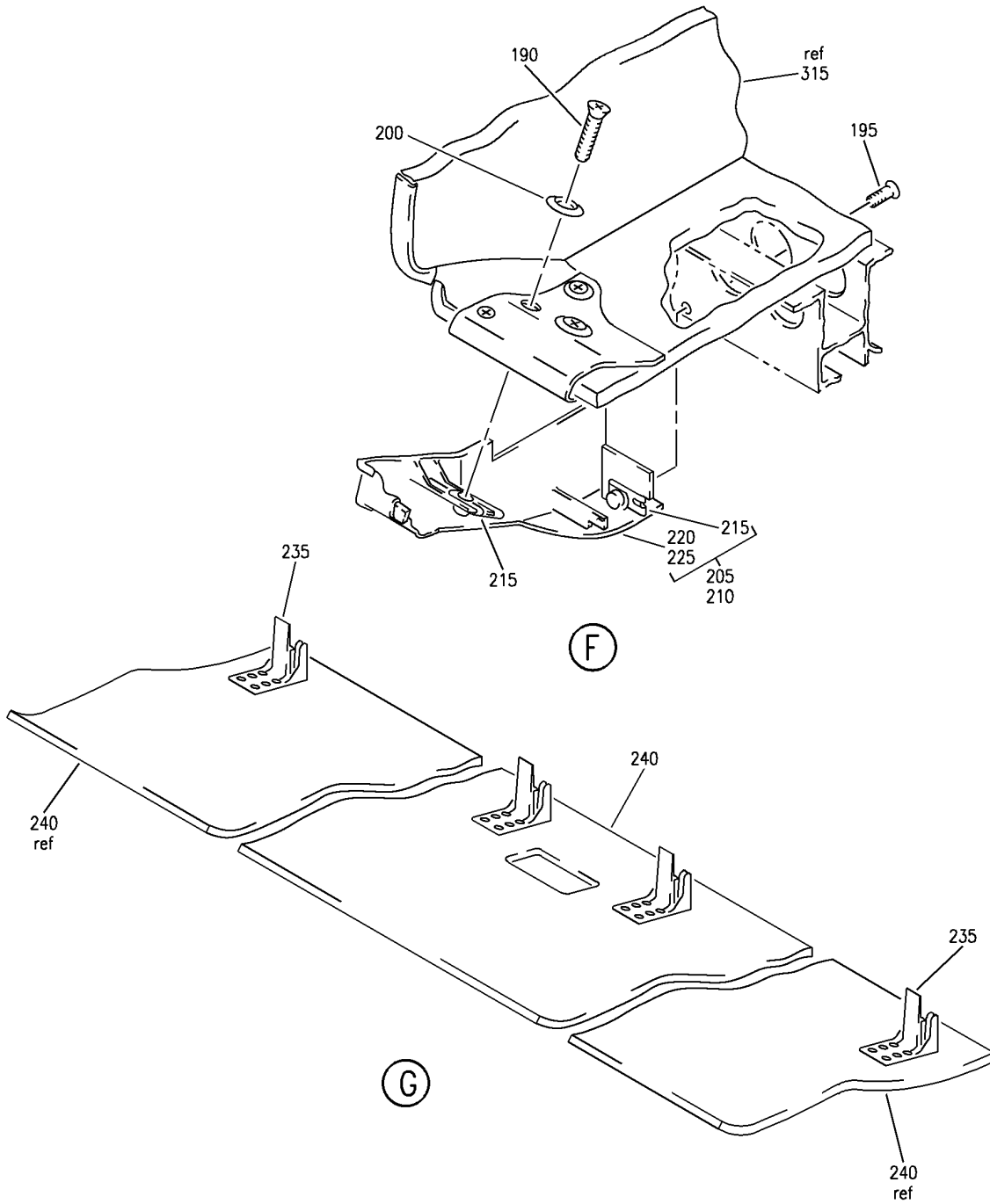
TOP ASSY-AFT RH 60 IN. OVHD STOWAGE BIG BIN BULLNOSE CONFIGURATION (EQUIPMENT/FURNISHINGS ONLY)
 FIGURE 19J (SHEET 4)

HAP
 FEB 15/08

25-24-31-19J

25-24-31-19J
 PAGE 0C

BOEING
 737-600/700/800/900
 PARTS CATALOG (MAINTENANCE)



E 2524-31-19J SHT 5 REV 133

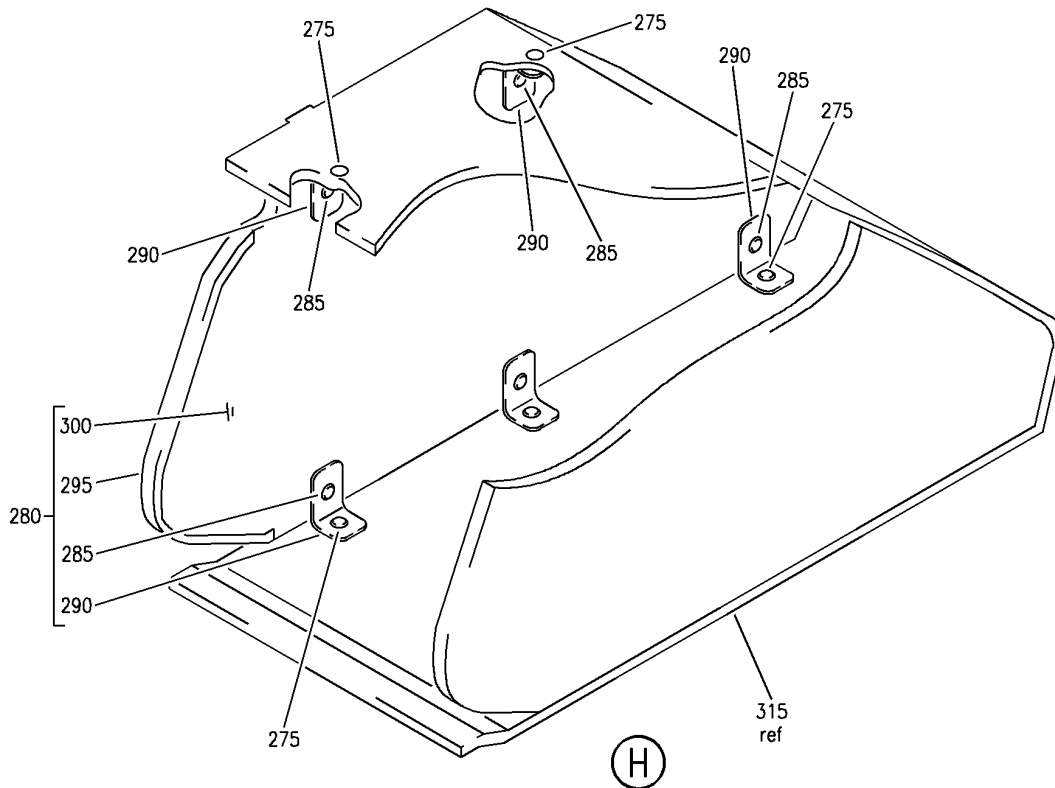
TOP ASSY-AFT RH 60 IN. OVHD STOWAGE BIG BIN BULLNOSE CONFIGURATION (EQUIPMENT/FURNISHINGS ONLY)
 FIGURE 19J (SHEET 5)

HAP
 FEB 15/08

25-24-31-19J

25-24-31-19J
 PAGE 0D

BOEING
 737-600/700/800/900
 PARTS CATALOG (MAINTENANCE)



E 2524-31-19J SHT 6 REV 133

TOP ASSY-AFT RH 60 IN. OVHD STOWAGE BIG BIN BULLNOSE CONFIGURATION (EQUIPMENT/FURNISHINGS ONLY)
 FIGURE 19J (SHEET 6)

HAP
 FEB 15/08

25-24-31-19J

25-24-31-19J
 PAGE 0E

BOEING
737-600/700/800/900
PARTS CATALOG (MAINTENANCE)

FIG ITEM	PART NUMBER	1 2 3 4 5 6 7	NOMENCLATURE	EFFECT FROM TO	UNITS PER ASSY
R R R R R R R R R R R R R R	19J		TOP ASSY-AFT RH 60 IN. OVHD STOWAGE BIG BIN BULLNOSE CONFIGURATION (EQUIPMENT/FURNISHINGS ONLY)	047047 049049 107200	
	- 1	412A1052-1038B	TOP ASSY-60 IN. OVHD STOWAGE BIG BIN BULLNOSE CONFIGURATION (EQUIPMENT/FURNISHINGS ONLY) POSITION DATA: AFT RH POST RAPID REVISION: RR97237-36B FOR NHA/OTHER SYS DET SEE: 25-24-30-49E	047047 049049 107200	RF
	5	412A1420-2A	.EXTRUSION-SEAT ROW MARKER	047047 049049 107200	1
	10	412A1451-2BCWK	.STRIP-TRIM	047047 049049 107200	1
	15	H3-1592-1	.LATCH-CLG SUPPLIER CODE: V34941 SPECIFICATION NUMBER: S411A001-1 ATTACHING PARTS	047047 049049 107200	2
	- 20	BACS12GU3K7	.SCREW	047047 049049 107200	4
	- 25	NAS1149D0332J	.WASHER	047047 049049 107200	4
	30	412A1700-5A	-----*----- .VALANCE ASSY-LT ATTACHING PARTS	047047 049049 107200	1
	35	BACN10YJ3F	.NUT	047047 049049 107200	6
	40	BACS21DW3C10FN	-----*----- ..STUD	047047 049049 107200	6
	45	412A1700-6	..TAPE-VELCRO	047047 049049 107200	1

MISSING ITEM NUMBERS NOT APPLICABLE

- ITEM NOT ILLUSTRATED

HAP

25-24-31-19J

BOEING PROPRIETARY - Copyright © - Unpublished Work - See title page for details.

25-24-31
FIG. 19J
PAGE 1
JUN 15/09

BOEING
737-600/700/800/900
PARTS CATALOG (MAINTENANCE)

FIG ITEM	PART NUMBER	1 2 3 4 5 6 7	NOMENCLATURE	EFFECT FROM TO	UNITS PER ASSY
19J					
R	50	412A1711-5A	..PANEL ASSY	047047	1
R				049049	
R				107200	
R	55	BACB30VF3K8	.BOLT	047047	4
R				049049	
R				107200	
R	60	BACS12FA3K6	.SCREW	047047	4
R				049049	
R				107200	
R	65	BACS12FA3K5	.SCREW	047047	16
R				049049	
R				107200	
R	70	412A1505-102B	.DOOR ASSY-20 IN. QUALIFIED I/W DATA: THE 412A1505-102B DOOR ASSEMBLY PLUS (QTY 2) HINGE (SP23011) TOGETHER CAN REPLACE THE 412A1505-2B DOOR ASSEMBLY PLUS (QTY 2) HINGE (SP21757).	047047	1
R				049049	
R				107200	
R	75	BACS12FA3K4	..SCREW	047047	4
R				049049	
R				107200	
R	80	HA951-1	..LATCH ASSY- SUPPLIER CODE: V83014 SPECIFICATION NUMBER: S412A003-1	047047	1
R				049049	
R				107200	
R	85	412A1810-3B	..BUMPER- QUALIFIED I/W DATA: PN 412A1810-3B CAN REPLACE BUT NOT BE REPLACED BY PN 412A1810-2B FOR 737-600/700/800/900 ONLY.	047047	2
R				049049	
R				107200	
R	90	412A1452-104B	..TRIM-VERT	047047	1
R				049049	
R				107200	
R	95	412A1452-106B	..TRIM-HORIZ	047047	1
R				049049	
R				107200	
R	100	412A1452-105B	..TRIM-HORIZ	047047	1
R				049049	
R				107200	
R	105	412A1452-103B	..TRIM-VERT	047047	1
R				049049	
R				107200	

MISSING ITEM NUMBERS NOT APPLICABLE

— ITEM NOT ILLUSTRATED

HAP

25-24-31-19J

BOEING PROPRIETARY - Copyright © - Unpublished Work - See title page for details.

25-24-31
FIG. 19J
PAGE 2
JUN 15/09

BOEING
737-600/700/800/900
PARTS CATALOG (MAINTENANCE)

FIG ITEM	PART NUMBER	1 2 3 4 5 6 7	NOMENCLATURE	EFFECT FROM TO	UNITS PER ASSY
R	19J				
R	110	412A1514-102B	..PANEL ASSY	047047 049049 107200	1
R	- 115	SL618-3A	...INSERT- SUPPLIER CODE: V97393	047047 049049 107200	12
R	120	412A1514-101B	...PANEL ASSY	047047 049049 107200	1
R	125	412A1505-126B	.DOOR ASSY-40 IN.	047047 049049 107200	1
R	130	BACS12FA3K4	..SCREW	047047 049049 107200	5
R	135	HA951-3	..LATCH- SUPPLIER CODE: V83014 SPECIFICATION NUMBER: S412A003-2	047047 049049 107200	1
R	140	412A1810-3B	..BUMPER- QUALIFIED I/W DATA: PN 412A1810-3B CAN REPLACE BUT NOT BE REPLACED BY PN 412A1810-2B FOR 737-600/700/800/900 ONLY.	047047 049049 107200	2
R	145	412A1452-104B	..TRIM-VERT	047047 049049 107200	1
R	150	412A1452-106B	..TRIM-HORIZ	047047 049049 107200	1
R	155	412A1452-105B	..TRIM-HORIZ	047047 049049 107200	1
R	160	412A1452-103B	..TRIM-VERT	047047 049049 107200	1
R	165	412A1513-126B	..PANEL ASSY	047047 049049 107200	1
R	- 170	SL618-3A	...INSERT- SUPPLIER CODE: V97393	047047 049049 107200	13
R	175	412A1513-101B	...PANEL ASSY	047047 049049 107200	1

MISSING ITEM NUMBERS NOT APPLICABLE

- ITEM NOT ILLUSTRATED

HAP

25-24-31-19J

BOEING PROPRIETARY - Copyright © - Unpublished Work - See title page for details.

25-24-31
FIG. 19J
PAGE 3
JUN 15/09

BOEING
737-600/700/800/900
PARTS CATALOG (MAINTENANCE)

FIG ITEM	PART NUMBER	1 2 3 4 5 6 7	NOMENCLATURE	EFFECT FROM TO	UNITS PER ASSY
R R R R R R R R R R R R R R R R R R R R R	19J 180	SP23011	.HINGE ASSY- SUPPLIER CODE: V24403 SPECIFICATION NUMBER: S412A004-3	047047 049049 107200	4
	185	403A3210-96B	.SEAL ASSY	047047 049049 107200	1
	190	BACS12ER3K11	.SCREW	047047 049049 107200	2
	195	BACB30VF3K3	.BOLT	047047 049049 107200	2
	200	H3-1233A3	.WASHER- SUPPLIER CODE: V34941 SPECIFICATION NUMBER: S411A001-1	047047 049049 107200	2
	205	412A1467-1B	.CLOSEOUT ASSY	047047 049049 107200	1
	210	412A1467-2B	.CLOSEOUT ASSY	047047 049049 107200	1
	215	BACN10VR4CGN	..NUT- OPTIONAL PART: BACN10VR4CG	047047 049049 107200	2
	215	BACN10VR4CG	..NUT- OPTIONAL PART: BACN10VR4CGN	047047 049049 107200	2
	220	412A1467-5B	..CLOSEOUT- USED ON: 412A1467-1B	047047 049049 107200	1
	225	412A1467-6B	..CLOSEOUT- USED ON: 412A1467-2B	047047 049049 107200	1
	230	412A1607-10B	.COVER ASSY	047047 049049 107200	1
	235	412A1460-2	..CLIP	047047 049049 107200	4
	240	412A1617-11B	..PANEL	047047 049049 107200	1
	245	BACS12ER3K14	.SCREW	047047 049049 107200	10

MISSING ITEM NUMBERS NOT APPLICABLE

— ITEM NOT ILLUSTRATED

HAP

25-24-31-19J

BOEING PROPRIETARY - Copyright © - Unpublished Work - See title page for details.

25-24-31
FIG. 19J
PAGE 4
JUN 15/09


BOEING
 737-600/700/800/900
PARTS CATALOG (MAINTENANCE)

FIG ITEM	PART NUMBER	1 2 3 4 5 6 7	NOMENCLATURE	EFFECT FROM TO		UNITS PER ASSY
R	19J					
R	250	BACS12FA3K5	.SCREW	047047		9
R				049049		
R				107200		
R	255	H3-1233A3	.WASHER-	047047		10
R			SUPPLIER CODE:	049049		
R			V34941	107200		
R			SPECIFICATION NUMBER:			
R			S411A001-1			
R	260	412A1244-2	.EXTRUSION ASSY	047047		1
R				049049		
R				107200		
R	265	FS1651-3	..NUTPLATE	047047		10
R			SUPPLIER CODE:	049049		
R			V15653	107200		
R			SPECIFICATION NUMBER:			
R			BACN10KH3CD			
R			OPTIONAL PART:			
R			102F9209M3			
R			V72962			
R			NS202496-02			
R			V80539			
R			ATTACHING PARTS			
R	- 270	BACR15BA3ADC	..RIVET-	047047		20
R			SIZE DETERMINED ON INSTL.	049049		
R				107200		
R			-----*-----			
R	275	BACS12FA3K5	.SCREW	047047		5
R				049049		
R				107200		
R	280	412A1912-1B	.PANEL ASSY-DIVIDER	047047		1
R				049049		
R				107200		
R	285	BACS12FA3K5	..SCREW	047047		5
R				049049		
R				107200		
R	290	412A1220-61A	..CLIP	047047		5
R				049049		
R				107200		
R	295	412A1250-91A	..TRIM	047047		1
R				049049		
R				107200		
R	300	412A1217-1B	..PANEL ASSY-DIVIDER	047047		1
R				049049		
R				107200		
R	- 305	SL2334-3A1	...INSERT-	047047		11
R			SUPPLIER CODE:	049049		
R			V97393	107200		

MISSING ITEM NUMBERS NOT APPLICABLE

- ITEM NOT ILLUSTRATED

HAP

25-24-31-19J

BOEING PROPRIETARY - Copyright © - Unpublished Work - See title page for details.

25-24-31
 FIG. 19J
 PAGE 5
 JUN 15/09


BOEING
 737-600/700/800/900
PARTS CATALOG (MAINTENANCE)

FIG ITEM	PART NUMBER	1 2 3 4 5 6 7	NOMENCLATURE	EFFECT FROM TO	UNITS PER ASSY
R R R R R R	19J - 310		. PLUG	047047 049049 107200	AR
	315		.BOX ASSY-60 IN. BIG BIN FOR DETAILS SEE: 25-24-32-65	047047 049049 107200	1

MISSING ITEM NUMBERS NOT APPLICABLE

- ITEM NOT ILLUSTRATED

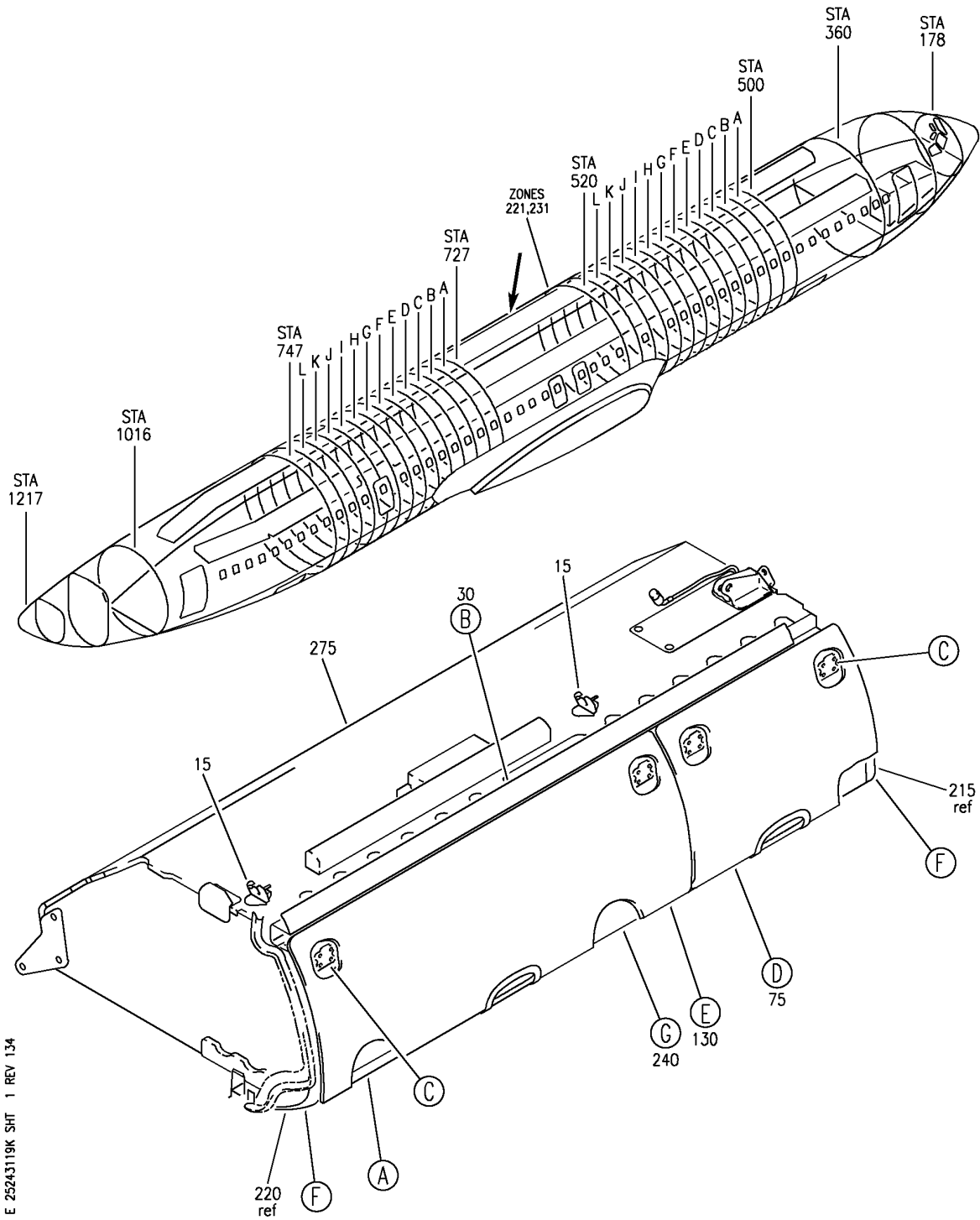
HAP

25-24-31-19J

BOEING PROPRIETARY - Copyright © - Unpublished Work - See title page for details.

25-24-31
 FIG. 19J
 PAGE 6
 JUN 15/09

BOEING
 737-600/700/800/900
 PARTS CATALOG (MAINTENANCE)



E 25243119K SHT 1 REV 134

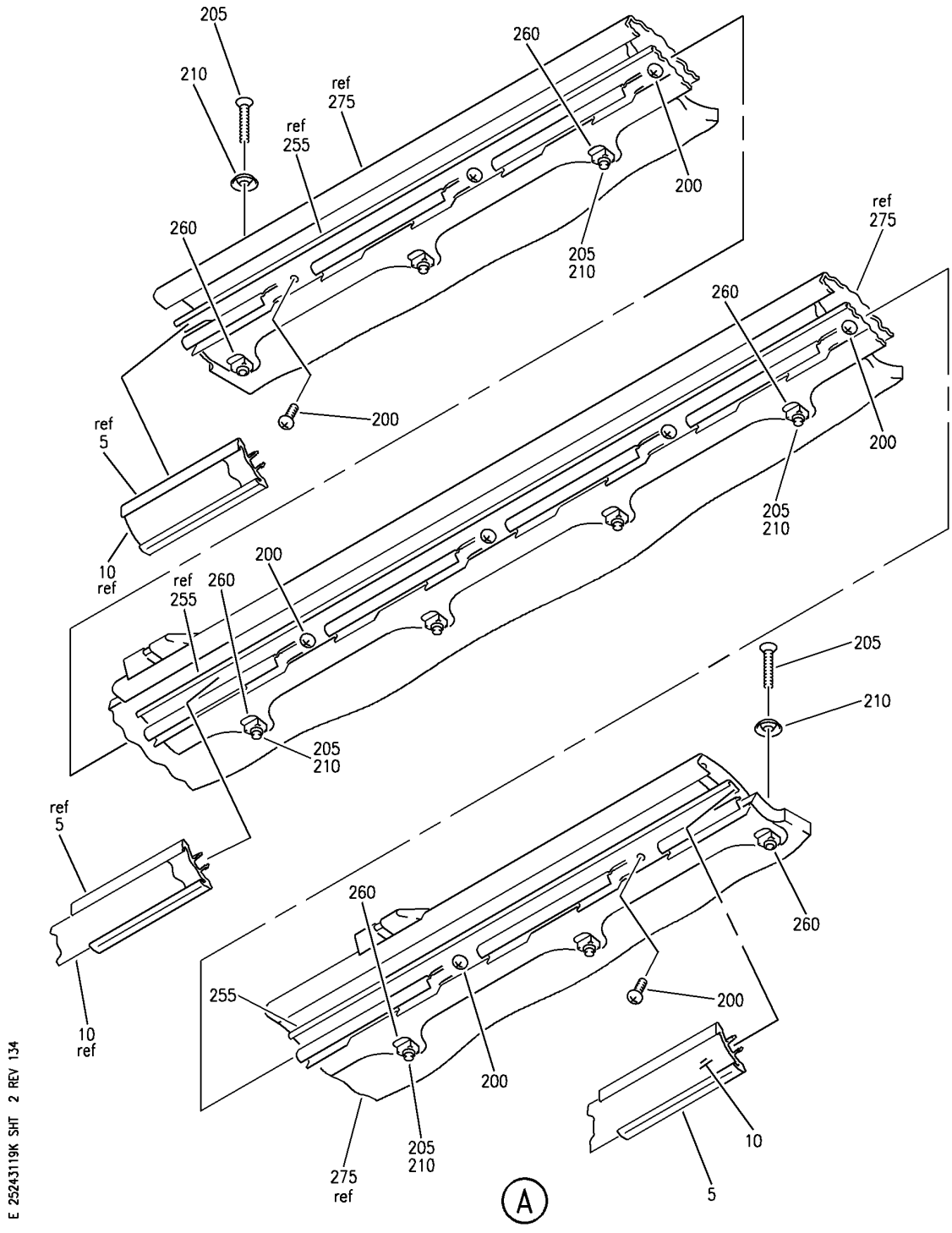
TOP ASSY-FWD LH 60 IN. OVHD STOWAGE BIG BIN BULLNOSE CONFIGURATION (EQUIPMENT/ FURNISHINGS ONLY)
 FIGURE 19K (SHEET 1)

HAP
 OCT 10/07

25-24-31-19K

25-24-31-19K
 PAGE 0

BOEING
737-600/700/800/900
PARTS CATALOG (MAINTENANCE)



E 25243119K SHT 2 REV 134

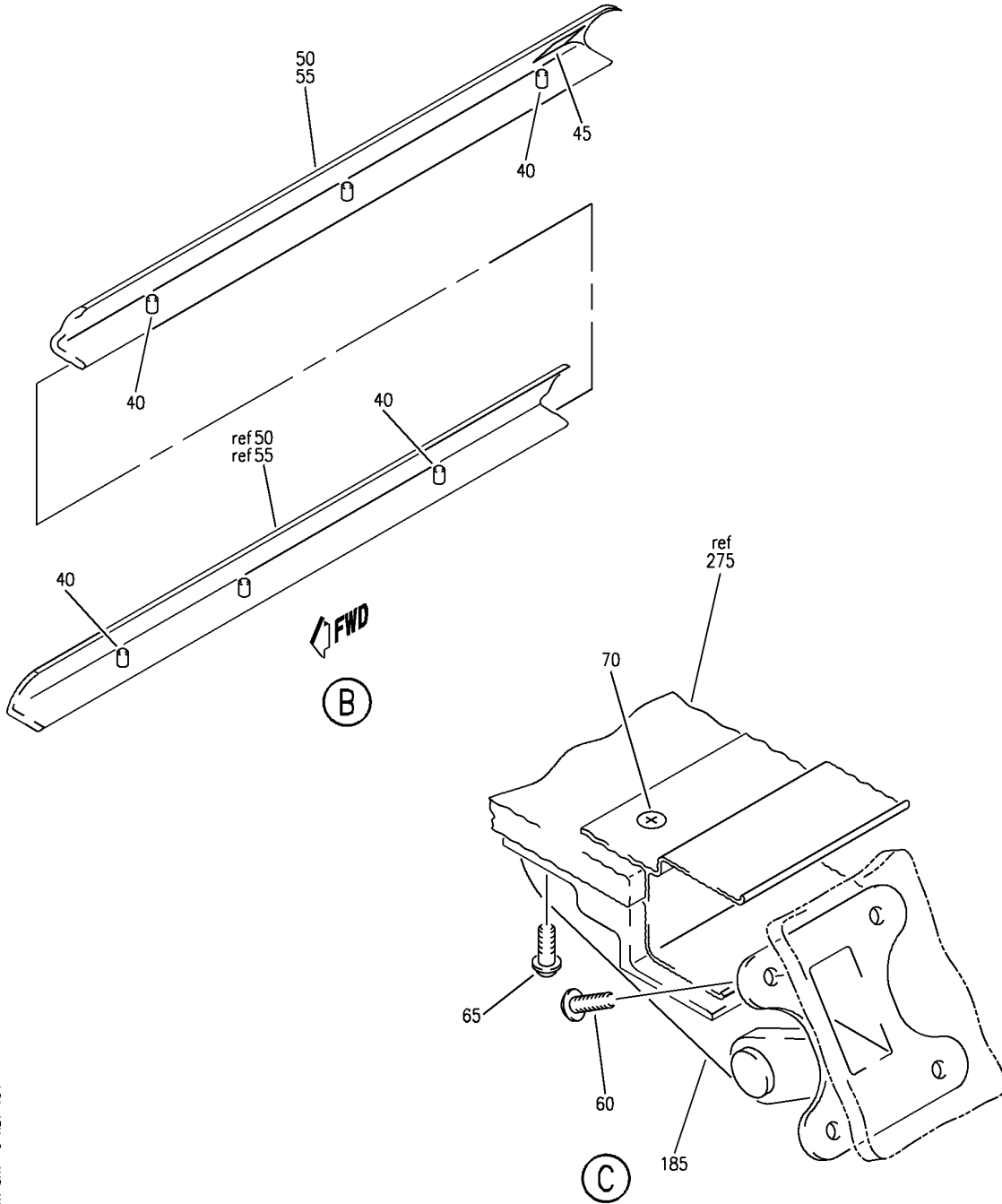
TOP ASSY-FWD LH 60 IN. OVHD STOWAGE BIG BIN BULLNOSE CONFIGURATION (EQUIPMENT/ FURNISHINGS ONLY)
 FIGURE 19K (SHEET 2)

HAP
 OCT 10/07

25-24-31-19K

25-24-31-19K
 PAGE 0A

BOEING
 737-600/700/800/900
 PARTS CATALOG (MAINTENANCE)



E 25243119K SHT 3 REV 134

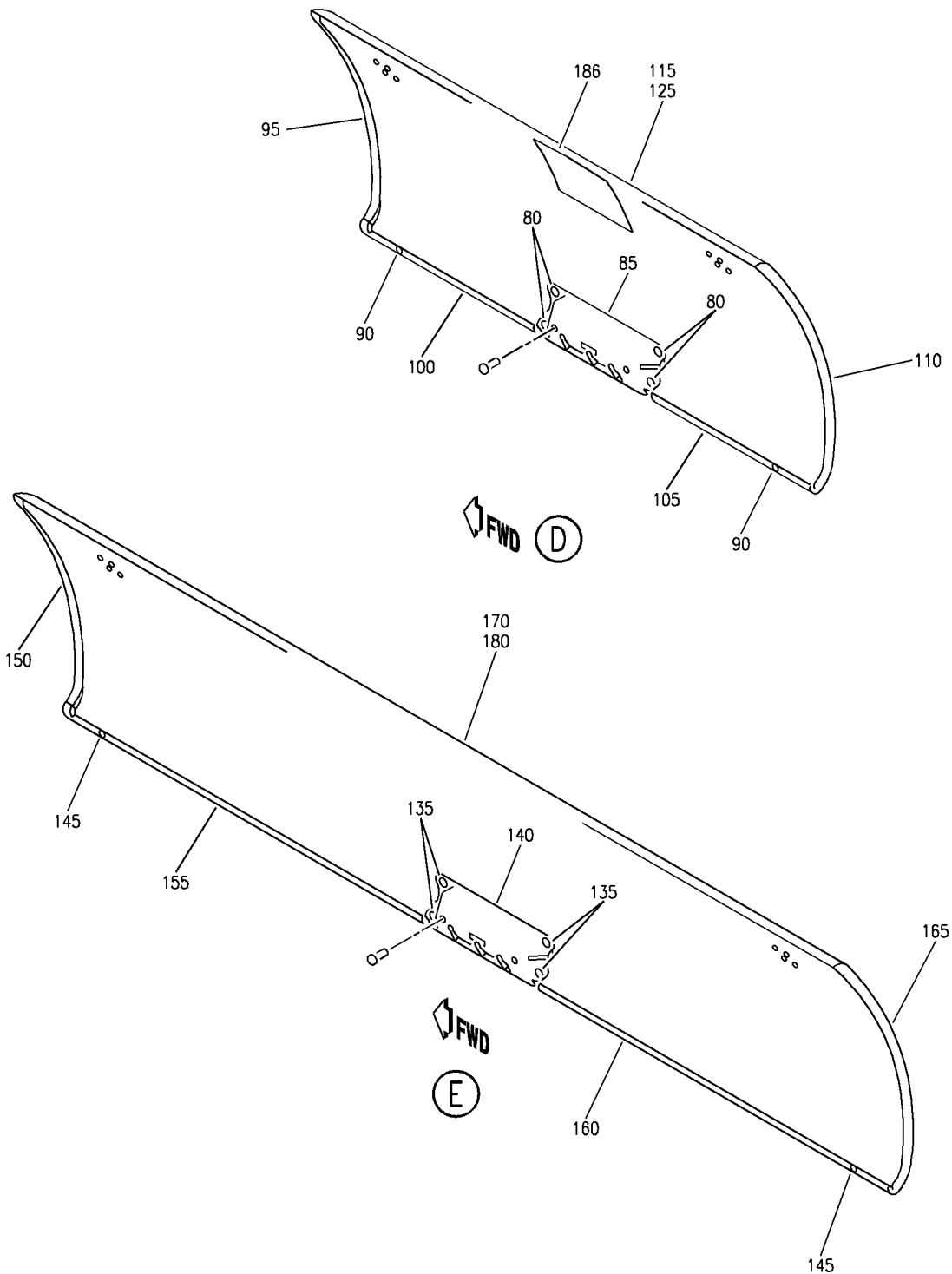
TOP ASSY-FWD LH 60 IN. OVHD STOWAGE BIG BIN BULLNOSE CONFIGURATION (EQUIPMENT/ FURNISHINGS ONLY)
 FIGURE 19K (SHEET 3)

HAP
 OCT 10/07

25-24-31-19K

25-24-31-19K
 PAGE 0B

BOEING
 737-600/700/800/900
 PARTS CATALOG (MAINTENANCE)



E 25243119K SHT 4 REV 136

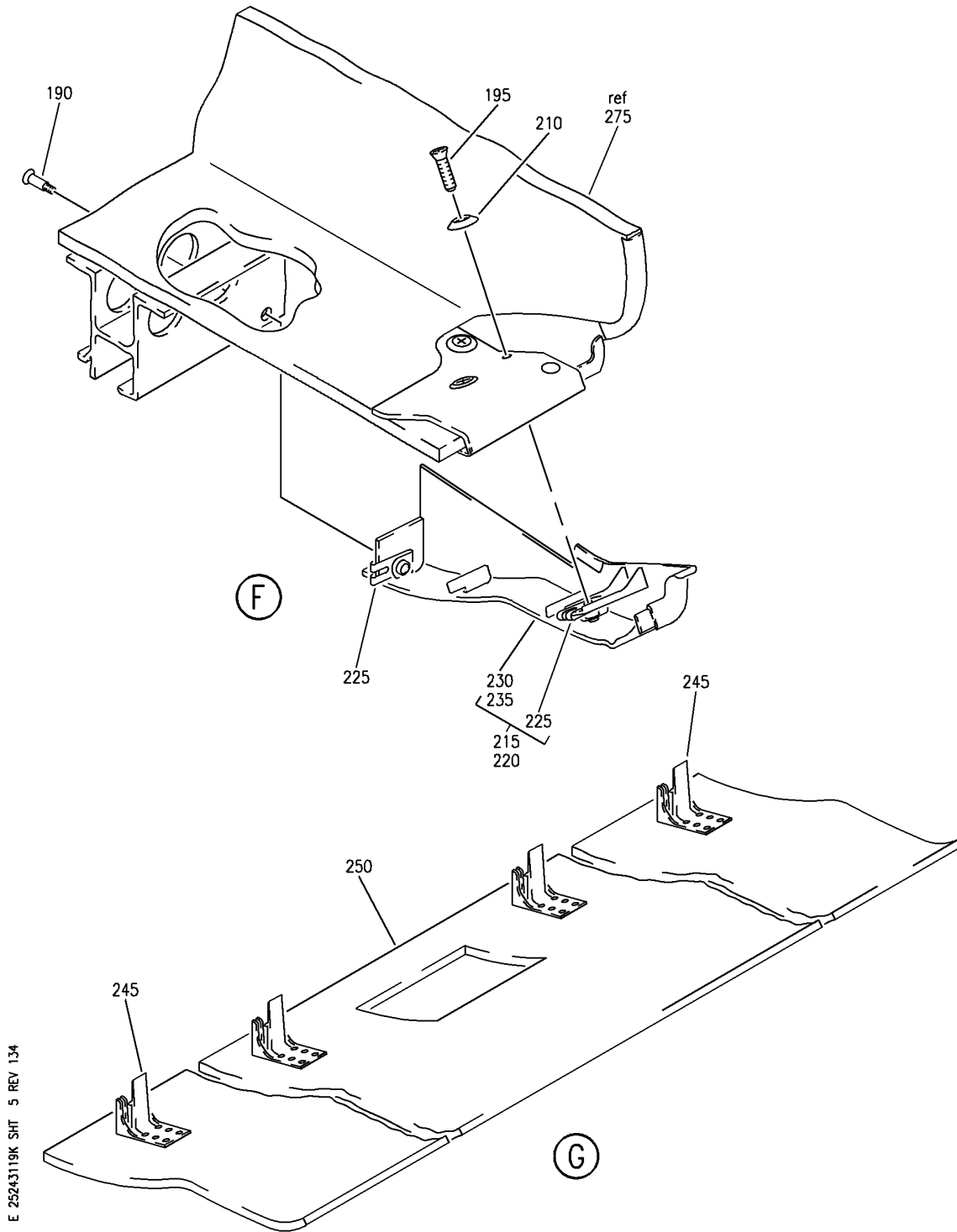
TOP ASSY-FWD LH 60 IN. OVHD STOWAGE BIG BIN BULLNOSE CONFIGURATION (EQUIPMENT/ FURNISHINGS ONLY)
 FIGURE 19K (SHEET 4)

HAP
 FEB 15/08

25-24-31-19K

25-24-31-19K
 PAGE 0C

BOEING
 737-600/700/800/900
 PARTS CATALOG (MAINTENANCE)



E 25243119K SHT 5 REV 134

TOP ASSY-FWD LH 60 IN. OVHD STOWAGE BIG BIN BULLNOSE CONFIGURATION (EQUIPMENT/ FURNISHINGS ONLY)
 FIGURE 19K (SHEET 5)

HAP
 OCT 10/07

25-24-31-19K

25-24-31-19K
 PAGE 0D

BOEING
737-600/700/800/900
PARTS CATALOG (MAINTENANCE)

FIG ITEM	PART NUMBER	1 2 3 4 5 6 7	NOMENCLATURE	EFFECT FROM TO	UNITS PER ASSY
19K			TOP ASSY-FWD LH 60 IN. OVHD STOWAGE BIG BIN BULLNOSE CONFIGURATION (EQUIPMENT/ FURNISHINGS ONLY)	044100 102200 972999	
- 1	412A1052-1015C		TOP ASSY-60 IN. OVHD STOWAGE BIG BIN BULLNOSE CONFIGURATION (EQUIPMENT/ FURNISHINGS ONLY) POSITION DATA: FWD LH FOR NHA/OTHER SYS DET SEE: 25-24-30-12	044100 102200 972999	RF
5	412A1420-2A		.EXTRUSION-SEAT ROW MARKER	044100 102200 972999	1
10	412A1451-2BCWK		.STRIP	044100 102200 972999	1
15	H3-1592-1		.LATCH-CLG SUPPLIER CODE: V34941 SPECIFICATION NUMBER: S411A001-1 ATTACHING PARTS	044100 102200 972999	2
- 20	BACS12GU3K7		.SCREW	044100 102200 972999	4
- 25	NAS1149D0332J		.WASHER	044100 102200 972999	4
30	412A1700-5A		-----*----- .VALANCE ASSY-LT ATTACHING PARTS	044100 102200 972999	1
- 35	BACN10YJ3F		.NUT	044100 102200 972999	6
40	BACS21DW3C10FN		-----*----- ..STUD	044100 102200 972999	6
45	412A1700-6		..TAPE-HOOK	044100 102200 972999	1
50	412A1711-5A		..PANEL ASSY	044100 102200 972999	1

MISSING ITEM NUMBERS NOT APPLICABLE

- ITEM NOT ILLUSTRATED

HAP

25-24-31-19K

BOEING PROPRIETARY - Copyright © - Unpublished Work - See title page for details.

25-24-31
FIG. 19K
PAGE 1
OCT 15/08

BOEING
737-600/700/800/900
PARTS CATALOG (MAINTENANCE)

FIG ITEM	PART NUMBER	1 2 3 4 5 6 7	NOMENCLATURE	EFFECT FROM TO	UNITS PER ASSY
19K					
55	412A1711-1A	...	PANEL ASSY- OPTIONAL PART: 412A1711-101B	044100 102200 972999	1
55	412A1711-101B	...	PANEL ASSY- OPTIONAL PART: 412A1711-1A	044100 102200 972999	1
60	BACS12FA3K5	.	SCREW	044100 102200 972999	16
65	BACS12FA3K6	.	SCREW	044100 102200 972999	4
70	BACB30VF3K8	.	BOLT	044100 102200 972999	4
75	412A1505-102B	.	DOOR ASSY-20 IN. QUALIFIED I/W DATA: THE 412A1505-102B DOOR ASSEMBLY PLUS (QTY 2) HINGE (SP23011) TOGETHER CAN REPLACE THE 412A1505-2B DOOR ASSEMBLY PLUS (QTY 2) HINGE (SP21757).	044100 102200 972999	1
80	BACS12FA3K4	..	SCREW	044100 102200 972999	4
85	HA951-1	..	LATCH ASSY- SUPPLIER CODE: V83014 SPECIFICATION NUMBER: S412A003-1	044100 102200 972999	1
90	412A1810-3B	..	BUMPER- QUALIFIED I/W DATA: PN 412A1810-3B CAN REPLACE BUT NOT BE REPLACED BY PN 412A1810-2B FOR 737-600/700/800/900 ONLY.	044100 102200 972999	2
95	412A1452-104B	..	TRIM-VERT	044100 102200 972999	1
100	412A1452-106B	..	TRIM-HORIZ	044100 102200 972999	1
105	412A1452-105B	..	TRIM-HORIZ	044100 102200 972999	1

R
R
R
R
R
R
R
R

MISSING ITEM NUMBERS NOT APPLICABLE

- ITEM NOT ILLUSTRATED

HAP

25-24-31-19K

BOEING PROPRIETARY - Copyright © - Unpublished Work - See title page for details.

25-24-31
FIG. 19K
PAGE 2
JUN 15/09

BOEING
737-600/700/800/900
PARTS CATALOG (MAINTENANCE)

FIG ITEM	PART NUMBER	1 2 3 4 5 6 7	NOMENCLATURE	EFFECT FROM TO	UNITS PER ASSY
19K 110	412A1452-103B	..	TRIM-VERT	044100 102200 972999	1
115	412A1514-102B	..	PANEL ASSY	044100 102200 972999	1
- 120	SL618-3A	...	INSERT- SUPPLIER CODE: V97393	044100 102200 972999	12
125	412A1514-101B	...	PANEL ASSY	044100 102200 972999	1
130	412A1505-101B	.	DOOR ASSY-40 IN.	044100 102200 972999	1
135	BACS12FA3K4	..	SCREW	044100 102200 972999	4
140	HA951-1	..	LATCH ASSY- SUPPLIER CODE: V83014 SPECIFICATION NUMBER: S412A003-1	044100 102200 972999	1
145	412A1810-3B	..	BUMPER- QUALIFIED I/W DATA: PN 412A1810-3B CAN REPLACE BUT NOT BE REPLACED BY PN 412A1810-2B FOR 737-600/700/800/900 ONLY.	044100 102200 972999	2
150	412A1452-104B	..	TRIM-VERT	044100 102200 972999	1
155	412A1452-106B	..	TRIM-HORIZ	044100 102200 972999	1
160	412A1452-105B	..	TRIM-HORIZ	044100 102200 972999	1
165	412A1452-103B	..	TRIM-VERT	044100 102200 972999	1
170	412A1513-102B	..	PANEL ASSY	044100 102200 972999	1
- 175	SL618-3A	...	INSERT- SUPPLIER CODE: V97393	044100 102200 972999	12

MISSING ITEM NUMBERS NOT APPLICABLE

- ITEM NOT ILLUSTRATED

HAP

25-24-31-19K

BOEING PROPRIETARY - Copyright © - Unpublished Work - See title page for details.

25-24-31
FIG. 19K
PAGE 3
JUN 15/09

BOEING
737-600/700/800/900
PARTS CATALOG (MAINTENANCE)

FIG ITEM	PART NUMBER	1 2 3 4 5 6 7	NOMENCLATURE	EFFECT FROM TO	UNITS PER ASSY
19K 180	412A1513-101B	...	PANEL ASSY	044100 102200 972999	1
185	SP23011	.HINGE ASSY-	SUPPLIER CODE: V24403 SPECIFICATION NUMBER: S412A004-3	044100 102200 972999	4
190	BACB30VF3K3	.BOLT		044100 102200 972999	2
195	BACS12ER3K11	.SCREW		044100 102200 972999	2
200	BACS12FA3K5	.SCREW		044100 102200 972999	9
205	BACS12ER3K14	.SCREW		044100 102200 972999	10
210	H3-1233A3	.WASHER-	SUPPLIER CODE: V34941 SPECIFICATION NUMBER: S411A001-1	044100 102200 972999	12
215	412A1467-1B	.CLOSEOUT ASSY		044100 102200 972999	1
220	412A1467-2B	.CLOSEOUT ASSY		044100 102200 972999	1
225	BACN10VR4CGN	..NUT-	OPTIONAL PART: BACN10VR4CG	044100 102200 972999	2
225	BACN10VR4CG	..NUT-	OPTIONAL PART: BACN10VR4CGN	044100 102200 972999	2
230	412A1467-5B	..CLOSEOUT-	USED ON: 412A1467-1B	044100 102200 972999	1
235	412A1467-6B	..CLOSEOUT-	USED ON: 412A1467-2B	044100 102200 972999	1
240	412A1607-10B	.COVER ASSY		044100 102200 972999	1
245	412A1460-2	..CLIP		044100 102200 972999	4

MISSING ITEM NUMBERS NOT APPLICABLE

- ITEM NOT ILLUSTRATED

HAP

25-24-31-19K

BOEING PROPRIETARY - Copyright © - Unpublished Work - See title page for details.

25-24-31
FIG. 19K
PAGE 4
JUN 15/09

BOEING
737-600/700/800/900
PARTS CATALOG (MAINTENANCE)

FIG ITEM	PART NUMBER	1 2 3 4 5 6 7	NOMENCLATURE	EFFECT FROM TO	UNITS PER ASSY
19K 250	412A1617-11B		.. PANEL	044100 102200 972999	1
255	412A1244-2		. EXTRUSION ASSY	044100 102200 972999	1
260	FS1651-3		.. NUTPLATE SUPPLIER CODE: V15653 SPECIFICATION NUMBER: BACN10KH3CD OPTIONAL PART: 102F9209M3 V72962 NS202496-02 V80539 ATTACHING PARTS	044100 102200 972999	10
- 265	BACR15BA3ADC		.. RIVET- SIZE DETERMINED ON INSTL. -----*-----	044100 102200 972999	20
- 270	412A1811-2B		. PLUG	044100 102200 972999	AR
275	412A1255-15B		. BOX ASSY-60 IN. BIN FOR DETAILS SEE: 25-24-32-65C	044100 102200 972999	1

MISSING ITEM NUMBERS NOT APPLICABLE

- ITEM NOT ILLUSTRATED

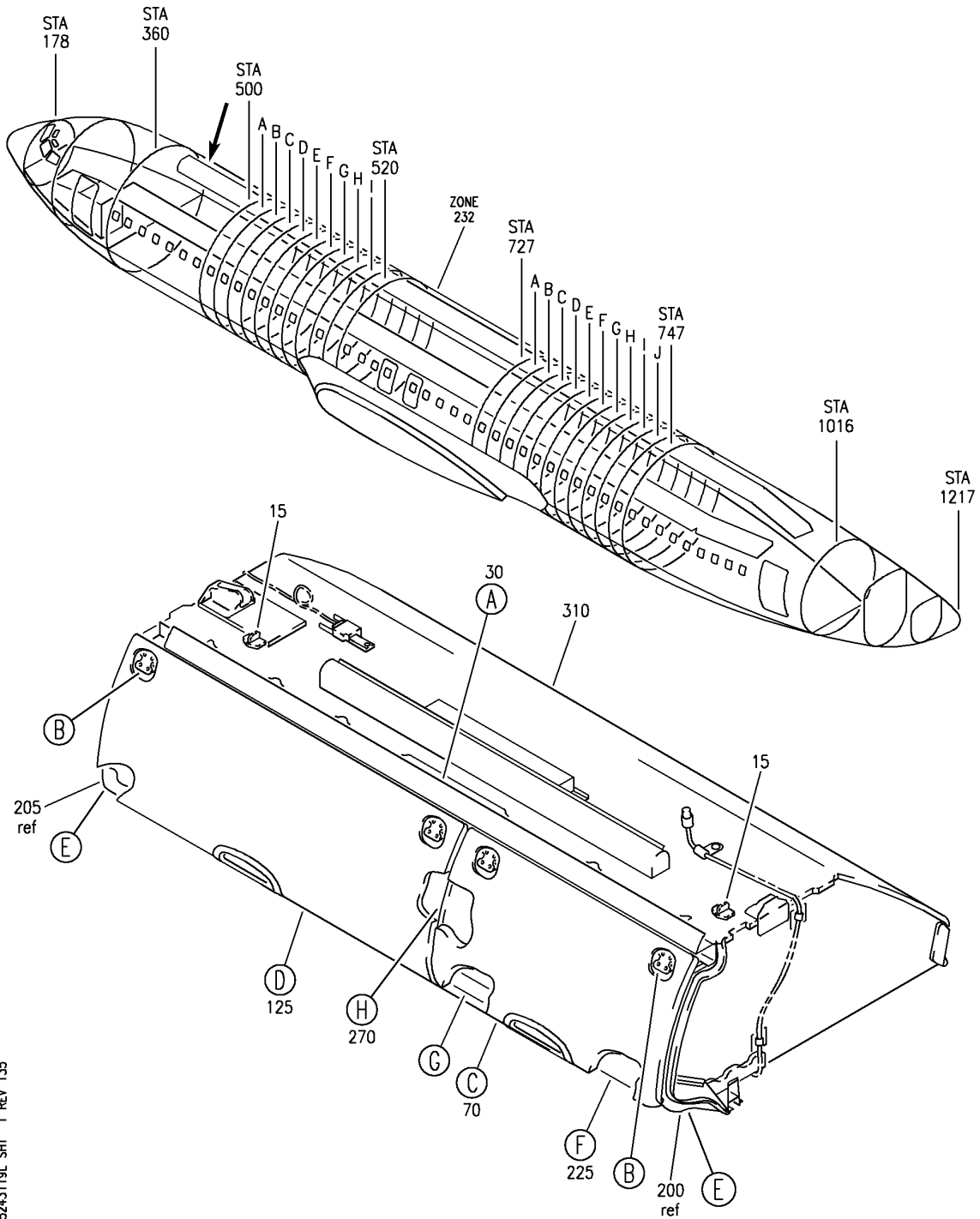
HAP

25-24-31-19K

BOEING PROPRIETARY - Copyright © - Unpublished Work - See title page for details.

25-24-31
FIG. 19K
PAGE 5
JUN 15/09


BOEING
 737-600/700/800/900
PARTS CATALOG (MAINTENANCE)



E 2524-31-19L SHT 1 REV 1.35

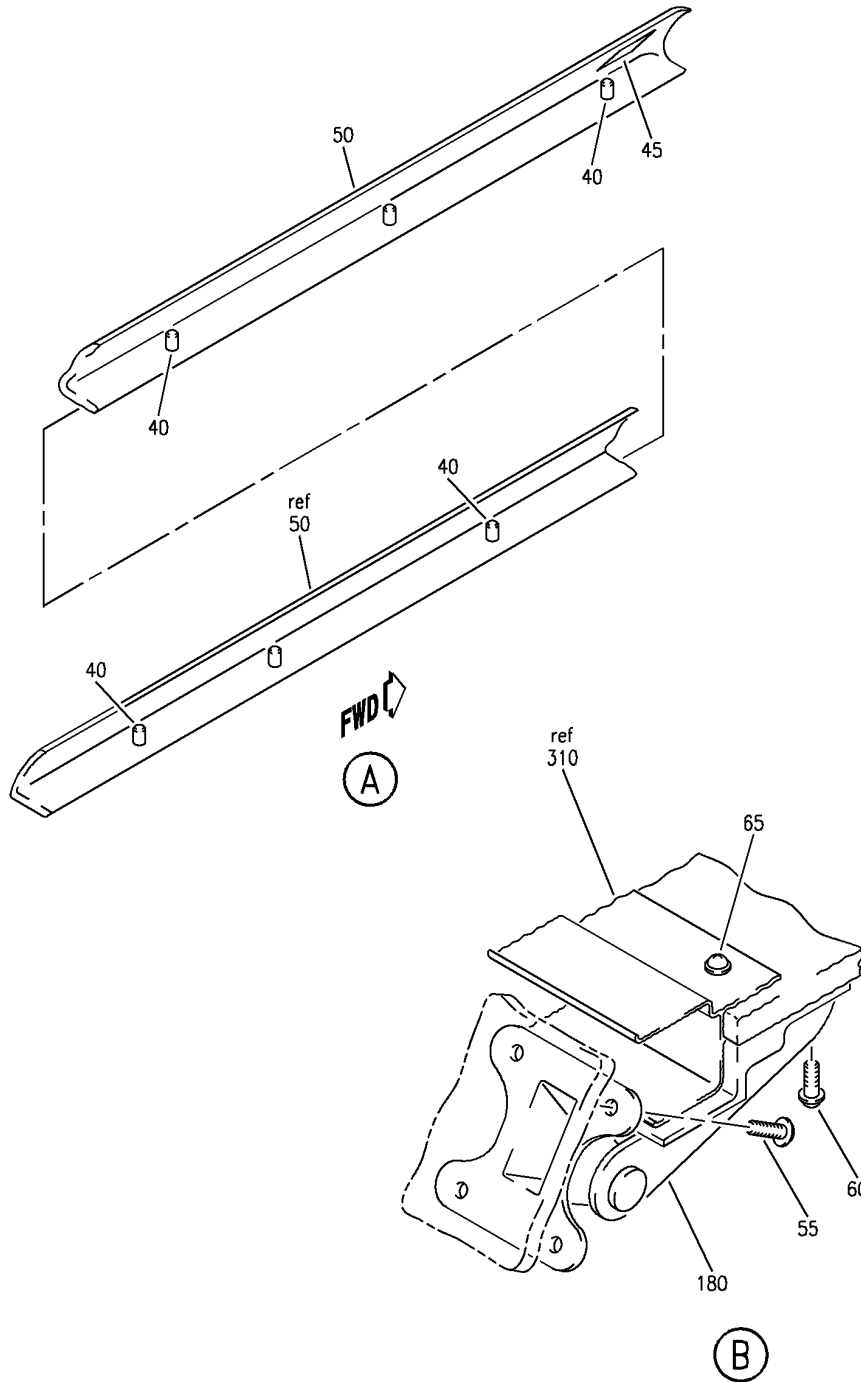
TOP ASSY-FWD RH 60 IN. OVHD STOWAGE BIG BIN BULLNOSE CONFIGURATION (EQUIPMENT/ FURNISHINGS ONLY)
 FIGURE 19L (SHEET 1)

HAP
 OCT 10/07

25-24-31-19L

25-24-31-19L
 PAGE 0

BOEING
 737-600/700/800/900
 PARTS CATALOG (MAINTENANCE)



E 2524-31-19L SHT 2 REV 1.35

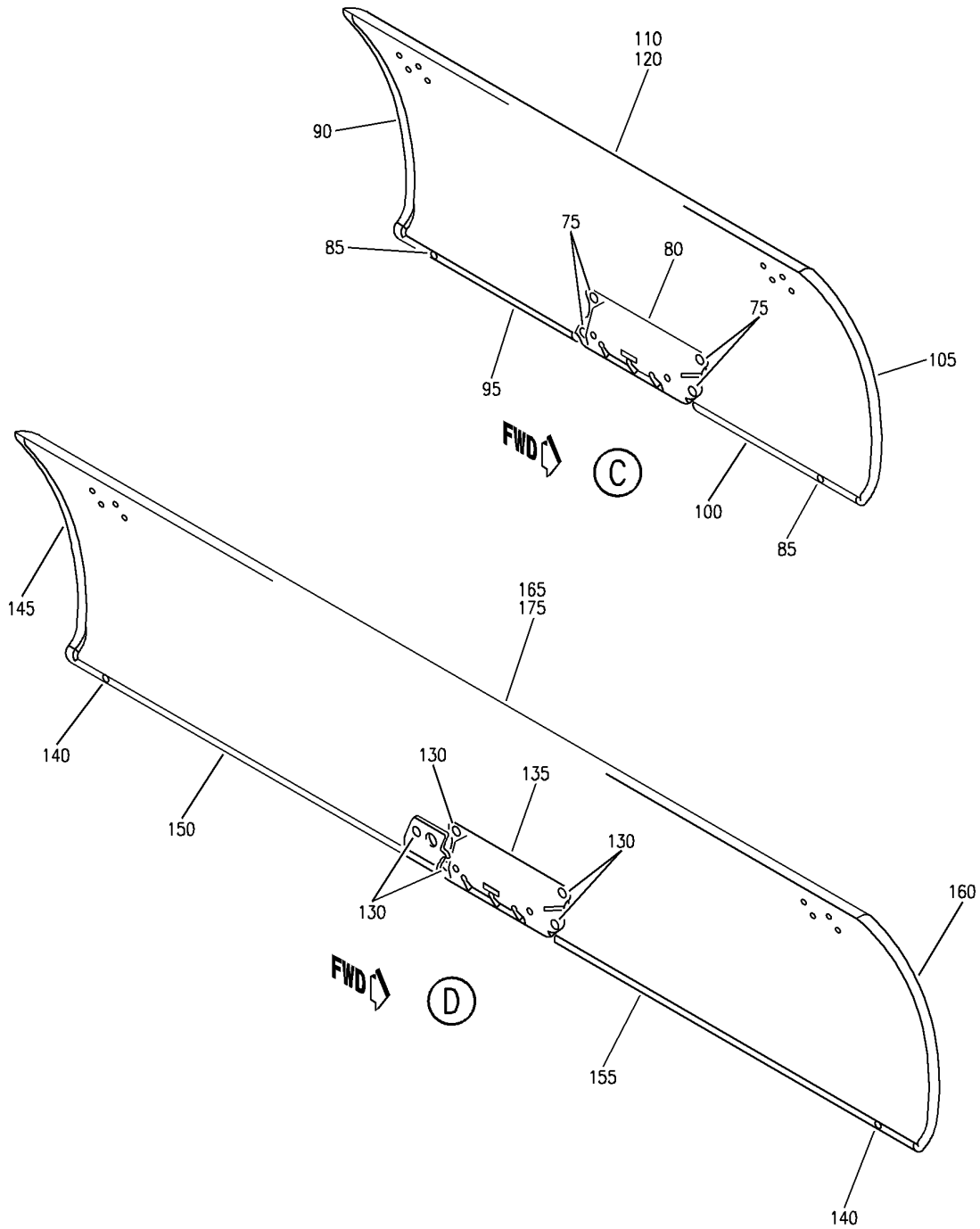
TOP ASSY-FWD RH 60 IN. OVHD STOWAGE BIG BIN BULLNOSE CONFIGURATION (EQUIPMENT/ FURNISHINGS ONLY)
 FIGURE 19L (SHEET 2)

HAP
 OCT 10/07

25-24-31-19L

25-24-31-19L
 PAGE 0A

BOEING
 737-600/700/800/900
 PARTS CATALOG (MAINTENANCE)



E 2524-31-19L SHT 3 REV 1.35

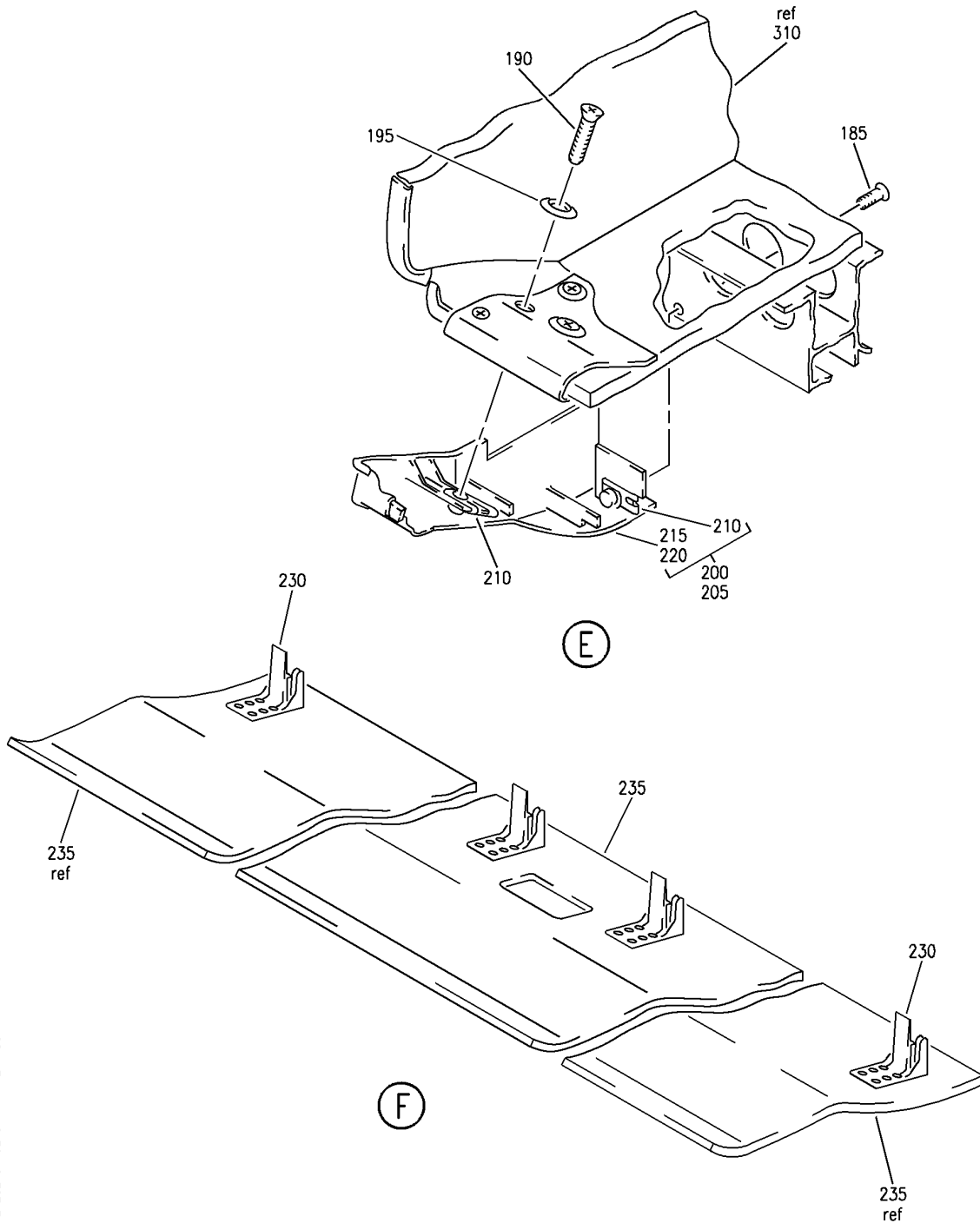
TOP ASSY-FWD RH 60 IN. OVHD STOWAGE BIG BIN BULLNOSE CONFIGURATION (EQUIPMENT/ FURNISHINGS ONLY)
 FIGURE 19L (SHEET 3)

HAP
 OCT 10/07

25-24-31-19L

25-24-31-19L
 PAGE 0B

BOEING
 737-600/700/800/900
 PARTS CATALOG (MAINTENANCE)



E 2524-31-19L SHT 4 REV 1.35

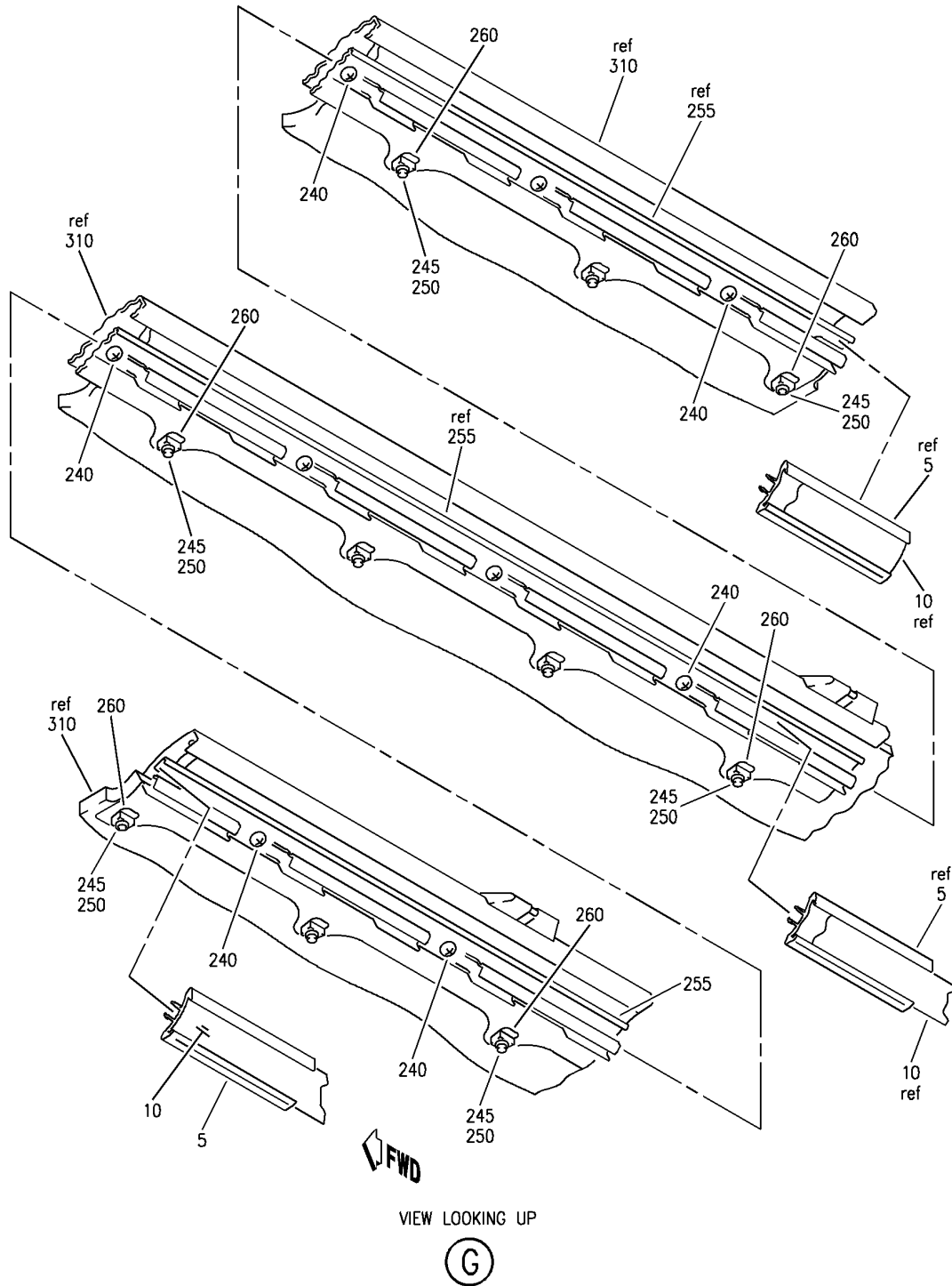
TOP ASSY-FWD RH 60 IN. OVHD STOWAGE BIG BIN BULLNOSE CONFIGURATION (EQUIPMENT/ FURNISHINGS ONLY)
 FIGURE 19L (SHEET 4)

HAP
 OCT 10/07

25-24-31-19L

25-24-31-19L
 PAGE 0C

BOEING
737-600/700/800/900
PARTS CATALOG (MAINTENANCE)



E 2524-31-19L SHT 5 REV 1.35

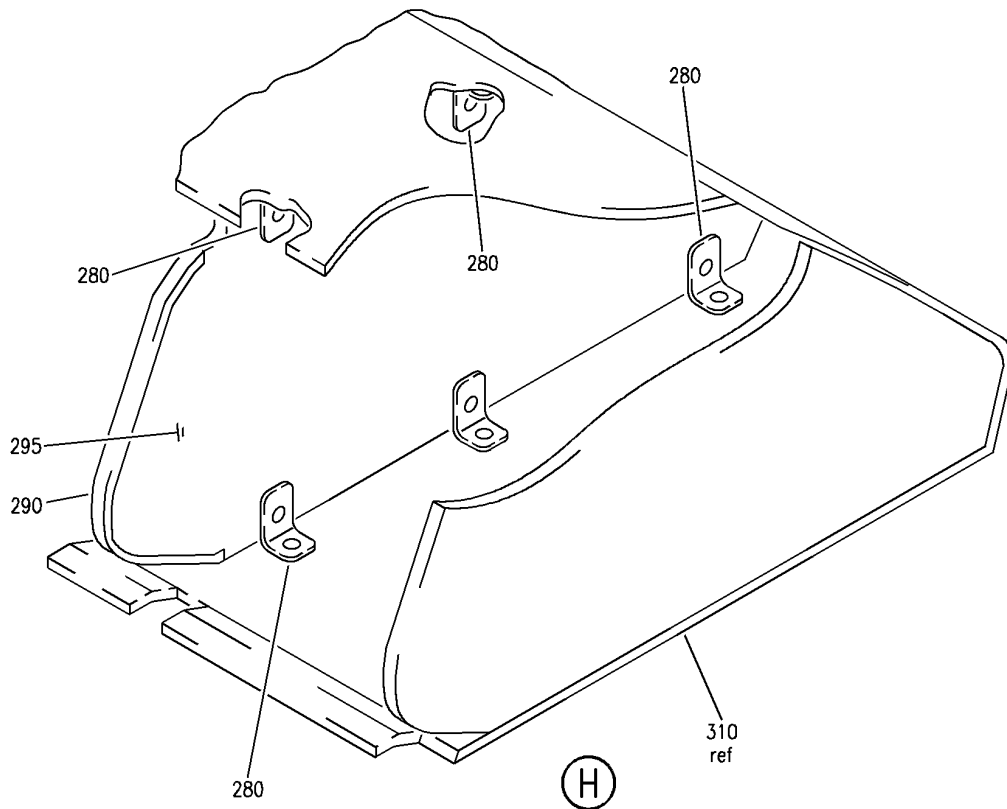
TOP ASSY-FWD RH 60 IN. OVHD STOWAGE BIG BIN BULLNOSE CONFIGURATION (EQUIPMENT/ FURNISHINGS ONLY)
 FIGURE 19L (SHEET 5)

HAP
 OCT 10/07

25-24-31-19L

25-24-31-19L
 PAGE 0D

BOEING
737-600/700/800/900
PARTS CATALOG (MAINTENANCE)



E 2524-31-19L SHT 6 REV 1.35

TOP ASSY-FWD RH 60 IN. OVHD STOWAGE BIG BIN BULLNOSE CONFIGURATION (EQUIPMENT/ FURNISHINGS ONLY)
FIGURE 19L (SHEET 6)

HAP
OCT 10/07

25-24-31-19L

25-24-31-19L
PAGE 0E

BOEING PROPRIETARY - Copyright © - Unpublished Work - See title page for details.

BOEING
737-600/700/800/900
PARTS CATALOG (MAINTENANCE)

FIG ITEM	PART NUMBER	1 2 3 4 5 6 7	NOMENCLATURE	EFFECT FROM TO	UNITS PER ASSY
19L			TOP ASSY-FWD RH 60 IN. OVHD STOWAGE BIG BIN BULLNOSE CONFIGURATION (EQUIPMENT/ FURNISHINGS ONLY)	044100 102200 972999	
- 1	412A1052-1096B		TOP ASSY-60 IN. OVHD STOWAGE BIG BIN BULLNOSE CONFIGURATION (EQUIPMENT/ FURNISHINGS ONLY) POSITION DATA: FWD RH FOR NHA/OTHER SYS DET SEE: 25-24-30-26	044100	RF
- 1	412A1052-1058B		TOP ASSY-60 IN. OVHD STOWAGE BIG BIN BULLNOSE CONFIGURATION (EQUIPMENT/ FURNISHINGS ONLY) POSITION DATA: FWD RH FOR NHA/OTHER SYS DET SEE: 25-24-30-22B	102200 972999	RF
5	412A1420-2A		.EXTRUSION-SEAT ROW MARKER	044100 102200 972999	1
10	412A1451-2BCWK		.STRIP-TRIM	044100 102200 972999	1
15	H3-1592-1		.LATCH-CLG SUPPLIER CODE: V34941 SPECIFICATION NUMBER: S411A001-1 ATTACHING PARTS	044100 102200 972999	2
- 20	BACS12GU3K7		.SCREW	044100 102200 972999	4
- 25	NAS1149D0332J		.WASHER	044100 102200 972999	4
30	412A1700-4A		-----*----- .VALANCE ASSY-LT	044100 102200 972999	1
- 35	BACN10YJ3F		ATTACHING PARTS .NUT -----*-----	044100 102200 972999	6

MISSING ITEM NUMBERS NOT APPLICABLE

- ITEM NOT ILLUSTRATED

HAP

25-24-31-19L

BOEING PROPRIETARY - Copyright © - Unpublished Work - See title page for details.

25-24-31
FIG. 19L
PAGE 1
OCT 15/08

BOEING
737-600/700/800/900
PARTS CATALOG (MAINTENANCE)

FIG ITEM	PART NUMBER	1 2 3 4 5 6 7	NOMENCLATURE	EFFECT FROM TO	UNITS PER ASSY
19L					
40	BACS21DW3C10FN	..	STUD	044100 102200 972999	6
45	412A1700-6	..	TAPE	044100 102200 972999	1
50	412A1711-6A	..	PANEL ASSY	044100 102200 972999	1
55	BACS12FA3K5	.	SCREW	044100 102200 972999	16
60	BACS12FA3K6	.	SCREW	044100 102200 972999	4
65	BACB30VF3K8	.	BOLT	044100 102200 972999	4
70	412A1505-102B	.	DOOR ASSY-20 IN. QUALIFIED I/W DATA: THE 412A1505-102B DOOR ASSEMBLY PLUS (QTY 2) HINGE (SP23011) TOGETHER CAN REPLACE THE 412A1505-2B DOOR ASSEMBLY PLUS (QTY 2) HINGE (SP21757).	044100 102200 972999	1
75	BACS12FA3K4	..	SCREW	044100 102200 972999	4
80	HA951-1	..	LATCH ASSY- SUPPLIER CODE: V83014 SPECIFICATION NUMBER: S412A003-1	044100 102200 972999	1
85	412A1810-3B	..	BUMPER- QUALIFIED I/W DATA: PN 412A1810-3B CAN REPLACE BUT NOT BE REPLACED BY PN 412A1810-2B FOR 737-600/700/800/900 ONLY.	044100 102200 972999	2
90	412A1452-104B	..	TRIM-VERT	044100 102200 972999	1
95	412A1452-106B	..	TRIM-HORIZ	044100 102200 972999	1

R
R
R
R
R
R
R
R

MISSING ITEM NUMBERS NOT APPLICABLE

- ITEM NOT ILLUSTRATED

HAP

25-24-31-19L

BOEING PROPRIETARY - Copyright © - Unpublished Work - See title page for details.

25-24-31
FIG. 19L
PAGE 2
JUN 15/09

BOEING
737-600/700/800/900
PARTS CATALOG (MAINTENANCE)

FIG ITEM	PART NUMBER	1 2 3 4 5 6 7	NOMENCLATURE	EFFECT FROM TO	UNITS PER ASSY
19L 100	412A1452-105B	..	TRIM-HORIZ	044100 102200 972999	1
105	412A1452-103B	..	TRIM-VERT	044100 102200 972999	1
110	412A1514-102B	..	PANEL ASSY	044100 102200 972999	1
- 115	SL618-3A	...	INSERT- SUPPLIER CODE: V97393	044100 102200 972999	12
120	412A1514-101B	...	PANEL ASSY	044100 102200 972999	1
125	412A1505-126B	.	DOOR ASSY-40 IN.	044100 102200 972999	1
130	BACS12FA3K4	..	SCREW	044100 102200 972999	5
135	HA951-3	..	LATCH- SUPPLIER CODE: V83014 SPECIFICATION NUMBER: S412A003-1	044100 102200 972999	1
140	412A1810-3B	..	BUMPER- QUALIFIED I/W DATA: PN 412A1810-3B CAN REPLACE BUT NOT BE REPLACED BY PN 412A1810-2B FOR 737-600/700/800/900 ONLY.	044100 102200 972999	2
145	412A1452-104B	..	TRIM-VERT	044100 102200 972999	1
150	412A1452-106B	..	TRIM-HORIZ	044100 102200 972999	1
155	412A1452-105B	..	TRIM-HORIZ	044100 102200 972999	1
160	412A1452-103B	..	TRIM-VERT	044100 102200 972999	1
165	412A1513-126B	..	PANEL ASSY	044100 102200 972999	1

MISSING ITEM NUMBERS NOT APPLICABLE

- ITEM NOT ILLUSTRATED

HAP

25-24-31-19L

BOEING PROPRIETARY - Copyright © - Unpublished Work - See title page for details.

25-24-31
FIG. 19L
PAGE 3
JUN 15/09

BOEING
737-600/700/800/900
PARTS CATALOG (MAINTENANCE)

FIG ITEM	PART NUMBER	1 2 3 4 5 6 7	NOMENCLATURE	EFFECT FROM TO	UNITS PER ASSY
19L - 170	SL618-3A		...INSERT- SUPPLIER CODE: V97393	044100 102200 972999	13
175	412A1513-101B		...PANEL ASSY	044100 102200 972999	1
180	SP23011		.HINGE ASSY- SUPPLIER CODE: V24403 SPECIFICATION NUMBER: S412A004-3	044100 102200 972999	4
185	BACB30VF3K3		.BOLT	044100 102200 972999	2
190	BACS12ER3K11		.SCREW	044100 102200 972999	2
195	H3-1233A3		.WASHER- SUPPLIER CODE: V34941 SPECIFICATION NUMBER: S411A001-1	044100 102200 972999	2
200	412A1467-1B		.CLOSEOUT ASSY	044100 102200 972999	1
205	412A1467-2B		.CLOSEOUT ASSY	044100 102200 972999	1
210	BACN10VR4CGN		..NUT- OPTIONAL PART: BACN10VR4CG	044100 102200 972999	2
210	BACN10VR4CG		..NUT- OPTIONAL PART: BACN10VR4CGN	044100 102200 972999	2
215	412A1467-5B		..CLOSEOUT- USED ON: 412A1467-1B	044100 102200 972999	1
220	412A1467-6B		..CLOSEOUT- USED ON: 412A1467-2B	044100 102200 972999	1
225	412A1607-20B		.COVER ASSY	044100 102200 972999	1
230	412A1460-2		..CLIP	044100 102200 972999	4
235	412A1617-20B		..PANEL	044100 102200 972999	1

MISSING ITEM NUMBERS NOT APPLICABLE

- ITEM NOT ILLUSTRATED

HAP

25-24-31-19L

BOEING PROPRIETARY - Copyright © - Unpublished Work - See title page for details.

25-24-31
FIG. 19L
PAGE 4
JUN 15/09

BOEING
737-600/700/800/900
PARTS CATALOG (MAINTENANCE)

FIG ITEM	PART NUMBER	1 2 3 4 5 6 7	NOMENCLATURE	EFFECT FROM TO	UNITS PER ASSY
19L 240	BACS12FA3K5	. SCREW		044100 102200 972999	9
245	BACS12ER3K14	. SCREW		044100 102200 972999	10
250	H3-1233A3	. WASHER- SUPPLIER CODE: V34941 SPECIFICATION NUMBER: S411A001-1		044100 102200 972999	10
255	412A1244-2	. EXTRUSION ASSY		044100 102200 972999	1
260	FS1651-3	.. NUTPLATE SUPPLIER CODE: V15653 SPECIFICATION NUMBER: BACN10KH3CD OPTIONAL PART: 102F9209M3 V72962 NS202496-02 V80539 ATTACHING PARTS		044100 102200 972999	10
- 265	BACR15BA3ADC	.. RIVET- SIZE DETERMINED ON INSTL. -----*-----		044100 102200 972999	20
270	412A1912-3B	. PANEL ASSY-DIVIDER ATTACHING PARTS		044100 102200 972999	1
- 275	BACS12FA3K5	. SCREW -----*-----		044100 102200 972999	5
280	412A1220-61A	.. CLIP ATTACHING PARTS		044100 102200 972999	5
- 285	BACS12FA3K5	.. SCREW -----*-----		044100 102200 972999	5
290	412A1250-91A	.. TRIM		044100 102200 972999	1

MISSING ITEM NUMBERS NOT APPLICABLE

- ITEM NOT ILLUSTRATED

HAP

25-24-31-19L

BOEING PROPRIETARY - Copyright © - Unpublished Work - See title page for details.

25-24-31
FIG. 19L
PAGE 5
JUN 15/09

BOEING
737-600/700/800/900
PARTS CATALOG (MAINTENANCE)

FIG ITEM	PART NUMBER	1 2 3 4 5 6 7	NOMENCLATURE	EFFECT FROM TO	UNITS PER ASSY
19L 295	412A1217-3B		. . PANEL ASSY	044100 102200 972999	1
- 300	SL2334-3A1		. . . INSERT- SUPPLIER CODE: V97393	044100 102200 972999	11
- 305	412A1811-2B		. PLUG	044100 102200 972999	AR
310	412A1255-48B		. BOX ASSY-BIN FOR DETAILS SEE: 25-24-32-65B	044100 102200 972999	1

MISSING ITEM NUMBERS NOT APPLICABLE

- ITEM NOT ILLUSTRATED

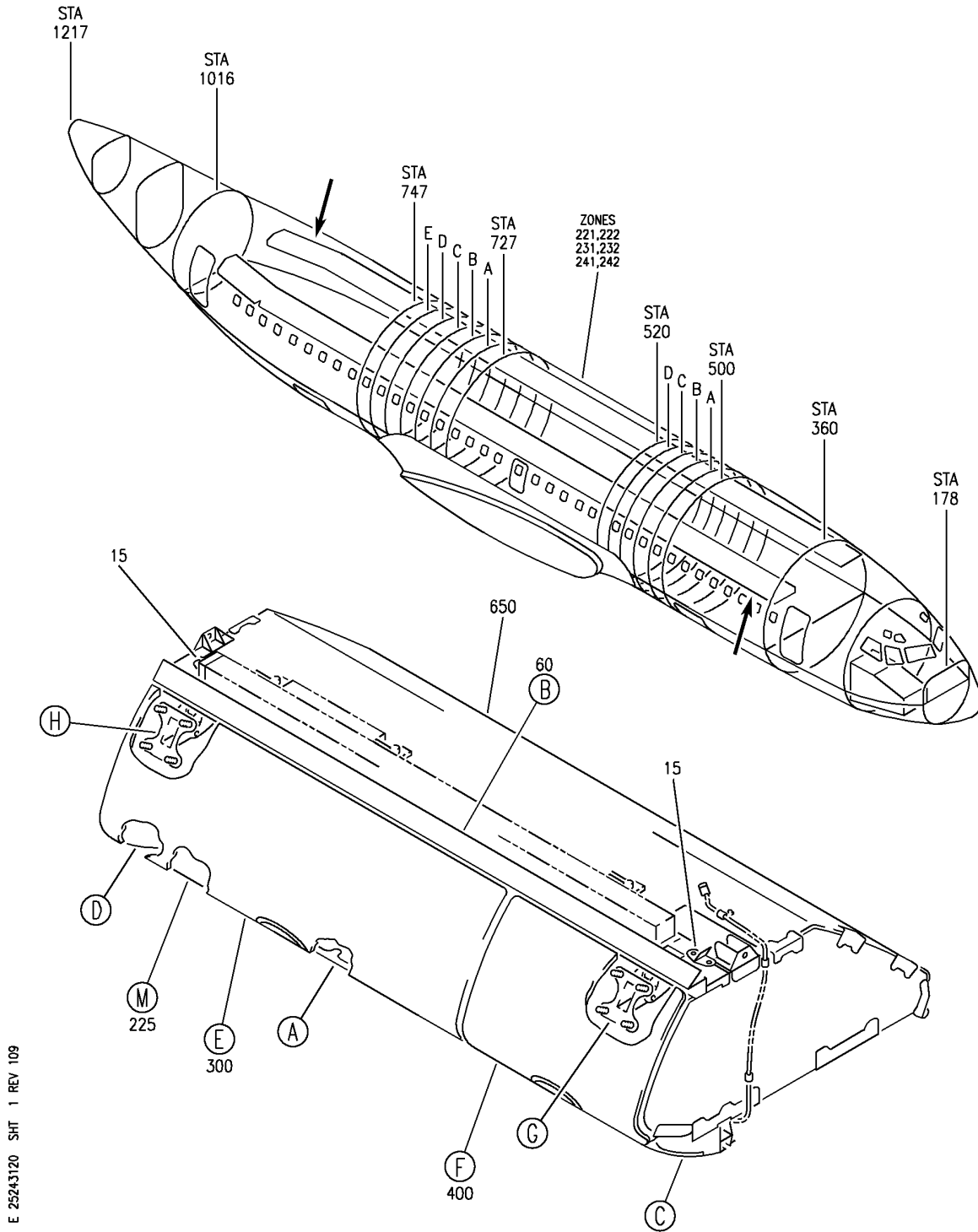
HAP

25-24-31-19L

BOEING PROPRIETARY - Copyright © - Unpublished Work - See title page for details.

25-24-31
FIG. 19L
PAGE 6
JUN 15/09

BOEING
 737-600/700/800/900
 PARTS CATALOG (MAINTENANCE)



E 2524-3120 SHT 1 REV 109

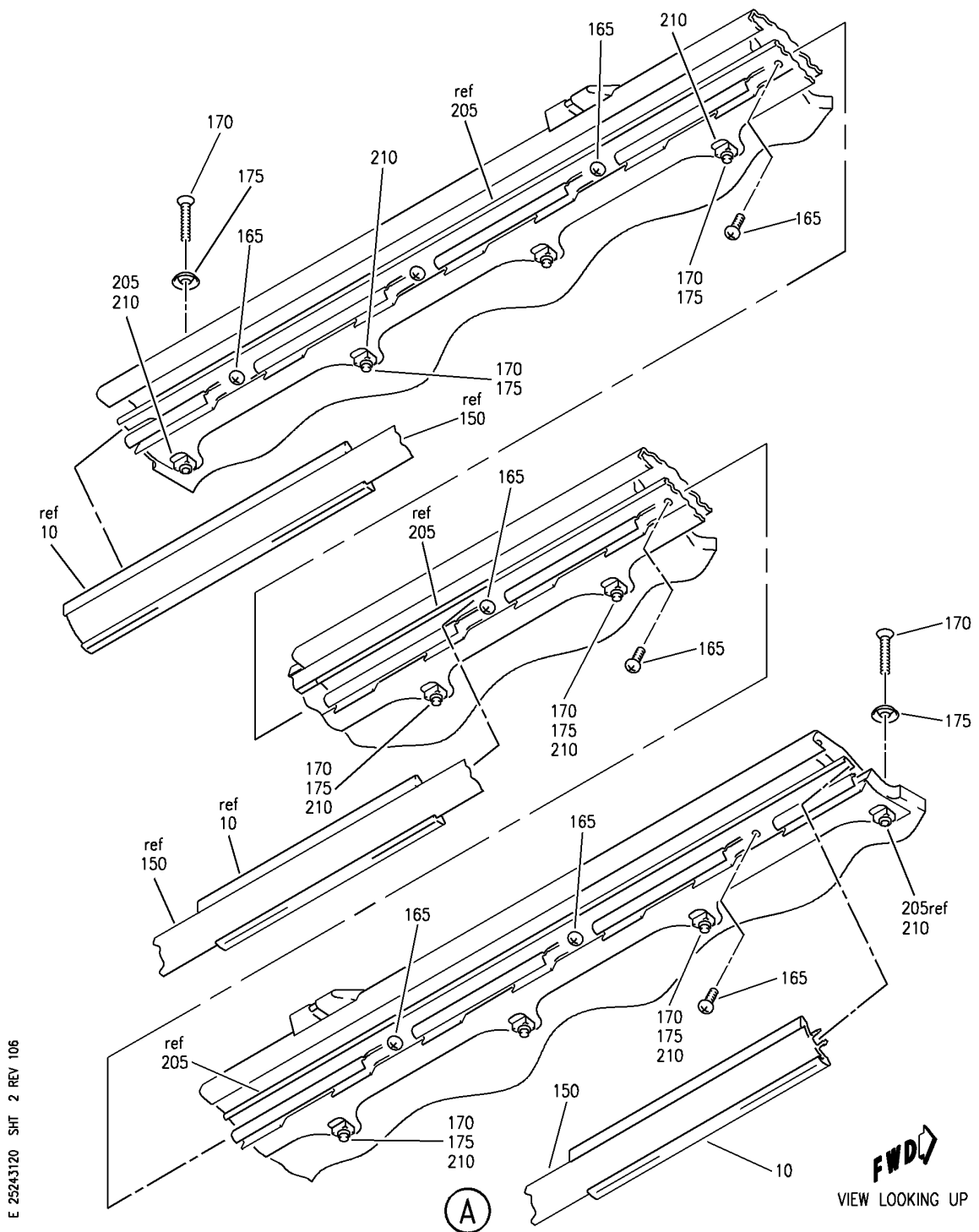
COMPARTMENT ASSY-60 IN. OVHD STOWAGE BULLNOSE CONFIGURATION (EQUIPMENT/FURNISHINGS ONLY)
 FIGURE 20 (SHEET 1)

25-24-31-20

HAP
 OCT 15/08

25-24-31-20
 PAGE 0

BOEING
 737-600/700/800/900
 PARTS CATALOG (MAINTENANCE)



E 2524-3120 SHT 2 REV 106

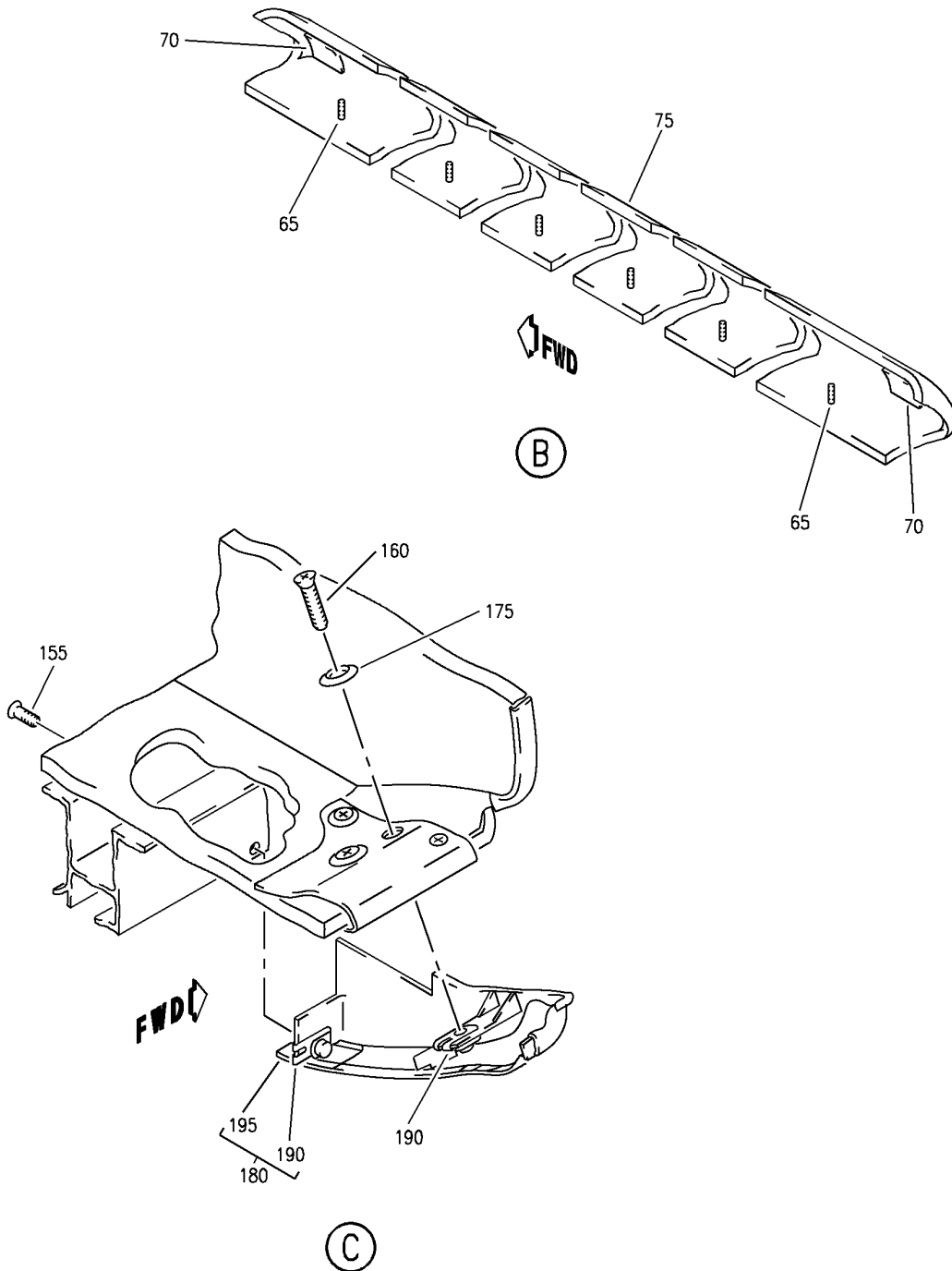
COMPARTMENT ASSY-60 IN. OVHD STOWAGE BULLNOSE CONFIGURATION (EQUIPMENT/FURNISHINGS ONLY)
 FIGURE 20 (SHEET 2)

25-24-31-20

HAP
 OCT 15/08

25-24-31-20
 PAGE 0A

BOEING
 737-600/700/800/900
 PARTS CATALOG (MAINTENANCE)



E 2524-3120 SH1 3 REV 106

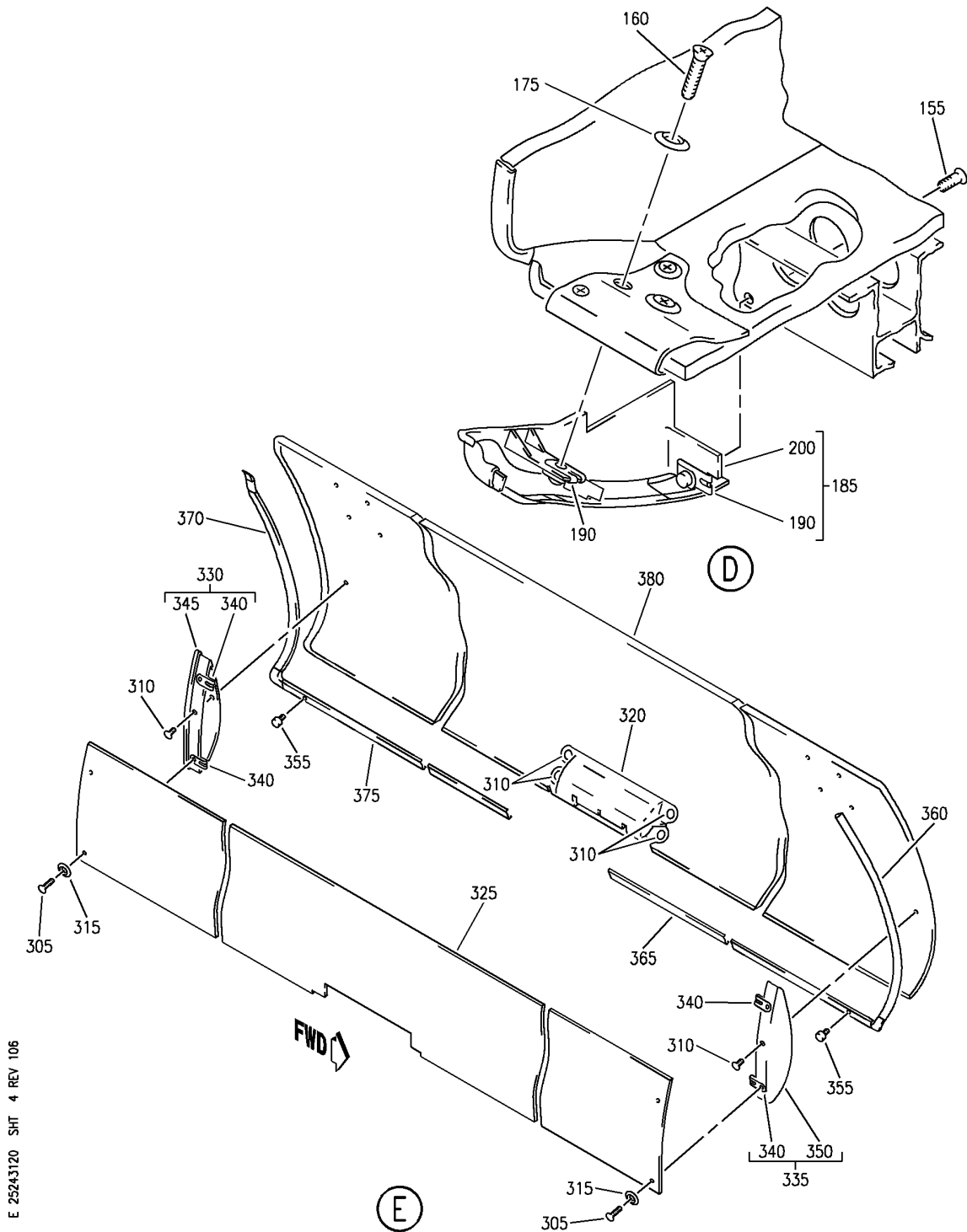
COMPARTMENT ASSY-60 IN. OVHD STOWAGE BULLNOSE CONFIGURATION (EQUIPMENT/FURNISHINGS ONLY)
 FIGURE 20 (SHEET 3)

HAP
 OCT 15/08

25-24-31-20

25-24-31-20
 PAGE 0B

BOEING
 737-600/700/800/900
 PARTS CATALOG (MAINTENANCE)



E 2524-3120 SHT 4 REV 108

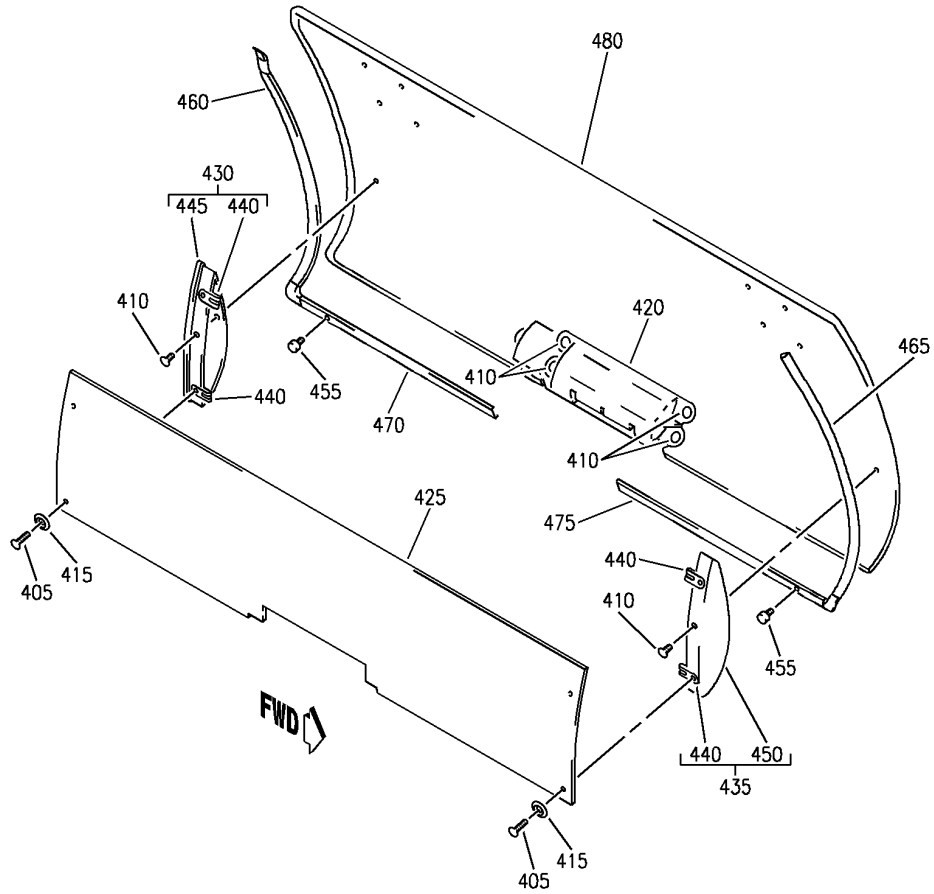
COMPARTMENT ASSY-60 IN. OVHD STOWAGE BULLNOSE CONFIGURATION (EQUIPMENT/FURNISHINGS ONLY)
 FIGURE 20 (SHEET 4)

25-24-31-20

HAP
 OCT 15/08

25-24-31-20
 PAGE 0C

BOEING
 737-600/700/800/900
 PARTS CATALOG (MAINTENANCE)



E 2524-3120 SH1 5 REV 106

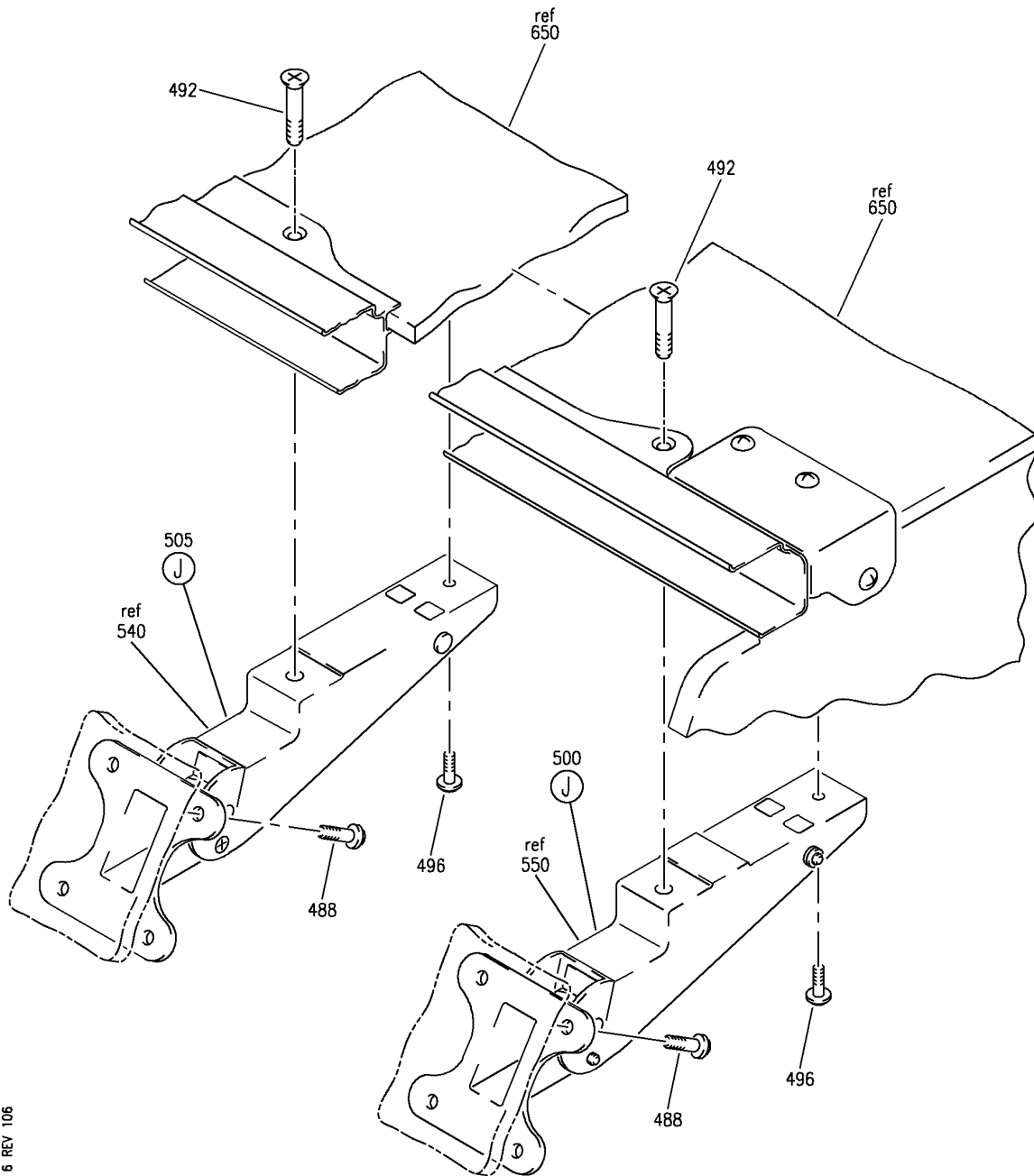
COMPARTMENT ASSY-60 IN. OVHD STOWAGE BULLNOSE CONFIGURATION (EQUIPMENT/FURNISHINGS ONLY)
 FIGURE 20 (SHEET 5)

25-24-31-20

HAP
 OCT 15/08

25-24-31-20
 PAGE 0D

BOEING
 737-600/700/800/900
 PARTS CATALOG (MAINTENANCE)



E 2524-3120 SHT 6 REV 106

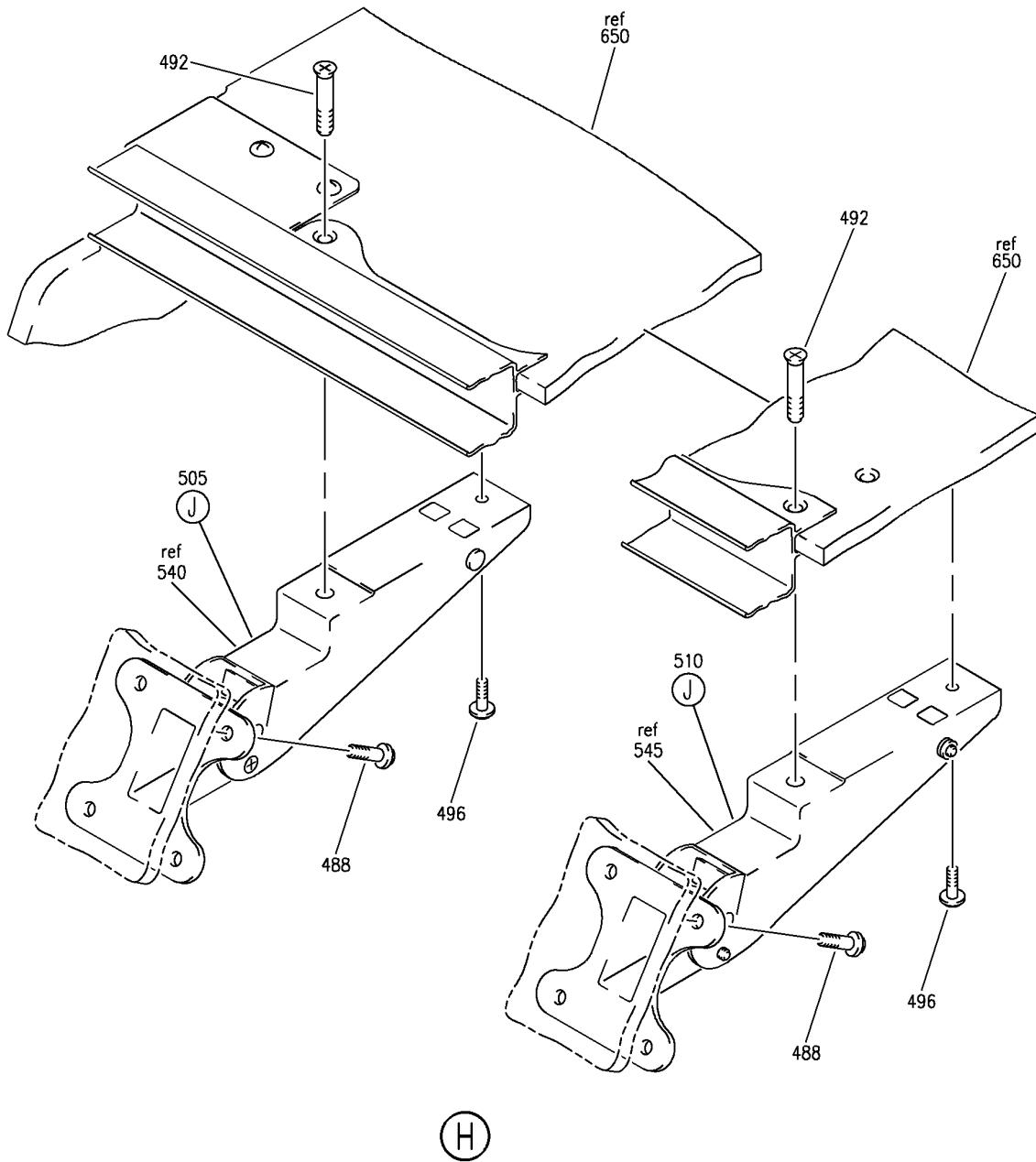
COMPARTMENT ASSY-60 IN. OVHD STOWAGE BULLNOSE CONFIGURATION (EQUIPMENT/FURNISHINGS ONLY)
 FIGURE 20 (SHEET 6)

HAP
 OCT 15/08

25-24-31-20

25-24-31-20
 PAGE 0E

BOEING
 737-600/700/800/900
 PARTS CATALOG (MAINTENANCE)



E 2524-3120 SHT 7 REV 106

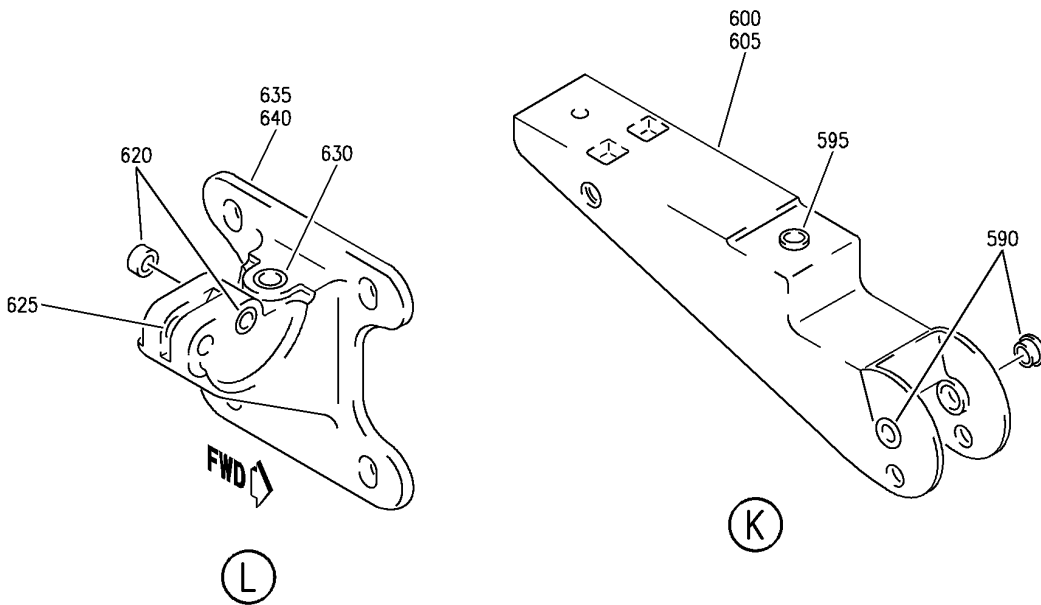
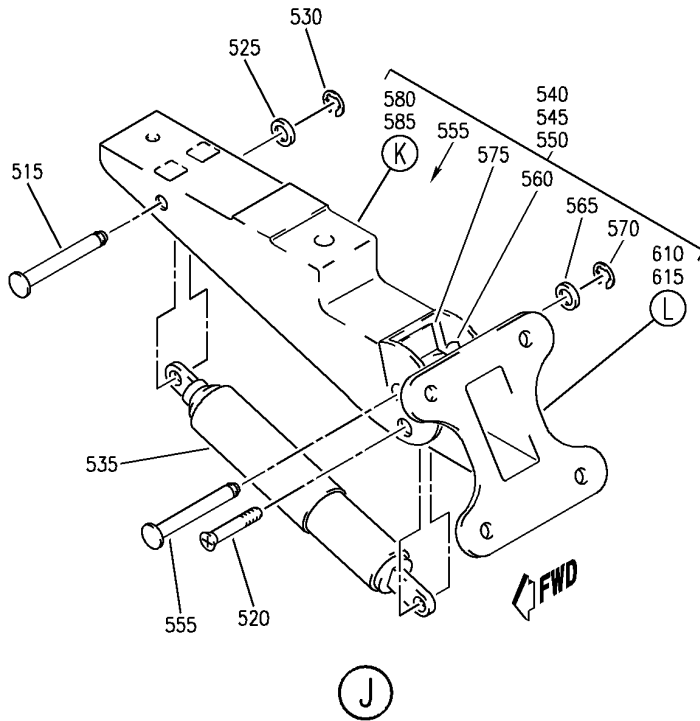
COMPARTMENT ASSY-60 IN. OVHD STOWAGE BULLNOSE CONFIGURATION (EQUIPMENT/FURNISHINGS ONLY)
 FIGURE 20 (SHEET 7)

HAP
 OCT 15/08

25-24-31-20

25-24-31-20
 PAGE OF

BOEING
 737-600/700/800/900
 PARTS CATALOG (MAINTENANCE)



E 2524-3120 SH 8 REV 106

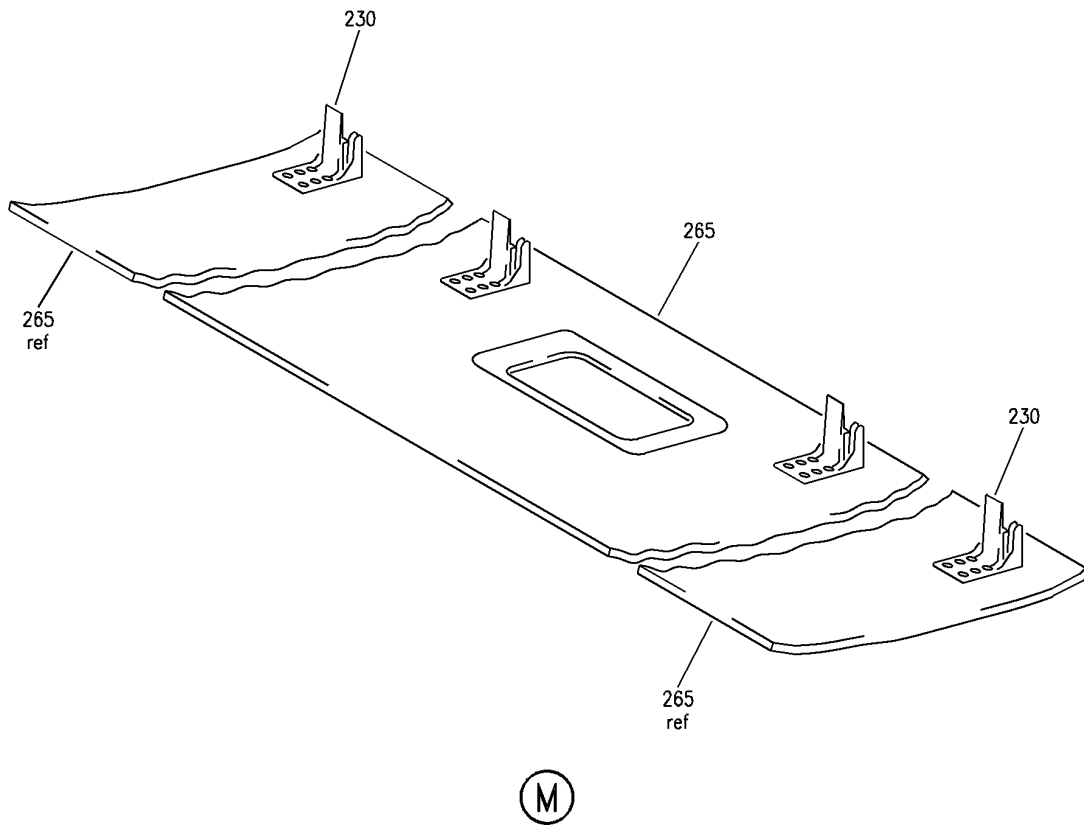
COMPARTMENT ASSY-60 IN. OVHD STOWAGE BULLNOSE CONFIGURATION (EQUIPMENT/FURNISHINGS ONLY)
 FIGURE 20 (SHEET 8)

25-24-31-20

HAP
 OCT 15/08

25-24-31-20
 PAGE 06

BOEING
737-600/700/800/900
PARTS CATALOG (MAINTENANCE)



E 2524-3120 SH1 9 REV 109

COMPARTMENT ASSY-60 IN. OVHD STOWAGE BULLNOSE CONFIGURATION (EQUIPMENT/FURNISHINGS ONLY)
FIGURE 20 (SHEET 9)

HAP
OCT 15/08

25-24-31-20

25-24-31-20
PAGE 0H

BOEING PROPRIETARY - Copyright © - Unpublished Work - See title page for details.

BOEING
737-600/700/800/900
PARTS CATALOG (MAINTENANCE)

FIG ITEM	PART NUMBER	1 2 3 4 5 6 7	NOMENCLATURE	EFFECT FROM TO	UNITS PER ASSY
20			COMPARTMENT ASSY-60 IN. OVHD STOWAGE BULLNOSE CONFIGURATION (EQUIPMENT/FURNISHINGS ONLY)	201967	
- 5	412A1120-103SP		COMPARTMENT ASSY-60 IN. OVHD STOWAGE BULLNOSE CONFIGURATION (EQUIPMENT/FURNISHINGS ONLY)	202967	RF
- 5	412A1120-203B		FOR NHA/OTHER SYS DET SEE: 25-24-30-71 COMPARTMENT ASSY-60 IN. OVHD STOWAGE BULLNOSE CONFIGURATION (EQUIPMENT/FURNISHINGS ONLY)	201201	RF
10	412A1420-2SP		.EXTRUSION-	202967	1
10	412A1420-2A		.EXTRUSION-	201201	1
15	H3-1592-1		.LATCH-CLG SUPPLIER CODE: V34941 SPECIFICATION NUMBER: S411A001-1	201967	2
- 20	BACS12GU3K7		ATTACHING PARTS .SCREW	201967	4
- 21	NAS1149D0332J		.WASHER	201967	4
			-----*-----		
60	412A1700-2SP		.VALANCE ASSY-LT	202967	1
60	412A1700-102SP		.VALANCE ASSY-LT OPTIONAL PART: 412A1700-2SP	202967	1
60	412A1700-2A		.VALANCE ASSY-LT OPTIONAL PART: 412A1700-102B	201201	1
60	412A1700-102B		.VALANCE ASSY-LT OPTIONAL PART: 412A1700-2A	201201	1
- 62	BACN10YJ3F		ATTACHING PARTS .NUT	201967	6
			-----*-----		
65	BACS21DW3C10FN		..STUD	201967	6
70	412A1700-6		..TAPE-VELCRO	201967	2
75	412A1711-3SP		..PANEL ASSY- USED ON: 412A1700-2SP	202967	1

MISSING ITEM NUMBERS NOT APPLICABLE

- ITEM NOT ILLUSTRATED

HAP

25-24-31-20

25-24-31
FIG. 20
PAGE 1
OCT 15/08

BOEING
737-600/700/800/900
PARTS CATALOG (MAINTENANCE)

FIG ITEM	PART NUMBER	1 2 3 4 5 6 7	NOMENCLATURE	EFFECT FROM TO	UNITS PER ASSY
20					
75	412A1711-103SP	..	PANEL ASSY- USED ON: 412A1700-102SP	202967	1
75	412A1711-3A	..	PANEL ASSY- USED ON: 412A1700-2A	201201	1
75	412A1711-103B	..	PANEL ASSY- USED ON: 412A1700-102B	201201	1
150	412A1451-2SP	.	STRIP-	202967	1
150	412A1451-2BCWK	.	STRIP-	201201	1
155	BACB30VF3K3	.	BOLT	201967	2
160	BACS12ER3K11	.	SCREW-	201967	2
165	BACS12FA3K5	.	SCREW	201967	9
170	BACS12ER3K14	.	SCREW	201967	10
175	H3-1233A3	.	WASHER-	201967	12
			SUPPLIER CODE: V34941		
			SPECIFICATION NUMBER: S411A001-1		
180	412A1465-5SP	.	CLOSEOUT ASSY- POSITION DATA: LH	202967	1
180	412A1465-5A	.	CLOSEOUT ASSY- POSITION DATA: LH	201201	1
185	412A1465-6SP	.	CLOSEOUT ASSY- POSITION DATA: RH	202967	1
185	412A1465-6A	.	CLOSEOUT ASSY- POSITION DATA: RH	201201	1
190	BACN10VR4CGN	..	NUT- OPTIONAL PART: BACN10VR4CG	201967	2
190	BACN10VR4CG	..	NUT- OPTIONAL PART: BACN10VR4CGN	201967	2
195	412A1465-7SP	..	CLOSEOUT- POSITION DATA: LH SIDE	201967	1
200	412A1465-8SP	..	CLOSEOUT- POSITION DATA: RH SIDE	201967	1
205	412A1244-2	.	EXTRUSION ASSY	201967	1

MISSING ITEM NUMBERS NOT APPLICABLE

- ITEM NOT ILLUSTRATED

HAP

25-24-31-20

BOEING PROPRIETARY - Copyright © - Unpublished Work - See title page for details.

25-24-31
FIG. 20
PAGE 2
OCT 15/08

BOEING
737-600/700/800/900
PARTS CATALOG (MAINTENANCE)

FIG ITEM	PART NUMBER	1 2 3 4 5 6 7	NOMENCLATURE	EFFECT FROM TO	UNITS PER ASSY
20 210	FS1651-3		..NUTPLATE SUPPLIER CODE: V15653 SPECIFICATION NUMBER: BACN10KH3CD OPTIONAL PART: 102F9209M3 V72962 NS202496-02 V80539 ATTACHING PARTS	201967	10
- 215	BACR15BA3ADC		..RIVET- SIZE DETERMINED ON INSTL. -----*-----	201967	20
225	412A1605-2SP		.COVER ASSY-	202967	1
225	412A1605-2A		.COVER ASSY-	201201	1
230	412A1460-2		..CLIP	201967	4
265	412A1615-4SP		..PANEL ASSY-	202967	1
265	412A1615-4A		..PANEL ASSY-	201201	1
- 274	OBA8		.PLUG- SUPPLIER CODE: VOBV87 OPTIONAL PART: 412A1811-1B 412A1811-2B 412A1100-96	201967	AR
- 275	412A1811-1B		.PLUG- OPTIONAL PART: 412A1100-96 OBA8 VOBV87 412A1811-2B	201201	AR
- 275	412A1811-2B		.PLUG- OPTIONAL PART: 412A1100-96 OBA8 VOBV87 412A1811-1B	201201	AR
- 280	412A1100-96		.KIT ASSY-SCR AND WASHER OPTIONAL PART: 412A1811-1B 412A1811-2B OBA8 VOBV87	201201	1
- 285	NAS514P1032-5		..SCREW	201201	1

MISSING ITEM NUMBERS NOT APPLICABLE

- ITEM NOT ILLUSTRATED

HAP

25-24-31-20

BOEING PROPRIETARY - Copyright © - Unpublished Work - See title page for details.

25-24-31
FIG. 20
PAGE 3
OCT 15/08

BOEING
737-600/700/800/900
PARTS CATALOG (MAINTENANCE)

FIG ITEM	PART NUMBER	1 2 3 4 5 6 7	NOMENCLATURE	EFFECT FROM TO	UNITS PER ASSY
20					
- 290	H3-1233A3	..	WASHER- SUPPLIER CODE: V34941 SPECIFICATION NUMBER: S411A001-1	201201	1
300	412A1500-1SP	.DOOR	ASSY-40 IN.	202967	1
300	412A1500-101SP	.DOOR	ASSY-40 IN.	201201	1
305	BACS12ER3K9	..	SCREW	201967	4
310	BACS12FA3K4	..	SCREW	201967	6
315	H3-1233A3	..	WASHER- SUPPLIER CODE: V34941 SPECIFICATION NUMBER: S411A001-1	201967	4
320	HA225-7	..	LATCH ASSY- SUPPLIER CODE: V83014 SPECIFICATION NUMBER: S412A001-11B	201967	1
320	HA225-1	..	LATCH ASSY- SUPPLIER CODE: V83014 SPECIFICATION NUMBER: S412A001-1A	201967	1
325	412A1615-100SP	..	PANEL ASSY-FILLER OPTIONAL PART: 412A1615-1100SP	201967	1
325	412A1615-1100SP	..	PANEL ASSY-FILLER OPTIONAL PART: 412A1615-100SP	201201	1
330	412A1480-3SP	..	BRACKET ASSY	201967	1
335	412A1480-4SP	..	BRACKET ASSY	201967	1
340	BACN10VR4CGN	...	NUT	201967	2
345	412A1480-1SP	...	BRACKET- USED ON: 412A1480-3SP	201967	1
350	412A1480-2SP	...	BRACKET- USED ON: 412A1480-4SP	201967	1
355	412A1810-1SP	..	BUMPER	201967	2
360	412A1450-3SP	..	TRIM-EDGE	201967	1
365	412A1450-5SP	..	TRIM-EDGE	201967	1
370	412A1450-4SP	..	TRIM-EDGE	201967	1
375	412A1450-6SP	..	TRIM-EDGE	201967	1
380	412A1510-2SP	..	PANEL ASSY	201967	1
- 385	SL618-3A	...	INSERT- SUPPLIER CODE: V97393	201967	14
400	412A1500-2SP	.DOOR	ASSY-20 IN.	202967	1

MISSING ITEM NUMBERS NOT APPLICABLE

- ITEM NOT ILLUSTRATED

HAP

25-24-31-20

BOEING PROPRIETARY - Copyright © - Unpublished Work - See title page for details.

25-24-31
FIG. 20
PAGE 4
OCT 15/08

BOEING
737-600/700/800/900
PARTS CATALOG (MAINTENANCE)

FIG ITEM	PART NUMBER	1 2 3 4 5 6 7	NOMENCLATURE	EFFECT FROM TO	UNITS PER ASSY
20					
400	412A1500-102SP	.DOOR ASSY-20 IN.		201201	1
405	BACS12ER3K9	..SCREW		201967	4
410	BACS12FA3K4	..SCREW		201967	6
415	H3-1233A3	..WASHER-		201967	4
		SUPPLIER CODE:			
		V34941			
		SPECIFICATION NUMBER:			
		S411A001-1			
420	HA225-7	..LATCH ASSY-		201967	1
		SUPPLIER CODE:			
		V83014			
		SPECIFICATION NUMBER:			
		S412A001-11B			
420	HA225-1	..LATCH ASSY-		201967	1
		SUPPLIER CODE:			
		V83014			
		SPECIFICATION NUMBER:			
		S412A001-1A			
425	412A1615-101SP	..PANEL ASSY-FILLER		201967	1
		OPTIONAL PART:			
		412A1615-1101SP			
425	412A1615-1101SP	..PANEL ASSY-FILLER		201201	1
		OPTIONAL PART:			
		412A1615-101SP			
430	412A1480-3SP	..BRACKET ASSY		201967	1
435	412A1480-4SP	..BRACKET ASSY		201967	1
440	BACN10VR4CGN	...NUT		201967	2
445	412A1480-1SP	...BRACKET-		201967	1
		USED ON:			
		412A1480-3SP			
450	412A1480-2SP	...BRACKET-		201967	1
		USED ON:			
		412A1480-4SP			
455	412A1810-1SP	..BUMPER-		201967	2
		OPTIONAL PART:			
		412A1810-2SP			
455	412A1810-2SP	..BUMPER-		201201	2
		OPTIONAL PART:			
		412A1810-1SP			
460	412A1450-4SP	..TRIM-EDGE		201967	1
465	412A1450-3SP	..TRIM-EDGE		201967	1
470	412A1450-6SP	..TRIM-EDGE		201967	1
475	412A1450-5SP	..TRIM-EDGE		201967	1
480	412A1511-2SP	..PANEL ASSY		201967	1
- 485	SL618-3A	...INSERT-		201967	14
		SUPPLIER CODE:			
		V97393			
488	BACS12FA3K6	.SCREW		201967	16
492	BACS12FA3K15	.SCREW		201967	4

MISSING ITEM NUMBERS NOT APPLICABLE

- ITEM NOT ILLUSTRATED

HAP

25-24-31-20

BOEING PROPRIETARY - Copyright © - Unpublished Work - See title page for details.

25-24-31
FIG. 20
PAGE 5
OCT 15/08

 **BOEING**
737-600/700/800/900
PARTS CATALOG (MAINTENANCE)

FIG ITEM	PART NUMBER	1 2 3 4 5 6 7	NOMENCLATURE	EFFECT FROM TO	UNITS PER ASSY
20					
496	BACS12FA3K6	.	SCREW	201967	4
500	412A1100-54SP	.	HINGE ASSY-COLLECTOR	201967	1
505	412A1100-51SP	.	HINGE ASSY-COLLECTOR	201967	2
510	412A1100-52SP	.	HINGE ASSY-COLLECTOR	201967	1
515	412A1230-21	..	PIN	201967	1
520	BACB30VF3K7	..	BOLT	201967	1
525	NAS1149D0316J	..	WASHER	201967	1
530	MS16633-4018	..	RING	201967	1
535	SP20522	..	ACTUATOR ASSY- SUPPLIER CODE: V24403 SPECIFICATION NUMBER: S412A002-2	201967	1
540	412A1455-1SP	..	HINGE ASSY- USED ON: 412A1100-51SP	201967	1
545	412A1455-2SP	..	HINGE ASSY- USED ON: 412A1100-52SP	201967	1
550	412A1455-4SP	..	HINGE ASSY- USED ON: 412A1100-54SP	201967	1
555	412A1230-21	...	PIN	201967	1
560	MS51023-54	...	SCREW	201967	1
565	NAS1149D0316J	...	WASHER	201967	1
570	MS16633-4018	...	RING	201967	1
575	412A1220-1	...	CLIP	201967	1
580	412A1454-3SP	...	HOUSING ASSY- USED ON: 412A1455-1SP 412A1455-2SP	201967	1
585	412A1454-12SP	...	HOUSING ASSY- USED ON: 412A1455-4SP	201967	1
590	BACB28Y3F020	BUSHING	201967	2
595	6041L3BR375	INSERT- SUPPLIER CODE: V01556	201967	1
600	412A1454-1SP	HOUSING- USED ON: 412A1454-3SP	201967	1
605	412A1454-11SP	HOUSING- USED ON: 412A1454-12SP	201967	1
610	412A1454-9SP	...	BRACKET ASSY- USED ON: 412A1455-1SP	201967	1

MISSING ITEM NUMBERS NOT APPLICABLE

— ITEM NOT ILLUSTRATED

HAP

25-24-31-20

BOEING PROPRIETARY - Copyright © - Unpublished Work - See title page for details.

25-24-31
FIG. 20
PAGE 6
OCT 15/08

BOEING
737-600/700/800/900
PARTS CATALOG (MAINTENANCE)

FIG ITEM	PART NUMBER	1 2 3 4 5 6 7	NOMENCLATURE	EFFECT FROM TO	UNITS PER ASSY
20					
615	412A1454-10SP	...	BRACKET ASSY- USED ON: 412A1455-2SP 412A1455-4SP	201967	1
620	BACB28Y3F025	BUSHING	201967	2
625	6041-3BR225	INSERT- SUPPLIER CODE: V01556	201967	1
630	6041L3BR375	INSERT- SUPPLIER CODE: V01556	201967	1
635	412A1454-7SP	BRACKET- USED ON: 412A1454-9SP	201967	1
640	412A1454-8SP	BRACKET- USED ON: 412A1454-10SP	201967	1
650	412A1200-103A	.BOX	ASSY-60 IN. BIN OPTIONAL PART: 412A1200-1103B FOR DETAILS SEE: 25-24-32-61D	201967	1
650	412A1200-1103B	.BOX	ASSY-60 IN. BIN OPTIONAL PART: 412A1200-103A FOR DETAILS SEE: 25-24-32-61D	201201	1

MISSING ITEM NUMBERS NOT APPLICABLE

— ITEM NOT ILLUSTRATED

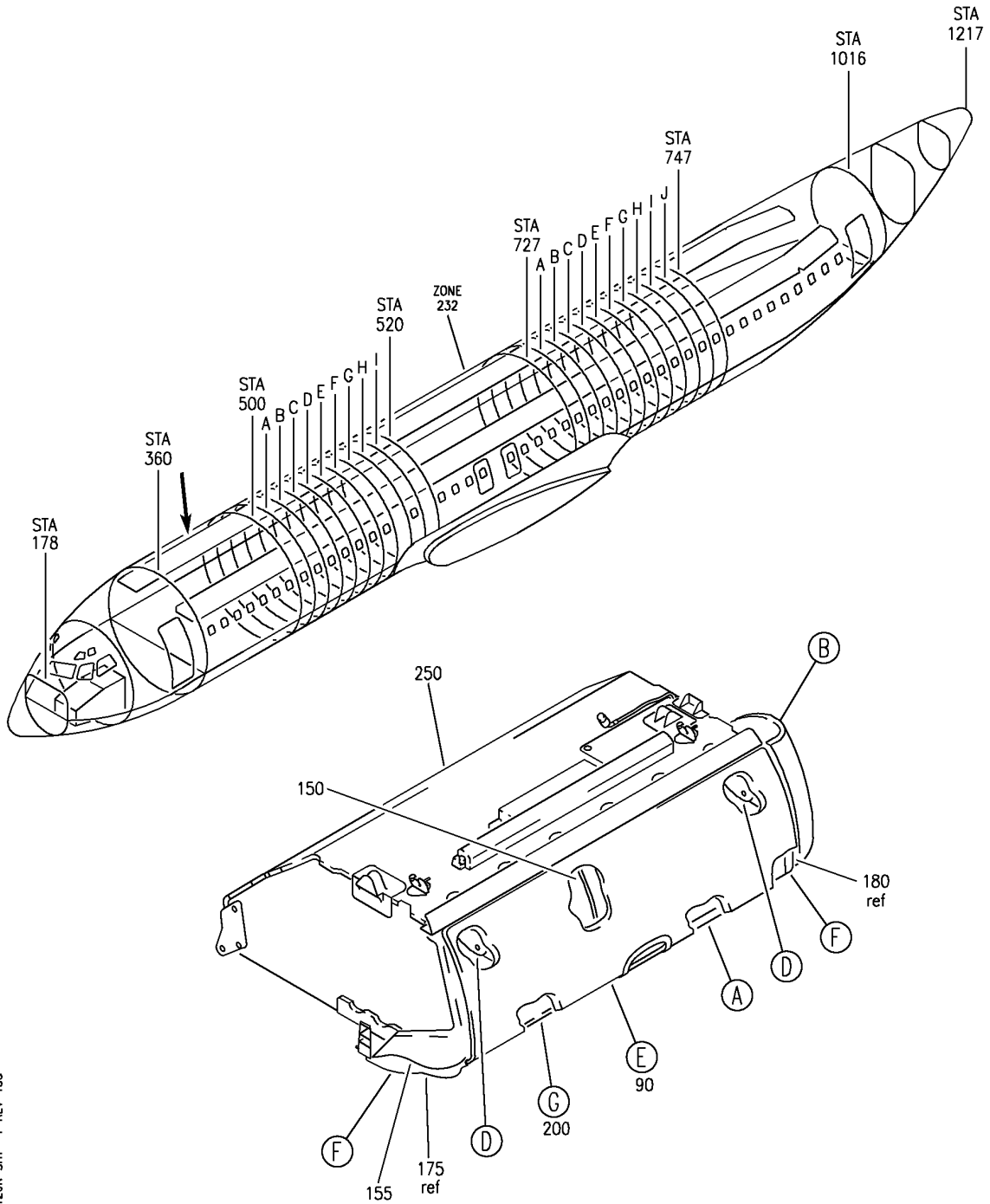
HAP

25-24-31-20

BOEING PROPRIETARY - Copyright © - Unpublished Work - See title page for details.

25-24-31
FIG. 20
PAGE 7
OCT 15/08

BOEING
 737-600/700/800/900
 PARTS CATALOG (MAINTENANCE)



E 2524-3120K SHT 1 REV 133

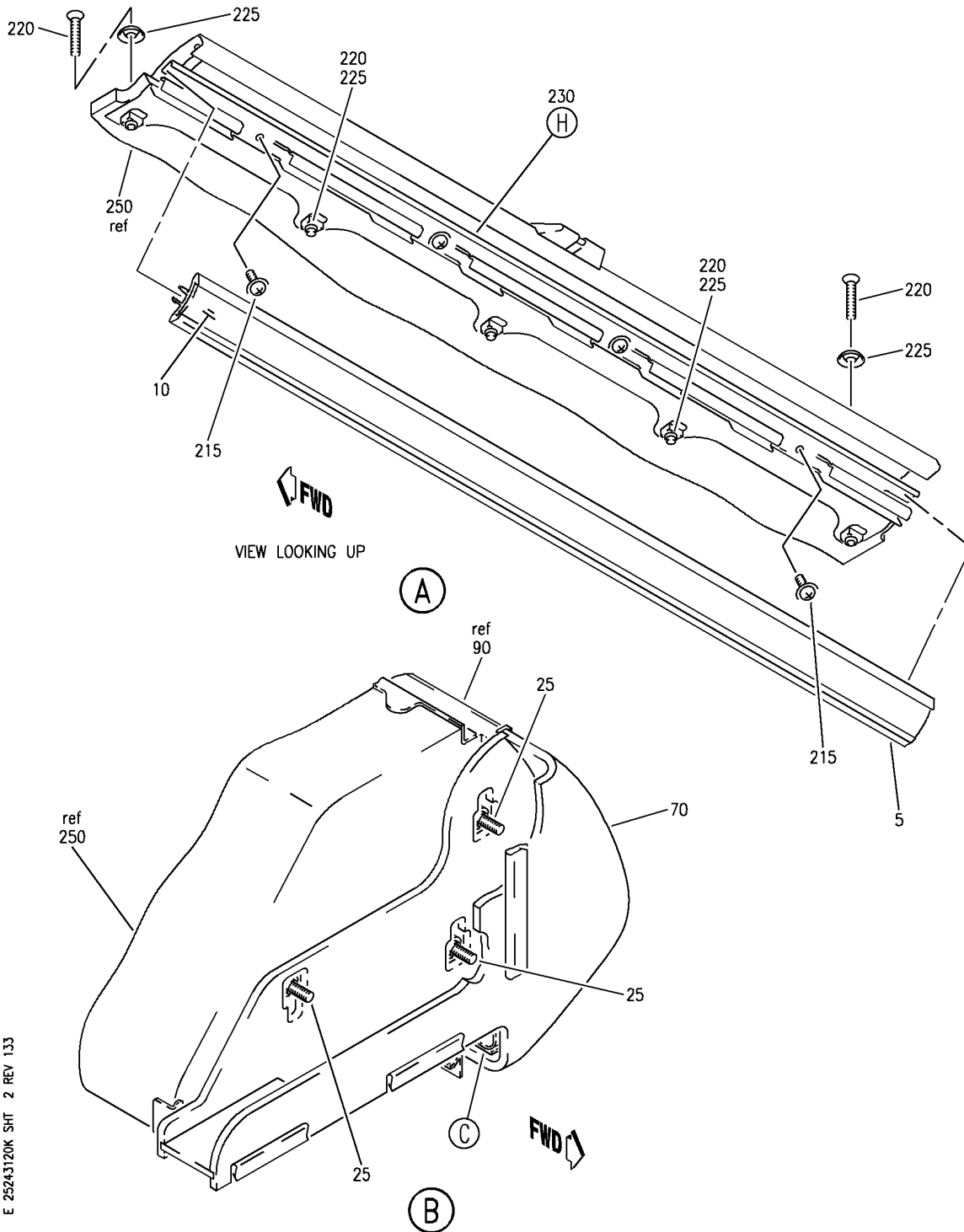
TOP ASSY-FWD RH 29 IN. OVHD STOWAGE BIG BIN BULLNOSE CONFIGURATION
 FIGURE 20K (SHEET 1)

25-24-31-20K

HAP
 OCT 15/08

25-24-31-20K
 PAGE 0


BOEING
 737-600/700/800/900
 PARTS CATALOG (MAINTENANCE)



E 2524-3120K SHT 2 REV 133

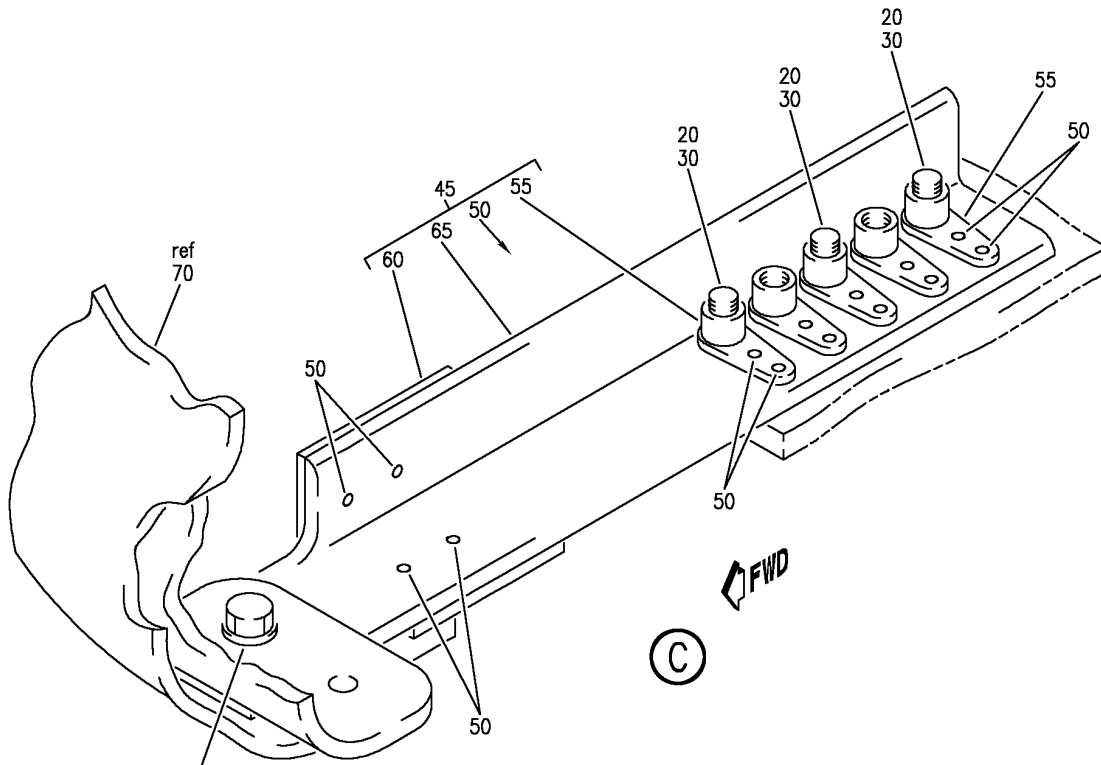
TOP ASSY-FWD RH 29 IN. OVHD STOWAGE BIG BIN BULLNOSE CONFIGURATION
 FIGURE 20K (SHEET 2)

25-24-31-20K

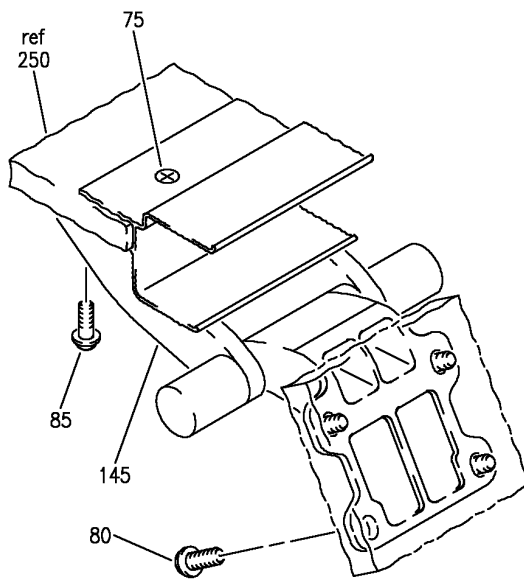
HAP
OCT 15/08

25-24-31-20K
PAGE 0A

BOEING
 737-600/700/800/900
 PARTS CATALOG (MAINTENANCE)



(C)



(D)

E 25243120K SHT 3 REV 141

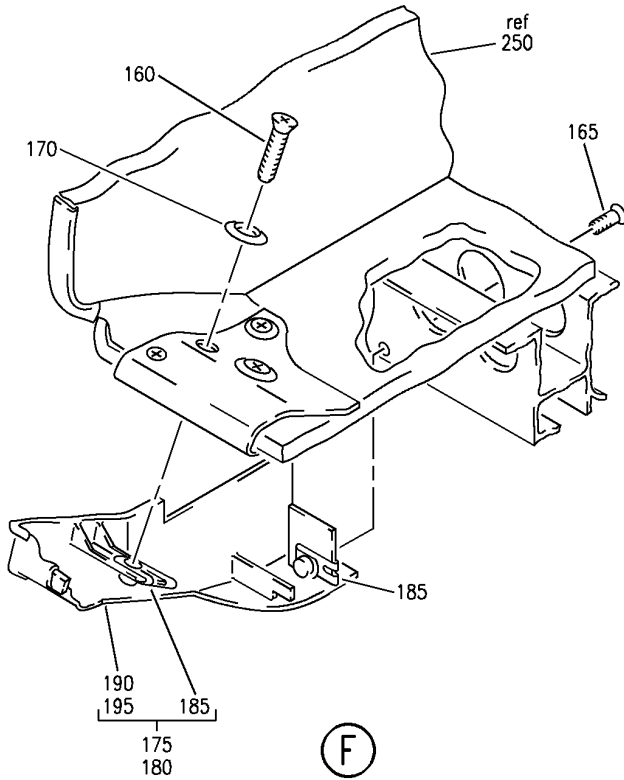
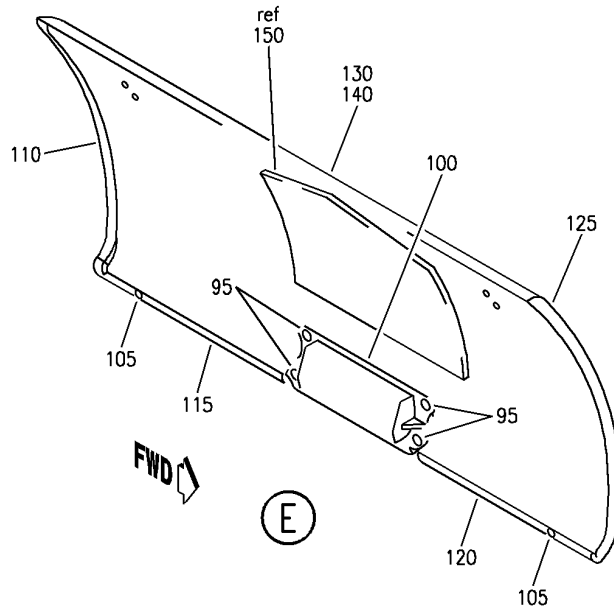
TOP ASSY-FWD RH 29 IN. OVHD STOWAGE BIG BIN BULLNOSE CONFIGURATION
 FIGURE 20K (SHEET 3)

25-24-31-20K

HAP
 OCT 15/08

25-24-31-20K
 PAGE 0B

BOEING
 737-600/700/800/900
 PARTS CATALOG (MAINTENANCE)



E 2524-3120K SHT 4 REV 133

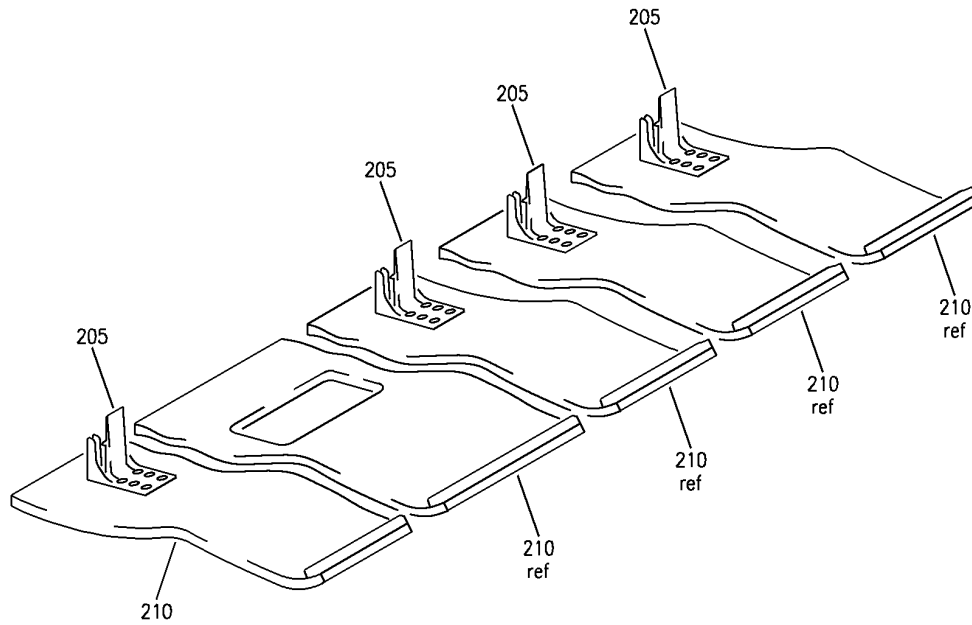
TOP ASSY-FWD RH 29 IN. OVHD STOWAGE BIG BIN BULLNOSE CONFIGURATION
 FIGURE 20K (SHEET 4)

HAP
 OCT 15/08

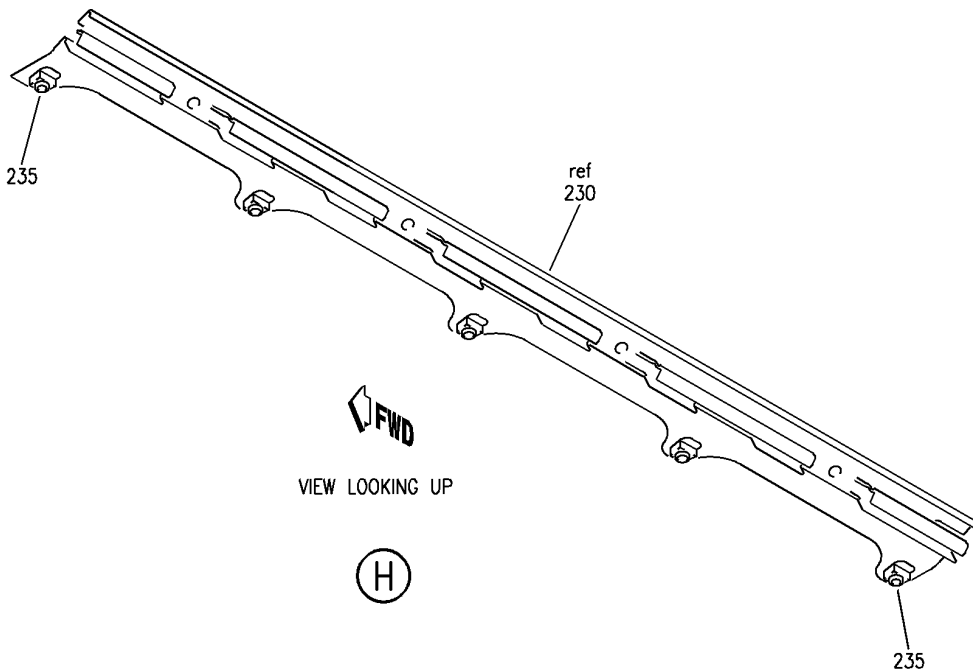
25-24-31-20K

25-24-31-20K
 PAGE 0C

BOEING
 737-600/700/800/900
 PARTS CATALOG (MAINTENANCE)



(G)



FWD

VIEW LOOKING UP

(H)

E 2524-3120K SHT 5 REV 133

TOP ASSY-FWD RH 29 IN. OVHD STOWAGE BIG BIN BULLNOSE CONFIGURATION
 FIGURE 20K (SHEET 5)

25-24-31-20K

HAP
 OCT 15/08

25-24-31-20K
 PAGE 0D

BOEING
737-600/700/800/900
PARTS CATALOG (MAINTENANCE)

FIG ITEM	PART NUMBER	1 2 3 4 5 6 7	NOMENCLATURE	EFFECT FROM TO	UNITS PER ASSY
20K			TOP ASSY-FWD RH 29 IN. OVHD STOWAGE BIG BIN BULLNOSE CONFIGURATION	048050 053100	
- 1	412A1052-1032B		TOP ASSY-29 IN. OVHD STOWAGE BIG BIN BULLNOSE CONFIGURATION POSITION DATA: FWD RH FOR NHA SEE: 25-24-30-26	048050 053100	RF
5	412A1420-2A		.EXTRUSION-SEAT ROW MARKER	048050 053100	1
10	412A1451-2BCWK		.STRIP-TRIM	048050 053100	1
15	BACB30NM3K6		.BOLT	048050 053100	1
20	BACS12FA3K10		.SCREW	048050 053100	3
25	CA3105-1032-24		.SCREW SUPPLIER CODE: V73439 SPECIFICATION NUMBER: BACS12N10-24 OPTIONAL PART: CA3105-1032-24 V78189 SP1561-1032-24 V73439	048050 053100	3
30	BACW10BN3AC		.WASHER	048050 053100	4
35	NAS1149D0363J		.WASHER	048050 053100	1
40	PLH53CD		.NUT SUPPLIER CODE: VF0224 SPECIFICATION NUMBER: BACN10YR3CD OPTIONAL PART: H52732-3CD V15653	048050 053100	1
45	412A1230-170		.FITTING ASSY-SPRT	048050 053100	1
50	BACR15BA3ADC		..RIVET- SIZE DETERMINED ON INSTL.	048050 053100	14

MISSING ITEM NUMBERS NOT APPLICABLE

- ITEM NOT ILLUSTRATED

HAP

25-24-31-20K

BOEING PROPRIETARY - Copyright © - Unpublished Work - See title page for details.

25-24-31
FIG. 20K
PAGE 1
FEB 15/09

BOEING
737-600/700/800/900
PARTS CATALOG (MAINTENANCE)

FIG ITEM	PART NUMBER	1 2 3 4 5 6 7	NOMENCLATURE	EFFECT FROM TO	UNITS PER ASSY
20K 55	T8077S1032	..	NUTPLATE SUPPLIER CODE: V11815 SPECIFICATION NUMBER: BACN10JP3B OPTIONAL PART: MK2000-3BAC V15653 NS103198-02 V80539 RMA9207-3 V72962 VN201A1-02 V92215 BRM100A3 V52828	048050 053100	5
60	412A1230-168	..	FITTING	048050 053100	1
65	412A1230-166	..	FITTING	048050 053100	1
70	412N1372-210B	.	CAP ASSY-4.54 IN. WIDE END FOR DETAILS SEE: 25-24-33-45C	048050 053100	1
75	BACB30VF3K8	.	BOLT	048050 053100	2
80	BACS12FA3K5	.	SCREW	048050 053100	8
85	BACS12FA3K6	.	SCREW	048050 053100	2
90	412A1505-106B	.	DOOR ASSY-28.6 IN.	048050 053100	1
95	BACS12FA3K4	..	SCREW	048050 053100	4
100	HA951-1	..	LATCH ASSY- SUPPLIER CODE: V83014 SPECIFICATION NUMBER: S412A003-1	048050 053100	1
105	412A1810-3B	..	BUMPER- QUALIFIED I/W DATA: PN 412A1810-3B CAN REPLACE BUT NOT BE REPLACED BY PN 412A1810-2B FOR 737-600/700/800/900 ONLY.	048050 053100	2
110	412A1452-107B	..	TRIM-VERT	048050 053100	1

MISSING ITEM NUMBERS NOT APPLICABLE

- ITEM NOT ILLUSTRATED

HAP

25-24-31-20K

BOEING PROPRIETARY - Copyright © - Unpublished Work - See title page for details.

25-24-31
FIG. 20K
PAGE 2
FEB 15/09

BOEING
737-600/700/800/900
PARTS CATALOG (MAINTENANCE)

FIG ITEM	PART NUMBER	1 2 3 4 5 6 7	NOMENCLATURE	EFFECT FROM TO	UNITS PER ASSY
20K					
115	412A1452-109B	..	TRIM-HORIZ	048050 053100	1
120	412A1452-106B	..	TRIM-HORIZ	048050 053100	1
125	412A1452-104B	..	TRIM-VERT	048050 053100	1
130	412A1513-106B	..	PANEL ASSY	048050 053100	1
- 135	SL618-3A	...	INSERT- SUPPLIER CODE: V97393	048050 053100	12
140	412A1513-115B	...	PANEL ASSY	048050 053100	1
145	SP23011	.HINGE ASSY- SUPPLIER CODE: V24403 SPECIFICATION NUMBER: S412A004-3		048050 053100	2
155	403A3210-96B	.SEAL ASSY		048050 053100	1
160	BACB30VF3K3	.BOLT		048050 053100	2
165	BACS12ER3K11	.SCREW		048050 053100	2
170	H3-1233A3	.WASHER- SUPPLIER CODE: V34941 SPECIFICATION NUMBER: S411A001-1		048050 053100	2
175	412A1467-1B	.CLOSEOUT ASSY		048050 053100	1
180	412A1467-2B	.CLOSEOUT ASSY		048050 053100	1
185	BACN10VR4CGN	..NUT- OPTIONAL PART: BACN10VR4CG		048050 053100	2
185	BACN10VR4CG	..NUT- OPTIONAL PART: BACN10VR4CGN		048050 053100	2
190	412A1467-5B	..CLOSEOUT- USED ON: 412A1467-1B		048050 053100	1
195	412A1467-6B	..CLOSEOUT- USED ON: 412A1467-2B		048050 053100	1
200	412A1607-6B	.COVER ASSY		048050 053100	1
205	412A1460-2	..CLIP		048050 053100	4

MISSING ITEM NUMBERS NOT APPLICABLE

- ITEM NOT ILLUSTRATED

HAP

25-24-31-20K

BOEING PROPRIETARY - Copyright © - Unpublished Work - See title page for details.

25-24-31
FIG. 20K
PAGE 3
FEB 15/09

BOEING
737-600/700/800/900
PARTS CATALOG (MAINTENANCE)

FIG ITEM	PART NUMBER	1 2 3 4 5 6 7	NOMENCLATURE	EFFECT FROM TO	UNITS PER ASSY
20K					
210	412A1617-7B	. .	PANEL	048050 053100	1
215	BACS12FA3K5	. .	SCREW	048050 053100	4
220	BACS12ER3K14	. .	SCREW	048050 053100	5
225	H3-1233A3	. .	WASHER- SUPPLIER CODE: V34941 SPECIFICATION NUMBER: S411A001-1	048050 053100	5
230	412A1244-9	. .	EXTRUSION ASSY	048050 053100	1
235	FS1651-3	. .	NUTPLATE SUPPLIER CODE: V15653 SPECIFICATION NUMBER: BACN10KH3CD OPTIONAL PART: 102F9209M3 V72962 NS202496-02 V80539 ATTACHING PARTS	048050 053100	5
- 240	BACR15BA3ADC	. .	RIVET- SIZE DETERMINED ON INSTL. -----*-----	048050 053100	10
- 245	412A1811-2B	. .	PLUG	048050 053100	AR
250	412A1255-32B	. .	BOX ASSY-29 IN. BIG BIN FOR DETAILS SEE: 25-24-32-25A	048050 053100	1

MISSING ITEM NUMBERS NOT APPLICABLE

- ITEM NOT ILLUSTRATED

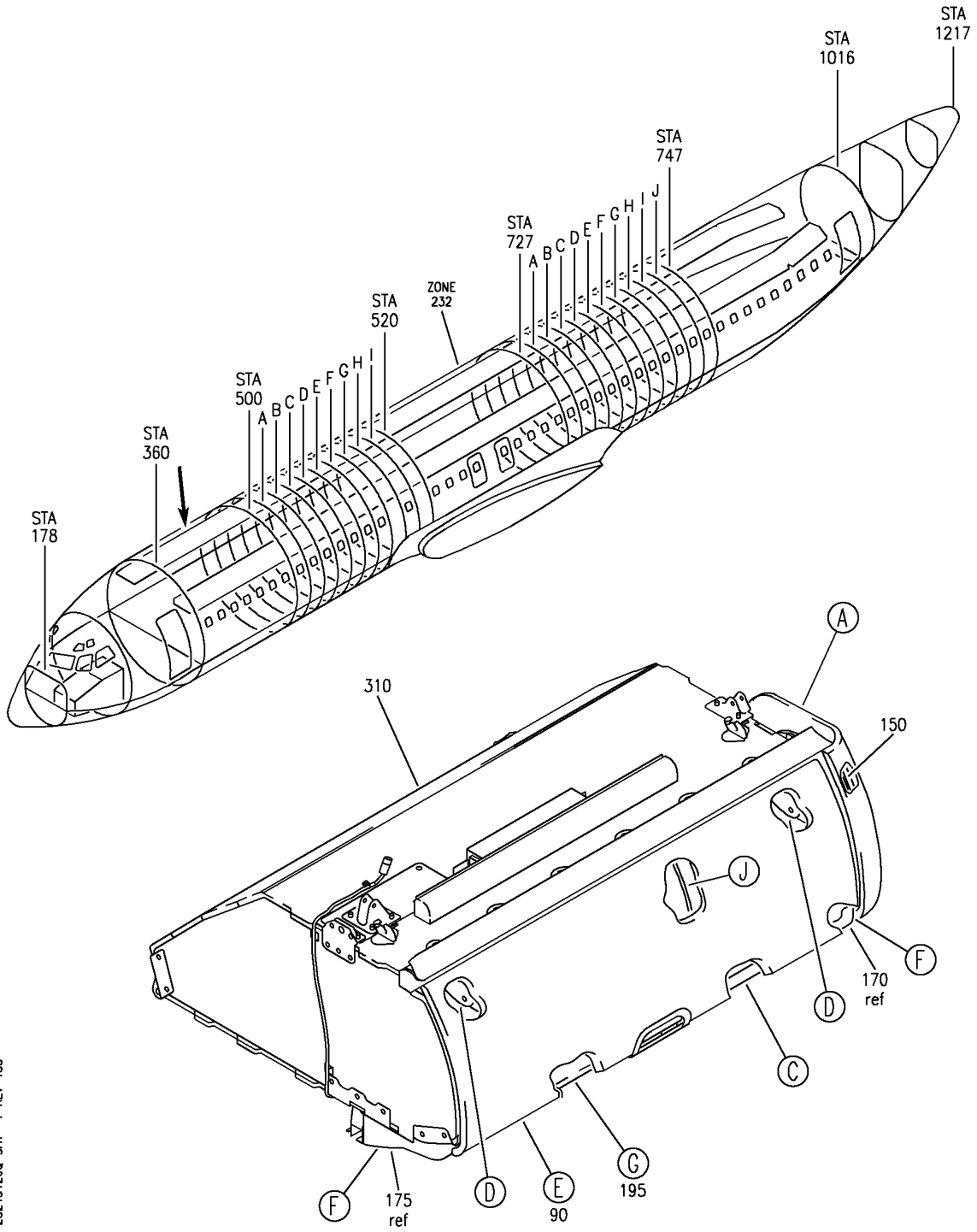
HAP

25-24-31-20K

BOEING PROPRIETARY - Copyright © - Unpublished Work - See title page for details.

25-24-31
FIG. 20K
PAGE 4
FEB 15/09

BOEING
 737-600/700/800/900
 PARTS CATALOG (MAINTENANCE)



E 2524-3120Q SHT 1 REV 135

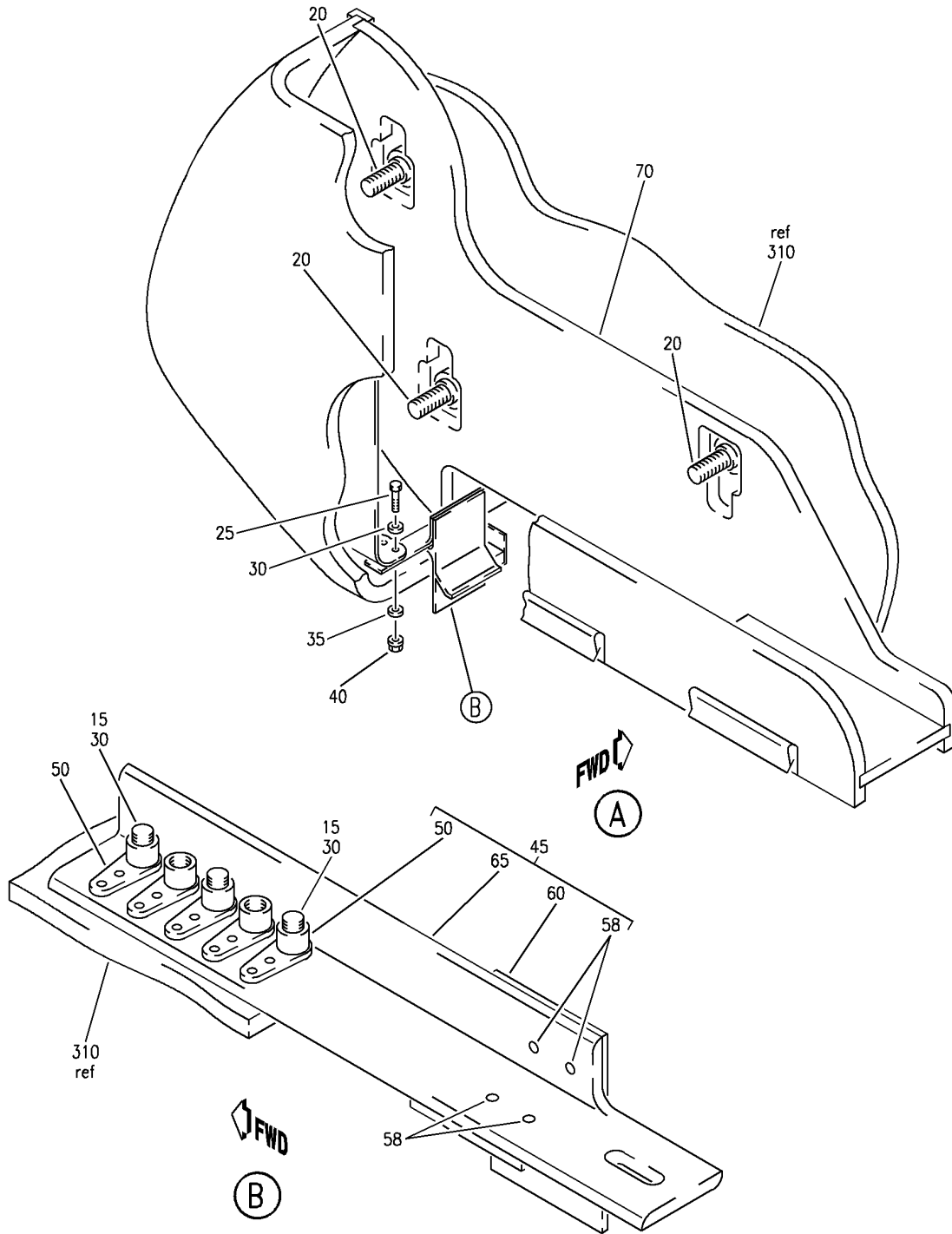
TOP ASSY-FWD RH 29 IN. OVHD STOWAGE BIG BIN BULLNOSE CONFIGURATION
 FIGURE 20Q (SHEET 1)

25-24-31-20Q

HAP
 OCT 15/08

25-24-31-20Q
 PAGE 0

BOEING
 737-600/700/800/900
 PARTS CATALOG (MAINTENANCE)



E 2524-3120Q SHT 2 REV 135

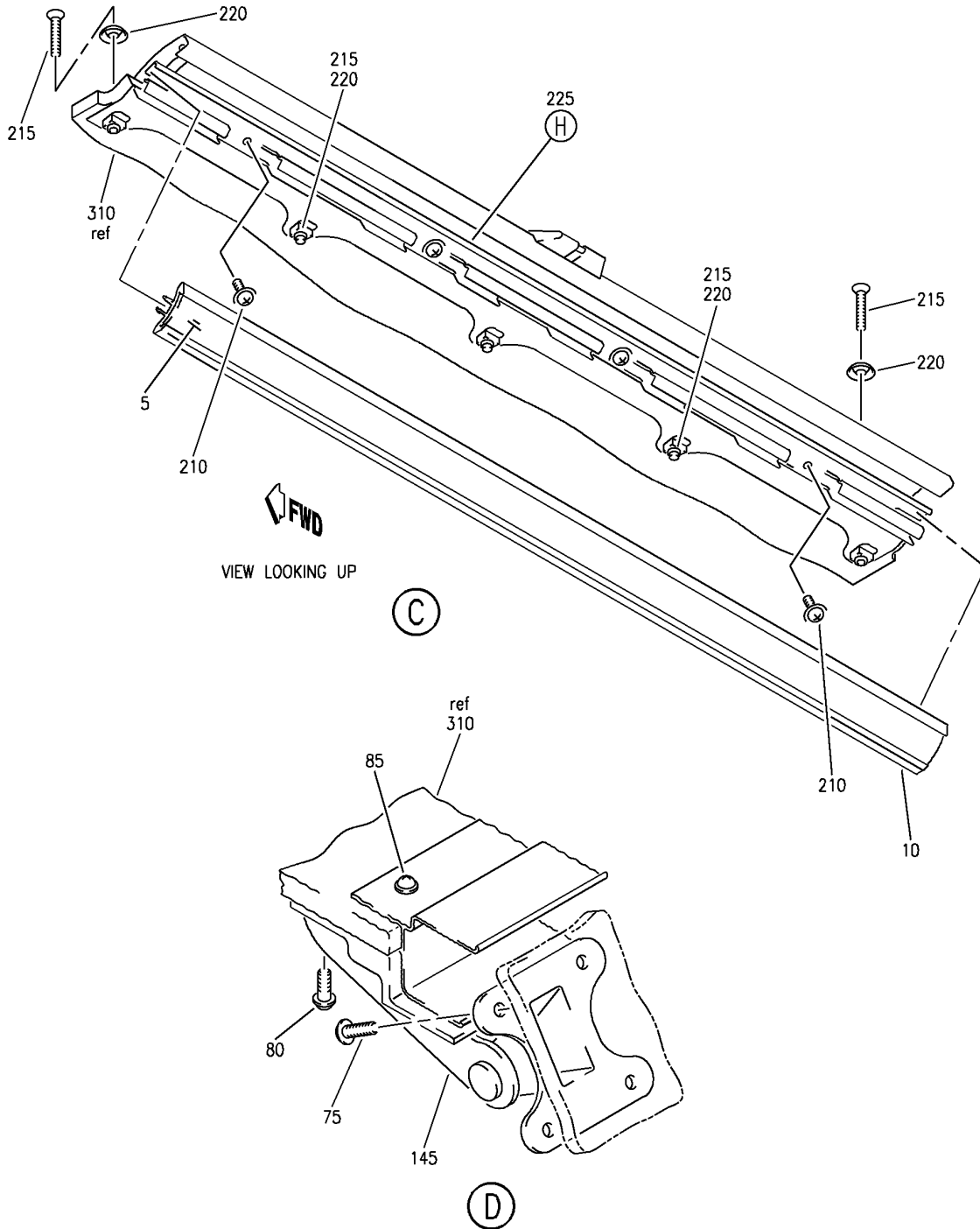
TOP ASSY-FWD RH 29 IN. OVHD STOWAGE BIG BIN BULLNOSE CONFIGURATION
 FIGURE 20Q (SHEET 2)

25-24-31-20Q

HAP
 OCT 15/08

25-24-31-20Q
 PAGE 0A

BOEING
 737-600/700/800/900
 PARTS CATALOG (MAINTENANCE)



E 2524-3120Q SHT 3 REV 135

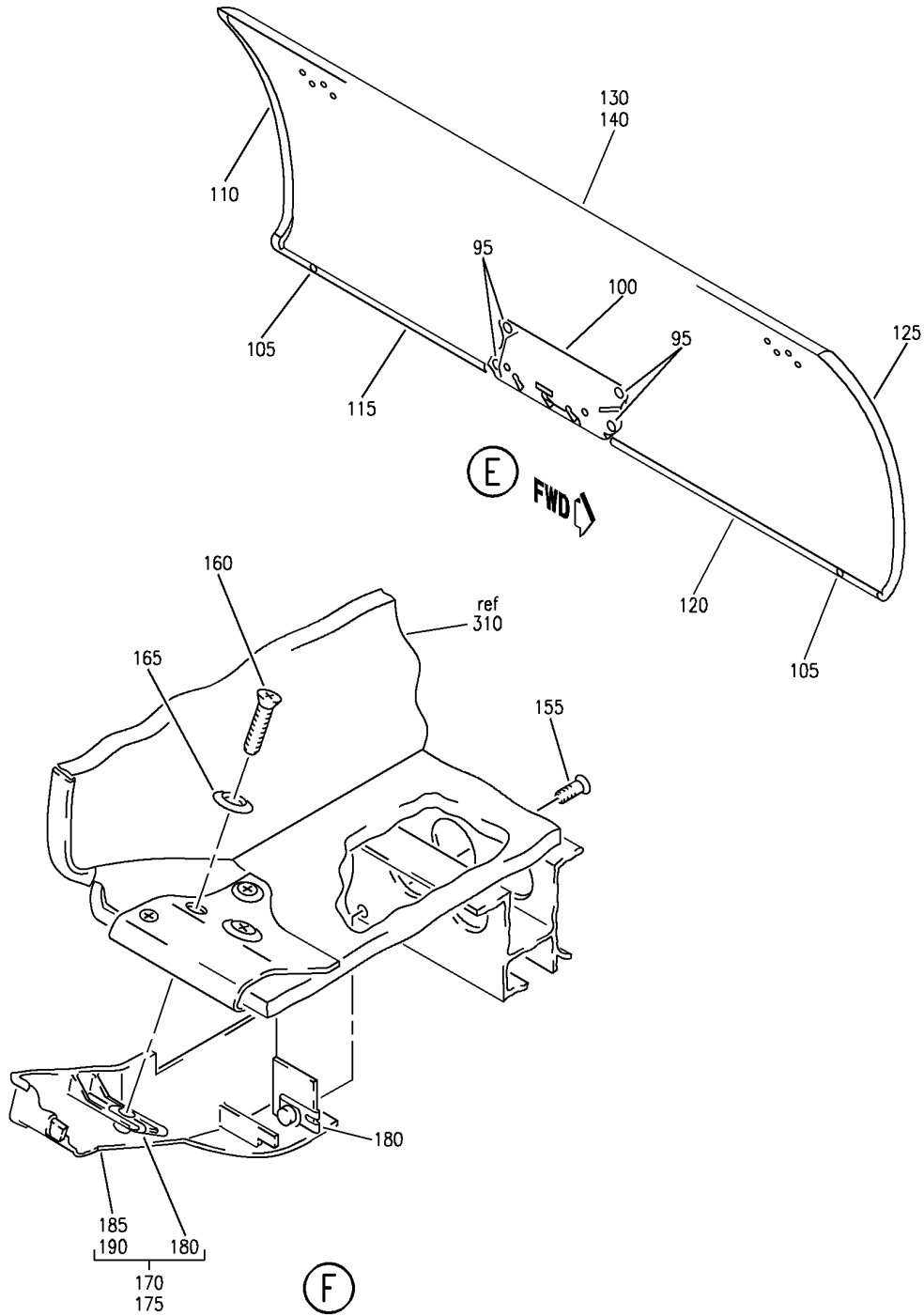
TOP ASSY-FWD RH 29 IN. OVHD STOWAGE BIG BIN BULLNOSE CONFIGURATION
 FIGURE 20Q (SHEET 3)

25-24-31-20Q

HAP
 OCT 15/08

25-24-31-20Q
 PAGE 0B

BOEING
 737-600/700/800/900
 PARTS CATALOG (MAINTENANCE)



E 2524-3120Q SHT 4 REV 135

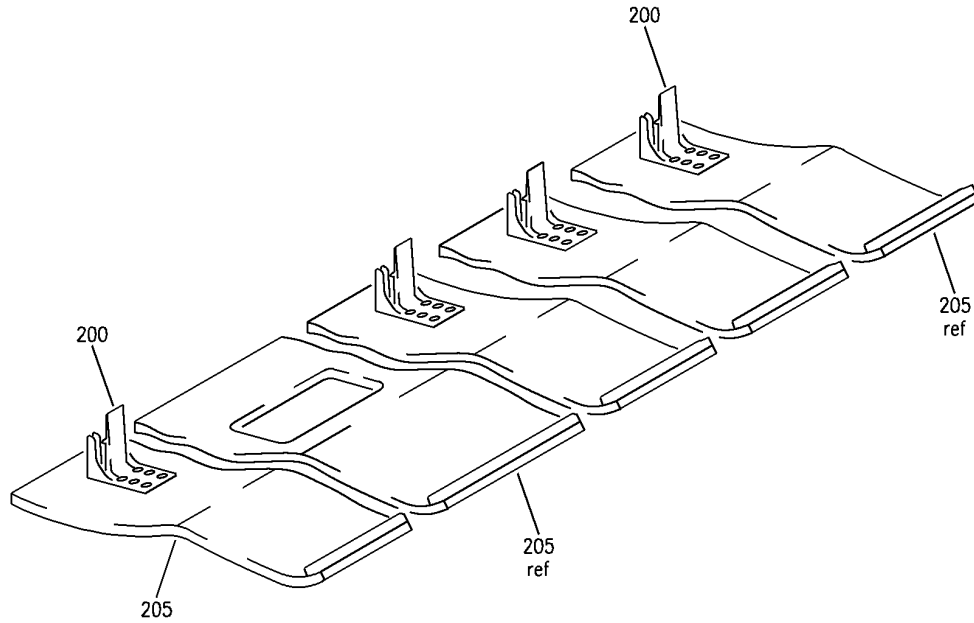
TOP ASSY-FWD RH 29 IN. OVHD STOWAGE BIG BIN BULLNOSE CONFIGURATION
 FIGURE 20Q (SHEET 4)

25-24-31-20Q

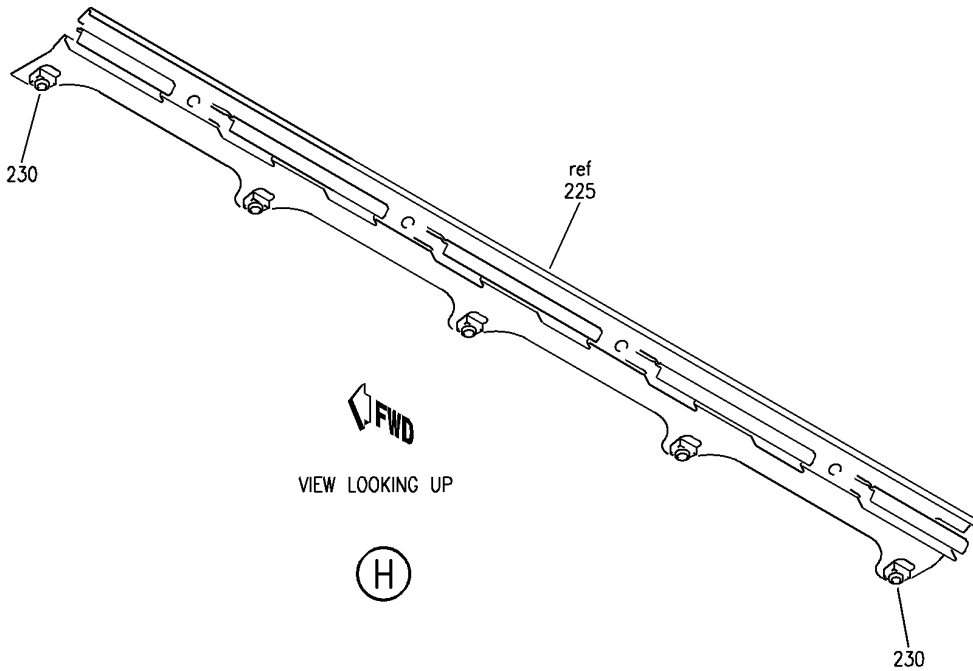
HAP
 OCT 15/08

25-24-31-20Q
 PAGE 0C

BOEING
 737-600/700/800/900
 PARTS CATALOG (MAINTENANCE)



(G)



(H)

E 2524-3120Q SHT 5 REV 135

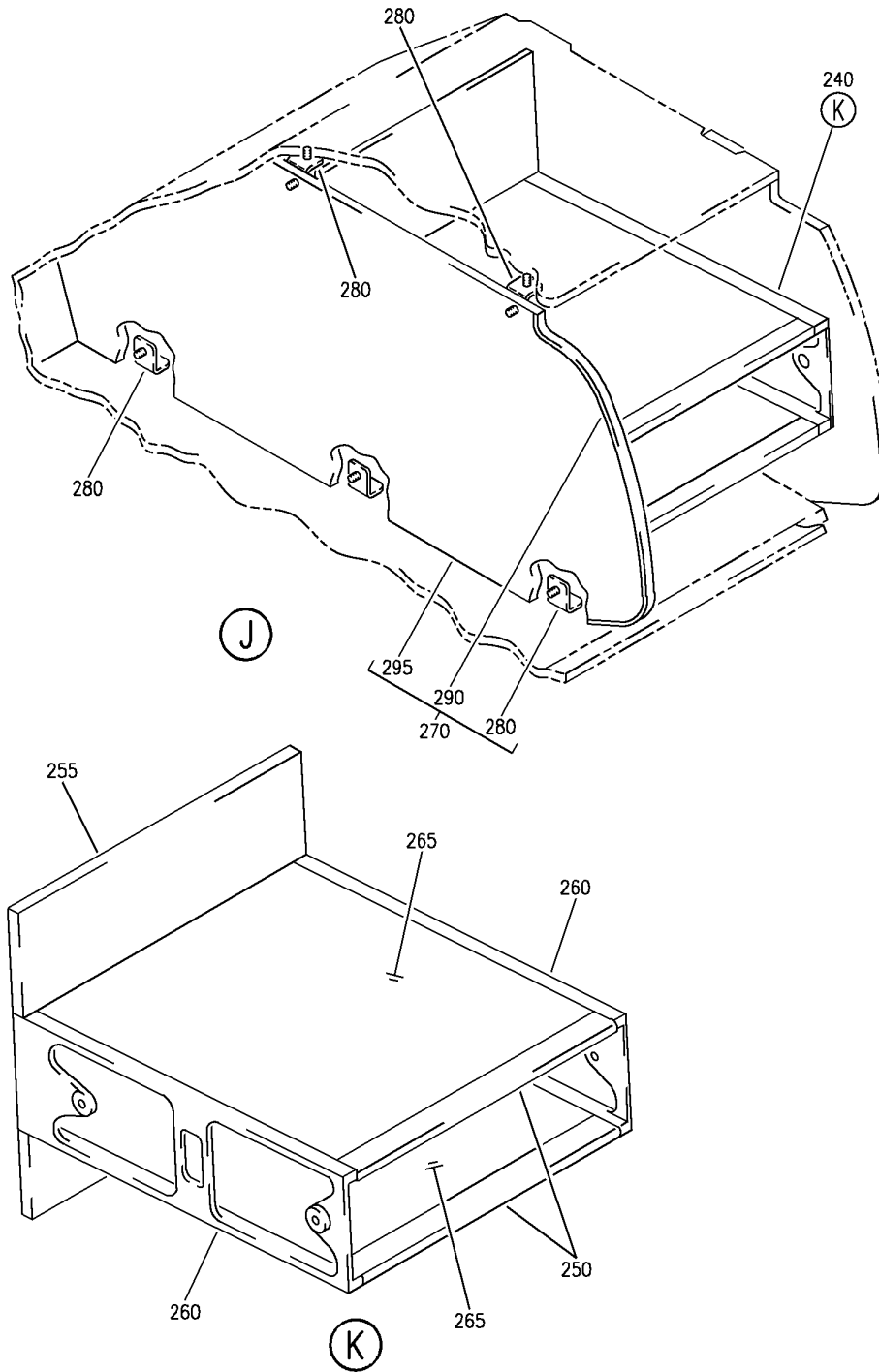
TOP ASSY-FWD RH 29 IN. OVHD STOWAGE BIG BIN BULLNOSE CONFIGURATION
 FIGURE 20Q (SHEET 5)

25-24-31-20Q

HAP
 OCT 15/08

25-24-31-20Q
 PAGE 0D

BOEING
 737-600/700/800/900
 PARTS CATALOG (MAINTENANCE)



E 2524-3120Q SHT 6 REV 135

TOP ASSY-FWD RH 29 IN. OVHD STOWAGE BIG BIN BULLNOSE CONFIGURATION
 FIGURE 20Q (SHEET 6)

25-24-31-20Q

HAP
 OCT 15/08

25-24-31-20Q
 PAGE 0E

BOEING
737-600/700/800/900
PARTS CATALOG (MAINTENANCE)

FIG ITEM	PART NUMBER	1 2 3 4 5 6 7	NOMENCLATURE	EFFECT FROM TO	UNITS PER ASSY
20Q			TOP ASSY-FWD RH 29 IN. OVHD STOWAGE BIG BIN BULLNOSE CONFIGURATION	051052	
- 1	412A1052-1056B		TOP ASSY-29 IN. OVHD STOWAGE BIG BIN BULLNOSE CONFIGURATION POSITION DATA: FWD RH FOR NHA SEE: 25-24-30-26	051052	RF
5	412A1420-2A		.EXTRUSION-SEAT ROW MARKER	051052	1
10	412A1451-2BCWK		.STRIP-TRIM	051052	1
15	BACS12FA3K10		.SCREW	051052	3
20	CA3105-1032-24		.SCREW SUPPLIER CODE: V73439 SPECIFICATION NUMBER: BACS12N10-24 OPTIONAL PART: CA3105-1032-24 V78189 SP1561-1032-24 V73439	051052	3
25	BACB30NM3K6		.BOLT	051052	1
30	BACW10BN3AC		.WASHER	051052	4
35	NAS1149D0363J		.WASHER	051052	1
40	PLH53CD		.NUT SUPPLIER CODE: VF0224 SPECIFICATION NUMBER: BACN10YR3CD OPTIONAL PART: H52732-3CD V15653	051052	1
45	412A1230-170		.FITTING ASSY-SPRT	051052	1

MISSING ITEM NUMBERS NOT APPLICABLE

- ITEM NOT ILLUSTRATED

HAP

25-24-31-20Q

BOEING PROPRIETARY - Copyright © - Unpublished Work - See title page for details.

25-24-31
FIG. 20Q
PAGE 1
FEB 15/09

BOEING
737-600/700/800/900
PARTS CATALOG (MAINTENANCE)

FIG ITEM	PART NUMBER	1 2 3 4 5 6 7	NOMENCLATURE	EFFECT FROM TO	UNITS PER ASSY
20Q 50	T8077S1032		..NUTPLATE SUPPLIER CODE: V11815 SPECIFICATION NUMBER: BACN10JP3B OPTIONAL PART: MK2000-3BAC V15653 NS103198-02 V80539 RMA9207-3 V72962 VN201A1-02 V92215 BRM100A3 V52828 ATTACHING PARTS	051052	5
- 55	BACR15BA3ADC		..RIVET- SIZE DETERMINED ON INSTL. -----*-----	051052	10
58	BACR15BA3ADC		..RIVET- SIZE DETERMINED ON INSTL.	051052	4
60	412A1230-168		..FITTING	051052	1
65	412A1230-166		..FITTING	051052	1
70	412N1372-210B		.CAP ASSY-3.54 IN. WIDE END FOR DETAILS SEE: 25-24-33-45C	051052	1
75	BACS12FA3K5		.SCREW	051052	8
80	BACS12FA3K6		.SCREW	051052	2
85	BACB30VF3K8		.BOLT	051052	2
90	412A1505-106B		.DOOR ASSY-28.6 IN.	051052	1
95	BACS12FA3K4		..SCREW	051052	4
100	HA951-1		..LATCH ASSY- SUPPLIER CODE: V83014 SPECIFICATION NUMBER: S412A003-1	051052	1
105	412A1810-3B		..BUMPER- QUALIFIED I/W DATA: PN 412A1810-3B CAN REPLACE BUT NOT BE REPLACED BY PN 412A1810-2B FOR 737-600/700/800/900 ONLY.	051052	2
110	412A1452-107B		..TRIM-VERT	051052	1
115	412A1452-109B		..TRIM-EDGE	051052	1
120	412A1452-106B		..TRIM-HORIZ	051052	1
125	412A1452-104B		..TRIM-VERT	051052	1

MISSING ITEM NUMBERS NOT APPLICABLE

- ITEM NOT ILLUSTRATED

HAP

25-24-31-20Q

BOEING PROPRIETARY - Copyright © - Unpublished Work - See title page for details.

25-24-31
FIG. 20Q
PAGE 2
FEB 15/09

BOEING
737-600/700/800/900
PARTS CATALOG (MAINTENANCE)

FIG ITEM	PART NUMBER	1 2 3 4 5 6 7	NOMENCLATURE	EFFECT FROM TO	UNITS PER ASSY
20Q					
130	412A1513-106B	..	PANEL ASSY	051052	1
- 135	SL618-3A	...	INSERT-	051052	12
			SUPPLIER CODE: V97393		
140	412A1513-115B	...	PANEL ASSY	051052	1
145	SP23011	.HINGE ASSY-		051052	2
			SUPPLIER CODE: V24403		
			SPECIFICATION NUMBER: S412A004-3		
150	403A3210-96B	.SEAL ASSY		051052	1
155	BACS12ER3K11	.SCREW		051052	2
160	BACB30VF3K3	.BOLT		051052	2
165	H3-1233A3	.WASHER-		051052	2
			SUPPLIER CODE: V34941		
			SPECIFICATION NUMBER: S411A001-1		
170	412A1467-1B	.CLOSEOUT ASSY		051052	1
175	412A1467-2B	.CLOSEOUT ASSY		051052	1
180	BACN10VR4CGN	..NUT-		051052	2
			OPTIONAL PART: BACN10VR4CG		
180	BACN10VR4CG	..NUT-		051052	2
			OPTIONAL PART: BACN10VR4CGN		
185	412A1467-5B	..CLOSEOUT-		051052	1
			USED ON: 412A1467-1B		
190	412A1467-6B	..CLOSEOUT-		051052	1
			USED ON: 412A1467-2B		
195	412A1607-6B	.COVER ASSY		051052	1
200	412A1460-2	..CLIP		051052	4
205	412A1617-7B	..PANEL		051052	1
210	BACS12FA3K5	.SCREW		051052	4
215	BACS12ER3K14	.SCREW		051052	5
220	H3-1233A3	.WASHER-		051052	5
			SUPPLIER CODE: V34941		
			SPECIFICATION NUMBER: S411A001-1		
225	412A1244-9	.EXTRUSION ASSY		051052	1

MISSING ITEM NUMBERS NOT APPLICABLE

- ITEM NOT ILLUSTRATED

HAP

25-24-31-20Q

BOEING PROPRIETARY - Copyright © - Unpublished Work - See title page for details.

25-24-31
FIG. 20Q
PAGE 3
FEB 15/09

BOEING
737-600/700/800/900
PARTS CATALOG (MAINTENANCE)

FIG ITEM	PART NUMBER	1 2 3 4 5 6 7	NOMENCLATURE	EFFECT FROM TO	UNITS PER ASSY
20Q 230	FS1651-3		..NUTPLATE SUPPLIER CODE: V15653 SPECIFICATION NUMBER: BACN10KH3CD OPTIONAL PART: 102F9209M3 V72962 NS202496-02 V80539 ATTACHING PARTS	051052	5
- 235	BACR15BA3ADC		..RIVET- SIZE DETERMINED ON INSTL. -----*-----	051052	10
240	412A1912-10B		.RACK ASSY-MAGAZINE ATTACHING PARTS	051052	1
- 245	BACS12FA3K5		.SCREW -----*-----	051052	4
250	412A1450-17A		..TRIM	051052	2
255	412A1217-9B		..PANEL ASSY	051052	1
260	412N1212-4A		..SUPPORT-SHELF	051052	2
265	412A1213-20A		..SHELF ASSY-12 IN.	051052	2
270	412A1912-6B		.PANEL ASSY-DIVIDER ATTACHING PARTS	051052	1
- 275	BACS12FA3K5		.SCREW -----*-----	051052	5
280	412A1220-61A		..CLIP ATTACHING PARTS	051052	5
- 285	BACS12FA3K5		..SCREW -----*-----	051052	5
290	412A1250-91A		..TRIM	051052	1
295	412A1217-6B		..PANEL ASSY	051052	1
- 300	SL2334-3A1		...INSERT- SUPPLIER CODE: V97393	051052	11
- 305	412A1811-2B		.PLUG	051052	AR
310	412A1255-32B		.BOX ASSY-29 IN. BIN FOR DETAILS SEE: 25-24-32-25A	051052	1

MISSING ITEM NUMBERS NOT APPLICABLE

- ITEM NOT ILLUSTRATED

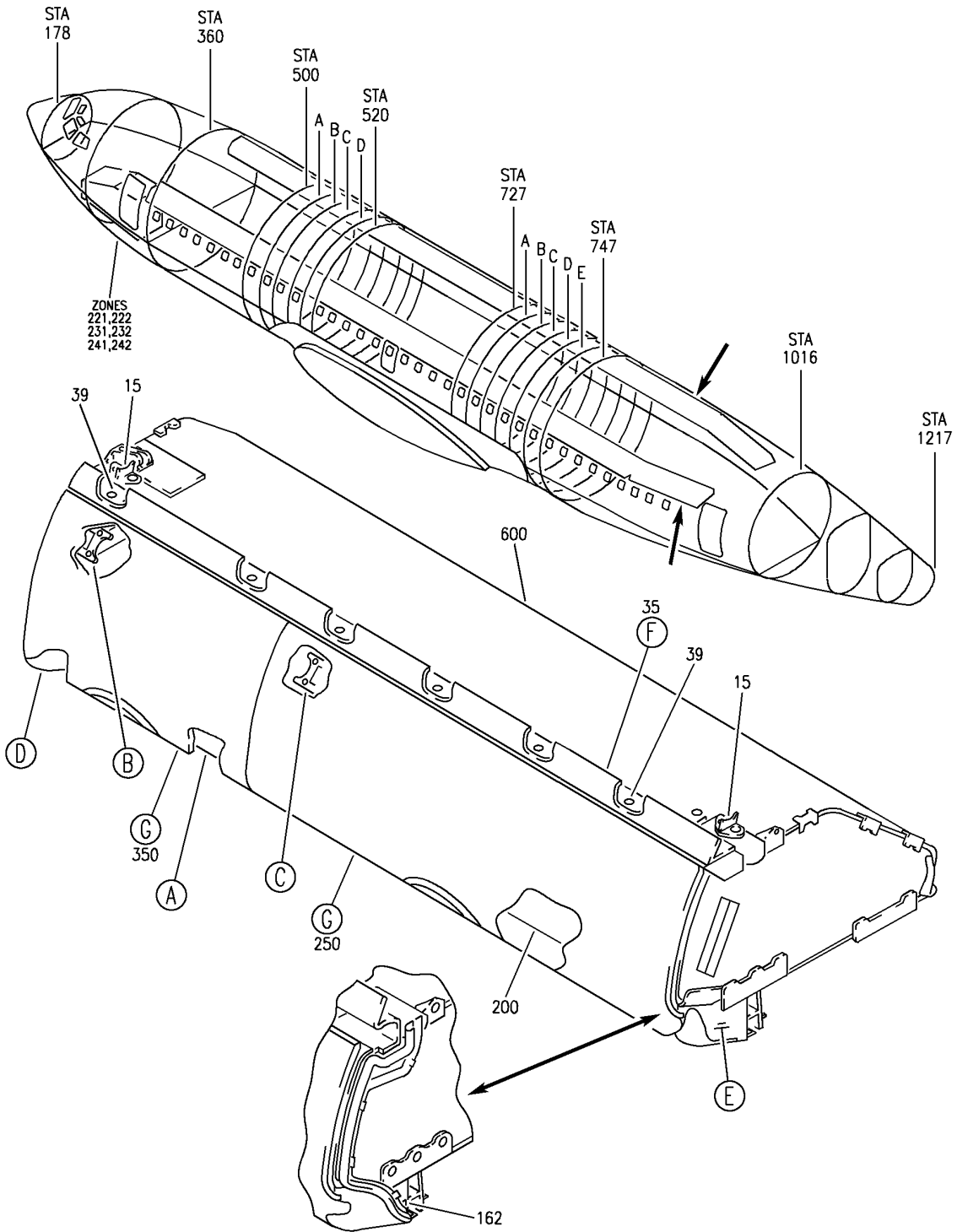
HAP

25-24-31-20Q

BOEING PROPRIETARY - Copyright © - Unpublished Work - See title page for details.

25-24-31
FIG. 20Q
PAGE 4
FEB 15/09

BOEING
737-600/700/800/900
PARTS CATALOG (MAINTENANCE)



E 2524-31-21 SHT 1 REV 106

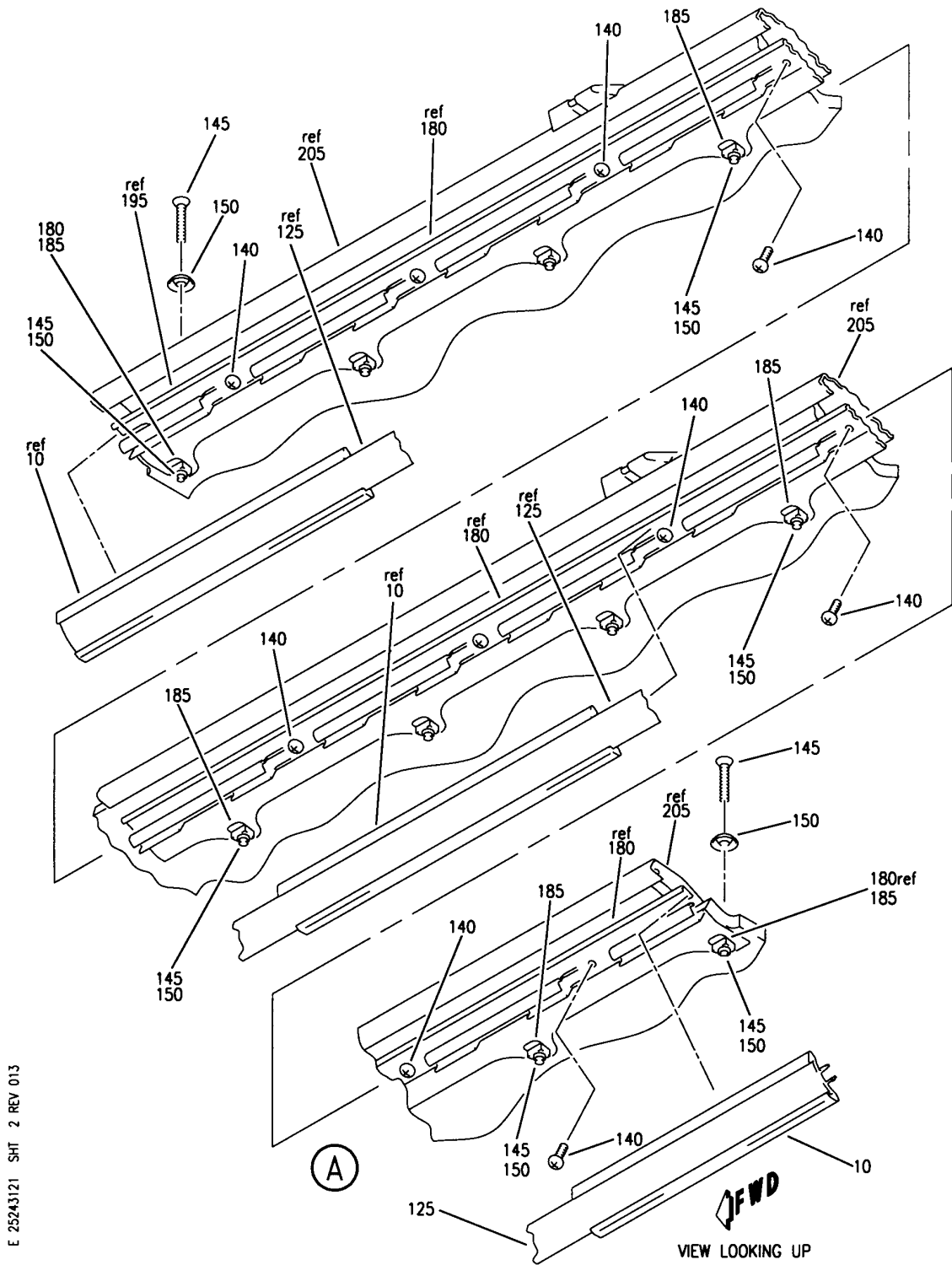
COMPARTMENT ASSY-60 IN. OVHD STOWAGE BULLNOSE CONFIGURATION (EQUIPMENT/ FURNISHINGS ONLY)
 FIGURE 21 (SHEET 1)

25-24-31-21

HAP
 OCT 15/08

25-24-31-21
 PAGE 0

BOEING
 737-600/700/800/900
 PARTS CATALOG (MAINTENANCE)



E 25243121 SHT 2 REV 013

COMPARTMENT ASSY-60 IN. OVHD STORAGE BULLNOSE CONFIGURATION (EQUIPMENT/ FURNISHINGS ONLY)
 FIGURE 21 (SHEET 2)

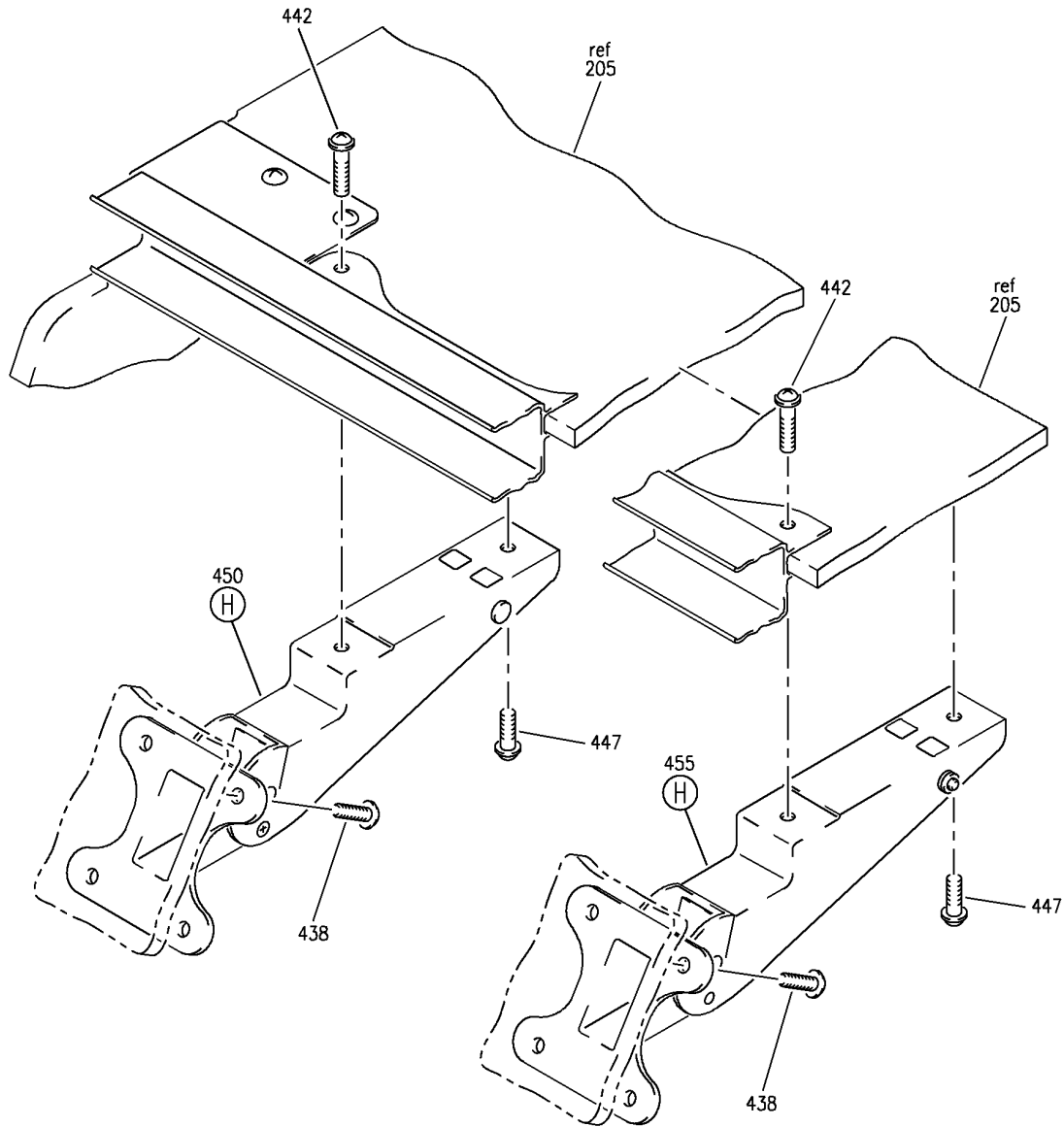
25-24-31-21

HAP
 OCT 15/08

25-24-31-21
 PAGE 0A

BOEING PROPRIETARY - Copyright © - Unpublished Work - See title page for details.

BOEING
737-600/700/800/900
PARTS CATALOG (MAINTENANCE)



(B)

E 2524-3121 SHT 3 REV 106

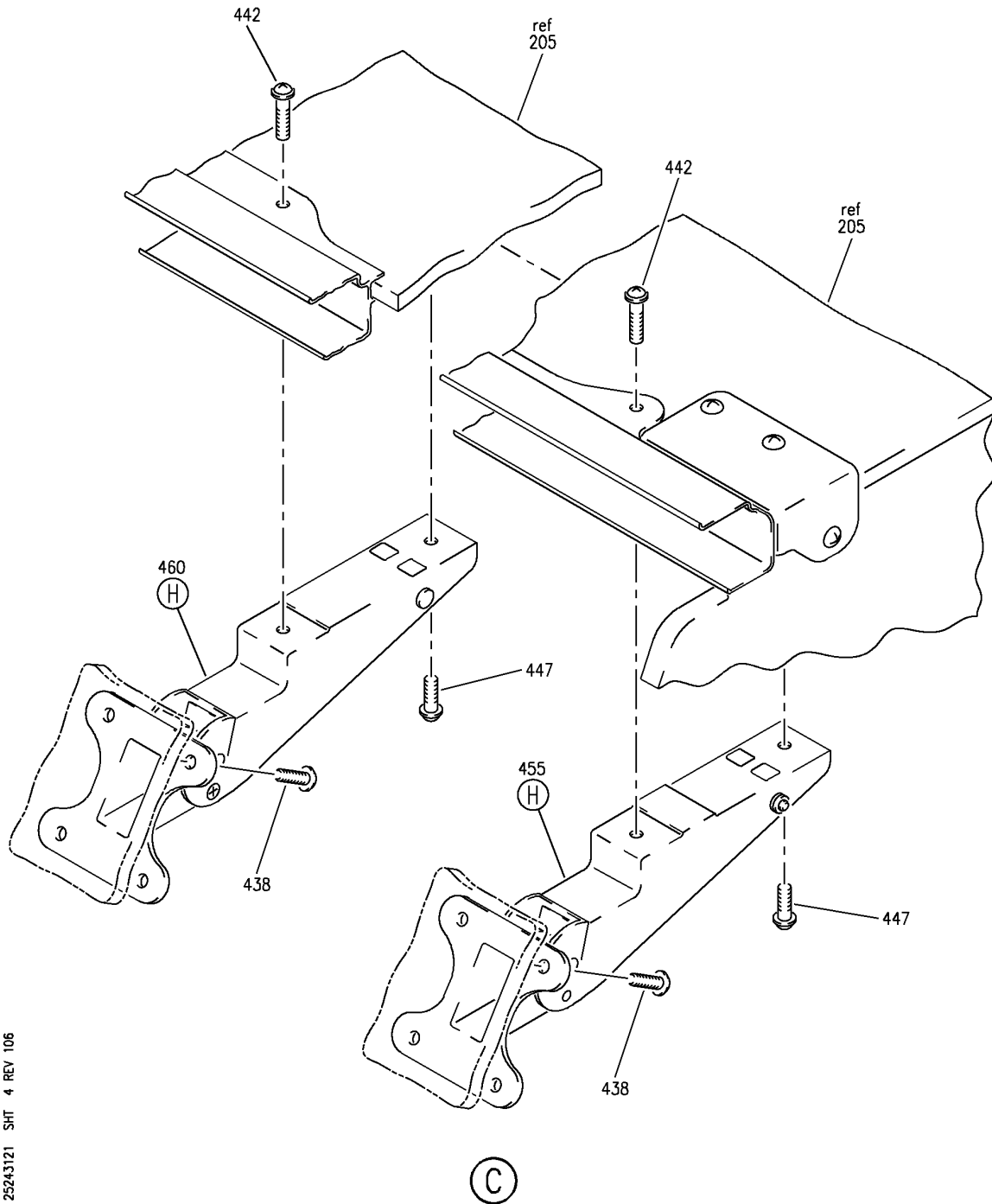
COMPARTMENT ASSY-60 IN. OVHD STOWAGE BULLNOSE CONFIGURATION (EQUIPMENT/ FURNISHINGS ONLY)
FIGURE 21 (SHEET 3)

HAP
OCT 15/08

25-24-31-21

25-24-31-21
PAGE 0B

BOEING
737-600/700/800/900
PARTS CATALOG (MAINTENANCE)



E 2524-31-21 SHT 4 REV 106

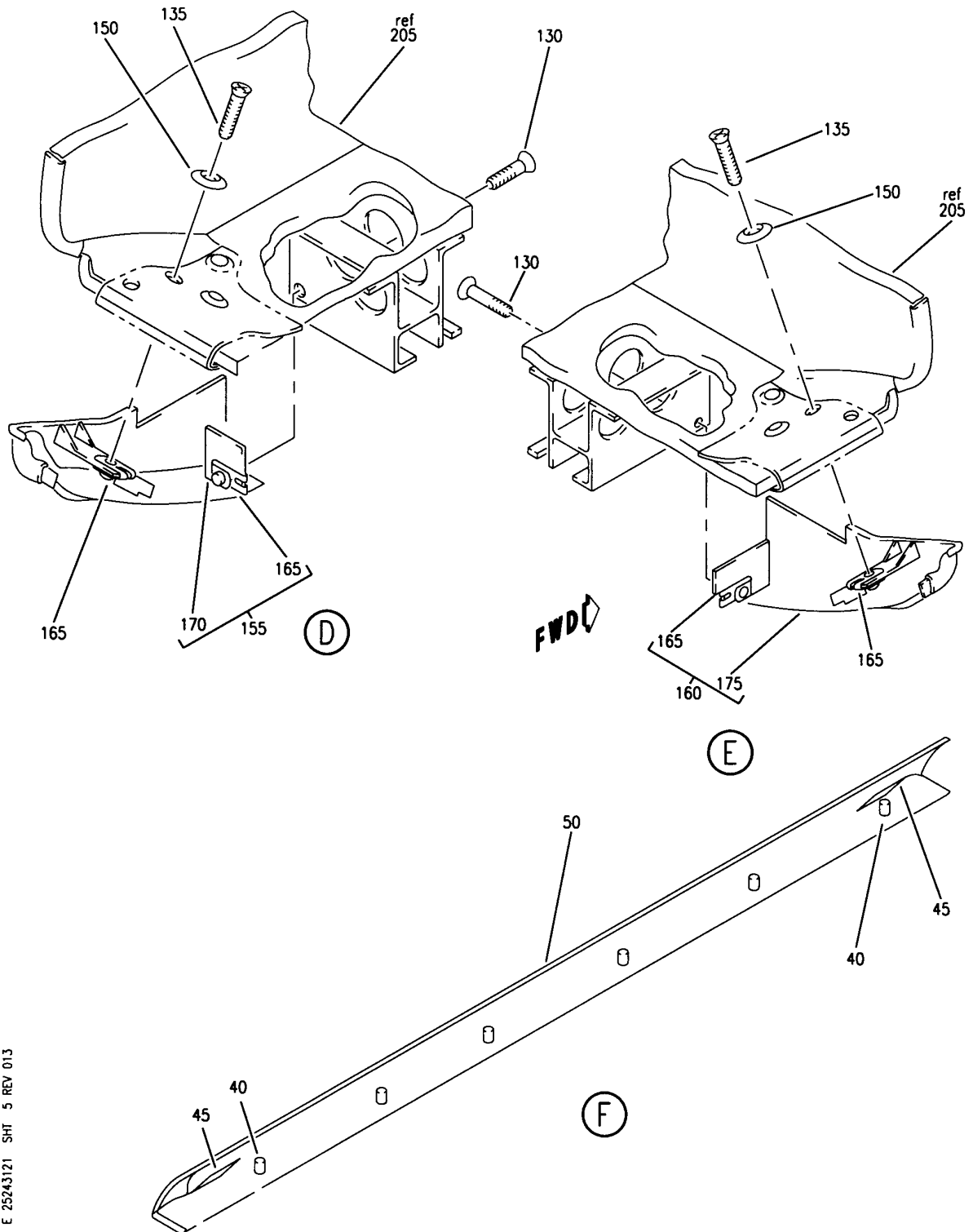
COMPARTMENT ASSY-60 IN. OVHD STOWAGE BULLNOSE CONFIGURATION (EQUIPMENT/ FURNISHINGS ONLY)
FIGURE 21 (SHEET 4)

HAP
OCT 15/08

25-24-31-21

25-24-31-21
PAGE 0C

BOEING
 737-600/700/800/900
 PARTS CATALOG (MAINTENANCE)



E 25243121 SH1 5 REV 013

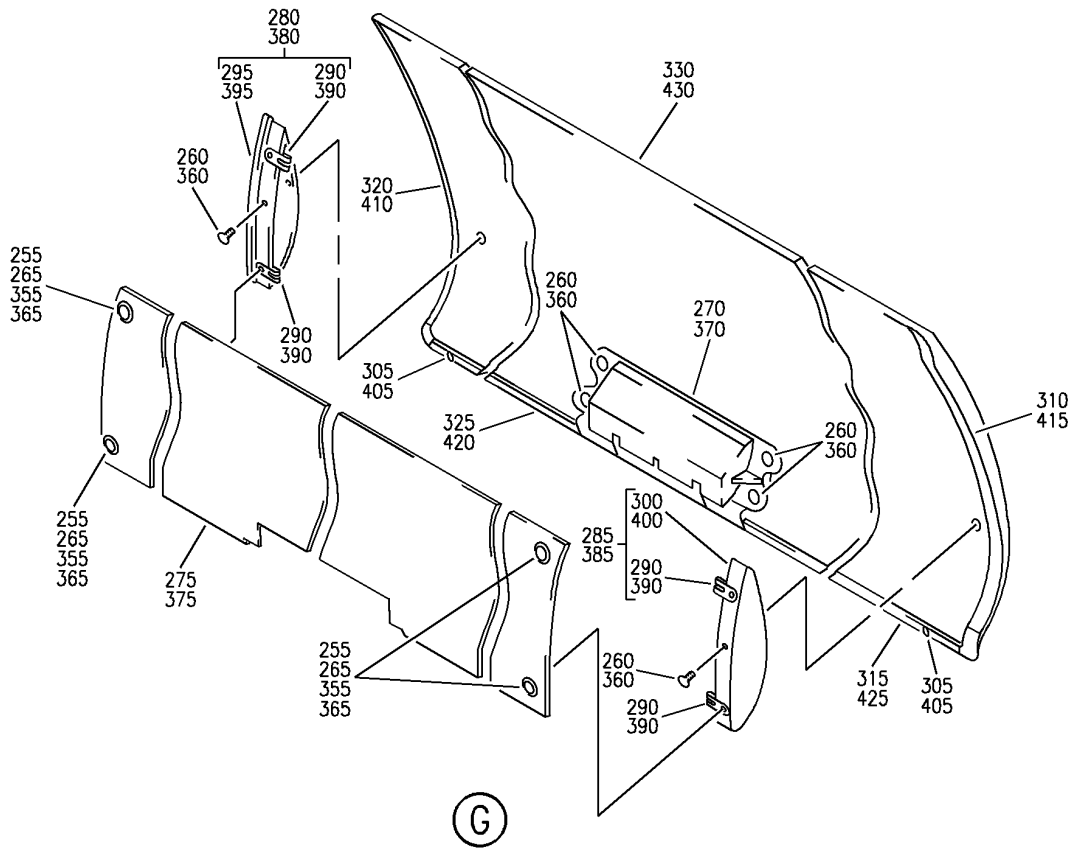
COMPARTMENT ASSY-60 IN. OVHD STORAGE BULLNOSE CONFIGURATION (EQUIPMENT/ FURNISHINGS ONLY)
 FIGURE 21 (SHEET 5)

HAP
 OCT 15/08

25-24-31-21

25-24-31-21
 PAGE 0D

BOEING
 737-600/700/800/900
 PARTS CATALOG (MAINTENANCE)



E 2524-3121 SHT 6 REV 106

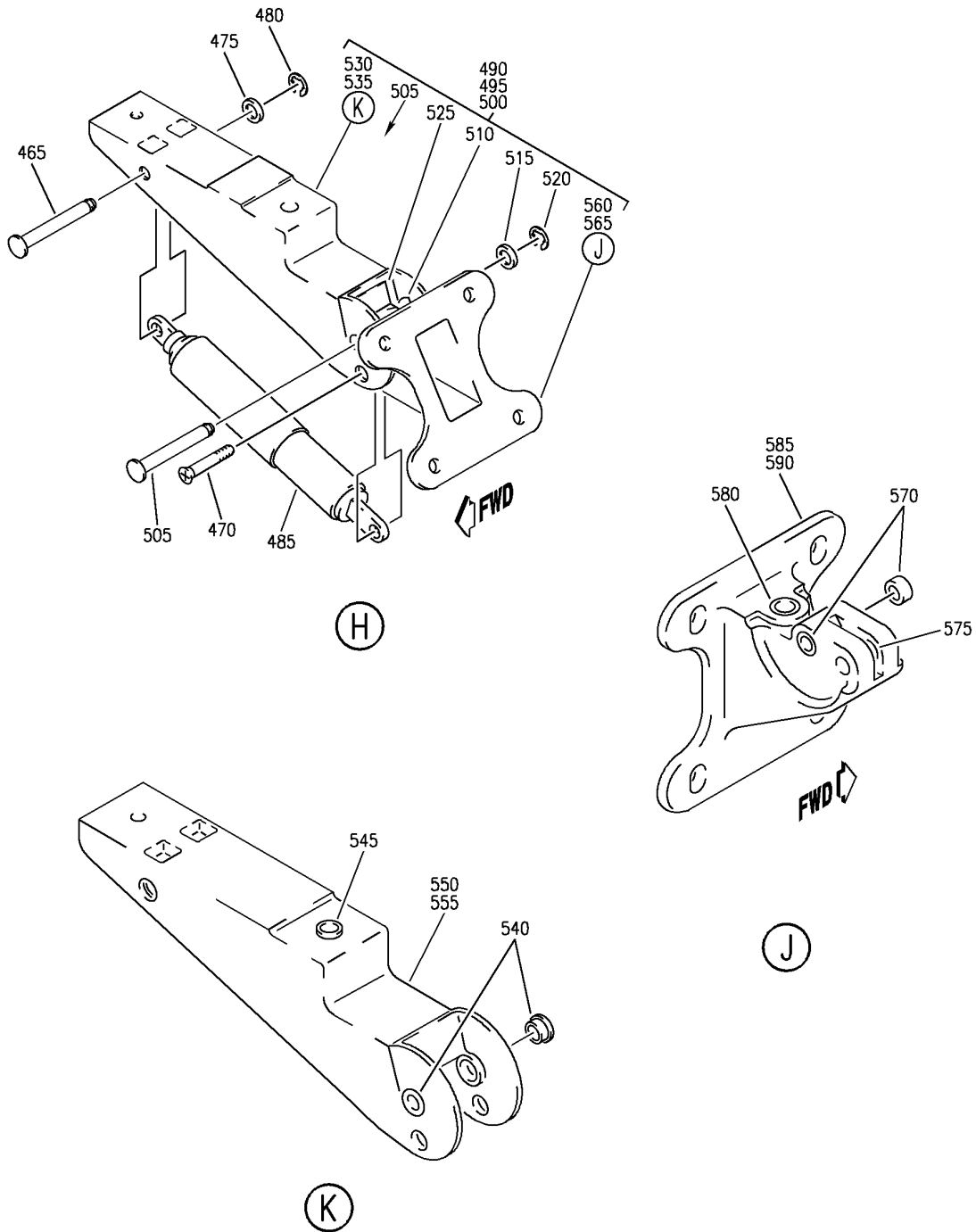
COMPARTMENT ASSY-60 IN. OVHD STOWAGE BULLNOSE CONFIGURATION (EQUIPMENT/ FURNISHINGS ONLY)
 FIGURE 21 (SHEET 6)

25-24-31-21

HAP
 OCT 15/08

25-24-31-21
 PAGE 0E

BOEING
 737-600/700/800/900
 PARTS CATALOG (MAINTENANCE)



E 2524-3121 SH7 7 REV 106

COMPARTMENT ASSY-60 IN. OVHD STOWAGE BULLNOSE CONFIGURATION (EQUIPMENT/ FURNISHINGS ONLY)
 FIGURE 21 (SHEET 7)

25-24-31-21

HAP
 OCT 15/08

25-24-31-21
 PAGE OF

BOEING
737-600/700/800/900
PARTS CATALOG (MAINTENANCE)

FIG ITEM	PART NUMBER	1 2 3 4 5 6 7	NOMENCLATURE	EFFECT FROM TO	UNITS PER ASSY
21			COMPARTMENT ASSY-60 IN. OVHD STOWAGE BULLNOSE CONFIGURATION (EQUIPMENT/ FURNISHINGS ONLY)	201967	
- 5	412A1120-104SP		COMPARTMENT ASSY-60 IN. OVHD STOWAGE BULLNOSE CONFIGURATION (EQUIPMENT/ FURNISHINGS ONLY)	202967	RF
- 5	412A1120-204B		COMPARTMENT ASSY-60 IN. OVHD STOWAGE BULLNOSE CONFIGURATION (EQUIPMENT/ FURNISHINGS ONLY) FOR NHA/OTHER SYS DET SEE: 25-24-30-71	201201	RF
10	412A1420-2SP		.EXTRUSION-SEAT ROW MARKER	202967	1
10	412A1420-2A		.EXTRUSION-SEAT ROW MARKER	201201	1
15	H3-1592-1		.LATCH-CLG SUPPLIER CODE: V34941 SPECIFICATION NUMBER: S411A001-1	201967	2
- 20	BACS12GU3K7		ATTACHING PARTS .SCREW	201967	4
- 21	NAS1149D0332J		.WASHER	201967	4
			-----*-----		
35	412A1700-2SP		.VALANCE ASSY-LT OPTIONAL PART: 412A1700-102SP	202967	1
35	412A1700-102SP		.VALANCE ASSY-LT OPTIONAL PART: 412A1700-2SP	202967	1
35	412A1700-2A		.VALANCE ASSY-LT OPTIONAL PART: 412A1700-102B	201201	1
35	412A1700-102B		.VALANCE ASSY-LT OPTIONAL PART: 412A1700-2A	201201	1
39	BACN10YJ3F		.NUT	201967	6
40	BACS21DW3C10FN		..STUD	201967	6
45	412A1700-6		..TAPE-HOOK	201967	2
50	412A1711-3SP		..PANEL ASSY- USED ON: 412A1700-2SP	202967	1
50	412A1711-103SP		..PANEL ASSY- USED ON: 412A1700-102SP	202967	1

MISSING ITEM NUMBERS NOT APPLICABLE

- ITEM NOT ILLUSTRATED

HAP

25-24-31-21

25-24-31
FIG. 21
PAGE 1
OCT 15/08

BOEING
737-600/700/800/900
PARTS CATALOG (MAINTENANCE)

FIG ITEM	PART NUMBER	1 2 3 4 5 6 7	NOMENCLATURE	EFFECT FROM TO	UNITS PER ASSY
21					
50	412A1711-3A	..	PANEL ASSY- USED ON: 412A1700-2A	201201	1
50	412A1711-103B	..	PANEL ASSY- USED ON: 412A1700-102B	201201	1
125	412A1451-2SP	.	STRIP-	202967	1
125	412A1451-2BCWK	.	STRIP-	201201	1
130	BACB30VF3K3	.	BOLT	201967	2
135	BACS12ER3K11	.	SCREW-	201967	2
140	BACS12FA3K5	.	SCREW	201967	9
145	BACS12ER3K14	.	SCREW	201967	10
150	H3-1233A3	.	WASHER- SUPPLIER CODE: V34941 SPECIFICATION NUMBER: S411A001-1	201967	12
155	412A1465-5SP	.	CLOSEOUT ASSY- POSITION DATA: LH	202967	1
155	412A1465-5A	.	CLOSEOUT ASSY- POSITION DATA: LH	201201	1
160	412A1465-6SP	.	CLOSEOUT ASSY- POSITION DATA: RH	202967	1
160	412A1465-6A	.	CLOSEOUT ASSY- POSITION DATA: RH	201201	1
162	412A1310-700	.	TAPE-VELCRO	201201	1
165	BACN10VR4CGN	..	NUT- OPTIONAL PART: BACN10VR4CG	201967	2
165	BACN10VR4CG	..	NUT- OPTIONAL PART: BACN10VR4CGN	201967	2
170	412A1465-7SP	..	CLOSEOUT- POSITION DATA: LH SIDE	202967	1
170	412A1465-7A	..	CLOSEOUT- POSITION DATA: LH SIDE	201201	1
175	412A1465-8SP	..	CLOSEOUT- POSITION DATA: RH SIDE	202967	1
175	412A1465-8A	..	CLOSEOUT- POSITION DATA: RH SIDE	201201	1
180	412A1244-2	.	EXTRUSION ASSY	201967	1

MISSING ITEM NUMBERS NOT APPLICABLE

— ITEM NOT ILLUSTRATED

HAP

25-24-31-21

25-24-31
FIG. 21
PAGE 2
OCT 15/08

BOEING
737-600/700/800/900
PARTS CATALOG (MAINTENANCE)

FIG ITEM	PART NUMBER	1 2 3 4 5 6 7	NOMENCLATURE	EFFECT FROM TO	UNITS PER ASSY
21 185	FS1651-3		..NUTPLATE SUPPLIER CODE: V15653 SPECIFICATION NUMBER: BACN10KH3CD OPTIONAL PART: 102F9209M3 V72962 NS202496-02 V80539 ATTACHING PARTS	201967	10
- 190	BACR15BA3ADC		..RIVET- SIZE DETERMINED ON INSTL. -----*-----	201967	20
200	412A1605-3SP		.COVER ASSY-	202967	1
200	412A1605-3A		.COVER ASSY-	201201	1
- 210	412A1811-1B		.PLUG- OPTIONAL PART: 412A1100-96 OBA8 VOBV87 412A1811-2B	201201	AR
- 210	OBA8		.PLUG- SUPPLIER CODE: VOBV87 OPTIONAL PART: 412A1100-96 412A1811-1B 412A1811-2B	201967	AR
- 210	412A1811-2B		.PLUG- OPTIONAL PART: 412A1100-96 OBA8 VOBV87 412A1811-1B	201201	AR
- 215	412A1100-96		.KIT ASSY-SCR AND WASHER OPTIONAL PART: OBA8 VOBV87 412A1811-1B 412A1811-2B	201201	AR
- 220	NAS514P1032-5		..SCREW	201201	1
- 225	H3-1233A3		..WASHER- SUPPLIER CODE: V34941 SPECIFICATION NUMBER: S411A001-1	201201	1
250	412A1500-1SP		.DOOR ASSY-40 IN.	202967	1
250	412A1500-101SP		.DOOR ASSY-40 IN.	201201	1

MISSING ITEM NUMBERS NOT APPLICABLE

- ITEM NOT ILLUSTRATED

HAP

25-24-31-21

BOEING PROPRIETARY - Copyright © - Unpublished Work - See title page for details.

25-24-31
FIG. 21
PAGE 3
OCT 15/08

BOEING
737-600/700/800/900
PARTS CATALOG (MAINTENANCE)

FIG ITEM	PART NUMBER	1 2 3 4 5 6 7	NOMENCLATURE	EFFECT FROM TO	UNITS PER ASSY
21					
255	BACS12ER3K9	..	SCREW	201967	4
260	BACS12FA3K4	..	SCREW	201967	6
265	H3-1233A3	..	WASHER-	201967	4
			SUPPLIER CODE: V34941		
			SPECIFICATION NUMBER: S411A001-1		
270	HA225-7	..	LATCH ASSY-	201967	1
			SUPPLIER CODE: V83014		
			SPECIFICATION NUMBER: S412A001-11B		
270	HA225-1	..	LATCH ASSY-	201967	1
			SUPPLIER CODE: V83014		
			SPECIFICATION NUMBER: S412A001-1A		
275	412A1615-100SP	..	PANEL ASSY-FILLER	201967	1
			OPTIONAL PART: 412A1615-1100SP		
275	412A1615-1100SP	..	PANEL ASSY-FILLER	201967	1
			OPTIONAL PART: 412A1615-100SP		
280	412A1480-3SP	..	BRACKET ASSY	201967	1
285	412A1480-4SP	..	BRACKET ASSY	201967	1
290	BACN10VR4CGN	...	NUT	201967	2
295	412A1480-1SP	...	BRACKET-	201967	1
			USED ON: 412A1480-3SP		
300	412A1480-2SP	...	BRACKET-	201967	1
			USED ON: 412A1480-4SP		
305	412A1810-1SP	..	BUMPER	201967	2
310	412A1450-3SP	..	TRIM-EDGE	201967	1
315	412A1450-5SP	..	TRIM-EDGE	201967	1
320	412A1450-4SP	..	TRIM-EDGE	201967	1
325	412A1450-6SP	..	TRIM-EDGE	201967	1
330	412A1510-2SP	..	PANEL ASSY	201967	1
- 335	SL618-3A	...	INSERT-	201967	14
			SUPPLIER CODE: V97393		
350	412A1500-2SP	.DOOR	ASSY-20 IN.	202967	1
350	412A1500-102SP	.DOOR	ASSY-20 IN.	201201	1
355	BACS12ER3K9	..	SCREW	201967	4
360	BACS12FA3K4	..	SCREW	201967	6

MISSING ITEM NUMBERS NOT APPLICABLE

- ITEM NOT ILLUSTRATED

HAP

25-24-31-21

BOEING PROPRIETARY - Copyright © - Unpublished Work - See title page for details.

25-24-31
FIG. 21
PAGE 4
OCT 15/08

BOEING
737-600/700/800/900
PARTS CATALOG (MAINTENANCE)

FIG ITEM	PART NUMBER	1 2 3 4 5 6 7	NOMENCLATURE	EFFECT FROM TO	UNITS PER ASSY
21					
365	H3-1233A3	..	WASHER- SUPPLIER CODE: V34941 SPECIFICATION NUMBER: S411A001-1	201967	4
370	HA225-7	..	LATCH ASSY- SUPPLIER CODE: V83014 SPECIFICATION NUMBER: S412A001-11B	201967	1
370	HA225-1	..	LATCH ASSY- SUPPLIER CODE: V83014 SPECIFICATION NUMBER: S412A001-1A	201967	1
375	412A1615-101SP	..	PANEL ASSY-FILLER OPTIONAL PART: 412A1615-1101SP	201967	1
375	412A1615-1101SP	..	PANEL ASSY-FILLER OPTIONAL PART: 412A1615-101SP	201967	1
380	412A1480-3SP	..	BRACKET ASSY	201967	1
385	412A1480-4SP	..	BRACKET ASSY	201967	1
390	BACN10VR4CGN	...	NUT	201967	2
395	412A1480-1SP	...	BRACKET- USED ON: 412A1480-3SP	201967	1
400	412A1480-2SP	...	BRACKET- USED ON: 412A1480-4SP	201967	1
405	412A1810-1SP	..	BUMPER- OPTIONAL PART: 412A1810-2SP	201967	2
405	412A1810-2SP	..	BUMPER- OPTIONAL PART: 412A1810-1SP	201201	2
410	412A1450-4SP	..	TRIM-EDGE	201967	1
415	412A1450-3SP	..	TRIM-EDGE	201967	1
420	412A1450-6SP	..	TRIM-EDGE	201967	1
425	412A1450-5SP	..	TRIM-EDGE	201967	1
430	412A1511-2SP	..	PANEL ASSY	201967	1
- 435	SL618-3A	...	INSERT- SUPPLIER CODE: V97393	201967	14
438	BACS12FA3K6	.	SCREW	201967	16
442	BACS12FA3K15	.	SCREW	201967	4
447	BACS12FA3K6	.	SCREW-	201967	4
450	412A1100-53SP	.	HINGE ASSY-COLLECTOR	201967	1
455	412A1100-52SP	.	HINGE ASSY-COLLECTOR	201967	2

MISSING ITEM NUMBERS NOT APPLICABLE

- ITEM NOT ILLUSTRATED

HAP

25-24-31-21

25-24-31
FIG. 21
PAGE 5
OCT 15/08

 **BOEING**
737-600/700/800/900
PARTS CATALOG (MAINTENANCE)

FIG ITEM	PART NUMBER	1 2 3 4 5 6 7	NOMENCLATURE	EFFECT FROM TO	UNITS PER ASSY
21					
460	412A1100-51SP	.HINGE	ASSY-COLLECTOR	201967	1
465	412A1230-21	..PIN		201967	1
470	BACB30VF3K7	..BOLT		201967	1
475	NAS1149D0316J	..WASHER		201967	1
480	MS16633-4018	..RING		201967	1
485	SP20522	..ACTUATOR ASSY-		201967	1
			SUPPLIER CODE: V24403		
			SPECIFICATION NUMBER: S412A002-2		
490	412A1455-1SP	..HINGE ASSY-		201967	1
			USED ON: 412A1100-51SP		
495	412A1455-2SP	..HINGE ASSY-		201967	1
			USED ON: 412A1100-52SP		
500	412A1455-3SP	..HINGE ASSY-		201967	1
			USED ON: 412A1100-53SP		
505	412A1230-21	...PIN		201967	1
510	MS51023-54	...SCREW		201967	1
515	NAS1149D0316J	...WASHER		201967	1
520	MS16633-4018	...RING		201967	1
525	412A1220-1	...CLIP		201967	1
530	412A1454-3SP	...HOUSING ASSY-		201967	1
			USED ON: 412A1455-1SP 412A1455-2SP		
535	412A1454-12SP	...HOUSING ASSY-		201967	1
			USED ON: 412A1455-3SP		
540	BACB28Y3F020BUSHING		201967	2
545	6041L3BR375INSERT-		201967	1
			SUPPLIER CODE: V01556		
550	412A1454-1SPHOUSING-		201967	1
			USED ON: 412A1454-3SP		
555	412A1454-11SPHOUSING-		201967	1
			USED ON: 412A1454-12SP		
560	412A1454-9SP	...BRACKET ASSY-		201967	1
			USED ON: 412A1455-1SP 412A1455-3SP		
565	412A1454-10SP	...BRACKET ASSY-		201967	1
			USED ON: 412A1455-2SP		
570	BACB28Y3F025BUSHING		201967	2

MISSING ITEM NUMBERS NOT APPLICABLE

— ITEM NOT ILLUSTRATED

HAP

25-24-31-21

25-24-31
FIG. 21
PAGE 6
OCT 15/08

BOEING
737-600/700/800/900
PARTS CATALOG (MAINTENANCE)

FIG ITEM	PART NUMBER	1 2 3 4 5 6 7	NOMENCLATURE	EFFECT FROM TO	UNITS PER ASSY
21 575	6041-3BR225	INSERT- SUPPLIER CODE: V01556	201967	1
580	6041L3BR375	INSERT- SUPPLIER CODE: V01556	201967	1
585	412A1454-7SP	BRACKET- USED ON: 412A1454-9SP	201967	1
590	412A1454-8SP	BRACKET- USED ON: 412A1454-10SP	201967	1
600	412A1200-104A	.BOX	ASSY-60 IN. BIN OPTIONAL PART: 412A1200-1104B FOR DETAILS SEE: 25-24-32-61E	201967	1
600	412A1200-1104B	.BOX	ASSY-60 IN. BIN OPTIONAL PART: 412A1200-104A FOR DETAILS SEE: 25-24-32-61E	201201	1

MISSING ITEM NUMBERS NOT APPLICABLE

— ITEM NOT ILLUSTRATED

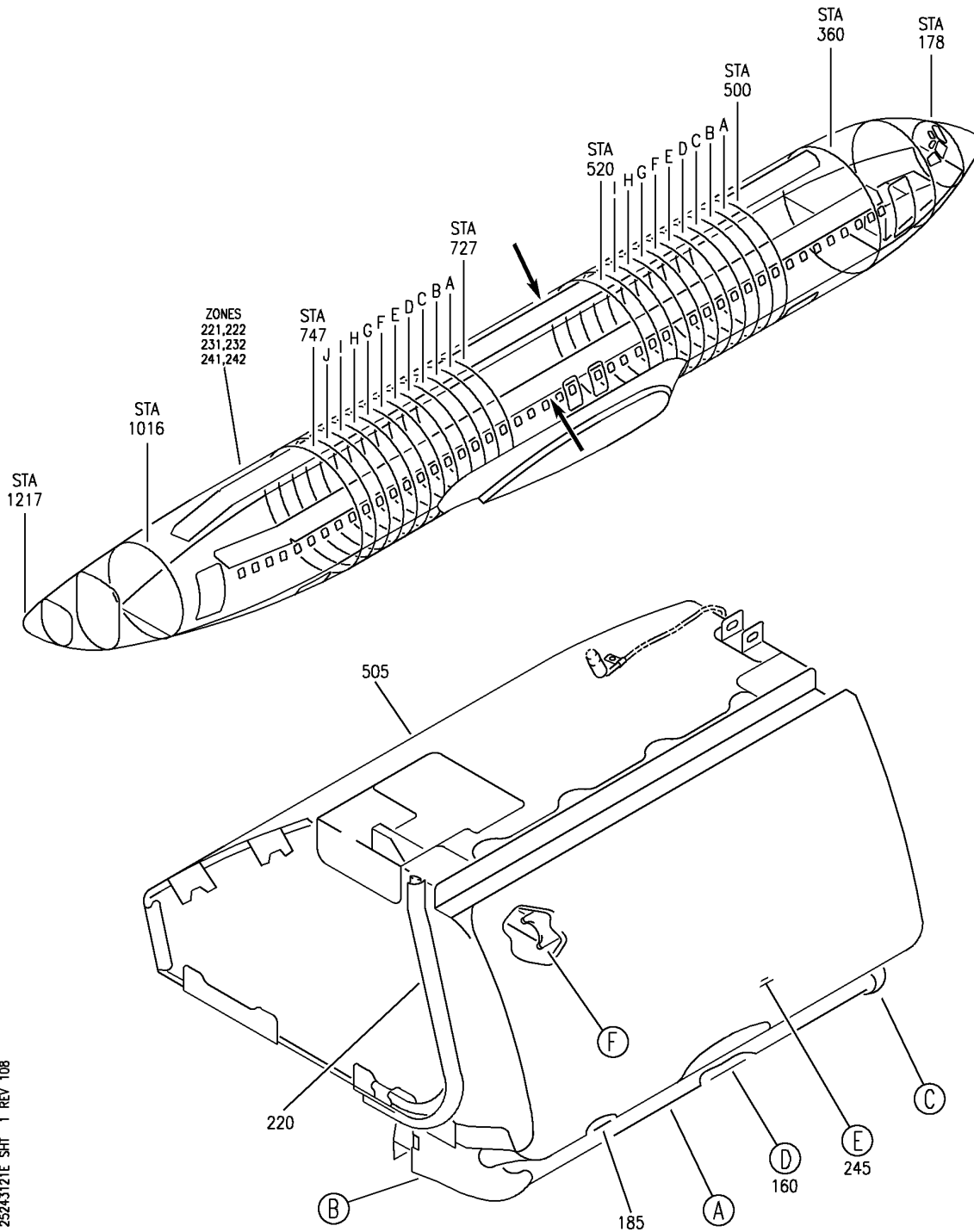
HAP

25-24-31-21

BOEING PROPRIETARY - Copyright © - Unpublished Work - See title page for details.

25-24-31
FIG. 21
PAGE 7
OCT 15/08

BOEING
 737-600/700/800/900
 PARTS CATALOG (MAINTENANCE)



E 2524-31-21E SHT 1 REV 108

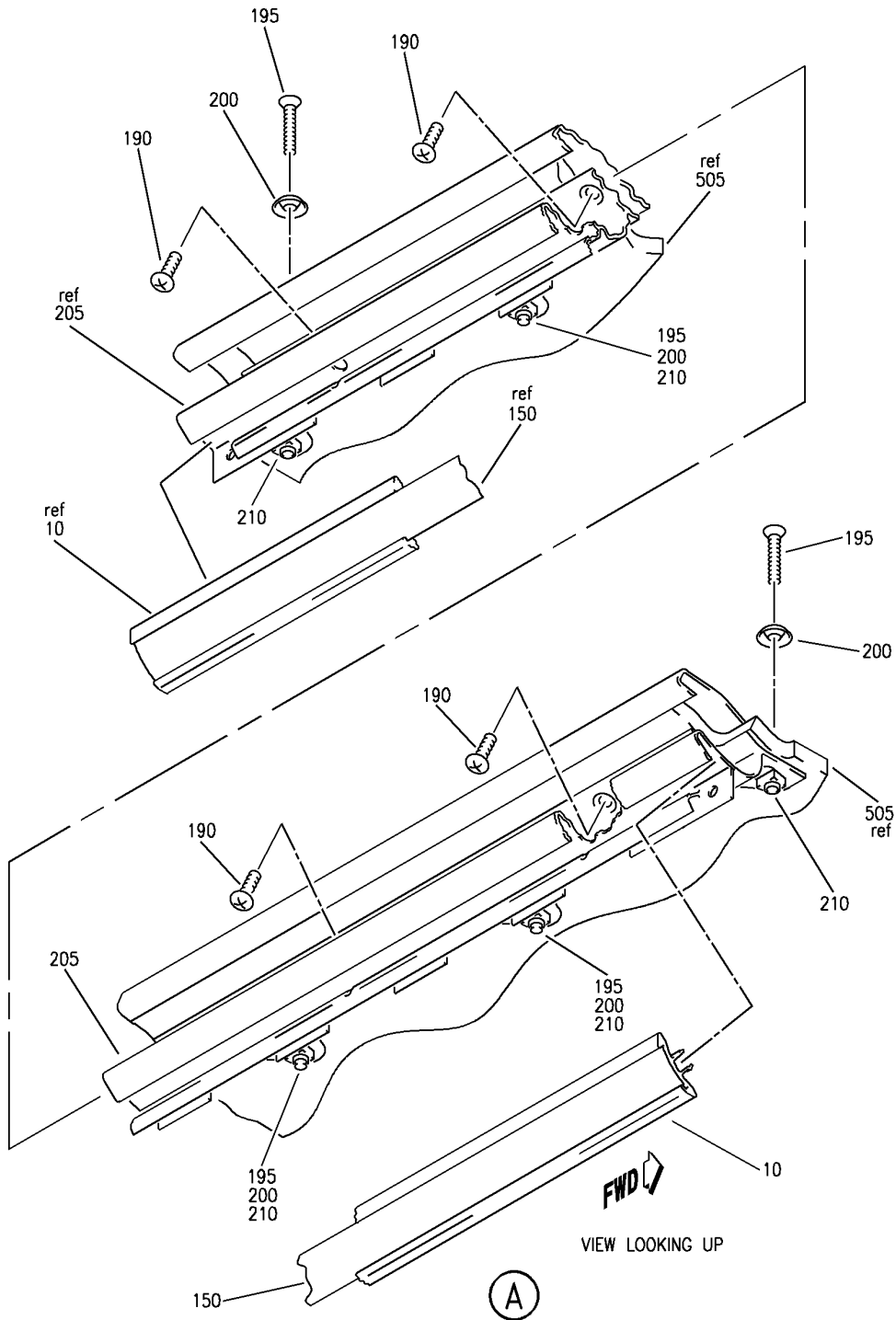
COMPARTMENT ASSY-25 IN. OVHD STOWAGE HNDRL CONFIGURATION (EQUIPMENT/ FURNISHINGS ONLY)
 FIGURE 21E (SHEET 1)

25-24-31-21E

HAP
 OCT 10/06

25-24-31-21E
 PAGE 0

BOEING
 737-600/700/800/900
 PARTS CATALOG (MAINTENANCE)



E 2524-3121E SHT 2 REV 108

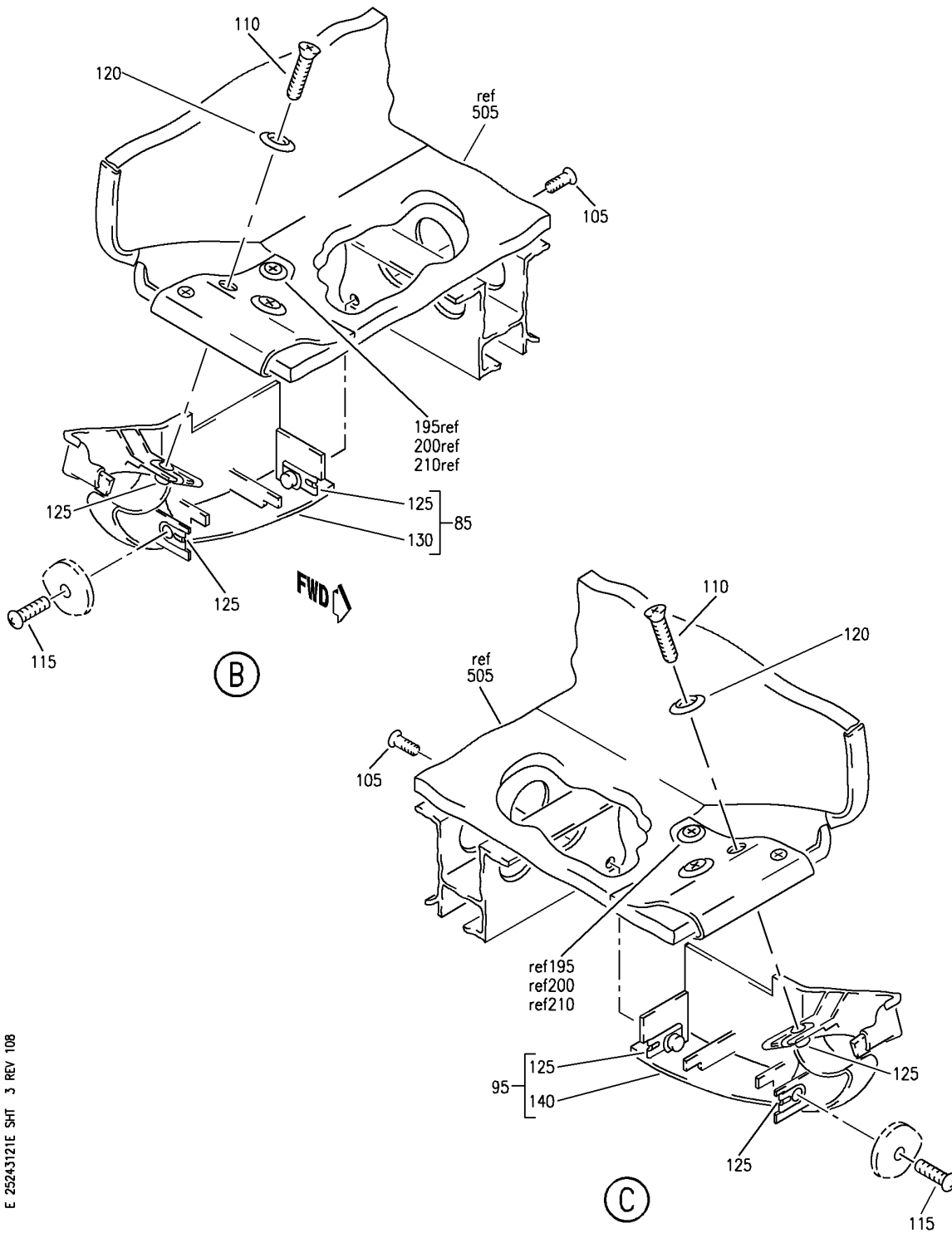
COMPARTMENT ASSY-25 IN. OVHD STOWAGE HNDRL CONFIGURATION (EQUIPMENT/ FURNISHINGS ONLY)
 FIGURE 21E (SHEET 2)

25-24-31-21E

HAP
 OCT 10/06

25-24-31-21E
 PAGE 0A


BOEING
 737-600/700/800/900
PARTS CATALOG (MAINTENANCE)



E 2524-3121E SHT 3 REV 108

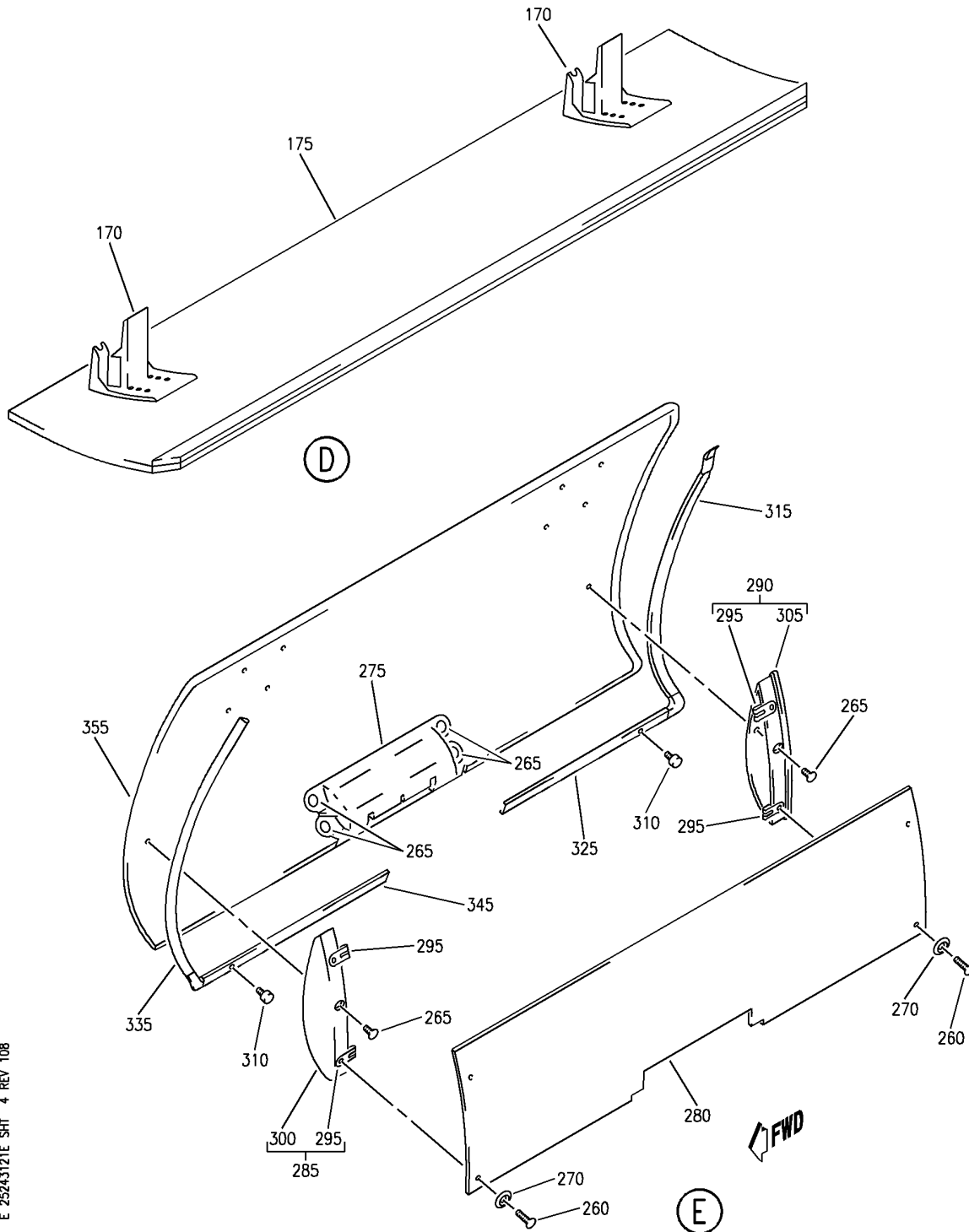
COMPARTMENT ASSY-25 IN. OVHD STOWAGE HNDRL CONFIGURATION (EQUIPMENT/ FURNISHINGS ONLY)
 FIGURE 21E (SHEET 3)

25-24-31-21E

HAP
OCT 10/06

25-24-31-21E
PAGE 0B

BOEING
 737-600/700/800/900
 PARTS CATALOG (MAINTENANCE)



E 2524-3121E SHT 4 REV 108

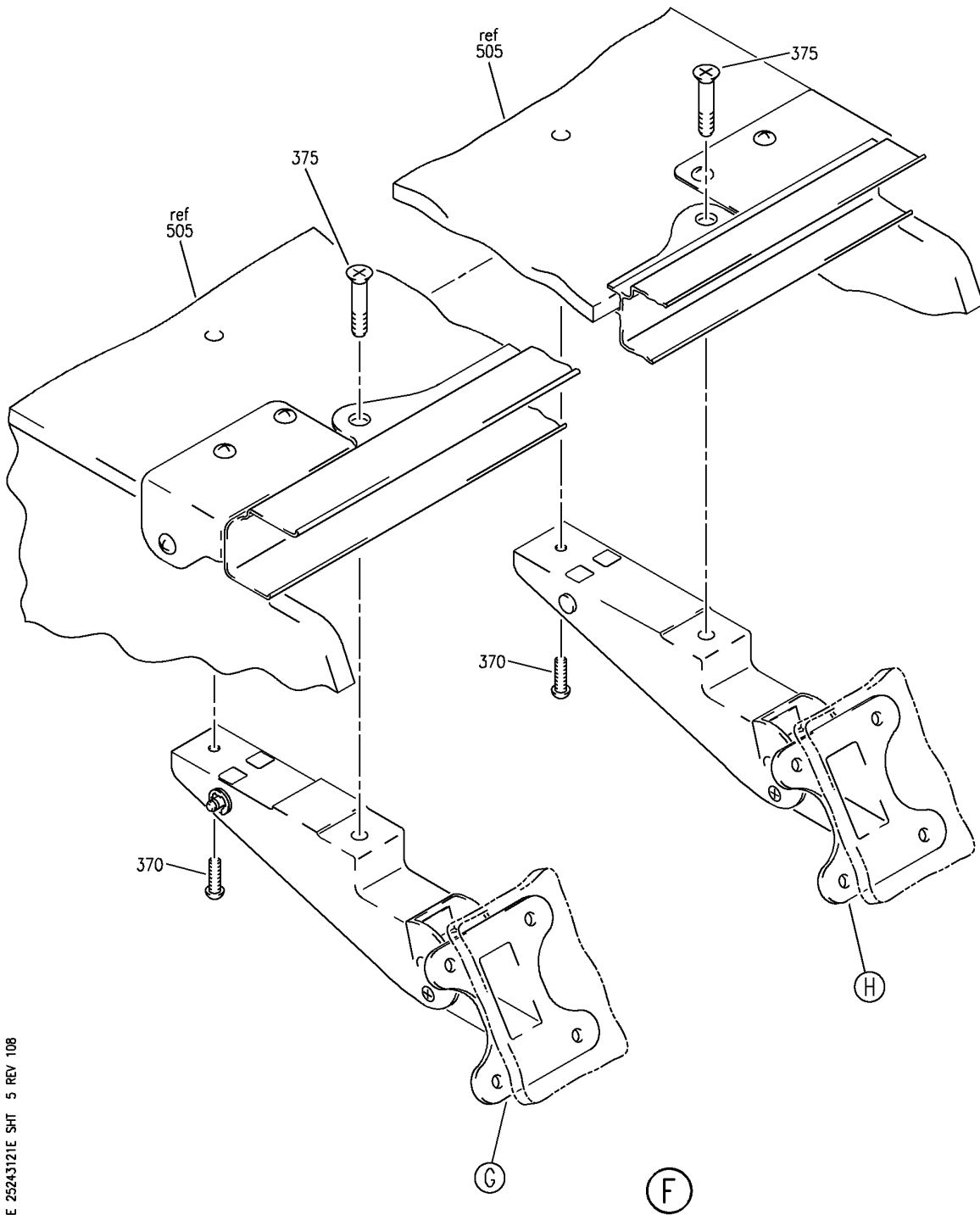
COMPARTMENT ASSY-25 IN. OVHD STOWAGE HNDRL CONFIGURATION (EQUIPMENT/ FURNISHINGS ONLY)
 FIGURE 21E (SHEET 4)

25-24-31-21E

HAP
 OCT 10/06

25-24-31-21E
 PAGE 0C

BOEING
737-600/700/800/900
PARTS CATALOG (MAINTENANCE)



E 2524-3121E SHT 5 REV 108

COMPARTMENT ASSY-25 IN. OVHD STOWAGE HNDRL CONFIGURATION (EQUIPMENT/ FURNISHINGS ONLY)
FIGURE 21E (SHEET 5)

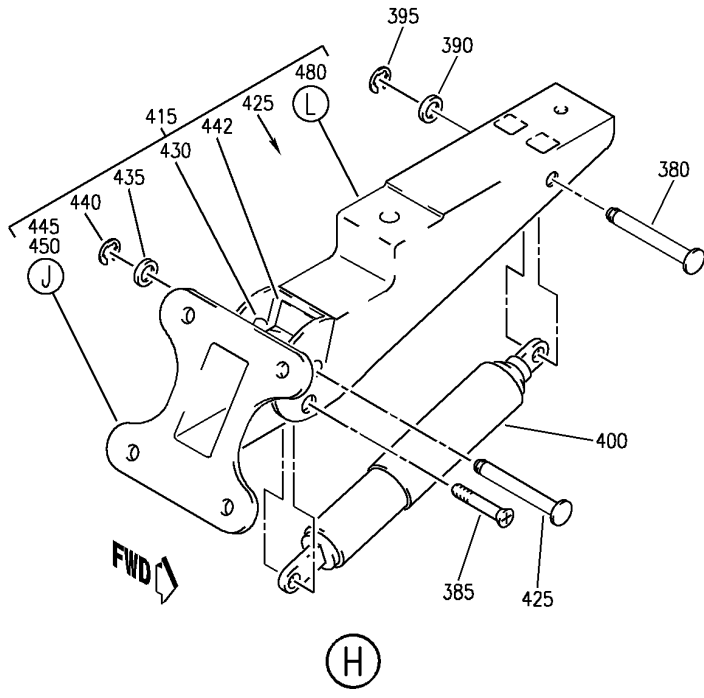
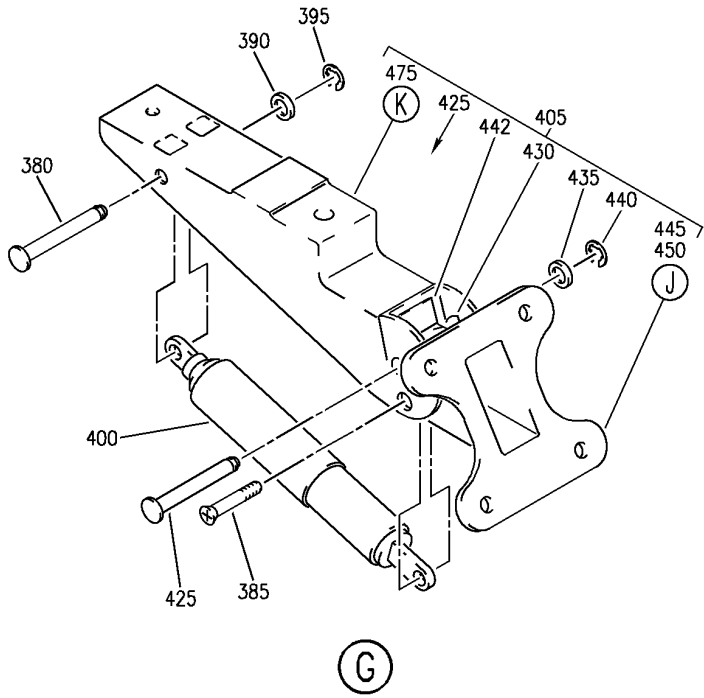
HAP
OCT 10/06

25-24-31-21E

25-24-31-21E
PAGE 0D

BOEING PROPRIETARY - Copyright © - Unpublished Work - See title page for details.

BOEING
 737-600/700/800/900
 PARTS CATALOG (MAINTENANCE)



E 2524-3121E SHT 6 REV 108

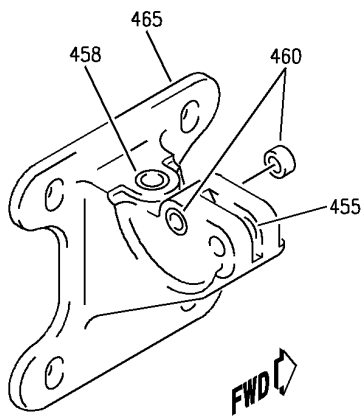
COMPARTMENT ASSY-25 IN. OVHD STOWAGE HNDRL CONFIGURATION (EQUIPMENT/ FURNISHINGS ONLY)
 FIGURE 21E (SHEET 6)

25-24-31-21E

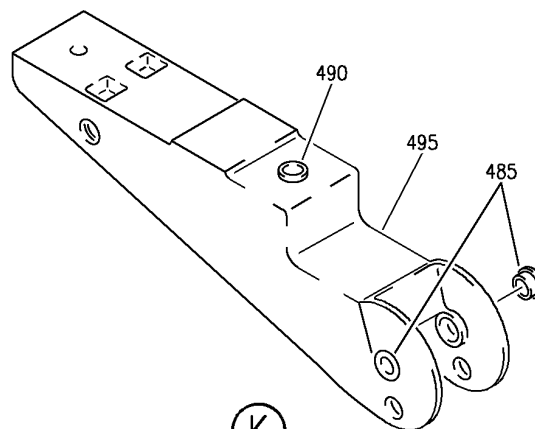
HAP
 OCT 10/06

25-24-31-21E
 PAGE 0E

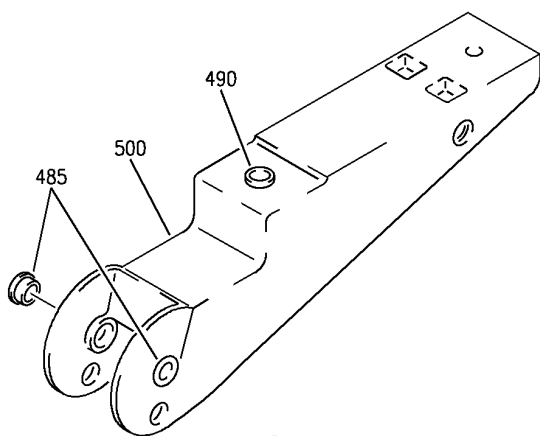
BOEING
 737-600/700/800/900
 PARTS CATALOG (MAINTENANCE)



(J)



(K)



(L)

E 2524-3121E SHT 7 REV 108

COMPARTMENT ASSY-25 IN. OVHD STOWAGE HANDLING CONFIGURATION (EQUIPMENT/ FURNISHINGS ONLY)
 FIGURE 21E (SHEET 7)

25-24-31-21E

HAP
 OCT 10/06

25-24-31-21E
 PAGE OF

BOEING
737-600/700/800/900
PARTS CATALOG (MAINTENANCE)

FIG ITEM	PART NUMBER	1 2 3 4 5 6 7	NOMENCLATURE	EFFECT FROM TO	UNITS PER ASSY
21E			COMPARTMENT ASSY-25 IN. OVHD STOWAGE HNDRL CONFIGURATION (EQUIPMENT/ FURNISHINGS ONLY)	001001 006007	
- 1	412A1150-9SP		COMPARTMENT ASSY-25 IN. OVHD STOWAGE HNDRL CONFIGURATION (EQUIPMENT/ FURNISHINGS ONLY) POSITION DATA: FWD LH PRE SERVICE BULLETIN: 25-1373 FOR NHA/OTHER SYS DET SEE: 25-24-30-17A	001001 006007	RF
- 1	002A0007-75N		COMPARTMENT ASSY-25 IN. OVHD STOWAGE HNDRL CONFIGURATION (EQUIPMENT/ FURNISHINGS ONLY) POSITION DATA: FWD LH POST SERVICE BULLETIN: 25-1373 PRE SERVICE BULLETIN: 25-1542 FOR NHA/OTHER SYS DET SEE: 25-24-30-17A	001001 006007	RF
- 5	412A1150-10SP		COMPARTMENT ASSY-25 IN. OVHD STOWAGE HNDRL CONFIGURATION (EQUIPMENT/ FURNISHINGS ONLY) POSITION DATA: FWD RH PRE SERVICE BULLETIN: 25-1373 FOR NHA SEE: 25-24-30-22	001001 006007	RF
- 5	002A0007-76N		COMPARTMENT ASSY-25 IN. OVHD STOWAGE HNDRL CONFIGURATION (EQUIPMENT/ FURNISHINGS ONLY) POSITION DATA: FWD RH POST SERVICE BULLETIN: 25-1373 FOR NHA SEE: 25-24-30-22	001001 006007	RF
10	412A1420-2SP		.EXTRUSION-SEAT ROW MARKER	001001 006007	1

MISSING ITEM NUMBERS NOT APPLICABLE

- ITEM NOT ILLUSTRATED

HAP

25-24-31-21E

BOEING PROPRIETARY - Copyright © - Unpublished Work - See title page for details.

25-24-31
FIG. 21E
PAGE 1
OCT 10/06

BOEING
737-600/700/800/900
PARTS CATALOG (MAINTENANCE)

FIG ITEM	PART NUMBER	1 2 3 4 5 6 7	NOMENCLATURE	EFFECT FROM TO	UNITS PER ASSY
21E					
85	412A1465-14SP	.	CLOSEOUT ASSY- POSITION DATA: LH SIDE	001001 006007	1
- 90	412A1465-13SP	.	CLOSEOUT ASSY- POSITION DATA: RH SIDE	001001 006007	1
95	412A1465-9SP	.	CLOSEOUT ASSY- POSITION DATA: LH SIDE	001001 006007	1
- 100	412A1465-10SP	.	CLOSEOUT ASSY- POSITION DATA: RH SIDE ATTACHING PARTS	001001 006007	1
105	BACB30VF3K3	.	BOLT	001001 006007	2
110	BACS12ER3K9	.	SCREW	001001 006007	2
115	BACS12FA3K7	.	SCREW	001001 006007	2
120	H3-1233A3	.	WASHER- SUPPLIER CODE: V34941 SPECIFICATION NUMBER: S411A001-1 -----*-----	001001 006007	2
125	BACN10VR4CGN	..	NUT- OPTIONAL PART: BACN10VR4CG	001001 006007	3
125	BACN10VR4CG	..	NUT- OPTIONAL PART: BACN10VR4CGN	001001 006007	3
130	412A1465-16SP	..	CLOSEOUT- USED ON: 412A1465-14SP	001001 006007	1
- 135	412A1465-15SP	..	CLOSEOUT- USED ON: 412A1465-13SP	001001 006007	1
140	412A1465-11SP	..	CLOSEOUT- USED ON: 412A1465-9SP	001001 006007	1
- 145	412A1465-12SP	..	CLOSEOUT- USED ON: 412A1465-10SP	001001 006007	1
150	412A1451-1SP	.	STRIP-TRIM	001001 006007	1
- 155	412A1451-2SP	.	STRIP-TRIM	001001 006007	1

MISSING ITEM NUMBERS NOT APPLICABLE

- ITEM NOT ILLUSTRATED

HAP

25-24-31-21E

BOEING PROPRIETARY - Copyright © - Unpublished Work - See title page for details.

25-24-31
FIG. 21E
PAGE 2
JUN 15/08

BOEING
737-600/700/800/900
PARTS CATALOG (MAINTENANCE)

FIG ITEM	PART NUMBER	1 2 3 4 5 6 7	NOMENCLATURE	EFFECT FROM TO	UNITS PER ASSY
21E 160	412A1600-54SP		.COVER ASSY- POSITION DATA: LH SIDE	001001 006007	1
- 165	412A1600-10SP		.COVER ASSY- POSITION DATA: RH SIDE	001001 006007	1
170	412A1460-1		..CLIP	001001 006007	2
175	412A1610-54SP		..PANEL ASSY- POSITION DATA: LH SIDE OPTIONAL PART: 412A1610-154SP	001001 006007	1
175	412A1610-154SP		..PANEL ASSY- POSITION DATA: LH SIDE OPTIONAL PART: 412A1610-54SP	001001 006007	1
- 180	412A1610-10SP		..PANEL ASSY- POSITION DATA: RH SIDE OPTIONAL PART: 412A1610-110SP	001001 006007	1
- 180	412A1610-110SP		..PANEL ASSY- POSITION DATA: RH SIDE OPTIONAL PART: 412A1610-10SP	001001 006007	1
185	412A1650-3SP		.COVER ASSY	001001 006007	1
190	BACS12ER3K5		.SCREW	001001 006007	4
195	BACS12ER3K14		.SCREW- POSITION DATA: FARSIDE	001001 006007	5
200	H3-1233A3		.WASHER- SUPPLIER CODE: V34941 POSITION DATA: FARSIDE SPECIFICATION NUMBER: S411A001-1	001001 006007	5
205	412A1243-8		.EXTRUSION ASSY	001001 006007	1
205	412A1243-108		.EXTRUSION ASSY	001001 006007	1

MISSING ITEM NUMBERS NOT APPLICABLE

- ITEM NOT ILLUSTRATED

HAP

25-24-31-21E

BOEING PROPRIETARY - Copyright © - Unpublished Work - See title page for details.

25-24-31
FIG. 21E
PAGE 3
JUN 15/08

BOEING
737-600/700/800/900
PARTS CATALOG (MAINTENANCE)

FIG ITEM	PART NUMBER	1 2 3 4 5 6 7	NOMENCLATURE	EFFECT FROM TO	UNITS PER ASSY
21E 210	FS1651-3		..NUTPLATE SUPPLIER CODE: V15653 SPECIFICATION NUMBER: BACN10KH3CD OPTIONAL PART: 102F9209M3 V72962 NS202496-02 V80539 ATTACHING PARTS	001001 006007	5
- 215	BACR15BA3ADC		..RIVET- SIZE DETERMINED ON INSTL. -----*-----	001001 006007	10
220	403A3210-3SP		.SEAL ASSY- POSITION DATA: LH SIDE	001001 006007	1
- 225	403A3210-4SP		.SEAL ASSY- POSITION DATA: RH SIDE	001001 006007	1
- 240	OBA8		.PLUG- SUPPLIER CODE: VOBV87	001001 006007	AR
245	412A1500-13SP		.DOOR ASSY- POSITION DATA: LH SIDE PRE SERVICE BULLETIN: 25-1373	001001 006007	1
245	412A1500-113SP		.DOOR ASSY- POSITION DATA: LH SIDE POST SERVICE BULLETIN: 25-1373	001001 006007	1
- 250	412A1500-14SP		.DOOR ASSY- POSITION DATA: RH SIDE PRE SERVICE BULLETIN: 25-1373	001001 006007	1
- 250	412A1500-114SP		.DOOR ASSY- POSITION DATA: RH SIDE POST SERVICE BULLETIN: 25-1373	001001 006007	1
- 255	BACS12FA3K6		ATTACHING PARTS .SCREW- POSITION DATA: FAR SIDE -----*-----	001001 006007	8

MISSING ITEM NUMBERS NOT APPLICABLE

- ITEM NOT ILLUSTRATED

HAP

25-24-31-21E

BOEING PROPRIETARY - Copyright © - Unpublished Work - See title page for details.

25-24-31
FIG. 21E
PAGE 4
JUN 15/08

BOEING
737-600/700/800/900
PARTS CATALOG (MAINTENANCE)

FIG ITEM	PART NUMBER	1 2 3 4 5 6 7	NOMENCLATURE	EFFECT FROM TO	UNITS PER ASSY
21E					
260	BACS12ER3K9	..	SCREW	001001 006007	4
265	BACS12FA3K4	..	SCREW	001001 006007	6
270	H3-1233A3	..	WASHER- SUPPLIER CODE: V34941 SPECIFICATION NUMBER: S411A001-1	001001 006007	4
275	HA225-1	..	LATCH ASSY- SUPPLIER CODE: V83014 SPECIFICATION NUMBER: S412A001-1A PRE SERVICE BULLETIN: 25-1373 PRE SERVICE BULLETIN: HA225-25-01 V83014	001001 006007	1
275	HA225-7	..	LATCH ASSY- SUPPLIER CODE: V83014 SPECIFICATION NUMBER: S412A001-11B SERVICE BULLETIN OPT DATA: HA225K3868 V83014 POST SERVICE BULLETIN: 25-1373 POST SERVICE BULLETIN: HA225-25-01 V83014	001001 006007	1
275	HA225K3868	..	LATCH ASSY- SUPPLIER CODE: V83014 SERVICE BULLETIN OPT DATA: HA225-7 V83014 POST SERVICE BULLETIN: 25-1373 POST SERVICE BULLETIN: HA225-25-01 V83014	001001 006007	1
280	412A1615-107SP	..	PANEL ASSY-FILLER	001001 006007	1
285	412A1480-3SP	..	BRACKET ASSY	001001 006007	1
290	412A1480-4A	..	BRACKET ASSY	001001 006007	1

MISSING ITEM NUMBERS NOT APPLICABLE

— ITEM NOT ILLUSTRATED

HAP

25-24-31-21E

BOEING PROPRIETARY - Copyright © - Unpublished Work - See title page for details.

25-24-31
FIG. 21E
PAGE 5
JUN 15/08

BOEING
737-600/700/800/900
PARTS CATALOG (MAINTENANCE)

FIG ITEM	PART NUMBER	1 2 3 4 5 6 7	NOMENCLATURE	EFFECT FROM TO	UNITS PER ASSY
21E					
295	BACN10VR4CGN	...	NUT	001001 006007	2
300	412A1480-1SP	...	BRACKET- USED ON: 412A1480-3SP	001001 006007	1
305	412A1480-2SP	...	BRACKET- USED ON: 412A1480-4SP	001001 006007	1
310	412A1810-1SP	..	BUMPER	001001 006007	2
315	412A1450-3SP	..	TRIM-EDGE POSITION DATA: LH SIDE	001001 006007	1
- 320	412A1450-4SP	..	TRIM-EDGE POSITION DATA: RH SIDE	001001 006007	1
325	412A1450-5SP	..	TRIM-EDGE POSITION DATA: LH SIDE	001001 006007	1
- 330	412A1450-6SP	..	TRIM-EDGE POSITION DATA: RH SIDE	001001 006007	1
335	412A1450-8SP	..	TRIM-EDGE POSITION DATA: LH SIDE	001001 006007	1
- 340	412A1450-7SP	..	TRIM-EDGE POSITION DATA: RH SIDE	001001 006007	1
345	412A1450-10SP	..	TRIM-EDGE POSITION DATA: LH SIDE	001001 006007	1
- 350	412A1450-9SP	..	TRIM-EDGE POSITION DATA: RH SIDE	001001 006007	1
355	412A1510-15SP	..	PANEL ASSY- POSITION DATA: LH SIDE	001001 006007	1
- 360	412A1510-16SP	..	PANEL ASSY- POSITION DATA: RH SIDE	001001 006007	1
- 365	SL618-3A	...	INSERT- SUPPLIER CODE: V97393	001001 006007	14
370	BACS12FA3K9	.	SCREW- POSITION DATA: FAR SIDE	001001 006007	2
375	BACB30VF3K8	.	BOLT	001001 006007	2

MISSING ITEM NUMBERS NOT APPLICABLE

- ITEM NOT ILLUSTRATED

HAP

25-24-31-21E

BOEING PROPRIETARY - Copyright © - Unpublished Work - See title page for details.

25-24-31
FIG. 21E
PAGE 6
JUN 15/08

BOEING
737-600/700/800/900
PARTS CATALOG (MAINTENANCE)

FIG ITEM	PART NUMBER	1 2 3 4 5 6 7	NOMENCLATURE	EFFECT FROM TO	UNITS PER ASSY
21E					
380	412A1230-21	.	PIN	001001 006007	2
385	BACB30VF3K7	.	BOLT	001001 006007	2
390	NAS1149D0316J	.	WASHER	001001 006007	2
395	MS16633-4018	.	RING	001001 006007	2
400	SP20522	.	ACTUATOR ASSY-DOOR SUPPLIER CODE: V24403 SPECIFICATION NUMBER: S412A002-2	001001 006007	2
405	412A1455-3SP	.	HINGE ASSY- POSITION DATA: LH SIDE PRE SERVICE BULLETIN: 25-1542	001001 006007	1
- 410	412A1455-4SP	.	HINGE ASSY- POSITION DATA: RH SIDE	001001 006007	1
415	412A1455-2SP	.	HINGE ASSY- POSITION DATA: LH SIDE PRE SERVICE BULLETIN: 25-1542	001001 006007	1
- 420	412A1455-1SP	.	HINGE ASSY- POSITION DATA: RH SIDE	001001 006007	1
425	412A1230-21	..	PIN	001001 006007	1
430	MS51023-54	..	SCREW	001001 006007	1
435	NAS1149D0316J	..	WASHER	001001 006007	1
440	MS16633-4018	..	RING	001001 006007	1
442	412A1220-1	..	CLIP	001001 006007	1
445	412A1454-9SP	..	BRACKET ASSY- USED ON: 412A1455-3SP 412A1455-1SP	001001 006007	1
450	412A1454-10SP	..	BRACKET ASSY- USED ON: 412A1455-4SP 412A1455-2SP	001001 006007	1

MISSING ITEM NUMBERS NOT APPLICABLE

- ITEM NOT ILLUSTRATED

HAP

25-24-31-21E

BOEING PROPRIETARY - Copyright © - Unpublished Work - See title page for details.

25-24-31
FIG. 21E
PAGE 7
JUN 15/08

BOEING
737-600/700/800/900
PARTS CATALOG (MAINTENANCE)

FIG ITEM	PART NUMBER	1 2 3 4 5 6 7	NOMENCLATURE	EFFECT FROM TO	UNITS PER ASSY
21E 455	6041-3BR225	...	INSERT- SUPPLIER CODE: V01556	001001 006007	1
458	6041L3BR375	...	INSERT- SUPPLIER CODE: V01556	001001 006007	1
460	BACB28Y3F025	...	BUSHING	001001 006007	2
465	412A1454-7SP	...	BRACKET- USED ON: 412A1454-9SP	001001 006007	1
- 470	412A1454-8SP	...	BRACKET- USED ON: 412A1454-10SP	001001 006007	1
475	412A1454-12SP	..	HOUSING ASSY- USED ON: 412A1455-3SP 412A1455-4SP	001001 006007	1
480	412A1454-3SP	..	HOUSING ASSY- USED ON: 412A1455-2SP 412A1455-1SP	001001 006007	1
485	BACB28Y3F020	...	BUSHING	001001 006007	2
490	6041L3BR375	...	INSERT- SUPPLIER CODE: V01556	001001 006007	1
495	412A1454-11SP	...	HOUSING- USED ON: 412A1454-12SP	001001 006007	1
500	412A1454-1SP	...	HOUSING- USED ON: 412A1454-3SP	001001 006007	1
505	412A1250-9SP	.BOX	ASSY-25 IN. BIN POSITION DATA: LH SIDE PRE SERVICE BULLETIN: 25-1542 FOR DETAILS SEE: 25-24-32-21	001001 006007	1
- 510	412A1250-10SP	.BOX	ASSY-25 IN. BIN POSITION DATA: RH SIDE FOR DETAILS SEE: 25-24-32-21	001001 006007	1

MISSING ITEM NUMBERS NOT APPLICABLE

- ITEM NOT ILLUSTRATED

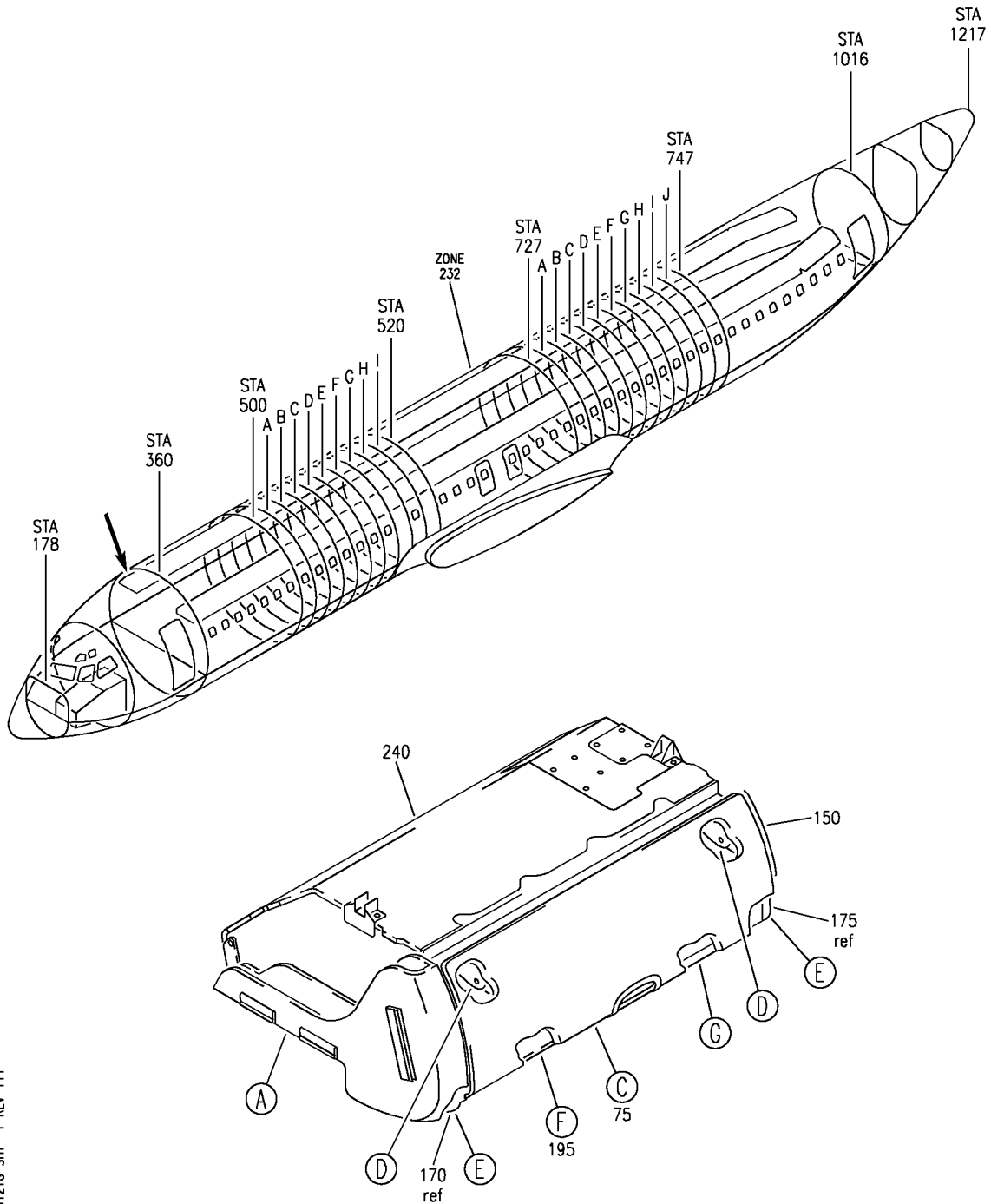
HAP

25-24-31-21E

BOEING PROPRIETARY - Copyright © - Unpublished Work - See title page for details.

25-24-31
FIG. 21E
PAGE 8
JUN 15/08

BOEING
 737-600/700/800/900
 PARTS CATALOG (MAINTENANCE)



E 2524-3121G SHT 1 REV 111

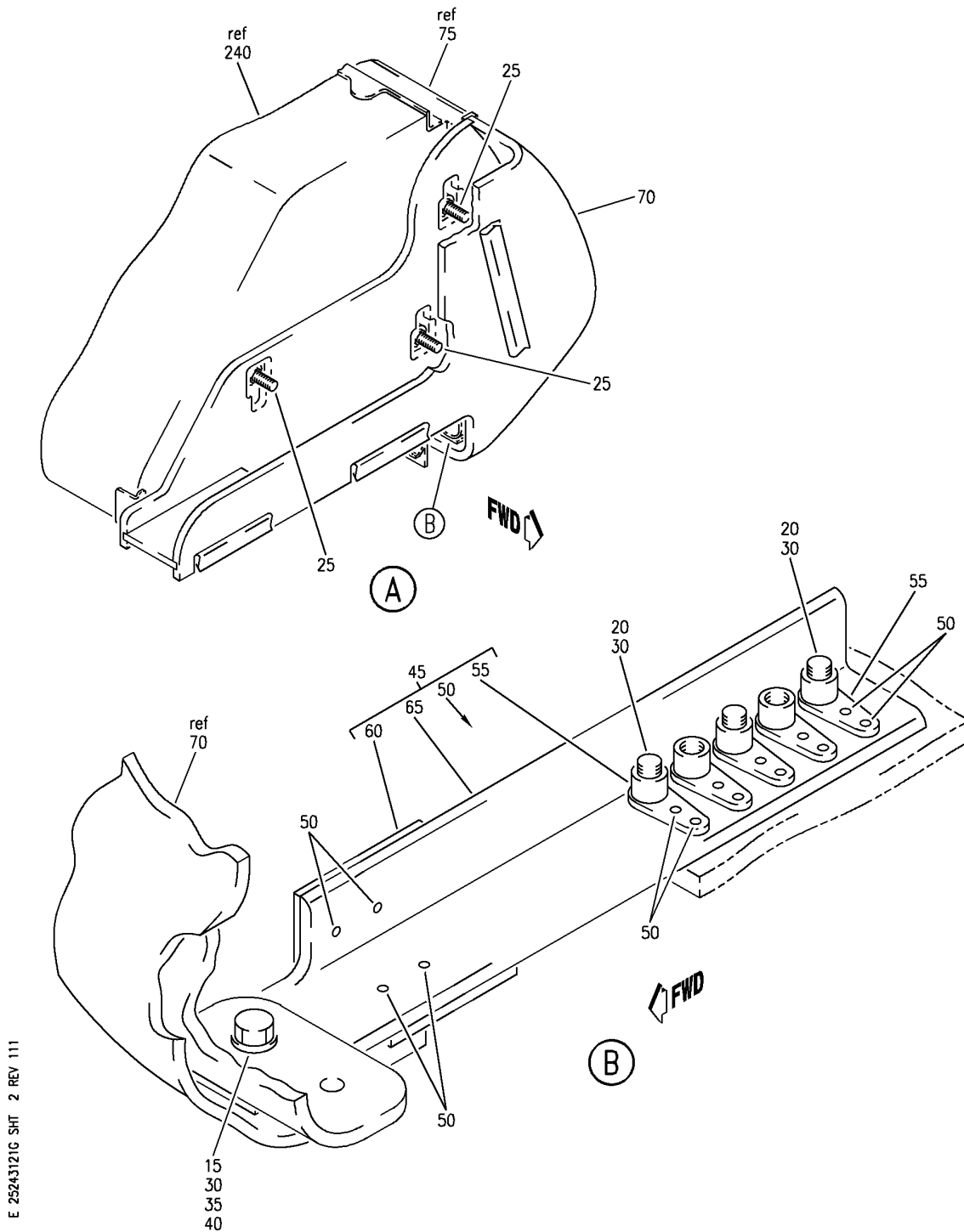
TOP ASSY-FWD RH 25 IN. BIG BIN OVHD STOWAGE BULLNOSE CONFIGURATION
 FIGURE 21G (SHEET 1)

HAP
 OCT 10/06

25-24-31-21G

25-24-31-21G
 PAGE 0

BOEING
 737-600/700/800/900
 PARTS CATALOG (MAINTENANCE)



E 25243121G SHT 2 REV 111

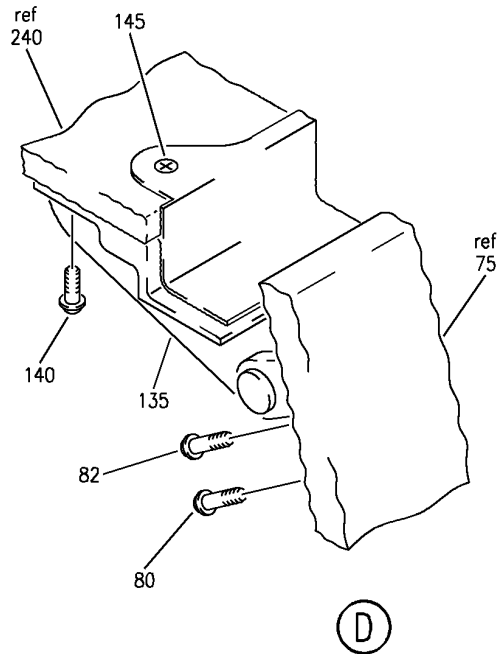
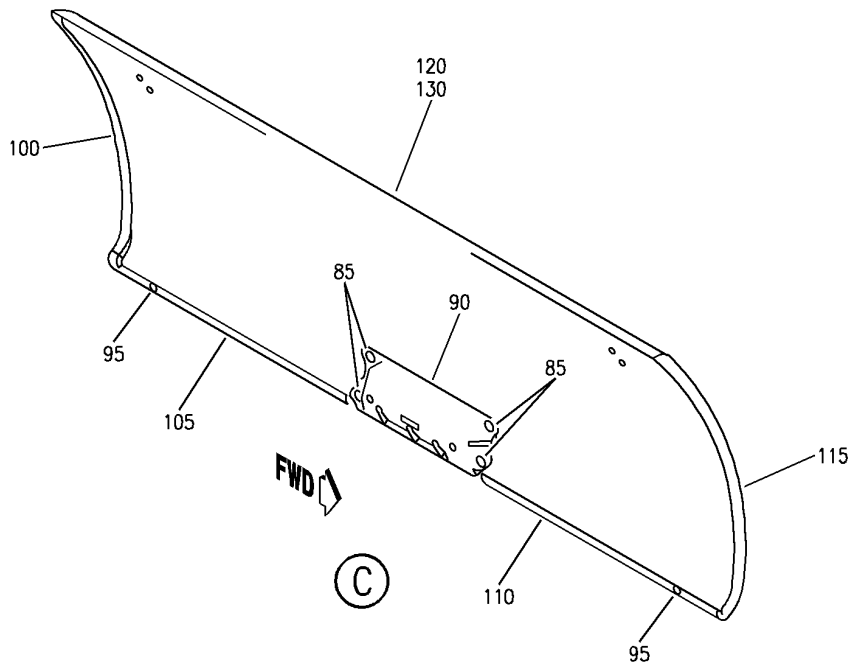
TOP ASSY-FWD RH 25 IN. BIG BIN OVHD STOWAGE BULLNOSE CONFIGURATION
 FIGURE 21G (SHEET 2)

25-24-31-21G

HAP
 OCT 10/06

25-24-31-21G
 PAGE 0A

BOEING
 737-600/700/800/900
 PARTS CATALOG (MAINTENANCE)



E 2524-31-21G SHT 3 REV 112

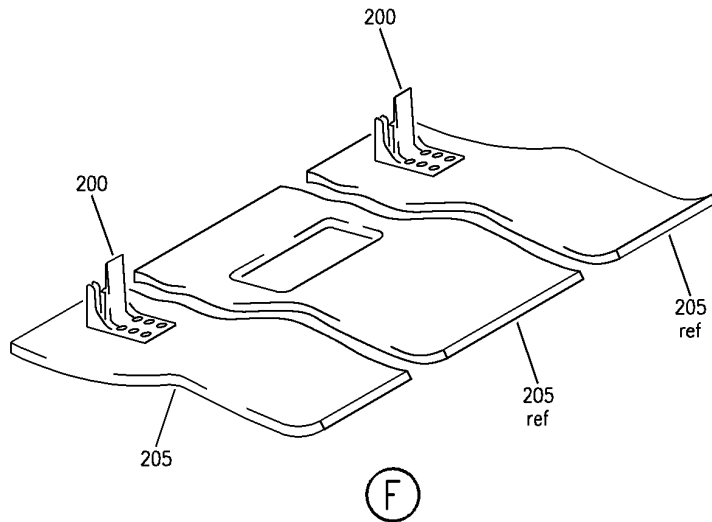
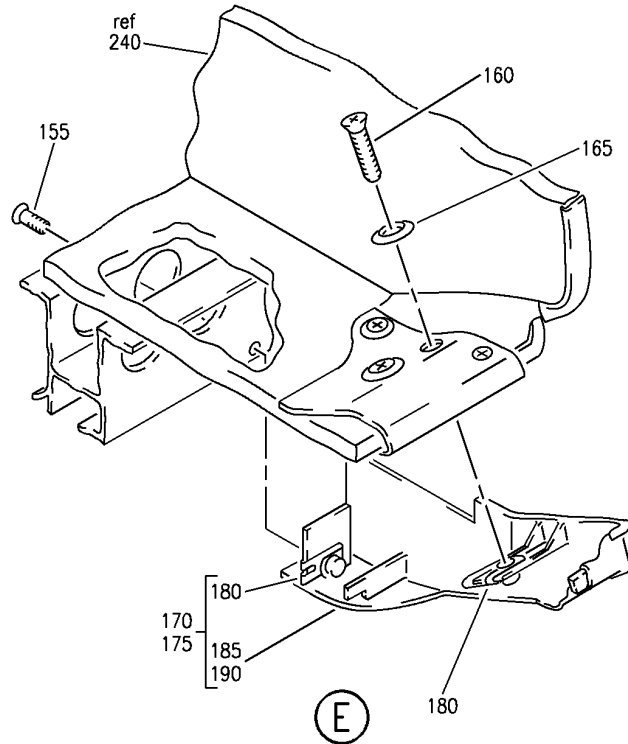
TOP ASSY-FWD RH 25 IN. BIG BIN OVHD STOWAGE BULLNOSE CONFIGURATION
 FIGURE 21G (SHEET 3)

25-24-31-21G

HAP
 OCT 10/06

25-24-31-21G
 PAGE 0B

BOEING
737-600/700/800/900
PARTS CATALOG (MAINTENANCE)



E 2524-3121G SHT 4 REV 111

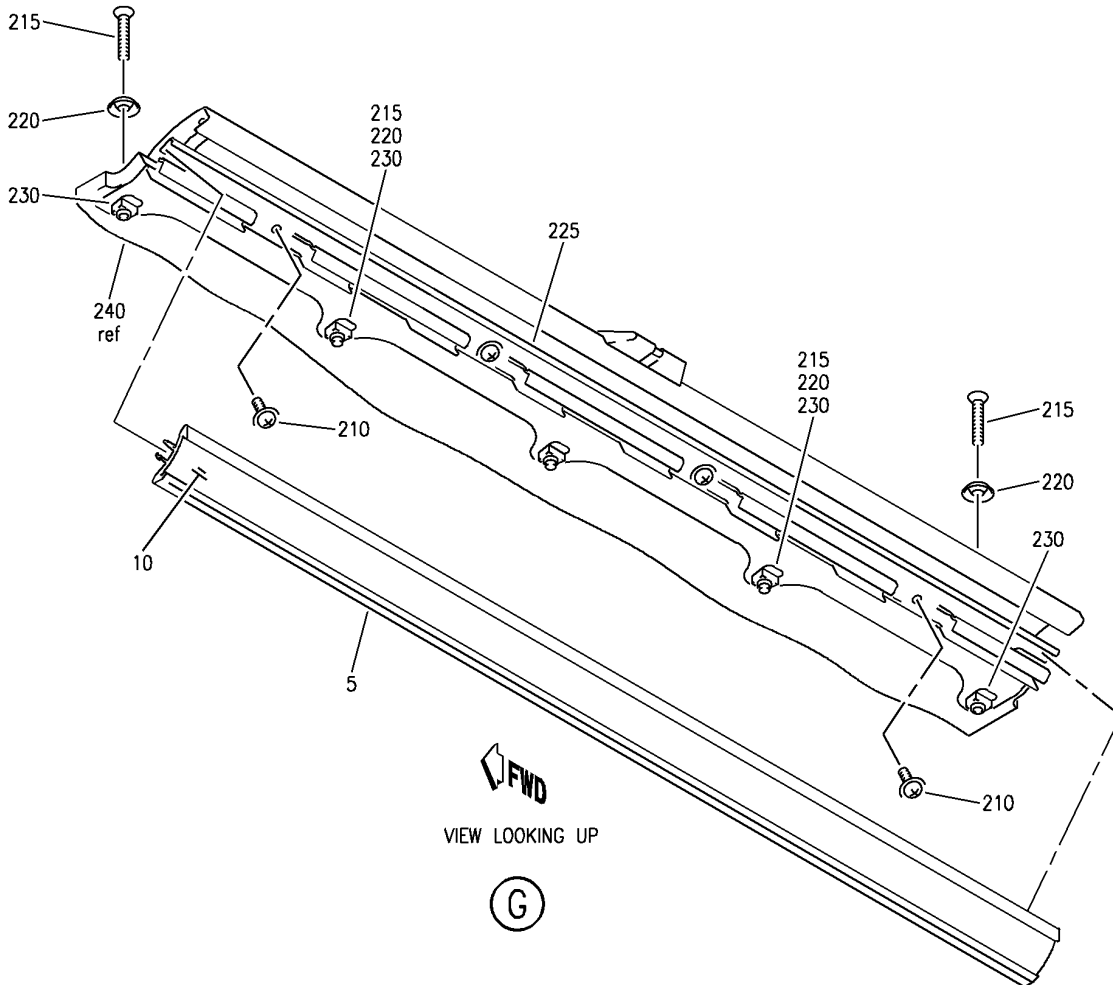
TOP ASSY-FWD RH 25 IN. BIG BIN OVHD STOWAGE BULLNOSE CONFIGURATION
 FIGURE 21G (SHEET 4)

25-24-31-21G

HAP
 OCT 10/06

25-24-31-21G
 PAGE 0C

BOEING
 737-600/700/800/900
 PARTS CATALOG (MAINTENANCE)



E 2524-3121G SHT 5 REV 111

TOP ASSY-FWD RH 25 IN. BIG BIN OVHD STOWAGE BULLNOSE CONFIGURATION
 FIGURE 21G (SHEET 5)

25-24-31-21G

HAP
 OCT 10/06

25-24-31-21G
 PAGE 0D

BOEING
737-600/700/800/900
PARTS CATALOG (MAINTENANCE)

FIG ITEM	PART NUMBER	1 2 3 4 5 6 7	NOMENCLATURE	EFFECT FROM TO	UNITS PER ASSY
21G			TOP ASSY-FWD RH 25 IN. BIG BIN OVHD STOWAGE BULLNOSE CONFIGURATION	031037 039041	
- 1	412A1052-94B		TOP ASSY-25 IN. BIG BIN OVHD STOWAGE BULLNOSE CONFIGURATION POSITION DATA: FWD RH FOR NHA SEE: 25-24-30-26	031037 039041	RF
5	412A1420-2A		.EXTRUSION-SEAT ROW MARKER	031037 039041	1
10	412A1451-2BCWK		.STRIP-TRIM	031037 039041	1
15	BACB30NM3K6		.BOLT	031037 039041	1
20	BACS12FA3K10		.SCREW	031037 039041	3
25	CA3105-1032-24		.SCREW SUPPLIER CODE: V73439 SPECIFICATION NUMBER: BACS12N10-24 OPTIONAL PART: CA3105-1032-24 V78189 SP1561-1032-24 V73439	031037 039041	3
30	BACW10BN3AC		.WASHER	031037 039041	4
35	NAS1149D0363J		.WASHER	031037 039041	1
40	PLH53CD		.NUT SUPPLIER CODE: VF0224 SPECIFICATION NUMBER: BACN10YR3CD OPTIONAL PART: H52732-3CD V15653	031037 039041	1
45	412A1230-170		.FITTING ASSY-SPRT	031037 039041	1
50	BACR15BA3ADC		..RIVET- SIZE DETERMINED ON INSTL.	031037 039041	14

MISSING ITEM NUMBERS NOT APPLICABLE

- ITEM NOT ILLUSTRATED

HAP

25-24-31-21G

BOEING PROPRIETARY - Copyright © - Unpublished Work - See title page for details.

25-24-31
FIG. 21G
PAGE 1
FEB 15/09

BOEING
737-600/700/800/900
PARTS CATALOG (MAINTENANCE)

FIG ITEM	PART NUMBER	1 2 3 4 5 6 7	NOMENCLATURE	EFFECT FROM TO	UNITS PER ASSY
21G 55	T8077S1032	..	NUTPLATE SUPPLIER CODE: V11815 SPECIFICATION NUMBER: BACN10JP3B OPTIONAL PART: MK2000-3BAC V15653 NS103198-02 V80539 RMA9207-3 V72962 VN201A1-02 V92215 BRM100A3 V52828	031037 039041	5
60	412A1230-168	..	FITTING	031037 039041	1
65	412A1230-166	..	FITTING	031037 039041	1
70	412N1372-210B	.	CAP ASSY-4.54 IN. WIDE END FOR DETAILS SEE: 25-24-33-45C	031037 039041	1
75	412A1505-34B	.	DOOR ASSY-24.6 IN. ATTACHING PARTS	031037 039041	1
80	BACS12FA3K6	.	SCREW	031037 039041	2
82	BACS12FA3K7	.	SCREW	031037 039041	2
85	BACS12FA3K4	..	SCREW	031037 039041	4
90	HA951-1	..	LATCH ASSY- SUPPLIER CODE: V83014 SPECIFICATION NUMBER: S412A003-1	031037 039041	1
95	412A1810-2B	..	BUMPER- QUALIFIED I/W DATA: PN 412A1810-3B CAN REPLACE BUT NOT BE REPLACED BY PN 412A1810-2B FOR 737-600/700/800/900 ONLY.	031037 039041	2
95	412A1810-1A	..	BUMPER-	031037 039041	2

MISSING ITEM NUMBERS NOT APPLICABLE

— ITEM NOT ILLUSTRATED

HAP

25-24-31-21G

BOEING PROPRIETARY - Copyright © - Unpublished Work - See title page for details.

25-24-31
FIG. 21G
PAGE 2
OCT 15/08

BOEING
737-600/700/800/900
PARTS CATALOG (MAINTENANCE)

FIG ITEM	PART NUMBER	1 2 3 4 5 6 7	NOMENCLATURE	EFFECT FROM TO	UNITS PER ASSY
21G					
100	412A1452-7B	..	TRIM-VERT	031037 039041	1
105	412A1450-9A	..	TRIM-HORIZ	031037 039041	1
110	412A1452-6B	..	TRIM-HORIZ	031037 039041	1
115	412A1452-4B	..	TRIM-VERT	031037 039041	1
120	412A1513-34B	..	PANEL ASSY	031037 039041	1
- 125	SL618-3A	...	INSERT- SUPPLIER CODE: V97393	031037 039041	8
130	412A1513-1B	...	PANEL ASSY	031037 039041	1
135	SP21757	.HINGE ASSY- SUPPLIER CODE: V24403 SPECIFICATION NUMBER: S412A004-1		031037 039041	2
140	BACS12FA3K6	.SCREW	ATTACHING PARTS	031037 039041	2
145	BACB30VF3K8	.BOLT		031037 039041	2
150	403A3210-96B	-----*----- .SEAL ASSY		031037 039041	1
155	BACB30VF3K3	.BOLT		031037 039041	2
160	BACS12ER3K11	.SCREW		031037 039041	2
165	H3-1233A3	.WASHER- SUPPLIER CODE: V34941 SPECIFICATION NUMBER: S411A001-1		031037 039041	2
170	412A1467-2B	.CLOSEOUT ASSY		031037 039041	1
175	412A1467-1B	.CLOSEOUT ASSY		031037 039041	1
180	BACN10VR4CGN	..NUT- OPTIONAL PART: BACN10VR4CG		031037 039041	2
180	BACN10VR4CG	..NUT- OPTIONAL PART: BACN10VR4CGN		031037 039041	2

MISSING ITEM NUMBERS NOT APPLICABLE

- ITEM NOT ILLUSTRATED

HAP

25-24-31-21G

BOEING PROPRIETARY - Copyright © - Unpublished Work - See title page for details.

25-24-31
FIG. 21G
PAGE 3
OCT 15/08

BOEING
737-600/700/800/900
PARTS CATALOG (MAINTENANCE)

FIG ITEM	PART NUMBER	1 2 3 4 5 6 7	NOMENCLATURE	EFFECT FROM TO	UNITS PER ASSY
21G 185	412A1467-6B	..	CLOSEOUT- USED ON: 412A1467-2B	031037 039041	1
190	412A1467-5B	..	CLOSEOUT- USED ON: 412A1467-1B	031037 039041	1
195	412A1607-37B	.	COVER ASSY	031037 039041	1
200	412A1460-2	..	CLIP	031037 039041	2
205	412A1617-33B	..	PANEL	031037 039041	1
210	BACS12FA3K5	.	SCREW	031037 039041	4
215	BACS12ER3K14	.	SCREW	031037 039041	5
220	H3-1233A3	.	WASHER- SUPPLIER CODE: V34941 SPECIFICATION NUMBER: S411A001-1	031037 039041	5
225	412A1244-7	.	EXTRUSION ASSY	031037 039041	1
230	FS1651-3	..	NUTPLATE SUPPLIER CODE: V15653 SPECIFICATION NUMBER: BACN10KH3CD OPTIONAL PART: 102F9209M3 V72962 NS202496-02 V80539 ATTACHING PARTS	031037 039041	5
- 235	BACR15BA3ADC	..	RIVET- SIZE DETERMINED ON INSTL. -----*-----	031037 039041	10
240	412A1255-36B	.	BOX ASSY-25 IN. BIG BIN FOR DETAILS SEE: 25-24-32-26	031037 039041	1
- 245	412A1811-2B	.	PLUG	031037 039041	AR

MISSING ITEM NUMBERS NOT APPLICABLE

- ITEM NOT ILLUSTRATED

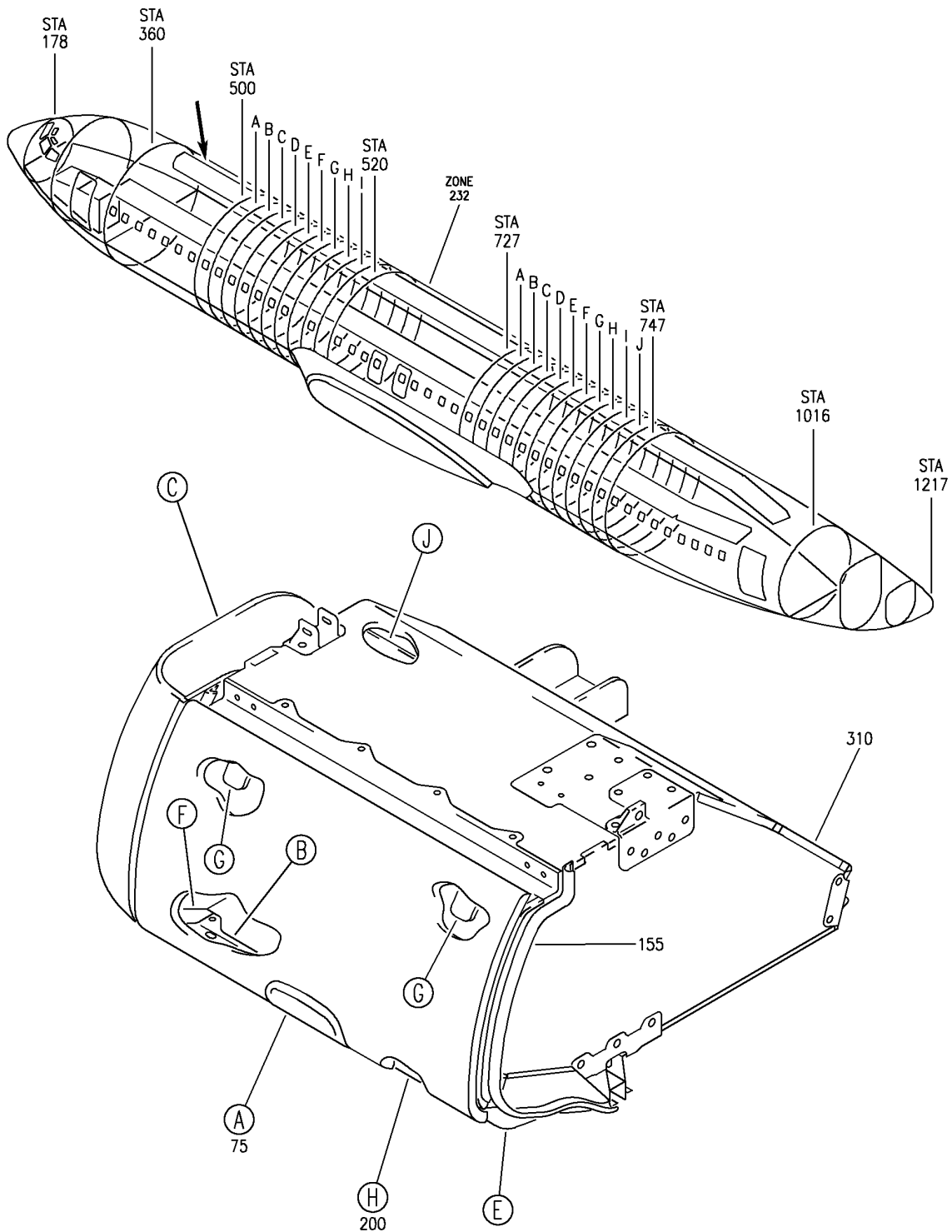
HAP

25-24-31-21G

BOEING PROPRIETARY - Copyright © - Unpublished Work - See title page for details.

25-24-31
FIG. 21G
PAGE 4
OCT 15/08

BOEING
 737-600/700/800/900
 PARTS CATALOG (MAINTENANCE)



E 2524-31-21K SHT 1 REV 123

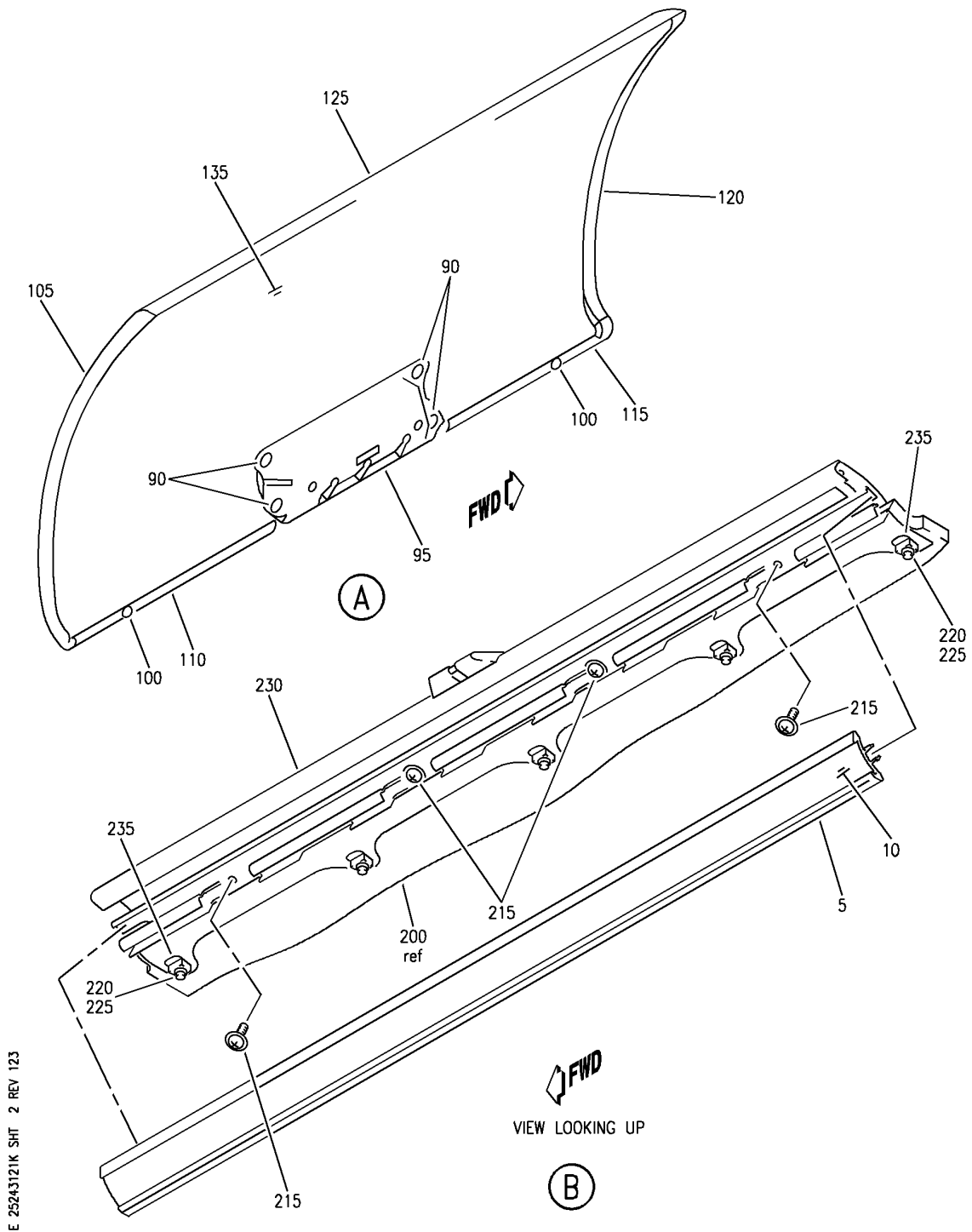
TOP ASSY-FWD RH 25 IN. BIG BIN OVHD STOWAGE BULLNOSE CONFIGURATION
 FIGURE 21K (SHEET 1)

25-24-31-21K

HAP
 OCT 10/06

25-24-31-21K
 PAGE 0

BOEING
 737-600/700/800/900
 PARTS CATALOG (MAINTENANCE)



E 2524-31-21K SHT 2 REV 123

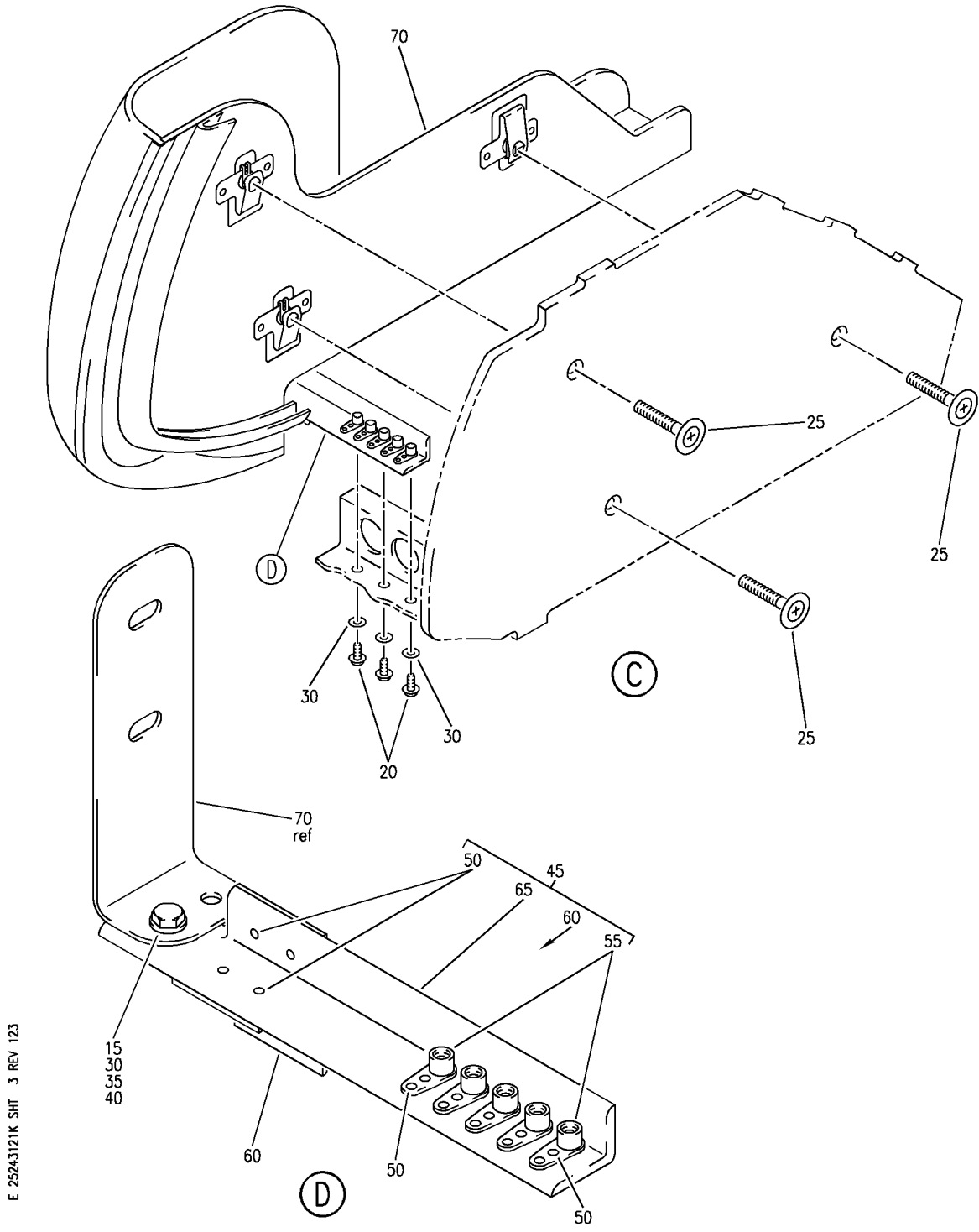
TOP ASSY-FWD RH 25 IN. BIG BIN OVHD STOWAGE BULLNOSE CONFIGURATION
 FIGURE 21K (SHEET 2)

25-24-31-21K

HAP
 OCT 10/06

25-24-31-21K
 PAGE 0A

BOEING
 737-600/700/800/900
 PARTS CATALOG (MAINTENANCE)



E 2524-31-21K SHT 3 REV 123

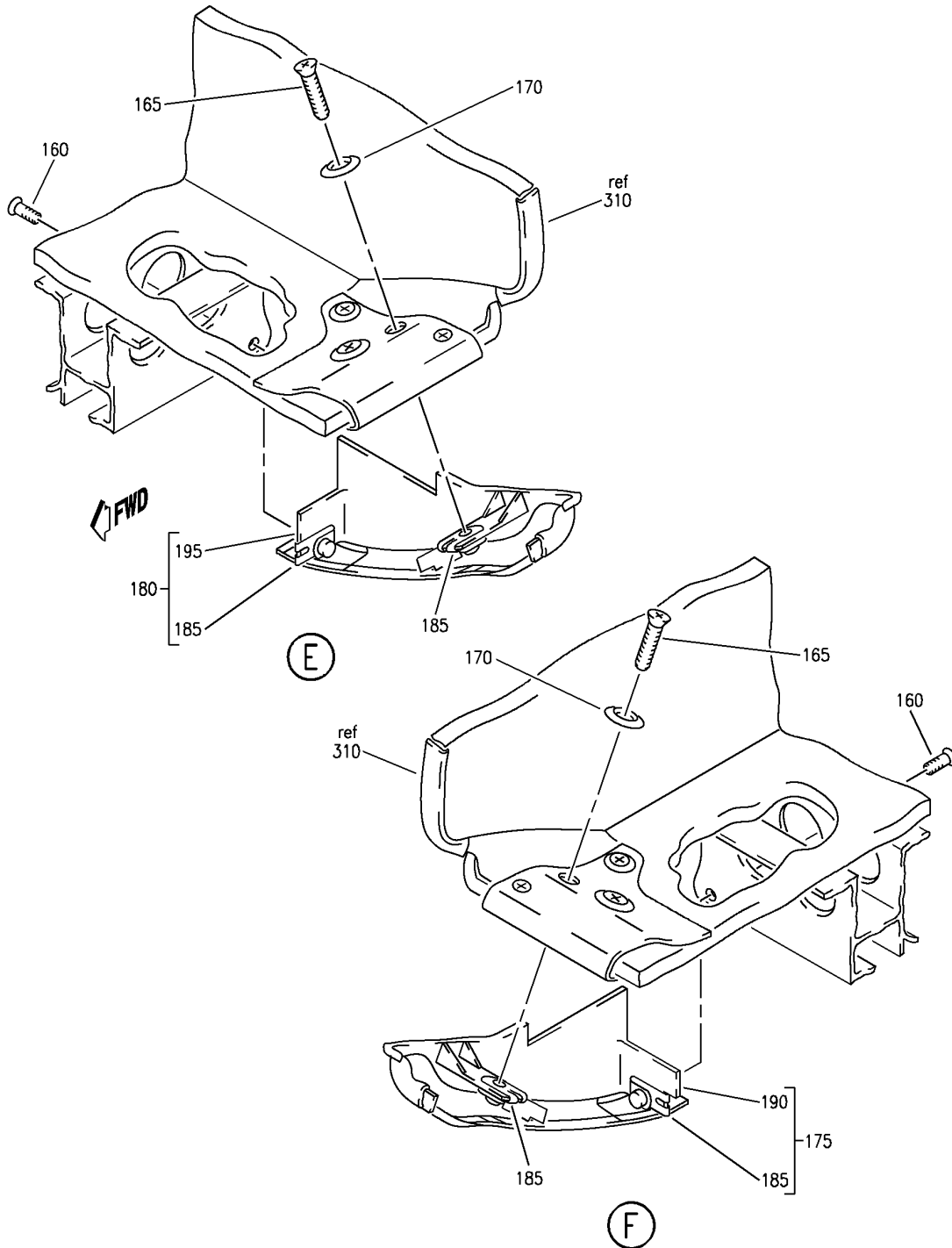
TOP ASSY-FWD RH 25 IN. BIG BIN OVHD STOWAGE BULLNOSE CONFIGURATION
 FIGURE 21K (SHEET 3)

25-24-31-21K

HAP
 OCT 10/06

25-24-31-21K
 PAGE 0B


BOEING
 737-600/700/800/900
PARTS CATALOG (MAINTENANCE)



E 2524-31-21K SHT 4 REV 123

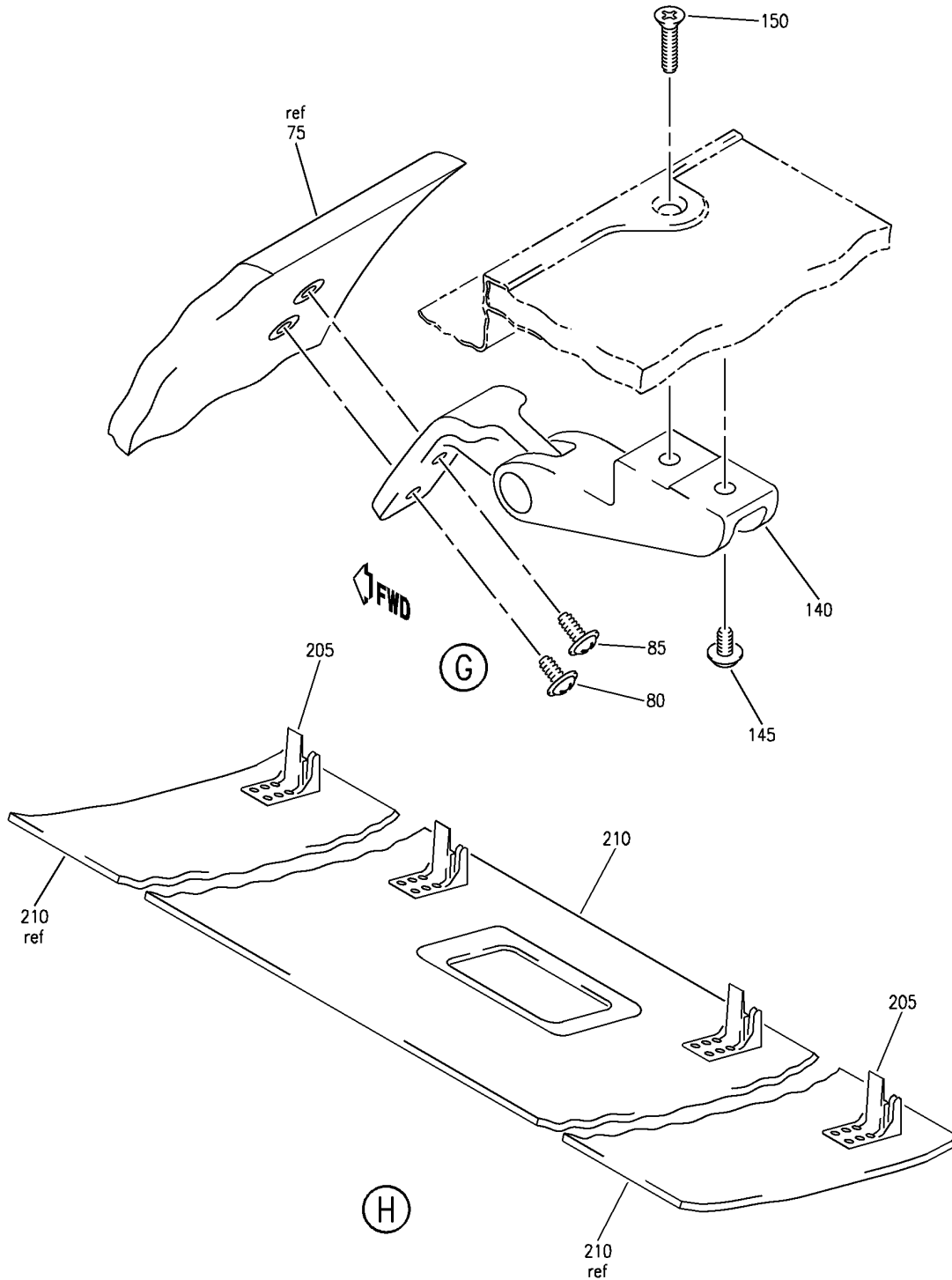
TOP ASSY-FWD RH 25 IN. BIG BIN OVHD STOWAGE BULLNOSE CONFIGURATION
FIGURE 21K (SHEET 4)

HAP
OCT 10/06

25-24-31-21K

25-24-31-21K
PAGE 0C

BOEING
 737-600/700/800/900
 PARTS CATALOG (MAINTENANCE)



E 2524-31-21K SHT 5 REV 123

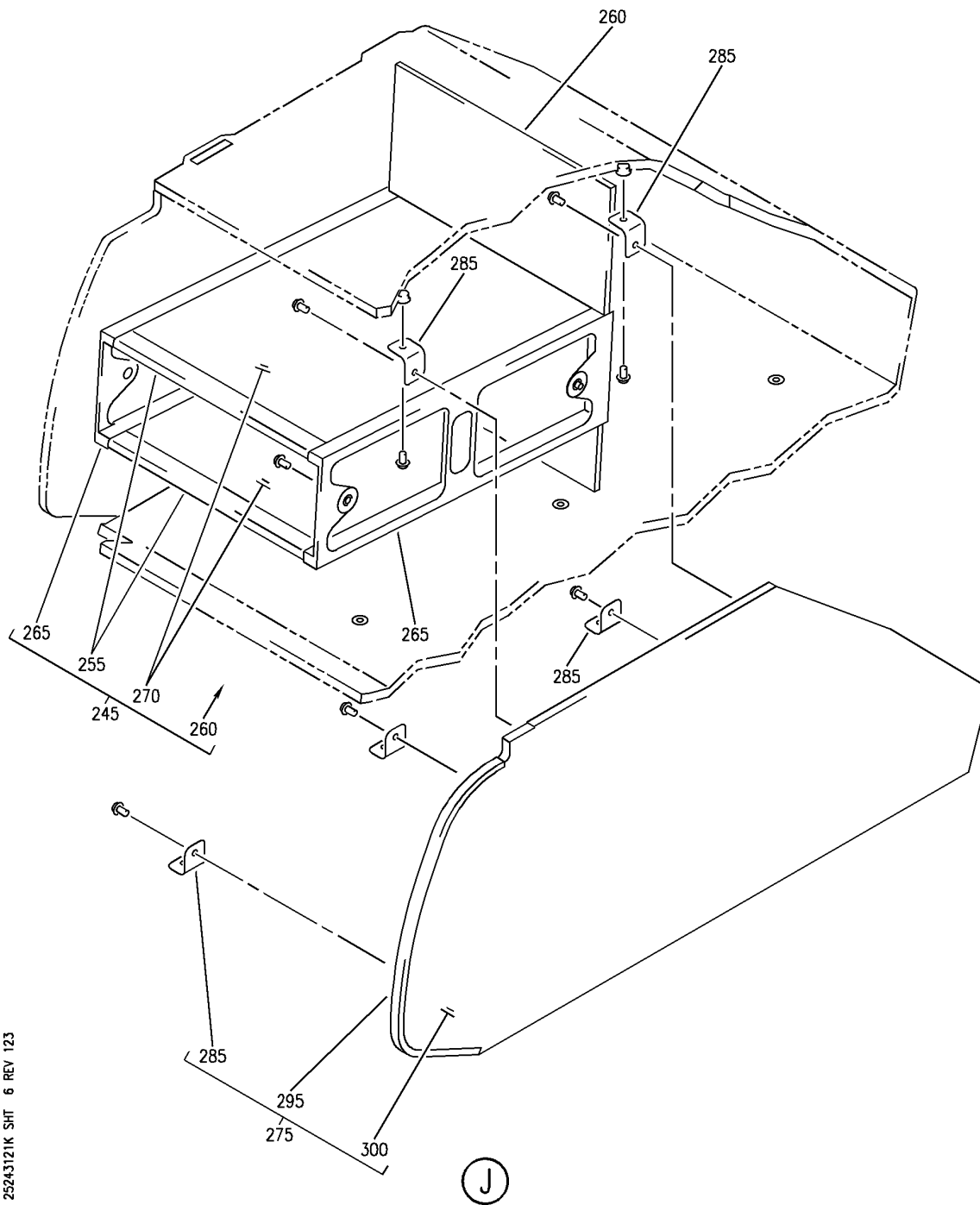
TOP ASSY-FWD RH 25 IN. BIG BIN OVHD STOWAGE BULLNOSE CONFIGURATION
 FIGURE 21K (SHEET 5)

25-24-31-21K

HAP
 OCT 10/06

25-24-31-21K
 PAGE 0D

BOEING
 737-600/700/800/900
 PARTS CATALOG (MAINTENANCE)



E 2524-31-21K SHT 6 REV 123

TOP ASSY-FWD RH 25 IN. BIG BIN OVHD STOWAGE BULLNOSE CONFIGURATION
 FIGURE 21K (SHEET 6)

25-24-31-21K

HAP
 OCT 10/06

25-24-31-21K
 PAGE 0E

BOEING
737-600/700/800/900
PARTS CATALOG (MAINTENANCE)

FIG ITEM	PART NUMBER	1 2 3 4 5 6 7	NOMENCLATURE	EFFECT FROM TO	UNITS PER ASSY
21K			TOP ASSY-FWD RH 25 IN. BIG BIN OVHD STOWAGE BULLNOSE CONFIGURATION	038038 042043	
- 1	412A1052-120B		TOP ASSY-25 IN. BIG BIN OVHD STOWAGE BULLNOSE CONFIGURATION POSITION DATA: FWD RH FOR NHA SEE: 25-24-30-26	038038 042043	RF
5	412A1420-2A		.EXTRUSION-SEAT ROW MARKER	038038 042043	1
10	412A1451-2BCWK		.STRIP-TRIM	038038 042043	1
15	BACB30NM3K6		.BOLT	038038 042043	1
20	BACS12FA3K10		.SCREW	038038 042043	3
25	CA3105-1032-24		.SCREW SUPPLIER CODE: V73439 SPECIFICATION NUMBER: BACS12N10-24 OPTIONAL PART: CA3105-1032-24 V78189 SP1561-1032-24 V73439	038038 042043	3
30	BACW10BN3AC		.WASHER	038038 042043	4
35	NAS1149D0363J		.WASHER	038038 042043	1
40	PLH53CD		.NUT SUPPLIER CODE: VF0224 SPECIFICATION NUMBER: BACN10YR3CD OPTIONAL PART: H52732-3CD V15653	038038 042043	1
45	412A1230-170		.FITTING ASSY-SPRT	038038 042043	1
50	BACR15BA3ADC		..RIVET- SIZE DETERMINED ON INSTL.	038038 042043	14

MISSING ITEM NUMBERS NOT APPLICABLE

- ITEM NOT ILLUSTRATED

HAP

25-24-31-21K

BOEING PROPRIETARY - Copyright © - Unpublished Work - See title page for details.

25-24-31
FIG. 21K
PAGE 1
FEB 15/09

BOEING
737-600/700/800/900
PARTS CATALOG (MAINTENANCE)

FIG ITEM	PART NUMBER	1 2 3 4 5 6 7	NOMENCLATURE	EFFECT FROM TO	UNITS PER ASSY
21K 55	T8077S1032	..	NUTPLATE SUPPLIER CODE: V11815 SPECIFICATION NUMBER: BACN10JP3B OPTIONAL PART: MK2000-3BAC V15653 NS103198-02 V80539 RMA9207-3 V72962 VN201A1-02 V92215 BRM100A3 V52828	038038 042043	5
60	412A1230-168	..	FITTING	038038 042043	1
65	412A1230-166	..	FITTING	038038 042043	1
70	412N1372-210B	.	CAP ASSY-4.54 IN. WIDE END FOR DETAILS SEE: 25-24-33-45C	038038 042043	1
75	412A1505-34B	.	DOOR ASSY-24.6 IN. ATTACHING PARTS	038038 042043	1
80	BACS12FA3K6	.	SCREW	038038 042043	2
85	BACS12FA3K7	.	SCREW	038038 042043	2
90	BACS12FA3K4	..	SCREW	038038 042043	4
95	HA951-1	..	LATCH ASSY- SUPPLIER CODE: V83014 SPECIFICATION NUMBER: S412A003-1	038038 042043	1
100	412A1810-2B	..	BUMPER- QUALIFIED I/W DATA: PN 412A1810-3B CAN REPLACE BUT NOT BE REPLACED BY PN 412A1810-2B FOR 737-600/700/800/900 ONLY.	038038 042043	2
100	412A1810-1A	..	BUMPER-	038038 042043	2

MISSING ITEM NUMBERS NOT APPLICABLE

- ITEM NOT ILLUSTRATED

HAP

25-24-31-21K

BOEING PROPRIETARY - Copyright © - Unpublished Work - See title page for details.

25-24-31
FIG. 21K
PAGE 2
OCT 15/08

BOEING
737-600/700/800/900
PARTS CATALOG (MAINTENANCE)

FIG ITEM	PART NUMBER	1 2 3 4 5 6 7	NOMENCLATURE	EFFECT FROM TO	UNITS PER ASSY
21K					
105	412A1452-7B	..	TRIM-VERT	038038 042043	1
110	412A1450-9A	..	TRIM-HORIZ	038038 042043	1
115	412A1452-6B	..	TRIM-HORIZ	038038 042043	1
120	412A1452-4B	..	TRIM-VERT	038038 042043	1
125	412A1513-34B	..	PANEL ASSY	038038 042043	1
- 130	SL618-3A	...	INSERT- SUPPLIER CODE: V97393	038038 042043	8
135	412A1513-1B	...	PANEL ASSY	038038 042043	1
140	SP21757	.HINGE ASSY- SUPPLIER CODE: V24403 SPECIFICATION NUMBER: S412A004-1		038038 042043	2
145	BACS12FA3K6	.SCREW	ATTACHING PARTS	038038 042043	2
150	BACB30VF3K8	.BOLT		038038 042043	2
155	403A3210-96B	-----*----- .SEAL ASSY		038038 042043	1
160	BACB30VF3K3	.BOLT		038038 042043	2
165	BACS12ER3K11	.SCREW		038038 042043	2
170	H3-1233A3	.WASHER- SUPPLIER CODE: V34941 SPECIFICATION NUMBER: S411A001-1		038038 042043	2
175	412A1467-2B	.CLOSEOUT ASSY		038038 042043	1
180	412A1467-1B	.CLOSEOUT ASSY		038038 042043	1
185	BACN10VR4CGN	..NUT- OPTIONAL PART: BACN10VR4CG		038038 042043	2
185	BACN10VR4CG	..NUT- OPTIONAL PART: BACN10VR4CGN		038038 042043	2

MISSING ITEM NUMBERS NOT APPLICABLE

- ITEM NOT ILLUSTRATED

HAP

25-24-31-21K

BOEING PROPRIETARY - Copyright © - Unpublished Work - See title page for details.

25-24-31
FIG. 21K
PAGE 3
OCT 15/08

BOEING
737-600/700/800/900
PARTS CATALOG (MAINTENANCE)

FIG ITEM	PART NUMBER	1 2 3 4 5 6 7	NOMENCLATURE	EFFECT FROM TO	UNITS PER ASSY
21K 190	412A1467-6B	..	CLOSEOUT- USED ON: 412A1467-2B	038038 042043	1
195	412A1467-5B	..	CLOSEOUT- USED ON: 412A1467-1B	038038 042043	1
200	412A1607-37B	.	COVER ASSY	038038 042043	1
205	412A1460-2	..	CLIP	038038 042043	4
210	412A1617-33B	..	PANEL	038038 042043	1
215	BACS12FA3K5	.	SCREW	038038 042043	4
220	BACS12ER3K14	.	SCREW	038038 042043	5
225	H3-1233A3	.	WASHER- SUPPLIER CODE: V34941 SPECIFICATION NUMBER: S411A001-1	038038 042043	5
230	412A1244-7	.	EXTRUSION ASSY	038038 042043	1
235	FS1651-3	..	NUTPLATE SUPPLIER CODE: V15653 SPECIFICATION NUMBER: BACN10KH3CD OPTIONAL PART: 102F9209M3 V72962 NS202496-02 V80539 ATTACHING PARTS	038038 042043	5
- 240	BACR15BA3ADC	..	RIVET- SIZE DETERMINED ON INSTL. -----*-----	038038 042043	10
245	412A1912-10B	.	RACK ASSY-MAGAZINE ATTACHING PARTS	038038 042043	1
- 250	BACS12FA3K5	.	SCREW -----*-----	038038 042043	4
255	412A1450-17A	..	TRIM	038038 042043	2
260	412A1217-9B	..	PANEL ASSY	038038 042043	1
265	412N1212-4A	..	SUPPORT-SHELF	038038 042043	2

MISSING ITEM NUMBERS NOT APPLICABLE

- ITEM NOT ILLUSTRATED

HAP

25-24-31-21K

BOEING PROPRIETARY - Copyright © - Unpublished Work - See title page for details.

25-24-31
FIG. 21K
PAGE 4
OCT 15/08

BOEING
737-600/700/800/900
PARTS CATALOG (MAINTENANCE)

FIG ITEM	PART NUMBER	1 2 3 4 5 6 7	NOMENCLATURE	EFFECT FROM TO	UNITS PER ASSY
21K 270	412A1213-20A		..SHELF ASSY-12 IN.	038038 042043	2
275	412A1912-6B		.PANEL ASSY-DIVIDER	038038 042043	1
- 280	BACS12FA3K5		ATTACHING PARTS .SCREW	038038 042043	5
			-----*-----		
285	412A1220-61A		..CLIP	038038 042043	5
- 290	BACS12FA3K5		ATTACHING PARTS ..SCREW	038038 042043	5
			-----*-----		
295	412A1250-91A		..TRIM	038038 042043	1
300	412A1217-6B		..PANEL ASSY	038038 042043	1
- 305	SL2334-3A1		...INSERT- SUPPLIER CODE: V97393	038038 042043	11
310	412A1255-36B		.BOX ASSY-25 IN. BIG BIN FOR DETAILS SEE: 25-24-32-26	038038 042043	1
- 315	412A1811-2B		.PLUG	038038 042043	AR

MISSING ITEM NUMBERS NOT APPLICABLE

- ITEM NOT ILLUSTRATED

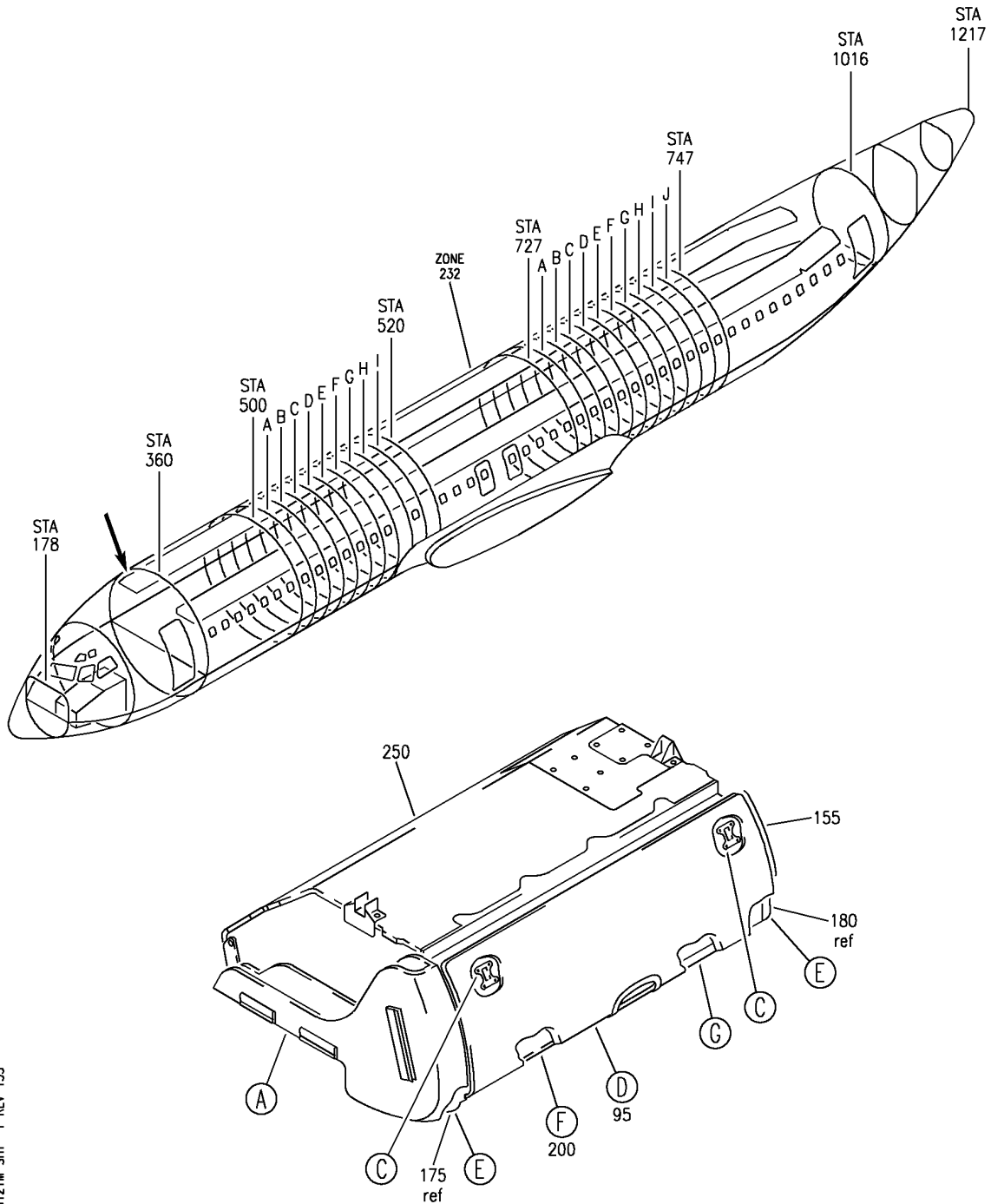
HAP

25-24-31-21K

BOEING PROPRIETARY - Copyright © - Unpublished Work - See title page for details.

25-24-31
FIG. 21K
PAGE 5
OCT 15/08

BOEING
 737-600/700/800/900
 PARTS CATALOG (MAINTENANCE)



E 2524-3121M SHT 1 REV 135

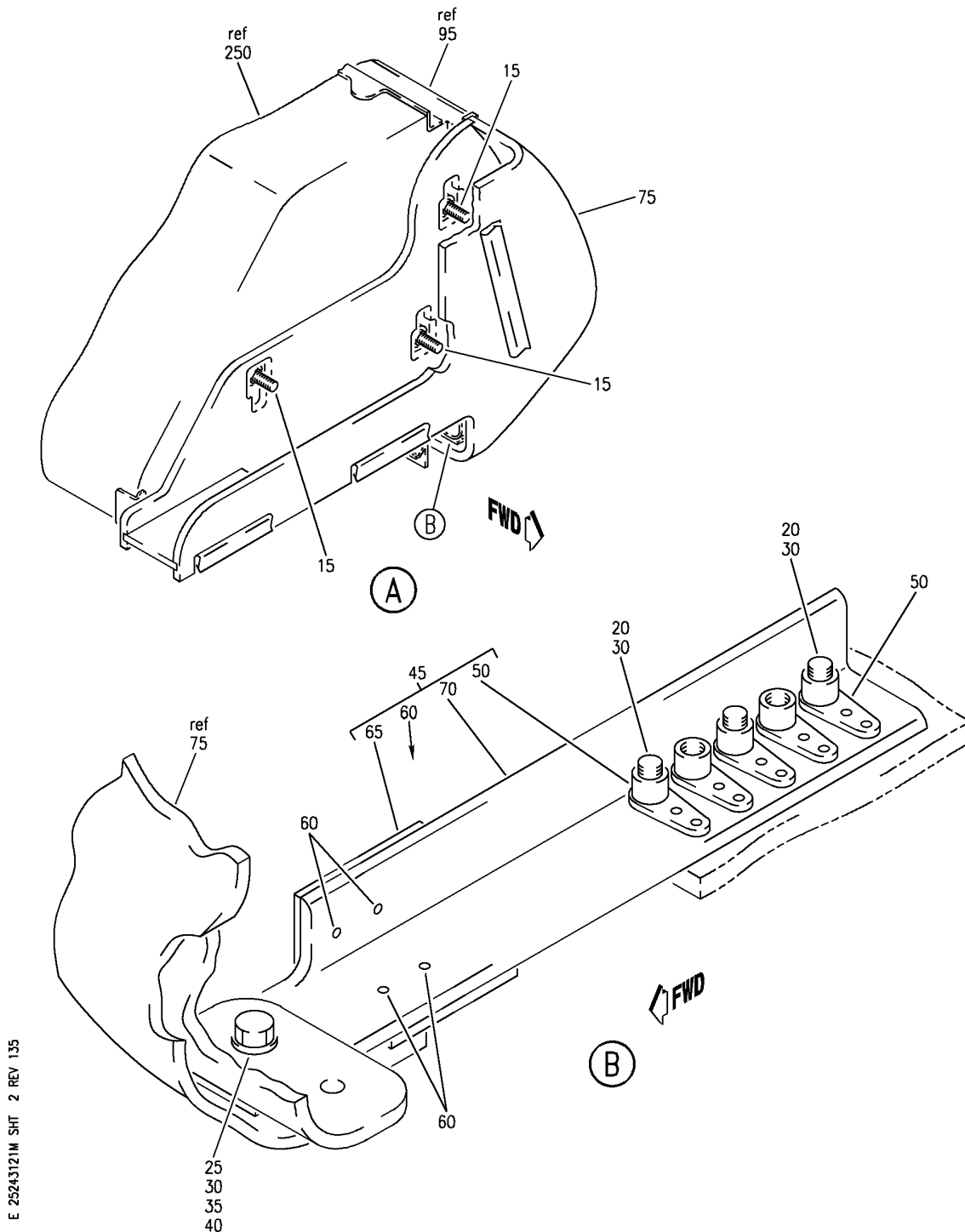
TOP ASSY-FWD RH 25 IN. OVHD STOWAGE BIG BIN BULLNOSE CONFIGURATION
 FIGURE 21M (SHEET 1)

25-24-31-21M

HAP
 OCT 15/08

25-24-31-21M
 PAGE 0

BOEING
 737-600/700/800/900
 PARTS CATALOG (MAINTENANCE)



E 2524-3121M SHT 2 REV 135

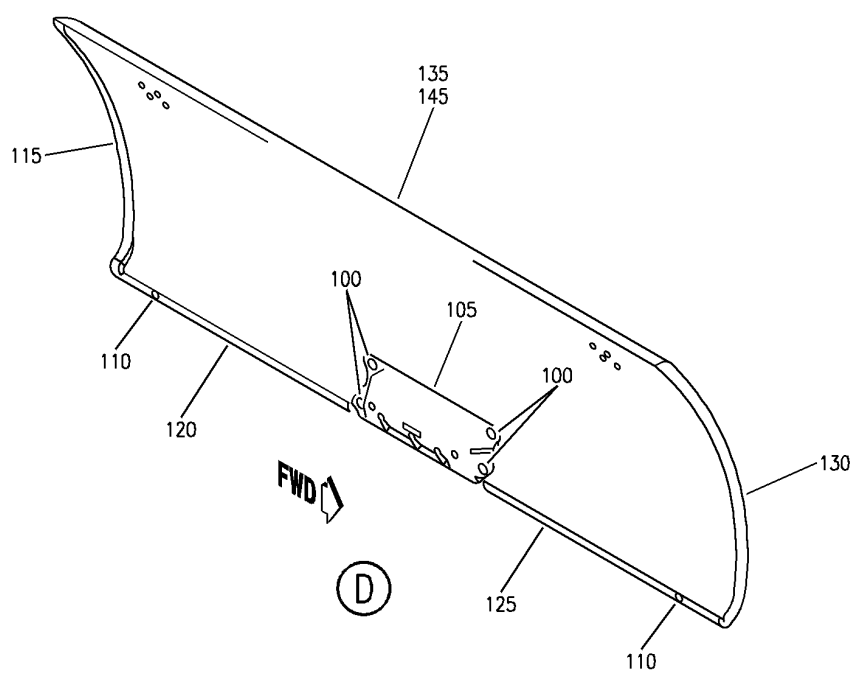
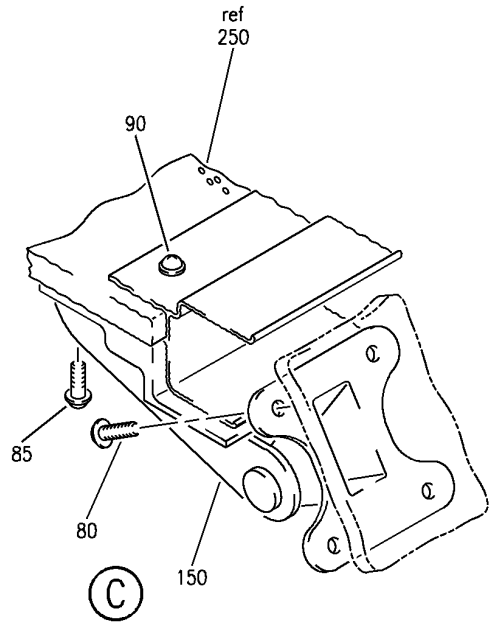
TOP ASSY-FWD RH 25 IN. OVHD STOWAGE BIG BIN BULLNOSE CONFIGURATION
 FIGURE 21M (SHEET 2)

HAP
 OCT 15/08

25-24-31-21M

25-24-31-21M
 PAGE 0A

BOEING
 737-600/700/800/900
 PARTS CATALOG (MAINTENANCE)



E 2524-3121M SHT 3 REV 135

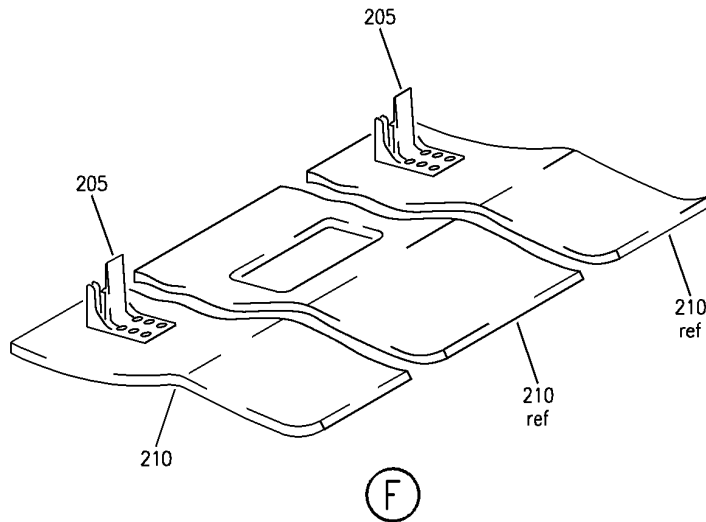
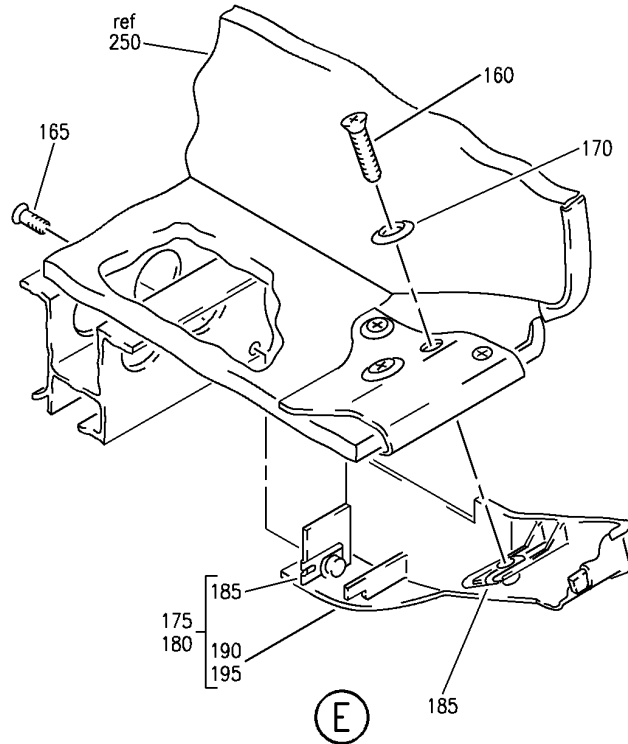
TOP ASSY-FWD RH 25 IN. OVHD STOWAGE BIG BIN BULLNOSE CONFIGURATION
 FIGURE 21M (SHEET 3)

25-24-31-21M

HAP
 OCT 15/08

25-24-31-21M
 PAGE 0B

BOEING
 737-600/700/800/900
 PARTS CATALOG (MAINTENANCE)



E 2524-3121M SHT 4 REV 135

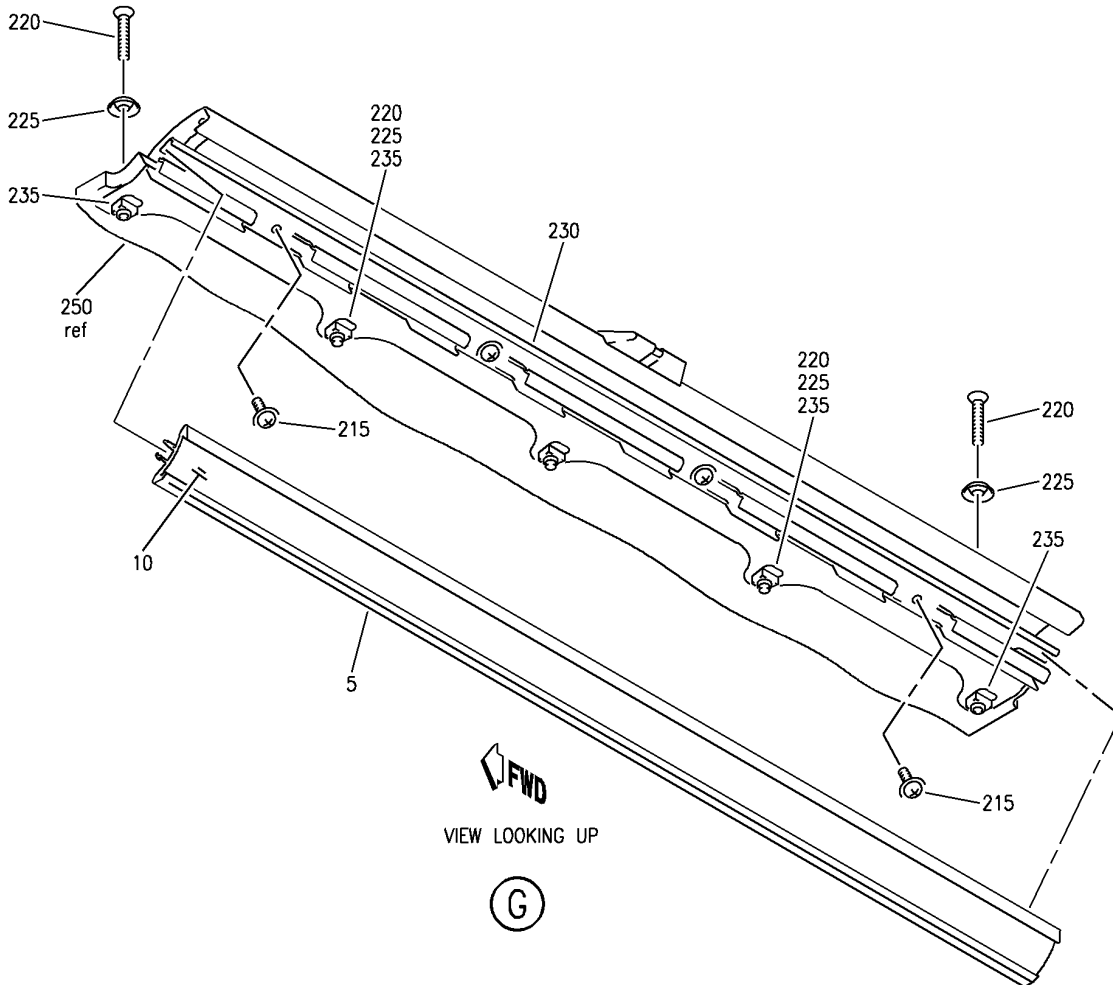
TOP ASSY-FWD RH 25 IN. OVHD STOWAGE BIG BIN BULLNOSE CONFIGURATION
 FIGURE 21M (SHEET 4)

25-24-31-21M

HAP
 OCT 15/08

25-24-31-21M
 PAGE 0C

BOEING
737-600/700/800/900
PARTS CATALOG (MAINTENANCE)



E 2524-3121M SHT 5 REV 135

TOP ASSY-FWD RH 25 IN. OVHD STOWAGE BIG BIN BULLNOSE CONFIGURATION
FIGURE 21M (SHEET 5)

HAP
OCT 15/08

25-24-31-21M

25-24-31-21M
PAGE 0D

BOEING
737-600/700/800/900
PARTS CATALOG (MAINTENANCE)

FIG ITEM	PART NUMBER	1 2 3 4 5 6 7	NOMENCLATURE	EFFECT FROM TO	UNITS PER ASSY
21M			TOP ASSY-FWD RH 25 IN. OVHD STOWAGE BIG BIN BULLNOSE CONFIGURATION	047047	
- 1	412A1052-1094B		TOP ASSY-25 IN. OVHD STOWAGE BIG BIN BULLNOSE CONFIGURATION POSITION DATA: FWD RH FOR NHA SEE: 25-24-30-26	047047	RF
5	412A1420-2A		.EXTRUSION-SEAT ROW MARKER	047047	1
10	412A1451-2BCWK		.STRIP-TRIM	047047	1
15	CA3105-1032-24		.SCREW SUPPLIER CODE: V73439 SPECIFICATION NUMBER: BACS12N10-24 OPTIONAL PART: CA3105-1032-24 V78189 SP1561-1032-24 V73439	047047	3
20	BACS12FA3K10		.SCREW	047047	3
25	BACB30NM3K6		.BOLT	047047	1
30	BACW10BN3AC		.WASHER	047047	4
35	NAS1149D0363J		.WASHER	047047	1
40	PLH53CD		.NUT SUPPLIER CODE: VF0224 SPECIFICATION NUMBER: BACN10YR3CD OPTIONAL PART: H52732-3CD V15653	047047	1
45	412A1230-170		.FITTING ASSY-SPRT	047047	1

MISSING ITEM NUMBERS NOT APPLICABLE

- ITEM NOT ILLUSTRATED

HAP

25-24-31-21M

BOEING PROPRIETARY - Copyright © - Unpublished Work - See title page for details.

25-24-31
FIG. 21M
PAGE 1
FEB 15/09

BOEING
737-600/700/800/900
PARTS CATALOG (MAINTENANCE)

FIG ITEM	PART NUMBER	1 2 3 4 5 6 7	NOMENCLATURE	EFFECT FROM TO	UNITS PER ASSY
21M 50	T8077S1032		..NUTPLATE SUPPLIER CODE: V11815 SPECIFICATION NUMBER: BACN10JP3B OPTIONAL PART: MK2000-3BAC V15653 NS103198-02 V80539 RMA9207-3 V72962 VN201A1-02 V92215 BRM100A3 V52828 ATTACHING PARTS	047047	5
- 55	BACR15BA3ADC		..RIVET- SIZE DETERMINED ON INSTL. -----*-----	047047	10
60	BACR15BA3ADC		..RIVET- SIZE DETERMINED ON INSTL.	047047	4
65	412A1230-168		..FITTING	047047	1
70	412A1230-166		..FITTING	047047	1
75	412N1372-210B		.CAP ASSY-4.54 IN. WIDE END FOR DETAILS SEE: 25-24-33-45C	047047	1
80	BACS12FA3K5		.SCREW	047047	8
85	BACS12FA3K6		.SCREW	047047	2
90	BACB30VF3K8		.BOLT	047047	2
95	412A1505-134B		.DOOR ASSY-24.6 IN.	047047	1
100	BACS12FA3K4		..SCREW	047047	4
105	HA951-1		..LATCH ASSY- SUPPLIER CODE: V83014 SPECIFICATION NUMBER: S412A003-1	047047	1
110	412A1810-3B		..BUMPER- QUALIFIED I/W DATA: PN 412A1810-3B CAN REPLACE BUT NOT BE REPLACED BY PN 412A1810-2B FOR 737-600/700/800/900 ONLY.	047047	2
115	412A1452-107B		..TRIM-VERT	047047	1
120	412A1452-109B		..TRIM-EDGE	047047	1
125	412A1452-106B		..TRIM-HORIZ	047047	1
130	412A1452-104B		..TRIM-VERT	047047	1

MISSING ITEM NUMBERS NOT APPLICABLE

- ITEM NOT ILLUSTRATED

HAP

25-24-31-21M

BOEING PROPRIETARY - Copyright © - Unpublished Work - See title page for details.

25-24-31
FIG. 21M
PAGE 2
OCT 15/08

BOEING
737-600/700/800/900
PARTS CATALOG (MAINTENANCE)

FIG ITEM	PART NUMBER	1 2 3 4 5 6 7	NOMENCLATURE	EFFECT FROM TO	UNITS PER ASSY
21M					
135	412A1513-134B	..	PANEL ASSY	047047	1
- 140	SL618-3A	...	INSERT-	047047	12
			SUPPLIER CODE: V97393		
145	412A1513-115B	...	PANEL ASSY	047047	1
150	SP23011	.HINGE ASSY-		047047	2
			SUPPLIER CODE: V24403		
			SPECIFICATION NUMBER: S412A004-3		
155	403A3210-96B	.SEAL ASSY		047047	1
160	BACS12ER3K11	.SCREW		047047	2
165	BACB30VF3K3	.BOLT		047047	2
170	H3-1233A3	.WASHER-		047047	2
			SUPPLIER CODE: V34941		
			SPECIFICATION NUMBER: S411A001-1		
175	412A1467-2B	.CLOSEOUT ASSY		047047	1
180	412A1467-1B	.CLOSEOUT ASSY		047047	1
185	BACN10VR4CGN	..NUT-		047047	2
			OPTIONAL PART: BACN10VR4CG		
185	BACN10VR4CG	..NUT-		047047	2
			OPTIONAL PART: BACN10VR4CGN		
190	412A1467-6B	..CLOSEOUT-		047047	1
			USED ON: 412A1467-2B		
195	412A1467-5B	..CLOSEOUT-		047047	1
			USED ON: 412A1467-1B		
200	412A1607-37B	.COVER ASSY		047047	1
205	412A1460-2	..CLIP		047047	2
210	412A1617-33B	..PANEL		047047	1
215	BACS12FA3K5	.SCREW		047047	4
220	BACS12ER3K14	.SCREW		047047	5
225	H3-1233A3	.WASHER-		047047	5
			SUPPLIER CODE: V34941		
			SPECIFICATION NUMBER: S411A001-1		
230	412A1244-7	.EXTRUSION ASSY		047047	1

MISSING ITEM NUMBERS NOT APPLICABLE

- ITEM NOT ILLUSTRATED

HAP

25-24-31-21M

BOEING PROPRIETARY - Copyright © - Unpublished Work - See title page for details.

25-24-31
FIG. 21M
PAGE 3
OCT 15/08

BOEING
737-600/700/800/900
PARTS CATALOG (MAINTENANCE)

FIG ITEM	PART NUMBER	1 2 3 4 5 6 7	NOMENCLATURE	EFFECT FROM TO	UNITS PER ASSY
21M 235	FS1651-3		..NUTPLATE SUPPLIER CODE: V15653 SPECIFICATION NUMBER: BACN10KH3CD OPTIONAL PART: 102F9209M3 V72962 NS202496-02 V80539 ATTACHING PARTS	047047	5
- 240	BACR15BA3ADC		..RIVET- SIZE DETERMINED ON INSTL. -----*-----	047047	10
- 245 250	412A1811-2B 412A1255-36B		.PLUG-BUTTON .BOX ASSY-BIN FOR DETAILS SEE: 25-24-32-26	047047 047047	AR 1

MISSING ITEM NUMBERS NOT APPLICABLE

- ITEM NOT ILLUSTRATED

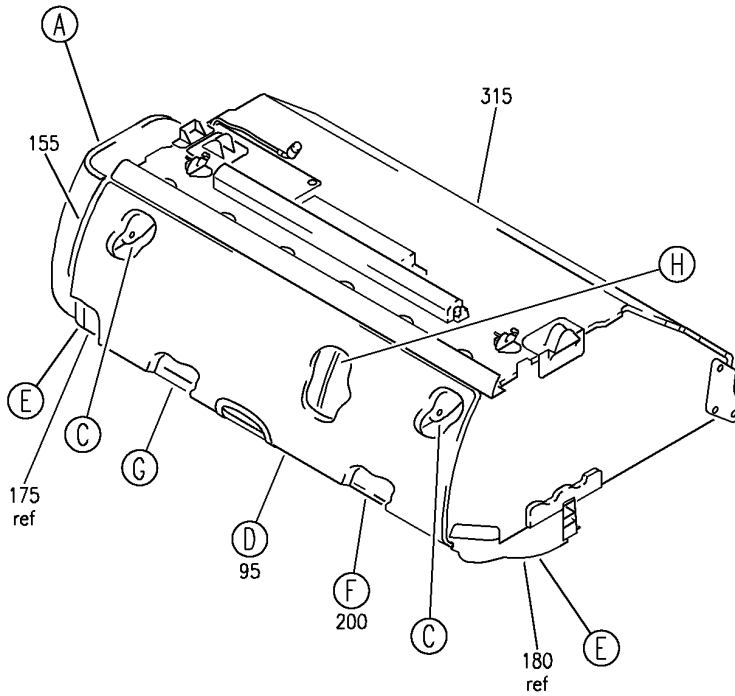
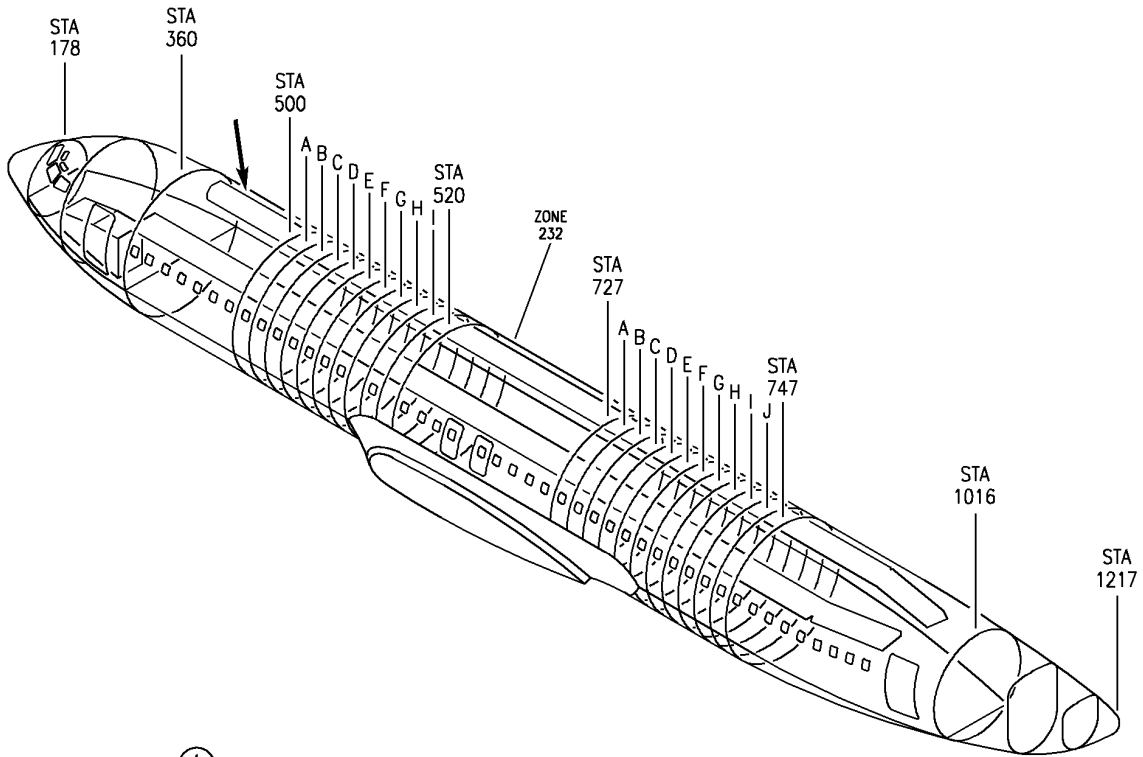
HAP

25-24-31-21M

BOEING PROPRIETARY - Copyright © - Unpublished Work - See title page for details.

25-24-31
FIG. 21M
PAGE 4
OCT 15/08

BOEING
737-600/700/800/900
PARTS CATALOG (MAINTENANCE)



E 2524-3121Q SHT 1 REV 136

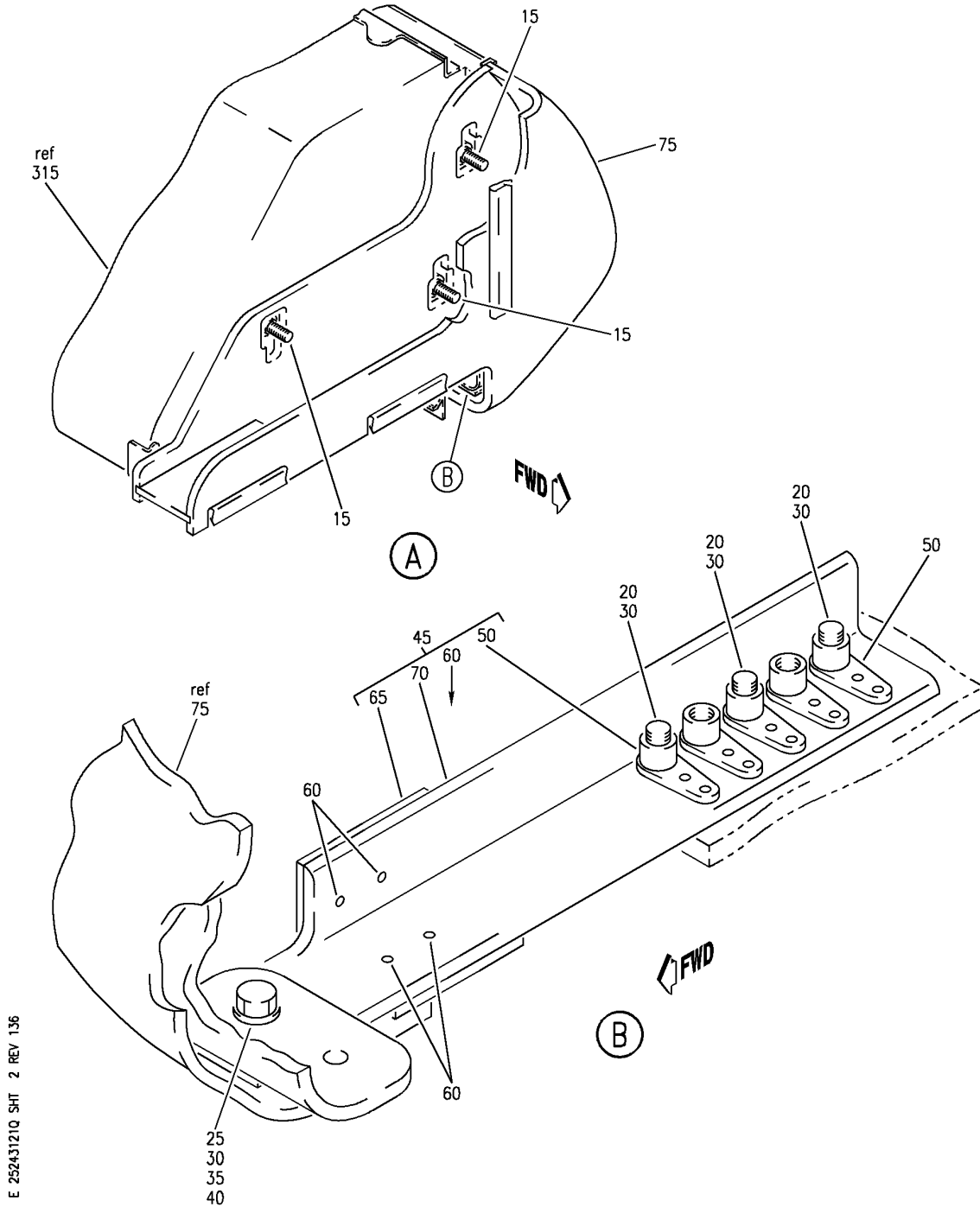
TOP ASSY-FWD RH 25 IN. OVHD STOWAGE BIG BIN BULLNOSE CONFIGURATION
 FIGURE 21Q (SHEET 1)

HAP
 FEB 15/08

25-24-31-21Q

25-24-31-21Q
 PAGE 0

BOEING
 737-600/700/800/900
 PARTS CATALOG (MAINTENANCE)



E 2524-3121Q SHT 2 REV 136

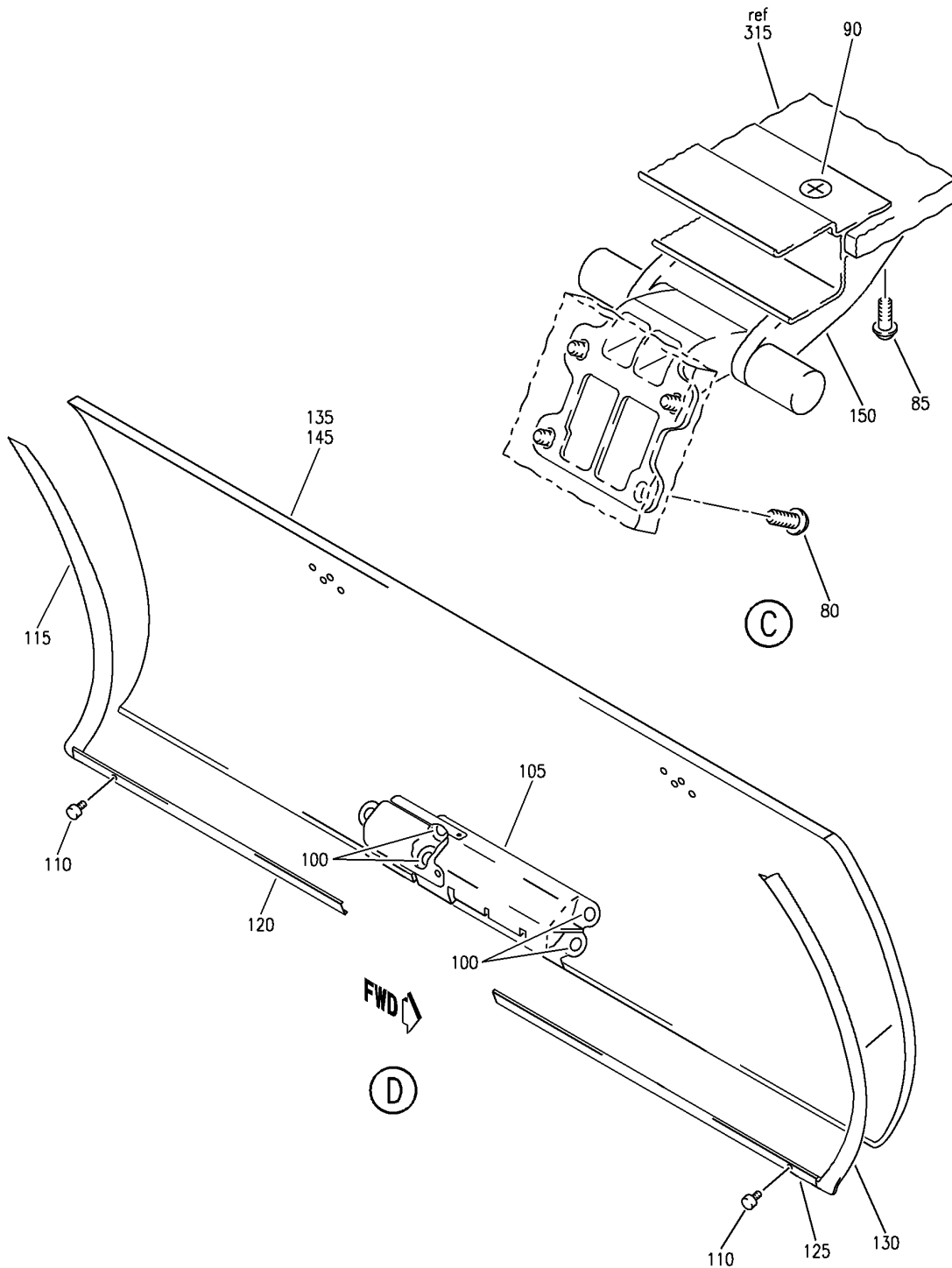
TOP ASSY-FWD RH 25 IN. OVHD STOWAGE BIG BIN BULLNOSE CONFIGURATION
 FIGURE 21Q (SHEET 2)

HAP
 FEB 15/08

25-24-31-21Q

25-24-31-21Q
 PAGE 0A

BOEING
 737-600/700/800/900
 PARTS CATALOG (MAINTENANCE)



E 2524-3121Q SHT 3 REV 136

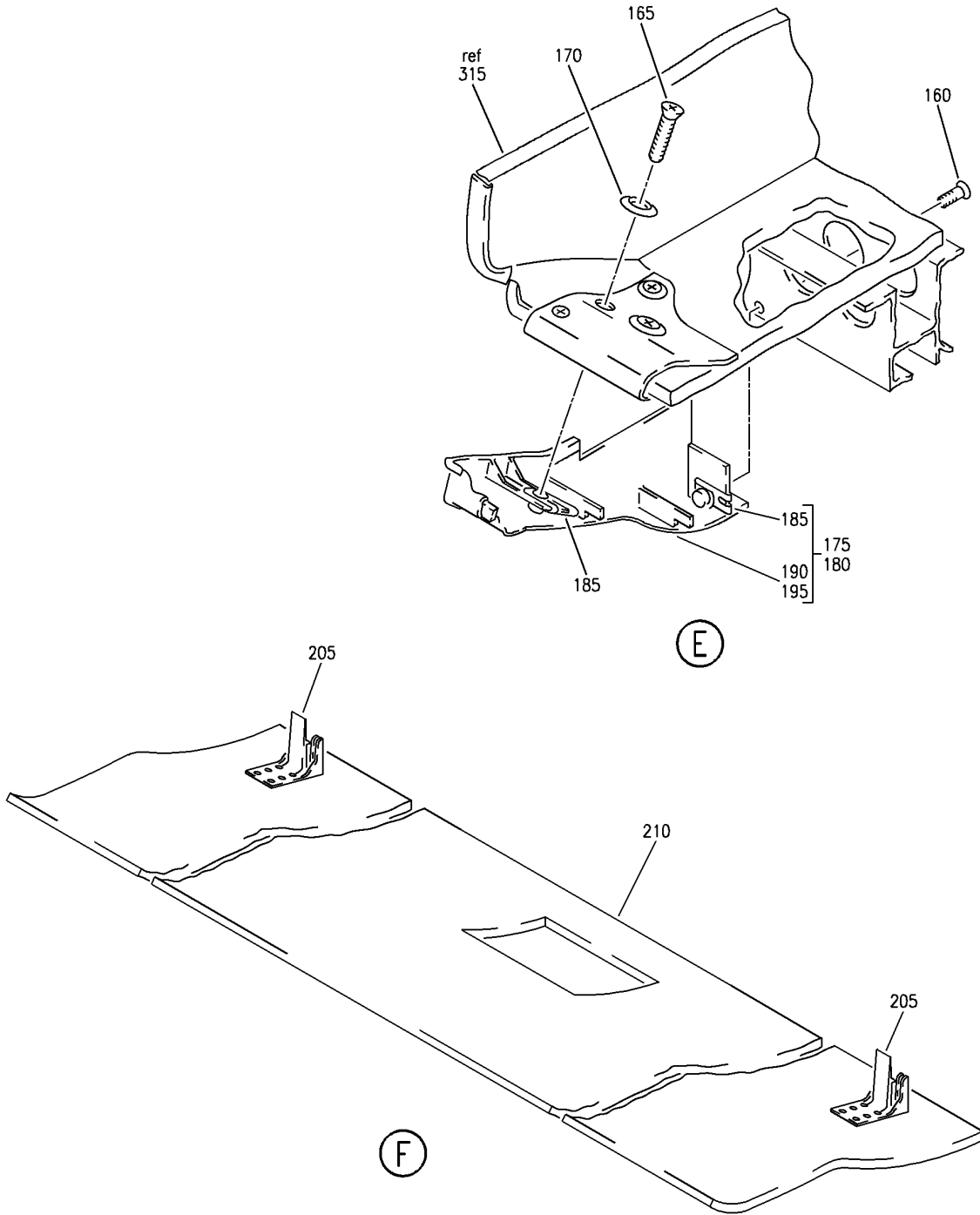
TOP ASSY-FWD RH 25 IN. OVHD STOWAGE BIG BIN BULLNOSE CONFIGURATION
 FIGURE 21Q (SHEET 3)

HAP
 FEB 15/08

25-24-31-21Q

25-24-31-21Q
 PAGE 0B

BOEING
 737-600/700/800/900
 PARTS CATALOG (MAINTENANCE)



E 2524-31-21Q SHT 4 REV 136

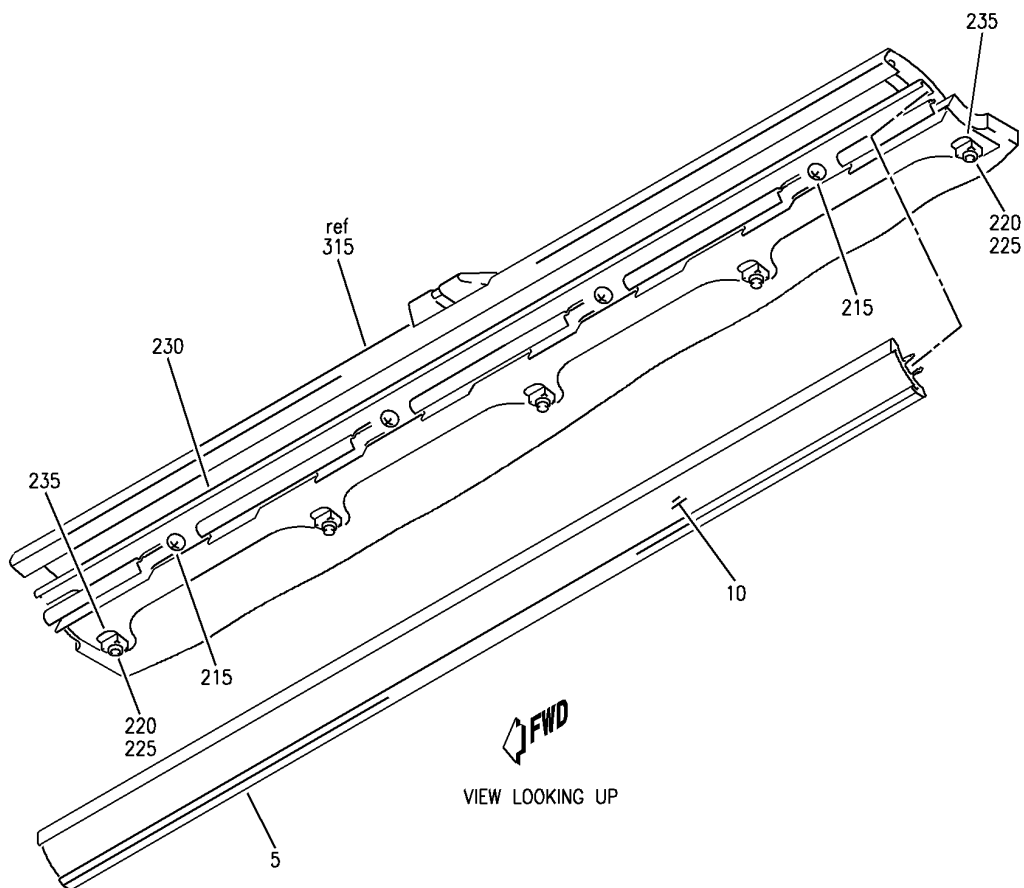
TOP ASSY-FWD RH 25 IN. OVHD STOWAGE BIG BIN BULLNOSE CONFIGURATION
 FIGURE 21Q (SHEET 4)

25-24-31-21Q

HAP
 FEB 15/08

25-24-31-21Q
 PAGE 0C

BOEING
 737-600/700/800/900
 PARTS CATALOG (MAINTENANCE)



(G)

E 2524-31-21Q SHT 5 REV 136

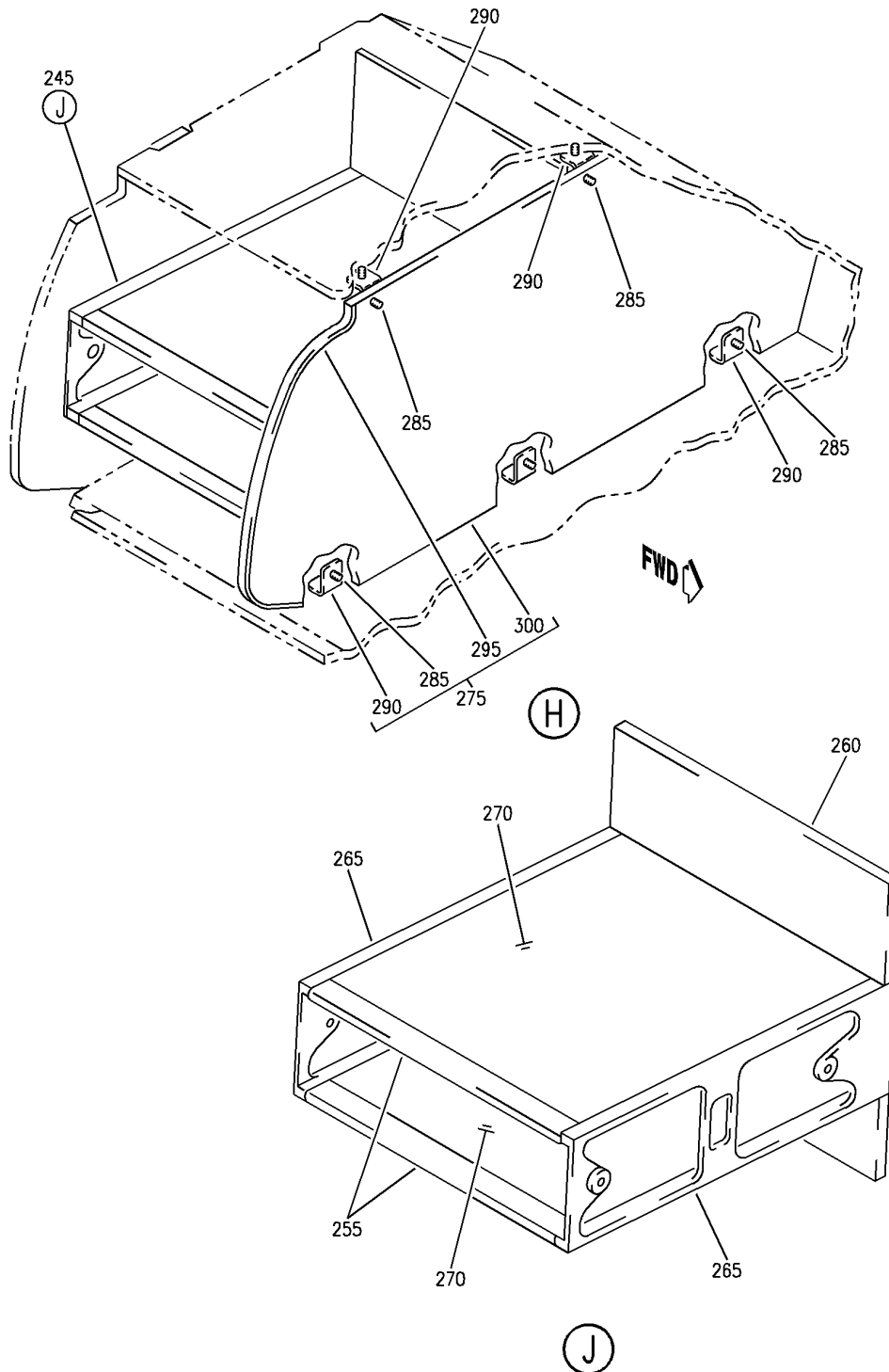
TOP ASSY-FWD RH 25 IN. OVHD STOWAGE BIG BIN BULLNOSE CONFIGURATION
 FIGURE 21Q (SHEET 5)

25-24-31-21Q

HAP
 FEB 15/08

25-24-31-21Q
 PAGE 0D

BOEING
 737-600/700/800/900
 PARTS CATALOG (MAINTENANCE)



E 2524-31-21Q SHT 6 REV 136

TOP ASSY-FWD RH 25 IN. OVHD STOWAGE BIG BIN BULLNOSE CONFIGURATION
 FIGURE 21Q (SHEET 6)

25-24-31-21Q

HAP
 FEB 15/08

25-24-31-21Q
 PAGE 0E

BOEING
737-600/700/800/900
PARTS CATALOG (MAINTENANCE)

FIG ITEM	PART NUMBER	1 2 3 4 5 6 7	NOMENCLATURE	EFFECT FROM TO	UNITS PER ASSY
21Q			TOP ASSY-FWD RH 25 IN. OVHD STOWAGE BIG BIN BULLNOSE CONFIGURATION	044046	
- 1	412A1052-1120B		TOP ASSY-25 IN. OVHD STOWAGE BIG BIN BULLNOSE CONFIGURATION POSITION DATA: FWD RH FOR NHA SEE: 25-24-30-26	044046	RF
5	412A1420-2A		.EXTRUSION-SEAT ROW MARKER	044046	1
10	412A1451-2BCWK		.STRIP-TRIM	044046	1
15	CA3105-1032-24		.SCREW SUPPLIER CODE: V73439 SPECIFICATION NUMBER: BACS12N10-24 OPTIONAL PART: CA3105-1032-24 V78189 SP1561-1032-24 V73439	044046	3
20	BACS12FA3K10		.SCREW	044046	3
25	BACB30NM3K6		.BOLT	044046	1
30	BACW10BN3AC		.WASHER	044046	4
35	NAS1149D0363J		.WASHER	044046	1
40	PLH53CD		.NUT SUPPLIER CODE: VF0224 SPECIFICATION NUMBER: BACN10YR3CD OPTIONAL PART: H52732-3CD V15653	044046	1
45	412A1230-170		.FITTING ASSY-SPRT	044046	1

MISSING ITEM NUMBERS NOT APPLICABLE

- ITEM NOT ILLUSTRATED

HAP

25-24-31-21Q

BOEING PROPRIETARY - Copyright © - Unpublished Work - See title page for details.

25-24-31
FIG. 21Q
PAGE 1
FEB 15/09

BOEING
737-600/700/800/900
PARTS CATALOG (MAINTENANCE)

FIG ITEM	PART NUMBER	1 2 3 4 5 6 7	NOMENCLATURE	EFFECT FROM TO	UNITS PER ASSY
21Q 50	T8077S1032		..NUTPLATE SUPPLIER CODE: V11815 SPECIFICATION NUMBER: BACN10JP3B OPTIONAL PART: MK2000-3BAC V15653 NS103198-02 V80539 RMA9207-3 V72962 VN201A1-02 V92215 BRM100A3 V52828	044046	5
- 55	BACR15BA3ADC		ATTACHING PARTS ..RIVET- SIZE DETERMINED ON INSTL. -----*-----	044046	10
60	BACR15BA3ADC		..RIVET- SIZE DETERMINED ON INSTL.	044046	4
65	412A1230-168		..FITTING	044046	1
70	412A1230-166		..FITTING	044046	1
75	412N1372-210B		.CAP ASSY-4.54 IN. WIDE END FOR DETAILS SEE: 25-24-33-45C	044046	1
80	BACS12FA3K5		.SCREW	044046	8
85	BACS12FA3K6		.SCREW	044046	2
90	BACB30VF3K8		.BOLT	044046	2
95	412A1505-134B		.DOOR ASSY-24.6 IN.	044046	1
100	BACS12FA3K4		..SCREW	044046	4
105	HA951-1		..LATCH ASSY- SUPPLIER CODE: V83014 SPECIFICATION NUMBER: S412A003-1	044046	1
110	412A1810-3B		..BUMPER- QUALIFIED I/W DATA: PN 412A1810-3B CAN REPLACE BUT NOT BE REPLACED BY PN 412A1810-2B FOR 737-600/700/800/900 ONLY.	044046	2
115	412A1452-107B		..TRIM-VERT	044046	1
120	412A1452-109B		..TRIM-EDGE	044046	1
125	412A1452-106B		..TRIM-HORIZ	044046	1
130	412A1452-104B		..TRIM-VERT	044046	1

MISSING ITEM NUMBERS NOT APPLICABLE

- ITEM NOT ILLUSTRATED

HAP

25-24-31-21Q

BOEING PROPRIETARY - Copyright © - Unpublished Work - See title page for details.

25-24-31
FIG. 21Q
PAGE 2
OCT 15/08

BOEING
737-600/700/800/900
PARTS CATALOG (MAINTENANCE)

FIG ITEM	PART NUMBER	1 2 3 4 5 6 7	NOMENCLATURE	EFFECT FROM TO	UNITS PER ASSY
21Q					
135	412A1513-134B	..	PANEL ASSY	044046	1
- 140	SL618-3A	...	INSERT-	044046	12
			SUPPLIER CODE: V97393		
145	412A1513-115B	...	PANEL ASSY	044046	1
150	SP23011	.HINGE ASSY-		044046	2
			SUPPLIER CODE: V24403		
			SPECIFICATION NUMBER: S412A004-3		
155	403A3210-96B	.SEAL ASSY		044046	1
160	BACB30VF3K3	.BOLT		044046	2
165	BACS12ER3K11	.SCREW		044046	2
170	H3-1233A3	.WASHER-		044046	2
			SUPPLIER CODE: V34941		
			SPECIFICATION NUMBER: S411A001-1		
175	412A1467-2B	.CLOSEOUT ASSY		044046	1
180	412A1467-1B	.CLOSEOUT ASSY		044046	1
185	BACN10VR4CGN	..NUT-		044046	2
			OPTIONAL PART: BACN10VR4CG		
185	BACN10VR4CG	..NUT-		044046	2
			OPTIONAL PART: BACN10VR4CGN		
190	412A1467-6B	..CLOSEOUT-		044046	1
			USED ON: 412A1467-2B		
195	412A1467-5B	..CLOSEOUT-		044046	1
			USED ON: 412A1467-1B		
200	412A1607-37B	.COVER ASSY		044046	1
205	412A1460-2	..CLIP		044046	2
210	412A1617-33B	..PANEL		044046	1
215	BACS12FA3K5	.SCREW		044046	4
220	BACS12ER3K14	.SCREW		044046	5
225	H3-1233A3	.WASHER-		044046	5
			SUPPLIER CODE: V34941		
			SPECIFICATION NUMBER: S411A001-1		
230	412A1244-7	.EXTRUSION ASSY		044046	1

MISSING ITEM NUMBERS NOT APPLICABLE

- ITEM NOT ILLUSTRATED

HAP

25-24-31-21Q

BOEING PROPRIETARY - Copyright © - Unpublished Work - See title page for details.

25-24-31
FIG. 21Q
PAGE 3
OCT 15/08

BOEING
737-600/700/800/900
PARTS CATALOG (MAINTENANCE)

FIG ITEM	PART NUMBER	1 2 3 4 5 6 7	NOMENCLATURE	EFFECT FROM TO	UNITS PER ASSY
21Q 235	FS1651-3		..NUTPLATE SUPPLIER CODE: V15653 SPECIFICATION NUMBER: BACN10KH3CD OPTIONAL PART: 102F9209M3 V72962 NS202496-02 V80539 ATTACHING PARTS	044046	5
- 240	BACR15BA3ADC		..RIVET- SIZE DETERMINED ON INSTL. -----*-----	044046	10
245	412A1912-10B		.RACK ASSY-MAGAZINE ATTACHING PARTS	044046	1
- 250	BACS12FA3K5		.SCREW -----*-----	044046	4
255	412A1450-17A		..TRIM	044046	2
260	412A1217-9B		..PANEL ASSY	044046	1
265	412N1212-4A		..SUPPORT-SHELF	044046	2
270	412A1213-20A		..SHELF ASSY-12 IN.	044046	2
275	412A1912-6B		.PANEL ASSY-DIVIDER ATTACHING PARTS	044046	1
- 280	BACS12FA3K5		.SCREW -----*-----	044046	5
285	BACS12FA3K5		..SCREW	044046	5
290	412A1220-61A		..CLIP	044046	5
295	412A1250-91A		..TRIM	044046	1
300	412A1217-6B		..PANEL ASSY	044046	1
- 305	SL2334-3A1		...INSERT- SUPPLIER CODE: V97393	044046	11
- 310	412A1811-2B		.PLUG	044046	AR
315	412A1255-36B		.BOX ASSY-29 IN. BIG BIN FOR DETAILS SEE: 25-24-32-26	044046	1

MISSING ITEM NUMBERS NOT APPLICABLE

- ITEM NOT ILLUSTRATED

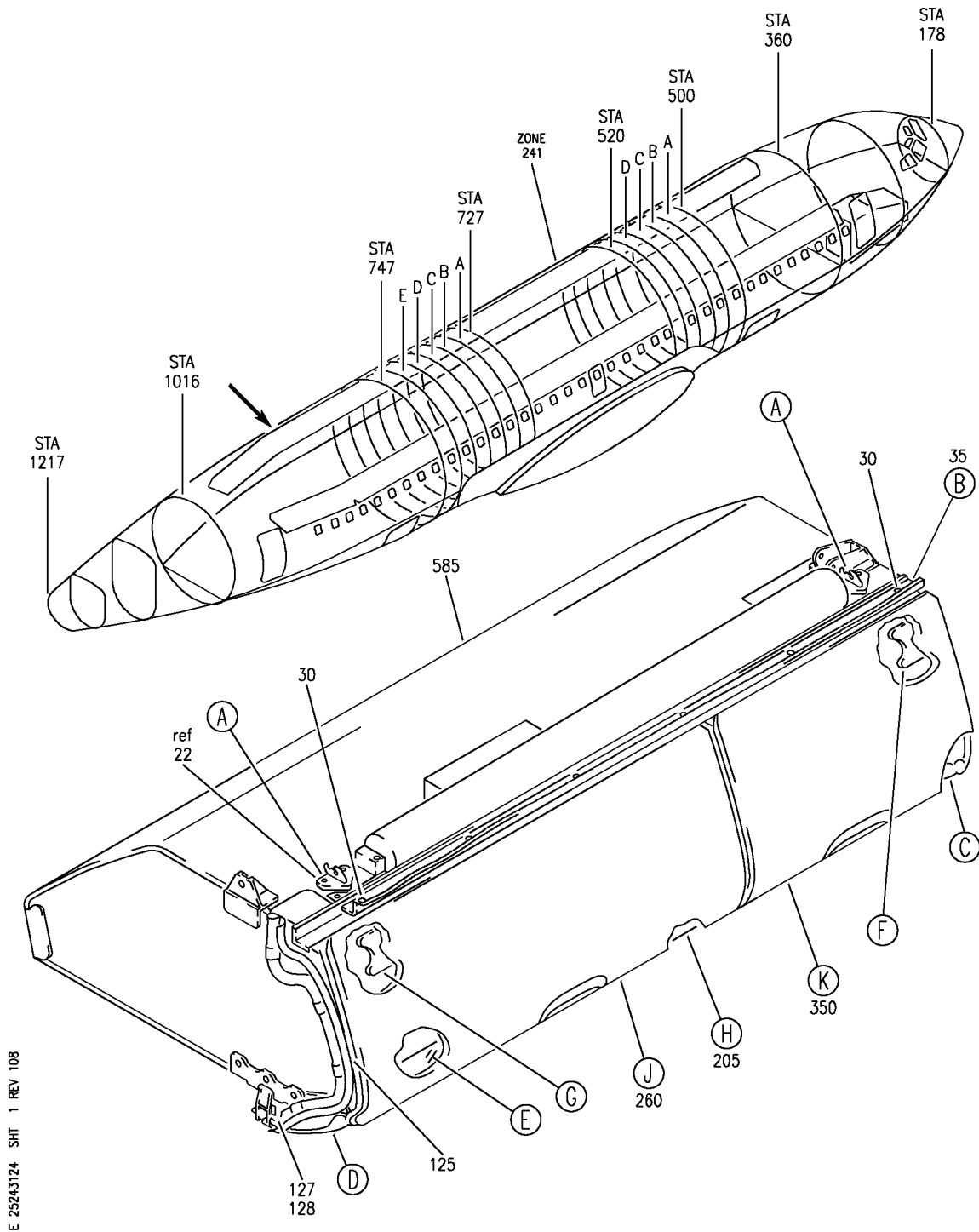
HAP

25-24-31-21Q

BOEING PROPRIETARY - Copyright © - Unpublished Work - See title page for details.

25-24-31
FIG. 21Q
PAGE 4
OCT 15/08

BOEING
 737-600/700/800/900
 PARTS CATALOG (MAINTENANCE)



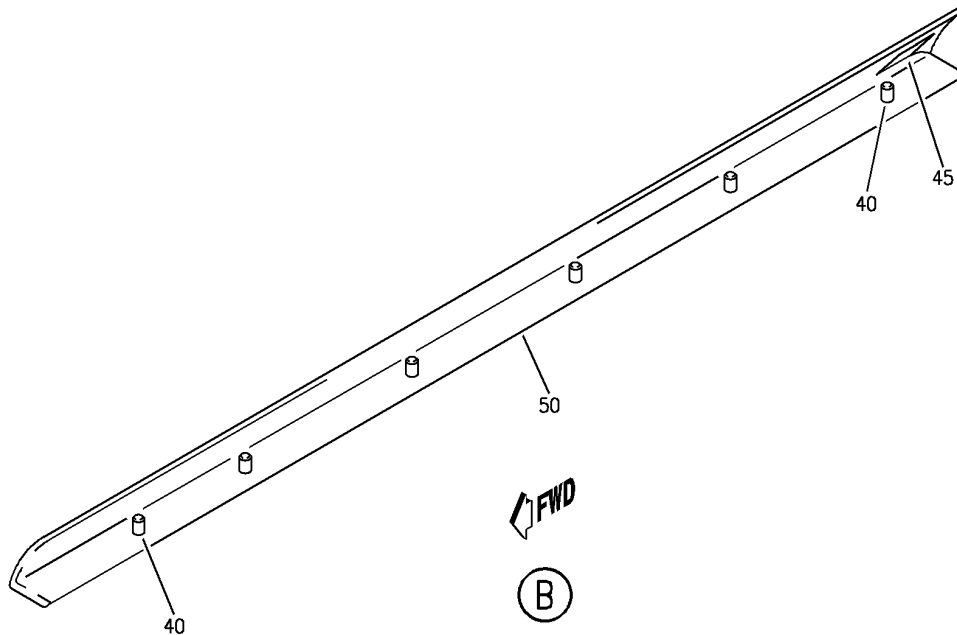
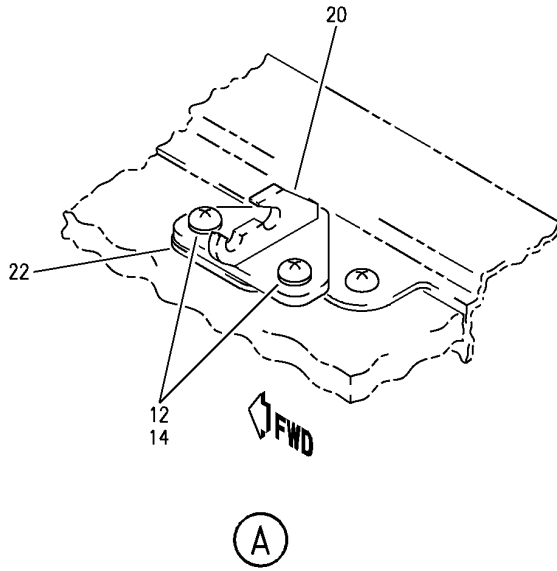
E 2524-3124 SHT 1 REV 108

COMPARTMENT ASSY-AFT LH 60 IN. OVHD STOWAGE BULLNOSE CONFIGURATION (EQUIPMENT/ FURNISHINGS ONLY)
 FIGURE 24 (SHEET 1)

HAP
 OCT 15/08

25-24-31-24

25-24-31-24
 PAGE 0



E 25243124 SH1 2 REV 108

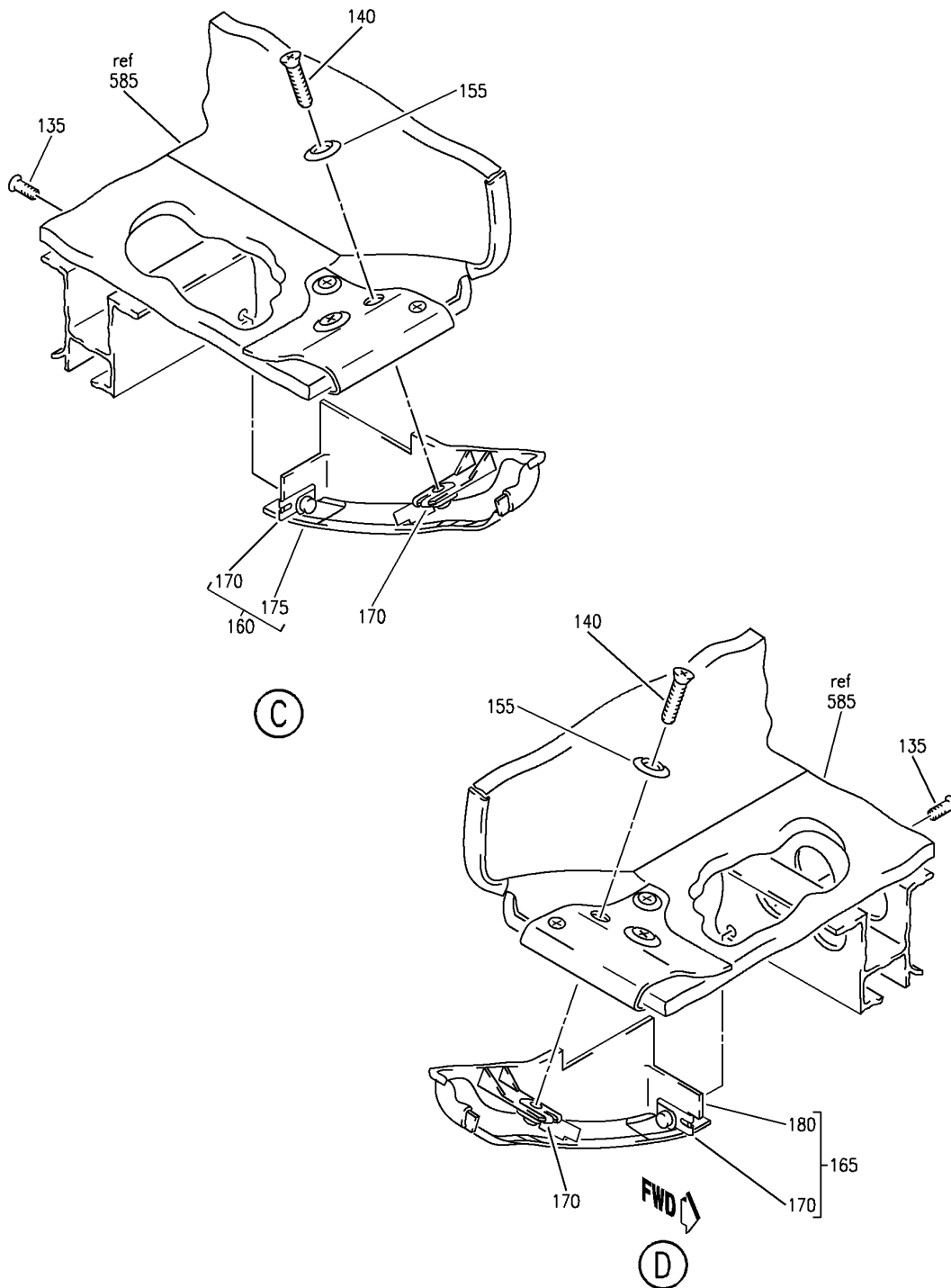
COMPARTMENT ASSY-AFT LH 60 IN. OVHD STOWAGE BULLNOSE CONFIGURATION (EQUIPMENT/ FURNISHINGS ONLY)
 FIGURE 24 (SHEET 2)

HAP
 OCT 15/08

25-24-31-24

25-24-31-24
 PAGE 0A

BOEING
 737-600/700/800/900
 PARTS CATALOG (MAINTENANCE)



E 2524-3124 SHT 3 REV 108

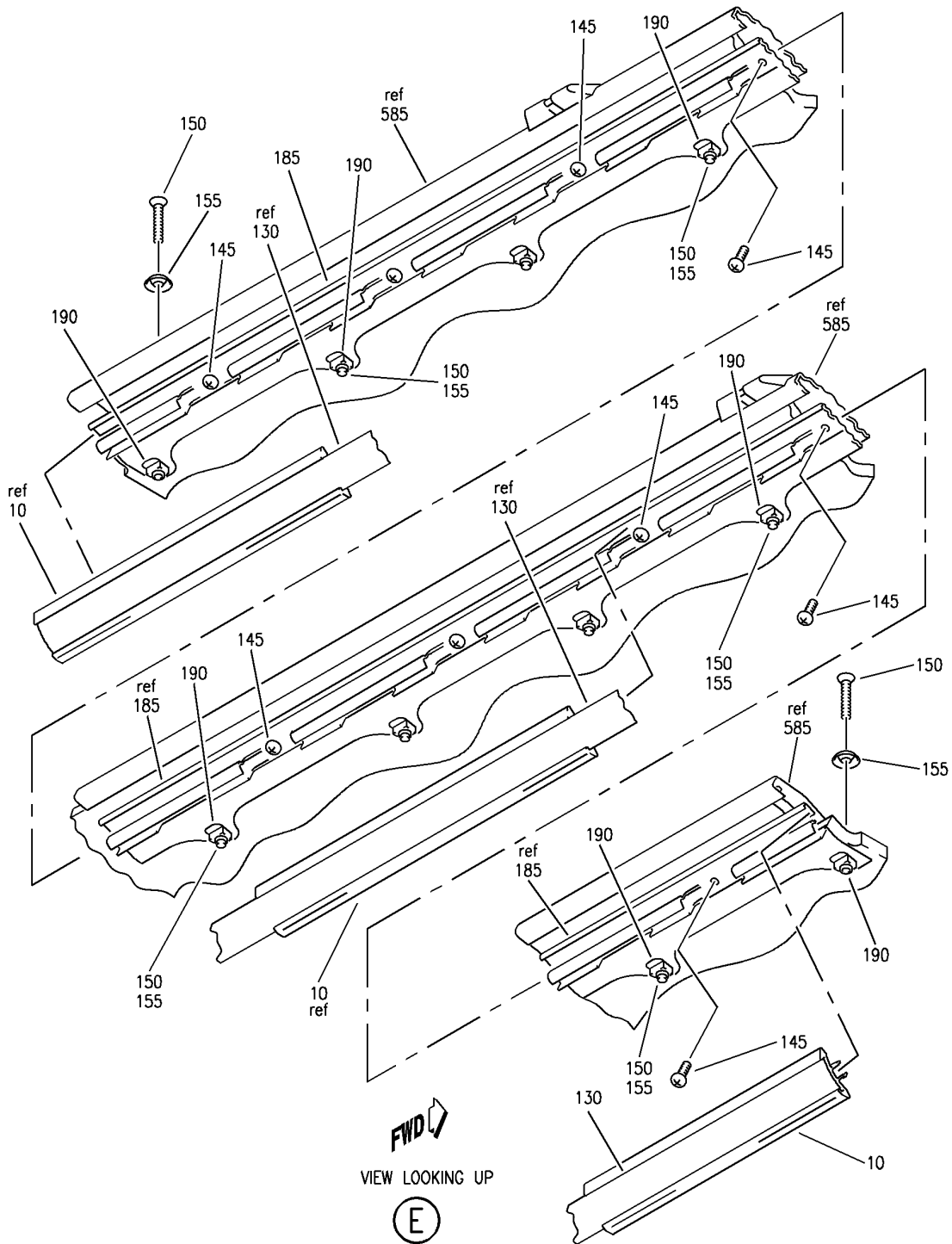
COMPARTMENT ASSY-AFT LH 60 IN. OVHD STOWAGE BULLNOSE CONFIGURATION (EQUIPMENT/ FURNISHINGS ONLY)
 FIGURE 24 (SHEET 3)

HAP
 OCT 15/08

25-24-31-24

25-24-31-24
 PAGE 0B

BOEING
 737-600/700/800/900
 PARTS CATALOG (MAINTENANCE)



E 2524-3124 SHT 4 REV 108

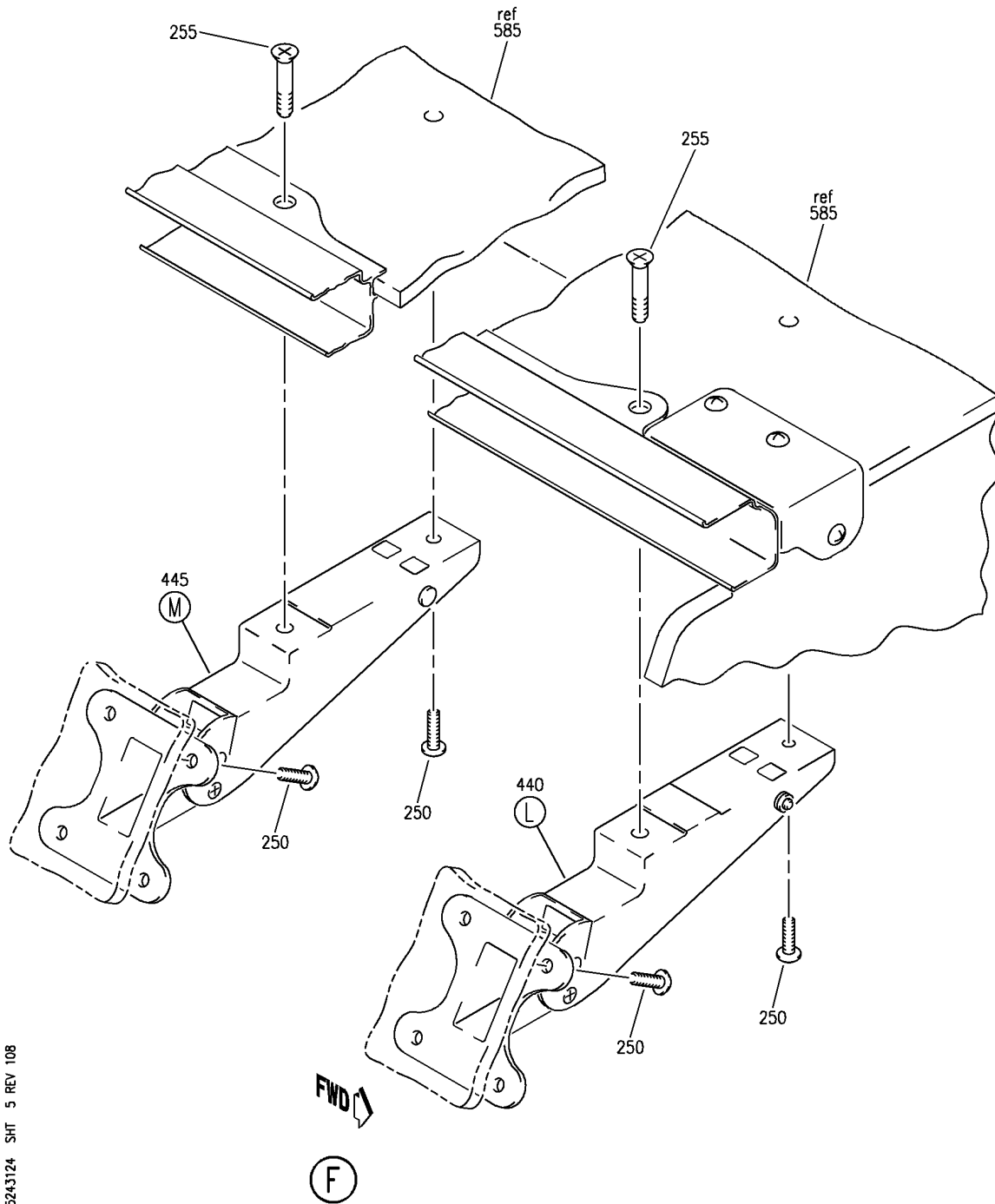
COMPARTMENT ASSY-AFT LH 60 IN. OVHD STOWAGE BULLNOSE CONFIGURATION (EQUIPMENT/ FURNISHINGS ONLY)
 FIGURE 24 (SHEET 4)

HAP
 OCT 15/08

25-24-31-24

25-24-31-24
 PAGE 0C

BOEING
 737-600/700/800/900
 PARTS CATALOG (MAINTENANCE)



E 2524-3124 SHT 5 REV 108

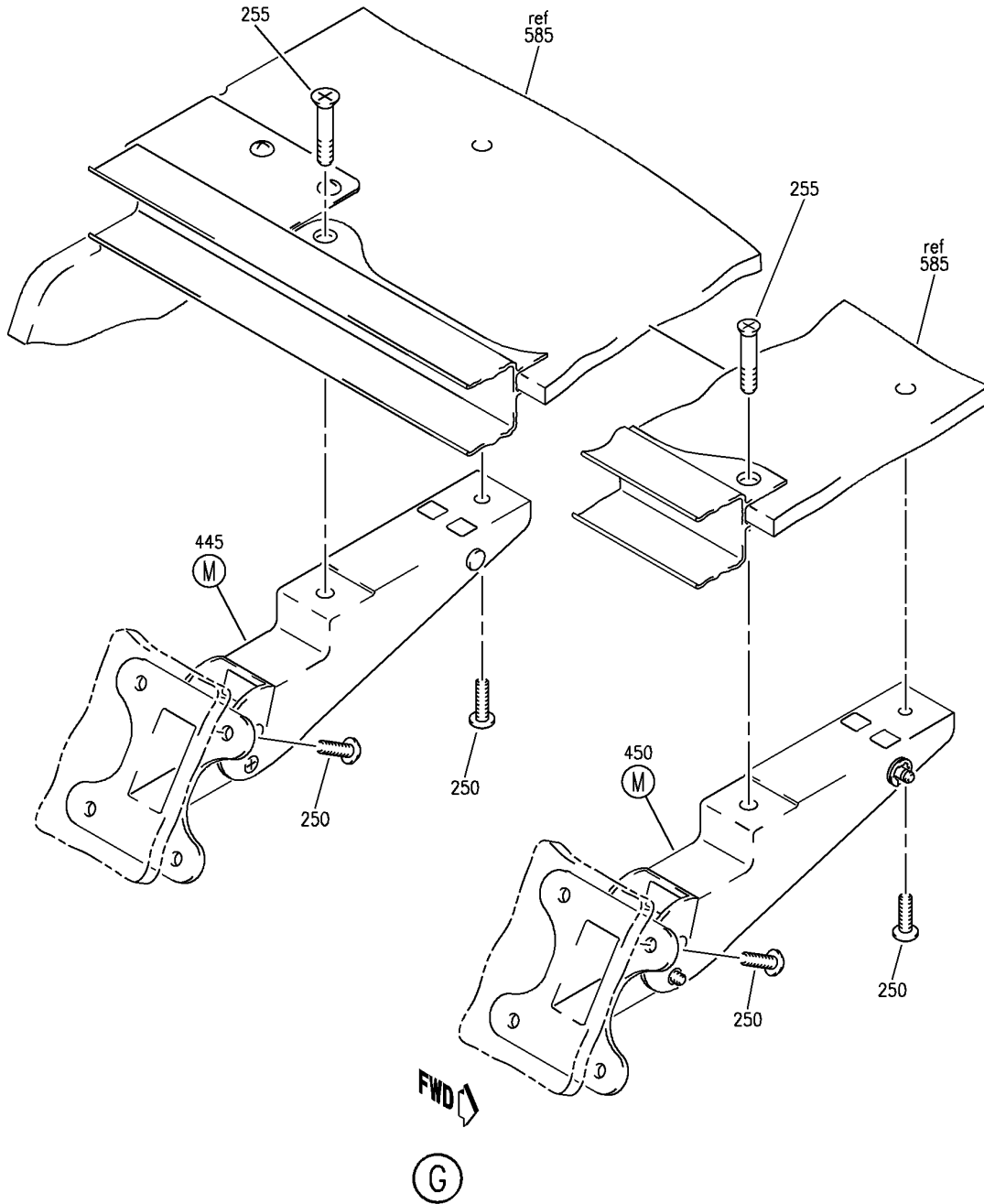
COMPARTMENT ASSY-AFT LH 60 IN. OVHD STOWAGE BULLNOSE CONFIGURATION (EQUIPMENT/ FURNISHINGS ONLY)
 FIGURE 24 (SHEET 5)

HAP
 OCT 15/08

25-24-31-24

25-24-31-24
 PAGE 0D

BOEING
 737-600/700/800/900
 PARTS CATALOG (MAINTENANCE)



E 2524-3124 SHT 6 REV 108

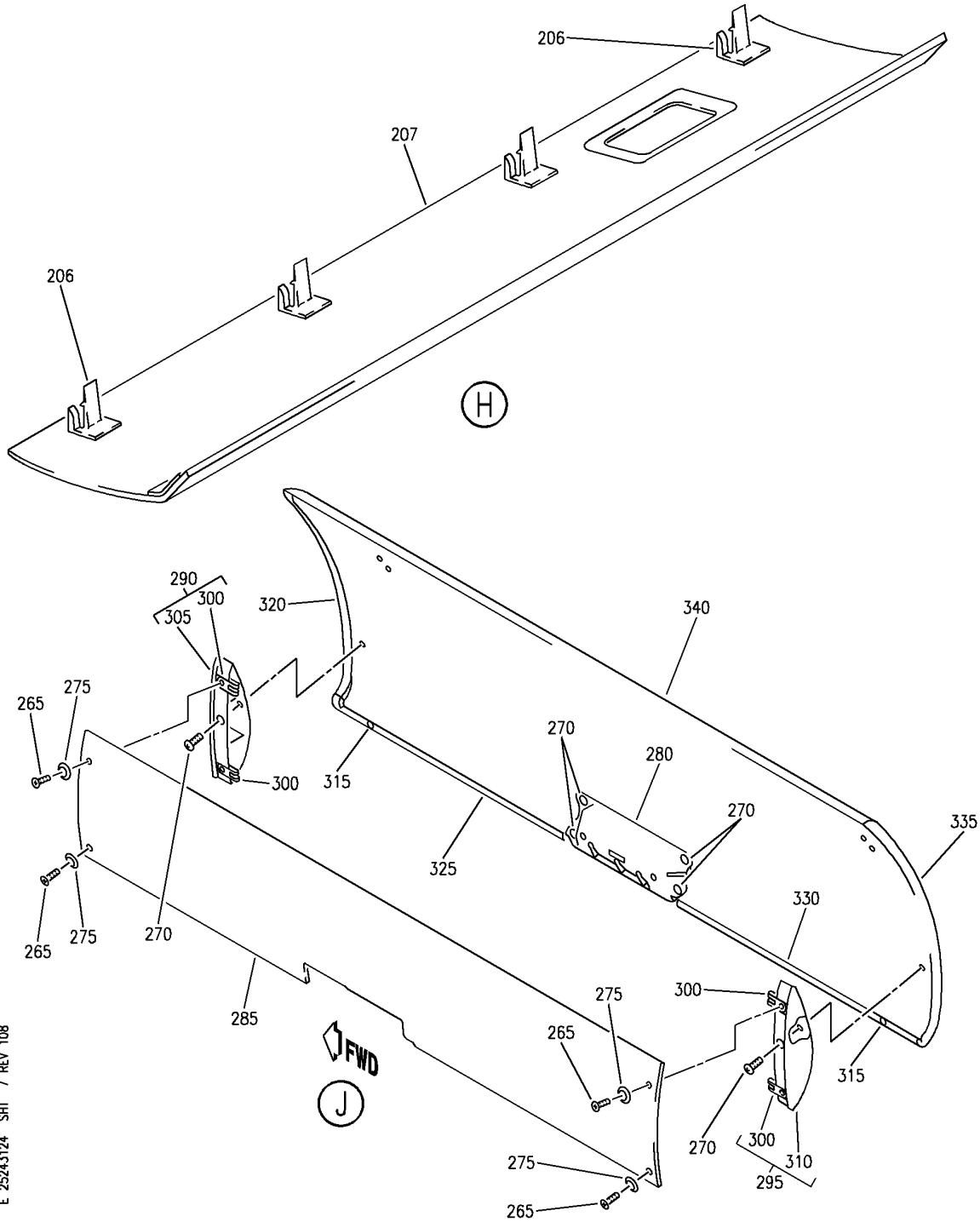
COMPARTMENT ASSY-AFT LH 60 IN. OVHD STOWAGE BULLNOSE CONFIGURATION (EQUIPMENT/ FURNISHINGS ONLY)
 FIGURE 24 (SHEET 6)

HAP
 OCT 15/08

25-24-31-24

25-24-31-24
 PAGE 0E

BOEING
 737-600/700/800/900
 PARTS CATALOG (MAINTENANCE)



E 2524-3124 SHT 7 REV 108

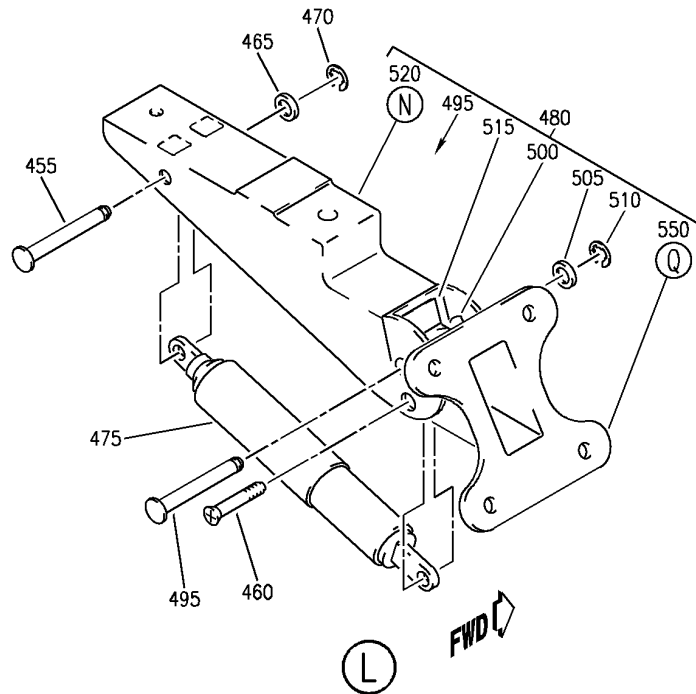
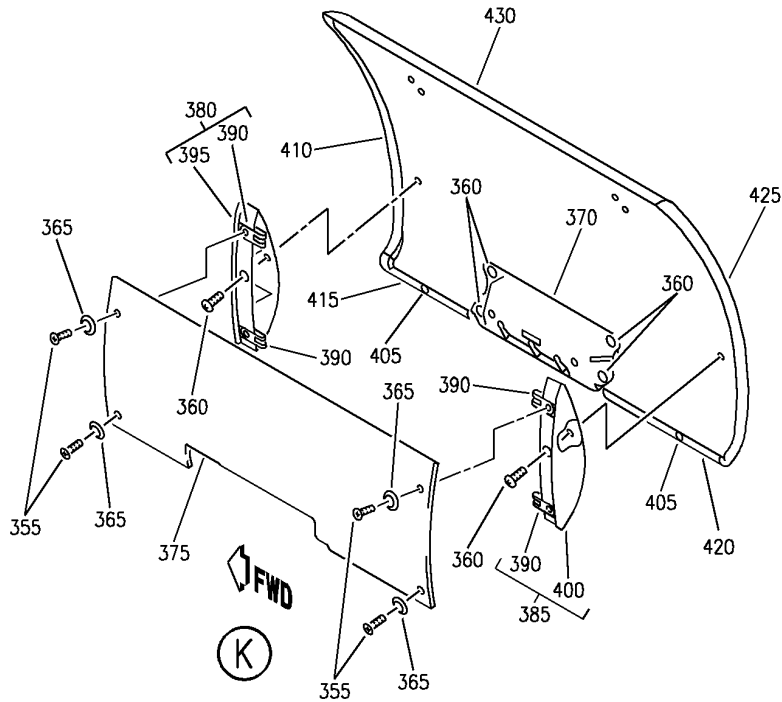
COMPARTMENT ASSY-AFT LH 60 IN. OVHD STOWAGE BULLNOSE CONFIGURATION (EQUIPMENT/ FURNISHINGS ONLY)
 FIGURE 24 (SHEET 7)

HAP
 OCT 15/08

25-24-31-24

25-24-31-24
 PAGE OF

BOEING
737-600/700/800/900
PARTS CATALOG (MAINTENANCE)



E 2524-3124 SHT 8 REV 108

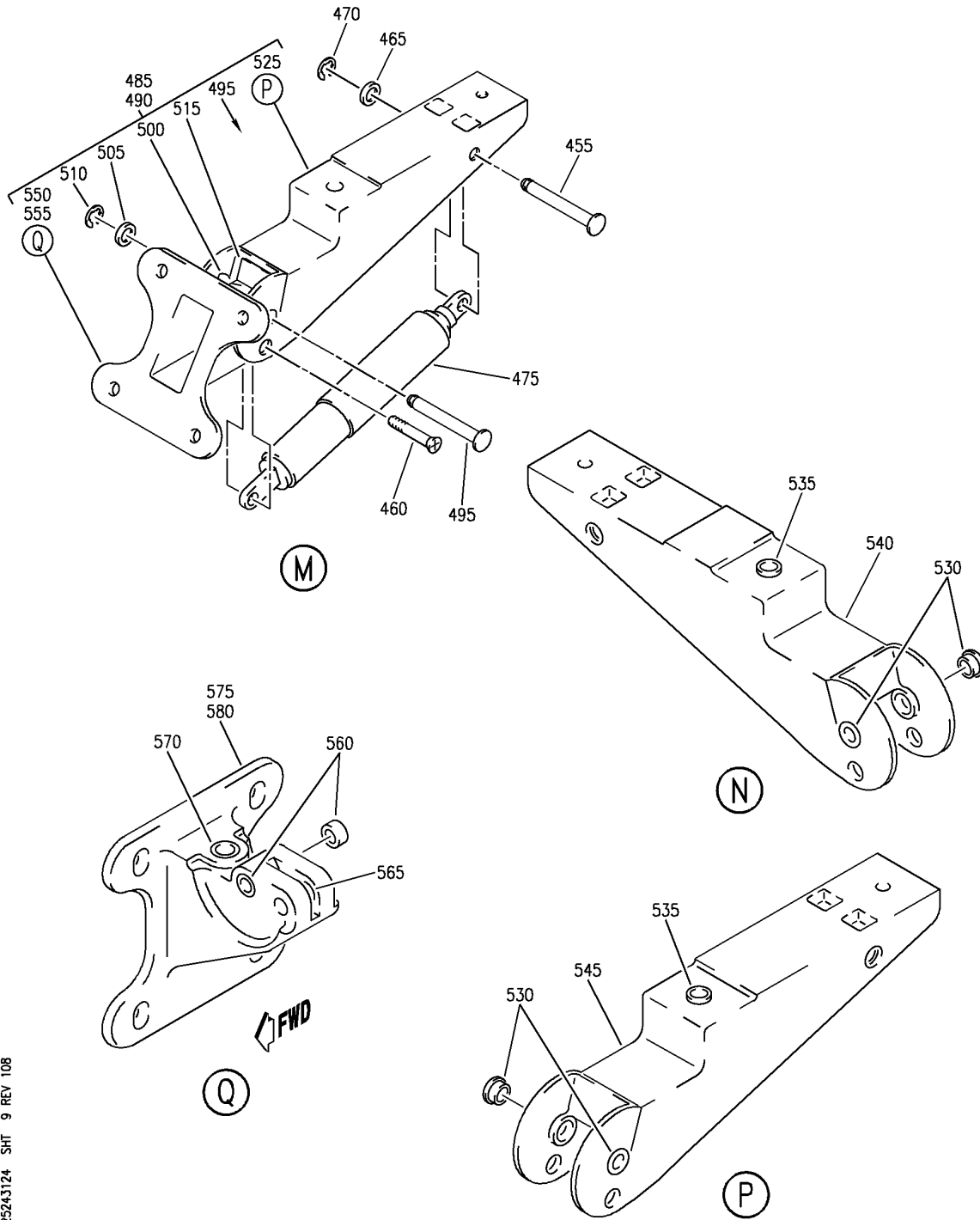
COMPARTMENT ASSY-AFT LH 60 IN. OVHD STOWAGE BULLNOSE CONFIGURATION (EQUIPMENT/ FURNISHINGS ONLY)
 FIGURE 24 (SHEET 8)

25-24-31-24

HAP
 OCT 15/08

25-24-31-24
 PAGE 08

BOEING
 737-600/700/800/900
 PARTS CATALOG (MAINTENANCE)



E 2524-3124 SHT 9 REV 108

COMPARTMENT ASSY-AFT LH 60 IN. OVHD STOWAGE BULLNOSE CONFIGURATION (EQUIPMENT/ FURNISHINGS ONLY)
 FIGURE 24 (SHEET 9)

HAP
 OCT 15/08

25-24-31-24

25-24-31-24
 PAGE 0H

BOEING
737-600/700/800/900
PARTS CATALOG (MAINTENANCE)

FIG ITEM	PART NUMBER	1 2 3 4 5 6 7	NOMENCLATURE	EFFECT FROM TO	UNITS PER ASSY
24			COMPARTMENT ASSY-AFT LH 60 IN. OVHD STOWAGE BULLNOSE CONFIGURATION (EQUIPMENT/FURNISHINGS ONLY)	201967	
- 5	412A1170-101SP		COMPARTMENT ASSY-60 IN. OVHD STOWAGE BULLNOSE CONFIGURATION (EQUIPMENT/FURNISHINGS ONLY) POSITION DATA: AFT LH FOR NHA/OTHER SYS DET SEE: 25-24-30-37	202967	RF
- 5	412A1170-301B		COMPARTMENT ASSY-60 IN. OVHD STOWAGE BULLNOSE CONFIGURATION (EQUIPMENT/FURNISHINGS ONLY) POSITION DATA: AFT LH FOR NHA/OTHER SYS DET SEE: 25-24-30-37	201201	RF
10	412A1420-2A		.EXTRUSION-SEAT ROW MARKER	201967	1
12	BACS12GU3K7		.SCREW	201967	4
14	NAS1149D0332J		.WASHER	201967	4
20	H3-1592-1		.LATCH-CLG SUPPLIER CODE: V34941 SPECIFICATION NUMBER: S411A001-1	201967	2
22	412A1220-62		.DOUBLER	201967	1
30	BACN10YJ3F		.NUT	201967	6
35	412A1700-4A		.VALANCE ASSY- OPTIONAL PART: 412A1700-104B	201967	1
35	412A1700-104B		.VALANCE ASSY- OPTIONAL PART: 412A1700-4A	201967	1
40	BACS21DW3C10FN		..STUD	201967	6
45	412A1700-6		..TAPE-VELCRO	201967	1
50	412A1711-6A		..PANEL ASSY- USED ON: 412A1700-4A	201967	1
50	412A1711-106B		..PANEL ASSY- USED ON: 412A1700-104B	201967	1
125	403A3210-21A		.SEAL ASSY	201967	1
130	412A1451-2SP		.STRIP-	201967	1
135	BACB30VF3K3		.BOLT	201967	2
140	BACS12ER3K11		.SCREW-	201967	2
145	BACS12FA3K5		.SCREW	201967	9

MISSING ITEM NUMBERS NOT APPLICABLE

- ITEM NOT ILLUSTRATED

HAP

25-24-31-24

25-24-31
FIG. 24
PAGE 1
OCT 15/08

BOEING
737-600/700/800/900
PARTS CATALOG (MAINTENANCE)

FIG ITEM	PART NUMBER	1 2 3 4 5 6 7	NOMENCLATURE	EFFECT FROM TO	UNITS PER ASSY
24					
150	BACS12ER3K14	.	SCREW	201967	10
155	H3-1233A3	.	WASHER-	201967	12
			SUPPLIER CODE: V34941		
			SPECIFICATION NUMBER: S411A001-1		
160	412A1465-5A	.	CLOSEOUT ASSY-	201967	1
			POSITION DATA: LH		
165	412A1465-6A	.	CLOSEOUT ASSY-	201967	1
			POSITION DATA: RH		
170	BACN10VR4CGN	..	NUT-	201967	2
			OPTIONAL PART: BACN10VR4CG		
170	BACN10VR4CG	..	NUT-	201967	2
			OPTIONAL PART: BACN10VR4CGN		
175	412A1465-7A	..	CLOSEOUT-	201967	1
			POSITION DATA: LH SIDE		
180	412A1465-8A	..	CLOSEOUT-	201967	1
			POSITION DATA: RH SIDE		
185	412A1244-2	.	EXTRUSION ASSY	201967	1
190	FS1651-3	..	NUTPLATE	201967	10
			SUPPLIER CODE: V15653		
			SPECIFICATION NUMBER: BACN10KH3CD		
			OPTIONAL PART: 102F9209M3		
			V72962		
			NS202496-02		
			V80539		
			ATTACHING PARTS		
- 195	BACR15BA3ADC	..	RIVET-	201967	20
			SIZE DETERMINED ON INSTL. -----*-----		
205	412A1605-3A	.	COVER ASSY-	201967	1
206	412A1460-2	..	CLIP	201967	4
207	412A1615-5A	..	PANEL ASSY	201967	1
- 215	OBA8	.	PLUG-	202967	AR
			SUPPLIER CODE: VOBV87		

MISSING ITEM NUMBERS NOT APPLICABLE

- ITEM NOT ILLUSTRATED

HAP

25-24-31-24

BOEING PROPRIETARY - Copyright © - Unpublished Work - See title page for details.

25-24-31
FIG. 24
PAGE 2
OCT 15/08

BOEING
737-600/700/800/900
PARTS CATALOG (MAINTENANCE)

FIG ITEM	PART NUMBER	1 2 3 4 5 6 7	NOMENCLATURE	EFFECT FROM TO	UNITS PER ASSY
24					
- 225	412A1811-1B	. PLUG-	OPTIONAL PART: 412A1100-96 412A1811-2B OBA8 VOBV87	201201	AR
- 225	OBA8	. PLUG-	SUPPLIER CODE: VOBV87 OPTIONAL PART: 412A1100-96 412A1811-1B 412A1811-2B	201201	AR
- 225	412A1811-2B	. PLUG-	OPTIONAL PART: 412A1100-96 412A1811-1B OBA8 VOBV87	201201	AR
- 235	412A1100-96	. KIT ASSY-SCR AND WASHER	OPTIONAL PART: 412A1811-1B 412A1811-2B OBA8 VOBV87	201201	AR
- 240	NAS514P1032-5	.. SCREW-		201201	1
- 245	H3-1233A3	.. WASHER-	SUPPLIER CODE: V34941 SPECIFICATION NUMBER: S411A001-1	201201	1
250	BACS12FA3K6	. SCREW		201967	20
255	BACB30VF3K8	. BOLT		201967	4
260	412A1500-1SP	. DOOR ASSY-40 IN.		202967	1
260	412A1500-101SP	. DOOR ASSY-40 IN.		201201	1
265	BACS12ER3K9	.. SCREW		201967	4
270	BACS12FA3K4	.. SCREW		201967	6
275	H3-1233A3	.. WASHER-	SUPPLIER CODE: V34941 SPECIFICATION NUMBER: S411A001-1	201967	4
280	HA225-1	.. LATCH ASSY-	SUPPLIER CODE: V83014 SPECIFICATION NUMBER: S412A001-1A	201967	1

MISSING ITEM NUMBERS NOT APPLICABLE

- ITEM NOT ILLUSTRATED

HAP

25-24-31-24

BOEING PROPRIETARY - Copyright © - Unpublished Work - See title page for details.

25-24-31
FIG. 24
PAGE 3
OCT 15/08

BOEING
737-600/700/800/900
PARTS CATALOG (MAINTENANCE)

FIG ITEM	PART NUMBER	1 2 3 4 5 6 7	NOMENCLATURE	EFFECT FROM TO	UNITS PER ASSY
24 280	HA225-7		.. LATCH ASSY- SUPPLIER CODE: V83014 SPECIFICATION NUMBER: S412A001-11B	201967	1
285	412A1615-100SP		.. PANEL ASSY-FILLER OPTIONAL PART: 412A1615-1100SP	201967	1
285	412A1615-1100SP		.. PANEL ASSY-FILLER OPTIONAL PART: 412A1615-100SP	201201	1
290	412A1480-3SP		.. BRACKET ASSY	201967	1
295	412A1480-4SP		.. BRACKET ASSY	201967	1
300	BACN10VR4CGN		... NUT	201967	2
305	412A1480-1SP		... BRACKET- USED ON: 412A1480-3SP	201967	1
310	412A1480-2SP		... BRACKET- USED ON: 412A1480-4SP	201967	1
315	412A1810-1SP		.. BUMPER	201967	2
320	412A1450-4SP		.. TRIM-EDGE	201967	1
325	412A1450-6SP		.. TRIM-EDGE	201967	1
330	412A1450-5SP		.. TRIM-EDGE	201967	1
335	412A1450-3SP		.. TRIM-EDGE	201967	1
340	412A1510-2SP		.. PANEL ASSY	201967	1
- 345	SL618-3A		... INSERT- SUPPLIER CODE: V97393	201967	14
350	412A1500-2SP		. DOOR ASSY-20 IN.	202967	1
350	412A1500-102SP		. DOOR ASSY-20 IN.	201201	1
355	BACS12ER3K9		.. SCREW	201967	4
360	BACS12FA3K4		.. SCREW	201967	6
365	H3-1233A3		.. WASHER- SUPPLIER CODE: V34941 SPECIFICATION NUMBER: S411A001-1	201967	4
370	HA225-1		.. LATCH ASSY- SUPPLIER CODE: V83014 SPECIFICATION NUMBER: S412A001-1A	201967	1
370	HA225-7		.. LATCH ASSY- SUPPLIER CODE: V83014 SPECIFICATION NUMBER: S412A001-11B	201967	1

MISSING ITEM NUMBERS NOT APPLICABLE

- ITEM NOT ILLUSTRATED

HAP

25-24-31-24

25-24-31
FIG. 24
PAGE 4
OCT 15/08

 **BOEING**
737-600/700/800/900
PARTS CATALOG (MAINTENANCE)

FIG ITEM	PART NUMBER	1 2 3 4 5 6 7	NOMENCLATURE	EFFECT FROM TO	UNITS PER ASSY
24					
375	412A1615-101SP	..	PANEL ASSY-FILLER OPTIONAL PART: 412A1615-1101SP	201967	1
375	412A1615-1101SP	..	PANEL ASSY-FILLER OPTIONAL PART: 412A1615-101SP	201201	1
380	412A1480-3SP	..	BRACKET ASSY	201967	1
385	412A1480-4SP	..	BRACKET ASSY	201967	1
390	BACN10VR4CGN	...	NUT	201967	2
395	412A1480-1SP	...	BRACKET- USED ON: 412A1480-3SP	201967	1
400	412A1480-2SP	...	BRACKET- USED ON: 412A1480-4SP	201967	1
405	412A1810-1SP	..	BUMPER- OPTIONAL PART: 412A1810-2SP	201967	2
405	412A1810-2SP	..	BUMPER- OPTIONAL PART: 412A1810-1SP	201201	2
410	412A1450-4SP	..	TRIM-EDGE	201967	1
415	412A1450-6SP	..	TRIM-EDGE	201967	1
420	412A1450-5SP	..	TRIM-EDGE	201967	1
425	412A1450-3SP	..	TRIM-EDGE	201967	1
430	412A1511-2SP	..	PANEL ASSY	201967	1
- 435	SL618-3A	...	INSERT- SUPPLIER CODE: V97393	201967	14
440	412A1100-54SP	.HINGE	ASSY-COLLECTOR	201967	1
445	412A1100-51SP	.HINGE	ASSY-COLLECTOR	201967	2
450	412A1100-52SP	.HINGE	ASSY-COLLECTOR	201967	1
455	412A1230-21	..	PIN	201967	1
460	BACB30VF3K7	..	BOLT	201967	1
465	NAS1149D0316J	..	WASHER	201967	1
470	MS16633-4018	..	RING	201967	1
475	SP20522	..	ACTUATOR ASSY- SUPPLIER CODE: V24403 SPECIFICATION NUMBER: S412A002-2	201967	1
480	412A1455-4SP	..	HINGE ASSY- USED ON: 412A1100-54SP	201967	1
485	412A1455-1SP	..	HINGE ASSY- USED ON: 412A1100-51SP	201967	1

MISSING ITEM NUMBERS NOT APPLICABLE

- ITEM NOT ILLUSTRATED

HAP

25-24-31-24

25-24-31
FIG. 24
PAGE 5
OCT 15/08

BOEING
737-600/700/800/900
PARTS CATALOG (MAINTENANCE)

FIG ITEM	PART NUMBER	1 2 3 4 5 6 7	NOMENCLATURE	EFFECT FROM TO	UNITS PER ASSY
24					
490	412A1455-2SP	..	HINGE ASSY- USED ON: 412A1100-52SP	201967	1
495	412A1230-21	...	PIN	201967	1
500	MS51023-54	...	SCREW	201967	1
505	NAS1149D0316J	...	WASHER	201967	1
510	MS16633-4018	...	RING	201967	1
515	412A1220-1	...	CLIP	201967	1
520	412A1454-12SP	...	HOUSING ASSY- USED ON: 412A1455-4SP	201967	1
525	412A1454-3SP	...	HOUSING ASSY- USED ON: 412A1455-1SP 412A1455-2SP	201967	1
530	BACB28Y3F020	BUSHING	201967	2
535	6041L3BR375	INSERT- SUPPLIER CODE: V01556	201967	1
540	412A1454-11SP	HOUSING- USED ON: 412A1454-12SP	201967	1
545	412A1454-1SP	HOUSING- USED ON: 412A1454-3SP	201967	1
550	412A1454-10SP	...	BRACKET ASSY- USED ON: 412A1455-2SP 412A1455-4SP	201967	1
555	412A1454-9SP	...	BRACKET ASSY- USED ON: 412A1455-1SP	201967	1
560	BACB28Y3F025	BUSHING	201967	2
565	6041-3BR225	INSERT- SUPPLIER CODE: V01556	201967	1
570	6041L3BR375	INSERT- SUPPLIER CODE: V01556	201967	1
575	412A1454-8SP	BRACKET- USED ON: 412A1454-10SP	201967	1
580	412A1454-7SP	BRACKET- USED ON: 412A1454-9SP	201967	1

MISSING ITEM NUMBERS NOT APPLICABLE

- ITEM NOT ILLUSTRATED

HAP

25-24-31-24

BOEING PROPRIETARY - Copyright © - Unpublished Work - See title page for details.

25-24-31
FIG. 24
PAGE 6
OCT 15/08

BOEING
737-600/700/800/900
PARTS CATALOG (MAINTENANCE)

FIG ITEM	PART NUMBER	1 2 3 4 5 6 7	NOMENCLATURE	EFFECT FROM TO	UNITS PER ASSY
24 585	412A1250-101A		.BOX ASSY-60 IN. BIN OPTIONAL PART: 412A1250-1101B FOR DETAILS SEE: 25-24-32-62C	201967	1
585	412A1250-1101B		.BOX ASSY-60 IN. BIN OPTIONAL PART: 412A1250-101A FOR DETAILS SEE: 25-24-32-62C	201967	1

MISSING ITEM NUMBERS NOT APPLICABLE

— ITEM NOT ILLUSTRATED

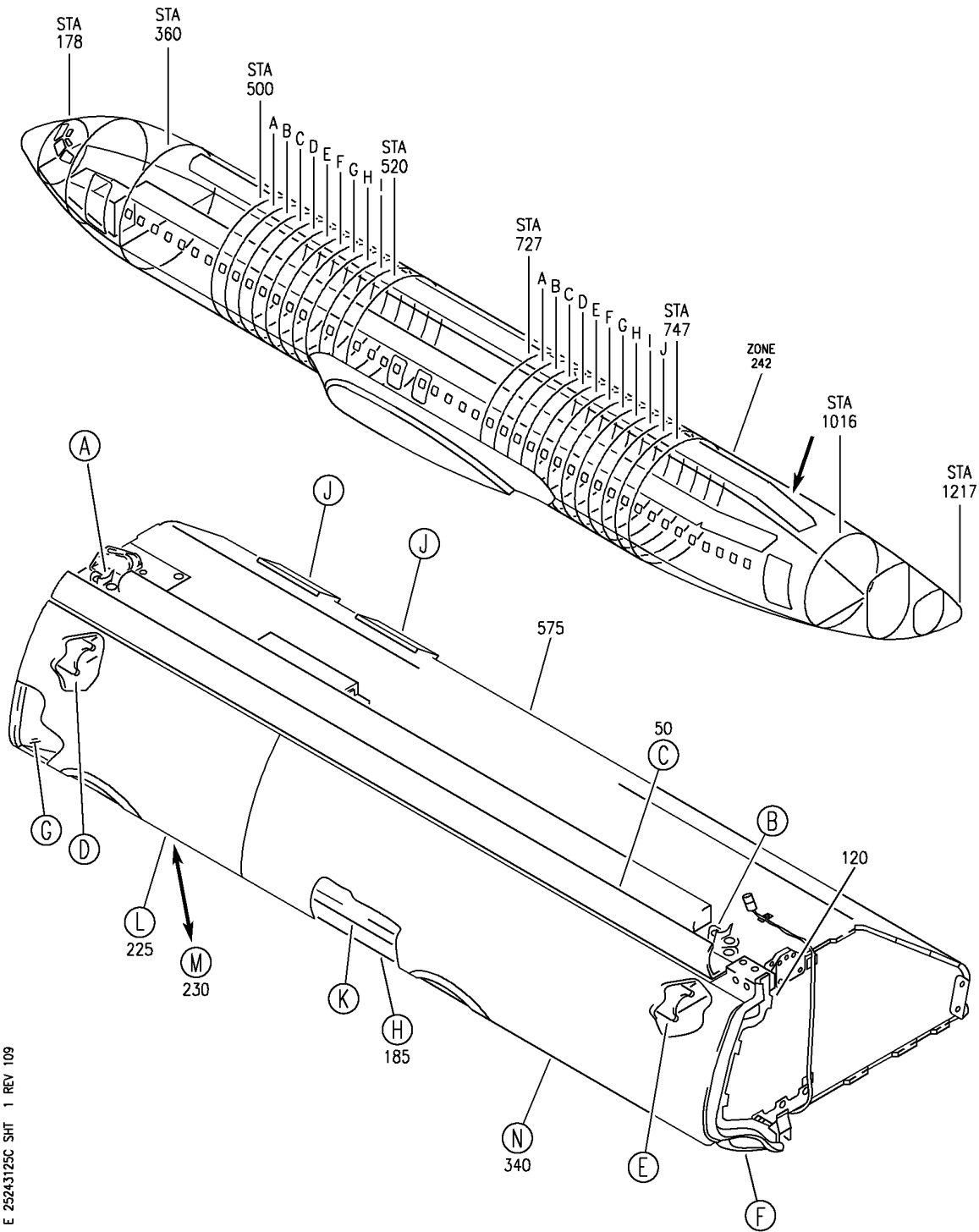
HAP

25-24-31-24

BOEING PROPRIETARY - Copyright © - Unpublished Work - See title page for details.

25-24-31
FIG. 24
PAGE 7
OCT 15/08

BOEING
 737-600/700/800/900
 PARTS CATALOG (MAINTENANCE)



E 2524-3125C SHT 1 REV 109

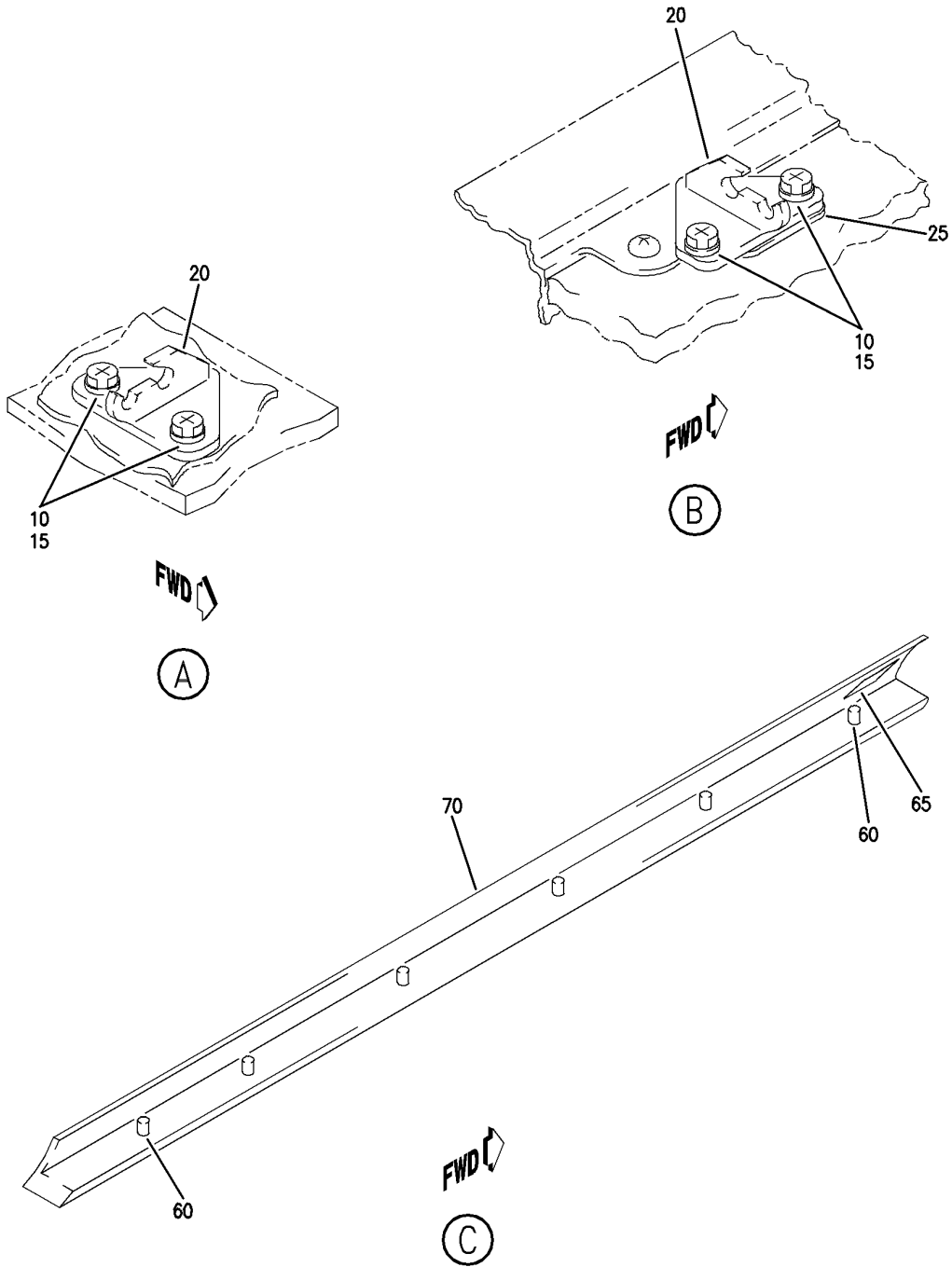
COMPARTMENT ASSY-AFT RH 60 IN. OVHD STOWAGE BULLNOSE CONFIGURATION (EQUIPMENT/FURNISHINGS ONLY)
 FIGURE 25C (SHEET 1)

HAP
 OCT 15/08

25-24-31-25C

25-24-31-25C
 PAGE 0

BOEING
 737-600/700/800/900
 PARTS CATALOG (MAINTENANCE)



E 25243125C SHT 2 REV 063

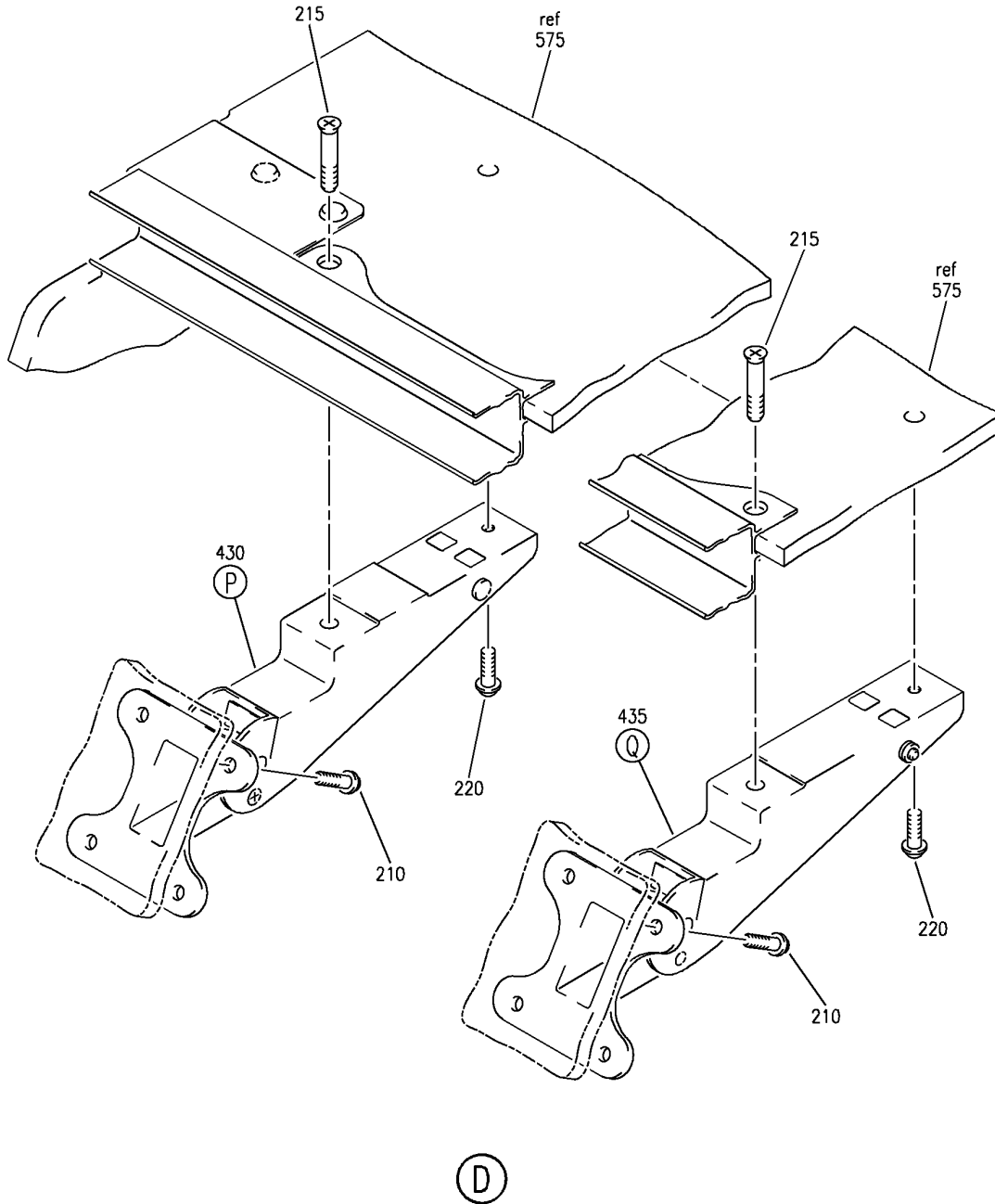
COMPARTMENT ASSY-AFT RH 60 IN. OVHD STOWAGE BULLNOSE CONFIGURATION (EQUIPMENT/FURNISHINGS ONLY)
 FIGURE 25C (SHEET 2)

HAP
 OCT 15/08

25-24-31-25C

25-24-31-25C
 PAGE 0A

BOEING
 737-600/700/800/900
 PARTS CATALOG (MAINTENANCE)



E 2524-3125C SHT 3 REV 109

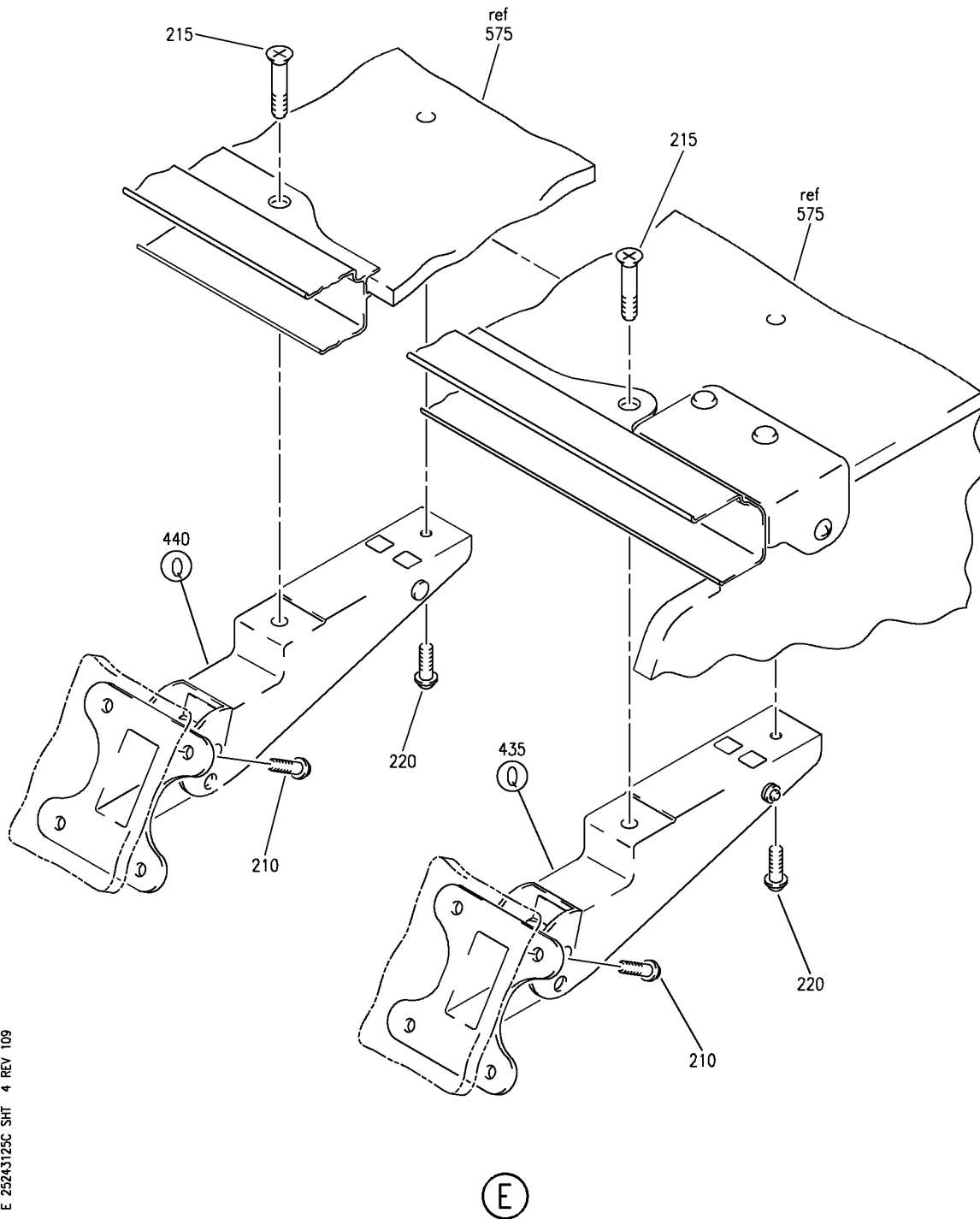
COMPARTMENT ASSY-AFT RH 60 IN. OVHD STOWAGE BULLNOSE CONFIGURATION (EQUIPMENT/FURNISHINGS ONLY)
 FIGURE 25C (SHEET 3)

HAP
 OCT 15/08

25-24-31-25C

25-24-31-25C
 PAGE 0B

BOEING
737-600/700/800/900
PARTS CATALOG (MAINTENANCE)



E 2524-3125C SHT 4 REV 109

COMPARTMENT ASSY-AFT RH 60 IN. OVHD STOWAGE BULLNOSE CONFIGURATION (EQUIPMENT/FURNISHINGS ONLY)
FIGURE 25C (SHEET 4)

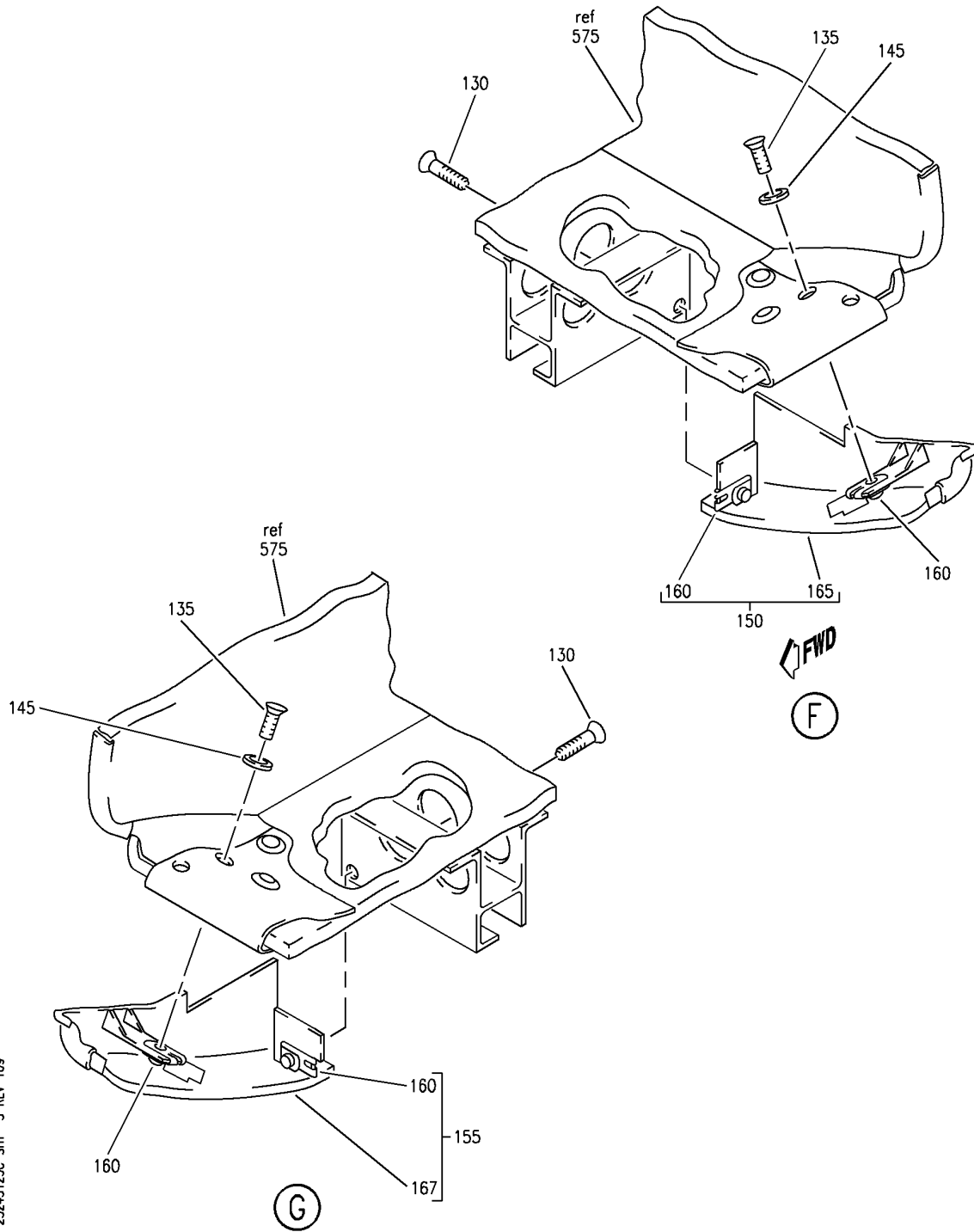
HAP
OCT 15/08

25-24-31-25C

25-24-31-25C
PAGE 0C

BOEING PROPRIETARY - Copyright © - Unpublished Work - See title page for details.

BOEING
 737-600/700/800/900
 PARTS CATALOG (MAINTENANCE)



E 2524-3125C SHT 5 REV 109

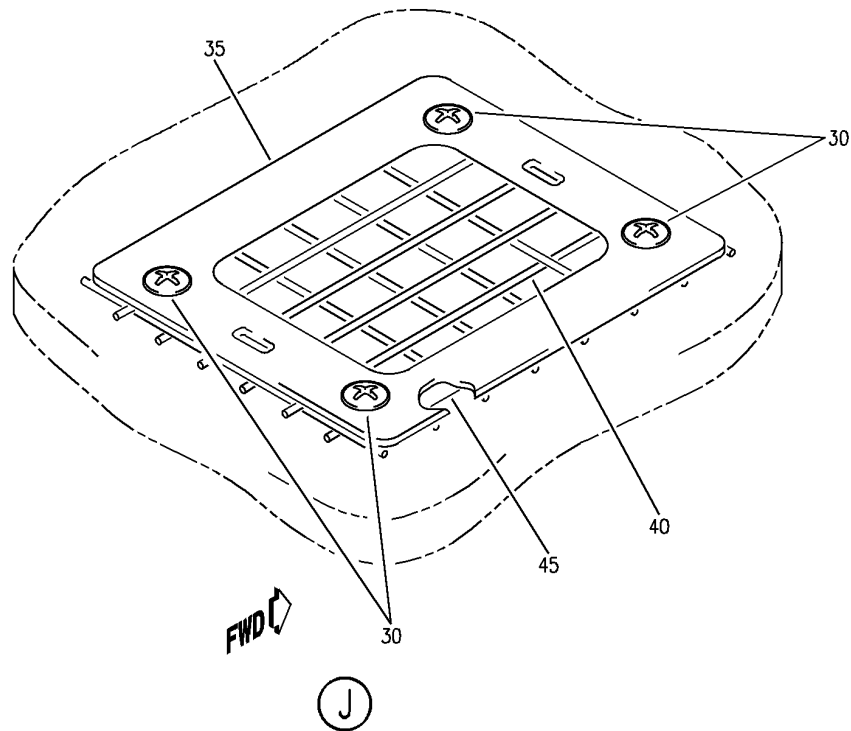
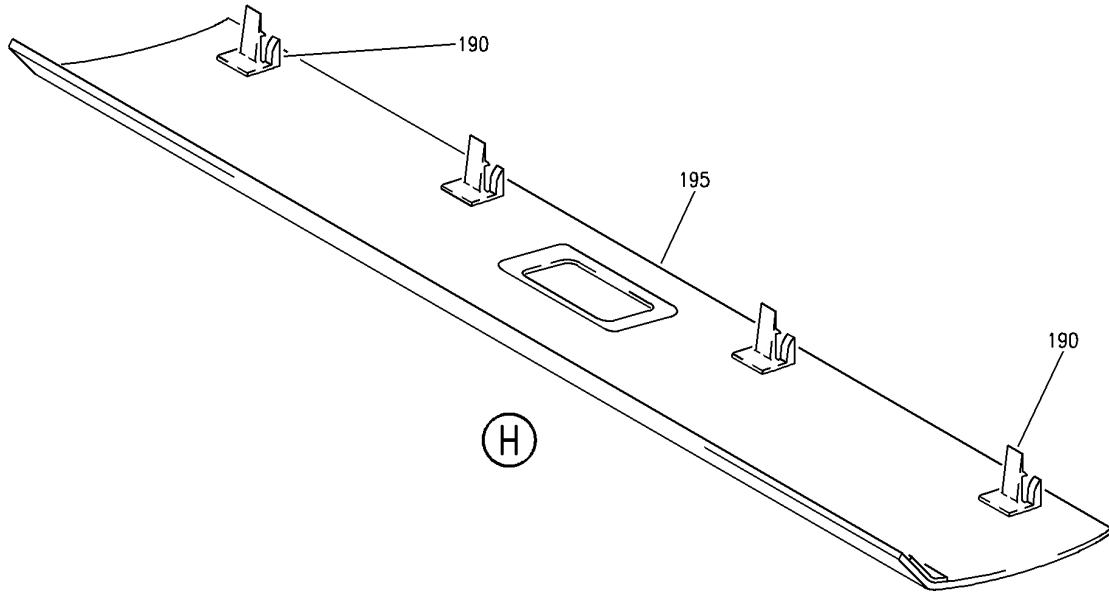
COMPARTMENT ASSY-AFT RH 60 IN. OVHD STOWAGE BULLNOSE CONFIGURATION (EQUIPMENT/FURNISHINGS ONLY)
 FIGURE 25C (SHEET 5)

HAP
 OCT 15/08

25-24-31-25C

25-24-31-25C
 PAGE 0D

BOEING
 737-600/700/800/900
 PARTS CATALOG (MAINTENANCE)



E 2524-3125C SHT 6 REV 109

COMPARTMENT ASSY-AFT RH 60 IN. OVHD STOWAGE BULLNOSE CONFIGURATION (EQUIPMENT/FURNISHINGS ONLY)
 FIGURE 25C (SHEET 6)

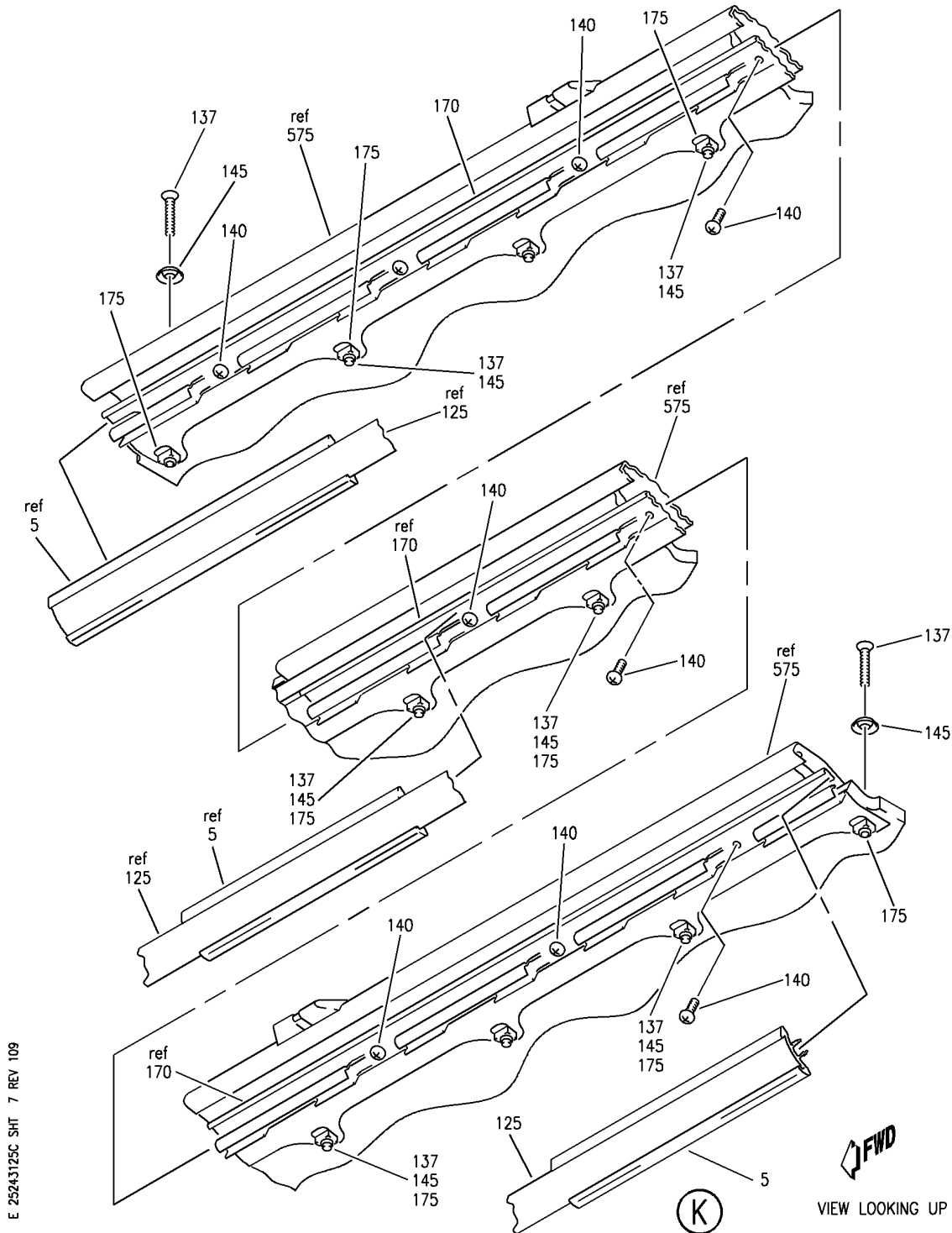
HAP
 OCT 15/08

25-24-31-25C

25-24-31-25C
 PAGE 0E

BOEING PROPRIETARY - Copyright © - Unpublished Work - See title page for details.

BOEING
 737-600/700/800/900
 PARTS CATALOG (MAINTENANCE)



E 2524-3125C SHT 7 REV 109

COMPARTMENT ASSY-AFT RH 60 IN. OVHD STOWAGE BULLNOSE CONFIGURATION (EQUIPMENT/FURNISHINGS ONLY)
 FIGURE 25C (SHEET 7)

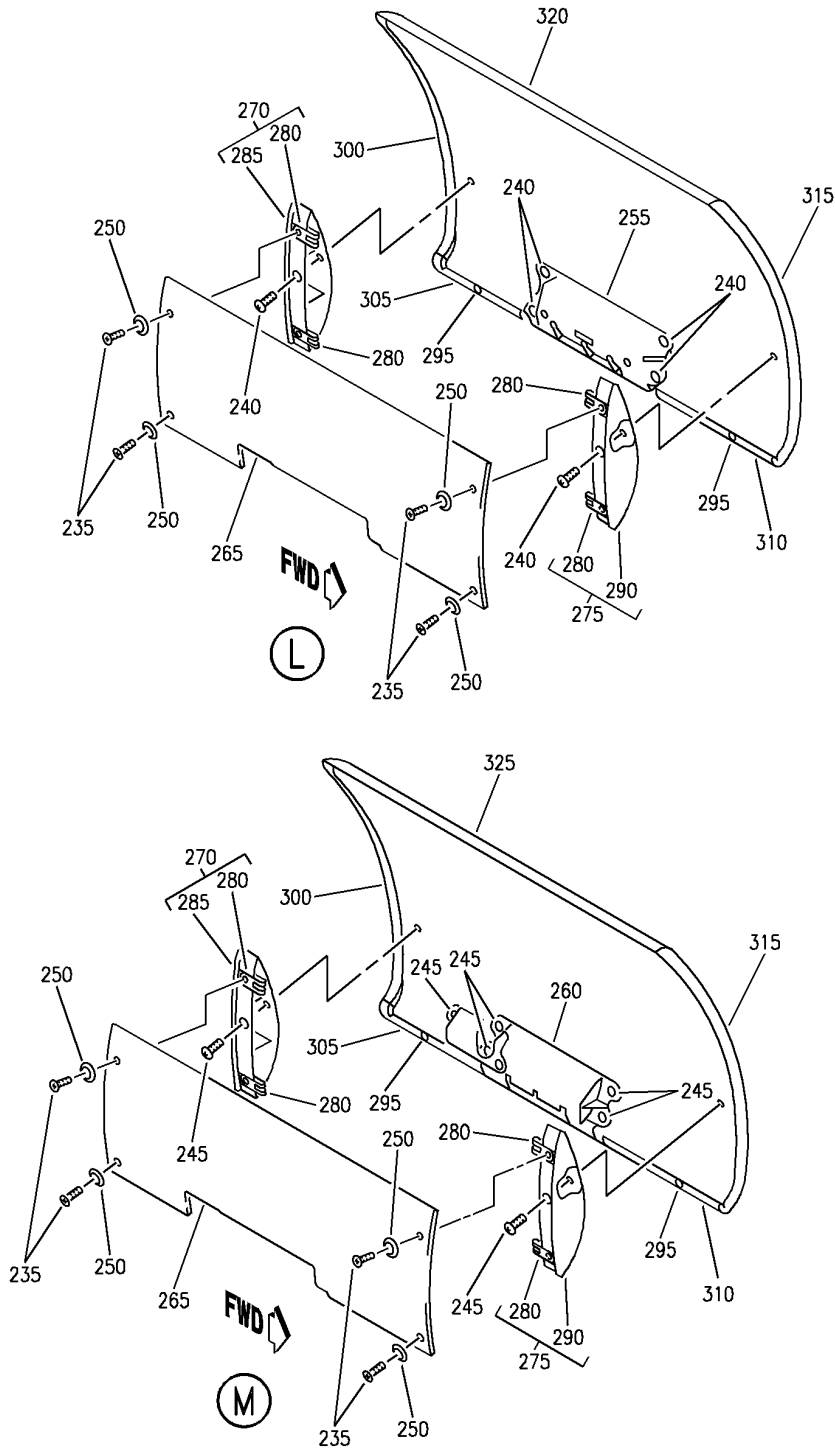
HAP
 OCT 15/08

25-24-31-25C

25-24-31-25C
 PAGE OF

BOEING PROPRIETARY - Copyright © - Unpublished Work - See title page for details.

BOEING
737-600/700/800/900
PARTS CATALOG (MAINTENANCE)



E 2524-3125C SHT 8 REV 109

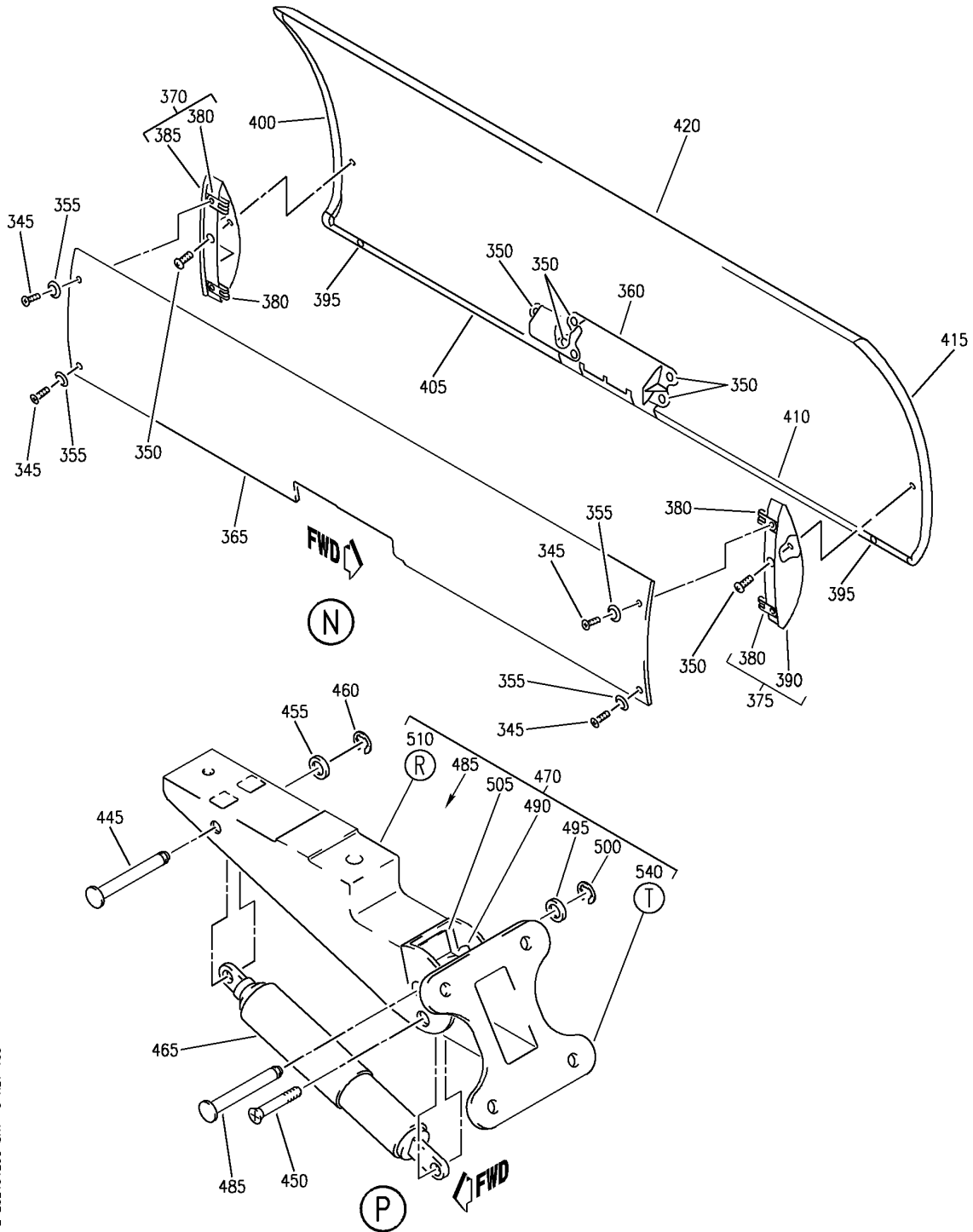
COMPARTMENT ASSY-AFT RH 60 IN. OVHD STOWAGE BULLNOSE CONFIGURATION (EQUIPMENT/FURNISHINGS ONLY)
 FIGURE 25C (SHEET 8)

HAP
 OCT 15/08

25-24-31-25C

25-24-31-25C
 PAGE 08

BOEING
737-600/700/800/900
PARTS CATALOG (MAINTENANCE)



E 2524-3125C SHT 9 REV 109

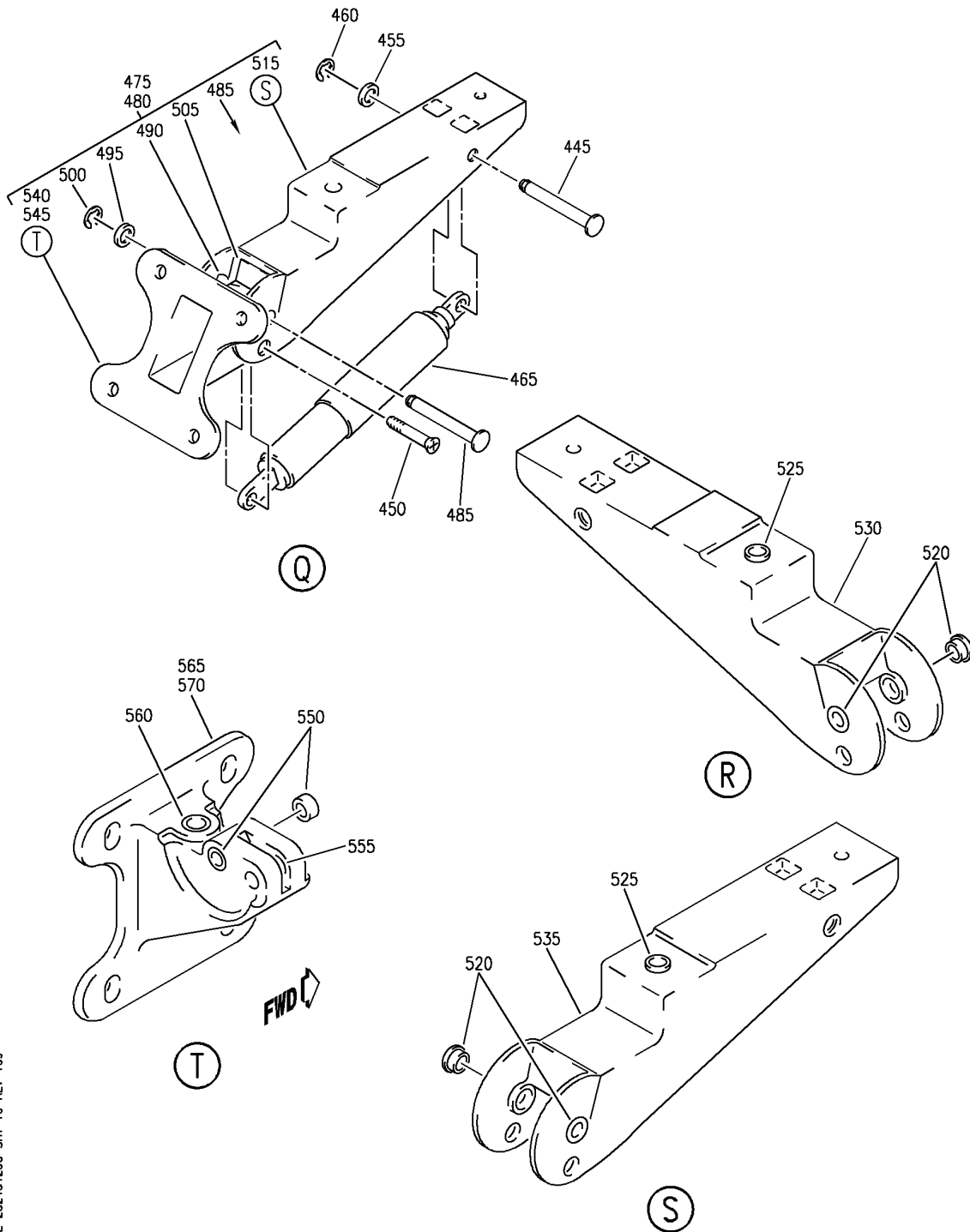
COMPARTMENT ASSY-AFT RH 60 IN. OVHD STOWAGE BULLNOSE CONFIGURATION (EQUIPMENT/FURNISHINGS ONLY)
FIGURE 25C (SHEET 9)

25-24-31-25C

HAP
OCT 15/08

25-24-31-25C
PAGE 0H

BOEING
 737-600/700/800/900
 PARTS CATALOG (MAINTENANCE)



E 2524-3125C SHT 10 REV 109

COMPARTMENT ASSY-AFT RH 60 IN. OVHD STOWAGE BULLNOSE CONFIGURATION (EQUIPMENT/FURNISHINGS ONLY)
 FIGURE 25C (SHEET 10)

HAP
 OCT 15/08

25-24-31-25C

25-24-31-25C
 PAGE 01

BOEING PROPRIETARY - Copyright © - Unpublished Work - See title page for details.

BOEING
737-600/700/800/900
PARTS CATALOG (MAINTENANCE)

FIG ITEM	PART NUMBER	1 2 3 4 5 6 7	NOMENCLATURE	EFFECT FROM TO	UNITS PER ASSY
25C			COMPARTMENT ASSY-AFT RH 60 IN. OVHD STOWAGE BULLNOSE CONFIGURATION (EQUIPMENT/FURNISHINGS ONLY)	202967	
- 1	412A1170-218SP		COMPARTMENT ASSY-60 IN. OVHD STOWAGE BULLNOSE CONFIGURATION (EQUIPMENT/ FURNISHINGS ONLY) POSITION DATA: AFT RH FOR NHA/OTHER SYS DET SEE: 25-24-30-49	202967	RF
5	412A1420-2SP		.EXTRUSION-SEAT ROW MARKER	202967	1
10	BACS12GU3K7		.SCREW	202967	4
15	NAS1149D0332J		.WASHER	202967	4
20	H3-1592-1		.LATCH- SUPPLIER CODE: V34941 SPECIFICATION NUMBER: S411A001-1	202967	2
25	412A1220-62		.DOUBLER	202967	1
50	412A1700-5A		.VALANCE ASSY-LT OPTIONAL PART: 412A1700-105SP	202967	1
50	412A1700-105SP		.VALANCE ASSY-LT OPTIONAL PART: 412A1700-5A ATTACHING PARTS	202967	1
- 55	BACN10YJ3F		.NUT -----*-----	202967	6
60	BACS21DW3C10FN		..STUD	202967	6
65	412A1700-6		..TAPE-HOOK	202967	1
70	412A1711-105SP		..PANEL ASSY- USED ON: 412A1700-105SP	202967	1
70	412A1711-5A		..PANEL ASSY- USED ON: 412A1700-5A	202967	1
120	403A3210-22SP		.SEAL ASSY	202967	1
125	412A1451-2SP		.STRIP	202967	1
130	BACB30VF3K3		.BOLT	202967	2
135	BACS12ER3K11		.SCREW	202967	2
137	BACS12ER3K14		.SCREW	202967	10
140	BACS12FA3K5		.SCREW	202967	9

MISSING ITEM NUMBERS NOT APPLICABLE

- ITEM NOT ILLUSTRATED

HAP

25-24-31-25C

BOEING PROPRIETARY - Copyright © - Unpublished Work - See title page for details.

25-24-31
FIG. 25C
PAGE 1
OCT 15/08

BOEING
737-600/700/800/900
PARTS CATALOG (MAINTENANCE)

FIG ITEM	PART NUMBER	1 2 3 4 5 6 7	NOMENCLATURE	EFFECT FROM TO	UNITS PER ASSY
25C 145	H3-1233A3		.WASHER- SUPPLIER CODE: V34941 SPECIFICATION NUMBER: S411A001-1	202967	12
150	412A1465-5SP		.CLOSEOUT ASSY	202967	1
155	412A1465-6SP		.CLOSEOUT ASSY	202967	1
160	BACN10VR4CGN		..NUT- OPTIONAL PART: BACN10VR4CG	202967	2
160	BACN10VR4CG		..NUT- OPTIONAL PART: BACN10VR4CGN	202967	2
165	412A1465-7SP		..CLOSEOUT- USED ON: 412A1465-5SP	202967	1
167	412A1465-8SP		..CLOSEOUT- USED ON: 412A1465-6SP	202967	1
170	412A1244-2		.EXTRUSION ASSY	202967	1
175	FS1651-3		..NUTPLATE SUPPLIER CODE: V15653 SPECIFICATION NUMBER: BACN10KH3CD OPTIONAL PART: 102F9209M3 V72962 NS202496-02 V80539 ATTACHING PARTS	202967	10
- 180	BACR15BA3ADC		..RIVET- SIZE DETERMINED ON INSTL. -----*-----	202967	20
185	412A1605-2A		.COVER ASSY	202967	1
190	412A1460-2		..CLIP	202967	4
195	412A1615-4A		..PANEL ASSY	202967	1
- 205	OBA8		.PLUG- SUPPLIER CODE: VOBV87	202967	AR
210	BACCS12FA3K7		.SCREW	202967	16
215	BACB30VF3K8		.BOLT	202967	4
220	BACCS12FA3K6		.SCREW	202967	4
225	412A1500-2SP		.DOOR ASSY-20 IN.	202967	1
235	BACCS12ER3K9		..SCREW	202967	4
240	BACCS12FA3K4		..SCREW	202967	6

MISSING ITEM NUMBERS NOT APPLICABLE

- ITEM NOT ILLUSTRATED

HAP

25-24-31-25C

BOEING PROPRIETARY - Copyright © - Unpublished Work - See title page for details.

25-24-31
FIG. 25C
PAGE 2
OCT 15/08

BOEING
737-600/700/800/900
PARTS CATALOG (MAINTENANCE)

FIG ITEM	PART NUMBER	1 2 3 4 5 6 7	NOMENCLATURE	EFFECT FROM TO	UNITS PER ASSY
25C 250	H3-1233A3	..	WASHER- SUPPLIER CODE: V34941 SPECIFICATION NUMBER: S411A001-1	202967	4
255	HA225-1	..	LATCH ASSY- SUPPLIER CODE: V83014 SPECIFICATION NUMBER: S412A001-1A	202967	1
255	HA225-7	..	LATCH ASSY- SUPPLIER CODE: V83014 SPECIFICATION NUMBER: S412A001-11B	202967	1
265	412A1615-101SP	..	PANEL ASSY-FILLER	202967	1
270	412A1480-3SP	..	BRACKET ASSY	202967	1
275	412A1480-4SP	..	BRACKET ASSY	202967	1
280	BACN10VR4CGN	...	NUT	202967	2
285	412A1480-1SP	...	BRACKET- USED ON: 412A1480-3SP	202967	1
290	412A1480-2SP	...	BRACKET- USED ON: 412A1480-4SP	202967	1
295	412A1810-1SP	..	BUMPER	202967	2
300	412A1450-4SP	..	TRIM-EDGE	202967	1
305	412A1450-6SP	..	TRIM-EDGE	202967	1
310	412A1450-5SP	..	TRIM-EDGE	202967	1
315	412A1450-3SP	..	TRIM-EDGE	202967	1
320	412A1511-2SP	..	PANEL ASSY	202967	1
- 330	SL618-3A	...	INSERT- SUPPLIER CODE: V97393	202967	14
340	412A1500-70SP	.D	DOOR ASSY-40 IN.	202967	1
345	BACS12ER3K9	..	SCREW	202967	4
350	BACS12FA3K4	..	SCREW	202967	7
355	H3-1233A3	..	WASHER- SUPPLIER CODE: V34941 SPECIFICATION NUMBER: S411A001-1	202967	4
360	HA225-5	..	LATCH ASSY- SUPPLIER CODE: V83014 SPECIFICATION NUMBER: S412A001-7A	202967	1

MISSING ITEM NUMBERS NOT APPLICABLE

- ITEM NOT ILLUSTRATED

HAP

25-24-31-25C

BOEING PROPRIETARY - Copyright © - Unpublished Work - See title page for details.

25-24-31
FIG. 25C
PAGE 3
OCT 15/08

BOEING
737-600/700/800/900
PARTS CATALOG (MAINTENANCE)

FIG ITEM	PART NUMBER	1 2 3 4 5 6 7	NOMENCLATURE	EFFECT FROM TO	UNITS PER ASSY
25C 360	HA225-9		..LATCH ASSY- SUPPLIER CODE: V83014 SPECIFICATION NUMBER: S412A001-17B	202967	1
365	412A1615-150SP		..PANEL ASSY-FILLER	202967	1
370	412A1480-3SP		..BRACKET ASSY	202967	1
375	412A1480-4SP		..BRACKET ASSY	202967	1
380	BACN10VR4CGN		...NUT	202967	2
385	412A1480-1SP		...BRACKET- USED ON: 412A1480-3SP	202967	1
390	412A1480-2SP		...BRACKET- USED ON: 412A1480-4SP	202967	1
395	412A1810-1SP		..BUMPER	202967	2
400	412A1450-4SP		..TRIM	202967	1
405	412A1450-6SP		..TRIM	202967	1
410	412A1450-5SP		..TRIM	202967	1
415	412A1450-3SP		..TRIM	202967	1
420	412A1510-70SP		..PANEL ASSY	202967	1
- 425	SL618-3A		...INSERT- SUPPLIER CODE: V97393	202967	15
430	412A1100-53SP		.HINGE ASSY-COLLECTOR	202967	1
435	412A1100-52SP		.HINGE ASSY-COLLECTOR	202967	2
440	412A1100-51SP		.HINGE ASSY-COLLECTOR	202967	1
445	412A1230-21		..PIN	202967	1
450	BACB30VF3K7		..BOLT	202967	1
455	NAS1149D0316J		..WASHER	202967	1
460	MS16633-4018		..RING	202967	1
465	SP20522		..ACTUATOR ASSY- SUPPLIER CODE: V24403 SPECIFICATION NUMBER: S412A002-2	202967	1
470	412A1455-3SP		..HINGE ASSY- USED ON: 412A1100-53SP	202967	1
475	412A1455-2SP		..HINGE ASSY- USED ON: 412A1100-52SP	202967	1
480	412A1455-1SP		..HINGE ASSY- USED ON: 412A1100-51SP	202967	1
485	412A1230-21		...PIN	202967	1
490	MS51023-54		...SCREW	202967	1
495	NAS1149D0316J		...WASHER	202967	1
500	MS16633-4018		...RING	202967	1

MISSING ITEM NUMBERS NOT APPLICABLE

- ITEM NOT ILLUSTRATED

HAP

25-24-31-25C

BOEING PROPRIETARY - Copyright © - Unpublished Work - See title page for details.

25-24-31
FIG. 25C
PAGE 4
OCT 15/08

BOEING
737-600/700/800/900
PARTS CATALOG (MAINTENANCE)

FIG ITEM	PART NUMBER	1 2 3 4 5 6 7	NOMENCLATURE	EFFECT FROM TO	UNITS PER ASSY
25C					
505	412A1220-1	...	CLIP	202967	1
510	412A1454-12SP	...	HOUSING ASSY- USED ON: 412A1455-3SP	202967	1
515	412A1454-3SP	...	HOUSING ASSY- USED ON: 412A1455-1SP 412A1455-2SP	202967	1
520	BACB28Y3F020	BUSHING	202967	2
525	6041L3BR375	INSERT- SUPPLIER CODE: V01556	202967	1
530	412A1454-11SP	HOUSING- USED ON: 412A1454-12SP	202967	1
535	412A1454-1SP	HOUSING- USED ON: 412A1454-3SP	202967	1
540	412A1454-9SP	...	BRACKET ASSY- USED ON: 412A1455-1SP 412A1455-3SP	202967	1
545	412A1454-10SP	...	BRACKET ASSY- USED ON: 412A1455-2SP	202967	1
550	BACB28Y3F025	BUSHING	202967	2
555	6041-3BR225	INSERT- SUPPLIER CODE: V01556	202967	1
560	6041L3BR375	INSERT- SUPPLIER CODE: V01556	202967	1
565	412A1454-8SP	BRACKET- USED ON: 412A1454-10SP	202967	1
570	412A1454-7SP	BRACKET- USED ON: 412A1454-9SP	202967	1
575	412A1250-178A	.BOX	ASSY-60 IN. BIN FOR DETAILS SEE: 25-24-32-62A	202967	1
575	412A1250-1178B	.BOX	ASSY-60 IN. BIN FOR DETAILS SEE: 25-24-32-62A	202967	1

MISSING ITEM NUMBERS NOT APPLICABLE

— ITEM NOT ILLUSTRATED

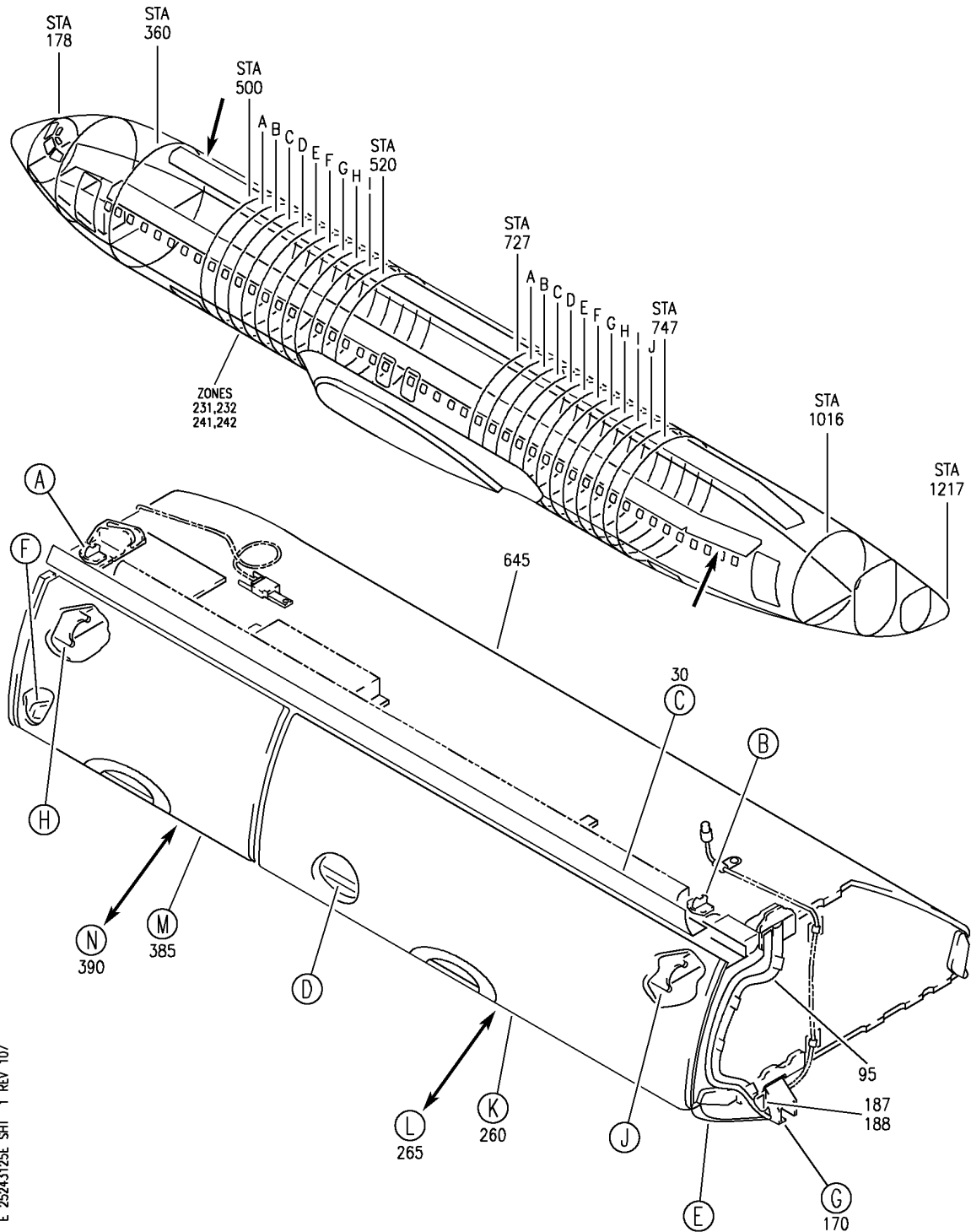
HAP

25-24-31-25C

BOEING PROPRIETARY - Copyright © - Unpublished Work - See title page for details.

25-24-31
FIG. 25C
PAGE 5
OCT 15/08

BOEING
 737-600/700/800/900
 PARTS CATALOG (MAINTENANCE)



E 2524-3125E SHT 1 REV 107

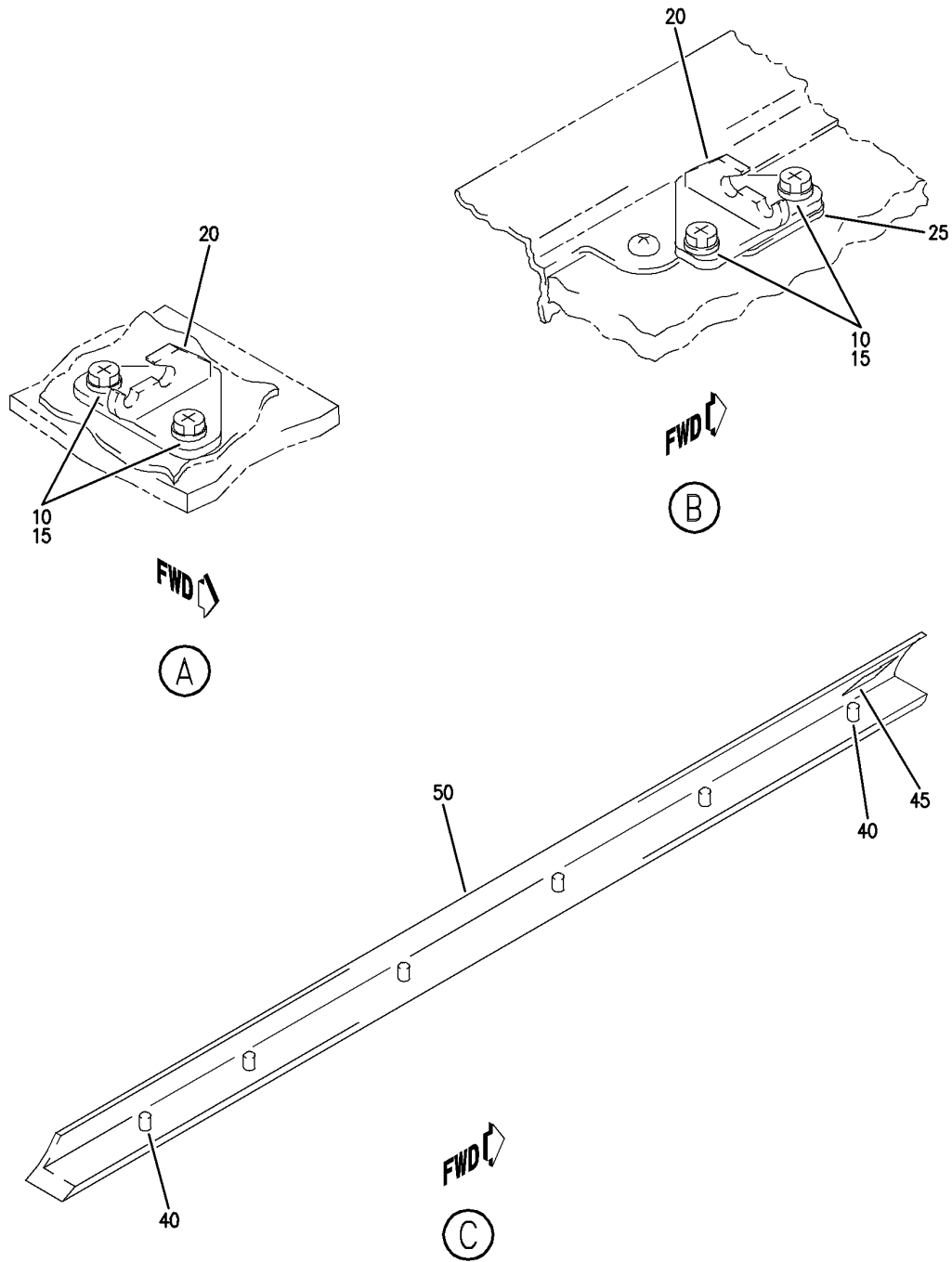
COMPARTMENT ASSY-AFT RH 60 IN. OVHD STOWAGE BULLNOSE CONFIGURATION (EQUIPMENT/FURNISHINGS ONLY)
 FIGURE 25E (SHEET 1)

HAP
 OCT 15/08

25-24-31-25E

25-24-31-25E
 PAGE 0

BOEING
737-600/700/800/900
PARTS CATALOG (MAINTENANCE)



E 25243125E SHT 2 REV 063

COMPARTMENT ASSY-AFT RH 60 IN. OVHD STOWAGE BULLNOSE CONFIGURATION (EQUIPMENT/FURNISHINGS ONLY)
FIGURE 25E (SHEET 2)

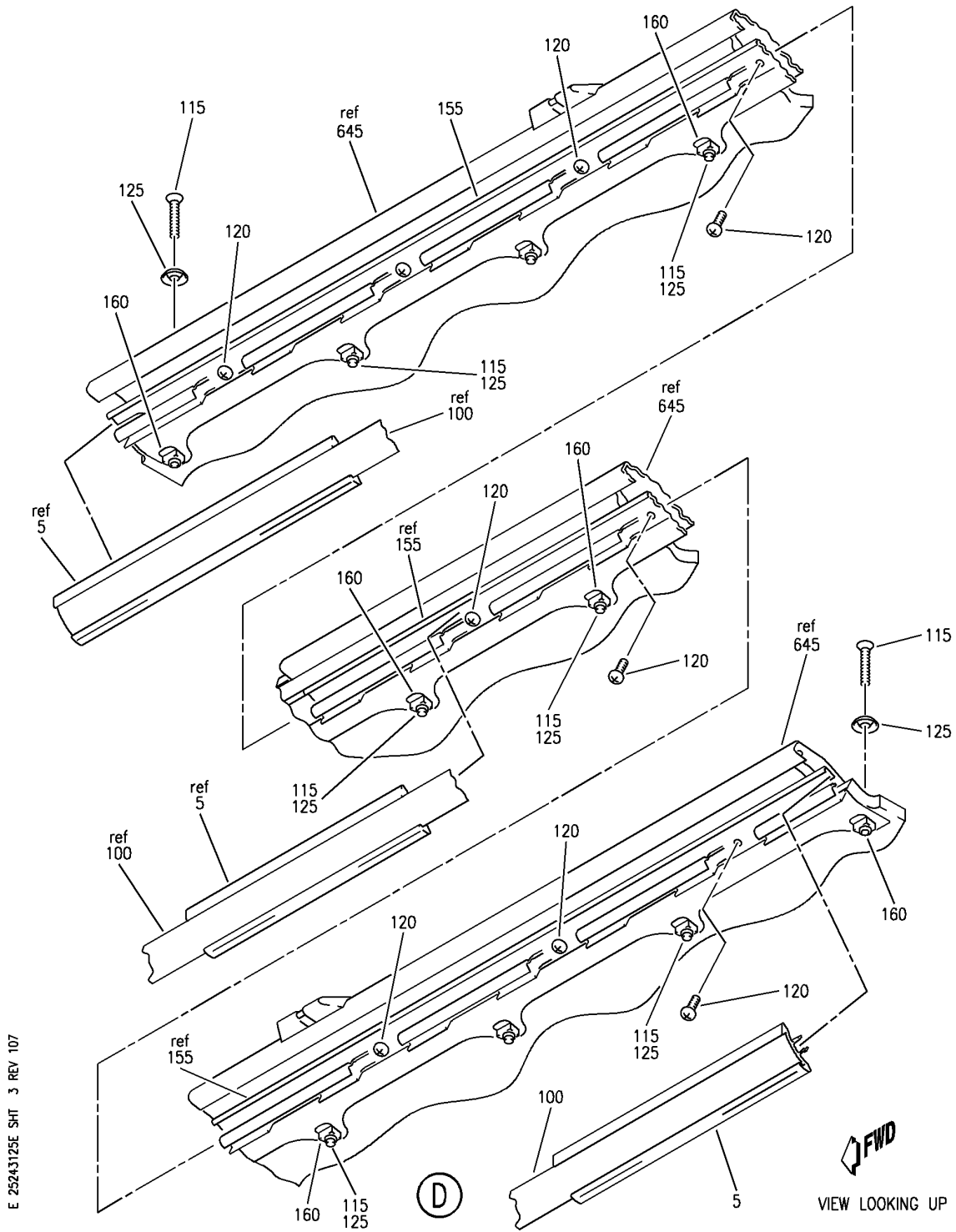
HAP
OCT 15/08

25-24-31-25E

25-24-31-25E
PAGE 0A

BOEING PROPRIETARY - Copyright © - Unpublished Work - See title page for details.

BOEING
 737-600/700/800/900
 PARTS CATALOG (MAINTENANCE)



E 2524-3125E SHT 3 REV 107

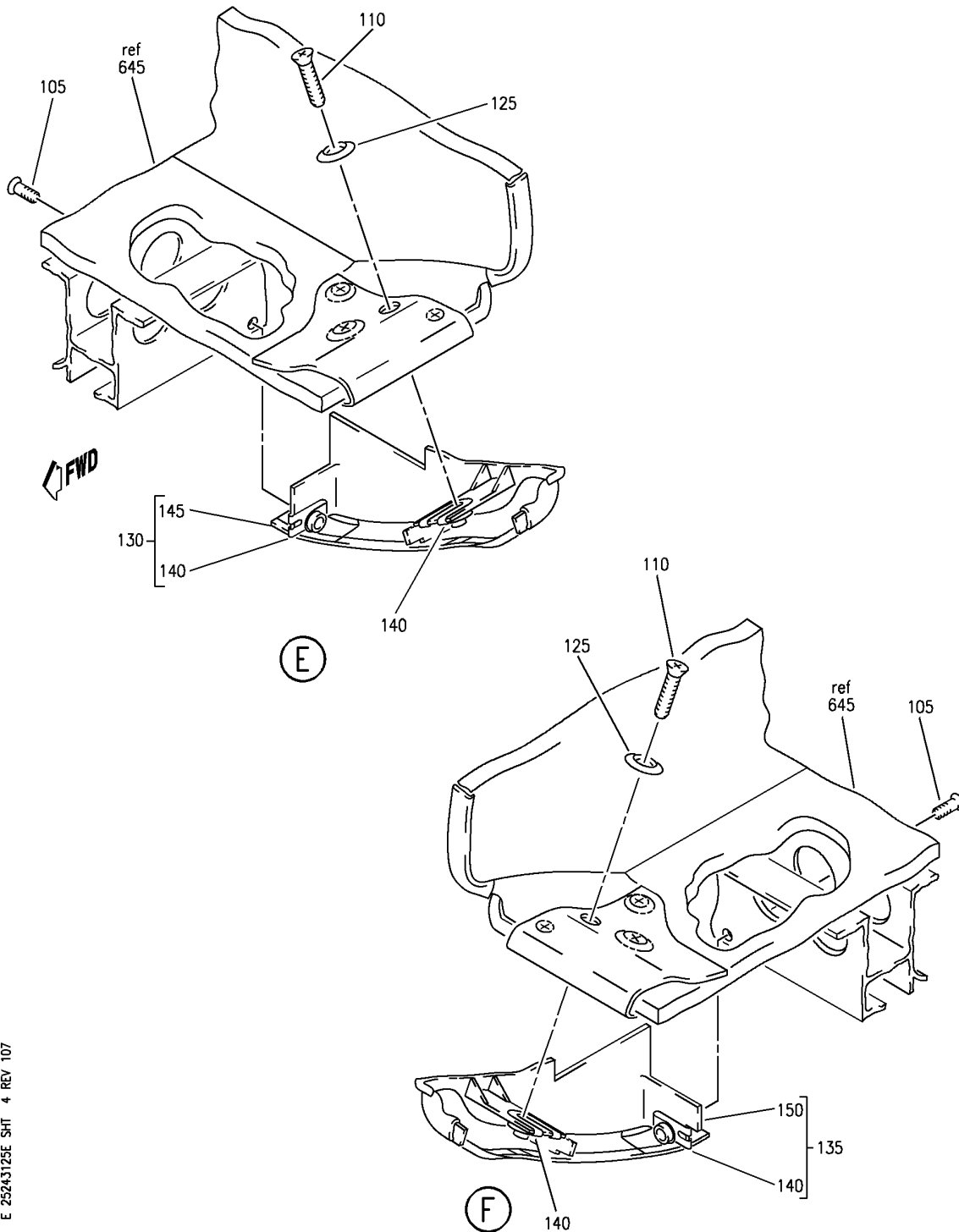
COMPARTMENT ASSY-AFT RH 60 IN. OVHD STOWAGE BULLNOSE CONFIGURATION (EQUIPMENT/FURNISHINGS ONLY)
 FIGURE 25E (SHEET 3)

HAP
 OCT 15/08

25-24-31-25E

25-24-31-25E
 PAGE 0B

BOEING
 737-600/700/800/900
 PARTS CATALOG (MAINTENANCE)



E 2524-3125E SHT 4 REV 107

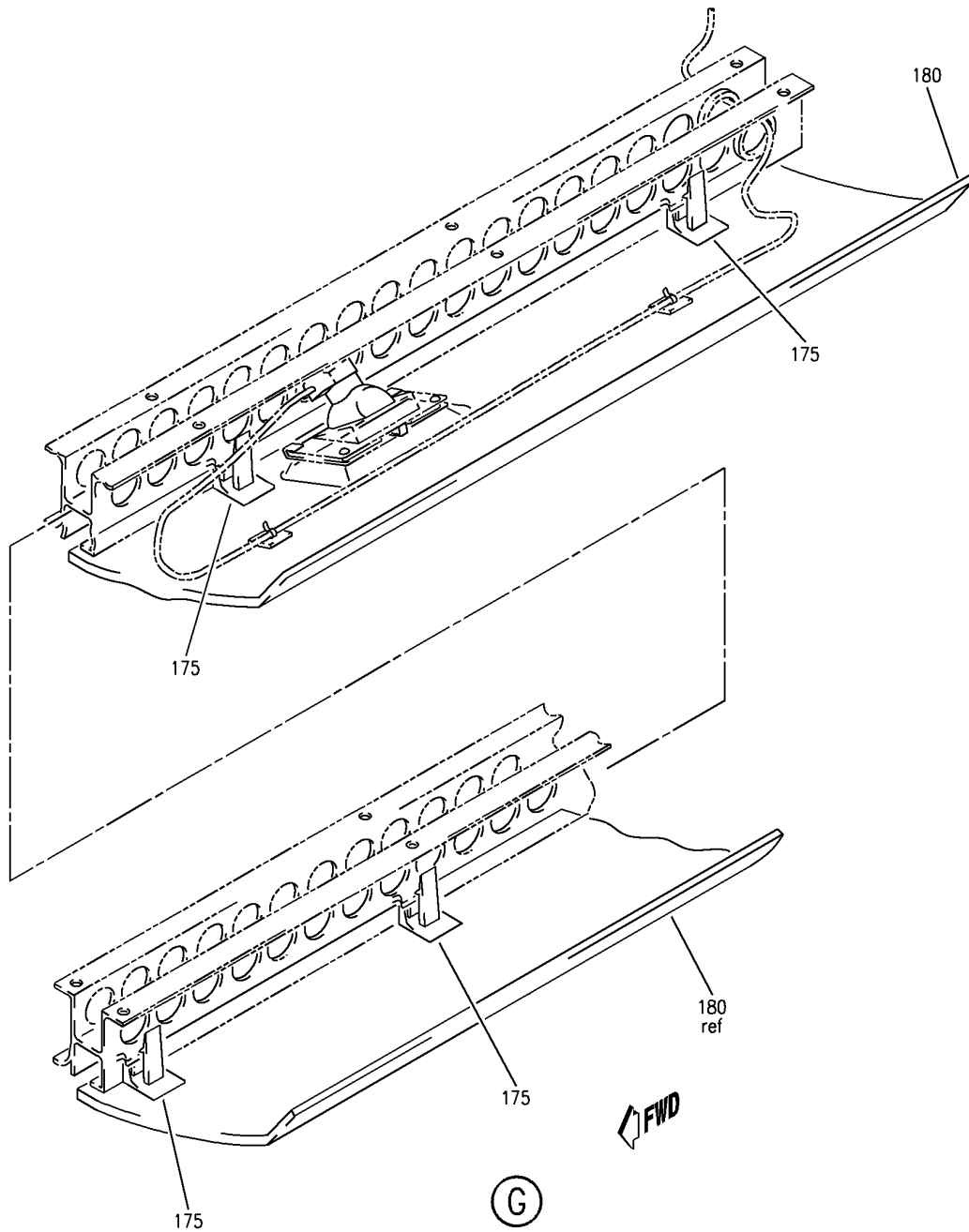
COMPARTMENT ASSY-AFT RH 60 IN. OVHD STOWAGE BULLNOSE CONFIGURATION (EQUIPMENT/FURNISHINGS ONLY)
 FIGURE 25E (SHEET 4)

HAP
 OCT 15/08

25-24-31-25E

25-24-31-25E
 PAGE 0C

BOEING
737-600/700/800/900
PARTS CATALOG (MAINTENANCE)



E 2524-3125E SHT 5 REV 107

COMPARTMENT ASSY-AFT RH 60 IN. OVHD STOWAGE BULLNOSE CONFIGURATION (EQUIPMENT/FURNISHINGS ONLY)
FIGURE 25E (SHEET 5)

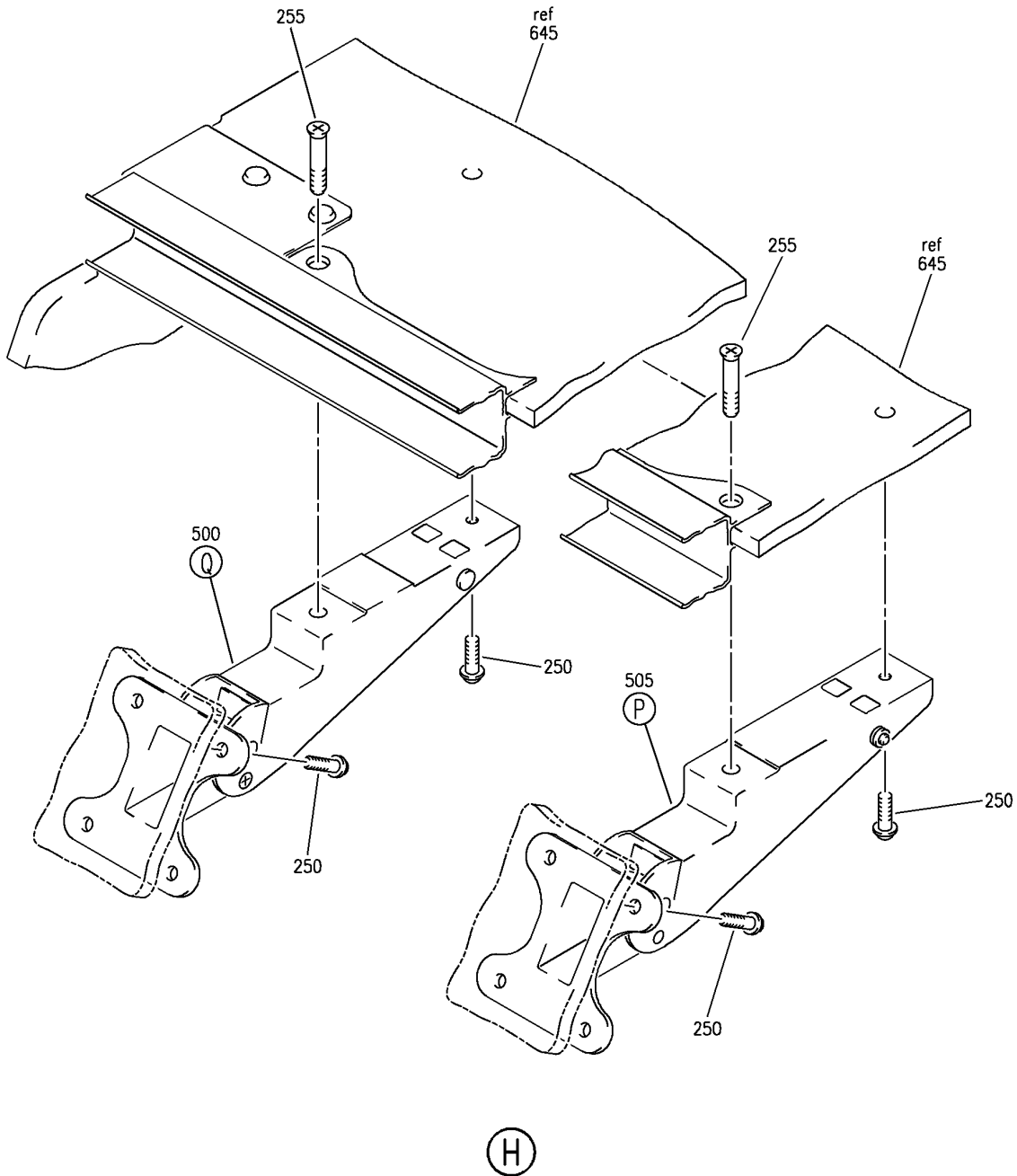
HAP
OCT 15/08

25-24-31-25E

25-24-31-25E
PAGE 0D

BOEING PROPRIETARY - Copyright © - Unpublished Work - See title page for details.

BOEING
 737-600/700/800/900
 PARTS CATALOG (MAINTENANCE)



E 2524-3125E SHT 6 REV 107

COMPARTMENT ASSY-AFT RH 60 IN. OVHD STOWAGE BULLNOSE CONFIGURATION (EQUIPMENT/FURNISHINGS ONLY)
 FIGURE 25E (SHEET 6)

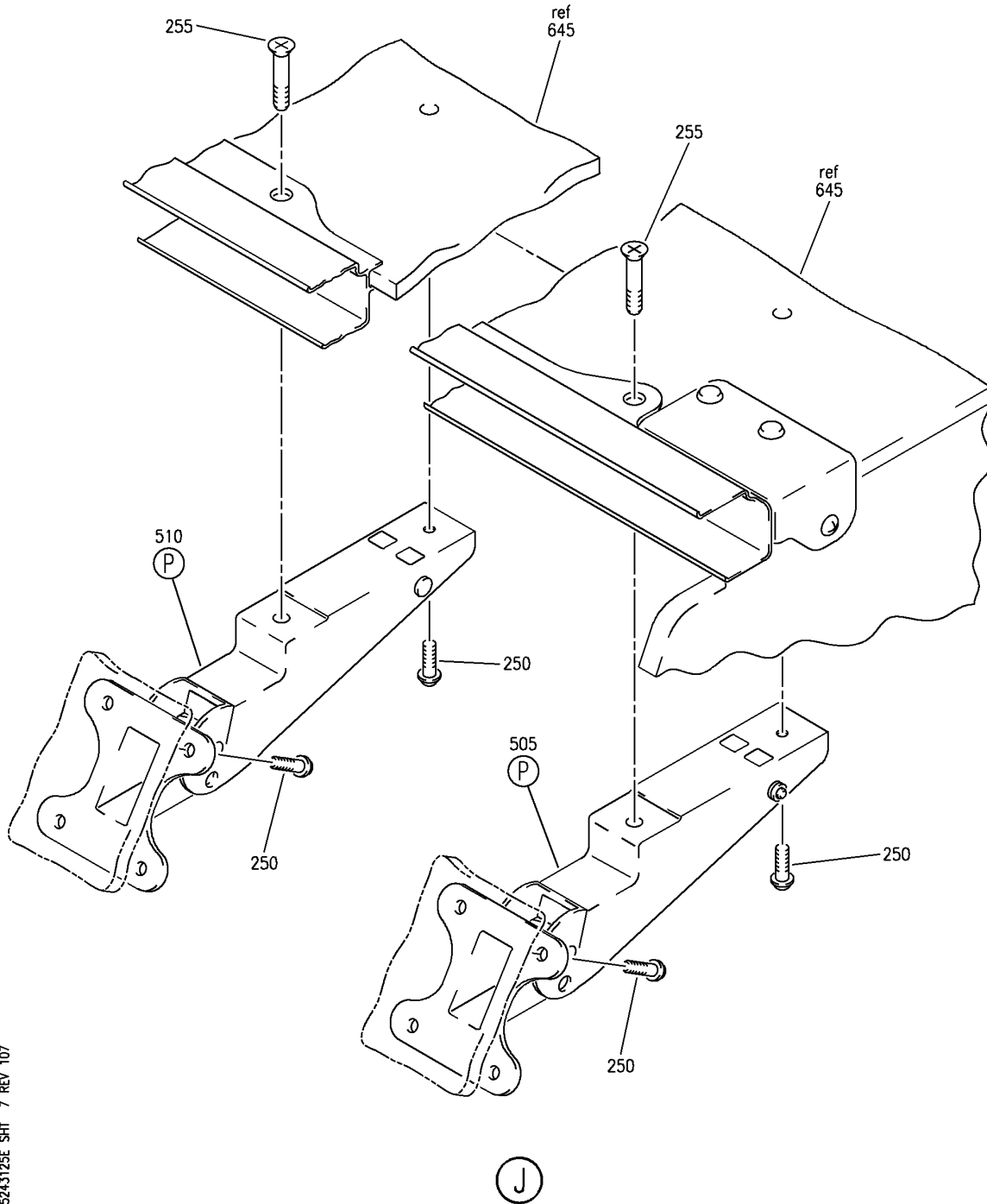
HAP
 OCT 15/08

25-24-31-25E

25-24-31-25E
 PAGE 0E

BOEING PROPRIETARY - Copyright © - Unpublished Work - See title page for details.

BOEING
 737-600/700/800/900
 PARTS CATALOG (MAINTENANCE)



E 2524-3125E SHT 7 REV 107

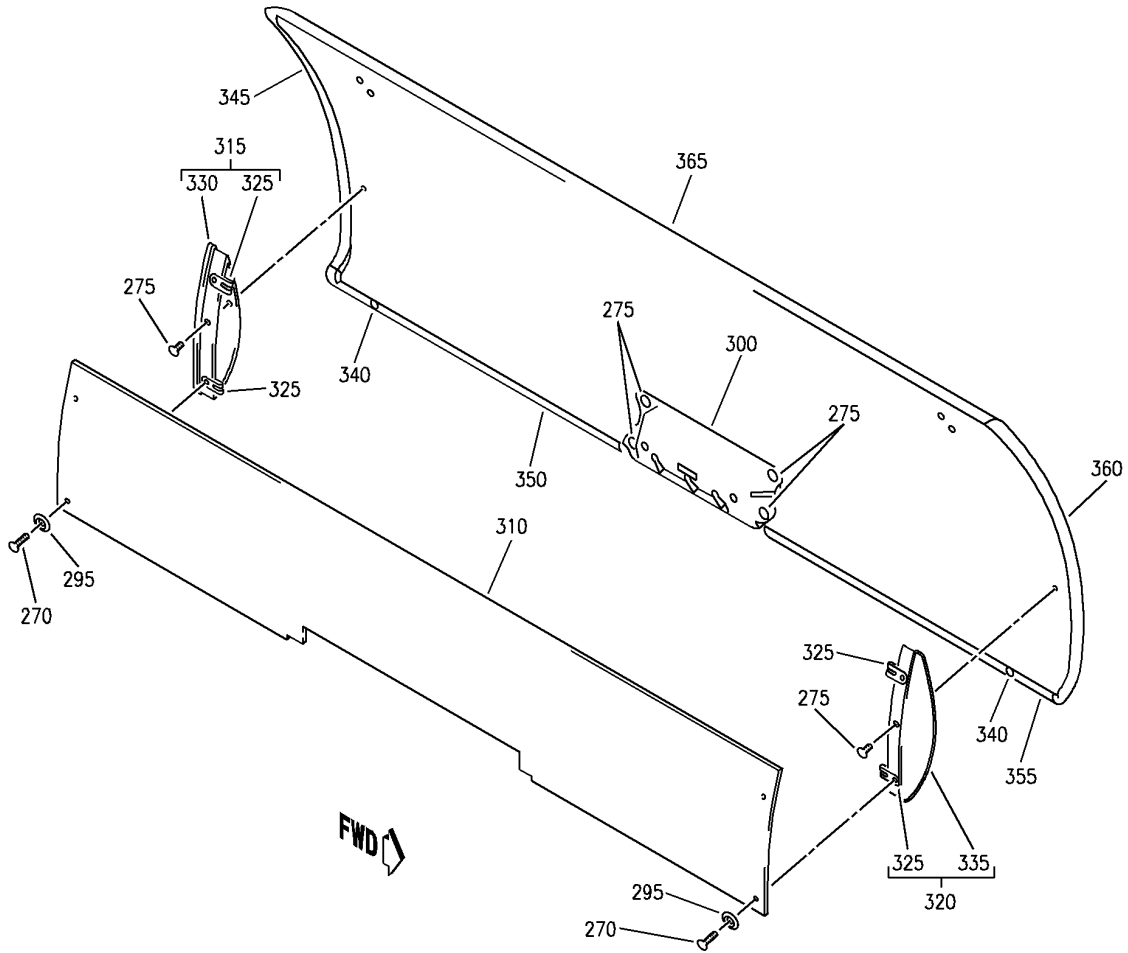
COMPARTMENT ASSY-AFT RH 60 IN. OVHD STOWAGE BULLNOSE CONFIGURATION (EQUIPMENT/FURNISHINGS ONLY)
 FIGURE 25E (SHEET 7)

HAP
 OCT 15/08

25-24-31-25E

25-24-31-25E
 PAGE OF

BOEING
 737-600/700/800/900
 PARTS CATALOG (MAINTENANCE)



E 2524-3125E SHT 8 REV 107

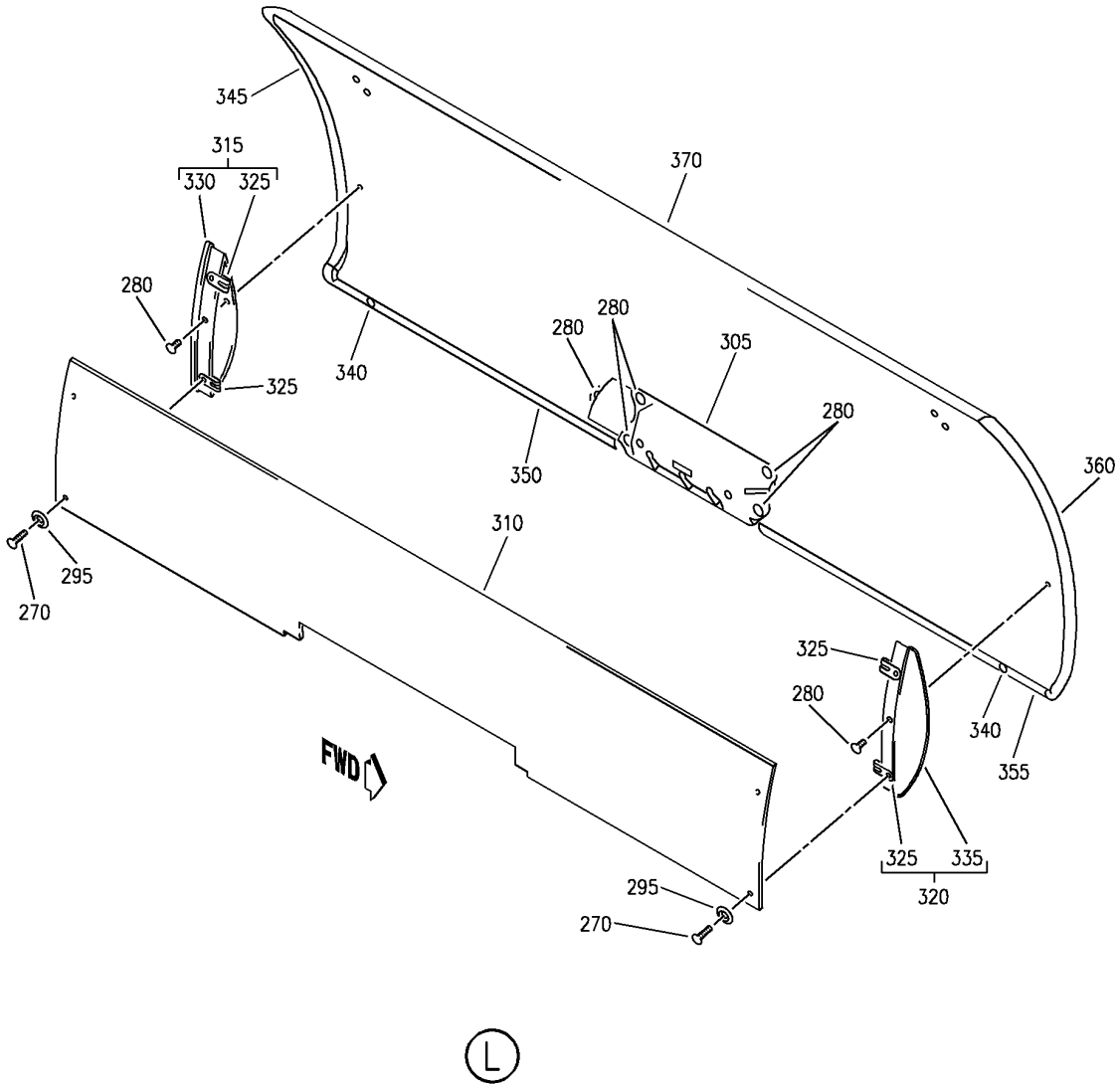
COMPARTMENT ASSY-AFT RH 60 IN. OVHD STOWAGE BULLNOSE CONFIGURATION (EQUIPMENT/FURNISHINGS ONLY)
 FIGURE 25E (SHEET 8)

HAP
 OCT 15/08

25-24-31-25E

25-24-31-25E
 PAGE 08

BOEING
 737-600/700/800/900
 PARTS CATALOG (MAINTENANCE)



E 2524-3125E SHT 9 REV 107

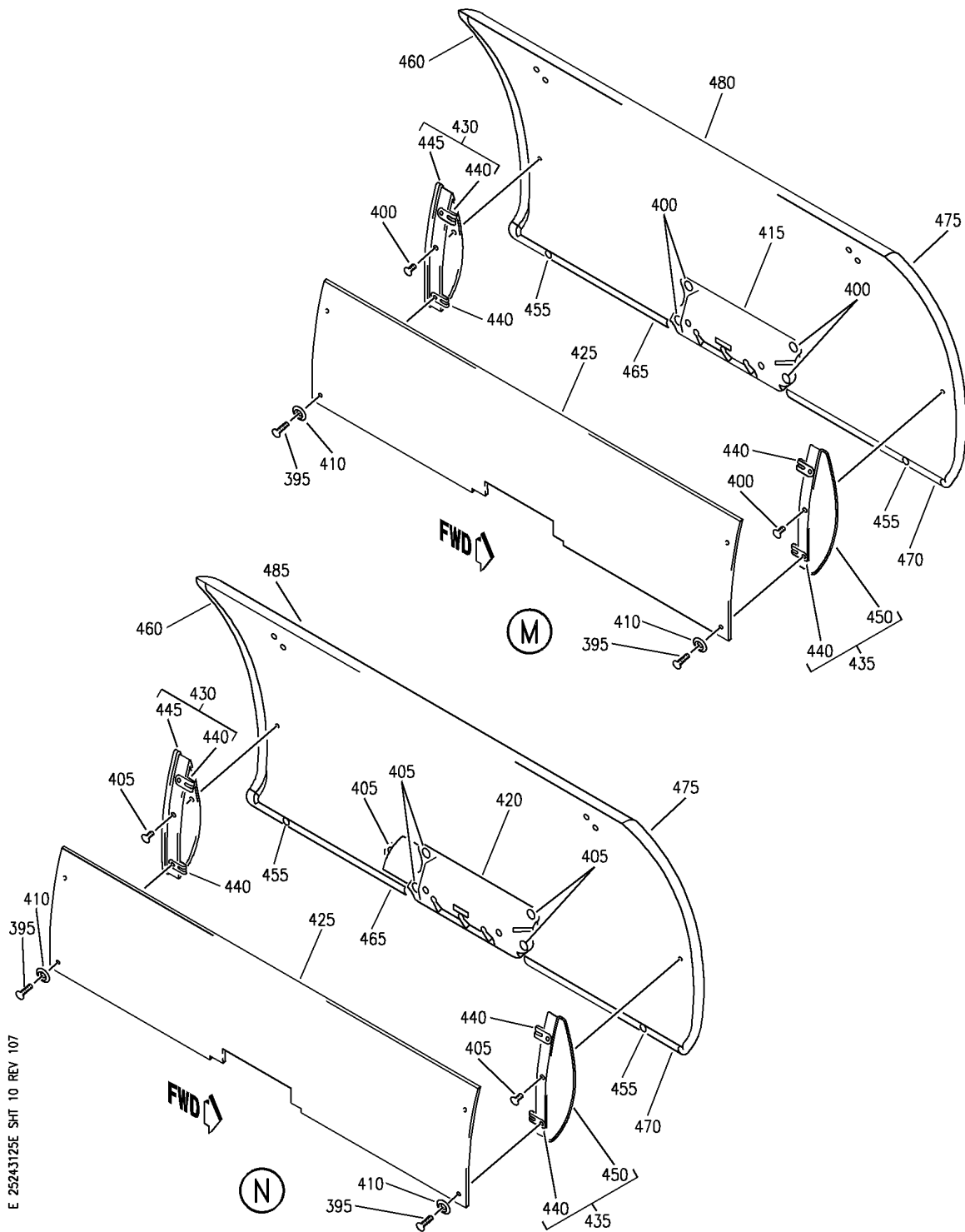
COMPARTMENT ASSY-AFT RH 60 IN. OVHD STOWAGE BULLNOSE CONFIGURATION (EQUIPMENT/FURNISHINGS ONLY)
 FIGURE 25E (SHEET 9)

HAP
 OCT 15/08

25-24-31-25E

25-24-31-25E
 PAGE 0H

BOEING
737-600/700/800/900
PARTS CATALOG (MAINTENANCE)



E 2524-3125E SHT 10 REV 107

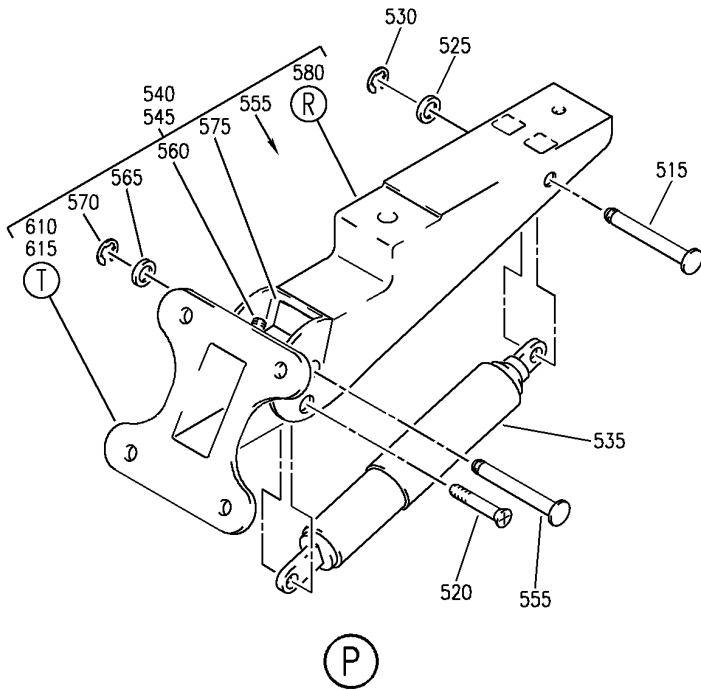
COMPARTMENT ASSY-AFT RH 60 IN. OVHD STOWAGE BULLNOSE CONFIGURATION (EQUIPMENT/FURNISHINGS ONLY)
 FIGURE 25E (SHEET 10)

HAP
 OCT 15/08

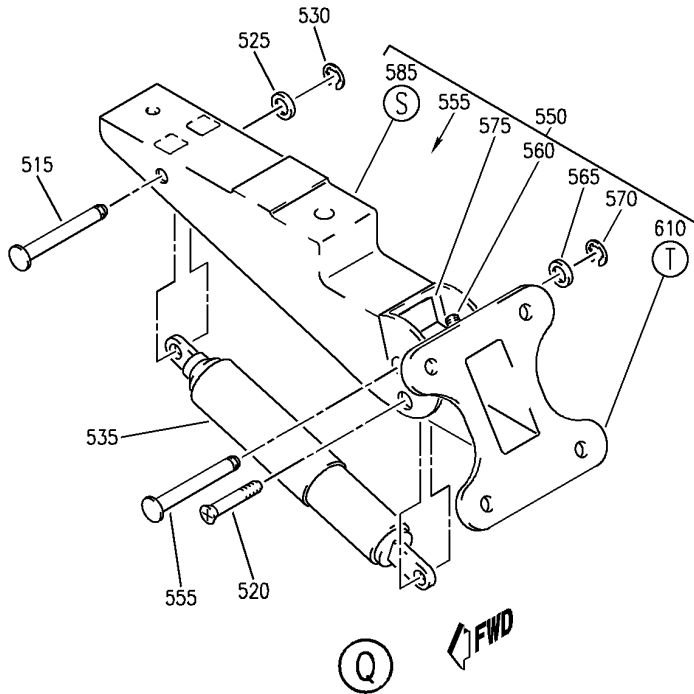
25-24-31-25E

25-24-31-25E
 PAGE 01

BOEING
737-600/700/800/900
PARTS CATALOG (MAINTENANCE)



(P)



(Q)

E 2524-3125E SHT 11 REV 107

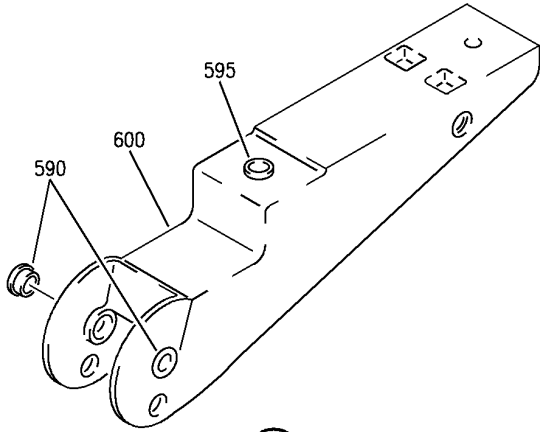
COMPARTMENT ASSY-AFT RH 60 IN. OVHD STOWAGE BULLNOSE CONFIGURATION (EQUIPMENT/FURNISHINGS ONLY)
 FIGURE 25E (SHEET 11)

HAP
 OCT 15/08

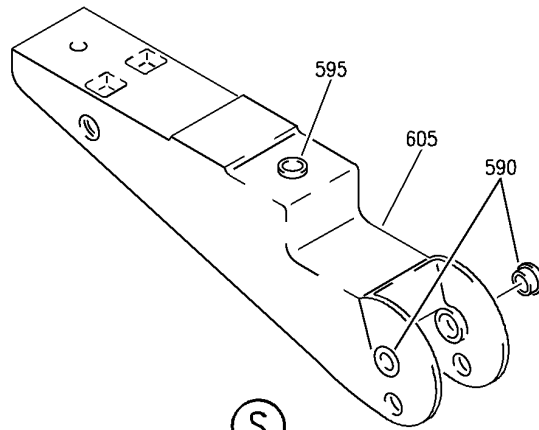
25-24-31-25E

25-24-31-25E
 PAGE 0J

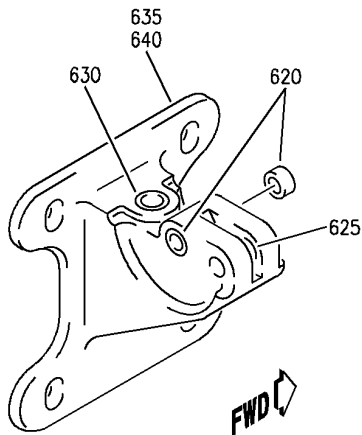
BOEING
 737-600/700/800/900
 PARTS CATALOG (MAINTENANCE)



(R)



(S)



(T)

E 2524-3125E SHT 12 REV 107

COMPARTMENT ASSY-AFT RH 60 IN. OVHD STOWAGE BULLNOSE CONFIGURATION (EQUIPMENT/FURNISHINGS ONLY)
 FIGURE 25E (SHEET 12)

HAP
 OCT 15/08

25-24-31-25E

25-24-31-25E
 PAGE OK

BOEING
737-600/700/800/900
PARTS CATALOG (MAINTENANCE)

FIG ITEM	PART NUMBER	1 2 3 4 5 6 7	NOMENCLATURE	EFFECT FROM TO	UNITS PER ASSY
25E			COMPARTMENT ASSY-AFT RH 60 IN. OVHD STOWAGE BULLNOSE CONFIGURATION (EQUIPMENT/FURNISHINGS ONLY)	201201	
- 1	412A1170-418B		COMPARTMENT ASSY-60 IN. OVHD STOWAGE BULLNOSE CONFIGURATION (EQUIPMENT/ FURNISHINGS ONLY) FOR NHA/OTHER SYS DET SEE: 25-24-30-49	201201	RF
5	412A1420-2A		.EXTRUSION-SEAT ROW MARKER	201201	1
10	BACS12GU3K7		.SCREW	201201	4
15	NAS1149D0332J		.WASHER	201201	4
20	H3-1592-1		.LATCH-CLG SUPPLIER CODE: V34941 SPECIFICATION NUMBER: S411A001-1	201201	2
25	412A1220-62		.DOUBLER	201201	1
30	412A1700-5A		.VALANCE ASSY-LT OPTIONAL PART: 412A1700-105B	201201	1
30	412A1700-105B		.VALANCE ASSY-LT OPTIONAL PART: 412A1700-5A ATTACHING PARTS	201201	1
- 35	BACN10YJ3F		.NUT -----*-----	201201	6
40	BACS21DW3C10FN		..STUD	201201	6
45	412A1700-6		..TAPE-HOOK	201201	1
50	412A1711-105SP		..PANEL ASSY- USED ON: 412A1700-105B 412A1700-105SP	201201	1
50	412A1711-5A		..PANEL ASSY- USED ON: 412A1700-5A	201201	1
95	403A3210-22A		.SEAL ASSY-	201201	1
100	412A1451-2BCWK		.STRIP-	201201	1
105	BACB30VF3K3		.BOLT	201201	2
110	BACS12ER3K11		.SCREW	201201	2
115	BACS12ER3K14		.SCREW	201201	10
120	BACS12FA3K5		.SCREW	201201	9
125	H3-1233A3		.WASHER- SUPPLIER CODE: V34941 SPECIFICATION NUMBER: S411A001-1	201201	12

MISSING ITEM NUMBERS NOT APPLICABLE

- ITEM NOT ILLUSTRATED

HAP

25-24-31-25E

BOEING PROPRIETARY - Copyright © - Unpublished Work - See title page for details.

25-24-31
FIG. 25E
PAGE 1
OCT 15/08

BOEING
737-600/700/800/900
PARTS CATALOG (MAINTENANCE)

FIG ITEM	PART NUMBER	1 2 3 4 5 6 7	NOMENCLATURE	EFFECT FROM TO	UNITS PER ASSY
25E					
130	412A1465-5A	.	CLOSEOUT ASSY-	201201	1
135	412A1465-6A	.	CLOSEOUT ASSY-	201201	1
140	BACN10VR4CGN	..	NUT-	201201	2
			OPTIONAL PART: BACN10VR4CG		
140	BACN10VR4CG	..	NUT-	201201	2
			OPTIONAL PART: BACN10VR4CGN		
145	412A1465-7SP	..	CLOSEOUT-	201201	1
			USED ON: 412A1465-5A 412A1465-5SP		
150	412A1465-8SP	..	CLOSEOUT-	201201	1
			USED ON: 412A1465-6A 412A1465-6SP		
155	412A1244-2	.	EXTRUSION ASSY	201201	1
160	FS1651-3	..	NUTPLATE	201201	10
			SUPPLIER CODE: V15653 SPECIFICATION NUMBER: BACN10KH3CD OPTIONAL PART: 102F9209M3 V72962 NS202496-02 V80539		
			ATTACHING PARTS		
- 165	BACR15BA3ADC	..	RIVET-	201201	20
			SIZE DETERMINED ON INSTL. -----*-----		
170	412A1605-2A	.	COVER ASSY	201201	1
175	412A1460-2	..	CLIP	201201	4
180	412A1615-4A	..	PANEL ASSY	201201	1
187	412A1310-700	.	TAPE-VELCRO HOOK	201201	AR
188	412A1310-701	.	TAPE-VELCRO LOOP	201201	AR
- 190	OBA8	.	PLUG-	201201	AR
			SUPPLIER CODE: VOBV87 OPTIONAL PART: 412A1100-96 412A1811-2B 412A1811-1B		
- 192	412A1811-1B	.	PLUG-	201201	6
			OPTIONAL PART: 412A1100-96 OBA8 VOBV87 412A1811-2B		

MISSING ITEM NUMBERS NOT APPLICABLE

- ITEM NOT ILLUSTRATED

HAP

25-24-31-25E

BOEING PROPRIETARY - Copyright © - Unpublished Work - See title page for details.

25-24-31
FIG. 25E
PAGE 2
OCT 15/08

BOEING
737-600/700/800/900
PARTS CATALOG (MAINTENANCE)

FIG ITEM	PART NUMBER	1 2 3 4 5 6 7	NOMENCLATURE	EFFECT FROM TO	UNITS PER ASSY
25E - 194	412A1811-2B	. PLUG-		201201	6
		OPTIONAL PART:			
		412A1100-96			
		OBA8			
		VOBV87			
		412A1811-1B			
- 195	412A1100-96	.KIT ASSY-SCR AND WASHER		201201	6
		OPTIONAL PART:			
		OBA8			
		VOBV87			
		412A1811-2B			
		412A1811-1B			
- 200	NAS514P1032-5	.. SCREW		201201	1
- 205	H3-1233A3	.. WASHER-		201201	1
		SUPPLIER CODE:			
		V34941			
		SPECIFICATION NUMBER:			
		S411A001-1			
250	BACS12FA3K6	. SCREW		201201	20
255	BACB30VF3K8	. BOLT		201201	4
265	412A1500-170SP	. DOOR ASSY-40 IN.		201201	1
270	BACS12ER3K9	.. SCREW		201201	4
280	BACS12FA3K4	.. SCREW		201201	7
295	H3-1233A3	.. WASHER-		201201	4
		SUPPLIER CODE:			
		V34941			
		SPECIFICATION NUMBER:			
		S411A001-1			
305	HA225-9	.. LATCH ASSY-		201201	1
		SUPPLIER CODE:			
		V83014			
		SPECIFICATION NUMBER:			
		S412A001-17B			
305	HA225-5	.. LATCH ASSY-		201201	1
		SUPPLIER CODE:			
		V83014			
		SPECIFICATION NUMBER:			
		S412A001-7A			
310	412A1615-150SP	.. PANEL ASSY-FILLER		201201	1
		OPTIONAL PART:			
		412A1615-1150SP			
310	412A1615-1150SP	.. PANEL ASSY-FILLER		201201	1
		OPTIONAL PART:			
		412A1615-150SP			
315	412A1480-3SP	.. BRACKET ASSY		201201	1
320	412A1480-4SP	.. BRACKET ASSY		201201	1
325	BACN10VR4CGN	... NUT		201201	2

MISSING ITEM NUMBERS NOT APPLICABLE

- ITEM NOT ILLUSTRATED

HAP

25-24-31-25E

BOEING PROPRIETARY - Copyright © - Unpublished Work - See title page for details.

25-24-31
FIG. 25E
PAGE 3
OCT 15/08

BOEING
737-600/700/800/900
PARTS CATALOG (MAINTENANCE)

FIG ITEM	PART NUMBER	1 2 3 4 5 6 7	NOMENCLATURE	EFFECT FROM TO	UNITS PER ASSY
25E 330	412A1480-1SP	...	BRACKET- USED ON: 412A1480-3SP	201201	1
335	412A1480-2SP	...	BRACKET- USED ON: 412A1480-4SP	201201	1
340	412A1810-1SP	..	BUMPER- OPTIONAL PART: 412A1810-2SP	201201	2
340	412A1810-2SP	..	BUMPER- OPTIONAL PART: 412A1810-1SP	201201	2
345	412A1450-4SP	..	TRIM-EDGE	201201	1
350	412A1450-6SP	..	TRIM-EDGE	201201	1
355	412A1450-5SP	..	TRIM-EDGE	201201	1
360	412A1450-3SP	..	TRIM-EDGE	201201	1
370	412A1510-70SP	..	PANEL ASSY	201201	1
- 380	SL618-3A	...	INSERT- SUPPLIER CODE: V97393	201201	15
385	412A1500-102SP	.DOOR ASSY-20 IN.		201201	1
395	BACS12ER3K9	..	SCREW	201201	4
400	BACS12FA3K4	..	SCREW	201201	6
410	H3-1233A3	..	WASHER- SUPPLIER CODE: V34941 SPECIFICATION NUMBER: S411A001-1	201201	4
415	HA225-7	..	LATCH ASSY- SUPPLIER CODE: V83014 SPECIFICATION NUMBER: S412A001-11B	201201	1
415	HA225-1	..	LATCH ASSY- SUPPLIER CODE: V83014 SPECIFICATION NUMBER: S412A001-1A	201201	1
425	412A1615-101SP	..	PANEL ASSY-FILLER OPTIONAL PART: 412A1615-1101SP	201201	1
425	412A1615-1101SP	..	PANEL ASSY-FILLER OPTIONAL PART: 412A1615-101SP	201201	1
430	412A1480-3SP	..	BRACKET ASSY	201201	1
435	412A1480-4SP	..	BRACKET ASSY	201201	1
440	BACN10VR4CGN	...	NUT	201201	2

MISSING ITEM NUMBERS NOT APPLICABLE

- ITEM NOT ILLUSTRATED

HAP

25-24-31-25E

BOEING PROPRIETARY - Copyright © - Unpublished Work - See title page for details.

25-24-31
FIG. 25E
PAGE 4
OCT 15/08

BOEING
737-600/700/800/900
PARTS CATALOG (MAINTENANCE)

FIG ITEM	PART NUMBER	1 2 3 4 5 6 7	NOMENCLATURE	EFFECT FROM TO	UNITS PER ASSY
25E 445	412A1480-1SP	...	BRACKET- USED ON: 412A1480-3SP	201201	1
450	412A1480-2SP	...	BRACKET- USED ON: 412A1480-4SP	201201	1
455	412A1810-1SP	..	BUMPER- OPTIONAL PART: 412A1810-2SP	201201	2
455	412A1810-2SP	..	BUMPER- OPTIONAL PART: 412A1810-1SP	201201	2
460	412A1450-4SP	..	TRIM-EDGE	201201	1
465	412A1450-6SP	..	TRIM-EDGE	201201	1
470	412A1450-5SP	..	TRIM-EDGE	201201	1
475	412A1450-3SP	..	TRIM-EDGE	201201	1
480	412A1511-2SP	..	PANEL ASSY	201201	1
- 490	SL618-3A	...	INSERT- SUPPLIER CODE: V97393	201201	14
500	412A1100-53SP	.HINGE	ASSY-COLLECTOR	201201	1
505	412A1100-52SP	.HINGE	ASSY-COLLECTOR	201201	2
510	412A1100-51SP	.HINGE	ASSY-COLLECTOR	201201	1
515	412A1230-21	..	PIN	201201	1
520	BACB30VF3K7	..	BOLT	201201	1
525	NAS1149D0316J	..	WASHER	201201	1
530	MS16633-4018	..	RING	201201	1
535	SP20522	..	ACTUATOR ASSY- SUPPLIER CODE: V24403 SPECIFICATION NUMBER: S412A002-2	201201	1
540	412A1455-1SP	..HINGE	ASSY- USED ON: 412A1100-51SP	201201	1
545	412A1455-2SP	..HINGE	ASSY- USED ON: 412A1100-52SP	201201	1
550	412A1455-3SP	..HINGE	ASSY- USED ON: 412A1100-53SP	201201	1
555	412A1230-21	...	PIN	201201	1
560	MS51023-54	...	SCREW	201201	1
565	NAS1149D0316J	...	WASHER	201201	1
570	MS16633-4018	...	RING	201201	1
575	412A1220-1	...	CLIP	201201	1

MISSING ITEM NUMBERS NOT APPLICABLE

- ITEM NOT ILLUSTRATED

HAP

25-24-31-25E

BOEING PROPRIETARY - Copyright © - Unpublished Work - See title page for details.

25-24-31
FIG. 25E
PAGE 5
OCT 15/08

BOEING
737-600/700/800/900
PARTS CATALOG (MAINTENANCE)

FIG ITEM	PART NUMBER	1 2 3 4 5 6 7	NOMENCLATURE	EFFECT FROM TO	UNITS PER ASSY
25E 580	412A1454-3SP	...	HOUSING ASSY- USED ON: 412A1455-1SP 412A1455-2SP	201201	1
585	412A1454-12SP	...	HOUSING ASSY- USED ON: 412A1455-3SP	201201	1
590	BACB28Y3F020	BUSHING	201201	2
595	6041L3BR375	INSERT- SUPPLIER CODE: V01556	201201	1
600	412A1454-1SP	HOUSING- USED ON: 412A1454-3SP	201201	1
605	412A1454-11SP	HOUSING- USED ON: 412A1454-12SP	201201	1
610	412A1454-9SP	...	BRACKET ASSY- USED ON: 412A1455-1SP 412A1455-3SP	201201	1
615	412A1454-10SP	...	BRACKET ASSY- USED ON: 412A1455-2SP	201201	1
620	BACB28Y3F025	BUSHING	201201	2
625	6041-3BR225	INSERT- SUPPLIER CODE: V01556	201201	1
630	6041L3BR375	INSERT- SUPPLIER CODE: V01556	201201	1
635	412A1454-7SP	BRACKET- USED ON: 412A1454-9SP	201201	1
640	412A1454-8SP	BRACKET- USED ON: 412A1454-10SP	201201	1
645	412A1250-178A	.BOX	ASSY-60 IN. BIN OPTIONAL PART: 412A1250-1178B FOR DETAILS SEE: 25-24-32-62A	201201	1
645	412A1250-1178B	.BOX	ASSY-60 IN. BIN OPTIONAL PART: 412A1250-178A FOR DETAILS SEE: 25-24-32-62A	201201	1

MISSING ITEM NUMBERS NOT APPLICABLE

- ITEM NOT ILLUSTRATED

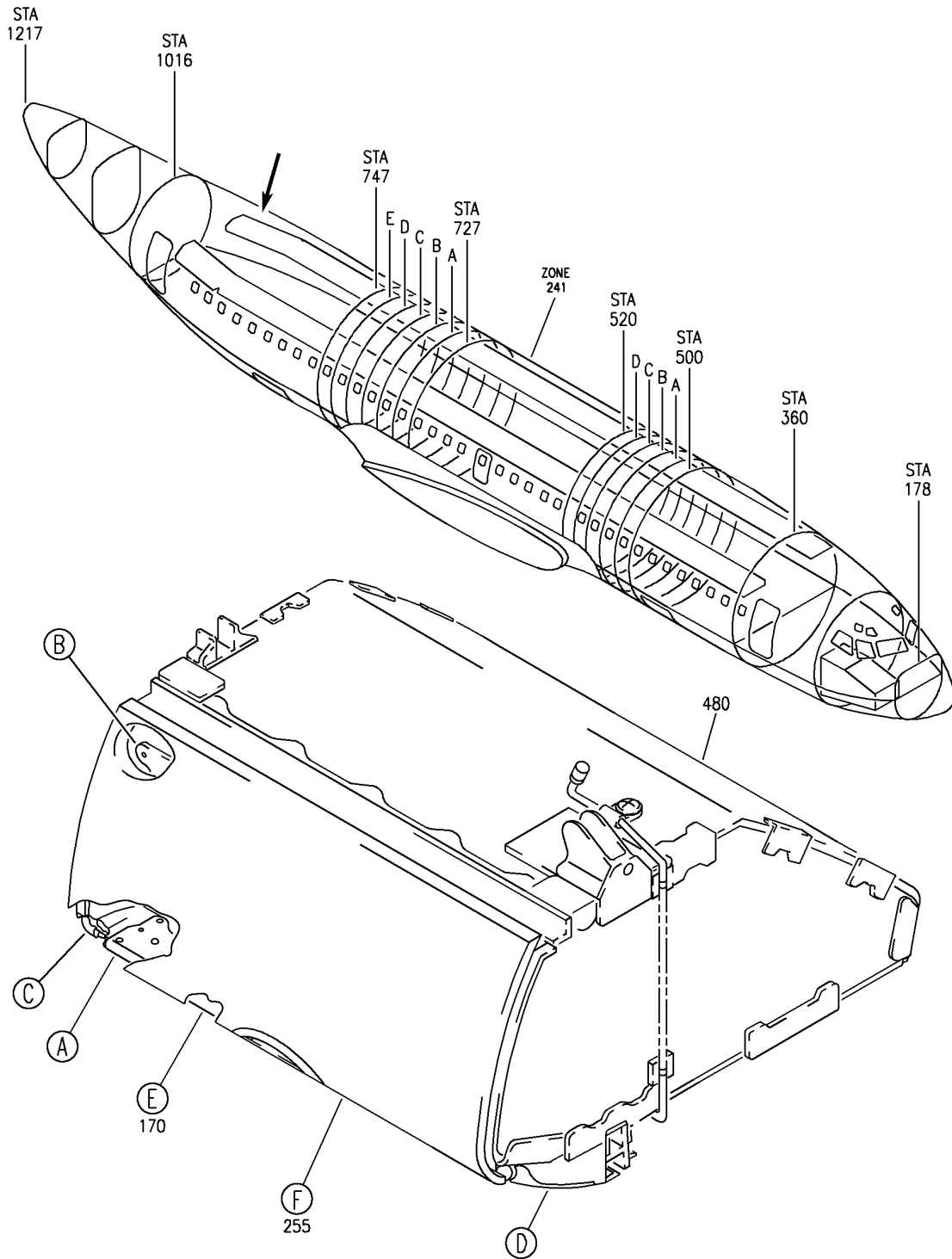
HAP

25-24-31-25E

BOEING PROPRIETARY - Copyright © - Unpublished Work - See title page for details.

25-24-31
FIG. 25E
PAGE 6
OCT 15/08

BOEING
 737-600/700/800/900
 PARTS CATALOG (MAINTENANCE)



E 2524-3127 SHT 1 REV 108

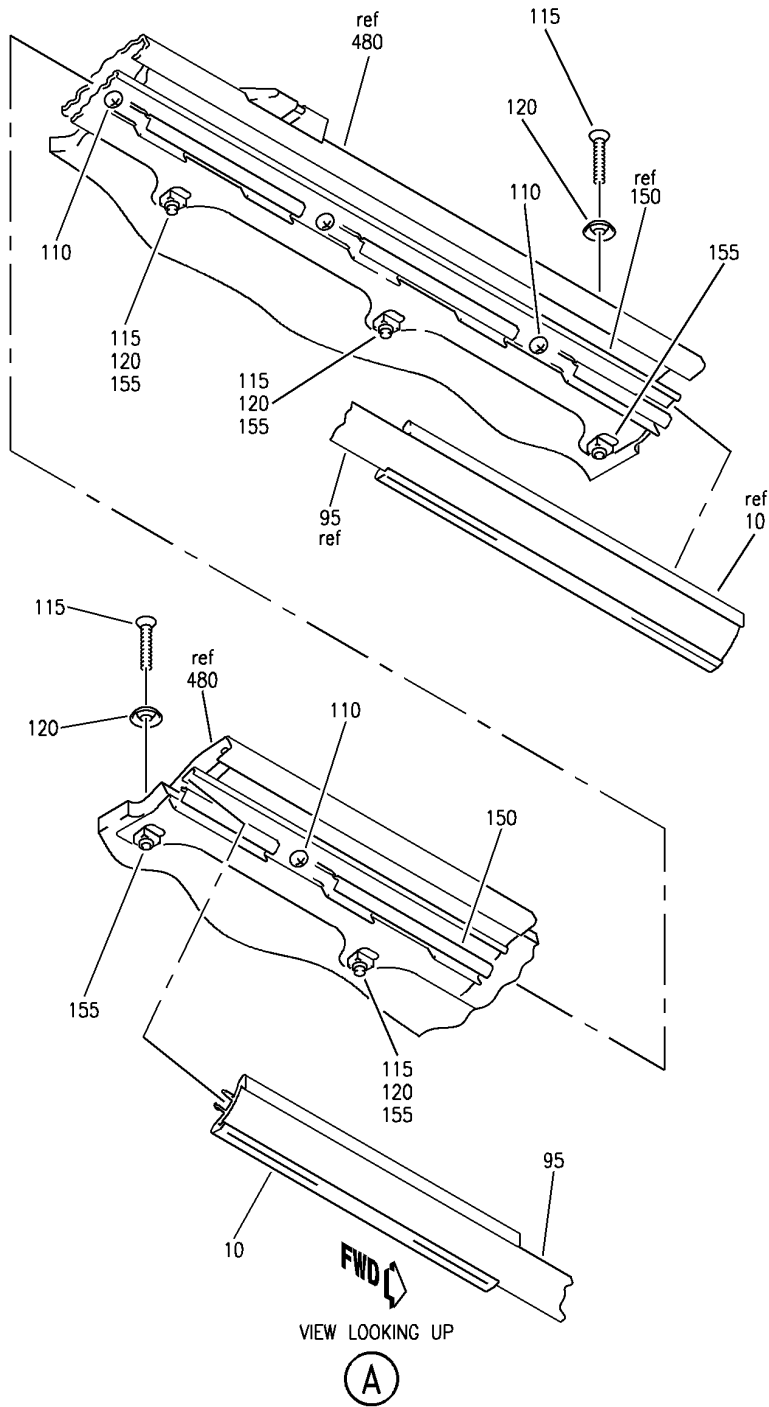
COMPARTMENT ASSY-AFT LH 31 IN. OVHD STOWAGE BULLNOSE CONFIGURATION (EQUIPMENT/ FURNISHINGS ONLY)
 FIGURE 27 (SHEET 1)

HAP
 OCT 15/08

25-24-31-27

25-24-31-27
 PAGE 0

BOEING
 737-600/700/800/900
 PARTS CATALOG (MAINTENANCE)



E 2524-3127 SHT 2 REV 108

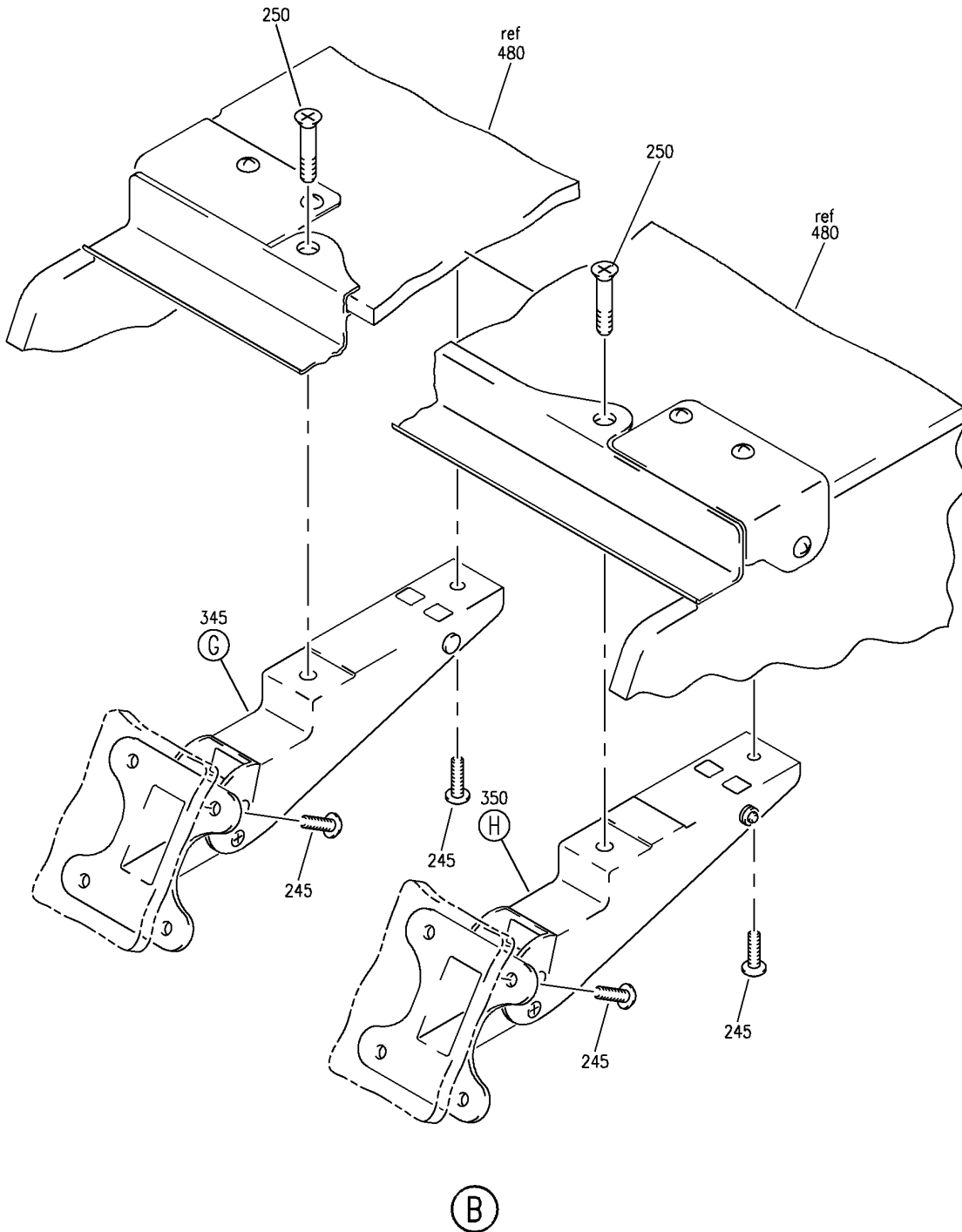
COMPARTMENT ASSY-AFT LH 31 IN. OVHD STOWAGE BULLNOSE CONFIGURATION (EQUIPMENT/ FURNISHINGS ONLY)
 FIGURE 27 (SHEET 2)

HAP
 OCT 15/08

25-24-31-27

25-24-31-27
 PAGE 0A

BOEING
737-600/700/800/900
PARTS CATALOG (MAINTENANCE)



E 2524-3127 SHT 3 REV 108

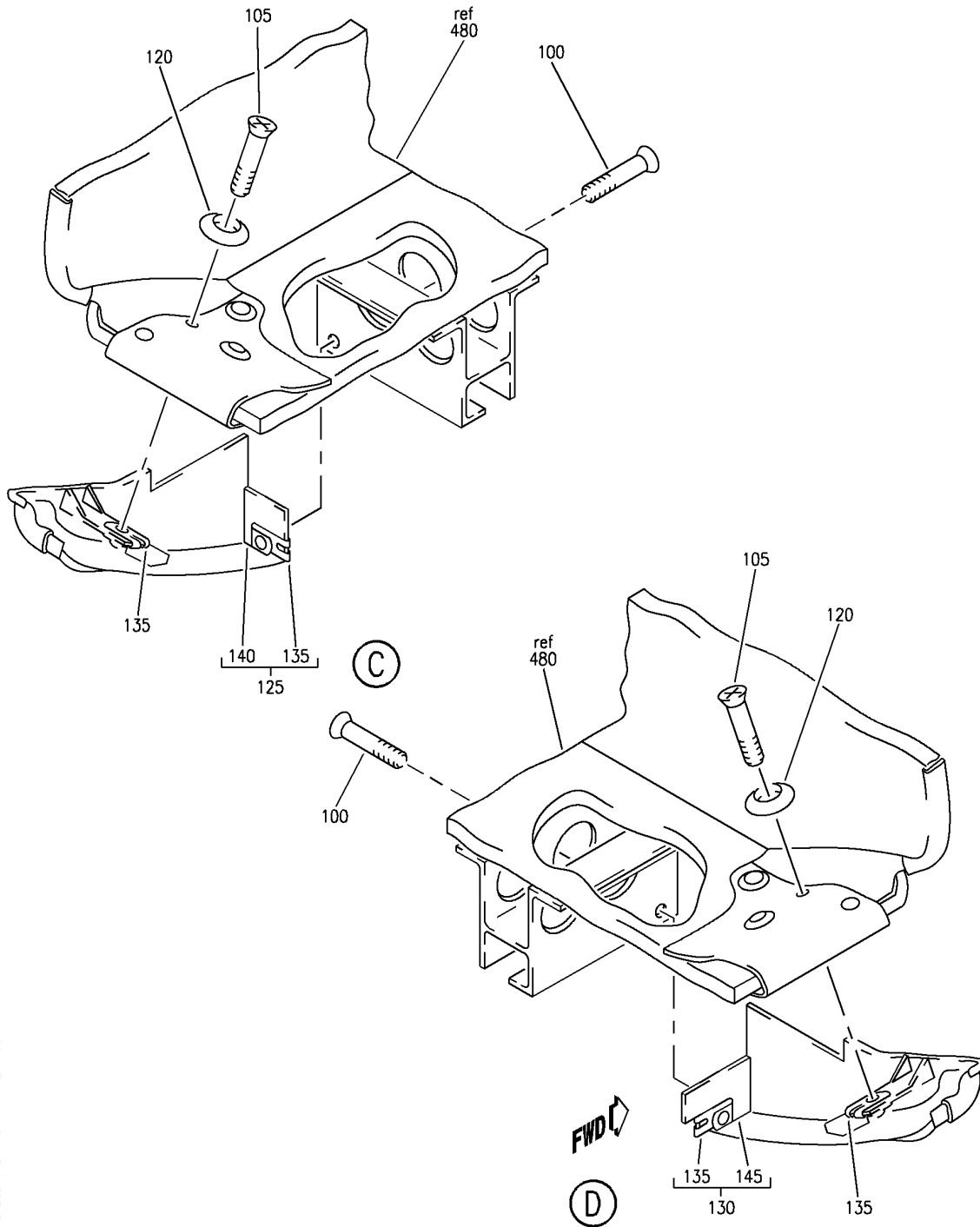
COMPARTMENT ASSY-AFT LH 31 IN. OVHD STOWAGE BULLNOSE CONFIGURATION (EQUIPMENT/ FURNISHINGS ONLY)
FIGURE 27 (SHEET 3)

HAP
OCT 15/08

25-24-31-27

25-24-31-27
PAGE 0B

BOEING
 737-600/700/800/900
 PARTS CATALOG (MAINTENANCE)



E 2524-3127 SHT 4 REV 108

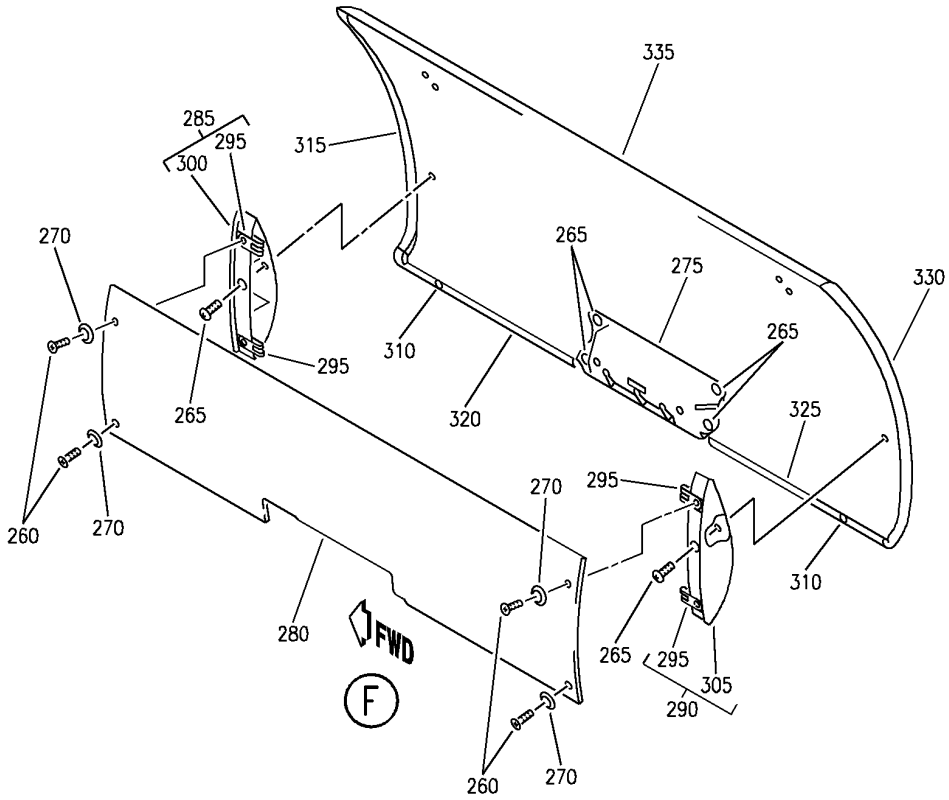
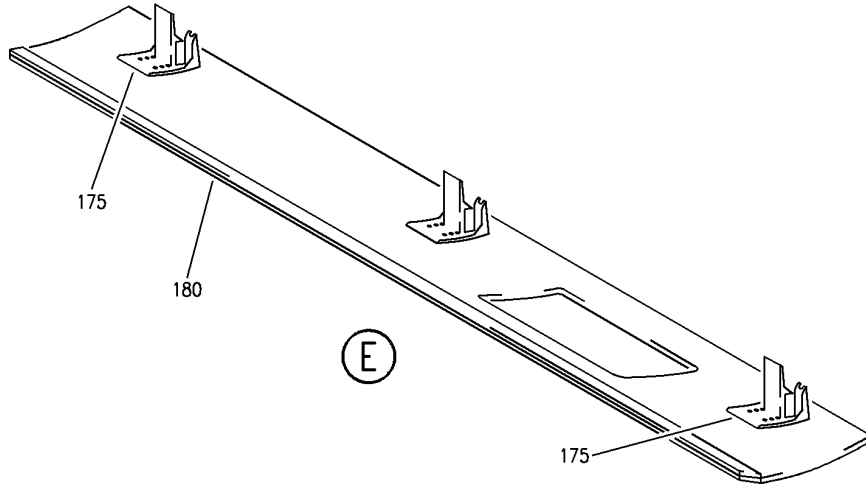
COMPARTMENT ASSY-AFT LH 31 IN. OVHD STOWAGE BULLNOSE CONFIGURATION (EQUIPMENT/ FURNISHINGS ONLY)
 FIGURE 27 (SHEET 4)

25-24-31-27

HAP
 OCT 15/08

25-24-31-27
 PAGE 0C

BOEING
 737-600/700/800/900
 PARTS CATALOG (MAINTENANCE)



E 2524-3127 SHT 5 REV 108

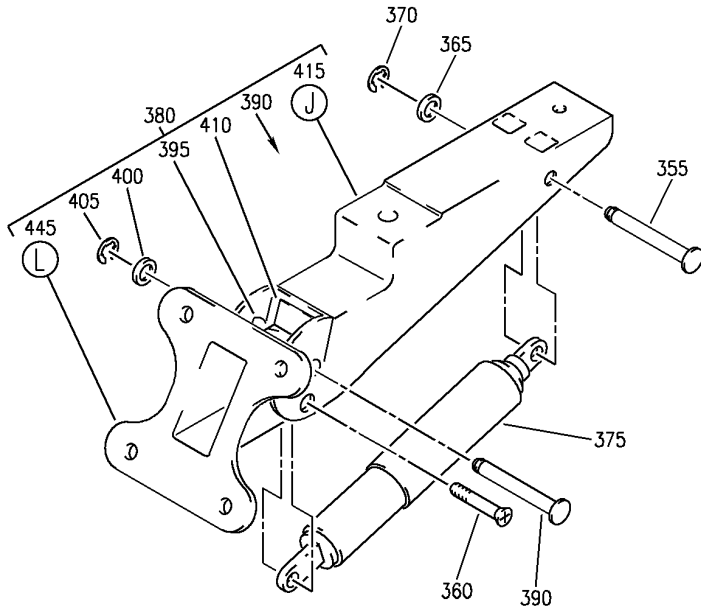
COMPARTMENT ASSY-AFT LH 31 IN. OVHD STOWAGE BULLNOSE CONFIGURATION (EQUIPMENT/ FURNISHINGS ONLY)
 FIGURE 27 (SHEET 5)

HAP
 OCT 15/08

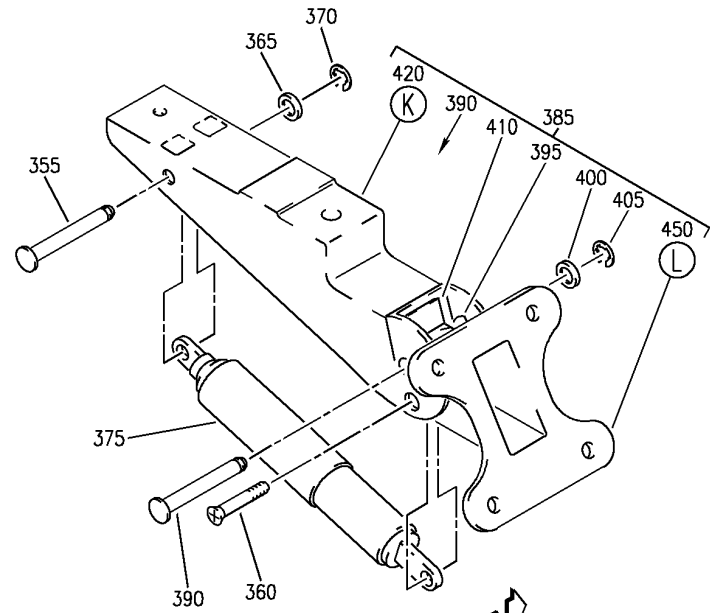
25-24-31-27

25-24-31-27
 PAGE 0D

BOEING
737-600/700/800/900
PARTS CATALOG (MAINTENANCE)



(G)



(H)

E 2524-3127 SHT 6 REV 108

COMPARTMENT ASSY-AFT LH 31 IN. OVHD STOWAGE BULLNOSE CONFIGURATION (EQUIPMENT/ FURNISHINGS ONLY)
 FIGURE 27 (SHEET 6)

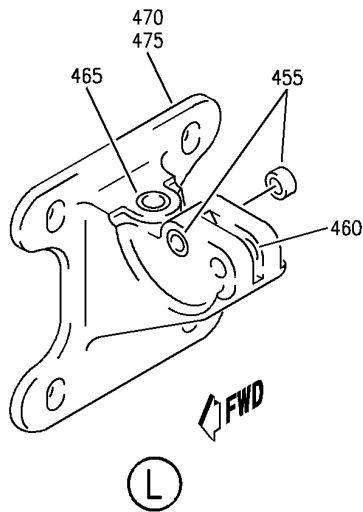
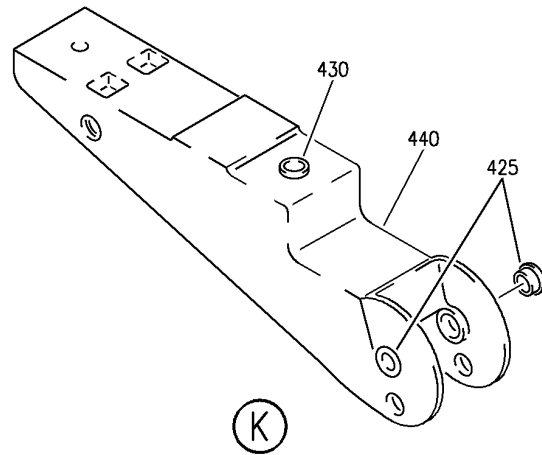
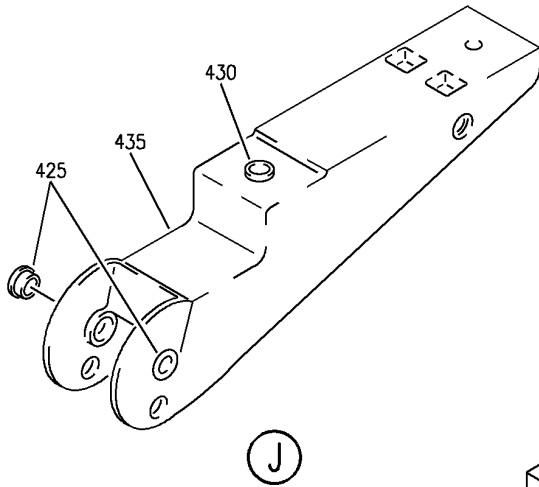
25-24-31-27

HAP
 OCT 15/08

25-24-31-27
 PAGE 0E

BOEING PROPRIETARY - Copyright © - Unpublished Work - See title page for details.

BOEING
 737-600/700/800/900
 PARTS CATALOG (MAINTENANCE)



E 25243127 SH7 7 REV 108

COMPARTMENT ASSY-AFT LH 31 IN. OVHD STOWAGE BULLNOSE CONFIGURATION (EQUIPMENT/ FURNISHINGS ONLY)
 FIGURE 27 (SHEET 7)

HAP
 OCT 15/08

25-24-31-27

25-24-31-27
 PAGE OF

BOEING
737-600/700/800/900
PARTS CATALOG (MAINTENANCE)

FIG ITEM	PART NUMBER	1 2 3 4 5 6 7	NOMENCLATURE	EFFECT FROM TO	UNITS PER ASSY
27			COMPARTMENT ASSY-AFT LH 31 IN. OVHD STOWAGE BULLNOSE CONFIGURATION (EQUIPMENT/FURNISHINGS ONLY)	201967	
- 5	412A1170-119SP		COMPARTMENT ASSY-31 IN. OVHD STOWAGE BULLNOSE CONFIGURATION (EQUIPMENT/FURNISHINGS ONLY) POSITION DATA: AFT LH FOR NHA/OTHER SYS DET SEE: 25-24-30-37	202967	RF
- 5	412A1170-319B		COMPARTMENT ASSY-31 IN. OVHD STOWAGE BULLNOSE CONFIGURATION (EQUIPMENT/FURNISHINGS ONLY) POSITION DATA: AFT LH FOR NHA/OTHER SYS DET SEE: 25-24-30-37	201201	RF
10	412A1420-2SP		.EXTRUSION-SEAT ROW MARKER	202967	1
10	412A1420-2A		.EXTRUSION-SEAT ROW MARKER	201201	1
95	412A1451-2SP		.STRIP-	202967	1
95	412A1451-2BCWK		.STRIP-	201201	1
100	BACB30VF3K3		.BOLT	201967	2
105	BACS12ER3K11		.SCREW-	201967	2
110	BACS12FA3K5		.SCREW	201967	4
115	BACS12ER3K14		.SCREW	201967	5
120	H3-1233A3		.WASHER- SUPPLIER CODE: V34941 SPECIFICATION NUMBER: S411A001-1	201967	7
125	412A1465-5SP		.CLOSEOUT ASSY- POSITION DATA: LH	202967	1
125	412A1465-5A		.CLOSEOUT ASSY- POSITION DATA: LH	201201	1
130	412A1465-6SP		.CLOSEOUT ASSY- POSITION DATA: RH	202967	1
130	412A1465-6A		.CLOSEOUT ASSY- POSITION DATA: RH	201201	1
135	BACN10VR4CGN		..NUT- OPTIONAL PART: BACN10VR4CG	201967	2

MISSING ITEM NUMBERS NOT APPLICABLE

- ITEM NOT ILLUSTRATED

HAP

25-24-31-27

25-24-31
FIG. 27
PAGE 1
OCT 15/08

BOEING
737-600/700/800/900
PARTS CATALOG (MAINTENANCE)

FIG ITEM	PART NUMBER	1 2 3 4 5 6 7	NOMENCLATURE	EFFECT FROM TO	UNITS PER ASSY
27 135	BACN10VR4CG	..	NUT- OPTIONAL PART: BACN10VR4CGN	201967	2
140	412A1465-7SP	..	CLOSEOUT- POSITION DATA: LH SIDE	201967	1
145	412A1465-8SP	..	CLOSEOUT- POSITION DATA: RH SIDE	201967	1
150	412A1244-10	.	EXTRUSION ASSY	201967	1
155	FS1651-3	..	NUTPLATE SUPPLIER CODE: V15653 SPECIFICATION NUMBER: BACN10KH3CD OPTIONAL PART: 102F9209M3 V72962 NS202496-02 V80539	201967	5
- 160	BACR15BA3ADC	..	RIVET- SIZE DETERMINED ON INSTL. -----*----- ATTACHING PARTS	201967	10
170	412A1605-57SP	.	COVER ASSY-	201967	1
175	412A1460-2	..	CLIP	201967	3
180	412A1615-57SP	..	PANEL ASSY	201967	1
- 220	OBA8	.	PLUG- SUPPLIER CODE: VOBV87	202967	AR
- 222	OBA8	.	PLUG- SUPPLIER CODE: VOBV87 OPTIONAL PART: 412A1811-2B 412A1100-96 412A1811-1B	201201	30
- 225	412A1811-1B	.	PLUG- OPTIONAL PART: 412A1100-96 OBA8 VOBV87 412A1811-2B	201201	30
- 225	412A1811-2B	.	PLUG- OPTIONAL PART: 412A1100-96 OBA8 VOBV87 412A1811-1B	201201	30

MISSING ITEM NUMBERS NOT APPLICABLE

- ITEM NOT ILLUSTRATED

HAP

25-24-31-27

25-24-31
FIG. 27
PAGE 2
OCT 15/08

BOEING
737-600/700/800/900
PARTS CATALOG (MAINTENANCE)

FIG ITEM	PART NUMBER	1 2 3 4 5 6 7	NOMENCLATURE	EFFECT FROM TO	UNITS PER ASSY
27					
- 230	412A1100-96		.KIT ASSY-SCR AND WASHER OPTIONAL PART: 412A1811-2B OBA8 VOBV87 412A1811-1B	201201	30
- 235	NAS514P1032-5		..SCREW	201201	1
- 240	H3-1233A3		..WASHER- SUPPLIER CODE: V34941 SPECIFICATION NUMBER: S411A001-1	201201	1
245	BACS12FA3K6		.SCREW	201967	10
250	BACB30VF3K8		.BOLT	201967	2
255	412A1500-24SP		.DOOR ASSY-30.60 IN.	202967	1
255	412A1500-124SP		.DOOR ASSY-30.60 IN.	201201	1
260	BACS12ER3K9		..SCREW	201967	4
265	BACS12FA3K4		..SCREW	201967	6
270	H3-1233A3		..WASHER- SUPPLIER CODE: V34941 SPECIFICATION NUMBER: S411A001-1	201967	4
275	HA225-1		..LATCH ASSY- SUPPLIER CODE: V83014 SPECIFICATION NUMBER: S412A001-1A	201967	1
275	HA225-7		..LATCH ASSY- SUPPLIER CODE: V83014 SPECIFICATION NUMBER: S412A001-11B	201967	1
280	412A1615-112SP		..PANEL ASSY-FILLER OPTIONAL PART: 412A1615-1112SP	201967	1
280	412A1615-1112SP		..PANEL ASSY-FILLER OPTIONAL PART: 412A1615-112SP	201201	1
285	412A1480-3SP		..BRACKET ASSY	201967	1
290	412A1480-4SP		..BRACKET ASSY	201967	1
295	BACN10VR4CGN		...NUT	201967	2
300	412A1480-1SP		...BRACKET- USED ON: 412A1480-3SP	201967	1
305	412A1480-2SP		...BRACKET- USED ON: 412A1480-4SP	201967	1
310	412A1810-1SP		..BUMPER	201967	2

MISSING ITEM NUMBERS NOT APPLICABLE

- ITEM NOT ILLUSTRATED

HAP

25-24-31-27

25-24-31
FIG. 27
PAGE 3
OCT 15/08

BOEING
737-600/700/800/900
PARTS CATALOG (MAINTENANCE)

FIG ITEM	PART NUMBER	1 2 3 4 5 6 7	NOMENCLATURE	EFFECT FROM TO	UNITS PER ASSY
27					
315	412A1450-7SP	..	TRIM-EDGE	201967	1
320	412A1450-9SP	..	TRIM-EDGE	201967	1
325	412A1450-6SP	..	TRIM-EDGE	201967	1
330	412A1450-4SP	..	TRIM-EDGE	201967	1
335	412A1510-26SP	..	PANEL ASSY	201967	1
- 340	SL618-3A	...	INSERT- SUPPLIER CODE: V97393	201967	14
345	412A1100-51SP	.HINGE	ASSY-COLLECTOR	201967	1
350	412A1100-54SP	.HINGE	ASSY-COLLECTOR	201967	1
355	412A1230-21	..	PIN	201967	1
360	BACB30VF3K7	..	BOLT	201967	1
365	NAS1149D0316J	..	WASHER	201967	1
370	MS16633-4018	..	RING	201967	1
375	SP20522	..	ACTUATOR ASSY- SUPPLIER CODE: V24403 SPECIFICATION NUMBER: S412A002-2	201967	1
380	412A1455-1SP	..HINGE	ASSY- USED ON: 412A1100-51SP	201967	1
385	412A1455-4SP	..HINGE	ASSY- USED ON: 412A1100-54SP	201967	1
390	412A1230-21	...	PIN	201967	1
395	MS51023-54	...	SCREW	201967	1
400	NAS1149D0316J	...	WASHER	201967	1
405	MS16633-4018	...	RING	201967	1
410	412A1220-1	...	CLIP	201967	1
415	412A1454-3SP	...	HOUSING ASSY- USED ON: 412A1455-1SP	201967	1
420	412A1454-12SP	...	HOUSING ASSY- USED ON: 412A1455-4SP	201967	1
425	BACB28Y3F020	BUSHING	201967	2
430	6041L3BR375	INSERT- SUPPLIER CODE: V01556	201967	1
435	412A1454-1SP	HOUSING- USED ON: 412A1454-3SP	201967	1
440	412A1454-11SP	HOUSING- USED ON: 412A1454-12SP	201967	1
445	412A1454-9SP	...	BRACKET ASSY- USED ON: 412A1455-1SP	201967	1

MISSING ITEM NUMBERS NOT APPLICABLE

- ITEM NOT ILLUSTRATED

HAP

25-24-31-27

25-24-31
FIG. 27
PAGE 4
OCT 15/08

BOEING
737-600/700/800/900
PARTS CATALOG (MAINTENANCE)

FIG ITEM	PART NUMBER	1 2 3 4 5 6 7	NOMENCLATURE	EFFECT FROM TO	UNITS PER ASSY
27					
450	412A1454-10SP	...	BRACKET ASSY- USED ON: 412A1455-4SP	201967	1
455	BACB28Y3F025	BUSHING	201967	2
460	6041-3BR225	INSERT- SUPPLIER CODE: V01556	201967	1
465	6041L3BR375	INSERT- SUPPLIER CODE: V01556	201967	1
470	412A1454-7SP	BRACKET- USED ON: 412A1454-9SP	201967	1
475	412A1454-8SP	BRACKET- USED ON: 412A1454-10SP	201967	1
480	412A1250-119A	.BOX	ASSY-31 IN. BIN OPTIONAL PART: 412A1250-1119B FOR DETAILS SEE: 25-24-32-30F	201967	1
480	412A1250-1119B	.BOX	ASSY-31 IN. BIN OPTIONAL PART: 412A1250-119A FOR DETAILS SEE: 25-24-32-30F	201967	1

MISSING ITEM NUMBERS NOT APPLICABLE

— ITEM NOT ILLUSTRATED

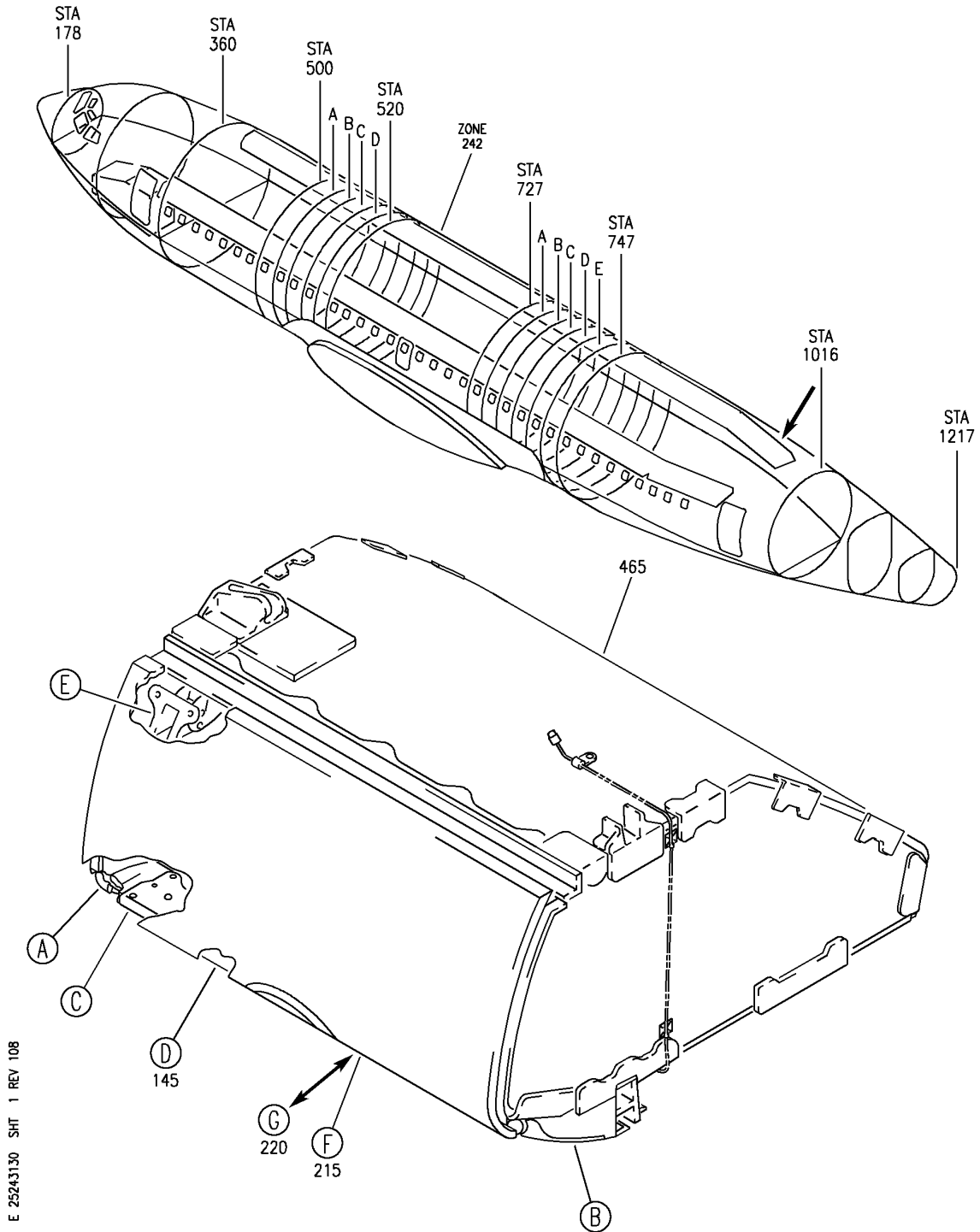
HAP

25-24-31-27

BOEING PROPRIETARY - Copyright © - Unpublished Work - See title page for details.

25-24-31
FIG. 27
PAGE 5
JUN 15/09

BOEING
 737-600/700/800/900
 PARTS CATALOG (MAINTENANCE)



E 2524-31-30 SHT 1 REV 108

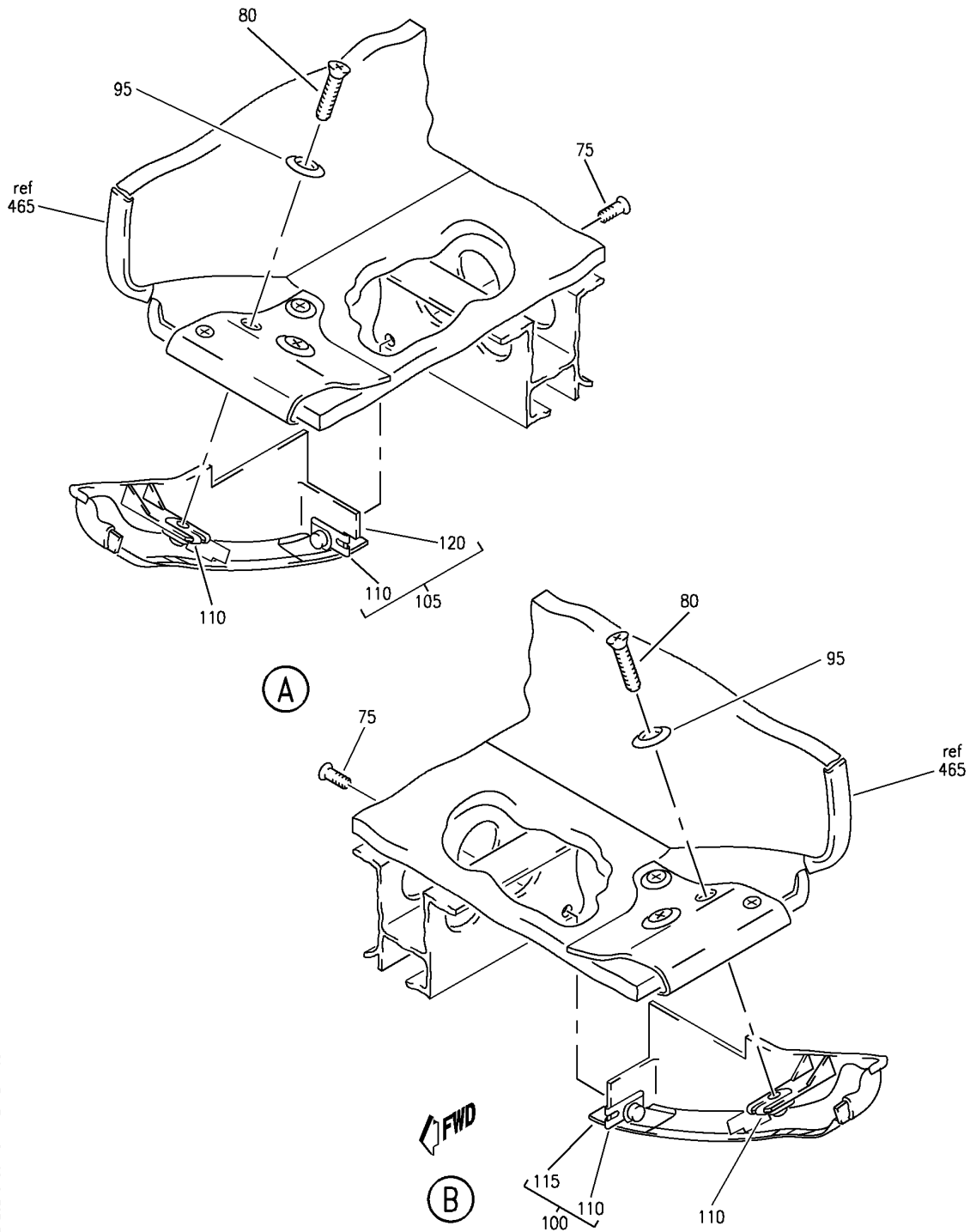
COMPARTMENT ASSY-AFT RH 31 IN. OVHD STOWAGE BULLNOSE CONFIGURATION (EQUIPMENT/ FURNISHINGS ONLY)
 FIGURE 30 (SHEET 1)

HAP
 OCT 15/08

25-24-31-30

25-24-31-30
 PAGE 0

BOEING
 737-600/700/800/900
 PARTS CATALOG (MAINTENANCE)



E 2524-31-30 SHT 2 REV 108

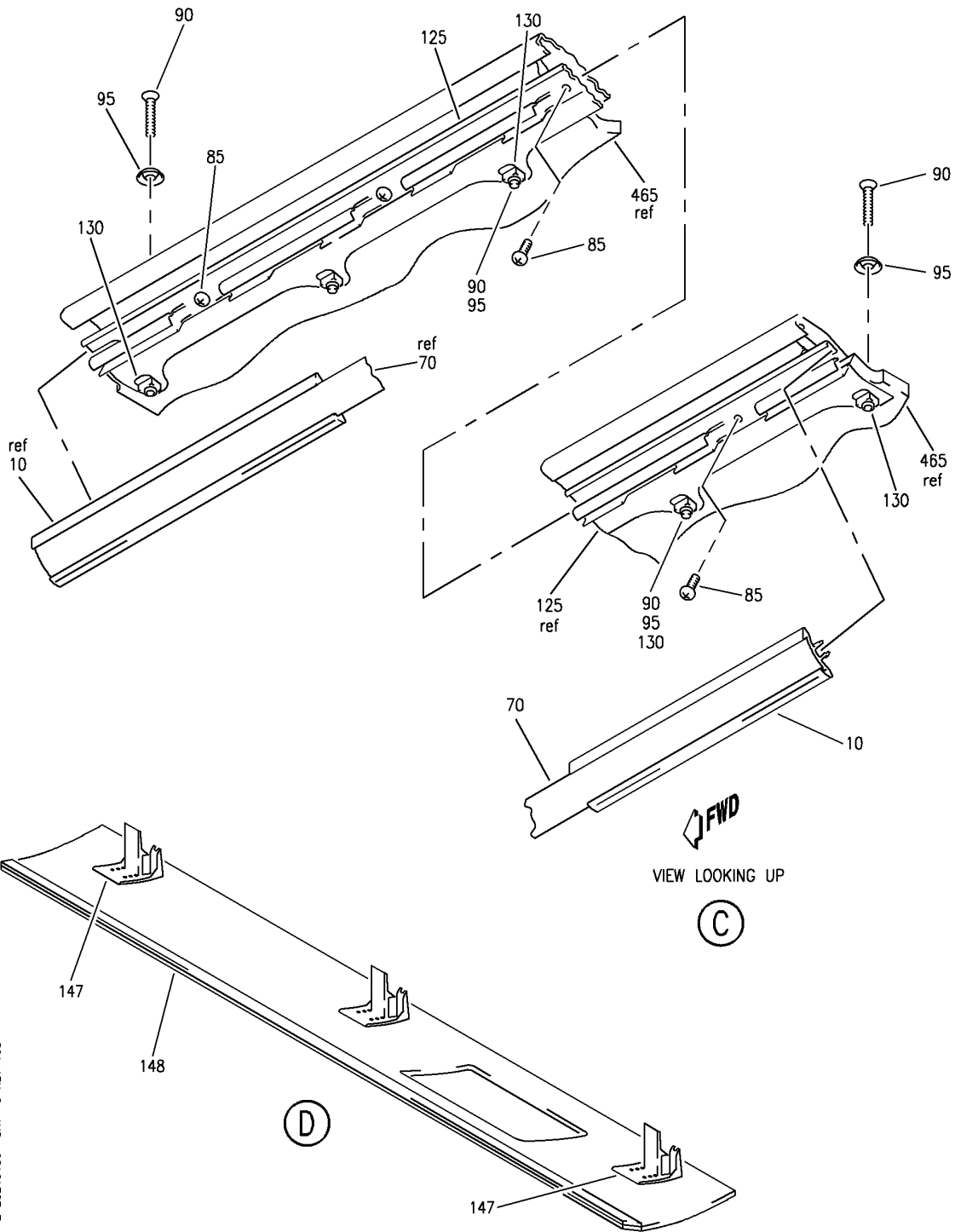
COMPARTMENT ASSY-AFT RH 31 IN. OVHD STOWAGE BULLNOSE CONFIGURATION (EQUIPMENT/ FURNISHINGS ONLY)
 FIGURE 30 (SHEET 2)

25-24-31-30

HAP
 OCT 15/08

25-24-31-30
 PAGE 0A

BOEING
 737-600/700/800/900
 PARTS CATALOG (MAINTENANCE)



E 2524-31-30 SHT 3 REV 108

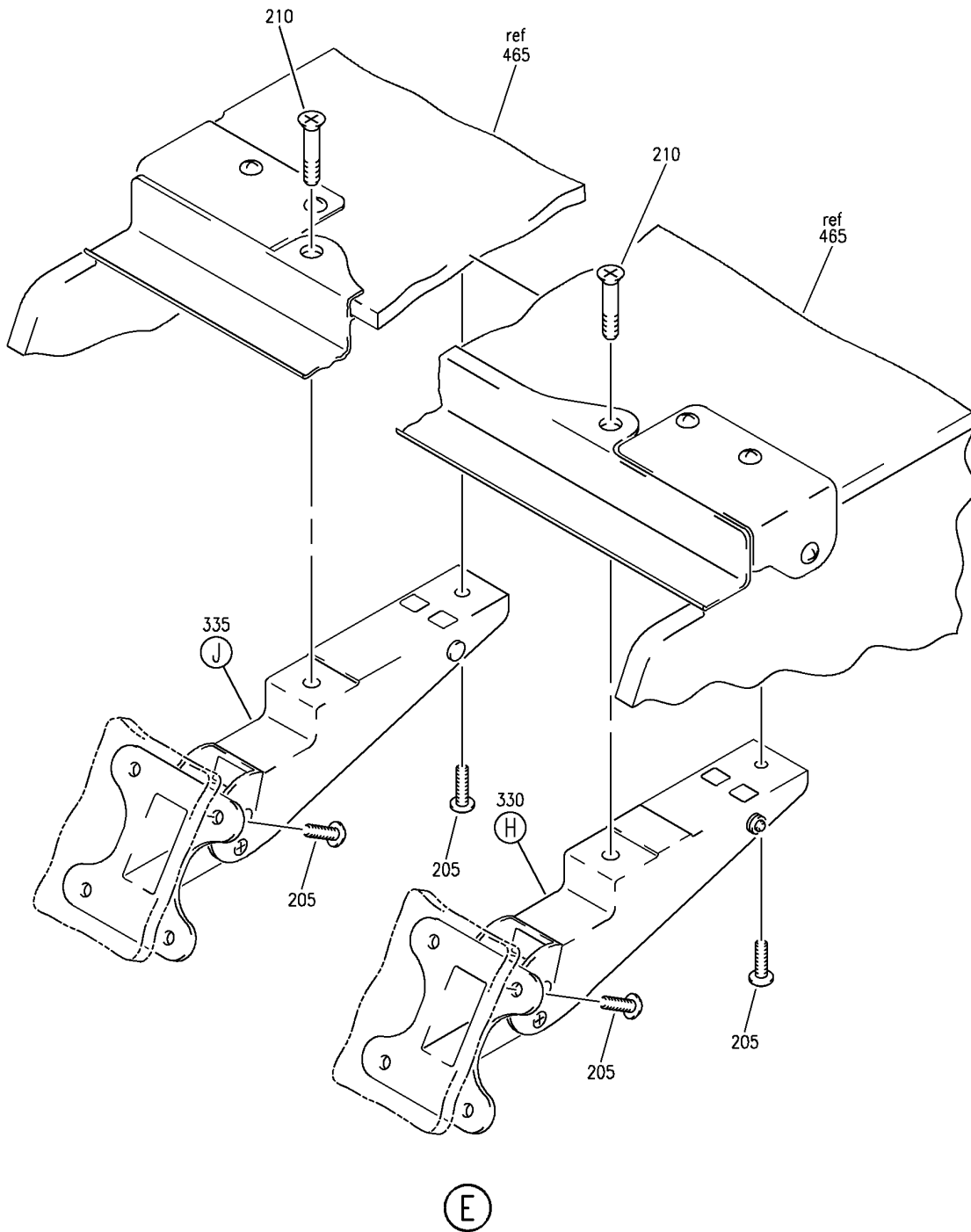
COMPARTMENT ASSY-AFT RH 31 IN. OVHD STOWAGE BULLNOSE CONFIGURATION (EQUIPMENT/ FURNISHINGS ONLY)
 FIGURE 30 (SHEET 3)

25-24-31-30

HAP
 OCT 15/08

25-24-31-30
 PAGE 0B

BOEING
 737-600/700/800/900
 PARTS CATALOG (MAINTENANCE)



E 2524-31-30 SHT 4 REV 108

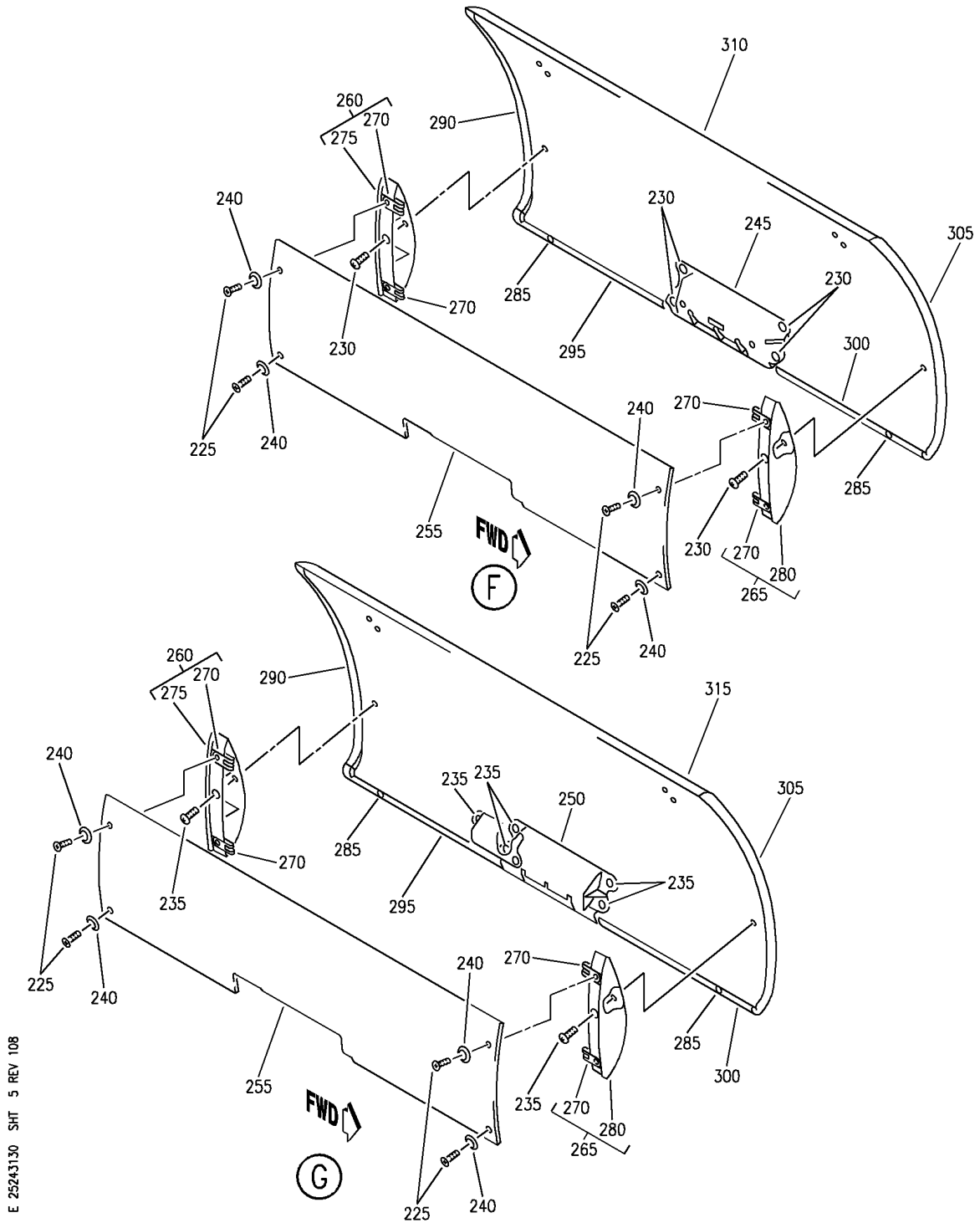
COMPARTMENT ASSY-AFT RH 31 IN. OVHD STOWAGE BULLNOSE CONFIGURATION (EQUIPMENT/ FURNISHINGS ONLY)
 FIGURE 30 (SHEET 4)

25-24-31-30

HAP
 OCT 15/08

25-24-31-30
 PAGE 0C

BOEING
 737-600/700/800/900
 PARTS CATALOG (MAINTENANCE)



E 2524-31-30 SHT 5 REV 108

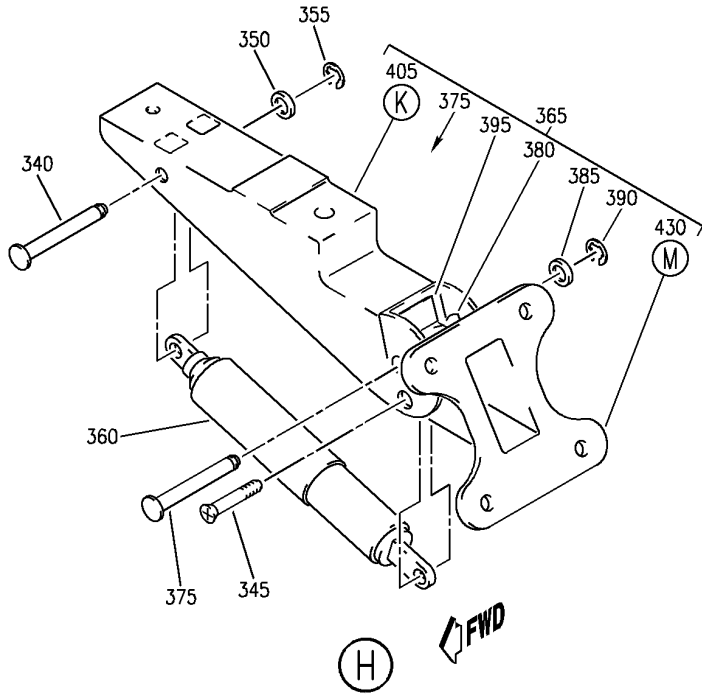
COMPARTMENT ASSY-AFT RH 31 IN. OVHD STOWAGE BULLNOSE CONFIGURATION (EQUIPMENT/ FURNISHINGS ONLY)
 FIGURE 30 (SHEET 5)

HAP
 OCT 15/08

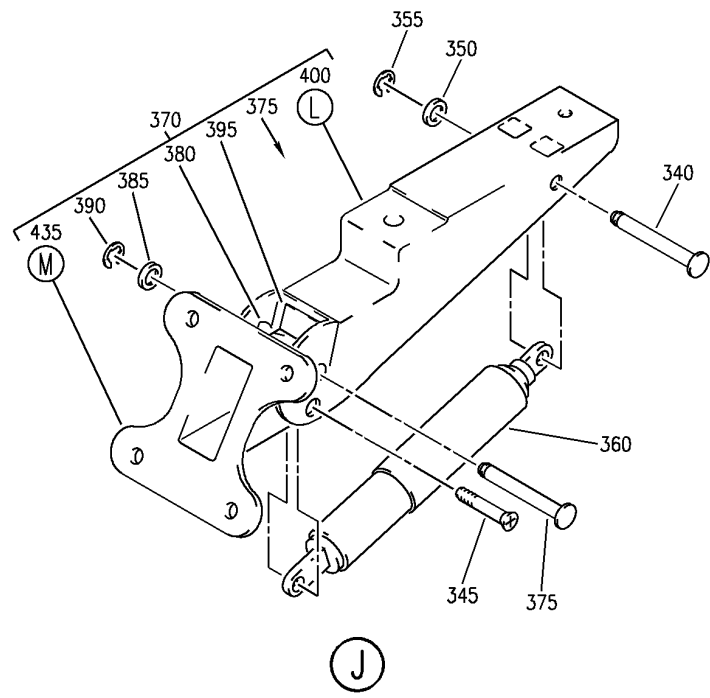
25-24-31-30

25-24-31-30
 PAGE 08

BOEING
 737-600/700/800/900
 PARTS CATALOG (MAINTENANCE)



(H) FWD



(J)

E 2524-31-30 SHT 6 REV 108

COMPARTMENT ASSY-AFT RH 31 IN. OVHD STOWAGE BULLNOSE CONFIGURATION (EQUIPMENT/ FURNISHINGS ONLY)
 FIGURE 30 (SHEET 6)

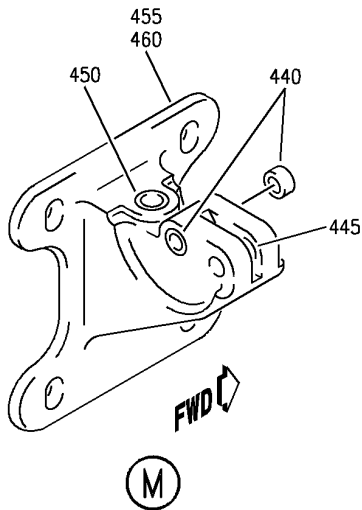
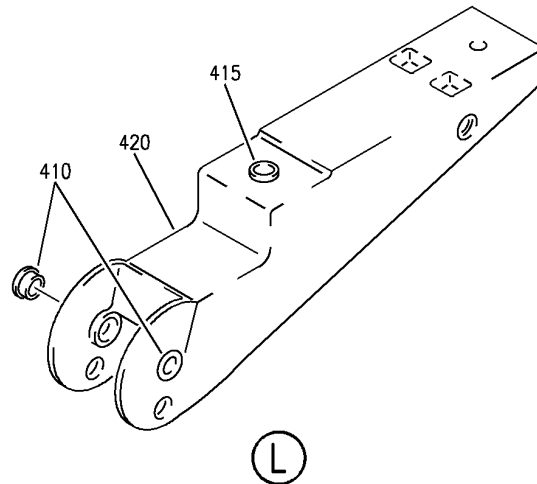
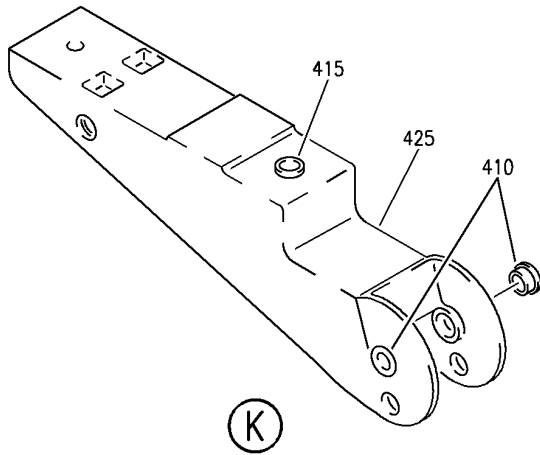
25-24-31-30

HAP
 OCT 15/08

25-24-31-30
 PAGE 0E

BOEING PROPRIETARY - Copyright © - Unpublished Work - See title page for details.

BOEING
 737-600/700/800/900
 PARTS CATALOG (MAINTENANCE)



E 2524-31-30 SH7 7 REV 108

COMPARTMENT ASSY-AFT RH 31 IN. OVHD STOWAGE BULLNOSE CONFIGURATION (EQUIPMENT/ FURNISHINGS ONLY)
 FIGURE 30 (SHEET 7)

HAP
 OCT 15/08

25-24-31-30

25-24-31-30
 PAGE OF

BOEING
737-600/700/800/900
PARTS CATALOG (MAINTENANCE)

FIG ITEM	PART NUMBER	1 2 3 4 5 6 7	NOMENCLATURE	EFFECT FROM TO	UNITS PER ASSY
30			COMPARTMENT ASSY-AFT RH 31 IN. OVHD STOWAGE BULLNOSE CONFIGURATION (EQUIPMENT/FURNISHINGS ONLY)	201967	
- 1	412A1170-120SP		COMPARTMENT ASSY-31 IN. OVHD STOWAGE BULLNOSE CONFIGURATION (EQUIPMENT/FURNISHINGS ONLY) POSITION DATA: AFT RH FOR NHA SEE: 25-24-30-49	202967	RF
- 1	412A1170-320B		COMPARTMENT ASSY-31 IN. OVHD STOWAGE BULLNOSE CONFIGURATION (EQUIPMENT/FURNISHINGS ONLY) POSITION DATA: AFT RH FOR NHA SEE: 25-24-30-49	201201	RF
10	412A1420-2SP		.EXTRUSION-SEAT ROW MARKER	202967	1
10	412A1420-2A		.EXTRUSION-SEAT ROW MARKER	201201	1
70	412A1451-2SP		.STRIP-	202967	1
70	412A1451-2BCWK		.STRIP-	201201	1
75	BACB30VF3K3		.BOLT	201967	2
80	BACS12ER3K11		.SCREW	201967	2
85	BACS12FA3K5		.SCREW	201967	4
90	BACS12ER3K14		.SCREW	201967	5
95	H3-1233A3		.WASHER- SUPPLIER CODE: V34941 SPECIFICATION NUMBER: S411A001-1	201967	7
100	412A1465-5SP		.CLOSEOUT ASSY- POSITION DATA: LH	202967	1
100	412A1465-5A		.CLOSEOUT ASSY- POSITION DATA: LH	201201	1
105	412A1465-6SP		.CLOSEOUT ASSY- POSITION DATA: RH	202967	1
105	412A1465-6A		.CLOSEOUT ASSY- POSITION DATA: RH	201201	1
110	BACN10VR4CGN		..NUT- OPTIONAL PART: BACN10VR4CG	201967	2

MISSING ITEM NUMBERS NOT APPLICABLE

- ITEM NOT ILLUSTRATED

HAP

25-24-31-30

BOEING PROPRIETARY - Copyright © - Unpublished Work - See title page for details.

25-24-31
FIG. 30
PAGE 1
OCT 15/08

BOEING
737-600/700/800/900
PARTS CATALOG (MAINTENANCE)

FIG ITEM	PART NUMBER	1 2 3 4 5 6 7	NOMENCLATURE	EFFECT FROM TO	UNITS PER ASSY
30					
110	BACN10VR4CG	..	NUT- OPTIONAL PART: BACN10VR4CN	201967	2
115	412A1465-7SP	..	CLOSEOUT- POSITION DATA: LH SIDE	202967	1
115	412A1465-7A	..	CLOSEOUT- POSITION DATA: LH SIDE	201201	1
120	412A1465-8SP	..	CLOSEOUT- POSITION DATA: RH SIDE	202967	1
120	412A1465-8A	..	CLOSEOUT- POSITION DATA: RH SIDE	201201	1
125	412A1244-10	.	EXTRUSION ASSY	201967	1
130	FS1651-3	..	NUTPLATE SUPPLIER CODE: V15653 SPECIFICATION NUMBER: BACN10KH3CD OPTIONAL PART: 102F9209M3 V72962 NS202496-02 V80539 ATTACHING PARTS	201967	5
- 135	BACR15BA3ADC	..	RIVET- SIZE DETERMINED ON INSTL. -----*-----	201967	10
145	412A1605-13A	.	COVER ASSY-	201967	1
147	412A1460-2	..	CLIP	201967	3
148	412A1615-13A	..	PANEL ASSY-	201967	1
- 160	OBA8	.	PLUG- SUPPLIER CODE: VOBV87	202967	AR
- 160	OBA8	.	PLUG- SUPPLIER CODE: VOBV87 OPTIONAL PART: 412A1811-1B 412A1100-96 412A1811-2B	201201	AR
- 170	412A1811-1B	.	PLUG- OPTIONAL PART: 412A1100-96 OBA8 VOBV87 412A1811-2B	201201	AR

MISSING ITEM NUMBERS NOT APPLICABLE

- ITEM NOT ILLUSTRATED

HAP

25-24-31-30

BOEING PROPRIETARY - Copyright © - Unpublished Work - See title page for details.

25-24-31
FIG. 30
PAGE 2
OCT 15/08

BOEING
737-600/700/800/900
PARTS CATALOG (MAINTENANCE)

FIG ITEM	PART NUMBER	1 2 3 4 5 6 7	NOMENCLATURE	EFFECT FROM TO	UNITS PER ASSY
30					
- 170	412A1811-2B	. PLUG-		201201	AR
		OPTIONAL PART:			
		412A1100-96			
		412A1811-1B			
		OBA8			
		VOBV87			
- 180	412A1100-96	. KIT ASSY-SCR AND WASHER		201201	30
		OPTIONAL PART:			
		412A1811-1B			
		OBA8			
		VOBV87			
		412A1811-2B			
- 190	NAS514P1032-5	.. SCREW-		201201	1
- 200	H3-1233A3	.. WASHER-		201201	1
		SUPPLIER CODE:			
		V34941			
		SPECIFICATION NUMBER:			
		S411A001-1			
205	BACS12FA3K6	. SCREW		201967	10
210	BACB30VF3K8	. BOLT		201967	2
215	412A1500-23SP	. DOOR ASSY-30.60 IN.		202967	1
215	412A1500-123SP	. DOOR ASSY-30.60 IN.		201201	1
225	BACS12ER3K9	.. SCREW		201967	4
230	BACS12FA3K4	.. SCREW		201967	6
240	H3-1233A3	.. WASHER-		201967	4
		SUPPLIER CODE:			
		V34941			
		SPECIFICATION NUMBER:			
		S411A001-1			
245	HA225-1	.. LATCH ASSY-		201967	1
		SUPPLIER CODE:			
		V83014			
		SPECIFICATION NUMBER:			
		S412A001-1A			
245	HA225-7	.. LATCH ASSY-		201967	1
		SUPPLIER CODE:			
		V83014			
		SPECIFICATION NUMBER:			
		S412A001-11B			
255	412A1615-112SP	.. PANEL ASSY-FILLER		201967	1
		OPTIONAL PART:			
		412A1615-1112SP			
255	412A1615-1112SP	.. PANEL ASSY-FILLER		201201	1
		OPTIONAL PART:			
		412A1615-112SP			
260	412A1480-3SP	.. BRACKET ASSY		201967	1
265	412A1480-4SP	.. BRACKET ASSY		201967	1
270	BACN10VR4CGN	... NUT		201967	2

MISSING ITEM NUMBERS NOT APPLICABLE

- ITEM NOT ILLUSTRATED

HAP

25-24-31-30

BOEING PROPRIETARY - Copyright © - Unpublished Work - See title page for details.

25-24-31
FIG. 30
PAGE 3
OCT 15/08

BOEING
737-600/700/800/900
PARTS CATALOG (MAINTENANCE)

FIG ITEM	PART NUMBER	1 2 3 4 5 6 7	NOMENCLATURE	EFFECT FROM TO	UNITS PER ASSY
30					
275	412A1480-1SP	...	BRACKET- USED ON: 412A1480-3SP	201967	1
280	412A1480-2SP	...	BRACKET- USED ON: 412A1480-4SP	201967	1
285	412A1810-1SP	..	BUMPER	201967	2
290	412A1450-8SP	..	TRIM-EDGE	201967	1
295	412A1450-10SP	..	TRIM-EDGE	201967	1
300	412A1450-5SP	..	TRIM-EDGE	201967	1
305	412A1450-3SP	..	TRIM-EDGE	201967	1
310	412A1510-25SP	..	PANEL ASSY	201967	1
- 320	SL618-3A	...	INSERT- SUPPLIER CODE: V97393	201967	14
330	412A1100-53SP	.HINGE	ASSY-COLLECTOR	201967	1
335	412A1100-52SP	.HINGE	ASSY-COLLECTOR	201967	1
340	412A1230-21	..	PIN	201967	1
345	BACB30VF3K7	..	BOLT	201967	1
350	NAS1149D0316J	..	WASHER	201967	1
355	MS16633-4018	..	RING	201967	1
360	SP20522	..	ACTUATOR ASSY- SUPPLIER CODE: V24403 SPECIFICATION NUMBER: S412A002-2	201967	1
365	412A1455-3SP	..HINGE	ASSY- USED ON: 412A1100-53SP	201967	1
370	412A1455-2SP	..HINGE	ASSY- USED ON: 412A1100-52SP	201967	1
375	412A1230-21	...	PIN	201967	1
380	MS51023-54	...	SCREW	201967	1
385	NAS1149D0316J	...	WASHER	201967	1
390	MS16633-4018	...	RING	201967	1
395	412A1220-1	...	CLIP	201967	1
400	412A1454-3SP	...	HOUSING ASSY- USED ON: 412A1455-2SP	201967	1
405	412A1454-12SP	...	HOUSING ASSY- USED ON: 412A1455-3SP	201967	1
410	BACB28Y3F020	BUSHING	201967	2
415	6041L3BR375	INSERT- SUPPLIER CODE: V01556	201967	1

MISSING ITEM NUMBERS NOT APPLICABLE

- ITEM NOT ILLUSTRATED

HAP

25-24-31-30

25-24-31
FIG. 30
PAGE 4
OCT 15/08

 **BOEING**
737-600/700/800/900
PARTS CATALOG (MAINTENANCE)

FIG ITEM	PART NUMBER	1 2 3 4 5 6 7	NOMENCLATURE	EFFECT FROM TO	UNITS PER ASSY
30					
420	412A1454-1SP	HOUSING- USED ON: 412A1454-3SP	201967	1
425	412A1454-11SP	HOUSING- USED ON: 412A1454-12SP	201967	1
430	412A1454-9SP	...	BRACKET ASSY- USED ON: 412A1455-3SP	201967	1
435	412A1454-10SP	...	BRACKET ASSY- USED ON: 412A1455-2SP	201967	1
440	BACB28Y3F025	BUSHING	201967	2
445	6041-3BR225	INSERT- SUPPLIER CODE: V01556	201967	1
450	6041L3BR375	INSERT- SUPPLIER CODE: V01556	201967	1
455	412A1454-7SP	BRACKET- USED ON: 412A1454-9SP	201967	1
460	412A1454-8SP	BRACKET- USED ON: 412A1454-10SP	201967	1
465	412A1250-120A	.BOX	ASSY-31 IN. BIN OPTIONAL PART: 412A1250-1120B FOR DETAILS SEE: 25-24-32-30A	201967	1
465	412A1250-1120B	.BOX	ASSY-31 IN. BIN OPTIONAL PART: 412A1250-120A FOR DETAILS SEE: 25-24-32-30A	201201	1

MISSING ITEM NUMBERS NOT APPLICABLE

— ITEM NOT ILLUSTRATED

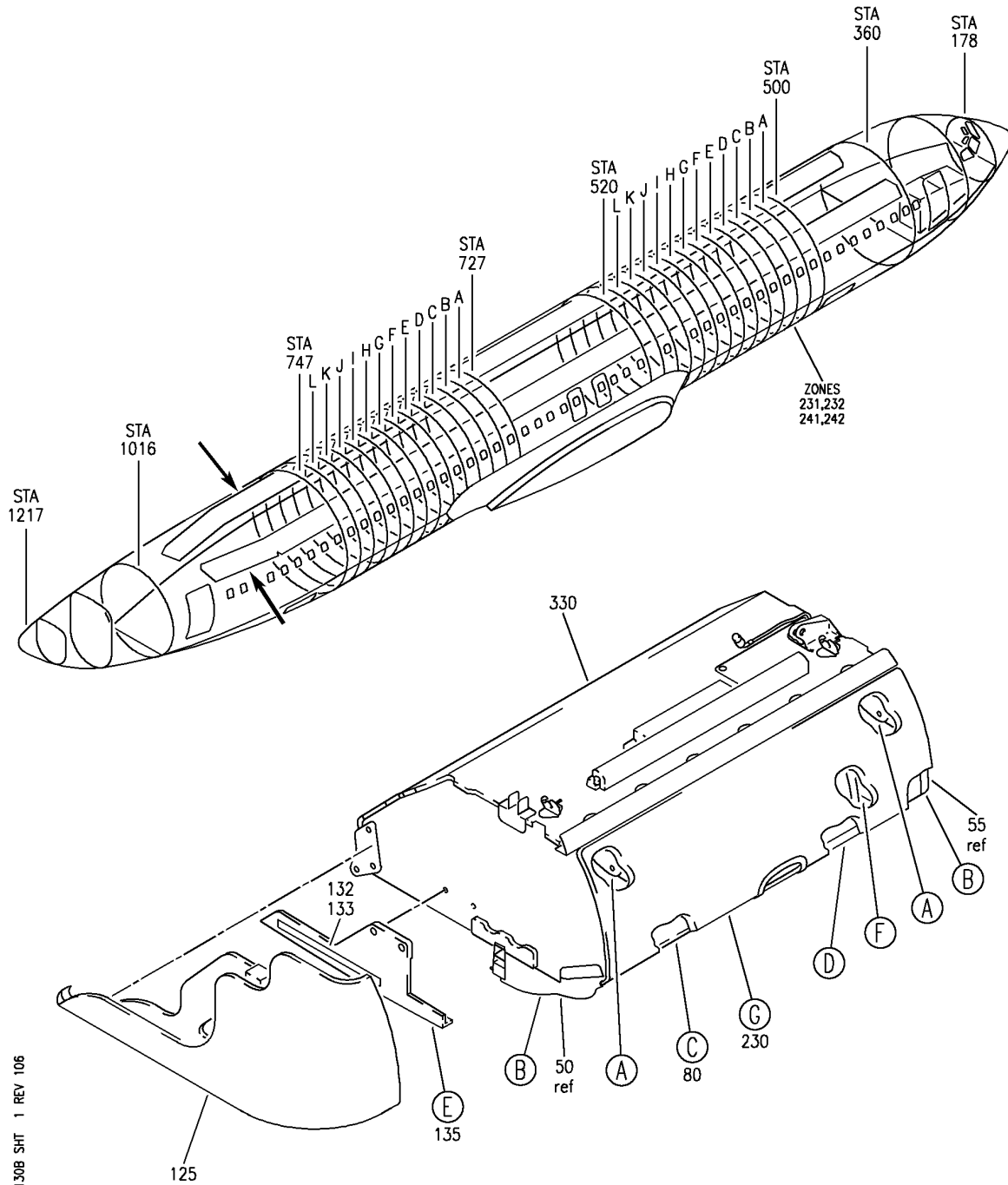
HAP

25-24-31-30

BOEING PROPRIETARY - Copyright © - Unpublished Work - See title page for details.

25-24-31
FIG. 30
PAGE 5
OCT 15/08

BOEING
 737-600/700/800/900
 PARTS CATALOG (MAINTENANCE)



E 2524-31-30B SHT 1 REV 106

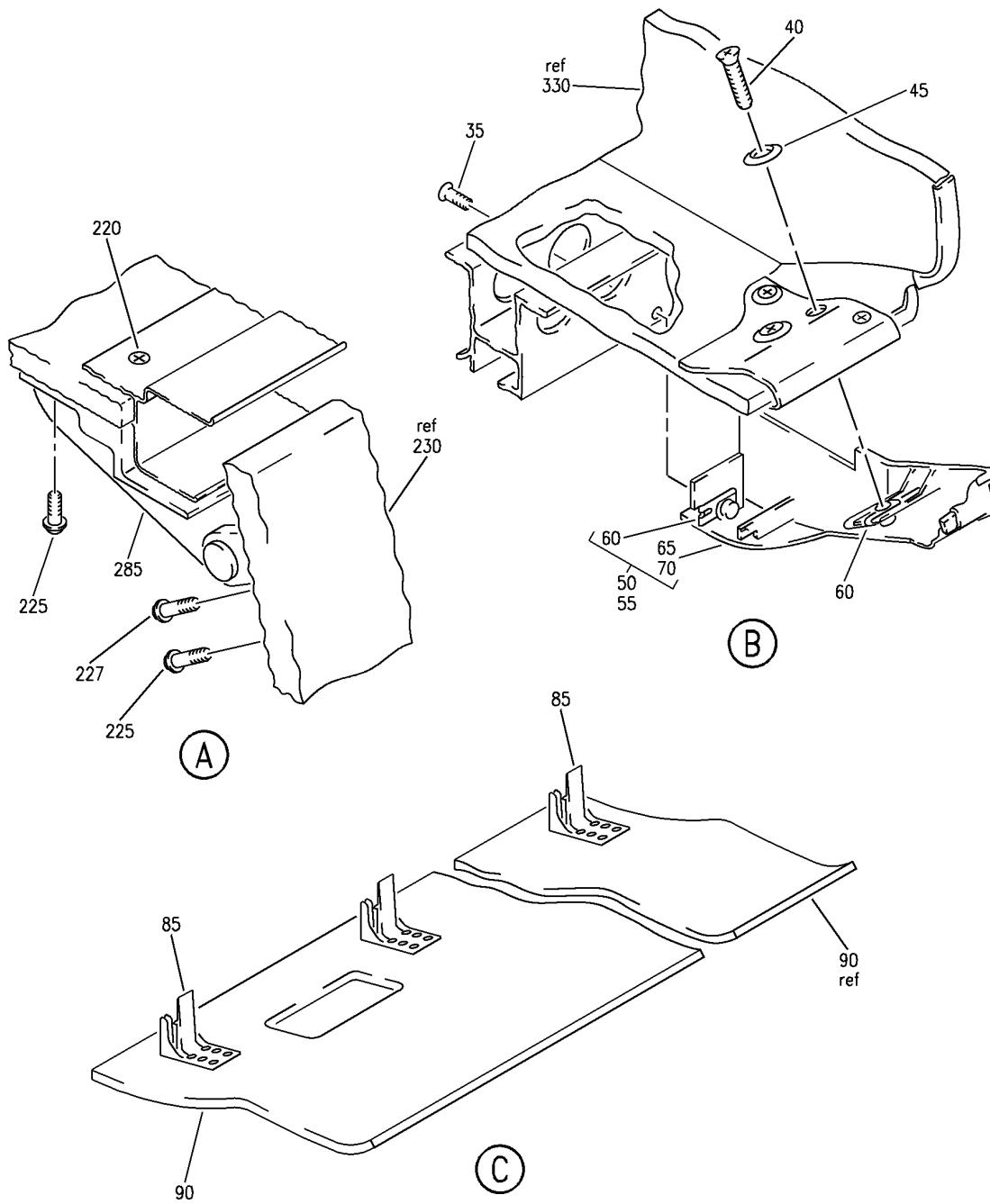
TOP ASSY-AFT LH 31 IN. OVHD STOWAGE BULLNOSE CONFIGURATION
 FIGURE 30B (SHEET 1)

25-24-31-30B

HAP
 OCT 10/06

25-24-31-30B
 PAGE 0

BOEING
 737-600/700/800/900
 PARTS CATALOG (MAINTENANCE)



E 2524-31-30B SHT 2 REV 112

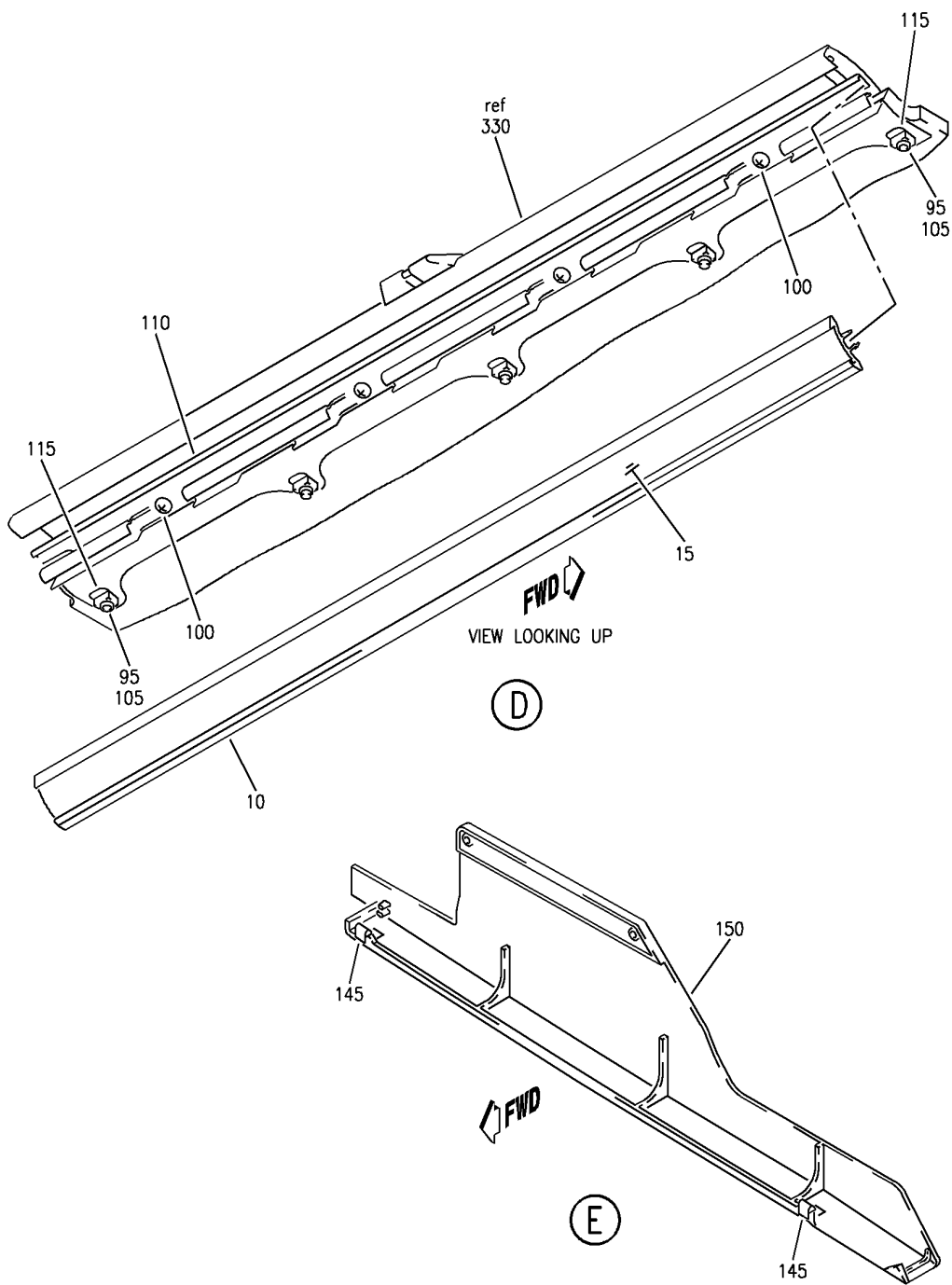
TOP ASSY-AFT LH 31 IN. OVHD STOWAGE BULLNOSE CONFIGURATION
 FIGURE 30B (SHEET 2)

25-24-31-30B

HAP
 OCT 10/06

25-24-31-30B
 PAGE 0A

BOEING
 737-600/700/800/900
 PARTS CATALOG (MAINTENANCE)



E 2524-31-30B SHT 3 REV 106

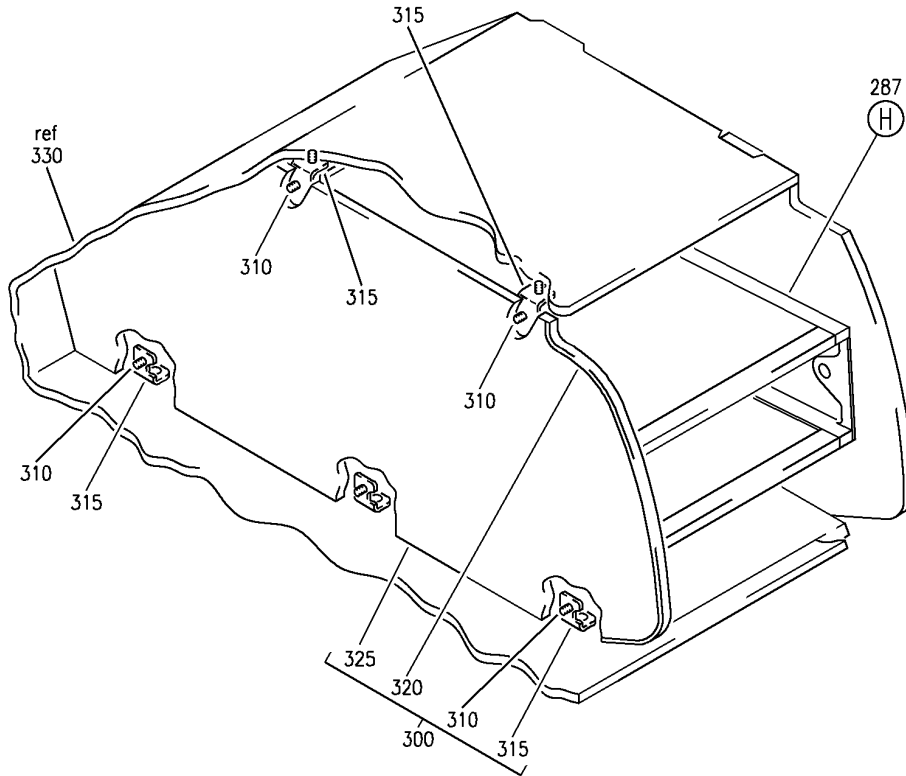
TOP ASSY-AFT LH 31 IN. OVHD STOWAGE BULLNOSE CONFIGURATION
 FIGURE 30B (SHEET 3)

25-24-31-30B

HAP
 OCT 10/06

25-24-31-30B
 PAGE 0B

BOEING
737-600/700/800/900
PARTS CATALOG (MAINTENANCE)



E 2524-31-30B SHT 4 REV 112

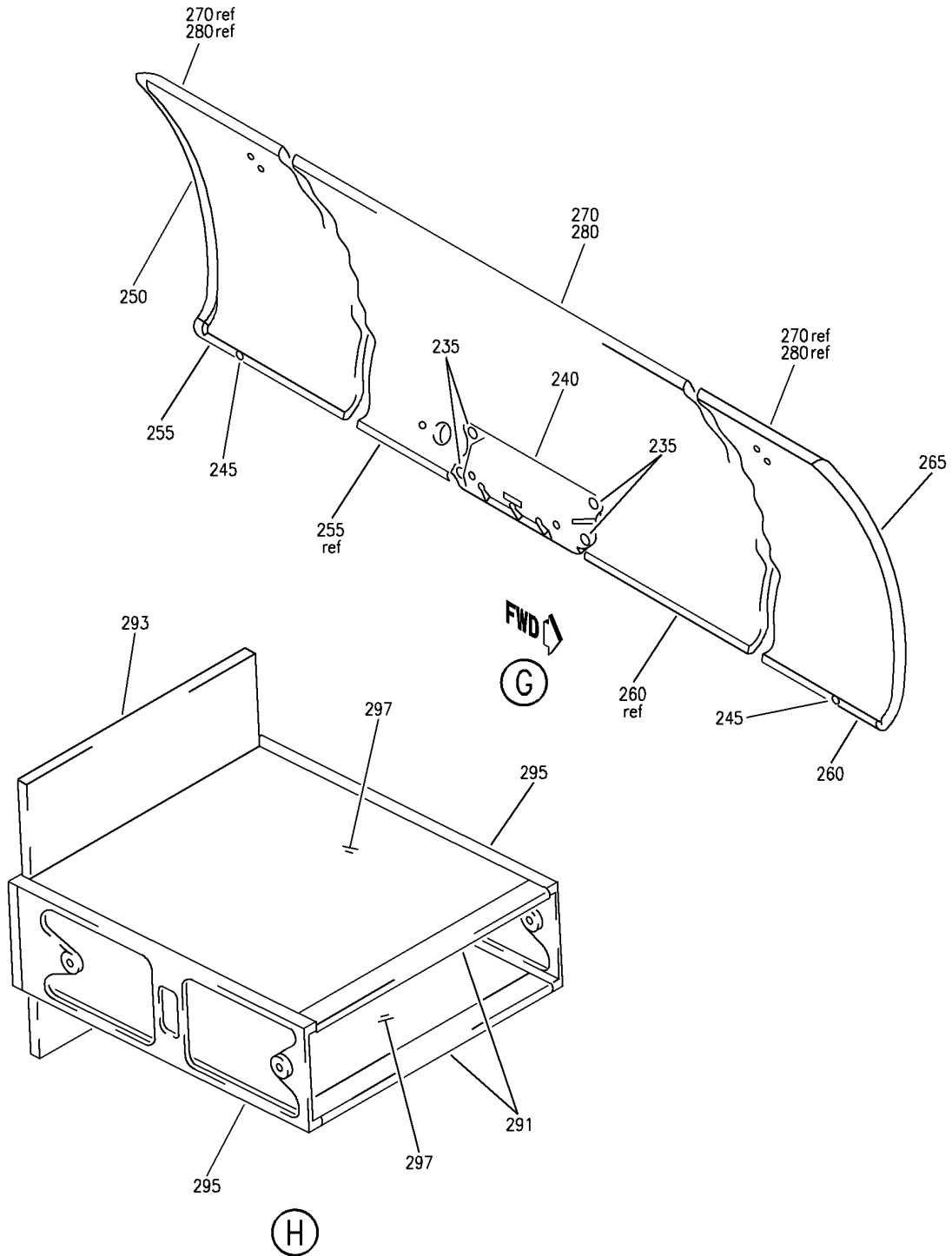
TOP ASSY-AFT LH 31 IN. OVHD STOWAGE BULLNOSE CONFIGURATION
FIGURE 30B (SHEET 4)

25-24-31-30B

HAP
OCT 10/06

25-24-31-30B
PAGE 0C

BOEING
 737-600/700/800/900
 PARTS CATALOG (MAINTENANCE)



E 2524-31-30B SHT 5 REV 112

TOP ASSY-AFT LH 31 IN. OVHD STOWAGE BULLNOSE CONFIGURATION
 FIGURE 30B (SHEET 5)

25-24-31-30B

HAP
 OCT 10/06

25-24-31-30B
 PAGE 0D

BOEING
737-600/700/800/900
PARTS CATALOG (MAINTENANCE)

FIG ITEM	PART NUMBER	1 2 3 4 5 6 7	NOMENCLATURE	EFFECT FROM TO	UNITS PER ASSY
30B			TOP ASSY-AFT LH 31 IN. OVHD STOWAGE BULLNOSE CONFIGURATION	031043 101101 968971	
- 1	412A1052-75C		TOP ASSY-31 IN. OVHD STOWAGE BULLNOSE CONFIGURATION POSITION DATA: AFT LH FOR NHA SEE: 25-24-30-31	031043 101101 968971	RF
10	412A1420-2A		.EXTRUSION-SEAT ROW MARKER	031043 101101 968971	1
15	412A1451-2BCWK		.STRIP-TRIM	031043 101101 968971	1
35	BACB30VF3K3		.BOLT	031043 101101 968971	2
40	BACS12ER3K11		.SCREW	031043 101101 968971	2
45	H3-1233A3		.WASHER- SUPPLIER CODE: V34941 SPECIFICATION NUMBER: S411A001-1	031043 101101 968971	2
50	412A1467-2B		.CLOSEOUT ASSY	031043 101101 968971	1
55	412A1467-1B		.CLOSEOUT ASSY	031043 101101 968971	1
60	BACN10VR4CGN		..NUT- OPTIONAL PART: BACN10VR4CG	031043 101101 968971	2
60	BACN10VR4CG		..NUT- OPTIONAL PART: BACN10VR4CGN	031043 101101 968971	2
65	412A1467-6B		..CLOSEOUT- USED ON: 412A1467-2B	031043 101101 968971	1
70	412A1467-5B		..CLOSEOUT- USED ON: 412A1467-1B	031043 101101 968971	1
80	412A1607-18B		.COVER ASSY	031043 101101 968971	1

MISSING ITEM NUMBERS NOT APPLICABLE

- ITEM NOT ILLUSTRATED

HAP

25-24-31-30B

BOEING PROPRIETARY - Copyright © - Unpublished Work - See title page for details.

25-24-31
FIG. 30B
PAGE 1
JUN 15/08

BOEING
737-600/700/800/900
PARTS CATALOG (MAINTENANCE)

FIG ITEM	PART NUMBER	1 2 3 4 5 6 7	NOMENCLATURE	EFFECT FROM TO	UNITS PER ASSY
30B					
85	412A1460-2	..	CLIP	031043 101101 968971	3
90	412A1617-18B	..	PANEL	031043 101101 968971	1
95	BACS12ER3K14	.	SCREW	031043 101101 968971	5
100	BACS12FA3K5	.	SCREW	031043 101101 968971	4
105	H3-1233A3	.	WASHER- SUPPLIER CODE: V34941 SPECIFICATION NUMBER: S411A001-1	031043 101101 968971	5
110	412A1244-10	.	EXTRUSION ASSY	031043 101101 968971	1
115	FS1651-3	..	NUTPLATE SUPPLIER CODE: V15653 SPECIFICATION NUMBER: BACN10KH3CD OPTIONAL PART: 102F9209M3 V72962 NS202496-02 V80539 ATTACHING PARTS	031043 101101 968971	5
- 120	BACR15BA3ADC	..	RIVET- SIZE DETERMINED ON INSTL. -----*-----	031043 101101 968971	10
125	412N1372-105B	.	CAP ASSY-END 2.86 IN. WIDE BIG BIN FOR DETAILS SEE: 25-24-33-28B	031043 101101 968971	1

MISSING ITEM NUMBERS NOT APPLICABLE

- ITEM NOT ILLUSTRATED

HAP

25-24-31-30B

BOEING PROPRIETARY - Copyright © - Unpublished Work - See title page for details.

25-24-31
FIG. 30B
PAGE 2
JUN 15/08

BOEING
737-600/700/800/900
PARTS CATALOG (MAINTENANCE)

FIG ITEM	PART NUMBER	1 2 3 4 5 6 7	NOMENCLATURE	EFFECT FROM TO	UNITS PER ASSY
30B			ATTACHING PARTS		
- 130	CA3105-1032-24		.SCREW SUPPLIER CODE: V73439 SPECIFICATION NUMBER: BACS12N10-24 OPTIONAL PART: CA3105-1032-24 V78189 SP1561-1032-24 V73439 -----*-----	031043 101101 968971	3
132	412A1310-701		.TAPE-VELCRO LOOP	031043 101101 968971	AR
133	412A1310-700		.TAPE-VELCRO HOOK	031043 101101 968971	AR
135	412A1471-1A		.COVER ASSY	031043 101101 968971	1
- 140	BACS12FA3K8		ATTACHING PARTS .SCREW -----*-----	031043 101101 968971	3
145	412A1220-19		..CLIP	031043 101101 968971	2
150	412A1470-1A		..COVER	031043 101101 968971	1
220	BACB30VF3K8		.BOLT	031043 101101 968971	2
225	BACS12FA3K6		.SCREW	031043 101101 968971	4
227	BACS12FA3K7		.SCREW	031043 101101 968971	2
230	412A1505-22B		.DOOR ASSY-30.60 IN.	031043 101101 968971	1
235	BACS12FA3K4		..SCREW	031043 101101 968971	4

MISSING ITEM NUMBERS NOT APPLICABLE

- ITEM NOT ILLUSTRATED

HAP

25-24-31-30B

BOEING PROPRIETARY - Copyright © - Unpublished Work - See title page for details.

25-24-31
FIG. 30B
PAGE 3
OCT 15/08

BOEING
737-600/700/800/900
PARTS CATALOG (MAINTENANCE)

FIG ITEM	PART NUMBER	1 2 3 4 5 6 7	NOMENCLATURE	EFFECT FROM TO	UNITS PER ASSY
30B 240	HA951-1		..LATCH ASSY- SUPPLIER CODE: V83014 SPECIFICATION NUMBER: S412A003-1	031043 101101 968971	1
245	412A1810-1A		..BUMPER-	031043 101101 968971	2
245	412A1810-2B		..BUMPER- QUALIFIED I/W DATA: PN 412A1810-3B CAN REPLACE BUT NOT BE REPLACED BY PN 412A1810-2B FOR 737-600/700/800/900 ONLY.	031043 101101 968971	2
250	412A1452-7B		..TRIM-VERT	031043 101101 968971	1
255	412A1450-9A		..TRIM-HORIZ	031043 101101 968971	1
260	412A1452-6B		..TRIM-HORIZ	031043 101101 968971	1
265	412A1452-4B		..TRIM-VERT	031043 101101 968971	1
270	412A1513-22B		..PANEL ASSY	031043 101101 968971	1
- 275	SL618-3A		...INSERT- SUPPLIER CODE: V97393	031043 101101 968971	8
280	412A1513-1B		...PANEL ASSY	031043 101101 968971	1
285	SP21757		.HINGE ASSY- SUPPLIER CODE: V24403 SPECIFICATION NUMBER: S412A004-1	031043 101101 968971	2
330	412A1255-57B		.BOX ASSY-31 IN. BIG BIN FOR DETAILS SEE: 25-24-32-35	031043 101101 968971	1
- 335	412A1811-2B		.PLUG	031043 101101 968971	AR

MISSING ITEM NUMBERS NOT APPLICABLE

- ITEM NOT ILLUSTRATED

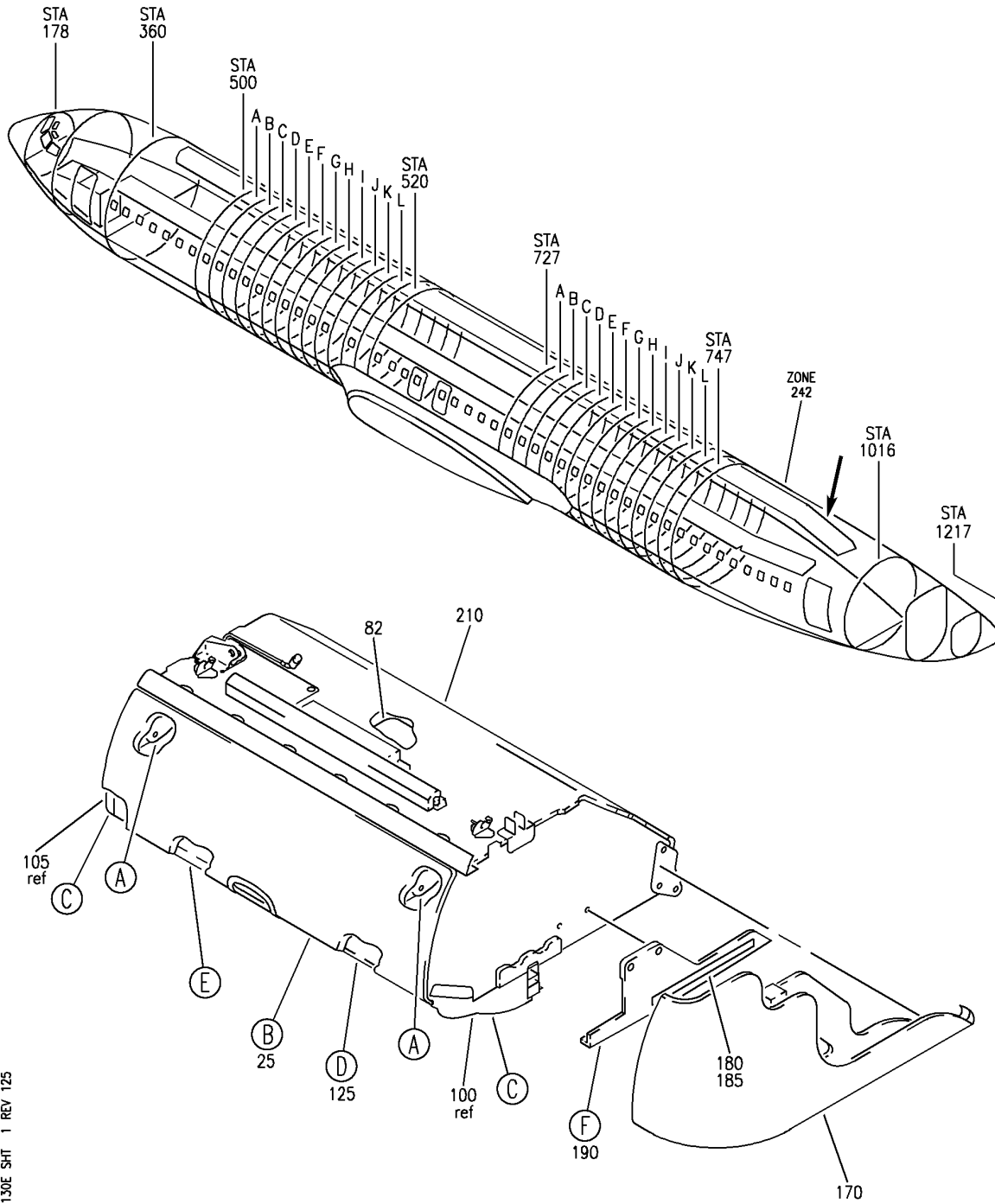
HAP

25-24-31-30B

BOEING PROPRIETARY - Copyright © - Unpublished Work - See title page for details.

25-24-31
FIG. 30B
PAGE 4
OCT 15/08

BOEING
737-600/700/800/900
PARTS CATALOG (MAINTENANCE)



E 2524-31-30E SHT 1 REV 125

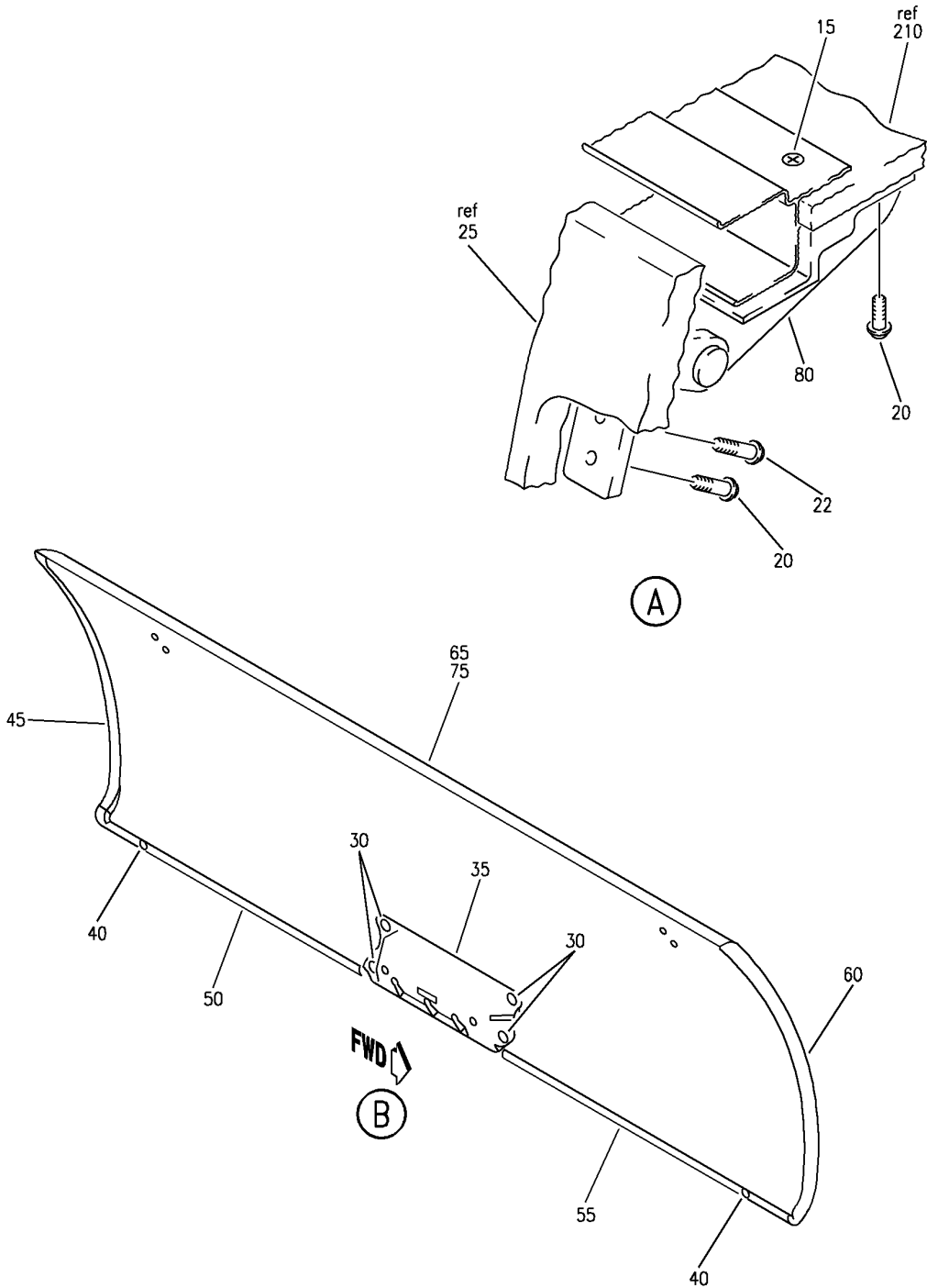
TOP ASSY-AFT RH 31 IN. OVHD STOWAGE BIG BIN BULLNOSE CONFIGURATION
 FIGURE 30E (SHEET 1)

HAP
 FEB 10/07

25-24-31-30E

25-24-31-30E
 PAGE 0

BOEING
 737-600/700/800/900
 PARTS CATALOG (MAINTENANCE)



E 2524-31-30E SHT 2 REV 112

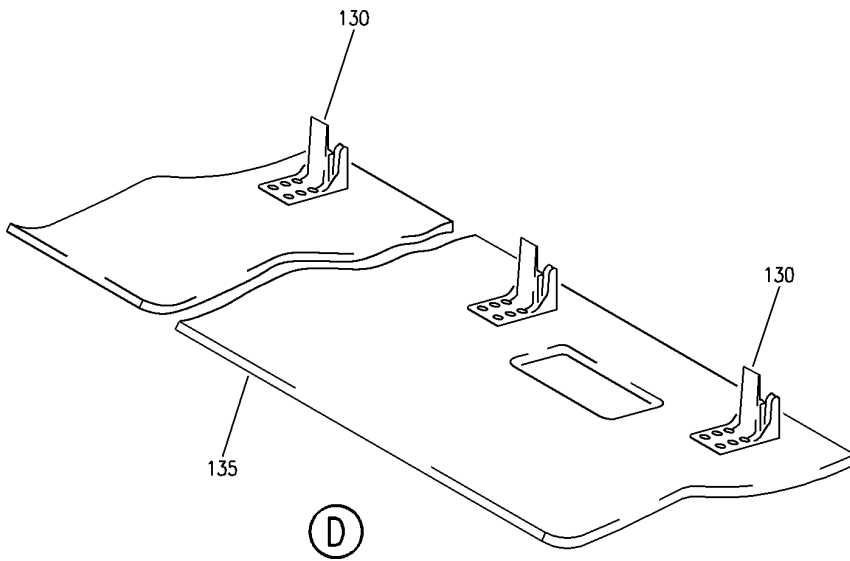
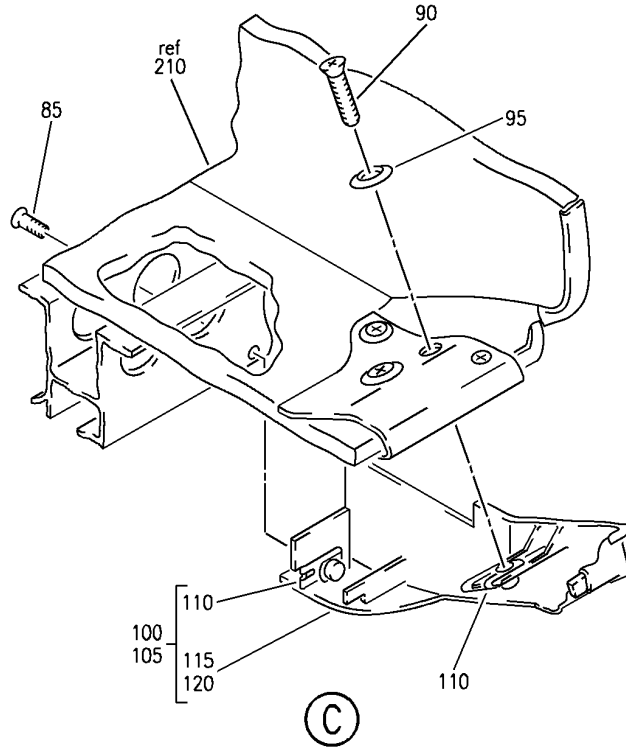
TOP ASSY-AFT RH 31 IN. OVHD STOWAGE BIG BIN BULLNOSE CONFIGURATION
 FIGURE 30E (SHEET 2)

25-24-31-30E

HAP
 OCT 10/06

25-24-31-30E
 PAGE 0A

BOEING
 737-600/700/800/900
 PARTS CATALOG (MAINTENANCE)



E 2524-31-30E SHT 3 REV 106

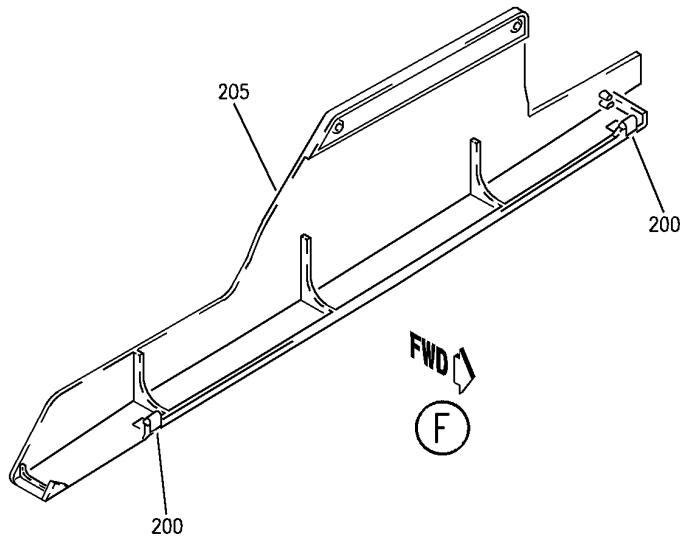
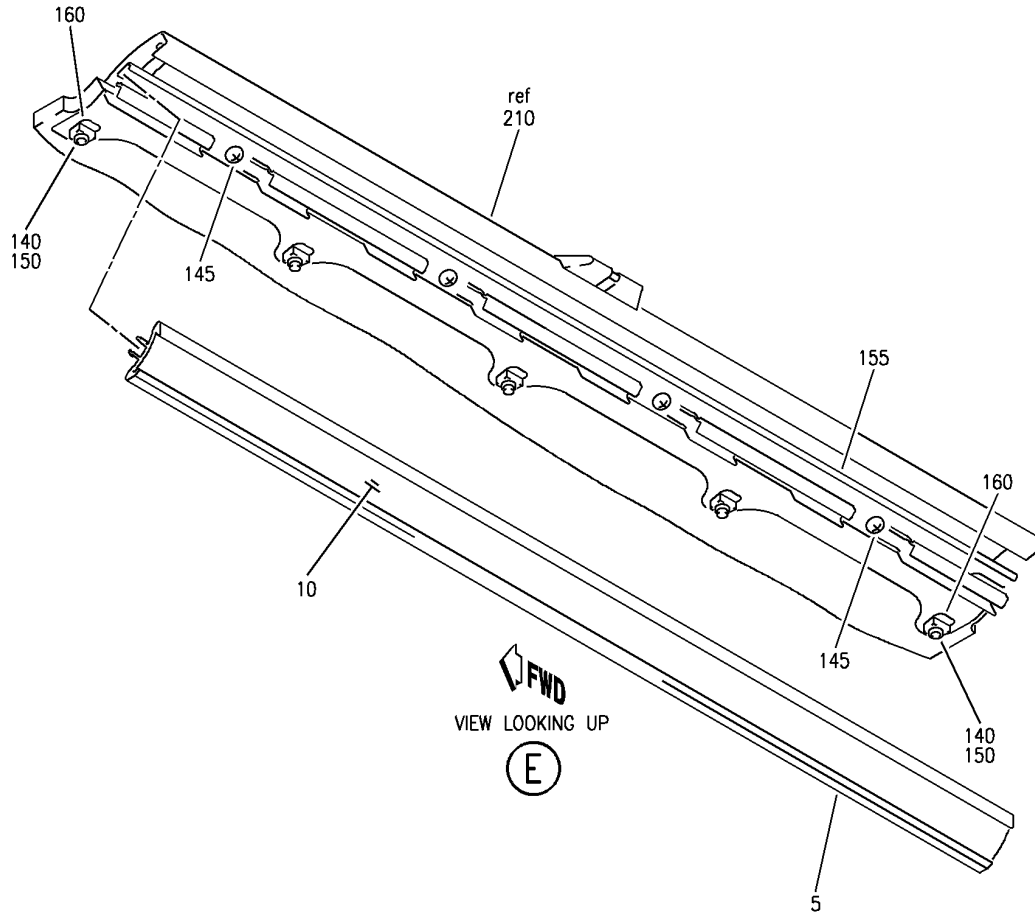
TOP ASSY-AFT RH 31 IN. OVHD STOWAGE BIG BIN BULLNOSE CONFIGURATION
 FIGURE 30E (SHEET 3)

25-24-31-30E

HAP
 OCT 10/06

25-24-31-30E
 PAGE 0B

BOEING
 737-600/700/800/900
 PARTS CATALOG (MAINTENANCE)



E 2524-31-30E SHT 4 REV 106

TOP ASSY-AFT RH 31 IN. OVHD STOWAGE BIG BIN BULLNOSE CONFIGURATION
 FIGURE 30E (SHEET 4)

25-24-31-30E

HAP
 OCT 10/06

25-24-31-30E
 PAGE 0C

BOEING
737-600/700/800/900
PARTS CATALOG (MAINTENANCE)

FIG ITEM	PART NUMBER	1 2 3 4 5 6 7	NOMENCLATURE	EFFECT FROM TO	UNITS PER ASSY
30E			TOP ASSY-AFT RH 31 IN. OVHD STOWAGE BIG BIN BULLNOSE CONFIGURATION	031037 039041 101101 968971	
- 1	412A1052-76B		TOP ASSY-31 IN. OVHD STOWAGE BIG BIN BULLNOSE CONFIGURATION POSITION DATA: AFT RH FOR NHA SEE: 25-24-30-49E	031037 039041 101101 968971	RF
5	412A1420-2A		.EXTRUSION-SEAT ROW MARKER	031037 039041 101101 968971	1
10	412A1451-2BCWK		.STRIP-TRIM	031037 039041 101101 968971	1
15	BACB30VF3K8		.BOLT	031037 039041 101101 968971	2
20	BACS12FA3K6		.SCREW	031037 039041 101101 968971	4
22	BACS12FA3K7		.SCREW	031037 039041 101101 968971	2
25	412A1505-21B		.DOOR ASSY-30.60 IN.	031037 039041 101101 968971	1
30	BACS12FA3K4		..SCREW	031037 039041 101101 968971	4
35	HA951-1		..LATCH ASSY- SUPPLIER CODE: V83014 SPECIFICATION NUMBER: S412A003-1	031037 039041 101101 968971	1

MISSING ITEM NUMBERS NOT APPLICABLE

- ITEM NOT ILLUSTRATED

HAP

25-24-31-30E

BOEING PROPRIETARY - Copyright © - Unpublished Work - See title page for details.

25-24-31
FIG. 30E
PAGE 1
OCT 15/08

BOEING
737-600/700/800/900
PARTS CATALOG (MAINTENANCE)

FIG ITEM	PART NUMBER	1 2 3 4 5 6 7	NOMENCLATURE	EFFECT FROM TO	UNITS PER ASSY
30E					
40	412A1810-2B	..	BUMPER- QUALIFIED I/W DATA: PN 412A1810-3B CAN REPLACE BUT NOT BE REPLACED BY PN 412A1810-2B FOR 737-600/700/800/900 ONLY.	031037 039041 101101 968971	2
40	412A1810-1A	..	BUMPER-	031037 039041 101101 968971	2
45	412A1452-8B	..	TRIM-VERT	031037 039041 101101 968971	1
50	412A1450-10A	..	TRIM-HORIZ	031037 039041 101101 968971	1
55	412A1452-5B	..	TRIM-HORIZ	031037 039041 101101 968971	1
60	412A1452-3B	..	TRIM-VERT	031037 039041 101101 968971	1
65	412A1513-21B	..	PANEL ASSY	031037 039041 101101 968971	1
- 70	SL618-3A	...	INSERT- SUPPLIER CODE: V97393	031037 039041 101101 968971	8
75	412A1513-1B	...	PANEL ASSY	031037 039041 101101 968971	1
80	SP21757	.HINGE ASSY-	SUPPLIER CODE: V24403 SPECIFICATION NUMBER: S412A004-1	031037 039041 101101 968971	2
85	BACB30VF3K3	.BOLT		031037 039041 101101 968971	2

MISSING ITEM NUMBERS NOT APPLICABLE

- ITEM NOT ILLUSTRATED

HAP

25-24-31-30E

BOEING PROPRIETARY - Copyright © - Unpublished Work - See title page for details.

25-24-31
FIG. 30E
PAGE 2
OCT 15/08

BOEING
737-600/700/800/900
PARTS CATALOG (MAINTENANCE)

FIG ITEM	PART NUMBER	1 2 3 4 5 6 7	NOMENCLATURE	EFFECT FROM TO	UNITS PER ASSY
30E 90	BACS12ER3K11	.	SCREW	031037 039041 101101 968971	2
95	H3-1233A3	.	WASHER- SUPPLIER CODE: V34941 SPECIFICATION NUMBER: S411A001-1	031037 039041 101101 968971	2
100	412A1467-2B	.	CLOSEOUT ASSY	031037 039041 101101 968971	1
105	412A1467-1B	.	CLOSEOUT ASSY	031037 039041 101101 968971	1
110	BACN10VR4CGN	..	NUT- OPTIONAL PART: BACN10VR4CG	031037 039041 101101 968971	2
110	BACN10VR4CG	..	NUT- OPTIONAL PART: BACN10VR4CGN	031037 039041 101101 968971	2
115	412A1467-6B	..	CLOSEOUT- USED ON: 412A1467-2B	031037 039041 101101 968971	1
120	412A1467-5B	..	CLOSEOUT- USED ON: 412A1467-1B	031037 039041 101101 968971	1
125	412A1607-35B	.	COVER ASSY	031037 039041 101101 968971	1
130	412A1460-2	..	CLIP	031037 039041 101101 968971	3
135	412A1617-18B	..	PANEL	031037 039041 101101 968971	1
140	BACS12ER3K14	.	SCREW	031037 039041 101101 968971	5

MISSING ITEM NUMBERS NOT APPLICABLE

— ITEM NOT ILLUSTRATED

HAP

25-24-31-30E

BOEING PROPRIETARY - Copyright © - Unpublished Work - See title page for details.

25-24-31
FIG. 30E
PAGE 3
OCT 15/08

BOEING
737-600/700/800/900
PARTS CATALOG (MAINTENANCE)

FIG ITEM	PART NUMBER	1 2 3 4 5 6 7	NOMENCLATURE	EFFECT FROM TO	UNITS PER ASSY
30E 145	BACS12FA3K5	.	SCREW	031037 039041 101101 968971	4
150	H3-1233A3	.	WASHER- SUPPLIER CODE: V34941 SPECIFICATION NUMBER: S411A001-1	031037 039041 101101 968971	5
155	412A1244-10	.	EXTRUSION ASSY	031037 039041 101101 968971	1
160	FS1651-3	..	NUTPLATE SUPPLIER CODE: V15653 SPECIFICATION NUMBER: BACN10KH3CD OPTIONAL PART: 102F9209M3 V72962 NS202496-02 V80539 ATTACHING PARTS	031037 039041 101101 968971	5
- 165	BACR15BA3ADC	..	RIVET- SIZE DETERMINED ON INSTL.	031037 039041 101101 968971	10
170	412N1372-108B	.	CAP ASSY-END 2.86 IN. WIDE BIG BIN FOR DETAILS SEE: 25-24-33-28D ATTACHING PARTS	031037 039041 101101 968971	1
- 175	CA3105-1032-24	.	SCREW SUPPLIER CODE: V73439 SPECIFICATION NUMBER: BACS12N10-24 OPTIONAL PART: CA3105-1032-24 V78189 SP1561-1032-24 V73439	031037 039041 101101 968971	3
180	412A1310-701	.	TAPE-VELCRO LOOP	031037 039041 101101 968971	AR

MISSING ITEM NUMBERS NOT APPLICABLE

- ITEM NOT ILLUSTRATED

HAP

25-24-31-30E

BOEING PROPRIETARY - Copyright © - Unpublished Work - See title page for details.

25-24-31
FIG. 30E
PAGE 4
OCT 15/08

BOEING
737-600/700/800/900
PARTS CATALOG (MAINTENANCE)

FIG ITEM	PART NUMBER	1 2 3 4 5 6 7	NOMENCLATURE	EFFECT FROM TO	UNITS PER ASSY
30E 185	412A1310-700	.	TAPE-VELCRO HOOK	031037 039041 101101 968971	AR
190	412A1471-2A	.	COVER ASSY	031037 039041 101101 968971	1
- 195	BACS12FA3K8	.	ATTACHING PARTS SCREW	031037 039041 101101 968971	3
200	412A1220-19	-----*	.. CLIP	031037 039041 101101 968971	2
205	412A1470-2A	..	COVER	031037 039041 101101 968971	1
210	412A1255-56B	.	BOX ASSY-31 IN. BIG BIN FOR DETAILS SEE: 25-24-32-35B	031037 039041 101101 968971	1
- 215	412A1811-2B	.	PLUG	031037 039041 101101 968971	AR

MISSING ITEM NUMBERS NOT APPLICABLE

- ITEM NOT ILLUSTRATED

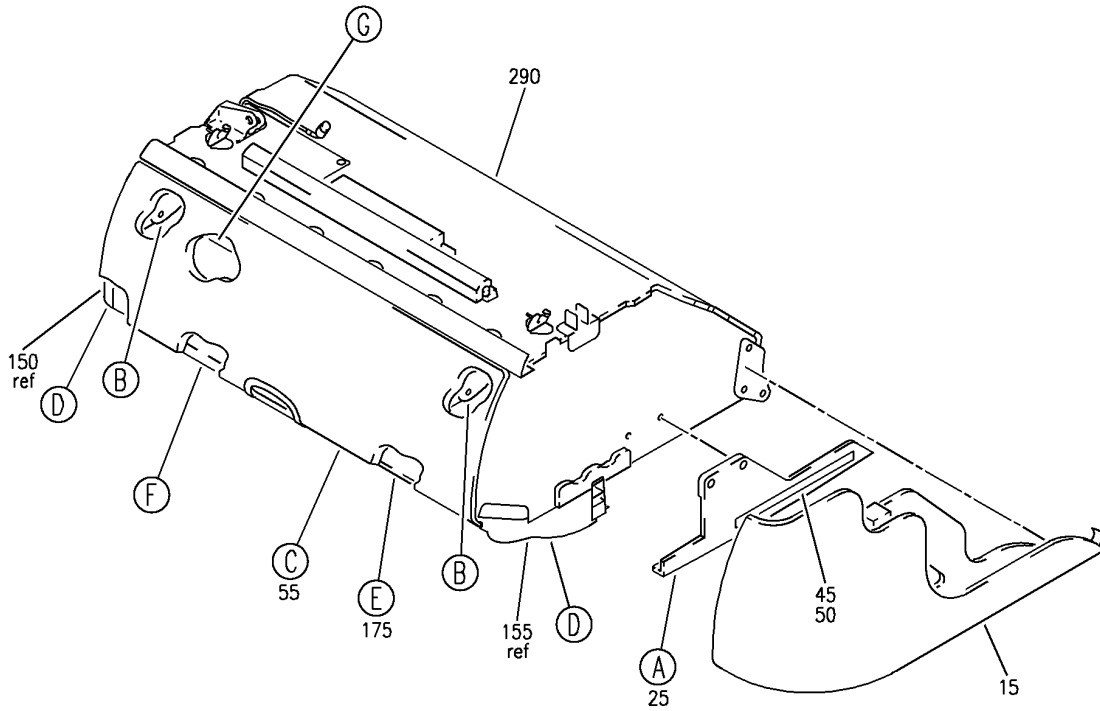
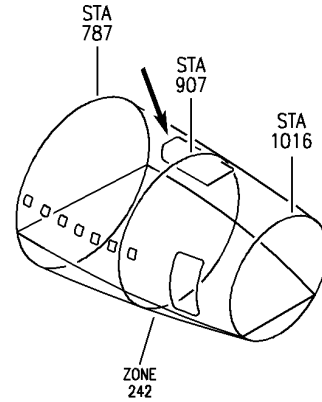
HAP

25-24-31-30E

BOEING PROPRIETARY - Copyright © - Unpublished Work - See title page for details.

25-24-31
FIG. 30E
PAGE 5
OCT 15/08

BOEING
 737-600/700/800/900
 PARTS CATALOG (MAINTENANCE)



E 2524-31-30F SHT 1 REV 116

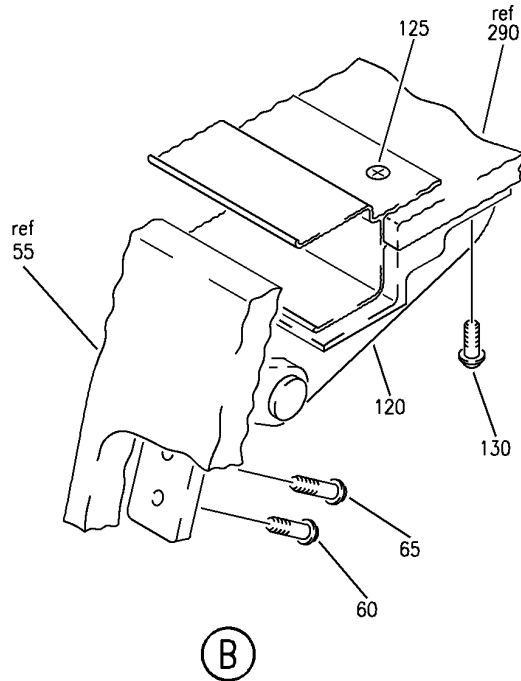
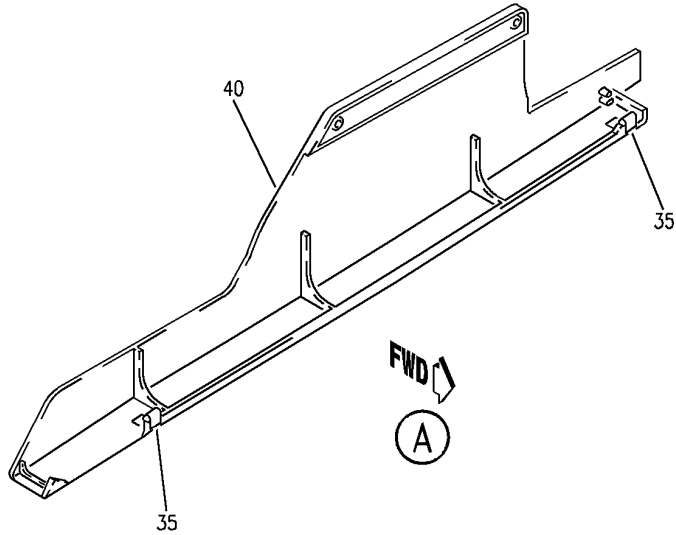
TOP ASSY-AFT RH 31 IN. OVHD STOWAGE BIG BIN BULLNOSE CONFIGURATION
 FIGURE 30F (SHEET 1)

25-24-31-30F

HAP
 OCT 10/06

25-24-31-30F
 PAGE 0

BOEING
 737-600/700/800/900
 PARTS CATALOG (MAINTENANCE)



E 2524-31-30F SHT 2 REV 116

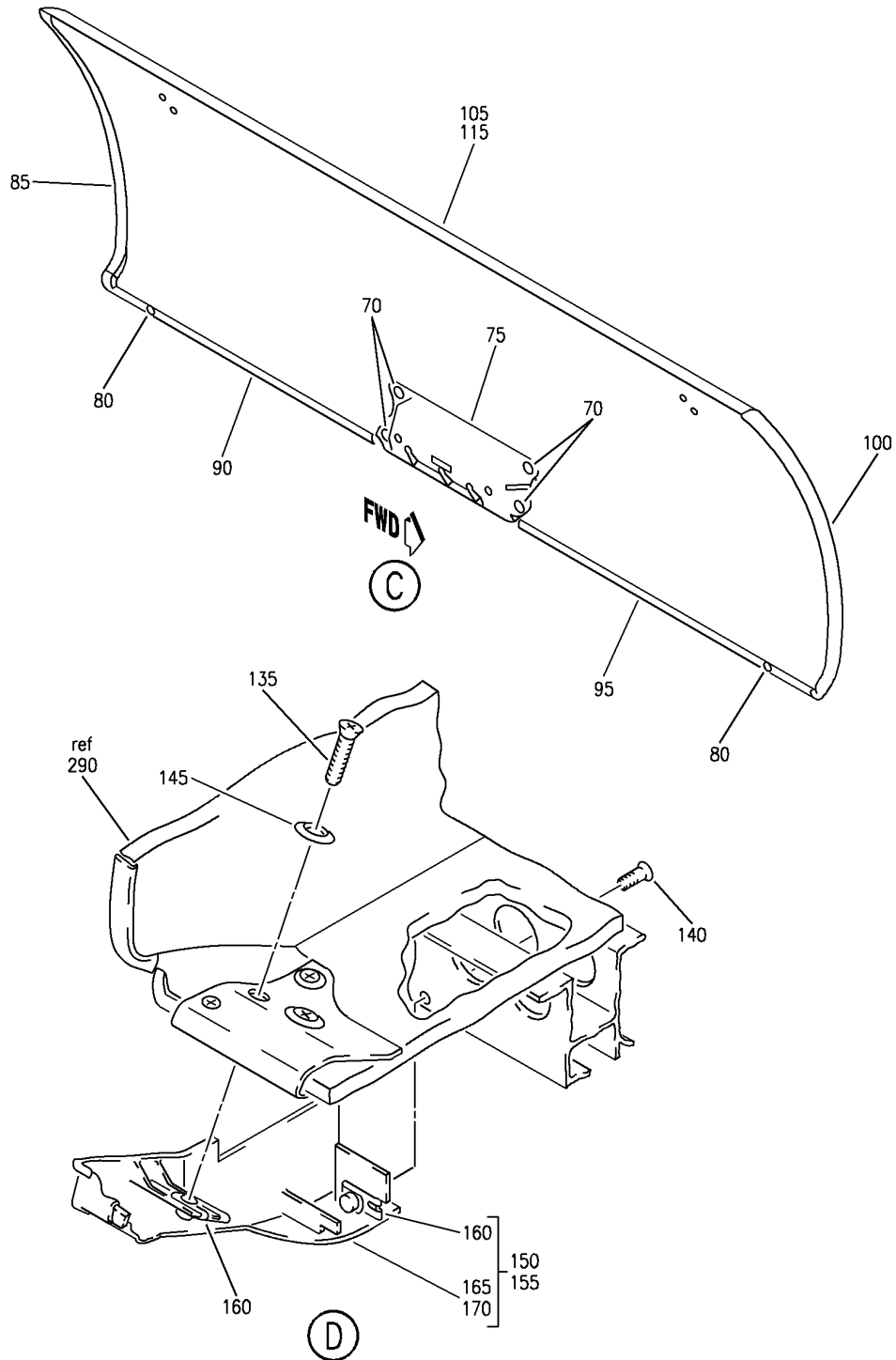
TOP ASSY-AFT RH 31 IN. OVHD STOWAGE BIG BIN BULLNOSE CONFIGURATION
 FIGURE 30F (SHEET 2)

25-24-31-30F

HAP
 OCT 10/06

25-24-31-30F
 PAGE 0A

BOEING
 737-600/700/800/900
 PARTS CATALOG (MAINTENANCE)



E 2524-31-30F SHT 3 REV 116

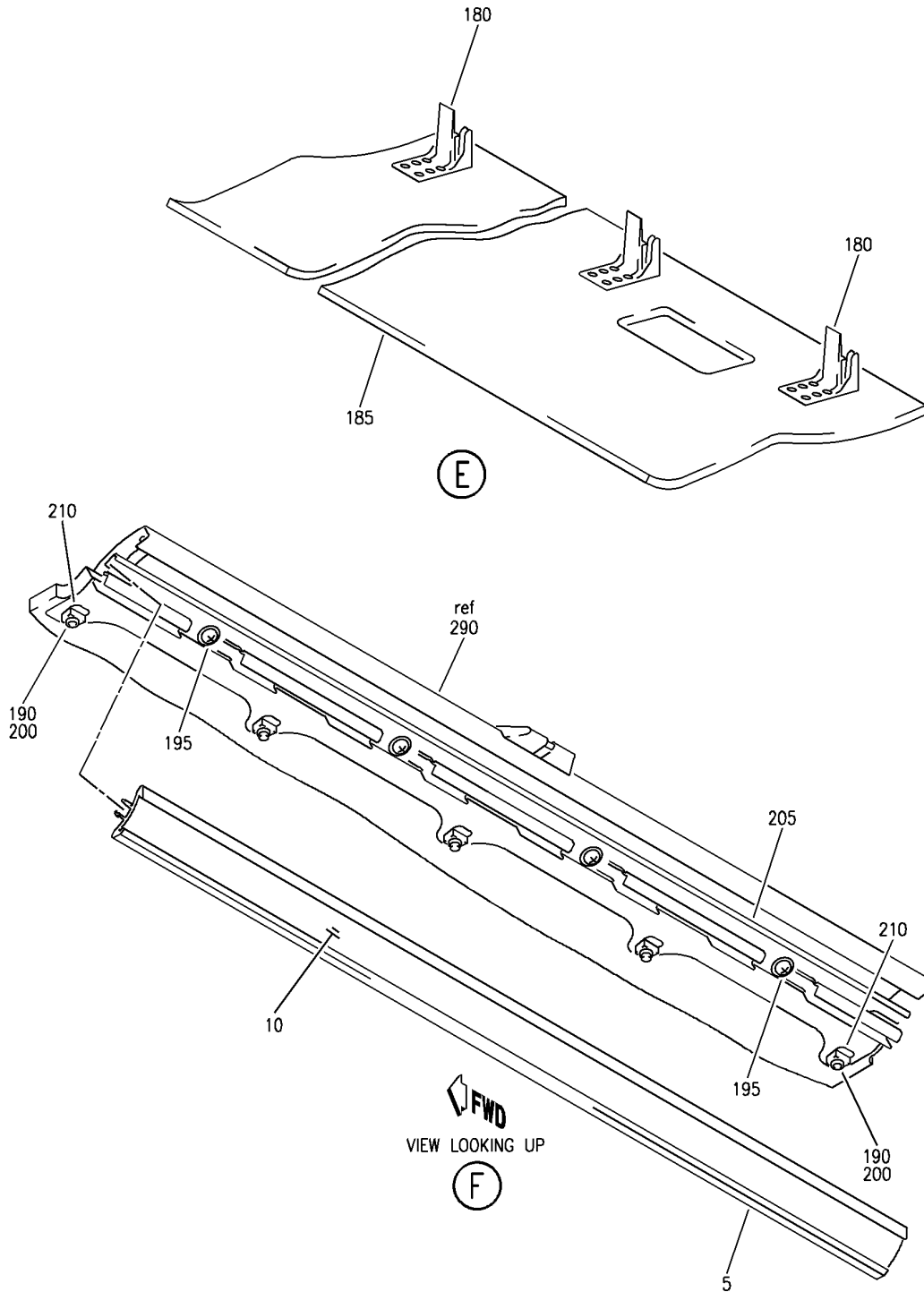
TOP ASSY-AFT RH 31 IN. OVHD STOWAGE BIG BIN BULLNOSE CONFIGURATION
 FIGURE 30F (SHEET 3)

25-24-31-30F

HAP
 OCT 10/06

25-24-31-30F
 PAGE 0B

BOEING
 737-600/700/800/900
 PARTS CATALOG (MAINTENANCE)



E 2524-31-30F SHT 4 REV 116

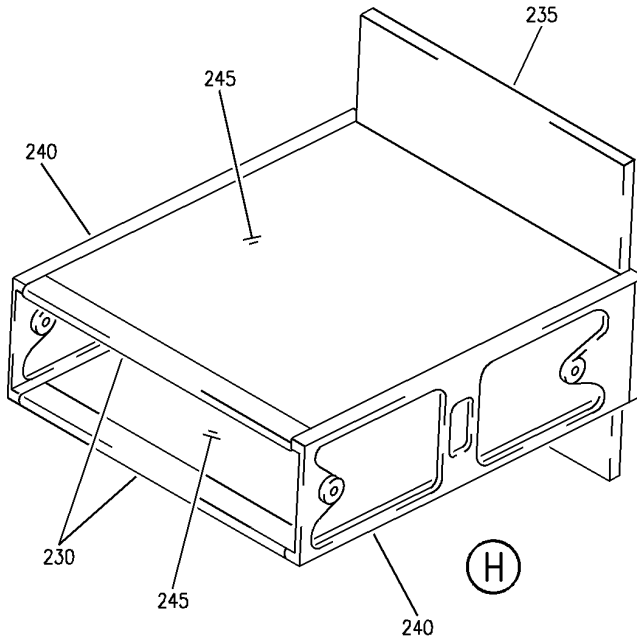
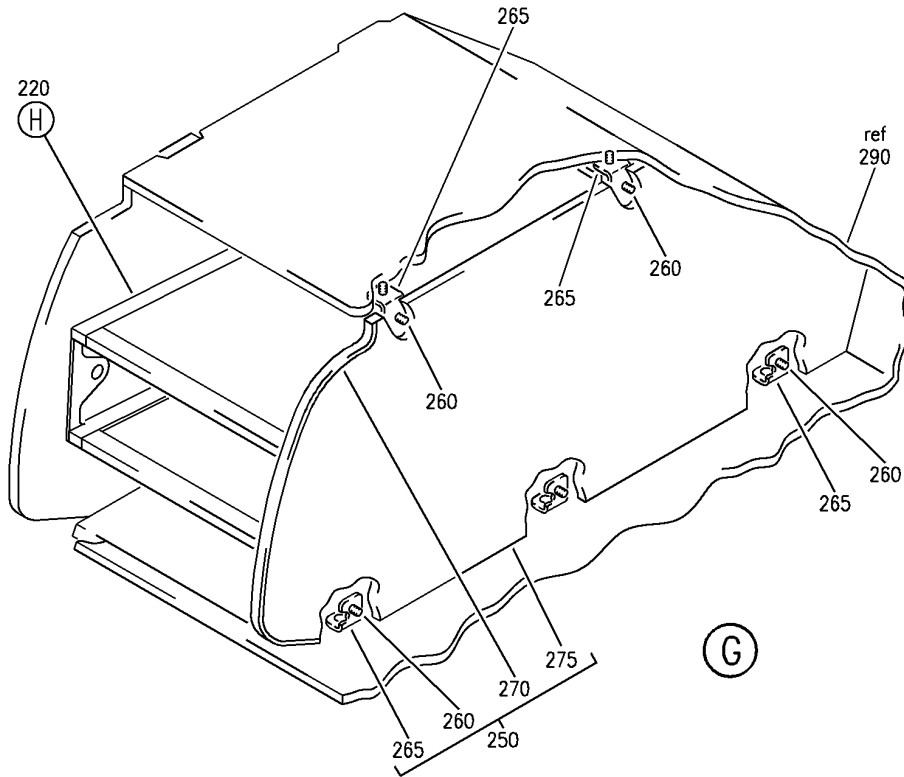
TOP ASSY-AFT RH 31 IN. OVHD STOWAGE BIG BIN BULLNOSE CONFIGURATION
 FIGURE 30F (SHEET 4)

25-24-31-30F

HAP
 OCT 10/06

25-24-31-30F
 PAGE 0C

BOEING
 737-600/700/800/900
 PARTS CATALOG (MAINTENANCE)



E 2524-31-30F SHT 5 REV 116

TOP ASSY-AFT RH 31 IN. OVHD STOWAGE BIG BIN BULLNOSE CONFIGURATION
 FIGURE 30F (SHEET 5)

25-24-31-30F

HAP
 OCT 10/06

25-24-31-30F
 PAGE 0D

BOEING
737-600/700/800/900
PARTS CATALOG (MAINTENANCE)

FIG ITEM	PART NUMBER	1 2 3 4 5 6 7	NOMENCLATURE	EFFECT FROM TO	UNITS PER ASSY
30F			TOP ASSY-AFT RH 31 IN. OVHD STOWAGE BIG BIN BULLNOSE CONFIGURATION	038038 042043	
- 1	412A1052-108B		TOP ASSY-31 IN. OVHD STOWAGE BIG BIN BULLNOSE CONFIGURATION POSITION DATA: AFT RH FOR NHA SEE: 25-24-30-49E	038038 042043	RF
5	412A1420-2A		.EXTRUSION-SEAT ROW MARKER	038038 042043	1
10	412A1451-2BCWK		.STRIP-TRIM	038038 042043	1
15	412N1372-108B		.CAP ASSY-END 2.86 IN. WIDE BIG BIN FOR DETAILS SEE: 25-24-33-28D	038038 042043	1
- 20	CA3105-1032-24		ATTACHING PARTS .SCREW SUPPLIER CODE: V73439 SPECIFICATION NUMBER: BACS12N10-24 OPTIONAL PART: CA3105-1032-24 V78189 SP1561-1032-24 V73439 -----*-----	038038 042043	3
25	412A1471-2A		.COVER ASSY ATTACHING PARTS	038038 042043	1
- 30	BACS12FA3K8		.SCREW -----*-----	038038 042043	3
35	412A1220-19		..CLIP	038038 042043	2
40	412A1470-2A		..COVER	038038 042043	1
45	412A1310-700		.TAPE-VELCRO HOOK	038038 042043	AR
50	412A1310-701		.TAPE-VELCRO LOOP	038038 042043	AR
55	412A1505-21B		.DOOR ASSY-30.60 IN. ATTACHING PARTS	038038 042043	1
60	BACS12FA3K6		.SCREW	038038 042043	2

MISSING ITEM NUMBERS NOT APPLICABLE

- ITEM NOT ILLUSTRATED

HAP

25-24-31-30F

BOEING PROPRIETARY - Copyright © - Unpublished Work - See title page for details.

25-24-31
FIG. 30F
PAGE 1
FEB 15/08

BOEING
737-600/700/800/900
PARTS CATALOG (MAINTENANCE)

FIG ITEM	PART NUMBER	1 2 3 4 5 6 7	NOMENCLATURE	EFFECT FROM TO	UNITS PER ASSY
30F					
65	BACS12FA3K7	.	SCREW	038038 042043	2
			-----*-----		
70	BACS12FA3K4	..	SCREW	038038 042043	4
75	HA951-1	..	LATCH ASSY- SUPPLIER CODE: V83014 SPECIFICATION NUMBER: S412A003-1	038038 042043	1
80	412A1810-2B	..	BUMPER- QUALIFIED I/W DATA: PN 412A1810-3B CAN REPLACE BUT NOT BE REPLACED BY PN 412A1810-2B FOR 737-600/700/800/900 ONLY.	038038 042043	2
80	412A1810-1A	..	BUMPER-	038038 042043	2
85	412A1452-8B	..	TRIM-VERT	038038 042043	1
90	412A1450-10A	..	TRIM-HORIZ	038038 042043	1
95	412A1452-5B	..	TRIM-HORIZ	038038 042043	1
100	412A1452-3B	..	TRIM-VERT	038038 042043	1
105	412A1513-21B	..	PANEL ASSY	038038 042043	1
- 110	SL618-3A	...	INSERT- SUPPLIER CODE: V97393	038038 042043	8
115	412A1513-1B	...	PANEL ASSY	038038 042043	1
120	SP21757	.	HINGE ASSY- SUPPLIER CODE: V24403 SPECIFICATION NUMBER: S412A004-1 ATTACHING PARTS	038038 042043	2
125	BACB30VF3K8	.	BOLT	038038 042043	2
130	BACS12FA3K6	.	SCREW	038038 042043	2
			-----*-----		
135	BACS12ER3K11	.	SCREW	038038 042043	2

MISSING ITEM NUMBERS NOT APPLICABLE

- ITEM NOT ILLUSTRATED

HAP

25-24-31-30F

BOEING PROPRIETARY - Copyright © - Unpublished Work - See title page for details.

25-24-31
FIG. 30F
PAGE 2
OCT 15/08

BOEING
737-600/700/800/900
PARTS CATALOG (MAINTENANCE)

FIG ITEM	PART NUMBER	1 2 3 4 5 6 7	NOMENCLATURE	EFFECT FROM TO	UNITS PER ASSY
30F					
140	BACB30VF3K3	.	BOLT	038038 042043	2
145	H3-1233A3	.	WASHER- SUPPLIER CODE: V34941 SPECIFICATION NUMBER: S411A001-1	038038 042043	2
150	412A1467-2B	.	CLOSEOUT ASSY	038038 042043	1
155	412A1467-1B	.	CLOSEOUT ASSY	038038 042043	1
160	BACN10VR4CGN	..	NUT- OPTIONAL PART: BACN10VR4CG	038038 042043	2
160	BACN10VR4CG	..	NUT- OPTIONAL PART: BACN10VR4CGN	038038 042043	2
165	412A1467-6B	..	CLOSEOUT- USED ON: 412A1467-2B	038038 042043	1
170	412A1467-5B	..	CLOSEOUT- USED ON: 412A1467-1B	038038 042043	1
175	412A1607-35B	.	COVER ASSY	038038 042043	1
180	412A1460-2	..	CLIP	038038 042043	3
185	412A1617-18B	..	PANEL	038038 042043	1
190	BACS12ER3K14	.	SCREW	038038 042043	5
195	BACS12FA3K5	.	SCREW	038038 042043	4
200	H3-1233A3	.	WASHER- SUPPLIER CODE: V34941 SPECIFICATION NUMBER: S411A001-1	038038 042043	5
205	412A1244-10	.	EXTRUSION ASSY	038038 042043	1

MISSING ITEM NUMBERS NOT APPLICABLE

— ITEM NOT ILLUSTRATED

HAP

25-24-31-30F

BOEING PROPRIETARY - Copyright © - Unpublished Work - See title page for details.

25-24-31
FIG. 30F
PAGE 3
OCT 15/08

BOEING
737-600/700/800/900
PARTS CATALOG (MAINTENANCE)

FIG ITEM	PART NUMBER	1 2 3 4 5 6 7	NOMENCLATURE	EFFECT FROM TO	UNITS PER ASSY
30F 210	FS1651-3		..NUTPLATE SUPPLIER CODE: V15653 SPECIFICATION NUMBER: BACN10KH3CD OPTIONAL PART: 102F9209M3 V72962 NS202496-02 V80539 ATTACHING PARTS	038038 042043	5
- 215	BACR15BA3ADC		..RIVET- SIZE DETERMINED ON INSTL. -----*-----	038038 042043	10
220	412A1912-11B		.RACK ASSY-MAGAZINE ATTACHING PARTS	038038 042043	1
- 225	BACS12FA3K5		.SCREW -----*-----	038038 042043	4
230	412A1450-17A		..TRIM	038038 042043	2
235	412A1217-10B		..PANEL ASSY	038038 042043	1
240	412N1212-4A		..SUPPORT-SHELF	038038 042043	2
245	412A1213-20A		..SHELF ASSY-12 IN.	038038 042043	2
250	412A1912-1B		.PANEL ASSY-DIVIDER ATTACHING PARTS	038038 042043	1
- 255	BACS12FA3K5		.SCREW -----*-----	038038 042043	5
260	BACS12FA3K5		..SCREW	038038 042043	5
265	412A1220-61A		..CLIP	038038 042043	5
270	412A1250-91A		..TRIM-EDGE	038038 042043	1
275	412A1217-1B		..PANEL ASSY	038038 042043	1
- 280	SL2334-3A1		...INSERT- SUPPLIER CODE: V97393	038038 042043	11
- 285	412A1811-2B		.PLUG	038038 042043	AR

MISSING ITEM NUMBERS NOT APPLICABLE

- ITEM NOT ILLUSTRATED

HAP

25-24-31-30F

BOEING PROPRIETARY - Copyright © - Unpublished Work - See title page for details.

25-24-31
FIG. 30F
PAGE 4
OCT 15/08


BOEING
 737-600/700/800/900
PARTS CATALOG (MAINTENANCE)

FIG ITEM	PART NUMBER	1 2 3 4 5 6 7 NOMENCLATURE	EFFECT FROM TO	UNITS PER ASSY
30F 290	412A1255-56B	.BOX ASSY-31 IN. BIG BIN FOR DETAILS SEE: 25-24-32-35B	038038 042043	1

MISSING ITEM NUMBERS NOT APPLICABLE

— ITEM NOT ILLUSTRATED

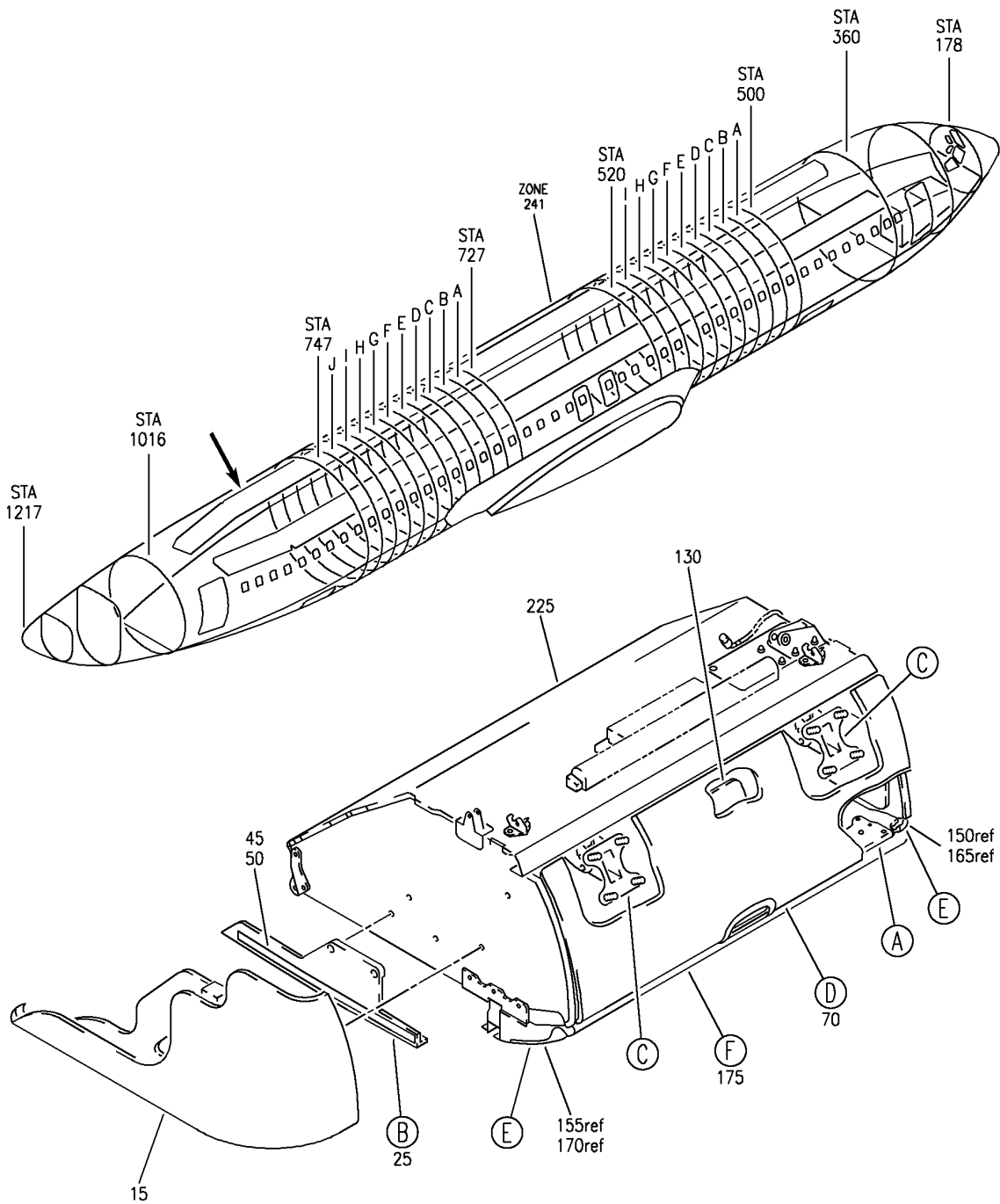
HAP

25-24-31-30F

BOEING PROPRIETARY - Copyright © - Unpublished Work - See title page for details.

25-24-31
 FIG. 30F
 PAGE 5
 OCT 15/08

BOEING
 737-600/700/800/900
 PARTS CATALOG (MAINTENANCE)



E 2524-31-30K SHT 1 REV 133

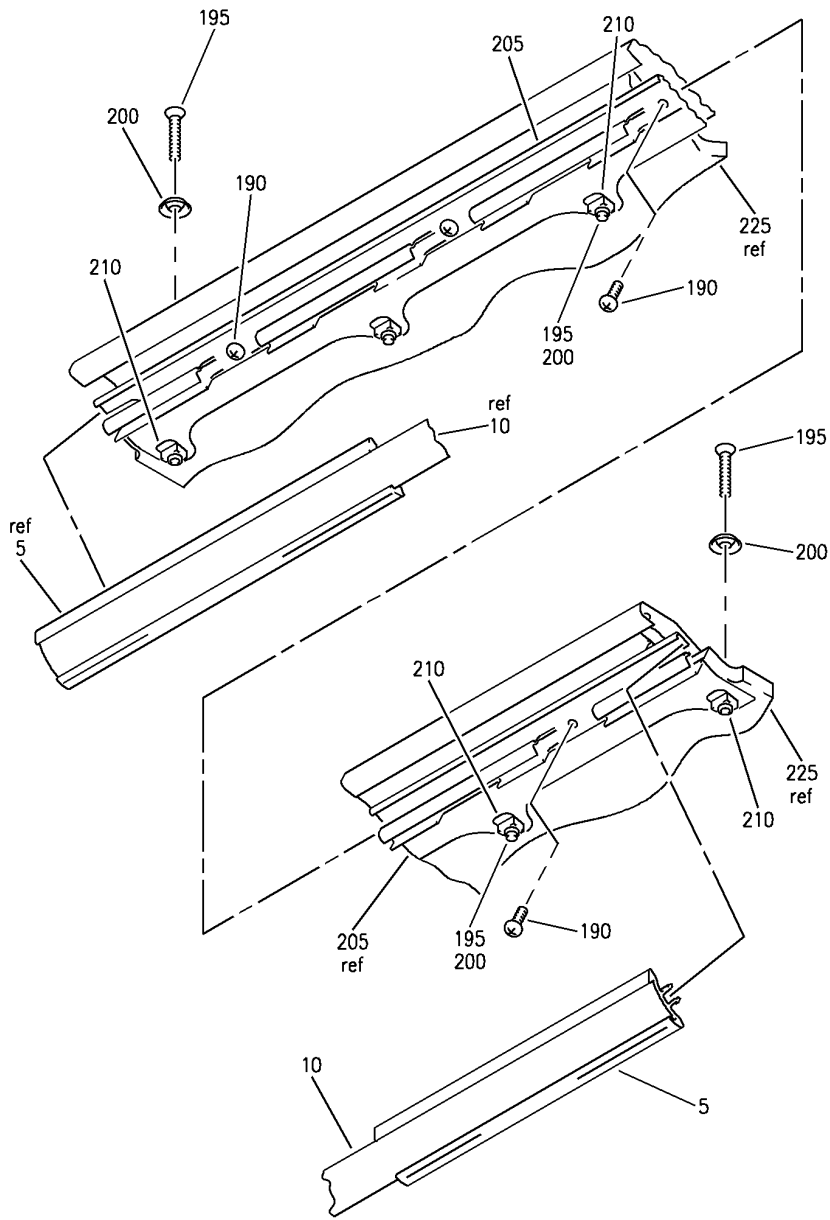
TOP ASSY-AFT LH 31 IN. OVHD STOWAGE BIG BIN BULLNOSE CONFIGURATION
 FIGURE 30K (SHEET 1)

25-24-31-30K

HAP
 OCT 10/07

25-24-31-30K
 PAGE 0

BOEING
 737-600/700/800/900
 PARTS CATALOG (MAINTENANCE)



VIEW LOOKING UP

(A)

E 2524-31-30K SHT 2 REV 133

TOP ASSY-AFT LH 31 IN. OVHD STOWAGE BIG BIN BULLNOSE CONFIGURATION
 FIGURE 30K (SHEET 2)

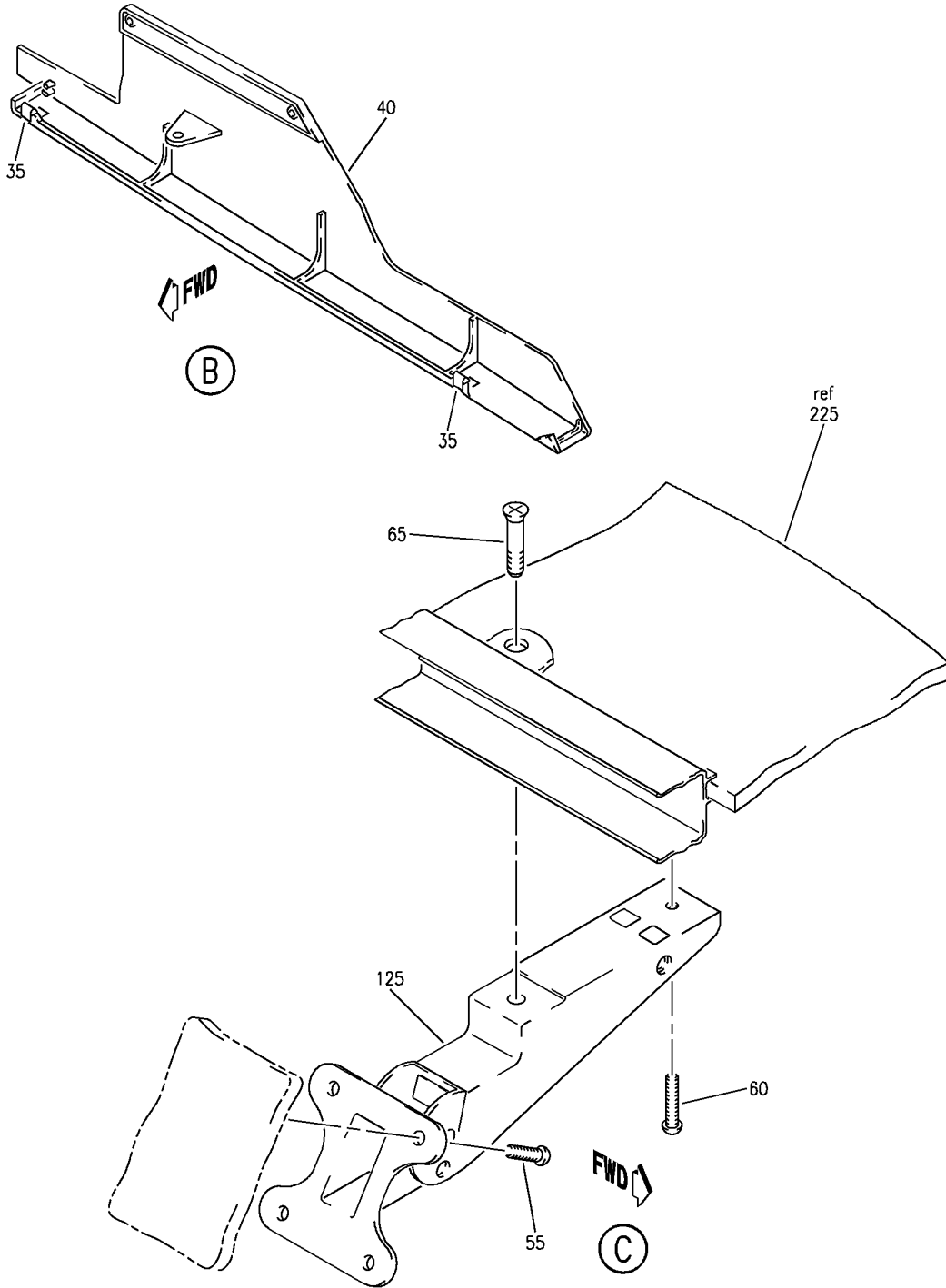
25-24-31-30K

HAP
 OCT 10/07

25-24-31-30K
 PAGE 0A

BOEING PROPRIETARY - Copyright © - Unpublished Work - See title page for details.

BOEING
 737-600/700/800/900
 PARTS CATALOG (MAINTENANCE)



E 2524-31-30K SHT 3 REV 134

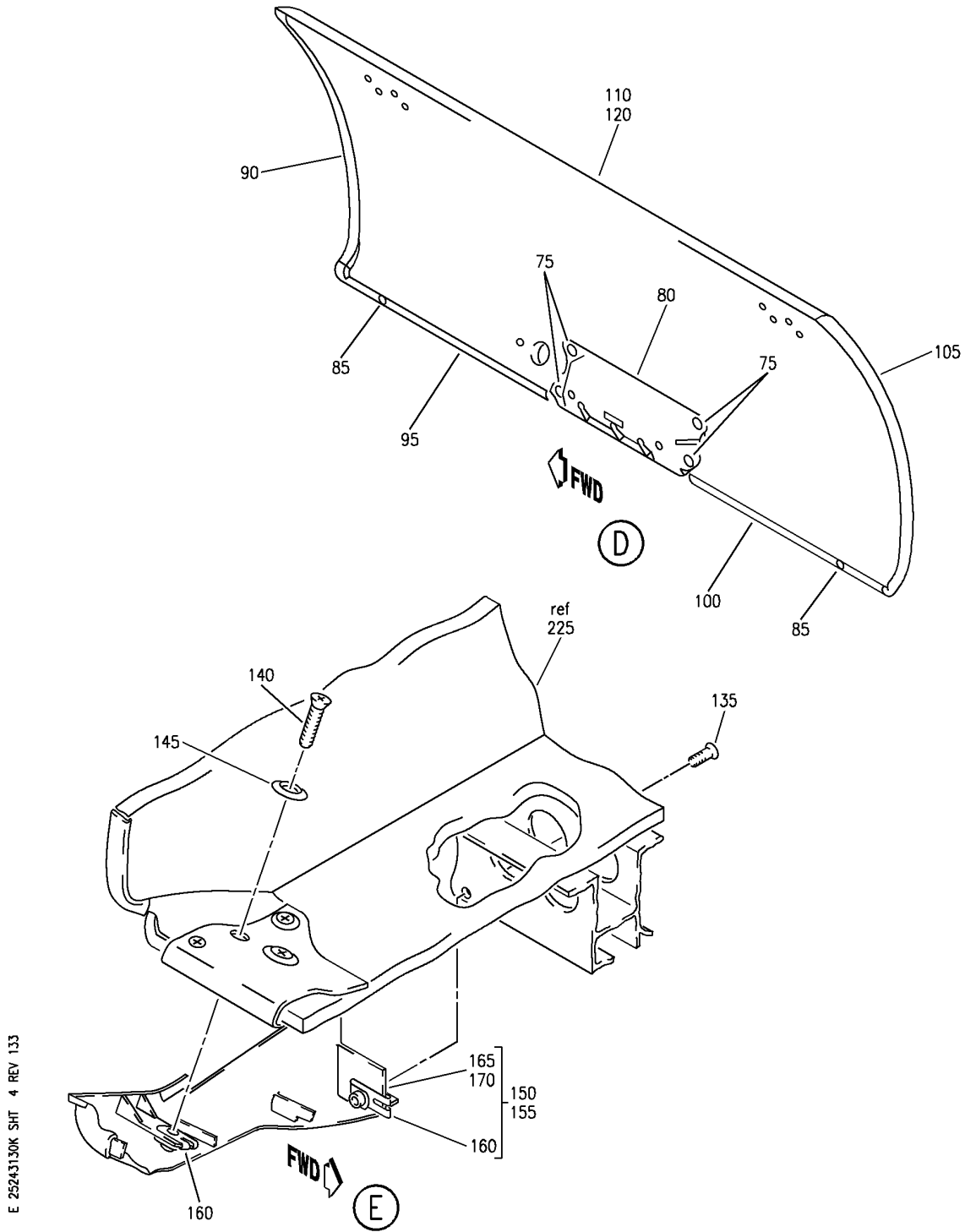
TOP ASSY-AFT LH 31 IN. OVHD STOWAGE BIG BIN BULLNOSE CONFIGURATION
 FIGURE 30K (SHEET 3)

25-24-31-30K

HAP
 OCT 10/07

25-24-31-30K
 PAGE 0B

BOEING
737-600/700/800/900
PARTS CATALOG (MAINTENANCE)

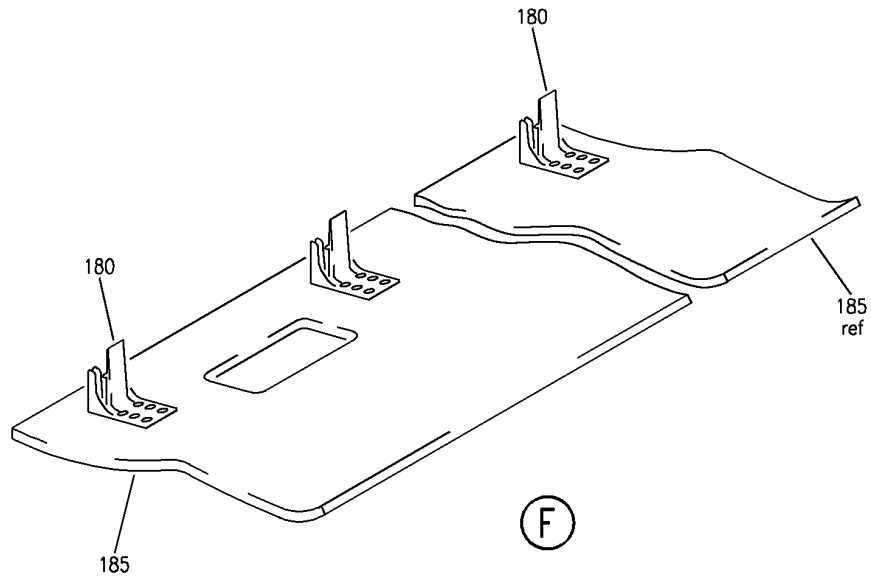


TOP ASSY-AFT LH 31 IN. OVHD STOWAGE BIG BIN BULLNOSE CONFIGURATION
FIGURE 30K (SHEET 4)

HAP
OCT 10/07

25-24-31-30K

25-24-31-30K
PAGE 0C



E 2524-31-30K SHT 5 REV 133

TOP ASSY-AFT LH 31 IN. OVHD STOWAGE BIG BIN BULLNOSE CONFIGURATION
FIGURE 30K (SHEET 5)

HAP
OCT 10/07

25-24-31-30K

25-24-31-30K
PAGE 0D

BOEING
737-600/700/800/900
PARTS CATALOG (MAINTENANCE)

FIG ITEM	PART NUMBER	1 2 3 4 5 6 7	NOMENCLATURE	EFFECT FROM TO	UNITS PER ASSY
30K			TOP ASSY-AFT LH 31 IN. OVHD STOWAGE BIG BIN BULLNOSE CONFIGURATION	044100 102200 972999	
- 1	412A1052-1075C		TOP ASSY-31 IN. OVHD STOWAGE BIG BIN BULLNOSE CONFIGURATION POSITION DATA: AFT LH FOR NHA SEE: 25-24-30-31	044100 102200 972999	RF
	5 412A1420-2A		.EXTRUSION-SEAT ROW MARKER	044100 102200 972999	1
	10 412A1451-2BCWK		.STRIP-TRIM	044100 102200 972999	1
	15 412N1372-105B		.CAP ASSY-2.86 IN. WIDE FOR DETAILS SEE: 25-24-33-28B	044100 102200 972999	1
- 20	CA3105-1032-24		ATTACHING PARTS .SCREW SUPPLIER CODE: V73439 SPECIFICATION NUMBER: BACS12N10-24 OPTIONAL PART: CA3105-1032-24 V78189 SP1561-1032-24 V73439 -----*-----	044100 102200 972999	3
	25 412A1471-1A		.COVER ASSY-TRANSITION ATTACHING PARTS	044100 102200 972999	1
- 30	BACS12FA3K8		.SCREW	044100 102200 972999	2
	35 412A1220-19		..CLIP-SPRING -----*-----	044100 102200 972999	2
	40 412A1470-1A		..COVER	044100 102200 972999	1
	45 412A1310-700		.TAPE-VELCRO HOOK	044100 102200 972999	AR

MISSING ITEM NUMBERS NOT APPLICABLE

- ITEM NOT ILLUSTRATED

HAP

25-24-31-30K

BOEING PROPRIETARY - Copyright © - Unpublished Work - See title page for details.

25-24-31
FIG. 30K
PAGE 1
OCT 15/08

BOEING
737-600/700/800/900
PARTS CATALOG (MAINTENANCE)

FIG ITEM	PART NUMBER	1 2 3 4 5 6 7	NOMENCLATURE	EFFECT FROM TO	UNITS PER ASSY
30K					
50	412A1310-701	.	TAPE-VELCRO LOOP	044100 102200 972999	AR
55	BACS12FA3K5	.	SCREW	044100 102200 972999	8
60	BACS12FA3K6	.	SCREW	044100 102200 972999	2
65	BACB30VF3K8	.	BOLT	044100 102200 972999	2
70	412A1505-122B	.	DOOR ASSY-30.6 IN.	044100 102200 972999	1
75	BACS12FA3K4	..	SCREW	044100 102200 972999	4
80	HA951-1	..	LATCH ASSY- SUPPLIER CODE: V83014 SPECIFICATION NUMBER: S412A003-1	044100 102200 972999	1
85	412A1810-3B	..	BUMPER- QUALIFIED I/W DATA: PN 412A1810-3B CAN REPLACE BUT NOT BE REPLACED BY PN 412A1810-2B FOR 737-600/700/800/900 ONLY.	044100 102200 972999	2
90	412A1452-107B	..	TRIM-VERT POSITION DATA: LH SIDE	044100 102200 972999	1
95	412A1452-109B	..	TRIM-HORIZ POSITION DATA: LH SIDE	044100 102200 972999	1
100	412A1452-106B	..	TRIM-HORIZ POSITION DATA: LH SIDE	044100 102200 972999	1
105	412A1452-104B	..	TRIM-VERT POSITION DATA: LH SIDE	044100 102200 972999	1
110	412A1513-122B	..	PANEL ASSY- POSITION DATA: LH SIDE	044100 102200 972999	1
- 115	SL618-3A	...	INSERT- SUPPLIER CODE: V97393	044100 102200 972999	12

MISSING ITEM NUMBERS NOT APPLICABLE

- ITEM NOT ILLUSTRATED

HAP

25-24-31-30K

BOEING PROPRIETARY - Copyright © - Unpublished Work - See title page for details.

25-24-31
FIG. 30K
PAGE 2
OCT 15/08

BOEING
737-600/700/800/900
PARTS CATALOG (MAINTENANCE)

FIG ITEM	PART NUMBER	1 2 3 4 5 6 7	NOMENCLATURE	EFFECT FROM TO	UNITS PER ASSY
30K 120	412A1513-115B	. . .	PANEL ASSY	044100 102200 972999	1
125	SP23011	.HINGE ASSY-	SUPPLIER CODE: V24403 SPECIFICATION NUMBER: S412A004-3	044100 102200 972999	2
135	BACB30VF3K3	.BOLT		044100 102200 972999	2
140	BACS12ER3K11	.SCREW		044100 102200 972999	2
145	H3-1233A3	.WASHER-	SUPPLIER CODE: V34941 SPECIFICATION NUMBER: S411A001-1	044100 102200 972999	2
150	412A1467-2B	.CLOSEOUT ASSY		044100 102200 972999	1
155	412A1467-1B	.CLOSEOUT ASSY		044100 102200 972999	1
160	BACN10VR4CGN	. . NUT-	OPTIONAL PART: BACN10VR4CG	044100 102200 972999	2
160	BACN10VR4CG	. . NUT-	OPTIONAL PART: BACN10VR4CGN	044100 102200 972999	2
165	412A1467-6B	. . CLOSEOUT-	USED ON: 412A1467-2B	044100 102200 972999	1
170	412A1467-5B	. . CLOSEOUT-	USED ON: 412A1467-1B	044100 102200 972999	1
175	412A1607-18B	.COVER ASSY		044100 102200 972999	1
180	412A1460-2	. . CLIP		044100 102200 972999	3
185	412A1617-18B	. . PANEL		044100 102200 972999	1
190	BACS12ER3K5	.SCREW		044100 102200 972999	4

MISSING ITEM NUMBERS NOT APPLICABLE

- ITEM NOT ILLUSTRATED

HAP

25-24-31-30K

BOEING PROPRIETARY - Copyright © - Unpublished Work - See title page for details.

25-24-31
FIG. 30K
PAGE 3
OCT 15/08

BOEING
737-600/700/800/900
PARTS CATALOG (MAINTENANCE)

FIG ITEM	PART NUMBER	1 2 3 4 5 6 7	NOMENCLATURE	EFFECT FROM TO	UNITS PER ASSY
30K 195	BACS12ER3K14	.	SCREW	044100 102200 972999	5
200	H3-1233A3	.	WASHER- SUPPLIER CODE: V34941 SPECIFICATION NUMBER: S411A001-1	044100 102200 972999	5
205	412A1244-10	.	EXTRUSION ASSY	044100 102200 972999	1
210	FS1651-3	..	NUTPLATE SUPPLIER CODE: V15653 SPECIFICATION NUMBER: BACN10KH3CD OPTIONAL PART: 102F9209M3 V72962 NS202496-02 V80539 ATTACHING PARTS	044100 102200 972999	5
- 215	BACR15BA3ADC	..	RIVET- SIZE DETERMINED ON INSTL.	044100 102200 972999	10
- 220	412A1811-2B	..	PLUG	044100 102200 972999	AR
225	412A1255-57B	.	BOX ASSY-31 IN. BIG BIN FOR DETAILS SEE: 25-24-32-35	044100 102200 972999	1

MISSING ITEM NUMBERS NOT APPLICABLE

- ITEM NOT ILLUSTRATED

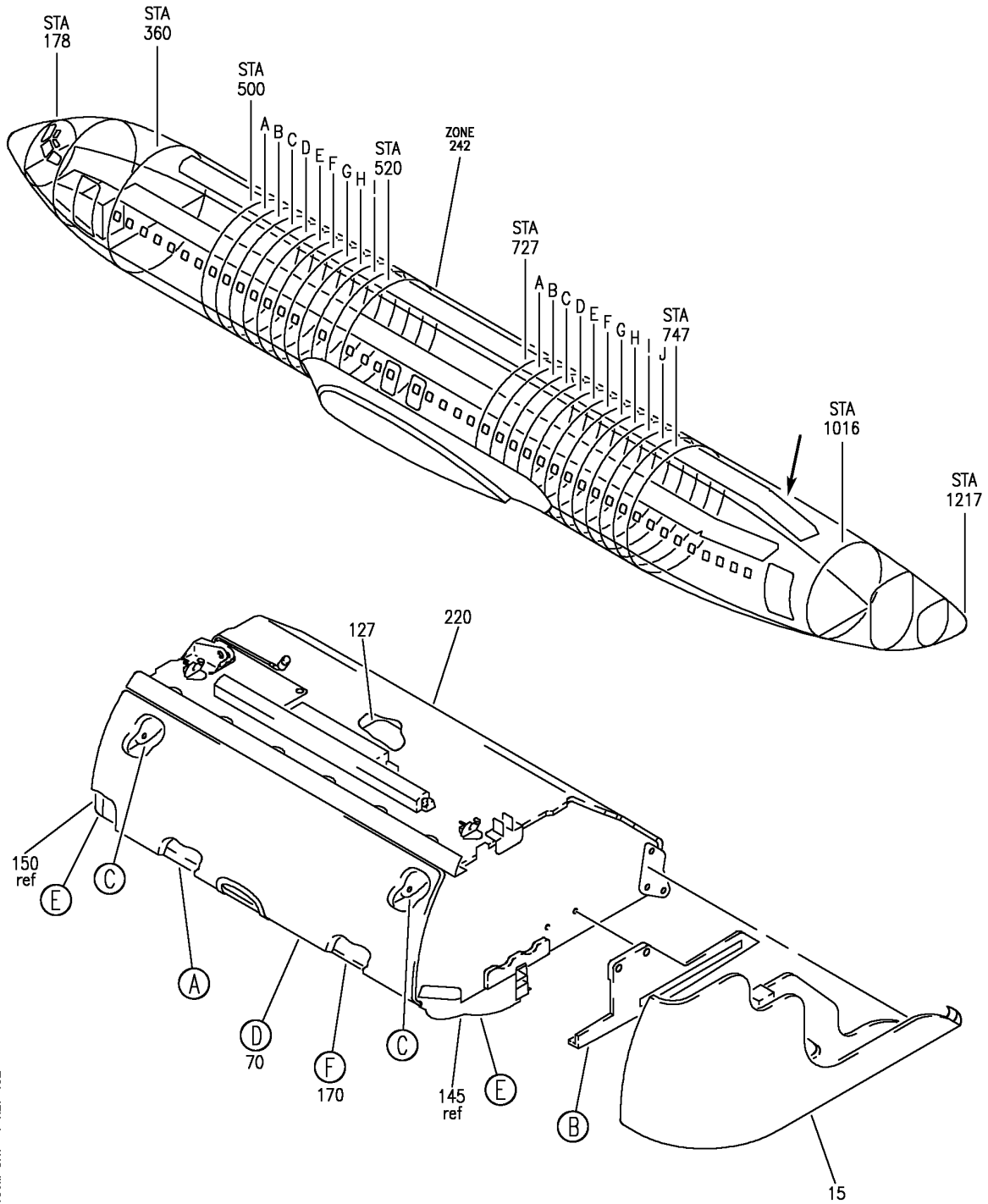
HAP

25-24-31-30K

BOEING PROPRIETARY - Copyright © - Unpublished Work - See title page for details.

25-24-31
FIG. 30K
PAGE 4
OCT 15/08

BOEING
737-600/700/800/900
PARTS CATALOG (MAINTENANCE)



E 252431-30M SHT 1 REV 152

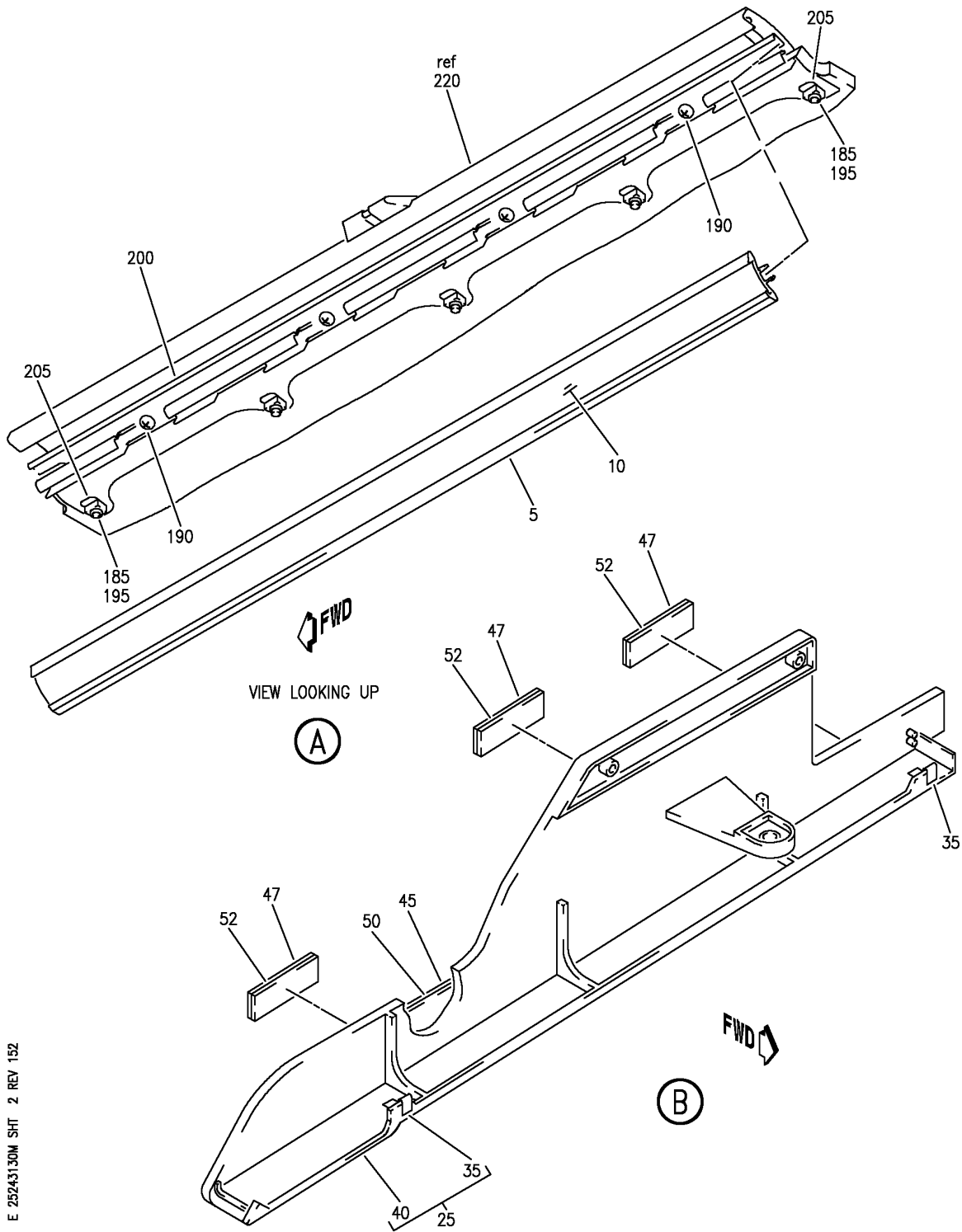
TOP ASSY-AFT RH 31 IN. OVHD STOWAGE BIG BIN BULLNOSE CONFIGURATION
 FIGURE 30M (SHEET 1)

25-24-31-30M

HAP
 JUN 15/09

25-24-31-30M
 PAGE 0

BOEING
 737-600/700/800/900
 PARTS CATALOG (MAINTENANCE)



E 25243130M SHT 2 REV 152

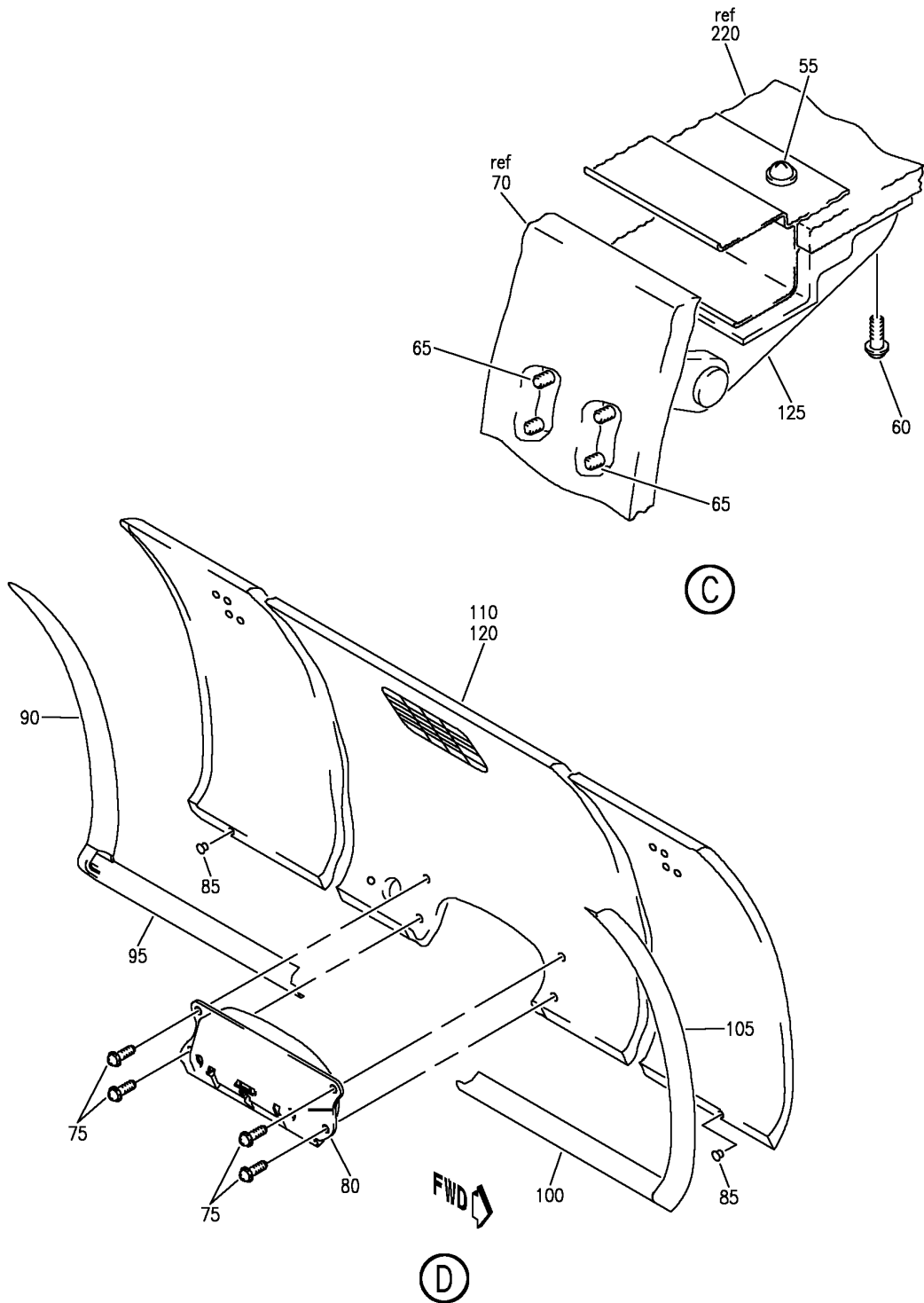
TOP ASSY-AFT RH 31 IN. OVHD STOWAGE BIG BIN BULLNOSE CONFIGURATION
 FIGURE 30M (SHEET 2)

25-24-31-30M

HAP
 JUN 15/09

25-24-31-30M
 PAGE 0A

BOEING
 737-600/700/800/900
 PARTS CATALOG (MAINTENANCE)



E 25243130M SHT. 3 REV 152

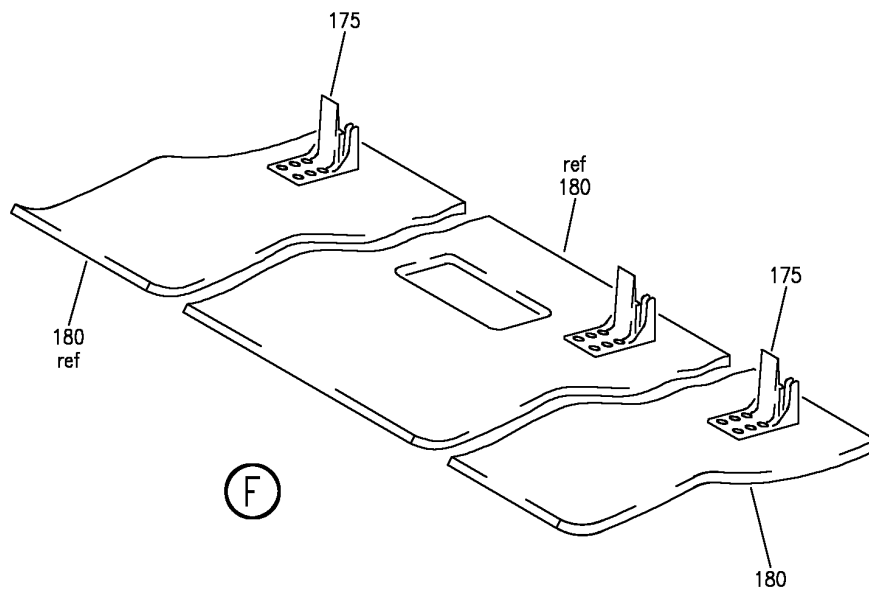
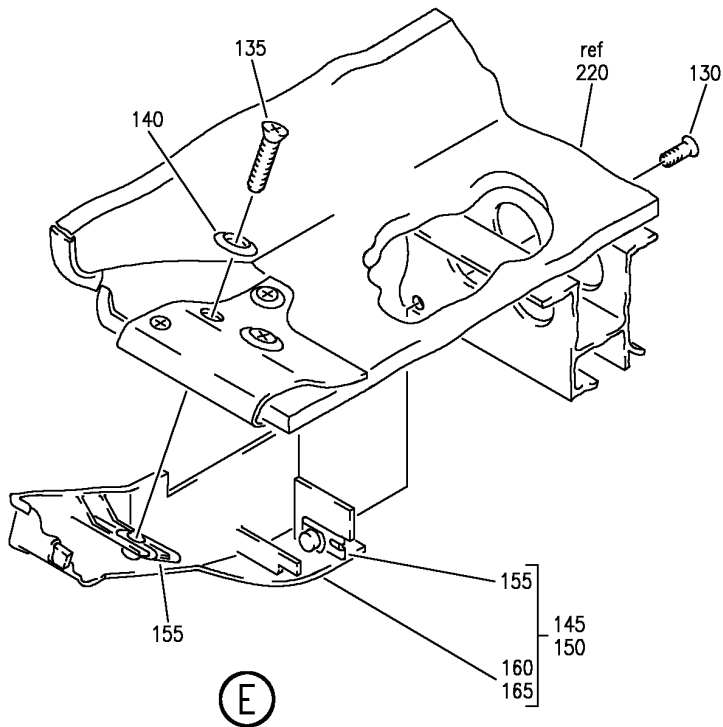
TOP ASSY-AFT RH 31 IN. OVHD STOWAGE BIG BIN BULLNOSE CONFIGURATION
 FIGURE 30M (SHEET 3)

25-24-31-30M

HAP
 JUN 15/09

25-24-31-30M
 PAGE 0B

BOEING
 737-600/700/800/900
 PARTS CATALOG (MAINTENANCE)



E 25243130M SHT 4 REV 152

TOP ASSY-AFT RH 31 IN. OVHD STOWAGE BIG BIN BULLNOSE CONFIGURATION
 FIGURE 30M (SHEET 4)

25-24-31-30M

HAP
 JUN 15/09

25-24-31-30M
 PAGE 0C

BOEING
737-600/700/800/900
PARTS CATALOG (MAINTENANCE)

FIG ITEM	PART NUMBER	1 2 3 4 5 6 7	NOMENCLATURE	EFFECT FROM TO	UNITS PER ASSY
30M			TOP ASSY-AFT RH 31 IN. OVHD STOWAGE BIG BIN BULLNOSE CONFIGURATION	047050 053100 102200 972999	
- 1	412A1052-1076B		TOP ASSY-31 IN. OVHD STOWAGE BIG BIN BULLNOSE CONFIGURATION POSITION DATA: AFT RH FOR NHA SEE: 25-24-30-49E	047050 053100 102200 972999	RF
5	412A1420-2A		.EXTRUSION-SEAT ROW MARKER	047050 053100 102200 972999	1
10	412A1451-2BCWK		.STRIP-TRIM	047050 053100 102200 972999	1
15	412N1372-108B		.CAP ASSY-END 2.86 IN. WIDE BIG BIN FOR DETAILS SEE: 25-24-33-28D	047050 053100 102200 972999	1
- 20	CA3105-1032-24		ATTACHING PARTS .SCREW SUPPLIER CODE: V73439 SPECIFICATION NUMBER: BACS12N10-24 OPTIONAL PART: CA3105-1032-24 V78189 SP1561-1032-24 V73439 -----*-----	047050 053100 102200 972999	3
25	412A1471-2A		.COVER ASSY	047050 053100 102200 972999	1
- 30	BACS12FA3K8		ATTACHING PARTS .SCREW -----*-----	047050 053100 102200 972999	3
35	412A1220-19		..CLIP	047050 053100 102200 972999	2

MISSING ITEM NUMBERS NOT APPLICABLE

- ITEM NOT ILLUSTRATED

HAP

25-24-31-30M

BOEING PROPRIETARY - Copyright © - Unpublished Work - See title page for details.

25-24-31
FIG. 30M
PAGE 1
FEB 15/09

BOEING
737-600/700/800/900
PARTS CATALOG (MAINTENANCE)

FIG ITEM	PART NUMBER	1 2 3 4 5 6 7	NOMENCLATURE	EFFECT FROM TO	UNITS PER ASSY
30M					
40	412A1470-2A	. .	COVER	047050 053100 102200 972999	1
45	412A1310-701	. TAPE-VELCRO	LOOP	047050 053100 102200 972999	AR
50	412A1310-700	. TAPE-VELCRO	HOOK	047050 053100 102200 972999	AR
55	BACB30VF3K8	. BOLT		047050 053100 102200 972999	2
60	BACS12FA3K6	. SCREW		047050 053100 102200 972999	2
65	BACS12FA3K5	. SCREW		047050 053100 102200 972999	8
70	412A1505-121B	. DOOR ASSY-30.60	IN.	047050 053100 102200 972999	1
75	BACS12FA3K4	. . SCREW		047050 053100 102200 972999	4
80	HA951-1	. . LATCH ASSY- SUPPLIER CODE: V83014 SPECIFICATION NUMBER: S412A003-1		047050 053100 102200 972999	1
85	412A1810-3B	. . BUMPER- QUALIFIED I/W DATA: PN 412A1810-3B CAN REPLACE BUT NOT BE REPLACED BY PN 412A1810-2B FOR 737-600/700/800/900 ONLY.		047050 053100 102200 972999	2
90	412A1452-108B	. . TRIM-VERT		047050 053100 102200 972999	1

MISSING ITEM NUMBERS NOT APPLICABLE

— ITEM NOT ILLUSTRATED

HAP

25-24-31-30M

BOEING PROPRIETARY - Copyright © - Unpublished Work - See title page for details.

25-24-31
FIG. 30M
PAGE 2
FEB 15/09

BOEING
737-600/700/800/900
PARTS CATALOG (MAINTENANCE)

FIG ITEM	PART NUMBER	1 2 3 4 5 6 7	NOMENCLATURE	EFFECT FROM TO	UNITS PER ASSY
30M 95	412A1452-110B	..	TRIM-HORIZ	047050 053100 102200 972999	1
100	412A1452-105B	..	TRIM-HORIZ	047050 053100 102200 972999	1
105	412A1452-103B	..	TRIM-VERT	047050 053100 102200 972999	1
110	412A1513-121B	...	PANEL ASSY	047050 053100 102200 972999	1
- 115	SL618-3A	...	INSERT- SUPPLIER CODE: V97393	047050 053100 102200 972999	12
120	412A1513-115B	...	PANEL ASSY	047050 053100 102200 972999	1
125	SP23011	.HINGE ASSY- SUPPLIER CODE: V24403 SPECIFICATION NUMBER: S412A004-3		047050 053100 102200 972999	2
130	BACB30VF3K3	.BOLT		047050 053100 102200 972999	2
135	BACS12ER3K11	.SCREW		047050 053100 102200 972999	2
140	H3-1233A3	.WASHER- SUPPLIER CODE: V34941 SPECIFICATION NUMBER: S411A001-1		047050 053100 102200 972999	2
145	412A1467-2B	.CLOSEOUT ASSY		047050 053100 102200 972999	1

MISSING ITEM NUMBERS NOT APPLICABLE

- ITEM NOT ILLUSTRATED

HAP

25-24-31-30M

BOEING PROPRIETARY - Copyright © - Unpublished Work - See title page for details.

25-24-31
FIG. 30M
PAGE 3
FEB 15/09

BOEING
737-600/700/800/900
PARTS CATALOG (MAINTENANCE)

FIG ITEM	PART NUMBER	1 2 3 4 5 6 7	NOMENCLATURE	EFFECT FROM TO	UNITS PER ASSY
30M 150	412A1467-1B	.	CLOSEOUT ASSY	047050 053100 102200 972999	1
155	BACN10VR4CGN	..	NUT- OPTIONAL PART: BACN10VR4CG	047050 053100 102200 972999	2
155	BACN10VR4CG	..	NUT- OPTIONAL PART: BACN10VR4CGN	047050 053100 102200 972999	2
160	412A1467-6B	..	CLOSEOUT- USED ON: 412A1467-2B	047050 053100 102200 972999	1
165	412A1467-5B	..	CLOSEOUT- USED ON: 412A1467-1B	047050 053100 102200 972999	1
170	412A1607-35B	.	COVER ASSY	047050 053100 102200 972999	1
175	412A1460-2	..	CLIP	047050 053100 102200 972999	3
180	412A1617-18B	..	PANEL	047050 053100 102200 972999	1
185	BACS12ER3K14	.	SCREW	047050 053100 102200 972999	5
190	BACS12FA3K5	.	SCREW	047050 053100 102200 972999	4
195	H3-1233A3	.	WASHER- SUPPLIER CODE: V34941 SPECIFICATION NUMBER: S411A001-1	047050 053100 102200 972999	5
200	412A1244-10	.	EXTRUSION ASSY	047050 053100 102200 972999	1

MISSING ITEM NUMBERS NOT APPLICABLE

— ITEM NOT ILLUSTRATED

HAP

25-24-31-30M

BOEING PROPRIETARY - Copyright © - Unpublished Work - See title page for details.

25-24-31
FIG. 30M
PAGE 4
FEB 15/09

BOEING
737-600/700/800/900
PARTS CATALOG (MAINTENANCE)

FIG ITEM	PART NUMBER	1 2 3 4 5 6 7	NOMENCLATURE	EFFECT FROM TO	UNITS PER ASSY
30M 205	FS1651-3		..NUTPLATE SUPPLIER CODE: V15653 SPECIFICATION NUMBER: BACN10KH3CD OPTIONAL PART: 102F9209M3 V72962 NS202496-02 V80539 ATTACHING PARTS	047050 053100 102200 972999	5
- 210	BACR15BA3ADC		..RIVET- SIZE DETERMINED ON INSTL.	047050 053100 102200 972999	10
- 215	412A1811-2B		-----*----- .PLUG	047050 053100 102200 972999	AR
220	412A1255-56B		.BOX ASSY-31 IN. BIG BIN FOR DETAILS SEE: 25-24-32-35B	047050 053100 102200 972999	1

MISSING ITEM NUMBERS NOT APPLICABLE

- ITEM NOT ILLUSTRATED

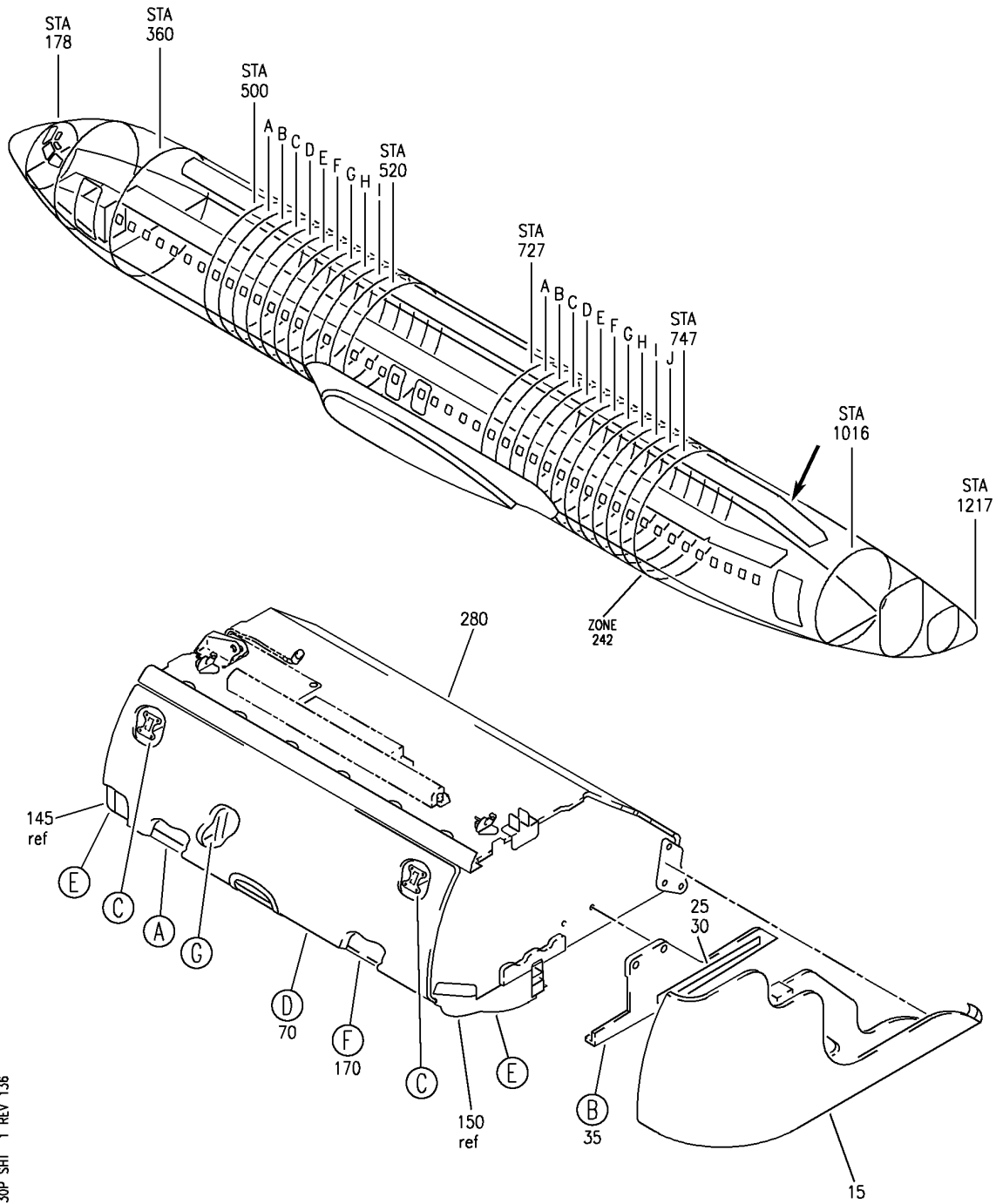
HAP

25-24-31-30M

BOEING PROPRIETARY - Copyright © - Unpublished Work - See title page for details.

25-24-31
FIG. 30M
PAGE 5
FEB 15/09

BOEING
 737-600/700/800/900
 PARTS CATALOG (MAINTENANCE)



E 2524-31-30P SHT 1 REV 136

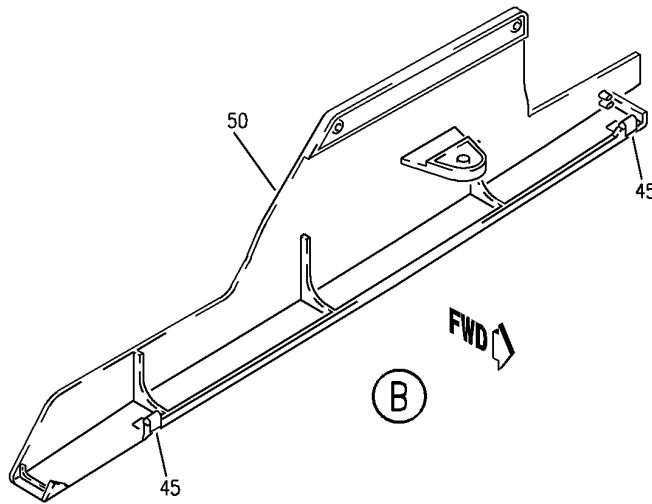
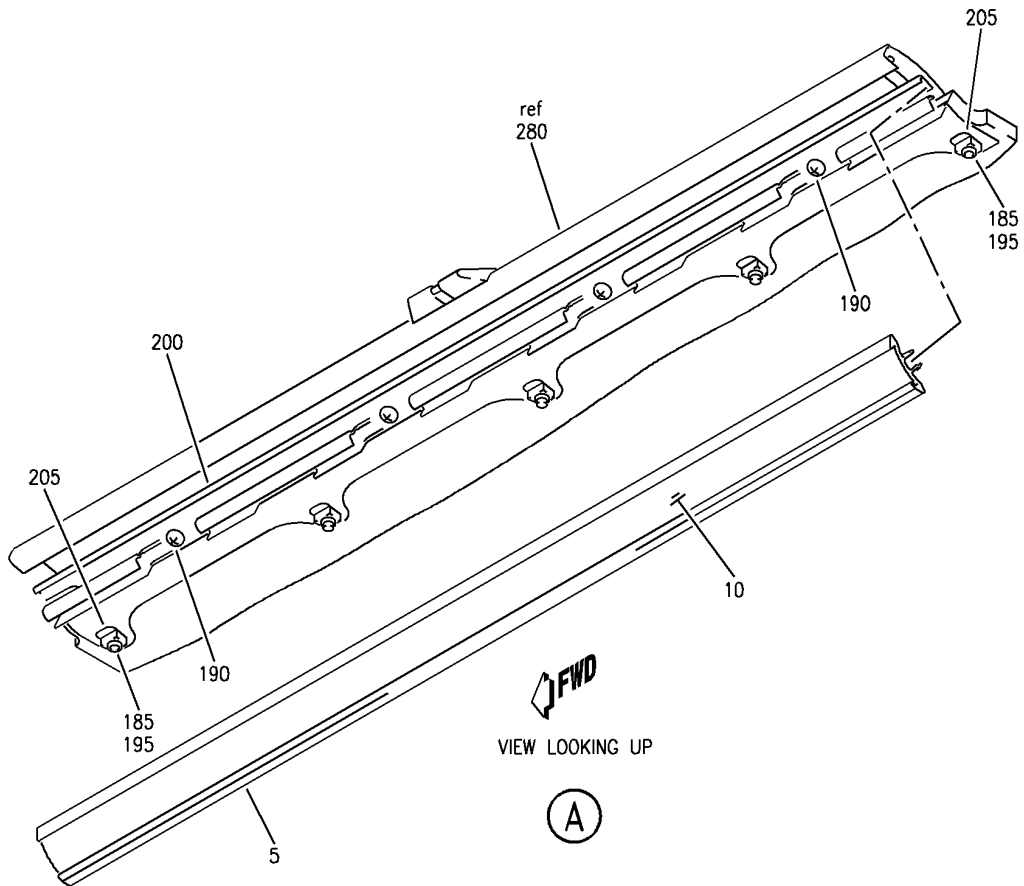
TOP ASSY-AFT RH 31 IN. OVHD STOWAGE BIG BIN BULLNOSE CONFIGURATION
 FIGURE 30P (SHEET 1)

25-24-31-30P

HAP
 FEB 15/08

25-24-31-30P
 PAGE 0

BOEING
 737-600/700/800/900
 PARTS CATALOG (MAINTENANCE)



E 2524-31-30P SHT 2 REV 136

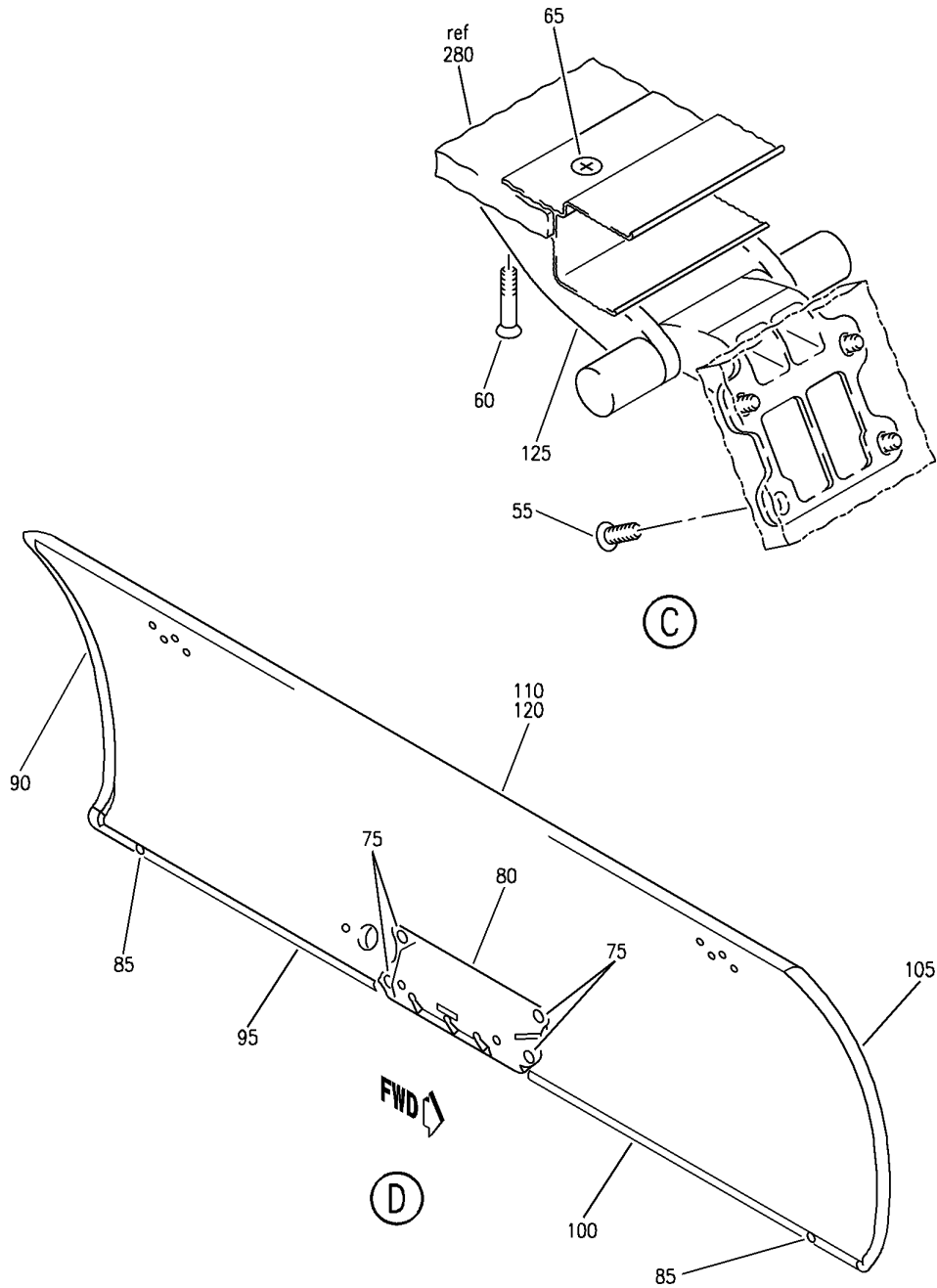
TOP ASSY-AFT RH 31 IN. OVHD STOWAGE BIG BIN BULLNOSE CONFIGURATION
 FIGURE 30P (SHEET 2)

25-24-31-30P

HAP
 FEB 15/08

25-24-31-30P
 PAGE 0A

BOEING
 737-600/700/800/900
 PARTS CATALOG (MAINTENANCE)



E 2524-31-30P SHT 3 REV 136

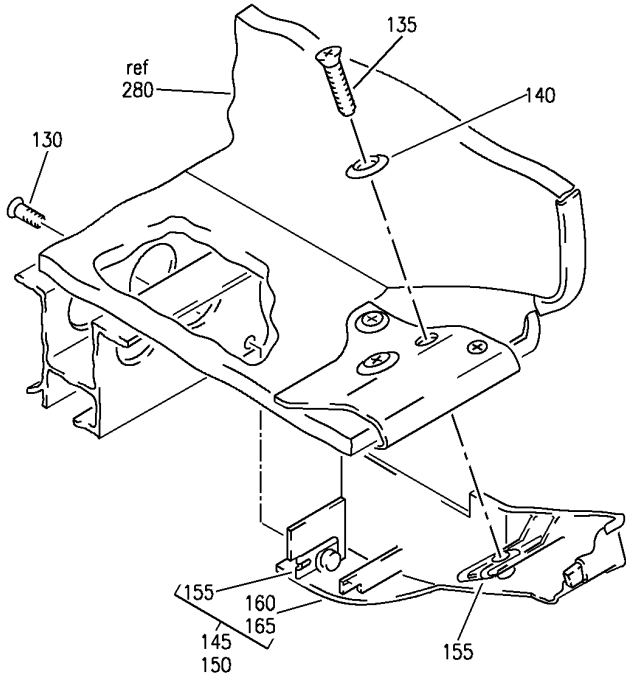
TOP ASSY-AFT RH 31 IN. OVHD STOWAGE BIG BIN BULLNOSE CONFIGURATION
 FIGURE 30P (SHEET 3)

25-24-31-30P

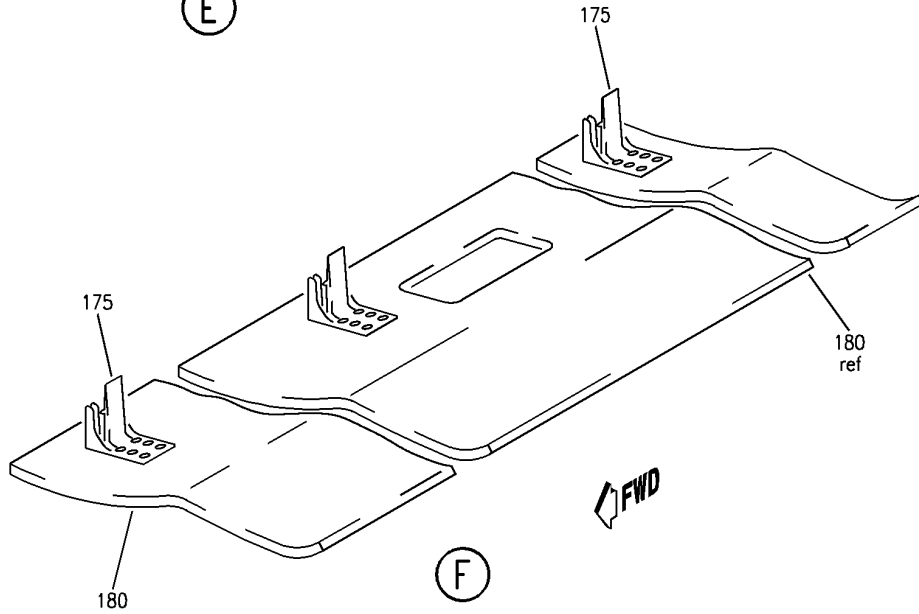
HAP
 FEB 15/08

25-24-31-30P
 PAGE 0B

BOEING
 737-600/700/800/900
 PARTS CATALOG (MAINTENANCE)



(E)



(F)

E 2524-31-30P SHT 4 REV 136

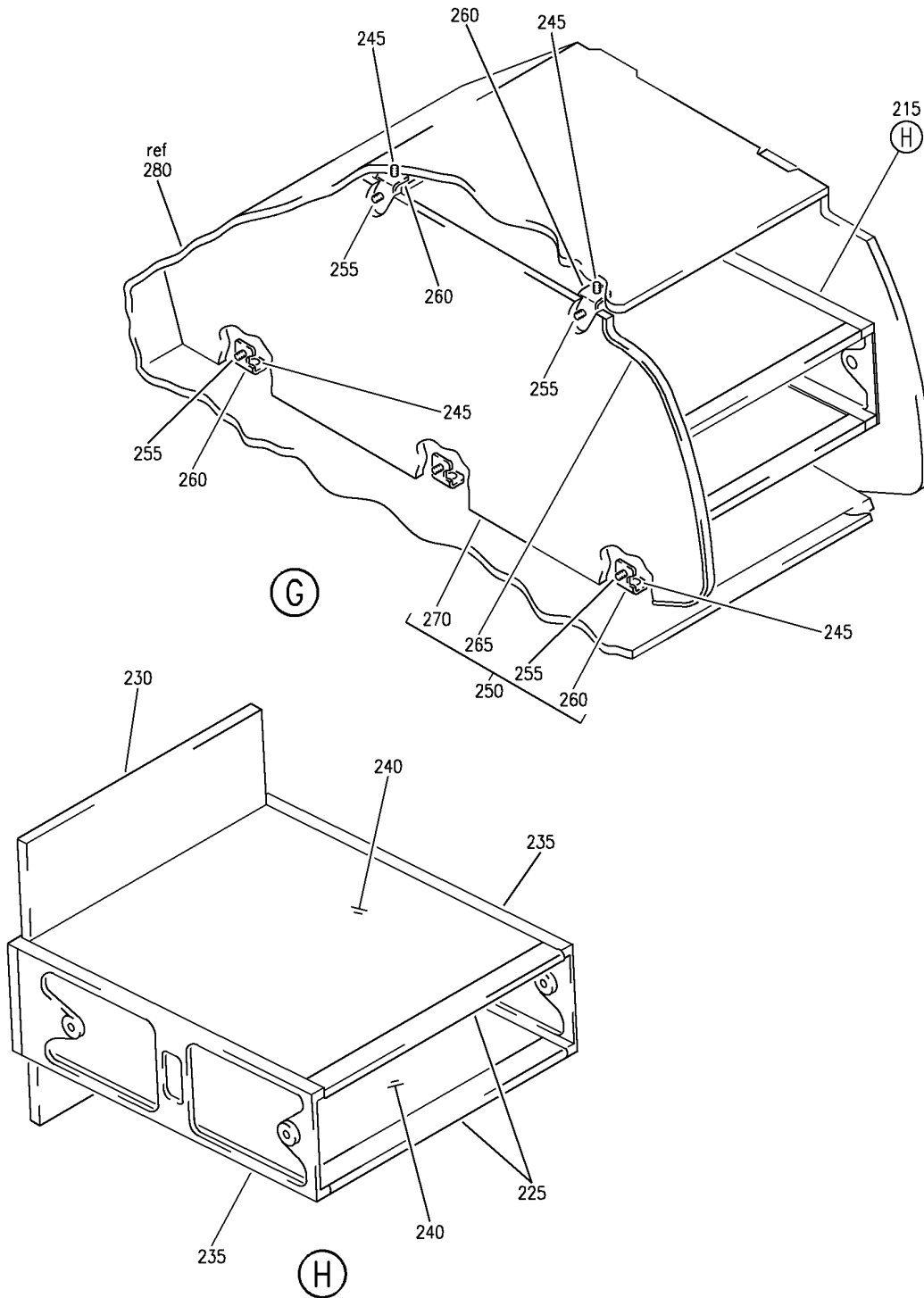
TOP ASSY-AFT RH 31 IN. OVHD STOWAGE BIG BIN BULLNOSE CONFIGURATION
 FIGURE 30P (SHEET 4)

25-24-31-30P

HAP
 FEB 15/08

25-24-31-30P
 PAGE 0C

BOEING
 737-600/700/800/900
 PARTS CATALOG (MAINTENANCE)



E 2524-31-30P SHT 5 REV 136

TOP ASSY-AFT RH 31 IN. OVHD STOWAGE BIG BIN BULLNOSE CONFIGURATION
 FIGURE 30P (SHEET 5)

25-24-31-30P

HAP
 FEB 15/08

25-24-31-30P
 PAGE 0D

BOEING
737-600/700/800/900
PARTS CATALOG (MAINTENANCE)

FIG ITEM	PART NUMBER	1 2 3 4 5 6 7	NOMENCLATURE	EFFECT FROM TO	UNITS PER ASSY
30P			TOP ASSY-AFT RH 31 IN. OVHD STOWAGE BIG BIN BULLNOSE CONFIGURATION	044046 051052	
- 1	412A1052-1108B		TOP ASSY-31 IN. OVHD STOWAGE BIG BIN BULLNOSE CONFIGURATION POSITION DATA: AFT RH FOR NHA SEE: 25-24-30-49E	044046 051052	RF
5	412A1420-2A		.EXTRUSION-SEAT ROW MARKER	044046 051052	1
10	412A1451-2BCWK		.STRIP-TRIM	044046 051052	1
15	412N1372-108B		.CAP ASSY-2.86 IN. WIDE FOR DETAILS SEE: 25-24-33-28D	044046 051052	1
- 20	CA3105-1032-24		ATTACHING PARTS .SCREW SUPPLIER CODE: V73439 SPECIFICATION NUMBER: BACS12N10-24 OPTIONAL PART: CA3105-1032-24 V78189 SP1561-1032-24 V73439 -----*-----	044046 051052	3
25	412A1310-700		.TAPE-VELCRO HOOK	044046 051052	AR
30	412A1310-701		.TAPE-VELCRO LOOP	044046 051052	AR
35	412A1471-1A		.COVER ASSY-TRANSITION ATTACHING PARTS	044046 051052	1
- 40	BACS12FA3K8		.SCREW	044046 051052	3
45	412A1220-19		..CLIP-SPR	044046 051052	2
50	412A1470-1A		..COVER	044046 051052	1
55	BACS12FA3K5		.SCREW	044046 051052	8
60	BACS12FA3K6		.SCREW	044046 051052	2
65	BACB30VF3K8		.BOLT	044046 051052	2

MISSING ITEM NUMBERS NOT APPLICABLE

- ITEM NOT ILLUSTRATED

HAP

25-24-31-30P

BOEING PROPRIETARY - Copyright © - Unpublished Work - See title page for details.

25-24-31
FIG. 30P
PAGE 1
FEB 15/09

BOEING
737-600/700/800/900
PARTS CATALOG (MAINTENANCE)

FIG ITEM	PART NUMBER	1 2 3 4 5 6 7	NOMENCLATURE	EFFECT FROM TO	UNITS PER ASSY
30P					
70	412A1505-121B	.	DOOR ASSY-30.6 IN.	044046 051052	1
75	BACS12FA3K4	..	SCREW	044046 051052	4
80	HA951-1	..	LATCH ASSY- SUPPLIER CODE: V83014 SPECIFICATION NUMBER: S412A003-1	044046 051052	1
85	412A1810-3B	..	BUMPER- QUALIFIED I/W DATA: PN 412A1810-3B CAN REPLACE BUT NOT BE REPLACED BY PN 412A1810-2B FOR 737-600/700/800/900 ONLY.	044046 051052	2
90	412A1452-108B	..	TRIM-VERT	044046 051052	1
95	412A1452-110B	..	TRIM-HORIZ	044046 051052	1
100	412A1452-105B	..	TRIM-HORIZ	044046 051052	1
105	412A1452-103B	..	TRIM-VERT	044046 051052	1
110	412A1513-121B	...	PANEL ASSY	044046 051052	1
- 115	SL618-3A	...	INSERT- SUPPLIER CODE: V97393	044046 051052	12
120	412A1513-115B	...	PANEL ASSY	044046 051052	1
125	SP23011	.	HINGE ASSY- SUPPLIER CODE: V24403 SPECIFICATION NUMBER: S412A004-3	044046 051052	2
130	BACB30VF3K3	.	BOLT	044046 051052	2
135	BACS12ER3K11	.	SCREW	044046 051052	2
140	H3-1233A3	.	WASHER- SUPPLIER CODE: V34941 SPECIFICATION NUMBER: S411A001-1	044046 051052	2
145	412A1467-2B	.	CLOSEOUT ASSY	044046 051052	1

MISSING ITEM NUMBERS NOT APPLICABLE

- ITEM NOT ILLUSTRATED

HAP

25-24-31-30P

BOEING PROPRIETARY - Copyright © - Unpublished Work - See title page for details.

25-24-31
FIG. 30P
PAGE 2
FEB 15/09

BOEING
737-600/700/800/900
PARTS CATALOG (MAINTENANCE)

FIG ITEM	PART NUMBER	1 2 3 4 5 6 7	NOMENCLATURE	EFFECT FROM TO	UNITS PER ASSY
30P					
150	412A1467-1B	.	CLOSEOUT ASSY	044046 051052	1
155	BACN10VR4CGN	..	NUT- OPTIONAL PART: BACN10VR4CG	044046 051052	2
155	BACN10VR4CG	..	NUT- OPTIONAL PART: BACN10VR4CGN	044046 051052	2
160	412A1467-6B	..	CLOSEOUT- USED ON: 412A1467-2B	044046 051052	1
165	412A1467-5B	..	CLOSEOUT- USED ON: 412A1467-1B	044046 051052	1
170	412A1607-35B	.	COVER ASSY	044046 051052	1
175	412A1460-2	..	CLIP	044046 051052	3
180	412A1617-18B	..	PANEL	044046 051052	1
185	BACS12ER3K14	.	SCREW	044046 051052	5
190	BACS12FA3K5	.	SCREW	044046 051052	4
195	H3-1233A3	.	WASHER- SUPPLIER CODE: V34941 SPECIFICATION NUMBER: S411A001-1	044046 051052	5
200	412A1244-10	.	EXTRUSION ASSY	044046 051052	1
205	FS1651-3	..	NUTPLATE SUPPLIER CODE: V15653 SPECIFICATION NUMBER: BACN10KH3CD OPTIONAL PART: 102F9209M3 V72962 NS202496-02 V80539 ATTACHING PARTS	044046 051052	5
- 210	BACR15BA3ADC	..	RIVET- SIZE DETERMINED ON INSTL. -----*-----	044046 051052	10
215	412A1912-11B	.	RACK ASSY-MAGAZINE	044046 051052	1

MISSING ITEM NUMBERS NOT APPLICABLE

- ITEM NOT ILLUSTRATED

HAP

25-24-31-30P

BOEING PROPRIETARY - Copyright © - Unpublished Work - See title page for details.

25-24-31
FIG. 30P
PAGE 3
FEB 15/09

BOEING
737-600/700/800/900
PARTS CATALOG (MAINTENANCE)

FIG ITEM	PART NUMBER	1 2 3 4 5 6 7	NOMENCLATURE	EFFECT FROM TO	UNITS PER ASSY
30P			ATTACHING PARTS		
- 220	BACS12FA3K5		.SCREW	044046 051052	4
			-----*-----		
225	412A1450-17A		..TRIM	044046 051052	2
230	412A1217-10B		..PANEL ASSY	044046 051052	1
235	412N1212-4A		..SUPPORT-SHELF	044046 051052	2
240	412A1213-20A		..SHELF ASSY-12 IN.	044046 051052	2
245	BACS12FA3K5		.SCREW	044046 051052	5
250	412A1912-1B		.PANEL ASSY-DIVIDER	044046 051052	1
255	BACS12FA3K5		..SCREW	044046 051052	5
260	412A1220-61A		..CLIP	044046 051052	5
265	412A1250-91A		..TRIM-EDGE	044046 051052	1
270	412A1217-1B		..PANEL ASSY	044046 051052	1
- 275	SL2334-3A1		...INSERT- SUPPLIER CODE: V97393	044046 051052	11
280	412A1255-56B		.BOX ASSY-31 IN. BIG BIN FOR DETAILS SEE: 25-24-32-35B	044046 051052	1
- 285	412A1811-2B		.PLUG	044046 051052	AR

MISSING ITEM NUMBERS NOT APPLICABLE

- ITEM NOT ILLUSTRATED

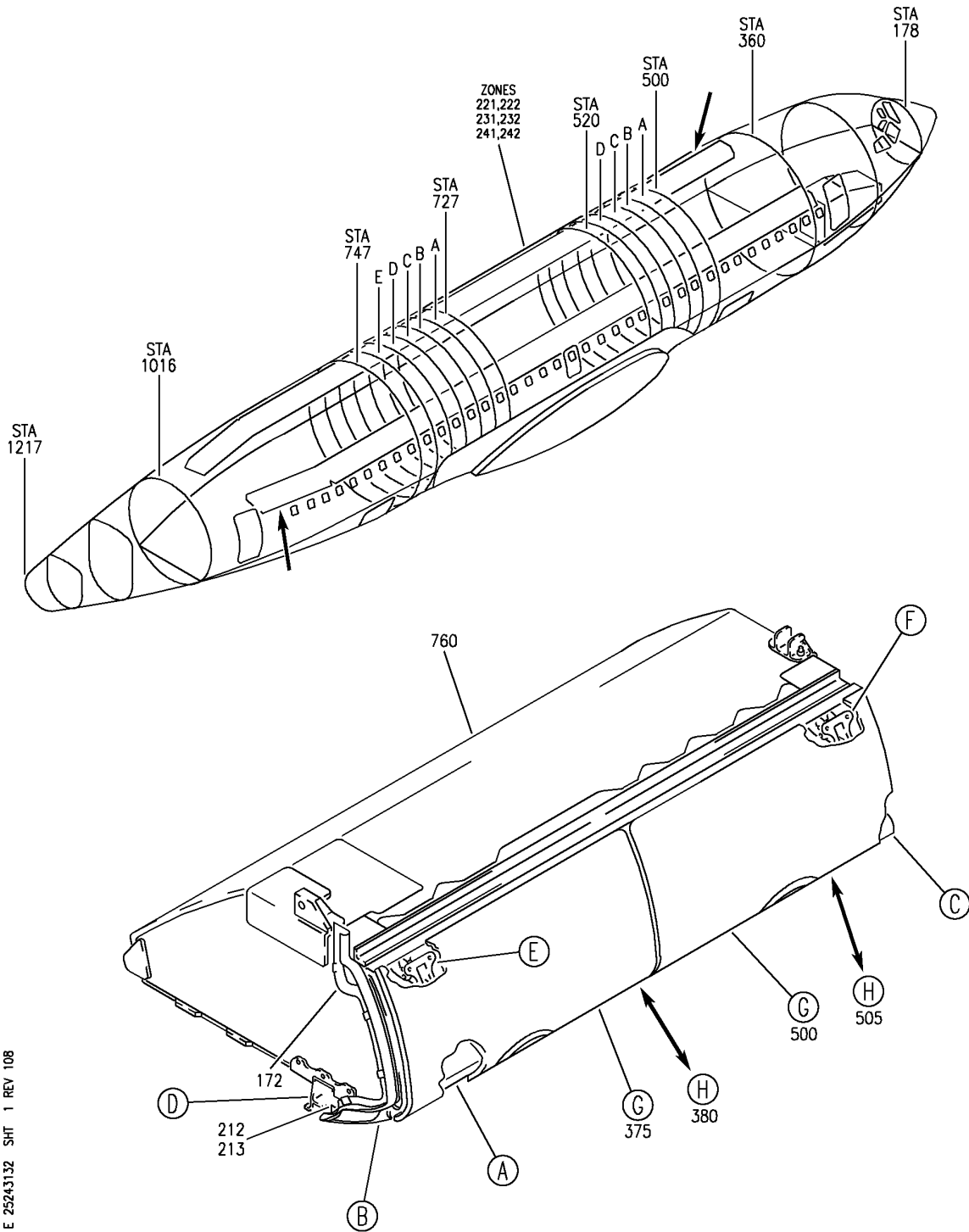
HAP

25-24-31-30P

BOEING PROPRIETARY - Copyright © - Unpublished Work - See title page for details.

25-24-31
FIG. 30P
PAGE 4
FEB 15/09

BOEING
 737-600/700/800/900
 PARTS CATALOG (MAINTENANCE)



E 2524-31-32 SHT 1 REV 108

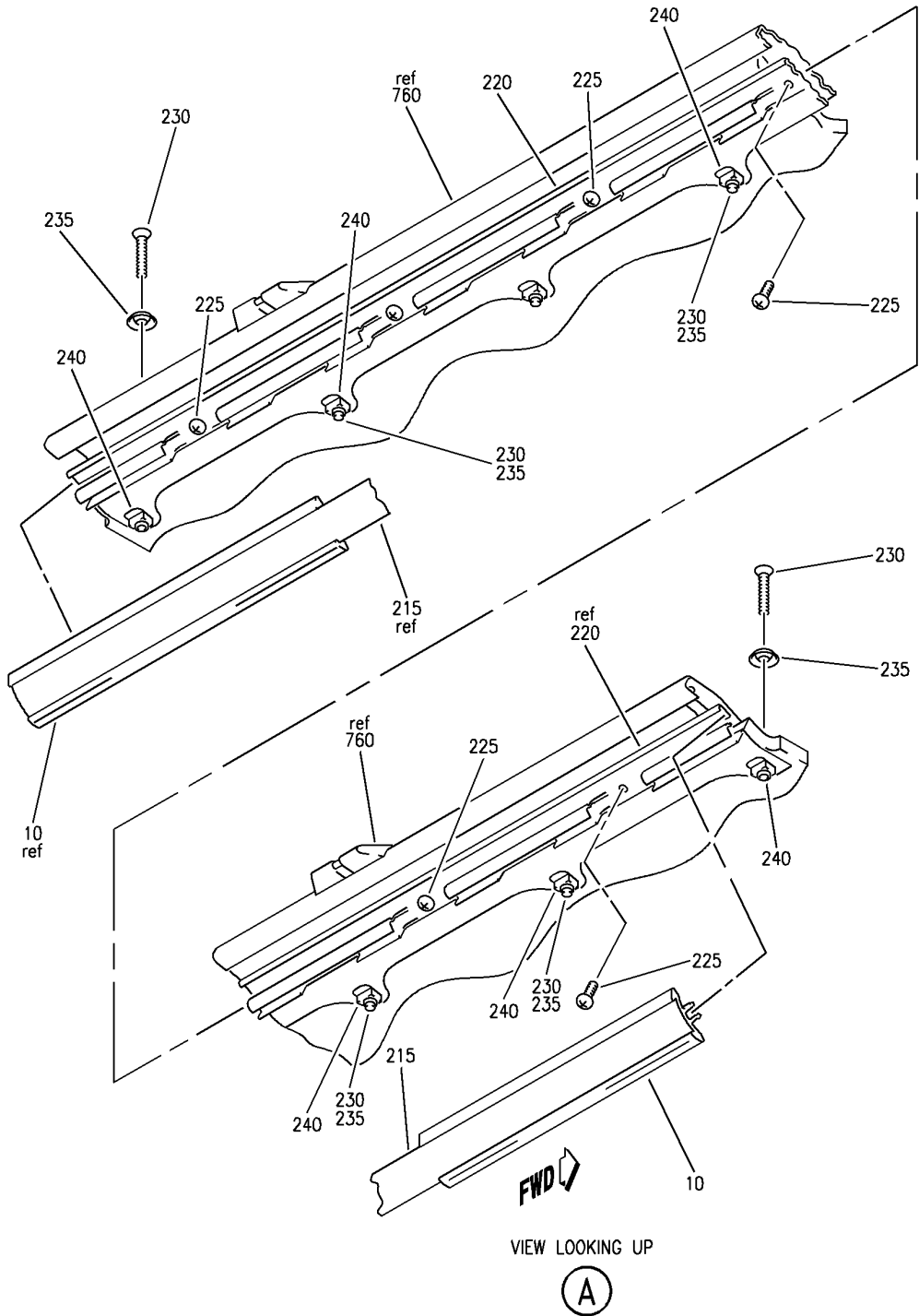
COMPARTMENT ASSY-44 IN. OVHD STOWAGE BULLNOSE CONFIGURATION (EQUIPMENT/ FURNISHINGS ONLY)
 FIGURE 32 (SHEET 1)

25-24-31-32

HAP
 OCT 15/08

25-24-31-32
 PAGE 0

BOEING
 737-600/700/800/900
 PARTS CATALOG (MAINTENANCE)



E 2524-31-32 SH2 2 REV 108

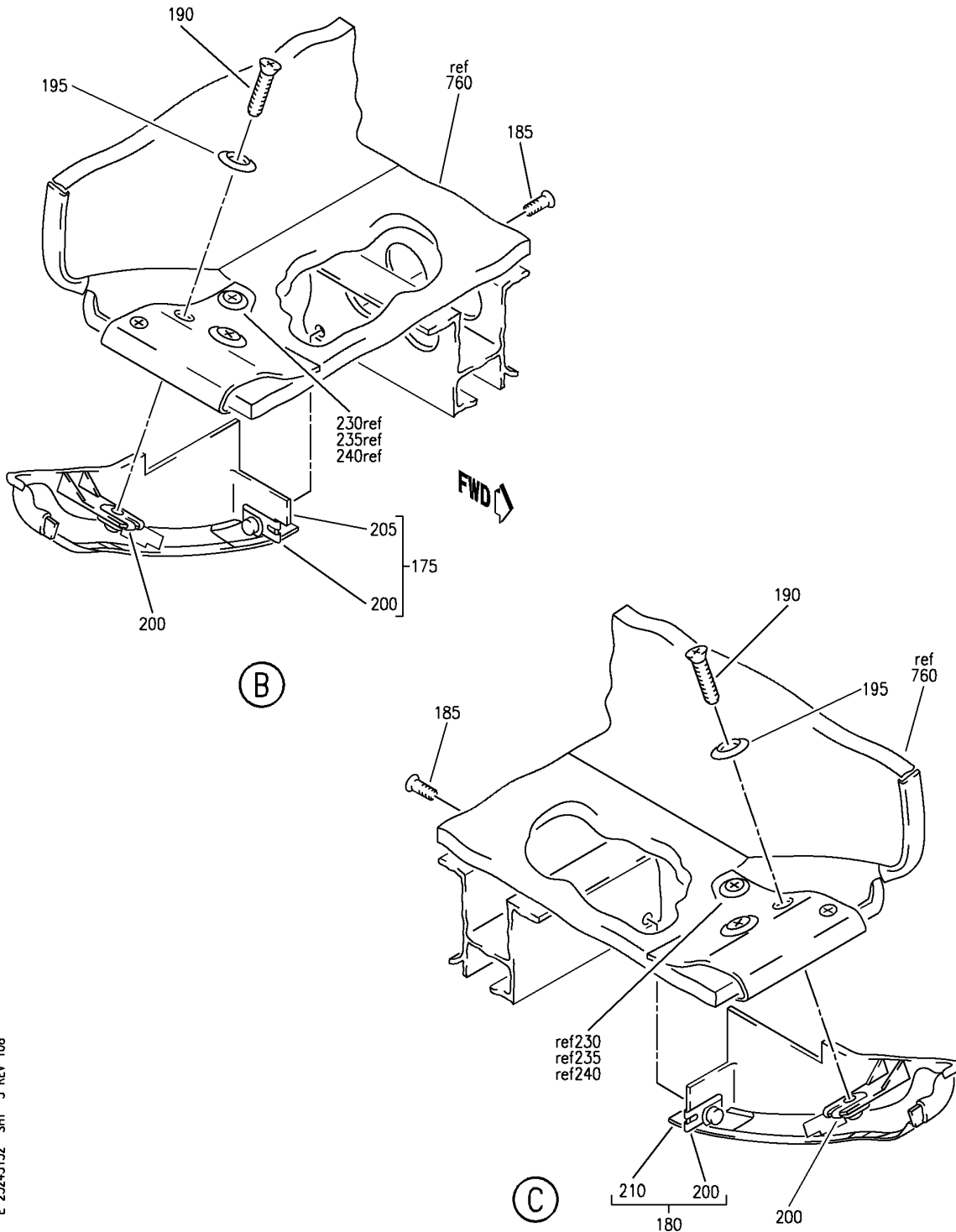
COMPARTMENT ASSY-44 IN. OVHD STOWAGE BULLNOSE CONFIGURATION (EQUIPMENT/ FURNISHINGS ONLY)
 FIGURE 32 (SHEET 2)

25-24-31-32

HAP
 OCT 15/08

25-24-31-32
 PAGE 0A

BOEING
 737-600/700/800/900
 PARTS CATALOG (MAINTENANCE)



E 2524-31-32 SH 3 REV 108

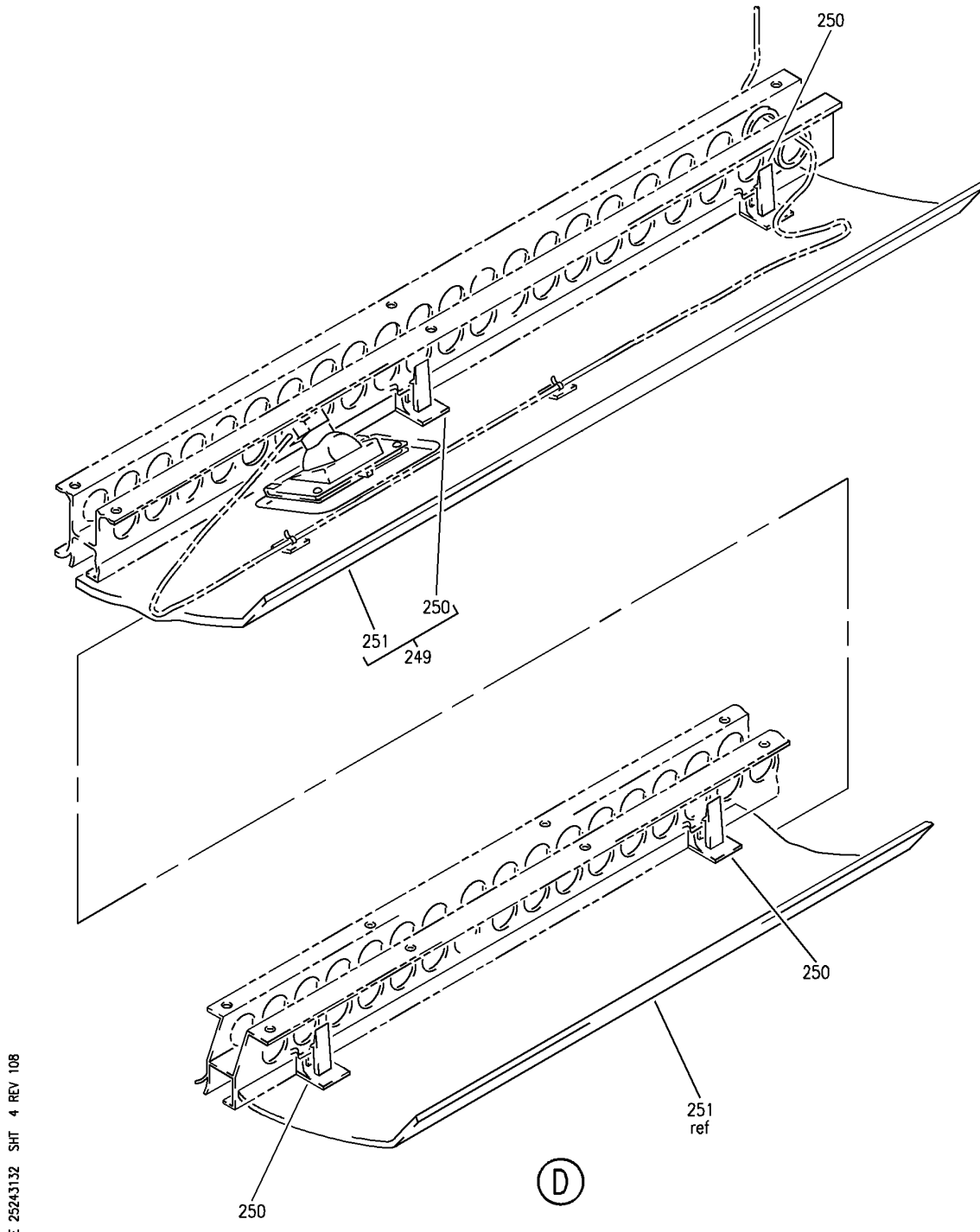
COMPARTMENT ASSY-44 IN. OVHD STOWAGE BULLNOSE CONFIGURATION (EQUIPMENT/ FURNISHINGS ONLY)
 FIGURE 32 (SHEET 3)

HAP
 OCT 15/08

25-24-31-32

25-24-31-32
 PAGE 0B

BOEING
737-600/700/800/900
PARTS CATALOG (MAINTENANCE)



E 2524-31-32 SHT 4 REV 108

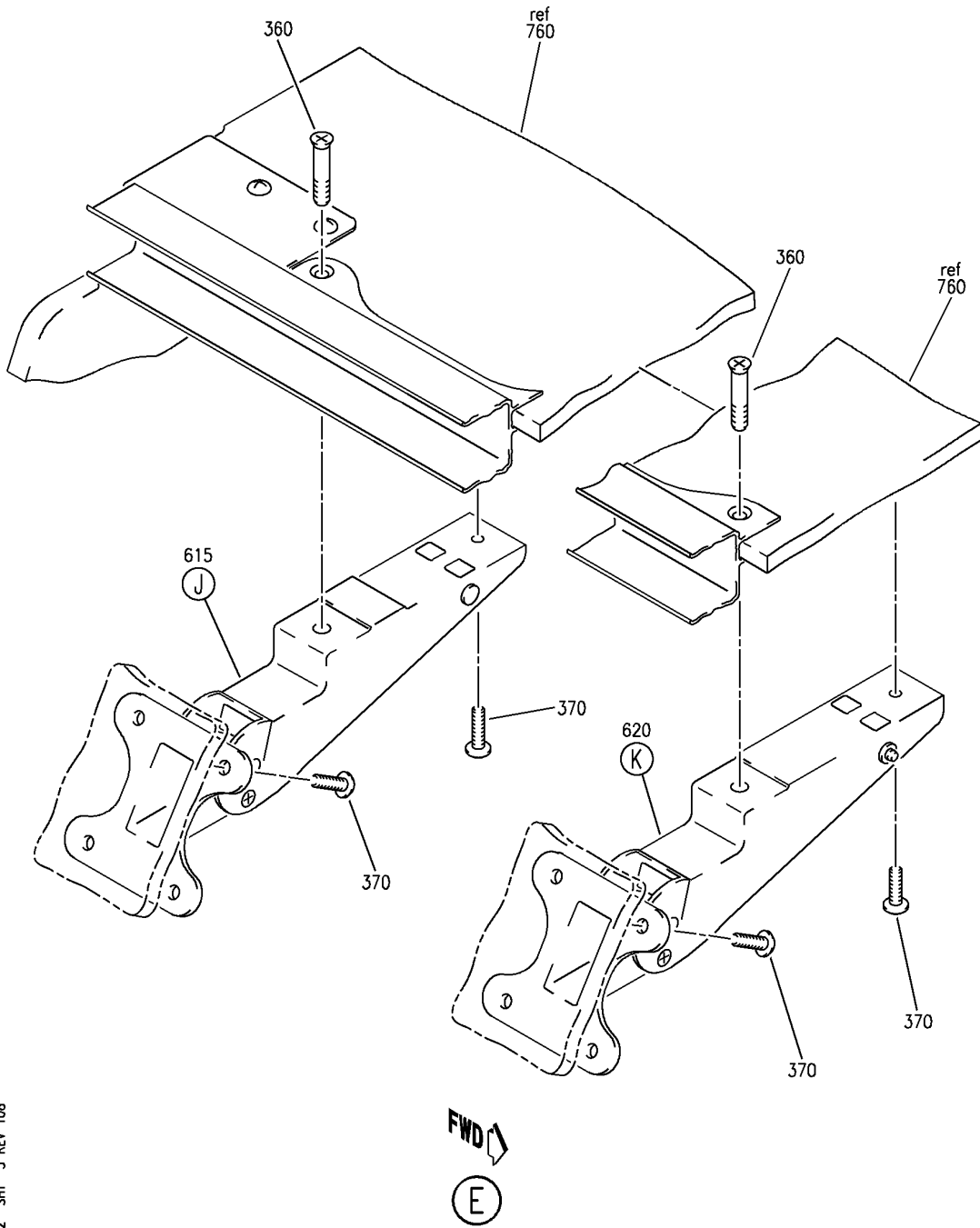
COMPARTMENT ASSY-44 IN. OVHD STOWAGE BULLNOSE CONFIGURATION (EQUIPMENT/ FURNISHINGS ONLY)
FIGURE 32 (SHEET 4)

25-24-31-32

HAP
OCT 15/08

25-24-31-32
PAGE 0C

BOEING
 737-600/700/800/900
 PARTS CATALOG (MAINTENANCE)



E 2524-31-32 SHT 5 REV 108

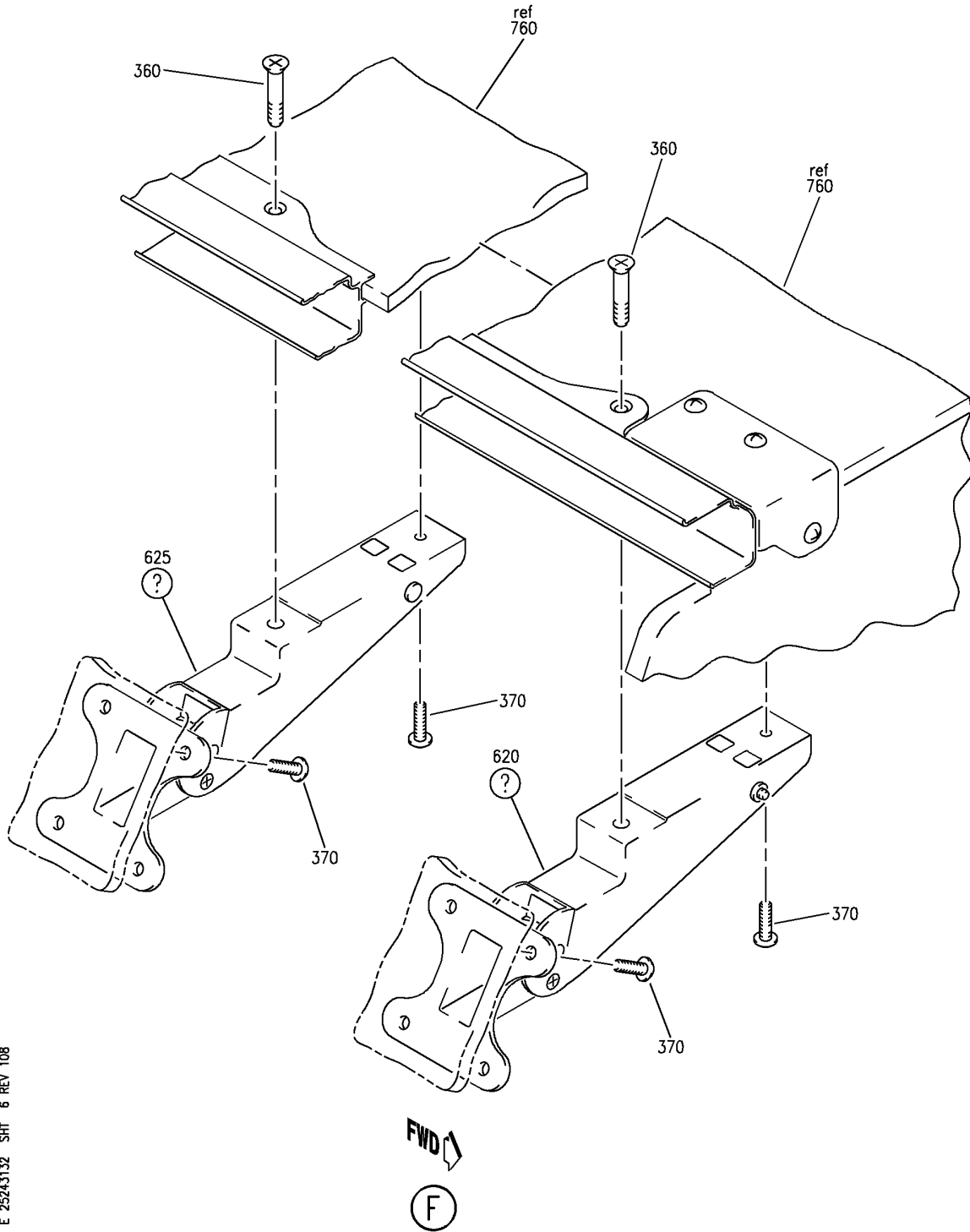
COMPARTMENT ASSY-44 IN. OVHD STOWAGE BULLNOSE CONFIGURATION (EQUIPMENT/ FURNISHINGS ONLY)
 FIGURE 32 (SHEET 5)

HAP
 OCT 15/08

25-24-31-32

25-24-31-32
 PAGE 0D

BOEING
 737-600/700/800/900
 PARTS CATALOG (MAINTENANCE)



E 2524-31-32 SH 6 REV 108

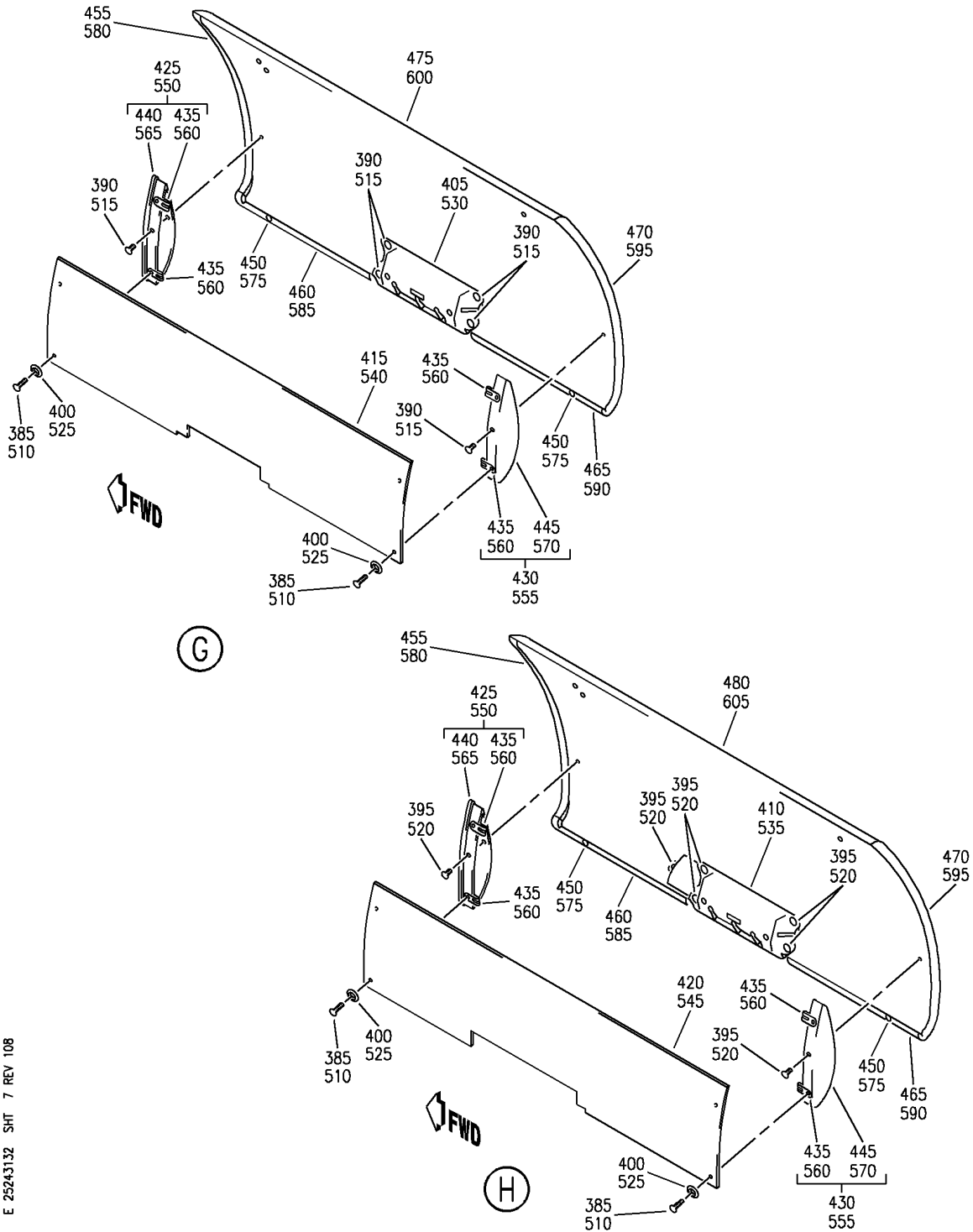
COMPARTMENT ASSY-44 IN. OVHD STOWAGE BULLNOSE CONFIGURATION (EQUIPMENT/ FURNISHINGS ONLY)
 FIGURE 32 (SHEET 6)

HAP
 OCT 15/08

25-24-31-32

25-24-31-32
 PAGE 0E


BOEING
 737-600/700/800/900
 PARTS CATALOG (MAINTENANCE)



E 2524-31-32 SHT 7 REV 108

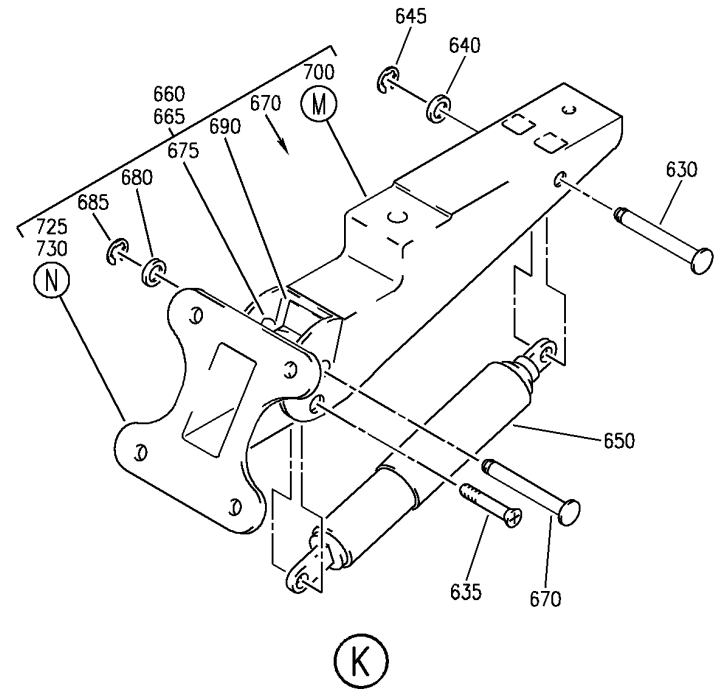
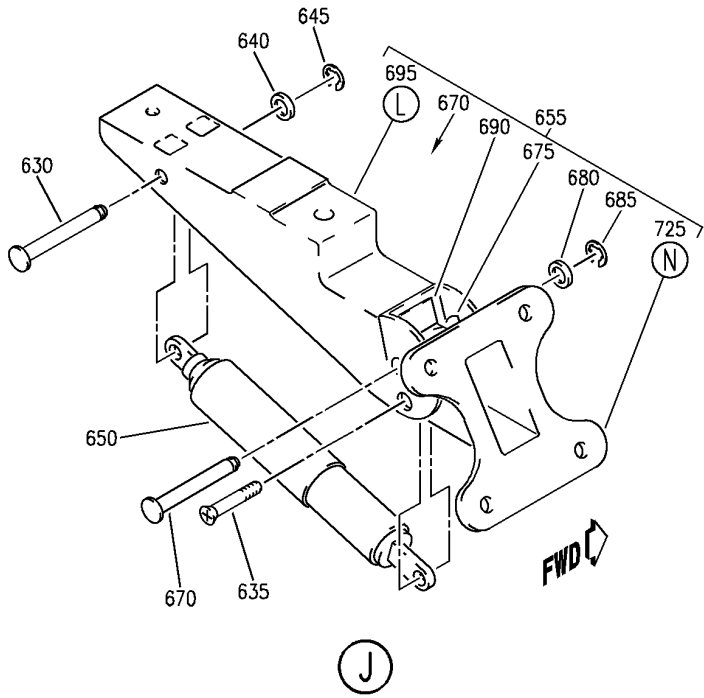
COMPARTMENT ASSY-44 IN. OVHD STOWAGE BULLNOSE CONFIGURATION (EQUIPMENT/ FURNISHINGS ONLY)
 FIGURE 32 (SHEET 7)

HAP
OCT 15/08

25-24-31-32

25-24-31-32
 PAGE OF

BOEING
 737-600/700/800/900
 PARTS CATALOG (MAINTENANCE)



E 2524-31-32 SHT 8 REV 108

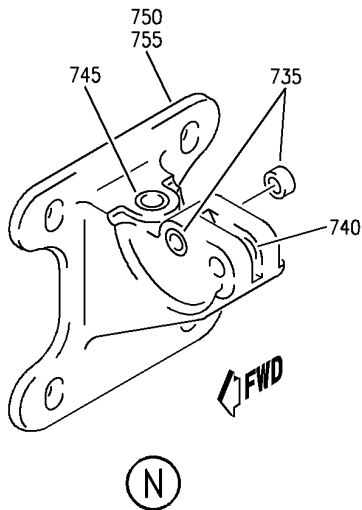
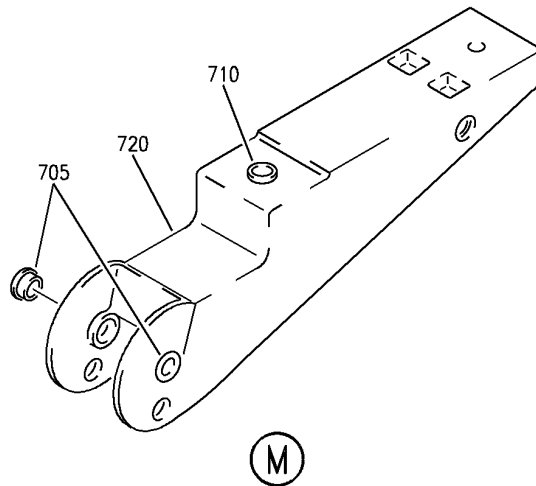
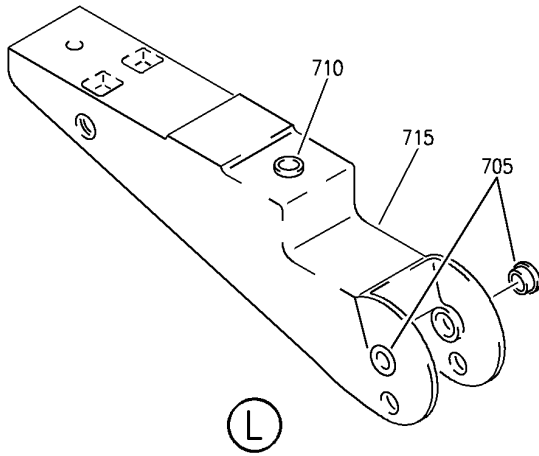
COMPARTMENT ASSY-44 IN. OVHD STOWAGE BULLNOSE CONFIGURATION (EQUIPMENT/ FURNISHINGS ONLY)
 FIGURE 32 (SHEET 8)

25-24-31-32

HAP
 OCT 15/08

25-24-31-32
 PAGE 08

BOEING
 737-600/700/800/900
 PARTS CATALOG (MAINTENANCE)



E 2524-31-32 SH1 9 REV 108

COMPARTMENT ASSY-44 IN. OVHD STORAGE BULLNOSE CONFIGURATION (EQUIPMENT/ FURNISHINGS ONLY)
 FIGURE 32 (SHEET 9)

HAP
 OCT 15/08

25-24-31-32

25-24-31-32
 PAGE 0H

BOEING
737-600/700/800/900
PARTS CATALOG (MAINTENANCE)

FIG ITEM	PART NUMBER	1 2 3 4 5 6 7	NOMENCLATURE	EFFECT FROM TO	UNITS PER ASSY
32			COMPARTMENT ASSY-44 IN. OVHD STOWAGE BULLNOSE CONFIGURATION (EQUIPMENT/ FURNISHINGS ONLY)	201967	
- 5	412A1170-135SP		COMPARTMENT ASSY-44 IN. OVHD STOWAGE BULLNOSE CONFIGURATION (EQUIPMENT/ FURNISHINGS ONLY) POSITION DATA: LH FOR NHA/OTHER SYS DET SEE: 25-24-30-15B	202967	RF
- 5	412A1170-335B		COMPARTMENT ASSY-44 IN. OVHD STOWAGE BULLNOSE CONFIGURATION (EQUIPMENT/ FURNISHINGS ONLY) POSITION DATA: LH FOR NHA/OTHER SYS DET SEE: 25-24-30-15B	201201	RF
10	412A1420-2SP		.EXTRUSION-SEAT ROW MARKER	202967	1
10	412A1420-2A		.EXTRUSION-SEAT ROW MARKER	201201	1
172	403A3210-21SP		.SEAL ASSY-	202967	1
172	403A3210-21A		.SEAL ASSY-	201201	1
175	412A1465-6SP		.CLOSEOUT ASSY-	202967	1
175	412A1465-6A		.CLOSEOUT ASSY-	201201	1
180	412A1465-5SP		.CLOSEOUT ASSY-	202967	1
180	412A1465-5A		.CLOSEOUT ASSY- ATTACHING PARTS	201201	1
185	BACB30VF3K3		.BOLT	201967	2
190	BACS12ER3K11		.SCREW	201967	2
195	H3-1233A3		.WASHER- SUPPLIER CODE: V34941 SPECIFICATION NUMBER: S411A001-1 -----*-----	201967	2
200	BACN10VR4CGN		..NUT- OPTIONAL PART: BACN10VR4CG	201967	2
200	BACN10VR4CG		..NUT- OPTIONAL PART: BACN10VR4CGN	201967	2
205	412A1465-8SP		..CLOSEOUT- USED ON: 412A1465-6SP 412A1465-6A	201967	1

MISSING ITEM NUMBERS NOT APPLICABLE

- ITEM NOT ILLUSTRATED

HAP

25-24-31-32

25-24-31
FIG. 32
PAGE 1
OCT 15/08

BOEING
737-600/700/800/900
PARTS CATALOG (MAINTENANCE)

FIG ITEM	PART NUMBER	1 2 3 4 5 6 7	NOMENCLATURE	EFFECT FROM TO	UNITS PER ASSY
32					
210	412A1465-7SP	..	CLOSEOUT- USED ON: 412A1465-5SP 412A1465-5A	201967	1
212	412A1310-700	.TAPE-	VELCRO HOOK	201201	AR
213	412A1310-701	.TAPE-	VELCRO LOOP	201201	AR
215	412A1451-2SP	.STRIP-	TRIM	202967	1
215	412A1451-2BCWK	.STRIP-	TRIM	201201	1
220	412A1244-15	.EXTRUSION	ASSY ATTACHING PARTS	201967	1
225	BACS12FA3K5	.SCREW		201967	6
230	BACS12ER3K14	.SCREW-		201967	7
			POSITION DATA: FAR SIDE		
235	H3-1233A3	.WASHER-		201967	7
			SUPPLIER CODE: V34941 POSITION DATA: FAR SIDE SPECIFICATION NUMBER: S411A001-1 -----*-----		
240	FS1651-3	..	NUTPLATE SUPPLIER CODE: V15653 SPECIFICATION NUMBER: BACN10KH3CD OPTIONAL PART: 102F9209M3 V72962 NS202496-02 V80539 ATTACHING PARTS	201967	7
- 245	BACR15BA3ADC	..	RIVET- SIZE DETERMINED ON INSTL. -----*-----	201967	14
249	412A1605-62A	.COVER	ASSY-	201967	RF
250	412A1460-2	..	CLIP	201967	RF
251	412A1615-62A	..	PANEL ASSY-	201967	RF
- 325	OBA8	.PLUG-		201201	AR
			SUPPLIER CODE: VOBV87 OPTIONAL PART: 412A1100-96 412A1811-1B 412A1811-2B		

MISSING ITEM NUMBERS NOT APPLICABLE

- ITEM NOT ILLUSTRATED

HAP

25-24-31-32

BOEING PROPRIETARY - Copyright © - Unpublished Work - See title page for details.

25-24-31
FIG. 32
PAGE 2
OCT 15/08

BOEING
737-600/700/800/900
PARTS CATALOG (MAINTENANCE)

FIG ITEM	PART NUMBER	1 2 3 4 5 6 7	NOMENCLATURE	EFFECT FROM TO	UNITS PER ASSY
32					
- 330	412A1811-1B	. PLUG-	OPTIONAL PART: 412A1100-96 OBA8 VOBV87 412A1811-2B	201201	6
- 330	412A1811-2B	. PLUG-	OPTIONAL PART: 412A1100-96 OBA8 VOBV87 412A1811-1B	201201	6
- 335	412A1100-96	. KIT ASSY-SCR AND WASHER	OPTIONAL PART: 412A1811-1B OBA8 VOBV87 412A1811-2B	201201	6
- 340	NAS514P1032-5	.. SCREW		201201	1
- 345	H3-1233A3	.. WASHER-	SUPPLIER CODE: V34941 SPECIFICATION NUMBER: S411A001-1	201201	1
- 350	OBA8	. PLUG-	SUPPLIER CODE: VOBV87	202967	AR
360	BACB30VF3K8	. BOLT		201967	4
370	BACS12FA3K6	. SCREW		201967	20
375	412A1500-2SP	. DOOR ASSY-20 IN.		202967	1
375	412A1500-102SP	. DOOR ASSY-20 IN.		201201	1
385	BACS12ER3K9	.. SCREW		201967	4
390	BACS12FA3K4	.. SCREW		201967	6
400	H3-1233A3	.. WASHER-	SUPPLIER CODE: V34941 SPECIFICATION NUMBER: S411A001-1	201967	4
405	HA225-1	.. LATCH ASSY-	SUPPLIER CODE: V83014 SPECIFICATION NUMBER: S412A001-1A	201967	1
405	HA225-7	.. LATCH ASSY-	SUPPLIER CODE: V83014 SPECIFICATION NUMBER: S412A001-11B	201967	1

MISSING ITEM NUMBERS NOT APPLICABLE

- ITEM NOT ILLUSTRATED

HAP

25-24-31-32

BOEING PROPRIETARY - Copyright © - Unpublished Work - See title page for details.

25-24-31
FIG. 32
PAGE 3
OCT 15/08

BOEING
737-600/700/800/900
PARTS CATALOG (MAINTENANCE)

FIG ITEM	PART NUMBER	1 2 3 4 5 6 7	NOMENCLATURE	EFFECT FROM TO	UNITS PER ASSY
32					
415	412A1615-101SP	..	PANEL ASSY-FILLER OPTIONAL PART: 412A1615-1101SP	201967	1
415	412A1615-1101SP	..	PANEL ASSY-FILLER OPTIONAL PART: 412A1615-101SP	201201	1
425	412A1480-3SP	..	BRACKET ASSY	201967	1
430	412A1480-4SP	..	BRACKET ASSY	201967	1
435	BACN10VR4CGN	...	NUT	201967	2
440	412A1480-1SP	...	BRACKET- USED ON: 412A1480-3SP	201967	1
445	412A1480-2SP	...	BRACKET- USED ON: 412A1480-4SP	201967	1
450	412A1810-1SP	..	BUMPER- OPTIONAL PART: 412A1810-2SP	201967	2
450	412A1810-2SP	..	BUMPER- OPTIONAL PART: 412A1810-1SP	201201	2
455	412A1450-4SP	..	TRIM-EDGE	201967	1
460	412A1450-6SP	..	TRIM-EDGE	201967	1
465	412A1450-5SP	..	TRIM-EDGE	201967	1
470	412A1450-3SP	..	TRIM-EDGE	201967	1
475	412A1511-2SP	..	PANEL ASSY	201967	1
- 485	SL618-3A	...	INSERT- SUPPLIER CODE: V97393	201967	14
500	412A1500-11SP	.D	DOOR ASSY-23.70 IN.	202967	1
500	412A1500-111SP	.D	DOOR ASSY-23.70 IN.	201201	1
510	BACS12ER3K9	..	SCREW	201967	4
515	BACS12FA3K4	..	SCREW	201967	6
525	H3-1233A3	..	WASHER- SUPPLIER CODE: V34941 SPECIFICATION NUMBER: S411A001-1	201967	4
530	HA225-1	..	LATCH ASSY- SUPPLIER CODE: V83014 SPECIFICATION NUMBER: S412A001-1A	201967	1
530	HA225-7	..	LATCH ASSY- SUPPLIER CODE: V83014 SPECIFICATION NUMBER: S412A001-11B	201967	1

MISSING ITEM NUMBERS NOT APPLICABLE

- ITEM NOT ILLUSTRATED

HAP

25-24-31-32

BOEING PROPRIETARY - Copyright © - Unpublished Work - See title page for details.

25-24-31
FIG. 32
PAGE 4
OCT 15/08

BOEING
737-600/700/800/900
PARTS CATALOG (MAINTENANCE)

FIG ITEM	PART NUMBER	1 2 3 4 5 6 7	NOMENCLATURE	EFFECT FROM TO	UNITS PER ASSY
32					
540	412A1615-106SP	..	PANEL ASSY-FILLER OPTIONAL PART: 412A1615-1101SP	201967	1
540	412A1615-1106SP	..	PANEL ASSY-FILLER OPTIONAL PART: 412A1615-101SP	201201	1
550	412A1480-3SP	..	BRACKET ASSY	201967	1
555	412A1480-4SP	..	BRACKET ASSY	201967	1
560	BACN10VR4CGN	...	NUT	201967	2
565	412A1480-1SP	...	BRACKET- USED ON: 412A1480-3SP	201967	1
570	412A1480-2SP	...	BRACKET- USED ON: 412A1480-4SP	201967	1
575	412A1810-1SP	..	BUMPER	201967	2
580	412A1450-8SP	..	TRIM-EDGE	201967	1
585	412A1450-10SP	..	TRIM-EDGE	201967	1
590	412A1450-5SP	..	TRIM-EDGE	201967	1
595	412A1450-3SP	..	TRIM-EDGE	201967	1
600	412A1510-13SP	..	PANEL ASSY	201967	1
- 610	SL618-3A	...	INSERT- SUPPLIER CODE: V97393	201967	14
615	412A1100-53SP	.HINGE	ASSY-COLLECTOR	201967	1
620	412A1100-52SP	.HINGE	ASSY-COLLECTOR	201967	2
625	412A1100-51SP	.HINGE	ASSY-COLLECTOR	201967	1
630	412A1230-21	..	PIN	201967	1
635	BACB30VF3K7	..	BOLT	201967	1
640	NAS1149D0316J	..	WASHER	201967	1
645	MS16633-4018	..	RING	201967	1
650	SP20522	..	ACTUATOR ASSY- SUPPLIER CODE: V24403 SPECIFICATION NUMBER: S412A002-2	201967	1
655	412A1455-3SP	..	HINGE ASSY- USED ON: 412A1100-53SP	201967	1
660	412A1455-2SP	..	HINGE ASSY- USED ON: 412A1100-52SP	201967	1
665	412A1455-1SP	..	HINGE ASSY- USED ON: 412A1100-51SP	201967	1
670	412A1230-21	...	PIN	201967	1
675	MS51023-54	...	SCREW	201967	1
680	NAS1149D0316J	...	WASHER	201967	1
685	MS16633-4018	...	RING	201967	1

MISSING ITEM NUMBERS NOT APPLICABLE

- ITEM NOT ILLUSTRATED

HAP

25-24-31-32

25-24-31
FIG. 32
PAGE 5
OCT 15/08

 **BOEING**
737-600/700/800/900
PARTS CATALOG (MAINTENANCE)

FIG ITEM	PART NUMBER	1 2 3 4 5 6 7	NOMENCLATURE	EFFECT FROM TO	UNITS PER ASSY
32					
690	412A1220-1	...	CLIP	201967	1
695	412A1454-12SP	...	HOUSING ASSY- USED ON: 412A1455-3SP	201967	1
700	412A1454-3SP	...	HOUSING ASSY- USED ON: 412A1455-1SP 412A1455-2SP	201967	1
705	BACB28Y3F020	BUSHING	201967	2
710	6041L3BR375	INSERT- SUPPLIER CODE: V01556	201967	1
715	412A1454-11SP	HOUSING- USED ON: 412A1454-12SP	201967	1
720	412A1454-1SP	HOUSING- USED ON: 412A1454-3SP	201967	1
725	412A1454-9SP	...	BRACKET ASSY- USED ON: 412A1455-1SP 412A1455-3SP	201967	1
730	412A1454-10SP	...	BRACKET ASSY- USED ON: 412A1455-2SP	201967	1
735	BACB28Y3F025	BUSHING	201967	2
740	6041-3BR225	INSERT- SUPPLIER CODE: V01556	201967	1
745	6041L3BR375	INSERT- SUPPLIER CODE: V01556	201967	1
750	412A1454-7SP	BRACKET- USED ON: 412A1454-9SP	201967	1
755	412A1454-8SP	BRACKET- USED ON: 412A1454-10SP	201967	1
760	412A1250-135SP	.BOX	ASSY-44 IN. BIN FOR DETAILS SEE: 25-24-32-44A	202967	1
760	412A1250-135A	.BOX	ASSY-44 IN. BIN OPTIONAL PART: 412A1250-1135B FOR DETAILS SEE: 25-24-32-44A	201201	1

MISSING ITEM NUMBERS NOT APPLICABLE

— ITEM NOT ILLUSTRATED

HAP

25-24-31-32

25-24-31
FIG. 32
PAGE 6
OCT 15/08


BOEING
 737-600/700/800/900
PARTS CATALOG (MAINTENANCE)

FIG ITEM	PART NUMBER	1 2 3 4 5 6 7 NOMENCLATURE	EFFECT FROM TO	UNITS PER ASSY
32 760	412A1250-1135B	.BOX ASSY-44 IN. BIN OPTIONAL PART: 412A1250-135A FOR DETAILS SEE: 25-24-32-44A	201201	1

MISSING ITEM NUMBERS NOT APPLICABLE

— ITEM NOT ILLUSTRATED

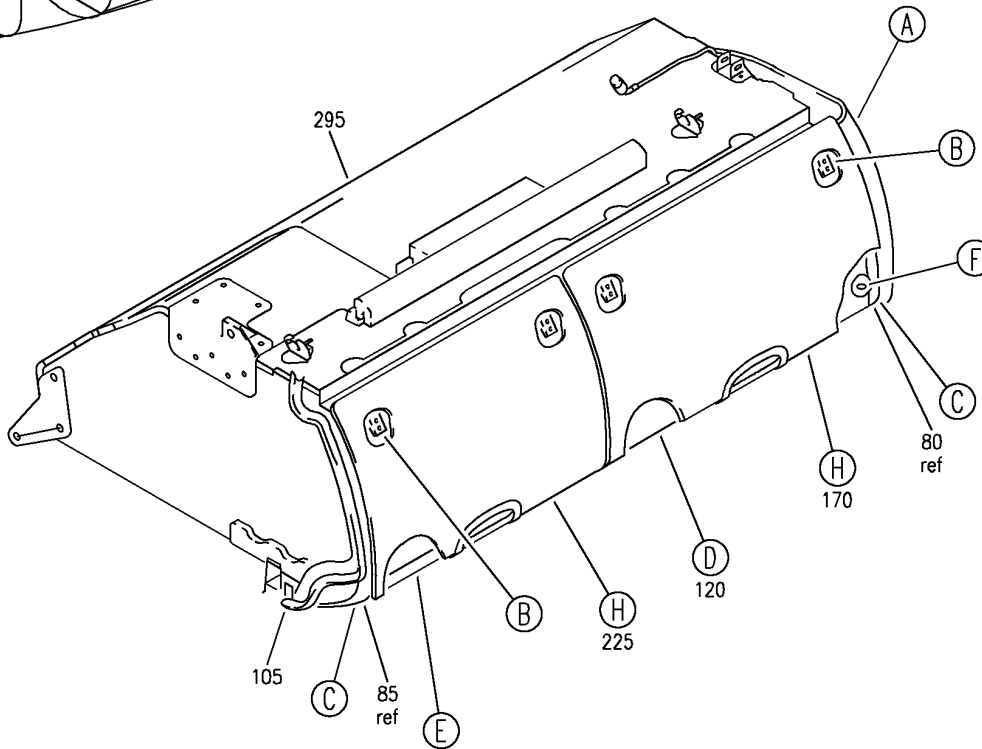
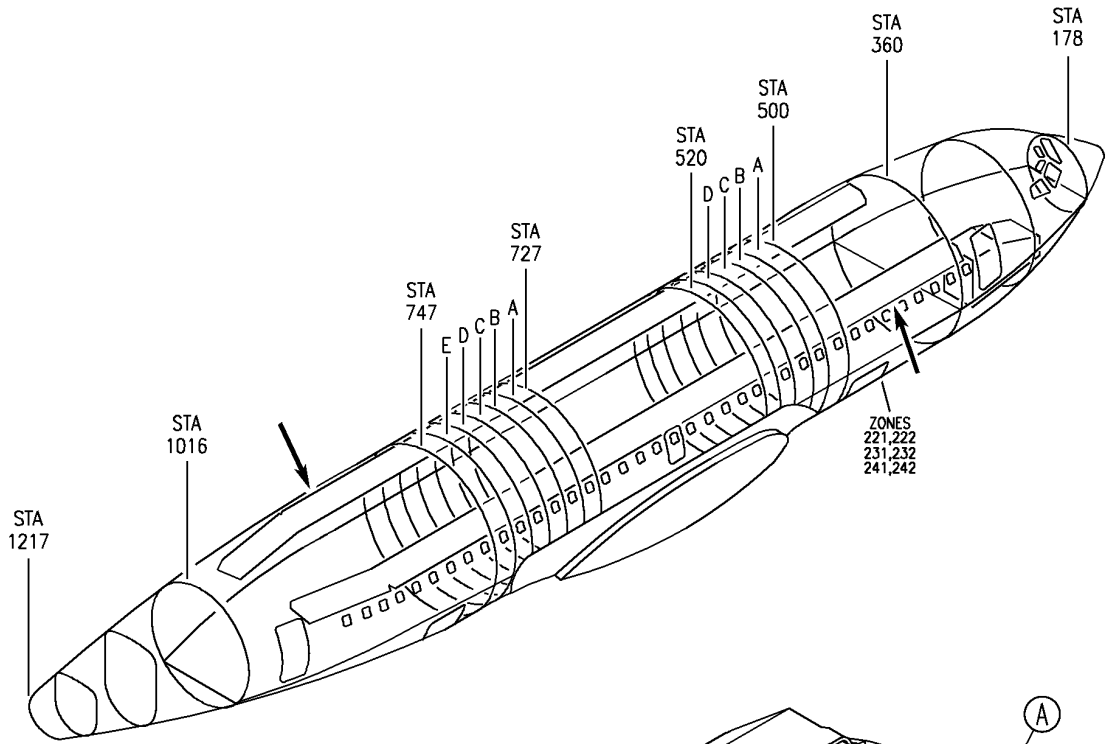
HAP

25-24-31-32

BOEING PROPRIETARY - Copyright © - Unpublished Work - See title page for details.

25-24-31
 FIG. 32
 PAGE 7
 OCT 15/08

BOEING
 737-600/700/800/900
 PARTS CATALOG (MAINTENANCE)



E 2524-31-32E SHT 1 REV 112

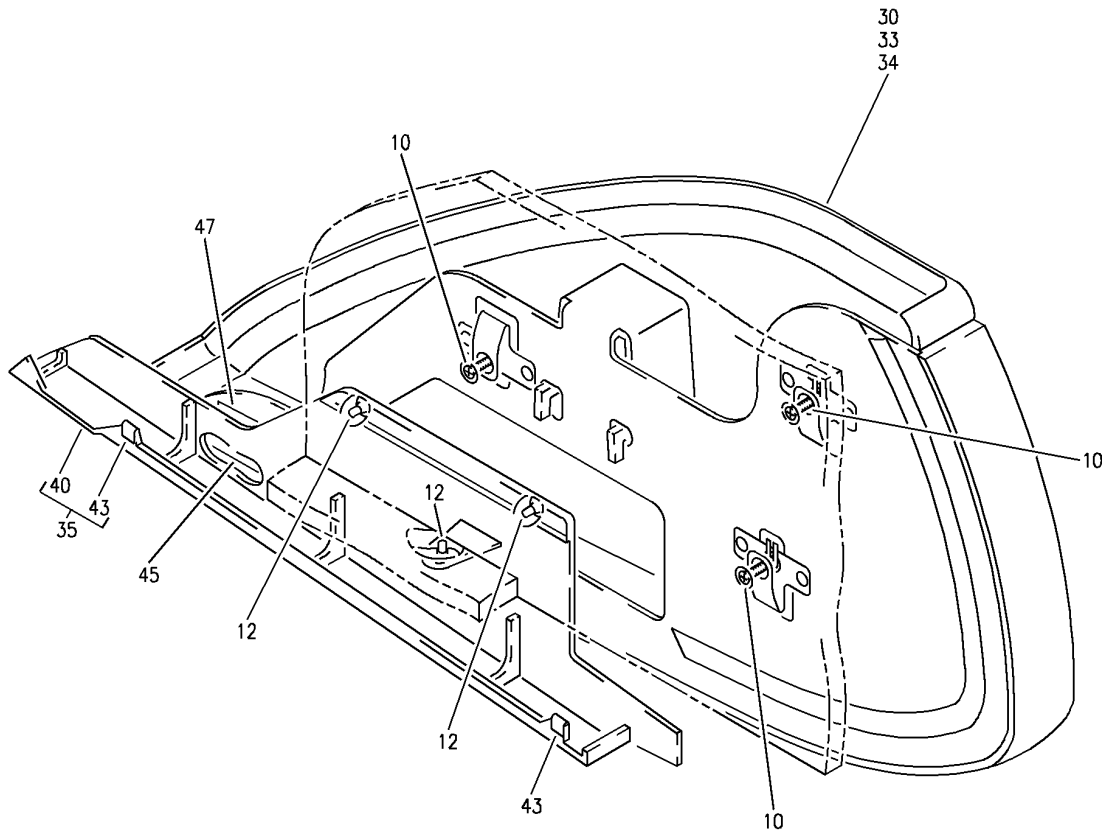
TOP ASSY-44 IN. FWD LH OVHD STOWAGE BULLNOSE CONFIGURATION
 FIGURE 32E (SHEET 1)

25-24-31-32E

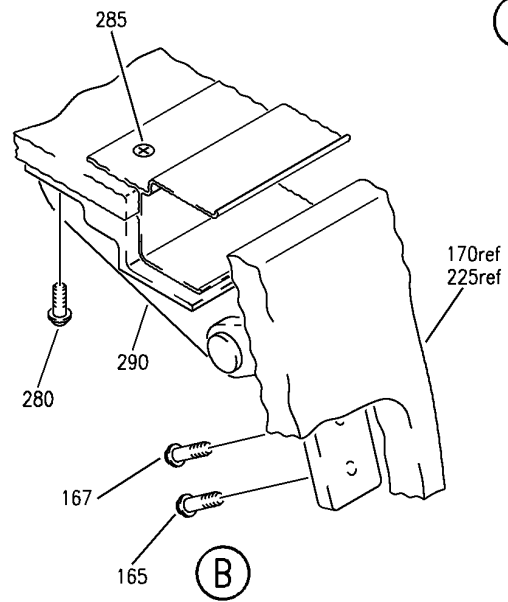
HAP
 OCT 10/06

25-24-31-32E
 PAGE 0

BOEING
 737-600/700/800/900
 PARTS CATALOG (MAINTENANCE)



(A)



(B)

E 2524-31-32E SHT 2 REV 112

TOP ASSY-44 IN. FWD LH OVHD STOWAGE BULLNOSE CONFIGURATION
 FIGURE 32E (SHEET 2)

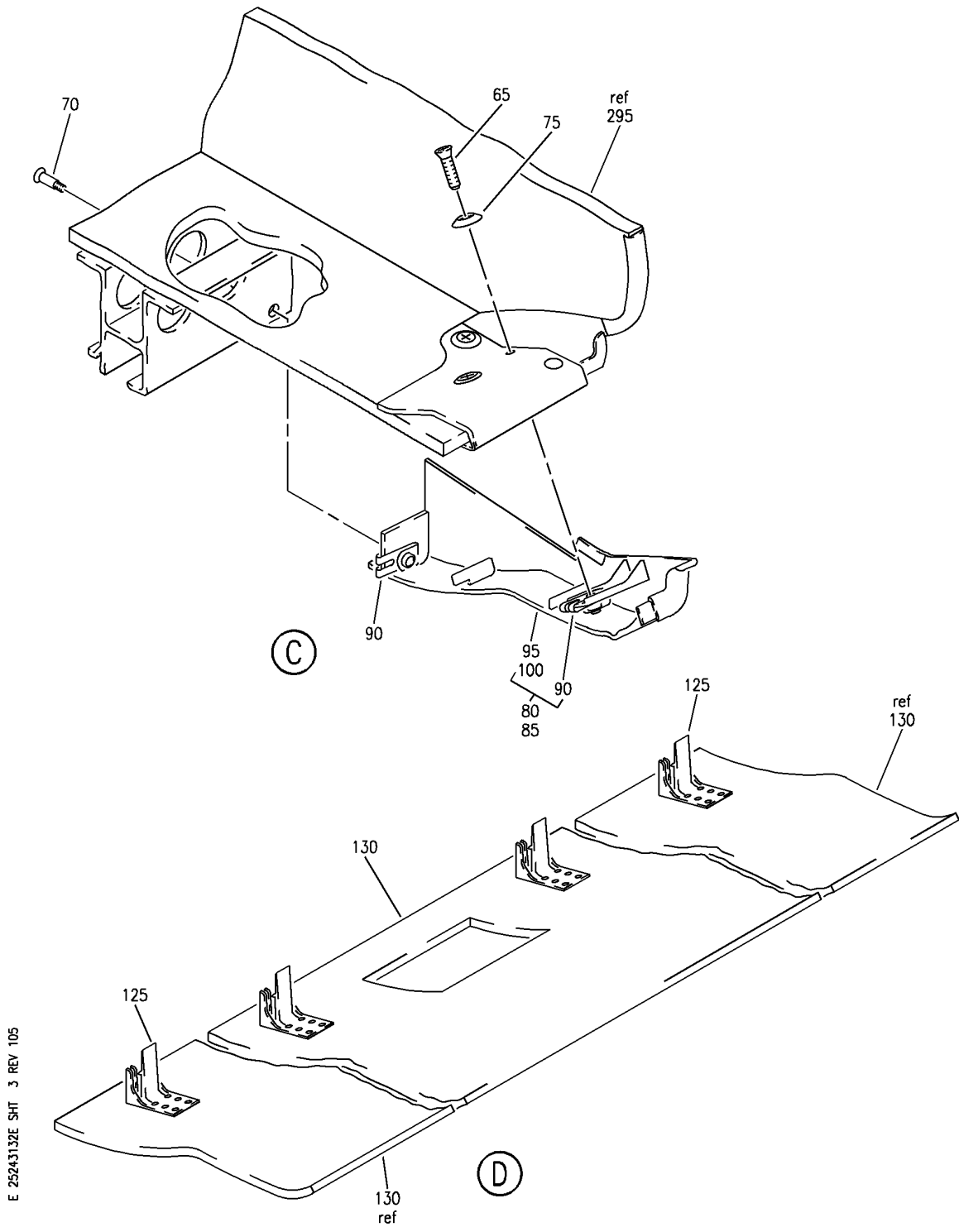
25-24-31-32E

HAP
 OCT 10/06

25-24-31-32E
 PAGE 0A

BOEING PROPRIETARY - Copyright © - Unpublished Work - See title page for details.

BOEING
 737-600/700/800/900
 PARTS CATALOG (MAINTENANCE)



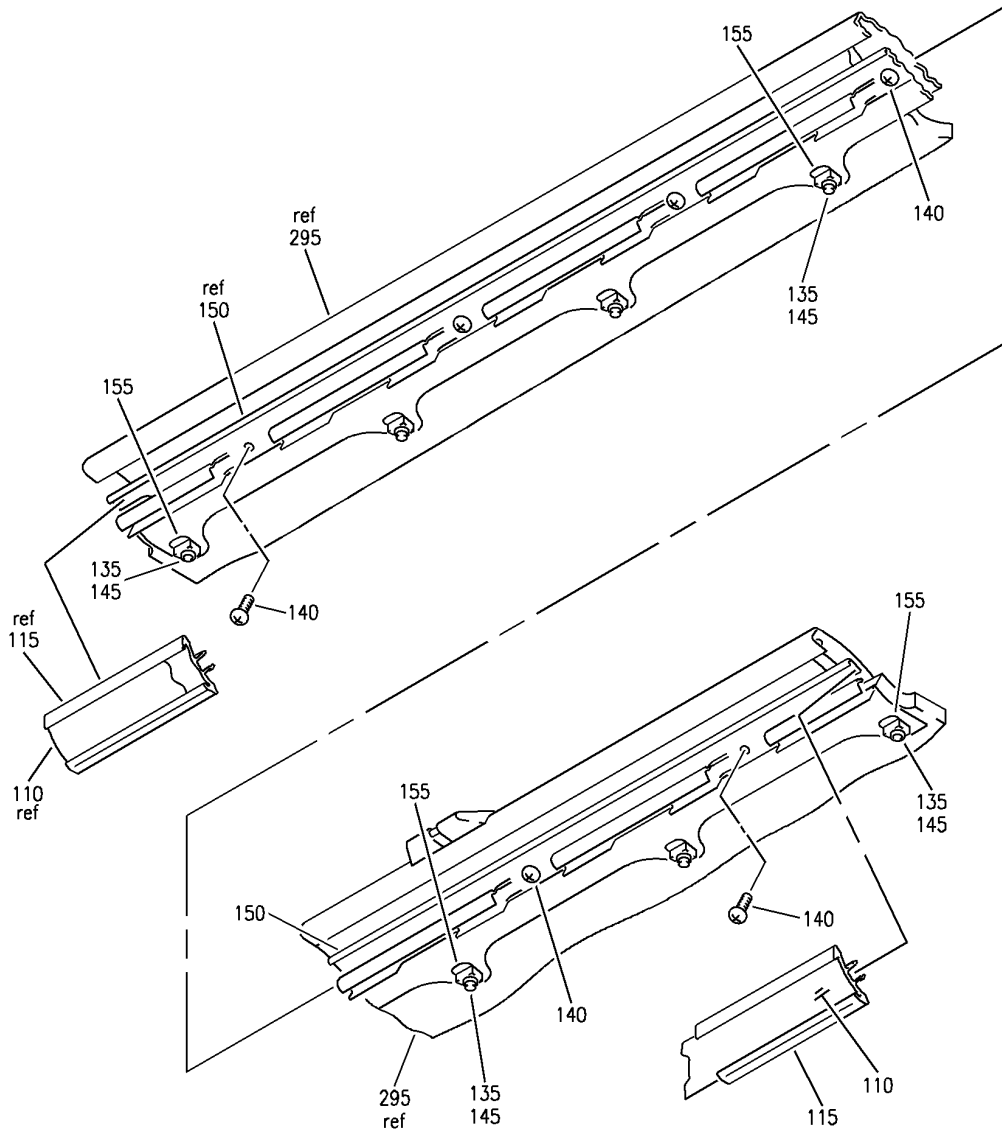
TOP ASSY-44 IN. FWD LH OVHD STOWAGE BULLNOSE CONFIGURATION
 FIGURE 32E (SHEET 3)

25-24-31-32E

HAP
 OCT 10/06

25-24-31-32E
 PAGE 0B

BOEING
 737-600/700/800/900
 PARTS CATALOG (MAINTENANCE)



(E)

E 2524-31-32E SHT 4 REV 105

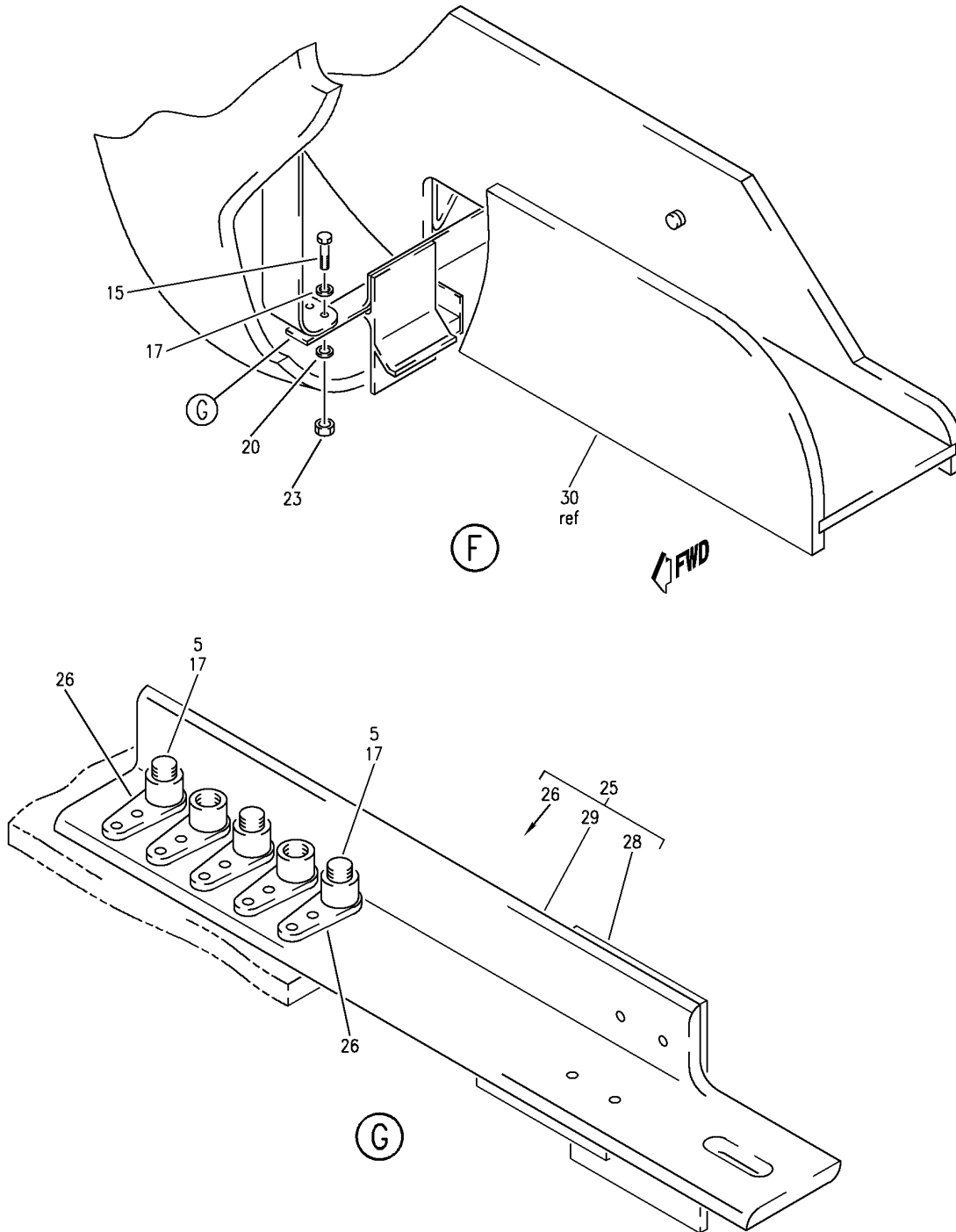
TOP ASSY-44 IN. FWD LH OVHD STOWAGE BULLNOSE CONFIGURATION
 FIGURE 32E (SHEET 4)

25-24-31-32E

HAP
 OCT 10/06

25-24-31-32E
 PAGE 0C

BOEING
 737-600/700/800/900
 PARTS CATALOG (MAINTENANCE)



E 2524-31-32E SHT 5 REV 112

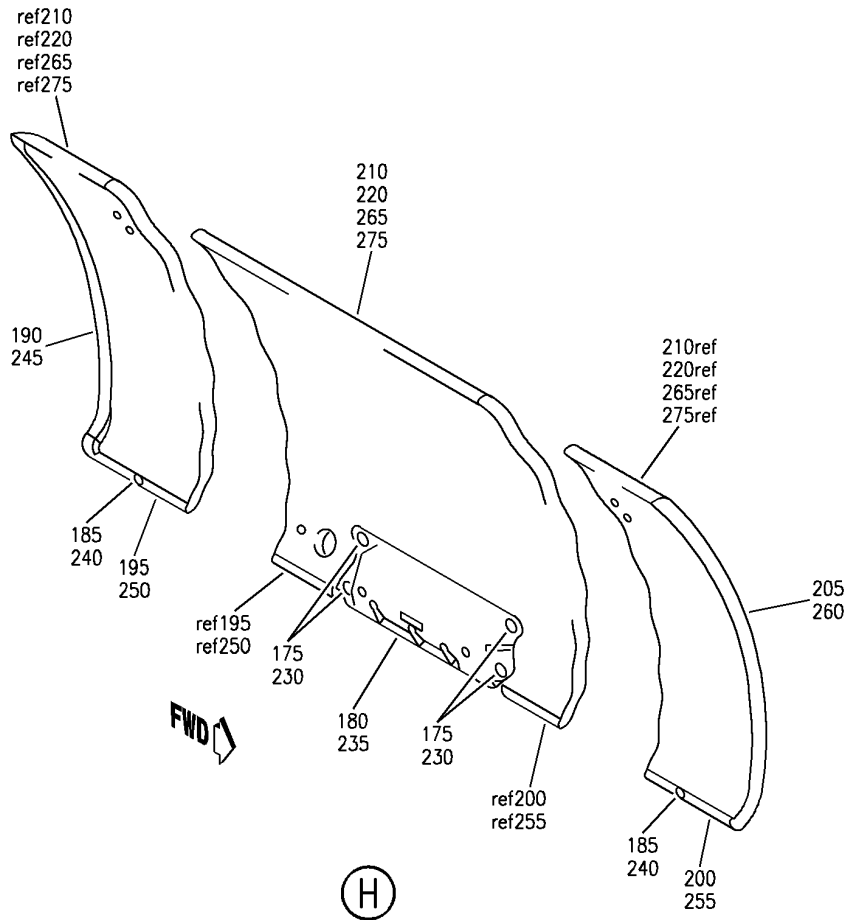
TOP ASSY-44 IN. FWD LH OVHD STOWAGE BULLNOSE CONFIGURATION
 FIGURE 32E (SHEET 5)

25-24-31-32E

HAP
 OCT 10/06

25-24-31-32E
 PAGE 0D

BOEING
 737-600/700/800/900
 PARTS CATALOG (MAINTENANCE)



E 2524-31-32E SHT 6 REV 112

TOP ASSY-44 IN. FWD LH OVHD STOWAGE BULLNOSE CONFIGURATION
 FIGURE 32E (SHEET 6)

25-24-31-32E

HAP
 OCT 10/06

25-24-31-32E
 PAGE 0E

BOEING
737-600/700/800/900
PARTS CATALOG (MAINTENANCE)

FIG ITEM	PART NUMBER	1 2 3 4 5 6 7	NOMENCLATURE	EFFECT FROM TO	UNITS PER ASSY
32E			TOP ASSY-44 IN. FWD LH OVHD STOWAGE BULLNOSE CONFIGURATION	031043 101101 968971	
- 1	412A1052-57B		TOP ASSY-44 IN. OVHD STOWAGE BULLNOSE CONFIGURATION POSITION DATA: FWD LH FOR NHA SEE: 25-24-30-12	031031	RF
- 1	412A1052-87B		TOP ASSY-44 IN. OVHD STOWAGE BULLNOSE CONFIGURATION POSITION DATA: FWD LH FOR NHA SEE: 25-24-30-12	032043 101101 968971	RF
5	BACS12FA3K10		.SCREW	031043 101101 968971	3
10	CA3105-1032-24		.SCREW SUPPLIER CODE: V73439 SPECIFICATION NUMBER: BACS12N10-24 OPTIONAL PART: CA3105-1032-24 V78189 SP1561-1032-24 V73439	031043 101101 968971	3
15	BACB30NM3K6		.BOLT	031043 101101 968971	1
17	BACW10BN3AC		.WASHER	031043 101101 968971	4
20	NAS1149D0363J		.WASHER	031043 101101 968971	1
23	PLH53CD		.NUT SUPPLIER CODE: VF0224 SPECIFICATION NUMBER: BACN10YR3CD OPTIONAL PART: H52732-3CD V15653	031043 101101 968971	1

MISSING ITEM NUMBERS NOT APPLICABLE

- ITEM NOT ILLUSTRATED

HAP

25-24-31-32E

BOEING PROPRIETARY - Copyright © - Unpublished Work - See title page for details.

25-24-31
FIG. 32E
PAGE 1
FEB 15/09

BOEING
737-600/700/800/900
PARTS CATALOG (MAINTENANCE)

FIG ITEM	PART NUMBER	1 2 3 4 5 6 7	NOMENCLATURE	EFFECT FROM TO	UNITS PER ASSY
32E					
25	412A1230-169	.	FITTING ASSY-SPRT	031043 101101 968971	1
26	T8077S1032	..	NUTPLATE SUPPLIER CODE: V11815 SPECIFICATION NUMBER: BACN10JP3B OPTIONAL PART: MK2000-3BAC V15653 NS103198-02 V80539 RMA9207-3 V72962 VN201A1-02 V92215 BRM100A3 V52828 ATTACHING PARTS	031043 101101 968971	5
- 27	BACR15BA3ADC	..	RIVET- SIZE DETERMINED ON INSTL. -----*-----	031043 101101 968971	10
28	412A1230-168	..	FITTING	031043 101101 968971	1
29	412A1230-165	..	FITTING	031043 101101 968971	1
33	412N1372-209B	.	CAP ASSY-END 4.54 IN. WIDE BIG BIN FOR DETAILS SEE: 25-24-33-45B	031031	1
33	412N1372-225B	.	CAP ASSY-END 4.54 IN. WIDE BIG BIN FOR DETAILS SEE: 25-24-33-45B	032043 101101 968971	1
65	BACS12ER3K11	.	SCREW	031043 101101 968971	2
70	BACB30VF3K3	.	BOLT	031043 101101 968971	2
75	H3-1233A3	.	WASHER- SUPPLIER CODE: V34941 SPECIFICATION NUMBER: S411A001-1	031043 101101 968971	2

MISSING ITEM NUMBERS NOT APPLICABLE

- ITEM NOT ILLUSTRATED

HAP

25-24-31-32E

BOEING PROPRIETARY - Copyright © - Unpublished Work - See title page for details.

25-24-31
FIG. 32E
PAGE 2
JUN 15/08

BOEING
737-600/700/800/900
PARTS CATALOG (MAINTENANCE)

FIG ITEM	PART NUMBER	1 2 3 4 5 6 7	NOMENCLATURE	EFFECT FROM TO	UNITS PER ASSY
32E					
80	412A1467-1B	.	CLOSEOUT ASSY	031043 101101 968971	1
85	412A1467-2B	.	CLOSEOUT ASSY	031043 101101 968971	1
90	BACN10VR4CGN	..	NUT- OPTIONAL PART: BACN10VR4CG	031043 101101 968971	2
90	BACN10VR4CG	..	NUT- OPTIONAL PART: BACN10VR4CGN	031043 101101 968971	2
95	412A1467-5B	..	CLOSEOUT- USED ON: 412A1467-1B	031043 101101 968971	1
100	412A1467-6B	..	CLOSEOUT- USED ON: 412A1467-2B	031043 101101 968971	1
105	403A3210-95B	.	SEAL ASSY	031043 101101 968971	1
110	412A1451-2BCWK	.	STRIP	031043 101101 968971	1
115	412A1420-2A	.	EXTRUSION-SEAT ROW MARKER	031043 101101 968971	1
120	412A1607-15B	.	COVER ASSY	031043 101101 968971	1
125	412A1460-2	..	CLIP	031043 101101 968971	4
130	412A1617-9B	..	PANEL	031043 101101 968971	1
135	BACS12ER3K14	.	SCREW	031043 101101 968971	7
140	BACS12FA3K5	.	SCREW	031043 101101 968971	6
145	H3-1233A3	.	WASHER- SUPPLIER CODE: V34941 SPECIFICATION NUMBER: S411A001-1	031043 101101 968971	7

MISSING ITEM NUMBERS NOT APPLICABLE

— ITEM NOT ILLUSTRATED

HAP

25-24-31-32E

BOEING PROPRIETARY - Copyright © - Unpublished Work - See title page for details.

25-24-31
FIG. 32E
PAGE 3
JUN 15/08

BOEING
737-600/700/800/900
PARTS CATALOG (MAINTENANCE)

FIG ITEM	PART NUMBER	1 2 3 4 5 6 7	NOMENCLATURE	EFFECT FROM TO	UNITS PER ASSY
32E 150	412A1244-15	.	EXTRUSION ASSY	031043 101101 968971	1
155	FS1651-3	..	NUTPLATE SUPPLIER CODE: V15653 SPECIFICATION NUMBER: BACN10KH3CD OPTIONAL PART: 102F9209M3 V72962 NS202496-02 V80539 ATTACHING PARTS	031043 101101 968971	7
- 160	BACR15BA3ADC	..	RIVET- SIZE DETERMINED ON INSTL. -----*-----	031043 101101 968971	14
165	BACS12FA3K6	.	SCREW	031043 101101 968971	4
167	BACS12FA3K7	.	SCREW	031043 101101 968971	4
170	412A1505-17B	.	DOOR ASSY-23.7 IN.	031043 101101 968971	1
175	BACS12FA3K4	..	SCREW	031043 101101 968971	4
180	HA951-1	..	LATCH ASSY- SUPPLIER CODE: V83014 SPECIFICATION NUMBER: S412A003-1	031043 101101 968971	1
185	412A1810-1A	..	BUMPER-	031043 101101 968971	2
185	412A1810-2B	..	BUMPER- QUALIFIED I/W DATA: PN 412A1810-3B CAN REPLACE BUT NOT BE REPLACED BY PN 412A1810-2B FOR 737-600/700/800/900 ONLY.	031043 101101 968971	2
190	412A1452-8B	..	TRIM-VERT	031043 101101 968971	1

MISSING ITEM NUMBERS NOT APPLICABLE

- ITEM NOT ILLUSTRATED

HAP

25-24-31-32E

BOEING PROPRIETARY - Copyright © - Unpublished Work - See title page for details.

25-24-31
FIG. 32E
PAGE 4
OCT 15/08

BOEING
737-600/700/800/900
PARTS CATALOG (MAINTENANCE)

FIG ITEM	PART NUMBER	1 2 3 4 5 6 7	NOMENCLATURE	EFFECT FROM TO	UNITS PER ASSY	
32E 195	412A1450-10A	..	TRIM-HORIZ	031043 101101 968971	1	
200	412A1452-5B	..	TRIM-HORIZ	031043 101101 968971	1	
205	412A1452-3B	..	TRIM-VERT	031043 101101 968971	1	
210	412A1513-13B	..	PANEL ASSY	031043 101101 968971	1	
- 215	SL618-3A	...	INSERT- SUPPLIER CODE: V97393	031043 101101 968971	8	
220	412A1513-1B	...	PANEL ASSY	031043 101101 968971	1	
R R R R R R R R	225	412A1505-2B	.DOOR ASSY-20 IN. QUALIFIED I/W DATA: THE 412A1505-102B DOOR ASSEMBLY PLUS (QTY 2) HINGE (SP23011) TOGETHER CAN REPLACE THE 412A1505-2B DOOR ASSEMBLY PLUS (QTY 2) HINGE (SP21757).	031043 101101 968971	1	
	230	BACS12FA3K4	..	SCREW	031043 101101 968971	4
	235	HA951-1	..	LATCH ASSY- SUPPLIER CODE: V83014 SPECIFICATION NUMBER: S412A003-1	031043 101101 968971	1
	240	412A1810-1A	..	BUMPER-	031043 101101 968971	2
	240	412A1810-2B	..	BUMPER- QUALIFIED I/W DATA: PN 412A1810-3B CAN REPLACE BUT NOT BE REPLACED BY PN 412A1810-2B FOR 737-600/700/800/900 ONLY.	031043 101101 968971	2
	245	412A1452-4B	..	TRIM-VERT	031043 101101 968971	1

MISSING ITEM NUMBERS NOT APPLICABLE

- ITEM NOT ILLUSTRATED

HAP

25-24-31-32E

BOEING PROPRIETARY - Copyright © - Unpublished Work - See title page for details.

25-24-31
FIG. 32E
PAGE 5
JUN 15/09

BOEING
737-600/700/800/900
PARTS CATALOG (MAINTENANCE)

FIG ITEM	PART NUMBER	1 2 3 4 5 6 7	NOMENCLATURE	EFFECT FROM TO	UNITS PER ASSY
32 E					
250	412A1452-6B	..	TRIM-HORIZ	031043 101101 968971	1
255	412A1452-5B	..	TRIM-HORIZ	031043 101101 968971	1
260	412A1452-3B	..	TRIM-VERT	031043 101101 968971	1
265	412A1514-2B	..	PANEL ASSY	031043 101101 968971	1
- 270	SL618-3A	...	INSERT- SUPPLIER CODE: V97393	031043 101101 968971	8
275	412A1514-1B	...	PANEL ASSY	031043 101101 968971	1
280	BACS12FA3K6	.	SCREW	031043 101101 968971	4
285	BACB30VF3K8	.	BOLT	031043 101101 968971	4
290	SP21757	.	HINGE ASSY- SUPPLIER CODE: V24403 SPECIFICATION NUMBER: S412A004-1	031043 101101 968971	4
295	412A1255-13B	.	BOX ASSY-44 IN. BIN FOR DETAILS SEE: 25-24-32-46	031043 101101 968971	1
- 300	412A1811-2B	.	PLUG	031043 101101 968971	AR

MISSING ITEM NUMBERS NOT APPLICABLE

- ITEM NOT ILLUSTRATED

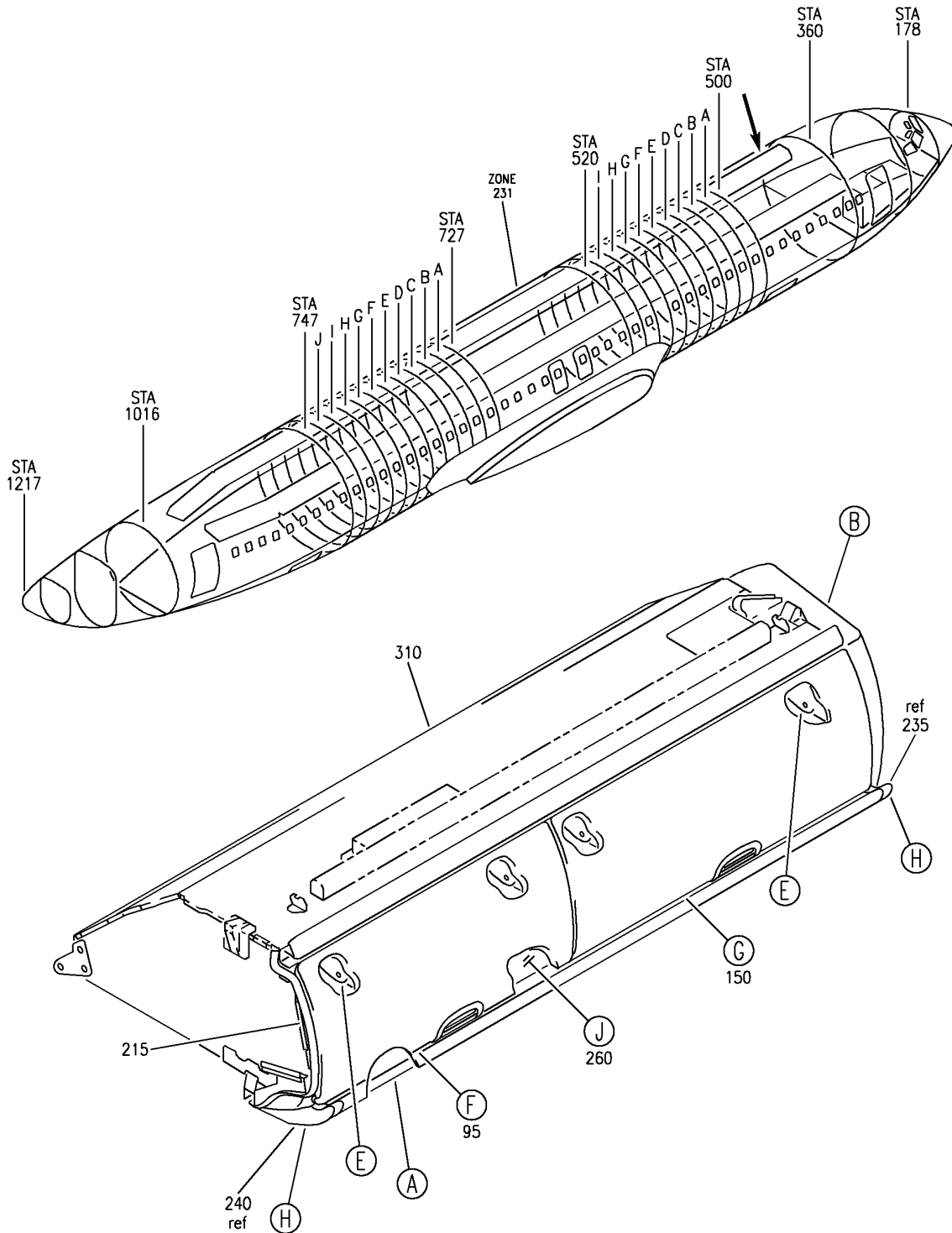
HAP

25-24-31-32E

BOEING PROPRIETARY - Copyright © - Unpublished Work - See title page for details.

25-24-31
FIG. 32E
PAGE 6
JUN 15/09

BOEING
 737-600/700/800/900
 PARTS CATALOG (MAINTENANCE)



E 2524-31-32F SHT 1 REV 135

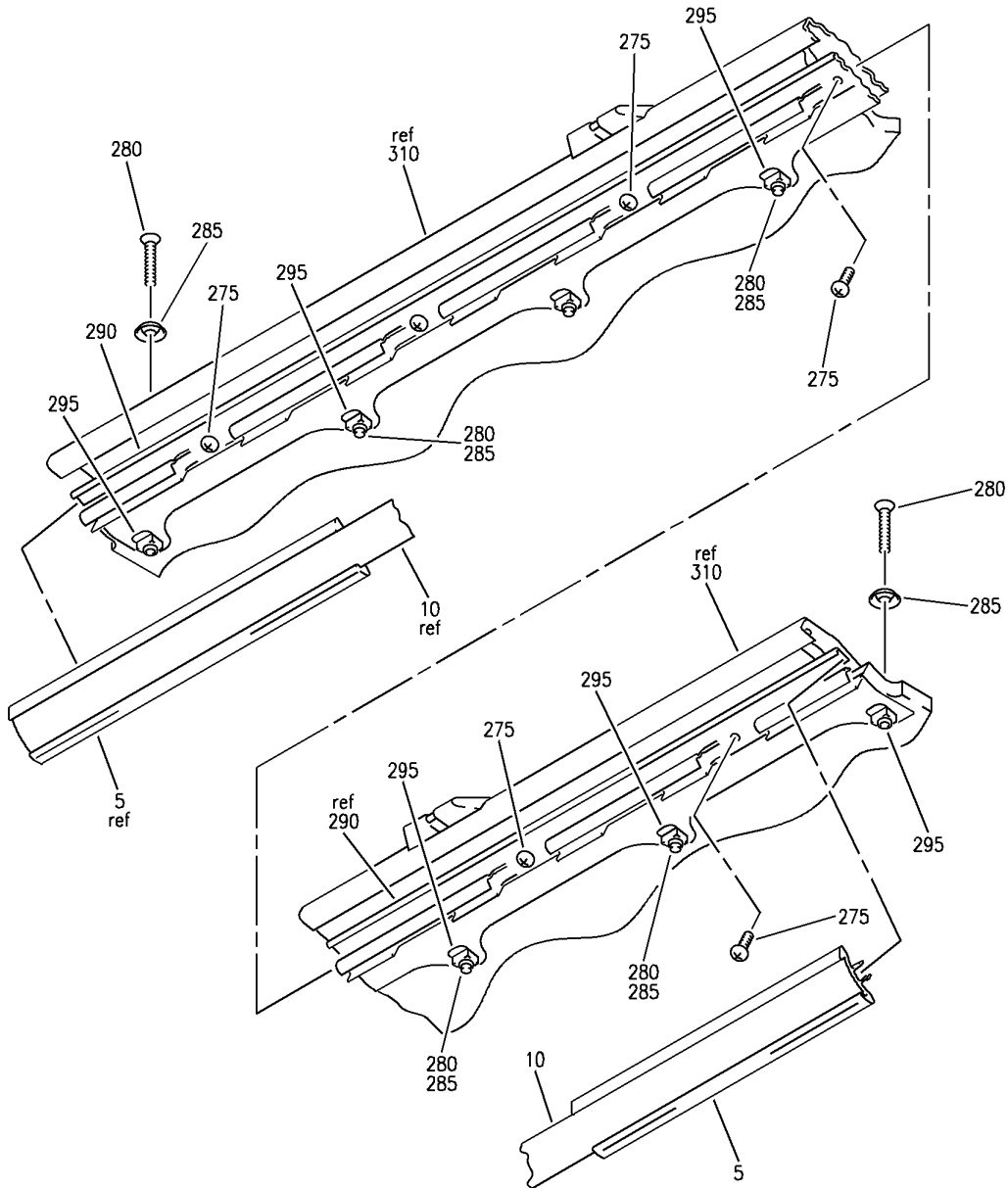
TOP ASSY-FWD LH 44 IN. OVHD STOWAGE BIG BIN BULLNOSE CONFIGURATION
 FIGURE 32F (SHEET 1)

25-24-31-32F

HAP
 OCT 10/07

25-24-31-32F
 PAGE 0

BOEING
 737-600/700/800/900
 PARTS CATALOG (MAINTENANCE)



E 2524-31-32F SHT 2 REV 135

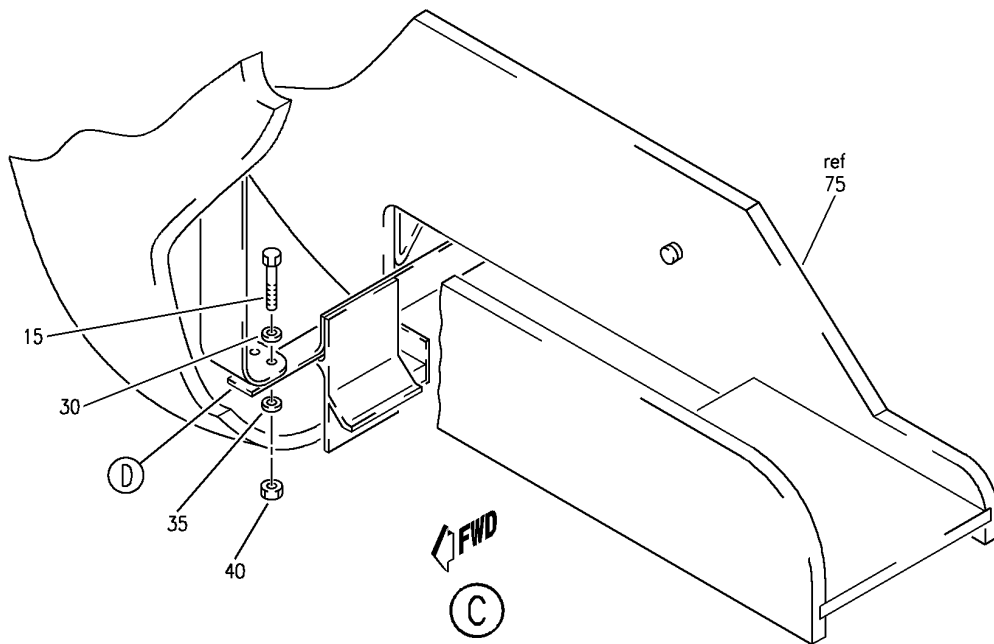
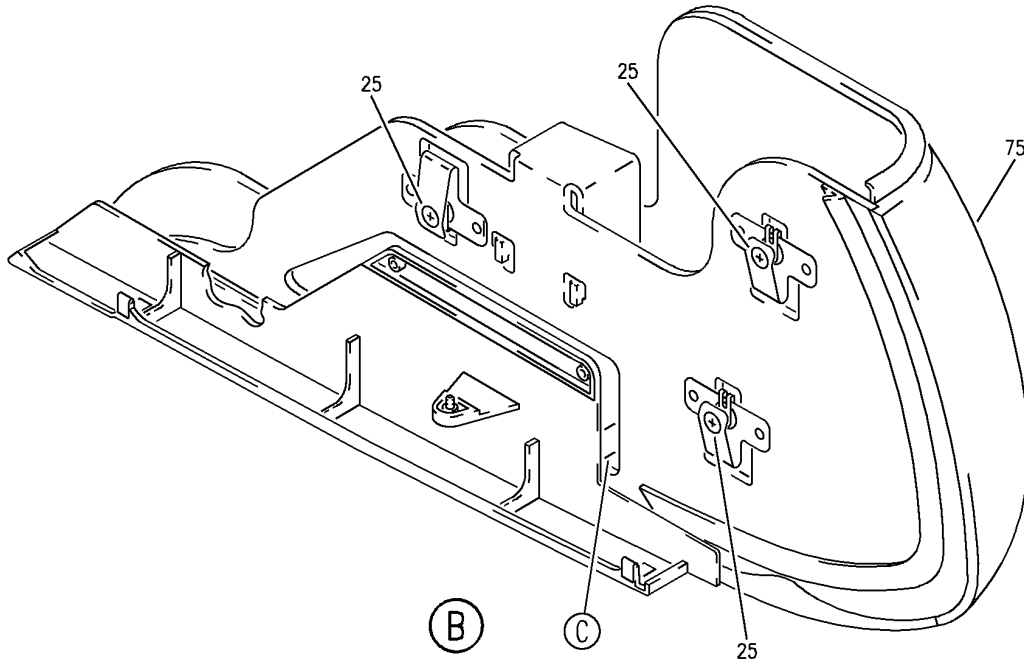
TOP ASSY-FWD LH 44 IN. OVHD STOWAGE BIG BIN BULLNOSE CONFIGURATION
 FIGURE 32F (SHEET 2)

25-24-31-32F

HAP
 OCT 10/07

25-24-31-32F
 PAGE 0A

BOEING
 737-600/700/800/900
 PARTS CATALOG (MAINTENANCE)



E 2524-31-32F SHT 3 REV 135

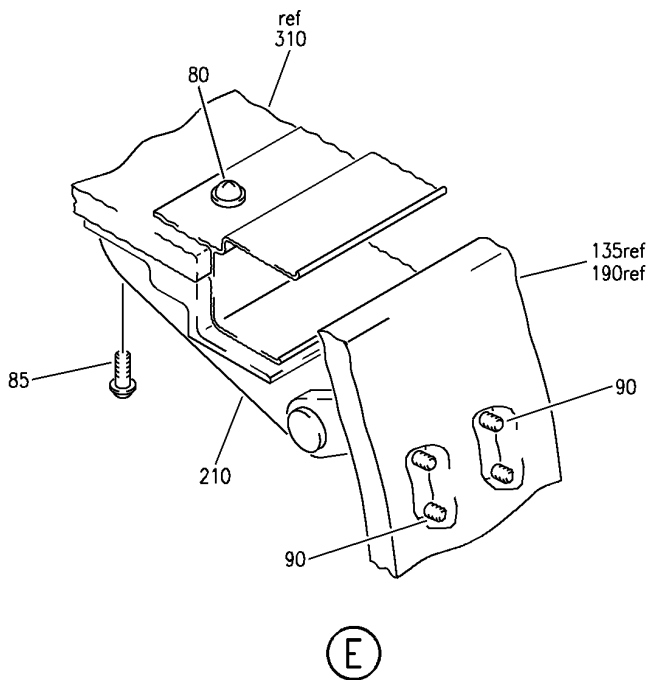
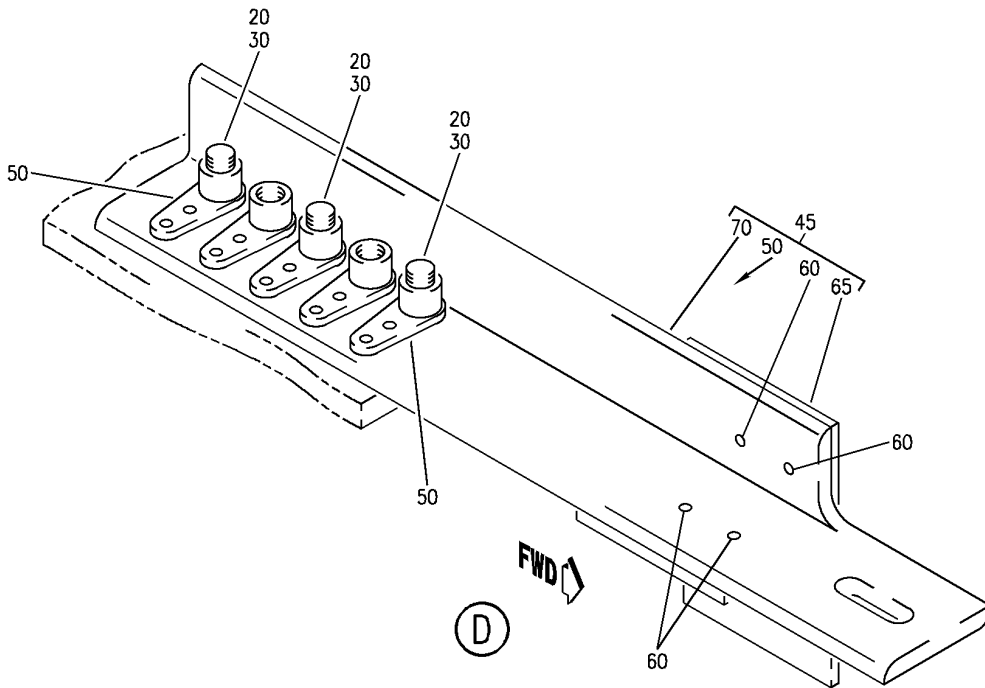
TOP ASSY-FWD LH 44 IN. OVHD STOWAGE BIG BIN BULLNOSE CONFIGURATION
 FIGURE 32F (SHEET 3)

25-24-31-32F

HAP
 OCT 10/07

25-24-31-32F
 PAGE 0B

BOEING
 737-600/700/800/900
 PARTS CATALOG (MAINTENANCE)



E 2524-31-32F SHT 4 REV 135

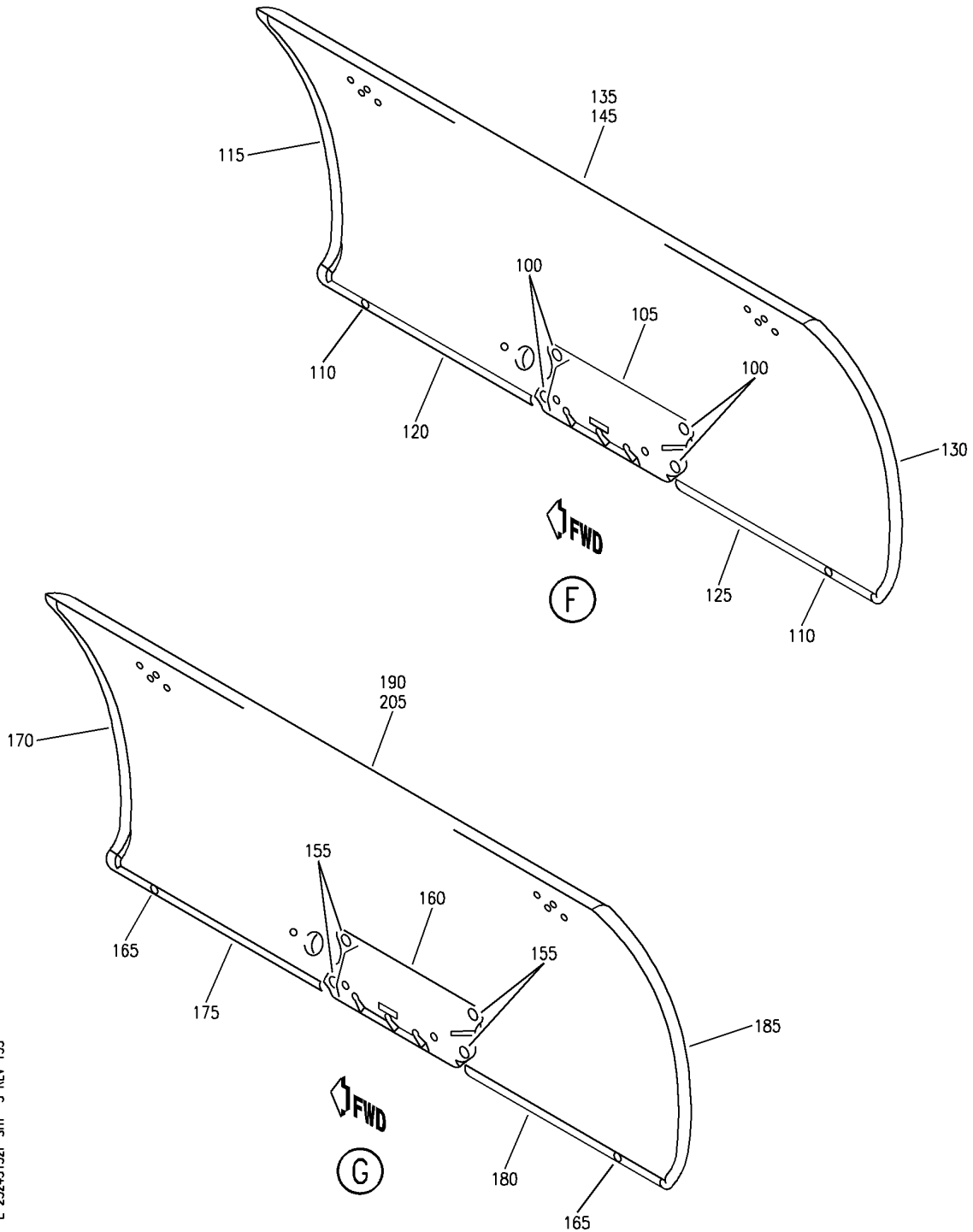
TOP ASSY-FWD LH 44 IN. OVHD STOWAGE BIG BIN BULLNOSE CONFIGURATION
 FIGURE 32F (SHEET 4)

25-24-31-32F

HAP
 OCT 10/07

25-24-31-32F
 PAGE 0C

BOEING
 737-600/700/800/900
 PARTS CATALOG (MAINTENANCE)



E 2524-31-32F SHT 5 REV 135

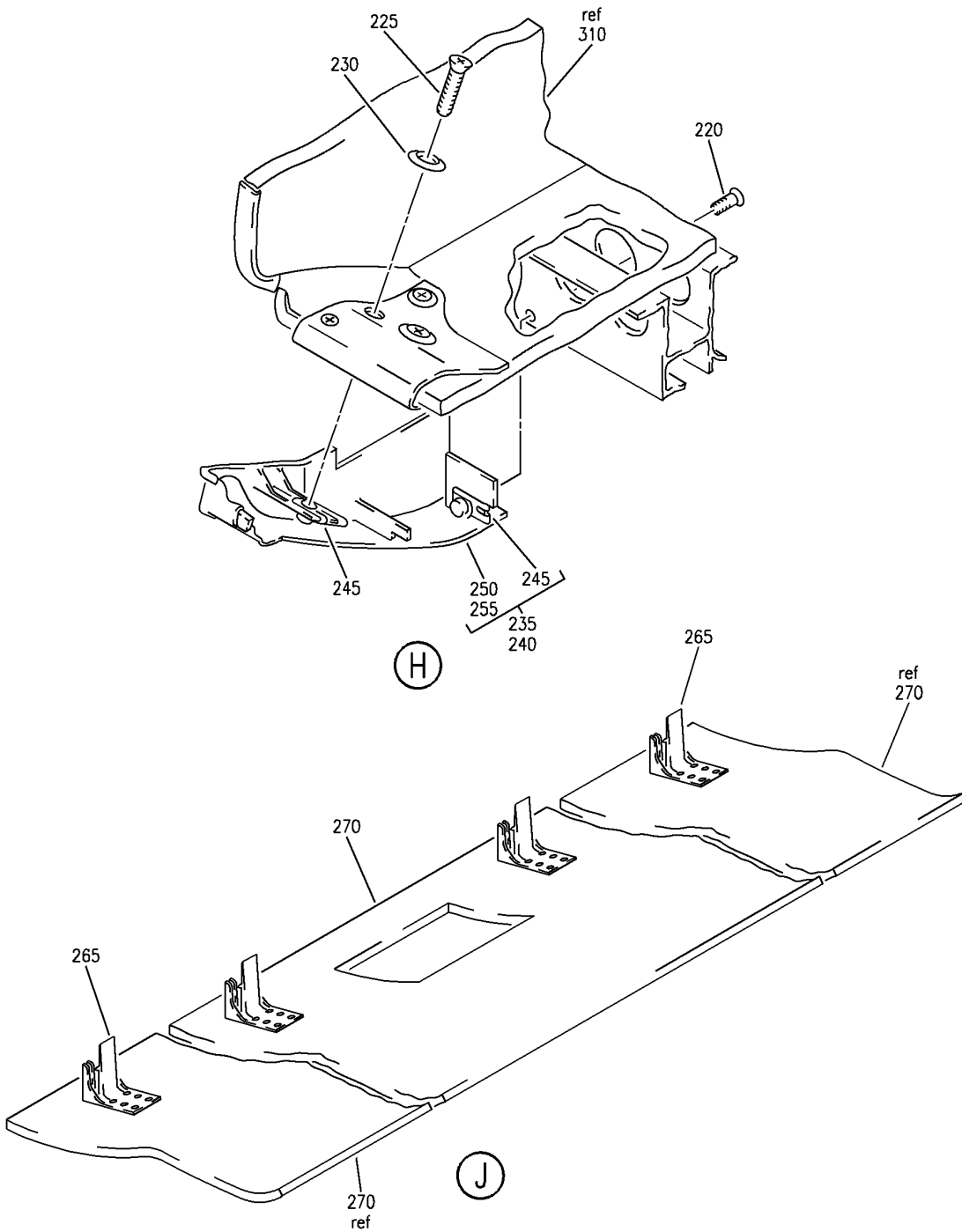
TOP ASSY-FWD LH 44 IN. OVHD STOWAGE BIG BIN BULLNOSE CONFIGURATION
 FIGURE 32F (SHEET 5)

25-24-31-32F

HAP
 OCT 10/07

25-24-31-32F
 PAGE 0D

BOEING
 737-600/700/800/900
 PARTS CATALOG (MAINTENANCE)



E 2524-31-32F SHT 6 REV 135

TOP ASSY-FWD LH 44 IN. OVHD STOWAGE BIG BIN BULLNOSE CONFIGURATION
 FIGURE 32F (SHEET 6)

25-24-31-32F

HAP
 OCT 10/07

25-24-31-32F
 PAGE 0E

BOEING
737-600/700/800/900
PARTS CATALOG (MAINTENANCE)

FIG ITEM	PART NUMBER	1 2 3 4 5 6 7	NOMENCLATURE	EFFECT FROM TO	UNITS PER ASSY
32 F			TOP ASSY-FWD LH 44 IN. OVHD STOWAGE BIG BIN BULLNOSE CONFIGURATION	044100 102200 972999	
- 1	412A1052-1087B		TOP ASSY-44 IN. OVHD STOWAGE BIG BIN BULLNOSE CONFIGURATION POSITION DATA: FWD LH FOR NHA SEE: 25-24-30-12	044100 102200 972999	RF
5	412A1420-2A		.EXTRUSION-SEAT ROW MARKER	044100 102200 972999	1
10	412A1451-2BCWK		.STRIP-TRIM	044100 102200 972999	1
15	BACB30NM3K6		.BOLT	044100 102200 972999	1
20	BACS12FA3K10		.SCREW	044100 102200 972999	3
25	CA3105-1032-24		.SCREW SUPPLIER CODE: V73439 SPECIFICATION NUMBER: BACS12N10-24 OPTIONAL PART: CA3105-1032-24 V78189 SP1561-1032-24 V73439	044100 102200 972999	3
30	BACW10BN3AC		.WASHER	044100 102200 972999	4
35	NAS1149D0363J		.WASHER	044100 102200 972999	1
40	PLH53CD		.NUT SUPPLIER CODE: VF0224 SPECIFICATION NUMBER: BACN10YR3CD OPTIONAL PART: H52732-3CD V15653	044100 102200 972999	1
45	412A1230-169		.FITTING ASSY-SPRT	044100 102200 972999	1

MISSING ITEM NUMBERS NOT APPLICABLE

- ITEM NOT ILLUSTRATED

HAP

25-24-31-32F

BOEING PROPRIETARY - Copyright © - Unpublished Work - See title page for details.

25-24-31
FIG. 32F
PAGE 1
FEB 15/09

BOEING
737-600/700/800/900
PARTS CATALOG (MAINTENANCE)

FIG ITEM	PART NUMBER	1 2 3 4 5 6 7	NOMENCLATURE	EFFECT FROM TO	UNITS PER ASSY
32 F 50	T8077S1032		..NUTPLATE SUPPLIER CODE: V11815 SPECIFICATION NUMBER: BACN10JP3B OPTIONAL PART: MK2000-3BAC V15653 NS103198-02 V80539 RMA9207-3 V72962 VN201A1-02 V92215 BRM100A3 V52828	044100 102200 972999	5
- 55	BACR15BA3ADC		ATTACHING PARTS ..RIVET- SIZE DETERMINED ON INSTL.	044100 102200 972999	10
			-----*-----		
60	BACR15BA3ADC		..RIVET- SIZE DETERMINED ON INSTL.	044100 102200 972999	4
65	412A1230-168		..FITTING	044100 102200 972999	1
70	412A1230-165		..FITTING	044100 102200 972999	1
75	412N1372-225B		.CAP ASSY-4.54 IN. END FOR DETAILS SEE: 25-24-33-45B	044100 102200 972999	1
80	BACB30VF3K8		.BOLT	044100 102200 972999	4
85	BACS12FA3K6		.SCREW	044100 102200 972999	4
90	BACS12FA3K5		.SCREW	044100 102200 972999	16

MISSING ITEM NUMBERS NOT APPLICABLE

- ITEM NOT ILLUSTRATED

HAP

25-24-31-32F

BOEING PROPRIETARY - Copyright © - Unpublished Work - See title page for details.

25-24-31
FIG. 32F
PAGE 2
JUN 15/09

BOEING
737-600/700/800/900
PARTS CATALOG (MAINTENANCE)

FIG ITEM	PART NUMBER	1 2 3 4 5 6 7	NOMENCLATURE	EFFECT FROM TO	UNITS PER ASSY
R R R R R R R R R R R R R R	32F 95	412A1505-102B	.DOOR ASSY-20 IN. QUALIFIED I/W DATA: THE 412A1505-102B DOOR ASSEMBLY PLUS (QTY 2) HINGE (SP23011) TOGETHER CAN REPLACE THE 412A1505-2B DOOR ASSEMBLY PLUS (QTY 2) HINGE (SP21757).	044100 102200 972999	1
	100	BACS12FA3K4	..SCREW	044100 102200 972999	4
	105	HA951-1	..LATCH ASSY- SUPPLIER CODE: V83014 SPECIFICATION NUMBER: S412A003-1	044100 102200 972999	1
	110	412A1810-3B	..BUMPER- QUALIFIED I/W DATA: PN 412A1810-3B CAN REPLACE BUT NOT BE REPLACED BY PN 412A1810-2B FOR 737-600/700/800/900 ONLY.	044100 102200 972999	2
	115	412A1452-104B	..TRIM-VERT	044100 102200 972999	1
	120	412A1452-106B	..TRIM-HORIZ	044100 102200 972999	1
	125	412A1452-105B	..TRIM-HORIZ	044100 102200 972999	1
	130	412A1452-103B	..TRIM-VERT	044100 102200 972999	1
	135	412A1514-102B	..PANEL ASSY	044100 102200 972999	1
	- 140	SL618-3A	...INSERT- SUPPLIER CODE: V97393	044100 102200 972999	12
	145	412A1514-101B	...PANEL ASSY	044100 102200 972999	1
	150	412A1505-117B	.DOOR ASSY-23.7 IN.	044100 102200 972999	1

MISSING ITEM NUMBERS NOT APPLICABLE

- ITEM NOT ILLUSTRATED

HAP

25-24-31-32F

BOEING PROPRIETARY - Copyright © - Unpublished Work - See title page for details.

25-24-31
FIG. 32F
PAGE 3
JUN 15/09

BOEING
737-600/700/800/900
PARTS CATALOG (MAINTENANCE)

FIG ITEM	PART NUMBER	1 2 3 4 5 6 7	NOMENCLATURE	EFFECT FROM TO	UNITS PER ASSY
32 F 155	BACS12FA3K4	..	SCREW	044100 102200 972999	4
160	HA951-1	..	LATCH ASSY- SUPPLIER CODE: V83014 SPECIFICATION NUMBER: S412A003-1	044100 102200 972999	1
165	412A1810-3B	..	BUMPER- QUALIFIED I/W DATA: PN 412A1810-3B CAN REPLACE BUT NOT BE REPLACED BY PN 412A1810-2B FOR 737-600/700/800/900 ONLY.	044100 102200 972999	2
170	412A1452-108B	..	TRIM-VERT	044100 102200 972999	1
175	412A1452-110B	..	TRIM-EDGE	044100 102200 972999	1
180	412A1452-105B	..	TRIM-HORIZ	044100 102200 972999	1
185	412A1452-103B	..	TRIM-VERT	044100 102200 972999	1
190	412A1513-113B	..	PANEL ASSY	044100 102200 972999	1
- 200	SL618-3A	...	INSERT- SUPPLIER CODE: V97393	044100 102200 972999	12
205	412A1513-115B	...	PANEL ASSY	044100 102200 972999	1
210	SP23011	.HINGE ASSY- SUPPLIER CODE: V24403 SPECIFICATION NUMBER: S412A004-3		044100 102200 972999	4
215	403A3210-95B	.SEAL ASSY		044100 102200 972999	1
220	BACB30VF3K3	.BOLT		044100 102200 972999	2

MISSING ITEM NUMBERS NOT APPLICABLE

- ITEM NOT ILLUSTRATED

HAP

25-24-31-32F

BOEING PROPRIETARY - Copyright © - Unpublished Work - See title page for details.

25-24-31
FIG. 32F
PAGE 4
JUN 15/09

BOEING
737-600/700/800/900
PARTS CATALOG (MAINTENANCE)

FIG ITEM	PART NUMBER	1 2 3 4 5 6 7	NOMENCLATURE	EFFECT FROM TO	UNITS PER ASSY
32 F 225	BACS12ER3K11	.	SCREW	044100 102200 972999	2
230	H3-1233A3	.	WASHER- SUPPLIER CODE: V34941 SPECIFICATION NUMBER: S411A001-1	044100 102200 972999	2
235	412A1467-1B	.	CLOSEOUT ASSY	044100 102200 972999	1
240	412A1467-2B	.	CLOSEOUT ASSY	044100 102200 972999	1
245	BACN10VR4CGN	..	NUT- OPTIONAL PART: BACN10VR4CG	044100 102200 972999	2
245	BACN10VR4CG	..	NUT- OPTIONAL PART: BACN10VR4CGN	044100 102200 972999	2
250	412A1467-5B	..	CLOSEOUT- USED ON: 412A1467-1B	044100 102200 972999	1
255	412A1467-6B	..	CLOSEOUT- USED ON: 412A1467-2B	044100 102200 972999	1
260	412A1607-15B	.	COVER ASSY	044100 102200 972999	1
265	412A1460-2	..	CLIP	044100 102200 972999	4
270	412A1617-9B	..	PANEL	044100 102200 972999	1
275	BACS12FA3K5	.	SCREW	044100 102200 972999	6
280	BACS12ER3K14	.	SCREW	044100 102200 972999	7
285	H3-1233A3	.	WASHER- SUPPLIER CODE: V34941 SPECIFICATION NUMBER: S411A001-1	044100 102200 972999	7
290	412A1244-15	.	EXTRUSION ASSY	044100 102200 972999	1

MISSING ITEM NUMBERS NOT APPLICABLE

- ITEM NOT ILLUSTRATED

HAP

25-24-31-32F

BOEING PROPRIETARY - Copyright © - Unpublished Work - See title page for details.

25-24-31
FIG. 32F
PAGE 5
JUN 15/09

BOEING
737-600/700/800/900
PARTS CATALOG (MAINTENANCE)

FIG ITEM	PART NUMBER	1 2 3 4 5 6 7	NOMENCLATURE	EFFECT FROM TO	UNITS PER ASSY
32 F 295	FS1651-3		. . NUTPLATE SUPPLIER CODE: V15653 SPECIFICATION NUMBER: BACN10KH3CD OPTIONAL PART: 102F9209M3 V72962 NS202496-02 V80539 ATTACHING PARTS	044100 102200 972999	7
- 300	BACR15BA3ADC		. . RIVET- SIZE DETERMINED ON INSTL.	044100 102200 972999	14
- 305	412A1811-2B		-----*----- . PLUG	044100 102200 972999	AR
310	412A1255-13B		. BOX ASSY-44 IN. FOR DETAILS SEE: 25-24-32-46	044100 102200 972999	1

MISSING ITEM NUMBERS NOT APPLICABLE

- ITEM NOT ILLUSTRATED

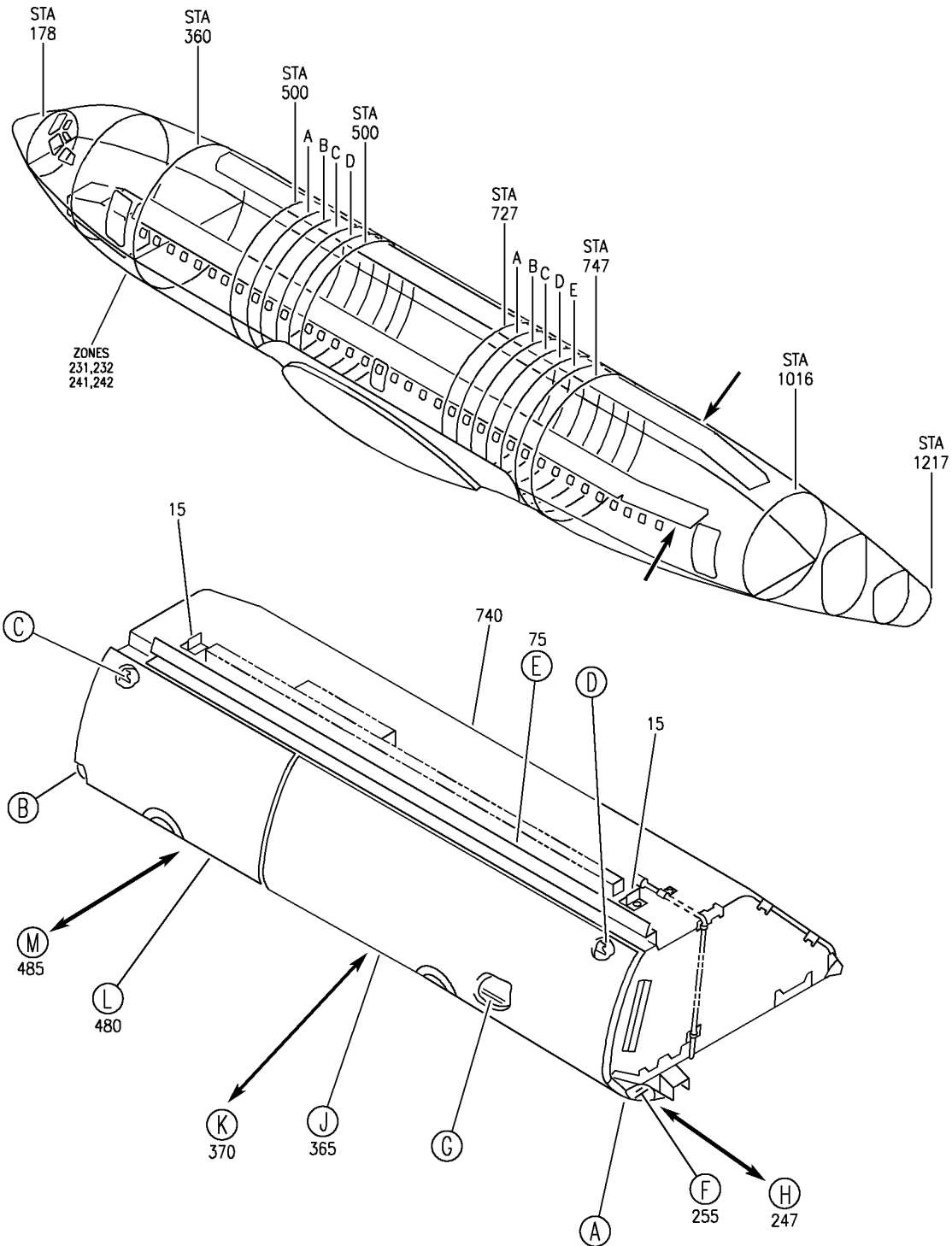
HAP

25-24-31-32F

BOEING PROPRIETARY - Copyright © - Unpublished Work - See title page for details.

25-24-31
FIG. 32F
PAGE 6
OCT 15/08


BOEING
 737-600/700/800/900
PARTS CATALOG (MAINTENANCE)



E 2524-31-33 SHT 1 REV 106

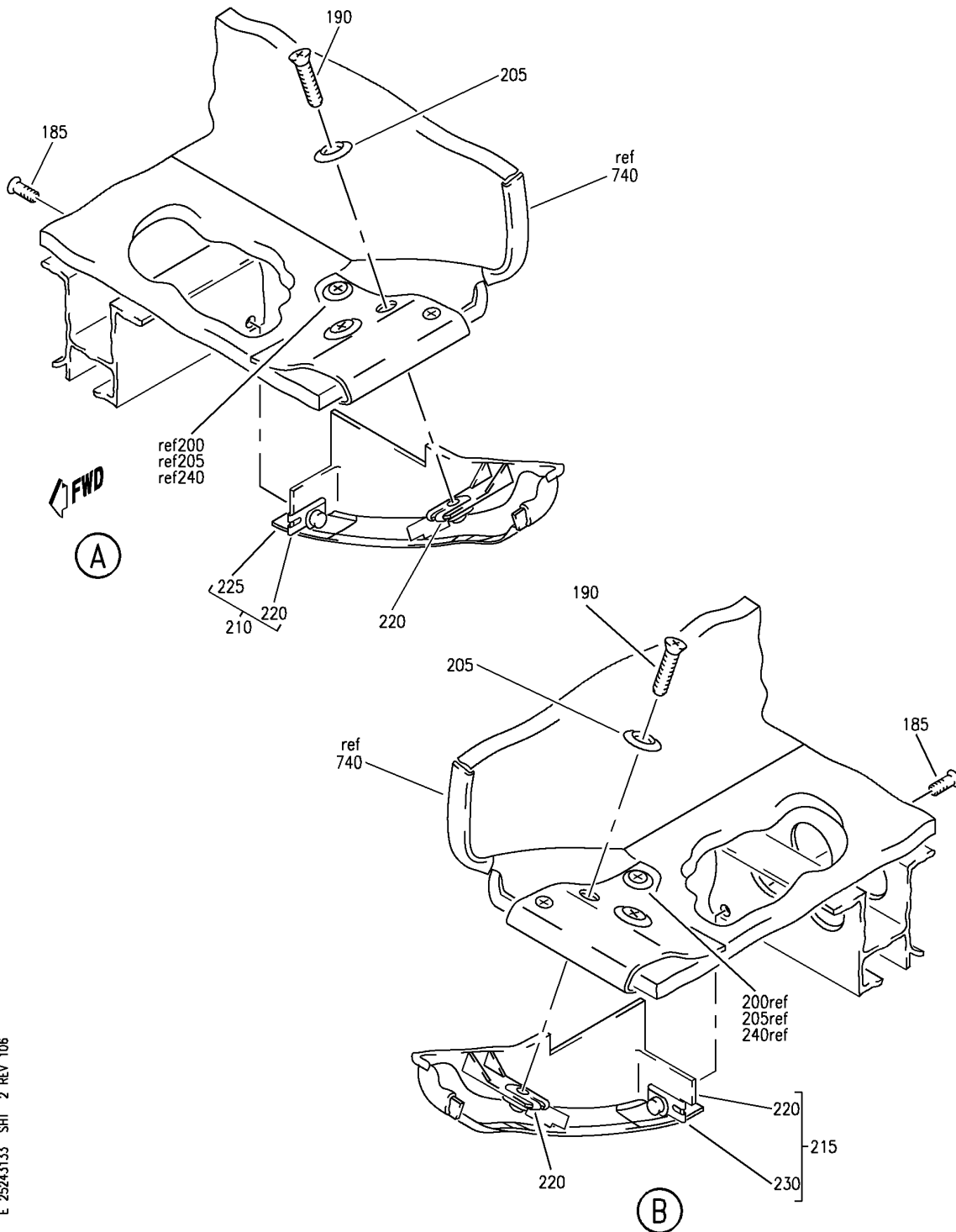
COMPARTMENT ASSY-60 IN. OVHD STOWAGE BULLNOSE CONFIGURATION (EQUIPMENT/ FURNISHINGS ONLY)
 FIGURE 33 (SHEET 1)

HAP
OCT 15/08

25-24-31-33

25-24-31-33
 PAGE 0

BOEING
 737-600/700/800/900
 PARTS CATALOG (MAINTENANCE)



E 2524-31-33 SH1 2 REV 106

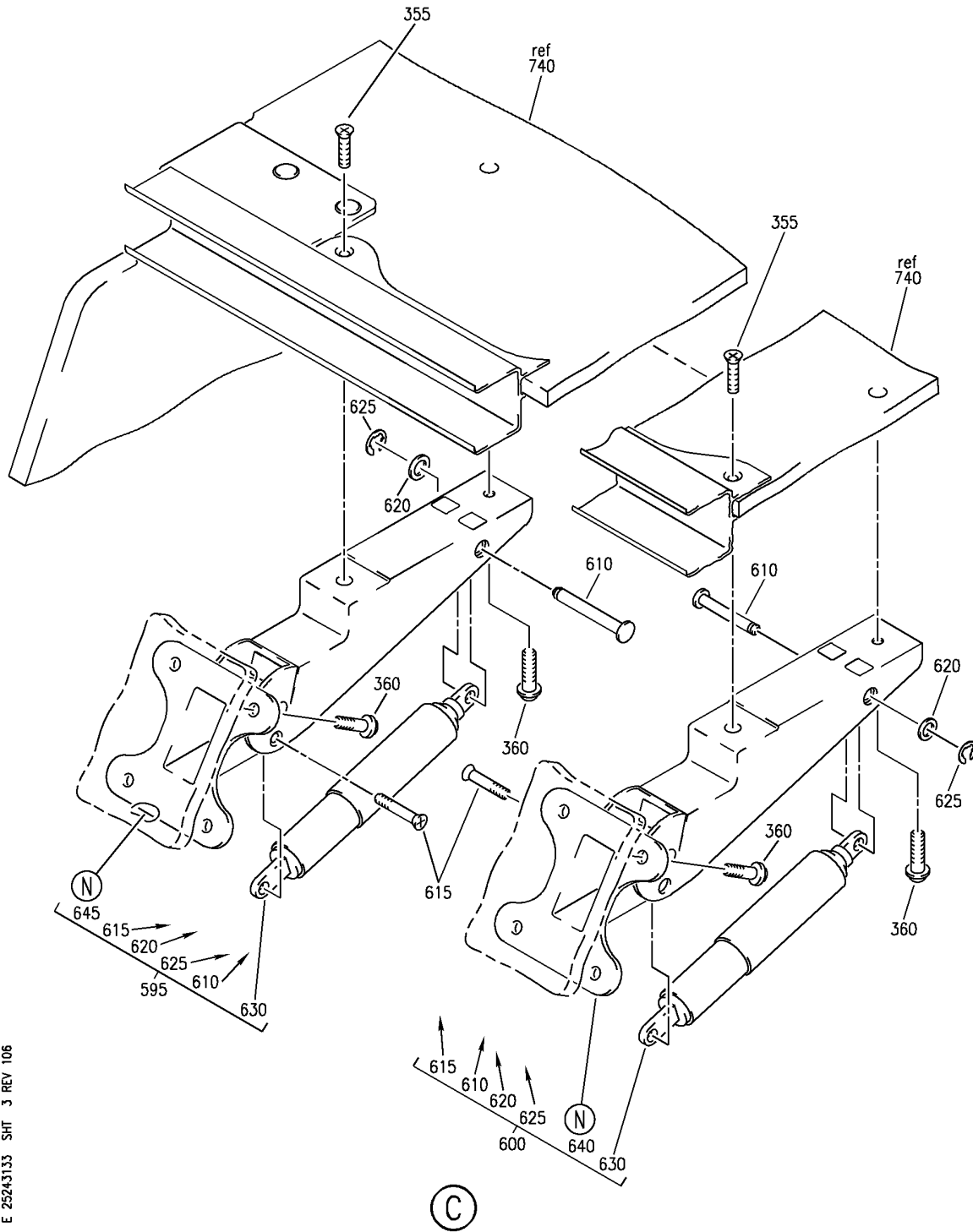
COMPARTMENT ASSY-60 IN. OVHD STORAGE BULLNOSE CONFIGURATION (EQUIPMENT/ FURNISHINGS ONLY)
 FIGURE 33 (SHEET 2)

HAP
 OCT 15/08

25-24-31-33

25-24-31-33
 PAGE 0A

BOEING
 737-600/700/800/900
 PARTS CATALOG (MAINTENANCE)



E 2524-31-33 SHT 3 REV 106

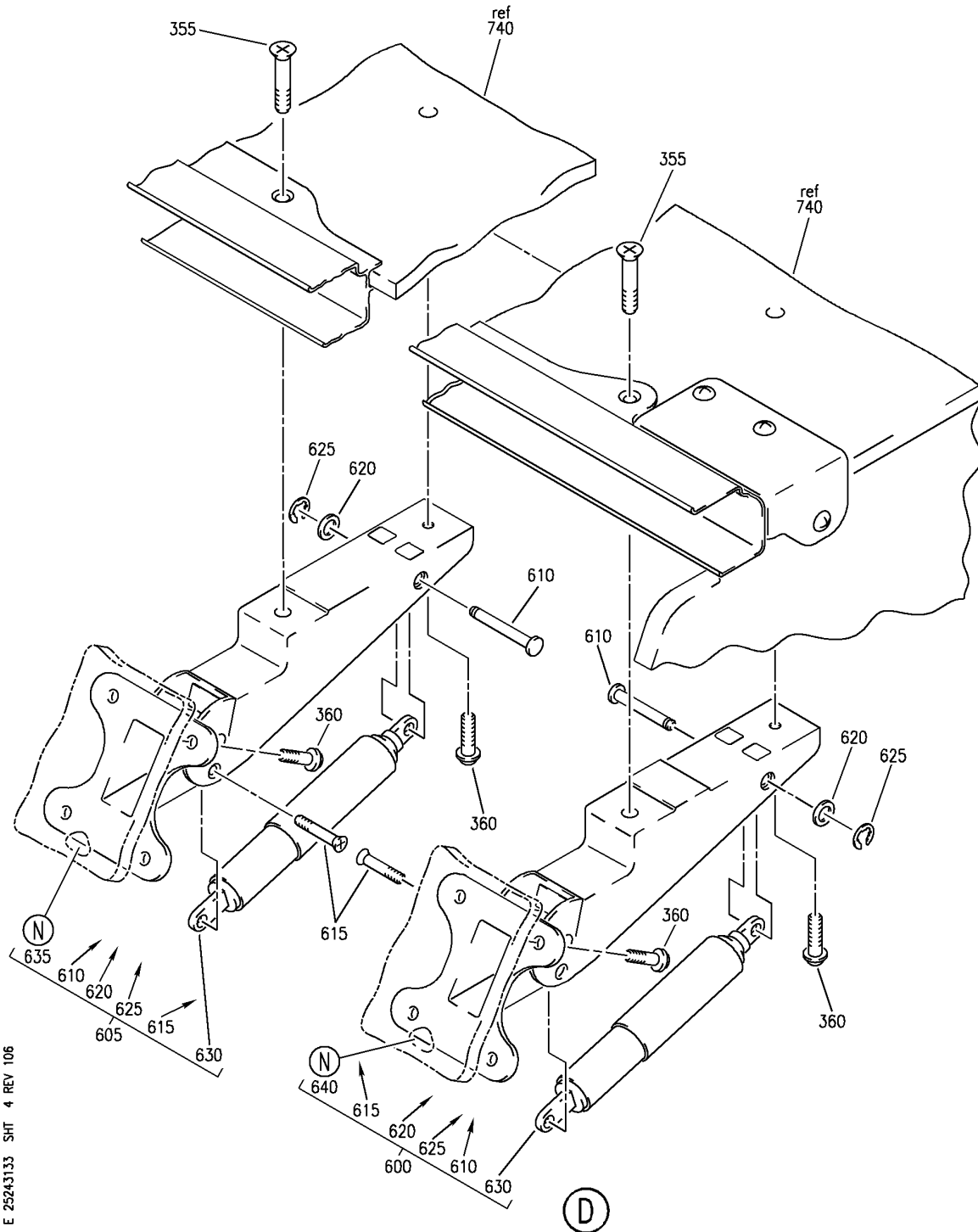
COMPARTMENT ASSY-60 IN. OVHD STOWAGE BULLNOSE CONFIGURATION (EQUIPMENT/ FURNISHINGS ONLY)
 FIGURE 33 (SHEET 3)

25-24-31-33

HAP
 OCT 15/08

25-24-31-33
 PAGE 0B

BOEING
 737-600/700/800/900
 PARTS CATALOG (MAINTENANCE)



E 2524-3133 SH 4 REV 106

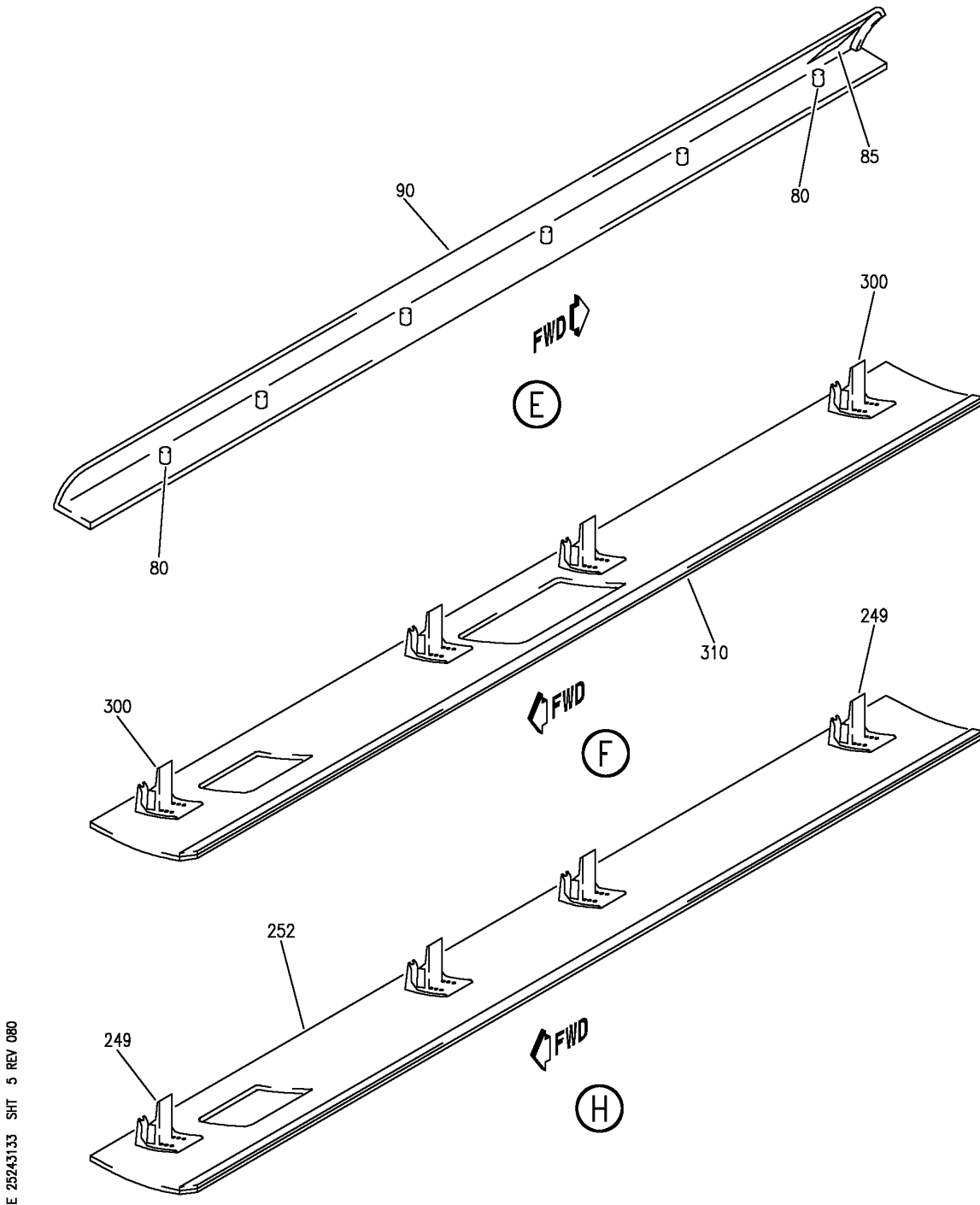
COMPARTMENT ASSY-60 IN. OVHD STOWAGE BULLNOSE CONFIGURATION (EQUIPMENT/ FURNISHINGS ONLY)
 FIGURE 33 (SHEET 4)

HAP
 OCT 15/08

25-24-31-33

25-24-31-33
 PAGE 0C

BOEING
 737-600/700/800/900
 PARTS CATALOG (MAINTENANCE)



E 25243133 SHT 5 REV 080

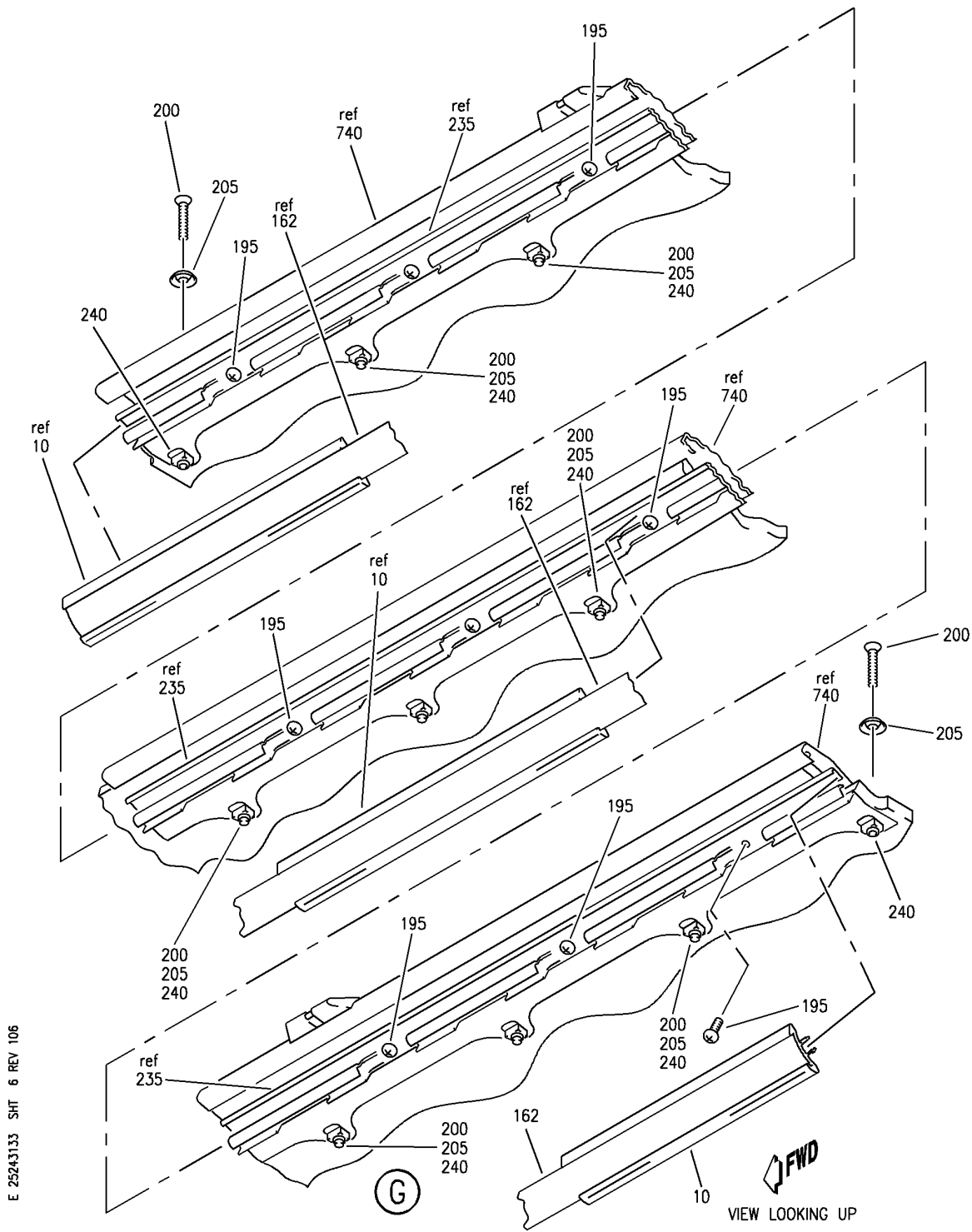
COMPARTMENT ASSY-60 IN. OVHD STOWAGE BULLNOSE CONFIGURATION (EQUIPMENT/ FURNISHINGS ONLY)
 FIGURE 33 (SHEET 5)

HAP
 OCT 15/08

25-24-31-33

25-24-31-33
 PAGE 0D

BOEING
737-600/700/800/900
PARTS CATALOG (MAINTENANCE)



E 2524-31-33 SHT 6 REV 106

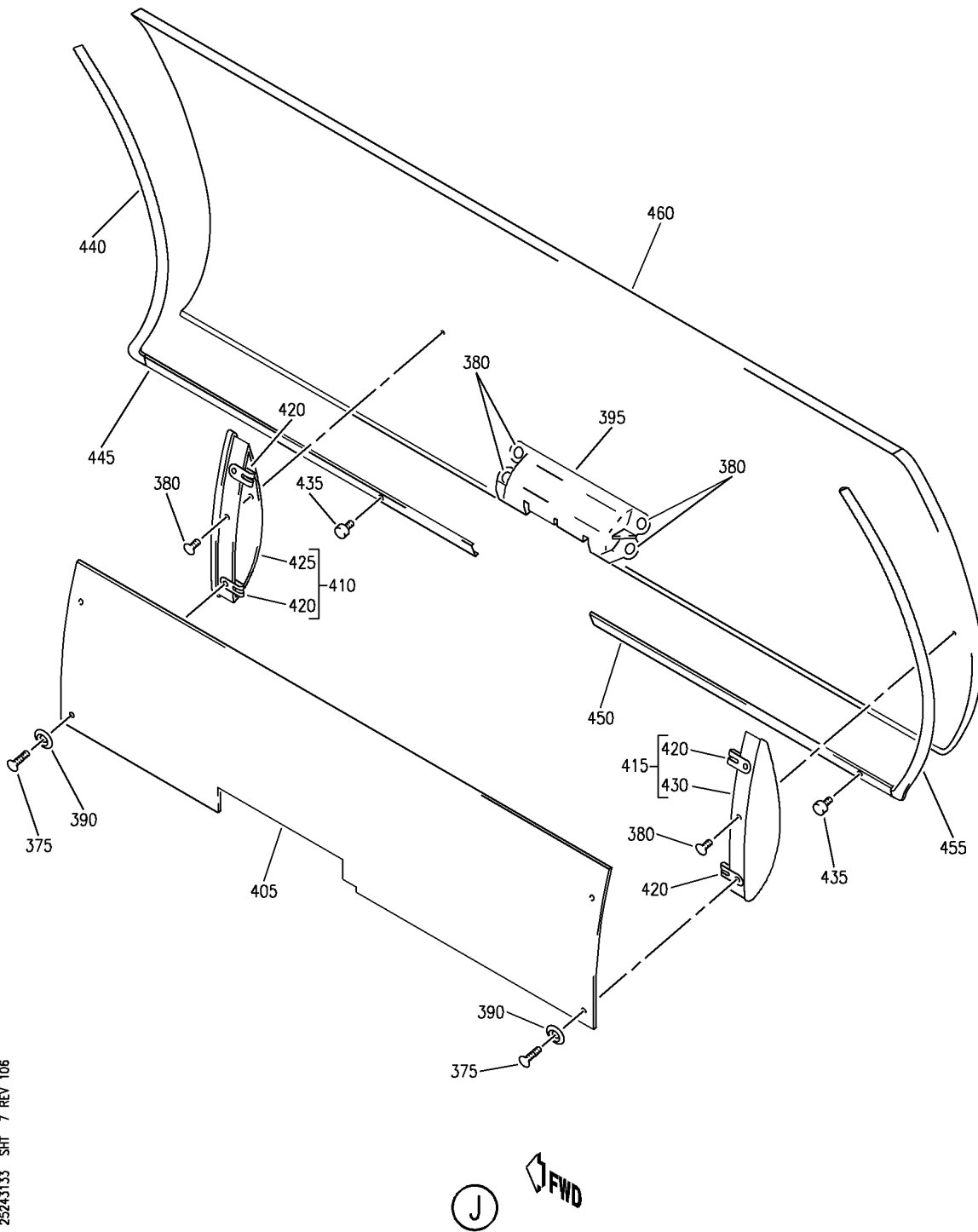
COMPARTMENT ASSY-60 IN. OVHD STOWAGE BULLNOSE CONFIGURATION (EQUIPMENT/ FURNISHINGS ONLY)
 FIGURE 33 (SHEET 6)

25-24-31-33

HAP
 OCT 15/08

25-24-31-33
 PAGE 0E

BOEING
 737-600/700/800/900
 PARTS CATALOG (MAINTENANCE)



E 2524-31-33 SHT 7 REV 106

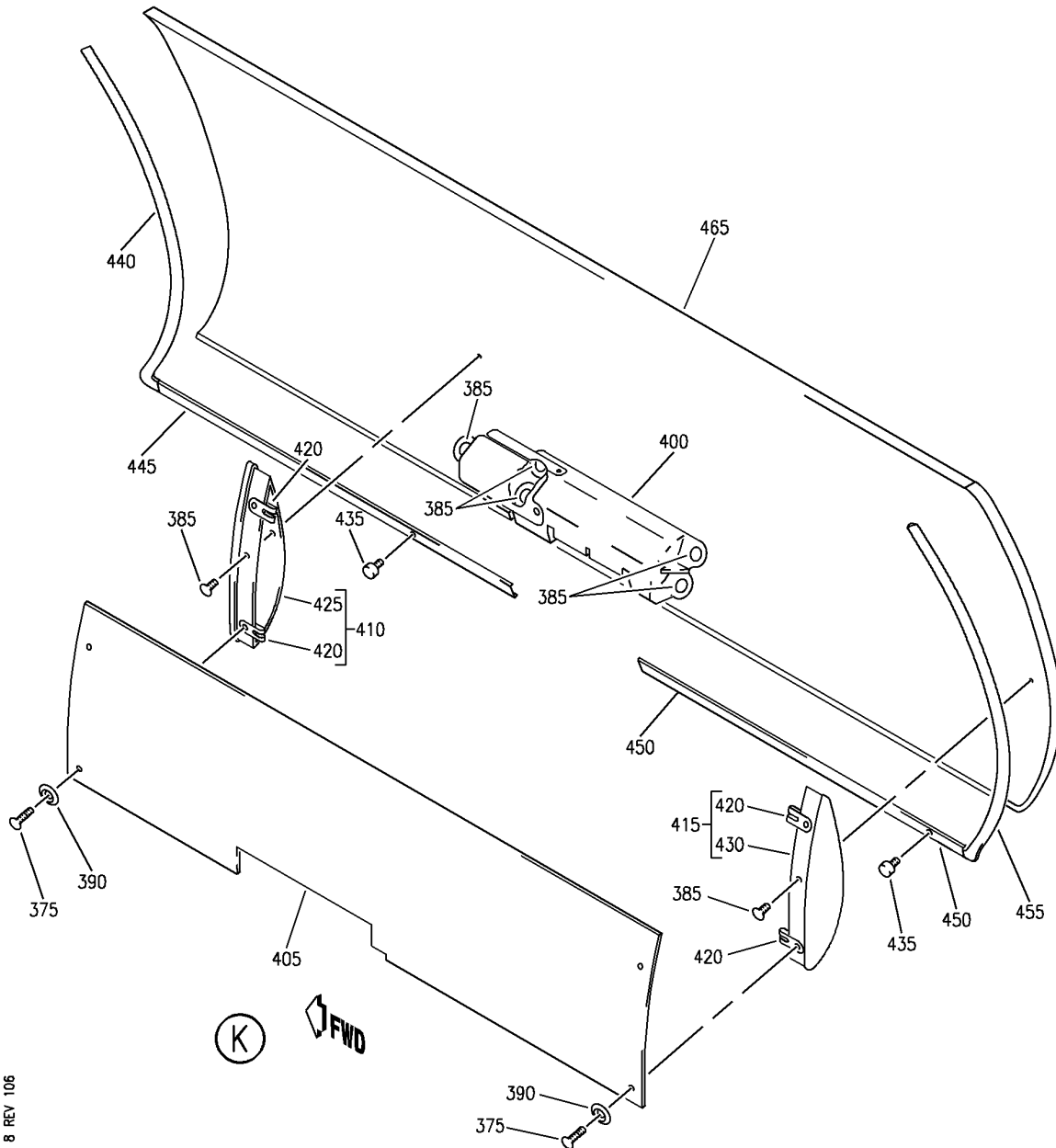
COMPARTMENT ASSY-60 IN. OVHD STOWAGE BULLNOSE CONFIGURATION (EQUIPMENT/ FURNISHINGS ONLY)
 FIGURE 33 (SHEET 7)

25-24-31-33

HAP
 OCT 15/08

25-24-31-33
 PAGE OF

BOEING
 737-600/700/800/900
 PARTS CATALOG (MAINTENANCE)



E 2524-31-33 SHT 8 REV 106

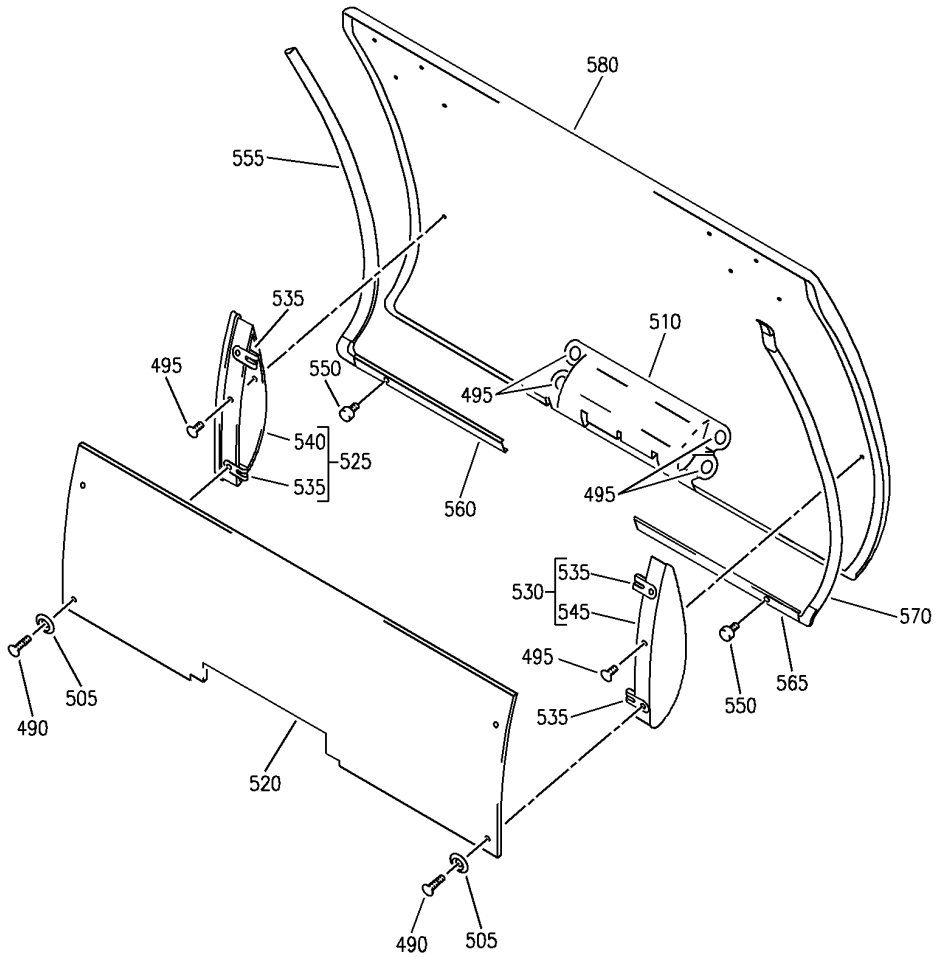
COMPARTMENT ASSY-60 IN. OVHD STOWAGE BULLNOSE CONFIGURATION (EQUIPMENT/ FURNISHINGS ONLY)
 FIGURE 33 (SHEET 8)

HAP
 OCT 15/08

25-24-31-33

25-24-31-33
 PAGE 08

BOEING
 737-600/700/800/900
 PARTS CATALOG (MAINTENANCE)



FWD

L

E 2524-3133 SH1 9 REV 106

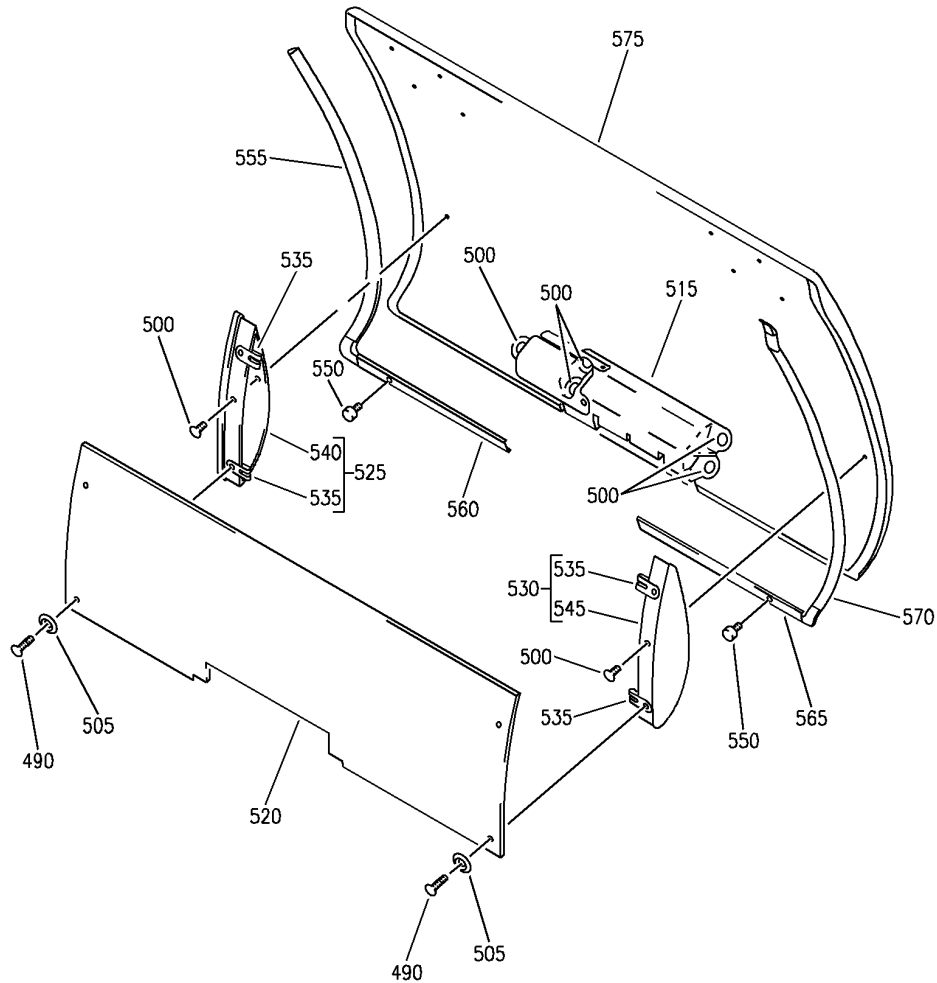
COMPARTMENT ASSY-60 IN. OVHD STOWAGE BULLNOSE CONFIGURATION (EQUIPMENT/ FURNISHINGS ONLY)
 FIGURE 33 (SHEET 9)

25-24-31-33

HAP
 OCT 15/08

25-24-31-33
 PAGE 0H

BOEING
 737-600/700/800/900
 PARTS CATALOG (MAINTENANCE)



FWD

(M)

E 2524-31-33 SH1 10 REV 106

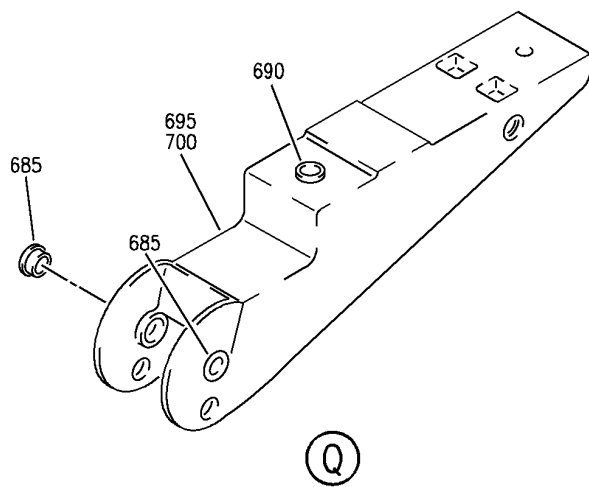
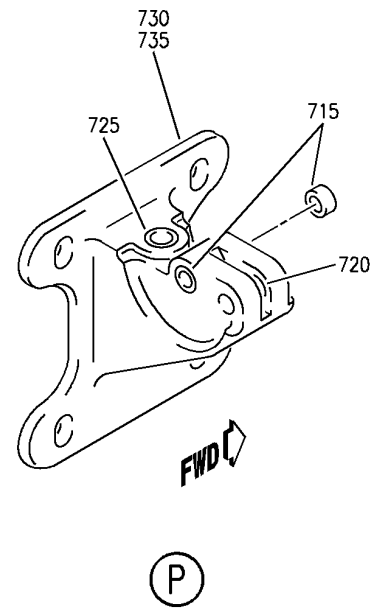
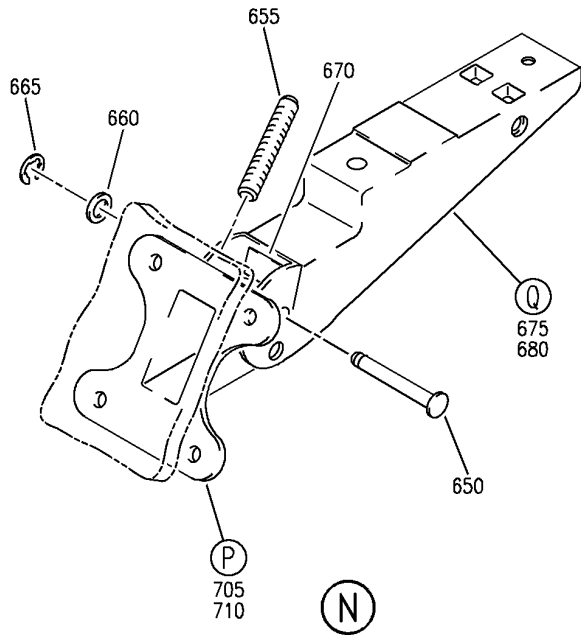
COMPARTMENT ASSY-60 IN. OVHD STOWAGE BULLNOSE CONFIGURATION (EQUIPMENT/ FURNISHINGS ONLY)
 FIGURE 33 (SHEET 10)

25-24-31-33

HAP
 OCT 15/08

25-24-31-33
 PAGE 01

BOEING
 737-600/700/800/900
 PARTS CATALOG (MAINTENANCE)



E 2524-3133 SHT 11 REV 106

COMPARTMENT ASSY-60 IN. OVHD STOWAGE BULLNOSE CONFIGURATION (EQUIPMENT/ FURNISHINGS ONLY)
 FIGURE 33 (SHEET 11)

25-24-31-33

HAP
 OCT 15/08

25-24-31-33
 PAGE 0J

BOEING
737-600/700/800/900
PARTS CATALOG (MAINTENANCE)

FIG ITEM	PART NUMBER	1 2 3 4 5 6 7	NOMENCLATURE	EFFECT FROM TO	UNITS PER ASSY
33			COMPARTMENT ASSY-60 IN. OVHD STOWAGE BULLNOSE CONFIGURATION (EQUIPMENT/ FURNISHINGS ONLY)	201967	
- 5	412A1170-104SP		COMPARTMENT ASSY-60 IN. OVHD STOWAGE BULLNOSE CONFIGURATION (EQUIPMENT/ FURNISHINGS ONLY)	202967	RF
- 5	412A1170-304B		FOR NHA/OTHER SYS DET SEE: 25-24-30-27 COMPARTMENT ASSY-60 IN. OVHD STOWAGE BULLNOSE CONFIGURATION (EQUIPMENT/ FURNISHINGS ONLY)	201201	RF
10	412A1420-2SP		.EXTRUSION-SEAT ROW MARKER	202967	1
10	412A1420-2A		.EXTRUSION-SEAT ROW MARKER	201201	1
15	H3-1592-1		.LATCH- SUPPLIER CODE: V34941 SPECIFICATION NUMBER: S411A001-1	201967	2
- 17	BACS12GU3K7		ATTACHING PARTS .SCREW	201967	4
- 25	NAS1149D0332J		.WASHER	201967	4
			-----*-----		
75	412A1700-4SP		.VALANCE ASSY- OPTIONAL PART: 412A1700-104SP	202967	1
75	412A1700-4A		.VALANCE ASSY- OPTIONAL PART: 412A1700-104B	201201	1
75	412A1700-104SP		.VALANCE ASSY- OPTIONAL PART: 412A1700-4SP	202967	1
75	412A1700-104B		.VALANCE ASSY- OPTIONAL PART: 412A1700-4A	201201	1
- 77	BACN10YJ3F		ATTACHING PARTS .NUT	201967	6
			-----*-----		
80	BACS21DW3C10FN		..STUD	201967	6
85	412A1700-6		..TAPE-HOOK	201967	1
90	412A1711-6SP		..PANEL ASSY- USED ON: 412A1700-4SP	202967	1

MISSING ITEM NUMBERS NOT APPLICABLE

- ITEM NOT ILLUSTRATED

HAP

25-24-31-33

25-24-31
FIG. 33
PAGE 1
OCT 15/08

BOEING
737-600/700/800/900
PARTS CATALOG (MAINTENANCE)

FIG ITEM	PART NUMBER	1 2 3 4 5 6 7	NOMENCLATURE	EFFECT FROM TO	UNITS PER ASSY
33					
90	412A1711-106SP	..	PANEL ASSY- USED ON: 412A1700-104SP	202967	1
90	412A1711-6A	..	PANEL ASSY- USED ON: 412A1700-4A	201201	1
90	412A1711-106B	..	PANEL ASSY- USED ON: 412A1700-104B	201201	1
162	412A1451-2SP	.	STRIP-	202967	1
162	412A1451-2BCWK	.	STRIP-	201201	1
185	BACB30VF3K3	.	BOLT	201967	2
190	BACS12ER3K11	.	SCREW	201967	2
195	BACS12FA3K5	.	SCREW	201967	9
200	BACS12ER3K14	.	SCREW	201967	10
205	H3-1233A3	.	WASHER-	201967	12
			SUPPLIER CODE: V34941		
			SPECIFICATION NUMBER: S411A001-1		
210	412A1465-5SP	.	CLOSEOUT ASSY- POSITION DATA: LH	202967	1
210	412A1465-5A	.	CLOSEOUT ASSY- POSITION DATA: LH	201201	1
215	412A1465-6SP	.	CLOSEOUT ASSY- POSITION DATA: RH	202967	1
215	412A1465-6A	.	CLOSEOUT ASSY- POSITION DATA: RH	201201	1
220	BACN10VR4CGN	..	NUT- OPTIONAL PART: BACN10VR4CG	201967	2
220	BACN10VR4CG	..	NUT- OPTIONAL PART: BACN10VR4CGN	201967	2
225	412A1465-7SP	..	CLOSEOUT- POSITION DATA: LH SIDE	201967	1
230	412A1465-8SP	..	CLOSEOUT- POSITION DATA: RH SIDE	201967	1
235	412A1244-2	.	EXTRUSION ASSY	201967	1

MISSING ITEM NUMBERS NOT APPLICABLE

— ITEM NOT ILLUSTRATED

HAP

25-24-31-33

BOEING PROPRIETARY - Copyright © - Unpublished Work - See title page for details.

25-24-31
FIG. 33
PAGE 2
OCT 15/08

BOEING
737-600/700/800/900
PARTS CATALOG (MAINTENANCE)

FIG ITEM	PART NUMBER	1 2 3 4 5 6 7	NOMENCLATURE	EFFECT FROM TO	UNITS PER ASSY
33 240	FS1651-3		..NUTPLATE SUPPLIER CODE: V15653 SPECIFICATION NUMBER: BACN10KH3CD OPTIONAL PART: 102F9209M3 V72962 NS202496-02 V80539 ATTACHING PARTS	201967	10
- 245	BACR15BA3ADC		..RIVET- SIZE DETERMINED ON INSTL. -----*-----	201967	20
255	412A1605-40A		.COVER ASSY-	201967	RF
300	412A1460-2		..CLIP MAINTENANCE MANUAL REF: 21-61-06	201967	4
310	412A1615-40A		..PANEL ASSY-	201967	1
- 320	OBA8		.PLUG- SUPPLIER CODE: VOBV87	202967	AR
355	BACB30VF3K8		.BOLT	201967	4
360	BACS12FA3K6		.SCREW	201967	20
365	412A1500-1SP		.DOOR ASSY-40 IN.	202967	1
365	412A1500-101SP		.DOOR ASSY-40 IN.	201201	1
375	BACS12ER3K9		..SCREW	201967	4
380	BACS12FA3K4		..SCREW	201967	6
390	H3-1233A3		..WASHER- SUPPLIER CODE: V34941 SPECIFICATION NUMBER: S411A001-1	201967	4
395	HA225-1		..LATCH ASSY- SUPPLIER CODE: V83014 SPECIFICATION NUMBER: S412A001-1A	201967	1
395	HA225-7		..LATCH ASSY- SUPPLIER CODE: V83014 SPECIFICATION NUMBER: S412A001-11B	201967	1
405	412A1615-100SP		..PANEL ASSY-FILLER OPTIONAL PART: 412A1615-1100SP	201967	1
405	412A1615-1100SP		..PANEL ASSY-FILLER OPTIONAL PART: 412A1615-100SP	201201	1

MISSING ITEM NUMBERS NOT APPLICABLE

- ITEM NOT ILLUSTRATED

HAP

25-24-31-33

25-24-31
FIG. 33
PAGE 3
OCT 15/08

BOEING
737-600/700/800/900
PARTS CATALOG (MAINTENANCE)

FIG ITEM	PART NUMBER	1 2 3 4 5 6 7	NOMENCLATURE	EFFECT FROM TO	UNITS PER ASSY
33					
410	412A1480-3SP	..	BRACKET ASSY	201967	1
415	412A1480-4SP	..	BRACKET ASSY	201967	1
420	BACN10VR4CGN	...	NUT	201967	2
425	412A1480-1SP	...	BRACKET- USED ON: 412A1480-3SP	201967	1
430	412A1480-2SP	...	BRACKET- USED ON: 412A1480-4SP	201967	1
435	412A1810-1SP	..	BUMPER-	201967	2
440	412A1450-4SP	..	TRIM-EDGE	201967	1
445	412A1450-6SP	..	TRIM-EDGE	201967	1
450	412A1450-5SP	..	TRIM-EDGE	201967	1
455	412A1450-3SP	..	TRIM-EDGE	201967	1
460	412A1510-2SP	..	PANEL ASSY	201967	1
- 470	SL618-3A	...	INSERT- SUPPLIER CODE: V97393	201967	14
480	412A1500-2SP	.DOOR	ASSY-20 IN.	202967	1
480	412A1500-102SP	.DOOR	ASSY-20 IN.	201201	1
490	BACS12ER3K9	..	SCREW	201967	4
495	BACS12FA3K4	..	SCREW	201967	6
505	H3-1233A3	..	WASHER- SUPPLIER CODE: V34941 SPECIFICATION NUMBER: S411A001-1	201967	4
510	HA225-1	..	LATCH ASSY- SUPPLIER CODE: V83014 SPECIFICATION NUMBER: S412A001-1A	201967	1
510	HA225-7	..	LATCH ASSY- SUPPLIER CODE: V83014 SPECIFICATION NUMBER: S412A001-11B	201967	1
520	412A1615-101SP	..	PANEL ASSY-FILLER OPTIONAL PART: 412A1615-1101SP	201967	1
520	412A1615-1101SP	..	PANEL ASSY-FILLER OPTIONAL PART: 412A1615-101SP	201201	1
525	412A1480-3SP	..	BRACKET ASSY	201967	1
530	412A1480-4SP	..	BRACKET ASSY	201967	1
535	BACN10VR4CGN	...	NUT	201967	2
540	412A1480-1SP	...	BRACKET- USED ON: 412A1480-3SP	201967	1

MISSING ITEM NUMBERS NOT APPLICABLE

- ITEM NOT ILLUSTRATED

HAP

25-24-31-33

25-24-31
FIG. 33
PAGE 4
OCT 15/08

BOEING
737-600/700/800/900
PARTS CATALOG (MAINTENANCE)

FIG ITEM	PART NUMBER	1 2 3 4 5 6 7	NOMENCLATURE	EFFECT FROM TO	UNITS PER ASSY
33					
545	412A1480-2SP	...	BRACKET- USED ON: 412A1480-4SP	201967	1
550	412A1810-1SP	..	BUMPER- OPTIONAL PART: 412A1810-2SP	201967	2
550	412A1810-2SP	..	BUMPER- OPTIONAL PART: 412A1810-1SP	201201	2
555	412A1450-4SP	..	TRIM-EDGE	201967	1
560	412A1450-6SP	..	TRIM-EDGE	201967	1
565	412A1450-5SP	..	TRIM-EDGE	201967	1
570	412A1450-3SP	..	TRIM-EDGE	201967	1
575	412A1511-2SP	..	PANEL ASSY	201967	1
- 585	SL618-3A	...	INSERT- SUPPLIER CODE: V97393	201967	14
595	412A1100-53SP	.HINGE	ASSY-COLLECTOR	201967	1
600	412A1100-52SP	.HINGE	ASSY-COLLECTOR	201967	2
605	412A1100-51SP	.HINGE	ASSY-COLLECTOR	201967	1
610	412A1230-21	..	PIN	201967	1
615	BACB30VF3K7	..	BOLT	201967	1
620	NAS1149D0316J	..	WASHER	201967	1
625	MS16633-4018	..	RING	201967	1
630	SP20522	..	ACTUATOR ASSY- SUPPLIER CODE: V24403 SPECIFICATION NUMBER: S412A002-2	201967	1
635	412A1455-1SP	..	HINGE ASSY- USED ON: 412A1100-51SP	201967	1
640	412A1455-2SP	..	HINGE ASSY- USED ON: 412A1100-52SP	201967	1
645	412A1455-3SP	..	HINGE ASSY- USED ON: 412A1100-53SP	201967	1
650	412A1230-21	...	PIN	201967	1
655	MS51023-54	...	SCREW	201967	1
660	NAS1149D0316J	...	WASHER	201967	1
665	MS16633-4018	...	RING	201967	1
670	412A1220-1	...	CLIP	201967	1
675	412A1454-3SP	...	HOUSING ASSY- USED ON: 412A1455-1SP 412A1455-2SP	201967	1

MISSING ITEM NUMBERS NOT APPLICABLE

- ITEM NOT ILLUSTRATED

HAP

25-24-31-33

25-24-31
FIG. 33
PAGE 5
OCT 15/08

BOEING
737-600/700/800/900
PARTS CATALOG (MAINTENANCE)

FIG ITEM	PART NUMBER	1 2 3 4 5 6 7	NOMENCLATURE	EFFECT FROM TO	UNITS PER ASSY
33					
680	412A1454-12SP	...	HOUSING ASSY- USED ON: 412A1455-3SP	201967	1
685	BACB28Y3F020	BUSHING	201967	2
690	6041L3BR375	INSERT- SUPPLIER CODE: V01556	201967	1
695	412A1454-1SP	HOUSING- USED ON: 412A1454-3SP	201967	1
700	412A1454-11SP	HOUSING- USED ON: 412A1454-12SP	201967	1
705	412A1454-9SP	...	BRACKET ASSY- USED ON: 412A1455-1SP 412A1455-3SP	201967	1
710	412A1454-10SP	...	BRACKET ASSY- USED ON: 412A1455-2SP	201967	1
715	BACB28Y3F025	BUSHING	201967	2
720	6041-3BR225	INSERT- SUPPLIER CODE: V01556	201967	1
725	6041L3BR375	INSERT- SUPPLIER CODE: V01556	201967	1
730	412A1454-7SP	BRACKET- USED ON: 412A1454-9SP	201967	1
735	412A1454-8SP	BRACKET- USED ON: 412A1454-10SP	201967	1
740	412A1250-104A	.BOX	ASSY-BIN OPTIONAL PART: 412A1250-1104B FOR DETAILS SEE: 25-24-32-60	201967	1
740	412A1250-1104B	.BOX	ASSY-BIN OPTIONAL PART: 412A1250-104A FOR DETAILS SEE: 25-24-32-60	201967	1

MISSING ITEM NUMBERS NOT APPLICABLE

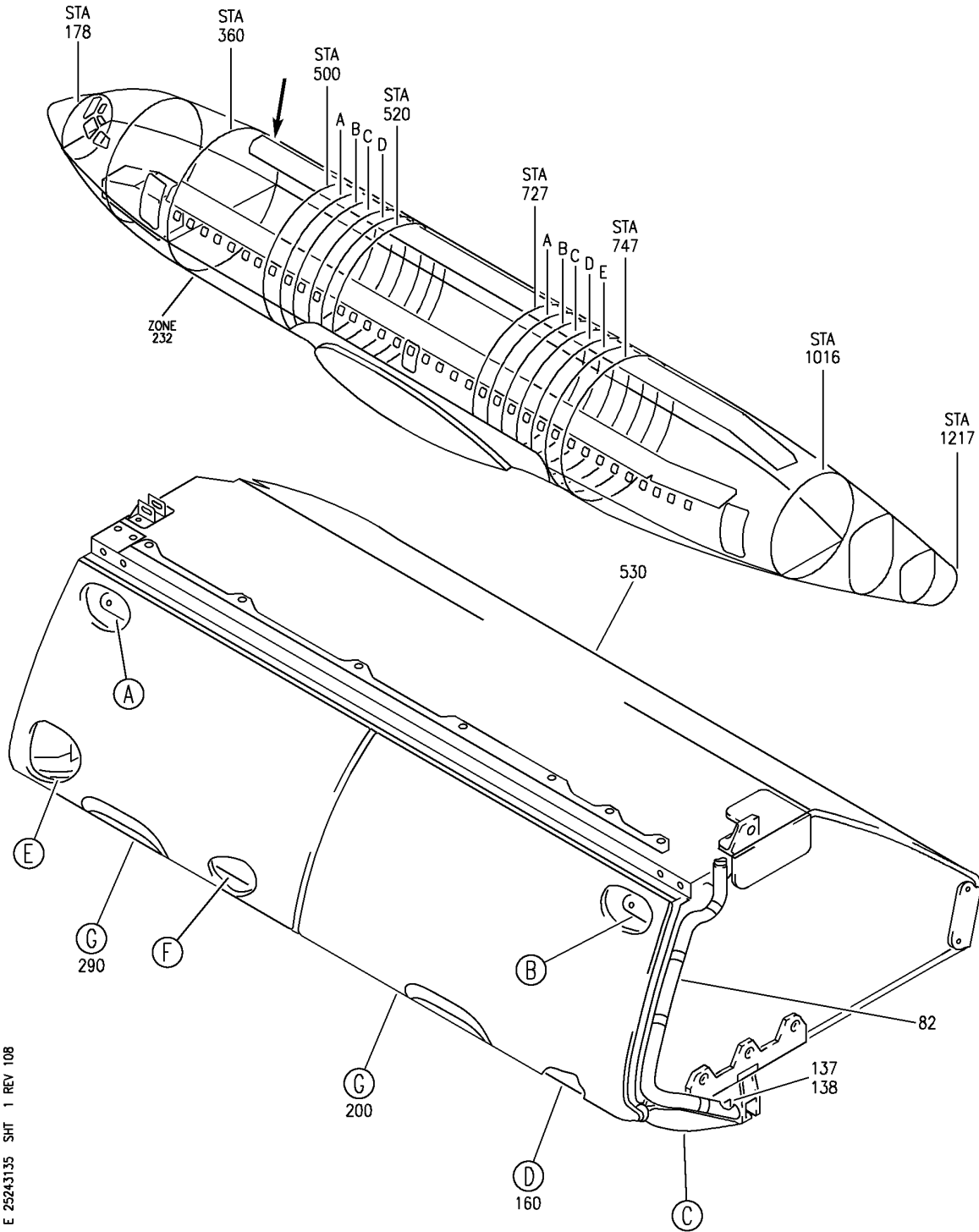
— ITEM NOT ILLUSTRATED

HAP

25-24-31-33

25-24-31
FIG. 33
PAGE 6
OCT 15/08

BOEING
 737-600/700/800/900
 PARTS CATALOG (MAINTENANCE)



E 2524-31-35 SHT 1 REV 108

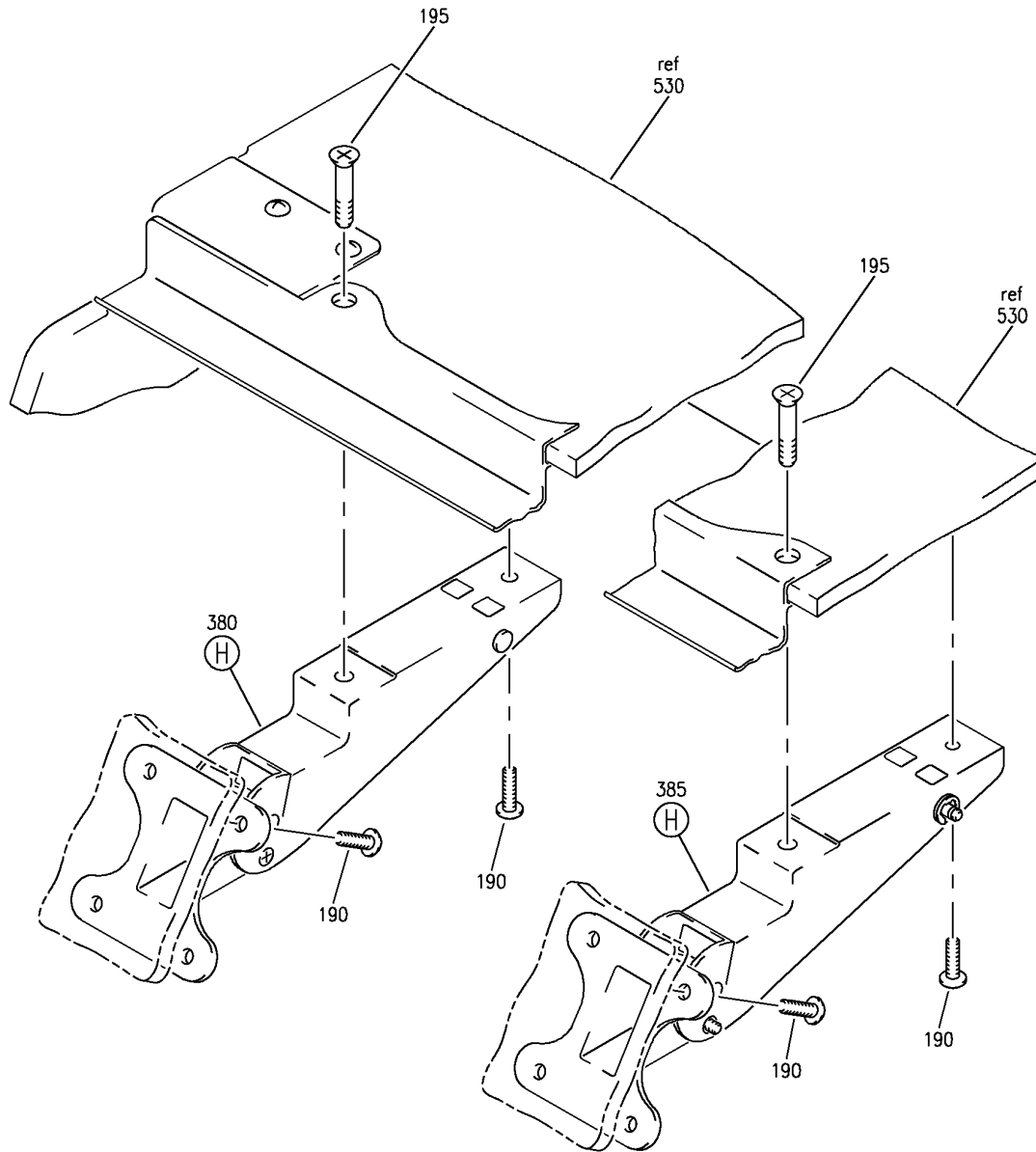
COMPARTMENT ASSY-FWD RH 44 IN. OVHD STOWAGE BULLNOSE CONFIGURATION
 FIGURE 35 (SHEET 1)

25-24-31-35

HAP
 OCT 15/08

25-24-31-35
 PAGE 0

BOEING
737-600/700/800/900
PARTS CATALOG (MAINTENANCE)



(A)

E 2524-31-35 SHT 2 REV 108

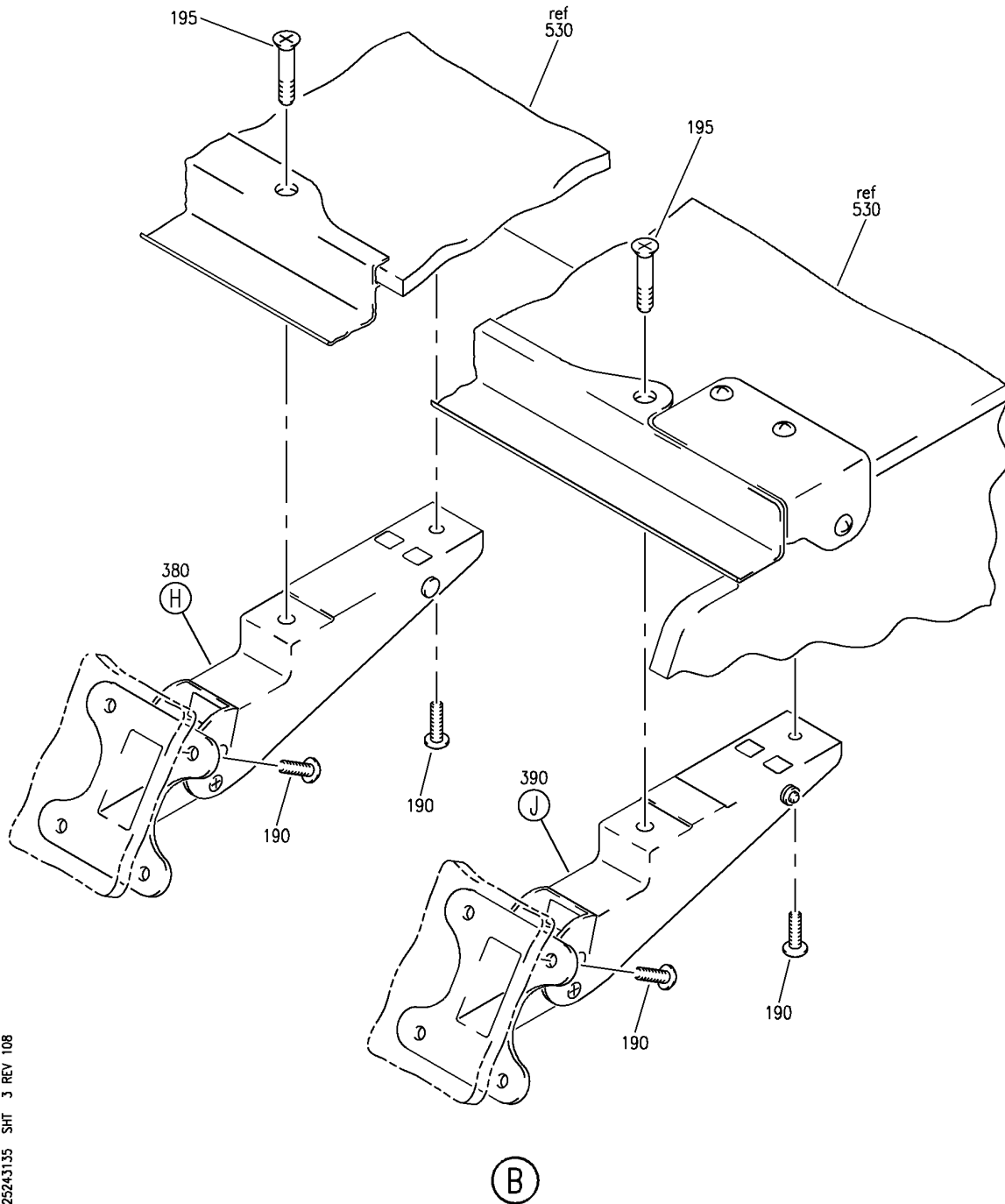
COMPARTMENT ASSY-FWD RH 44 IN. OVHD STOWAGE BULLNOSE CONFIGURATION
FIGURE 35 (SHEET 2)

25-24-31-35

HAP
OCT 15/08

25-24-31-35
PAGE 0A

BOEING
 737-600/700/800/900
 PARTS CATALOG (MAINTENANCE)



E 2524-31-35 SH1 3 REV 108

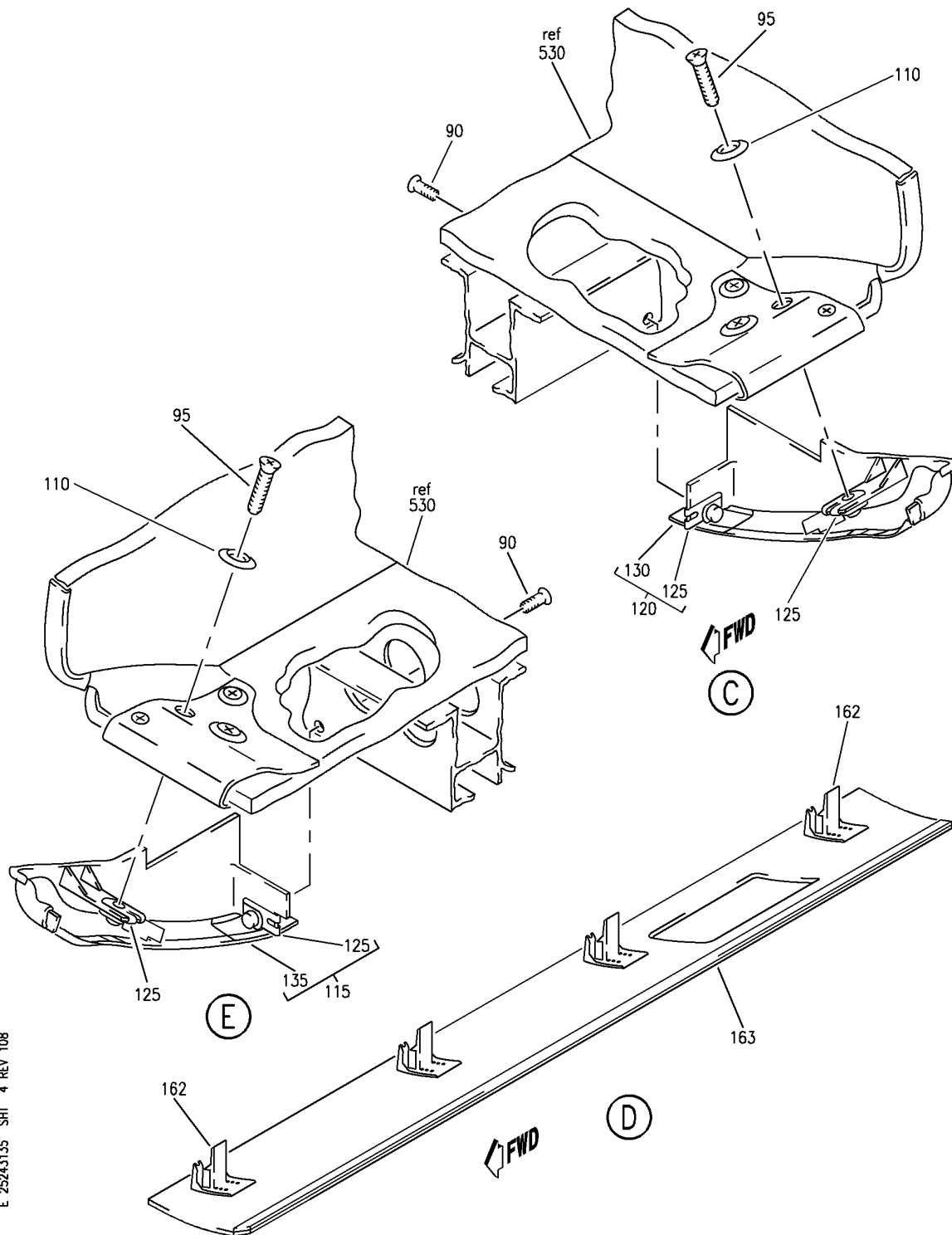
COMPARTMENT ASSY-FWD RH 44 IN. OVHD STOWAGE BULLNOSE CONFIGURATION
 FIGURE 35 (SHEET 3)

25-24-31-35

HAP
 OCT 15/08

25-24-31-35
 PAGE 0B

BOEING
 737-600/700/800/900
 PARTS CATALOG (MAINTENANCE)



E 2524-31-35 SHT 4 REV 108

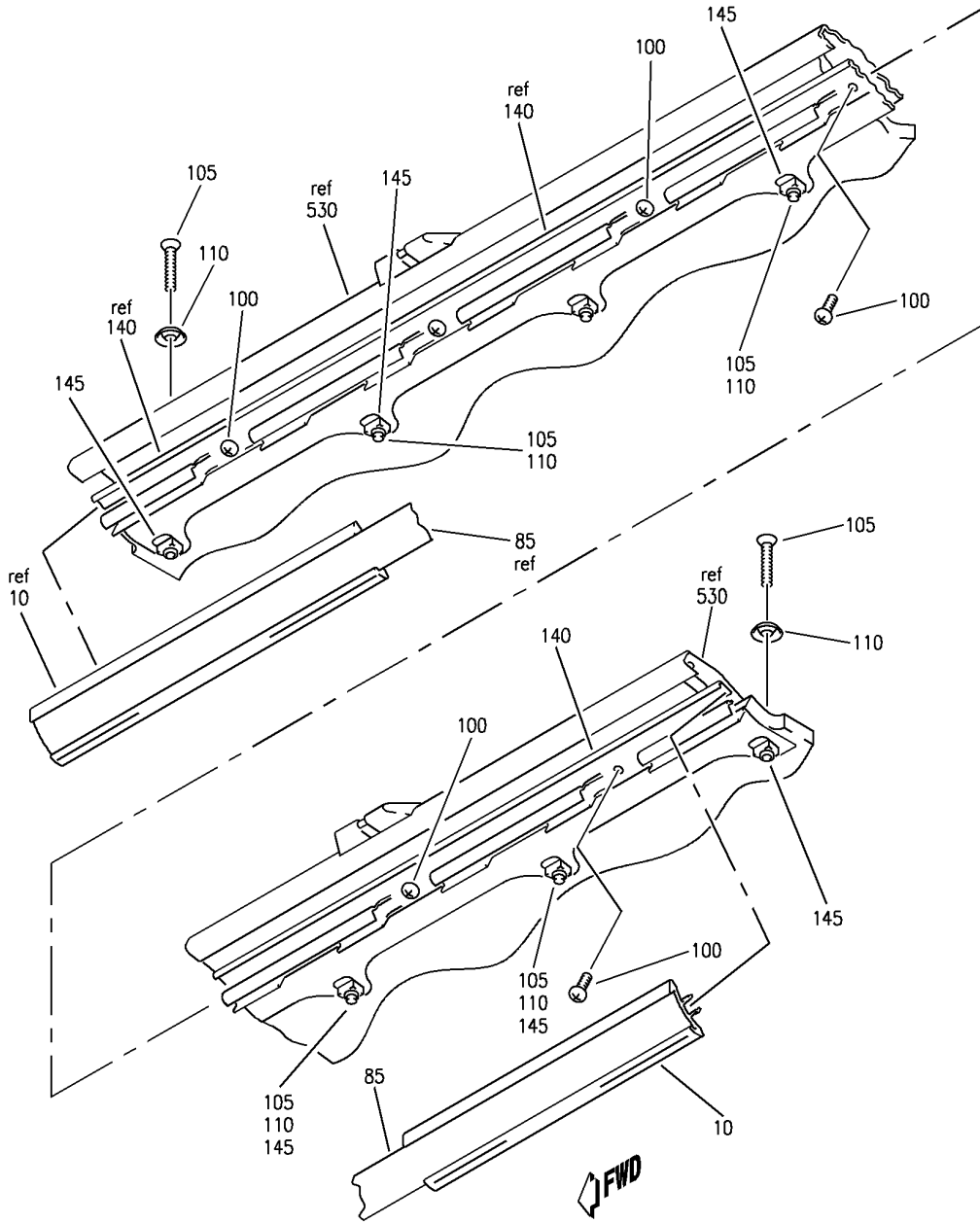
COMPARTMENT ASSY-FWD RH 44 IN. OVHD STOWAGE BULLNOSE CONFIGURATION
 FIGURE 35 (SHEET 4)

25-24-31-35

HAP
 OCT 15/08

25-24-31-35
 PAGE 0C

BOEING
 737-600/700/800/900
 PARTS CATALOG (MAINTENANCE)



VIEW LOOKING UP

(F)

E 2524-31-35 SHT 5 REV 108

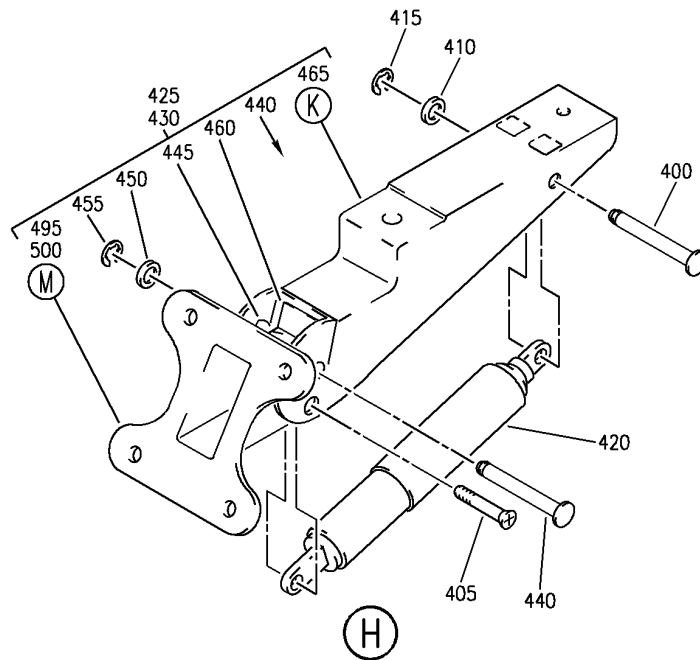
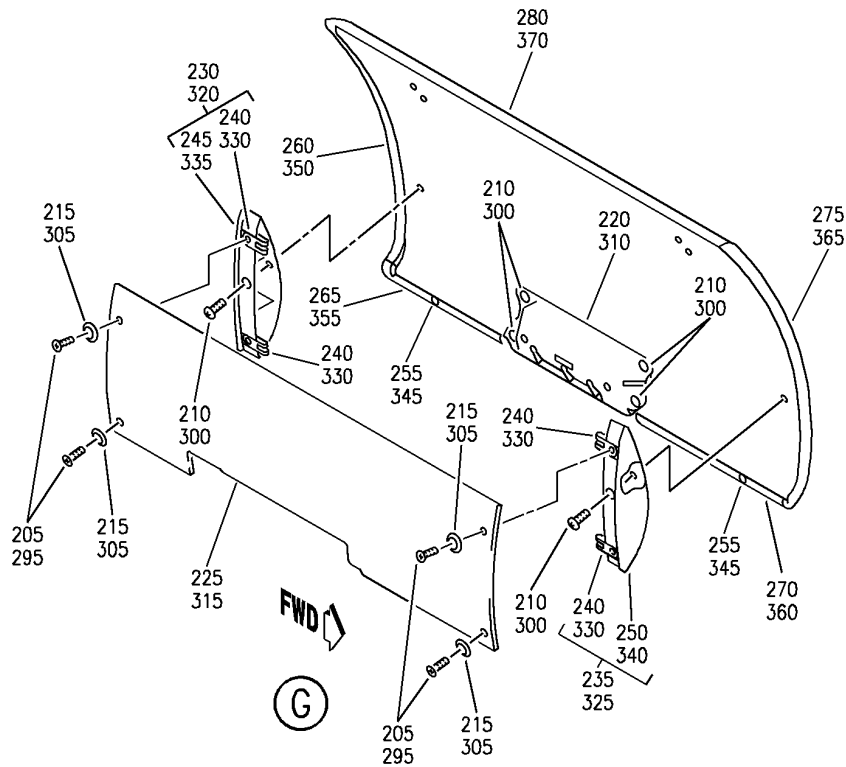
COMPARTMENT ASSY-FWD RH 44 IN. OVHD STOWAGE BULLNOSE CONFIGURATION
 FIGURE 35 (SHEET 5)

25-24-31-35

HAP
 OCT 15/08

25-24-31-35
 PAGE 08

BOEING
737-600/700/800/900
PARTS CATALOG (MAINTENANCE)



E 2524-31-35 SHT 6 REV 108

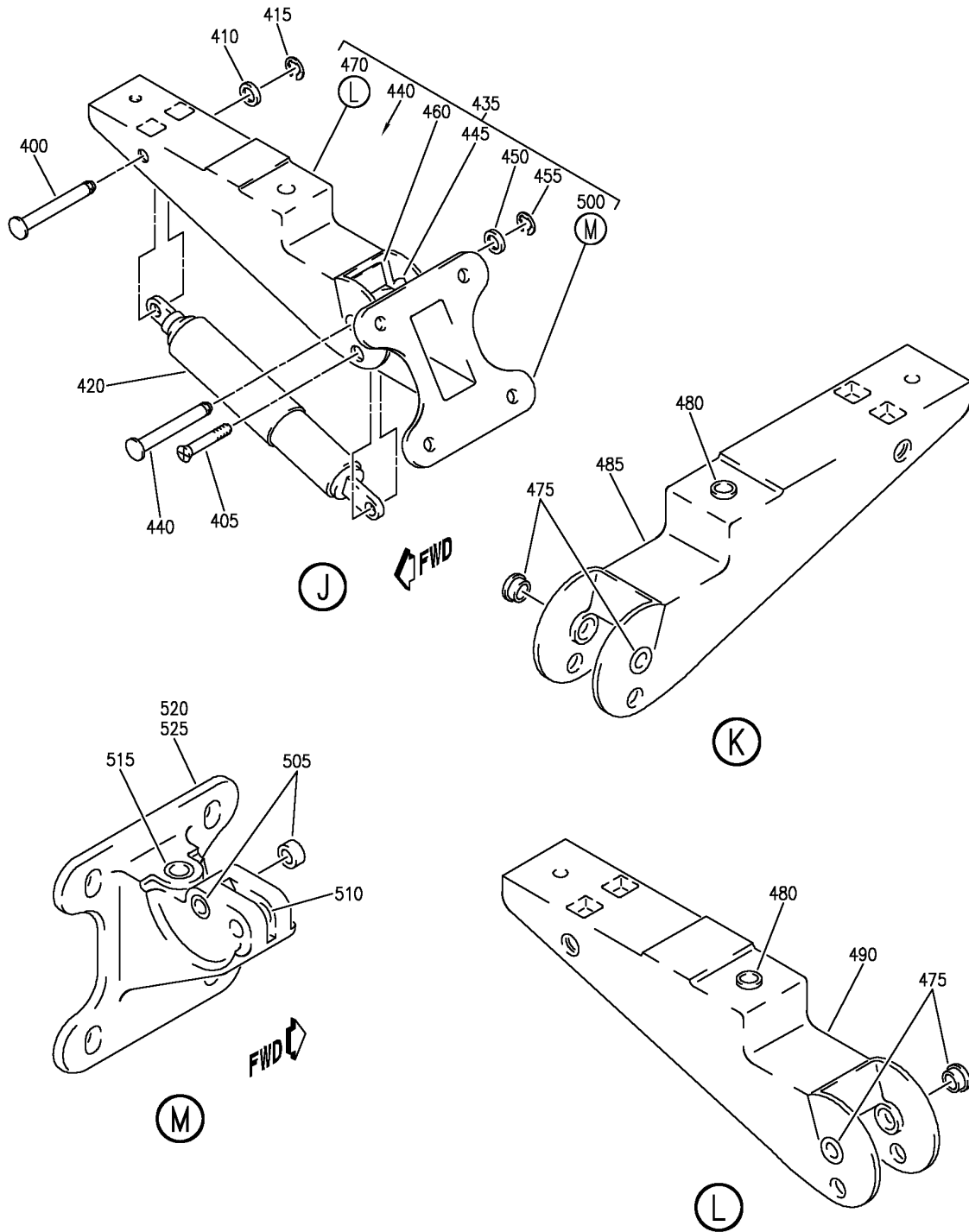
COMPARTMENT ASSY-FWD RH 44 IN. OVHD STOWAGE BULLNOSE CONFIGURATION
 FIGURE 35 (SHEET 6)

25-24-31-35

HAP
 OCT 15/08

25-24-31-35
 PAGE 0E


BOEING
 737-600/700/800/900
PARTS CATALOG (MAINTENANCE)



E 25243135 SH1 7 REV 108

COMPARTMENT ASSY-FWD RH 44 IN. OVHD STOWAGE BULLNOSE CONFIGURATION
 FIGURE 35 (SHEET 7)

25-24-31-35

HAP
OCT 15/08

25-24-31-35
 PAGE OF

BOEING
737-600/700/800/900
PARTS CATALOG (MAINTENANCE)

FIG ITEM	PART NUMBER	1 2 3 4 5 6 7	NOMENCLATURE	EFFECT FROM TO	UNITS PER ASSY
35			COMPARTMENT ASSY-FWD RH 44 IN. OVHD STOWAGE BULLNOSE CONFIGURATION	201967	
- 5	412A1170-136SP		COMPARTMENT ASSY-44 IN. OVHD STOWAGE BULLNOSE CONFIGURATION POSITION DATA: FWD RH FOR NHA SEE: 25-24-30-27	202967	RF
- 5	412A1170-336B		COMPARTMENT ASSY-44 IN. OVHD STOWAGE BULLNOSE CONFIGURATION POSITION DATA: FWD RH FOR NHA SEE: 25-24-30-27	201201	RF
10	412A1420-2SP		.EXTRUSION-SEAT ROW MARKER	202967	1
10	412A1420-2A		.EXTRUSION-SEAT ROW MARKER	201201	1
82	403A3210-22SP		.SEAL ASSY-	202967	1
82	403A3210-22A		.SEAL ASSY-	201201	1
85	412A1451-2SP		.STRIP-	202967	1
85	412A1451-2BCWK		.STRIP-	201201	1
90	BACB30VF3K3		.BOLT	201967	2
95	BACS12ER3K11		.SCREW	201967	2
100	BACS12FA3K5		.SCREW	201967	6
105	BACS12ER3K14		.SCREW	201967	7
110	H3-1233A3		.WASHER- SUPPLIER CODE: V34941 SPECIFICATION NUMBER: S411A001-1	201967	9
115	412A1465-5SP		.CLOSEOUT ASSY- POSITION DATA: LH	202967	1
115	412A1465-5A		.CLOSEOUT ASSY- POSITION DATA: LH	201201	1
120	412A1465-6SP		.CLOSEOUT ASSY- POSITION DATA: RH	202967	1
120	412A1465-6A		.CLOSEOUT ASSY- POSITION DATA: RH	201201	1
125	BACN10VR4CGN		..NUT- OPTIONAL PART: BACN10VR4CG	201967	2

MISSING ITEM NUMBERS NOT APPLICABLE

- ITEM NOT ILLUSTRATED

HAP

25-24-31-35

25-24-31
FIG. 35
PAGE 1
OCT 15/08

BOEING
737-600/700/800/900
PARTS CATALOG (MAINTENANCE)

FIG ITEM	PART NUMBER	1 2 3 4 5 6 7	NOMENCLATURE	EFFECT FROM TO	UNITS PER ASSY
35					
125	BACN10VR4CG	..	NUT- OPTIONAL PART: BACN10VR4CGN	201967	2
130	412A1465-7SP	..	CLOSEOUT- POSITION DATA: LH SIDE	201967	1
135	412A1465-8SP	..	CLOSEOUT- POSITION DATA: RH SIDE	201967	1
137	412A1310-700	.	TAPE-VELCRO HOOK	201201	AR
138	412A1310-701	.	TAPE-VELCRO LOOP	201201	AR
140	412A1244-15	.	EXTRUSION ASSY	201967	1
145	FS1651-3	..	NUTPLATE SUPPLIER CODE: V15653 SPECIFICATION NUMBER: BACN10KH3CD OPTIONAL PART: 102F9209M3 V72962 NS202496-02 V80539	201967	7
- 150	BACR15BA3ADC	..	ATTACHING PARTS RIVET- SIZE DETERMINED ON INSTL. -----*-----	201967	14
160	412A1605-18SP	.	COVER ASSY-	202967	1
160	412A1605-18A	.	COVER ASSY-	201201	1
162	412A1460-2	..	CLIP	201967	4
163	412A1615-18SP	..	PANEL ASSY-	201967	1
- 170	OBA8	.	PLUG- SUPPLIER CODE: VOBV87	202967	AR
- 170	412A1811-1B	.	PLUG- OPTIONAL PART: 412A1100-96 OBA8 VOBV87 412A1811-2B	201201	AR
- 170	OBA8	.	PLUG- SUPPLIER CODE: VOBV87 OPTIONAL PART: 412A1811-1B 412A1100-96 412A1811-2B	201201	AR

MISSING ITEM NUMBERS NOT APPLICABLE

- ITEM NOT ILLUSTRATED

HAP

25-24-31-35

BOEING PROPRIETARY - Copyright © - Unpublished Work - See title page for details.

25-24-31
FIG. 35
PAGE 2
OCT 15/08

BOEING
737-600/700/800/900
PARTS CATALOG (MAINTENANCE)

FIG ITEM	PART NUMBER	1 2 3 4 5 6 7	NOMENCLATURE	EFFECT FROM TO	UNITS PER ASSY
35					
- 170	412A1811-2B		. PLUG- OPTIONAL PART: 412A1100-96 OBA8 VOBV87 412A1811-1B	201201	AR
- 175	412A1100-96		. KIT ASSY-SCR AND WASHER OPTIONAL PART: 412A1811-1B OBA8 VOBV87 412A1811-2B	201201	AR
- 180	NAS514P1032-5		.. SCREW	201201	1
- 185	H3-1233A3		.. WASHER- SUPPLIER CODE: V34941 SPECIFICATION NUMBER: S411A001-1	201201	1
190	BACS12FA3K6		. SCREW	201967	20
195	BACB30VF3K8		. BOLT	201967	4
200	412A1500-2SP		. DOOR ASSY-20 IN.	202967	1
200	412A1500-102SP		. DOOR ASSY-20 IN.	201201	1
205	BACS12ER3K9		.. SCREW	201967	4
210	BACS12FA3K4		.. SCREW	201967	6
215	H3-1233A3		.. WASHER- SUPPLIER CODE: V34941 SPECIFICATION NUMBER: S411A001-1	201967	4
220	HA225-1		.. LATCH ASSY- SUPPLIER CODE: V83014 SPECIFICATION NUMBER: S412A001-1A	201967	1
220	HA225-7		.. LATCH ASSY- SUPPLIER CODE: V83014 SPECIFICATION NUMBER: S412A001-11B	201967	1
225	412A1615-101SP		.. PANEL ASSY-FILLER OPTIONAL PART: 412A1615-1101SP	201967	1
225	412A1615-1101SP		.. PANEL ASSY-FILLER OPTIONAL PART: 412A1615-101SP	201201	1
230	412A1480-3SP		.. BRACKET ASSY	201967	1
235	412A1480-4SP		.. BRACKET ASSY	201967	1
240	BACN10VR4CGN		... NUT	201967	2

MISSING ITEM NUMBERS NOT APPLICABLE

- ITEM NOT ILLUSTRATED

HAP

25-24-31-35

BOEING PROPRIETARY - Copyright © - Unpublished Work - See title page for details.

25-24-31
FIG. 35
PAGE 3
OCT 15/08

BOEING
737-600/700/800/900
PARTS CATALOG (MAINTENANCE)

FIG ITEM	PART NUMBER	1 2 3 4 5 6 7	NOMENCLATURE	EFFECT FROM TO	UNITS PER ASSY
35					
245	412A1480-1SP	...	BRACKET- USED ON: 412A1480-3SP	201967	1
250	412A1480-2SP	...	BRACKET- USED ON: 412A1480-4SP	201967	1
255	412A1810-1SP	..	BUMPER- OPTIONAL PART: 412A1810-2SP	201967	2
255	412A1810-2SP	..	BUMPER- OPTIONAL PART: 412A1810-1SP	201201	2
260	412A1450-4SP	..	TRIM-EDGE	201967	1
265	412A1450-6SP	..	TRIM-EDGE	201967	1
270	412A1450-5SP	..	TRIM-EDGE	201967	1
275	412A1450-3SP	..	TRIM-EDGE	201967	1
280	412A1511-2SP	..	PANEL ASSY	201967	1
- 285	SL618-3A	...	INSERT- SUPPLIER CODE: V97393	201967	14
290	412A1500-12SP	.DOOR	ASSY-23.70 IN.	202967	1
290	412A1500-112SP	.DOOR	ASSY-23.70 IN.	201201	1
295	BACS12ER3K9	..	SCREW	201967	4
300	BACS12FA3K4	..	SCREW	201967	6
305	H3-1233A3	..	WASHER- SUPPLIER CODE: V34941 SPECIFICATION NUMBER: S411A001-1	201967	4
310	HA225-1	..	LATCH ASSY- SUPPLIER CODE: V83014 SPECIFICATION NUMBER: S412A001-1A	201967	1
310	HA225-7	..	LATCH ASSY- SUPPLIER CODE: V83014 SPECIFICATION NUMBER: S412A001-11B	201967	1
315	412A1615-106SP	..	PANEL ASSY-FILLER OPTIONAL PART: 412A1615-1106SP	201967	1
315	412A1615-1106SP	..	PANEL ASSY-FILLER OPTIONAL PART: 412A1615-106SP	201201	1
320	412A1480-3SP	..	BRACKET ASSY	201967	1
325	412A1480-4SP	..	BRACKET ASSY	201967	1
330	BACN10VR4CGN	...	NUT	201967	2

MISSING ITEM NUMBERS NOT APPLICABLE

- ITEM NOT ILLUSTRATED

HAP

25-24-31-35

25-24-31
FIG. 35
PAGE 4
OCT 15/08

BOEING
737-600/700/800/900
PARTS CATALOG (MAINTENANCE)

FIG ITEM	PART NUMBER	1 2 3 4 5 6 7	NOMENCLATURE	EFFECT FROM TO	UNITS PER ASSY
35					
335	412A1480-1SP	...	BRACKET- USED ON: 412A1480-3SP	201967	1
340	412A1480-2SP	...	BRACKET- USED ON: 412A1480-4SP	201967	1
345	412A1810-1SP	..	BUMPER	201967	2
350	412A1450-7SP	..	TRIM-EDGE	201967	1
355	412A1450-9SP	..	TRIM-EDGE	201967	1
360	412A1450-6SP	..	TRIM-EDGE	201967	1
365	412A1450-4SP	..	TRIM-EDGE	201967	1
370	412A1510-14SP	..	PANEL ASSY	201967	1
- 375	SL618-3A	...	INSERT- SUPPLIER CODE: V97393	201967	14
380	412A1100-51SP	.HINGE	ASSY-COLLECTOR	201967	2
385	412A1100-52SP	.HINGE	ASSY-COLLECTOR	201967	1
390	412A1100-54SP	.HINGE	ASSY-COLLECTOR	201967	1
400	412A1230-21	..	PIN	201967	1
405	BACB30VF3K7	..	BOLT	201967	1
410	NAS1149D0316J	..	WASHER	201967	1
415	MS16633-4018	..	RING	201967	1
420	SP20522	..	ACTUATOR ASSY- SUPPLIER CODE: V24403 SPECIFICATION NUMBER: S412A002-2	201967	1
425	412A1455-1SP	..HINGE	ASSY- USED ON: 412A1100-51SP	201967	1
430	412A1455-2SP	..HINGE	ASSY- USED ON: 412A1100-52SP	201967	1
435	412A1455-4SP	..HINGE	ASSY- USED ON: 412A1100-54SP	201967	1
440	412A1230-21	...	PIN	201967	1
445	MS51023-54	...	SCREW	201967	1
450	NAS1149D0316J	...	WASHER	201967	1
455	MS16633-4018	...	RING	201967	1
460	412A1220-1	...	CLIP	201967	1
465	412A1454-3SP	...	HOUSING ASSY- USED ON: 412A1455-1SP 412A1455-2SP	201967	1
470	412A1454-12SP	...	HOUSING ASSY- USED ON: 412A1455-4SP	201967	1
475	BACB28Y3F020	BUSHING	201967	2

MISSING ITEM NUMBERS NOT APPLICABLE

- ITEM NOT ILLUSTRATED

HAP

25-24-31-35

BOEING PROPRIETARY - Copyright © - Unpublished Work - See title page for details.

25-24-31
FIG. 35
PAGE 5
OCT 15/08

BOEING
737-600/700/800/900
PARTS CATALOG (MAINTENANCE)

FIG ITEM	PART NUMBER	1 2 3 4 5 6 7	NOMENCLATURE	EFFECT FROM TO	UNITS PER ASSY
35 480	6041L3BR375	INSERT- SUPPLIER CODE: V01556	201967	1
485	412A1454-1SP	HOUSING- USED ON: 412A1454-3SP	201967	1
490	412A1454-11SP	HOUSING- USED ON: 412A1454-12SP	201967	1
495	412A1454-9SP	...	BRACKET ASSY- USED ON: 412A1455-1SP	201967	1
500	412A1454-10SP	...	BRACKET ASSY- USED ON: 412A1455-2SP 412A1455-4SP	201967	1
505	BACB28Y3F025	BUSHING	201967	2
510	6041-3BR225	INSERT- SUPPLIER CODE: V01556	201967	1
515	6041L3BR375	INSERT- SUPPLIER CODE: V01556	201967	1
520	412A1454-7SP	BRACKET- USED ON: 412A1454-9SP	201967	1
525	412A1454-8SP	BRACKET- USED ON: 412A1454-10SP	201967	1
530	412A1250-136A	.BOX	ASSY-44 IN. BIN OPTIONAL PART: 412A1250-1136B FOR DETAILS SEE: 25-24-32-44D	201967	1
530	412A1250-1136B	.BOX	ASSY-44 IN. BIN OPTIONAL PART: 412A1250-136A FOR DETAILS SEE: 25-24-32-44D	201967	1

MISSING ITEM NUMBERS NOT APPLICABLE

— ITEM NOT ILLUSTRATED

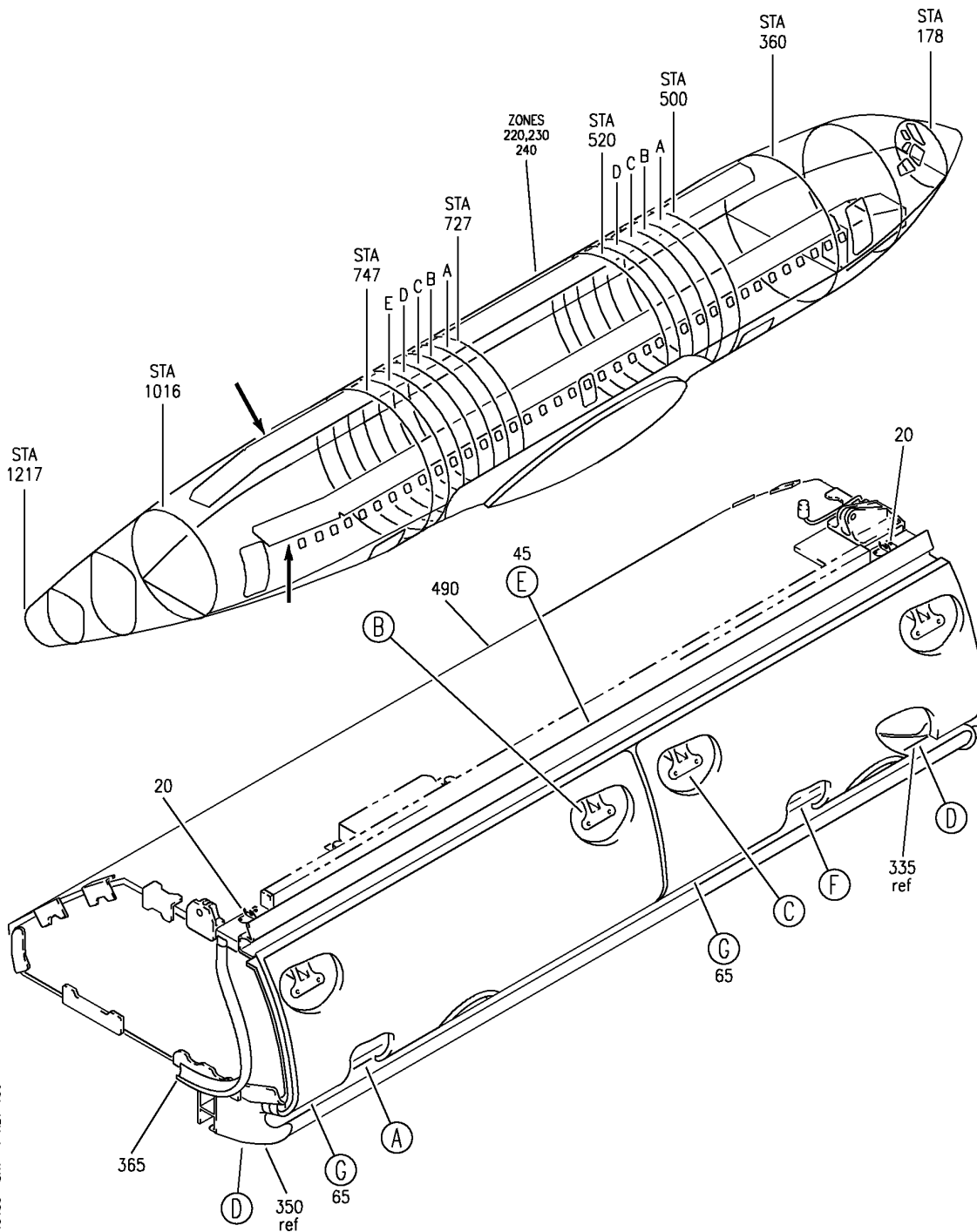
HAP

25-24-31-35

BOEING PROPRIETARY - Copyright © - Unpublished Work - See title page for details.

25-24-31
FIG. 35
PAGE 6
OCT 15/08

BOEING
 737-600/700/800/900
 PARTS CATALOG (MAINTENANCE)



E 2524-31-36 SHT 1 REV 106

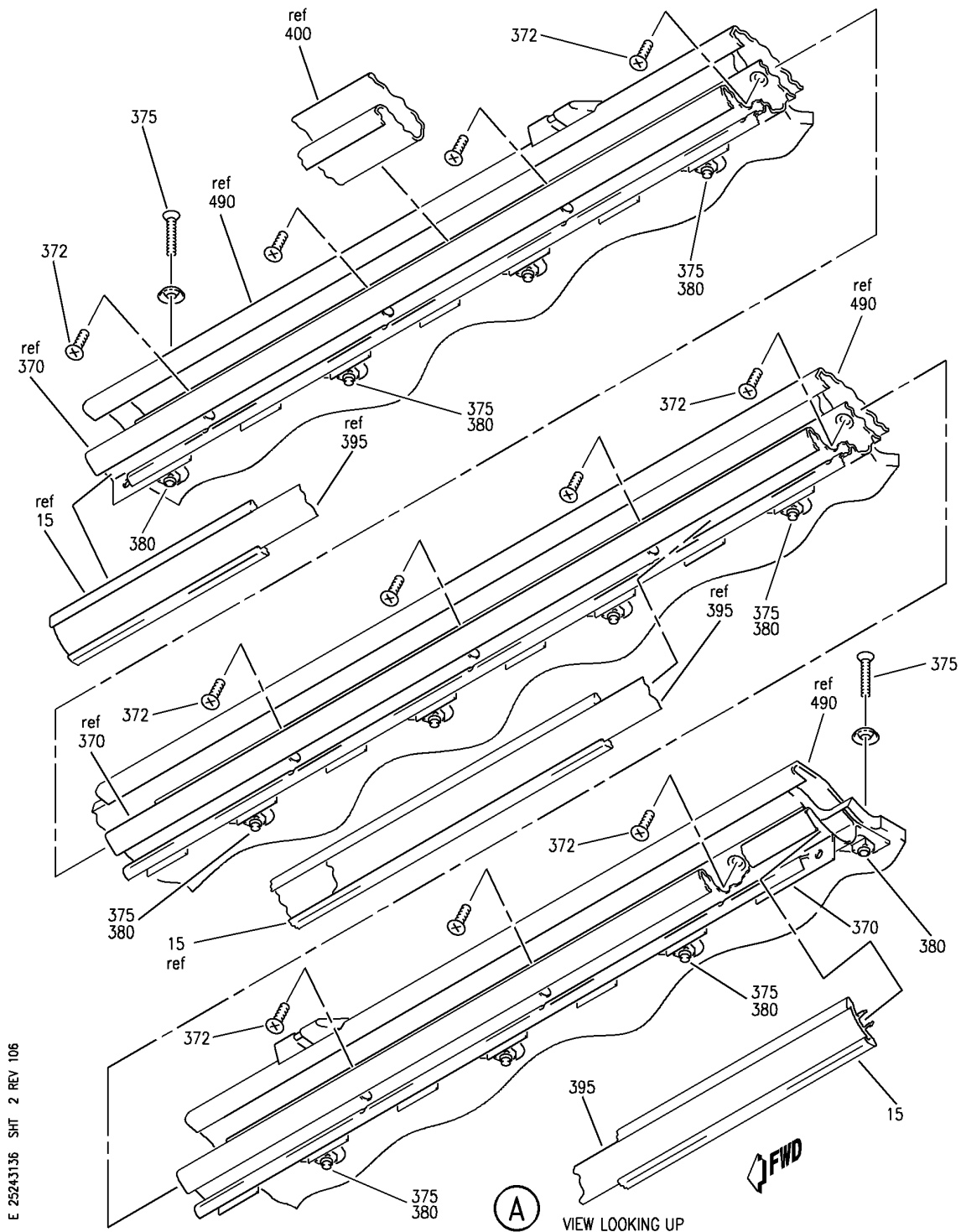
COMPARTMENT ASSY-80 IN. OVHD STOWAGE HNDRL CONFIGURATION (EQUIPMENT/ FURNISHINGS ONLY)
 FIGURE 36 (SHEET 1)

25-24-31-36

HAP
 OCT 10/06

25-24-31-36
 PAGE 0

BOEING
737-600/700/800/900
PARTS CATALOG (MAINTENANCE)



E 2524-3136 SHT 2 REV 106

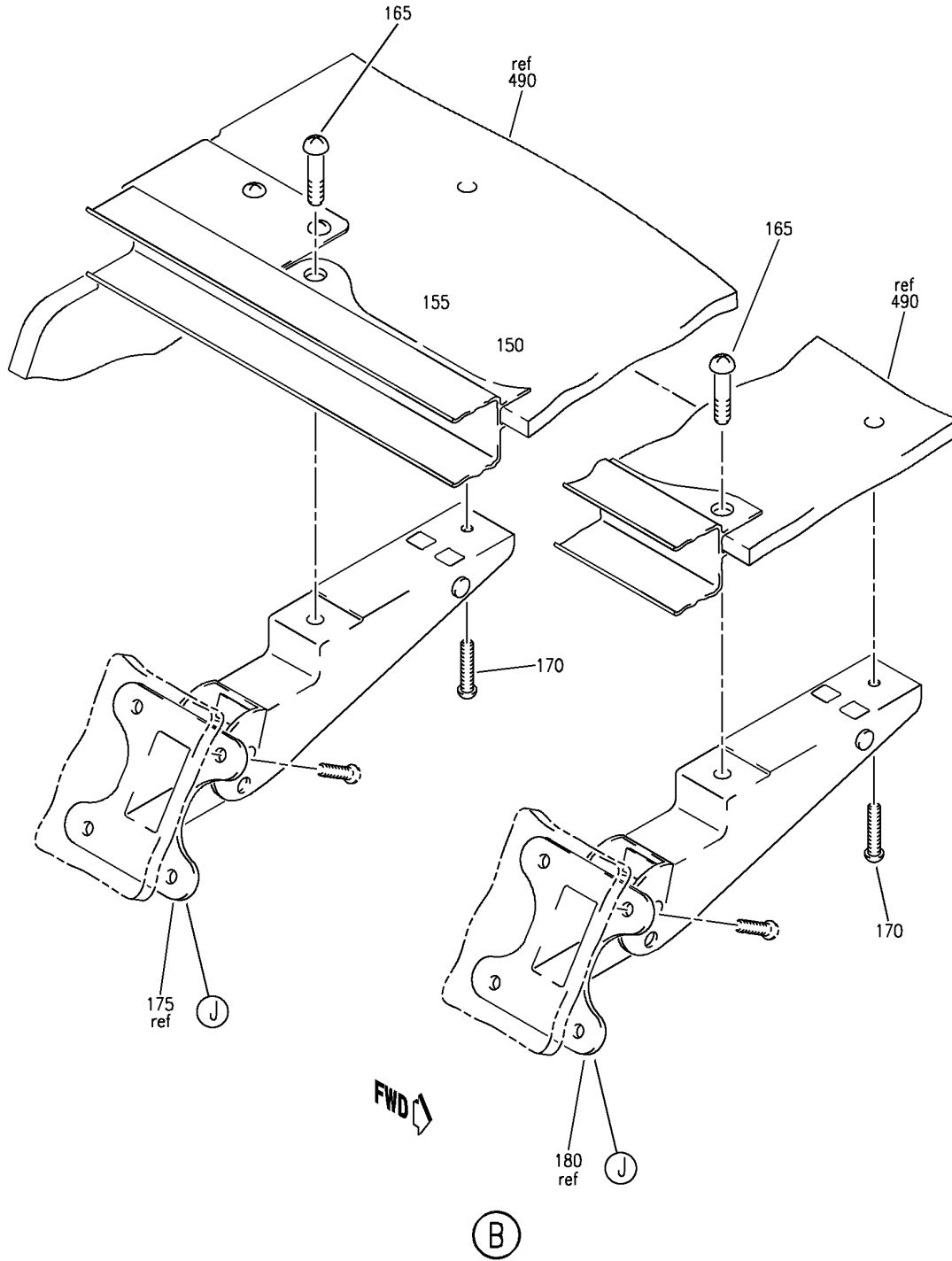
COMPARTMENT ASSY-80 IN. OVHD STOWAGE HNDRL CONFIGURATION (EQUIPMENT/ FURNISHINGS ONLY)
 FIGURE 36 (SHEET 2)

HAP
 OCT 10/06

25-24-31-36

25-24-31-36
 PAGE 0A

BOEING
 737-600/700/800/900
 PARTS CATALOG (MAINTENANCE)



E 2524-31-36 SHT 3 REV 106

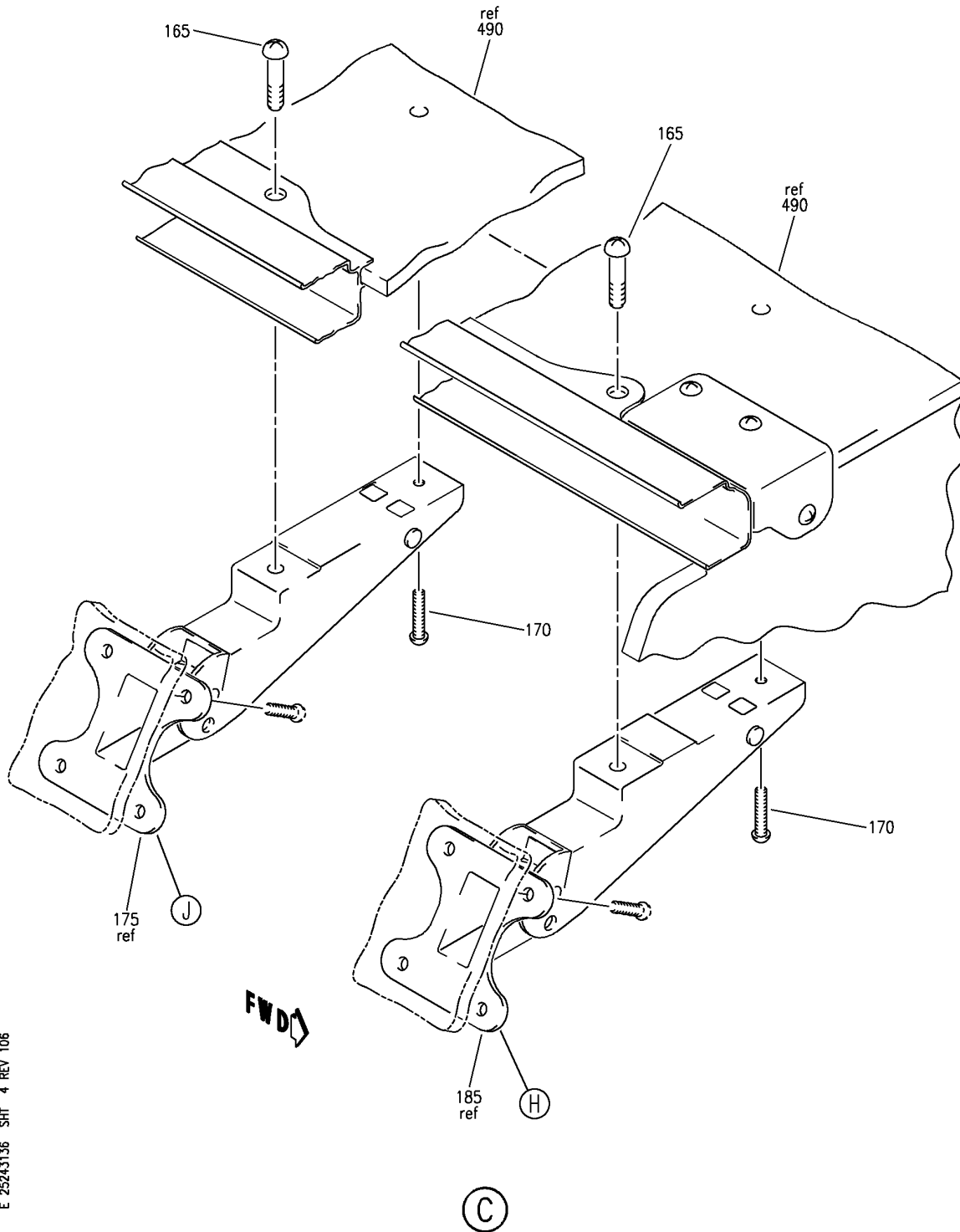
COMPARTMENT ASSY-80 IN. OVHD STOWAGE HNDRL CONFIGURATION (EQUIPMENT/ FURNISHINGS ONLY)
 FIGURE 36 (SHEET 3)

25-24-31-36

HAP
 OCT 10/06

25-24-31-36
 PAGE 0B

BOEING
 737-600/700/800/900
 PARTS CATALOG (MAINTENANCE)



E 2524-31-36 SHT 4 REV 106

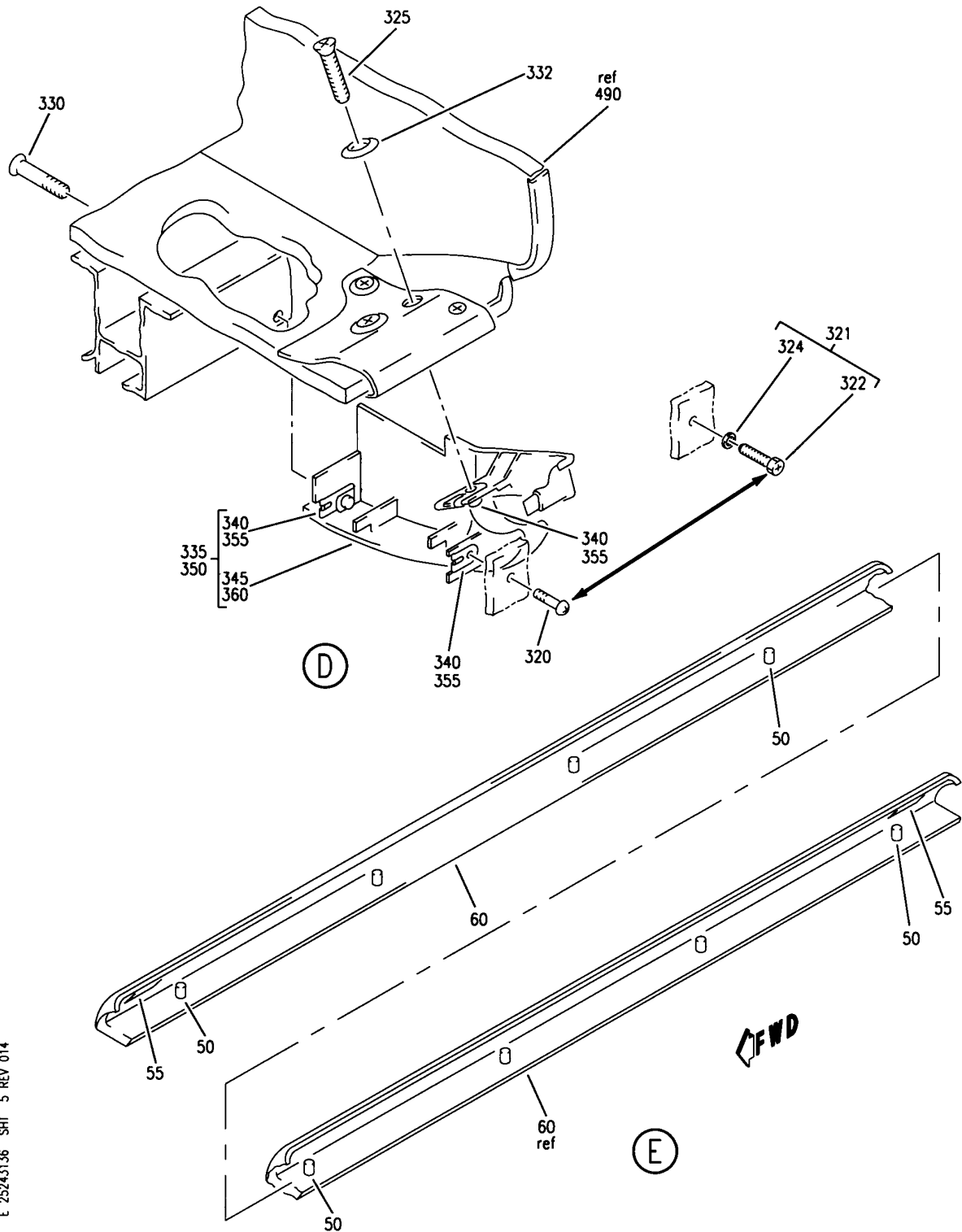
COMPARTMENT ASSY-80 IN. OVHD STOWAGE HANDRL CONFIGURATION (EQUIPMENT/ FURNISHINGS ONLY)
 FIGURE 36 (SHEET 4)

25-24-31-36

HAP
 OCT 10/06

25-24-31-36
 PAGE 0C

BOEING
 737-600/700/800/900
 PARTS CATALOG (MAINTENANCE)



E 25243136 SHT 5 REV 014

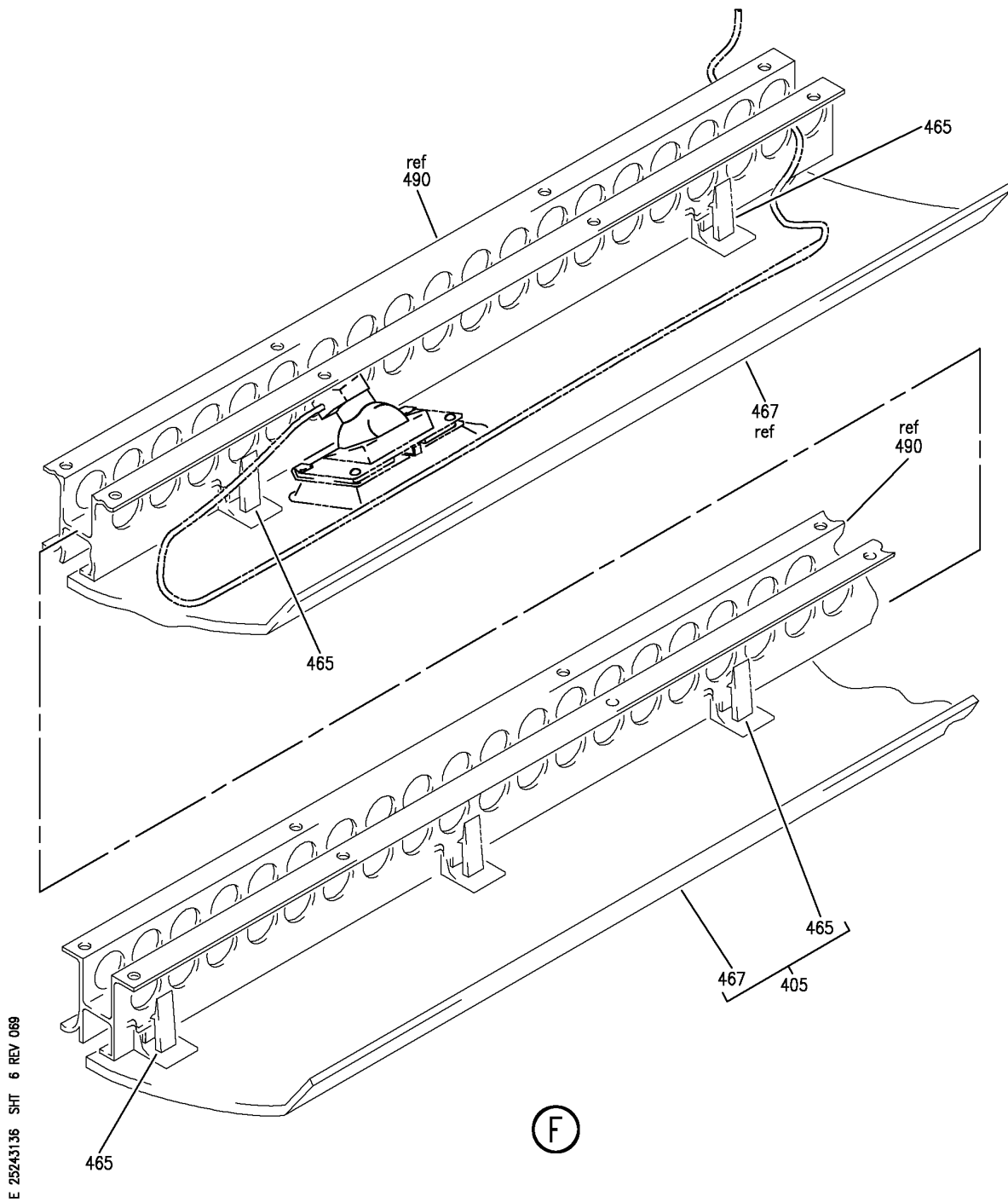
COMPARTMENT ASSY-80 IN. OVHD STOWAGE HNDRL CONFIGURATION (EQUIPMENT/ FURNISHINGS ONLY)
 FIGURE 36 (SHEET 5)

25-24-31-36

HAP
 OCT 10/06

25-24-31-36
 PAGE 0D

BOEING
 737-600/700/800/900
 PARTS CATALOG (MAINTENANCE)



E 25243136 SHT 6 REV 068

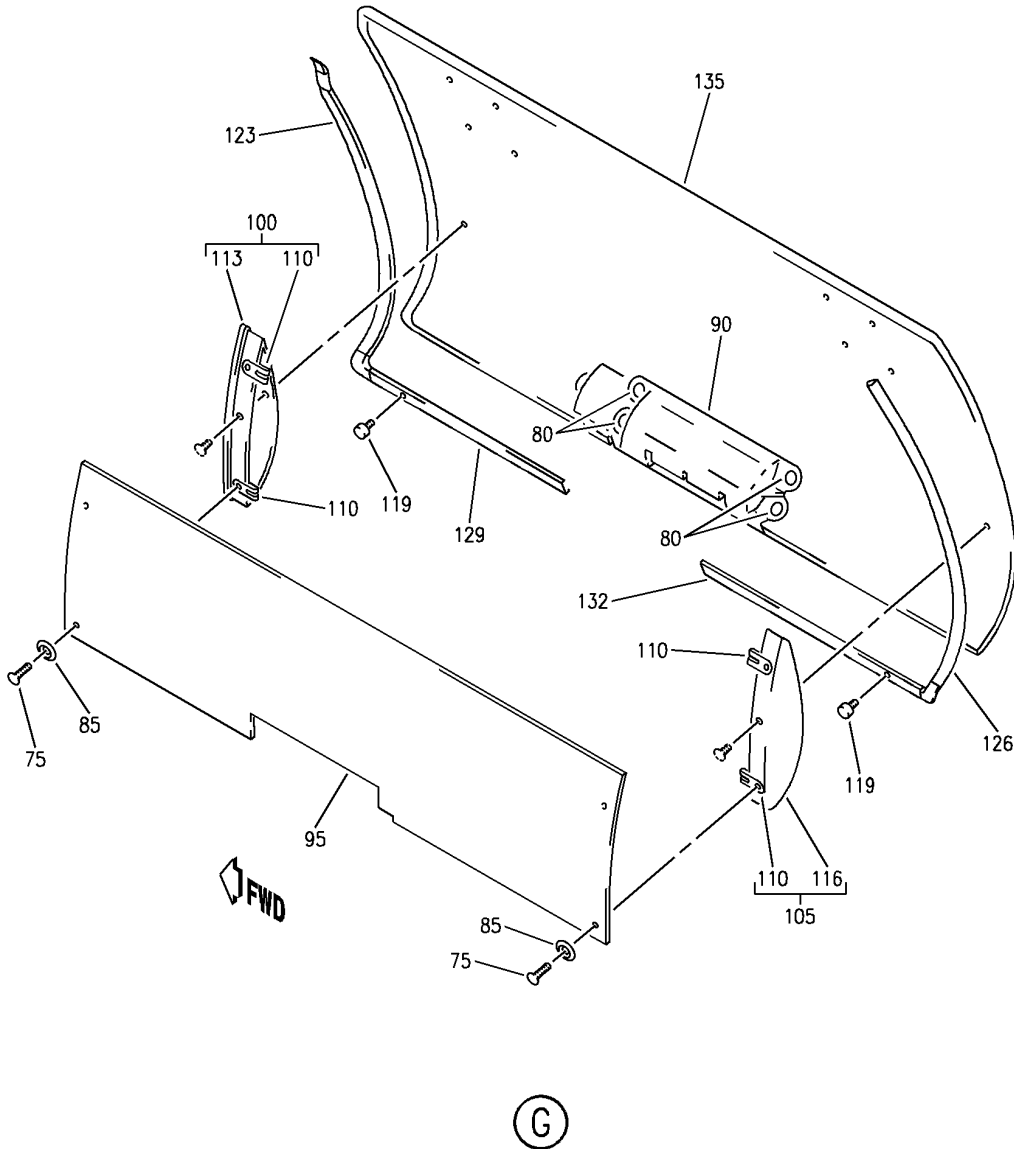
COMPARTMENT ASSY-80 IN. OVHD STOWAGE HNDRL CONFIGURATION (EQUIPMENT/ FURNISHINGS ONLY)
 FIGURE 36 (SHEET 6)

HAP
 OCT 10/06

25-24-31-36

25-24-31-36
 PAGE 0E

BOEING
 737-600/700/800/900
 PARTS CATALOG (MAINTENANCE)



E 2524-31-36 SHT 7 REV 106

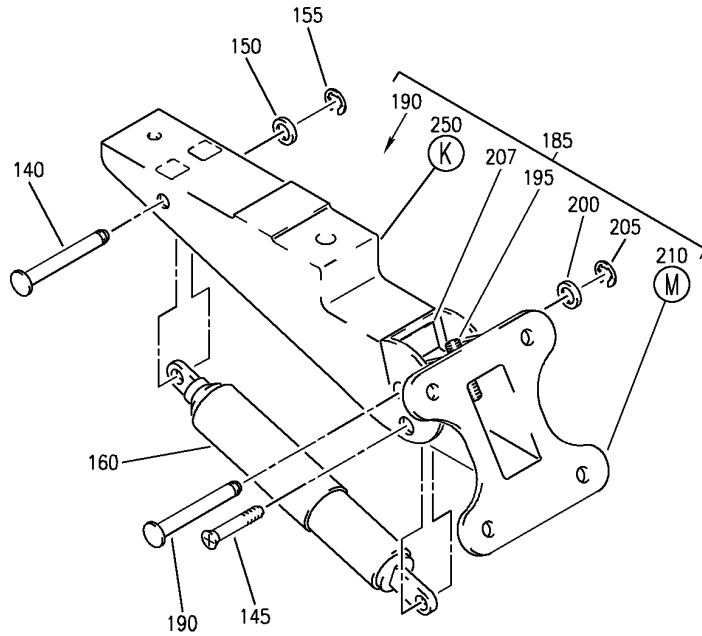
COMPARTMENT ASSY-80 IN. OVHD STOWAGE HNDRL CONFIGURATION (EQUIPMENT/ FURNISHINGS ONLY)
 FIGURE 36 (SHEET 7)

25-24-31-36

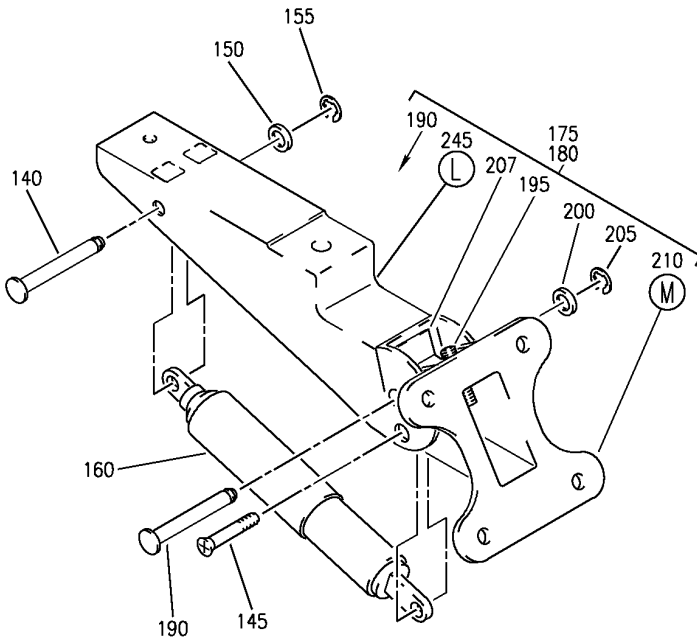
HAP
 OCT 10/06

25-24-31-36
 PAGE OF

BOEING
 737-600/700/800/900
 PARTS CATALOG (MAINTENANCE)



(H)



(J)

E 2524-3136 SHT 8 REV 106

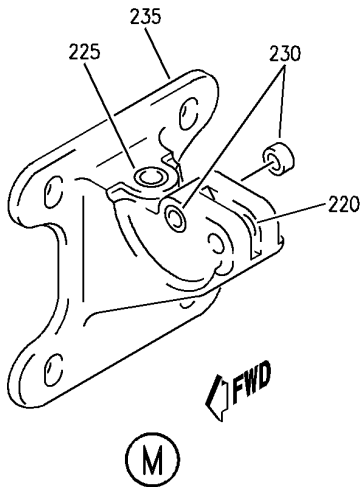
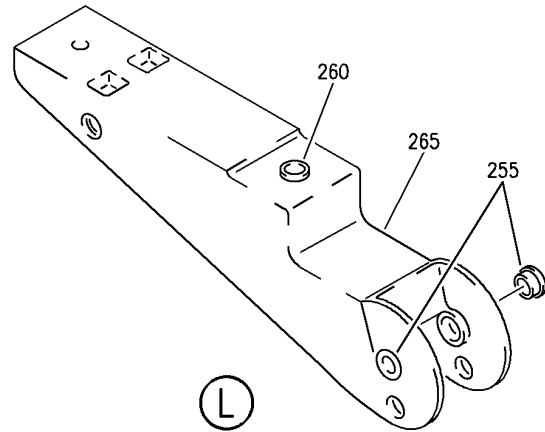
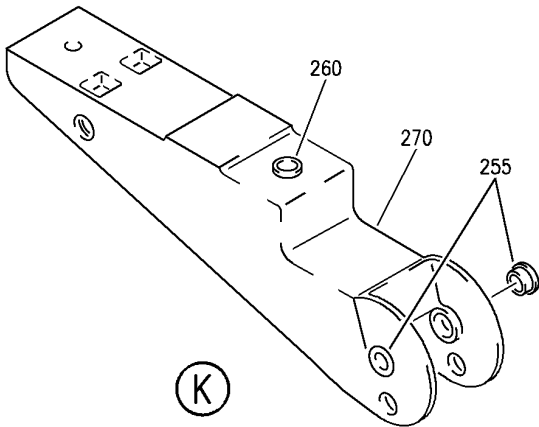
COMPARTMENT ASSY-80 IN. OVHD STOWAGE HNDRL CONFIGURATION (EQUIPMENT/ FURNISHINGS ONLY)
 FIGURE 36 (SHEET 8)

25-24-31-36

HAP
 OCT 10/06

25-24-31-36
 PAGE 06

BOEING
 737-600/700/800/900
 PARTS CATALOG (MAINTENANCE)



E 2524-31-36 SH1 9 REV 106

COMPARTMENT ASSY-80 IN. OVHD STOWAGE HNDRL CONFIGURATION (EQUIPMENT/ FURNISHINGS ONLY)
 FIGURE 36 (SHEET 9)

25-24-31-36

HAP
 OCT 10/06

25-24-31-36
 PAGE 0H

BOEING
737-600/700/800/900
PARTS CATALOG (MAINTENANCE)

FIG ITEM	PART NUMBER	1 2 3 4 5 6 7	NOMENCLATURE	EFFECT FROM TO	UNITS PER ASSY
36			COMPARTMENT ASSY-80 IN. OVHD STOWAGE HNDRL CONFIGURATION (EQUIPMENT/ FURNISHINGS ONLY)	001001 006007	
- 5	412A1100-1SP		COMPARTMENT ASSY-80 IN. OVHD STOWAGE HNDRL CONFIGURATION (EQUIPMENT/ FURNISHINGS ONLY) PRE SERVICE BULLETIN: 25-1373 FOR NHA/OTHER SYS DET SEE: 25-24-30-80A	001001 006007	RF
- 5	002A0007-52N		COMPARTMENT ASSY-80 IN. OVHD STOWAGE HNDRL CONFIGURATION (EQUIPMENT/ FURNISHINGS ONLY) POST SERVICE BULLETIN: 25-1373 FOR NHA/OTHER SYS DET SEE: 25-24-30-80A	001001 006007	RF
- 10	412A1100-9SP		COMPARTMENT ASSY-80 IN. OVHD STOWAGE HNDRL CONFIGURATION (EQUIPMENT/ FURNISHINGS ONLY) PRE SERVICE BULLETIN: 25-1373 FOR NHA/OTHER SYS DET SEE: 25-24-30-80A	001001 006007	RF
- 10	002A0007-56N		COMPARTMENT ASSY-80 IN. OVHD STOWAGE HNDRL CONFIGURATION (EQUIPMENT/ FURNISHINGS ONLY) POST SERVICE BULLETIN: 25-1373 FOR NHA/OTHER SYS DET SEE: 25-24-30-80A	001001 006007	RF
15	412A1420-1SP		.EXTRUSION-SEAT ROW MARKER	001001 006007	1
20	H3-1592-1		.LATCH-CLG SUPPLIER CODE: V34941 SPECIFICATION NUMBER: S411A001-1	001001 006007	2
- 25	BACS12FA3K7		ATTACHING PARTS .SCREW- OPTIONAL PART: 412A1100-95	001001 006007	4

MISSING ITEM NUMBERS NOT APPLICABLE

- ITEM NOT ILLUSTRATED

HAP

25-24-31-36

BOEING PROPRIETARY - Copyright © - Unpublished Work - See title page for details.

25-24-31
FIG. 36
PAGE 1
OCT 10/06

BOEING
737-600/700/800/900
PARTS CATALOG (MAINTENANCE)

FIG ITEM	PART NUMBER	1 2 3 4 5 6 7	NOMENCLATURE	EFFECT FROM TO	UNITS PER ASSY
36					
- 25	412A1100-95		.KIT ASSY- OPTIONAL PART: BACS12FA3K7 -----*-----	001001 006007	4
- 27	BACS12GU3K7		..SCREW- USED ON: 412A1100-95	001001 006007	1
- 29	NAS1149D0332J		..WASHER- USED ON: 412A1100-95	001001 006007	1
45	412A1700-101SP		.VALANCE ASSY-LT OPTIONAL PART: 412A1700-1A	001001 006007	1
45	412A1700-1A		.VALANCE ASSY-LT OPTIONAL PART: 412A1700-101SP	001001 006007	1
- 47	BACN10YJ3F		.NUT ATTACHING PARTS -----*-----	001001 006007	8
50	BACS21DW3C10FN		..STUD	001001 006007	8
55	412A1700-6		..TAPE-HOOK	001001 006007	2
60	412A1710-101SP		..PANEL ASSY- USED ON: 412A1700-101SP	001001 006007	1
60	412A1710-1A		..PANEL ASSY- USED ON: 412A1700-1A	001001 006007	1
65	412A1500-1SP		.DOOR ASSY-40 IN. ATTACHING PARTS	001001 006007	2
- 70	BACS12FA3K6		.SCREW- POSITION DATA: FAR SIDE -----*-----	001001 006007	4
75	BACS12ER3K9		..SCREW	001001 006007	4
80	BACS12FA3K4		..SCREW	001001 006007	6
85	H3-1233A3		..WASHER- SUPPLIER CODE: V34941 SPECIFICATION NUMBER: S411A001-1	001001 006007	4

MISSING ITEM NUMBERS NOT APPLICABLE

- ITEM NOT ILLUSTRATED

HAP

25-24-31-36

25-24-31
FIG. 36
PAGE 2
JUN 15/08

BOEING
737-600/700/800/900
PARTS CATALOG (MAINTENANCE)

FIG ITEM	PART NUMBER	1 2 3 4 5 6 7	NOMENCLATURE	EFFECT FROM TO	UNITS PER ASSY
36					
90	HA225-1	..	LATCH ASSY- SUPPLIER CODE: V83014 SPECIFICATION NUMBER: S412A001-1A	001001 006007	1
90	HA225-7	..	LATCH ASSY- SUPPLIER CODE: V83014 SPECIFICATION NUMBER: S412A001-11B	001001 006007	1
95	412A1615-100SP	..	PANEL ASSY-FILLER OPTIONAL PART: 412A1615-1100SP	001001 006007	1
95	412A1615-1100SP	..	PANEL ASSY-FILLER OPTIONAL PART: 412A1615-100SP	001001 006007	1
100	412A1480-3SP	..	BRACKET ASSY	001001 006007	1
105	412A1480-4SP	..	BRACKET ASSY	001001 006007	1
110	BACN10VR4CGN	...	NUT	001001 006007	2
113	412A1480-1A	...	BRACKET- USED ON: 412A1480-3A	001001 006007	1
116	412A1480-2SP	...	BRACKET- USED ON: 412A1480-4SP	001001 006007	1
119	412A1810-1SP	..	BUMPER	001001 006007	2
123	412A1450-4SP	..	TRIM-EDGE	001001 006007	1
126	412A1450-3SP	..	TRIM-EDGE	001001 006007	1
129	412A1450-6SP	..	TRIM-EDGE	001001 006007	1
132	412A1450-5SP	..	TRIM-EDGE	001001 006007	1
135	412A1510-2SP	..	PANEL ASSY	001001 006007	1
- 138	SL618-3A	...	INSERT- SUPPLIER CODE: V97393	001001 006007	14
140	412A1230-21	.	PIN-HINGE	001001 006007	4
145	BACB30VF3K7	.	BOLT	001001 006007	4
150	NAS1149D0316J	.	WASHER	001001 006007	4

MISSING ITEM NUMBERS NOT APPLICABLE

- ITEM NOT ILLUSTRATED

HAP

25-24-31-36

25-24-31
FIG. 36
PAGE 3
JUN 15/08

BOEING
737-600/700/800/900
PARTS CATALOG (MAINTENANCE)

FIG ITEM	PART NUMBER	1 2 3 4 5 6 7	NOMENCLATURE	EFFECT FROM TO	UNITS PER ASSY
36					
155	MS16633-4018	.	RING	001001 006007	4
160	SP20522	.	ACTUATOR ASSY-DOOR SUPPLIER CODE: V24403 SPECIFICATION NUMBER: S412A002-2	001001 006007	4
165	BACS12FA3K15	.	SCREW	001001 006007	4
170	BACS12FA3K9	.	SCREW	001001 006007	4
175	412A1455-1SP	.	HINGE ASSY	001001 006007	2
180	412A1455-2SP	.	HINGE ASSY	001001 006007	1
185	412A1455-4SP	.	HINGE ASSY	001001 006007	1
190	412A1230-21	..	PIN	001001 006007	1
195	MS51023-54	..	SCREW	001001 006007	1
200	NAS1149D0316J	..	WASHER	001001 006007	1
205	MS16633-4018	..	RING	001001 006007	1
207	412A1220-1	..	CLIP	001001 006007	1
210	412A1454-9SP	..	BRACKET ASSY- USED ON: 412A1455-1SP	001001 006007	1
- 215	412A1454-10SP	..	BRACKET ASSY- USED ON: 412A1455-2SP 412A1455-4SP	001001 006007	1
220	6041-3BR225	...	INSERT- SUPPLIER CODE: V01556	001001 006007	1
225	6041L3BR375	...	INSERT- SUPPLIER CODE: V01556	001001 006007	1
230	BACB28Y3F025	...	BUSHING	001001 006007	2
235	412A1454-7SP	...	BRACKET- POSITION DATA: LH SIDE	001001 006007	1
- 240	412A1454-8SP	...	BRACKET- POSITION DATA: RH SIDE	001001 006007	1

MISSING ITEM NUMBERS NOT APPLICABLE

- ITEM NOT ILLUSTRATED

HAP

25-24-31-36

25-24-31
FIG. 36
PAGE 4
JUN 15/08

BOEING
737-600/700/800/900
PARTS CATALOG (MAINTENANCE)

FIG ITEM	PART NUMBER	1 2 3 4 5 6 7	NOMENCLATURE	EFFECT FROM TO	UNITS PER ASSY
36					
245	412A1454-3SP	..	HOUSING ASSY- USED ON: 412A1455-1SP 412A1455-2SP	001001 006007	1
250	412A1454-12SP	..	HOUSING ASSY	001001 006007	1
255	BACB28Y3F020	...	BUSHING	001001 006007	2
260	6041L3BR375	...	INSERT- SUPPLIER CODE: V01556	001001 006007	1
265	412A1454-1SP	...	HOUSING- USED ON: 412A1454-3SP	001001 006007	1
270	412A1454-11SP	...	HOUSING- USED ON: 412A1454-12SP	001001 006007	1
320	BACS12FA3K7	.	SCREW	001001 006007	2
321	412A1100-95	.	ATTACHING PARTS KIT ASSY	001001 006007	2
322	BACS12GU3K7	..	-----*----- SCREW- USED ON: 412A1100-95	001001 006007	1
324	NAS1149D0332J	..	WASHER- USED ON: 412A1100-95	001001 006007	1
325	BACS12ER3K9	.	SCREW	001001 006007	2
330	BACB30VF3K3	.	BOLT	001001 006007	2
332	H3-1233A3	.	WASHER- SUPPLIER CODE: V34941 SPECIFICATION NUMBER: S411A001-1	001001 006007	2
335	412A1465-13SP	.	CLOSEOUT ASSY	001001 006007	1
340	BACN10VR4CGN	..	NUT- OPTIONAL PART: BACN10VR4CG	001001 006007	3
340	BACN10VR4CG	..	NUT- OPTIONAL PART: BACN10VR4CGN	001001 006007	3
345	412A1465-15SP	..	CLOSEOUT	001001 006007	1

MISSING ITEM NUMBERS NOT APPLICABLE

— ITEM NOT ILLUSTRATED

HAP

25-24-31-36

25-24-31
FIG. 36
PAGE 5
JUN 15/08

BOEING
737-600/700/800/900
PARTS CATALOG (MAINTENANCE)

FIG ITEM	PART NUMBER	1 2 3 4 5 6 7	NOMENCLATURE	EFFECT FROM TO	UNITS PER ASSY
36					
350	412A1465-14SP	.	CLOSEOUT ASSY	001001 006007	1
355	BACN10VR4CGN	..	NUT- OPTIONAL PART: BACN10VR4CG	001001 006007	3
355	BACN10VR4CG	..	NUT- OPTIONAL PART: BACN10VR4CGN	001001 006007	3
360	412A1465-16SP	..	CLOSEOUT	001001 006007	1
365	403A3210-3SP	.	SEAL ASSY	001001 006007	1
370	412A1243-1	.	EXTRUSION ASSY- OPTIONAL PART: 412A1243-101	001001 006007	1
370	412A1243-101	.	EXTRUSION ASSY- OPTIONAL PART: 412A1243-1	001001 006007	1
372	BACN12ER3K5	.	SCREW	001001 006007	11
- 375	BACN12ER3K14	.	ATTACHING PARTS SCREW	001001 006007	12
- 377	H3-1233A3	.	WASHER- SUPPLIER CODE: V34941 SPECIFICATION NUMBER: S411A001-1 -----*-----	001001 006007	12
380	FS1651-3	..	NUTPLATE SUPPLIER CODE: V15653 SPECIFICATION NUMBER: BACN10KH3CD OPTIONAL PART: 102F9209M3 V72962 NS202496-02 V80539 ATTACHING PARTS	001001 006007	12
- 385	BACR15BA3ADC	..	RIVET- SIZE DETERMINED ON INSTL. -----*-----	001001 006007	24
395	412A1451-1SP	.	STRIP-TRIM	001001 006007	1
400	412A1650-3SP	.	COVER ASSY	001001 006007	1
405	412A1600-1A	.	COVER ASSY-	001001 006007	1

MISSING ITEM NUMBERS NOT APPLICABLE

- ITEM NOT ILLUSTRATED

HAP

25-24-31-36

25-24-31
FIG. 36
PAGE 6
JUN 15/08

 **BOEING**
737-600/700/800/900
PARTS CATALOG (MAINTENANCE)

FIG ITEM	PART NUMBER	1 2 3 4 5 6 7	NOMENCLATURE	EFFECT FROM TO	UNITS PER ASSY
36					
465	412A1460-1	..	CLIP	001001 006007	5
467	412A1610-3A	..	PANEL ASSY- OPTIONAL PART: 412A1610-103B	001001 006007	1
467	412A1610-103B	..	PANEL ASSY- OPTIONAL PART: 412A1610-3A	001001 006007	1
490	412A1200-1SP	.BOX	ASSY-80 IN. BIN USED ON: 412A1100-1SP FOR DETAILS SEE: 25-24-32-84	001001 006007	1
490	412A1200-9SP	.BOX	ASSY-80 IN. BIN USED ON: 412A1100-9SP FOR DETAILS SEE: 25-24-32-84C	001001 006007	1

MISSING ITEM NUMBERS NOT APPLICABLE

— ITEM NOT ILLUSTRATED

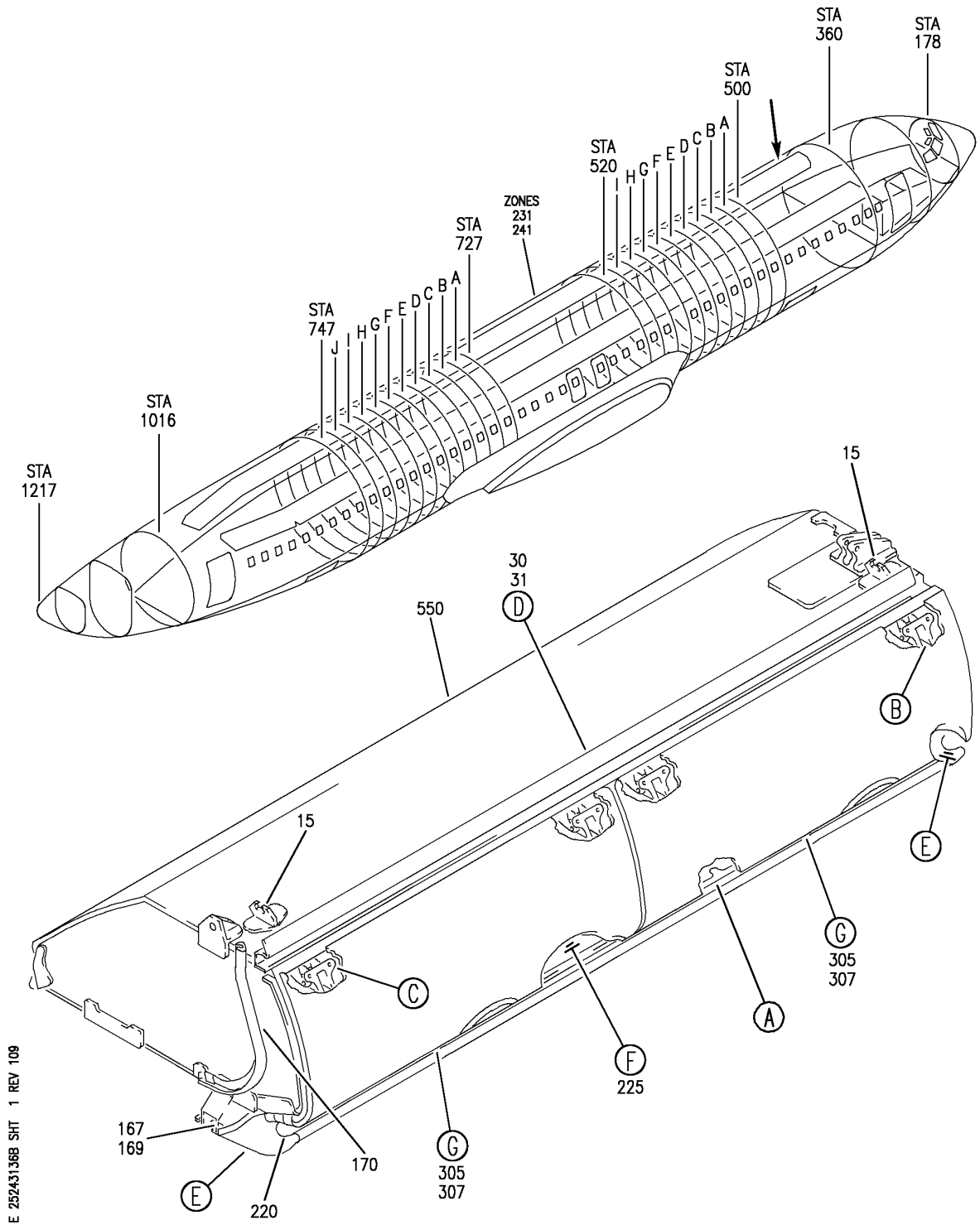
HAP

25-24-31-36

BOEING PROPRIETARY - Copyright © - Unpublished Work - See title page for details.

25-24-31
FIG. 36
PAGE 7
JUN 15/08

BOEING
 737-600/700/800/900
 PARTS CATALOG (MAINTENANCE)



E 25243136B SHT 1 REV 109

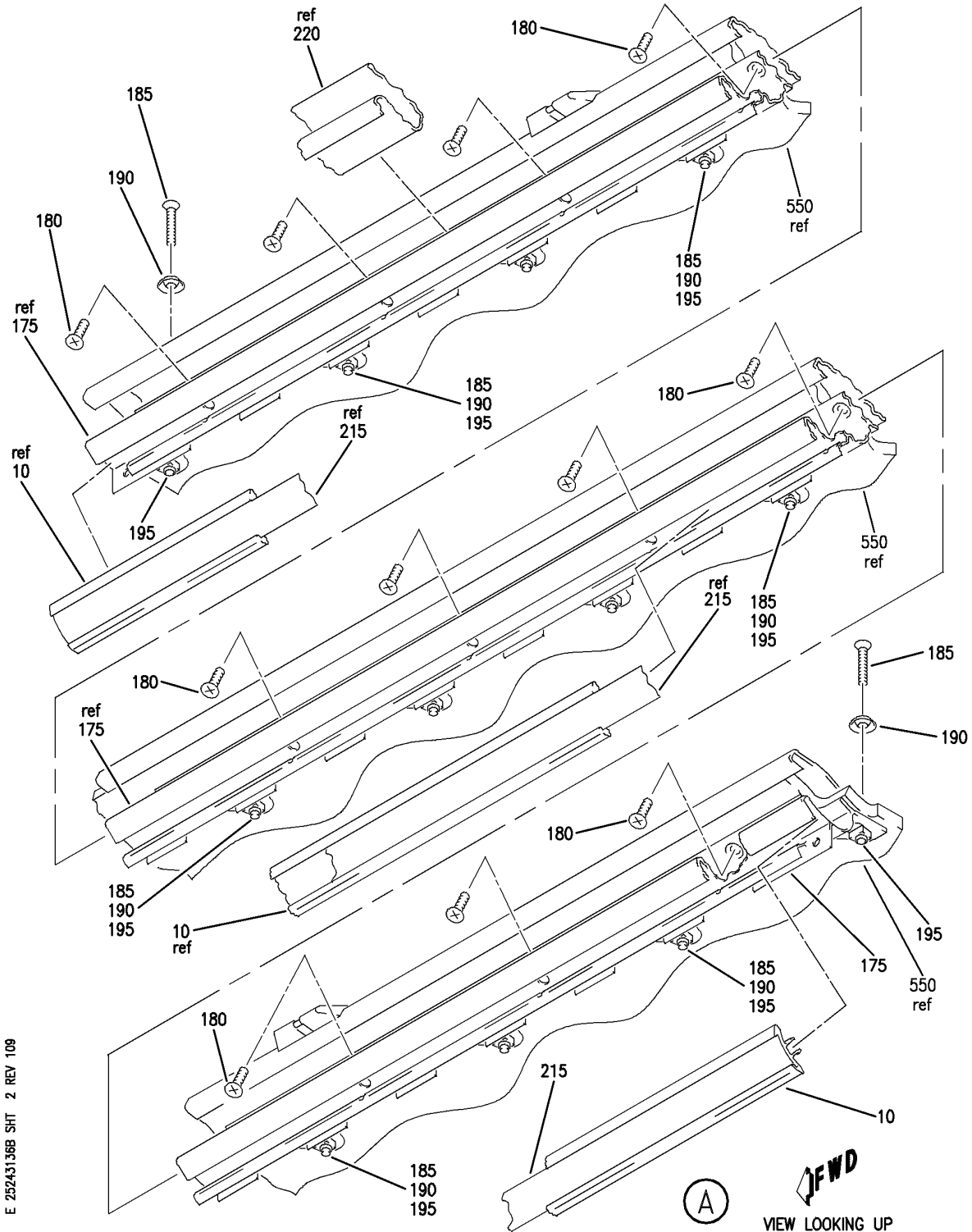
COMPARTMENT ASSY-80 IN. OVHD STOWAGE HNDRL CONFIGURATION (EQUIPMENT/ FURNISHINGS ONLY)
 FIGURE 36B (SHEET 1)

25-24-31-36B

HAP
 OCT 10/06

25-24-31-36B
 PAGE 0

BOEING
 737-600/700/800/900
 PARTS CATALOG (MAINTENANCE)



E 25243136B SHT 2 REV 109

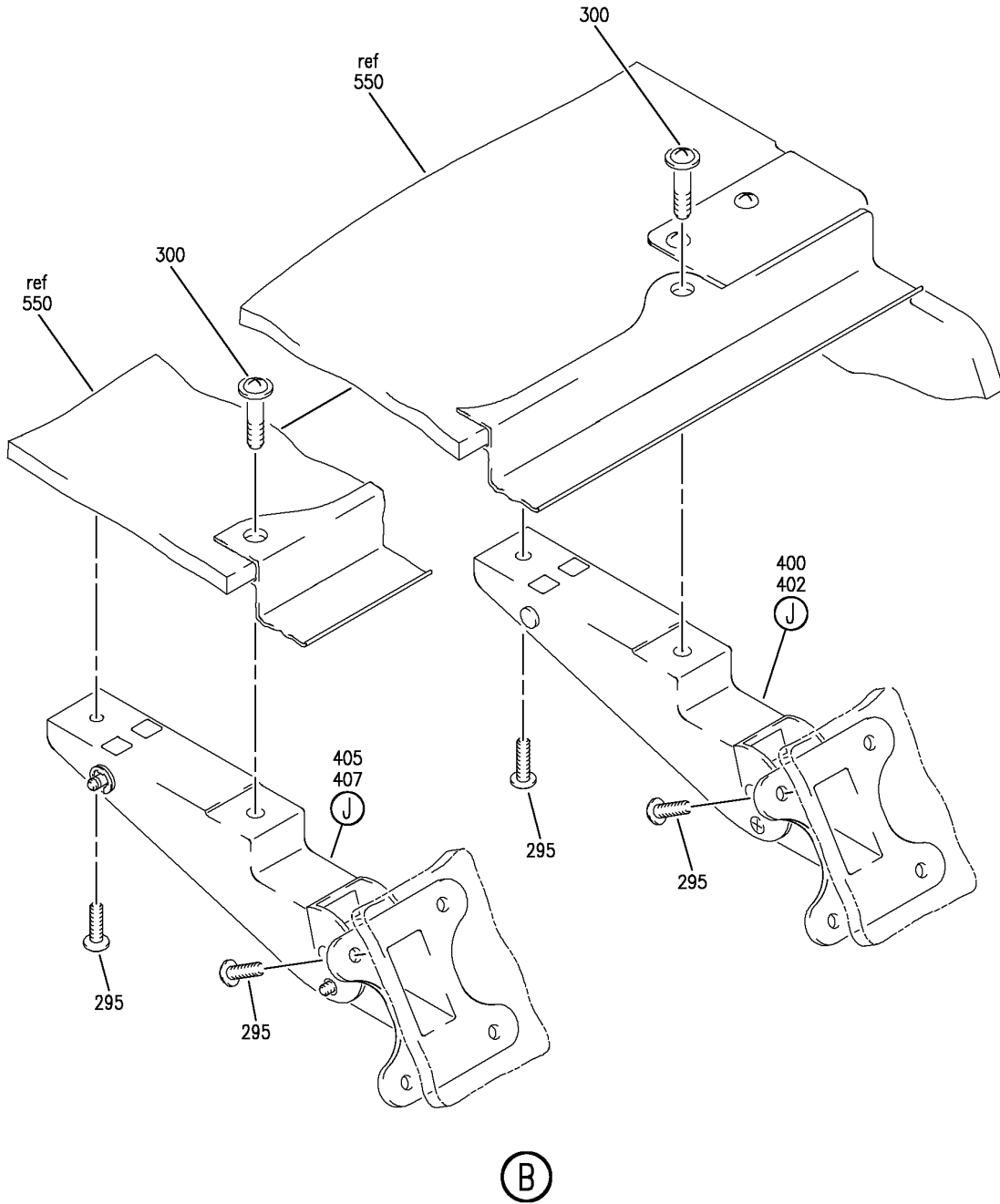
COMPARTMENT ASSY-80 IN. OVHD STOWAGE HNDRL CONFIGURATION (EQUIPMENT/ FURNISHINGS ONLY)
 FIGURE 36B (SHEET 2)

25-24-31-36B

HAP
 OCT 10/06

25-24-31-36B
 PAGE 0A

BOEING
 737-600/700/800/900
 PARTS CATALOG (MAINTENANCE)



E 25243136B SHT 3 REV 109

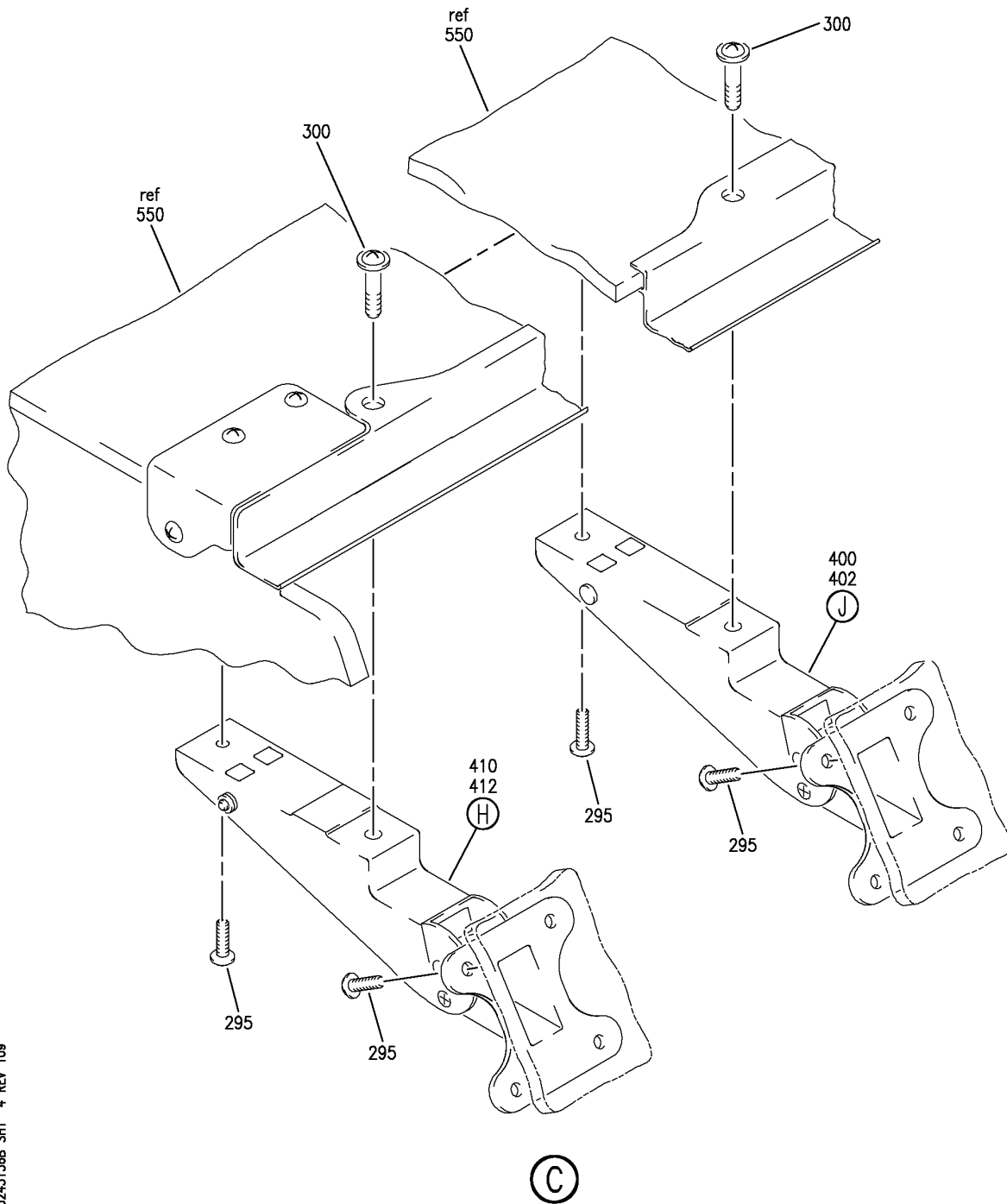
COMPARTMENT ASSY-80 IN. OVHD STOWAGE HNDRL CONFIGURATION (EQUIPMENT/ FURNISHINGS ONLY)
 FIGURE 36B (SHEET 3)

25-24-31-36B

HAP
 OCT 10/06

25-24-31-36B
 PAGE 0B

BOEING
 737-600/700/800/900
 PARTS CATALOG (MAINTENANCE)



E 25243136B SHT 4 REV 109

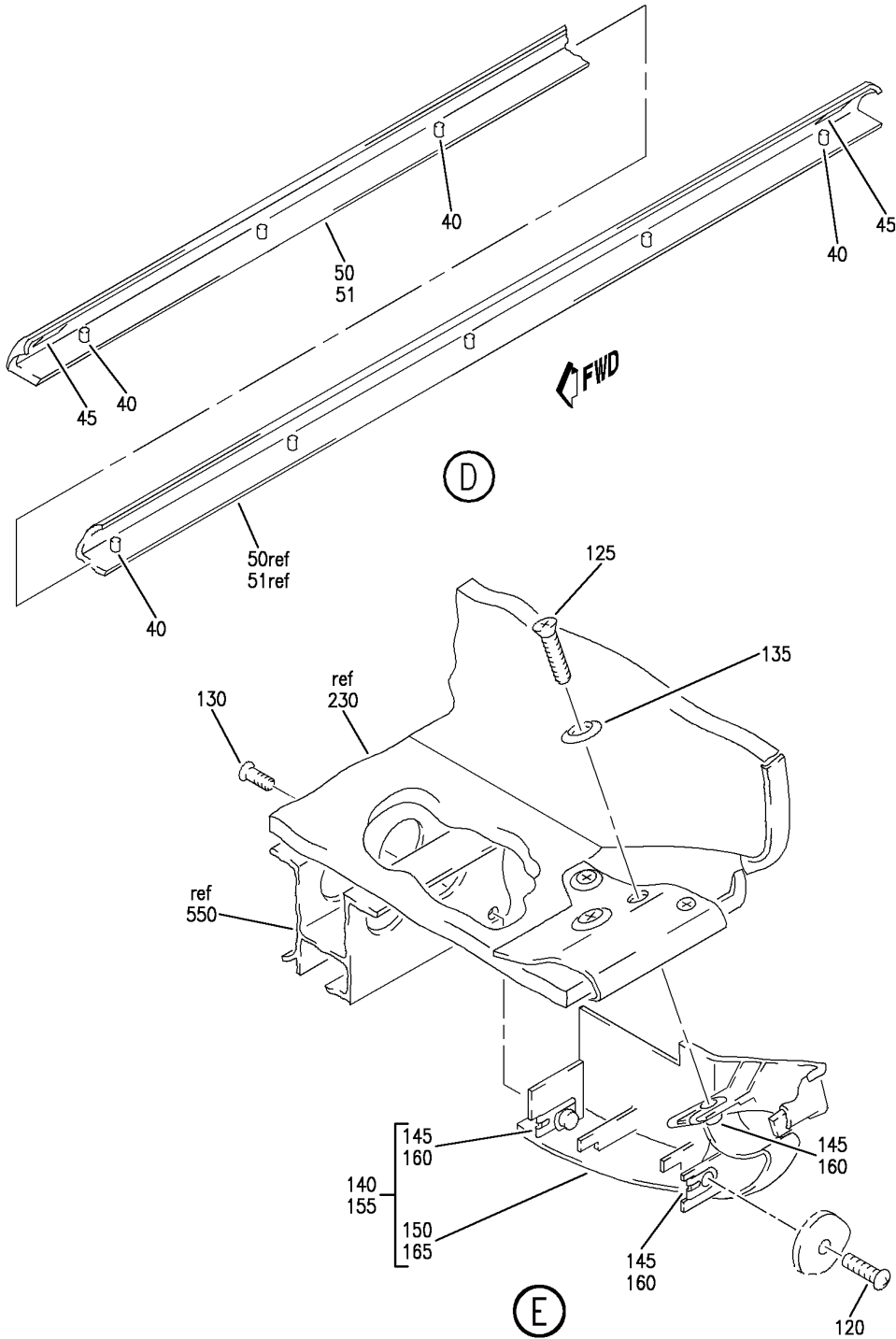
COMPARTMENT ASSY-80 IN. OVHD STOWAGE HNDRL CONFIGURATION (EQUIPMENT/ FURNISHINGS ONLY)
 FIGURE 36B (SHEET 4)

25-24-31-36B

HAP
 OCT 10/06

25-24-31-36B
 PAGE 0C

BOEING
 737-600/700/800/900
 PARTS CATALOG (MAINTENANCE)



E 25243136B SHT 5 REV 109

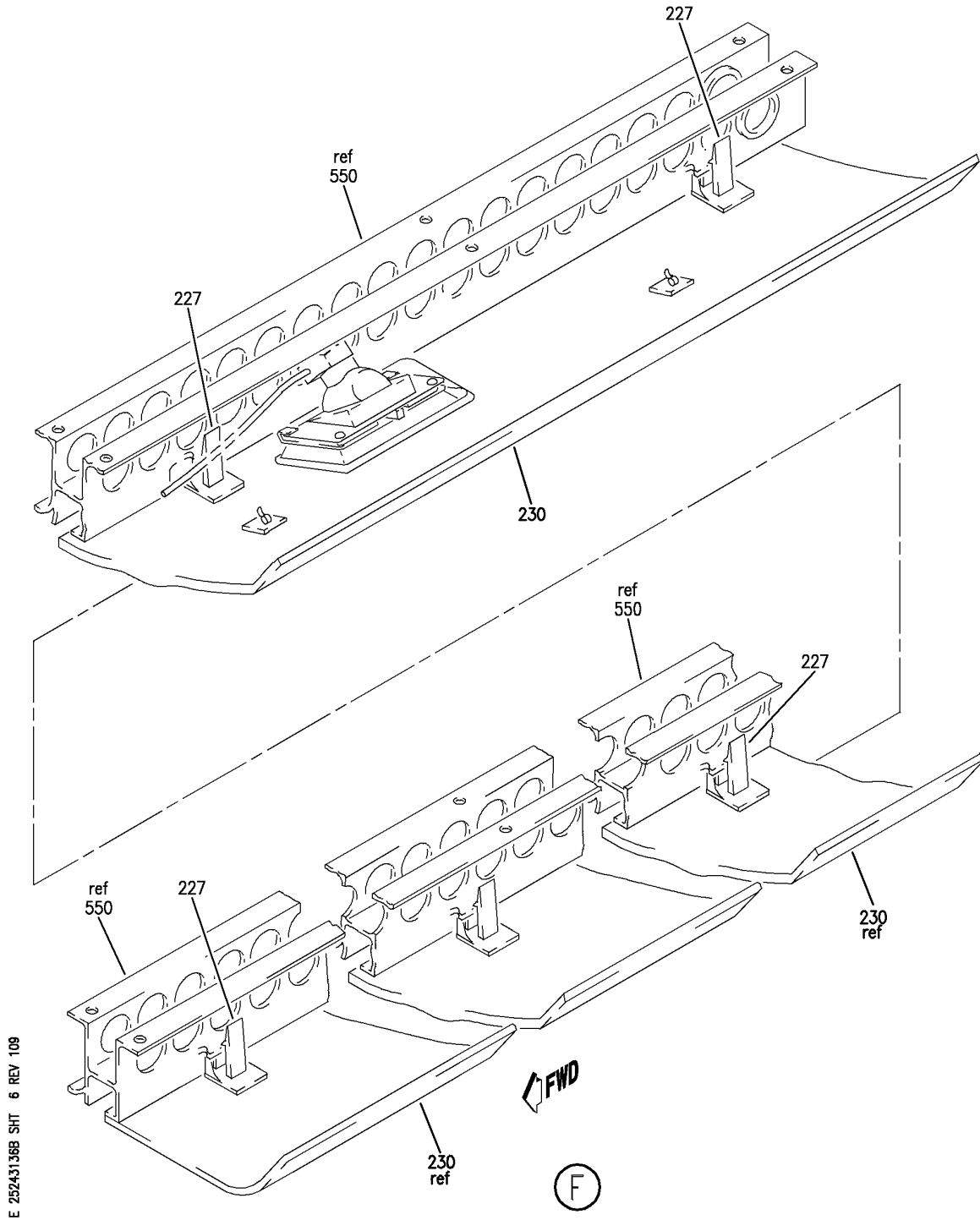
COMPARTMENT ASSY-80 IN. OVHD STOWAGE HNDRL CONFIGURATION (EQUIPMENT/ FURNISHINGS ONLY)
 FIGURE 36B (SHEET 5)

HAP
 OCT 10/06

25-24-31-36B

25-24-31-36B
 PAGE 0D

BOEING
 737-600/700/800/900
 PARTS CATALOG (MAINTENANCE)



E 25243136B SHT 6 REV 109

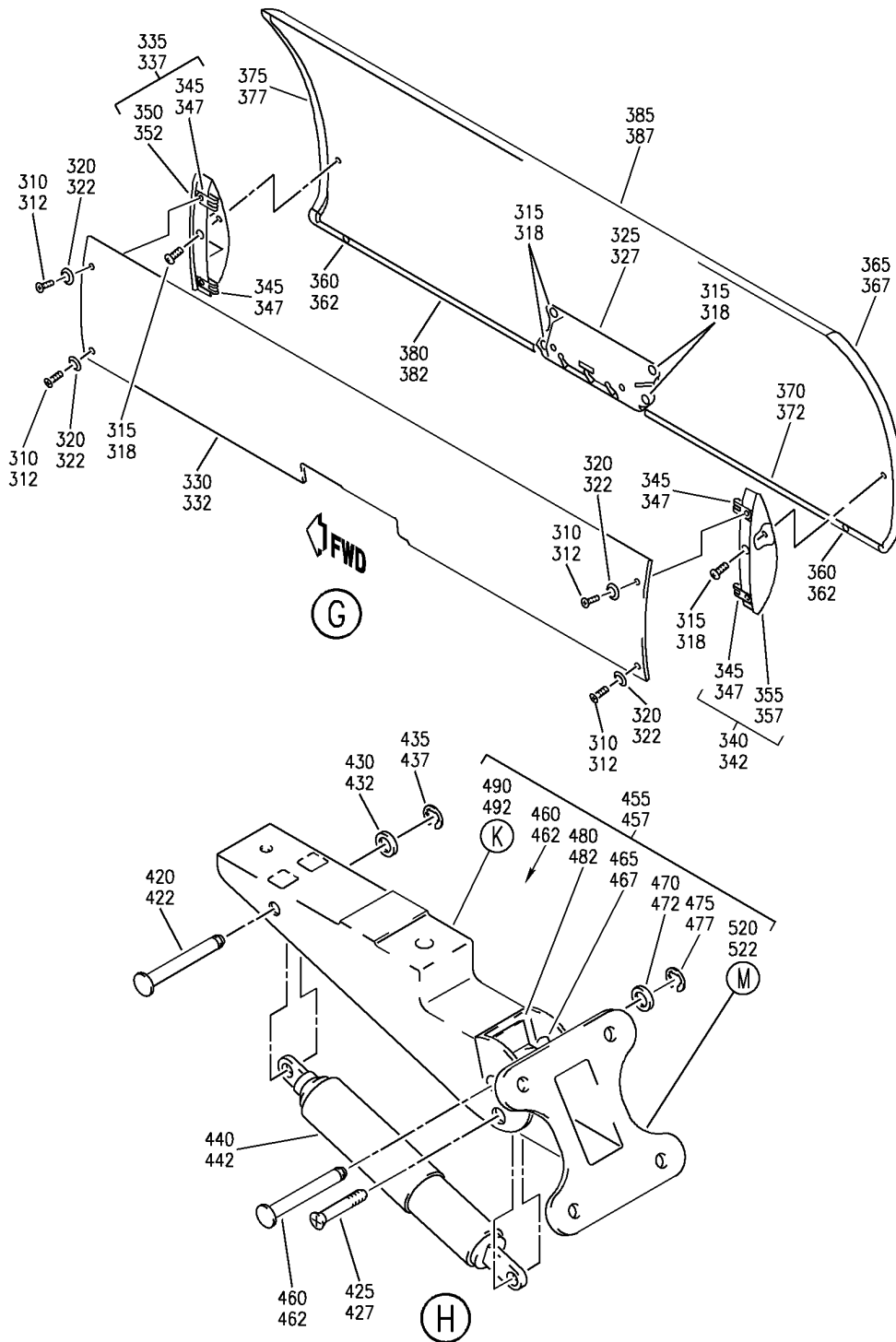
COMPARTMENT ASSY-80 IN. OVHD STOWAGE HANDRL CONFIGURATION (EQUIPMENT/ FURNISHINGS ONLY)
 FIGURE 36B (SHEET 6)

HAP
 OCT 10/06

25-24-31-36B

25-24-31-36B
 PAGE 0E


BOEING
 737-600/700/800/900
PARTS CATALOG (MAINTENANCE)



E 2524-31-36B SH7 7 REV 109

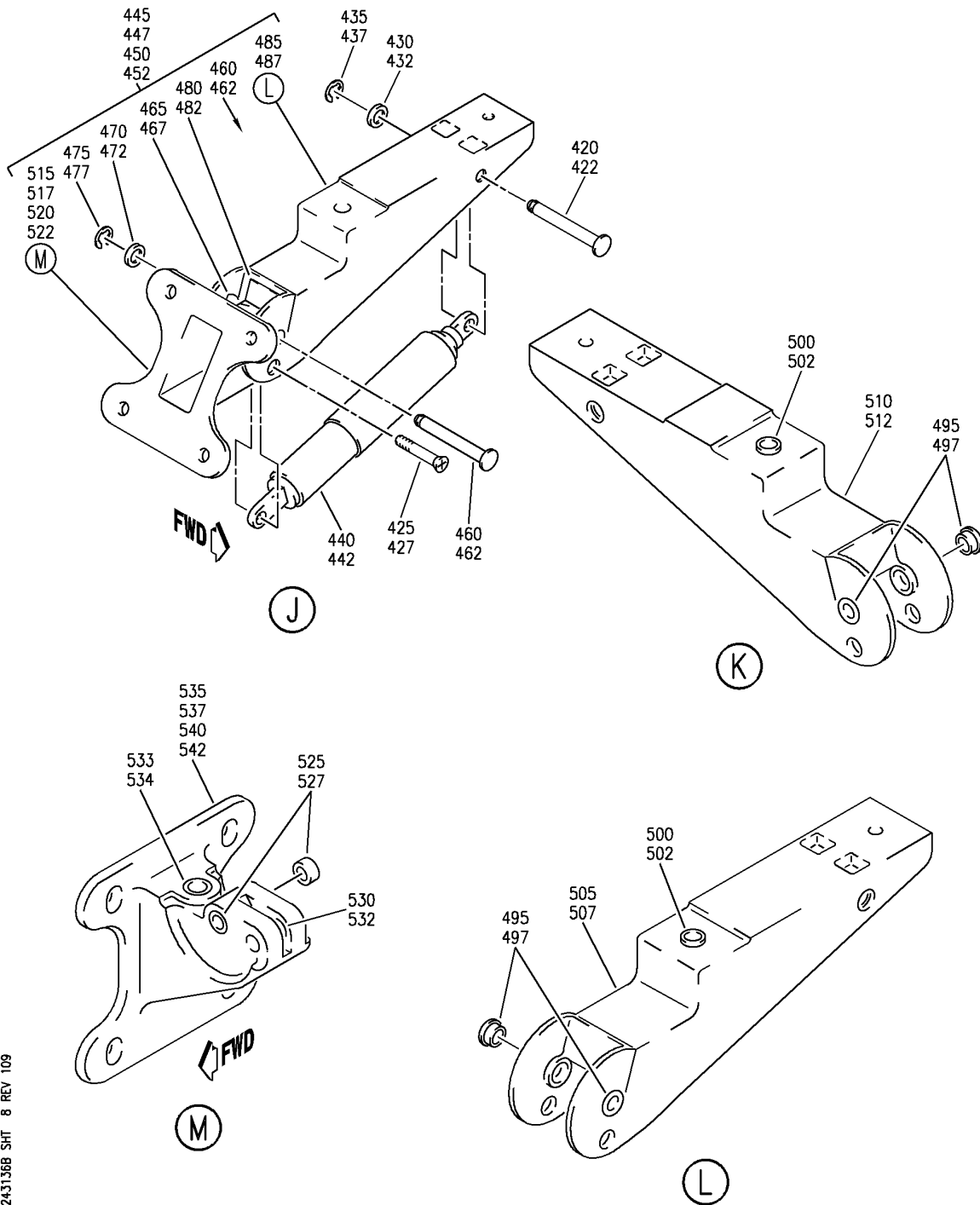
COMPARTMENT ASSY-80 IN. OVHD STOWAGE HNDRL CONFIGURATION (EQUIPMENT/ FURNISHINGS ONLY)
 FIGURE 36B (SHEET 7)

25-24-31-36B

HAP
 OCT 10/06

25-24-31-36B
 PAGE OF

BOEING
737-600/700/800/900
PARTS CATALOG (MAINTENANCE)



E 2524-31-36B SHT 8 REV 109

COMPARTMENT ASSY-80 IN. OVHD STOWAGE HNDRL CONFIGURATION (EQUIPMENT/ FURNISHINGS ONLY)
 FIGURE 36B (SHEET 8)

HAP
 OCT 10/06

25-24-31-36B

25-24-31-36B
 PAGE 08

BOEING
737-600/700/800/900
PARTS CATALOG (MAINTENANCE)

FIG ITEM	PART NUMBER	1 2 3 4 5 6 7	NOMENCLATURE	EFFECT FROM TO	UNITS PER ASSY
36B			COMPARTMENT ASSY-80 IN. OVHD STOWAGE HNDRL CONFIGURATION (EQUIPMENT/ FURNISHINGS ONLY)	002005 008030	
- 1	412A1100-101SP		COMPARTMENT ASSY-80 IN. OVHD STOWAGE HNDRL CONFIGURATION (EQUIPMENT/ FURNISHINGS ONLY) POSITION DATA: LH PRE SERVICE BULLETIN: 25-1373 FOR NHA/OTHER SYS DET SEE: 25-24-30-80A	002005 008008	RF
- 1	412A1100-201SP		COMPARTMENT ASSY-80 IN. OVHD STOWAGE HNDRL CONFIGURATION (EQUIPMENT/ FURNISHINGS ONLY) POSITION DATA: LH POST SERVICE BULLETIN: 25-1373 FOR NHA/OTHER SYS DET SEE: 25-24-30-80A	002005 008008	RF
- 1	412A1100-201B		COMPARTMENT ASSY-80 IN. OVHD STOWAGE HNDRL CONFIGURATION (EQUIPMENT/ FURNISHINGS ONLY) POSITION DATA: LH FOR NHA/OTHER SYS DET SEE: 25-24-30-83	009030	RF
10	412A1420-1SP		.EXTRUSION-SEAT ROW MARKER	002005 008008	1
10	412A1420-1A		.EXTRUSION-SEAT ROW MARKER	009030	1
15	H3-1592-1		.LATCH- SUPPLIER CODE: V34941 SPECIFICATION NUMBER: S411A001-1	002005 008030	2
- 20	BACS12GU3K7		ATTACHING PARTS .SCREW	002005 008030	4
- 25	NAS1149D0332J		.WASHER	002005 008030	4
31	412A1700-1A		-----*----- .VALANCE ASSY-LT OPTIONAL PART: 412A1700-101B	002005 008030	1

MISSING ITEM NUMBERS NOT APPLICABLE

- ITEM NOT ILLUSTRATED

HAP

25-24-31-36B

BOEING PROPRIETARY - Copyright © - Unpublished Work - See title page for details.

25-24-31
FIG. 36B
PAGE 1
OCT 10/06

 **BOEING**
737-600/700/800/900
PARTS CATALOG (MAINTENANCE)

FIG ITEM	PART NUMBER	1 2 3 4 5 6 7	NOMENCLATURE	EFFECT FROM TO	UNITS PER ASSY
36B					
31	412A1700-101B	.	VALANCE ASSY-LT OPTIONAL PART: 412A1700-1A ATTACHING PARTS	002005 008030	1
- 35	BACN10YJ3F	.	NUT -----*-----	002005 008030	8
40	BACS21DW3C10FN	..	STUD	002005 008030	8
45	412A1700-6	..	TAPE-HOOK	002005 008030	2
50	412A1710-101B	..	PANEL ASSY- USED ON: 412A1700-101B	002005 008030	1
51	412A1710-1A	..	PANEL ASSY- USED ON: 412A1700-1A	002005 008030	1
120	BACS12FA3K7	.	SCREW	002005 008030	2
125	BACS12ER3K9	.	SCREW	002005 008030	2
130	BACB30VF3K3	.	BOLT	002005 008030	2
135	H3-1233A3	.	WASHER- SUPPLIER CODE: V34941 SPECIFICATION NUMBER: S411A001-1	002005 008030	2
140	412A1465-13SP	.	CLOSEOUT ASSY-	002005 008008	1
140	412A1465-13A	.	CLOSEOUT ASSY-	009030	1
145	BACN10VR4CGN	..	NUT- OPTIONAL PART: BACN10VR4CG	002005 008030	3
145	BACN10VR4CG	..	NUT- OPTIONAL PART: BACN10VR4CGN	002005 008030	3
150	412A1465-15SP	..	CLOSEOUT-	002005 008030	1
155	412A1465-14SP	.	CLOSEOUT ASSY-	002005 008008	1
155	412A1465-14A	.	CLOSEOUT ASSY-	009030	1
160	BACN10VR4CGN	..	NUT	002005 008030	3
165	412A1465-16SP	..	CLOSEOUT-	002005 008030	1
167	412A1310-700	.	TAPE-VELCRO HOOK POST SERVICE BULLETIN: 25-1373	002005 008030	1

MISSING ITEM NUMBERS NOT APPLICABLE

- ITEM NOT ILLUSTRATED

HAP

25-24-31-36B

BOEING PROPRIETARY - Copyright © - Unpublished Work - See title page for details.

25-24-31
FIG. 36B
PAGE 2
JUN 15/08

BOEING
737-600/700/800/900
PARTS CATALOG (MAINTENANCE)

FIG ITEM	PART NUMBER	1 2 3 4 5 6 7	NOMENCLATURE	EFFECT FROM TO	UNITS PER ASSY
36B 169	412A1310-701		.TAPE-VELCRO LOOP POST SERVICE BULLETIN: 25-1373	002005 008030	1
170	403A3210-21SP		.SEAL ASSY-	002005 008008	1
170	403A3210-21A		.SEAL ASSY-	009030	1
175	412A1243-101		.EXTRUSION ASSY-HNDRL ATTACHING PARTS	002005 008030	1
180	BACS12ER3K5		.SCREW	002005 008030	11
185	BACS12ER3K14		.SCREW	002005 008030	12
190	H3-1233A3		.WASHER- SUPPLIER CODE: V34941 SPECIFICATION NUMBER: S411A001-1	002005 008030	12
195	FS1651-3		-----*----- ..NUTPLATE SUPPLIER CODE: V15653 SPECIFICATION NUMBER: BACN10KH3CD OPTIONAL PART: 102F9209M3 V72962 NS202496-02 V80539 ATTACHING PARTS	002005 008030	12
- 200	BACR15BA3ADC		..RIVET- SIZE DETERMINED ON INSTL. -----*-----	002005 008030	24
215	412A1451-2SP		.STRIP-TRIM	002005 008008	1
215	412A1451-2BCWK		.STRIP-TRIM	009030	1
220	412A1650-3SP		.COVER ASSY-DEC	002005 008008	1
220	412A1650-3A		.COVER ASSY-DEC	002005 008030	1
225	412A1600-1A		.COVER ASSY-	002005 008030	1
227	412A1460-1		..CLIP	002005 008030	5
230	412A1610-3A		..PANEL ASSY- OPTIONAL PART: 412A1610-103B	002005 008030	1

MISSING ITEM NUMBERS NOT APPLICABLE

- ITEM NOT ILLUSTRATED

HAP

25-24-31-36B

BOEING PROPRIETARY - Copyright © - Unpublished Work - See title page for details.

25-24-31
FIG. 36B
PAGE 3
JUN 15/08

BOEING
737-600/700/800/900
PARTS CATALOG (MAINTENANCE)

FIG ITEM	PART NUMBER	1 2 3 4 5 6 7	NOMENCLATURE	EFFECT FROM TO	UNITS PER ASSY
36B 230	412A1610-103B	..	PANEL ASSY- OPTIONAL PART: 412A1610-3A	002005 008030	1
295	BACS12FA3K6	.S	SCREW	002005 008030	20
300	BACS12FA3K15	.S	SCREW	002005 008030	4
305	412A1500-1SP	.D	DOOR ASSY-40 IN. PRE SERVICE BULLETIN: 25-1373	002005 008008	2
305	412A1500-101SP	.D	DOOR ASSY-40 IN. POST SERVICE BULLETIN: 25-1373	002005 008030	2
310	BACS12ER3K9	..S	SCREW	002005 008030	4
315	BACS12FA3K4	..S	SCREW	002005 008030	6
320	H3-1233A3	..W	WASHER- SUPPLIER CODE: V34941 SPECIFICATION NUMBER: S411A001-1	002005 008030	4
325	HA225-1	..L	LATCH ASSY- SUPPLIER CODE: V83014 SPECIFICATION NUMBER: S412A001-1A	002005 008030	1
325	HA225-7	..L	LATCH ASSY- SUPPLIER CODE: V83014 SPECIFICATION NUMBER: S412A001-11B	002005 008030	1
330	412A1615-100SP	..P	PANEL ASSY-FILLER OPTIONAL PART: 412A1615-1100SP	002005 008030	1
330	412A1615-1100SP	..P	PANEL ASSY-FILLER OPTIONAL PART: 412A1615-100SP	002005 008030	1
335	412A1480-3SP	..B	BRACKET ASSY	002005 008030	1
340	412A1480-4SP	..B	BRACKET ASSY	002005 008030	1
345	BACN10VR4CGN	...N	NUT	002005 008030	2
350	412A1480-1SP	...B	BRACKET- USED ON: 412A1480-3SP	002005 008030	1

MISSING ITEM NUMBERS NOT APPLICABLE

- ITEM NOT ILLUSTRATED

HAP

25-24-31-36B

BOEING PROPRIETARY - Copyright © - Unpublished Work - See title page for details.

25-24-31
FIG. 36B
PAGE 4
JUN 15/08

BOEING
737-600/700/800/900
PARTS CATALOG (MAINTENANCE)

FIG ITEM	PART NUMBER	1 2 3 4 5 6 7	NOMENCLATURE	EFFECT FROM TO	UNITS PER ASSY
36B					
355	412A1480-2SP	...	BRACKET- USED ON: 412A1480-4SP	002005 008030	1
360	412A1810-1SP	..	BUMPER	002005 008030	2
365	412A1450-3SP	..	TRIM-EDGE	002005 008030	1
370	412A1450-5SP	..	TRIM-EDGE	002005 008030	1
375	412A1450-4SP	..	TRIM-EDGE	002005 008030	1
380	412A1450-6SP	..	TRIM-EDGE	002005 008030	1
385	412A1510-2SP	..	PANEL ASSY	002005 008030	1
- 390	SL618-3A	...	INSERT- SUPPLIER CODE: V97393	002005 008030	14
400	412A1100-51SP	.HINGE ASSY-	COLLECTOR	002005 008030	2
405	412A1100-52SP	.HINGE ASSY-	COLLECTOR	002005 008030	1
410	412A1100-54SP	.HINGE ASSY-	COLLECTOR	002005 008030	1
420	412A1230-21	..	PIN	002005 008030	1
425	BACB30VF3K7	..	BOLT	002005 008030	1
430	NAS1149D0316J	..	WASHER	002005 008030	1
435	MS16633-4018	..	RING	002005 008030	1
440	SP20522	..	ACTUATOR ASSY- SUPPLIER CODE: V24403 SPECIFICATION NUMBER: S412A002-2	002005 008030	1
445	412A1455-1SP	..HINGE ASSY-	USED ON: 412A1100-51SP	002005 008030	1
450	412A1455-2SP	..HINGE ASSY-	USED ON: 412A1100-52SP	002005 008030	1
455	412A1455-4SP	..HINGE ASSY-	USED ON: 412A1100-54SP	002005 008030	1
460	412A1230-21	...	PIN	002005 008030	1

MISSING ITEM NUMBERS NOT APPLICABLE

- ITEM NOT ILLUSTRATED

HAP

25-24-31-36B

BOEING PROPRIETARY - Copyright © - Unpublished Work - See title page for details.

25-24-31
FIG. 36B
PAGE 5
JUN 15/08

 **BOEING**
737-600/700/800/900
PARTS CATALOG (MAINTENANCE)

FIG ITEM	PART NUMBER	1 2 3 4 5 6 7	NOMENCLATURE	EFFECT FROM TO	UNITS PER ASSY
36B					
465	MS51023-54	...	SCREW	002005 008030	1
470	NAS1149D0316J	...	WASHER	002005 008030	1
475	MS16633-4018	...	RING	002005 008030	1
480	412A1220-1	...	CLIP	002005 008030	1
485	412A1454-3SP	...	HOUSING ASSY- USED ON: 412A1455-1SP 412A1455-2SP	002005 008030	1
490	412A1454-12SP	...	HOUSING ASSY- USED ON: 412A1455-4SP	002005 008030	1
495	BACB28Y3F020	BUSHING	002005 008030	2
500	6041L3BR375	INSERT- SUPPLIER CODE: V01556	002005 008030	1
505	412A1454-1SP	HOUSING	002005 008030	1
510	412A1454-11SP	HOUSING	002005 008030	1
515	412A1454-9SP	...	BRACKET ASSY- USED ON: 412A1455-1SP	002005 008030	1
520	412A1454-10SP	...	BRACKET ASSY- USED ON: 412A1455-2SP 412A1455-4SP	002005 008030	1
525	BACB28Y3F025	BUSHING	002005 008030	2
530	6041-3BR225	INSERT- SUPPLIER CODE: V01556	002005 008030	1
533	6041L3BR375	INSERT- SUPPLIER CODE: V01556	002005 008030	1
535	412A1454-7SP	BRACKET- USED ON: 412A1454-9SP	002005 008030	1
540	412A1454-8SP	BRACKET- USED ON: 412A1454-10SP	002005 008030	1

MISSING ITEM NUMBERS NOT APPLICABLE

— ITEM NOT ILLUSTRATED

HAP

25-24-31-36B

BOEING PROPRIETARY - Copyright © - Unpublished Work - See title page for details.

25-24-31
FIG. 36B
PAGE 6
JUN 15/08

BOEING
737-600/700/800/900
PARTS CATALOG (MAINTENANCE)

FIG ITEM	PART NUMBER	1 2 3 4 5 6 7	NOMENCLATURE	EFFECT FROM TO	UNITS PER ASSY
36B 550	412A1200-101A		.BOX ASSY-80 IN. BIN OPTIONAL PART: 412A1200-1101B FOR DETAILS SEE: 25-24-32-80F	002005 008030	1
550	412A1200-1101B		.BOX ASSY-80 IN. BIN OPTIONAL PART: 412A1200-101A FOR DETAILS SEE: 25-24-32-80F	002005 008030	1
- 555	OBA8		.PLUG- SUPPLIER CODE: VOBV87 OPTIONAL PART: 412A1811-1B 412A1100-96 412A1811-2B	002005 008030	AR
- 555	412A1811-1B		.PLUG- OPTIONAL PART: 412A1100-96 OBA8 VOBV87 POST SERVICE BULLETIN: 25-1373	002005 008030	AR
- 555	412A1811-2B		.PLUG- OPTIONAL PART: OBA8 VOBV87 412A1811-1B 412A1100-96 POST SERVICE BULLETIN: 25-1373	002005 008030	AR
- 560	412A1100-96		.KIT ASSY-SCR AND WASHER OPTIONAL PART: 412A1811-1B OBA8 VOBV87 POST SERVICE BULLETIN: 25-1373	002005 008030	AR
- 565	NAS514P1032-5		..SCREW	002005 008030	1
- 570	H3-1233A3		..WASHER- SUPPLIER CODE: V34941 SPECIFICATION NUMBER: S411A001-1	002005 008030	1

MISSING ITEM NUMBERS NOT APPLICABLE

- ITEM NOT ILLUSTRATED

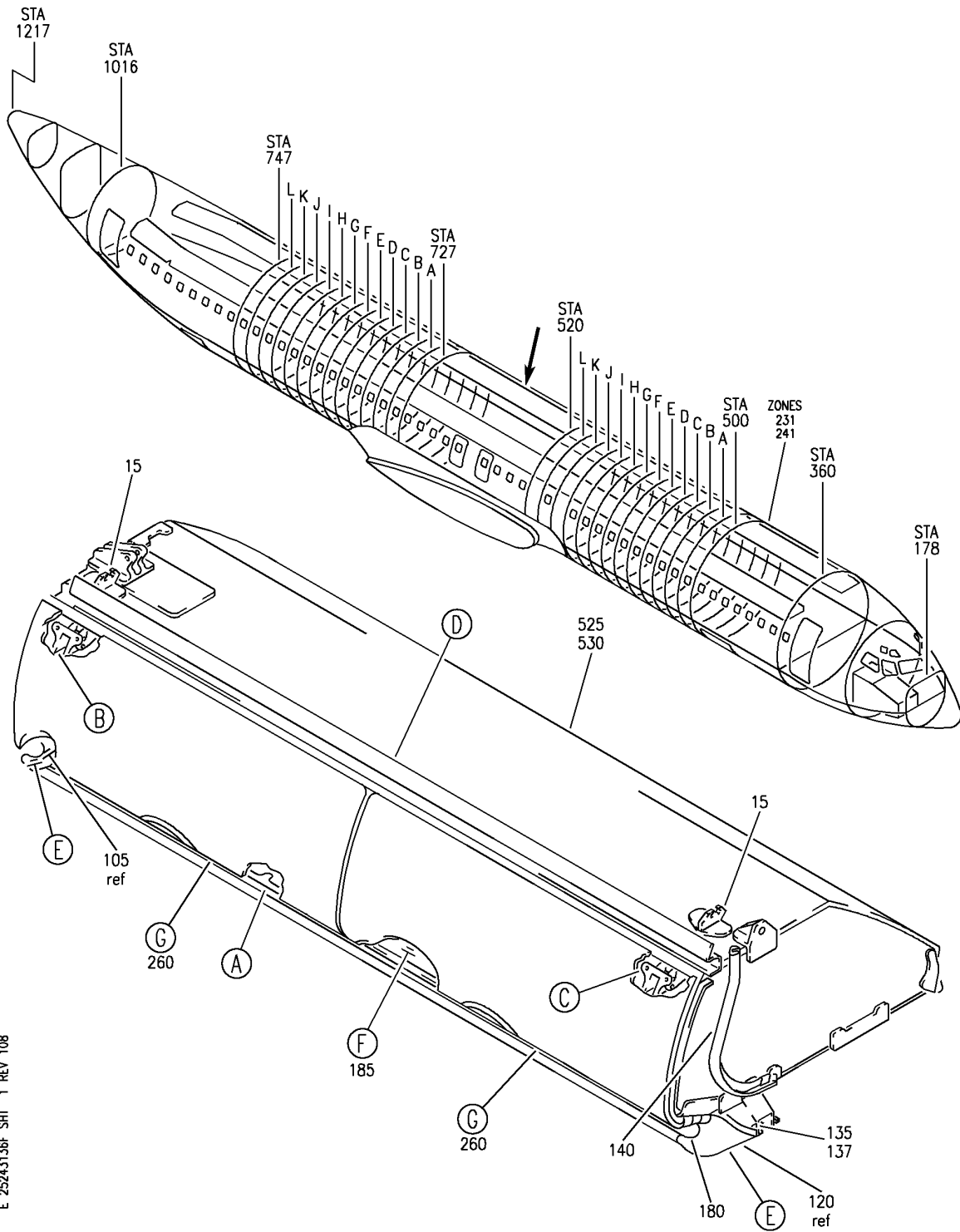
HAP

25-24-31-36B

BOEING PROPRIETARY - Copyright © - Unpublished Work - See title page for details.

25-24-31
FIG. 36B
PAGE 7
JUN 15/08

BOEING
737-600/700/800/900
PARTS CATALOG (MAINTENANCE)



E 2524-31-36F SHT 1 REV 108

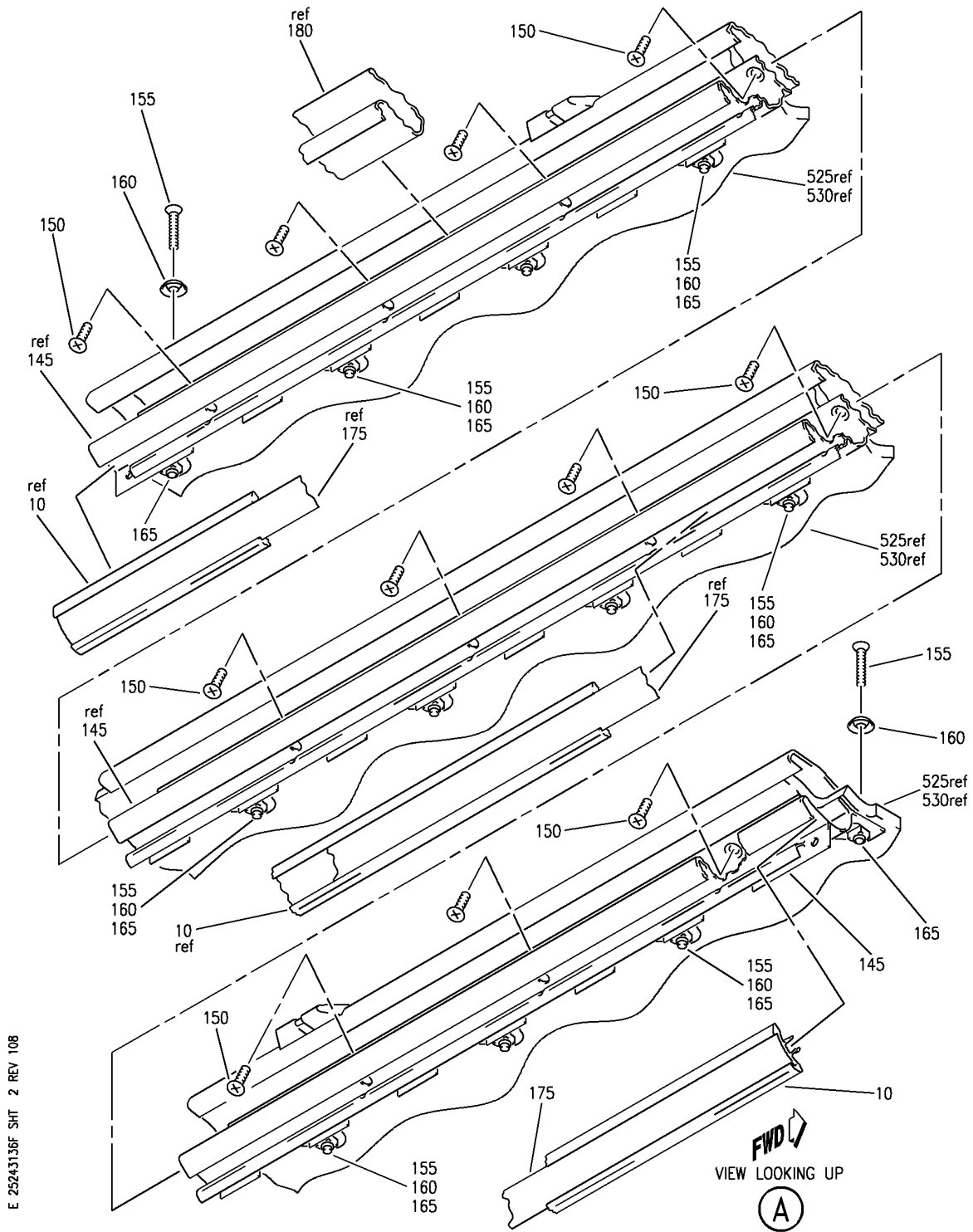
COMPARTMENT ASSY-80 IN. HANDRL CONFIGURATION (EQUIPMENT/FURNISHINGS ONLY)
FIGURE 36F (SHEET 1)

HAP
OCT 10/06

25-24-31-36F

25-24-31-36F
PAGE 0

BOEING
 737-600/700/800/900
 PARTS CATALOG (MAINTENANCE)



E 2524-31-36F SHT 2 REV 108

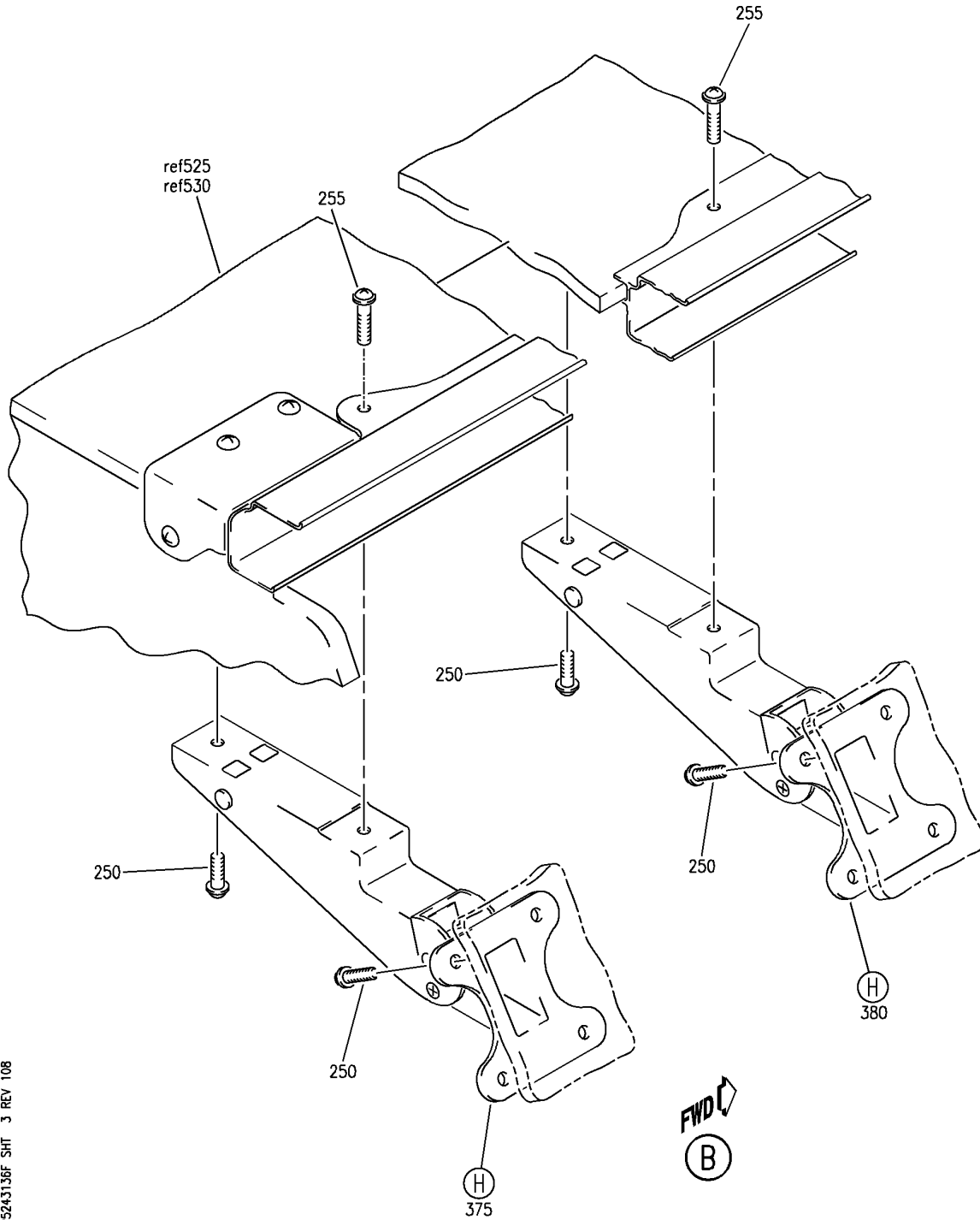
COMPARTMENT ASSY-80 IN. HNDRL CONFIGURATION (EQUIPMENT/FURNISHINGS ONLY)
 FIGURE 36F (SHEET 2)

25-24-31-36F

HAP
 OCT 10/06

25-24-31-36F
 PAGE 0A

BOEING
 737-600/700/800/900
 PARTS CATALOG (MAINTENANCE)



E 2524-31-36F SHT 3 REV 108

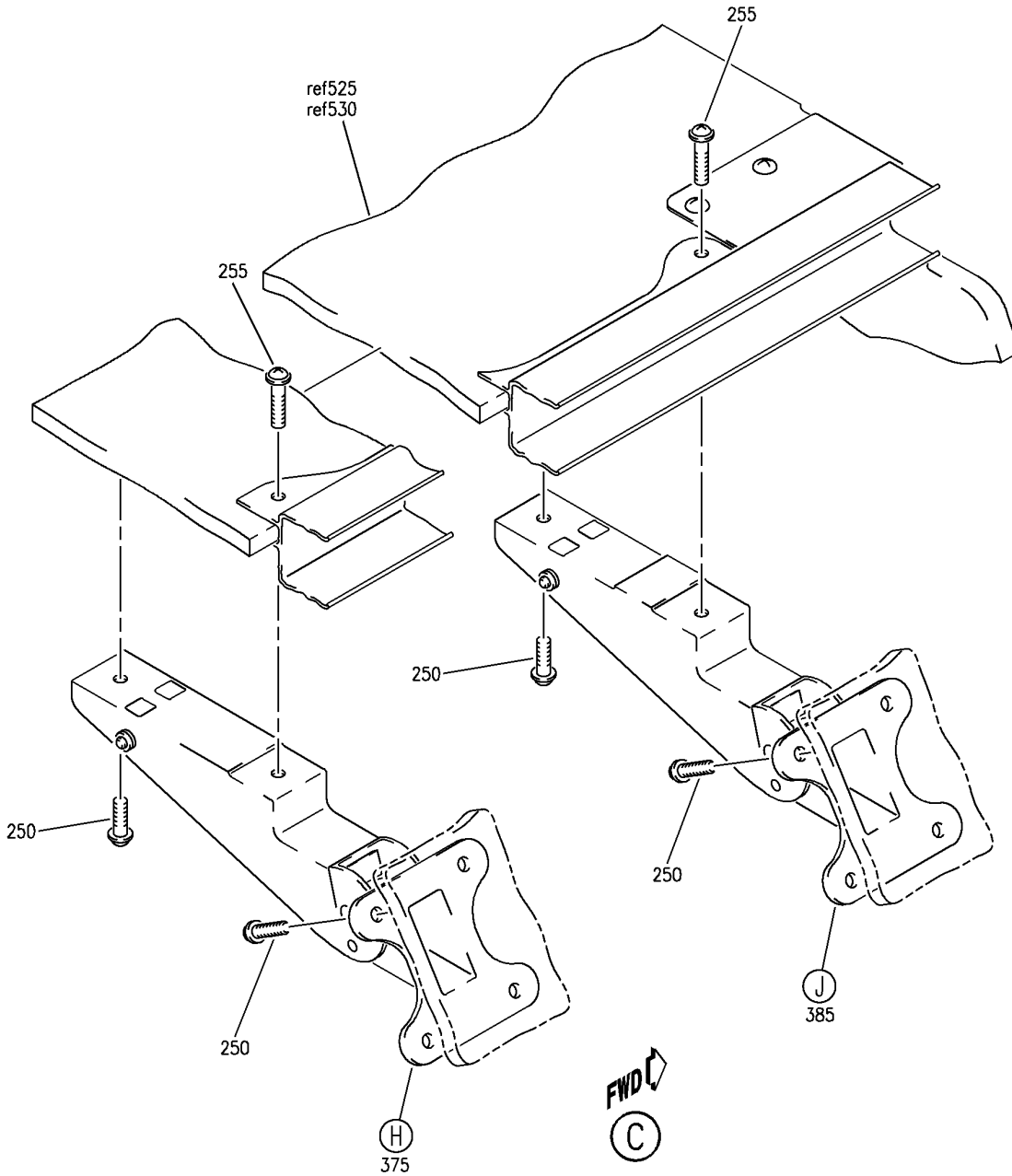
COMPARTMENT ASSY-80 IN. HNDRL CONFIGURATION (EQUIPMENT/FURNISHINGS ONLY)
 FIGURE 36F (SHEET 3)

25-24-31-36F

HAP
 OCT 10/06

25-24-31-36F
 PAGE 0B

BOEING
737-600/700/800/900
PARTS CATALOG (MAINTENANCE)



E 2524-31-36F SHT 4 REV 108

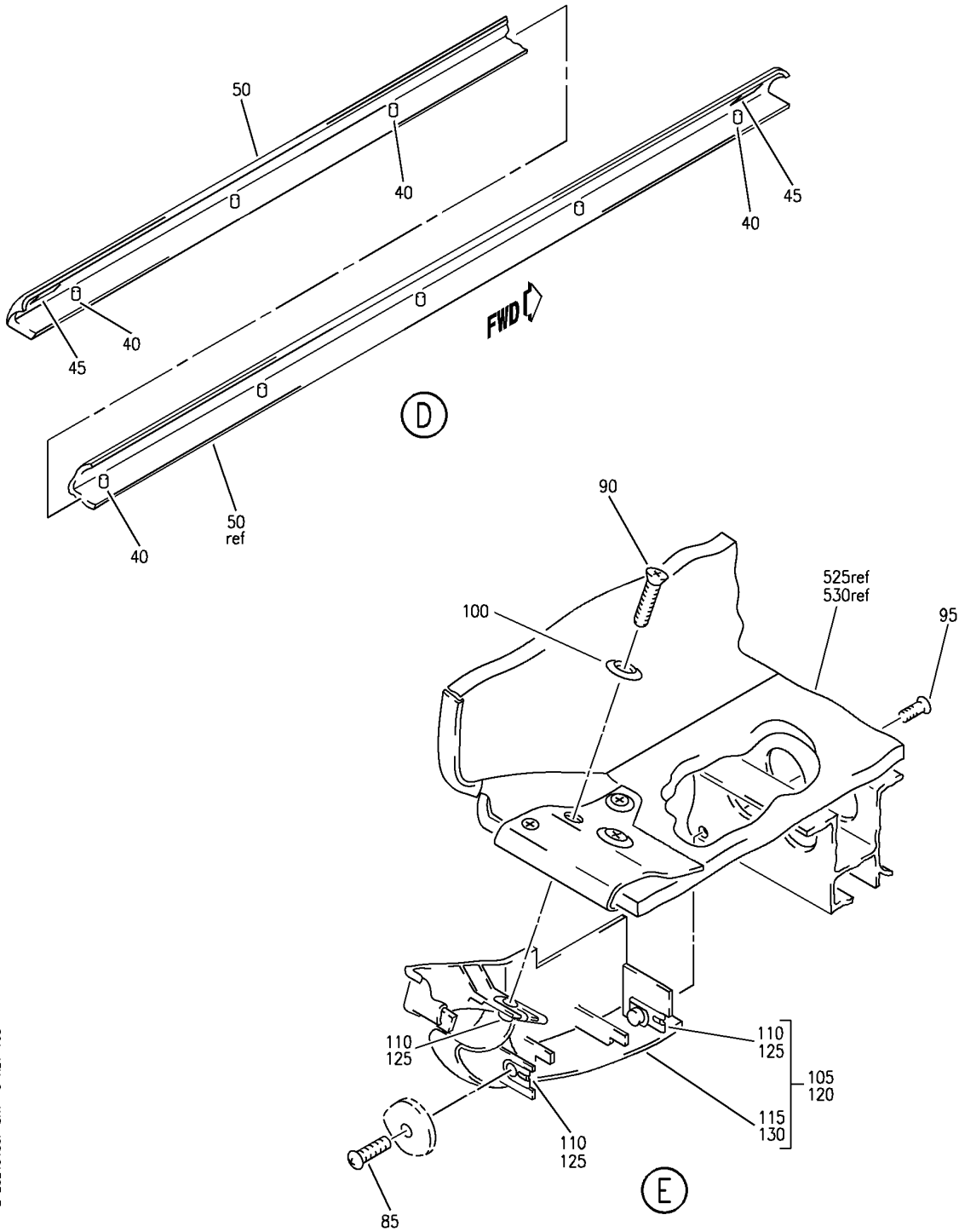
COMPARTMENT ASSY-80 IN. HANDRL CONFIGURATION (EQUIPMENT/FURNISHINGS ONLY)
FIGURE 36F (SHEET 4)

HAP
OCT 10/06

25-24-31-36F

25-24-31-36F
PAGE 0C

BOEING
 737-600/700/800/900
 PARTS CATALOG (MAINTENANCE)



E 2524-31-36F SHT 5 REV 108

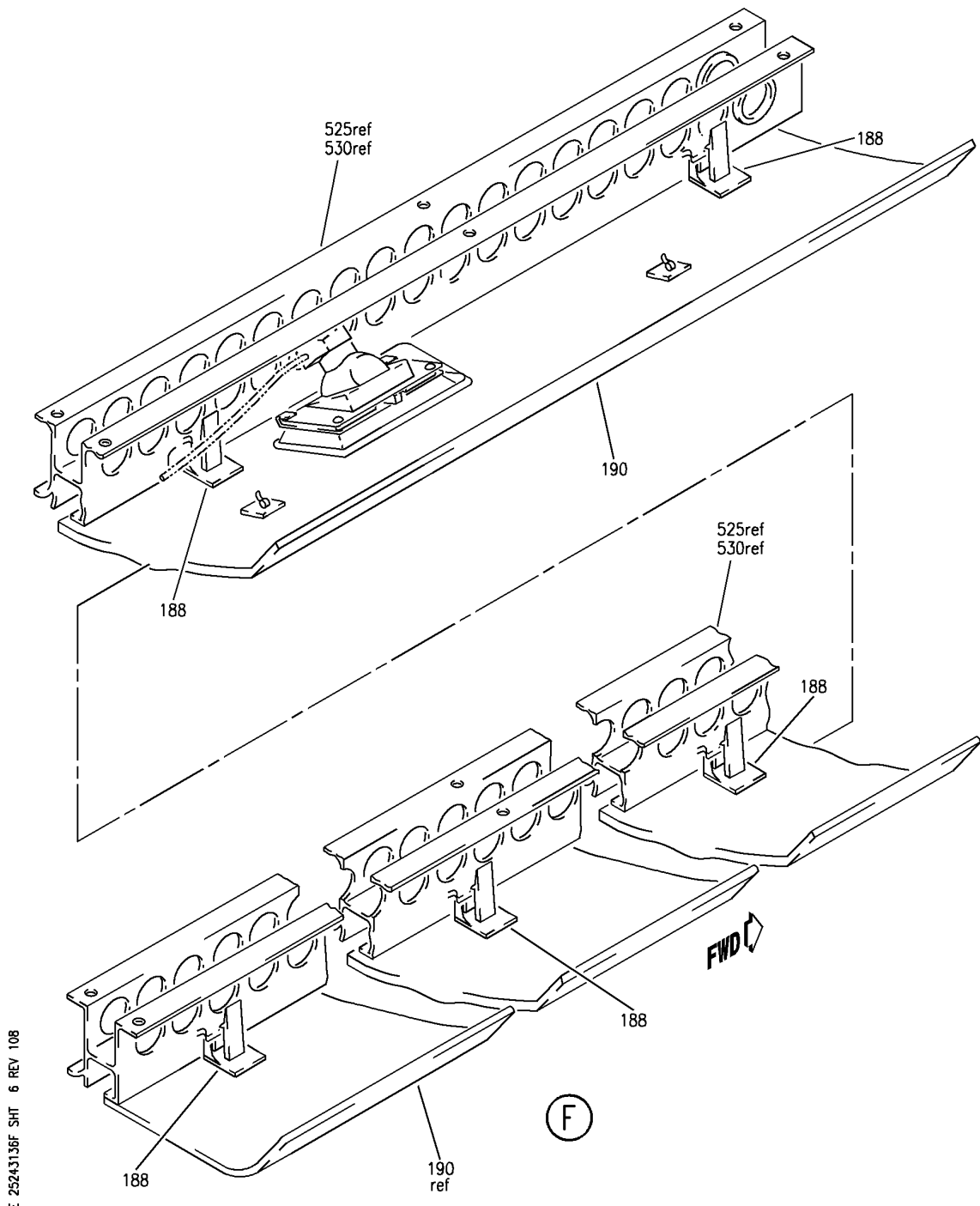
COMPARTMENT ASSY-80 IN. HNDRL CONFIGURATION (EQUIPMENT/FURNISHINGS ONLY)
 FIGURE 36F (SHEET 5)

25-24-31-36F

HAP
 OCT 10/06

25-24-31-36F
 PAGE 0D

BOEING
 737-600/700/800/900
 PARTS CATALOG (MAINTENANCE)



E 2524-31-36F SHT 6 REV 108

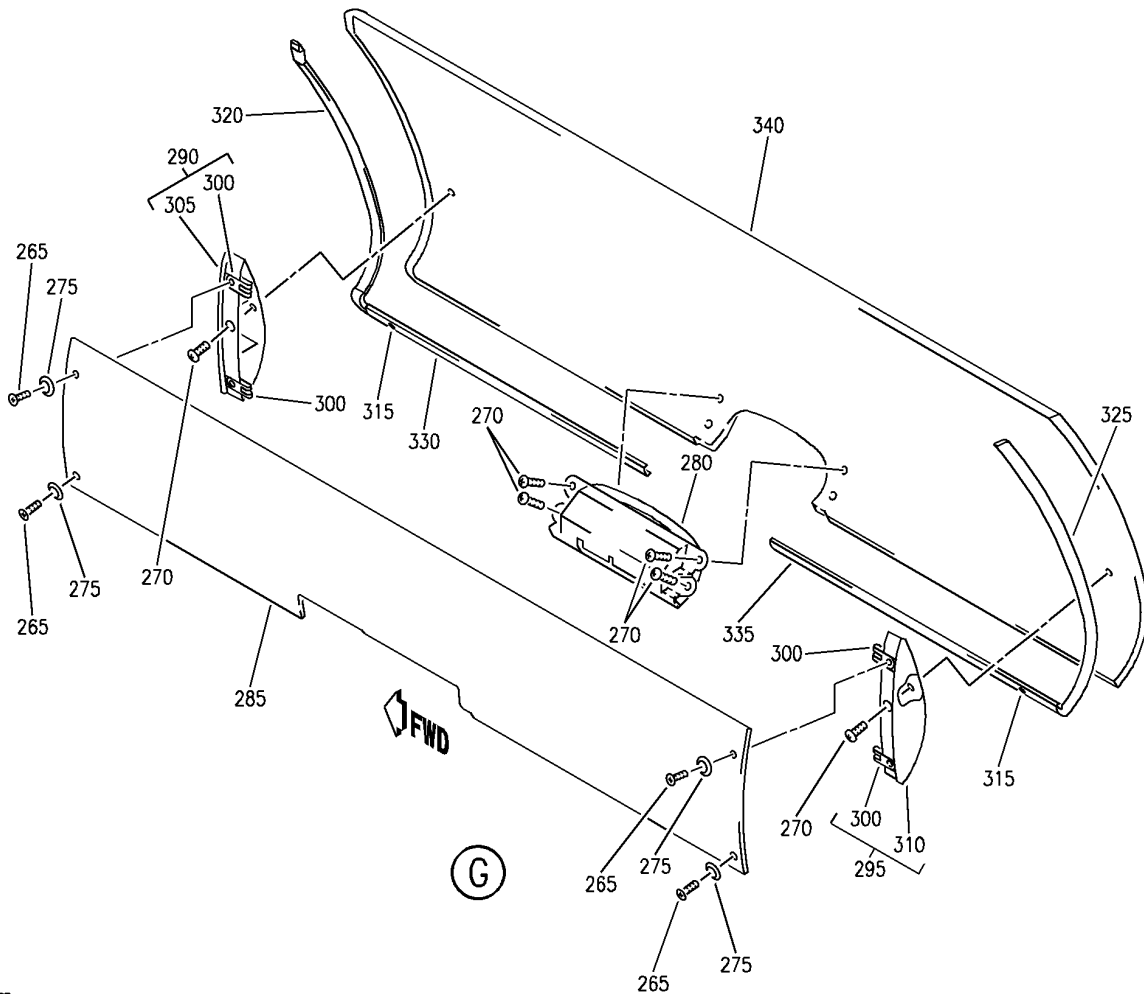
COMPARTMENT ASSY-80 IN. HANDRL CONFIGURATION (EQUIPMENT/FURNISHINGS ONLY)
 FIGURE 36F (SHEET 6)

HAP
 OCT 10/06

25-24-31-36F

25-24-31-36F
 PAGE 0E

BOEING
 737-600/700/800/900
 PARTS CATALOG (MAINTENANCE)



E 2524-31-36F SHT 7 REV 108

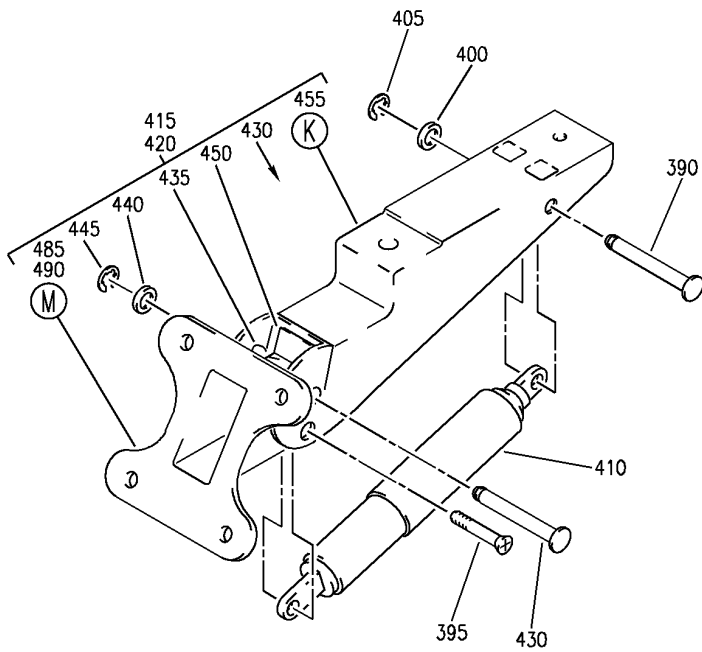
COMPARTMENT ASSY-80 IN. HNDRL CONFIGURATION (EQUIPMENT/FURNISHINGS ONLY)
 FIGURE 36F (SHEET 7)

25-24-31-36F

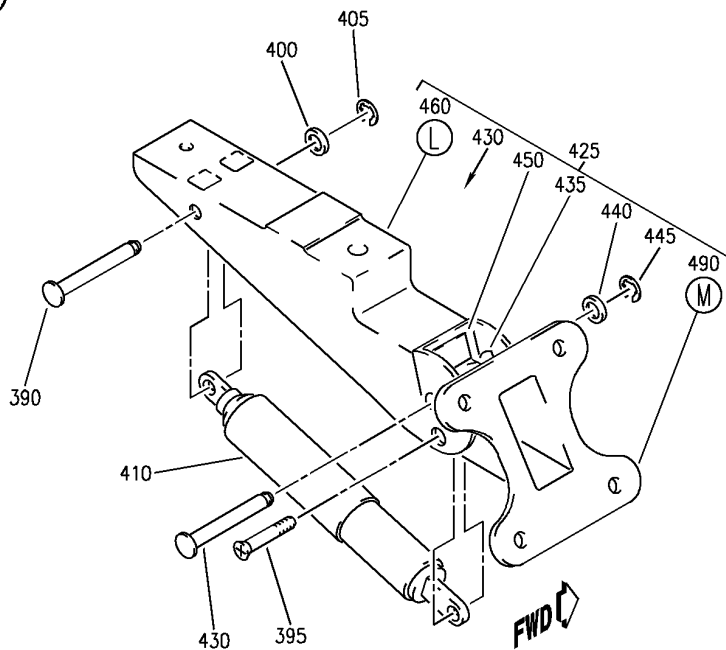
HAP
 OCT 10/06

25-24-31-36F
 PAGE OF

BOEING
 737-600/700/800/900
 PARTS CATALOG (MAINTENANCE)



(H)



(J)

E 2524-31-36F SHT 8 REV 108

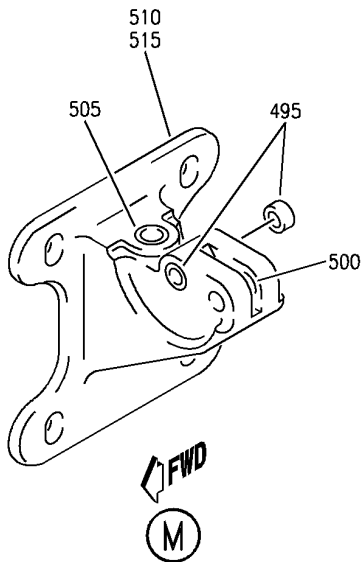
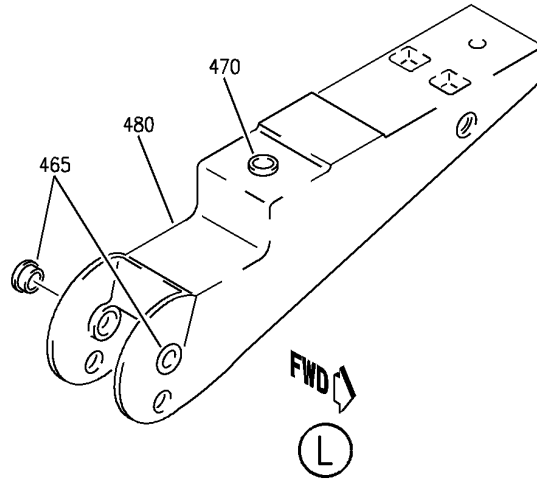
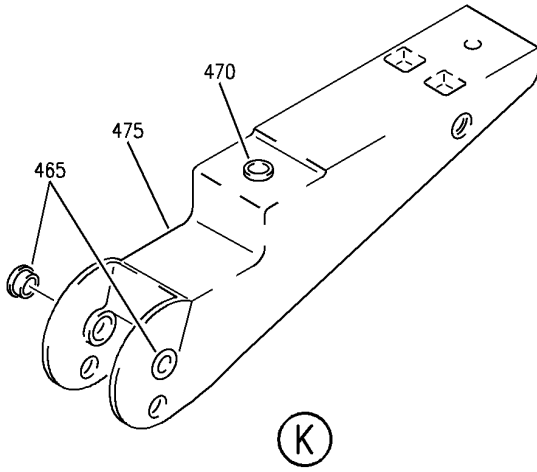
COMPARTMENT ASSY-80 IN. HNDRL CONFIGURATION (EQUIPMENT/FURNISHINGS ONLY)
 FIGURE 36F (SHEET 8)

HAP
 OCT 10/06

25-24-31-36F

25-24-31-36F
 PAGE 08

BOEING
 737-600/700/800/900
 PARTS CATALOG (MAINTENANCE)



E 2524-31-36F SHT 9 REV 108

COMPARTMENT ASSY-80 IN. HNDRL CONFIGURATION (EQUIPMENT/FURNISHINGS ONLY)
 FIGURE 36F (SHEET 9)

25-24-31-36F

HAP
 OCT 10/06

25-24-31-36F
 PAGE 0H

BOEING
737-600/700/800/900
PARTS CATALOG (MAINTENANCE)

FIG ITEM	PART NUMBER	1 2 3 4 5 6 7	NOMENCLATURE	EFFECT FROM TO	UNITS PER ASSY
36F			COMPARTMENT ASSY-80 IN. HNDRL CONFIGURATION (EQUIPMENT/FURNISHINGS ONLY)	002005 008030	
- 1	412A1100-109SP		COMPARTMENT ASSY-80 IN. HNDRL CONFIGURATION (EQUIPMENT/FURNISHINGS ONLY) POSITION DATA: LH PRE SERVICE BULLETIN: 25-1373 FOR NHA/OTHER SYS DET SEE: 25-24-30-80A	002005 008008	RF
- 1	412A1100-209SP		COMPARTMENT ASSY-80 IN. HNDRL CONFIGURATION (EQUIPMENT/FURNISHINGS ONLY) POSITION DATA: LH POST SERVICE BULLETIN: 25-1373 FOR NHA/OTHER SYS DET SEE: 25-24-30-80A	002005 008008	RF
- 1	412A1100-209B		COMPARTMENT ASSY-80 IN. HNDRL CONFIGURATION (EQUIPMENT/FURNISHINGS ONLY) POSITION DATA: LH FOR NHA/OTHER SYS DET SEE: 25-24-30-83	009030	RF
10	412A1420-1SP		.EXTRUSION-SEAT ROW MARKER	002005 008008	1
10	412A1420-1A		.EXTRUSION-SEAT ROW MARKER	009030	1
15	H3-1592-1		.LATCH- SUPPLIER CODE: V34941 SPECIFICATION NUMBER: S411A001-1	002005 008030	2
- 20	BACS12GU3K7		ATTACHING PARTS .SCREW	002005 008030	4
- 25	NAS1149D0332J		.WASHER	002005 008030	4
30	412A1700-1A		-----*----- .VALANCE ASSY-LT OPTIONAL PART: 412A1700-101B	009030	1

MISSING ITEM NUMBERS NOT APPLICABLE

- ITEM NOT ILLUSTRATED

HAP

25-24-31-36F

BOEING PROPRIETARY - Copyright © - Unpublished Work - See title page for details.

25-24-31
FIG. 36F
PAGE 1
OCT 10/06

BOEING
737-600/700/800/900
PARTS CATALOG (MAINTENANCE)

FIG ITEM	PART NUMBER	1 2 3 4 5 6 7	NOMENCLATURE	EFFECT FROM TO	UNITS PER ASSY
36F					
30	412A1700-101SP	.	VALANCE ASSY-LT OPTIONAL PART: 412A1700-1A POST SERVICE BULLETIN: 25-1373	002005 008008	1
30	412A1700-101B	.	VALANCE ASSY-LT OPTIONAL PART: 412A1700-1A	009030	1
30	412A1700-1SP	.	VALANCE ASSY-LT OPTIONAL PART: 412A1700-101SP PRE SERVICE BULLETIN: 25-1373 ATTACHING PARTS	002005 008008	1
- 35	BACN10YJ3F	.	NUT	002005 008030	8
			-----*-----		
40	BACS21DW3C10FN	..	STUD	002005 008030	8
45	412A1700-6	..	TAPE-VELCRO	002005 008030	2
50	412A1710-1A	..	PANEL ASSY- USED ON: 412A1700-1A	009030	1
50	412A1710-101SP	..	PANEL ASSY- USED ON: 412A1700-101SP 412A1700-101B POST SERVICE BULLETIN: 25-1373	002005 008030	1
50	412A1710-1SP	..	PANEL ASSY- USED ON: 412A1700-1SP PRE SERVICE BULLETIN: 25-1373	002005 008008	1
85	BACS12FA3K7	.	SCREW	002005 008030	2
90	BACS12ER3K9	.	SCREW	002005 008030	2
95	BACB30VF3K3	.	BOLT	002005 008030	2
100	H3-1233A3	.	WASHER- SUPPLIER CODE: V34941 SPECIFICATION NUMBER: S411A001-1	002005 008030	2
105	412A1465-13SP	.	CLOSEOUT ASSY-	002005 008008	1
105	412A1465-13A	.	CLOSEOUT ASSY-	009030	1

MISSING ITEM NUMBERS NOT APPLICABLE

- ITEM NOT ILLUSTRATED

HAP

25-24-31-36F

BOEING PROPRIETARY - Copyright © - Unpublished Work - See title page for details.

25-24-31
FIG. 36F
PAGE 2
JUN 15/08

BOEING
737-600/700/800/900
PARTS CATALOG (MAINTENANCE)

FIG ITEM	PART NUMBER	1 2 3 4 5 6 7	NOMENCLATURE	EFFECT FROM TO	UNITS PER ASSY
36F					
110	BACN10VR4CGN	..NUT-	OPTIONAL PART: BACN10VR4CG	002005 008030	3
110	BACN10VR4CG	..NUT-	OPTIONAL PART: BACN10VR4CGN	002005 008030	3
115	412A1465-15SP	..CLOSEOUT-		002005 008030	1
120	412A1465-14SP	.CLOSEOUT ASSY-		002005 008008	1
120	412A1465-14A	.CLOSEOUT ASSY-		009030	1
125	BACN10VR4CGN	..NUT-	OPTIONAL PART: BACN10VR4CG	002005 008030	3
125	BACN10VR4CG	..NUT-	OPTIONAL PART: BACN10VR4CGN	002005 008030	3
130	412A1465-16SP	..CLOSEOUT-		002005 008030	1
135	412A1310-700	.TAPE-VELCRO HOOK		002005 008030	1
137	412A1310-701	.TAPE-VELCRO LOOP		002005 008030	1
140	403A3210-21SP	.SEAL ASSY-		002005 008008	1
140	403A3210-21A	.SEAL ASSY-		009030	1
145	412A1243-101	.EXTRUSION ASSY		002005 008030	1
			ATTACHING PARTS		
150	BACS12ER3K5	.SCREW		002005 008030	11
155	BACS12ER3K14	.SCREW		002005 008030	12
160	H3-1233A3	.WASHER-	SUPPLIER CODE: V34941 SPECIFICATION NUMBER: S411A001-1 -----*-----	002005 008030	12
165	FS1651-3	..NUTPLATE	SUPPLIER CODE: V15653 SPECIFICATION NUMBER: BACN10KH3CD OPTIONAL PART: 102F9209M3 V72962 NS202496-02 V80539	002005 008030	12

MISSING ITEM NUMBERS NOT APPLICABLE

— ITEM NOT ILLUSTRATED

HAP

25-24-31-36F

BOEING PROPRIETARY - Copyright © - Unpublished Work - See title page for details.

25-24-31
FIG. 36F
PAGE 3
JUN 15/08

BOEING
737-600/700/800/900
PARTS CATALOG (MAINTENANCE)

FIG ITEM	PART NUMBER	1 2 3 4 5 6 7	NOMENCLATURE	EFFECT FROM TO	UNITS PER ASSY
36F			ATTACHING PARTS		
- 170	BACR15BA3ADC	..	RIVET- SIZE DETERMINED ON INSTL. -----*-----	002005 008030	24
175	412A1451-2SP	.	STRIP-TRIM	002005 008008	1
175	412A1451-2BCWK	.	STRIP-TRIM	009030	1
180	412A1650-3A	.	COVER ASSY-	002005 008030	1
185	412A1600-1A	.	COVER ASSY-	002005 008030	1
188	412A1460-1	..	CLIP	002005 008030	5
190	412A1610-3A	..	PANEL ASSY- OPTIONAL PART: 412A1610-103B	002005 008030	1
190	412A1610-103B	..	PANEL ASSY- OPTIONAL PART: 412A1610-3A	002005 008030	1
250	BACS12FA3K6	.	SCREW	002005 008030	20
255	BACS12FA3K15	.	SCREW	002005 008030	4
260	412A1500-1SP	.	DOOR ASSY-40 IN.	002005 008008	2
260	412A1500-101SP	.	DOOR ASSY-40 IN.	009030	2
265	BACS12ER3K9	..	SCREW	002005 008030	4
270	BACS12FA3K4	..	SCREW	002005 008030	6
275	H3-1233A3	..	WASHER- SUPPLIER CODE: V34941 SPECIFICATION NUMBER: S411A001-1	002005 008030	4
280	HA225-1	..	LATCH ASSY- SUPPLIER CODE: V83014 SPECIFICATION NUMBER: S412A001-1A	002005 008030	1

MISSING ITEM NUMBERS NOT APPLICABLE

- ITEM NOT ILLUSTRATED

HAP

25-24-31-36F

BOEING PROPRIETARY - Copyright © - Unpublished Work - See title page for details.

25-24-31
FIG. 36F
PAGE 4
JUN 15/08

BOEING
737-600/700/800/900
PARTS CATALOG (MAINTENANCE)

FIG ITEM	PART NUMBER	1 2 3 4 5 6 7	NOMENCLATURE	EFFECT FROM TO	UNITS PER ASSY
36F 280	HA225-7		.. LATCH ASSY- SUPPLIER CODE: V83014 SPECIFICATION NUMBER: S412A001-11B SERVICE BULLETIN OPT DATA: HA225K3868 V83014 POST SERVICE BULLETIN: 25-1373 POST SERVICE BULLETIN: HA225-25-01 V83014	002005 008030	1
280	HA225K3868		.. LATCH ASSY- SUPPLIER CODE: V83014 SERVICE BULLETIN OPT DATA: HA225-7 V83014 POST SERVICE BULLETIN: 25-1373 POST SERVICE BULLETIN: HA225-25-01 V83014	002005 008008	1
285	412A1615-100SP		.. PANEL ASSY-FILLER OPTIONAL PART: 412A1615-1100SP	002005 008030	1
285	412A1615-1100SP		.. PANEL ASSY-FILLER OPTIONAL PART: 412A1615-100SP	009030	1
290	412A1480-3SP		.. BRACKET ASSY	002005 008030	1
295	412A1480-4SP		.. BRACKET ASSY	002005 008030	1
300	BACN10VR4CGN		... NUT	002005 008030	2
305	412A1480-1SP		... BRACKET- USED ON: 412A1480-3SP	002005 008030	1
310	412A1480-2SP		... BRACKET- USED ON: 412A1480-4SP	002005 008030	1
315	412A1810-1SP		.. BUMPER	002005 008030	2
320	412A1450-4SP		.. TRIM-EDGE	002005 008030	1
325	412A1450-3SP		.. TRIM-EDGE	002005 008030	1

MISSING ITEM NUMBERS NOT APPLICABLE

- ITEM NOT ILLUSTRATED

HAP

25-24-31-36F

BOEING PROPRIETARY - Copyright © - Unpublished Work - See title page for details.

25-24-31
FIG. 36F
PAGE 5
JUN 15/08

BOEING
737-600/700/800/900
PARTS CATALOG (MAINTENANCE)

FIG ITEM	PART NUMBER	1 2 3 4 5 6 7	NOMENCLATURE	EFFECT FROM TO	UNITS PER ASSY
36F					
330	412A1450-6SP	..	TRIM-EDGE	002005 008030	1
335	412A1450-5SP	..	TRIM-EDGE	002005 008030	1
340	412A1510-2SP	..	PANEL ASSY	002005 008030	1
- 345	SL618-3A	...	INSERT- SUPPLIER CODE: V97393	002005 008030	14
375	412A1100-51SP	.HINGE	ASSY-COLLECTOR	002005 008030	2
380	412A1100-52SP	.HINGE	ASSY-COLLECTOR	002005 008030	1
385	412A1100-54SP	.HINGE	ASSY-COLLECTOR	002005 008030	1
390	412A1230-21	..	PIN	002005 008030	1
395	BACB30VF3K7	..	BOLT	002005 008030	1
400	NAS1149D0316J	..	WASHER	002005 008030	1
405	MS16633-4018	..	RING	002005 008030	1
410	SP20522	..	ACTUATOR ASSY- SUPPLIER CODE: V24403 SPECIFICATION NUMBER: S412A002-2	002005 008030	1
415	412A1455-1SP	..HINGE	ASSY- USED ON: 412A1100-51SP	002005 008030	1
420	412A1455-2SP	..HINGE	ASSY- USED ON: 412A1100-52SP	002005 008030	1
425	412A1455-4SP	..HINGE	ASSY- USED ON: 412A1100-54SP	002005 008030	1
430	412A1230-21	...	PIN	002005 008030	1
435	MS51023-54	...	SCREW	002005 008030	1
440	NAS1149D0316J	...	WASHER	002005 008030	1
445	MS16633-4018	...	RING	002005 008030	1
450	412A1220-1	...	CLIP	002005 008030	1

MISSING ITEM NUMBERS NOT APPLICABLE

- ITEM NOT ILLUSTRATED

HAP

25-24-31-36F

BOEING PROPRIETARY - Copyright © - Unpublished Work - See title page for details.

25-24-31
FIG. 36F
PAGE 6
JUN 15/08

BOEING
737-600/700/800/900
PARTS CATALOG (MAINTENANCE)

FIG ITEM	PART NUMBER	1 2 3 4 5 6 7	NOMENCLATURE	EFFECT FROM TO	UNITS PER ASSY
36F 455	412A1454-3SP	...	HOUSING ASSY- USED ON: 412A1455-1SP 412A1455-2SP	002005 008030	1
460	412A1454-12SP	...	HOUSING ASSY- USED ON: 412A1455-4SP	002005 008030	1
465	BACB28Y3F020	BUSHING	002005 008030	2
470	6041L3BR375	INSERT- SUPPLIER CODE: V01556	002005 008030	1
475	412A1454-1SP	HOUSING- USED ON: 412A1454-3SP	002005 008030	1
480	412A1454-11SP	HOUSING- USED ON: 412A1454-12SP	002005 008030	1
485	412A1454-9SP	...	BRACKET ASSY- USED ON: 412A1455-1SP	002005 008030	1
490	412A1454-10SP	...	BRACKET ASSY- USED ON: 412A1455-2SP 412A1455-4SP	002005 008030	1
495	BACB28Y3F025	BUSHING	002005 008030	2
500	6041-3BR225	INSERT- SUPPLIER CODE: V01556	002005 008030	1
505	6041L3BR375	INSERT- SUPPLIER CODE: V01556	002005 008030	1
510	412A1454-7SP	BRACKET- USED ON: 412A1454-9SP	002005 008030	1
515	412A1454-8SP	BRACKET- USED ON: 412A1454-10SP	002005 008030	1
525	412A1200-109A	.BOX	ASSY-80 IN. BIN OPTIONAL PART: 412A1200-1109B FOR DETAILS SEE: 25-24-32-81	009030	1
525	412A1200-1109B	.BOX	ASSY-80 IN. BIN OPTIONAL PART: 412A1200-109B FOR DETAILS SEE: 25-24-32-81	009030	1

MISSING ITEM NUMBERS NOT APPLICABLE

— ITEM NOT ILLUSTRATED

HAP

25-24-31-36F

BOEING PROPRIETARY - Copyright © - Unpublished Work - See title page for details.

25-24-31
FIG. 36F
PAGE 7
JUN 15/08

BOEING
737-600/700/800/900
PARTS CATALOG (MAINTENANCE)

FIG ITEM	PART NUMBER	1 2 3 4 5 6 7	NOMENCLATURE	EFFECT FROM TO	UNITS PER ASSY
36F 525	412A1200-109SP		.BOX ASSY-80 IN. BIN OPTIONAL PART: 412A1200-1109SP FOR DETAILS SEE: 25-24-32-81	002005 008008	1
525	412A1200-1109SP		.BOX ASSY-80 IN. BIN OPTIONAL PART: 412A1200-109SP FOR DETAILS SEE: 25-24-32-81	002005 008008	1
- 535	OBA8		.PLUG- SUPPLIER CODE: VOBV87	002005 008008	AR
- 545	OBA8		.PLUG- SUPPLIER CODE: VOBV87 OPTIONAL PART: 412A1811-1B 412A1100-96 412A1811-2B USED ON: 412A1100-209C	009030	AR
- 545	412A1811-1B		.PLUG- OPTIONAL PART: 412A1100-96 OBA8 VOBV87 412A1811-2B USED ON: 412A1100-209C	009030	AR
- 550	412A1811-2B		.PLUG- OPTIONAL PART: 412A1100-96 OBA8 VOBV87 412A1811-1B USED ON: 412A1100-209C	009030	AR
- 560	412A1100-96		.KIT ASSY- OPTIONAL PART: 412A1811-1B OBA8 VOBV87 412A1811-2B USED ON: 412A1100-209C	009030	40
- 565	NAS514P1032-5		.. SCREW	009030	1

MISSING ITEM NUMBERS NOT APPLICABLE

- ITEM NOT ILLUSTRATED

HAP

25-24-31-36F

BOEING PROPRIETARY - Copyright © - Unpublished Work - See title page for details.

25-24-31
FIG. 36F
PAGE 8
JUN 15/08


BOEING
 737-600/700/800/900
PARTS CATALOG (MAINTENANCE)

FIG ITEM	PART NUMBER	1 2 3 4 5 6 7 NOMENCLATURE	EFFECT FROM TO	UNITS PER ASSY
36 F - 580	H3-1233A3	. . WASHER- SUPPLIER CODE : V34941 SPECIFICATION NUMBER : S411A001-1	009030	1

MISSING ITEM NUMBERS NOT APPLICABLE

- ITEM NOT ILLUSTRATED

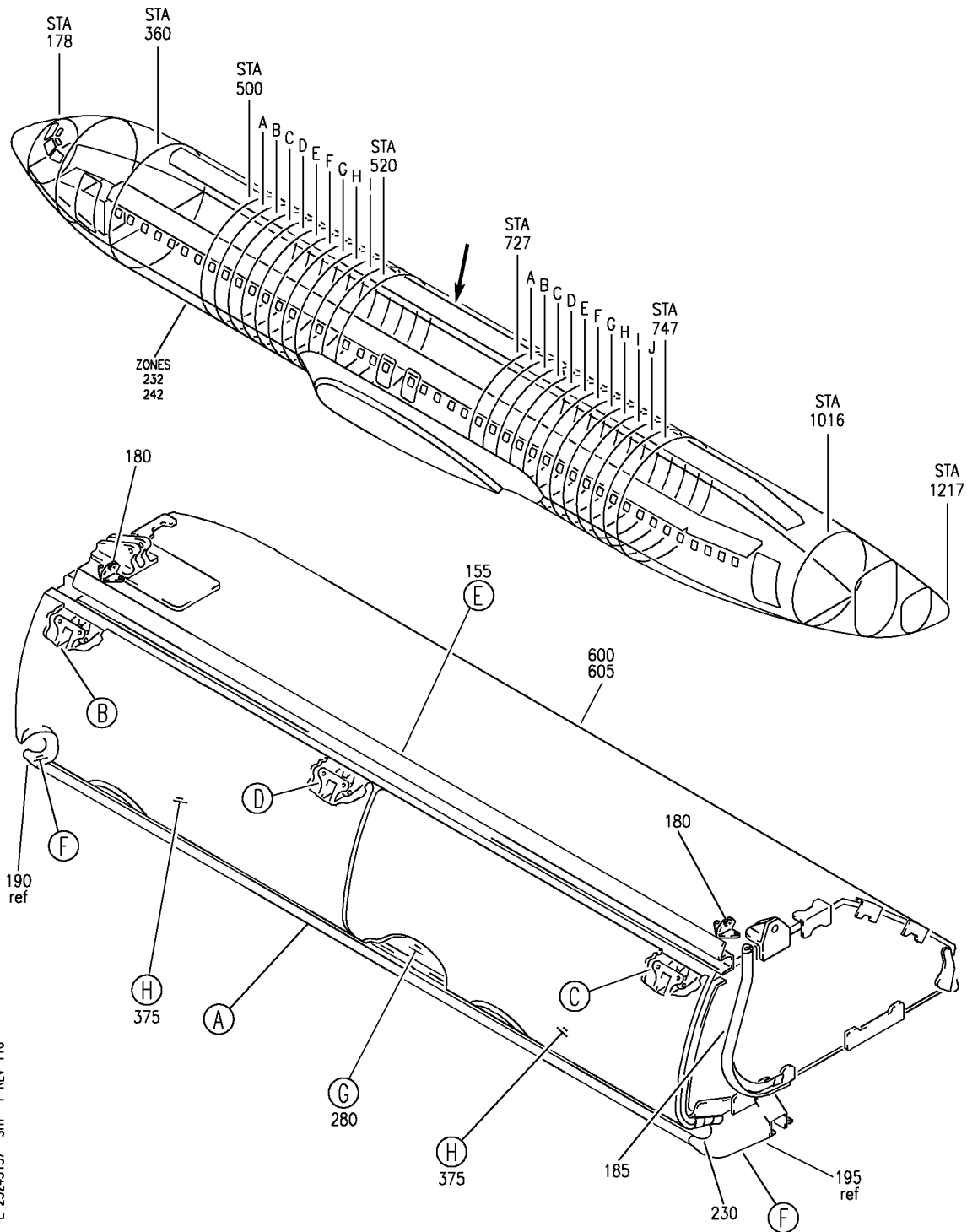
HAP

25-24-31-36F

BOEING PROPRIETARY - Copyright © - Unpublished Work - See title page for details.

25-24-31
 FIG. 36F
 PAGE 9
 JUN 15/08

BOEING
 737-600/700/800/900
 PARTS CATALOG (MAINTENANCE)



E 25243137 SHT 1 REV 110

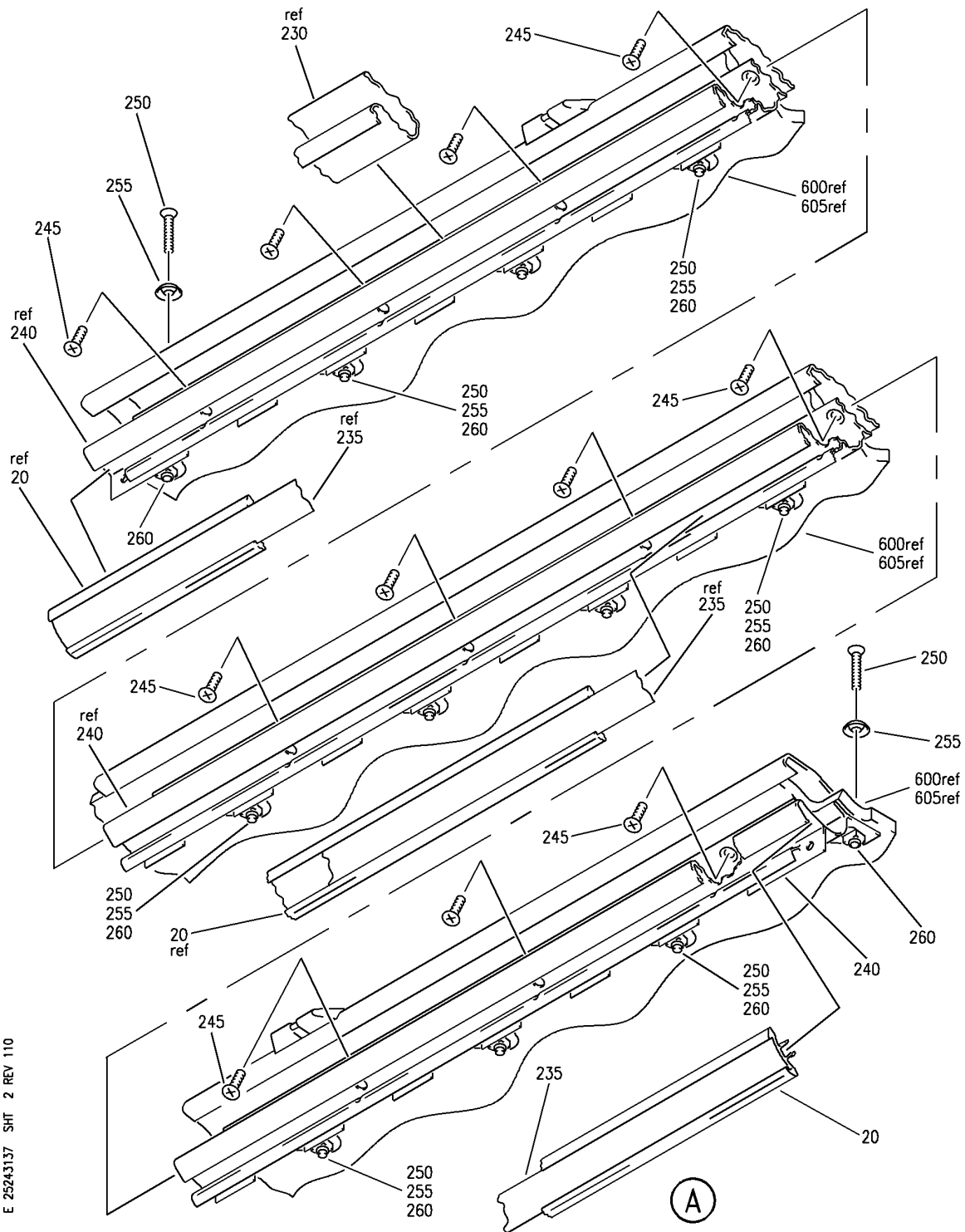
COMPARTMENT ASSY-80 IN. OVHD STOWAGE HNDRL CONFIGURATION (EQUIPMENT/ FURNISHINGS ONLY)
 FIGURE 37 (SHEET 1)

HAP
 OCT 10/06

25-24-31-37

25-24-31-37
 PAGE 0

BOEING
737-600/700/800/900
PARTS CATALOG (MAINTENANCE)



E 25243137 SHT 2 REV 110

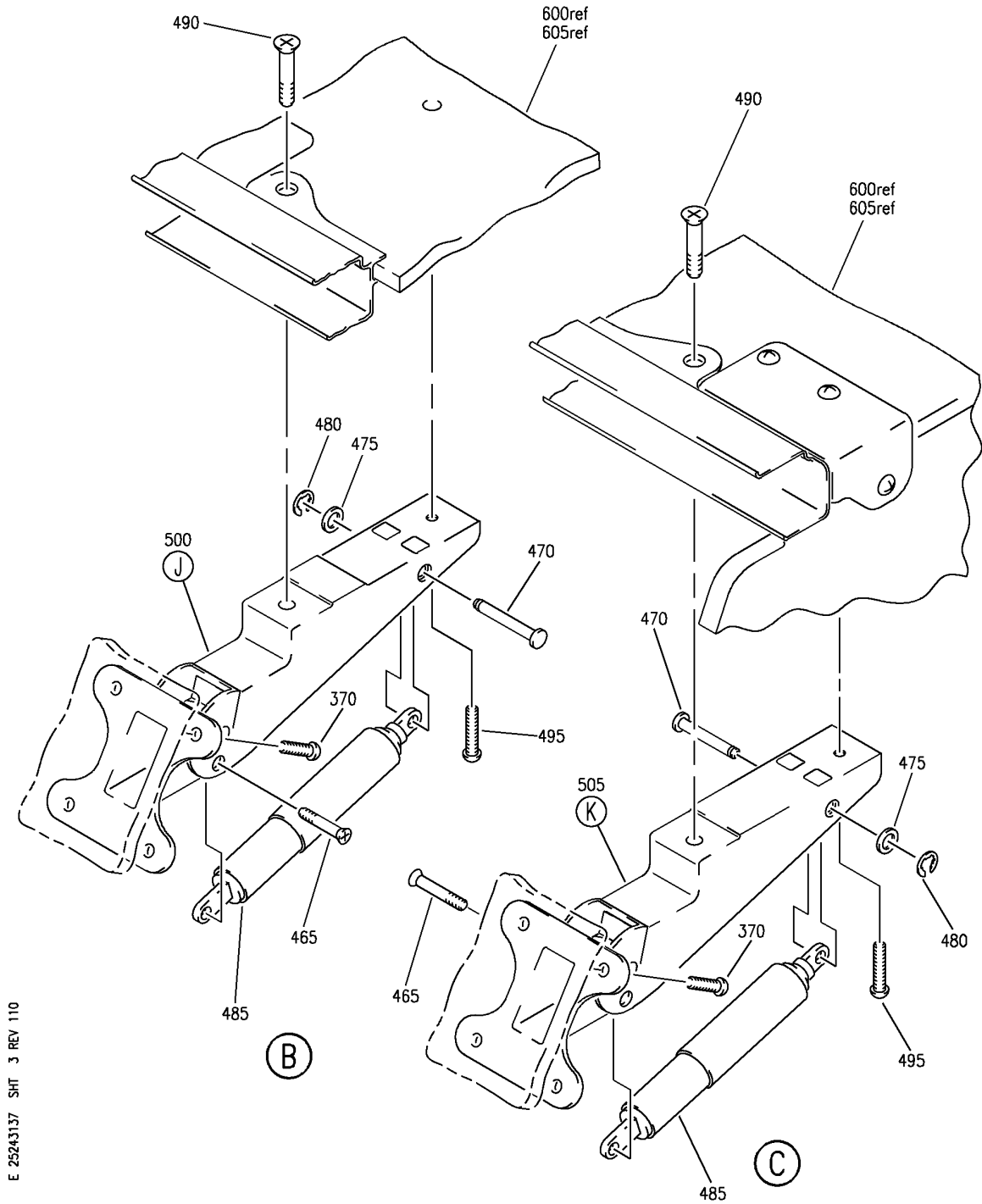
COMPARTMENT ASSY-80 IN. OVHD STOWAGE HNDRL CONFIGURATION (EQUIPMENT/ FURNISHINGS ONLY)
 FIGURE 37 (SHEET 2)

25-24-31-37

HAP
 OCT 10/06

25-24-31-37
 PAGE 0A

BOEING
737-600/700/800/900
PARTS CATALOG (MAINTENANCE)



E 2524-31-37 SHT 3 REV 110

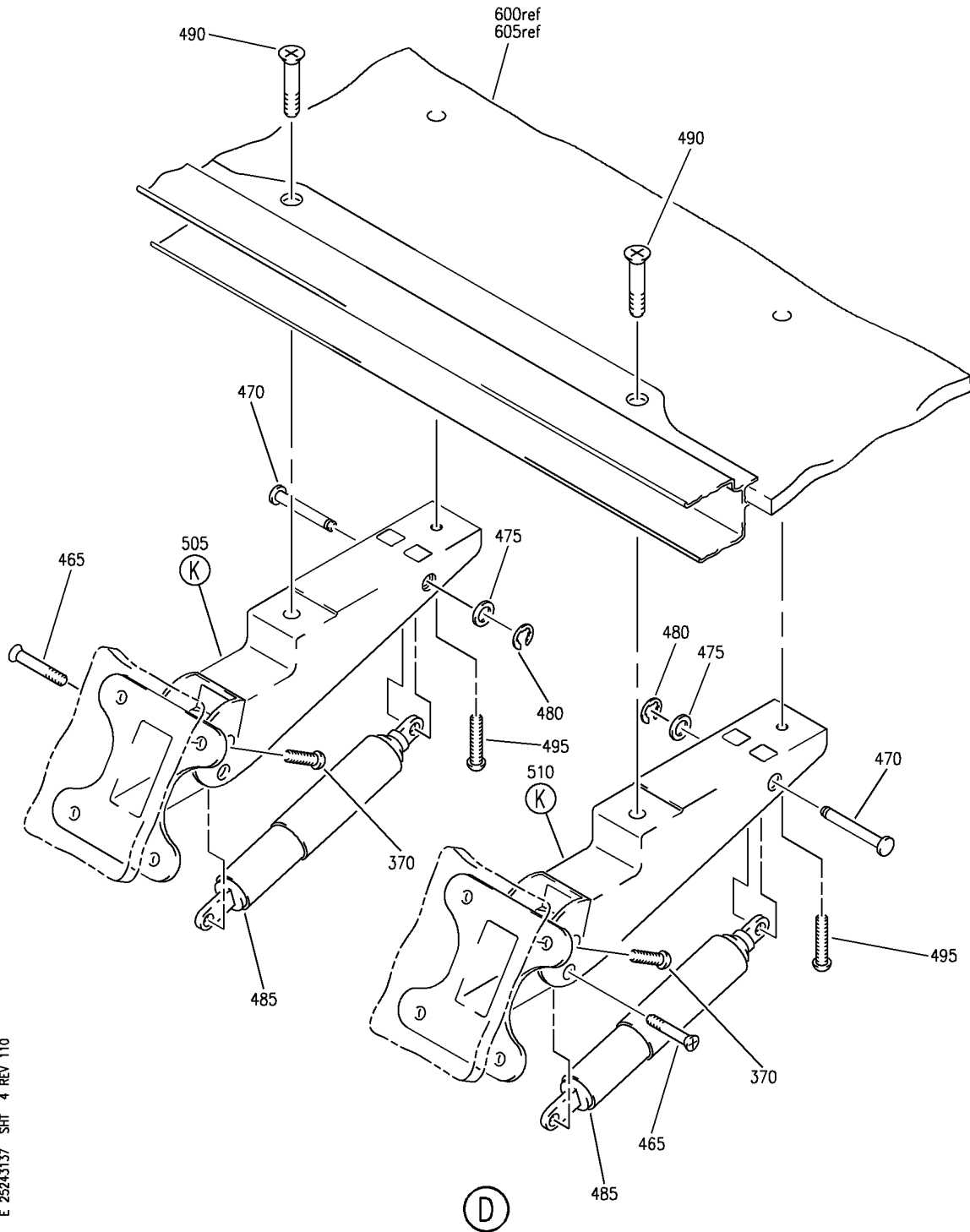
COMPARTMENT ASSY-80 IN. OVHD STOWAGE HNDRL CONFIGURATION (EQUIPMENT/ FURNISHINGS ONLY)
 FIGURE 37 (SHEET 3)

25-24-31-37

HAP
 OCT 10/06

25-24-31-37
 PAGE 0B

BOEING
 737-600/700/800/900
 PARTS CATALOG (MAINTENANCE)



E 2524-31-37 SHT 4 REV 110

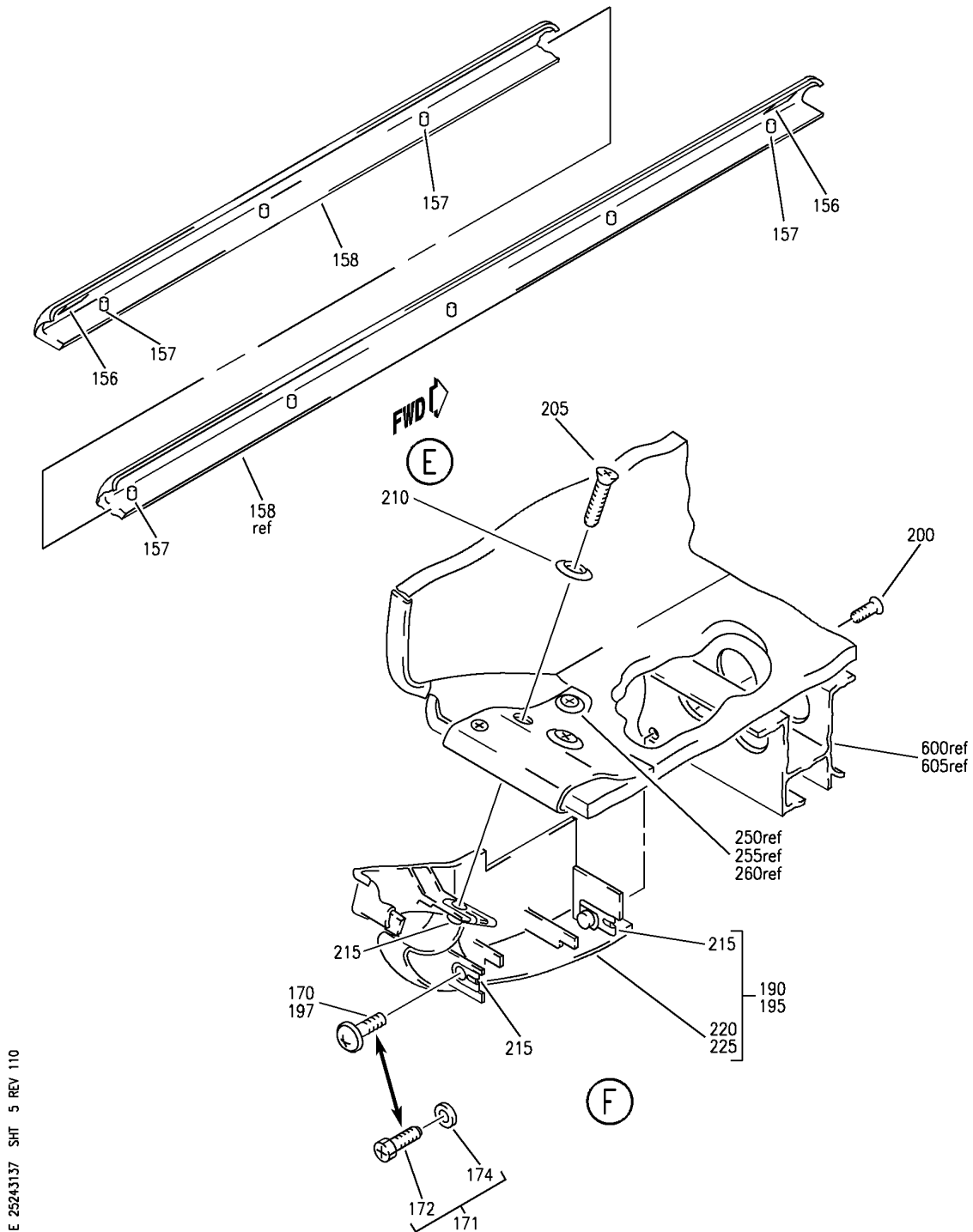
COMPARTMENT ASSY-80 IN. OVHD STOWAGE HNDRL CONFIGURATION (EQUIPMENT/ FURNISHINGS ONLY)
 FIGURE 37 (SHEET 4)

25-24-31-37

HAP
 OCT 10/06

25-24-31-37
 PAGE 0C

BOEING
 737-600/700/800/900
 PARTS CATALOG (MAINTENANCE)



E 2524-31-37 SHT 5 REV 110

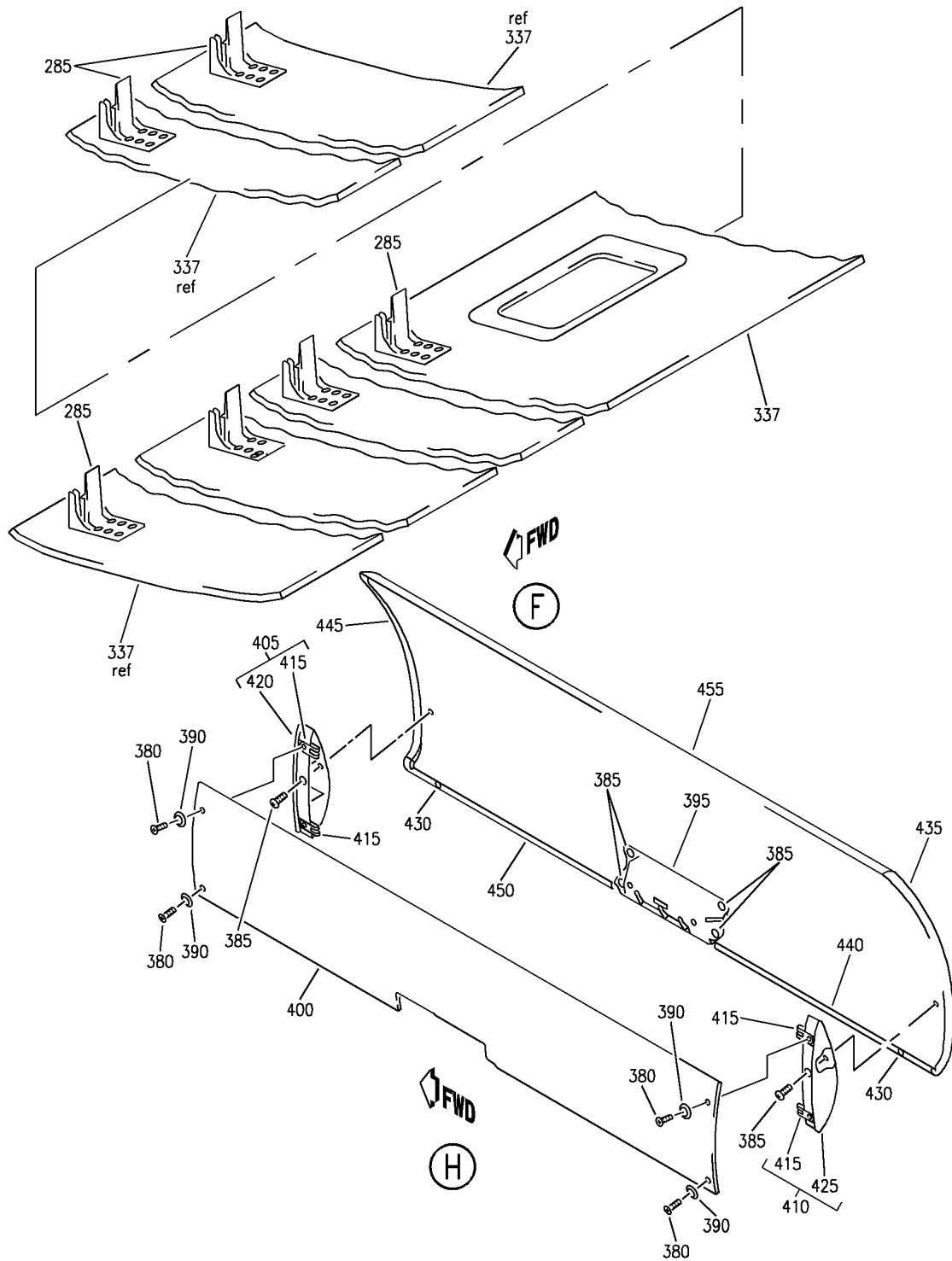
COMPARTMENT ASSY-80 IN. OVHD STOWAGE HNDRL CONFIGURATION (EQUIPMENT/ FURNISHINGS ONLY)
 FIGURE 37 (SHEET 5)

25-24-31-37

HAP
 OCT 10/06

25-24-31-37
 PAGE 0D


BOEING
 737-600/700/800/900
PARTS CATALOG (MAINTENANCE)



E 2524-31-37 SHT 6 REV 110

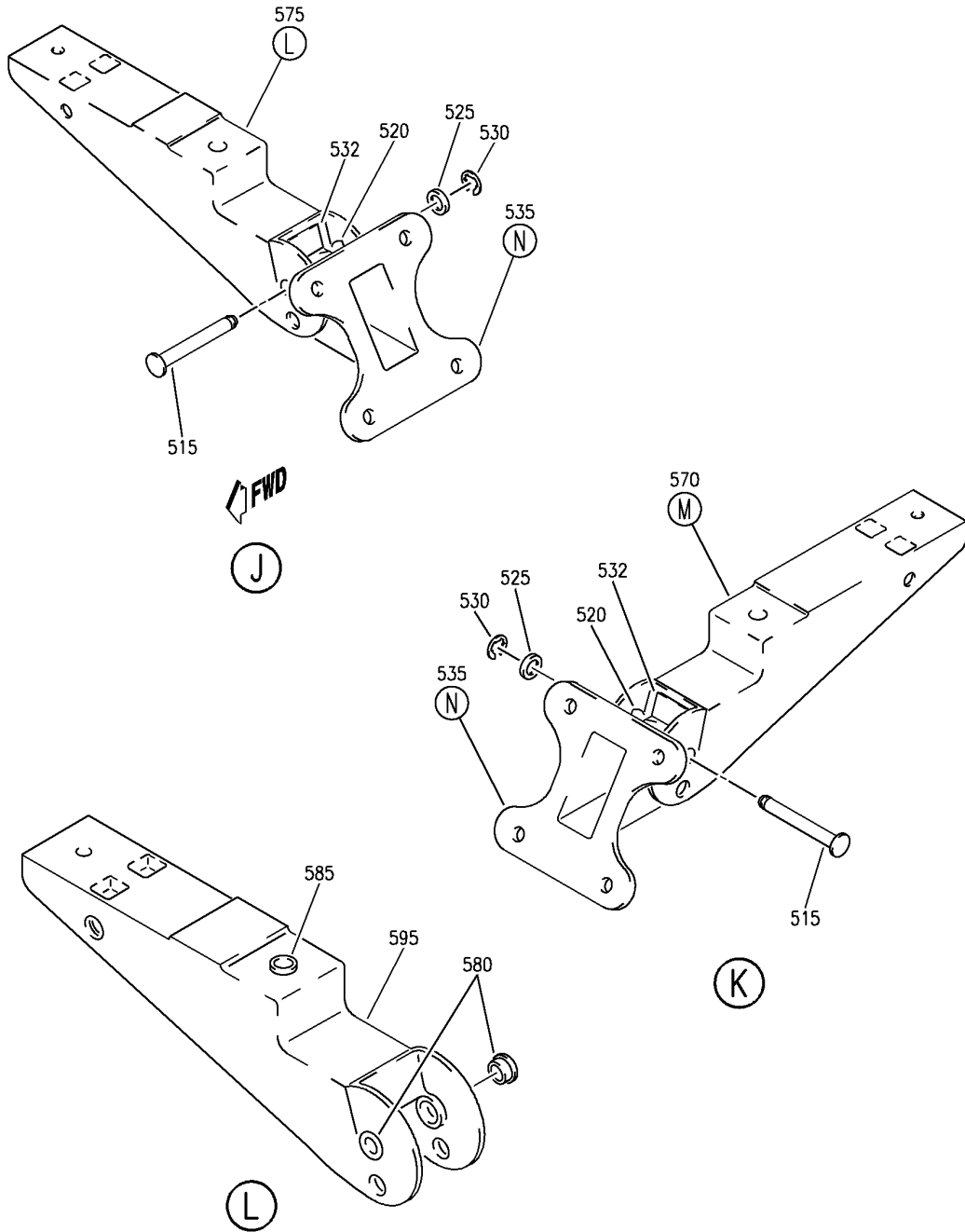
COMPARTMENT ASSY-80 IN. OVHD STOWAGE HNDRL CONFIGURATION (EQUIPMENT/ FURNISHINGS ONLY)
 FIGURE 37 (SHEET 6)

HAP
OCT 10/06

25-24-31-37

25-24-31-37
 PAGE 0E

BOEING
 737-600/700/800/900
 PARTS CATALOG (MAINTENANCE)



E 2524-31-37 SHT 7 REV 110

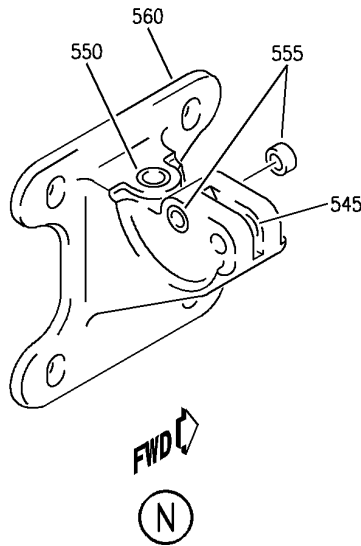
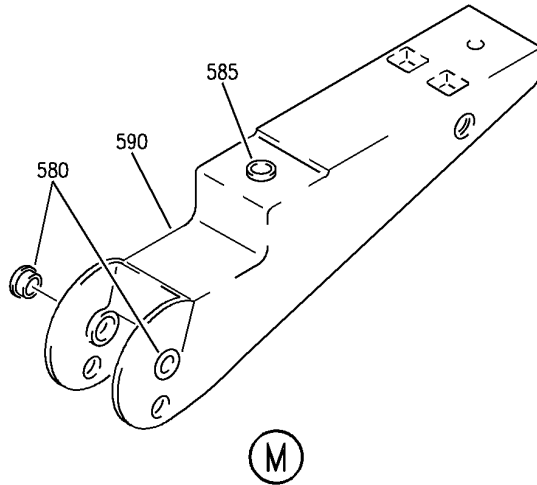
COMPARTMENT ASSY-80 IN. OVHD STOWAGE HNDRL CONFIGURATION (EQUIPMENT/ FURNISHINGS ONLY)
 FIGURE 37 (SHEET 7)

HAP
 OCT 10/06

25-24-31-37

25-24-31-37
 PAGE OF

BOEING
 737-600/700/800/900
 PARTS CATALOG (MAINTENANCE)



E 2524-31-37 SH1 8 REV 110

COMPARTMENT ASSY-80 IN. OVHD STOWAGE HNDRL CONFIGURATION (EQUIPMENT/ FURNISHINGS ONLY)
 FIGURE 37 (SHEET 8)

HAP
 OCT 10/06

25-24-31-37

25-24-31-37
 PAGE 06

BOEING
737-600/700/800/900
PARTS CATALOG (MAINTENANCE)

FIG ITEM	PART NUMBER	1 2 3 4 5 6 7	NOMENCLATURE	EFFECT FROM TO	UNITS PER ASSY
37			COMPARTMENT ASSY-80 IN. OVHD STOWAGE HNDRL CONFIGURATION (EQUIPMENT/ FURNISHINGS ONLY)	001001 006007	
- 5	412A1100-2SP		COMPARTMENT ASSY-80 IN. OVHD STOWAGE HNDRL CONFIGURATION (EQUIPMENT/ FURNISHINGS ONLY) PRE SERVICE BULLETIN: 25-1373 FOR NHA/OTHER SYS DET SEE: 25-24-30-80A	001001 006007	RF
- 5	002A0007-53N		COMPARTMENT ASSY-80 IN. OVHD STOWAGE HNDRL CONFIGURATION (EQUIPMENT/ FURNISHINGS ONLY) POST SERVICE BULLETIN: 25-1373 FOR NHA/OTHER SYS DET SEE: 25-24-30-80A	001001 006007	RF
- 10	412A1100-10SP		COMPARTMENT ASSY-80 IN. OVHD STOWAGE HNDRL CONFIGURATION (EQUIPMENT/ FURNISHINGS ONLY) PRE SERVICE BULLETIN: 25-1373 FOR NHA/OTHER SYS DET SEE: 25-24-30-80A	001001 006007	RF
- 10	002A0007-57N		COMPARTMENT ASSY-80 IN. OVHD STOWAGE HNDRL CONFIGURATION (EQUIPMENT/ FURNISHINGS ONLY) POST SERVICE BULLETIN: 25-1373 FOR NHA/OTHER SYS DET SEE: 25-24-30-80A	001001 006007	RF
20	412A1420-1SP		.EXTRUSION-SEAT ROW MARKER	001001 006007	1
155	412A1700-101SP		.VALANCE ASSY-LT OPTIONAL PART: 412A1700-1A	001001 006007	1
155	412A1700-1A		.VALANCE ASSY-LT OPTIONAL PART: 412A1700-101SP	001001 006007	1
156	412A1700-6		..TAPE	001001 006007	2
157	BACS21DW3C10FN		..STUD	001001 006007	8

MISSING ITEM NUMBERS NOT APPLICABLE

- ITEM NOT ILLUSTRATED

HAP

25-24-31-37

BOEING PROPRIETARY - Copyright © - Unpublished Work - See title page for details.

25-24-31
FIG. 37
PAGE 1
OCT 10/06

BOEING
737-600/700/800/900
PARTS CATALOG (MAINTENANCE)

FIG ITEM	PART NUMBER	1 2 3 4 5 6 7	NOMENCLATURE	EFFECT FROM TO	UNITS PER ASSY
37					
158	412A1710-101SP	..	PANEL ASSY- USED ON: 412A1700-101SP	001001 006007	1
158	412A1710-1A	..	PANEL ASSY- USED ON: 412A1700-1A	001001 006007	1
- 160	BACN10YJ3F	.	NUT	001001 006007	8
			-----*-----		
170	BACS12FA3K7	.	SCREW- OPTIONAL PART: 412A1100-95	001001 006007	4
171	412A1100-95	.	KIT ASSY- OPTIONAL PART: BACS12FA3K7	001001 006007	4
172	BACS12GU3K7	..	SCREW	001001 006007	1
174	NAS1149D0332J	..	WASHER	001001 006007	1
180	H3-1592-1	.	LATCH-CLG SUPPLIER CODE: V34941 SPECIFICATION NUMBER: S411A001-1	001001 006007	2
185	403A3210-4SP	.	SEAL ASSY	001001 006007	1
190	412A1465-14SP	.	CLOSEOUT ASSY	001001 006007	1
195	412A1465-13SP	.	CLOSEOUT ASSY	001001 006007	1
			ATTACHING PARTS		
197	BACS12FA3K7	.	SCREW- OPTIONAL PART: 412A1100-95	001001 006007	2
197	412A1100-95	.	KIT ASSY- OPTIONAL PART: BACS12FA3K7	001001 006007	2
			-----*-----		
- 198	BACS12GU3K7	..	SCREW- USED ON: 412A1100-95	001001 006007	1
- 199	NAS1149D0332J	..	WASHER- USED ON: 412A1100-95	001001 006007	1
200	BACB30VF3K3	.	BOLT	001001 006007	2

MISSING ITEM NUMBERS NOT APPLICABLE

- ITEM NOT ILLUSTRATED

HAP

25-24-31-37

BOEING PROPRIETARY - Copyright © - Unpublished Work - See title page for details.

25-24-31
FIG. 37
PAGE 2
OCT 10/06

BOEING
737-600/700/800/900
PARTS CATALOG (MAINTENANCE)

FIG ITEM	PART NUMBER	1 2 3 4 5 6 7	NOMENCLATURE	EFFECT FROM TO	UNITS PER ASSY
37					
205	BACS12ER3K9	.	SCREW	001001 006007	2
210	H3-1233A3	.	WASHER- SUPPLIER CODE: V34941 SPECIFICATION NUMBER: S411A001-1 -----*-----	001001 006007	2
215	BACN10VR4CGN	..	NUT- OPTIONAL PART: BACN10VR4CG	001001 006007	3
215	BACN10VR4CG	..	NUT- OPTIONAL PART: BACN10VR4CGN	001001 006007	3
220	412A1465-15SP	..	CLOSEOUT- USED ON: 412A1465-13SP	001001 006007	1
225	412A1465-16SP	..	CLOSEOUT- USED ON: 412A1465-14SP	001001 006007	1
230	412A1650-3A	.	COVER ASSY-	001001 006007	1
235	412A1451-1SP	.	STRIP-TRIM	001001 006007	1
240	412A1243-1	.	EXTRUSION ASSY- OPTIONAL PART: 412A1243-101	001001 006007	1
240	412A1243-101	.	EXTRUSION ASSY- OPTIONAL PART: 412A1243-1 ATTACHING PARTS	001001 006007	1
245	BACS12ER3K5	.	SCREW	001001 006007	11
250	BACS12ER3K14	.	SCREW	001001 006007	12
255	H3-1233A3	.	WASHER- SUPPLIER CODE: V34941 SPECIFICATION NUMBER: S411A001-1 -----*-----	001001 006007	12

MISSING ITEM NUMBERS NOT APPLICABLE

— ITEM NOT ILLUSTRATED

HAP

25-24-31-37

BOEING PROPRIETARY - Copyright © - Unpublished Work - See title page for details.

25-24-31
FIG. 37
PAGE 3
JUN 15/08

BOEING
737-600/700/800/900
PARTS CATALOG (MAINTENANCE)

FIG ITEM	PART NUMBER	1 2 3 4 5 6 7	NOMENCLATURE	EFFECT FROM TO	UNITS PER ASSY
37 260	FS1651-3		..NUTPLATE SUPPLIER CODE: V15653 SPECIFICATION NUMBER: BACN10KH3CD OPTIONAL PART: 102F9209M3 V72962 NS202496-02 V80539 ATTACHING PARTS	001001 006007	12
- 265	BACR15BA3ADC		..RIVET- SIZE DETERMINED ON INSTL. -----*-----	001001 006007	24
280	412A1600-1A		.COVER ASSY-	001001 006007	1
285	412A1460-1		..CLIP	001001 006007	5
337	412A1610-103B		..PANEL ASSY- OPTIONAL PART: 412A1610-3A	001001 006007	1
337	412A1610-3A		..PANEL ASSY- OPTIONAL PART: 412A1610-103B	001001 006007	1
370	BACS12FA3K6		.SCREW- POSITION DATA: FAR SIDE	001001 006007	16
375	412A1500-1SP		.DOOR ASSY-40 IN.	001001 006007	2
380	BACS12ER3K9		..SCREW	001001 006007	4
385	BACS12FA3K4		..SCREW	001001 006007	6
390	H3-1233A3		..WASHER- SUPPLIER CODE: V34941 SPECIFICATION NUMBER: S411A001-1	001001 006007	4
395	HA225-1		..LATCH ASSY- SUPPLIER CODE: V83014 SPECIFICATION NUMBER: S412A001-1A	001001 006007	1
395	HA225-7		..LATCH ASSY- SUPPLIER CODE: V83014 SPECIFICATION NUMBER: S412A001-11B	001001 006007	1

MISSING ITEM NUMBERS NOT APPLICABLE

- ITEM NOT ILLUSTRATED

HAP

25-24-31-37

BOEING PROPRIETARY - Copyright © - Unpublished Work - See title page for details.

25-24-31
FIG. 37
PAGE 4
JUN 15/08

BOEING
737-600/700/800/900
PARTS CATALOG (MAINTENANCE)

FIG ITEM	PART NUMBER	1 2 3 4 5 6 7	NOMENCLATURE	EFFECT FROM TO	UNITS PER ASSY
37					
400	412A1615-100SP	..	PANEL ASSY-FILLER	001001 006007	1
405	412A1480-3SP	..	BRACKET ASSY	001001 006007	1
410	412A1480-4SP	..	BRACKET ASSY	001001 006007	1
415	BACN10VR4CGN	...	NUT	001001 006007	2
420	412A1480-1SP	...	BRACKET- USED ON: 412A1480-3SP	001001 006007	1
425	412A1480-2SP	...	BRACKET- USED ON: 412A1480-4SP	001001 006007	1
430	412A1810-1SP	..	BUMPER	001001 006007	2
435	412A1450-3SP	..	TRIM-EDGE	001001 006007	1
440	412A1450-5SP	..	TRIM-EDGE	001001 006007	1
445	412A1450-4SP	..	TRIM-EDGE	001001 006007	1
450	412A1450-6SP	..	TRIM-EDGE	001001 006007	1
455	412A1510-2SP	..	PANEL ASSY	001001 006007	1
- 460	SL618-3A	...	INSERT- SUPPLIER CODE: V97393	001001 006007	14
465	BACB30VF3K7	.	BOLT	001001 006007	4
470	412A1230-21	.	PIN-HINGE	001001 006007	4
475	NAS1149D0316J	.	WASHER	001001 006007	4
480	MS16633-4018	.	RING	001001 006007	4
485	SP20522	.	ACTUATOR ASSY- SUPPLIER CODE: V24403 SPECIFICATION NUMBER: S412A002-2	001001 006007	4
490	BACS12FA3K15	.	SCREW	001001 006007	4
495	BACS12FA3K9	.	SCREW	001001 006007	4
500	412A1455-3SP	.	HINGE ASSY	001001 006007	1

MISSING ITEM NUMBERS NOT APPLICABLE

- ITEM NOT ILLUSTRATED

HAP

25-24-31-37

25-24-31
FIG. 37
PAGE 5
JUN 15/08

BOEING
737-600/700/800/900
PARTS CATALOG (MAINTENANCE)

FIG ITEM	PART NUMBER	1 2 3 4 5 6 7	NOMENCLATURE	EFFECT FROM TO	UNITS PER ASSY
37					
505	412A1455-2SP	.	HINGE ASSY	001001 006007	2
510	412A1455-1SP	.	HINGE ASSY	001001 006007	1
515	412A1230-21	..	PIN	001001 006007	1
520	MS51023-54	..	SCREW	001001 006007	1
525	NAS1149D0316J	..	WASHER	001001 006007	1
530	MS16633-4018	..	RING	001001 006007	1
532	412A1220-1	..	CLIP	001001 006007	1
535	412A1454-9SP	..	BRACKET ASSY- USED ON: 412A1455-1SP 412A1455-3SP	001001 006007	1
- 540	412A1454-10SP	..	BRACKET ASSY- USED ON: 412A1455-2SP	001001 006007	1
545	6041-3BR225	...	INSERT- SUPPLIER CODE: V01556	001001 006007	1
550	6041L3BR375	...	INSERT- SUPPLIER CODE: V01556	001001 006007	1
555	BACB28Y3F025	...	BUSHING	001001 006007	2
560	412A1454-7SP	...	BRACKET- POSITION DATA: LH SIDE	001001 006007	1
- 565	412A1454-8SP	...	BRACKET- POSITION DATA: RH SIDE	001001 006007	1
570	412A1454-3SP	..	HOUSING ASSY- USED ON: 412A1455-1SP 412A1455-2SP	001001 006007	1
575	412A1454-12SP	..	HOUSING ASSY- USED ON: 412A1455-3SP	001001 006007	1
580	BACB28Y3F020	...	BUSHING	001001 006007	2
585	6041-3BR225	...	INSERT- SUPPLIER CODE: V01556	001001 006007	1

MISSING ITEM NUMBERS NOT APPLICABLE

- ITEM NOT ILLUSTRATED

HAP

25-24-31-37

25-24-31
FIG. 37
PAGE 6
JUN 15/08

BOEING
737-600/700/800/900
PARTS CATALOG (MAINTENANCE)

FIG ITEM	PART NUMBER	1 2 3 4 5 6 7	NOMENCLATURE	EFFECT FROM TO	UNITS PER ASSY
37 590	412A1454-1SP		...HOUSING- USED ON: 412A1454-3SP	001001 006007	1
595	412A1454-11SP		...HOUSING- USED ON: 412A1454-12SP	001001 006007	1
600	412A1200-2SP		.BOX ASSY-80 IN. BIN USED ON: 412A1100-2SP FOR DETAILS SEE: 25-24-32-84A	001001 006007	1
605	412A1200-10SP		.BOX ASSY-80 IN. BIN USED ON: 412A1100-10SP FOR DETAILS SEE: 25-24-32-84D	001001 006007	1

MISSING ITEM NUMBERS NOT APPLICABLE

— ITEM NOT ILLUSTRATED

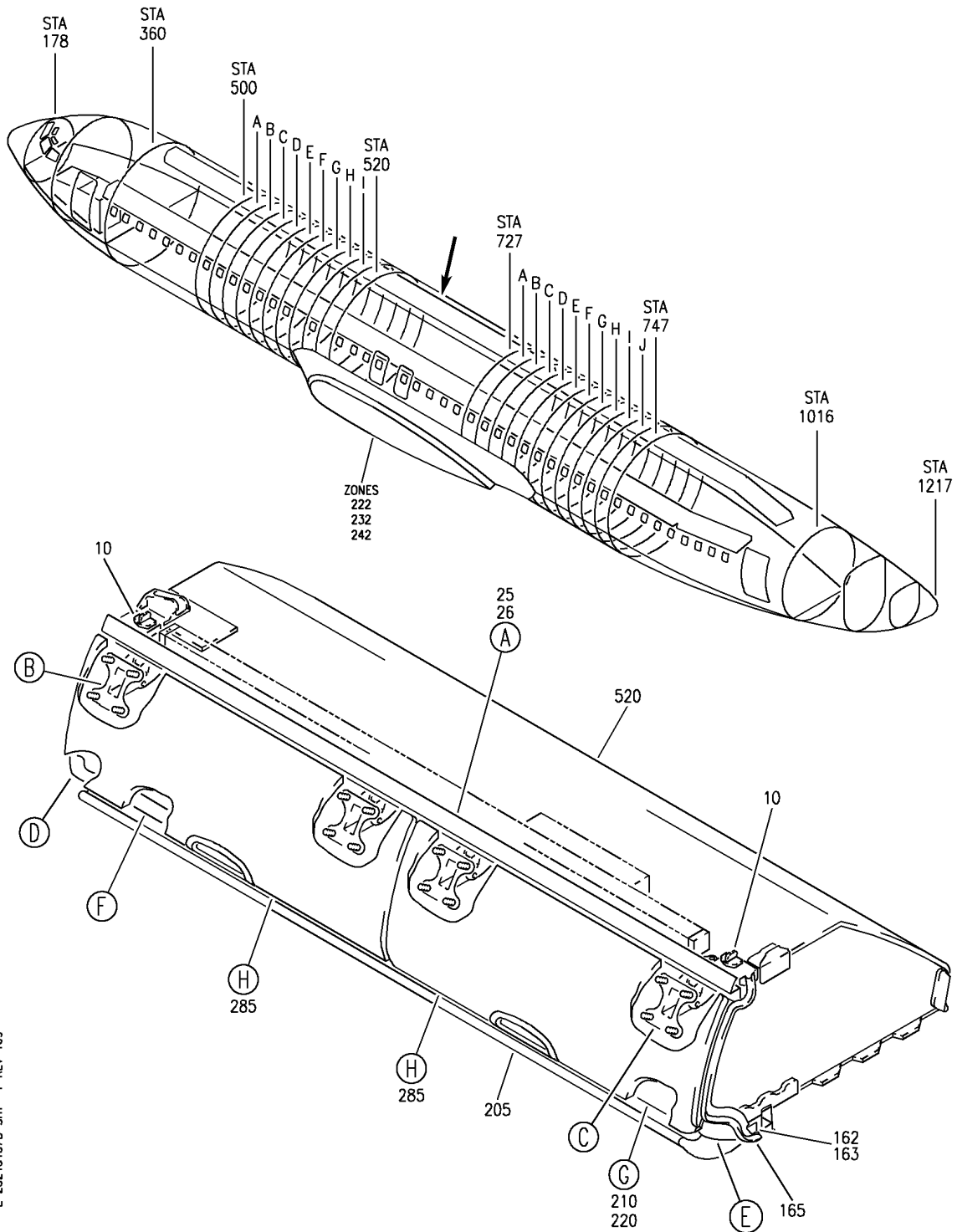
HAP

25-24-31-37

BOEING PROPRIETARY - Copyright © - Unpublished Work - See title page for details.

25-24-31
FIG. 37
PAGE 7
JUN 15/08

BOEING
 737-600/700/800/900
 PARTS CATALOG (MAINTENANCE)



E 2524-31-37B SHT 1 REV 109

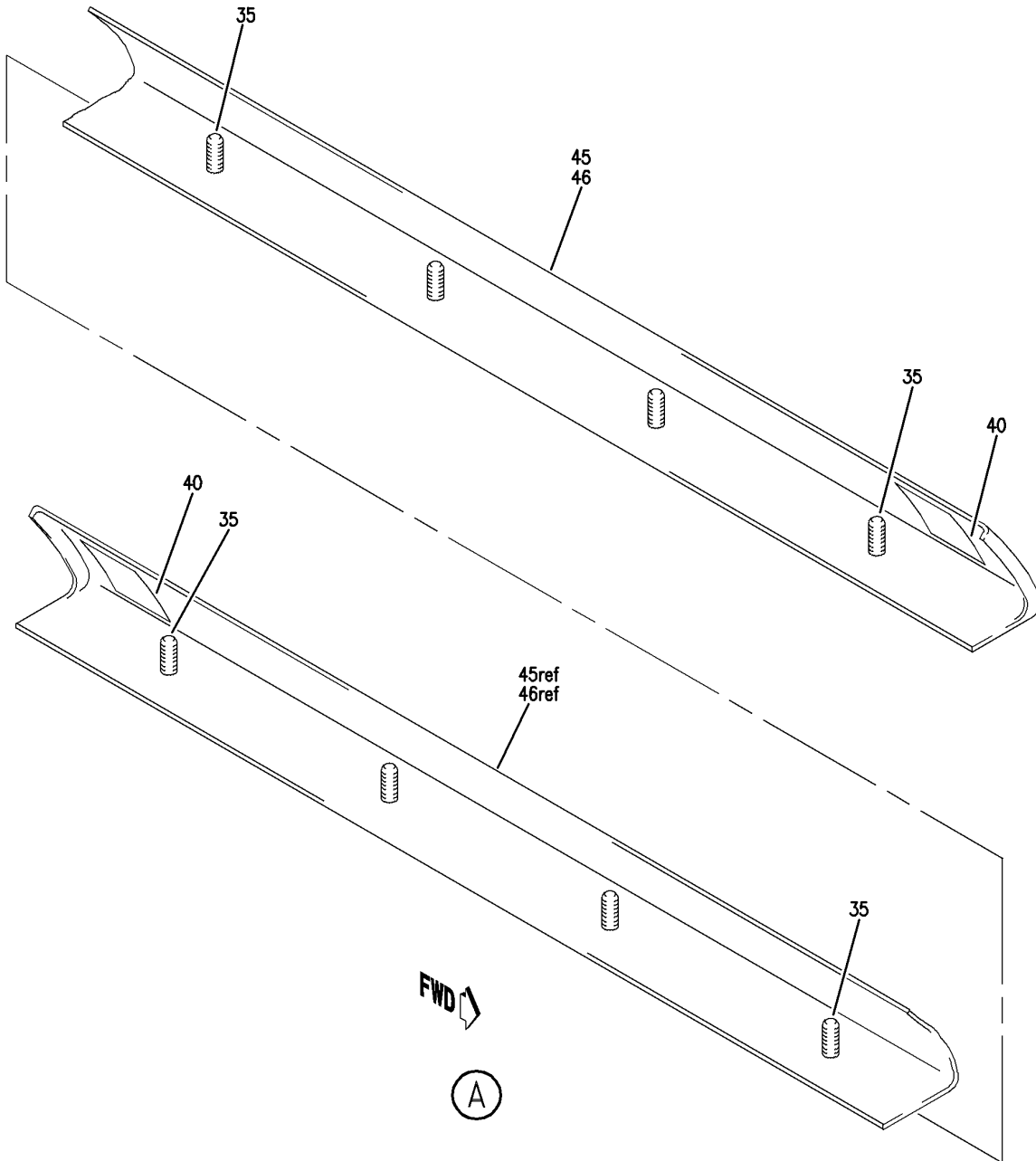
COMPARTMENT ASSY-80 IN. OVHD STOWAGE HNDRL CONFIGURATION (EQUIPMENT/ FURNISHINGS ONLY)
 FIGURE 37B (SHEET 1)

25-24-31-37B

HAP
 OCT 10/06

25-24-31-37B
 PAGE 0

BOEING
 737-600/700/800/900
 PARTS CATALOG (MAINTENANCE)



E 25243137B SHT 2 REV 060

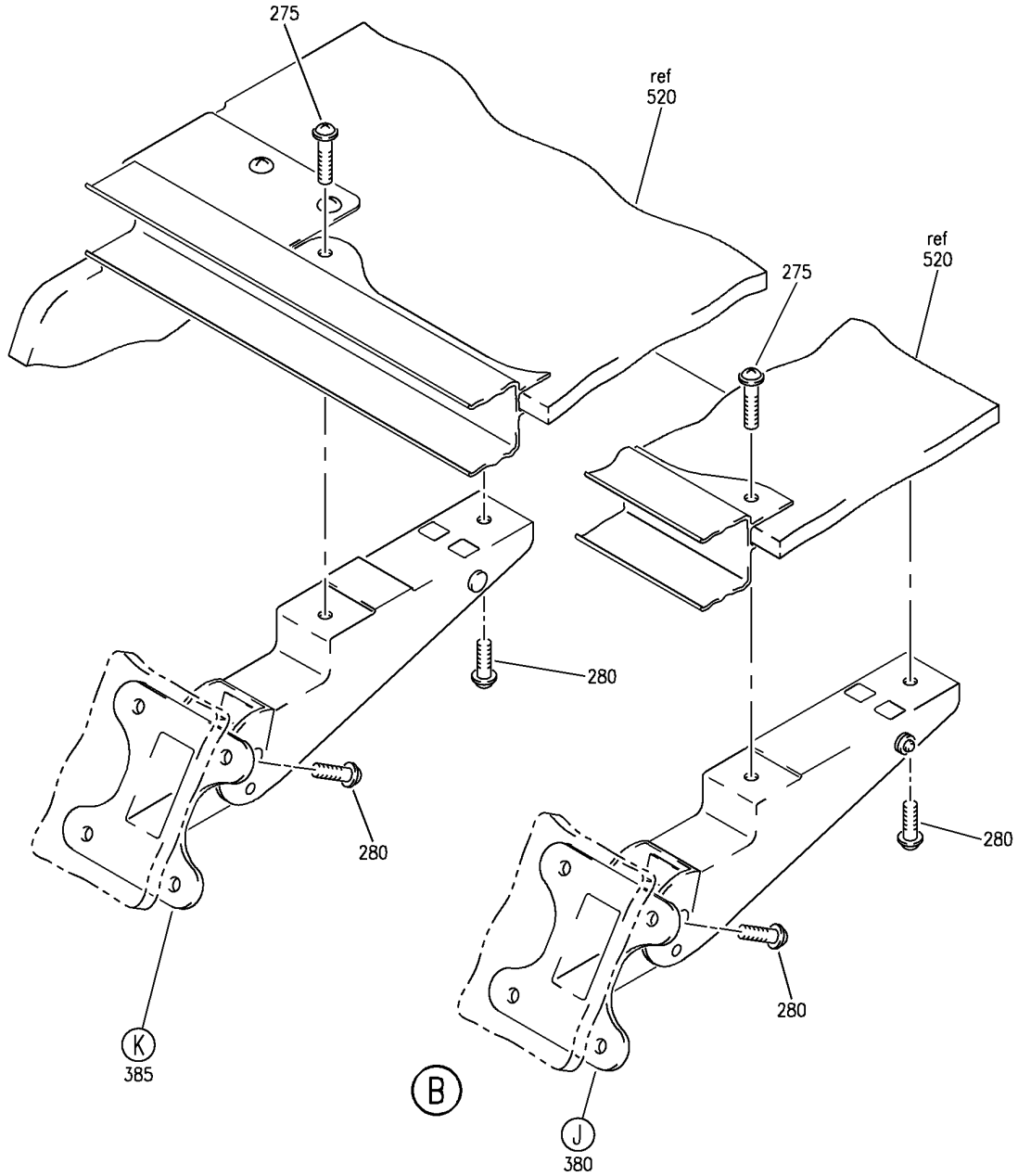
COMPARTMENT ASSY-80 IN. OVHD STOWAGE HNDRL CONFIGURATION (EQUIPMENT/ FURNISHINGS ONLY)
 FIGURE 37B (SHEET 2)

25-24-31-37B

HAP
 OCT 10/06

25-24-31-37B
 PAGE 0A

BOEING
737-600/700/800/900
PARTS CATALOG (MAINTENANCE)



E 2524-31-37B SHT 3 REV 109

COMPARTMENT ASSY-80 IN. OVHD STOWAGE HNDRL CONFIGURATION (EQUIPMENT/ FURNISHINGS ONLY)
FIGURE 37B (SHEET 3)

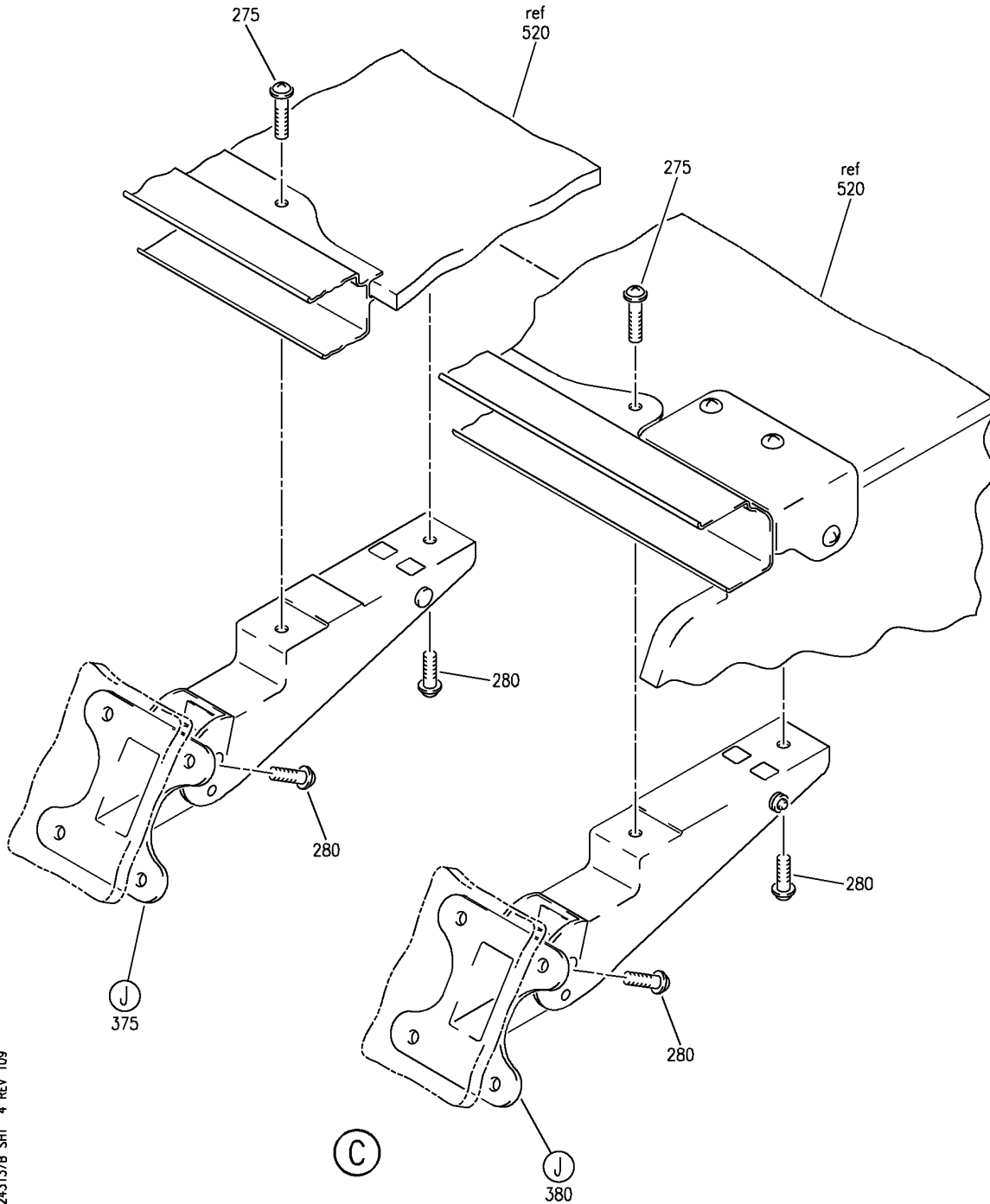
HAP
OCT 10/06

25-24-31-37B

25-24-31-37B
PAGE 0B

BOEING PROPRIETARY - Copyright © - Unpublished Work - See title page for details.

BOEING
737-600/700/800/900
PARTS CATALOG (MAINTENANCE)



E 2524-31-37B SHT 4 REV 109

COMPARTMENT ASSY-80 IN. OVHD STOWAGE HNDRL CONFIGURATION (EQUIPMENT/ FURNISHINGS ONLY)
FIGURE 37B (SHEET 4)

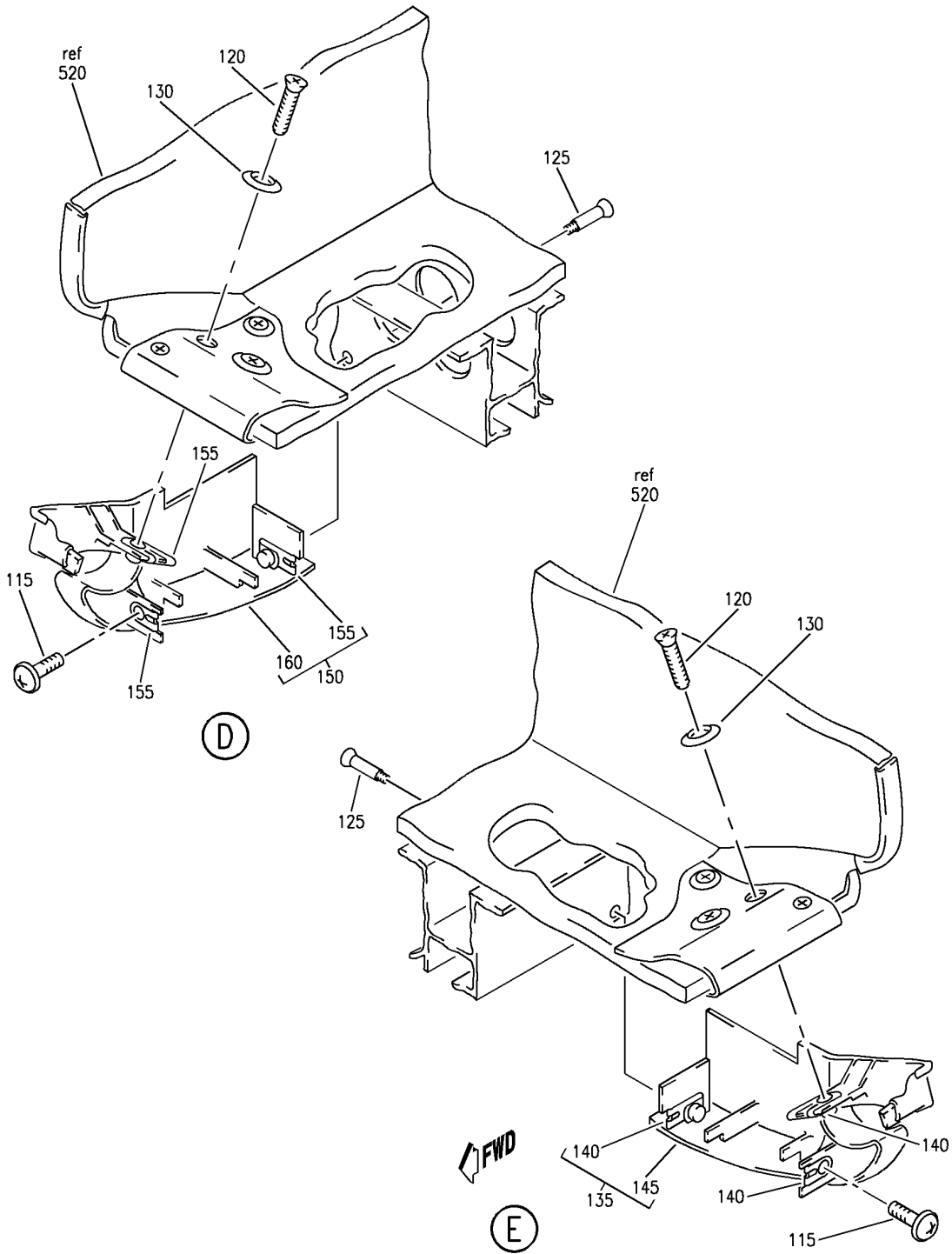
HAP
OCT 10/06

25-24-31-37B

25-24-31-37B
PAGE 0C

BOEING PROPRIETARY - Copyright © - Unpublished Work - See title page for details.

BOEING
 737-600/700/800/900
 PARTS CATALOG (MAINTENANCE)



E 2524-31-37B SHT 5 REV 109

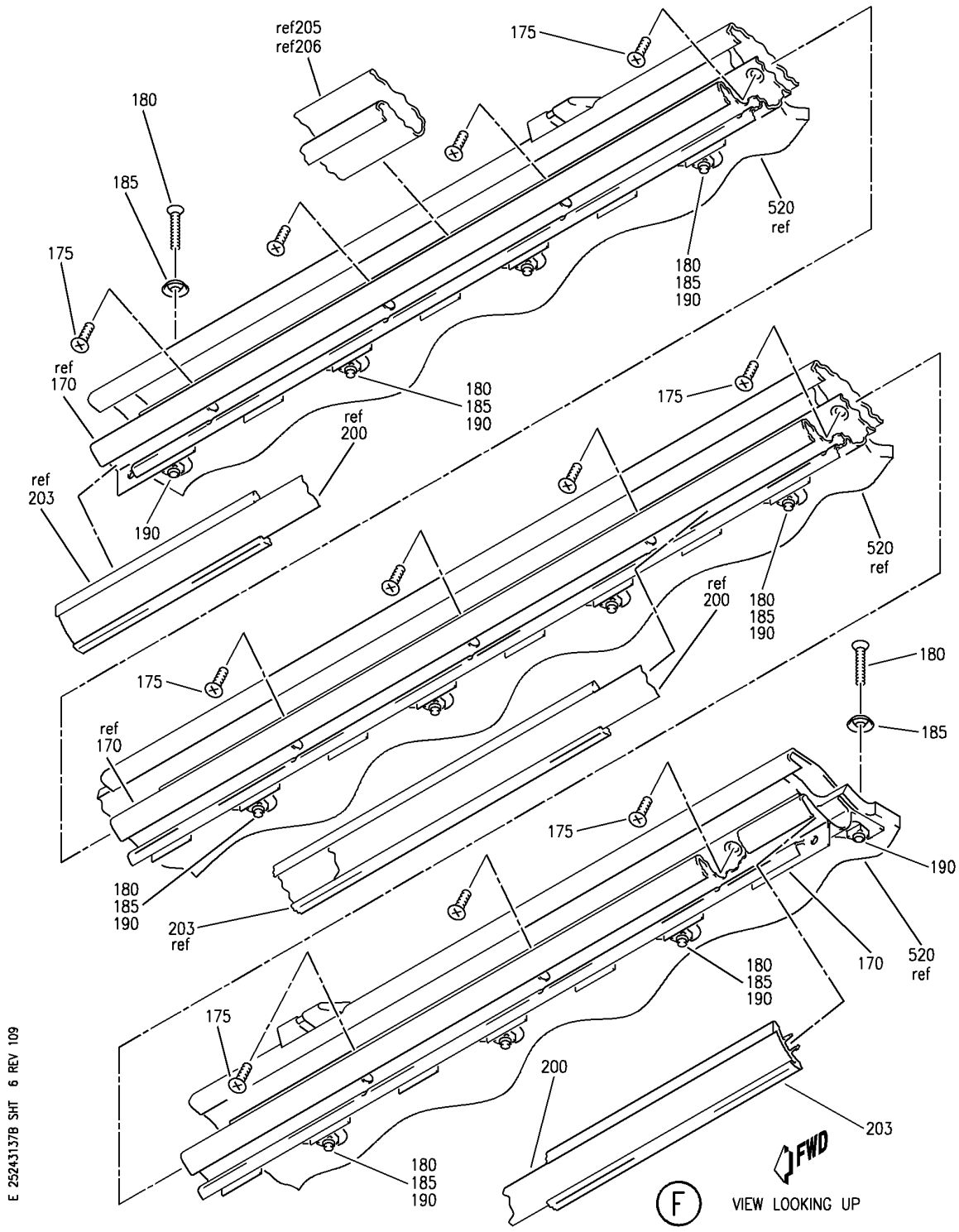
COMPARTMENT ASSY-80 IN. OVHD STOWAGE HNDRL CONFIGURATION (EQUIPMENT/ FURNISHINGS ONLY)
 FIGURE 37B (SHEET 5)

HAP
 OCT 10/06

25-24-31-37B

25-24-31-37B
 PAGE 0D

BOEING
 737-600/700/800/900
 PARTS CATALOG (MAINTENANCE)



E 2524-31-37B SHT 6 REV 109

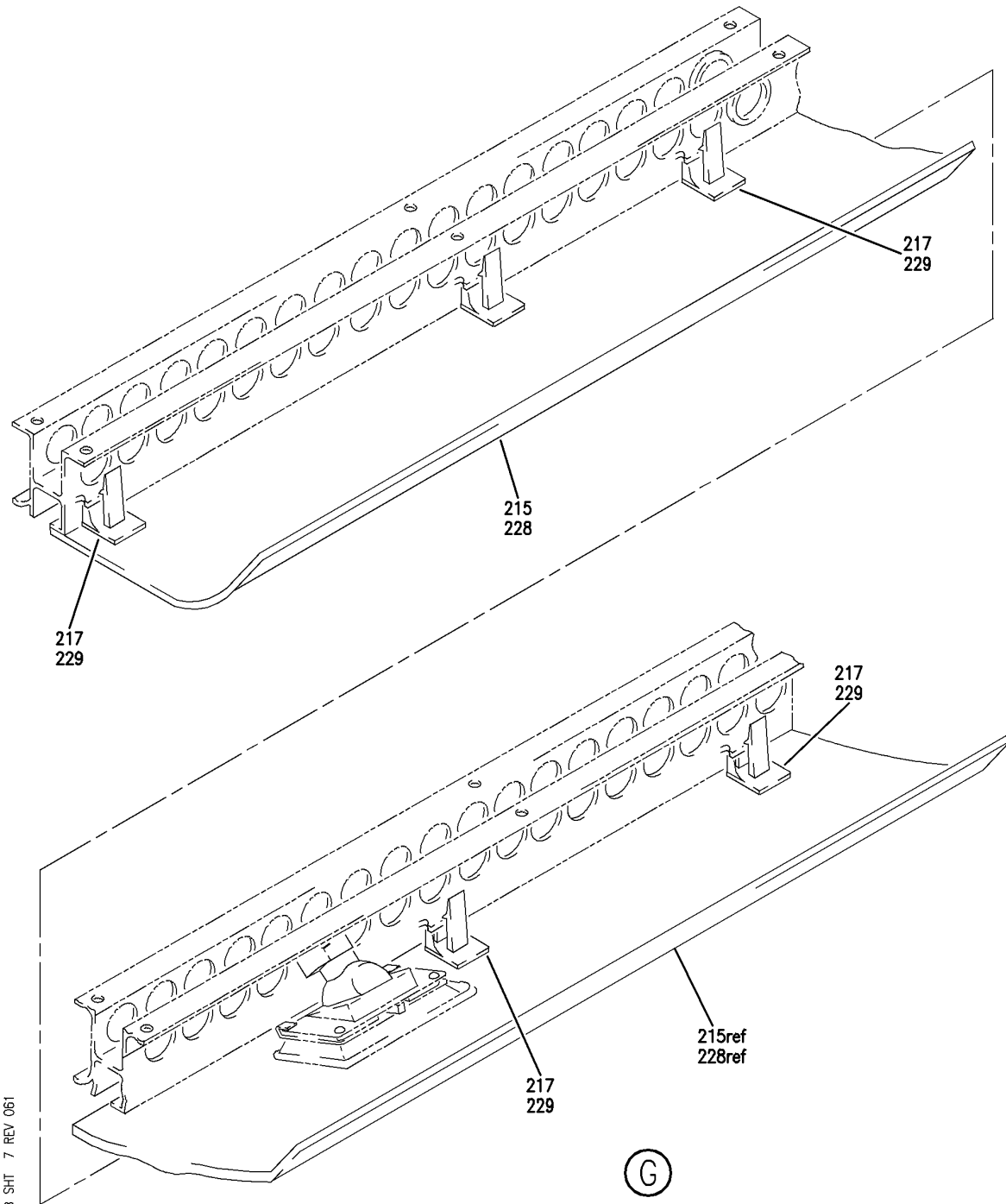
COMPARTMENT ASSY-80 IN. OVHD STOWAGE HNDRL CONFIGURATION (EQUIPMENT/ FURNISHINGS ONLY)
 FIGURE 37B (SHEET 6)

25-24-31-37B

HAP
 OCT 10/06

25-24-31-37B
 PAGE 0E

BOEING
737-600/700/800/900
PARTS CATALOG (MAINTENANCE)



E 25243137B SHT 7 REV 061

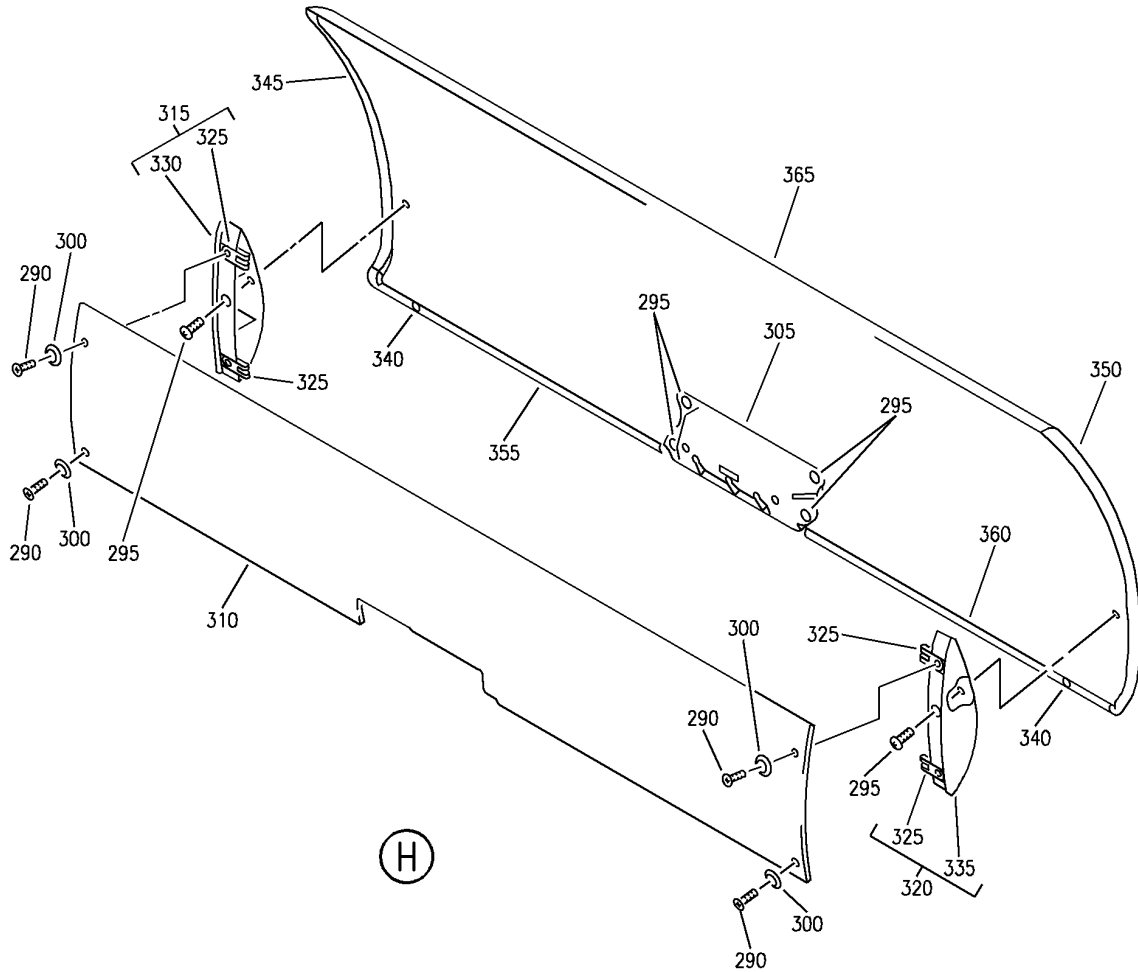
COMPARTMENT ASSY-80 IN. OVHD STOWAGE HNDRL CONFIGURATION (EQUIPMENT/ FURNISHINGS ONLY)
FIGURE 37B (SHEET 7)

HAP
OCT 10/06

25-24-31-37B

25-24-31-37B
PAGE OF

BOEING
 737-600/700/800/900
 PARTS CATALOG (MAINTENANCE)



E 2524-31-37B SHT 8 REV 109

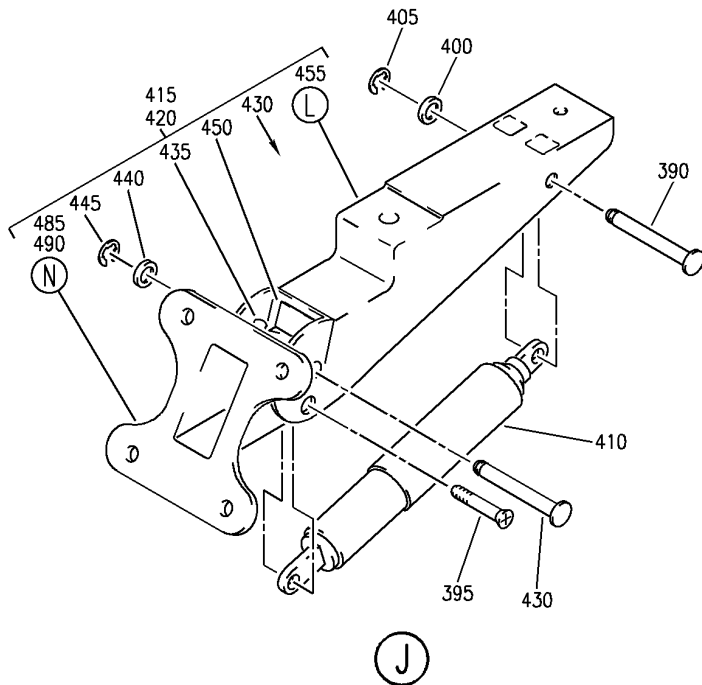
COMPARTMENT ASSY-80 IN. OVHD STOWAGE HANDLING CONFIGURATION (EQUIPMENT/ FURNISHINGS ONLY)
 FIGURE 37B (SHEET 8)

HAP
 OCT 10/06

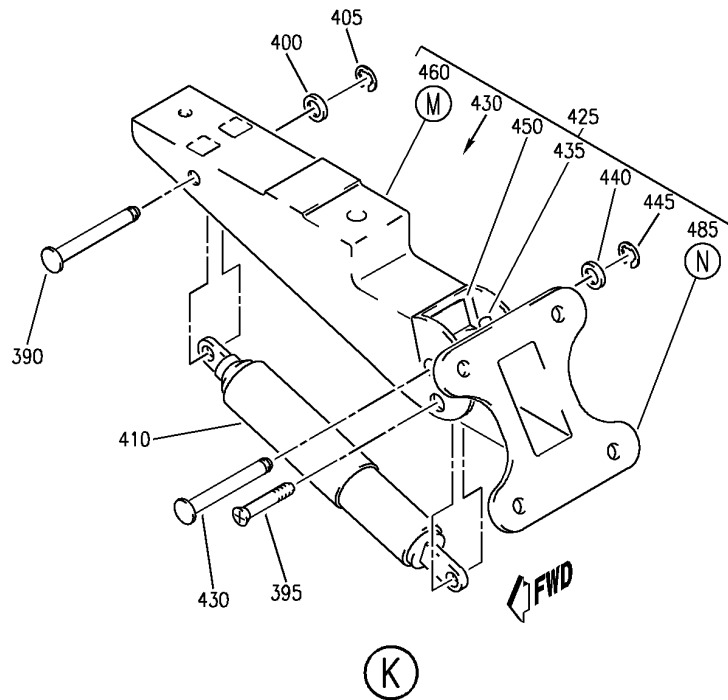
25-24-31-37B

25-24-31-37B
 PAGE 08

BOEING
737-600/700/800/900
PARTS CATALOG (MAINTENANCE)



(J)



(K)

E 2524-31-37B SHT 9 REV 109

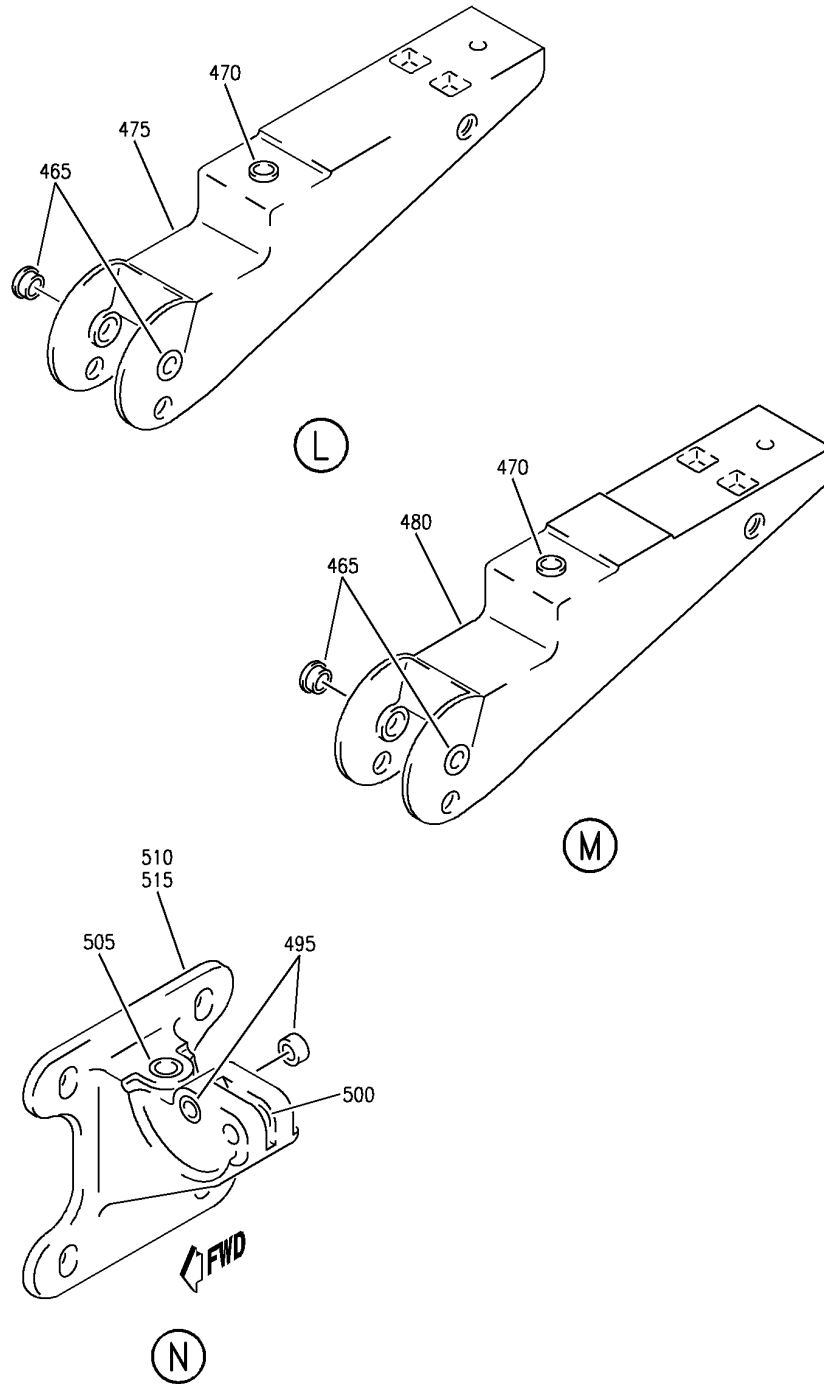
COMPARTMENT ASSY-80 IN. OVHD STOWAGE HNDRL CONFIGURATION (EQUIPMENT/ FURNISHINGS ONLY)
 FIGURE 37B (SHEET 9)

25-24-31-37B

HAP
 OCT 10/06

25-24-31-37B
 PAGE 0H

BOEING
 737-600/700/800/900
 PARTS CATALOG (MAINTENANCE)



E 2524-31-37B SHT 10 REV 109

COMPARTMENT ASSY-80 IN. OVHD STOWAGE HANDLING CONFIGURATION (EQUIPMENT/ FURNISHINGS ONLY)
 FIGURE 37B (SHEET 10)

25-24-31-37B

HAP
 OCT 10/06

25-24-31-37B
 PAGE 01

BOEING
737-600/700/800/900
PARTS CATALOG (MAINTENANCE)

FIG ITEM	PART NUMBER	1 2 3 4 5 6 7	NOMENCLATURE	EFFECT FROM TO	UNITS PER ASSY
37B			COMPARTMENT ASSY-80 IN. OVHD STOWAGE HNDRL CONFIGURATION (EQUIPMENT/ FURNISHINGS ONLY)	002005 008030	
- 1	412A1100-102SP		COMPARTMENT ASSY-80 IN. OVHD STOWAGE HNDRL CONFIGURATION (EQUIPMENT/ FURNISHINGS ONLY) POSITION DATA: RH PRE SERVICE BULLETIN: 25-1373 FOR NHA/OTHER SYS DET SEE: 25-24-30-80A	002005 008008	RF
- 1	412A1100-202SP		COMPARTMENT ASSY-80 IN. OVHD STOWAGE HNDRL CONFIGURATION (EQUIPMENT/ FURNISHINGS ONLY) POSITION DATA: RH POST SERVICE BULLETIN: 25-1373 FOR NHA/OTHER SYS DET SEE: 25-24-30-80A	002005 008008	RF
- 1	412A1100-202B		COMPARTMENT ASSY-80 IN. OVHD STOWAGE HNDRL CONFIGURATION (EQUIPMENT/ FURNISHINGS ONLY) POSITION DATA: RH FOR NHA/OTHER SYS DET SEE: 25-24-30-83	009030	RF
10	H3-1592-1		.LATCH-CLG SUPPLIER CODE: V34941 SPECIFICATION NUMBER: S411A001-1	002005 008030	2
- 15	BACS12GU3K7		ATTACHING PARTS .SCREW	002005 008030	4
- 20	NAS1149D0332J		.WASHER	002005 008030	4
25	412A1700-101SP		-----*----- .VALANCE ASSY-LT OPTIONAL PART: 412A1700-1A	002005 008008	1

MISSING ITEM NUMBERS NOT APPLICABLE

- ITEM NOT ILLUSTRATED

HAP

25-24-31-37B

BOEING PROPRIETARY - Copyright © - Unpublished Work - See title page for details.

25-24-31
FIG. 37B
PAGE 1
OCT 10/06

BOEING
737-600/700/800/900
PARTS CATALOG (MAINTENANCE)

FIG ITEM	PART NUMBER	1 2 3 4 5 6 7	NOMENCLATURE	EFFECT FROM TO	UNITS PER ASSY
37B					
25	412A1700-1A	.VALANCE ASSY-LT		002005	1
		OPTIONAL PART:		008030	
		412A1700-101SP			
		412A1700-101B			
25	412A1700-101B	.VALANCE ASSY-LT		009030	1
		OPTIONAL PART:			
		412A1700-1A			
		ATTACHING PARTS			
- 30	BACN10YJ3F	.NUT		002005	8
				008030	
		-----*-----			
35	BACS21DW3C10FN	..STUD		002005	8
				008030	
40	412A1700-6	..TAPE		002005	2
				008030	
45	412A1710-1A	..PANEL ASSY-		002005	1
		USED ON:		008030	
		412A1700-1A			
46	412A1710-101SP	..PANEL ASSY-		002005	1
		USED ON:		008030	
		412A1700-101SP			
		412A1700-101B			
115	BACS12FA3K7	.SCREW		002005	2
				008030	
120	BACS12ER3K9	.SCREW		002005	2
				008030	
125	BACB30VF3K3	.BOLT		002005	2
				008030	
130	H3-1233A3	.WASHER-		002005	2
		SUPPLIER CODE:		008030	
		V34941			
		SPECIFICATION NUMBER:			
		S411A001-1			
135	412A1465-13SP	.CLOSEOUT ASSY-		002005	1
				008008	
135	412A1465-13A	.CLOSEOUT ASSY		009030	1
140	BACN10VR4CGN	..NUT-		002005	3
		OPTIONAL PART:		008030	
		BACN10VR4CG			
140	BACN10VR4CG	..NUT-		002005	3
		OPTIONAL PART:		008030	
		BACN10VR4CGN			
145	412A1465-15SP	..CLOSEOUT-		002005	1
				008030	
150	412A1465-14SP	.CLOSEOUT ASSY-		002005	1
				008008	
150	412A1465-14A	.CLOSEOUT ASSY		009030	1

MISSING ITEM NUMBERS NOT APPLICABLE

- ITEM NOT ILLUSTRATED

HAP

25-24-31-37B

BOEING PROPRIETARY - Copyright © - Unpublished Work - See title page for details.

25-24-31
FIG. 37B
PAGE 2
JUN 15/08

BOEING
737-600/700/800/900
PARTS CATALOG (MAINTENANCE)

FIG ITEM	PART NUMBER	1 2 3 4 5 6 7	NOMENCLATURE	EFFECT FROM TO	UNITS PER ASSY
37B 155	BACN10VR4CGN	..NUT-	OPTIONAL PART: BACN10VR4CG	002005 008030	3
155	BACN10VR4CG	..NUT-	OPTIONAL PART: BACN10VR4CGN	002005 008030	3
160	412A1465-16SP	..CLOSEOUT-		002005 008030	1
162	412A1310-700	.TAPE-VELCRO HOOK		002005 008030	1
163	412A1310-701	.TAPE-VELCRO LOOP		002005 008030	1
165	403A3210-22SP	.SEAL ASSY-		002005 008008	1
165	403A3210-22A	.SEAL ASSY		009030	1
170	412A1243-101	.EXTRUSION ASSY		002005 008030	1
		ATTACHING PARTS			
175	BACS12ER3K5	.SCREW		002005 008030	11
180	BACS12ER3K14	.SCREW		002005 008030	12
185	H3-1233A3	.WASHER-	SUPPLIER CODE: V34941 SPECIFICATION NUMBER: S411A001-1 -----*-----	002005 008030	12
190	FS1651-3	..NUTPLATE	SUPPLIER CODE: V15653 SPECIFICATION NUMBER: BACN10KH3CD OPTIONAL PART: 102F9209M3 V72962 NS202496-02 V80539 ATTACHING PARTS	002005 008030	12
- 195	BACR15BA3ADC	..RIVET-	SIZE DETERMINED ON INSTL. -----*-----	002005 008030	24
200	412A1451-2SP	.STRIP-TRIM		002005 008008	1
200	412A1451-2BCWK	.STRIP-TRIM		009030	1
203	412A1420-1SP	.EXTRUSION-SEAT ROW MARKER		002005 008008	1
203	412A1420-1A	.EXTRUSION-SEAT ROW MARKER		009030	1

MISSING ITEM NUMBERS NOT APPLICABLE

- ITEM NOT ILLUSTRATED

HAP

25-24-31-37B

BOEING PROPRIETARY - Copyright © - Unpublished Work - See title page for details.

25-24-31
FIG. 37B
PAGE 3
JUN 15/08

BOEING
737-600/700/800/900
PARTS CATALOG (MAINTENANCE)

FIG ITEM	PART NUMBER	1 2 3 4 5 6 7	NOMENCLATURE	EFFECT FROM TO	UNITS PER ASSY
37B					
205	412A1650-3A	.	COVER ASSY-DEC	002005 008030	1
210	412A1600-1A	.	COVER ASSY-	002005 008030	1
215	412A1610-103B	..	PANEL ASSY- OPTIONAL PART: 412A1610-3A	002005 008030	1
215	412A1610-3A	..	PANEL ASSY- OPTIONAL PART: 412A1610-103B	002005 008030	1
217	412A1460-1	..	CLIP	002005 008030	1
275	BACS12FA3K15	.	SCREW	002005 008030	4
280	BACS12FA3K6	.	SCREW	002005 008030	20
285	412A1500-1SP	.	DOOR ASSY-40 IN.	002005 008008	2
285	412A1500-101SP	.	DOOR ASSY-40 IN.	002005 008030	2
290	BACS12ER3K9	..	SCREW	002005 008030	4
295	BACS12FA3K4	..	SCREW	002005 008030	6
300	H3-1233A3	..	WASHER- SUPPLIER CODE: V34941 SPECIFICATION NUMBER: S411A001-1	002005 008030	4
305	HA225-1	..	LATCH ASSY- SUPPLIER CODE: V83014 SPECIFICATION NUMBER: S412A001-1A PRE SERVICE BULLETIN: 25-1373 PRE SERVICE BULLETIN: HA225-25-01 V83014	002005 008030	1
305	HA225-7	..	LATCH ASSY- SUPPLIER CODE: V83014 SPECIFICATION NUMBER: S412A001-11B PRE SERVICE BULLETIN: 25-1373 PRE SERVICE BULLETIN: HA225-25-01 V83014	002005 008030	1

MISSING ITEM NUMBERS NOT APPLICABLE

- ITEM NOT ILLUSTRATED

HAP

25-24-31-37B

BOEING PROPRIETARY - Copyright © - Unpublished Work - See title page for details.

25-24-31
FIG. 37B
PAGE 4
JUN 15/08

BOEING
737-600/700/800/900
PARTS CATALOG (MAINTENANCE)

FIG ITEM	PART NUMBER	1 2 3 4 5 6 7	NOMENCLATURE	EFFECT FROM TO	UNITS PER ASSY
37B 305	HA225K3868		..LATCH ASSY- SUPPLIER CODE: V83014 SERVICE BULLETIN OPT DATA: HA225-7 V83014 POST SERVICE BULLETIN: 25-1373 POST SERVICE BULLETIN: HA225-25-01 V83014	002005 008008	1
310	412A1615-100A		..PANEL ASSY-FILLER OPTIONAL PART: 412A1615-1100B	002005 008030	1
310	412A1615-1100B		..PANEL ASSY-FILLER OPTIONAL PART: 412A1615-100A	002005 008030	1
315	412A1480-3A		..BRACKET ASSY	002005 008030	1
320	412A1480-4A		..BRACKET ASSY	002005 008030	1
325	BACN10VR4CGN		...NUT	002005 008030	2
330	412A1480-1A		...BRACKET- USED ON: 412A1480-3A	002005 008030	1
335	412A1480-2A		...BRACKET- USED ON: 412A1480-4A	002005 008030	1
340	412A1810-1A		..BUMPER	002005 008030	2
345	412A1450-4SP		..TRIM-EDGE	002005 008030	1
350	412A1450-3A		..TRIM-EDGE	002005 008030	1
355	412A1450-6A		..TRIM-EDGE	002005 008030	1
360	412A1450-5A		..TRIM-EDGE	002005 008030	1
365	412A1510-2A		..PANEL ASSY	002005 008030	1
- 370	SL618-3A		...INSERT- SUPPLIER CODE: V97393	002005 008030	14
375	412A1100-51B		.HINGE ASSY-COLLECTOR	002005 008030	1
380	412A1100-52B		.HINGE ASSY-COLLECTOR	002005 008030	2

MISSING ITEM NUMBERS NOT APPLICABLE

- ITEM NOT ILLUSTRATED

HAP

25-24-31-37B

BOEING PROPRIETARY - Copyright © - Unpublished Work - See title page for details.

25-24-31
FIG. 37B
PAGE 5
JUN 15/08

BOEING
737-600/700/800/900
PARTS CATALOG (MAINTENANCE)

FIG ITEM	PART NUMBER	1 2 3 4 5 6 7	NOMENCLATURE	EFFECT FROM TO	UNITS PER ASSY
37B					
385	412A1100-53B	.HINGE	ASSY-COLLECTOR	002005 008030	1
390	412A1230-21	..PIN		002005 008030	1
395	BACB30VF3K7	..BOLT		002005 008030	1
400	NAS1149D0316J	..WASHER		002005 008030	1
405	MS16633-4018	..RING		002005 008030	1
410	SP20522	..ACTUATOR ASSY-	SUPPLIER CODE: V24403 SPECIFICATION NUMBER: S412A002-2	002005 008030	1
415	412A1455-1A	..HINGE ASSY-	USED ON: 412A1100-51B	002005 008030	1
420	412A1455-2A	..HINGE ASSY-	USED ON: 412A1100-52B	002005 008030	1
425	412A1455-3A	..HINGE ASSY-	USED ON: 412A1100-53B	002005 008030	1
430	412A1230-21	...PIN		002005 008030	1
435	MS51023-54	...SCREW		002005 008030	1
440	NAS1149D0316J	...WASHER		002005 008030	1
445	MS16633-4018	...RING		002005 008030	1
450	412A1220-1	...CLIP		002005 008030	1
455	412A1454-3A	...HOUSING ASSY-	USED ON: 412A1455-1A 412A1455-2A	002005 008030	1
460	412A1454-12A	...HOUSING ASSY-	USED ON: 412A1455-3A	002005 008030	1
465	BACB28Y3F020BUSHING		002005 008030	2
470	6041L3BR375INSERT-	SUPPLIER CODE: V01556	002005 008030	1
475	412A1454-1AHOUSING		002005 008030	1

MISSING ITEM NUMBERS NOT APPLICABLE

— ITEM NOT ILLUSTRATED

HAP

25-24-31-37B

BOEING PROPRIETARY - Copyright © - Unpublished Work - See title page for details.

25-24-31
FIG. 37B
PAGE 6
JUN 15/08

BOEING
737-600/700/800/900
PARTS CATALOG (MAINTENANCE)

FIG ITEM	PART NUMBER	1 2 3 4 5 6 7	NOMENCLATURE	EFFECT FROM TO	UNITS PER ASSY
37B 480	412A1454-11A	HOUSING	002005 008030	1
485	412A1454-9A	...	BRACKET ASSY- USED ON: 412A1455-1A 412A1455-3A	002005 008030	1
490	412A1454-10A	...	BRACKET ASSY- USED ON: 412A1455-2A	002005 008030	1
495	BACB28Y3F025	BUSHING	002005 008030	2
500	6041-3BR225	INSERT- SUPPLIER CODE: V01556	002005 008030	1
505	6041L3BR375	INSERT- SUPPLIER CODE: V01556	002005 008030	1
510	412A1454-7A	BRACKET- USED ON: 412A1454-9A	002005 008030	1
510	412A1454-7A	BRACKET- USED ON: 412A1454-9A	002005 008008	1
515	412A1454-8A	BRACKET- USED ON: 412A1454-10A	002005 008030	1
520	412A1200-102A	.BOX	ASSY-80 IN. BIN OPTIONAL PART: 412A1200-1102B FOR DETAILS SEE: 25-24-32-80G	002005 008030	1
520	412A1200-1102B	.BOX	ASSY-80 IN. BIN OPTIONAL PART: 412A1200-102A POST SERVICE BULLETIN: 25-1373 FOR DETAILS SEE: 25-24-32-80G	002005 008030	1
- 525	412A1811-1B	.PLUG-	OPTIONAL PART: 412A1100-96 OBA8 VOBV87 412A1811-2B POST SERVICE BULLETIN: 25-1373	002005 008030	AR

MISSING ITEM NUMBERS NOT APPLICABLE

- ITEM NOT ILLUSTRATED

HAP

25-24-31-37B

BOEING PROPRIETARY - Copyright © - Unpublished Work - See title page for details.

25-24-31
FIG. 37B
PAGE 7
JUN 15/08

BOEING
737-600/700/800/900
PARTS CATALOG (MAINTENANCE)

FIG ITEM	PART NUMBER	1 2 3 4 5 6 7	NOMENCLATURE	EFFECT FROM TO	UNITS PER ASSY
37B - 525	OBA8		. PLUG- SUPPLIER CODE: VOBV87 OPTIONAL PART: 412A1811-1B 412A1811-2B 412A1100-96	002005 008030	AR
- 530	412A1811-2B		. PLUG- OPTIONAL PART: 412A1100-96 OBA8 VOBV87 412A1811-1B POST SERVICE BULLETIN: 25-1373	002005 008030	AR
- 535	412A1100-96		. KIT ASSY-SCR AND WASHER OPTIONAL PART: 412A1811-1B OBA8 VOBV87 412A1811-2B POST SERVICE BULLETIN: 25-1373	002005 008030	AR
- 540	NAS514P1032-5		.. SCREW	002005 008030	1
- 545	H3-1233A3		.. WASHER- SUPPLIER CODE: V34941 SPECIFICATION NUMBER: S411A001-1	002005 008030	1

MISSING ITEM NUMBERS NOT APPLICABLE

- ITEM NOT ILLUSTRATED

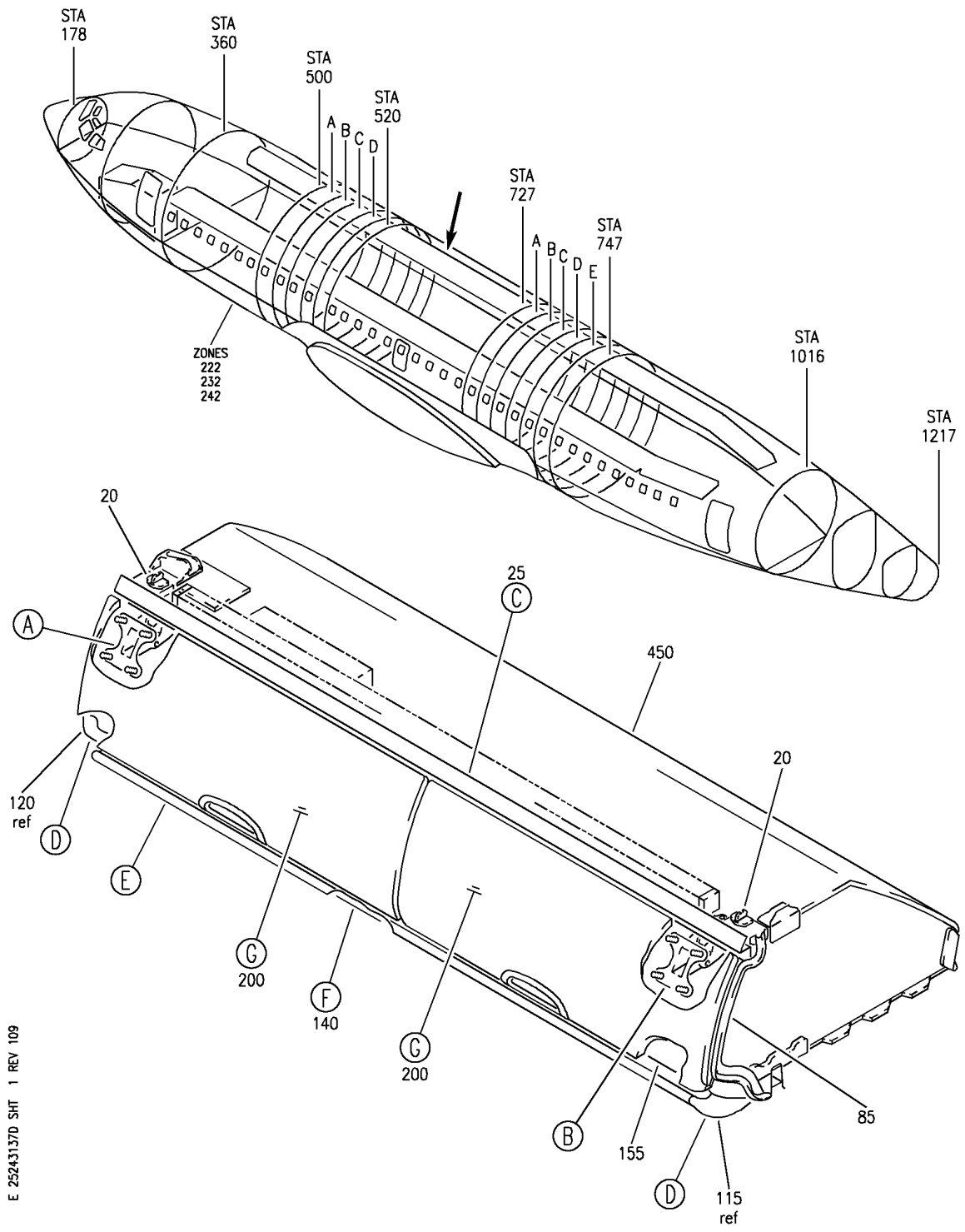
HAP

25-24-31-37B

BOEING PROPRIETARY - Copyright © - Unpublished Work - See title page for details.

25-24-31
FIG. 37B
PAGE 8
JUN 15/08

BOEING
737-600/700/800/900
PARTS CATALOG (MAINTENANCE)



E 2524-31-37D SHT 1 REV 109

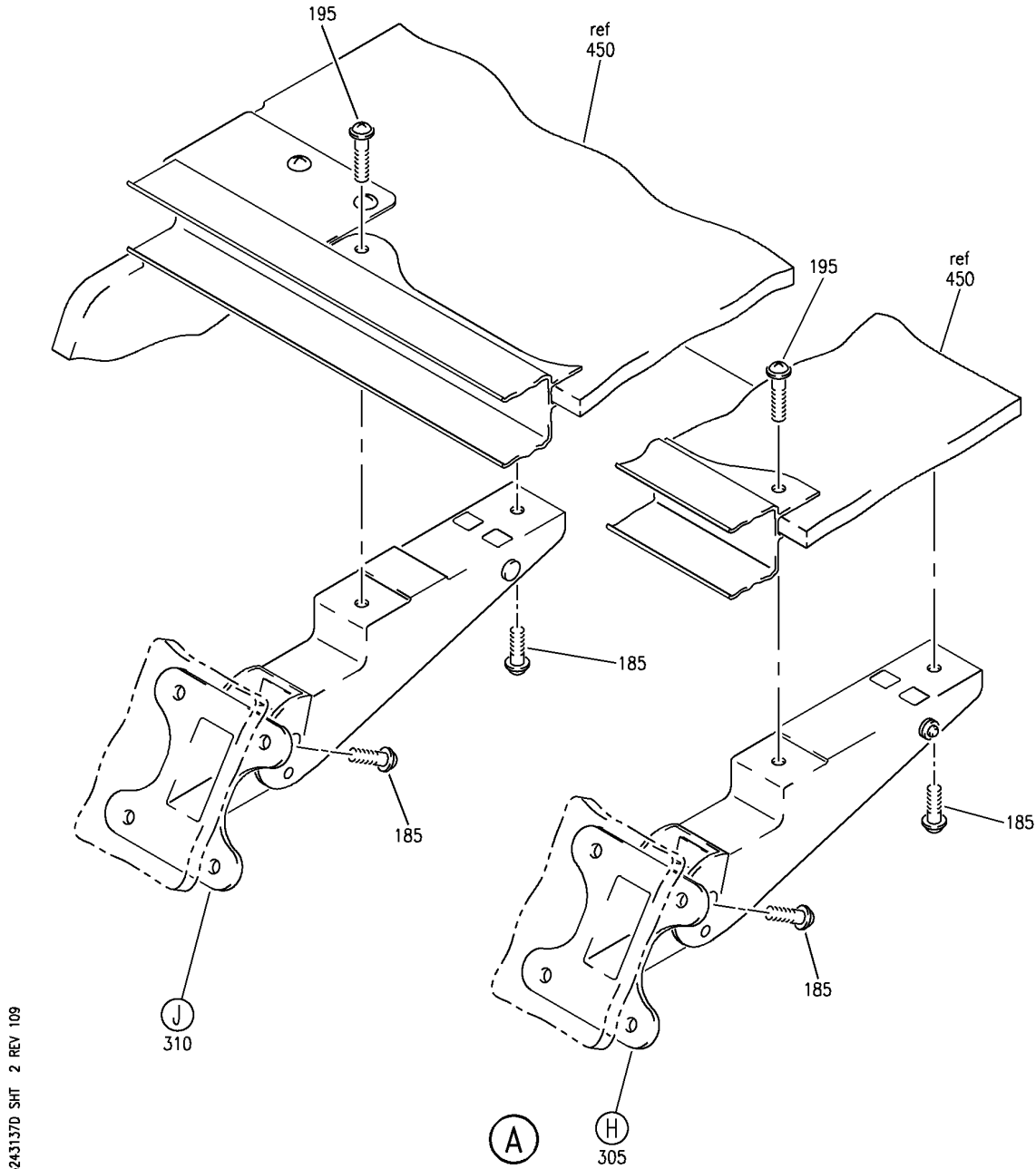
COMPARTMENT ASSY-80 IN. OVHD STOWAGE HNDRL CONFIGURATION (EQUIPMENT/ FURNISHINGS ONLY)
 FIGURE 37D (SHEET 1)

25-24-31-37D

HAP
 OCT 10/06

25-24-31-37D
 PAGE 0

BOEING
 737-600/700/800/900
 PARTS CATALOG (MAINTENANCE)



E 2524-31-37D SHT 2 REV 109

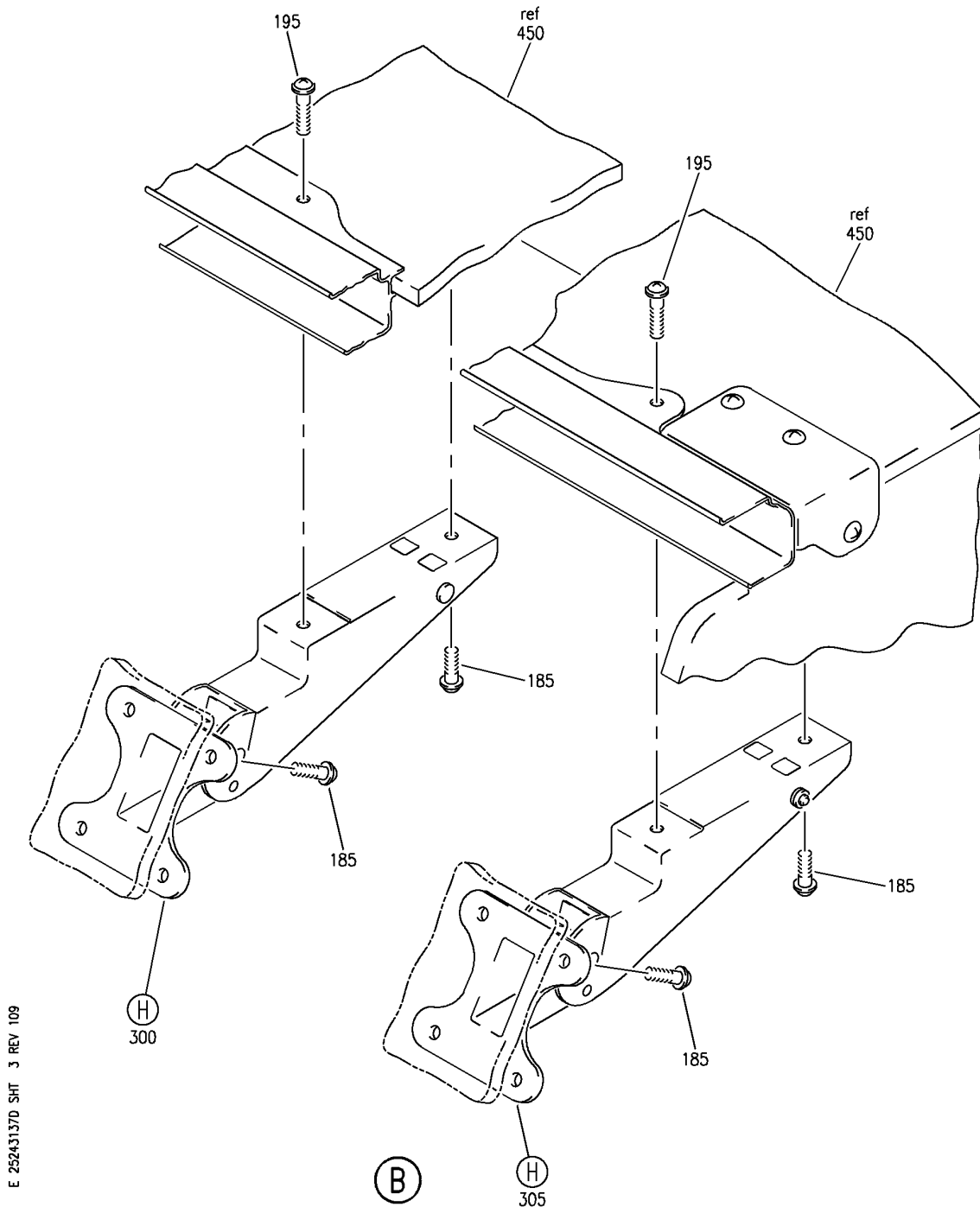
COMPARTMENT ASSY-80 IN. OVHD STOWAGE HNDRL CONFIGURATION (EQUIPMENT/ FURNISHINGS ONLY)
 FIGURE 37D (SHEET 2)

HAP
 OCT 10/06

25-24-31-37D

25-24-31-37D
 PAGE 0A

BOEING
 737-600/700/800/900
 PARTS CATALOG (MAINTENANCE)



E 2524-31-37D SHT 3 REV 109

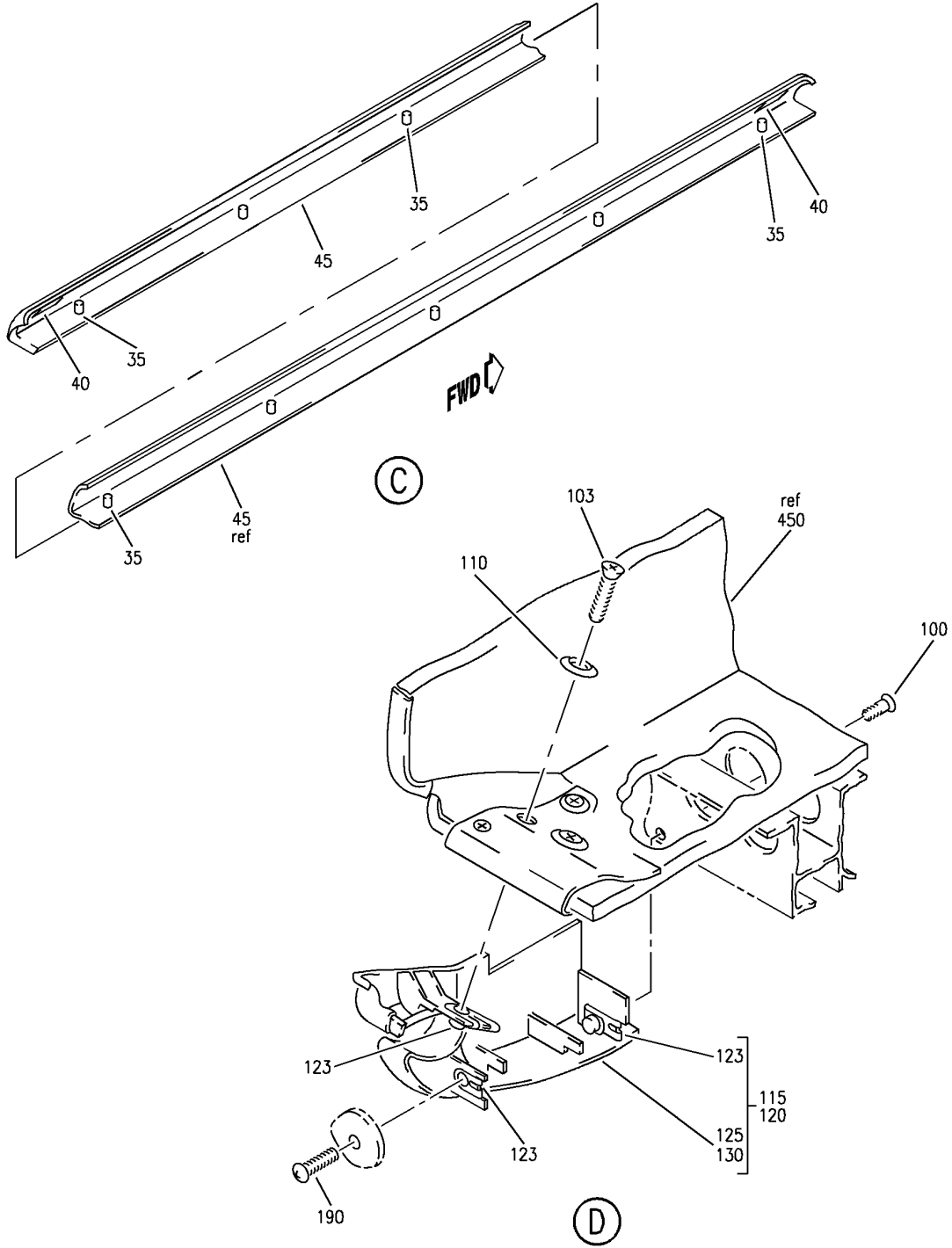
COMPARTMENT ASSY-80 IN. OVHD STOWAGE HNDRL CONFIGURATION (EQUIPMENT/ FURNISHINGS ONLY)
 FIGURE 37D (SHEET 3)

HAP
 OCT 10/06

25-24-31-37D

25-24-31-37D
 PAGE 0B

BOEING
 737-600/700/800/900
 PARTS CATALOG (MAINTENANCE)



E 2524-31-37D SHT 4 REV 109

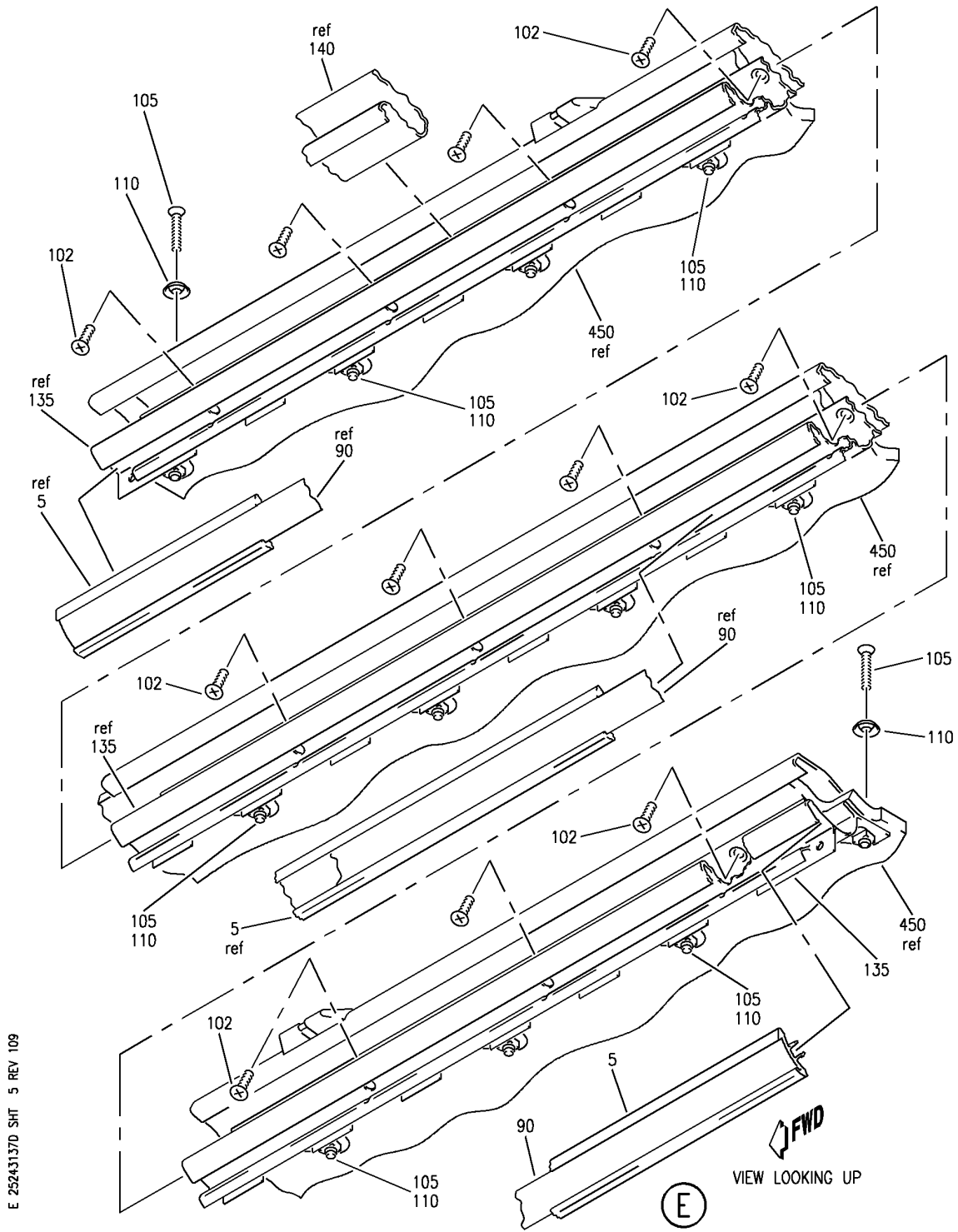
COMPARTMENT ASSY-80 IN. OVHD STOWAGE HNDRL CONFIGURATION (EQUIPMENT/ FURNISHINGS ONLY)
 FIGURE 37D (SHEET 4)

25-24-31-37D

HAP
 OCT 10/06

25-24-31-37D
 PAGE 0C

BOEING
 737-600/700/800/900
 PARTS CATALOG (MAINTENANCE)



E 2524-31-37D SHT 5 REV 109

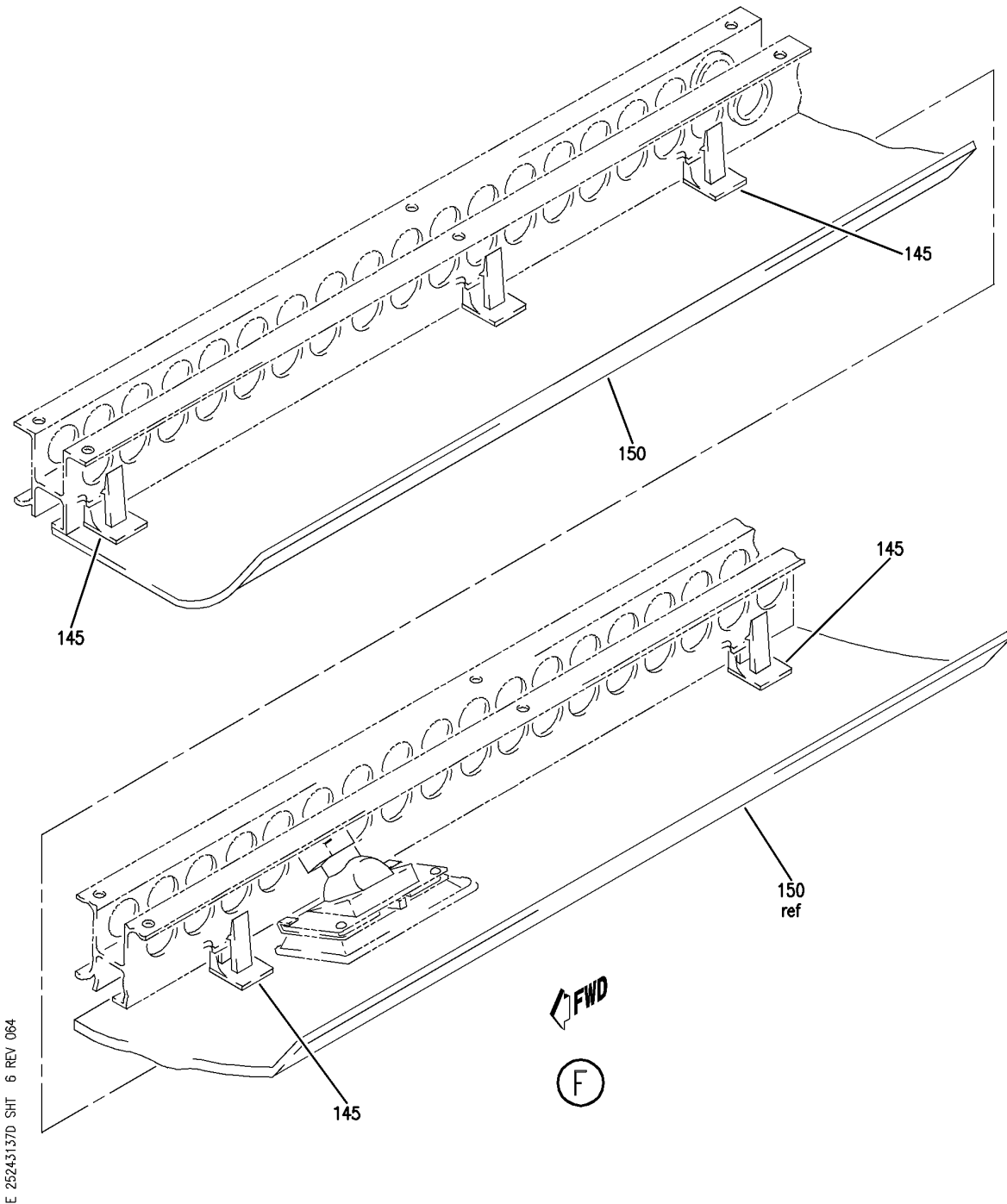
COMPARTMENT ASSY-80 IN. OVHD STOWAGE HNDRL CONFIGURATION (EQUIPMENT/ FURNISHINGS ONLY)
 FIGURE 37D (SHEET 5)

25-24-31-37D

HAP
 OCT 10/06

25-24-31-37D
 PAGE 0D

BOEING
737-600/700/800/900
PARTS CATALOG (MAINTENANCE)



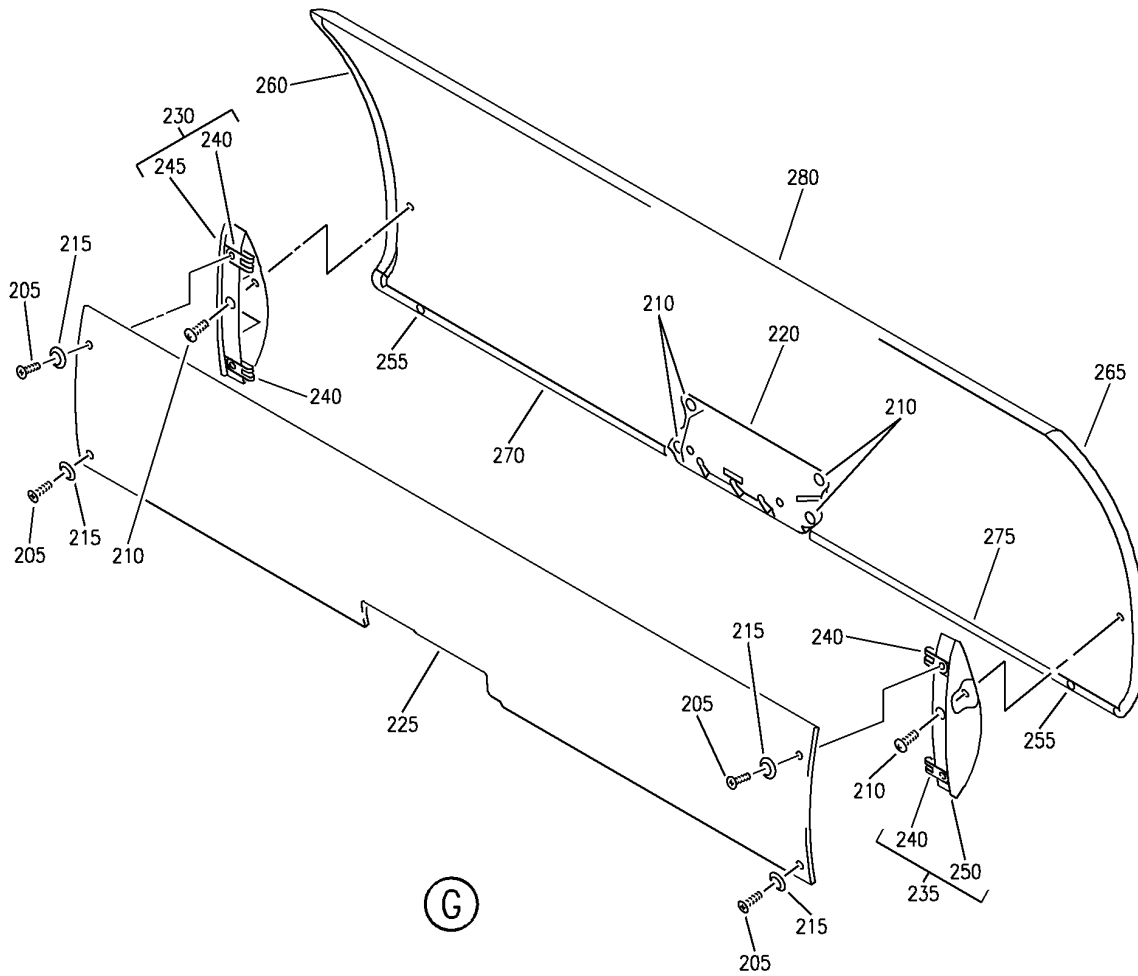
COMPARTMENT ASSY-80 IN. OVHD STOWAGE HNDRL CONFIGURATION (EQUIPMENT/ FURNISHINGS ONLY)
FIGURE 37D (SHEET 6)

HAP
OCT 10/06

25-24-31-37D

25-24-31-37D
PAGE 0E

BOEING
 737-600/700/800/900
 PARTS CATALOG (MAINTENANCE)



E 2524-31-37D SHT 7 REV 109

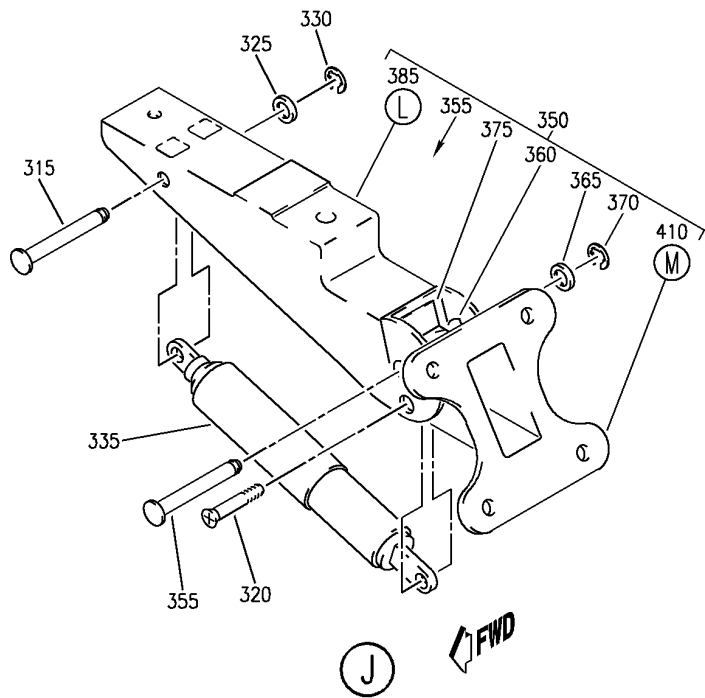
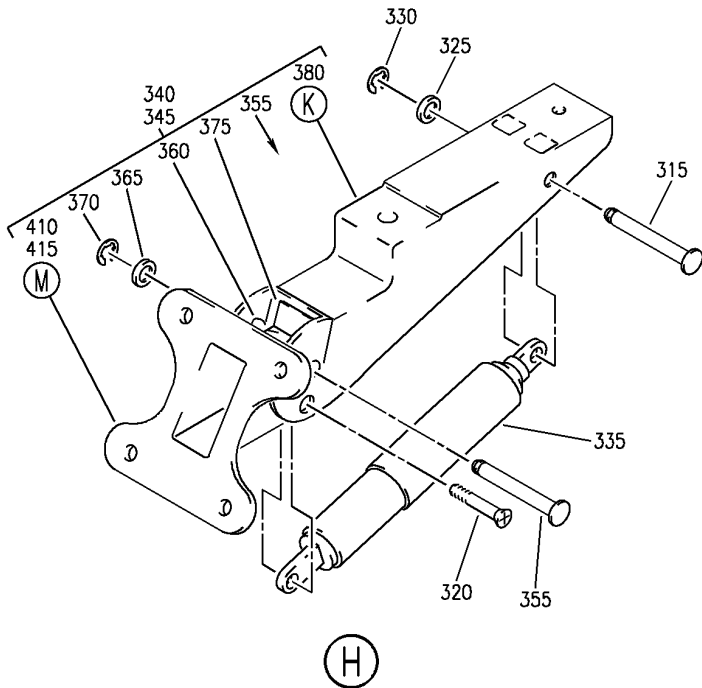
COMPARTMENT ASSY-80 IN. OVHD STOWAGE HANDLING CONFIGURATION (EQUIPMENT/ FURNISHINGS ONLY)
 FIGURE 37D (SHEET 7)

HAP
 OCT 10/06

25-24-31-37D

25-24-31-37D
 PAGE OF


BOEING
 737-600/700/800/900
PARTS CATALOG (MAINTENANCE)



E 2524-31-37D SHT 8 REV 109

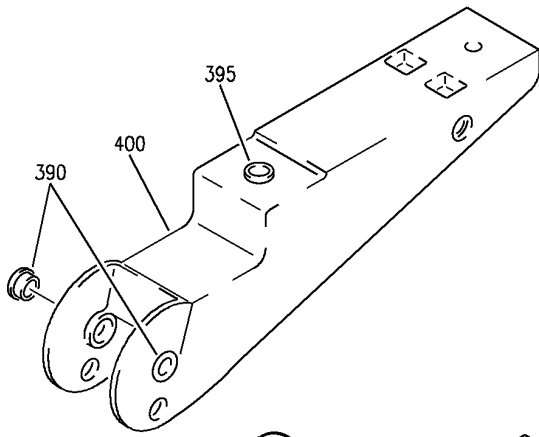
COMPARTMENT ASSY-80 IN. OVHD STOWAGE HNDRL CONFIGURATION (EQUIPMENT/ FURNISHINGS ONLY)
 FIGURE 37D (SHEET 8)

HAP
OCT 10/06

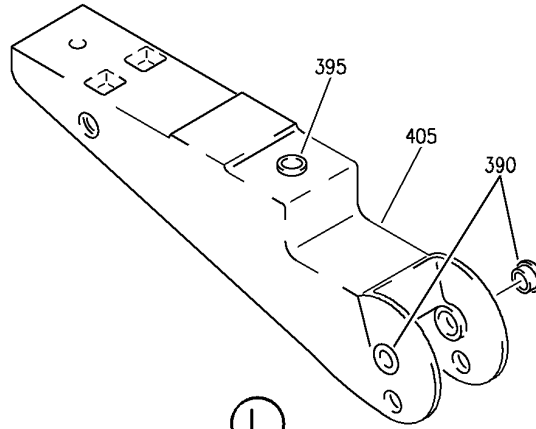
25-24-31-37D

25-24-31-37D
PAGE 0G

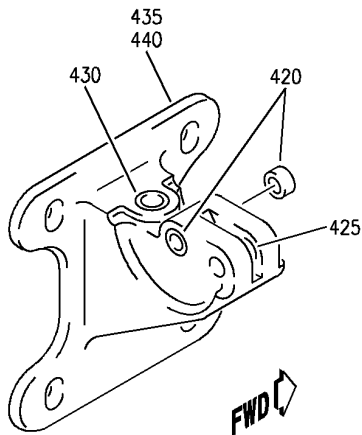
BOEING
 737-600/700/800/900
 PARTS CATALOG (MAINTENANCE)



(K)



(L)



(M)

E 2524-31-37D SHT 9 REV 109

COMPARTMENT ASSY-80 IN. OVHD STOWAGE HANDLING CONFIGURATION (EQUIPMENT/ FURNISHINGS ONLY)
 FIGURE 37D (SHEET 9)

25-24-31-37D

HAP
 OCT 10/06

25-24-31-37D
 PAGE 0H

BOEING
737-600/700/800/900
PARTS CATALOG (MAINTENANCE)

FIG ITEM	PART NUMBER	1 2 3 4 5 6 7	NOMENCLATURE	EFFECT FROM TO	UNITS PER ASSY
37D			COMPARTMENT ASSY-80 IN. OVHD STOWAGE HNDRL CONFIGURATION (EQUIPMENT/ FURNISHINGS ONLY)	002005 008030	
- 1	412A1100-110SP		COMPARTMENT ASSY-80 IN. OVHD STOWAGE HNDRL CONFIGURATION (EQUIPMENT FURNISHINGS ONLY) POSITION DATA: RH PRE SERVICE BULLETIN: 25-1373 FOR NHA/OTHER SYS DET SEE: 25-24-30-80A	002005 008008	RF
- 1	412A1100-210SP		COMPARTMENT ASSY-80 IN. OVHD STOWAGE HNDRL CONFIGURATION (EQUIPMENT FURNISHINGS ONLY) POSITION DATA: RH POST SERVICE BULLETIN: 25-1373 FOR NHA/OTHER SYS DET SEE: 25-24-30-80A	002005 008008	RF
- 1	412A1100-210B		COMPARTMENT ASSY-80 IN. OVHD STOWAGE HNDRL CONFIGURATION (EQUIPMENT/ FURNISHINGS ONLY) POSITION DATA: RH FOR NHA/OTHER SYS DET SEE: 25-24-30-83	009030	RF
5	412A1420-1SP		.EXTRUSION-SEAT ROW MARKER	002005 008008	1
5	412A1420-1A		.EXTRUSION-SEAT ROW MARKER ATTACHING PARTS	009030	1
- 10	BACS12GU3K7		.SCREW	002005 008030	4
- 15	NAS1149D0332J		.WASHER	002005 008030	4
20	H3-1592-1		-----*----- .LATCH- SUPPLIER CODE: V34941 SPECIFICATION NUMBER: S411A001-1	002005 008030	2
25	412A1700-101SP		.VALANCE ASSY-LT OPTIONAL PART: 412A1700-1A	002005 008008	1

MISSING ITEM NUMBERS NOT APPLICABLE

- ITEM NOT ILLUSTRATED

HAP

25-24-31-37D

BOEING PROPRIETARY - Copyright © - Unpublished Work - See title page for details.

25-24-31
FIG. 37D
PAGE 1
OCT 10/06

BOEING
737-600/700/800/900
PARTS CATALOG (MAINTENANCE)

FIG ITEM	PART NUMBER	1 2 3 4 5 6 7	NOMENCLATURE	EFFECT FROM TO	UNITS PER ASSY
37D					
25	412A1700-1A	.VALANCE ASSY-LT		002005	1
		OPTIONAL PART:		008030	
		412A1700-101SP			
		412A1700-101B			
25	412A1700-101B	.VALANCE ASSY-LT		009030	1
		OPTIONAL PART:			
		412A1700-1A			
		ATTACHING PARTS			
- 30	BACN10YJ3F	.NUT		002005	8
				008030	
		-----*-----			
35	BACS21DW3C10FN	..STUD		002005	8
				008030	
40	412A1700-6	..TAPE-HOOK		002005	2
				008030	
45	412A1710-101SP	..PANEL ASSY-		002005	1
		USED ON:		008030	
		412A1700-101SP			
		412A1700-101B			
45	412A1710-1A	..PANEL ASSY-		002005	1
		USED ON:		008030	
		412A1700-1A			
85	403A3210-22A	.SEAL ASSY-		002005	1
				008030	
90	412A1451-2SP	.STRIP-		002005	1
				008008	
90	412A1451-2BCWK	.STRIP-		009030	1
95	412A1310-700	.TAPE-VELCRO HOOK		002005	1
				008030	
97	412A1310-701	.TAPE-VELCRO LOOP		002005	1
				008030	
100	BACB30VF3K3	.BOLT		002005	2
				008030	
102	BACS12ER3K5	.SCREW		002005	11
				008030	
103	BACS12ER3K9	.SCREW		002005	2
				008030	
105	BACS12ER3K14	.SCREW		002005	12
				008030	
110	H3-1233A3	.WASHER-		002005	14
		SUPPLIER CODE:		008030	
		V34941			
		SPECIFICATION NUMBER:			
		S411A001-1			
115	412A1465-13SP	.CLOSEOUT ASSY-		002005	1
				008008	
115	412A1465-13A	.CLOSEOUT ASSY-		009030	1
120	412A1465-14SP	.CLOSEOUT ASSY-		002005	1
				008008	

MISSING ITEM NUMBERS NOT APPLICABLE

- ITEM NOT ILLUSTRATED

HAP

25-24-31-37D

BOEING PROPRIETARY - Copyright © - Unpublished Work - See title page for details.

25-24-31
FIG. 37D
PAGE 2
JUN 15/08

BOEING
737-600/700/800/900
PARTS CATALOG (MAINTENANCE)

FIG ITEM	PART NUMBER	1 2 3 4 5 6 7	NOMENCLATURE	EFFECT FROM TO	UNITS PER ASSY
37D					
120	412A1465-14A	.	CLOSEOUT ASSY-	009030	1
123	BACN10VR4CGN	..	NUT-	002005	3
			OPTIONAL PART: BACN10VR4CG	008030	
123	BACN10VR4CG	..	NUT-	002005	3
			OPTIONAL PART: BACN10VR4CGN	008030	
125	412A1465-16SP	..	CLOSEOUT-	002005	1
				008030	
130	412A1465-15SP	..	CLOSEOUT-	002005	1
				008030	
135	412A1243-101	.	EXTRUSION ASSY-	002005	1
			OPTIONAL PART: 412A1243-1	008030	
135	412A1243-1	.	EXTRUSION ASSY-	002005	1
			OPTIONAL PART: 412A1243-101	008008	
			PRE SERVICE BULLETIN: 25-1373		
140	412A1600-1SP	.	COVER ASSY	002005	1
				008008	
140	412A1600-1A	.	COVER ASSY-	009030	1
145	412A1460-1	..	CLIP	002005	5
				008030	
150	412A1610-3A	..	PANEL ASSY-	009030	1
			OPTIONAL PART: 412A1610-103B		
150	412A1610-3SP	..	PANEL ASSY-	002005	1
			OPTIONAL PART: 412A1610-103SP	008008	
150	412A1610-103B	..	PANEL ASSY-	009030	1
			OPTIONAL PART: 412A1610-3A		
150	412A1610-103SP	..	PANEL ASSY-	002005	1
			OPTIONAL PART: 412A1610-3SP	008008	
155	412A1650-3SP	.	COVER ASSY-	002005	1
				008008	
155	412A1650-3A	.	COVER ASSY-	009030	1
185	BACS12FA3K6	.	SCREW	002005	20
				008030	
190	BACS12FA3K7	.	SCREW	002005	2
				008030	
195	BACS12FA3K15	.	SCREW	002005	4
				008030	

MISSING ITEM NUMBERS NOT APPLICABLE

- ITEM NOT ILLUSTRATED

HAP

25-24-31-37D

BOEING PROPRIETARY - Copyright © - Unpublished Work - See title page for details.

25-24-31
FIG. 37D
PAGE 3
JUN 15/08

BOEING
737-600/700/800/900
PARTS CATALOG (MAINTENANCE)

FIG ITEM	PART NUMBER	1 2 3 4 5 6 7	NOMENCLATURE	EFFECT FROM TO	UNITS PER ASSY
37D 200	412A1500-1SP		.DOOR ASSY-40 IN. USED ON: 412A1100-110SP PRE SERVICE BULLETIN: 25-1373	002005 008008	2
200	412A1500-101SP		.DOOR ASSY-40 IN. POST SERVICE BULLETIN: 25-1373	002005 008030	2
205	BACS12ER3K9		..SCREW	002005 008030	4
210	BACS12FA3K4		..SCREW	002005 008030	6
215	H3-1233A3		..WASHER- SUPPLIER CODE: V34941 SPECIFICATION NUMBER: S411A001-1	002005 008030	4
220	HA225-1		..LATCH ASSY- SUPPLIER CODE: V83014 SPECIFICATION NUMBER: S412A001-1A PRE SERVICE BULLETIN: 25-1373 PRE SERVICE BULLETIN: HA225-25-01 V83014	002005 008030	1
220	HA225-7		..LATCH ASSY- SUPPLIER CODE: V83014 SPECIFICATION NUMBER: S412A001-11B SERVICE BULLETIN OPT DATA: HA225K3868 V83014 POST SERVICE BULLETIN: 25-1373 POST SERVICE BULLETIN: HA225-25-01 V83014	002005 008030	1

MISSING ITEM NUMBERS NOT APPLICABLE

- ITEM NOT ILLUSTRATED

HAP

25-24-31-37D

BOEING PROPRIETARY - Copyright © - Unpublished Work - See title page for details.

25-24-31
FIG. 37D
PAGE 4
JUN 15/08

BOEING
737-600/700/800/900
PARTS CATALOG (MAINTENANCE)

FIG ITEM	PART NUMBER	1 2 3 4 5 6 7	NOMENCLATURE	EFFECT FROM TO	UNITS PER ASSY
37D 220	HA225K3868		..LATCH ASSY- SUPPLIER CODE: V83014 SERVICE BULLETIN OPT DATA: HA225-7 V83014 POST SERVICE BULLETIN: 25-1373 POST SERVICE BULLETIN: HA225-25-01 V83014	002005 008008	1
225	412A1615-100SP		..PANEL ASSY-FILLER OPTIONAL PART: 412A1615-1100SP	002005 008030	1
225	412A1615-1100SP		..PANEL ASSY-FILLER OPTIONAL PART: 412A1615-100SP	002005 008030	1
230	412A1480-3SP		..BRACKET ASSY	002005 008030	1
235	412A1480-4SP		..BRACKET ASSY	002005 008030	1
240	BACN10VR4CGN		...NUT	002005 008030	2
245	412A1480-1SP		...BRACKET- USED ON: 412A1480-3SP	002005 008030	1
250	412A1480-2SP		...BRACKET- USED ON: 412A1480-4SP	002005 008030	1
255	412A1810-1SP		..BUMPER	002005 008030	2
260	412A1450-4SP		..TRIM-EDGE	002005 008030	1
265	412A1450-3SP		..TRIM-EDGE	002005 008030	1
270	412A1450-6SP		..TRIM-EDGE	002005 008030	1
275	412A1450-5SP		..TRIM-EDGE	002005 008030	1
280	412A1510-2SP		..PANEL ASSY	002005 008030	1
- 285	SL618-3A		...INSERT- SUPPLIER CODE: V97393	002005 008030	14
300	412A1100-51SP		.HINGE ASSY-COLLECTOR	002005 008030	1
305	412A1100-52SP		.HINGE ASSY-COLLECTOR	002005 008030	2

MISSING ITEM NUMBERS NOT APPLICABLE

- ITEM NOT ILLUSTRATED

HAP

25-24-31-37D

BOEING PROPRIETARY - Copyright © - Unpublished Work - See title page for details.

25-24-31
FIG. 37D
PAGE 5
JUN 15/08

BOEING
737-600/700/800/900
PARTS CATALOG (MAINTENANCE)

FIG ITEM	PART NUMBER	1 2 3 4 5 6 7	NOMENCLATURE	EFFECT FROM TO	UNITS PER ASSY
37D					
310	412A1100-53SP	.	HINGE ASSY-COLLECTOR	002005 008030	1
315	412A1230-21	..	PIN	002005 008030	1
320	BACB30VF3K7	..	BOLT	002005 008030	1
325	NAS1149D0316J	..	WASHER	002005 008030	1
330	MS16633-4018	..	RING	002005 008030	1
335	SP20522	..	ACTUATOR ASSY- SUPPLIER CODE: V24403 SPECIFICATION NUMBER: S412A002-2	002005 008030	1
340	412A1455-1SP	..	HINGE ASSY- USED ON: 412A1100-51SP	002005 008030	1
345	412A1455-2SP	..	HINGE ASSY- USED ON: 412A1100-52SP	002005 008030	1
350	412A1455-3SP	..	HINGE ASSY- USED ON: 412A1100-53SP	002005 008030	1
355	412A1230-21	...	PIN	002005 008030	1
360	MS51023-54	...	SCREW	002005 008030	1
365	NAS1149D0316J	...	WASHER	002005 008030	1
370	MS16633-4018	...	RING	002005 008030	1
375	412A1220-1	...	CLIP	002005 008030	1
380	412A1454-3SP	...	HOUSING ASSY- USED ON: 412A1455-1SP 412A1455-2SP	002005 008030	1
385	412A1454-12SP	...	HOUSING ASSY- USED ON: 412A1455-3SP	002005 008030	1
390	BACB28Y3F020	BUSHING	002005 008030	2
395	6041L3BR375	INSERT- SUPPLIER CODE: V01556	002005 008030	1
400	412A1454-1SP	HOUSING- USED ON: 412A1454-3SP	002005 008030	1

MISSING ITEM NUMBERS NOT APPLICABLE

— ITEM NOT ILLUSTRATED

HAP

25-24-31-37D

BOEING PROPRIETARY - Copyright © - Unpublished Work - See title page for details.

25-24-31
FIG. 37D
PAGE 6
JUN 15/08

BOEING
737-600/700/800/900
PARTS CATALOG (MAINTENANCE)

FIG ITEM	PART NUMBER	1 2 3 4 5 6 7	NOMENCLATURE	EFFECT FROM TO	UNITS PER ASSY
37D 405	412A1454-11SP	HOUSING- USED ON: 412A1454-12SP	002005 008030	1
410	412A1454-9SP	...	BRACKET ASSY- USED ON: 412A1455-1SP 412A1455-3SP	002005 008030	1
415	412A1454-10SP	...	BRACKET ASSY- USED ON: 412A1455-2SP	002005 008030	1
420	BACB28Y3F025	BUSHING	002005 008030	2
425	6041-3BR225	INSERT- SUPPLIER CODE: V01556	002005 008030	1
430	6041L3BR375	INSERT- SUPPLIER CODE: V01556	002005 008030	1
435	412A1454-7SP	BRACKET- USED ON: 412A1454-9SP	002005 008030	1
440	412A1454-8SP	BRACKET- USED ON: 412A1454-10SP	002005 008030	1
450	412A1200-110SP	.BOX	ASSY-80 IN. BIN OPTIONAL PART: 412A1200-1101SP FOR DETAILS SEE: 25-24-32-80H	002005 008008	1
450	412A1200-1110SP	.BOX	ASSY-80 IN. BIN OPTIONAL PART: 412A1200-110SP FOR DETAILS SEE: 25-24-32-80H	002005 008008	1
450	412A1200-110A	.BOX	ASSY-80 IN. BIN OPTIONAL PART: 412A1200-1101B FOR DETAILS SEE: 25-24-32-80H	009030	1
450	412A1200-1110B	.BOX	ASSY-80 IN. BIN OPTIONAL PART: 412A1200-110A FOR DETAILS SEE: 25-24-32-80H	009030	1

MISSING ITEM NUMBERS NOT APPLICABLE

— ITEM NOT ILLUSTRATED

HAP

25-24-31-37D

BOEING PROPRIETARY - Copyright © - Unpublished Work - See title page for details.

25-24-31
FIG. 37D
PAGE 7
JUN 15/08

BOEING
737-600/700/800/900
PARTS CATALOG (MAINTENANCE)

FIG ITEM	PART NUMBER	1 2 3 4 5 6 7	NOMENCLATURE	EFFECT FROM TO	UNITS PER ASSY
37D - 455	OBA8		.PLUG- SUPPLIER CODE: VOBV87 OPTIONAL PART: 412A1100-96 412A1811-1SP 412A1811-1B 412A1811-2SP 412A1811-2B	002005 008030	AR
- 455	OBA8		.PLUG- SUPPLIER CODE: VOBV87	002005 008008	AR
- 455	412A1811-1SP		.PLUG- OPTIONAL PART: 412A1100-96 412A1811-2SP OBA8 VOBV87 POST SERVICE BULLETIN: 25-1373	002005 008008	AR
- 455	412A1811-1B		.PLUG- OPTIONAL PART: 412A1100-96 412A1811-2B OBA8 VOBV87	009030	AR
- 455	412A1811-2SP		.PLUG- OPTIONAL PART: 412A1100-96 412A1811-1SP OBA8 VOBV87	002005 008008	AR
- 455	412A1811-2B		.PLUG- OPTIONAL PART: 412A1100-96 412A1811-1B OBA8 VOBV87	009030	AR
- 460	412A1100-96		.KIT ASSY-SCR AND WASHER OPTIONAL PART: OBA8 VOBV87 412A1811-1SP 412A1811-1B 412A1811-2SP 412A1811-2B POST SERVICE BULLETIN: 25-1373	002005 008030	AR

MISSING ITEM NUMBERS NOT APPLICABLE

- ITEM NOT ILLUSTRATED

HAP

25-24-31-37D

BOEING PROPRIETARY - Copyright © - Unpublished Work - See title page for details.

25-24-31
FIG. 37D
PAGE 8
JUN 15/08


BOEING
 737-600/700/800/900
PARTS CATALOG (MAINTENANCE)

FIG ITEM	PART NUMBER	1 2 3 4 5 6 7	NOMENCLATURE	EFFECT FROM TO	UNITS PER ASSY
37D - 465	NAS514P1032-5	..	SCREW	002005 008030	1
- 470	H3-1233A3	..	WASHER- SUPPLIER CODE: V34941 SPECIFICATION NUMBER: S411A001-1	002005 008030	1

MISSING ITEM NUMBERS NOT APPLICABLE

- ITEM NOT ILLUSTRATED

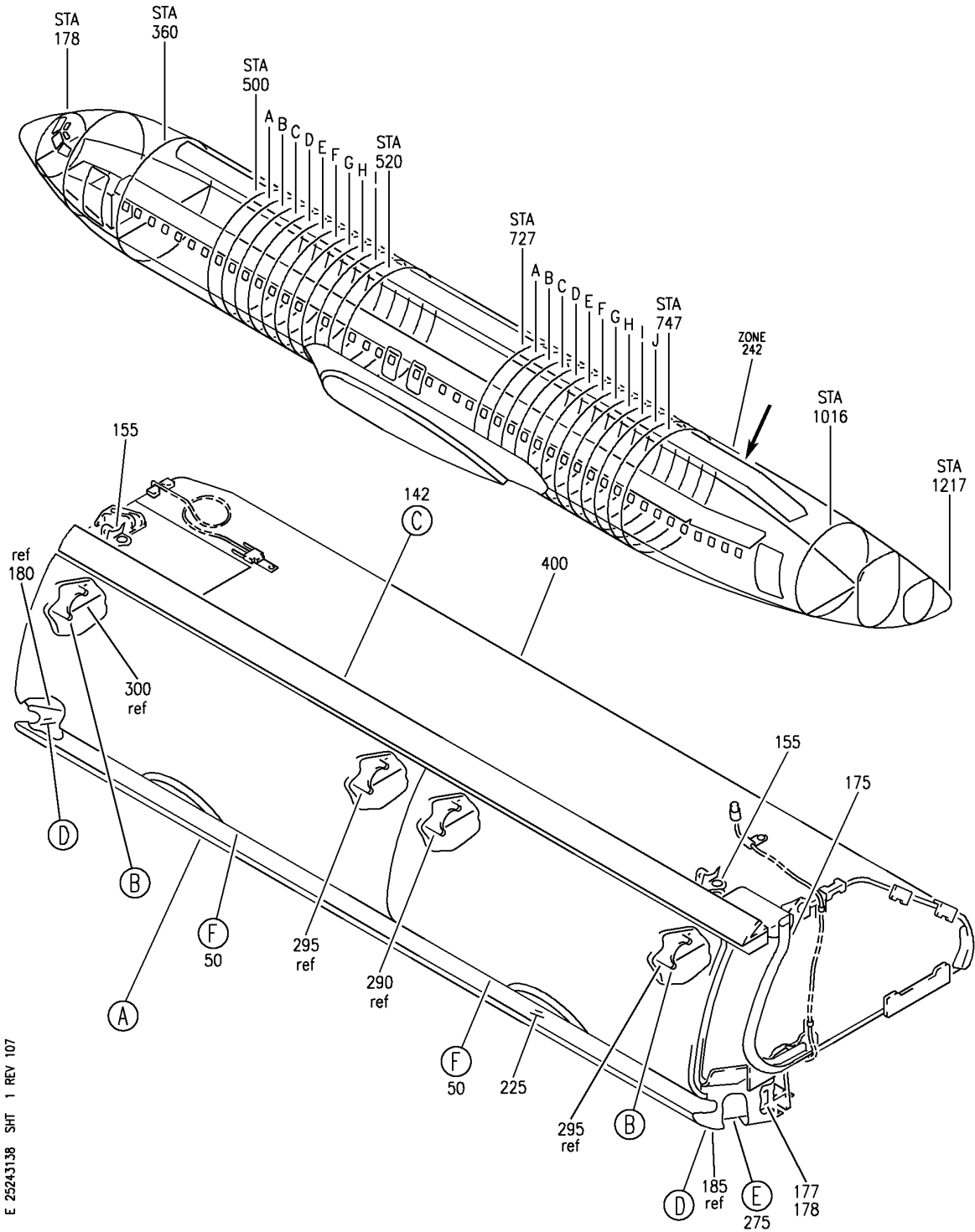
HAP

25-24-31-37D

BOEING PROPRIETARY - Copyright © - Unpublished Work - See title page for details.

25-24-31
 FIG. 37D
 PAGE 9
 JUN 15/08

BOEING
737-600/700/800/900
PARTS CATALOG (MAINTENANCE)



E 2524-31-38 SHT 1 REV 107

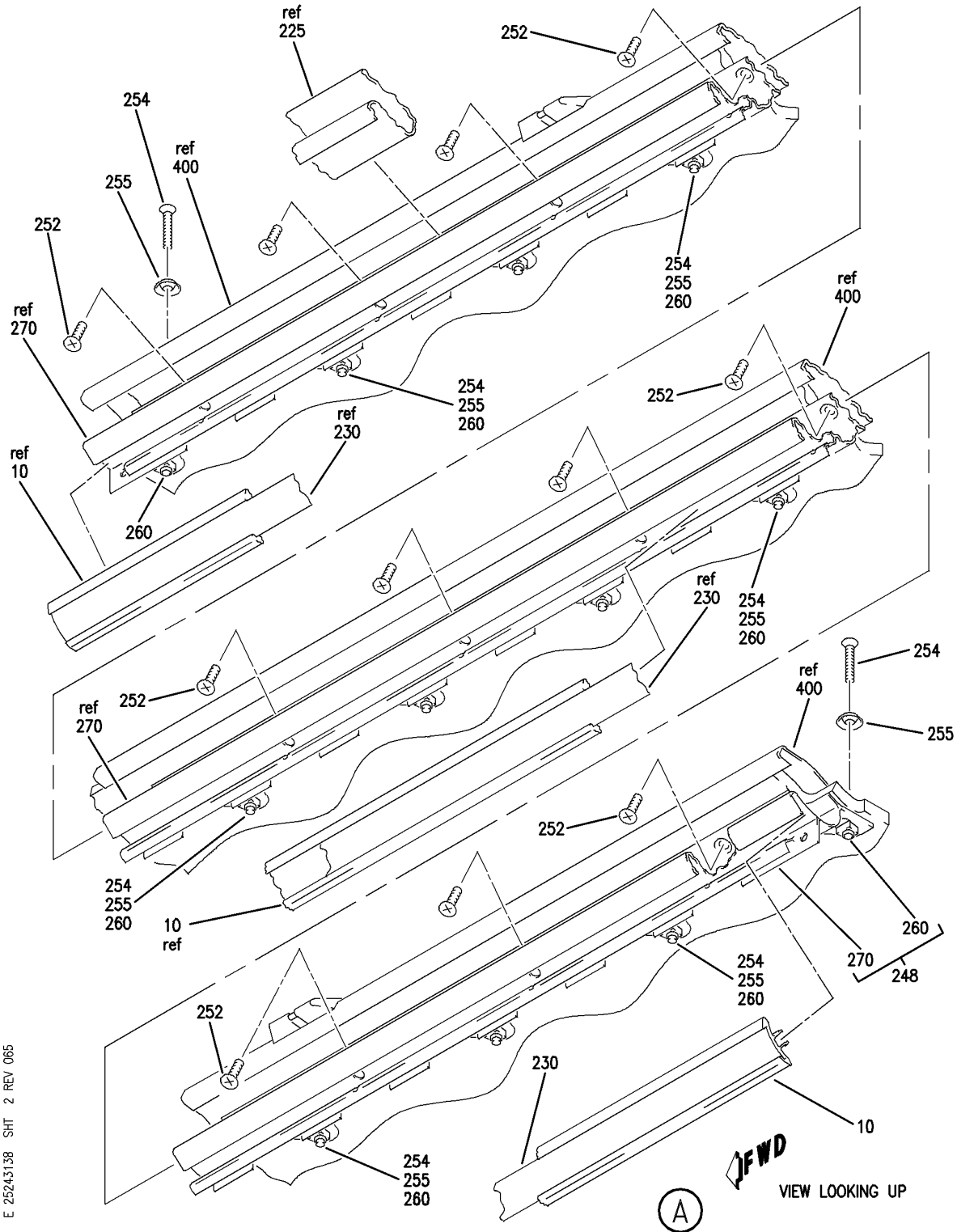
COMPARTMENT ASSY-80 IN. OVHD STOWAGE HNDRL CONFIGURATION (EQUIPMENT/ FURNISHINGS ONLY)
 FIGURE 38 (SHEET 1)

25-24-31-38

HAP
 OCT 10/06

25-24-31-38
 PAGE 0

BOEING
 737-600/700/800/900
 PARTS CATALOG (MAINTENANCE)



E 25243138 SHT 2 REV 065

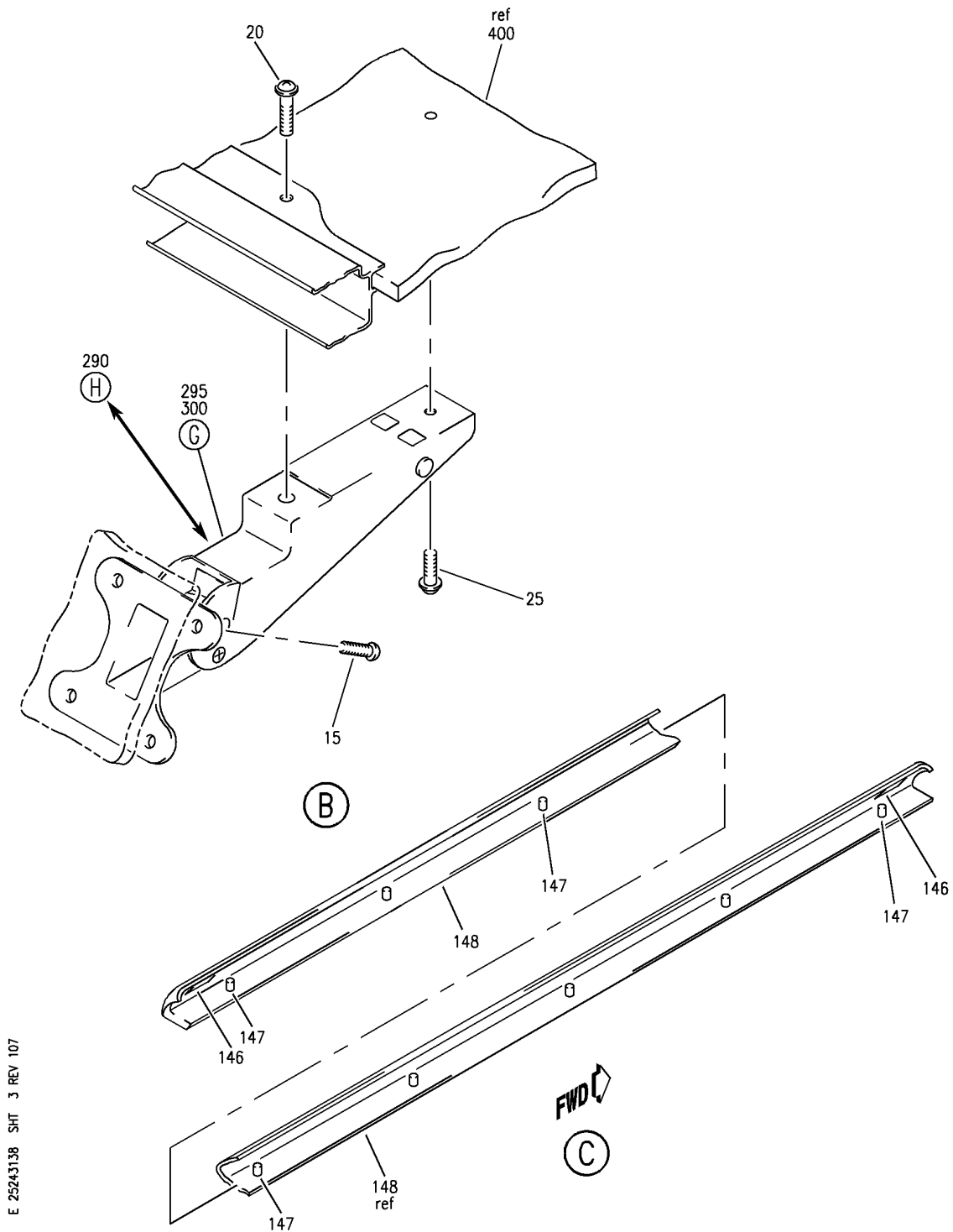
COMPARTMENT ASSY-80 IN. OVHD STOWAGE HNDRL CONFIGURATION (EQUIPMENT/ FURNISHINGS ONLY)
 FIGURE 38 (SHEET 2)

25-24-31-38

HAP
 OCT 10/06

25-24-31-38
 PAGE 0A

BOEING
 737-600/700/800/900
 PARTS CATALOG (MAINTENANCE)



E 2524-31-38 SH 3 REV 107

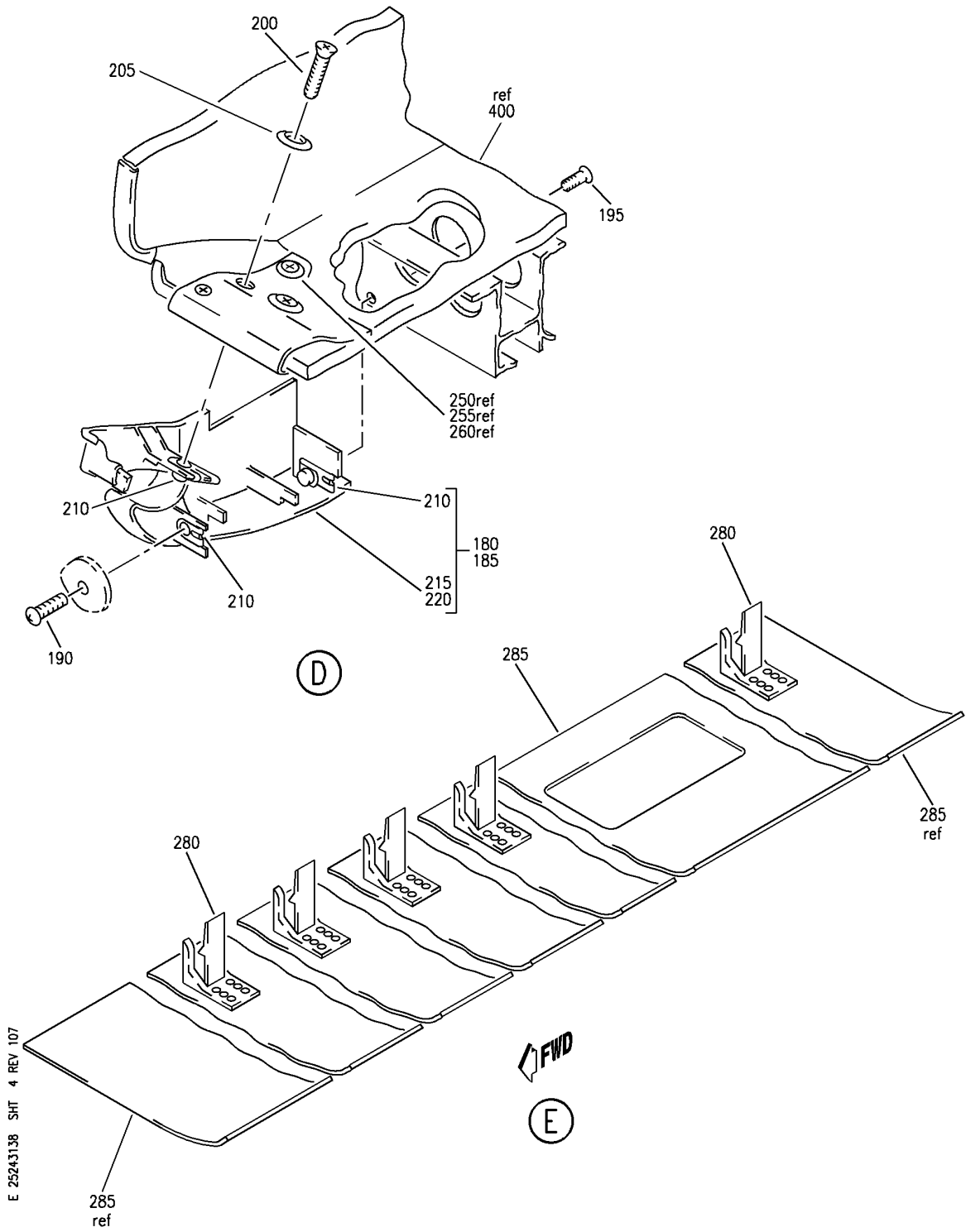
COMPARTMENT ASSY-80 IN. OVHD STOWAGE HNDRL CONFIGURATION (EQUIPMENT/ FURNISHINGS ONLY)
 FIGURE 38 (SHEET 3)

HAP
 OCT 10/06

25-24-31-38

25-24-31-38
 PAGE 0B

BOEING
 737-600/700/800/900
 PARTS CATALOG (MAINTENANCE)



E 2524-31-38 SHT 4 REV 107

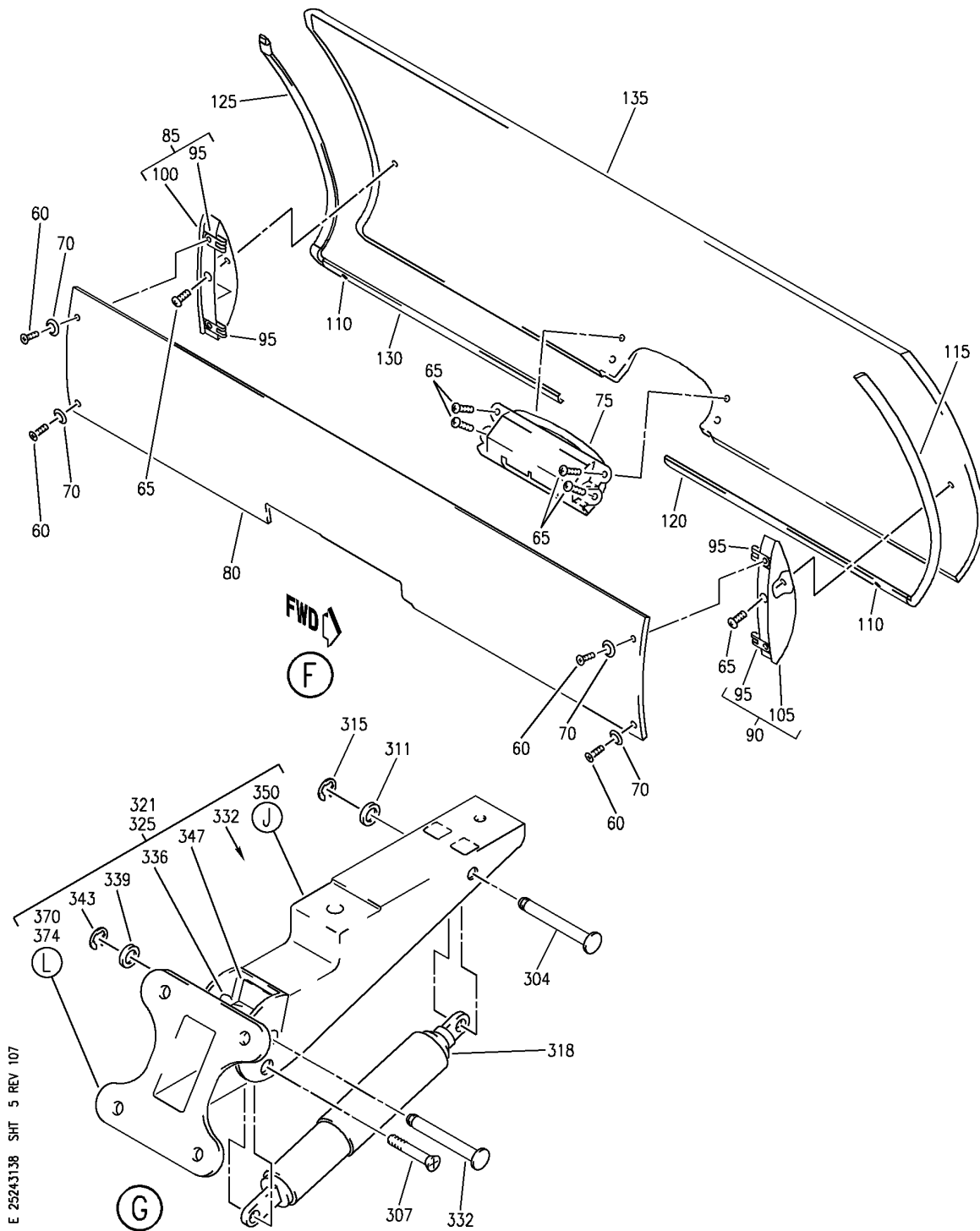
COMPARTMENT ASSY-80 IN. OVHD STOWAGE HNDRL CONFIGURATION (EQUIPMENT/ FURNISHINGS ONLY)
 FIGURE 38 (SHEET 4)

25-24-31-38

HAP
 OCT 10/06

25-24-31-38
 PAGE 0C

BOEING
 737-600/700/800/900
 PARTS CATALOG (MAINTENANCE)



E 2524-31-38 SHT 5 REV 107

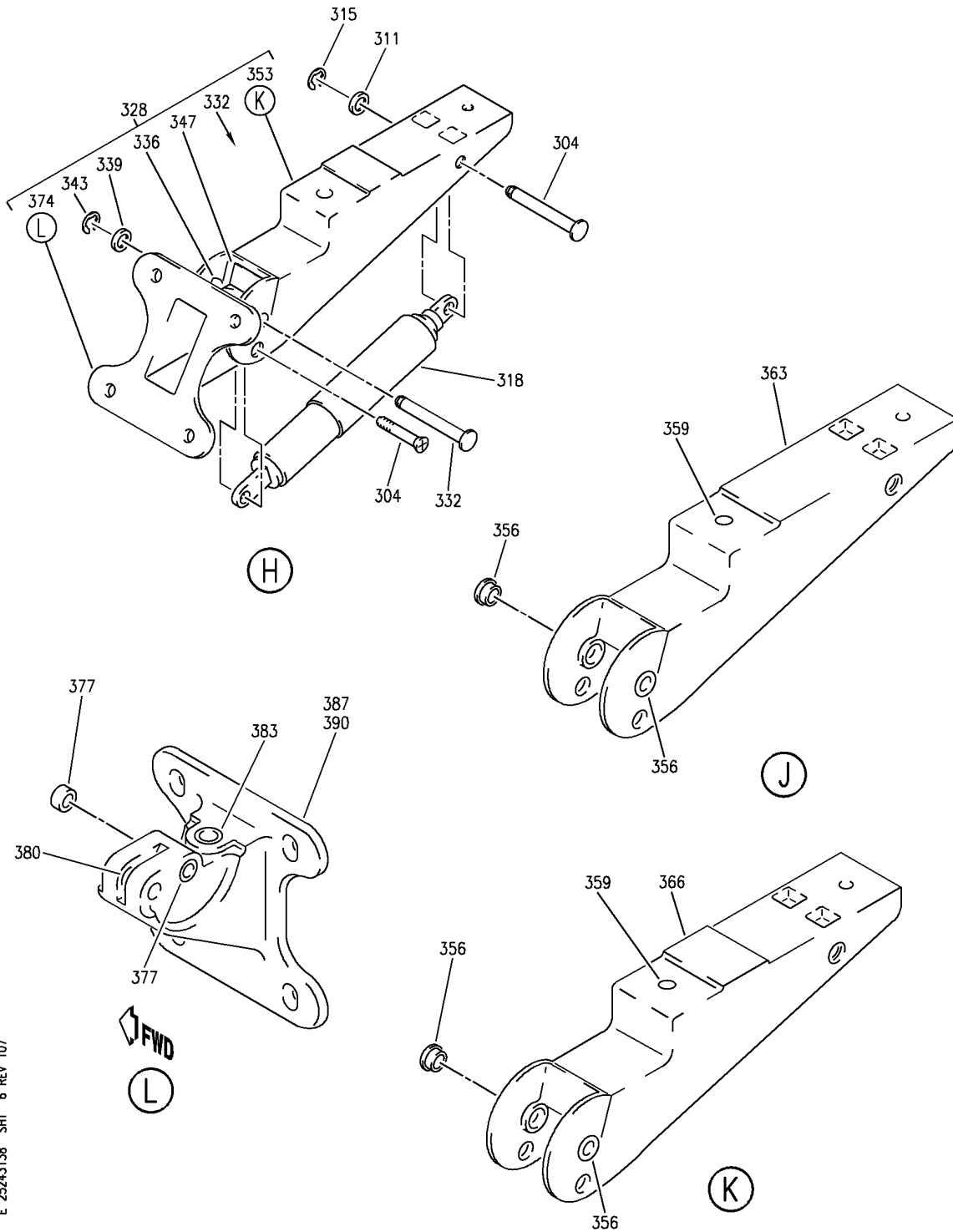
COMPARTMENT ASSY-80 IN. OVHD STOWAGE HNDRL CONFIGURATION (EQUIPMENT/ FURNISHINGS ONLY)
 FIGURE 38 (SHEET 5)

HAP
 OCT 10/06

25-24-31-38

25-24-31-38
 PAGE 0D


BOEING
 737-600/700/800/900
PARTS CATALOG (MAINTENANCE)



E 2524-3138 SHT 6 REV 107

COMPARTMENT ASSY-80 IN. OVHD STOWAGE HNDRL CONFIGURATION (EQUIPMENT/ FURNISHINGS ONLY)
 FIGURE 38 (SHEET 6)

25-24-31-38

HAP
 OCT 10/06

25-24-31-38
 PAGE 0E

BOEING
737-600/700/800/900
PARTS CATALOG (MAINTENANCE)

FIG ITEM	PART NUMBER	1 2 3 4 5 6 7	NOMENCLATURE	EFFECT FROM TO	UNITS PER ASSY
38			COMPARTMENT ASSY-80 IN. OVHD STOWAGE HNDRL CONFIGURATION (EQUIPMENT/ FURNISHINGS ONLY)	002005 008030	
- 5	412A1100-124SP		COMPARTMENT ASSY-80 IN. OVHD STOWAGE HNDRL CONFIGURATION (EQUIPMENT/ FURNISHINGS ONLY) POSITION DATA: RH PRE SERVICE BULLETIN: 25-1373 FOR NHA/OTHER SYS DET SEE: 25-24-30-80A	002005 008008	RF
- 5	412A1100-224SP		COMPARTMENT ASSY-80 IN. OVHD STOWAGE HNDRL CONFIGURATION (EQUIPMENT/ FURNISHINGS ONLY) POSITION DATA: RH POST SERVICE BULLETIN: 25-1373 FOR NHA/OTHER SYS DET SEE: 25-24-30-80A	002005 008008	RF
- 5	412A1100-224B		COMPARTMENT ASSY-80 IN. OVHD STOWAGE HNDRL CONFIGURATION (EQUIPMENT/ FURNISHINGS ONLY) POSITION DATA: RH FOR NHA/OTHER SYS DET SEE: 25-24-30-83	009030	RF
10	412A1420-1SP		.EXTRUSION-SEAT ROW MARKER	002005 008008	1
10	412A1420-1A		.EXTRUSION-SEAT ROW MARKER	009030	1
15	BACS12FA3K6		.SCREW- POSITION DATA: FARSIDE	002005 008030	16
20	BACS12FA3K15		.SCREW	002005 008030	4
25	BACS12FA3K6		.SCREW-	002005 008030	4
50	412A1500-1SP		.DOOR ASSY-40 IN. PRE SERVICE BULLETIN: 25-1373	002005 008008	2
50	412A1500-101SP		.DOOR ASSY-40 IN. POST SERVICE BULLETIN: 25-1373	002005 008030	2

MISSING ITEM NUMBERS NOT APPLICABLE

- ITEM NOT ILLUSTRATED

HAP

25-24-31-38

BOEING PROPRIETARY - Copyright © - Unpublished Work - See title page for details.

25-24-31
FIG. 38
PAGE 1
OCT 10/06

BOEING
737-600/700/800/900
PARTS CATALOG (MAINTENANCE)

FIG ITEM	PART NUMBER	1 2 3 4 5 6 7	NOMENCLATURE	EFFECT FROM TO	UNITS PER ASSY
38					
60	BACS12ER3K9	..	SCREW	002005 008030	4
65	BACS12FA3K4	..	SCREW	002005 008030	6
70	H3-1233A3	..	WASHER- SUPPLIER CODE: V34941 SPECIFICATION NUMBER: S411A001-1	002005 008030	4
75	HA225-7	..	LATCH ASSY- SUPPLIER CODE: V83014 SPECIFICATION NUMBER: S412A001-11B SERVICE BULLETIN OPT DATA: HA225K3868 V83014 POST SERVICE BULLETIN: 25-1373 POST SERVICE BULLETIN: HA225-25-01 V83014	002005 008030	1
75	HA225-1	..	LATCH ASSY- SUPPLIER CODE: V83014 SPECIFICATION NUMBER: S412A001-1A PRE SERVICE BULLETIN: 25-1373 PRE SERVICE BULLETIN: HA225-25-01 V83014	002005 008030	1
75	HA225K3868	..	LATCH ASSY- SUPPLIER CODE: V83014 SERVICE BULLETIN OPT DATA: HA225-7 V83014 POST SERVICE BULLETIN: 25-1373 POST SERVICE BULLETIN: HA225-25-01 V83014	002005 008008	1
80	412A1615-100SP	..	PANEL ASSY-FILLER OPTIONAL PART: 412A1615-1100SP	002005 008030	1
80	412A1615-1100SP	..	PANEL ASSY-FILLER OPTIONAL PART: 412A1615-100SP	002005 008030	1

MISSING ITEM NUMBERS NOT APPLICABLE

— ITEM NOT ILLUSTRATED

HAP

25-24-31-38

25-24-31
FIG. 38
PAGE 2
JUN 15/08

BOEING
737-600/700/800/900
PARTS CATALOG (MAINTENANCE)

FIG ITEM	PART NUMBER	1 2 3 4 5 6 7	NOMENCLATURE	EFFECT FROM TO	UNITS PER ASSY
38					
85	412A1480-3SP	..	BRACKET ASSY	002005 008030	1
90	412A1480-4SP	..	BRACKET ASSY	002005 008030	1
95	BACN10VR4CGN	...	NUT	002005 008030	2
100	412A1480-1SP	...	BRACKET- USED ON: 412A1480-3SP	002005 008030	1
105	412A1480-2SP	...	BRACKET- USED ON: 412A1480-4SP	002005 008030	1
110	412A1810-1SP	..	BUMPER	002005 008030	2
115	412A1450-3SP	..	TRIM-EDGE	002005 008030	1
120	412A1450-5SP	..	TRIM-EDGE	002005 008030	1
125	412A1450-4SP	..	TRIM-EDGE	002005 008030	1
130	412A1450-6SP	..	TRIM-EDGE	002005 008030	1
135	412A1510-2SP	..	PANEL ASSY	002005 008030	1
- 140	SL618-3A	...	INSERT- SUPPLIER CODE: V97393	002005 008030	14
142	412A1700-101SP	.VALANCE ASSY-LT OPTIONAL PART: 412A1700-1SP		002005 008008	1
142	412A1700-1A	.VALANCE ASSY-LT OPTIONAL PART: 412A1700-101B		002005 008030	1
142	412A1700-101B	.VALANCE ASSY-LT OPTIONAL PART: 412A1700-1A ATTACHING PARTS		009030	1
-145A	BACN10YJ3F	.NUT		002005 008030	8
		-----*-----			
146	412A1700-6	..	TAPE-VELCRO	002005 008030	2
147	BACS21DW3C10FN	..	STUD	002005 008030	8
148	412A1710-101SP	..	PANEL ASSY- USED ON: 412A1700-101SP 412A1700-101B	002005 008030	1

MISSING ITEM NUMBERS NOT APPLICABLE

- ITEM NOT ILLUSTRATED

HAP

25-24-31-38

25-24-31
FIG. 38
PAGE 3
JUN 15/08

BOEING
737-600/700/800/900
PARTS CATALOG (MAINTENANCE)

FIG ITEM	PART NUMBER	1 2 3 4 5 6 7	NOMENCLATURE	EFFECT FROM TO	UNITS PER ASSY
38					
148	412A1710-1A	..	PANEL ASSY- USED ON: 412A1700-1A	002005 008030	1
155	H3-1592-1	.L	LATCH-CLG SUPPLIER CODE: V34941 SPECIFICATION NUMBER: S411A001-1 ATTACHING PARTS	002005 008030	2
- 166	BACS12GU3K7	.S	SCREW-	002005 008030	4
- 167	NAS1149D0332J	.W	WASHER	002005 008030	4
			-----*-----		
175	403A3210-22SP	.S	SEAL ASSY-	002005 008008	1
175	403A3210-22A	.S	SEAL ASSY-	009030	1
177	412A1310-701	.T	TAPE-LOOP POST SERVICE BULLETIN: 25-1373	002005 008030	AR
178	412A1310-700	.T	TAPE-HOOK POST SERVICE BULLETIN: 25-1373	002005 008030	AR
180	412A1465-14SP	.C	CLOSEOUT ASSY-	002005 008008	1
180	412A1465-14A	.C	CLOSEOUT ASSY-	009030	1
185	412A1465-13SP	.C	CLOSEOUT ASSY-	002005 008008	1
185	412A1465-13A	.C	CLOSEOUT ASSY- ATTACHING PARTS	009030	1
190	BACS12FA3K7	.S	SCREW	002005 008030	2
195	BACB30VF3K3	.B	BOLT	002005 008030	2
200	BACS12ER3K9	.S	SCREW	002005 008030	2
205	H3-1233A3	.W	WASHER- SUPPLIER CODE: V34941 SPECIFICATION NUMBER: S411A001-1	002005 008030	2
			-----*-----		
210	BACN10VR4CGN	..	NUT- OPTIONAL PART: BACN10VR4CG	002005 008030	3
210	BACN10VR4CG	..	NUT- OPTIONAL PART: BACN10VR4CGN	002005 008030	3

MISSING ITEM NUMBERS NOT APPLICABLE

- ITEM NOT ILLUSTRATED

HAP

25-24-31-38

25-24-31
FIG. 38
PAGE 4
JUN 15/08

BOEING
737-600/700/800/900
PARTS CATALOG (MAINTENANCE)

FIG ITEM	PART NUMBER	1 2 3 4 5 6 7	NOMENCLATURE	EFFECT FROM TO	UNITS PER ASSY
38					
215	412A1465-15SP	..	CLOSEOUT- USED ON: 412A1465-13SP 412A1465-13A	002005 008030	1
220	412A1465-16SP	..	CLOSEOUT- USED ON: 412A1465-14SP 412A1465-14A	002005 008030	1
225	412A1650-3SP	.	COVER ASSY	002005 008008	1
225	412A1650-3A	.	COVER ASSY-	009030	1
230	412A1451-2SP	.	STRIP-TRIM	002005 008008	1
230	412A1451-2BCWK	.	STRIP-TRIM	009030	1
248	412A1243-1	.	EXTRUSION ASSY- OPTIONAL PART: 412A1243-101 PRE SERVICE BULLETIN: 25-1373	002005 008008	1
248	412A1243-101	.	EXTRUSION ASSY- OPTIONAL PART: 412A1243-1 ATTACHING PARTS	002005 008030	1
252	BACS12ER3K5	.	SCREW	002005 008030	11
254	BACS12ER3K14	.	SCREW	002005 008030	12
255	H3-1233A3	.	WASHER- SUPPLIER CODE: V34941 SPECIFICATION NUMBER: S411A001-1 -----*-----	002005 008030	12
260	FS1651-3	..	NUTPLATE SUPPLIER CODE: V15653 SPECIFICATION NUMBER: BACN10KH3CD OPTIONAL PART: 102F9209M3 V72962 NS202496-02 V80539 ATTACHING PARTS	002005 008030	12
- 265	BACR15BA3ADC	..	RIVET- SIZE DETERMINED ON INSTL. -----*-----	002005 008030	24
275	412A1600-72A	.	COVER ASSY	009030	1

MISSING ITEM NUMBERS NOT APPLICABLE

- ITEM NOT ILLUSTRATED

HAP

25-24-31-38

25-24-31
FIG. 38
PAGE 5
JUN 15/08

BOEING
737-600/700/800/900
PARTS CATALOG (MAINTENANCE)

FIG ITEM	PART NUMBER	1 2 3 4 5 6 7	NOMENCLATURE	EFFECT FROM TO	UNITS PER ASSY
38					
275	412A1600-72SP	.	COVER ASSY	002005 008008	1
280	412A1460-1	..	CLIP	002005 008030	5
285	412A1610-72A	..	PANEL ASSY- OPTIONAL PART: 412A1610-172B	009030	1
285	412A1610-72SP	..	PANEL ASSY	002005 008008	1
285	412A1610-172B	..	PANEL ASSY- OPTIONAL PART: 412A1610-72A	009030	1
290	412A1100-53SP	.	HINGE ASSY-COLLECTOR	002005 008030	1
295	412A1100-52SP	.	HINGE ASSY-COLLECTOR	002005 008030	2
300	412A1100-51SP	.	HINGE ASSY-COLLECTOR	002005 008030	1
304	412A1230-21	..	PIN	002005 008030	1
307	BACB30VF3K7	..	BOLT	002005 008030	1
311	NAS1149D0316J	..	WASHER	002005 008030	1
315	MS16633-4018	..	RING	002005 008030	1
318	SP20522	..	ACTUATOR ASSY- SUPPLIER CODE: V24403 SPECIFICATION NUMBER: S412A002-2	002005 008030	1
321	412A1455-1SP	..	HINGE ASSY- USED ON: 412A1100-51SP	002005 008030	1
325	412A1455-2SP	..	HINGE ASSY- USED ON: 412A1100-52SP	002005 008030	1
328	412A1455-3SP	..	HINGE ASSY- USED ON: 412A1100-53SP	002005 008030	1
332	412A1230-21	...	PIN	002005 008030	1
336	MS51023-54	...	SCREW	002005 008030	1
339	NAS1149D0316J	...	WASHER	002005 008030	1
343	MS16633-4018	...	RING	002005 008030	1

MISSING ITEM NUMBERS NOT APPLICABLE

— ITEM NOT ILLUSTRATED

HAP

25-24-31-38

25-24-31
FIG. 38
PAGE 6
JUN 15/08

BOEING PROPRIETARY - Copyright © - Unpublished Work - See title page for details.

BOEING
737-600/700/800/900
PARTS CATALOG (MAINTENANCE)

FIG ITEM	PART NUMBER	1 2 3 4 5 6 7	NOMENCLATURE	EFFECT FROM TO	UNITS PER ASSY
38					
347	412A1220-1	...	CLIP	002005 008030	1
350	412A1454-3SP	...	HOUSING ASSY- USED ON: 412A1455-1SP 412A1455-2SP	002005 008030	1
353	412A1454-12SP	...	HOUSING ASSY- USED ON: 412A1455-3SP	002005 008030	1
356	BACB28Y3F020	BUSHING	002005 008030	2
359	6041L3BR375	INSERT- SUPPLIER CODE: V01556	002005 008030	1
363	412A1454-1SP	HOUSING- USED ON: 412A1454-3SP	002005 008030	1
366	412A1454-11SP	HOUSING- USED ON: 412A1454-12SP	002005 008030	1
370	412A1454-9SP	...	BRACKET ASSY- USED ON: 412A1455-1SP 412A1455-3SP	002005 008030	1
374	412A1454-10SP	...	BRACKET ASSY- USED ON: 412A1455-2SP	002005 008030	1
377	BACB28Y3F025	BUSHING	002005 008030	2
380	6041-3BR225	INSERT- SUPPLIER CODE: V01556	002005 008030	1
383	6041L3BR375	INSERT- SUPPLIER CODE: V01556	002005 008030	1
387	412A1454-7SP	BRACKET- USED ON: 412A1454-9SP	002005 008030	1
390	412A1454-8SP	BRACKET- USED ON: 412A1454-10SP	002005 008030	1
400	412A1200-1124SP	.	BOX ASSY-80 IN. BIN OPTIONAL PART: 412A1200-124SP FOR DETAILS SEE: 25-24-32-80B	002005 008008	1

MISSING ITEM NUMBERS NOT APPLICABLE

— ITEM NOT ILLUSTRATED

HAP

25-24-31-38

25-24-31
FIG. 38
PAGE 7
JUN 15/08

 **BOEING**
737-600/700/800/900
PARTS CATALOG (MAINTENANCE)

FIG ITEM	PART NUMBER	1 2 3 4 5 6 7	NOMENCLATURE	EFFECT FROM TO	UNITS PER ASSY
38 400	412A1200-124A		.BOX ASSY-80 IN. BIN OPTIONAL PART: 412A1200-1124B FOR DETAILS SEE: 25-24-32-80B	009030	1
400	412A1200-1124B		.BOX ASSY-80 IN. BIN OPTIONAL PART: 412A1200-124A FOR DETAILS SEE: 25-24-32-80B	009030	1
400	412A1200-124SP		.BOX ASSY-80 IN. BIN OPTIONAL PART: 412A1200-1124SP FOR DETAILS SEE: 25-24-32-80B	002005 008008	1
- 405	412A1811-1B		.PLUG- OPTIONAL PART: 412A1100-96 OBA8 VOBV87 412A1811-2B	009030	AR
- 405	412A1811-1SP		.PLUG- OPTIONAL PART: 412A1100-96 OBA8 VOBV87 POST SERVICE BULLETIN: 25-1373	002005 008008	AR
- 405	412A1811-2B		.PLUG- OPTIONAL PART: OBA8 VOBV87 412A1811-1B 412A1100-96	009030	AR
- 405	OBA8		.PLUG- SUPPLIER CODE: VOBV87 OPTIONAL PART: 412A1811-1B 412A1811-2B 412A1100-96 412A1811-1SP	002005 008030	AR

MISSING ITEM NUMBERS NOT APPLICABLE

- ITEM NOT ILLUSTRATED

HAP

25-24-31-38

BOEING PROPRIETARY - Copyright © - Unpublished Work - See title page for details.

25-24-31
FIG. 38
PAGE 8
JUN 15/08

 **BOEING**
737-600/700/800/900
PARTS CATALOG (MAINTENANCE)

FIG ITEM	PART NUMBER	1 2 3 4 5 6 7	NOMENCLATURE	EFFECT FROM TO	UNITS PER ASSY
38					
- 410	412A1100-96		.KIT ASSY-SCR AND WASHER OPTIONAL PART: OBA8 VOBV87 412A1811-1B 412A1811-1SP 412A1811-2B POST SERVICE BULLETIN: 25-1373	002005 008030	AR
- 415	NAS514P1032-5		..SCREW	002005 008030	1
- 420	H3-1233A3		..WASHER- SUPPLIER CODE: V34941 SPECIFICATION NUMBER: S411A001-1	002005 008030	1

MISSING ITEM NUMBERS NOT APPLICABLE

- ITEM NOT ILLUSTRATED

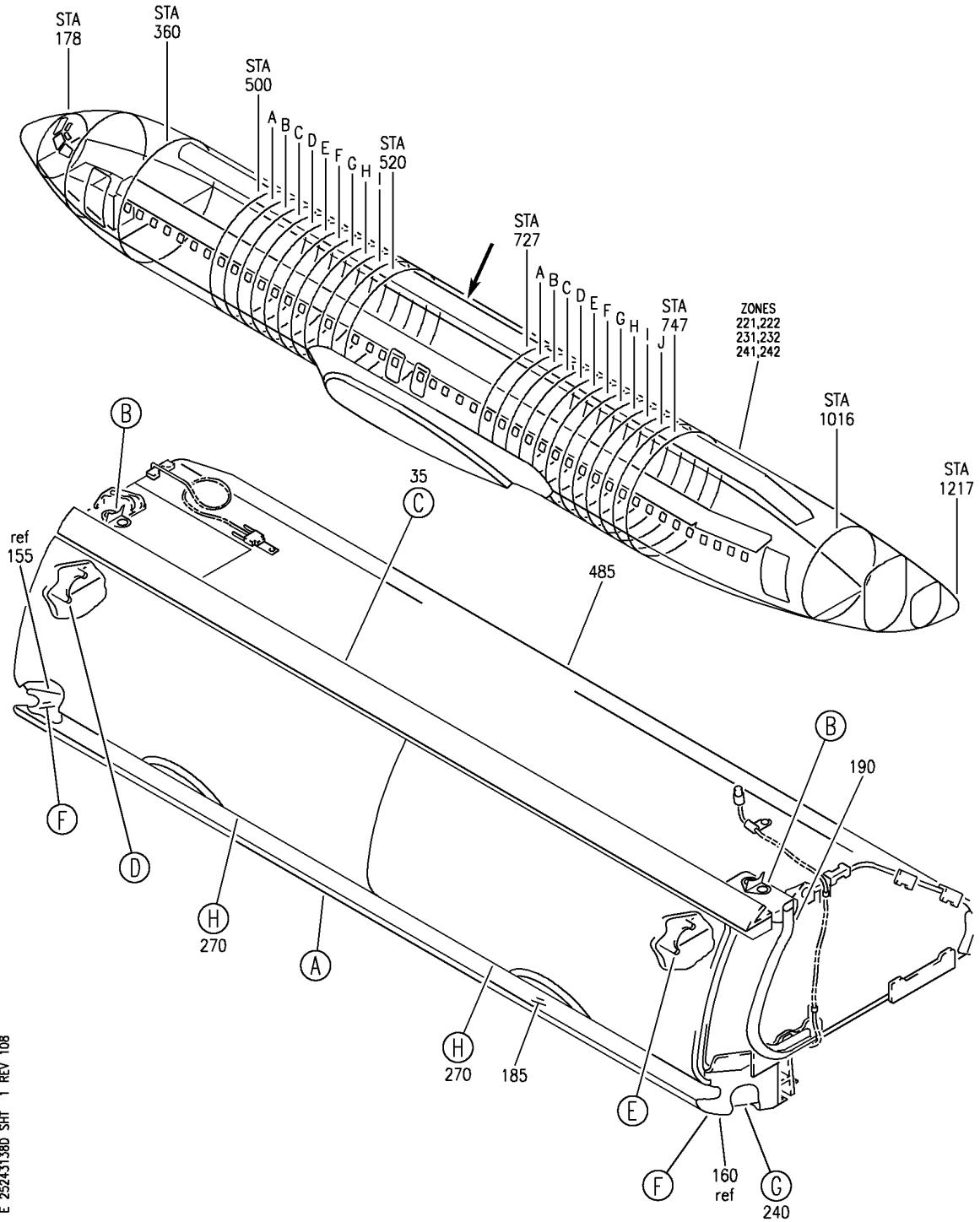
HAP

25-24-31-38

BOEING PROPRIETARY - Copyright © - Unpublished Work - See title page for details.

25-24-31
FIG. 38
PAGE 9
JUN 15/08

BOEING
 737-600/700/800/900
 PARTS CATALOG (MAINTENANCE)



E 2524-31-38D SHT 1 REV 108

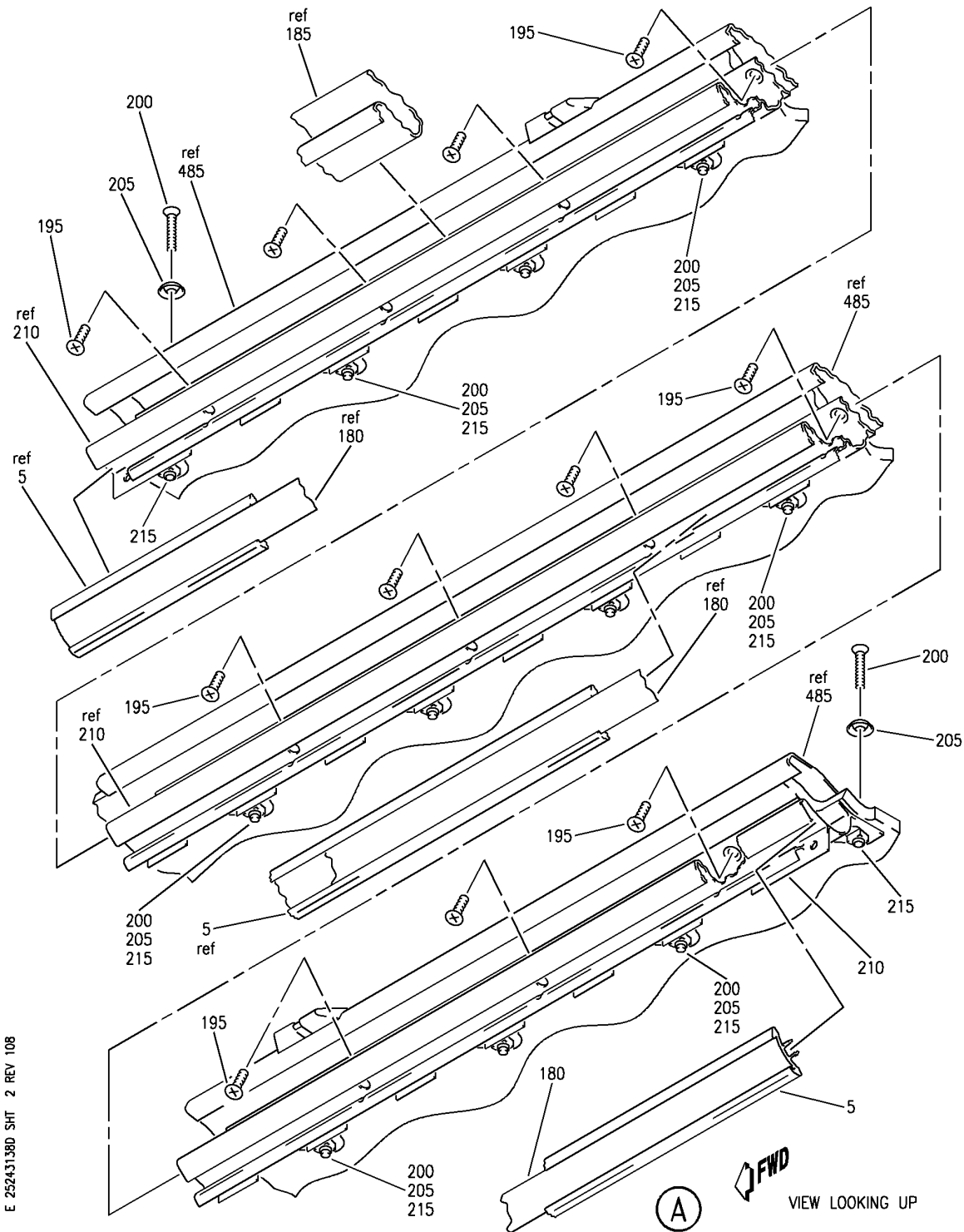
COMPARTMENT ASSY-RH 80 IN. OVHD STOWAGE HNDRL CONFIGURATION (EQUIPMENT/ FURNISHINGS ONLY)
 FIGURE 38D (SHEET 1)

25-24-31-38D

HAP
 OCT 10/06

25-24-31-38D
 PAGE 0

BOEING
737-600/700/800/900
PARTS CATALOG (MAINTENANCE)



E 2524-31-38D SHT 2 REV 108

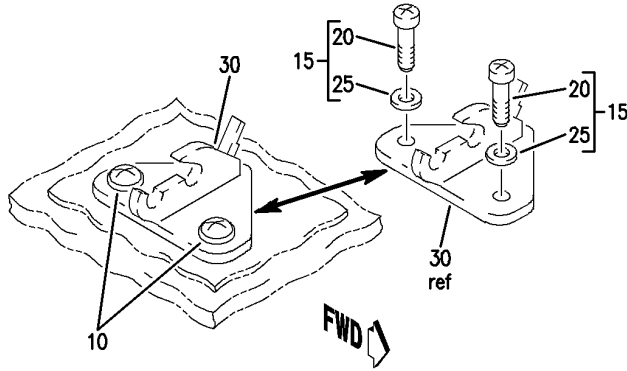
COMPARTMENT ASSY-RH 80 IN. OVHD STOWAGE HANDRAIL CONFIGURATION (EQUIPMENT/ FURNISHINGS ONLY)
 FIGURE 38D (SHEET 2)

25-24-31-38D

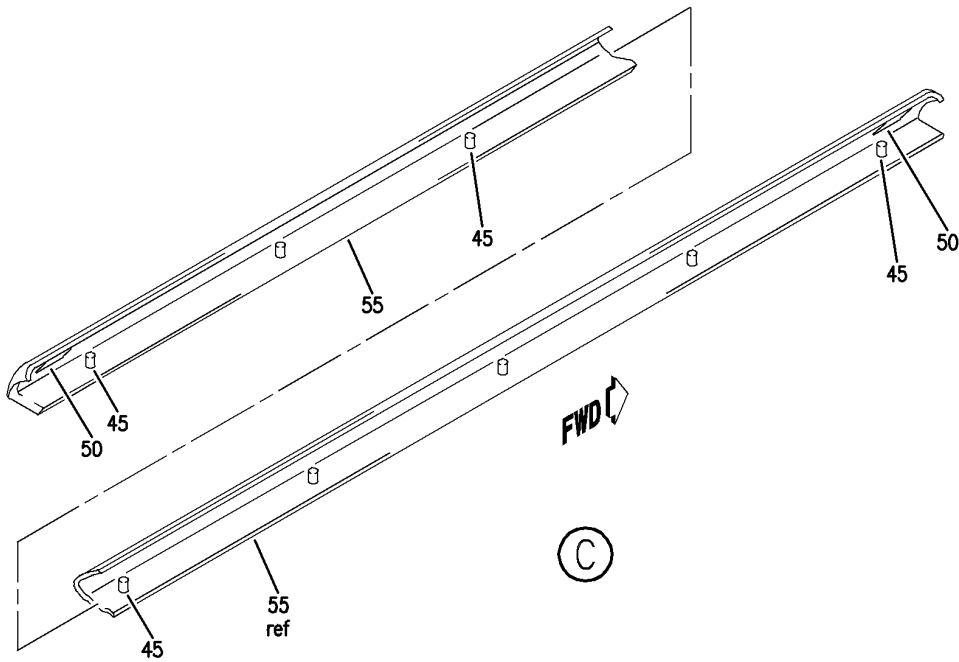
HAP
 OCT 10/06

25-24-31-38D
 PAGE 0A

BOEING
 737-600/700/800/900
 PARTS CATALOG (MAINTENANCE)



(B)



(C)

E 25243138D SHT 3 REV 065

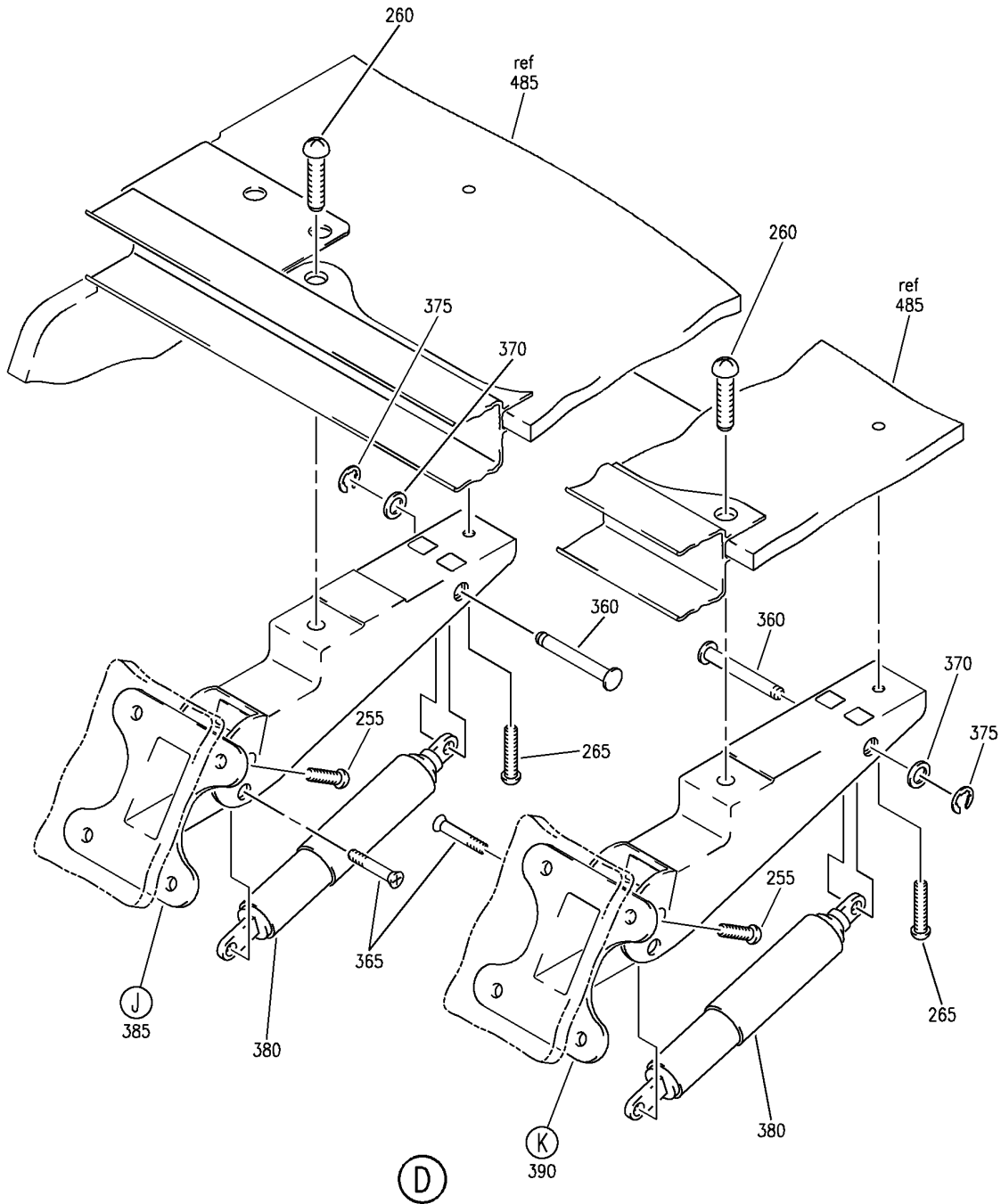
COMPARTMENT ASSY-RH 80 IN. OVHD STOWAGE HANDRAIL CONFIGURATION (EQUIPMENT/ FURNISHINGS ONLY)
 FIGURE 38D (SHEET 3)

25-24-31-38D

HAP
 OCT 10/06

25-24-31-38D
 PAGE 0B

BOEING
 737-600/700/800/900
 PARTS CATALOG (MAINTENANCE)



E 2524-31-38D SHT 4 REV 108

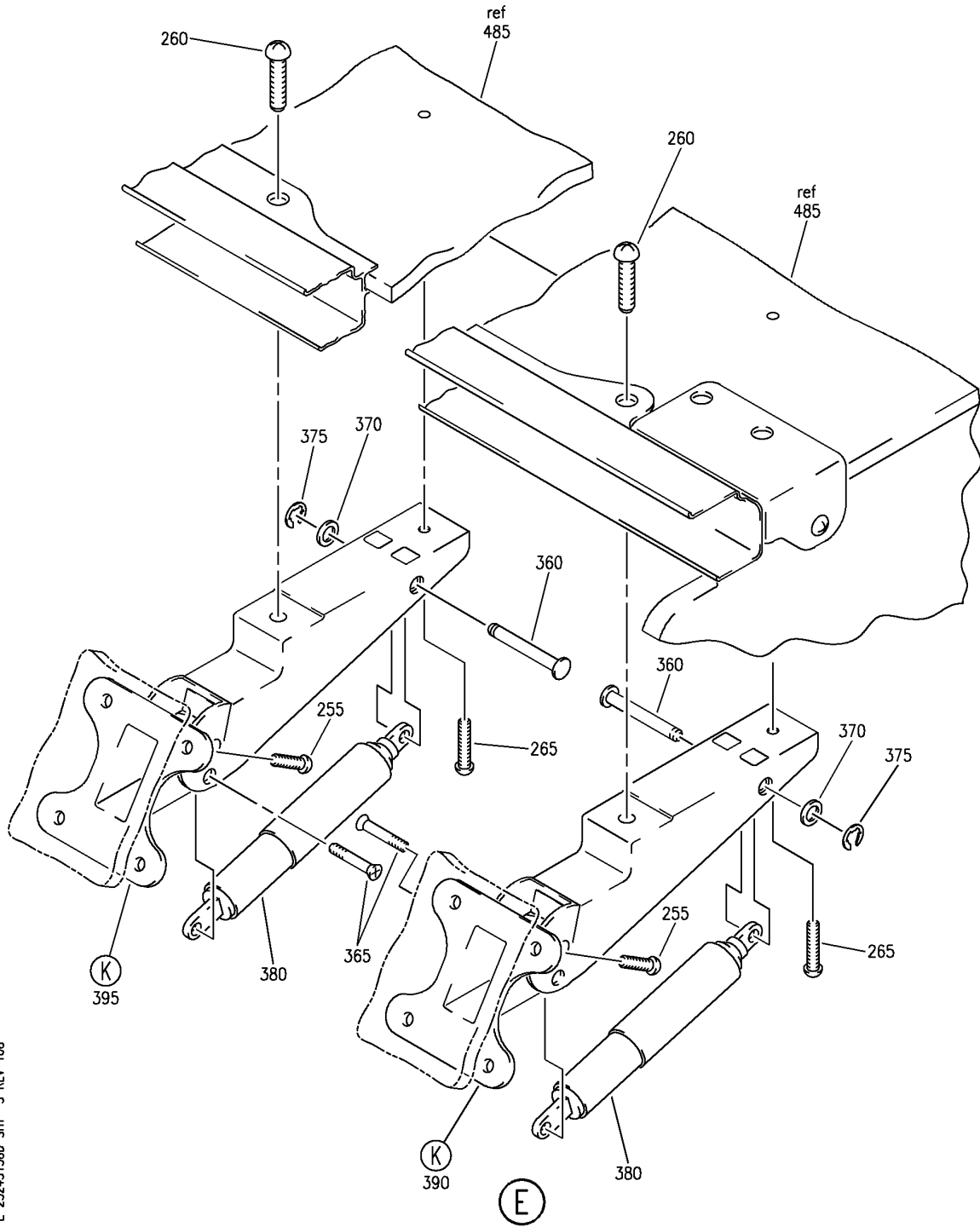
COMPARTMENT ASSY-RH 80 IN. OVHD STOWAGE HANDRAIL CONFIGURATION (EQUIPMENT/ FURNISHINGS ONLY)
 FIGURE 38D (SHEET 4)

25-24-31-38D

HAP
 OCT 10/06

25-24-31-38D
 PAGE 0C

BOEING
 737-600/700/800/900
 PARTS CATALOG (MAINTENANCE)



E 2524-31-38D SHT 5 REV 108

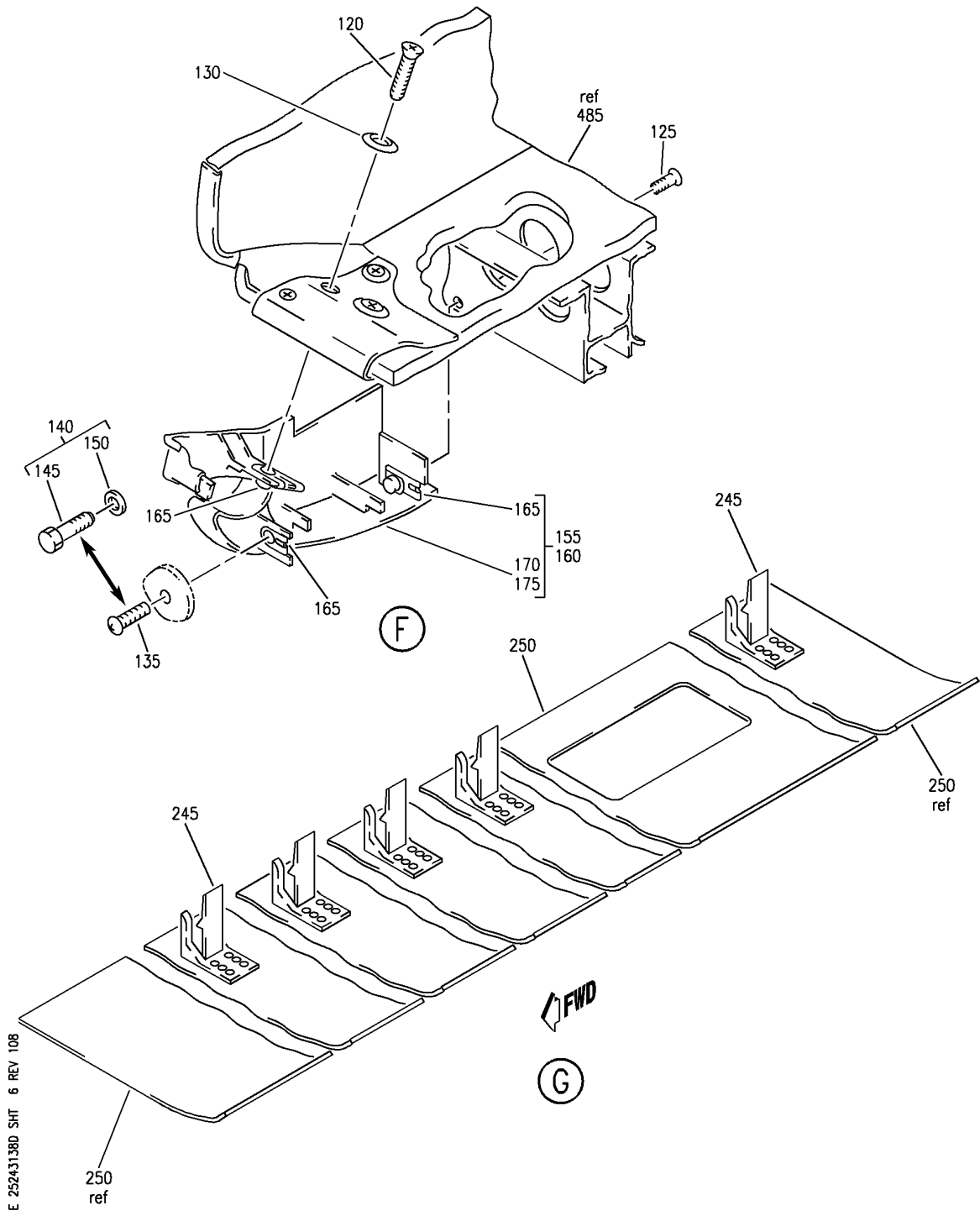
COMPARTMENT ASSY-RH 80 IN. OVHD STOWAGE HNDRL CONFIGURATION (EQUIPMENT/ FURNISHINGS ONLY)
 FIGURE 38D (SHEET 5)

25-24-31-38D

HAP
 OCT 10/06

25-24-31-38D
 PAGE 0D

BOEING
 737-600/700/800/900
 PARTS CATALOG (MAINTENANCE)



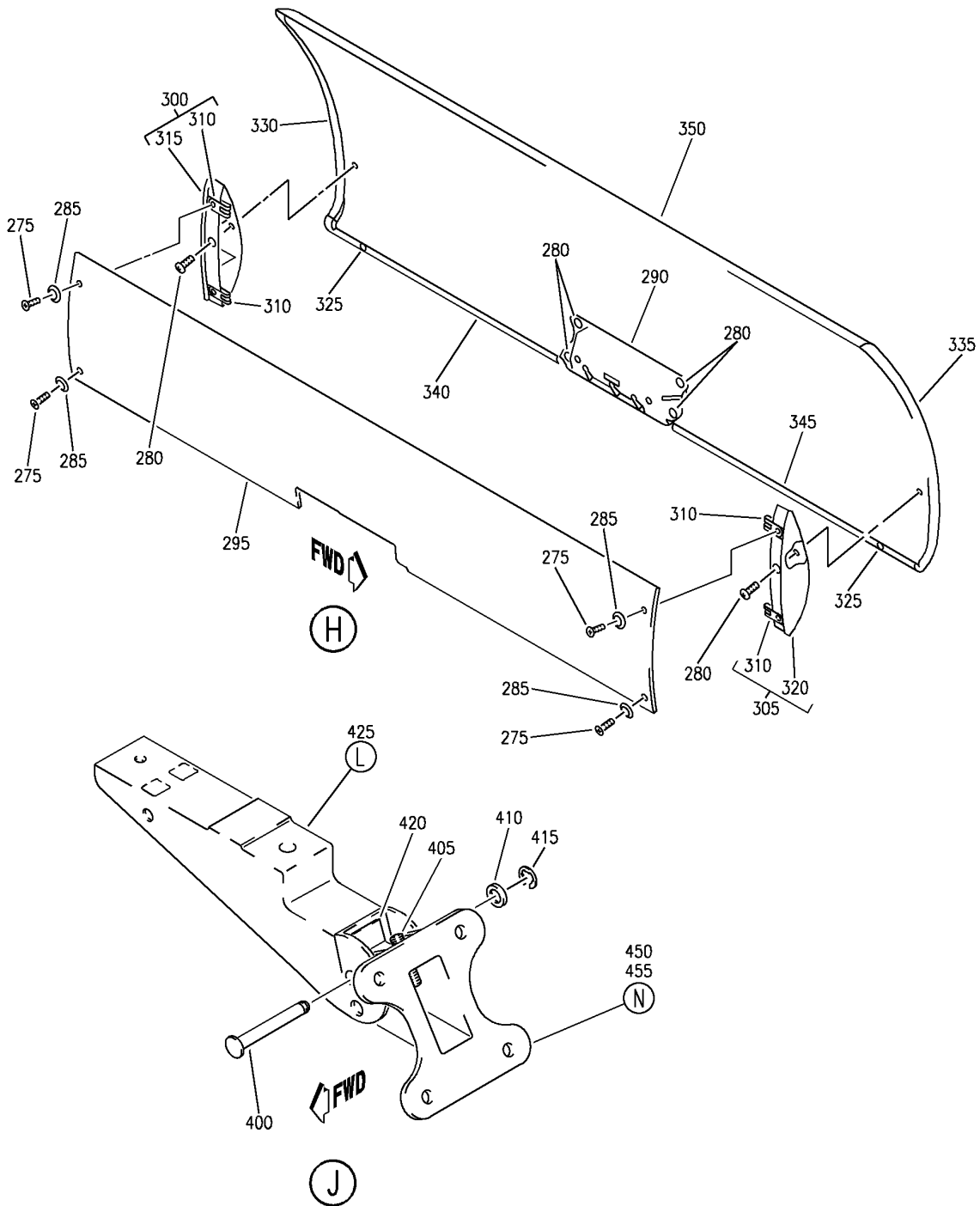
COMPARTMENT ASSY-RH 80 IN. OVHD STOWAGE HNDRL CONFIGURATION (EQUIPMENT/ FURNISHINGS ONLY)
 FIGURE 38D (SHEET 6)

25-24-31-38D

HAP
 OCT 10/06

25-24-31-38D
 PAGE 0E

BOEING
 737-600/700/800/900
 PARTS CATALOG (MAINTENANCE)



E 2524-31-38D SHT 7 REV 108

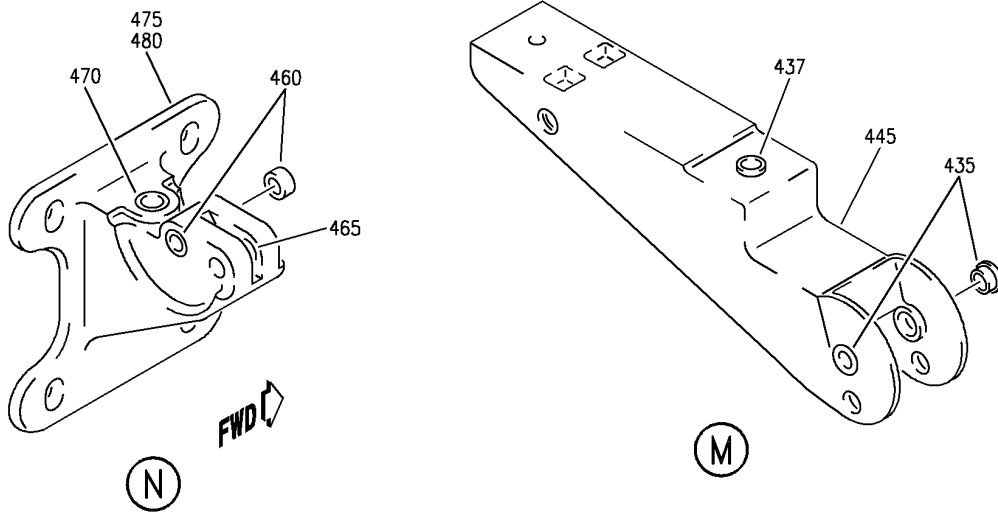
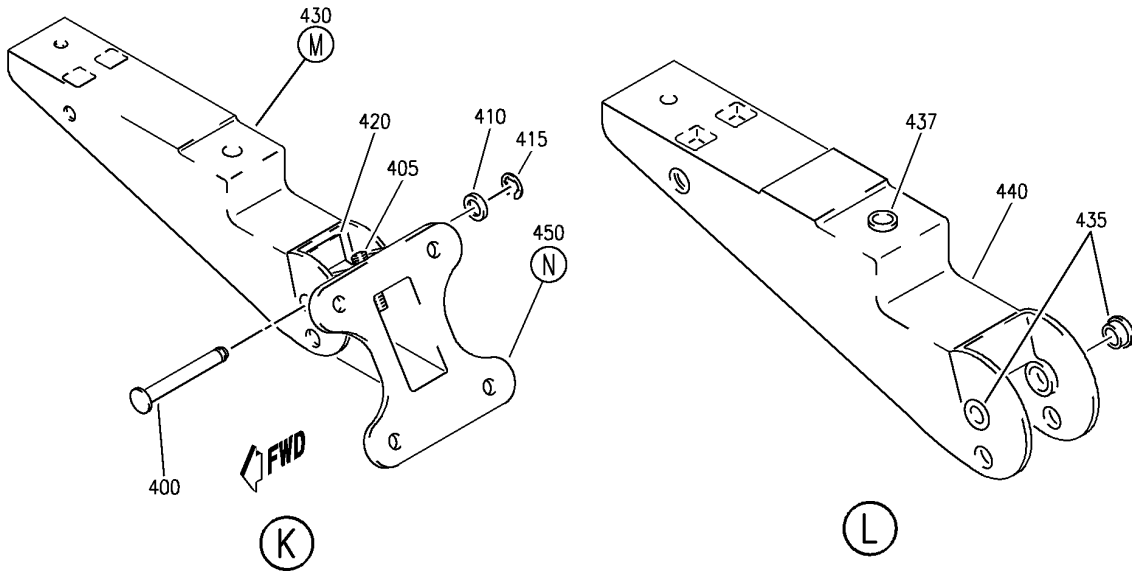
COMPARTMENT ASSY-RH 80 IN. OVHD STOWAGE HNDRL CONFIGURATION (EQUIPMENT/ FURNISHINGS ONLY)
 FIGURE 38D (SHEET 7)

HAP
 OCT 10/06

25-24-31-38D

25-24-31-38D
 PAGE OF

BOEING
 737-600/700/800/900
 PARTS CATALOG (MAINTENANCE)



E 2524-31-38D SHT 8 REV 108

COMPARTMENT ASSY-RH 80 IN. OVHD STOWAGE HANDRL CONFIGURATION (EQUIPMENT/ FURNISHINGS ONLY)
 FIGURE 38D (SHEET 8)

HAP
 OCT 10/06

25-24-31-38D

25-24-31-38D
 PAGE 08

BOEING
737-600/700/800/900
PARTS CATALOG (MAINTENANCE)

FIG ITEM	PART NUMBER	1 2 3 4 5 6 7	NOMENCLATURE	EFFECT FROM TO	UNITS PER ASSY
38D			COMPARTMENT ASSY-RH 80 IN. OVHD STOWAGE HNDRL CONFIGURATION (EQUIPMENT/ FURNISHINGS ONLY)	001001 006007	
- 1	412A1100-24SP		COMPARTMENT ASSY-80 IN. OVHD STOWAGE HNDRL CONFIGURATION (EQUIPMENT/ FURNISHINGS ONLY) POSITION DATA: RH PRE SERVICE BULLETIN: 25-1373 FOR NHA/OTHER SYS DET SEE: 25-24-30-80A	001001 006007	RF
- 1	002A0007-60N		COMPARTMENT ASSY-80 IN. OVHD STOWAGE HNDRL CONFIGURATION (EQUIPMENT/ FURNISHINGS ONLY) POSITION DATA: RH POST SERVICE BULLETIN: 25-1373 FOR NHA/OTHER SYS DET SEE: 25-24-30-80A	001001 006007	RF
5	412A1420-1SP		.EXTRUSION-SEAT ROW MARKER	001001 006007	1
10	BACS12FA3K7		.SCREW- OPTIONAL PART: 412A1100-95	001001 006007	4
15	412A1100-95		.KIT ASSY- OPTIONAL PART: BACS12FA3K7	001001 006007	4
20	BACS12GU3K7		..SCREW	001001 006007	1
25	NAS1149D0332J		..WASHER	001001 006007	1
30	H3-1592-1		.LATCH-CLG SUPPLIER CODE: V34941 SPECIFICATION NUMBER: S411A001-1	001001 006007	2
35	412A1700-1SP		.VALANCE ASSY-LT OPTIONAL PART: 412A1700-101SP	001001 006007	1
35	412A1700-101SP		.VALANCE ASSY-LT OPTIONAL PART: 412A1700-1SP	001001 006007	1

MISSING ITEM NUMBERS NOT APPLICABLE

- ITEM NOT ILLUSTRATED

HAP

25-24-31-38D

BOEING PROPRIETARY - Copyright © - Unpublished Work - See title page for details.

25-24-31
FIG. 38D
PAGE 1
OCT 10/06

BOEING
737-600/700/800/900
PARTS CATALOG (MAINTENANCE)

FIG ITEM	PART NUMBER	1 2 3 4 5 6 7	NOMENCLATURE	EFFECT FROM TO	UNITS PER ASSY
38D			ATTACHING PARTS		
- 40	BACN10YJ3F		.NUT	001001 006007	8
			-----*-----		
45	BACS21DW3C10FN		..STUD	001001 006007	8
50	412A1700-6		..TAPE-VELCRO	001001 006007	2
55	412A1710-1SP		..PANEL ASSY- USED ON: 412A1700-1SP	001001 006007	1
55	412A1710-101SP		..PANEL ASSY- USED ON: 412A1700-101SP	001001 006007	1
120	BACS12ER3K9		.SCREW	001001 006007	2
125	BACB30VF3K3		.BOLT	001001 006007	2
130	H3-1233A3		.WASHER- SUPPLIER CODE: V34941 SPECIFICATION NUMBER: S411A001-1	001001 006007	2
135	BACS12FA3K7		.SCREW- OPTIONAL PART: 412A1100-95	001001 006007	2
140	412A1100-95		.KIT ASSY- OPTIONAL PART: BACS12FA3K7	001001 006007	2
145	BACS12GU3K7		..SCREW	001001 006007	1
150	NAS1149D0332J		..WASHER	001001 006007	1
155	412A1465-14SP		.CLOSEOUT ASSY	001001 006007	1
160	412A1465-13SP		.CLOSEOUT ASSY	001001 006007	1
165	BACN10VR4CGN		..NUT- OPTIONAL PART: BACN10VR4CG	001001 006007	3
165	BACN10VR4CG		..NUT- OPTIONAL PART: BACN10VR4CGN	001001 006007	3
170	412A1465-16SP		..CLOSEOUT- USED ON: 412A1465-14SP	001001 006007	1
175	412A1465-15SP		..CLOSEOUT- USED ON: 412A1465-13SP	001001 006007	1

MISSING ITEM NUMBERS NOT APPLICABLE

- ITEM NOT ILLUSTRATED

HAP

25-24-31-38D

BOEING PROPRIETARY - Copyright © - Unpublished Work - See title page for details.

25-24-31
FIG. 38D
PAGE 2
JUN 15/08

BOEING
737-600/700/800/900
PARTS CATALOG (MAINTENANCE)

FIG ITEM	PART NUMBER	1 2 3 4 5 6 7	NOMENCLATURE	EFFECT FROM TO	UNITS PER ASSY
38D					
180	412A1451-2SP	.	STRIP-TRIM	001001 006007	1
185	412A1650-3SP	.	COVER ASSY-DEC	001001 006007	1
190	403A3210-22SP	.	SEAL ASSY	001001 006007	1
195	BACS12ER3K5	.	SCREW	001001 006007	11
200	BACS12ER3K14	.	SCREW	001001 006007	12
205	H3-1233A3	.	WASHER- SUPPLIER CODE: V34941 SPECIFICATION NUMBER: S411A001-1	001001 006007	12
210	412A1243-101	.	EXTRUSION ASSY	001001 006007	1
215	FS1651-3	..	NUTPLATE SUPPLIER CODE: V15653 SPECIFICATION NUMBER: BACN10KH3CD OPTIONAL PART: 102F9209M3 V72962 NS202496-02 V80539 ATTACHING PARTS	001001 006007	12
- 220	BACR15BA3ADC	..	RIVET- SIZE DETERMINED ON INSTL. -----*-----	001001 006007	24
- 230	OBA8	.	PLUG- SUPPLIER CODE: VOBV87	001001 006007	AR
240	412A1600-72SP	.	COVER ASSY	001001 006007	1
245	412A1460-1	..	CLIP	001001 006007	5
250	412A1610-72SP	..	PANEL ASSY- OPTIONAL PART: 412A1610-172SP	001001 006007	1
250	412A1610-172SP	..	PANEL ASSY- OPTIONAL PART: 412A1610-72SP	001001 006007	1
255	BACS12FA3K6	.	SCREW	001001 006007	16
260	BACS12FA3K15	.	SCREW	001001 006007	4

MISSING ITEM NUMBERS NOT APPLICABLE

- ITEM NOT ILLUSTRATED

HAP

25-24-31-38D

BOEING PROPRIETARY - Copyright © - Unpublished Work - See title page for details.

25-24-31
FIG. 38D
PAGE 3
JUN 15/08

BOEING
737-600/700/800/900
PARTS CATALOG (MAINTENANCE)

FIG ITEM	PART NUMBER	1 2 3 4 5 6 7	NOMENCLATURE	EFFECT FROM TO	UNITS PER ASSY
38D 265	BACS12FA3K9	.	SCREW	001001 006007	4
270	412A1500-1SP	.	DOOR ASSY-40 IN. PRE SERVICE BULLETIN: 25-1373	001001 006007	2
270	412A1500-101SP	.	DOOR ASSY-40 IN. POST SERVICE BULLETIN: 25-1373	001001 006007	2
275	BACS12ER3K9	..	SCREW	001001 006007	4
280	BACS12FA3K4	..	SCREW	001001 006007	6
285	H3-1233A3	..	WASHER- SUPPLIER CODE: V34941 SPECIFICATION NUMBER: S411A001-1	001001 006007	4
290	HA225-1	..	LATCH ASSY- SUPPLIER CODE: V83014 SPECIFICATION NUMBER: S412A001-1A PRE SERVICE BULLETIN: 25-1373 PRE SERVICE BULLETIN: HA225-25-01 V83014	001001 006007	1
290	HA225-7	..	LATCH ASSY- SUPPLIER CODE: V83014 SPECIFICATION NUMBER: S412A001-11B SERVICE BULLETIN OPT DATA: HA225K3868 V83014 POST SERVICE BULLETIN: 25-1373 POST SERVICE BULLETIN: HA225-25-01 V83014	001001 006007	1

MISSING ITEM NUMBERS NOT APPLICABLE

— ITEM NOT ILLUSTRATED

HAP

25-24-31-38D

BOEING PROPRIETARY - Copyright © - Unpublished Work - See title page for details.

25-24-31
FIG. 38D
PAGE 4
JUN 15/08

BOEING
737-600/700/800/900
PARTS CATALOG (MAINTENANCE)

FIG ITEM	PART NUMBER	1 2 3 4 5 6 7	NOMENCLATURE	EFFECT FROM TO	UNITS PER ASSY
38D 290	HA225K3868		..LATCH ASSY- SUPPLIER CODE: V83014 SERVICE BULLETIN OPT DATA: HA225-7 V83014 POST SERVICE BULLETIN: 25-1373 POST SERVICE BULLETIN: HA225-25-01 V83014	001001 006007	1
295	412A1615-100SP		..PANEL ASSY-FILLER OPTIONAL PART: 412A1615-1100SP	001001 006007	1
295	412A1615-1100SP		..PANEL ASSY-FILLER OPTIONAL PART: 412A1615-100SP	001001 006007	1
300	412A1480-3SP		..BRACKET ASSY	001001 006007	1
305	412A1480-4SP		..BRACKET ASSY	001001 006007	1
310	BACN10VR4CGN		...NUT	001001 006007	2
315	412A1480-1SP		...BRACKET- USED ON: 412A1480-3SP	001001 006007	1
320	412A1480-2SP		...BRACKET- USED ON: 412A1480-4SP	001001 006007	1
325	412A1810-1SP		..BUMPER	001001 006007	2
330	412A1450-4SP		..TRIM-EDGE	001001 006007	1
335	412A1450-3SP		..TRIM-EDGE	001001 006007	1
340	412A1450-6SP		..TRIM-EDGE	001001 006007	1
345	412A1450-5SP		..TRIM-EDGE	001001 006007	1
350	412A1510-2SP		..PANEL ASSY	001001 006007	1
- 355	SL618-3A		...INSERT- SUPPLIER CODE: V97393	001001 006007	14
360	412A1230-21		.PIN-HINGE	001001 006007	4
365	BACB30VF3K7		.BOLT	001001 006007	4

MISSING ITEM NUMBERS NOT APPLICABLE

- ITEM NOT ILLUSTRATED

HAP

25-24-31-38D

BOEING PROPRIETARY - Copyright © - Unpublished Work - See title page for details.

25-24-31
FIG. 38D
PAGE 5
JUN 15/08

BOEING
737-600/700/800/900
PARTS CATALOG (MAINTENANCE)

FIG ITEM	PART NUMBER	1 2 3 4 5 6 7	NOMENCLATURE	EFFECT FROM TO	UNITS PER ASSY
38D					
370	NAS1149D0316J	.	WASHER	001001 006007	4
375	MS16633-4018	.	RING	001001 006007	4
380	SP20522	.	ACTUATOR ASSY-DOOR SUPPLIER CODE: V24403 SPECIFICATION NUMBER: S412A002-2	001001 006007	4
385	412A1455-3SP	.	HINGE ASSY	001001 006007	1
390	412A1455-2SP	.	HINGE ASSY	001001 006007	2
395	412A1455-1SP	.	HINGE ASSY	001001 006007	1
400	412A1230-21	..	PIN	001001 006007	1
405	MS51023-54	..	SCREW	001001 006007	1
410	NAS1149D0316J	..	WASHER	001001 006007	1
415	MS16633-4018	..	RING	001001 006007	1
420	412A1220-1	..	CLIP	001001 006007	1
425	412A1454-12SP	..	HOUSING ASSY- USED ON: 412A1455-3SP	001001 006007	1
430	412A1454-3SP	..	HOUSING ASSY- USED ON: 412A1455-1SP 412A1455-2SP	001001 006007	1
435	BACB28Y3F020	...	BUSHING	001001 006007	2
437	6041L3BR375	...	INSERT- SUPPLIER CODE: V01556	001001 006007	1
440	412A1454-11SP	...	HOUSING- USED ON: 412A1454-12SP	001001 006007	1
445	412A1454-1SP	...	HOUSING- USED ON: 412A1454-3SP	001001 006007	1
450	412A1454-9SP	..	BRACKET ASSY- USED ON: 412A1455-1SP 412A1455-3SP	001001 006007	1

MISSING ITEM NUMBERS NOT APPLICABLE

- ITEM NOT ILLUSTRATED

HAP

25-24-31-38D

BOEING PROPRIETARY - Copyright © - Unpublished Work - See title page for details.

25-24-31
FIG. 38D
PAGE 6
JUN 15/08

BOEING
737-600/700/800/900
PARTS CATALOG (MAINTENANCE)

FIG ITEM	PART NUMBER	1 2 3 4 5 6 7	NOMENCLATURE	EFFECT FROM TO	UNITS PER ASSY
38D 455	412A1454-10SP	..	BRACKET ASSY- USED ON: 412A1455-2SP	001001 006007	1
460	BACB28Y3F025	...	BUSHING	001001 006007	2
465	6041-3BR225	...	INSERT- SUPPLIER CODE: V01556	001001 006007	1
470	6041L3BR375	...	INSERT- SUPPLIER CODE: V01556	001001 006007	1
475	412A1454-7SP	...	BRACKET- USED ON: 412A1454-9SP	001001 006007	1
480	412A1454-8SP	...	BRACKET- USED ON: 412A1454-10SP	001001 006007	1
485	412A1200-24SP	.BOX	ASSY-80 IN. BIN FOR DETAILS SEE: 25-24-32-84F	001001 006007	1

MISSING ITEM NUMBERS NOT APPLICABLE

— ITEM NOT ILLUSTRATED

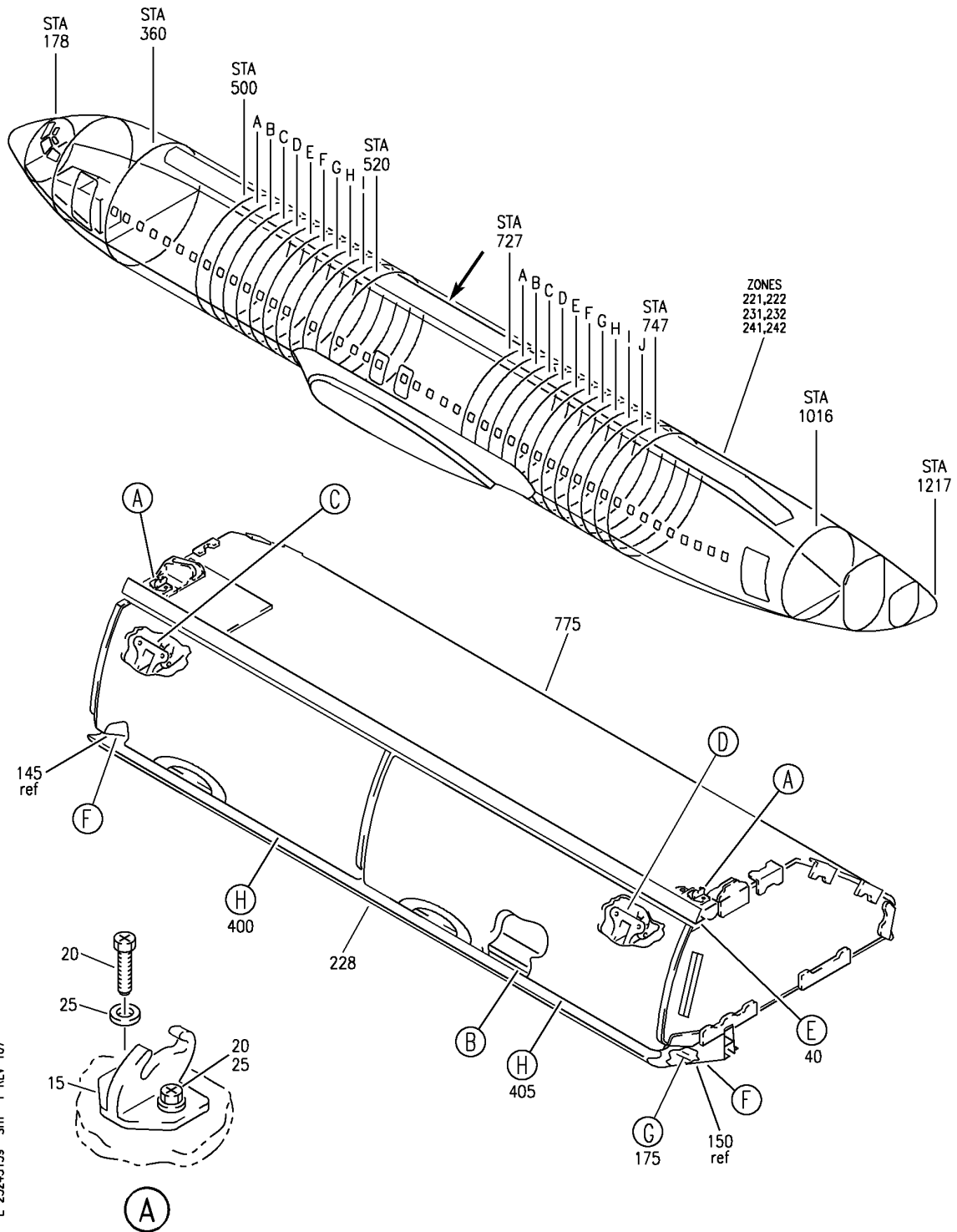
HAP

25-24-31-38D

BOEING PROPRIETARY - Copyright © - Unpublished Work - See title page for details.

25-24-31
FIG. 38D
PAGE 7
JUN 15/08

BOEING
 737-600/700/800/900
 PARTS CATALOG (MAINTENANCE)



E 2524-31-39 SHT 1 REV 107

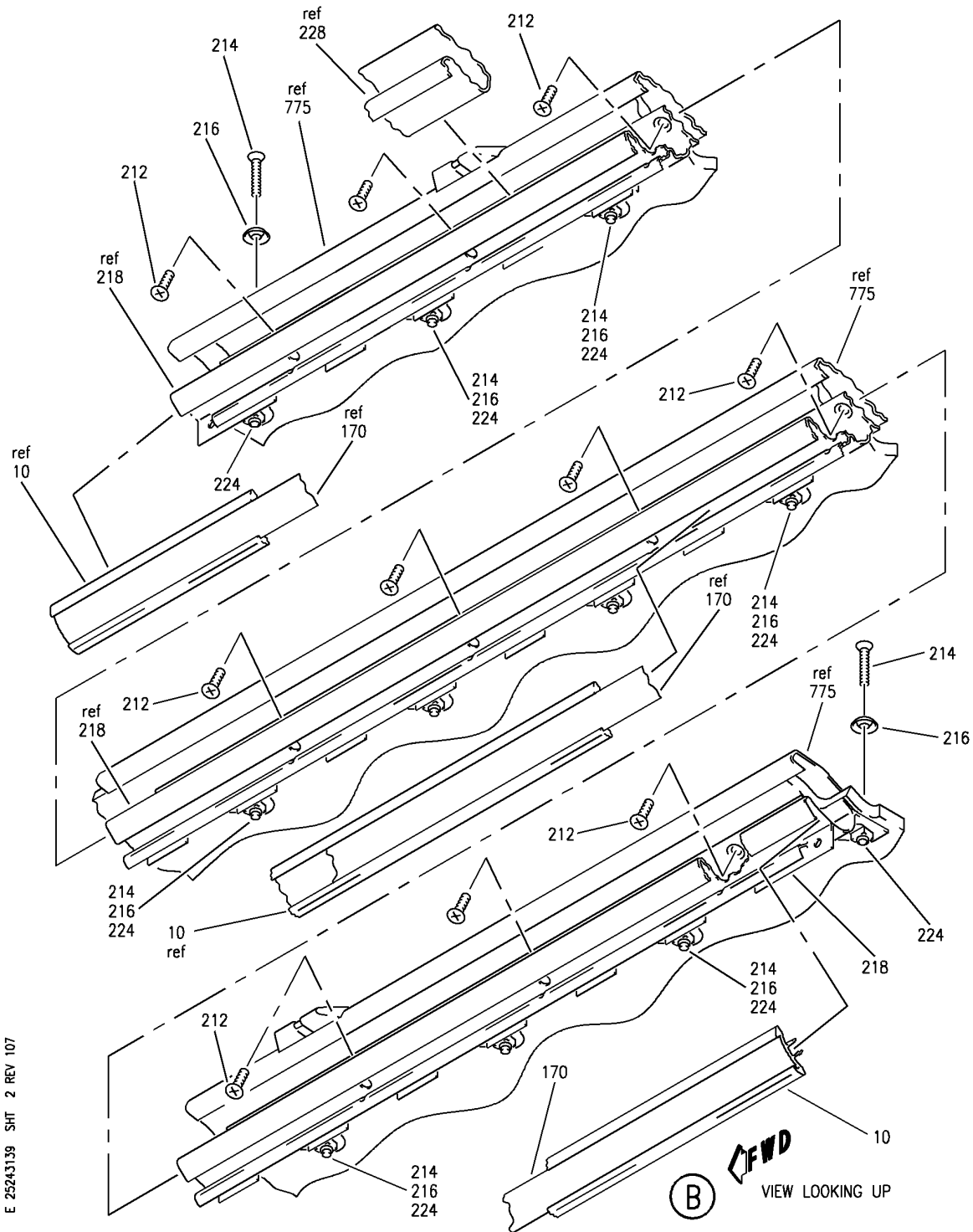
COMPARTMENT ASSY-70 IN. OVHD STOWAGE HNDRL CONFIGURATION (EQUIPMENT/ FURNISHINGS ONLY)
 FIGURE 39 (SHEET 1)

25-24-31-39

HAP
 OCT 10/06

25-24-31-39
 PAGE 0

BOEING
737-600/700/800/900
PARTS CATALOG (MAINTENANCE)



E 2524-31-39 SHT 2 REV 107

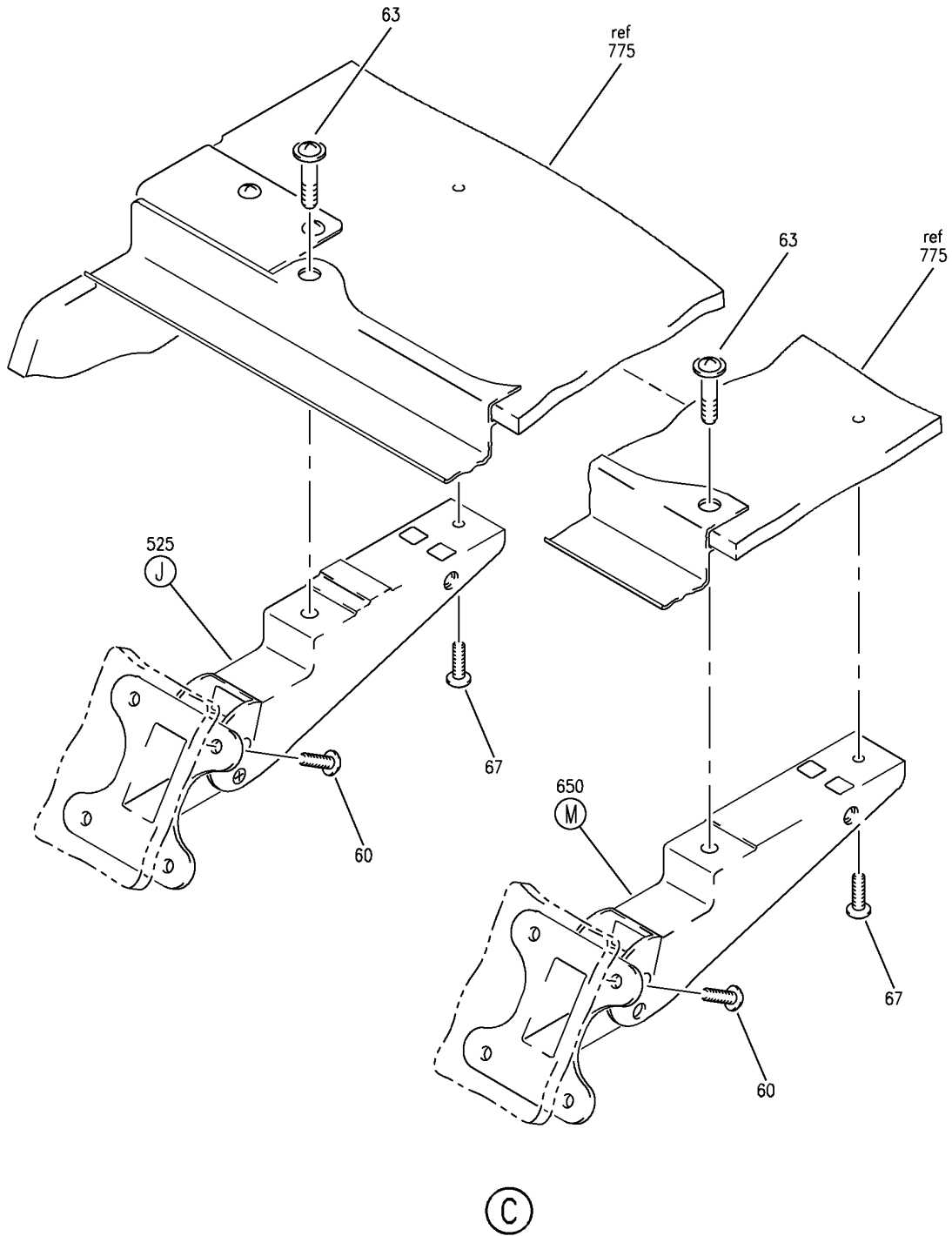
COMPARTMENT ASSY-70 IN. OVHD STOWAGE HANDLING CONFIGURATION (EQUIPMENT/ FURNISHINGS ONLY)
 FIGURE 39 (SHEET 2)

25-24-31-39

HAP
 OCT 10/06

25-24-31-39
 PAGE 0A

BOEING
 737-600/700/800/900
 PARTS CATALOG (MAINTENANCE)



E 2524-31-39 SHT 3 REV 107

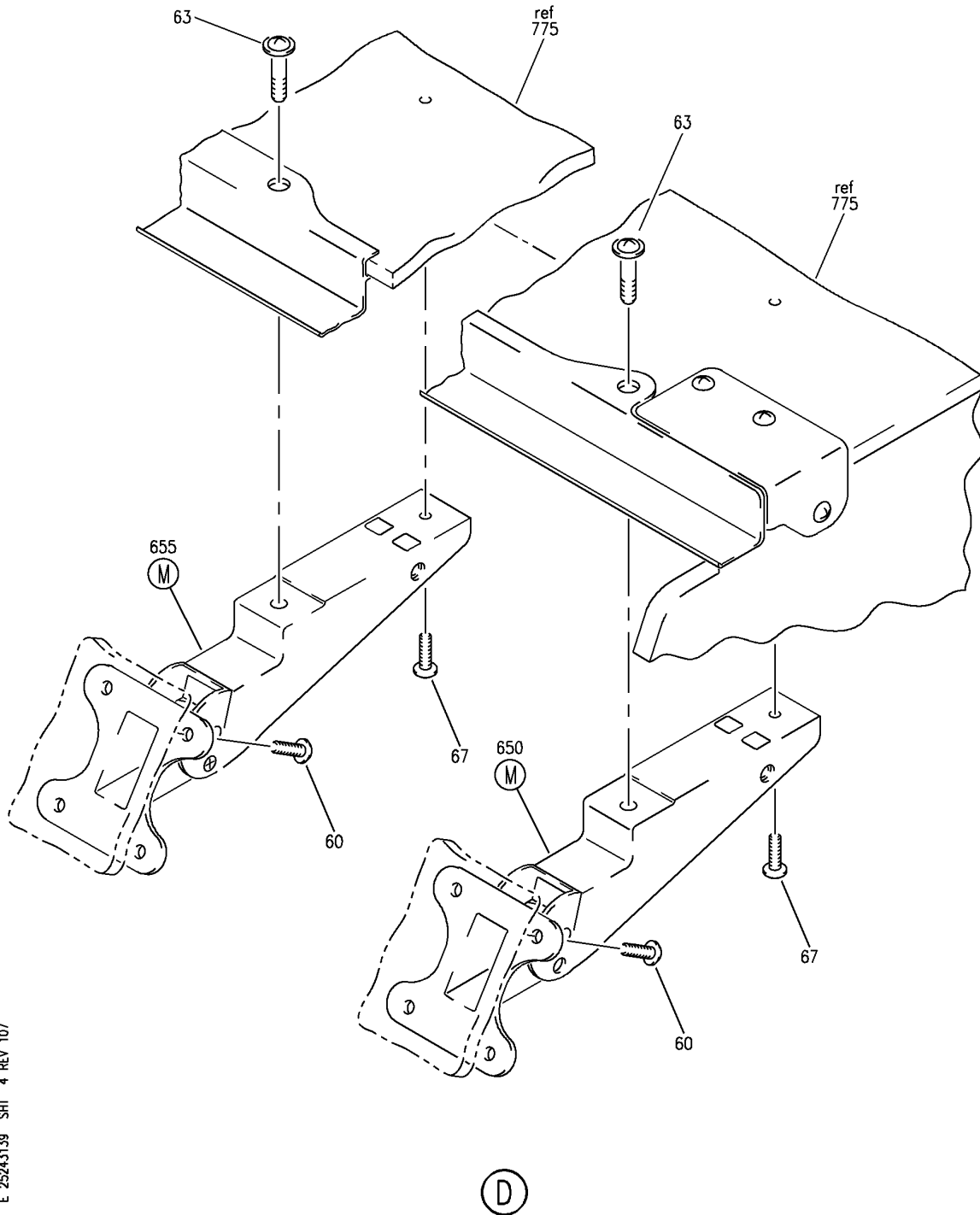
COMPARTMENT ASSY-70 IN. OVHD STOWAGE HNDRL CONFIGURATION (EQUIPMENT/ FURNISHINGS ONLY)
 FIGURE 39 (SHEET 3)

25-24-31-39

HAP
 OCT 10/06

25-24-31-39
 PAGE 0B

BOEING
 737-600/700/800/900
 PARTS CATALOG (MAINTENANCE)



E 2524-31-39 SHT 4 REV 107

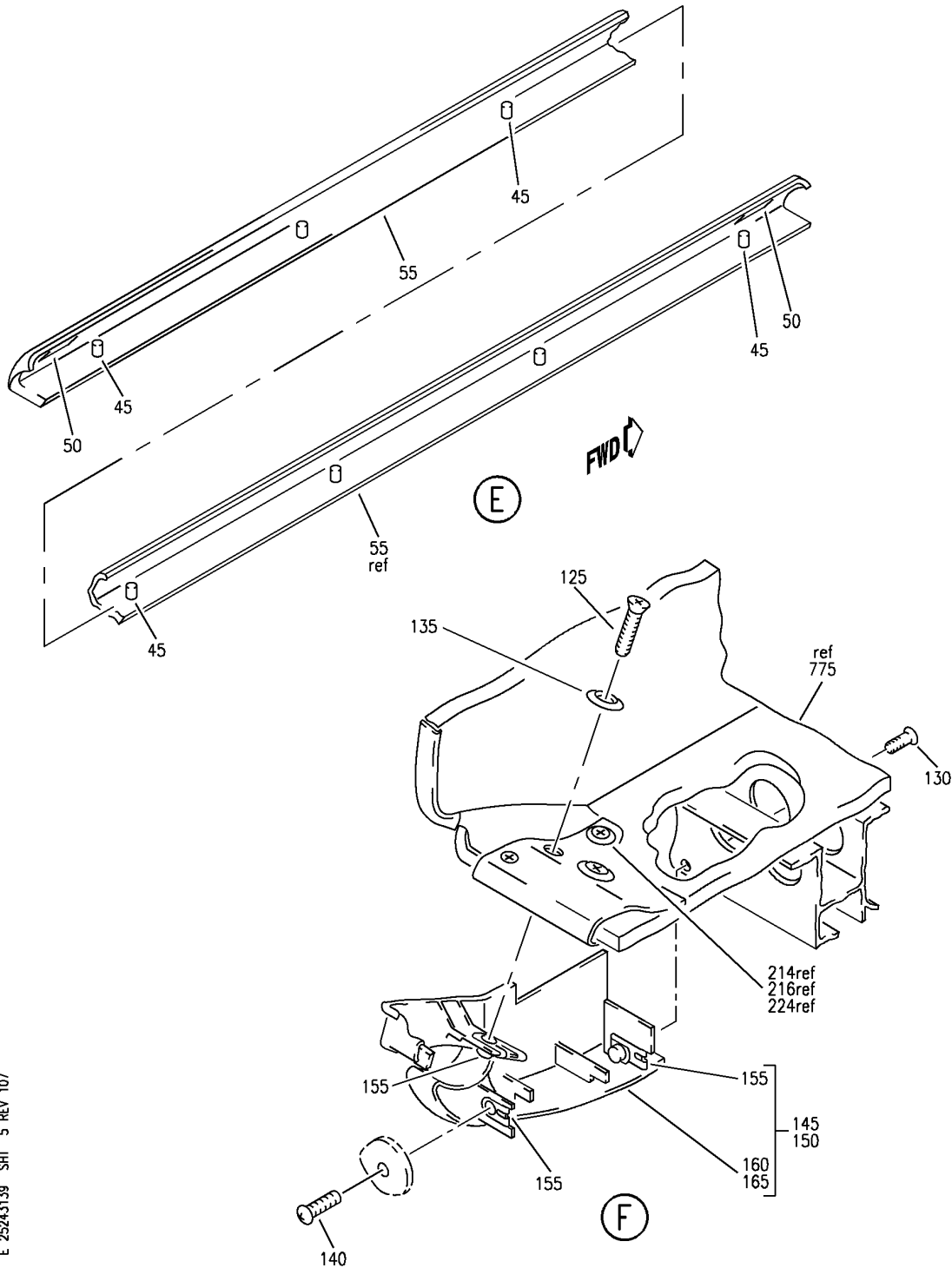
COMPARTMENT ASSY-70 IN. OVHD STOWAGE HNDRL CONFIGURATION (EQUIPMENT/ FURNISHINGS ONLY)
 FIGURE 39 (SHEET 4)

25-24-31-39

HAP
 OCT 10/06

25-24-31-39
 PAGE 0C

BOEING
 737-600/700/800/900
 PARTS CATALOG (MAINTENANCE)



E 2524-3139 SH 5 REV 107

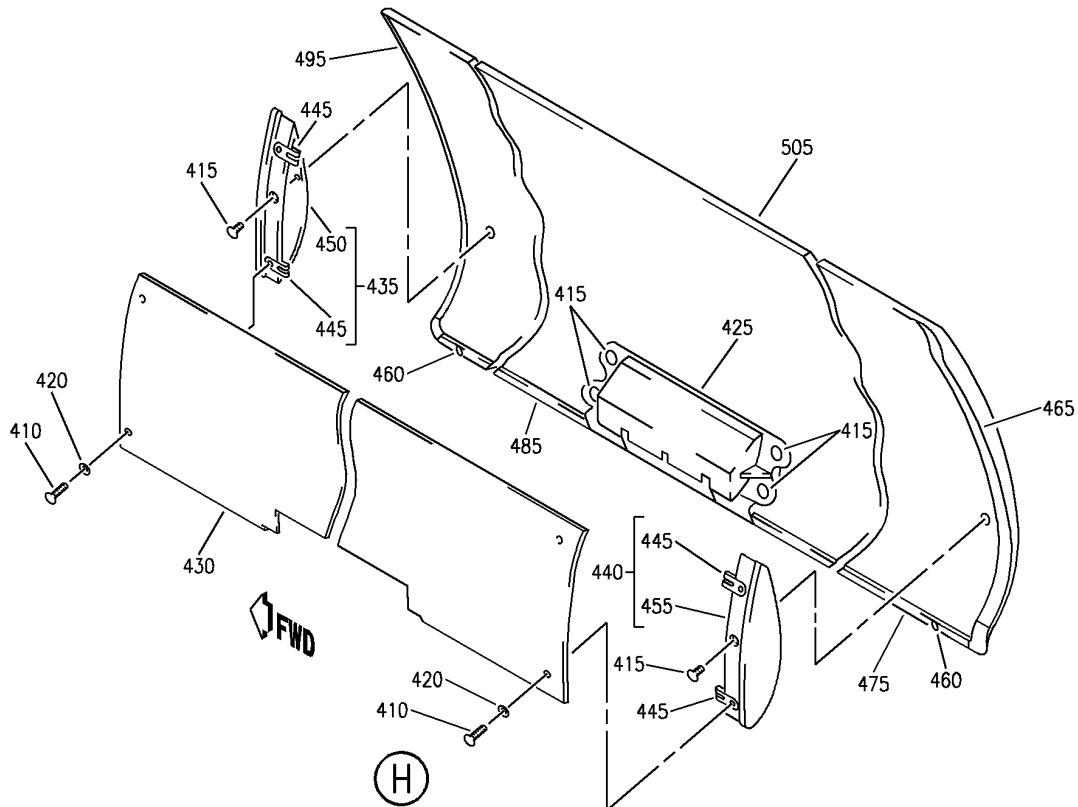
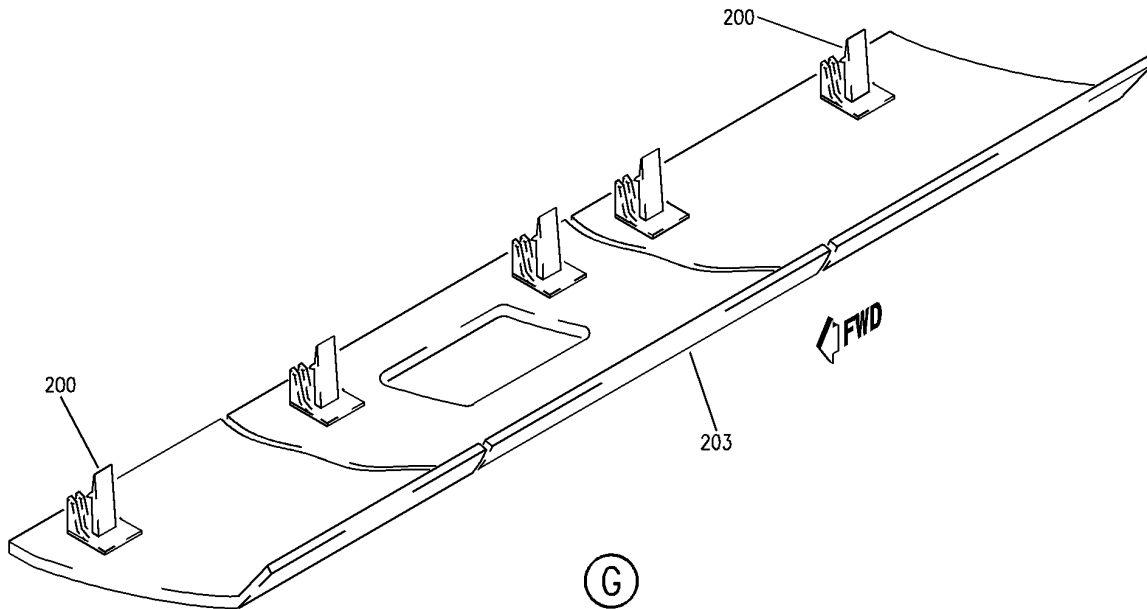
COMPARTMENT ASSY-70 IN. OVHD STOWAGE HNDRL CONFIGURATION (EQUIPMENT/ FURNISHINGS ONLY)
 FIGURE 39 (SHEET 5)

25-24-31-39

HAP
 OCT 10/06

25-24-31-39
 PAGE 0D

BOEING
 737-600/700/800/900
 PARTS CATALOG (MAINTENANCE)



E 2524-31-39 SHT 6 REV 107

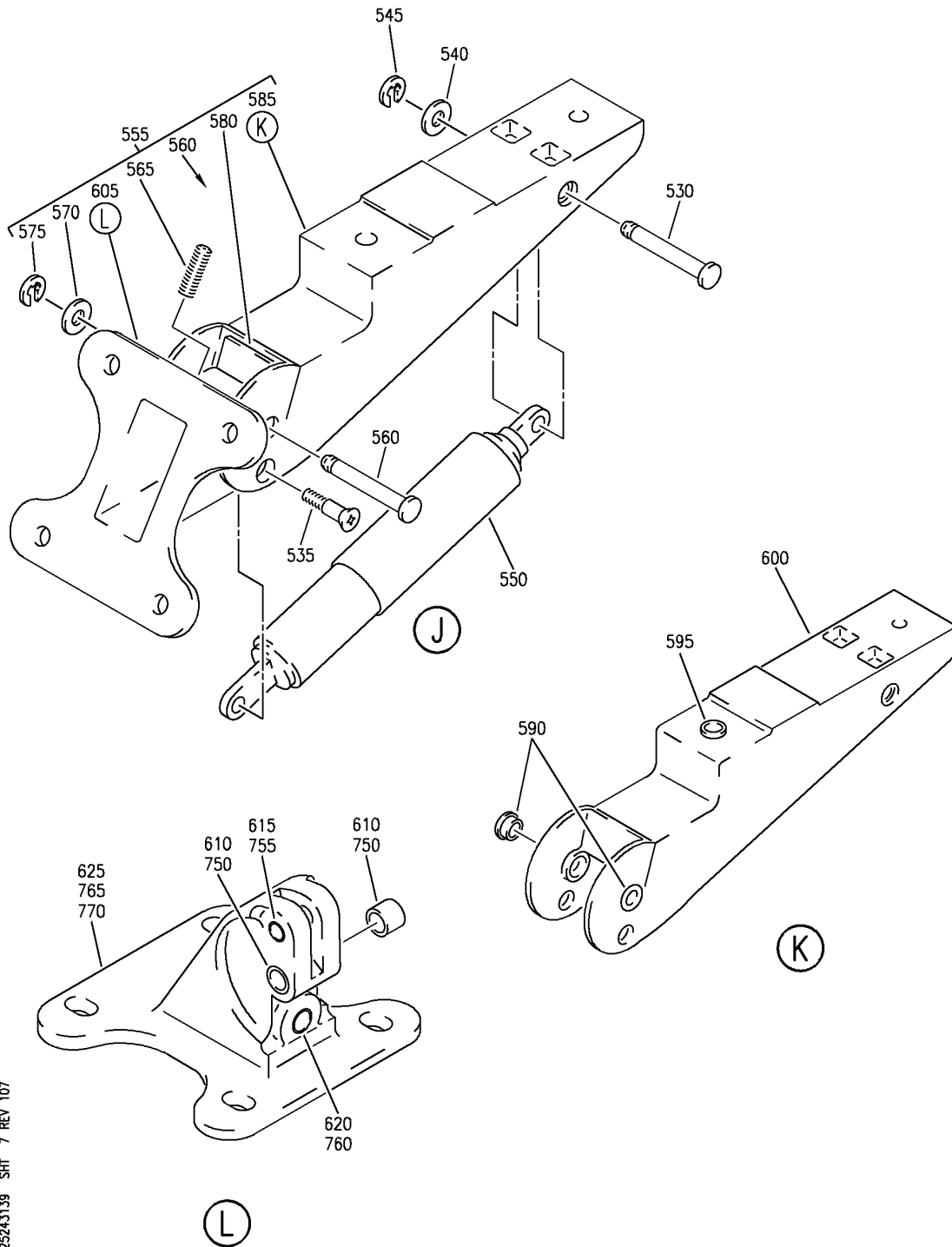
COMPARTMENT ASSY-70 IN. OVHD STOWAGE HNDRL CONFIGURATION (EQUIPMENT/ FURNISHINGS ONLY)
 FIGURE 39 (SHEET 6)

25-24-31-39

HAP
 OCT 10/06

25-24-31-39
 PAGE 0E

BOEING
 737-600/700/800/900
 PARTS CATALOG (MAINTENANCE)



E 2524-31-39 SH7 7 REV 107

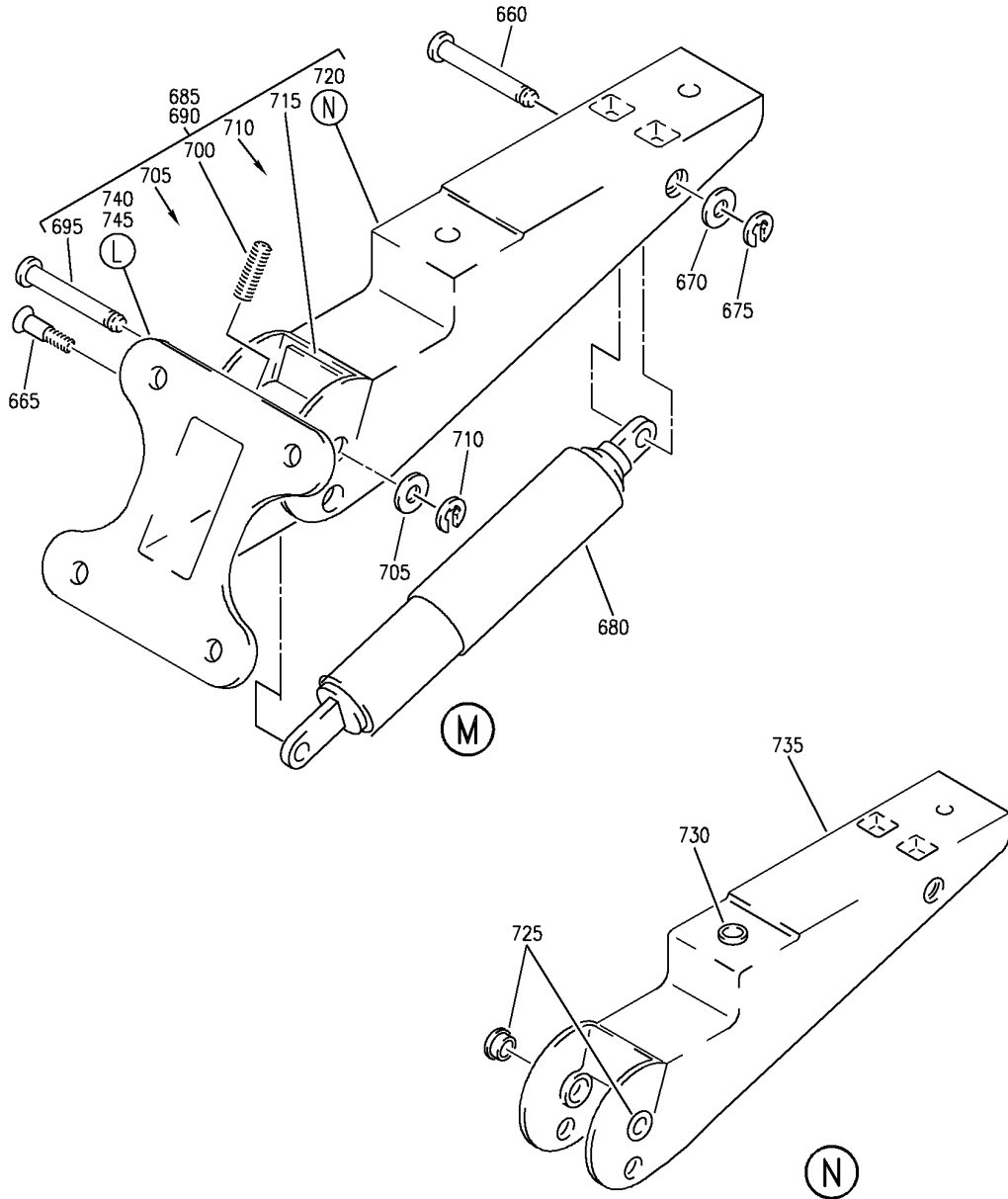
COMPARTMENT ASSY-70 IN. OVHD STOWAGE HNDRL CONFIGURATION (EQUIPMENT/ FURNISHINGS ONLY)
 FIGURE 39 (SHEET 7)

HAP
 OCT 10/06

25-24-31-39

25-24-31-39
 PAGE OF

BOEING
 737-600/700/800/900
 PARTS CATALOG (MAINTENANCE)



E 2524-31-39 SH 8 REV 107

COMPARTMENT ASSY-70 IN. OVHD STOWAGE HNDRL CONFIGURATION (EQUIPMENT/ FURNISHINGS ONLY)
 FIGURE 39 (SHEET 8)

HAP
 OCT 10/06

25-24-31-39

25-24-31-39
 PAGE 06

BOEING
737-600/700/800/900
PARTS CATALOG (MAINTENANCE)

FIG ITEM	PART NUMBER	1 2 3 4 5 6 7	NOMENCLATURE	EFFECT FROM TO	UNITS PER ASSY
39			COMPARTMENT ASSY-70 IN. OVHD STOWAGE HNDRL CONFIGURATION (EQUIPMENT/ FURNISHINGS ONLY)	002005 008030	
- 5	412A1100-120SP		COMPARTMENT ASSY-70 IN. OVHD STOWAGE HNDRL CONFIGURATION (EQUIPMENT/ FURNISHINGS ONLY) POSITION DATA: RH PRE SERVICE BULLETIN: 25-1373 FOR NHA/OTHER SYS DET SEE: 25-24-30-80A	002005 008008	RF
- 5	412A1100-220SP		COMPARTMENT ASSY-70 IN. OVHD STOWAGE HNDRL CONFIGURATION (EQUIPMENT/ FURNISHINGS ONLY) POSITION DATA: RH POST SERVICE BULLETIN: 25-1373 FOR NHA/OTHER SYS DET SEE: 25-24-30-80A	002005 008008	RF
- 5	412A1100-220B		COMPARTMENT ASSY-70 IN. OVHD STOWAGE HNDRL CONFIGURATION (EQUIPMENT/ FURNISHINGS ONLY) POSITION DATA: RH FOR NHA/OTHER SYS DET SEE: 25-24-30-83	009030	RF
10	412A1420-1SP		.EXTRUSION-SEAT ROW MARKER	002005 008008	1
10	412A1420-1A		.EXTRUSION-SEAT ROW MARKER	009030	1
15	H3-1592-1		.LATCH-CLG SUPPLIER CODE: V34941 SPECIFICATION NUMBER: S411A001-1	002005 008030	2
20	BACS12GU3K7		ATTACHING PARTS .SCREW-	002005 008030	4
25	NAS1149D0332J		.WASHER	002005 008030	4
40	412A1700-8SP		-----*----- .VALANCE ASSY-LT OPTIONAL PART: 412A1700-108SP	002005 008008	1

MISSING ITEM NUMBERS NOT APPLICABLE

- ITEM NOT ILLUSTRATED

HAP

25-24-31-39

BOEING PROPRIETARY - Copyright © - Unpublished Work - See title page for details.

25-24-31
FIG. 39
PAGE 1
OCT 10/06

BOEING
737-600/700/800/900
PARTS CATALOG (MAINTENANCE)

FIG ITEM	PART NUMBER	1 2 3 4 5 6 7	NOMENCLATURE	EFFECT FROM TO	UNITS PER ASSY
39					
40	412A1700-108SP	. VALANCE ASSY-LT OPTIONAL PART: 412A1700-8SP		002005 008008	1
40	412A1700-8A	. VALANCE ASSY-LT OPTIONAL PART: 412A1700-108B		009030	1
40	412A1700-108B	. VALANCE ASSY-LT OPTIONAL PART: 412A1700-8A		009030	1
- 43	BACN10YJ3F	. NUT		002005 008030	7
		-----*-----			
45	BACS21DW3C10FN	.. STUD		002005 008030	7
50	412A1700-6	.. TAPE-VELCRO		002005 008030	2
55	412A1712-101SP	.. PANEL ASSY- USED ON: 412A1700-108SP 412A1700-108B		002005 008030	1
55	412A1712-1A	.. PANEL ASSY- USED ON: 412A1700-8A		002005 008030	1
60	BACS12FA3K6	. SCREW		002005 008030	16
63	BACS12FA3K15	. SCREW		002005 008030	4
67	BACS12FA3K6	. SCREW		002005 008030	4
125	BACS12ER3K9	. SCREW		002005 008030	2
130	BACB30VF3K3	. BOLT		002005 008030	2
135	H3-1233A3	. WASHER- SUPPLIER CODE: V34941 SPECIFICATION NUMBER: S411A001-1		002005 008030	2
140	BACS12FA3K7	. SCREW		002005 008030	2
145	412A1465-14SP	. CLOSEOUT ASSY-		002005 008008	1
145	412A1465-14A	. CLOSEOUT ASSY-		009030	1
150	412A1465-13SP	. CLOSEOUT ASSY-		002005 008008	1
150	412A1465-13A	. CLOSEOUT ASSY-		009030	1

MISSING ITEM NUMBERS NOT APPLICABLE

- ITEM NOT ILLUSTRATED

HAP

25-24-31-39

25-24-31
FIG. 39
PAGE 2
JUN 15/08

BOEING
737-600/700/800/900
PARTS CATALOG (MAINTENANCE)

FIG ITEM	PART NUMBER	1 2 3 4 5 6 7	NOMENCLATURE	EFFECT FROM TO	UNITS PER ASSY
39					
155	BACN10VR4CGN	..	NUT- OPTIONAL PART: BACN10VR4CG	002005 008030	3
155	BACN10VR4CG	..	NUT- OPTIONAL PART: BACN10VR4CGN	002005 008030	3
160	412A1465-16SP	..	CLOSEOUT- USED ON: 412A1465-14SP 412A1465-14A	002005 008030	1
165	412A1465-15SP	..	CLOSEOUT- USED ON: 412A1465-13SP	002005 008030	1
170	412A1451-2SP	.	STRIP-TRIM	002005 008008	1
170	412A1451-2BCWK	.	STRIP-TRIM	009030	1
175	412A1600-50SP	.	COVER ASSY-	002005 008008	1
175	412A1600-50A	.	COVER ASSY-	009030	1
200	412A1460-1	..	CLIP	002005 008030	5
203	412A1610-150SP	..	PANEL ASSY- OPTIONAL PART: 412A1610-50SP	002005 008008	1
203	412A1610-50SP	..	PANEL ASSY- OPTIONAL PART: 412A1610-150SP	002005 008008	1
203	412A1610-50A	..	PANEL ASSY- OPTIONAL PART: 412A1610-150B	009030	1
203	412A1610-150B	..	PANEL ASSY- OPTIONAL PART: 412A1610-50A	009030	1
212	BACS12ER3K5	.	SCREW	002005 008030	10
214	BACS12ER3K14	.	SCREW- POSITION DATA: FAR SIDE	002005 008030	11
216	H3-1233A3	.	WASHER- SUPPLIER CODE: V34941 POSITION DATA: FAR SIDE SPECIFICATION NUMBER: S411A001-1	002005 008030	11

MISSING ITEM NUMBERS NOT APPLICABLE

— ITEM NOT ILLUSTRATED

HAP

25-24-31-39

25-24-31
FIG. 39
PAGE 3
JUN 15/08

BOEING PROPRIETARY - Copyright © - Unpublished Work - See title page for details.

BOEING
737-600/700/800/900
PARTS CATALOG (MAINTENANCE)

FIG ITEM	PART NUMBER	1 2 3 4 5 6 7	NOMENCLATURE	EFFECT FROM TO	UNITS PER ASSY
39 218	412A1243-3		.EXTRUSION ASSY- OPTIONAL PART: 412A1243-103 PRE SERVICE BULLETIN: 25-1373	002005 008008	1
218	412A1243-103		.EXTRUSION ASSY- OPTIONAL PART: 412A1243-3	002005 008030	1
224	FS1651-3		..NUTPLATE SUPPLIER CODE: V15653 SPECIFICATION NUMBER: BACN10KH3CD OPTIONAL PART: 102F9209M3 V72962 NS202496-02 V80539 ATTACHING PARTS	002005 008030	11
- 226	BACR15BA3ADC		..RIVET- SIZE DETERMINED ON INSTL. -----*-----	002005 008030	22
228	412A1650-3SP		.COVER ASSY-DEC	002005 008008	1
228	412A1650-3A		.COVER ASSY-DEC	009030	1
400	412A1500-33SP		.DOOR ASSY-34.70 IN. PRE SERVICE BULLETIN: 25-1373	002005 008008	1
400	412A1500-133SP		.DOOR ASSY-34.70 IN. POST SERVICE BULLETIN: 25-1373	002005 008008	1
400	412A1500-133B		.DOOR ASSY-34.70 IN.	009030	1
405	412A1500-34SP		.DOOR ASSY-34.70 IN. PRE SERVICE BULLETIN: 25-1373	002005 008008	1
405	412A1500-134SP		.DOOR ASSY-34.70 IN. POST SERVICE BULLETIN: 25-1373	002005 008008	1
405	412A1500-134B		.DOOR ASSY-34.70 IN.	009030	1
410	BACS12ER3K9		..SCREW	002005 008030	4
415	BACS12FA3K4		..SCREW	002005 008030	6
420	H3-1233A3		..WASHER- SUPPLIER CODE: V34941 SPECIFICATION NUMBER: S411A001-1	002005 008030	4

MISSING ITEM NUMBERS NOT APPLICABLE

- ITEM NOT ILLUSTRATED

HAP

25-24-31-39

25-24-31
FIG. 39
PAGE 4
JUN 15/08

BOEING
737-600/700/800/900
PARTS CATALOG (MAINTENANCE)

FIG ITEM	PART NUMBER	1 2 3 4 5 6 7	NOMENCLATURE	EFFECT FROM TO	UNITS PER ASSY
39 425	HA225-1		.. LATCH ASSY- SUPPLIER CODE: V83014 SPECIFICATION NUMBER: S412A001-1A PRE SERVICE BULLETIN: 25-1373 PRE SERVICE BULLETIN: HA225-25-01 V83014	002005 008030	1
425	HA225-7		.. LATCH ASSY- SUPPLIER CODE: V83014 SPECIFICATION NUMBER: S412A001-11B SERVICE BULLETIN OPT DATA: HA225K3868 V83014 POST SERVICE BULLETIN: 25-1373 POST SERVICE BULLETIN: HA225-25-01 V83014	002005 008030	1
425	HA225K3868		.. LATCH ASSY- SUPPLIER CODE: V83014 SERVICE BULLETIN OPT DATA: HA225-7 V83014 POST SERVICE BULLETIN: 25-1373 POST SERVICE BULLETIN: HA225-25-01 V83014	002005 008008	1
430	412A1615-117SP		.. PANEL ASSY-FILLER OPTIONAL PART: 412A1615-1117SP	002005 008030	1
430	412A1615-1117SP		.. PANEL ASSY-FILLER OPTIONAL PART: 412A1615-117SP POST SERVICE BULLETIN: 25-1373	002005 008030	1
435	412A1480-3SP		.. BRACKET ASSY	002005 008030	1
440	412A1480-4SP		.. BRACKET ASSY	002005 008030	1
445	BACN10VR4CGN		... NUT	002005 008030	2

MISSING ITEM NUMBERS NOT APPLICABLE

— ITEM NOT ILLUSTRATED

HAP

25-24-31-39

BOEING PROPRIETARY - Copyright © - Unpublished Work - See title page for details.

25-24-31
FIG. 39
PAGE 5
JUN 15/08

BOEING
737-600/700/800/900
PARTS CATALOG (MAINTENANCE)

FIG ITEM	PART NUMBER	1 2 3 4 5 6 7	NOMENCLATURE	EFFECT FROM TO	UNITS PER ASSY
39					
450	412A1480-1SP	...	BRACKET- USED ON: 412A1480-3SP	002005 008030	1
455	412A1480-2SP	...	BRACKET- USED ON: 412A1480-4SP	002005 008030	1
460	412A1810-1SP	..	BUMPER	002005 008030	2
465	412A1450-3SP	..	TRIM-EDGE POSITION DATA: LH SIDE	002005 008030	1
- 470	412A1450-4SP	..	TRIM-EDGE POSITION DATA: RH SIDE	002005 008030	1
475	412A1450-5SP	..	TRIM-EDGE POSITION DATA: LH SIDE	002005 008030	1
- 480	412A1450-6SP	..	TRIM-EDGE POSITION DATA: RH SIDE	002005 008030	1
485	412A1450-10SP	..	TRIM-EDGE POSITION DATA: LH SIDE	002005 008030	1
- 490	412A1450-9SP	..	TRIM-EDGE POSITION DATA: RH SIDE	002005 008030	1
495	412A1450-8SP	..	TRIM-EDGE POSITION DATA: LH SIDE	002005 008030	1
- 500	412A1450-7SP	..	TRIM-EDGE POSITION DATA: RH SIDE	002005 008030	1
505	412A1510-35SP	..	PANEL ASSY	002005 008030	1
- 508	412A1510-36SP	..	PANEL ASSY	002005 008030	1
- 510	SL618-3A	...	INSERT- SUPPLIER CODE: V97393	002005 008030	14
525	412A1100-53SP	.HINGE ASSY-COLLECTOR		002005 008008	1
525	412A1100-53B	.HINGE ASSY-COLLECTOR		009030	1
530	412A1230-21	..	PIN	002005 008030	1
535	BACB30VF3K7	..	BOLT	002005 008030	1
540	NAS1149D0316J	..	WASHER	002005 008030	1

MISSING ITEM NUMBERS NOT APPLICABLE

- ITEM NOT ILLUSTRATED

HAP

25-24-31-39

25-24-31
FIG. 39
PAGE 6
JUN 15/08

BOEING PROPRIETARY - Copyright © - Unpublished Work - See title page for details.

BOEING
737-600/700/800/900
PARTS CATALOG (MAINTENANCE)

FIG ITEM	PART NUMBER	1 2 3 4 5 6 7	NOMENCLATURE	EFFECT FROM TO	UNITS PER ASSY
39					
545	MS16633-4018	..	RING	002005 008030	1
550	SP20522	..	ACTUATOR ASSY- SUPPLIER CODE: V24403 SPECIFICATION NUMBER: S412A002-2	002005 008030	1
555	412A1455-3SP	..	HINGE ASSY	002005 008030	1
560	412A1230-21	...	PIN	002005 008030	1
565	MS51023-54	...	SCREW	002005 008030	1
570	NAS1149D0316J	...	WASHER	002005 008030	1
575	MS16633-4018	...	RING	002005 008030	1
580	412A1220-1	...	CLIP	002005 008030	1
585	412A1454-12SP	...	HOUSING ASSY	002005 008030	1
590	BACB28Y3F020	BUSHING	002005 008030	2
595	6041L3BR375	INSERT- SUPPLIER CODE: V01556	002005 008030	1
600	412A1454-11SP	HOUSING	002005 008030	1
605	412A1454-9SP	...	BRACKET ASSY	002005 008030	1
610	BACB28Y3F025	BUSHING	002005 008030	2
615	6041-3BR225	INSERT- SUPPLIER CODE: V01556	002005 008030	1
620	6041L3BR375	INSERT- SUPPLIER CODE: V01556	002005 008030	1
625	412A1454-7SP	BRACKET	002005 008030	1
650	412A1100-52SP	.HINGE	ASSY-COLLECTOR	002005 008008	2
650	412A1100-52B	.HINGE	ASSY-COLLECTOR	009030	2
655	412A1100-51B	.HINGE	ASSY-COLLECTOR	009030	1
655	412A1100-51SP	.HINGE	ASSY-COLLECTOR	002005 008008	1
660	412A1230-21	..	PIN	002005 008030	1

MISSING ITEM NUMBERS NOT APPLICABLE

— ITEM NOT ILLUSTRATED

HAP

25-24-31-39

25-24-31
FIG. 39
PAGE 7
JUN 15/08

BOEING
737-600/700/800/900
PARTS CATALOG (MAINTENANCE)

FIG ITEM	PART NUMBER	1 2 3 4 5 6 7	NOMENCLATURE	EFFECT FROM TO	UNITS PER ASSY
39					
665	BACB30VF3K7	..	BOLT	002005 008030	1
670	NAS1149D0316J	..	WASHER	002005 008030	1
675	MS16633-4018	..	RING	002005 008030	1
680	SP20522	..	ACTUATOR ASSY- SUPPLIER CODE: V24403 SPECIFICATION NUMBER: S412A002-2	002005 008030	1
685	412A1455-1SP	..	HINGE ASSY- USED ON: 412A1100-51SP 412A1100-51B	002005 008030	1
690	412A1455-2SP	..	HINGE ASSY- USED ON: 412A1100-52SP 412A1100-52B	002005 008030	1
695	412A1230-21	...	PIN	002005 008030	1
700	MS51023-54	...	SCREW	002005 008030	1
705	NAS1149D0316J	...	WASHER	002005 008030	1
710	MS16633-4018	...	RING	002005 008030	1
715	412A1220-1	...	CLIP	002005 008030	1
720	412A1454-3SP	...	HOUSING ASSY	002005 008030	1
725	BACB28Y3F020	BUSHING	002005 008030	2
730	6041L3BR375	INSERT- SUPPLIER CODE: V01556	002005 008030	1
735	412A1454-1SP	HOUSING	002005 008030	1
740	412A1454-9SP	...	BRACKET ASSY- USED ON: 412A1455-1SP	002005 008030	1
745	412A1454-10SP	...	BRACKET ASSY- USED ON: 412A1455-2SP	002005 008030	1
750	BACB28Y3F025	BUSHING	002005 008030	2
755	6041-3BR225	INSERT- SUPPLIER CODE: V01556	002005 008030	1

MISSING ITEM NUMBERS NOT APPLICABLE

— ITEM NOT ILLUSTRATED

HAP

25-24-31-39

25-24-31
FIG. 39
PAGE 8
JUN 15/08

BOEING PROPRIETARY - Copyright © - Unpublished Work - See title page for details.

BOEING
737-600/700/800/900
PARTS CATALOG (MAINTENANCE)

FIG ITEM	PART NUMBER	1 2 3 4 5 6 7	NOMENCLATURE	EFFECT FROM TO	UNITS PER ASSY
39					
760	6041L3BR375	INSERT- SUPPLIER CODE: V01556	002005 008030	1
765	412A1454-7SP	BRACKET- USED ON: 412A1454-9SP	002005 008030	1
770	412A1454-8SP	BRACKET- USED ON: 412A1454-10SP	002005 008030	1
775	412A1200-120A	.BOX	ASSY-70 IN. BIN OPTIONAL PART: 412A1200-1120B FOR DETAILS SEE: 25-24-32-75B	009030	1
775	412A1200-1120B	.BOX	ASSY-70 IN. BIN OPTIONAL PART: 412A1200-120A FOR DETAILS SEE: 25-24-32-75B	009030	1
775	412A1200-120SP	.BOX	ASSY-70 IN. BIN OPTIONAL PART: 412A1200-1120SP FOR DETAILS SEE: 25-24-32-75B	002005 008008	1
775	412A1200-1120SP	.BOX	ASSY-70 IN. BIN OPTIONAL PART: 412A1200-120SP POST SERVICE BULLETIN: 25-1373 FOR DETAILS SEE: 25-24-32-75B	002005 008008	1
- 780	412A1811-1B	.PLUG-	OPTIONAL PART: 412A1100-96 OBA8 VOBV87 412A1811-2B POST SERVICE BULLETIN: 25-1373	002005 008030	AR
- 780	412A1811-2B	.PLUG-	OPTIONAL PART: OBA8 VOBV87 412A1100-96 412A1811-1B	002005 008030	AR

MISSING ITEM NUMBERS NOT APPLICABLE

- ITEM NOT ILLUSTRATED

HAP

25-24-31-39

BOEING PROPRIETARY - Copyright © - Unpublished Work - See title page for details.

25-24-31
FIG. 39
PAGE 9
JUN 15/08

BOEING
737-600/700/800/900
PARTS CATALOG (MAINTENANCE)

FIG ITEM	PART NUMBER	1 2 3 4 5 6 7	NOMENCLATURE	EFFECT FROM TO	UNITS PER ASSY
39 - 780	OBA8		. PLUG- SUPPLIER CODE: VOBV87 OPTIONAL PART: 412A1811-1B 412A1811-2B 412A1100-96	002005 008030	AR
- 785	412A1100-96		. KIT ASSY-SCR AND WASHER OPTIONAL PART: 412A1811-1B 412A1811-2B OBA8 VOBV87 POST SERVICE BULLETIN: 25-1373	002005 008030	AR
- 790	NAS514P1032-5		.. SCREW	002005 008030	1
- 795	H3-1233A3		ATTACHING PARTS .. WASHER- SUPPLIER CODE: V34941 SPECIFICATION NUMBER: S411A001-1 -----*-----	002005 008030	1

MISSING ITEM NUMBERS NOT APPLICABLE

- ITEM NOT ILLUSTRATED

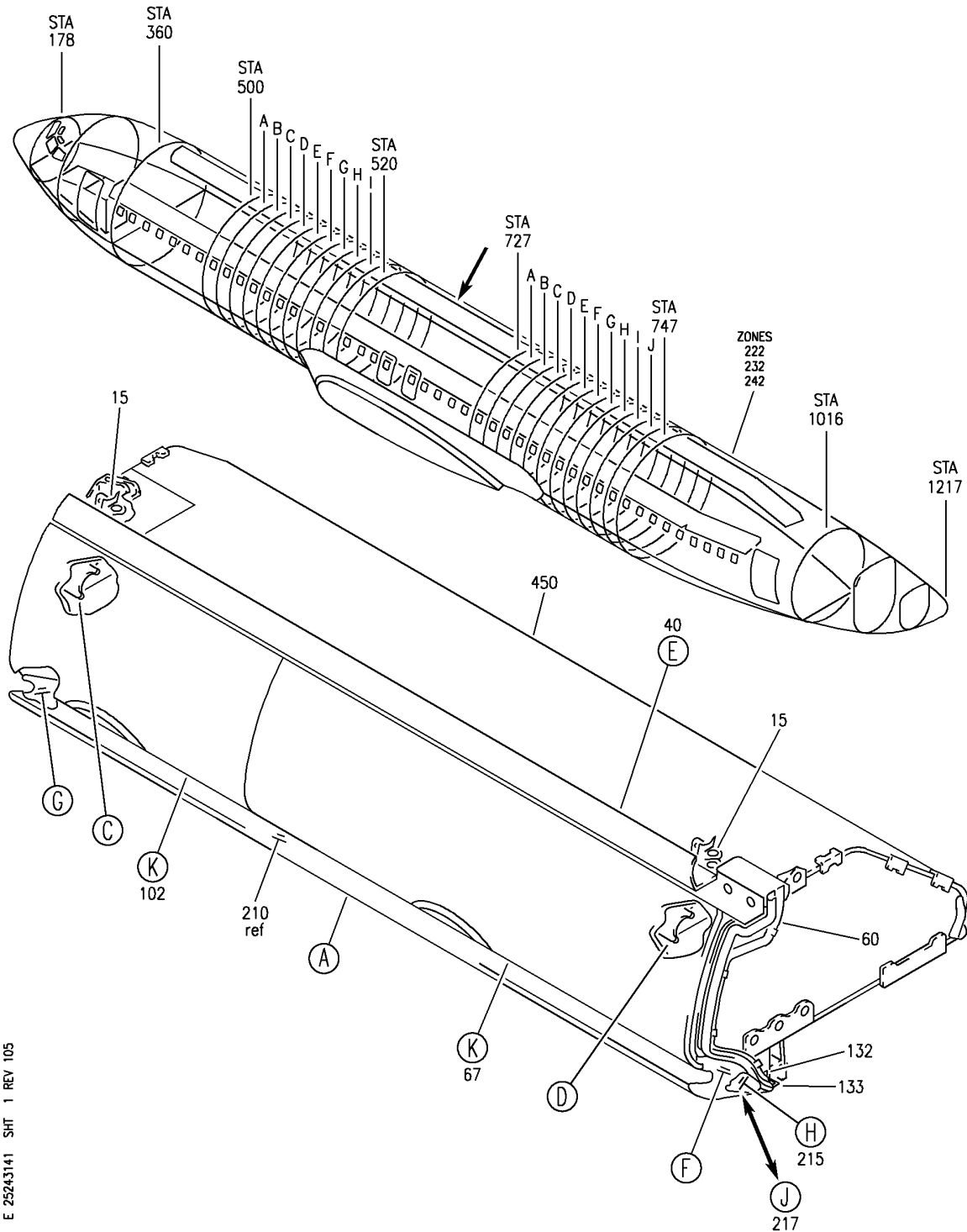
HAP

25-24-31-39

BOEING PROPRIETARY - Copyright © - Unpublished Work - See title page for details.

25-24-31
FIG. 39
PAGE 10
JUN 15/08

BOEING
737-600/700/800/900
PARTS CATALOG (MAINTENANCE)



E 25243141 SHT 1 REV 105

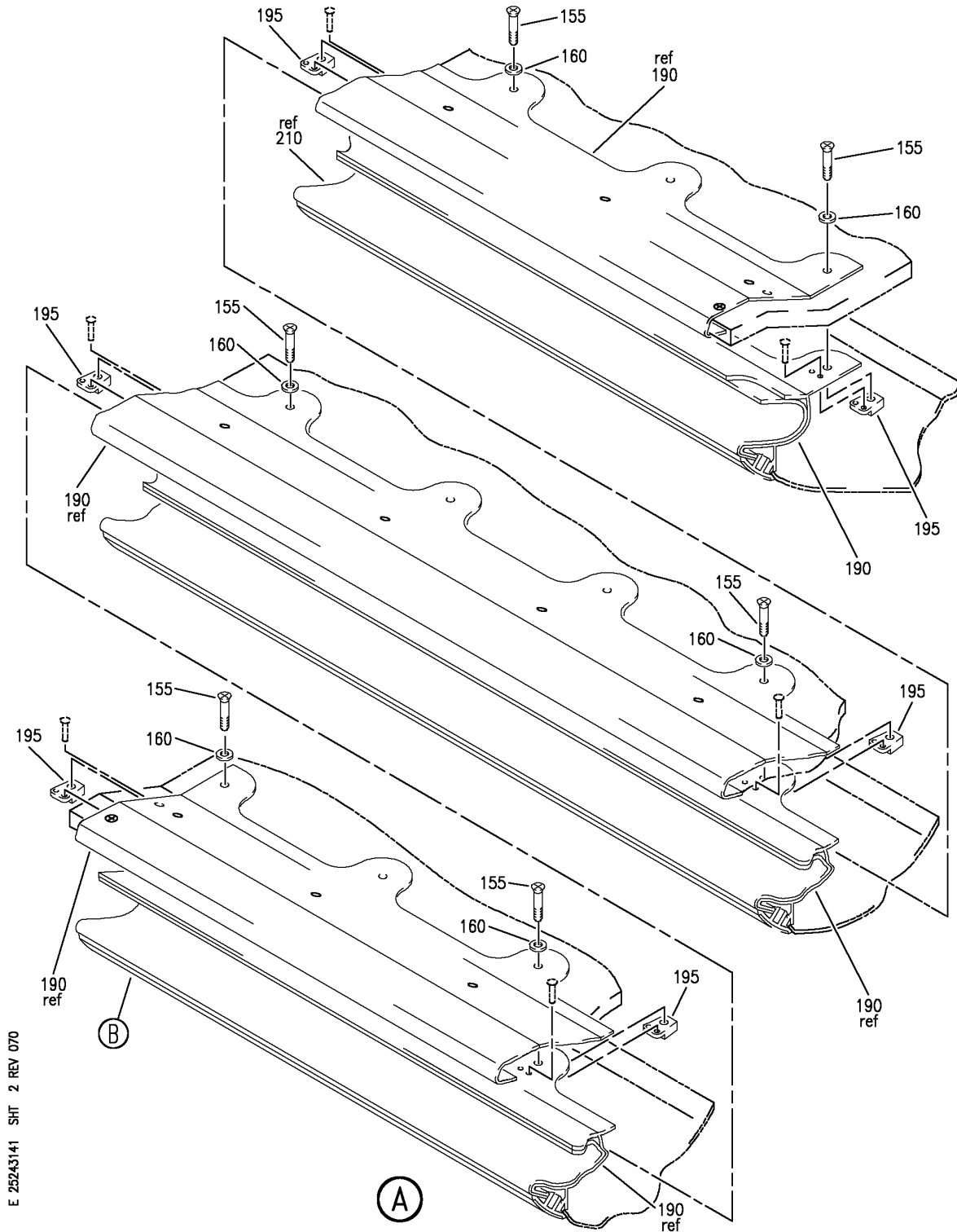
COMPARTMENT ASSY-60 IN. OVHD STOWAGE HNDRL CONFIGURATION (EQUIPMENT/ FURNISHINGS ONLY)
FIGURE 41 (SHEET 1)

HAP
OCT 10/06

25-24-31-41

25-24-31-41
PAGE 0

BOEING
 737-600/700/800/900
 PARTS CATALOG (MAINTENANCE)



E 25243141 SHT 2 REV 070

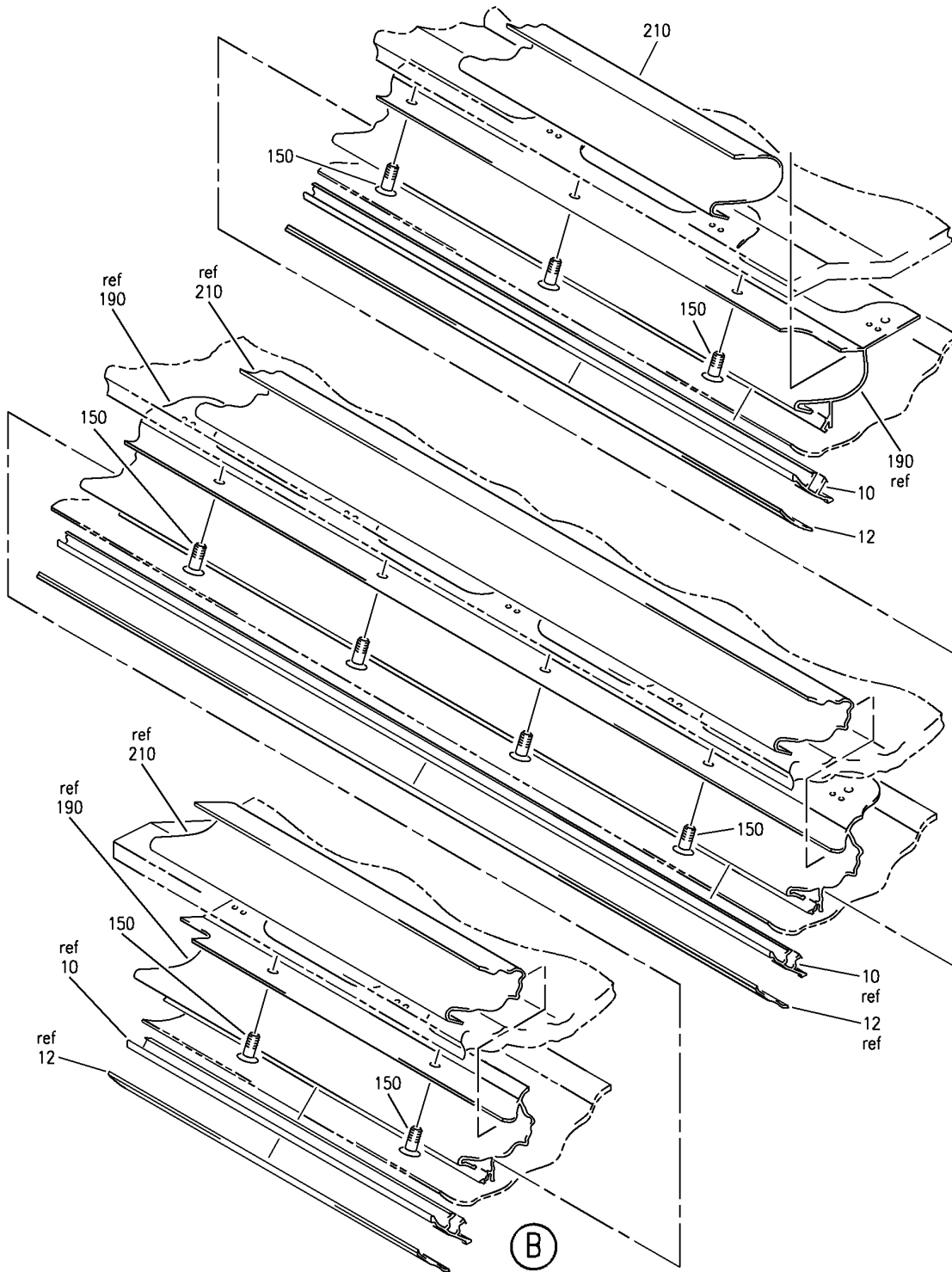
COMPARTMENT ASSY-60 IN. OVHD STOWAGE HNDRL CONFIGURATION (EQUIPMENT/ FURNISHINGS ONLY)
 FIGURE 41 (SHEET 2)

25-24-31-41

HAP
 OCT 10/06

25-24-31-41
 PAGE 0A

BOEING
 737-600/700/800/900
 PARTS CATALOG (MAINTENANCE)



E 25243141 SHT 3 REV 105

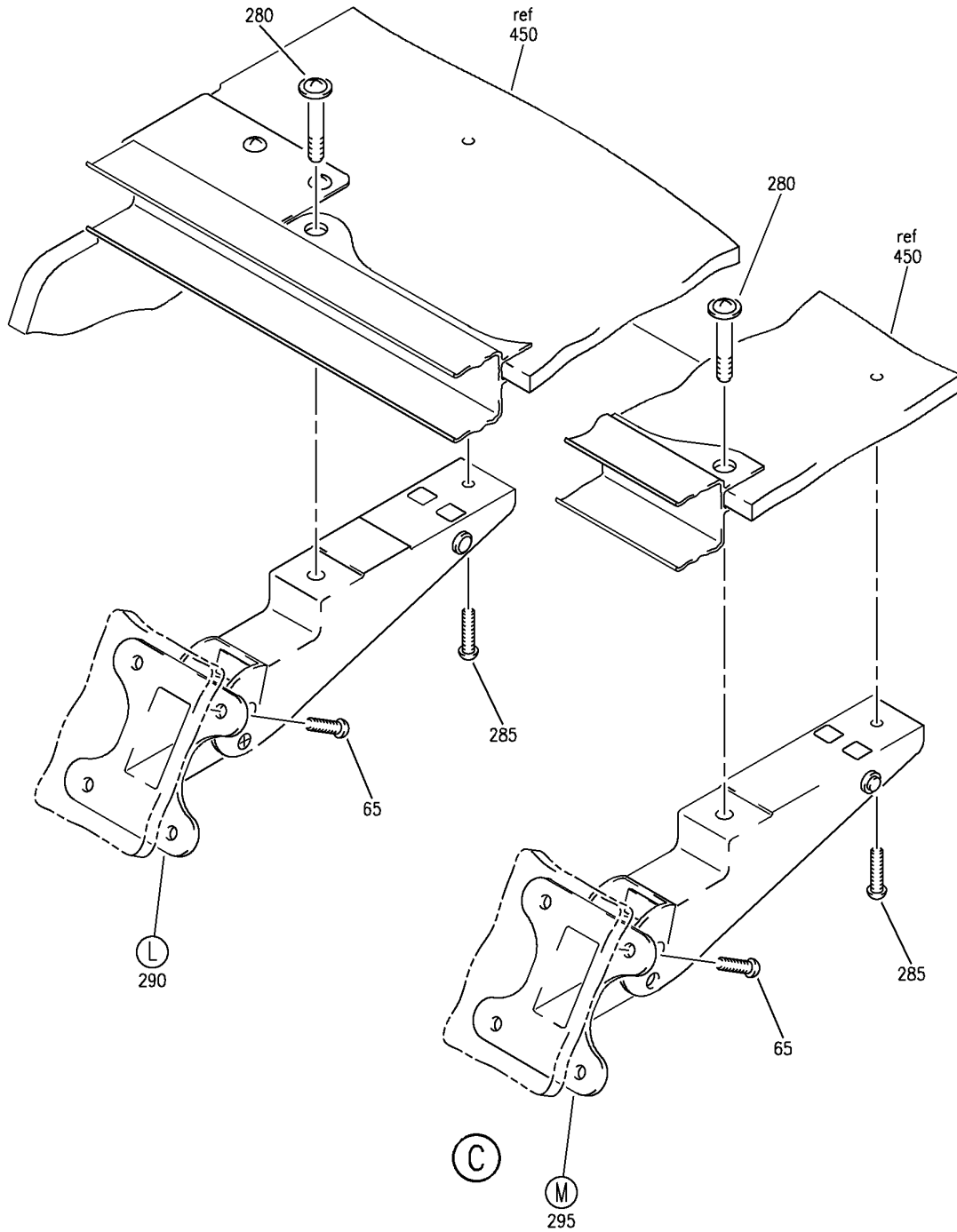
COMPARTMENT ASSY-60 IN. OVHD STOWAGE HNDRL CONFIGURATION (EQUIPMENT/ FURNISHINGS ONLY)
 FIGURE 41 (SHEET 3)

HAP
 OCT 10/06

25-24-31-41

25-24-31-41
 PAGE 0B

BOEING
 737-600/700/800/900
 PARTS CATALOG (MAINTENANCE)



E 2524-31-41 SHT 4 REV 105

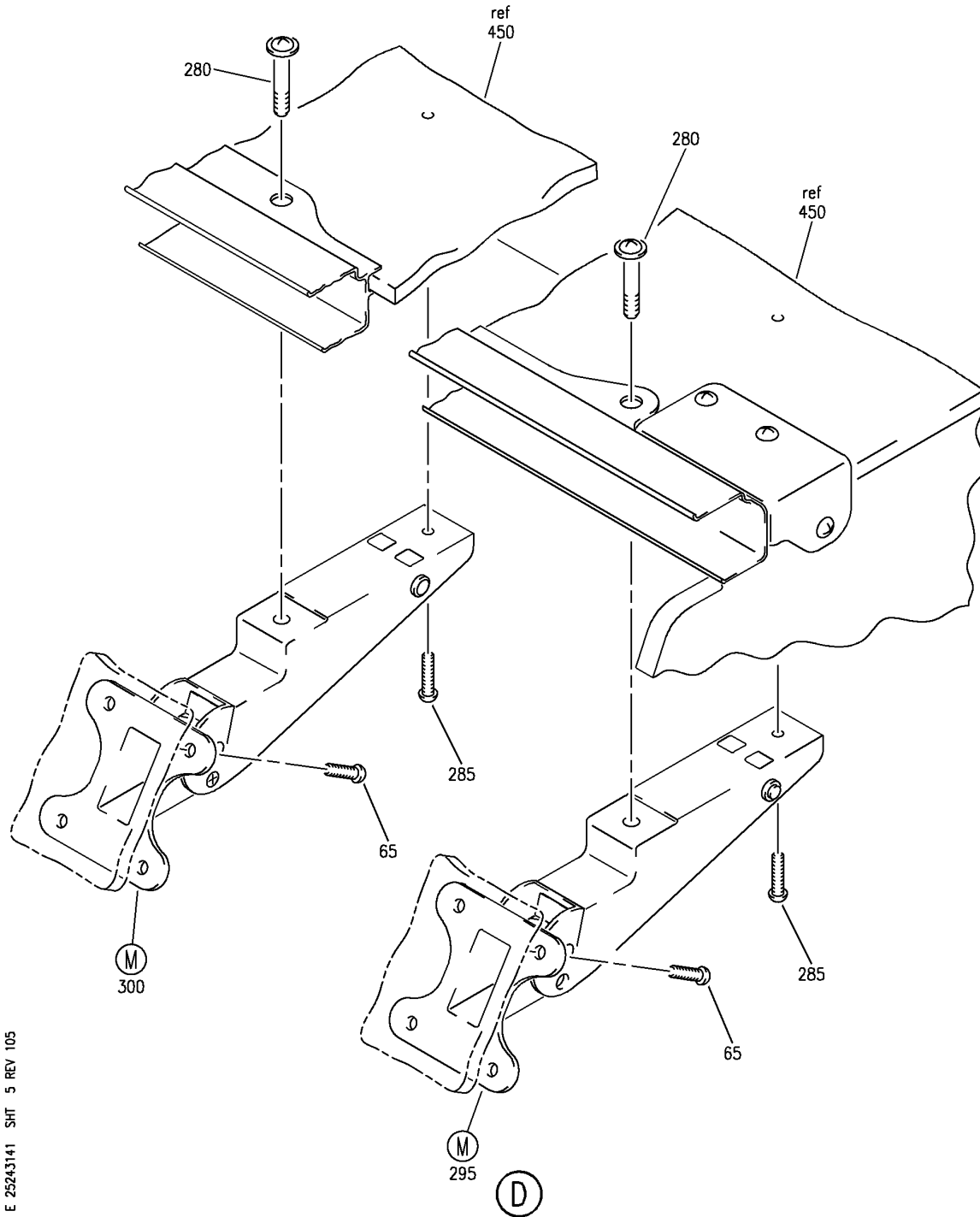
COMPARTMENT ASSY-60 IN. OVHD STOWAGE HNDRL CONFIGURATION (EQUIPMENT/ FURNISHINGS ONLY)
 FIGURE 41 (SHEET 4)

25-24-31-41

HAP
 OCT 10/06

25-24-31-41
 PAGE 0C

BOEING
 737-600/700/800/900
 PARTS CATALOG (MAINTENANCE)



E 2524-31-41 SHT 5 REV 105

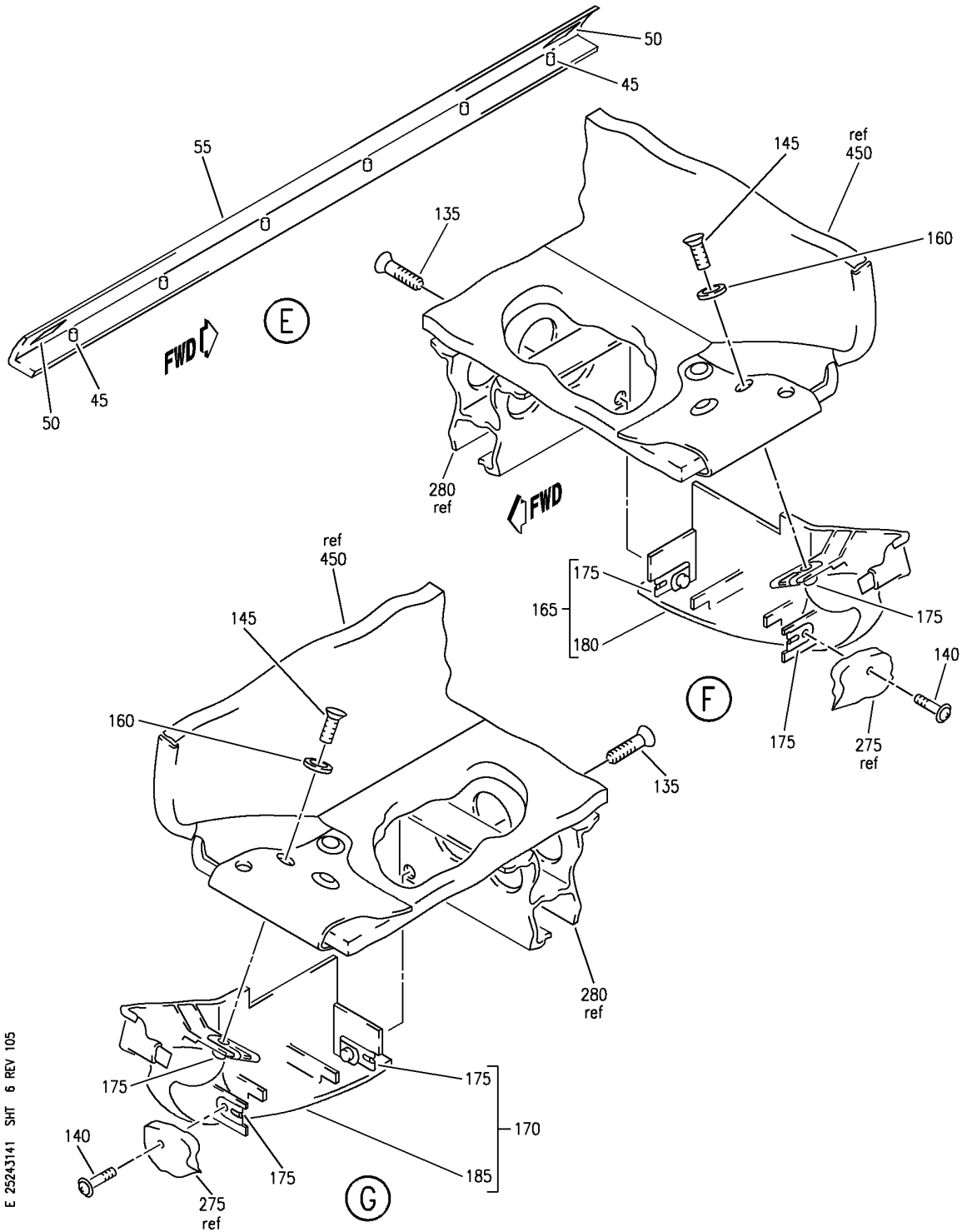
COMPARTMENT ASSY-60 IN. OVHD STOWAGE HNDRL CONFIGURATION (EQUIPMENT/ FURNISHINGS ONLY)
 FIGURE 41 (SHEET 5)

HAP
 OCT 10/06

25-24-31-41

25-24-31-41
 PAGE 0D

BOEING
 737-600/700/800/900
 PARTS CATALOG (MAINTENANCE)



E 25243141 SHT 6 REV 105

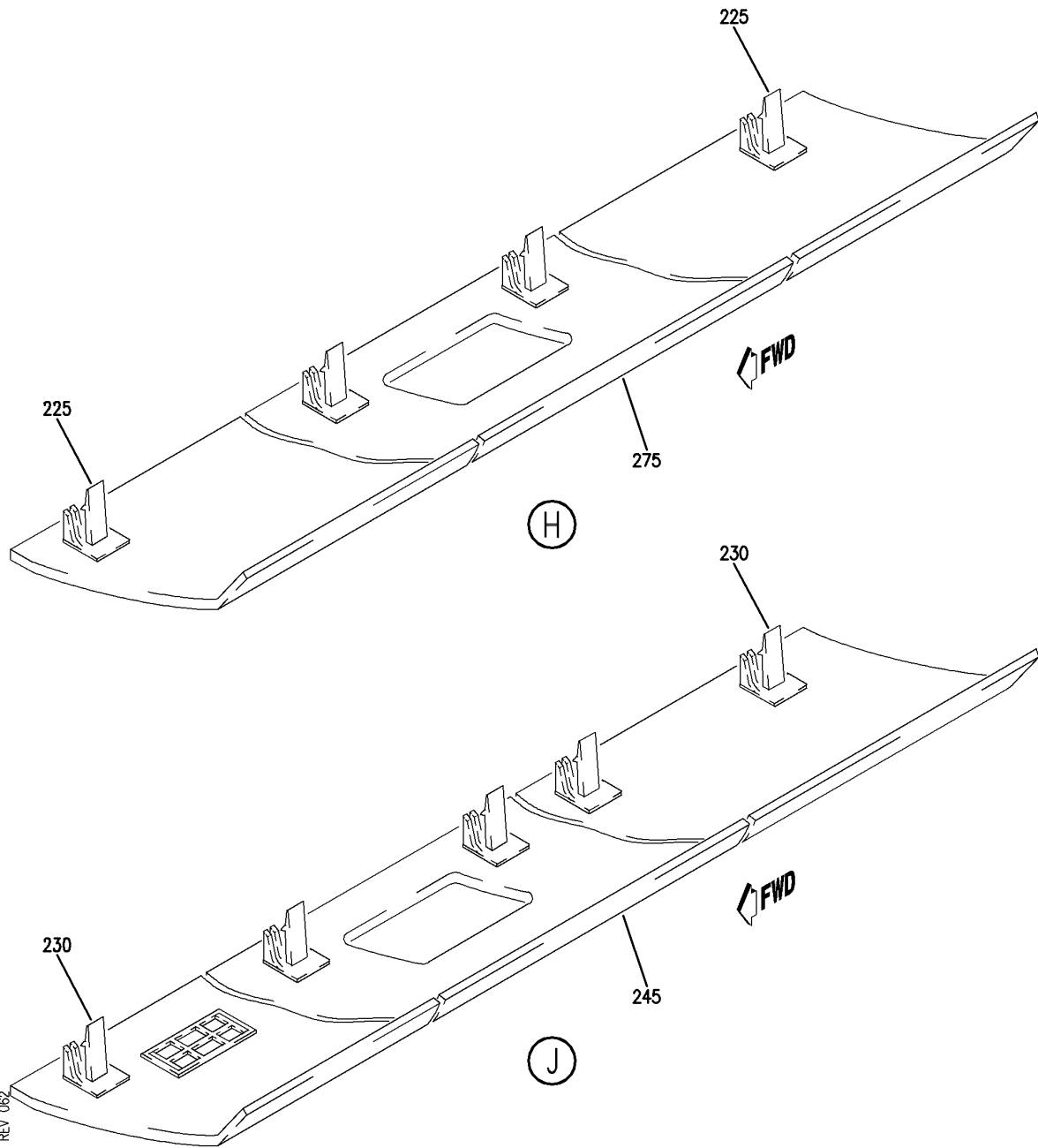
COMPARTMENT ASSY-60 IN. OVHD STOWAGE HNDRL CONFIGURATION (EQUIPMENT/ FURNISHINGS ONLY)
 FIGURE 41 (SHEET 6)

HAP
 OCT 10/06

25-24-31-41

25-24-31-41
 PAGE 0E

BOEING
 737-600/700/800/900
 PARTS CATALOG (MAINTENANCE)



E 25243141 SHT 7 REV 062

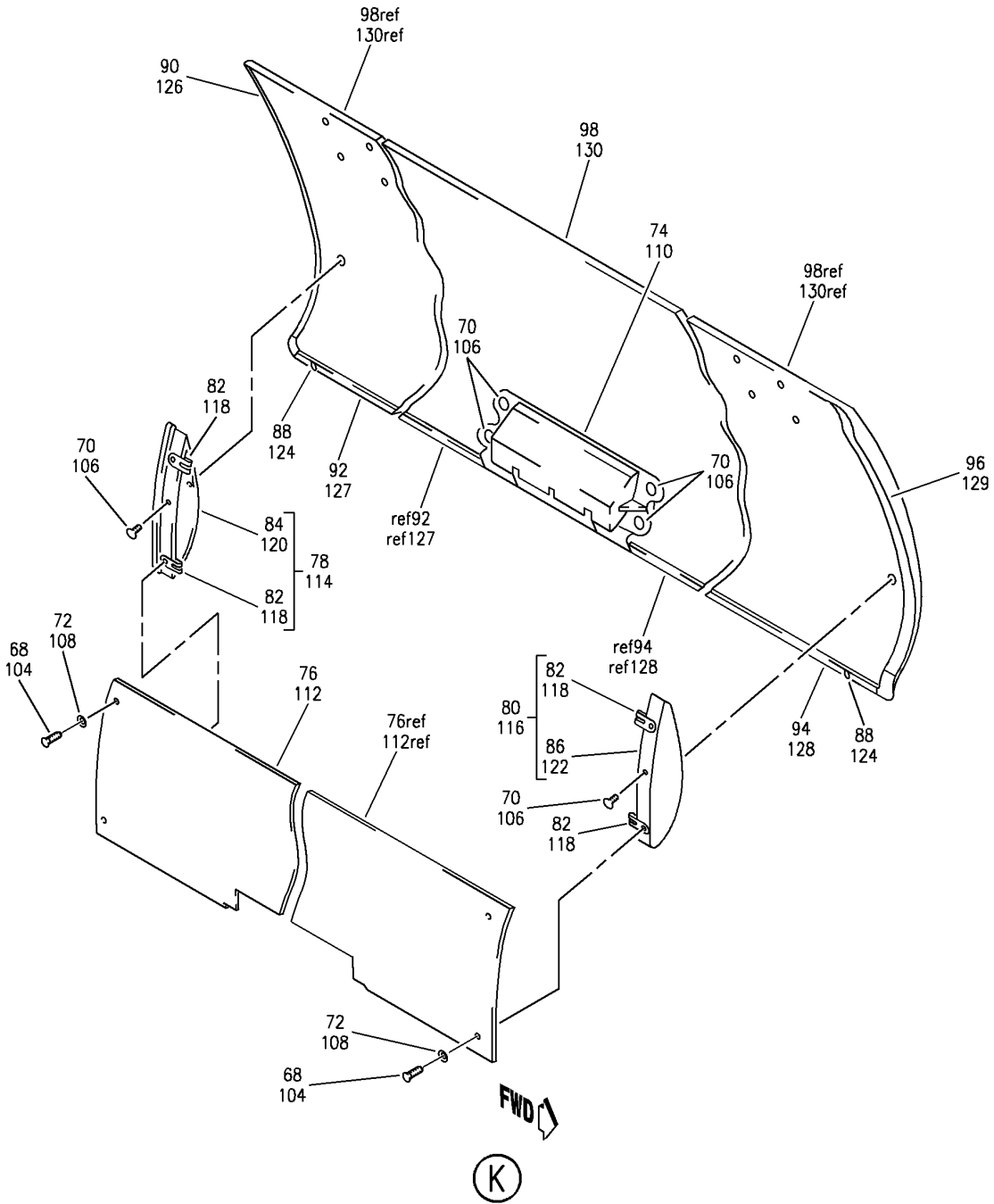
COMPARTMENT ASSY-60 IN. OVHD STOWAGE HNDRL CONFIGURATION (EQUIPMENT/ FURNISHINGS ONLY)
 FIGURE 41 (SHEET 7)

HAP
 OCT 10/06

25-24-31-41

25-24-31-41
 PAGE OF

BOEING
 737-600/700/800/900
 PARTS CATALOG (MAINTENANCE)



E 2524-31-41 SHT 8 REV 105

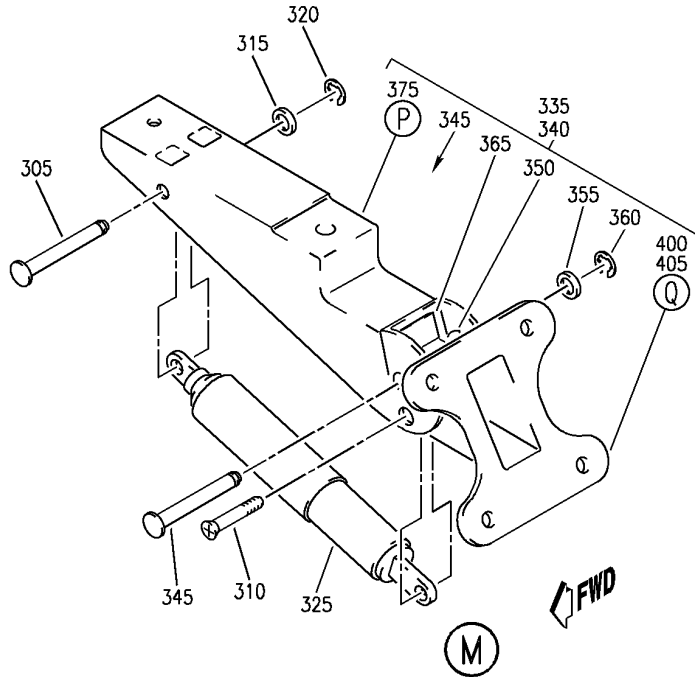
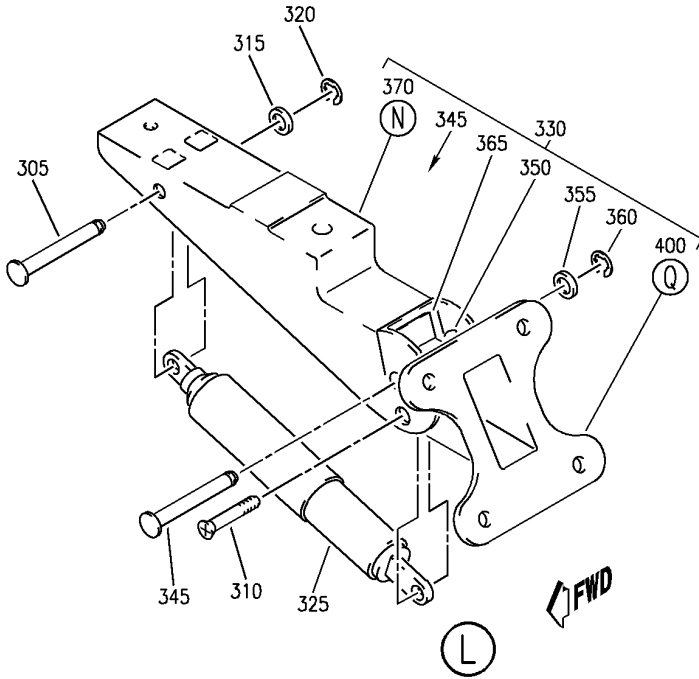
COMPARTMENT ASSY-60 IN. OVHD STOWAGE HNDRL CONFIGURATION (EQUIPMENT/ FURNISHINGS ONLY)
 FIGURE 41 (SHEET 8)

25-24-31-41

HAP
 OCT 10/06

25-24-31-41
 PAGE 08

BOEING
 737-600/700/800/900
 PARTS CATALOG (MAINTENANCE)



E 2524-31-41 SHT 9 REV 105

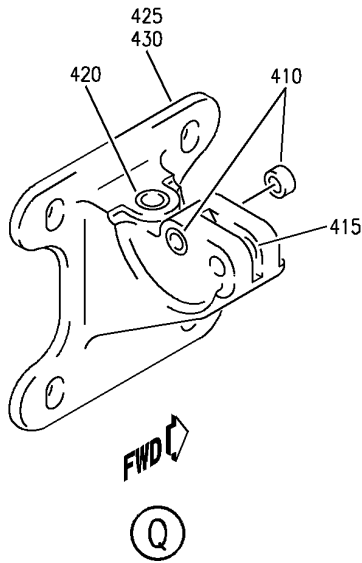
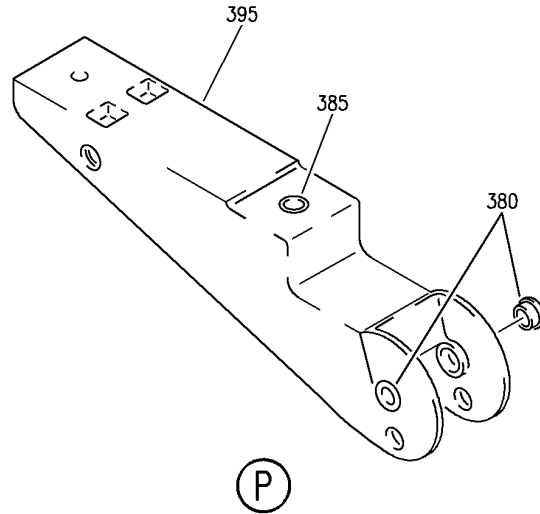
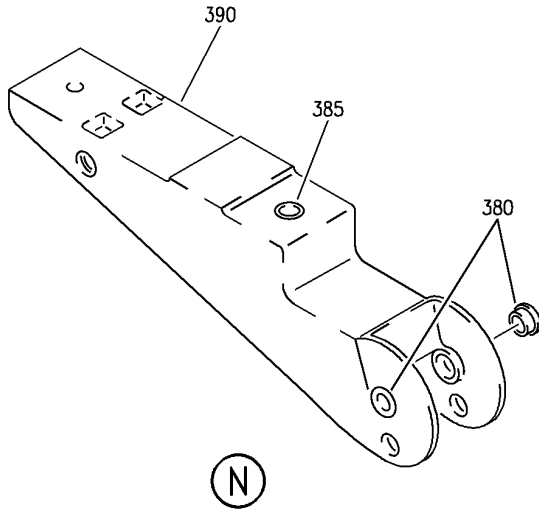
COMPARTMENT ASSY-60 IN. OVHD STOWAGE HNDRL CONFIGURATION (EQUIPMENT/ FURNISHINGS ONLY)
 FIGURE 41 (SHEET 9)

25-24-31-41

HAP
 OCT 10/06

25-24-31-41
 PAGE 08

BOEING
 737-600/700/800/900
 PARTS CATALOG (MAINTENANCE)



E 2524-31-41 SHT 10 REV 105

COMPARTMENT ASSY-60 IN. OVHD STOWAGE HANDLING CONFIGURATION (EQUIPMENT/ FURNISHINGS ONLY)
 FIGURE 41 (SHEET 10)

25-24-31-41

HAP
 OCT 10/06

25-24-31-41
 PAGE 01

BOEING
737-600/700/800/900
PARTS CATALOG (MAINTENANCE)

FIG ITEM	PART NUMBER	1 2 3 4 5 6 7	NOMENCLATURE	EFFECT FROM TO	UNITS PER ASSY
41			COMPARTMENT ASSY-60 IN. OVHD STOWAGE HNDRL CONFIGURATION (EQUIPMENT/ FURNISHINGS ONLY)	002005 008030	
- 5	412A1100-106SP		COMPARTMENT ASSY-60 IN. OVHD STOWAGE HNDRL CONFIGURATION (EQUIPMENT/ FURNISHINGS ONLY) POSITION DATA: RH PRE SERVICE BULLETIN: 25-1373 FOR NHA/OTHER SYS DET SEE: 25-24-30-80A	002005 008008	RF
- 5	412A1100-206SP		COMPARTMENT ASSY-60 IN. OVHD STOWAGE HNDRL CONFIGURATION (EQUIPMENT/ FURNISHINGS ONLY) POSITION DATA: RH POST SERVICE BULLETIN: 25-1373 FOR NHA/OTHER SYS DET SEE: 25-24-30-80A	002005 008008	RF
- 5	412A1100-206B		COMPARTMENT ASSY-60 IN. OVHD STOWAGE HNDRL CONFIGURATION (EQUIPMENT/ FURNISHINGS ONLY) POSITION DATA: RH FOR NHA/OTHER SYS DET SEE: 25-24-30-83	009030	RF
10	412A1420-2SP		.EXTRUSION-SEAT ROW MARKER	002005 008008	1
10	412A1420-2A		.EXTRUSION-SEAT ROW MARKER	009030	1
12	412A1451-2SP		.STRIP	002005 008030	1
15	H3-1592-1		.LATCH-CLG SUPPLIER CODE: V34941 SPECIFICATION NUMBER: S411A001-1 ATTACHING PARTS	002005 008030	2
- 20	BACS12GU3K7		.SCREW	002005 008030	4
- 21	NAS1149D0332J		.WASHER	002005 008030	4
			-----*-----		

MISSING ITEM NUMBERS NOT APPLICABLE

- ITEM NOT ILLUSTRATED

HAP

25-24-31-41

BOEING PROPRIETARY - Copyright © - Unpublished Work - See title page for details.

25-24-31
FIG. 41
PAGE 1
OCT 10/06

BOEING
737-600/700/800/900
PARTS CATALOG (MAINTENANCE)

FIG ITEM	PART NUMBER	1 2 3 4 5 6 7	NOMENCLATURE	EFFECT FROM TO	UNITS PER ASSY
41					
40	412A1700-2A		.VALANCE ASSY-LT OPTIONAL PART: 412A1700-102B	002005 008030	1
40	412A1700-102B		.VALANCE ASSY-LT OPTIONAL PART: 412A1700-2A	002005 008030	1
- 43	BACN10YJ3F		.NUT	002005 008030	6
			-----*-----		
45	BACS21DW3C10FN		..STUD	002005 008030	6
50	412A1700-6		..TAPE-VELCRO	002005 008030	2
55	412A1711-3A		..PANEL ASSY- USED ON: 412A1700-2A	002005 008030	1
55	412A1711-103A		..PANEL ASSY- USED ON: 412A1700-102B	002005 008030	1
60	403A3210-22SP		.SEAL ASSY	002005 008008	1
60	403A3210-22A		.SEAL ASSY-	009030	1
65	BACS12FA3K6		.SCREW	002005 008030	16
67	412A1500-1SP		.DOOR ASSY-40 IN. PRE SERVICE BULLETIN: 25-1373	002005 008008	1
67	412A1500-101C		.DOOR ASSY-40 IN. POST SERVICE BULLETIN: 25-1373	002005 008030	1
68	BACS12ER3K9		..SCREW	002005 008030	4
70	BACS12FA3K4		..SCREW	002005 008030	6
72	H3-1233A3		..WASHER- SUPPLIER CODE: V34941 SPECIFICATION NUMBER: S411A001-1	002005 008030	4

MISSING ITEM NUMBERS NOT APPLICABLE

- ITEM NOT ILLUSTRATED

HAP

25-24-31-41

25-24-31
FIG. 41
PAGE 2
OCT 15/08

BOEING
737-600/700/800/900
PARTS CATALOG (MAINTENANCE)

FIG ITEM	PART NUMBER	1 2 3 4 5 6 7	NOMENCLATURE	EFFECT FROM TO	UNITS PER ASSY
41 74	HA225-1		.. LATCH ASSY- SUPPLIER CODE: V83014 SPECIFICATION NUMBER: S412A001-1A PRE SERVICE BULLETIN: 25-1373 PRE SERVICE BULLETIN: HA225-25-01 V83014	002005 008030	1
74	HA225-7		.. LATCH ASSY- SUPPLIER CODE: V83014 SPECIFICATION NUMBER: S412A001-11B SERVICE BULLETIN OPT DATA: HA225K3868 V83014 POST SERVICE BULLETIN: 25-1373 POST SERVICE BULLETIN: HA225-25-01 V83014	002005 008030	1
74	HA225K3868		.. LATCH ASSY- SUPPLIER CODE: V83014 SERVICE BULLETIN OPT DATA: HA225-7 V83014 POST SERVICE BULLETIN: 25-1373 POST SERVICE BULLETIN: HA225-25-01 V83014	002005 008008	1
76	412A1615-100A		.. PANEL ASSY-FILLER OPTIONAL PART: 412A1615-1100B	002005 008030	1
76	412A1615-1100B		.. PANEL ASSY-FILLER OPTIONAL PART: 412A1615-100A	002005 008030	1
78	412A1480-3A		.. BRACKET ASSY	002005 008030	1
80	412A1480-4A		.. BRACKET ASSY	002005 008030	1
82	BACN10VR4CGN		... NUT	002005 008030	2
84	412A1480-1A		... BRACKET- USED ON: 412A1480-3A	002005 008030	1

MISSING ITEM NUMBERS NOT APPLICABLE

— ITEM NOT ILLUSTRATED

HAP

25-24-31-41

BOEING PROPRIETARY - Copyright © - Unpublished Work - See title page for details.

25-24-31
FIG. 41
PAGE 3
JUN 15/08

BOEING
737-600/700/800/900
PARTS CATALOG (MAINTENANCE)

FIG ITEM	PART NUMBER	1 2 3 4 5 6 7	NOMENCLATURE	EFFECT FROM TO	UNITS PER ASSY
41					
86	412A1480-2A	...	BRACKET- USED ON: 412A1480-4A	002005 008030	1
88	412A1810-1A	..	BUMPER	002005 008030	2
90	412A1450-4A	..	TRIM-EDGE	002005 008030	1
92	412A1450-6A	..	TRIM-EDGE	002005 008030	1
94	412A1450-5A	..	TRIM-EDGE	002005 008030	1
96	412A1450-3A	..	TRIM-EDGE	002005 008030	1
98	412A1510-2A	..	PANEL ASSY	002005 008030	1
- 100	SL618-3A	...	INSERT- SUPPLIER CODE: V97393	002005 008030	14
102	412A1500-2SP	.DOOR ASSY-20 IN. PRE SERVICE BULLETIN: 25-1373		002005 008008	1
102	412A1500-102C	.DOOR ASSY-20 IN. POST SERVICE BULLETIN: 25-1373		002005 008030	1
104	BACS12ER3K9	..	SCREW	002005 008030	4
106	BACS12FA3K4	..	SCREW	002005 008030	6
108	H3-1233A3	..	WASHER- SUPPLIER CODE: V34941 SPECIFICATION NUMBER: S411A001-1	002005 008030	4
110	HA225-1	..	LATCH ASSY- SUPPLIER CODE: V83014 SPECIFICATION NUMBER: S412A001-1A PRE SERVICE BULLETIN: 25-1373 PRE SERVICE BULLETIN: HA225-25-01 V83014	002005 008030	1

MISSING ITEM NUMBERS NOT APPLICABLE

- ITEM NOT ILLUSTRATED

HAP

25-24-31-41

BOEING PROPRIETARY - Copyright © - Unpublished Work - See title page for details.

25-24-31
FIG. 41
PAGE 4
JUN 15/08

BOEING
737-600/700/800/900
PARTS CATALOG (MAINTENANCE)

FIG ITEM	PART NUMBER	1 2 3 4 5 6 7	NOMENCLATURE	EFFECT FROM TO	UNITS PER ASSY
41 110	HA225-7		.. LATCH ASSY- SUPPLIER CODE: V83014 SPECIFICATION NUMBER: S412A001-11B SERVICE BULLETIN OPT DATA: HA225K3868 V83014 POST SERVICE BULLETIN: 25-1373 POST SERVICE BULLETIN: HA225-25-01 V83014	002005 008030	1
110	HA225K3868		.. LATCH ASSY- SUPPLIER CODE: V83014 SERVICE BULLETIN OPT DATA: HA225-7 V83014 POST SERVICE BULLETIN: 25-1373 POST SERVICE BULLETIN: HA225-25-01 V83014	002005 008008	1
112	412A1615-101A		.. PANEL ASSY-FILLER OPTIONAL PART: 412A1615-1101B	002005 008030	1
112	412A1615-1101B		.. PANEL ASSY-FILLER OPTIONAL PART: 412A1615-101A	002005 008030	1
114	412A1480-3A		.. BRACKET ASSY	002005 008030	1
116	412A1480-4A		.. BRACKET ASSY	002005 008030	1
118	BACN10VR4CGN		... NUT	002005 008030	2
120	412A1480-1A		... BRACKET- USED ON: 412A1480-3A	002005 008030	1
122	412A1480-2A		... BRACKET- USED ON: 412A1480-4A	002005 008030	1
124	412A1810-1A		.. BUMPER-	002005 008030	2

MISSING ITEM NUMBERS NOT APPLICABLE

- ITEM NOT ILLUSTRATED

HAP

25-24-31-41

BOEING PROPRIETARY - Copyright © - Unpublished Work - See title page for details.

25-24-31
FIG. 41
PAGE 5
OCT 15/08

BOEING
737-600/700/800/900
PARTS CATALOG (MAINTENANCE)

FIG ITEM	PART NUMBER	1 2 3 4 5 6 7	NOMENCLATURE	EFFECT FROM TO	UNITS PER ASSY
41					
124	412A1810-2B	..	BUMPER- QUALIFIED I/W DATA: PN 412A1810-3B CAN REPLACE BUT NOT BE REPLACED BY PN 412A1810-2B FOR 737-600/700/800/900 ONLY.	002005 008030	2
126	412A1450-4A	..	TRIM-EDGE	002005 008030	1
127	412A1450-6A	..	TRIM-EDGE	002005 008030	1
128	412A1450-5A	..	TRIM-EDGE	002005 008030	1
129	412A1450-3A	..	TRIM-EDGE	002005 008030	1
130	412A1511-2A	..	PANEL ASSY	002005 008030	1
- 131	SL618-3A	...	INSERT- SUPPLIER CODE: V97393	002005 008030	14
132	412A1310-701	.TAPE-	VELCRO LOOP	009030	AR
133	412A1310-700	.TAPE-	VELCRO POST SERVICE BULLETIN: 25-1373	002005 008030	1
135	BACB30VF3K3	.BOLT		002005 008030	2
140	BACS12FA3K7	.SCREW		002005 008030	2
145	BACS12ER3K9	.SCREW		002005 008030	2
150	BACS12ER3K5	.SCREW		002005 008030	9
155	BACS12ER3K14	.SCREW		002005 008030	10
160	H3-1233A3	.WASHER-	SUPPLIER CODE: V34941 SPECIFICATION NUMBER: S411A001-1	002005 008030	12
165	412A1465-13SP	.CLOSEOUT ASSY-	POSITION DATA: LH	002005 008008	1
165	412A1465-13A	.CLOSEOUT ASSY-	POSITION DATA: LH	009030	1
170	412A1465-14SP	.CLOSEOUT ASSY-	POSITION DATA: RH	002005 008008	1

MISSING ITEM NUMBERS NOT APPLICABLE

- ITEM NOT ILLUSTRATED

HAP

25-24-31-41

BOEING PROPRIETARY - Copyright © - Unpublished Work - See title page for details.

25-24-31
FIG. 41
PAGE 6
OCT 15/08

BOEING
737-600/700/800/900
PARTS CATALOG (MAINTENANCE)

FIG ITEM	PART NUMBER	1 2 3 4 5 6 7	NOMENCLATURE	EFFECT FROM TO	UNITS PER ASSY
41					
170	412A1465-14A	.	CLOSEOUT ASSY- POSITION DATA: RH	009030	1
175	BACN10VR4CGN	..	NUT- OPTIONAL PART: BACN10VR4CG	002005 008030	3
175	BACN10VR4CG	..	NUT- OPTIONAL PART: BACN10VR4CGN	002005 008030	3
180	412A1465-15SP	..	CLOSEOUT- POSITION DATA: LH SIDE	002005 008030	1
185	412A1465-16SP	..	CLOSEOUT- POSITION DATA: RH SIDE	002005 008030	1
190	412A1243-2	.	EXTRUSION ASSY- OPTIONAL PART: 412A1243-102 PRE SERVICE BULLETIN: 25-1373	002005 008008	1
190	412A1243-102	.	EXTRUSION ASSY- OPTIONAL PART: 412A1243-2	002005 008030	1
195	FS1651-3	..	NUTPLATE SUPPLIER CODE: V15653 SPECIFICATION NUMBER: BACN10KH3CD OPTIONAL PART: 102F9209M3 V72962 NS202496-02 V80539 ATTACHING PARTS	002005 008030	10
- 200	BACR15BA3ADC	..	RIVET- SIZE DETERMINED ON INSTL. -----*-----	002005 008030	20
210	412A1650-3SP	.	COVER ASSY- POST SERVICE BULLETIN: 25-1373	002005 008008	1
210	412A1650-3A	.	COVER ASSY	009030	1
215	412A1600-2A	.	COVER ASSY	002005 008030	1
225	412A1460-1	..	CLIP	009030	4
275	412A1610-4A	..	PANEL ASSY- OPTIONAL PART: 412A1610-104B	002005 008030	1

MISSING ITEM NUMBERS NOT APPLICABLE

- ITEM NOT ILLUSTRATED

HAP

25-24-31-41

25-24-31
FIG. 41
PAGE 7
OCT 15/08

BOEING
737-600/700/800/900
PARTS CATALOG (MAINTENANCE)

FIG ITEM	PART NUMBER	1 2 3 4 5 6 7	NOMENCLATURE	EFFECT FROM TO	UNITS PER ASSY
41					
275	412A1610-104B	..	PANEL ASSY- OPTIONAL PART: 412A1610-4A	002005 008030	1
280	BACS12FA3K15	.S	SCREW	002005 008030	4
285	BACS12FA3K6	.S	SCREW	002005 008030	4
290	412A1100-53B	.H	HINGE ASSY-COLLECTOR POST SERVICE BULLETIN: 25-1373	002005 008030	1
295	412A1100-52B	.H	HINGE ASSY-COLLECTOR POST SERVICE BULLETIN: 25-1373	002005 008030	2
300	412A1100-51B	.H	HINGE ASSY-COLLECTOR POST SERVICE BULLETIN: 25-1373	002005 008030	1
305	412A1230-21	..	PIN	002005 008030	1
310	BACB30VF3K7	..	BOLT	002005 008030	1
315	NAS1149D0316J	..	WASHER	002005 008030	1
320	MS16633-4018	..	RING	002005 008030	1
325	SP20522	..	ACTUATOR ASSY- SUPPLIER CODE: V24403 SPECIFICATION NUMBER: S412A002-2	002005 008030	1
330	412A1455-3A	..	HINGE ASSY- USED ON: 412A1100-53B	002005 008030	1
335	412A1455-2A	..	HINGE ASSY- USED ON: 412A1100-52B	002005 008030	1
340	412A1455-1A	..	HINGE ASSY- USED ON: 412A1100-51B	002005 008030	1
345	412A1230-21	...	PIN	002005 008030	1
350	MS51023-54	...	SCREW	002005 008030	1
355	NAS1149D0316J	...	WASHER	002005 008030	1
360	MS16633-4018	...	RING	002005 008030	1
365	412A1220-1	...	CLIP	002005 008030	1

MISSING ITEM NUMBERS NOT APPLICABLE

— ITEM NOT ILLUSTRATED

HAP

25-24-31-41

BOEING PROPRIETARY - Copyright © - Unpublished Work - See title page for details.

25-24-31
FIG. 41
PAGE 8
OCT 15/08

BOEING
737-600/700/800/900
PARTS CATALOG (MAINTENANCE)

FIG ITEM	PART NUMBER	1 2 3 4 5 6 7	NOMENCLATURE	EFFECT FROM TO	UNITS PER ASSY
41					
370	412A1454-12A	...	HOUSING ASSY- USED ON: 412A1455-3A	002005 008030	1
375	412A1454-3A	...	HOUSING ASSY- USED ON: 412A1455-1A 412A1455-2A	002005 008030	1
380	BACB28Y3F020	BUSHING	002005 008030	2
385	6041L3BR375	INSERT- SUPPLIER CODE: V01556	002005 008030	1
390	412A1454-11A	HOUSING- USED ON: 412A1454-12A	002005 008030	1
395	412A1454-1A	HOUSING- USED ON: 412A1454-3A	002005 008030	1
400	412A1454-9A	...	BRACKET ASSY- USED ON: 412A1455-1A 412A1455-3A	002005 008030	1
405	412A1454-10A	...	BRACKET ASSY- USED ON: 412A1455-2A	002005 008030	1
410	BACB28Y3F025	BUSHING	002005 008030	2
415	6041-3BR225	INSERT- SUPPLIER CODE: V01556	002005 008030	1
420	6041L3BR375	INSERT- SUPPLIER CODE: V01556	002005 008030	1
425	412A1454-7A	BRACKET- USED ON: 412A1454-9A	002005 008030	1
430	412A1454-8A	BRACKET- USED ON: 412A1454-10A	002005 008030	1
450	412A1200-106A	.BOX	ASSY-60 IN. BIN OPTIONAL PART: 412A1200-1106B FOR DETAILS SEE: 25-24-32-61	002005 008030	1

MISSING ITEM NUMBERS NOT APPLICABLE

— ITEM NOT ILLUSTRATED

HAP

25-24-31-41

BOEING PROPRIETARY - Copyright © - Unpublished Work - See title page for details.

25-24-31
FIG. 41
PAGE 9
OCT 15/08

BOEING
737-600/700/800/900
PARTS CATALOG (MAINTENANCE)

FIG ITEM	PART NUMBER	1 2 3 4 5 6 7	NOMENCLATURE	EFFECT FROM TO	UNITS PER ASSY
41 450	412A1200-1106B		.BOX ASSY-60 IN. BIN OPTIONAL PART: 412A1200-106A POST SERVICE BULLETIN: 25-1373 FOR DETAILS SEE: 25-24-32-61	002005 008008	1
- 455	OBA8		.PLUG- SUPPLIER CODE: VOBV87 OPTIONAL PART: 412A1811-1B 412A1811-2B	002005 008030	AR
- 455	412A1811-1B		.PLUG- OPTIONAL PART: OBA8 VOBV87 412A1811-2B POST SERVICE BULLETIN: 25-1373	002005 008030	AR
- 455	412A1811-2B		.PLUG- OPTIONAL PART: OBA8 VOBV87 412A1811-1B 412A1100-96 POST SERVICE BULLETIN: 25-1373	002005 008030	AR
- 460	412A1100-96		.KIT ASSY-SCR AND WASHER OPTIONAL PART: 412A1811-2B POST SERVICE BULLETIN: 25-1373	002005 008030	1
- 465	NAS514P1032-5		..SCREW	002005 008030	1
- 470	H3-1233A3		..WASHER- SUPPLIER CODE: V34941 SPECIFICATION NUMBER: S411A001-1	002005 008030	1

MISSING ITEM NUMBERS NOT APPLICABLE

- ITEM NOT ILLUSTRATED

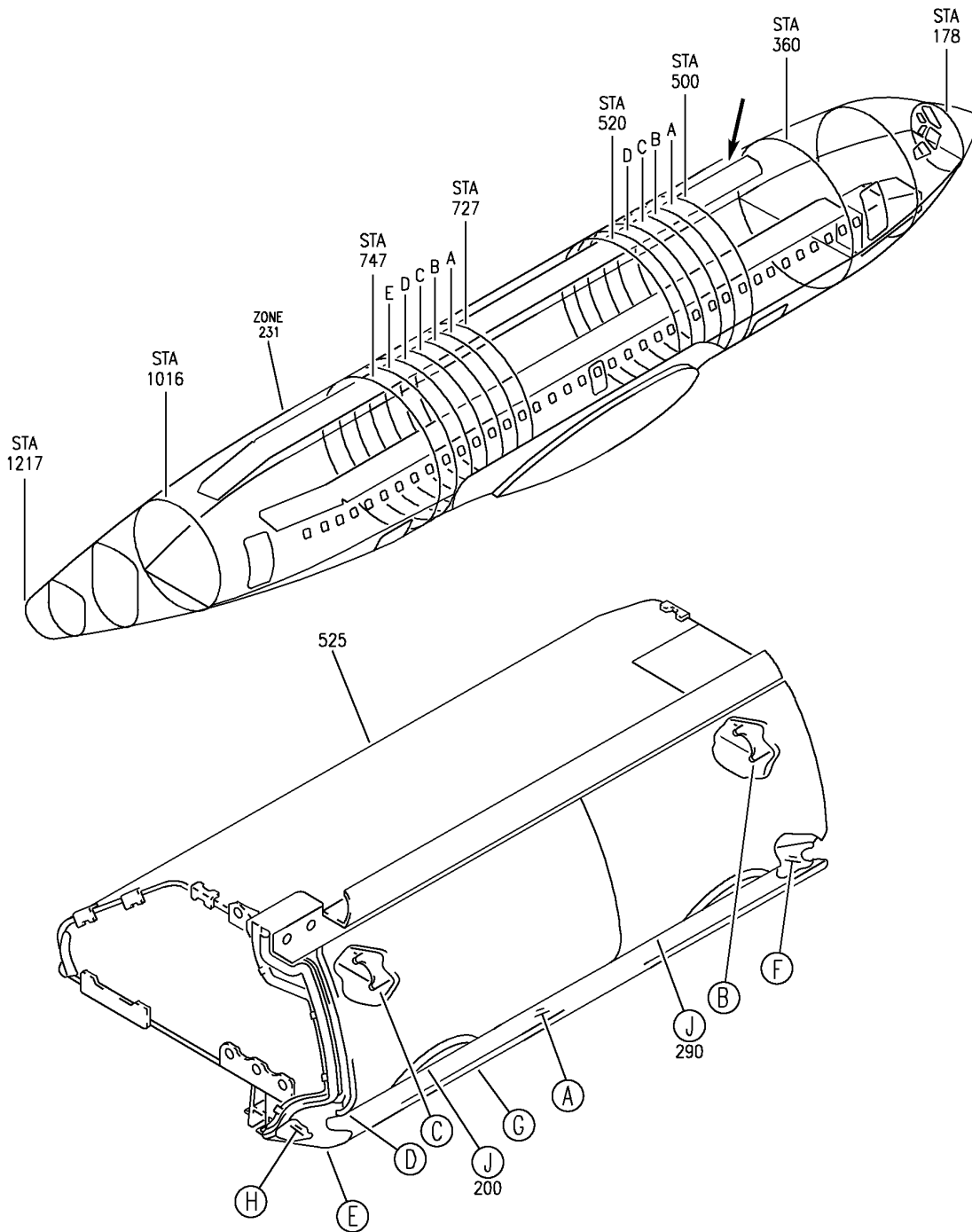
HAP

25-24-31-41

BOEING PROPRIETARY - Copyright © - Unpublished Work - See title page for details.

25-24-31
FIG. 41
PAGE 10
OCT 15/08

BOEING
 737-600/700/800/900
 PARTS CATALOG (MAINTENANCE)



E 2524-31-41B SHT 1 REV 107

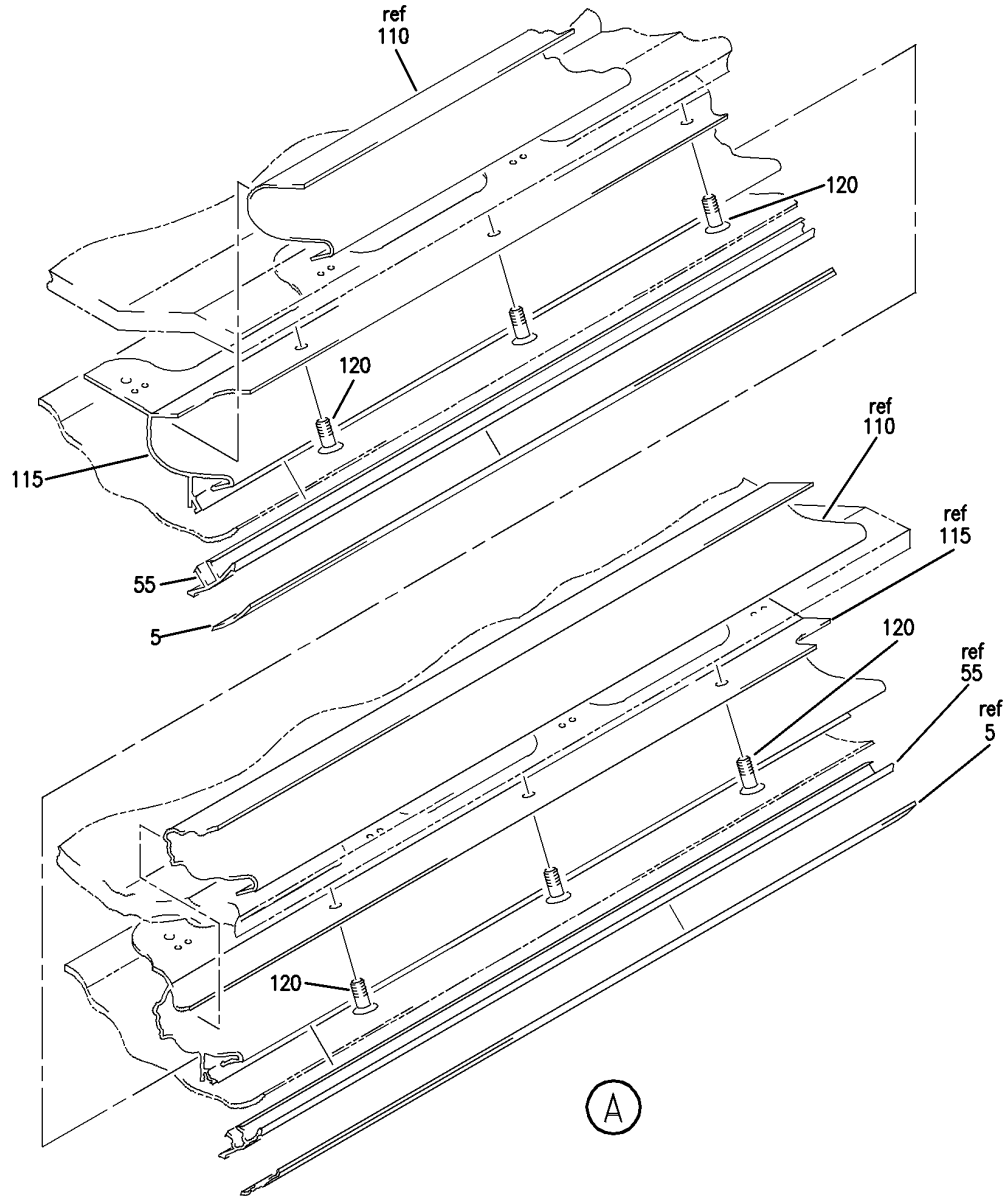
COMPARTMENT ASSY-FWD LH 44 IN. OVHD STOWAGE HANDLING CONFIGURATION (EQUIPMENT/ FURNISHINGS ONLY)
 FIGURE 41B (SHEET 1)

25-24-31-41B

HAP
 OCT 10/06

25-24-31-41B
 PAGE 0

BOEING
 737-600/700/800/900
 PARTS CATALOG (MAINTENANCE)



E 25243141B SHT 2 REV 062

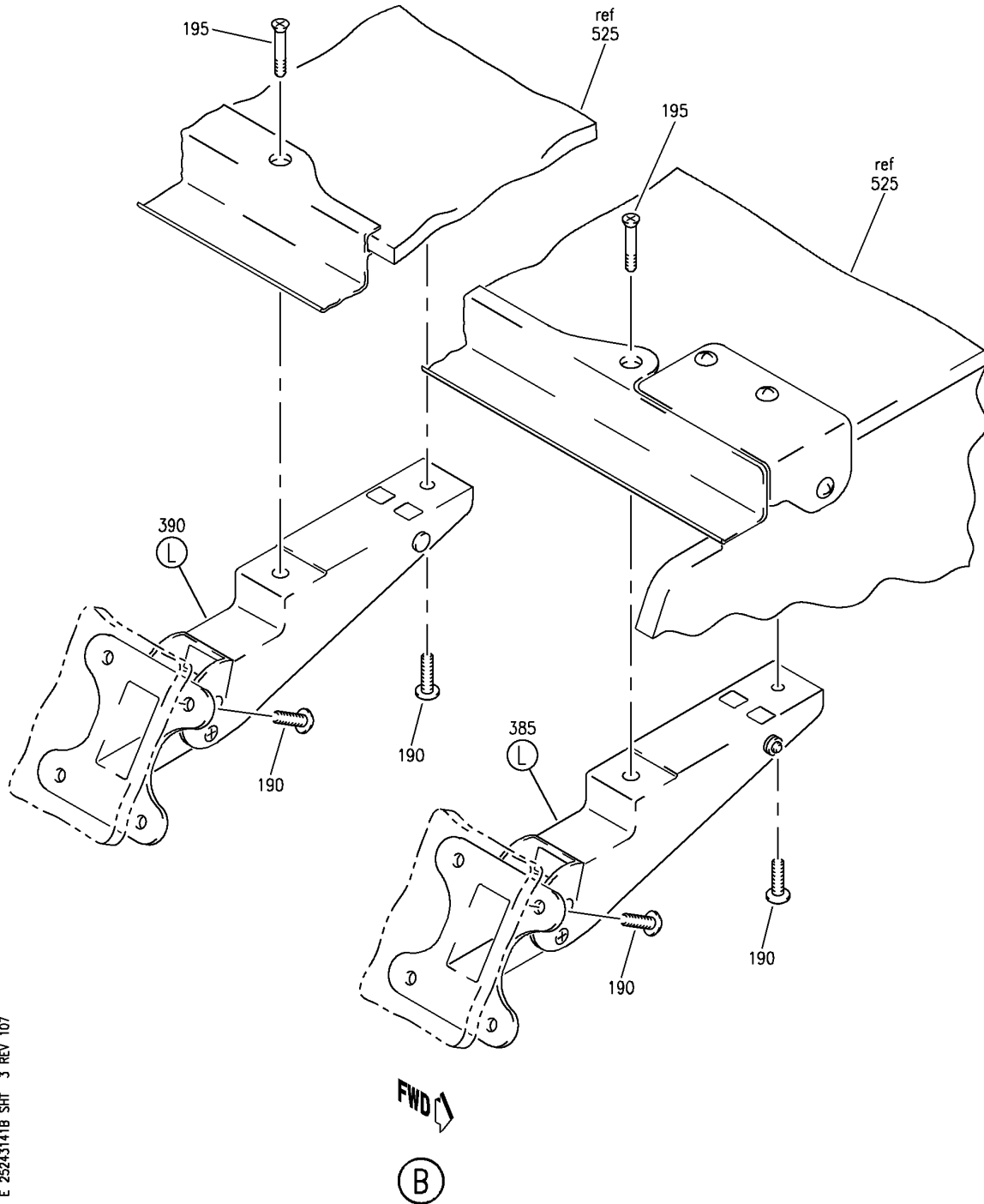
COMPARTMENT ASSY-FWD LH 44 IN. OVHD STOWAGE HANDRL CONFIGURATION (EQUIPMENT/ FURNISHINGS ONLY)
 FIGURE 41B (SHEET 2)

HAP
 OCT 10/06

25-24-31-41B

25-24-31-41B
 PAGE 0A

BOEING
 737-600/700/800/900
 PARTS CATALOG (MAINTENANCE)



E 2524-31-41B SHT 3 REV 107

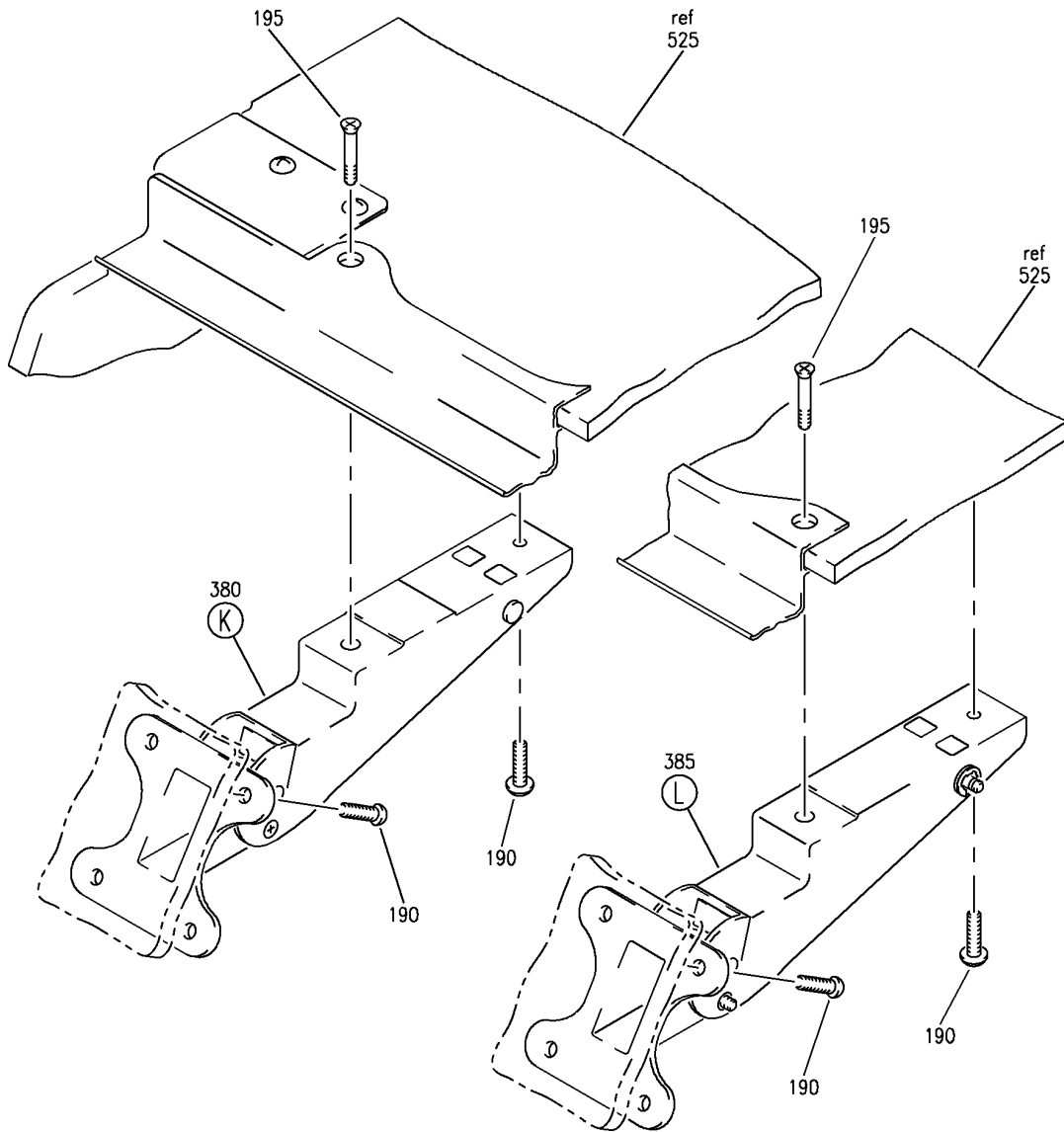
COMPARTMENT ASSY-FWD LH 44 IN. OVHD STOWAGE HNDRL CONFIGURATION (EQUIPMENT/ FURNISHINGS ONLY)
 FIGURE 41B (SHEET 3)

25-24-31-41B

HAP
 OCT 10/06

25-24-31-41B
 PAGE 0B

BOEING
737-600/700/800/900
PARTS CATALOG (MAINTENANCE)



FWD →

(C)

E 2524-31-41B SHT 4 REV 107

COMPARTMENT ASSY-FWD LH 44 IN. OVHD STOWAGE HANDLING CONFIGURATION (EQUIPMENT/ FURNISHINGS ONLY)
FIGURE 41B (SHEET 4)

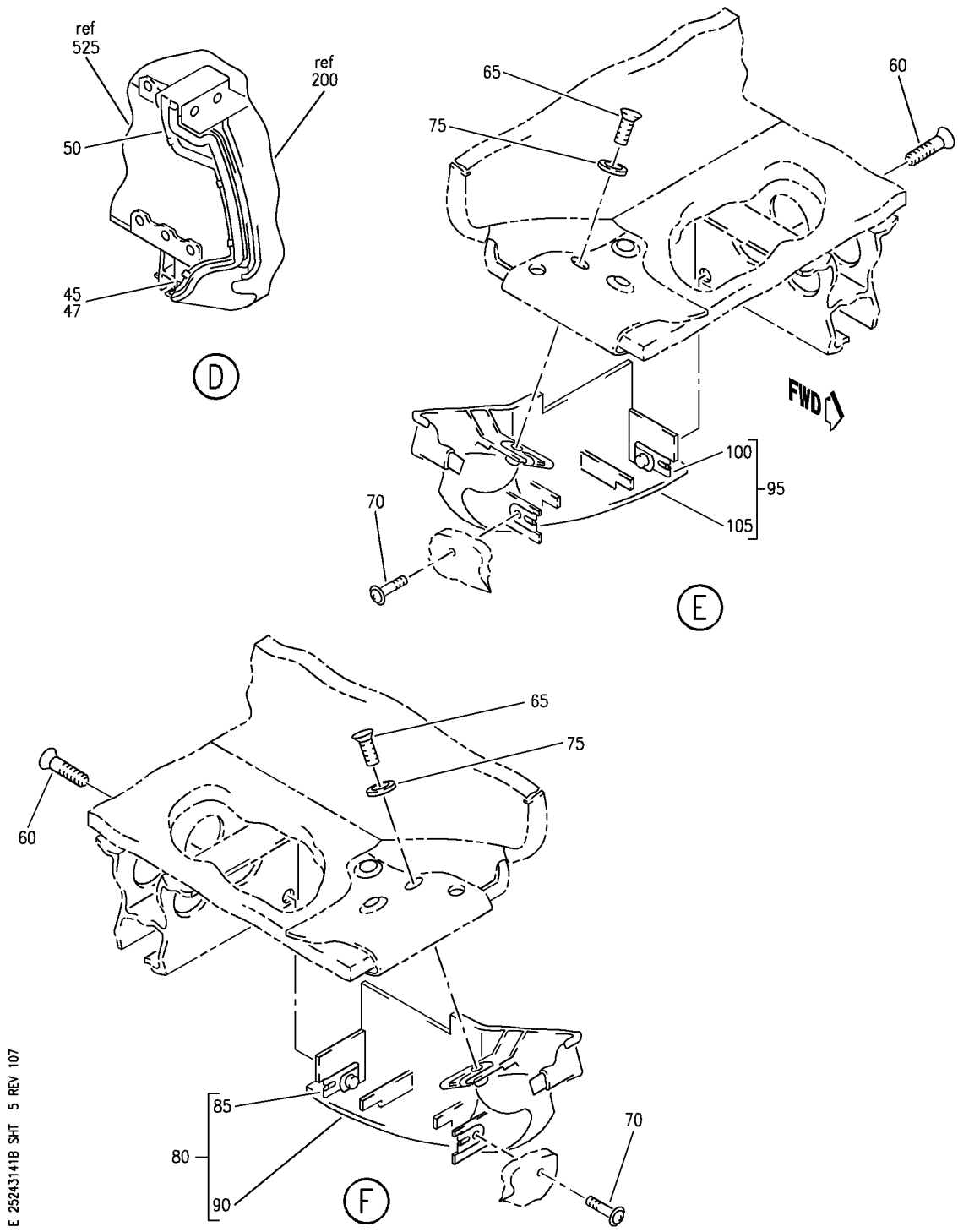
HAP
OCT 10/06

25-24-31-41B

25-24-31-41B
PAGE 0C

BOEING PROPRIETARY - Copyright © - Unpublished Work - See title page for details.

BOEING
 737-600/700/800/900
 PARTS CATALOG (MAINTENANCE)



E 25243141B SHT 5 REV 107

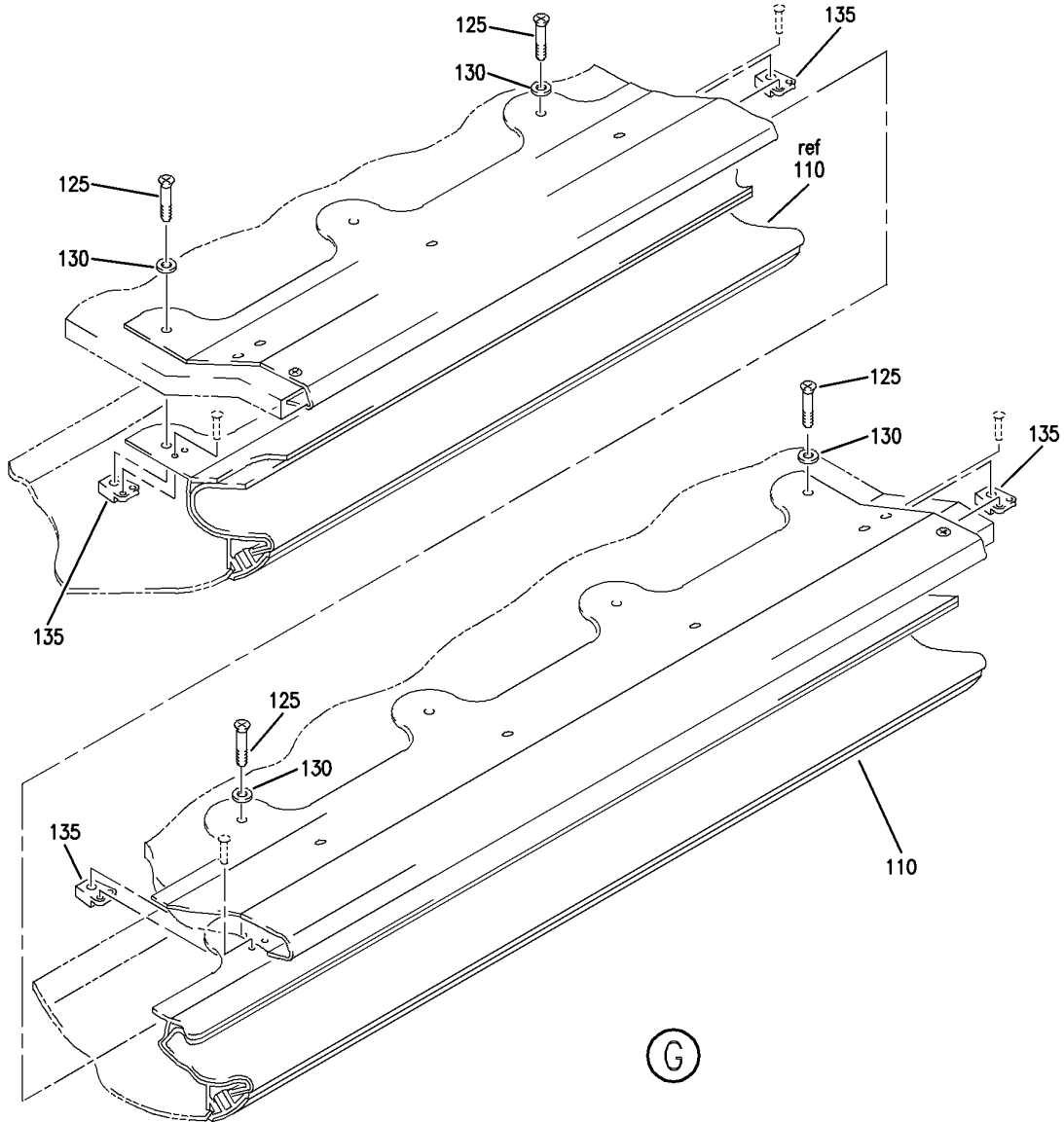
COMPARTMENT ASSY-FWD LH 44 IN. OVHD STOWAGE HANDLING CONFIGURATION (EQUIPMENT/ FURNISHINGS ONLY)
 FIGURE 41B (SHEET 5)

HAP
 OCT 10/06

25-24-31-41B

25-24-31-41B
 PAGE 0D

BOEING
737-600/700/800/900
PARTS CATALOG (MAINTENANCE)



E 25243141B SHT 6 REV 062

COMPARTMENT ASSY-FWD LH 44 IN. OVHD STOWAGE HANDLING CONFIGURATION (EQUIPMENT/ FURNISHINGS ONLY)
FIGURE 41B (SHEET 6)

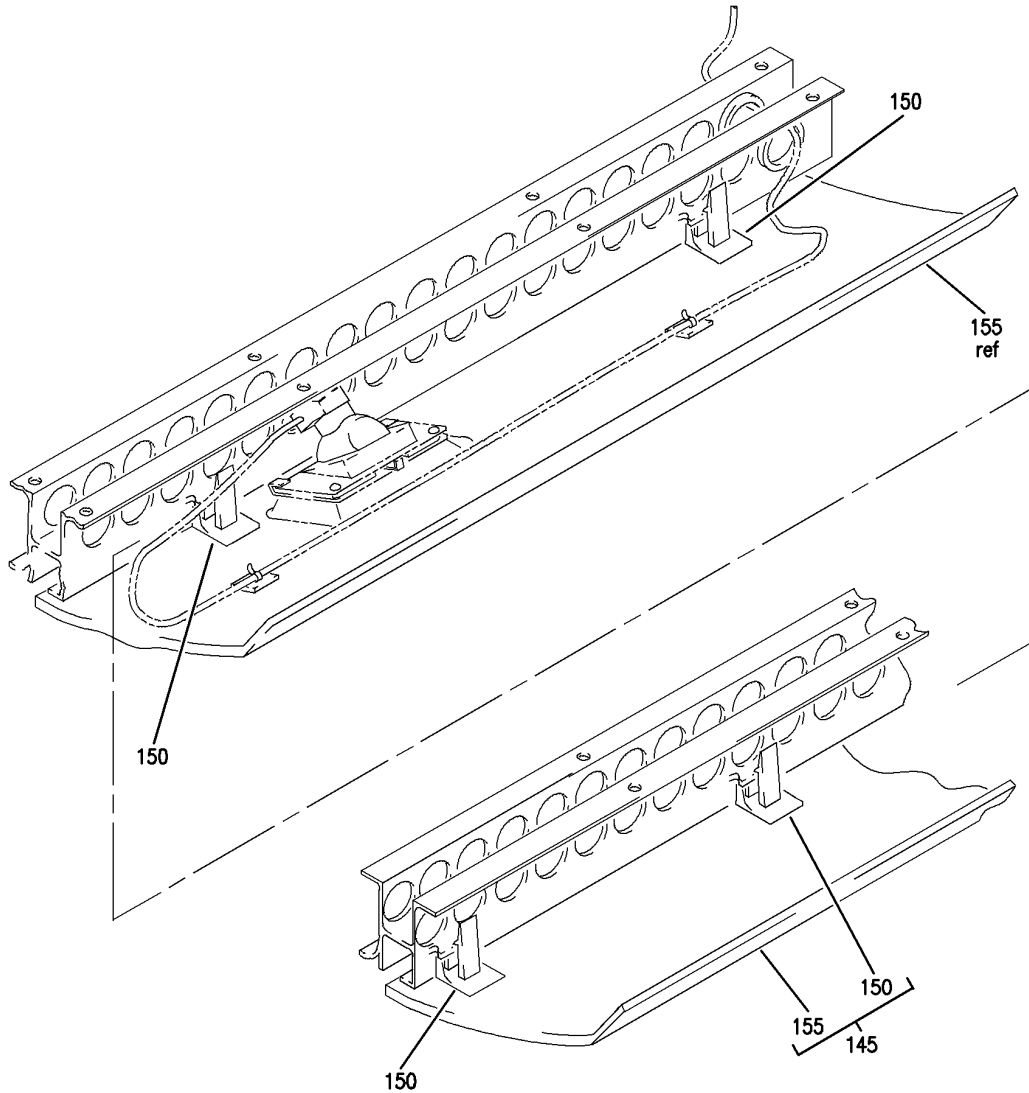
HAP
OCT 10/06

25-24-31-41B

25-24-31-41B
PAGE 0E

BOEING PROPRIETARY - Copyright © - Unpublished Work - See title page for details.

BOEING
 737-600/700/800/900
 PARTS CATALOG (MAINTENANCE)



E 25243141B SHT 7 REV 062

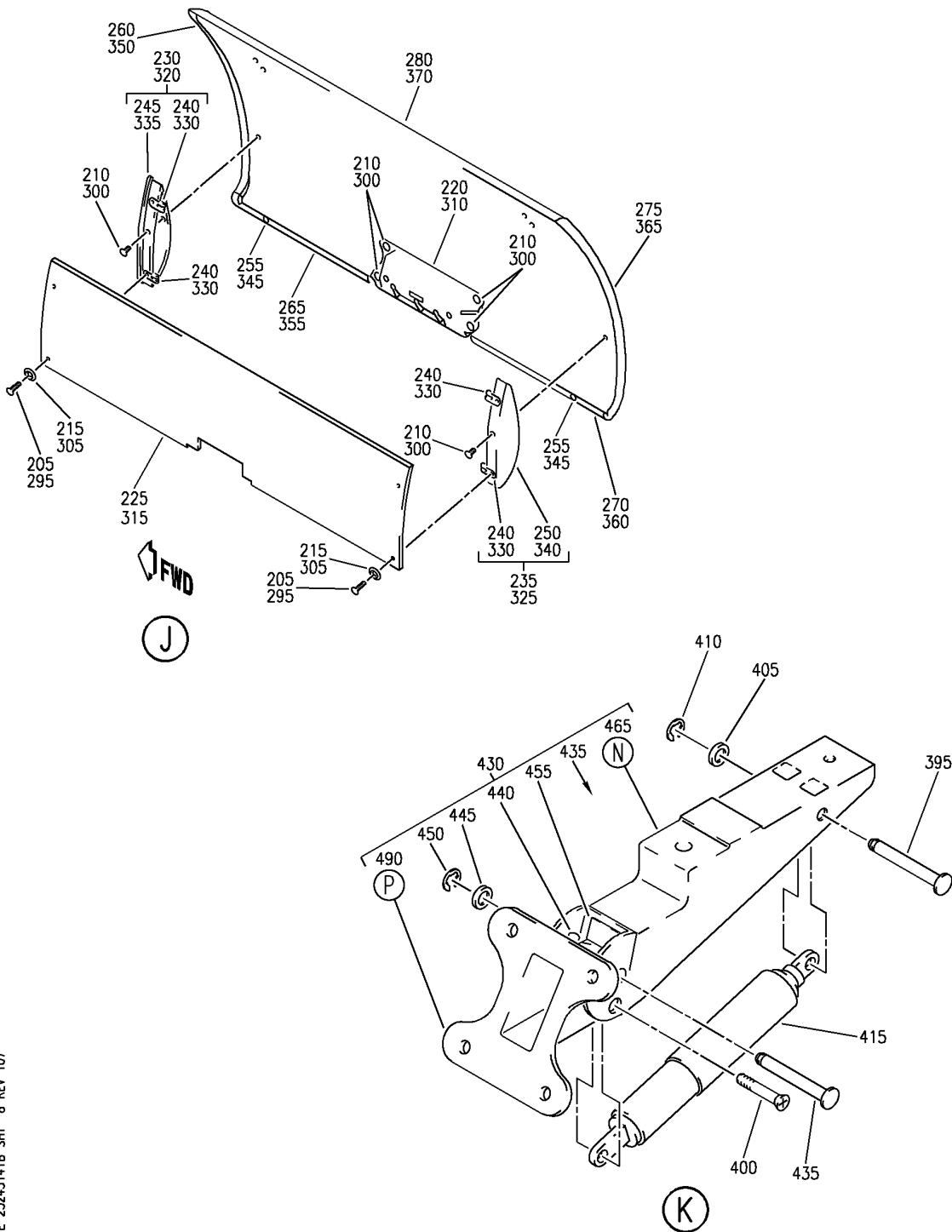
COMPARTMENT ASSY-FWD LH 44 IN. OVHD STOWAGE HANDLING CONFIGURATION (EQUIPMENT/ FURNISHINGS ONLY)
 FIGURE 41B (SHEET 7)

HAP
 OCT 10/06

25-24-31-41B

25-24-31-41B
 PAGE OF


BOEING
 737-600/700/800/900
PARTS CATALOG (MAINTENANCE)



E 2524-31-41B SHT 8 REV 107

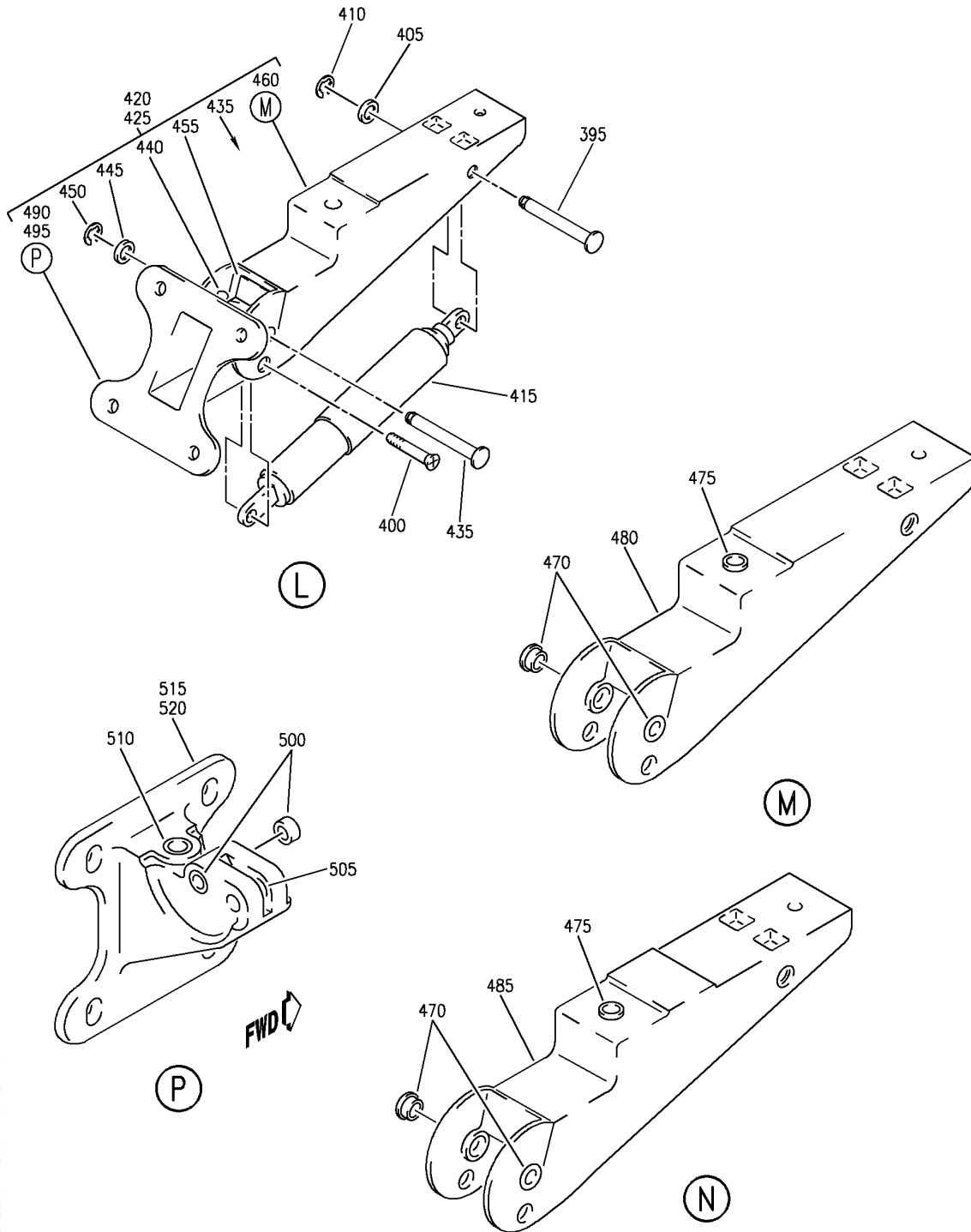
COMPARTMENT ASSY-FWD LH 44 IN. OVHD STOWAGE HNDRL CONFIGURATION (EQUIPMENT/ FURNISHINGS ONLY)
 FIGURE 41B (SHEET 8)

HAP
OCT 10/06

25-24-31-41B

25-24-31-41B
 PAGE 0G

BOEING
737-600/700/800/900
PARTS CATALOG (MAINTENANCE)



E 2524-31-41B SHT 9 REV 107

COMPARTMENT ASSY-FWD LH 44 IN. OVHD STOWAGE HANDRL CONFIGURATION (EQUIPMENT/ FURNISHINGS ONLY)
 FIGURE 41B (SHEET 9)

HAP
 OCT 10/06

25-24-31-41B

25-24-31-41B
 PAGE 0H

BOEING
737-600/700/800/900
PARTS CATALOG (MAINTENANCE)

FIG ITEM	PART NUMBER	1 2 3 4 5 6 7	NOMENCLATURE	EFFECT FROM TO	UNITS PER ASSY
41B			COMPARTMENT ASSY-FWD LH 44 IN. OVHD STOWAGE HNDRL CONFIGURATION (EQUIPMENT/ FURNISHINGS ONLY)	001014 016017 019030	
- 1	412A1150-335B		COMPARTMENT ASSY-44 IN. OVHD STOWAGE HNDRL CONFIGURATION (EQUIPMENT/ FURNISHINGS ONLY) POSITION DATA: LH POST SERVICE BULLETIN: 25-1542 FOR NHA/OTHER SYS DET SEE: 25-24-30-11E 25-24-30-17A	001014 016017 019030	RF
5	412A1420-2SP		.EXTRUSION-SEAT ROW MARKER	001014 016017 019030	1
45	412A1310-700		.TAPE-VELCRO HOOK	001014 016017 019030	AR
47	412A1310-701		.TAPE-VELCRO LOOP	001014 016017 019030	AR
50	403A3210-21SP		.SEAL ASSY	001014 016017 019030	1
55	412A1451-2SP		.STRIP-TRIM	001014 016017 019030	1
60	BACB30VF3K3		.BOLT	001014 016017 019030	2
65	BACS12ER3K9		.SCREW	001014 016017 019030	2
70	BACS12FA3K7		.SCREW	001014 016017 019030	2
75	H3-1233A3		.WASHER- SUPPLIER CODE: V34941 SPECIFICATION NUMBER: S411A001-1	001014 016017 019030	2
80	412A1465-14SP		.CLOSEOUT ASSY	001014 016017 019030	1

MISSING ITEM NUMBERS NOT APPLICABLE

- ITEM NOT ILLUSTRATED

HAP

25-24-31-41B

BOEING PROPRIETARY - Copyright © - Unpublished Work - See title page for details.

25-24-31
FIG. 41B
PAGE 1
JUN 15/08

BOEING
737-600/700/800/900
PARTS CATALOG (MAINTENANCE)

FIG ITEM	PART NUMBER	1 2 3 4 5 6 7	NOMENCLATURE	EFFECT FROM TO	UNITS PER ASSY
41B					
85	BACN10VR4CGN	..	NUT- OPTIONAL PART: BACN10VR4CG	001014 016017 019030	3
85	BACN10VR4CG	..	NUT- OPTIONAL PART: BACN10VR4CGN	001014 016017 019030	3
90	412A1465-16SP	..	CLOSEOUT	001014 016017 019030	1
95	412A1465-9SP	.	CLOSEOUT ASSY	001014 016017 019030	1
100	BACN10VR4CGN	..	NUT- OPTIONAL PART: BACN10VR4CG	001014 016017 019030	3
100	BACN10VR4CG	..	NUT- OPTIONAL PART: BACN10VR4CGN	001014 016017 019030	3
105	412A1465-11SP	..	CLOSEOUT	001014 016017 019030	1
110	412A1650-3A	.	COVER ASSY	001014 016017 019030	1
115	412A1243-118	.	EXTRUSION ASSY	001014 016017 019030	1
			ATTACHING PARTS		
120	BACS12ER3K5	.	SCREW	001014 016017 019030	6
125	BACS12ER3K14	.	SCREW	001014 016017 019030	7
130	H3-1233A3	.	WASHER- SUPPLIER CODE: V34941 SPECIFICATION NUMBER: S411A001-1 -----*-----	001014 016017 019030	7

MISSING ITEM NUMBERS NOT APPLICABLE

— ITEM NOT ILLUSTRATED

HAP

25-24-31-41B

BOEING PROPRIETARY - Copyright © - Unpublished Work - See title page for details.

25-24-31
FIG. 41B
PAGE 2
JUN 15/08

BOEING
737-600/700/800/900
PARTS CATALOG (MAINTENANCE)

FIG ITEM	PART NUMBER	1 2 3 4 5 6 7	NOMENCLATURE	EFFECT FROM TO	UNITS PER ASSY
41B 135	FS1651-3		..NUTPLATE SUPPLIER CODE: V15653 SPECIFICATION NUMBER: BACN10KH3CD OPTIONAL PART: 102F9209M3 V72962 NS202496-02 V80539 ATTACHING PARTS	001014 016017 019030	7
- 140	BACR15BA3ADC		..RIVET- SIZE DETERMINED ON INSTL. -----*-----	001014 016017 019030	14
145	412A1600-62A		.COVER ASSY	001014 016017 019030	1
150	412A1460-1		..CLIP	001014 016017 019030	4
155	412A1610-62A		..COVER ASSY- OPTIONAL PART: 412A1610-162B	001014 016017 019030	1
155	412A1610-162B		..COVER ASSY- OPTIONAL PART: 412A1610-62A	001014 016017 019030	1
- 165	412A1811-1B		.PLUG- OPTIONAL PART: 412A1100-96 412A1811-2B OBA8 VOBV87	001014 016017 019030	AR
- 165	412A1811-2B		.PLUG- OPTIONAL PART: 412A1100-96 412A1811-1B OBA8 VOBV87	001014 016017 019030	AR
- 170	OBA8		.PLUG- SUPPLIER CODE: VOBV87 OPTIONAL PART: 412A1811-1B 412A1811-2B 412A1100-96	001014 016017 019030	AR

MISSING ITEM NUMBERS NOT APPLICABLE

- ITEM NOT ILLUSTRATED

HAP

25-24-31-41B

BOEING PROPRIETARY - Copyright © - Unpublished Work - See title page for details.

25-24-31
FIG. 41B
PAGE 3
JUN 15/08

BOEING
737-600/700/800/900
PARTS CATALOG (MAINTENANCE)

FIG ITEM	PART NUMBER	1 2 3 4 5 6 7	NOMENCLATURE	EFFECT FROM TO	UNITS PER ASSY
41B - 175	412A1100-96		.KIT ASSY- OPTIONAL PART: 412A1811-1B 412A1811-2B OBA8 VOBV87	001014 016017 019030	AR
190	BACS12FA3K6		.SCREW	001014 016017 019030	20
195	BACB30VF3K8		.BOLT	001014 016017 019030	4
200	412A1500-111SP		.DOOR ASSY-23.70 IN. POST SERVICE BULLETIN: 25-1542	001014 016017 019030	1
205	BACS12ER3K9		..SCREW	001014 016017 019030	4
210	BACS12FA3K4		..SCREW	001014 016017 019030	6
215	H3-1233A3		..WASHER- SUPPLIER CODE: V34941 SPECIFICATION NUMBER: S411A001-1	001014 016017 019030	4
220	HA225-7		..LATCH ASSY- SUPPLIER CODE: V83014 SPECIFICATION NUMBER: S412A001-11B	001014 016017 019030	1
220	HA225-1		..LATCH ASSY- SUPPLIER CODE: V83014 SPECIFICATION NUMBER: S412A001-1A	001014 016017 019030	1
225	412A1615-106SP		..PANEL ASSY-FILLER OPTIONAL PART: 412A1615-1106SP	001014 016017 019030	1
225	412A1615-1106SP		..PANEL ASSY-FILLER OPTIONAL PART: 412A1615-106SP	001014 016017 019030	1
230	412A1480-3SP		..BRACKET ASSY	001014 016017 019030	1
235	412A1480-4SP		..BRACKET ASSY	001014 016017 019030	1

MISSING ITEM NUMBERS NOT APPLICABLE

- ITEM NOT ILLUSTRATED

HAP

25-24-31-41B

BOEING PROPRIETARY - Copyright © - Unpublished Work - See title page for details.

25-24-31
FIG. 41B
PAGE 4
JUN 15/08

BOEING
737-600/700/800/900
PARTS CATALOG (MAINTENANCE)

FIG ITEM	PART NUMBER	1 2 3 4 5 6 7	NOMENCLATURE	EFFECT FROM TO	UNITS PER ASSY
41B 240	BACN10VR4CGN	...	NUT	001014 016017 019030	2
245	412A1480-1SP	...	BRACKET- USED ON: 412A1480-3SP	001014 016017 019030	1
250	412A1480-2SP	...	BRACKET- USED ON: 412A1480-4SP	001014 016017 019030	1
255	412A1810-1SP	..	BUMPER	001014 016017 019030	2
260	412A1450-8SP	..	TRIM-EDGE	001014 016017 019030	1
265	412A1450-10SP	..	TRIM-EDGE	001014 016017 019030	1
270	412A1450-5SP	..	TRIM-EDGE	001014 016017 019030	1
275	412A1450-3SP	..	TRIM-EDGE	001014 016017 019030	1
280	412A1510-13SP	..	PANEL ASSY	001014 016017 019030	1
- 285	SL618-3A	...	INSERT- SUPPLIER CODE: V97393	001014 016017 019030	14
290	412A1500-102SP	.D	DOOR ASSY-20 IN. POST SERVICE BULLETIN: 25-1542	001014 016017 019030	1
295	BACS12ER3K9	..	SCREW	001014 016017 019030	4
300	BACS12FA3K4	..	SCREW	001014 016017 019030	6
305	H3-1233A3	..	WASHER- SUPPLIER CODE: V34941 SPECIFICATION NUMBER: S411A001-1	001014 016017 019030	4
310	HA225-7	..	LATCH ASSY- SUPPLIER CODE: V83014 SPECIFICATION NUMBER: S412A001-11B	001014 016017 019030	1

MISSING ITEM NUMBERS NOT APPLICABLE

- ITEM NOT ILLUSTRATED

HAP

25-24-31-41B

BOEING PROPRIETARY - Copyright © - Unpublished Work - See title page for details.

25-24-31
FIG. 41B
PAGE 5
JUN 15/08

BOEING
737-600/700/800/900
PARTS CATALOG (MAINTENANCE)

FIG ITEM	PART NUMBER	1 2 3 4 5 6 7	NOMENCLATURE	EFFECT FROM TO	UNITS PER ASSY
41B 310	HA225-1		..LATCH ASSY- SUPPLIER CODE: V83014 SPECIFICATION NUMBER: S412A001-1A	001014 016017 019030	1
315	412A1615-101SP		..PANEL ASSY-FILLER OPTIONAL PART: 412A1615-1101SP	001014 016017 019030	1
315	412A1615-1101SP		..PANEL ASSY-FILLER OPTIONAL PART: 412A1615-101SP	001014 016017 019030	1
320	412A1480-3SP		..BRACKET ASSY	001014 016017 019030	1
325	412A1480-4SP		..BRACKET ASSY	001014 016017 019030	1
330	BACN10VR4CGN		...NUT	001014 016017 019030	2
335	412A1480-1SP		...BRACKET- USED ON: 412A1480-3SP	001014 016017 019030	1
340	412A1480-2SP		...BRACKET- USED ON: 412A1480-4SP	001014 016017 019030	1
345	412A1810-2SP		..BUMPER- OPTIONAL PART: 412A1810-1SP	001014 016017 019030	2
345	412A1810-1SP		..BUMPER- OPTIONAL PART: 412A1810-2SP	001014 016017 019030	2
350	412A1450-4SP		..TRIM-EDGE	001014 016017 019030	1
355	412A1450-6SP		..TRIM-EDGE	001014 016017 019030	1
360	412A1450-5SP		..TRIM-EDGE	001014 016017 019030	1
365	412A1450-3SP		..TRIM-EDGE	001014 016017 019030	1
370	412A1511-2SP		..PANEL ASSY	001014 016017 019030	1

MISSING ITEM NUMBERS NOT APPLICABLE

- ITEM NOT ILLUSTRATED

HAP

25-24-31-41B

BOEING PROPRIETARY - Copyright © - Unpublished Work - See title page for details.

25-24-31
FIG. 41B
PAGE 6
JUN 15/08

BOEING
737-600/700/800/900
PARTS CATALOG (MAINTENANCE)

FIG ITEM	PART NUMBER	1 2 3 4 5 6 7	NOMENCLATURE	EFFECT FROM TO	UNITS PER ASSY
41B - 375	SL618-3A		...INSERT- SUPPLIER CODE: V97393	001014 016017 019030	14
380	412A1100-53SP		.HINGE ASSY- POST SERVICE BULLETIN: 25-1542	001014 016017 019030	1
385	412A1100-52SP		.HINGE ASSY- POST SERVICE BULLETIN: 25-1542	001014 016017 019030	2
390	412A1100-51SP		.HINGE ASSY- POST SERVICE BULLETIN: 25-1542	001014 016017 019030	1
395	412A1230-21		..PIN	001014 016017 019030	1
400	BACB30VF3K7		..BOLT	001014 016017 019030	1
405	NAS1149D0316J		..WASHER	001014 016017 019030	1
410	MS16633-4018		..RING	001014 016017 019030	1
415	SP20522		..ACTUATOR ASSY- SUPPLIER CODE: V24403 SPECIFICATION NUMBER: S412A002-2	001014 016017 019030	1
420	412A1455-1SP		..HINGE ASSY- USED ON: 412A1100-51SP	001014 016017 019030	1
425	412A1455-2SP		..HINGE ASSY- USED ON: 412A1100-52SP	001014 016017 019030	1
430	412A1455-3SP		..HINGE ASSY- USED ON: 412A1100-53SP	001014 016017 019030	1
435	412A1230-21		...PIN	001014 016017 019030	1
440	MS51023-54		...SCREW	001014 016017 019030	1
445	NAS1149D0316J		...WASHER	001014 016017 019030	1

MISSING ITEM NUMBERS NOT APPLICABLE

- ITEM NOT ILLUSTRATED

HAP

25-24-31-41B

BOEING PROPRIETARY - Copyright © - Unpublished Work - See title page for details.

25-24-31
FIG. 41B
PAGE 7
JUN 15/08

BOEING
737-600/700/800/900
PARTS CATALOG (MAINTENANCE)

FIG ITEM	PART NUMBER	1 2 3 4 5 6 7	NOMENCLATURE	EFFECT FROM TO	UNITS PER ASSY
41B 450	MS16633-4018	...	RING	001014 016017 019030	1
455	412A1220-1	...	CLIP	001014 016017 019030	1
460	412A1454-3SP	...	HOUSING ASSY- USED ON: 412A1455-1SP 412A1455-2SP	001014 016017 019030	1
465	412A1454-12SP	...	HOUSING ASSY- USED ON: 412A1455-3SP	001014 016017 019030	1
470	BACB28Y3F020	BUSHING	001014 016017 019030	2
475	6041L3BR375	INSERT- SUPPLIER CODE: V01556	001014 016017 019030	1
480	412A1454-1SP	HOUSING- USED ON: 412A1454-3SP	001014 016017 019030	1
485	412A1454-11SP	HOUSING- USED ON: 412A1454-12SP	001014 016017 019030	1
490	412A1454-9SP	...	BRACKET ASSY- USED ON: 412A1455-1SP 412A1455-3SP	001014 016017 019030	1
495	412A1454-10SP	...	BRACKET ASSY- USED ON: 412A1455-2SP	001014 016017 019030	1
500	BACB28Y3F025	BUSHING	001014 016017 019030	2
505	6041-3BR225	INSERT- SUPPLIER CODE: V01556	001014 016017 019030	1
510	6041L3BR375	INSERT- SUPPLIER CODE: V01556	001014 016017 019030	1
515	412A1454-7SP	BRACKET- USED ON: 412A1454-9SP	001014 016017 019030	1
520	412A1454-8SP	BRACKET- USED ON: 412A1454-10SP	001014 016017 019030	1

MISSING ITEM NUMBERS NOT APPLICABLE

- ITEM NOT ILLUSTRATED

HAP

25-24-31-41B

BOEING PROPRIETARY - Copyright © - Unpublished Work - See title page for details.

25-24-31
FIG. 41B
PAGE 8
JUN 15/08

BOEING
737-600/700/800/900
PARTS CATALOG (MAINTENANCE)

FIG ITEM	PART NUMBER	1 2 3 4 5 6 7	NOMENCLATURE	EFFECT FROM TO	UNITS PER ASSY
41B 525	412A1250-1135B		.BOX ASSY-44 IN. BIN OPTIONAL PART: 412A1250-135A POST SERVICE BULLETIN: 25-1542 FOR DETAILS SEE: 25-24-32-44A	001014 016017 019030	1
525	412A1250-135A		.BOX ASSY-44 IN. BIN POST SERVICE BULLETIN: 25-1542 FOR DETAILS SEE: 25-24-32-44A	001014 016017 019030	1

MISSING ITEM NUMBERS NOT APPLICABLE

— ITEM NOT ILLUSTRATED

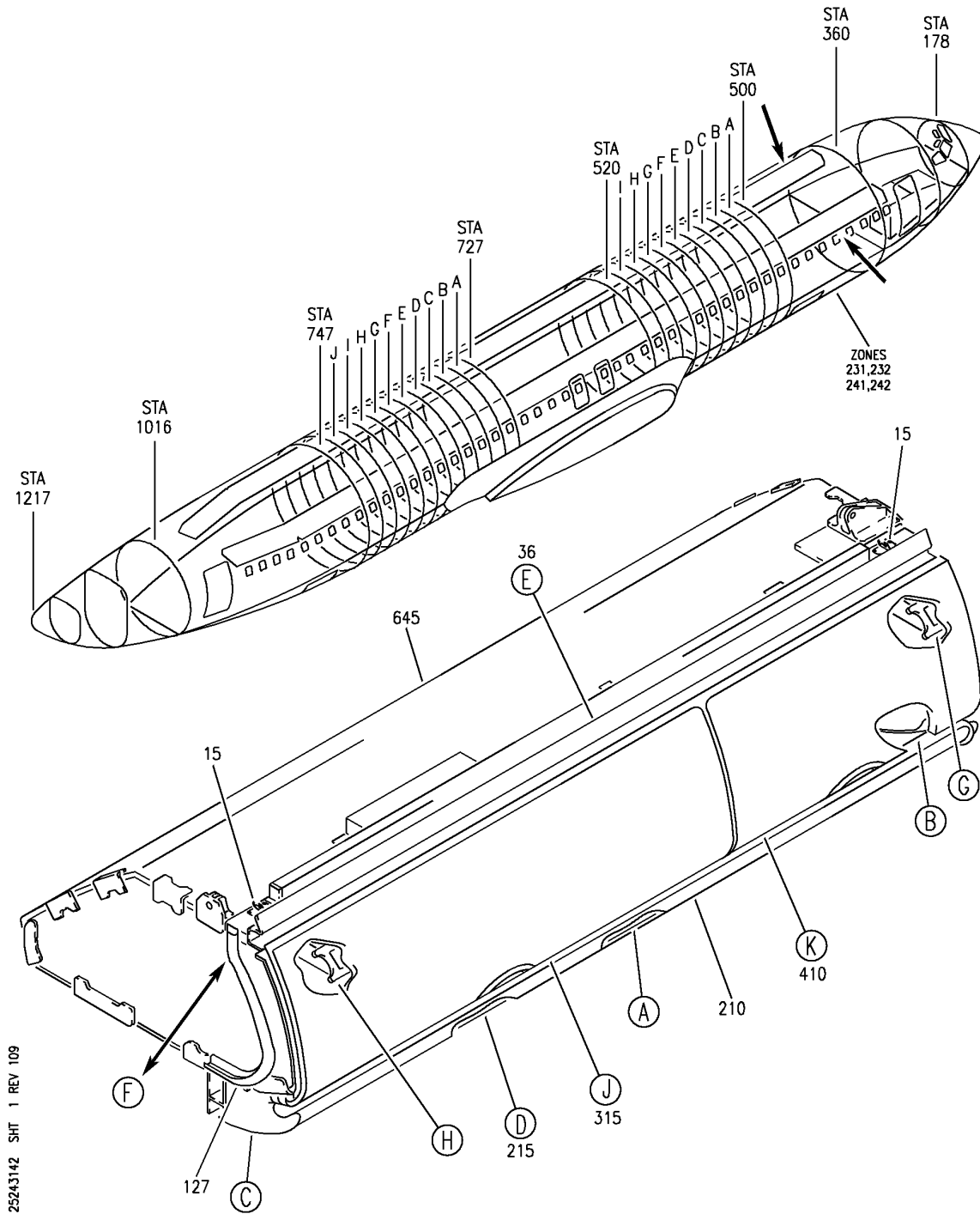
HAP

25-24-31-41B

BOEING PROPRIETARY - Copyright © - Unpublished Work - See title page for details.

25-24-31
FIG. 41B
PAGE 9
JUN 15/08

BOEING
 737-600/700/800/900
 PARTS CATALOG (MAINTENANCE)



E 2524-31-42 SHT 1 REV 109

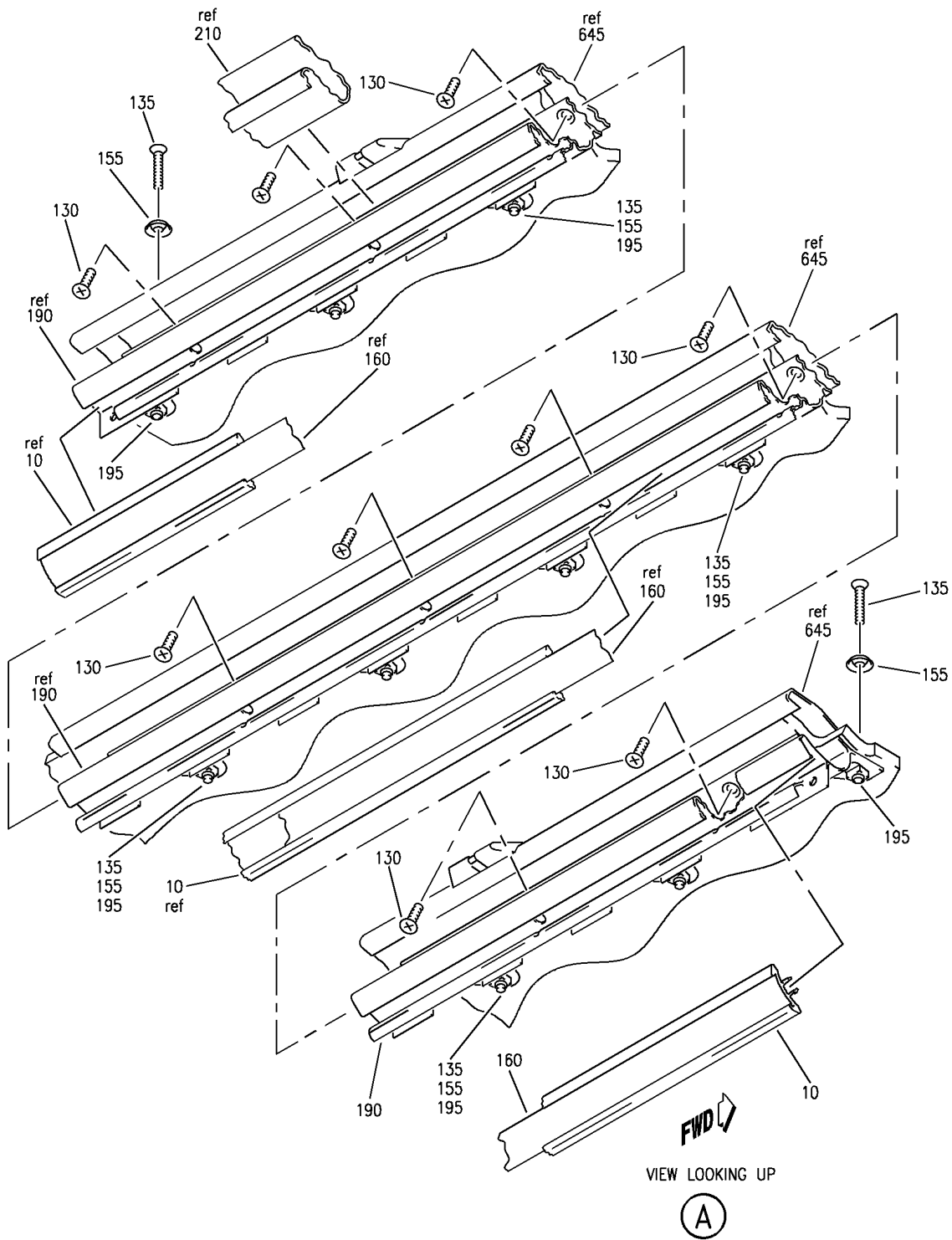
COMPARTMENT ASSY-60 IN. OVHD STOWAGE HNDRL CONFIGURATION (EQUIPMENT/ FURNISHINGS ONLY)
 FIGURE 42 (SHEET 1)

25-24-31-42

HAP
 OCT 10/06

25-24-31-42
 PAGE 0

BOEING
737-600/700/800/900
PARTS CATALOG (MAINTENANCE)



E 2524-3142 SH1 2 REV 109

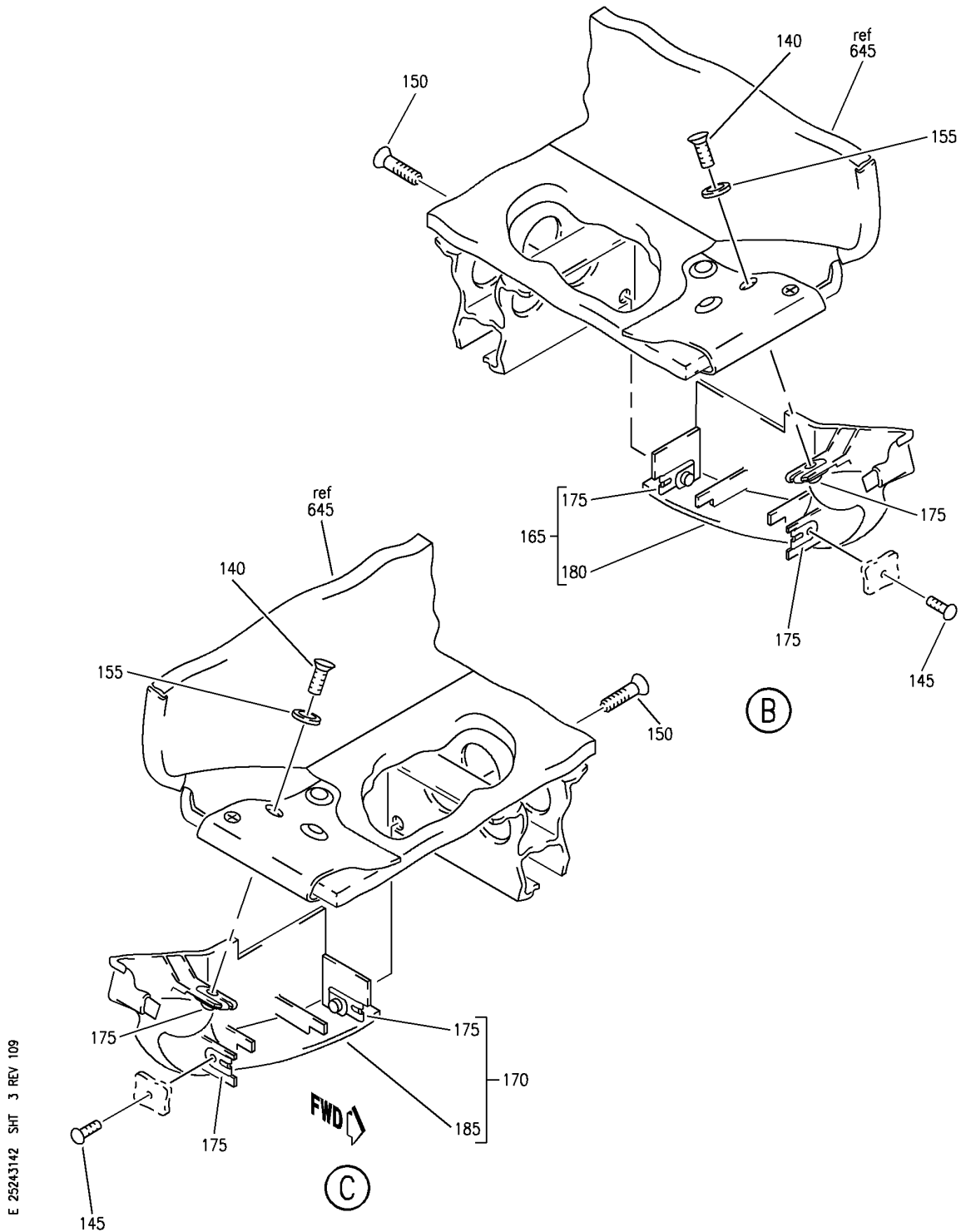
COMPARTMENT ASSY-60 IN. OVHD STOWAGE HNDRL CONFIGURATION (EQUIPMENT/ FURNISHINGS ONLY)
FIGURE 42 (SHEET 2)

HAP
OCT 10/06

25-24-31-42

25-24-31-42
PAGE 0A

BOEING
 737-600/700/800/900
 PARTS CATALOG (MAINTENANCE)



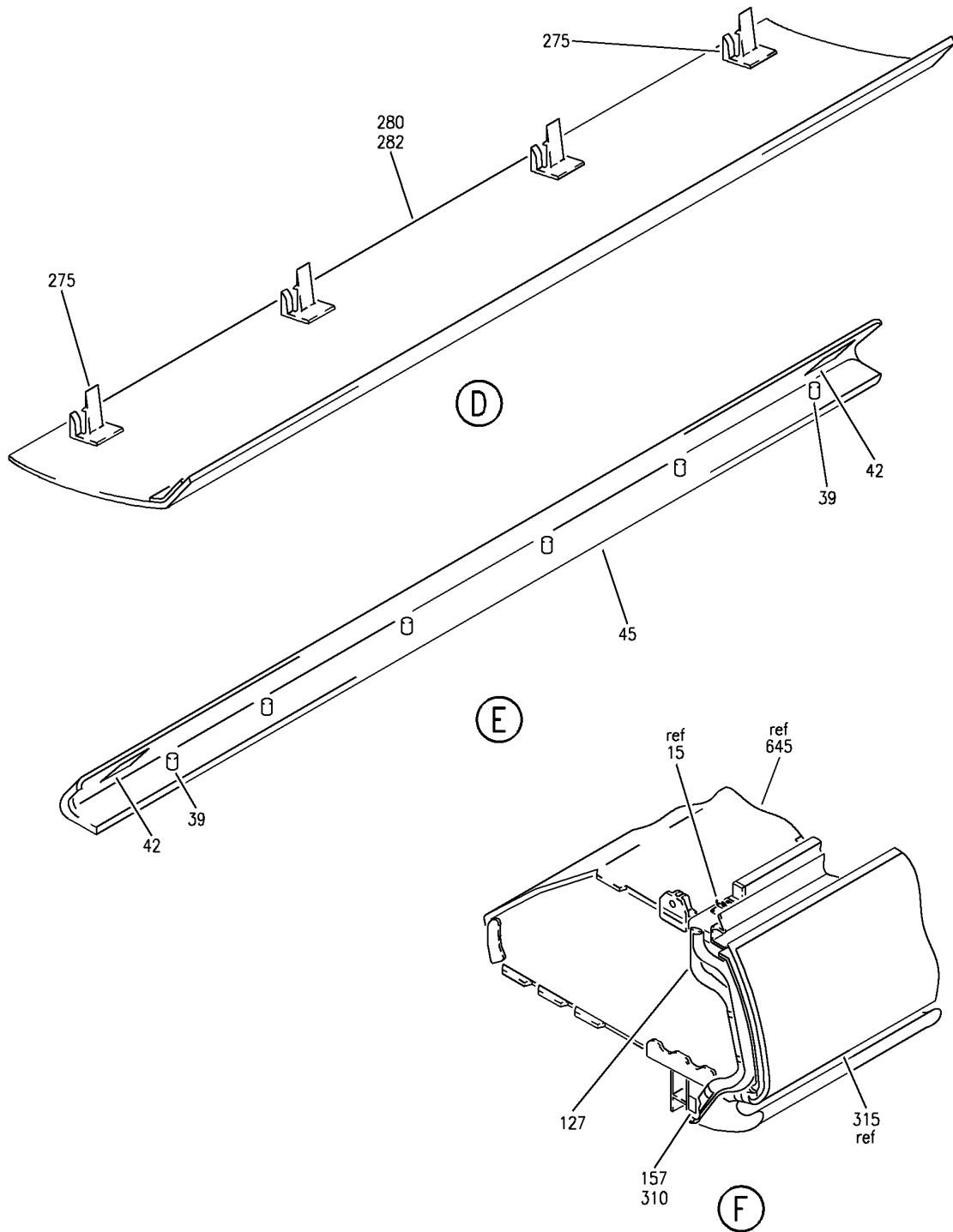
COMPARTMENT ASSY-60 IN. OVHD STOWAGE HANDLING CONFIGURATION (EQUIPMENT/ FURNISHINGS ONLY)
 FIGURE 42 (SHEET 3)

HAP
 OCT 10/06

25-24-31-42

25-24-31-42
 PAGE 0B

BOEING
 737-600/700/800/900
 PARTS CATALOG (MAINTENANCE)



E 2524-3142 SH 4 REV 109

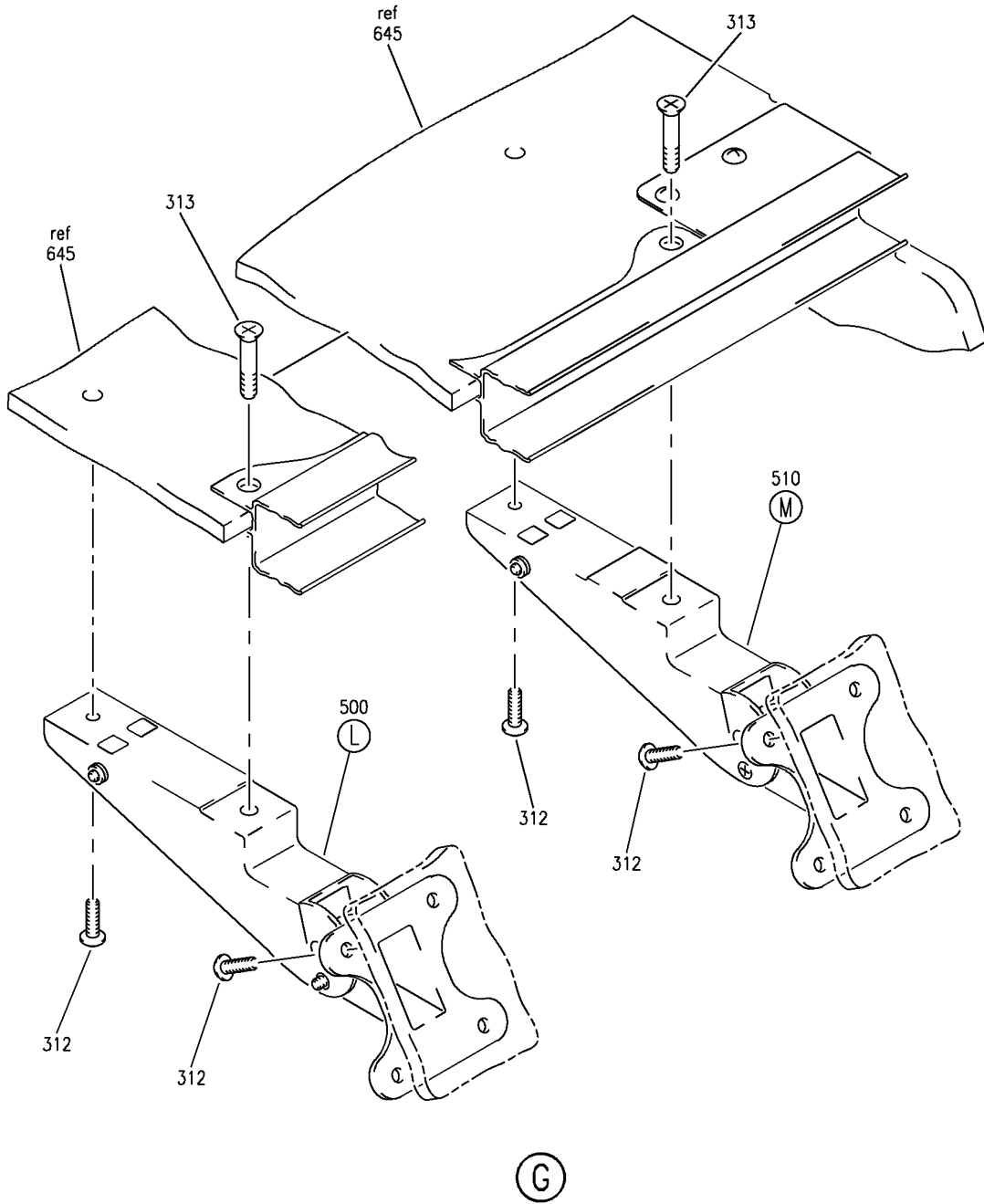
COMPARTMENT ASSY-60 IN. OVHD STOWAGE HNDRL CONFIGURATION (EQUIPMENT/ FURNISHINGS ONLY)
 FIGURE 42 (SHEET 4)

25-24-31-42

HAP
 OCT 10/06

25-24-31-42
 PAGE 0C

BOEING
 737-600/700/800/900
 PARTS CATALOG (MAINTENANCE)



E 2524-3142 SHT 5 REV 109

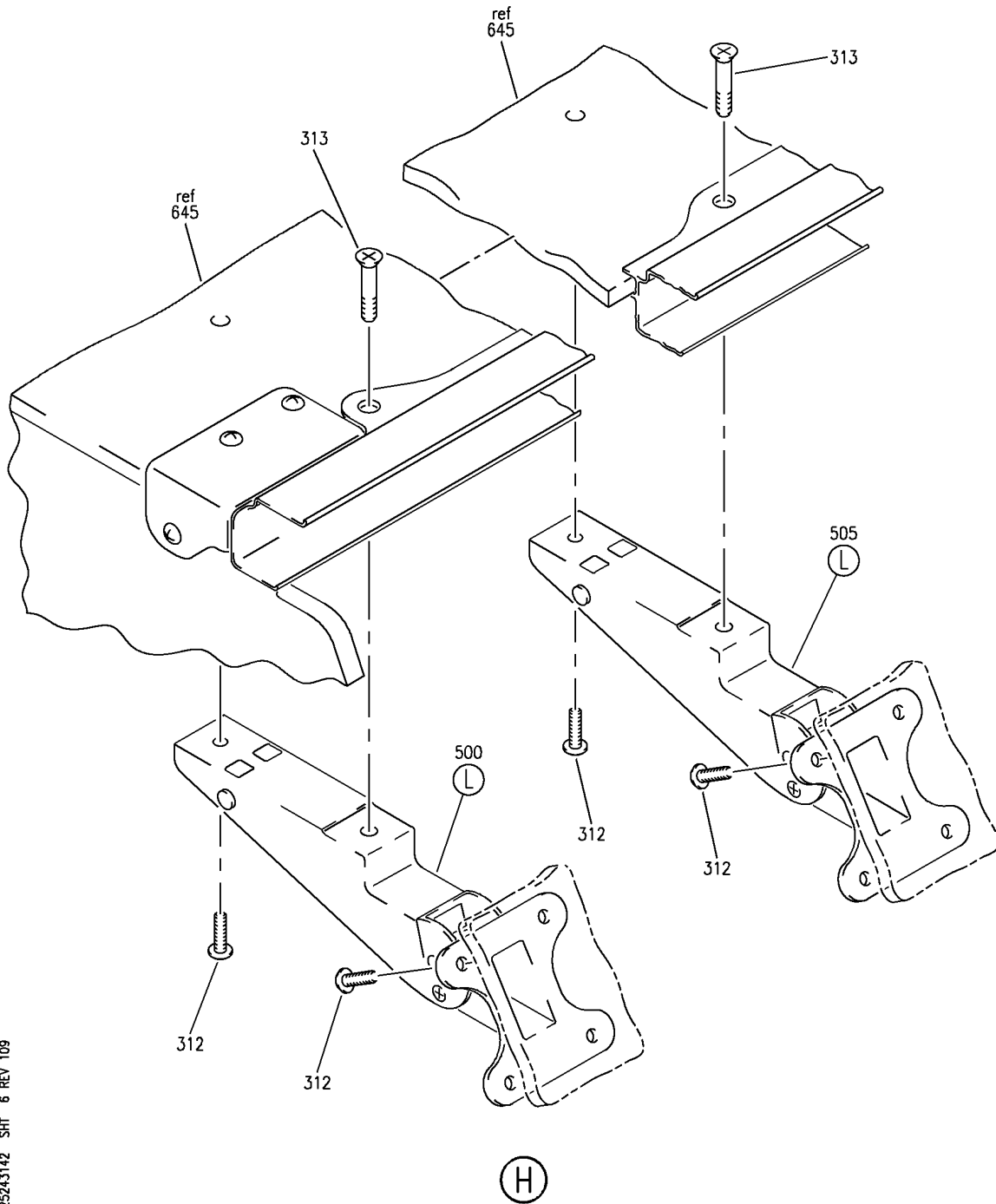
COMPARTMENT ASSY-60 IN. OVHD STOWAGE HNDRL CONFIGURATION (EQUIPMENT/ FURNISHINGS ONLY)
 FIGURE 42 (SHEET 5)

HAP
 OCT 10/06

25-24-31-42

25-24-31-42
 PAGE 0D

BOEING
 737-600/700/800/900
 PARTS CATALOG (MAINTENANCE)



E 2524-3142 SH1 6 REV 109

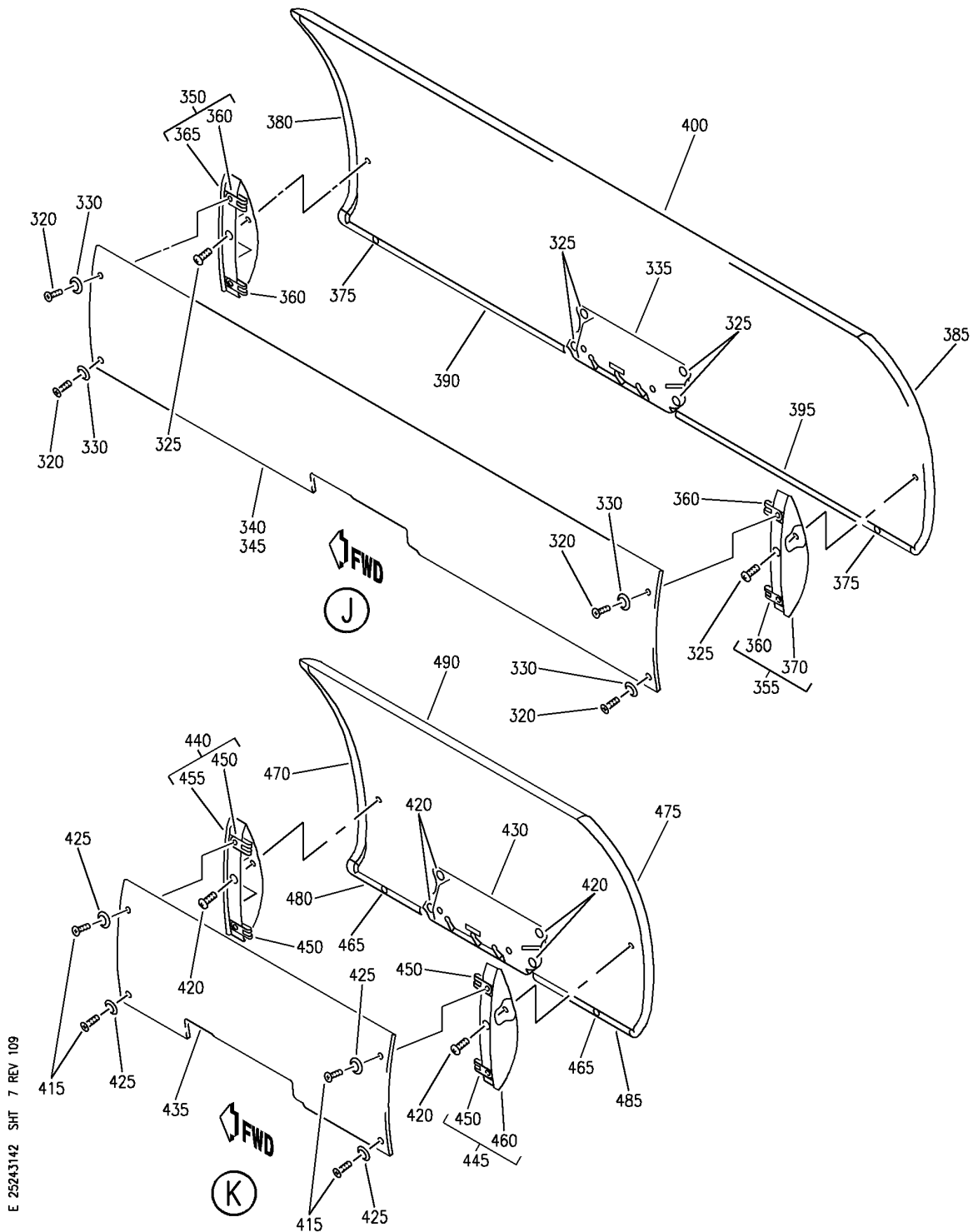
COMPARTMENT ASSY-60 IN. OVHD STOWAGE HNDRL CONFIGURATION (EQUIPMENT/ FURNISHINGS ONLY)
 FIGURE 42 (SHEET 6)

25-24-31-42

HAP
 OCT 10/06

25-24-31-42
 PAGE 0E


BOEING
 737-600/700/800/900
PARTS CATALOG (MAINTENANCE)



E 2524-3142 SHT 7 REV 109

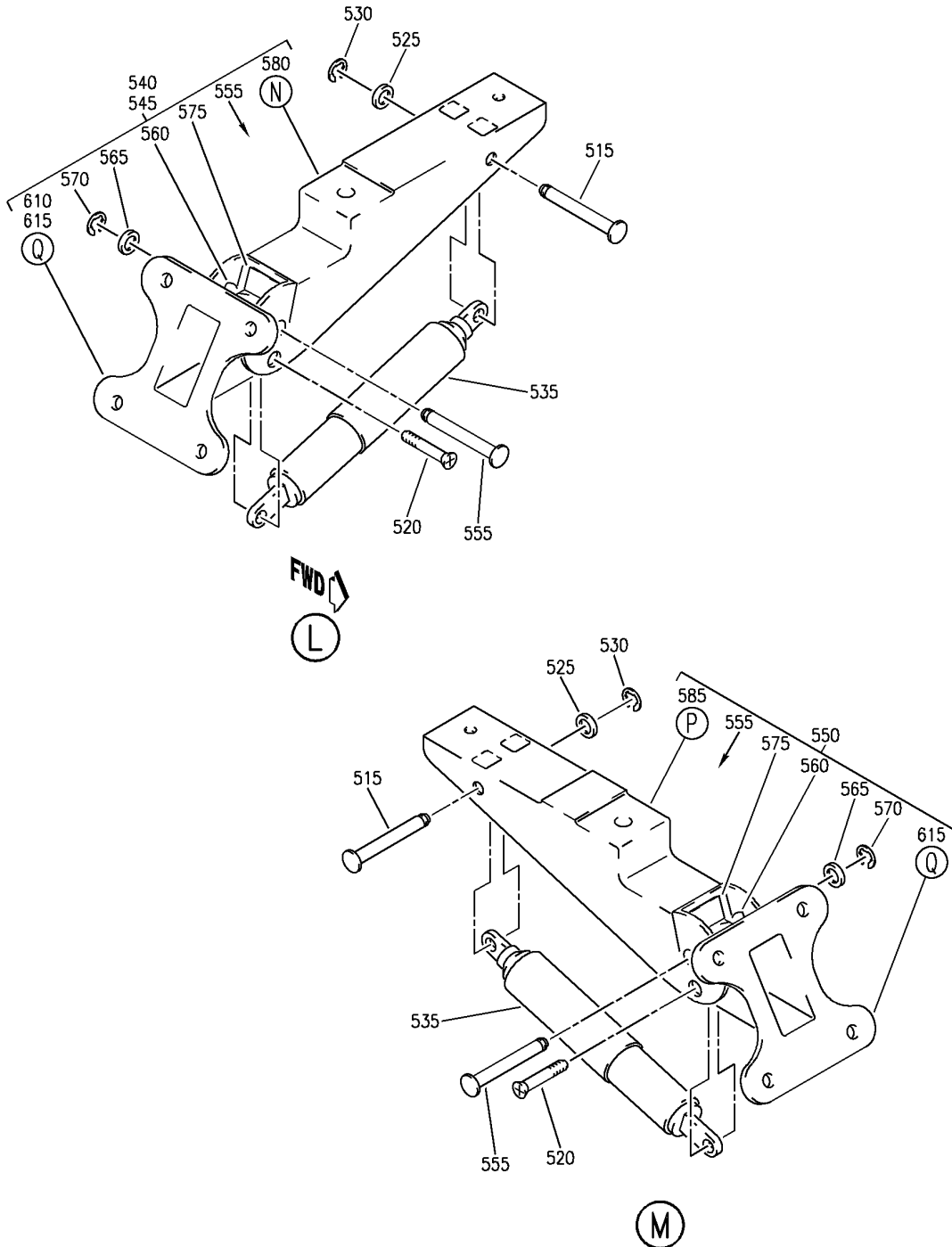
COMPARTMENT ASSY-60 IN. OVHD STOWAGE HNDRL CONFIGURATION (EQUIPMENT/ FURNISHINGS ONLY)
 FIGURE 42 (SHEET 7)

HAP
 OCT 10/06

25-24-31-42

25-24-31-42
 PAGE OF

BOEING
 737-600/700/800/900
 PARTS CATALOG (MAINTENANCE)



E 2524-3142 SH1 8 REV 109

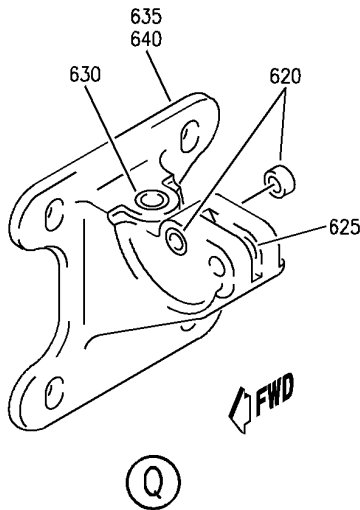
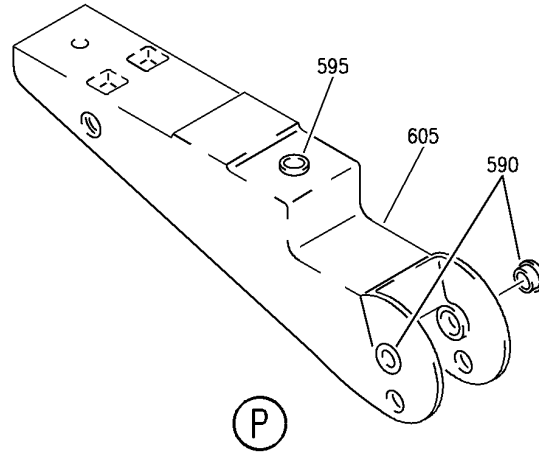
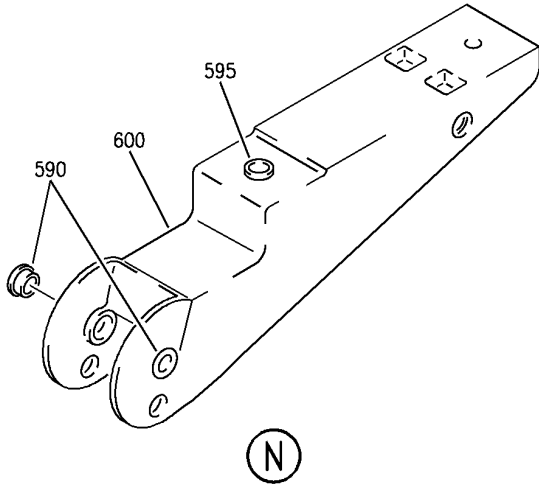
COMPARTMENT ASSY-60 IN. OVHD STOWAGE HNDRL CONFIGURATION (EQUIPMENT/ FURNISHINGS ONLY)
 FIGURE 42 (SHEET 8)

25-24-31-42

HAP
 OCT 10/06

25-24-31-42
 PAGE 06

BOEING
 737-600/700/800/900
 PARTS CATALOG (MAINTENANCE)



E 2524-3142 SHT 9 REV 109

COMPARTMENT ASSY-60 IN. OVHD STOWAGE HANDLING CONFIGURATION (EQUIPMENT/ FURNISHINGS ONLY)
 FIGURE 42 (SHEET 9)

HAP
 OCT 10/06

25-24-31-42

25-24-31-42
 PAGE 0H

BOEING
737-600/700/800/900
PARTS CATALOG (MAINTENANCE)

FIG ITEM	PART NUMBER	1 2 3 4 5 6 7	NOMENCLATURE	EFFECT FROM TO	UNITS PER ASSY
42			COMPARTMENT ASSY-60 IN. OVHD STOWAGE HNDRL CONFIGURATION (EQUIPMENT/ FURNISHINGS ONLY)	002005 008030	
- 5	412A1100-105SP		COMPARTMENT ASSY-60 IN. OVHD STOWAGE HNDRL CONFIGURATION (EQUIPMENT/ FURNISHINGS ONLY) PRE SERVICE BULLETIN: 25-1373 FOR NHA/OTHER SYS DET SEE: 25-24-30-80A	002005 008008	RF
- 5	412A1100-205SP		COMPARTMENT ASSY-60 IN. OVHD STOWAGE HNDRL CONFIGURATION (EQUIPMENT/ FURNISHINGS ONLY) POST SERVICE BULLETIN: 25-1373 FOR NHA/OTHER SYS DET SEE: 25-24-30-80A	002005 008008	RF
- 5	412A1100-205B		COMPARTMENT ASSY-60 IN. OVHD STOWAGE HNDRL CONFIGURATION (EQUIPMENT/ FURNISHINGS ONLY) FOR NHA/OTHER SYS DET SEE: 25-24-30-83	009030	RF
10	412A1420-2SP		.EXTRUSION-SEAT ROW MARKER	002005 008008	1
10	412A1420-2A		.EXTRUSION-SEAT ROW MARKER	009030	1
15	H3-1592-1		.LATCH- SUPPLIER CODE: V34941 SPECIFICATION NUMBER: S411A001-1	002005 008030	2
- 18	BACS12GU3K7		ATTACHING PARTS .SCREW	002005 008030	4
- 30	NAS1149D0332J		.WASHER	002005 008030	4
36	412A1700-102SP		-----*----- .VALANCE ASSY-LT OPTIONAL PART: 412A1700-2SP	002005 008008	1
36	412A1700-2A		.VALANCE ASSY-LT OPTIONAL PART: 412A1700-102B 412A1700-102SP	002005 008030	1

MISSING ITEM NUMBERS NOT APPLICABLE

- ITEM NOT ILLUSTRATED

HAP

25-24-31-42

BOEING PROPRIETARY - Copyright © - Unpublished Work - See title page for details.

25-24-31
FIG. 42
PAGE 1
OCT 10/06

BOEING
737-600/700/800/900
PARTS CATALOG (MAINTENANCE)

FIG ITEM	PART NUMBER	1 2 3 4 5 6 7	NOMENCLATURE	EFFECT FROM TO	UNITS PER ASSY
42					
36	412A1700-102B		.VALANCE ASSY-LT OPTIONAL PART: 412A1700-2A ATTACHING PARTS	009030	1
- 37	BACN10YJ3F		.NUT -----*-----	002005 008030	6
39	BACS21DW3C10FN		..STUD	002005 008030	6
42	412A1700-6		..TAPE	002005 008030	2
45	412A1711-103SP		..PANEL ASSY- USED ON: 412A1700-102SP	002005 008008	1
45	412A1711-3A		..PANEL ASSY- USED ON: 412A1700-2A	002005 008030	1
45	412A1711-103B		..PANEL ASSY- USED ON: 412A1700-102B	009030	1
127	403A3210-21SP		.SEAL ASSY-	002005 008008	1
127	403A3210-21A		.SEAL ASSY-	009030	1
130	BACS12ER3K5		.SCREW	002005 008030	9
135	BACS12ER3K14		.SCREW- POSITION DATA: FAR SIDE	002005 008030	10
140	BACS12ER3K9		.SCREW	002005 008030	2
145	BACS12FA3K7		.SCREW	002005 008030	2
150	BACB30VF3K3		.BOLT	002005 008030	2
155	H3-1233A3		.WASHER- SUPPLIER CODE: V34941 POSITION DATA: FAR SIDE SPECIFICATION NUMBER: S411A001-1	002005 008030	12
157	412A1310-701		.TAPE-VELCRO LOOP POST SERVICE BULLETIN: 25-1373	002005 008030	AR
160	412A1451-2SP		.STRIP-	002005 008008	1
160	412A1451-2BCWK		.STRIP-	009030	1
165	412A1465-13SP		.CLOSEOUT ASSY-	002005 008008	1

MISSING ITEM NUMBERS NOT APPLICABLE

- ITEM NOT ILLUSTRATED

HAP

25-24-31-42

25-24-31
FIG. 42
PAGE 2
JUN 15/08

BOEING
737-600/700/800/900
PARTS CATALOG (MAINTENANCE)

FIG ITEM	PART NUMBER	1 2 3 4 5 6 7	NOMENCLATURE	EFFECT FROM TO	UNITS PER ASSY
42					
165	412A1465-13A	.	CLOSEOUT ASSY-	009030	1
170	412A1465-14SP	.	CLOSEOUT ASSY-	002005	1
				008008	
170	412A1465-14A	.	CLOSEOUT ASSY-	009030	1
175	BACN10VR4CGN	..	NUT-	002005	3
			OPTIONAL PART: BACN10VR4CG	008030	
175	BACN10VR4CG	..	NUT-	002005	3
			OPTIONAL PART: BACN10VR4CGN	008030	
180	412A1465-15SP	..	CLOSEOUT-	002005	1
			USED ON: 412A1465-13SP 412A1465-13A	008030	
185	412A1465-16SP	..	CLOSEOUT-	002005	1
			USED ON: 412A1465-14SP 412A1465-14A	008030	
190	412A1243-2	.	EXTRUSION ASSY-	002005	1
			OPTIONAL PART: 412A1243-102	008008	
			PRE SERVICE BULLETIN: 25-1373		
190	412A1243-102	.	EXTRUSION ASSY-	002005	1
			OPTIONAL PART: 412A1243-2	008030	
195	FS1651-3	..	NUTPLATE	002005	10
			SUPPLIER CODE: V15653	008030	
			SPECIFICATION NUMBER: BACN10KH3CD		
			OPTIONAL PART: 102F9209M3 V72962 NS202496-02 V80539		
			ATTACHING PARTS		
- 200	BACR15BA3ADC	..	RIVET-	002005	20
			SIZE DETERMINED ON INSTL. -----*-----	008030	
210	412A1650-3A	.	COVER ASSY-	002005	1
				008030	
215	412A1600-3A	.	COVER ASSY-	002005	1
				008030	
275	412A1460-1	..	CLIP	002005	4
				008030	
280	412A1610-105B	..	PANEL ASSY-	002005	1
			OPTIONAL PART: 412A1610-5A	008030	

MISSING ITEM NUMBERS NOT APPLICABLE

- ITEM NOT ILLUSTRATED

HAP

25-24-31-42

25-24-31
FIG. 42
PAGE 3
JUN 15/08

BOEING
737-600/700/800/900
PARTS CATALOG (MAINTENANCE)

FIG ITEM	PART NUMBER	1 2 3 4 5 6 7	NOMENCLATURE	EFFECT FROM TO	UNITS PER ASSY
42 280	412A1610-5A		.. PANEL ASSY- OPTIONAL PART: 412A1610-105B	002005 008030	1
- 289	OBA8		. PLUG- SUPPLIER CODE: VOBV87 OPTIONAL PART: 412A1811-1B 412A1811-1SP 412A1811-2B 412A1100-96	002005 008030	AR
- 290	412A1811-1B		. PLUG- OPTIONAL PART: 412A1100-96 412A1811-2B OBA8 VOBV87	009030	AR
- 290	412A1811-1SP		. PLUG- OPTIONAL PART: OBA8 V0959B 412A1100-96 POST SERVICE BULLETIN: 25-1373	002005 008008	AR
- 292	412A1811-2B		. PLUG- OPTIONAL PART: 412A1100-96 412A1811-1B OBA8 VOBV87	009030	AR
- 295	412A1100-96		. KIT ASSY-SCR AND WASHER OPTIONAL PART: 412A1811-1B 412A1811-1SP 412A1811-2B OBA8 VOBV87 POST SERVICE BULLETIN: 25-1373	002005 008030	1
- 300	NAS514P1032-5		.. SCREW	002005 008030	1
- 305	H3-1233A3		.. WASHER- SUPPLIER CODE: V34941 SPECIFICATION NUMBER: S411A001-1	002005 008030	1
310	412A1310-700		. TAPE-VELCRO POST SERVICE BULLETIN: 25-1373	002005 008030	1

MISSING ITEM NUMBERS NOT APPLICABLE

- ITEM NOT ILLUSTRATED

HAP

25-24-31-42

BOEING PROPRIETARY - Copyright © - Unpublished Work - See title page for details.

25-24-31
FIG. 42
PAGE 4
JUN 15/08

BOEING
737-600/700/800/900
PARTS CATALOG (MAINTENANCE)

FIG ITEM	PART NUMBER	1 2 3 4 5 6 7	NOMENCLATURE	EFFECT FROM TO	UNITS PER ASSY
42					
312	BACS12FA3K6	.	SCREW	002005 008030	20
313	BACS12FA3K15	.	SCREW	002005 008030	4
315	412A1500-1SP	.	DOOR ASSY-40 IN. PRE SERVICE BULLETIN: 25-1373	002005 008008	1
315	412A1500-101C	.	DOOR ASSY-40 IN.	009030	1
315	412A1500-101SP	.	DOOR ASSY-40 IN. POST SERVICE BULLETIN: 25-1373	002005 008008	1
320	BACS12ER3K9	..	SCREW	002005 008030	4
325	BACS12FA3K4	..	SCREW	002005 008030	6
330	H3-1233A3	..	WASHER- SUPPLIER CODE: V34941 SPECIFICATION NUMBER: S411A001-1	002005 008030	4
335	HA225-7	..	LATCH ASSY- SUPPLIER CODE: V83014 SPECIFICATION NUMBER: S412A001-11B SERVICE BULLETIN OPT DATA: HA225K3868 V83014 POST SERVICE BULLETIN: 25-1373 POST SERVICE BULLETIN: HA225-25-01 V83014	002005 008030	1
335	HA225-1	..	LATCH ASSY- SUPPLIER CODE: V83014 SPECIFICATION NUMBER: S412A001-1A PRE SERVICE BULLETIN: 25-1373 PRE SERVICE BULLETIN: HA225-25-01 V83014	002005 008030	1

MISSING ITEM NUMBERS NOT APPLICABLE

— ITEM NOT ILLUSTRATED

HAP

25-24-31-42

BOEING PROPRIETARY - Copyright © - Unpublished Work - See title page for details.

25-24-31
FIG. 42
PAGE 5
JUN 15/08

BOEING
737-600/700/800/900
PARTS CATALOG (MAINTENANCE)

FIG ITEM	PART NUMBER	1 2 3 4 5 6 7	NOMENCLATURE	EFFECT FROM TO	UNITS PER ASSY
42 335	HA225K3868		..LATCH ASSY- SUPPLIER CODE: V83014 SERVICE BULLETIN OPT DATA: HA225-7 V83014 POST SERVICE BULLETIN: 25-1373 POST SERVICE BULLETIN: HA225-25-01 V83014	002005 008008	1
340	412A1615-100SP		..PANEL ASSY-FILLER OPTIONAL PART: 412A1615-1100SP	002005 008030	1
345	412A1615-1100SP		..PANEL ASSY-FILLER OPTIONAL PART: 412A1615-100SP	002005 008030	1
350	412A1480-3SP		..BRACKET ASSY	002005 008030	1
355	412A1480-4SP		..BRACKET ASSY	002005 008030	1
360	BACN10VR4CGN		...NUT	002005 008030	2
365	412A1480-1SP		...BRACKET- USED ON: 412A1480-3SP	002005 008030	1
370	412A1480-2SP		...BRACKET- USED ON: 412A1480-4SP	002005 008030	1
375	412A1810-1SP		..BUMPER	002005 008030	2
380	412A1450-4SP		..TRIM-EDGE	002005 008030	1
385	412A1450-3SP		..TRIM-EDGE	002005 008030	1
390	412A1450-6SP		..TRIM-EDGE	002005 008030	1
395	412A1450-5SP		..TRIM-EDGE	002005 008030	1
400	412A1510-2SP		..PANEL ASSY	002005 008030	1
- 405	SL618-3A		...INSERT- SUPPLIER CODE: V97393	002005 008030	14
410	412A1500-2SP		.DOOR ASSY-20 IN. PRE SERVICE BULLETIN: 25-1373	002005 008008	1

MISSING ITEM NUMBERS NOT APPLICABLE

- ITEM NOT ILLUSTRATED

HAP

25-24-31-42

25-24-31
FIG. 42
PAGE 6
JUN 15/08

BOEING
737-600/700/800/900
PARTS CATALOG (MAINTENANCE)

FIG ITEM	PART NUMBER	1 2 3 4 5 6 7	NOMENCLATURE	EFFECT FROM TO	UNITS PER ASSY
42					
410	412A1500-102SP	.DOOR ASSY-20 IN. POST SERVICE BULLETIN: 25-1373		002005 008008	1
410	412A1500-102C	.DOOR ASSY-20 IN.		009030	1
415	BACS12ER3K9	..SCREW		002005 008030	4
420	BACS12FA3K4	..SCREW		002005 008030	6
425	H3-1233A3	..WASHER- SUPPLIER CODE: V34941 SPECIFICATION NUMBER: S411A001-1		002005 008030	4
430	HA225-1	..LATCH ASSY- SUPPLIER CODE: V83014 SPECIFICATION NUMBER: S412A001-1A PRE SERVICE BULLETIN: 25-1373 PRE SERVICE BULLETIN: HA225-25-01 V83014		002005 008030	1
430	HA225-7	..LATCH ASSY- SUPPLIER CODE: V83014 SPECIFICATION NUMBER: S412A001-11B SERVICE BULLETIN OPT DATA: HA225K3868 V83014 POST SERVICE BULLETIN: 25-1373 POST SERVICE BULLETIN: HA225-25-01 V83014		002005 008030	1
430	HA225K3868	..LATCH ASSY- SUPPLIER CODE: V83014 SERVICE BULLETIN OPT DATA: HA225-7 V83014 POST SERVICE BULLETIN: 25-1373 POST SERVICE BULLETIN: HA225-25-01 V83014		002005 008008	1

MISSING ITEM NUMBERS NOT APPLICABLE

— ITEM NOT ILLUSTRATED

HAP

25-24-31-42

25-24-31
FIG. 42
PAGE 7
JUN 15/08

BOEING
737-600/700/800/900
PARTS CATALOG (MAINTENANCE)

FIG ITEM	PART NUMBER	1 2 3 4 5 6 7	NOMENCLATURE	EFFECT FROM TO	UNITS PER ASSY
42					
435	412A1615-101SP	..	PANEL ASSY-FILLER OPTIONAL PART: 412A1615-1101SP	002005 008030	1
435	412A1615-1101SP	..	PANEL ASSY-FILLER OPTIONAL PART: 412A1615-101SP	002005 008030	1
440	412A1480-3SP	..	BRACKET ASSY	002005 008030	1
445	412A1480-4SP	..	BRACKET ASSY	002005 008030	1
450	BACN10VR4CGN	...	NUT	002005 008030	2
455	412A1480-1SP	...	BRACKET	002005 008030	1
460	412A1480-2SP	...	BRACKET	002005 008030	1
465	412A1810-1SP	..	BUMPER- OPTIONAL PART: 412A1810-2SP	002005 008030	2
465	412A1810-2SP	..	BUMPER- OPTIONAL PART: 412A1810-1SP	002005 008030	2
470	412A1450-4SP	..	TRIM-EDGE	002005 008030	1
475	412A1450-3SP	..	TRIM-EDGE	002005 008030	1
480	412A1450-6SP	..	TRIM-EDGE	002005 008030	1
485	412A1450-5SP	..	TRIM-EDGE	002005 008030	1
490	412A1511-2SP	..	PANEL ASSY	002005 008030	1
- 495	SL618-3A	...	INSERT- SUPPLIER CODE: V97393	002005 008030	14
500	412A1100-51SP	.H	HINGE ASSY-COLLECTOR	002005 008030	2
505	412A1100-52SP	.H	HINGE ASSY-COLLECTOR	002005 008030	1
510	412A1100-54SP	.H	HINGE ASSY-COLLECTOR	002005 008030	1
515	412A1230-21	..	PIN	002005 008030	1
520	BACB30VF3K7	..	BOLT	002005 008030	1
525	NAS1149D0316J	..	WASHER	002005 008030	1
530	MS16633-4018	..	RING	002005 008030	1

MISSING ITEM NUMBERS NOT APPLICABLE

- ITEM NOT ILLUSTRATED

HAP

25-24-31-42

25-24-31
FIG. 42
PAGE 8
JUN 15/08

BOEING
737-600/700/800/900
PARTS CATALOG (MAINTENANCE)

FIG ITEM	PART NUMBER	1 2 3 4 5 6 7	NOMENCLATURE	EFFECT FROM TO	UNITS PER ASSY
42					
535	SP20522	..	ACTUATOR ASSY- SUPPLIER CODE: V24403 SPECIFICATION NUMBER: S412A002-2	002005 008030	1
540	412A1455-1SP	..	HINGE ASSY- USED ON: 412A1100-51SP	002005 008030	1
545	412A1455-2SP	..	HINGE ASSY- USED ON: 412A1100-52SP	002005 008030	1
550	412A1455-4SP	..	HINGE ASSY- USED ON: 412A1100-54SP	002005 008030	1
555	412A1230-21	...	PIN	002005 008030	1
560	MS51023-54	...	SCREW	002005 008030	1
565	NAS1149D0316J	...	WASHER	002005 008030	1
570	MS16633-4018	...	RING	002005 008030	1
575	412A1220-1	...	CLIP	002005 008030	1
580	412A1454-3SP	...	HOUSING ASSY- USED ON: 412A1455-1SP 412A1455-2SP	002005 008030	1
585	412A1454-12SP	...	HOUSING ASSY- USED ON: 412A1455-4SP	002005 008030	1
590	BACB28Y3F020	BUSHING	002005 008030	2
595	6041L3BR375	INSERT- SUPPLIER CODE: V01556	002005 008030	1
600	412A1454-1SP	HOUSING- USED ON: 412A1454-3SP	002005 008030	1
605	412A1454-11SP	HOUSING- USED ON: 412A1454-12SP	002005 008030	1
610	412A1454-9SP	...	BRACKET ASSY- USED ON: 412A1455-1SP	002005 008030	1
615	412A1454-10SP	...	BRACKET ASSY- USED ON: 412A1455-2SP 412A1455-4SP	002005 008030	1

MISSING ITEM NUMBERS NOT APPLICABLE

— ITEM NOT ILLUSTRATED

HAP

25-24-31-42

25-24-31
FIG. 42
PAGE 9
JUN 15/08

BOEING
737-600/700/800/900
PARTS CATALOG (MAINTENANCE)

FIG ITEM	PART NUMBER	1 2 3 4 5 6 7	NOMENCLATURE	EFFECT FROM TO	UNITS PER ASSY
42					
620	BACB28Y3F025	BUSHING	002005 008030	2
625	6041-3BR225	INSERT- SUPPLIER CODE: V01556	002005 008030	1
630	6041L3BR375	INSERT- SUPPLIER CODE: V01556	002005 008030	1
635	412A1454-7SP	BRACKET- USED ON: 412A1454-9SP	002005 008030	1
640	412A1454-8SP	BRACKET- USED ON: 412A1454-10SP	002005 008030	1
645	412A1200-105A	.BOX	ASSY-60 IN. BIN OPTIONAL PART: 412A1200-1105B FOR DETAILS SEE: 25-24-32-61G	009030	1
645	412A1200-1105B	.BOX	ASSY-60 IN. BIN OPTIONAL PART: 412A1200-105A FOR DETAILS SEE: 25-24-32-61G	009030	1
645	412A1200-105SP	.BOX	ASSY-60 IN. BIN OPTIONAL PART: 412A1200-1105SP FOR DETAILS SEE: 25-24-32-61G	002005 008008	1
645	412A1200-1105SP	.BOX	ASSY-60 IN. BIN OPTIONAL PART: 412A1200-105SP POST SERVICE BULLETIN: 25-1373 FOR DETAILS SEE: 25-24-32-61G	002005 008008	1

MISSING ITEM NUMBERS NOT APPLICABLE

— ITEM NOT ILLUSTRATED

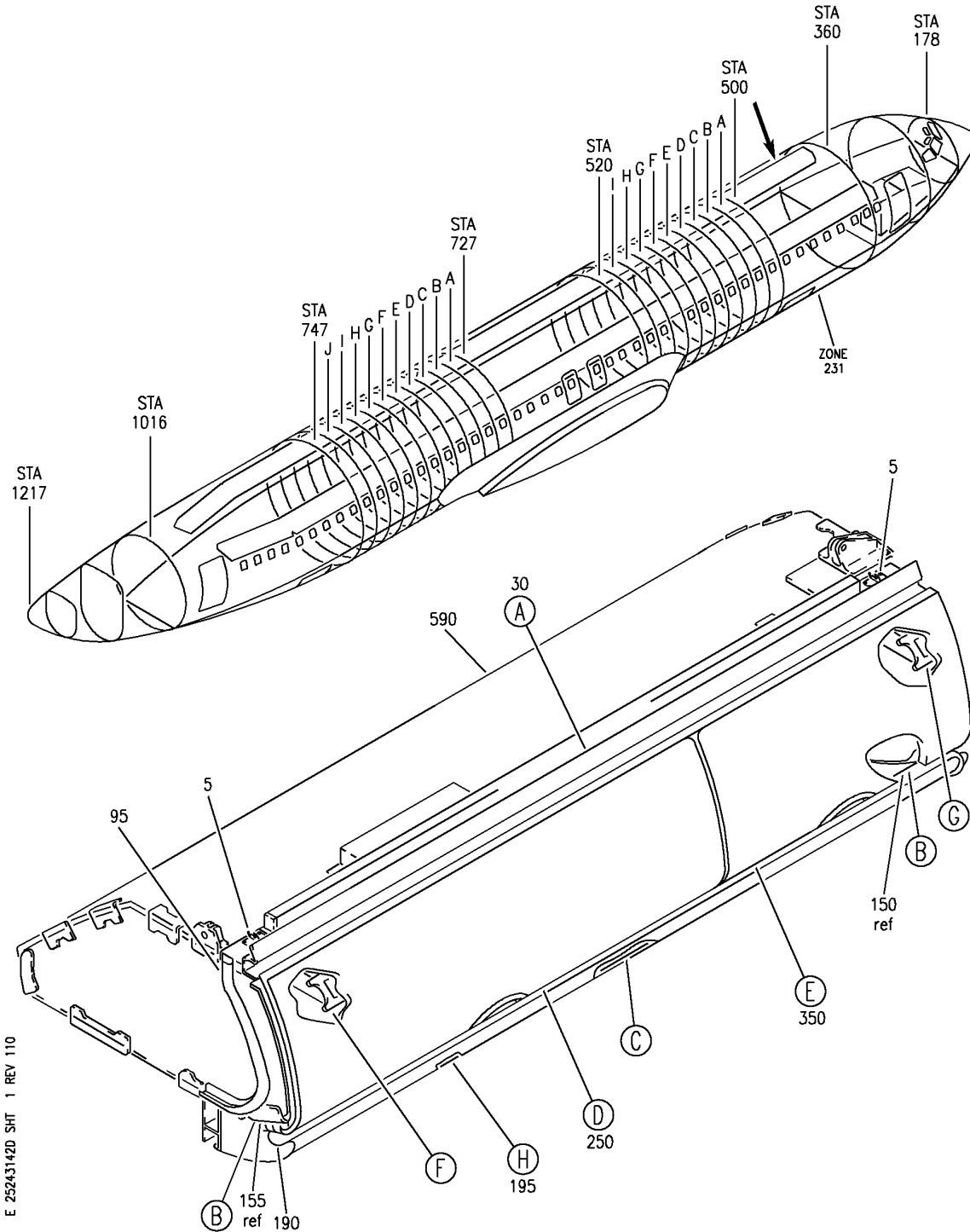
HAP

25-24-31-42

BOEING PROPRIETARY - Copyright © - Unpublished Work - See title page for details.

25-24-31
FIG. 42
PAGE 10
JUN 15/08

BOEING
 737-600/700/800/900
 PARTS CATALOG (MAINTENANCE)



E 2524-31-42D SHT 1 REV 110

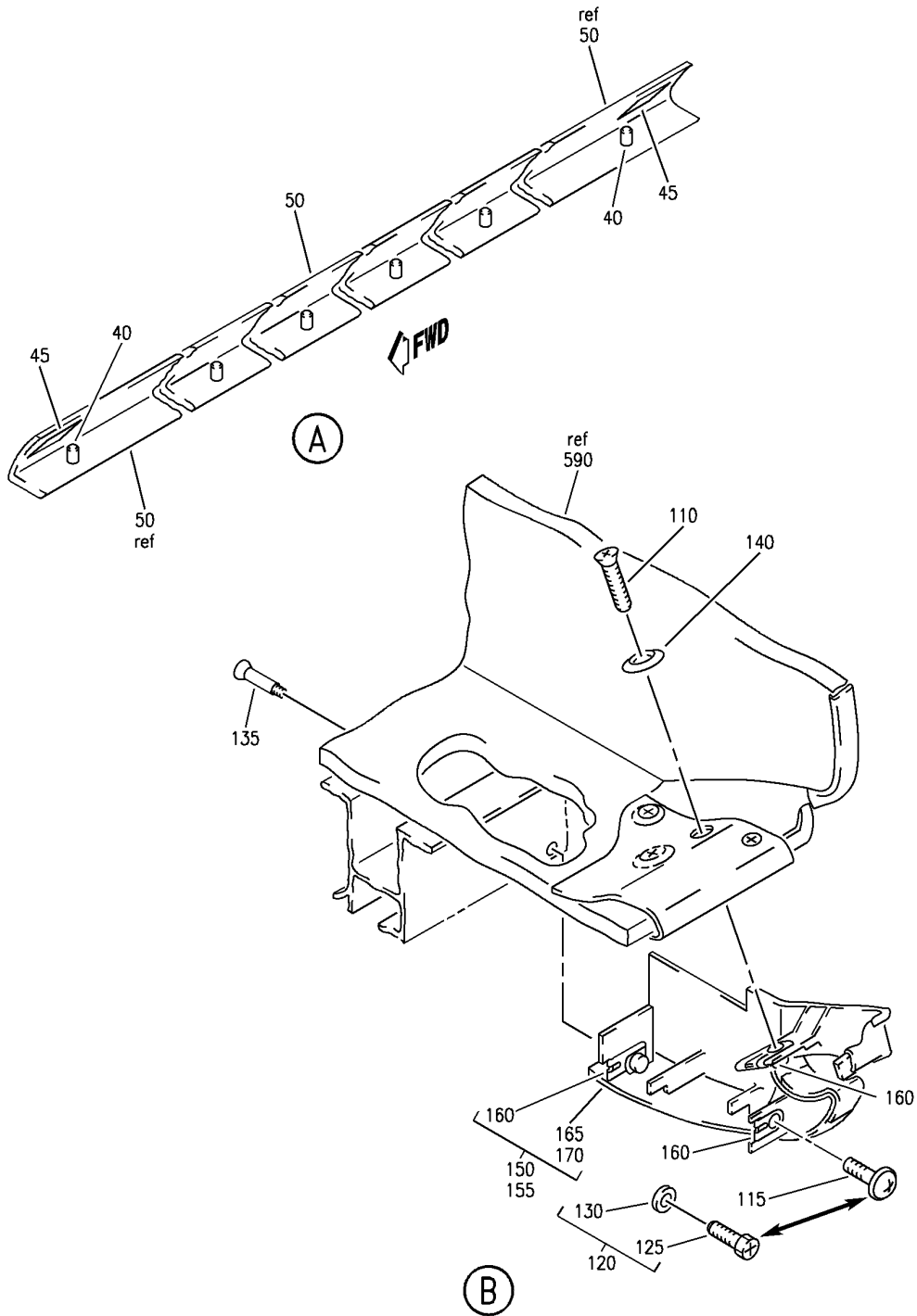
COMPARTMENT ASSY-60 IN. OVHD STOWAGE (EQUIPMENT/ FURNISHINGS ONLY)
 FIGURE 42D (SHEET 1)

25-24-31-42D

HAP
 OCT 10/06

25-24-31-42D
 PAGE 0

BOEING
 737-600/700/800/900
 PARTS CATALOG (MAINTENANCE)



E 2524-31-42D SHT 2 REV 110

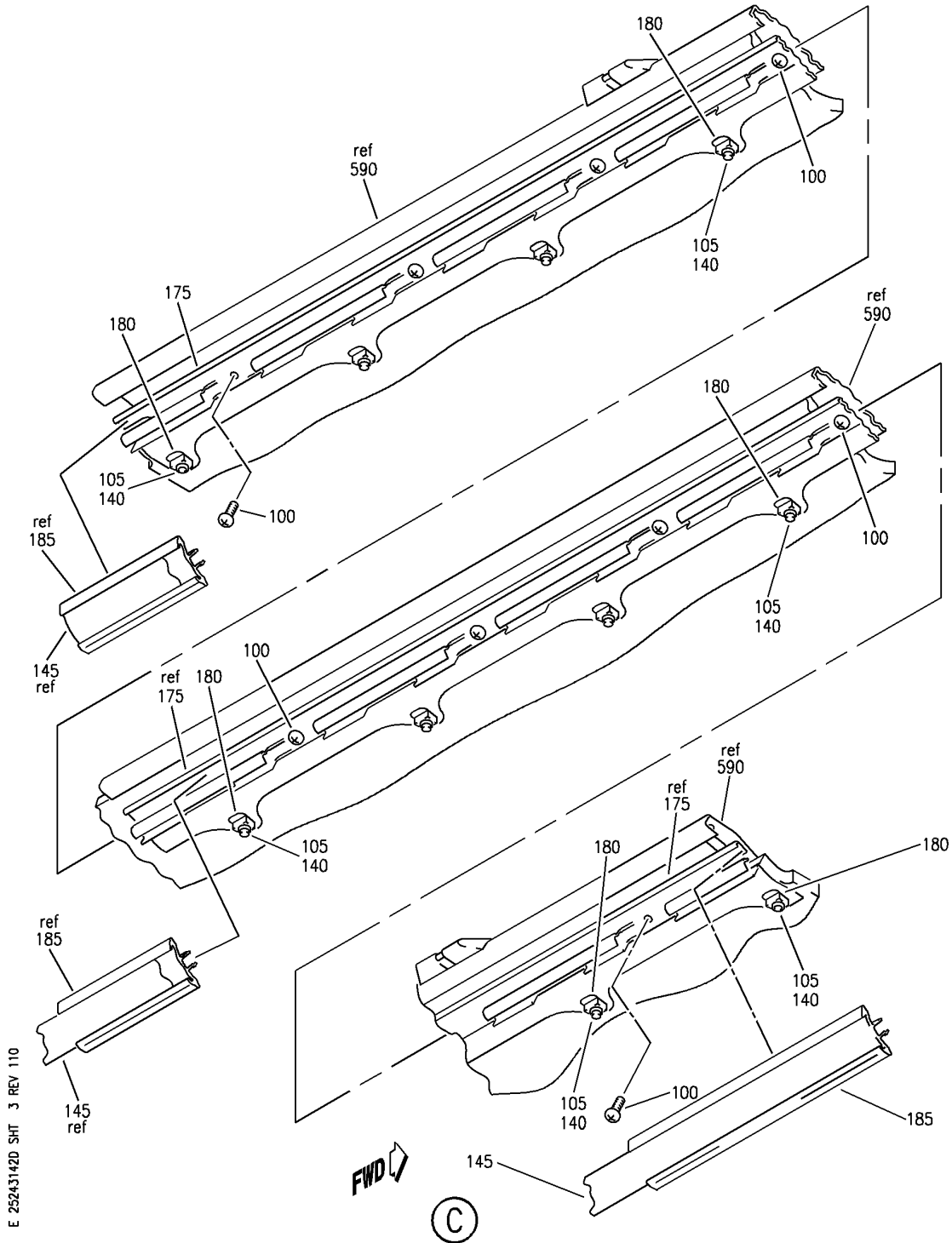
COMPARTMENT ASSY-60 IN. OVHD STOWAGE (EQUIPMENT/ FURNISHINGS ONLY)
 FIGURE 42D (SHEET 2)

25-24-31-42D

HAP
 OCT 10/06

25-24-31-42D
 PAGE 0A

BOEING
 737-600/700/800/900
 PARTS CATALOG (MAINTENANCE)



E 2524-31-42D SHT 3 REV 110

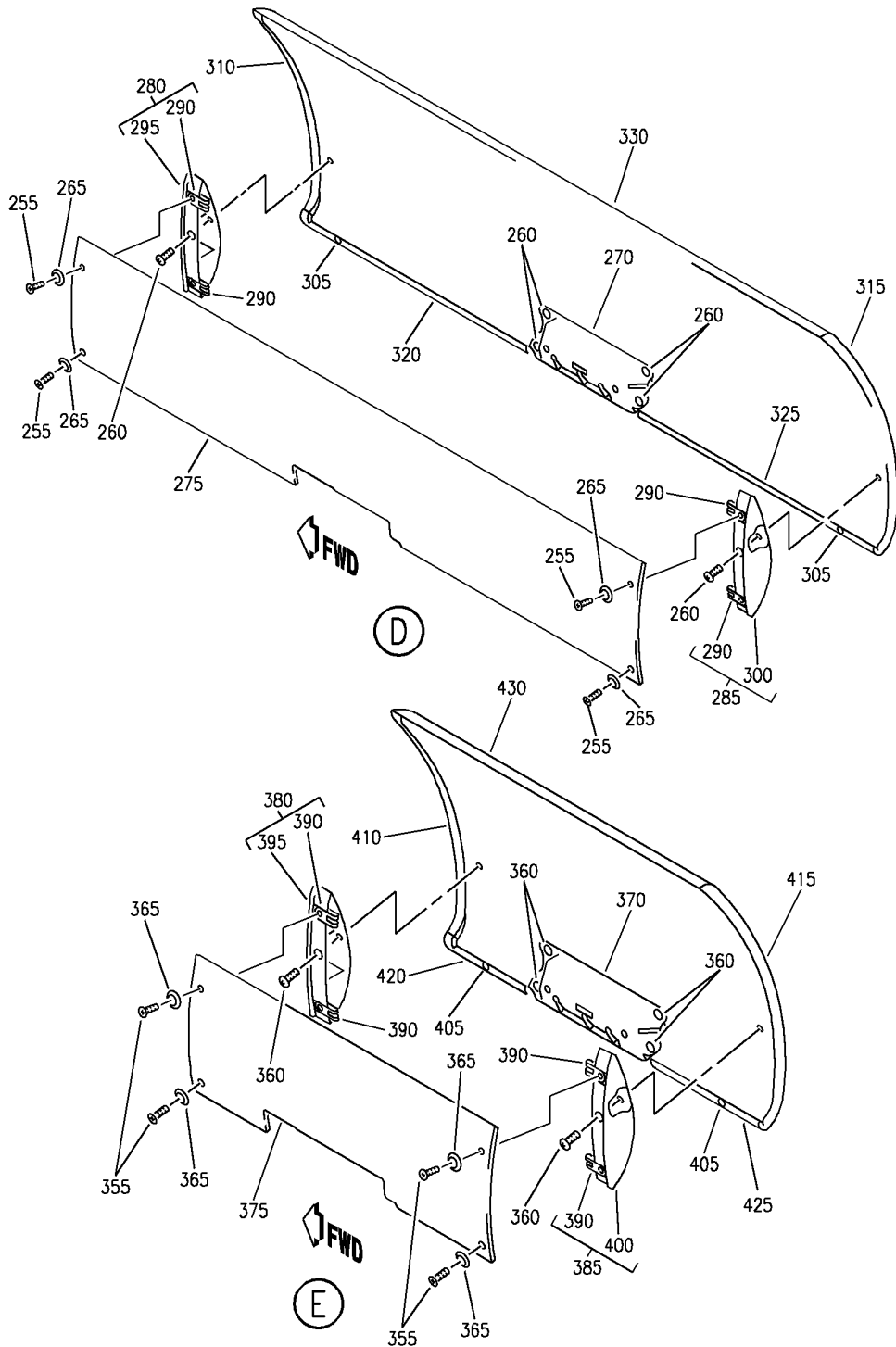
COMPARTMENT ASSY-60 IN. OVHD STOWAGE (EQUIPMENT/ FURNISHINGS ONLY)
 FIGURE 42D (SHEET 3)

25-24-31-42D

HAP
 OCT 10/06

25-24-31-42D
 PAGE 0B

BOEING
737-600/700/800/900
PARTS CATALOG (MAINTENANCE)



E 2524-31-42D SHT 4 REV 110

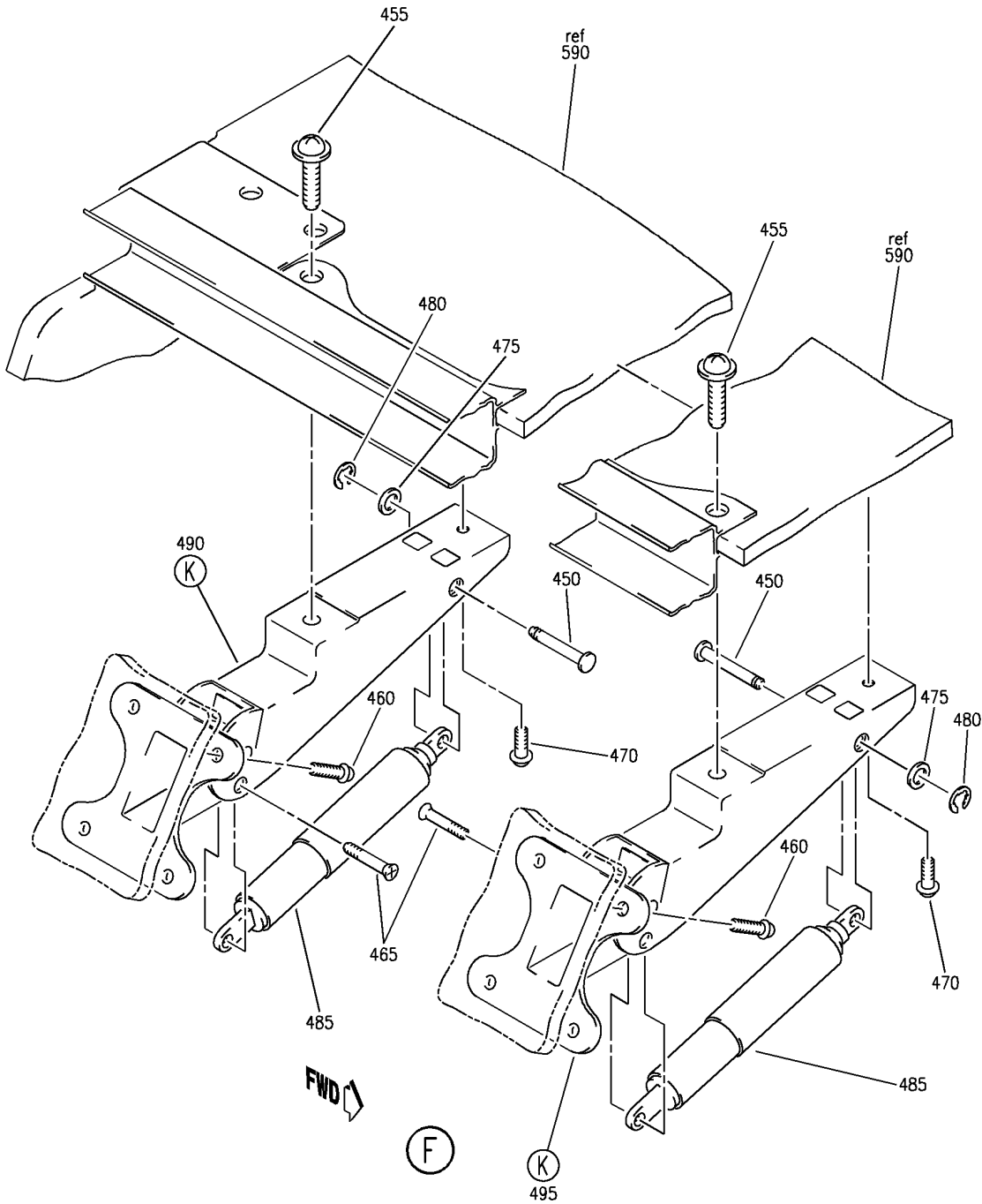
COMPARTMENT ASSY-60 IN. OVHD STOWAGE (EQUIPMENT/ FURNISHINGS ONLY)
 FIGURE 42D (SHEET 4)

25-24-31-42D

HAP
 OCT 10/06

25-24-31-42D
 PAGE 0C

BOEING
 737-600/700/800/900
 PARTS CATALOG (MAINTENANCE)



E 2524-31-42D SHT 5 REV 110

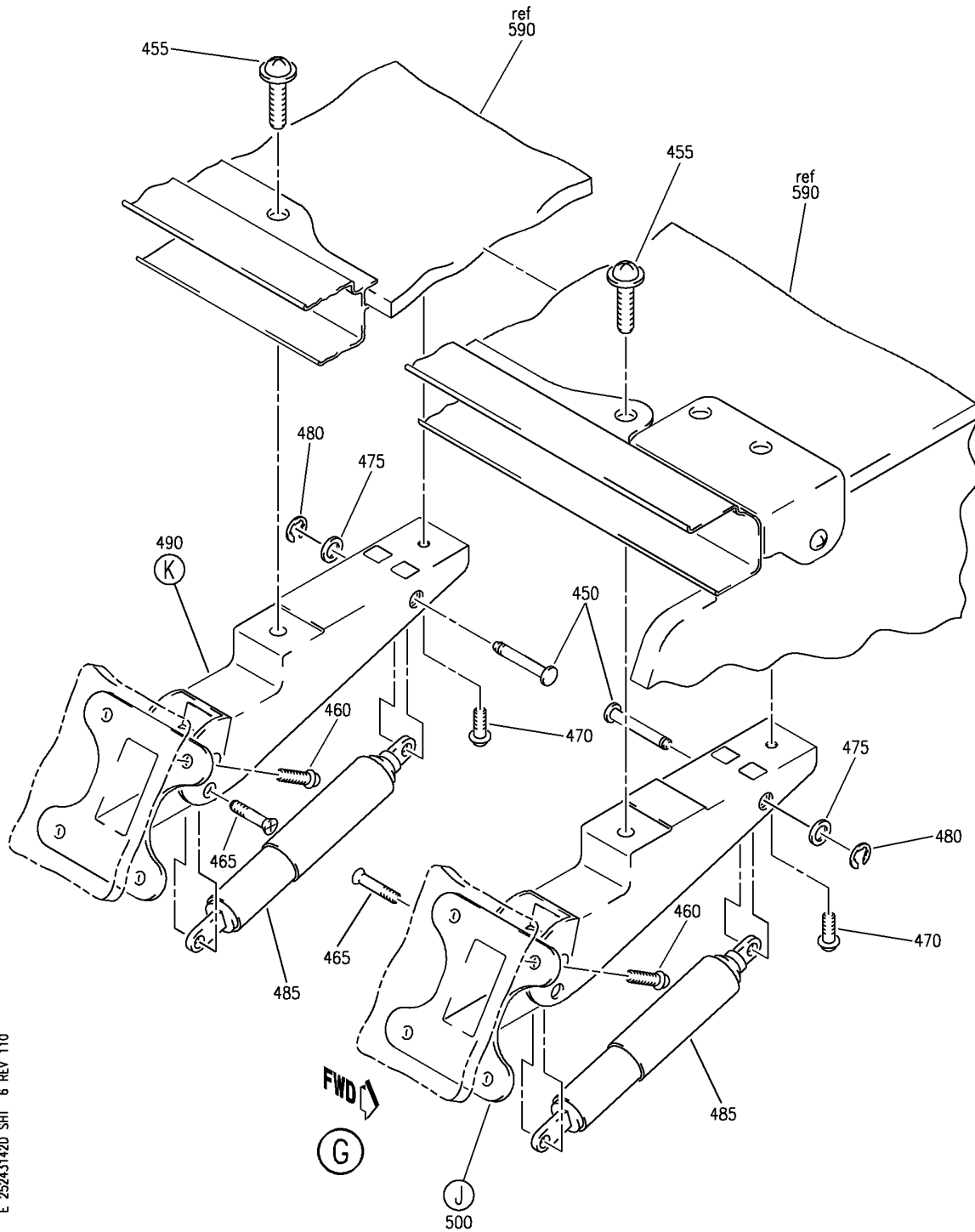
COMPARTMENT ASSY-60 IN. OVHD STORAGE (EQUIPMENT/ FURNISHINGS ONLY)
 FIGURE 42D (SHEET 5)

25-24-31-42D

HAP
 OCT 10/06

25-24-31-42D
 PAGE 0D

BOEING
 737-600/700/800/900
 PARTS CATALOG (MAINTENANCE)



E 2524-31-42D SHT 6 REV 110

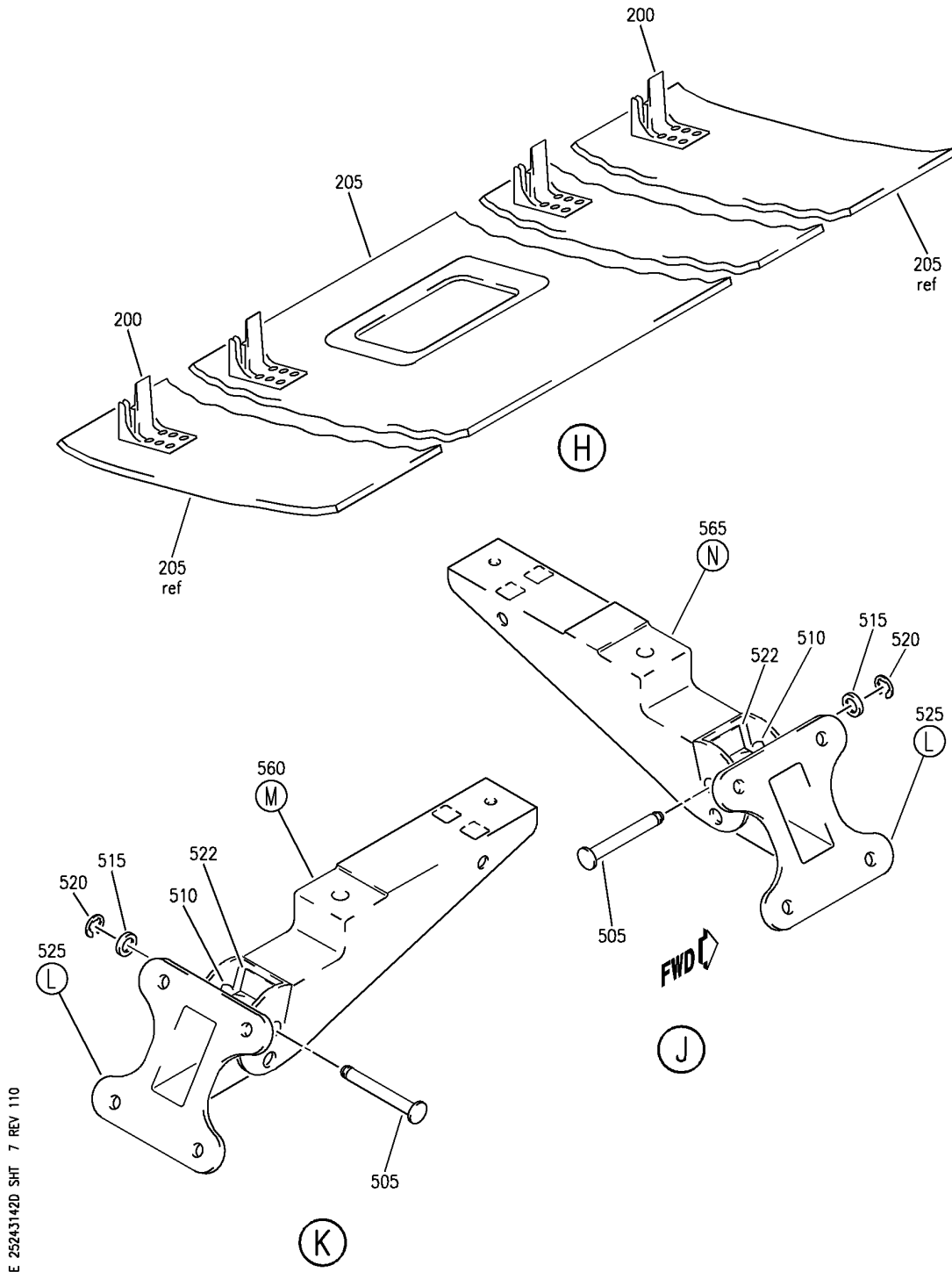
COMPARTMENT ASSY-60 IN. OVHD STORAGE (EQUIPMENT/ FURNISHINGS ONLY)
 FIGURE 42D (SHEET 6)

25-24-31-42D

HAP
 OCT 10/06

25-24-31-42D
 PAGE 0E

BOEING
 737-600/700/800/900
 PARTS CATALOG (MAINTENANCE)



E 2524-31-42D SHT 7 REV 110

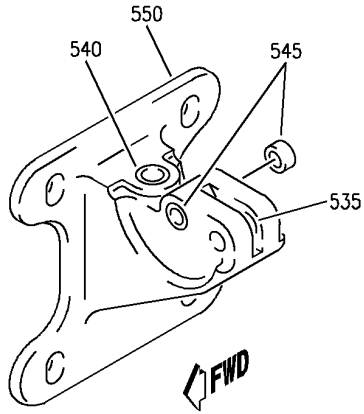
COMPARTMENT ASSY-60 IN. OVHD STOWAGE (EQUIPMENT/ FURNISHINGS ONLY)
 FIGURE 42D (SHEET 7)

25-24-31-42D

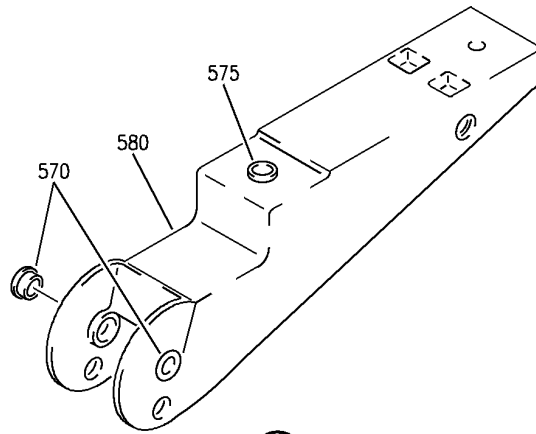
HAP
 OCT 10/06

25-24-31-42D
 PAGE OF

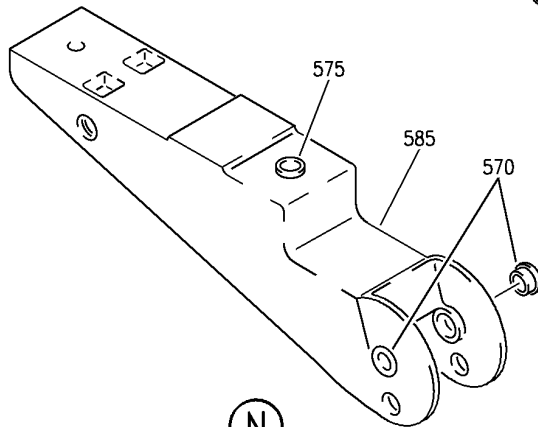
BOEING
737-600/700/800/900
PARTS CATALOG (MAINTENANCE)



(L)



(M)



(N)

E 2524-31-42D SHT 8 REV 110

COMPARTMENT ASSY-60 IN. OVHD STOWAGE (EQUIPMENT/ FURNISHINGS ONLY)
FIGURE 42D (SHEET 8)

25-24-31-42D

HAP
OCT 10/06

25-24-31-42D
PAGE 06

BOEING
737-600/700/800/900
PARTS CATALOG (MAINTENANCE)

FIG ITEM	PART NUMBER	1 2 3 4 5 6 7	NOMENCLATURE	EFFECT FROM TO	UNITS PER ASSY
42D			COMPARTMENT ASSY-60 IN. OVHD STOWAGE (EQUIPMENT/ FURNISHINGS ONLY)	001001 006007	
- 1	412A1100-5SP		COMPARTMENT ASSY-60 IN. OVHD STOWAGE (EQUIPMENT/ FURNISHINGS ONLY) PRE SERVICE BULLETIN: 25-1373 FOR NHA/OTHER SYS DET SEE: 25-24-30-80A	001001 006007	RF
- 1	002A0007-54N		COMPARTMENT ASSY-60 IN. OVHD STOWAGE (EQUIPMENT/ FURNISHINGS ONLY) POST SERVICE BULLETIN: 25-1373 FOR NHA/OTHER SYS DET SEE: 25-24-30-80A	001001 006007	RF
5	H3-1592-1		. LATCH-CLG SUPPLIER CODE: V34941 SPECIFICATION NUMBER: S411A001-1 ATTACHING PARTS	001001 006007	2
- 10	BACS12FA3K7		. SCREW- OPTIONAL PART: 412A1100-95	001001 006007	4
- 15	412A1100-95		. KIT ASSY- OPTIONAL PART: BACS12FA3K7	001001 006007	4
- 20	BACS12GU3K7		.. SCREW- USED ON: 412A1100-95	001001 006007	1
- 25	NAS1149D0332J		.. WASHER- USED ON: 412A1100-95	001001 006007	1
30	412A1700-2A		. VALANCE ASSY-LT OPTIONAL PART: 412A1700-102SP	001001 006007	1
30	412A1700-102SP		. VALANCE ASSY-LT OPTIONAL PART: 412A1700-2A ATTACHING PARTS	001001 006007	1
- 35	BACN10YJ3F		. NUT	001001 006007	6
40	BACS21DW3C10FN		.. STUD	001001 006007	6

MISSING ITEM NUMBERS NOT APPLICABLE

- ITEM NOT ILLUSTRATED

HAP

25-24-31-42D

BOEING PROPRIETARY - Copyright © - Unpublished Work - See title page for details.

25-24-31
FIG. 42D
PAGE 1
OCT 10/06

BOEING
737-600/700/800/900
PARTS CATALOG (MAINTENANCE)

FIG ITEM	PART NUMBER	1 2 3 4 5 6 7	NOMENCLATURE	EFFECT FROM TO	UNITS PER ASSY
42D					
45	412A1700-6	..	TAPE	001001 006007	2
50	412A1711-3A	..	PANEL ASSY- USED ON: 412A1700-2A	001001 006007	1
50	412A1711-103SP	..	PANEL ASSY- USED ON: 412A1700-102SP	001001 006007	1
95	403A3210-3SP	.	SEAL ASSY	001001 006007	1
100	BACS12ER3K5	.	SCREW	001001 006007	9
105	BACS12ER3K14	.	SCREW- POSITION DATA: FAR SIDE	001001 006007	10
110	BACS12ER3K9	.	SCREW	001001 006007	2
115	BACS12FA3K7	.	SCREW- OPTIONAL PART: 412A1100-95	001001 006007	2
120	412A1100-95	.	KIT ASSY- OPTIONAL PART: BACS12FA3K7	001001 006007	2
125	BACS12GU3K7	..	SCREW- USED ON: 412A1100-95	001001 006007	1
130	NAS1149D0332J	..	WASHER- USED ON: 412A1100-95	001001 006007	1
135	BACB30VF3K3	.	BOLT	001001 006007	2
140	H3-1233A3	.	WASHER- SUPPLIER CODE: V34941 POSITION DATA: FAR SIDE SPECIFICATION NUMBER: S411A001-1	001001 006007	12
145	412A1451-1SP	.	STRIP	001001 006007	1
150	412A1465-13SP	.	CLOSEOUT ASSY	001001 006007	1
155	412A1465-14SP	.	CLOSEOUT ASSY	001001 006007	1
160	BACN10VR4CGN	..	NUT- OPTIONAL PART: BACN10VR4CG	001001 006007	3

MISSING ITEM NUMBERS NOT APPLICABLE

— ITEM NOT ILLUSTRATED

HAP

25-24-31-42D

BOEING PROPRIETARY - Copyright © - Unpublished Work - See title page for details.

25-24-31
FIG. 42D
PAGE 2
JUN 15/08

BOEING
737-600/700/800/900
PARTS CATALOG (MAINTENANCE)

FIG ITEM	PART NUMBER	1 2 3 4 5 6 7	NOMENCLATURE	EFFECT FROM TO	UNITS PER ASSY
42D 160	BACN10VR4CG	..	NUT- OPTIONAL PART: BACN10VR4CGN	001001 006007	3
165	412A1465-15SP	..	CLOSEOUT- USED ON: 412A1465-13SP	001001 006007	1
170	412A1465-16SP	..	CLOSEOUT- USED ON: 412A1465-14SP	001001 006007	1
175	412A1243-2	.	EXTRUSION ASSY- OPTIONAL PART: 412A1243-102	001001 006007	1
175	412A1243-102	.	EXTRUSION ASSY- OPTIONAL PART: 412A1243-2	001001 006007	1
180	FS1651-3	..	NUTPLATE SUPPLIER CODE: V15653 SPECIFICATION NUMBER: BACN10KH3CD OPTIONAL PART: 102F9209M3 V72962 NS202496-02 V80539	001001 006007	10
185	412A1420-2SP	.	EXTRUSION-SEAT ROW MARKER	001001 006007	1
190	412A1650-3A	.	COVER ASSY-	001001 006007	1
195	412A1600-3A	.	COVER ASSY-	001001 006007	1
200	412A1460-1	..	CLIP	001001 006007	4
205	412A1610-105B	..	PANEL ASSY- OPTIONAL PART: 412A1610-5A	001001 006007	1
205	412A1610-5A	..	PANEL ASSY- OPTIONAL PART: 412A1610-105B	001001 006007	1
250	412A1500-1SP	.	DOOR ASSY-40 IN.	001001 006007	1
255	BACS12ER3K9	..	SCREW	001001 006007	4
260	BACS12FA3K4	..	SCREW	001001 006007	6

MISSING ITEM NUMBERS NOT APPLICABLE

- ITEM NOT ILLUSTRATED

HAP

25-24-31-42D

BOEING PROPRIETARY - Copyright © - Unpublished Work - See title page for details.

25-24-31
FIG. 42D
PAGE 3
JUN 15/08

BOEING
737-600/700/800/900
PARTS CATALOG (MAINTENANCE)

FIG ITEM	PART NUMBER	1 2 3 4 5 6 7	NOMENCLATURE	EFFECT FROM TO	UNITS PER ASSY
42D 265	H3-1233A3	..	WASHER- SUPPLIER CODE: V34941 SPECIFICATION NUMBER: S411A001-1	001001 006007	4
270	HA225-1	..	LATCH ASSY- SUPPLIER CODE: V83014 SPECIFICATION NUMBER: S412A001-1A	001001 006007	1
270	HA225-7	..	LATCH ASSY- SUPPLIER CODE: V83014 SPECIFICATION NUMBER: S412A001-11B	001001 006007	1
275	412A1615-100SP	..	PANEL ASSY-FILLER	001001 006007	1
280	412A1480-3SP	..	BRACKET ASSY	001001 006007	1
285	412A1480-4SP	..	BRACKET ASSY	001001 006007	1
290	BACN10VR4CGN	...	NUT	001001 006007	2
295	412A1480-1SP	...	BRACKET- USED ON: 412A1480-3SP	001001 006007	1
300	412A1480-2SP	...	BRACKET- USED ON: 412A1480-4SP	001001 006007	1
305	412A1810-1SP	..	BUMPER	001001 006007	2
310	412A1450-4SP	..	TRIM-EDGE	001001 006007	1
315	412A1450-3SP	..	TRIM-EDGE	001001 006007	1
320	412A1450-6SP	..	TRIM-EDGE	001001 006007	1
325	412A1450-5SP	..	TRIM-EDGE	001001 006007	1
330	412A1510-2SP	..	PANEL ASSY	001001 006007	1
- 335	SL618-3A	...	INSERT- SUPPLIER CODE: V97393	001001 006007	14
350	412A1500-2SP	.D	DOOR ASSY-20 IN.	001001 006007	1
355	BACS12ER3K9	..	SCREW	001001 006007	4

MISSING ITEM NUMBERS NOT APPLICABLE

- ITEM NOT ILLUSTRATED

HAP

25-24-31-42D

BOEING PROPRIETARY - Copyright © - Unpublished Work - See title page for details.

25-24-31
FIG. 42D
PAGE 4
JUN 15/08

BOEING
737-600/700/800/900
PARTS CATALOG (MAINTENANCE)

FIG ITEM	PART NUMBER	1 2 3 4 5 6 7	NOMENCLATURE	EFFECT FROM TO	UNITS PER ASSY
42D 360	BACS12FA3K4	..	SCREW	001001 006007	6
365	H3-1233A3	..	WASHER- SUPPLIER CODE: V34941 SPECIFICATION NUMBER: S411A001-1	001001 006007	4
370	HA225-1	..	LATCH ASSY- SUPPLIER CODE: V83014 SPECIFICATION NUMBER: S412A001-1A	001001 006007	1
370	HA225-7	..	LATCH ASSY- SUPPLIER CODE: V83014 SPECIFICATION NUMBER: S412A001-11B	001001 006007	1
375	412A1615-101SP	..	PANEL ASSY-FILLER	001001 006007	1
380	412A1480-3SP	..	BRACKET ASSY	001001 006007	1
385	412A1480-4SP	..	BRACKET ASSY	001001 006007	1
390	BACN10VR4CGN	...	NUT	001001 006007	2
395	412A1480-1SP	...	BRACKET- USED ON: 412A1480-3SP	001001 006007	1
400	412A1480-2SP	...	BRACKET- USED ON: 412A1480-4SP	001001 006007	1
405	412A1810-1SP	..	BUMPER	001001 006007	2
410	412A1450-4SP	..	TRIM-EDGE	001001 006007	1
415	412A1450-3SP	..	TRIM-EDGE	001001 006007	1
420	412A1450-6SP	..	TRIM-EDGE	001001 006007	1
425	412A1450-5SP	..	TRIM-EDGE	001001 006007	1
430	412A1511-2SP	..	PANEL ASSY	001001 006007	1
- 435	SL618-3A	...	INSERT- SUPPLIER CODE: V97393	001001 006007	14
450	412A1230-21	.	PIN	001001 006007	4

MISSING ITEM NUMBERS NOT APPLICABLE

- ITEM NOT ILLUSTRATED

HAP

25-24-31-42D

BOEING PROPRIETARY - Copyright © - Unpublished Work - See title page for details.

25-24-31
FIG. 42D
PAGE 5
JUN 15/08

BOEING
737-600/700/800/900
PARTS CATALOG (MAINTENANCE)

FIG ITEM	PART NUMBER	1 2 3 4 5 6 7	NOMENCLATURE	EFFECT FROM TO	UNITS PER ASSY
42D					
455	BACS12FA3K15	.	SCREW	001001 006007	4
460	BACS12FA3K6	.	SCREW	001001 006007	16
465	BACB30VF3K7	.	BOLT	001001 006007	4
470	BACS12FA3K9	.	SCREW	001001 006007	4
475	NAS1149D0316J	.	WASHER	001001 006007	4
480	MS16633-4018	.	RING	001001 006007	4
485	SP20522	.	ACTUATOR ASSY-DOOR SUPPLIER CODE: V24403 SPECIFICATION NUMBER: S412A002-2	001001 006007	4
490	412A1455-1SP	.	HINGE ASSY	001001 006007	2
495	412A1455-2SP	.	HINGE ASSY	001001 006007	1
500	412A1455-4SP	.	HINGE ASSY	001001 006007	1
505	412A1230-21	..	PIN	001001 006007	1
510	MS51023-54	..	SCREW	001001 006007	1
515	NAS1149D0316J	..	WASHER	001001 006007	1
520	MS16633-4018	..	RING	001001 006007	1
522	412A1220-1	..	CLIP	001001 006007	1
525	412A1454-9SP	..	BRACKET ASSY- USED ON: 412A1455-1SP	001001 006007	1
- 530	412A1454-10SP	..	BRACKET ASSY- USED ON: 412A1455-2SP 412A1455-4SP	001001 006007	1
535	6041-3BR225	...	INSERT- SUPPLIER CODE: V01556	001001 006007	1
540	6041L3BR375	...	INSERT- SUPPLIER CODE: V01556	001001 006007	1
545	BACB28Y3F025	...	BUSHING	001001 006007	2

MISSING ITEM NUMBERS NOT APPLICABLE

- ITEM NOT ILLUSTRATED

HAP

25-24-31-42D

BOEING PROPRIETARY - Copyright © - Unpublished Work - See title page for details.

25-24-31
FIG. 42D
PAGE 6
JUN 15/08

BOEING
737-600/700/800/900
PARTS CATALOG (MAINTENANCE)

FIG ITEM	PART NUMBER	1 2 3 4 5 6 7	NOMENCLATURE	EFFECT FROM TO	UNITS PER ASSY
42D 550	412A1454-7SP	...	BRACKET- POSITION DATA: LH SIDE	001001 006007	1
- 555	412A1454-8SP	...	BRACKET- POSITION DATA: RH SIDE	001001 006007	1
560	412A1454-3SP	..	HOUSING ASSY- USED ON: 412A1455-1SP 412A1455-2SP	001001 006007	1
565	412A1454-12SP	..	HOUSING ASSY- USED ON: 412A1455-4SP	001001 006007	1
570	BACB28Y3F020	...	BUSHING	001001 006007	2
575	6041-3BR225	...	INSERT- SUPPLIER CODE: V01556	001001 006007	1
580	412A1454-1SP	...	HOUSING- USED ON: 412A1454-3SP	001001 006007	1
585	412A1454-11SP	...	HOUSING- USED ON: 412A1454-12SP	001001 006007	1
590	412A1200-5SP	.BOX	ASSY-60 IN. BIN FOR DETAILS SEE: 25-24-32-61H	001001 006007	1
- 595	OBA8	.PLUG-	SUPPLIER CODE: VOBV87	001001 006007	AR

MISSING ITEM NUMBERS NOT APPLICABLE

- ITEM NOT ILLUSTRATED

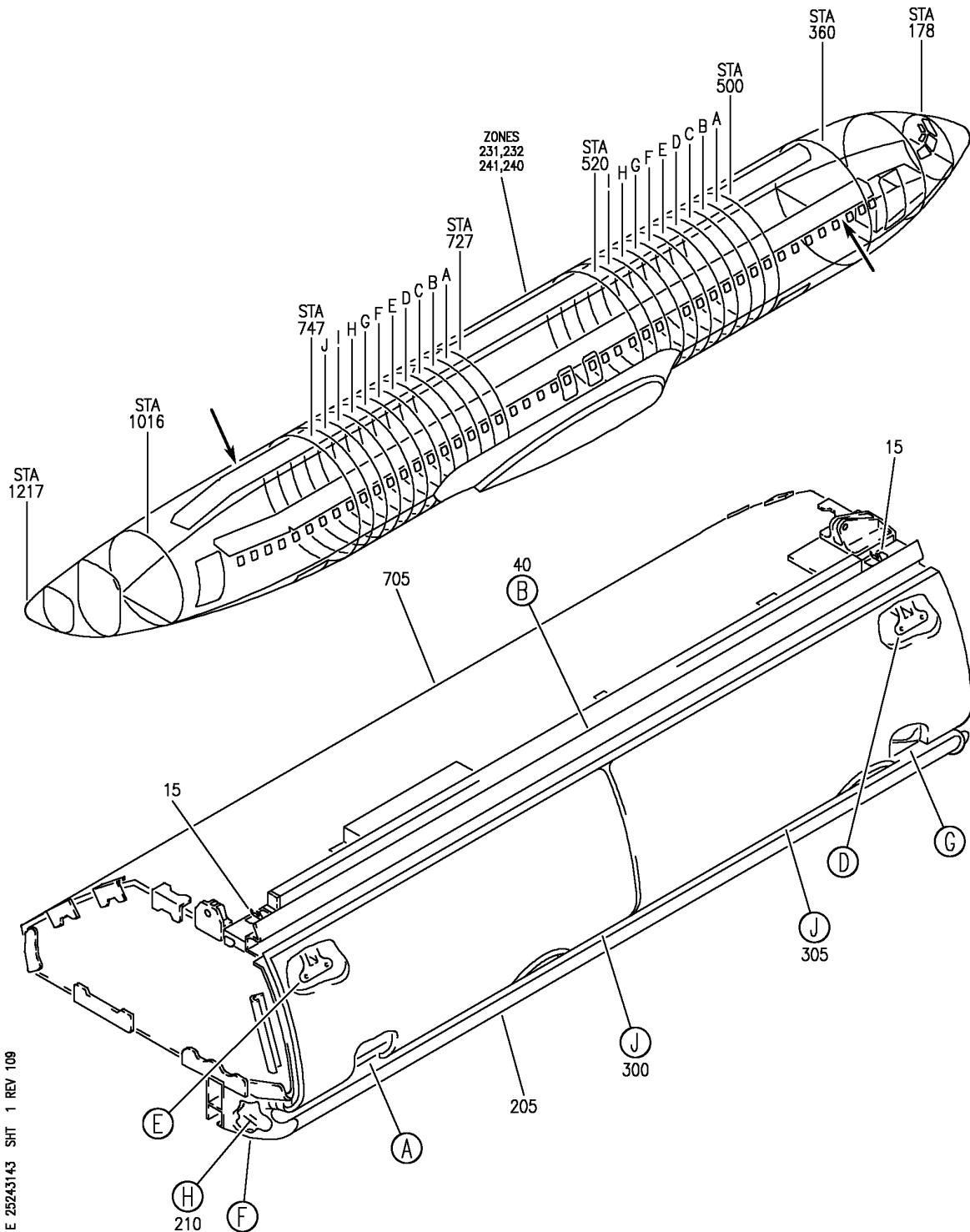
HAP

25-24-31-42D

BOEING PROPRIETARY - Copyright © - Unpublished Work - See title page for details.

25-24-31
FIG. 42D
PAGE 7
JUN 15/08

BOEING
 737-600/700/800/900
 PARTS CATALOG (MAINTENANCE)



E 25243143 SHT 1 REV 109

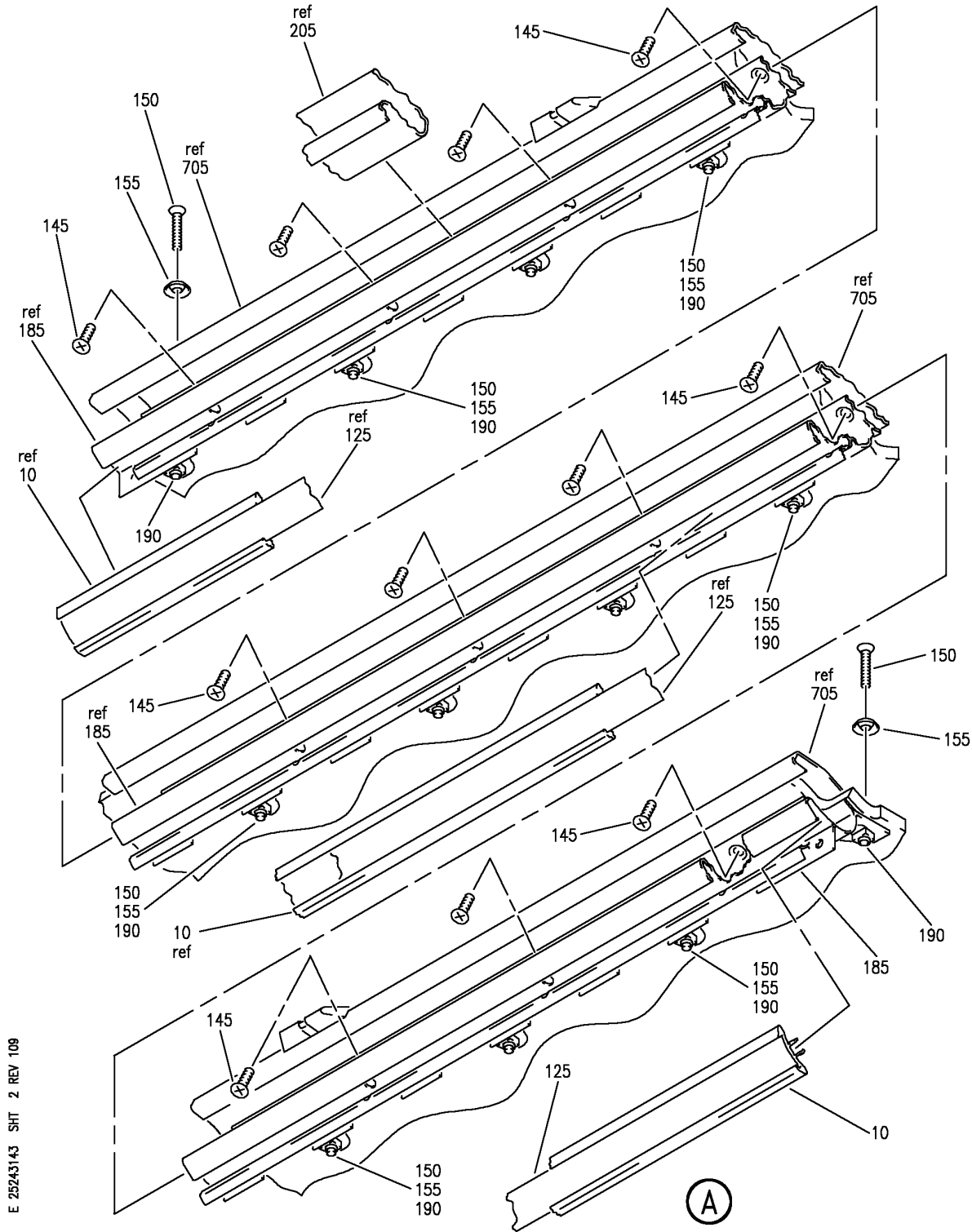
COMPARTMENT ASSY-LH 70 IN. OVHD STOWAGE HNDRL CONFIGURATION (EQUIPMENT/ FURNISHINGS ONLY)
 FIGURE 43 (SHEET 1)

25-24-31-43

HAP
 OCT 10/06

25-24-31-43
 PAGE 0

BOEING
737-600/700/800/900
PARTS CATALOG (MAINTENANCE)



E 25243143 SHT 2 REV 109

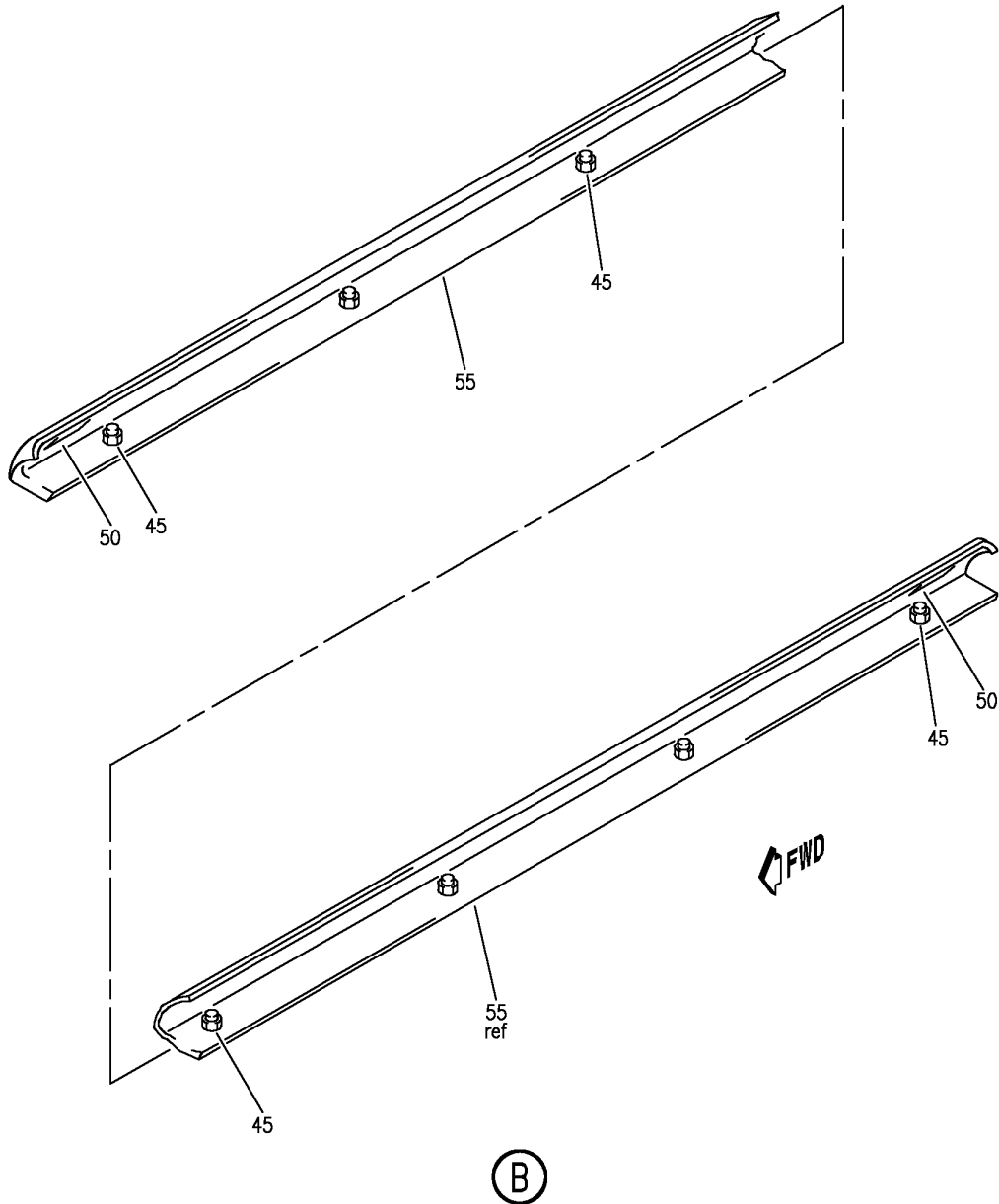
COMPARTMENT ASSY-LH 70 IN. OVHD STOWAGE HNDRL CONFIGURATION (EQUIPMENT/ FURNISHINGS ONLY)
 FIGURE 43 (SHEET 2)

25-24-31-43

HAP
 OCT 10/06

25-24-31-43
 PAGE 0A

BOEING
737-600/700/800/900
PARTS CATALOG (MAINTENANCE)



E 25243143 SH1 3 REV 108

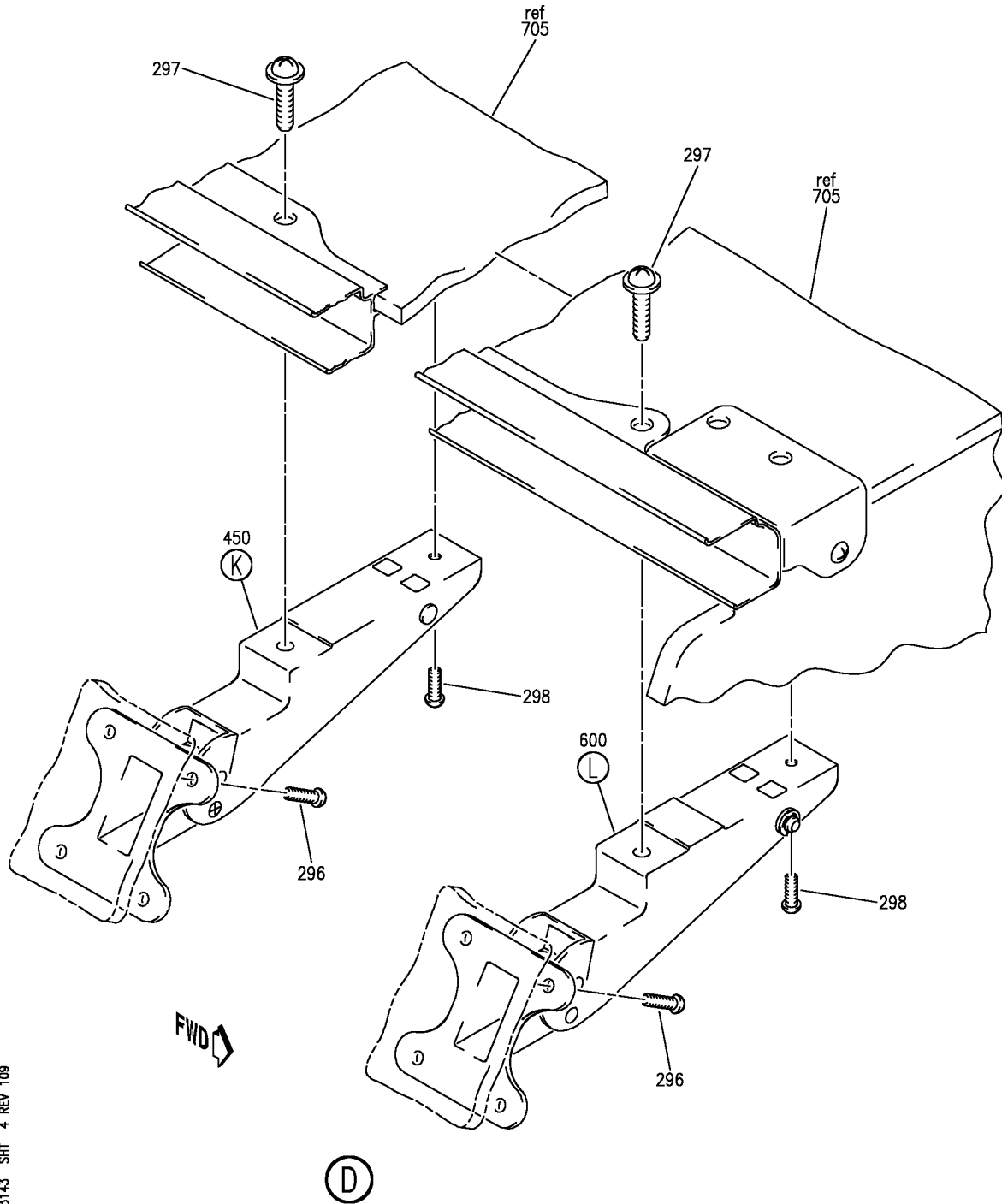
COMPARTMENT ASSY-LH 70 IN. OVHD STOWAGE HANDLING CONFIGURATION (EQUIPMENT/ FURNISHINGS ONLY)
FIGURE 43 (SHEET 3)

HAP
OCT 10/06

25-24-31-43

25-24-31-43
PAGE 0B

BOEING
 737-600/700/800/900
 PARTS CATALOG (MAINTENANCE)



E 25243143 SH1 4 REV 108

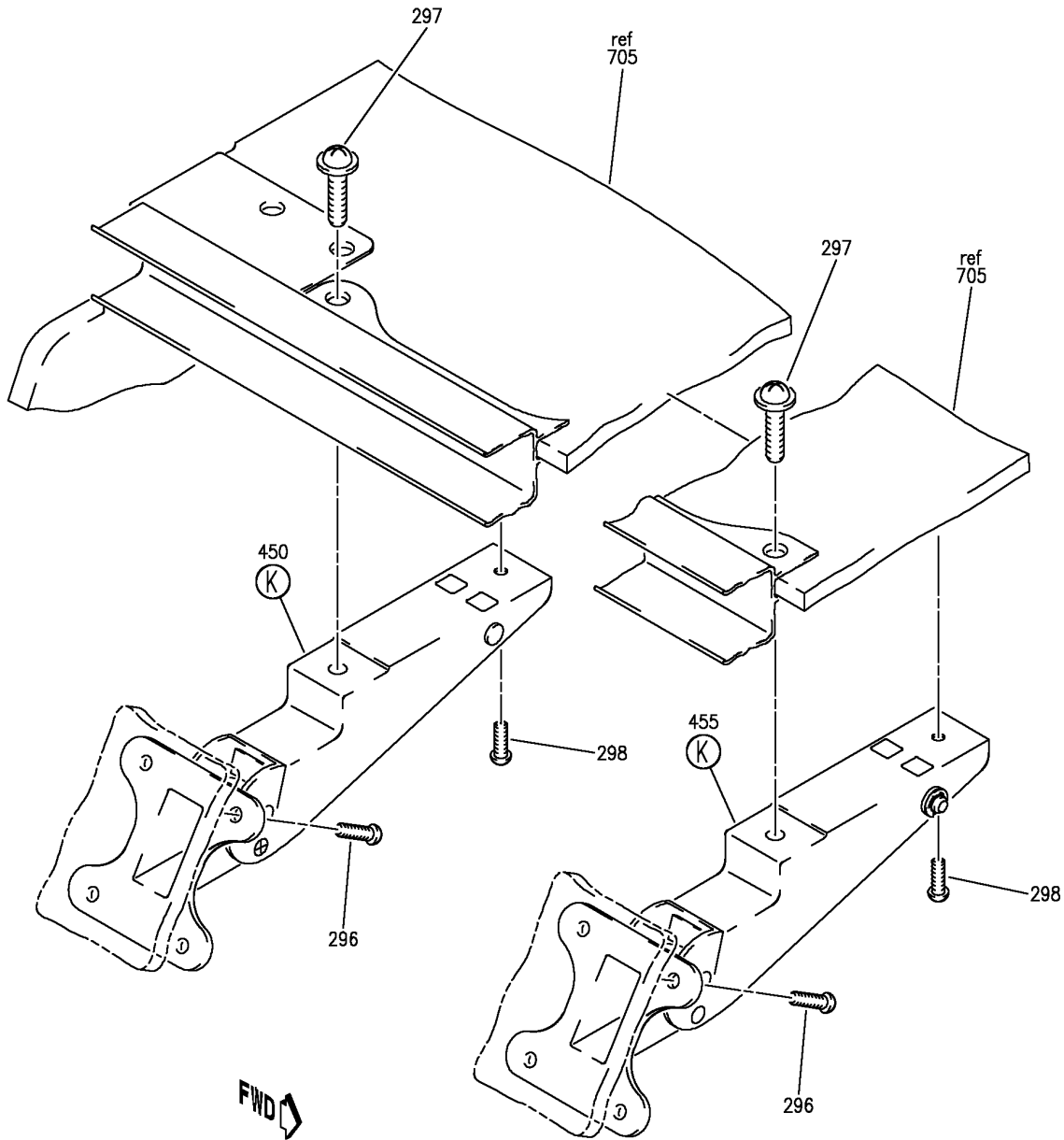
COMPARTMENT ASSY-LH 70 IN. OVHD STOWAGE HNDRL CONFIGURATION (EQUIPMENT/ FURNISHINGS ONLY)
 FIGURE 43 (SHEET 4)

25-24-31-43

HAP
 OCT 10/06

25-24-31-43
 PAGE 0C

BOEING
 737-600/700/800/900
 PARTS CATALOG (MAINTENANCE)



(E)

E 25243143 SH1 5 REV 108

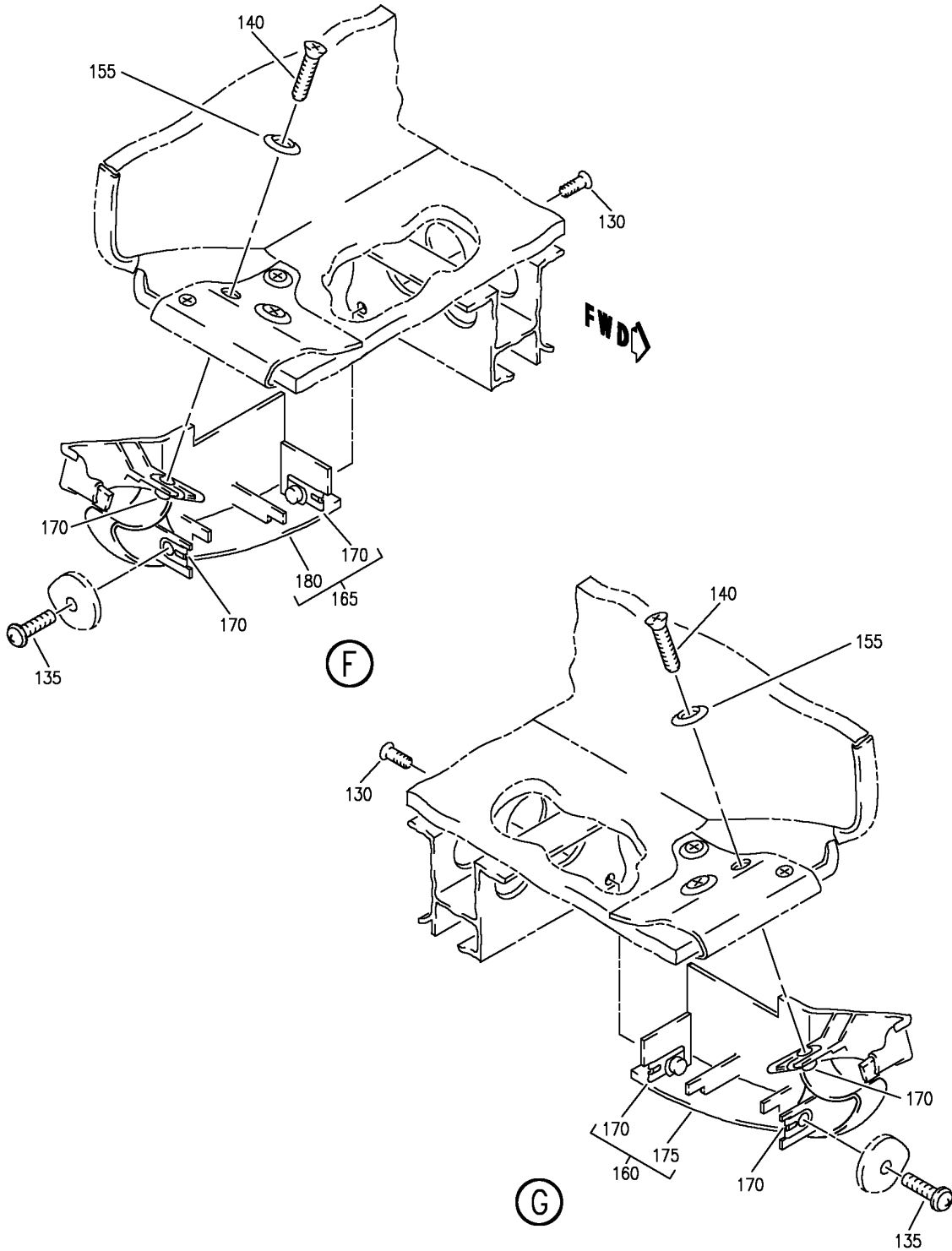
COMPARTMENT ASSY-LH 70 IN. OVHD STOWAGE HANDLING CONFIGURATION (EQUIPMENT/ FURNISHINGS ONLY)
 FIGURE 43 (SHEET 5)

25-24-31-43

HAP
 OCT 10/06

25-24-31-43
 PAGE 0D

BOEING
 737-600/700/800/900
 PARTS CATALOG (MAINTENANCE)



E 25243143 SH1 6 REV 108

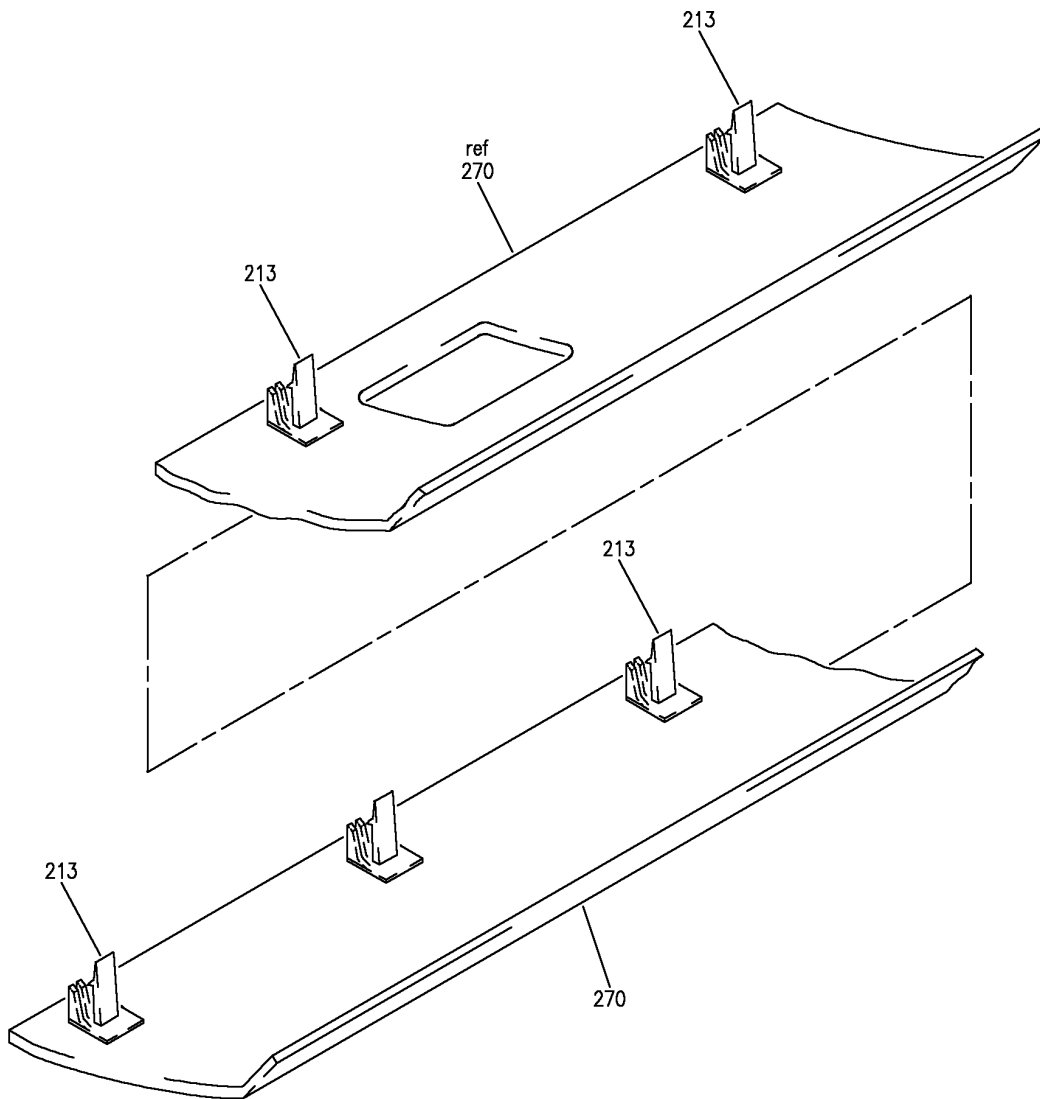
COMPARTMENT ASSY-LH 70 IN. OVHD STOWAGE HNDRL CONFIGURATION (EQUIPMENT/ FURNISHINGS ONLY)
 FIGURE 43 (SHEET 6)

25-24-31-43

HAP
 OCT 10/06

25-24-31-43
 PAGE 0E

BOEING
737-600/700/800/900
PARTS CATALOG (MAINTENANCE)



E 25243143 SHIT 7 REV 108

(H)

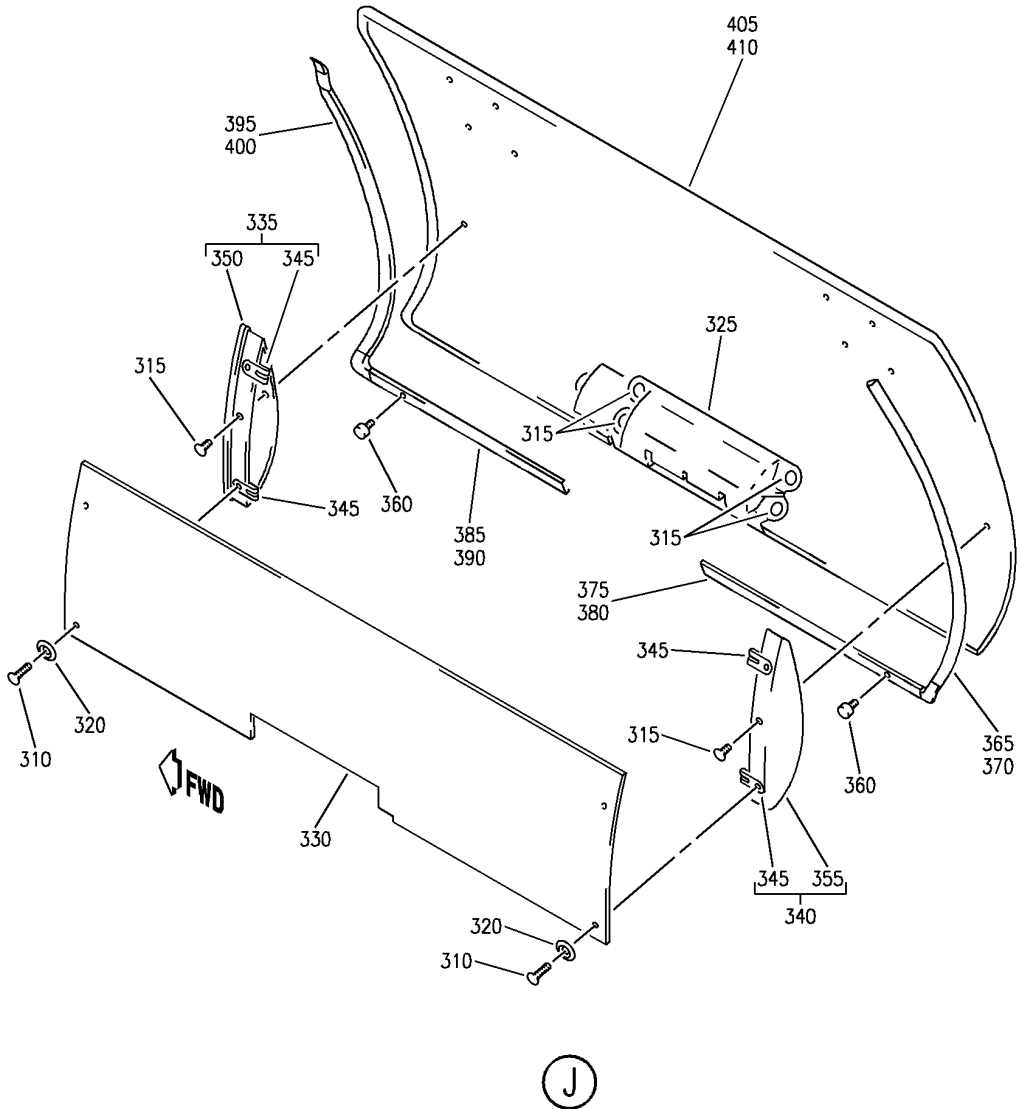
COMPARTMENT ASSY-LH 70 IN. OVHD STOWAGE HANDLING CONFIGURATION (EQUIPMENT/ FURNISHINGS ONLY)
FIGURE 43 (SHEET 7)

HAP
OCT 10/06

25-24-31-43

25-24-31-43
PAGE OF

BOEING
 737-600/700/800/900
 PARTS CATALOG (MAINTENANCE)



E 2524-31-43 SH1 8 REV 105

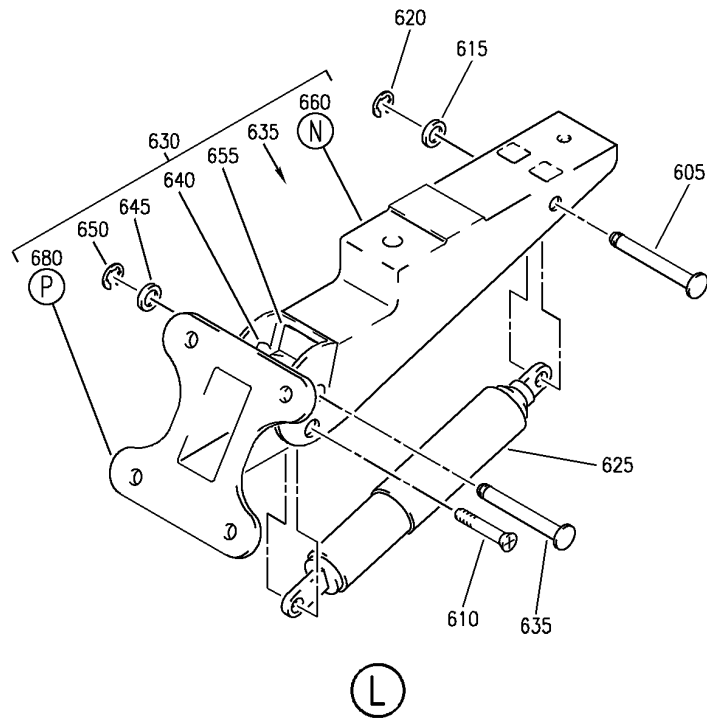
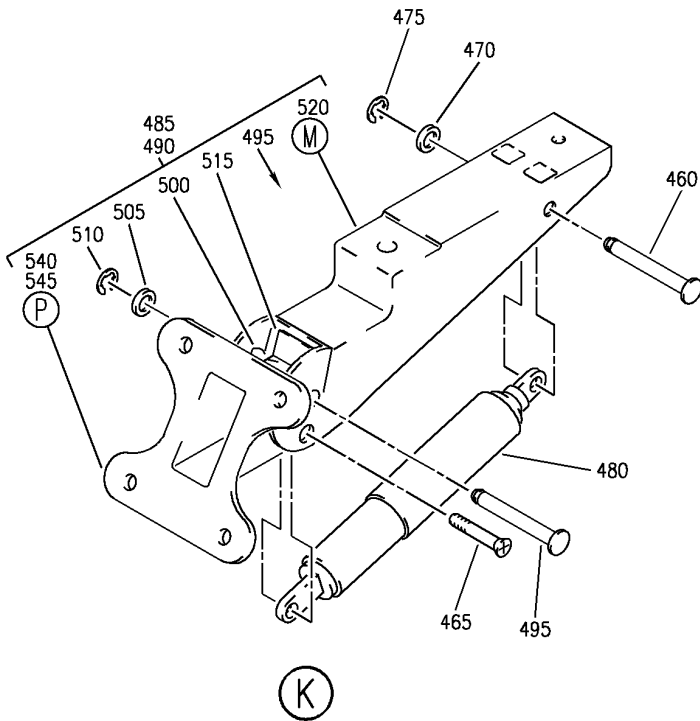
COMPARTMENT ASSY-LH 70 IN. OVHD STOWAGE HANDLING CONFIGURATION (EQUIPMENT/ FURNISHINGS ONLY)
 FIGURE 43 (SHEET 8)

25-24-31-43

HAP
 OCT 10/06

25-24-31-43
 PAGE 06

BOEING
 737-600/700/800/900
 PARTS CATALOG (MAINTENANCE)



E 2524-31-43 SH1 9 REV 105

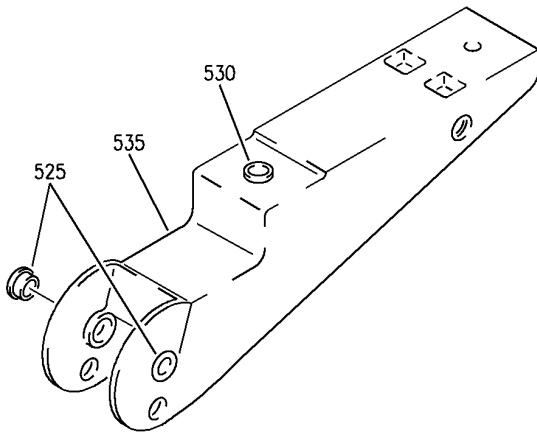
COMPARTMENT ASSY-LH 70 IN. OVHD STOWAGE HNDRL CONFIGURATION (EQUIPMENT/ FURNISHINGS ONLY)
 FIGURE 43 (SHEET 9)

HAP
 OCT 10/06

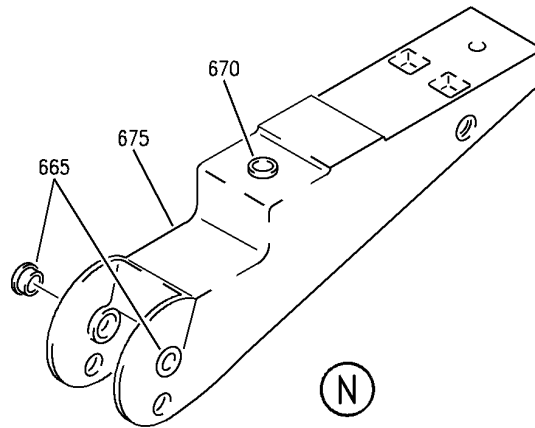
25-24-31-43

25-24-31-43
 PAGE 0H

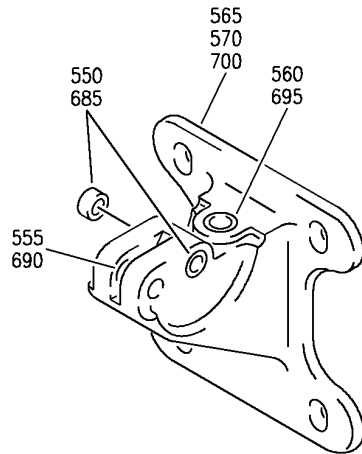
BOEING
 737-600/700/800/900
 PARTS CATALOG (MAINTENANCE)



(M)



(N)



(P)

E 2524-31-43 SHT 10 REV 105

COMPARTMENT ASSY-LH 70 IN. OVHD STOWAGE HANDLING CONFIGURATION (EQUIPMENT/ FURNISHINGS ONLY)
 FIGURE 43 (SHEET 10)

HAP
 OCT 10/06

25-24-31-43

25-24-31-43
 PAGE 01

BOEING
737-600/700/800/900
PARTS CATALOG (MAINTENANCE)

FIG ITEM	PART NUMBER	1 2 3 4 5 6 7	NOMENCLATURE	EFFECT FROM TO	UNITS PER ASSY
43			COMPARTMENT ASSY-LH 70 IN. OVHD STOWAGE HNDRL CONFIGURATION (EQUIPMENT/ FURNISHINGS ONLY)	002005 008030	
- 5	412A1100-119SP		COMPARTMENT ASSY-70 IN. OVHD STOWAGE HNDRL CONFIGURATION (EQUIPMENT/ FURNISHINGS ONLY) POSITION DATA: LH PRE SERVICE BULLETIN: 25-1373 FOR NHA/OTHER SYS DET SEE: 25-24-30-80A	002005 008008	RF
- 5	412A1100-219SP		COMPARTMENT ASSY-70 IN. OVHD STOWAGE HNDRL CONFIGURATION (EQUIPMENT/ FURNISHINGS ONLY) POSITION DATA: LH POST SERVICE BULLETIN: 25-1373 FOR NHA/OTHER SYS DET SEE: 25-24-30-80A	002005 008008	RF
- 5	412A1100-219B		COMPARTMENT ASSY-70 IN. OVHD STOWAGE HNDRL CONFIGURATION (EQUIPMENT/ FURNISHINGS ONLY) POSITION DATA: LH FOR NHA/OTHER SYS DET SEE: 25-24-30-83	009030	RF
10	412A1420-1SP		.EXTRUSION-SEAT ROW MARKER	002005 008008	1
10	412A1420-1A		.EXTRUSION-SEAT ROW MARKER	009030	1
15	H3-1592-1		.LATCH-CLG SUPPLIER CODE: V34941 SPECIFICATION NUMBER: S411A001-1	002005 008030	2
- 20	BACS12GU3K7		ATTACHING PARTS .SCREW	002005 008030	4
- 27	NAS1149D0332J		.WASHER	002005 008030	4
40	412A1700-8SP		-----*----- .VALANCE ASSY-LT OPTIONAL PART: 412A1700-108SP	002005 008008	1

MISSING ITEM NUMBERS NOT APPLICABLE

- ITEM NOT ILLUSTRATED

HAP

25-24-31-43

BOEING PROPRIETARY - Copyright © - Unpublished Work - See title page for details.

25-24-31
FIG. 43
PAGE 1
OCT 10/06

BOEING
737-600/700/800/900
PARTS CATALOG (MAINTENANCE)

FIG ITEM	PART NUMBER	1 2 3 4 5 6 7	NOMENCLATURE	EFFECT FROM TO	UNITS PER ASSY
43					
40	412A1700-108SP	.VALANCE ASSY-LT OPTIONAL PART: 412A1700-8SP		002005 008008	1
40	412A1700-8A	.VALANCE ASSY-LT OPTIONAL PART: 412A1700-108B		009030	1
40	412A1700-108B	.VALANCE ASSY-LT OPTIONAL PART: 412A1700-8A		009030	1
- 43	BACN10YJ3F	.NUT		002005 008030	7
		-----*-----			
45	BACS21DW3C10FN	..STUD		002005 008030	7
50	412A1700-6	..TAPE-VELCRO		002005 008030	2
55	412A1712-1SP	..PANEL ASSY- USED ON: 412A1700-8SP		002005 008008	1
55	412A1712-101SP	..PANEL ASSY- USED ON: 412A1700-108SP		002005 008008	1
55	412A1712-1A	..PANEL ASSY- USED ON: 412A1700-8A		009030	1
55	412A1712-101B	..PANEL ASSY- USED ON: 412A1700-108B		009030	1
125	412A1451-2SP	.STRIP-		002005 008008	1
125	412A1451-2BCWK	.STRIP-		009030	1
130	BACB30VF3K3	.BOLT		002005 008030	2
135	BACS12FA3K7	.SCREW- OPTIONAL PART: 412A1100-95		002005 008030	2
140	BACS12ER3K9	.SCREW		002005 008030	2
145	BACS12ER3K5	.SCREW		002005 008030	10
150	BACS12ER3K14	.SCREW		002005 008030	11
155	H3-1233A3	.WASHER- SUPPLIER CODE: V34941 SPECIFICATION NUMBER: S411A001-1		002005 008030	13

MISSING ITEM NUMBERS NOT APPLICABLE

- ITEM NOT ILLUSTRATED

HAP

25-24-31-43

25-24-31
FIG. 43
PAGE 2
JUN 15/08

BOEING
737-600/700/800/900
PARTS CATALOG (MAINTENANCE)

FIG ITEM	PART NUMBER	1 2 3 4 5 6 7	NOMENCLATURE	EFFECT FROM TO	UNITS PER ASSY
43					
160	412A1465-13SP	.	CLOSEOUT ASSY- POSITION DATA: LH	002005 008008	1
160	412A1465-13A	.	CLOSEOUT ASSY- POSITION DATA: LH	009030	1
165	412A1465-14SP	.	CLOSEOUT ASSY- POSITION DATA: RH	002005 008008	1
165	412A1465-14A	.	CLOSEOUT ASSY- POSITION DATA: RH	009030	1
170	BACN10VR4CGN	..	NUT- OPTIONAL PART: BACN10VR4CG	002005 008030	3
170	BACN10VR4CG	..	NUT- OPTIONAL PART: BACN10VR4CGN	002005 008030	3
175	412A1465-15A	..	CLOSEOUT- POSITION DATA: LH SIDE	009030	1
175	412A1465-15SP	..	CLOSEOUT- POSITION DATA: LH SIDE	002005 008008	1
180	412A1465-16A	..	CLOSEOUT- POSITION DATA: RH SIDE	009030	1
180	412A1465-16SP	..	CLOSEOUT- POSITION DATA: RH SIDE	002005 008008	1
185	412A1243-3	.	EXTRUSION ASSY- OPTIONAL PART: 412A1243-103 PRE SERVICE BULLETIN: 25-1373	002005 008008	1
185	412A1243-103	.	EXTRUSION ASSY- OPTIONAL PART: 412A1243-3	002005 008030	1
190	FS1651-3	..	NUTPLATE SUPPLIER CODE: V15653 SPECIFICATION NUMBER: BACN10KH3CD OPTIONAL PART: 102F9209M3 V72962 NS202496-02 V80539	002005 008030	11

MISSING ITEM NUMBERS NOT APPLICABLE

— ITEM NOT ILLUSTRATED

HAP

25-24-31-43

25-24-31
FIG. 43
PAGE 3
JUN 15/08

BOEING PROPRIETARY - Copyright © - Unpublished Work - See title page for details.

BOEING
737-600/700/800/900
PARTS CATALOG (MAINTENANCE)

FIG ITEM	PART NUMBER	1 2 3 4 5 6 7	NOMENCLATURE	EFFECT FROM TO	UNITS PER ASSY
43			ATTACHING PARTS		
- 195	BACR15BA3ADC		..RIVET- SIZE DETERMINED ON INSTL. -----*-----	002005 008030	22
205	412A1650-3SP		.COVER ASSY	002005 008008	1
205	412A1650-3A		.COVER ASSY	009030	1
210	412A1600-50SP		.COVER ASSY-	002005 008008	1
210	412A1600-50A		.COVER ASSY-	009030	1
213	412A1460-1		..CLIP	002005 008030	5
270	412A1610-150SP		..PANEL ASSY- OPTIONAL PART: 412A1610-50SP	002005 008008	1
270	412A1610-50SP		..PANEL ASSY- OPTIONAL PART: 412A1610-150SP	002005 008008	1
270	412A1610-50A		..PANEL ASSY- OPTIONAL PART: 412A1610-150B	009030	1
270	412A1610-150B		..PANEL ASSY- OPTIONAL PART: 412A1610-50A	009030	1
- 279	OBA8		.PLUG- SUPPLIER CODE: VOBV87 OPTIONAL PART: 412A1100-96 412A1811-1B 412A1811-2B	002005 008030	AR
- 280	412A1811-1B		.PLUG- OPTIONAL PART: 412A1100-96 412A1811-2B OBA8 VOBV87 POST SERVICE BULLETIN: 25-1373	002005 008030	AR
- 280	412A1811-2B		.PLUG- OPTIONAL PART: 412A1100-96 412A1811-1B OBA8 VOBV87	009030	AR

MISSING ITEM NUMBERS NOT APPLICABLE

- ITEM NOT ILLUSTRATED

HAP

25-24-31-43

BOEING PROPRIETARY - Copyright © - Unpublished Work - See title page for details.

25-24-31
FIG. 43
PAGE 4
JUN 15/08

BOEING
737-600/700/800/900
PARTS CATALOG (MAINTENANCE)

FIG ITEM	PART NUMBER	1 2 3 4 5 6 7	NOMENCLATURE	EFFECT FROM TO	UNITS PER ASSY
43					
- 285	412A1100-96		.KIT ASSY-SCR AND WASHER OPTIONAL PART: 412A1811-1B 412A1811-2B POST SERVICE BULLETIN: 25-1373	002005 008030	AR
- 290	NAS514P1032-5		..SCREW	002005 008030	1
- 295	H3-1233A3		..WASHER- SUPPLIER CODE: V34941 SPECIFICATION NUMBER: S411A001-1	002005 008030	1
296	BACS12FA3K6		.SCREW	002005 008030	16
297	BACS12FA3K15		.SCREW	002005 008030	4
298	BACS12FA3K9		.SCREW-	002005 008030	4
300	412A1500-33SP		.DOOR ASSY-34.70 IN. PRE SERVICE BULLETIN: 25-1373	002005 008008	1
300	412A1500-133SP		.DOOR ASSY-34.70 IN. POST SERVICE BULLETIN: 25-1373	002005 008008	1
300	412A1500-133B		.DOOR ASSY-34.70 IN.	009030	1
305	412A1500-34SP		.DOOR ASSY-34.70 IN. PRE SERVICE BULLETIN: 25-1373	002005 008008	1
305	412A1500-134SP		.DOOR ASSY-34.70 IN. POST SERVICE BULLETIN: 25-1373	002005 008008	1
305	412A1500-134B		.DOOR ASSY-34.70 IN.	009030	1
310	BACS12ER3K9		..SCREW	002005 008030	4
315	BACS12FA3K4		..SCREW	002005 008030	6
320	H3-1233A3		..WASHER- SUPPLIER CODE: V34941 SPECIFICATION NUMBER: S411A001-1	002005 008030	4

MISSING ITEM NUMBERS NOT APPLICABLE

- ITEM NOT ILLUSTRATED

HAP

25-24-31-43

BOEING PROPRIETARY - Copyright © - Unpublished Work - See title page for details.

25-24-31
FIG. 43
PAGE 5
JUN 15/08

BOEING
737-600/700/800/900
PARTS CATALOG (MAINTENANCE)

FIG ITEM	PART NUMBER	1 2 3 4 5 6 7	NOMENCLATURE	EFFECT FROM TO	UNITS PER ASSY
43 325	HA225-1		.. LATCH ASSY- SUPPLIER CODE: V83014 SPECIFICATION NUMBER: S412A001-1A PRE SERVICE BULLETIN: 25-1373 PRE SERVICE BULLETIN: HA225-25-01 V83014	002005 008030	1
325	HA225-7		.. LATCH ASSY- SUPPLIER CODE: V83014 SPECIFICATION NUMBER: S412A001-11B SERVICE BULLETIN OPT DATA: HA225K3868 V83014 POST SERVICE BULLETIN: 25-1373 POST SERVICE BULLETIN: HA225-25-01 V83014	002005 008030	1
325	HA225K3868		.. LATCH ASSY- SUPPLIER CODE: V83014 SERVICE BULLETIN OPT DATA: HA225-7 V83014 POST SERVICE BULLETIN: 25-1373 POST SERVICE BULLETIN: HA225-25-01 V83014	002005 008008	1
330	412A1615-117SP		.. PANEL ASSY-FILLER OPTIONAL PART: 412A1615-1117SP	002005 008030	1
330	412A1615-1117SP		.. PANEL ASSY-FILLER OPTIONAL PART: 412A1615-117SP POST SERVICE BULLETIN: 25-1373	002005 008030	1
335	412A1480-3SP		.. BRACKET ASSY	002005 008030	1
340	412A1480-4SP		.. BRACKET ASSY	002005 008030	1
345	BACN10VR4CGN		... NUT	002005 008030	2

MISSING ITEM NUMBERS NOT APPLICABLE

— ITEM NOT ILLUSTRATED

HAP

25-24-31-43

25-24-31
FIG. 43
PAGE 6
JUN 15/08

BOEING
737-600/700/800/900
PARTS CATALOG (MAINTENANCE)

FIG ITEM	PART NUMBER	1 2 3 4 5 6 7	NOMENCLATURE	EFFECT FROM TO	UNITS PER ASSY
43					
350	412A1480-1SP	...	BRACKET- USED ON: 412A1480-3SP	002005 008030	1
355	412A1480-2SP	...	BRACKET- USED ON: 412A1480-4SP	002005 008030	1
360	412A1810-1SP	..	BUMPER	002005 008030	2
365	412A1450-3SP	..	TRIM-EDGE POSITION DATA: LH SIDE	002005 008030	1
370	412A1450-4SP	..	TRIM-EDGE POSITION DATA: RH SIDE	002005 008030	1
375	412A1450-5SP	..	TRIM-EDGE POSITION DATA: LH SIDE	002005 008030	1
380	412A1450-6SP	..	TRIM-EDGE POSITION DATA: RH SIDE	002005 008030	1
385	412A1450-10SP	..	TRIM-EDGE POSITION DATA: LH SIDE	002005 008030	1
390	412A1450-9SP	..	TRIM-EDGE POSITION DATA: RH SIDE	002005 008030	1
395	412A1450-8SP	..	TRIM-EDGE POSITION DATA: LH SIDE	002005 008030	1
400	412A1450-7SP	..	TRIM-EDGE POSITION DATA: RH SIDE	002005 008030	1
405	412A1510-35SP	..	PANEL ASSY- POSITION DATA: LH SIDE	002005 008030	1
410	412A1510-36SP	..	PANEL ASSY- POSITION DATA: RH SIDE	002005 008030	1
- 415	SL618-3A	...	INSERT- SUPPLIER CODE: V97393	002005 008030	14
450	412A1100-51B	.HINGE	ASSY-COLLECTOR	009030	2
450	412A1100-51SP	.HINGE	ASSY-COLLECTOR	002005 008008	2
455	412A1100-52B	.HINGE	ASSY-COLLECTOR	009030	1
455	412A1100-52SP	.HINGE	ASSY-COLLECTOR	002005 008008	1
460	412A1230-21	..	PIN	002005 008030	1

MISSING ITEM NUMBERS NOT APPLICABLE

- ITEM NOT ILLUSTRATED

HAP

25-24-31-43

25-24-31
FIG. 43
PAGE 7
JUN 15/08

BOEING
737-600/700/800/900
PARTS CATALOG (MAINTENANCE)

FIG ITEM	PART NUMBER	1 2 3 4 5 6 7	NOMENCLATURE	EFFECT FROM TO	UNITS PER ASSY
43					
465	BACB30VF3K7	..	BOLT	002005 008030	1
470	NAS1149D0316J	..	WASHER	002005 008030	1
475	MS16633-4018	..	RING	002005 008030	1
480	SP20522	..	ACTUATOR ASSY- SUPPLIER CODE: V24403 SPECIFICATION NUMBER: S412A002-2	002005 008030	1
485	412A1455-1SP	..	HINGE ASSY- USED ON: 412A1100-51B	002005 008030	1
490	412A1455-2SP	..	HINGE ASSY- USED ON: 412A1100-52B	002005 008030	1
495	412A1230-21	...	PIN	002005 008030	1
500	MS51023-54	...	SCREW	002005 008030	1
505	NAS1149D0316J	...	WASHER	002005 008030	1
510	MS16633-4018	...	RING	002005 008030	1
515	412A1220-1	...	CLIP	002005 008030	1
520	412A1454-3SP	...	HOUSING ASSY	002005 008030	1
525	BACB28Y3F020	BUSHING	002005 008030	2
530	6041L3BR375	INSERT- SUPPLIER CODE: V01556	002005 008030	1
535	412A1454-1SP	HOUSING	002005 008030	1
540	412A1454-9SP	...	BRACKET ASSY- USED ON: 412A1455-1SP	002005 008030	1
545	412A1454-10SP	...	BRACKET ASSY- USED ON: 412A1455-2SP	002005 008030	1
550	BACB28Y3F025	BUSHING	002005 008030	2
555	6041-3BR225	INSERT- SUPPLIER CODE: V01556	002005 008030	1

MISSING ITEM NUMBERS NOT APPLICABLE

— ITEM NOT ILLUSTRATED

HAP

25-24-31-43

25-24-31
FIG. 43
PAGE 8
JUN 15/08

BOEING
737-600/700/800/900
PARTS CATALOG (MAINTENANCE)

FIG ITEM	PART NUMBER	1 2 3 4 5 6 7	NOMENCLATURE	EFFECT FROM TO	UNITS PER ASSY
43					
560	6041L3BR375	INSERT- SUPPLIER CODE: V01556	002005 008030	1
565	412A1454-7SP	BRACKET- USED ON: 412A1454-9SP	002005 008030	1
570	412A1454-8SP	BRACKET- USED ON: 412A1454-10SP	002005 008030	1
600	412A1100-54B	.HINGE	ASSY-COLLECTOR	009030	1
600	412A1100-54SP	.HINGE	ASSY-COLLECTOR	002005 008008	1
605	412A1230-21	..PIN		002005 008030	1
610	BACB30VF3K7	..BOLT		002005 008030	1
615	NAS1149D0316J	..WASHER		002005 008030	1
620	MS16633-4018	..RING		002005 008030	1
625	SP20522	..ACTUATOR ASSY-	SUPPLIER CODE: V24403 SPECIFICATION NUMBER: S412A002-2	002005 008030	1
630	412A1455-4SP	..HINGE ASSY		002005 008030	1
635	412A1230-21	...PIN		002005 008030	1
640	MS51023-54	...SCREW		002005 008030	1
645	NAS1149D0316J	...WASHER		002005 008030	1
650	MS16633-4018	...RING		002005 008030	1
655	412A1220-1	...CLIP		002005 008030	1
660	412A1454-12SP	...HOUSING ASSY		002005 008030	1
665	BACB28Y3F020BUSHING		002005 008030	2
670	6041L3BR375	INSERT- SUPPLIER CODE: V01556	002005 008030	1
675	412A1454-11SP	HOUSING	002005 008030	1
680	412A1454-10SP	...BRACKET ASSY		002005 008030	1

MISSING ITEM NUMBERS NOT APPLICABLE

— ITEM NOT ILLUSTRATED

HAP

25-24-31-43

25-24-31
FIG. 43
PAGE 9
JUN 15/08

BOEING
737-600/700/800/900
PARTS CATALOG (MAINTENANCE)

FIG ITEM	PART NUMBER	1 2 3 4 5 6 7	NOMENCLATURE	EFFECT FROM TO	UNITS PER ASSY
43					
685	BACB28Y3F025	BUSHING	002005 008030	2
690	6041-3BR225	INSERT- SUPPLIER CODE: V01556	002005 008030	1
695	6041L3BR375	INSERT- SUPPLIER CODE: V01556	002005 008030	1
700	412A1454-8SP	BRACKET	002005 008030	1
705	412A1200-119SP	.BOX	ASSY-70 IN. BIN OPTIONAL PART: 412A1200-1119SP FOR DETAILS SEE: 25-24-32-75A	002005 008008	1
705	412A1200-119A	.BOX	ASSY-70 IN. BIN OPTIONAL PART: 412A1200-1119B FOR DETAILS SEE: 25-24-32-75A	009030	1
705	412A1200-1119B	.BOX	ASSY-70 IN. BIN OPTIONAL PART: 412A1200-119A FOR DETAILS SEE: 25-24-32-75A	009030	1
705	412A1200-1119SP	.BOX	ASSY-70 IN. BIN OPTIONAL PART: 412A1200-119SP FOR DETAILS SEE: 25-24-32-75A	002005 008008	1

MISSING ITEM NUMBERS NOT APPLICABLE

— ITEM NOT ILLUSTRATED

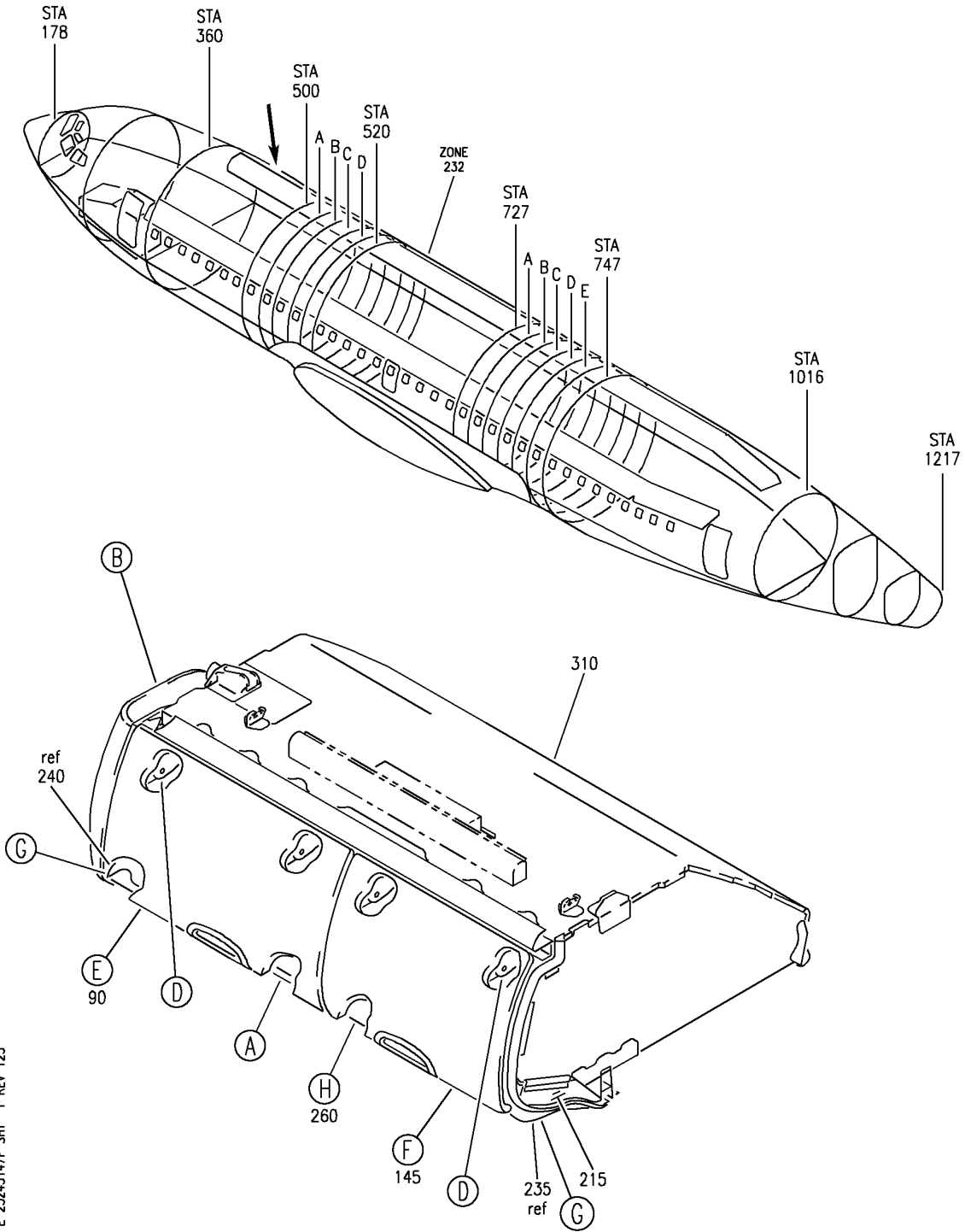
HAP

25-24-31-43

BOEING PROPRIETARY - Copyright © - Unpublished Work - See title page for details.

25-24-31
FIG. 43
PAGE 10
JUN 15/08

BOEING
 737-600/700/800/900
 PARTS CATALOG (MAINTENANCE)



E 2524-31-47F SHT 1 REV 125

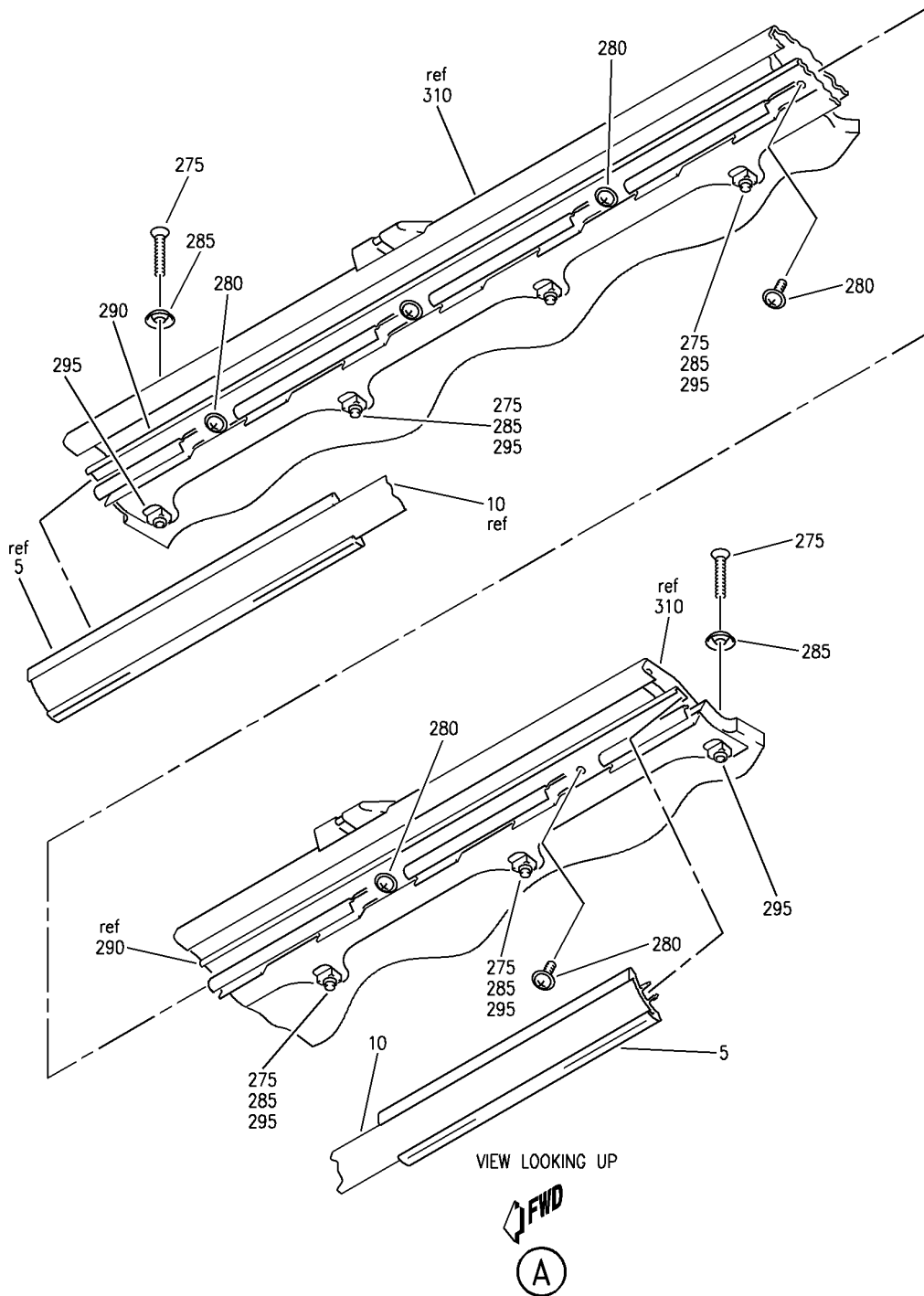
TOP ASSY-FWD RH 44 IN. OVHD STOWAGE BIG BIN BULLNOSE CONFIGURATION
 FIGURE 47F (SHEET 1)

HAP
 FEB 10/07

25-24-31-47F

25-24-31-47F
 PAGE 0

BOEING
 737-600/700/800/900
 PARTS CATALOG (MAINTENANCE)



E 2524-31-47F SHT 2 REV 125

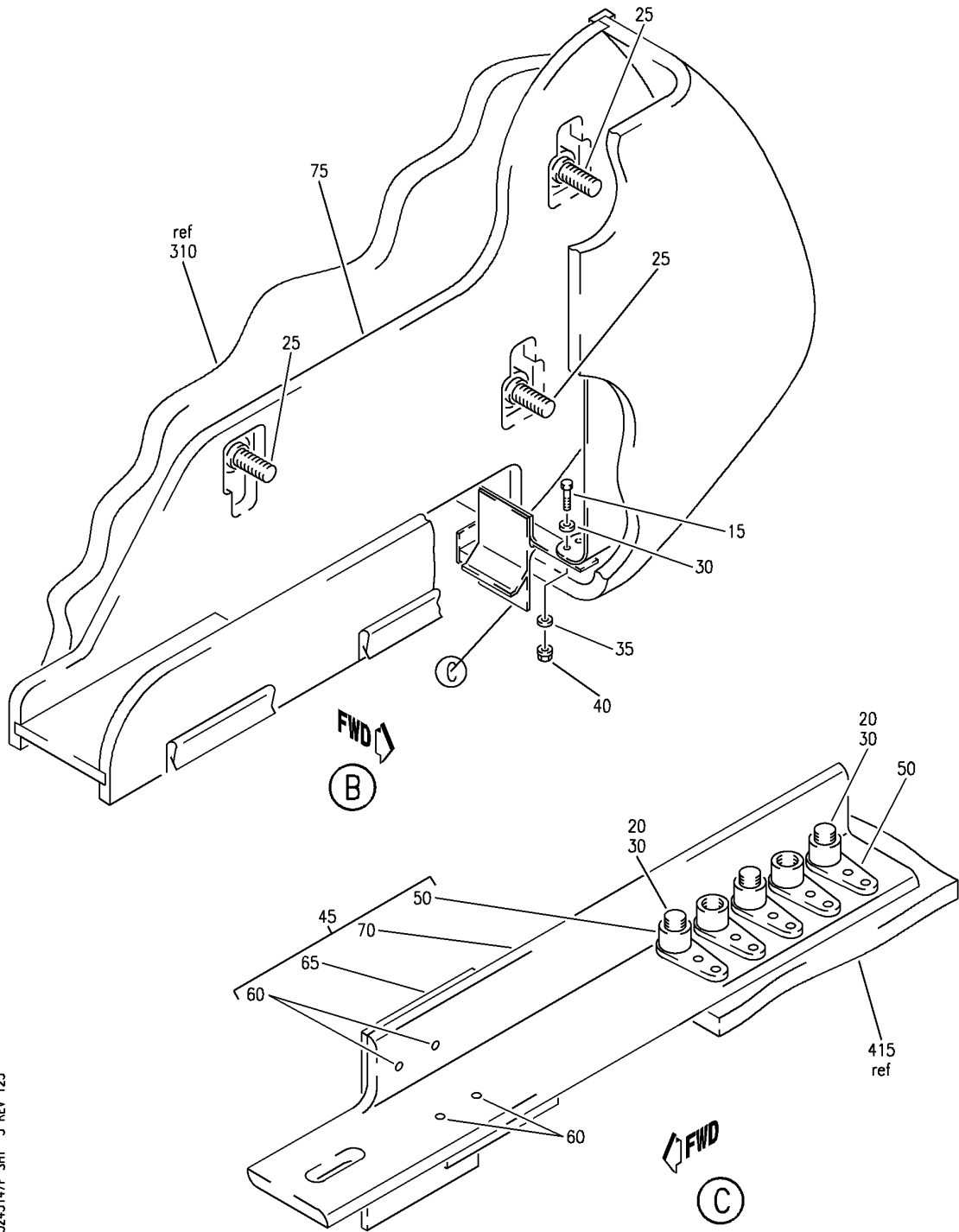
TOP ASSY-FWD RH 44 IN. OVHD STOWAGE BIG BIN BULLNOSE CONFIGURATION
 FIGURE 47F (SHEET 2)

25-24-31-47F

HAP
 FEB 10/07

25-24-31-47F
 PAGE 0A

BOEING
 737-600/700/800/900
 PARTS CATALOG (MAINTENANCE)



E 2524-31-47F SHT 3 REV 125

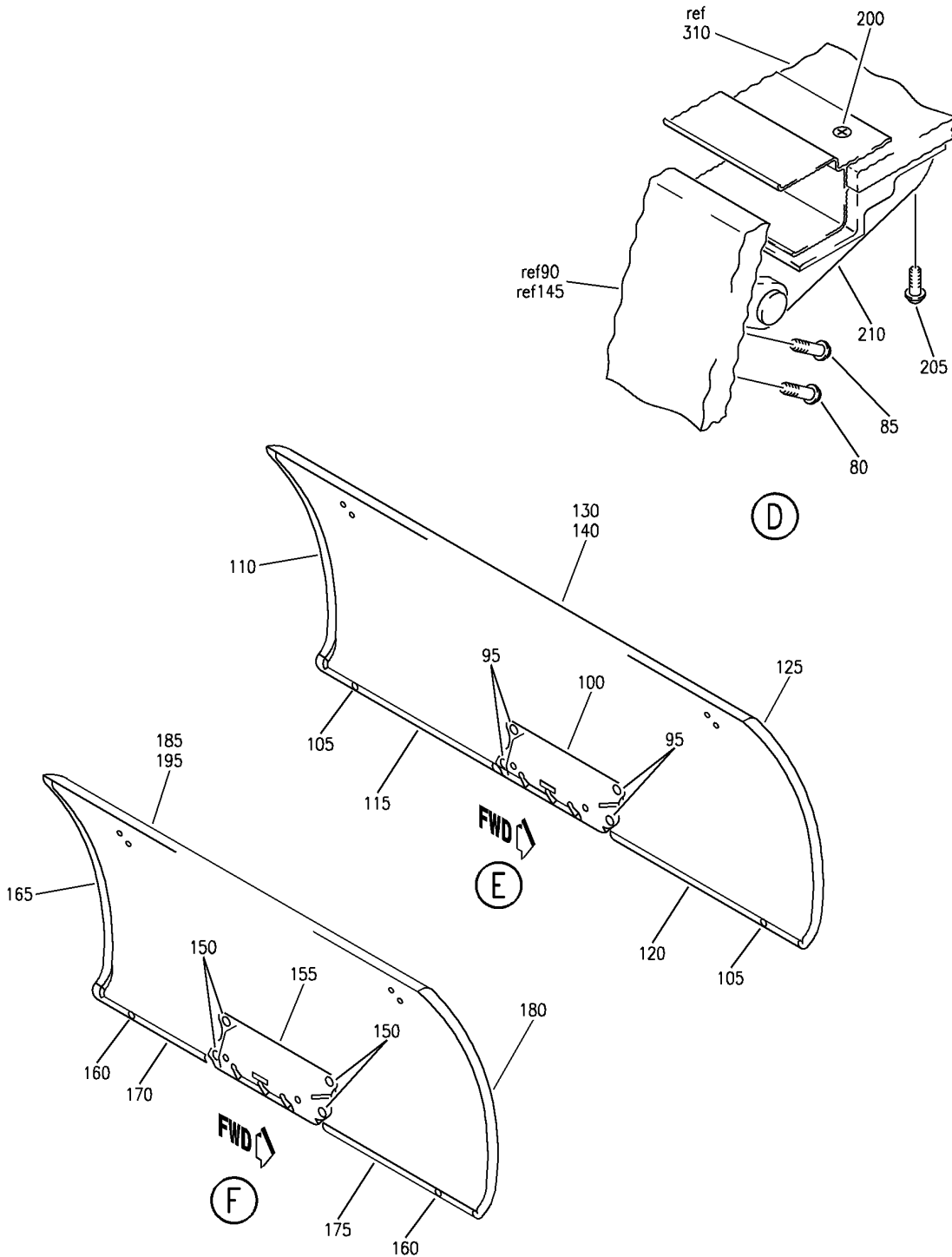
TOP ASSY-FWD RH 44 IN. OVHD STOWAGE BIG BIN BULLNOSE CONFIGURATION
 FIGURE 47F (SHEET 3)

25-24-31-47F

HAP
 FEB 10/07

25-24-31-47F
 PAGE 0B

BOEING
 737-600/700/800/900
 PARTS CATALOG (MAINTENANCE)



E 2524-31-47F SHT 4 REV 125

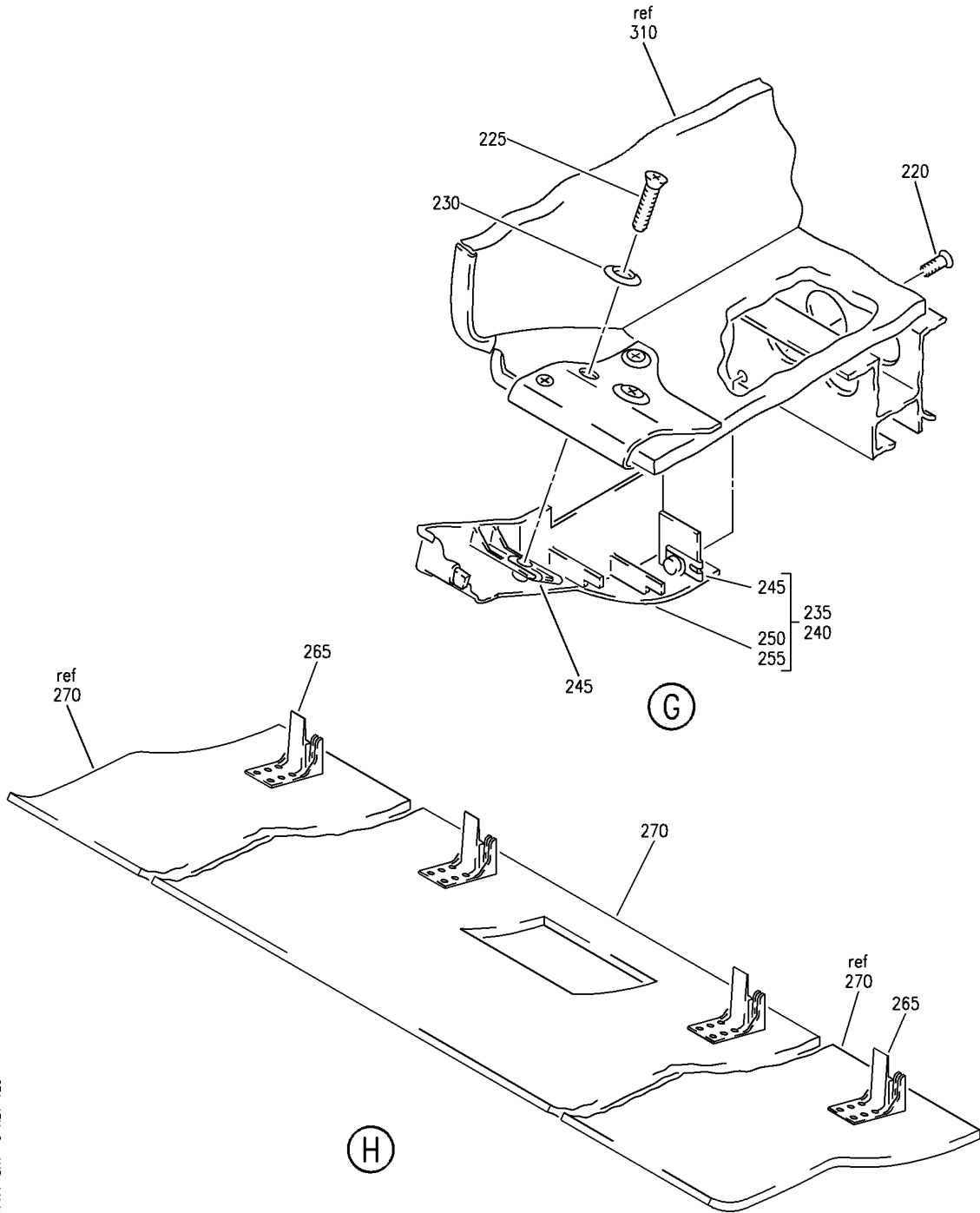
TOP ASSY-FWD RH 44 IN. OVHD STOWAGE BIG BIN BULLNOSE CONFIGURATION
 FIGURE 47F (SHEET 4)

25-24-31-47F

HAP
 FEB 10/07

25-24-31-47F
 PAGE 0C

BOEING
 737-600/700/800/900
 PARTS CATALOG (MAINTENANCE)



E 2524-31-47F SHT 5 REV 125

TOP ASSY-FWD RH 44 IN. OVHD STOWAGE BIG BIN BULLNOSE CONFIGURATION
 FIGURE 47F (SHEET 5)

25-24-31-47F

HAP
 FEB 10/07

25-24-31-47F
 PAGE 0D

BOEING
737-600/700/800/900
PARTS CATALOG (MAINTENANCE)

FIG ITEM	PART NUMBER	1 2 3 4 5 6 7	NOMENCLATURE	EFFECT FROM TO	UNITS PER ASSY
47F			TOP ASSY-FWD RH 44 IN. OVHD STOWAGE BIG BIN BULLNOSE CONFIGURATION	101101 968971	
- 1	412A1052-122B		TOP ASSY-44 IN. OVHD STOWAGE BIG BIN BULLNOSE CONFIGURATION POSITION DATA: FWD RH FOR NHA SEE: 25-24-30-22B	101101 968971	RF
5	412A1420-2A		.EXTRUSION-SEAT ROW MARKER	101101 968971	1
10	412A1451-2BCWK		.STRIP-TRIM	101101 968971	1
15	BACB30NM3K6		.BOLT	101101 968971	1
20	BACS12FA3K10		.SCREW	101101 968971	3
25	CA3105-1032-24		.SCREW SUPPLIER CODE: V73439 SPECIFICATION NUMBER: BACS12N10-24 OPTIONAL PART: CA3105-1032-24 V78189 SP1561-1032-24 V73439	101101 968971	3
30	BACW10BN3AC		.WASHER	101101 968971	4
35	NAS1149D0363J		.WASHER	101101 968971	1
40	PLH53CD		.NUT SUPPLIER CODE: VF0224 SPECIFICATION NUMBER: BACN10YR3CD OPTIONAL PART: H52732-3CD V15653	101101 968971	1
45	412A1230-170		.FITTING ASSY-SPRT	101101 968971	1

MISSING ITEM NUMBERS NOT APPLICABLE

- ITEM NOT ILLUSTRATED

HAP

25-24-31-47F

BOEING PROPRIETARY - Copyright © - Unpublished Work - See title page for details.

25-24-31
FIG. 47F
PAGE 1
FEB 15/09

BOEING
737-600/700/800/900
PARTS CATALOG (MAINTENANCE)

FIG ITEM	PART NUMBER	1 2 3 4 5 6 7	NOMENCLATURE	EFFECT FROM TO	UNITS PER ASSY	
47F 50	T8077S1032	..	NUTPLATE SUPPLIER CODE: V11815 SPECIFICATION NUMBER: BACN10JP3B OPTIONAL PART: MK2000-3BAC V15653 NS103198-02 V80539 RMA9207-3 V72962 VN201A1-02 V92215 BRM100A3 V52828 ATTACHING PARTS	101101 968971	5	
- 55	BACR15BA3ADC	..	RIVET- SIZE DETERMINED ON INSTL. -----*-----	101101 968971	10	
60	BACR15BA3ADC	..	RIVET- SIZE DETERMINED ON INSTL.	101101 968971	4	
65	412A1230-168	..	FITTING	101101 968971	1	
70	412A1230-166	..	FITTING	101101 968971	1	
75	412N1372-210B	.	CAP ASSY-4.54 IN. WIDE END FOR DETAILS SEE: 25-24-33-45C	101101 968971	1	
80	BACS12FA3K6	.	SCREW	101101 968971	4	
85	BACS12FA3K7	.	SCREW	101101 968971	4	
R R R R R R R R	90	412A1505-18B	.DOOR ASSY-23.7 IN. QUALIFIED I/W DATA: THE 412A1505-118B DOOR ASSEMBLY PLUS (QTY 2) HINGE (SP23011) TOGETHER CAN REPLACE THE 412A1505-18B DOOR ASSEMBLY PLUS (QTY 2) HINGE (SP21757).	101101 968971	1	
	95	BACS12FA3K4	..	SCREW	101101 968971	4
	100	HA951-1	..	LATCH ASSY- SUPPLIER CODE: V83014 SPECIFICATION NUMBER: S412A003-1	101101 968971	1

MISSING ITEM NUMBERS NOT APPLICABLE

- ITEM NOT ILLUSTRATED

HAP

25-24-31-47F

BOEING PROPRIETARY - Copyright © - Unpublished Work - See title page for details.

25-24-31
FIG. 47F
PAGE 2
JUN 15/09

BOEING
737-600/700/800/900
PARTS CATALOG (MAINTENANCE)

FIG ITEM	PART NUMBER	1 2 3 4 5 6 7	NOMENCLATURE	EFFECT FROM TO	UNITS PER ASSY
47 F 105	412A1810-2B	..	BUMPER- QUALIFIED I/W DATA: PN 412A1810-3B CAN REPLACE BUT NOT BE REPLACED BY PN 412A1810-2B FOR 737-600/700/800/900 ONLY.	101101 968971	2
105	412A1810-1A	..	BUMPER-	101101 968971	2
110	412A1452-7B	..	TRIM-VERT	101101 968971	1
115	412A1450-9A	..	TRIM-HORIZ	101101 968971	1
120	412A1452-6B	..	TRIM-HORIZ	101101 968971	1
125	412A1452-4B	..	TRIM-VERT	101101 968971	1
130	412A1513-14B	..	PANEL ASSY	101101 968971	1
- 135	SL618-3A	...	INSERT- SUPPLIER CODE: V97393	101101 968971	8
140	412A1513-1B	...	PANEL ASSY	101101 968971	1
R R R R R R R R	145	.D	DOOR ASSY-20 IN. QUALIFIED I/W DATA: THE 412A1505-102B DOOR ASSEMBLY PLUS (QTY 2) HINGE (SP23011) TOGETHER CAN REPLACE THE 412A1505-2B DOOR ASSEMBLY PLUS (QTY 2) HINGE (SP21757).	101101 968971	1
150	BACS12FA3K4	..	SCREW	101101 968971	4
155	HA951-1	..	LATCH ASSY- SUPPLIER CODE: V83014 SPECIFICATION NUMBER: S412A003-1	101101 968971	1
160	412A1810-2B	..	BUMPER- QUALIFIED I/W DATA: PN 412A1810-3B CAN REPLACE BUT NOT BE REPLACED BY PN 412A1810-2B FOR 737-600/700/800/900 ONLY.	101101 968971	2

MISSING ITEM NUMBERS NOT APPLICABLE

- ITEM NOT ILLUSTRATED

HAP

25-24-31-47F

BOEING PROPRIETARY - Copyright © - Unpublished Work - See title page for details.

25-24-31
FIG. 47F
PAGE 3
JUN 15/09

BOEING
737-600/700/800/900
PARTS CATALOG (MAINTENANCE)

FIG ITEM	PART NUMBER	1 2 3 4 5 6 7	NOMENCLATURE	EFFECT FROM TO	UNITS PER ASSY
47F					
160	412A1810-1A	..	BUMPER-	101101 968971	2
165	412A1452-4B	..	TRIM-VERT	101101 968971	1
170	412A1452-6B	..	TRIM-HORIZ	101101 968971	1
175	412A1452-5B	..	TRIM-HORIZ	101101 968971	1
180	412A1452-3B	..	TRIM-VERT	101101 968971	1
185	412A1514-2B	..	PANEL ASSY	101101 968971	1
- 190	SL618-3A	...	INSERT- SUPPLIER CODE: V97393	101101 968971	8
195	412A1514-1B	...	PANEL ASSY	101101 968971	1
200	BACB30VF3K8	.	BOLT	101101 968971	4
205	BACS12FA3K6	.	SCREW	101101 968971	4
210	SP21757	.	HINGE ASSY- SUPPLIER CODE: V24403 SPECIFICATION NUMBER: S412A004-1	101101 968971	4
215	403A3210-96B	.	SEAL ASSY	101101 968971	1
220	BACB30VF3K3	.	BOLT	101101 968971	2
225	BACS12ER3K11	.	SCREW	101101 968971	2
230	H3-1233A3	.	WASHER- SUPPLIER CODE: V34941 SPECIFICATION NUMBER: S411A001-1	101101 968971	2
235	412A1467-1B	.	CLOSEOUT ASSY	101101 968971	1
240	412A1467-2B	.	CLOSEOUT ASSY	101101 968971	1
245	BACN10VR4CGN	..	NUT- OPTIONAL PART: BACN10VR4CG	101101 968971	2
245	BACN10VR4CG	..	NUT- OPTIONAL PART: BACN10VR4CGN	101101 968971	2

MISSING ITEM NUMBERS NOT APPLICABLE

- ITEM NOT ILLUSTRATED

HAP

25-24-31-47F

BOEING PROPRIETARY - Copyright © - Unpublished Work - See title page for details.

25-24-31
FIG. 47F
PAGE 4
JUN 15/09

BOEING
737-600/700/800/900
PARTS CATALOG (MAINTENANCE)

FIG ITEM	PART NUMBER	1 2 3 4 5 6 7	NOMENCLATURE	EFFECT FROM TO	UNITS PER ASSY
47 F					
250	412A1467-5B	..	CLOSEOUT- USED ON: 412A1467-1B	101101 968971	1
255	412A1467-6B	..	CLOSEOUT- USED ON: 412A1467-2B	101101 968971	1
260	412A1607-8B	.	COVER ASSY	101101 968971	1
265	412A1460-2	..	CLIP	101101 968971	4
270	412A1617-9B	..	PANEL	101101 968971	1
275	BACS12ER3K14	.	SCREW	101101 968971	7
280	BACS12FA3K5	.	SCREW	101101 968971	6
285	H3-1233A3	.	WASHER- SUPPLIER CODE: V34941 SPECIFICATION NUMBER: S411A001-1	101101 968971	7
290	412A1244-15	.	EXTRUSION ASSY	101101 968971	1
295	FS1651-3	..	NUTPLATE SUPPLIER CODE: V15653 SPECIFICATION NUMBER: BACN10KH3CD OPTIONAL PART: 102F9209M3 V72962 NS202496-02 V80539 ATTACHING PARTS	101101 968971	7
- 300	BACR15BA3ADC	..	RIVET- SIZE DETERMINED ON INSTL. -----*-----	101101 968971	14
- 305	412A1811-2B	.	PLUG	101101 968971	AR
310	412A1255-60B	.	BOX ASSY-44 IN. BIN FOR DETAILS SEE: 25-24-32-46A	101101 968971	1

MISSING ITEM NUMBERS NOT APPLICABLE

- ITEM NOT ILLUSTRATED

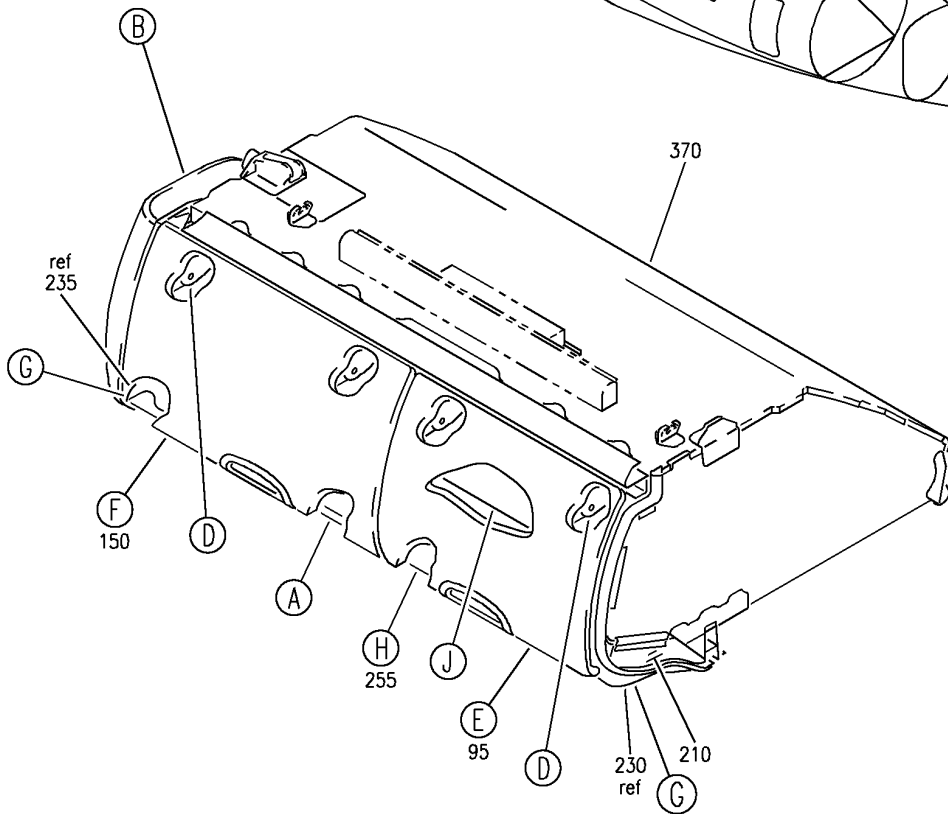
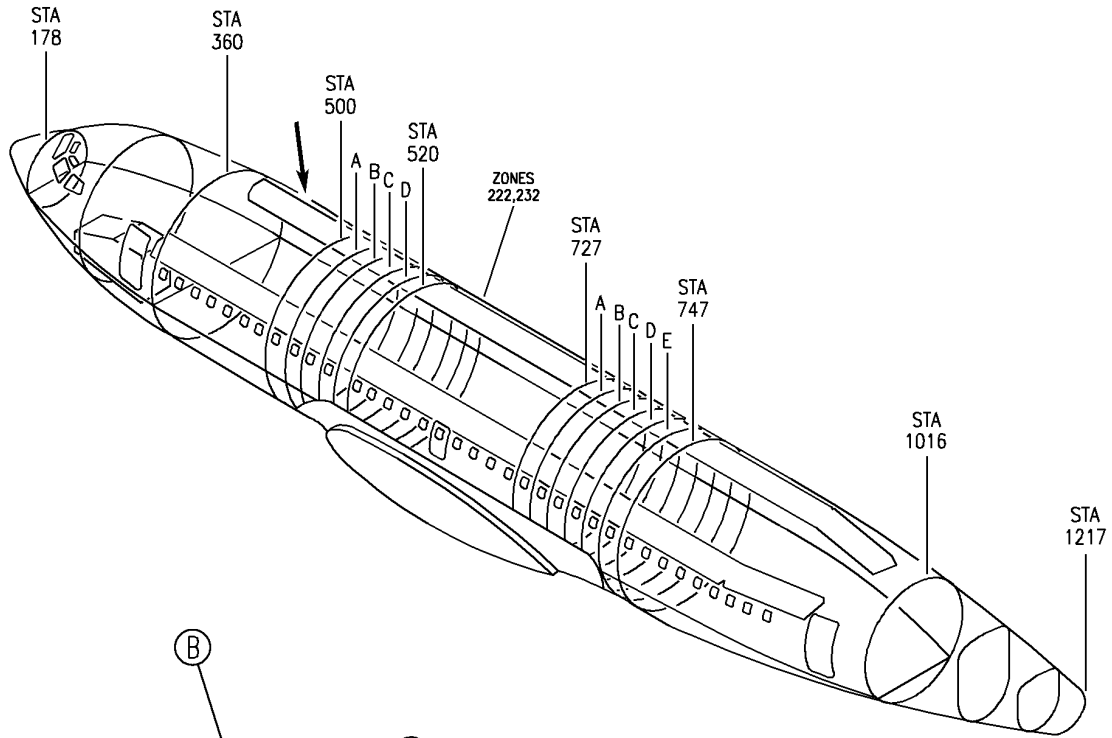
HAP

25-24-31-47F

BOEING PROPRIETARY - Copyright © - Unpublished Work - See title page for details.

25-24-31
FIG. 47F
PAGE 5
JUN 15/09


BOEING
 737-600/700/800/900
 PARTS CATALOG (MAINTENANCE)



E 25243147K SHT 1 REV 136

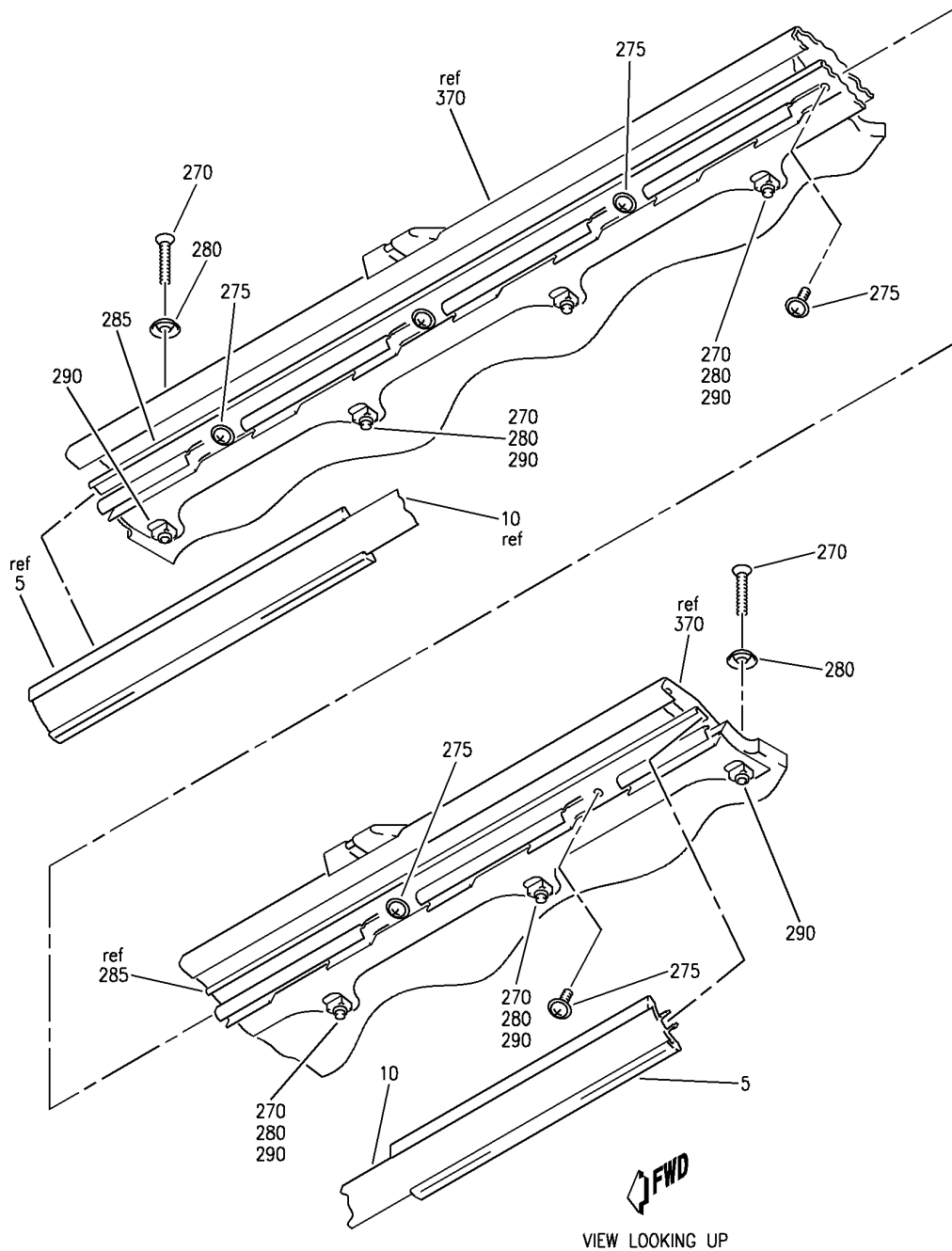
TOP ASSY-FWD RH 44 IN. OVHD STOWAGE BIG BIN BULLNOSE CONFIGURATION
 FIGURE 47K (SHEET 1)

HAP
 FEB 15/08

25-24-31-47K

25-24-31-47K
 PAGE 0

BOEING
 737-600/700/800/900
 PARTS CATALOG (MAINTENANCE)



(A)

E 2524-31-47K SHT 2 REV 136

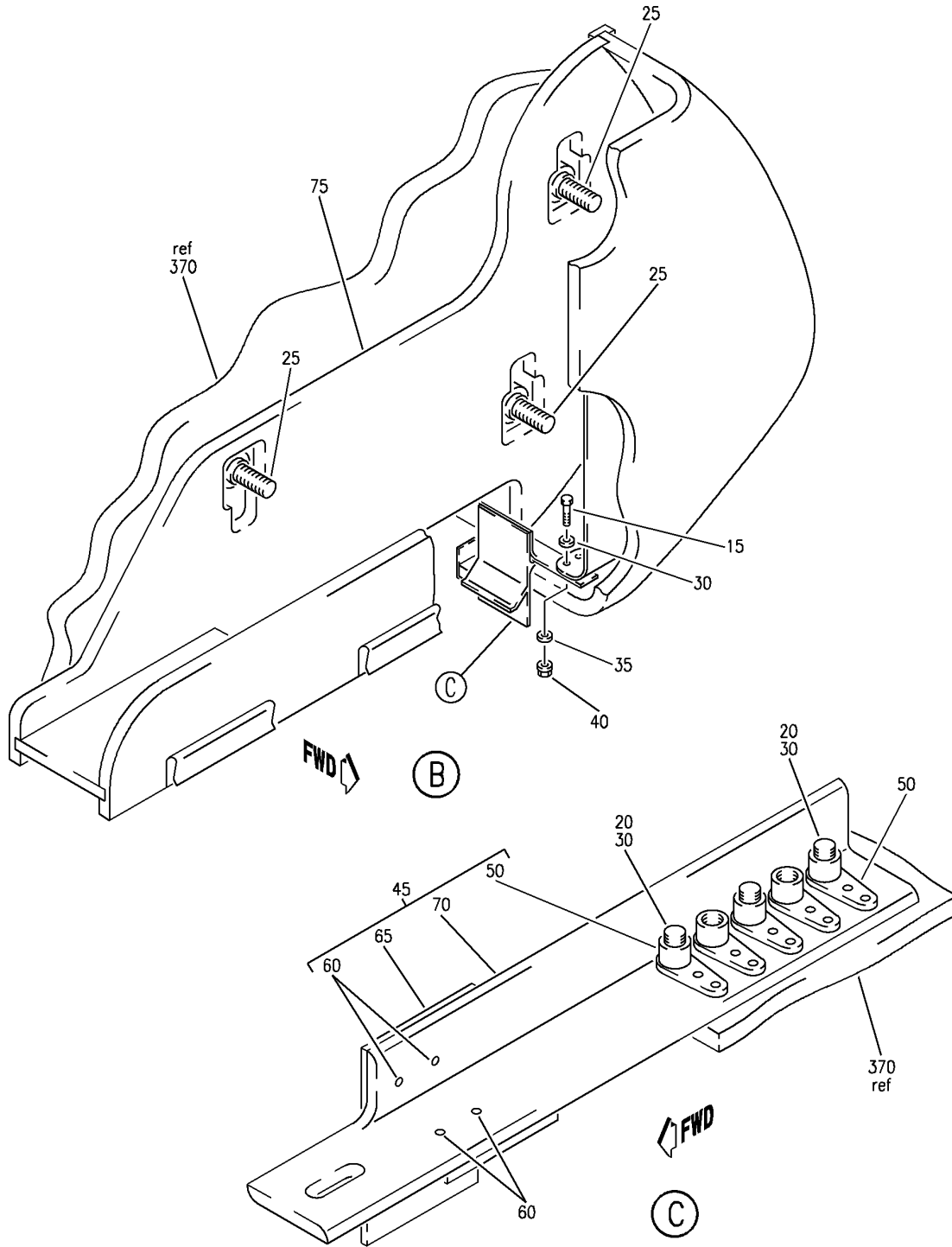
TOP ASSY-FWD RH 44 IN. OVHD STOWAGE BIG BIN BULLNOSE CONFIGURATION
 FIGURE 47K (SHEET 2)

25-24-31-47K

HAP
 FEB 15/08

25-24-31-47K
 PAGE 0A

BOEING
 737-600/700/800/900
 PARTS CATALOG (MAINTENANCE)



E 2524-3147K SHT 3 REV 136

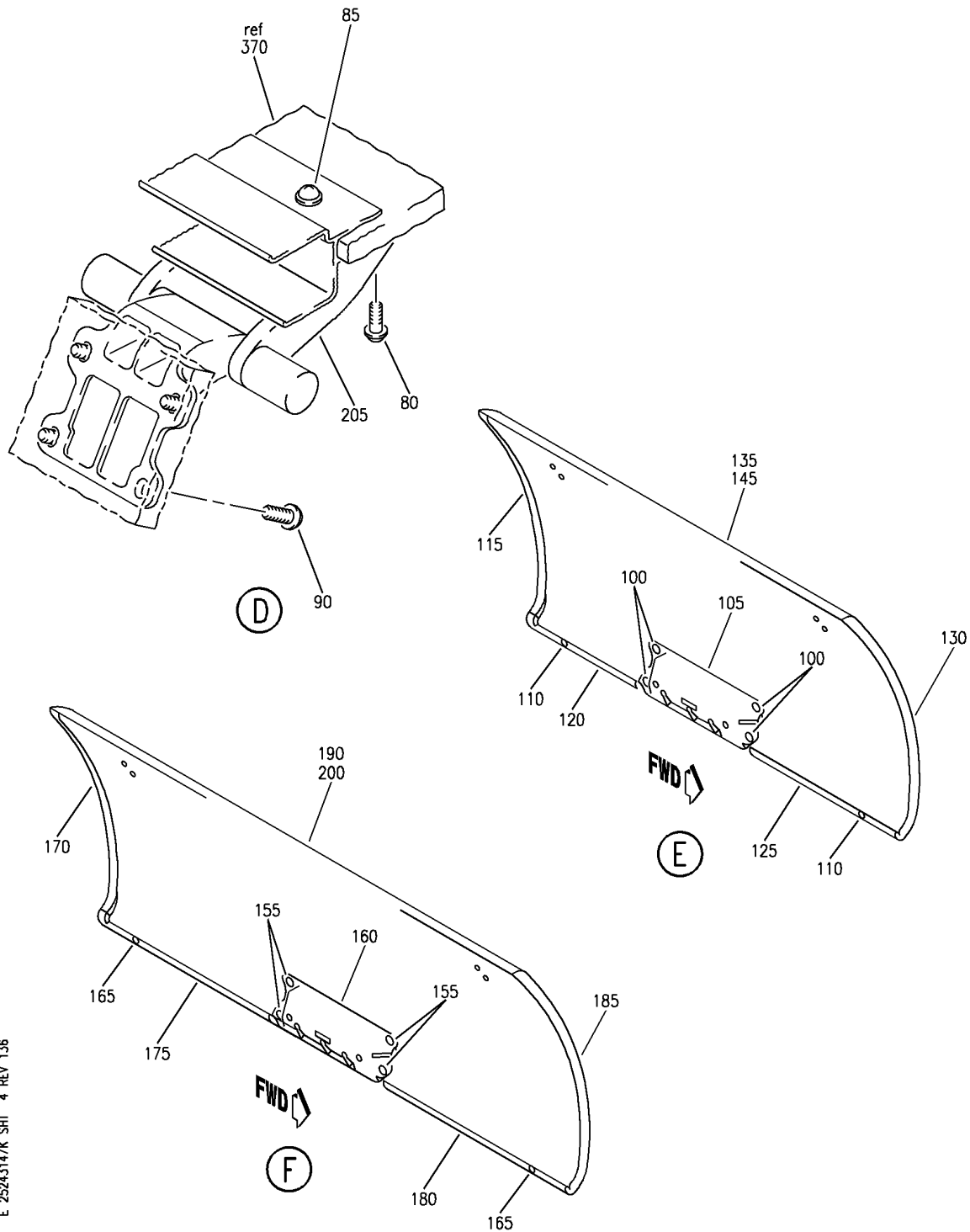
TOP ASSY-FWD RH 44 IN. OVHD STOWAGE BIG BIN BULLNOSE CONFIGURATION
 FIGURE 47K (SHEET 3)

25-24-31-47K

HAP
 FEB 15/08

25-24-31-47K
 PAGE 0B

BOEING
 737-600/700/800/900
 PARTS CATALOG (MAINTENANCE)



E 2524-31-47K SHT 4 REV 136

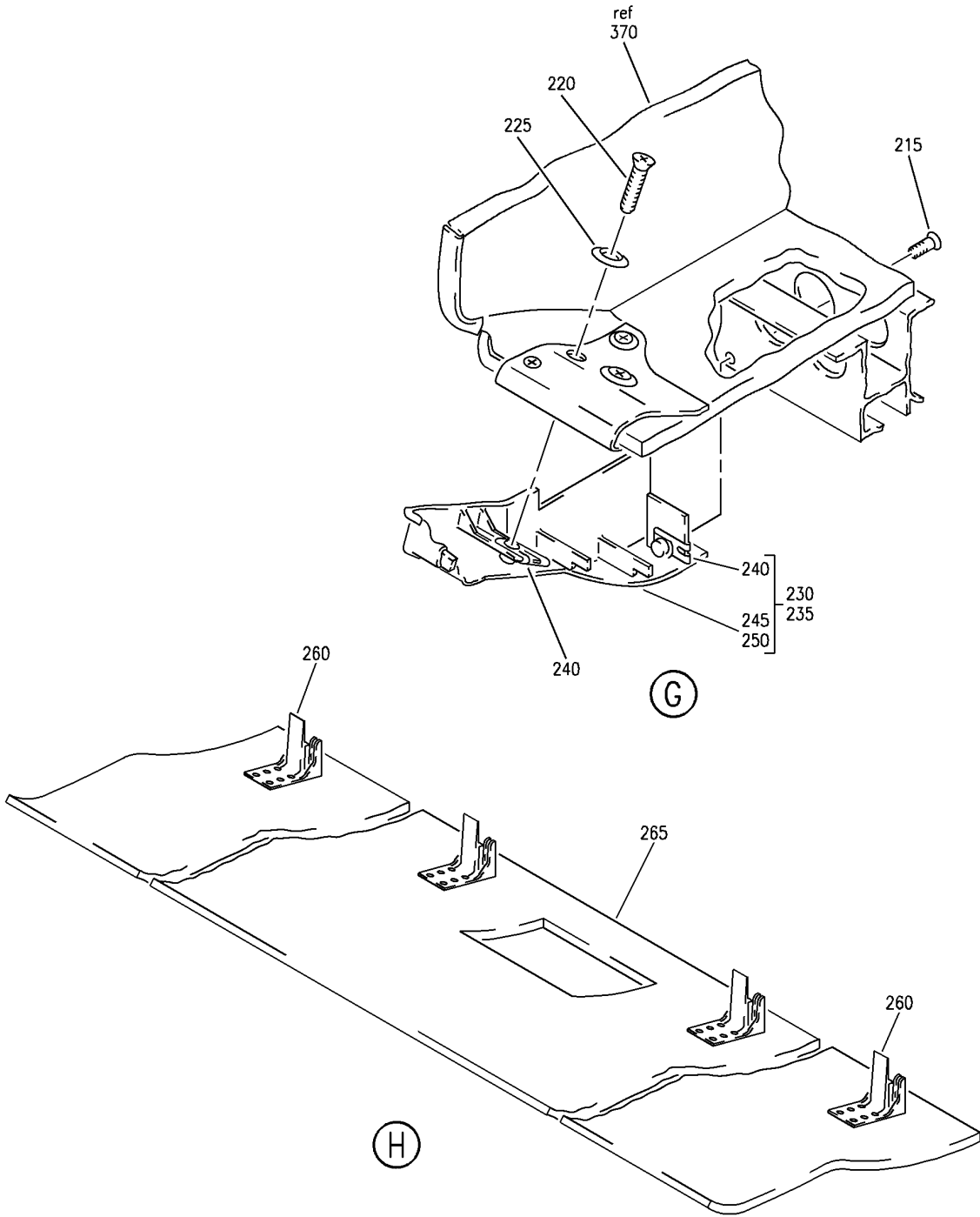
TOP ASSY-FWD RH 44 IN. OVHD STOWAGE BIG BIN BULLNOSE CONFIGURATION
 FIGURE 47K (SHEET 4)

HAP
 FEB 15/08

25-24-31-47K

25-24-31-47K
 PAGE 0C

BOEING
 737-600/700/800/900
 PARTS CATALOG (MAINTENANCE)



E 2524-31-47K SHT 5 REV 136

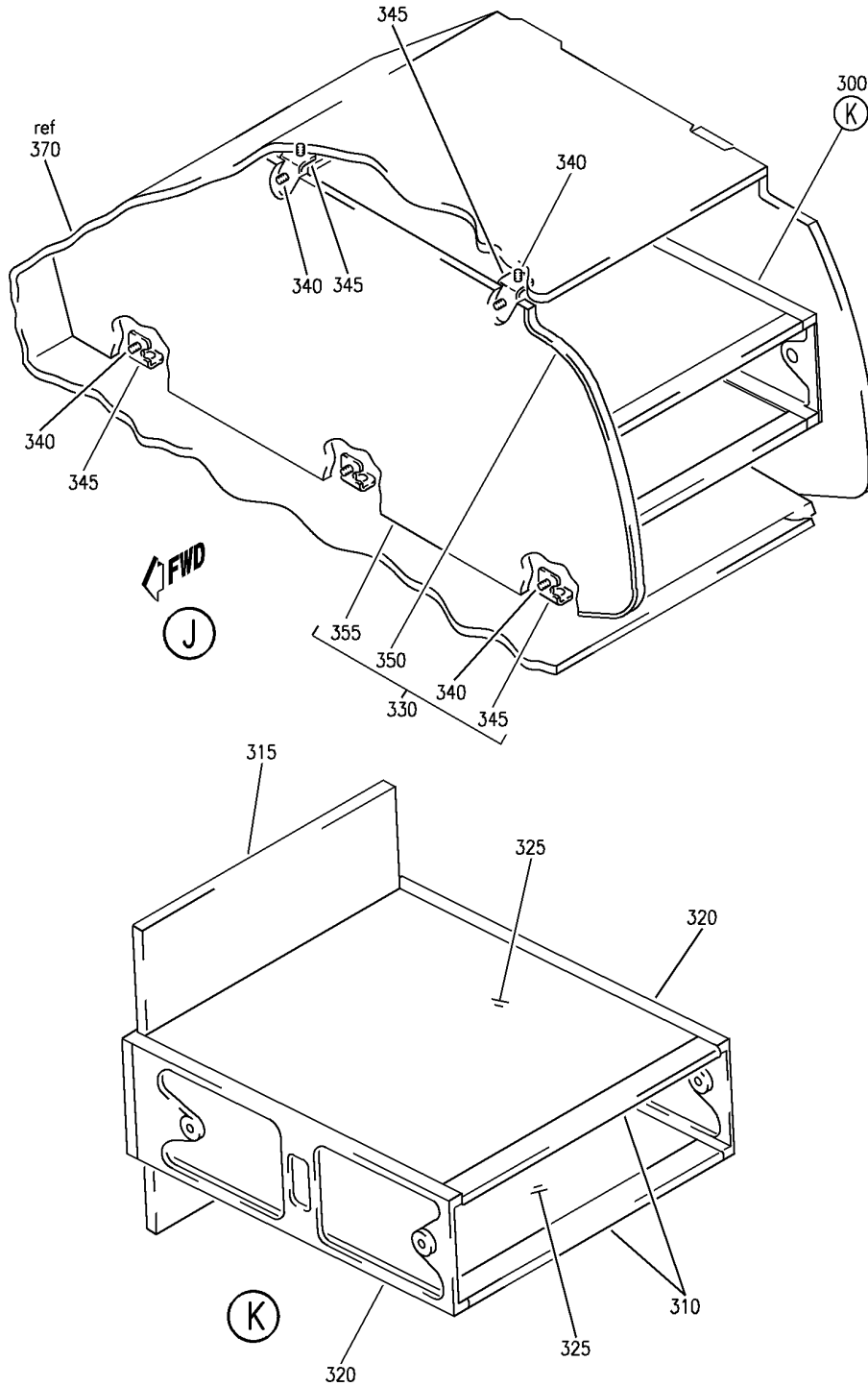
TOP ASSY-FWD RH 44 IN. OVHD STOWAGE BIG BIN BULLNOSE CONFIGURATION
 FIGURE 47K (SHEET 5)

25-24-31-47K

HAP
 FEB 15/08

25-24-31-47K
 PAGE 0D

BOEING
 737-600/700/800/900
 PARTS CATALOG (MAINTENANCE)



E 2524-31-47K SHT 6 REV 136

TOP ASSY-FWD RH 44 IN. OVHD STOWAGE BIG BIN BULLNOSE CONFIGURATION
 FIGURE 47K (SHEET 6)

25-24-31-47K

HAP
 FEB 15/08

25-24-31-47K
 PAGE 0E

BOEING
737-600/700/800/900
PARTS CATALOG (MAINTENANCE)

FIG ITEM	PART NUMBER	1 2 3 4 5 6 7	NOMENCLATURE	EFFECT FROM TO	UNITS PER ASSY
47K			TOP ASSY-FWD RH 44 IN. OVHD STOWAGE BIG BIN BULLNOSE CONFIGURATION	102200 972999	
- 1	412A1052-1122B		TOP ASSY-44 IN. OVHD STOWAGE BIG BIN BULLNOSE CONFIGURATION POSITION DATA: FWD RH FOR NHA SEE: 25-24-30-22B	102200 972999	RF
5	412A1420-2A		.EXTRUSION-SEAT ROW MARKER	102200 972999	1
10	412A1451-2BCWK		.STRIP-TRIM	102200 972999	1
15	BACB30NM3K6		.BOLT	102200 972999	1
20	BACS12FA3K10		.SCREW	102200 972999	3
25	CA3105-1032-24		.SCREW SUPPLIER CODE: V73439 SPECIFICATION NUMBER: BACS12N10-24 OPTIONAL PART: CA3105-1032-24 V78189 SP1561-1032-24 V73439	102200 972999	3
30	BACW10BN3AC		.WASHER	102200 972999	4
35	NAS1149D0363J		.WASHER	102200 972999	1
40	PLH53CD		.NUT SUPPLIER CODE: VF0224 SPECIFICATION NUMBER: BACN10YR3CD OPTIONAL PART: H52732-3CD V15653	102200 972999	1
45	412A1230-170		.FITTING ASSY-SPRT	102200 972999	1

MISSING ITEM NUMBERS NOT APPLICABLE

- ITEM NOT ILLUSTRATED

HAP

25-24-31-47K

BOEING PROPRIETARY - Copyright © - Unpublished Work - See title page for details.

25-24-31
FIG. 47K
PAGE 1
FEB 15/09

BOEING
737-600/700/800/900
PARTS CATALOG (MAINTENANCE)

FIG ITEM	PART NUMBER	1 2 3 4 5 6 7	NOMENCLATURE	EFFECT FROM TO	UNITS PER ASSY
47K 50	T8077S1032		..NUTPLATE SUPPLIER CODE: V11815 SPECIFICATION NUMBER: BACN10JP3B OPTIONAL PART: MK2000-3BAC V15653 NS103198-02 V80539 RMA9207-3 V72962 VN201A1-02 V92215 BRM100A3 V52828 ATTACHING PARTS	102200 972999	5
- 55	BACR15BA3ADC		..RIVET- SIZE DETERMINED ON INSTL. -----*-----	102200 972999	10
60	BACR15BA3ADC		..RIVET- SIZE DETERMINED ON INSTL.	102200 972999	4
65	412A1230-168		..FITTING	102200 972999	1
70	412A1230-166		..FITTING	102200 972999	1
75	412N1372-210B		.CAP ASSY-4.54 IN. WIDE END FOR DETAILS SEE: 25-24-33-45C	102200 972999	1
80	BACS12FA3K6		.SCREW	102200 972999	4
85	BACB30VF3K8		.BOLT	102200 972999	4
90	BACS12FA3K5		.SCREW	102200 972999	16
95	412A1505-102B		.DOOR ASSY-20 IN. QUALIFIED I/W DATA: THE 412A1505-102B DOOR ASSEMBLY PLUS (QTY 2) HINGE (SP23011) TOGETHER CAN REPLACE THE 412A1505-2B DOOR ASSEMBLY PLUS (QTY 2) HINGE (SP21757).	102200 972999	1
100	BACS12FA3K4		..SCREW	102200 972999	4

MISSING ITEM NUMBERS NOT APPLICABLE

- ITEM NOT ILLUSTRATED

HAP

25-24-31-47K

BOEING PROPRIETARY - Copyright © - Unpublished Work - See title page for details.

25-24-31
FIG. 47K
PAGE 2
JUN 15/09

BOEING
737-600/700/800/900
PARTS CATALOG (MAINTENANCE)

FIG ITEM	PART NUMBER	1 2 3 4 5 6 7	NOMENCLATURE	EFFECT FROM TO	UNITS PER ASSY
47K 105	HA951-1		.. LATCH ASSY- SUPPLIER CODE: V83014 SPECIFICATION NUMBER: S412A003-1	102200 972999	1
110	412A1810-3B		.. BUMPER- QUALIFIED I/W DATA: PN 412A1810-3B CAN REPLACE BUT NOT BE REPLACED BY PN 412A1810-2B FOR 737-600/700/800/900 ONLY.	102200 972999	2
115	412A1452-104B		.. TRIM-VERT	102200 972999	1
120	412A1452-106B		.. TRIM-HORIZ	102200 972999	1
125	412A1452-105B		.. TRIM-HORIZ	102200 972999	1
130	412A1452-103B		.. TRIM-VERT	102200 972999	1
135	412A1514-102B		.. PANEL ASSY	102200 972999	1
- 140	SL618-3A		... INSERT- SUPPLIER CODE: V97393	102200 972999	12
145	412A1514-101B		... PANEL ASSY	102200 972999	1
R R R R R R R R	150		. DOOR ASSY-23.7 IN. QUALIFIED I/W DATA: THE 412A1505-118B DOOR ASSEMBLY PLUS (QTY 2) HINGE (SP23011) TOGETHER CAN REPLACE THE 412A1505-18B DOOR ASSEMBLY PLUS (QTY 2) HINGE (SP21757).	102200 972999	1
155	BACS12FA3K4		.. SCREW	102200 972999	4
160	HA951-1		.. LATCH ASSY- SUPPLIER CODE: V83014 SPECIFICATION NUMBER: S412A003-1	102200 972999	1

MISSING ITEM NUMBERS NOT APPLICABLE

- ITEM NOT ILLUSTRATED

HAP

25-24-31-47K

BOEING PROPRIETARY - Copyright © - Unpublished Work - See title page for details.

25-24-31
FIG. 47K
PAGE 3
JUN 15/09

BOEING
737-600/700/800/900
PARTS CATALOG (MAINTENANCE)

FIG ITEM	PART NUMBER	1 2 3 4 5 6 7	NOMENCLATURE	EFFECT FROM TO	UNITS PER ASSY
47K 165	412A1810-3B	..	BUMPER- QUALIFIED I/W DATA: PN 412A1810-3B CAN REPLACE BUT NOT BE REPLACED BY PN 412A1810-2B FOR 737-600/700/800/900 ONLY.	102200 972999	2
170	412A1452-107B	..	TRIM-VERT	102200 972999	1
175	412A1452-109B	..	TRIM-EDGE	102200 972999	1
180	412A1452-106B	..	TRIM-HORIZ	102200 972999	1
185	412A1452-104B	..	TRIM-VERT	102200 972999	1
190	412A1513-114B	..	PANEL ASSY	102200 972999	1
- 195	SL618-3A	...	INSERT- SUPPLIER CODE: V97393	102200 972999	12
200	412A1513-115B	...	PANEL ASSY	102200 972999	1
205	SP23011	.	HINGE ASSY- SUPPLIER CODE: V24403 SPECIFICATION NUMBER: S412A004-3	102200 972999	4
210	403A3210-96B	.	SEAL ASSY	102200 972999	1
215	BACB30VF3K3	.	BOLT	102200 972999	2
220	BACS12ER3K11	.	SCREW	102200 972999	2
225	H3-1233A3	.	WASHER- SUPPLIER CODE: V34941 SPECIFICATION NUMBER: S411A001-1	102200 972999	2
230	412A1467-1B	.	CLOSEOUT ASSY	102200 972999	1
235	412A1467-2B	.	CLOSEOUT ASSY	102200 972999	1
240	BACN10VR4CGN	..	NUT- OPTIONAL PART: BACN10VR4CG	102200 972999	2
240	BACN10VR4CG	..	NUT- OPTIONAL PART: BACN10VR4CGN	102200 972999	2

MISSING ITEM NUMBERS NOT APPLICABLE

- ITEM NOT ILLUSTRATED

HAP

25-24-31-47K

BOEING PROPRIETARY - Copyright © - Unpublished Work - See title page for details.

25-24-31
FIG. 47K
PAGE 4
JUN 15/09

BOEING
737-600/700/800/900
PARTS CATALOG (MAINTENANCE)

FIG ITEM	PART NUMBER	1 2 3 4 5 6 7	NOMENCLATURE	EFFECT FROM TO	UNITS PER ASSY
47K 245	412A1467-5B	..	CLOSEOUT- USED ON: 412A1467-1B	102200 972999	1
250	412A1467-6B	..	CLOSEOUT- USED ON: 412A1467-2B	102200 972999	1
255	412A1607-8B	.	COVER ASSY	102200 972999	1
260	412A1460-2	..	CLIP	102200 972999	4
265	412A1617-9B	..	PANEL	102200 972999	1
270	BACS12ER3K14	.	SCREW	102200 972999	7
275	BACS12FA3K5	.	SCREW	102200 972999	6
280	H3-1233A3	.	WASHER- SUPPLIER CODE: V34941 SPECIFICATION NUMBER: S411A001-1	102200 972999	7
285	412A1244-15	.	EXTRUSION ASSY	102200 972999	1
290	FS1651-3	..	NUTPLATE SUPPLIER CODE: V15653 SPECIFICATION NUMBER: BACN10KH3CD OPTIONAL PART: 102F9209M3 V72962 NS202496-02 V80539 ATTACHING PARTS	102200 972999	7
- 295	BACR15BA3ADC	..	RIVET- SIZE DETERMINED ON INSTL. -----*-----	102200 972999	14
- 365	412A1811-2B	.	PLUG	102200 972999	30
370	412A1255-60B	.	BOX ASSY-44 IN. BIN FOR DETAILS SEE: 25-24-32-46A	102200 972999	1

MISSING ITEM NUMBERS NOT APPLICABLE

- ITEM NOT ILLUSTRATED

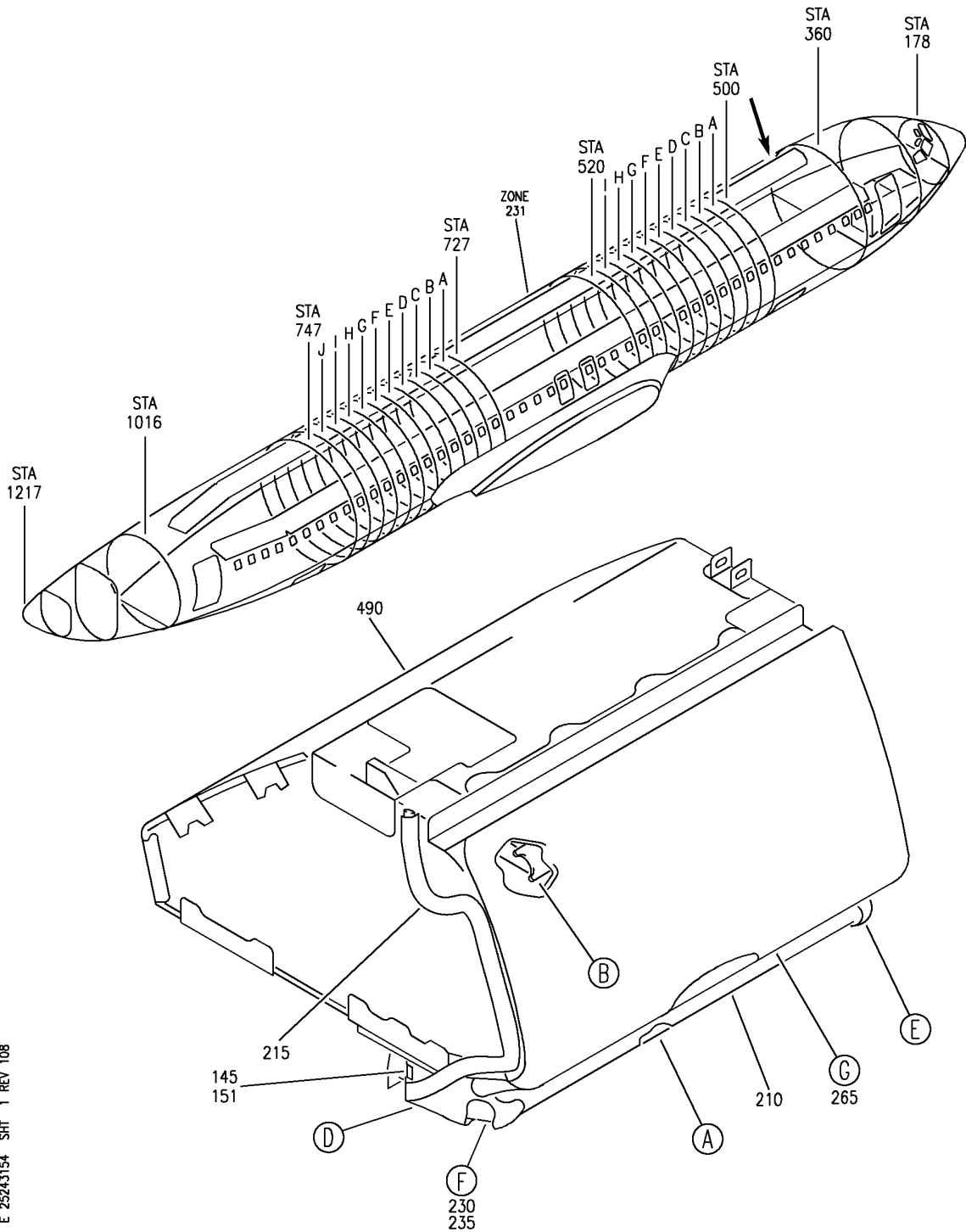
HAP

25-24-31-47K

BOEING PROPRIETARY - Copyright © - Unpublished Work - See title page for details.

25-24-31
FIG. 47K
PAGE 5
JUN 15/09

BOEING
 737-600/700/800/900
 PARTS CATALOG (MAINTENANCE)



E 2524-3154 SHT 1 REV 108

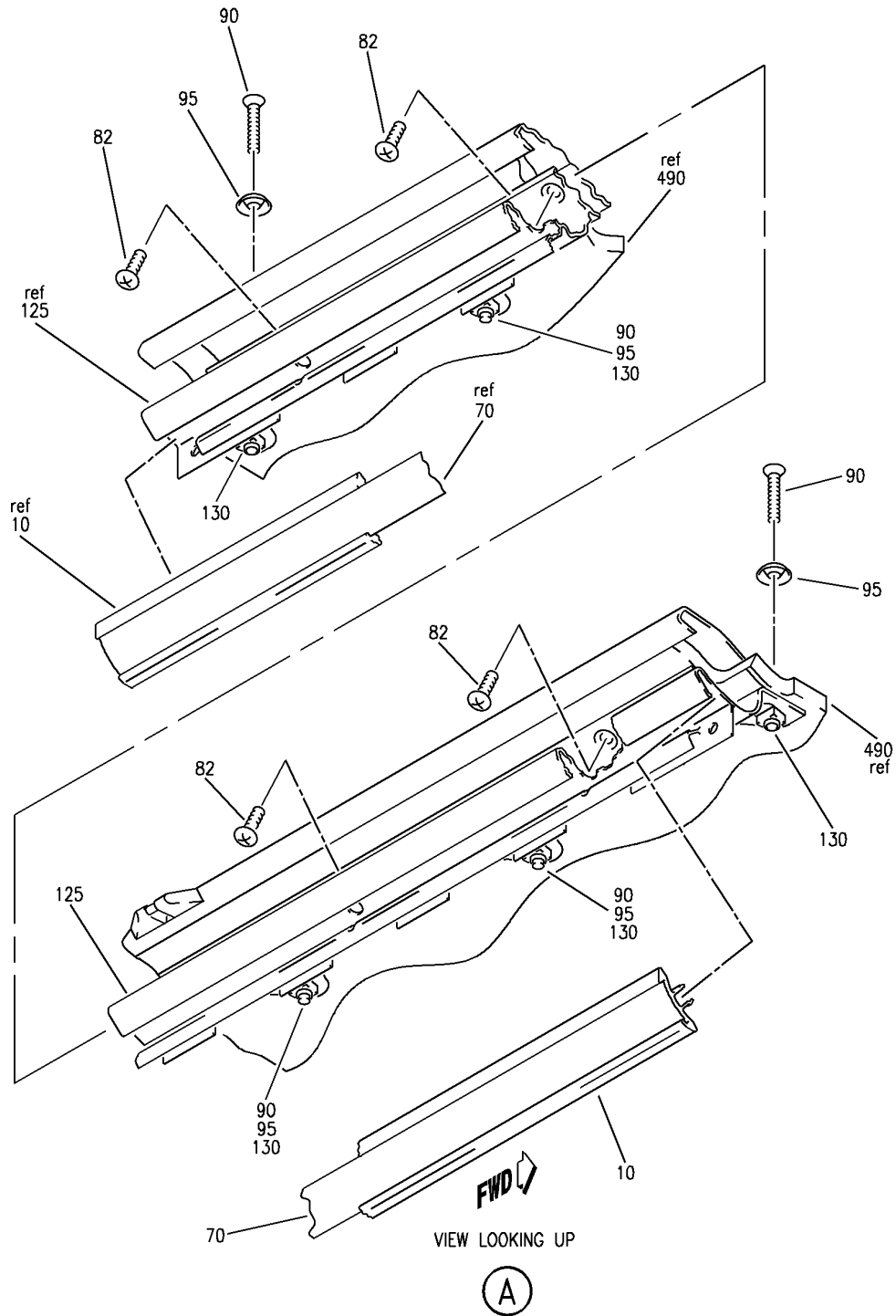
COMPARTMENT ASSY-FWD LH 25 IN. OVHD STOWAGE HANDLING CONFIGURATION (EQUIPMENT/ FURNISHINGS ONLY)
 FIGURE 54 (SHEET 1)

25-24-31-54

HAP
 OCT 10/06

25-24-31-54
 PAGE 0

BOEING
 737-600/700/800/900
 PARTS CATALOG (MAINTENANCE)



E 2524-3154 SHT 2 REV 108

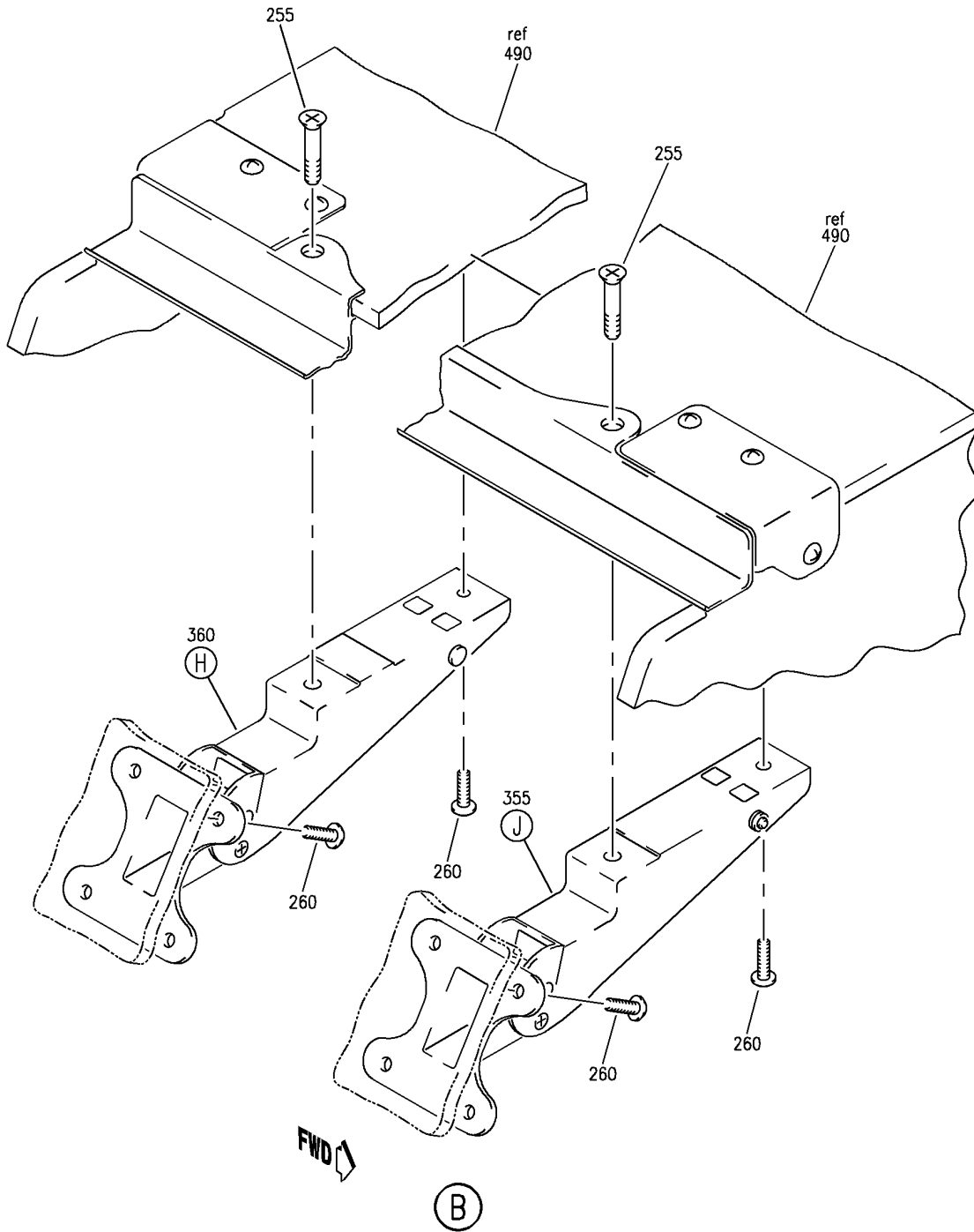
COMPARTMENT ASSY-FWD LH 25 IN. OVHD STOWAGE HANDLING CONFIGURATION (EQUIPMENT/ FURNISHINGS ONLY)
 FIGURE 54 (SHEET 2)

HAP
 OCT 10/06

25-24-31-54

25-24-31-54
 PAGE 0A

BOEING
 737-600/700/800/900
 PARTS CATALOG (MAINTENANCE)



E 2524-3154 SHT 3 REV 108

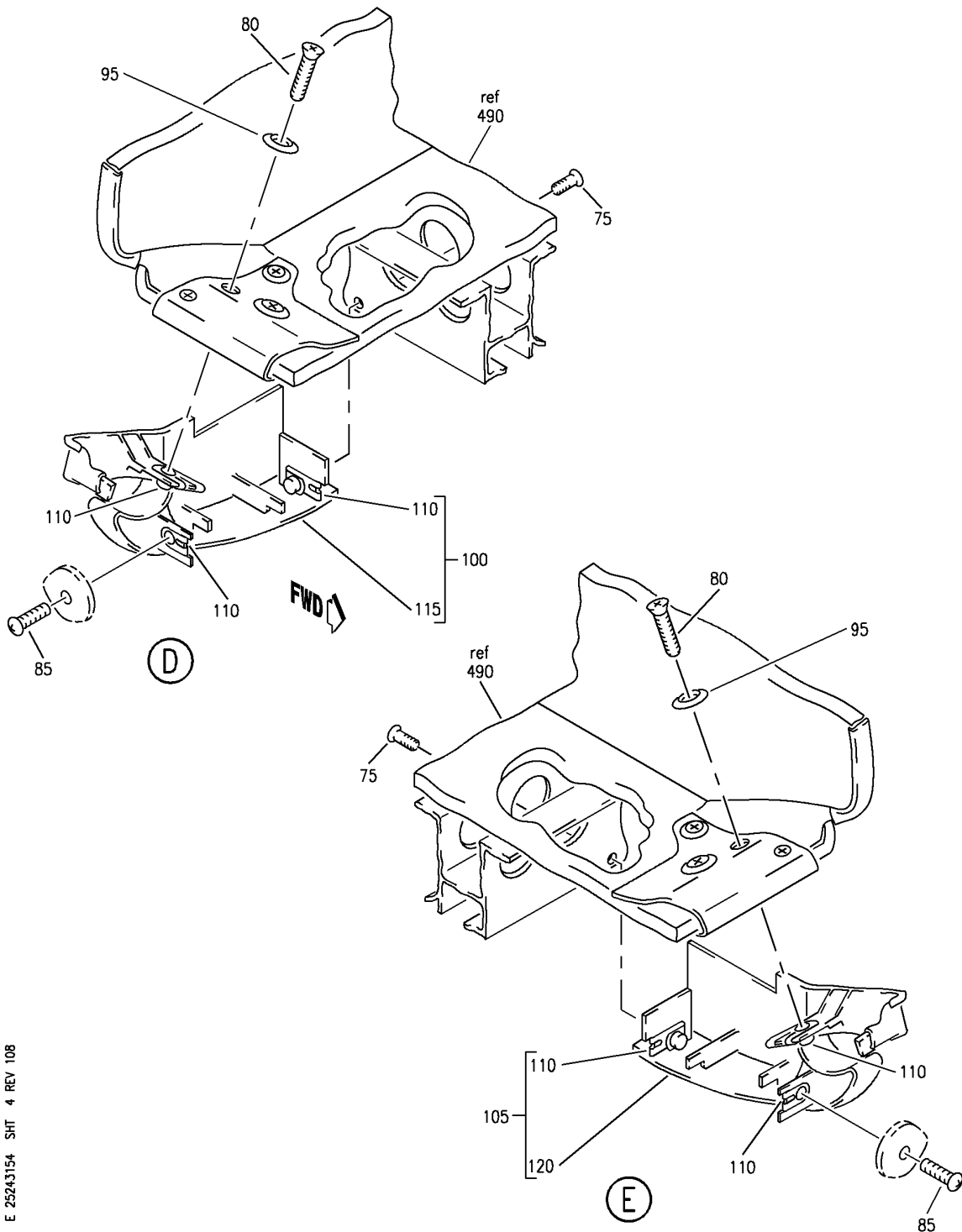
COMPARTMENT ASSY-FWD LH 25 IN. OVHD STOWAGE HANDRL CONFIGURATION (EQUIPMENT/ FURNISHINGS ONLY)
 FIGURE 54 (SHEET 3)

HAP
 OCT 10/06

25-24-31-54

25-24-31-54
 PAGE 0B

BOEING
 737-600/700/800/900
 PARTS CATALOG (MAINTENANCE)



E 2524-3154 SHT 4 REV 108

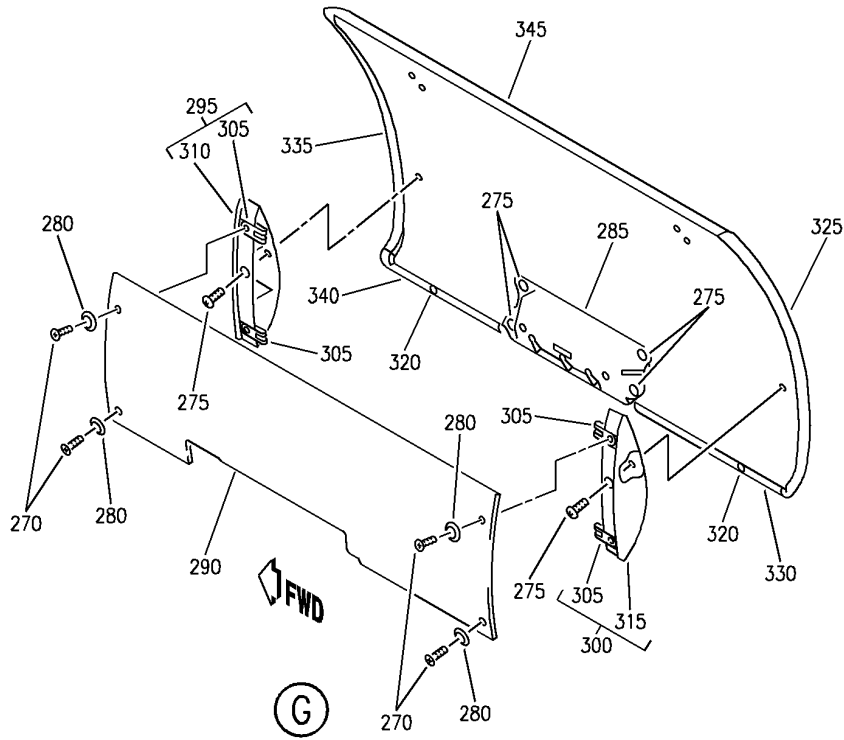
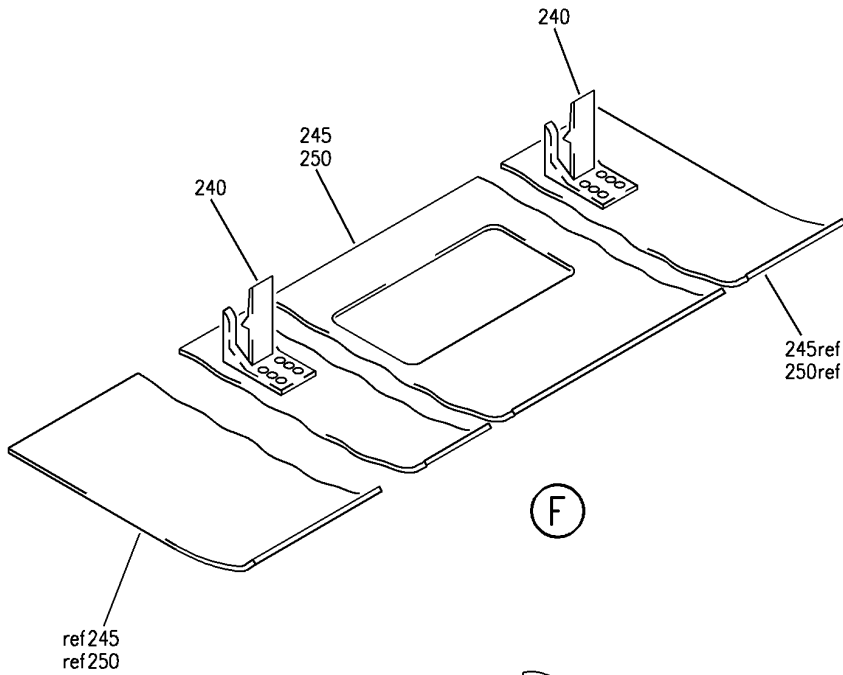
COMPARTMENT ASSY-FWD LH 25 IN. OVHD STOWAGE HNDRL CONFIGURATION (EQUIPMENT/ FURNISHINGS ONLY)
 FIGURE 54 (SHEET 4)

HAP
 OCT 10/06

25-24-31-54

25-24-31-54
 PAGE 0C

BOEING
 737-600/700/800/900
 PARTS CATALOG (MAINTENANCE)



E 2524-3154 SHT 5 REV 108

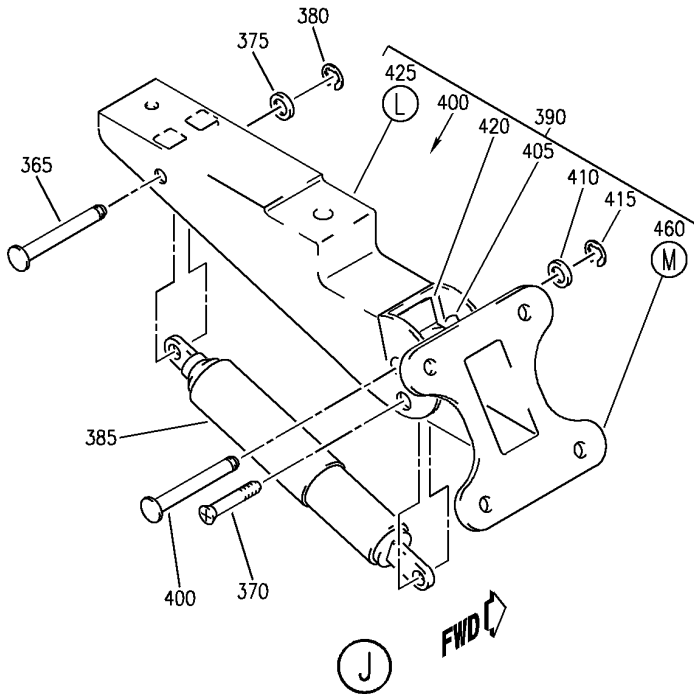
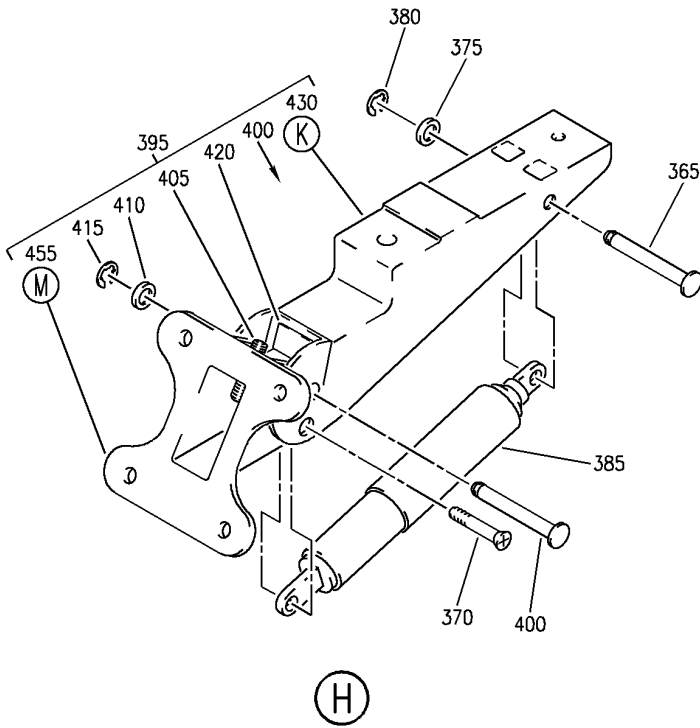
COMPARTMENT ASSY-FWD LH 25 IN. OVHD STOWAGE HNDRL CONFIGURATION (EQUIPMENT/ FURNISHINGS ONLY)
 FIGURE 54 (SHEET 5)

HAP
 OCT 10/06

25-24-31-54

25-24-31-54
 PAGE 0D

BOEING
 737-600/700/800/900
 PARTS CATALOG (MAINTENANCE)



E 2524-3154 SHT 6 REV 108

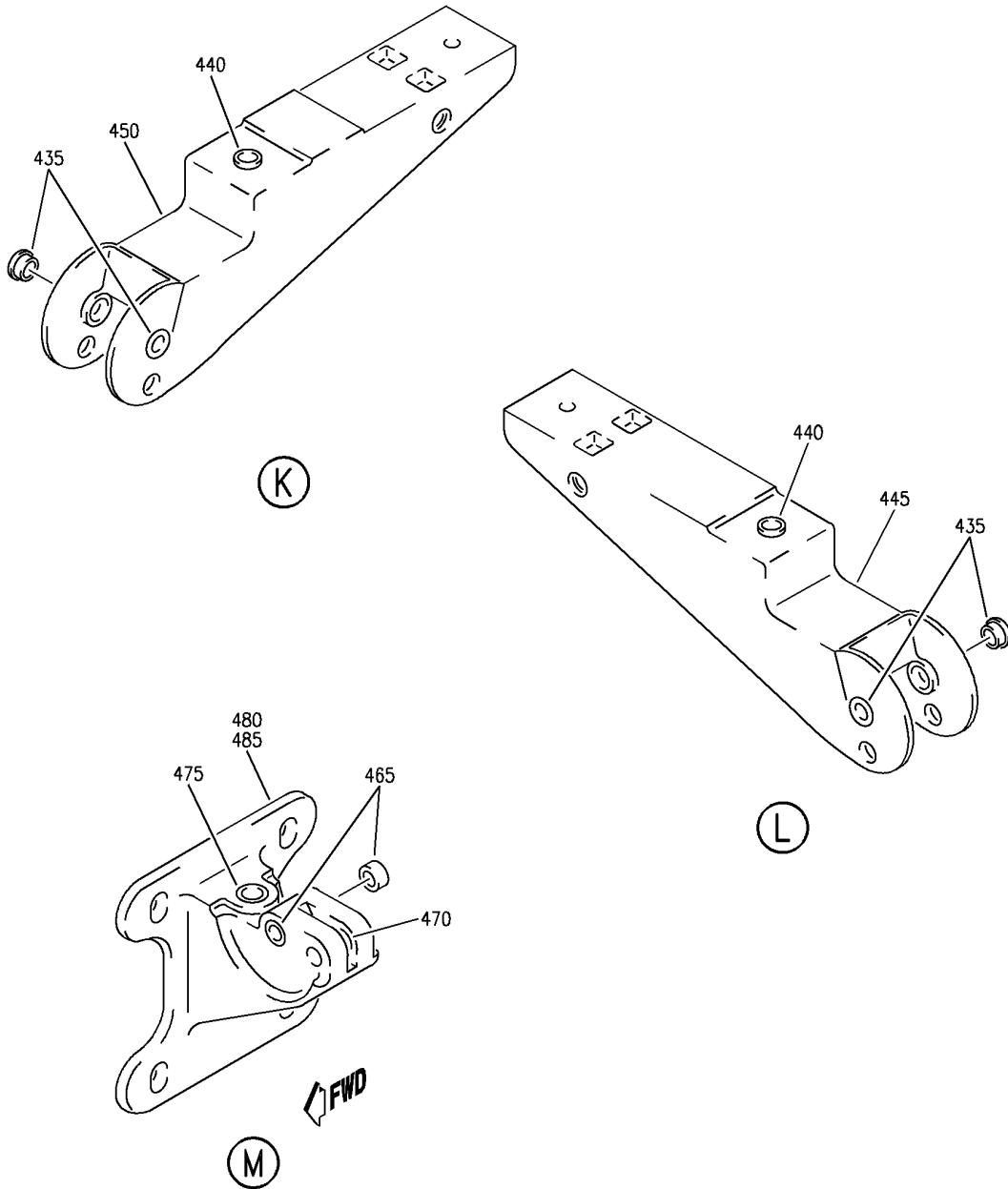
COMPARTMENT ASSY-FWD LH 25 IN. OVHD STOWAGE HNDRL CONFIGURATION (EQUIPMENT/ FURNISHINGS ONLY)
 FIGURE 54 (SHEET 6)

HAP
 OCT 10/06

25-24-31-54

25-24-31-54
 PAGE 0E

BOEING
 737-600/700/800/900
 PARTS CATALOG (MAINTENANCE)



E 2524-3154 SH7 7 REV 108

COMPARTMENT ASSY-FWD LH 25 IN. OVHD STOWAGE HANDLING CONFIGURATION (EQUIPMENT/ FURNISHINGS ONLY)
 FIGURE 54 (SHEET 7)

HAP
 OCT 10/06

25-24-31-54

25-24-31-54
 PAGE OF

BOEING
737-600/700/800/900
PARTS CATALOG (MAINTENANCE)

FIG ITEM	PART NUMBER	1 2 3 4 5 6 7	NOMENCLATURE	EFFECT FROM TO	UNITS PER ASSY
54			COMPARTMENT ASSY-FWD LH 25 IN. OVHD STOWAGE HNDRL CONFIGURATION (EQUIPMENT/ FURNISHINGS ONLY)	002005 008030	
- 5	412A1150-109SP		COMPARTMENT ASSY-25 IN. OVHD STOWAGE HNDRL CONFIGURATION (EQUIPMENT/ FURNISHINGS ONLY) POSITION DATA: FWD LH PRE SERVICE BULLETIN: 25-1373 FOR NHA/OTHER SYS DET SEE: 25-24-30-11E	002005 008008	RF
- 5	412A1150-309B		COMPARTMENT ASSY-25 IN. OVHD STOWAGE HNDRL CONFIGURATION (EQUIPMENT/ FURNISHINGS ONLY) POSITION DATA: FWD LH PRE SERVICE BULLETIN: 25-1542 FOR NHA/OTHER SYS DET SEE: 25-24-30-11E	009030	RF
- 5	412A1150-309SP		COMPARTMENT ASSY-25 IN. OVHD STOWAGE HNDRL CONFIGURATION (EQUIPMENT/ FURNISHINGS ONLY) POSITION DATA: FWD LH POST SERVICE BULLETIN: 25-1373 PRE SERVICE BULLETIN: 25-1542 FOR NHA/OTHER SYS DET SEE: 25-24-30-11E	002005 008008	RF
10	412A1420-2SP		.EXTRUSION-SEAT ROW MARKER	002005 008008	1
10	412A1420-2A		.EXTRUSION-SEAT ROW MARKER	009030	1
70	412A1451-2SP		.STRIP-	002005 008008	1
70	412A1451-2BCWK		.STRIP-	009030	1
75	BACB30VF3K3		.BOLT	002005 008030	2
80	BACS12ER3K9		.SCREW	002005 008030	2
82	BACS12ER3K5		.SCREW-	002005 008030	4

MISSING ITEM NUMBERS NOT APPLICABLE

- ITEM NOT ILLUSTRATED

HAP

25-24-31-54

25-24-31
FIG. 54
PAGE 1
OCT 10/06

BOEING
737-600/700/800/900
PARTS CATALOG (MAINTENANCE)

FIG ITEM	PART NUMBER	1 2 3 4 5 6 7	NOMENCLATURE	EFFECT FROM TO	UNITS PER ASSY
54					
85	BACB30VF3K7	.	BOLT	002005 008030	2
90	BACS12ER3K14	.	SCREW	002005 008030	5
95	H3-1233A3	.	WASHER-	002005 008030	7
			SUPPLIER CODE: V34941		
			SPECIFICATION NUMBER: S411A001-1		
100	412A1465-14SP	.	CLOSEOUT ASSY-	002005 008008	1
100	412A1465-14A	.	CLOSEOUT ASSY-	009030	1
105	412A1465-9SP	.	CLOSEOUT ASSY-	002005 008008	1
105	412A1465-9A	.	CLOSEOUT ASSY-	009030	1
110	BACN10VR4CGN	..	NUT-	002005 008030	3
			OPTIONAL PART: BACN10VR4CG		
110	BACN10VR4CG	..	NUT-	002005 008030	3
			OPTIONAL PART: BACN10VR4CGN		
115	412A1465-16SP	..	CLOSEOUT-	002005 008030	1
			USED ON: 412A1465-14SP		
120	412A1465-11SP	..	CLOSEOUT-	002005 008030	1
			USED ON: 412A1465-9SP		
125	412A1243-8	.	EXTRUSION ASSY-	002005 008008	1
			OPTIONAL PART: 412A1243-108		
125	412A1243-108	.	EXTRUSION ASSY-	002005 008030	1
			OPTIONAL PART: 412A1243-8		
130	FS1651-3	..	NUTPLATE	002005 008030	5
			SUPPLIER CODE: V15653		
			SPECIFICATION NUMBER: BACN10KH3CD		
			OPTIONAL PART: 102F9209M3 V72962 NS202496-02 V80539		
			ATTACHING PARTS		
- 135	BACR15BA3ADC	..	RIVET-	002005 008030	10
			SIZE DETERMINED ON INSTL.		
			-----*-----		
145	412A1310-700	.	TAPE-VELCRO HOOK	009030	AR
151	412A1310-701	.	TAPE-VELCRO LOOP	009030	AR

MISSING ITEM NUMBERS NOT APPLICABLE

- ITEM NOT ILLUSTRATED

HAP

25-24-31-54

25-24-31
FIG. 54
PAGE 2
JUN 15/08

BOEING
737-600/700/800/900
PARTS CATALOG (MAINTENANCE)

FIG ITEM	PART NUMBER	1 2 3 4 5 6 7	NOMENCLATURE	EFFECT FROM TO	UNITS PER ASSY
54					
- 155	OBA8		.PLUG- SUPPLIER CODE: VOBV87 OPTIONAL PART: 412A1100-96 412A1811-1B 412A1811-2B	009030	AR
- 156	OBA8		.PLUG- SUPPLIER CODE: VOBV87	002005 008008	AR
- 160	412A1811-1B		.PLUG- OPTIONAL PART: 412A1100-96 412A1811-2B OBA8 VOBV87	009030	AR
- 163	412A1811-2B		.PLUG- OPTIONAL PART: 412A1811-1B 412A1100-96 OBA8 V0959B	009030	AR
- 165	412A1100-96		.KIT ASSY-SCR AND WASHER OPTIONAL PART: OBA8 V0959B 412A1811-2B 412A1811-1B	009030	24
- 170	NAS514P1032-5		..SCREW	009030	1
- 175	H3-1233A3		..WASHER- SUPPLIER CODE: V34941 SPECIFICATION NUMBER: S411A001-1	009030	1
210	412A1650-3SP		.COVER ASSY-	002005 008008	1
210	412A1650-3A		.COVER ASSY-	009030	1
215	403A3210-21SP		.SEAL ASSY-	002005 008008	1
235	412A1600-54A		.COVER ASSY	009030	1
235	412A1600-54SP		.COVER ASSY	002005 008008	1
240	412A1460-1		..CLIP	002005 008030	2
250	412A1610-54A		..PANEL ASSY- OPTIONAL PART: 412A1610-154B	009030	1

MISSING ITEM NUMBERS NOT APPLICABLE

- ITEM NOT ILLUSTRATED

HAP

25-24-31-54

BOEING PROPRIETARY - Copyright © - Unpublished Work - See title page for details.

25-24-31
FIG. 54
PAGE 3
JUN 15/08

BOEING
737-600/700/800/900
PARTS CATALOG (MAINTENANCE)

FIG ITEM	PART NUMBER	1 2 3 4 5 6 7	NOMENCLATURE	EFFECT FROM TO	UNITS PER ASSY
54					
250	412A1610-154B	..	PANEL ASSY- OPTIONAL PART: 412A1610-54A	009030	1
250	412A1610-54SP	..	PANEL ASSY- OPTIONAL PART: 412A1610-154SP	002005 008008	1
250	412A1610-154SP	..	PANEL ASSY- OPTIONAL PART: 412A1610-54SP	002005 008008	1
255	BACB30VF3K8	.	BOLT	002005 008030	2
260	BACS12FA3K6	.	SCREW	002005 008030	10
265	412A1500-13SP	.	DOOR ASSY-24.60 IN. PRE SERVICE BULLETIN: 25-1373	002005 008008	1
265	412A1500-113SP	.	DOOR ASSY-24.60 IN. POST SERVICE BULLETIN: 25-1373 PRE SERVICE BULLETIN: 25-1542	002005 008030	1
270	BACS12ER3K9	..	SCREW	002005 008030	4
275	BACS12FA3K4	..	SCREW	002005 008030	6
280	H3-1233A3	..	WASHER- SUPPLIER CODE: V34941 SPECIFICATION NUMBER: S411A001-1	002005 008030	4
285	HA225-1	..	LATCH ASSY- SUPPLIER CODE: V83014 SPECIFICATION NUMBER: S412A001-1A PRE SERVICE BULLETIN: 25-1373 PRE SERVICE BULLETIN: HA225-25-01 V83014	002005 008030	1

MISSING ITEM NUMBERS NOT APPLICABLE

— ITEM NOT ILLUSTRATED

HAP

25-24-31-54

BOEING PROPRIETARY - Copyright © - Unpublished Work - See title page for details.

25-24-31
FIG. 54
PAGE 4
JUN 15/08

BOEING
737-600/700/800/900
PARTS CATALOG (MAINTENANCE)

FIG ITEM	PART NUMBER	1 2 3 4 5 6 7	NOMENCLATURE	EFFECT FROM TO	UNITS PER ASSY
54 285	HA225-7		.. LATCH ASSY- SUPPLIER CODE: V83014 SPECIFICATION NUMBER: S412A001-11B SERVICE BULLETIN OPT DATA: HA225K3868 V83014 POST SERVICE BULLETIN: 25-1373 POST SERVICE BULLETIN: HA225-25-01 V83014	002005 008030	1
285	HA225K3868		.. LATCH ASSY- SUPPLIER CODE: V83014 SERVICE BULLETIN OPT DATA: HA225-7 V83014 POST SERVICE BULLETIN: 25-1373 POST SERVICE BULLETIN: HA225-25-01 V83014	002005 008008	1
290	412A1615-107SP		.. PANEL ASSY-FILLER OPTIONAL PART: 412A1615-1107SP	002005 008030	1
290	412A1615-1107SP		.. PANEL ASSY-FILLER OPTIONAL PART: 412A1615-107SP POST SERVICE BULLETIN: 25-1373	002005 008030	1
295	412A1480-3SP		.. BRACKET ASSY	002005 008030	1
300	412A1480-4SP		.. BRACKET ASSY	002005 008030	1
305	BACN10VR4CGN		... NUT	002005 008030	2
310	412A1480-1SP		... BRACKET- USED ON: 412A1480-3SP	002005 008030	1
315	412A1480-2SP		... BRACKET- USED ON: 412A1480-4SP	002005 008030	1
320	412A1810-1SP		.. BUMPER	002005 008030	2
325	412A1450-3SP		.. TRIM-EDGE	002005 008030	1

MISSING ITEM NUMBERS NOT APPLICABLE

— ITEM NOT ILLUSTRATED

HAP

25-24-31-54

25-24-31
FIG. 54
PAGE 5
JUN 15/08

BOEING PROPRIETARY - Copyright © - Unpublished Work - See title page for details.

BOEING
737-600/700/800/900
PARTS CATALOG (MAINTENANCE)

FIG ITEM	PART NUMBER	1 2 3 4 5 6 7	NOMENCLATURE	EFFECT FROM TO	UNITS PER ASSY
54					
330	412A1450-5SP	..	TRIM-EDGE	002005 008030	1
335	412A1450-8SP	..	TRIM-EDGE	002005 008030	1
340	412A1450-10SP	..	TRIM-EDGE	002005 008030	1
345	412A1510-15SP	..	PANEL ASSY	002005 008030	1
- 350	SL618-3A	...	INSERT- SUPPLIER CODE: V97393	002005 008030	14
355	412A1100-52SP	.HINGE ASSY-COLLECTOR PRE SERVICE BULLETIN: 25-1542		002005 008030	1
360	412A1100-53SP	.HINGE ASSY-COLLECTOR PRE SERVICE BULLETIN: 25-1542		002005 008030	1
365	412A1230-21	..	PIN	002005 008030	1
370	BACB30VF3K7	..	BOLT	002005 008030	1
375	NAS1149D0316J	..	WASHER	002005 008030	1
380	MS16633-4018	..	RING	002005 008030	1
385	SP20522	..ACTUATOR ASSY- SUPPLIER CODE: V24403 SPECIFICATION NUMBER: S412A002-2		002005 008030	1
390	412A1455-2SP	..HINGE ASSY- USED ON: 412A1100-52SP		002005 008030	1
395	412A1455-3SP	..HINGE ASSY- USED ON: 412A1100-53SP		002005 008030	1
400	412A1230-21	...	PIN	002005 008030	1
405	MS51023-54	...	SCREW	002005 008030	1
410	NAS1149D0316J	...	WASHER	002005 008030	1
415	MS16633-4018	...	RING	002005 008030	1
420	412A1220-1	...	CLIP	002005 008030	1
425	412A1454-3SP	...HOUSING ASSY- USED ON: 412A1455-2SP		002005 008030	1

MISSING ITEM NUMBERS NOT APPLICABLE

- ITEM NOT ILLUSTRATED

HAP

25-24-31-54

25-24-31
FIG. 54
PAGE 6
JUN 15/08

BOEING
737-600/700/800/900
PARTS CATALOG (MAINTENANCE)

FIG ITEM	PART NUMBER	1 2 3 4 5 6 7	NOMENCLATURE	EFFECT FROM TO	UNITS PER ASSY
54					
430	412A1454-12SP	...	HOUSING ASSY- USED ON: 412A1455-3SP	002005 008030	1
435	BACB28Y3F020	BUSHING	002005 008030	2
440	6041L3BR375	INSERT- SUPPLIER CODE: V01556	002005 008030	1
445	412A1454-1SP	HOUSING- USED ON: 412A1454-3SP	002005 008030	1
450	412A1454-11SP	HOUSING- USED ON: 412A1454-12SP	002005 008030	1
455	412A1454-9SP	...	BRACKET ASSY- USED ON: 412A1455-3SP	002005 008030	1
460	412A1454-10SP	...	BRACKET ASSY- USED ON: 412A1455-2SP	002005 008030	1
465	BACB28Y3F025	BUSHING	002005 008030	2
470	6041-3BR225	INSERT- SUPPLIER CODE: V01556	002005 008030	1
475	6041L3BR375	INSERT- SUPPLIER CODE: V01556	002005 008030	1
480	412A1454-7SP	BRACKET- USED ON: 412A1454-9SP	002005 008030	1
485	412A1454-8SP	BRACKET- USED ON: 412A1454-10SP	002005 008030	1
490	412A1250-1109SP	.BOX	ASSY-25 IN. BIN OPTIONAL PART: 412A1250-109SP PRE SERVICE BULLETIN: 25-1542 FOR DETAILS SEE: 25-24-32-21A	002005 008008	1
490	412A1250-109A	.BOX	ASSY-25 IN. BIN OPTIONAL PART: 412A1250-1109B PRE SERVICE BULLETIN: 25-1542 FOR DETAILS SEE: 25-24-32-21A	009030	1

MISSING ITEM NUMBERS NOT APPLICABLE

— ITEM NOT ILLUSTRATED

HAP

25-24-31-54

25-24-31
FIG. 54
PAGE 7
JUN 15/08

BOEING
737-600/700/800/900
PARTS CATALOG (MAINTENANCE)

FIG ITEM	PART NUMBER	1 2 3 4 5 6 7	NOMENCLATURE	EFFECT FROM TO	UNITS PER ASSY
54 490	412A1250-1109B		.BOX ASSY-25 IN. BIN OPTIONAL PART: 412A1250-109A PRE SERVICE BULLETIN: 25-1542 FOR DETAILS SEE: 25-24-32-21A	009030	1
490	412A1250-109SP		.BOX ASSY-25 IN. BIN OPTIONAL PART: 412A1250-1109SP PRE SERVICE BULLETIN: 25-1542 FOR DETAILS SEE: 25-24-32-21A	002005 008008	1

MISSING ITEM NUMBERS NOT APPLICABLE

— ITEM NOT ILLUSTRATED

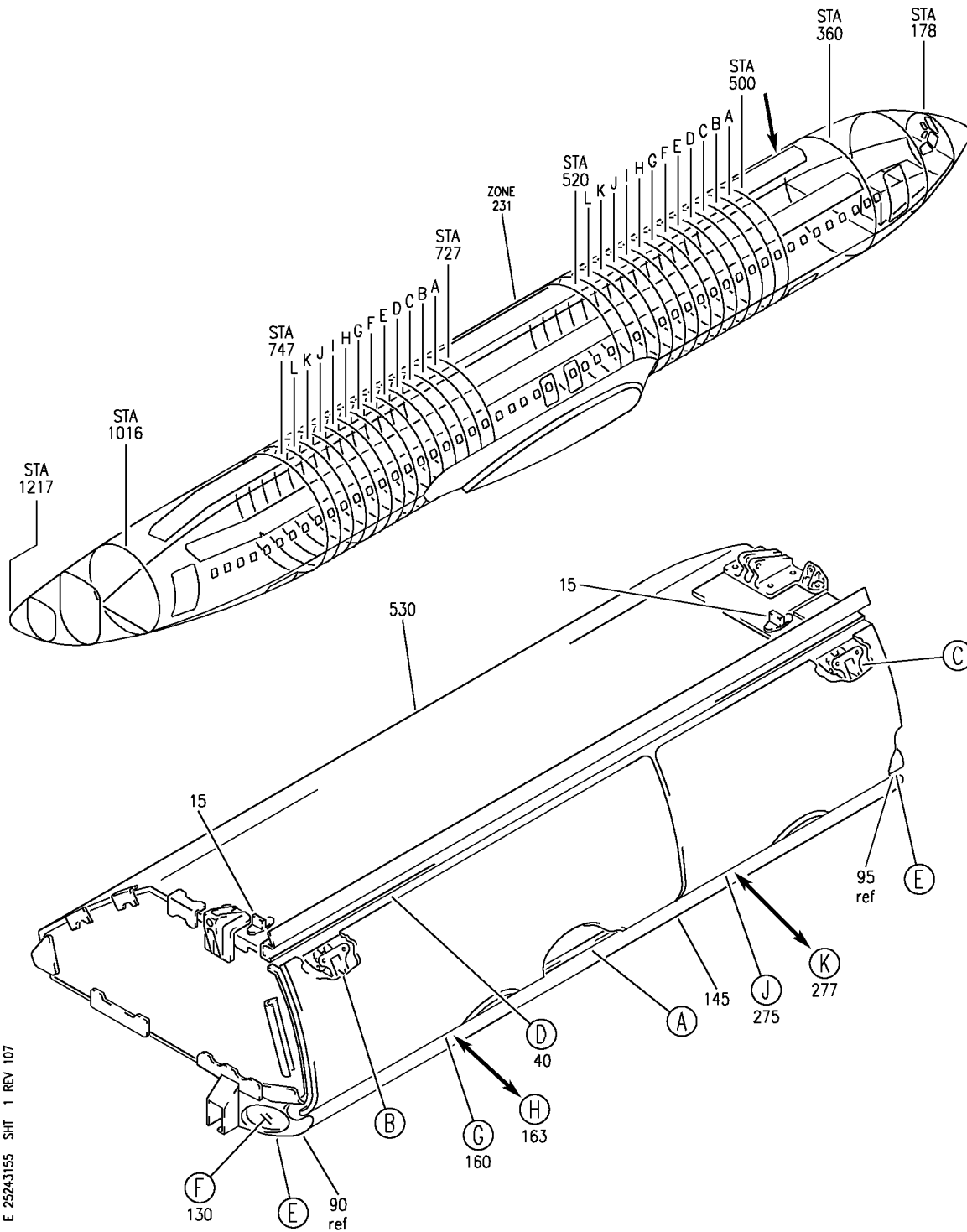
HAP

25-24-31-54

BOEING PROPRIETARY - Copyright © - Unpublished Work - See title page for details.

25-24-31
FIG. 54
PAGE 8
JUN 15/08

BOEING
 737-600/700/800/900
 PARTS CATALOG (MAINTENANCE)



E 2524-3155 SHT 1 REV 107

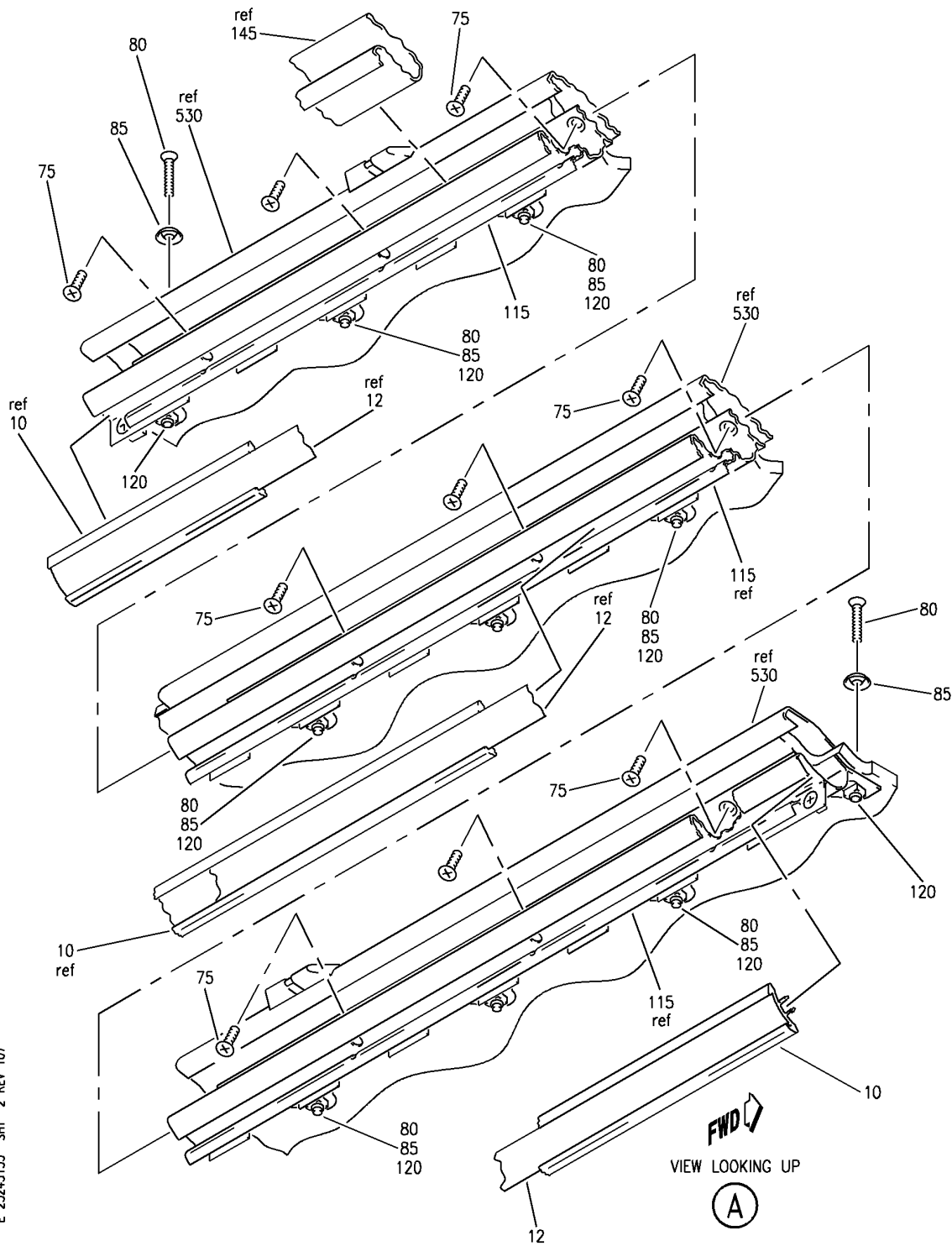
COMPARTMENT ASSY-FWD LH OVHD STOWAGE HNDRL CONFIGURATION (EQUIPMENT/ FURNISHINGS ONLY)
 FIGURE 55 (SHEET 1)

25-24-31-55

HAP
 OCT 10/06

25-24-31-55
 PAGE 0

BOEING
737-600/700/800/900
PARTS CATALOG (MAINTENANCE)



E 2524-3155 SHT 2 REV 107

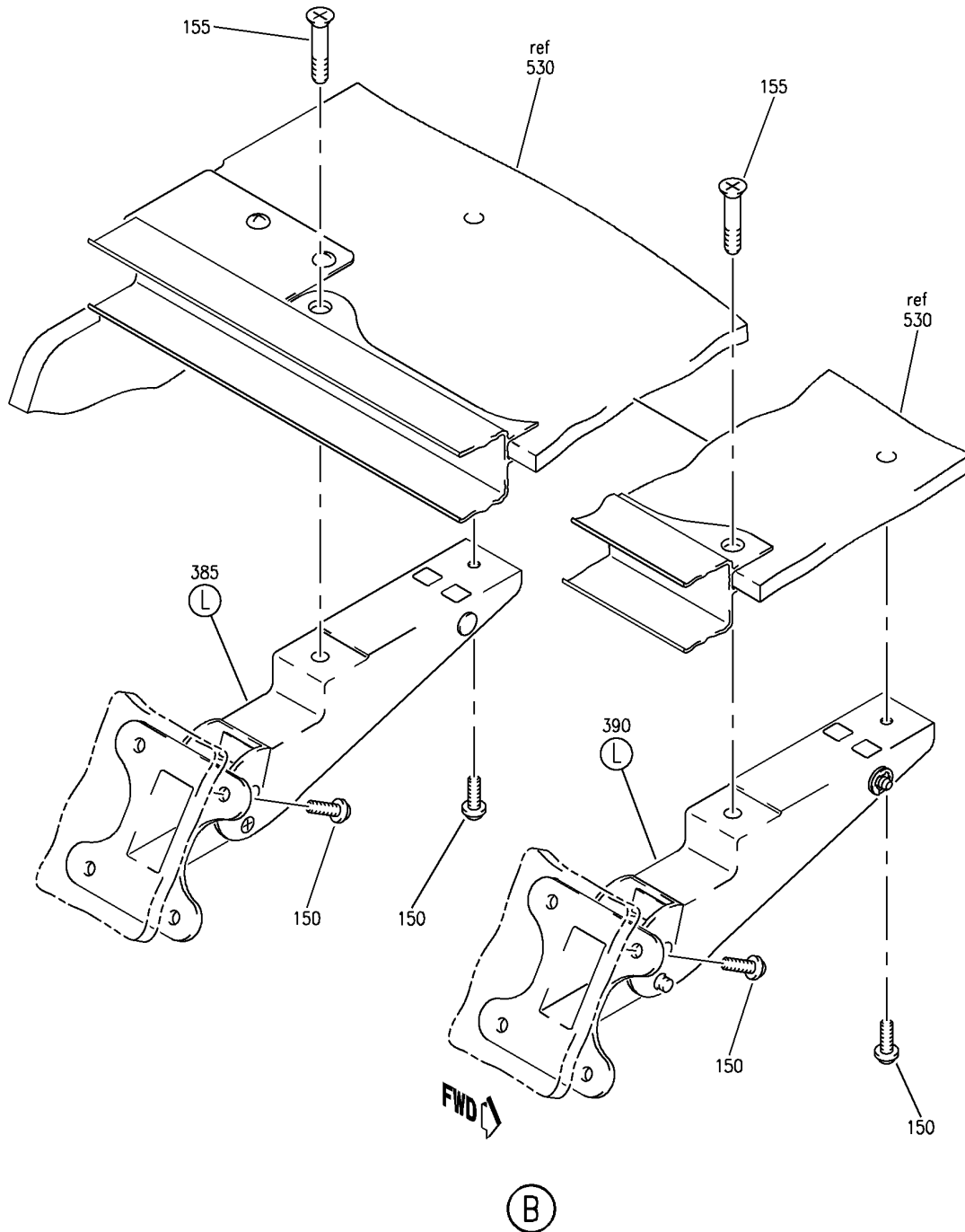
COMPARTMENT ASSY-FWD LH OVHD STOWAGE HNDRL CONFIGURATION (EQUIPMENT/ FURNISHINGS ONLY)
 FIGURE 55 (SHEET 2)

25-24-31-55

HAP
 OCT 10/06

25-24-31-55
 PAGE 0A

BOEING
 737-600/700/800/900
 PARTS CATALOG (MAINTENANCE)



E 2524-3155 SH1 3 REV 107

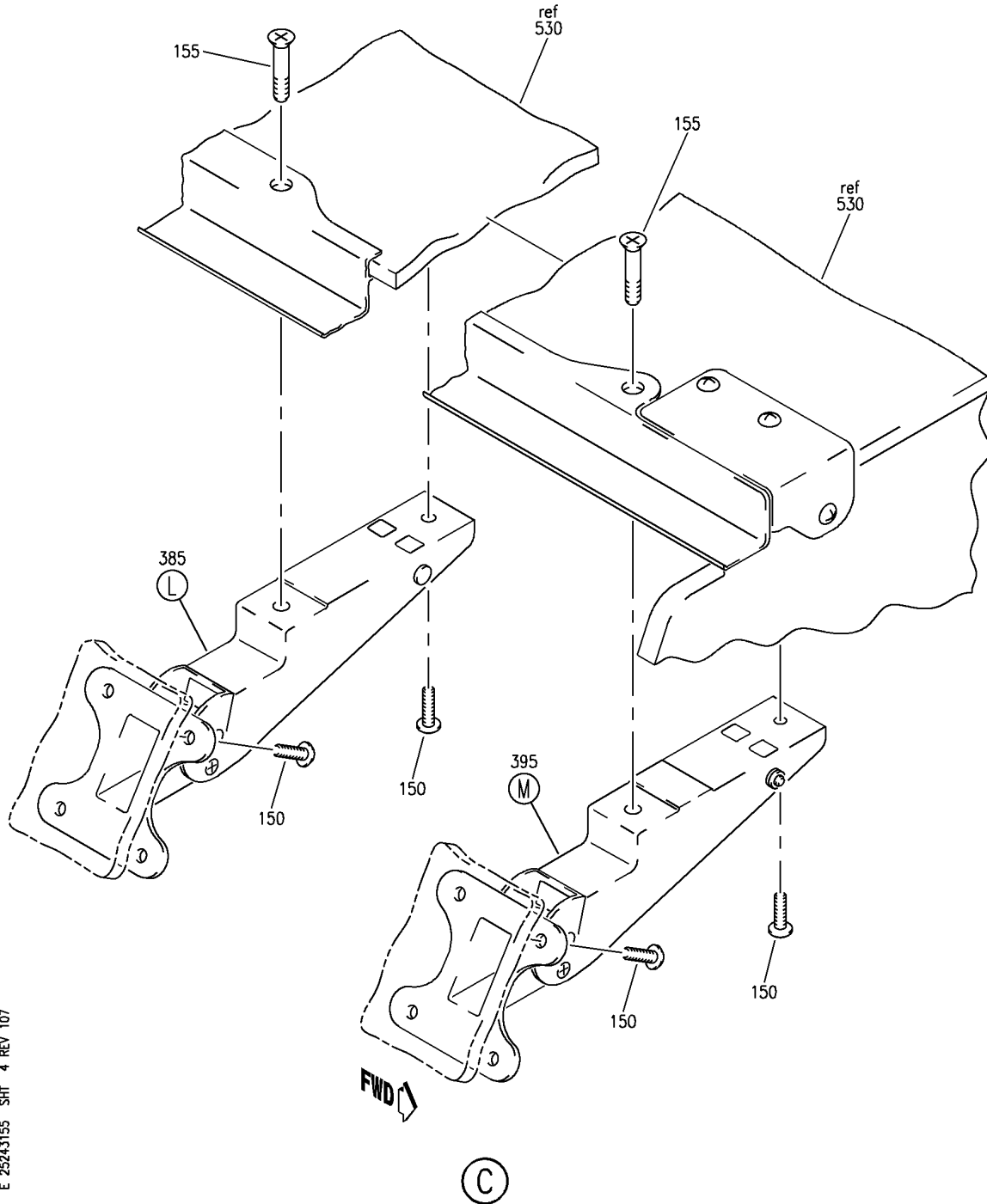
COMPARTMENT ASSY-FWD LH OVHD STOWAGE HNDRL CONFIGURATION (EQUIPMENT/ FURNISHINGS ONLY)
 FIGURE 55 (SHEET 3)

25-24-31-55

HAP
 OCT 10/06

25-24-31-55
 PAGE 0B

BOEING
 737-600/700/800/900
 PARTS CATALOG (MAINTENANCE)



E 2524-3155 SH1 4 REV 107

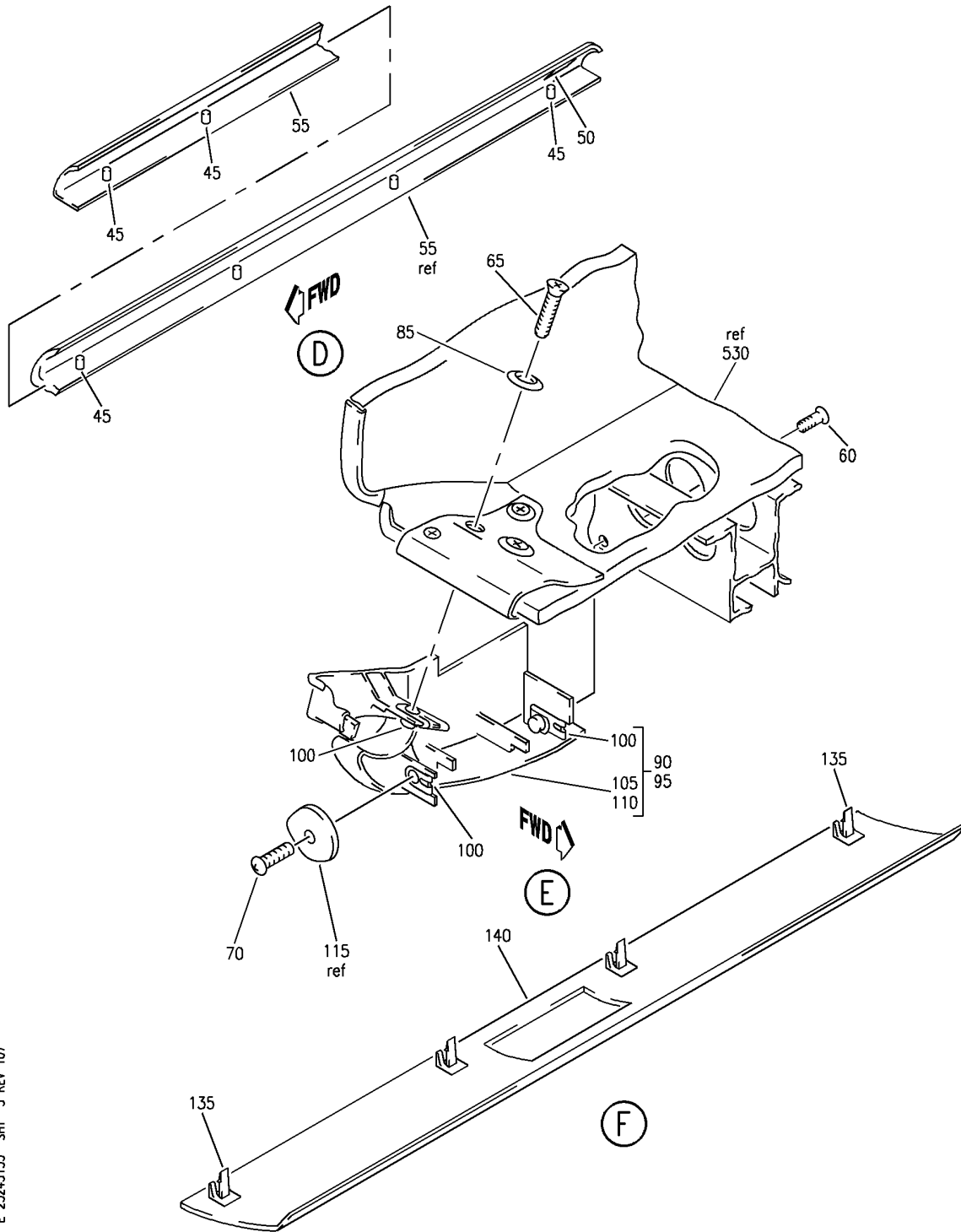
COMPARTMENT ASSY-FWD LH OVHD STOWAGE HANDRL CONFIGURATION (EQUIPMENT/ FURNISHINGS ONLY)
 FIGURE 55 (SHEET 4)

HAP
 OCT 10/06

25-24-31-55

25-24-31-55
 PAGE 0C

BOEING
 737-600/700/800/900
 PARTS CATALOG (MAINTENANCE)



E 2524-3155 SHT 5 REV 107

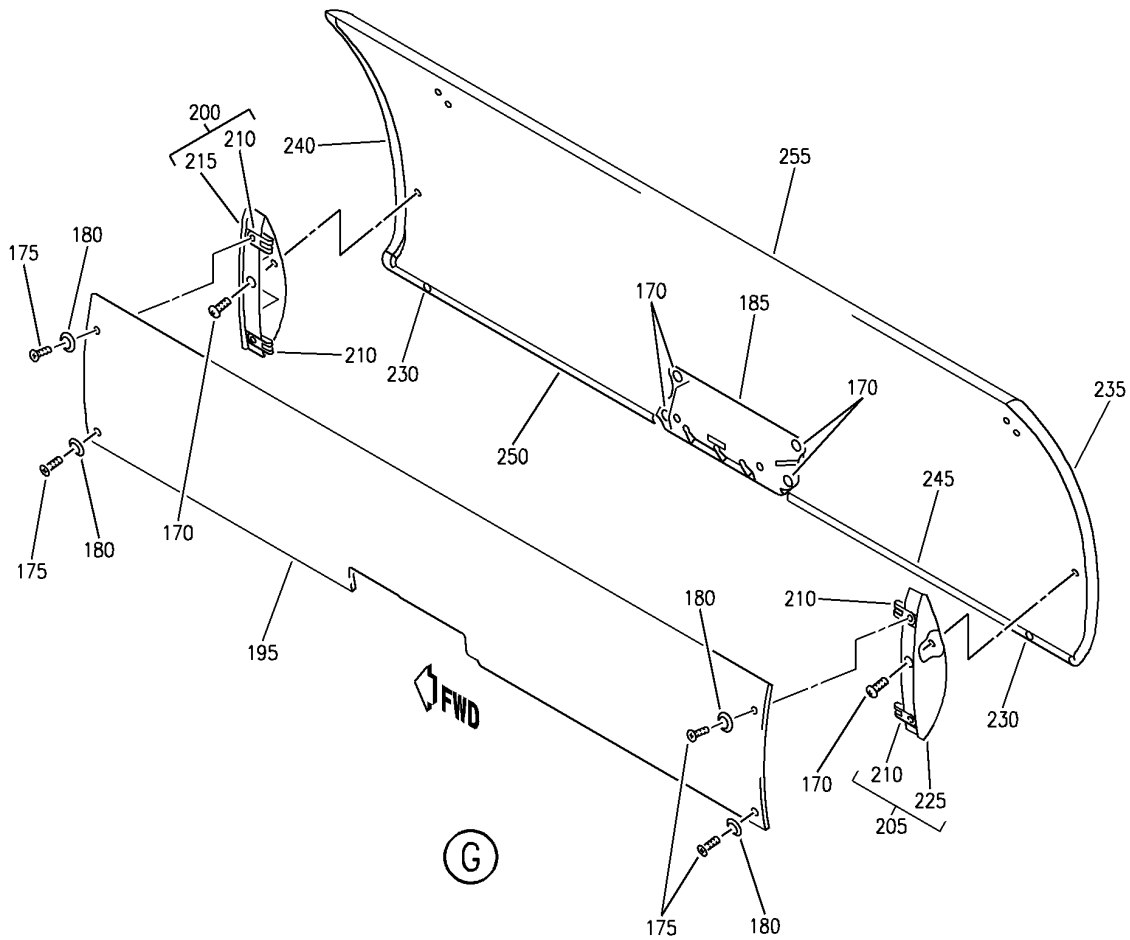
COMPARTMENT ASSY-FWD LH OVHD STOWAGE HNDRL CONFIGURATION (EQUIPMENT/ FURNISHINGS ONLY)
 FIGURE 55 (SHEET 5)

HAP
 OCT 10/06

25-24-31-55

25-24-31-55
 PAGE 0D

BOEING
 737-600/700/800/900
 PARTS CATALOG (MAINTENANCE)



E 2524-3155 SH1 6 REV 107

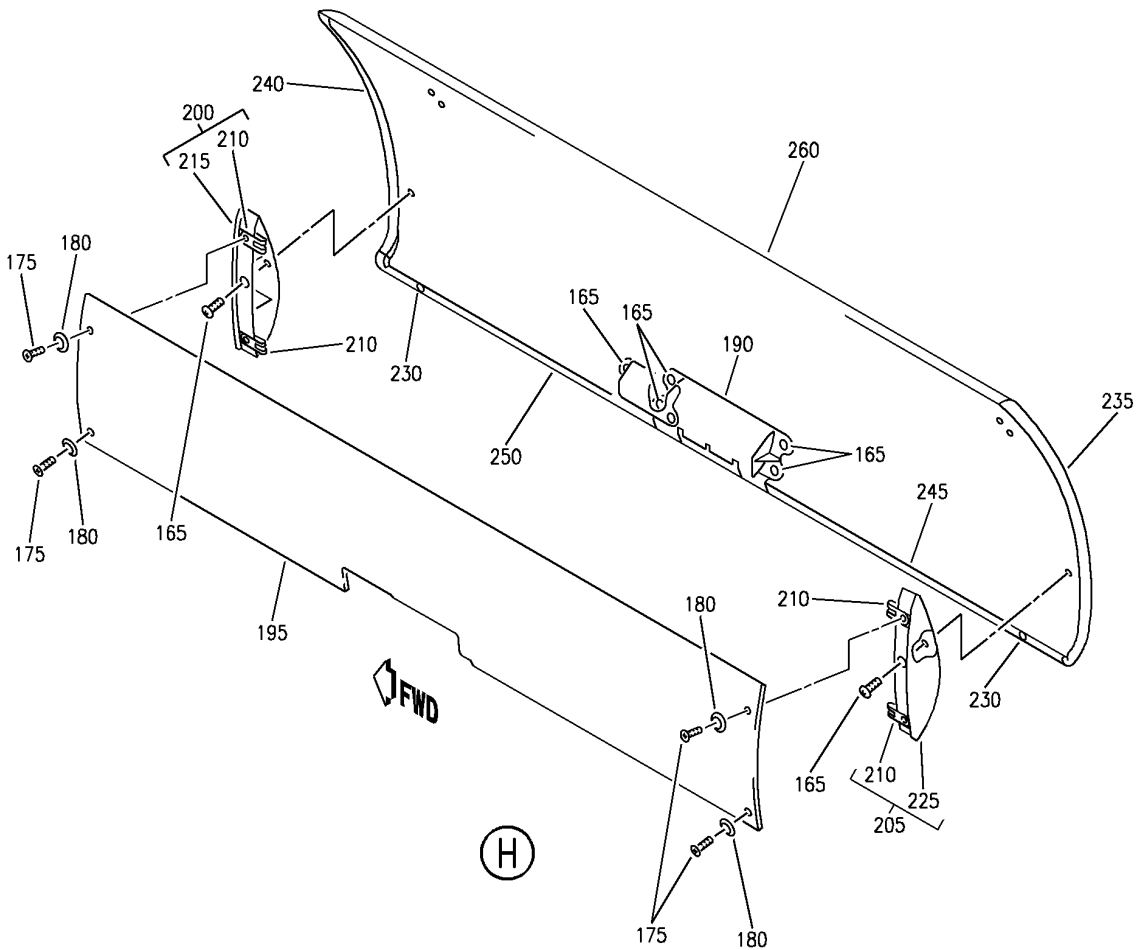
COMPARTMENT ASSY-FWD LH OVHD STOWAGE HNDRL CONFIGURATION (EQUIPMENT/ FURNISHINGS ONLY)
 FIGURE 55 (SHEET 6)

HAP
 OCT 10/06

25-24-31-55

25-24-31-55
 PAGE 0E

BOEING
 737-600/700/800/900
 PARTS CATALOG (MAINTENANCE)



E 2524-3155 SH7 7 REV 107

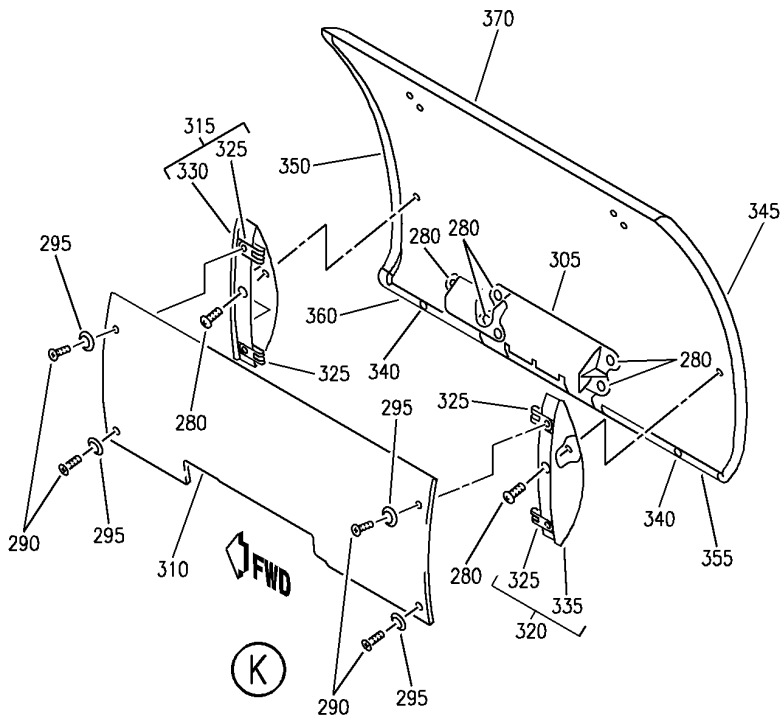
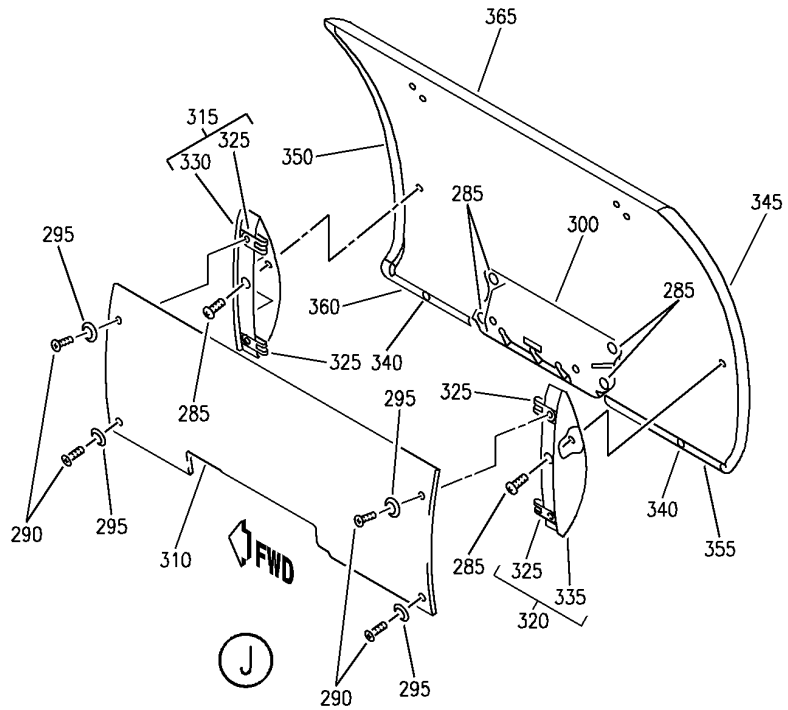
COMPARTMENT ASSY-FWD LH OVHD STOWAGE HNDRL CONFIGURATION (EQUIPMENT/ FURNISHINGS ONLY)
 FIGURE 55 (SHEET 7)

HAP
 OCT 10/06

25-24-31-55

25-24-31-55
 PAGE OF

BOEING
737-600/700/800/900
PARTS CATALOG (MAINTENANCE)



E 2524-3155 SHT 8 REV 107

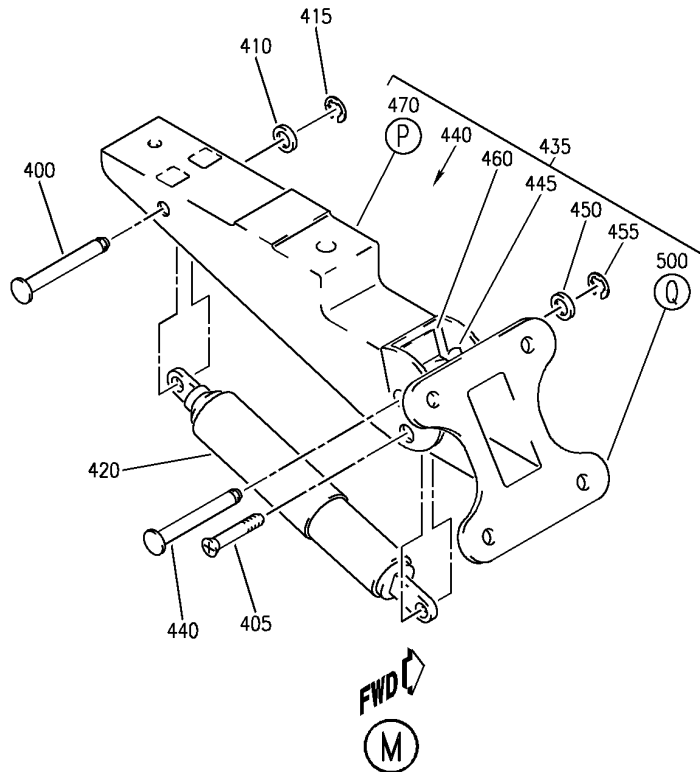
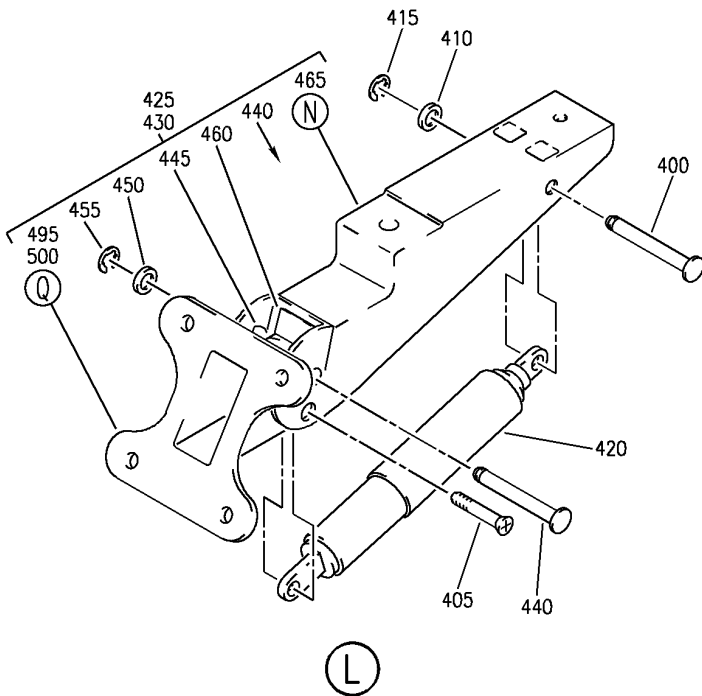
COMPARTMENT ASSY-FWD LH OVHD STOWAGE HNDRL CONFIGURATION (EQUIPMENT/ FURNISHINGS ONLY)
 FIGURE 55 (SHEET 8)

HAP
 OCT 10/06

25-24-31-55

25-24-31-55
 PAGE 06

BOEING
 737-600/700/800/900
 PARTS CATALOG (MAINTENANCE)



E 2524-3155 SH1 9 REV 107

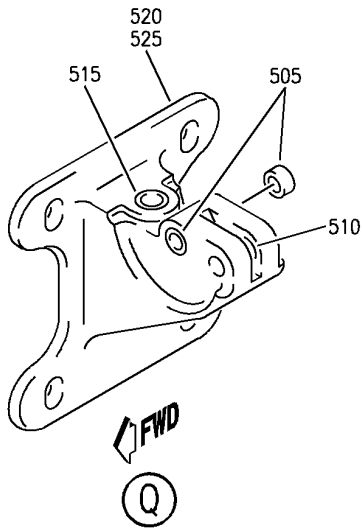
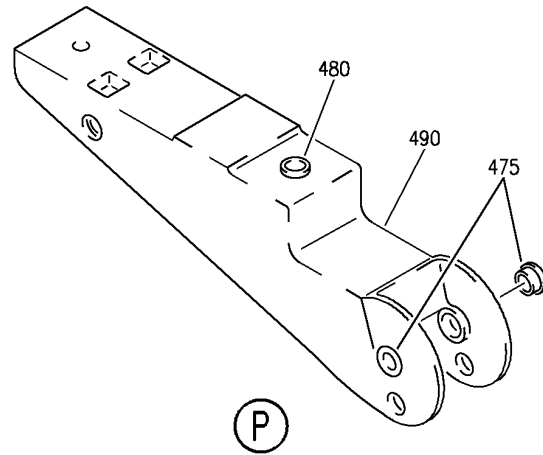
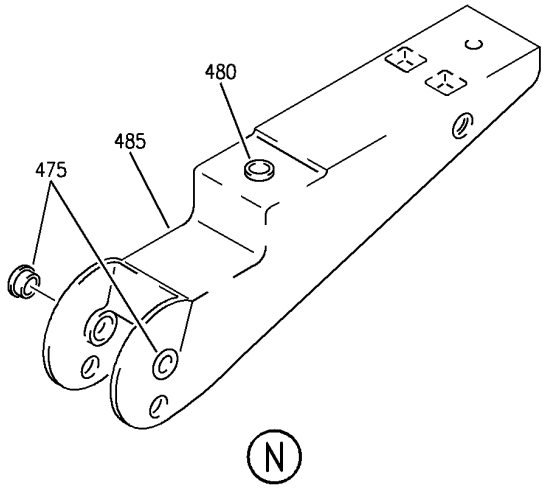
COMPARTMENT ASSY-FWD LH OVHD STOWAGE HNDRL CONFIGURATION (EQUIPMENT/ FURNISHINGS ONLY)
 FIGURE 55 (SHEET 9)

HAP
 OCT 10/06

25-24-31-55

25-24-31-55
 PAGE 0H

BOEING
 737-600/700/800/900
 PARTS CATALOG (MAINTENANCE)



E 2524-3155 SH1 10 REV 107

COMPARTMENT ASSY-FWD LH OVHD STOWAGE HNDRL CONFIGURATION (EQUIPMENT/ FURNISHINGS ONLY)
 FIGURE 55 (SHEET 10)

HAP
 OCT 10/06

25-24-31-55

25-24-31-55
 PAGE 01

BOEING
737-600/700/800/900
PARTS CATALOG (MAINTENANCE)

FIG ITEM	PART NUMBER	1 2 3 4 5 6 7	NOMENCLATURE	EFFECT FROM TO	UNITS PER ASSY
55			COMPARTMENT ASSY-FWD LH OVHD STOWAGE HNDRL CONFIGURATION (EQUIPMENT/ FURNISHINGS ONLY)	002005 008030	
- 5	412A1150-103SP		COMPARTMENT ASSY-60 IN. OVHD STOWAGE HNDRL CONFIGURATION (EQUIPMENT/ FURNISHINGS ONLY) POSITION DATA: FWD LH PRE SERVICE BULLETIN: 25-1373 FOR NHA/OTHER SYS DET SEE: 25-24-30-11E	002005 008008	RF
- 5	412A1150-303SP		COMPARTMENT ASSY-60 IN. OVHD STOWAGE HNDRL CONFIGURATION (EQUIPMENT/ FURNISHINGS ONLY) POSITION DATA: FWD LH POST SERVICE BULLETIN: 25-1373 FOR NHA/OTHER SYS DET SEE: 25-24-30-11E	002005 008008	RF
- 5	412A1150-303B		COMPARTMENT ASSY-60 IN. OVHD STOWAGE HNDRL CONFIGURATION (EQUIPMENT/ FURNISHINGS ONLY) POSITION DATA: FWD LH FOR NHA/OTHER SYS DET SEE: 25-24-30-11E	009030	RF
10	412A1420-2SP		.EXTRUSION-SEAT ROW MARKER	002005 008030	1
12	412A1451-2SP		.STRIP	002005 008030	1
15	H3-1592-1		.LATCH-CLG SUPPLIER CODE: V34941 SPECIFICATION NUMBER: S411A001-1	002005 008030	2
- 20	BACS12GU3K7		ATTACHING PARTS .SCREW	002005 008030	4
- 25	NAS1149D0332J		.WASHER -----*-----	002005 008030	4

MISSING ITEM NUMBERS NOT APPLICABLE

- ITEM NOT ILLUSTRATED

HAP

25-24-31-55

BOEING PROPRIETARY - Copyright © - Unpublished Work - See title page for details.

25-24-31
FIG. 55
PAGE 1
OCT 10/06

BOEING
737-600/700/800/900
PARTS CATALOG (MAINTENANCE)

FIG ITEM	PART NUMBER	1 2 3 4 5 6 7	NOMENCLATURE	EFFECT FROM TO	UNITS PER ASSY
55					
40	412A1700-5SP	.VALANCE ASSY-LT		002005	1
		OPTIONAL PART:		008030	
		412A1700-105SP			
40	412A1700-105SP	.VALANCE ASSY-LT		002005	1
		OPTIONAL PART:		008030	
		412A1700-5SP			
		ATTACHING PARTS			
- 42	BACN10YJ3F	.NUT		002005	6
				008030	
		-----*-----			
45	BACS21DW3C10FN	..STUD		002005	6
				008030	
50	412A1700-6	..TAPE-VELCRO		002005	1
				008030	
55	412A1711-5SP	..PANEL ASSY-		002005	1
		USED ON:		008030	
		412A1700-5SP			
55	412A1711-105SP	..PANEL ASSY-		002005	1
		USED ON:		008030	
		412A1700-105SP			
60	BACB30VF3K3	.BOLT		002005	2
				008030	
65	BACS12ER3K9	.SCREW		002005	2
				008030	
70	BACS12FA3K7	.SCREW		002005	2
				008030	
75	BACS12ER3K5	.SCREW		002005	9
				008030	
80	BACS12ER3K14	.SCREW		002005	10
				008030	
85	H3-1233A3	.WASHER-		002005	12
		SUPPLIER CODE:		008030	
		V34941			
		SPECIFICATION NUMBER:			
		S411A001-1			
90	412A1465-14SP	.CLOSEOUT ASSY-		002005	1
		POSITION DATA:		008030	
		LH			
95	412A1465-13SP	.CLOSEOUT ASSY-		002005	1
		POSITION DATA:		008030	
		RH			
100	BACN10VR4CGN	..NUT-		002005	3
		OPTIONAL PART:		008030	
		BACN10VR4CG			
100	BACN10VR4CG	..NUT-		002005	3
		OPTIONAL PART:		008030	
		BACN10VR4CGN			

MISSING ITEM NUMBERS NOT APPLICABLE

- ITEM NOT ILLUSTRATED

HAP

25-24-31-55

25-24-31
FIG. 55
PAGE 2
JUN 15/08

BOEING
737-600/700/800/900
PARTS CATALOG (MAINTENANCE)

FIG ITEM	PART NUMBER	1 2 3 4 5 6 7	NOMENCLATURE	EFFECT FROM TO	UNITS PER ASSY
55					
105	412A1465-16SP	..	CLOSEOUT- POSITION DATA: LH SIDE	002005 008030	1
110	412A1465-15SP	..	CLOSEOUT- POSITION DATA: RH SIDE	002005 008030	1
115	412A1243-2	.EXTRUSION ASSY-	OPTIONAL PART: 412A1243-102 PRE SERVICE BULLETIN: 25-1373	002005 008008	1
115	412A1243-102	.EXTRUSION ASSY-	OPTIONAL PART: 412A1243-2	002005 008030	1
120	FS1651-3	..NUTPLATE	SUPPLIER CODE: V15653 SPECIFICATION NUMBER: BACN10KH3CD OPTIONAL PART: 102F9209M3 V72962 NS202496-02 V80539 ATTACHING PARTS	002005 008030	10
- 125	BACR15BA3ADC	..RIVET-	SIZE DETERMINED ON INSTL. -----*-----	002005 008030	20
130	412A1600-3SP	.COVER ASSY		002005 008030	1
135	412A1460-1	..CLIP		002005 008030	4
140	412A1610-105SP	..PANEL ASSY-	OPTIONAL PART: 412A1610-5SP	002005 008030	1
140	412A1610-5SP	..PANEL ASSY-	OPTIONAL PART: 412A1610-105SP	002005 008030	1
145	412A1650-3SP	.COVER ASSY		002005 008030	1
150	BACS12FA3K6	.SCREW		002005 008030	20
155	BACB30VF3K8	.BOLT		002005 008030	4
160	412A1500-1SP	.DOOR ASSY-40 IN.	PRE SERVICE BULLETIN: 25-1373	002005 008008	1

MISSING ITEM NUMBERS NOT APPLICABLE

- ITEM NOT ILLUSTRATED

HAP

25-24-31-55

25-24-31
FIG. 55
PAGE 3
JUN 15/08

BOEING
737-600/700/800/900
PARTS CATALOG (MAINTENANCE)

FIG ITEM	PART NUMBER	1 2 3 4 5 6 7	NOMENCLATURE	EFFECT FROM TO	UNITS PER ASSY
55					
160	412A1500-101SP	.DOOR ASSY-40 IN. POST SERVICE BULLETIN: 25-1373		002005 008030	1
170	BACS12FA3K4	..SCREW		002005 008030	6
175	BACS12ER3K9	..SCREW		002005 008030	4
180	H3-1233A3	..WASHER- SUPPLIER CODE: V34941 SPECIFICATION NUMBER: S411A001-1		002005 008030	4
185	HA225-1	..LATCH ASSY- SUPPLIER CODE: V83014 SPECIFICATION NUMBER: S412A001-1A		002005 008030	1
185	HA225-7	..LATCH ASSY- SUPPLIER CODE: V83014 SPECIFICATION NUMBER: S412A001-11B		002005 008030	1
195	412A1615-1100SP	..PANEL ASSY-FILLER OPTIONAL PART: 412A1615-100SP		002005 008030	1
195	412A1615-100SP	..PANEL ASSY-FILLER OPTIONAL PART: 412A1615-1100SP		002005 008030	1
200	412A1480-3SP	..BRACKET ASSY		002005 008030	1
205	412A1480-4SP	..BRACKET ASSY		002005 008030	1
210	BACN10VR4CGN	...NUT		002005 008030	2
215	412A1480-1SP	...BRACKET- USED ON: 412A1480-3SP		002005 008030	1
225	412A1480-2SP	...BRACKET- USED ON: 412A1480-4SP		002005 008030	1
230	412A1810-1SP	..BUMPER-		002005 008030	2
235	412A1450-3SP	..TRIM-EDGE		002005 008030	1
240	412A1450-4SP	..TRIM-EDGE		002005 008030	1
245	412A1450-5SP	..TRIM-EDGE		002005 008030	1

MISSING ITEM NUMBERS NOT APPLICABLE

- ITEM NOT ILLUSTRATED

HAP

25-24-31-55

25-24-31
FIG. 55
PAGE 4
JUN 15/08

BOEING PROPRIETARY - Copyright © - Unpublished Work - See title page for details.

BOEING
737-600/700/800/900
PARTS CATALOG (MAINTENANCE)

FIG ITEM	PART NUMBER	1 2 3 4 5 6 7	NOMENCLATURE	EFFECT FROM TO	UNITS PER ASSY
55					
250	412A1450-6SP	..	TRIM-EDGE	002005 008030	1
255	412A1510-2SP	..	PANEL ASSY	002005 008030	1
- 265	SL618-3A	...	INSERT- SUPPLIER CODE: V97393	002005 008030	14
275	412A1500-2SP	.D	DOOR ASSY-20 IN. PRE SERVICE BULLETIN: 25-1373	002005 008008	1
275	412A1500-102SP	.D	DOOR ASSY-20 IN. POST SERVICE BULLETIN: 25-1373	002005 008030	1
285	BACS12FA3K4	..	SCREW	002005 008030	6
290	BACS12ER3K9	..	SCREW	002005 008030	4
295	H3-1233A3	..	WASHER- SUPPLIER CODE: V34941 SPECIFICATION NUMBER: S411A001-1	002005 008030	4
300	HA225-1	..	LATCH ASSY- SUPPLIER CODE: V83014 SPECIFICATION NUMBER: S412A001-1A	002005 008030	1
300	HA225-7	..	LATCH ASSY- SUPPLIER CODE: V83014 SPECIFICATION NUMBER: S412A001-11B	002005 008030	1
310	412A1615-1101SP	..	PANEL ASSY-FILLER OPTIONAL PART: 412A1615-101SP	002005 008030	1
310	412A1615-101SP	..	PANEL ASSY-FILLER OPTIONAL PART: 412A1615-1101SP	002005 008030	1
315	412A1480-3SP	..	BRACKET ASSY	002005 008030	1
320	412A1480-4SP	..	BRACKET ASSY	002005 008030	1
325	BACN10VR4CGN	...	NUT	002005 008030	2
330	412A1480-1SP	...	BRACKET- USED ON: 412A1480-3SP	002005 008030	1

MISSING ITEM NUMBERS NOT APPLICABLE

- ITEM NOT ILLUSTRATED

HAP

25-24-31-55

25-24-31
FIG. 55
PAGE 5
JUN 15/08

BOEING
737-600/700/800/900
PARTS CATALOG (MAINTENANCE)

FIG ITEM	PART NUMBER	1 2 3 4 5 6 7	NOMENCLATURE	EFFECT FROM TO	UNITS PER ASSY
55					
335	412A1480-2SP	...	BRACKET- USED ON: 412A1480-4SP	002005 008030	1
340	412A1810-2SP	..	BUMPER- OPTIONAL PART: 412A1810-1SP	002005 008030	2
340	412A1810-1SP	..	BUMPER- OPTIONAL PART: 412A1810-2SP	002005 008030	2
345	412A1450-3SP	..	TRIM-EDGE	002005 008030	1
350	412A1450-4SP	..	TRIM-EDGE	002005 008030	1
355	412A1450-5SP	..	TRIM-EDGE	002005 008030	1
360	412A1450-6SP	..	TRIM-EDGE	002005 008030	1
365	412A1511-2SP	..	PANEL ASSY	002005 008030	1
- 375	SL618-3A	...	INSERT- SUPPLIER CODE: V97393	002005 008030	14
385	412A1100-51SP	.	HINGE ASSY-COLLECTOR	002005 008030	2
390	412A1100-52SP	.	HINGE ASSY-COLLECTOR	002005 008030	1
395	412A1100-54SP	.	HINGE ASSY-COLLECTOR	002005 008030	1
400	412A1230-21	..	PIN	002005 008030	1
405	BACB30VF3K7	..	BOLT	002005 008030	1
410	NAS1149D0316J	..	WASHER	002005 008030	1
415	MS16633-4018	..	RING	002005 008030	1
420	SP20522	..	ACTUATOR ASSY- SUPPLIER CODE: V24403 SPECIFICATION NUMBER: S412A002-2	002005 008030	1
425	412A1455-1SP	..	HINGE ASSY- USED ON: 412A1100-51SP	002005 008030	1
430	412A1455-2SP	..	HINGE ASSY- USED ON: 412A1100-52SP	002005 008030	1

MISSING ITEM NUMBERS NOT APPLICABLE

- ITEM NOT ILLUSTRATED

HAP

25-24-31-55

25-24-31
FIG. 55
PAGE 6
JUN 15/08

BOEING
737-600/700/800/900
PARTS CATALOG (MAINTENANCE)

FIG ITEM	PART NUMBER	1 2 3 4 5 6 7	NOMENCLATURE	EFFECT FROM TO	UNITS PER ASSY
55					
435	412A1455-4SP	..	HINGE ASSY- USED ON: 412A1100-54SP	002005 008030	1
440	412A1230-21	...	PIN	002005 008030	1
445	MS51023-54	...	SCREW	002005 008030	1
450	NAS1149D0316J	...	WASHER	002005 008030	1
455	MS16633-4018	...	RING	002005 008030	1
460	412A1220-1	...	CLIP	002005 008030	1
465	412A1454-3SP	...	HOUSING ASSY- USED ON: 412A1455-2SP 412A1455-1SP	002005 008030	1
470	412A1454-12SP	...	HOUSING ASSY- USED ON: 412A1455-4SP	002005 008030	1
475	BACB28Y3F020	BUSHING	002005 008030	2
480	6041L3BR375	INSERT- SUPPLIER CODE: V01556	002005 008030	1
485	412A1454-1SP	HOUSING- USED ON: 412A1454-3SP	002005 008030	1
490	412A1454-11SP	HOUSING- USED ON: 412A1454-12SP	002005 008030	1
495	412A1454-9SP	...	BRACKET ASSY- USED ON: 412A1455-1SP	002005 008030	1
500	412A1454-10SP	...	BRACKET ASSY- USED ON: 412A1455-2SP 412A1455-4SP	002005 008030	1
505	BACB28Y3F025	BUSHING	002005 008030	2
510	6041-3BR225	INSERT- SUPPLIER CODE: V01556	002005 008030	1
515	6041L3BR375	INSERT- SUPPLIER CODE: V01556	002005 008030	1
520	412A1454-7SP	BRACKET- USED ON: 412A1454-9SP	002005 008030	1

MISSING ITEM NUMBERS NOT APPLICABLE

— ITEM NOT ILLUSTRATED

HAP

25-24-31-55

25-24-31
FIG. 55
PAGE 7
JUN 15/08

BOEING
737-600/700/800/900
PARTS CATALOG (MAINTENANCE)

FIG ITEM	PART NUMBER	1 2 3 4 5 6 7	NOMENCLATURE	EFFECT FROM TO	UNITS PER ASSY
55					
525	412A1454-8SP	BRACKET- USED ON: 412A1454-10SP	002005 008030	1
530	412A1250-1103SP	.BOX	ASSY-60 IN. BIN OPTIONAL PART: 412A1250-103SP FOR DETAILS SEE: 25-24-32-69A	002005 008008	1
530	412A1250-103SP	.BOX	ASSY-60 IN. BIN OPTIONAL PART: 412A1250-1103SP FOR DETAILS SEE: 25-24-32-69A	002005 008008	1
530	412A1250-103A	.BOX	ASSY-60 IN. BIN OPTIONAL PART: 412A1250-1103B FOR DETAILS SEE: 25-24-32-69A	009030	1
530	412A1250-1103B	.BOX	ASSY-60 IN. BIN OPTIONAL PART: 412A1250-103A FOR DETAILS SEE: 25-24-32-69A	009030	1
- 535	OBA8	.PLUG-	SUPPLIER CODE: VOBV87 OPTIONAL PART: 412A1100-96 412A1811-1B 412A1811-2B	002005 008030	AR
- 535	OBA8	.PLUG-	SUPPLIER CODE: VOBV87 OPTIONAL PART: 412A1100-96 412A1811-1SP	002005 008008	AR
- 545	412A1811-1B	.PLUG-	OPTIONAL PART: 412A1100-96 412A1811-2B OBA8 VOBV87	009030	AR
- 545	412A1811-1SP	.PLUG-	OPTIONAL PART: 412A1100-96 OBA8 VOBV87 POST SERVICE BULLETIN: 25-1373	002005 008008	AR

MISSING ITEM NUMBERS NOT APPLICABLE

- ITEM NOT ILLUSTRATED

HAP

25-24-31-55

25-24-31
FIG. 55
PAGE 8
JUN 15/08

BOEING
737-600/700/800/900
PARTS CATALOG (MAINTENANCE)

FIG ITEM	PART NUMBER	1 2 3 4 5 6 7	NOMENCLATURE	EFFECT FROM TO	UNITS PER ASSY
55 - 545	412A1811-2B		.PLUG- OPTIONAL PART: 412A1100-96 412A1811-1B OBA8 VOBV87	009030	AR
- 555	412A1100-96		.KIT ASSY-SCR AND WASHER OPTIONAL PART: OBA8 VOBV87 412A1811-2B 412A1811-1B	002005 008030	AR
- 555	412A1100-96		.KIT ASSY-SCR AND WASHER OPTIONAL PART: OBA8 VOBV87 412A1811-1SP POST SERVICE BULLETIN: 25-1373	002005 008008	AR
- 565	NAS514P1032-5		..SCREW	002005 008030	1
- 575	H3-1233A3		..WASHER- SUPPLIER CODE: V34941 SPECIFICATION NUMBER: S411A001-1	002005 008030	1

MISSING ITEM NUMBERS NOT APPLICABLE

- ITEM NOT ILLUSTRATED

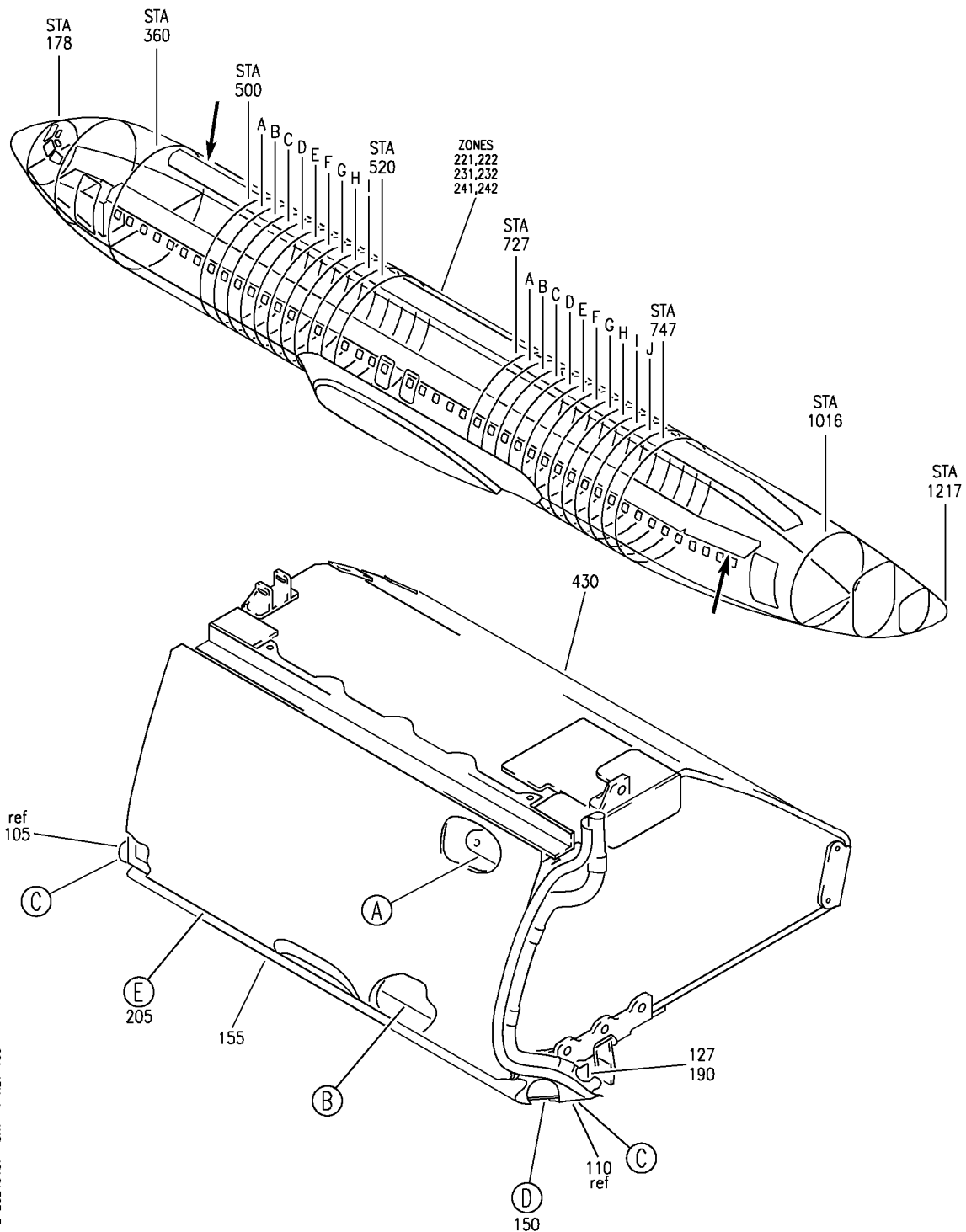
HAP

25-24-31-55

BOEING PROPRIETARY - Copyright © - Unpublished Work - See title page for details.

25-24-31
FIG. 55
PAGE 9
JUN 15/08


BOEING
 737-600/700/800/900
 PARTS CATALOG (MAINTENANCE)



E 2524-3157 SHT 1 REV 109

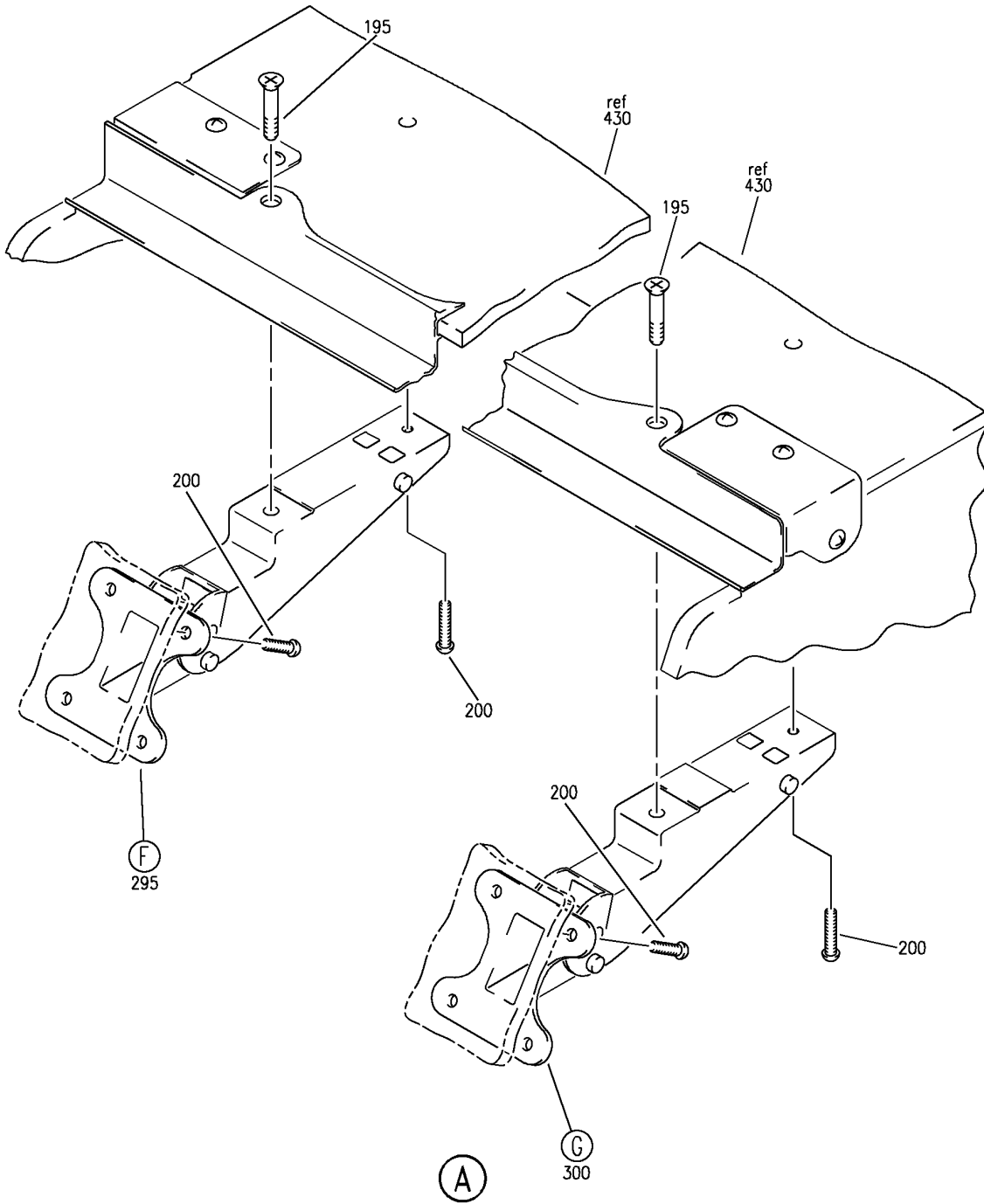
COMPARTMENT ASSY-FWD RH 25 IN. OVHD STOWAGE HANDLING CONFIGURATION
 FIGURE 57 (SHEET 1)

25-24-31-57

HAP
OCT 10/06

25-24-31-57
 PAGE 0

BOEING
737-600/700/800/900
PARTS CATALOG (MAINTENANCE)



E 2524-3157 SHT 2 REV 109

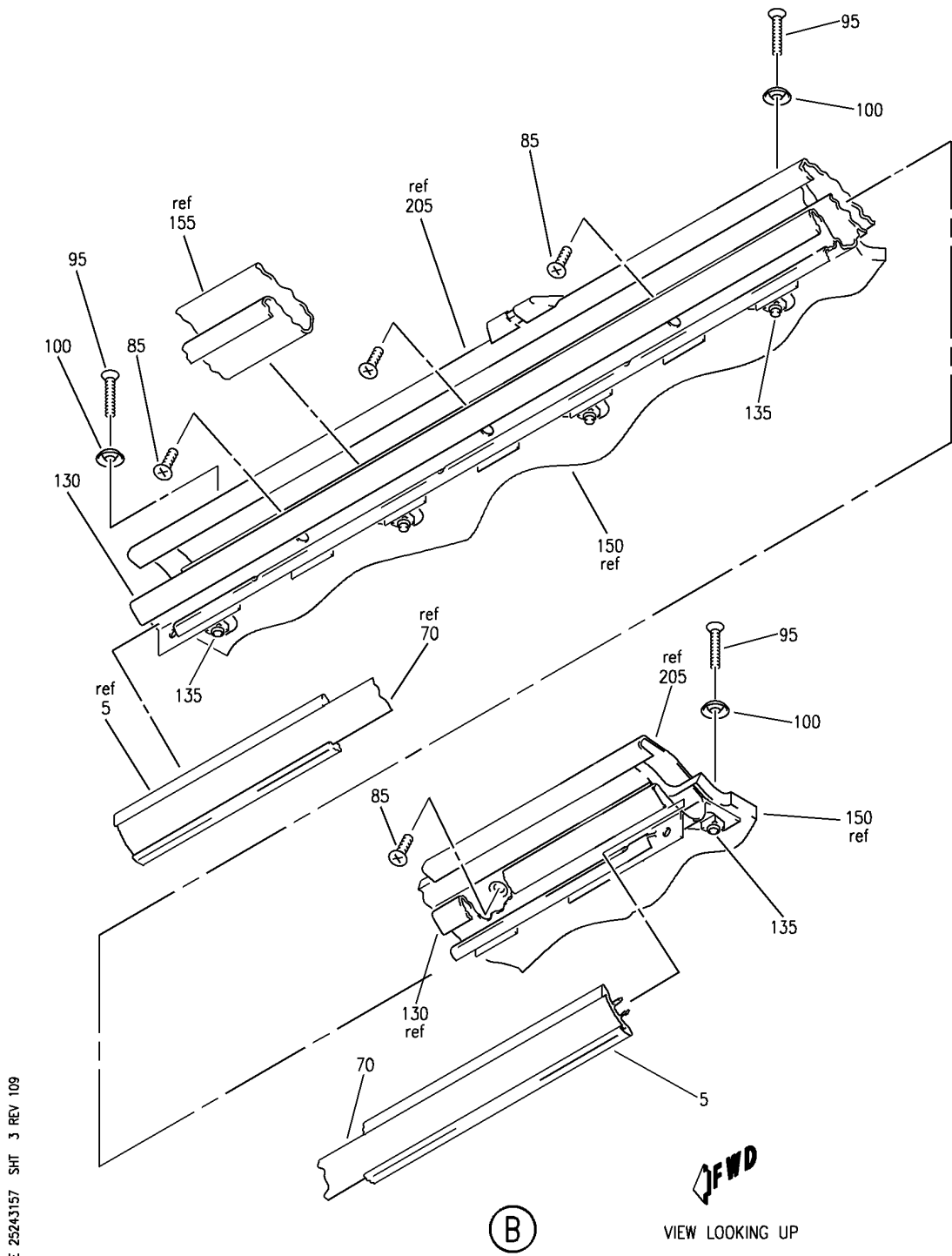
COMPARTMENT ASSY-FWD RH 25 IN. OVHD STOWAGE HNDRL CONFIGURATION
FIGURE 57 (SHEET 2)

25-24-31-57

HAP
OCT 10/06

25-24-31-57
PAGE 0A

BOEING
 737-600/700/800/900
 PARTS CATALOG (MAINTENANCE)



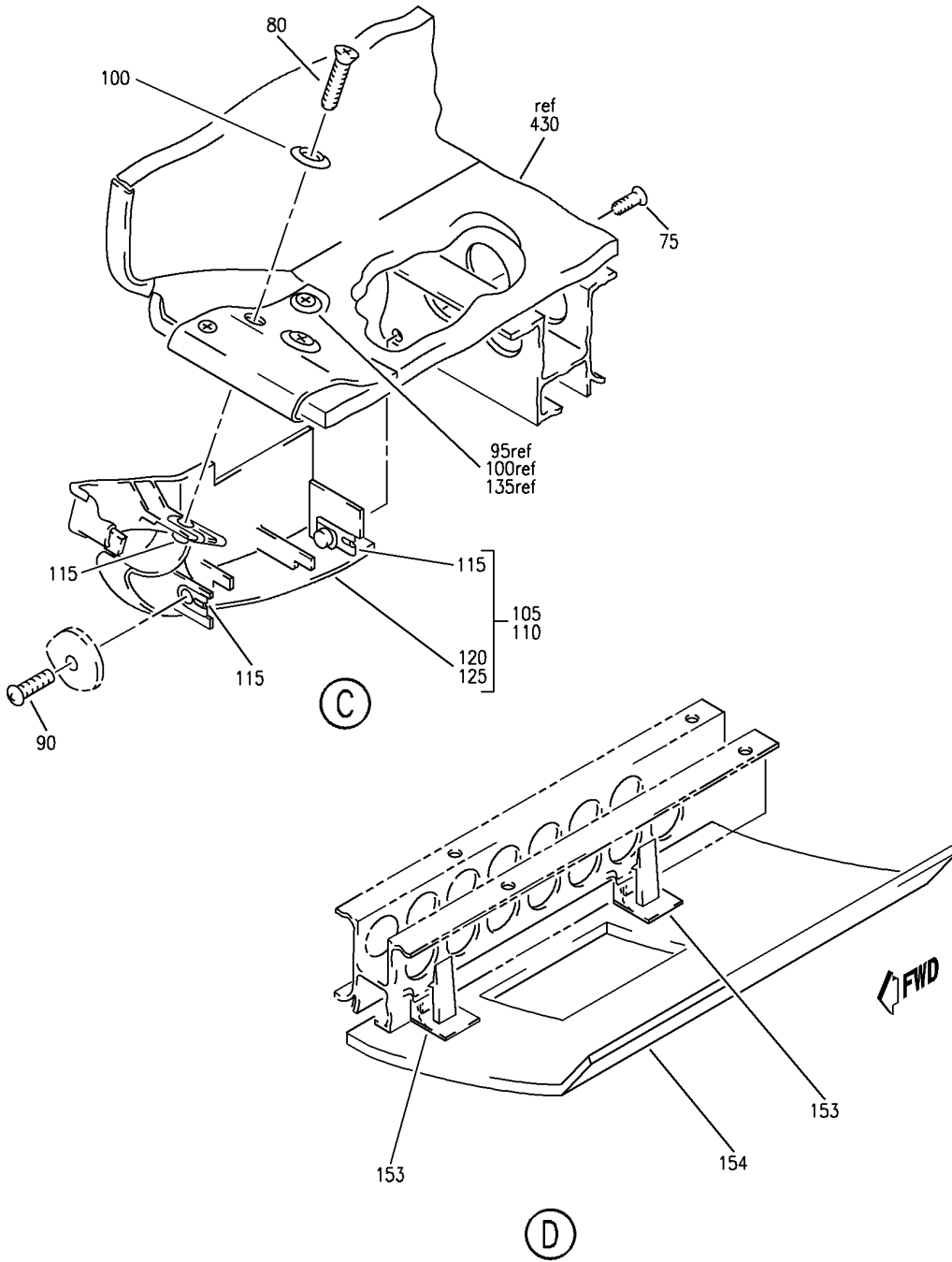
COMPARTMENT ASSY-FWD RH 25 IN. OVHD STOWAGE HNDRL CONFIGURATION
 FIGURE 57 (SHEET 3)

25-24-31-57

HAP
 OCT 10/06

25-24-31-57
 PAGE 0B

BOEING
 737-600/700/800/900
 PARTS CATALOG (MAINTENANCE)



E 2524-3157 SH4 4 REV 109

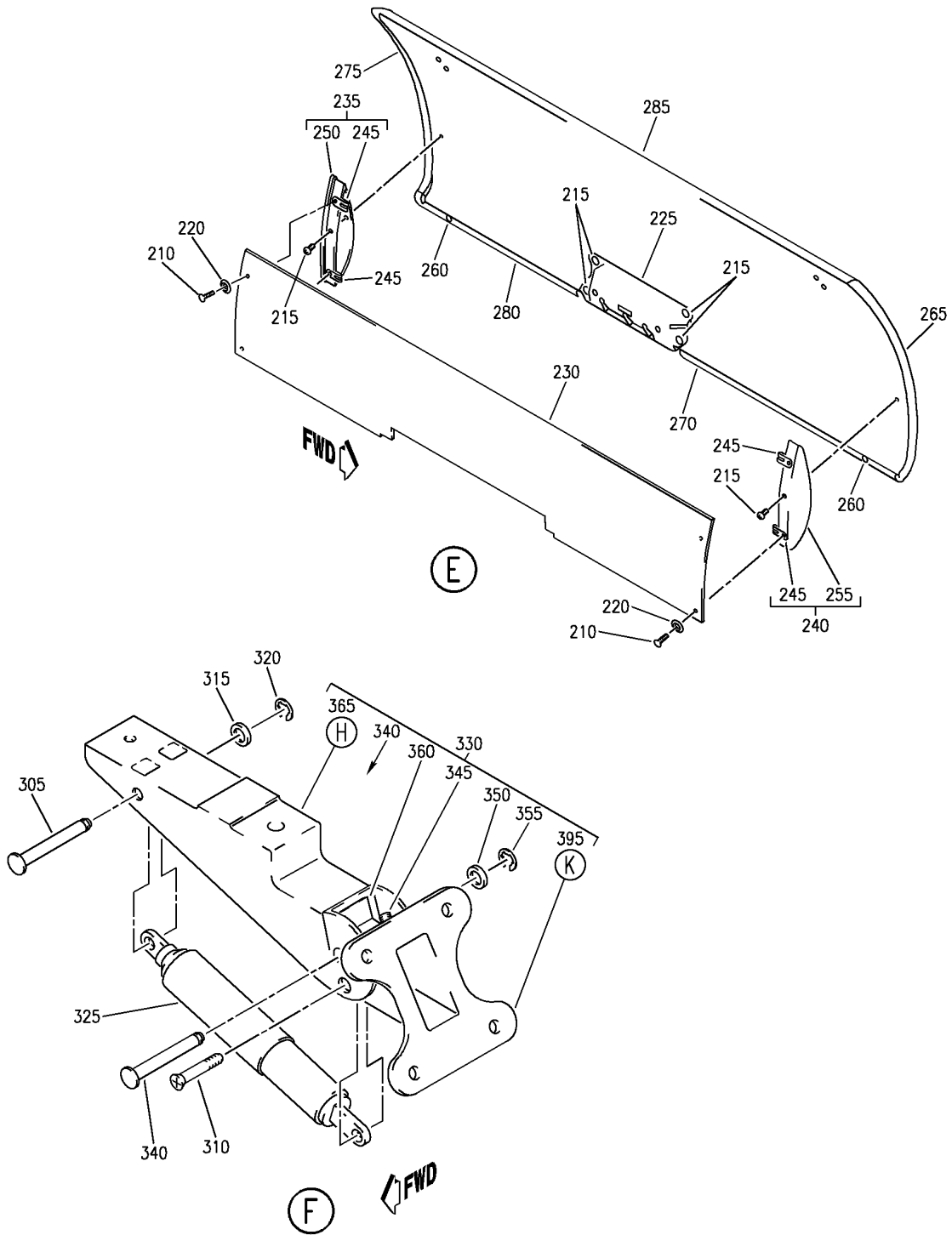
COMPARTMENT ASSY-FWD RH 25 IN. OVHD STOWAGE HNDRL CONFIGURATION
 FIGURE 57 (SHEET 4)

25-24-31-57

HAP
 OCT 10/06

25-24-31-57
 PAGE 0C

BOEING
 737-600/700/800/900
 PARTS CATALOG (MAINTENANCE)



E 2524-3157 SHT 5 REV 109

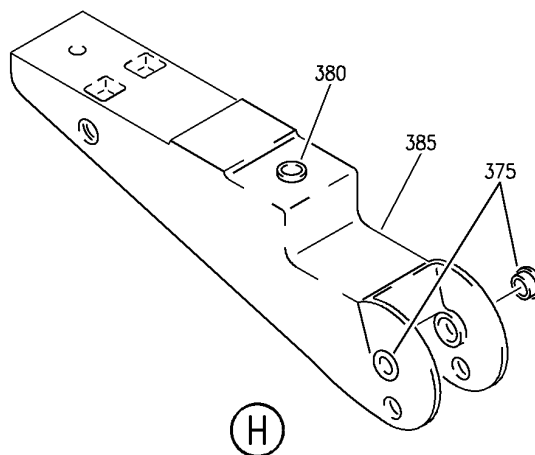
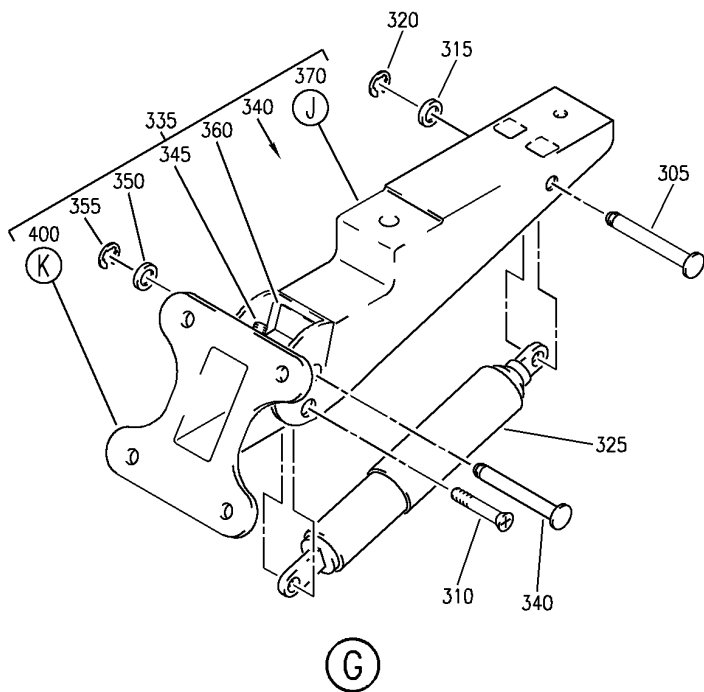
COMPARTMENT ASSY-FWD RH 25 IN. OVHD STOWAGE HNDRL CONFIGURATION
 FIGURE 57 (SHEET 5)

25-24-31-57

HAP
 OCT 10/06

25-24-31-57
 PAGE 0D

BOEING
 737-600/700/800/900
 PARTS CATALOG (MAINTENANCE)



E 2524-3157 SH1 6 REV 109

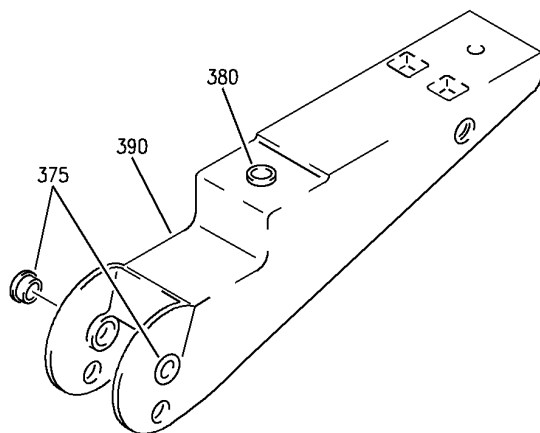
COMPARTMENT ASSY-FWD RH 25 IN. OVHD STOWAGE HNDRL CONFIGURATION
 FIGURE 57 (SHEET 6)

25-24-31-57

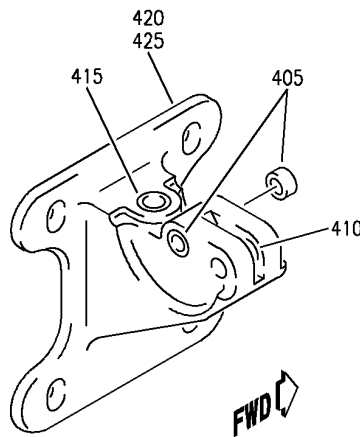
HAP
 OCT 10/06

25-24-31-57
 PAGE 0E

BOEING
737-600/700/800/900
PARTS CATALOG (MAINTENANCE)



(J)



(K)

E 2524-3157 SH7 7 REV 109

COMPARTMENT ASSY-FWD RH 25 IN. OVHD STOWAGE HNDRL CONFIGURATION
FIGURE 57 (SHEET 7)

25-24-31-57

HAP
OCT 10/06

25-24-31-57
PAGE OF

BOEING
737-600/700/800/900
PARTS CATALOG (MAINTENANCE)

FIG ITEM	PART NUMBER	1 2 3 4 5 6 7	NOMENCLATURE	EFFECT FROM TO	UNITS PER ASSY
57			COMPARTMENT ASSY-FWD RH 25 IN. OVHD STOWAGE HNDRL CONFIGURATION	002005 008030	
- 1	412A1150-110SP		COMPARTMENT ASSY-25 IN. OVHD STOWAGE HNDRL CONFIGURATION POSITION DATA: FWD RH PRE SERVICE BULLETIN: 25-1373 FOR NHA SEE: 25-24-30-24B	002005 008008	RF
- 1	412A1150-310SP		COMPARTMENT ASSY-25 IN. OVHD STOWAGE HNDRL CONFIGURATION POSITION DATA: FWD RH POST SERVICE BULLETIN: 25-1373 FOR NHA SEE: 25-24-30-24B	002005 008008	RF
- 1	412A1150-310B		COMPARTMENT ASSY-25 IN. OVHD STOWAGE HNDRL CONFIGURATION POSITION DATA: FWD RH FOR NHA SEE: 25-24-30-24B	009030	RF
5	412A1420-2SP		.EXTRUSION-SEAT ROW	002005 008008	1
5	412A1420-2A		.EXTRUSION-SEAT ROW	009030	1
70	412A1451-2SP		.STRIP-	002005 008008	1
70	412A1451-2BCWK		.STRIP-	009030	1
75	BACB30VF3K3		.BOLT	002005 008030	2
80	BACS12ER3K9		.SCREW	002005 008030	2
85	BACS12ER3K5		.SCREW	002005 008030	4
90	BACS12FA3K7		.SCREW	002005 008030	2
95	BACS12ER3K14		.SCREW- POSITION DATA: FARSIDE	002005 008030	5

MISSING ITEM NUMBERS NOT APPLICABLE

- ITEM NOT ILLUSTRATED

HAP

25-24-31-57

25-24-31
FIG. 57
PAGE 1
JUN 15/08

BOEING
737-600/700/800/900
PARTS CATALOG (MAINTENANCE)

FIG ITEM	PART NUMBER	1 2 3 4 5 6 7	NOMENCLATURE	EFFECT FROM TO	UNITS PER ASSY
57 100	H3-1233A3		.WASHER- SUPPLIER CODE: V34941 SPECIFICATION NUMBER: S411A001-1	002005 008030	7
105	412A1465-10SP		.CLOSEOUT ASSY-	002005 008008	1
105	412A1465-10A		.CLOSEOUT ASSY-	009030	1
110	412A1465-13SP		.CLOSEOUT ASSY-	002005 008008	1
110	412A1465-13A		.CLOSEOUT ASSY-	009030	1
115	BACN10VR4CGN		..NUT- OPTIONAL PART: BACN10VR4CG	002005 008030	3
115	BACN10VR4CG		..NUT- OPTIONAL PART: BACN10VR4CGN	002005 008030	3
120	412A1465-12SP		..CLOSEOUT- USED ON: 412A1465-10SP	002005 008030	1
125	412A1465-15SP		..CLOSEOUT- USED ON: 412A1465-13SP	002005 008008	1
127	412A1310-700		.TAPE-VELCRO HOOK	009030	AR
130	412A1243-108		.EXTRUSION ASSY	002005 008030	1
135	FS1651-3		..NUTPLATE SUPPLIER CODE: V15653 SPECIFICATION NUMBER: BACN10KH3CD OPTIONAL PART: 102F9209M3 V72962 NS202496-02 V80539 ATTACHING PARTS	002005 008030	5
- 140	BACR15BA3ADC		..RIVET- SIZE DETERMINED ON INSTL. -----*-----	002005 008030	10
150	412A1600-10SP		.COVER ASSY-	002005 008008	1
150	412A1600-10A		.COVER ASSY-	009030	1
153	412A1460-1		..CLIP	002005 008030	2
154	412A1610-10A		..PANEL ASSY- OPTIONAL PART: 412A1610-110B	009030	1

MISSING ITEM NUMBERS NOT APPLICABLE

- ITEM NOT ILLUSTRATED

HAP

25-24-31-57

BOEING PROPRIETARY - Copyright © - Unpublished Work - See title page for details.

25-24-31
FIG. 57
PAGE 2
JUN 15/08

BOEING
737-600/700/800/900
PARTS CATALOG (MAINTENANCE)

FIG ITEM	PART NUMBER	1 2 3 4 5 6 7	NOMENCLATURE	EFFECT FROM TO	UNITS PER ASSY
57					
154	412A1610-10SP	..	PANEL ASSY- OPTIONAL PART: 412A1610-110SP	002005 008008	1
154	412A1610-110B	..	PANEL ASSY- OPTIONAL PART: 412A1610-10A	009030	1
154	412A1610-110SP	..	PANEL ASSY- OPTIONAL PART: 412A1610-10SP	002005 008008	1
155	412A1650-3SP	.	COVER ASSY-	002005 008008	1
155	412A1650-3A	.	COVER ASSY-	009030	1
- 160	403A3210-22SP	.	SEAL ASSY-	002005 008008	1
- 160	403A3210-22A	.	SEAL ASSY-	009030	1
- 170	OBA8	.	PLUG- SUPPLIER CODE: VOBV87 OPTIONAL PART: 412A1811-1B 412A1811-2B 412A1100-96	002005 008030	AR
- 170	412A1811-1B	.	PLUG- OPTIONAL PART: 412A1100-96 412A1811-2B OBA8 VOBV87	009030	AR
- 170	412A1811-2B	.	PLUG- OPTIONAL PART: 412A1100-96 412A1811-1B OBA8 VOBV87	009030	AR
- 175	412A1100-96	.	KIT ASSY-SCR AND WASHER OPTIONAL PART: 412A1811-1B OBA8 VOBV87 412A1811-2B	009030	AR
- 180	NAS514P1032-5	..	SCREW	009030	1
- 185	H3-1233A3	..	WASHER- SUPPLIER CODE: V34941 SPECIFICATION NUMBER: S411A001-1	009030	1
190	412A1310-701	.	TAPE-VELCRO LOOP	009030	AR
195	BACB30VF3K8	.	BOLT	002005 008030	2

MISSING ITEM NUMBERS NOT APPLICABLE

- ITEM NOT ILLUSTRATED

HAP

25-24-31-57

BOEING PROPRIETARY - Copyright © - Unpublished Work - See title page for details.

25-24-31
FIG. 57
PAGE 3
JUN 15/08

BOEING
737-600/700/800/900
PARTS CATALOG (MAINTENANCE)

FIG ITEM	PART NUMBER	1 2 3 4 5 6 7	NOMENCLATURE	EFFECT FROM TO	UNITS PER ASSY
57 200	BACS12FA3K6	.	SCREW	002005 008030	10
205	412A1500-14SP	.	DOOR ASSY-24.60 IN PRE SERVICE BULLETIN: 25-1373	002005 008008	1
205	412A1500-114SP	.	DOOR ASSY-24.60 IN POST SERVICE BULLETIN: 25-1373	002005 008030	1
210	BACS12ER3K9	..	SCREW	002005 008030	4
215	BACS12FA3K4	..	SCREW	002005 008030	6
220	H3-1233A3	..	WASHER- SUPPLIER CODE: V34941 SPECIFICATION NUMBER: S411A001-1	002005 008030	4
225	HA225-1	..	LATCH ASSY- SUPPLIER CODE: V83014 SPECIFICATION NUMBER: S412A001-1A PRE SERVICE BULLETIN: 25-1373 PRE SERVICE BULLETIN: HA225-25-01 V83014	002005 008030	1
225	HA225-7	..	LATCH ASSY- SUPPLIER CODE: V83014 SPECIFICATION NUMBER: S412A001-11B SERVICE BULLETIN OPT DATA: HA225K3868 V83014 POST SERVICE BULLETIN: 25-1373 POST SERVICE BULLETIN: HA225-25-01 V83014	002005 008030	1

MISSING ITEM NUMBERS NOT APPLICABLE

— ITEM NOT ILLUSTRATED

HAP

25-24-31-57

BOEING PROPRIETARY - Copyright © - Unpublished Work - See title page for details.

25-24-31
FIG. 57
PAGE 4
JUN 15/08

BOEING
737-600/700/800/900
PARTS CATALOG (MAINTENANCE)

FIG ITEM	PART NUMBER	1 2 3 4 5 6 7	NOMENCLATURE	EFFECT FROM TO	UNITS PER ASSY
57 225	HA225K3868		..LATCH ASSY- SUPPLIER CODE: V83014 SERVICE BULLETIN OPT DATA: HA225-7 V83014 POST SERVICE BULLETIN: 25-1373 POST SERVICE BULLETIN: HA225-25-01 V83014	002005 008008	1
230	412A1615-107SP		..PANEL ASSY-FILLER OPTIONAL PART: 412A1615-1107SP	002005 008030	1
230	412A1615-1107SP		..PANEL ASSY-FILLER OPTIONAL PART: 412A1615-107SP	002005 008030	1
235	412A1480-3SP		..BRACKET ASSY	002005 008030	1
240	412A1480-4SP		..BRACKET ASSY	002005 008030	1
245	BACN10VR4CGN		...NUT	002005 008030	2
250	412A1480-1SP		...BRACKET- USED ON: 412A1480-3SP	002005 008030	1
255	412A1480-2SP		...BRACKET- USED ON: 412A1480-4SP	002005 008030	1
260	412A1810-1SP		..BUMPER	002005 008030	2
265	412A1450-4SP		..TRIM-EDGE	002005 008030	1
270	412A1450-6SP		..TRIM-EDGE	002005 008030	1
275	412A1450-7SP		..TRIM-EDGE	002005 008030	1
280	412A1450-9SP		..TRIM-EDGE	002005 008030	1
285	412A1510-16SP		..PANEL ASSY	002005 008030	1
- 290	SL618-3A		...INSERT- SUPPLIER CODE: V97393	002005 008030	14
295	412A1100-51SP		.HINGE ASSY-COLLECTOR	002005 008030	1
300	412A1100-54SP		.HINGE ASSY-COLLECTOR	002005 008030	1

MISSING ITEM NUMBERS NOT APPLICABLE

- ITEM NOT ILLUSTRATED

HAP

25-24-31-57

25-24-31
FIG. 57
PAGE 5
JUN 15/08

BOEING
737-600/700/800/900
PARTS CATALOG (MAINTENANCE)

FIG ITEM	PART NUMBER	1 2 3 4 5 6 7	NOMENCLATURE	EFFECT FROM TO	UNITS PER ASSY
57					
305	412A1230-21	..	PIN	002005 008030	1
310	BACB30VF3K7	..	BOLT	002005 008030	1
315	NAS1149D0316J	..	WASHER	002005 008030	1
320	MS16633-4018	..	RING	002005 008030	1
325	SP20522	..	ACTUATOR ASSY- SUPPLIER CODE: V24403 SPECIFICATION NUMBER: S412A002-2	002005 008030	1
330	412A1455-1SP	..	HINGE ASSY- USED ON: 412A1100-51SP	002005 008030	1
335	412A1455-4SP	..	HINGE ASSY- USED ON: 412A1100-54SP	002005 008030	1
340	412A1230-21	...	PIN	002005 008030	1
345	MS51023-54	...	SCREW	002005 008030	1
350	NAS1149D0316J	...	WASHER	002005 008030	1
355	MS16633-4018	...	RING	002005 008030	1
360	412A1220-1	...	CLIP	002005 008030	1
365	412A1454-3SP	...	HOUSING ASSY- USED ON: 412A1455-1SP	002005 008030	1
370	412A1454-12SP	...	HOUSING ASSY- USED ON: 412A1455-4SP	002005 008030	1
375	BACB28Y3F020	BUSHING	002005 008030	2
380	6041L3BR375	INSERT- SUPPLIER CODE: V01556	002005 008030	1
385	412A1454-1SP	HOUSING- USED ON: 412A1454-3SP	002005 008030	1
390	412A1454-11SP	HOUSING- USED ON: 412A1454-12SP	002005 008030	1
395	412A1454-9SP	...	BRACKET ASSY- USED ON: 412A1455-1SP	002005 008030	1

MISSING ITEM NUMBERS NOT APPLICABLE

— ITEM NOT ILLUSTRATED

HAP

25-24-31-57

25-24-31
FIG. 57
PAGE 6
JUN 15/08

BOEING
737-600/700/800/900
PARTS CATALOG (MAINTENANCE)

FIG ITEM	PART NUMBER	1 2 3 4 5 6 7	NOMENCLATURE	EFFECT FROM TO	UNITS PER ASSY
57 400	412A1454-10SP		...BRACKET ASSY- USED ON: 412A1455-2SP	002005 008030	1
405	BACB28Y3F025	BUSHING	002005 008030	2
410	6041-3BR225	INSERT- SUPPLIER CODE: V01556	002005 008030	1
415	6041L3BR375	INSERT- SUPPLIER CODE: V01556	002005 008030	1
420	412A1454-7SP	BRACKET- USED ON: 412A1454-9SP	002005 008030	1
425	412A1454-8SP	BRACKET- USED ON: 412A1454-10SP	002005 008030	1
430	412A1250-110SP		.BOX ASSY-25 IN. BIN OPTIONAL PART: 412A1250-1110SP FOR DETAILS SEE: 25-24-32-24A	002005 008008	1
430	412A1250-1110SP		.BOX ASSY-25 IN. BIN OPTIONAL PART: 412A1250-110SP FOR DETAILS SEE: 25-24-32-24A	002005 008008	1
430	412A1250-110A		.BOX ASSY-25 IN. BIN OPTIONAL PART: 412A1250-1110B FOR DETAILS SEE: 25-24-32-24A	009030	1
430	412A1250-1110B		.BOX ASSY-25 IN. BIN OPTIONAL PART: 412A1250-110A FOR DETAILS SEE: 25-24-32-24A	009030	1

MISSING ITEM NUMBERS NOT APPLICABLE

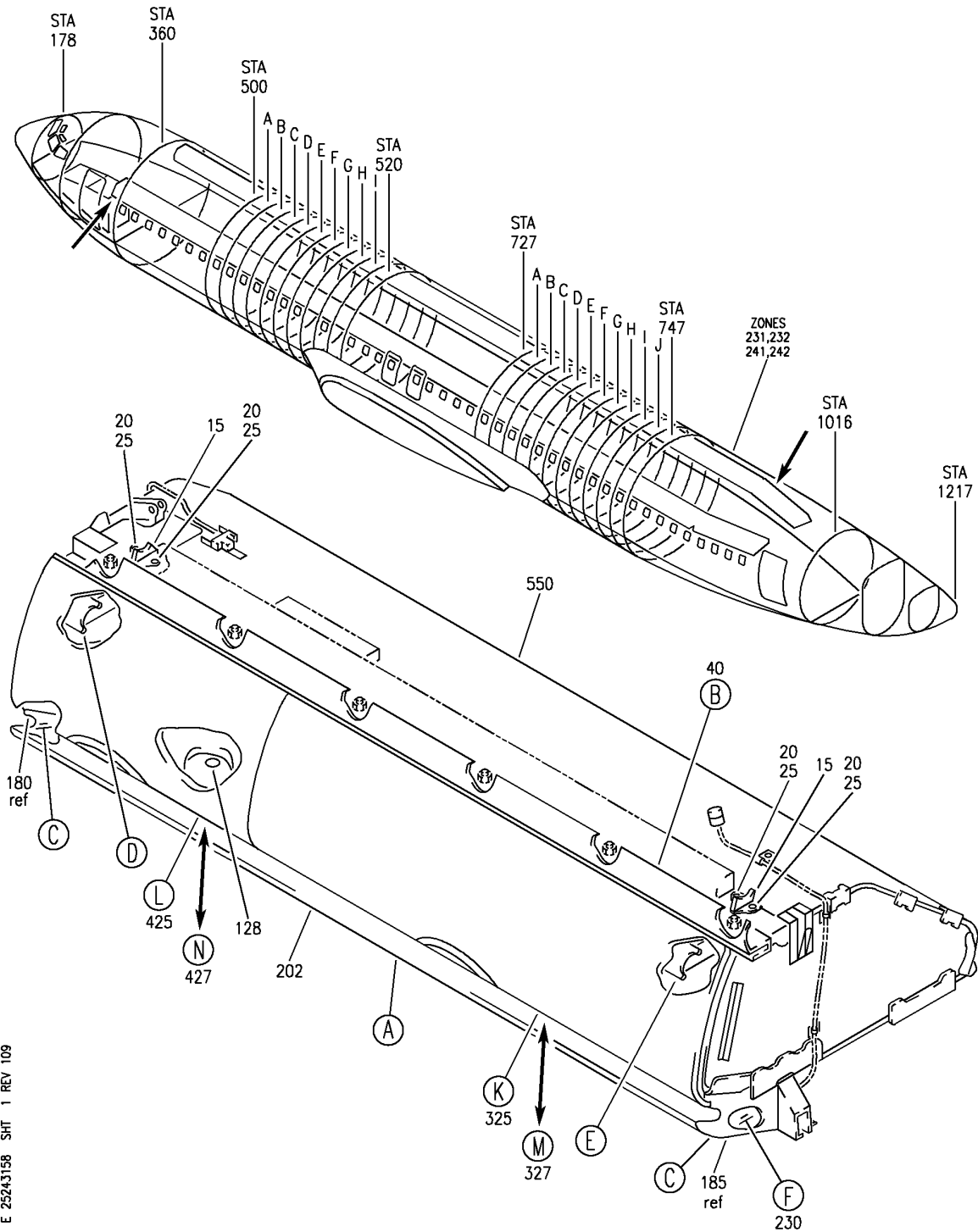
— ITEM NOT ILLUSTRATED

HAP

25-24-31-57

25-24-31
FIG. 57
PAGE 7
JUN 15/08

BOEING
737-600/700/800/900
PARTS CATALOG (MAINTENANCE)



E 2524-3158 SHT 1 REV 109

COMPARTMENT ASSY-FWD RH 60 IN. OVHD STOWAGE HNDRL CONFIGURATION (EQUIPMENT/ FURNISHINGS ONLY)
 FIGURE 58 (SHEET 1)

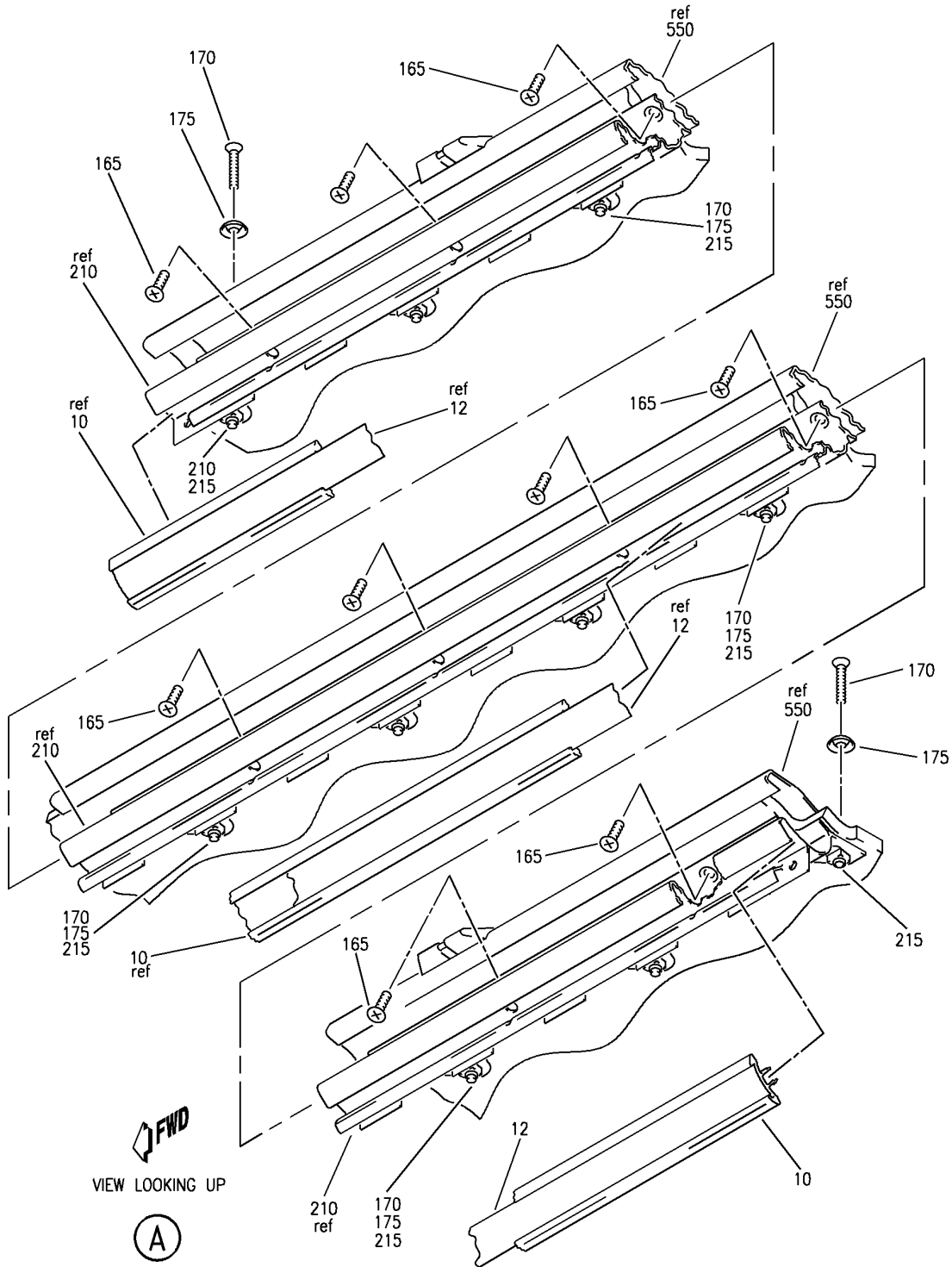
HAP
 OCT 10/06

25-24-31-58

25-24-31-58
 PAGE 0

BOEING PROPRIETARY - Copyright © - Unpublished Work - See title page for details.

BOEING
 737-600/700/800/900
 PARTS CATALOG (MAINTENANCE)



E 2524-3158 SHT 2 REV 105

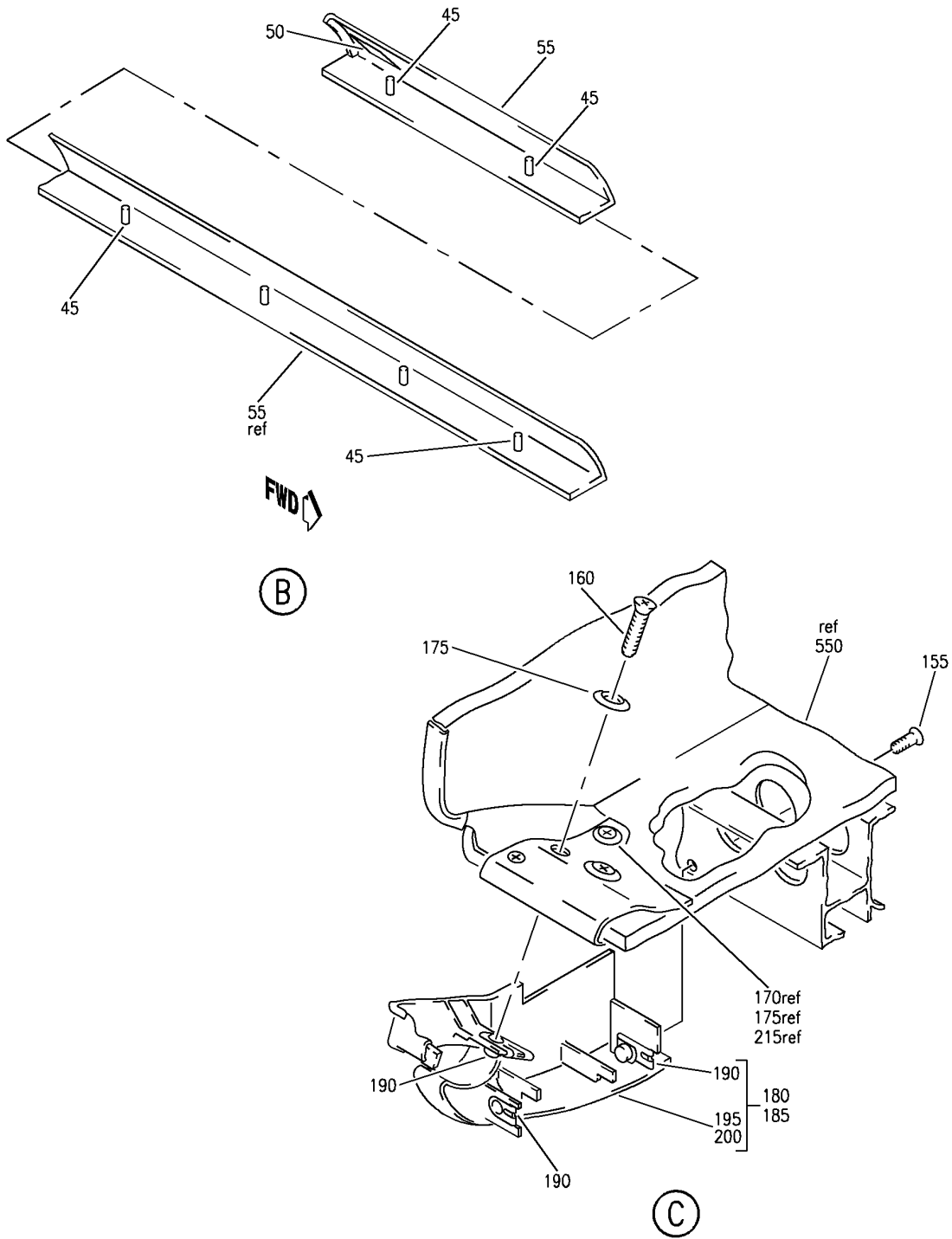
COMPARTMENT ASSY-FWD RH 60 IN. OVHD STOWAGE HANDLING CONFIGURATION (EQUIPMENT/ FURNISHINGS ONLY)
 FIGURE 58 (SHEET 2)

HAP
 OCT 10/06

25-24-31-58

25-24-31-58
 PAGE 0A

BOEING
 737-600/700/800/900
 PARTS CATALOG (MAINTENANCE)



E 2524-3158 SH1 3 REV 105

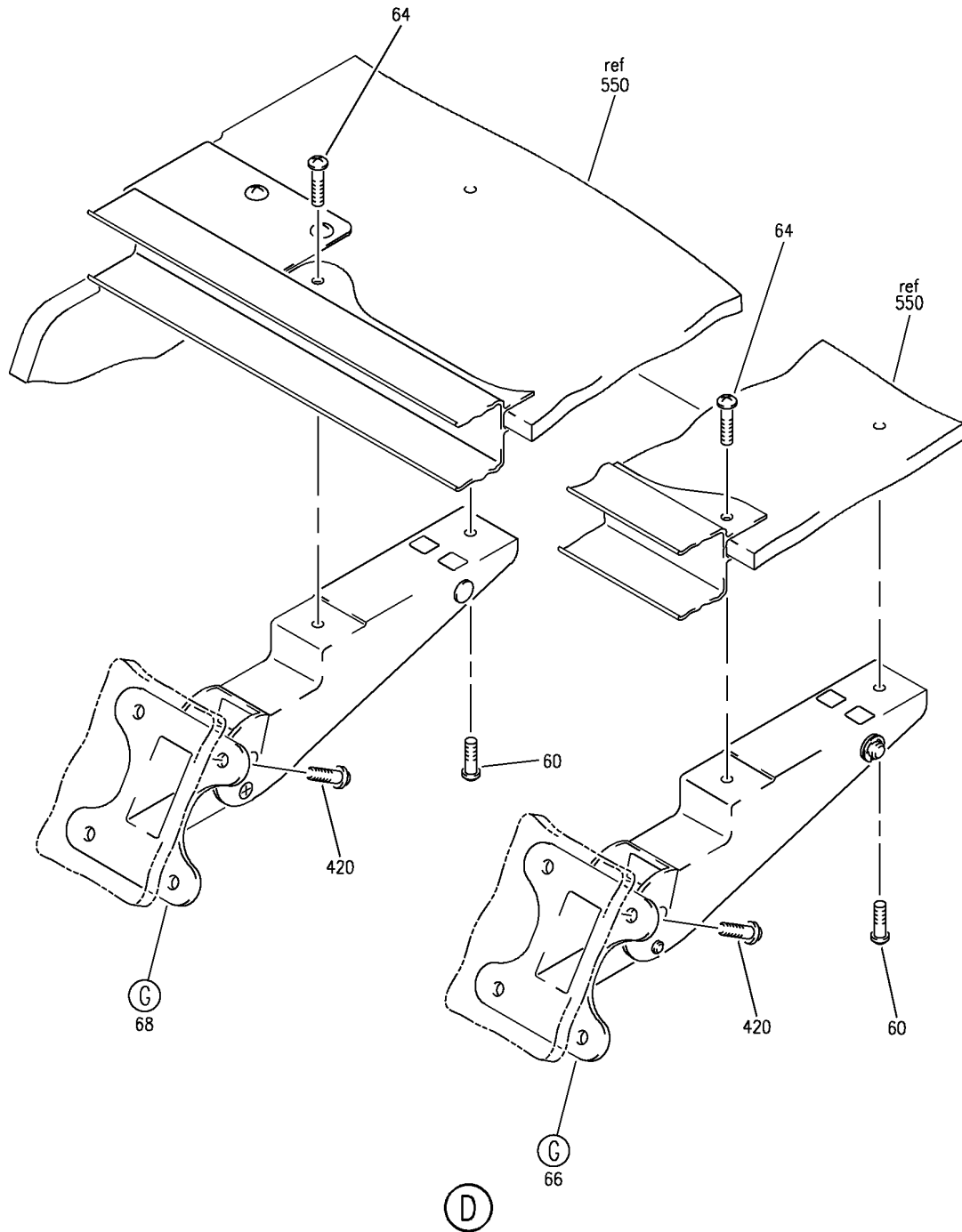
COMPARTMENT ASSY-FWD RH 60 IN. OVHD STOWAGE HNDRL CONFIGURATION (EQUIPMENT/ FURNISHINGS ONLY)
 FIGURE 58 (SHEET 3)

25-24-31-58

HAP
 OCT 10/06

25-24-31-58
 PAGE 0B

BOEING
737-600/700/800/900
PARTS CATALOG (MAINTENANCE)



E 2524-3158 SHT 4 REV 105

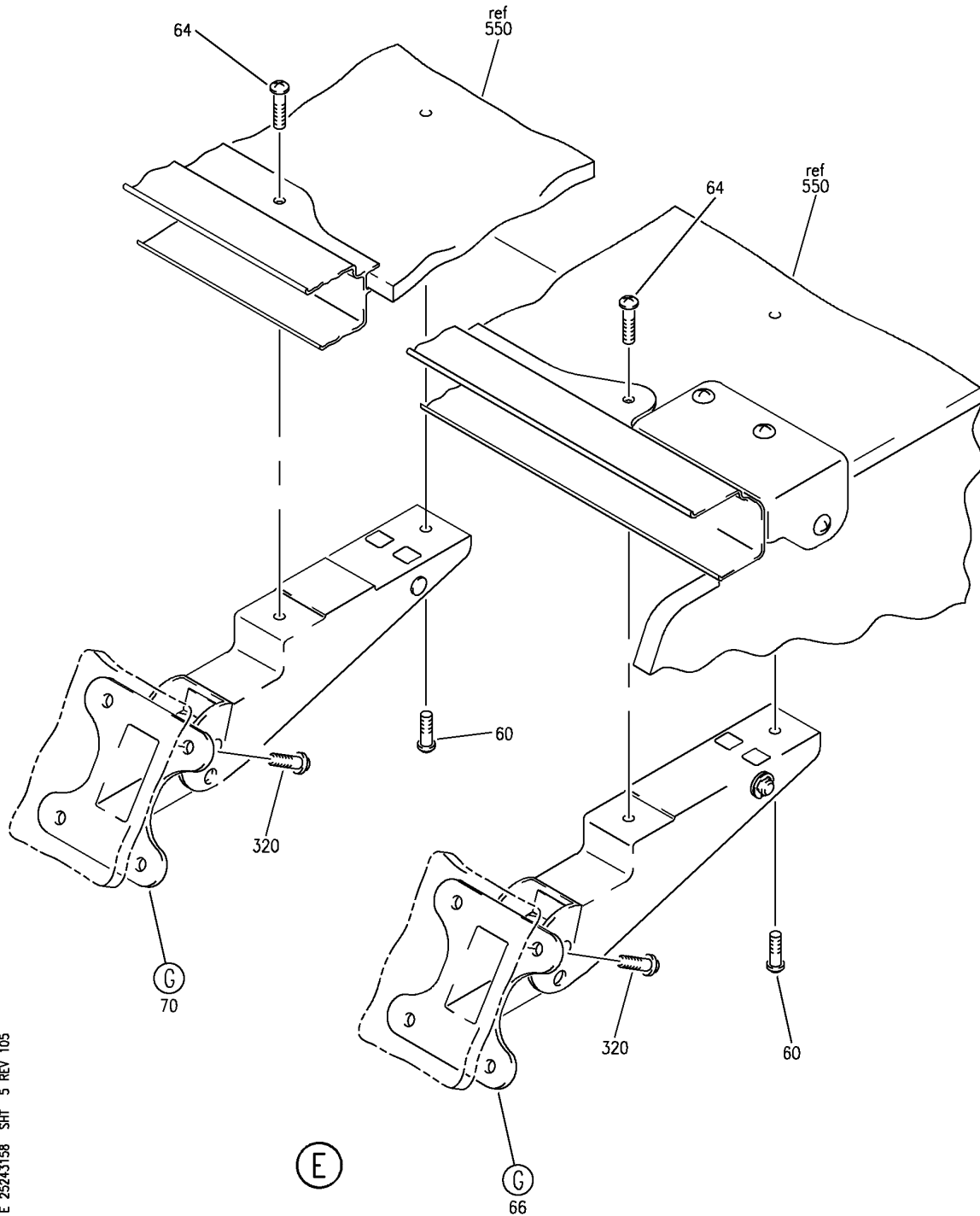
COMPARTMENT ASSY-FWD RH 60 IN. OVHD STOWAGE HNDRL CONFIGURATION (EQUIPMENT/ FURNISHINGS ONLY)
FIGURE 58 (SHEET 4)

HAP
OCT 10/06

25-24-31-58

25-24-31-58
PAGE 0C

BOEING
 737-600/700/800/900
 PARTS CATALOG (MAINTENANCE)



E 2524-3158 SHT 5 REV 105

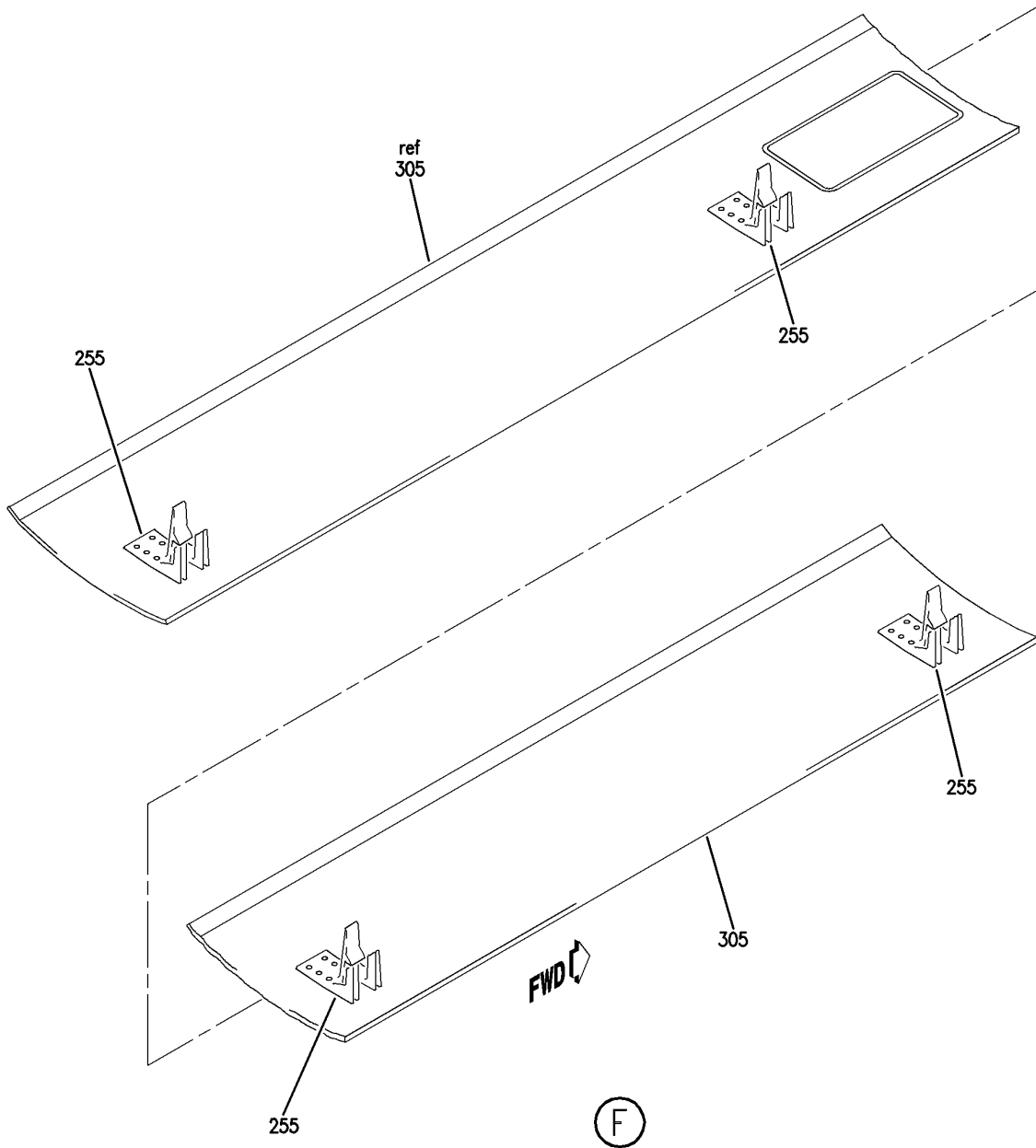
COMPARTMENT ASSY-FWD RH 60 IN. OVHD STOWAGE HANDRL CONFIGURATION (EQUIPMENT/ FURNISHINGS ONLY)
 FIGURE 58 (SHEET 5)

HAP
 OCT 10/06

25-24-31-58

25-24-31-58
 PAGE 0D

BOEING
 737-600/700/800/900
 PARTS CATALOG (MAINTENANCE)



E 25243158 SH1 6 REV 061

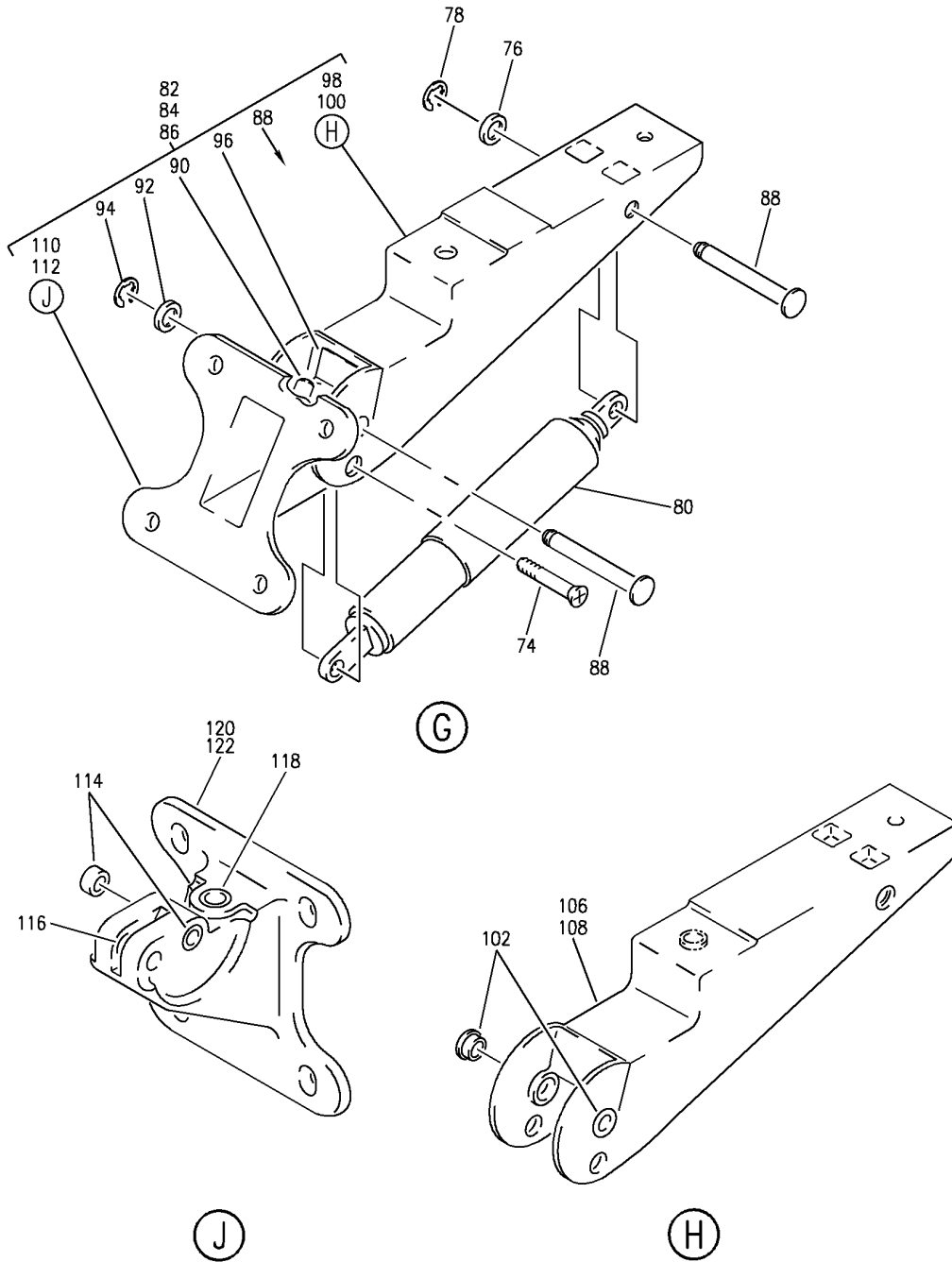
COMPARTMENT ASSY-FWD RH 60 IN. OVHD STOWAGE HANDLING CONFIGURATION (EQUIPMENT/ FURNISHINGS ONLY)
 FIGURE 58 (SHEET 6)

HAP
 OCT 10/06

25-24-31-58

25-24-31-58
 PAGE 0E

BOEING
 737-600/700/800/900
 PARTS CATALOG (MAINTENANCE)



E 2524-3158 SHT 7 REV 105

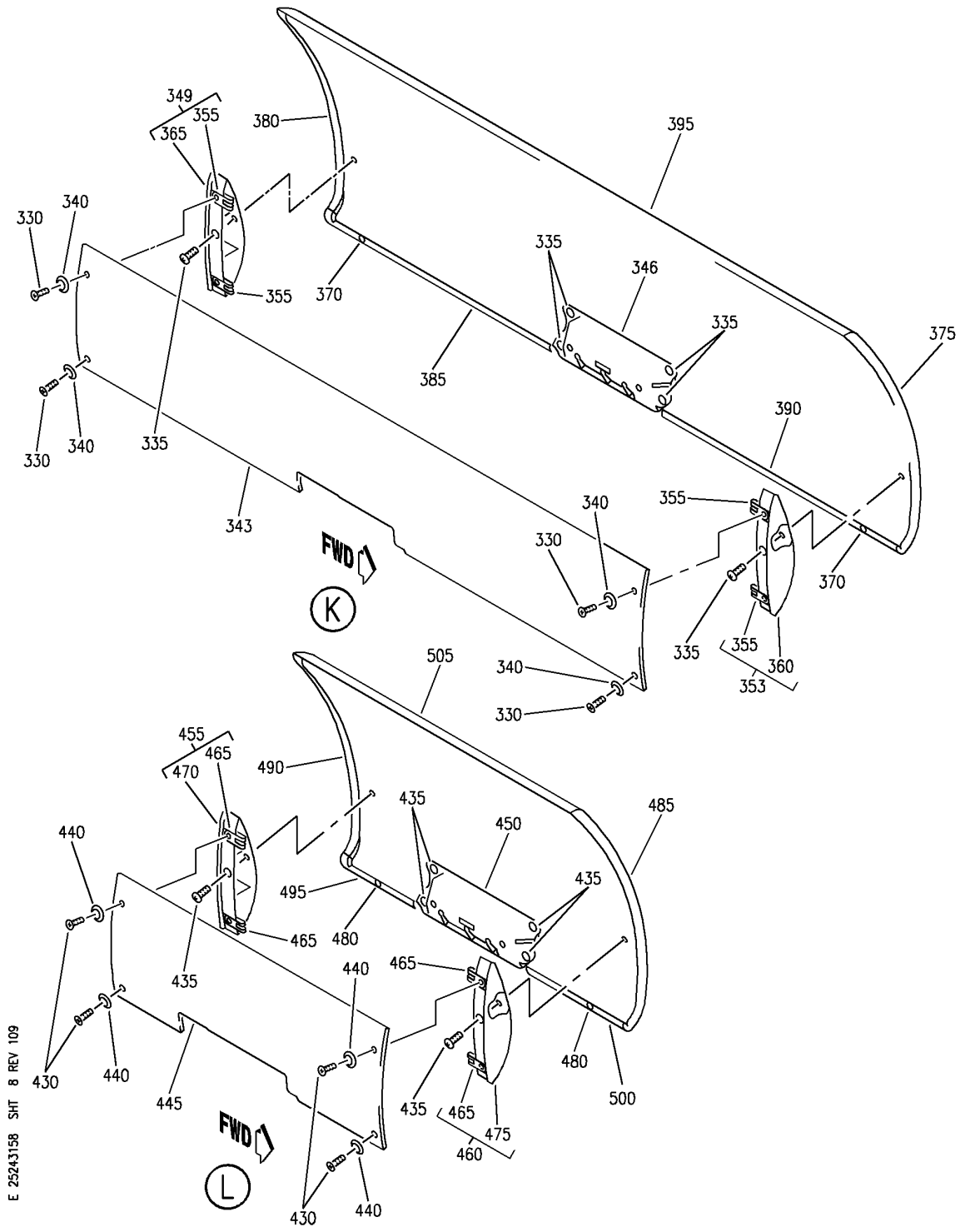
COMPARTMENT ASSY-FWD RH 60 IN. OVHD STOWAGE HANDRL CONFIGURATION (EQUIPMENT/ FURNISHINGS ONLY)
 FIGURE 58 (SHEET 7)

HAP
 OCT 10/06

25-24-31-58

25-24-31-58
 PAGE OF

BOEING
737-600/700/800/900
PARTS CATALOG (MAINTENANCE)



E 2524-3158 SHT 8 REV 109

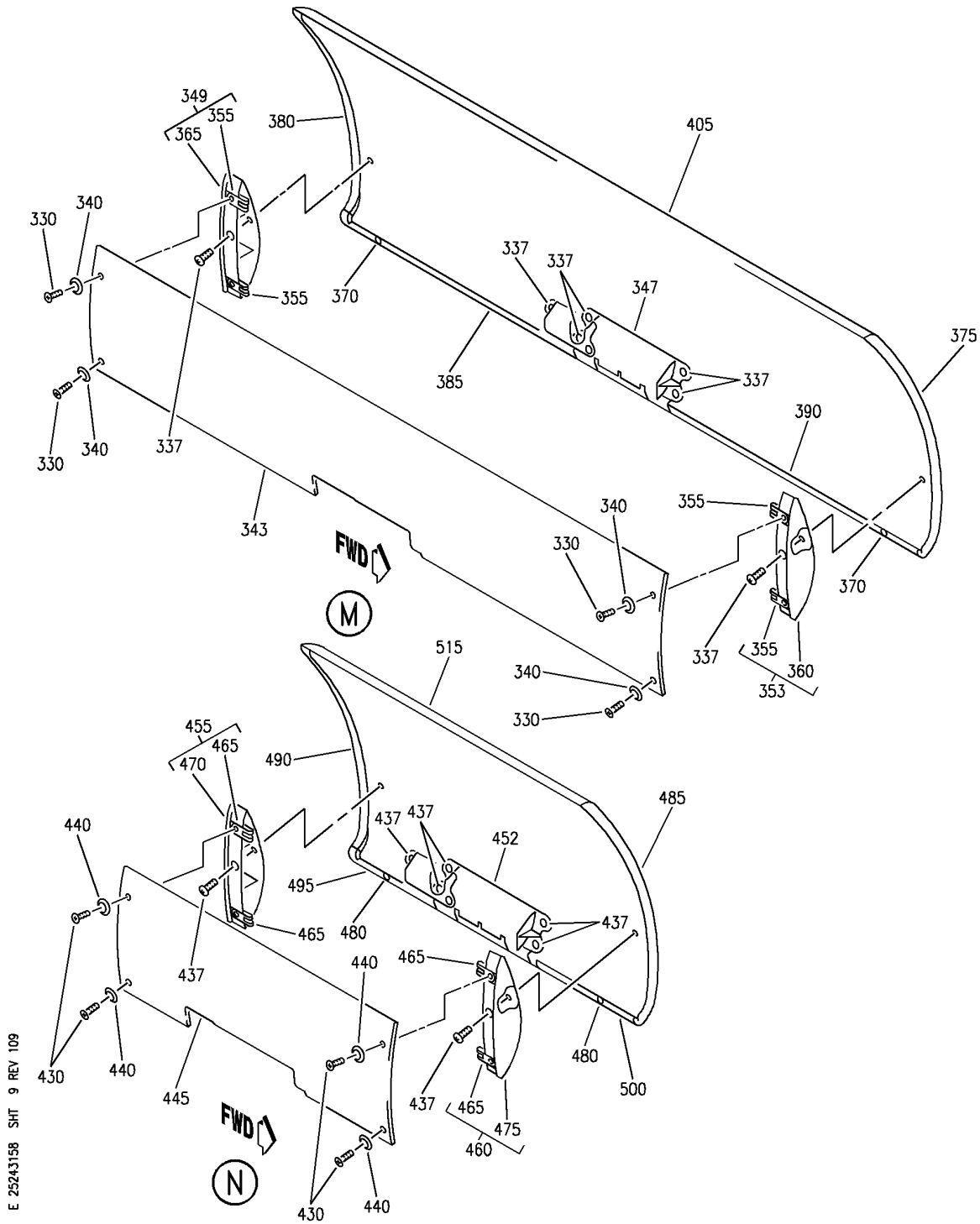
COMPARTMENT ASSY-FWD RH 60 IN. OVHD STOWAGE HNDRL CONFIGURATION (EQUIPMENT/ FURNISHINGS ONLY)
 FIGURE 58 (SHEET 8)

HAP
 OCT 10/06

25-24-31-58

25-24-31-58
 PAGE 0G


BOEING
 737-600/700/800/900
PARTS CATALOG (MAINTENANCE)



E 2524-3158 SHT 9 REV 109

COMPARTMENT ASSY-FWD RH 60 IN. OVHD STOWAGE HNDRL CONFIGURATION (EQUIPMENT/ FURNISHINGS ONLY)
 FIGURE 58 (SHEET 9)

HAP
 OCT 10/06

25-24-31-58

25-24-31-58
 PAGE 0H

BOEING
737-600/700/800/900
PARTS CATALOG (MAINTENANCE)

FIG ITEM	PART NUMBER	1 2 3 4 5 6 7	NOMENCLATURE	EFFECT FROM TO	UNITS PER ASSY
58			COMPARTMENT ASSY-FWD RH 60 IN. OVHD STOWAGE HNDRL CONFIGURATION (EQUIPMENT/ FURNISHINGS ONLY)	002005 008030	
- 5	412A1150-104SP		COMPARTMENT ASSY-60 IN. OVHD STOWAGE HNDRL CONFIGURATION (EQUIPMENT/ FURNISHINGS ONLY) POSITION DATA: FWD RH PRE SERVICE BULLETIN: 25-1373 FOR NHA/OTHER SYS DET SEE: 25-24-30-24B	002005 008008	RF
- 5	412A1150-304SP		COMPARTMENT ASSY-60 IN. OVHD STOWAGE HNDRL CONFIGURATION (EQUIPMENT/ FURNISHINGS ONLY) POSITION DATA: FWD RH POST SERVICE BULLETIN: 25-1373 FOR NHA/OTHER SYS DET SEE: 25-24-30-24B	002005 008008	RF
- 5	412A1150-304B		COMPARTMENT ASSY-60 IN. OVHD STOWAGE HNDRL CONFIGURATION (EQUIPMENT/ FURNISHINGS ONLY) POSITION DATA: FWD RH FOR NHA/OTHER SYS DET SEE: 25-24-30-24B	009030	RF
10	412A1420-2A		.EXTRUSION-SEAT ROW MARKER POST SERVICE BULLETIN: 25-1373	002005 008030	1
12	412A1451-2BCWK		.STRIP- POST SERVICE BULLETIN: 25-1373	002005 008030	1
15	H3-1592-1		.LATCH- SUPPLIER CODE: V34941 SPECIFICATION NUMBER: S411A001-1	002005 008030	2
20	BACS12FA3K7		ATTACHING PARTS .SCREW	002005 008030	4
25	NAS1149D0332J		.WASHER -----*-----	002005 008030	4

MISSING ITEM NUMBERS NOT APPLICABLE

- ITEM NOT ILLUSTRATED

HAP

25-24-31-58

BOEING PROPRIETARY - Copyright © - Unpublished Work - See title page for details.

25-24-31
FIG. 58
PAGE 1
OCT 10/06

BOEING
737-600/700/800/900
PARTS CATALOG (MAINTENANCE)

FIG ITEM	PART NUMBER	1 2 3 4 5 6 7	NOMENCLATURE	EFFECT FROM TO	UNITS PER ASSY
58					
40	412A1700-4A	.VALANCE ASSY-LT		002005	1
		OPTIONAL PART:		008030	
		412A1700-104B			
40	412A1700-104B	.VALANCE ASSY-LT		002005	1
		OPTIONAL PART:		008030	
		412A1700-4A			
		ATTACHING PARTS			
- 42	BACN10YJ3F	.NUT		002005	6
				008030	
		-----*-----			
45	BACS21DW3C10FN	..STUD		002005	6
				008030	
50	412A1700-6	..TAPE-VELCRO		002005	1
				008030	
55	412A1711-6A	..PANEL ASSY-		002005	1
		USED ON:		008030	
		412A1700-4A			
55	412A1711-106B	..PANEL ASSY-		002005	1
		USED ON:		008030	
		412A1700-104B			
60	BACS12FA3K6	.SCREW		002005	4
				008030	
64	BACB30VF3K8	.BOLT		002005	4
				008030	
66	412A1100-52B	.HINGE ASSY-COLLECTOR		002005	2
		POST SERVICE BULLETIN:		008030	
		25-1373			
68	412A1100-53B	.HINGE ASSY-COLLECTOR		002005	1
		POST SERVICE BULLETIN:		008030	
		25-1373			
70	412A1100-51B	.HINGE ASSY-COLLECTOR		002005	1
		POST SERVICE BULLETIN:		008030	
		25-1373			
72	412A1230-21	..PIN		002005	1
				008030	
74	BACB30VF3K7	..BOLT		002005	1
				008030	
76	NAS1149D0316J	..WASHER		002005	1
				008030	
78	MS16633-4018	..RING		002005	1
				008030	
80	SP20522	..ACTUATOR ASSY-		002005	1
		SUPPLIER CODE:		008030	
		V24403			
		SPECIFICATION NUMBER:			
		S412A002-2			
82	412A1455-1A	..HINGE ASSY-		002005	1
		USED ON:		008030	
		412A1100-51B			

MISSING ITEM NUMBERS NOT APPLICABLE

- ITEM NOT ILLUSTRATED

HAP

25-24-31-58

BOEING PROPRIETARY - Copyright © - Unpublished Work - See title page for details.

25-24-31
FIG. 58
PAGE 2
OCT 10/06

BOEING
737-600/700/800/900
PARTS CATALOG (MAINTENANCE)

FIG ITEM	PART NUMBER	1 2 3 4 5 6 7	NOMENCLATURE	EFFECT FROM TO	UNITS PER ASSY
58					
84	412A1455-2A	..	HINGE ASSY- USED ON: 412A1100-52B	002005 008030	1
86	412A1455-3A	..	HINGE ASSY- USED ON: 412A1100-53B	002005 008030	1
88	412A1230-21	...	PIN	002005 008030	1
90	MS51023-54	...	SCREW	002005 008030	1
92	NAS1149D0316J	...	WASHER	002005 008030	1
94	MS16633-4018	...	RING	002005 008030	1
96	412A1220-1	...	CLIP	002005 008030	1
98	412A1454-3A	...	HOUSING ASSY- USED ON: 412A1455-1A 412A1455-2A	002005 008030	1
100	412A1454-12A	...	HOUSING ASSY- USED ON: 412A1455-4A	002005 008030	1
102	BACB28Y3F020	BUSHING	002005 008030	2
- 104	6041L3BR375	INSERT- SUPPLIER CODE: V01556	002005 008030	1
106	412A1454-1A	HOUSING- USED ON: 412A1454-3A	002005 008030	1
108	412A1454-11A	HOUSING- USED ON: 412A1454-12A	002005 008030	1
110	412A1454-9A	...	BRACKET ASSY- USED ON: 412A1455-1A	002005 008030	1
112	412A1454-10A	...	BRACKET ASSY- USED ON: 412A1455-2A 412A1455-4A	002005 008030	1
114	BACB28Y3F025	BUSHING	002005 008030	2
116	6041-3BR225	INSERT- SUPPLIER CODE: V01556	002005 008030	1
118	6041L3BR375	INSERT- SUPPLIER CODE: V01556	002005 008030	1

MISSING ITEM NUMBERS NOT APPLICABLE

- ITEM NOT ILLUSTRATED

HAP

25-24-31-58

25-24-31
FIG. 58
PAGE 3
OCT 10/06

BOEING
737-600/700/800/900
PARTS CATALOG (MAINTENANCE)

FIG ITEM	PART NUMBER	1 2 3 4 5 6 7	NOMENCLATURE	EFFECT FROM TO	UNITS PER ASSY
58					
120	412A1454-7A	BRACKET- USED ON: 412A1454-9A	002005 008030	1
122	412A1454-8A	BRACKET- USED ON: 412A1454-10A	002005 008030	1
128	BAC S12FA3K7	.SCREW		002005 008030	1
155	BACB30VF3K3	.BOLT		002005 008030	2
160	BACB12ER3K9	.BOLT		002005 008030	2
165	BAC S12ER3K5	.SCREW		002005 008030	9
170	BAC S12ER3K14	.SCREW		002005 008030	10
175	H3-1233A3	.WASHER- SUPPLIER CODE: V34941 SPECIFICATION NUMBER: S411A001-1		002005 008030	12
180	412A1465-14A	.CLOSEOUT ASSY- POSITION DATA: LH POST SERVICE BULLETIN: 25-1373		002005 008030	1
185	412A1465-13A	.CLOSEOUT ASSY- POSITION DATA: RH POST SERVICE BULLETIN: 25-1373		002005 008030	1
190	BACN10VR4CGN	..NUT- OPTIONAL PART: BACN10VR4CG		002005 008030	3
190	BACN10VR4CG	..NUT- OPTIONAL PART: BACN10VR4CGN		002005 008030	3
195	412A1465-16A	..CLOSEOUT- POSITION DATA: LH SIDE		002005 008030	1
200	412A1465-15A	..CLOSEOUT- POSITION DATA: RH SIDE		002005 008030	1
202	412A1650-3A	.COVER ASSY-		002005 008030	1
210	412A1243-2	.EXTRUSION ASSY- OPTIONAL PART: 412A1243-102		002005 008008 012030	1

MISSING ITEM NUMBERS NOT APPLICABLE

— ITEM NOT ILLUSTRATED

HAP

25-24-31-58

25-24-31
FIG. 58
PAGE 4
JUN 15/08

BOEING
737-600/700/800/900
PARTS CATALOG (MAINTENANCE)

FIG ITEM	PART NUMBER	1 2 3 4 5 6 7	NOMENCLATURE	EFFECT FROM TO	UNITS PER ASSY
58					
210	412A1243-102		.EXTRUSION ASSY- OPTIONAL PART: 412A1243-2	002005 008030	1
215	FS1651-3		..NUTPLATE SUPPLIER CODE: V15653 SPECIFICATION NUMBER: BACN10KH3CD OPTIONAL PART: 102F9209M3 V72962 NS202496-02 V80539 ATTACHING PARTS	002005 008030	10
- 220	BACR15BA3ADC		..RIVET- SIZE DETERMINED ON INSTL. -----*-----	002005 008030	20
230	412A1600-40A		.COVER ASSY-	002005 008030	RF
255	412A1460-1		..CLIP	002005 008030	4
305	412A1610-140B		..PANEL ASSY- OPTIONAL PART: 412A1610-40A	002005 008030	1
305	412A1610-40A		..PANEL ASSY- OPTIONAL PART: 412A1610-140B	002005 008030	1
- 310	403A3210-22A		.SEAL ASSY-	002005 008030	1
320	BACS12FA3K6		.SCREW	002005 008030	8
325	412A1500-1SP		.DOOR ASSY-40 IN. PRE SERVICE BULLETIN: 25-1373	002005 008008	1
325	412A1500-101C		.DOOR ASSY-40 IN. POST SERVICE BULLETIN: 25-1373	002005 008030	1
330	BACS12ER3K9		..SCREW	002005 008030	4
335	BACS12FA3K4		..SCREW	002005 008030	6
340	H3-1233A3		..WASHER- SUPPLIER CODE: V34941 SPECIFICATION NUMBER: S411A001-1	002005 008030	4

MISSING ITEM NUMBERS NOT APPLICABLE

- ITEM NOT ILLUSTRATED

HAP

25-24-31-58

25-24-31
FIG. 58
PAGE 5
JUN 15/08

BOEING
737-600/700/800/900
PARTS CATALOG (MAINTENANCE)

FIG ITEM	PART NUMBER	1 2 3 4 5 6 7	NOMENCLATURE	EFFECT FROM TO	UNITS PER ASSY
58 343	412A1615-100A	..	PANEL ASSY- OPTIONAL PART: 412A1615-1100B USED ON: 412A1500-1SP 412A1500-101C	002005 008030	1
343	412A1615-1100B	..	PANEL ASSY- OPTIONAL PART: 412A1615-100A USED ON: 412A1500-101C	002005 008030	1
346	HA225-1	..	LATCH ASSY- SUPPLIER CODE: V83014 SPECIFICATION NUMBER: S412A001-1A PRE SERVICE BULLETIN: 25-1373 PRE SERVICE BULLETIN: HA225-25-01 V83014	002005 008030	1
346	HA225-7	..	LATCH ASSY- SUPPLIER CODE: V83014 SPECIFICATION NUMBER: S412A001-11B SERVICE BULLETIN OPT DATA: HA225K3868 V83014 POST SERVICE BULLETIN: 25-1373 POST SERVICE BULLETIN: HA225-25-01 V83014	002005 008030	1
346	HA225K3868	..	LATCH ASSY- SUPPLIER CODE: V83014 SERVICE BULLETIN OPT DATA: HA225-7 V83014 POST SERVICE BULLETIN: 25-1373 POST SERVICE BULLETIN: HA225-25-01 V83014	002005 008008	1
349	412A1480-3A	..	BRACKET ASSY	002005 008030	1
353	412A1480-4A	..	BRACKET ASSY	002005 008030	1

MISSING ITEM NUMBERS NOT APPLICABLE

— ITEM NOT ILLUSTRATED

HAP

25-24-31-58

BOEING PROPRIETARY - Copyright © - Unpublished Work - See title page for details.

25-24-31
FIG. 58
PAGE 6
JUN 15/08

BOEING
737-600/700/800/900
PARTS CATALOG (MAINTENANCE)

FIG ITEM	PART NUMBER	1 2 3 4 5 6 7	NOMENCLATURE	EFFECT FROM TO	UNITS PER ASSY
58					
355	BACN10VR4CGN	...	NUT	002005 008030	2
360	412A1480-1A	...	BRACKET- USED ON: 412A1480-3A	002005 008030	1
365	412A1480-2A	...	BRACKET- USED ON: 412A1480-4A	002005 008030	1
370	412A1810-1A	..	BUMPER-	002005 008030	2
375	412A1450-3A	..	TRIM-EDGE	002005 008030	1
380	412A1450-4A	..	TRIM-EDGE	002005 008030	1
385	412A1450-6A	..	TRIM-EDGE	002005 008030	1
390	412A1450-5A	..	TRIM-EDGE	002005 008030	1
395	412A1510-2A	..	PANEL ASSY	002005 008030	1
- 400	SL618-3A	...	INSERT- SUPPLIER CODE: V97393	002005 008030	14
420	BACS12FA3K6	.	SCREW	002005 008030	8
425	412A1500-2SP	.	DOOR ASSY-20 IN. PRE SERVICE BULLETIN: 25-1373	002005 008008	1
425	412A1500-102C	.	DOOR ASSY-20 IN. POST SERVICE BULLETIN: 25-1373	002005 008030	1
430	BACS12ER3K9	..	SCREW	002005 008030	4
435	BACS12FA3K4	..	SCREW	002005 008030	6
440	H3-1233A3	..	WASHER- SUPPLIER CODE: V34941 SPECIFICATION NUMBER: S411A001-1	002005 008030	4
445	412A1615-101A	..	PANEL ASSY- OPTIONAL PART: 412A1615-1101B USED ON: 412A1500-2SP 412A1500-102C	002005 008030	1

MISSING ITEM NUMBERS NOT APPLICABLE

- ITEM NOT ILLUSTRATED

HAP

25-24-31-58

25-24-31
FIG. 58
PAGE 7
JUN 15/08

BOEING
737-600/700/800/900
PARTS CATALOG (MAINTENANCE)

FIG ITEM	PART NUMBER	1 2 3 4 5 6 7	NOMENCLATURE	EFFECT FROM TO	UNITS PER ASSY
58 445	412A1615-1101B	..	PANEL ASSY- OPTIONAL PART: 412A1615-101A USED ON: 412A1500-102C	002005 008030	1
450	HA225-1	..	LATCH ASSY- SUPPLIER CODE: V83014 SPECIFICATION NUMBER: S412A001-1A PRE SERVICE BULLETIN: 25-1373 PRE SERVICE BULLETIN: HA225-25-01 V83014	002005 008030	1
450	HA225-7	..	LATCH ASSY- SUPPLIER CODE: V83014 SPECIFICATION NUMBER: S412A001-11B SERVICE BULLETIN OPT DATA: HA225K3868 V83014 POST SERVICE BULLETIN: 25-1373 POST SERVICE BULLETIN: HA225-25-01 V83014	002005 008030	1
455	412A1480-3A	..	BRACKET ASSY	002005 008030	1
460	412A1480-4A	..	BRACKET ASSY	002005 008030	1
465	BACN10VR4CGN	...	NUT	002005 008030	2
470	412A1480-1A	...	BRACKET- USED ON: 412A1480-3A	002005 008030	1
475	412A1480-2A	...	BRACKET- USED ON: 412A1480-4A	002005 008030	1
480	412A1810-1A	..	BUMPER- OPTIONAL PART: 412A1810-2B	002005 008030	2

MISSING ITEM NUMBERS NOT APPLICABLE

— ITEM NOT ILLUSTRATED

HAP

25-24-31-58

BOEING PROPRIETARY - Copyright © - Unpublished Work - See title page for details.

25-24-31
FIG. 58
PAGE 8
OCT 15/08

BOEING
737-600/700/800/900
PARTS CATALOG (MAINTENANCE)

FIG ITEM	PART NUMBER	1 2 3 4 5 6 7	NOMENCLATURE	EFFECT FROM TO	UNITS PER ASSY
58 480	412A1810-2B		..BUMPER- QUALIFIED I/W DATA: PN 412A1810-3B CAN REPLACE BUT NOT BE REPLACED BY PN 412A1810-2B FOR 737-600/700/800/900 ONLY. OPTIONAL PART: 412A1810-1A USED ON: 412A1500-102C	002005 008030	2
485	412A1450-3A		..TRIM-EDGE	002005 008030	1
490	412A1450-4A		..TRIM-EDGE	002005 008030	1
495	412A1450-6A		..TRIM-EDGE	002005 008030	1
500	412A1450-5A		..TRIM-EDGE	002005 008030	1
505	412A1511-2A		..PANEL ASSY	002005 008030	1
- 510	SL618-3A		...INSERT- SUPPLIER CODE: V97393	002005 008030	14
550	412A1250-104SP		.BOX ASSY-60 IN. BIN OPTIONAL PART: 412A1250-1104SP FOR DETAILS SEE: 25-24-32-60	002005 008008	1
550	412A1250-1104SP		.BOX ASSY-60 IN. BIN OPTIONAL PART: 412A1250-104SP FOR DETAILS SEE: 25-24-32-60	002005 008008	1
- 555	OBA8		.PLUG- SUPPLIER CODE: VOBV87	002005 008008	AR
- 560	OBA8		.PLUG- SUPPLIER CODE: VOBV87 OPTIONAL PART: 412A1811-1B 412A1100-96 412A1811-2B	002005 008030	AR

MISSING ITEM NUMBERS NOT APPLICABLE

- ITEM NOT ILLUSTRATED

HAP

25-24-31-58

BOEING PROPRIETARY - Copyright © - Unpublished Work - See title page for details.

25-24-31
FIG. 58
PAGE 9
OCT 15/08

BOEING
737-600/700/800/900
PARTS CATALOG (MAINTENANCE)

FIG ITEM	PART NUMBER	1 2 3 4 5 6 7	NOMENCLATURE	EFFECT FROM TO	UNITS PER ASSY
58 - 560	412A1811-1B		.PLUG- OPTIONAL PART: 412A1100-96 412A1811-2B OBA8 VOBV87	002005 008030	AR
- 560	412A1811-2B		.PLUG- OPTIONAL PART: OBA8 VOBV87 412A1100-96 412A1811-1B	002005 008030	AR
- 580	412A1100-96		.KIT ASSY- OPTIONAL PART: 412A1811-1B 412A1811-2B OBA8 VOBV87	002005 008030	AR
- 585	NAS514P1032-5		..SCREW	002005 008030	1
- 590	H3-1233A3		..WASHER- SUPPLIER CODE: V34941 SPECIFICATION NUMBER: S411A001-1	002005 008030	1

MISSING ITEM NUMBERS NOT APPLICABLE

- ITEM NOT ILLUSTRATED

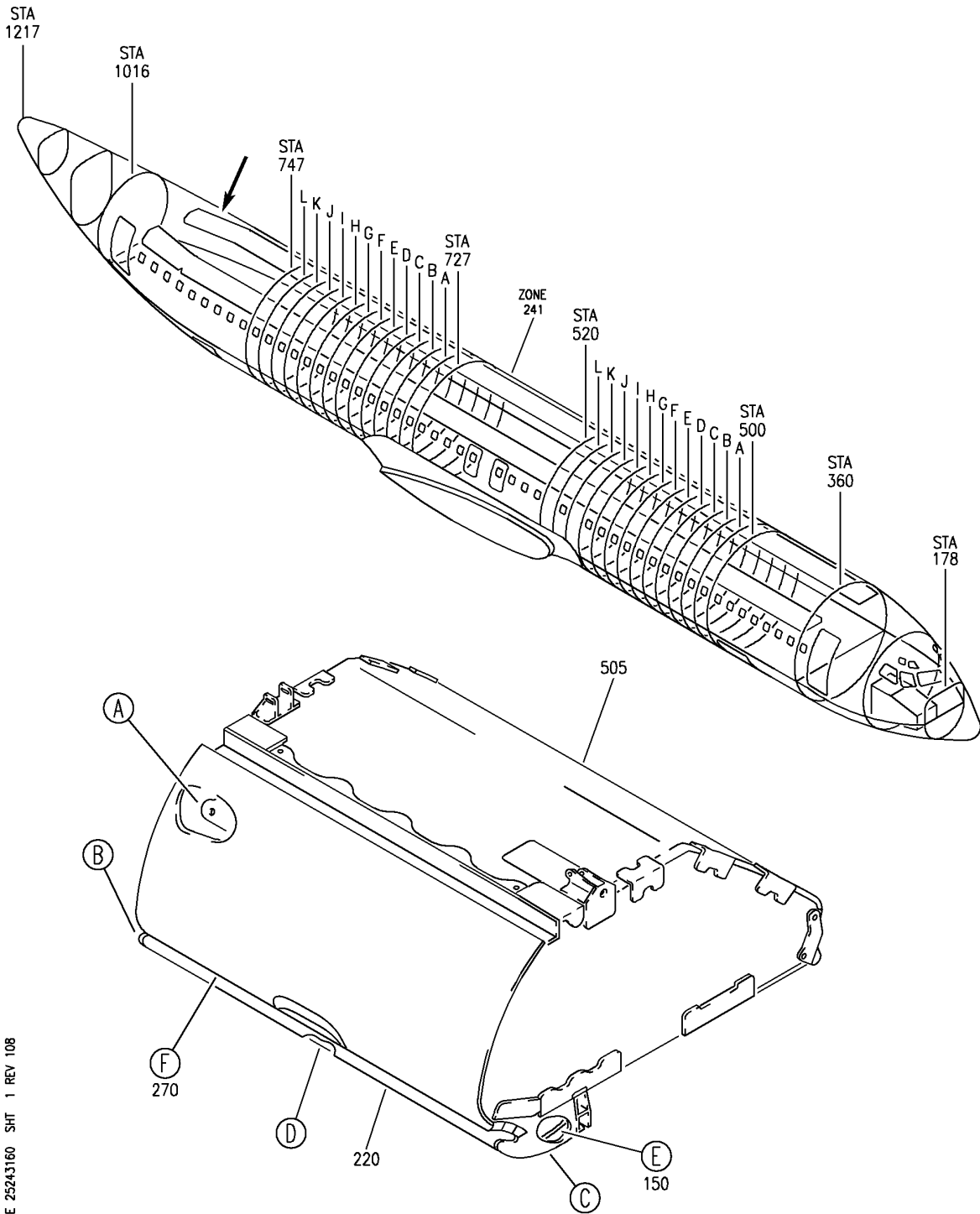
HAP

25-24-31-58

BOEING PROPRIETARY - Copyright © - Unpublished Work - See title page for details.

25-24-31
FIG. 58
PAGE 10
OCT 15/08

BOEING
 737-600/700/800/900
 PARTS CATALOG (MAINTENANCE)



E 2524-3160 SHT 1 REV 108

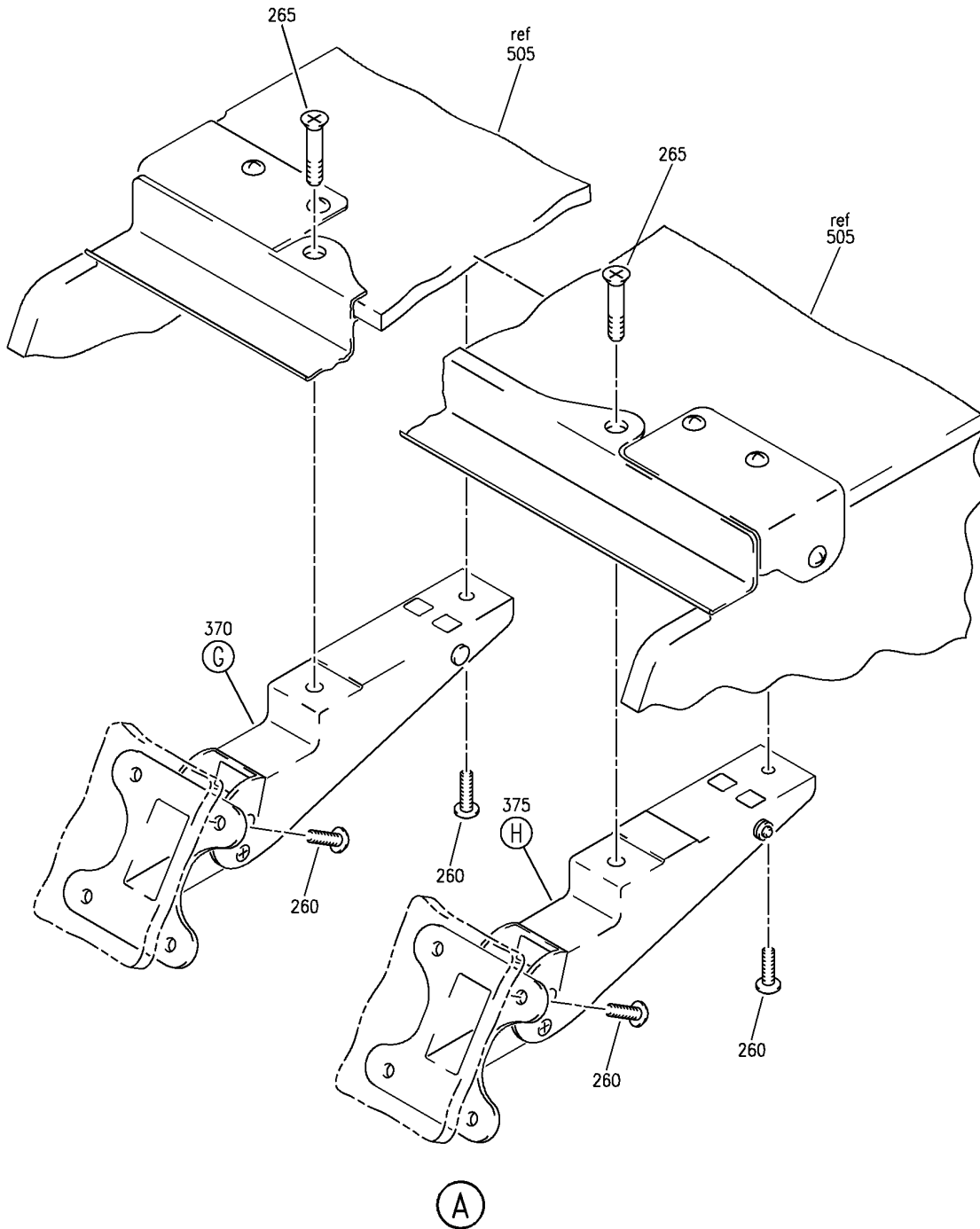
COMPARTMENT ASSY-AFT LH 31 IN. OVHD STOWAGE HANDLING CONFIGURATION (EQUIPMENT/ FURNISHINGS ONLY)
 FIGURE 60 (SHEET 1)

25-24-31-60

HAP
 OCT 10/06

25-24-31-60
 PAGE 0

BOEING
 737-600/700/800/900
 PARTS CATALOG (MAINTENANCE)



E 2524-3160 SHT 2 REV 108

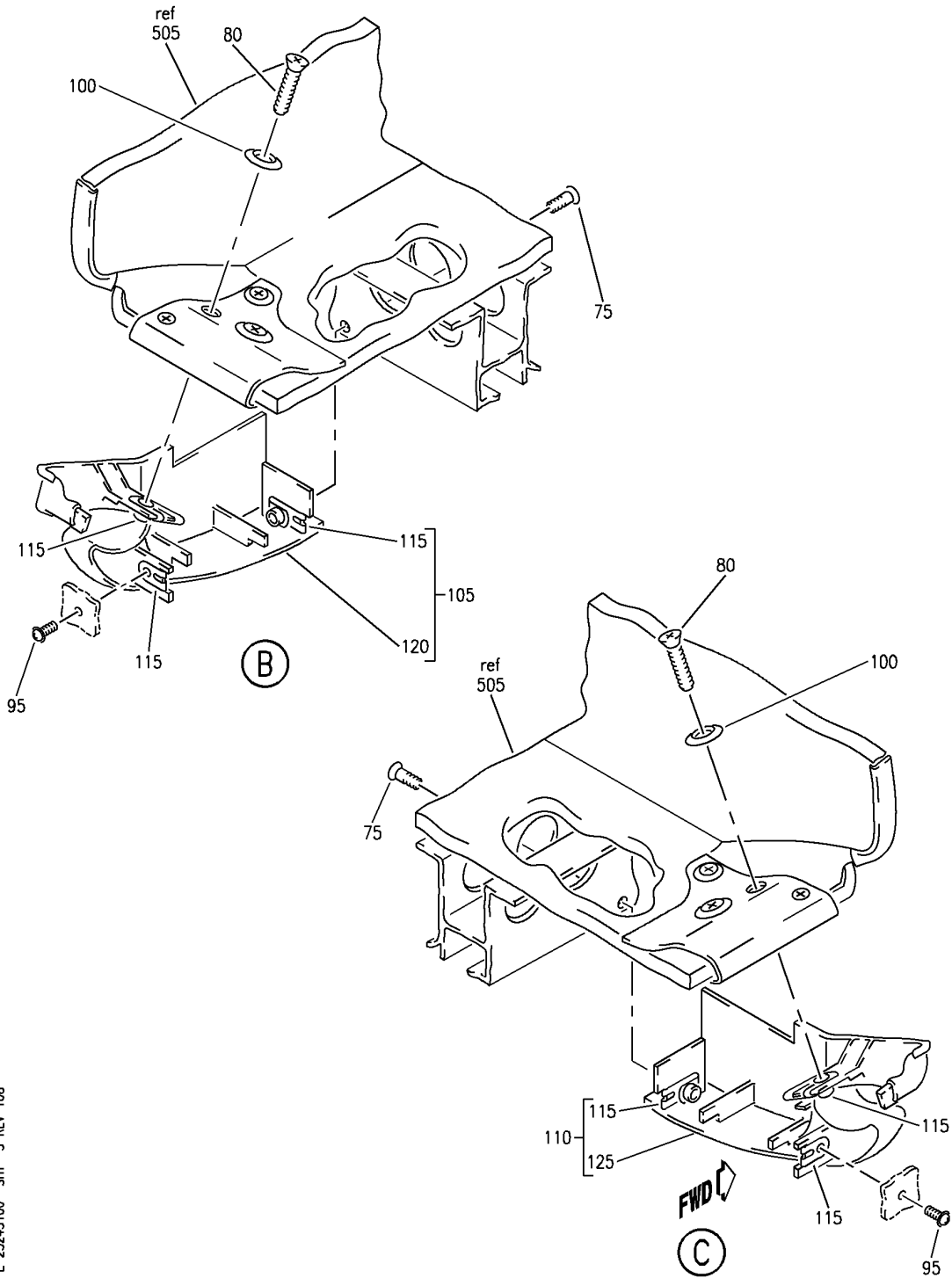
COMPARTMENT ASSY-AFT LH 31 IN. OVHD STOWAGE HANDRL CONFIGURATION (EQUIPMENT/ FURNISHINGS ONLY)
 FIGURE 60 (SHEET 2)

HAP
 OCT 10/06

25-24-31-60

25-24-31-60
 PAGE 0A

BOEING
 737-600/700/800/900
 PARTS CATALOG (MAINTENANCE)



E 2524-3160 SHT 3 REV 108

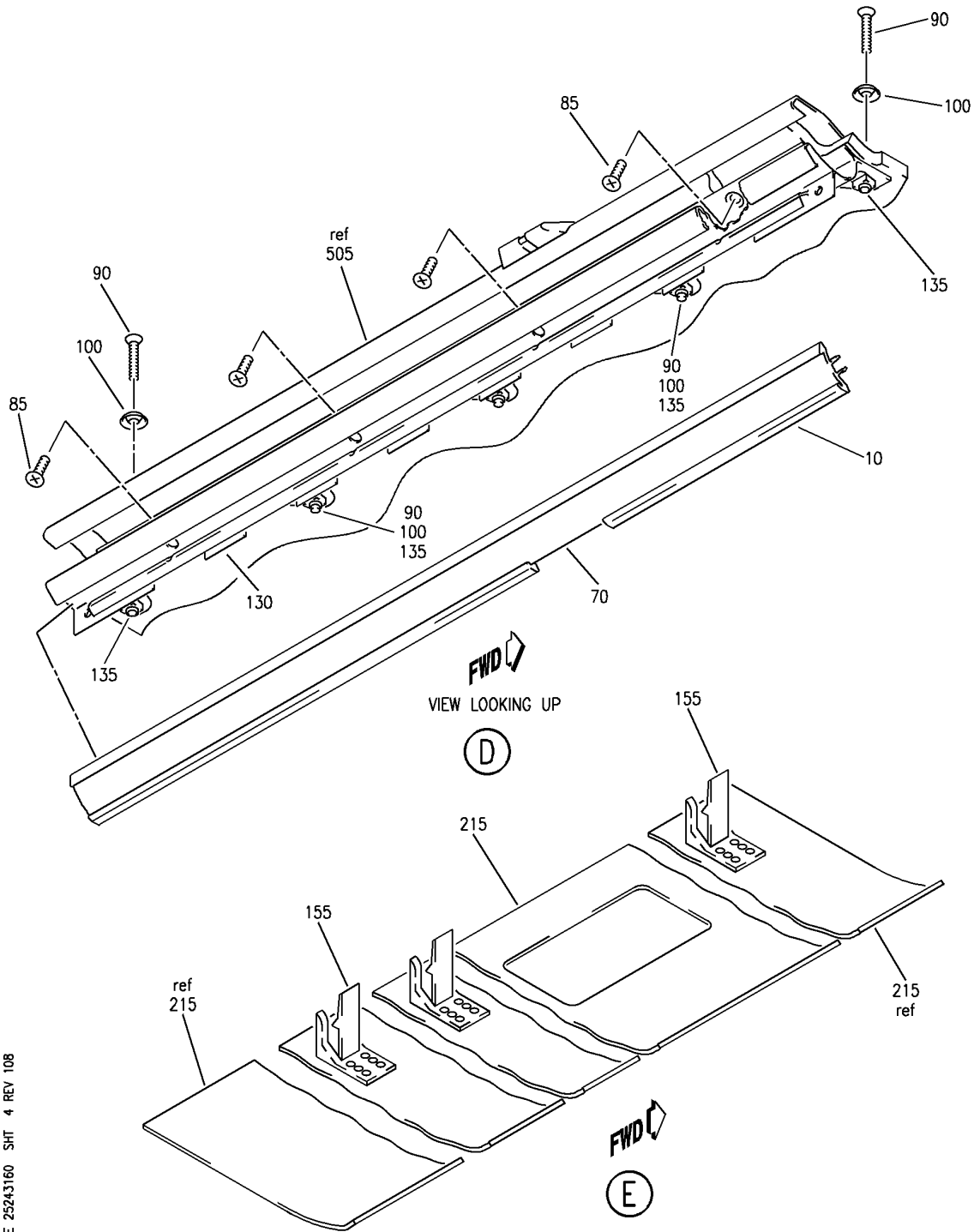
COMPARTMENT ASSY-AFT LH 31 IN. OVHD STOWAGE HNDRL CONFIGURATION (EQUIPMENT/ FURNISHINGS ONLY)
 FIGURE 60 (SHEET 3)

HAP
 OCT 10/06

25-24-31-60

25-24-31-60
 PAGE 0B

BOEING
 737-600/700/800/900
 PARTS CATALOG (MAINTENANCE)



E 2524-3160 SHT 4 REV 108

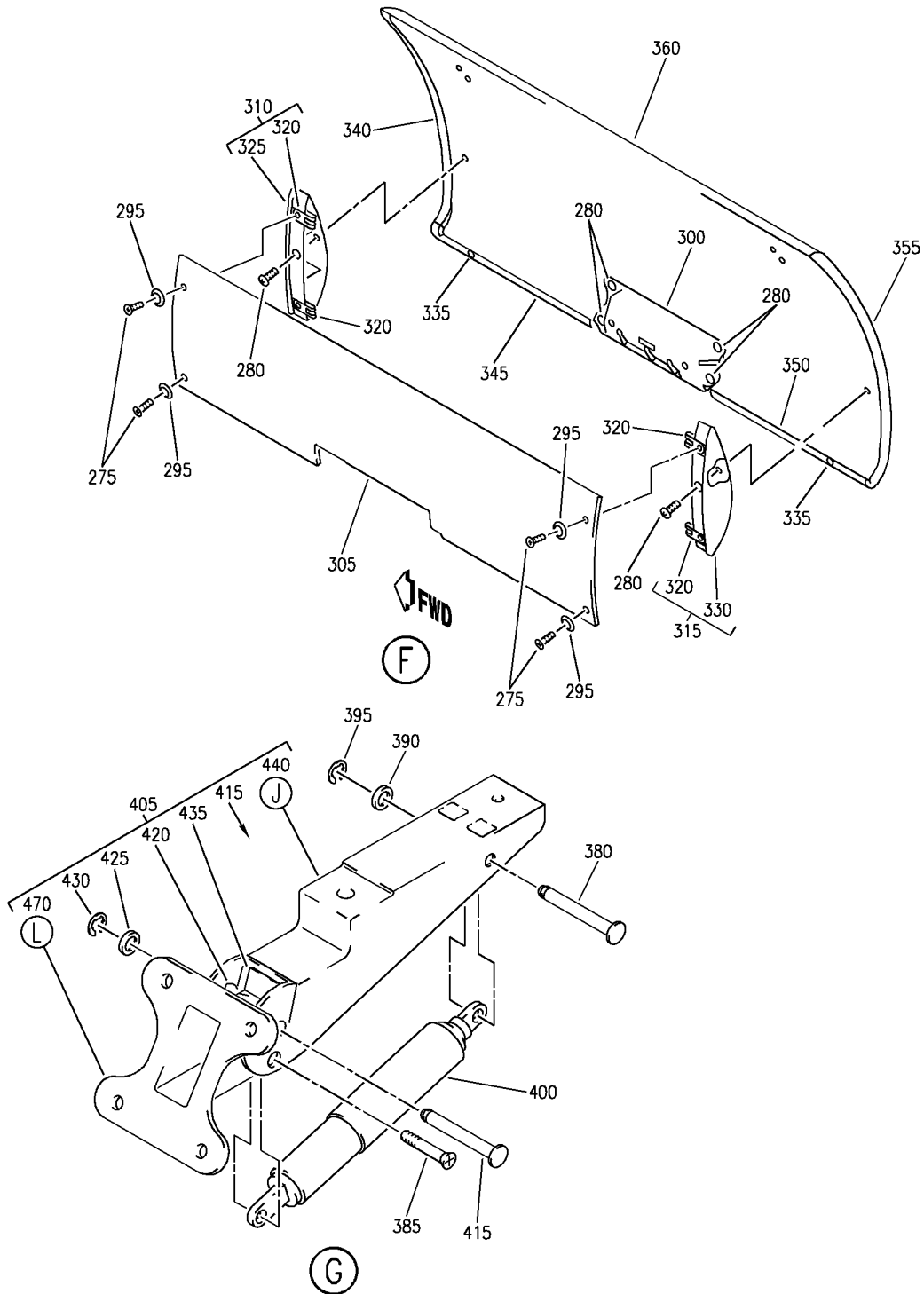
COMPARTMENT ASSY-AFT LH 31 IN. OVHD STOWAGE HNDRL CONFIGURATION (EQUIPMENT/ FURNISHINGS ONLY)
 FIGURE 60 (SHEET 4)

25-24-31-60

HAP
 OCT 10/06

25-24-31-60
 PAGE 0C

BOEING
 737-600/700/800/900
 PARTS CATALOG (MAINTENANCE)



E 2524-3160 SHT 5 REV 108

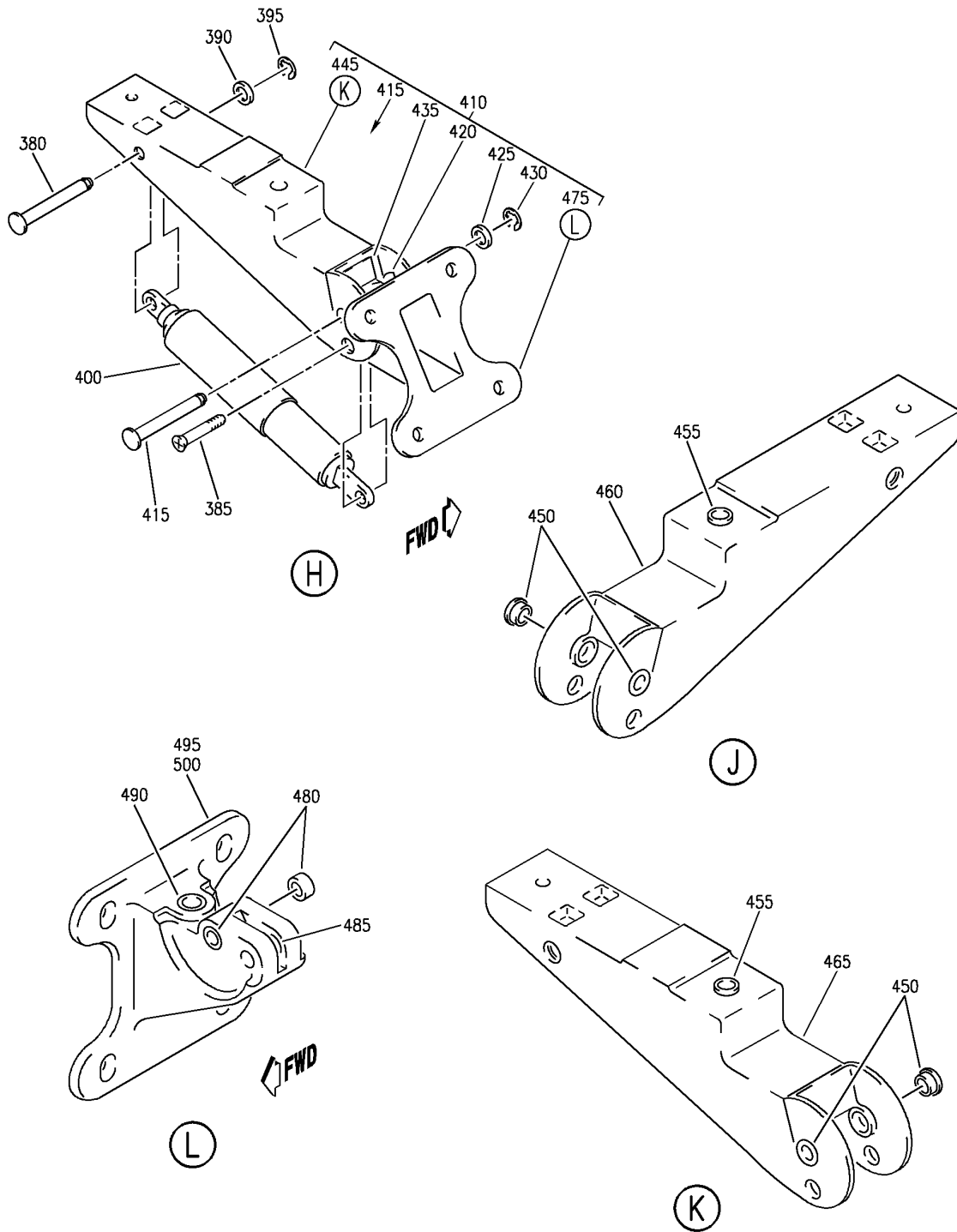
COMPARTMENT ASSY-AFT LH 31 IN. OVHD STOWAGE HNDRL CONFIGURATION (EQUIPMENT/ FURNISHINGS ONLY)
 FIGURE 60 (SHEET 5)

HAP
 OCT 10/06

25-24-31-60

25-24-31-60
 PAGE 0D

BOEING
 737-600/700/800/900
 PARTS CATALOG (MAINTENANCE)



E 2524-3160 SHT 6 REV 108

COMPARTMENT ASSY-AFT LH 31 IN. OVHD STOWAGE HANDRL CONFIGURATION (EQUIPMENT/ FURNISHINGS ONLY)
 FIGURE 60 (SHEET 6)

25-24-31-60

HAP
 OCT 10/06

25-24-31-60
 PAGE 0E

BOEING
737-600/700/800/900
PARTS CATALOG (MAINTENANCE)

FIG ITEM	PART NUMBER	1 2 3 4 5 6 7	NOMENCLATURE	EFFECT FROM TO	UNITS PER ASSY
60			COMPARTMENT ASSY-AFT LH 31 IN. OVHD STOWAGE HNDRL CONFIGURATION (EQUIPMENT/ FURNISHINGS ONLY)	002005 008030	
- 5	412A1150-119SP		COMPARTMENT ASSY-31 IN. OVHD STOWAGE HNDRL CONFIGURATION (EQUIPMENT/ FURNISHINGS ONLY) POSITION DATA: AFT LH PRE SERVICE BULLETIN: 25-1373 FOR NHA/OTHER SYS DET SEE: 25-24-30-36	002005 008008	RF
- 5	412A1150-319SP		COMPARTMENT ASSY-31 IN. OVHD STOWAGE HNDRL CONFIGURATION (EQUIPMENT/ FURNISHINGS ONLY) POSITION DATA: AFT LH POST SERVICE BULLETIN: 25-1373 FOR NHA/OTHER SYS DET SEE: 25-24-30-36	002005 008008	RF
- 5	412A1150-319B		COMPARTMENT ASSY-31 IN. OVHD STOWAGE HNDRL CONFIGURATION (EQUIPMENT/ FURNISHINGS ONLY) POSITION DATA: AFT LH FOR NHA/OTHER SYS DET SEE: 25-24-30-36	009030	RF
10	412A1420-2SP		.EXTRUSION-SEAT ROW MARKER	002005 008008	1
10	412A1420-2A		.EXTRUSION-SEAT ROW MARKER	009030	1
70	412A1451-2SP		.STRIP-	002005 008008	1
70	412A1451-2BCWK		.STRIP-	009030	1
75	BACB30VF3K3		.BOLT	002005 008030	2
80	BACS12ER3K9		.SCREW-	002005 008030	2
85	BACS12ER3K5		.SCREW	002005 008030	4
90	BACS12ER3K14		.SCREW	002005 008030	5
95	BACS12FA3K7		.SCREW	002005 008030	2

MISSING ITEM NUMBERS NOT APPLICABLE

- ITEM NOT ILLUSTRATED

HAP

25-24-31-60

25-24-31
FIG. 60
PAGE 1
OCT 10/06

BOEING
737-600/700/800/900
PARTS CATALOG (MAINTENANCE)

FIG ITEM	PART NUMBER	1 2 3 4 5 6 7	NOMENCLATURE	EFFECT FROM TO	UNITS PER ASSY
60					
100	H3-1233A3		.WASHER- SUPPLIER CODE: V34941 SPECIFICATION NUMBER: S411A001-1	002005 008030	7
105	412A1465-10SP		.CLOSEOUT ASSY-	002005 008008	1
105	412A1465-10A		.CLOSEOUT ASSY-	009030	1
110	412A1465-13SP		.CLOSEOUT ASSY-	002005 008008	1
110	412A1465-13A		.CLOSEOUT ASSY-	009030	1
115	BACN10VR4CGN		..NUT- OPTIONAL PART: BACN10VR4CG	002005 008030	3
115	BACN10VR4CG		..NUT- OPTIONAL PART: BACN10VR4CGN	002005 008030	3
120	412A1465-12SP		..CLOSEOUT- USED ON: 412A1465-10SP	002005 008008	1
120	412A1465-12A		..CLOSEOUT- USED ON: 412A1465-10A	009030	1
125	412A1465-15SP		..CLOSEOUT- USED ON: 412A1465-13SP	002005 008008	1
125	412A1465-15A		..CLOSEOUT- USED ON: 412A1465-13A	009030	1
130	412A1243-11		.EXTRUSION ASSY- OPTIONAL PART: 412A1243-111 PRE SERVICE BULLETIN: 25-1373	002005 008008	1
130	412A1243-111		.EXTRUSION ASSY- OPTIONAL PART: 412A1243-11	002005 008030	1
135	FS1651-3		..NUTPLATE SUPPLIER CODE: V15653 SPECIFICATION NUMBER: BACN10KH3CD OPTIONAL PART: 102F9209M3 V72962 NS202496-02 V80539	002005 008030	5

MISSING ITEM NUMBERS NOT APPLICABLE

- ITEM NOT ILLUSTRATED

HAP

25-24-31-60

25-24-31
FIG. 60
PAGE 2
JUN 15/08

BOEING PROPRIETARY - Copyright © - Unpublished Work - See title page for details.

BOEING
737-600/700/800/900
PARTS CATALOG (MAINTENANCE)

FIG ITEM	PART NUMBER	1 2 3 4 5 6 7	NOMENCLATURE	EFFECT FROM TO	UNITS PER ASSY
60			ATTACHING PARTS		
- 140	BACR15BA3ADC	..	RIVET- SIZE DETERMINED ON INSTL. -----*-----	002005 008030	10
150	412A1600-57A	.	COVER ASSY	002005 008030	1
155	412A1460-1	..	CLIP	002005 008030	3
215	412A1610-57A	..	PANEL ASSY- OPTIONAL PART: 412A1610-157B	002005 008030	1
215	412A1610-157B	..	PANEL ASSY- OPTIONAL PART: 412A1610-57A	002005 008030	1
220	412A1650-3SP	.	COVER ASSY-	002005 008008	1
220	412A1650-3A	.	COVER ASSY-	009030	1
- 235	OBA8	.	PLUG- SUPPLIER CODE: VOBV87	002005 008008	AR
- 235	OBA8	.	PLUG- SUPPLIER CODE: VOBV87 OPTIONAL PART: 412A1811-1B 412A1811-2B 412A1100-96	009030	AR
- 240	412A1811-1B	.	PLUG- OPTIONAL PART: 412A1100-96 OBA8 VOBV87 412A1811-2B	009030	AR
- 240	412A1811-2B	.	PLUG- OPTIONAL PART: 412A1100-96 OBA8 VOBV87 412A1811-1B	009030	AR
- 245	412A1100-96	.	KIT ASSY-SCR AND WASHER OPTIONAL PART: 412A1811-1B OBA8 VOBV87	009030	30
- 250	NAS514P1032-5	..	SCREW	009030	1

MISSING ITEM NUMBERS NOT APPLICABLE

- ITEM NOT ILLUSTRATED

HAP

25-24-31-60

BOEING PROPRIETARY - Copyright © - Unpublished Work - See title page for details.

25-24-31
FIG. 60
PAGE 3
JUN 15/08

BOEING
737-600/700/800/900
PARTS CATALOG (MAINTENANCE)

FIG ITEM	PART NUMBER	1 2 3 4 5 6 7	NOMENCLATURE	EFFECT FROM TO	UNITS PER ASSY
60 - 255	H3-1233A3		.. WASHER- SUPPLIER CODE: V34941 SPECIFICATION NUMBER: S411A001-1	009030	1
260	BACS12FA3K6		. SCREW	002005 008030	10
265	BACB30VF3K8		. BOLT	002005 008030	2
270	412A1500-24SP		. DOOR ASSY- PRE SERVICE BULLETIN: 25-1373	002005 008008	1
270	412A1500-124SP		. DOOR ASSY- POST SERVICE BULLETIN: 25-1373	002005 008030	1
275	BACS12ER3K9		.. SCREW	002005 008030	4
280	BACS12FA3K4		.. SCREW	002005 008030	6
295	H3-1233A3		.. WASHER- SUPPLIER CODE: V34941 SPECIFICATION NUMBER: S411A001-1	002005 008030	4
300	HA225-1		.. LATCH ASSY- SUPPLIER CODE: V83014 SPECIFICATION NUMBER: S412A001-1A PRE SERVICE BULLETIN: 25-1373 PRE SERVICE BULLETIN: HA225-25-01 V83014	002005 008030	1
300	HA225-7		.. LATCH ASSY- SUPPLIER CODE: V83014 SPECIFICATION NUMBER: S412A001-11B SERVICE BULLETIN OPT DATA: HA225K3868 V83014 POST SERVICE BULLETIN: 25-1373 POST SERVICE BULLETIN: HA225-25-01 V83014	002005 008030	1

MISSING ITEM NUMBERS NOT APPLICABLE

- ITEM NOT ILLUSTRATED

HAP

25-24-31-60

BOEING PROPRIETARY - Copyright © - Unpublished Work - See title page for details.

25-24-31
FIG. 60
PAGE 4
JUN 15/08

BOEING
737-600/700/800/900
PARTS CATALOG (MAINTENANCE)

FIG ITEM	PART NUMBER	1 2 3 4 5 6 7	NOMENCLATURE	EFFECT FROM TO	UNITS PER ASSY
60					
300	HA225K3868		..LATCH ASSY- SUPPLIER CODE: V83014 SERVICE BULLETIN OPT DATA: HA225-7 V83014 POST SERVICE BULLETIN: 25-1373 POST SERVICE BULLETIN: HA225-25-01 V83014	002005 008008	1
305	412A1615-112SP		..PANEL ASSY-FILLER OPTIONAL PART: 412A1615-1112SP	002005 008030	1
305	412A1615-1112SP		..PANEL ASSY-FILLER OPTIONAL PART: 412A1615-112SP	002005 008030	1
310	412A1480-3SP		..BRACKET ASSY	002005 008030	1
315	412A1480-4SP		..BRACKET ASSY	002005 008030	1
320	BACN10VR4CGN		...NUT	002005 008030	2
325	412A1480-1SP		...BRACKET- USED ON: 412A1480-3SP	002005 008030	1
330	412A1480-2SP		...BRACKET- USED ON: 412A1480-4SP	002005 008030	1
335	412A1810-1SP		..BUMPER	002005 008030	2
340	412A1450-7SP		..TRIM-EDGE	002005 008030	1
345	412A1450-9SP		..TRIM-EDGE	002005 008030	1
350	412A1450-6SP		..TRIM-EDGE	002005 008030	1
355	412A1450-4SP		..TRIM-EDGE	002005 008030	1
360	412A1510-26SP		..PANEL ASSY	002005 008030	1
- 365	SL618-3A		...INSERT- SUPPLIER CODE: V97393	002005 008030	14
370	412A1100-51SP		.HINGE ASSY-COLLECTOR	002005 008030	1
375	412A1100-54SP		.HINGE ASSY-COLLECTOR	002005 008030	1

MISSING ITEM NUMBERS NOT APPLICABLE

- ITEM NOT ILLUSTRATED

HAP

25-24-31-60

25-24-31
FIG. 60
PAGE 5
JUN 15/08

BOEING PROPRIETARY - Copyright © - Unpublished Work - See title page for details.

BOEING
737-600/700/800/900
PARTS CATALOG (MAINTENANCE)

FIG ITEM	PART NUMBER	1 2 3 4 5 6 7	NOMENCLATURE	EFFECT FROM TO	UNITS PER ASSY
60					
380	412A1230-21	..	PIN	002005 008030	1
385	BACB30VF3K7	..	BOLT	002005 008030	1
390	NAS1149D0316J	..	WASHER	002005 008030	1
395	MS16633-4018	..	RING	002005 008030	1
400	SP20522	..	ACTUATOR ASSY- SUPPLIER CODE: V24403 SPECIFICATION NUMBER: S412A002-2	002005 008030	1
405	412A1455-1SP	..	HINGE ASSY- USED ON: 412A1100-51SP	002005 008030	1
410	412A1455-4SP	..	HINGE ASSY- USED ON: 412A1100-54SP	002005 008030	1
415	412A1230-21	...	PIN	002005 008030	1
420	MS51023-54	...	SCREW	002005 008030	1
425	NAS1149D0316J	...	WASHER	002005 008030	1
430	MS16633-4018	...	RING	002005 008030	1
435	412A1220-1	...	CLIP	002005 008030	1
440	412A1454-3SP	...	HOUSING ASSY- USED ON: 412A1455-1SP	002005 008030	1
445	412A1454-12SP	...	HOUSING ASSY- USED ON: 412A1455-4SP	002005 008030	1
450	BACB28Y3F020	BUSHING	002005 008030	2
455	6041L3BR375	INSERT- SUPPLIER CODE: V01556	002005 008030	1
460	412A1454-1SP	HOUSING- USED ON: 412A1454-3SP	002005 008030	1
465	412A1454-11SP	HOUSING- USED ON: 412A1454-12SP	002005 008030	1
470	412A1454-9SP	...	BRACKET ASSY- USED ON: 412A1455-1SP	002005 008030	1

MISSING ITEM NUMBERS NOT APPLICABLE

— ITEM NOT ILLUSTRATED

HAP

25-24-31-60

25-24-31
FIG. 60
PAGE 6
JUN 15/08

BOEING PROPRIETARY - Copyright © - Unpublished Work - See title page for details.

BOEING
737-600/700/800/900
PARTS CATALOG (MAINTENANCE)

FIG ITEM	PART NUMBER	1 2 3 4 5 6 7	NOMENCLATURE	EFFECT FROM TO	UNITS PER ASSY
60					
475	412A1454-10SP	...	BRACKET ASSY- USED ON: 412A1455-2SP	002005 008030	1
480	BACB28Y3F025	BUSHING	002005 008030	2
485	6041-3BR225	INSERT- SUPPLIER CODE: V01556	002005 008030	1
490	6041L3BR375	INSERT- SUPPLIER CODE: V01556	002005 008030	1
495	412A1454-7SP	BRACKET- USED ON: 412A1454-9SP	002005 008030	1
500	412A1454-8SP	BRACKET- USED ON: 412A1454-10SP	002005 008030	1
505	412A1250-119A	.BOX	ASSY-31 IN. BIN OPTIONAL PART: 412A1250-1119B FOR DETAILS SEE: 25-24-32-30F	002005 008030	1
505	412A1250-1119B	.BOX	ASSY-31 IN. BIN OPTIONAL PART: 412A1250-119A FOR DETAILS SEE: 25-24-32-30F	002005 008030	1

MISSING ITEM NUMBERS NOT APPLICABLE

— ITEM NOT ILLUSTRATED

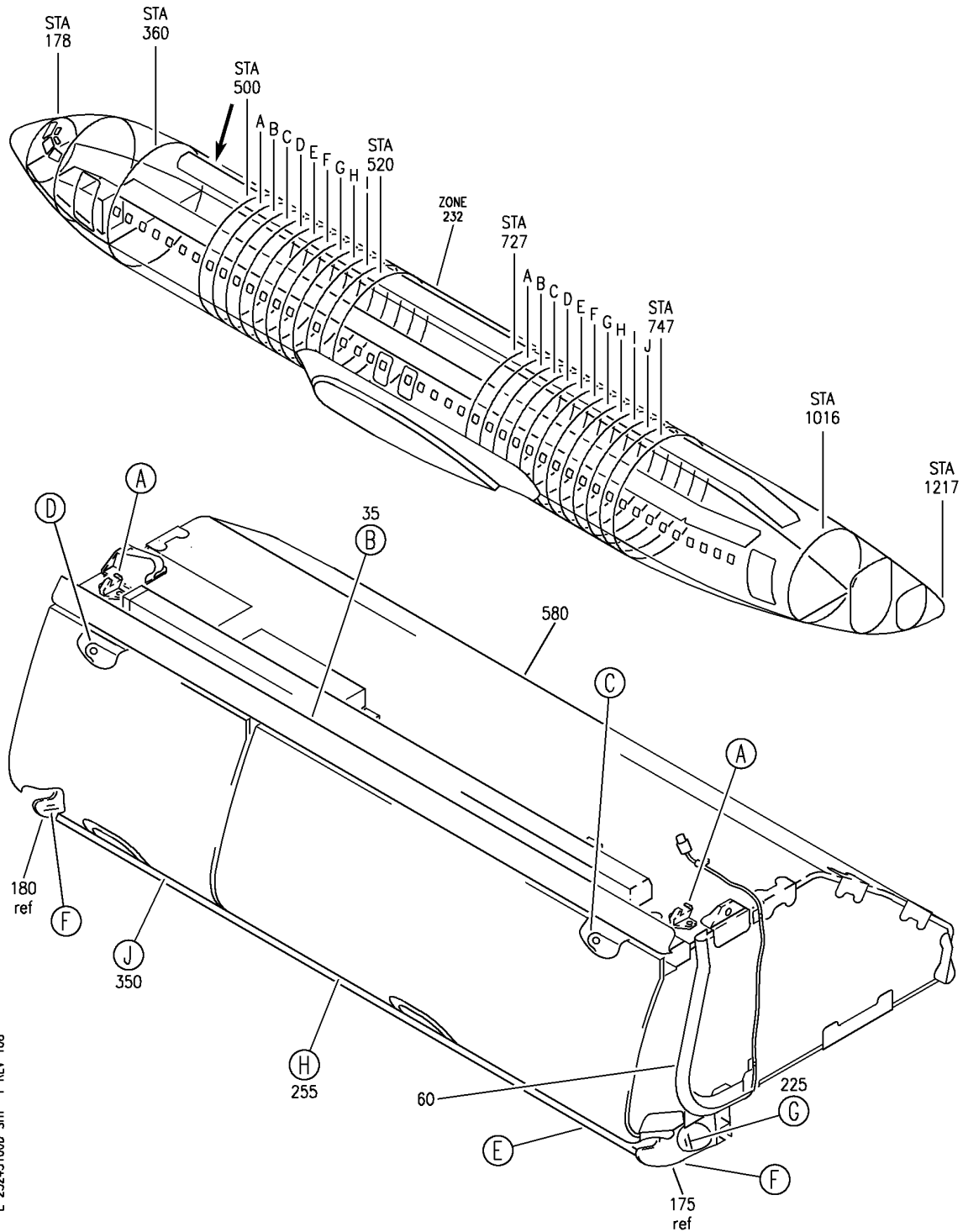
HAP

25-24-31-60

BOEING PROPRIETARY - Copyright © - Unpublished Work - See title page for details.

25-24-31
FIG. 60
PAGE 7
JUN 15/08

BOEING
 737-600/700/800/900
 PARTS CATALOG (MAINTENANCE)



E 2524-3160D SHT 1 REV 108

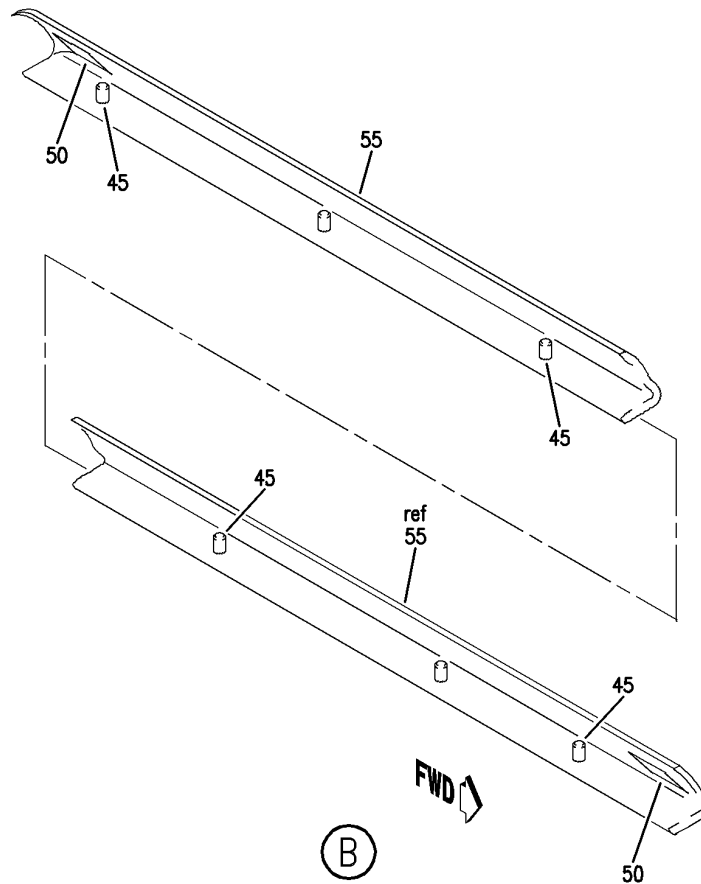
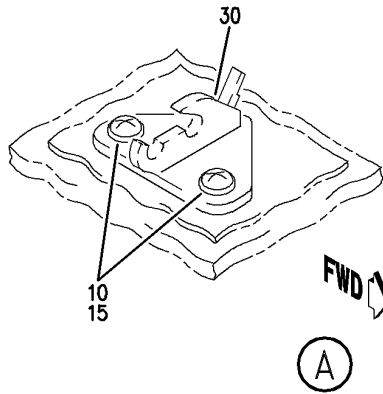
COMPARTMENT ASSY-60 IN. OVHD STOWAGE HANDLING CONFIGURATION (EQUIPMENT/ FURNISHINGS ONLY)
 FIGURE 60D (SHEET 1)

HAP
 OCT 10/06

25-24-31-60D

25-24-31-60D
 PAGE 0

BOEING
 737-600/700/800/900
 PARTS CATALOG (MAINTENANCE)



E 25243160D SHT 2 REV 063

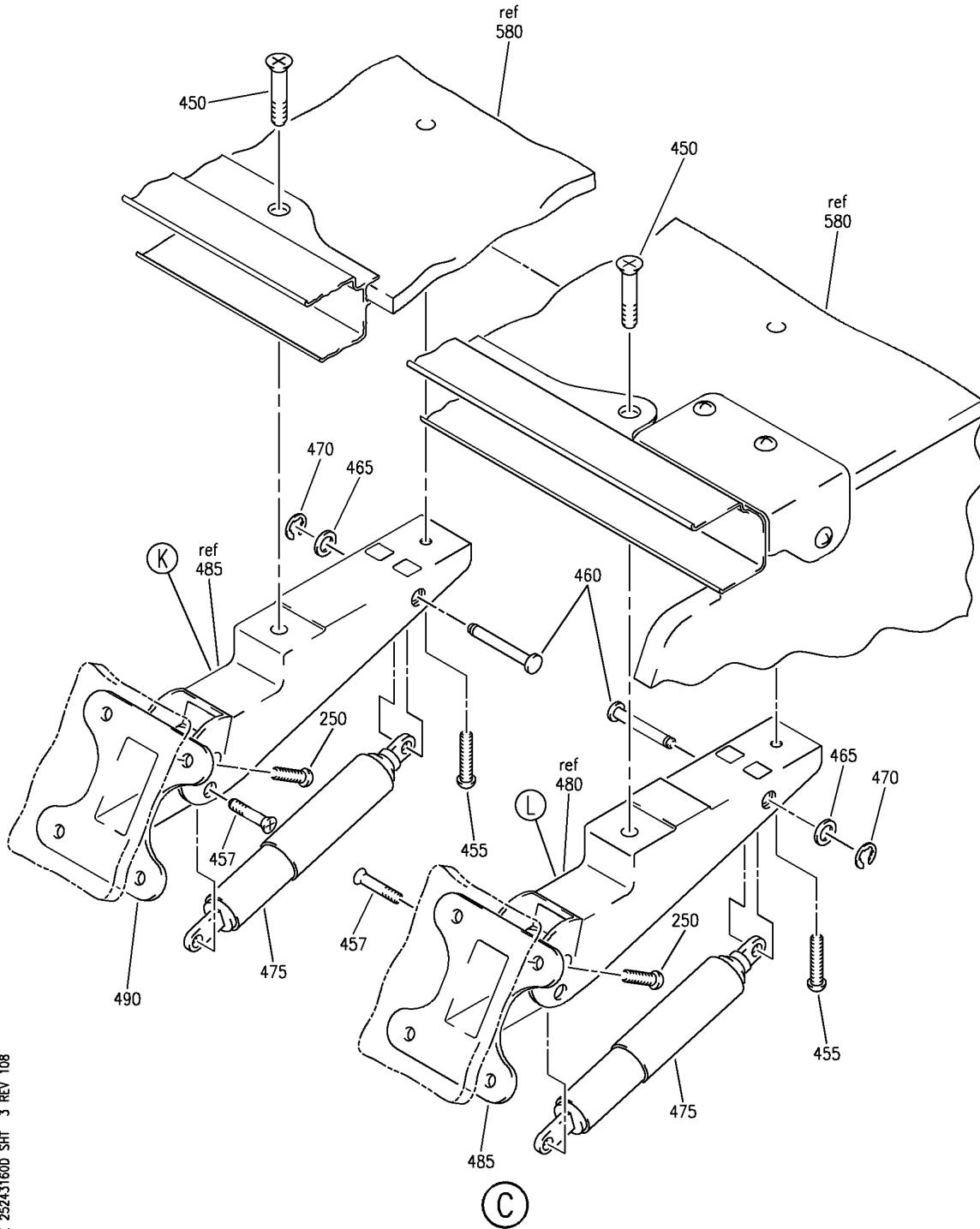
COMPARTMENT ASSY-60 IN. OVHD STOWAGE HNDRL CONFIGURATION (EQUIPMENT/ FURNISHINGS ONLY)
 FIGURE 60D (SHEET 2)

25-24-31-60D

HAP
 OCT 10/06

25-24-31-60D
 PAGE 0A

BOEING
 737-600/700/800/900
 PARTS CATALOG (MAINTENANCE)



E 2524-3160D SHT 3 REV 108

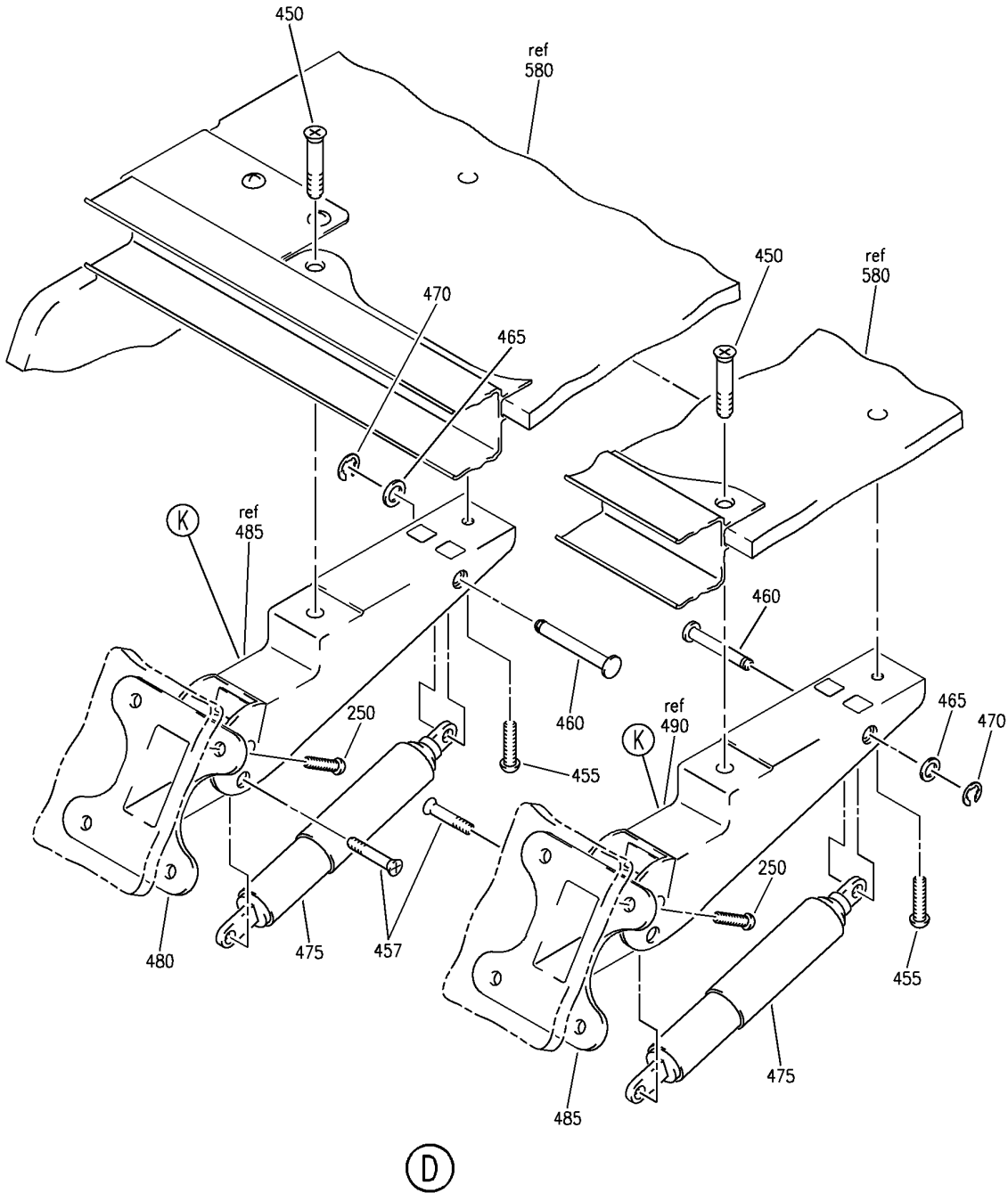
COMPARTMENT ASSY-60 IN. OVHD STOWAGE HNDRL CONFIGURATION (EQUIPMENT/ FURNISHINGS ONLY)
 FIGURE 60D (SHEET 3)

25-24-31-60D

HAP
 OCT 10/06

25-24-31-60D
 PAGE 0B

BOEING
 737-600/700/800/900
 PARTS CATALOG (MAINTENANCE)



E 2524-3160D SHT 4 REV 108

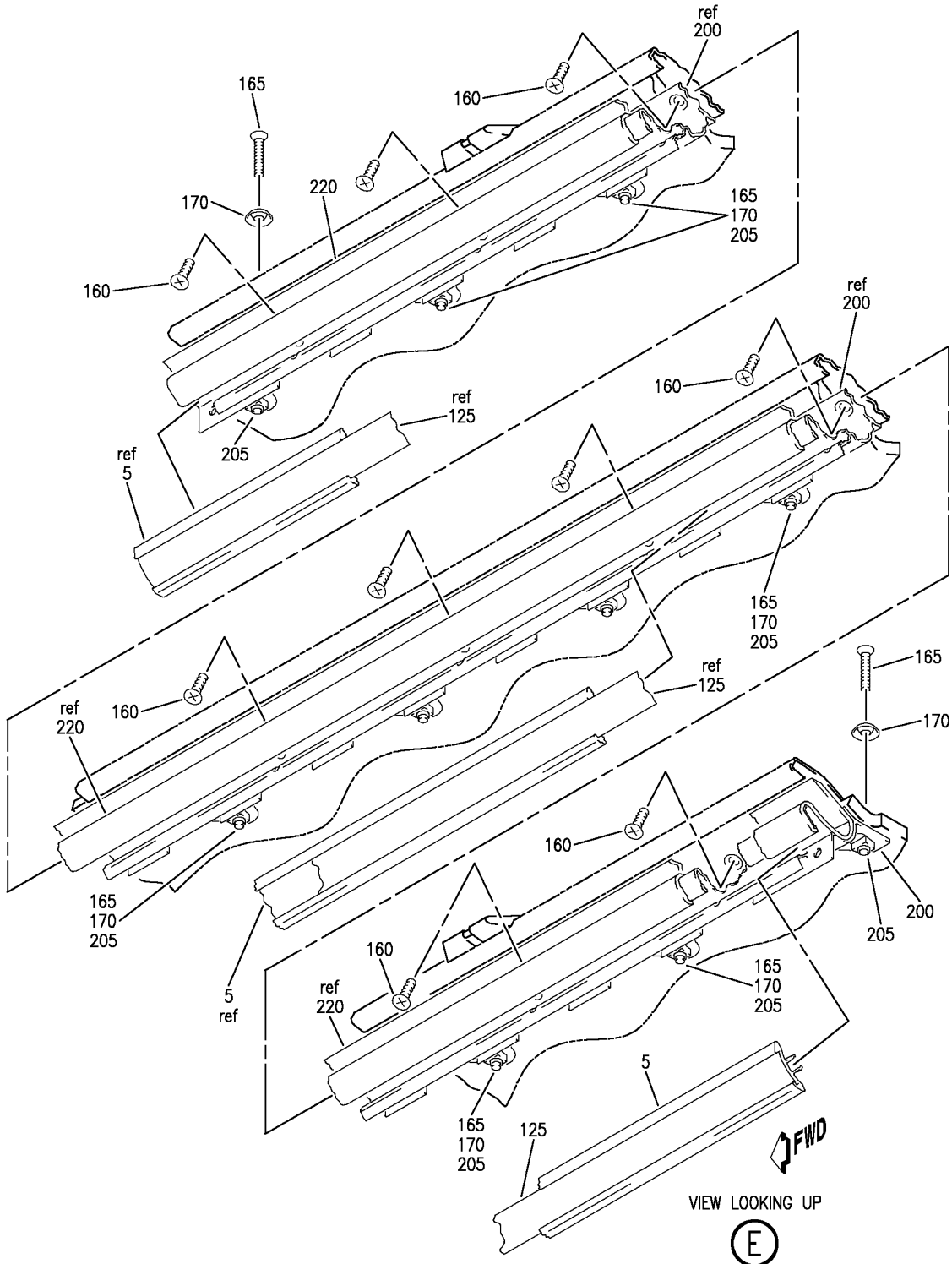
COMPARTMENT ASSY-60 IN. OVHD STOWAGE HNDRL CONFIGURATION (EQUIPMENT/ FURNISHINGS ONLY)
 FIGURE 60D (SHEET 4)

25-24-31-60D

HAP
 OCT 10/06

25-24-31-60D
 PAGE 0C

BOEING
 737-600/700/800/900
 PARTS CATALOG (MAINTENANCE)



E 25243160D SHT 5 REV 069

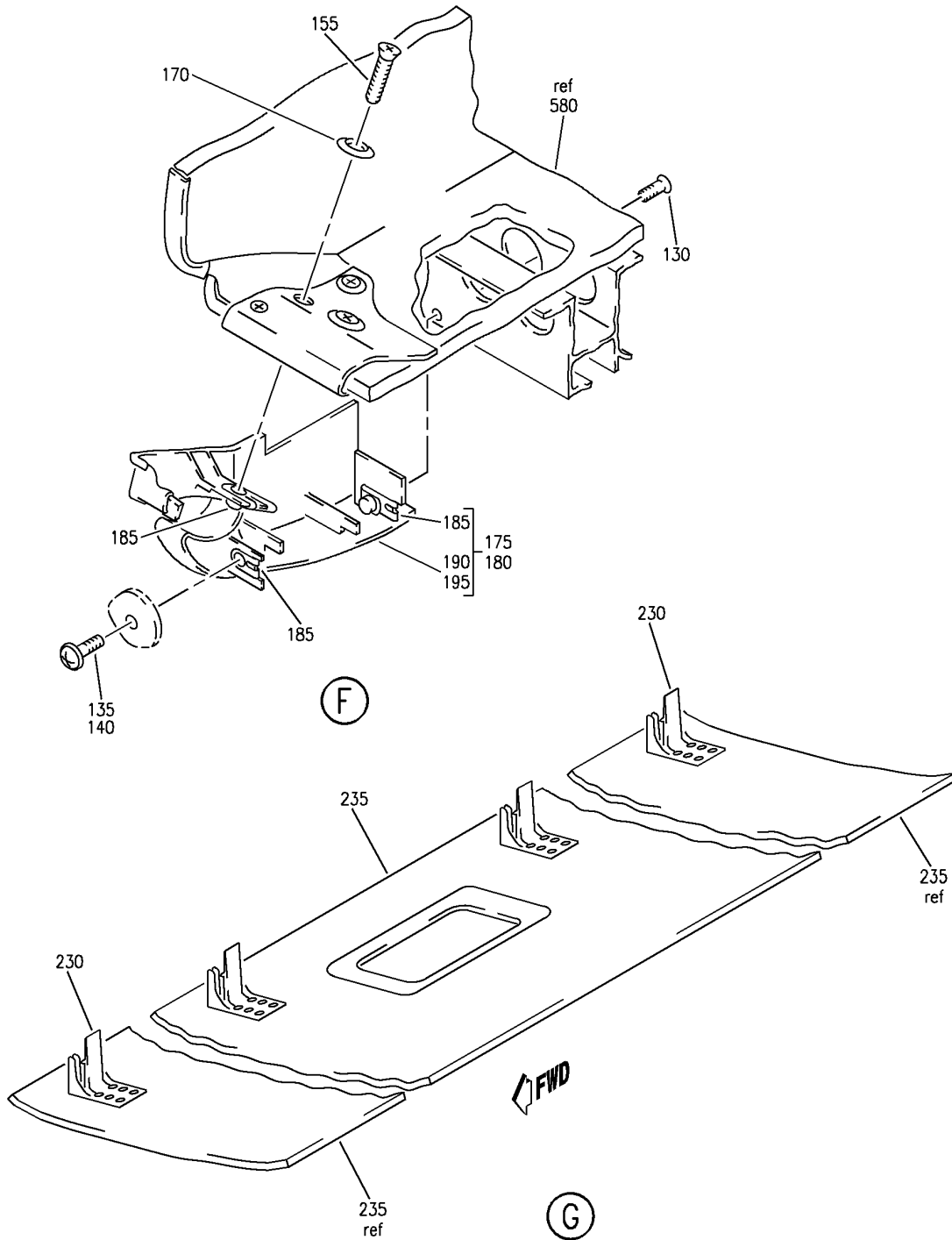
COMPARTMENT ASSY-60 IN. OVHD STOWAGE HNDRL CONFIGURATION (EQUIPMENT/ FURNISHINGS ONLY)
 FIGURE 60D (SHEET 5)

HAP
 OCT 10/06

25-24-31-60D

25-24-31-60D
 PAGE 0D

BOEING
 737-600/700/800/900
 PARTS CATALOG (MAINTENANCE)



E 2524-3160D SHT 6 REV 108

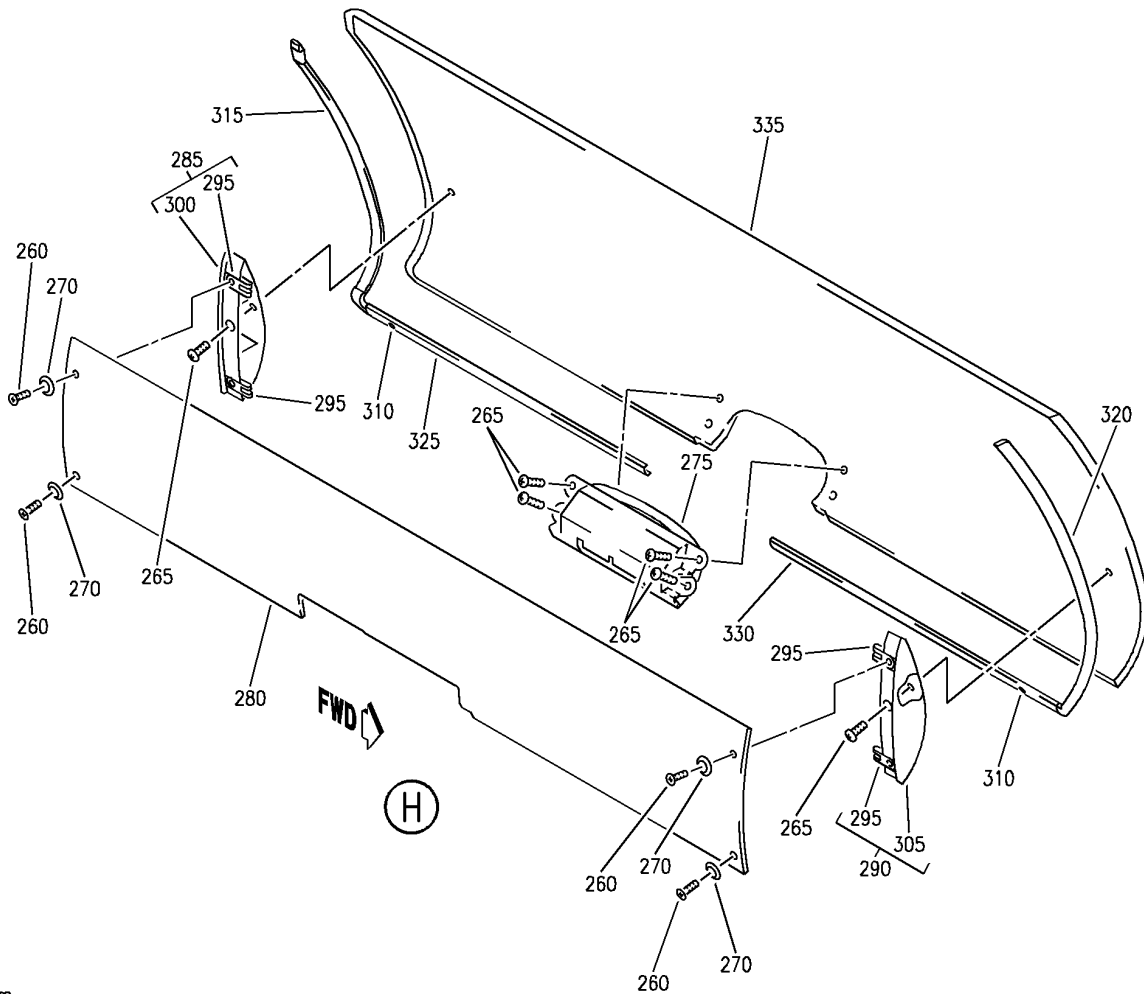
COMPARTMENT ASSY-60 IN. OVHD STOWAGE HANDRL CONFIGURATION (EQUIPMENT/ FURNISHINGS ONLY)
 FIGURE 60D (SHEET 6)

25-24-31-60D

HAP
 OCT 10/06

25-24-31-60D
 PAGE 0E

BOEING
 737-600/700/800/900
 PARTS CATALOG (MAINTENANCE)



E 2524-3160D SHT 7 REV 108

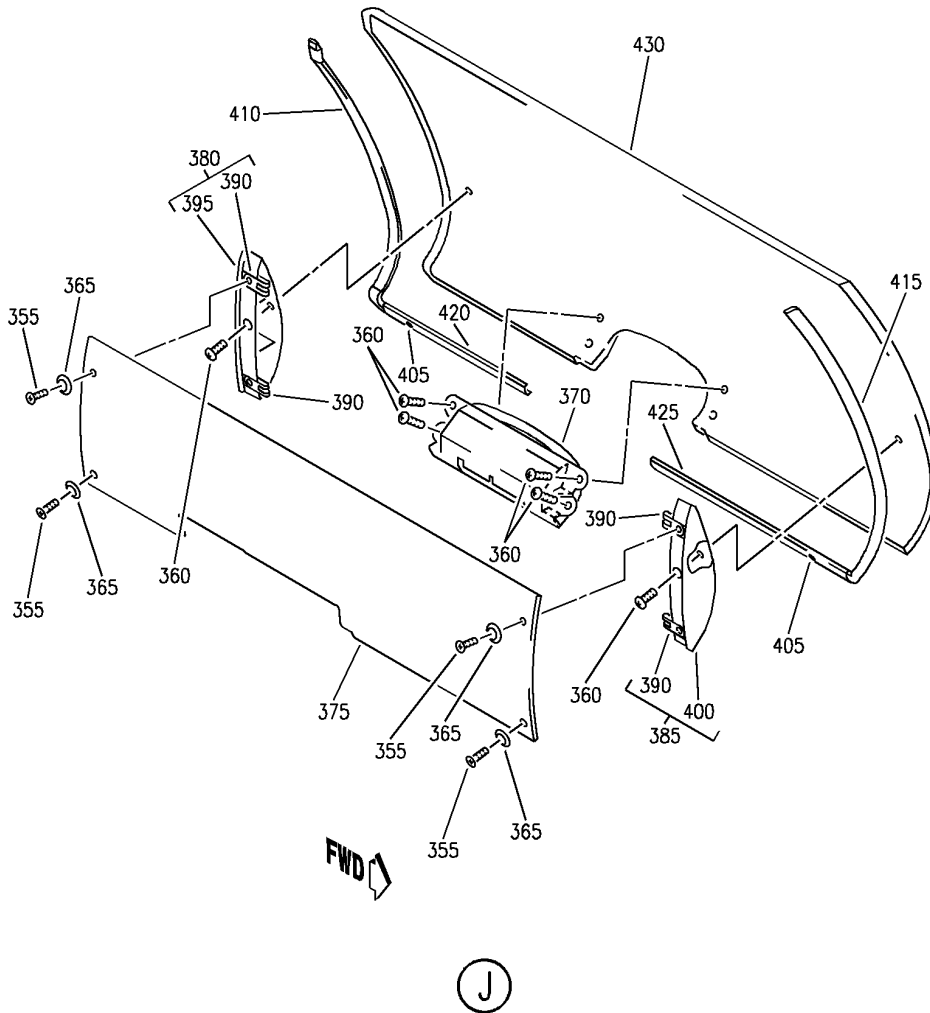
COMPARTMENT ASSY-60 IN. OVHD STOWAGE HNDRL CONFIGURATION (EQUIPMENT/ FURNISHINGS ONLY)
 FIGURE 60D (SHEET 7)

25-24-31-60D

HAP
 OCT 10/06

25-24-31-60D
 PAGE OF

BOEING
 737-600/700/800/900
 PARTS CATALOG (MAINTENANCE)



E 2524-3160D SHT 8 REV 108

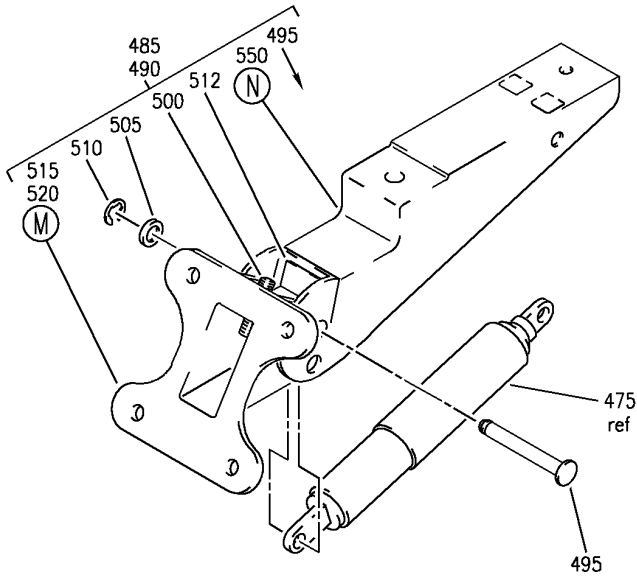
COMPARTMENT ASSY-60 IN. OVHD STOWAGE HNDRL CONFIGURATION (EQUIPMENT/ FURNISHINGS ONLY)
 FIGURE 60D (SHEET 8)

HAP
 OCT 10/06

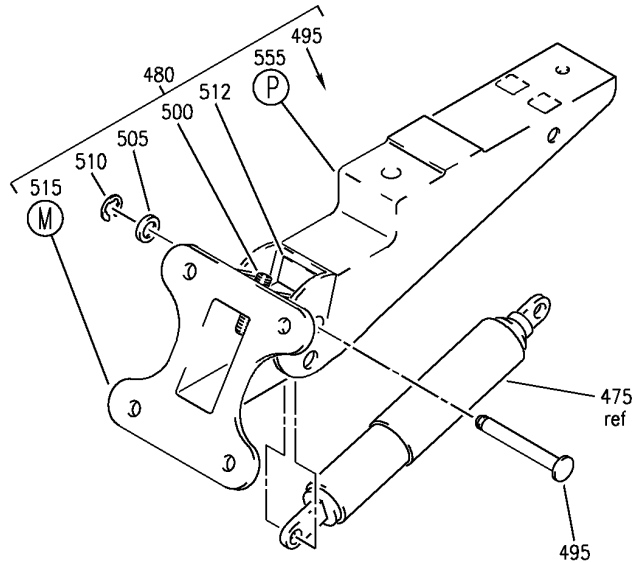
25-24-31-60D

25-24-31-60D
 PAGE 08

BOEING
 737-600/700/800/900
 PARTS CATALOG (MAINTENANCE)



(K)



(L)

E 2524-3160D SHT 9 REV 108

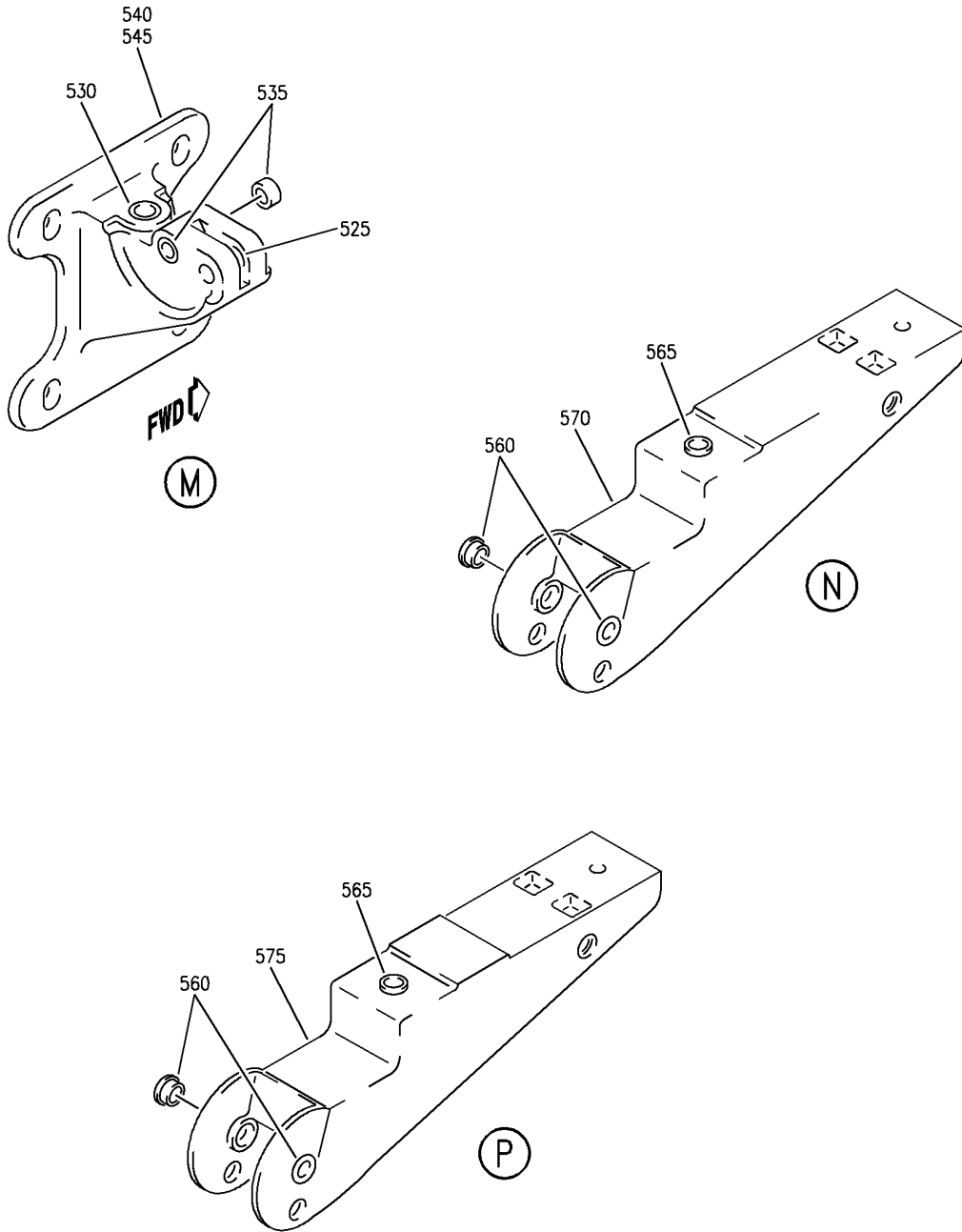
COMPARTMENT ASSY-60 IN. OVHD STOWAGE HNDRL CONFIGURATION (EQUIPMENT/ FURNISHINGS ONLY)
 FIGURE 60D (SHEET 9)

25-24-31-60D

HAP
 OCT 10/06

25-24-31-60D
 PAGE 0H

BOEING
 737-600/700/800/900
 PARTS CATALOG (MAINTENANCE)



E 2524-3160D SHT 10 REV 108

COMPARTMENT ASSY-60 IN. OVHD STOWAGE HNDRL CONFIGURATION (EQUIPMENT/ FURNISHINGS ONLY)
 FIGURE 60D (SHEET 10)

HAP
 OCT 10/06

25-24-31-60D

25-24-31-60D
 PAGE 01

BOEING
737-600/700/800/900
PARTS CATALOG (MAINTENANCE)

FIG ITEM	PART NUMBER	1 2 3 4 5 6 7	NOMENCLATURE	EFFECT FROM TO	UNITS PER ASSY
60D			COMPARTMENT ASSY-60 IN. OVHD STOWAGE HNDRL CONFIGURATION (EQUIPMENT/ FURNISHINGS ONLY)	001001 006007	
- 1	412A1100-6SP		COMPARTMENT ASSY-60 IN. OVHD STOWAGE HNDRL CONFIGURATION (EQUIPMENT/ FURNISHINGS ONLY) PRE SERVICE BULLETIN: 25-1373 FOR NHA/OTHER SYS DET SEE: 25-24-30-80A	001001 006007	RF
- 1	002A0007-55N		COMPARTMENT ASSY-60 IN. OVHD STOWAGE HNDRL CONFIGURATION (EQUIPMENT/ FURNISHINGS ONLY) POST SERVICE BULLETIN: 25-1373 FOR NHA/OTHER SYS DET SEE: 25-24-30-80A	001001 006007	RF
5	412A1420-2SP		.EXTRUSION-SEAT ROW MARKER	001001 006007	1
10	BACS12FA3K7		.SCREW- OPTIONAL PART: 412A1100-95	001001 006007	4
15	412A1100-95		.KIT ASSY- OPTIONAL PART: BACS12FA3K7	001001 006007	4
- 20	BACS12GU3K7		..SCREW	001001 006007	1
- 25	NAS1149D0332J		..WASHER	001001 006007	1
30	H3-1592-1		.LATCH-CLG SUPPLIER CODE: V34941 SPECIFICATION NUMBER: S411A001-1	001001 006007	2
35	412A1700-2SP		.VALANCE ASSY-LT OPTIONAL PART: 412A1700-102SP	001001 006007	1
35	412A1700-102SP		.VALANCE ASSY-LT OPTIONAL PART: 412A1700-2SP ATTACHING PARTS	001001 006007	1
- 40	BACN10YJ3F		.NUT	001001 006007	6
45	BACS21DW3C10FN		-----*----- ..STUD	001001 006007	6

MISSING ITEM NUMBERS NOT APPLICABLE

- ITEM NOT ILLUSTRATED

HAP

25-24-31-60D

BOEING PROPRIETARY - Copyright © - Unpublished Work - See title page for details.

25-24-31
FIG. 60D
PAGE 1
OCT 10/06

BOEING
737-600/700/800/900
PARTS CATALOG (MAINTENANCE)

FIG ITEM	PART NUMBER	1 2 3 4 5 6 7	NOMENCLATURE	EFFECT FROM TO	UNITS PER ASSY
60D					
50	412A1700-6	..	TAPE-VELCRO	001001 006007	2
55	412A1711-3SP	..	PANEL ASSY- USED ON: 412A1700-2SP	001001 006007	1
55	412A1711-103SP	..	PANEL ASSY- USED ON: 412A1700-102SP	001001 006007	1
60	403A3210-22SP	.	SEAL ASSY	001001 006007	1
125	412A1451-1SP	.	STRIP	001001 006007	1
130	BACB30VF3K3	.	BOLT	001001 006007	2
135	BACS12FA3K7	.	SCREW- OPTIONAL PART: 412A1100-95	001001 006007	2
140	412A1100-95	.	KIT ASSY- OPTIONAL PART: BACS12FA3K7	001001 006007	2
- 145	BACS12GU3K7	..	SCREW	001001 006007	1
- 150	NAS1149D0332J	..	WASHER	001001 006007	1
155	BACS12ER3K9	.	SCREW	001001 006007	2
160	BACS12ER3K5	.	SCREW	001001 006007	9
165	BACS12ER3K14	.	SCREW	001001 006007	10
170	H3-1233A3	.	WASHER- SUPPLIER CODE: V34941 SPECIFICATION NUMBER: S411A001-1	001001 006007	12
175	412A1465-13SP	.	CLOSEOUT ASSY	001001 006007	1
180	412A1465-14SP	.	CLOSEOUT ASSY	001001 006007	1
185	BACN10VR4CGN	..	NUT- OPTIONAL PART: BACN10VR4CG	001001 006007	3
185	BACN10VR4CG	..	NUT- OPTIONAL PART: BACN10VR4CGN	001001 006007	3
190	412A1465-15SP	..	CLOSEOUT- USED ON: 412A1465-13SP	001001 006007	1

MISSING ITEM NUMBERS NOT APPLICABLE

- ITEM NOT ILLUSTRATED

HAP

25-24-31-60D

BOEING PROPRIETARY - Copyright © - Unpublished Work - See title page for details.

25-24-31
FIG. 60D
PAGE 2
JUN 15/08

BOEING
737-600/700/800/900
PARTS CATALOG (MAINTENANCE)

FIG ITEM	PART NUMBER	1 2 3 4 5 6 7	NOMENCLATURE	EFFECT FROM TO	UNITS PER ASSY
60D 195	412A1465-16SP	..	CLOSEOUT- USED ON: 412A1465-14SP	001001 006007	1
200	412A1243-102	.	EXTRUSION ASSY	001001 006007	1
205	FS1651-3	..	NUTPLATE SUPPLIER CODE: V15653 SPECIFICATION NUMBER: BACN10KH3CD OPTIONAL PART: 102F9209M3 V72962 NS202496-02 V80539 ATTACHING PARTS	001001 006007	10
- 210	BACR15BA3ADC	..	RIVET- SIZE DETERMINED ON INSTL. -----*-----	001001 006007	20
220	412A1650-3SP	.	COVER ASSY	001001 006007	1
225	412A1600-2A	.	COVER ASSY	001001 006007	1
230	412A1460-1	..	CLIP	001001 006007	4
235	412A1610-4A	..	PANEL ASSY- OPTIONAL PART: 412A1610-104B	001001 006007	1
235	412A1610-104B	..	PANEL ASSY- OPTIONAL PART: 412A1610-4A	001001 006007	1
250	BACS12FA3K6	.	SCREW	001001 006007	16
255	412A1500-1SP	.	DOOR ASSY-40 IN.	001001 006007	1
260	BACS12ER3K9	..	SCREW	001001 006007	4
265	BACS12FA3K4	..	SCREW	001001 006007	6
270	H3-1233A3	..	WASHER- SUPPLIER CODE: V34941 SPECIFICATION NUMBER: S411A001-1	001001 006007	4
275	HA225-1	..	LATCH ASSY- SUPPLIER CODE: V83014 SPECIFICATION NUMBER: S412A001-1A	001001 006007	1

MISSING ITEM NUMBERS NOT APPLICABLE

- ITEM NOT ILLUSTRATED

HAP

25-24-31-60D

BOEING PROPRIETARY - Copyright © - Unpublished Work - See title page for details.

25-24-31
FIG. 60D
PAGE 3
JUN 15/08

BOEING
737-600/700/800/900
PARTS CATALOG (MAINTENANCE)

FIG ITEM	PART NUMBER	1 2 3 4 5 6 7	NOMENCLATURE	EFFECT FROM TO	UNITS PER ASSY
60D 275	HA225-7		..LATCH ASSY- SUPPLIER CODE: V83014 SPECIFICATION NUMBER: S412A001-11B	001001 006007	1
280	412A1615-100SP		..PANEL ASSY-FILLER	001001 006007	1
285	412A1480-3SP		..BRACKET ASSY	001001 006007	1
290	412A1480-4SP		..BRACKET ASSY	001001 006007	1
295	BACN10VR4CGN		...NUT	001001 006007	2
300	412A1480-1SP		...BRACKET- USED ON: 412A1480-3SP	001001 006007	1
305	412A1480-2SP		...BRACKET- USED ON: 412A1480-4SP	001001 006007	1
310	412A1810-1SP		..BUMPER	001001 006007	2
315	412A1450-4SP		..TRIM-EDGE	001001 006007	1
320	412A1450-3SP		..TRIM-EDGE	001001 006007	1
325	412A1450-6SP		..TRIM-EDGE	001001 006007	1
330	412A1450-5SP		..TRIM-EDGE	001001 006007	1
335	412A1510-2SP		..PANEL ASSY	001001 006007	1
- 340	SL618-3A		...INSERT- SUPPLIER CODE: V97393	001001 006007	14
350	412A1500-2SP		.DOOR ASSY-20 IN.	001001 006007	1
355	BACS12ER3K9		..SCREW	001001 006007	4
360	BACS12FA3K4		..SCREW	001001 006007	6
365	H3-1233A3		..WASHER- SUPPLIER CODE: V34941 SPECIFICATION NUMBER: S411A001-1	001001 006007	4

MISSING ITEM NUMBERS NOT APPLICABLE

- ITEM NOT ILLUSTRATED

HAP

25-24-31-60D

BOEING PROPRIETARY - Copyright © - Unpublished Work - See title page for details.

25-24-31
FIG. 60D
PAGE 4
JUN 15/08

BOEING
737-600/700/800/900
PARTS CATALOG (MAINTENANCE)

FIG ITEM	PART NUMBER	1 2 3 4 5 6 7	NOMENCLATURE	EFFECT FROM TO	UNITS PER ASSY
60D 370	HA225-1	..	LATCH ASSY- SUPPLIER CODE: V83014 SPECIFICATION NUMBER: S412A001-1A	001001 006007	1
370	HA225-7	..	LATCH ASSY- SUPPLIER CODE: V83014 SPECIFICATION NUMBER: S412A001-11B	001001 006007	1
375	412A1615-101SP	..	PANEL ASSY-FILLER	001001 006007	1
380	412A1480-3SP	..	BRACKET ASSY	001001 006007	1
385	412A1480-4SP	..	BRACKET ASSY	001001 006007	1
390	BACN10VR4CGN	...	NUT	001001 006007	2
395	412A1480-1SP	...	BRACKET- USED ON: 412A1480-3SP	001001 006007	1
400	412A1480-2SP	...	BRACKET- USED ON: 412A1480-4SP	001001 006007	1
405	412A1810-1SP	..	BUMPER	001001 006007	2
410	412A1450-4SP	..	TRIM-EDGE	001001 006007	1
415	412A1450-3SP	..	TRIM-EDGE	001001 006007	1
420	412A1450-6SP	..	TRIM-EDGE	001001 006007	1
425	412A1450-5SP	..	TRIM-EDGE	001001 006007	1
430	412A1511-2SP	..	PANEL ASSY	001001 006007	1
- 435	SL618-3A	...	INSERT- SUPPLIER CODE: V97393	001001 006007	14
450	BACS12FA3K15	.	SCREW	001001 006007	4
455	BACS12FA3K9	.	SCREW	001001 006007	4
457	BACB30VF3K7	.	BOLT	001001 006007	4
460	412A1230-21	.	PIN	001001 006007	4
465	NAS1149D0316J	.	WASHER	001001 006007	4

MISSING ITEM NUMBERS NOT APPLICABLE

- ITEM NOT ILLUSTRATED

HAP

25-24-31-60D

BOEING PROPRIETARY - Copyright © - Unpublished Work - See title page for details.

25-24-31
FIG. 60D
PAGE 5
JUN 15/08

BOEING
737-600/700/800/900
PARTS CATALOG (MAINTENANCE)

FIG ITEM	PART NUMBER	1 2 3 4 5 6 7	NOMENCLATURE	EFFECT FROM TO	UNITS PER ASSY
60D					
470	MS16633-4018	.	RING	001001 006007	4
475	SP20522	.	ACTUATOR ASSY-DOOR SUPPLIER CODE: V24403 SPECIFICATION NUMBER: S412A002-2	001001 006007	4
480	412A1455-3SP	.	HINGE ASSY	001001 006007	1
485	412A1455-2SP	.	HINGE ASSY	001001 006007	2
490	412A1455-1SP	.	HINGE ASSY	001001 006007	1
495	412A1230-21	..	PIN	001001 006007	1
500	MS51023-54	..	SCREW	001001 006007	1
505	NAS1149D0316J	..	WASHER	001001 006007	1
510	MS16633-4018	..	RING	001001 006007	1
512	412A1220-1	..	CLIP	001001 006007	1
515	412A1454-9SP	..	BRACKET ASSY- USED ON: 412A1455-1SP 412A1455-3SP	001001 006007	1
520	412A1454-10SP	..	BRACKET ASSY- USED ON: 412A1455-2SP	001001 006007	1
525	6041-3BR225	...	INSERT- SUPPLIER CODE: V01556	001001 006007	1
530	6041L3BR375	...	INSERT- SUPPLIER CODE: V01556	001001 006007	1
535	BACB28Y3F025	...	BUSHING	001001 006007	2
540	412A1454-7SP	...	BRACKET- USED ON: 412A1454-9SP	001001 006007	1
545	412A1454-8SP	...	BRACKET- USED ON: 412A1454-10SP	001001 006007	1
550	412A1454-3SP	..	HOUSING ASSY- USED ON: 412A1455-1SP 412A1455-2SP	001001 006007	1

MISSING ITEM NUMBERS NOT APPLICABLE

— ITEM NOT ILLUSTRATED

HAP

25-24-31-60D

BOEING PROPRIETARY - Copyright © - Unpublished Work - See title page for details.

25-24-31
FIG. 60D
PAGE 6
JUN 15/08

BOEING
737-600/700/800/900
PARTS CATALOG (MAINTENANCE)

FIG ITEM	PART NUMBER	1 2 3 4 5 6 7	NOMENCLATURE	EFFECT FROM TO	UNITS PER ASSY
60D					
555	412A1454-12SP	..	HOUSING ASSY- USED ON: 412A1455-3SP	001001 006007	1
560	BACB28Y3F020	...	BUSHING	001001 006007	2
565	6041L3BR375	...	INSERT- SUPPLIER CODE: V01556	001001 006007	1
570	412A1454-1SP	...	HOUSING- USED ON: 412A1454-3SP	001001 006007	1
575	412A1454-11SP	...	HOUSING- USED ON: 412A1454-12SP	001001 006007	1
580	412A1200-6SP	.BOX	ASSY-60 IN. BIN FOR DETAILS SEE: 25-24-32-61H	001001 006007	1
- 585	OBA8	.PLUG-	SUPPLIER CODE: VOBV87	001001 006007	AR

MISSING ITEM NUMBERS NOT APPLICABLE

- ITEM NOT ILLUSTRATED

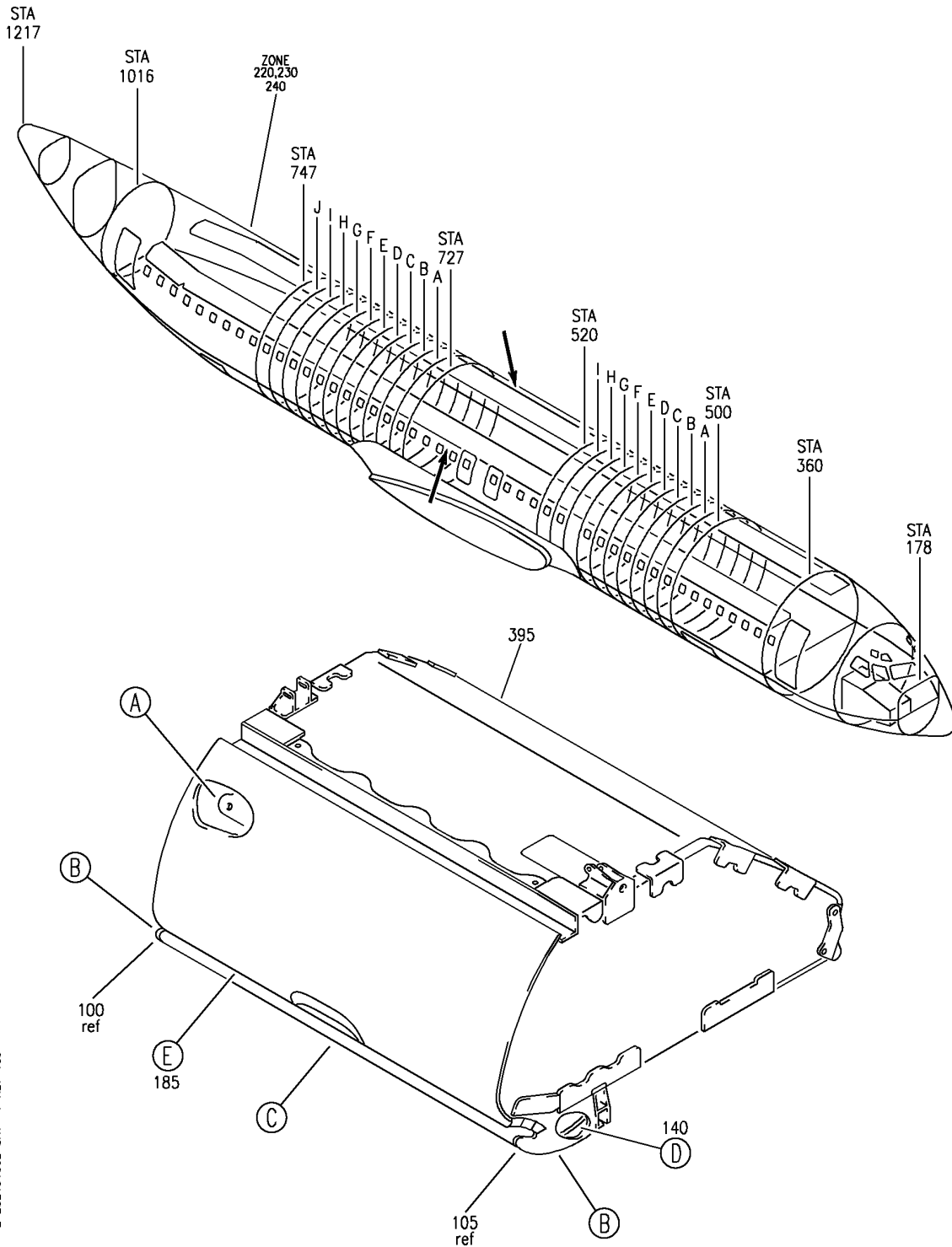
HAP

25-24-31-60D

BOEING PROPRIETARY - Copyright © - Unpublished Work - See title page for details.

25-24-31
FIG. 60D
PAGE 7
JUN 15/08

BOEING
737-600/700/800/900
PARTS CATALOG (MAINTENANCE)



E 2524-3160E SHT 1 REV 109

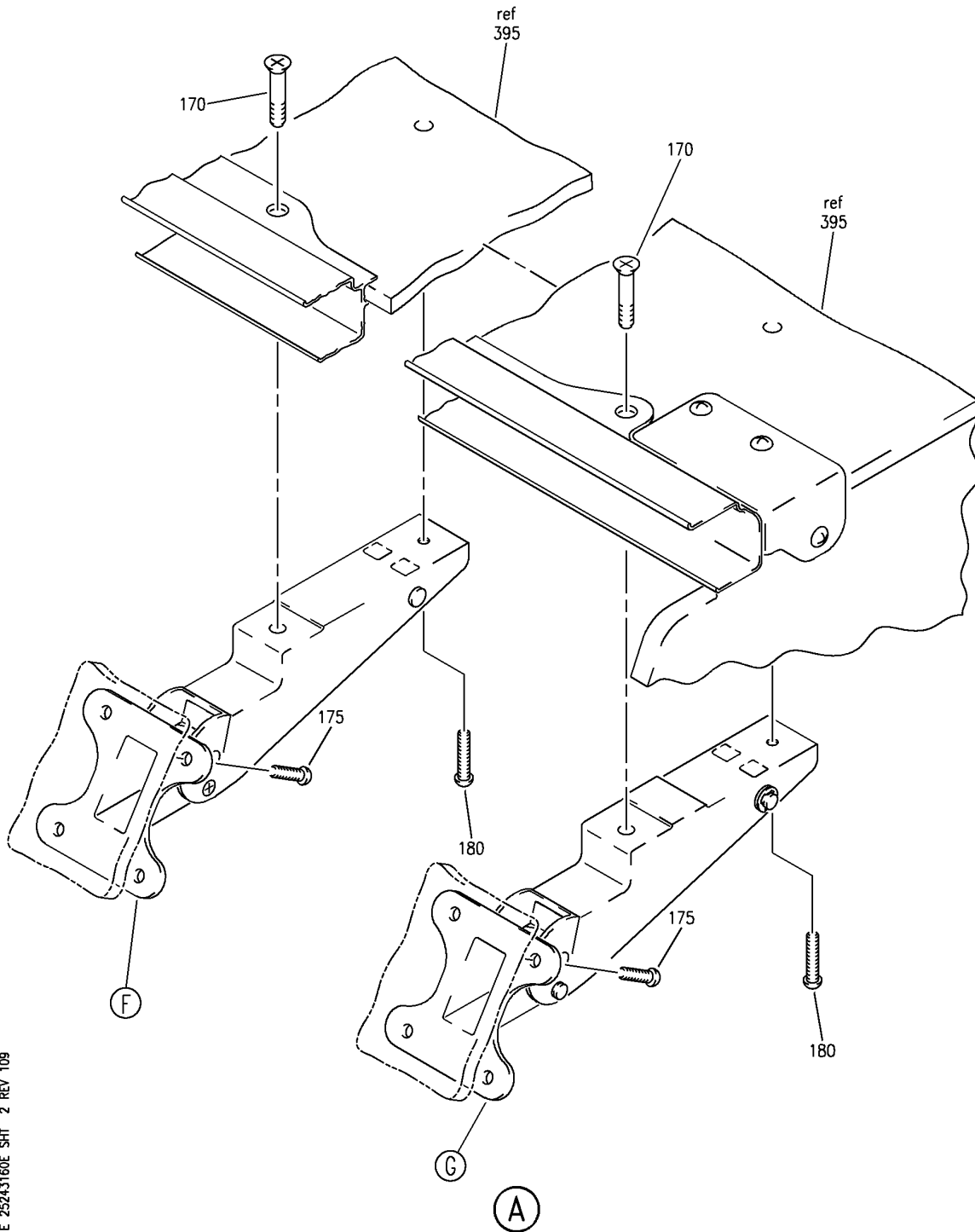
COMPARTMENT ASSY-AFT LH 60 IN. OVHD STOWAGE HANDLING CONFIGURATION (EQUIPMENT/ FURNISHINGS ONLY)
 FIGURE 60E (SHEET 1)

HAP
 OCT 10/06

25-24-31-60E

25-24-31-60E
 PAGE 0

BOEING
737-600/700/800/900
PARTS CATALOG (MAINTENANCE)



E 2524-3160E SHT 2 REV 109

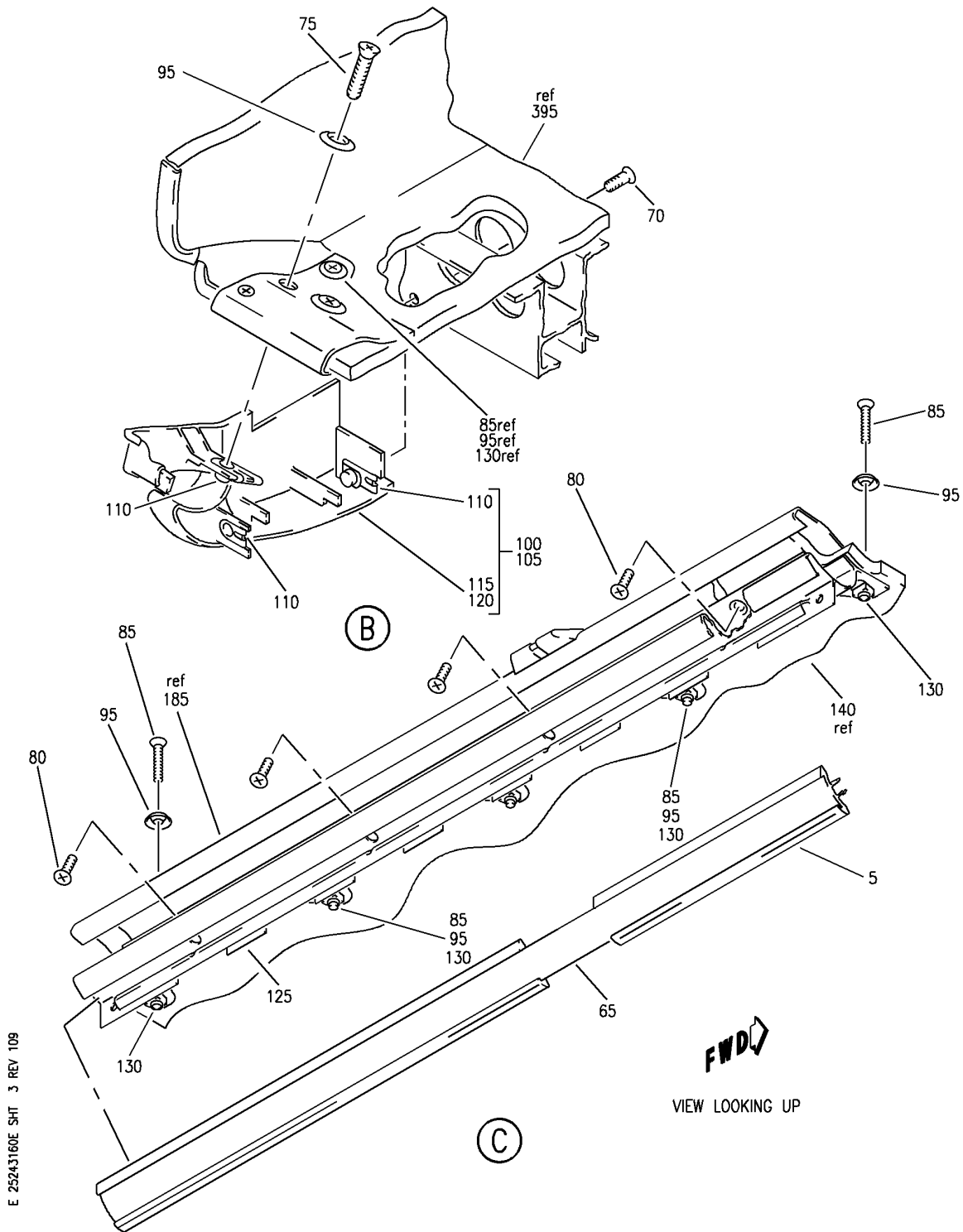
COMPARTMENT ASSY-AFT LH 60 IN. OVHD STOWAGE HNDRL CONFIGURATION (EQUIPMENT/ FURNISHINGS ONLY)
FIGURE 60E (SHEET 2)

HAP
OCT 10/06

25-24-31-60E

25-24-31-60E
PAGE 0A

BOEING
737-600/700/800/900
PARTS CATALOG (MAINTENANCE)



E 2524-3160E SHT 3 REV 109

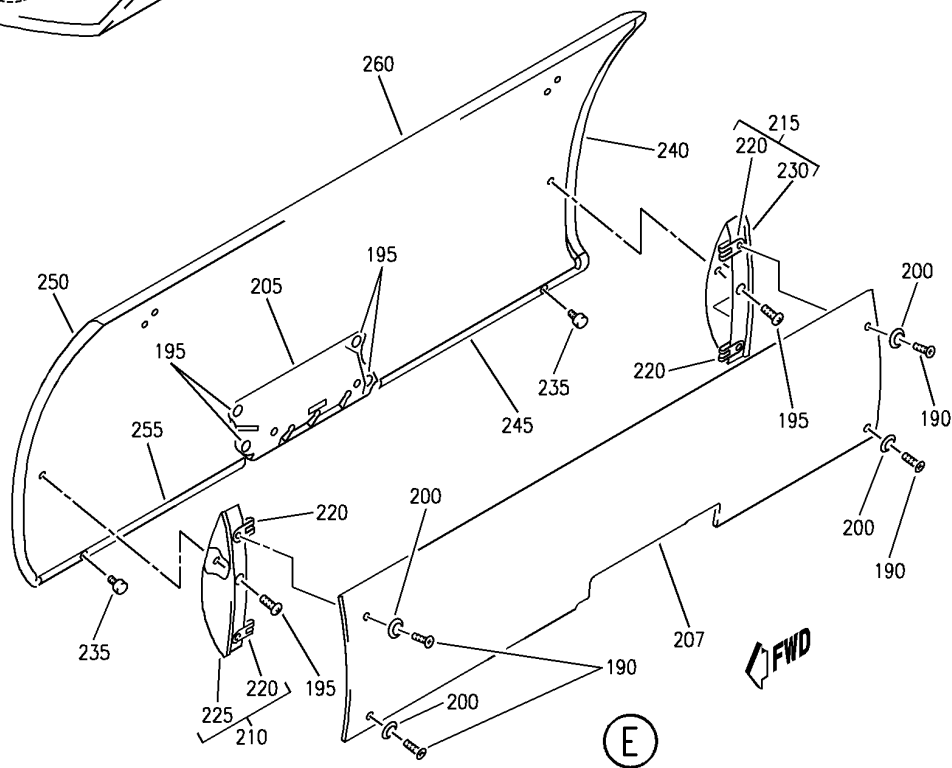
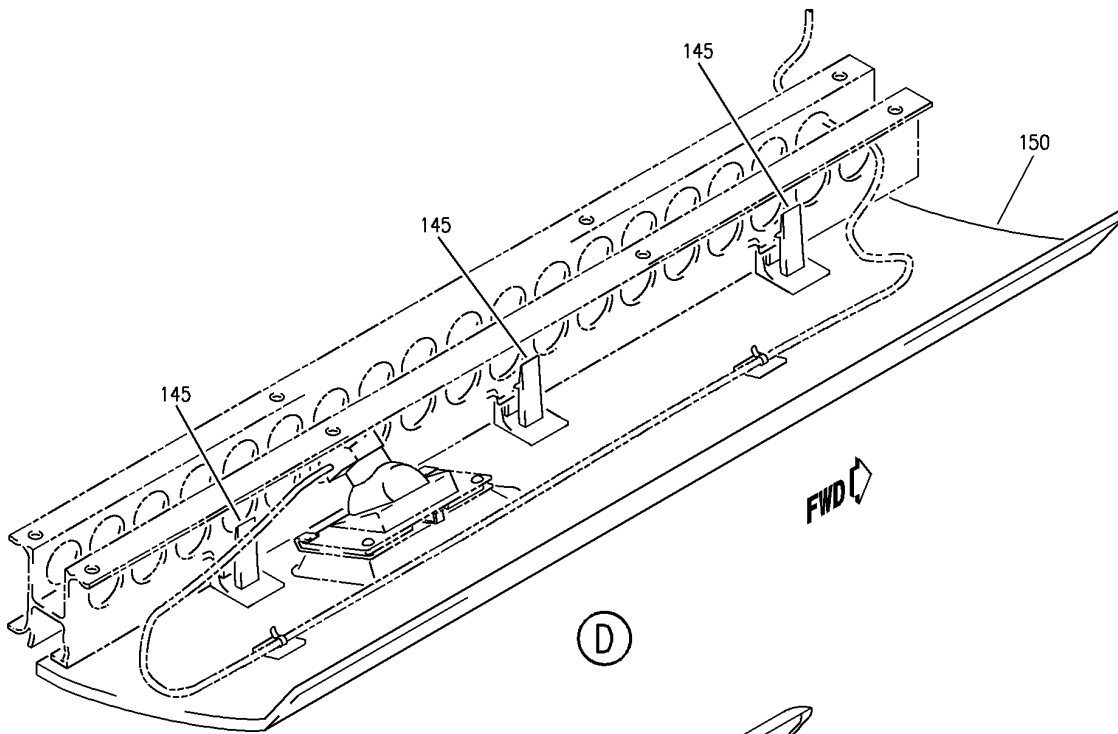
COMPARTMENT ASSY-AFT LH 60 IN. OVHD STOWAGE HANDRAIL CONFIGURATION (EQUIPMENT/ FURNISHINGS ONLY)
 FIGURE 60E (SHEET 3)

HAP
 OCT 10/06

25-24-31-60E

25-24-31-60E
 PAGE 0B

BOEING
 737-600/700/800/900
 PARTS CATALOG (MAINTENANCE)



E 2524-3160E SHT 4 REV 109

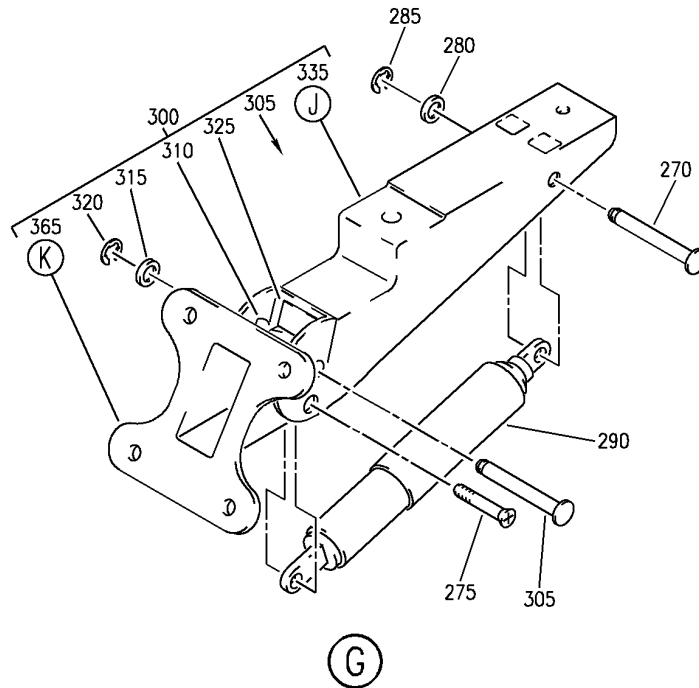
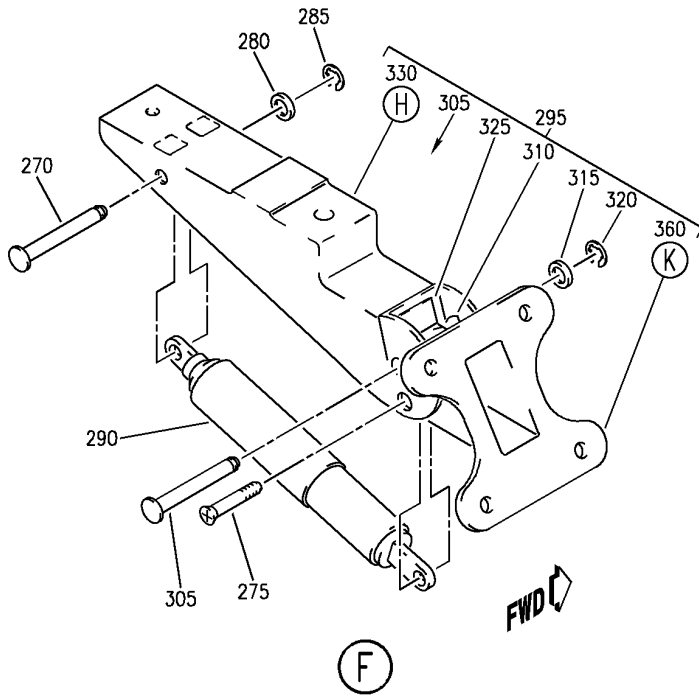
COMPARTMENT ASSY-AFT LH 60 IN. OVHD STOWAGE HDRL CONFIGURATION (EQUIPMENT/ FURNISHINGS ONLY)
 FIGURE 60E (SHEET 4)

HAP
 OCT 10/06

25-24-31-60E

25-24-31-60E
 PAGE 0C

BOEING
 737-600/700/800/900
 PARTS CATALOG (MAINTENANCE)



E 2524-3160E SHT 5 REV 109

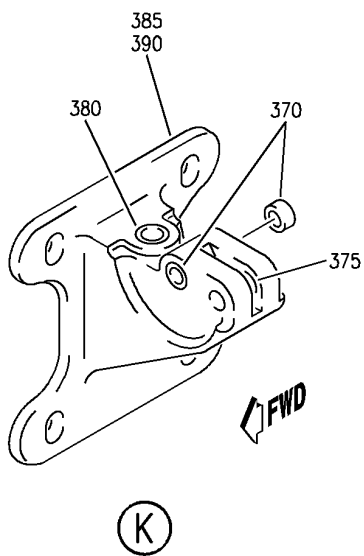
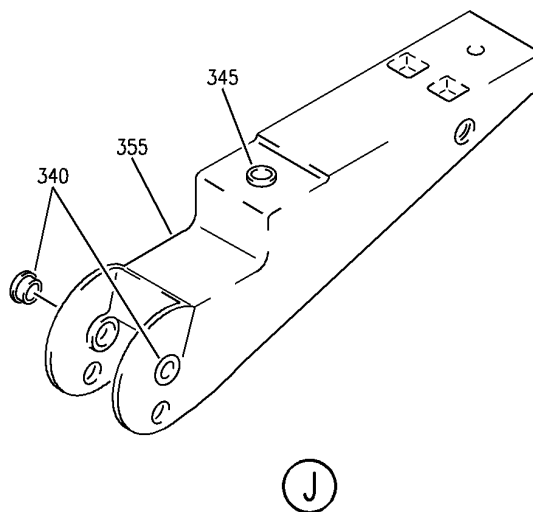
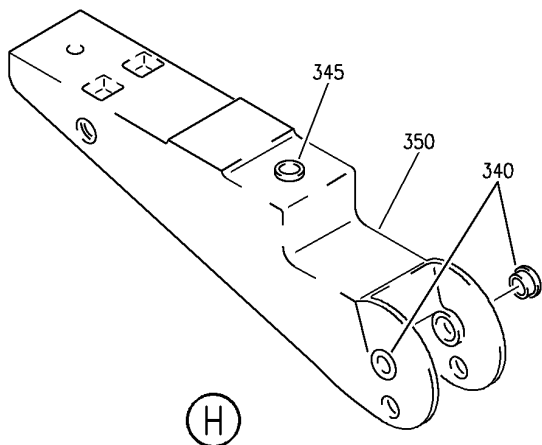
COMPARTMENT ASSY-AFT LH 60 IN. OVHD STOWAGE HANDLING CONFIGURATION (EQUIPMENT/ FURNISHINGS ONLY)
 FIGURE 60E (SHEET 5)

HAP
 OCT 10/06

25-24-31-60E

25-24-31-60E
 PAGE 0D

BOEING
 737-600/700/800/900
 PARTS CATALOG (MAINTENANCE)



E 2524-3160E SHT 6 REV 109

COMPARTMENT ASSY-AFT LH 60 IN. OVHD STOWAGE HANDLING CONFIGURATION (EQUIPMENT/ FURNISHINGS ONLY)
 FIGURE 60E (SHEET 6)

HAP
 OCT 10/06

25-24-31-60E

25-24-31-60E
 PAGE 0E

BOEING PROPRIETARY - Copyright © - Unpublished Work - See title page for details.

BOEING
737-600/700/800/900
PARTS CATALOG (MAINTENANCE)

FIG ITEM	PART NUMBER	1 2 3 4 5 6 7	NOMENCLATURE	EFFECT FROM TO	UNITS PER ASSY
60E			COMPARTMENT ASSY-AFT LH 60 IN. OVHD STOWAGE HNDRL CONFIGURATION (EQUIPMENT/ FURNISHINGS ONLY)	001001 006007	
- 1	412A1150-19SP		COMPARTMENT ASSY-31 IN. OVHD STOWAGE HNDRL CONFIGURATION (EQUIPMENT/ FURNISHINGS ONLY) POSITION DATA: AFT LH PRE SERVICE BULLETIN: 25-1373 FOR NHA/OTHER SYS DET SEE: 25-24-30-39	001001 006007	RF
- 1	002A0007-77N		COMPARTMENT ASSY-31 IN. OVHD STOWAGE HNDRL CONFIGURATION (EQUIPMENT/ FURNISHINGS ONLY) POSITION DATA: AFT LH POST SERVICE BULLETIN: 25-1373 FOR NHA/OTHER SYS DET SEE: 25-24-30-39	001001 006007	RF
5	412A1420-2SP		.EXTRUSION-SEAT ROW MARKER	001001 006007	1
65	412A1451-2SP		.STRIP	001001 006007	1
70	BACB30VF3K3		.BOLT	001001 006007	2
75	BACS12ER3K9		.SCREW	001001 006007	2
80	BACS12ER3K5		.SCREW	001001 006007	4
85	BACS12ER3K14		.SCREW	001001 006007	5
95	H3-1233A3		.WASHER- SUPPLIER CODE: V34941 SPECIFICATION NUMBER: S411A001-1	001001 006007	7
100	412A1465-10SP		.CLOSEOUT ASSY	001001 006007	1
105	412A1465-13SP		.CLOSEOUT ASSY	001001 006007	1
110	BACN10VR4CGN		..NUT- OPTIONAL PART: BACN10VR4CG	001001 006007	3

MISSING ITEM NUMBERS NOT APPLICABLE

- ITEM NOT ILLUSTRATED

HAP

25-24-31-60E

BOEING PROPRIETARY - Copyright © - Unpublished Work - See title page for details.

25-24-31
FIG. 60E
PAGE 1
JUN 15/08

BOEING
737-600/700/800/900
PARTS CATALOG (MAINTENANCE)

FIG ITEM	PART NUMBER	1 2 3 4 5 6 7	NOMENCLATURE	EFFECT FROM TO	UNITS PER ASSY
60E					
110	BACN10VR4CG	..	NUT- OPTIONAL PART: BACN10VR4CGN	001001 006007	3
115	412A1465-12SP	..	CLOSEOUT- USED ON: 412A1465-10SP	001001 006007	1
120	412A1465-15SP	..	CLOSEOUT- USED ON: 412A1465-13SP	001001 006007	1
125	412A1243-111	.	EXTRUSION ASSY	001001 006007	1
130	FS1651-3	..	NUTPLATE SUPPLIER CODE: V15653 SPECIFICATION NUMBER: BACN10KH3CD OPTIONAL PART: 102F9209M3 V72962 NS202496-02 V80539 ATTACHING PARTS	001001 006007	5
- 135	BACR15BA3ADC	..	RIVET- SIZE DETERMINED ON INSTL. -----*-----	001001 006007	10
140	412A1600-57SP	.	COVER ASSY	001001 006007	1
145	412A1460-1	..	CLIP	001001 006007	3
150	412A1610-57SP	..	PANEL ASSY- OPTIONAL PART: 412A1610-157SP	001001 006007	1
150	412A1610-157SP	..	PANEL ASSY- OPTIONAL PART: 412A1610-57SP	001001 006007	1
- 155	412A1650-3SP	.	COVER ASSY	001001 006007	1
- 165	OBA8	.	PLUG- SUPPLIER CODE: VOBV87	001001 006007	AR
170	BACB30VF3K8	.	BOLT	001001 006007	2
175	BACS12FA3K6	.	SCREW	001001 006007	8
180	BACS12FA3K9	.	SCREW	001001 006007	2
185	412A1500-24SP	.	DOOR ASSY-30.60 IN. PRE SERVICE BULLETIN: 25-1373	001001 006007	1

MISSING ITEM NUMBERS NOT APPLICABLE

- ITEM NOT ILLUSTRATED

HAP

25-24-31-60E

BOEING PROPRIETARY - Copyright © - Unpublished Work - See title page for details.

25-24-31
FIG. 60E
PAGE 2
JUN 15/08

BOEING
737-600/700/800/900
PARTS CATALOG (MAINTENANCE)

FIG ITEM	PART NUMBER	1 2 3 4 5 6 7	NOMENCLATURE	EFFECT FROM TO	UNITS PER ASSY
60E					
190	BACS12ER3K9	..	SCREW	001001 006007	4
195	BACS12FA3K4	..	SCREW	001001 006007	6
200	H3-1233A3	..	WASHER- SUPPLIER CODE: V34941 SPECIFICATION NUMBER: S411A001-1	001001 006007	4
205	HA225-1	..	LATCH ASSY- SUPPLIER CODE: V83014 SPECIFICATION NUMBER: S412A001-1A PRE SERVICE BULLETIN: 25-1373	001001 006007	1
205	HA225-7	..	LATCH ASSY- SUPPLIER CODE: V83014 SPECIFICATION NUMBER: S412A001-11B	001001 006007	1
207	412A1615-112SP	..	PANEL ASSY-FILLER	001001 006007	1
210	412A1480-3SP	..	BRACKET ASSY	001001 006007	1
215	412A1480-4SP	..	BRACKET ASSY	001001 006007	1
220	BACN10VR4CGN	...	NUT	001001 006007	2
225	412A1480-1SP	...	BRACKET- USED ON: 412A1480-3SP	001001 006007	1
230	412A1480-2SP	...	BRACKET- USED ON: 412A1480-4SP	001001 006007	1
235	412A1810-1SP	..	BUMPER	001001 006007	2
240	412A1450-4SP	..	TRIM-EDGE	001001 006007	1
245	412A1450-6SP	..	TRIM-EDGE	001001 006007	1
250	412A1450-7SP	..	TRIM-EDGE	001001 006007	1
255	412A1450-9SP	..	TRIM-EDGE	001001 006007	1
260	412A1510-26SP	..	PANEL ASSY	001001 006007	1

MISSING ITEM NUMBERS NOT APPLICABLE

— ITEM NOT ILLUSTRATED

HAP

25-24-31-60E

BOEING PROPRIETARY - Copyright © - Unpublished Work - See title page for details.

25-24-31
FIG. 60E
PAGE 3
JUN 15/08

BOEING
737-600/700/800/900
PARTS CATALOG (MAINTENANCE)

FIG ITEM	PART NUMBER	1 2 3 4 5 6 7	NOMENCLATURE	EFFECT FROM TO	UNITS PER ASSY
60E - 265	SL618-3A		...INSERT- SUPPLIER CODE: V97393	001001 006007	14
270	412A1230-21		.PIN	001001 006007	2
275	BACB30VF3K7		.BOLT	001001 006007	2
280	NAS1149D0316J		.WASHER	001001 006007	2
285	MS16633-4018		.RING	001001 006007	2
290	SP20522		.ACTUATOR ASSY-DOOR SUPPLIER CODE: V24403 SPECIFICATION NUMBER: S412A002-2	001001 006007	2
295	412A1455-1SP		.HINGE ASSY	001001 006007	1
300	412A1455-4SP		.HINGE ASSY	001001 006007	1
305	412A1230-21		..PIN	001001 006007	1
310	MS51023-54		..SCREW	001001 006007	1
315	NAS1149D0316J		..WASHER	001001 006007	1
320	MS16633-4018		..RING	001001 006007	1
325	412A1220-1		..CLIP	001001 006007	1
330	412A1454-3SP		..HOUSING ASSY- USED ON: 412A1455-1SP	001001 006007	1
335	412A1454-12SP		..HOUSING ASSY- USED ON: 412A1455-4SP	001001 006007	1
340	BACB28Y3F020		...BUSHING	001001 006007	2
345	6041L3BR375		...INSERT- SUPPLIER CODE: V01556	001001 006007	1
350	412A1454-1SP		...HOUSING- USED ON: 412A1454-3SP	001001 006007	1
355	412A1454-11SP		...HOUSING- USED ON: 412A1454-12SP	001001 006007	1

MISSING ITEM NUMBERS NOT APPLICABLE

- ITEM NOT ILLUSTRATED

HAP

25-24-31-60E

BOEING PROPRIETARY - Copyright © - Unpublished Work - See title page for details.

25-24-31
FIG. 60E
PAGE 4
JUN 15/08

BOEING
737-600/700/800/900
PARTS CATALOG (MAINTENANCE)

FIG ITEM	PART NUMBER	1 2 3 4 5 6 7	NOMENCLATURE	EFFECT FROM TO	UNITS PER ASSY
60E					
360	412A1454-9SP	..	BRACKET ASSY- USED ON: 412A1455-1SP	001001 006007	1
365	412A1454-10SP	..	BRACKET ASSY- USED ON: 412A1455-2SP	001001 006007	1
370	BACB28Y3F025	...	BUSHING	001001 006007	2
375	6041-3BR225	...	INSERT- SUPPLIER CODE: V01556	001001 006007	1
380	6041L3BR375	...	INSERT- SUPPLIER CODE: V01556	001001 006007	1
385	412A1454-7SP	...	BRACKET- USED ON: 412A1454-9SP	001001 006007	1
390	412A1454-8SP	...	BRACKET- USED ON: 412A1454-10SP	001001 006007	1
395	412A1250-19SP	.BOX	ASSY-31 IN. BIN FOR DETAILS SEE: 25-24-32-30G	001001 006007	1

MISSING ITEM NUMBERS NOT APPLICABLE

— ITEM NOT ILLUSTRATED

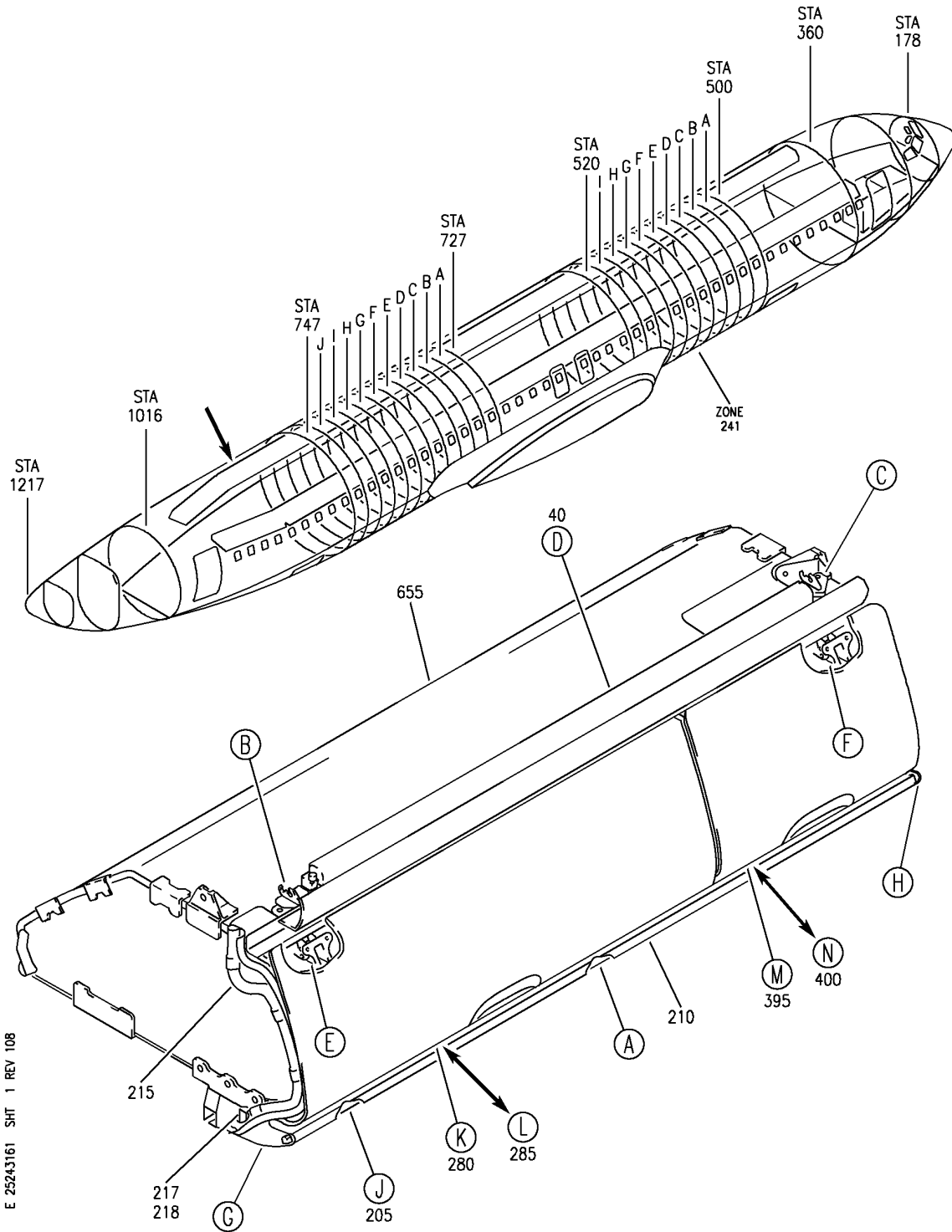
HAP

25-24-31-60E

BOEING PROPRIETARY - Copyright © - Unpublished Work - See title page for details.

25-24-31
FIG. 60E
PAGE 5
JUN 15/08

BOEING
 737-600/700/800/900
 PARTS CATALOG (MAINTENANCE)



E 2524-31-61 SHT 1 REV 108

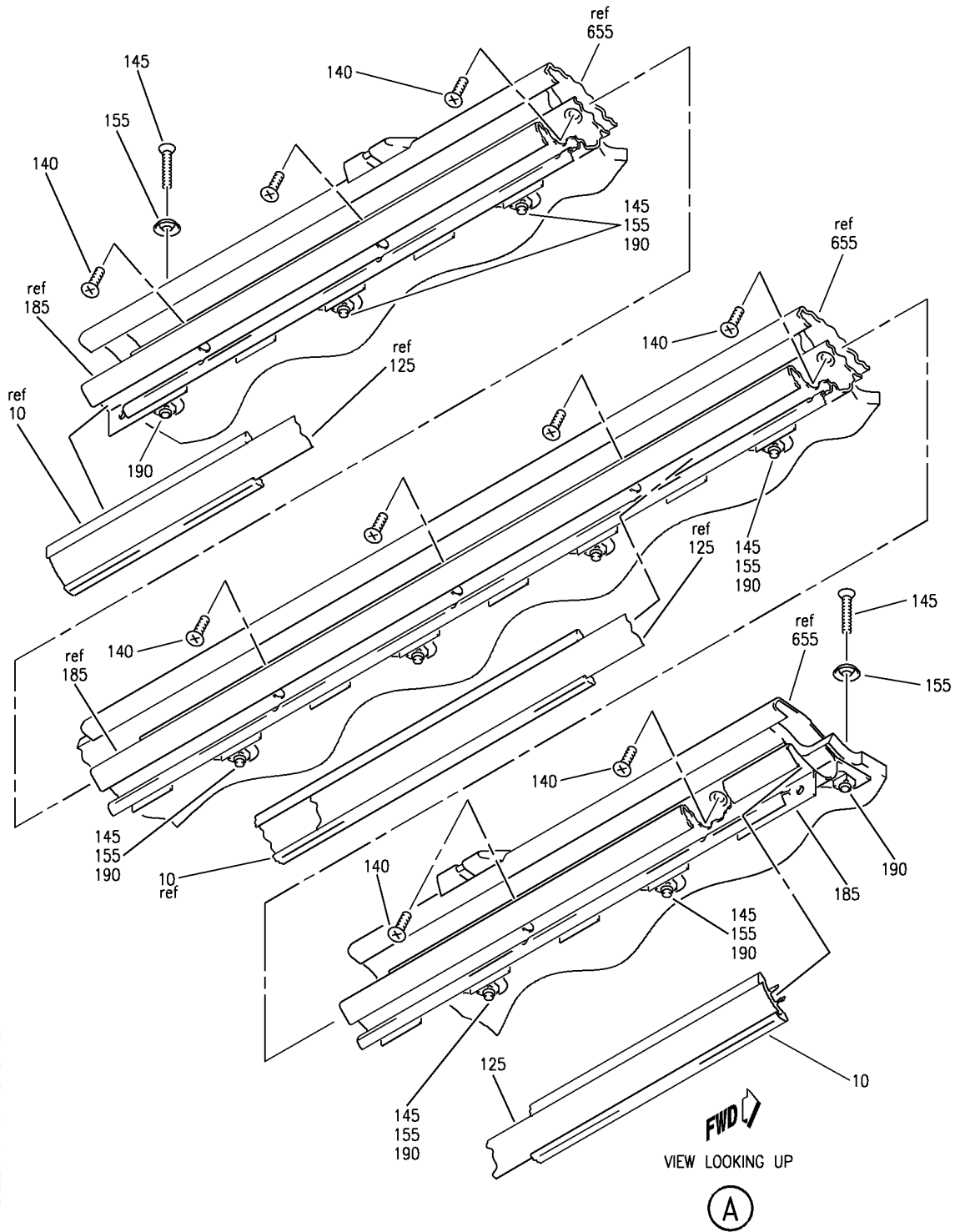
COMPARTMENT ASSY-AFT LH 60 IN. OVHD STOWAGE HANDLING CONFIGURATION (EQUIPMENT/ FURNISHINGS ONLY)
 FIGURE 61 (SHEET 1)

25-24-31-61

HAP
 OCT 10/06

25-24-31-61
 PAGE 0

BOEING
737-600/700/800/900
PARTS CATALOG (MAINTENANCE)



E 2524-3161 SHT 2 REV 108

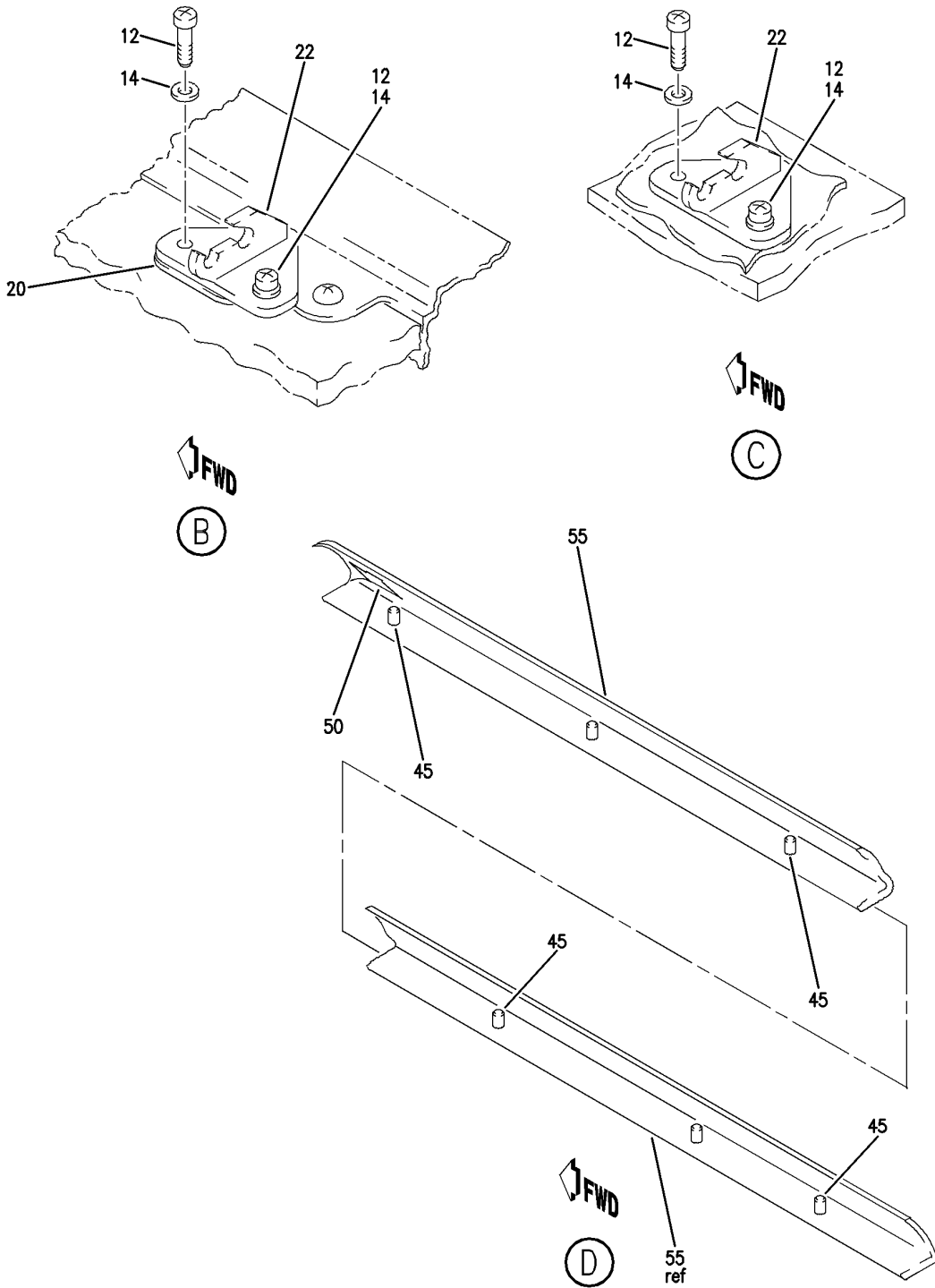
COMPARTMENT ASSY-AFT LH 60 IN. OVHD STOWAGE HNDRL CONFIGURATION (EQUIPMENT/ FURNISHINGS ONLY)
FIGURE 61 (SHEET 2)

HAP
OCT 10/06

25-24-31-61

25-24-31-61
PAGE 0A

BOEING
 737-600/700/800/900
 PARTS CATALOG (MAINTENANCE)



E 25243161 SHT 3 REV 063

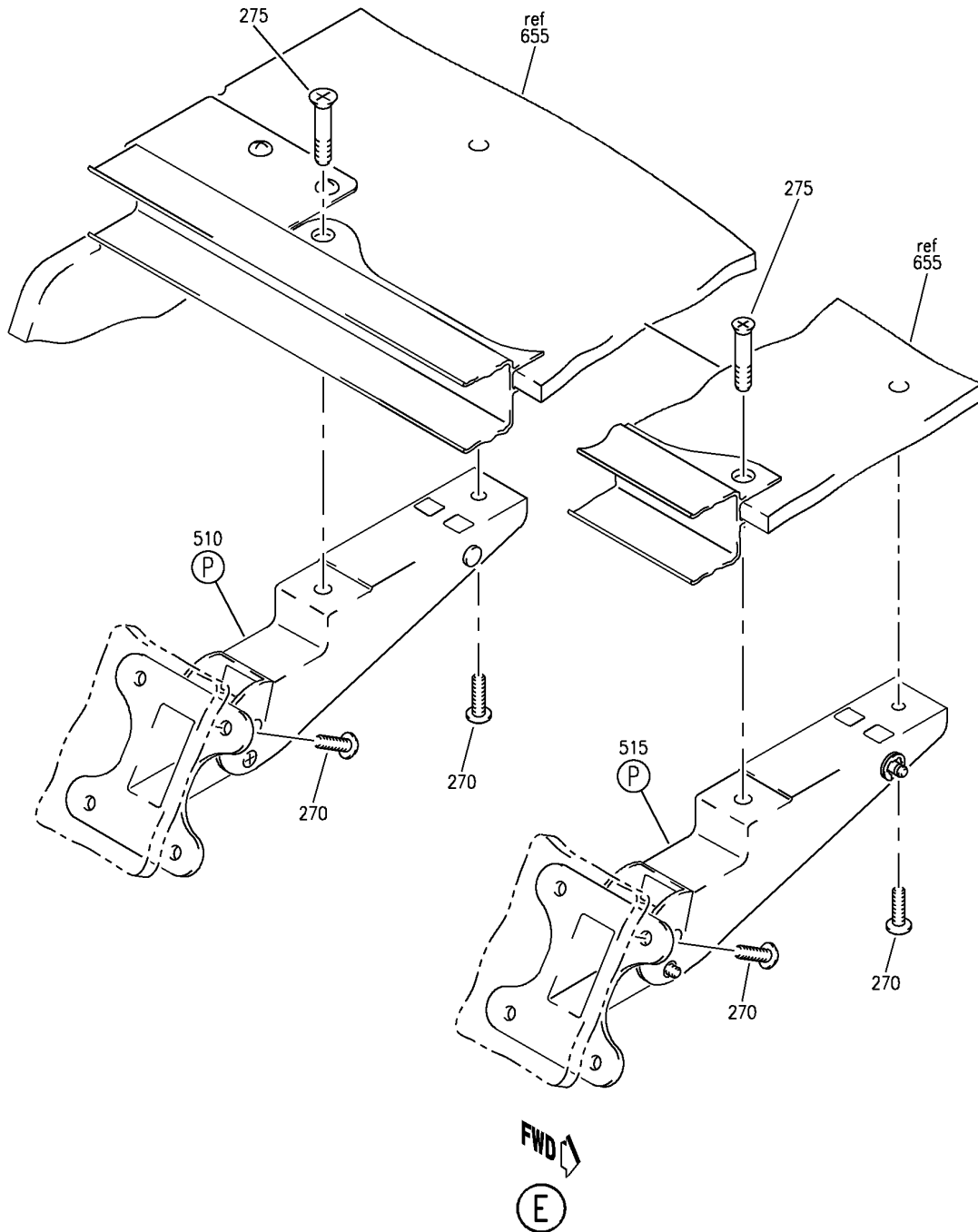
COMPARTMENT ASSY-AFT LH 60 IN. OVHD STOWAGE HANDLING CONFIGURATION (EQUIPMENT/ FURNISHINGS ONLY)
 FIGURE 61 (SHEET 3)

25-24-31-61

HAP
 OCT 10/06

25-24-31-61
 PAGE 0B

BOEING
737-600/700/800/900
PARTS CATALOG (MAINTENANCE)



E 2524-3161 SHT 4 REV 108

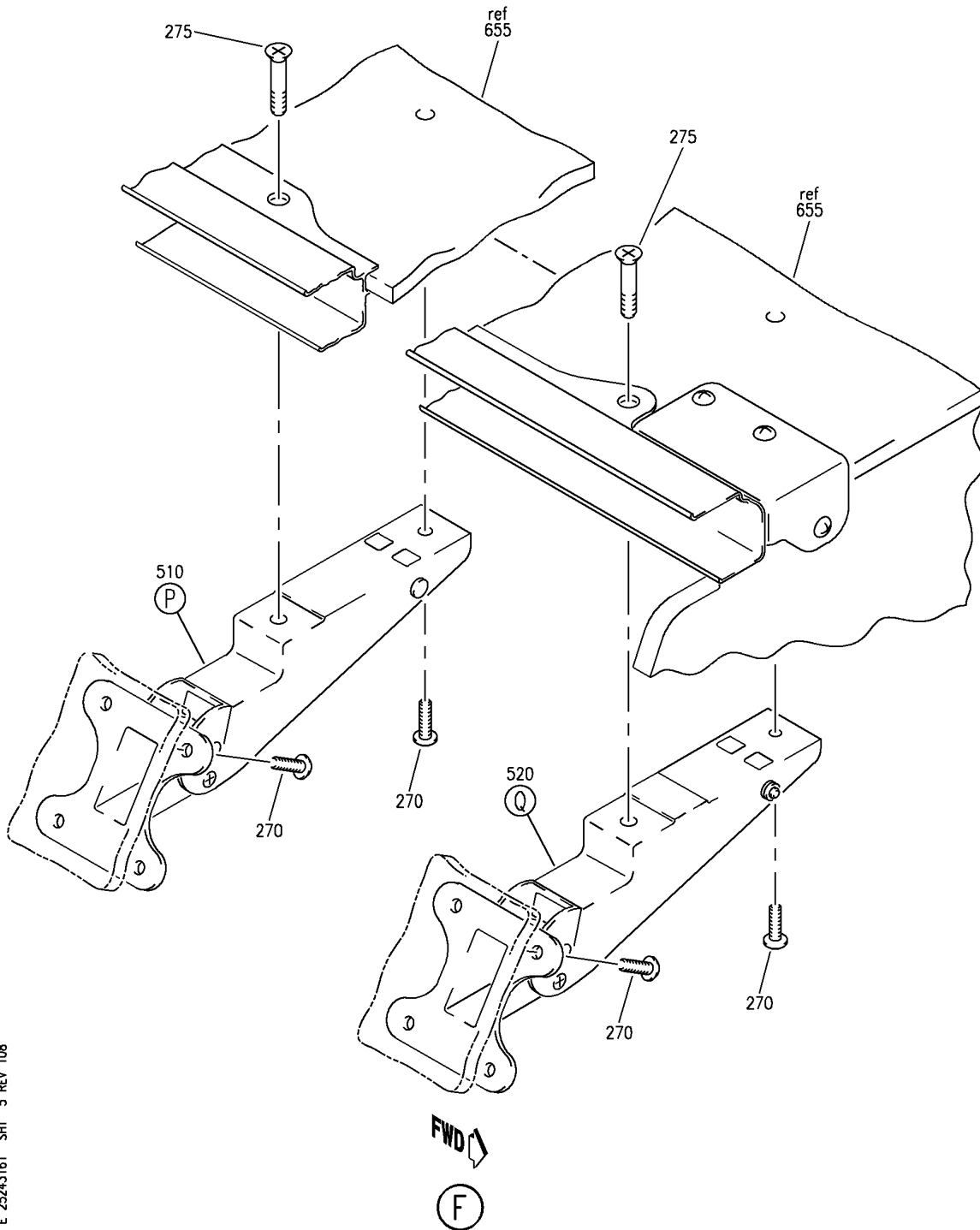
COMPARTMENT ASSY-AFT LH 60 IN. OVHD STOWAGE HANDRL CONFIGURATION (EQUIPMENT/ FURNISHINGS ONLY)
FIGURE 61 (SHEET 4)

HAP
OCT 10/06

25-24-31-61

25-24-31-61
PAGE 0C

BOEING
 737-600/700/800/900
 PARTS CATALOG (MAINTENANCE)



E 2524-3161 SHT 5 REV 108

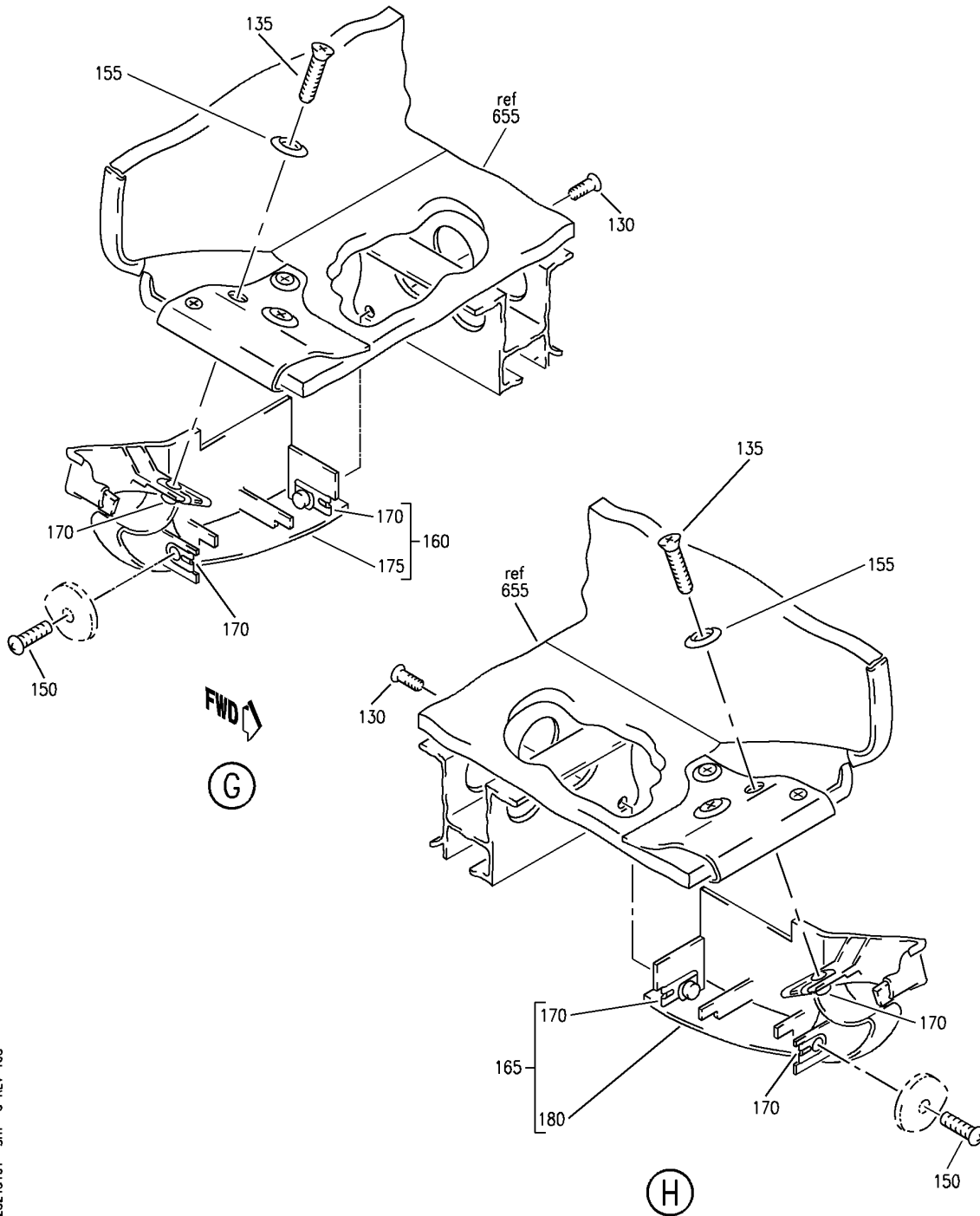
COMPARTMENT ASSY-AFT LH 60 IN. OVHD STOWAGE HANDRL CONFIGURATION (EQUIPMENT/ FURNISHINGS ONLY)
 FIGURE 61 (SHEET 5)

HAP
 OCT 10/06

25-24-31-61

25-24-31-61
 PAGE 0D

BOEING
 737-600/700/800/900
 PARTS CATALOG (MAINTENANCE)



E 2524-3161 SHT 6 REV 108

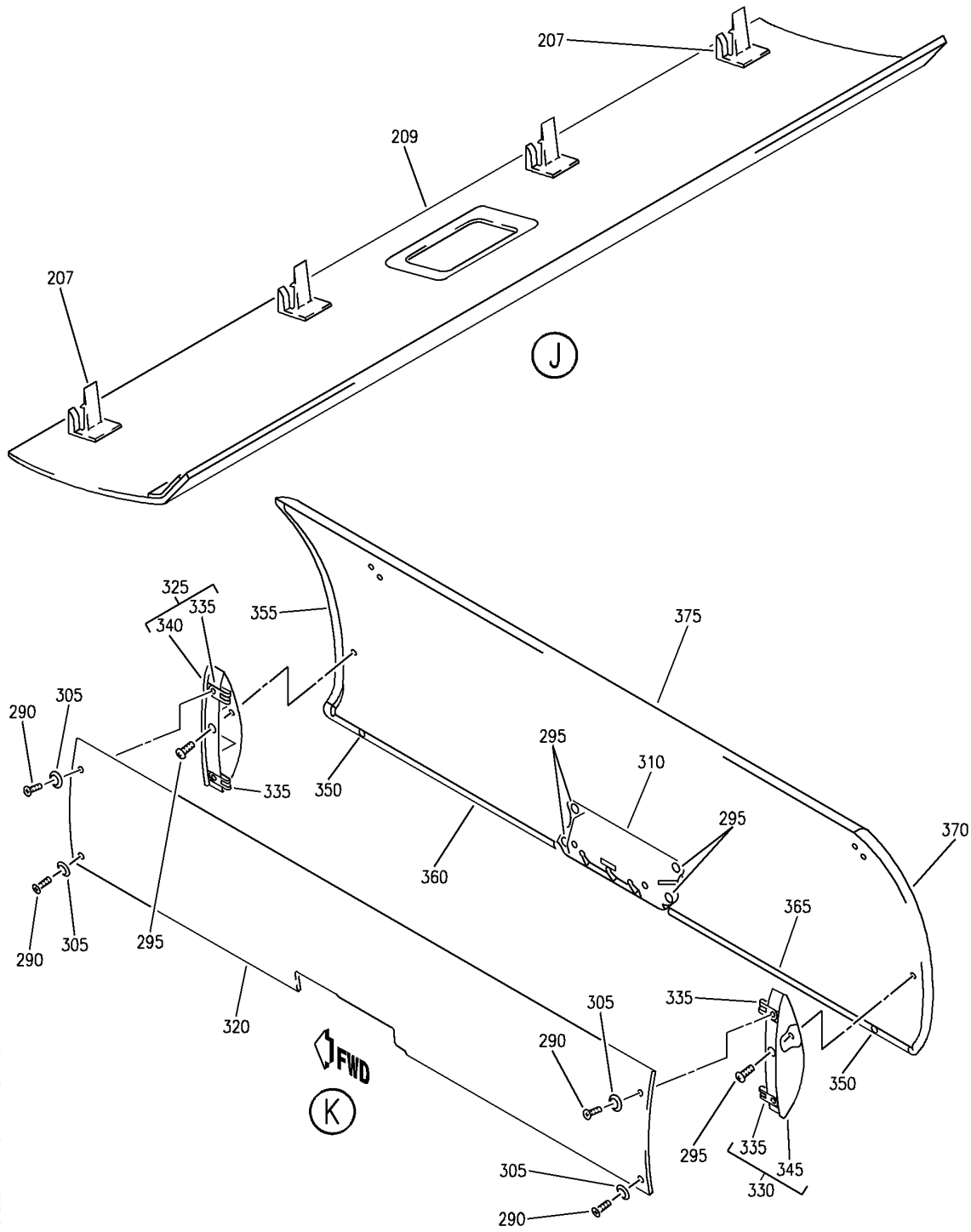
COMPARTMENT ASSY-AFT LH 60 IN. OVHD STOWAGE HNDRL CONFIGURATION (EQUIPMENT/ FURNISHINGS ONLY)
 FIGURE 61 (SHEET 6)

HAP
 OCT 10/06

25-24-31-61

25-24-31-61
 PAGE 0E

BOEING
 737-600/700/800/900
 PARTS CATALOG (MAINTENANCE)



E 2524-3161 SHT 7 REV 108

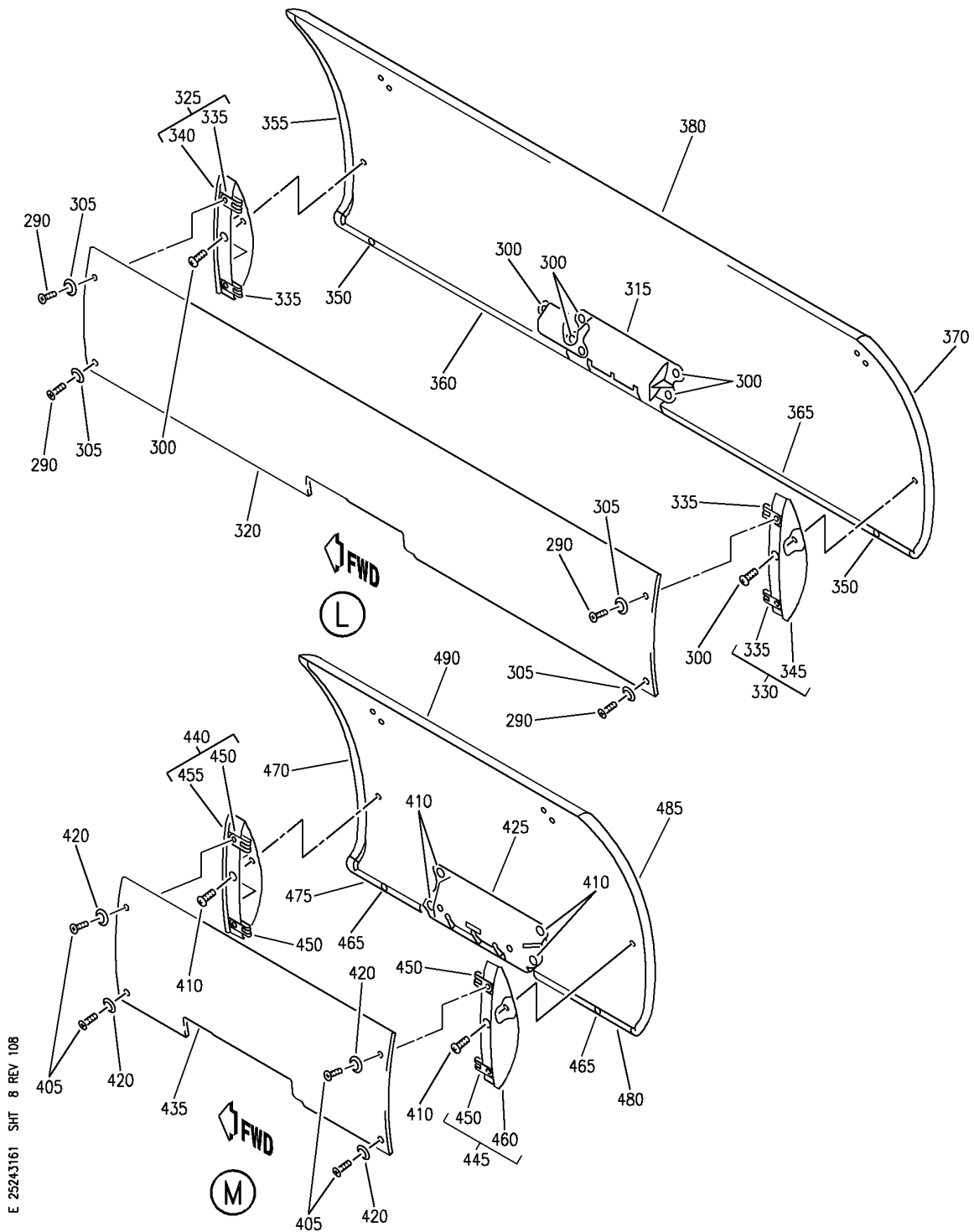
COMPARTMENT ASSY-AFT LH 60 IN. OVHD STOWAGE HDRL CONFIGURATION (EQUIPMENT/ FURNISHINGS ONLY)
 FIGURE 61 (SHEET 7)

HAP
 OCT 10/06

25-24-31-61

25-24-31-61
 PAGE OF


BOEING
 737-600/700/800/900
PARTS CATALOG (MAINTENANCE)



E 2524-3161 SHT 8 REV 108

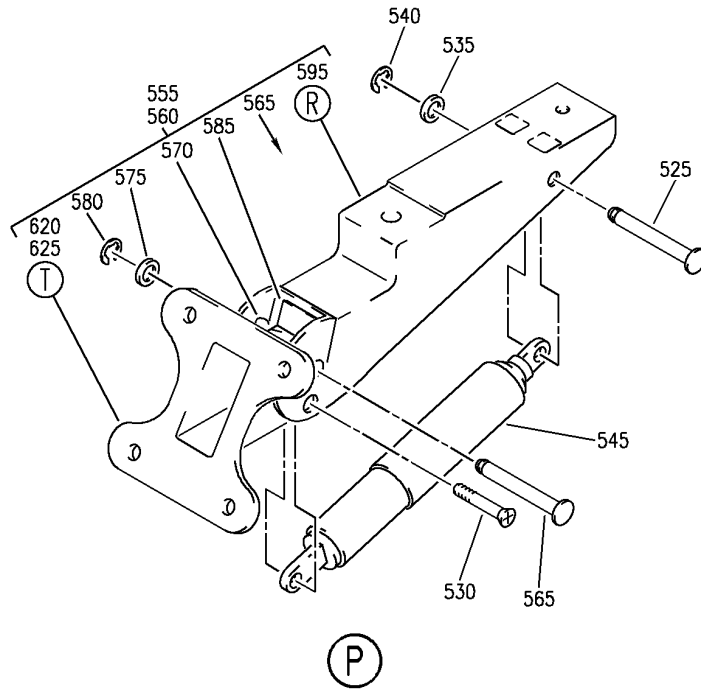
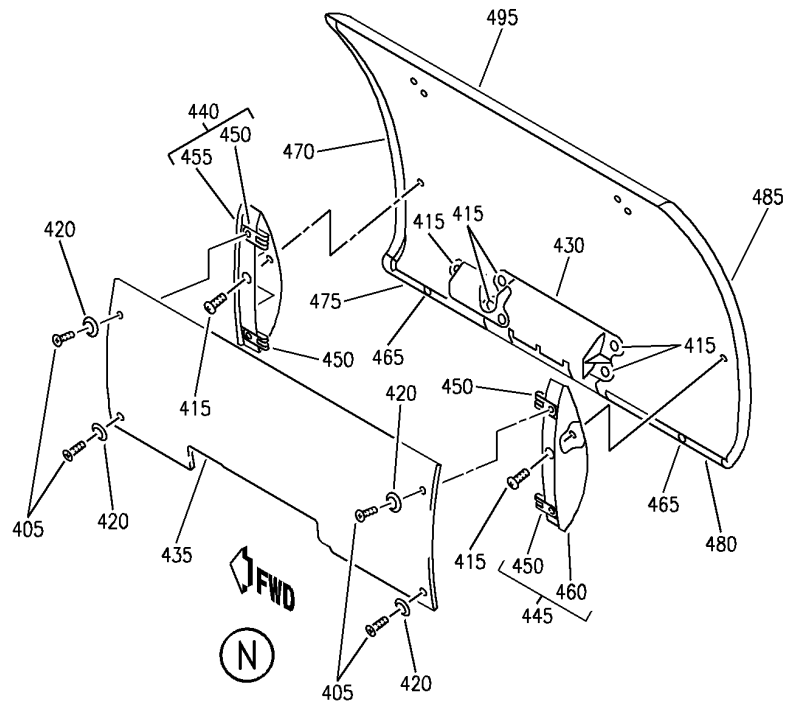
COMPARTMENT ASSY-AFT LH 60 IN. OVHD STOWAGE HNDRL CONFIGURATION (EQUIPMENT/ FURNISHINGS ONLY)
 FIGURE 61 (SHEET 8)

HAP
OCT 10/06

25-24-31-61

25-24-31-61
 PAGE 06

BOEING
737-600/700/800/900
PARTS CATALOG (MAINTENANCE)



E 2524-3161 SHT 9 REV 108

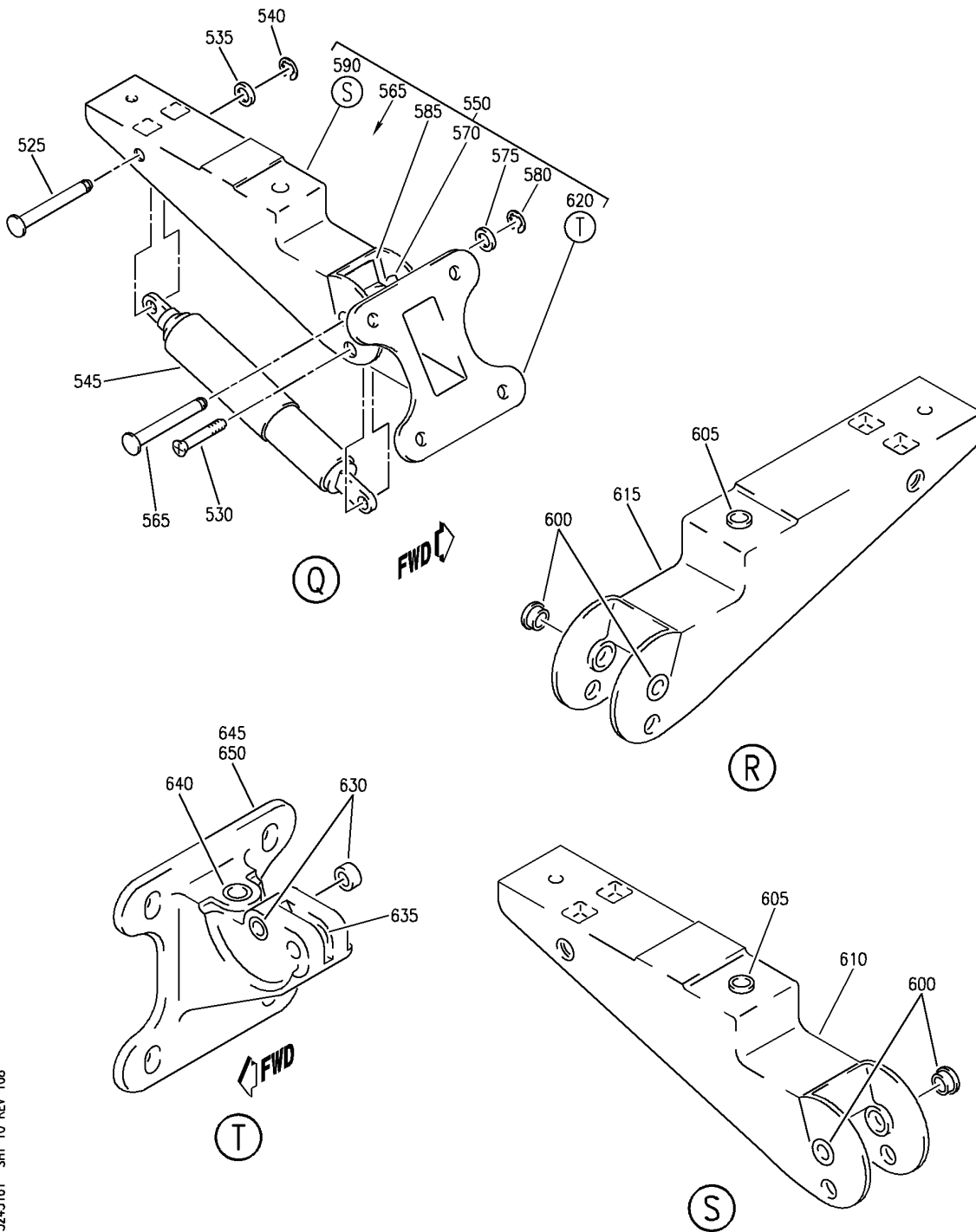
COMPARTMENT ASSY-AFT LH 60 IN. OVHD STOWAGE HANDRL CONFIGURATION (EQUIPMENT/ FURNISHINGS ONLY)
 FIGURE 61 (SHEET 9)

25-24-31-61

HAP
 OCT 10/06

25-24-31-61
 PAGE 08


BOEING
 737-600/700/800/900
PARTS CATALOG (MAINTENANCE)



E 2524-3161 SHT 10 REV 108

COMPARTMENT ASSY-AFT LH 60 IN. OVHD STOWAGE HANDRL CONFIGURATION (EQUIPMENT/ FURNISHINGS ONLY)
 FIGURE 61 (SHEET 10)

25-24-31-61

HAP
OCT 10/06

25-24-31-61
PAGE 01

BOEING
737-600/700/800/900
PARTS CATALOG (MAINTENANCE)

FIG ITEM	PART NUMBER	1 2 3 4 5 6 7	NOMENCLATURE	EFFECT FROM TO	UNITS PER ASSY
61			COMPARTMENT ASSY-AFT LH 60 IN. OVHD STOWAGE HNDRL CONFIGURATION (EQUIPMENT/ FURNISHINGS ONLY)	002005 008030	
- 5	412A1150-101SP		COMPARTMENT ASSY-60 IN. OVHD STOWAGE HNDRL CONFIGURATION (EQUIPMENT/ FURNISHINGS ONLY) POSITION DATA: AFT LH PRE SERVICE BULLETIN: 25-1373 FOR NHA/OTHER SYS DET SEE: 25-24-30-36	002005 008008	RF
- 5	412A1150-301SP		COMPARTMENT ASSY-60 IN. OVHD STOWAGE HNDRL CONFIGURATION (EQUIPMENT/ FURNISHINGS ONLY) POSITION DATA: AFT LH POST SERVICE BULLETIN: 25-1373 FOR NHA/OTHER SYS DET SEE: 25-24-30-36	002005 008008	RF
- 5	412A1150-301B		COMPARTMENT ASSY-60 IN. OVHD STOWAGE HNDRL CONFIGURATION (EQUIPMENT/ FURNISHINGS ONLY) POSITION DATA: AFT LH FOR NHA/OTHER SYS DET SEE: 25-24-30-36	009030	RF
10	412A1420-2A		.EXTRUSION-SEAT ROW MARKER	002005 008030	1
12	BACS12GU3K7		.SCREW	002005 008030	4
14	NAS1149D0332J		.WASHER	002005 008030	4
20	412A1220-62		.DOUBLER	002005 008030	1
22	H3-1592-1		.LATCH-CLG SUPPLIER CODE: V34941 SPECIFICATION NUMBER: S411A001-1	002005 008030	2
40	412A1700-4A		.VALANCE ASSY-LT OPTIONAL PART: 412A1700-104B	002005 008030	1

MISSING ITEM NUMBERS NOT APPLICABLE

- ITEM NOT ILLUSTRATED

HAP

25-24-31-61

25-24-31
FIG. 61
PAGE 1
OCT 10/06

BOEING
737-600/700/800/900
PARTS CATALOG (MAINTENANCE)

FIG ITEM	PART NUMBER	1 2 3 4 5 6 7	NOMENCLATURE	EFFECT FROM TO	UNITS PER ASSY
61					
40	412A1700-104B	.	VALANCE ASSY-LT OPTIONAL PART: 412A1700-4A ATTACHING PARTS	002005 008030	1
- 42	BACN10YJ3F	.	NUT	002005 008030	6
			-----*-----		
45	BACS21DW3C10FN	..	STUD	002005 008030	6
50	412A1700-6	..	TAPE-VELCRO	002005 008030	1
55	412A1711-6A	..	PANEL ASSY- USED ON: 412A1700-4A	002005 008030	1
55	412A1711-106B	..	PANEL ASSY- USED ON: 412A1700-104B	002005 008030	1
125	412A1451-2SP	.	STRIP-	002005 008030	1
130	BACB30VF3K3	.	BOLT	002005 008030	2
135	BACS12ER3K9	.	SCREW-	002005 008030	2
140	BACS12ER3K5	.	SCREW	002005 008030	9
145	BACS12ER3K14	.	SCREW	002005 008030	10
150	BACS12FA3K7	.	SCREW	002005 008030	2
155	H3-1233A3	.	WASHER- SUPPLIER CODE: V34941 SPECIFICATION NUMBER: S411A001-1	002005 008030	12
160	412A1465-14A	.	CLOSEOUT ASSY- POSITION DATA: LH	002005 008030	1
165	412A1465-13A	.	CLOSEOUT ASSY- POSITION DATA: RH	002005 008030	1
170	BACN10VR4CGN	..	NUT- OPTIONAL PART: BACN10VR4CG	002005 008030	3
170	BACN10VR4CG	..	NUT- OPTIONAL PART: BACN10VR4CGN	002005 008030	3
175	412A1465-16A	..	CLOSEOUT- POSITION DATA: LH SIDE	002005 008030	1

MISSING ITEM NUMBERS NOT APPLICABLE

- ITEM NOT ILLUSTRATED

HAP

25-24-31-61

25-24-31
FIG. 61
PAGE 2
JUN 15/08

BOEING
737-600/700/800/900
PARTS CATALOG (MAINTENANCE)

FIG ITEM	PART NUMBER	1 2 3 4 5 6 7	NOMENCLATURE	EFFECT FROM TO	UNITS PER ASSY
61					
180	412A1465-15A	..	CLOSEOUT- POSITION DATA: RH SIDE	002005 008030	1
185	412A1243-102	.	EXTRUSION ASSY	002005 008030	1
190	FS1651-3	..	NUTPLATE SUPPLIER CODE: V15653 SPECIFICATION NUMBER: BACN10KH3CD OPTIONAL PART: 102F9209M3 V72962 NS202496-02 V80539	002005 008030	10
- 195	BACR15BA3ADC	..	RIVET- SIZE DETERMINED ON INSTL. -----*-----	002005 008030	20
205	412A1600-3A	.	COVER ASSY-	002005 008030	1
207	412A1460-1	..	CLIP	002005 008030	4
209	412A1610-5A	..	PANEL ASSY- OPTIONAL PART: 412A1610-105B	002005 008030	1
209	412A1610-105B	..	PANEL ASSY- OPTIONAL PART: 412A1610-5A	002005 008030	1
210	412A1650-3A	.	COVER ASSY-	002005 008030	1
215	403A3210-21A	.	SEAL ASSY-	002005 008030	1
217	412A1310-700	.	TAPE-VELCRO HOOK	002005 008030	AR
218	412A1310-701	.	TAPE-VELCRO LOOP	002005 008030	AR
- 223	OBA8	.	PLUG- SUPPLIER CODE: VOBV87 OPTIONAL PART: 412A1811-1B 412A1811-2B 412A1100-96	002005 008008	AR

MISSING ITEM NUMBERS NOT APPLICABLE

- ITEM NOT ILLUSTRATED

HAP

25-24-31-61

25-24-31
FIG. 61
PAGE 3
JUN 15/08

 **BOEING**
737-600/700/800/900
PARTS CATALOG (MAINTENANCE)

FIG ITEM	PART NUMBER	1 2 3 4 5 6 7	NOMENCLATURE	EFFECT FROM TO	UNITS PER ASSY
61					
- 227	OBA8		. PLUG- SUPPLIER CODE: VOBV87 OPTIONAL PART: 412A1811-1B 412A1100-96 412A1811-2B	002005 008030	AR
- 230	412A1811-1B		. PLUG- OPTIONAL PART: 412A1100-96 OBA8 VOBV87 412A1811-2B	002005 008030	AR
- 230	412A1811-2B		. PLUG- OPTIONAL PART: 412A1100-96 OBA8 VOBV87 412A1811-1B	002005 008030	AR
- 230	412A1811-2B		. PLUG- OPTIONAL PART: 412A1100-96 OBA8 VOBV87 412A1811-1B	002005 008008	AR
- 230	412A1811-1B		. PLUG- OPTIONAL PART: 412A1100-96 OBA8 VOBV87 412A1811-2B	002005 008008	AR
- 240	412A1100-96		. KIT ASSY-SCR AND WASHER OPTIONAL PART: 412A1811-1B OBA8 VOBV87 412A1811-2B POST SERVICE BULLETIN: 25-1373	002005 008030	AR
- 245	412A1100-96		. KIT ASSY-SCR AND WASHER OPTIONAL PART: 412A1811-1B OBA8 VOBV87 412A1811-2B	002005 008008	AR
- 250	NAS514P1032-5		.. SCREW	002005 008030	1
- 255	NAS514P1032-5		.. SCREW	002005 008008	1

MISSING ITEM NUMBERS NOT APPLICABLE

- ITEM NOT ILLUSTRATED

HAP

25-24-31-61

25-24-31
FIG. 61
PAGE 4
JUN 15/08

BOEING
737-600/700/800/900
PARTS CATALOG (MAINTENANCE)

FIG ITEM	PART NUMBER	1 2 3 4 5 6 7	NOMENCLATURE	EFFECT FROM TO	UNITS PER ASSY
61					
- 260	H3-1233A3	..	WASHER- SUPPLIER CODE: V34941 SPECIFICATION NUMBER: S411A001-1	002005 008030	1
- 265	H3-1233A3	..	WASHER- SUPPLIER CODE: V34941 SPECIFICATION NUMBER: S411A001-1	002005 008008	1
270	BACS12FA3K6	.	SCREW	002005 008030	20
275	BACB30VF3K8	.	BOLT	002005 008030	4
280	412A1500-1SP	.	DOOR ASSY-40 IN. PRE SERVICE BULLETIN: 25-1373	002005 008008	1
280	412A1500-101SP	.	DOOR ASSY-40 IN. POST SERVICE BULLETIN: 25-1373	002005 008030	1
290	BACS12ER3K9	..	SCREW	002005 008030	4
295	BACS12FA3K4	..	SCREW	002005 008030	6
305	H3-1233A3	..	WASHER- SUPPLIER CODE: V34941 SPECIFICATION NUMBER: S411A001-1	002005 008030	4
310	HA225-1	..	LATCH ASSY- SUPPLIER CODE: V83014 SPECIFICATION NUMBER: S412A001-1A PRE SERVICE BULLETIN: 25-1373 PRE SERVICE BULLETIN: HA225-25-01 V83014	002005 008030	1

MISSING ITEM NUMBERS NOT APPLICABLE

- ITEM NOT ILLUSTRATED

HAP

25-24-31-61

BOEING PROPRIETARY - Copyright © - Unpublished Work - See title page for details.

25-24-31
FIG. 61
PAGE 5
JUN 15/08

BOEING
737-600/700/800/900
PARTS CATALOG (MAINTENANCE)

FIG ITEM	PART NUMBER	1 2 3 4 5 6 7	NOMENCLATURE	EFFECT FROM TO	UNITS PER ASSY
61 310	HA225-7		..LATCH ASSY- SUPPLIER CODE: V83014 SPECIFICATION NUMBER: S412A001-11B SERVICE BULLETIN OPT DATA: HA225K3868 V83014 POST SERVICE BULLETIN: 25-1373 POST SERVICE BULLETIN: HA225-25-01 V83014	002005 008030	1
310	HA225K3868		..LATCH ASSY- SUPPLIER CODE: V83014 SERVICE BULLETIN OPT DATA: HA225-7 V83014 POST SERVICE BULLETIN: 25-1373 POST SERVICE BULLETIN: HA225-25-01 V83014	002005 008008	1
320	412A1615-100SP		..PANEL ASSY-FILLER OPTIONAL PART: 412A1615-1100SP	002005 008030	1
320	412A1615-1100SP		..PANEL ASSY-FILLER OPTIONAL PART: 412A1615-100SP	002005 008030	1
325	412A1480-3SP		..BRACKET ASSY	002005 008030	1
330	412A1480-4SP		..BRACKET ASSY	002005 008030	1
335	BACN10VR4CGN		...NUT	002005 008030	2
340	412A1480-1SP		...BRACKET- USED ON: 412A1480-3SP	002005 008030	1
345	412A1480-2SP		...BRACKET- USED ON: 412A1480-4SP	002005 008030	1
350	412A1810-1SP		..BUMPER-	002005 008030	2
355	412A1450-4SP		..TRIM-EDGE	002005 008030	1
360	412A1450-6SP		..TRIM-EDGE	002005 008030	1

MISSING ITEM NUMBERS NOT APPLICABLE

— ITEM NOT ILLUSTRATED

HAP

25-24-31-61

25-24-31
FIG. 61
PAGE 6
JUN 15/08

BOEING
737-600/700/800/900
PARTS CATALOG (MAINTENANCE)

FIG ITEM	PART NUMBER	1 2 3 4 5 6 7	NOMENCLATURE	EFFECT FROM TO	UNITS PER ASSY
61					
365	412A1450-5SP	..	TRIM-EDGE	002005 008030	1
370	412A1450-3SP	..	TRIM-EDGE	002005 008030	1
375	412A1510-2SP	..	PANEL ASSY	002005 008030	1
- 385	SL618-3A	...	INSERT- SUPPLIER CODE: V97393	002005 008030	14
395	412A1500-2SP	.D	DOOR ASSY-20 IN. PRE SERVICE BULLETIN: 25-1373	002005 008008	1
395	412A1500-102SP	.D	DOOR ASSY-20 IN. POST SERVICE BULLETIN: 25-1373	002005 008030	1
405	BACS12ER3K9	..	SCREW	002005 008030	4
410	BACS12FA3K4	..	SCREW	002005 008030	6
420	H3-1233A3	..	WASHER- SUPPLIER CODE: V34941 SPECIFICATION NUMBER: S411A001-1	002005 008030	4
425	HA225-1	..	LATCH ASSY- SUPPLIER CODE: V83014 SPECIFICATION NUMBER: S412A001-1A PRE SERVICE BULLETIN: 25-1373 PRE SERVICE BULLETIN: HA225-25-01 V83014	002005 008030	1
425	HA225-7	..	LATCH ASSY- SUPPLIER CODE: V83014 SPECIFICATION NUMBER: S412A001-11B SERVICE BULLETIN OPT DATA: HA225K3868 V83014 POST SERVICE BULLETIN: 25-1373 POST SERVICE BULLETIN: HA225-25-01 V83014	002005 008030	1

MISSING ITEM NUMBERS NOT APPLICABLE

- ITEM NOT ILLUSTRATED

HAP

25-24-31-61

25-24-31
FIG. 61
PAGE 7
JUN 15/08

BOEING
737-600/700/800/900
PARTS CATALOG (MAINTENANCE)

FIG ITEM	PART NUMBER	1 2 3 4 5 6 7	NOMENCLATURE	EFFECT FROM TO	UNITS PER ASSY
61 425	HA225K3868		..LATCH ASSY- SUPPLIER CODE: V83014 SERVICE BULLETIN OPT DATA: HA225-7 V83014 POST SERVICE BULLETIN: 25-1373 POST SERVICE BULLETIN: HA225-25-01 V83014	002005 008008	1
435	412A1615-101SP		..PANEL ASSY-FILLER OPTIONAL PART: 412A1615-1101SP	002005 008030	1
435	412A1615-1101SP		..PANEL ASSY-FILLER OPTIONAL PART: 412A1615-101SP	002005 008030	1
440	412A1480-3SP		..BRACKET ASSY	002005 008030	1
445	412A1480-4SP		..BRACKET ASSY	002005 008030	1
450	BACN10VR4CGN		...NUT	002005 008030	2
455	412A1480-1SP		...BRACKET- USED ON: 412A1480-3SP	002005 008030	1
460	412A1480-2SP		...BRACKET- USED ON: 412A1480-4SP	002005 008030	1
465	412A1810-1SP		..BUMPER- OPTIONAL PART: 412A1810-2SP	002005 008030	2
465	412A1810-2SP		..BUMPER- OPTIONAL PART: 412A1810-1SP	002005 008030	2
470	412A1450-4SP		..TRIM-EDGE	002005 008030	1
475	412A1450-6SP		..TRIM-EDGE	002005 008030	1
480	412A1450-5SP		..TRIM-EDGE	002005 008030	1
485	412A1450-3SP		..TRIM-EDGE	002005 008030	1
490	412A1511-2SP		..PANEL ASSY	002005 008030	1
- 500	SL618-3A		...INSERT- SUPPLIER CODE: V97393	002005 008030	14

MISSING ITEM NUMBERS NOT APPLICABLE

- ITEM NOT ILLUSTRATED

HAP

25-24-31-61

25-24-31
FIG. 61
PAGE 8
JUN 15/08

 **BOEING**
737-600/700/800/900
PARTS CATALOG (MAINTENANCE)

FIG ITEM	PART NUMBER	1 2 3 4 5 6 7	NOMENCLATURE	EFFECT FROM TO	UNITS PER ASSY
61					
510	412A1100-51SP	.HINGE	ASSY-COLLECTOR	002005 008030	2
515	412A1100-52SP	.HINGE	ASSY-COLLECTOR	002005 008030	1
520	412A1100-54SP	.HINGE	ASSY-COLLECTOR	002005 008030	1
525	412A1230-21	..PIN		002005 008030	1
530	BACB30VF3K7	..BOLT		002005 008030	1
535	NAS1149D0316J	..WASHER		002005 008030	1
540	MS16633-4018	..RING		002005 008030	1
545	SP20522	..ACTUATOR ASSY-	SUPPLIER CODE: V24403 SPECIFICATION NUMBER: S412A002-2	002005 008030	1
550	412A1455-4SP	..HINGE ASSY-	USED ON: 412A1100-54SP	002005 008030	1
555	412A1455-1SP	..HINGE ASSY-	USED ON: 412A1100-51SP	002005 008030	1
560	412A1455-2SP	..HINGE ASSY-	USED ON: 412A1100-52SP	002005 008030	1
565	412A1230-21	...PIN		002005 008030	1
570	MS51023-54	...SCREW		002005 008030	1
575	NAS1149D0316J	...WASHER		002005 008030	1
580	MS16633-4018	...RING		002005 008030	1
585	412A1220-1	...CLIP		002005 008030	1
590	412A1454-12SP	...HOUSING ASSY-	USED ON: 412A1455-4SP	002005 008030	1
595	412A1454-3SP	...HOUSING ASSY-	USED ON: 412A1455-1SP 412A1455-2SP	002005 008030	1
600	BACB28Y3F020BUSHING		002005 008030	2

MISSING ITEM NUMBERS NOT APPLICABLE

— ITEM NOT ILLUSTRATED

HAP

25-24-31-61

25-24-31
FIG. 61
PAGE 9
JUN 15/08

BOEING PROPRIETARY - Copyright © - Unpublished Work - See title page for details.

BOEING
737-600/700/800/900
PARTS CATALOG (MAINTENANCE)

FIG ITEM	PART NUMBER	1 2 3 4 5 6 7	NOMENCLATURE	EFFECT FROM TO	UNITS PER ASSY
61					
605	6041L3BR375	INSERT- SUPPLIER CODE: V01556	002005 008030	1
610	412A1454-11SP	HOUSING- USED ON: 412A1454-12SP	002005 008030	1
615	412A1454-1SP	HOUSING- USED ON: 412A1454-3SP	002005 008030	1
620	412A1454-10SP	...	BRACKET ASSY- USED ON: 412A1455-2SP 412A1455-4SP	002005 008030	1
625	412A1454-9SP	...	BRACKET ASSY- USED ON: 412A1455-1SP	002005 008030	1
630	BACB28Y3F025	BUSHING	002005 008030	2
635	6041-3BR225	INSERT- SUPPLIER CODE: V01556	002005 008030	1
640	6041L3BR375	INSERT- SUPPLIER CODE: V01556	002005 008030	1
645	412A1454-8SP	BRACKET- USED ON: 412A1454-10SP	002005 008030	1
650	412A1454-7SP	BRACKET- USED ON: 412A1454-9SP	002005 008030	1
655	412A1250-101A	.BOX	ASSY-60 IN. BIN OPTIONAL PART: 412A1250-1101B FOR DETAILS SEE: 25-24-32-62C	002005 008030	1
655	412A1250-1101B	.BOX	ASSY-60 IN. BIN OPTIONAL PART: 412A1250-101A FOR DETAILS SEE: 25-24-32-62C	002005 008030	1

MISSING ITEM NUMBERS NOT APPLICABLE

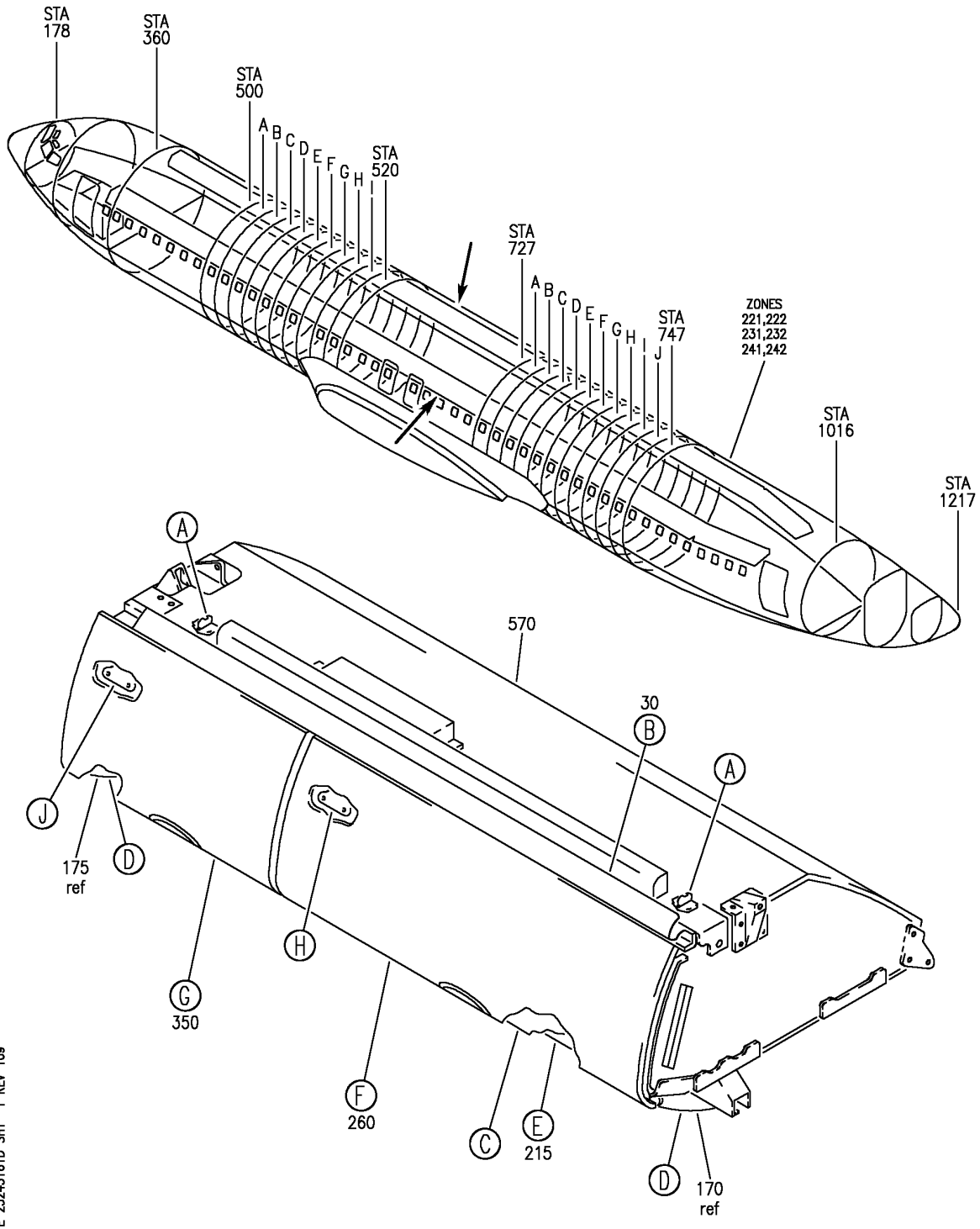
— ITEM NOT ILLUSTRATED

HAP

25-24-31-61

25-24-31
FIG. 61
PAGE 10
JUN 15/08

BOEING
 737-600/700/800/900
 PARTS CATALOG (MAINTENANCE)



E 25243161D SHT 1 REV 108

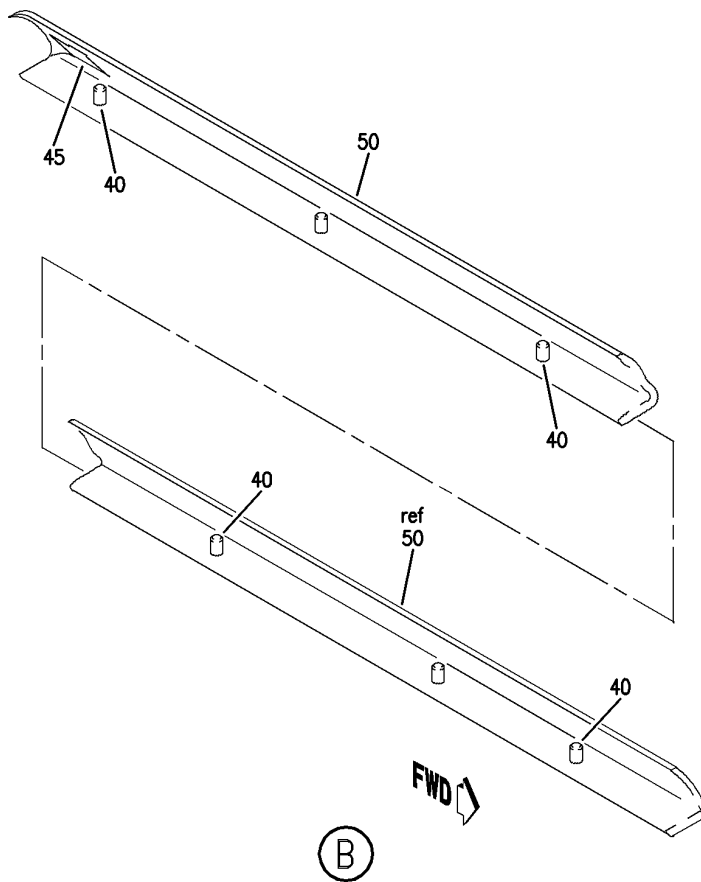
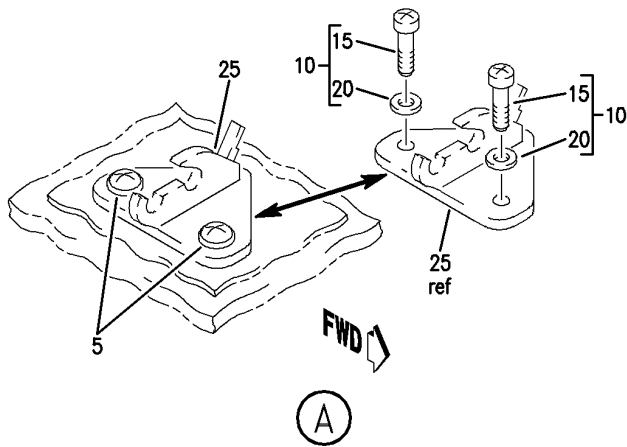
COMPARTMENT ASSY-FWD RH 60 IN. OVHD STOWAGE HNDRL CONFIGURATION (EQUIPMENT/ FURNISHINGS ONLY)
 FIGURE 61D (SHEET 1)

HAP
 OCT 10/06

25-24-31-61D

25-24-31-61D
 PAGE 0

BOEING
 737-600/700/800/900
 PARTS CATALOG (MAINTENANCE)



E 25243161D SHIT 2 REV 062

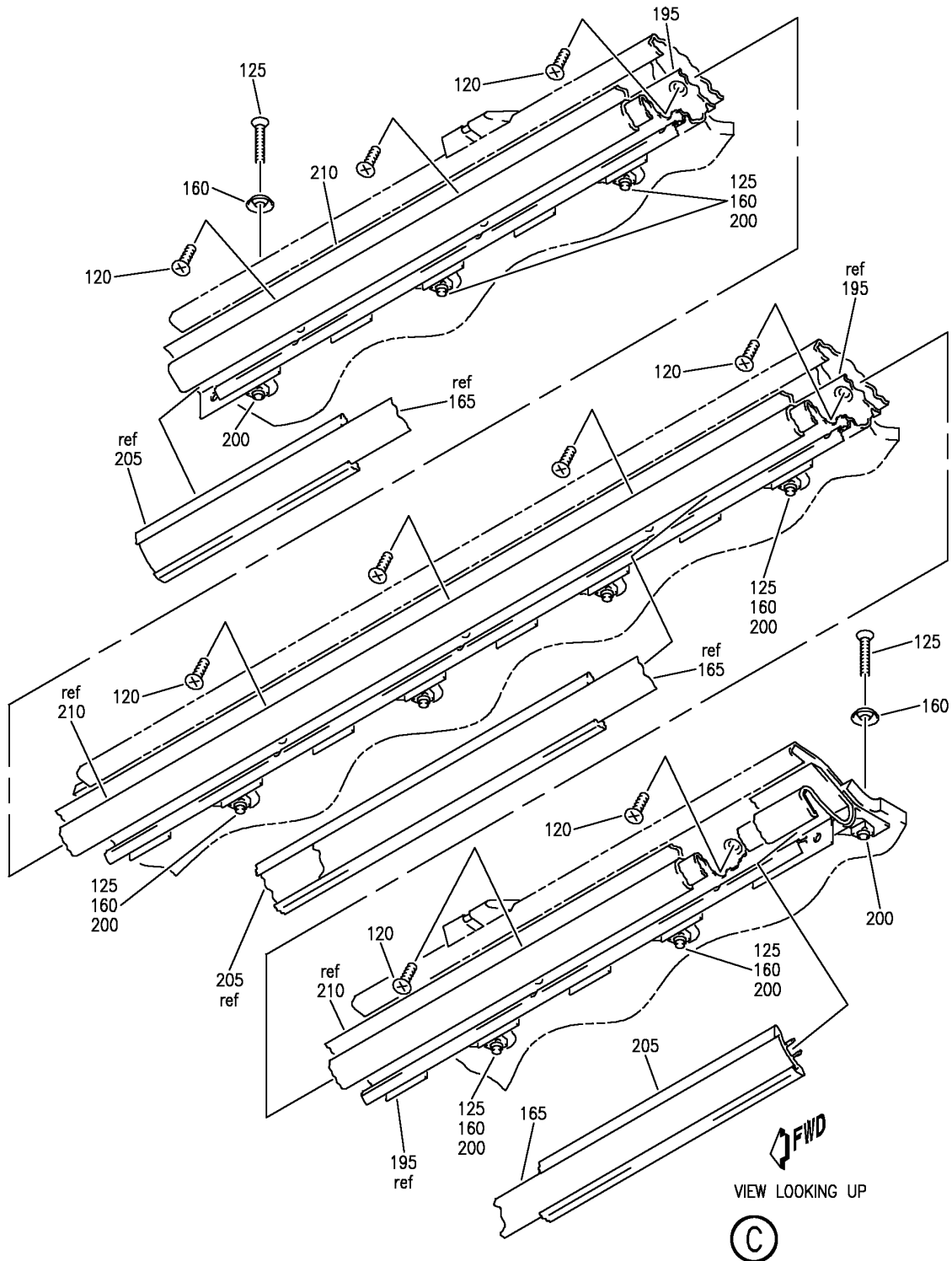
COMPARTMENT ASSY-FWD RH 60 IN. OVHD STOWAGE HANDRL CONFIGURATION (EQUIPMENT/ FURNISHINGS ONLY)
 FIGURE 61D (SHEET 2)

HAP
 OCT 10/06

25-24-31-61D

25-24-31-61D
 PAGE 0A

BOEING
737-600/700/800/900
PARTS CATALOG (MAINTENANCE)



E 25243161D SHT 3 REV 109

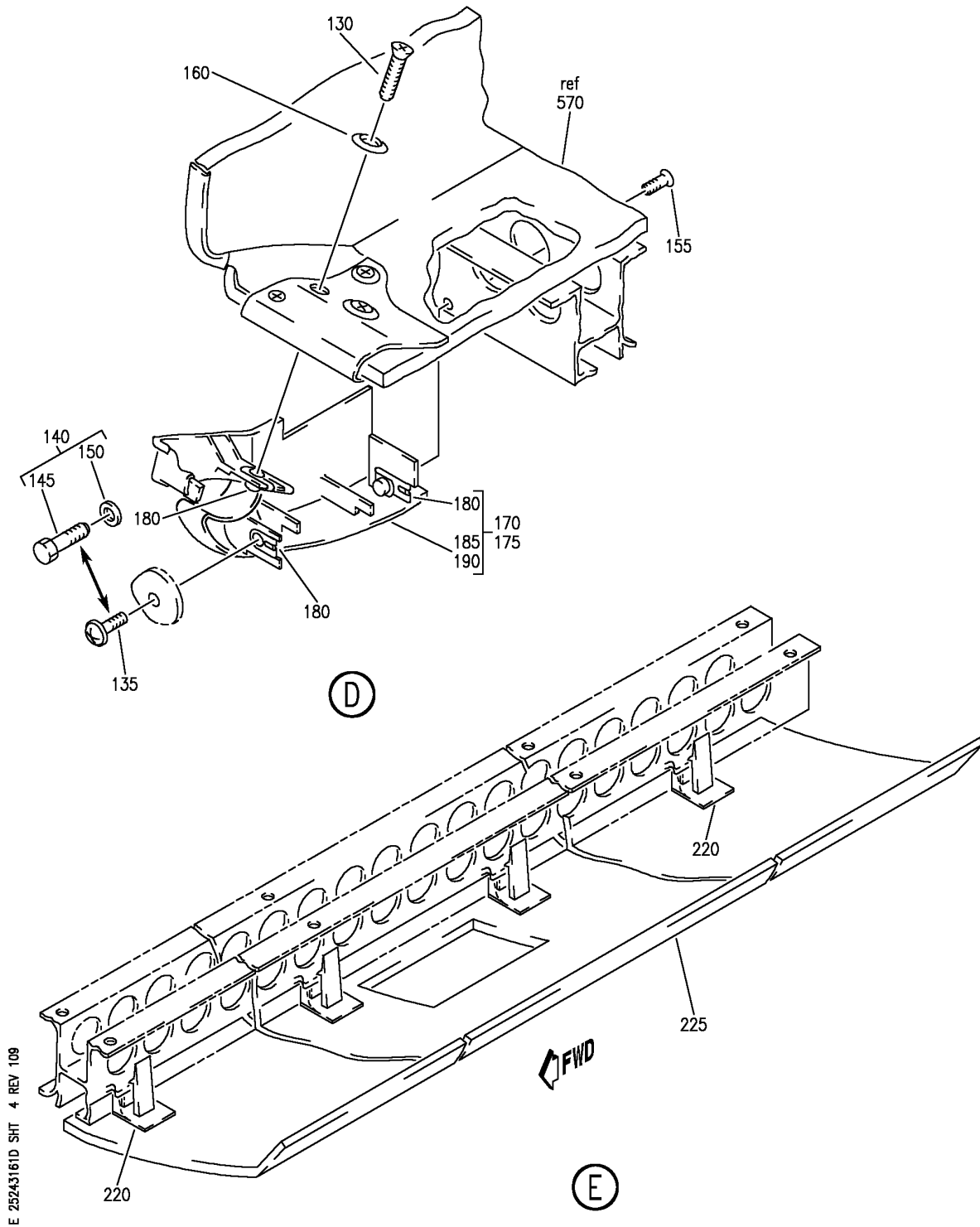
COMPARTMENT ASSY-FWD RH 60 IN. OVHD STOWAGE HNDRL CONFIGURATION (EQUIPMENT/ FURNISHINGS ONLY)
 FIGURE 61D (SHEET 3)

25-24-31-61D

HAP
 OCT 10/06

25-24-31-61D
 PAGE 0B

BOEING
 737-600/700/800/900
 PARTS CATALOG (MAINTENANCE)



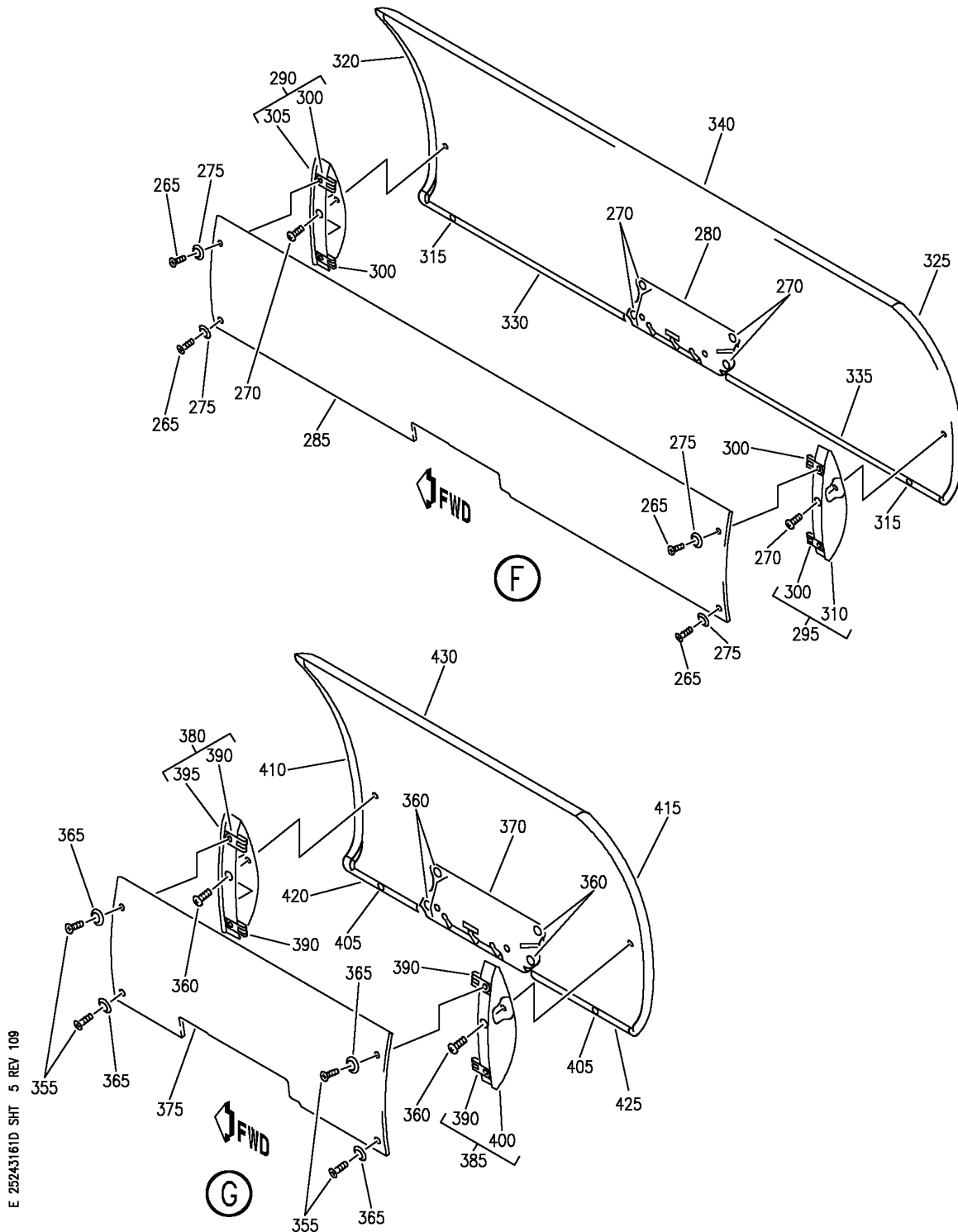
COMPARTMENT ASSY-FWD RH 60 IN. OVHD STOWAGE HANDRL CONFIGURATION (EQUIPMENT/ FURNISHINGS ONLY)
 FIGURE 61D (SHEET 4)

HAP
 OCT 10/06

25-24-31-61D

25-24-31-61D
 PAGE 0C


BOEING
 737-600/700/800/900
 PARTS CATALOG (MAINTENANCE)



E 25243161D SHT 5 REV 108

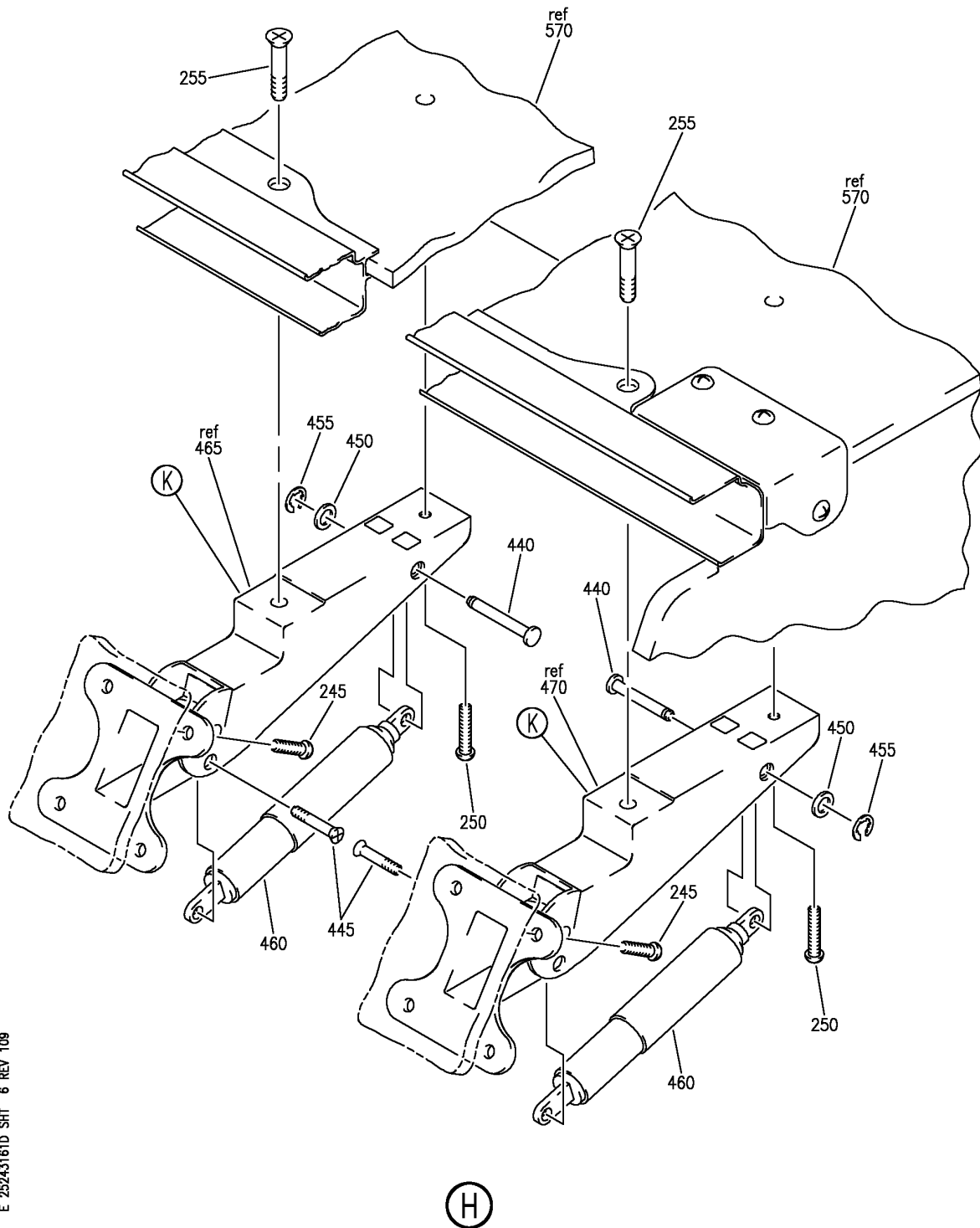
COMPARTMENT ASSY-FWD RH 60 IN. OVHD STOWAGE HANDLING CONFIGURATION (EQUIPMENT/ FURNISHINGS ONLY)
 FIGURE 61D (SHEET 5)

HAP
 OCT 10/06

25-24-31-61D

25-24-31-61D
 PAGE 0D

BOEING
 737-600/700/800/900
 PARTS CATALOG (MAINTENANCE)



E 25243161D SHT 6 REV 106

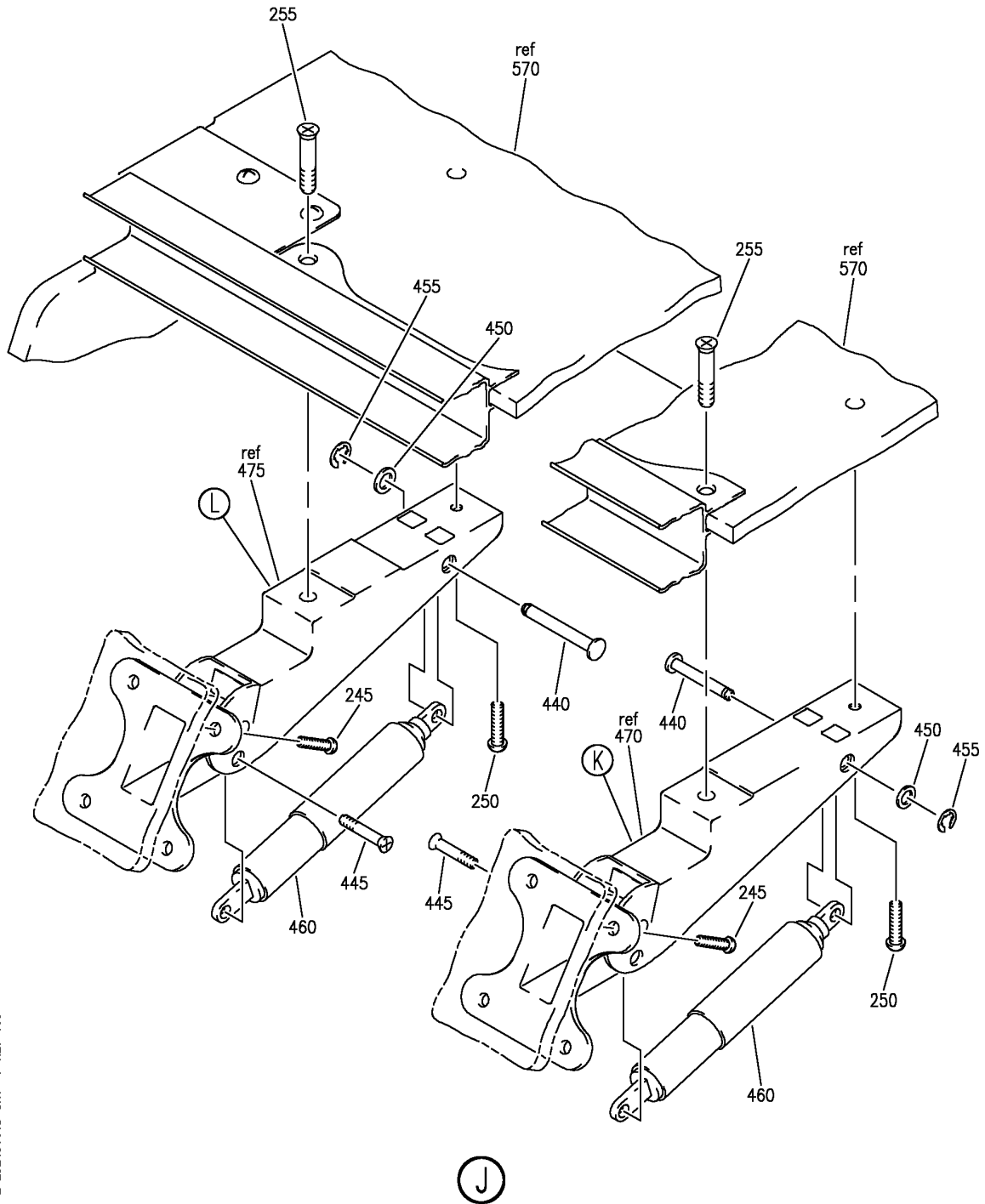
COMPARTMENT ASSY-FWD RH 60 IN. OVHD STOWAGE HNDRL CONFIGURATION (EQUIPMENT/ FURNISHINGS ONLY)
 FIGURE 61D (SHEET 6)

HAP
 OCT 10/06

25-24-31-61D

25-24-31-61D
 PAGE 0E

BOEING
 737-600/700/800/900
 PARTS CATALOG (MAINTENANCE)



E 25243161D SHT 7 REV 108

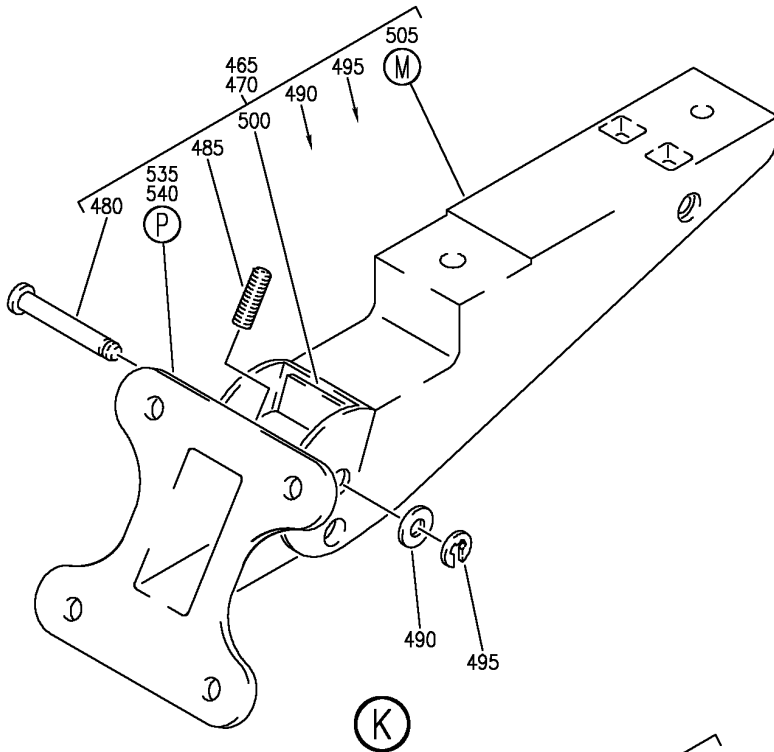
COMPARTMENT ASSY-FWD RH 60 IN. OVHD STOWAGE HNDRL CONFIGURATION (EQUIPMENT/ FURNISHINGS ONLY)
 FIGURE 61D (SHEET 7)

HAP
 OCT 10/06

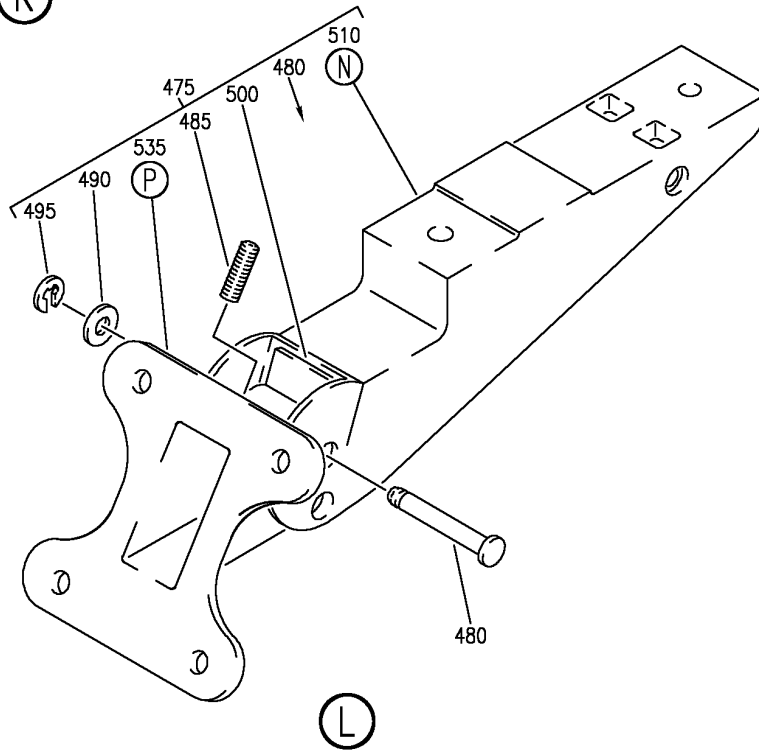
25-24-31-61D

25-24-31-61D
 PAGE OF

BOEING
 737-600/700/800/900
 PARTS CATALOG (MAINTENANCE)



(K)



(L)

E 25243161D SHT 8 REV 108

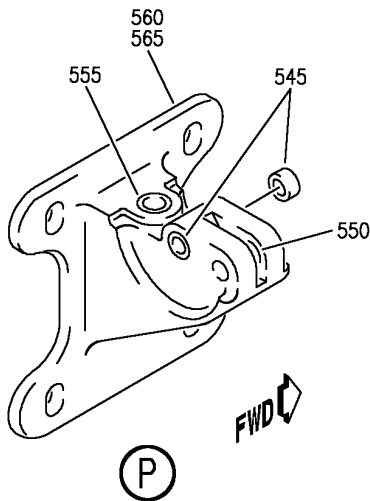
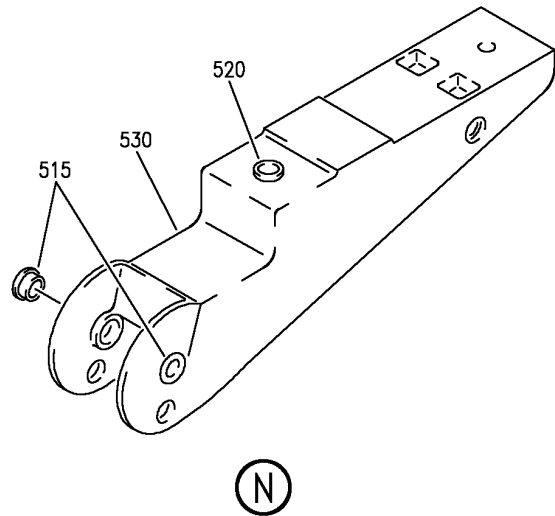
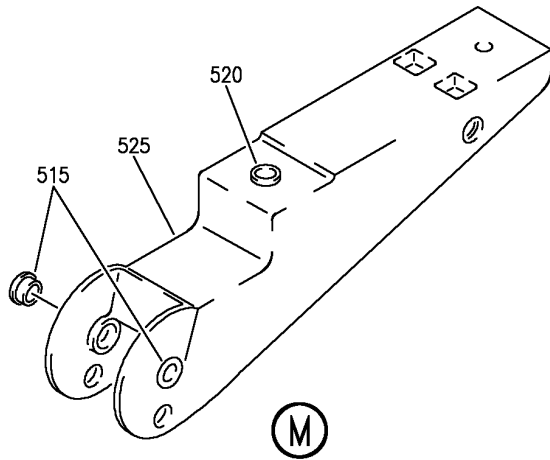
COMPARTMENT ASSY-FWD RH 60 IN. OVHD STOWAGE HANDRL CONFIGURATION (EQUIPMENT/ FURNISHINGS ONLY)
 FIGURE 61D (SHEET 8)

HAP
 OCT 10/06

25-24-31-61D

25-24-31-61D
 PAGE 08

BOEING
 737-600/700/800/900
 PARTS CATALOG (MAINTENANCE)



E 25243161D SHT 9 REV 109

COMPARTMENT ASSY-FWD RH 60 IN. OVHD STOWAGE HANDRL CONFIGURATION (EQUIPMENT/ FURNISHINGS ONLY)
 FIGURE 61D (SHEET 9)

HAP
 OCT 10/06

25-24-31-61D

25-24-31-61D
 PAGE 0H

BOEING
737-600/700/800/900
PARTS CATALOG (MAINTENANCE)

FIG ITEM	PART NUMBER	1 2 3 4 5 6 7	NOMENCLATURE	EFFECT FROM TO	UNITS PER ASSY
61D			COMPARTMENT ASSY-FWD RH 60 IN. OVHD STOWAGE HNDRL CONFIGURATION (EQUIPMENT/ FURNISHINGS ONLY)	001001 006007	
- 1	412A1150-4SP		COMPARTMENT ASSY-60 IN. OVHD STOWAGE HNDRL CONFIGURATION (EQUIPMENT/ FURNISHINGS ONLY) POSITION DATA: FWD RH PRE SERVICE BULLETIN: 25-1373 FOR NHA/OTHER SYS DET SEE: 25-24-30-22	001001 006007	RF
- 1	002A0007-74N		COMPARTMENT ASSY-60 IN. OVHD STOWAGE HNDRL CONFIGURATION (EQUIPMENT/ FURNISHINGS ONLY) POSITION DATA: FWD RH POST SERVICE BULLETIN: 25-1373 FOR NHA/OTHER SYS DET SEE: 25-24-30-22	001001 006007	RF
5	BACS12FA3K7		.SCREW- OPTIONAL PART: 412A1100-95	001001 006007	4
10	412A1100-95		.KIT ASSY- OPTIONAL PART: BACS12FA3K7	001001 006007	4
15	BACS12GU3K7		..SCREW	001001 006007	1
20	NAS1149D0332J		..WASHER	001001 006007	1
25	H3-1592-1		.LATCH-CLG SUPPLIER CODE: V34941 SPECIFICATION NUMBER: S411A001-1	001001 006007	2
30	412A1700-4A		.VALANCE ASSY-LT OPTIONAL PART: 412A1700-104SP	001001 006007	1
30	412A1700-104SP		.VALANCE ASSY-LT OPTIONAL PART: 412A1700-4A	001001 006007	1
- 35	BACN10YJ3F		ATTACHING PARTS .NUT -----*-----	001001 006007	6

MISSING ITEM NUMBERS NOT APPLICABLE

- ITEM NOT ILLUSTRATED

HAP

25-24-31-61D

BOEING PROPRIETARY - Copyright © - Unpublished Work - See title page for details.

25-24-31
FIG. 61D
PAGE 1
OCT 10/06

BOEING
737-600/700/800/900
PARTS CATALOG (MAINTENANCE)

FIG ITEM	PART NUMBER	1 2 3 4 5 6 7	NOMENCLATURE	EFFECT FROM TO	UNITS PER ASSY
61D					
40	BACS21DW3C10FN	..	STUD	001001 006007	6
45	412A1700-6	..	TAPE	001001 006007	1
50	412A1711-6A	..	PANEL ASSY- USED ON: 412A1700-4A	001001 006007	1
50	412A1711-106SP	..	PANEL ASSY- USED ON: 412A1700-104SP	001001 006007	1
120	BACS12ER3K5	.	SCREW	001001 006007	9
125	BACS12ER3K14	.	SCREW	001001 006007	10
130	BACS12ER3K9	.	SCREW	001001 006007	2
135	BACS12FA3K7	.	SCREW- OPTIONAL PART: 412A1100-95	001001 006007	2
140	412A1100-95	.	KIT ASSY- OPTIONAL PART: BACS12FA3K7	001001 006007	2
145	BACS12GU3K7	..	SCREW	001001 006007	1
150	NAS1149D0332J	..	WASHER	001001 006007	1
155	BACB30VF3K3	.	BOLT	001001 006007	2
160	H3-1233A3	.	WASHER- SUPPLIER CODE: V34941 SPECIFICATION NUMBER: S411A001-1	001001 006007	12
165	412A1451-1SP	.	STRIP	001001 006007	1
170	412A1465-13SP	.	CLOSEOUT ASSY	001001 006007	1
175	412A1465-14SP	.	CLOSEOUT ASSY	001001 006007	1
180	BACN10VR4CGN	..	NUT- OPTIONAL PART: BACN10VR4CG	001001 006007	3
180	BACN10VR4CG	..	NUT- OPTIONAL PART: BACN10VR4CGN	001001 006007	3
185	412A1465-15SP	..	CLOSEOUT- USED ON: 412A1465-13SP	001001 006007	1

MISSING ITEM NUMBERS NOT APPLICABLE

— ITEM NOT ILLUSTRATED

HAP

25-24-31-61D

BOEING PROPRIETARY - Copyright © - Unpublished Work - See title page for details.

25-24-31
FIG. 61D
PAGE 2
JUN 15/08

BOEING
737-600/700/800/900
PARTS CATALOG (MAINTENANCE)

FIG ITEM	PART NUMBER	1 2 3 4 5 6 7	NOMENCLATURE	EFFECT FROM TO	UNITS PER ASSY
61D					
190	412A1465-16SP	..	CLOSEOUT- USED ON: 412A1465-14SP	001001 006007	1
195	412A1243-2	.	EXTRUSION ASSY	001001 006007	1
200	FS1651-3	..	NUTPLATE SUPPLIER CODE: V15653 SPECIFICATION NUMBER: BACN10KH3CD OPTIONAL PART: 102F9209M3 V72962 NS202496-02 V80539	001001 006007	10
205	412A1420-2SP	.	EXTRUSION-SEAT ROW MARKER	001001 006007	1
210	412A1650-3A	.	COVER ASSY-	001001 006007	1
215	412A1600-40A	.	COVER ASSY-	001001 006007	1
220	412A1460-1	..	CLIP	001001 006007	4
225	412A1610-40A	..	PANEL ASSY- OPTIONAL PART: 412A1610-140B	001001 006007	1
225	412A1610-140B	..	PANEL ASSY- OPTIONAL PART: 412A1610-40A	001001 006007	1
- 235	403A3210-4SP	.	SEAL ASSY	001001 006007	1
- 240	OBA8	.	PLUG- SUPPLIER CODE: VOBV87	001001 006007	AR
245	BACS12FA3K6	.	SCREW	001001 006007	16
250	BACS12FA3K9	.	SCREW	001001 006007	4
255	BACB30VF3K8	.	BOLT	001001 006007	4
260	412A1500-1SP	.	DOOR ASSY-40 IN.	001001 006007	1
265	BACS12ER3K9	..	SCREW	001001 006007	4
270	BACS12FA3K4	..	SCREW	001001 006007	6

MISSING ITEM NUMBERS NOT APPLICABLE

- ITEM NOT ILLUSTRATED

HAP

25-24-31-61D

BOEING PROPRIETARY - Copyright © - Unpublished Work - See title page for details.

25-24-31
FIG. 61D
PAGE 3
JUN 15/08

BOEING
737-600/700/800/900
PARTS CATALOG (MAINTENANCE)

FIG ITEM	PART NUMBER	1 2 3 4 5 6 7	NOMENCLATURE	EFFECT FROM TO	UNITS PER ASSY
61D 275	H3-1233A3	..	WASHER- SUPPLIER CODE: V34941 SPECIFICATION NUMBER: S411A001-1	001001 006007	4
280	HA225-1	..	LATCH ASSY- SUPPLIER CODE: V83014 SPECIFICATION NUMBER: S412A001-1A	001001 006007	1
280	HA225-7	..	LATCH ASSY- SUPPLIER CODE: V83014 SPECIFICATION NUMBER: S412A001-11B	001001 006007	1
285	412A1615-100SP	..	PANEL ASSY-FILLER	001001 006007	1
290	412A1480-3SP	..	BRACKET ASSY	001001 006007	1
295	412A1480-4SP	..	BRACKET ASSY	001001 006007	1
300	BACN10VR4CGN	...	NUT	001001 006007	2
305	412A1480-1SP	...	BRACKET- USED ON: 412A1480-3SP	001001 006007	1
310	412A1480-2SP	...	BRACKET- USED ON: 412A1480-4SP	001001 006007	1
315	412A1810-1SP	..	BUMPER	001001 006007	2
320	412A1450-4SP	..	TRIM-EDGE	001001 006007	1
325	412A1450-3SP	..	TRIM-EDGE	001001 006007	1
330	412A1450-6SP	..	TRIM-EDGE	001001 006007	1
335	412A1450-5SP	..	TRIM-EDGE	001001 006007	1
340	412A1510-2SP	..	PANEL ASSY	001001 006007	1
- 345	SL618-3A	...	INSERT- SUPPLIER CODE: V97393	001001 006007	14
350	412A1500-2SP	.D	DOOR ASSY-20 IN.	001001 006007	1
355	BACS12ER3K9	..	SCREW	001001 006007	4

MISSING ITEM NUMBERS NOT APPLICABLE

- ITEM NOT ILLUSTRATED

HAP

25-24-31-61D

BOEING PROPRIETARY - Copyright © - Unpublished Work - See title page for details.

25-24-31
FIG. 61D
PAGE 4
JUN 15/08

BOEING
737-600/700/800/900
PARTS CATALOG (MAINTENANCE)

FIG ITEM	PART NUMBER	1 2 3 4 5 6 7	NOMENCLATURE	EFFECT FROM TO	UNITS PER ASSY
61D					
360	BACS12FA3K4	..	SCREW	001001 006007	6
365	H3-1233A3	..	WASHER- SUPPLIER CODE: V34941 SPECIFICATION NUMBER: S411A001-1	001001 006007	4
370	HA225-1	..	LATCH ASSY- SUPPLIER CODE: V83014 SPECIFICATION NUMBER: S412A001-1A	001001 006007	1
370	HA225-7	..	LATCH ASSY- SUPPLIER CODE: V83014 SPECIFICATION NUMBER: S412A001-11B	001001 006007	1
375	412A1615-101SP	..	PANEL ASSY-FILLER	001001 006007	1
380	412A1480-3SP	..	BRACKET ASSY	001001 006007	1
385	412A1480-4SP	..	BRACKET ASSY	001001 006007	1
390	BACN10VR4CGN	...	NUT	001001 006007	2
395	412A1480-1SP	...	BRACKET- USED ON: 412A1480-3SP	001001 006007	1
400	412A1480-2SP	...	BRACKET- USED ON: 412A1480-4SP	001001 006007	1
405	412A1810-1SP	..	BUMPER	001001 006007	2
410	412A1450-4SP	..	TRIM-EDGE	001001 006007	1
415	412A1450-3SP	..	TRIM-EDGE	001001 006007	1
420	412A1450-6SP	..	TRIM-EDGE	001001 006007	1
425	412A1450-5SP	..	TRIM-EDGE	001001 006007	1
430	412A1511-2SP	..	PANEL ASSY	001001 006007	1
- 435	SL618-3A	...	INSERT- SUPPLIER CODE: V97393	001001 006007	14
440	412A1230-21	.	PIN	001001 006007	4

MISSING ITEM NUMBERS NOT APPLICABLE

- ITEM NOT ILLUSTRATED

HAP

25-24-31-61D

BOEING PROPRIETARY - Copyright © - Unpublished Work - See title page for details.

25-24-31
FIG. 61D
PAGE 5
JUN 15/08

BOEING
737-600/700/800/900
PARTS CATALOG (MAINTENANCE)

FIG ITEM	PART NUMBER	1 2 3 4 5 6 7	NOMENCLATURE	EFFECT FROM TO	UNITS PER ASSY
61D					
445	BACB30VF3K7	.	BOLT	001001 006007	4
450	NAS1149D0316J	.	WASHER	001001 006007	4
455	MS16633-4018	.	RING	001001 006007	4
460	SP20522	.	ACTUATOR ASSY-DOOR SUPPLIER CODE: V24403 SPECIFICATION NUMBER: S412A002-2	001001 006007	4
465	412A1455-1SP	.	HINGE ASSY	001001 006007	1
470	412A1455-2SP	.	HINGE ASSY	001001 006007	2
475	412A1455-3SP	.	HINGE ASSY	001001 006007	1
480	412A1230-21	..	PIN	001001 006007	1
485	MS51023-54	..	SCREW	001001 006007	1
490	NAS1149D0316J	..	WASHER	001001 006007	1
495	MS16633-4018	..	RING	001001 006007	1
500	412A1220-1	..	CLIP	001001 006007	1
505	412A1454-3SP	..	HOUSING ASSY- USED ON: 412A1455-1SP 412A1455-2SP	001001 006007	1
510	412A1454-12SP	..	HOUSING ASSY- USED ON: 412A1455-3SP	001001 006007	1
515	BACB28Y3F020	...	BUSHING	001001 006007	2
520	6041L3BR375	...	INSERT- SUPPLIER CODE: V01556	001001 006007	1
525	412A1454-1SP	...	HOUSING- USED ON: 412A1454-3SP	001001 006007	1
530	412A1454-11SP	...	HOUSING- USED ON: 412A1454-12SP	001001 006007	1
535	412A1454-9SP	..	BRACKET ASSY- USED ON: 412A1455-1SP 412A1455-3SP	001001 006007	1

MISSING ITEM NUMBERS NOT APPLICABLE

- ITEM NOT ILLUSTRATED

HAP

25-24-31-61D

BOEING PROPRIETARY - Copyright © - Unpublished Work - See title page for details.

25-24-31
FIG. 61D
PAGE 6
JUN 15/08

BOEING
737-600/700/800/900
PARTS CATALOG (MAINTENANCE)

FIG ITEM	PART NUMBER	1 2 3 4 5 6 7	NOMENCLATURE	EFFECT FROM TO	UNITS PER ASSY
61D					
540	412A1454-10SP	..	BRACKET ASSY- USED ON: 412A1455-2SP	001001 006007	1
545	BACB28Y3F025	...	BUSHING	001001 006007	2
550	6041-3BR225	...	INSERT- SUPPLIER CODE: V01556	001001 006007	1
555	6041L3BR375	...	INSERT- SUPPLIER CODE: V01556	001001 006007	1
560	412A1454-7SP	...	BRACKET- USED ON: 412A1454-9SP	001001 006007	1
565	412A1454-8SP	...	BRACKET- USED ON: 412A1454-10SP	001001 006007	1
570	412A1250-4SP	.BOX	ASSY-60 IN. BIN FOR DETAILS SEE: 25-24-32-63	001001 006007	1

MISSING ITEM NUMBERS NOT APPLICABLE

— ITEM NOT ILLUSTRATED

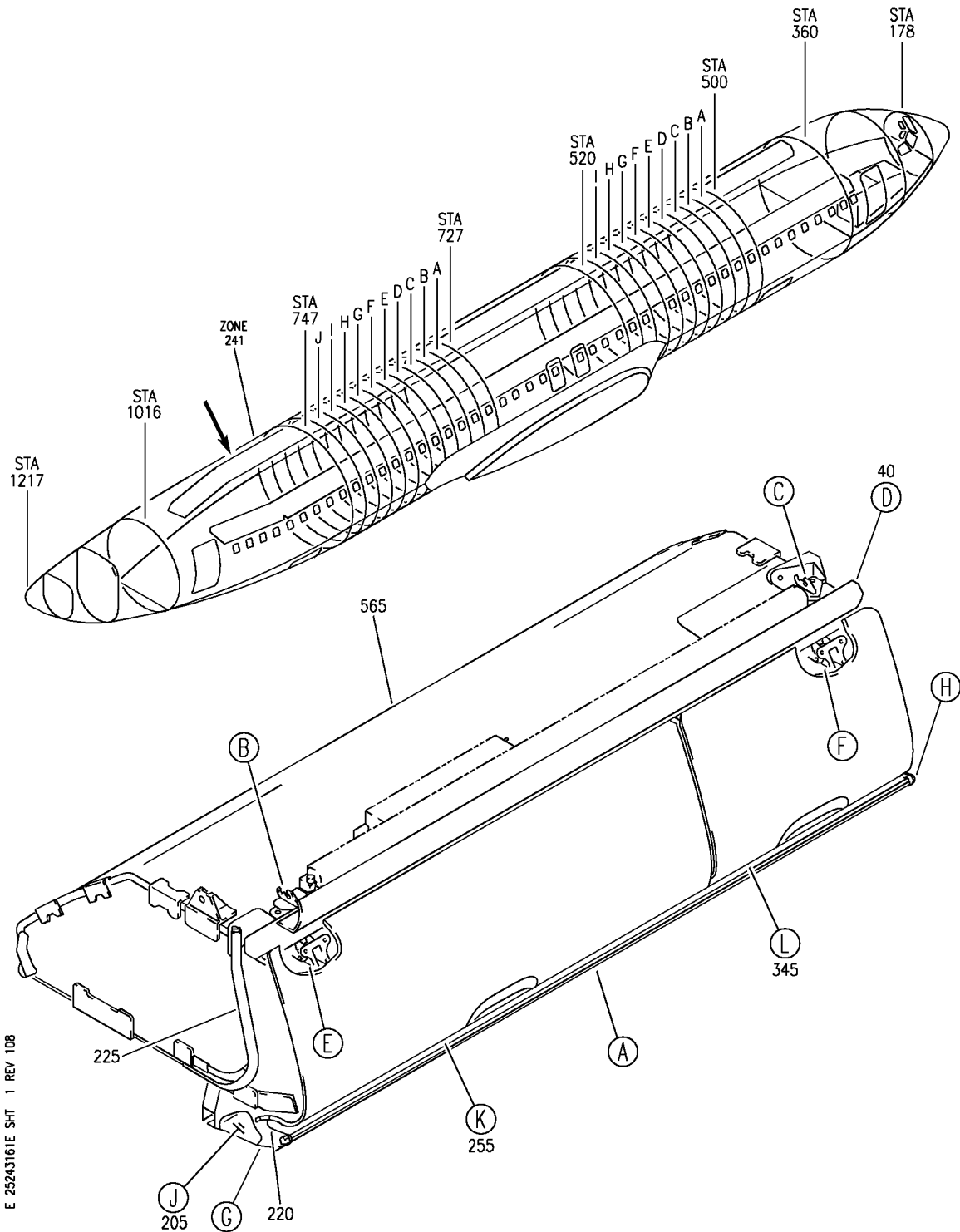
HAP

25-24-31-61D

BOEING PROPRIETARY - Copyright © - Unpublished Work - See title page for details.

25-24-31
FIG. 61D
PAGE 7
JUN 15/08

BOEING
 737-600/700/800/900
 PARTS CATALOG (MAINTENANCE)



E 2524-3161E SHT 1 REV 108

COMPARTMENT ASSY-AFT LH 60 IN. OVHD STOWAGE HANDLING CONFIGURATION (EQUIPMENT/ FURNISHINGS ONLY)
 FIGURE 61E (SHEET 1)

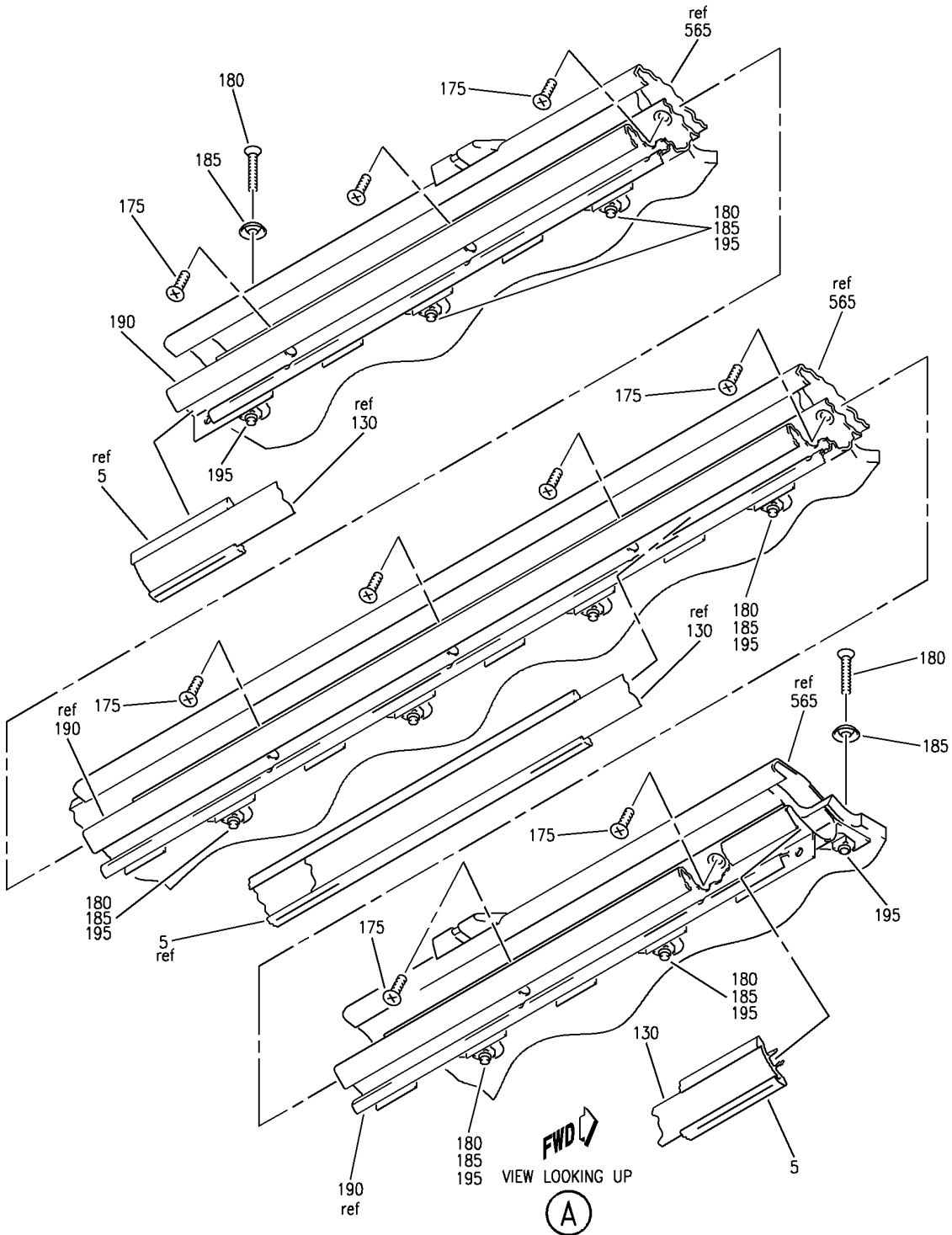
HAP
 OCT 10/06

25-24-31-61E

25-24-31-61E
 PAGE 0

BOEING PROPRIETARY - Copyright © - Unpublished Work - See title page for details.

BOEING
 737-600/700/800/900
 PARTS CATALOG (MAINTENANCE)



E 2524-3161E SHT 2 REV 108

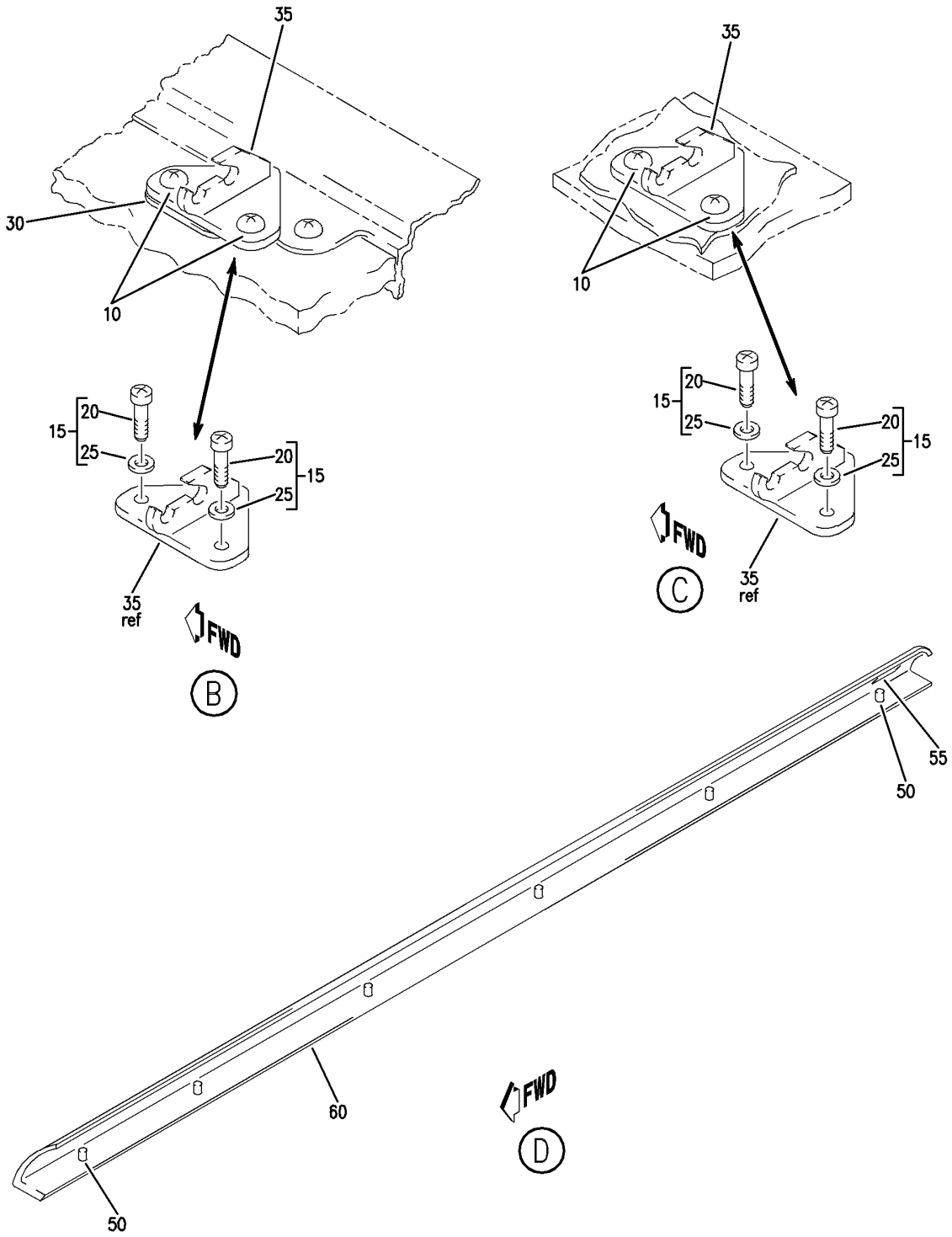
COMPARTMENT ASSY-AFT LH 60 IN. OVHD STOWAGE HANDRL CONFIGURATION (EQUIPMENT/ FURNISHINGS ONLY)
 FIGURE 61E (SHEET 2)

HAP
 OCT 10/06

25-24-31-61E

25-24-31-61E
 PAGE 0A

BOEING
 737-600/700/800/900
 PARTS CATALOG (MAINTENANCE)



E 25243161E SHT 3 REV 063

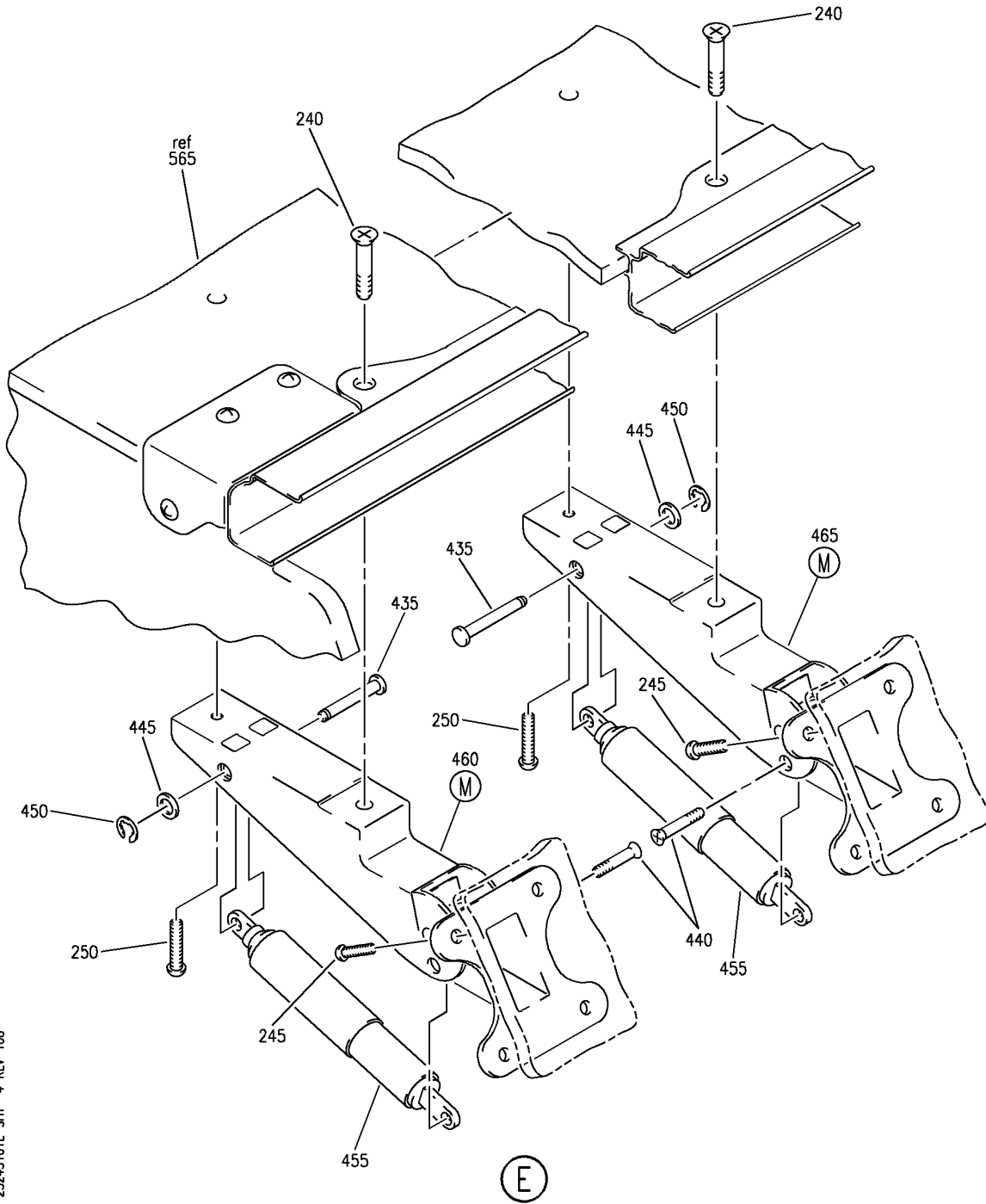
COMPARTMENT ASSY-AFT LH 60 IN. OVHD STOWAGE HANDRL CONFIGURATION (EQUIPMENT/ FURNISHINGS ONLY)
 FIGURE 61E (SHEET 3)

HAP
 OCT 10/06

25-24-31-61E

25-24-31-61E
 PAGE 0B

BOEING
 737-600/700/800/900
 PARTS CATALOG (MAINTENANCE)



E 2524-3161E SHT 4 REV 108

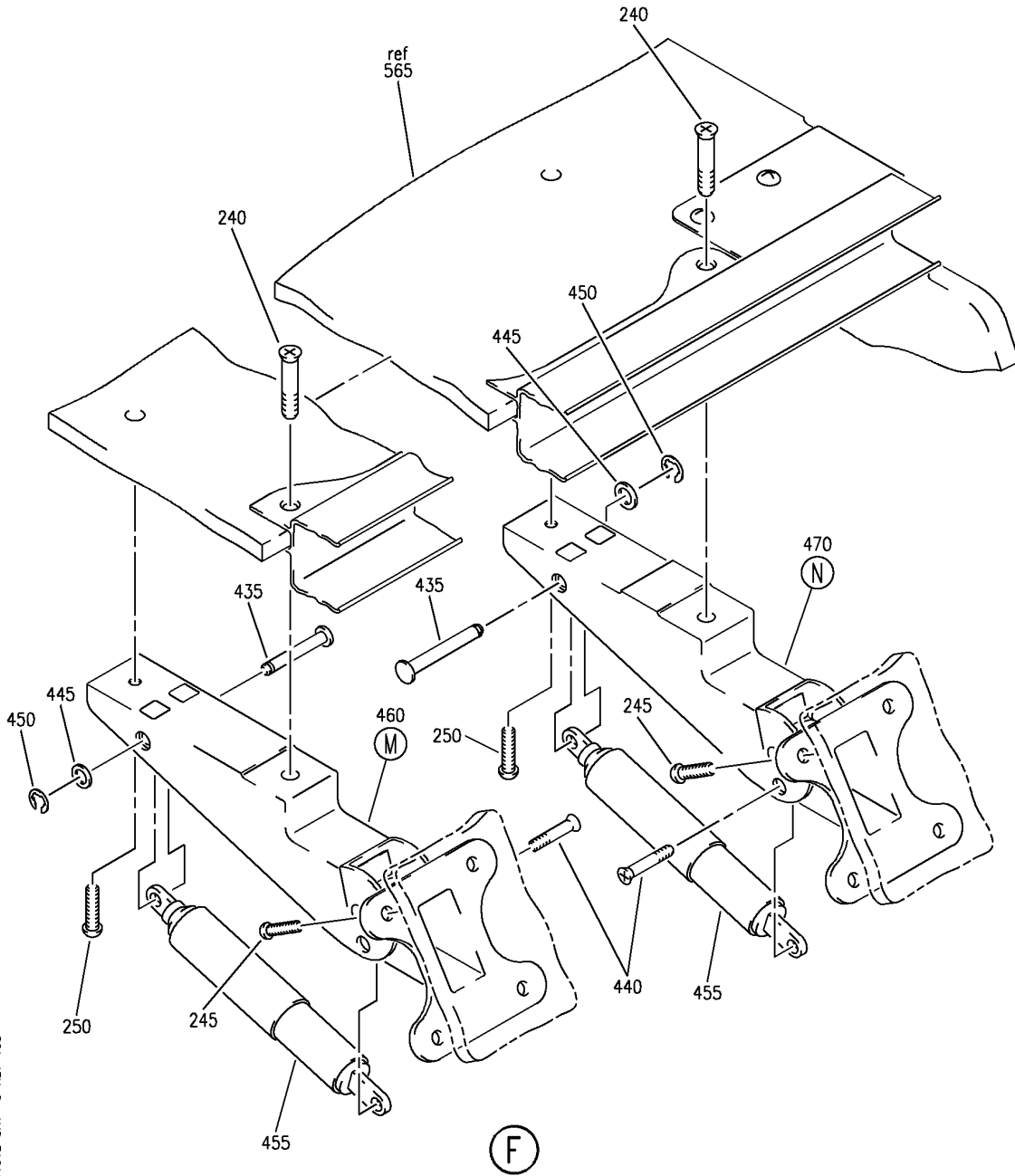
COMPARTMENT ASSY-AFT LH 60 IN. OVHD STOWAGE HANDRL CONFIGURATION (EQUIPMENT/ FURNISHINGS ONLY)
 FIGURE 61E (SHEET 4)

HAP
 OCT 10/06

25-24-31-61E

25-24-31-61E
 PAGE 0C

BOEING
 737-600/700/800/900
 PARTS CATALOG (MAINTENANCE)



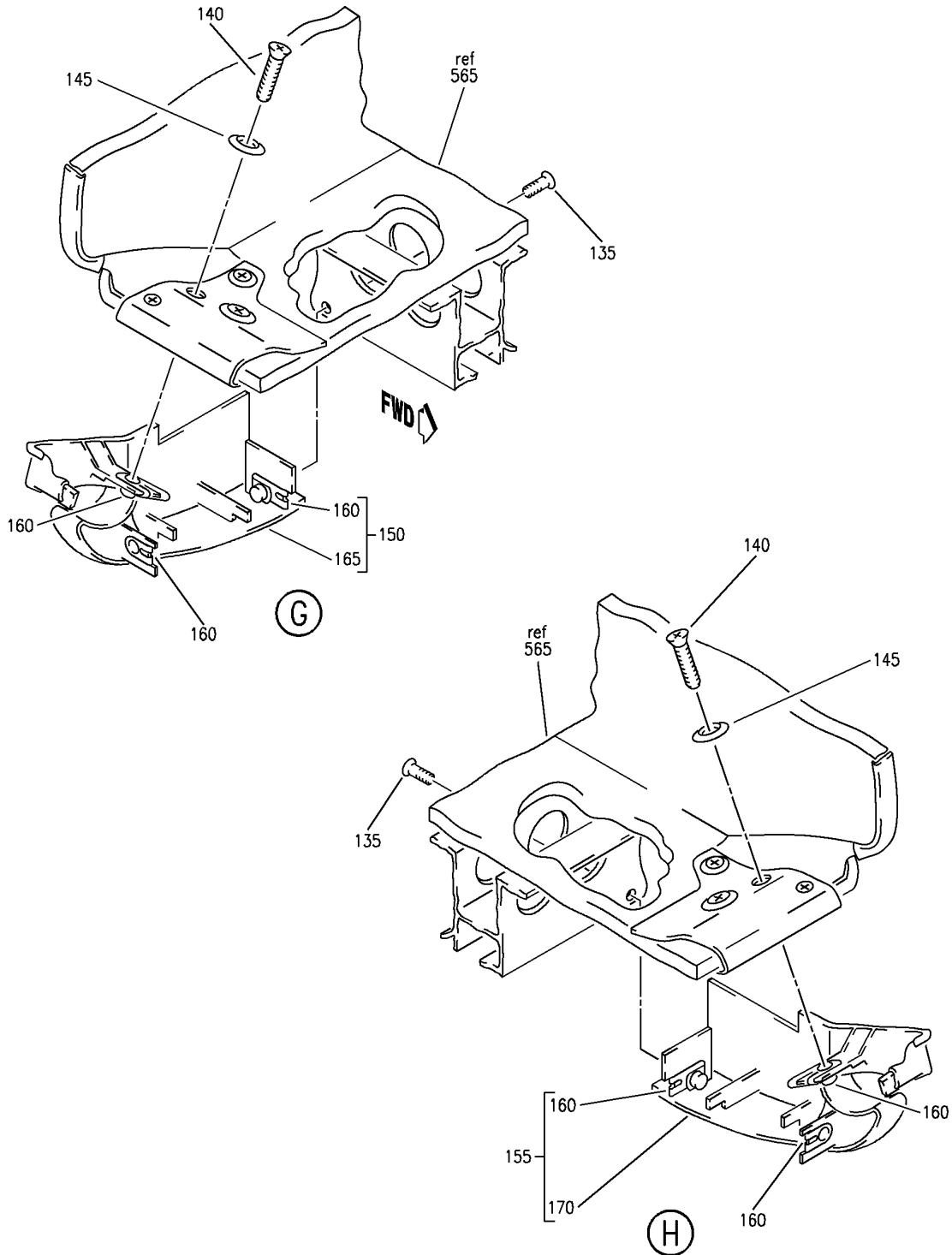
COMPARTMENT ASSY-AFT LH 60 IN. OVHD STOWAGE HANDRL CONFIGURATION (EQUIPMENT/ FURNISHINGS ONLY)
 FIGURE 61E (SHEET 5)

HAP
 OCT 10/06

25-24-31-61E

25-24-31-61E
 PAGE 0D

BOEING
 737-600/700/800/900
 PARTS CATALOG (MAINTENANCE)



E 2524-3161E SHT 6 REV 108

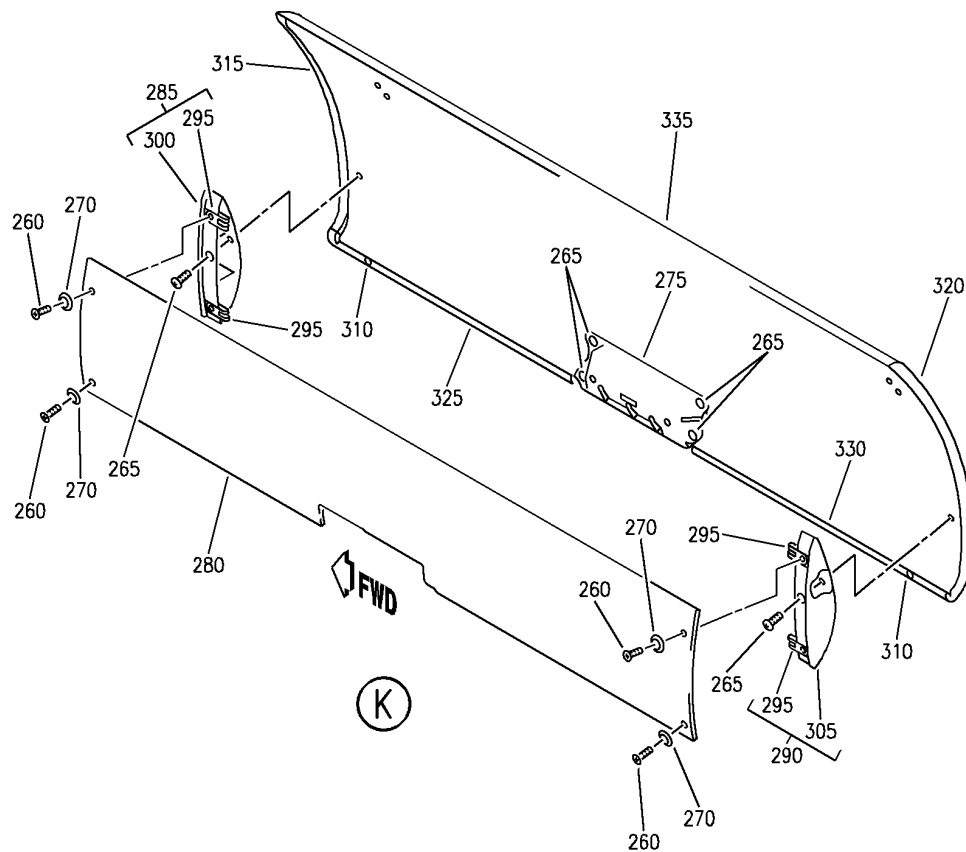
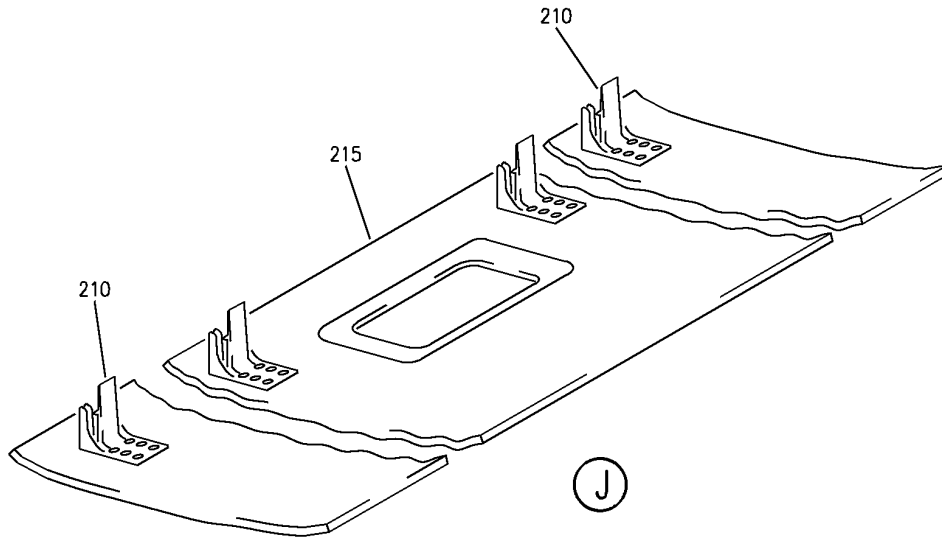
COMPARTMENT ASSY-AFT LH 60 IN. OVHD STOWAGE HANDRL CONFIGURATION (EQUIPMENT/ FURNISHINGS ONLY)
 FIGURE 61E (SHEET 6)

HAP
 OCT 10/06

25-24-31-61E

25-24-31-61E
 PAGE 0E

BOEING
 737-600/700/800/900
 PARTS CATALOG (MAINTENANCE)



E 2524-3161E SHT 7 REV 108

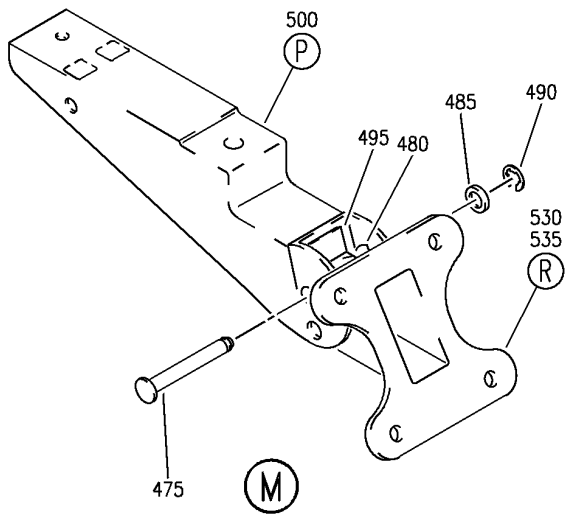
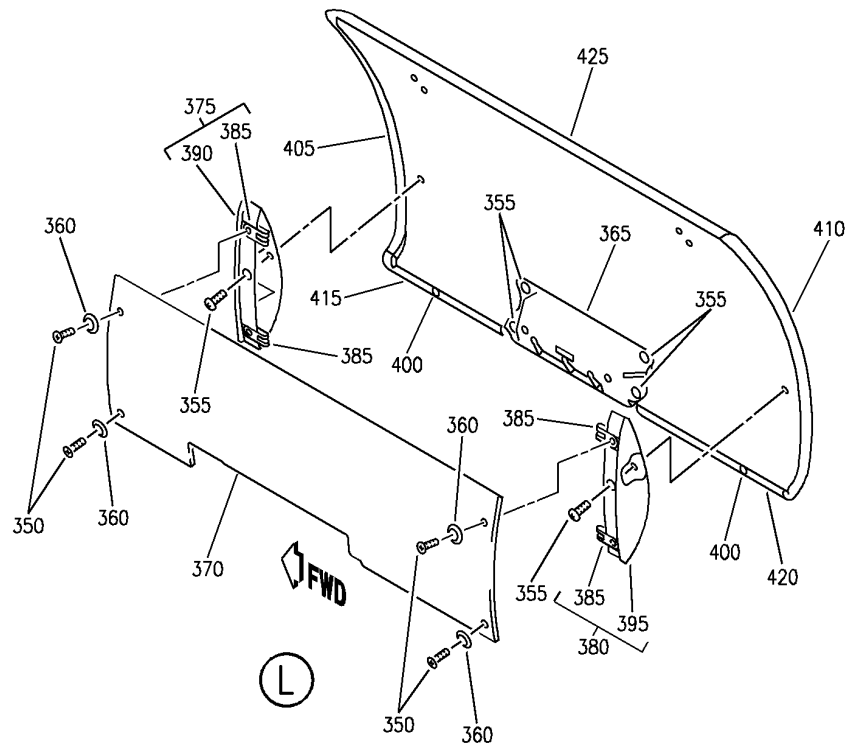
COMPARTMENT ASSY-AFT LH 60 IN. OVHD STOWAGE HANDRL CONFIGURATION (EQUIPMENT/ FURNISHINGS ONLY)
 FIGURE 61E (SHEET 7)

HAP
 OCT 10/06

25-24-31-61E

25-24-31-61E
 PAGE OF

BOEING
 737-600/700/800/900
 PARTS CATALOG (MAINTENANCE)



E 2524-3161E SHT 8 REV 108

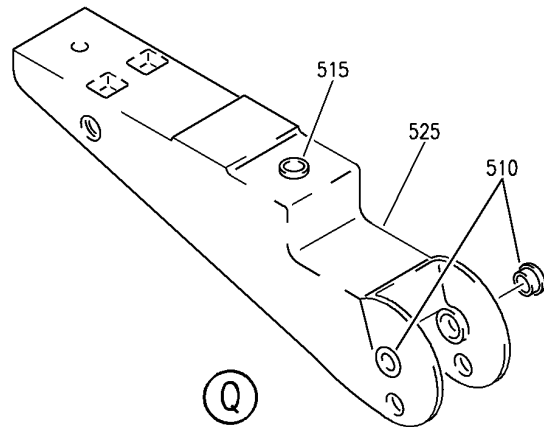
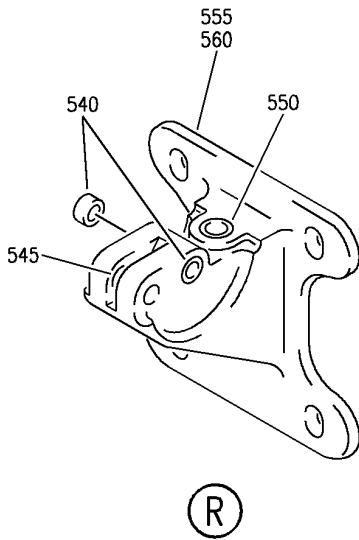
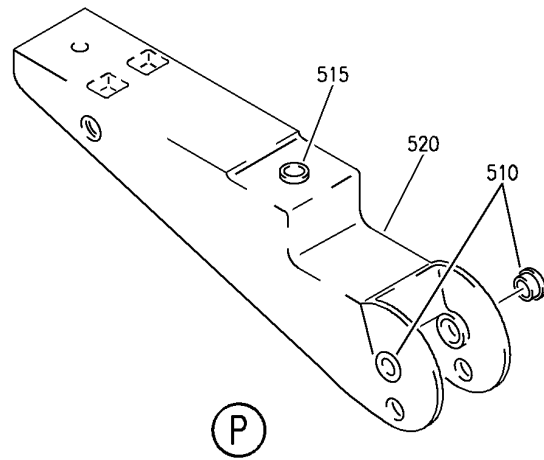
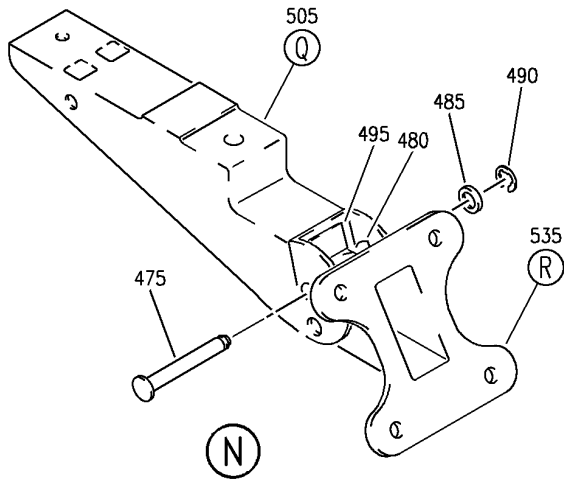
COMPARTMENT ASSY-AFT LH 60 IN. OVHD STOWAGE HNDRL CONFIGURATION (EQUIPMENT/ FURNISHINGS ONLY)
 FIGURE 61E (SHEET 8)

HAP
 OCT 10/06

25-24-31-61E

25-24-31-61E
 PAGE 08

BOEING
 737-600/700/800/900
 PARTS CATALOG (MAINTENANCE)



E 2524-3161E SHT 9 REV 108

COMPARTMENT ASSY-AFT LH 60 IN. OVHD STOWAGE HANDLING CONFIGURATION (EQUIPMENT/ FURNISHINGS ONLY)
 FIGURE 61E (SHEET 9)

HAP
 OCT 10/06

25-24-31-61E

25-24-31-61E
 PAGE 08

BOEING
737-600/700/800/900
PARTS CATALOG (MAINTENANCE)

FIG ITEM	PART NUMBER	1 2 3 4 5 6 7	NOMENCLATURE	EFFECT FROM TO	UNITS PER ASSY
61E			COMPARTMENT ASSY-AFT LH 60 IN. OVHD STOWAGE HNDRL CONFIGURATION (EQUIPMENT/ FURNISHINGS ONLY)	001001 006007	
- 1	412A1150-1SP		COMPARTMENT ASSY-60 IN. OVHD STOWAGE HNDRL CONFIGURATION (EQUIPMENT/ FURNISHINGS ONLY) POSITION DATA: AFT LH PRE SERVICE BULLETIN: 25-1373 FOR NHA/OTHER SYS DET SEE: 25-24-30-39	001001 006007	RF
- 1	002A0007-71N		COMPARTMENT ASSY-60 IN. OVHD STOWAGE HNDRL CONFIGURATION (EQUIPMENT/ FURNISHINGS ONLY) POSITION DATA: AFT LH PRE SERVICE BULLETIN: 25-1373 FOR NHA/OTHER SYS DET SEE: 25-24-30-39	001001 006007	RF
5	412A1420-2SP		.EXTRUSION-SEAT ROW MARKER	001001 006007	1
10	BACS12FA3K7		.SCREW- OPTIONAL PART: 412A1150-95	001001 006007	4
15	412A1150-95		.SCREW ASSY- OPTIONAL PART: BACS12FA3K7	001001 006007	4
20	BACS12GU3K7		..SCREW	001001 006007	1
25	NAS1149D0332J		..WASHER	001001 006007	1
30	412A1220-62		.DOUBLER	001001 006007	1
35	H3-1592-1		.LATCH-CLG SUPPLIER CODE: V34941 SPECIFICATION NUMBER: S411A001-1	001001 006007	2
40	412A1700-4A		.VALANCE ASSY-LT OPTIONAL PART: 412A1700-104SP	001001 006007	1
40	412A1700-104SP		.VALANCE ASSY-LT OPTIONAL PART: 412A1700-4A	001001 006007	1

MISSING ITEM NUMBERS NOT APPLICABLE

- ITEM NOT ILLUSTRATED

HAP

25-24-31-61E

BOEING PROPRIETARY - Copyright © - Unpublished Work - See title page for details.

25-24-31
FIG. 61E
PAGE 1
OCT 10/06

BOEING
737-600/700/800/900
PARTS CATALOG (MAINTENANCE)

FIG ITEM	PART NUMBER	1 2 3 4 5 6 7	NOMENCLATURE	EFFECT FROM TO	UNITS PER ASSY
61E			ATTACHING PARTS		
- 45	BACN10YJ3F		.NUT	001001 006007	6
			-----*-----		
50	BACS21DW3C10FN		..STUD	001001 006007	6
55	412A1700-6		..TAPE-VELCRO	001001 006007	1
60	412A1711-6A		..PANEL ASSY- USED ON: 412A1700-4A	001001 006007	1
60	412A1711-106SP		..PANEL ASSY- USED ON: 412A1700-104SP	001001 006007	1
130	412A1451-1SP		.STRIP	001001 006007	1
135	BACB30VF3K3		.BOLT	001001 006007	2
140	BACS12ER3K9		.SCREW	001001 006007	2
145	H3-1233A3		.WASHER- SUPPLIER CODE: V34941 SPECIFICATION NUMBER: S411A001-1	001001 006007	2
150	412A1465-14SP		.CLOSEOUT ASSY	001001 006007	1
155	412A1465-13SP		.CLOSEOUT ASSY	001001 006007	1
160	BACN10VR4CGN		..NUT- OPTIONAL PART: BACN10VR4CG	001001 006007	3
160	BACN10VR4CG		..NUT- OPTIONAL PART: BACN10VR4CGN	001001 006007	3
165	412A1465-16SP		..CLOSEOUT- USED ON: 412A1465-14SP	001001 006007	1
170	412A1465-15SP		..CLOSEOUT- USED ON: 412A1465-13SP	001001 006007	1
175	BACS12ER3K5		.SCREW	001001 006007	9
180	BACS12ER3K14		.SCREW	001001 006007	10

MISSING ITEM NUMBERS NOT APPLICABLE

- ITEM NOT ILLUSTRATED

HAP

25-24-31-61E

BOEING PROPRIETARY - Copyright © - Unpublished Work - See title page for details.

25-24-31
FIG. 61E
PAGE 2
JUN 15/08

BOEING
737-600/700/800/900
PARTS CATALOG (MAINTENANCE)

FIG ITEM	PART NUMBER	1 2 3 4 5 6 7	NOMENCLATURE	EFFECT FROM TO	UNITS PER ASSY
61E 185	H3-1233A3		.WASHER- SUPPLIER CODE: V34941 SPECIFICATION NUMBER: S411A001-1	001001 006007	10
190	412A1243-2		.EXTRUSION ASSY- QUALIFIED OPTIONAL DATA: 412A1243-2 OPTIONAL TO 412A1243-102 UNTIL MAY 1,1998. AFTER THAT DATE MUST USE PREFERRED OPTION ONLY (412A1243-102)	001001 006007	1
190	412A1243-102		.EXTRUSION ASSY- QUALIFIED OPTIONAL DATA: 412A1243-2 OPTIONAL TO 412A1243-102 UNTIL MAY 1,1998. AFTER THAT DATE MUST USE PREFERRED OPTION ONLY (412A1243-102)	001001 006007	1
195	FS1651-3		..NUTPLATE SUPPLIER CODE: V15653 SPECIFICATION NUMBER: BACN10KH3CD OPTIONAL PART: 102F9209M3 V72962 NS202496-02 V80539 ATTACHING PARTS	001001 006007	10
- 200	BACR15BA3ADC		..RIVET- SIZE DETERMINED ON INSTL. -----*-----	001001 006007	20
205	412A1600-3A		.COVER ASSY-	001001 006007	1
210	412A1460-1		..CLIP	001001 006007	4
215	412A1610-5A		..PANEL ASSY- OPTIONAL PART: 412A1610-105B	001001 006007	1
215	412A1610-105B		..PANEL ASSY- OPTIONAL PART: 412A1610-5A	001001 006007	1
220	412A1650-3A		.COVER ASSY-DEC	001001 006007	1
225	403A3210-21A		.SEAL ASSY-	001001 006007	1

MISSING ITEM NUMBERS NOT APPLICABLE

- ITEM NOT ILLUSTRATED

HAP

25-24-31-61E

BOEING PROPRIETARY - Copyright © - Unpublished Work - See title page for details.

25-24-31
FIG. 61E
PAGE 3
JUN 15/08

BOEING
737-600/700/800/900
PARTS CATALOG (MAINTENANCE)

FIG ITEM	PART NUMBER	1 2 3 4 5 6 7	NOMENCLATURE	EFFECT FROM TO	UNITS PER ASSY
61E - 235	OBA8	. PLUG-	SUPPLIER CODE: VOBV87	001001 006007	AR
240	BACB30VF3K8	. BOLT		001001 006007	4
245	BACS12FA3K6	. SCREW		001001 006007	16
250	BACS12FA3K9	. SCREW		001001 006007	4
255	412A1500-1SP	. DOOR ASSY-40 IN.		001001 006007	1
260	BACS12ER3K9	.. SCREW		001001 006007	4
265	BACS12FA3K4	.. SCREW		001001 006007	6
270	H3-1233A3	.. WASHER-	SUPPLIER CODE: V34941 SPECIFICATION NUMBER: S411A001-1	001001 006007	4
275	HA225-1	.. LATCH ASSY-	SUPPLIER CODE: V83014 SPECIFICATION NUMBER: S412A001-1A	001001 006007	1
275	HA225-7	.. LATCH ASSY-	SUPPLIER CODE: V83014 SPECIFICATION NUMBER: S412A001-11B	001001 006007	1
280	412A1615-100SP	.. PANEL ASSY-FILLER		001001 006007	1
285	412A1480-3SP	.. BRACKET ASSY		001001 006007	1
290	412A1480-4SP	.. BRACKET ASSY		001001 006007	1
295	BACN10VR4CGN	... NUT		001001 006007	2
300	412A1480-1SP	... BRACKET-	USED ON: 412A1480-3SP	001001 006007	1
305	412A1480-2SP	... BRACKET-	USED ON: 412A1480-4SP	001001 006007	1
310	412A1810-1SP	.. BUMPER		001001 006007	2
315	412A1450-4SP	.. TRIM-EDGE		001001 006007	1

MISSING ITEM NUMBERS NOT APPLICABLE

- ITEM NOT ILLUSTRATED

HAP

25-24-31-61E

BOEING PROPRIETARY - Copyright © - Unpublished Work - See title page for details.

25-24-31
FIG. 61E
PAGE 4
JUN 15/08

BOEING
737-600/700/800/900
PARTS CATALOG (MAINTENANCE)

FIG ITEM	PART NUMBER	1 2 3 4 5 6 7	NOMENCLATURE	EFFECT FROM TO	UNITS PER ASSY
61E					
320	412A1450-3SP	..	TRIM-EDGE	001001 006007	1
325	412A1450-6SP	..	TRIM-EDGE	001001 006007	1
330	412A1450-5SP	..	TRIM-EDGE	001001 006007	1
335	412A1510-2SP	..	PANEL ASSY	001001 006007	1
- 340	SL618-3A	...	INSERT- SUPPLIER CODE: V97393	001001 006007	14
345	412A1500-2SP	.D	DOOR ASSY-20 IN.	001001 006007	1
350	BACS12ER3K9	..	SCREW	001001 006007	4
355	BACS12FA3K4	..	SCREW	001001 006007	6
360	H3-1233A3	..	WASHER- SUPPLIER CODE: V34941 SPECIFICATION NUMBER: S411A001-1	001001 006007	4
365	HA225-1	..	LATCH ASSY- SUPPLIER CODE: V83014 SPECIFICATION NUMBER: S412A001-1A	001001 006007	1
365	HA225-7	..	LATCH ASSY- SUPPLIER CODE: V83014 SPECIFICATION NUMBER: S412A001-11B	001001 006007	1
370	412A1615-101SP	..	PANEL ASSY-FILLER	001001 006007	1
375	412A1480-3SP	..	BRACKET ASSY	001001 006007	1
380	412A1480-4SP	..	BRACKET ASSY	001001 006007	1
385	BACN10VR4CGN	...	NUT	001001 006007	2
390	412A1480-1SP	...	BRACKET- USED ON: 412A1480-3SP	001001 006007	1
395	412A1480-2SP	...	BRACKET- USED ON: 412A1480-4SP	001001 006007	1
400	412A1810-1SP	..	BUMPER	001001 006007	2

MISSING ITEM NUMBERS NOT APPLICABLE

- ITEM NOT ILLUSTRATED

HAP

25-24-31-61E

BOEING PROPRIETARY - Copyright © - Unpublished Work - See title page for details.

25-24-31
FIG. 61E
PAGE 5
JUN 15/08

BOEING
737-600/700/800/900
PARTS CATALOG (MAINTENANCE)

FIG ITEM	PART NUMBER	1 2 3 4 5 6 7	NOMENCLATURE	EFFECT FROM TO	UNITS PER ASSY
61E					
405	412A1450-4SP	..	TRIM-EDGE	001001 006007	1
410	412A1450-3SP	..	TRIM-EDGE	001001 006007	1
415	412A1450-6SP	..	TRIM-EDGE	001001 006007	1
420	412A1450-5SP	..	TRIM-EDGE	001001 006007	1
425	412A1511-2SP	..	PANEL ASSY	001001 006007	1
- 430	SL618-3A	...	INSERT- SUPPLIER CODE: V97393	001001 006007	14
435	412A1230-21	.PIN		001001 006007	4
440	BACB30VF3K7	.BOLT		001001 006007	4
445	NAS1149D0316J	.WASHER		001001 006007	4
450	MS16633-4018	.RING		001001 006007	4
455	SP20522	.ACTUATOR ASSY-DOOR SUPPLIER CODE: V24403 SPECIFICATION NUMBER: S412A002-2		001001 006007	4
460	412A1455-1SP	.HINGE ASSY		001001 006007	2
465	412A1455-2SP	.HINGE ASSY		001001 006007	1
470	412A1455-4SP	.HINGE ASSY		001001 006007	1
475	412A1230-21	..PIN		001001 006007	1
480	MS51023-54	..SCREW		001001 006007	1
485	NAS1149D0316J	..WASHER		001001 006007	1
490	MS16633-4018	..RING		001001 006007	1
495	412A1220-1	..CLIP		001001 006007	1
500	412A1454-3SP	..HOUSING ASSY- USED ON: 412A1455-1SP 412A1455-2SP		001001 006007	1
505	412A1454-12SP	..HOUSING ASSY- USED ON: 412A1455-4SP		001001 006007	1

MISSING ITEM NUMBERS NOT APPLICABLE

- ITEM NOT ILLUSTRATED

HAP

25-24-31-61E

BOEING PROPRIETARY - Copyright © - Unpublished Work - See title page for details.

25-24-31
FIG. 61E
PAGE 6
JUN 15/08

BOEING
737-600/700/800/900
PARTS CATALOG (MAINTENANCE)

FIG ITEM	PART NUMBER	1 2 3 4 5 6 7	NOMENCLATURE	EFFECT FROM TO	UNITS PER ASSY
61E					
510	BACB28Y3F020	...	BUSHING	001001 006007	2
515	6041L3BR375	...	INSERT- SUPPLIER CODE: V01556	001001 006007	1
520	412A1454-1SP	...	HOUSING- USED ON: 412A1454-3SP	001001 006007	1
525	412A1454-11SP	...	HOUSING- USED ON: 412A1454-12SP	001001 006007	1
530	412A1454-9SP	..	BRACKET ASSY- USED ON: 412A1455-1SP	001001 006007	1
535	412A1454-10SP	..	BRACKET ASSY- USED ON: 412A1455-2SP 412A1455-4SP	001001 006007	1
540	BACB28Y3F025	...	BUSHING	001001 006007	2
545	6041-3BR225	...	INSERT- SUPPLIER CODE: V01556	001001 006007	1
550	6041L3BR375	...	INSERT- SUPPLIER CODE: V01556	001001 006007	1
555	412A1454-7SP	...	BRACKET- USED ON: 412A1454-9SP	001001 006007	1
560	412A1454-8SP	...	BRACKET- USED ON: 412A1454-10SP	001001 006007	1
565	412A1250-1SP	.BOX	ASSY-60 IN. BIN FOR DETAILS SEE: 25-24-32-62F	001001 006007	1

MISSING ITEM NUMBERS NOT APPLICABLE

— ITEM NOT ILLUSTRATED

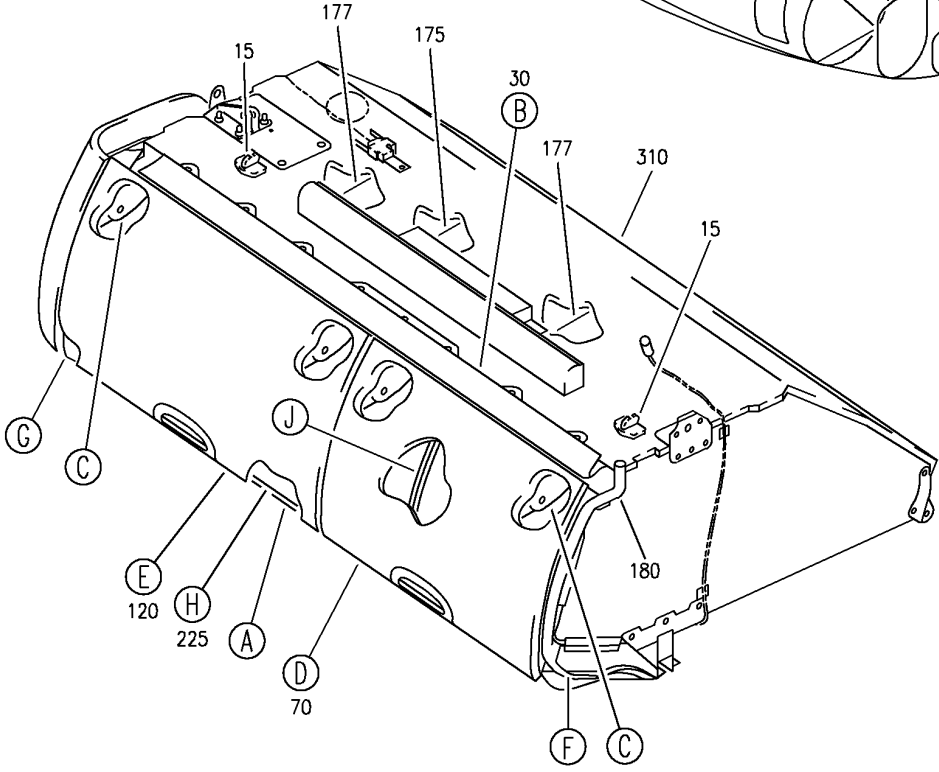
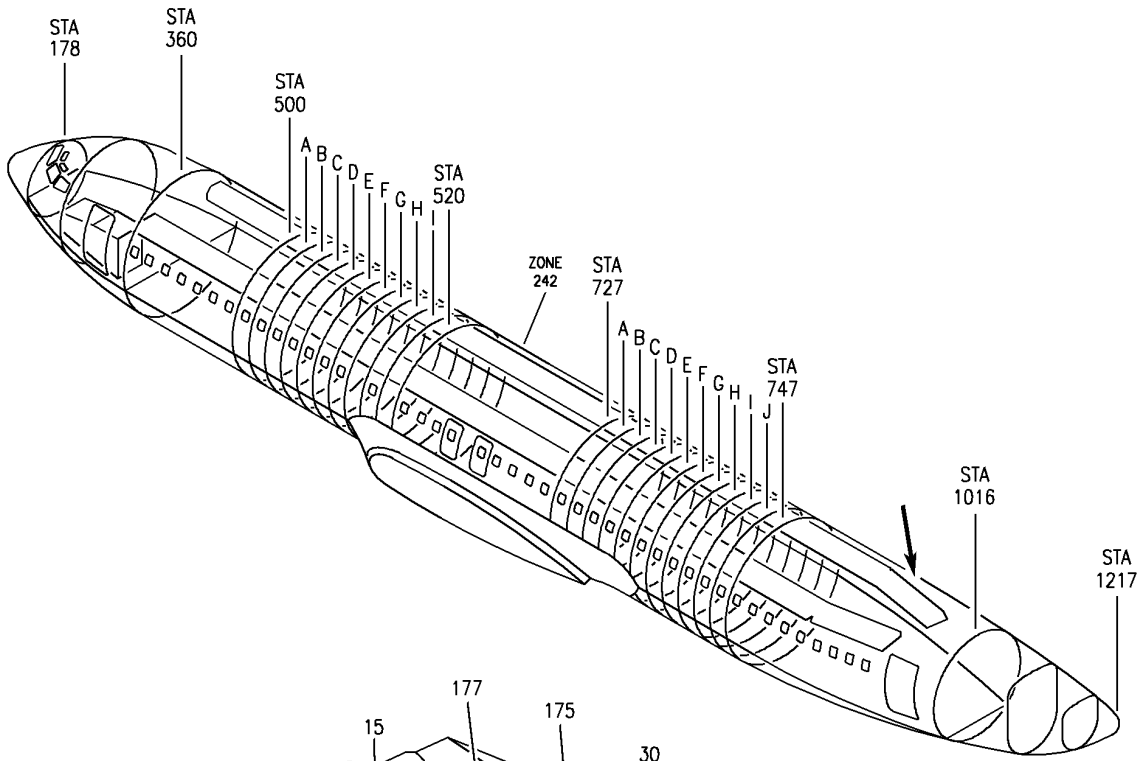
HAP

25-24-31-61E

BOEING PROPRIETARY - Copyright © - Unpublished Work - See title page for details.

25-24-31
FIG. 61E
PAGE 7
JUN 15/08

BOEING
737-600/700/800/900
PARTS CATALOG (MAINTENANCE)



E 2524-3161N SHT 1 REV 139

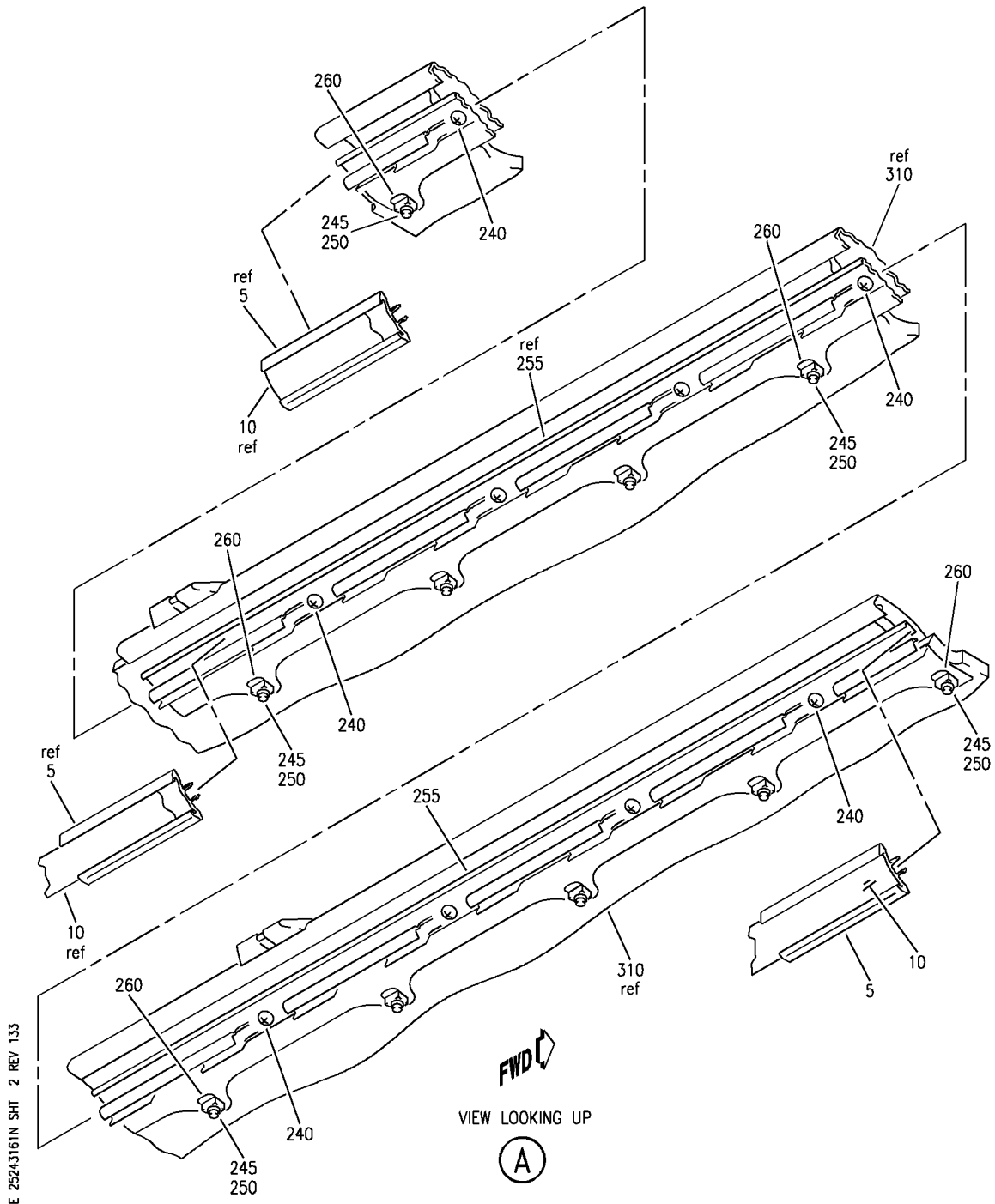
TOP ASSY-AFT RH 60 IN. OVHD STOWAGE BIG BIN BULLNOSE CONFIGURATION (EQUIPMENT/ FURNISHINGS ONLY)
 FIGURE 61N (SHEET 1)

HAP
 FEB 15/08

25-24-31-61N

25-24-31-61N
 PAGE 0

BOEING
 737-600/700/800/900
 PARTS CATALOG (MAINTENANCE)



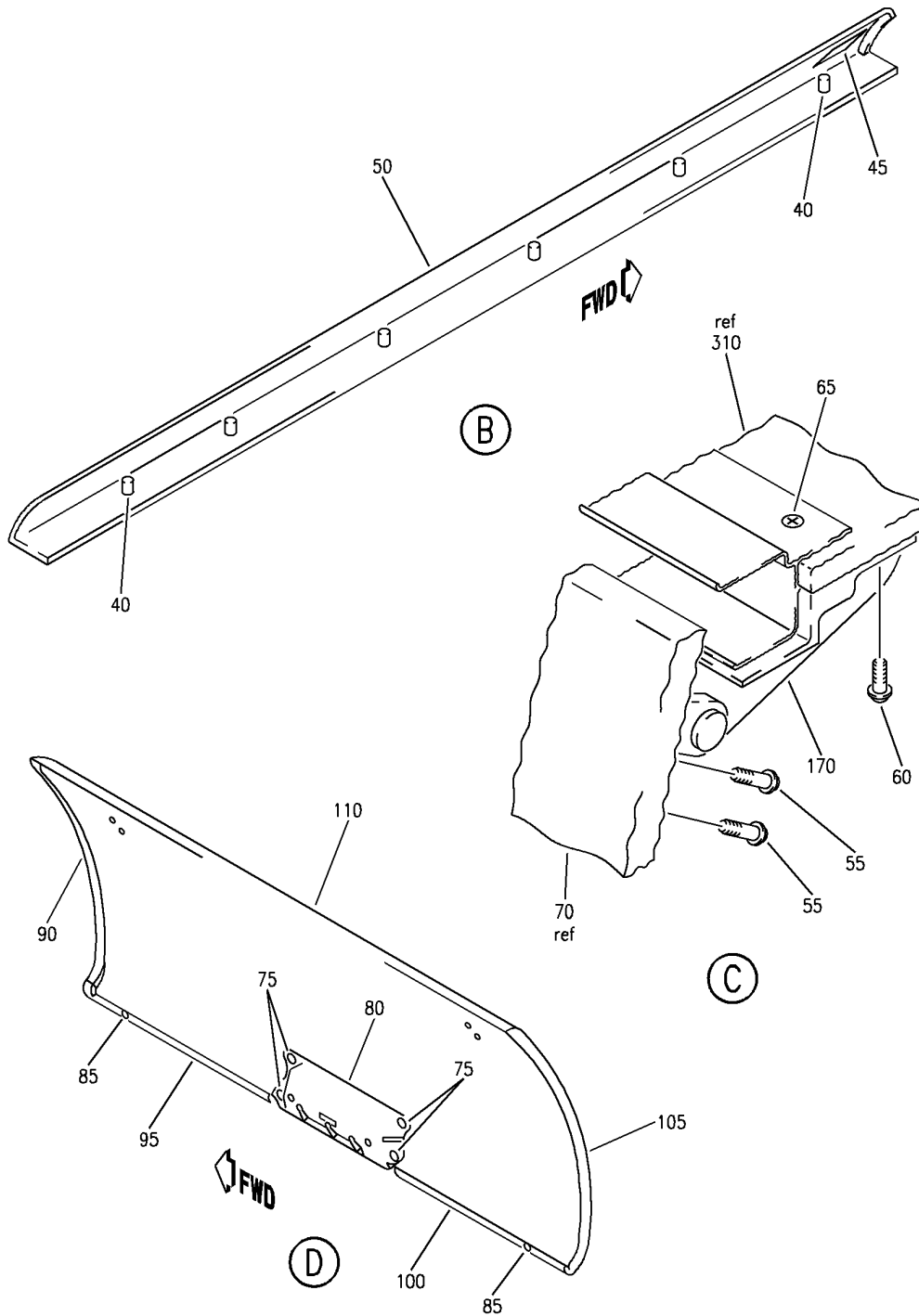
TOP ASSY-AFT RH 60 IN. OVHD STOWAGE BIG BIN BULLNOSE CONFIGURATION (EQUIPMENT/ FURNISHINGS ONLY)
 FIGURE 61N (SHEET 2)

HAP
 OCT 10/07

25-24-31-61N

25-24-31-61N
 PAGE 0A

BOEING
 737-600/700/800/900
 PARTS CATALOG (MAINTENANCE)



E 2524-3161N SHT 3 REV 133

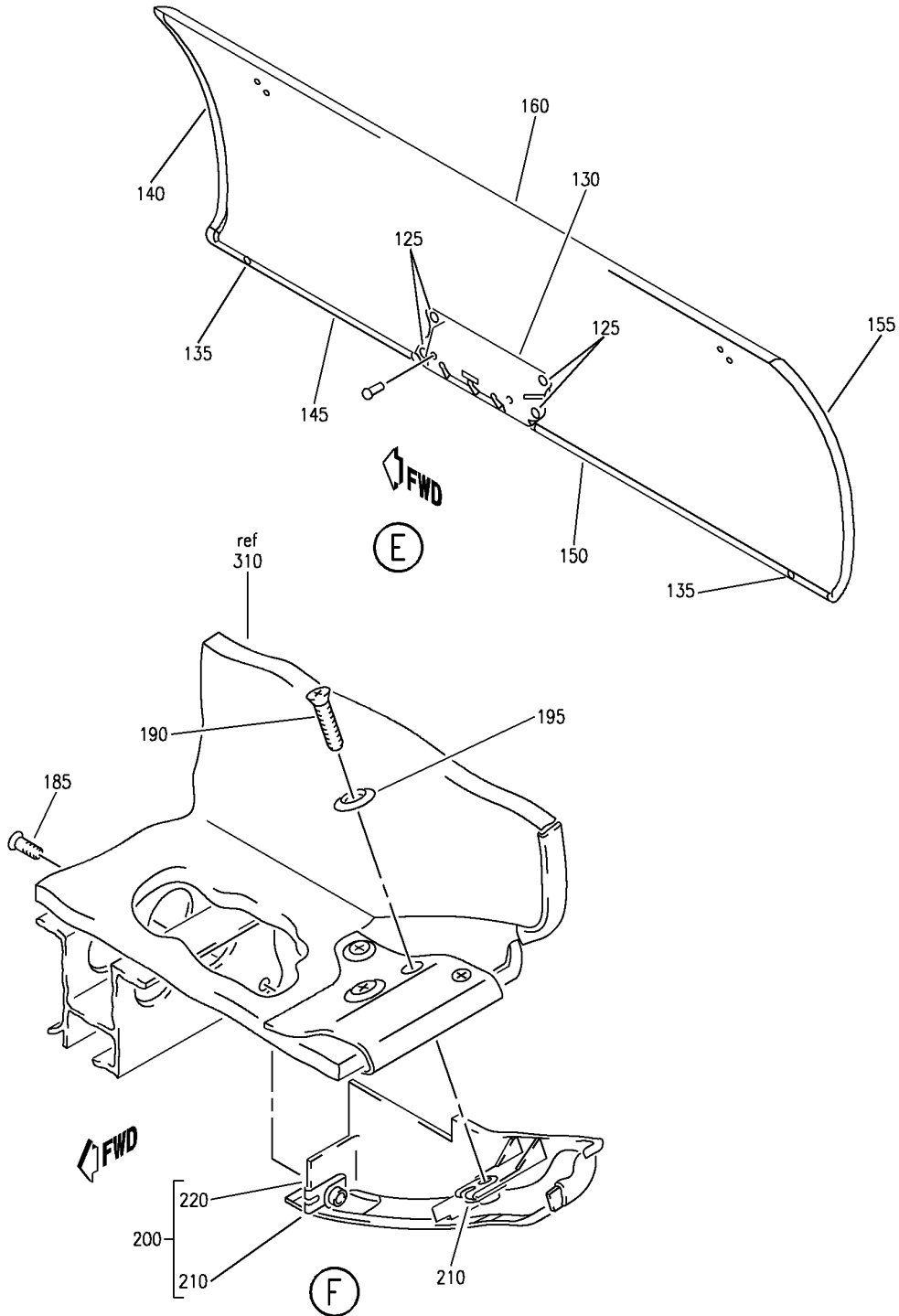
TOP ASSY-AFT RH 60 IN. OVHD STOWAGE BIG BIN BULLNOSE CONFIGURATION (EQUIPMENT/ FURNISHINGS ONLY)
 FIGURE 61N (SHEET 3)

HAP
 OCT 10/07

25-24-31-61N

25-24-31-61N
 PAGE 0B

BOEING
 737-600/700/800/900
 PARTS CATALOG (MAINTENANCE)



E 2524-3161N SHT 4 REV 133

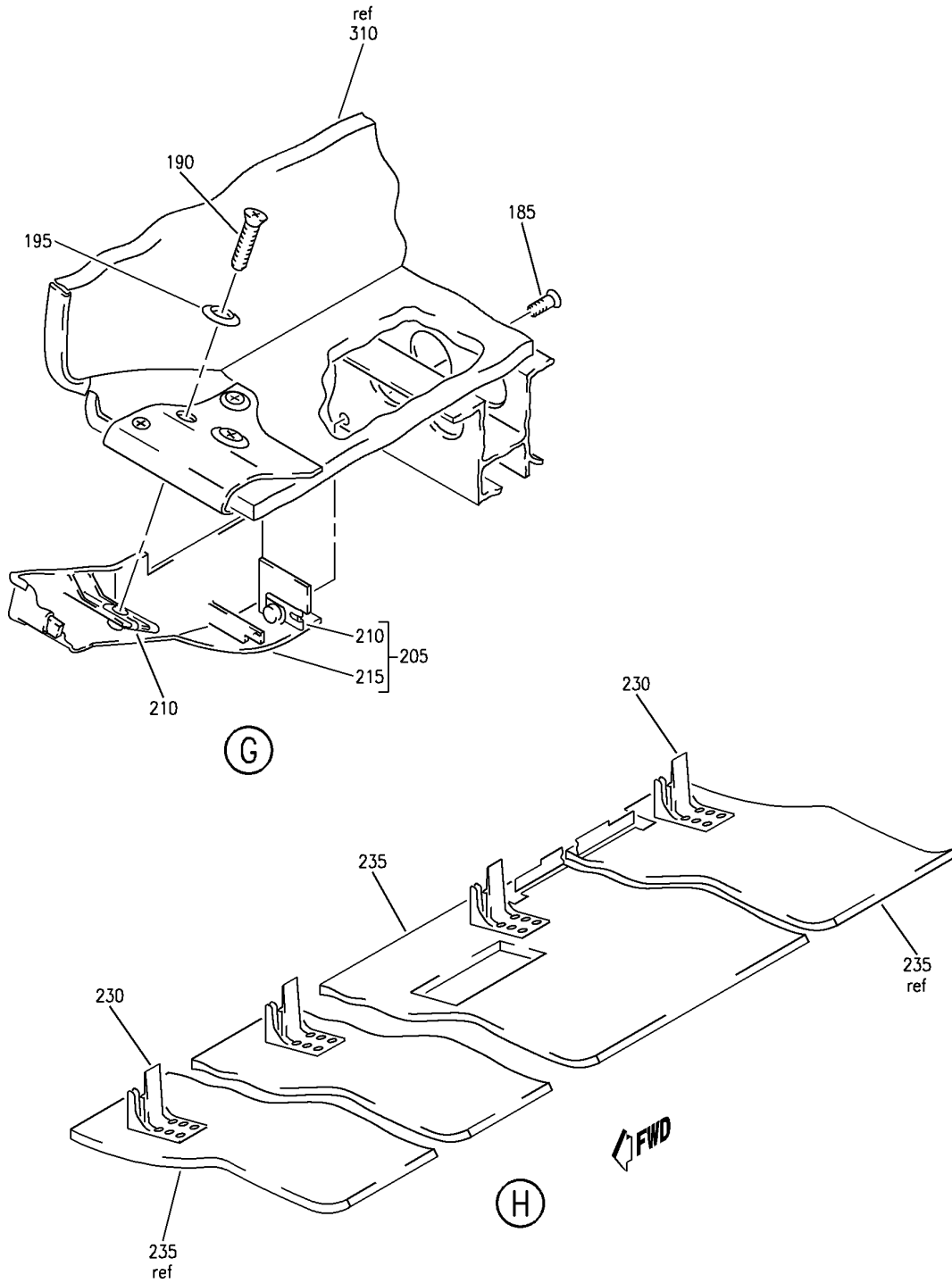
TOP ASSY-AFT RH 60 IN. OVHD STOWAGE BIG BIN BULLNOSE CONFIGURATION (EQUIPMENT/ FURNISHINGS ONLY)
 FIGURE 61N (SHEET 4)

HAP
 OCT 10/07

25-24-31-61N

25-24-31-61N
 PAGE 0C

BOEING
 737-600/700/800/900
 PARTS CATALOG (MAINTENANCE)



E 2524-3161N SHT 5 REV 133

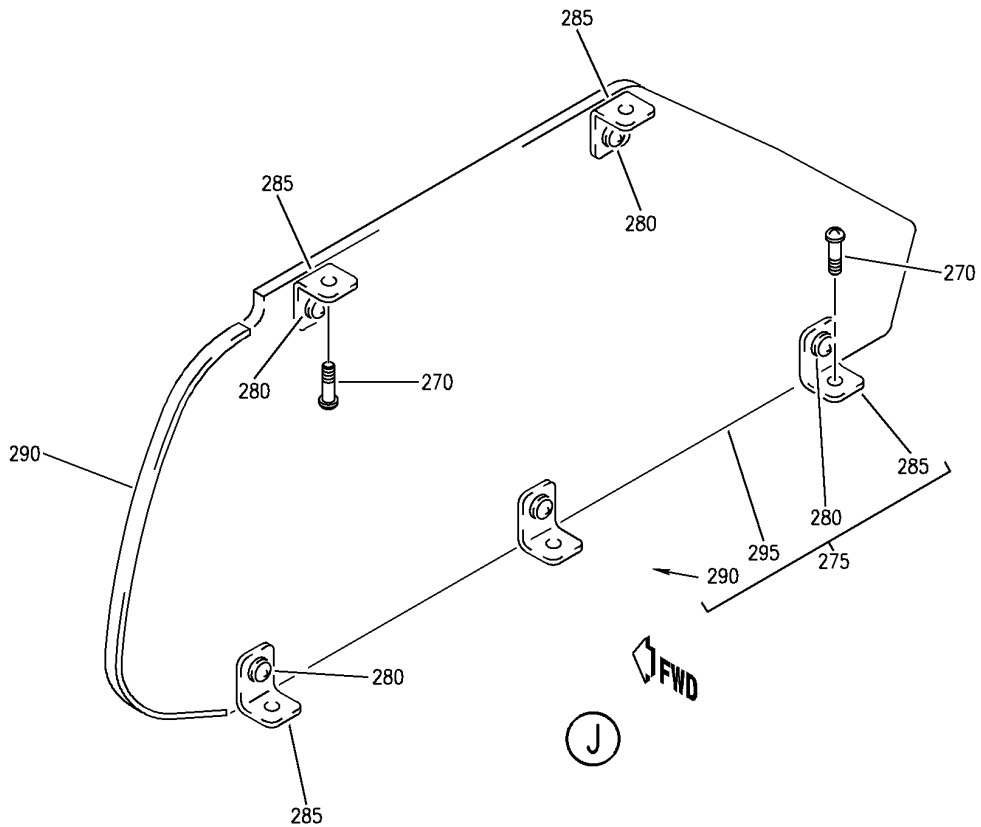
TOP ASSY-AFT RH 60 IN. OVHD STOWAGE BIG BIN BULLNOSE CONFIGURATION (EQUIPMENT/ FURNISHINGS ONLY)
 FIGURE 61N (SHEET 5)

HAP
 OCT 10/07

25-24-31-61N

25-24-31-61N
 PAGE 0D

BOEING
 737-600/700/800/900
 PARTS CATALOG (MAINTENANCE)



E 2524-3161N SHT 6 REV 133

TOP ASSY-AFT RH 60 IN. OVHD STOWAGE BIG BIN BULLNOSE CONFIGURATION (EQUIPMENT/ FURNISHINGS ONLY)
 FIGURE 61N (SHEET 6)

HAP
 OCT 10/07

25-24-31-61N

25-24-31-61N
 PAGE 0E

BOEING
737-600/700/800/900
PARTS CATALOG (MAINTENANCE)

FIG ITEM	PART NUMBER	1 2 3 4 5 6 7	NOMENCLATURE	EFFECT FROM TO	UNITS PER ASSY
R R R R R R R R R R R R R R R	61N		TOP ASSY-AFT RH 60 IN. OVHD STOWAGE BIG BIN BULLNOSE CONFIGURATION (EQUIPMENT/ FURNISHINGS ONLY)	044046 048048 050100 102106 972999	
	- 1	412A1052-1140B	TOP ASSY-60 IN. OVHD STOWAGE BIG BIN BULLNOSE CONFIGURATION (EQUIPMENT/ FURNISHINGS ONLY) POSITION DATA: AFT RH FOR NHA/OTHER SYS DET SEE: 25-24-30-49E	044046 048048 050100 102106 972999	RF
	5	412A1420-2A	.EXTRUSION-SEAT ROW MARKER	044046 048048 050100 102106 972999	1
	10	412A1451-2BCWK	.STRIP-TRIM	044046 048048 050100 102106 972999	1
	15	H3-1592-1	.LATCH-CLG SUPPLIER CODE: V34941 SPECIFICATION NUMBER: S411A001-1 ATTACHING PARTS	044046 048048 050100 102106 972999	2
	- 20	BACS12GU3K7	.SCREW	044046 048048 050100 102106 972999	4
	- 25	NAS1149D0332J	.WASHER	044046 048048 050100 102106 972999	4
	30	412A1700-5A	-----*----- .VALANCE ASSY-LT	044046 048048 050100 102106 972999	1

MISSING ITEM NUMBERS NOT APPLICABLE

- ITEM NOT ILLUSTRATED

HAP

25-24-31-61N

BOEING PROPRIETARY - Copyright © - Unpublished Work - See title page for details.

25-24-31
FIG. 61N
PAGE 1
JUN 15/09


BOEING
 737-600/700/800/900
PARTS CATALOG (MAINTENANCE)

FIG ITEM	PART NUMBER	1 2 3 4 5 6 7	NOMENCLATURE	EFFECT FROM TO	UNITS PER ASSY	
R R R R R R R R R R R R R R	61N		ATTACHING PARTS			
	- 35	BACN10YJ3F	.NUT	044046 048048 050100 102106 972999	6	
	40	BACS21DW3C10FN	-----*----- ..STUD	044046 048048 050100 102106 972999	6	
	45	412A1700-6	..TAPE-VELCRO	044046 048048 050100 102106 972999	1	
	50	412A1711-5A	..PANEL ASSY	044046 048048 050100 102106 972999	1	
	55	BACS12FA3K5	.SCREW	044046 048048 050100 102106 972999	16	
	60	BACS12FA3K6	.SCREW	044046 048048 050100 102106 972999	4	
	65	BACB30VF3K8	.BOLT	044046 048048 050100 102106 972999	4	
	70	412A1505-102B	.DOOR ASSY-20 IN. QUALIFIED I/W DATA: THE 412A1505-102B DOOR ASSEMBLY PLUS (QTY 2) HINGE (SP23011) TOGETHER CAN REPLACE THE 412A1505-2B DOOR ASSEMBLY PLUS (QTY 2) HINGE (SP21757).	044046 048048 050100 102106 972999	1	
	MISSING ITEM NUMBERS NOT APPLICABLE					

- ITEM NOT ILLUSTRATED

HAP

25-24-31-61N

BOEING PROPRIETARY - Copyright © - Unpublished Work - See title page for details.

25-24-31
 FIG. 61N
 PAGE 2
 JUN 15/09

BOEING
737-600/700/800/900
PARTS CATALOG (MAINTENANCE)

FIG ITEM	PART NUMBER	1 2 3 4 5 6 7	NOMENCLATURE	EFFECT FROM TO	UNITS PER ASSY
R R R R R R R R R R R R R R R R R R R R R	61N 75	BACS12FA3K4	.. SCREW	044046 048048 050100 102106 972999	4
	80	HA951-1	.. LATCH ASSY- SUPPLIER CODE: V83014 SPECIFICATION NUMBER: S412A003-1	044046 048048 050100 102106 972999	1
	85	412A1810-3B	.. BUMPER- QUALIFIED I/W DATA: PN 412A1810-3B CAN REPLACE BUT NOT BE REPLACED BY PN 412A1810-2B FOR 737-600/700/800/900 ONLY.	044046 048048 050100 102106 972999	2
	90	412A1452-104B	.. TRIM-VERT	044046 048048 050100 102106 972999	1
	95	412A1452-106B	.. TRIM-HORIZ	044046 048048 050100 102106 972999	1
	100	412A1452-105B	.. TRIM-HORIZ	044046 048048 050100 102106 972999	1
	105	412A1452-103B	.. TRIM-VERT	044046 048048 050100 102106 972999	1
	110	412A1514-102B	.. PANEL ASSY	044046 048048 050100 102106 972999	1
	- 115	SL618-3A	... INSERT- SUPPLIER CODE: V97393	044046 048048 050100 102106 972999	12

MISSING ITEM NUMBERS NOT APPLICABLE

- ITEM NOT ILLUSTRATED

25-24-31-61N

25-24-31
FIG. 61N
PAGE 3
JUN 15/09

HAP

BOEING
737-600/700/800/900
PARTS CATALOG (MAINTENANCE)

FIG ITEM	PART NUMBER	1 2 3 4 5 6 7	NOMENCLATURE	EFFECT FROM TO	UNITS PER ASSY
R R R R R R R R R R R R R R R R R R R R R	61N 120	412A1505-101B	.DOOR ASSY-40 IN.	044046 048048 050100 102106 972999	1
	125	BACS12FA3K4	..SCREW	044046 048048 050100 102106 972999	4
	130	HA951-1	..LATCH ASSY- SUPPLIER CODE: V83014 SPECIFICATION NUMBER: S412A003-1	044046 048048 050100 102106 972999	1
	135	412A1810-3B	..BUMPER- QUALIFIED I/W DATA: PN 412A1810-3B CAN REPLACE BUT NOT BE REPLACED BY PN 412A1810-2B FOR 737-600/700/800/900 ONLY.	044046 048048 050100 102106 972999	2
	140	412A1452-104B	..TRIM-VERT	044046 048048 050100 102106 972999	1
	145	412A1452-106B	..TRIM-HORIZ	044046 048048 050100 102106 972999	1
	150	412A1452-105B	..TRIM-HORIZ	044046 048048 050100 102106 972999	1
	155	412A1452-103B	..TRIM-VERT	044046 048048 050100 102106 972999	1
	160	412A1513-102B	..PANEL ASSY	044046 048048 050100 102106 972999	1

MISSING ITEM NUMBERS NOT APPLICABLE

- ITEM NOT ILLUSTRATED

HAP

25-24-31-61N

BOEING PROPRIETARY - Copyright © - Unpublished Work - See title page for details.

25-24-31
FIG. 61N
PAGE 4
JUN 15/09

BOEING
737-600/700/800/900
PARTS CATALOG (MAINTENANCE)

FIG ITEM	PART NUMBER	1 2 3 4 5 6 7	NOMENCLATURE	EFFECT FROM TO	UNITS PER ASSY
R R R R R R R R R R R R	61N - 165	SL618-3A	...INSERT- SUPPLIER CODE: V97393	044046 048048 050100 102106 972999	12
	170	SP23011	.HINGE ASSY- SUPPLIER CODE: V24403 SPECIFICATION NUMBER: S412A004-3	044046 048048 050100 102106 972999	4
	175	FB2104	.MIRROR- SUPPLIER CODE: VS5065	044046 054100 102106 972999	1
	180	403A3210-96B	.SEAL ASSY	044046 048048 050100 102106 972999	1
	185	BACB30VF3K3	.BOLT	044046 048048 050100 102106 972999	2
	190	BACS12ER3K11	.SCREW	044046 048048 050100 102106 972999	2
	195	H3-1233A3	.WASHER- SUPPLIER CODE: V34941 SPECIFICATION NUMBER: S411A001-1	044046 048048 050100 102106 972999	2
	200	412A1467-1B	.CLOSEOUT ASSY	044046 048048 050100 102106 972999	1
	205	412A1467-2B	.CLOSEOUT ASSY	044046 048048 050100 102106 972999	1
	210	BACN10VR4CGN	..NUT- OPTIONAL PART: BACN10VR4CG	044046 048048 050100 102106 972999	2

MISSING ITEM NUMBERS NOT APPLICABLE

- ITEM NOT ILLUSTRATED

HAP

25-24-31-61N

BOEING PROPRIETARY - Copyright © - Unpublished Work - See title page for details.

25-24-31
FIG. 61N
PAGE 5
JUN 15/09

BOEING
737-600/700/800/900
PARTS CATALOG (MAINTENANCE)

FIG ITEM	PART NUMBER	1 2 3 4 5 6 7	NOMENCLATURE	EFFECT FROM TO	UNITS PER ASSY
R R R R R R R R R R R R R R R R R R	61N 210	BACN10VR4CG	..NUT- OPTIONAL PART: BACN10VR4CGN	044046 048048 050100 102106 972999	2
	215	412A1467-5B	..CLOSEOUT- USED ON: 412A1467-1B	044046 048048 050100 102106 972999	1
	220	412A1467-6B	..CLOSEOUT- USED ON: 412A1467-2B	044046 048048 050100 102106 972999	1
	225	412A1607-10B	.COVER ASSY	044046 048048 050100 102106 972999	1
	230	412A1460-2	..CLIP	044046 048048 050100 102106 972999	4
	235	412A1617-11B	..PANEL	044046 048048 050100 102106 972999	1
	240	BACS12FA3K5	.SCREW	044046 048048 050100 102106 972999	9
	245	BACS12ER3K14	.SCREW	044046 048048 050100 102106 972999	10
	250	H3-1233A3	.WASHER- SUPPLIER CODE: V34941 SPECIFICATION NUMBER: S411A001-1	044046 048048 050100 102106 972999	10

MISSING ITEM NUMBERS NOT APPLICABLE

— ITEM NOT ILLUSTRATED

HAP

25-24-31-61N

BOEING PROPRIETARY - Copyright © - Unpublished Work - See title page for details.

25-24-31
FIG. 61N
PAGE 6
JUN 15/09

BOEING
737-600/700/800/900
PARTS CATALOG (MAINTENANCE)

FIG ITEM	PART NUMBER	1 2 3 4 5 6 7	NOMENCLATURE	EFFECT FROM TO	UNITS PER ASSY	
R R R R R R R R R R	61N 255	412A1244-2	.EXTRUSION ASSY	044046 048048 050100 102106 972999	1	
	260	FS1651-3	..NUTPLATE SUPPLIER CODE: V15653 SPECIFICATION NUMBER: BACN10KH3CD OPTIONAL PART: 102F9209M3 V72962 NS202496-02 V80539 ATTACHING PARTS	044046 048048 050100 102106 972999	10	
	- 265	BACR15BA3ADC	..RIVET- SIZE DETERMINED ON INSTL.	044046 048048 050100 102106 972999	20	
	270	BACS12FA3K5	-----*----- .SCREW	044046 048048 050100 102106 972999	5	
	275	412A1912-1B	.PANEL ASSY-DIVIDER	044046 048048 050100 102106 972999	1	
	280	BACS12FA3K5	..SCREW	044046 048048 050100 102106 972999	5	
	285	412A1220-61A	..CLIP	044046 048048 050100 102106 972999	5	
	290	412A1250-91A	..TRIM	044046 048048 050100 102106 972999	1	
	MISSING ITEM NUMBERS NOT APPLICABLE					

- ITEM NOT ILLUSTRATED

HAP

25-24-31-61N

BOEING PROPRIETARY - Copyright © - Unpublished Work - See title page for details.

25-24-31
FIG. 61N
PAGE 7
JUN 15/09

BOEING
737-600/700/800/900
PARTS CATALOG (MAINTENANCE)

FIG ITEM	PART NUMBER	1 2 3 4 5 6 7	NOMENCLATURE	EFFECT FROM TO	UNITS PER ASSY
R R R R R R R R R R R R R R R R	61N 295	412A1217-1B	..PANEL ASSY	044046 048048 050100 102106 972999	1
	- 300	SL2334-3A1	...INSERT- SUPPLIER CODE: V97393	044046 048048 050100 102106 972999	11
	- 306	412A1811-2B	.PLUG	044046 048048 050100 102106 972999	AR
	310	412A1255-38B	.BOX ASSY-60 IN. FOR DETAILS SEE: 25-24-32-65	044046 048048 050100 102106 972999	1

MISSING ITEM NUMBERS NOT APPLICABLE

- ITEM NOT ILLUSTRATED

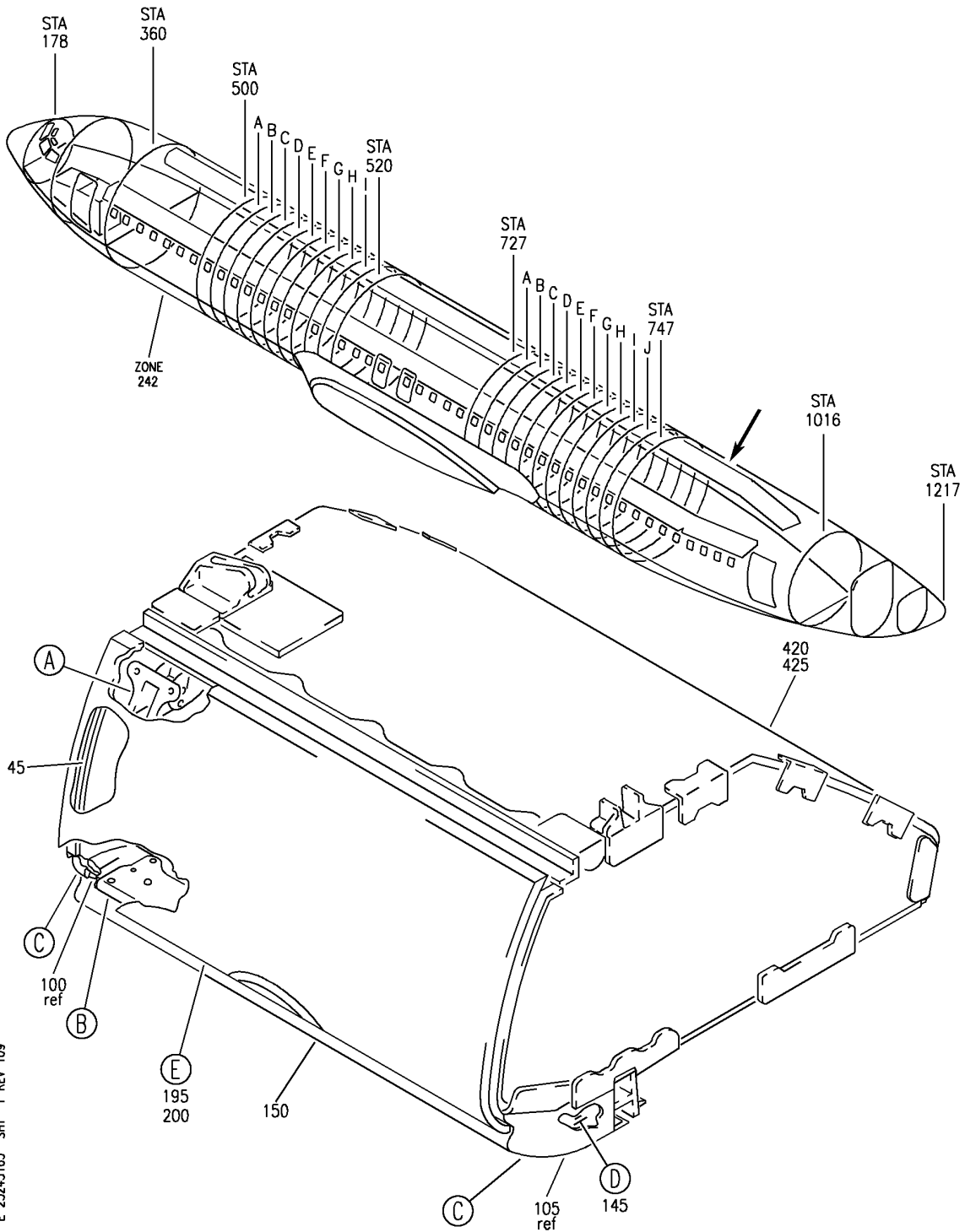
HAP

25-24-31-61N

BOEING PROPRIETARY - Copyright © - Unpublished Work - See title page for details.

25-24-31
FIG. 61N
PAGE 8
JUN 15/09

BOEING
737-600/700/800/900
PARTS CATALOG (MAINTENANCE)



E 2524-3163 SHT 1 REV 109

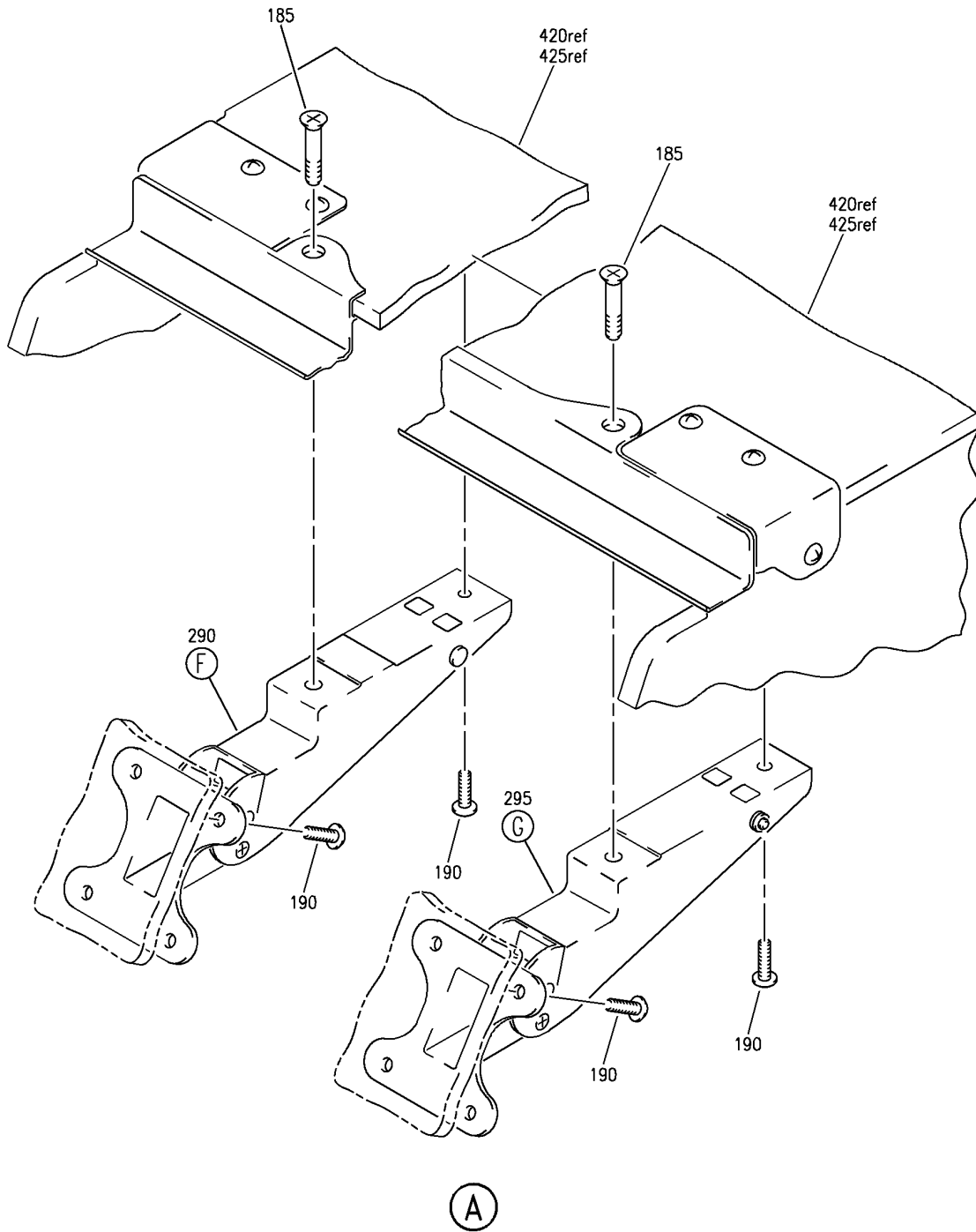
COMPARTMENT ASSY-AFT RH 31 IN. OVHD STOWAGE HANDRL CONFIGURATION
 FIGURE 63 (SHEET 1)

25-24-31-63

HAP
 OCT 10/06

25-24-31-63
 PAGE 0

BOEING
737-600/700/800/900
PARTS CATALOG (MAINTENANCE)



E 2524-3163 SHT 2 REV 109

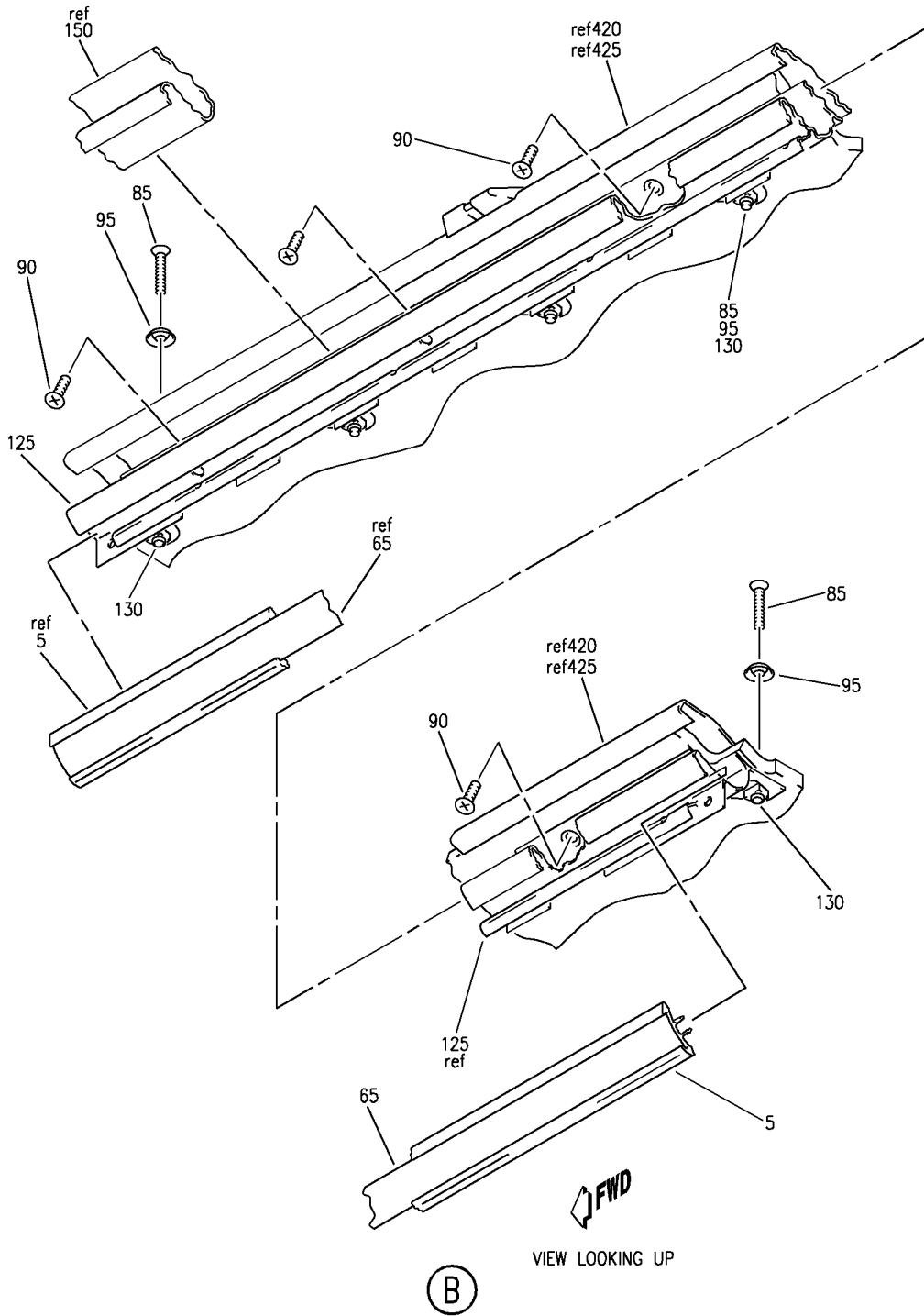
COMPARTMENT ASSY-AFT RH 31 IN. OVHD STOWAGE HNDRL CONFIGURATION
FIGURE 63 (SHEET 2)

25-24-31-63

HAP
OCT 10/06

25-24-31-63
PAGE 0A

BOEING
 737-600/700/800/900
 PARTS CATALOG (MAINTENANCE)



E 2524-3163 SHT 3 REV 109

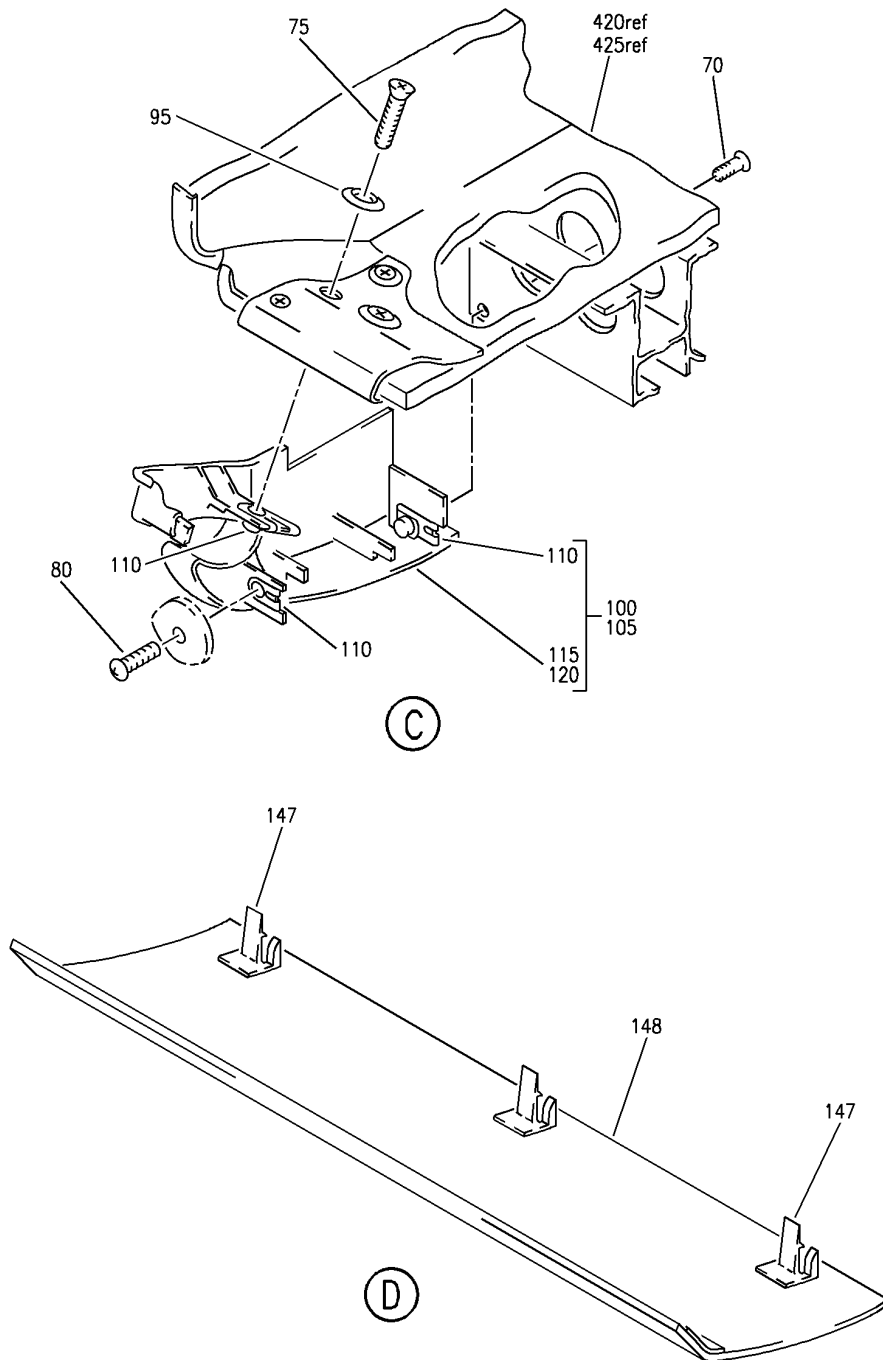
COMPARTMENT ASSY-AFT RH 31 IN. OVHD STOWAGE HNDRL CONFIGURATION
 FIGURE 63 (SHEET 3)

25-24-31-63

HAP
 OCT 10/06

25-24-31-63
 PAGE 0B

BOEING
 737-600/700/800/900
 PARTS CATALOG (MAINTENANCE)



E 2524-3163 SHT 4 REV 109

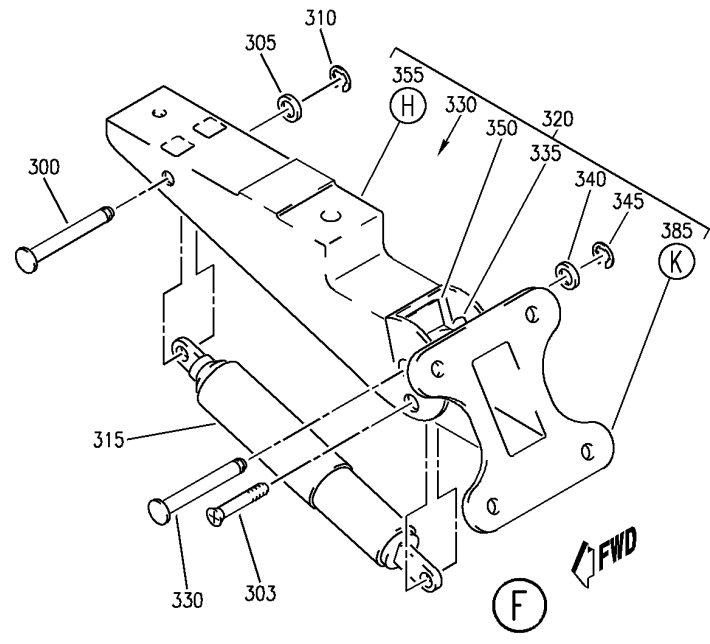
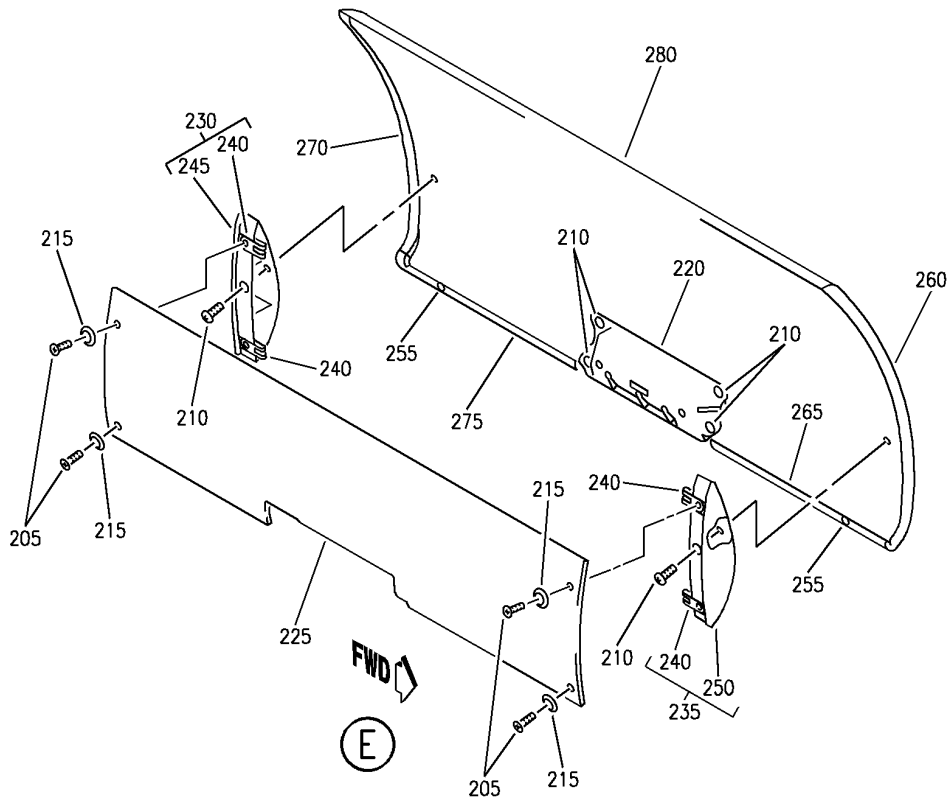
COMPARTMENT ASSY-AFT RH 31 IN. OVHD STOWAGE HNDRL CONFIGURATION
 FIGURE 63 (SHEET 4)

25-24-31-63

HAP
 OCT 10/06

25-24-31-63
 PAGE 0C


BOEING
 737-600/700/800/900
PARTS CATALOG (MAINTENANCE)



E 2524-3163 SH 5 REV 109

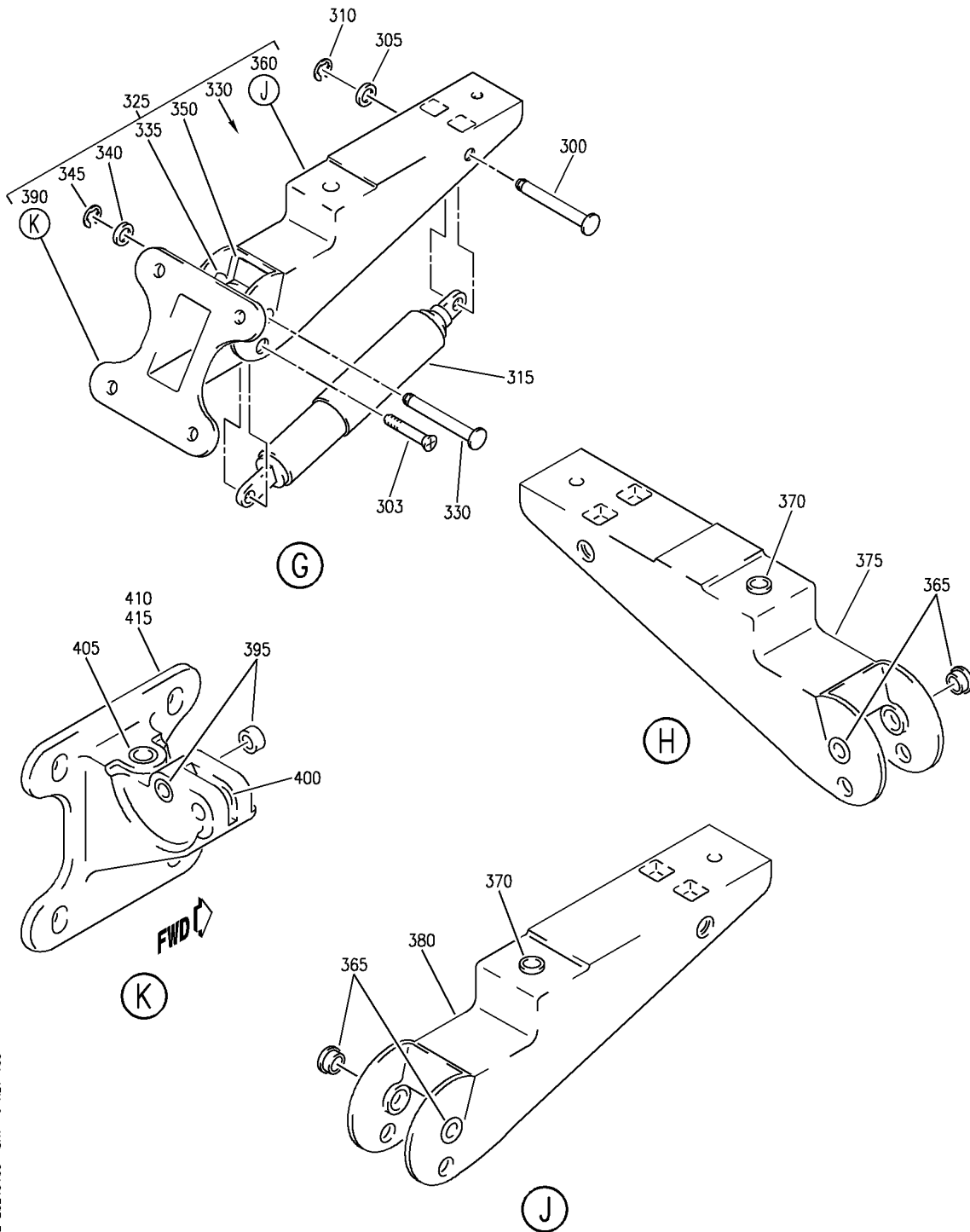
COMPARTMENT ASSY-AFT RH 31 IN. OVHD STOWAGE HNDRL CONFIGURATION
 FIGURE 63 (SHEET 5)

25-24-31-63

HAP
OCT 10/06

25-24-31-63
PAGE 0D

BOEING
 737-600/700/800/900
 PARTS CATALOG (MAINTENANCE)



E 2524-3163 SHT 6 REV 109

COMPARTMENT ASSY-AFT RH 31 IN. OVHD STOWAGE HNDRL CONFIGURATION
 FIGURE 63 (SHEET 6)

25-24-31-63

HAP
 OCT 10/06

25-24-31-63
 PAGE 0E

BOEING
737-600/700/800/900
PARTS CATALOG (MAINTENANCE)

FIG ITEM	PART NUMBER	1 2 3 4 5 6 7	NOMENCLATURE	EFFECT FROM TO	UNITS PER ASSY
63			COMPARTMENT ASSY-AFT RH 31 IN. OVHD STOWAGE HNDRL CONFIGURATION	002005 008030	
- 1	412A1150-120SP		COMPARTMENT ASSY-31 IN. OVHD STOWAGE HNDRL CONFIGURATION POSITION DATA: AFT RH PRE SERVICE BULLETIN: 25-1373 FOR NHA SEE: 25-24-30-49D	002005 008008	RF
- 1	412A1150-320SP		COMPARTMENT ASSY-31 IN. OVHD STOWAGE HNDRL CONFIGURATION POSITION DATA: AFT RH POST SERVICE BULLETIN: 25-1373 FOR NHA SEE: 25-24-30-49D	002005 008008	RF
- 1	412A1150-320B		COMPARTMENT ASSY-31 IN. OVHD STOWAGE HNDRL CONFIGURATION POSITION DATA: AFT RH FOR NHA SEE: 25-24-30-49D	009030	RF
5	412A1420-2SP		.EXTRUSION-SEAT ROW MARKER	002005 008008	1
5	412A1420-2A		.EXTRUSION-SEAT ROW MARKER	009030	1
65	412A1451-2SP		.STRIP-	002005 008008	1
65	412A1451-2BCWK		.STRIP-	009030	1
70	BACB30VF3K3		.BOLT	002005 008030	2
75	BACS12ER3K9		.SCREW	002005 008030	2
80	BACS12FA3K7		.SCREW	002005 008030	2
85	BACS12ER3K14		.SCREW	002005 008030	5
90	BACS12ER3K5		.SCREW	002005 008030	4
95	H3-1233A3		.WASHER- SUPPLIER CODE: V34941 SPECIFICATION NUMBER: S411A001-1	002005 008030	7

MISSING ITEM NUMBERS NOT APPLICABLE

- ITEM NOT ILLUSTRATED

HAP

25-24-31-63

25-24-31
FIG. 63
PAGE 1
JUN 15/08

BOEING
737-600/700/800/900
PARTS CATALOG (MAINTENANCE)

FIG ITEM	PART NUMBER	1 2 3 4 5 6 7	NOMENCLATURE	EFFECT FROM TO	UNITS PER ASSY
63					
100	412A1465-14SP	.	CLOSEOUT ASSY-	002005 008008	1
100	412A1465-14A	.	CLOSEOUT ASSY-	009030	1
105	412A1465-9SP	.	CLOSEOUT ASSY-	002005 008008	1
105	412A1465-9A	.	CLOSEOUT ASSY-	009030	1
110	BACN10VR4CGN	..	NUT- OPTIONAL PART: BACN10VR4CG	002005 008030	3
110	BACN10VR4CG	..	NUT- OPTIONAL PART: BACN10VR4CGN	002005 008030	3
115	412A1465-16SP	..	CLOSEOUT- USED ON: 412A1465-14SP	002005 008008	1
120	412A1465-11SP	..	CLOSEOUT- USED ON: 412A1465-9SP	002005 008008	1
125	412A1243-11	.	EXTRUSION ASSY- OPTIONAL PART: 412A1243-111	002005 008008	1
125	412A1243-111	.	EXTRUSION ASSY- OPTIONAL PART: 412A1243-11	002005 008030	1
130	FS1651-3	..	NUTPLATE SUPPLIER CODE: V15653 SPECIFICATION NUMBER: BACN10KH3CD OPTIONAL PART: 102F9209M3 V72962 NS202496-02 V80539 ATTACHING PARTS	002005 008030	5
- 135	BACR15BA3ADC	..	RIVET- SIZE DETERMINED ON INSTL. -----*-----	002005 008030	10
145	412A1600-13SP	.	COVER ASSY	002005 008030	1
147	412A1460-1	..	CLIP	002005 008030	3
148	412A1610-113SP	..	PANEL ASSY- OPTIONAL PART: 412A1610-13SP	002005 008030	1
148	412A1610-13SP	..	PANEL ASSY- OPTIONAL PART: 412A1610-113SP	002005 008030	1

MISSING ITEM NUMBERS NOT APPLICABLE

- ITEM NOT ILLUSTRATED

HAP

25-24-31-63

25-24-31
FIG. 63
PAGE 2
JUN 15/08

BOEING
737-600/700/800/900
PARTS CATALOG (MAINTENANCE)

FIG ITEM	PART NUMBER	1 2 3 4 5 6 7	NOMENCLATURE	EFFECT FROM TO	UNITS PER ASSY
63					
150	412A1650-3SP	.	COVER ASSY-	002005 008008	1
150	412A1650-3A	.	COVER ASSY-	009030	1
- 162	OBA8	.	PLUG-	002005 008008	AR
			SUPPLIER CODE: VOBV87		
			OPTIONAL PART: 412A1811-1B		
- 163	OBA8	.	PLUG-	009030	AR
			SUPPLIER CODE: VOBV87		
			OPTIONAL PART: 412A1100-96 412A1811-1B 412A1811-2B		
- 163	OBA8	.	PLUG-	002005 008008	AR
			SUPPLIER CODE: VOBV87		
			OPTIONAL PART: 412A1100-96 412A1811-1SP		
- 166	412A1811-2B	.	PLUG-	009030	AR
			OPTIONAL PART: 412A1100-96 OBA8 VOBV87 412A1811-1B		
- 167	412A1811-1B	.	PLUG-	009030	AR
			OPTIONAL PART: 412A1100-96 OBA8 VOBV87 412A1811-2B		
- 167	412A1811-1SP	.	PLUG-	002005 008008	AR
			OPTIONAL PART: 412A1100-96 OBA8 VOBV87		
			POST SERVICE BULLETIN: 25-1373		
- 172	412A1100-96	.	KIT ASSY-SCR AND WASHER	009030	30
			OPTIONAL PART: OBA8 VOBV87 412A1811-1B 412A1811-2B		

MISSING ITEM NUMBERS NOT APPLICABLE

- ITEM NOT ILLUSTRATED

HAP

25-24-31-63

BOEING PROPRIETARY - Copyright © - Unpublished Work - See title page for details.

25-24-31
FIG. 63
PAGE 3
JUN 15/08

BOEING
737-600/700/800/900
PARTS CATALOG (MAINTENANCE)

FIG ITEM	PART NUMBER	1 2 3 4 5 6 7	NOMENCLATURE	EFFECT FROM TO	UNITS PER ASSY
63					
- 172	412A1100-96		.KIT ASSY-SCR AND WASHER OPTIONAL PART: OBA8 VOBV87 412A1811-1SP	002005 008008	30
- 175	NAS514P1032-5		..SCREW	002005 008030	1
- 180	H3-1233A3		..WASHER- SUPPLIER CODE: V34941 SPECIFICATION NUMBER: S411A001-1	002005 008030	1
185	BACB30VF3K8		.BOLT	002005 008030	2
190	BACS12FA3K6		.SCREW	002005 008030	10
195	412A1500-23SP		.DOOR ASSY-30.60 IN. PRE SERVICE BULLETIN: 25-1373	002005 008008	1
195	412A1500-123SP		.DOOR ASSY-30.60 IN. USED ON: 412A1150-466SP 412A1150-466B 412A1150-320SP 412A1150-320C 412A1150-320B 412A1150-408B 412A1150-416B 412A1150-406SP POST SERVICE BULLETIN: 25-1373	002005 008030	1
205	BACS12ER3K9		..SCREW	002005 008030	4
210	BACS12FA3K4		..SCREW	002005 008030	6
215	H3-1233A3		..WASHER- SUPPLIER CODE: V34941 SPECIFICATION NUMBER: S411A001-1	002005 008030	4

MISSING ITEM NUMBERS NOT APPLICABLE

- ITEM NOT ILLUSTRATED

HAP

25-24-31-63

BOEING PROPRIETARY - Copyright © - Unpublished Work - See title page for details.

25-24-31
FIG. 63
PAGE 4
JUN 15/08

BOEING
737-600/700/800/900
PARTS CATALOG (MAINTENANCE)

FIG ITEM	PART NUMBER	1 2 3 4 5 6 7	NOMENCLATURE	EFFECT FROM TO	UNITS PER ASSY
63 220	HA225-1		.. LATCH ASSY- SUPPLIER CODE: V83014 SPECIFICATION NUMBER: S412A001-1A PRE SERVICE BULLETIN: 25-1373 PRE SERVICE BULLETIN: HA225-25-01 V83014	002005 008030	1
220	HA225-7		.. LATCH ASSY- SUPPLIER CODE: V83014 SPECIFICATION NUMBER: S412A001-11B SERVICE BULLETIN OPT DATA: HA225K3868 V83014 POST SERVICE BULLETIN: 25-1373 POST SERVICE BULLETIN: HA225-25-01 V83014	002005 008030	1
220	HA225K3868		.. LATCH ASSY- SUPPLIER CODE: V83014 SERVICE BULLETIN OPT DATA: HA225-7 V83014 POST SERVICE BULLETIN: 25-1373 POST SERVICE BULLETIN: HA225-25-01 V83014	002005 008008	1
225	412A1615-112SP		.. PANEL ASSY-FILLER OPTIONAL PART: 412A1615-1112SP USED ON: 412A1500-23SP 412A1500-123SP	002005 008030	1
225	412A1615-1112SP		.. PANEL ASSY-FILLER OPTIONAL PART: 412A1615-112SP USED ON: 412A1500-123SP	002005 008030	1
230	412A1480-3SP		.. BRACKET ASSY-	002005 008030	1
235	412A1480-4SP		.. BRACKET ASSY-	002005 008030	1

MISSING ITEM NUMBERS NOT APPLICABLE

- ITEM NOT ILLUSTRATED

HAP

25-24-31-63

25-24-31
FIG. 63
PAGE 5
JUN 15/08

BOEING
737-600/700/800/900
PARTS CATALOG (MAINTENANCE)

FIG ITEM	PART NUMBER	1 2 3 4 5 6 7	NOMENCLATURE	EFFECT FROM TO	UNITS PER ASSY
63					
240	BACN10VR4CGN	...	NUT	002005 008030	2
245	412A1480-1SP	...	BRACKET	002005 008030	1
250	412A1480-2SP	...	BRACKET	002005 008030	1
255	412A1810-1SP	..	BUMPER	002005 008030	2
260	412A1450-3SP	..	TRIM-EDGE USED ON: 412A1500-23SP 412A1500-123SP	002005 008030	1
265	412A1450-5SP	..	TRIM-EDGE USED ON: 412A1500-23SP 412A1500-123SP	002005 008030	1
270	412A1450-8SP	..	TRIM-EDGE	002005 008030	1
275	412A1450-10SP	..	TRIM-EDGE	002005 008030	1
280	412A1510-25SP	..	PANEL ASSY- USED ON: 412A1500-23SP 412A1500-123SP	002005 008030	1
- 285	SL618-3A	...	INSERT- SUPPLIER CODE: V97393	002005 008030	14
290	412A1100-53SP	.HINGE	ASSY-COLLECTOR	002005 008030	1
295	412A1100-52SP	.HINGE	ASSY-COLLECTOR	002005 008030	1
300	412A1230-21	..	PIN	002005 008030	1
303	BACB30VF3K7	..	BOLT	002005 008030	1
305	NAS1149D0316J	..	WASHER	002005 008030	1
310	MS16633-4018	..	RING	002005 008030	1
315	SP20522	..	ACTUATOR ASSY- SUPPLIER CODE: V24403 SPECIFICATION NUMBER: S412A002-2	002005 008030	1
320	412A1455-3SP	..	HINGE ASSY- USED ON: 412A1100-53SP	002005 008030	1

MISSING ITEM NUMBERS NOT APPLICABLE

- ITEM NOT ILLUSTRATED

HAP

25-24-31-63

25-24-31
FIG. 63
PAGE 6
JUN 15/08

 **BOEING**
737-600/700/800/900
PARTS CATALOG (MAINTENANCE)

FIG ITEM	PART NUMBER	1 2 3 4 5 6 7	NOMENCLATURE	EFFECT FROM TO	UNITS PER ASSY
63					
325	412A1455-2SP	..	HINGE ASSY- USED ON: 412A1100-52SP	002005 008030	1
330	412A1230-21	...	PIN	002005 008030	1
335	MS51023-54	...	SCREW	002005 008030	1
340	NAS1149D0316J	...	WASHER	002005 008030	1
345	MS16633-4018	...	RING	002005 008030	1
350	412A1220-1	...	CLIP	002005 008030	1
355	412A1454-12SP	...	HOUSING ASSY- USED ON: 412A1455-3SP	002005 008030	1
360	412A1454-3SP	...	HOUSING ASSY- USED ON: 412A1455-2SP	002005 008030	1
365	BACB28Y3F020	BUSHING	002005 008030	2
370	6041L3BR375	INSERT- SUPPLIER CODE: V01556	002005 008030	1
375	412A1454-11SP	HOUSING- USED ON: 412A1454-12SP	002005 008030	1
380	412A1454-1SP	HOUSING- USED ON: 412A1454-3SP	002005 008030	1
385	412A1454-9SP	...	BRACKET ASSY- USED ON: 412A1455-3SP	002005 008030	1
390	412A1454-10SP	...	BRACKET ASSY- USED ON: 412A1455-2SP	002005 008030	1
395	BACB28Y3F025	BUSHING	002005 008030	2
400	6041-3BR225	INSERT- SUPPLIER CODE: V01556	002005 008030	1
405	6041L3BR375	INSERT- SUPPLIER CODE: V01556	002005 008030	1
410	412A1454-7SP	BRACKET- USED ON: 412A1454-9SP	002005 008030	1

MISSING ITEM NUMBERS NOT APPLICABLE

— ITEM NOT ILLUSTRATED

HAP

25-24-31-63

25-24-31
FIG. 63
PAGE 7
JUN 15/08

BOEING
737-600/700/800/900
PARTS CATALOG (MAINTENANCE)

FIG ITEM	PART NUMBER	1 2 3 4 5 6 7	NOMENCLATURE	EFFECT FROM TO	UNITS PER ASSY
63					
415	412A1454-8SP	BRACKET- USED ON: 412A1454-10SP	002005 008030	1
420	412A1250-120A	.BOX	ASSY-31 IN. BIN OPTIONAL PART: 412A1150-1120B FOR DETAILS SEE: 25-24-32-30A	002005 008030	1
420	412A1250-1120B	.BOX	ASSY-31 IN. BIN OPTIONAL PART: 412A1250-120A FOR DETAILS SEE: 25-24-32-30A	009030	1

MISSING ITEM NUMBERS NOT APPLICABLE

— ITEM NOT ILLUSTRATED

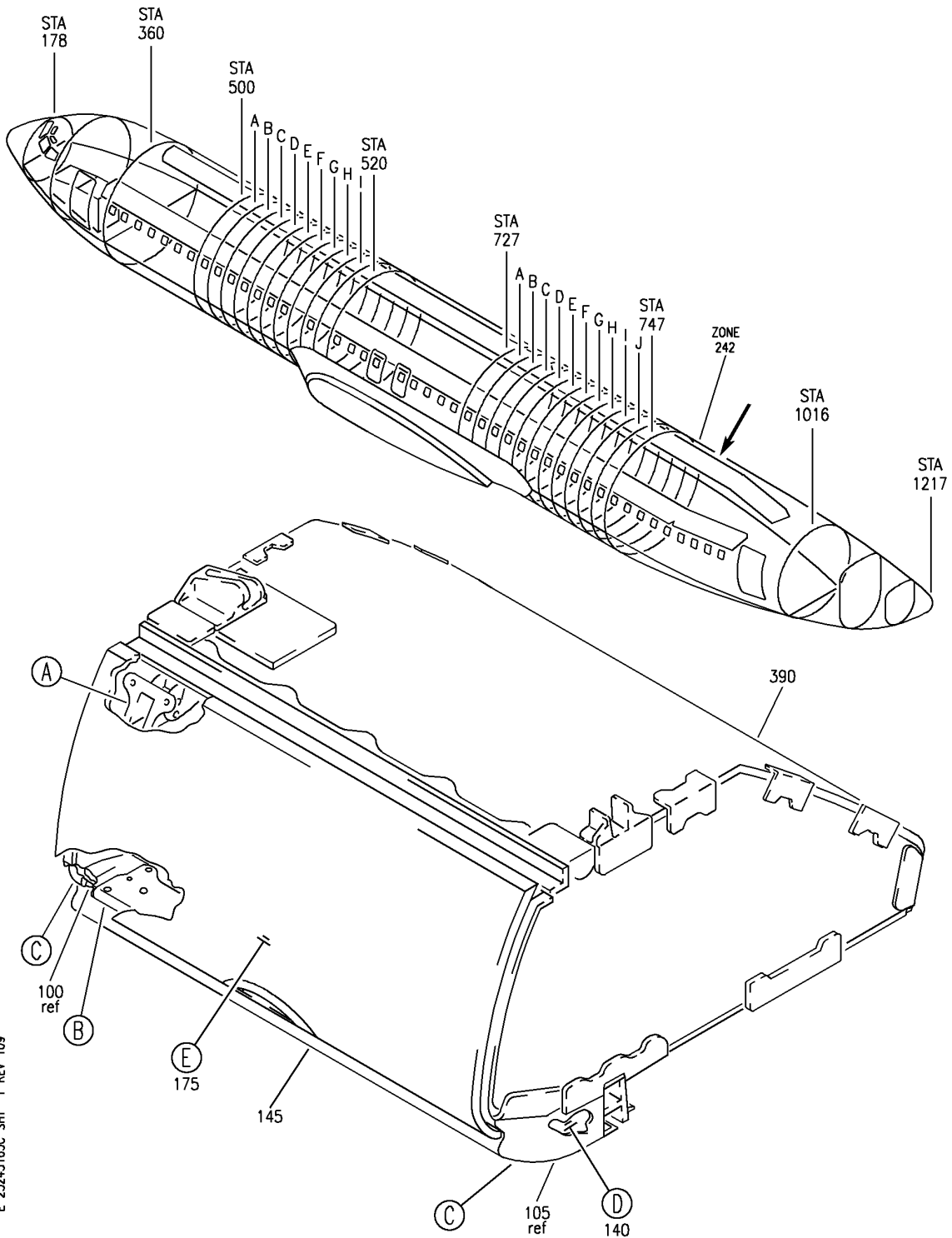
HAP

25-24-31-63

BOEING PROPRIETARY - Copyright © - Unpublished Work - See title page for details.

25-24-31
FIG. 63
PAGE 8
JUN 15/08

BOEING
 737-600/700/800/900
 PARTS CATALOG (MAINTENANCE)



E 2524-3163C SHT 1 REV 109

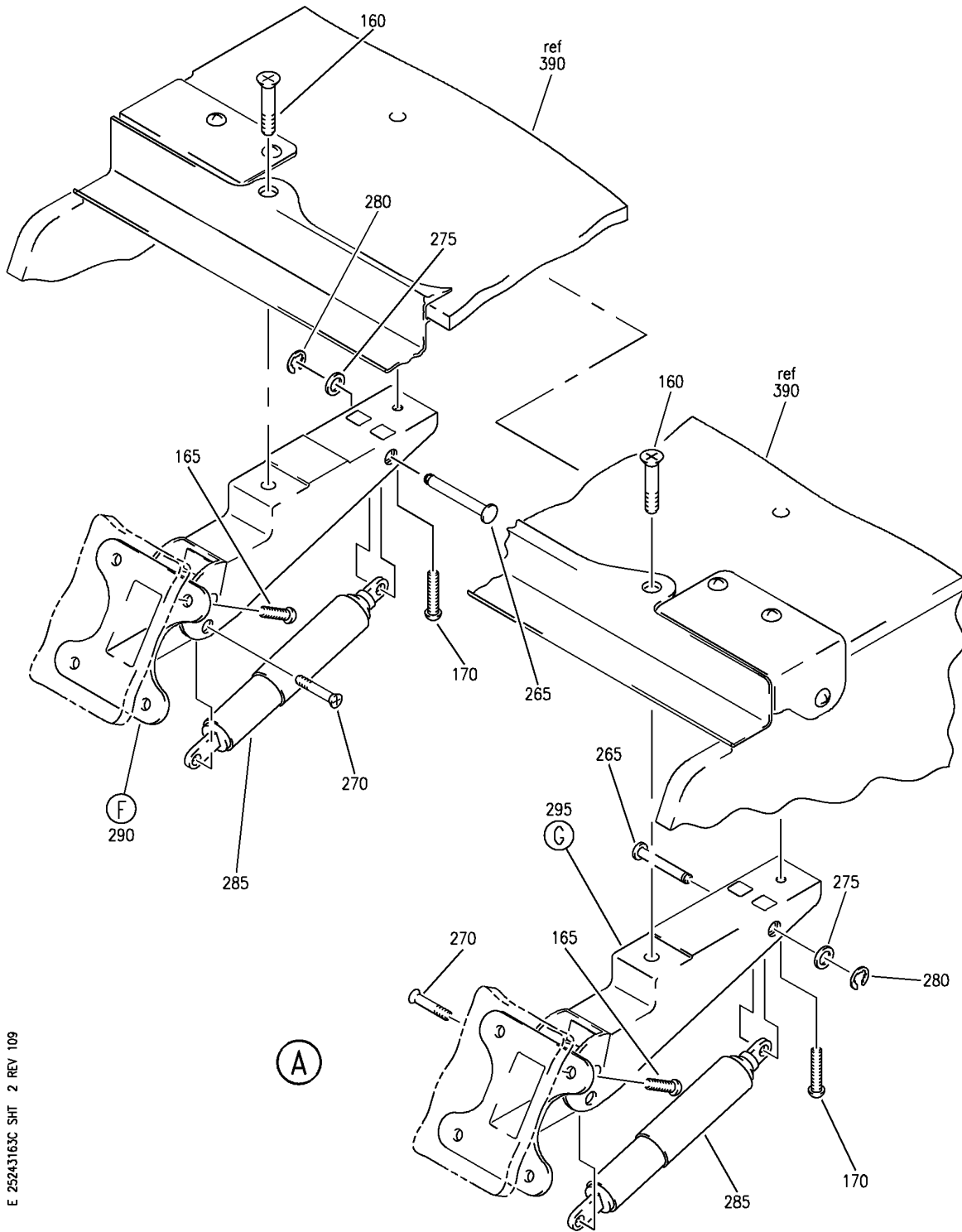
COMPARTMENT ASSY-AFT RH 31 IN. OVHD STOWAGE HANDRL CONFIGURATION
 FIGURE 63C (SHEET 1)

25-24-31-63C

HAP
 OCT 10/06

25-24-31-63C
 PAGE 0

BOEING
 737-600/700/800/900
 PARTS CATALOG (MAINTENANCE)



E 2524-3163C SHT 2 REV 109

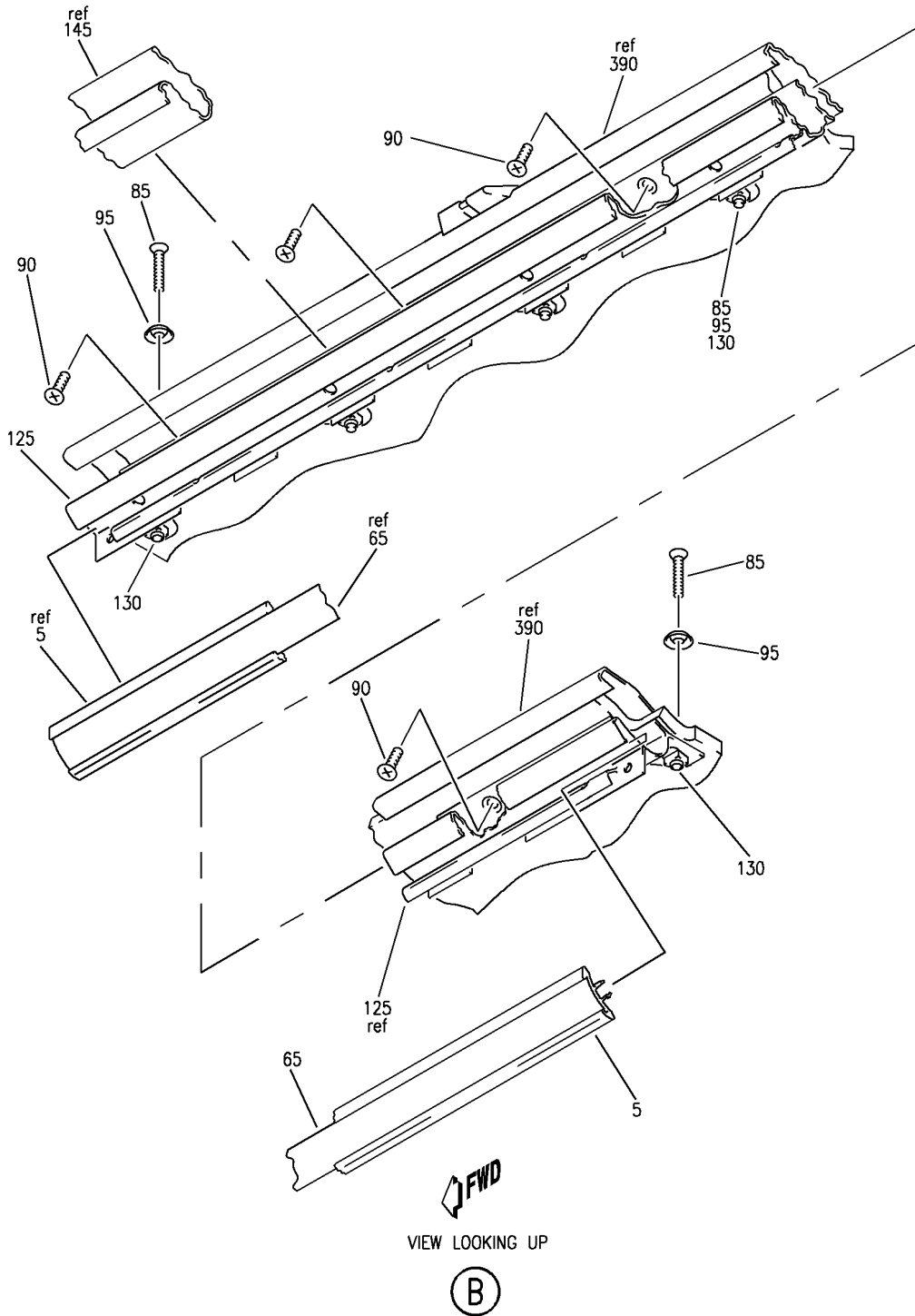
COMPARTMENT ASSY-AFT RH 31 IN. OVHD STOWAGE HNDRL CONFIGURATION
 FIGURE 63C (SHEET 2)

25-24-31-63C

HAP
 OCT 10/06

25-24-31-63C
 PAGE 0A

BOEING
 737-600/700/800/900
 PARTS CATALOG (MAINTENANCE)



E 2524-3163C SHT 3 REV 109

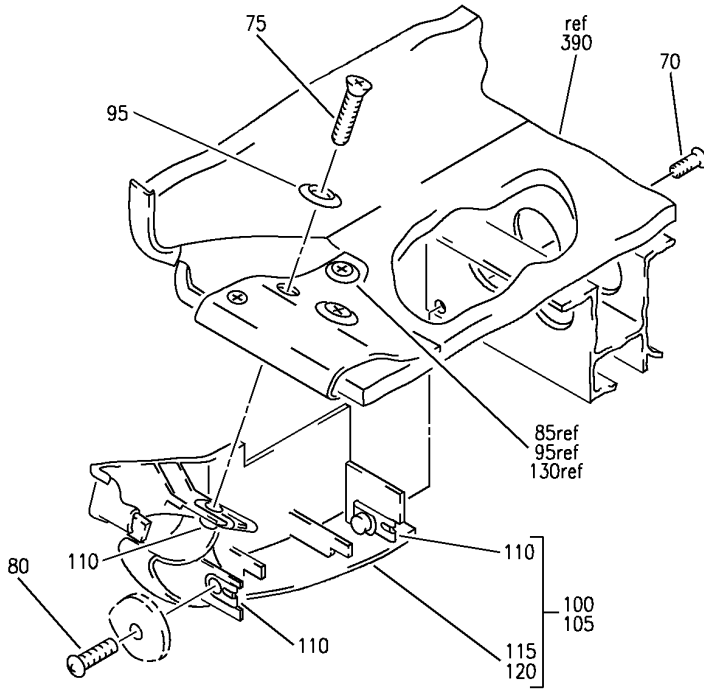
COMPARTMENT ASSY-AFT RH 31 IN. OVHD STOWAGE HNDRL CONFIGURATION
 FIGURE 63C (SHEET 3)

25-24-31-63C

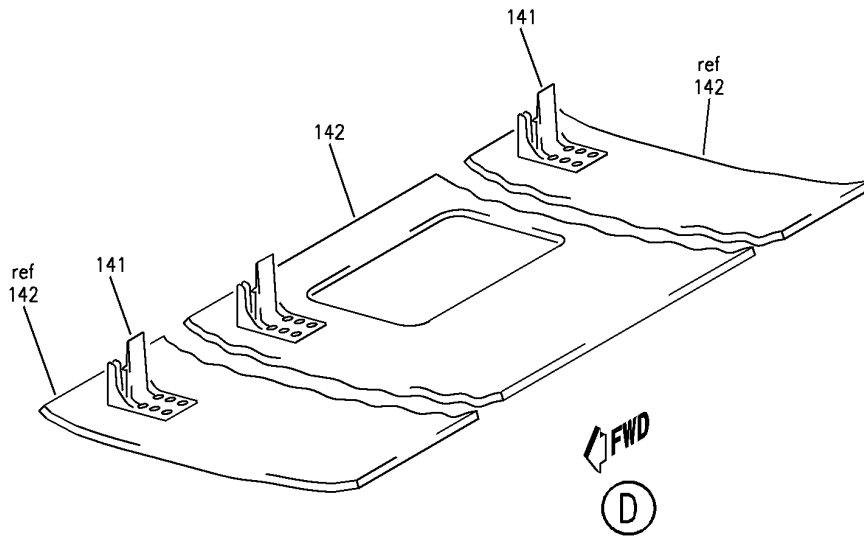
HAP
 OCT 10/06

25-24-31-63C
 PAGE 0B

BOEING
 737-600/700/800/900
 PARTS CATALOG (MAINTENANCE)



(C)



(D)

E 2524-3163C SHT 4 REV 109

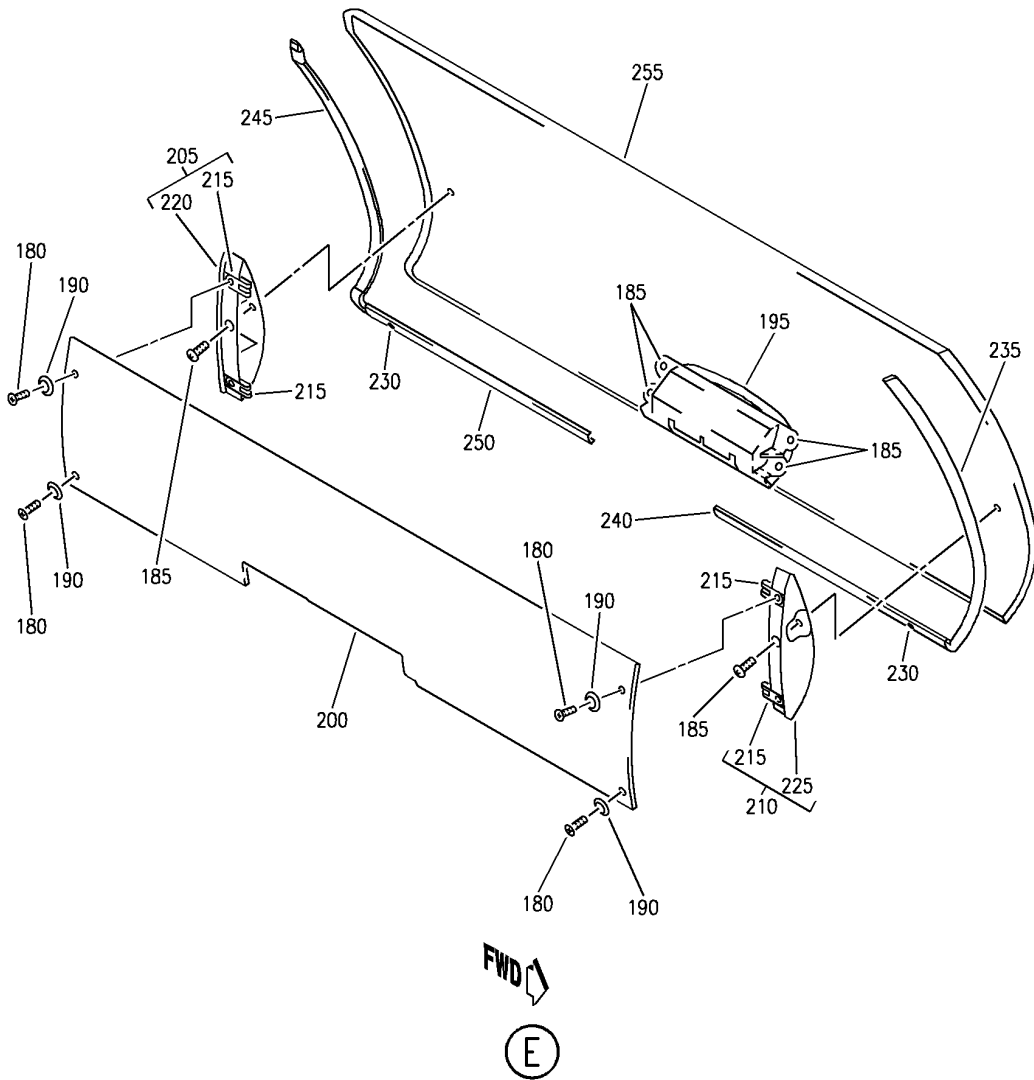
COMPARTMENT ASSY-AFT RH 31 IN. OVHD STOWAGE HNDRL CONFIGURATION
 FIGURE 63C (SHEET 4)

25-24-31-63C

HAP
 OCT 10/06

25-24-31-63C
 PAGE 0C

BOEING
 737-600/700/800/900
 PARTS CATALOG (MAINTENANCE)



E 2524-3163C SHT 5 REV 109

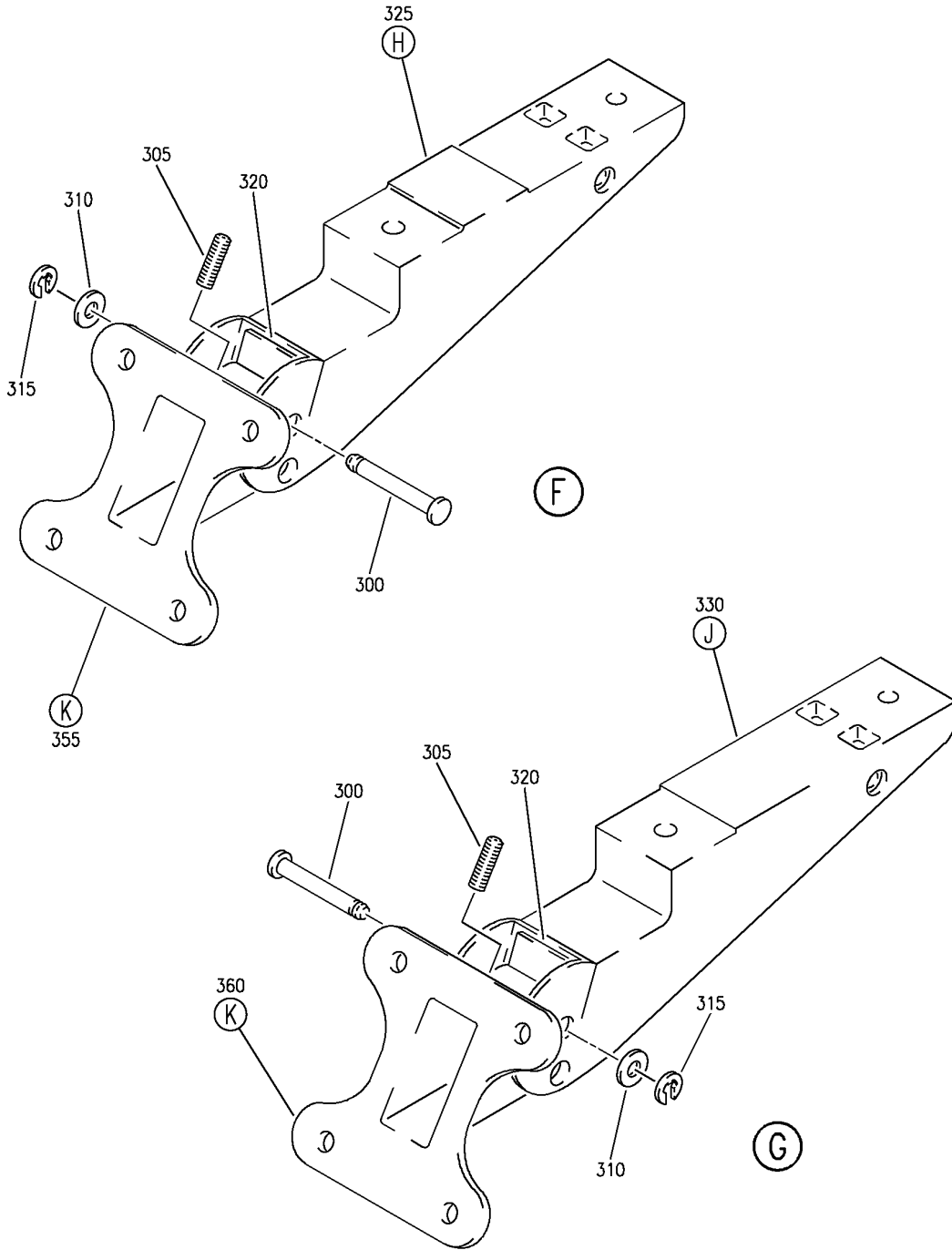
COMPARTMENT ASSY-AFT RH 31 IN. OVHD STOWAGE HNDRL CONFIGURATION
 FIGURE 63C (SHEET 5)

25-24-31-63C

HAP
 OCT 10/06

25-24-31-63C
 PAGE 0D

BOEING
737-600/700/800/900
PARTS CATALOG (MAINTENANCE)



E 2524-3163C SHT 6 REV 109

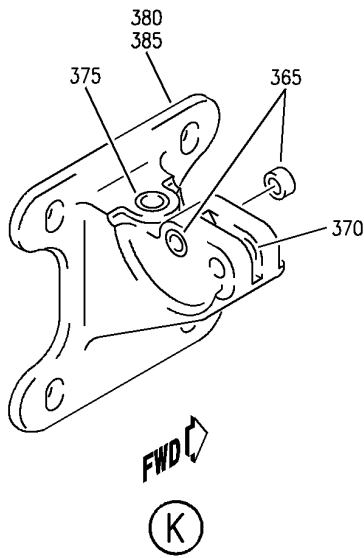
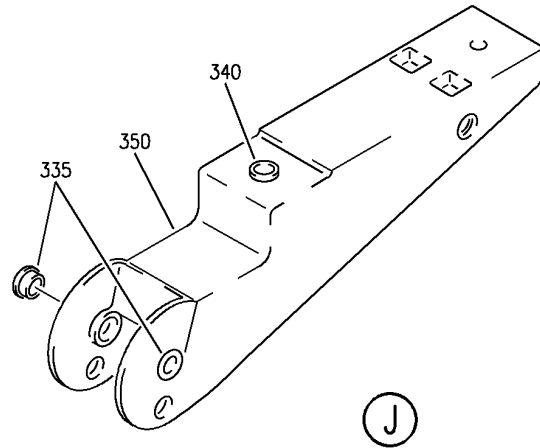
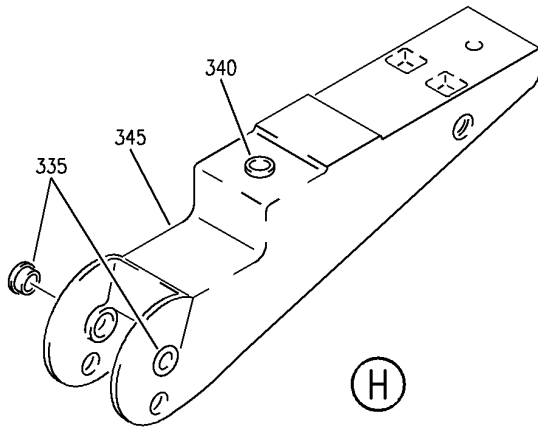
COMPARTMENT ASSY-AFT RH 31 IN. OVHD STOWAGE HNDRL CONFIGURATION
FIGURE 63C (SHEET 6)

25-24-31-63C

HAP
OCT 10/06

25-24-31-63C
PAGE 0E

BOEING
 737-600/700/800/900
 PARTS CATALOG (MAINTENANCE)



E 2524-3163C SHT 7 REV 109

COMPARTMENT ASSY-AFT RH 31 IN. OVHD STOWAGE HNDRL CONFIGURATION
 FIGURE 63C (SHEET 7)

25-24-31-63C

HAP
 OCT 10/06

25-24-31-63C
 PAGE OF

BOEING
737-600/700/800/900
PARTS CATALOG (MAINTENANCE)

FIG ITEM	PART NUMBER	1 2 3 4 5 6 7	NOMENCLATURE	EFFECT FROM TO	UNITS PER ASSY
63C			COMPARTMENT ASSY-AFT RH 31 IN. OVHD STOWAGE HNDRL CONFIGURATION	001001 006007	
- 1	412A1150-20SP		COMPARTMENT ASSY-31 IN. OVHD STOWAGE HNDRL CONFIGURATION POSITION DATA: AFT RH PRE SERVICE BULLETIN: 25-1373 FOR NHA SEE: 25-24-30-47B	001001 006007	RF
- 1	002A0007-78N		COMPARTMENT ASSY-31 IN. OVHD STOWAGE HNDRL CONFIGURATION POSITION DATA: AFT RH POST SERVICE BULLETIN: 25-1373 FOR NHA SEE: 25-24-30-47B	001001 006007	RF
5	412A1420-2SP		.EXTRUSION-SEAT ROW MARKER	001001 006007	1
65	412A1451-1SP		.STRIP	001001 006007	1
70	BACB30VF3K3		.BOLT	001001 006007	2
75	BACS12ER3K9		.SCREW	001001 006007	2
80	BACS12FA3K7		.SCREW	001001 006007	2
85	BACS12ER3K14		.SCREW	001001 006007	5
90	BACS12ER3K5		.SCREW	001001 006007	4
95	H3-1233A3		.WASHER- SUPPLIER CODE: V34941 SPECIFICATION NUMBER: S411A001-1	001001 006007	7
100	412A1465-14SP		.CLOSEOUT ASSY	001001 006007	1
105	412A1465-9SP		.CLOSEOUT ASSY	001001 006007	1
110	BACN10VR4CGN		..NUT- OPTIONAL PART: BACN10VR4CG	001001 006007	3

MISSING ITEM NUMBERS NOT APPLICABLE

- ITEM NOT ILLUSTRATED

HAP

25-24-31-63C

BOEING PROPRIETARY - Copyright © - Unpublished Work - See title page for details.

25-24-31
FIG. 63C
PAGE 1
JUN 15/08

BOEING
737-600/700/800/900
PARTS CATALOG (MAINTENANCE)

FIG ITEM	PART NUMBER	1 2 3 4 5 6 7	NOMENCLATURE	EFFECT FROM TO	UNITS PER ASSY
63C 110	BACN10VR4CG	..	NUT- OPTIONAL PART: BACN10VR4CGN	001001 006007	3
115	412A1465-16SP	..	CLOSEOUT- USED ON: 412A1465-14SP	001001 006007	1
120	412A1465-11SP	..	CLOSEOUT- USED ON: 412A1465-9SP	001001 006007	1
125	412A1243-111	.	EXTRUSION ASSY	001001 006007	1
130	FS1651-3	..	NUTPLATE SUPPLIER CODE: V15653 SPECIFICATION NUMBER: BACN10KH3CD OPTIONAL PART: 102F9209M3 V72962 NS202496-02 V80539 ATTACHING PARTS	001001 006007	5
- 135	BACR15BA3ADC	..	RIVET- SIZE DETERMINED ON INSTL. -----*-----	001001 006007	10
140	412A1600-13SP	.	COVER ASSY	001001 006007	1
141	412A1460-1	..	CLIP	001001 006007	3
142	412A1610-13SP	..	PANEL ASSY- OPTIONAL PART: 412A1610-113SP	001001 006007	1
142	412A1610-113SP	..	PANEL ASSY- OPTIONAL PART: 412A1610-13SP	001001 006007	1
145	412A1650-3SP	.	COVER ASSY	001001 006007	1
- 155	OBA8	.	PLUG- SUPPLIER CODE: VOBV87	001001 006007	AR
160	BACB30VF3K8	.	BOLT	001001 006007	2
165	BACS12FA3K6	.	SCREW	001001 006007	8
170	BACS12FA3K9	.	SCREW	001001 006007	2
175	412A1500-23SP	.	DOOR ASSY-30.60 IN.	001001 006007	1

MISSING ITEM NUMBERS NOT APPLICABLE

- ITEM NOT ILLUSTRATED

HAP

25-24-31-63C

BOEING PROPRIETARY - Copyright © - Unpublished Work - See title page for details.

25-24-31
FIG. 63C
PAGE 2
JUN 15/08

BOEING
737-600/700/800/900
PARTS CATALOG (MAINTENANCE)

FIG ITEM	PART NUMBER	1 2 3 4 5 6 7	NOMENCLATURE	EFFECT FROM TO	UNITS PER ASSY
63C					
180	BACS12ER3K9	..	SCREW	001001 006007	4
185	BACS12FA3K4	..	SCREW	001001 006007	6
190	H3-1233A3	..	WASHER- SUPPLIER CODE: V34941 SPECIFICATION NUMBER: S411A001-1	001001 006007	4
195	HA225-1	..	LATCH ASSY- SUPPLIER CODE: V83014 SPECIFICATION NUMBER: S412A001-1A	001001 006007	1
195	HA225-7	..	LATCH ASSY- SUPPLIER CODE: V83014 SPECIFICATION NUMBER: S412A001-11B	001001 006007	1
200	412A1615-112SP	..	PANEL ASSY-FILLER	001001 006007	1
205	412A1480-3SP	..	BRACKET ASSY	001001 006007	1
210	412A1480-4SP	..	BRACKET ASSY	001001 006007	1
215	BACN10VR4CGN	...	NUT	001001 006007	2
220	412A1480-1SP	...	BRACKET- USED ON: 412A1480-3SP	001001 006007	1
225	412A1480-2SP	...	BRACKET- USED ON: 412A1480-4SP	001001 006007	1
230	412A1810-1SP	..	BUMPER	001001 006007	2
235	412A1450-3SP	..	TRIM-EDGE	001001 006007	1
240	412A1450-5SP	..	TRIM-EDGE	001001 006007	1
245	412A1450-8SP	..	TRIM-EDGE	001001 006007	1
250	412A1450-10SP	..	TRIM-EDGE	001001 006007	1
255	412A1510-25SP	..	PANEL ASSY	001001 006007	1
- 260	SL618-3A	...	INSERT- SUPPLIER CODE: V97393	001001 006007	14

MISSING ITEM NUMBERS NOT APPLICABLE

- ITEM NOT ILLUSTRATED

HAP

25-24-31-63C

BOEING PROPRIETARY - Copyright © - Unpublished Work - See title page for details.

25-24-31
FIG. 63C
PAGE 3
JUN 15/08

 **BOEING**
737-600/700/800/900
PARTS CATALOG (MAINTENANCE)

FIG ITEM	PART NUMBER	1 2 3 4 5 6 7	NOMENCLATURE	EFFECT FROM TO	UNITS PER ASSY
63C					
265	412A1230-21	.PIN		001001 006007	2
270	BACB30VF3K7	.BOLT		001001 006007	2
275	NAS1149D0316J	.WASHER		001001 006007	2
280	MS16633-4018	.RING		001001 006007	2
285	SP20522	.ACTUATOR ASSY-DOOR		001001	2
		SUPPLIER CODE:		006007	
		V24403			
		SPECIFICATION NUMBER:			
		S412A002-2			
290	412A1455-3SP	.HINGE ASSY		001001 006007	1
295	412A1455-2SP	.HINGE ASSY		001001 006007	1
300	412A1230-21	..PIN		001001 006007	1
305	MS51023-54	..SCREW		001001 006007	1
310	NAS1149D0316J	..WASHER		001001 006007	1
315	MS16633-4018	..RING		001001 006007	1
320	412A1220-1	..CLIP		001001 006007	1
325	412A1454-12SP	..HOUSING ASSY-		001001	1
		USED ON:		006007	
		412A1455-3SP			
330	412A1454-3SP	..HOUSING ASSY-		001001	1
		USED ON:		006007	
		412A1455-2SP			
335	BACB28Y3F020	...BUSHING		001001 006007	2
340	6041L3BR375	...INSERT-		001001	1
		SUPPLIER CODE:		006007	
		V01556			
345	412A1454-11SP	...HOUSING-		001001	1
		USED ON:		006007	
		412A1454-12SP			
350	412A1454-1SP	...HOUSING-		001001	1
		USED ON:		006007	
		412A1454-3SP			
355	412A1454-9SP	..BRACKET ASSY-		001001	1
		USED ON:		006007	
		412A1455-3SP			

MISSING ITEM NUMBERS NOT APPLICABLE

— ITEM NOT ILLUSTRATED

HAP

25-24-31-63C

BOEING PROPRIETARY - Copyright © - Unpublished Work - See title page for details.

25-24-31
FIG. 63C
PAGE 4
JUN 15/08

BOEING
737-600/700/800/900
PARTS CATALOG (MAINTENANCE)

FIG ITEM	PART NUMBER	1 2 3 4 5 6 7	NOMENCLATURE	EFFECT FROM TO	UNITS PER ASSY
63C 360	412A1454-10SP	..	BRACKET ASSY- USED ON: 412A1455-2SP	001001 006007	1
365	BACB28Y3F025	...	BUSHING	001001 006007	2
370	6041-3BR225	...	INSERT- SUPPLIER CODE: V01556	001001 006007	1
375	6041L3BR375	...	INSERT- SUPPLIER CODE: V01556	001001 006007	1
380	412A1454-7SP	...	BRACKET- USED ON: 412A1454-9SP	001001 006007	1
385	412A1454-8SP	...	BRACKET- USED ON: 412A1454-10SP	001001 006007	1
390	412A1250-20SP	.BOX	ASSY-31 IN. BIN FOR DETAILS SEE: 25-24-32-30G	001001 006007	1

MISSING ITEM NUMBERS NOT APPLICABLE

— ITEM NOT ILLUSTRATED

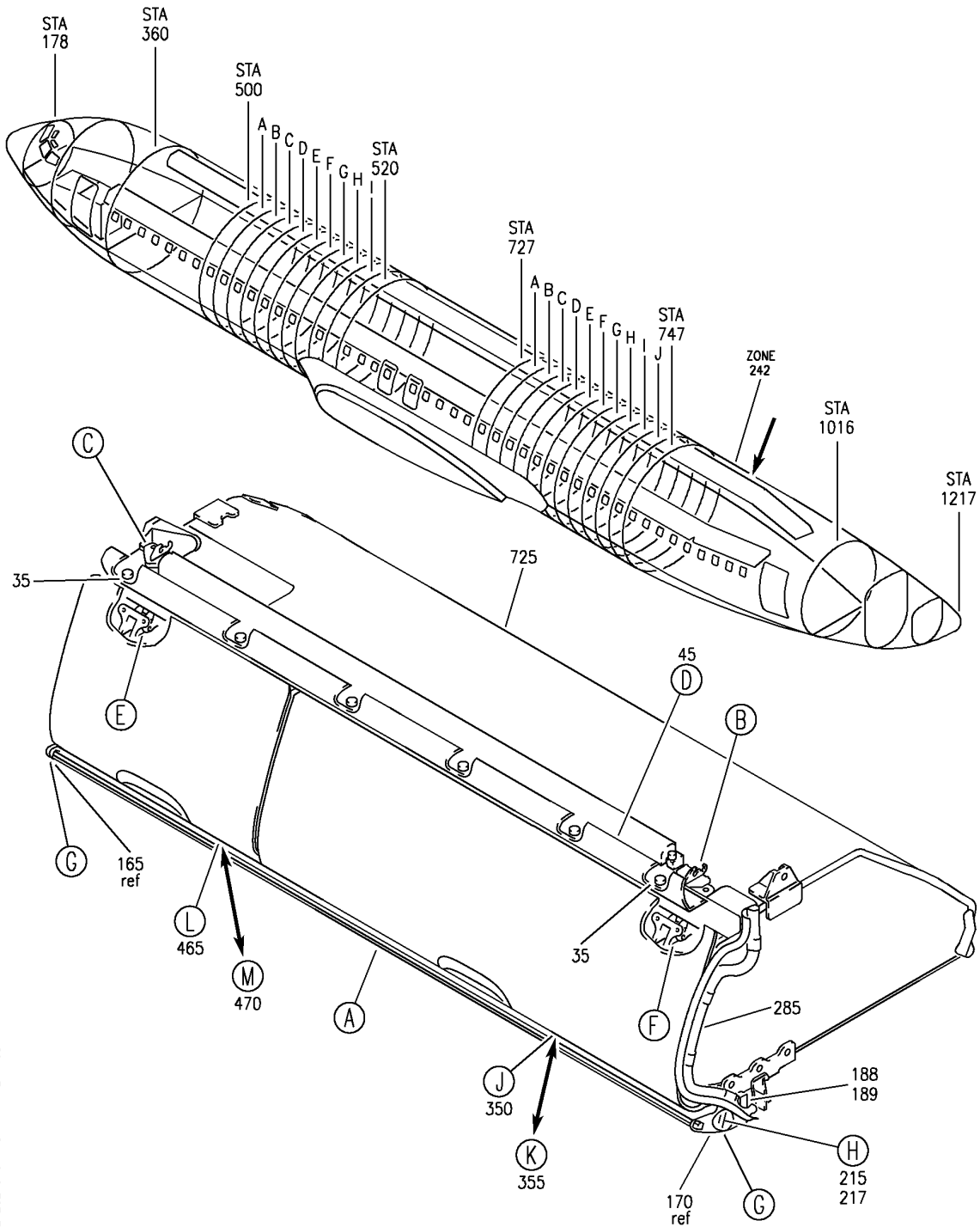
HAP

25-24-31-63C

BOEING PROPRIETARY - Copyright © - Unpublished Work - See title page for details.

25-24-31
FIG. 63C
PAGE 5
JUN 15/08

BOEING
 737-600/700/800/900
 PARTS CATALOG (MAINTENANCE)



E 2524-3164 SHT 1 REV 108

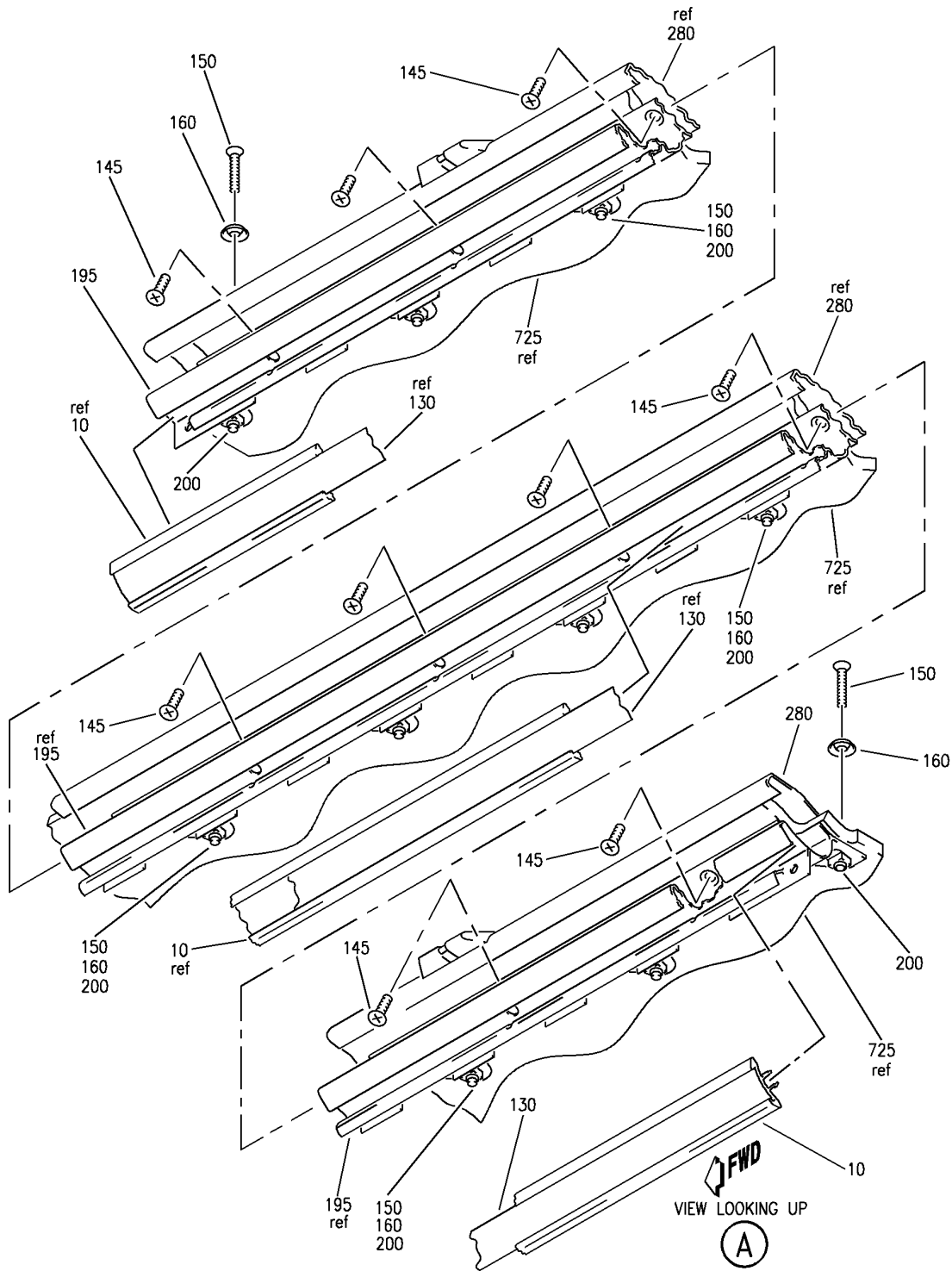
COMPARTMENT ASSY-AFT RH AFT RH OVHD STOWAGE HNDRL CONFIGURATION (EQUIPMENT/ FURNISHINGS ONLY)
 FIGURE 64 (SHEET 1)

HAP
 OCT 10/06

25-24-31-64

25-24-31-64
 PAGE 0

BOEING
 737-600/700/800/900
 PARTS CATALOG (MAINTENANCE)



E 2524-3164 SHT 2 REV 108

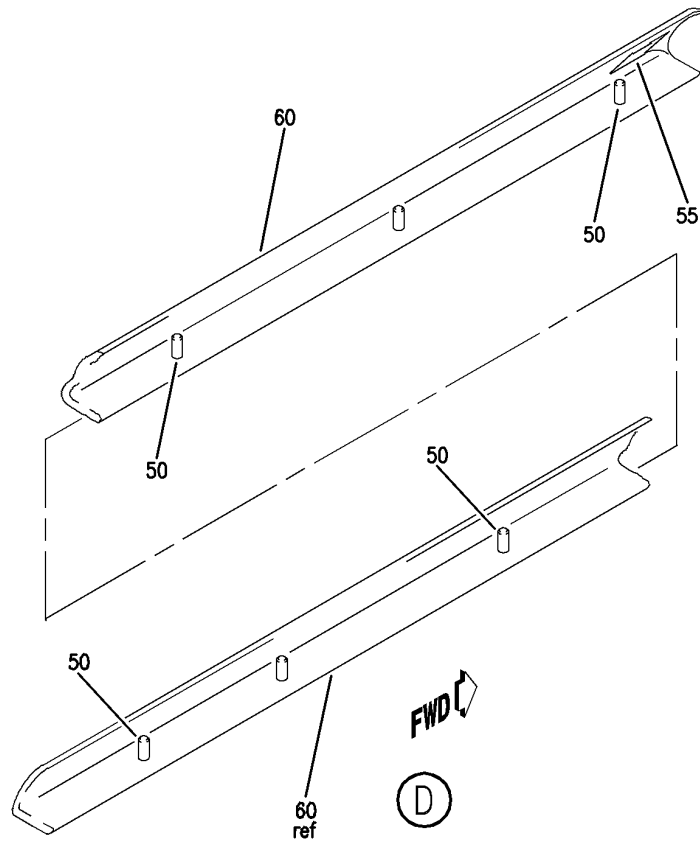
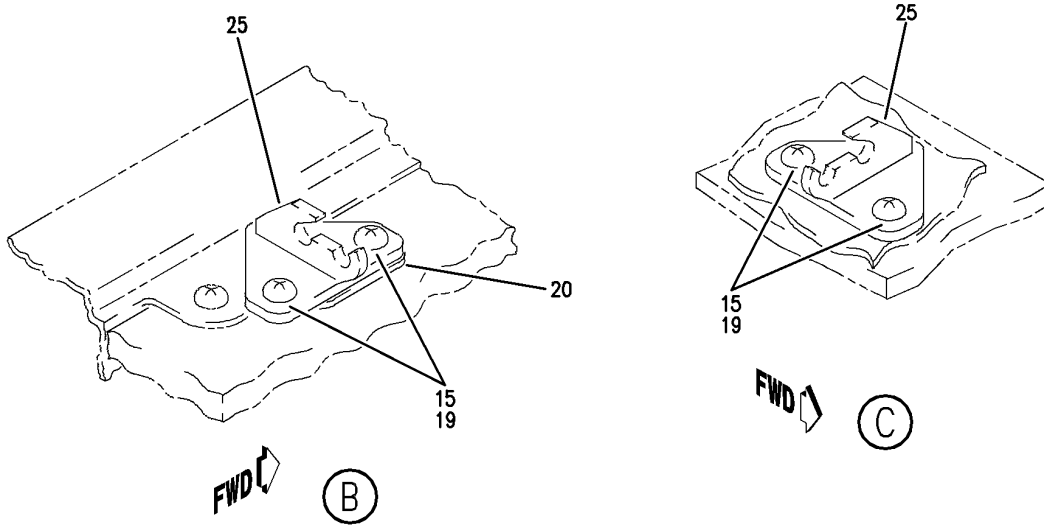
COMPARTMENT ASSY-AFT RH AFT RH OVHD STOWAGE HNDRL CONFIGURATION (EQUIPMENT/ FURNISHINGS ONLY)
 FIGURE 64 (SHEET 2)

25-24-31-64

HAP
 OCT 10/06

25-24-31-64
 PAGE 0A

BOEING
 737-600/700/800/900
 PARTS CATALOG (MAINTENANCE)



E 25243164 SHT 3 REV 060

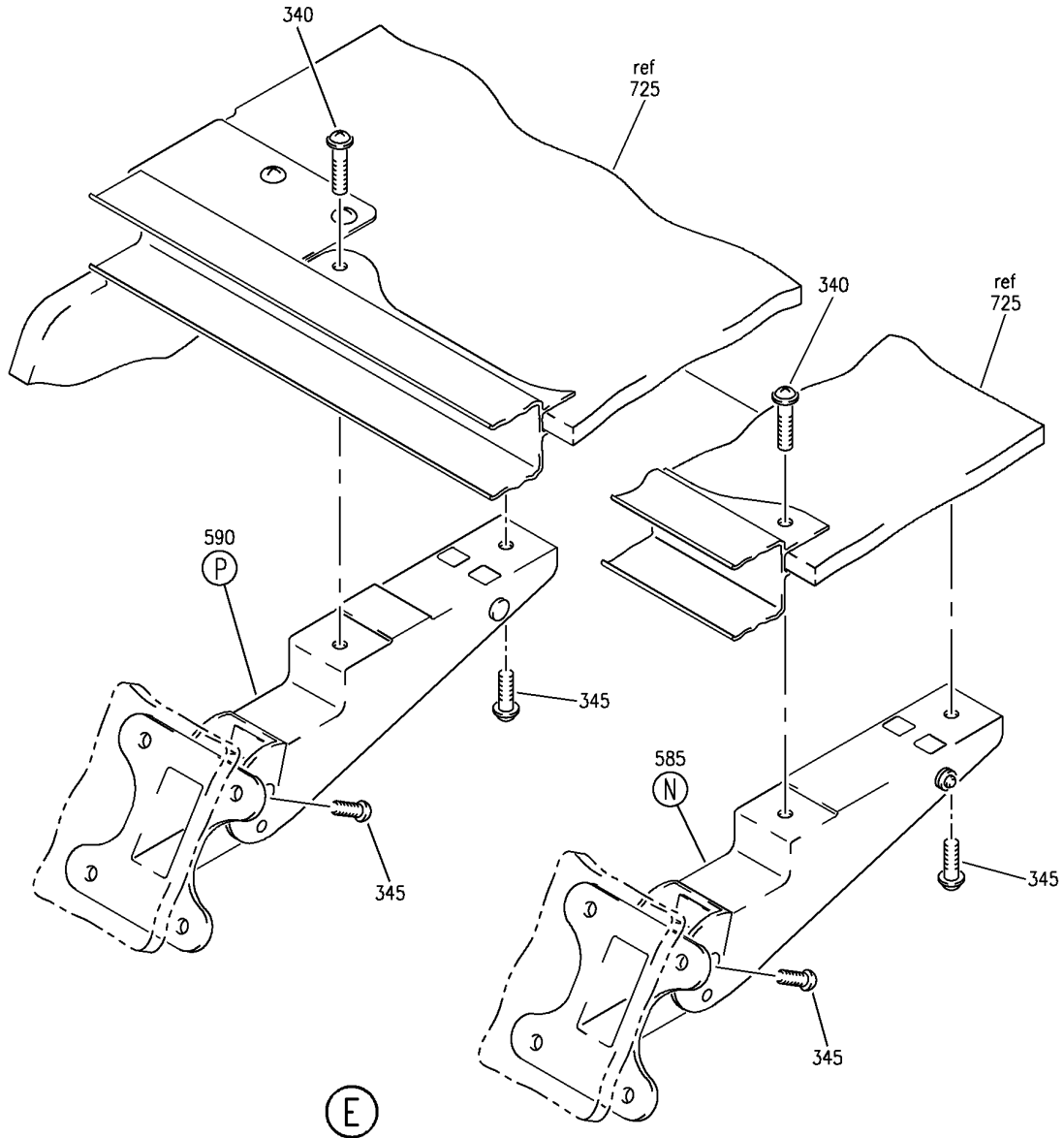
COMPARTMENT ASSY-AFT RH AFT RH OVHD STOWAGE HANDRL CONFIGURATION (EQUIPMENT/ FURNISHINGS ONLY)
 FIGURE 64 (SHEET 3)

25-24-31-64

HAP
 OCT 10/06

25-24-31-64
 PAGE 0B

BOEING
737-600/700/800/900
PARTS CATALOG (MAINTENANCE)



E 2524-3164 SH 4 REV 108

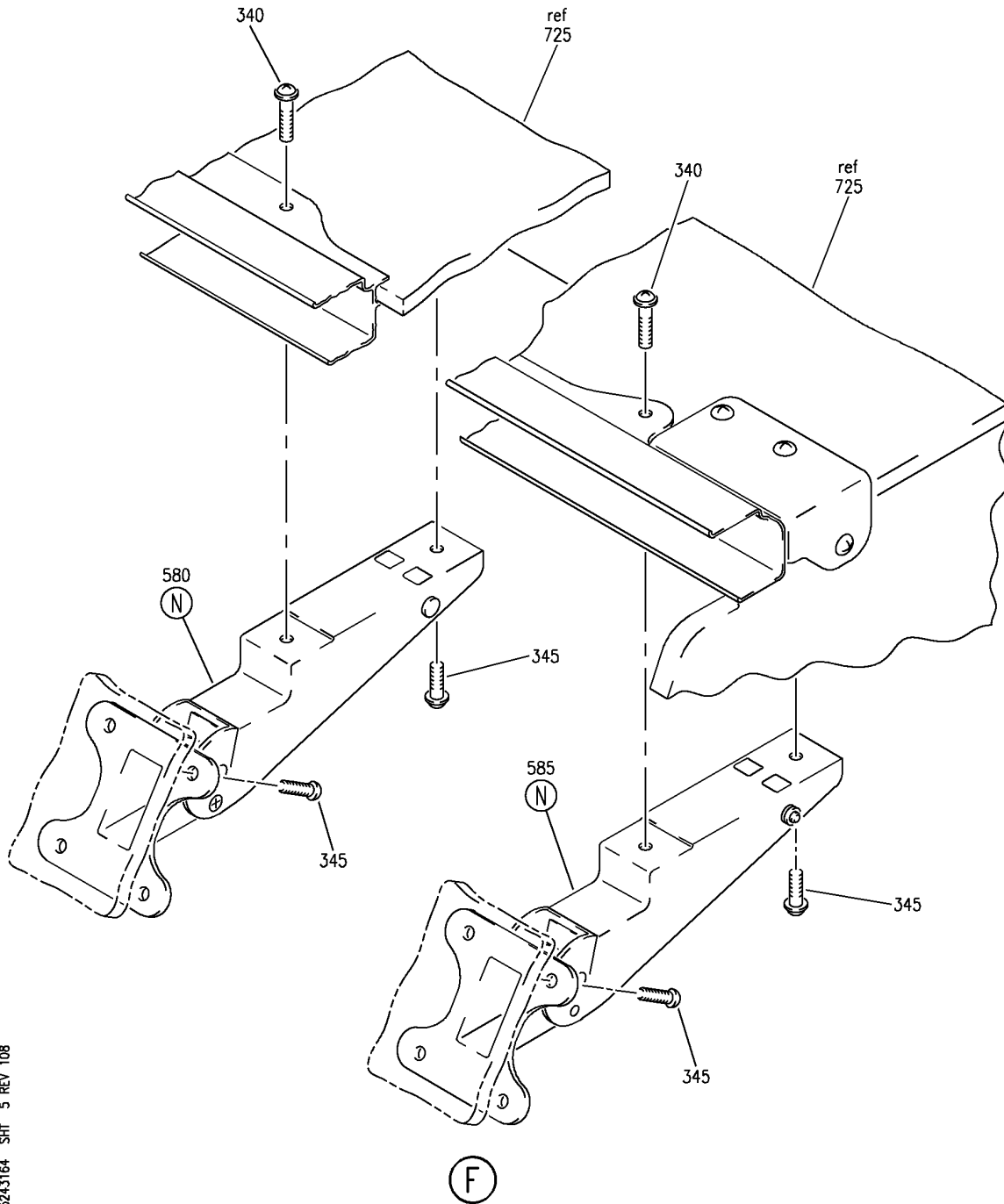
COMPARTMENT ASSY-AFT RH AFT RH OVHD STOWAGE HANDL CONFIGURATION (EQUIPMENT/ FURNISHINGS ONLY)
FIGURE 64 (SHEET 4)

HAP
OCT 10/06

25-24-31-64

25-24-31-64
PAGE 0C

BOEING
 737-600/700/800/900
 PARTS CATALOG (MAINTENANCE)



E 2524-3164 SHT 5 REV 108

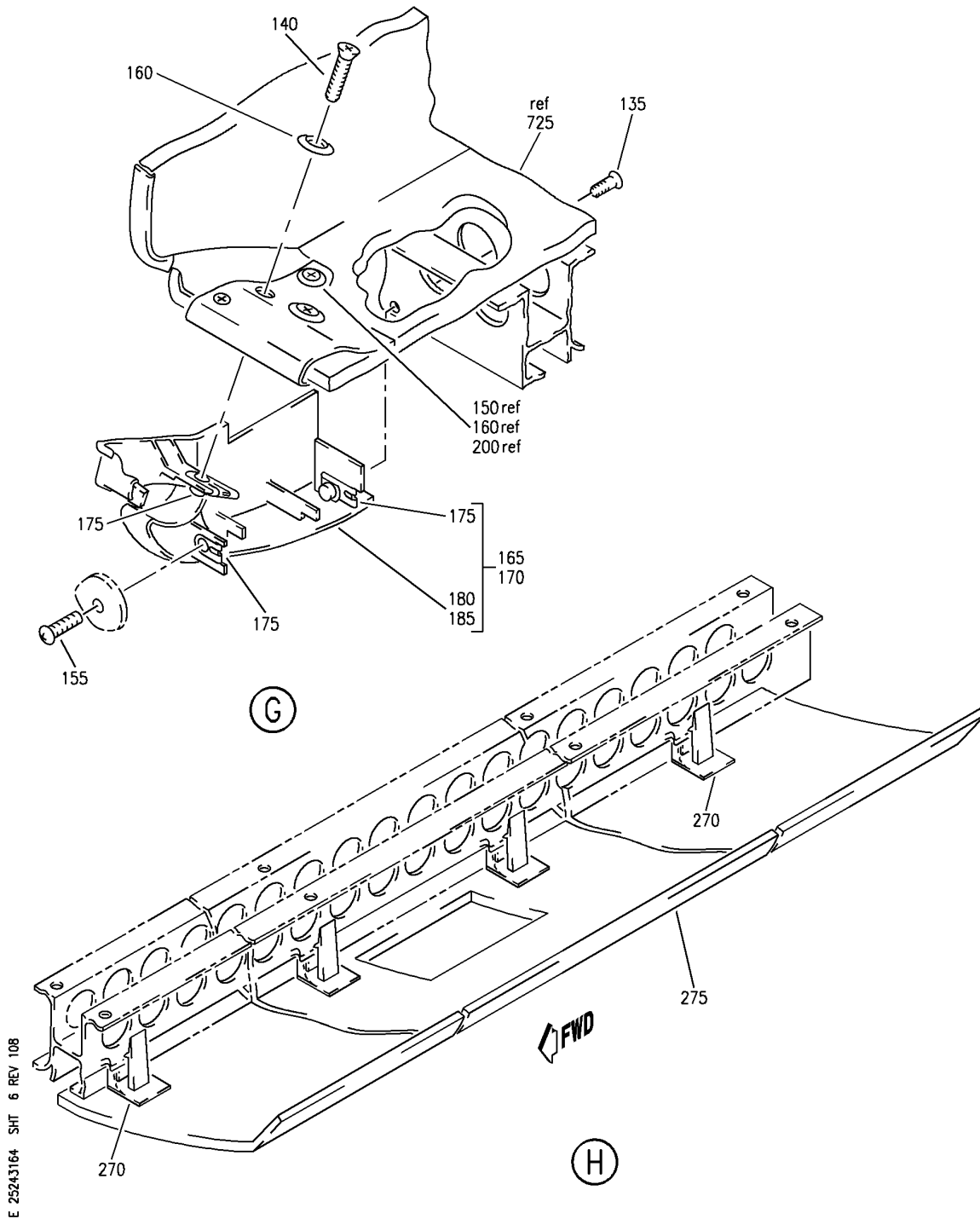
COMPARTMENT ASSY-AFT RH AFT RH OVHD STOWAGE HNDRL CONFIGURATION (EQUIPMENT/ FURNISHINGS ONLY)
 FIGURE 64 (SHEET 5)

HAP
 OCT 10/06

25-24-31-64

25-24-31-64
 PAGE 0D

BOEING
 737-600/700/800/900
 PARTS CATALOG (MAINTENANCE)



E 2524-3164 SHT 6 REV 108

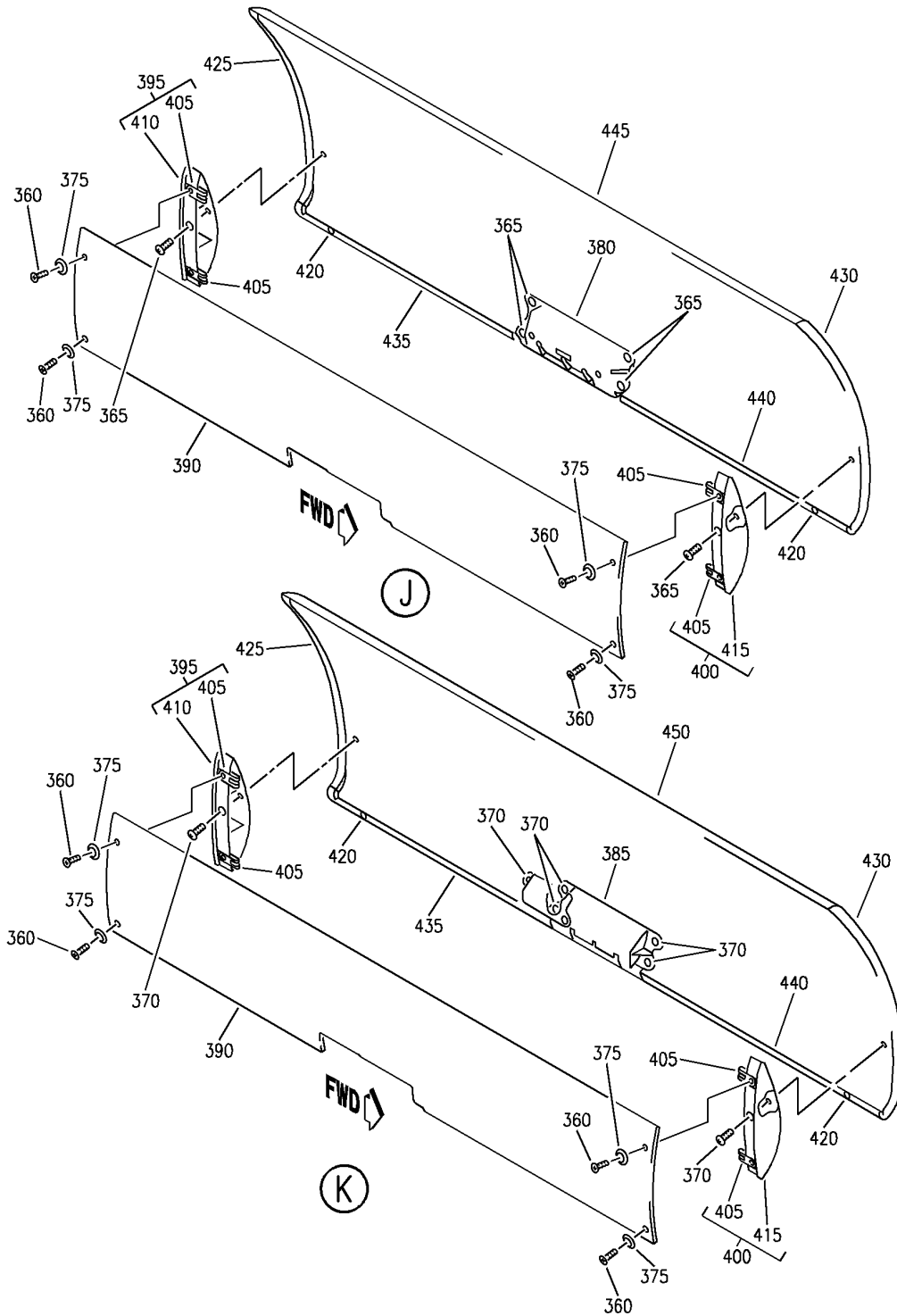
COMPARTMENT ASSY-AFT RH AFT RH OVHD STOWAGE HANDRL CONFIGURATION (EQUIPMENT/ FURNISHINGS ONLY)
 FIGURE 64 (SHEET 6)

25-24-31-64

HAP
 OCT 10/06

25-24-31-64
 PAGE 0E

BOEING
 737-600/700/800/900
 PARTS CATALOG (MAINTENANCE)



E 2524-3164 SHT 7 REV 108

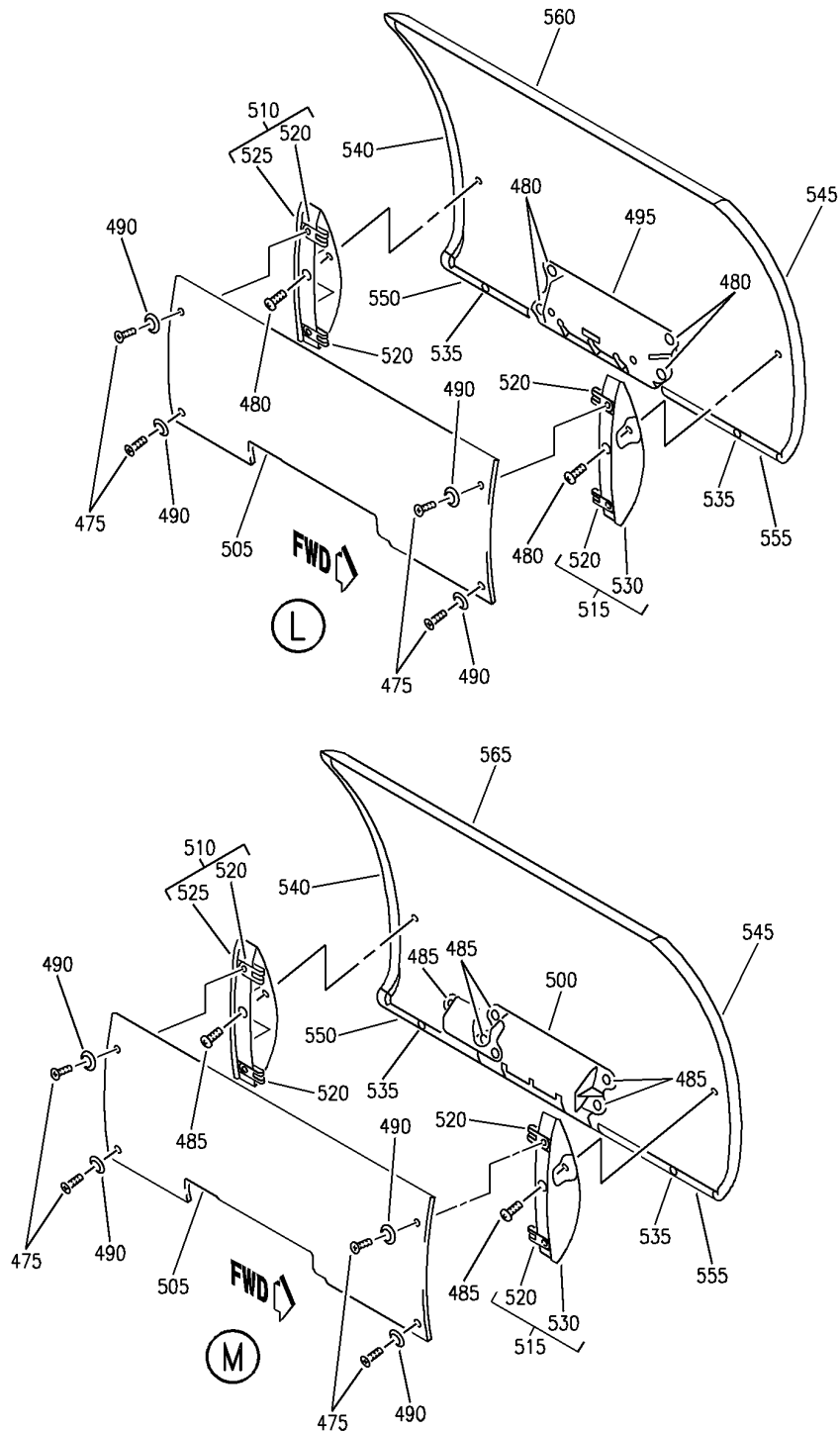
COMPARTMENT ASSY-AFT RH AFT RH OVHD STOWAGE HNDL CONFIGURATION (EQUIPMENT/ FURNISHINGS ONLY)
 FIGURE 64 (SHEET 7)

HAP
 OCT 10/06

25-24-31-64

25-24-31-64
 PAGE OF

BOEING
737-600/700/800/900
PARTS CATALOG (MAINTENANCE)



E 2524-3164 SH8 8 REV 108

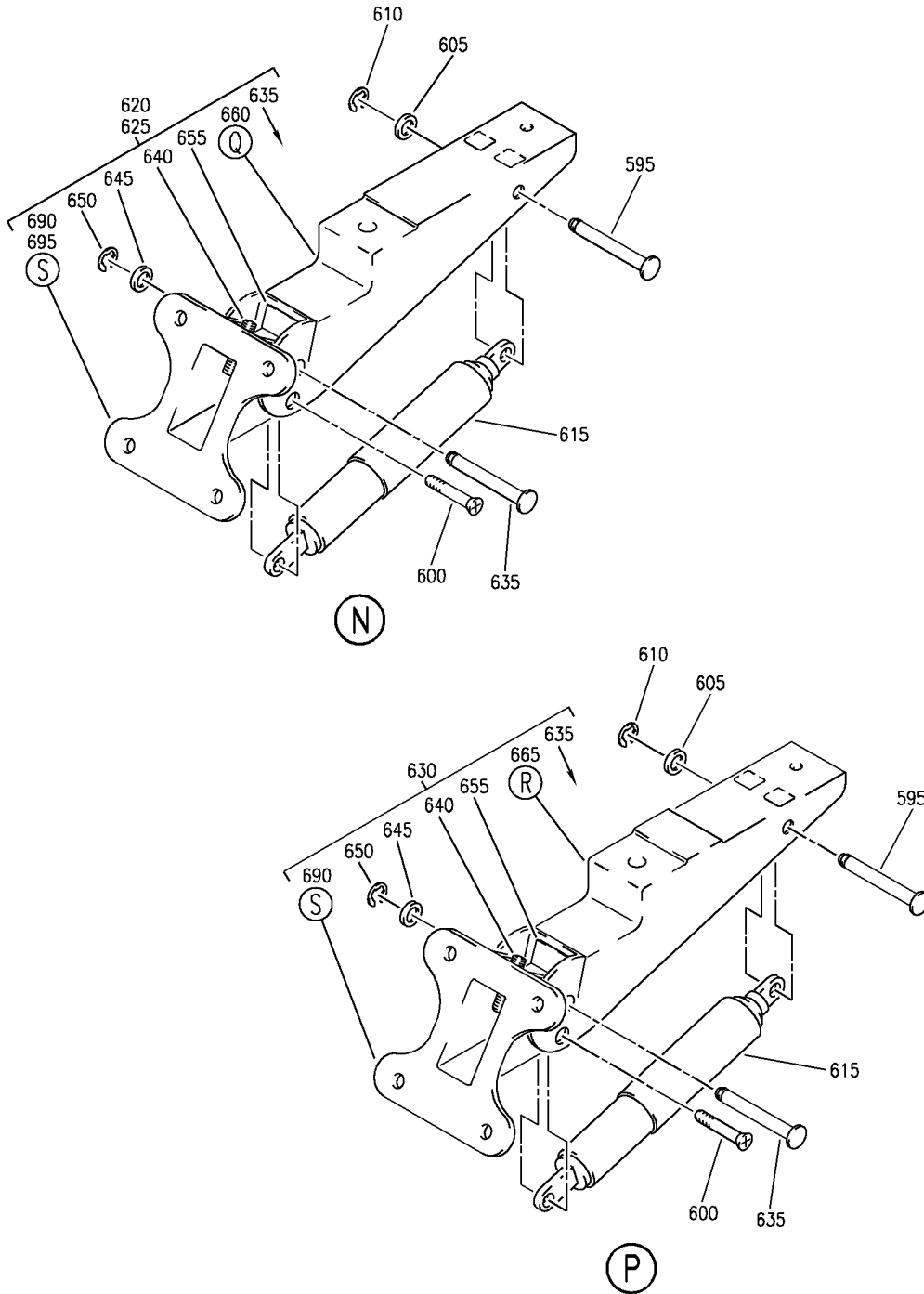
COMPARTMENT ASSY-AFT RH AFT RH OVHD STOWAGE HNDRL CONFIGURATION (EQUIPMENT/ FURNISHINGS ONLY)
FIGURE 64 (SHEET 8)

HAP
OCT 10/06

25-24-31-64

25-24-31-64
PAGE 08

BOEING
 737-600/700/800/900
 PARTS CATALOG (MAINTENANCE)



E 2524-3164 SHT 9 REV 108

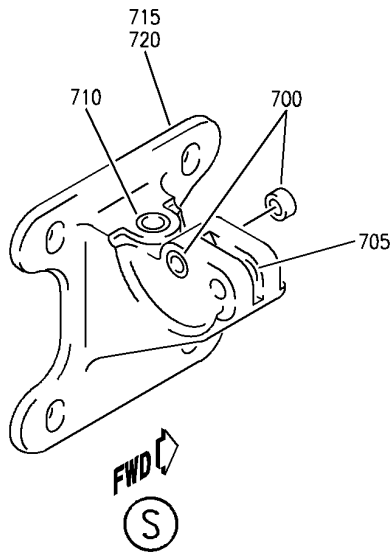
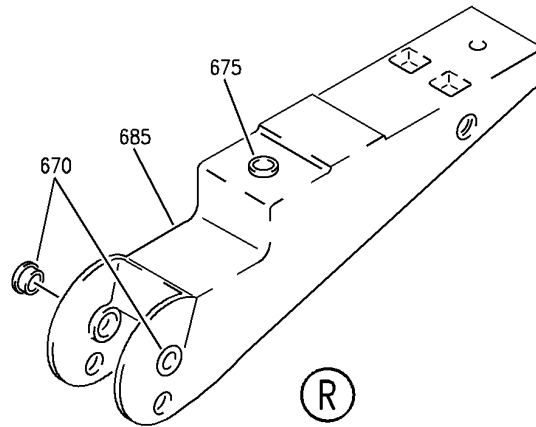
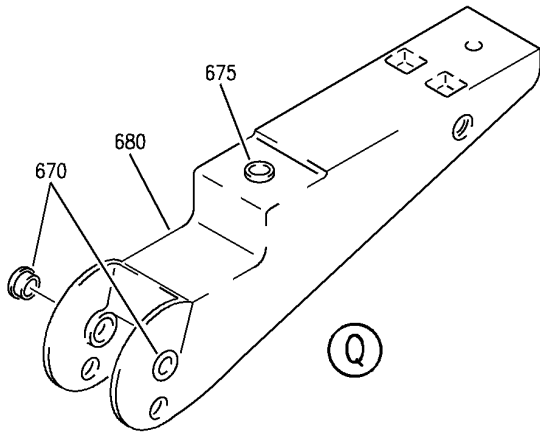
COMPARTMENT ASSY-AFT RH AFT RH OVHD STOWAGE HANDLING CONFIGURATION (EQUIPMENT/ FURNISHINGS ONLY)
 FIGURE 64 (SHEET 9)

HAP
 OCT 10/06

25-24-31-64

25-24-31-64
 PAGE 08

BOEING
 737-600/700/800/900
 PARTS CATALOG (MAINTENANCE)



E 2524-3164 SHT 10 REV 108

COMPARTMENT ASSY-AFT RH AFT RH OVHD STOWAGE HANDLING CONFIGURATION (EQUIPMENT/ FURNISHINGS ONLY)
 FIGURE 64 (SHEET 10)

HAP
 OCT 10/06

25-24-31-64

25-24-31-64
 PAGE 01

BOEING
737-600/700/800/900
PARTS CATALOG (MAINTENANCE)

FIG ITEM	PART NUMBER	1 2 3 4 5 6 7	NOMENCLATURE	EFFECT FROM TO	UNITS PER ASSY
64			COMPARTMENT ASSY-AFT RH AFT RH OVHD STOWAGE HNDRL CONFIGURATION (EQUIPMENT/ FURNISHINGS ONLY)	002005 008030	
- 5	412A1150-102SP		COMPARTMENT ASSY-60 IN. OVHD STOWAGE HNDRL CONFIGURATION (EQUIPMENT/ FURNISHINGS ONLY) POSITION DATA: AFT RH PRE SERVICE BULLETIN: 25-1373 FOR NHA/OTHER SYS DET SEE: 25-24-30-49D	002005 008008	RF
- 5	412A1150-302SP		COMPARTMENT ASSY-60 IN. OVHD STOWAGE HNDRL CONFIGURATION (EQUIPMENT/ FURNISHINGS ONLY) POSITION DATA: AFT RH POST SERVICE BULLETIN: 25-1373 FOR NHA/OTHER SYS DET SEE: 25-24-30-49D	002005 008008	RF
- 5	412A1150-302B		COMPARTMENT ASSY-60 IN. OVHD STOWAGE HNDRL CONFIGURATION (EQUIPMENT/ FURNISHINGS ONLY) POSITION DATA: AFT RH FOR NHA/OTHER SYS DET SEE: 25-24-30-49D	009030	RF
10	412A1420-2SP		.EXTRUSION-SEAT ROW MARKER	002005 008008	1
10	412A1420-2A		.EXTRUSION-SEAT ROW MARKER	009030	1
15	BACS12GU3K7		.SCREW-	002005 008030	4
19	NAS1149D0332J		.WASHER	002005 008030	4
20	412A1220-62		.DOUBLER	002005 008030	1
25	H3-1592-1		.LATCH- SUPPLIER CODE: V34941 SPECIFICATION NUMBER: S411A001-1	002005 008030	2
35	BACN10YJ3F		.NUT	002005 008030	6

MISSING ITEM NUMBERS NOT APPLICABLE

- ITEM NOT ILLUSTRATED

HAP

25-24-31-64

25-24-31
FIG. 64
PAGE 1
OCT 10/06

BOEING
737-600/700/800/900
PARTS CATALOG (MAINTENANCE)

FIG ITEM	PART NUMBER	1 2 3 4 5 6 7	NOMENCLATURE	EFFECT FROM TO	UNITS PER ASSY
64					
45	412A1700-5SP	.VALANCE ASSY- OPTIONAL PART: 412A1700-105SP		002005 008008	1
45	412A1700-105SP	.VALANCE ASSY-		002005 008008	1
45	412A1700-5A	.VALANCE ASSY- OPTIONAL PART: 412A1700-105B		009030	1
45	412A1700-105B	.VALANCE ASSY- OPTIONAL PART: 412A1700-5A		009030	1
50	BACS21DW3C10FN	..STUD		002005 008030	6
55	412A1700-6	..TAPE-VELCRO		002005 008030	1
60	412A1711-105SP	..PANEL ASSY- USED ON: 412A1700-105SP		002005 008008	1
60	412A1711-5SP	..PANEL ASSY- USED ON: 412A1700-5SP		002005 008008	1
60	412A1711-5A	..PANEL ASSY- USED ON: 412A1700-5A		009030	1
60	412A1711-105B	..PANEL ASSY- USED ON: 412A1700-105B		009030	1
130	412A1451-2BCWK	.STRIP-		002005 008030	1
135	BACB30VF3K3	.BOLT		002005 008030	2
140	BACS12ER3K9	.SCREW-		002005 008030	2
145	BACS12ER3K5	.SCREW		002005 008030	9
150	BACS12ER3K14	.SCREW		002005 008030	10
155	BACS12FA3K7	.SCREW		002005 008030	2
160	H3-1233A3	.WASHER- SUPPLIER CODE: V34941 SPECIFICATION NUMBER: S411A001-1		002005 008030	12
165	412A1465-14SP	.CLOSEOUT ASSY- POSITION DATA: LH		002005 008008	1

MISSING ITEM NUMBERS NOT APPLICABLE

— ITEM NOT ILLUSTRATED

HAP

25-24-31-64

BOEING PROPRIETARY - Copyright © - Unpublished Work - See title page for details.

25-24-31
FIG. 64
PAGE 2
JUN 15/08

BOEING
737-600/700/800/900
PARTS CATALOG (MAINTENANCE)

FIG ITEM	PART NUMBER	1 2 3 4 5 6 7	NOMENCLATURE	EFFECT FROM TO	UNITS PER ASSY
64					
165	412A1465-14A	.	CLOSEOUT ASSY- POSITION DATA: LH	009030	1
170	412A1465-13SP	.	CLOSEOUT ASSY- POSITION DATA: RH	002005 008008	1
170	412A1465-13A	.	CLOSEOUT ASSY- POSITION DATA: RH	009030	1
175	BACN10VR4CGN	..	NUT- OPTIONAL PART: BACN10VR4CG	002005 008030	3
175	BACN10VR4CG	..	NUT- OPTIONAL PART: BACN10VR4CGN	002005 008030	3
180	412A1465-16SP	..	CLOSEOUT- POSITION DATA: LH SIDE	002005 008008	1
180	412A1465-16A	..	CLOSEOUT- POSITION DATA: LH SIDE	009030	1
185	412A1465-15SP	..	CLOSEOUT- POSITION DATA: RH SIDE	002005 008008	1
185	412A1465-15A	..	CLOSEOUT- POSITION DATA: RH SIDE	009030	1
188	412A1310-700	.	TAPE-VELCRO HOOK	002005 008030	AR
189	412A1310-701	.	TAPE-VELCRO LOOP	002005 008030	AR
195	412A1243-2	.	EXTRUSION ASSY- OPTIONAL PART: 412A1243-102	002005 008030	1
195	412A1243-102	.	EXTRUSION ASSY- OPTIONAL PART: 412A1243-2	002005 008030	1
200	FS1651-3	..	NUTPLATE SUPPLIER CODE: V15653 SPECIFICATION NUMBER: BACN10KH3CD OPTIONAL PART: 102F9209M3 V72962 NS202496-02 V80539	002005 008030	10

MISSING ITEM NUMBERS NOT APPLICABLE

- ITEM NOT ILLUSTRATED

HAP

25-24-31-64

25-24-31
FIG. 64
PAGE 3
JUN 15/08

BOEING PROPRIETARY - Copyright © - Unpublished Work - See title page for details.

BOEING
737-600/700/800/900
PARTS CATALOG (MAINTENANCE)

FIG ITEM	PART NUMBER	1 2 3 4 5 6 7	NOMENCLATURE	EFFECT FROM TO	UNITS PER ASSY
64			ATTACHING PARTS		
- 205	BACR15BA3ADC		..RIVET- SIZE DETERMINED ON INSTL. -----*-----	002005 008030	20
215	412A1600-2A		.COVER ASSY-	002005 008030	1
217	412A1600-3A		.COVER ASSY-	002005 008008	1
270	412A1460-1		..CLIP	002005 008030	4
275	412A1610-4A		..PANEL ASSY- OPTIONAL PART: 412A1610-104B	002005 008030	1
275	412A1610-5A		..PANEL ASSY- OPTIONAL PART: 412A1610-105B	002005 008008	1
275	412A1610-104B		..PANEL ASSY- OPTIONAL PART: 412A1610-4A	002005 008030	1
275	412A1610-105B		..PANEL ASSY- OPTIONAL PART: 412A1610-5A	002005 008008	1
280	412A1650-3SP		.COVER ASSY-	002005 008008	1
280	412A1650-3A		.COVER ASSY-	009030	1
285	403A3210-22SP		.SEAL ASSY	002005 008008	1
285	403A3210-22A		.SEAL ASSY-	009030	1
- 295	OBA8		.PLUG- SUPPLIER CODE: VOBV87	002005 008008	AR
- 295	OBA8		.PLUG- SUPPLIER CODE: VOBV87 OPTIONAL PART: 412A1100-96 412A1811-1B 412A1811-2B	002005 008030	AR
- 305	412A1811-1B		.PLUG- OPTIONAL PART: 412A1100-96 412A1811-2B OBA8 VOBV87	002005 008030	AR

MISSING ITEM NUMBERS NOT APPLICABLE

- ITEM NOT ILLUSTRATED

HAP

25-24-31-64

25-24-31
FIG. 64
PAGE 4
JUN 15/08

BOEING
737-600/700/800/900
PARTS CATALOG (MAINTENANCE)

FIG ITEM	PART NUMBER	1 2 3 4 5 6 7	NOMENCLATURE	EFFECT FROM TO	UNITS PER ASSY
64 - 313	412A1811-2B		. PLUG- OPTIONAL PART: 412A1100-96 OBA8 VOBV87 412A1811-1B	002005 008030	AR
- 320	412A1100-96		. KIT ASSY-SCR AND WASHER OPTIONAL PART: 412A1811-1B 412A1811-2B OBA8 VOBV87	002005 008030	30
- 330	NAS514P1032-5		.. SCREW	002005 008030	1
- 335	H3-1233A3		.. WASHER- SUPPLIER CODE: V34941 SPECIFICATION NUMBER: S411A001-1	002005 008030	1
340	BACB30VF3K8		. BOLT	002005 008030	4
345	BACS12FA3K6		. SCREW	002005 008030	20
350	412A1500-1SP		. DOOR ASSY-40 IN. PRE SERVICE BULLETIN: 25-1373	002005 008008	1
350	412A1500-101SP		. DOOR ASSY-40 IN. POST SERVICE BULLETIN: 25-1373	002005 008030	1
360	BACS12ER3K9		.. SCREW	002005 008030	4
365	BACS12FA3K4		.. SCREW	002005 008030	6
375	H3-1233A3		.. WASHER- SUPPLIER CODE: V34941 SPECIFICATION NUMBER: S411A001-1	002005 008030	4
380	HA225-1		.. LATCH ASSY- SUPPLIER CODE: V83014 SPECIFICATION NUMBER: S412A001-1A PRE SERVICE BULLETIN: 25-1373 PRE SERVICE BULLETIN: HA225-25-01 V83014	002005 008030	1

MISSING ITEM NUMBERS NOT APPLICABLE

- ITEM NOT ILLUSTRATED

HAP

25-24-31-64

BOEING PROPRIETARY - Copyright © - Unpublished Work - See title page for details.

25-24-31
FIG. 64
PAGE 5
JUN 15/08

BOEING
737-600/700/800/900
PARTS CATALOG (MAINTENANCE)

FIG ITEM	PART NUMBER	1 2 3 4 5 6 7	NOMENCLATURE	EFFECT FROM TO	UNITS PER ASSY
64 380	HA225-7		..LATCH ASSY- SUPPLIER CODE: V83014 SPECIFICATION NUMBER: S412A001-11B SERVICE BULLETIN OPT DATA: HA225K3868 V83014 POST SERVICE BULLETIN: 25-1373 POST SERVICE BULLETIN: HA225-25-01 V83014	002005 008030	1
380	HA225K3868		..LATCH ASSY- SUPPLIER CODE: V83014 SERVICE BULLETIN OPT DATA: HA225-7 V83014 POST SERVICE BULLETIN: 25-1373 POST SERVICE BULLETIN: HA225-25-01 V83014	002005 008008	1
390	412A1615-100SP		..PANEL ASSY-FILLER OPTIONAL PART: 412A1615-1100SP	002005 008030	1
390	412A1615-1100SP		..PANEL ASSY-FILLER OPTIONAL PART: 412A1615-100A	002005 008030	1
395	412A1480-3SP		..BRACKET ASSY	002005 008030	1
400	412A1480-4SP		..BRACKET ASSY	002005 008030	1
405	BACN10VR4CGN		...NUT	002005 008030	2
410	412A1480-1SP		...BRACKET- USED ON: 412A1480-3SP	002005 008030	1
415	412A1480-2SP		...BRACKET- USED ON: 412A1480-4SP	002005 008030	1
420	412A1810-1SP		..BUMPER-	002005 008030	2
425	412A1450-4SP		..TRIM	002005 008030	1
430	412A1450-3SP		..TRIM	002005 008030	1

MISSING ITEM NUMBERS NOT APPLICABLE

— ITEM NOT ILLUSTRATED

HAP

25-24-31-64

25-24-31
FIG. 64
PAGE 6
JUN 15/08

BOEING
737-600/700/800/900
PARTS CATALOG (MAINTENANCE)

FIG ITEM	PART NUMBER	1 2 3 4 5 6 7	NOMENCLATURE	EFFECT FROM TO	UNITS PER ASSY
64					
435	412A1450-6SP	..	TRIM	002005 008030	1
440	412A1450-5SP	..	TRIM	002005 008030	1
445	412A1510-2SP	..	PANEL ASSY	002005 008030	1
- 455	SL618-3A	...	INSERT- SUPPLIER CODE: V97393	002005 008030	14
465	412A1500-2SP	.D	DOOR ASSY-20 IN. PRE SERVICE BULLETIN: 25-1373	002005 008008	1
465	412A1500-102SP	.D	DOOR ASSY-20 IN. POST SERVICE BULLETIN: 25-1373	002005 008030	1
475	BACS12ER3K9	..	SCREW	002005 008030	4
480	BACS12FA3K4	..	SCREW	002005 008030	6
490	H3-1233A3	..	WASHER- SUPPLIER CODE: V34941 SPECIFICATION NUMBER: S411A001-1	002005 008030	4
495	HA225-1	..	LATCH ASSY- SUPPLIER CODE: V83014 SPECIFICATION NUMBER: S412A001-1A PRE SERVICE BULLETIN: 25-1373	002005 008030	1
495	HA225-7	..	LATCH ASSY- SUPPLIER CODE: V83014 SPECIFICATION NUMBER: S412A001-11B SERVICE BULLETIN OPT DATA: HA225K3868 V83014 POST SERVICE BULLETIN: 25-1373 POST SERVICE BULLETIN: HA225-25-01 V83014	002005 008030	1

MISSING ITEM NUMBERS NOT APPLICABLE

- ITEM NOT ILLUSTRATED

HAP

25-24-31-64

BOEING PROPRIETARY - Copyright © - Unpublished Work - See title page for details.

25-24-31
FIG. 64
PAGE 7
JUN 15/08

BOEING
737-600/700/800/900
PARTS CATALOG (MAINTENANCE)

FIG ITEM	PART NUMBER	1 2 3 4 5 6 7	NOMENCLATURE	EFFECT FROM TO	UNITS PER ASSY
64 495	HA225K3868		.. LATCH ASSY- SUPPLIER CODE: V83014 SERVICE BULLETIN OPT DATA: HA225-7 V83014 POST SERVICE BULLETIN: 25-1373 POST SERVICE BULLETIN: HA225-25-01 V83014	002005 008008	1
505	412A1615-101SP		.. PANEL ASSY-FILLER OPTIONAL PART: 412A1615-1101SP	002005 008030	1
505	412A1615-1101SP		.. PANEL ASSY-FILLER OPTIONAL PART: 412A1615-101SP	002005 008030	1
510	412A1480-3SP		.. BRACKET ASSY	002005 008030	1
515	412A1480-4SP		.. BRACKET ASSY	002005 008030	1
520	BACN10VR4CGN		... NUT	002005 008030	2
525	412A1480-1SP		... BRACKET- USED ON: 412A1480-3SP	002005 008030	1
530	412A1480-2SP		... BRACKET- USED ON: 412A1480-4SP	002005 008030	1
535	412A1810-1SP		.. BUMPER- OPTIONAL PART: 412A1810-2SP	002005 008030	2
535	412A1810-2SP		.. BUMPER- OPTIONAL PART: 412A1810-1SP	002005 008030	2
540	412A1450-4SP		.. TRIM-EDGE	002005 008030	1
545	412A1450-3SP		.. TRIM-EDGE	002005 008030	1
550	412A1450-6SP		.. TRIM-EDGE	002005 008030	1
555	412A1450-5SP		.. TRIM-EDGE	002005 008030	1
560	412A1511-2SP		.. PANEL ASSY	002005 008030	1
- 570	SL618-3A		... INSERT- SUPPLIER CODE: V97393	002005 008030	14

MISSING ITEM NUMBERS NOT APPLICABLE

- ITEM NOT ILLUSTRATED

HAP

25-24-31-64

25-24-31
FIG. 64
PAGE 8
JUN 15/08

BOEING
737-600/700/800/900
PARTS CATALOG (MAINTENANCE)

FIG ITEM	PART NUMBER	1 2 3 4 5 6 7	NOMENCLATURE	EFFECT FROM TO	UNITS PER ASSY
64					
580	412A1100-51SP	.	HINGE ASSY-COLLECTOR	002005 008030	1
585	412A1100-52SP	.	HINGE ASSY-COLLECTOR	002005 008030	2
590	412A1100-53SP	.	HINGE ASSY-COLLECTOR	002005 008030	1
595	412A1230-21	..	PIN	002005 008030	1
600	BACB30VF3K7	..	BOLT	002005 008030	1
605	NAS1149D0316J	..	WASHER	002005 008030	1
610	MS16633-4018	..	RING	002005 008030	1
615	SP20522	..	ACTUATOR ASSY- SUPPLIER CODE: V24403 SPECIFICATION NUMBER: S412A002-2	002005 008030	1
620	412A1455-1SP	..	HINGE ASSY- USED ON: 412A1100-51SP	002005 008030	1
625	412A1455-2SP	..	HINGE ASSY- USED ON: 412A1100-52SP	002005 008030	1
630	412A1455-3SP	..	HINGE ASSY- USED ON: 412A1100-53SP	002005 008030	1
635	412A1230-21	...	PIN	002005 008030	1
640	MS51023-54	...	SCREW	002005 008030	1
645	NAS1149D0316J	...	WASHER	002005 008030	1
650	MS16633-4018	...	RING	002005 008030	1
655	412A1220-1	...	CLIP	002005 008030	1
660	412A1454-3SP	...	HOUSING ASSY- USED ON: 412A1455-1SP 412A1455-2SP	002005 008030	1
665	412A1454-12SP	...	HOUSING ASSY- USED ON: 412A1455-3SP	002005 008030	1
670	BACB28Y3F020	BUSHING	002005 008030	2

MISSING ITEM NUMBERS NOT APPLICABLE

— ITEM NOT ILLUSTRATED

HAP

25-24-31-64

25-24-31
FIG. 64
PAGE 9
JUN 15/08

BOEING
737-600/700/800/900
PARTS CATALOG (MAINTENANCE)

FIG ITEM	PART NUMBER	1 2 3 4 5 6 7	NOMENCLATURE	EFFECT FROM TO	UNITS PER ASSY
64					
675	6041L3BR375	INSERT- SUPPLIER CODE: V01556	002005 008030	1
680	412A1454-1SP	HOUSING- USED ON: 412A1454-3SP	002005 008030	1
685	412A1454-11SP	HOUSING- USED ON: 412A1454-12SP	002005 008030	1
690	412A1454-9SP	...	BRACKET ASSY- USED ON: 412A1455-1SP 412A1455-3SP	002005 008030	1
695	412A1454-10SP	...	BRACKET ASSY- USED ON: 412A1455-2SP	002005 008030	1
700	BACB28Y3F025	BUSHING	002005 008030	2
705	6041-3BR225	INSERT- SUPPLIER CODE: V01556	002005 008030	1
710	6041L3BR375	INSERT- SUPPLIER CODE: V01556	002005 008030	1
715	412A1454-7SP	BRACKET- USED ON: 412A1454-9SP	002005 008030	1
720	412A1454-8SP	BRACKET- USED ON: 412A1454-10SP	002005 008030	1
725	412A1250-102SP	.BOX	ASSY-60 IN. BIN OPTIONAL PART: 412A1250-1102SP FOR DETAILS SEE: 25-24-32-62B	002005 008008	1
725	412A1250-1102SP	.BOX	ASSY-60 IN. BIN OPTIONAL PART: 412A1250-102SP FOR DETAILS SEE: 25-24-32-62B	002005 008008	1
725	412A1250-102A	.BOX	ASSY-60 IN. BIN OPTIONAL PART: 412A1250-1102B FOR DETAILS SEE: 25-24-32-62B	009030	1

MISSING ITEM NUMBERS NOT APPLICABLE

— ITEM NOT ILLUSTRATED

HAP

25-24-31-64

25-24-31
FIG. 64
PAGE 10
JUN 15/08


BOEING
 737-600/700/800/900
PARTS CATALOG (MAINTENANCE)

FIG ITEM	PART NUMBER	1 2 3 4 5 6 7 NOMENCLATURE	EFFECT FROM TO	UNITS PER ASSY
64 725	412A1250-1102B	.BOX ASSY-60 IN. BIN OPTIONAL PART: 412A1250-102A FOR DETAILS SEE: 25-24-32-62B	009030	1

MISSING ITEM NUMBERS NOT APPLICABLE

— ITEM NOT ILLUSTRATED

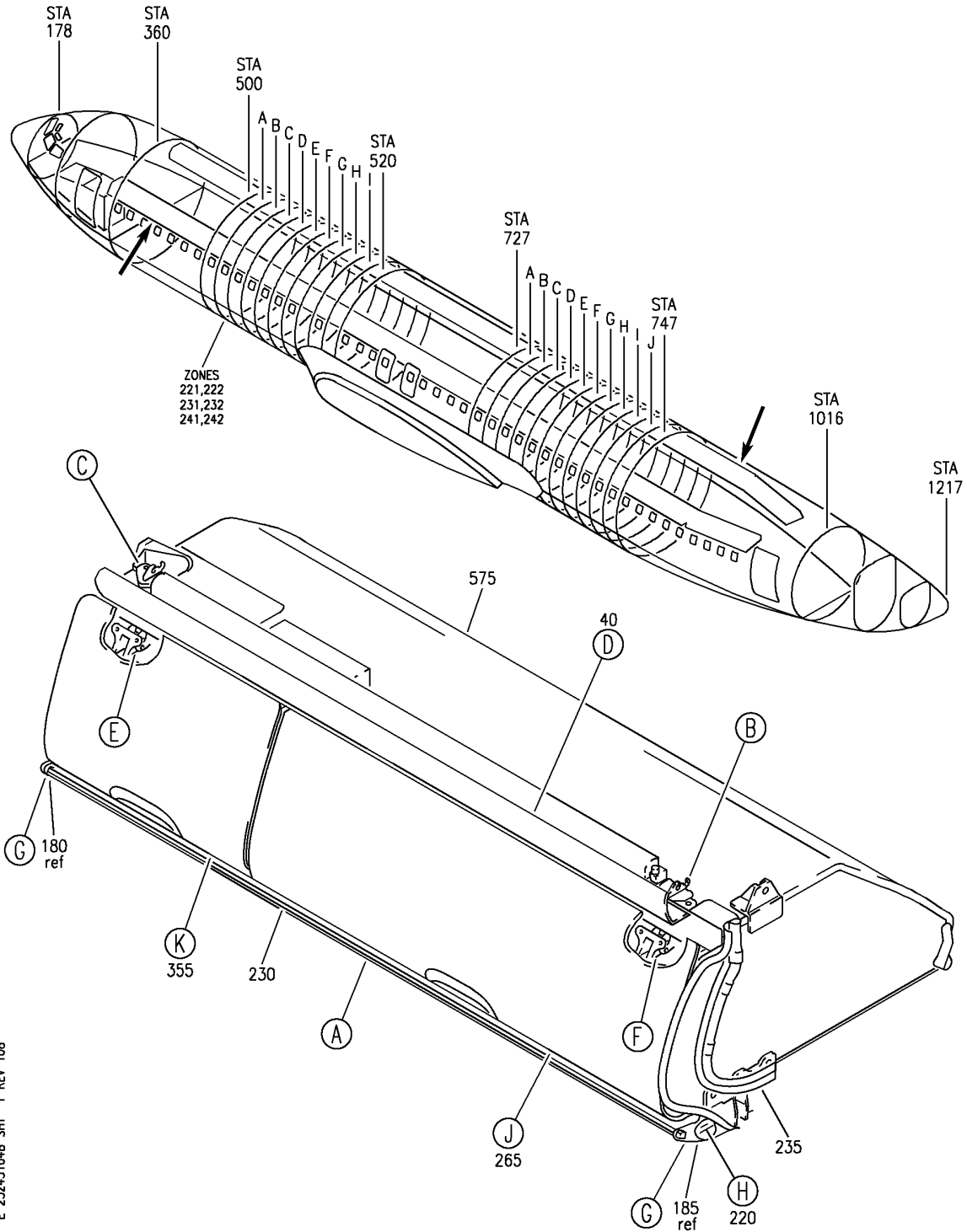
HAP

25-24-31-64

BOEING PROPRIETARY - Copyright © - Unpublished Work - See title page for details.

25-24-31
 FIG. 64
 PAGE 11
 JUN 15/08

BOEING
737-600/700/800/900
PARTS CATALOG (MAINTENANCE)



E 2524-3164B SHT 1 REV 108

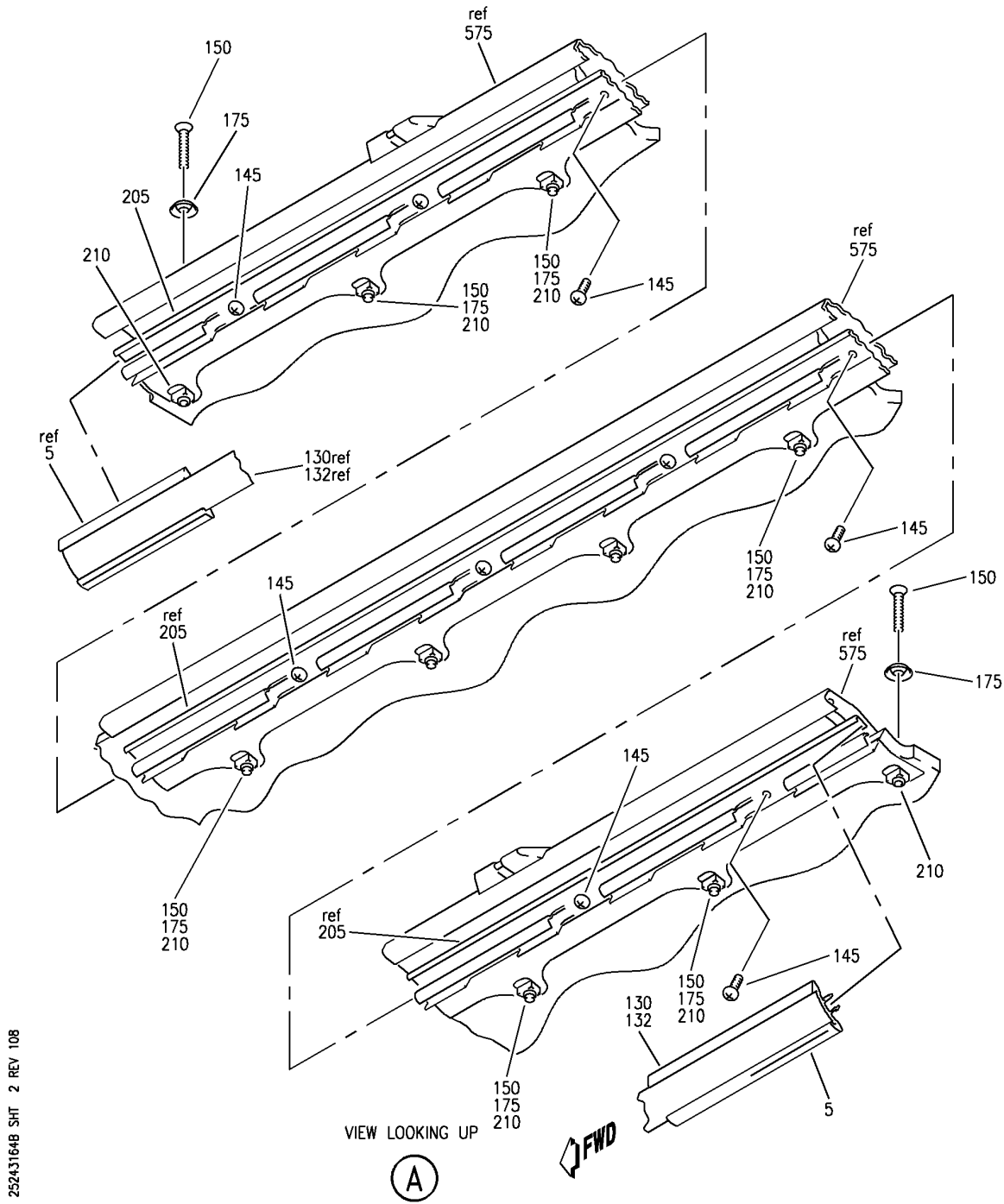
COMPARTMENT ASSY-60 IN. OVHD STOWAGE HNDRL CONFIGURATION (EQUIPMENT/ FURNISHINGS ONLY)
FIGURE 64B (SHEET 1)

HAP
OCT 10/06

25-24-31-64B

25-24-31-64B
PAGE 0

BOEING
 737-600/700/800/900
 PARTS CATALOG (MAINTENANCE)



E 2524-3164B SHT 2 REV 108

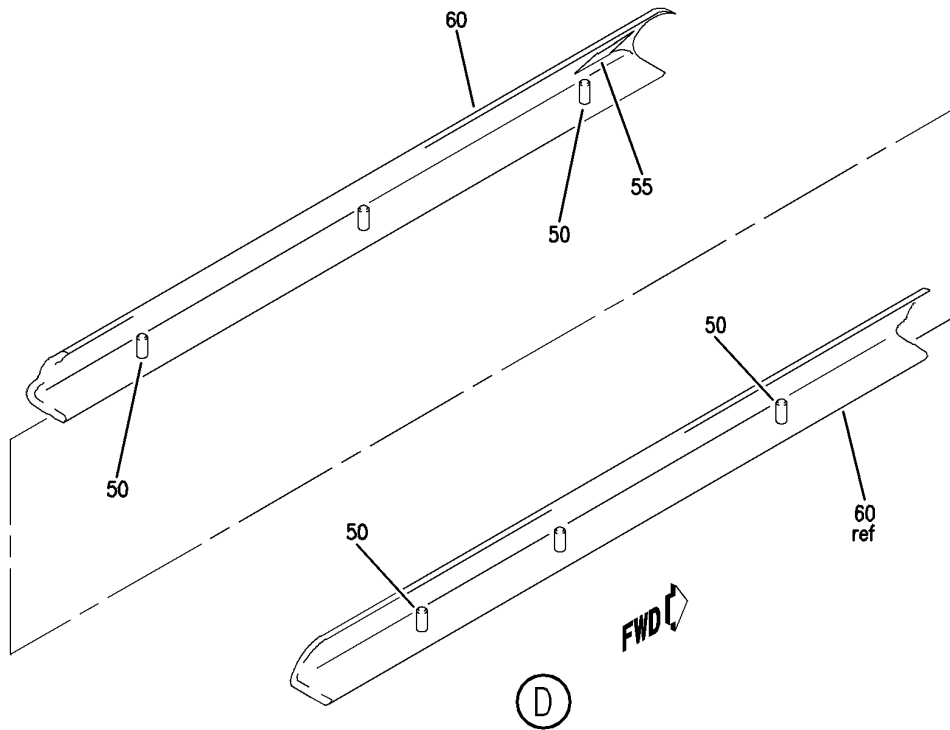
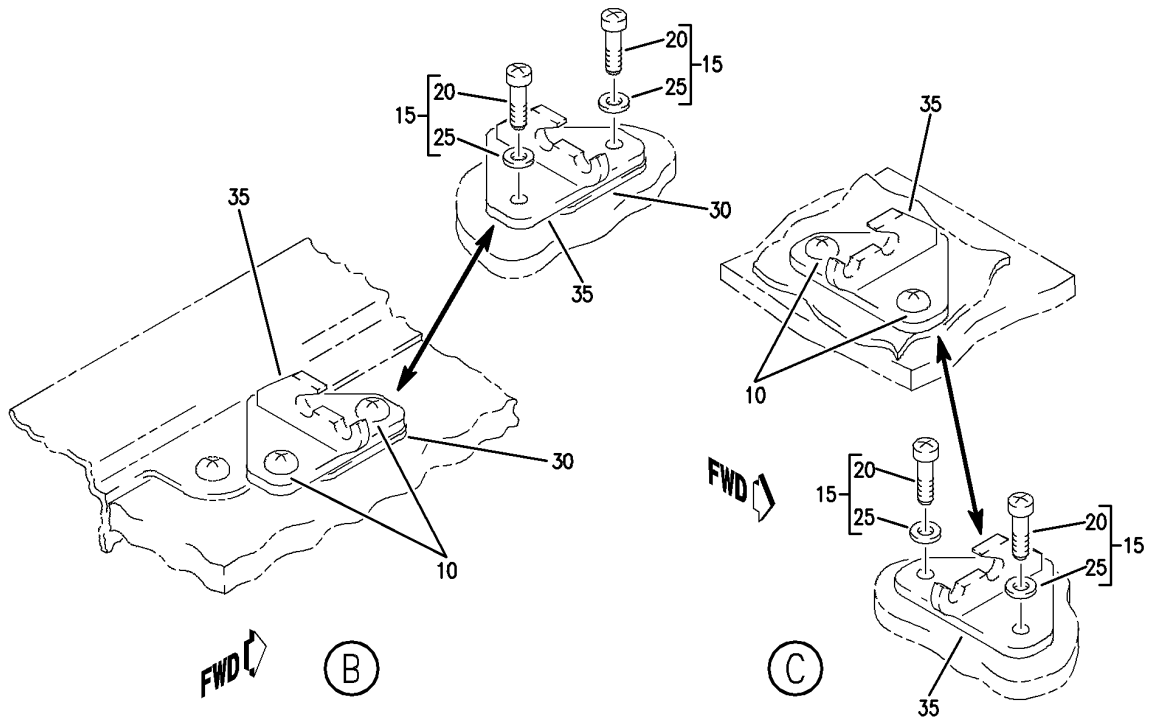
COMPARTMENT ASSY-60 IN. OVHD STOWAGE HNDRL CONFIGURATION (EQUIPMENT/ FURNISHINGS ONLY)
 FIGURE 64B (SHEET 2)

25-24-31-64B

HAP
 OCT 10/06

25-24-31-64B
 PAGE 0A

BOEING
 737-600/700/800/900
 PARTS CATALOG (MAINTENANCE)



E 25243164B SHT 3 REV 060

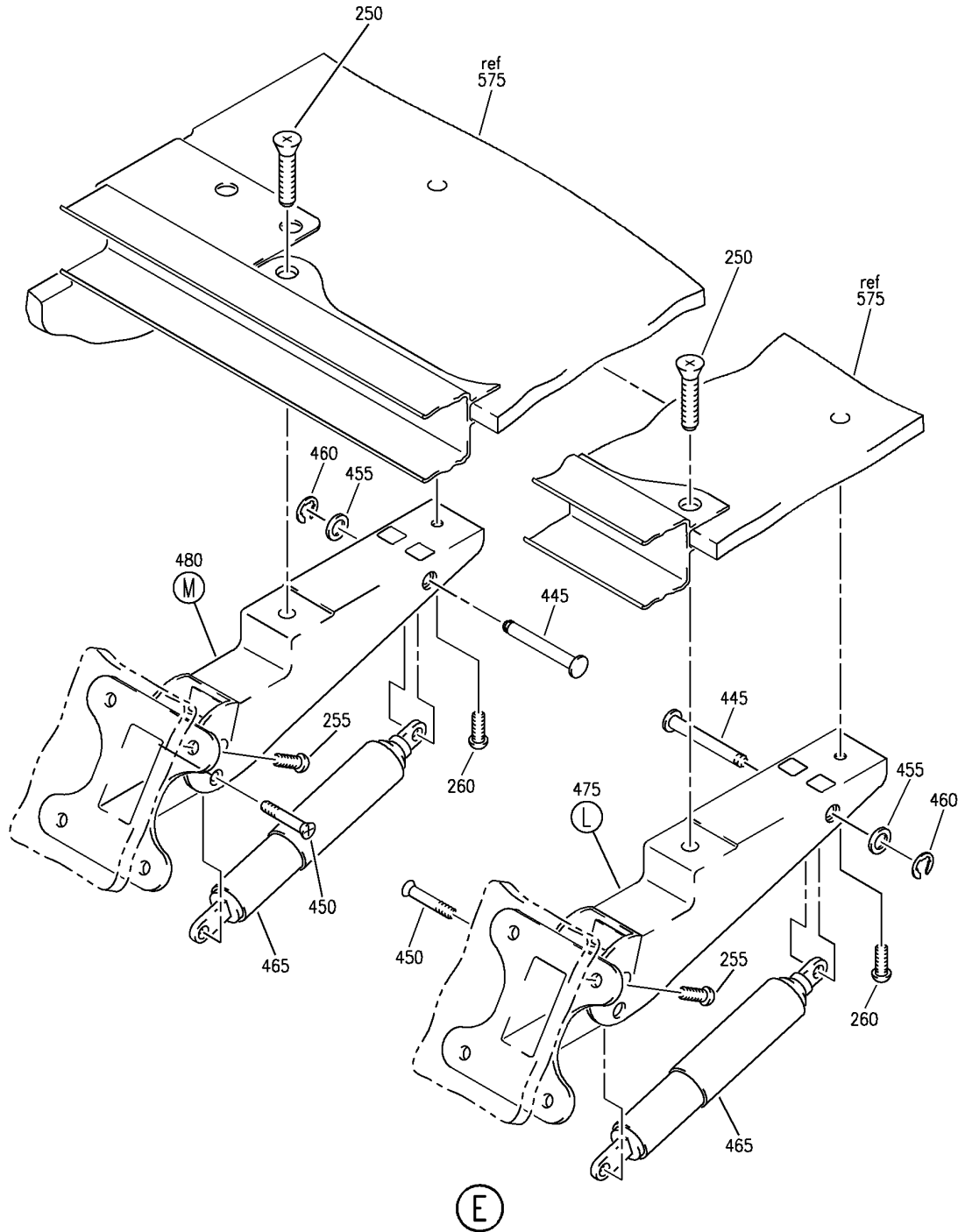
COMPARTMENT ASSY-60 IN. OVHD STOWAGE HNDRL CONFIGURATION (EQUIPMENT/ FURNISHINGS ONLY)
 FIGURE 64B (SHEET 3)

HAP
 OCT 10/06

25-24-31-64B

25-24-31-64B
 PAGE 0B

BOEING
 737-600/700/800/900
 PARTS CATALOG (MAINTENANCE)



E 2524-3164B SHT 4 REV 108

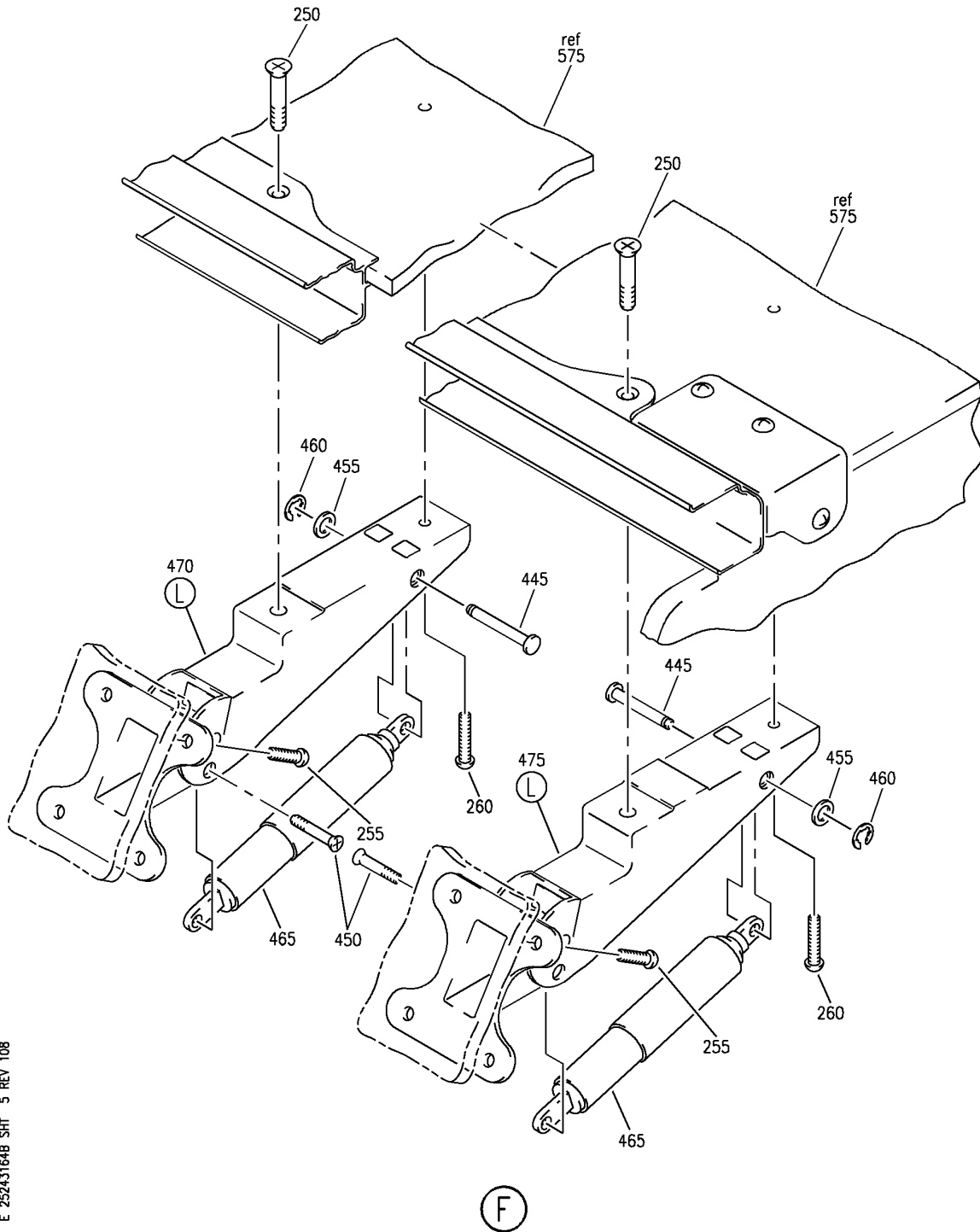
COMPARTMENT ASSY-60 IN. OVHD STOWAGE HANDLING CONFIGURATION (EQUIPMENT/ FURNISHINGS ONLY)
 FIGURE 64B (SHEET 4)

25-24-31-64B

HAP
 OCT 10/06

25-24-31-64B
 PAGE 0C

BOEING
 737-600/700/800/900
 PARTS CATALOG (MAINTENANCE)



E 2524-3164B SHT 5 REV 108

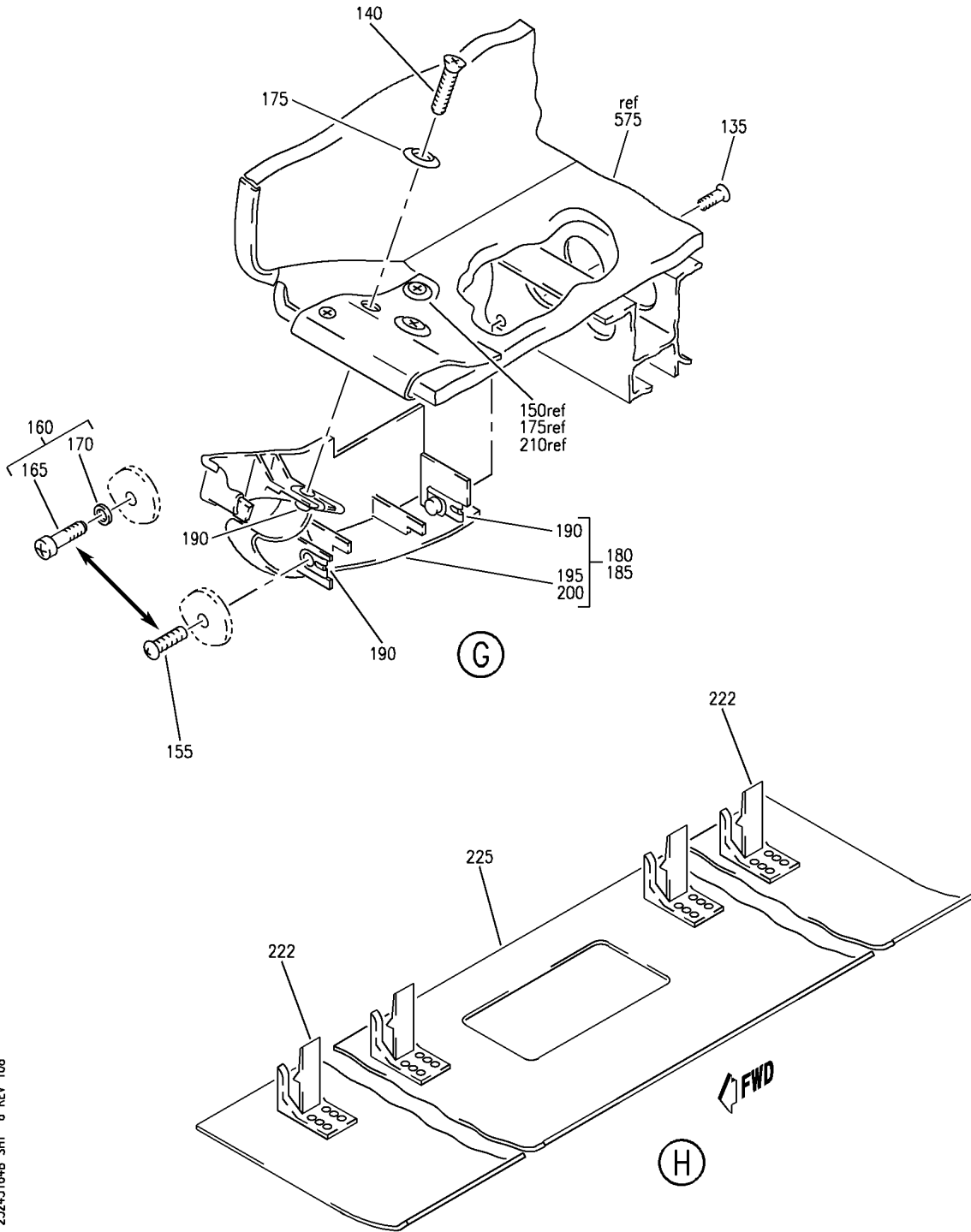
COMPARTMENT ASSY-60 IN. OVHD STOWAGE HNDRL CONFIGURATION (EQUIPMENT/ FURNISHINGS ONLY)
 FIGURE 64B (SHEET 5)

25-24-31-64B

HAP
 OCT 10/06

25-24-31-64B
 PAGE 0D

BOEING
 737-600/700/800/900
 PARTS CATALOG (MAINTENANCE)



E 2524-3164B SHT 6 REV 108

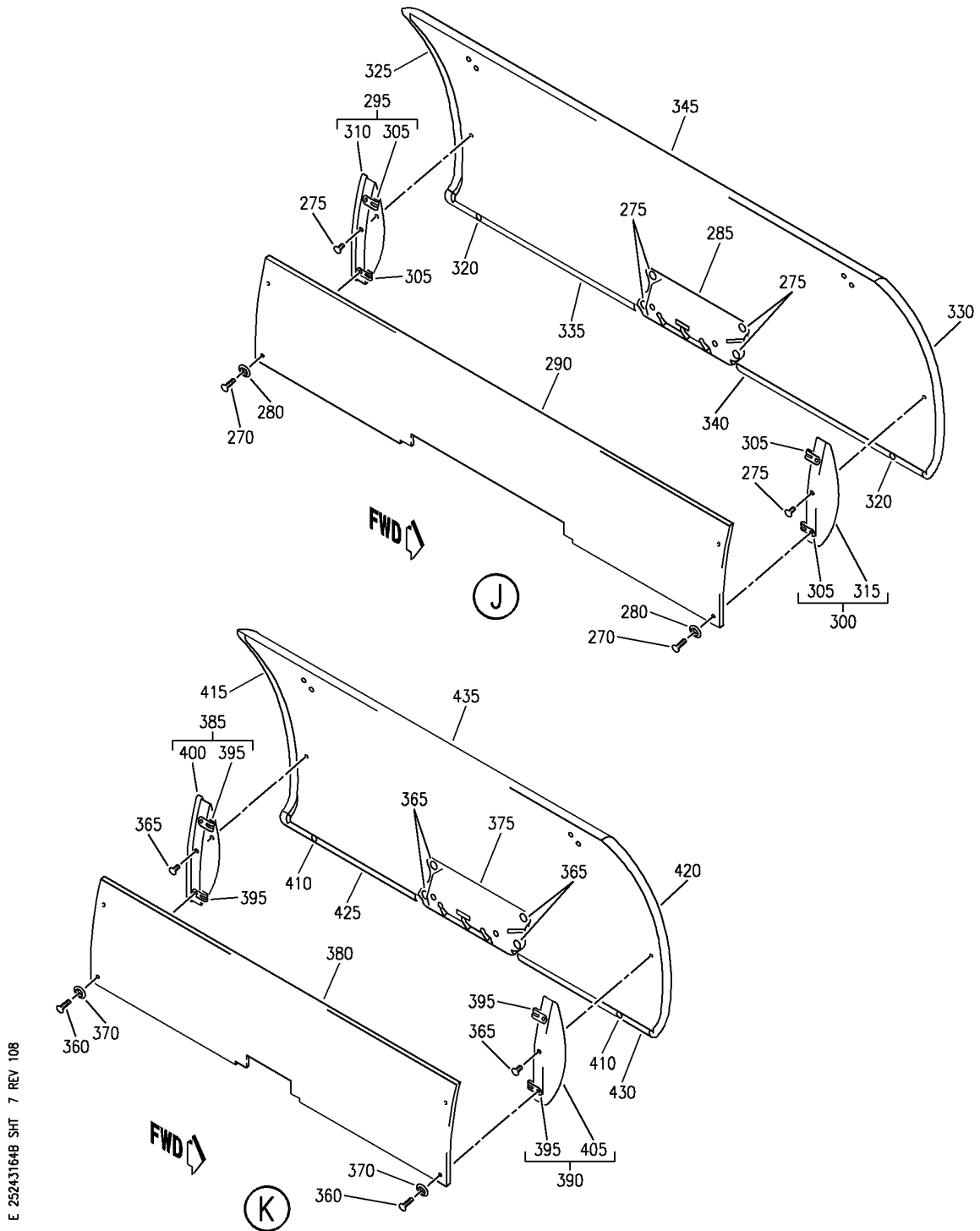
COMPARTMENT ASSY-60 IN. OVHD STOWAGE HANDLING CONFIGURATION (EQUIPMENT/ FURNISHINGS ONLY)
 FIGURE 64B (SHEET 6)

HAP
 OCT 10/06

25-24-31-64B

25-24-31-64B
 PAGE 0E

BOEING
737-600/700/800/900
PARTS CATALOG (MAINTENANCE)



E 2524-3164B SHT 7 REV 108

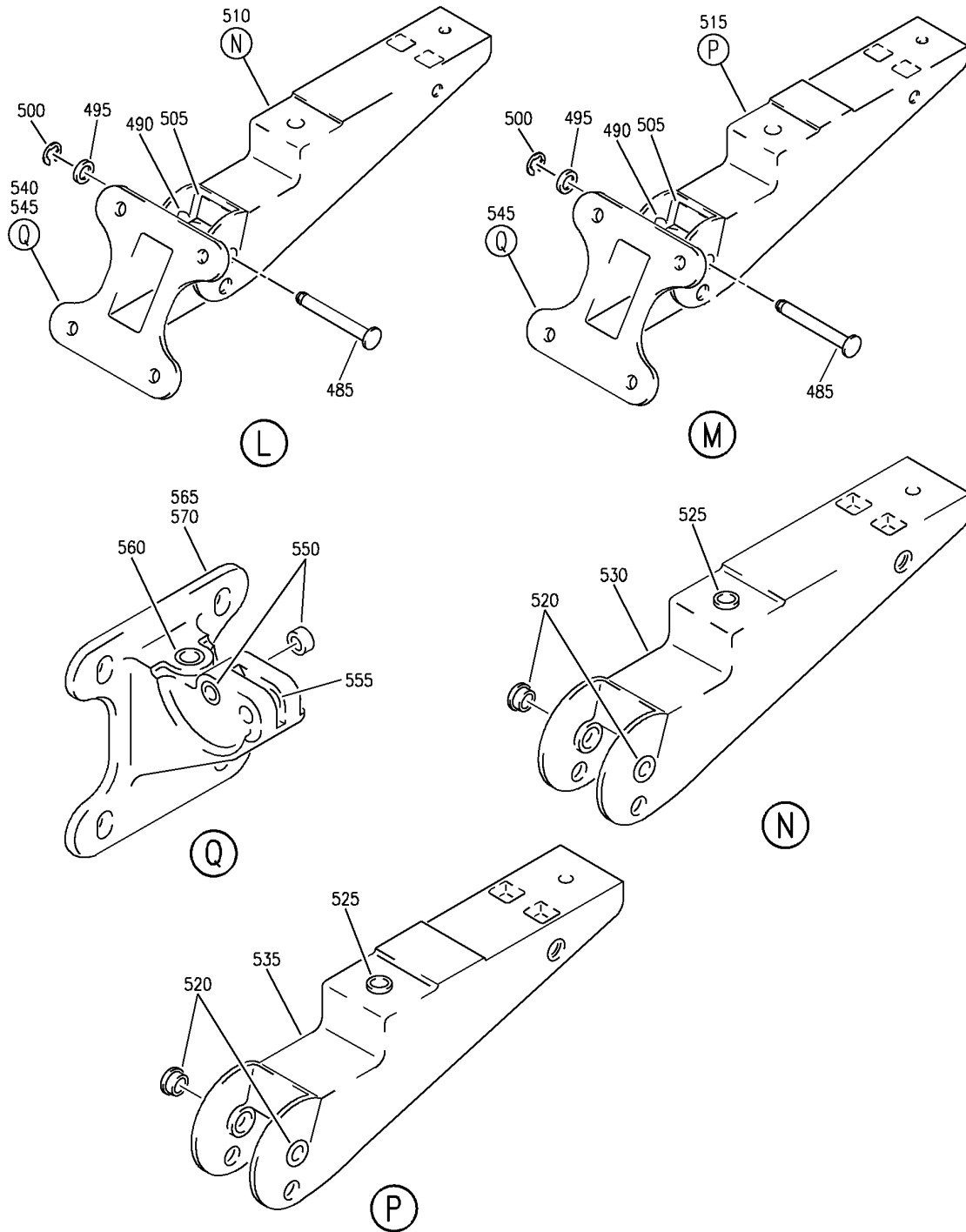
COMPARTMENT ASSY-60 IN. OVHD STOWAGE HNDRL CONFIGURATION (EQUIPMENT/ FURNISHINGS ONLY)
 FIGURE 64B (SHEET 7)

HAP
 OCT 10/06

25-24-31-64B

25-24-31-64B
 PAGE OF

BOEING
 737-600/700/800/900
 PARTS CATALOG (MAINTENANCE)



E 2524-3164B SHT 8 REV 108

COMPARTMENT ASSY-60 IN. OVHD STOWAGE HNDRL CONFIGURATION (EQUIPMENT/ FURNISHINGS ONLY)
 FIGURE 64B (SHEET 8)

25-24-31-64B

HAP
 OCT 10/06

25-24-31-64B
 PAGE 06

BOEING
737-600/700/800/900
PARTS CATALOG (MAINTENANCE)

FIG ITEM	PART NUMBER	1 2 3 4 5 6 7	NOMENCLATURE	EFFECT FROM TO	UNITS PER ASSY
64B			COMPARTMENT ASSY-60 IN. OVHD STOWAGE HNDRL CONFIGURATION (EQUIPMENT/ FURNISHINGS ONLY)	001001 006007	
- 1	412A1150-2SP		COMPARTMENT ASSY-60 IN. OVHD STOWAGE HNDRL CONFIGURATION (EQUIPMENT/ FURNISHINGS ONLY) PRE SERVICE BULLETIN: 25-1373 FOR NHA/OTHER SYS DET SEE: 25-24-30-47B	001001 006007	RF
- 1	002A0007-72N		COMPARTMENT ASSY-60 IN. OVHD STOWAGE HNDRL CONFIGURATION (EQUIPMENT/ FURNISHINGS ONLY) POST SERVICE BULLETIN: 25-1373 FOR NHA/OTHER SYS DET SEE: 25-24-30-47B	001001 006007	RF
5	412A1420-2SP		.EXTRUSION-SEAT ROW MARKER	001001 006007	1
10	BACS12FA3K7		.SCREW- OPTIONAL PART: 412A1150-95	001001 006007	4
15	412A1150-95		.SCREW ASSY- OPTIONAL PART: BACS12FA3K7	001001 006007	4
20	BACS12GU3K7		..SCREW- USED ON: 412A1150-95	001001 006007	1
25	NAS1149D0332J		..WASHER- USED ON: 412A1150-95	001001 006007	1
30	412A1220-62		.DOUBLER	001001 006007	1
35	H3-1592-1		.LATCH- SUPPLIER CODE: V34941 SPECIFICATION NUMBER: S411A001-1	001001 006007	2
40	412A1700-5SP		.VALANCE ASSY- OPTIONAL PART: 412A1700-105SP	001001 006007	1
40	412A1700-105SP		.VALANCE ASSY- OPTIONAL PART: 412A1700-5SP	001001 006007	1

MISSING ITEM NUMBERS NOT APPLICABLE

- ITEM NOT ILLUSTRATED

HAP

25-24-31-64B

BOEING PROPRIETARY - Copyright © - Unpublished Work - See title page for details.

25-24-31
FIG. 64B
PAGE 1
OCT 10/06

BOEING
737-600/700/800/900
PARTS CATALOG (MAINTENANCE)

FIG ITEM	PART NUMBER	1 2 3 4 5 6 7	NOMENCLATURE	EFFECT FROM TO	UNITS PER ASSY
64B			ATTACHING PARTS		
- 45	BACN10YJ3F		.NUT	001001 006007	6
			-----*-----		
50	BACS21DW3C10FN		..STUD	001001 006007	6
55	412A1700-6		..TAPE-VELCRO	001001 006007	1
60	412A1711-5SP		..PANEL ASSY- USED ON: 412A1700-5SP	001001 006007	1
60	412A1711-105SP		..PANEL ASSY- USED ON: 412A1700-105SP	001001 006007	1
130	412A1451-1SP		.STRIP	001001 006007	1
132	412A1451-2SP		.STRIP	001001 006007	1
135	BACB30VF3K3		.BOLT	001001 006007	2
140	BACS12ER3K9		.SCREW	001001 006007	2
145	BACS12ER3K5		.SCREW	001001 006007	9
150	BACS12ER3K14		.SCREW	001001 006007	10
155	BACS12FA3K7		.SCREW- OPTIONAL PART: 412A1150-95	001001 006007	2
160	412A1150-95		.SCREW ASSY- OPTIONAL PART: BACS12FA3K7	001001 006007	2
165	BACS12GU3K7		..SCREW- USED ON: 412A1150-95	001001 006007	1
170	NAS1149D0332J		..WASHER- USED ON: 412A1150-95	001001 006007	1
175	H3-1233A3		.WASHER- SUPPLIER CODE: V34941 SPECIFICATION NUMBER: S411A001-1	001001 006007	12
180	412A1465-14SP		.CLOSEOUT ASSY- POSITION DATA: LH	001001 006007	1
185	412A1465-13SP		.CLOSEOUT ASSY- POSITION DATA: RH	001001 006007	1

MISSING ITEM NUMBERS NOT APPLICABLE

- ITEM NOT ILLUSTRATED

HAP

25-24-31-64B

BOEING PROPRIETARY - Copyright © - Unpublished Work - See title page for details.

25-24-31
FIG. 64B
PAGE 2
JUN 15/08

BOEING
737-600/700/800/900
PARTS CATALOG (MAINTENANCE)

FIG ITEM	PART NUMBER	1 2 3 4 5 6 7	NOMENCLATURE	EFFECT FROM TO	UNITS PER ASSY
64B 190	BACN10VR4CGN	..	NUT- OPTIONAL PART: BACN10VR4CG	001001 006007	3
190	BACN10VR4CG	..	NUT- OPTIONAL PART: BACN10VR4CGN	001001 006007	3
195	412A1465-16SP	..	CLOSEOUT- POSITION DATA: LH SIDE	001001 006007	1
200	412A1465-15SP	..	CLOSEOUT- POSITION DATA: RH SIDE	001001 006007	1
205	412A1243-102	.	EXTRUSION ASSY	001001 006007	1
210	FS1651-3	..	NUTPLATE SUPPLIER CODE: V15653 SPECIFICATION NUMBER: BACN10KH3CD OPTIONAL PART: 102F9209M3 V72962 NS202496-02 V80539 ATTACHING PARTS	001001 006007	10
- 215	BACR15BA3ADC	..	RIVET- SIZE DETERMINED ON INSTL. -----*-----	001001 006007	20
220	412A1600-2A	.	COVER ASSY-	001001 006007	1
222	412A1460-1	..	CLIP	001001 006007	4
225	412A1610-104B	..	PANEL ASSY- OPTIONAL PART: 412A1610-4A	001001 006007	1
225	412A1610-4A	..	PANEL ASSY- OPTIONAL PART: 412A1610-104B	001001 006007	1
230	412A1650-3A	.	COVER ASSY-	001001 006007	1
235	403A3210-4SP	.	SEAL ASSY	001001 006007	1
- 245	OBA8	.	PLUG- SUPPLIER CODE: VOBV87	001001 006007	AR
250	BACB30VF3K8	.	BOLT	001001 006007	4
255	BACCS12FA3K6	.	SCREW	001001 006007	16

MISSING ITEM NUMBERS NOT APPLICABLE

- ITEM NOT ILLUSTRATED

HAP

25-24-31-64B

BOEING PROPRIETARY - Copyright © - Unpublished Work - See title page for details.

25-24-31
FIG. 64B
PAGE 3
JUN 15/08

BOEING
737-600/700/800/900
PARTS CATALOG (MAINTENANCE)

FIG ITEM	PART NUMBER	1 2 3 4 5 6 7	NOMENCLATURE	EFFECT FROM TO	UNITS PER ASSY
64B					
260	BACS12FA3K9	.	SCREW	001001 006007	4
265	412A1500-1SP	.	DOOR ASSY-40 IN.	001001 006007	1
270	BACS12ER3K9	..	SCREW	001001 006007	4
275	BACS12FA3K4	..	SCREW	001001 006007	6
280	H3-1233A3	..	WASHER- SUPPLIER CODE: V34941 SPECIFICATION NUMBER: S411A001-1	001001 006007	4
285	HA225-1	..	LATCH ASSY- SUPPLIER CODE: V83014 SPECIFICATION NUMBER: S412A001-1A	001001 006007	1
285	HA225-7	..	LATCH ASSY- SUPPLIER CODE: V83014 SPECIFICATION NUMBER: S412A001-11B	001001 006007	1
290	412A1615-100SP	..	PANEL ASSY-FILLER	001001 006007	1
295	412A1480-3SP	..	BRACKET ASSY	001001 006007	1
300	412A1480-4SP	..	BRACKET ASSY	001001 006007	1
305	BACN10VR4CGN	...	NUT	001001 006007	2
310	412A1480-1SP	...	BRACKET- USED ON: 412A1480-3SP	001001 006007	1
315	412A1480-2SP	...	BRACKET- USED ON: 412A1480-4SP	001001 006007	1
320	412A1810-1SP	..	BUMPER	001001 006007	2
325	412A1450-4SP	..	TRIM-EDGE	001001 006007	1
330	412A1450-3SP	..	TRIM-EDGE	001001 006007	1
335	412A1450-6SP	..	TRIM-EDGE	001001 006007	1
340	412A1450-5SP	..	TRIM-EDGE	001001 006007	1
345	412A1510-2SP	..	PANEL ASSY	001001 006007	1

MISSING ITEM NUMBERS NOT APPLICABLE

— ITEM NOT ILLUSTRATED

HAP

25-24-31-64B

BOEING PROPRIETARY - Copyright © - Unpublished Work - See title page for details.

25-24-31
FIG. 64B
PAGE 4
JUN 15/08

BOEING
737-600/700/800/900
PARTS CATALOG (MAINTENANCE)

FIG ITEM	PART NUMBER	1 2 3 4 5 6 7	NOMENCLATURE	EFFECT FROM TO	UNITS PER ASSY
64B - 350	SL618-3A	...	INSERT- SUPPLIER CODE: V97393	001001 006007	14
355	412A1500-2SP	.	DOOR ASSY-20 IN.	001001 006007	1
360	BACS12ER3K9	..	SCREW	001001 006007	4
365	BACS12FA3K4	..	SCREW	001001 006007	6
370	H3-1233A3	..	WASHER- SUPPLIER CODE: V34941 SPECIFICATION NUMBER: S411A001-1	001001 006007	4
375	HA225-1	..	LATCH ASSY- SUPPLIER CODE: V83014 SPECIFICATION NUMBER: S412A001-1A	001001 006007	1
375	HA225-7	..	LATCH ASSY- SUPPLIER CODE: V83014 SPECIFICATION NUMBER: S412A001-11B	001001 006007	1
380	412A1615-101SP	..	PANEL ASSY-FILLER	001001 006007	1
385	412A1480-3SP	..	BRACKET ASSY	001001 006007	1
390	412A1480-4SP	..	BRACKET ASSY	001001 006007	1
395	BACN10VR4CGN	...	NUT	001001 006007	2
400	412A1480-1SP	...	BRACKET- USED ON: 412A1480-3SP	001001 006007	1
405	412A1480-2SP	...	BRACKET	001001 006007	1
410	412A1810-1SP	..	BUMPER	001001 006007	2
415	412A1450-4SP	..	TRIM-EDGE	001001 006007	1
420	412A1450-3SP	..	TRIM-EDGE	001001 006007	1
425	412A1450-6SP	..	TRIM-EDGE	001001 006007	1
430	412A1450-5SP	..	TRIM-EDGE	001001 006007	1
435	412A1511-2SP	..	PANEL ASSY	001001 006007	1

MISSING ITEM NUMBERS NOT APPLICABLE

- ITEM NOT ILLUSTRATED

HAP

25-24-31-64B

BOEING PROPRIETARY - Copyright © - Unpublished Work - See title page for details.

25-24-31
FIG. 64B
PAGE 5
JUN 15/08

BOEING
737-600/700/800/900
PARTS CATALOG (MAINTENANCE)

FIG ITEM	PART NUMBER	1 2 3 4 5 6 7	NOMENCLATURE	EFFECT FROM TO	UNITS PER ASSY
64B - 440	SL618-3A		...INSERT- SUPPLIER CODE: V97393	001001 006007	14
445	412A1230-21		.PIN	001001 006007	4
450	BACB30VF3K7		.BOLT	001001 006007	4
455	NAS1149D0316J		.WASHER	001001 006007	4
460	MS16633-4018		.RING	001001 006007	4
465	SP20522		.ACTUATOR ASSY-DOOR SUPPLIER CODE: V24403 SPECIFICATION NUMBER: S412A002-2	001001 006007	4
470	412A1455-1SP		.HINGE ASSY	001001 006007	1
475	412A1455-2SP		.HINGE ASSY	001001 006007	2
480	412A1455-3SP		.HINGE ASSY	001001 006007	1
485	412A1230-21		..PIN	001001 006007	1
490	MS51023-54		..SCREW	001001 006007	1
495	NAS1149D0316J		..WASHER	001001 006007	1
500	MS16633-4018		..RING	001001 006007	1
505	412A1220-1		..CLIP	001001 006007	1
510	412A1454-3SP		..HOUSING ASSY- USED ON: 412A1455-1SP 412A1455-2SP	001001 006007	1
515	412A1454-12SP		..HOUSING ASSY- USED ON: 412A1455-3SP	001001 006007	1
520	BACB28Y3F020		...BUSHING	001001 006007	2
525	6041L3BR375		...INSERT- SUPPLIER CODE: V01556	001001 006007	1
530	412A1454-1SP		...HOUSING- USED ON: 412A1454-3SP	001001 006007	1

MISSING ITEM NUMBERS NOT APPLICABLE

- ITEM NOT ILLUSTRATED

HAP

25-24-31-64B

BOEING PROPRIETARY - Copyright © - Unpublished Work - See title page for details.

25-24-31
FIG. 64B
PAGE 6
JUN 15/08

BOEING
737-600/700/800/900
PARTS CATALOG (MAINTENANCE)

FIG ITEM	PART NUMBER	1 2 3 4 5 6 7	NOMENCLATURE	EFFECT FROM TO	UNITS PER ASSY
64B 535	412A1454-11SP	...	HOUSING- USED ON: 412A1454-12SP	001001 006007	1
540	412A1454-9SP	..	BRACKET ASSY- USED ON: 412A1455-1SP 412A1455-3SP	001001 006007	1
545	412A1454-10SP	..	BRACKET ASSY- USED ON: 412A1455-2SP	001001 006007	1
550	BACB28Y3F025	...	BUSHING	001001 006007	2
555	6041-3BR225	...	INSERT- SUPPLIER CODE: V01556	001001 006007	1
560	6041L3BR375	...	INSERT- SUPPLIER CODE: V01556	001001 006007	1
565	412A1454-7SP	...	BRACKET- USED ON: 412A1454-9SP	001001 006007	1
570	412A1454-8SP	...	BRACKET- USED ON: 412A1454-10SP	001001 006007	1
575	412A1250-2SP	.BOX	ASSY-60 IN. BIN FOR DETAILS SEE: 25-24-32-62F	001001 006007	1

MISSING ITEM NUMBERS NOT APPLICABLE

— ITEM NOT ILLUSTRATED

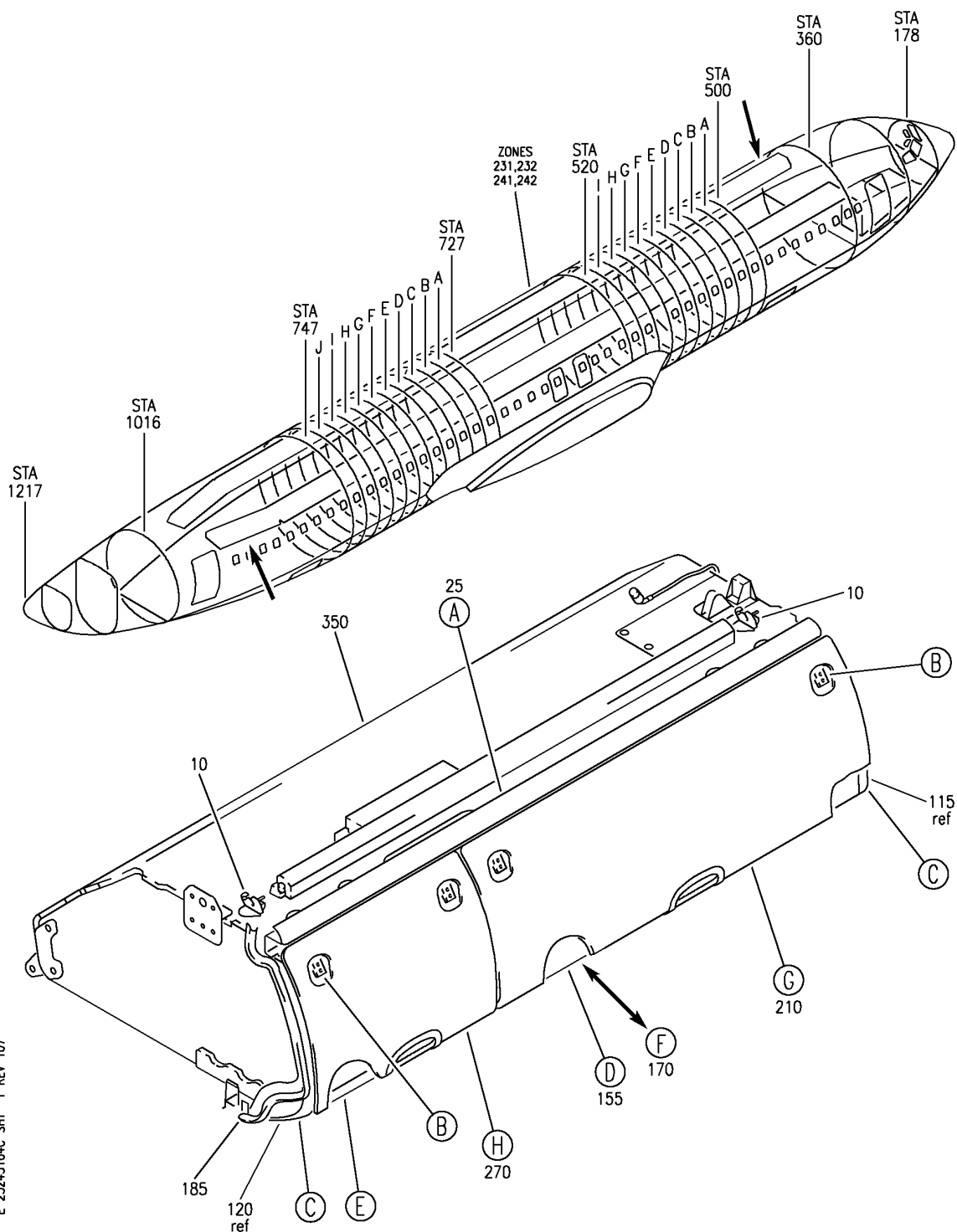
HAP

25-24-31-64B

BOEING PROPRIETARY - Copyright © - Unpublished Work - See title page for details.

25-24-31
FIG. 64B
PAGE 7
JUN 15/08

BOEING
 737-600/700/800/900
 PARTS CATALOG (MAINTENANCE)



E 2524-3164C SHT 1 REV 107

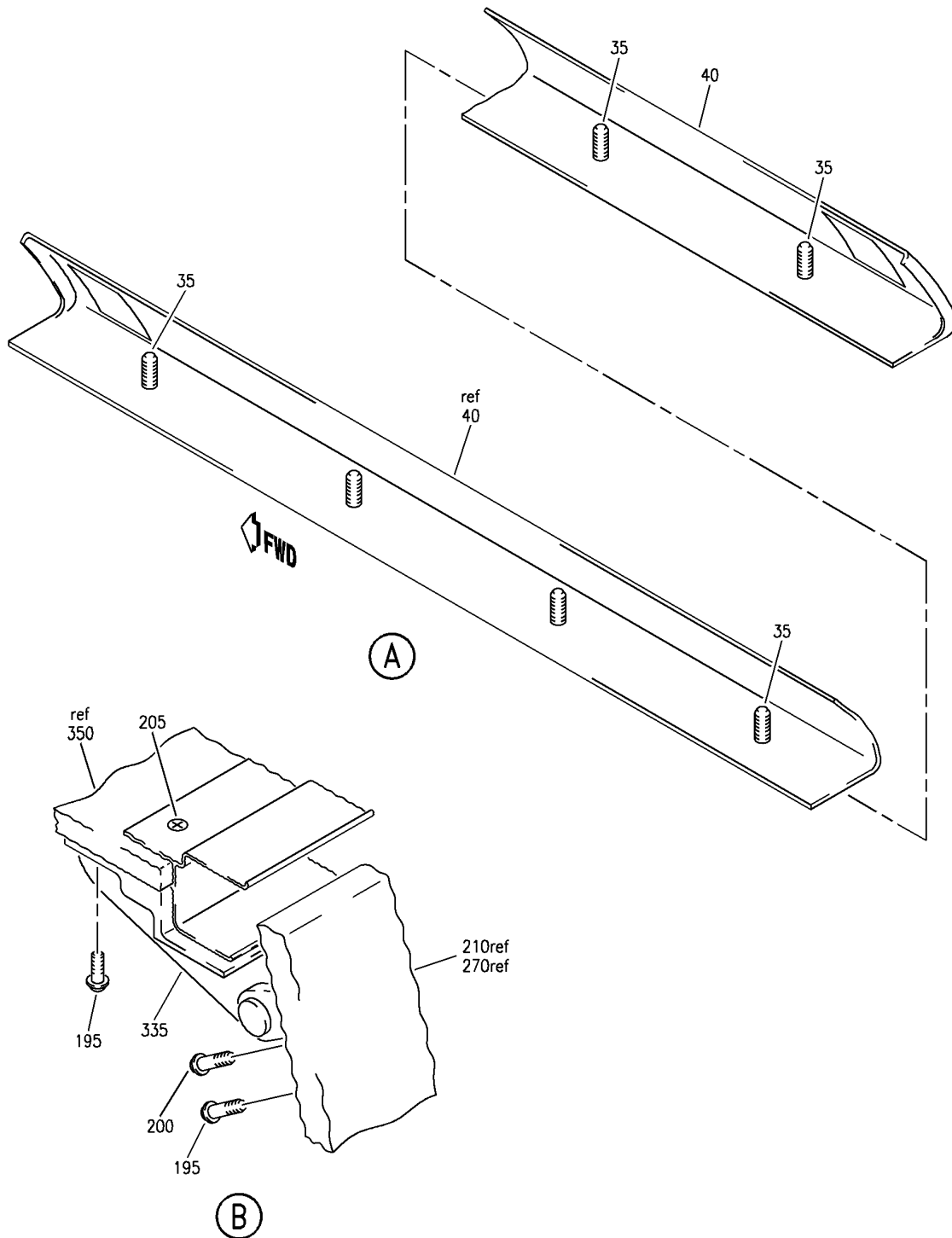
TOP ASSY-60 IN. BIG BIN OVHD STOWAGE BULLNOSE CONFIGURATION (EQUIPMENT/ FURNISHINGS ONLY)
 FIGURE 64C (SHEET 1)

HAP
 OCT 10/06

25-24-31-64C

25-24-31-64C
 PAGE 0

BOEING
 737-600/700/800/900
 PARTS CATALOG (MAINTENANCE)



E 2524-3164C SHT 2 REV 113

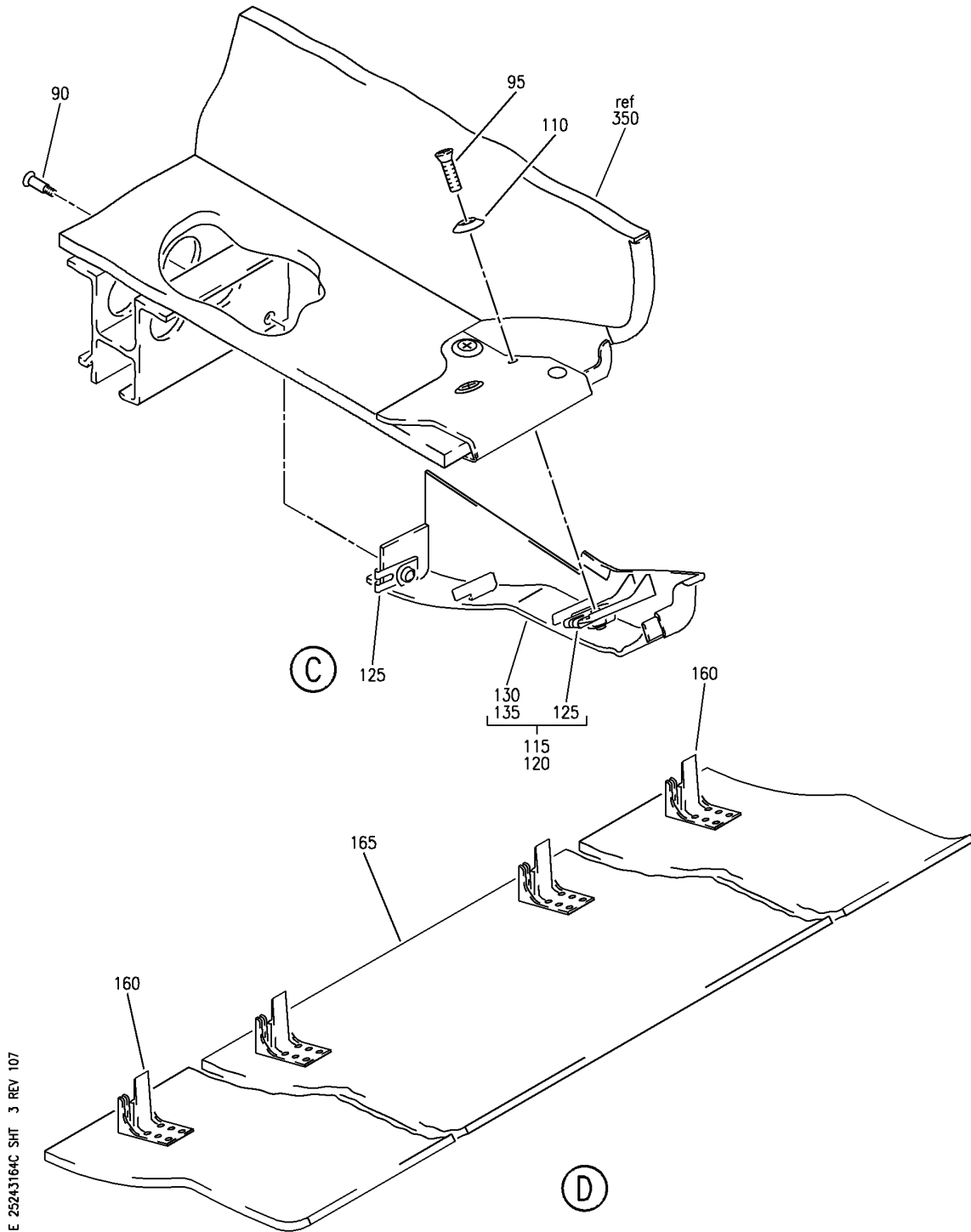
TOP ASSY-60 IN. BIG BIN OVHD STOWAGE BULLNOSE CONFIGURATION (EQUIPMENT/ FURNISHINGS ONLY)
 FIGURE 64C (SHEET 2)

HAP
 OCT 10/06

25-24-31-64C

25-24-31-64C
 PAGE 0A

BOEING
 737-600/700/800/900
 PARTS CATALOG (MAINTENANCE)



E 2524-3164C SHT 3 REV 107

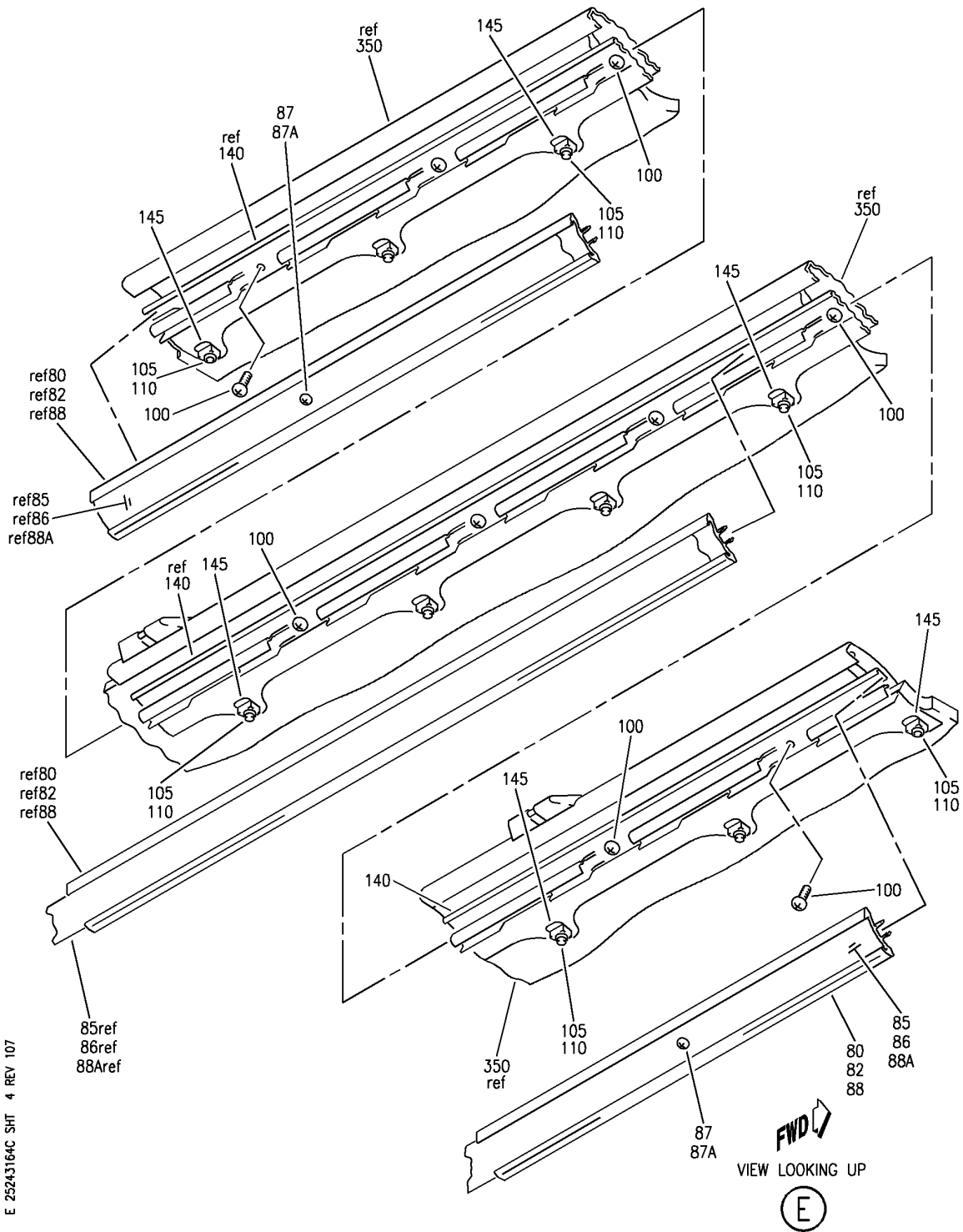
TOP ASSY-60 IN. BIG BIN OVHD STOWAGE BULLNOSE CONFIGURATION (EQUIPMENT/ FURNISHINGS ONLY)
 FIGURE 64C (SHEET 3)

HAP
 OCT 10/06

25-24-31-64C

25-24-31-64C
 PAGE 0B

BOEING
737-600/700/800/900
PARTS CATALOG (MAINTENANCE)



E 2524-3164C SHT 4 REV 107

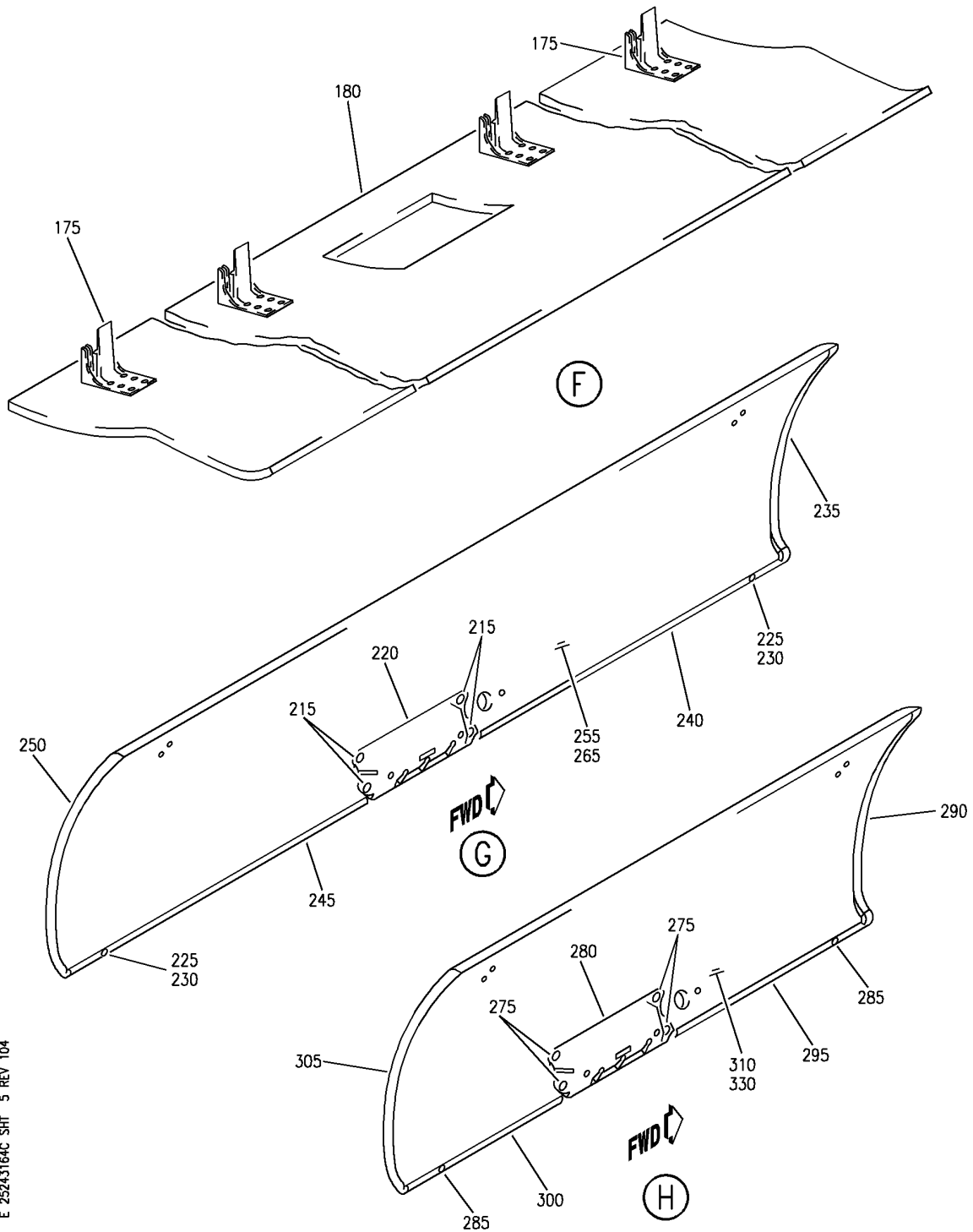
TOP ASSY-60 IN. BIG BIN OVHD STORAGE BULLNOSE CONFIGURATION (EQUIPMENT/ FURNISHINGS ONLY)
FIGURE 64C (SHEET 4)

HAP
OCT 10/06

25-24-31-64C

25-24-31-64C
PAGE 0C

BOEING
 737-600/700/800/900
 PARTS CATALOG (MAINTENANCE)



E 2524-3164C SHT 5 REV 104

TOP ASSY-60 IN. BIG BIN OVHD STOWAGE BULLNOSE CONFIGURATION (EQUIPMENT/ FURNISHINGS ONLY)
 FIGURE 64C (SHEET 5)

25-24-31-64C

HAP
 OCT 10/06

25-24-31-64C
 PAGE 0D

BOEING
737-600/700/800/900
PARTS CATALOG (MAINTENANCE)

FIG ITEM	PART NUMBER	1 2 3 4 5 6 7	NOMENCLATURE	EFFECT FROM TO	UNITS PER ASSY
64C			TOP ASSY-60 IN. BIG BIN OVHD STOWAGE BULLNOSE CONFIGURATION (EQUIPMENT/ FURNISHINGS ONLY)	031043	
- 1	412A1057-33B		TOP ASSY-60 IN. BIG BIN OVHD STOWAGE BULLNOSE CONFIGURATION (EQUIPMENT/ FURNISHINGS ONLY) POSITION DATA: LH FOR NHA/OTHER SYS DET SEE: 25-24-30-84	031043	RF
- 5	412A1057-34B		TOP ASSY-60 IN. BIG BIN OVHD STOWAGE BULLNOSE CONFIGURATION (EQUIPMENT/ FURNISHINGS ONLY) POSITION DATA: RH FOR NHA/OTHER SYS DET SEE: 25-24-30-84	031043	RF
10	H3-1592-1		.LATCH-CLG SUPPLIER CODE: V34941 SPECIFICATION NUMBER: S411A001-1 ATTACHING PARTS	031043	2
- 15	BACS12GU3K7		.SCREW	031043	4
- 20	NAS1149D0332J		.WASHER	031043	4
			-----*-----		
25	412A1700-2A		.VALANCE ASSY-LT ATTACHING PARTS	031043	1
- 30	BACN10YJ3F		.NUT	031043	6
			-----*-----		
35	BACS21DW3C10FN		..STUD	031043	6
40	412A1711-3B		..PANEL ASSY	031043	1
80	412A1420-1A		.EXTRUSION-SEAT ROW MARKER	031043	1
85	412A1451-2BCWK		.STRIP	031043	1
90	BACB30VF3K3		.BOLT	031043	2
95	BACS12ER3K11		.SCREW	031043	2
100	BACS12FA3K5		.SCREW	031043	9
105	BACS12ER3K14		.SCREW	031043	10
110	H3-1233A3		.WASHER- SUPPLIER CODE: V34941 SPECIFICATION NUMBER: S411A001-1	031043	12
115	412A1467-1B		.CLOSEOUT ASSY	031043	1
120	412A1467-2B		.CLOSEOUT ASSY	031043	1

MISSING ITEM NUMBERS NOT APPLICABLE

- ITEM NOT ILLUSTRATED

HAP

25-24-31-64C

BOEING PROPRIETARY - Copyright © - Unpublished Work - See title page for details.

25-24-31
FIG. 64C
PAGE 1
JUN 15/08

BOEING
737-600/700/800/900
PARTS CATALOG (MAINTENANCE)

FIG ITEM	PART NUMBER	1 2 3 4 5 6 7	NOMENCLATURE	EFFECT FROM TO	UNITS PER ASSY
64C 125	BACN10VR4CGN	..NUT-	OPTIONAL PART: BACN10VR4CG	031043	2
125	BACN10VR4CG	..NUT-	OPTIONAL PART: BACN10VR4CGN	031043	2
130	412A1467-5B	..CLOSEOUT-	USED ON: 412A1467-1B	031043	1
135	412A1467-6B	..CLOSEOUT-	USED ON: 412A1467-2B	031043	1
140	412A1244-2	.EXTRUSION ASSY		031043	1
145	FS1651-3	..NUTPLATE	SUPPLIER CODE: V15653 SPECIFICATION NUMBER: BACN10KH3CD OPTIONAL PART: 102F9209M3 V72962 NS202496-02 V80539	031043	10
- 150	BACR15BA3ADC	..RIVET	ATTACHING PARTS -----*-----	031043	20
155	412A1607-10B	.COVER ASSY-	POSITION DATA: LH SIDE	031043	1
160	412A1460-2	..CLIP		031043	4
165	412A1617-11B	..PANEL		031043	1
170	412A1607-9B	.COVER ASSY-	POSITION DATA: RH SIDE	031043	1
175	412A1460-2	..CLIP		031043	4
180	412A1617-10B	..PANEL		031043	1
185	403A3210-95B	.SEAL ASSY-	POSITION DATA: LH SIDE	031043	1
- 190	403A3210-96B	.SEAL ASSY-	POSITION DATA: RH SIDE	031043	1
195	BACCS12FA3K6	.SCREW		031043	8
200	BACCS12FA3K7	.SCREW		031043	4
205	BACCS12FA3K15	.SCREW		031043	4
210	412A1505-1B	.DOOR ASSY-40 IN.		031043	1
215	BACCS12FA3K4	..SCREW		031043	4

MISSING ITEM NUMBERS NOT APPLICABLE

- ITEM NOT ILLUSTRATED

HAP

25-24-31-64C

BOEING PROPRIETARY - Copyright © - Unpublished Work - See title page for details.

25-24-31
FIG. 64C
PAGE 2
JUN 15/08

BOEING
737-600/700/800/900
PARTS CATALOG (MAINTENANCE)

FIG ITEM	PART NUMBER	1 2 3 4 5 6 7	NOMENCLATURE	EFFECT FROM TO	UNITS PER ASSY
64C 220	HA951-1		.. LATCH ASSY- SUPPLIER CODE: V83014 SPECIFICATION NUMBER: S412A003-1	031043	1
225	412A1810-2B		.. BUMPER- QUALIFIED I/W DATA: PN 412A1810-3B CAN REPLACE BUT NOT BE REPLACED BY PN 412A1810-2B FOR 737-600/700/800/900 ONLY.	031043	2
230	412A1810-1A		.. BUMPER-	031043	2
235	412A1452-4B		.. TRIM-VERT	031043	1
240	412A1452-6B		.. TRIM-HORIZ	031043	1
245	412A1452-5B		.. TRIM-HORIZ	031043	1
250	412A1452-3B		.. TRIM-VERT	031043	1
255	412A1513-2B		.. PANEL ASSY	031043	1
- 260	SL618-3A		... INSERT- SUPPLIER CODE: V97393	031043	8
265	412A1513-1B		... PANEL ASSY	031043	1
270	412A1505-2B		. DOOR ASSY-20 IN. QUALIFIED I/W DATA: THE 412A1505-102B DOOR ASSEMBLY PLUS (QTY 2) HINGE (SP23011) TOGETHER CAN REPLACE THE 412A1505-2B DOOR ASSEMBLY PLUS (QTY 2) HINGE (SP21757).	031043	1
275	BACS12FA3K4		.. SCREW	031043	4
280	HA951-1		.. LATCH ASSY- SUPPLIER CODE: V83014 SPECIFICATION NUMBER: S412A003-1	031043	1
285	412A1810-1A		.. BUMPER-	031043	2
285	412A1810-2B		.. BUMPER- QUALIFIED I/W DATA: PN 412A1810-3B CAN REPLACE BUT NOT BE REPLACED BY PN 412A1810-2B FOR 737-600/700/800/900 ONLY.	031043	2
290	412A1452-4B		.. TRIM-VERT	031043	1
295	412A1452-6B		.. TRIM-HORIZ	031043	1

MISSING ITEM NUMBERS NOT APPLICABLE

- ITEM NOT ILLUSTRATED

HAP

25-24-31-64C

BOEING PROPRIETARY - Copyright © - Unpublished Work - See title page for details.

25-24-31
FIG. 64C
PAGE 3
JUN 15/09

BOEING
737-600/700/800/900
PARTS CATALOG (MAINTENANCE)

FIG ITEM	PART NUMBER	1 2 3 4 5 6 7	NOMENCLATURE	EFFECT FROM TO	UNITS PER ASSY
64C					
300	412A1452-5B	..	TRIM-HORIZ	031043	1
305	412A1452-3B	..	TRIM-VERT	031043	1
310	412A1514-2B	..	PANEL ASSY	031043	1
- 325	SL618-3A	...	INSERT-	031043	8
			SUPPLIER CODE: V97393		
330	412A1514-1B	..	PANEL ASSY	031043	1
335	SP21757	.HINGE ASSY-		031043	4
			SUPPLIER CODE: V24403		
			SPECIFICATION NUMBER: S412A004-1		
350	412A1205-33B	.BOX ASSY-60 IN.		031043	1
		POSITION DATA: LH SIDE			
		FOR DETAILS SEE: 25-24-32-60F			
- 355	412A1205-34B	.BOX ASSY-60 IN.		031043	1
		POSITION DATA: RH SIDE			
		FOR DETAILS SEE: 25-24-32-60Q			
- 360	412A1811-2B	.PLUG		031043	AR

MISSING ITEM NUMBERS NOT APPLICABLE

- ITEM NOT ILLUSTRATED

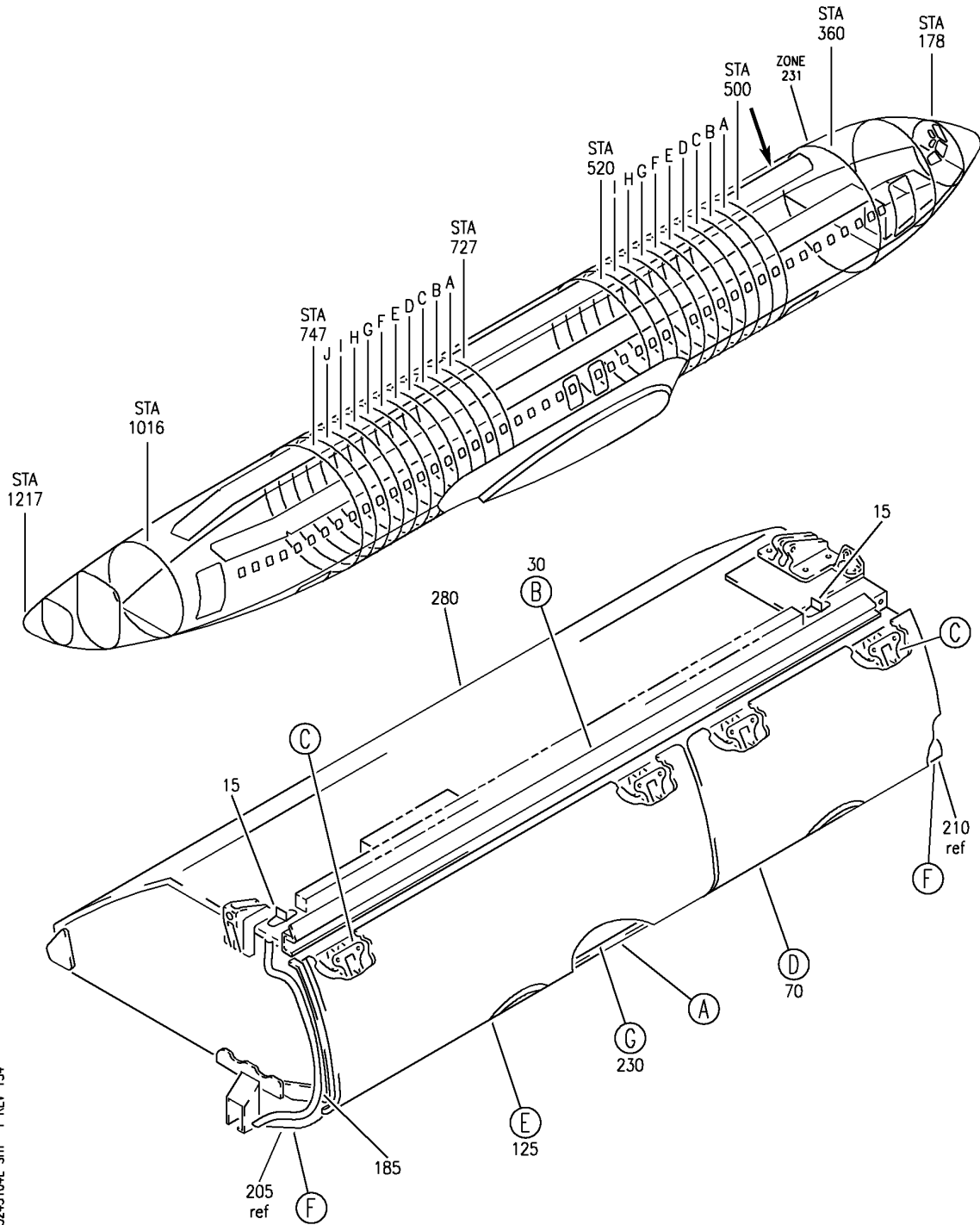
HAP

25-24-31-64C

BOEING PROPRIETARY - Copyright © - Unpublished Work - See title page for details.

25-24-31
FIG. 64C
PAGE 4
JUN 15/09

BOEING
 737-600/700/800/900
 PARTS CATALOG (MAINTENANCE)



E 2524-3164L SHT 1 REV 1.34

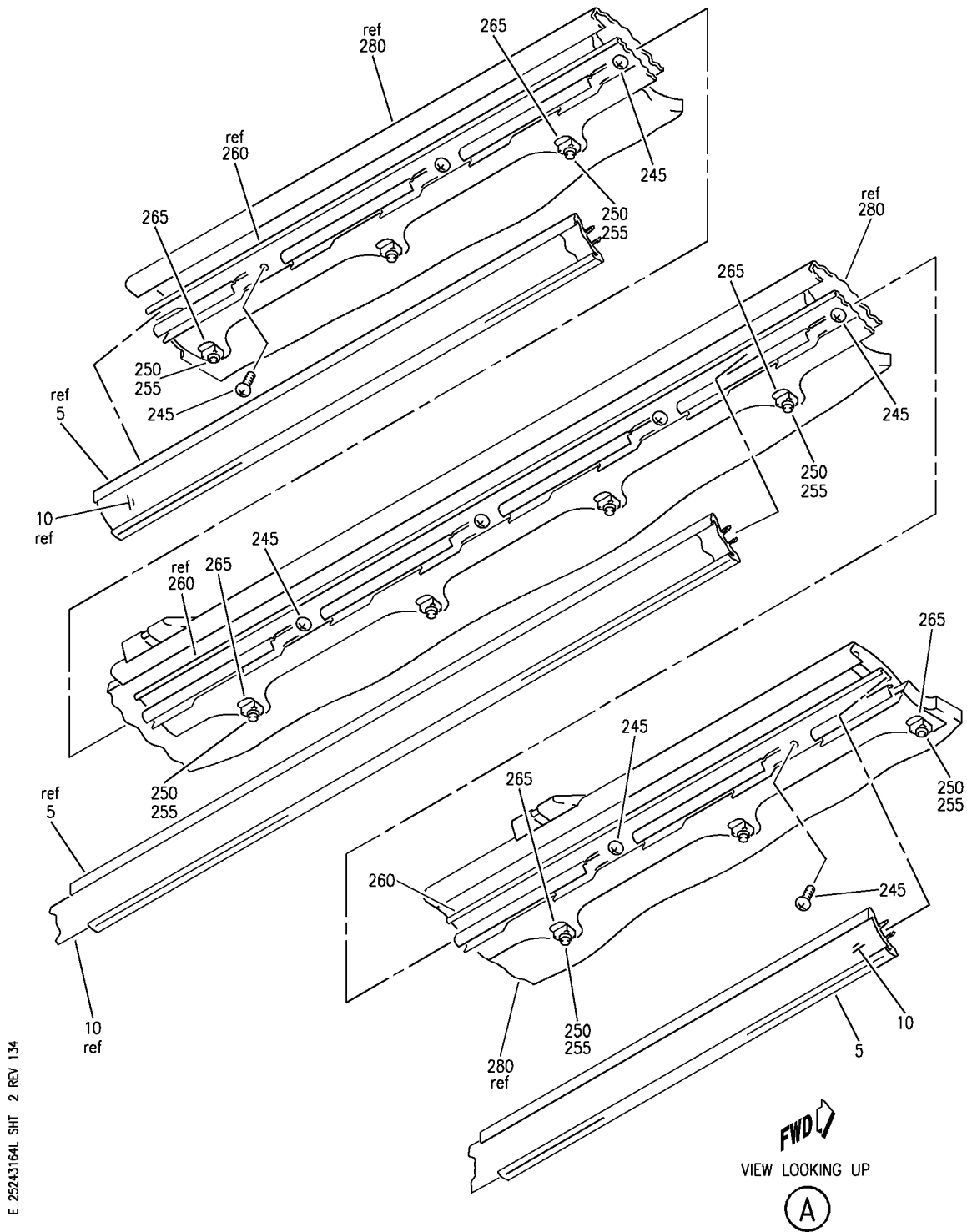
TOP ASSY-LH 60 IN. OVHD STOWAGE BIG BIN BULLNOSE CONFIGURATION (EQUIPMENT/ FURNISHINGS ONLY)
 FIGURE 64L (SHEET 1)

HAP
 OCT 10/07

25-24-31-64L

25-24-31-64L
 PAGE 0

BOEING
 737-600/700/800/900
 PARTS CATALOG (MAINTENANCE)



E 2524-3164L SHT 2 REV 134

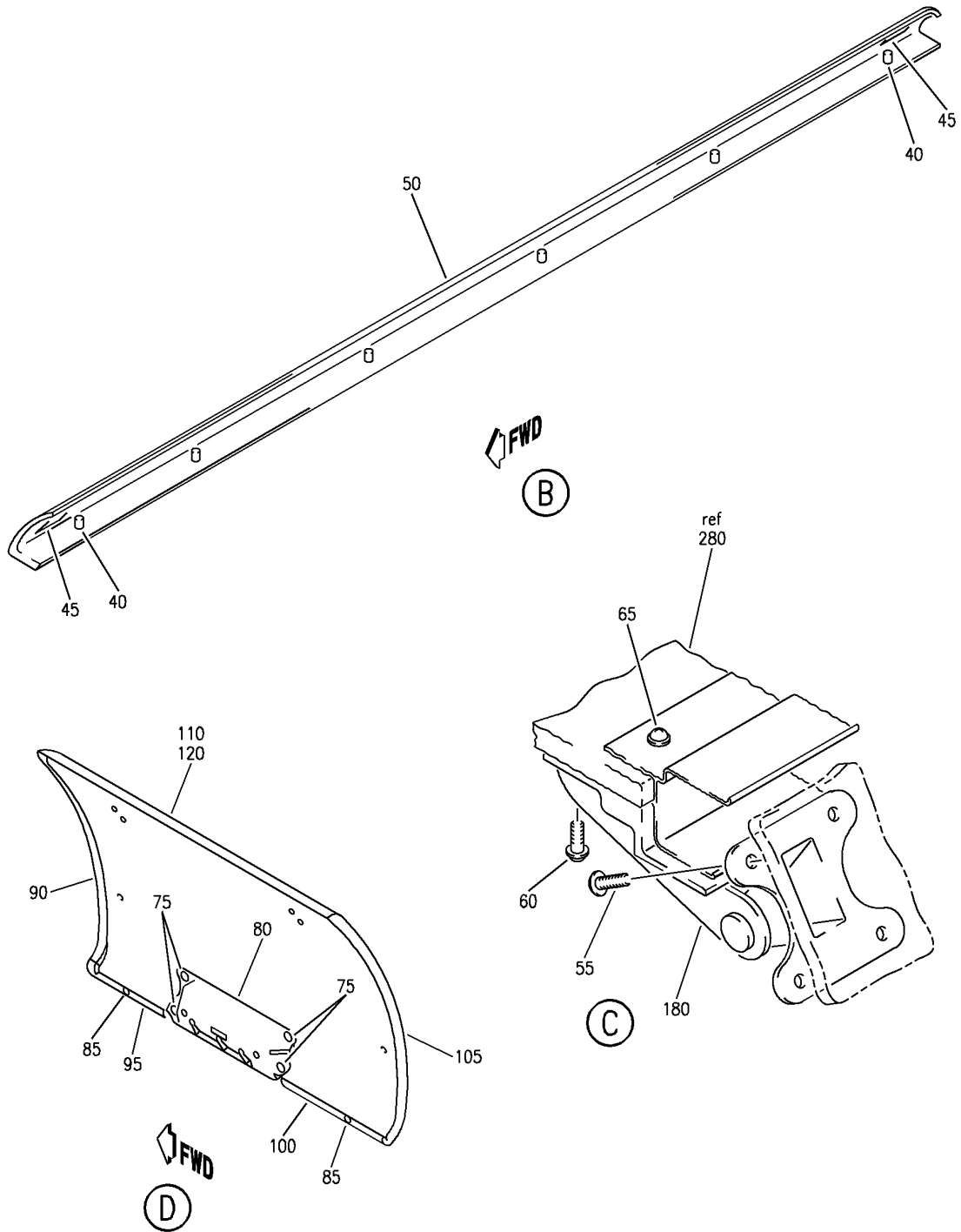
TOP ASSY-LH 60 IN. OVHD STOWAGE BIG BIN BULLNOSE CONFIGURATION (EQUIPMENT/ FURNISHINGS ONLY)
 FIGURE 64L (SHEET 2)

HAP
 OCT 10/07

25-24-31-64L

25-24-31-64L
 PAGE 0A

BOEING
 737-600/700/800/900
 PARTS CATALOG (MAINTENANCE)



E 2524-3164L SHT 3 REV 134

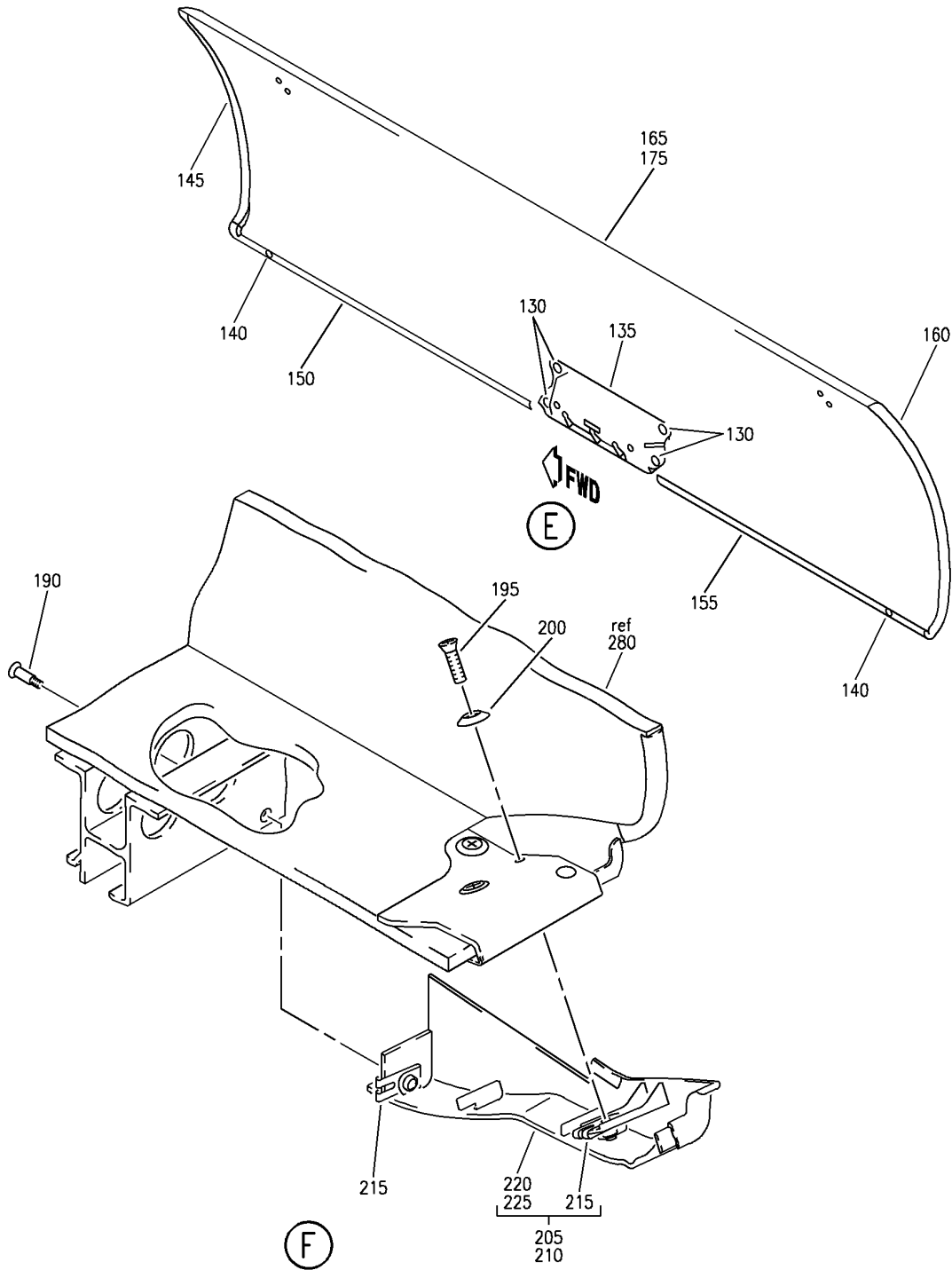
TOP ASSY-LH 60 IN. OVHD STOWAGE BIG BIN BULLNOSE CONFIGURATION (EQUIPMENT/ FURNISHINGS ONLY)
 FIGURE 64L (SHEET 3)

HAP
 OCT 10/07

25-24-31-64L

25-24-31-64L
 PAGE 0B

BOEING
 737-600/700/800/900
 PARTS CATALOG (MAINTENANCE)



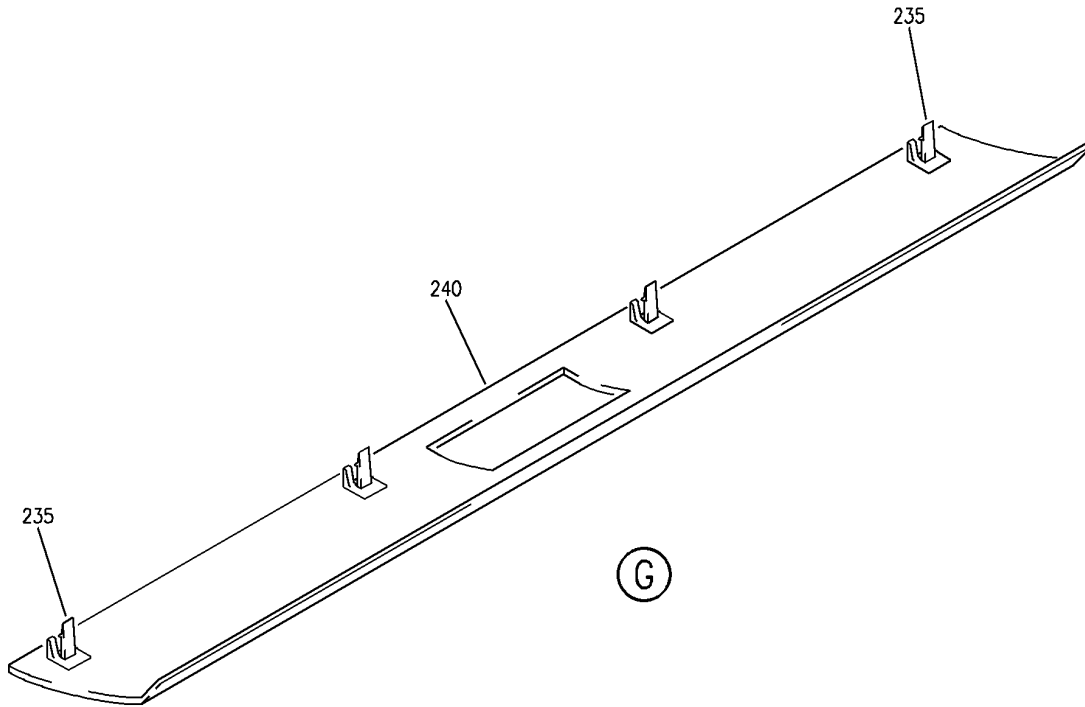
E 2524-3164L SHT 4 REV 1.34

TOP ASSY-LH 60 IN. OVHD STOWAGE BIG BIN BULLNOSE CONFIGURATION (EQUIPMENT/ FURNISHINGS ONLY)
 FIGURE 64L (SHEET 4)

HAP
 OCT 10/07

25-24-31-64L

25-24-31-64L
 PAGE 0C



E 2524-3164L SHT 5 REV 134

TOP ASSY-LH 60 IN. OVHD STOWAGE BIG BIN BULLNOSE CONFIGURATION (EQUIPMENT/ FURNISHINGS ONLY)
FIGURE 64L (SHEET 5)

HAP
OCT 10/07

25-24-31-64L

25-24-31-64L
PAGE 0D

BOEING
737-600/700/800/900
PARTS CATALOG (MAINTENANCE)

FIG ITEM	PART NUMBER	1 2 3 4 5 6 7	NOMENCLATURE	EFFECT FROM TO	UNITS PER ASSY
64L			TOP ASSY-LH 60 IN. OVHD STOWAGE BIG BIN BULLNOSE CONFIGURATION (EQUIPMENT/ FURNISHINGS ONLY)	044100	
- 1	412A1057-1033B		TOP ASSY-60 IN. OVHD STOWAGE BIG BIN BULLNOSE CONFIGURATION (EQUIPMENT/ FURNISHINGS ONLY) POSITION DATA: LH POST RAPID REVISION: RR97237-17B FOR NHA/OTHER SYS DET SEE: 25-24-30-84	044100	RF
5	412A1420-2A		.EXTRUSION-SEAT ROW MARKER	044100	1
10	412A1451-2BCWK		.STRIP-TRIM	044100	1
15	H3-1592-1		.LATCH-CLG SUPPLIER CODE: V34941 SPECIFICATION NUMBER: S411A001-1	044100	2
- 20	BACS12GU3K7		ATTACHING PARTS .SCREW	044100	4
- 25	NAS1149D0332J		.WASHER -----*-----	044100	4
30	412A1700-2A		.VALANCE ASSY-LT ATTACHING PARTS	044100	1
- 35	BACN10YJ3F		.NUT -----*-----	044100	6
40	BACS21DW3C10FN		..STUD	044100	6
45	412A1700-6		..TAPE-VELCRO	044100	2
50	412A1711-3A		..PANEL ASSY	044100	1
55	BACS12FA3K5		.SCREW	044100	16
60	BACS12FA3K6		.SCREW	044100	4
65	BACS12FA3K15		.SCREW	044100	4
70	412A1505-102B		.DOOR ASSY-20 IN. QUALIFIED I/W DATA: THE 412A1505-102B DOOR ASSEMBLY PLUS (QTY 2) HINGE (SP23011) TOGETHER CAN REPLACE THE 412A1505-2B DOOR ASSEMBLY PLUS (QTY 2) HINGE (SP21757).	044100	1
75	BACS12FA3K4		..SCREW	044100	4

R
R
R
R
R
R
R
R

MISSING ITEM NUMBERS NOT APPLICABLE

- ITEM NOT ILLUSTRATED

25-24-31-64L

25-24-31
FIG. 64L
PAGE 1
JUN 15/09

HAP

BOEING PROPRIETARY - Copyright © - Unpublished Work - See title page for details.

BOEING
737-600/700/800/900
PARTS CATALOG (MAINTENANCE)

FIG ITEM	PART NUMBER	1 2 3 4 5 6 7	NOMENCLATURE	EFFECT FROM TO	UNITS PER ASSY
64L 80	HA951-1	..	LATCH ASSY- SUPPLIER CODE: V83014 SPECIFICATION NUMBER: S412A003-1	044100	1
85	412A1810-3B	..	BUMPER- QUALIFIED I/W DATA: PN 412A1810-3B CAN REPLACE BUT NOT BE REPLACED BY PN 412A1810-2B FOR 737-600/700/800/900 ONLY.	044100	2
90	412A1452-104B	..	TRIM-VERT	044100	1
95	412A1452-106B	..	TRIM-HORIZ	044100	1
100	412A1452-105B	..	TRIM-HORIZ	044100	1
105	412A1452-103B	..	TRIM-VERT	044100	1
110	412A1514-102B	..	PANEL ASSY	044100	1
- 115	SL618-3A	...	INSERT- SUPPLIER CODE: V97393	044100	12
120	412A1514-101B	...	PANEL ASSY	044100	1
125	412A1505-101B	.	DOOR ASSY-40 IN.	044100	1
130	BACS12FA3K4	..	SCREW	044100	4
135	HA951-1	..	LATCH ASSY- SUPPLIER CODE: V83014 SPECIFICATION NUMBER: S412A003-1	044100	1
140	412A1810-3B	..	BUMPER- QUALIFIED I/W DATA: PN 412A1810-3B CAN REPLACE BUT NOT BE REPLACED BY PN 412A1810-2B FOR 737-600/700/800/900 ONLY.	044100	2
145	412A1452-104B	..	TRIM-VERT	044100	1
150	412A1452-106B	..	TRIM-HORIZ	044100	1
155	412A1452-105B	..	TRIM-HORIZ	044100	1
160	412A1452-103B	..	TRIM-VERT	044100	1
165	412A1513-102B	..	PANEL ASSY	044100	1
- 170	SL618-3A	...	INSERT- SUPPLIER CODE: V97393	044100	12
175	412A1513-101B	...	PANEL ASSY	044100	1

MISSING ITEM NUMBERS NOT APPLICABLE

- ITEM NOT ILLUSTRATED

HAP

25-24-31-64L

BOEING PROPRIETARY - Copyright © - Unpublished Work - See title page for details.

25-24-31
FIG. 64L
PAGE 2
JUN 15/09

BOEING
737-600/700/800/900
PARTS CATALOG (MAINTENANCE)

FIG ITEM	PART NUMBER	1 2 3 4 5 6 7	NOMENCLATURE	EFFECT FROM TO	UNITS PER ASSY
64L 180	SP23011		.HINGE ASSY- SUPPLIER CODE: V24403 SPECIFICATION NUMBER: S412A004-3	044100	4
185	403A3210-95B		.SEAL ASSY	044100	1
190	BACB30VF3K3		.BOLT	044100	2
195	BACS12ER3K11		.SCREW	044100	2
200	H3-1233A3		.WASHER- SUPPLIER CODE: V34941 SPECIFICATION NUMBER: S411A001-1	044100	2
205	412A1467-1B		.CLOSEOUT ASSY	044100	1
210	412A1467-2B		.CLOSEOUT ASSY	044100	1
215	BACN10VR4CGN		..NUT- OPTIONAL PART: BACN10VR4CG	044100	2
215	BACN10VR4CG		..NUT- OPTIONAL PART: BACN10VR4CGN	044100	2
220	412A1467-5B		..CLOSEOUT- USED ON: 412A1467-1B	044100	1
225	412A1467-6B		..CLOSEOUT- USED ON: 412A1467-2B	044100	1
230	412A1607-10B		.COVER ASSY	044100	1
235	412A1460-2		..CLIP	044100	4
240	412A1617-11B		..PANEL	044100	1
245	BACS12FA3K5		.SCREW	044100	9
250	BACS12ER3K14		.SCREW	044100	10
255	H3-1233A3		.WASHER- SUPPLIER CODE: V34941 SPECIFICATION NUMBER: S411A001-1	044100	10
260	412A1244-2		.EXTRUSION ASSY	044100	1
265	FS1651-3		..NUTPLATE SUPPLIER CODE: V15653 SPECIFICATION NUMBER: BACN10KH3CD OPTIONAL PART: 102F9209M3 V72962 NS202496-02 V80539	044100	10

MISSING ITEM NUMBERS NOT APPLICABLE

— ITEM NOT ILLUSTRATED

HAP

25-24-31-64L

BOEING PROPRIETARY - Copyright © - Unpublished Work - See title page for details.

25-24-31
FIG. 64L
PAGE 3
JUN 15/09

BOEING
737-600/700/800/900
PARTS CATALOG (MAINTENANCE)

FIG ITEM	PART NUMBER	1 2 3 4 5 6 7	NOMENCLATURE	EFFECT FROM TO	UNITS PER ASSY
64L					
- 270	BACR15BA3ADC		ATTACHING PARTS . . RIVET- SIZE DETERMINED ON INSTL. -----*-----	044100	20
- 275	412A1811-2B		. PLUG	044100	AR
280	412A1205-33B		. BOX ASSY-60 IN. BIG BIN FOR DETAILS SEE: 25-24-32-60F	044100	1

MISSING ITEM NUMBERS NOT APPLICABLE

- ITEM NOT ILLUSTRATED

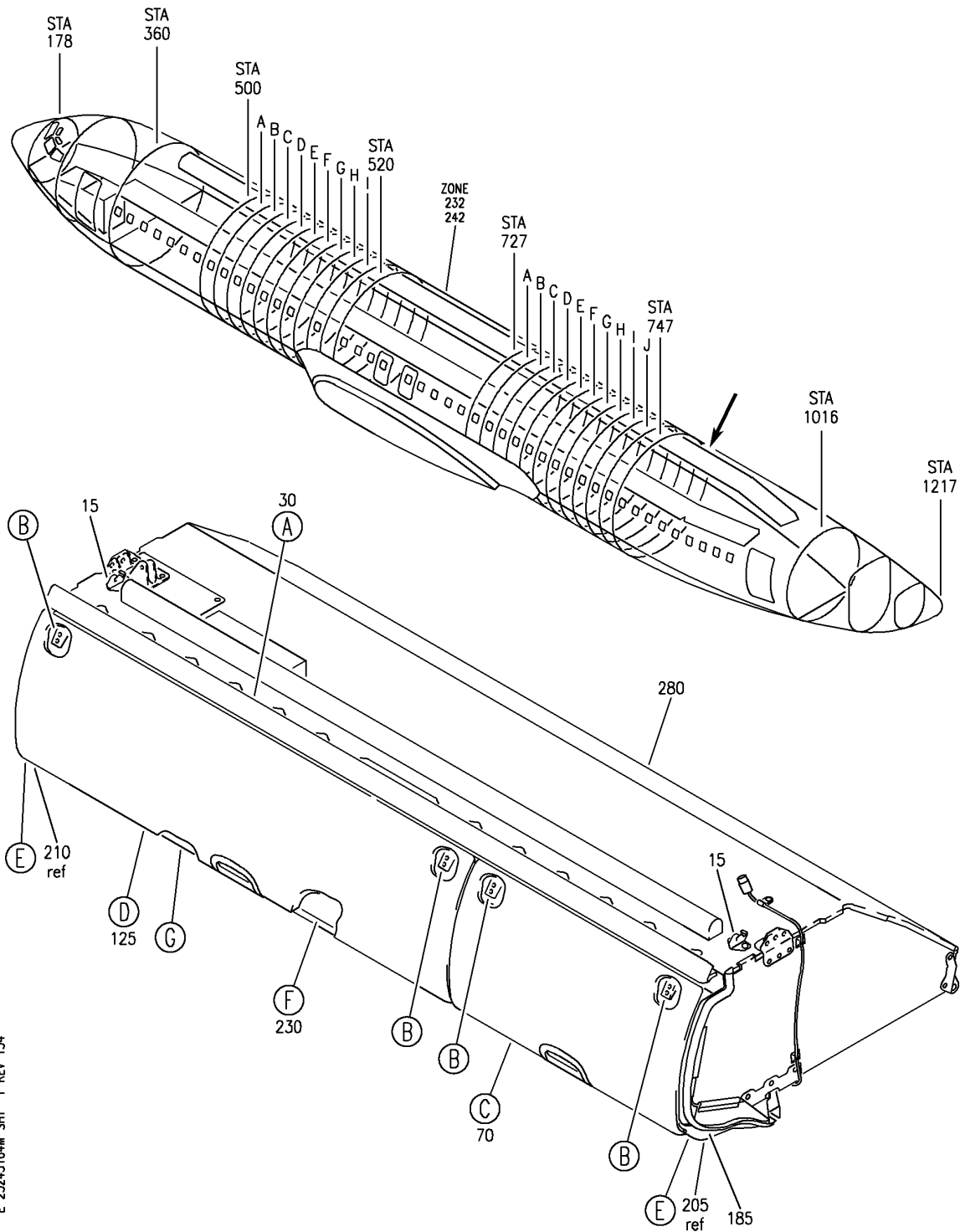
HAP

25-24-31-64L

BOEING PROPRIETARY - Copyright © - Unpublished Work - See title page for details.

25-24-31
FIG. 64L
PAGE 4
JUN 15/09

BOEING
 737-600/700/800/900
 PARTS CATALOG (MAINTENANCE)



E 2524-3164M SHT 1 REV 134

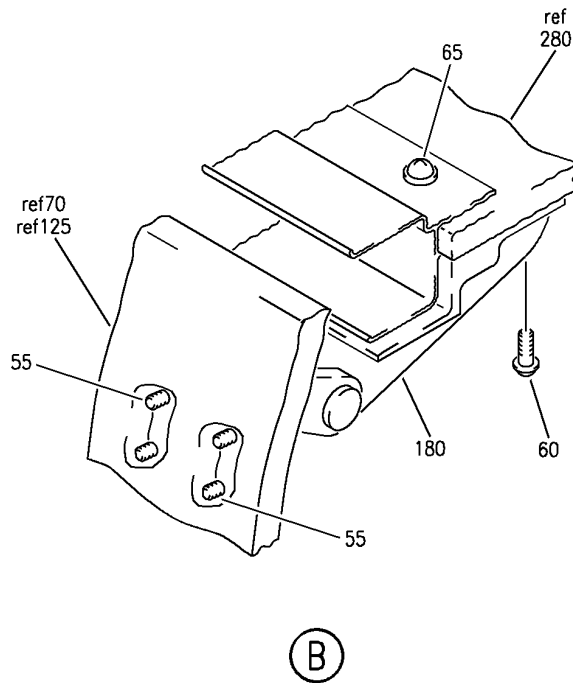
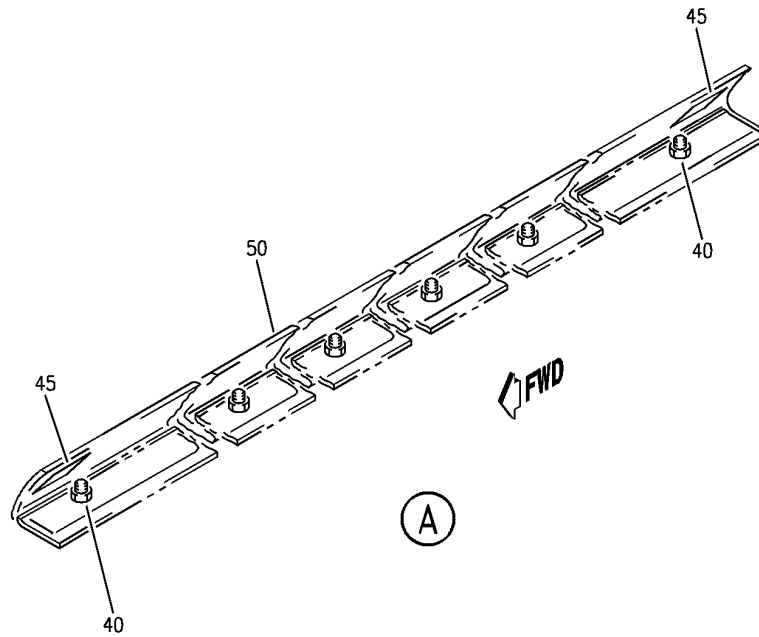
TOP ASSY-RH 60 IN. OVHD STOWAGE BIG BIN BULLNOSE CONFIGURATION (EQUIPMENT/FURNISHINGS ONLY)
 FIGURE 64M (SHEET 1)

HAP
 OCT 10/07

25-24-31-64M

25-24-31-64M
 PAGE 0

BOEING
 737-600/700/800/900
 PARTS CATALOG (MAINTENANCE)



E 2524-3164M SHT 2 REV 134

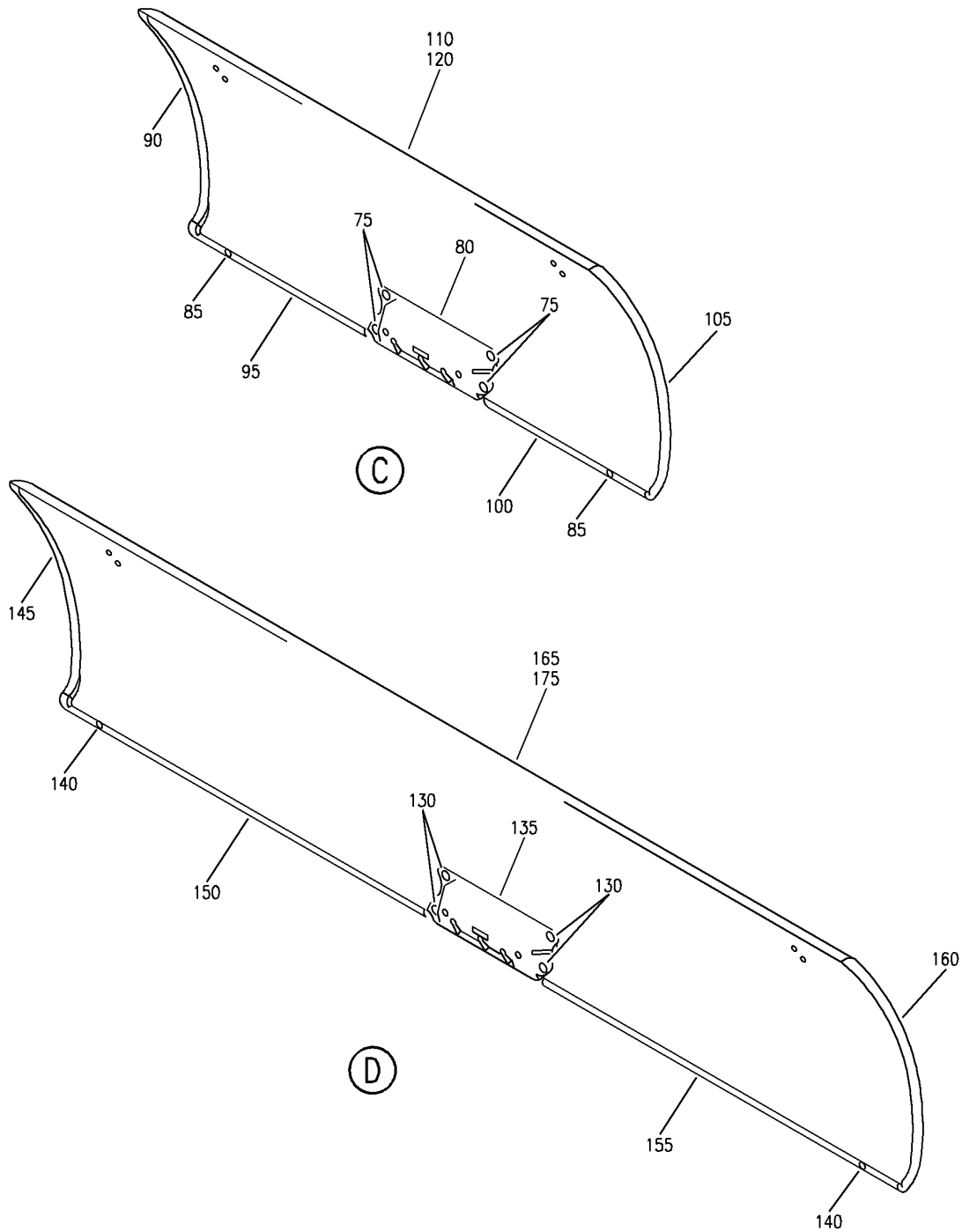
TOP ASSY-RH 60 IN. OVHD STOWAGE BIG BIN BULLNOSE CONFIGURATION (EQUIPMENT/FURNISHINGS ONLY)
 FIGURE 64M (SHEET 2)

25-24-31-64M

HAP
 OCT 10/07

25-24-31-64M
 PAGE 0A

BOEING
 737-600/700/800/900
 PARTS CATALOG (MAINTENANCE)



E 2524-3164M SHT 3 REV 134

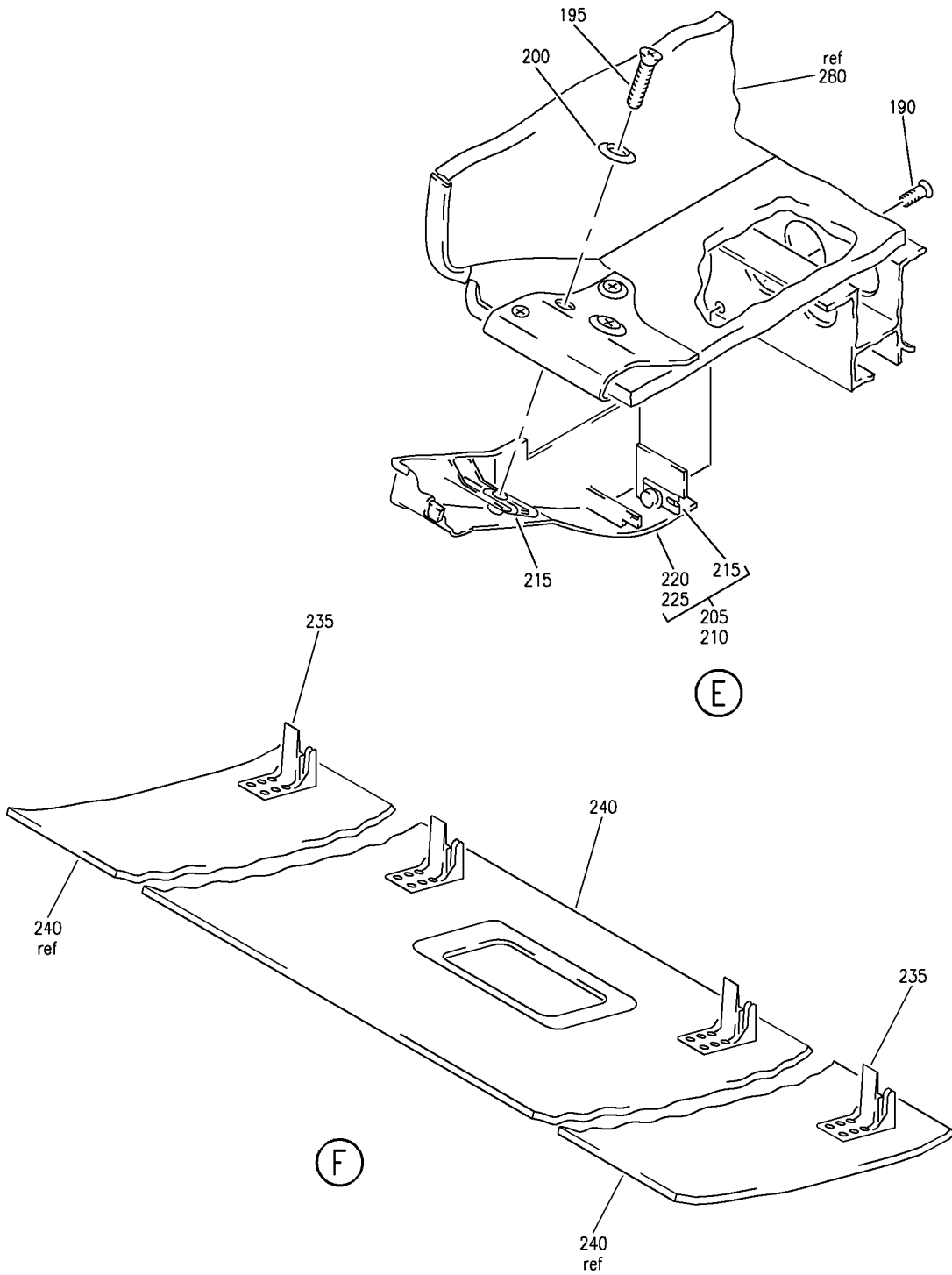
TOP ASSY-RH 60 IN. OVHD STOWAGE BIG BIN BULLNOSE CONFIGURATION (EQUIPMENT/FURNISHINGS ONLY)
 FIGURE 64M (SHEET 3)

25-24-31-64M

HAP
 OCT 10/07

25-24-31-64M
 PAGE 0B

BOEING
 737-600/700/800/900
 PARTS CATALOG (MAINTENANCE)



E 2524-3164M SHT 4 REV 134

TOP ASSY-RH 60 IN. OVHD STOWAGE BIG BIN BULLNOSE CONFIGURATION (EQUIPMENT/FURNISHINGS ONLY)
 FIGURE 64M (SHEET 4)

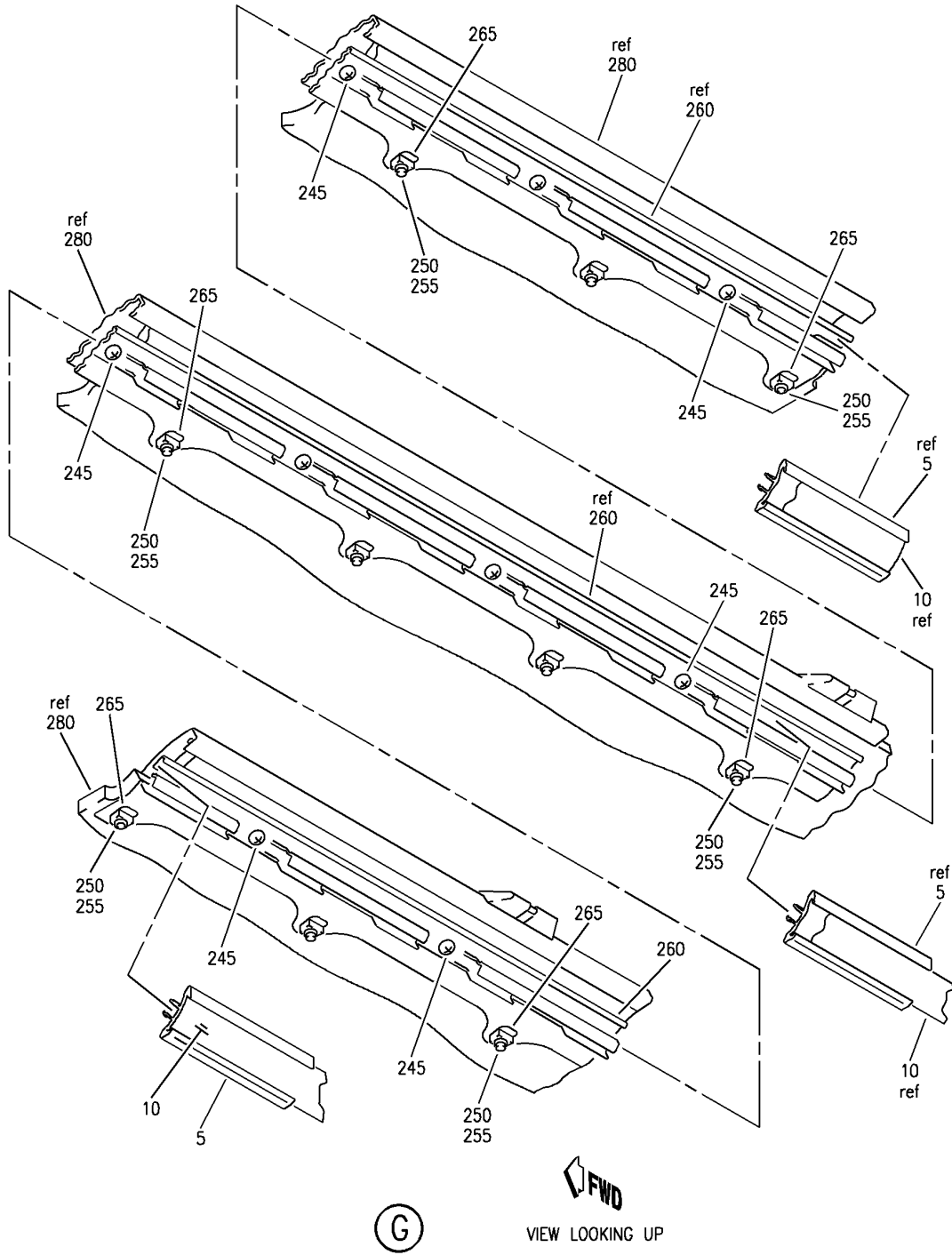
HAP
 OCT 10/07

25-24-31-64M

25-24-31-64M
 PAGE 0C

BOEING PROPRIETARY - Copyright © - Unpublished Work - See title page for details.

BOEING
 737-600/700/800/900
 PARTS CATALOG (MAINTENANCE)



E 2524-3164M SHT 5 REV 134

TOP ASSY-RH 60 IN. OVHD STOWAGE BIG BIN BULLNOSE CONFIGURATION (EQUIPMENT/FURNISHINGS ONLY)
 FIGURE 64M (SHEET 5)

HAP
 OCT 10/07

25-24-31-64M

25-24-31-64M
 PAGE 0D

BOEING
737-600/700/800/900
PARTS CATALOG (MAINTENANCE)

FIG ITEM	PART NUMBER	1 2 3 4 5 6 7	NOMENCLATURE	EFFECT FROM TO	UNITS PER ASSY
64M			TOP ASSY-RH 60 IN. OVHD STOWAGE BIG BIN BULLNOSE CONFIGURATION (EQUIPMENT/FURNISHINGS ONLY)	044100	
- 1	412A1057-1034B		TOP ASSY-60 IN. OVHD STOWAGE BIG BIN BULLNOSE CONFIGURATION (EQUIPMENT/ FURNISHINGS ONLY) POSITION DATA: RH POST RAPID REVISION: RR97237-17B FOR NHA/OTHER SYS DET SEE: 25-24-30-84	044100	RF
5	412A1420-2A		.EXTRUSION-SEAT ROW MARKER	044100	1
10	412A1451-2BCWK		.STRIP-TRIM	044100	1
15	H3-1592-1		.LATCH-CLG SUPPLIER CODE: V34941 SPECIFICATION NUMBER: S411A001-1	044100	2
- 20	BACS12GU3K7		ATTACHING PARTS .SCREW	044100	4
- 25	NAS1149D0332J		.WASHER -----*-----	044100	4
30	412A1700-2A		.VALANCE ASSY-LT ATTACHING PARTS	044100	1
- 35	BACN10YJ3F		.NUT -----*-----	044100	6
40	BACS21DW3C10FN		..STUD	044100	6
45	412A1700-6		..TAPE-VELCRO	044100	2
50	412A1711-3A		..PANEL ASSY	044100	1
55	BACS12FA3K5		.SCREW	044100	16
60	BACS12FA3K6		.SCREW	044100	4
65	BACS12FA3K15		.SCREW	044100	4
70	412A1505-102B		.DOOR ASSY-20 IN. QUALIFIED I/W DATA: THE 412A1505-102B DOOR ASSEMBLY PLUS (QTY 2) HINGE (SP23011) TOGETHER CAN REPLACE THE 412A1505-2B DOOR ASSEMBLY PLUS (QTY 2) HINGE (SP21757).	044100	1
75	BACS12FA3K4		..SCREW	044100	4

MISSING ITEM NUMBERS NOT APPLICABLE

- ITEM NOT ILLUSTRATED

HAP

25-24-31-64M

BOEING PROPRIETARY - Copyright © - Unpublished Work - See title page for details.

25-24-31
FIG. 64M
PAGE 1
JUN 15/09

BOEING
737-600/700/800/900
PARTS CATALOG (MAINTENANCE)

FIG ITEM	PART NUMBER	1 2 3 4 5 6 7	NOMENCLATURE	EFFECT FROM TO	UNITS PER ASSY
64M 80	HA951-1		.. LATCH ASSY- SUPPLIER CODE: V83014 SPECIFICATION NUMBER: S412A003-1	044100	1
85	412A1810-3B		.. BUMPER- QUALIFIED I/W DATA: PN 412A1810-3B CAN REPLACE BUT NOT BE REPLACED BY PN 412A1810-2B FOR 737-600/700/800/900 ONLY.	044100	2
90	412A1452-104B		.. TRIM-VERT	044100	1
95	412A1452-106B		.. TRIM-HORIZ	044100	1
100	412A1452-105B		.. TRIM-HORIZ	044100	1
105	412A1452-103B		.. TRIM-VERT	044100	1
110	412A1514-102B		.. PANEL ASSY	044100	1
- 115	SL618-3A		... INSERT- SUPPLIER CODE: V97393	044100	12
120	412A1514-101B		... PANEL ASSY	044100	1
125	412A1505-101B		. DOOR ASSY-40 IN.	044100	1
130	BACS12FA3K4		.. SCREW	044100	4
135	HA951-1		.. LATCH ASSY- SUPPLIER CODE: V83014 SPECIFICATION NUMBER: S412A003-1	044100	1
140	412A1810-3B		.. BUMPER- QUALIFIED I/W DATA: PN 412A1810-3B CAN REPLACE BUT NOT BE REPLACED BY PN 412A1810-2B FOR 737-600/700/800/900 ONLY.	044100	2
145	412A1452-104B		.. TRIM-VERT	044100	1
150	412A1452-106B		.. TRIM-HORIZ	044100	1
155	412A1452-105B		.. TRIM-HORIZ	044100	1
160	412A1452-103B		.. TRIM-VERT	044100	1
165	412A1513-102B		.. PANEL ASSY	044100	1
- 170	SL618-3A		... INSERT- SUPPLIER CODE: V97393	044100	12
175	412A1513-101B		... PANEL ASSY	044100	1

MISSING ITEM NUMBERS NOT APPLICABLE

- ITEM NOT ILLUSTRATED

HAP

25-24-31-64M

BOEING PROPRIETARY - Copyright © - Unpublished Work - See title page for details.

25-24-31
FIG. 64M
PAGE 2
JUN 15/09

BOEING
737-600/700/800/900
PARTS CATALOG (MAINTENANCE)

FIG ITEM	PART NUMBER	1 2 3 4 5 6 7	NOMENCLATURE	EFFECT FROM TO	UNITS PER ASSY
64M 180	SP23011		.HINGE ASSY- SUPPLIER CODE: V24403 SPECIFICATION NUMBER: S412A004-3	044100	4
185	403A3210-96B		.SEAL ASSY	044100	1
190	BACB30VF3K3		.BOLT	044100	2
195	BACS12ER3K11		.SCREW	044100	2
200	H3-1233A3		.WASHER- SUPPLIER CODE: V34941 SPECIFICATION NUMBER: S411A001-1	044100	2
205	412A1467-1B		.CLOSEOUT ASSY	044100	1
210	412A1467-2B		.CLOSEOUT ASSY	044100	1
215	BACN10VR4CGN		..NUT- OPTIONAL PART: BACN10VR4CG	044100	2
215	BACN10VR4CG		..NUT- OPTIONAL PART: BACN10VR4CGN	044100	2
220	412A1467-5B		..CLOSEOUT- USED ON: 412A1467-1B	044100	1
225	412A1467-6B		..CLOSEOUT- USED ON: 412A1467-2B	044100	1
230	412A1607-9B		.COVER ASSY	044100	1
235	412A1460-2		..CLIP	044100	4
240	412A1617-10B		..PANEL	044100	1
245	BACS12FA3K5		.SCREW	044100	9
250	BACS12ER3K14		.SCREW	044100	10
255	H3-1233A3		.WASHER- SUPPLIER CODE: V34941 SPECIFICATION NUMBER: S411A001-1	044100	10
260	412A1244-2		.EXTRUSION ASSY	044100	1
265	FS1651-3		..NUTPLATE SUPPLIER CODE: V15653 SPECIFICATION NUMBER: BACN10KH3CD OPTIONAL PART: 102F9209M3 V72962 NS202496-02 V80539	044100	10

MISSING ITEM NUMBERS NOT APPLICABLE

- ITEM NOT ILLUSTRATED

HAP

25-24-31-64M

BOEING PROPRIETARY - Copyright © - Unpublished Work - See title page for details.

25-24-31
FIG. 64M
PAGE 3
JUN 15/09

BOEING
737-600/700/800/900
PARTS CATALOG (MAINTENANCE)

FIG ITEM	PART NUMBER	1 2 3 4 5 6 7	NOMENCLATURE	EFFECT FROM TO	UNITS PER ASSY
64M					
- 270	BACR15BA3ADC		ATTACHING PARTS . . RIVET- SIZE DETERMINED ON INSTL. -----*-----	044100	20
- 275	412A1811-2B		. PLUG	044100	AR
280	412A1205-34B		. BOX ASSY-60 IN. BIG BIN FOR DETAILS SEE: 25-24-32-60Q	044100	1

MISSING ITEM NUMBERS NOT APPLICABLE

- ITEM NOT ILLUSTRATED

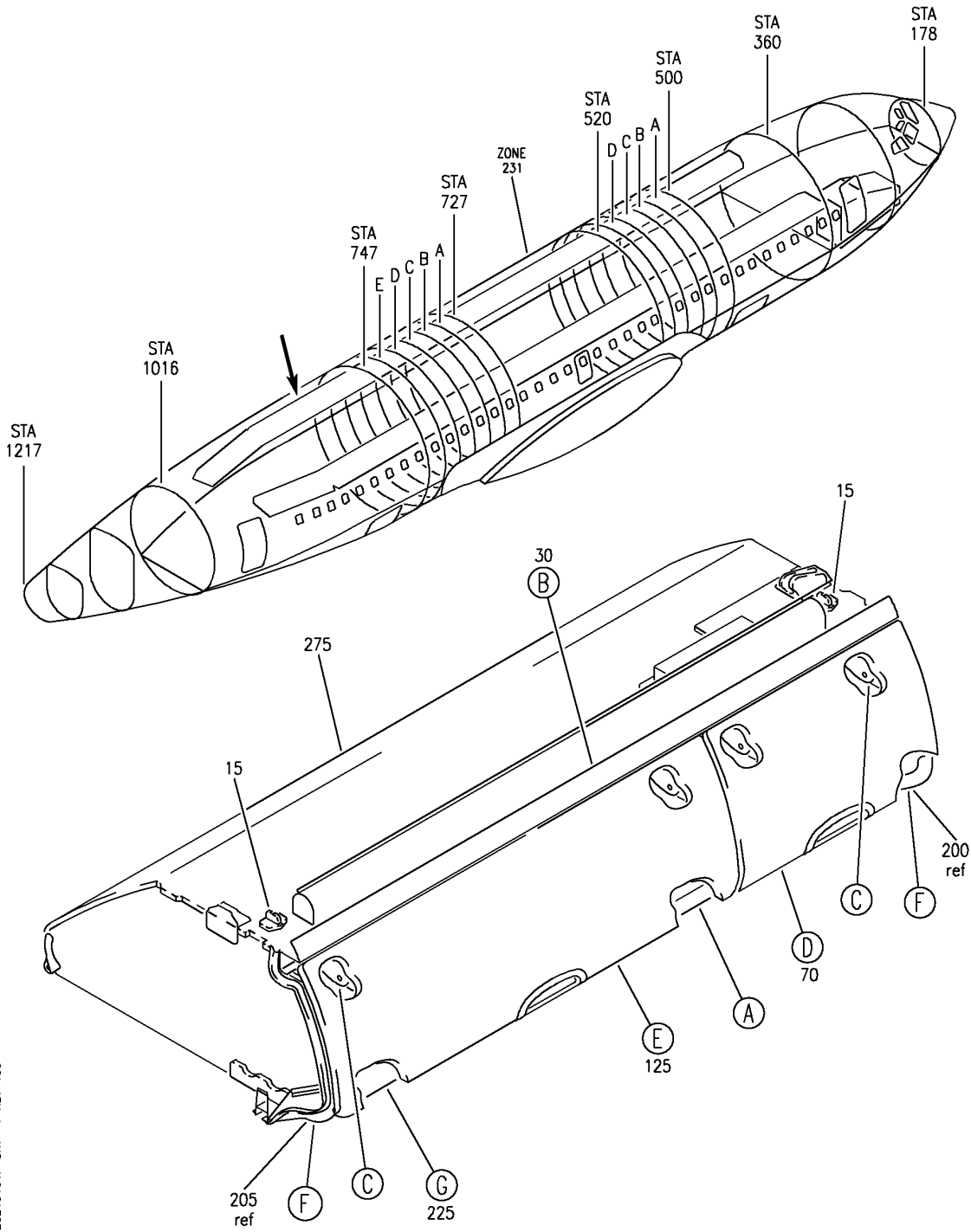
HAP

25-24-31-64M

BOEING PROPRIETARY - Copyright © - Unpublished Work - See title page for details.

25-24-31
FIG. 64M
PAGE 4
JUN 15/09

BOEING
 737-600/700/800/900
 PARTS CATALOG (MAINTENANCE)



E 2524-3164P SHT 1 REV 135

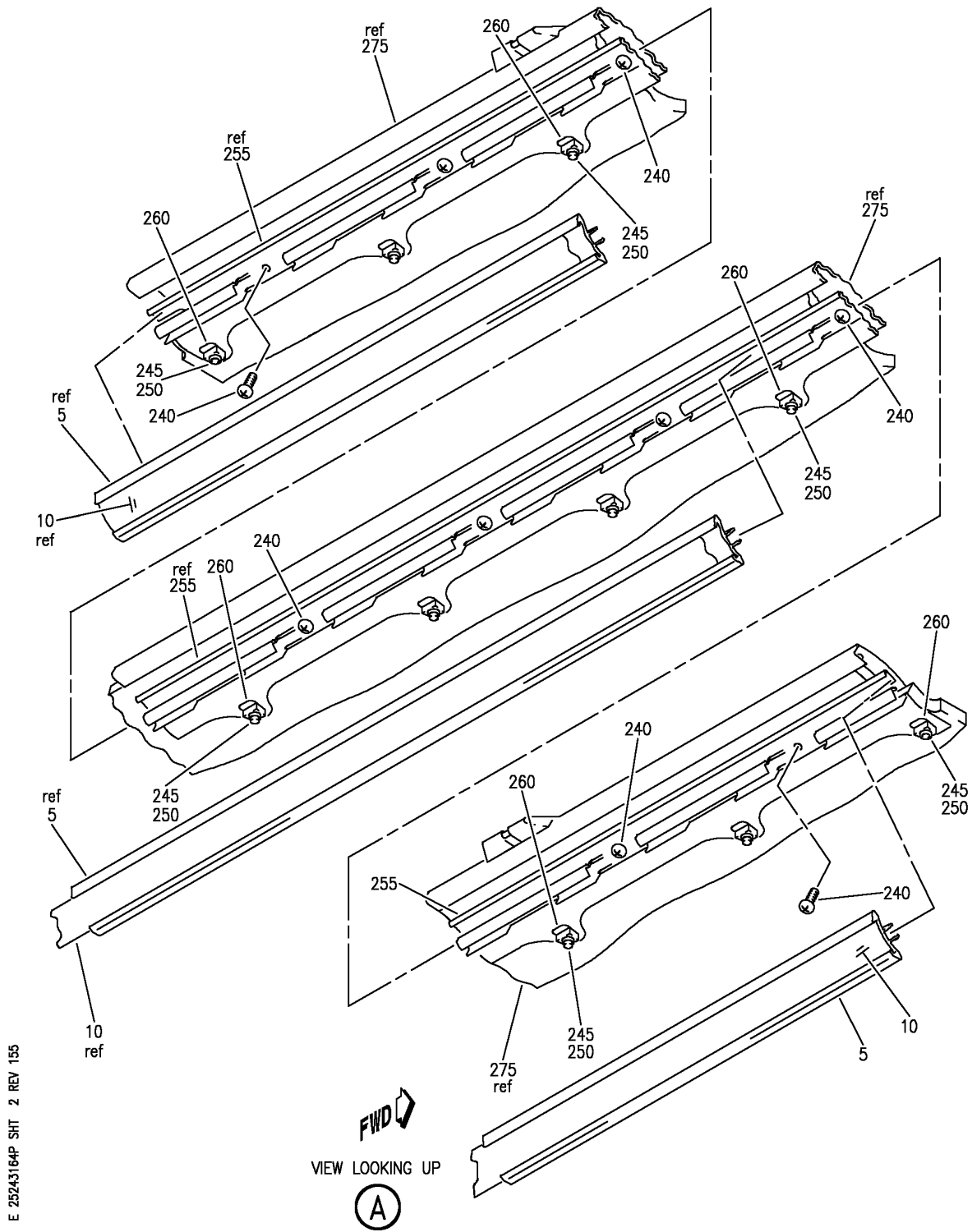
TOP ASSY-LH 60 IN. OVHD STOWAGE BIG BIN BULLNOSE CONFIGURATION (EQUIPMENT/ FURNISHINGS ONLY)
 FIGURE 64P (SHEET 1)

HAP
 OCT 10/07

25-24-31-64P

25-24-31-64P
 PAGE 0

BOEING
 737-600/700/800/900
 PARTS CATALOG (MAINTENANCE)



E 25243164P SHT 2 REV 155

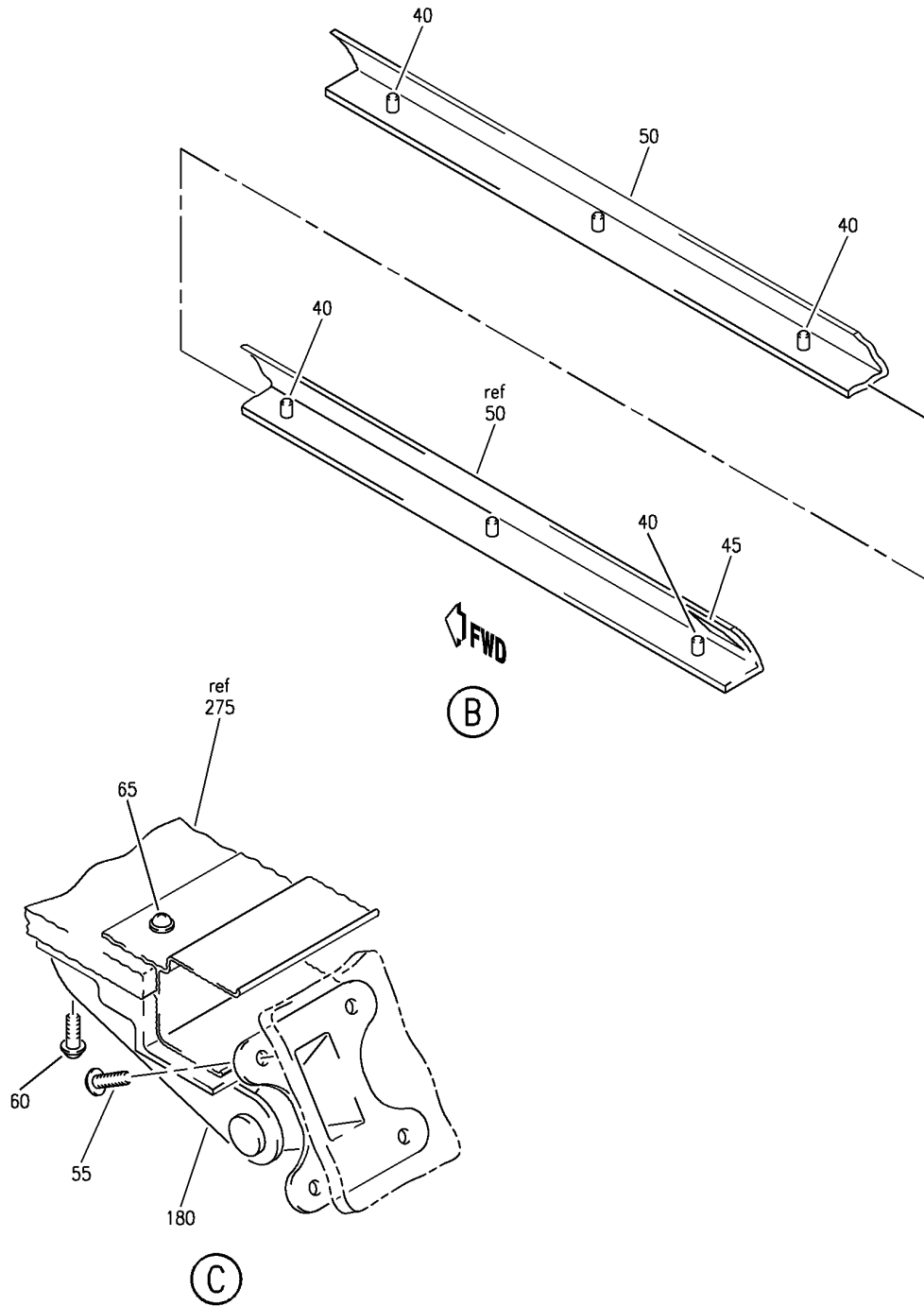
TOP ASSY-LH 60 IN. OVHD STOWAGE BIG BIN BULLNOSE CONFIGURATION (EQUIPMENT/ FURNISHINGS ONLY)
 FIGURE 64P (SHEET 2)

HAP
 JUN 15/09

25-24-31-64P

25-24-31-64P
 PAGE 0A

BOEING
 737-600/700/800/900
 PARTS CATALOG (MAINTENANCE)



E 2524-3164P SHT 3 REV 135

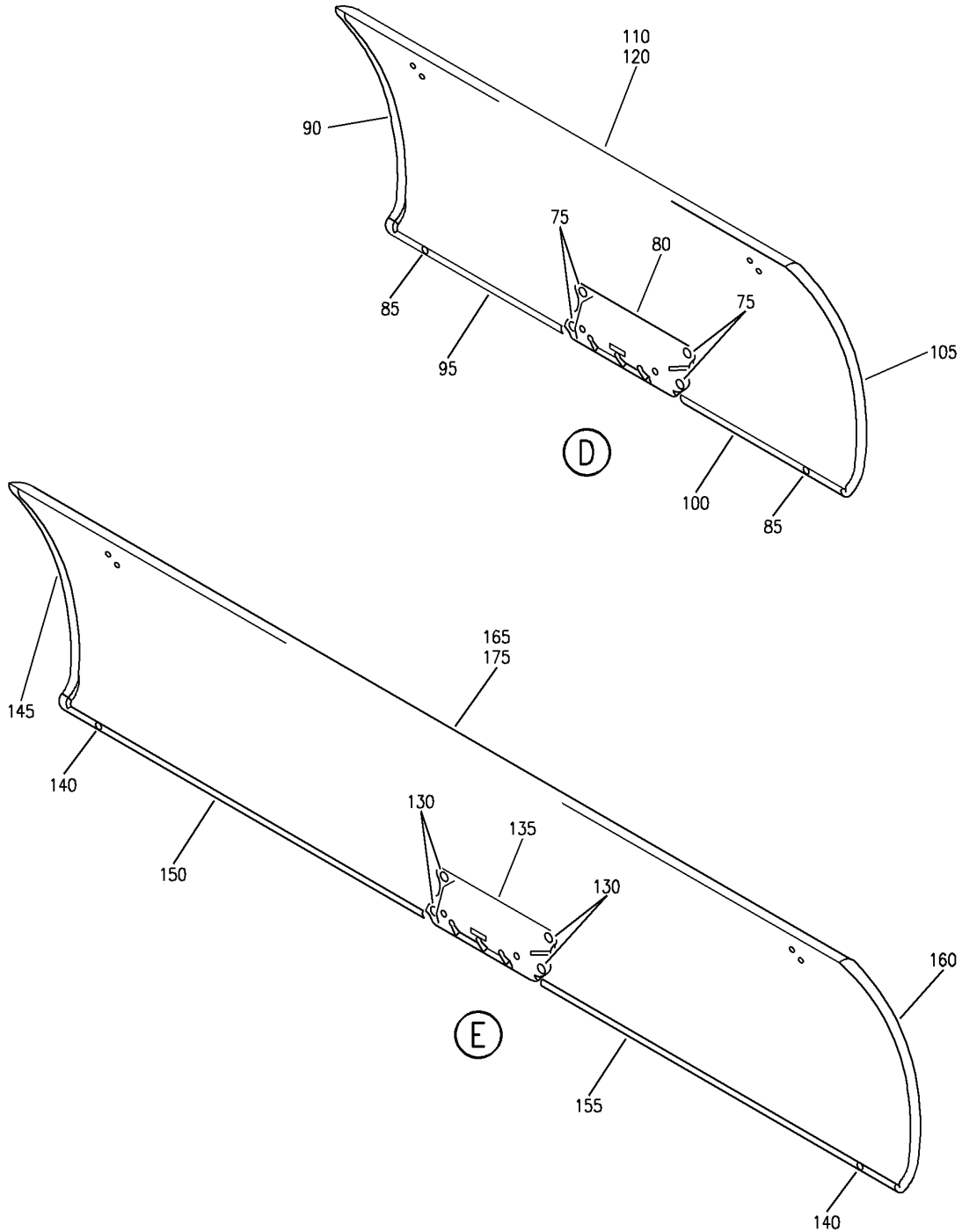
TOP ASSY-LH 60 IN. OVHD STOWAGE BIG BIN BULLNOSE CONFIGURATION (EQUIPMENT/ FURNISHINGS ONLY)
 FIGURE 64P (SHEET 3)

HAP
 OCT 10/07

25-24-31-64P

25-24-31-64P
 PAGE 0B

BOEING
737-600/700/800/900
PARTS CATALOG (MAINTENANCE)



E 2524-3164P SHT 4 REV 135

TOP ASSY-LH 60 IN. OVHD STOWAGE BIG BIN BULLNOSE CONFIGURATION (EQUIPMENT/ FURNISHINGS ONLY)
FIGURE 64P (SHEET 4)

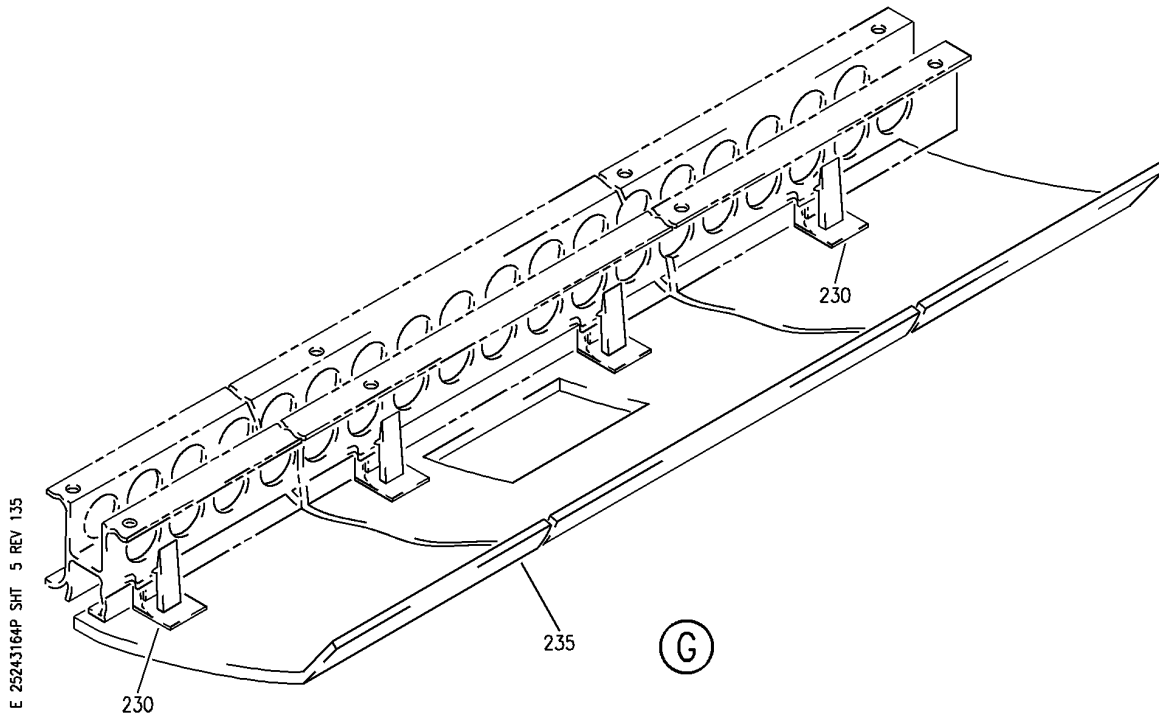
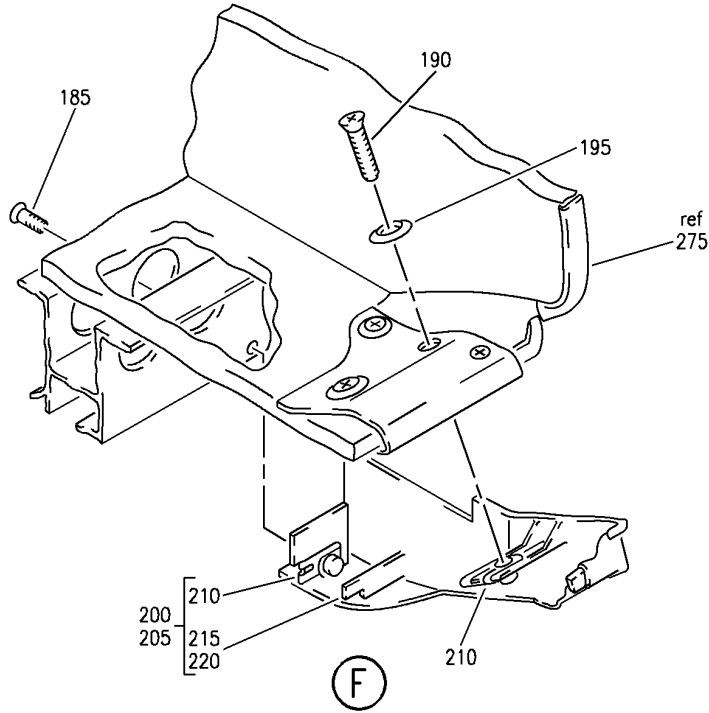
HAP
OCT 10/07

25-24-31-64P

25-24-31-64P
PAGE 0C

BOEING PROPRIETARY - Copyright © - Unpublished Work - See title page for details.

BOEING
 737-600/700/800/900
 PARTS CATALOG (MAINTENANCE)



E 2524-3164P SHT 5 REV 135

TOP ASSY-LH 60 IN. OVHD STOWAGE BIG BIN BULLNOSE CONFIGURATION (EQUIPMENT/ FURNISHINGS ONLY)
 FIGURE 64P (SHEET 5)

HAP
 OCT 10/07

25-24-31-64P

25-24-31-64P
 PAGE 0D

BOEING
737-600/700/800/900
PARTS CATALOG (MAINTENANCE)

FIG ITEM	PART NUMBER	1 2 3 4 5 6 7	NOMENCLATURE	EFFECT FROM TO	UNITS PER ASSY
64P			TOP ASSY-LH 60 IN. OVHD STOWAGE BIG BIN BULLNOSE CONFIGURATION (EQUIPMENT/ FURNISHINGS ONLY)	102200 972999	
- 1	412A1057-1017C		TOP ASSY-60 IN. OVHD STOWAGE BIG BIN BULLNOSE CONFIGURATION (EQUIPMENT/ FURNISHINGS ONLY) POSITION DATA: LH FOR NHA/OTHER SYS DET SEE: 25-24-30-77	102200 972999	RF
5	412A1420-2A		.EXTRUSION-SEAT ROW MARKER	102200 972999	1
10	412A1451-2BCWK		.STRIP	102200 972999	1
15	H3-1592-1		.LATCH-CLG SUPPLIER CODE: V34941 SPECIFICATION NUMBER: S411A001-1 ATTACHING PARTS	102200 972999	2
- 20	BACS12GU3K7		.SCREW	102200 972999	4
- 25	NAS1149D0332J		.WASHER	102200 972999	4
30	412A1700-2A		-----*----- .VALANCE ASSY-LT ATTACHING PARTS	102200 972999	1
- 35	BACN10YJ3F		.NUT	102200 972999	6
40	BACS21DW3C10FN		-----*----- ..STUD	102200 972999	6
45	412A1700-6		..TAPE-VELCRO	102200 972999	2
50	412A1711-3A		..PANEL ASSY	102200 972999	1
55	BACS12FA3K5		.SCREW	102200 972999	16
60	BACS12FA3K6		.SCREW	102200 972999	4
65	BACS12FA3K15		.SCREW	102200 972999	4

MISSING ITEM NUMBERS NOT APPLICABLE

- ITEM NOT ILLUSTRATED

HAP

25-24-31-64P

BOEING PROPRIETARY - Copyright © - Unpublished Work - See title page for details.

25-24-31
FIG. 64P
PAGE 1
JUN 15/09

BOEING
737-600/700/800/900
PARTS CATALOG (MAINTENANCE)

FIG ITEM	PART NUMBER	1 2 3 4 5 6 7	NOMENCLATURE	EFFECT FROM TO	UNITS PER ASSY
R R R R R R R R R R R R R R R R	64P 70	412A1505-102B	.DOOR ASSY-20 IN. QUALIFIED I/W DATA: THE 412A1505-102B DOOR ASSEMBLY PLUS (QTY 2) HINGE (SP23011) TOGETHER CAN REPLACE THE 412A1505-2B DOOR ASSEMBLY PLUS (QTY 2) HINGE (SP21757).	102200 972999	1
	75	BACS12FA3K4	..SCREW	102200 972999	4
	80	HA951-1	..LATCH ASSY- SUPPLIER CODE: V83014 SPECIFICATION NUMBER: S412A003-1	102200 972999	1
	85	412A1810-3B	..BUMPER- QUALIFIED I/W DATA: PN 412A1810-3B CAN REPLACE BUT NOT BE REPLACED BY PN 412A1810-2B FOR 737-600/700/800/900 ONLY.	102200 972999	2
	90	412A1452-104B	..TRIM-VERT	102200 972999	1
	95	412A1452-106B	..TRIM-HORIZ	102200 972999	1
	100	412A1452-105B	..TRIM-HORIZ	102200 972999	1
	105	412A1452-103B	..TRIM-VERT	102200 972999	1
	110	412A1514-102B	..PANEL ASSY	102200 972999	1
	- 115	SL618-3A	...INSERT- SUPPLIER CODE: V97393	102200 972999	12
	120	412A1514-101B	...PANEL ASSY	102200 972999	1
	125	412A1505-101B	.DOOR ASSY-40 IN.	102200 972999	1
	130	BACS12FA3K4	..SCREW	102200 972999	4
	135	HA951-1	..LATCH ASSY- SUPPLIER CODE: V83014 SPECIFICATION NUMBER: S412A003-1	102200 972999	1

MISSING ITEM NUMBERS NOT APPLICABLE

- ITEM NOT ILLUSTRATED

HAP

25-24-31-64P

BOEING PROPRIETARY - Copyright © - Unpublished Work - See title page for details.

25-24-31
FIG. 64P
PAGE 2
JUN 15/09

BOEING
737-600/700/800/900
PARTS CATALOG (MAINTENANCE)

FIG ITEM	PART NUMBER	1 2 3 4 5 6 7	NOMENCLATURE	EFFECT FROM TO	UNITS PER ASSY
64P 140	412A1810-3B	..	BUMPER- QUALIFIED I/W DATA: PN 412A1810-3B CAN REPLACE BUT NOT BE REPLACED BY PN 412A1810-2B FOR 737-600/700/800/900 ONLY.	102200 972999	2
145	412A1452-104B	..	TRIM-VERT	102200 972999	1
150	412A1452-106B	..	TRIM-HORIZ	102200 972999	1
155	412A1452-105B	..	TRIM-HORIZ	102200 972999	1
160	412A1452-103B	..	TRIM-VERT	102200 972999	1
165	412A1513-102B	..	PANEL ASSY	102200 972999	1
- 170	SL618-3A	...	INSERT- SUPPLIER CODE: V97393	102200 972999	12
175	412A1513-101B	...	PANEL ASSY	102200 972999	1
180	SP23011	.HINGE ASSY- SUPPLIER CODE: V24403 SPECIFICATION NUMBER: S412A004-3		102200 972999	4
185	BACB30VF3K3	.BOLT		102200 972999	2
190	BACS12ER3K11	.SCREW		102200 972999	2
195	H3-1233A3	.WASHER- SUPPLIER CODE: V34941 SPECIFICATION NUMBER: S411A001-1		102200 972999	2
200	412A1467-1B	.CLOSEOUT ASSY		102200 972999	1
205	412A1467-2B	.CLOSEOUT ASSY		102200 972999	1
210	BACN10VR4CGN	..NUT- OPTIONAL PART: BACN10VR4CG		102200 972999	2
210	BACN10VR4CG	..NUT- OPTIONAL PART: BACN10VR4CGN		102200 972999	2

MISSING ITEM NUMBERS NOT APPLICABLE

- ITEM NOT ILLUSTRATED

HAP

25-24-31-64P

BOEING PROPRIETARY - Copyright © - Unpublished Work - See title page for details.

25-24-31
FIG. 64P
PAGE 3
JUN 15/09

BOEING
737-600/700/800/900
PARTS CATALOG (MAINTENANCE)

FIG ITEM	PART NUMBER	1 2 3 4 5 6 7	NOMENCLATURE	EFFECT FROM TO	UNITS PER ASSY
64P					
215	412A1467-5B	..	CLOSEOUT- USED ON: 412A1467-1B	102200 972999	1
220	412A1467-6B	..	CLOSEOUT- USED ON: 412A1467-2B	102200 972999	1
225	412A1607-9B	.	COVER ASSY	102200 972999	1
230	412A1460-2	..	CLIP	102200 972999	4
235	412A1617-10B	..	PANEL	102200 972999	1
240	BACS12FA3K5	.	SCREW	102200 972999	9
245	BACS12ER3K14	.	SCREW	102200 972999	10
250	H3-1233A3	.	WASHER- SUPPLIER CODE: V34941 SPECIFICATION NUMBER: S411A001-1	102200 972999	10
255	412A1244-2	.	EXTRUSION ASSY	102200 972999	1
260	FS1651-3	..	NUTPLATE SUPPLIER CODE: V15653 SPECIFICATION NUMBER: BACN10KH3CD OPTIONAL PART: 102F9209M3 V72962 NS202496-02 V80539 ATTACHING PARTS	102200 972999	10
- 265	BACR15BA3ADC	..	RIVET- SIZE DETERMINED ON INSTL. -----*-----	102200 972999	20
- 270	412A1811-2B	.	PLUG	102200 972999	1
275	412A1205-17B	.	BOX ASSY-BIN FOR DETAILS SEE: 25-24-32-64A	102200 972999	1

MISSING ITEM NUMBERS NOT APPLICABLE

- ITEM NOT ILLUSTRATED

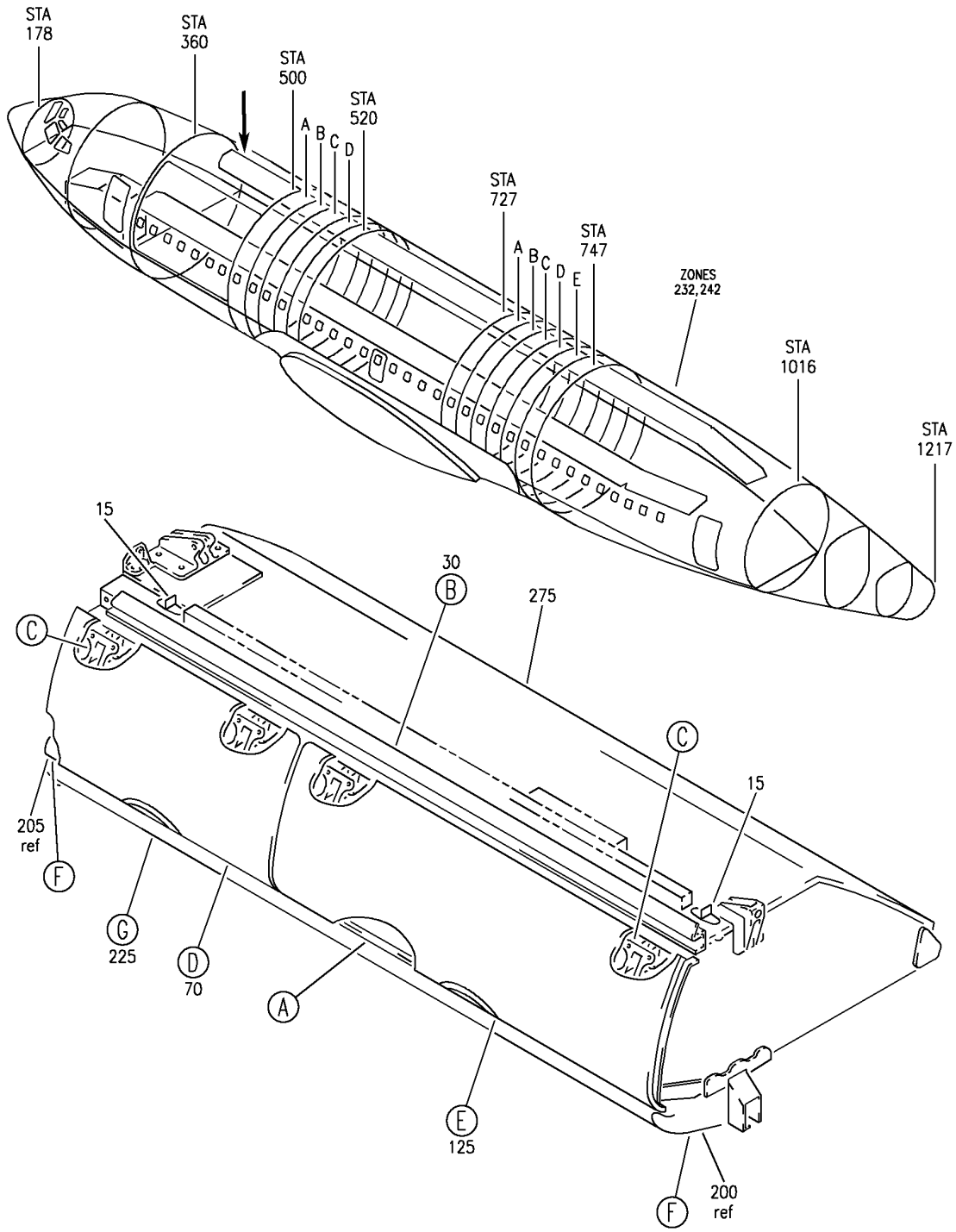
HAP

25-24-31-64P

BOEING PROPRIETARY - Copyright © - Unpublished Work - See title page for details.

25-24-31
FIG. 64P
PAGE 4
JUN 15/09


BOEING
 737-600/700/800/900
PARTS CATALOG (MAINTENANCE)



E 2524-3164Q SHT 1 REV 135

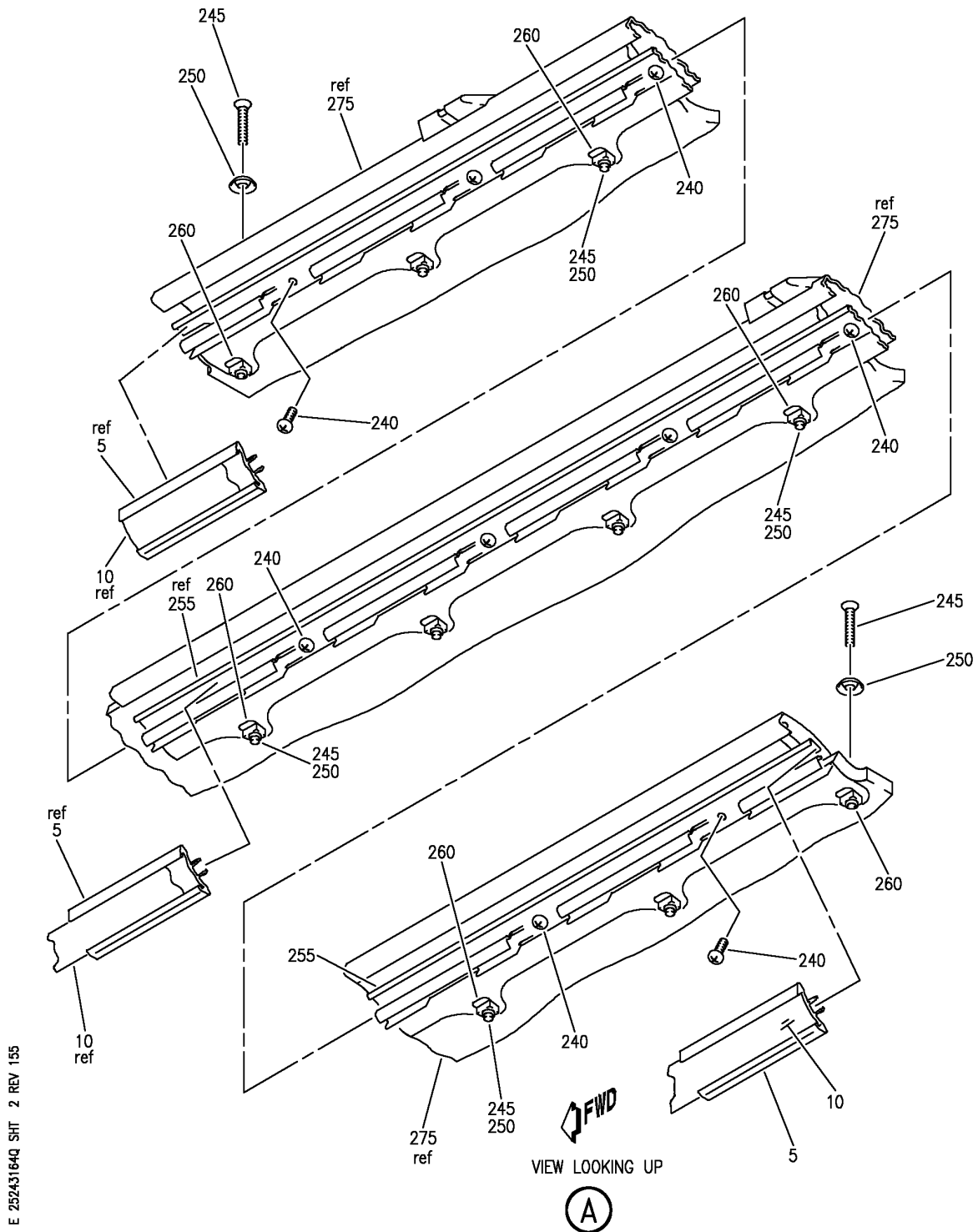
TOP ASSY-RH 60 IN. OVHD STOWAGE BIG BIN BULLNOSE CONFIGURATION (EQUIPMENT/ FURNISHINGS ONLY)
 FIGURE 64Q (SHEET 1)

HAP
 OCT 10/07

25-24-31-64Q

25-24-31-64Q
 PAGE 0


BOEING
 737-600/700/800/900
PARTS CATALOG (MAINTENANCE)



E 25243164Q SHT 2 REV 155

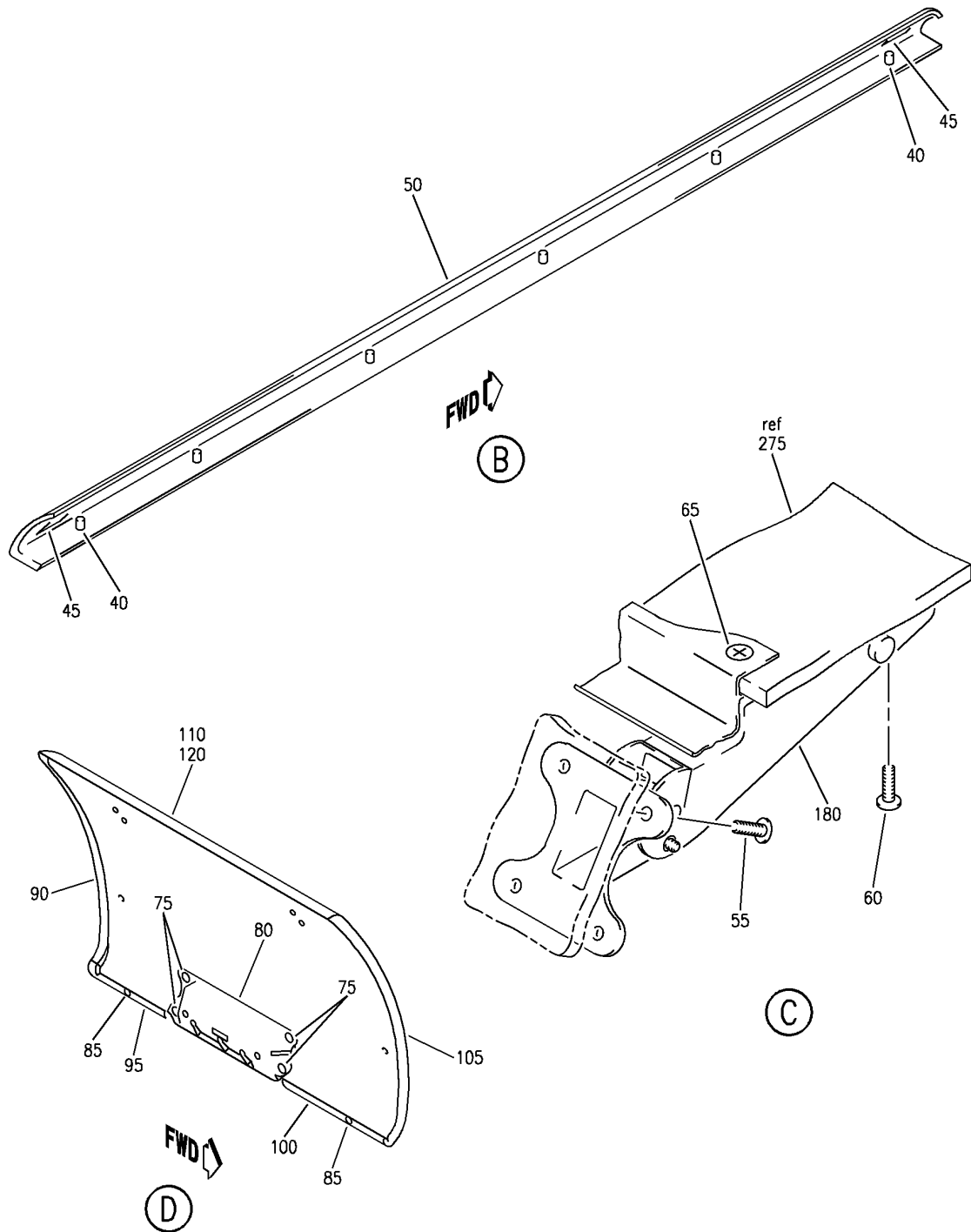
TOP ASSY-RH 60 IN. OVHD STOWAGE BIG BIN BULLNOSE CONFIGURATION (EQUIPMENT/ FURNISHINGS ONLY)
 FIGURE 64Q (SHEET 2)

HAP
 JUN 15/09

25-24-31-64Q

25-24-31-64Q
 PAGE 0A

BOEING
 737-600/700/800/900
 PARTS CATALOG (MAINTENANCE)



E 2524-3164Q SHT 3 REV 135

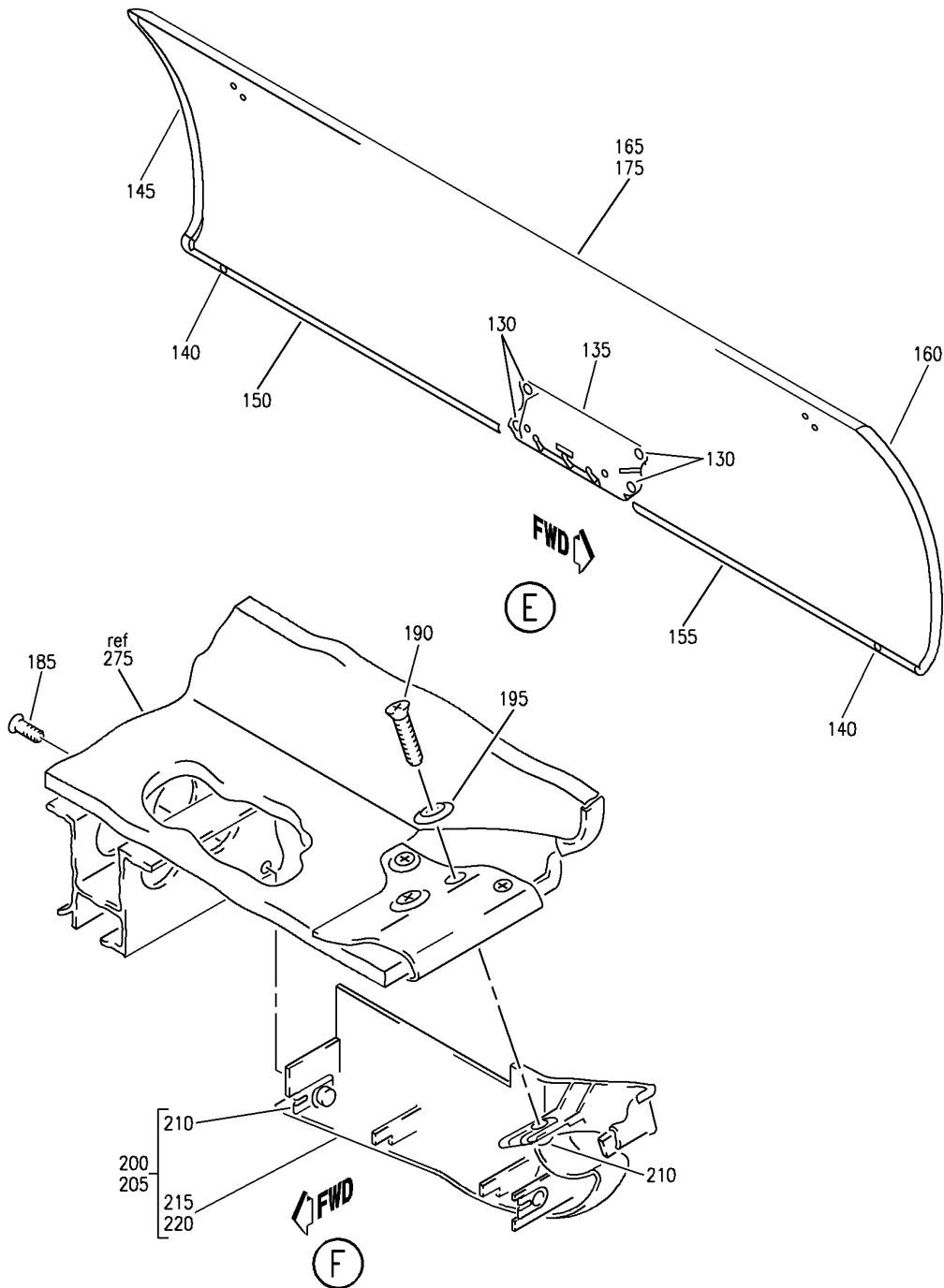
TOP ASSY-RH 60 IN. OVHD STOWAGE BIG BIN BULLNOSE CONFIGURATION (EQUIPMENT/ FURNISHINGS ONLY)
 FIGURE 64Q (SHEET 3)

HAP
 OCT 10/07

25-24-31-64Q

25-24-31-64Q
 PAGE 0B

BOEING
 737-600/700/800/900
 PARTS CATALOG (MAINTENANCE)



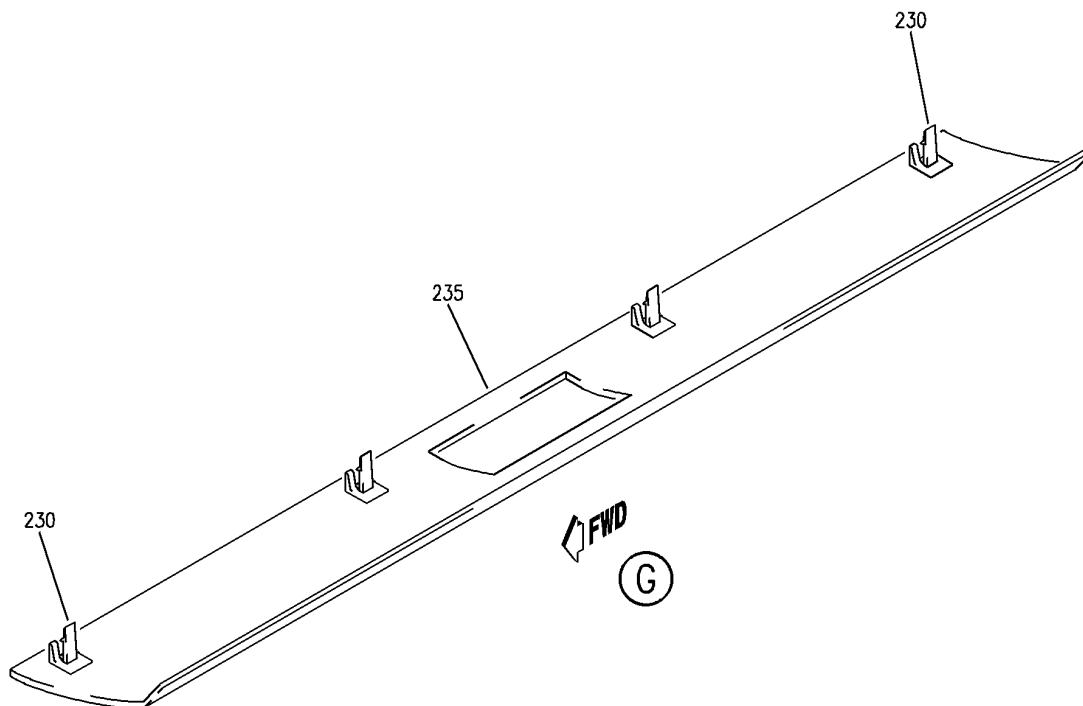
E 2524-3164Q SHT 4 REV 135

TOP ASSY-RH 60 IN. OVHD STOWAGE BIG BIN BULLNOSE CONFIGURATION (EQUIPMENT/ FURNISHINGS ONLY)
 FIGURE 64Q (SHEET 4)

HAP
 OCT 10/07

25-24-31-64Q

25-24-31-64Q
 PAGE 0C



E 2524-3164Q SHT 5 REV 135

TOP ASSY-RH 60 IN. OVHD STOWAGE BIG BIN BULLNOSE CONFIGURATION (EQUIPMENT/ FURNISHINGS ONLY)
FIGURE 64Q (SHEET 5)

HAP
OCT 10/07

25-24-31-64Q

25-24-31-64Q
PAGE 0D

BOEING
737-600/700/800/900
PARTS CATALOG (MAINTENANCE)

FIG ITEM	PART NUMBER	1 2 3 4 5 6 7	NOMENCLATURE	EFFECT FROM TO	UNITS PER ASSY
64Q			TOP ASSY-RH 60 IN. OVHD STOWAGE BIG BIN BULLNOSE CONFIGURATION (EQUIPMENT/ FURNISHINGS ONLY)	102200 972999	
- 1	412A1057-1018C		TOP ASSY-60 IN. OVHD STOWAGE BIG BIN BULLNOSE CONFIGURATION (EQUIPMENT/ FURNISHINGS ONLY) POSITION DATA: RH FOR NHA/OTHER SYS DET SEE: 25-24-30-77	102200 972999	RF
5	412A1420-2A		.EXTRUSION-SEAT ROW MARKER	102200 972999	1
10	412A1451-2BCWK		.STRIP-TRIM	102200 972999	1
15	H3-1592-1		.LATCH-CLG SUPPLIER CODE: V34941 SPECIFICATION NUMBER: S411A001-1 ATTACHING PARTS	102200 972999	2
- 20	BACS12GU3K7		.SCREW	102200 972999	4
- 25	NAS1149D0332J		.WASHER	102200 972999	4
30	412A1700-2A		-----*----- .VALANCE ASSY-LT ATTACHING PARTS	102200 972999	1
- 35	BACN10YJ3F		.NUT	102200 972999	6
40	BACS21DW3C10FN		-----*----- ..STUD	102200 972999	6
45	412A1700-6		..TAPE-VELCRO	102200 972999	2
50	412A1711-3A		..PANEL ASSY	102200 972999	1
55	BACS12FA3K5		.SCREW	102200 972999	16
60	BACS12FA3K6		.SCREW	102200 972999	4
65	BACS12FA3K15		.SCREW	102200 972999	4

MISSING ITEM NUMBERS NOT APPLICABLE

- ITEM NOT ILLUSTRATED

HAP

25-24-31-64Q

BOEING PROPRIETARY - Copyright © - Unpublished Work - See title page for details.

25-24-31
FIG. 64Q
PAGE 1
JUN 15/09

BOEING
737-600/700/800/900
PARTS CATALOG (MAINTENANCE)

FIG ITEM	PART NUMBER	1 2 3 4 5 6 7	NOMENCLATURE	EFFECT FROM TO	UNITS PER ASSY
R R R R R R R R R R R R R R R R R	64Q 70	412A1505-102B	.DOOR ASSY-20 IN. QUALIFIED I/W DATA: THE 412A1505-102B DOOR ASSEMBLY PLUS (QTY 2) HINGE (SP23011) TOGETHER CAN REPLACE THE 412A1505-2B DOOR ASSEMBLY PLUS (QTY 2) HINGE (SP21757).	102200 972999	1
	75	BACS12FA3K4	..SCREW	102200 972999	4
	80	HA951-1	..LATCH ASSY- SUPPLIER CODE: V83014 SPECIFICATION NUMBER: S412A003-1	102200 972999	1
	85	412A1810-3B	..BUMPER- QUALIFIED I/W DATA: PN 412A1810-3B CAN REPLACE BUT NOT BE REPLACED BY PN 412A1810-2B FOR 737-600/700/800/900 ONLY.	102200 972999	2
	90	412A1452-104B	..TRIM-VERT	102200 972999	1
	95	412A1452-106B	..TRIM-HORIZ	102200 972999	1
	100	412A1452-105B	..TRIM-HORIZ	102200 972999	1
	105	412A1452-103B	..TRIM-VERT	102200 972999	1
	110	412A1514-102B	..PANEL ASSY	102200 972999	1
	- 115	SL618-3A	...INSERT- SUPPLIER CODE: V97393	102200 972999	12
	120	412A1514-101B	...PANEL ASSY	102200 972999	1
	125	412A1505-101B	.DOOR ASSY-40 IN.	102200 972999	1
	130	BACS12FA3K4	..SCREW	102200 972999	4
	135	HA951-1	..LATCH ASSY- SUPPLIER CODE: V83014 SPECIFICATION NUMBER: S412A003-1	102200 972999	1

MISSING ITEM NUMBERS NOT APPLICABLE

- ITEM NOT ILLUSTRATED

HAP

25-24-31-64Q

BOEING PROPRIETARY - Copyright © - Unpublished Work - See title page for details.

25-24-31
FIG. 64Q
PAGE 2
JUN 15/09

BOEING
737-600/700/800/900
PARTS CATALOG (MAINTENANCE)

FIG ITEM	PART NUMBER	1 2 3 4 5 6 7	NOMENCLATURE	EFFECT FROM TO	UNITS PER ASSY
64Q 140	412A1810-3B	..	BUMPER- QUALIFIED I/W DATA: PN 412A1810-3B CAN REPLACE BUT NOT BE REPLACED BY PN 412A1810-2B FOR 737-600/700/800/900 ONLY.	102200 972999	2
145	412A1452-104B	..	TRIM-VERT	102200 972999	1
150	412A1452-106B	..	TRIM-HORIZ	102200 972999	1
155	412A1452-105B	..	TRIM-HORIZ	102200 972999	1
160	412A1452-103B	..	TRIM-VERT	102200 972999	1
165	412A1513-102B	..	PANEL ASSY	102200 972999	1
- 170	SL618-3A	...	INSERT- SUPPLIER CODE: V97393	102200 972999	12
175	412A1513-101B	...	PANEL ASSY	102200 972999	1
180	SP23011	.HINGE ASSY- SUPPLIER CODE: V24403 SPECIFICATION NUMBER: S412A004-3		102200 972999	4
185	BACB30VF3K3	.BOLT		102200 972999	2
190	BACS12ER3K11	.SCREW		102200 972999	2
195	H3-1233A3	.WASHER- SUPPLIER CODE: V34941 SPECIFICATION NUMBER: S411A001-1		102200 972999	2
200	412A1467-1B	.CLOSEOUT ASSY		102200 972999	1
205	412A1467-2B	.CLOSEOUT ASSY		102200 972999	1
210	BACN10VR4CGN	..NUT- OPTIONAL PART: BACN10VR4CG		102200 972999	2
210	BACN10VR4CG	..NUT- OPTIONAL PART: BACN10VR4CGN		102200 972999	2

MISSING ITEM NUMBERS NOT APPLICABLE

- ITEM NOT ILLUSTRATED

HAP

25-24-31-64Q

BOEING PROPRIETARY - Copyright © - Unpublished Work - See title page for details.

25-24-31
FIG. 64Q
PAGE 3
JUN 15/09

BOEING
737-600/700/800/900
PARTS CATALOG (MAINTENANCE)

FIG ITEM	PART NUMBER	1 2 3 4 5 6 7	NOMENCLATURE	EFFECT FROM TO	UNITS PER ASSY
64Q 215	412A1467-5B	..	CLOSEOUT- USED ON: 412A1467-1B	102200 972999	1
220	412A1467-6B	..	CLOSEOUT- USED ON: 412A1467-2B	102200 972999	1
225	412A1607-10B	.	COVER ASSY	102200 972999	1
230	412A1460-2	..	CLIP	102200 972999	4
235	412A1617-11B	..	PANEL	102200 972999	1
240	BACS12FA3K5	.	SCREW	102200 972999	9
245	BACS12ER3K14	.	SCREW	102200 972999	10
250	H3-1233A3	.	WASHER- SUPPLIER CODE: V34941 SPECIFICATION NUMBER: S411A001-1	102200 972999	10
255	412A1244-2	.	EXTRUSION ASSY	102200 972999	1
260	FS1651-3	..	NUTPLATE SUPPLIER CODE: V15653 SPECIFICATION NUMBER: BACN10KH3CD OPTIONAL PART: 102F9209M3 V72962 NS202496-02 V80539 ATTACHING PARTS	102200 972999	10
- 265	BACR15BA3ADC	..	RIVET- SIZE DETERMINED ON INSTL. -----*-----	102200 972999	20
- 270	412A1811-2B	.	PLUG	102200 972999	1
275	412A1205-18B	.	BOX ASSY-BIN FOR DETAILS SEE: 25-24-32-64	102200 972999	1

MISSING ITEM NUMBERS NOT APPLICABLE

- ITEM NOT ILLUSTRATED

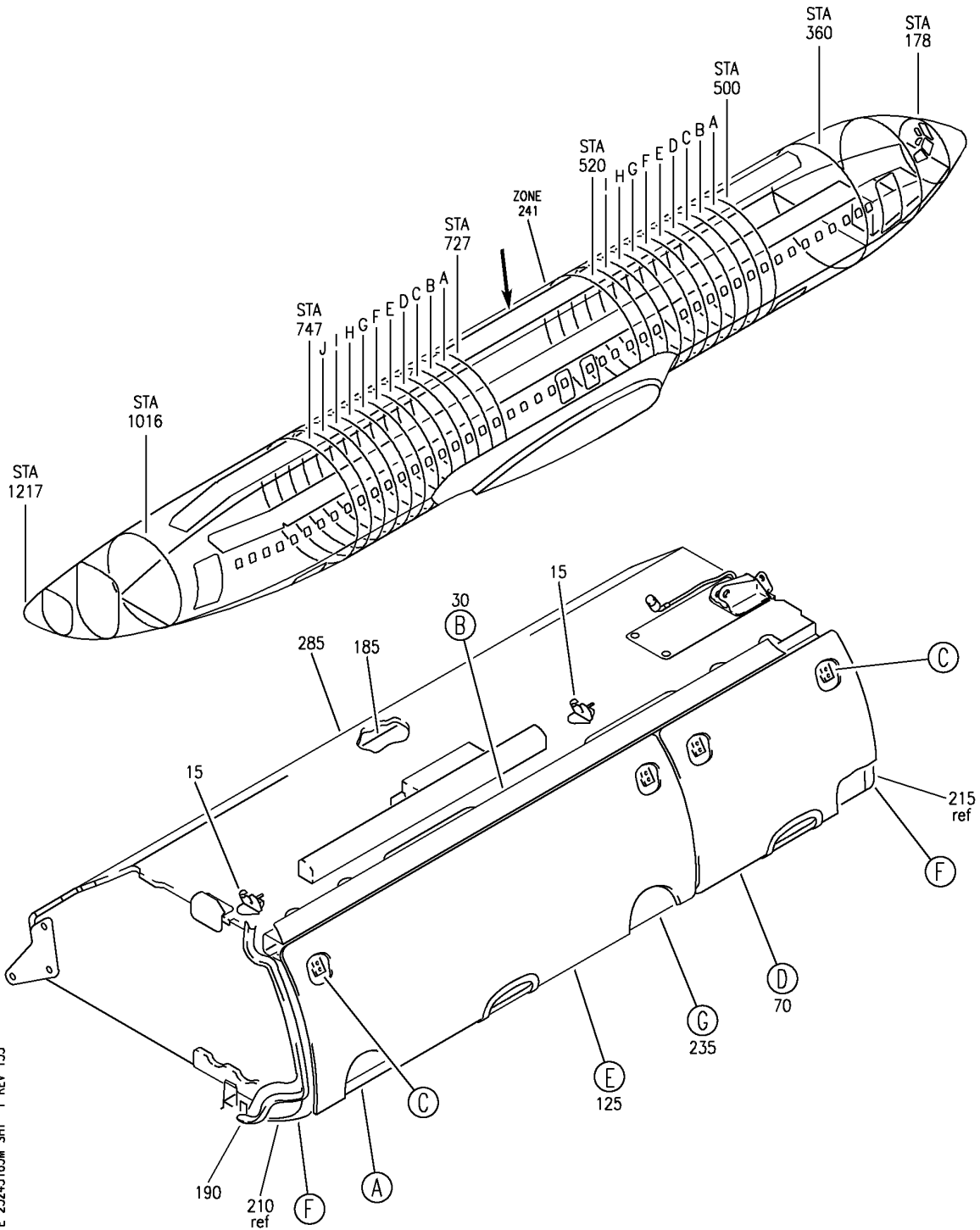
HAP

25-24-31-64Q

BOEING PROPRIETARY - Copyright © - Unpublished Work - See title page for details.

25-24-31
FIG. 64Q
PAGE 4
JUN 15/09

BOEING
 737-600/700/800/900
 PARTS CATALOG (MAINTENANCE)



E 2524-3165M SHT 1 REV 133

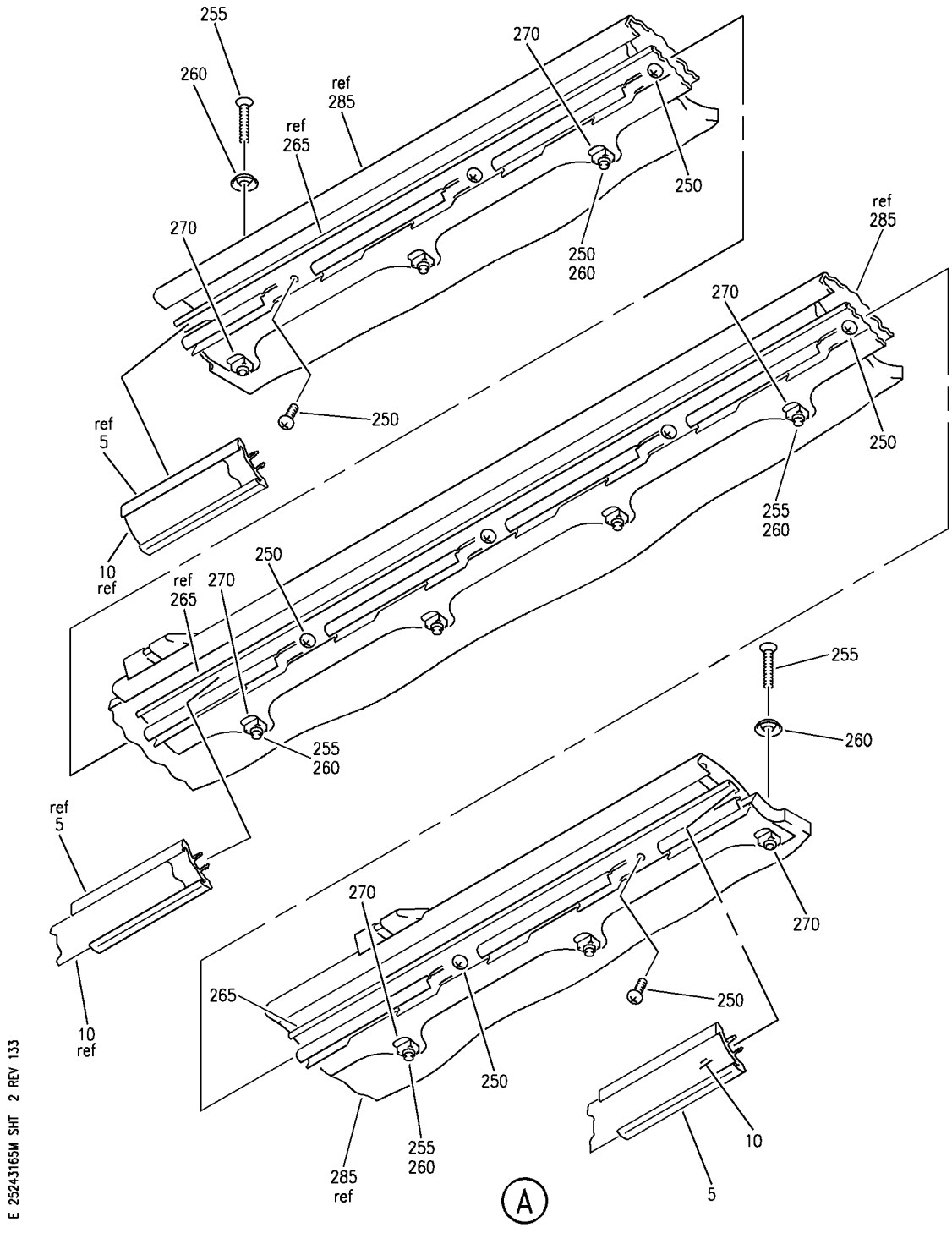
TOP ASSY-AFT LH 60 IN. OVHD STOWAGE BIG BIN BULLNOSE CONFIGURATION (EQUIPMENT/ FURNISHINGS ONLY)
 FIGURE 65M (SHEET 1)

HAP
 OCT 10/07

25-24-31-65M

25-24-31-65M
 PAGE 0

BOEING
 737-600/700/800/900
 PARTS CATALOG (MAINTENANCE)



E 2524-3165M SHT 2 REV 133

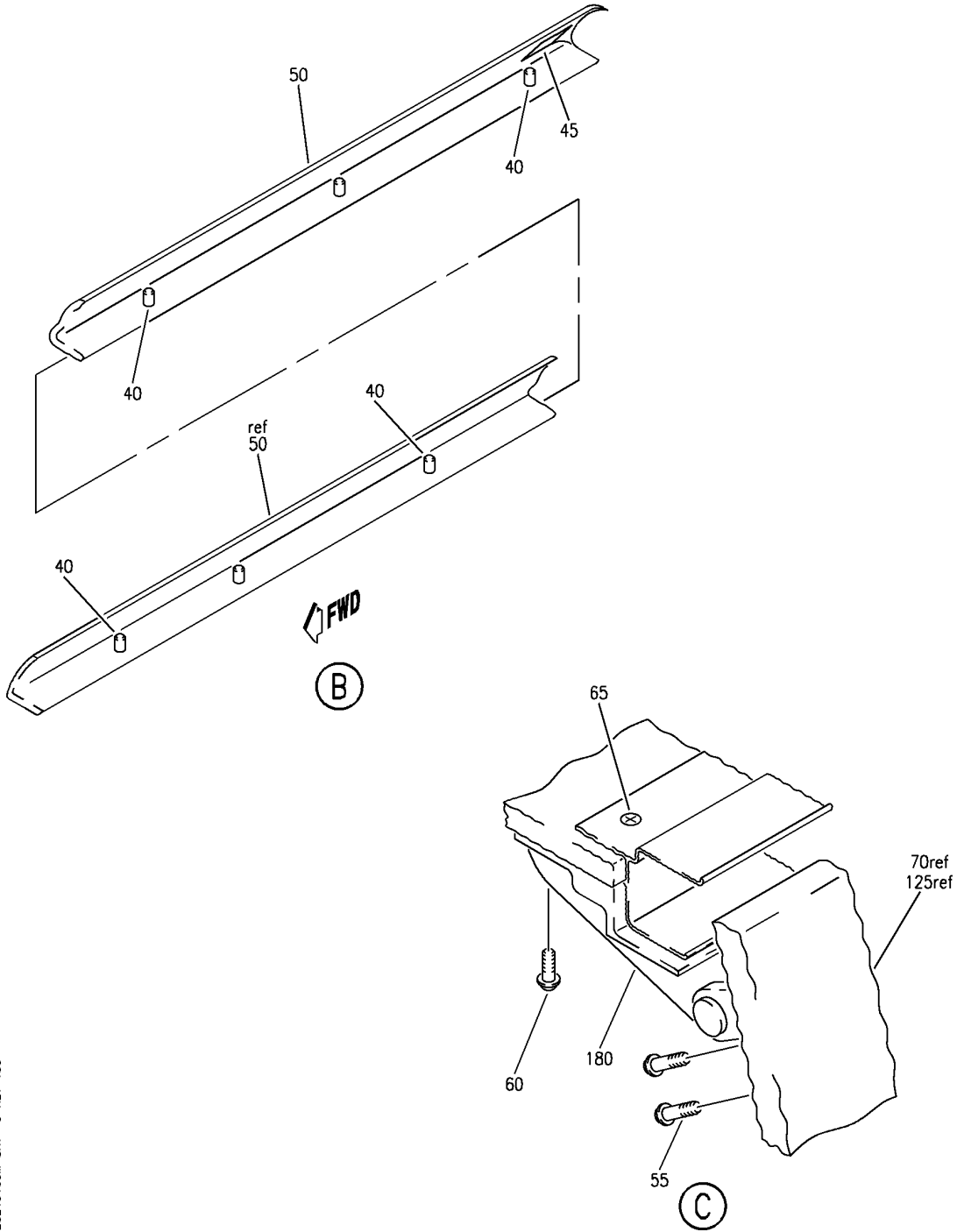
TOP ASSY-AFT LH 60 IN. OVHD STOWAGE BIG BIN BULLNOSE CONFIGURATION (EQUIPMENT/ FURNISHINGS ONLY)
 FIGURE 65M (SHEET 2)

HAP
 OCT 10/07

25-24-31-65M

25-24-31-65M
 PAGE 0A

BOEING PROPRIETARY - Copyright © - Unpublished Work - See title page for details.



E 2524-3165M SHT 3 REV 133

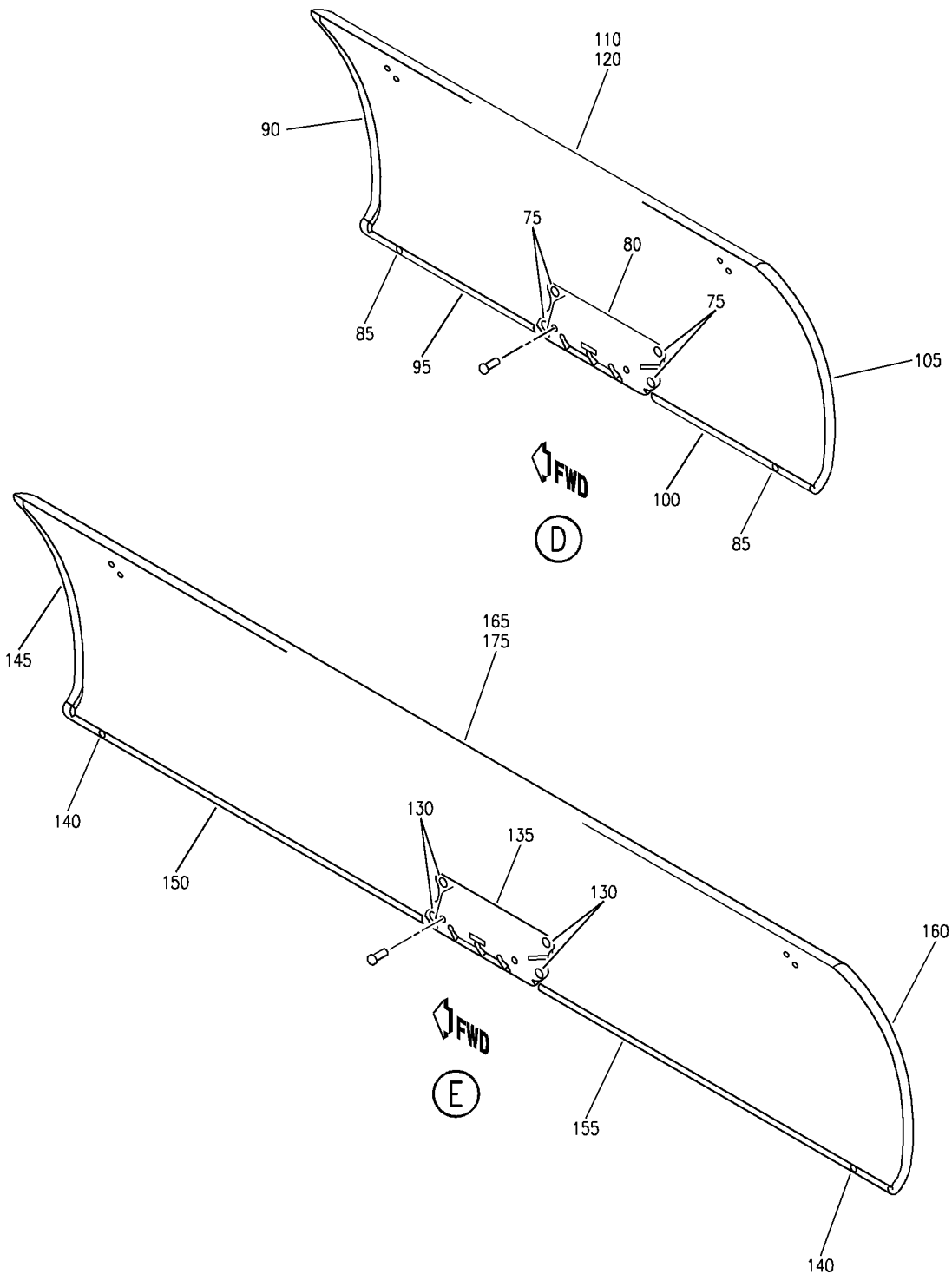
TOP ASSY-AFT LH 60 IN. OVHD STOWAGE BIG BIN BULLNOSE CONFIGURATION (EQUIPMENT/ FURNISHINGS ONLY)
 FIGURE 65M (SHEET 3)

HAP
 OCT 10/07

25-24-31-65M

25-24-31-65M
 PAGE 0B

BOEING
 737-600/700/800/900
 PARTS CATALOG (MAINTENANCE)



E 2524-3165M SHT 4 REV 133

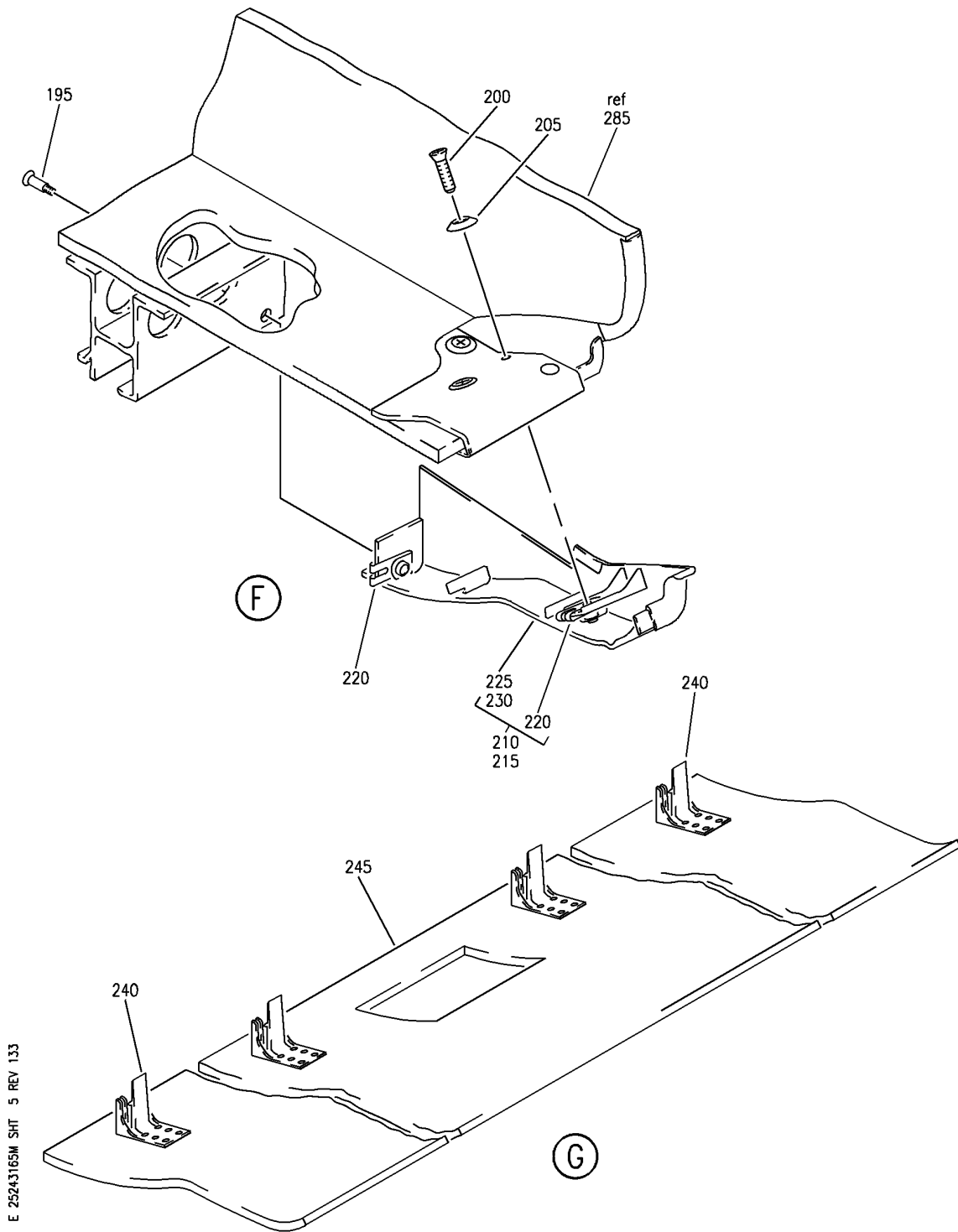
TOP ASSY-AFT LH 60 IN. OVHD STOWAGE BIG BIN BULLNOSE CONFIGURATION (EQUIPMENT/ FURNISHINGS ONLY)
 FIGURE 65M (SHEET 4)

HAP
 OCT 10/07

25-24-31-65M

25-24-31-65M
 PAGE 0C

BOEING
 737-600/700/800/900
 PARTS CATALOG (MAINTENANCE)



E 2524-3165M SHT 5 REV 133

TOP ASSY-AFT LH 60 IN. OVHD STOWAGE BIG BIN BULLNOSE CONFIGURATION (EQUIPMENT/ FURNISHINGS ONLY)
 FIGURE 65M (SHEET 5)

HAP
 OCT 10/07

25-24-31-65M

25-24-31-65M
 PAGE 0D

BOEING
737-600/700/800/900
PARTS CATALOG (MAINTENANCE)

FIG ITEM	PART NUMBER	1 2 3 4 5 6 7	NOMENCLATURE	EFFECT FROM TO	UNITS PER ASSY
65M			TOP ASSY-AFT LH 60 IN. OVHD STOWAGE BIG BIN BULLNOSE CONFIGURATION (EQUIPMENT/ FURNISHINGS ONLY)	044100 102200 972999	
- 1	412A1052-1017C		TOP ASSY-60 IN. OVHD STOWAGE BIG BIN BULLNOSE CONFIGURATION (EQUIPMENT/ FURNISHINGS ONLY) POSITION DATA: AFT LH FOR NHA/OTHER SYS DET SEE: 25-24-30-31	044100 102200 972999	RF
5	412A1420-2A		.EXTRUSION-SEAT ROW MARKER	044100 102200 972999	1
10	412A1451-2BCWK		.STRIP-TRIM	044100 102200 972999	1
15	H3-1592-1		.LATCH-CLG SUPPLIER CODE: V34941 SPECIFICATION NUMBER: S411A001-1 ATTACHING PARTS	044100 102200 972999	2
- 20	BACS12GU3K7		.SCREW	044100 102200 972999	4
- 25	NAS1149D0332J		.WASHER	044100 102200 972999	4
30	412A1700-4A		-----*----- .VALANCE ASSY-LT	044100 102200 972999	1
- 35	BACN10YJ3F		ATTACHING PARTS .NUT	044100 102200 972999	6
40	BACS21DW3C10FN		-----*----- ..STUD	044100 102200 972999	6
45	412A1700-6		..TAPE-VELCRO	044100 102200 972999	1
50	412A1711-6A		..PANEL ASSY	044100 102200 972999	1

MISSING ITEM NUMBERS NOT APPLICABLE

- ITEM NOT ILLUSTRATED

HAP

25-24-31-65M

BOEING PROPRIETARY - Copyright © - Unpublished Work - See title page for details.

25-24-31
FIG. 65M
PAGE 1
OCT 15/08

BOEING
737-600/700/800/900
PARTS CATALOG (MAINTENANCE)

FIG ITEM	PART NUMBER	1 2 3 4 5 6 7	NOMENCLATURE	EFFECT FROM TO	UNITS PER ASSY
65M					
55	BACS12FA3K5	.	SCREW	044100 102200 972999	16
60	BACS12FA3K6	.	SCREW	044100 102200 972999	4
65	BACB30VF3K8	.	BOLT	044100 102200 972999	4
70	412A1505-102B	.	DOOR ASSY-20 IN. QUALIFIED I/W DATA: THE 412A1505-102B DOOR ASSEMBLY PLUS (QTY 2) HINGE (SP23011) TOGETHER CAN REPLACE THE 412A1505-2B DOOR ASSEMBLY PLUS (QTY 2) HINGE (SP21757).	044100 102200 972999	1
75	BACS12FA3K4	..	SCREW	044100 102200 972999	4
80	HA951-1	..	LATCH ASSY- SUPPLIER CODE: V83014 SPECIFICATION NUMBER: S412A003-1	044100 102200 972999	1
85	412A1810-3B	..	BUMPER- QUALIFIED I/W DATA: PN 412A1810-3B CAN REPLACE BUT NOT BE REPLACED BY PN 412A1810-2B FOR 737-600/700/800/900 ONLY.	044100 102200 972999	2
90	412A1452-104B	..	TRIM-VERT	044100 102200 972999	1
95	412A1452-106B	..	TRIM-HORIZ	044100 102200 972999	1
100	412A1452-105B	..	TRIM-HORIZ	044100 102200 972999	1
105	412A1452-103B	..	TRIM-VERT	044100 102200 972999	1
110	412A1514-102B	..	PANEL ASSY	044100 102200 972999	1

MISSING ITEM NUMBERS NOT APPLICABLE

— ITEM NOT ILLUSTRATED

HAP

25-24-31-65M

BOEING PROPRIETARY - Copyright © - Unpublished Work - See title page for details.

25-24-31
FIG. 65M
PAGE 2
JUN 15/09

BOEING
737-600/700/800/900
PARTS CATALOG (MAINTENANCE)

FIG ITEM	PART NUMBER	1 2 3 4 5 6 7	NOMENCLATURE	EFFECT FROM TO	UNITS PER ASSY
65M - 115	SL618-3A	...	INSERT- SUPPLIER CODE: V97393	044100 102200 972999	12
120	412A1514-101B	...	PANEL ASSY	044100 102200 972999	1
125	412A1505-101B	.	DOOR ASSY-40 IN.	044100 102200 972999	1
130	BACS12FA3K4	..	SCREW	044100 102200 972999	4
135	HA951-1	..	LATCH ASSY- SUPPLIER CODE: V83014 SPECIFICATION NUMBER: S412A003-1	044100 102200 972999	1
140	412A1810-3B	..	BUMPER- QUALIFIED I/W DATA: PN 412A1810-3B CAN REPLACE BUT NOT BE REPLACED BY PN 412A1810-2B FOR 737-600/700/800/900 ONLY.	044100 102200 972999	2
145	412A1452-104B	..	TRIM-VERT	044100 102200 972999	1
150	412A1452-106B	..	TRIM-HORIZ	044100 102200 972999	1
155	412A1452-105B	..	TRIM-HORIZ	044100 102200 972999	1
160	412A1452-103B	..	TRIM-VERT	044100 102200 972999	1
165	412A1513-102B	..	PANEL ASSY	044100 102200 972999	1
- 170	SL618-3A	...	INSERT- SUPPLIER CODE: V97393	044100 102200 972999	13
175	412A1513-101B	...	PANEL ASSY	044100 102200 972999	1

MISSING ITEM NUMBERS NOT APPLICABLE

- ITEM NOT ILLUSTRATED

HAP

25-24-31-65M

BOEING PROPRIETARY - Copyright © - Unpublished Work - See title page for details.

25-24-31
FIG. 65M
PAGE 3
JUN 15/09

BOEING
737-600/700/800/900
PARTS CATALOG (MAINTENANCE)

FIG ITEM	PART NUMBER	1 2 3 4 5 6 7	NOMENCLATURE	EFFECT FROM TO	UNITS PER ASSY
65M 180	SP23011		.HINGE ASSY- SUPPLIER CODE: V24403 SPECIFICATION NUMBER: S412A004-3	044100 102200 972999	4
190	403A3210-95B		.SEAL ASSY	044100 102200 972999	1
195	BACB30VF3K3		.BOLT	044100 102200 972999	2
200	BACS12ER3K11		.SCREW	044100 102200 972999	2
205	H3-1233A3		.WASHER-DECORATIVE SUPPLIER CODE: V34941 SPECIFICATION NUMBER: S411A001-1	044100 102200 972999	2
210	412A1467-1B		.CLOSEOUT ASSY	044100 102200 972999	1
215	412A1467-2B		.CLOSEOUT ASSY	044100 102200 972999	1
220	BACN10VR4CGN		..NUT- OPTIONAL PART: BACN10VR4CG	044100 102200 972999	2
220	BACN10VR4CG		..NUT- OPTIONAL PART: BACN10VR4CGN	044100 102200 972999	2
225	412A1467-5B		..CLOSEOUT- USED ON: 412A1467-1B	044100 102200 972999	1
230	412A1467-6B		..CLOSEOUT- USED ON: 412A1467-2B	044100 102200 972999	1
235	412A1607-10B		.COVER ASSY-BULLNOSE	044100 102200 972999	1
240	412A1460-2		..CLIP	044100 102200 972999	4
245	412A1617-11B		..PANEL	044100 102200 972999	1
250	BACS12FA3K5		.SCREW	044100 102200 972999	9

MISSING ITEM NUMBERS NOT APPLICABLE

— ITEM NOT ILLUSTRATED

HAP

25-24-31-65M

BOEING PROPRIETARY - Copyright © - Unpublished Work - See title page for details.

25-24-31
FIG. 65M
PAGE 4
JUN 15/09

BOEING
737-600/700/800/900
PARTS CATALOG (MAINTENANCE)

FIG ITEM	PART NUMBER	1 2 3 4 5 6 7	NOMENCLATURE	EFFECT FROM TO	UNITS PER ASSY
65M 255	BACS12ER3K14	.	SCREW	044100 102200 972999	10
260	H3-1233A3	.	WASHER-DECORATIVE SUPPLIER CODE: V34941 SPECIFICATION NUMBER: S411A001-1	044100 102200 972999	10
265	412A1244-2	.	EXTRUSION ASSY	044100 102200 972999	1
270	FS1651-3	..	NUTPLATE SUPPLIER CODE: V15653 SPECIFICATION NUMBER: BACN10KH3CD OPTIONAL PART: 102F9209M3 V72962 NS202496-02 V80539 ATTACHING PARTS	044100 102200 972999	10
- 275	BACR15BA3ADC	..	RIVET- SIZE DETERMINED ON INSTL.	044100 102200 972999	20
- 280	412A1811-2B	.	PLUG	044100 102200 972999	AR
285	412A1255-17B	.	BOX ASSY-BIN FOR DETAILS SEE: 25-24-32-65A	044100 102200 972999	1

MISSING ITEM NUMBERS NOT APPLICABLE

- ITEM NOT ILLUSTRATED

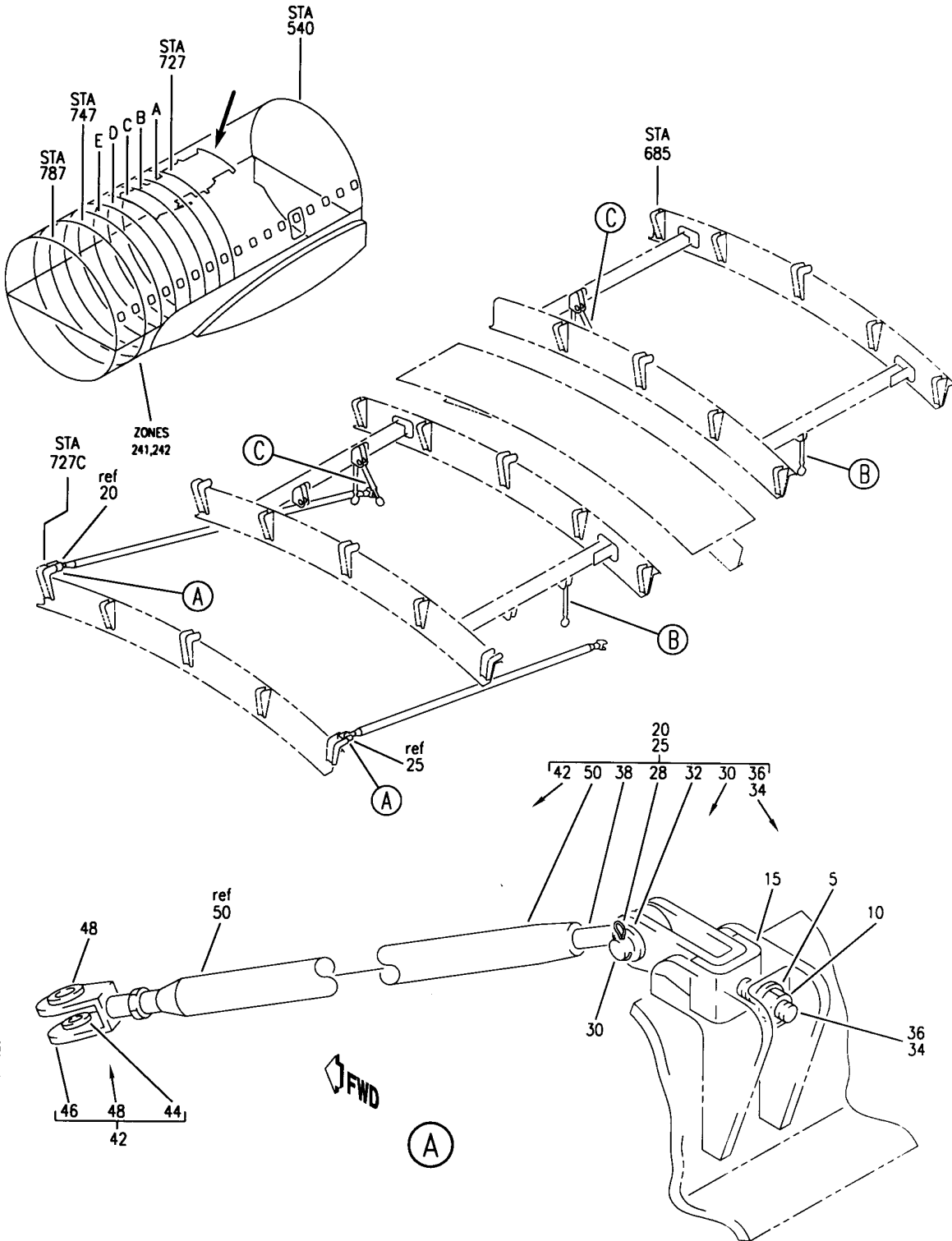
HAP

25-24-31-65M

BOEING PROPRIETARY - Copyright © - Unpublished Work - See title page for details.

25-24-31
FIG. 65M
PAGE 5
JUN 15/09

BOEING
 737-600/700/800/900
 PARTS CATALOG (MAINTENANCE)



E 25243167 SH1 1 REV 023

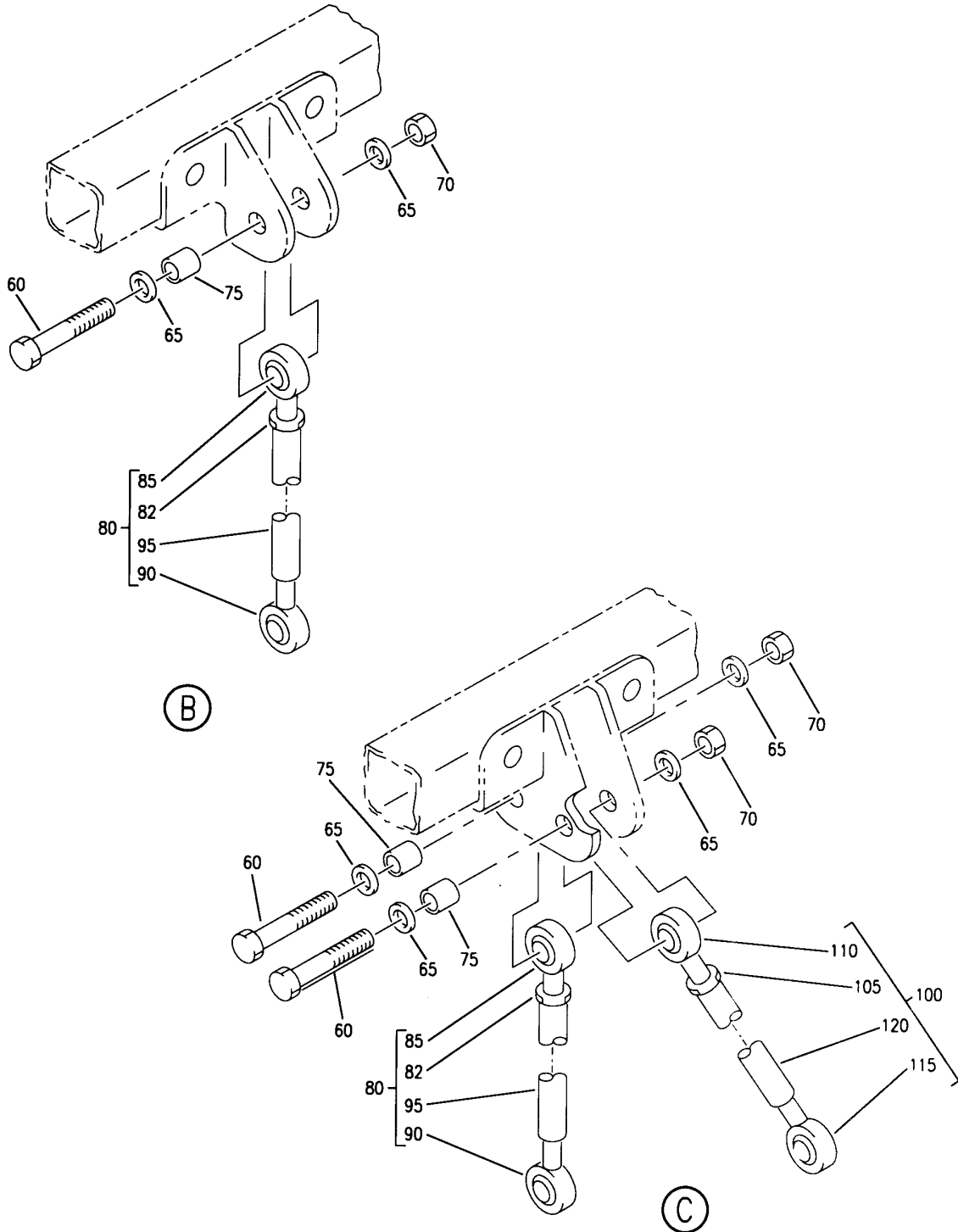
TIE ROD INSTL-CTR OVHD STOWAGE
 FIGURE 67 (SHEET 1)

25-24-31-67

HAP
 FEB 10/07

25-24-31-67
 PAGE 0

BOEING
 737-600/700/800/900
 PARTS CATALOG (MAINTENANCE)



E. 25243167 SHT 2 REV 023

TIE ROD INSTL-CTR OVHD STOWAGE
 FIGURE 67 (SHEET 2)

25-24-31-67

HAP
 FEB 10/07

25-24-31-67
 PAGE 0A

BOEING
737-600/700/800/900
PARTS CATALOG (MAINTENANCE)

FIG ITEM	PART NUMBER	1 2 3 4 5 6 7	NOMENCLATURE	EFFECT FROM TO	UNITS PER ASSY
67			TIE ROD INSTL-CTR OVHD STOWAGE	101200 968999	
- 1	MODREF91680		TIE ROD INSTL-OVHD STOWAGE	101200 968999	1
			MODULE NUMBER: 412A4200-210 REV A		
			POSITION DATA: CTR		
5	BACW10BP5DP		.WASHER-	101200 968999	2
10	PLH55CD		.NUT-	101200 968999	2
			SUPPLIER CODE: VF0224		
			SPECIFICATION NUMBER: BACN10YR5CD		
			OPTIONAL PART: H52732-5CD V15653		
15	412N2032-3		.INSULATOR-CLEVIS MANUFACTURED FROM: FIN F-6.10 COMPRESSION MOLDED PHENOLIC, GLASS FIBER FILLED PER BMS8-271A, TYPE 1	101200 968999	2
			OPTIONAL PART: 412N2032-4		
			OPTIONAL PART: 412N2032-6		
15	412N2032-6		.INSULATOR-CLEVIS MANUFACTURED FROM: FIN F-25.01 COMPRESSION MOLDED PHENOLIC, GLASS FIBER FILLED PER BMS8-271A, TYPE 1.	101200 968999	2
			OPTIONAL PART: 412N2032-3		
20	411A3270-27		.ROD ASSY-TIE MID1 9G, -700	101200 968999	1
25	411A3270-28		.ROD ASSY-TIE MID1 9G, -700	101200 968999	1
28	BACP18BC02C06P		..PIN	101200 968999	1
30	MS20392-3C17		..PIN	101200 968999	1
32	NAS1149D0416J		..WASHER	101200 968999	1
34	411A3081-25		..CLEVIS- USED ON: 411A3270-27	101200 968999	1

MISSING ITEM NUMBERS NOT APPLICABLE

- ITEM NOT ILLUSTRATED

HAP

25-24-31-67

BOEING PROPRIETARY - Copyright © - Unpublished Work - See title page for details.

25-24-31
FIG. 67
PAGE 1
FEB 15/09

BOEING
737-600/700/800/900
PARTS CATALOG (MAINTENANCE)

FIG ITEM	PART NUMBER	1 2 3 4 5 6 7	NOMENCLATURE	EFFECT FROM TO	UNITS PER ASSY
67					
36	411A3081-26	..	CLEVIS- USED ON: 411A3270-28	101200 968999	1
38	1290-1L	..	END-ROD SUPPLIER CODE: V34742 OPTIONAL PART: 411A1290-101	101200 968999	1
38	411A1290-101	..	END-ROD OPTIONAL PART: 1290-1L V34742	101200 968999	1
40	MS35691-13	..	NUT	101200 968999	1
42	411A3272-3	..	END ASSY	101200 968999	1
44	BACB28AP04P010	...	BUSHING	101200 968999	1
46	BACB28AT06B010C	...	BUSHING	101200 968999	1
48	411A3272-4	...	END	101200 968999	1
50	411A3271-8	..	TUBE	101200 968999	1
60	BACB30NR4K11	.	BOLT-	101200 968999	6
65	NAS1149D0432J	.	WASHER-	101200 968999	12
70	PLH54CD	.	NUT- SUPPLIER CODE: VF0224 SPECIFICATION NUMBER: BACN10YR4CD OPTIONAL PART: H52732-4CD V15653	101200 968999	6
75	BACB28AK04-025	.	BUSHING-	101200 968999	6
80	65-80898-25	.	TURNBUCKLE ASSY-	101200 968999	4
82	AN316-4L	..	NUT	101200 968999	1

MISSING ITEM NUMBERS NOT APPLICABLE

- ITEM NOT ILLUSTRATED

HAP

25-24-31-67

25-24-31
FIG. 67
PAGE 2
FEB 15/09

BOEING
737-600/700/800/900
PARTS CATALOG (MAINTENANCE)

FIG ITEM	PART NUMBER	1 2 3 4 5 6 7	NOMENCLATURE	EFFECT FROM TO	UNITS PER ASSY
67 85	ACB4-3		.. BEARING-ROD END SUPPLIER CODE: V56644 OPTIONAL PART: 1254-1L V34742 AHML4-104 V50294 ML44-9A V73134 FML4-7 V76474	101200 968999	1
85	AHML4-104		.. BEARING-ROD END SUPPLIER CODE: V50294 OPTIONAL PART: 1254-1L V34742 ACB4-3 V56644 ML44-9A V73134 FML4-7 V76474	101200 968999	1
85	FML4-7		.. BEARING-ROD END SUPPLIER CODE: V76474 OPTIONAL PART: ACB4-3 V56644 AHML4-104 V50294 ML44-9A V73134	101200 968999	1
85	ML44-9A		.. BEARING-ROD END SUPPLIER CODE: V73134 OPTIONAL PART: 1254-1L V34742 ACB4-3 V56644 AHML4-104 V50294	101200 968999	1

MISSING ITEM NUMBERS NOT APPLICABLE

— ITEM NOT ILLUSTRATED

HAP

25-24-31-67

BOEING PROPRIETARY - Copyright © - Unpublished Work - See title page for details.

25-24-31
FIG. 67
PAGE 3
OCT 15/08

BOEING
737-600/700/800/900
PARTS CATALOG (MAINTENANCE)

FIG ITEM	PART NUMBER	1 2 3 4 5 6 7	NOMENCLATURE	EFFECT FROM TO	UNITS PER ASSY
67 85	1254-1L		.. BEARING-ROD END SUPPLIER CODE: V34742 OPTIONAL PART: ACB4-3 V56644 AHML4-104 V50294 ML44-9A V73134	101200 968999	1
90	ACM4-3		.. BEARING-ROD END SUPPLIER CODE: V56644 OPTIONAL PART: 1254-1 V34742 AHM4-104 V50294 FM4-7 V02695 M44-9A V73134	101200 968999	1
90	AHM4-104		.. BEARING-ROD END SUPPLIER CODE: V50294 OPTIONAL PART: 1254-1 V34742 ACM4-3 V56644 FM4-7 V02695 M44-9A V73134	101200 968999	1
90	FM4-7		.. BEARING-ROD END SUPPLIER CODE: V02695 OPTIONAL PART: 1254-1 V34742 ACM4-3 V56644 AHM4-104 V50294 M44-9A V73134	101200 968999	1

MISSING ITEM NUMBERS NOT APPLICABLE

— ITEM NOT ILLUSTRATED

HAP

25-24-31-67

BOEING PROPRIETARY - Copyright © - Unpublished Work - See title page for details.

25-24-31
FIG. 67
PAGE 4
OCT 15/08

BOEING
737-600/700/800/900
PARTS CATALOG (MAINTENANCE)

FIG ITEM	PART NUMBER	1 2 3 4 5 6 7	NOMENCLATURE	EFFECT FROM TO	UNITS PER ASSY
67					
90	M44-9A		.. BEARING-ROD END SUPPLIER CODE: V73134 OPTIONAL PART: 1254-1 V34742 ACM4-3 V56644 AHM4-104 V50294 FM4-7 V02695	101200 968999	1
90	1254-1		.. BEARING-ROD END SUPPLIER CODE: V34742 OPTIONAL PART: ACM4-3 V56644 AHM4-104 V50294 FM4-7 V02695 M44-9A V73134	101200 968999	1
95	65-81149-15		.. TUBE	101200 968999	1
100	65B67822-45		. TURNBUCKLE ASSY-	101200 968999	2
105	NAS509L4		.. NUT	101200 968999	1
110	1254-15L		.. BEARING-ROD SUPPLIER CODE: V34742	101200 968999	1
115	1254-15		.. BEARING-ROD SUPPLIER CODE: V34742	101200 968999	1
120	65B67822-44		.. TUBE	101200 968999	1

MISSING ITEM NUMBERS NOT APPLICABLE

- ITEM NOT ILLUSTRATED

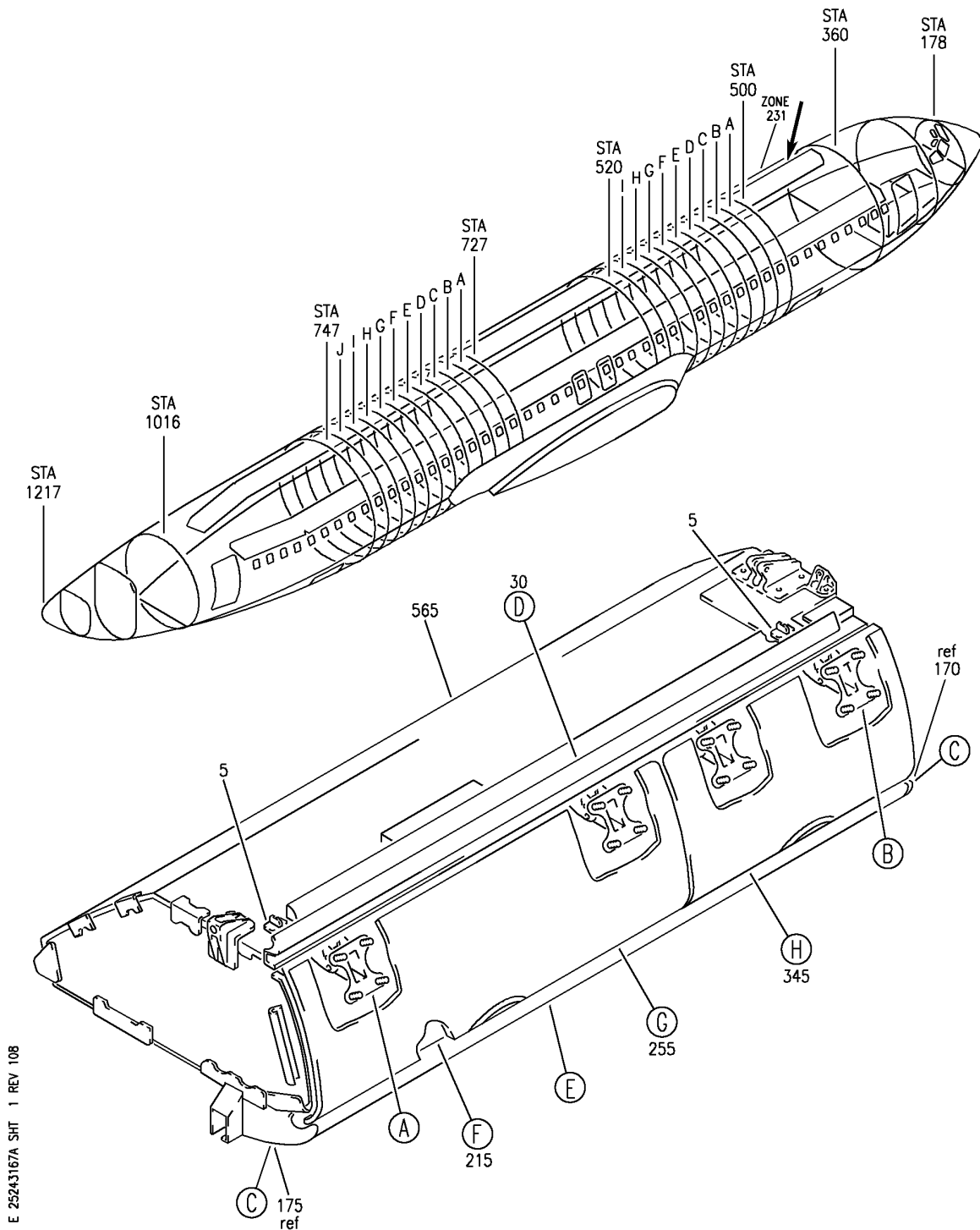
HAP

25-24-31-67

BOEING PROPRIETARY - Copyright © - Unpublished Work - See title page for details.

25-24-31
FIG. 67
PAGE 5
OCT 15/08

BOEING
 737-600/700/800/900
 PARTS CATALOG (MAINTENANCE)



E 2524-3167A SHT 1 REV 108

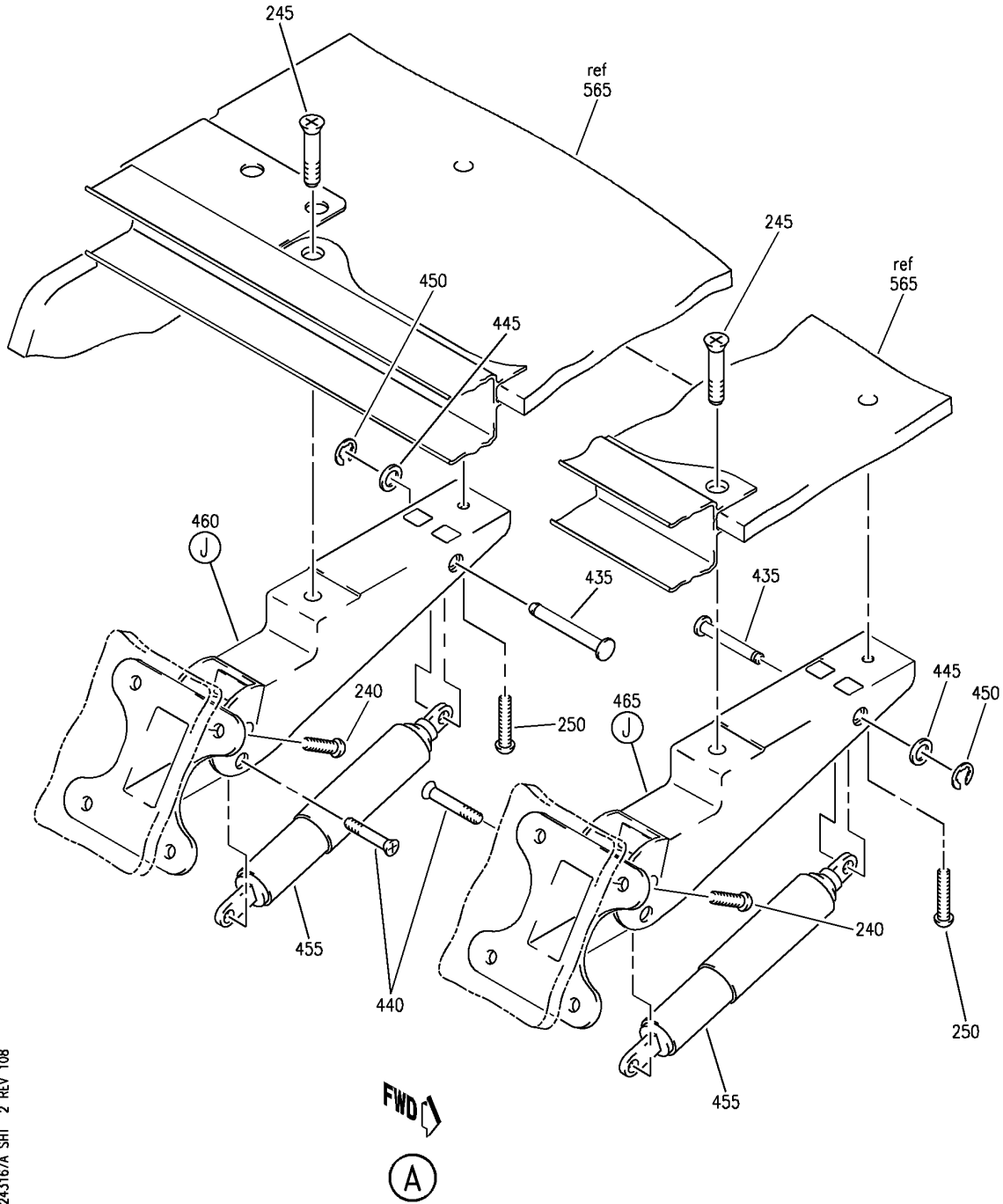
COMPARTMENT ASSY-FWD LH 60 IN. OVHD STOWAGE HNDRL CONFIGURATION (EQUIPMENT/FURNISHINGS ONLY)
 FIGURE 67A (SHEET 1)

HAP
 OCT 10/06

25-24-31-67A

25-24-31-67A
 PAGE 0

BOEING
 737-600/700/800/900
 PARTS CATALOG (MAINTENANCE)



E 2524-3167A SHT 2 REV 108

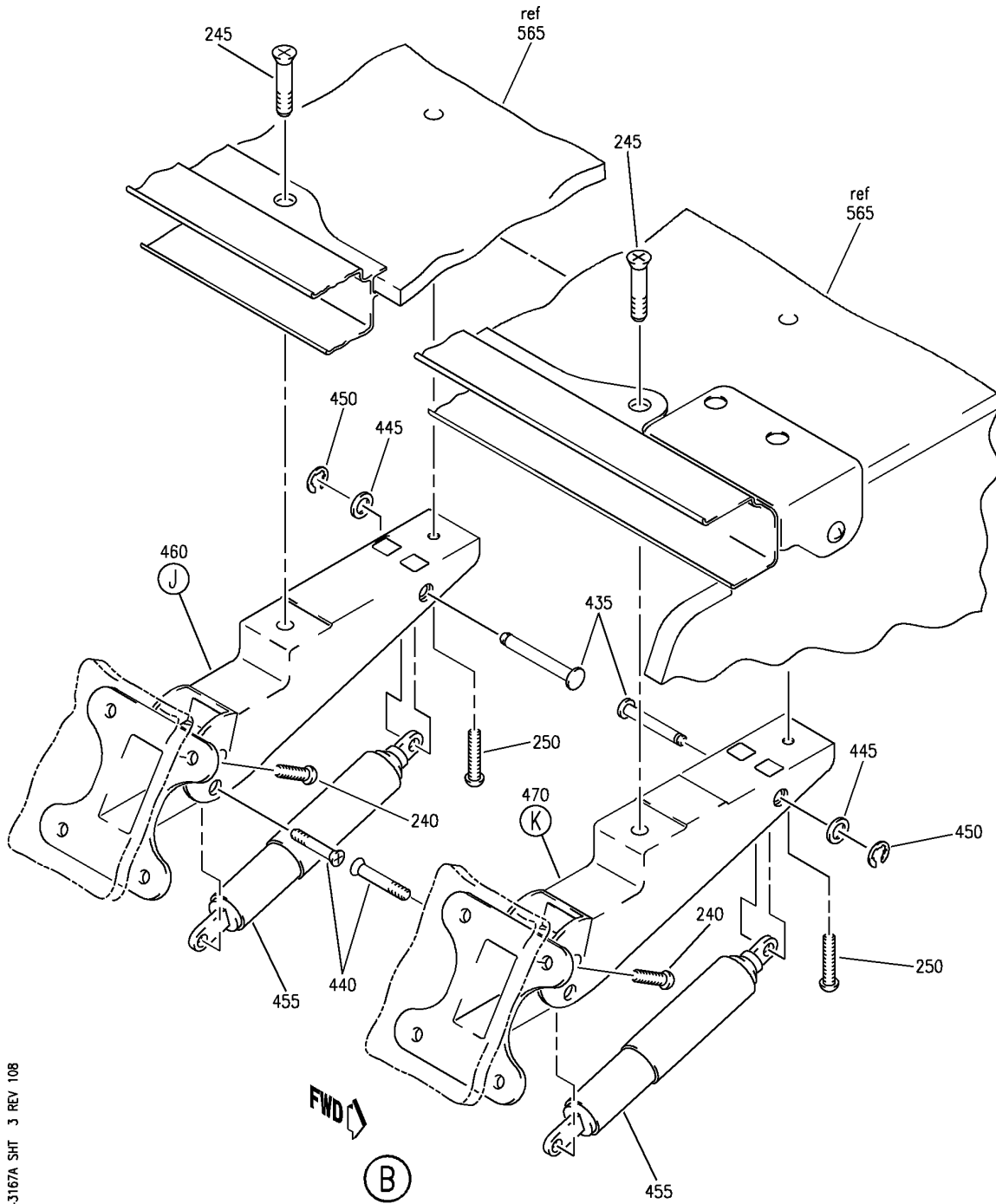
COMPARTMENT ASSY-FWD LH 60 IN. OVHD STOWAGE HNDRL CONFIGURATION (EQUIPMENT/FURNISHINGS ONLY)
 FIGURE 67A (SHEET 2)

HAP
 OCT 10/06

25-24-31-67A

25-24-31-67A
 PAGE 0A

BOEING
 737-600/700/800/900
 PARTS CATALOG (MAINTENANCE)



E 2524-3167A SHT 3 REV 108

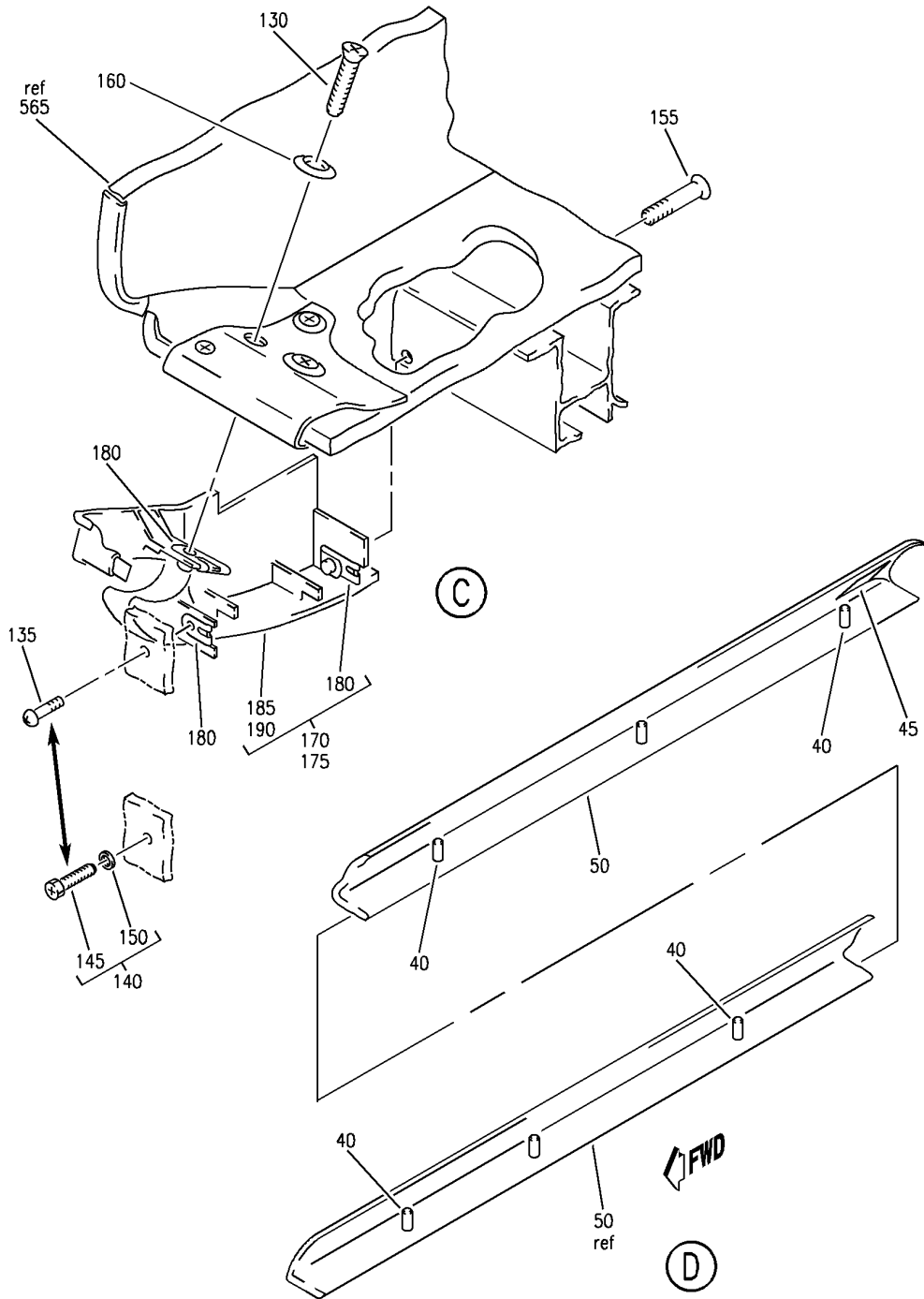
COMPARTMENT ASSY-FWD LH 60 IN. OVHD STOWAGE HNDRL CONFIGURATION (EQUIPMENT/FURNISHINGS ONLY)
 FIGURE 67A (SHEET 3)

HAP
 OCT 10/06

25-24-31-67A

25-24-31-67A
 PAGE 0B

BOEING
 737-600/700/800/900
 PARTS CATALOG (MAINTENANCE)



E 2524-3167A SHT 4 REV 108

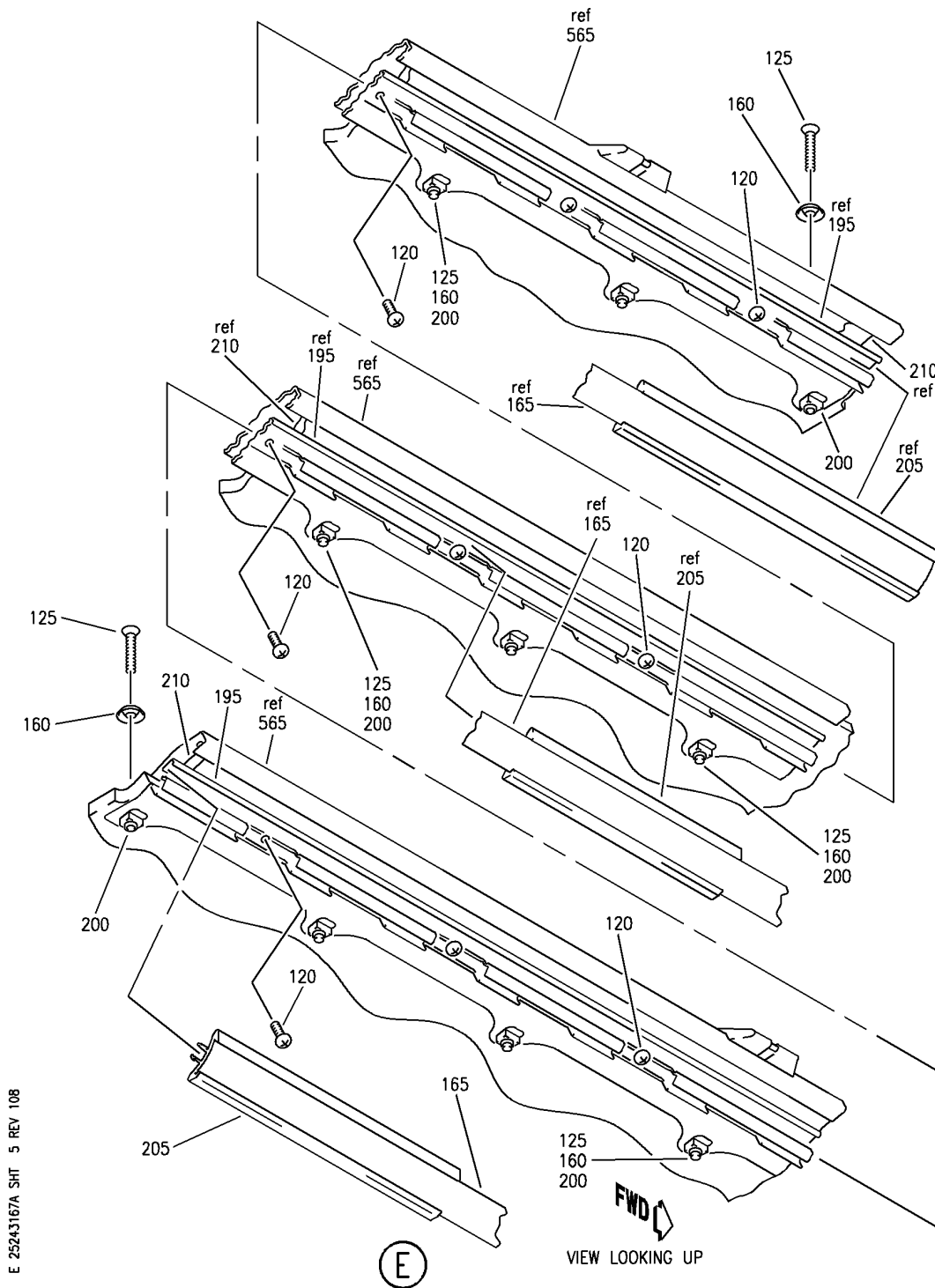
COMPARTMENT ASSY-FWD LH 60 IN. OVHD STOWAGE HNDRL CONFIGURATION (EQUIPMENT/FURNISHINGS ONLY)
 FIGURE 67A (SHEET 4)

25-24-31-67A

HAP
 OCT 10/06

25-24-31-67A
 PAGE 0C

BOEING
 737-600/700/800/900
 PARTS CATALOG (MAINTENANCE)



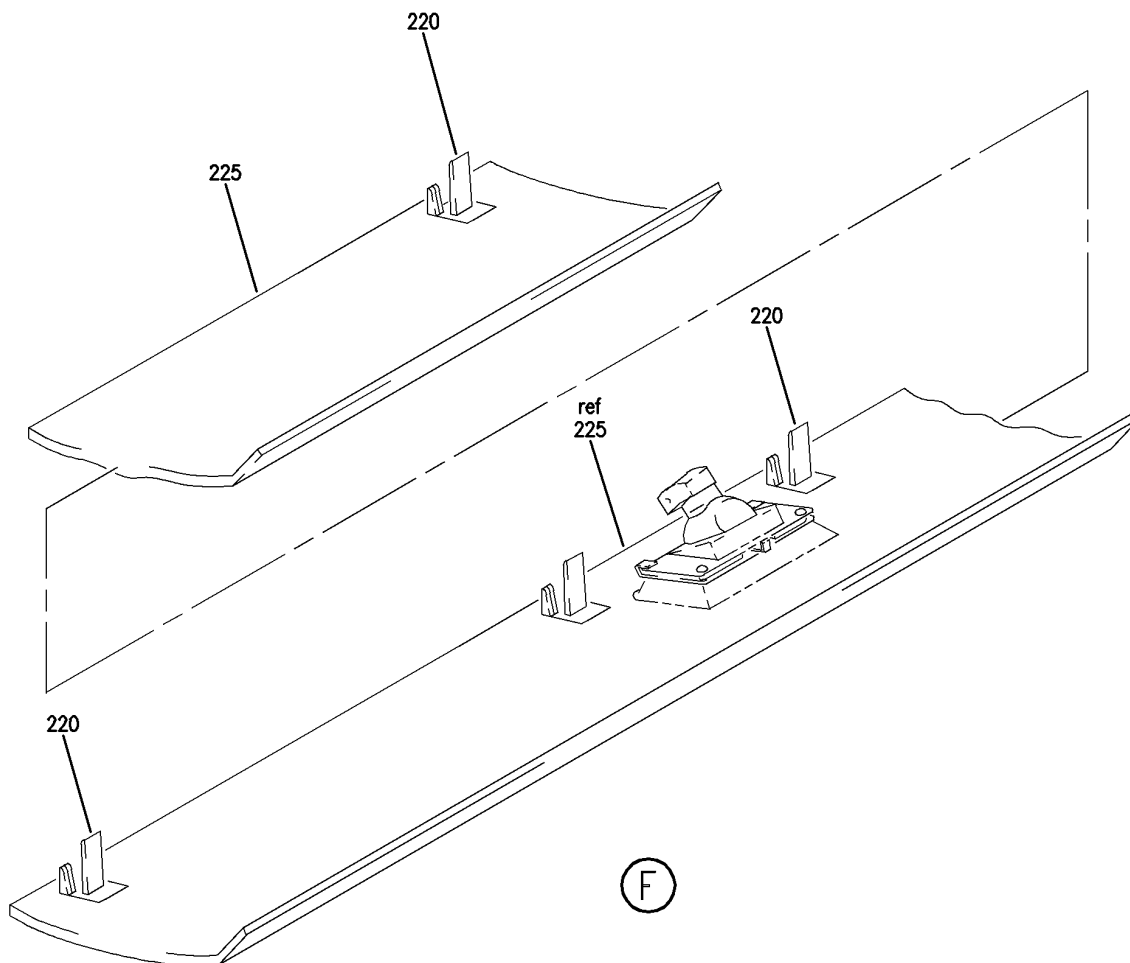
E 2524-3167A SHT 5 REV 108

COMPARTMENT ASSY-FWD LH 60 IN. OVHD STOWAGE HNDRL CONFIGURATION (EQUIPMENT/FURNISHINGS ONLY)
 FIGURE 67A (SHEET 5)

HAP
 OCT 10/06

25-24-31-67A

25-24-31-67A
 PAGE 0D



E 25243167A SHT 6 REV 062

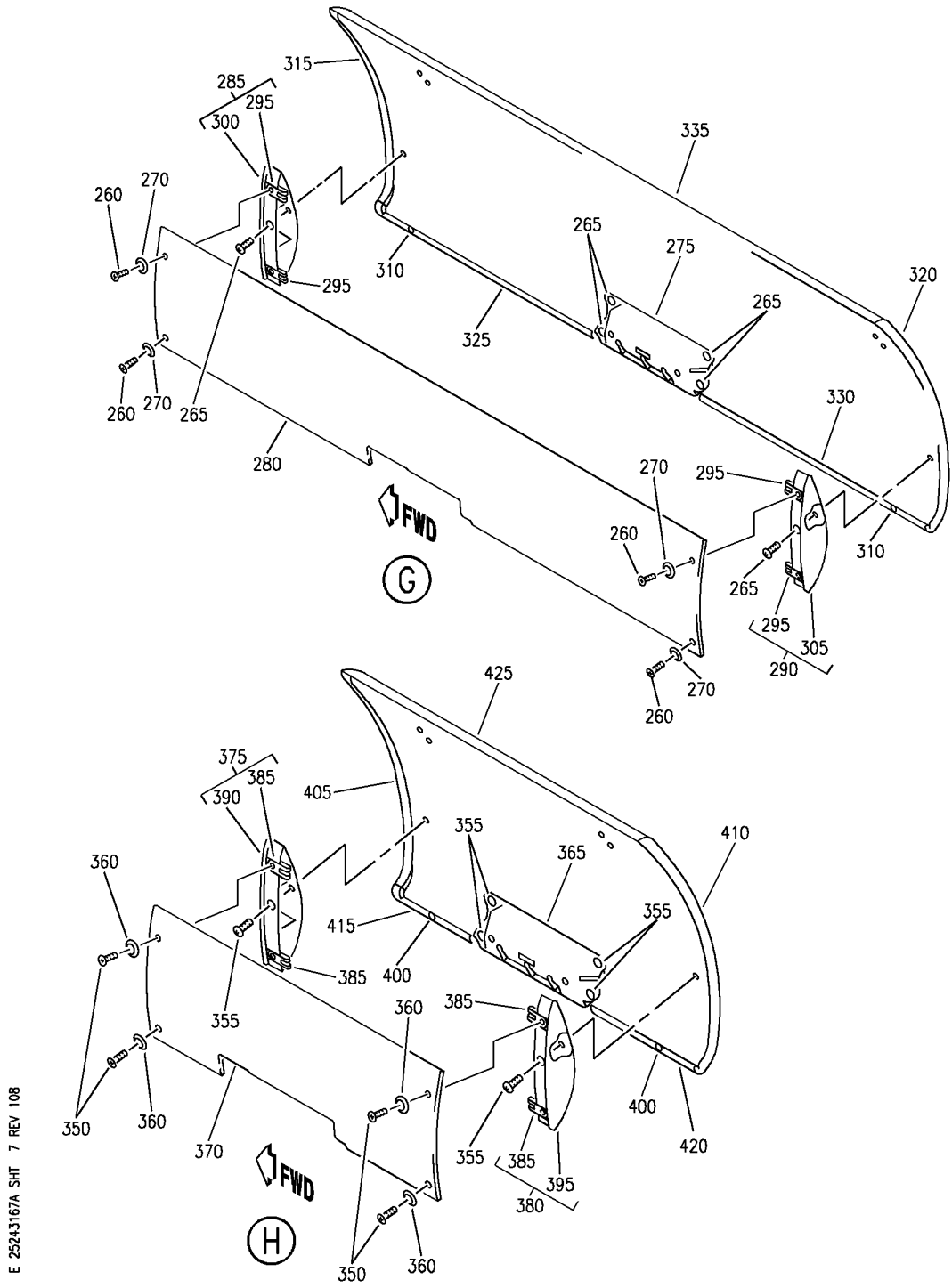
COMPARTMENT ASSY-FWD LH 60 IN. OVHD STOWAGE HNDRL CONFIGURATION (EQUIPMENT/FURNISHINGS ONLY)
FIGURE 67A (SHEET 6)

HAP
OCT 10/06

25-24-31-67A

25-24-31-67A
PAGE 0E


BOEING
 737-600/700/800/900
PARTS CATALOG (MAINTENANCE)



E 2524-3167A SHT 7 REV 108

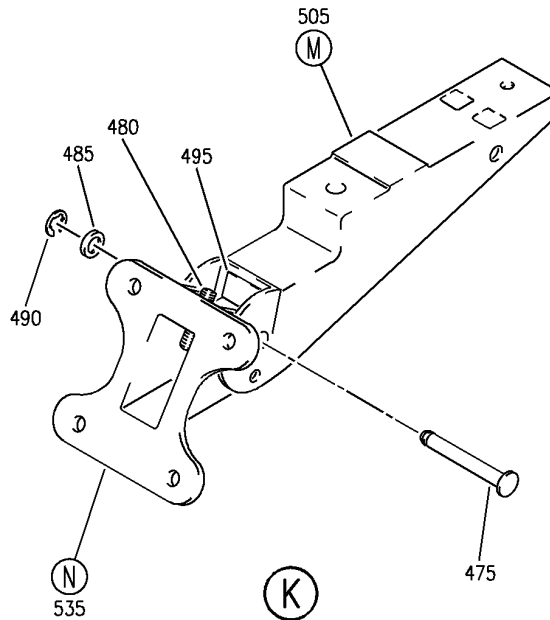
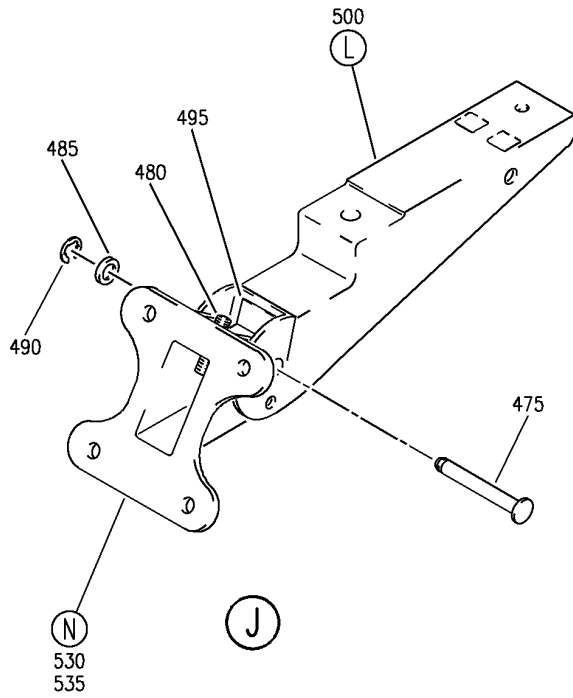
COMPARTMENT ASSY-FWD LH 60 IN. OVHD STOWAGE HNDRL CONFIGURATION (EQUIPMENT/FURNISHINGS ONLY)
 FIGURE 67A (SHEET 7)

HAP
 OCT 10/06

25-24-31-67A

25-24-31-67A
 PAGE OF

BOEING
 737-600/700/800/900
 PARTS CATALOG (MAINTENANCE)



E 2524-3167A SHT 8 REV 108

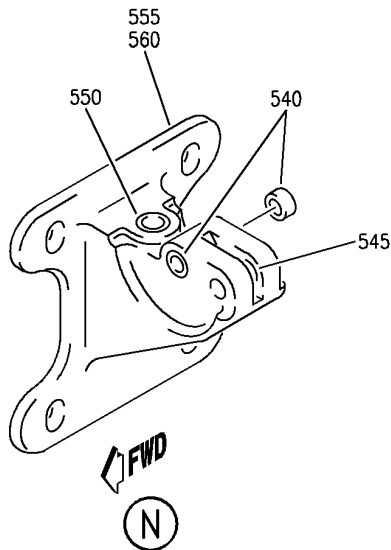
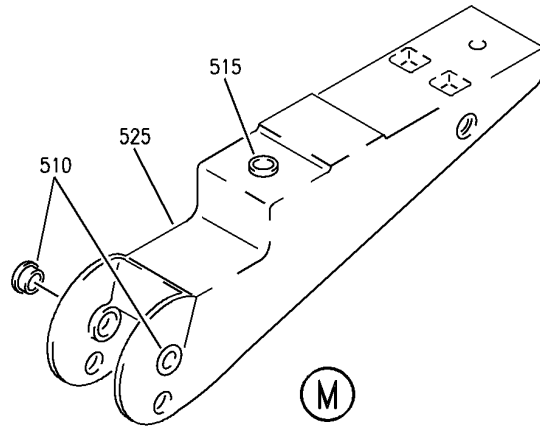
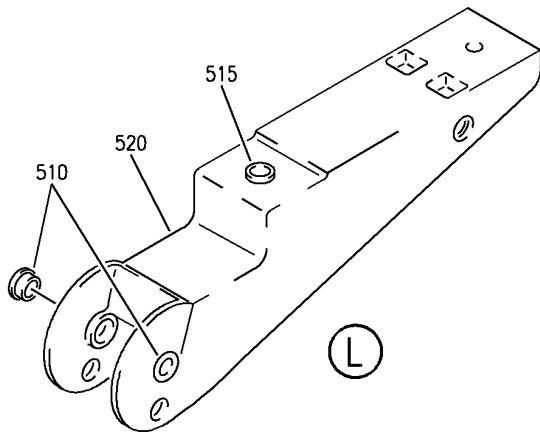
COMPARTMENT ASSY-FWD LH 60 IN. OVHD STOWAGE HNDRL CONFIGURATION (EQUIPMENT/FURNISHINGS ONLY)
 FIGURE 67A (SHEET 8)

25-24-31-67A

HAP
 OCT 10/06

25-24-31-67A
 PAGE 06

BOEING
 737-600/700/800/900
 PARTS CATALOG (MAINTENANCE)



E 2524-3167A SHT 9 REV 108

COMPARTMENT ASSY-FWD LH 60 IN. OVHD STOWAGE HANDLING CONFIGURATION (EQUIPMENT/FURNISHINGS ONLY)
 FIGURE 67A (SHEET 9)

25-24-31-67A

HAP
 OCT 10/06

25-24-31-67A
 PAGE 08

BOEING PROPRIETARY - Copyright © - Unpublished Work - See title page for details.

BOEING
737-600/700/800/900
PARTS CATALOG (MAINTENANCE)

FIG ITEM	PART NUMBER	1 2 3 4 5 6 7	NOMENCLATURE	EFFECT FROM TO	UNITS PER ASSY
67A			COMPARTMENT ASSY-FWD LH 60 IN. OVHD STOWAGE HNDRL CONFIGURATION (EQUIPMENT/FURNISHINGS ONLY)	001001 006007	
- 1	412A1150-3SP		COMPARTMENT ASSY-60 IN. OVHD STOWAGE HNDRL CONFIGURATION (EQUIPMENT/FURNISHINGS ONLY) POSITION DATA: FWD LH PRE SERVICE BULLETIN: 25-1373 FOR NHA/OTHER SYS DET SEE: 25-24-30-17A	001001 006007	RF
- 1	002A0007-73N		COMPARTMENT ASSY-60 IN. OVHD STOWAGE HNDRL CONFIGURATION (EQUIPMENT/FURNISHINGS ONLY) POSITION DATA: FWD LH POST SERVICE BULLETIN: 25-1373 FOR NHA/OTHER SYS DET SEE: 25-24-30-17A	001001 006007	RF
5	H3-1592-1		. LATCH-CLG SUPPLIER CODE: V34941 SPECIFICATION NUMBER: S411A001-1	001001 006007	2
- 10	BACS12FA3K7		ATTACHING PARTS . SCREW-	001001 006007	4
- 15	412A1100-95		OPTIONAL PART: 412A1100-95 . KIT ASSY-	001001 006007	4
- 20	BACS12GU3K7		OPTIONAL PART: BACS12FA3K7 -----*----- . . SCREW-	001001 006007	1
- 25	NAS1149D0332J		USED ON: 412A1100-95 . . WASHER-	001001 006007	1
30	412A1700-5A		USED ON: 412A1100-95 . VALANCE ASSY-LT OPTIONAL PART: 412A1700-105SP	001001 006007	1

MISSING ITEM NUMBERS NOT APPLICABLE

- ITEM NOT ILLUSTRATED

HAP

25-24-31-67A

BOEING PROPRIETARY - Copyright © - Unpublished Work - See title page for details.

25-24-31
FIG. 67A
PAGE 1
OCT 10/06

BOEING
737-600/700/800/900
PARTS CATALOG (MAINTENANCE)

FIG ITEM	PART NUMBER	1 2 3 4 5 6 7	NOMENCLATURE	EFFECT FROM TO	UNITS PER ASSY
67A					
30	412A1700-105SP	.VALANCE ASSY-LT		001001	1
		OPTIONAL PART:		006007	
		412A1700-5A			
		ATTACHING PARTS			
- 35	BACN10YJ3F	.NUT		001001	6
				006007	
		-----*-----			
40	BACS21DW3C10FN	..STUD		001001	6
				006007	
45	412A1700-6	..TAPE		001001	1
				006007	
50	412A1711-5A	..PANEL ASSY-		001001	1
		USED ON:		006007	
		412A1700-5A			
50	412A1711-105SP	..PANEL ASSY-		001001	1
		USED ON:		006007	
		412A1700-105SP			
120	BACS12ER3K5	.SCREW		001001	9
				006007	
125	BACS12ER3K14	.SCREW-		001001	10
		POSITION DATA:		006007	
		FAR SIDE			
130	BACS12ER3K9	.SCREW		001001	2
				006007	
135	BACS12FA3K7	.SCREW-		001001	2
		OPTIONAL PART:		006007	
		412A1100-95			
140	412A1100-95	.KIT ASSY-		001001	2
		OPTIONAL PART:		006007	
		BACS12FA3K7			
145	BACS12GU3K7	..SCREW-		001001	1
		USED ON:		006007	
		412A1100-95			
150	NAS1149D0332J	..WASHER-		001001	1
		USED ON:		006007	
		412A1100-95			
155	BACB30VF3K3	.BOLT		001001	2
				006007	
160	H3-1233A3	.WASHER-		001001	12
		SUPPLIER CODE:		006007	
		V34941			
		POSITION DATA:			
		FAR SIDE			
		SPECIFICATION NUMBER:			
		S411A001-1			
165	412A1451-1SP	.STRIP		001001	1
				006007	
170	412A1465-13SP	.CLOSEOUT ASSY		001001	1
				006007	

MISSING ITEM NUMBERS NOT APPLICABLE

- ITEM NOT ILLUSTRATED

HAP

25-24-31-67A

BOEING PROPRIETARY - Copyright © - Unpublished Work - See title page for details.

25-24-31
FIG. 67A
PAGE 2
JUN 15/08

BOEING
737-600/700/800/900
PARTS CATALOG (MAINTENANCE)

FIG ITEM	PART NUMBER	1 2 3 4 5 6 7	NOMENCLATURE	EFFECT FROM TO	UNITS PER ASSY
67A					
175	412A1465-14SP	.	CLOSEOUT ASSY	001001 006007	1
180	BACN10VR4CGN	..	NUT- OPTIONAL PART: BACN10VR4CG	001001 006007	3
180	BACN10VR4CG	..	NUT- OPTIONAL PART: BACN10VR4CGN	001001 006007	3
185	412A1465-15SP	..	CLOSEOUT- USED ON: 412A1465-13SP	001001 006007	1
190	412A1465-16SP	..	CLOSEOUT- USED ON: 412A1465-14SP	001001 006007	1
195	412A1243-102	.	EXTRUSION ASSY	001001 006007	1
200	FS1651-3	..	NUTPLATE SUPPLIER CODE: V15653 SPECIFICATION NUMBER: BACN10KH3CD OPTIONAL PART: 102F9209M3 V72962 NS202496-02 V80539	001001 006007	10
205	412A1420-2SP	.	EXTRUSION-SEAT ROW MARKER	001001 006007	1
210	412A1650-3A	.	COVER ASSY-	001001 006007	1
215	412A1600-3A	.	COVER ASSY-	001001 006007	1
220	412A1460-1	..	CLIP	001001 006007	4
225	412A1610-5A	..	PANEL ASSY- OPTIONAL PART: 412A1610-105B	001001 006007	1
225	412A1610-105B	..	PANEL ASSY- OPTIONAL PART: 412A1610-5A	001001 006007	1
- 235	OBA8	.	PLUG- SUPPLIER CODE: VOBV87	001001 006007	AR
240	BACS12FA3K6	.	SCREW	001001 006007	16
245	BACB30VF3K8	.	BOLT	001001 006007	4
250	BACS12FA3K9	.	SCREW	001001 006007	4

MISSING ITEM NUMBERS NOT APPLICABLE

- ITEM NOT ILLUSTRATED

HAP

25-24-31-67A

BOEING PROPRIETARY - Copyright © - Unpublished Work - See title page for details.

25-24-31
FIG. 67A
PAGE 3
JUN 15/08

BOEING
737-600/700/800/900
PARTS CATALOG (MAINTENANCE)

FIG ITEM	PART NUMBER	1 2 3 4 5 6 7	NOMENCLATURE	EFFECT FROM TO	UNITS PER ASSY
67A					
255	412A1500-1SP	.	DOOR ASSY-40 IN.	001001 006007	1
260	BACS12ER3K9	..	SCREW	001001 006007	4
265	BACS12FA3K4	..	SCREW	001001 006007	6
270	H3-1233A3	..	WASHER- SUPPLIER CODE: V34941 SPECIFICATION NUMBER: S411A001-1	001001 006007	4
275	HA225-1	..	LATCH ASSY- SUPPLIER CODE: V83014 SPECIFICATION NUMBER: S412A001-1A	001001 006007	1
275	HA225-7	..	LATCH ASSY- SUPPLIER CODE: V83014 SPECIFICATION NUMBER: S412A001-11B	001001 006007	1
280	412A1615-100SP	..	PANEL ASSY-FILLER	001001 006007	1
285	412A1480-3SP	..	BRACKET ASSY	001001 006007	1
290	412A1480-4SP	..	BRACKET ASSY	001001 006007	1
295	BACN10VR4CGN	...	NUT	001001 006007	2
300	412A1480-1SP	...	BRACKET- USED ON: 412A1480-3SP	001001 006007	1
305	412A1480-2SP	...	BRACKET- USED ON: 412A1480-4SP	001001 006007	1
310	412A1810-1SP	..	BUMPER	001001 006007	2
315	412A1450-4SP	..	TRIM-EDGE	001001 006007	1
320	412A1450-3SP	..	TRIM-EDGE	001001 006007	1
325	412A1450-6SP	..	TRIM-EDGE	001001 006007	1
330	412A1450-5SP	..	TRIM-EDGE	001001 006007	1
335	412A1510-2SP	..	PANEL ASSY	001001 006007	1

MISSING ITEM NUMBERS NOT APPLICABLE

- ITEM NOT ILLUSTRATED

HAP

25-24-31-67A

BOEING PROPRIETARY - Copyright © - Unpublished Work - See title page for details.

25-24-31
FIG. 67A
PAGE 4
JUN 15/08

BOEING
737-600/700/800/900
PARTS CATALOG (MAINTENANCE)

FIG ITEM	PART NUMBER	1 2 3 4 5 6 7	NOMENCLATURE	EFFECT FROM TO	UNITS PER ASSY
67A - 340	SL618-3A	...	INSERT- SUPPLIER CODE: V97393	001001 006007	14
345	412A1500-2SP	.	DOOR ASSY-20 IN.	001001 006007	1
350	BACS12ER3K9	..	SCREW	001001 006007	4
355	BACS12FA3K4	..	SCREW	001001 006007	6
360	H3-1233A3	..	WASHER- SUPPLIER CODE: V34941 SPECIFICATION NUMBER: S411A001-1	001001 006007	4
365	HA225-1	..	LATCH ASSY- SUPPLIER CODE: V83014 SPECIFICATION NUMBER: S412A001-1A	001001 006007	1
365	HA225-7	..	LATCH ASSY- SUPPLIER CODE: V83014 SPECIFICATION NUMBER: S412A001-11B	001001 006007	1
370	412A1615-101SP	..	PANEL ASSY-FILLER	001001 006007	1
375	412A1480-3SP	..	BRACKET ASSY	001001 006007	1
380	412A1480-4SP	..	BRACKET ASSY	001001 006007	1
385	BACN10VR4CGN	...	NUT	001001 006007	2
390	412A1480-1SP	...	BRACKET- USED ON: 412A1480-3SP	001001 006007	1
395	412A1480-2SP	...	BRACKET- USED ON: 412A1480-4SP	001001 006007	1
400	412A1810-1SP	..	BUMPER	001001 006007	2
405	412A1450-4SP	..	TRIM-EDGE	001001 006007	1
410	412A1450-3SP	..	TRIM-EDGE	001001 006007	1
415	412A1450-6SP	..	TRIM-EDGE	001001 006007	1
420	412A1450-5SP	..	TRIM-EDGE	001001 006007	1

MISSING ITEM NUMBERS NOT APPLICABLE

- ITEM NOT ILLUSTRATED

HAP

25-24-31-67A

BOEING PROPRIETARY - Copyright © - Unpublished Work - See title page for details.

25-24-31
FIG. 67A
PAGE 5
JUN 15/08

BOEING
737-600/700/800/900
PARTS CATALOG (MAINTENANCE)

FIG ITEM	PART NUMBER	1 2 3 4 5 6 7	NOMENCLATURE	EFFECT FROM TO	UNITS PER ASSY
67A					
425	412A1511-2SP	..	PANEL ASSY	001001 006007	1
- 430	SL618-3A	...	INSERT- SUPPLIER CODE: V97393	001001 006007	14
435	412A1230-21	.PIN		001001 006007	4
440	BACB30VF3K7	.BOLT		001001 006007	4
445	NAS1149D0316J	.WASHER		001001 006007	4
450	MS16633-4018	.RING		001001 006007	4
455	SP20522	.ACTUATOR ASSY-DOOR SUPPLIER CODE: V24403 SPECIFICATION NUMBER: S412A002-2		001001 006007	4
460	412A1455-1SP	.HINGE ASSY		001001 006007	2
465	412A1455-2SP	.HINGE ASSY		001001 006007	1
470	412A1455-4SP	.HINGE ASSY		001001 006007	1
475	412A1230-21	..PIN		001001 006007	1
480	MS51023-54	..SCREW		001001 006007	1
485	NAS1149D0316J	..WASHER		001001 006007	1
490	MS16633-4018	..RING		001001 006007	1
495	412A1220-1	..CLIP		001001 006007	1
500	412A1454-3SP	..HOUSING ASSY- USED ON: 412A1455-1SP 412A1455-2SP		001001 006007	1
505	412A1454-12SP	..HOUSING ASSY- USED ON: 412A1455-4SP		001001 006007	1
510	BACB28Y3F020	...BUSHING		001001 006007	2
515	6041L3BR375	...INSERT- SUPPLIER CODE: V01556		001001 006007	1
520	412A1454-1SP	...HOUSING- USED ON: 412A1454-3SP		001001 006007	1

MISSING ITEM NUMBERS NOT APPLICABLE

- ITEM NOT ILLUSTRATED

HAP

25-24-31-67A

BOEING PROPRIETARY - Copyright © - Unpublished Work - See title page for details.

25-24-31
FIG. 67A
PAGE 6
JUN 15/08

BOEING
737-600/700/800/900
PARTS CATALOG (MAINTENANCE)

FIG ITEM	PART NUMBER	1 2 3 4 5 6 7	NOMENCLATURE	EFFECT FROM TO	UNITS PER ASSY
67A 525	412A1454-11SP	...	HOUSING- USED ON: 412A1454-12SP	001001 006007	1
530	412A1454-9SP	..	BRACKET ASSY- USED ON: 412A1455-1SP	001001 006007	1
535	412A1454-10SP	..	BRACKET ASSY- USED ON: 412A1455-2SP 412A1455-4SP	001001 006007	1
540	BACB28Y3F025	...	BUSHING	001001 006007	2
545	6041-3BR225	...	INSERT- SUPPLIER CODE: V01556	001001 006007	1
550	6041L3BR375	...	INSERT- SUPPLIER CODE: V01556	001001 006007	1
555	412A1454-7SP	...	BRACKET- USED ON: 412A1454-9SP	001001 006007	1
560	412A1454-8SP	...	BRACKET- USED ON: 412A1454-10SP	001001 006007	1
565	412A1250-3SP	.BOX	ASSY-60 IN. BIN FOR DETAILS SEE: 25-24-32-63	001001 006007	1

MISSING ITEM NUMBERS NOT APPLICABLE

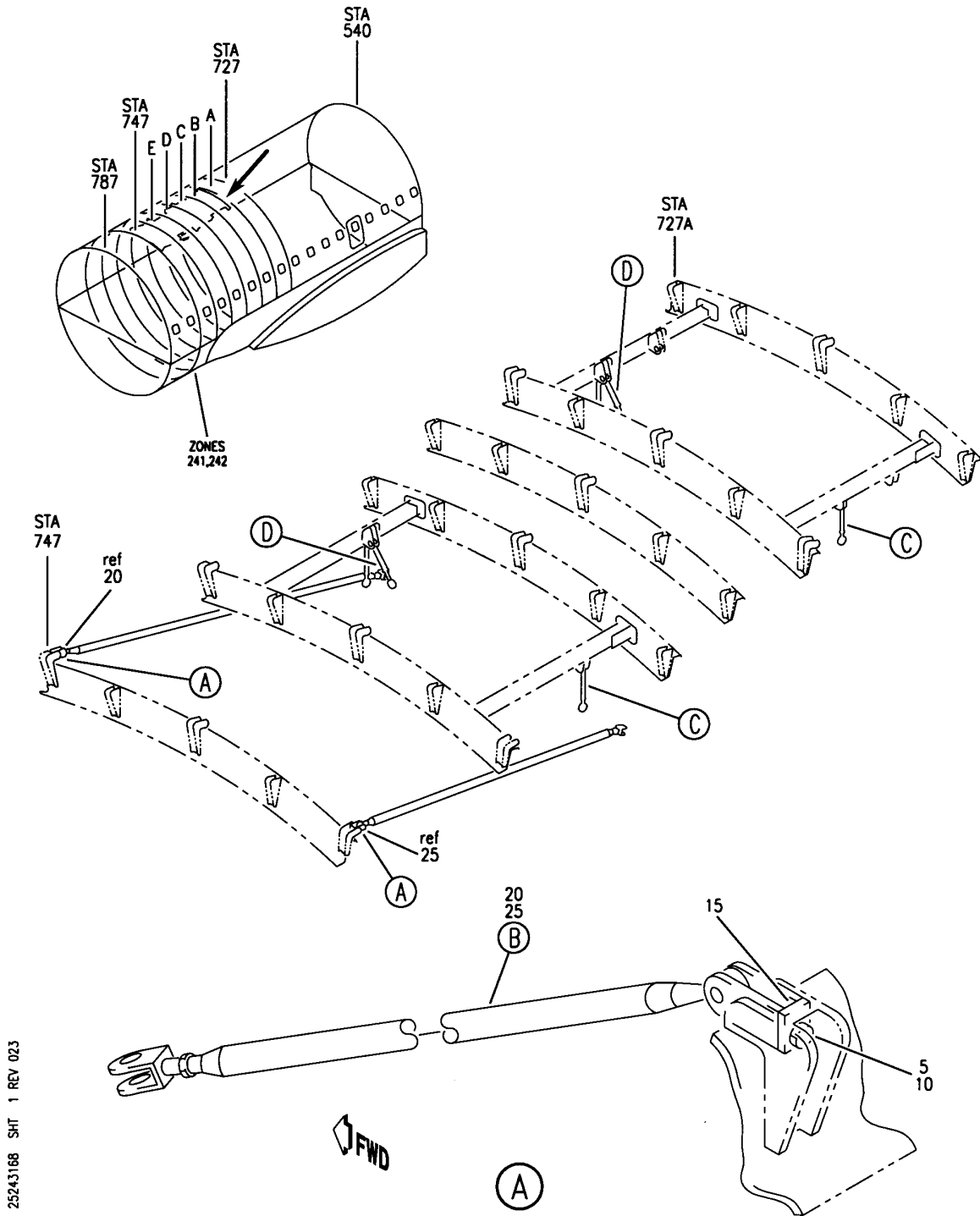
— ITEM NOT ILLUSTRATED

HAP

25-24-31-67A

BOEING PROPRIETARY - Copyright © - Unpublished Work - See title page for details.

25-24-31
FIG. 67A
PAGE 7
JUN 15/08



E 25243168 SHT 1 REV 023

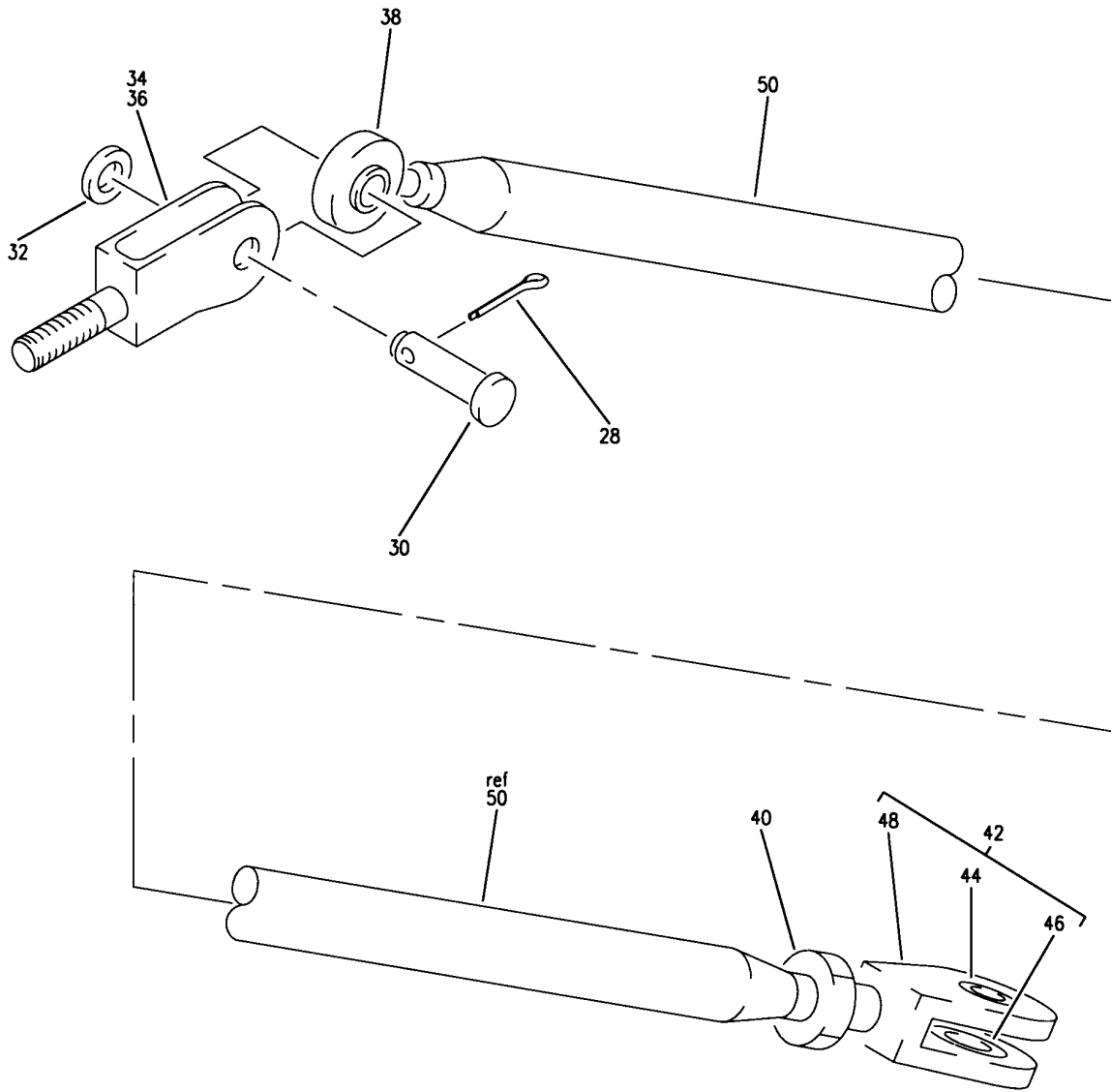
TIE ROD INSTL-CTR OVHD STOWAGE
 FIGURE 68 (SHEET 1)

25-24-31-68

HAP
 FEB 10/07

25-24-31-68
 PAGE 0

BOEING
737-600/700/800/900
PARTS CATALOG (MAINTENANCE)



E 25243168 SHT 2 REV 014

(B)

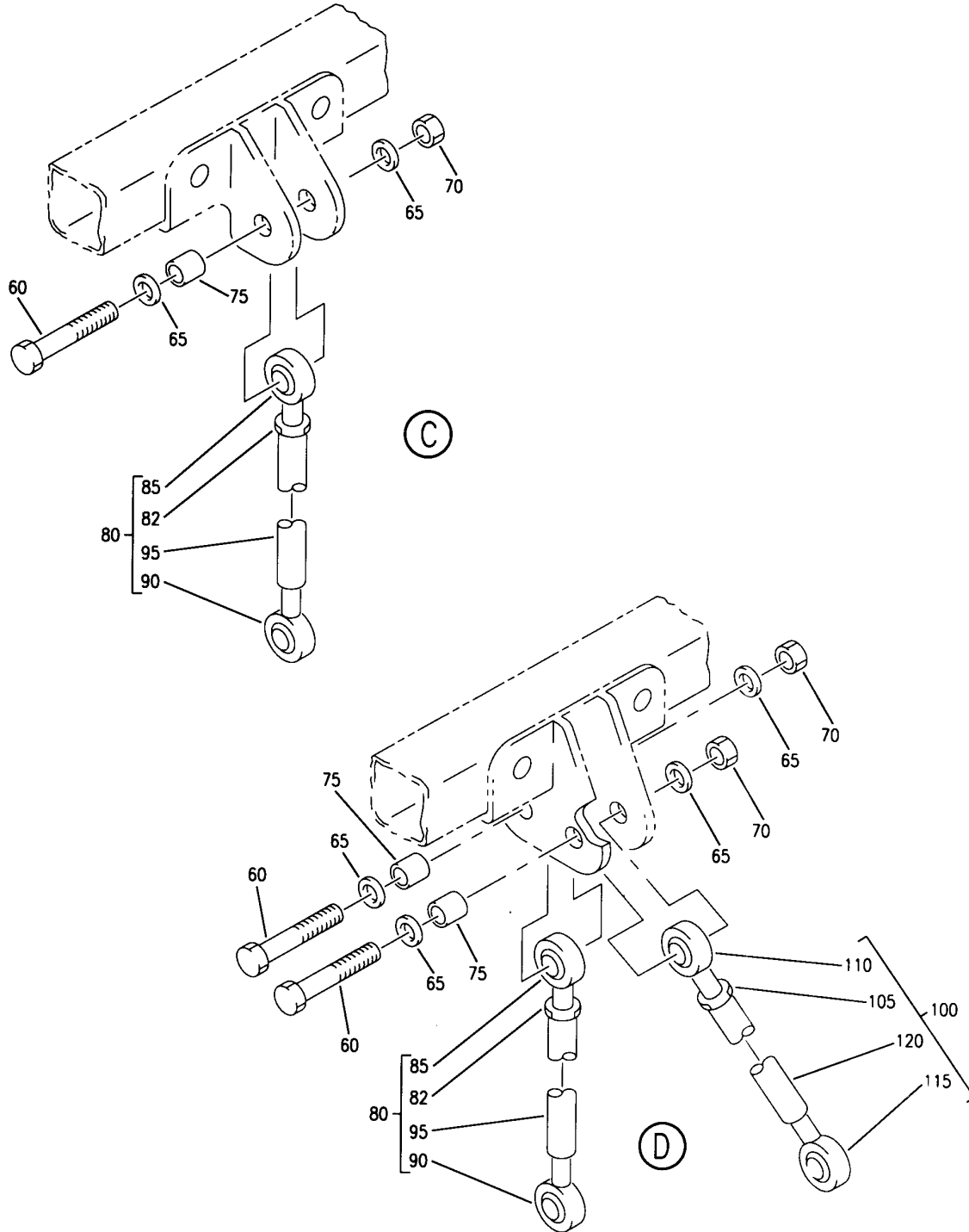
TIE ROD INSTL-CTR OVHD STOWAGE
FIGURE 68 (SHEET 2)

25-24-31-68

HAP
FEB 10/07

25-24-31-68
PAGE 0A

BOEING
 737-600/700/800/900
 PARTS CATALOG (MAINTENANCE)



E 25243168 SH1 3 REV 023

TIE ROD INSTL-CTR OVHD STOWAGE
 FIGURE 68 (SHEET 3)

25-24-31-68

HAP
 FEB 10/07

25-24-31-68
 PAGE 0B

BOEING
737-600/700/800/900
PARTS CATALOG (MAINTENANCE)

FIG ITEM	PART NUMBER	1 2 3 4 5 6 7	NOMENCLATURE	EFFECT FROM TO	UNITS PER ASSY
68			TIE ROD INSTL-CTR OVHD STOWAGE	101200 968999	
- 1	MODREF91683		TIE ROD INSTL-OVHD STOWAGE	101200 968999	1
			MODULE NUMBER: 412A4200-260 REV A		
			POSITION DATA: CTR		
5	BACW10BP5DP		.WASHER-	101200 968999	2
10	PLH55CD		.NUT-	101200 968999	2
			SUPPLIER CODE: VF0224		
			SPECIFICATION NUMBER: BACN10YR5CD		
			OPTIONAL PART: H52732-5CD V15653		
15	412N2032-6		.INSULATOR-CLEVIS MANUFACTURED FROM: FIN F-25.01 COMPRESSION MOLDED PHENOLIC, GLASS FIBER FILLED PER BMS8-271A, TYPE 1.	101200 968999	2
			OPTIONAL PART: 412N2032-3		
15	412N2032-3		.INSULATOR-CLEVIS MANUFACTURED FROM: FIN F-6.10 COMPRESSION MOLDED PHENOLIC, GLASS FIBER FILLED PER BMS8-271A, TYPE 1	101200 968999	2
			OPTIONAL PART: 412N2032-4		
			OPTIONAL PART: 412N2032-6		
20	411A3270-29		.ROD ASSY-TIE MID2 9G, -700	101200 968999	1
25	411A3270-30		.ROD ASSY-TIE MID2 9G, -700	101200 968999	1
28	BACP18BC02C06P		..PIN	101200 968999	1
30	MS20392-3C17		..PIN	101200 968999	1
32	NAS1149D0416J		..WASHER	101200 968999	1
34	411A3081-25		..CLEVIS- USED ON: 411A3270-29	101200 968999	1

MISSING ITEM NUMBERS NOT APPLICABLE

- ITEM NOT ILLUSTRATED

HAP

25-24-31-68

25-24-31
FIG. 68
PAGE 1
FEB 15/09

BOEING
737-600/700/800/900
PARTS CATALOG (MAINTENANCE)

FIG ITEM	PART NUMBER	1 2 3 4 5 6 7	NOMENCLATURE	EFFECT FROM TO	UNITS PER ASSY
68					
36	411A3081-26	..	CLEVIS- USED ON: 411A3270-30	101200 968999	1
38	1290-1L	..	END-ROD SUPPLIER CODE: V34742 OPTIONAL PART: 411A1290-101	101200 968999	1
38	411A1290-101	..	END-ROD OPTIONAL PART: 1290-1L V34742	101200 968999	1
40	MS35691-13	..	NUT	101200 968999	1
42	411A3272-3	..	END ASSY	101200 968999	1
44	BACB28AP04P010	...	BUSHING	101200 968999	1
46	BACB28AT06B010C	...	BUSHING	101200 968999	1
48	411A3272-4	...	END	101200 968999	1
50	411A3271-9	..	TUBE	101200 968999	1
60	BACB30NR4K11	.	BOLT-	101200 968999	6
65	NAS1149D0432J	.	WASHER-	101200 968999	12
70	PLH54CD	.	NUT- SUPPLIER CODE: VF0224 SPECIFICATION NUMBER: BACN10YR4CD OPTIONAL PART: H52732-4CD V15653	101200 968999	6
75	BACB28AK04-025	.	BUSHING-	101200 968999	6
80	65-80898-25	.	TURNBUCKLE ASSY-	101200 968999	4
82	AN316-4L	..	NUT	101200 968999	1

MISSING ITEM NUMBERS NOT APPLICABLE

— ITEM NOT ILLUSTRATED

HAP

25-24-31-68

BOEING PROPRIETARY - Copyright © - Unpublished Work - See title page for details.

25-24-31
FIG. 68
PAGE 2
FEB 15/09

BOEING
737-600/700/800/900
PARTS CATALOG (MAINTENANCE)

FIG ITEM	PART NUMBER	1 2 3 4 5 6 7	NOMENCLATURE	EFFECT FROM TO	UNITS PER ASSY
68 85	ACB4-3		.. BEARING-ROD END SUPPLIER CODE: V56644 OPTIONAL PART: 1254-1L V34742 AHML4-104 V50294 ML44-9A V73134 FML4-7 V76474	101200 968999	1
85	AHML4-104		.. BEARING-ROD END SUPPLIER CODE: V50294 OPTIONAL PART: 1254-1L V34742 ACB4-3 V56644 ML44-9A V73134 FML4-7 V76474	101200 968999	1
85	FML4-7		.. BEARING-ROD END SUPPLIER CODE: V76474 OPTIONAL PART: ACB4-3 V56644 AHML4-104 V50294 ML44-9A V73134	101200 968999	1
85	ML44-9A		.. BEARING-ROD END SUPPLIER CODE: V73134 OPTIONAL PART: 1254-1L V34742 ACB4-3 V56644 AHML4-104 V50294 FML4-7 V76474	101200 968999	1

MISSING ITEM NUMBERS NOT APPLICABLE

— ITEM NOT ILLUSTRATED

HAP

25-24-31-68

BOEING PROPRIETARY - Copyright © - Unpublished Work - See title page for details.

25-24-31
FIG. 68
PAGE 3
OCT 15/08

BOEING
737-600/700/800/900
PARTS CATALOG (MAINTENANCE)

FIG ITEM	PART NUMBER	1 2 3 4 5 6 7	NOMENCLATURE	EFFECT FROM TO	UNITS PER ASSY
68 85	1254-1L		.. BEARING-ROD END SUPPLIER CODE: V34742 OPTIONAL PART: ACB4-3 V56644 AHML4-104 V50294 ML44-9A V73134	101200 968999	1
90	ACM4-3		.. BEARING-ROD END SUPPLIER CODE: V56644 OPTIONAL PART: 1254-1 V34742 AHM4-104 V50294 FM4-7 V02695 M44-9A V73134	101200 968999	1
90	AHM4-104		.. BEARING-ROD END SUPPLIER CODE: V50294 OPTIONAL PART: 1254-1 V34742 ACM4-3 V56644 FM4-7 V02695 M44-9A V73134	101200 968999	1
90	FM4-7		.. BEARING-ROD END SUPPLIER CODE: V02695 OPTIONAL PART: 1254-1 V34742 ACM4-3 V56644 AHM4-104 V50294 M44-9A V73134	101200 968999	1

MISSING ITEM NUMBERS NOT APPLICABLE

— ITEM NOT ILLUSTRATED

HAP

25-24-31-68

BOEING PROPRIETARY - Copyright © - Unpublished Work - See title page for details.

25-24-31
FIG. 68
PAGE 4
OCT 15/08

 **BOEING**
737-600/700/800/900
PARTS CATALOG (MAINTENANCE)

FIG ITEM	PART NUMBER	1 2 3 4 5 6 7	NOMENCLATURE	EFFECT FROM TO	UNITS PER ASSY
68					
90	M44-9A		.. BEARING-ROD END SUPPLIER CODE: V73134 OPTIONAL PART: 1254-1 V34742 ACM4-3 V56644 AHM4-104 V50294 FM4-7 V02695	101200 968999	1
90	1254-1		.. BEARING-ROD END SUPPLIER CODE: V34742 OPTIONAL PART: ACM4-3 V56644 AHM4-104 V50294 FM4-7 V02695 M44-9A V73134	101200 968999	1
95	65-81149-15		.. TUBE	101200 968999	1
100	65B67822-45		. TURNBUCKLE ASSY-	101200 968999	2
105	NAS509L4		.. NUT	101200 968999	1
110	1254-15L		.. BEARING-ROD SUPPLIER CODE: V34742	101200 968999	1
115	1254-15		.. BEARING-ROD SUPPLIER CODE: V34742	101200 968999	1
120	65B67822-44		.. TUBE	101200 968999	1

MISSING ITEM NUMBERS NOT APPLICABLE

- ITEM NOT ILLUSTRATED

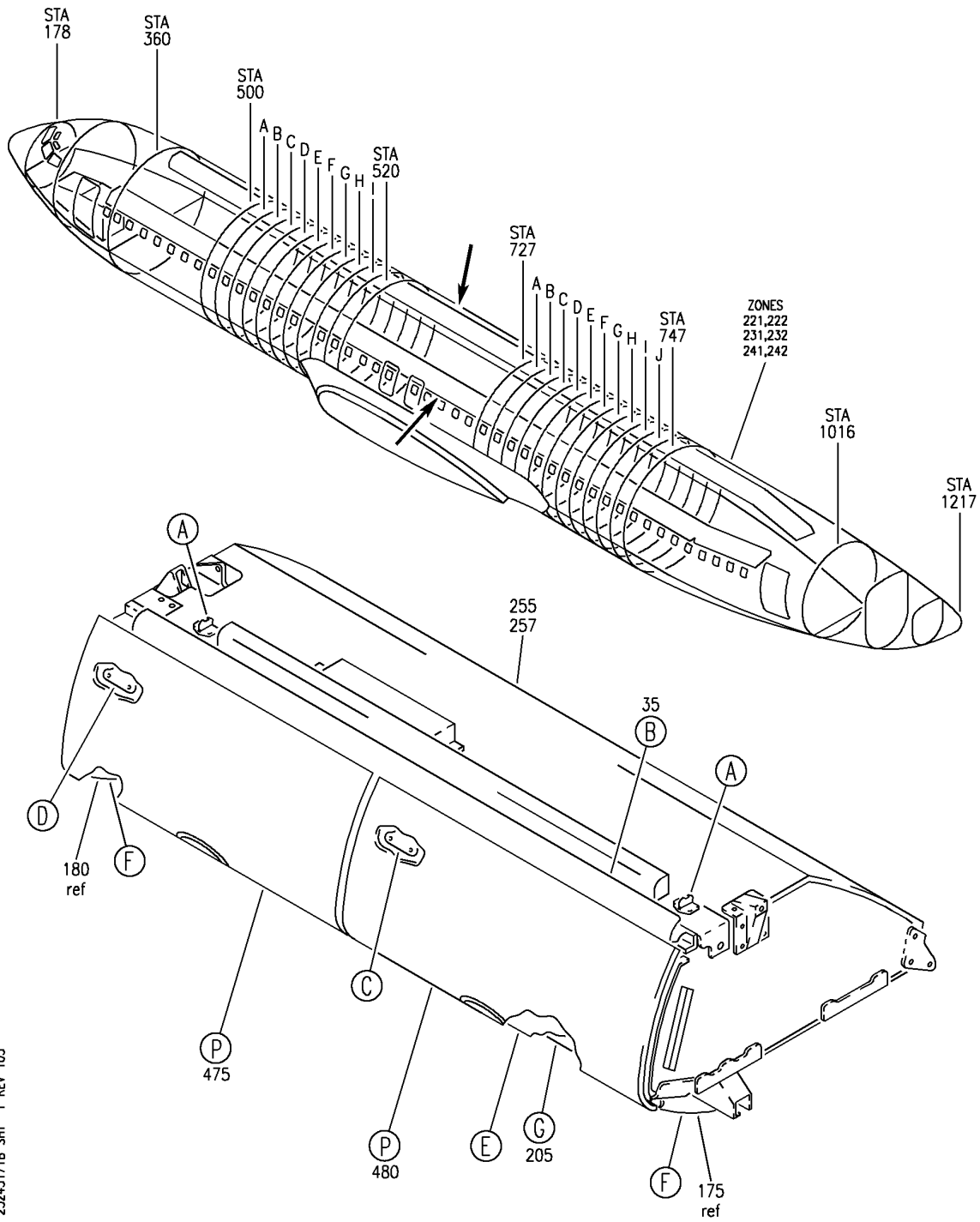
HAP

25-24-31-68

BOEING PROPRIETARY - Copyright © - Unpublished Work - See title page for details.

25-24-31
FIG. 68
PAGE 5
OCT 15/08

BOEING
737-600/700/800/900
PARTS CATALOG (MAINTENANCE)



E 2524-3171B SHT 1 REV 105

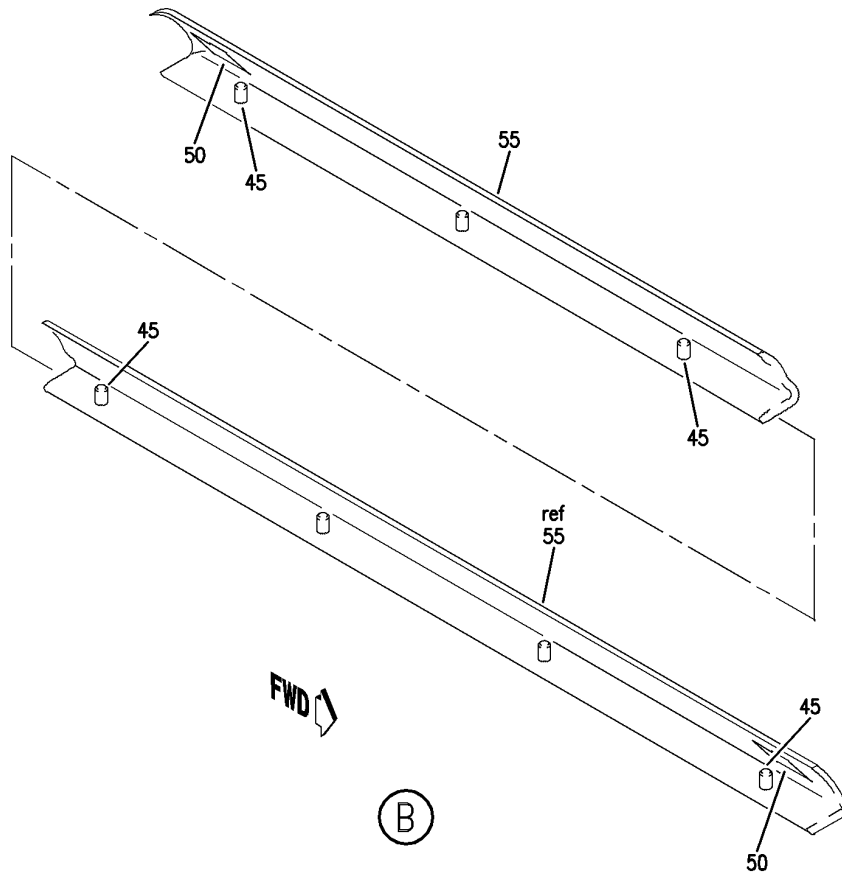
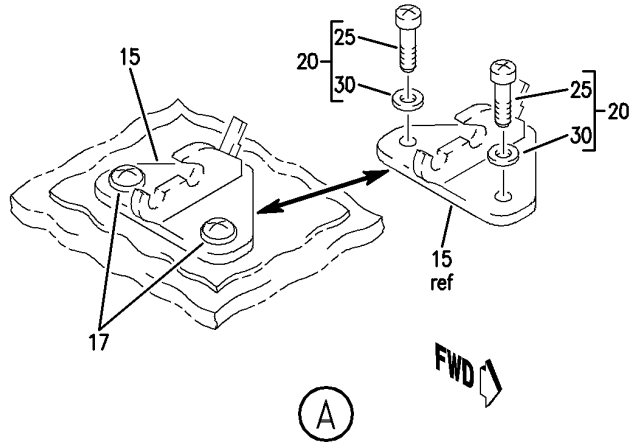
COMPARTMENT ASSY-70 IN. OVHD STOWAGE HNDRL CONFIGURATION (EQUIPMENT/ FURNISHINGS ONLY)
FIGURE 71B (SHEET 1)

HAP
OCT 10/06

25-24-31-71B

25-24-31-71B
PAGE 0

BOEING
 737-600/700/800/900
 PARTS CATALOG (MAINTENANCE)



E 25243171B SHIT 2 REV 062

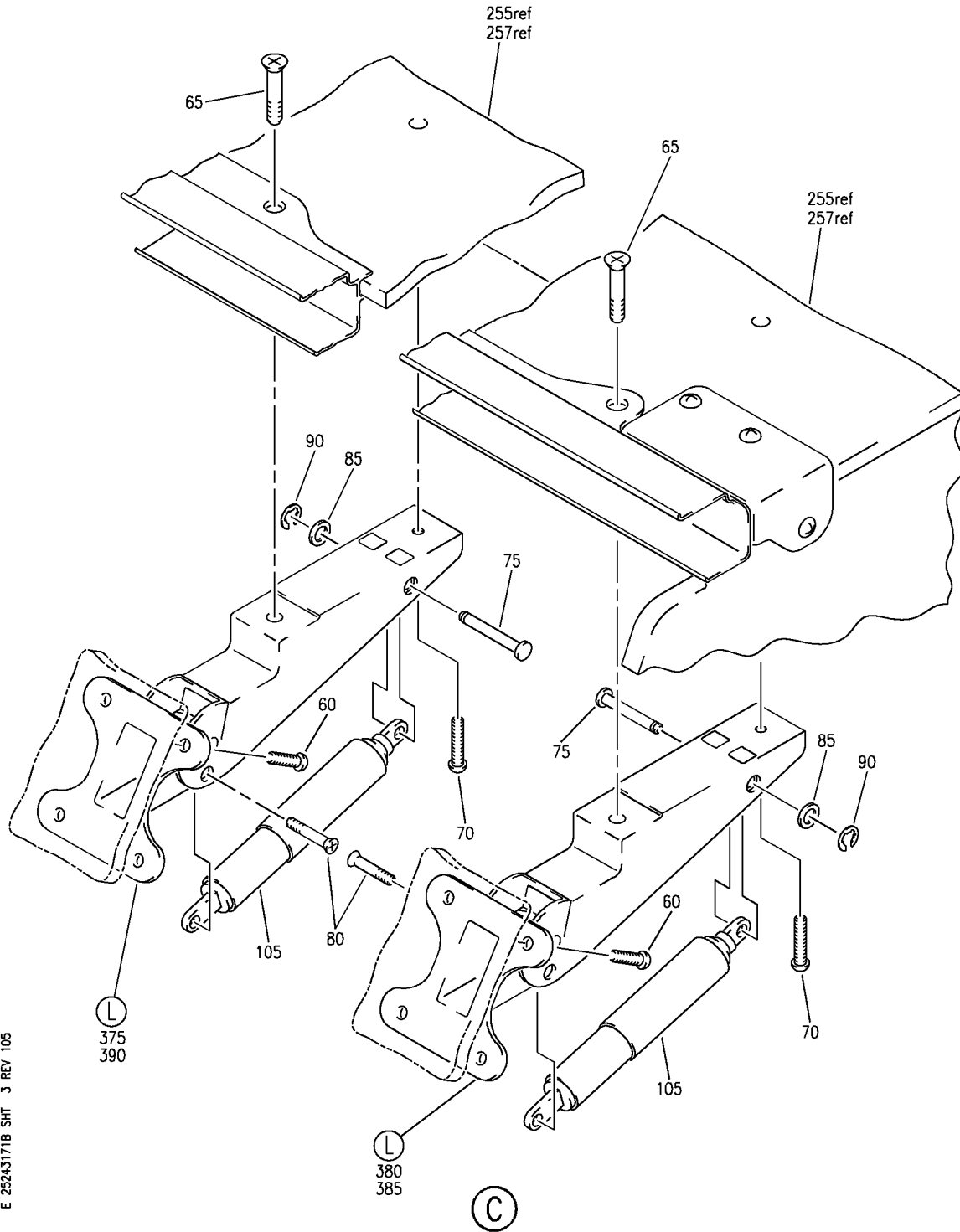
COMPARTMENT ASSY-70 IN. OVHD STOWAGE HNDRL CONFIGURATION (EQUIPMENT/ FURNISHINGS ONLY)
 FIGURE 71B (SHEET 2)

25-24-31-71B

HAP
 OCT 10/06

25-24-31-71B
 PAGE 0A

BOEING
 737-600/700/800/900
 PARTS CATALOG (MAINTENANCE)



E 2524-3171B SHT 3 REV 105

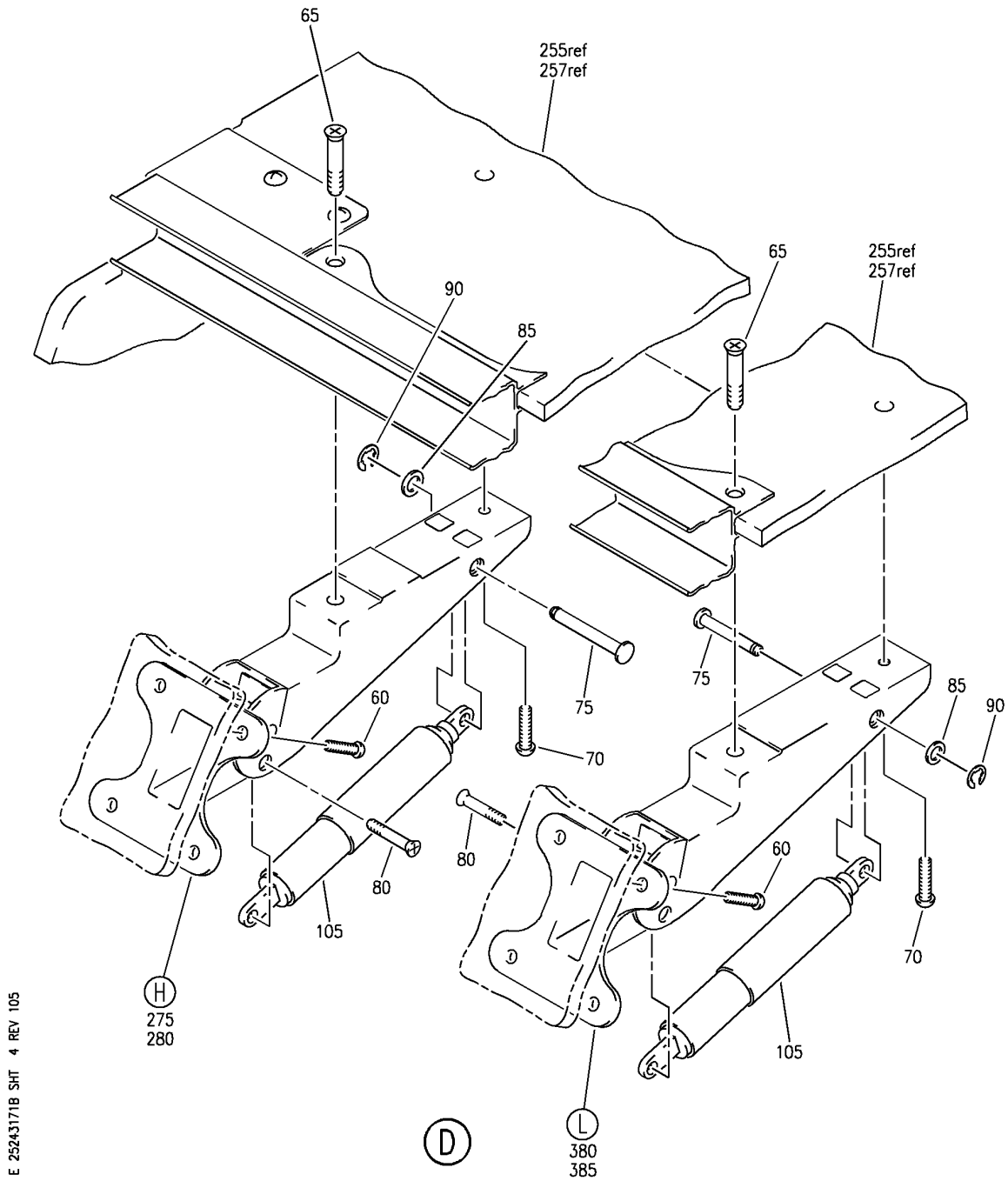
COMPARTMENT ASSY-70 IN. OVHD STOWAGE HNDRL CONFIGURATION (EQUIPMENT/ FURNISHINGS ONLY)
 FIGURE 71B (SHEET 3)

25-24-31-71B

HAP
 OCT 10/06

25-24-31-71B
 PAGE 0B

BOEING
 737-600/700/800/900
 PARTS CATALOG (MAINTENANCE)



E 25243171B SHT 4 REV 105

COMPARTMENT ASSY-70 IN. OVHD STOWAGE HNDRL CONFIGURATION (EQUIPMENT/ FURNISHINGS ONLY)
 FIGURE 71B (SHEET 4)

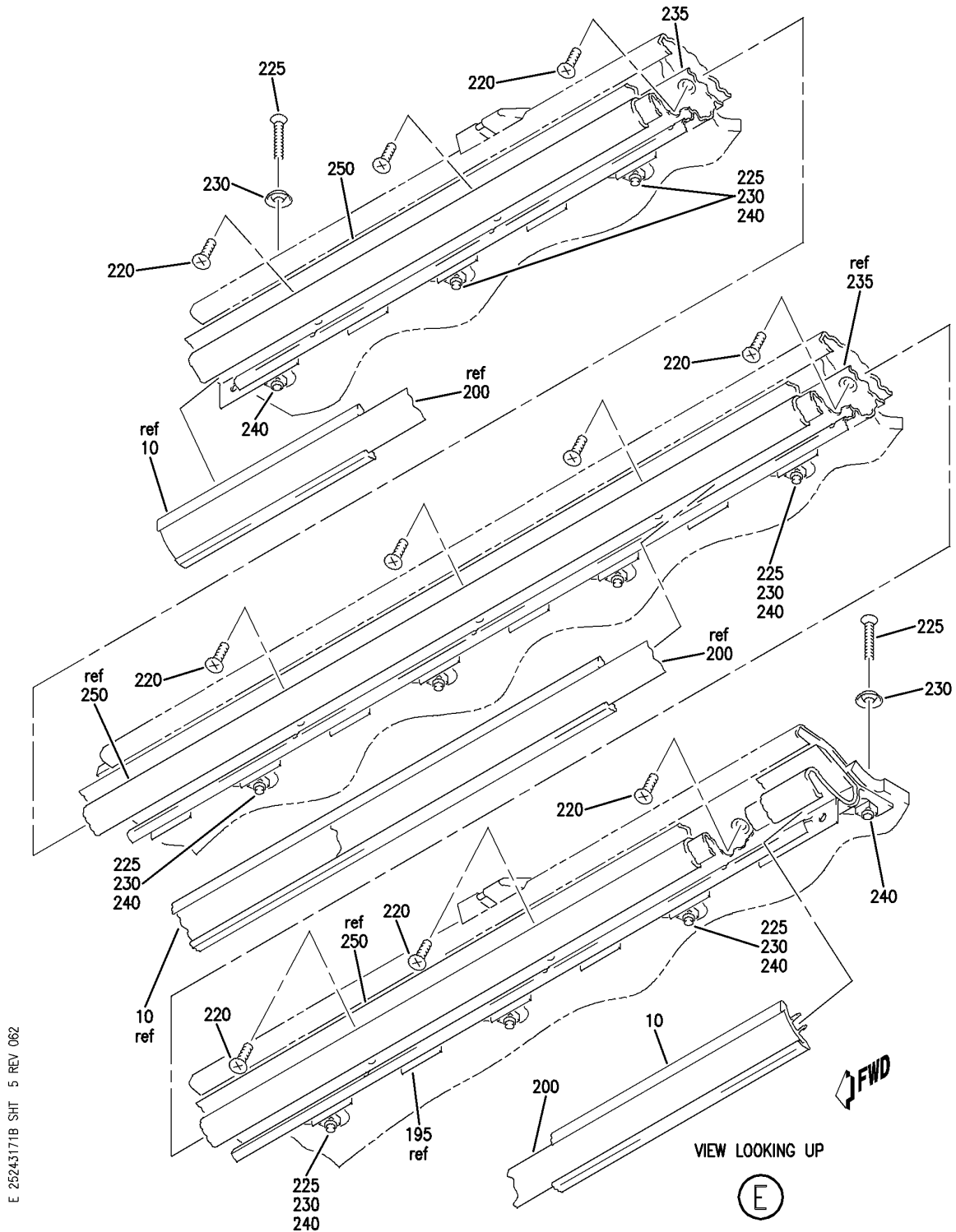
25-24-31-71B

HAP
 OCT 10/06

25-24-31-71B
 PAGE 0C

BOEING PROPRIETARY - Copyright © - Unpublished Work - See title page for details.

BOEING
 737-600/700/800/900
 PARTS CATALOG (MAINTENANCE)



E 25243171B SHT 5 REV 062

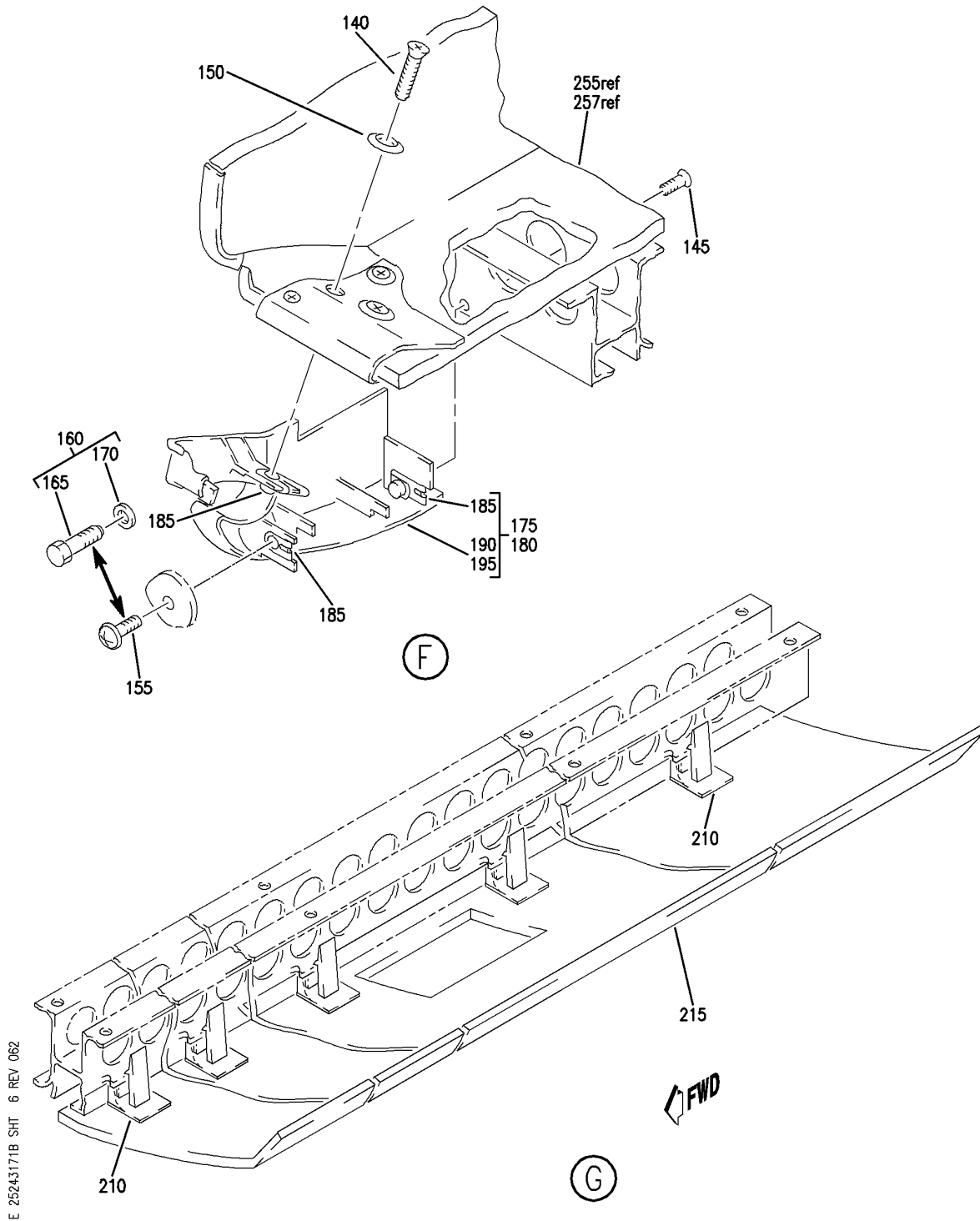
COMPARTMENT ASSY-70 IN. OVHD STOWAGE HNDRL CONFIGURATION (EQUIPMENT/ FURNISHINGS ONLY)
 FIGURE 71B (SHEET 5)

25-24-31-71B

HAP
 OCT 10/06

25-24-31-71B
 PAGE 0D

BOEING
 737-600/700/800/900
 PARTS CATALOG (MAINTENANCE)



E 25243171B SHT 6 REV 062

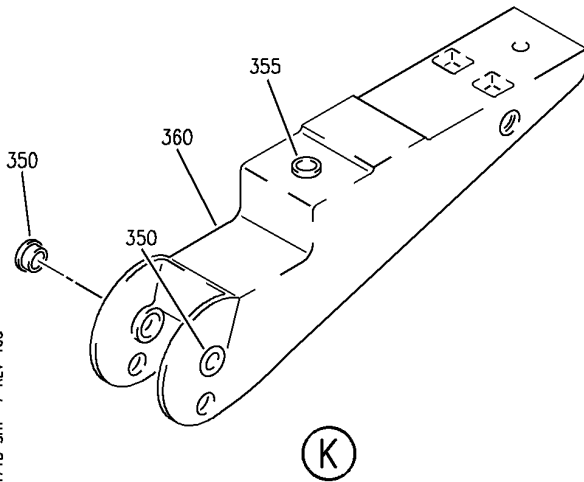
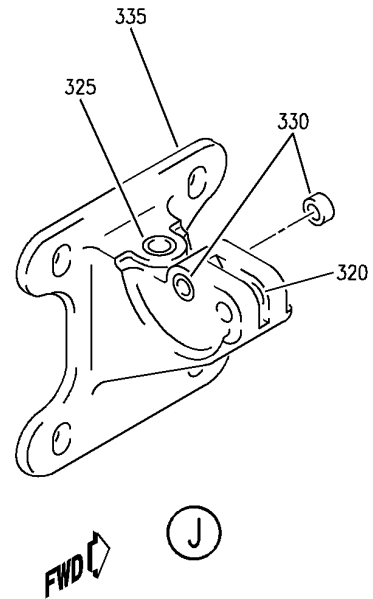
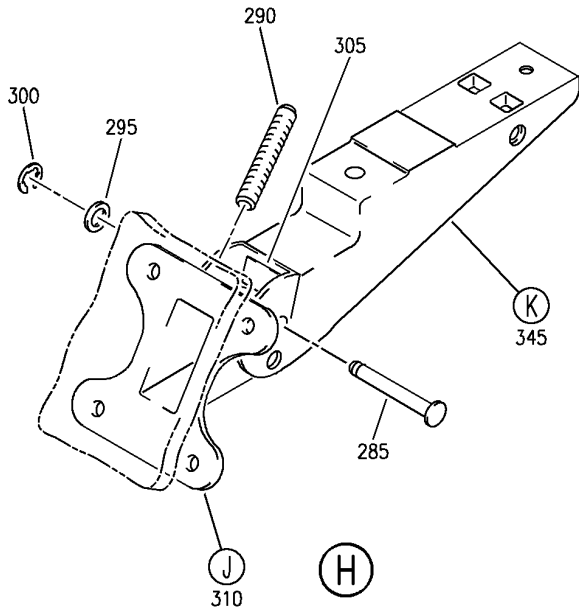
COMPARTMENT ASSY-70 IN. OVHD STOWAGE HNDRL CONFIGURATION (EQUIPMENT/ FURNISHINGS ONLY)
 FIGURE 71B (SHEET 6)

25-24-31-71B

HAP
 OCT 10/06

25-24-31-71B
 PAGE 0E

BOEING
 737-600/700/800/900
 PARTS CATALOG (MAINTENANCE)



E 2524-3171B SHT 7 REV 105

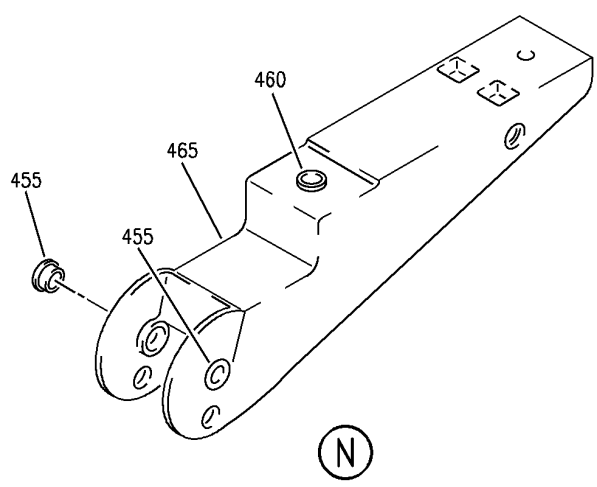
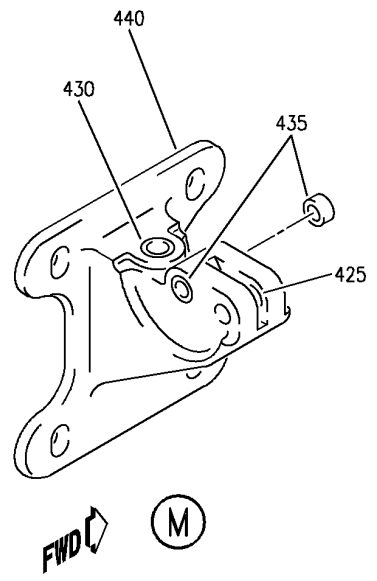
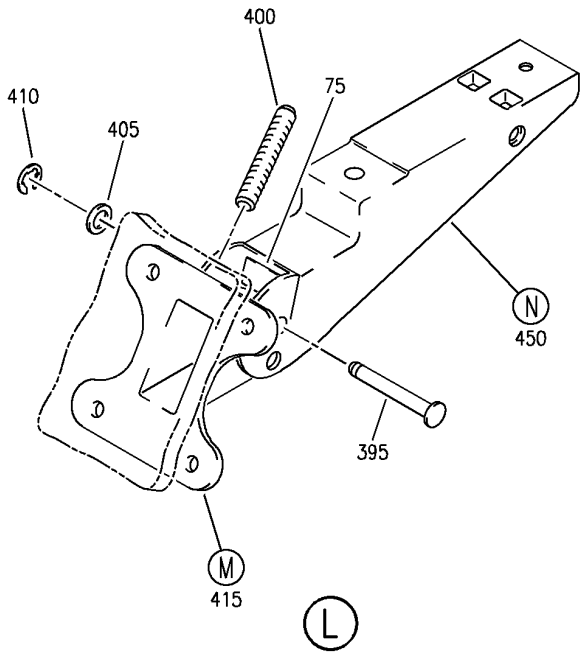
COMPARTMENT ASSY-70 IN. OVHD STOWAGE HANDL CONFIGURATION (EQUIPMENT/ FURNISHINGS ONLY)
 FIGURE 71B (SHEET 7)

25-24-31-71B

HAP
 OCT 10/06

25-24-31-71B
 PAGE OF

BOEING
 737-600/700/800/900
 PARTS CATALOG (MAINTENANCE)



E 2524-3171B SHT 8 REV 105

COMPARTMENT ASSY-70 IN. OVHD STOWAGE HNDRL CONFIGURATION (EQUIPMENT/ FURNISHINGS ONLY)
 FIGURE 71B (SHEET 8)

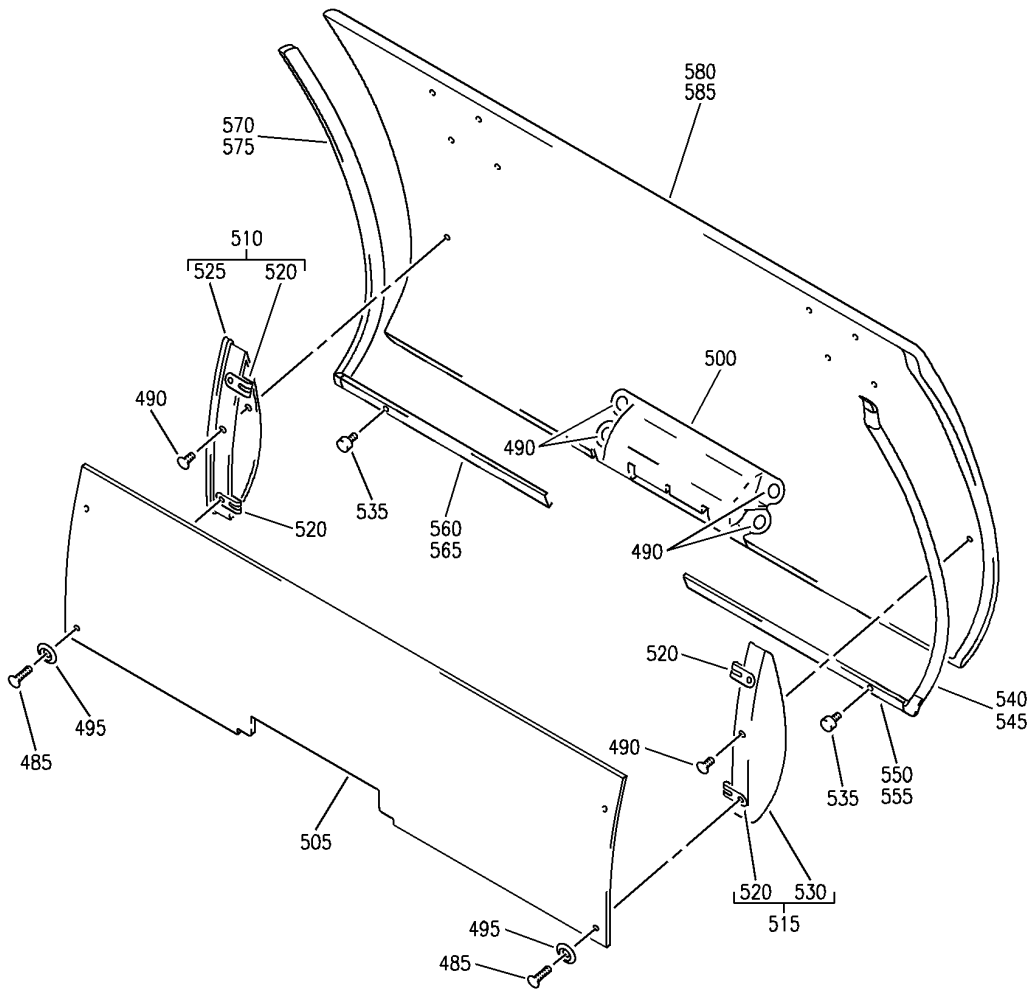
25-24-31-71B

HAP
 OCT 10/06

25-24-31-71B
 PAGE 06

BOEING PROPRIETARY - Copyright © - Unpublished Work - See title page for details.

BOEING
 737-600/700/800/900
 PARTS CATALOG (MAINTENANCE)



(P)

E 2524-3171B SHT 9 REV 105

COMPARTMENT ASSY-70 IN. OVHD STOWAGE HNDRL CONFIGURATION (EQUIPMENT/ FURNISHINGS ONLY)
 FIGURE 71B (SHEET 9)

25-24-31-71B

HAP
 OCT 10/06

25-24-31-71B
 PAGE 0H

BOEING
737-600/700/800/900
PARTS CATALOG (MAINTENANCE)

FIG ITEM	PART NUMBER	1 2 3 4 5 6 7	NOMENCLATURE	EFFECT FROM TO	UNITS PER ASSY
71B			COMPARTMENT ASSY-70 IN. OVHD STOWAGE HNDRL CONFIGURATION (EQUIPMENT/ FURNISHINGS ONLY)	001001 006007	
- 1	412A1100-19SP		COMPARTMENT ASSY-70 IN. OVHD STOWAGE HNDRL CONFIGURATION (EQUIPMENT/ FURNISHINGS ONLY) POSITION DATA: LH PRE SERVICE BULLETIN: 25-1373 FOR NHA/OTHER SYS DET SEE: 25-24-30-80A	001001 006007	RF
- 1	002A0007-58N		COMPARTMENT ASSY-70 IN. OVHD STOWAGE HNDRL CONFIGURATION (EQUIPMENT/ FURNISHINGS ONLY) POSITION DATA: LH POST SERVICE BULLETIN: 25-1373 FOR NHA/OTHER SYS DET SEE: 25-24-30-80A	001001 006007	RF
- 5	412A1100-20SP		COMPARTMENT ASSY-70 IN. OVHD STOWAGE HNDRL CONFIGURATION (EQUIPMENT/ FURNISHINGS ONLY) POSITION DATA: RH PRE SERVICE BULLETIN: 25-1373 FOR NHA/OTHER SYS DET SEE: 25-24-30-80A	001001 006007	RF
- 5	002A0007-59N		COMPARTMENT ASSY-70 IN. OVHD STOWAGE HNDRL CONFIGURATION (EQUIPMENT/ FURNISHINGS ONLY) POSITION DATA: RH POST SERVICE BULLETIN: 25-1373 FOR NHA/OTHER SYS DET SEE: 25-24-30-80A	001001 006007	RF
10	412A1420-1SP		.EXTRUSION-SEAT ROW MARKER	001001 006007	1

MISSING ITEM NUMBERS NOT APPLICABLE

- ITEM NOT ILLUSTRATED

HAP

25-24-31-71B

BOEING PROPRIETARY - Copyright © - Unpublished Work - See title page for details.

25-24-31
FIG. 71B
PAGE 1
OCT 10/06

BOEING
737-600/700/800/900
PARTS CATALOG (MAINTENANCE)

FIG ITEM	PART NUMBER	1 2 3 4 5 6 7	NOMENCLATURE	EFFECT FROM TO	UNITS PER ASSY
71B					
15	H3-1592-1	.LATCH-CLG		001001	2
		SUPPLIER CODE:		006007	
		V34941			
		SPECIFICATION NUMBER:			
		S411A001-1			
		ATTACHING PARTS			
17	BACS12FA3K7	.SCREW-		001001	4
		OPTIONAL PART:		006007	
		412A1100-95			
		-----*-----			
20	412A1100-95	.KIT ASSY-		001001	4
		OPTIONAL PART:		006007	
		BACS12FA3K7			
25	BACS12GU3K7	..SCREW		001001	1
				006007	
30	NAS1149D0332J	..WASHER		001001	1
				006007	
35	412A1700-8A	.VALANCE ASSY-LT		001001	1
		OPTIONAL PART:		006007	
		412A1700-108SP			
35	412A1700-108SP	.VALANCE ASSY-LT		001001	1
		OPTIONAL PART:		006007	
		412A1700-8A			
		ATTACHING PARTS			
- 40	BACN10YJ3F	.NUT		001001	7
				006007	
		-----*-----			
45	BACS21DW3C10FN	..STUD		001001	7
				006007	
50	412A1700-6	..TAPE-VELCRO		001001	2
				006007	
55	412A1712-1A	..PANEL ASSY-		001001	1
		USED ON:		006007	
		412A1700-8A			
55	412A1712-101SP	..PANEL ASSY-		001001	1
		USED ON:		006007	
		412A1700-108SP			
60	BACS12FA3K6	.SCREW		001001	16
				006007	
65	BACS12FA3K15	.SCREW		001001	4
				006007	
70	BACS12FA3K9	.SCREW		001001	4
				006007	
75	412A1230-21	.PIN-HINGE		001001	4
				006007	
80	BACB30VF3K7	.BOLT		001001	4
				006007	
85	NAS1149D0316J	.WASHER		001001	4
				006007	

MISSING ITEM NUMBERS NOT APPLICABLE

- ITEM NOT ILLUSTRATED

HAP

25-24-31-71B

BOEING PROPRIETARY - Copyright © - Unpublished Work - See title page for details.

25-24-31
FIG. 71B
PAGE 2
OCT 10/06

BOEING
737-600/700/800/900
PARTS CATALOG (MAINTENANCE)

FIG ITEM	PART NUMBER	1 2 3 4 5 6 7	NOMENCLATURE	EFFECT FROM TO	UNITS PER ASSY
71B					
90	MS16633-4018	.	RING	001001 006007	4
105	SP20522	.	ACTUATOR ASSY-DOOR SUPPLIER CODE: V24403 SPECIFICATION NUMBER: S412A002-2	001001 006007	4
140	BACS12ER3K9	.	SCREW	001001 006007	2
145	BACB30VF3K3	.	BOLT	001001 006007	2
150	H3-1233A3	.	WASHER- SUPPLIER CODE: V34941 SPECIFICATION NUMBER: S411A001-1	001001 006007	2
155	BACS12FA3K7	.	SCREW- OPTIONAL PART: 412A1100-95	001001 006007	2
160	412A1100-95	.	KIT ASSY- OPTIONAL PART: BACS12FA3K7	001001 006007	2
165	BACS12GU3K7	..	SCREW	001001 006007	1
170	NAS1149D0332J	..	WASHER	001001 006007	1
175	412A1465-14SP	.	CLOSEOUT ASSY	001001 006007	1
180	412A1465-13SP	.	CLOSEOUT ASSY	001001 006007	1
185	BACN10VR4CGN	..	NUT- OPTIONAL PART: BACN10VR4CG	001001 006007	3
185	BACN10VR4CG	..	NUT- OPTIONAL PART: BACN10VR4CGN	001001 006007	3
190	412A1465-16SP	..	CLOSEOUT- USED ON: 412A1465-14SP	001001 006007	1
195	412A1465-15SP	..	CLOSEOUT- USED ON: 412A1465-13SP	001001 006007	1
200	412A1451-1SP	.	STRIP-TRIM	001001 006007	1
205	412A1600-50A	.	COVER ASSY	001001 006007	1
210	412A1460-1	..	CLIP	001001 006007	5

MISSING ITEM NUMBERS NOT APPLICABLE

— ITEM NOT ILLUSTRATED

HAP

25-24-31-71B

BOEING PROPRIETARY - Copyright © - Unpublished Work - See title page for details.

25-24-31
FIG. 71B
PAGE 3
JUN 15/08

BOEING
737-600/700/800/900
PARTS CATALOG (MAINTENANCE)

FIG ITEM	PART NUMBER	1 2 3 4 5 6 7	NOMENCLATURE	EFFECT FROM TO	UNITS PER ASSY
71B 215	412A1610-50A	..	PANEL ASSY- OPTIONAL PART: 412A1610-150B	001001 006007	1
215	412A1610-150B	..	PANEL ASSY- OPTIONAL PART: 412A1610-50A	001001 006007	1
220	BACS12ER3K5	.	SCREW	001001 006007	10
225	BACS12ER3K14	.	SCREW	001001 006007	11
230	H3-1233A3	.	WASHER- SUPPLIER CODE: V34941 POSITION DATA: FAR SIDE SPECIFICATION NUMBER: S411A001-1	001001 006007	11
235	412A1243-3	.	EXTRUSION ASSY- OPTIONAL PART: 412A1243-103	001001 006007	1
235	412A1243-103	.	EXTRUSION ASSY- OPTIONAL PART: 412A1243-3	001001 006007	1
240	FS1651-3	..	NUTPLATE SUPPLIER CODE: V15653 SPECIFICATION NUMBER: BACN10KH3CD OPTIONAL PART: 102F9209M3 V72962 NS202496-02 V80539 ATTACHING PARTS	001001 006007	11
- 245	BACR15BA3ADC	..	RIVET- SIZE DETERMINED ON INSTL. -----*-----	001001 006007	22
250	412A1650-3SP	.	COVER ASSY	001001 006007	1
255	412A1200-19SP	.	BOX ASSY-70 IN. BIN POSITION DATA: LH FOR DETAILS SEE: 25-24-32-75	001001 006007	1
- 257	412A1200-20SP	.	BOX ASSY-70 IN. BIN POSITION DATA: RH FOR DETAILS SEE: 25-24-32-75C	001001 006007	1

MISSING ITEM NUMBERS NOT APPLICABLE

- ITEM NOT ILLUSTRATED

HAP

25-24-31-71B

BOEING PROPRIETARY - Copyright © - Unpublished Work - See title page for details.

25-24-31
FIG. 71B
PAGE 4
JUN 15/08

BOEING
737-600/700/800/900
PARTS CATALOG (MAINTENANCE)

FIG ITEM	PART NUMBER	1 2 3 4 5 6 7	NOMENCLATURE	EFFECT FROM TO	UNITS PER ASSY
71B - 260	OBA8		.PLUG- SUPPLIER CODE: VOBV87	001001 006007	AR
275	412A1455-3SP		.HINGE ASSY- POSITION DATA: RH	001001 006007	1
280	412A1455-4SP		.HINGE ASSY- POSITION DATA: LH	001001 006007	1
285	412A1230-21		..PIN	001001 006007	1
290	MS51023-54		..SCREW	001001 006007	1
295	NAS1149D0316J		..WASHER	001001 006007	1
300	MS16633-4018		..RING	001001 006007	1
305	412A1220-1		..CLIP	001001 006007	1
310	412A1454-9SP		..BRACKET ASSY- POSITION DATA: LH SIDE	001001 006007	1
- 315	412A1454-10SP		..BRACKET ASSY- POSITION DATA: RH SIDE	001001 006007	1
320	6041-3BR225		...INSERT- SUPPLIER CODE: V01556	001001 006007	1
325	6041L3BR375		...INSERT- SUPPLIER CODE: V01556	001001 006007	1
330	BACB28Y3F025		...BUSHING	001001 006007	2
335	412A1454-7SP		...BRACKET- POSITION DATA: LH SIDE	001001 006007	1
- 340	412A1454-8SP		...BRACKET- POSITION DATA: RH SIDE	001001 006007	1
345	412A1454-12SP		..HOUSING ASSY	001001 006007	1
350	BACB28Y3F020		...BUSHING	001001 006007	2
355	6041L3BR375		...INSERT- SUPPLIER CODE: V01556	001001 006007	1
360	412A1454-11SP		...HOUSING	001001 006007	1

MISSING ITEM NUMBERS NOT APPLICABLE

- ITEM NOT ILLUSTRATED

HAP

25-24-31-71B

BOEING PROPRIETARY - Copyright © - Unpublished Work - See title page for details.

25-24-31
FIG. 71B
PAGE 5
JUN 15/08

BOEING
737-600/700/800/900
PARTS CATALOG (MAINTENANCE)

FIG ITEM	PART NUMBER	1 2 3 4 5 6 7	NOMENCLATURE	EFFECT FROM TO	UNITS PER ASSY
71B					
375	412A1455-2SP	.HINGE ASSY- POSITION DATA: LH		001001 006007	1
380	412A1455-2SP	.HINGE ASSY- POSITION DATA: RH		001001 006007	2
385	412A1455-1SP	.HINGE ASSY- POSITION DATA: LH		001001 006007	2
390	412A1455-1SP	.HINGE ASSY- POSITION DATA: RH		001001 006007	1
395	412A1230-21	..PIN		001001 006007	1
400	MS51023-54	..SCREW		001001 006007	1
405	NAS1149D0316J	..WASHER		001001 006007	1
410	MS16633-4018	..RING		001001 006007	1
415	412A1454-9SP	..BRACKET ASSY- POSITION DATA: LH SIDE		001001 006007	1
- 420	412A1454-10SP	..BRACKET ASSY- POSITION DATA: RH SIDE		001001 006007	1
425	6041-3BR225	...INSERT- SUPPLIER CODE: V01556		001001 006007	1
430	6041L3BR375	...INSERT- SUPPLIER CODE: V01556		001001 006007	1
435	BACB28Y3F025	...BUSHING		001001 006007	2
440	412A1454-7SP	...BRACKET- POSITION DATA: LH SIDE		001001 006007	1
- 445	412A1454-8SP	...BRACKET- POSITION DATA: RH SIDE		001001 006007	1
450	412A1454-3SP	..HOUSING ASSY		001001 006007	1
455	BACB28Y3F020	...BUSHING		001001 006007	2
460	6041-3BR225	...INSERT- SUPPLIER CODE: V01556		001001 006007	1
465	412A1454-1SP	...HOUSING		001001 006007	1

MISSING ITEM NUMBERS NOT APPLICABLE

- ITEM NOT ILLUSTRATED

HAP

25-24-31-71B

BOEING PROPRIETARY - Copyright © - Unpublished Work - See title page for details.

25-24-31
FIG. 71B
PAGE 6
JUN 15/08

BOEING
737-600/700/800/900
PARTS CATALOG (MAINTENANCE)

FIG ITEM	PART NUMBER	1 2 3 4 5 6 7	NOMENCLATURE	EFFECT FROM TO	UNITS PER ASSY
71B					
475	412A1500-33SP	.D	DOOR ASSY-34.70 IN.	001001 006007	1
480	412A1500-34SP	.D	DOOR ASSY-34.70 IN.	001001 006007	1
485	BACS12ER3K9	..	SCREW	001001 006007	4
490	BACS12FA3K4	..	SCREW	001001 006007	6
495	H3-1233A3	..	WASHER- SUPPLIER CODE: V34941 SPECIFICATION NUMBER: S411A001-1	001001 006007	4
500	HA225-1	..	LATCH ASSY- SUPPLIER CODE: V83014 SPECIFICATION NUMBER: S412A001-1A	001001 006007	1
500	HA225-7	..	LATCH ASSY- SUPPLIER CODE: V83014 SPECIFICATION NUMBER: S412A001-11B	001001 006007	1
505	412A1615-117SP	..	PANEL ASSY-FILLER	001001 006007	1
510	412A1480-3SP	..	BRACKET ASSY	001001 006007	1
515	412A1480-4SP	..	BRACKET ASSY	001001 006007	1
520	BACN10VR4CGN	...	NUT	001001 006007	2
525	412A1480-1SP	...	BRACKET- USED ON: 412A1480-3SP	001001 006007	1
530	412A1480-2SP	...	BRACKET- USED ON: 412A1480-4SP	001001 006007	1
535	412A1810-1SP	..	BUMPER	001001 006007	2
540	412A1450-3SP	..	TRIM-EDGE POSITION DATA: LH SIDE	001001 006007	1
545	412A1450-4SP	..	TRIM-EDGE POSITION DATA: RH SIDE	001001 006007	1
550	412A1450-5SP	..	TRIM-EDGE POSITION DATA: LH SIDE	001001 006007	1

MISSING ITEM NUMBERS NOT APPLICABLE

- ITEM NOT ILLUSTRATED

HAP

25-24-31-71B

BOEING PROPRIETARY - Copyright © - Unpublished Work - See title page for details.

25-24-31
FIG. 71B
PAGE 7
JUN 15/08

BOEING
737-600/700/800/900
PARTS CATALOG (MAINTENANCE)

FIG ITEM	PART NUMBER	1 2 3 4 5 6 7	NOMENCLATURE	EFFECT FROM TO	UNITS PER ASSY
71B 555	412A1450-6SP	..	TRIM-EDGE POSITION DATA: RH SIDE	001001 006007	1
560	412A1450-10SP	..	TRIM-EDGE POSITION DATA: LH SIDE	001001 006007	1
565	412A1450-9SP	..	TRIM-EDGE POSITION DATA: RH SIDE	001001 006007	1
570	412A1450-8SP	..	TRIM-EDGE POSITION DATA: LH SIDE	001001 006007	1
575	412A1450-7SP	..	TRIM-EDGE POSITION DATA: RH SIDE	001001 006007	1
580	412A1510-35SP	..	PANEL ASSY- POSITION DATA: LH SIDE	001001 006007	1
585	412A1510-36SP	..	PANEL ASSY- POSITION DATA: RH SIDE	001001 006007	1
- 590	SL618-3A	...	INSERT- SUPPLIER CODE: V97393	001001 006007	14

MISSING ITEM NUMBERS NOT APPLICABLE

- ITEM NOT ILLUSTRATED

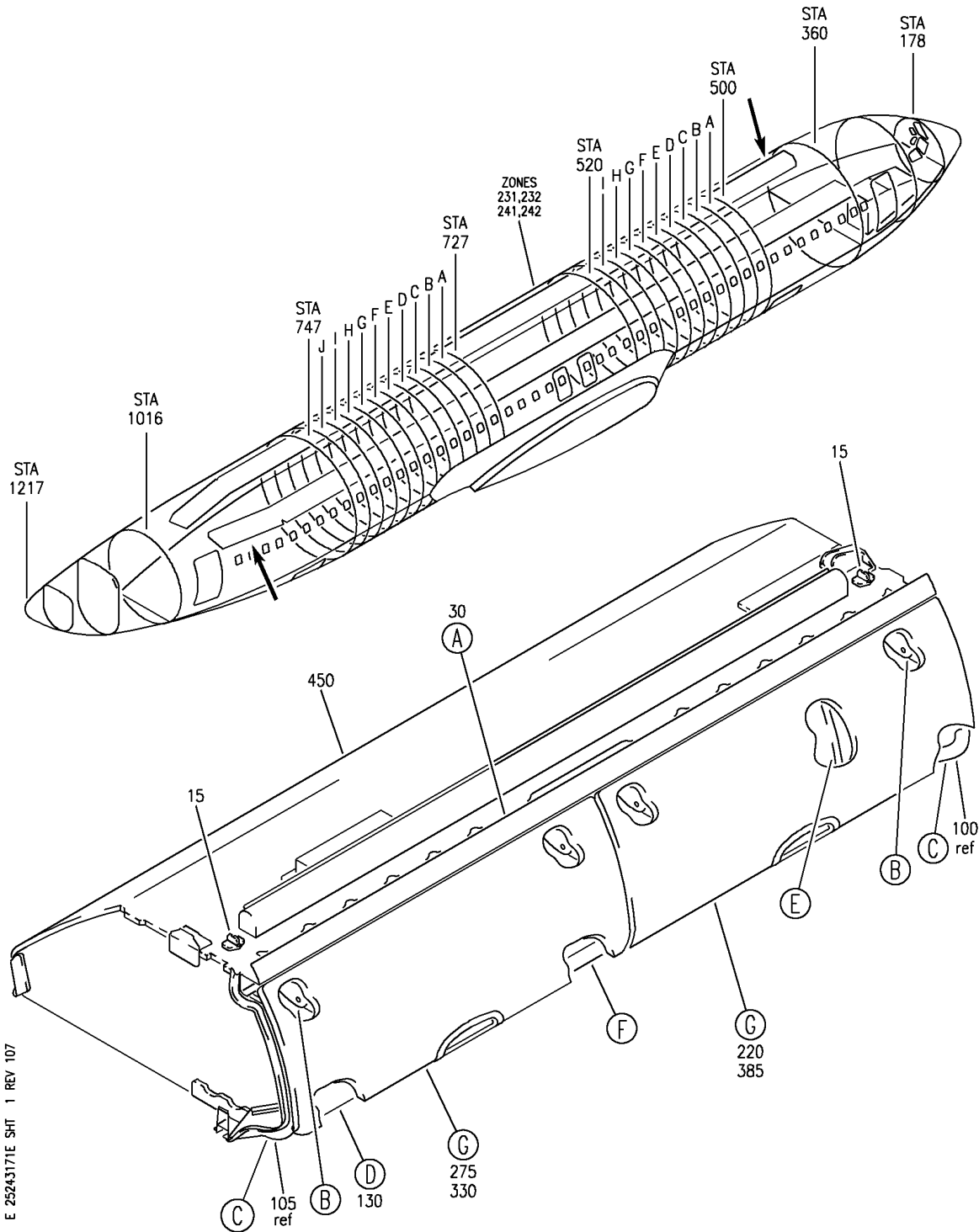
HAP

25-24-31-71B

BOEING PROPRIETARY - Copyright © - Unpublished Work - See title page for details.

25-24-31
FIG. 71B
PAGE 8
JUN 15/08

BOEING
 737-600/700/800/900
 PARTS CATALOG (MAINTENANCE)



E 25243171E SHT 1 REV 107

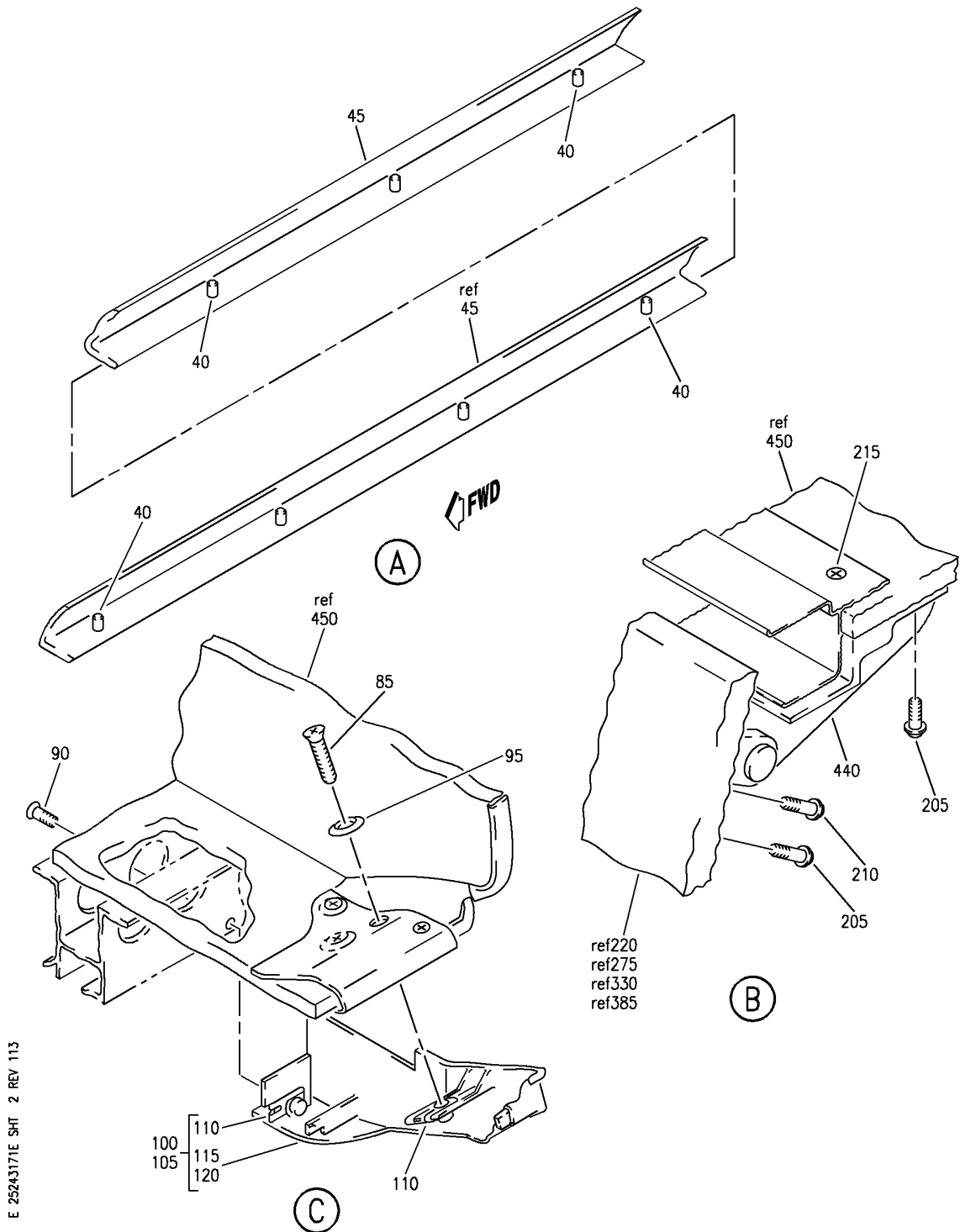
TOP ASSY-70 IN. BIG BIN OVHD STOWAGE BULLNOSE CONFIGURATION (EQUIPMENT/ FURNISHINGS ONLY)
 FIGURE 71E (SHEET 1)

HAP
 OCT 10/06

25-24-31-71E

25-24-31-71E
 PAGE 0

BOEING
 737-600/700/800/900
 PARTS CATALOG (MAINTENANCE)



E 25243171E SHT 2 REV 113

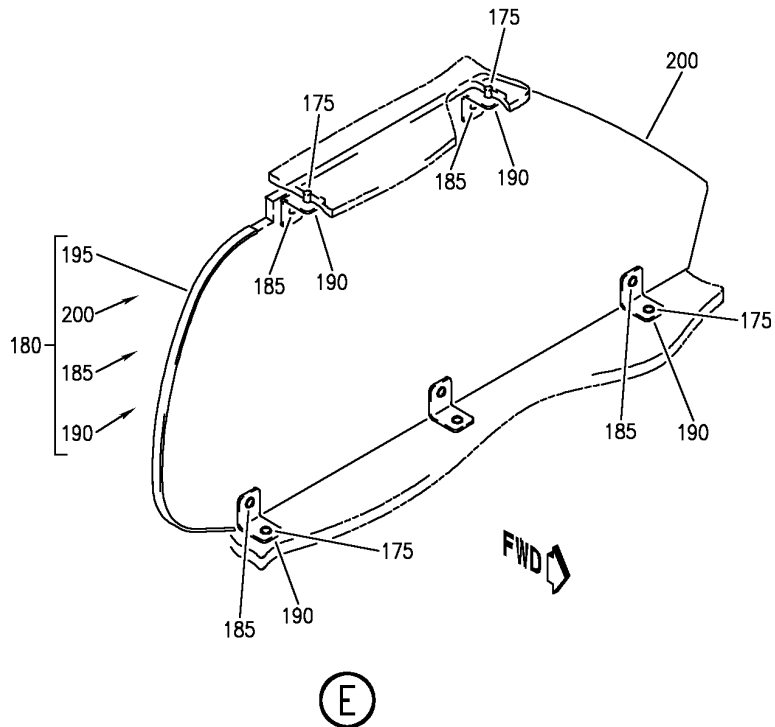
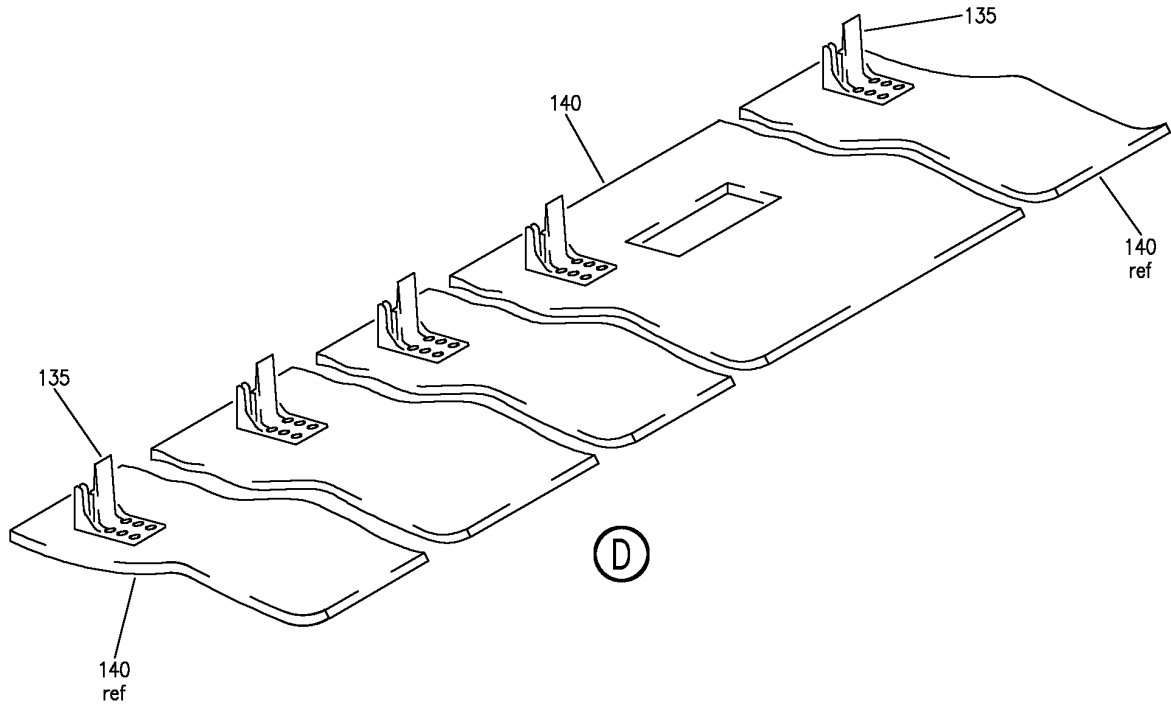
TOP ASSY-70 IN. BIG BIN OVHD STOWAGE BULLNOSE CONFIGURATION (EQUIPMENT/ FURNISHINGS ONLY)
 FIGURE 71E (SHEET 2)

HAP
 OCT 10/06

25-24-31-71E

25-24-31-71E
 PAGE 0A

BOEING
 737-600/700/800/900
 PARTS CATALOG (MAINTENANCE)



E 25243171E SHT 3 REV 082

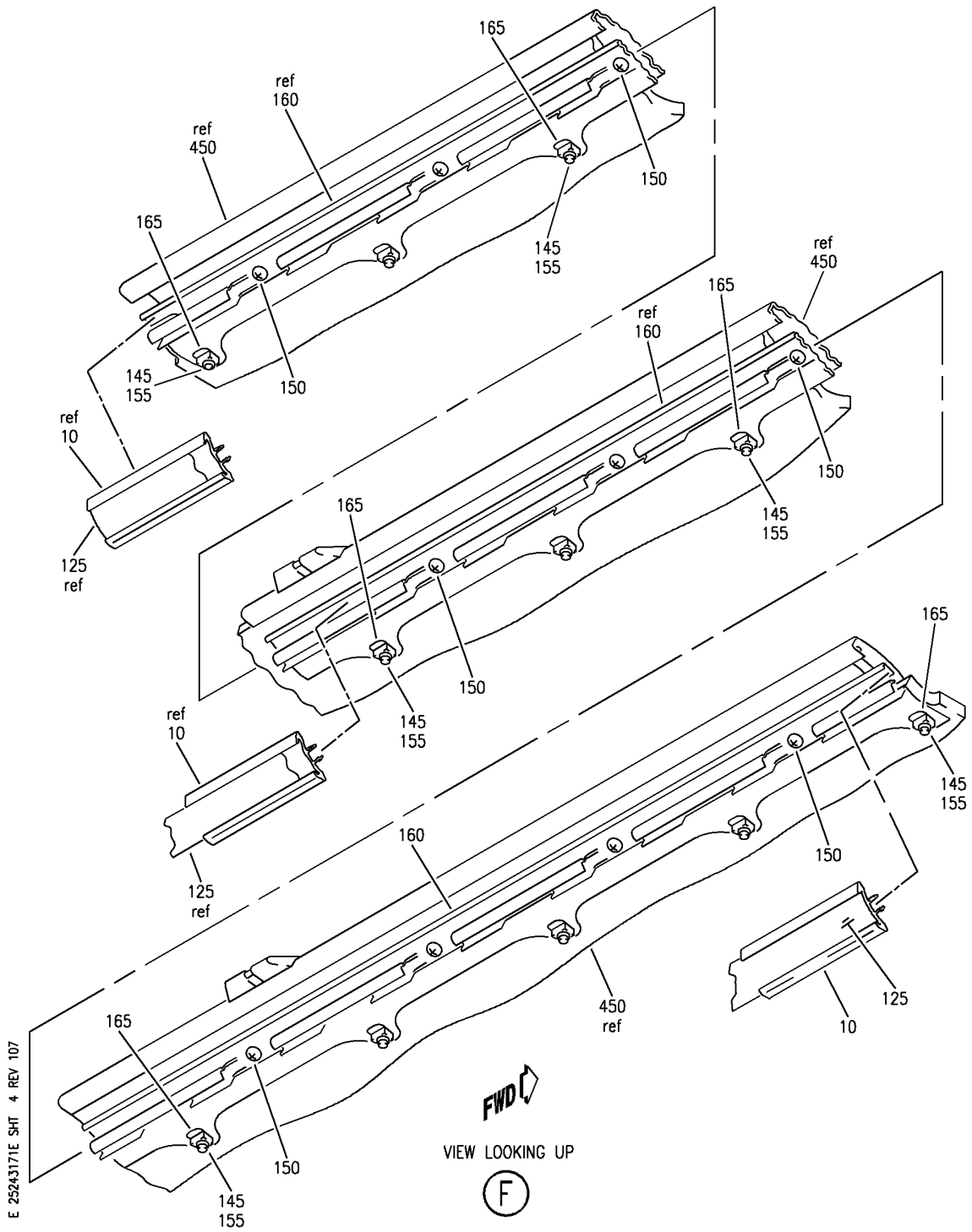
TOP ASSY-70 IN. BIG BIN OVHD STOWAGE BULLNOSE CONFIGURATION (EQUIPMENT/ FURNISHINGS ONLY)
 FIGURE 71E (SHEET 3)

HAP
 OCT 10/06

25-24-31-71E

25-24-31-71E
 PAGE 08

BOEING
 737-600/700/800/900
 PARTS CATALOG (MAINTENANCE)



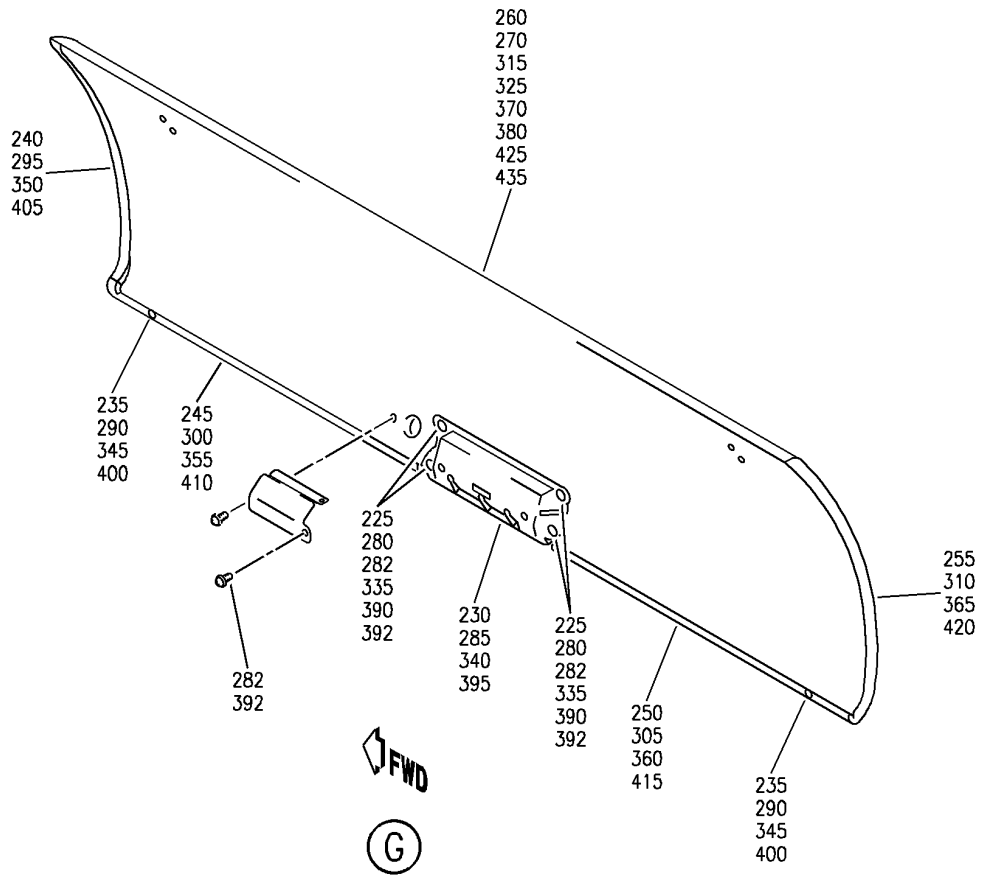
TOP ASSY-70 IN. BIG BIN OVHD STOWAGE BULLNOSE CONFIGURATION (EQUIPMENT/ FURNISHINGS ONLY)
 FIGURE 71E (SHEET 4)

HAP
 OCT 10/06

25-24-31-71E

25-24-31-71E
 PAGE 0C

BOEING
 737-600/700/800/900
 PARTS CATALOG (MAINTENANCE)



E 2524-3171E SHT 5 REV 104

TOP ASSY-70 IN. BIG BIN OVHD STOWAGE BULLNOSE CONFIGURATION (EQUIPMENT/ FURNISHINGS ONLY)
 FIGURE 71E (SHEET 5)

25-24-31-71E

HAP
 OCT 10/06

25-24-31-71E
 PAGE 0D

BOEING
737-600/700/800/900
PARTS CATALOG (MAINTENANCE)

FIG ITEM	PART NUMBER	1 2 3 4 5 6 7	NOMENCLATURE	EFFECT FROM TO	UNITS PER ASSY
71E			TOP ASSY-70 IN. BIG BIN OVHD STOWAGE BULLNOSE CONFIGURATION (EQUIPMENT/ FURNISHINGS ONLY)	031043	
- 1	412A1057-37C		TOP ASSY-70 IN. BIG BIN OVHD STOWAGE BULLNOSE CONFIGURATION (EQUIPMENT/ FURNISHINGS ONLY) POSITION DATA: LH FOR NHA/OTHER SYS DET SEE: 25-24-30-84	031043	RF
- 5	412A1057-38C		TOP ASSY-70 IN. BIG BIN OVHD STOWAGE BULLNOSE CONFIGURATION (EQUIPMENT/ FURNISHINGS ONLY) POSITION DATA: RH FOR NHA/OTHER SYS DET SEE: 25-24-30-84	031043	RF
10	412A1420-2A		.EXTRUSION-SEAT ROW MARKER	031043	1
15	H3-1592-1		.LATCH-CLG SUPPLIER CODE: V34941 SPECIFICATION NUMBER: S411A001-1	031043	2
- 20	BACS12GU3K7		ATTACHING PARTS .SCREW	031043	4
- 25	NAS1149D0332J		.WASHER -----*-----	031043	4
30	412A1700-8A		.VALANCE ASSY-LT ATTACHING PARTS	031043	1
- 35	BACN10YJ3F		.NUT -----*-----	031043	7
40	BACS21DW3C10FN		..STUD	031043	7
45	412A1712-1A		..PANEL ASSY	031043	1
85	BACS12ER3K11		.SCREW	031043	2
90	BACB30VF3K3		.BOLT	031043	2
95	H3-1233A3		.WASHER- SUPPLIER CODE: V34941 SPECIFICATION NUMBER: S411A001-1	031043	2
100	412A1467-1B		.CLOSEOUT ASSY	031043	1
105	412A1467-2B		.CLOSEOUT ASSY	031043	1
110	BACN10VR4CGN		..NUT- OPTIONAL PART: BACN10VR4CG	031043	2

MISSING ITEM NUMBERS NOT APPLICABLE

- ITEM NOT ILLUSTRATED

HAP

25-24-31-71E

BOEING PROPRIETARY - Copyright © - Unpublished Work - See title page for details.

25-24-31
FIG. 71E
PAGE 1
JUN 15/08

BOEING
737-600/700/800/900
PARTS CATALOG (MAINTENANCE)

FIG ITEM	PART NUMBER	1 2 3 4 5 6 7	NOMENCLATURE	EFFECT FROM TO	UNITS PER ASSY
71E 110	BACN10VR4CG	..	NUT- OPTIONAL PART: BACN10VR4CGN	031043	2
115	412A1467-5B	..	CLOSEOUT- USED ON: 412A1467-1B	031043	1
120	412A1467-6B	..	CLOSEOUT- USED ON: 412A1467-2B	031043	1
125	412A1451-2BCWK	.	STRIP-TRIM	031043	1
130	412A1607-41B	.	COVER ASSY	031043	1
135	412A1460-2	..	CLIP	031043	5
140	412A1617-34B	..	PANEL	031043	1
145	BACS12ER3K14	.	SCREW	031043	11
150	BACS12FA3K5	.	SCREW	031043	10
155	H3-1233A3	.	WASHER- SUPPLIER CODE: V34941 SPECIFICATION NUMBER: S411A001-1	031043	11
160	412A1244-3	.	EXTRUSION ASSY	031043	1
165	FS1651-3	..	NUTPLATE SUPPLIER CODE: V15653 SPECIFICATION NUMBER: BACN10KH3CD OPTIONAL PART: 102F9209M3 V72962 NS202496-02 V80539	031043	11
- 170	BACR15BA3ADC	..	RIVET- ATTACHING PARTS SIZE DETERMINED ON INSTL. -----*-----	031043	22
205	BACS12FA3K6	.	SCREW	031043	8
210	BACS12FA3K7	.	SCREW	031043	4
215	BACS12FA3K15	.	SCREW	031043	4
220	412A1505-40B	.	DOOR ASSY-34.7 IN. POSITION DATA: LH SIDE QUALIFIED I/W DATA: THE 412A1505-140B DOOR ASSEMBLY PLUS (QTY 2) HINGE (SP23011) TOGETHER CAN REPLACE THE 412A1505-40B DOOR ASSEMBLY PLUS (QTY 2) HINGE (SP21757).	031043	1

MISSING ITEM NUMBERS NOT APPLICABLE

- ITEM NOT ILLUSTRATED

R
R
R
R
R
R
R
R
R
R

HAP

25-24-31-71E

BOEING PROPRIETARY - Copyright © - Unpublished Work - See title page for details.

25-24-31
FIG. 71E
PAGE 2
JUN 15/09


BOEING
 737-600/700/800/900
PARTS CATALOG (MAINTENANCE)

FIG ITEM	PART NUMBER	1 2 3 4 5 6 7	NOMENCLATURE	EFFECT FROM TO	UNITS PER ASSY
71E					
225	BACS12FA3K4	..	SCREW	031043	4
230	HA951-1	..	LATCH ASSY-	031043	1
			SUPPLIER CODE: V83014		
			SPECIFICATION NUMBER: S412A003-1		
235	412A1810-1A	..	BUMPER-	031043	2
235	412A1810-2B	..	BUMPER-	031043	2
			QUALIFIED I/W DATA: PN 412A1810-3B CAN REPLACE BUT NOT BE REPLACED BY PN 412A1810-2B FOR 737-600/700/800/900 ONLY.		
240	412A1452-7B	..	TRIM-VERT	031043	1
245	412A1450-9A	..	TRIM-EDGE	031043	1
250	412A1452-6B	..	TRIM-HORIZ	031043	1
255	412A1452-4B	..	TRIM-VERT	031043	1
260	412A1513-38B	..	PANEL ASSY	031043	1
- 265	SL618-3A	...	INSERT-	031043	8
			SUPPLIER CODE: V97393		
270	412A1513-1B	...	PANEL ASSY	031043	1
275	412A1505-39B	.D	DOOR ASSY-34.7 IN. POSITION DATA: LH SIDE QUALIFIED I/W DATA: THE 412A1505-139B DOOR ASSEMBLY PLUS (QTY 2) HINGE (SP23011) TOGETHER CAN REPLACE THE 412A1505-39B DOOR ASSEMBLY PLUS (QTY 2) HINGE (SP21757).	031043	1
280	BACS12FA3K4	..	SCREW	031043	4
285	HA951-1	..	LATCH ASSY-	031043	1
			SUPPLIER CODE: V83014		
			SPECIFICATION NUMBER: S412A003-1		
290	412A1810-1A	..	BUMPER-	031043	2

MISSING ITEM NUMBERS NOT APPLICABLE

- ITEM NOT ILLUSTRATED

HAP

25-24-31-71E

BOEING PROPRIETARY - Copyright © - Unpublished Work - See title page for details.

25-24-31
 FIG. 71E
 PAGE 3
 JUN 15/09

BOEING
737-600/700/800/900
PARTS CATALOG (MAINTENANCE)

FIG ITEM	PART NUMBER	1 2 3 4 5 6 7	NOMENCLATURE	EFFECT FROM TO	UNITS PER ASSY
71E 290	412A1810-2B	..	BUMPER- QUALIFIED I/W DATA: PN 412A1810-3B CAN REPLACE BUT NOT BE REPLACED BY PN 412A1810-2B FOR 737-600/700/800/900 ONLY.	031043	2
295	412A1452-8B	..	TRIM-VERT	031043	1
300	412A1450-10A	..	TRIM-EDGE	031043	1
305	412A1452-5B	..	TRIM-HORIZ	031043	1
310	412A1452-3B	..	TRIM-VERT	031043	1
315	412A1513-37B	..	PANEL ASSY	031043	1
- 320	SL618-3A	...	INSERT- SUPPLIER CODE: V97393	031043	8
325	412A1513-1B	...	PANEL ASSY	031043	1
330	412A1505-39B	.D	DOOR ASSY-34.7 IN. POSITION DATA: RH SIDE QUALIFIED I/W DATA: THE 412A1505-139B DOOR ASSEMBLY PLUS (QTY 2) HINGE (SP23011) TOGETHER CAN REPLACE THE 412A1505-39B DOOR ASSEMBLY PLUS (QTY 2) HINGE (SP21757).	031043	1
335	BACS12FA3K4	..	SCREW	031043	4
340	HA951-1	..	LATCH ASSY- SUPPLIER CODE: V83014 SPECIFICATION NUMBER: S412A003-1	031043	1
345	412A1810-1A	..	BUMPER-	031043	2
345	412A1810-2B	..	BUMPER- QUALIFIED I/W DATA: PN 412A1810-3B CAN REPLACE BUT NOT BE REPLACED BY PN 412A1810-2B FOR 737-600/700/800/900 ONLY.	031043	2
350	412A1452-8B	..	TRIM-VERT	031043	1
355	412A1450-10A	..	TRIM-EDGE	031043	1
360	412A1452-5B	..	TRIM-HORIZ	031043	1
365	412A1452-3B	..	TRIM-VERT	031043	1
370	412A1513-37B	..	PANEL ASSY	031043	1

R
R
R
R
R
R
R
R
R
R

MISSING ITEM NUMBERS NOT APPLICABLE

- ITEM NOT ILLUSTRATED

HAP

25-24-31-71E

25-24-31
FIG. 71E
PAGE 4
JUN 15/09

BOEING
737-600/700/800/900
PARTS CATALOG (MAINTENANCE)

FIG ITEM	PART NUMBER	1 2 3 4 5 6 7	NOMENCLATURE	EFFECT FROM TO	UNITS PER ASSY
71E - 375	SL618-3A	...	INSERT- SUPPLIER CODE: V97393	031043	8
380	412A1513-1B	...	PANEL ASSY	031043	1
385	412A1505-40B	.DOOR ASSY-34.7 IN. POSITION DATA: RH SIDE QUALIFIED I/W DATA: THE 412A1505-140B DOOR ASSEMBLY PLUS (QTY 2) HINGE (SP23011) TOGETHER CAN REPLACE THE 412A1505-40B DOOR ASSEMBLY PLUS (QTY 2) HINGE (SP21757).	031043	1	
390	BACS12FA3K4	..	SCREW	031043	4
395	HA951-1	..	LATCH ASSY- SUPPLIER CODE: V83014 SPECIFICATION NUMBER: S412A003-1	031043	1
400	412A1810-1A	..	BUMPER-	031043	2
400	412A1810-2B	..	BUMPER- QUALIFIED I/W DATA: PN 412A1810-3B CAN REPLACE BUT NOT BE REPLACED BY PN 412A1810-2B FOR 737-600/700/800/900 ONLY.	031043	2
405	412A1452-7B	..	TRIM-VERT	031043	1
410	412A1450-9A	..	TRIM-EDGE	031043	1
415	412A1452-6B	..	TRIM-ORIZ	031043	1
420	412A1452-4B	..	TRIM-VERT	031043	1
425	412A1513-38B	..	PANEL ASSY	031043	1
- 430	SL618-3A	...	INSERT- SUPPLIER CODE: V97393	031043	8
435	412A1513-1B	...	PANEL ASSY	031043	1
440	SP21757	.HINGE ASSY- SUPPLIER CODE: V24403 SPECIFICATION NUMBER: S412A004-1	031043	4	
450	412A1205-37B	.BOX ASSY-60 IN. BIN POSITION DATA: LH SIDE FOR DETAILS SEE: 25-24-32-70B	031043	1	

MISSING ITEM NUMBERS NOT APPLICABLE

- ITEM NOT ILLUSTRATED

HAP

25-24-31-71E

BOEING PROPRIETARY - Copyright © - Unpublished Work - See title page for details.

25-24-31
FIG. 71E
PAGE 5
JUN 15/09

BOEING
737-600/700/800/900
PARTS CATALOG (MAINTENANCE)

FIG ITEM	PART NUMBER	1 2 3 4 5 6 7	NOMENCLATURE	EFFECT FROM TO	UNITS PER ASSY
71E - 455	412A1205-38B		.BOX ASSY-60 IN. BIN POSITION DATA: RH SIDE FOR DETAILS SEE: 25-24-32-70F	031043	1
- 460	412A1811-2B		.PLUG	031043	AR

MISSING ITEM NUMBERS NOT APPLICABLE

- ITEM NOT ILLUSTRATED

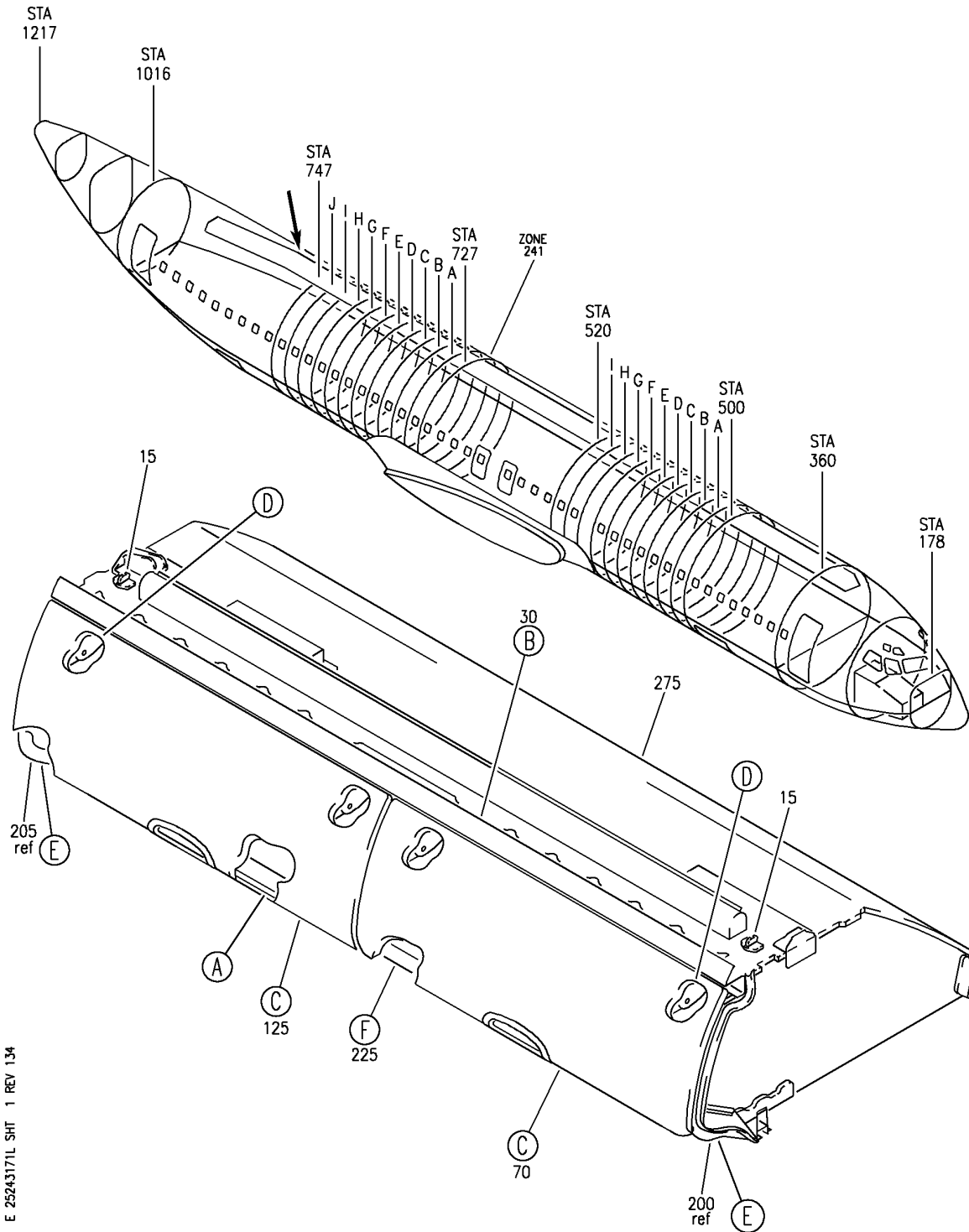
HAP

25-24-31-71E

BOEING PROPRIETARY - Copyright © - Unpublished Work - See title page for details.

25-24-31
FIG. 71E
PAGE 6
JUN 15/09

BOEING
 737-600/700/800/900
 PARTS CATALOG (MAINTENANCE)



E 2524-3171L SHT 1 REV 134

TOP ASSY-LH 70 IN. OVHD STOWAGE BIG BIN BULLNOSE CONFIGURATION (EQUIPMENT/FURNISHINGS ONLY)
 FIGURE 71L (SHEET 1)

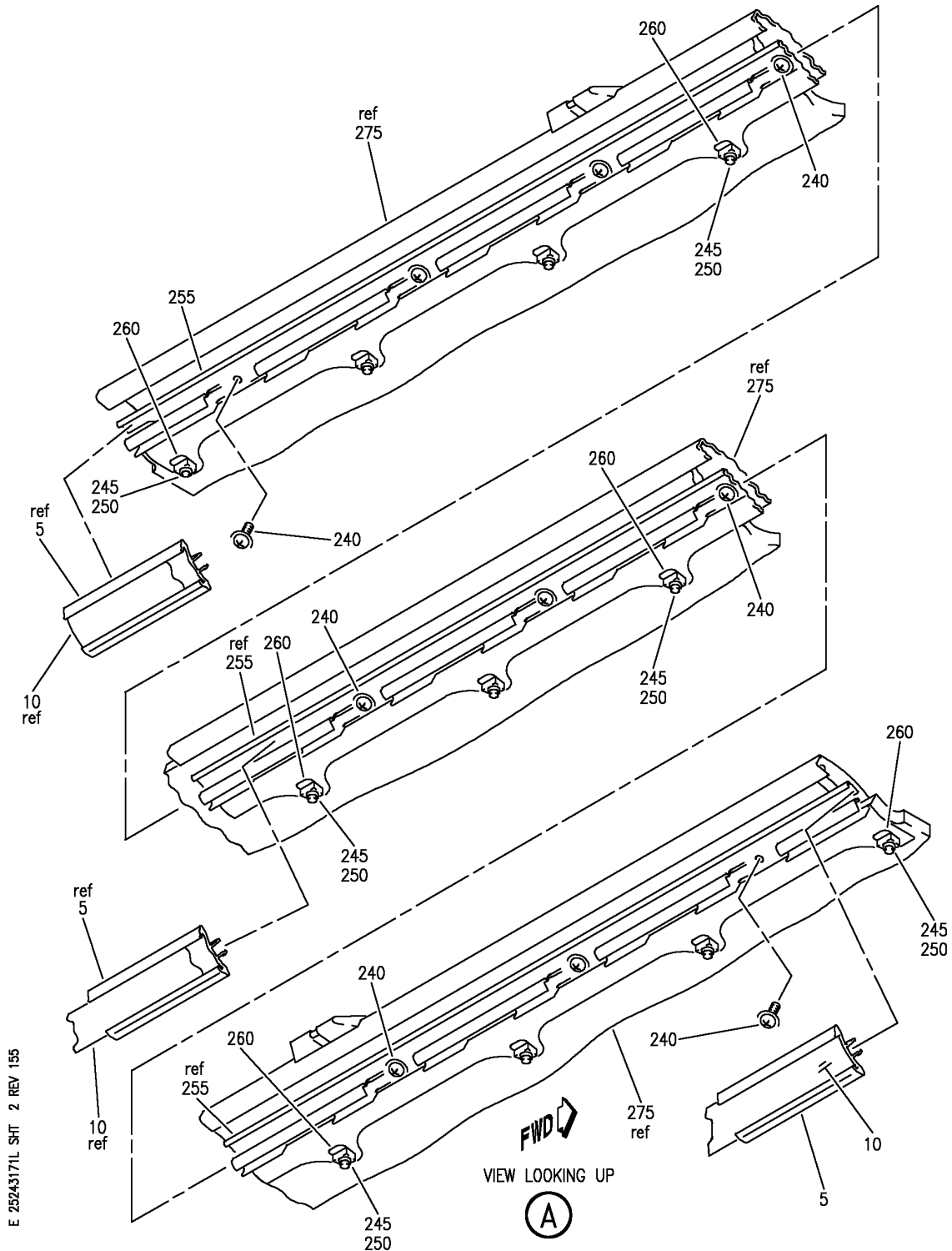
HAP
 OCT 10/07

25-24-31-71L

25-24-31-71L
 PAGE 0

BOEING PROPRIETARY - Copyright © - Unpublished Work - See title page for details.

BOEING
 737-600/700/800/900
 PARTS CATALOG (MAINTENANCE)



E 25243171L SHT 2 REV 155

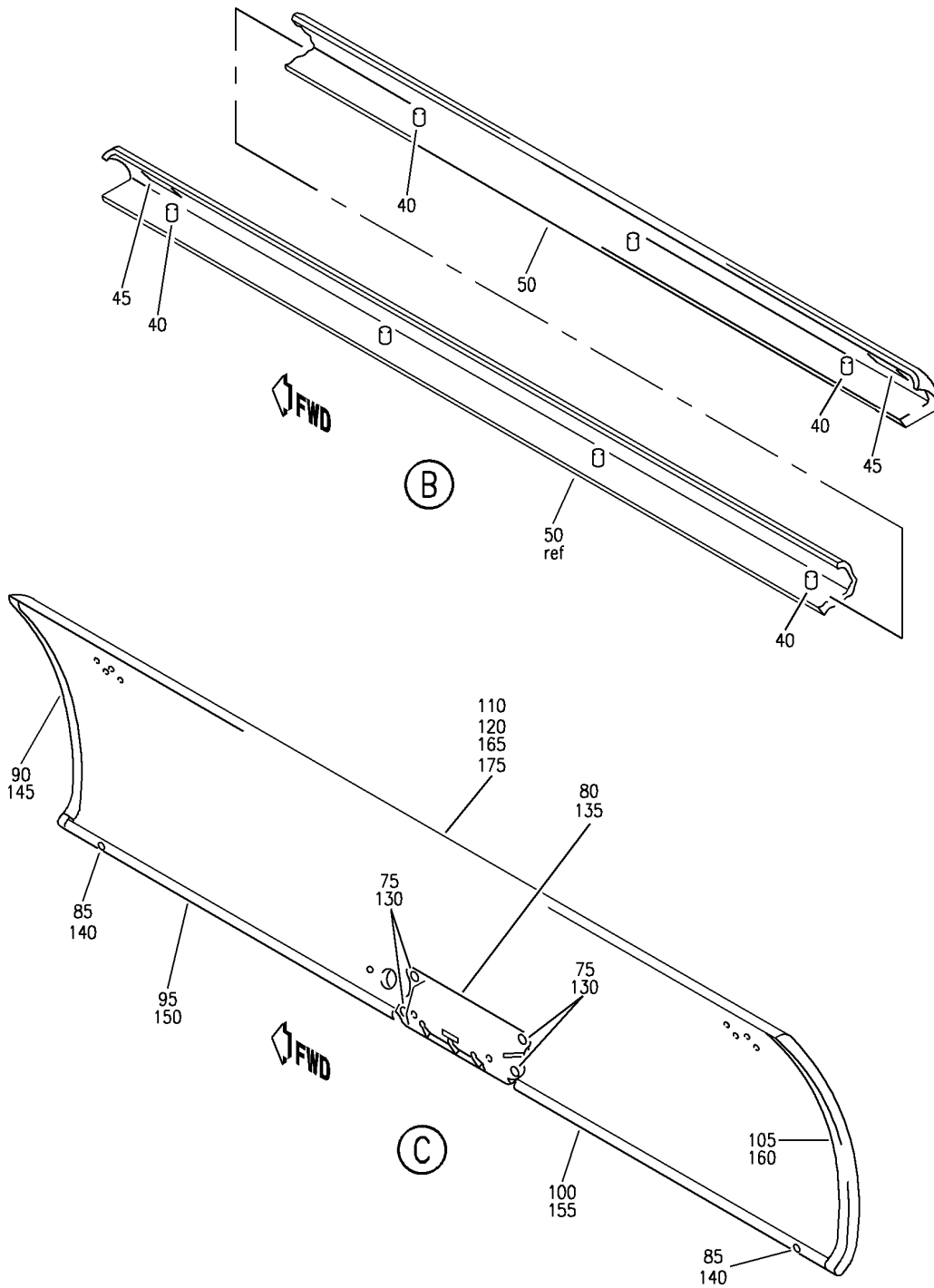
TOP ASSY-LH 70 IN. OVHD STOWAGE BIG BIN BULLNOSE CONFIGURATION (EQUIPMENT/FURNISHINGS ONLY)
 FIGURE 71L (SHEET 2)

HAP
 JUN 15/09

25-24-31-71L

25-24-31-71L
 PAGE 0A

BOEING
 737-600/700/800/900
 PARTS CATALOG (MAINTENANCE)



E 2524-3171L SHT 3 REV 134

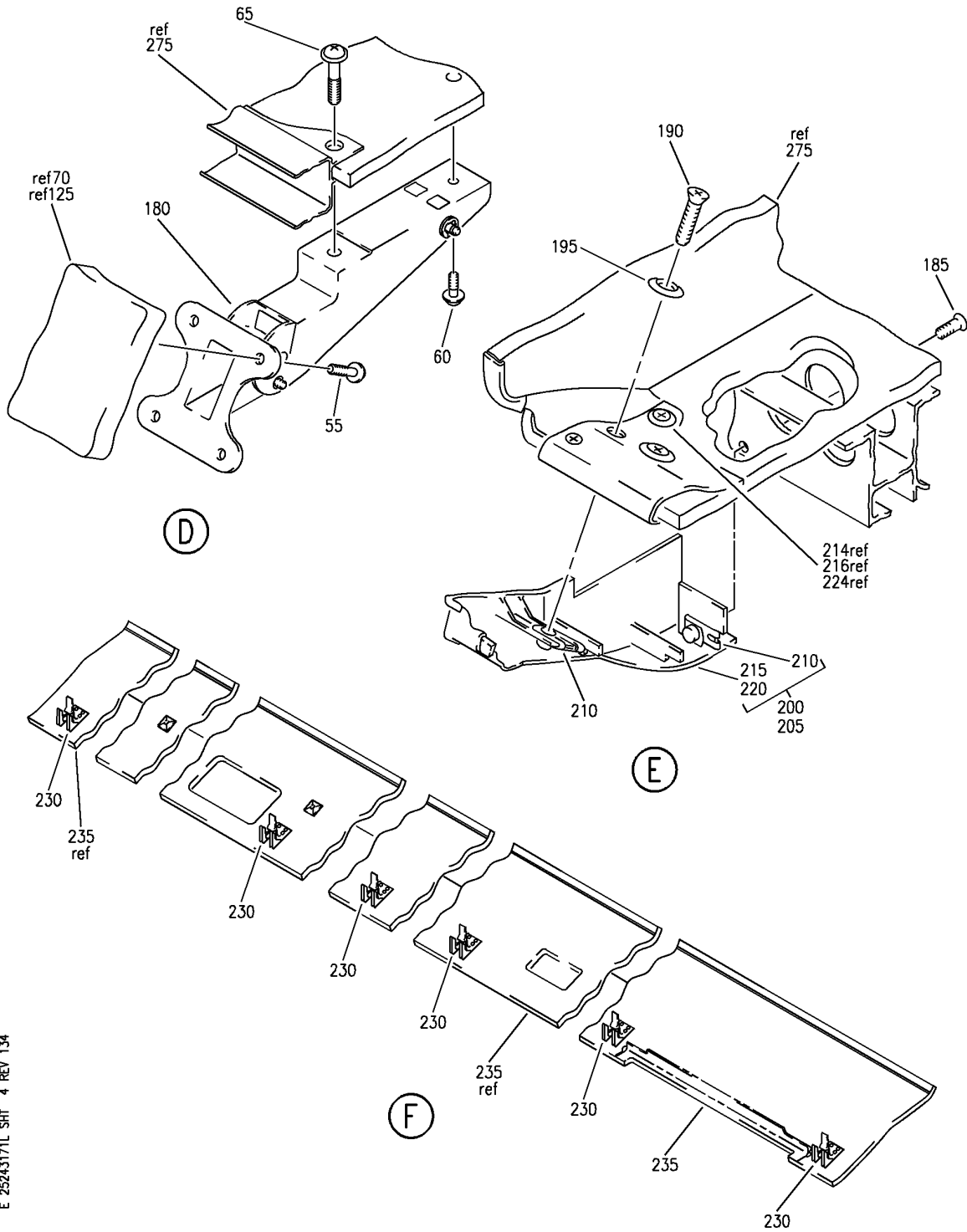
TOP ASSY-LH 70 IN. OVHD STOWAGE BIG BIN BULLNOSE CONFIGURATION (EQUIPMENT/FURNISHINGS ONLY)
 FIGURE 71L (SHEET 3)

HAP
 OCT 10/07

25-24-31-71L

25-24-31-71L
 PAGE 0B

BOEING
 737-600/700/800/900
 PARTS CATALOG (MAINTENANCE)



E 2524-3171L SHT 4 REV 134

TOP ASSY-LH 70 IN. OVHD STOWAGE BIG BIN BULLNOSE CONFIGURATION (EQUIPMENT/FURNISHINGS ONLY)
 FIGURE 71L (SHEET 4)

HAP
 OCT 10/07

25-24-31-71L

25-24-31-71L
 PAGE 0C

BOEING
737-600/700/800/900
PARTS CATALOG (MAINTENANCE)

FIG ITEM	PART NUMBER	1 2 3 4 5 6 7	NOMENCLATURE	EFFECT FROM TO	UNITS PER ASSY
71L			TOP ASSY-LH 70 IN. OVHD STOWAGE BIG BIN BULLNOSE CONFIGURATION (EQUIPMENT/FURNISHINGS ONLY)	044100	
- 1	412A1057-1037C		TOP ASSY-70 IN. OVHD STOWAGE BIG BIN BULLNOSE CONFIGURATION (EQUIPMENT/ FURNISHINGS ONLY) POSITION DATA: LH POST RAPID REVISION: RR97237-17B FOR NHA/OTHER SYS DET SEE: 25-24-30-84	044100	RF
5	412A1420-1A		.EXTRUSION-SEAT ROW MARKER	044100	1
10	412A1451-2BCWK		.STRIP-TRIM	044100	1
15	H3-1592-1		.LATCH-CLG SUPPLIER CODE: V34941 SPECIFICATION NUMBER: S411A001-1	044100	2
- 20	BACS12GU3K7		ATTACHING PARTS .SCREW	044100	4
- 25	NAS1149D0332J		.WASHER -----*-----	044100	4
30	412A1700-8A		.VALANCE ASSY-LT ATTACHING PARTS	044100	1
- 35	BACN10YJ3F		.NUT -----*-----	044100	7
40	BACS21DW3C10FN		..STUD	044100	7
45	412A1700-6		..TAPE-VELCRO	044100	2
50	412A1712-1A		..PANEL ASSY	044100	1
55	BACS12FA3K5		.SCREW	044100	16
60	BACS12FA3K6		.SCREW	044100	4
65	BACS12FA3K15		.SCREW	044100	4
70	412A1505-140B		.DOOR ASSY-34.7 IN. QUALIFIED I/W DATA: THE 412A1505-140B DOOR ASSEMBLY PLUS (QTY 2) HINGE (SP23011) TOGETHER CAN REPLACE THE 412A1505-40B DOOR ASSEMBLY PLUS (QTY 2) HINGE (SP21757).	044100	1
75	BACS12FA3K4		..SCREW	044100	4

MISSING ITEM NUMBERS NOT APPLICABLE

- ITEM NOT ILLUSTRATED

HAP

25-24-31-71L

BOEING PROPRIETARY - Copyright © - Unpublished Work - See title page for details.

25-24-31
FIG. 71L
PAGE 1
JUN 15/09


BOEING
737-600/700/800/900
PARTS CATALOG (MAINTENANCE)

FIG ITEM	PART NUMBER	1 2 3 4 5 6 7	NOMENCLATURE	EFFECT FROM TO	UNITS PER ASSY
71L 80	HA951-1	..	LATCH ASSY- SUPPLIER CODE: V83014 SPECIFICATION NUMBER: S412A003-1	044100	1
85	412A1810-3B	..	BUMPER- QUALIFIED I/W DATA: PN 412A1810-3B CAN REPLACE BUT NOT BE REPLACED BY PN 412A1810-2B FOR 737-600/700/800/900 ONLY.	044100	2
90	412A1452-107B	..	TRIM-VERT	044100	1
95	412A1452-109B	..	TRIM-EDGE	044100	1
100	412A1452-106B	..	TRIM-HORIZ	044100	1
105	412A1452-104B	..	TRIM-VERT	044100	1
110	412A1513-138B	..	PANEL ASSY	044100	1
- 115	SL618-3A	...	INSERT- SUPPLIER CODE: V97393	044100	12
120	412A1513-115B	...	PANEL ASSY	044100	1
125	412A1505-139B	.D	DOOR ASSY-34.7 IN. QUALIFIED I/W DATA: THE 412A1505-139B DOOR ASSEMBLY PLUS (QTY 2) HINGE (SP23011) TOGETHER CAN REPLACE THE 412A1505-39B DOOR ASSEMBLY PLUS (QTY 2) HINGE (SP21757).	044100	1
130	BACS12FA3K4	..	SCREW	044100	4
135	HA951-1	..	LATCH ASSY- SUPPLIER CODE: V83014 SPECIFICATION NUMBER: S412A003-1	044100	1
140	412A1810-3B	..	BUMPER- QUALIFIED I/W DATA: PN 412A1810-3B CAN REPLACE BUT NOT BE REPLACED BY PN 412A1810-2B FOR 737-600/700/800/900 ONLY.	044100	2
145	412A1452-108B	..	TRIM-VERT	044100	1
150	412A1452-110B	..	TRIM-EDGE	044100	1
155	412A1452-105B	..	TRIM-HORIZ	044100	1
160	412A1452-103B	..	TRIM-VERT	044100	1

MISSING ITEM NUMBERS NOT APPLICABLE

- ITEM NOT ILLUSTRATED

HAP

25-24-31-71L

BOEING PROPRIETARY - Copyright © - Unpublished Work - See title page for details.

25-24-31
 FIG. 71L
 PAGE 2
 JUN 15/09

BOEING
737-600/700/800/900
PARTS CATALOG (MAINTENANCE)

FIG ITEM	PART NUMBER	1 2 3 4 5 6 7	NOMENCLATURE	EFFECT FROM TO	UNITS PER ASSY
71L					
165	412A1513-137B	..	PANEL ASSY	044100	1
- 170	SL618-3A	...	INSERT-	044100	12
			SUPPLIER CODE: V97393		
175	412A1513-115B	...	PANEL ASSY	044100	1
180	SP23011	.HINGE	ASSY-	044100	4
			SUPPLIER CODE: V24403		
			SPECIFICATION NUMBER: S412A004-3		
185	BACB30VF3K3	.BOLT		044100	2
190	BACS12ER3K11	.SCREW		044100	2
195	H3-1233A3	.WASHER-		044100	2
			SUPPLIER CODE: V34941		
			SPECIFICATION NUMBER: S411A001-1		
200	412A1467-1B	.CLOSEOUT	ASSY	044100	1
205	412A1467-2B	.CLOSEOUT	ASSY	044100	1
210	BACN10VR4CGN	..NUT-		044100	2
			OPTIONAL PART: BACN10VR4CG		
210	BACN10VR4CG	..NUT-		044100	2
			OPTIONAL PART: BACN10VR4CGN		
215	412A1467-5B	..CLOSEOUT-		044100	1
			USED ON: 412A1467-1B		
220	412A1467-6B	..CLOSEOUT-		044100	1
			USED ON: 412A1467-2B		
225	412A1607-41B	.COVER	ASSY	044100	1
230	412A1460-2	..CLIP		044100	5
235	412A1617-34B	..PANEL		044100	1
240	BACS12FA3K5	.SCREW		044100	10
245	BACS12ER3K14	.SCREW		044100	11
250	H3-1233A3	.WASHER-		044100	11
			SUPPLIER CODE: V34941		
			SPECIFICATION NUMBER: S411A001-1		
255	412A1244-3	.EXTRUSION	ASSY	044100	1

MISSING ITEM NUMBERS NOT APPLICABLE

- ITEM NOT ILLUSTRATED

HAP

25-24-31-71L

BOEING PROPRIETARY - Copyright © - Unpublished Work - See title page for details.

25-24-31
FIG. 71L
PAGE 3
JUN 15/09

BOEING
737-600/700/800/900
PARTS CATALOG (MAINTENANCE)

FIG ITEM	PART NUMBER	1 2 3 4 5 6 7	NOMENCLATURE	EFFECT FROM TO	UNITS PER ASSY
71L 260	FS1651-3		..NUTPLATE SUPPLIER CODE: V15653 SPECIFICATION NUMBER: BACN10KH3CD OPTIONAL PART: 102F9209M3 V72962 NS202496-02 V80539 ATTACHING PARTS	044100	11
- 265	BACR15BA3ADC		..RIVET- SIZE DETERMINED ON INSTL. -----*-----	044100	22
- 270	412A1811-2B		.PLUG	044100	AR
275	412A1205-37B		.BOX ASSY-70 IN. BIG BIN FOR DETAILS SEE: 25-24-32-70B	044100	1

MISSING ITEM NUMBERS NOT APPLICABLE

- ITEM NOT ILLUSTRATED

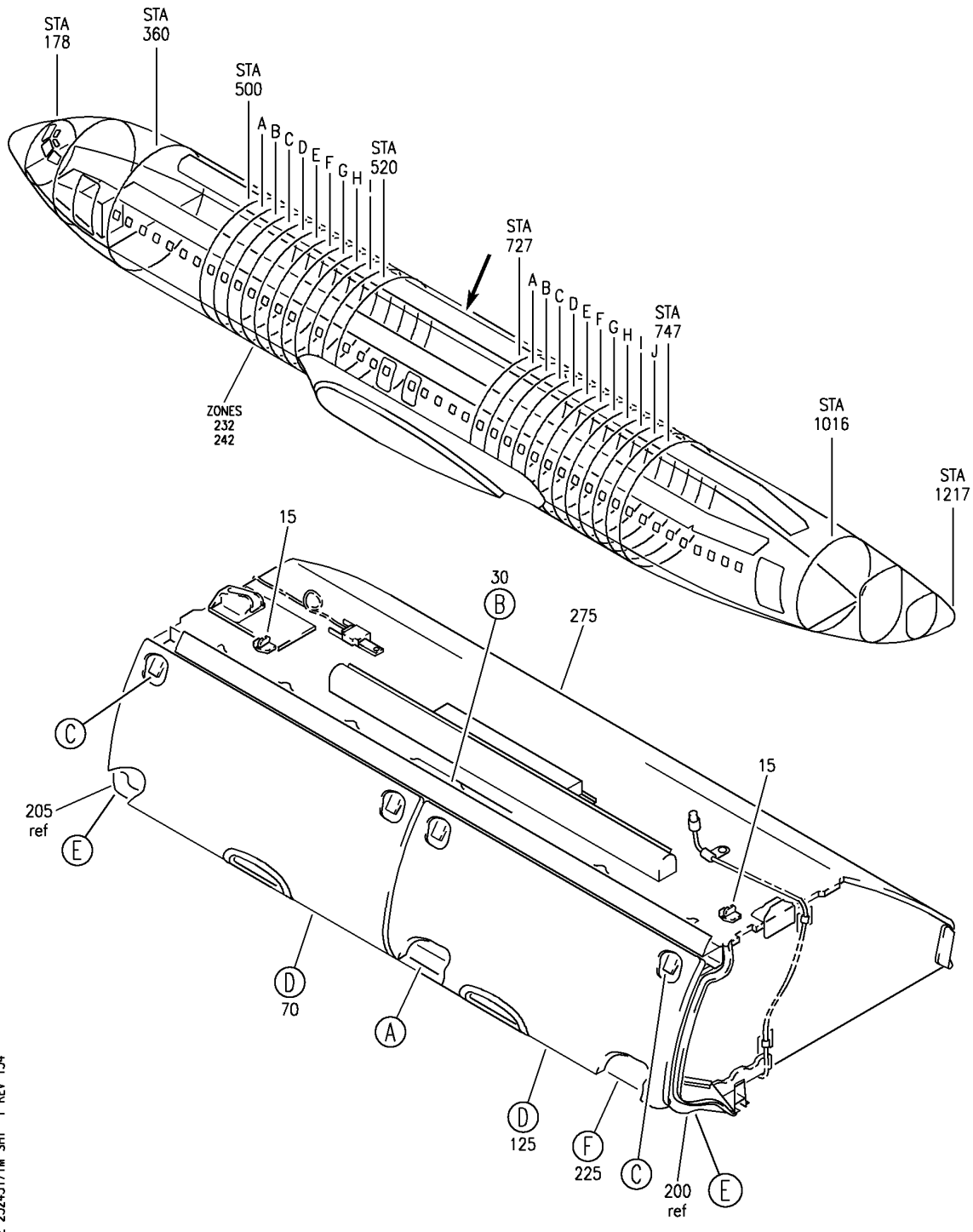
HAP

25-24-31-71L

BOEING PROPRIETARY - Copyright © - Unpublished Work - See title page for details.

25-24-31
FIG. 71L
PAGE 4
JUN 15/09

BOEING
737-600/700/800/900
PARTS CATALOG (MAINTENANCE)



E 25243171M SHT 1 REV 134

TOP ASSY-RH 70 IN. OVHD STOWAGE BIG BIN BULLNOSE CONFIGURATION (EQUIPMENT/FURNISHINGS ONLY)
FIGURE 71M (SHEET 1)

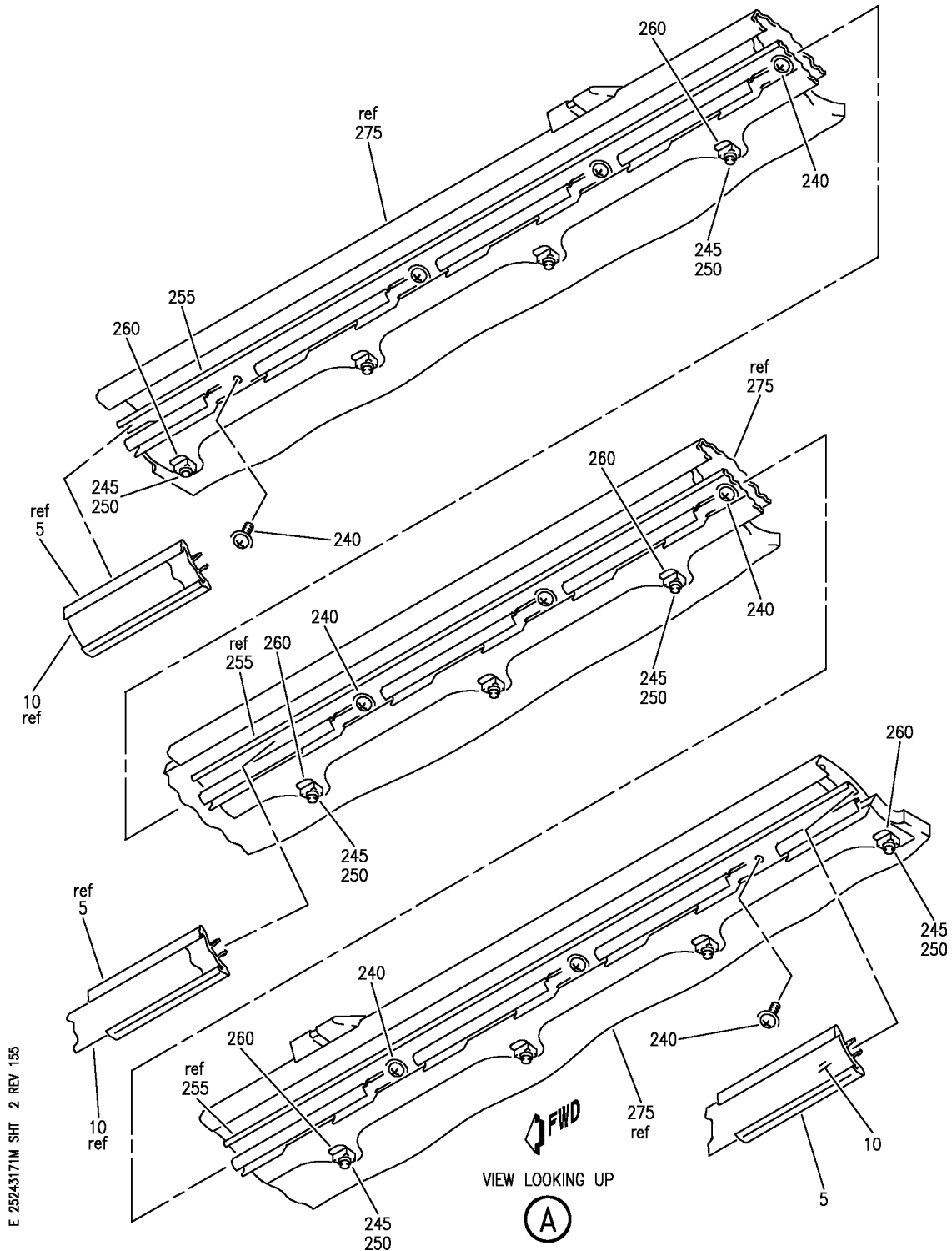
HAP
OCT 10/07

25-24-31-71M

25-24-31-71M
PAGE 0

BOEING PROPRIETARY - Copyright © - Unpublished Work - See title page for details.

BOEING
 737-600/700/800/900
 PARTS CATALOG (MAINTENANCE)



E 25243171M SHT 2 REV 155

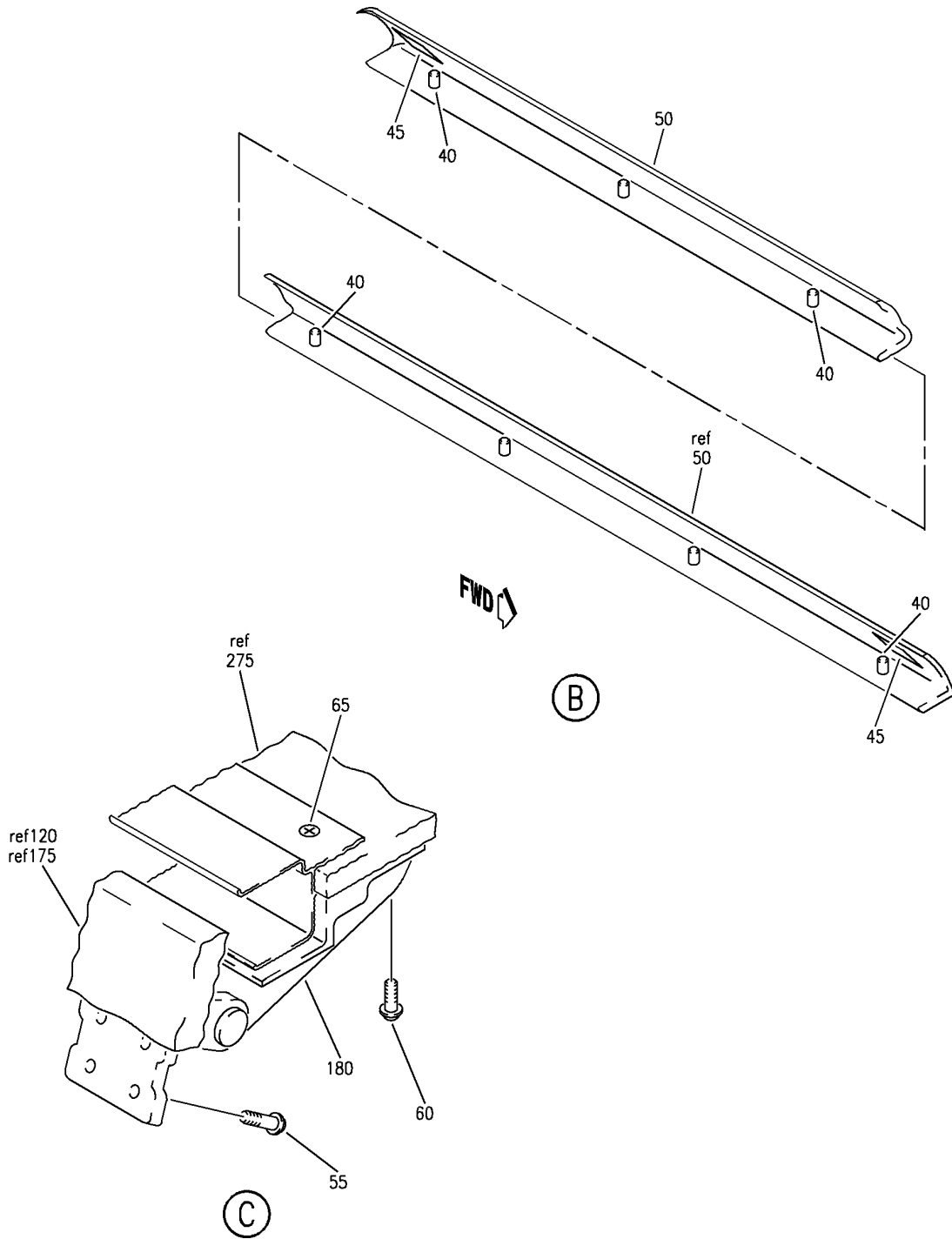
TOP ASSY-RH 70 IN. OVHD STOWAGE BIG BIN BULLNOSE CONFIGURATION (EQUIPMENT/FURNISHINGS ONLY)
 FIGURE 71M (SHEET 2)

HAP
 JUN 15/09

25-24-31-71M

25-24-31-71M
 PAGE 0A

BOEING
 737-600/700/800/900
 PARTS CATALOG (MAINTENANCE)



E 25243171M SHT 3 REV 134

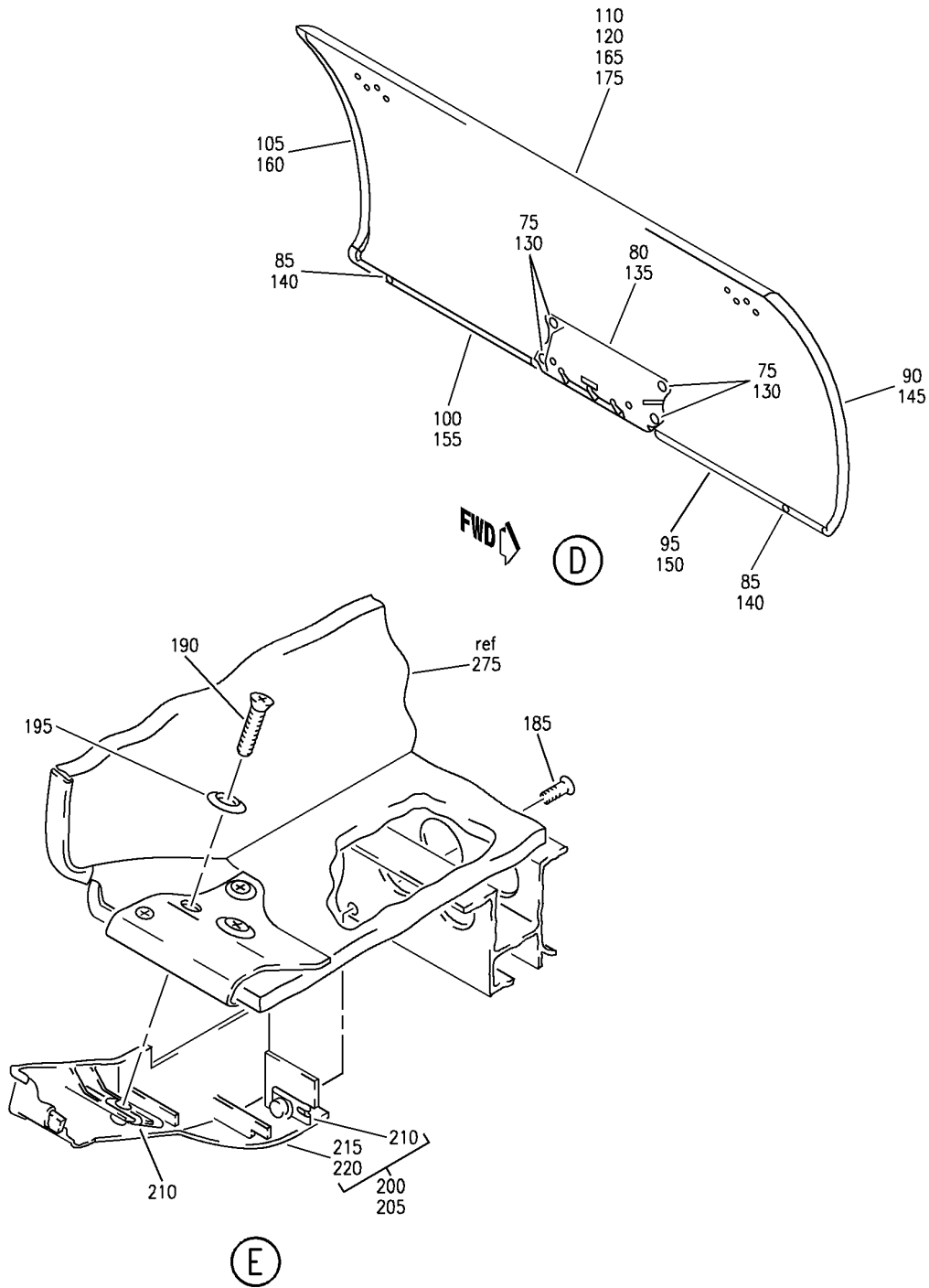
TOP ASSY-RH 70 IN. OVHD STOWAGE BIG BIN BULLNOSE CONFIGURATION (EQUIPMENT/FURNISHINGS ONLY)
 FIGURE 71M (SHEET 3)

HAP
 OCT 10/07

25-24-31-71M

25-24-31-71M
 PAGE 0B

BOEING
 737-600/700/800/900
 PARTS CATALOG (MAINTENANCE)



E 25243171M SHT 4 REV 134

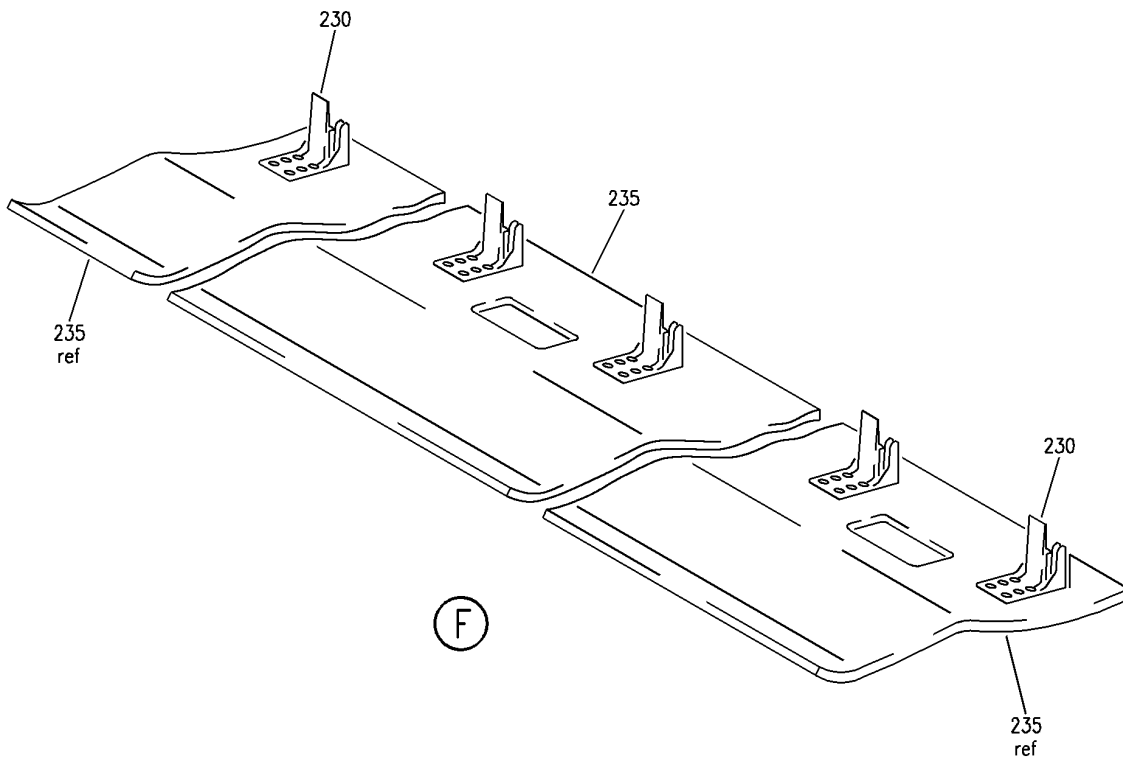
TOP ASSY-RH 70 IN. OVHD STOWAGE BIG BIN BULLNOSE CONFIGURATION (EQUIPMENT/FURNISHINGS ONLY)
 FIGURE 71M (SHEET 4)

HAP
 OCT 10/07

25-24-31-71M

25-24-31-71M
 PAGE 0C

BOEING
737-600/700/800/900
PARTS CATALOG (MAINTENANCE)



E 2524-3171M SHT 5 REV 134

TOP ASSY-RH 70 IN. OVHD STOWAGE BIG BIN BULLNOSE CONFIGURATION (EQUIPMENT/FURNISHINGS ONLY)
FIGURE 71M (SHEET 5)

HAP
OCT 10/07

25-24-31-71M

25-24-31-71M
PAGE 0D

BOEING PROPRIETARY - Copyright © - Unpublished Work - See title page for details.

BOEING
737-600/700/800/900
PARTS CATALOG (MAINTENANCE)

FIG ITEM	PART NUMBER	1 2 3 4 5 6 7	NOMENCLATURE	EFFECT FROM TO	UNITS PER ASSY
71M			TOP ASSY-RH 70 IN. OVHD STOWAGE BIG BIN BULLNOSE CONFIGURATION (EQUIPMENT/FURNISHINGS ONLY)	044100	
- 1	412A1057-1038C		TOP ASSY-70 IN. OVHD STOWAGE BIG BIN BULLNOSE CONFIGURATION (EQUIPMENT/ FURNISHINGS ONLY) POSITION DATA: RH POST RAPID REVISION: RR97237-17B FOR NHA/OTHER SYS DET SEE: 25-24-30-84	044100	RF
5	412A1420-1A		.EXTRUSION-SEAT ROW MARKER	044100	1
10	412A1451-2BCWK		.STRIP-TRIM	044100	1
15	H3-1592-1		.LATCH-CLG SUPPLIER CODE: V34941 SPECIFICATION NUMBER: S411A001-1	044100	2
- 20	BACS12GU3K7		ATTACHING PARTS .SCREW	044100	4
- 25	NAS1149D0332J		.WASHER -----*-----	044100	4
30	412A1700-8A		.VALANCE ASSY-LT ATTACHING PARTS	044100	1
- 35	BACN10YJ3F		.NUT -----*-----	044100	7
40	BACS21DW3C10FN		..STUD	044100	7
45	412A1700-6		..TAPE-VELCRO	044100	2
50	412A1712-1A		..PANEL ASSY	044100	1
55	BACS12FA3K5		.SCREW	044100	16
60	BACS12FA3K6		.SCREW	044100	4
65	BACS12FA3K15		.SCREW	044100	4
70	412A1505-140B		.DOOR ASSY-34.7 IN. QUALIFIED I/W DATA: THE 412A1505-140B DOOR ASSEMBLY PLUS (QTY 2) HINGE (SP23011) TOGETHER CAN REPLACE THE 412A1505-40B DOOR ASSEMBLY PLUS (QTY 2) HINGE (SP21757).	044100	1
75	BACS12FA3K4		..SCREW	044100	4

MISSING ITEM NUMBERS NOT APPLICABLE

- ITEM NOT ILLUSTRATED

HAP

25-24-31-71M

BOEING PROPRIETARY - Copyright © - Unpublished Work - See title page for details.

25-24-31
FIG. 71M
PAGE 1
JUN 15/09

BOEING
737-600/700/800/900
PARTS CATALOG (MAINTENANCE)

FIG ITEM	PART NUMBER	1 2 3 4 5 6 7	NOMENCLATURE	EFFECT FROM TO	UNITS PER ASSY
71M 80	HA951-1		.. LATCH ASSY- SUPPLIER CODE: V83014 SPECIFICATION NUMBER: S412A003-1	044100	1
85	412A1810-3B		.. BUMPER- QUALIFIED I/W DATA: PN 412A1810-3B CAN REPLACE BUT NOT BE REPLACED BY PN 412A1810-2B FOR 737-600/700/800/900 ONLY.	044100	2
90	412A1452-107B		.. TRIM-VERT	044100	1
95	412A1452-109B		.. TRIM-EDGE	044100	1
100	412A1452-106B		.. TRIM-HORIZ	044100	1
105	412A1452-104B		.. TRIM-VERT	044100	1
110	412A1513-138B		.. PANEL ASSY	044100	1
- 115	SL618-3A		... INSERT- SUPPLIER CODE: V97393	044100	12
120	412A1513-115B		... PANEL ASSY	044100	1
125	412A1505-139B		. DOOR ASSY-34.7 IN. QUALIFIED I/W DATA: THE 412A1505-139B DOOR ASSEMBLY PLUS (QTY 2) HINGE (SP23011) TOGETHER CAN REPLACE THE 412A1505-39B DOOR ASSEMBLY PLUS (QTY 2) HINGE (SP21757).	044100	1
130	BACS12FA3K4		.. SCREW	044100	4
135	HA951-1		.. LATCH ASSY- SUPPLIER CODE: V83014 SPECIFICATION NUMBER: S412A003-1	044100	1
140	412A1810-3B		.. BUMPER- QUALIFIED I/W DATA: PN 412A1810-3B CAN REPLACE BUT NOT BE REPLACED BY PN 412A1810-2B FOR 737-600/700/800/900 ONLY.	044100	2
145	412A1452-108B		.. TRIM-VERT	044100	1
150	412A1452-110B		.. TRIM-EDGE	044100	1
155	412A1452-105B		.. TRIM-HORIZ	044100	1
160	412A1452-103B		.. TRIM-VERT	044100	1

MISSING ITEM NUMBERS NOT APPLICABLE

- ITEM NOT ILLUSTRATED

HAP

25-24-31-71M

BOEING PROPRIETARY - Copyright © - Unpublished Work - See title page for details.

25-24-31
FIG. 71M
PAGE 2
JUN 15/09

BOEING
737-600/700/800/900
PARTS CATALOG (MAINTENANCE)

FIG ITEM	PART NUMBER	1 2 3 4 5 6 7	NOMENCLATURE	EFFECT FROM TO	UNITS PER ASSY
71M					
165	412A1513-137B	..	PANEL ASSY	044100	1
- 170	SL618-3A	...	INSERT-	044100	12
			SUPPLIER CODE: V97393		
175	412A1513-115B	...	PANEL ASSY	044100	1
180	SP23011	.HINGE	ASSY-	044100	4
			SUPPLIER CODE: V24403		
			SPECIFICATION NUMBER: S412A004-3		
185	BACB30VF3K3	.BOLT		044100	2
190	BACS12ER3K11	.SCREW		044100	2
195	H3-1233A3	.WASHER-		044100	2
			SUPPLIER CODE: V34941		
			SPECIFICATION NUMBER: S411A001-1		
200	412A1467-1B	.CLOSEOUT	ASSY	044100	1
205	412A1467-2B	.CLOSEOUT	ASSY	044100	1
210	BACN10VR4CGN	..NUT-		044100	2
			OPTIONAL PART: BACN10VR4CG		
210	BACN10VR4CG	..NUT-		044100	2
			OPTIONAL PART: BACN10VR4CGN		
215	412A1467-5B	..CLOSEOUT-		044100	1
			USED ON: 412A1467-1B		
220	412A1467-6B	..CLOSEOUT-		044100	1
			USED ON: 412A1467-2B		
225	412A1607-41B	.COVER	ASSY	044100	1
230	412A1460-2	..CLIP		044100	5
235	412A1617-34B	..PANEL		044100	1
240	BACS12FA3K5	.SCREW		044100	10
245	BACS12ER3K14	.SCREW		044100	11
250	H3-1233A3	.WASHER-		044100	11
			SUPPLIER CODE: V34941		
			SPECIFICATION NUMBER: S411A001-1		
255	412A1244-3	.EXTRUSION	ASSY	044100	1

MISSING ITEM NUMBERS NOT APPLICABLE

- ITEM NOT ILLUSTRATED

HAP

25-24-31-71M

BOEING PROPRIETARY - Copyright © - Unpublished Work - See title page for details.

25-24-31
FIG. 71M
PAGE 3
JUN 15/09

BOEING
737-600/700/800/900
PARTS CATALOG (MAINTENANCE)

FIG ITEM	PART NUMBER	1 2 3 4 5 6 7	NOMENCLATURE	EFFECT FROM TO	UNITS PER ASSY
71M 260	FS1651-3		..NUTPLATE SUPPLIER CODE: V15653 SPECIFICATION NUMBER: BACN10KH3CD OPTIONAL PART: 102F9209M3 V72962 NS202496-02 V80539 ATTACHING PARTS	044100	11
- 265	BACR15BA3ADC		..RIVET- SIZE DETERMINED ON INSTL. -----*-----	044100	22
- 270	412A1811-2B		.PLUG	044100	AR
275	412A1205-38B		.BOX ASSY-70 IN. BIG BIN FOR DETAILS SEE: 25-24-32-70F	044100	1

MISSING ITEM NUMBERS NOT APPLICABLE

- ITEM NOT ILLUSTRATED

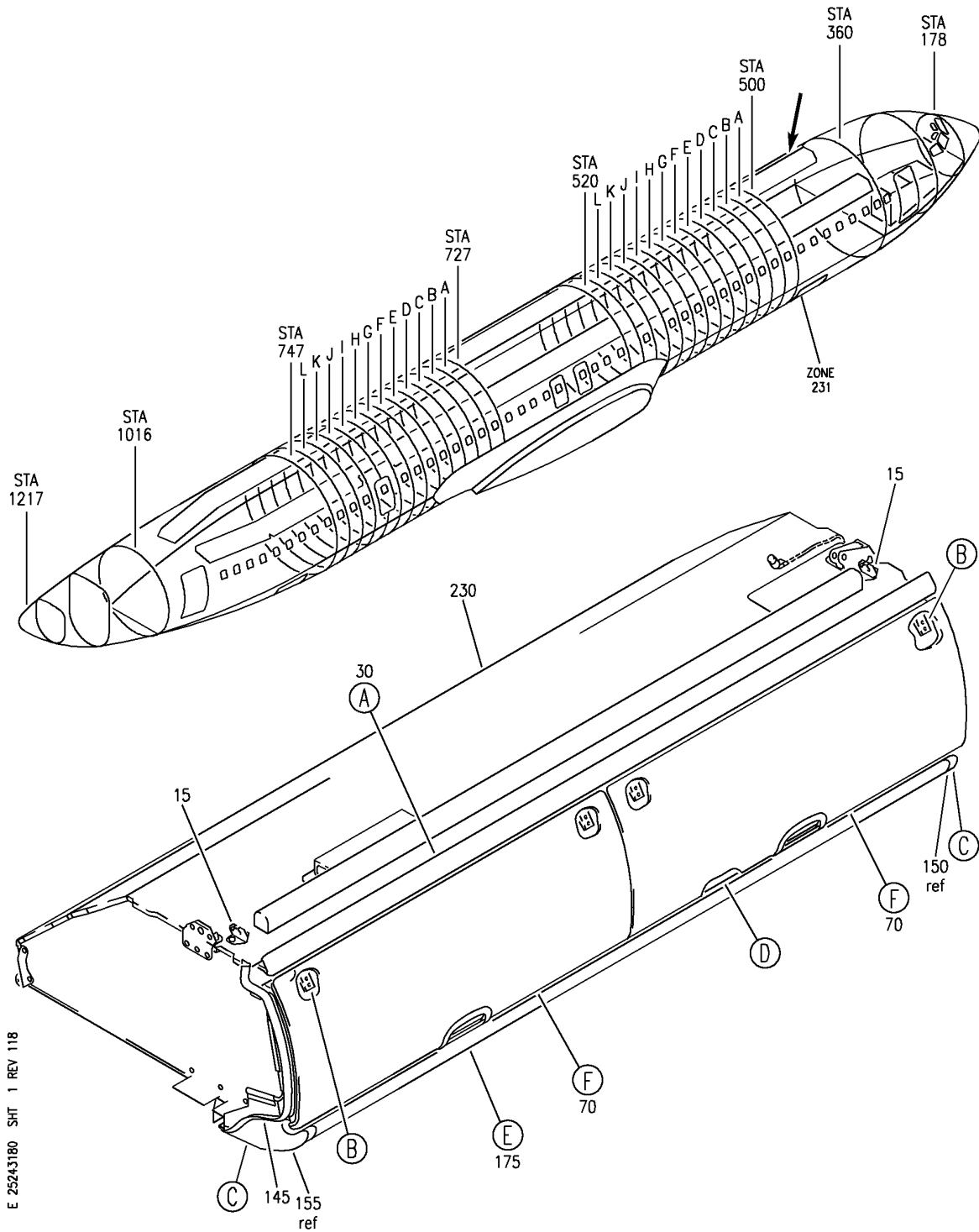
HAP

25-24-31-71M

BOEING PROPRIETARY - Copyright © - Unpublished Work - See title page for details.

25-24-31
FIG. 71M
PAGE 4
JUN 15/09

BOEING
 737-600/700/800/900
 PARTS CATALOG (MAINTENANCE)



E 2524-3180 SHT 1 REV 118

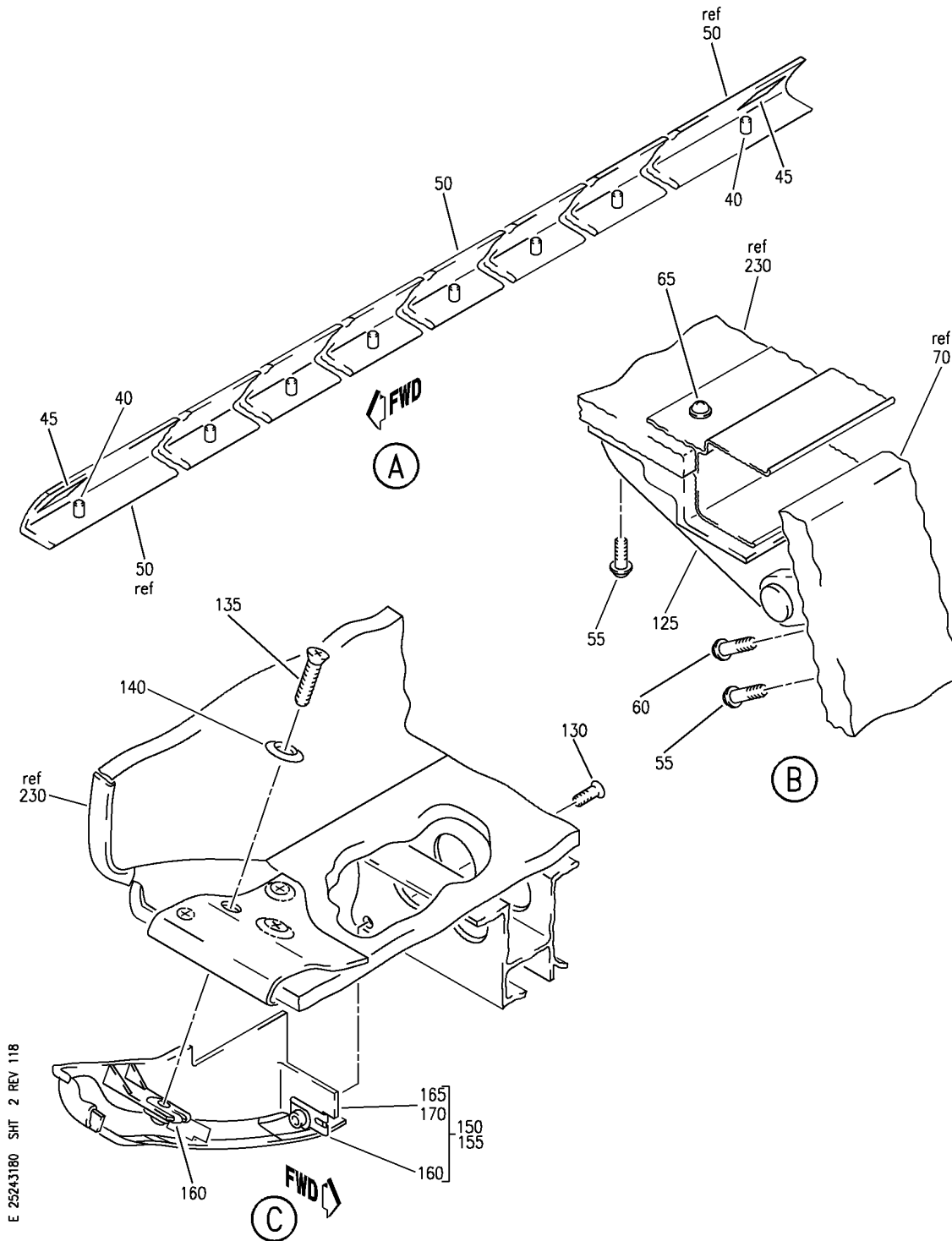
TOP ASSY-80 IN. OVHD STORAGE BULLNOSE CONFIGURATION LH (EQUIPMENT/FURNISHINGS ONLY)
 FIGURE 80 (SHEET 1)

25-24-31-80

HAP
 OCT 10/06

25-24-31-80
 PAGE 0

BOEING
 737-600/700/800/900
 PARTS CATALOG (MAINTENANCE)



E 2524-3180 SHT 2 REV 118

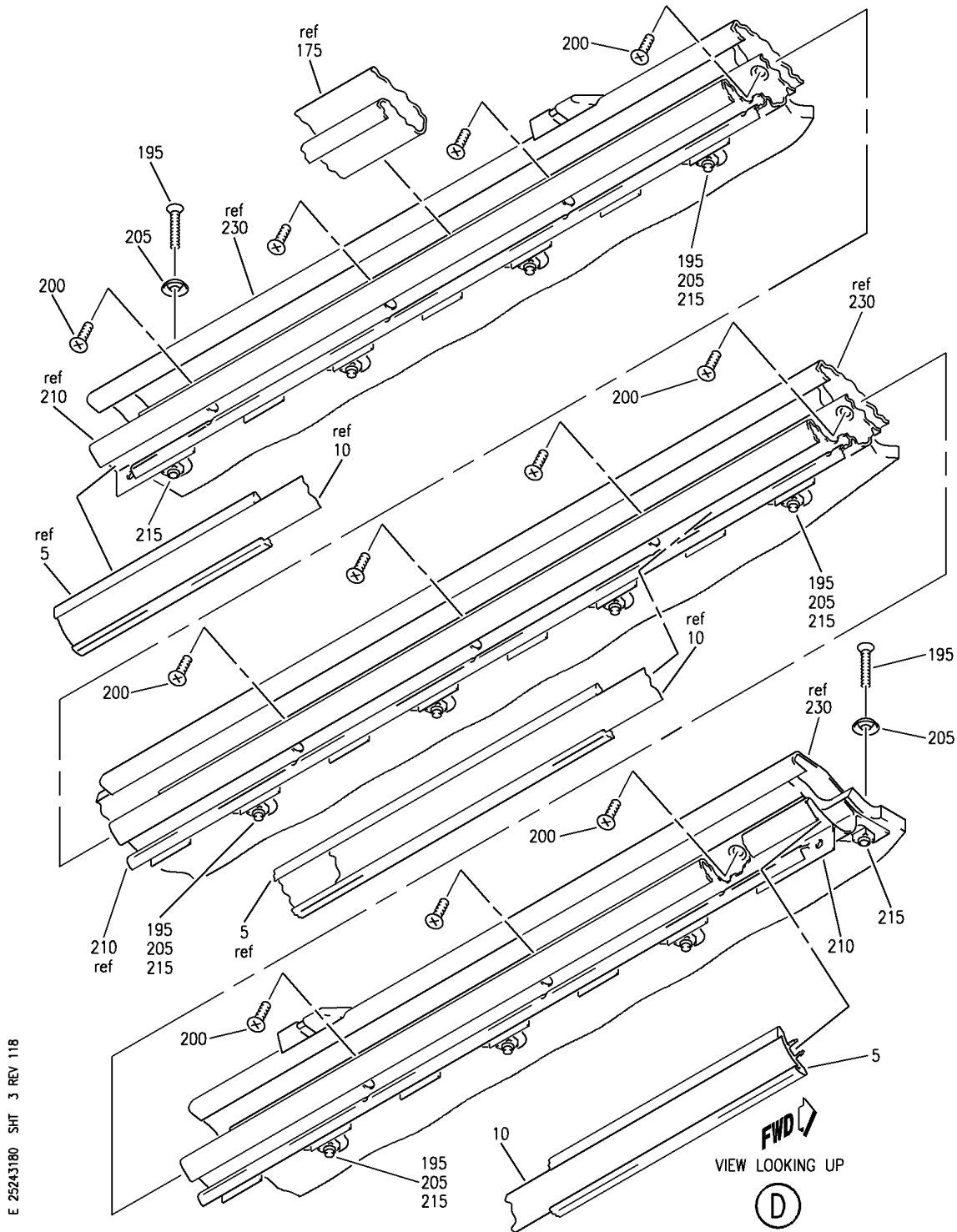
TOP ASSY-80 IN. OVHD STORAGE BULLNOSE CONFIGURATION LH (EQUIPMENT/FURNISHINGS ONLY)
 FIGURE 80 (SHEET 2)

25-24-31-80

HAP
 OCT 10/06

25-24-31-80
 PAGE 0A

BOEING
 737-600/700/800/900
 PARTS CATALOG (MAINTENANCE)



E 2524-3180 SHT 3 REV 118

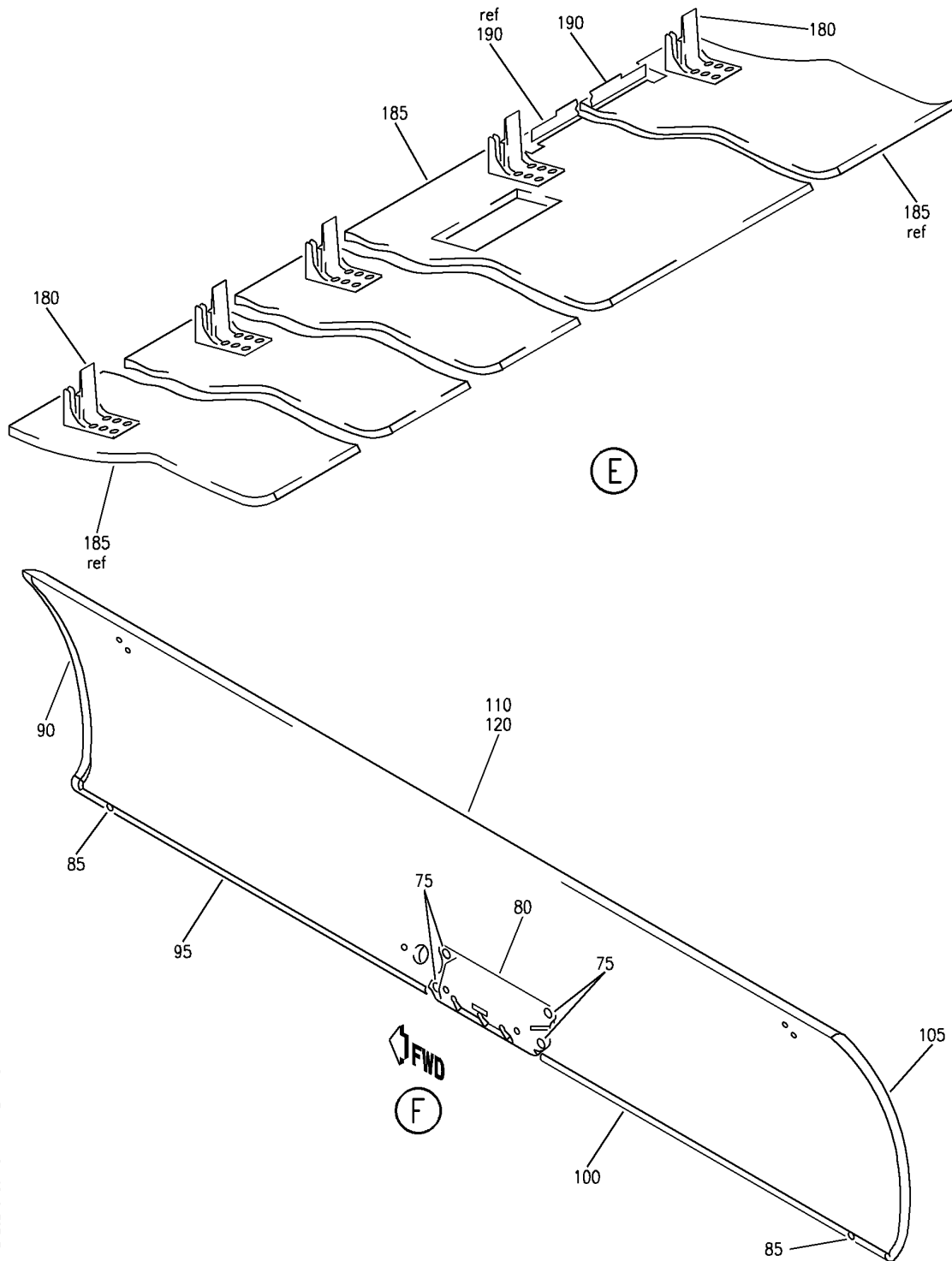
TOP ASSY-80 IN. OVHD STORAGE BULLNOSE CONFIGURATION LH (EQUIPMENT/FURNISHINGS ONLY)
 FIGURE 80 (SHEET 3)

25-24-31-80

HAP
 OCT 10/06

25-24-31-80
 PAGE 0B

BOEING
 737-600/700/800/900
 PARTS CATALOG (MAINTENANCE)



E 2524-3180 SHT 4 REV 118

TOP ASSY-80 IN. OVHD STORAGE BULLNOSE CONFIGURATION LH (EQUIPMENT/FURNISHINGS ONLY)
 FIGURE 80 (SHEET 4)

25-24-31-80

HAP
 OCT 10/06

25-24-31-80
 PAGE 0C

BOEING
737-600/700/800/900
PARTS CATALOG (MAINTENANCE)

FIG ITEM	PART NUMBER	1 2 3 4 5 6 7	NOMENCLATURE	EFFECT FROM TO	UNITS PER ASSY
80			TOP ASSY-80 IN. OVHD STOWAGE BULLNOSE CONFIGURATION LH (EQUIPMENT/FURNISHINGS ONLY)	031043 101101 968971	
- 1	412A1057-15C		TOP ASSY-80 IN. OVHD STOWAGE BULLNOSE CONFIGURATION (EQUIPMENT/FURNISHINGS ONLY) POSITION DATA: LH FOR NHA/OTHER SYS DET SEE: 25-24-30-77 25-24-30-84	031043 101101 968971	RF
5	412A1420-1A		.EXTRUSION-SEAT ROW MARKER	031043 101101 968971	1
10	412A1451-2BCWK		.STRIP	031043 101101 968971	1
15	H3-1592-1		.LATCH-CLG SUPPLIER CODE: V34941 SPECIFICATION NUMBER: S411A001-1 ATTACHING PARTS	031043 101101 968971	2
- 20	BACS12GU3K7		.SCREW	031043 101101 968971	4
- 25	NAS1149D0332J		.WASHER	031043 101101 968971	4
30	412A1700-1A		-----*----- .VALANCE ASSY-LT	031043 101101 968971	1
- 35	BACN10YJ3F		ATTACHING PARTS .NUT	031043 101101 968971	8
40	BACS21DW3C10FN		-----*----- ..STUD	031043 101101 968971	8
45	412A1700-6		..TAPE-VELCRO	031043 101101 968971	2

MISSING ITEM NUMBERS NOT APPLICABLE

- ITEM NOT ILLUSTRATED

HAP

25-24-31-80

25-24-31
FIG. 80
PAGE 1
FEB 15/08

BOEING
737-600/700/800/900
PARTS CATALOG (MAINTENANCE)

FIG ITEM	PART NUMBER	1 2 3 4 5 6 7	NOMENCLATURE	EFFECT FROM TO	UNITS PER ASSY
80					
50	412A1710-1A	..	PANEL ASSY	031043 101101 968971	1
55	BACS12FA3K6	.S	SCREW	031043 101101 968971	8
60	BACS12FA3K7	.S	SCREW	031043 101101 968971	4
65	BACS12FA3K15	.S	SCREW	031043 101101 968971	4
70	412A1505-1B	.D	DOOR ASSY-40 IN.	031043 101101 968971	2
75	BACS12FA3K4	..S	SCREW	031043 101101 968971	4
80	HA951-1	..L	LATCH ASSY- SUPPLIER CODE: V83014 SPECIFICATION NUMBER: S412A003-1	031043 101101 968971	1
85	412A1810-2B	..B	BUMPER- QUALIFIED I/W DATA: PN 412A1810-3B CAN REPLACE BUT NOT BE REPLACED BY PN 412A1810-2B FOR 737-600/700/800/900 ONLY.	031043 101101 968971	2
85	412A1810-1A	..B	BUMPER-	031043 101101 968971	2
90	412A1452-4B	..T	TRIM-VERT	031043 101101 968971	1
95	412A1452-6B	..T	TRIM-HORIZ	031043 101101 968971	1
100	412A1452-5B	..T	TRIM-HORIZ	031043 101101 968971	1
105	412A1452-3B	..T	TRIM-VERT	031043 101101 968971	1
110	412A1513-2B	..	PANEL ASSY	031043 101101 968971	1

MISSING ITEM NUMBERS NOT APPLICABLE

— ITEM NOT ILLUSTRATED

HAP

25-24-31-80

BOEING PROPRIETARY - Copyright © - Unpublished Work - See title page for details.

25-24-31
FIG. 80
PAGE 2
OCT 15/08

BOEING
737-600/700/800/900
PARTS CATALOG (MAINTENANCE)

FIG ITEM	PART NUMBER	1 2 3 4 5 6 7	NOMENCLATURE	EFFECT FROM TO	UNITS PER ASSY
80					
- 115	SL618-3A	...	INSERT- SUPPLIER CODE: V97393	031043 101101 968971	8
120	412A1513-1B	...	PANEL ASSY	031043 101101 968971	1
125	SP21757	.	HINGE ASSY- SUPPLIER CODE: V24403 SPECIFICATION NUMBER: S412A004-1	031043 101101 968971	4
130	BACB30VF3K3	.	BOLT	031043 101101 968971	2
135	BACS12ER3K11	.	SCREW	031043 101101 968971	2
140	H3-1233A3	.	WASHER- SUPPLIER CODE: V34941 SPECIFICATION NUMBER: S411A001-1	031043 101101 968971	2
145	403A3210-95B	.	SEAL ASSY	031043 101101 968971	1
150	412A1467-1B	.	CLOSEOUT ASSY	031043 101101 968971	1
155	412A1467-2B	.	CLOSEOUT ASSY	031043 101101 968971	1
160	BACN10VR4CGN	..	NUT- OPTIONAL PART: BACN10VR4CG	031043 101101 968971	2
160	BACN10VR4CG	..	NUT- OPTIONAL PART: BACN10VR4CGN	031043 101101 968971	2
165	412A1467-5B	..	CLOSEOUT- USED ON: 412A1467-1B	031043 101101 968971	1
170	412A1467-6B	..	CLOSEOUT- USED ON: 412A1467-2B	031043 101101 968971	1
175	412A1607-21B	.	COVER ASSY	031043 101101 968971	1
180	412A1460-2	..	CLIP	031043 101101 968971	5

MISSING ITEM NUMBERS NOT APPLICABLE

- ITEM NOT ILLUSTRATED

HAP

25-24-31-80

25-24-31
FIG. 80
PAGE 3
OCT 15/08

BOEING
737-600/700/800/900
PARTS CATALOG (MAINTENANCE)

FIG ITEM	PART NUMBER	1 2 3 4 5 6 7	NOMENCLATURE	EFFECT FROM TO	UNITS PER ASSY
80					
185	412A1617-17B	. .	PANEL	031043 101101 968971	1
190	412A1450-22A	. .	TRIM	031043 101101 968971	1
195	BACS12ER3K14	. .	SCREW	031043 101101 968971	12
200	BACS12FA3K5	. .	SCREW	031043 101101 968971	11
205	H3-1233A3	. .	WASHER- SUPPLIER CODE: V34941 SPECIFICATION NUMBER: S411A001-1	031043 101101 968971	12
210	412A1244-1	. .	EXTRUSION ASSY	031043 101101 968971	1
215	FS1651-3	. .	NUTPLATE SUPPLIER CODE: V15653 SPECIFICATION NUMBER: BACN10KH3CD OPTIONAL PART: 102F9209M3 V72962 NS202496-02 V80539 ATTACHING PARTS	031043 101101 968971	12
- 220	BACR15BA3ADC	. .	RIVET- SIZE DETERMINED ON INSTL. -----*-----	031043 101101 968971	24
- 225	412A1811-2B	. .	PLUG	031043 101101 968971	AR
230	412A1205-15B	. .	BOX ASSY-BIN FOR DETAILS SEE: 25-24-32-83G	031043 101101 968971	1

MISSING ITEM NUMBERS NOT APPLICABLE

- ITEM NOT ILLUSTRATED

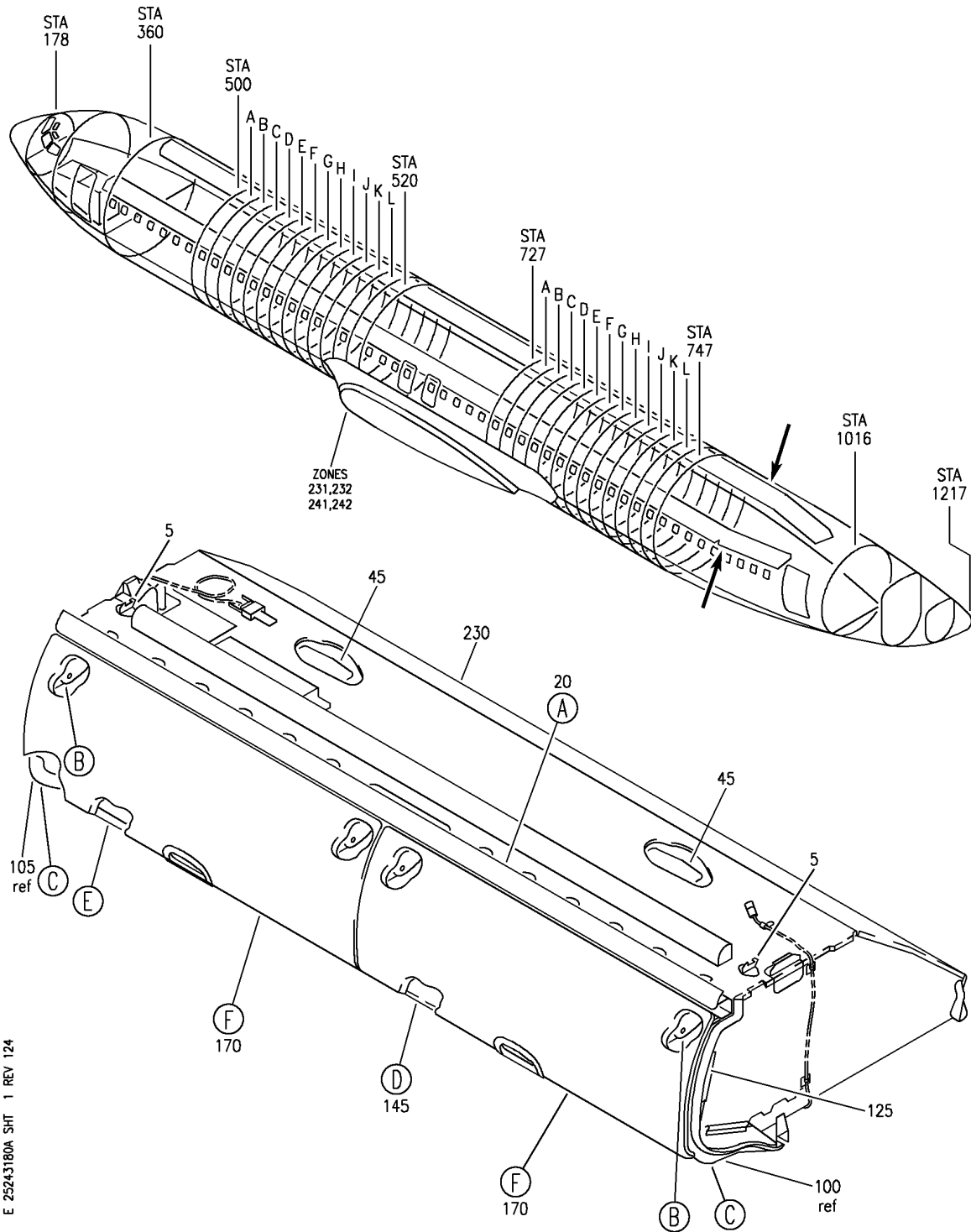
HAP

25-24-31-80

BOEING PROPRIETARY - Copyright © - Unpublished Work - See title page for details.

25-24-31
FIG. 80
PAGE 4
OCT 15/08

BOEING
737-600/700/800/900
PARTS CATALOG (MAINTENANCE)



E 2524-3180A SHT 1 REV 124

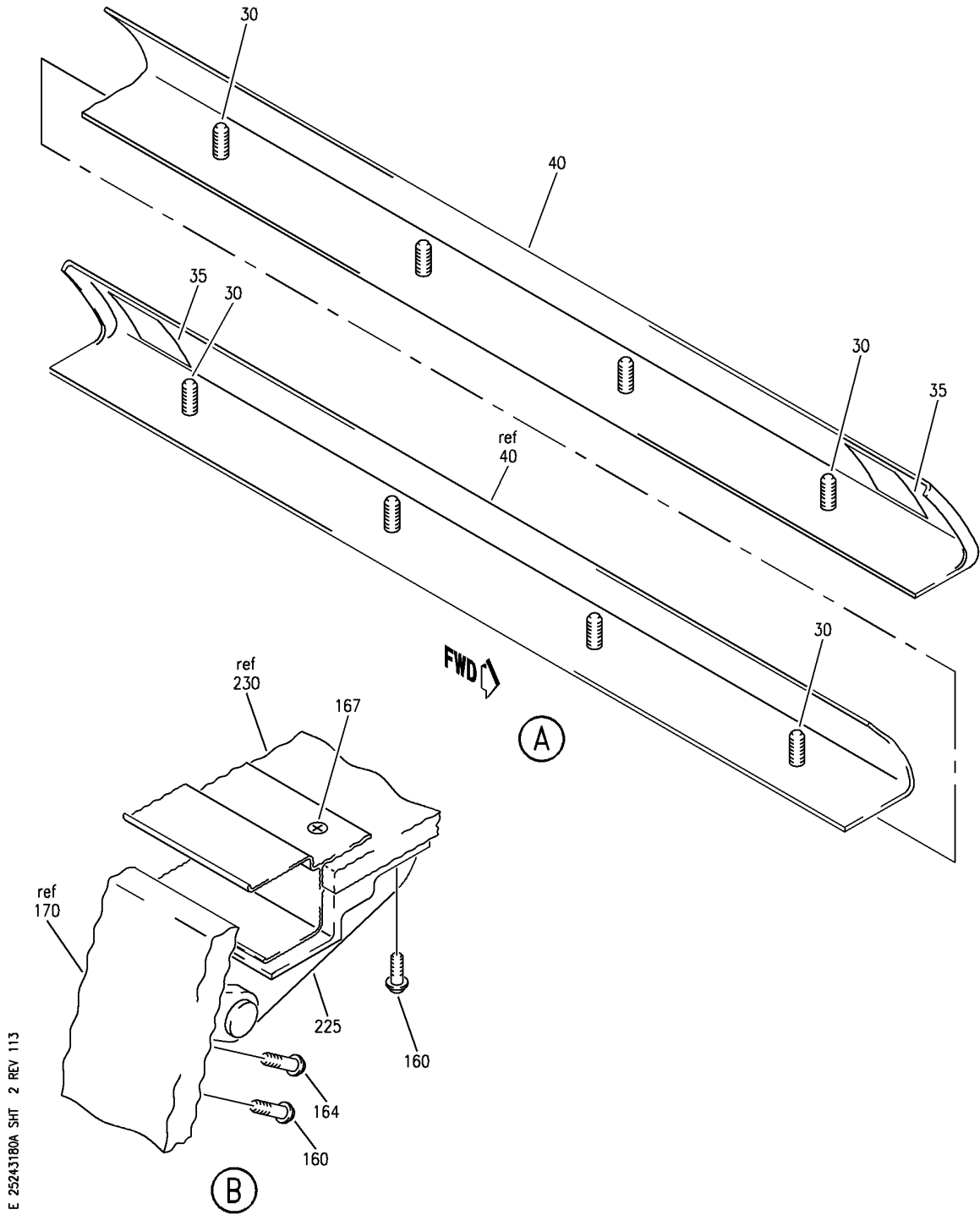
TOP ASSY-80 IN. BIG BIN OVHD STOWAGE BULLNOSE CONFIGURATION (EQUIPMENT/ FURNISHINGS ONLY)
 FIGURE 80A (SHEET 1)

HAP
 FEB 10/07

25-24-31-80A

25-24-31-80A
 PAGE 0

BOEING
 737-600/700/800/900
 PARTS CATALOG (MAINTENANCE)



E 2524-3180A SHT 2 REV 113

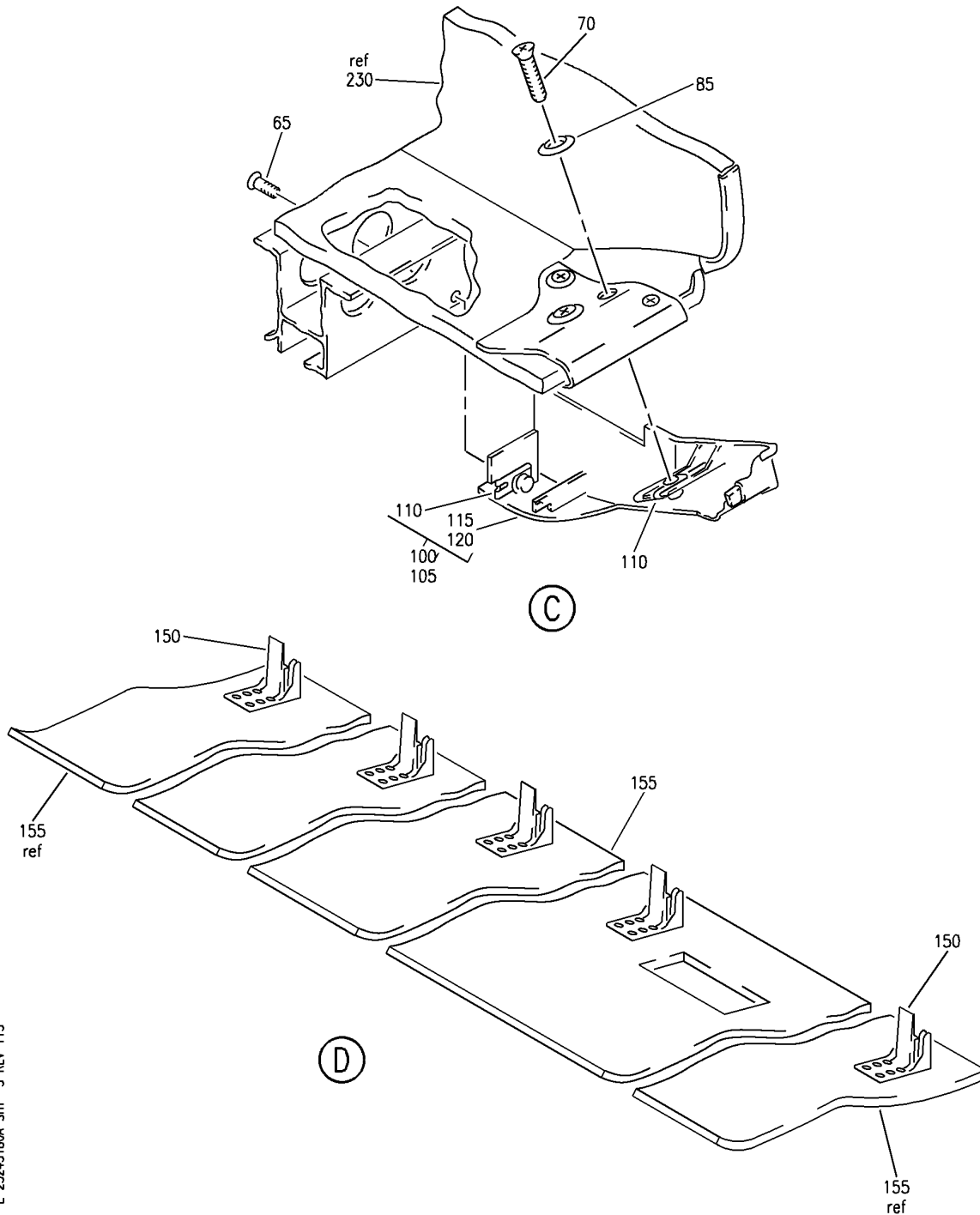
TOP ASSY-80 IN. BIG BIN OVHD STOWAGE BULLNOSE CONFIGURATION (EQUIPMENT/ FURNISHINGS ONLY)
 FIGURE 80A (SHEET 2)

25-24-31-80A

HAP
 OCT 10/06

25-24-31-80A
 PAGE 0A

BOEING
 737-600/700/800/900
 PARTS CATALOG (MAINTENANCE)



E 2524-3180A SHT 3 REV 113

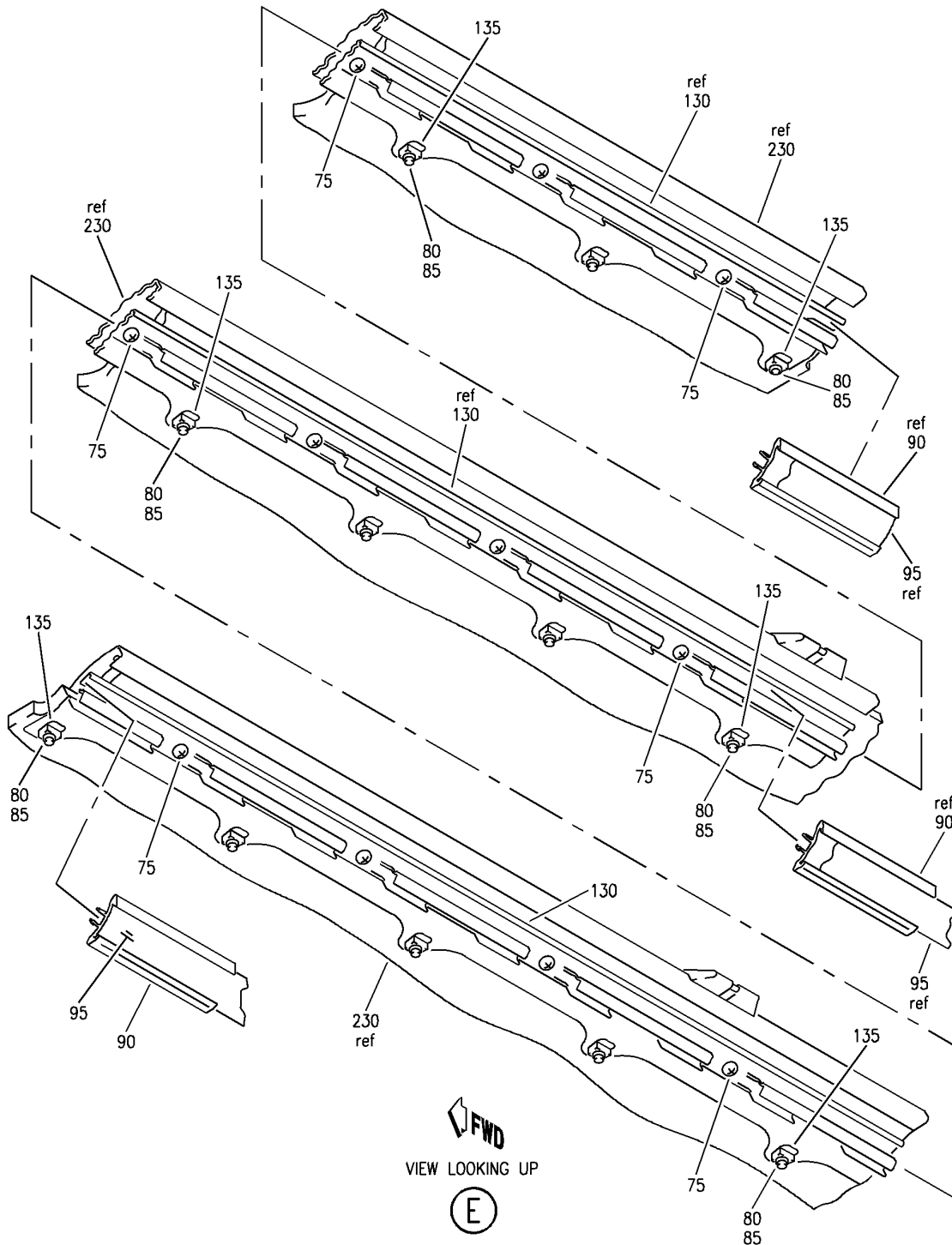
TOP ASSY-80 IN. BIG BIN OVHD STOWAGE BULLNOSE CONFIGURATION (EQUIPMENT/ FURNISHINGS ONLY)
 FIGURE 80A (SHEET 3)

HAP
 OCT 10/06

25-24-31-80A

25-24-31-80A
 PAGE 0B

BOEING
 737-600/700/800/900
 PARTS CATALOG (MAINTENANCE)



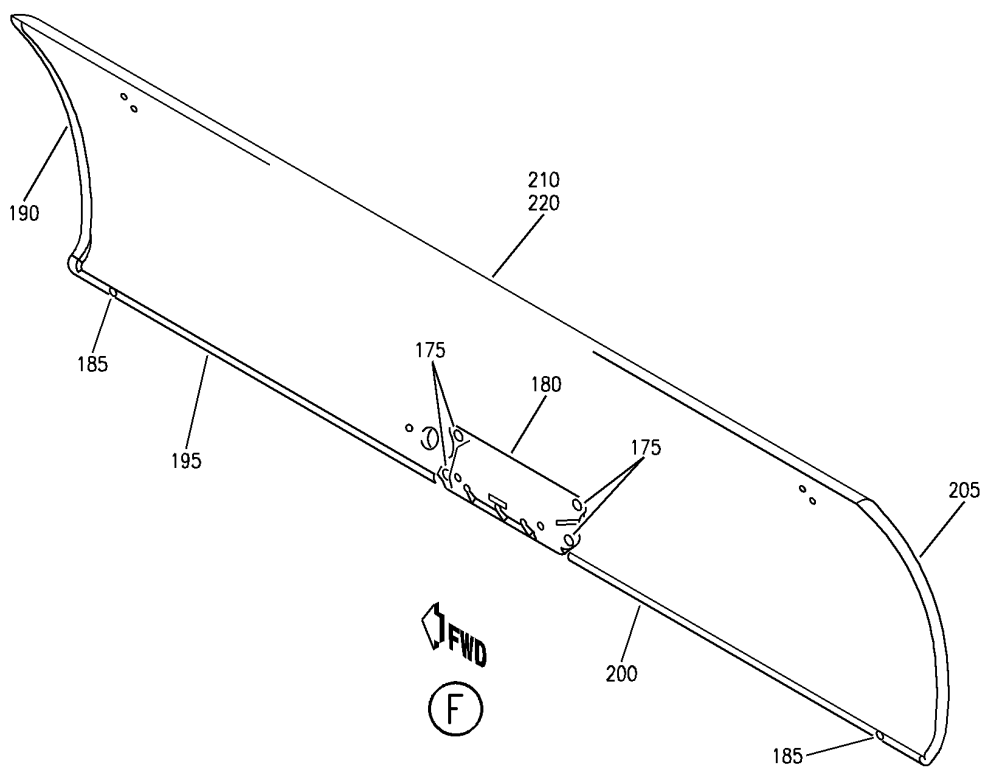
E 2524-3180A SHT 4 REV 113

TOP ASSY-80 IN. BIG BIN OVHD STOWAGE BULLNOSE CONFIGURATION (EQUIPMENT/ FURNISHINGS ONLY)
 FIGURE 80A (SHEET 4)

HAP
 OCT 10/06

25-24-31-80A

25-24-31-80A
 PAGE 0C



E 2524-3180A SHT 5 REV 104

TOP ASSY-80 IN. BIG BIN OVHD STOWAGE BULLNOSE CONFIGURATION (EQUIPMENT/ FURNISHINGS ONLY)
 FIGURE 80A (SHEET 5)

HAP
 OCT 10/06

25-24-31-80A

25-24-31-80A
 PAGE 0D

BOEING
737-600/700/800/900
PARTS CATALOG (MAINTENANCE)

FIG ITEM	PART NUMBER	1 2 3 4 5 6 7	NOMENCLATURE	EFFECT FROM TO	UNITS PER ASSY
80A			TOP ASSY-80 IN. BIG BIN OVHD STOWAGE BULLNOSE CONFIGURATION (EQUIPMENT/ FURNISHINGS ONLY)	031043	
- 1	412A1057-32B		TOP ASSY-80 IN. BIG BIN OVHD STOWAGE BULLNOSE CONFIGURATION (EQUIPMENT/ FURNISHINGS ONLY) FOR NHA/OTHER SYS DET SEE: 25-24-30-84	031043	RF
5	H3-1592-1		.LATCH-CLG SUPPLIER CODE: V34941 SPECIFICATION NUMBER: S411A001-1 ATTACHING PARTS	031043	2
- 10	BACS12GU3K7		.SCREW	031043	4
- 15	NAS1149D0332J		.WASHER	031043	4
			-----*-----		
20	412A1700-1A		.VALANCE ASSY-LT ATTACHING PARTS	031043	1
- 25	BACN10YJ3F		.NUT	031043	8
			-----*-----		
30	BACS21DW3C10FN		..STUD	031043	8
35	412A1700-6		..TAPE-VELCRO	031043	2
40	412A1710-1A		..PANEL ASSY- USED ON: 412A1700-1A	031043	1
65	BACB30VF3K3		.BOLT	031043	2
70	BACS12ER3K11		.SCREW	031043	2
75	BACS12FA3K5		.SCREW	031043	11
80	BACS12ER3K14		.SCREW	031043	12
85	H3-1233A3		.WASHER- SUPPLIER CODE: V34941 SPECIFICATION NUMBER: S411A001-1	031043	14
90	412A1420-1A		.EXTRUSION-SEAT ROW MARKER	031043	1
95	412A1451-2BCWK		.STRIP	031043	1
100	412A1467-1B		.CLOSEOUT ASSY	031043	1
105	412A1467-2B		.CLOSEOUT ASSY	031043	1
110	BACN10VR4CGN		..NUT- OPTIONAL PART: BACN10VR4CG	031043	2
110	BACN10VR4CG		..NUT- OPTIONAL PART: BACN10VR4CGN	031043	2

MISSING ITEM NUMBERS NOT APPLICABLE

- ITEM NOT ILLUSTRATED

HAP

25-24-31-80A

BOEING PROPRIETARY - Copyright © - Unpublished Work - See title page for details.

25-24-31
FIG. 80A
PAGE 1
JUN 15/08

BOEING
737-600/700/800/900
PARTS CATALOG (MAINTENANCE)

FIG ITEM	PART NUMBER	1 2 3 4 5 6 7	NOMENCLATURE	EFFECT FROM TO	UNITS PER ASSY
80A					
115	412A1467-5B	..	CLOSEOUT- USED ON: 412A1467-1B	031043	1
120	412A1467-6B	..	CLOSEOUT- USED ON: 412A1467-2B	031043	1
125	403A3210-96B	.	SEAL ASSY	031043	1
130	412A1244-1	.	EXTRUSION ASSY	031043	1
135	FS1651-3	..	NUTPLATE SUPPLIER CODE: V15653 SPECIFICATION NUMBER: BACN10KH3CD OPTIONAL PART: 102F9209M3 V72962 NS202496-02 V80539	031043	12
- 140	BACR15BA3ADC	..	RIVET- SIZE DETERMINED ON INSTL. -----*----- ATTACHING PARTS	031043	24
145	412A1607-36B	.	COVER ASSY	031043	1
150	412A1460-2	..	CLIP	031043	5
155	412A1617-32B	..	PANEL	031043	1
160	BACS12FA3K6	.	SCREW	031043	8
164	BACS12FA3K7	.	SCREW	031043	4
167	BACS12FA3K15	.	SCREW	031043	4
170	412A1505-1B	.	DOOR ASSY-40 IN.	031043	2
175	BACS12FA3K4	..	SCREW	031043	4
180	HA951-1	..	LATCH ASSY- SUPPLIER CODE: V83014 SPECIFICATION NUMBER: S412A003-1	031043	1
185	412A1810-2B	..	BUMPER- QUALIFIED I/W DATA: PN 412A1810-3B CAN REPLACE BUT NOT BE REPLACED BY PN 412A1810-2B FOR 737-600/700/800/900 ONLY.	031043	2
185	412A1810-1A	..	BUMPER-	031043	2
190	412A1452-4B	..	TRIM-VERT	031043	1
195	412A1452-6B	..	TRIM-HORIZ	031043	1
200	412A1452-5B	..	TRIM-HORIZ	031043	1
205	412A1452-3B	..	TRIM-VERT	031043	1
210	412A1513-2B	..	PANEL ASSY	031043	1

MISSING ITEM NUMBERS NOT APPLICABLE

- ITEM NOT ILLUSTRATED

HAP

25-24-31-80A

BOEING PROPRIETARY - Copyright © - Unpublished Work - See title page for details.

25-24-31
FIG. 80A
PAGE 2
OCT 15/08

BOEING
737-600/700/800/900
PARTS CATALOG (MAINTENANCE)

FIG ITEM	PART NUMBER	1 2 3 4 5 6 7	NOMENCLATURE	EFFECT FROM TO	UNITS PER ASSY
80A - 215	SL618-3A		...INSERT- SUPPLIER CODE: V97393	031043	8
220	412A1513-1B		...PANEL ASSY	031043	1
225	SP21757		.HINGE ASSY- SUPPLIER CODE: V24403 SPECIFICATION NUMBER: S412A004-1	031043	4
230	412A1205-32B		.BOX ASSY-80 IN. BIN FOR DETAILS SEE: 25-24-32-83A	031043	1
- 235	412A1811-2B		.PLUG	031043	1

MISSING ITEM NUMBERS NOT APPLICABLE

- ITEM NOT ILLUSTRATED

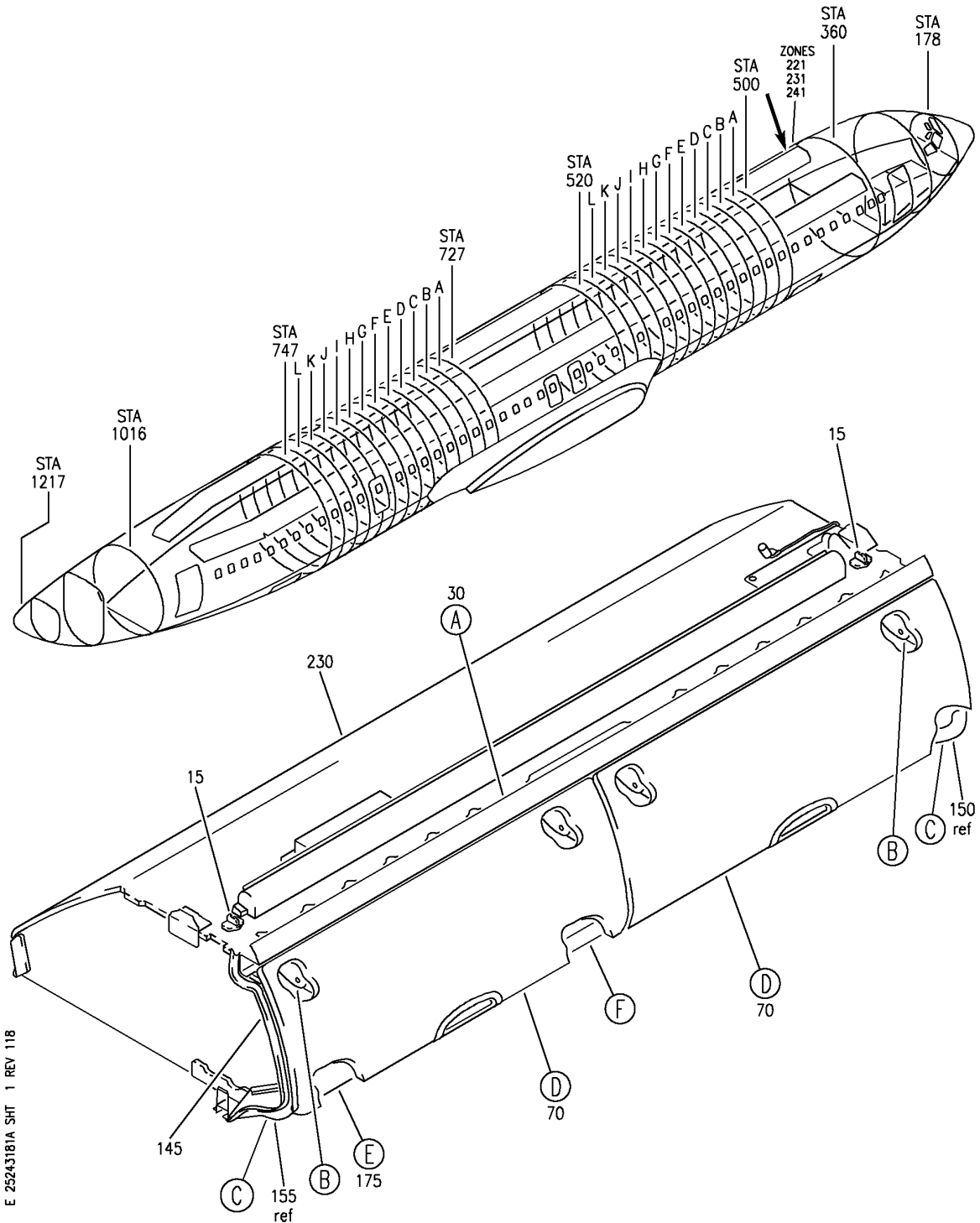
HAP

25-24-31-80A

BOEING PROPRIETARY - Copyright © - Unpublished Work - See title page for details.

25-24-31
FIG. 80A
PAGE 3
OCT 15/08

BOEING
 737-600/700/800/900
 PARTS CATALOG (MAINTENANCE)



E 25243181A SHT 1 REV 118

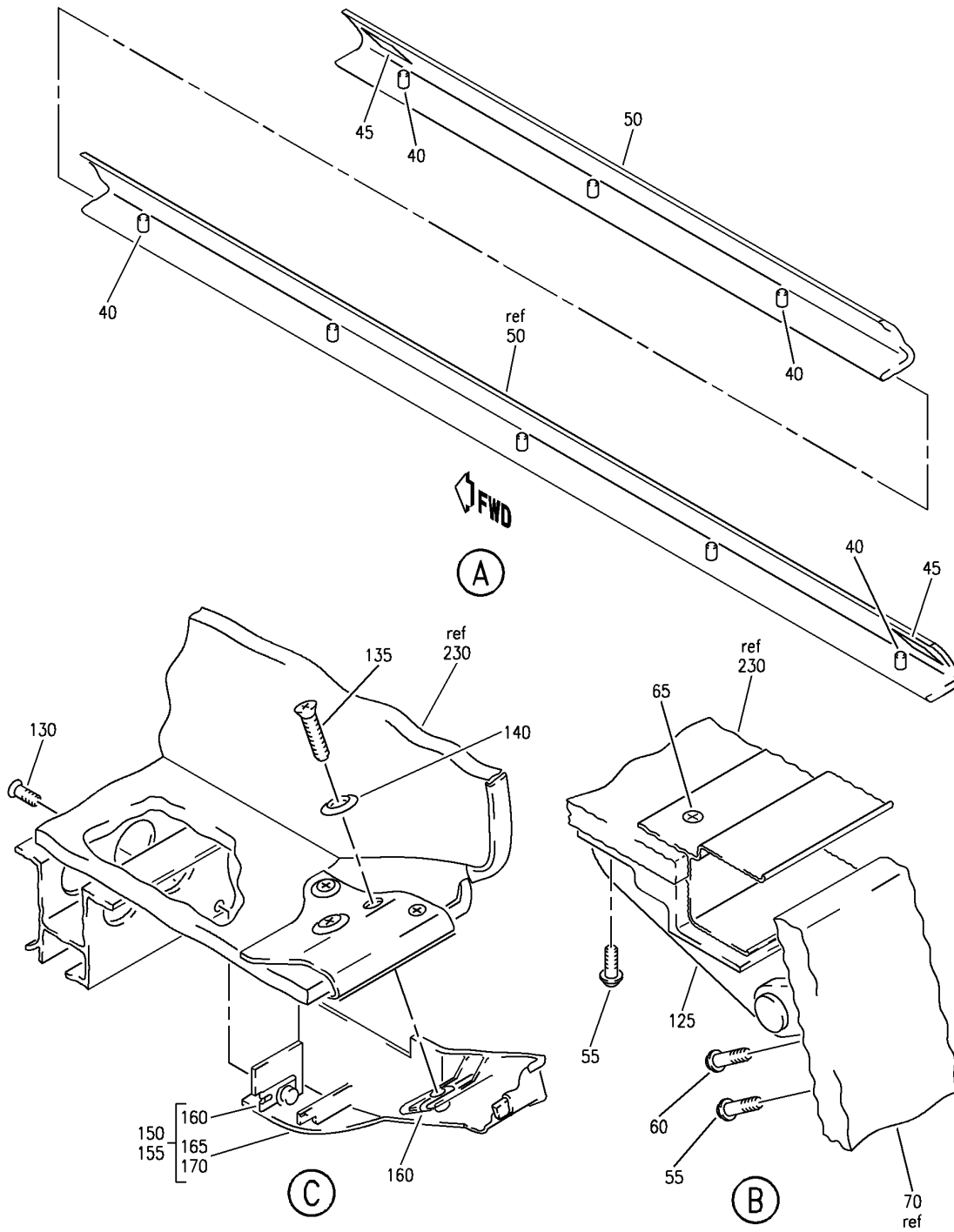
TOP ASSY-LH 80 IN. OVHD STOWAGE BIG BIN BULLNOSE CONFIGURATION (EQUIPMENT/FURNISHINGS ONLY)
 FIGURE 81A (SHEET 1)

HAP
 OCT 10/07

25-24-31-81A

25-24-31-81A
 PAGE 0

BOEING
 737-600/700/800/900
 PARTS CATALOG (MAINTENANCE)



E 2524-3181A SHT 2 REV 118

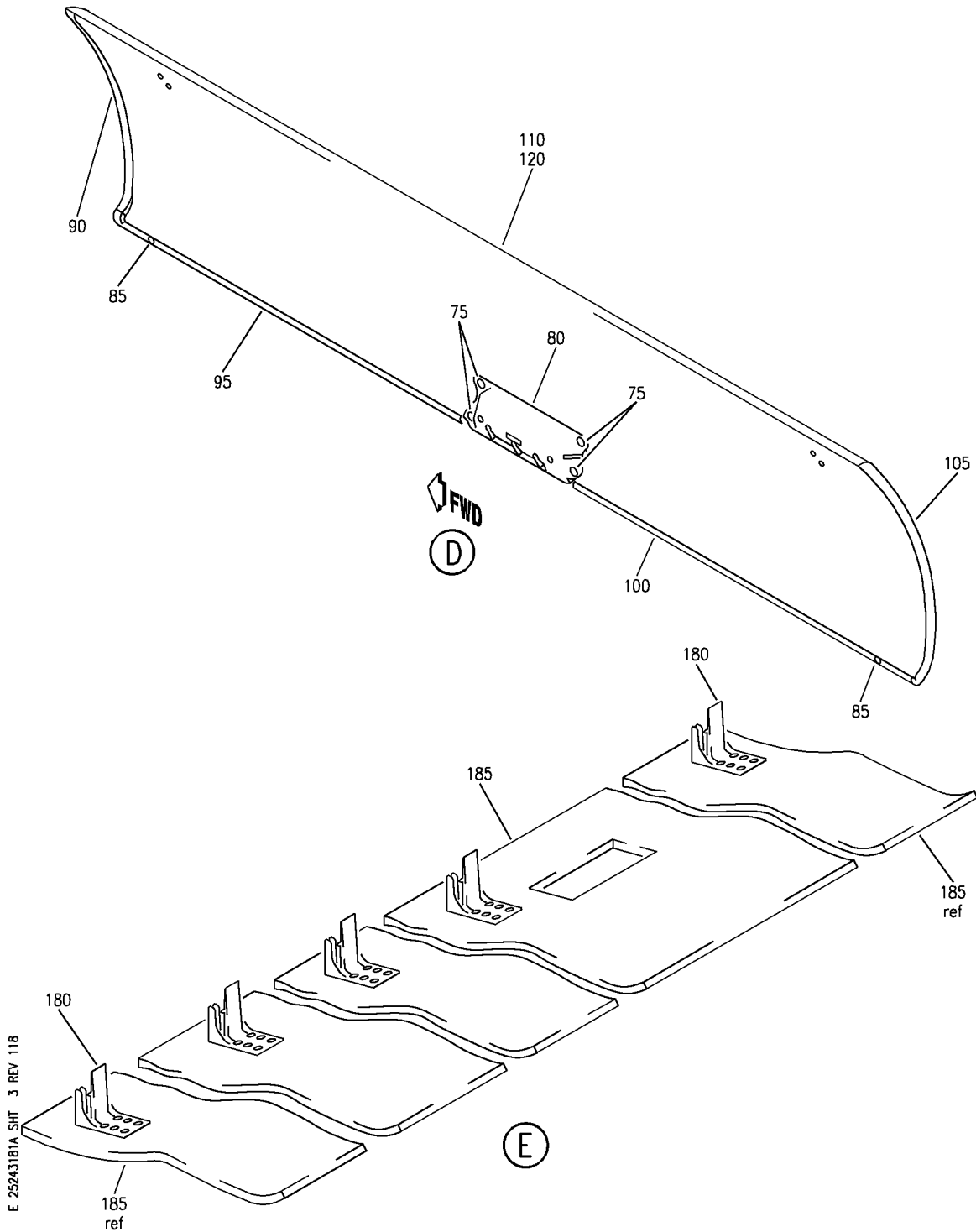
TOP ASSY-LH 80 IN. OVHD STOWAGE BIG BIN BULLNOSE CONFIGURATION (EQUIPMENT/FURNISHINGS ONLY)
 FIGURE 81A (SHEET 2)

HAP
 OCT 10/07

25-24-31-81A

25-24-31-81A
 PAGE 0A

BOEING
 737-600/700/800/900
 PARTS CATALOG (MAINTENANCE)



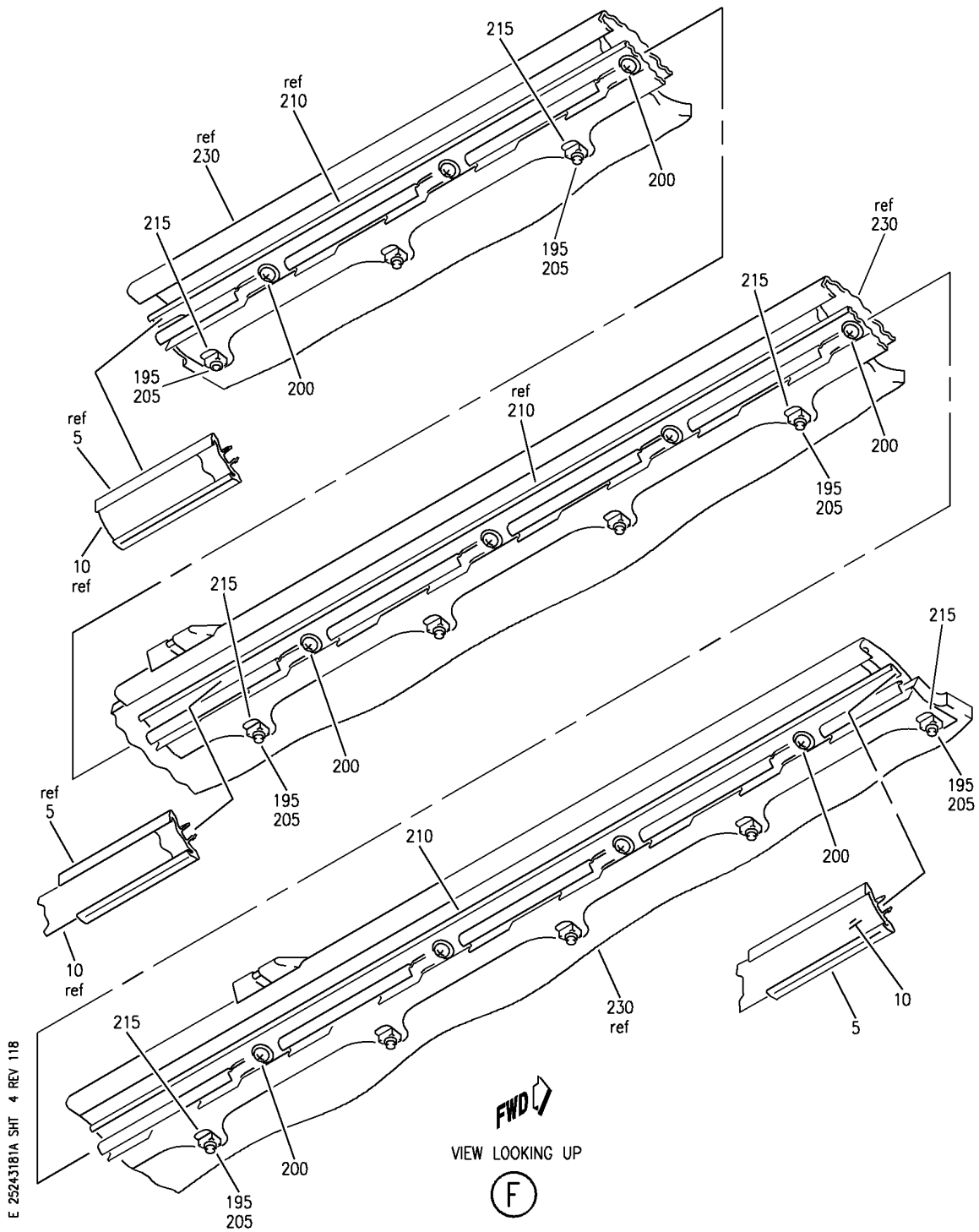
TOP ASSY-LH 80 IN. OVHD STOWAGE BIG BIN BULLNOSE CONFIGURATION (EQUIPMENT/FURNISHINGS ONLY)
 FIGURE 81A (SHEET 3)

HAP
 OCT 10/07

25-24-31-81A

25-24-31-81A
 PAGE 0B

BOEING
 737-600/700/800/900
 PARTS CATALOG (MAINTENANCE)



E 2524-3181A SHT 4 REV 118

TOP ASSY-LH 80 IN. OVHD STOWAGE BIG BIN BULLNOSE CONFIGURATION (EQUIPMENT/FURNISHINGS ONLY)
 FIGURE 81A (SHEET 4)

HAP
 OCT 10/07

25-24-31-81A

25-24-31-81A
 PAGE 0C

BOEING
737-600/700/800/900
PARTS CATALOG (MAINTENANCE)

FIG ITEM	PART NUMBER	1 2 3 4 5 6 7	NOMENCLATURE	EFFECT FROM TO	UNITS PER ASSY
81A			TOP ASSY-LH 80 IN. OVHD STOWAGE BIG BIN BULLNOSE CONFIGURATION (EQUIPMENT/FURNISHINGS ONLY)	101101 968971	
- 1	412A1057-19C		TOP ASSY-80 IN. OVHD STOWAGE BIG BIN BULLNOSE CONFIGURATION (EQUIPMENT/FURNISHINGS ONLY) POSITION DATA: LH FOR NHA/OTHER SYS DET SEE: 25-24-30-77	101101 968971	RF
5	412A1420-1A		.EXTRUSION-SEAT ROW MARKER	101101 968971	1
10	412A1451-2G		.STRIP	101101 968971	1
15	H3-1592-1		.LATCH-CLG SUPPLIER CODE: V34941 SPECIFICATION NUMBER: S411A001-1	101101 968971	2
- 20	BACS12GU3K7		ATTACHING PARTS .SCREW	101101 968971	4
- 25	NAS1149D0332J		.WASHER	101101 968971	4
30	412A1700-1A		-----*----- .VALANCE ASSY-LT ATTACHING PARTS	101101 968971	1
- 35	BACN10YJ3F		.NUT	101101 968971	8
40	BACS21DW3C10FN		-----*----- ..STUD	101101 968971	8
45	412A1700-6		..TAPE-VELCRO	101101 968971	2
50	412A1710-1A		..PANEL ASSY	101101 968971	1
55	BACS12FA3K6		.SCREW	101101 968971	8
60	BACS12FA3K7		.SCREW	101101 968971	4
65	BACS12FA3K15		.SCREW	101101 968971	4
70	412A1505-1B		.DOOR ASSY-40 IN.	101101 968971	2

MISSING ITEM NUMBERS NOT APPLICABLE

- ITEM NOT ILLUSTRATED

HAP

25-24-31-81A

BOEING PROPRIETARY - Copyright © - Unpublished Work - See title page for details.

25-24-31
FIG. 81A
PAGE 1
FEB 15/08

 **BOEING**
737-600/700/800/900
PARTS CATALOG (MAINTENANCE)

FIG ITEM	PART NUMBER	1 2 3 4 5 6 7	NOMENCLATURE	EFFECT FROM TO	UNITS PER ASSY
81A					
75	BACS12FA3K4	..	SCREW	101101 968971	4
80	HA951-1	..	LATCH ASSY- SUPPLIER CODE: V83014 SPECIFICATION NUMBER: S412A003-1	101101 968971	1
85	412A1810-2B	..	BUMPER- QUALIFIED I/W DATA: PN 412A1810-3B CAN REPLACE BUT NOT BE REPLACED BY PN 412A1810-2B FOR 737-600/700/800/900 ONLY.	101101 968971	2
85	412A1810-1A	..	BUMPER-	101101 968971	2
90	412A1452-4B	..	TRIM-VERT	101101 968971	1
95	412A1452-6B	..	TRIM-HORIZ	101101 968971	1
100	412A1452-5B	..	TRIM-HORIZ	101101 968971	1
105	412A1452-3B	..	TRIM-VERT	101101 968971	1
110	412A1513-2B	..	PANEL ASSY	101101 968971	1
- 115	SL618-3A	...	INSERT- SUPPLIER CODE: V97393	101101 968971	8
120	412A1513-1B	...	PANEL ASSY	101101 968971	1
125	SP21757	.HINGE ASSY- SUPPLIER CODE: V24403 SPECIFICATION NUMBER: S412A004-1		101101 968971	4
130	BACB30VF3K3	.BOLT		101101 968971	2
135	BACS12ER3K11	.SCREW		101101 968971	2
140	H3-1233A3	.WASHER- SUPPLIER CODE: V34941 SPECIFICATION NUMBER: S411A001-1		101101 968971	2
145	403A3210-95B	.SEAL ASSY		101101 968971	1

MISSING ITEM NUMBERS NOT APPLICABLE

- ITEM NOT ILLUSTRATED

HAP

25-24-31-81A

BOEING PROPRIETARY - Copyright © - Unpublished Work - See title page for details.

25-24-31
FIG. 81A
PAGE 2
OCT 15/08

BOEING
737-600/700/800/900
PARTS CATALOG (MAINTENANCE)

FIG ITEM	PART NUMBER	1 2 3 4 5 6 7	NOMENCLATURE	EFFECT FROM TO	UNITS PER ASSY
81A					
150	412A1467-1B	.	CLOSEOUT ASSY	101101 968971	1
155	412A1467-2B	.	CLOSEOUT ASSY	101101 968971	1
160	BACN10VR4CGN	..	NUT- OPTIONAL PART: BACN10VR4CG	101101 968971	2
160	BACN10VR4CG	..	NUT- OPTIONAL PART: BACN10VR4CGN	101101 968971	2
165	412A1467-5B	..	CLOSEOUT- USED ON: 412A1467-1B	101101 968971	1
170	412A1467-6B	..	CLOSEOUT- USED ON: 412A1467-2B	101101 968971	1
175	412A1607-1B	.	COVER ASSY	101101 968971	1
180	412A1460-2	..	CLIP	101101 968971	5
185	412A1617-2B	..	PANEL	101101 968971	1
195	BACS12ER3K14	.	SCREW	101101 968971	12
200	BACS12FA3K5	.	SCREW	101101 968971	11
205	H3-1233A3	.	WASHER- SUPPLIER CODE: V34941 SPECIFICATION NUMBER: S411A001-1	101101 968971	12
210	412A1244-1	.	EXTRUSION ASSY	101101 968971	1
215	FS1651-3	..	NUTPLATE SUPPLIER CODE: V15653 SPECIFICATION NUMBER: BACN10KH3CD OPTIONAL PART: 102F9209M3 V72962 NS202496-02 V80539 ATTACHING PARTS	101101 968971	12
- 220	BACR15BA3ADC	..	RIVET- SIZE DETERMINED ON INSTL. -----*-----	101101 968971	24
- 225	412A1811-2B	.	PLUG	101101 968971	AR

MISSING ITEM NUMBERS NOT APPLICABLE

- ITEM NOT ILLUSTRATED

HAP

25-24-31-81A

BOEING PROPRIETARY - Copyright © - Unpublished Work - See title page for details.

25-24-31
FIG. 81A
PAGE 3
OCT 15/08


BOEING
 737-600/700/800/900
PARTS CATALOG (MAINTENANCE)

FIG ITEM	PART NUMBER	1 2 3 4 5 6 7 NOMENCLATURE	EFFECT FROM TO	UNITS PER ASSY
81A 230	412A1205-19B	.BOX ASSY-BIN FOR DETAILS SEE: 25-24-32-83D	101101 968971	1

MISSING ITEM NUMBERS NOT APPLICABLE

— ITEM NOT ILLUSTRATED

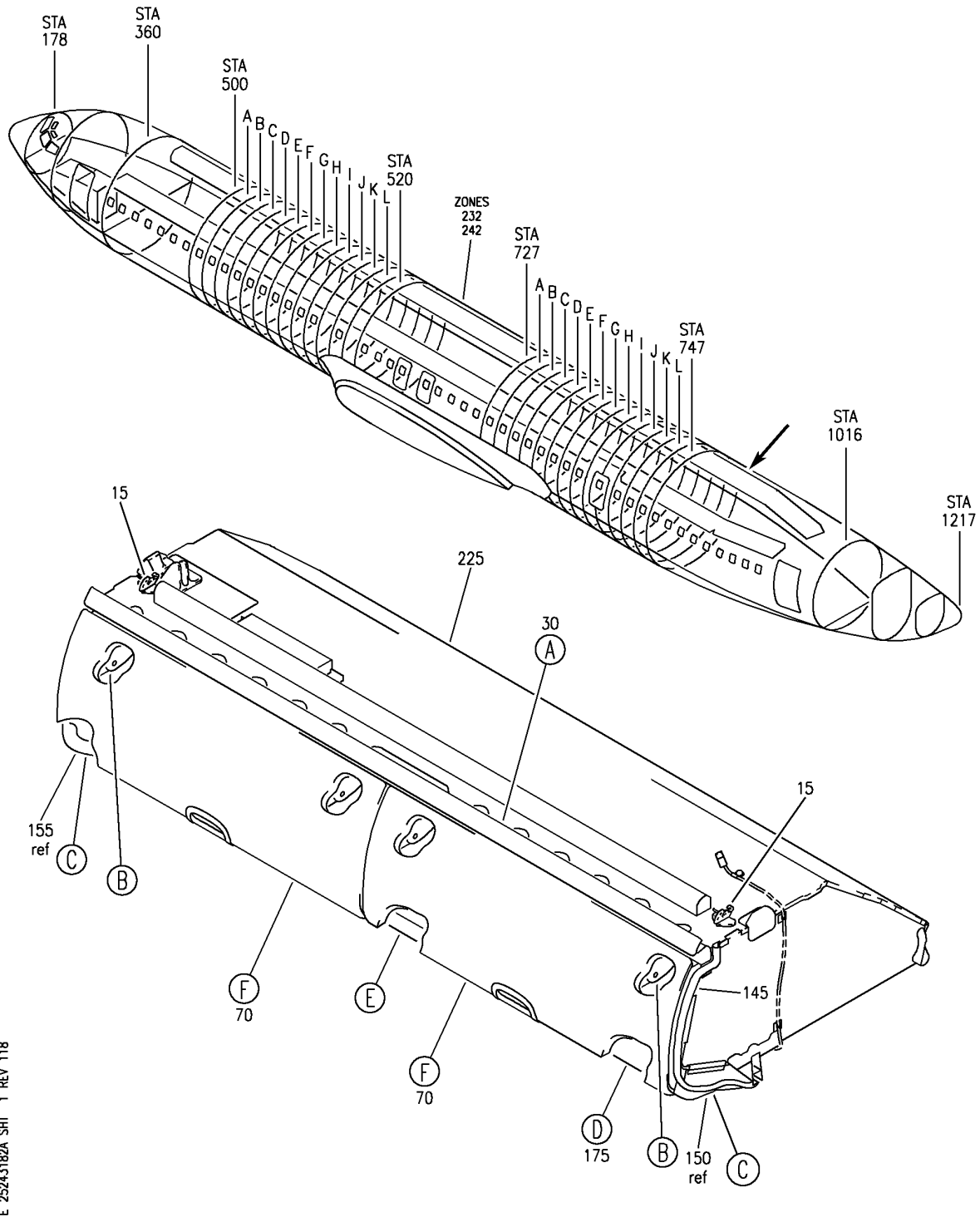
HAP

25-24-31-81A

BOEING PROPRIETARY - Copyright © - Unpublished Work - See title page for details.

25-24-31
 FIG. 81A
 PAGE 4
 OCT 15/08

BOEING
737-600/700/800/900
PARTS CATALOG (MAINTENANCE)



E 2524-3182A SHT 1 REV 118

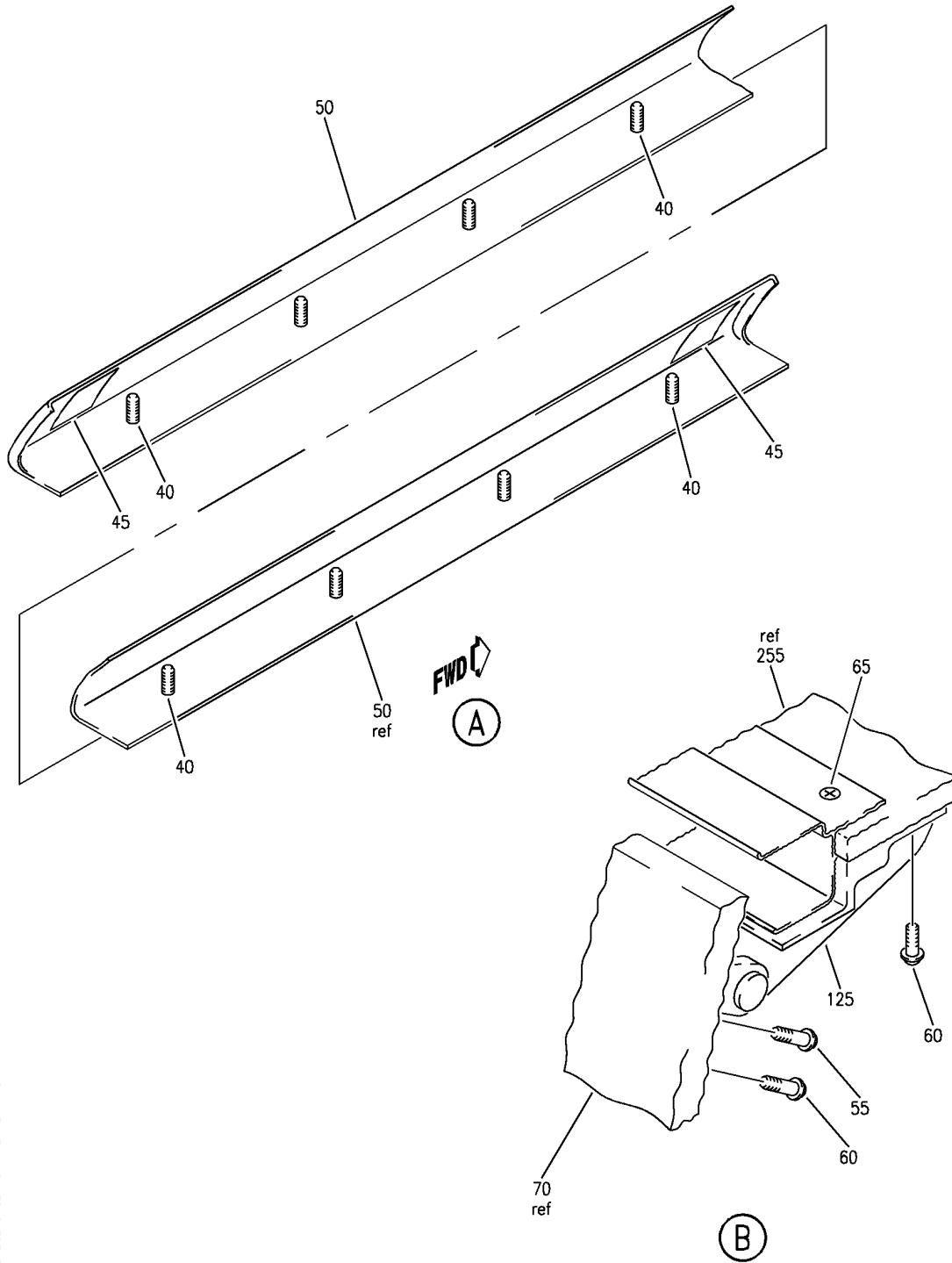
TOP ASSY-RH 80 IN. OVHD STOWAGE BIG BIN BULLNOSE CONFIGURATION (EQUIPMENT/FURNISHINGS ONLY)
 FIGURE 82A (SHEET 1)

HAP
 OCT 10/07

25-24-31-82A

25-24-31-82A
 PAGE 0

BOEING
 737-600/700/800/900
 PARTS CATALOG (MAINTENANCE)



E 2524-3182A SHT 2 REV 118

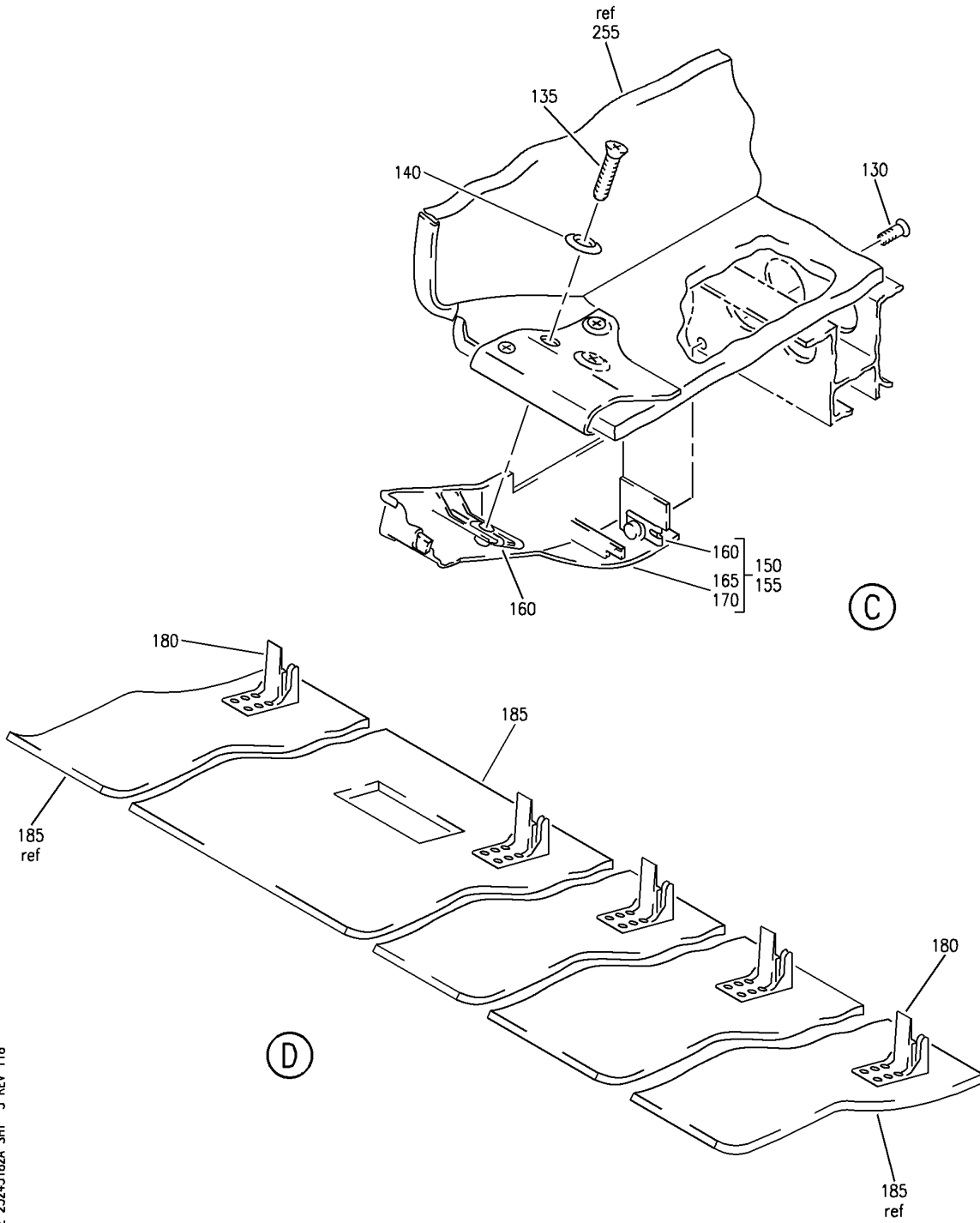
TOP ASSY-RH 80 IN. OVHD STOWAGE BIG BIN BULLNOSE CONFIGURATION (EQUIPMENT/FURNISHINGS ONLY)
 FIGURE 82A (SHEET 2)

HAP
 OCT 10/07

25-24-31-82A

25-24-31-82A
 PAGE 0A

BOEING
 737-600/700/800/900
 PARTS CATALOG (MAINTENANCE)



E 2524-3182A SHT 3 REV 118

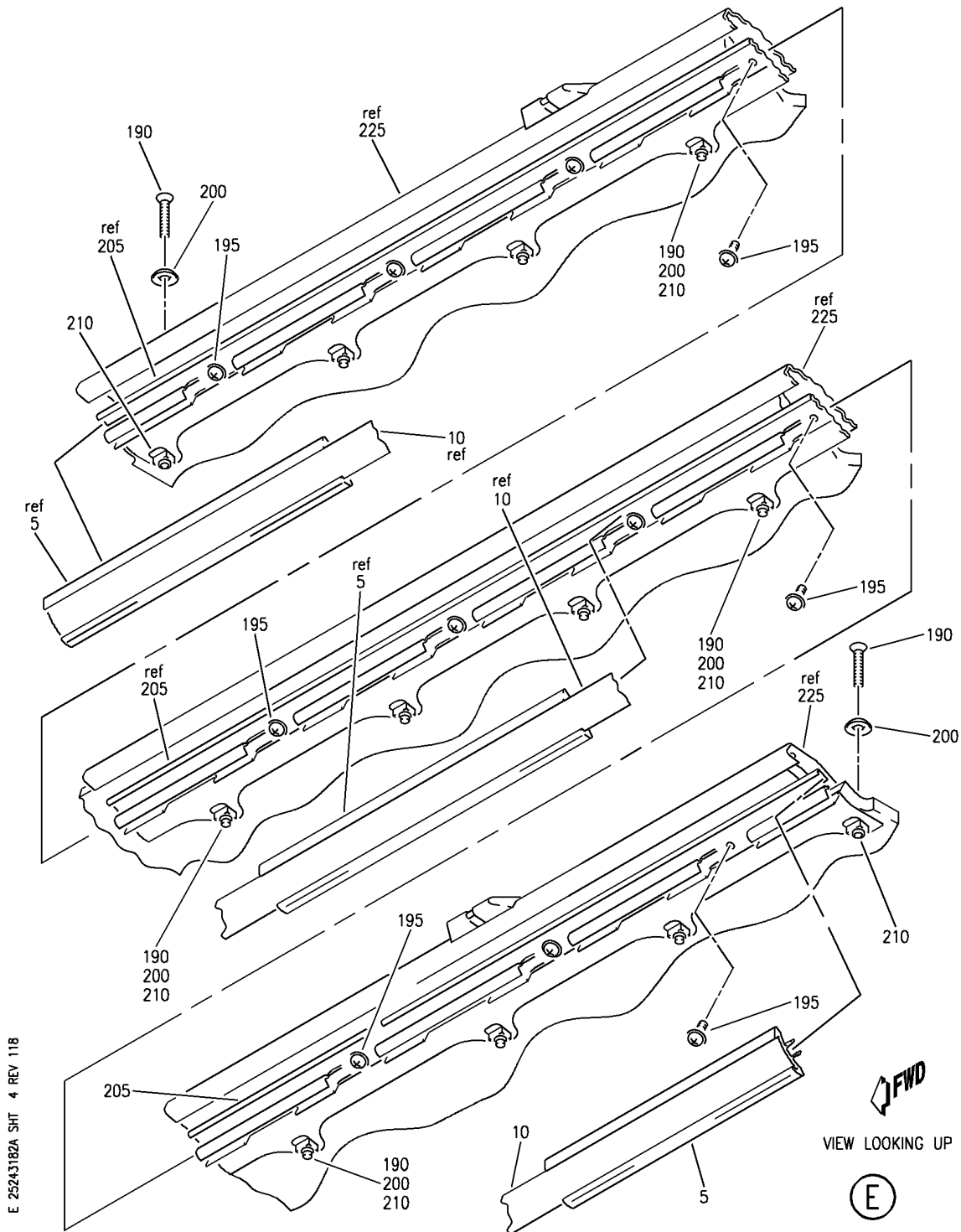
TOP ASSY-RH 80 IN. OVHD STOWAGE BIG BIN BULLNOSE CONFIGURATION (EQUIPMENT/FURNISHINGS ONLY)
 FIGURE 82A (SHEET 3)

HAP
 OCT 10/07

25-24-31-82A

25-24-31-82A
 PAGE 0B

BOEING
 737-600/700/800/900
 PARTS CATALOG (MAINTENANCE)



E 2524-3182A SHT 4 REV 118

TOP ASSY-RH 80 IN. OVHD STOWAGE BIG BIN BULLNOSE CONFIGURATION (EQUIPMENT/FURNISHINGS ONLY)
 FIGURE 82A (SHEET 4)

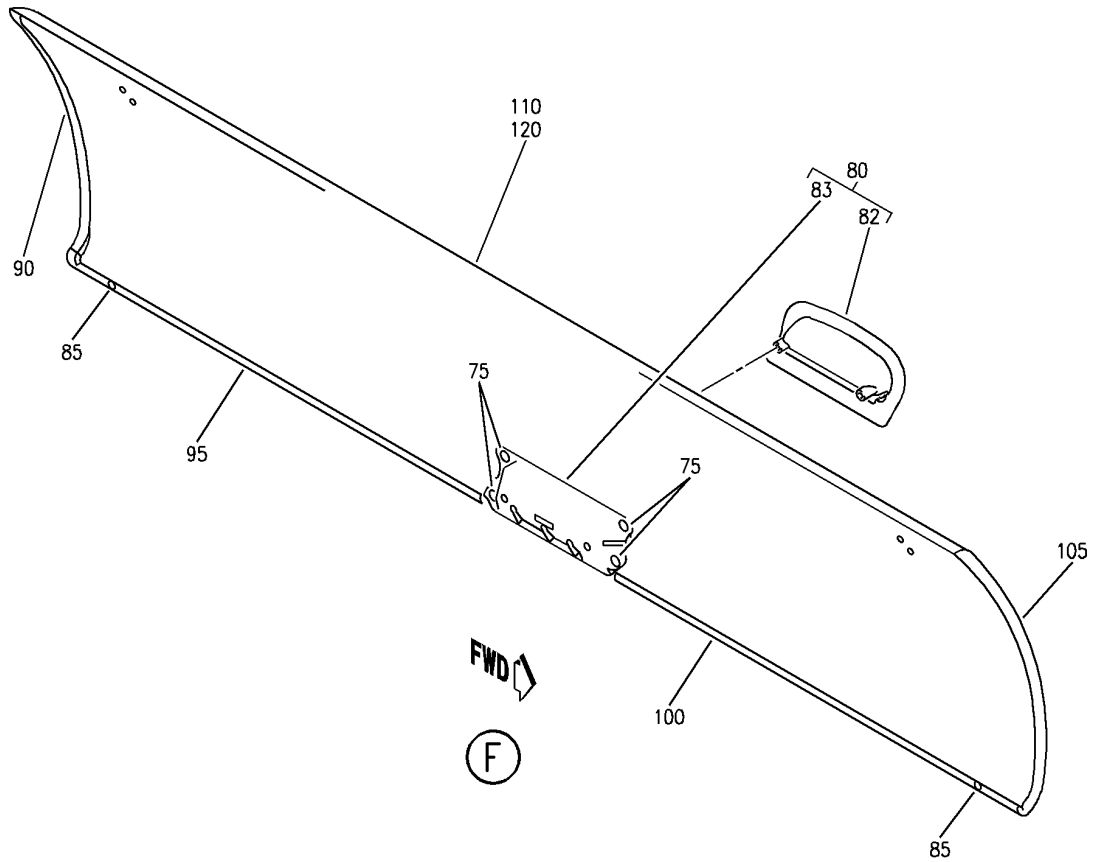
HAP
 OCT 10/07

25-24-31-82A

25-24-31-82A
 PAGE 0C

BOEING PROPRIETARY - Copyright © - Unpublished Work - See title page for details.

BOEING
 737-600/700/800/900
 PARTS CATALOG (MAINTENANCE)



E 2524-3182A SHT 5 REV 118

TOP ASSY-RH 80 IN. OVHD STOWAGE BIG BIN BULLNOSE CONFIGURATION (EQUIPMENT/FURNISHINGS ONLY)
 FIGURE 82A (SHEET 5)

HAP
 OCT 10/07

25-24-31-82A

25-24-31-82A
 PAGE 0D

BOEING
737-600/700/800/900
PARTS CATALOG (MAINTENANCE)

FIG ITEM	PART NUMBER	1 2 3 4 5 6 7	NOMENCLATURE	EFFECT FROM TO	UNITS PER ASSY
82A			TOP ASSY-RH 80 IN. OVHD STOWAGE BIG BIN BULLNOSE CONFIGURATION (EQUIPMENT/FURNISHINGS ONLY)	031043 101101 968971	
- 1	412A1057-4B		TOP ASSY-80 IN. OVHD STOWAGE BIG BIN BULLNOSE CONFIGURATION (EQUIPMENT/FURNISHINGS ONLY) POSITION DATA: RH FOR NHA/OTHER SYS DET SEE: 25-24-30-77 25-24-30-84	031043 101101 968971	RF
5	412A1420-1A		.EXTRUSION-SEAT ROW MARKER	031043 101101 968971	1
10	412A1451-2BCWK		.STRIP	031043 101101 968971	1
15	H3-1592-1		.LATCH-CLG SUPPLIER CODE: V34941 SPECIFICATION NUMBER: S411A001-1 ATTACHING PARTS	031043 101101 968971	2
- 20	BACS12GU3K7		.SCREW	031043 101101 968971	4
- 25	NAS1149D0332J		.WASHER	031043 101101 968971	4
30	412A1700-1A		-----*----- .VALANCE ASSY-LT	031043 101101 968971	1
- 35	BACN10YJ3F		ATTACHING PARTS .NUT	031043 101101 968971	8
40	BACS21DW3C10FN		-----*----- ..STUD	031043 101101 968971	8
45	412A1700-6		..TAPE-VELCRO	031043 101101 968971	2

MISSING ITEM NUMBERS NOT APPLICABLE

- ITEM NOT ILLUSTRATED

HAP

25-24-31-82A

BOEING PROPRIETARY - Copyright © - Unpublished Work - See title page for details.

25-24-31
FIG. 82A
PAGE 1
FEB 15/08

BOEING
737-600/700/800/900
PARTS CATALOG (MAINTENANCE)

FIG ITEM	PART NUMBER	1 2 3 4 5 6 7	NOMENCLATURE	EFFECT FROM TO	UNITS PER ASSY
82A					
50	412A1710-1A	..	PANEL ASSY	031043 101101 968971	1
55	BACS12FA3K7	.	SCREW	031043 101101 968971	4
60	BACS12FA3K6	.	SCREW	031043 101101 968971	8
65	BACS12FA3K15	.	SCREW	031043 101101 968971	4
70	412A1505-1B	.	DOOR ASSY-40 IN.	031043 101101 968971	2
75	BACS12FA3K4	..	SCREW	031043 101101 968971	4
80	HA951-1	..	LATCH ASSY- SUPPLIER CODE: V83014 SPECIFICATION NUMBER: S412A003-1	031043 101101 968971	1
85	412A1810-2B	..	BUMPER- QUALIFIED I/W DATA: PN 412A1810-3B CAN REPLACE BUT NOT BE REPLACED BY PN 412A1810-2B FOR 737-600/700/800/900 ONLY.	031043 101101 968971	2
85	412A1810-1A	..	BUMPER-	031043 101101 968971	2
90	412A1452-4B	..	TRIM-VERT	031043 101101 968971	1
95	412A1452-6B	..	TRIM-HORIZ	031043 101101 968971	1
100	412A1452-5B	..	TRIM-HORIZ	031043 101101 968971	1
105	412A1452-3B	..	TRIM-VERT	031043 101101 968971	1
110	412A1513-2B	..	PANEL ASSY	031043 101101 968971	1

MISSING ITEM NUMBERS NOT APPLICABLE

— ITEM NOT ILLUSTRATED

HAP

25-24-31-82A

BOEING PROPRIETARY - Copyright © - Unpublished Work - See title page for details.

25-24-31
FIG. 82A
PAGE 2
OCT 15/08

BOEING
737-600/700/800/900
PARTS CATALOG (MAINTENANCE)

FIG ITEM	PART NUMBER	1 2 3 4 5 6 7	NOMENCLATURE	EFFECT FROM TO	UNITS PER ASSY
82A - 115	SL618-3A	...	INSERT- SUPPLIER CODE: V97393	031043 101101 968971	8
120	412A1513-1B	...	PANEL ASSY	031043 101101 968971	1
125	SP21757	.	HINGE ASSY- SUPPLIER CODE: V24403 SPECIFICATION NUMBER: S412A004-1	031043 101101 968971	4
130	BACB30VF3K3	.	BOLT	031043 101101 968971	2
135	BACS12ER3K11	.	SCREW	031043 101101 968971	2
140	H3-1233A3	.	WASHER- SUPPLIER CODE: V34941 SPECIFICATION NUMBER: S411A001-1	031043 101101 968971	2
145	403A3210-96B	.	SEAL ASSY	031043 101101 968971	1
150	412A1467-1B	.	CLOSEOUT ASSY	031043 101101 968971	1
155	412A1467-2B	.	CLOSEOUT ASSY	031043 101101 968971	1
160	BACN10VR4CGN	..	NUT- OPTIONAL PART: BACN10VR4CG	031043 101101 968971	2
160	BACN10VR4CG	..	NUT- OPTIONAL PART: BACN10VR4CGN	031043 101101 968971	2
165	412A1467-5B	..	CLOSEOUT- USED ON: 412A1467-1B	031043 101101 968971	1
170	412A1467-6B	..	CLOSEOUT- USED ON: 412A1467-2B	031043 101101 968971	1
175	412A1607-1B	.	COVER ASSY	031043 101101 968971	1
180	412A1460-2	..	CLIP	031043 101101 968971	5

MISSING ITEM NUMBERS NOT APPLICABLE

- ITEM NOT ILLUSTRATED

HAP

25-24-31-82A

BOEING PROPRIETARY - Copyright © - Unpublished Work - See title page for details.

25-24-31
FIG. 82A
PAGE 3
OCT 15/08

BOEING
737-600/700/800/900
PARTS CATALOG (MAINTENANCE)

FIG ITEM	PART NUMBER	1 2 3 4 5 6 7	NOMENCLATURE	EFFECT FROM TO	UNITS PER ASSY
82A 185	412A1617-2B	. .	PANEL	031043 101101 968971	1
190	BACS12ER3K14	. .	SCREW	031043 101101 968971	12
195	BACS12FA3K5	. .	SCREW	031043 101101 968971	11
200	H3-1233A3	. .	WASHER- SUPPLIER CODE: V34941 SPECIFICATION NUMBER: S411A001-1	031043 101101 968971	12
205	412A1244-1	. .	EXTRUSION ASSY	031043 101101 968971	1
210	FS1651-3	. .	NUTPLATE SUPPLIER CODE: V15653 SPECIFICATION NUMBER: BACN10KH3CD OPTIONAL PART: 102F9209M3 V72962 NS202496-02 V80539 ATTACHING PARTS	031043 101101 968971	12
- 215	BACR15BA3ADC	. .	RIVET	031043 101101 968971	24
- 220	412A1811-2B	. .	PLUG- OPTIONAL PART: 412A1811-1B	031043 101101 968971	AR
- 220	412A1811-1B	. .	PLUG- OPTIONAL PART: 412A1811-2B	031043 101101 968971	AR
225	412A1205-4B	. .	BOX ASSY-80 IN. BIN FOR DETAILS SEE: 25-24-32-83H	031043 101101 968971	1

MISSING ITEM NUMBERS NOT APPLICABLE

- ITEM NOT ILLUSTRATED

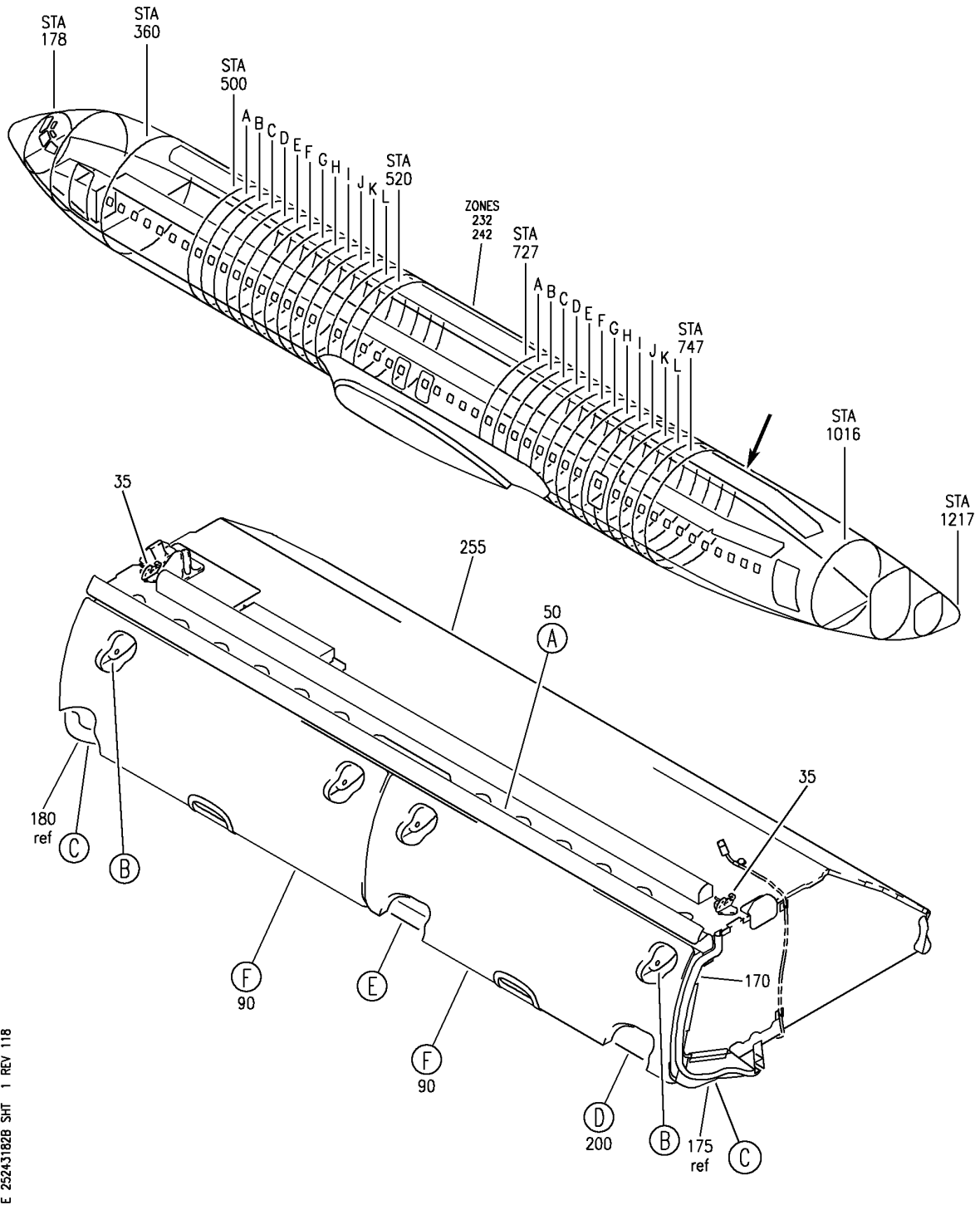
HAP

25-24-31-82A

BOEING PROPRIETARY - Copyright © - Unpublished Work - See title page for details.

25-24-31
FIG. 82A
PAGE 4
OCT 15/08

BOEING
737-600/700/800/900
PARTS CATALOG (MAINTENANCE)



E 2524-3182B SHT 1 REV 118

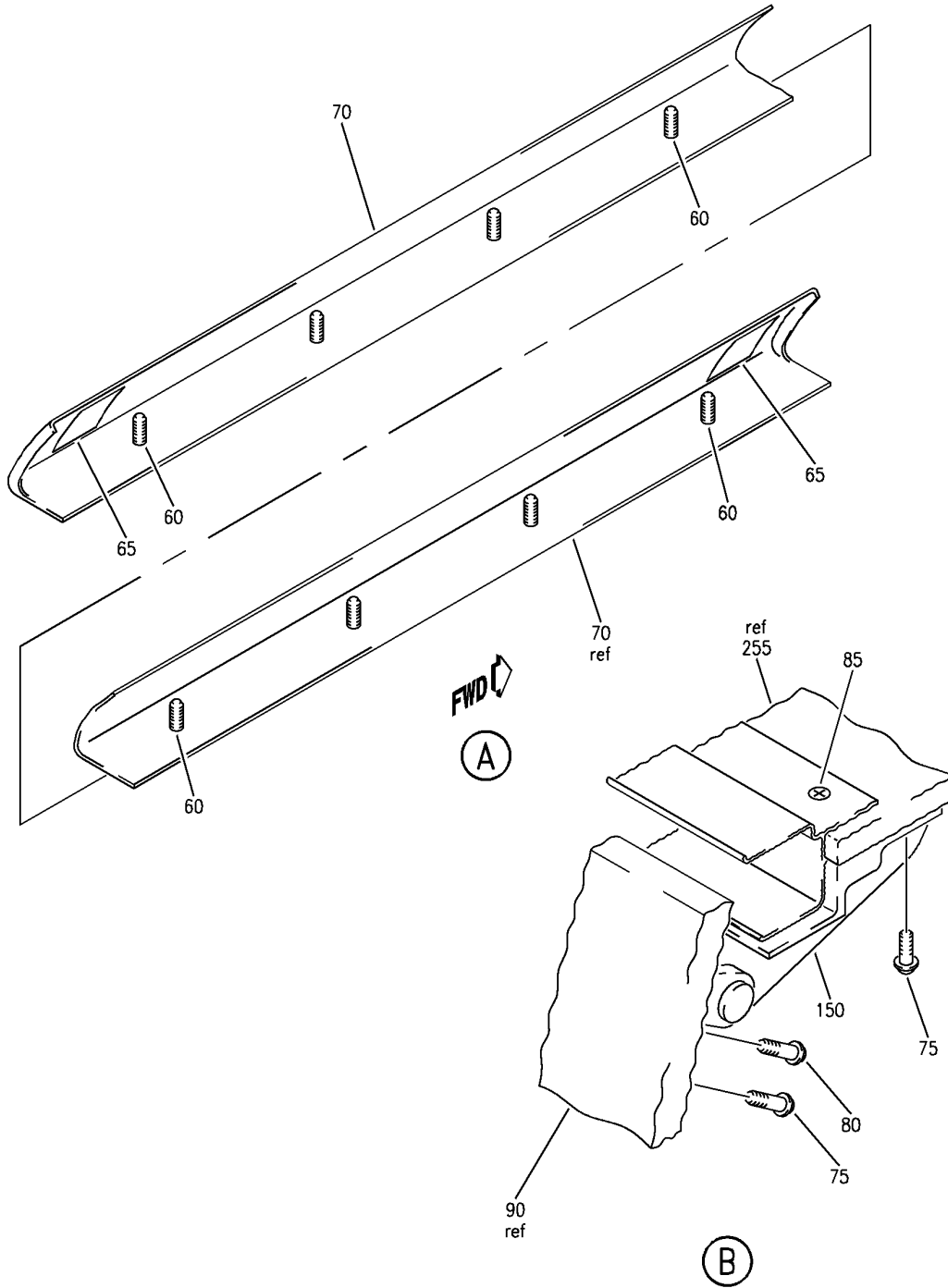
TOP ASSY-80 IN. OVHD STORAGE BULLNOSE CONFIGURATION RH (EQUIPMENT/FURNISHINGS ONLY)
 FIGURE 82B (SHEET 1)

25-24-31-82B

HAP
 OCT 10/06

25-24-31-82B
 PAGE 0

BOEING
 737-600/700/800/900
 PARTS CATALOG (MAINTENANCE)



E 2524-3182B SHT 2 REV 118

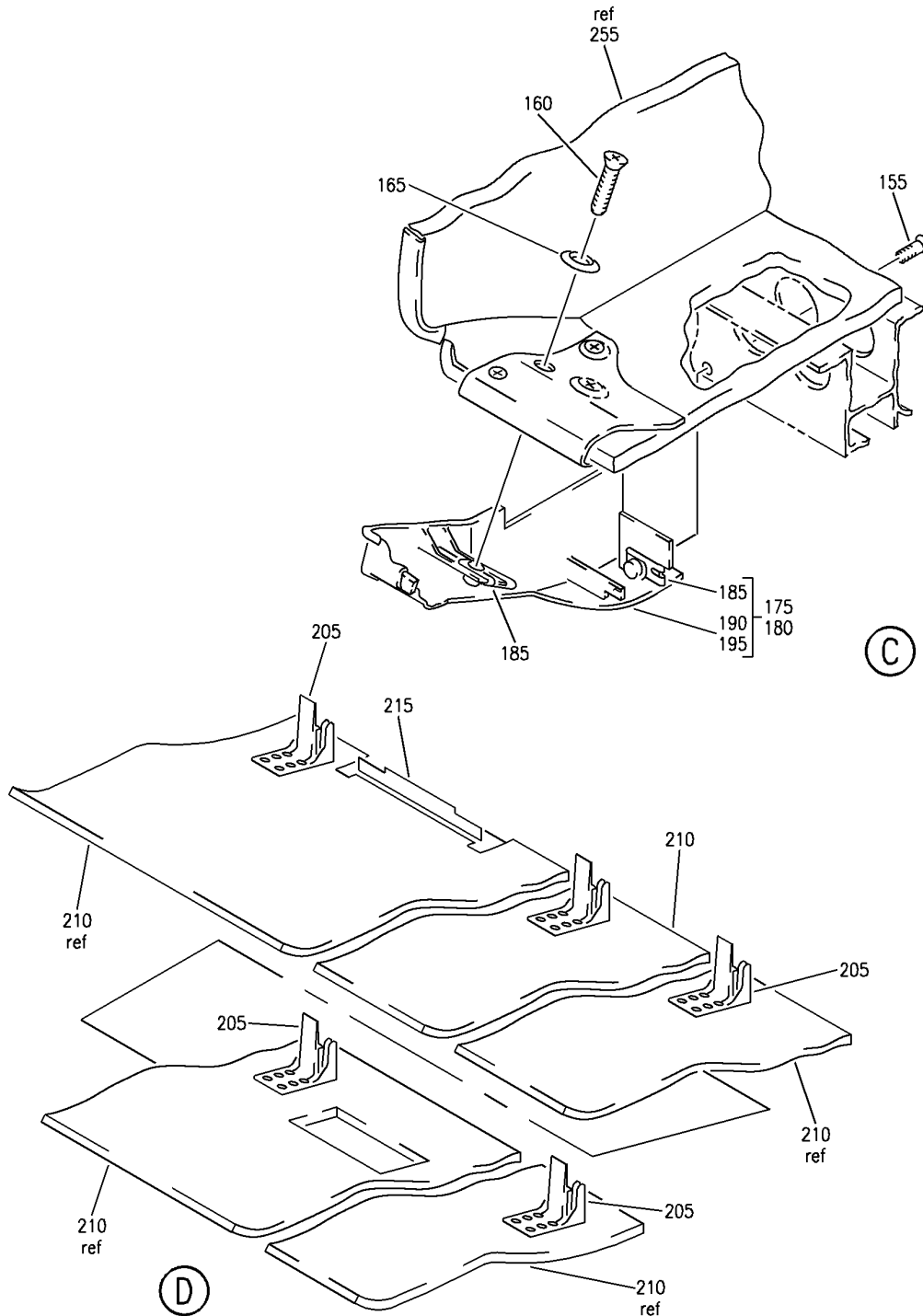
TOP ASSY-80 IN. OVHD STORAGE BULLNOSE CONFIGURATION RH (EQUIPMENT/FURNISHINGS ONLY)
 FIGURE 82B (SHEET 2)

25-24-31-82B

HAP
 OCT 10/06

25-24-31-82B
 PAGE 0A

BOEING
 737-600/700/800/900
 PARTS CATALOG (MAINTENANCE)



E 2524-3182B SHT 3 REV 118

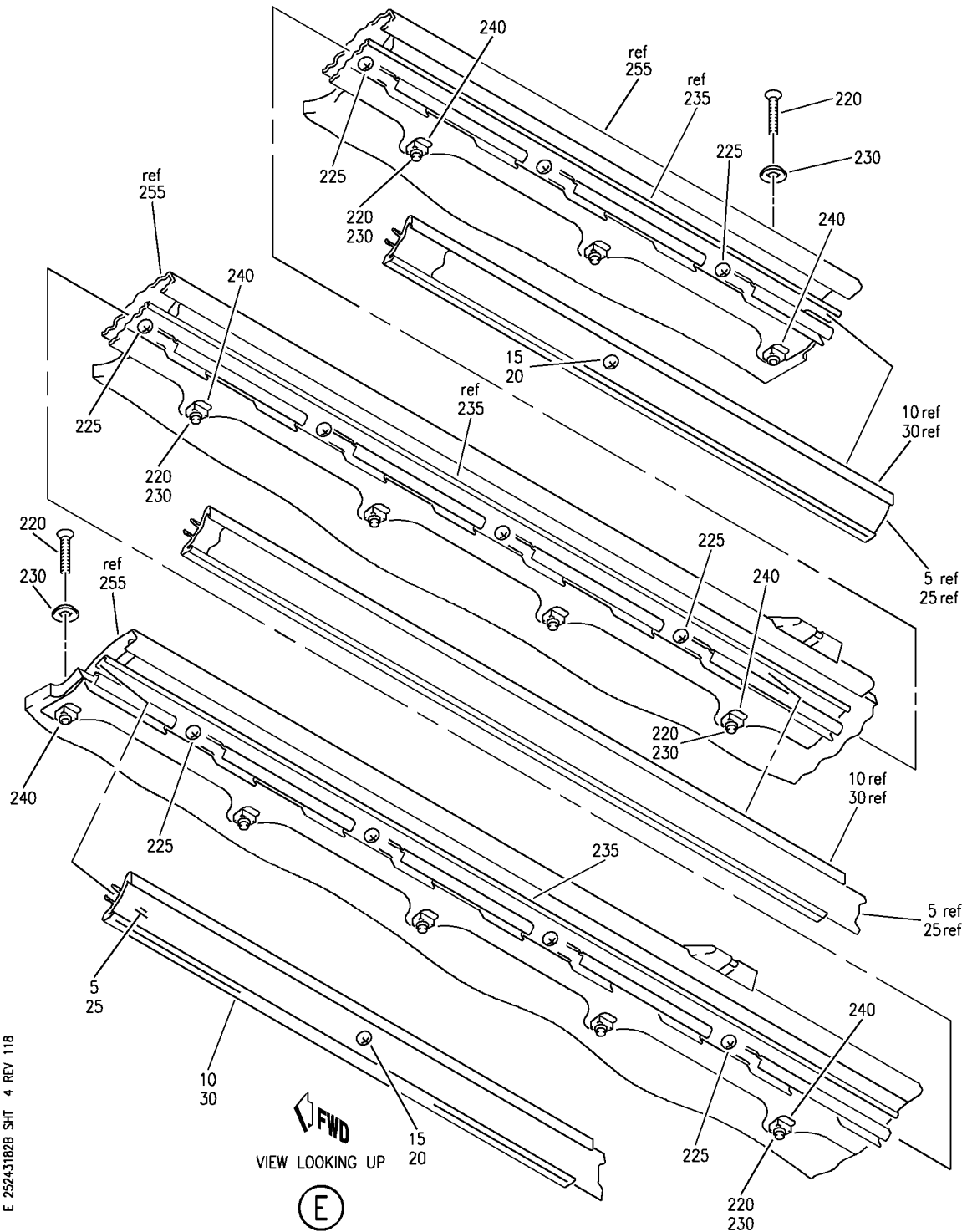
TOP ASSY-80 IN. OVHD STORAGE BULLNOSE CONFIGURATION RH (EQUIPMENT/FURNISHINGS ONLY)
 FIGURE 82B (SHEET 3)

25-24-31-82B

HAP
 OCT 10/06

25-24-31-82B
 PAGE 0B

BOEING
 737-600/700/800/900
 PARTS CATALOG (MAINTENANCE)



E 2524-3182B SHT 4 REV 118

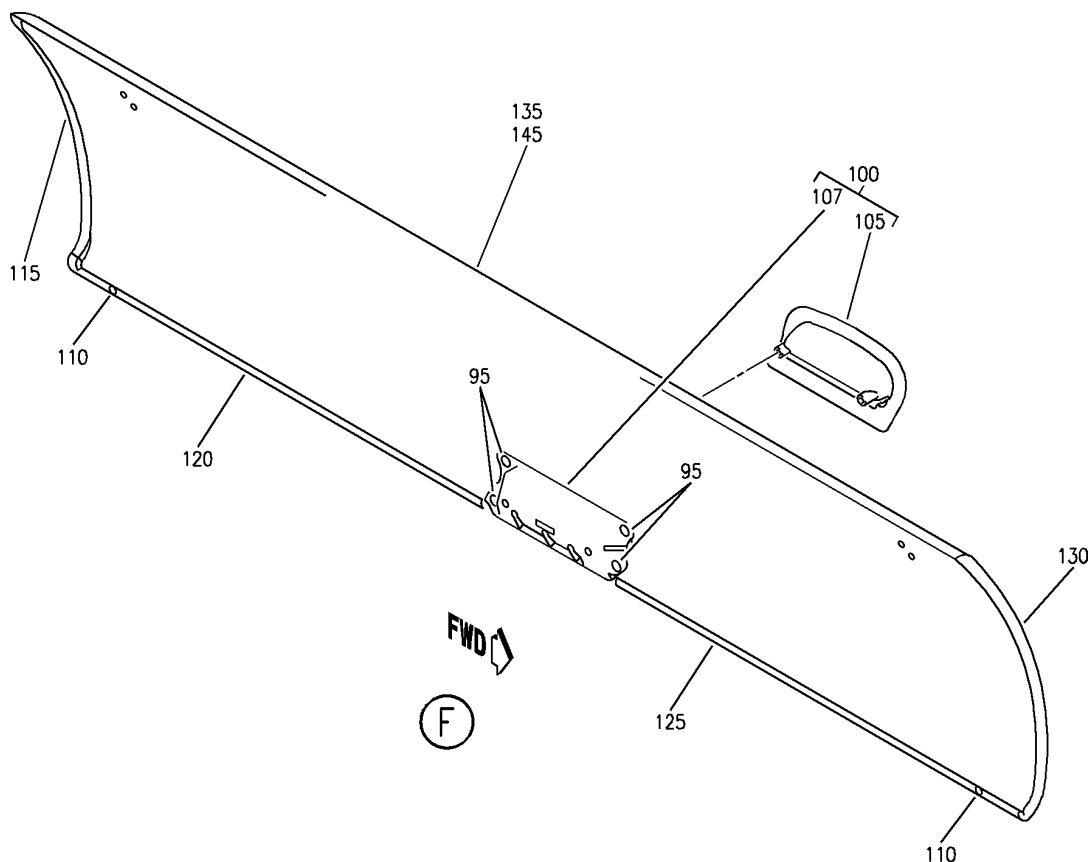
TOP ASSY-80 IN. OVHD STORAGE BULLNOSE CONFIGURATION RH (EQUIPMENT/FURNISHINGS ONLY)
 FIGURE 82B (SHEET 4)

25-24-31-82B

HAP
 OCT 10/06

25-24-31-82B
 PAGE 0C

BOEING
 737-600/700/800/900
 PARTS CATALOG (MAINTENANCE)



E 2524-3182B SHT 5 REV 118

TOP ASSY-80 IN. OVHD STOWAGE BULLNOSE CONFIGURATION RH (EQUIPMENT/FURNISHINGS ONLY)
 FIGURE 82B (SHEET 5)

25-24-31-82B

HAP
 OCT 10/06

25-24-31-82B
 PAGE 0D

BOEING
737-600/700/800/900
PARTS CATALOG (MAINTENANCE)

FIG ITEM	PART NUMBER	1 2 3 4 5 6 7	NOMENCLATURE	EFFECT FROM TO	UNITS PER ASSY
82B			TOP ASSY-80 IN. OVHD STOWAGE BULLNOSE CONFIGURATION RH (EQUIPMENT/FURNISHINGS ONLY)	031043 101103 968971	
- 1	412A1057-16C		TOP ASSY-80 IN. OVHD STOWAGE BULLNOSE CONFIGURATION (EQUIPMENT/FURNISHINGS ONLY) POSITION DATA: RH FOR NHA/OTHER SYS DET SEE: 25-24-30-77 25-24-30-84	031043 101103 968971	RF
5	412A1420-1A		.EXTRUSION-SEAT ROW MARKER	031043 101103 968971	1
10	412A1451-2BCWK		.STRIP	031043 101103 968971	1
35	H3-1592-1		.LATCH-CLG SUPPLIER CODE: V34941 SPECIFICATION NUMBER: S411A001-1 ATTACHING PARTS	031043 101103 968971	2
- 40	BACS12GU3K7		.SCREW	031043 101103 968971	4
- 45	NAS1149D0332J		.WASHER	031043 101103 968971	4
50	412A1700-1A		-----*----- .VALANCE ASSY-LT	031043 101103 968971	1
- 55	BACN10YJ3F		ATTACHING PARTS .NUT	031043 101103 968971	8
60	BACS21DW3C10FN		-----*----- ..STUD	031043 101103 968971	8
65	412A1700-6		..TAPE-VELCRO	031043 101103 968971	2

MISSING ITEM NUMBERS NOT APPLICABLE

- ITEM NOT ILLUSTRATED

HAP

25-24-31-82B

BOEING PROPRIETARY - Copyright © - Unpublished Work - See title page for details.

25-24-31
FIG. 82B
PAGE 1
FEB 15/08

BOEING
737-600/700/800/900
PARTS CATALOG (MAINTENANCE)

FIG ITEM	PART NUMBER	1 2 3 4 5 6 7	NOMENCLATURE	EFFECT FROM TO	UNITS PER ASSY
82B					
70	412A1710-1A	..	PANEL ASSY	031043 101103 968971	1
75	BACS12FA3K6	.S	SCREW	031043 101103 968971	8
80	BACS12FA3K7	.S	SCREW	031043 101103 968971	4
85	BACS12FA3K15	.S	SCREW	031043 101103 968971	4
90	412A1505-1B	.D	DOOR ASSY-40 IN.	031043 101103 968971	2
95	BACS12FA3K4	..S	SCREW	031043 101103 968971	4
100	HA951-1	..L	LATCH ASSY- SUPPLIER CODE: V83014 SPECIFICATION NUMBER: S412A003-1	031043 101103 968971	1
110	412A1810-2B	..B	BUMPER- QUALIFIED I/W DATA: PN 412A1810-3B CAN REPLACE BUT NOT BE REPLACED BY PN 412A1810-2B FOR 737-600/700/800/900 ONLY.	031043 101103 968971	2
110	412A1810-1A	..B	BUMPER-	031043 101103 968971	2
115	412A1452-4B	..T	TRIM-VERT	031043 101103 968971	1
120	412A1452-6B	..T	TRIM-HORIZ	031043 101103 968971	1
125	412A1452-5B	..T	TRIM-HORIZ	031043 101103 968971	1
130	412A1452-3B	..T	TRIM-VERT	031043 101103 968971	1
135	412A1513-2B	..	PANEL ASSY	031043 101103 968971	1

MISSING ITEM NUMBERS NOT APPLICABLE

- ITEM NOT ILLUSTRATED

HAP

25-24-31-82B

BOEING PROPRIETARY - Copyright © - Unpublished Work - See title page for details.

25-24-31
FIG. 82B
PAGE 2
OCT 15/08

BOEING
737-600/700/800/900
PARTS CATALOG (MAINTENANCE)

FIG ITEM	PART NUMBER	1 2 3 4 5 6 7	NOMENCLATURE	EFFECT FROM TO	UNITS PER ASSY
82B - 140	SL618-3A	...	INSERT- SUPPLIER CODE: V97393	031043 101103 968971	8
145	412A1513-1B	...	PANEL ASSY	031043 101103 968971	1
150	SP21757	.	HINGE ASSY- SUPPLIER CODE: V24403 SPECIFICATION NUMBER: S412A004-1	031043 101103 968971	4
155	BACB30VF3K3	.	BOLT	031043 101103 968971	2
160	BACS12ER3K11	.	SCREW	031043 101103 968971	2
165	H3-1233A3	.	WASHER- SUPPLIER CODE: V34941 SPECIFICATION NUMBER: S411A001-1	031043 101103 968971	2
170	403A3210-96B	.	SEAL ASSY	031043 101103 968971	1
175	412A1467-1B	.	CLOSEOUT ASSY	031043 101103 968971	1
180	412A1467-2B	.	CLOSEOUT ASSY	031043 101103 968971	1
185	BACN10VR4CGN	..	NUT- OPTIONAL PART: BACN10VR4CG	031043 101103 968971	2
185	BACN10VR4CG	..	NUT- OPTIONAL PART: BACN10VR4CGN	031043 101103 968971	2
190	412A1467-5B	..	CLOSEOUT- USED ON: 412A1467-1B	031043 101103 968971	1
195	412A1467-6B	..	CLOSEOUT- USED ON: 412A1467-2B	031043 101103 968971	1
200	412A1607-22B	.	COVER ASSY	031043 101103 968971	1
205	412A1460-2	..	CLIP	031043 101103 968971	5

MISSING ITEM NUMBERS NOT APPLICABLE

- ITEM NOT ILLUSTRATED

HAP

25-24-31-82B

BOEING PROPRIETARY - Copyright © - Unpublished Work - See title page for details.

25-24-31
FIG. 82B
PAGE 3
OCT 15/08

BOEING
737-600/700/800/900
PARTS CATALOG (MAINTENANCE)

FIG ITEM	PART NUMBER	1 2 3 4 5 6 7	NOMENCLATURE	EFFECT FROM TO	UNITS PER ASSY
82B 210	412A1617-22B	. .	PANEL	031043 101103 968971	1
215	412A1450-22A	. .	TRIM	031043 101103 968971	1
220	BACS12ER3K14	. .	SCREW	031043 101103 968971	12
225	BACS12FA3K5	. .	SCREW	031043 101103 968971	11
230	H3-1233A3	. .	WASHER- SUPPLIER CODE: V34941 SPECIFICATION NUMBER: S411A001-1	031043 101103 968971	12
235	412A1244-1	. .	EXTRUSION ASSY	031043 101103 968971	1
240	FS1651-3	. .	NUTPLATE SUPPLIER CODE: V15653 SPECIFICATION NUMBER: BACN10KH3CD OPTIONAL PART: 102F9209M3 V72962 NS202496-02 V80539 ATTACHING PARTS	031043 101103 968971	12
- 245	BACR15BA3ADC	. .	RIVET- SIZE DETERMINED ON INSTL.	031043 101103 968971	24
- 250	412A1811-2B	. .	PLUG	031043 101103 968971	AR
255	412A1205-16B	. .	BOX ASSY-BIN FOR DETAILS SEE: 25-24-32-83C	031043 101103 968971	1

MISSING ITEM NUMBERS NOT APPLICABLE

- ITEM NOT ILLUSTRATED

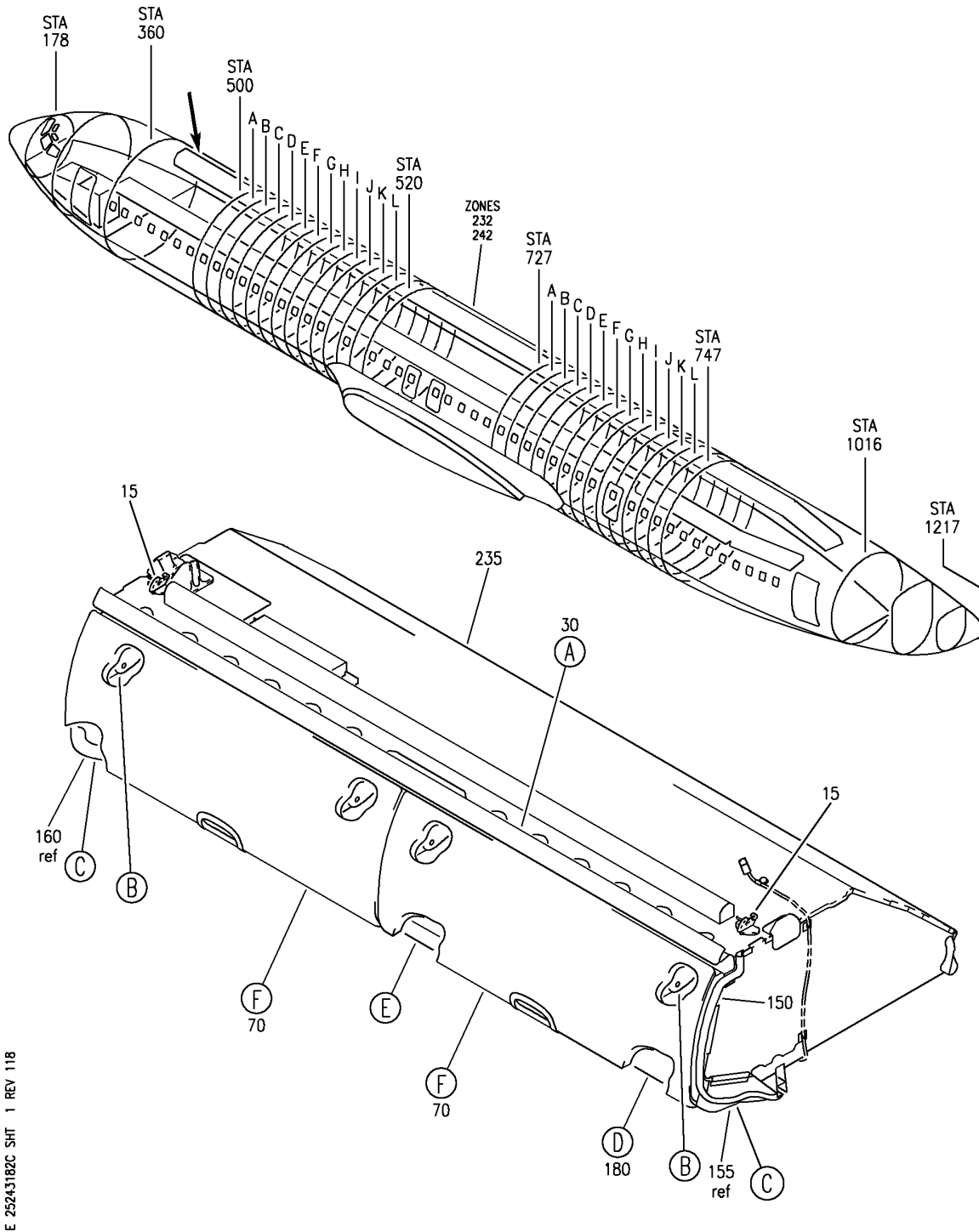
HAP

25-24-31-82B

BOEING PROPRIETARY - Copyright © - Unpublished Work - See title page for details.

25-24-31
FIG. 82B
PAGE 4
OCT 15/08

BOEING
737-600/700/800/900
PARTS CATALOG (MAINTENANCE)



E 2524-3182C SHT 1 REV 118

TOP ASSY-RH 80 IN. OVHD STOWAGE BIG BIN BULLNOSE CONFIGURATION (EQUIPMENT/FURNISHINGS ONLY)
 FIGURE 82C (SHEET 1)

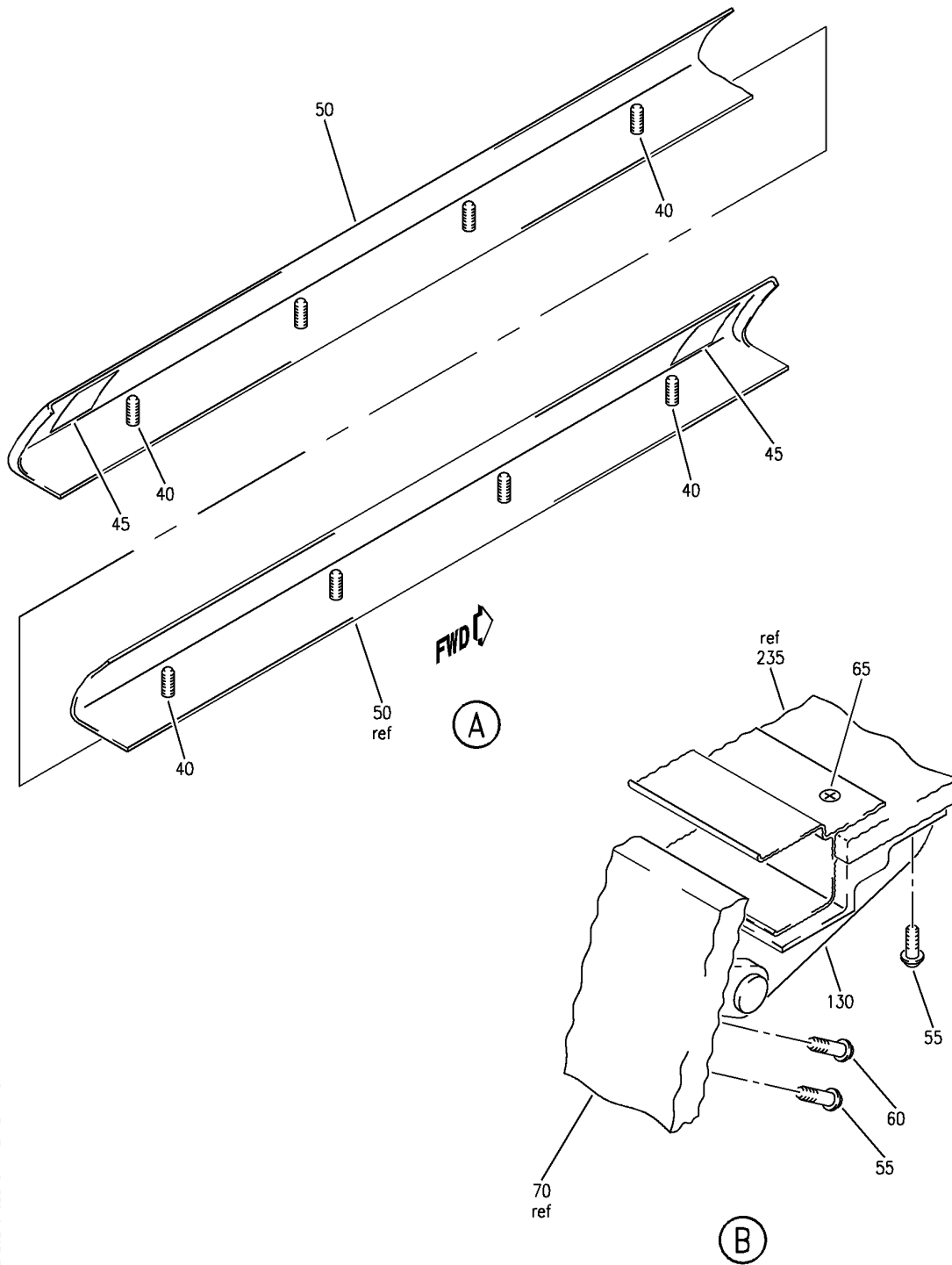
HAP
 OCT 10/07

25-24-31-82C

25-24-31-82C
 PAGE 0

BOEING PROPRIETARY - Copyright © - Unpublished Work - See title page for details.

BOEING
 737-600/700/800/900
 PARTS CATALOG (MAINTENANCE)



E 2524-3182C SHT 2 REV 118

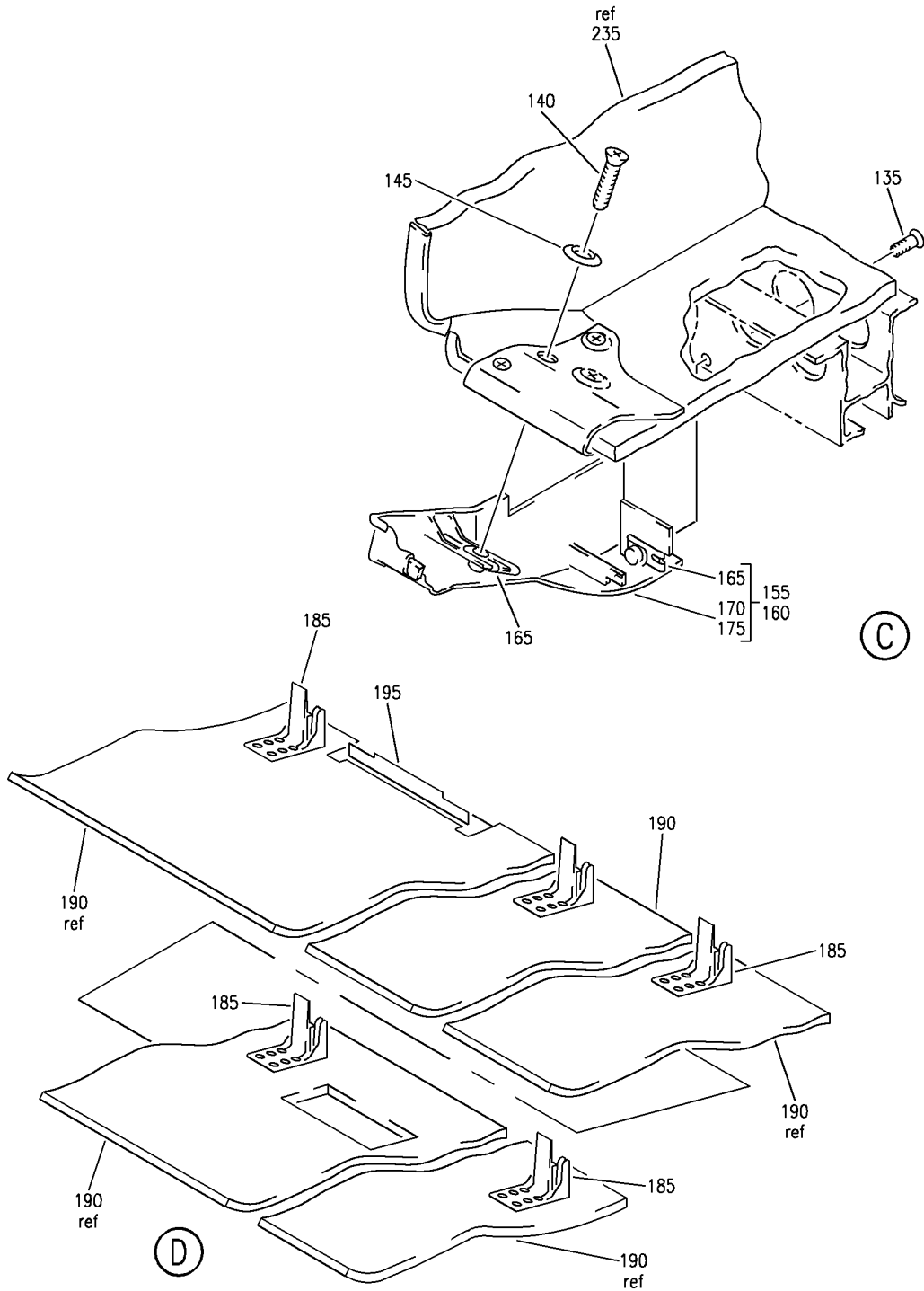
TOP ASSY-RH 80 IN. OVHD STOWAGE BIG BIN BULLNOSE CONFIGURATION (EQUIPMENT/FURNISHINGS ONLY)
 FIGURE 82C (SHEET 2)

HAP
 OCT 10/07

25-24-31-82C

25-24-31-82C
 PAGE 0A

BOEING
 737-600/700/800/900
 PARTS CATALOG (MAINTENANCE)



E 2524-3182C SHT 3 REV 118

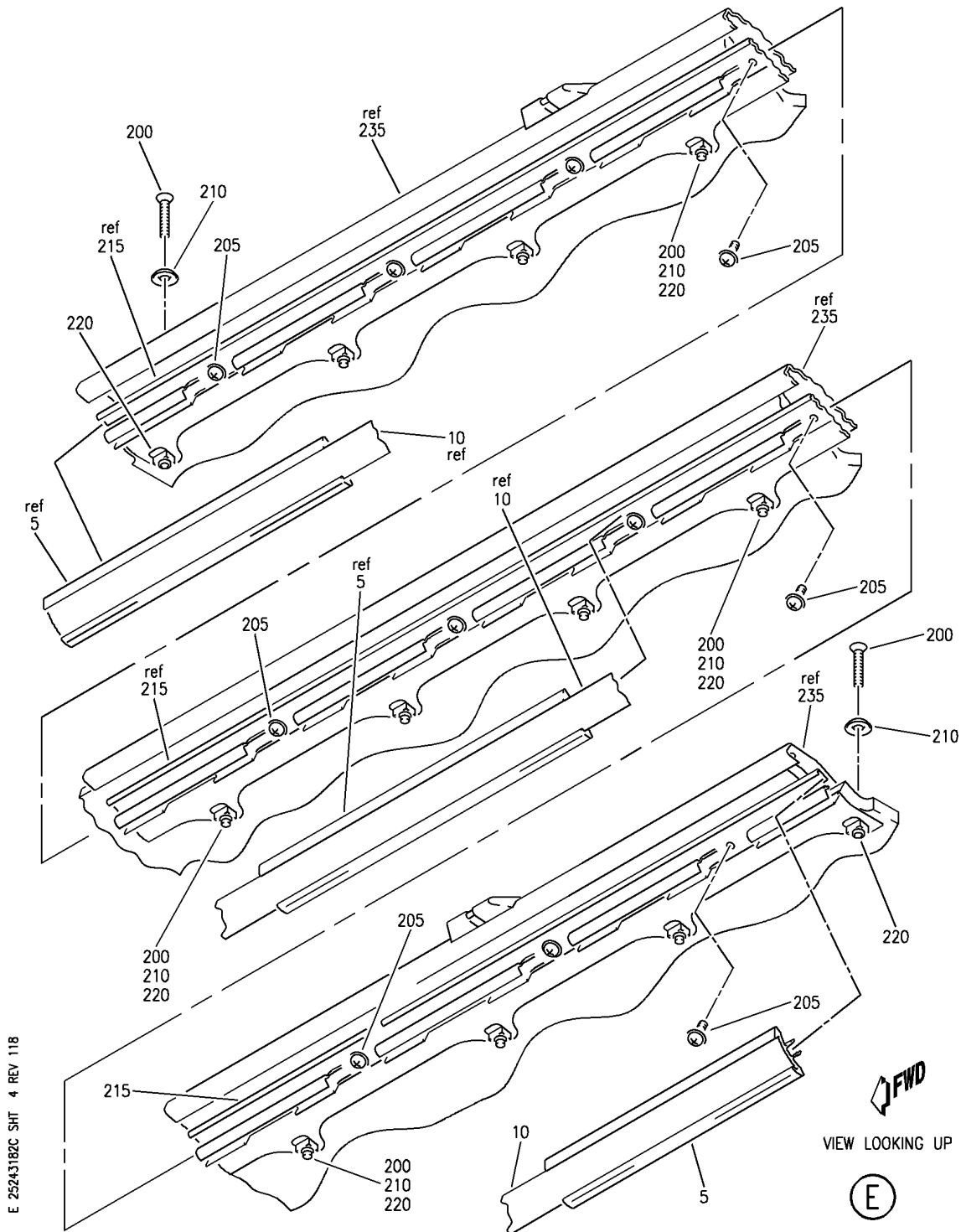
TOP ASSY-RH 80 IN. OVHD STOWAGE BIG BIN BULLNOSE CONFIGURATION (EQUIPMENT/FURNISHINGS ONLY)
 FIGURE 82C (SHEET 3)

25-24-31-82C

HAP
 OCT 10/07

25-24-31-82C
 PAGE 0B

BOEING
 737-600/700/800/900
 PARTS CATALOG (MAINTENANCE)



E 2524-3182C SHT 4 REV 118

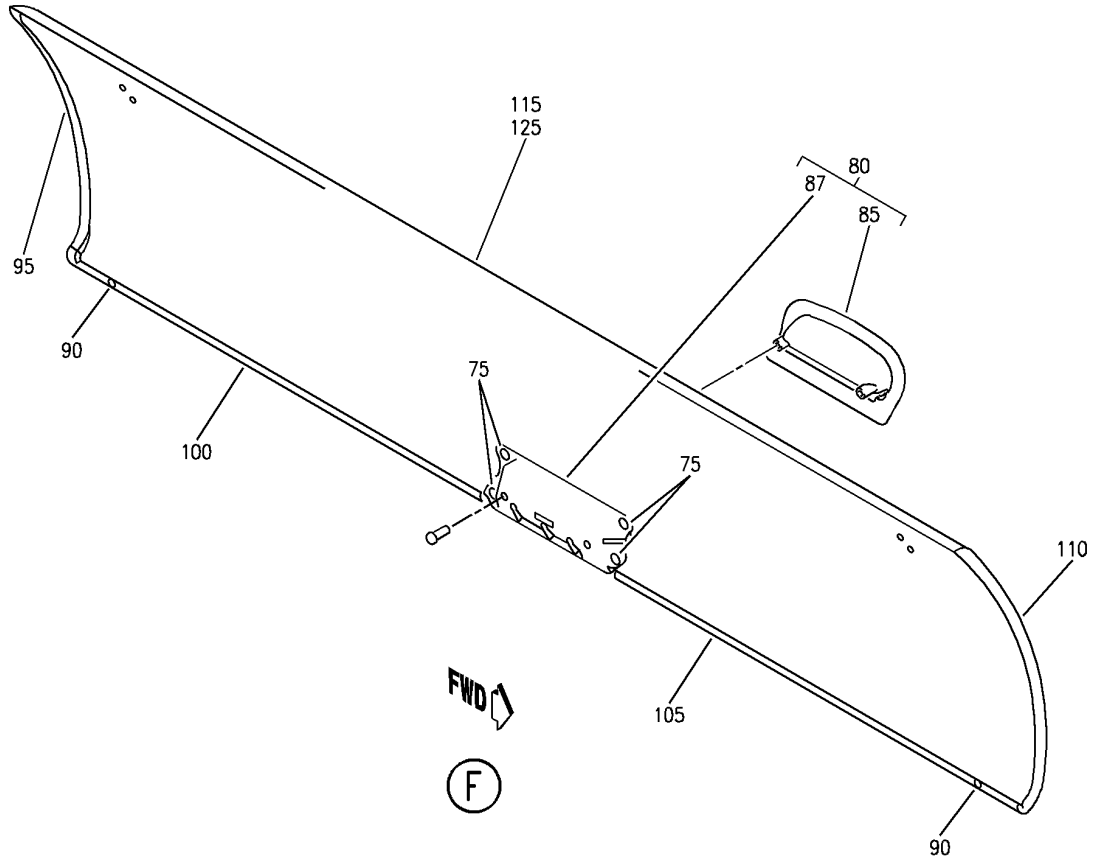
TOP ASSY-RH 80 IN. OVHD STOWAGE BIG BIN BULLNOSE CONFIGURATION (EQUIPMENT/FURNISHINGS ONLY)
 FIGURE 82C (SHEET 4)

HAP
 OCT 10/07

25-24-31-82C

25-24-31-82C
 PAGE 0C

BOEING
 737-600/700/800/900
 PARTS CATALOG (MAINTENANCE)



E 2524-3182C SHT 5 REV 118

TOP ASSY-RH 80 IN. OVHD STOWAGE BIG BIN BULLNOSE CONFIGURATION (EQUIPMENT/FURNISHINGS ONLY)
 FIGURE 82C (SHEET 5)

HAP
 OCT 10/07

25-24-31-82C

25-24-31-82C
 PAGE 0D

BOEING
737-600/700/800/900
PARTS CATALOG (MAINTENANCE)

FIG ITEM	PART NUMBER	1 2 3 4 5 6 7	NOMENCLATURE	EFFECT FROM TO	UNITS PER ASSY
82C			TOP ASSY-RH 80 IN. OVHD STOWAGE BIG BIN BULLNOSE CONFIGURATION (EQUIPMENT/FURNISHINGS ONLY)	101101 968971	
- 1	412A1057-20C		TOP ASSY-80 IN. OVHD STOWAGE BIG BIN BULLNOSE CONFIGURATION (EQUIPMENT/FURNISHINGS ONLY) POSITION DATA: RH FOR NHA/OTHER SYS DET SEE: 25-24-30-77	101101 968971	RF
5	412A1420-1A		.EXTRUSION-SEAT ROW MARKER	101101 968971	1
10	412A1451-2G		.STRIP	101101 968971	1
15	H3-1592-1		.LATCH-CLG SUPPLIER CODE: V34941 SPECIFICATION NUMBER: S411A001-1	101101 968971	2
- 20	BACS12GU3K7		ATTACHING PARTS .SCREW	101101 968971	4
- 25	NAS1149D0332J		.WASHER	101101 968971	4
30	412A1700-1A		-----*----- .VALANCE ASSY-LT ATTACHING PARTS	101101 968971	1
- 35	BACN10YJ3F		.NUT	101101 968971	8
40	BACS21DW3C10FN		-----*----- ..STUD	101101 968971	8
45	412A1700-6		..TAPE-VELCRO	101101 968971	2
50	412A1710-1A		..PANEL ASSY	101101 968971	1
55	BACS12FA3K6		.SCREW	101101 968971	8
60	BACS12FA3K7		.SCREW	101101 968971	4
65	BACS12FA3K15		.SCREW	101101 968971	4
70	412A1505-1B		.DOOR ASSY-40 IN.	101101 968971	2

MISSING ITEM NUMBERS NOT APPLICABLE

- ITEM NOT ILLUSTRATED

HAP

25-24-31-82C

BOEING PROPRIETARY - Copyright © - Unpublished Work - See title page for details.

25-24-31
FIG. 82C
PAGE 1
FEB 15/08

BOEING
737-600/700/800/900
PARTS CATALOG (MAINTENANCE)

FIG ITEM	PART NUMBER	1 2 3 4 5 6 7	NOMENCLATURE	EFFECT FROM TO	UNITS PER ASSY
82C					
75	BACS12FA3K4	..	SCREW	101101 968971	4
80	HA951-1	..	LATCH ASSY- SUPPLIER CODE: V83014 SPECIFICATION NUMBER: S412A003-1	101101 968971	1
90	412A1810-2B	..	BUMPER- QUALIFIED I/W DATA: PN 412A1810-3B CAN REPLACE BUT NOT BE REPLACED BY PN 412A1810-2B FOR 737-600/700/800/900 ONLY.	101101 968971	2
90	412A1810-1A	..	BUMPER-	101101 968971	2
95	412A1452-4B	..	TRIM-VERT	101101 968971	1
100	412A1452-6B	..	TRIM-HORIZ	101101 968971	1
105	412A1452-5B	..	TRIM-HORIZ	101101 968971	1
110	412A1452-3B	..	TRIM-VERT	101101 968971	1
115	412A1513-2B	..	PANEL ASSY	101101 968971	1
- 120	SL618-3A	...	INSERT- SUPPLIER CODE: V97393	101101 968971	8
125	412A1513-1B	...	PANEL ASSY	101101 968971	1
130	SP21757	.HINGE ASSY- SUPPLIER CODE: V24403 SPECIFICATION NUMBER: S412A004-1		101101 968971	4
135	BACB30VF3K3	.BOLT		101101 968971	2
140	BACS12ER3K11	.SCREW		101101 968971	2
145	H3-1233A3	.WASHER- SUPPLIER CODE: V34941 SPECIFICATION NUMBER: S411A001-1		101101 968971	2
150	403A3210-96B	.SEAL ASSY		101101 968971	1

MISSING ITEM NUMBERS NOT APPLICABLE

- ITEM NOT ILLUSTRATED

HAP

25-24-31-82C

BOEING PROPRIETARY - Copyright © - Unpublished Work - See title page for details.

25-24-31
FIG. 82C
PAGE 2
OCT 15/08

BOEING
737-600/700/800/900
PARTS CATALOG (MAINTENANCE)

FIG ITEM	PART NUMBER	1 2 3 4 5 6 7	NOMENCLATURE	EFFECT FROM TO	UNITS PER ASSY
82C					
155	412A1467-1B	.	CLOSEOUT ASSY	101101 968971	1
160	412A1467-2B	.	CLOSEOUT ASSY	101101 968971	1
165	BACN10VR4CGN	..	NUT- OPTIONAL PART: BACN10VR4CG	101101 968971	2
165	BACN10VR4CG	..	NUT- OPTIONAL PART: BACN10VR4CGN	101101 968971	2
170	412A1467-5B	..	CLOSEOUT- USED ON: 412A1467-1B	101101 968971	1
175	412A1467-6B	..	CLOSEOUT- USED ON: 412A1467-2B	101101 968971	1
180	412A1607-22B	.	COVER ASSY	101101 968971	1
185	412A1460-2	..	CLIP	101101 968971	5
190	412A1617-22B	..	PANEL	101101 968971	1
195	412A1450-22A	..	TRIM	101101 968971	1
200	BACS12ER3K14	.	SCREW	101101 968971	12
205	BACS12FA3K5	.	SCREW	101101 968971	11
210	H3-1233A3	.	WASHER- SUPPLIER CODE: V34941 SPECIFICATION NUMBER: S411A001-1	101101 968971	12
215	412A1244-1	.	EXTRUSION ASSY	101101 968971	1
220	FS1651-3	..	NUTPLATE SUPPLIER CODE: V15653 SPECIFICATION NUMBER: BACN10KH3CD OPTIONAL PART: 102F9209M3 V72962 NS202496-02 V80539 ATTACHING PARTS	101101 968971	12
- 225	BACR15BA3ADC	..	RIVET- SIZE DETERMINED ON INSTL. -----*-----	101101 968971	24

MISSING ITEM NUMBERS NOT APPLICABLE

- ITEM NOT ILLUSTRATED

HAP

25-24-31-82C

BOEING PROPRIETARY - Copyright © - Unpublished Work - See title page for details.

25-24-31
FIG. 82C
PAGE 3
OCT 15/08

BOEING
737-600/700/800/900
PARTS CATALOG (MAINTENANCE)

FIG ITEM	PART NUMBER	1 2 3 4 5 6 7	NOMENCLATURE	EFFECT FROM TO	UNITS PER ASSY
82C - 230	412A1811-2B	.	PLUG	101101 968971	AR
235	412A1205-20B	.	BOX ASSY-BIN FOR DETAILS SEE: 25-24-32-83E	101101 968971	1

MISSING ITEM NUMBERS NOT APPLICABLE

- ITEM NOT ILLUSTRATED

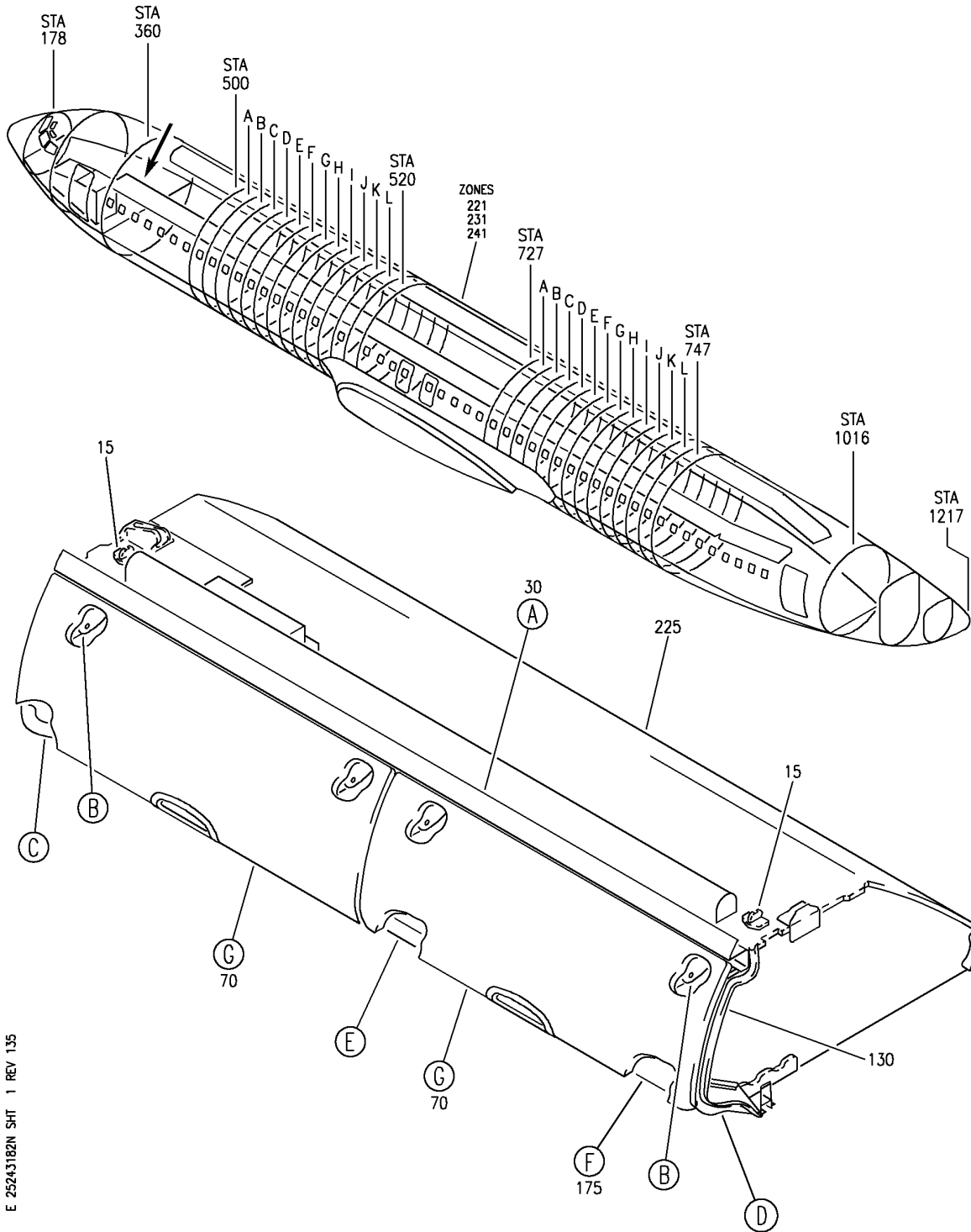
HAP

25-24-31-82C

BOEING PROPRIETARY - Copyright © - Unpublished Work - See title page for details.

25-24-31
FIG. 82C
PAGE 4
OCT 15/08

BOEING
 737-600/700/800/900
 PARTS CATALOG (MAINTENANCE)



E 2524-3182N SHT 1 REV 135

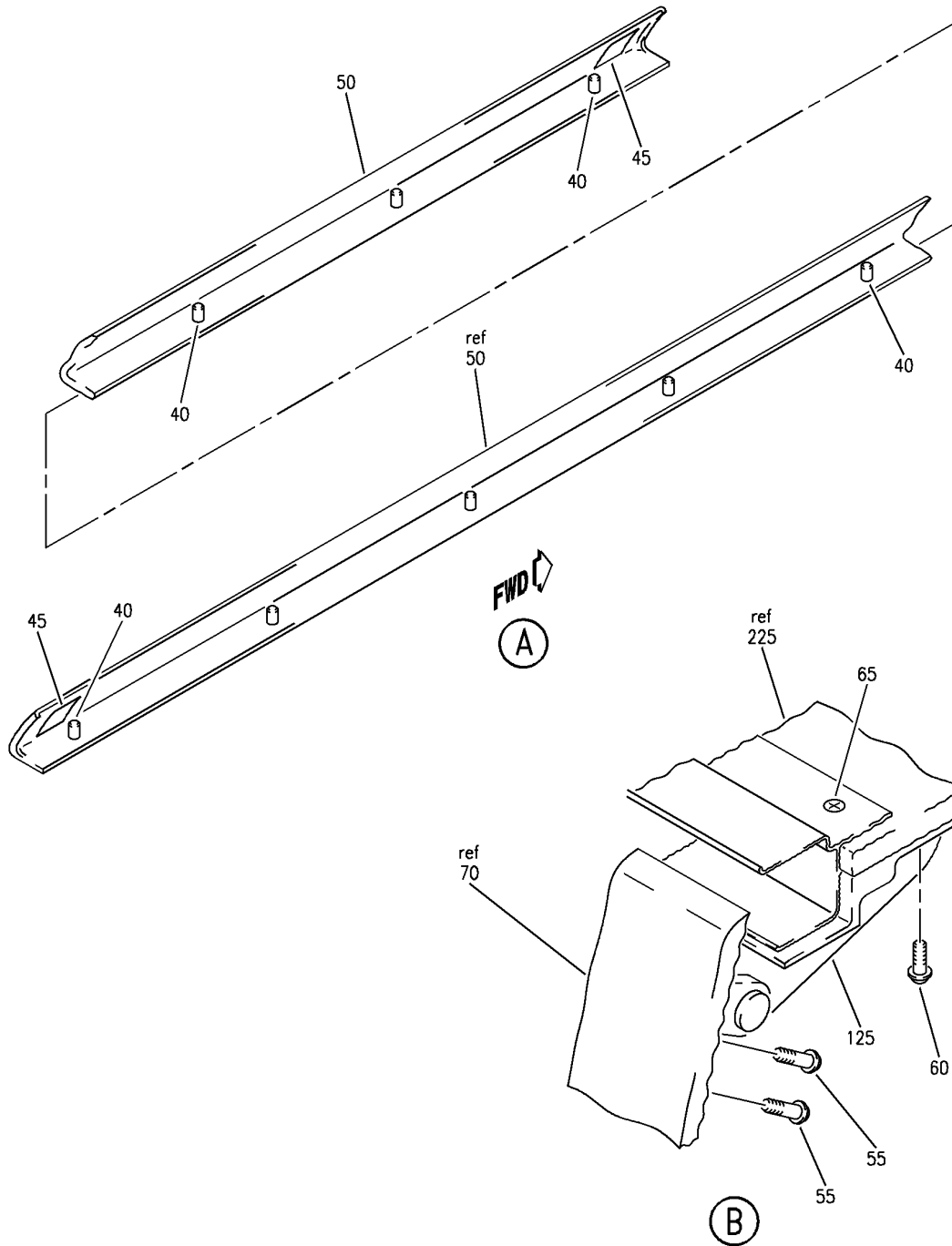
TOP ASSY-LH 80 IN. OVHD STOWAGE BIG BIN BULLNOSE CONFIGURATION (EQUIPMENT/ FURNISHINGS ONLY)
 FIGURE 82N (SHEET 1)

HAP
 OCT 10/07

25-24-31-82N

25-24-31-82N
 PAGE 0

BOEING
 737-600/700/800/900
 PARTS CATALOG (MAINTENANCE)



E 2524-3182N SHT 2 REV 135

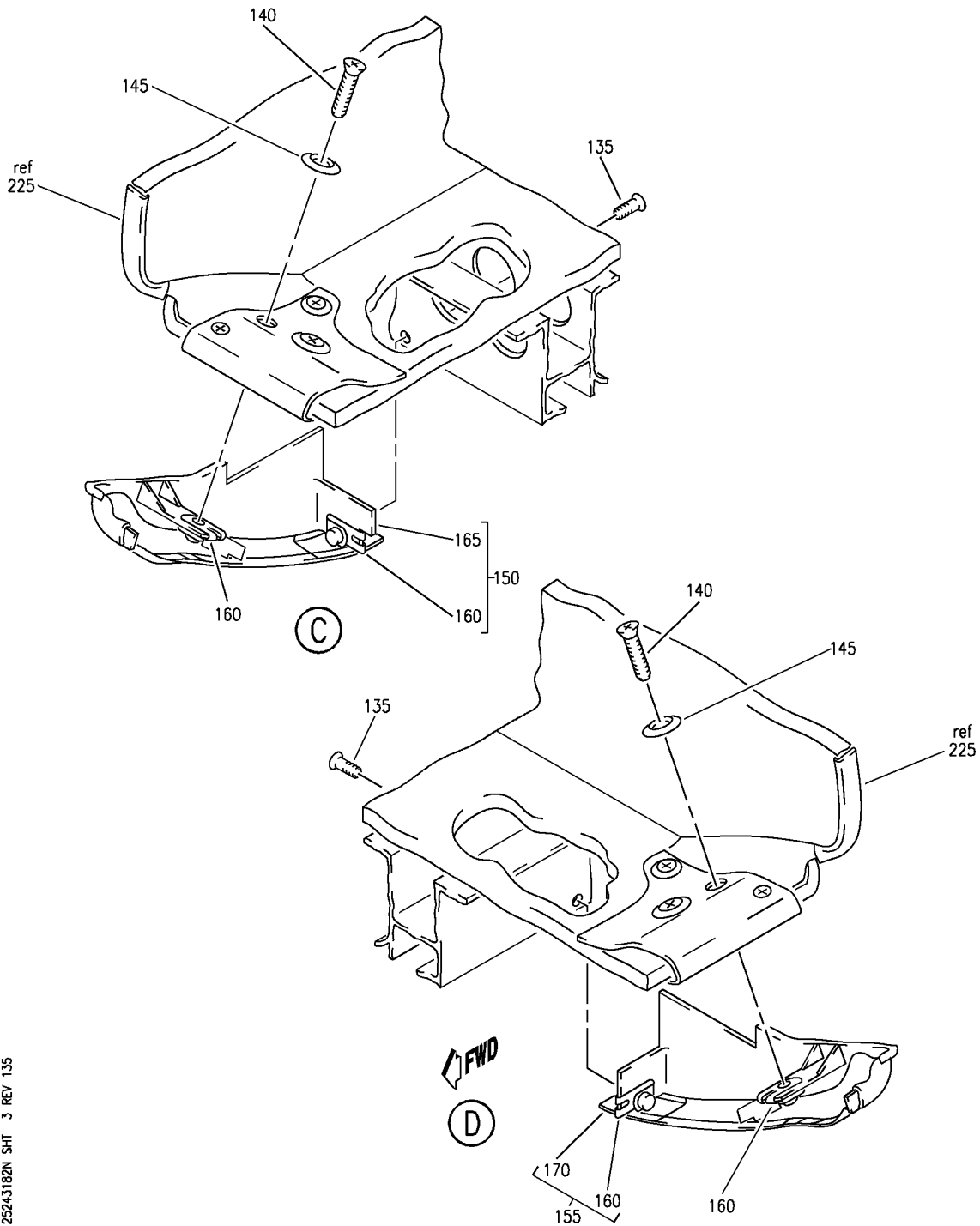
TOP ASSY-LH 80 IN. OVHD STOWAGE BIG BIN BULLNOSE CONFIGURATION (EQUIPMENT/ FURNISHINGS ONLY)
 FIGURE 82N (SHEET 2)

HAP
 OCT 10/07

25-24-31-82N

25-24-31-82N
 PAGE 0A

BOEING
 737-600/700/800/900
 PARTS CATALOG (MAINTENANCE)



E 2524-3182N SHT 3 REV 135

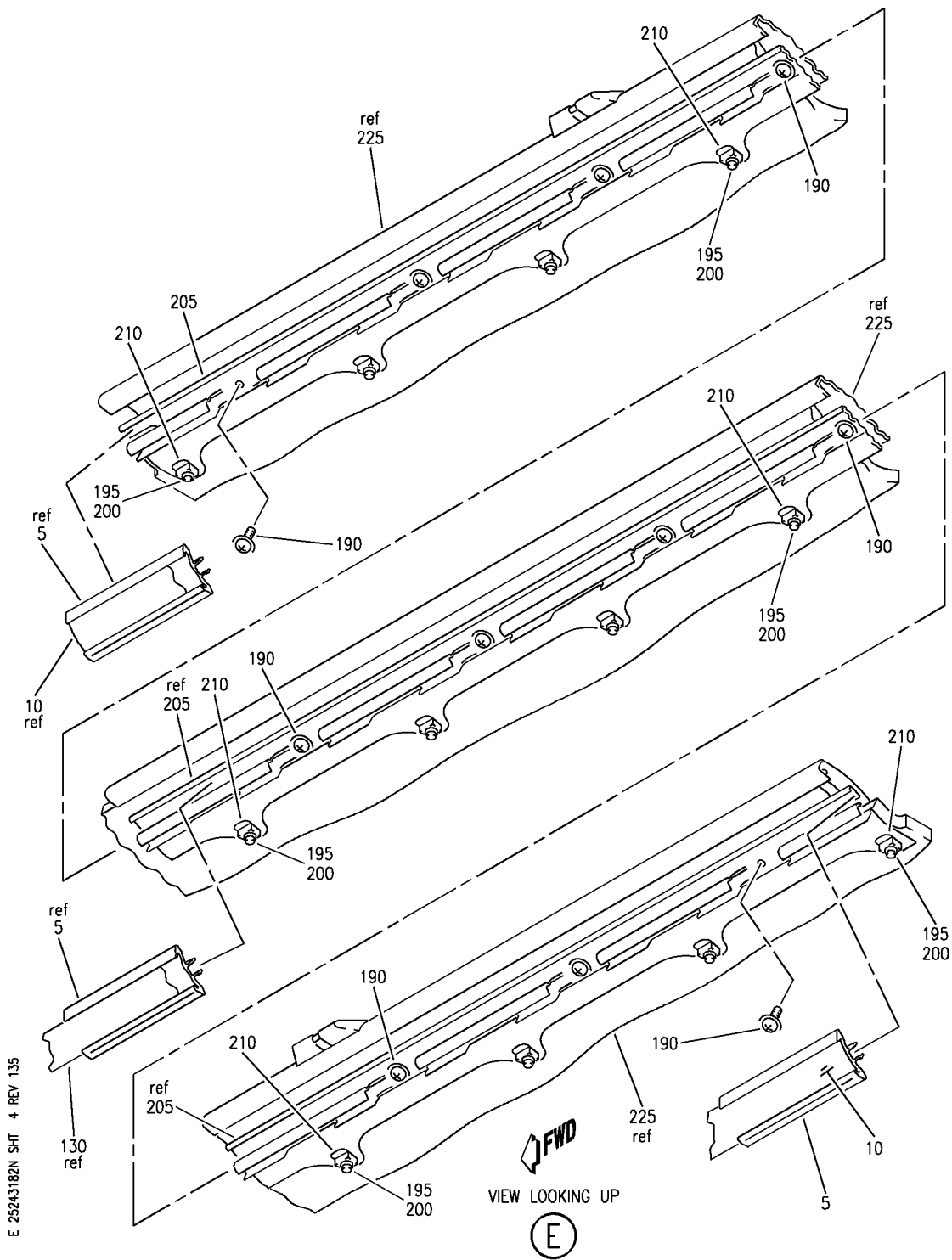
TOP ASSY-LH 80 IN. OVHD STOWAGE BIG BIN BULLNOSE CONFIGURATION (EQUIPMENT/ FURNISHINGS ONLY)
 FIGURE 82N (SHEET 3)

HAP
 OCT 10/07

25-24-31-82N

25-24-31-82N
 PAGE 0B

BOEING
 737-600/700/800/900
 PARTS CATALOG (MAINTENANCE)



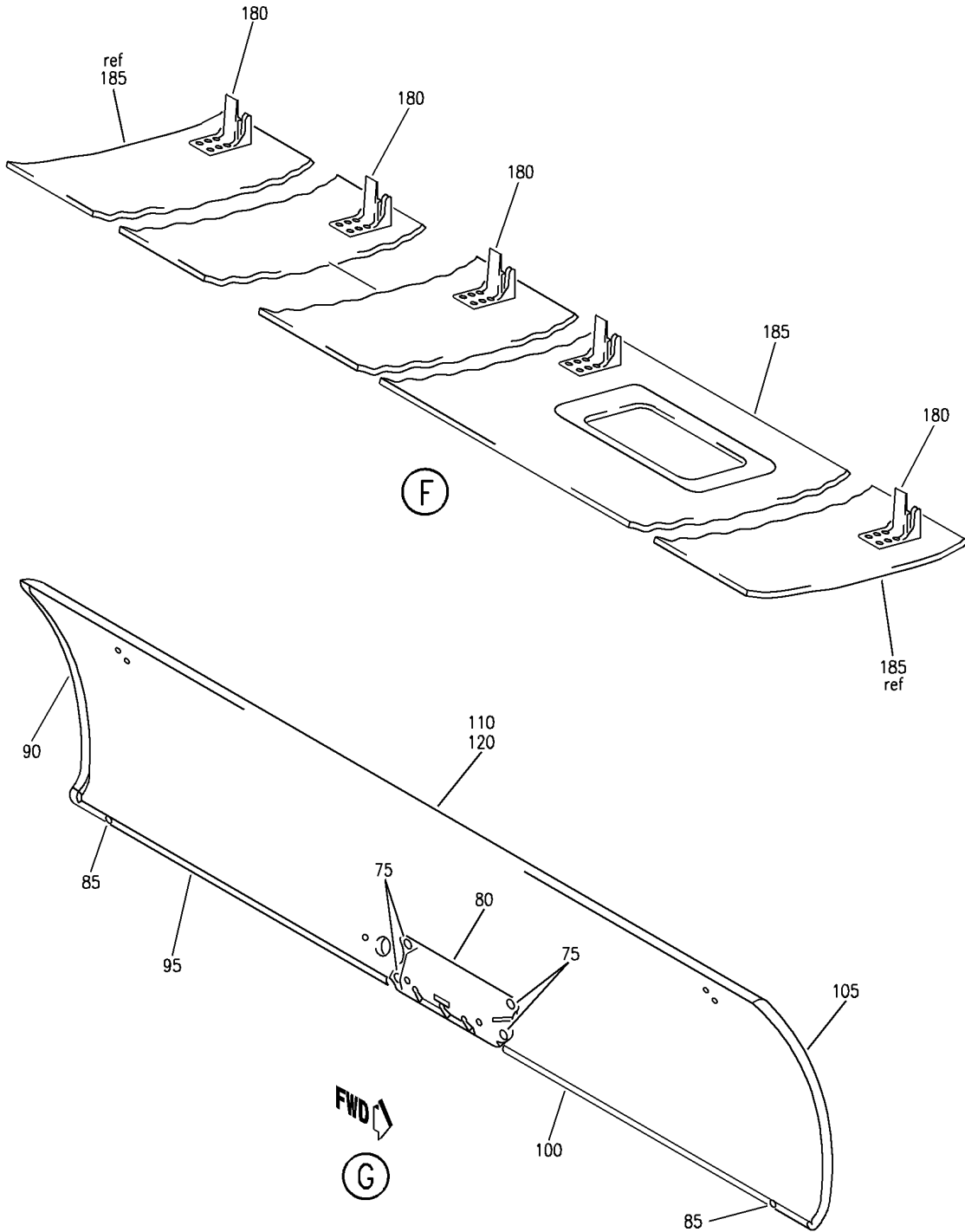
TOP ASSY-LH 80 IN. OVHD STOWAGE BIG BIN BULLNOSE CONFIGURATION (EQUIPMENT/ FURNISHINGS ONLY)
 FIGURE 82N (SHEET 4)

HAP
 OCT 10/07

25-24-31-82N

25-24-31-82N
 PAGE 0C

BOEING
 737-600/700/800/900
 PARTS CATALOG (MAINTENANCE)



E 2524-3182N SHT 5 REV 135

TOP ASSY-LH 80 IN. OVHD STOWAGE BIG BIN BULLNOSE CONFIGURATION (EQUIPMENT/ FURNISHINGS ONLY)
 FIGURE 82N (SHEET 5)

HAP
 OCT 10/07

25-24-31-82N

25-24-31-82N
 PAGE 0D

BOEING
737-600/700/800/900
PARTS CATALOG (MAINTENANCE)

FIG ITEM	PART NUMBER	1 2 3 4 5 6 7	NOMENCLATURE	EFFECT FROM TO	UNITS PER ASSY
82N			TOP ASSY-LH 80 IN. OVHD STOWAGE BIG BIN BULLNOSE CONFIGURATION (EQUIPMENT/ FURNISHINGS ONLY)	102200 972999	
- 1	412A1057-1019C		TOP ASSY-80 IN. OVHD STOWAGE BIG BIN BULLNOSE CONFIGURATION (EQUIPMENT FURNISHINGS ONLY) POSITION DATA: LH FOR NHA/OTHER SYS DET SEE: 25-24-30-77	102200 972999	RF
5	412A1420-1A		.EXTRUSION-SEAT ROW MARKER	102200 972999	1
10	412A1451-2BCWK		.STRIP-TRIM	102200 972999	1
15	H3-1592-1		.LATCH-CLG SUPPLIER CODE: V34941 SPECIFICATION NUMBER: S411A001-1 ATTACHING PARTS	102200 972999	2
- 20	BACS12GU3K7		.SCREW	102200 972999	4
- 25	NAS1149D0332J		.WASHER	102200 972999	4
30	412A1700-1A		-----*----- .VALANCE ASSY-LT ATTACHING PARTS	102200 972999	1
- 35	BACN10YJ3F		.NUT	102200 972999	8
40	BACS21DW3C10FN		-----*----- ..STUD	102200 972999	8
45	412A1700-6		..TAPE-VELCRO	102200 972999	2
50	412A1710-1A		..PANEL ASSY	102200 972999	1
55	BACS12FA3K5		.SCREW	102200 972999	16
60	BACS12FA3K6		.SCREW	102200 972999	4
65	BACS12FA3K15		.SCREW	102200 972999	4
70	412A1505-101B		.DOOR ASSY-40 IN.	102200 972999	2
75	BACS12FA3K4		..SCREW	102200 972999	4

MISSING ITEM NUMBERS NOT APPLICABLE

- ITEM NOT ILLUSTRATED

HAP

25-24-31-82N

BOEING PROPRIETARY - Copyright © - Unpublished Work - See title page for details.

25-24-31
FIG. 82N
PAGE 1
OCT 15/08

BOEING
737-600/700/800/900
PARTS CATALOG (MAINTENANCE)

FIG ITEM	PART NUMBER	1 2 3 4 5 6 7	NOMENCLATURE	EFFECT FROM TO	UNITS PER ASSY
82N 80	HA951-1		..LATCH ASSY- SUPPLIER CODE: V83014 SPECIFICATION NUMBER: S412A003-1	102200 972999	1
85	412A1810-3B		..BUMPER- QUALIFIED I/W DATA: PN 412A1810-3B CAN REPLACE BUT NOT BE REPLACED BY PN 412A1810-2B FOR 737-600/700/800/900 ONLY.	102200 972999	2
90	412A1452-104B		..TRIM-VERT	102200 972999	1
95	412A1452-106B		..TRIM-HORIZ	102200 972999	1
100	412A1452-105B		..TRIM-HORIZ	102200 972999	1
105	412A1452-103B		..TRIM-VERT	102200 972999	1
110	412A1513-102B		..PANEL ASSY	102200 972999	1
- 115	SL618-3A		...INSERT- SUPPLIER CODE: V97393	102200 972999	12
120	412A1513-101B		...PANEL ASSY	102200 972999	1
125	SP23011		.HINGE ASSY- SUPPLIER CODE: V24403 SPECIFICATION NUMBER: S412A004-3	102200 972999	4
130	403A3210-95B		.SEAL ASSY	102200 972999	1
135	BACB30VF3K3		.BOLT	102200 972999	2
140	BACS12ER3K11		.SCREW	102200 972999	2
145	H3-1233A3		.WASHER- SUPPLIER CODE: V34941 SPECIFICATION NUMBER: S411A001-1	102200 972999	2
150	412A1467-1B		.CLOSEOUT ASSY	102200 972999	1
155	412A1467-2B		.CLOSEOUT ASSY	102200 972999	1

MISSING ITEM NUMBERS NOT APPLICABLE

- ITEM NOT ILLUSTRATED

HAP

25-24-31-82N

BOEING PROPRIETARY - Copyright © - Unpublished Work - See title page for details.

25-24-31
FIG. 82N
PAGE 2
OCT 15/08

BOEING
737-600/700/800/900
PARTS CATALOG (MAINTENANCE)

FIG ITEM	PART NUMBER	1 2 3 4 5 6 7	NOMENCLATURE	EFFECT FROM TO	UNITS PER ASSY
82N 160	BACN10VR4CGN	..	NUT- OPTIONAL PART: BACN10VR4CG	102200 972999	2
160	BACN10VR4CG	..	NUT- OPTIONAL PART: BACN10VR4CGN	102200 972999	2
165	412A1467-5B	..	CLOSEOUT- USED ON: 412A1467-1B	102200 972999	1
170	412A1467-6B	..	CLOSEOUT- USED ON: 412A1467-2B	102200 972999	1
175	412A1607-1B	.	COVER ASSY	102200 972999	1
180	412A1460-2	..	CLIP	102200 972999	5
185	412A1617-2B	..	PANEL	102200 972999	1
190	BACS12FA3K5	.	SCREW	102200 972999	11
195	BACS12ER3K14	.	SCREW	102200 972999	12
200	H3-1233A3	.	WASHER- SUPPLIER CODE: V34941 SPECIFICATION NUMBER: S411A001-1	102200 972999	12
205	412A1244-1	.	EXTRUSION ASSY	102200 972999	1
210	FS1651-3	..	NUTPLATE SUPPLIER CODE: V15653 SPECIFICATION NUMBER: BACN10KH3CD OPTIONAL PART: 102F9209M3 V72962 NS202496-02 V80539 ATTACHING PARTS	102200 972999	12
- 215	BACR15BA3ADC	..	RIVET- SIZE DETERMINED ON INSTL. -----*-----	102200 972999	24
- 220	412A1811-2B	.	PLUG	102200 972999	AR
225	412A1205-19B	.	BOX ASSY-BIN FOR DETAILS SEE: 25-24-32-83D	102200 972999	1

MISSING ITEM NUMBERS NOT APPLICABLE

- ITEM NOT ILLUSTRATED

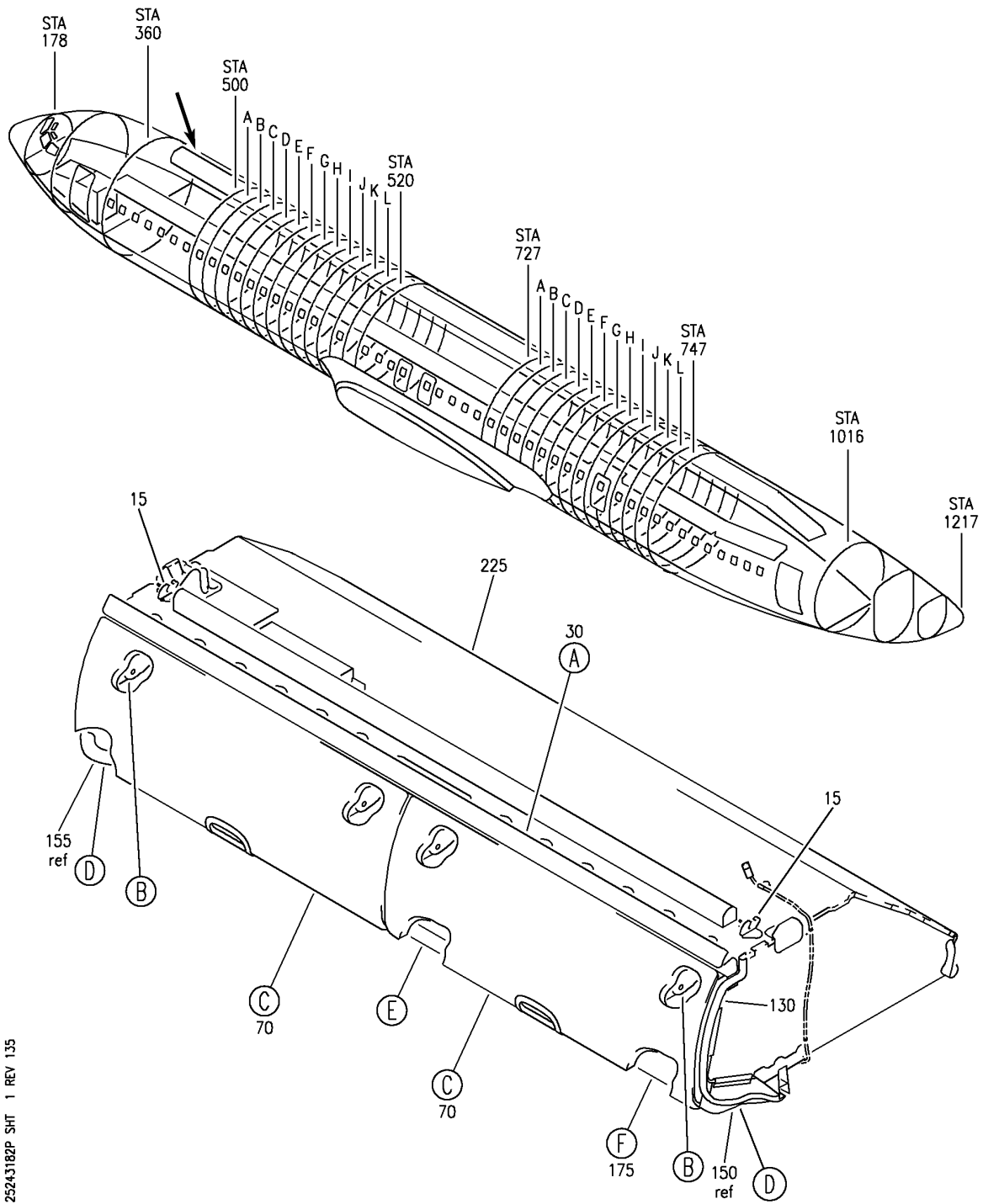
HAP

25-24-31-82N

BOEING PROPRIETARY - Copyright © - Unpublished Work - See title page for details.

25-24-31
FIG. 82N
PAGE 3
OCT 15/08


BOEING
 737-600/700/800/900
PARTS CATALOG (MAINTENANCE)



E 2524-3182P SHT 1 REV 135

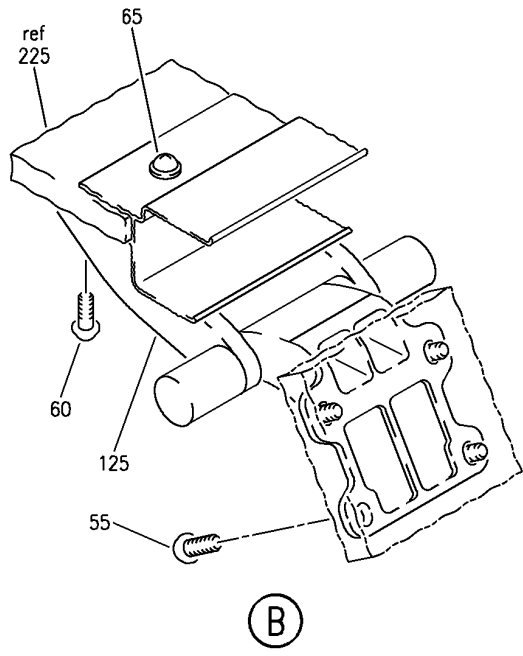
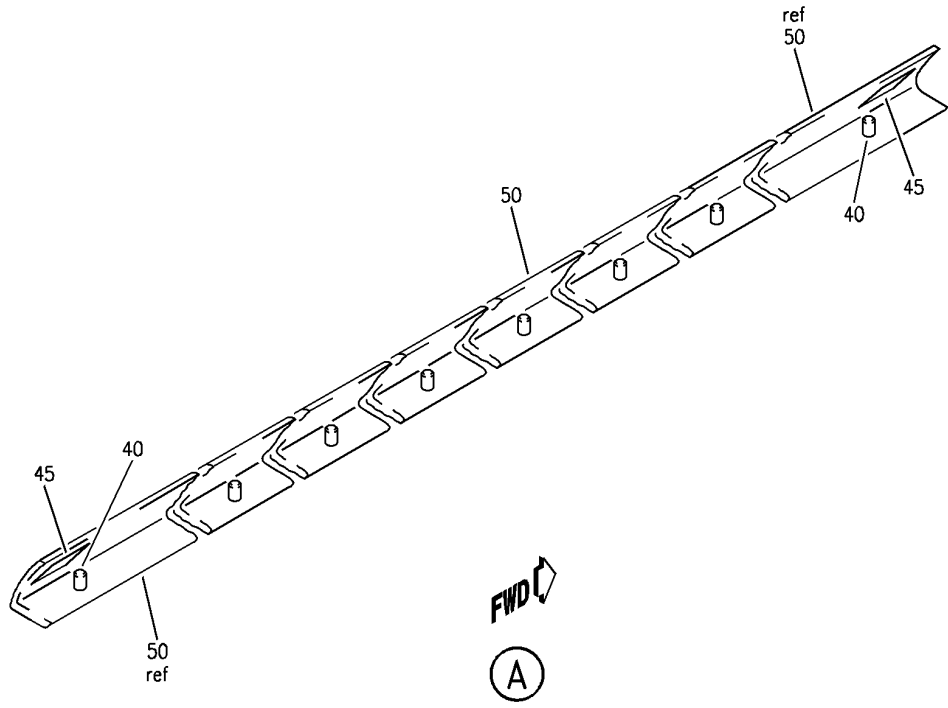
TOP ASSY-RH 80 IN. OVHD STOWAGE BIG BIN BULLNOSE CONFIGURATION (EQUIPMENT/ FURNISHINGS ONLY)
 FIGURE 82P (SHEET 1)

HAP
 OCT 10/07

25-24-31-82P

25-24-31-82P
 PAGE 0

BOEING
 737-600/700/800/900
 PARTS CATALOG (MAINTENANCE)



E 2524-3182P SHT 2 REV 135

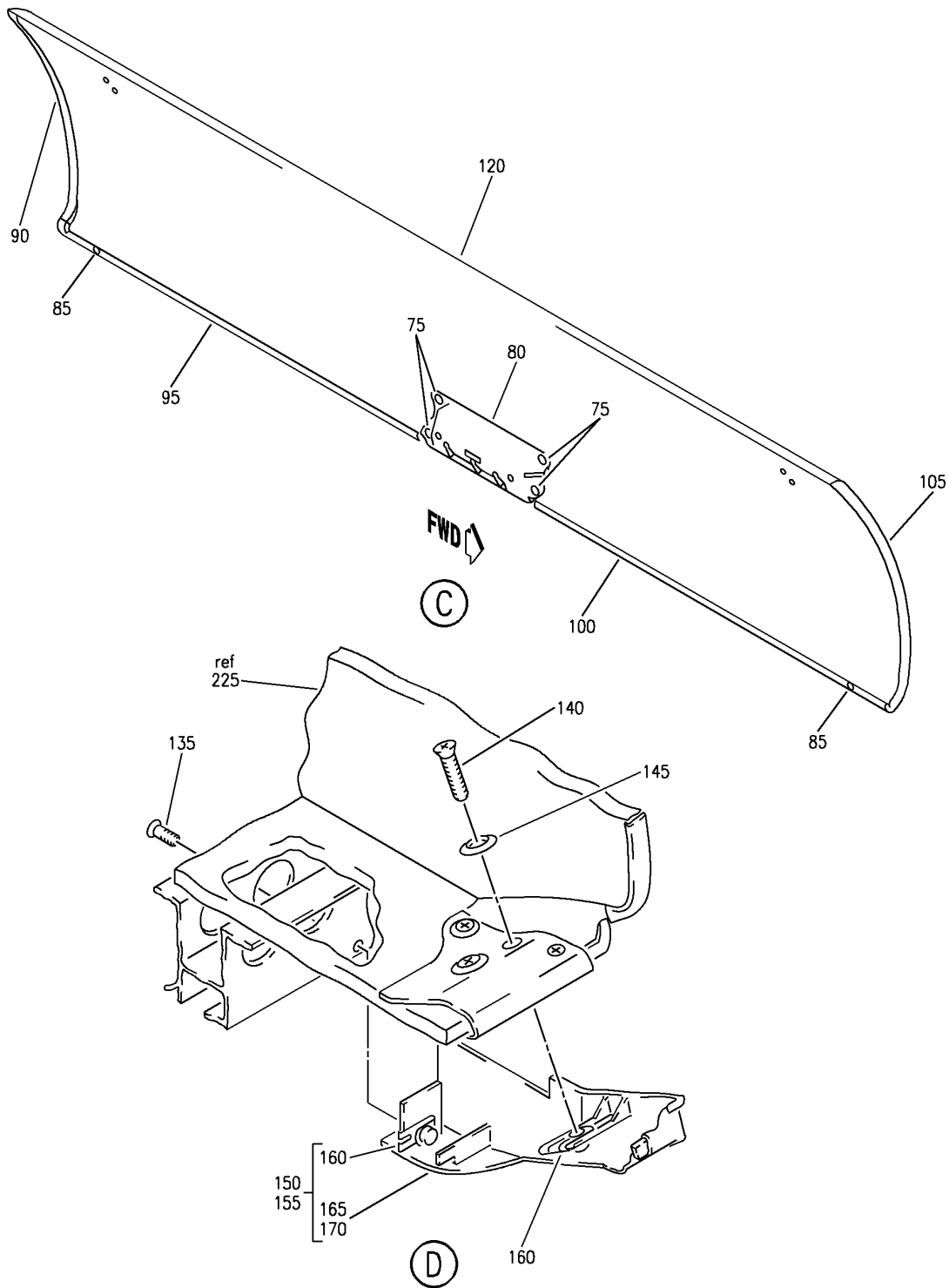
TOP ASSY-RH 80 IN. OVHD STOWAGE BIG BIN BULLNOSE CONFIGURATION (EQUIPMENT/ FURNISHINGS ONLY)
 FIGURE 82P (SHEET 2)

HAP
 OCT 10/07

25-24-31-82P

25-24-31-82P
 PAGE 0A

BOEING
 737-600/700/800/900
 PARTS CATALOG (MAINTENANCE)



E 2524-3182P SHT 3 REV 135

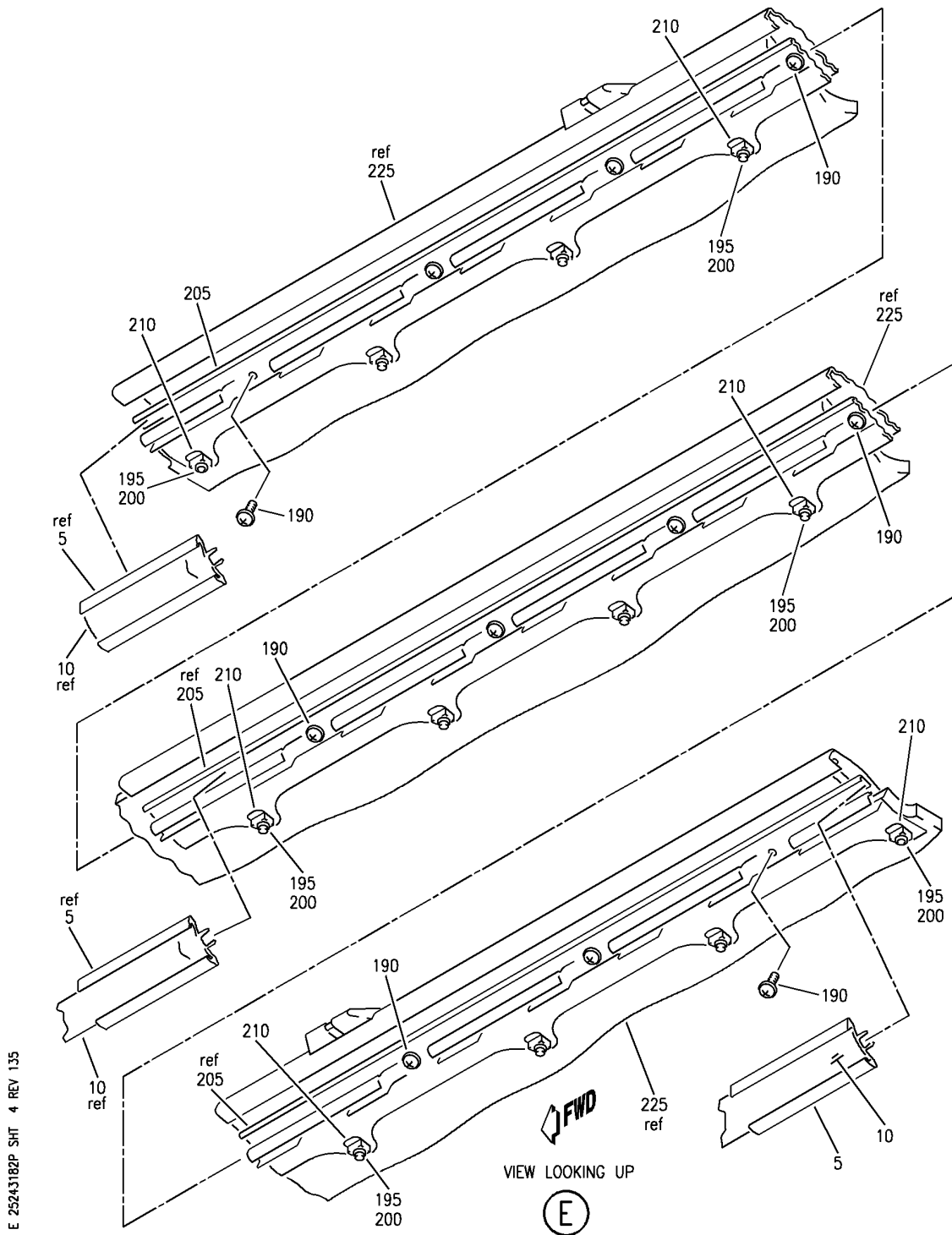
TOP ASSY-RH 80 IN. OVHD STOWAGE BIG BIN BULLNOSE CONFIGURATION (EQUIPMENT/ FURNISHINGS ONLY)
 FIGURE 82P (SHEET 3)

HAP
 OCT 10/07

25-24-31-82P

25-24-31-82P
 PAGE 0B

BOEING
 737-600/700/800/900
 PARTS CATALOG (MAINTENANCE)



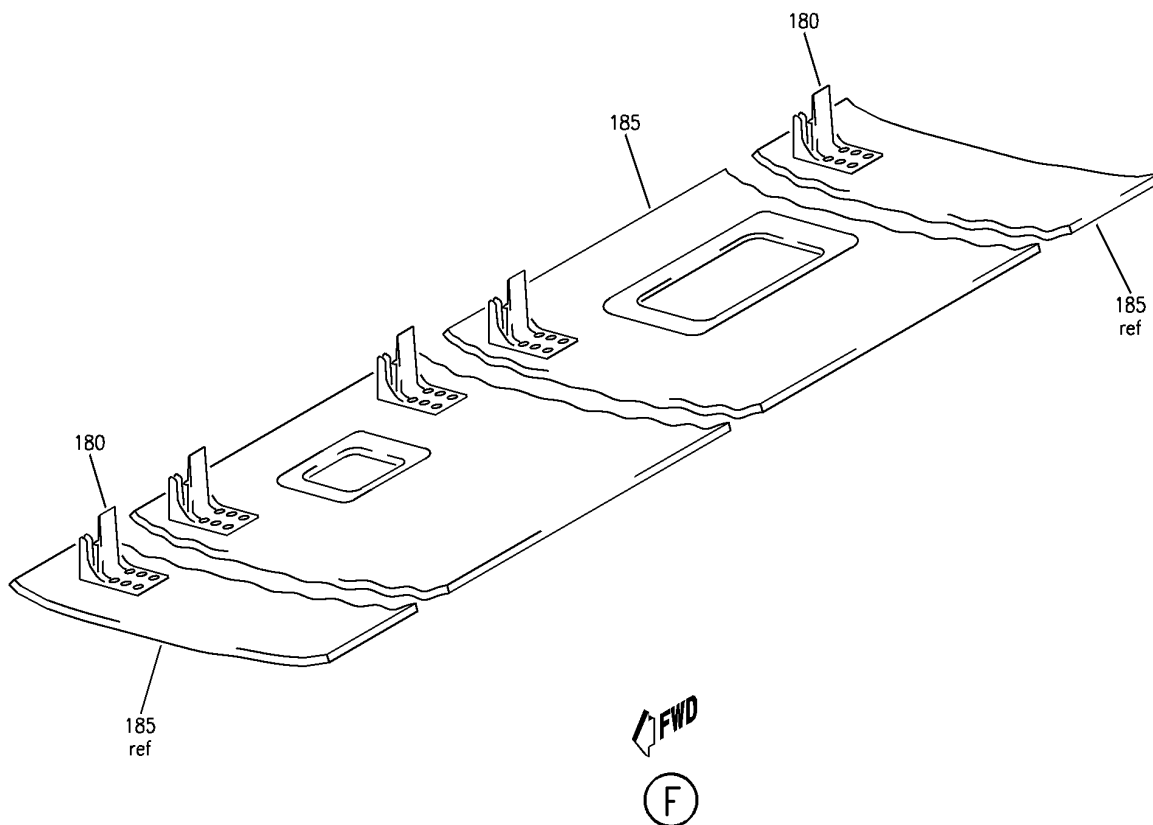
E 2524-3182P SHT 4 REV 135

TOP ASSY-RH 80 IN. OVHD STOWAGE BIG BIN BULLNOSE CONFIGURATION (EQUIPMENT/ FURNISHINGS ONLY)
 FIGURE 82P (SHEET 4)

HAP
 OCT 10/07

25-24-31-82P

25-24-31-82P
 PAGE 0C



E 2524-3182P SHT 5 REV 135

TOP ASSY-RH 80 IN. OVHD STOWAGE BIG BIN BULLNOSE CONFIGURATION (EQUIPMENT/ FURNISHINGS ONLY)
FIGURE 82P (SHEET 5)

HAP
OCT 10/07

25-24-31-82P

25-24-31-82P
PAGE 0D

BOEING
737-600/700/800/900
PARTS CATALOG (MAINTENANCE)

FIG ITEM	PART NUMBER	1 2 3 4 5 6 7	NOMENCLATURE	EFFECT FROM TO	UNITS PER ASSY
82P			TOP ASSY-RH 80 IN. OVHD STOWAGE BIG BIN BULLNOSE CONFIGURATION (EQUIPMENT/ FURNISHINGS ONLY)	102200 972999	
- 1	412A1057-1020C		TOP ASSY-80 IN. OVHD STOWAGE BIG BIN BULLNOSE CONFIGURATION (EQUIPMENT/ FURNISHINGS ONLY) POSITION DATA: RH FOR NHA/OTHER SYS DET SEE: 25-24-30-77	102200 972999	RF
5	412A1420-1A		.EXTRUSION-SEAT ROW MARKER	102200 972999	1
10	412A1451-2BCWK		.STRIP-TRIM	102200 972999	1
15	H3-1592-1		.LATCH-CLG SUPPLIER CODE: V34941 SPECIFICATION NUMBER: S411A001-1 ATTACHING PARTS	102200 972999	2
- 20	BACS12GU3K7		.SCREW	102200 972999	4
- 25	NAS1149D0332J		.WASHER	102200 972999	4
30	412A1700-1A		-----*----- .VALANCE ASSY-LT ATTACHING PARTS	102200 972999	1
- 35	BACN10YJ3F		.NUT	102200 972999	8
40	BACS21DW3C10FN		-----*----- ..STUD	102200 972999	8
45	412A1700-6		..TAPE-VELCRO	102200 972999	2
50	412A1710-1A		..PANEL ASSY	102200 972999	1
55	BACS12FA3K5		.SCREW	102200 972999	16
60	BACS12FA3K6		.SCREW	102200 972999	4
65	BACS12FA3K15		.SCREW	102200 972999	4
70	412A1505-101B		.DOOR ASSY-40 IN.	102200 972999	2
75	BACS12FA3K4		..SCREW	102200 972999	4

MISSING ITEM NUMBERS NOT APPLICABLE

- ITEM NOT ILLUSTRATED

HAP

25-24-31-82P

BOEING PROPRIETARY - Copyright © - Unpublished Work - See title page for details.

25-24-31
FIG. 82P
PAGE 1
OCT 15/08

BOEING
737-600/700/800/900
PARTS CATALOG (MAINTENANCE)

FIG ITEM	PART NUMBER	1 2 3 4 5 6 7	NOMENCLATURE	EFFECT FROM TO	UNITS PER ASSY
82P 80	HA951-1		..LATCH ASSY- SUPPLIER CODE: V83014 SPECIFICATION NUMBER: S412A003-1	102200 972999	1
85	412A1810-3B		..BUMPER- QUALIFIED I/W DATA: PN 412A1810-3B CAN REPLACE BUT NOT BE REPLACED BY PN 412A1810-2B FOR 737-600/700/800/900 ONLY.	102200 972999	2
90	412A1452-104B		..TRIM-VERT	102200 972999	1
95	412A1452-106B		..TRIM-HORIZ	102200 972999	1
100	412A1452-105B		..TRIM-HORIZ	102200 972999	1
105	412A1452-103B		..TRIM-VERT	102200 972999	1
110	412A1513-102B		..PANEL ASSY	102200 972999	1
- 115	SL618-3A		...INSERT- SUPPLIER CODE: V97393	102200 972999	12
120	412A1513-101B		...PANEL ASSY	102200 972999	1
125	SP23011		.HINGE ASSY- SUPPLIER CODE: V24403 SPECIFICATION NUMBER: S412A004-3	102200 972999	4
130	403A3210-96B		.SEAL ASSY	102200 972999	1
135	BACB30VF3K3		.BOLT	102200 972999	2
140	BACS12ER3K11		.SCREW	102200 972999	2
145	H3-1233A3		.WASHER- SUPPLIER CODE: V34941 SPECIFICATION NUMBER: S411A001-1	102200 972999	2
150	412A1467-1B		.CLOSEOUT ASSY	102200 972999	1
155	412A1467-2B		.CLOSEOUT ASSY	102200 972999	1

MISSING ITEM NUMBERS NOT APPLICABLE

- ITEM NOT ILLUSTRATED

HAP

25-24-31-82P

BOEING PROPRIETARY - Copyright © - Unpublished Work - See title page for details.

25-24-31
FIG. 82P
PAGE 2
OCT 15/08

BOEING
737-600/700/800/900
PARTS CATALOG (MAINTENANCE)

FIG ITEM	PART NUMBER	1 2 3 4 5 6 7	NOMENCLATURE	EFFECT FROM TO	UNITS PER ASSY
82P 160	BACN10VR4CGN	..NUT-	OPTIONAL PART: BACN10VR4CG	102200 972999	2
160	BACN10VR4CG	..NUT-	OPTIONAL PART: BACN10VR4CGN	102200 972999	2
165	412A1467-5B	..CLOSEOUT-	USED ON: 412A1467-1B	102200 972999	1
170	412A1467-6B	..CLOSEOUT-	USED ON: 412A1467-2B	102200 972999	1
175	412A1607-1B	.COVER ASSY		102200 972999	1
180	412A1460-2	..CLIP		102200 972999	5
185	412A1617-2B	..PANEL		102200 972999	1
190	BACS12FA3K5	.SCREW		102200 972999	11
195	BACS12ER3K14	.SCREW		102200 972999	12
200	H3-1233A3	.WASHER-	SUPPLIER CODE: V34941 SPECIFICATION NUMBER: S411A001-1	102200 972999	12
205	412A1244-1	.EXTRUSION ASSY		102200 972999	1
210	FS1651-3	..NUTPLATE	SUPPLIER CODE: V15653 SPECIFICATION NUMBER: BACN10KH3CD OPTIONAL PART: 102F9209M3 V72962 NS202496-02 V80539	102200 972999	12
- 215	BACR15BA3ADC	ATTACHING PARTS ..RIVET-	SIZE DETERMINED ON INSTL. -----*-----	102200 972999	24
- 220	412A1811-2B	.PLUG		102200 972999	AR
225	412A1205-20B	.BOX ASSY-BIN	FOR DETAILS SEE: 25-24-32-83E	102200 972999	1

MISSING ITEM NUMBERS NOT APPLICABLE

- ITEM NOT ILLUSTRATED

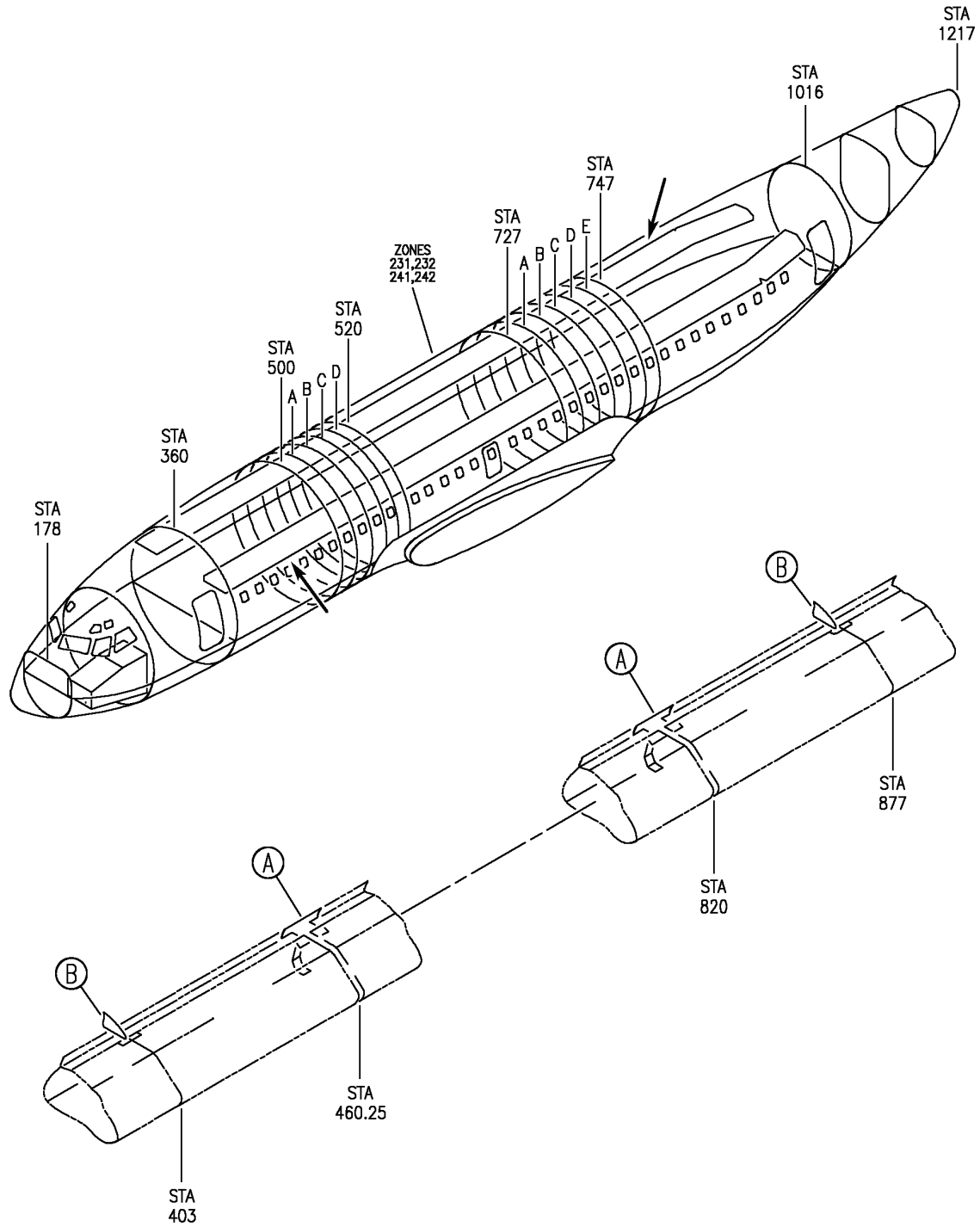
HAP

25-24-31-82P

BOEING PROPRIETARY - Copyright © - Unpublished Work - See title page for details.

25-24-31
FIG. 82P
PAGE 3
OCT 15/08

BOEING
 737-600/700/800/900
 PARTS CATALOG (MAINTENANCE)



E 25243193A SHT 1 REV 085

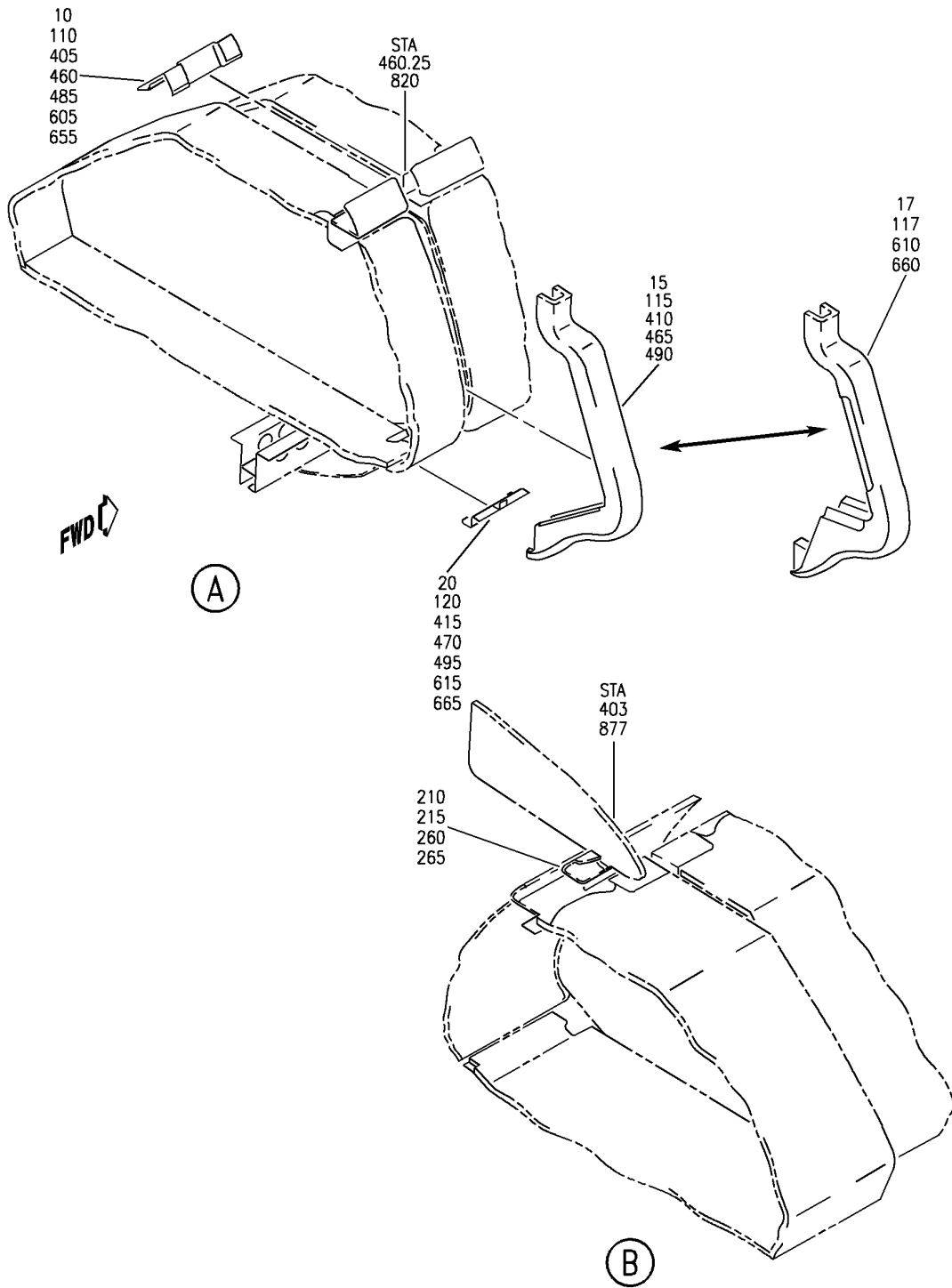
SEAL INSTL
 FIGURE 93A (SHEET 1)

25-24-31-93A

HAP
 OCT 10/06

25-24-31-93A
 PAGE 0

BOEING
 737-600/700/800/900
 PARTS CATALOG (MAINTENANCE)



E 2524-3193A SHT 2 REV 137

SEAL INSTL
 FIGURE 93A (SHEET 2)

25-24-31-93A

HAP
 FEB 15/08

25-24-31-93A
 PAGE 0A

BOEING
737-600/700/800/900
PARTS CATALOG (MAINTENANCE)

FIG ITEM	PART NUMBER	1 2 3 4 5 6 7	NOMENCLATURE	EFFECT FROM TO	UNITS PER ASSY
93A					
- 1	403A3200-9SP		SEAL INSTL SEAL INSTL-LARGE TAPER POSITION DATA: STA 460 LH FOR NHA SEE: 25-24-00-13B 25-24-00-15A	001030 201967	RF
- 5	403A3200-10SP		SEAL INSTL-LARGE TAPER POSITION DATA: STA 460 RH FOR NHA SEE: 25-24-00-13B 25-24-00-15A	001030 201967	RF
10	403A3220-5SP		.SEAL ASSY-	001030 201967	1
15	403A3210-26SP		.SEAL ASSY-	001030 201967	1
20	403A3220-11SP		.SEAL ASSY-	001030 201967	1
- 100	403A3200-11SP		SEAL INSTL-SMALL TAPER POSITION DATA: STA 820 LH FOR NHA SEE: 25-24-00-13B 25-24-00-15A	001030 201967	RF
- 105	403A3200-12SP		SEAL INSTL-SMALL TAPER POSITION DATA: STA 820 RH FOR NHA SEE: 25-24-00-13B 25-24-00-15A	001030 201967	RF
110	403A3220-5SP		.SEAL ASSY-	001030 201967	1
115	403A3210-25SP		.SEAL ASSY-	001030 201967	1
120	403A3220-11SP		.SEAL ASSY-	001030 201967	1
- 200	403A3200-13SP		SEAL INSTL-LT VALANCE/ BULLNOSE POSITION DATA: FWD LH FOR NHA SEE: 25-24-00-13B 25-24-00-15A	001030 201967	RF

MISSING ITEM NUMBERS NOT APPLICABLE

- ITEM NOT ILLUSTRATED

HAP

25-24-31-93A

BOEING PROPRIETARY - Copyright © - Unpublished Work - See title page for details.

25-24-31
FIG. 93A
PAGE 1
OCT 15/08

BOEING
737-600/700/800/900
PARTS CATALOG (MAINTENANCE)

FIG ITEM	PART NUMBER	1 2 3 4 5 6 7	NOMENCLATURE	EFFECT FROM TO	UNITS PER ASSY
93A - 200	MODREF279698		SEAL INSTL-LT VALANCE BULLNOSE MODULE NUMBER: 403A3200-13B REV B POSITION DATA: FWD LH	031035	1
- 200	MODREF293176		SEAL INSTL-LT VALANCE BULLNOSE MODULE NUMBER: 403A3200-13B REV C POSITION DATA: FWD LH	036200 968999	1
- 205	403A3200-14SP		SEAL INSTL-LT VALANCE/ BULLNOSE POSITION DATA: FWD RH FOR NHA SEE: 25-24-00-13B 25-24-00-15A	001030 201967	RF
- 205	MODREF279699		SEAL INSTL-LT VALANCE BULLNOSE MODULE NUMBER: 403A3200-14B REV B POSITION DATA: FWD RH	031035	1
- 205	MODREF293177		SEAL INSTL-LT VALANCE BULLNOSE MODULE NUMBER: 403A3200-14B REV C POSITION DATA: FWD RH	036200 968999	1
210	403A3210-27SP		.SEAL ASSY- POSITION DATA: LH SIDE	001030 201967	1
210	403A3210-121B		.SEAL ASSY- POSITION DATA: LH SIDE	031200 968999	1
215	403A3210-28SP		.SEAL ASSY- POSITION DATA: RH SIDE	001030 201967	1
215	403A3210-122B		.SEAL ASSY- POSITION DATA: RH SIDE	031200 968999	1

MISSING ITEM NUMBERS NOT APPLICABLE

- ITEM NOT ILLUSTRATED

HAP

25-24-31-93A

BOEING PROPRIETARY - Copyright © - Unpublished Work - See title page for details.

25-24-31
FIG. 93A
PAGE 2
OCT 15/08

BOEING
737-600/700/800/900
PARTS CATALOG (MAINTENANCE)

FIG ITEM	PART NUMBER	1 2 3 4 5 6 7	NOMENCLATURE	EFFECT FROM TO	UNITS PER ASSY
93A - 250	403A3200-15SP		SEAL INSTL-LT VALANCE / BULLNOSE POSITION DATA: AFT LH FOR NHA SEE: 25-24-00-13B 25-24-00-15A	001030 201967	RF
- 250	MODREF279700		SEAL INSTL-LT VALANCE BULLNOSE MODULE NUMBER: 403A3200-15B REV B POSITION DATA: AFT LH	031035	1
- 250	MODREF293178		SEAL INSTL-LT VALANCE BULLNOSE MODULE NUMBER: 403A3200-15B REV C POSITION DATA: AFT LH	036200 968999	1
- 255	403A3200-16SP		SEAL INSTL-LT VALANCE / BULLNOSE POSITION DATA: AFT RH FOR NHA SEE: 25-24-00-13B 25-24-00-15A	001030 201967	RF
- 255	MODREF279701		SEAL INSTL-LT VALANCE BULLNOSE MODULE NUMBER: 403A3200-16B REV B POSITION DATA: AFT RH	031035	1
- 255	MODREF293179		SEAL INSTL-LT VALANCE BULLNOSE MODULE NUMBER: 403A3200-16B REV C POSITION DATA: AFT RH	036200 968999	1
260	403A3210-28SP		.SEAL ASSY- POSITION DATA: LH SIDE	001030 201967	1
260	403A3210-122B		.SEAL ASSY- POSITION DATA: LH SIDE	031200 968999	1
265	403A3210-27SP		.SEAL ASSY- POSITION DATA: RH SIDE	001030 201967	1

MISSING ITEM NUMBERS NOT APPLICABLE

- ITEM NOT ILLUSTRATED

HAP

25-24-31-93A

BOEING PROPRIETARY - Copyright © - Unpublished Work - See title page for details.

25-24-31
FIG. 93A
PAGE 3
OCT 15/08

BOEING
737-600/700/800/900
PARTS CATALOG (MAINTENANCE)

FIG ITEM	PART NUMBER	1 2 3 4 5 6 7	NOMENCLATURE	EFFECT FROM TO	UNITS PER ASSY
93A 265	403A3210-121B		.SEAL ASSY- POSITION DATA: RH SIDE	031200 968999	1
- 400	MODREF89549		SEAL INSTL-TAPERED BIN INCREASED VOL MODULE NUMBER: 403A3200-27B REV A POSITION DATA: STA 460 FWD LH	031200 968999	1
405	403A3220-5A		.SEAL ASSY	031200 968999	1
410	403A3210-100B		.SEAL ASSY	031200 968999	1
415	403A3220-11A		.SEAL ASSY	031200 968999	1
- 455	MODREF89550		SEAL INSTL-TAPERED BIN INCREASED VOL MODULE NUMBER: 403A3200-28B REV A POSITION DATA: STA 460 FWD RH	031200 968999	1
460	403A3220-5A		.SEAL ASSY-	031200 968999	1
465	403A3210-100B		.SEAL ASSY-	031200 968999	1
470	403A3220-11A		.SEAL ASSY-	031200 968999	1
- 475	MODREF89551		SEAL INSTL-TAPERED BIN INCREASED VOL MODULE NUMBER: 403A3200-29B REV A POSITION DATA: STA 820 FWD LH	031200 968999	1
- 480	MODREF89552		SEAL INSTL-TAPERED BIN INCREASED VOL MODULE NUMBER: 403A3200-30B REV A POSITION DATA: STA 820 FWD RH	031200 968999	1
485	403A3220-5A		.SEAL ASSY-	031200 968999	1
490	403A3220-99B		.SEAL ASSY-	031200 968999	1
495	403A3220-11A		.SEAL ASSY-	031200 968999	1

MISSING ITEM NUMBERS NOT APPLICABLE

- ITEM NOT ILLUSTRATED

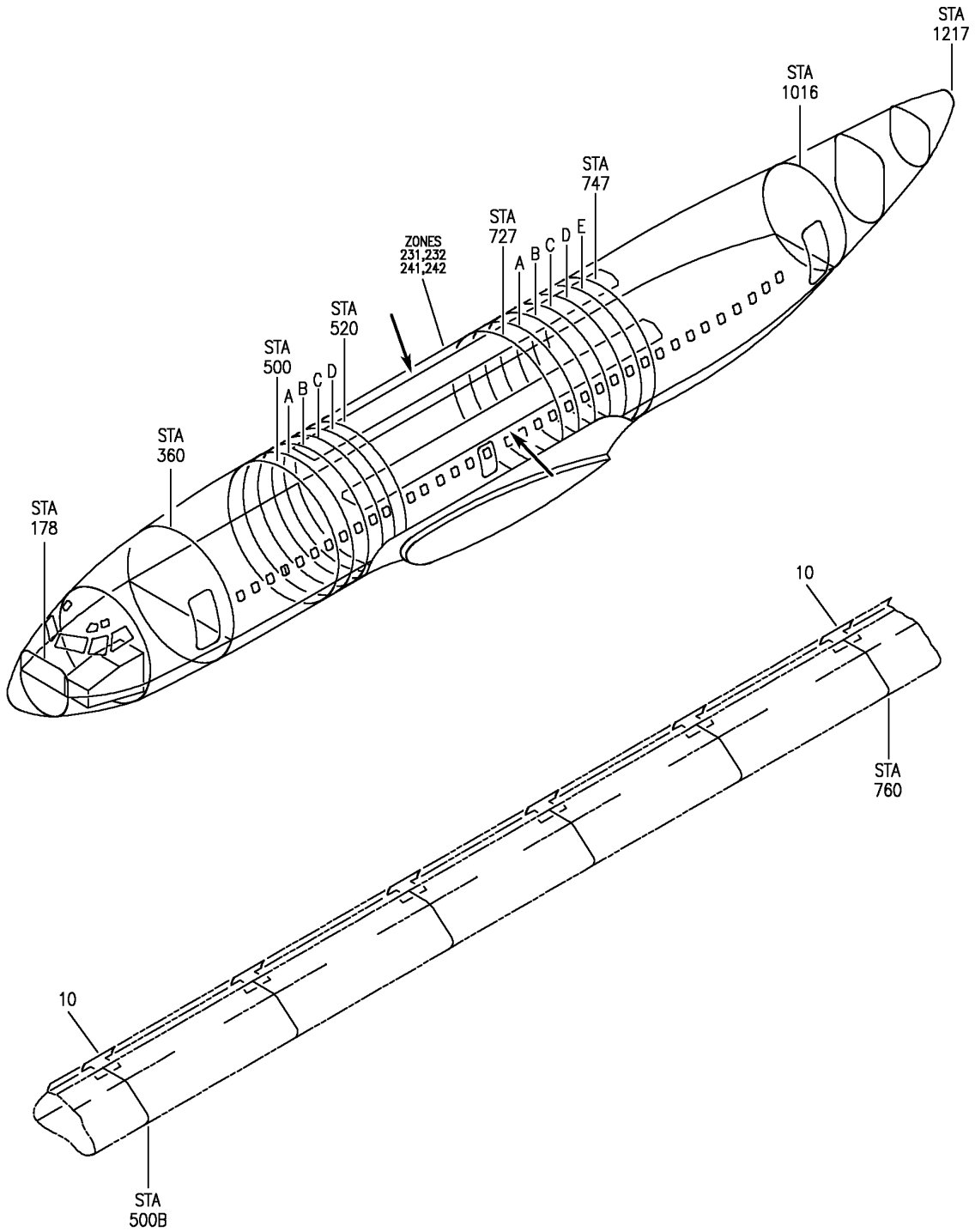
HAP

25-24-31-93A

BOEING PROPRIETARY - Copyright © - Unpublished Work - See title page for details.

25-24-31
FIG. 93A
PAGE 4
OCT 15/08

BOEING
737-600/700/800/900
PARTS CATALOG (MAINTENANCE)



E 25243193C REV 085

SEAL INSTL
FIGURE 93C

25-24-31-93C

HAP
FEB 10/07

25-24-31-93C
PAGE 0

BOEING
737-600/700/800/900
PARTS CATALOG (MAINTENANCE)

FIG ITEM	PART NUMBER	1 2 3 4 5 6 7	NOMENCLATURE	EFFECT FROM TO	UNITS PER ASSY
93C					
- 1	403A3200-5A		SEAL INSTL SEAL INSTL-LT VALANCE POSITION DATA: LH FOR NHA SEE: 25-24-00-15A	101999 201967	RF
- 1	MODREF293184		SEAL INSTL-LT VALANCE MODULE NUMBER: 403A3200-5A REV B POSITION DATA: LH	101200 968999	1
- 5	403A3200-6A		SEAL INSTL-LT VALANCE POSITION DATA: RH FOR NHA SEE: 25-24-00-15A	201967	RF
- 5	MODREF293185		SEAL INSTL-LT VALANCE MODULE NUMBER: 403A3200-6A REV B POSITION DATA: RH	101200 968999	1
10	403A3220-7A		.SEAL ASSY-SMALL	101999	6

MISSING ITEM NUMBERS NOT APPLICABLE

- ITEM NOT ILLUSTRATED

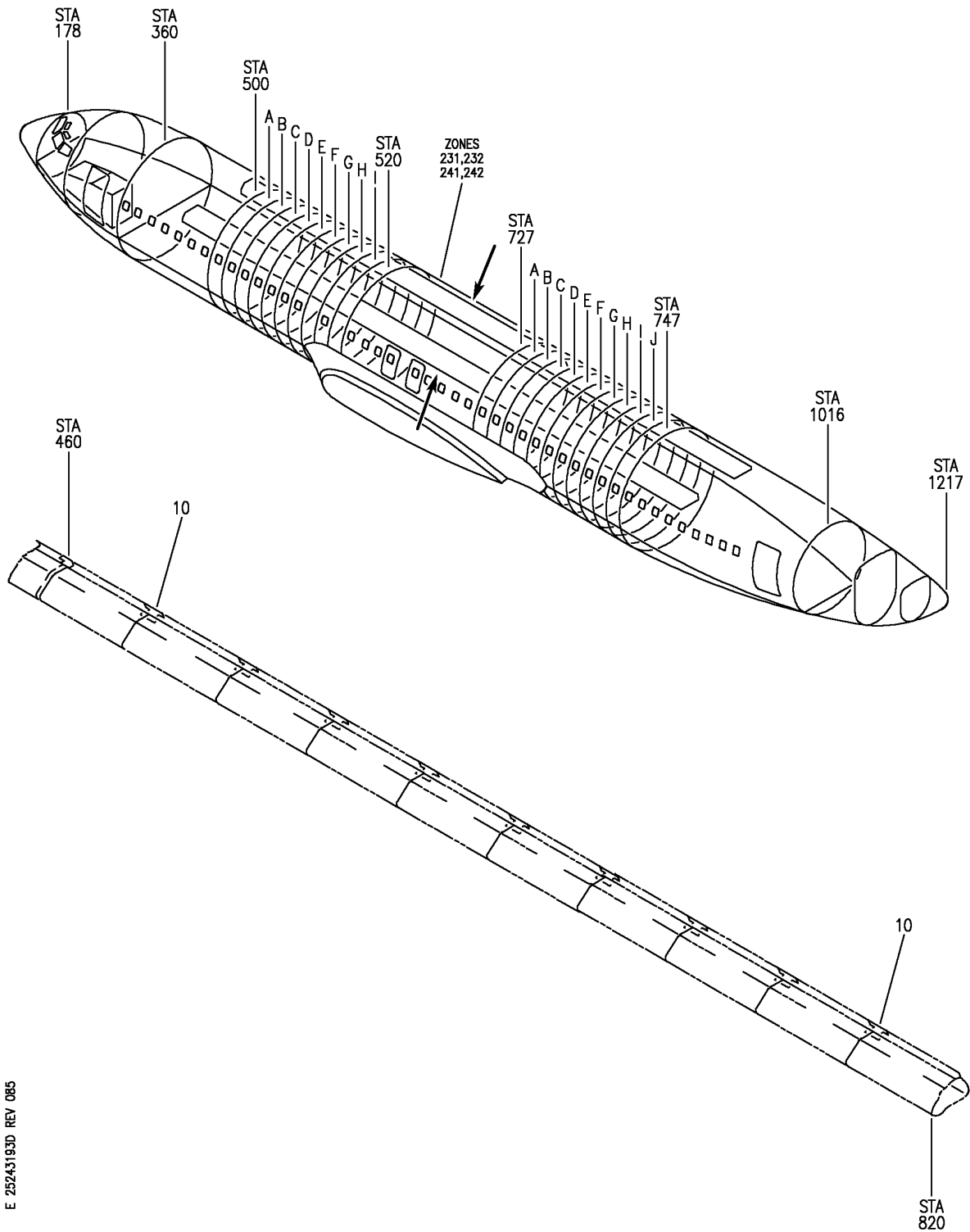
HAP

25-24-31-93C

BOEING PROPRIETARY - Copyright © - Unpublished Work - See title page for details.

25-24-31
FIG. 93C
PAGE 1
OCT 15/08

BOEING
 737-600/700/800/900
 PARTS CATALOG (MAINTENANCE)



E 25243193D REV 085

SEAL INSTL
 FIGURE 93D

25-24-31-93D

HAP
 OCT 10/06

25-24-31-93D
 PAGE 0

BOEING
737-600/700/800/900
PARTS CATALOG (MAINTENANCE)

FIG ITEM	PART NUMBER	1 2 3 4 5 6 7	NOMENCLATURE	EFFECT FROM TO	UNITS PER ASSY
93D					
- 1	403A3200-7A		SEAL INSTL SEAL INSTL-LT VALANCE POSITION DATA: LH FOR NHA SEE: 25-24-00-13B	001100 001030	RF
- 1	MODREF89555		SEAL INSTL-LT VALANCE MODULE NUMBER: 403A3200-7A REV A POSITION DATA: LH	031035	1
- 1	MODREF293186		SEAL INSTL-LT VALANCE MODULE NUMBER: 403A3200-7A REV B POSITION DATA: LH	036100	1
- 5	403A3200-8A		SEAL INSTL-LT VALANCE POSITION DATA: RH FOR NHA SEE: 25-24-00-13B	001030	RF
- 5	MODREF89556		SEAL INSTL-LT VALANCE MODULE NUMBER: 403A3200-8A REV A POSITION DATA: RH	031035	1
- 5	MODREF293187		SEAL INSTL-LT VALANCE MODULE NUMBER: 403A3200-8A REV B POSITION DATA: RH	036100	1
10	403A3220-7A		.SEAL ASSY-SMALL	001100	9

MISSING ITEM NUMBERS NOT APPLICABLE

- ITEM NOT ILLUSTRATED

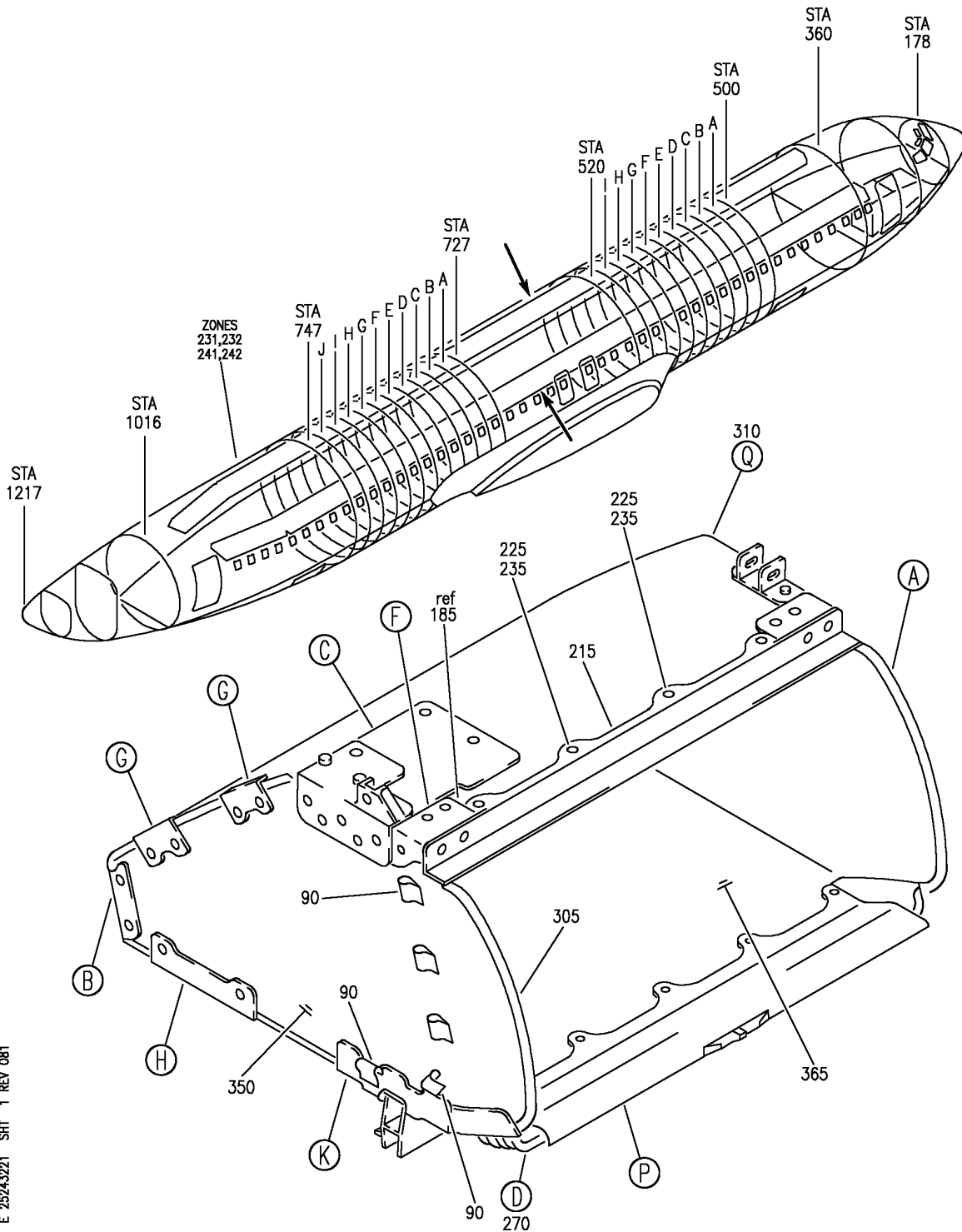
HAP

25-24-31-93D

BOEING PROPRIETARY - Copyright © - Unpublished Work - See title page for details.

25-24-31
FIG. 93D
PAGE 1
FEB 15/09

BOEING
 737-600/700/800/900
 PARTS CATALOG (MAINTENANCE)



E 25243221 SHT 1 REV 081

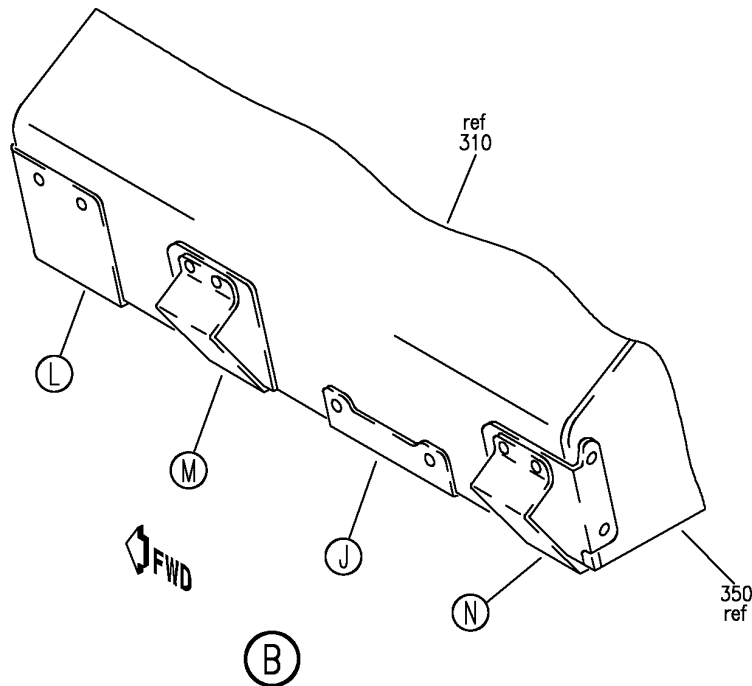
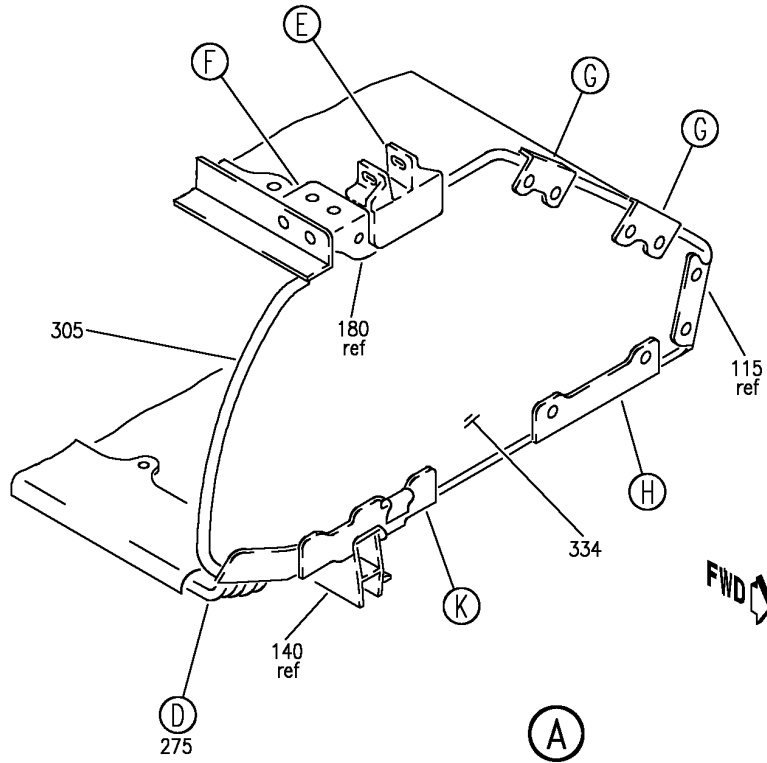
BOX ASSY-25 IN. BIN
 FIGURE 21 (SHEET 1)

25-24-32-21

HAP
 OCT 10/06

25-24-32-21
 PAGE 0

BOEING
 737-600/700/800/900
 PARTS CATALOG (MAINTENANCE)



E 25243221 SH1 2 REV 081

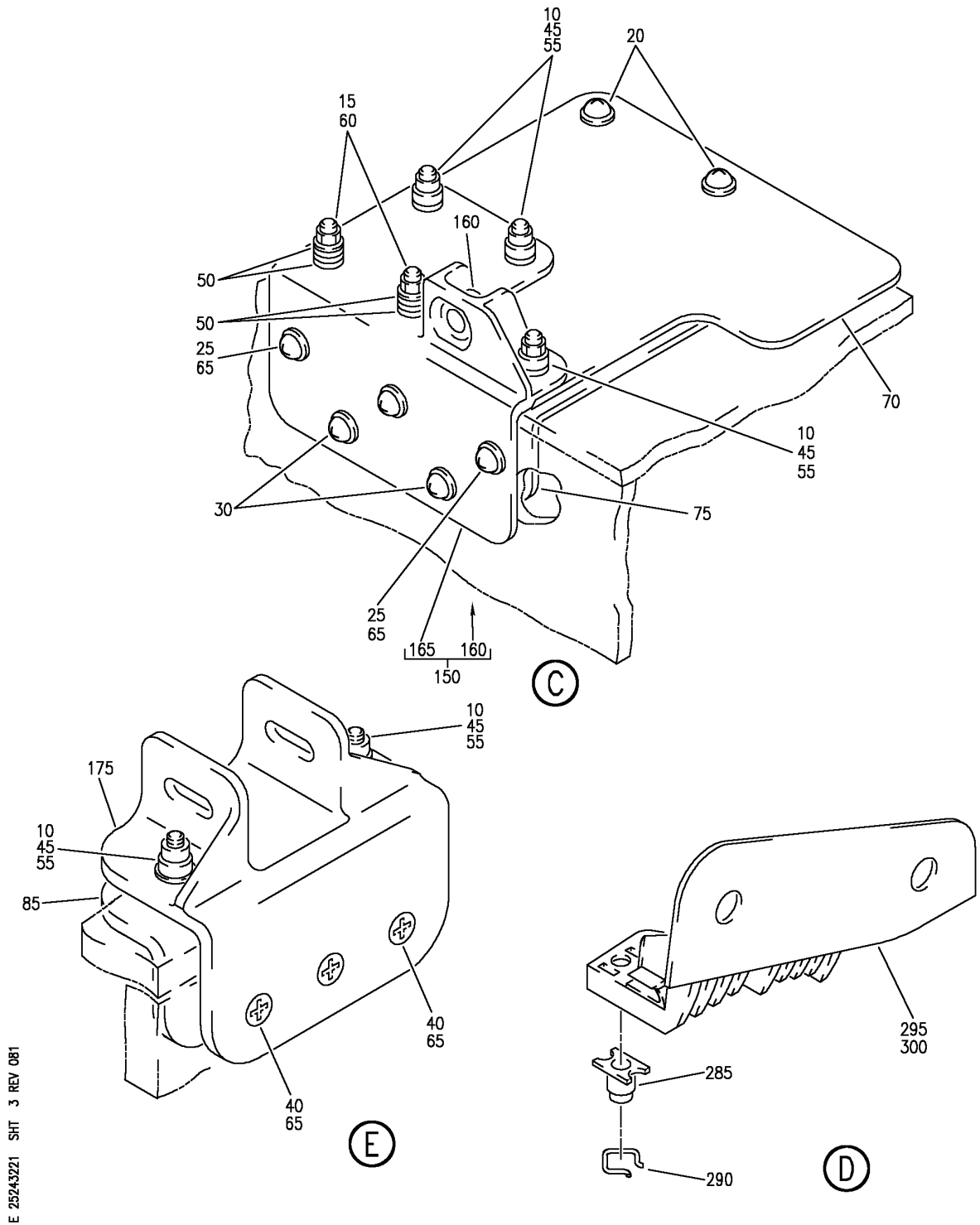
BOX ASSY-25 IN. BIN
 FIGURE 21 (SHEET 2)

25-24-32-21

HAP
 OCT 10/06

25-24-32-21
 PAGE 0A

BOEING
 737-600/700/800/900
 PARTS CATALOG (MAINTENANCE)



E 25243221 SHT 3 REV 081

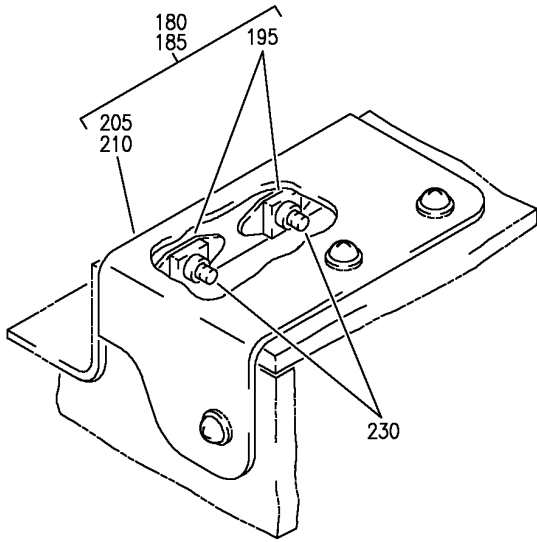
BOX ASSY-25 IN. BIN
 FIGURE 21 (SHEET 3)

25-24-32-21

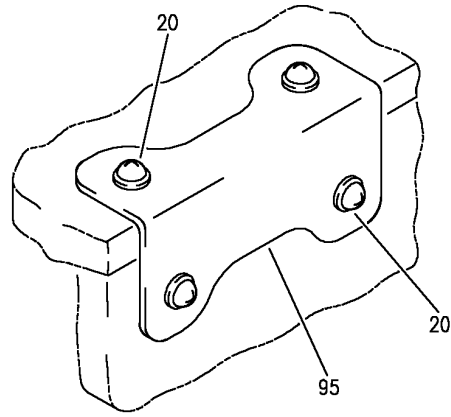
HAP
 OCT 10/06

25-24-32-21
 PAGE 08

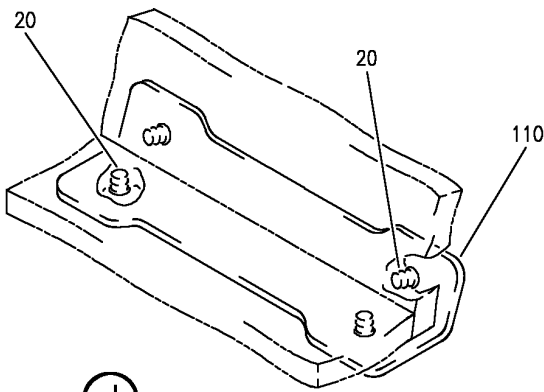
BOEING
 737-600/700/800/900
 PARTS CATALOG (MAINTENANCE)



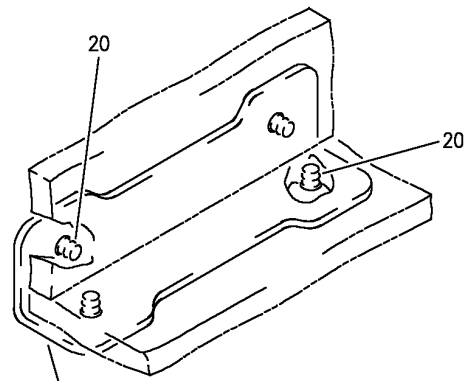
F



G



J



H

E 25243221 SHT 4 REV 081

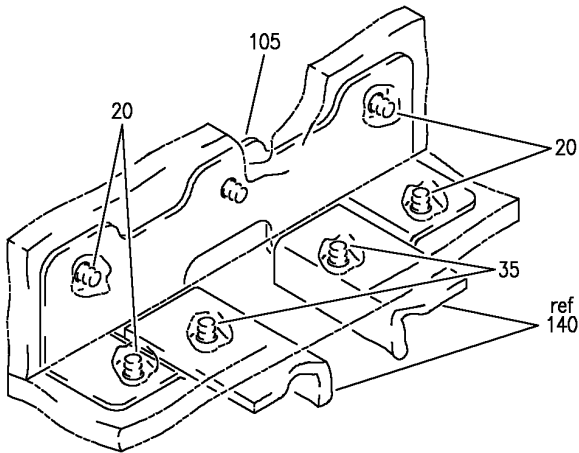
BOX ASSY-25 IN. BIN
 FIGURE 21 (SHEET 4)

25-24-32-21

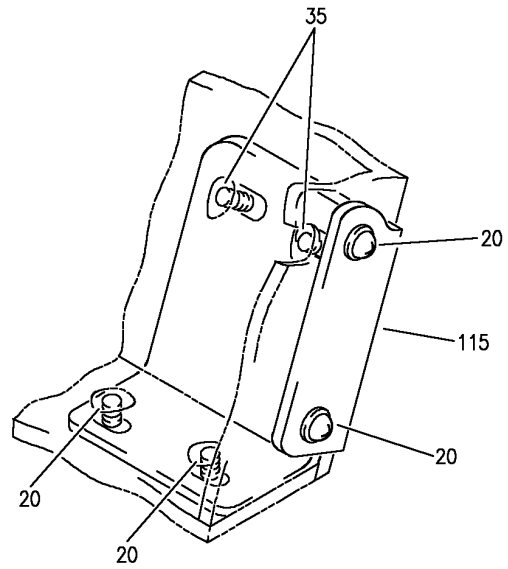
HAP
 OCT 10/06

25-24-32-21
 PAGE 0C

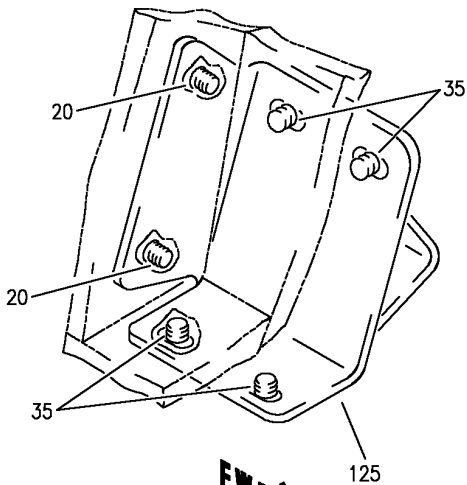
BOEING
 737-600/700/800/900
 PARTS CATALOG (MAINTENANCE)



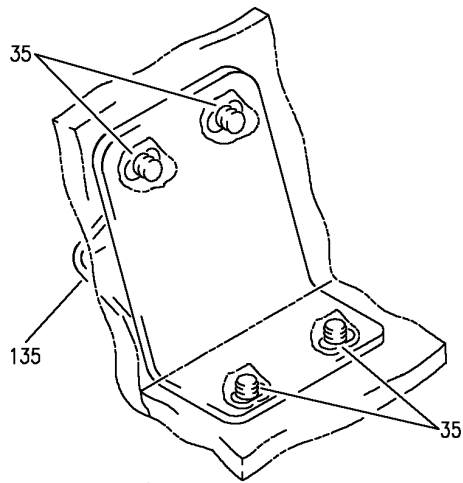
(K)



(L)



(N)



(M)

E 25243221 SHT 5 REV 081

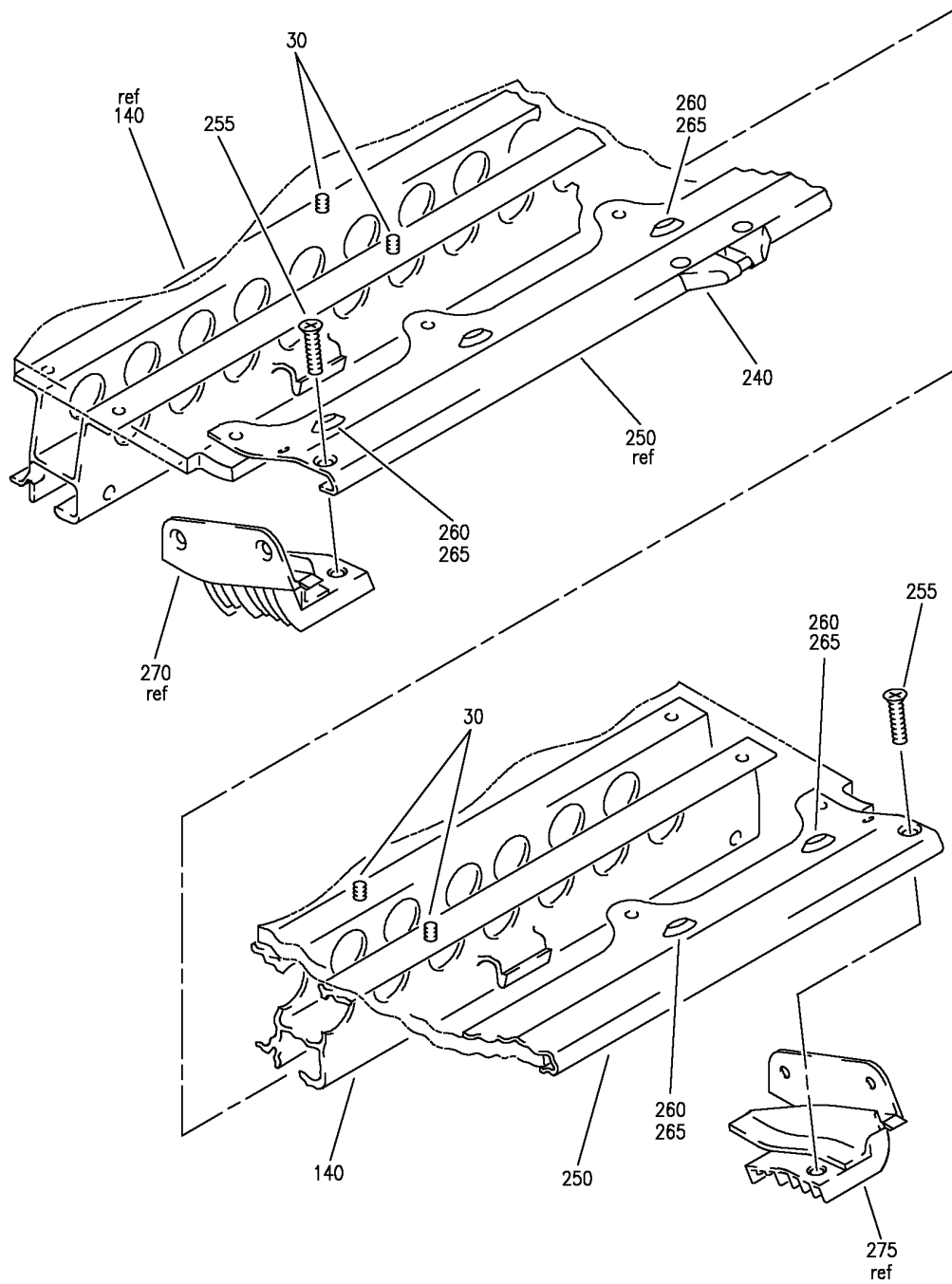
BOX ASSY-25 IN. BIN
 FIGURE 21 (SHEET 5)

25-24-32-21

HAP
 OCT 10/06

25-24-32-21
 PAGE 0D

BOEING
 737-600/700/800/900
 PARTS CATALOG (MAINTENANCE)



(P)

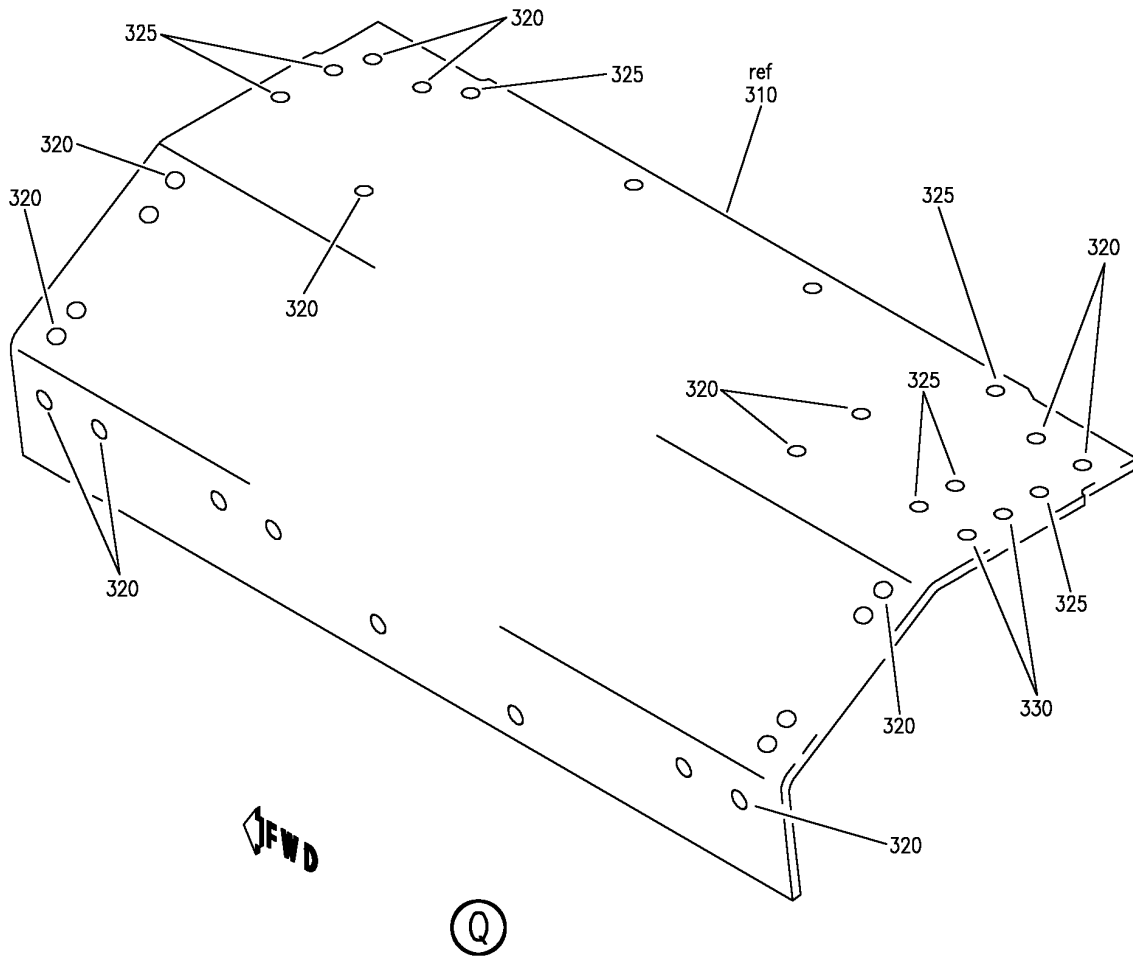
E 25243221 SH1 6 REV 081

BOX ASSY-25 IN. BIN
 FIGURE 21 (SHEET 6)

25-24-32-21

HAP
 OCT 10/06

25-24-32-21
 PAGE 0E



E 25243221 SH1 7 REV 081

BOX ASSY-25 IN. BIN
FIGURE 21 (SHEET 7)

25-24-32-21

HAP
OCT 10/06

25-24-32-21
PAGE OF

BOEING
737-600/700/800/900
PARTS CATALOG (MAINTENANCE)

FIG ITEM	PART NUMBER	1 2 3 4 5 6 7	NOMENCLATURE	EFFECT FROM TO	UNITS PER ASSY
21			BOX ASSY-25 IN. BIN	001001 006007	
- 1	412A1250-9SP		BOX ASSY-25 IN. BIN POSITION DATA: LH PRE SERVICE BULLETIN: 25-1542 FOR NHA SEE: 25-24-31-21E	001001 006007	RF
- 5	412A1250-10SP		BOX ASSY-25 IN. BIN POSITION DATA: RH FOR NHA SEE: 25-24-31-21E	001001 006007	RF
10	HL1012AZ6-10		.BOLT- SUPPLIER CODE: V97928 SPECIFICATION NUMBER: BACB30NX6K10 OPTIONAL PART: HL12VAZ6-10 V73197 HL12VAZ6-10 V92215 HL12VAZ6-10 V97928 L802-6K10 V06725 HL12VAZ6-10 V56878 HL1012AZ6-10 VOPTK6 HL1012AZ6-10 V06725 HL1012AZ6-10 V06950 HL1012AZ6-10 V17446 HL1012AZ6-10 V56878 HL1012AZ6-10 V60516 HL1012AZ6-10 V73197 POSITION DATA: FAR SIDE	001001 006007	5
15	BACB30NR4DK10		.BOLT- POSITION DATA: FAR SIDE	001001 006007	2

MISSING ITEM NUMBERS NOT APPLICABLE

- ITEM NOT ILLUSTRATED

HAP

25-24-32-21

BOEING PROPRIETARY - Copyright © - Unpublished Work - See title page for details.

25-24-32
FIG. 21
PAGE 1
OCT 10/06

BOEING
737-600/700/800/900
PARTS CATALOG (MAINTENANCE)

FIG ITEM	PART NUMBER	1 2 3 4 5 6 7	NOMENCLATURE	EFFECT FROM TO	UNITS PER ASSY
21					
20	BACS12FA3K4	.	SCREW	001001 006007	46
25	BACS12FA3K9	.	SCREW	001001 006007	3
30	BACS12FA3K5	.	SCREW	001001 006007	6
35	BACS12FA3K6	.	SCREW	001001 006007	14
40	BACS12ER3K9	.	SCREW	001001 006007	3
45	BACW10BP3NDP	.	WASHER	001001 006007	5
50	NAS1149D0463J	.	WASHER	001001 006007	6
55	HL1087-6	.	COLLAR SUPPLIER CODE: V73197 SPECIFICATION NUMBER: BACC30BH6 OPTIONAL PART: HL1087-6 V56878 HL1087-6 V92215 HL1087-6 V9N513	001001 006007	5
60	BACN10JD104CD	.	NUT	001001 006007	2
65	SL5-3-50C	.	NUT- SUPPLIER CODE: V97393	001001 006007	6
70	412A1220-74	.	DOUBLER	001001 006007	1
75	412A1220-72A	.	DOUBLER- POSITION DATA: LH	001001 006007	1
- 80	412A1220-71A	.	DOUBLER- POSITION DATA: RH	001001 006007	1
85	412A1220-63A	.	DOUBLER	001001 006007	1
90	412A1450-21	.	CLIP	001001 006007	5
95	412A1220-2	.	ANGLE	001001 006007	4
100	412A1220-3	.	ANGLE	001001 006007	2
105	412A1220-9	.	ANGLE	001001 006007	2

MISSING ITEM NUMBERS NOT APPLICABLE

- ITEM NOT ILLUSTRATED

HAP

25-24-32-21

BOEING PROPRIETARY - Copyright © - Unpublished Work - See title page for details.

25-24-32
FIG. 21
PAGE 2
OCT 10/06

BOEING
737-600/700/800/900
PARTS CATALOG (MAINTENANCE)

FIG ITEM	PART NUMBER	1 2 3 4 5 6 7	NOMENCLATURE	EFFECT FROM TO	UNITS PER ASSY
21					
110	412A1220-4	.	ANGLE	001001 006007	1
115	412A1220-23	.	GUSSET- POSITION DATA: LH	001001 006007	1
- 120	412A1220-24	.	GUSSET- POSITION DATA: RH	001001 006007	1
125	412A1220-33	.	FITTING ASSY- POSITION DATA: LH	001001 006007	1
- 130	412A1220-34	.	FITTING ASSY- POSITION DATA: RH	001001 006007	1
135	412A1220-36	.	FITTING ASSY	001001 006007	1
140	412A1245-21	.	RAIL- POSITION DATA: LH	001001 006007	1
- 145	412A1245-22	.	RAIL- POSITION DATA: RH	001001 006007	1
150	412A1230-55	.	FITTING ASSY- POSITION DATA: LH	001001 006007	1
- 155	412A1230-56	.	FITTING ASSY- POSITION DATA: RH	001001 006007	1
160	BCREF13195	..	BUSHING- OVERLENGTH PART NUMBER: BACB28AY06A035CG	001001 006007	1
165	412A1230-57	..	FITTING- POSITION DATA: LH	001001 006007	1
170	412A1230-58	..	FITTING- POSITION DATA: RH	001001 006007	1
175	412A1230-32	.	FITTING	001001 006007	1
180	412A1220-5SP	.	CORNER ASSY	001001 006007	1
185	412A1220-6SP	.	CORNER ASSY	001001 006007	1
- 190	BACS12FA3K4	.	ATTACHING PARTS SCREW	001001 006007	6
			-----*-----		

MISSING ITEM NUMBERS NOT APPLICABLE

- ITEM NOT ILLUSTRATED

HAP

25-24-32-21

BOEING PROPRIETARY - Copyright © - Unpublished Work - See title page for details.

25-24-32
FIG. 21
PAGE 3
OCT 10/06

BOEING
737-600/700/800/900
PARTS CATALOG (MAINTENANCE)

FIG ITEM	PART NUMBER	1 2 3 4 5 6 7	NOMENCLATURE	EFFECT FROM TO	UNITS PER ASSY
21 195	BRF200C3D		..NUTPLATE SUPPLIER CODE: V52828 SPECIFICATION NUMBER: BACN10JR3CFD OPTIONAL PART: K51602-3BAC V15653 NS202476-02 V80539 102F9201-3 V72962 T8092C1032CD V11815 ATTACHING PARTS	001001 006007	2
- 200	BACR15CE3D		..RIVET- SIZE DETERMINED ON INSTL. -----*-----	001001 006007	4
205	412A1220-7A		..REINFORCEMENT- USED ON: 412A1220-5SP	001001 006007	1
210	412A1220-8A		..REINFORCEMENT- USED ON: 412A1220-6SP	001001 006007	1
215	412A1247-19SP		.EXTRUSION-DOOR CLOSEOUT POSITION DATA: LH	001001 006007	1
- 220	412A1247-20SP		.EXTRUSION-DOOR CLOSEOUT POSITION DATA: RH ATTACHING PARTS	001001 006007	1
225	BACB30VF3K8		.BOLT	001001 006007	2
230	BACS12FA3K7		.SCREW	001001 006007	4
235	F22K1-02		.NUT SUPPLIER CODE: V72962 SPECIFICATION NUMBER: BACN10R10L OPTIONAL PART: 22K1-02 V72962 26CLO2 V80539 -----*-----	001001 006007	2

MISSING ITEM NUMBERS NOT APPLICABLE

- ITEM NOT ILLUSTRATED

HAP

25-24-32-21

BOEING PROPRIETARY - Copyright © - Unpublished Work - See title page for details.

25-24-32
FIG. 21
PAGE 4
OCT 10/06

BOEING
737-600/700/800/900
PARTS CATALOG (MAINTENANCE)

FIG ITEM	PART NUMBER	1 2 3 4 5 6 7	NOMENCLATURE	EFFECT FROM TO	UNITS PER ASSY
21					
240	HA225-3	.	STRIKE- SUPPLIER CODE: V83014 SPECIFICATION NUMBER: S412A001-6	001001 006007	1
240	HA225-11	.	STRIKE- SUPPLIER CODE: V83014 SPECIFICATION NUMBER: S412A001-16 ATTACHING PARTS	001001 006007	1
- 245	BACS12ER08K5	.	SCREW	001001 006007	2
			-----*-----		
250	412A1242-51	.	EXTRUSION	001001 006007	1
			ATTACHING PARTS		
255	BACS12ER3K6	.	SCREW	001001 006007	2
260	BACS12ER3K5	.	SCREW	001001 006007	5
265	H3-1233A3	.	WASHER- SUPPLIER CODE: V34941 SPECIFICATION NUMBER: S411A001-1	001001 006007	5
			-----*-----		
270	412A1475-3SP	.	FITTING ASSY	001001 006007	1
275	412A1475-4SP	.	FITTING ASSY	001001 006007	1
			ATTACHING PARTS		
- 280	BACS12ER3K5	.	SCREW	001001 006007	4
			-----*-----		
285	BACN11F3-1CD	..	NUT	001001 006007	1
290	NAS1795-3	..	CLIP	001001 006007	1
295	412A1475-1SP	..	FITTING- USED ON: 412A1475-3SP	001001 006007	1
300	412A1475-2SP	..	FITTING- USED ON: 412A1475-4SP	001001 006007	1
305	412A1450-1SP	.	TRIM	001001 006007	2

MISSING ITEM NUMBERS NOT APPLICABLE

- ITEM NOT ILLUSTRATED

HAP

25-24-32-21

25-24-32
FIG. 21
PAGE 5
JUN 15/08

BOEING
737-600/700/800/900
PARTS CATALOG (MAINTENANCE)

FIG ITEM	PART NUMBER	1 2 3 4 5 6 7	NOMENCLATURE	EFFECT FROM TO	UNITS PER ASSY
21					
310	412A1210-27SP		.PANEL ASSY- POSITION DATA: LH	001001 006007	1
- 315	412A1210-28SP		.PANEL ASSY- POSITION DATA: RH	001001 006007	1
320	SL2334-3A1		..INSERT- SUPPLIER CODE: V97393	001001 006007	23
325	BCREF128023		..INSERT- SUPPLIER CODE: V97393 OVERLENGTH PART NUMBER: SL603-3-375ASP13	001001 006007	9
330	BCREF130325		..INSERT- SUPPLIER CODE: V97393 OVERLENGTH PART NUMBER: SL603-4-375ASP24	001001 006007	2
334	412A1212-9SP		.PANEL ASSY- POSITION DATA: LH	001001 006007	1
- 340	412A1212-10SP		.PANEL ASSY- POSITION DATA: RH	001001 006007	1
- 345	SL2334-3A1		..INSERT- SUPPLIER CODE: V97393	001001 006007	26
350	412A1212-11SP		.PANEL ASSY- POSITION DATA: LH	001001 006007	1
- 355	412A1212-12SP		.PANEL ASSY- POSITION DATA: RH	001001 006007	1
- 360	SL2334-3A1		..INSERT- SUPPLIER CODE: V97393	001001 006007	18
365	412A1211-30SP		.PANEL ASSY- POSITION DATA: LH	001001 006007	1
- 370	412A1211-29SP		.PANEL ASSY- POSITION DATA: RH	001001 006007	1
- 375	SL2334-3A1		..INSERT- SUPPLIER CODE: V97393	001001 006007	47

MISSING ITEM NUMBERS NOT APPLICABLE

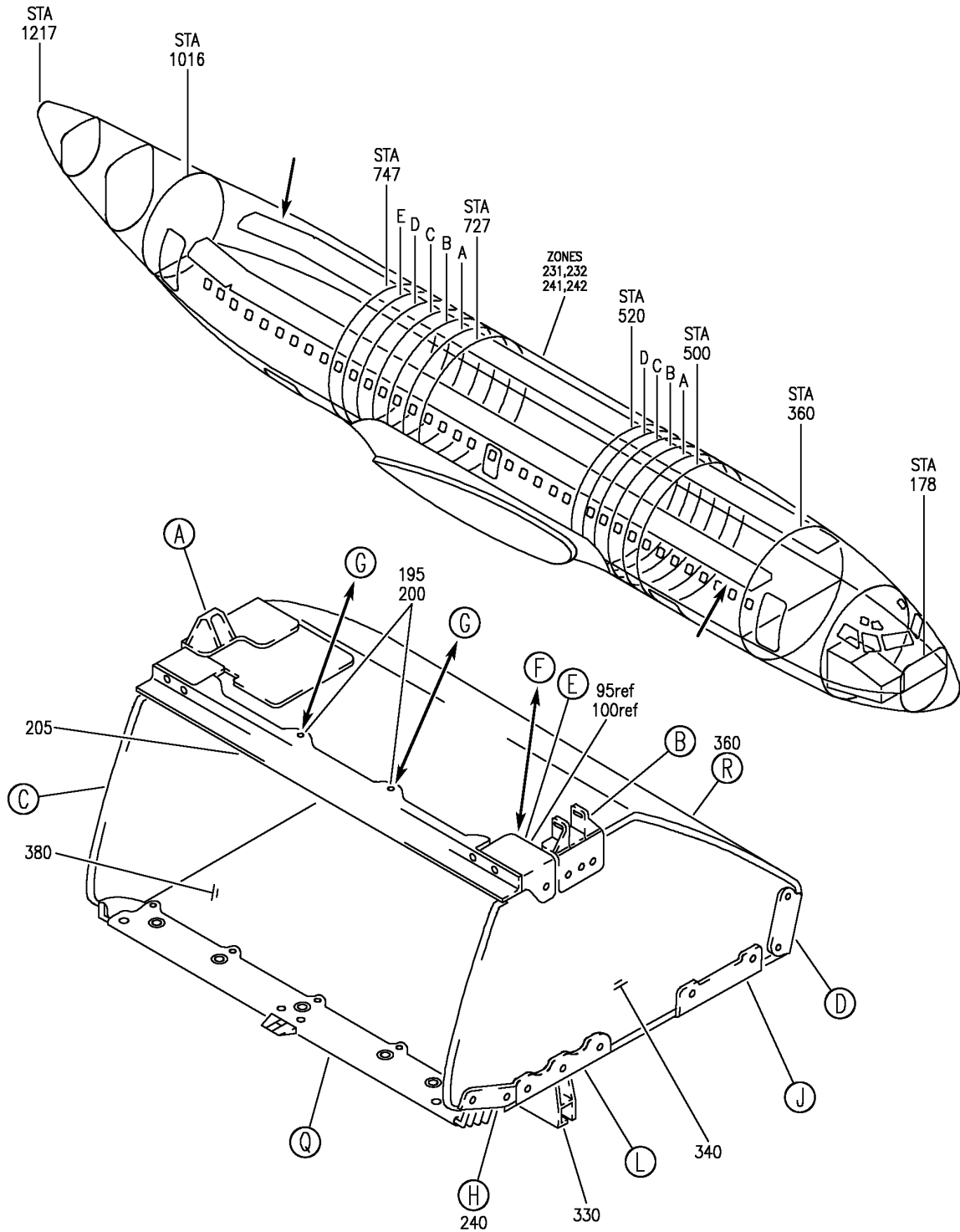
- ITEM NOT ILLUSTRATED

HAP

25-24-32-21

25-24-32
FIG. 21
PAGE 6
JUN 15/08

BOEING
 737-600/700/800/900
 PARTS CATALOG (MAINTENANCE)



E 25243221A SHT 1 REV 081

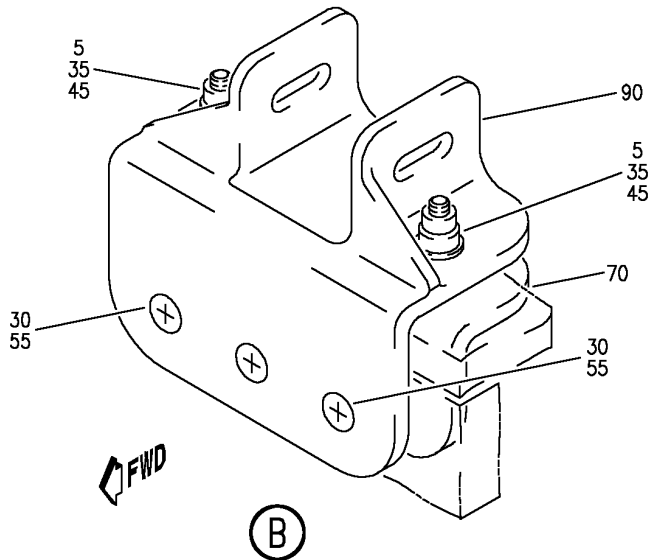
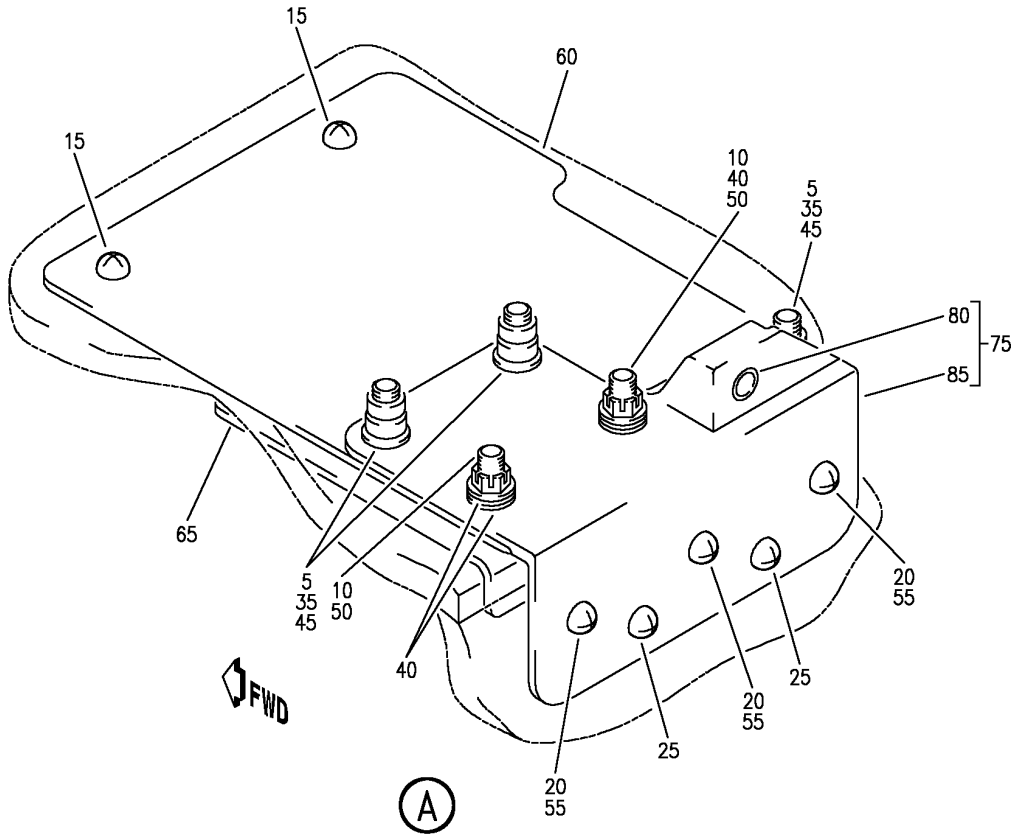
BOX ASSY-25 IN. BIN
 FIGURE 21A (SHEET 1)

25-24-32-21A

HAP
 OCT 10/06

25-24-32-21A
 PAGE 0

BOEING
 737-600/700/800/900
 PARTS CATALOG (MAINTENANCE)



E 25243221A SHT 2 REV 081

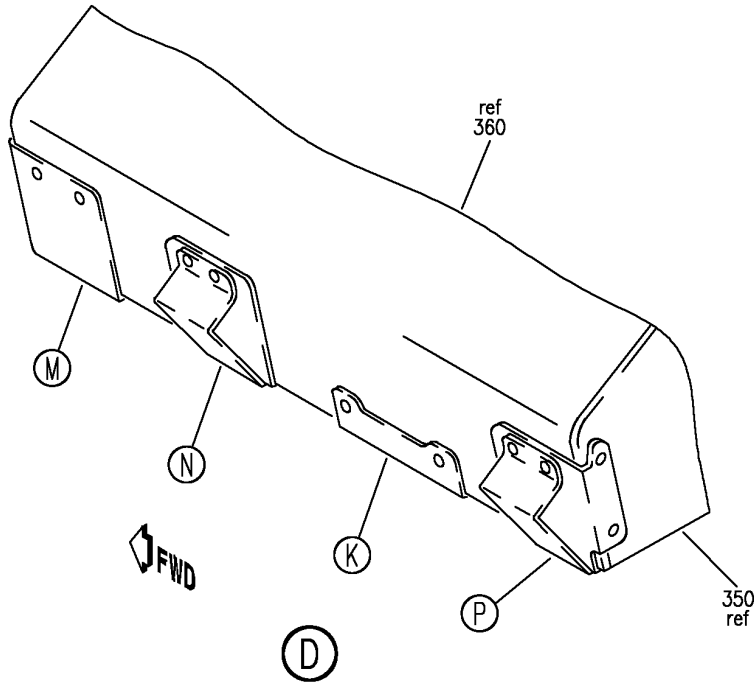
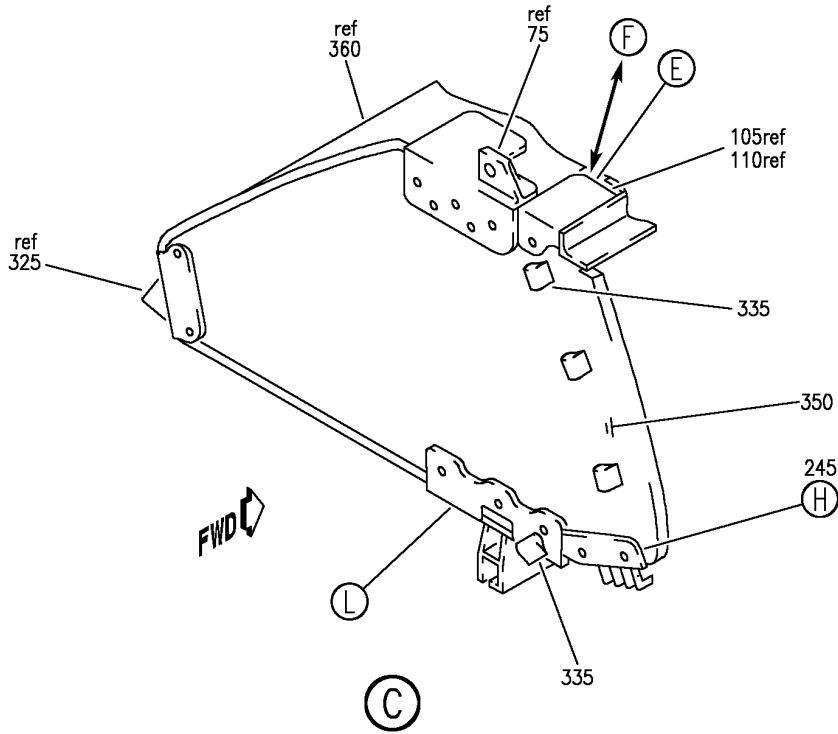
BOX ASSY-25 IN. BIN
 FIGURE 21A (SHEET 2)

25-24-32-21A

HAP
 OCT 10/06

25-24-32-21A
 PAGE 0A

BOEING
 737-600/700/800/900
 PARTS CATALOG (MAINTENANCE)



E 25243221A SHT 3 REV 081

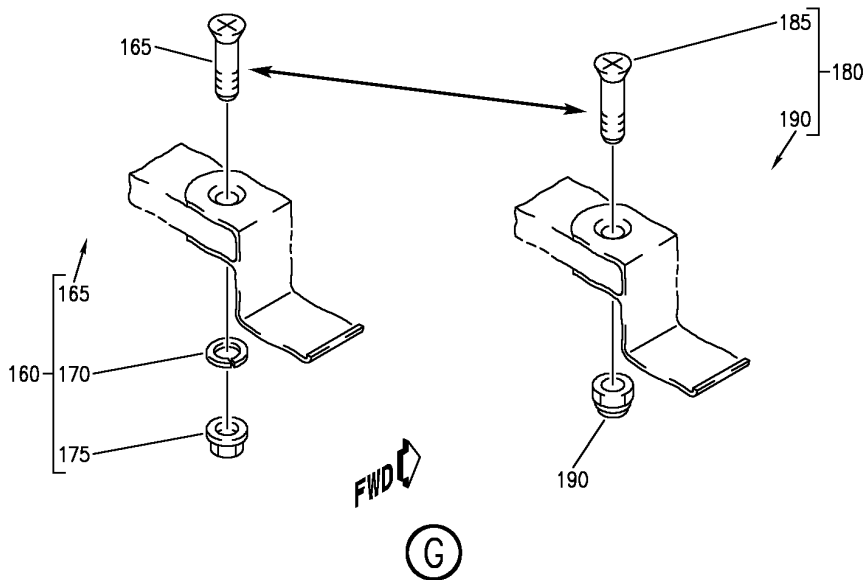
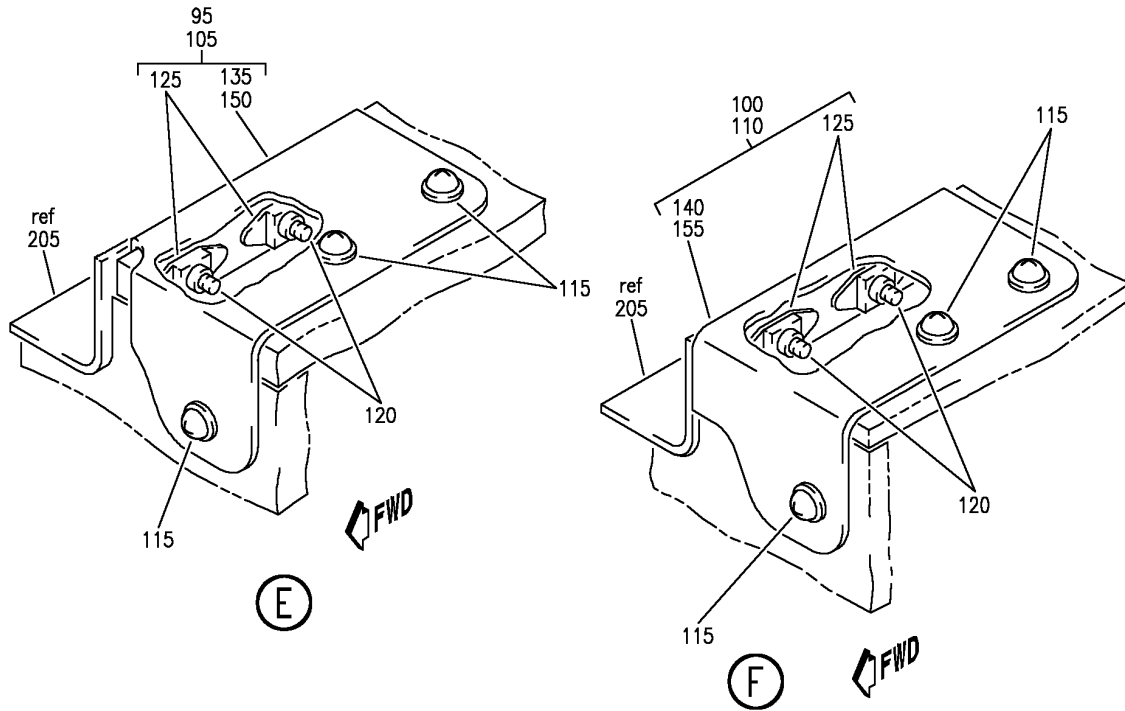
BOX ASSY-25 IN. BIN
 FIGURE 21A (SHEET 3)

25-24-32-21A

HAP
 OCT 10/06

25-24-32-21A
 PAGE 0B

BOEING
 737-600/700/800/900
 PARTS CATALOG (MAINTENANCE)



E 25243221A SHT 4 REV 081

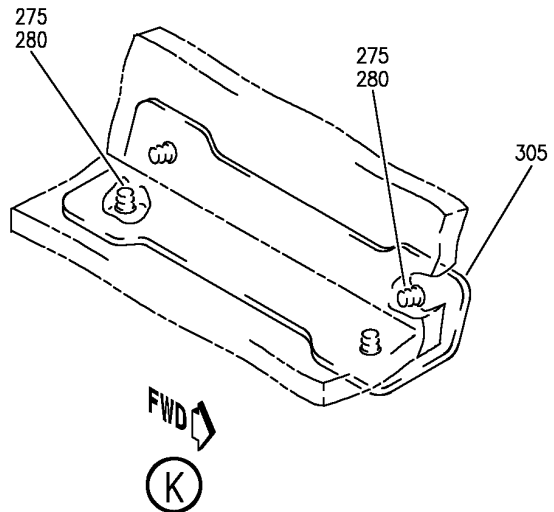
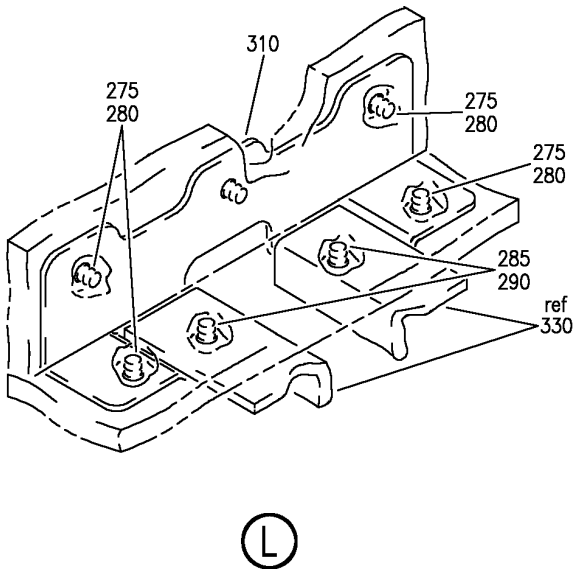
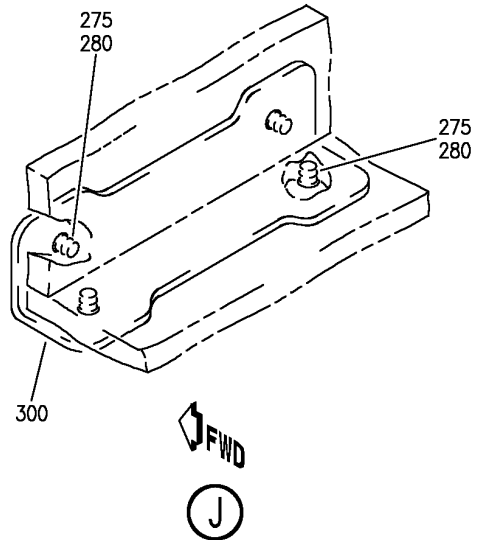
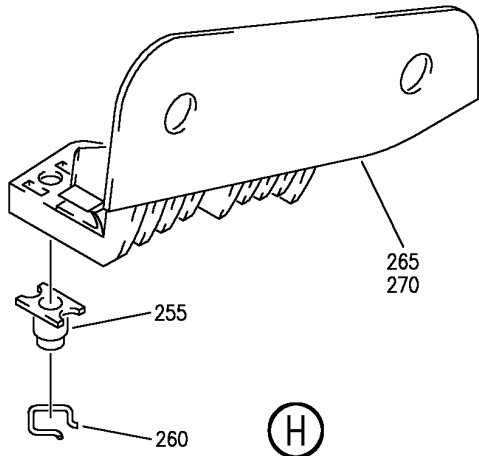
BOX ASSY-25 IN. BIN
 FIGURE 21A (SHEET 4)

25-24-32-21A

HAP
 OCT 10/06

25-24-32-21A
 PAGE 0C

BOEING
 737-600/700/800/900
 PARTS CATALOG (MAINTENANCE)



E 25243221A SH1 5 REV 081

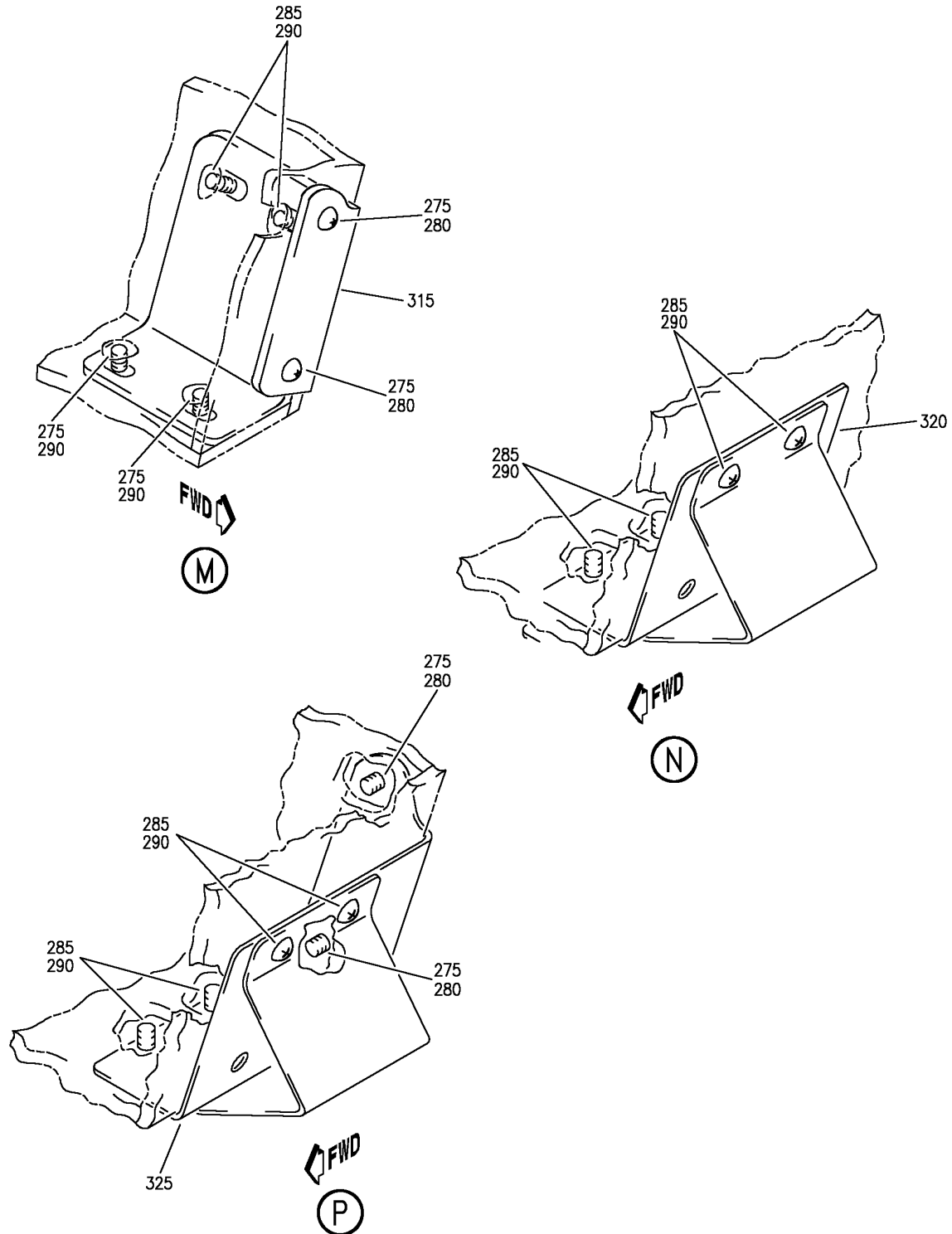
BOX ASSY-25 IN. BIN
 FIGURE 21A (SHEET 5)

25-24-32-21A

HAP
 OCT 10/06

25-24-32-21A
 PAGE 0D

BOEING
 737-600/700/800/900
 PARTS CATALOG (MAINTENANCE)



E 25243221A SHT 6 REV 081

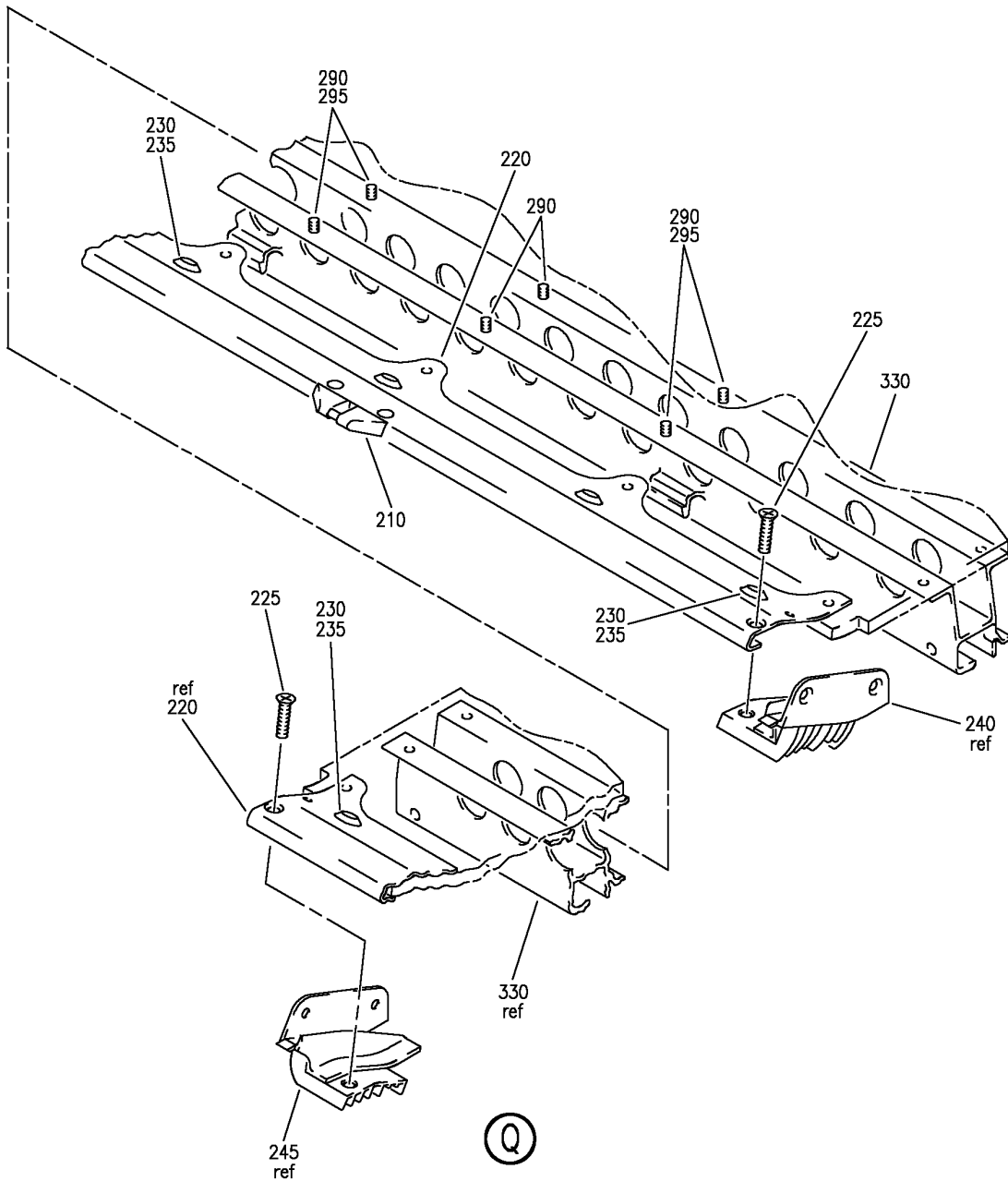
BOX ASSY-25 IN. BIN
 FIGURE 21A (SHEET 6)

25-24-32-21A

HAP
 OCT 10/06

25-24-32-21A
 PAGE 0E

BOEING
 737-600/700/800/900
 PARTS CATALOG (MAINTENANCE)



E 25243221A SHT 7 REV 081

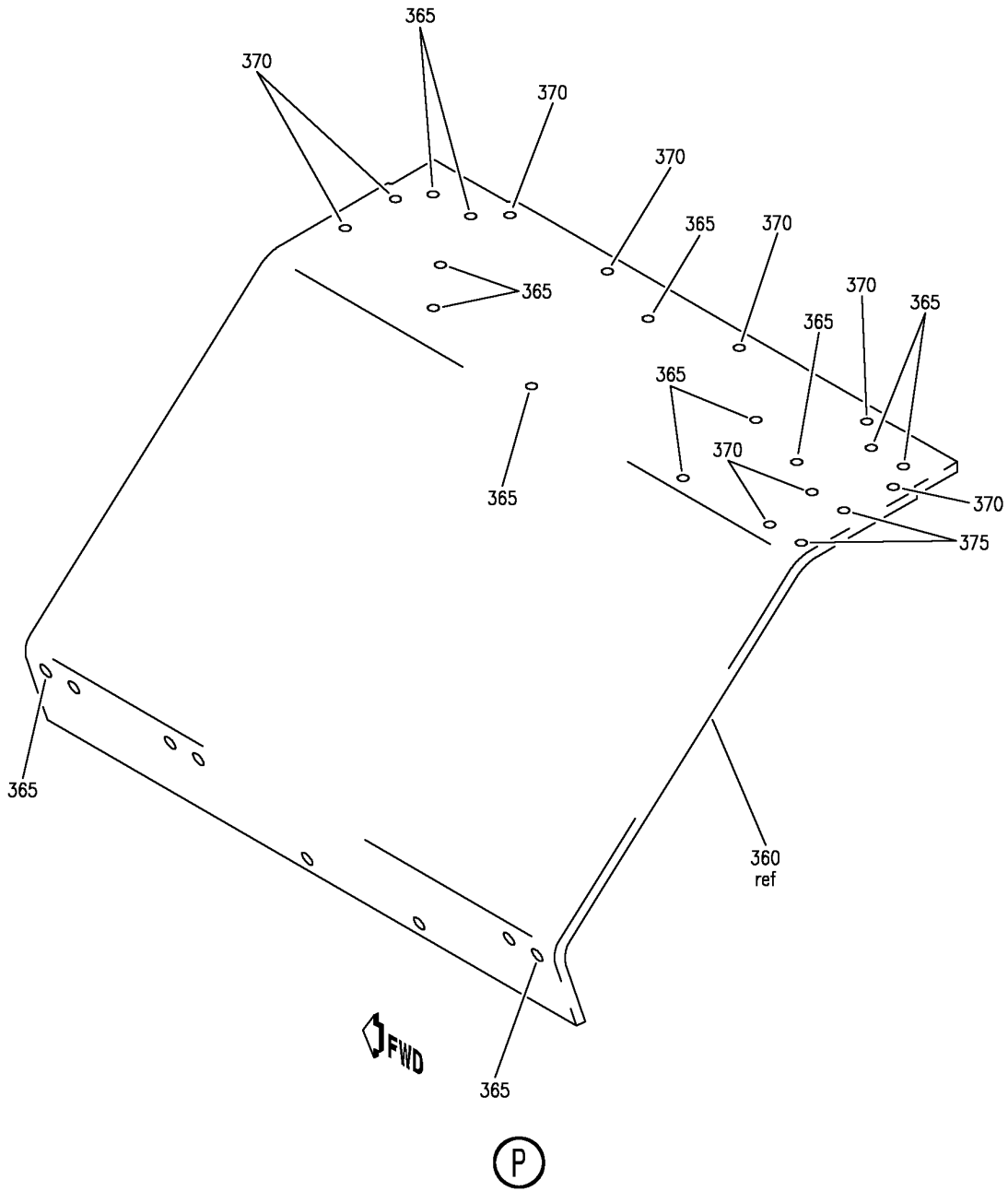
BOX ASSY-25 IN. BIN
 FIGURE 21A (SHEET 7)

25-24-32-21A

HAP
 OCT 10/06

25-24-32-21A
 PAGE OF

BOEING
737-600/700/800/900
PARTS CATALOG (MAINTENANCE)



E 25243221A SHT 8 REV 081

BOX ASSY-25 IN. BIN
FIGURE 21A (SHEET 8)

25-24-32-21A

HAP
OCT 10/06

25-24-32-21A
PAGE 08

BOEING
737-600/700/800/900
PARTS CATALOG (MAINTENANCE)

FIG ITEM	PART NUMBER	1 2 3 4 5 6 7	NOMENCLATURE	EFFECT FROM TO	UNITS PER ASSY
21A			BOX ASSY-25 IN. BIN	002005 008030	
- 1	412A1250-109SP		BOX ASSY-25 IN. BIN POSITION DATA: FWD LH OPTIONAL PART: 412A1250-1109SP PRE SERVICE BULLETIN: 25-1542 FOR NHA SEE: 25-24-31-54	002005 008008	RF
- 1	412A1250-1109SP		BOX ASSY-25 IN. BIN POSITION DATA: FWD LH OPTIONAL PART: 412A1250-109SP PRE SERVICE BULLETIN: 25-1542 FOR NHA SEE: 25-24-31-54	002005 008008	RF
- 1	412A1250-109A		BOX ASSY-25 IN. BIN POSITION DATA: FWD LH OPTIONAL PART: 412A1250-1109B PRE SERVICE BULLETIN: 25-1542 FOR NHA SEE: 25-24-31-54	009030	RF
- 1	412A1250-1109B		BOX ASSY-25 IN. BIN POSITION DATA: FWD LH OPTIONAL PART: 412A1250-109A PRE SERVICE BULLETIN: 25-1542 FOR NHA SEE: 25-24-31-54	009030	RF

MISSING ITEM NUMBERS NOT APPLICABLE

- ITEM NOT ILLUSTRATED

HAP

25-24-32-21A

BOEING PROPRIETARY - Copyright © - Unpublished Work - See title page for details.

25-24-32
FIG. 21A
PAGE 1
OCT 10/06

BOEING
737-600/700/800/900
PARTS CATALOG (MAINTENANCE)

FIG ITEM	PART NUMBER	1 2 3 4 5 6 7	NOMENCLATURE	EFFECT FROM TO	UNITS PER ASSY
21A 5	HL1012AZ6-10	.BOLT	SUPPLIER CODE: V97928 SPECIFICATION NUMBER: BACB30NX6K10 OPTIONAL PART: HL12VAZ6-10 V73197 HL12VAZ6-10 V92215 HL12VAZ6-10 V97928 L802-6K10 V06725 HL12VAZ6-10 V56878 HL1012AZ6-10 VOPTK6 HL1012AZ6-10 V06725 HL1012AZ6-10 V06950 HL1012AZ6-10 V17446 HL1012AZ6-10 V56878 HL1012AZ6-10 V60516 HL1012AZ6-10 V73197	002005 008030	5
10	BACB30NR4DK10	.BOLT		002005 008030	2
15	BACS12FA3K4	.SCREW		002005 008030	2
20	BACS12FA3K9	.SCREW		002005 008030	3
25	BACS12FA3K5	.SCREW		002005 008030	2
30	BACS12ER3K9	.SCREW		002005 008030	3
35	BACW10BP3NDP	.WASHER- OPTIONAL PART: NAS1149D0363J		002005 008030	5
35	BACW10BP3NDP	.WASHER- OPTIONAL PART: NAS1149D0363J		002005 008030	5
40	NAS1149D0463J	.WASHER		002005 008030	6

MISSING ITEM NUMBERS NOT APPLICABLE

— ITEM NOT ILLUSTRATED

HAP

25-24-32-21A

BOEING PROPRIETARY - Copyright © - Unpublished Work - See title page for details.

25-24-32
FIG. 21A
PAGE 2
OCT 10/06

BOEING
737-600/700/800/900
PARTS CATALOG (MAINTENANCE)

FIG ITEM	PART NUMBER	1 2 3 4 5 6 7	NOMENCLATURE	EFFECT FROM TO	UNITS PER ASSY
21A 45	HL1087-6	.COLLAR-	SUPPLIER CODE: V73197 SPECIFICATION NUMBER: BACC30BH6 OPTIONAL PART: HL1087-6 V56878 HL1087-6 V92215 HL1087-6 V9N513 BACC30BZ6	002005 008030	5
45	HST1070CY6	.COLLAR-	SUPPLIER CODE: V5M902 SPECIFICATION NUMBER: BACC30BZ6 OPTIONAL PART: VLC1070CY6 V92215 HST1070CY6 V73197 BACC30BH6	002005 008030	5
50	BACN10JD104CD	.NUT		002005 008030	2
55	SL5-3-50C	.NUT-	SUPPLIER CODE: V97393	002005 008030	6
60	412A1220-74	.DOUBLER-9G EXT		002005 008030	1
65	412A1220-72A	.DOUBLER-9G INTERNAL		002005 008030	1
70	412A1220-63A	.DOUBLER-INTERNAL		002005 008030	1
75	412A1230-55	.FITTING ASSY-DRAG		002005 008030	1
80	BCREF13195	..BUSHING-	OVERLENGTH PART NUMBER: BACB28AY06A035CG	002005 008030	1
85	412A1230-57	..FITTING		002005 008030	1
90	412A1230-32	.FITTING		002005 008030	1

MISSING ITEM NUMBERS NOT APPLICABLE

— ITEM NOT ILLUSTRATED

HAP

25-24-32-21A

BOEING PROPRIETARY - Copyright © - Unpublished Work - See title page for details.

25-24-32
FIG. 21A
PAGE 3
OCT 10/06

BOEING
737-600/700/800/900
PARTS CATALOG (MAINTENANCE)

FIG ITEM	PART NUMBER	1 2 3 4 5 6 7	NOMENCLATURE	EFFECT FROM TO	UNITS PER ASSY
21A 95	412A1220-249		.CORNER ASSY- OPTIONAL PART: 412A1220-5SP 412A1220-5A 412A1220-209 USED ON: 412A1250-1109SP 412A1250-1109B	002005 008030	1
100	412A1220-5A		.CORNER ASSY- OPTIONAL PART: 412A1220-209 412A1220-249	009030	1
100	412A1220-209		.CORNER ASSY- OPTIONAL PART: 412A1220-5A 412A1220-5SP 412A1220-249 USED ON: 412A1250-1109B 412A1250-1109SP	002005 008030	1
100	412A1220-5SP		.CORNER ASSY- OPTIONAL PART: 412A1220-209 412A1220-249	002005 008008	1
105	412A1220-250		.CORNER ASSY- OPTIONAL PART: 412A1220-6SP 412A1220-6A 412A1220-210 USED ON: 412A1250-1109SP 412A1250-1109B	002005 008030	1
110	412A1220-6SP		.CORNER ASSY- OPTIONAL PART: 412A1220-210 412A1220-250	002005 008008	1
110	412A1220-6A		.CORNER ASSY- OPTIONAL PART: 412A1220-210 412A1220-250	009030	1
110	412A1220-210		.CORNER ASSY- OPTIONAL PART: 412A1220-6A 412A1220-6SP 412A1220-250 USED ON: 412A1250-1109B 412A1250-1109SP	002005 008030	1

MISSING ITEM NUMBERS NOT APPLICABLE

— ITEM NOT ILLUSTRATED

HAP

25-24-32-21A

BOEING PROPRIETARY - Copyright © - Unpublished Work - See title page for details.

25-24-32
FIG. 21A
PAGE 4
OCT 10/06

BOEING
737-600/700/800/900
PARTS CATALOG (MAINTENANCE)

FIG ITEM	PART NUMBER	1 2 3 4 5 6 7	NOMENCLATURE	EFFECT FROM TO	UNITS PER ASSY
21A			ATTACHING PARTS		
115	BACS12FA3K4	.	SCREW	002005 008030	6
120	BACS12FA3K7	.	SCREW	002005 008030	4
			-----*-----		
125	BRF200C3D	..	NUTPLATE SUPPLIER CODE: V52828 SPECIFICATION NUMBER: BACN10JR3CFD OPTIONAL PART: K51602-3BAC V15653 NS202476-02 V80539 102F9201-3 V72962 T8092C1032CD V11815	002005 008030	2
			ATTACHING PARTS		
- 130	BACR15CE3D	..	RIVET- SIZE DETERMINED ON INSTL.	002005 008030	4
			-----*-----		
135	412A1220-251	..	REINFORCEMENT- USED ON: 412A1220-249	002005 008030	1
140	412A1220-7SP	..	REINFORCEMENT- USED ON: 412A1220-5SP	002005 008008	1
140	412A1220-7A	..	REINFORCEMENT- USED ON: 412A1220-5A	009030	1
140	412A1220-211	..	REINFORCEMENT- USED ON: 412A1220-209	002005 008030	1
150	412A1220-252	..	REINFORCEMENT- USED ON: 412A1220-250	002005 008030	1
155	412A1220-8SP	..	REINFORCEMENT- USED ON: 412A1220-6SP	002005 008008	1
155	412A1220-8A	..	REINFORCEMENT- USED ON: 412A1220-6A	009030	1
155	412A1220-212	..	REINFORCEMENT- USED ON: 412A1220-209	002005 008030	1

MISSING ITEM NUMBERS NOT APPLICABLE

- ITEM NOT ILLUSTRATED

HAP

25-24-32-21A

BOEING PROPRIETARY - Copyright © - Unpublished Work - See title page for details.

25-24-32
FIG. 21A
PAGE 5
OCT 10/06

 **BOEING**
737-600/700/800/900
PARTS CATALOG (MAINTENANCE)

FIG ITEM	PART NUMBER	1 2 3 4 5 6 7	NOMENCLATURE	EFFECT FROM TO	UNITS PER ASSY
21A 160	412A1340-16	.	FASTENER ASSY-KIT OPTIONAL PART: 412A1340-17 USED ON: 412A1250-1109B 412A1250-1109SP	002005 008030	2
165	BACB30VF3K7	..	BOLT	002005 008030	1
170	BACW10EC3S	..	WASHER	002005 008030	1
175	PLH53C	..	NUT SUPPLIER CODE: V62554 SPECIFICATION NUMBER: BACN10YR3C OPTIONAL PART: H52732-3C V15653	002005 008030	1
180	412A1340-17	.	FASTENER ASSY-KIT OPTIONAL PART: 412A1340-16 USED ON: 412A1250-1109B 412A1250-1109SP	002005 008030	2
185	BACB30VF3K8	..	BOLT	002005 008030	1
190	F22K1-02	..	NUT SUPPLIER CODE: V72962 SPECIFICATION NUMBER: BACN10R10L OPTIONAL PART: 22K1-02 V72962 26CLO2 V80539	002005 008030	1
195	BACB30VF3K8	.	BOLT- USED ON: 412A1250-109SP 412A1250-109A	002005 008030	2

MISSING ITEM NUMBERS NOT APPLICABLE

— ITEM NOT ILLUSTRATED

HAP

25-24-32-21A

BOEING PROPRIETARY - Copyright © - Unpublished Work - See title page for details.

25-24-32
FIG. 21A
PAGE 6
OCT 10/06

BOEING
737-600/700/800/900
PARTS CATALOG (MAINTENANCE)

FIG ITEM	PART NUMBER	1 2 3 4 5 6 7	NOMENCLATURE	EFFECT FROM TO	UNITS PER ASSY
21A 200	F22K1-02	.NUT-	SUPPLIER CODE: V72962 SPECIFICATION NUMBER: BACN10R10L OPTIONAL PART: 22K1-02 V72962 26CLO2 V80539 USED ON: 412A1250-109SP 412A1250-109A	002005 008030	2
205	412A1247-19SP	.EXTRUSION-DOOR	CLOSEOUT	002005 008008	1
205	412A1247-19A	.EXTRUSION-DOOR	CLOSEOUT	009030	1
210	HA225-3	.STRIKE-	SUPPLIER CODE: V83014 SPECIFICATION NUMBER: S412A001-6	002005 008030	1
210	HA225-11	.STRIKE-	SUPPLIER CODE: V83014 SPECIFICATION NUMBER: S412A001-16	002005 008030	1
- 215	BACS12ER08K5	.SCREW	ATTACHING PARTS	002005 008030	2
220	412A1242-51	.EXTRUSION-SHELF	-----*----- ATTACHING PARTS	002005 008030	1
225	BACS12ER3K6	.SCREW		002005 008030	2
230	BACS12ER3K5	.SCREW		002005 008030	5
235	H3-1233A3	.WASHER-	SUPPLIER CODE: V34941 SPECIFICATION NUMBER: S411A001-1 -----*-----	002005 008030	5
240	412A1475-4SP	.FITTING ASSY-SPRT		002005 008008	1
240	412A1475-4A	.FITTING ASSY-SPRT		009030	1
245	412A1475-3SP	.FITTING ASSY-SPRT		002005 008008	1
245	412A1475-3A	.FITTING ASSY-SPRT		009030	1

MISSING ITEM NUMBERS NOT APPLICABLE

- ITEM NOT ILLUSTRATED

HAP

25-24-32-21A

BOEING PROPRIETARY - Copyright © - Unpublished Work - See title page for details.

25-24-32
FIG. 21A
PAGE 7
JUN 15/08

BOEING
737-600/700/800/900
PARTS CATALOG (MAINTENANCE)

FIG ITEM	PART NUMBER	1 2 3 4 5 6 7	NOMENCLATURE	EFFECT FROM TO	UNITS PER ASSY
21A			ATTACHING PARTS		
- 250	BACS12ER3K5		.SCREW	002005 008030	4
			-----*-----		
255	BACN11F3-1CD		..NUT	002005 008030	1
260	NAS1795-3		..CLIP	002005 008030	1
265	412A1475-2SP		..FITTING- USED ON: 412A1475-4SP	002005 008008	1
265	412A1475-2A		..FITTING- USED ON: 412A1475-4A	009030	1
270	412A1475-1SP		..FITTING- USED ON: 412A1475-3SP	002005 008008	1
270	412A1475-1A		..FITTING- USED ON: 412A1475-3A	009030	1
275	BACS12FA3K4		.SCREW- USED ON: 412A1250-109SP 412A1250-109A	002005 008030	24
280	BACS12FA3K4		.SCREW- USED ON: 412A1250-1109SP 412A1250-1109B	002005 008030	22
285	BACS12FA3K6		.SCREW- USED ON: 412A1250-109SP 412A1250-109A	002005 008030	14
290	BACS12FA3K5		.SCREW- USED ON: 412A1250-1109B 412A1250-1109SP	002005 008030	22
295	BACS12FA3K5		.SCREW- USED ON: 412A1250-109SP 412A1250-109A	002005 008030	4
300	412A1220-3		.ANGLE	002005 008030	1
305	412A1220-4		.ANGLE	002005 008030	1
310	412A1220-9SP		.ANGLE- OPTIONAL PART: 412A1220-205	002005 008008	2

MISSING ITEM NUMBERS NOT APPLICABLE

- ITEM NOT ILLUSTRATED

HAP

25-24-32-21A

BOEING PROPRIETARY - Copyright © - Unpublished Work - See title page for details.

25-24-32
FIG. 21A
PAGE 8
OCT 10/06

BOEING
737-600/700/800/900
PARTS CATALOG (MAINTENANCE)

FIG ITEM	PART NUMBER	1 2 3 4 5 6 7	NOMENCLATURE	EFFECT FROM TO	UNITS PER ASSY
21A					
310	412A1220-9A	.	ANGLE- OPTIONAL PART: 412A1220-205	009030	2
310	412A1220-205	.	ANGLE- OPTIONAL PART: 412A1220-9A 412A1220-9SP USED ON: 412A1250-1109B 412A1250-1109SP	002005 008030	2
315	412A1220-23	.	GUSSET	002005 008030	1
320	412A1220-36	.	FITTING ASSY	002005 008030	1
325	412A1220-33	.	FITTING ASSY	002005 008030	1
330	412A1245-21	.	RAIL	002005 008030	1
335	412A1450-21	.	CLIP	002005 008030	4
340	412A1212-117SP	.	PANEL ASSY-END USED ON: 412A1250-109SP	002005 008008	1
340	412A1212-1117SP	.	PANEL ASSY-END USED ON: 412A1250-1109SP	002005 008008	1
340	412A1212-117A	.	PANEL ASSY-END USED ON: 412A1250-109A	009030	1
340	412A1212-1117B	.	PANEL ASSY-END USED ON: 412A1250-1109B	009030	1
- 345	SL2334-3A1	..	INSERT- SUPPLIER CODE: V97393	002005 008030	23
350	412A1212-119SP	.	PANEL ASSY-END USED ON: 412A1250-109SP	002005 008008	1
350	412A1212-1119SP	.	PANEL ASSY-END USED ON: 412A1250-1109SP	002005 008008	1
350	412A1212-119A	.	PANEL ASSY-END USED ON: 412A1250-109A	009030	1
350	412A1212-1119B	.	PANEL ASSY-END USED ON: 412A1250-1109B	009030	1

MISSING ITEM NUMBERS NOT APPLICABLE

- ITEM NOT ILLUSTRATED

HAP

25-24-32-21A

BOEING PROPRIETARY - Copyright © - Unpublished Work - See title page for details.

25-24-32
FIG. 21A
PAGE 9
OCT 10/06

BOEING
737-600/700/800/900
PARTS CATALOG (MAINTENANCE)

FIG ITEM	PART NUMBER	1 2 3 4 5 6 7	NOMENCLATURE	EFFECT FROM TO	UNITS PER ASSY
21A - 355	SL2334-3A1	..	INSERT- SUPPLIER CODE: V97393	002005 008030	13
360	412A1210-127SP	.	PANEL ASSY-SHELL USED ON: 412A1250-109SP	002005 008008	1
360	412A1210-1127SP	.	PANEL ASSY-SHELL USED ON: 412A1250-1109SP	002005 008008	1
360	412A1210-127A	.	PANEL ASSY-SHELL USED ON: 412A1250-109A	009030	1
360	412A1210-1127B	.	PANEL ASSY-SHELL USED ON: 412A1250-1109B	009030	1
365	SL2334-3A1	..	INSERT- SUPPLIER CODE: V97393	002005 008030	19
370	BCREF128023	..	INSERT- SUPPLIER CODE: V97393 OVERLENGTH PART NUMBER: SL603-3-375ASP13	002005 008030	9
375	BCREF130325	..	INSERT- SUPPLIER CODE: V97393 OVERLENGTH PART NUMBER: SL603-4-375ASP24	002005 008030	2
380	412A1211-129SP	.	PANEL ASSY-SHELF USED ON: 412A1250-109SP	002005 008008	1
380	412A1211-1129SP	.	PANEL ASSY-SHELF USED ON: 412A1250-1109SP	002005 008008	1
380	412A1211-129A	.	PANEL ASSY-SHELF USED ON: 412A1250-109A	009030	1
380	412A1211-1129B	.	PANEL ASSY-SHELF USED ON: 412A1250-1109B	009030	1
- 385	SL2334-3A1	..	INSERT- SUPPLIER CODE: V97393	002005 008030	45

MISSING ITEM NUMBERS NOT APPLICABLE

- ITEM NOT ILLUSTRATED

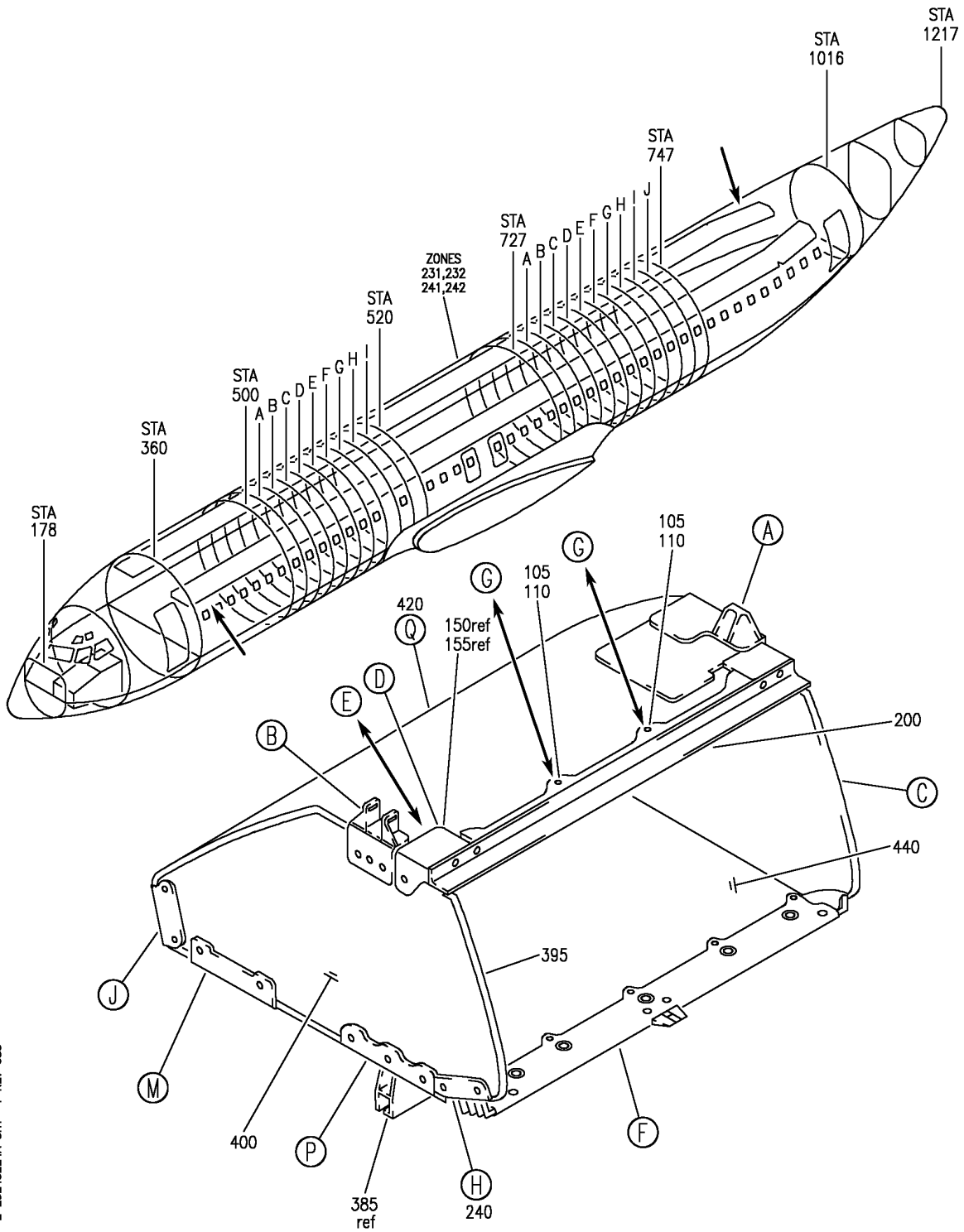
HAP

25-24-32-21A

BOEING PROPRIETARY - Copyright © - Unpublished Work - See title page for details.

25-24-32
FIG. 21A
PAGE 10
OCT 10/06

BOEING
 737-600/700/800/900
 PARTS CATALOG (MAINTENANCE)



E 25243224A SHT 1 REV 083

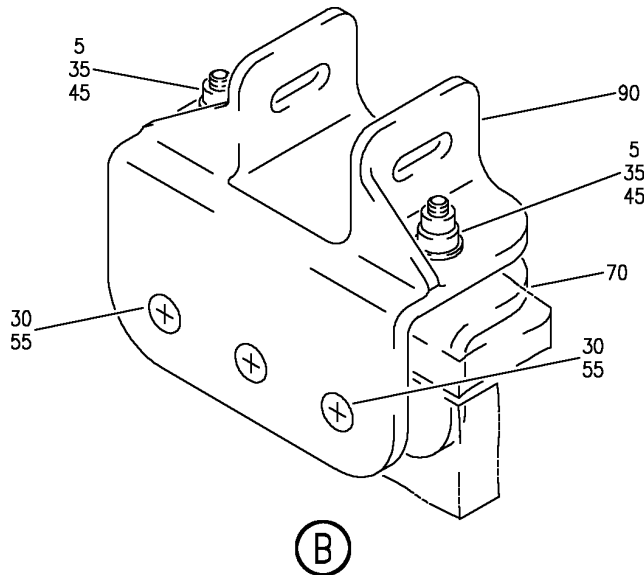
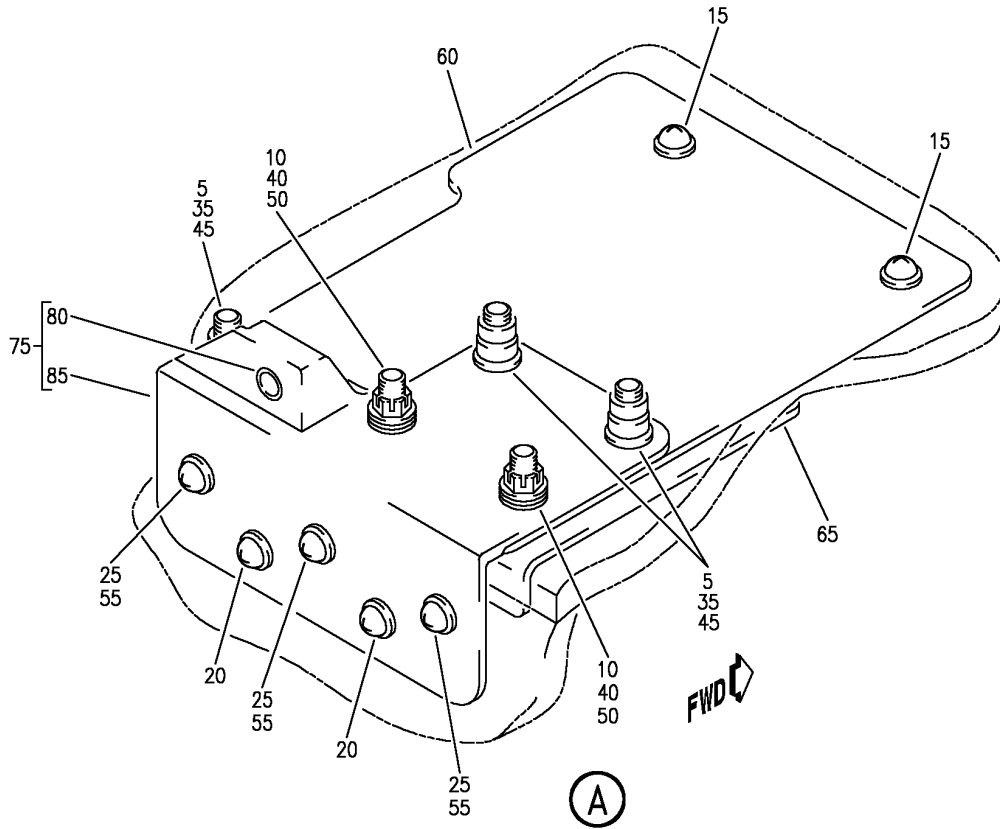
BOX ASSY-25 IN. BIN FWD RH
 FIGURE 24A (SHEET 1)

25-24-32-24A

HAP
 OCT 10/06

25-24-32-24A
 PAGE 0

BOEING
 737-600/700/800/900
 PARTS CATALOG (MAINTENANCE)



E 25243224A SHT 2 REV 083

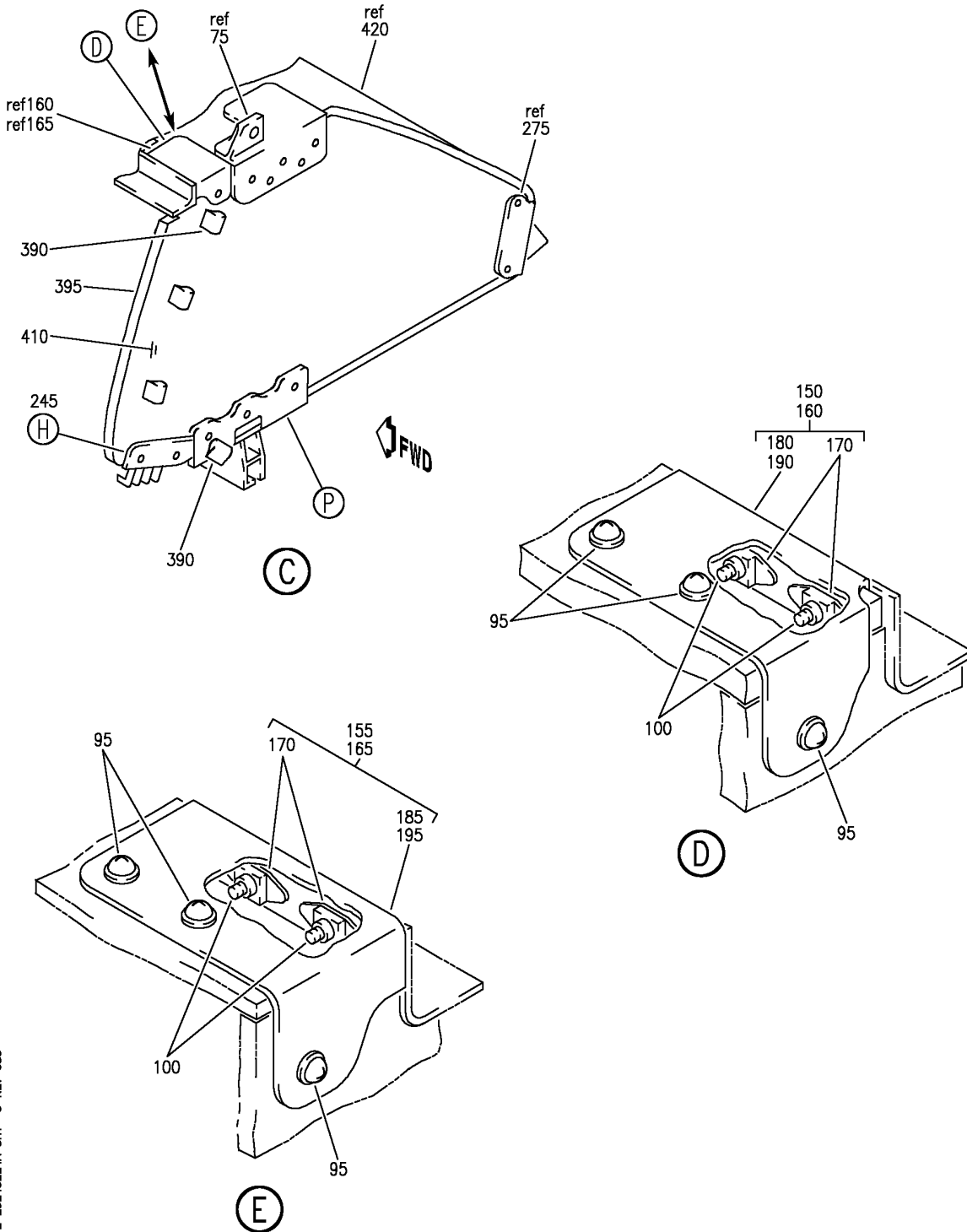
BOX ASSY-25 IN. BIN FWD RH
 FIGURE 24A (SHEET 2)

25-24-32-24A

HAP
 OCT 10/06

25-24-32-24A
 PAGE 0A


BOEING
 737-600/700/800/900
PARTS CATALOG (MAINTENANCE)



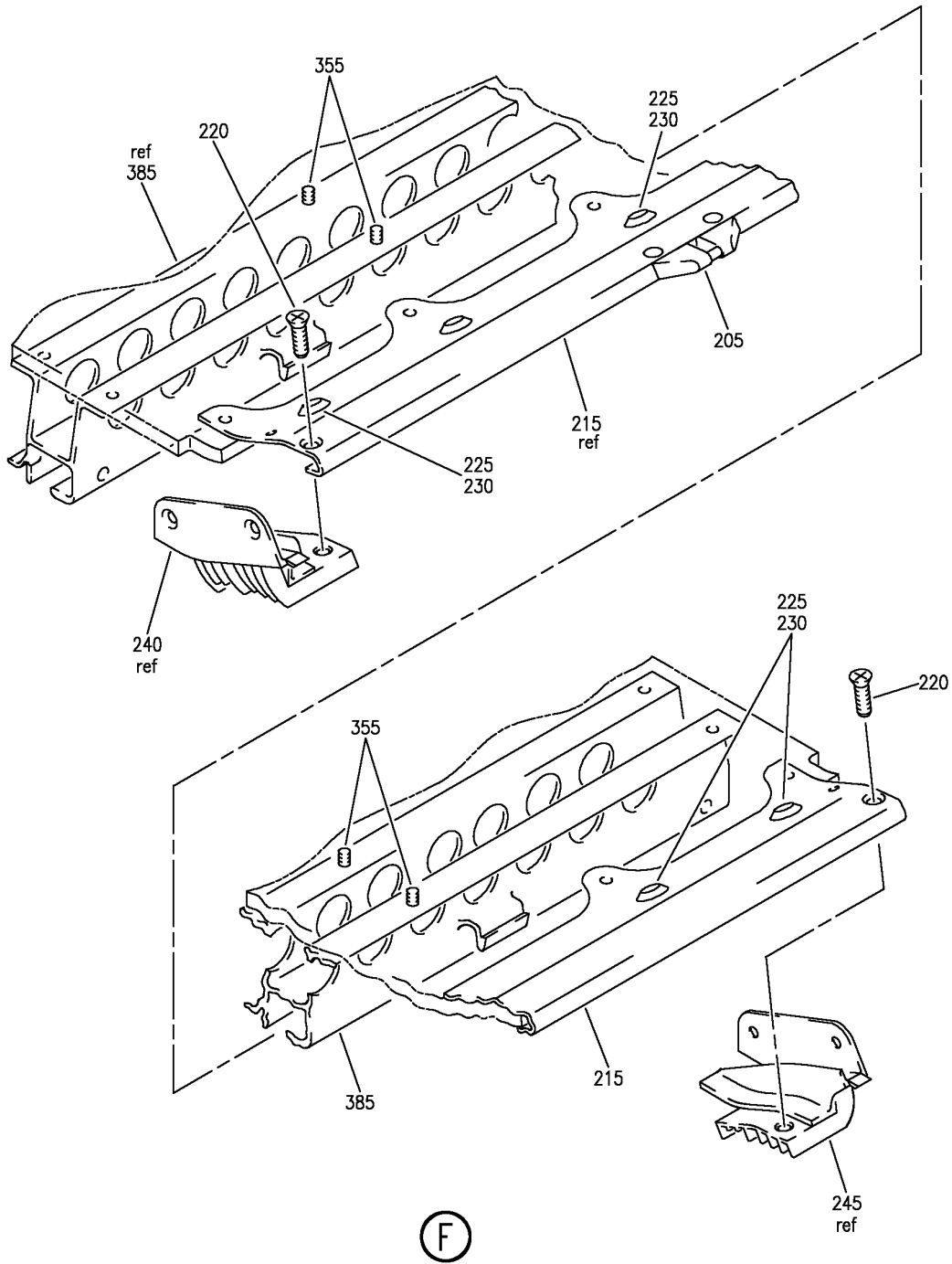
BOX ASSY-25 IN. BIN FWD RH
 FIGURE 24A (SHEET 3)

25-24-32-24A

HAP
 OCT 10/06

25-24-32-24A
 PAGE 0B

BOEING
 737-600/700/800/900
 PARTS CATALOG (MAINTENANCE)



E 25243224A SH1 4 REV 083

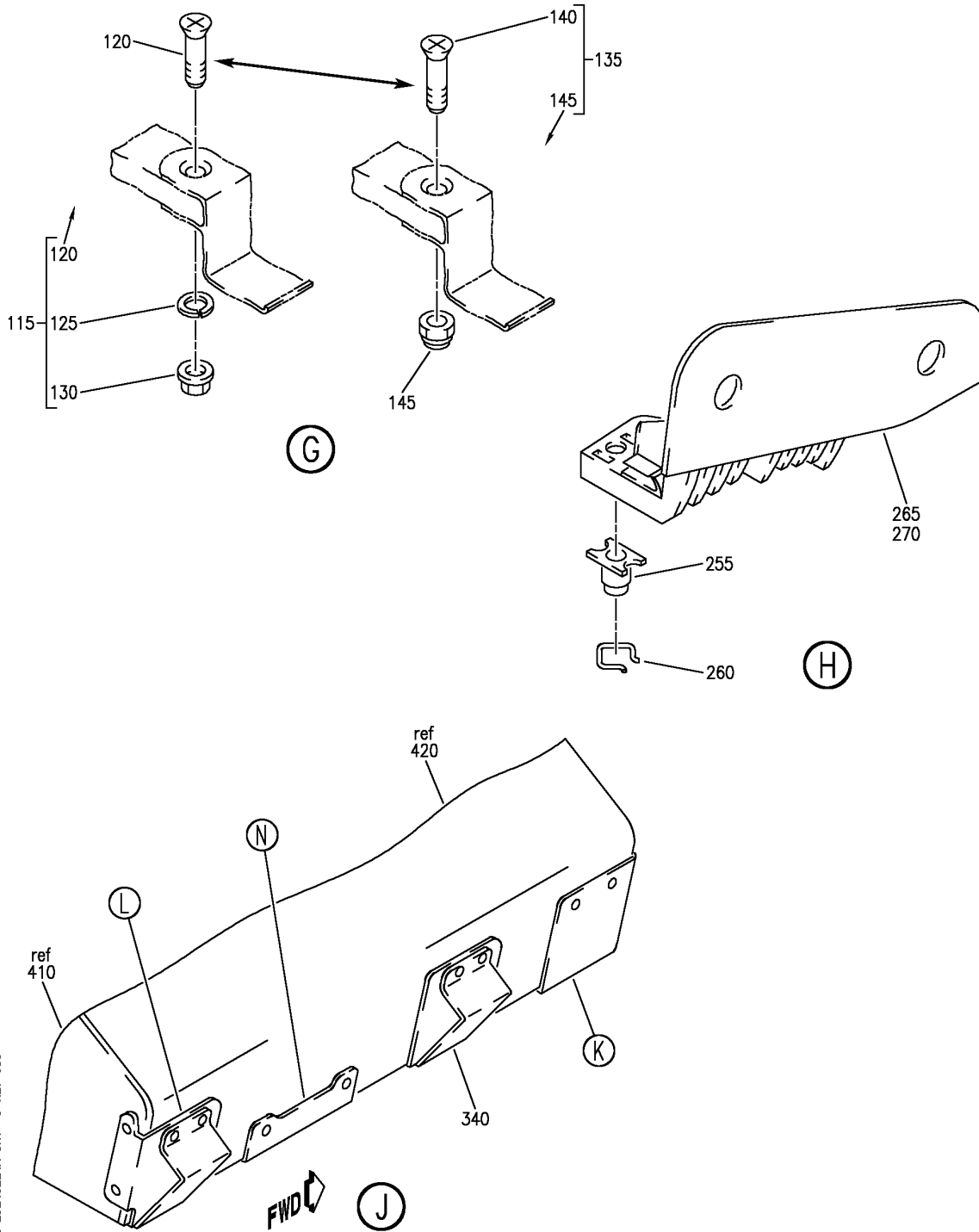
BOX ASSY-25 IN. BIN FWD RH
 FIGURE 24A (SHEET 4)

25-24-32-24A

HAP
 OCT 10/06

25-24-32-24A
 PAGE 0C

BOEING
 737-600/700/800/900
 PARTS CATALOG (MAINTENANCE)



E 25243224A SHIT 5 REV 083

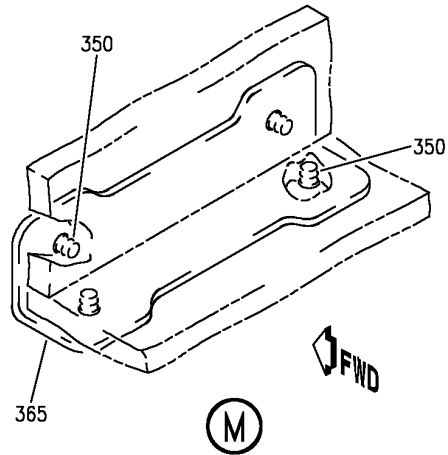
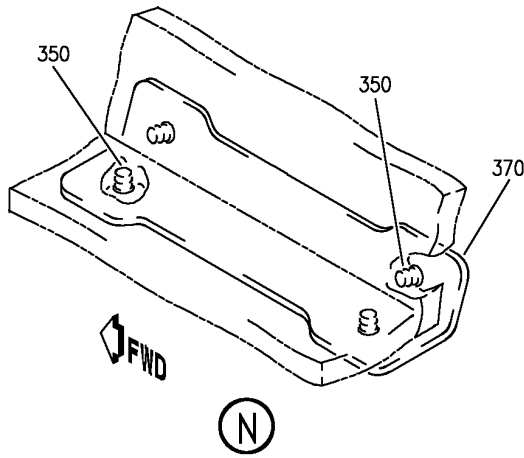
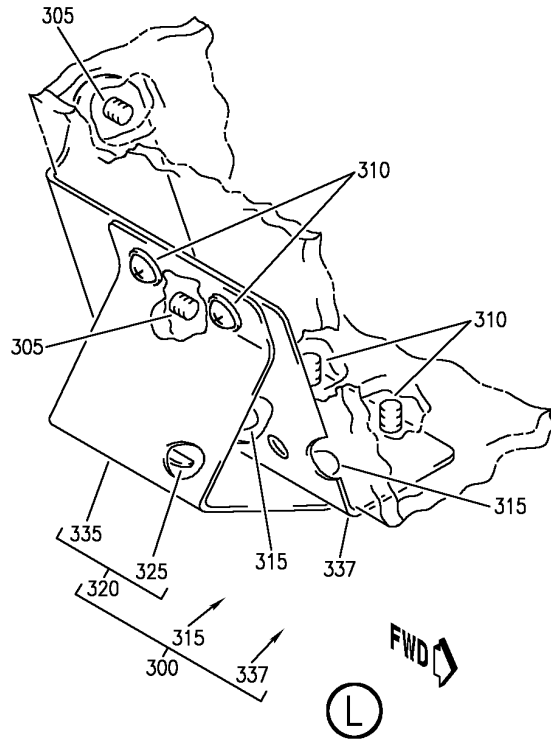
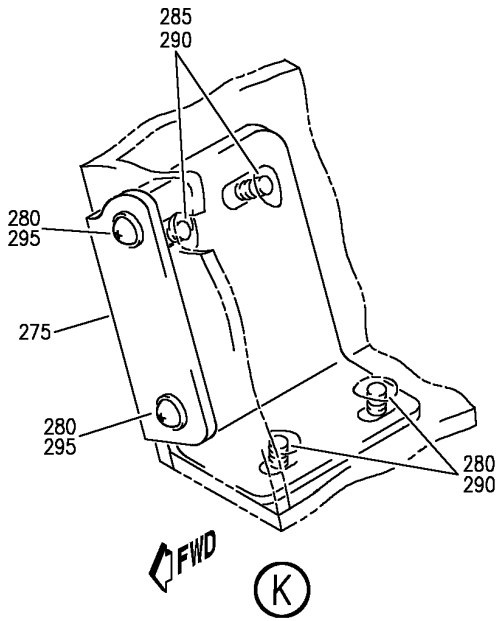
BOX ASSY-25 IN. BIN FWD RH
 FIGURE 24A (SHEET 5)

25-24-32-24A

HAP
 OCT 10/06

25-24-32-24A
 PAGE 0D

BOEING
 737-600/700/800/900
 PARTS CATALOG (MAINTENANCE)



E 25243224A SHT 6 REV 083

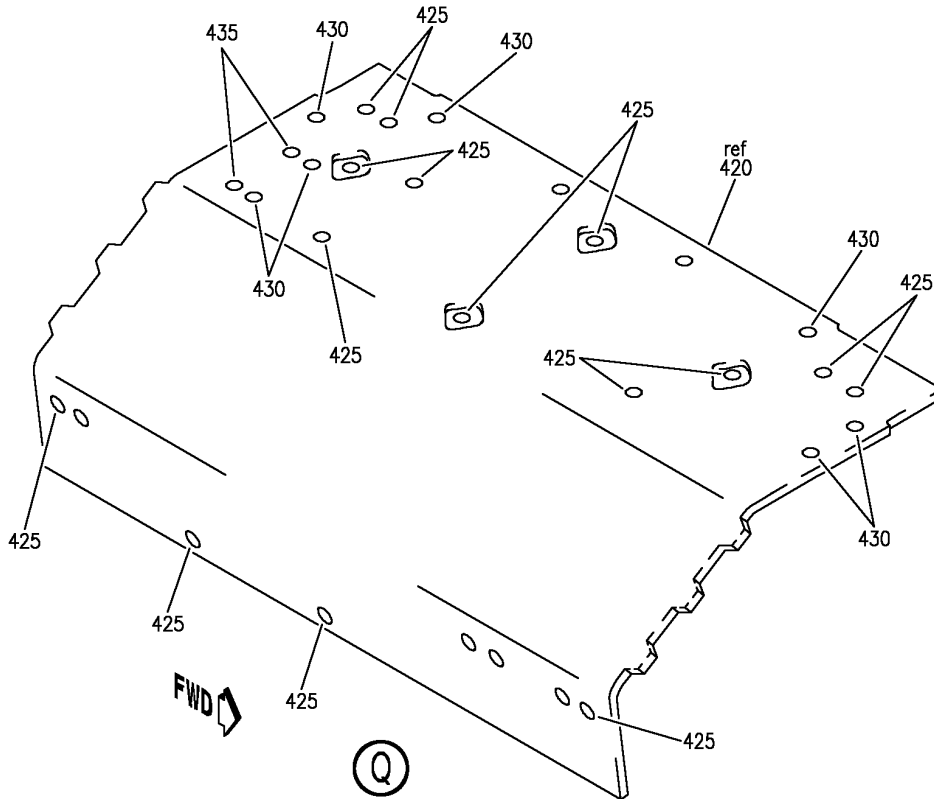
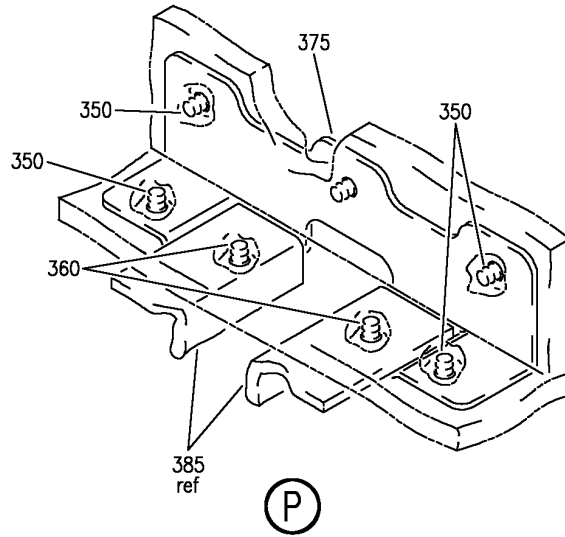
BOX ASSY-25 IN. BIN FWD RH
 FIGURE 24A (SHEET 6)

25-24-32-24A

HAP
 OCT 10/06

25-24-32-24A
 PAGE 0E

BOEING
 737-600/700/800/900
 PARTS CATALOG (MAINTENANCE)



E 25243224A SH1 7 REV 083

BOX ASSY-25 IN. BIN FWD RH
 FIGURE 24A (SHEET 7)

25-24-32-24A

HAP
 OCT 10/06

25-24-32-24A
 PAGE OF

BOEING
737-600/700/800/900
PARTS CATALOG (MAINTENANCE)

FIG ITEM	PART NUMBER	1 2 3 4 5 6 7	NOMENCLATURE	EFFECT FROM TO	UNITS PER ASSY
24A			BOX ASSY-25 IN. BIN FWD RH	002005 008030	
- 1	412A1250-110SP		BOX ASSY-25 IN. BIN POSITION DATA: FWD RH OPTIONAL PART: 412A1250-1110SP FOR NHA SEE: 25-24-31-57	002005 008008	RF
- 1	412A1250-1110SP		BOX ASSY-25 IN. BIN POSITION DATA: FWD RH OPTIONAL PART: 412A1250-110SP FOR NHA SEE: 25-24-31-57	002005 008008	RF
- 1	412A1250-110A		BOX ASSY-25 IN. BIN POSITION DATA: FWD RH OPTIONAL PART: 412A1250-1110B FOR NHA SEE: 25-24-31-57	009030	RF
- 1	412A1250-1110B		BOX ASSY-25 IN. BIN POSITION DATA: FWD RH OPTIONAL PART: 412A1250-110A FOR NHA SEE: 25-24-31-57	009030	RF

MISSING ITEM NUMBERS NOT APPLICABLE

- ITEM NOT ILLUSTRATED

HAP

25-24-32-24A

BOEING PROPRIETARY - Copyright © - Unpublished Work - See title page for details.

25-24-32
FIG. 24A
PAGE 1
OCT 10/06

BOEING
737-600/700/800/900
PARTS CATALOG (MAINTENANCE)

FIG ITEM	PART NUMBER	1 2 3 4 5 6 7	NOMENCLATURE	EFFECT FROM TO	UNITS PER ASSY
24A 5	HL1012AZ6-10	.BOLT	SUPPLIER CODE: V97928 SPECIFICATION NUMBER: BACB30NX6K10 OPTIONAL PART: HL12VAZ6-10 V73197 HL12VAZ6-10 V92215 HL12VAZ6-10 V97928 L802-6K10 V06725 HL12VAZ6-10 V56878 HL1012AZ6-10 VOPTK6 HL1012AZ6-10 V06725 HL1012AZ6-10 V06950 HL1012AZ6-10 V17446 HL1012AZ6-10 V56878 HL1012AZ6-10 V60516 HL1012AZ6-10 V73197	002005 008030	5
10	BACB30NR4DK10	.BOLT		002005 008030	2
15	BACS12FA3K4	.SCREW		002005 008030	2
20	BACS12FA3K5	.SCREW		002005 008030	2
25	BACS12FA3K9	.SCREW		002005 008030	3
30	BACS12ER3K9	.SCREW		002005 008030	3
35	BACW10BP3NDP	.WASHER- OPTIONAL PART: NAS1149D0363J		002005 008030	5
35	NAS1149D0363J	.WASHER- OPTIONAL PART: BACW10BP3NDP		002005 008030	5
40	NAS1149D0463J	.WASHER		002005 008030	6

MISSING ITEM NUMBERS NOT APPLICABLE

— ITEM NOT ILLUSTRATED

HAP

25-24-32-24A

BOEING PROPRIETARY - Copyright © - Unpublished Work - See title page for details.

25-24-32
FIG. 24A
PAGE 2
OCT 10/06

BOEING
737-600/700/800/900
PARTS CATALOG (MAINTENANCE)

FIG ITEM	PART NUMBER	1 2 3 4 5 6 7	NOMENCLATURE	EFFECT FROM TO	UNITS PER ASSY
24A 45	HL1087-6	.COLLAR-	SUPPLIER CODE: V73197 SPECIFICATION NUMBER: BACC30BH6 OPTIONAL PART: HL1087-6 V56878 HL1087-6 V92215 HL1087-6 V9N513 BACC30BZ6	002005 008030	5
45	HST1070CY6	.COLLAR-	SUPPLIER CODE: V5M902 SPECIFICATION NUMBER: BACC30BZ6 OPTIONAL PART: VLC1070CY6 V92215 HST1070CY6 V73197 BACC30BH6	002005 008030	5
50	BACN10JD104CD	.NUT		002005 008030	2
55	SL5-3-50C	.NUT-	SUPPLIER CODE: V97393	002005 008030	6
60	412A1220-74	.DOUBLER-9G EXT		002005 008030	1
65	412A1220-71A	.DOUBLER-9G INTERNAL		002005 008030	1
70	412A1220-63A	.DOUBLER-INTERNAL		002005 008030	1
75	412A1230-56	.FITTING ASSY		002005 008030	1
80	BCREF13195	..BUSHING-	OVERLENGTH PART NUMBER: BACB28AY06A035CG	002005 008030	1
85	412A1230-58	..FITTING		002005 008030	1
90	412A1230-32	.FITTING		002005 008030	1
95	BACS12FA3K4	.SCREW		002005 008030	6
100	BACS12FA3K7	.SCREW		002005 008030	4

MISSING ITEM NUMBERS NOT APPLICABLE

- ITEM NOT ILLUSTRATED

HAP

25-24-32-24A

BOEING PROPRIETARY - Copyright © - Unpublished Work - See title page for details.

25-24-32
FIG. 24A
PAGE 3
OCT 10/06

BOEING
737-600/700/800/900
PARTS CATALOG (MAINTENANCE)

FIG ITEM	PART NUMBER	1 2 3 4 5 6 7	NOMENCLATURE	EFFECT FROM TO	UNITS PER ASSY
24A 105	BACB30VF3K8	.BOLT-	USED ON: 412A1250-110SP 412A1250-110A	002005 008030	2
110	F22K1-02	.NUT-	SUPPLIER CODE: V72962 SPECIFICATION NUMBER: BACN10R10L OPTIONAL PART: 22K1-02 V72962 26CLO2 V80539 USED ON: 412A1250-110SP 412A1250-110A	002005 008030	2
115	412A1340-16	.FASTENER ASSY-KIT	OPTIONAL PART: 412A1340-17 USED ON: 412A1250-1110B 412A1250-1110SP	002005 008030	2
120	BACB30VF3K7	..BOLT		002005 008030	1
125	BACW10EC3S	..WASHER		002005 008030	1
130	PLH53C	..NUT	SUPPLIER CODE: V62554 SPECIFICATION NUMBER: BACN10YR3C OPTIONAL PART: H52732-3C V15653	002005 008030	1
135	412A1340-17	.FASTENER ASSY-KIT	OPTIONAL PART: 412A1340-16 USED ON: 412A1250-1110B 412A1250-1110SP	002005 008030	2
140	BACB30VF3K8	..BOLT		002005 008030	1

MISSING ITEM NUMBERS NOT APPLICABLE

— ITEM NOT ILLUSTRATED

HAP

25-24-32-24A

BOEING PROPRIETARY - Copyright © - Unpublished Work - See title page for details.

25-24-32
FIG. 24A
PAGE 4
OCT 10/06

BOEING
737-600/700/800/900
PARTS CATALOG (MAINTENANCE)

FIG ITEM	PART NUMBER	1 2 3 4 5 6 7	NOMENCLATURE	EFFECT FROM TO	UNITS PER ASSY
24A 145	F22K1-02	. .	NUT SUPPLIER CODE: V72962 SPECIFICATION NUMBER: BACN10R10L OPTIONAL PART: 22K1-02 V72962 26CLO2 V80539	002005 008030	1
150	412A1220-249	. CORNER ASSY-	OPTIONAL PART: 412A1220-5SP 412A1220-5A 412A1220-209 USED ON: 412A1250-1110SP 412A1250-1110B	002005 008030	1
155	412A1220-5SP	. CORNER ASSY-	OPTIONAL PART: 412A1220-209 412A1220-249	002005 008008	1
155	412A1220-5A	. CORNER ASSY-	OPTIONAL PART: 412A1220-209 412A1220-249	009030	1
155	412A1220-209	. CORNER ASSY-	OPTIONAL PART: 412A1220-5SP 412A1220-5A 412A1220-249 USED ON: 412A1250-1110SP 412A1250-1110B	002005 008030	1
160	412A1220-250	. CORNER ASSY-	OPTIONAL PART: 412A1220-6SP 412A1220-6A 412A1220-210 USED ON: 412A1250-1110SP 412A1250-1110B	002005 008030	1
165	412A1220-6SP	. CORNER ASSY-	OPTIONAL PART: 412A1220-210 412A1220-250	002005 008008	1

MISSING ITEM NUMBERS NOT APPLICABLE

— ITEM NOT ILLUSTRATED

HAP

25-24-32-24A

BOEING PROPRIETARY - Copyright © - Unpublished Work - See title page for details.

25-24-32
FIG. 24A
PAGE 5
OCT 10/06

BOEING
737-600/700/800/900
PARTS CATALOG (MAINTENANCE)

FIG ITEM	PART NUMBER	1 2 3 4 5 6 7	NOMENCLATURE	EFFECT FROM TO	UNITS PER ASSY
24A 165	412A1220-6A	.	CORNER ASSY- OPTIONAL PART: 412A1220-210 412A1220-250	009030	1
165	412A1220-210	.	CORNER ASSY- OPTIONAL PART: 412A1220-6SP 412A1220-6A 412A1220-250 USED ON: 412A1250-1110SP 412A1250-1110B	002005 008030	1
170	BRF200C3D	..	NUTPLATE SUPPLIER CODE: V52828 SPECIFICATION NUMBER: BACN10JR3CFD OPTIONAL PART: K51602-3BAC V15653 NS202476-02 V80539 102F9201-3 V72962 T8092C1032CD V11815 ATTACHING PARTS	002005 008030	2
- 175	BACR15CE3D	..	RIVET- SIZE DETERMINED ON INSTL. -----*-----	002005 008030	4
180	412A1220-251	..	REINFORCEMENT- USED ON: 412A1220-249	002005 008030	1
185	412A1220-7A	..	REINFORCEMENT- USED ON: 412A1220-5SP 412A1220-5A	002005 008030	1
185	412A1220-211	..	REINFORCEMENT- USED ON: 412A1220-209	002005 008030	1
190	412A1220-252	..	REINFORCEMENT- USED ON: 412A1220-250	002005 008030	1
195	412A1220-8A	..	REINFORCEMENT- USED ON: 412A1220-6SP 412A1220-6A	002005 008030	1

MISSING ITEM NUMBERS NOT APPLICABLE

- ITEM NOT ILLUSTRATED

HAP

25-24-32-24A

BOEING PROPRIETARY - Copyright © - Unpublished Work - See title page for details.

25-24-32
FIG. 24A
PAGE 6
OCT 10/06

BOEING
737-600/700/800/900
PARTS CATALOG (MAINTENANCE)

FIG ITEM	PART NUMBER	1 2 3 4 5 6 7	NOMENCLATURE	EFFECT FROM TO	UNITS PER ASSY
24A 195	412A1220-212		.. REINFORCEMENT- USED ON: 412A1220-210	002005 008030	1
200	412A1247-20SP		. EXTRUSION-DOOR CLOSEOUT	002005 008008	1
200	412A1247-20A		. EXTRUSION-DOOR CLOSEOUT	009030	1
205	HA225-3		. STRIKE- SUPPLIER CODE: V83014 SPECIFICATION NUMBER: S412A001-6	002005 008030	1
205	HA225-11		. STRIKE- SUPPLIER CODE: V83014 SPECIFICATION NUMBER: S412A001-16	002005 008030	1
- 210	BACS12ER08K5		ATTACHING PARTS . SCREW	002005 008030	2
215	412A1242-51		-----*----- . EXTRUSION-SHELF ATTACHING PARTS	002005 008030	1
220	BACS12ER3K6		. SCREW	002005 008030	2
225	BACS12ER3K5		. SCREW	002005 008030	5
230	H3-1233A3		. WASHER- SUPPLIER CODE: V34941 SPECIFICATION NUMBER: S411A001-1	002005 008030	5
240	412A1475-4SP		-----*----- . FITTING ASSY-SPRT	002005 008008	1
240	412A1475-4A		. FITTING ASSY-SPRT	009030	1
245	412A1475-3SP		. FITTING ASSY-SPRT	002005 008008	1
245	412A1475-3A		. FITTING ASSY-SPRT ATTACHING PARTS	009030	1
- 250	BACS12ER3K5		. SCREW	002005 008030	4
255	BACN11F3-1CD		-----*----- .. NUT	002005 008030	1
260	NAS1795-3		.. CLIP	002005 008030	1

MISSING ITEM NUMBERS NOT APPLICABLE

- ITEM NOT ILLUSTRATED

HAP

25-24-32-24A

BOEING PROPRIETARY - Copyright © - Unpublished Work - See title page for details.

25-24-32
FIG. 24A
PAGE 7
JUN 15/08

BOEING
737-600/700/800/900
PARTS CATALOG (MAINTENANCE)

FIG ITEM	PART NUMBER	1 2 3 4 5 6 7	NOMENCLATURE	EFFECT FROM TO	UNITS PER ASSY
24A 265	412A1475-2SP	..	FITTING- USED ON: 412A1475-4SP	002005 008008	1
265	412A1475-2A	..	FITTING- USED ON: 412A1475-4A	009030	1
270	412A1475-1SP	..	FITTING- USED ON: 412A1475-3SP	002005 008008	1
270	412A1475-1A	..	FITTING- USED ON: 412A1475-3A	009030	1
275	412A1220-24	.	GUSSET-CORNER	002005 008030	1
280	BACS12FA3K4	.	ATTACHING PARTS SCREW- USED ON: 412A1250-110SP 412A1250-110A	002005 008030	4
285	BACS12FA3K6	.	SCREW- USED ON: 412A1250-110SP 412A1250-110A	002005 008030	2
290	BACS12FA3K5	.	SCREW- USED ON: 412A1250-1110SP 412A1250-1110B	002005 008030	4
295	BACS12FA3K4	.	SCREW- USED ON: 412A1250-1110SP 412A1250-1110B	002005 008030	2
300	412A1220-34	.	-----*----- FITTING ASSY-CHIN	002005 008030	1
305	BACS12FA3K4	.	ATTACHING PARTS SCREW	002005 008030	2
310	BACS12FA3K6	.	SCREW- USED ON: 412A1250-110SP 412A1250-110A	002005 008030	4
310	BACS12FA3K5	.	SCREW- USED ON: 412A1250-1110SP 412A1250-1110B	002005 008030	4
315	BACR15BB4D	..	-----*----- RIVET	002005 008030	2

MISSING ITEM NUMBERS NOT APPLICABLE

— ITEM NOT ILLUSTRATED

HAP

25-24-32-24A

BOEING PROPRIETARY - Copyright © - Unpublished Work - See title page for details.

25-24-32
FIG. 24A
PAGE 8
JUN 15/08

BOEING
737-600/700/800/900
PARTS CATALOG (MAINTENANCE)

FIG ITEM	PART NUMBER	1 2 3 4 5 6 7	NOMENCLATURE	EFFECT FROM TO	UNITS PER ASSY
24A					
320	412A1220-35	..	STRAP ASSY-CHIN	002005 008030	1
325	BACN10JP4ACD	...	NUTPLATE	002005 008030	1
			ATTACHING PARTS		
- 330	BACR15BA3AD	...	RIVET- SIZE DETERMINED ON INSTL. -----*-----	002005 008030	2
335	412A1220-37	...	STRAP-CHIN	002005 008030	1
337	412A1220-41	..	CORNER-GUSSET	002005 008030	1
340	412A1220-36	.	FITTING ASSY	002005 008030	1
			ATTACHING PARTS		
- 345	BACS12FA3K6	.SCREW-	USED ON: 412A1250-110SP 412A1250-110A	002005 008030	4
- 345	BACS12FA3K5	.SCREW-	USED ON: 412A1250-1110SP 412A1250-1110B -----*-----	002005 008030	4
350	BACS12FA3K4	.SCREW		002005 008030	18
355	BACS12FA3K5	.SCREW		002005 008030	4
360	BACS12FA3K6	.SCREW-	USED ON: 412A1250-110SP 412A1250-110A	002005 008030	4
360	BACS12FA3K5	.SCREW-	USED ON: 412A1250-1110SP 412A1250-1110B	002005 008030	4
365	412A1220-3	.ANGLE		002005 008030	1
370	412A1220-4	.ANGLE		002005 008030	1
375	412A1220-9SP	.ANGLE-	OPTIONAL PART: 412A1220-205	002005 008008	2
375	412A1220-9A	.ANGLE-	OPTIONAL PART: 412A1220-205	009030	2

MISSING ITEM NUMBERS NOT APPLICABLE

- ITEM NOT ILLUSTRATED

HAP

25-24-32-24A

BOEING PROPRIETARY - Copyright © - Unpublished Work - See title page for details.

25-24-32
FIG. 24A
PAGE 9
JUN 15/08

BOEING
737-600/700/800/900
PARTS CATALOG (MAINTENANCE)

FIG ITEM	PART NUMBER	1 2 3 4 5 6 7	NOMENCLATURE	EFFECT FROM TO	UNITS PER ASSY
24A 375	412A1220-205	. ANGLE-	OPTIONAL PART: 412A1220-9SP 412A1220-9A USED ON: 412A1250-1110SP 412A1250-1110B	002005 008030	2
385	412A1245-22	. RAIL		002005 008030	1
390	412A1450-21	. CLIP		002005 008030	4
395	412A1450-1SP	. TRIM		002005 008008	2
395	412A1450-1A	. TRIM		009030	2
400	412A1212-118SP	. PANEL ASSY-END USED ON: 412A1250-110SP		002005 008008	1
400	412A1212-1118SP	. PANEL ASSY-END USED ON: 412A1250-1110SP		002005 008008	1
400	412A1212-118A	. PANEL ASSY-END USED ON: 412A1250-110A		009030	1
400	412A1212-1118B	. PANEL ASSY-END USED ON: 412A1250-1110B		009030	1
- 405	SL2334-3A1	.. INSERT- SUPPLIER CODE: V97393		002005 008030	23
410	412A1212-120SP	. PANEL ASSY-END USED ON: 412A1250-110SP		002005 008008	1
410	412A1212-1120SP	. PANEL ASSY-END USED ON: 412A1250-1110SP		002005 008008	1
410	412A1212-120A	. PANEL ASSY-END USED ON: 412A1250-110A		009030	1
410	412A1212-1120B	. PANEL ASSY-END USED ON: 412A1250-1110B		009030	1
- 415	SL2334-3A1	.. INSERT- SUPPLIER CODE: V97393		002005 008030	13
420	412A1210-128SP	. PANEL ASSY- USED ON: 412A1250-110SP		002005 008008	1

MISSING ITEM NUMBERS NOT APPLICABLE

- ITEM NOT ILLUSTRATED

HAP

25-24-32-24A

BOEING PROPRIETARY - Copyright © - Unpublished Work - See title page for details.

25-24-32
FIG. 24A
PAGE 10
JUN 15/08

BOEING
737-600/700/800/900
PARTS CATALOG (MAINTENANCE)

FIG ITEM	PART NUMBER	1 2 3 4 5 6 7	NOMENCLATURE	EFFECT FROM TO	UNITS PER ASSY
24A 420	412A1210-1128SP	.	PANEL ASSY- USED ON: 412A1250-1110SP	002005 008008	1
420	412A1210-128A	.	PANEL ASSY- USED ON: 412A1250-110A	009030	1
420	412A1210-1128B	.	PANEL ASSY- USED ON: 412A1250-1110B	009030	1
425	SL2334-3A1	..	INSERT- SUPPLIER CODE: V97393	002005 008030	19
430	BCREF128023	..	INSERT- SUPPLIER CODE: V97393 OVERLENGTH PART NUMBER: SL603-3-375ASP13	002005 008030	9
435	BCREF130325	..	INSERT- SUPPLIER CODE: V97393 OVERLENGTH PART NUMBER: SL603-4-375ASP24	002005 008030	2
440	412A1211-130SP	.	PANEL ASSY- USED ON: 412A1250-110SP	002005 008008	1
440	412A1211-1130SP	.	PANEL ASSY- USED ON: 412A1250-1110SP	002005 008008	1
440	412A1211-130A	.	PANEL ASSY- USED ON: 412A1250-110A	009030	1
440	412A1211-1130B	.	PANEL ASSY- USED ON: 412A1250-1110B	009030	1
- 445	SL2334-3A1	..	INSERT- SUPPLIER CODE: V97393	002005 008030	45

MISSING ITEM NUMBERS NOT APPLICABLE

- ITEM NOT ILLUSTRATED

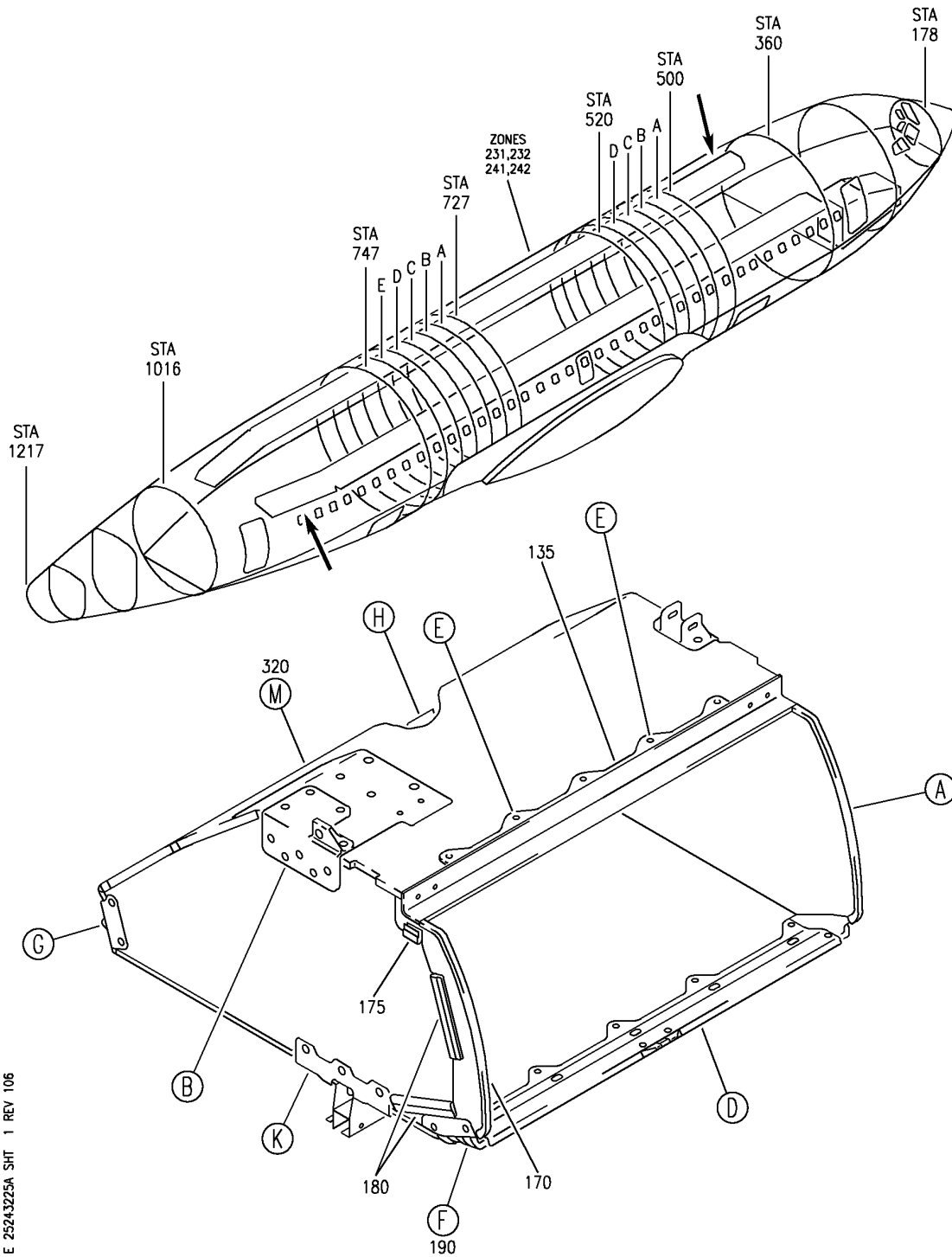
HAP

25-24-32-24A

BOEING PROPRIETARY - Copyright © - Unpublished Work - See title page for details.

25-24-32
FIG. 24A
PAGE 11
JUN 15/08

BOEING
 737-600/700/800/900
 PARTS CATALOG (MAINTENANCE)



E 2524-3225A SHT 1 REV 106

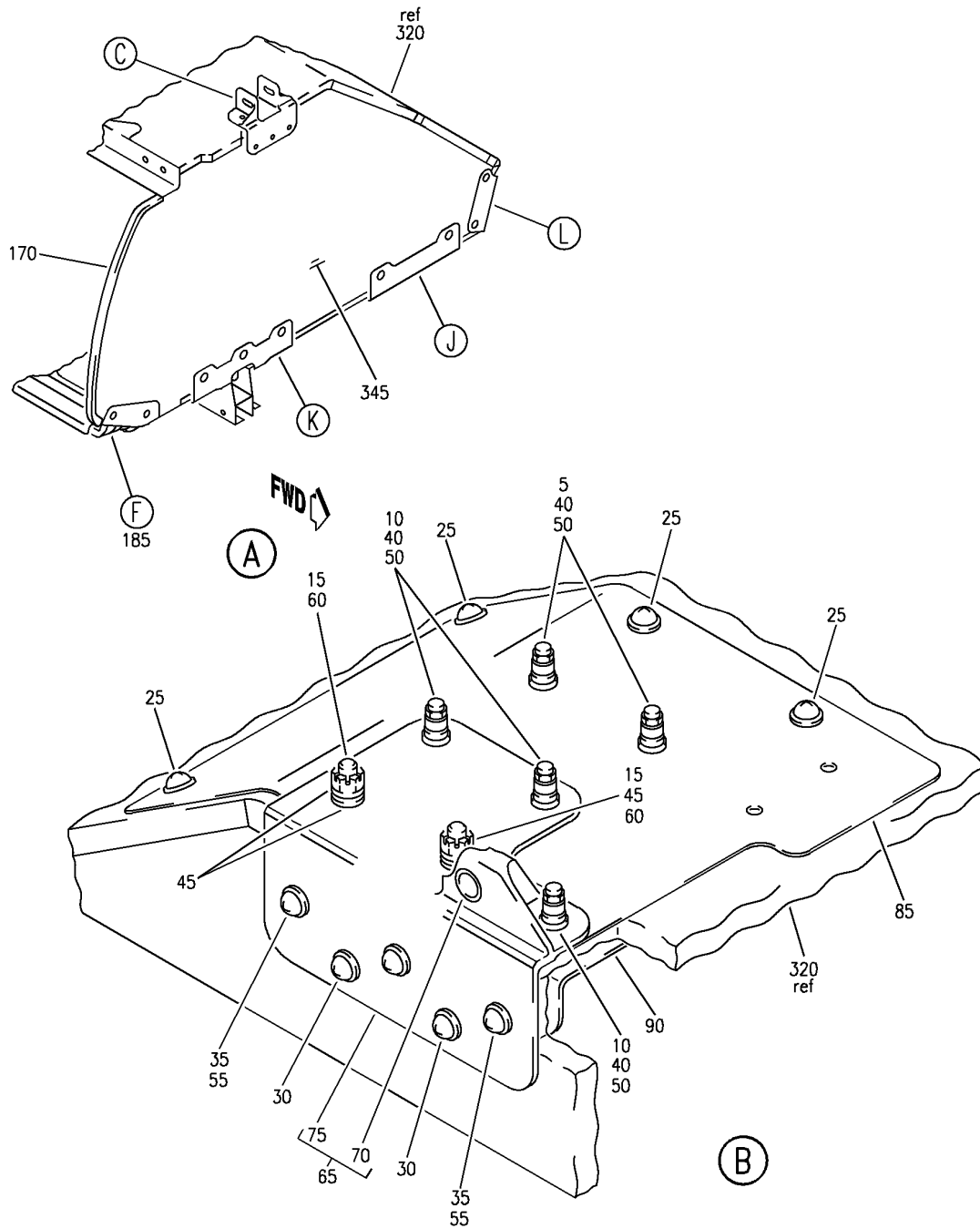
BOX ASSY-FWD RH 29 IN. BIG BIN
 FIGURE 25A (SHEET 1)

25-24-32-25A

HAP
 OCT 15/08

25-24-32-25A
 PAGE 0

BOEING
 737-600/700/800/900
 PARTS CATALOG (MAINTENANCE)



E 2524-3225A SHT 2 REV 106

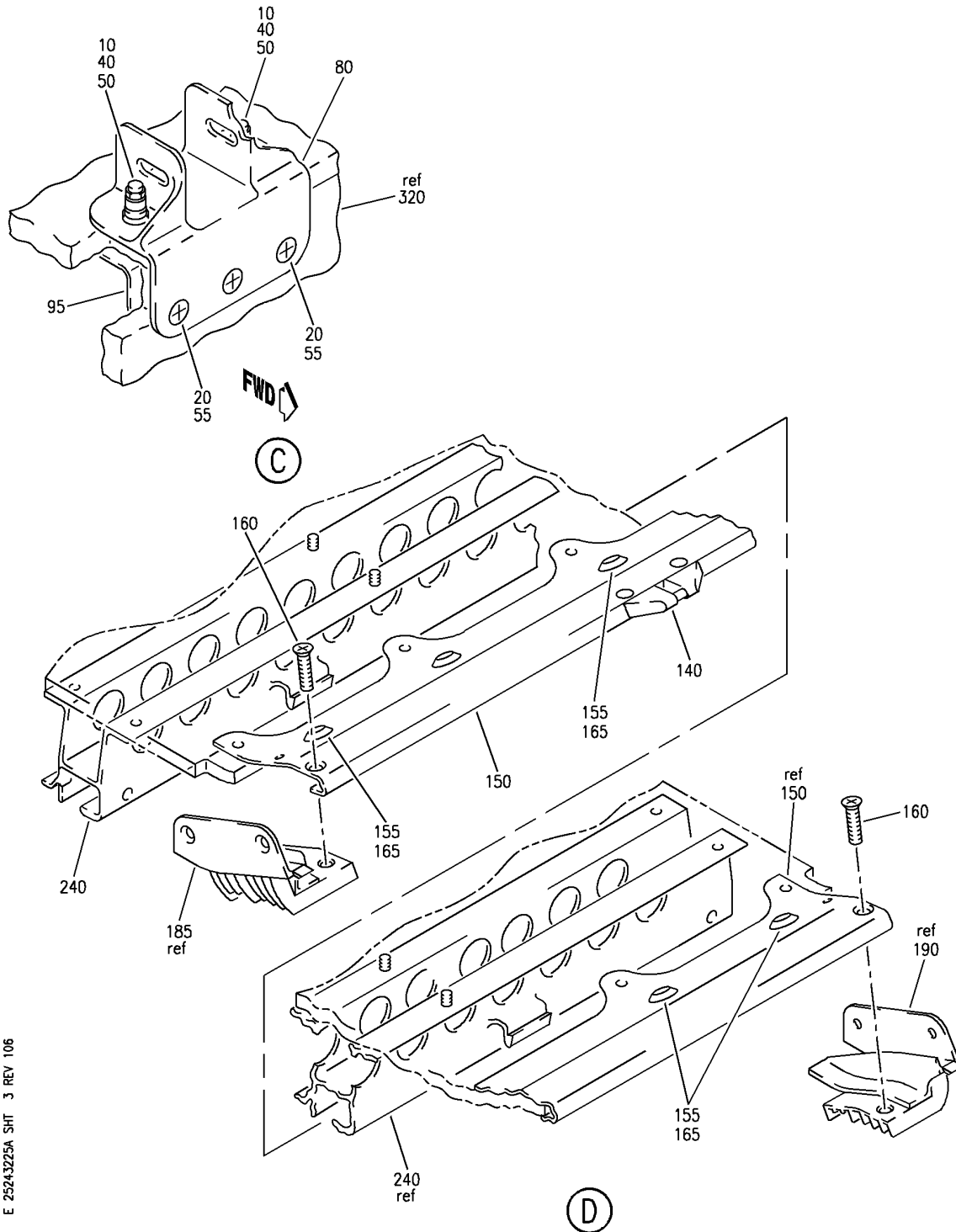
BOX ASSY-FWD RH 29 IN. BIG BIN
 FIGURE 25A (SHEET 2)

25-24-32-25A

HAP
 OCT 15/08

25-24-32-25A
 PAGE 0A

BOEING
 737-600/700/800/900
 PARTS CATALOG (MAINTENANCE)



E 2524-3225A SHT 3 REV 106

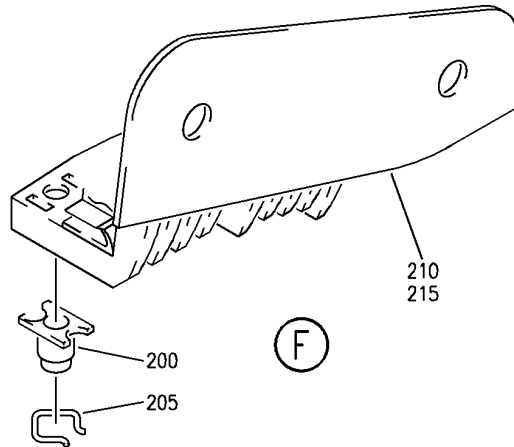
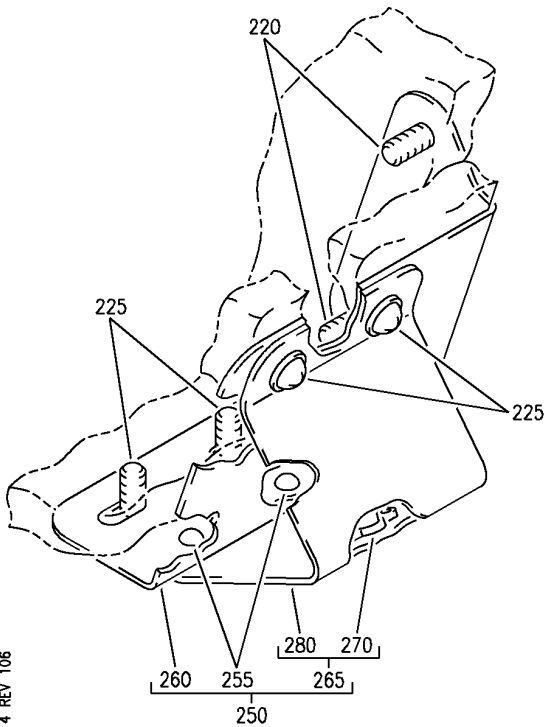
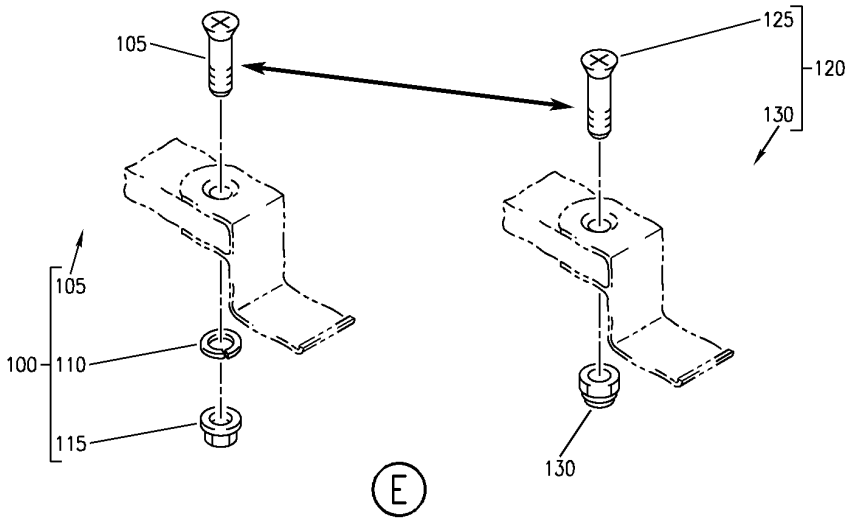
BOX ASSY-FWD RH 29 IN. BIG BIN
 FIGURE 25A (SHEET 3)

25-24-32-25A

HAP
 OCT 15/08

25-24-32-25A
 PAGE 0B

BOEING
 737-600/700/800/900
 PARTS CATALOG (MAINTENANCE)



E 2524-3225A SHT 4 REV 106

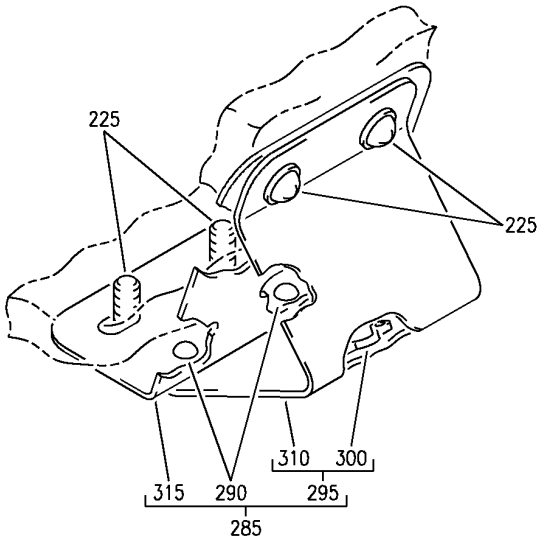
BOX ASSY-FWD RH 29 IN. BIG BIN
 FIGURE 25A (SHEET 4)

25-24-32-25A

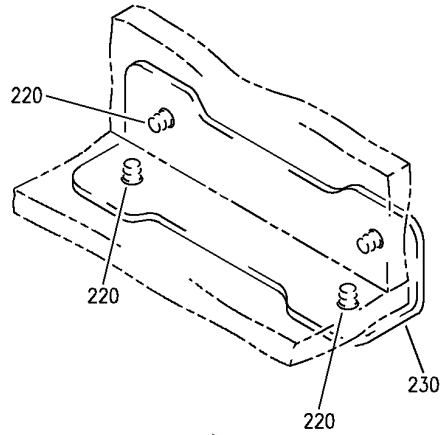
HAP
 OCT 15/08

25-24-32-25A
 PAGE 0C

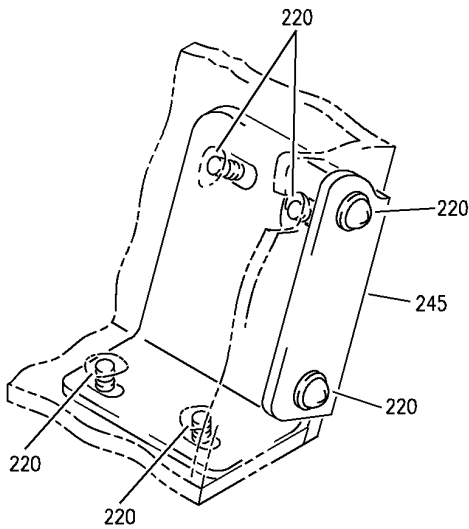
BOEING
 737-600/700/800/900
 PARTS CATALOG (MAINTENANCE)



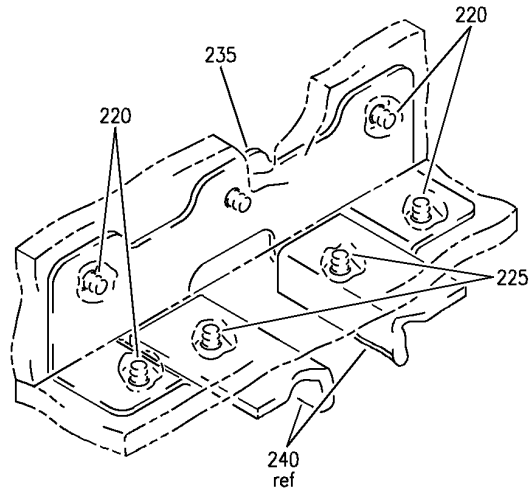
FWD
 H



FWD
 J



L



FWD
 K

E 2524-3225A SHT 5 REV 106

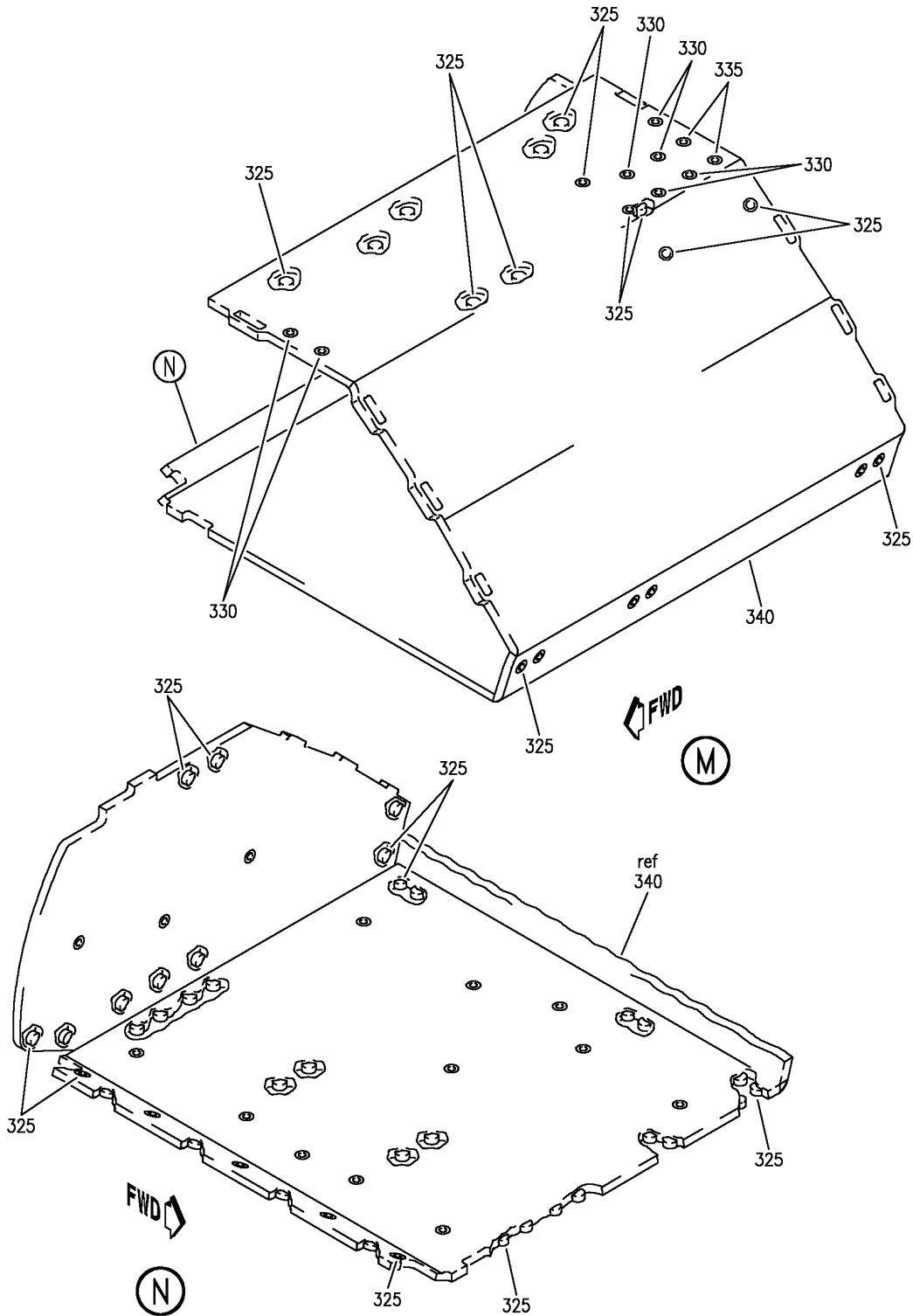
BOX ASSY-FWD RH 29 IN. BIG BIN
 FIGURE 25A (SHEET 5)

25-24-32-25A

HAP
 OCT 15/08

25-24-32-25A
 PAGE 0D

BOEING
 737-600/700/800/900
 PARTS CATALOG (MAINTENANCE)



E 25243225A SHIT 6 REV 085

BOX ASSY-FWD RH 29 IN. BIG BIN
 FIGURE 25A (SHEET 6)

25-24-32-25A

HAP
 OCT 15/08

25-24-32-25A
 PAGE 0E

BOEING
737-600/700/800/900
PARTS CATALOG (MAINTENANCE)

FIG ITEM	PART NUMBER	1 2 3 4 5 6 7	NOMENCLATURE	EFFECT FROM TO	UNITS PER ASSY
25A	412A1255-32B		BOX ASSY-FWD RH 29 IN. BIG BIN	048100	
			BOX ASSY-29 IN. BIG BIN	048100	RF
5	HL1012AZ6-9		POSITION DATA: FWD RH FOR NHA SEE: 25-24-31-20K 25-24-31-20Q		
			.BOLT SUPPLIER CODE: V97928 SPECIFICATION NUMBER: BACB30NX6K9 OPTIONAL PART: HL12VAZ6-9 V73197 HL12VAZ6-9 V92215 HL12VAZ6-9 V97928 L802-6K9 V06725 HL12VAZ6-9 V56878 HL1012AZ6-9 V0PTK6 HL1012AZ6-9 V06725 HL1012AZ6-9 V06950 HL1012AZ6-9 V17446 HL1012AZ6-9 V56878 HL1012AZ6-9 V60516 HL1012AZ6-9 V73197	048100	2

MISSING ITEM NUMBERS NOT APPLICABLE

— ITEM NOT ILLUSTRATED

HAP

25-24-32-25A

BOEING PROPRIETARY - Copyright © - Unpublished Work - See title page for details.

25-24-32
FIG. 25A
PAGE 1
JUN 15/09

BOEING
737-600/700/800/900
PARTS CATALOG (MAINTENANCE)

FIG ITEM	PART NUMBER	1 2 3 4 5 6 7	NOMENCLATURE	EFFECT FROM TO	UNITS PER ASSY
25A 10	HL1012AZ6-11	.BOLT	SUPPLIER CODE: V97928 SPECIFICATION NUMBER: BACB30NX6K11 OPTIONAL PART: HL12VAZ6-11 V73197 HL12VAZ6-11 V92215 HL12VAZ6-11 V97928 L802-6K11 V06725 HL12VAZ6-11 V56878 HL1012AZ6-11 VOPTK6 HL1012AZ6-11 V06725 HL1012AZ6-11 V06950 HL1012AZ6-11 V17446 HL1012AZ6-11 V56878 HL1012AZ6-11 V60516 HL1012AZ6-11 V73197	048100	5
15	BACB30NR4DK10	.BOLT		048100	2
20	BACS12ER3K9	.SCREW		048100	3
25	BACS12FA3K4	.SCREW		048100	4
30	BACS12FA3K5	.SCREW		048100	2
35	BACS12FA3K9	.SCREW		048100	3
40	NAS1149D0363J	.WASHER		048100	7
45	NAS1149D0463J	.WASHER		048100	6
50	HST1070CY6	.COLLAR	SUPPLIER CODE: V5M902 SPECIFICATION NUMBER: BACC30BZ6 OPTIONAL PART: VLC1070CY6 V92215 HST1070CY6 V73197	048100	7

MISSING ITEM NUMBERS NOT APPLICABLE

— ITEM NOT ILLUSTRATED

HAP

25-24-32-25A

BOEING PROPRIETARY - Copyright © - Unpublished Work - See title page for details.

25-24-32
FIG. 25A
PAGE 2
OCT 15/08

BOEING
737-600/700/800/900
PARTS CATALOG (MAINTENANCE)

FIG ITEM	PART NUMBER	1 2 3 4 5 6 7	NOMENCLATURE	EFFECT FROM TO	UNITS PER ASSY
25A					
55	SL5-3-50C	.NUT-		048100	6
		SUPPLIER CODE:			
		V97393			
60	BACN10JD104CD	.NUT		048100	2
65	412A1230-56	.FITTING ASSY		048100	1
70	BCREF13195	..BUSHING-		048100	1
		OVERLENGTH PART NUMBER:			
		BACB28AY06A035CG			
75	412A1230-58	..FITTING		048100	1
80	412A1230-32	.FITTING-SPRT		048100	1
		POSITION DATA:			
		UPR			
85	412A1220-248	.DOUBLER-9G EXT		048100	1
90	412A1220-245B	.DOUBLER-INTERNAL		048100	1
95	412A1220-63A	.DOUBLER-INTERNAL		048100	1
100	412A1340-16	.FASTENER ASSY-KIT		048100	3
		OPTIONAL PART:			
		412A1340-17			
105	BACB30VF3K7	..BOLT		048100	1
110	BACW10EC3S	..WASHER		048100	1
115	PLH53C	..NUT		048100	1
		SUPPLIER CODE:			
		V62554			
		SPECIFICATION NUMBER:			
		BACN10YR3C			
		OPTIONAL PART:			
		H52732-3C			
		V15653			
120	412A1340-17	.FASTENER ASSY-KIT		048100	3
		OPTIONAL PART:			
		412A1340-16			
125	BACB30VF3K8	..BOLT		048100	1
130	F22K1-02	..NUT		048100	1
		SUPPLIER CODE:			
		V72962			
		SPECIFICATION NUMBER:			
		BACN10R10L			
		OPTIONAL PART:			
		22K1-02			
		V72962			
		26CLO2			
		V80539			
135	412A1247-22A	.EXTRUSION-DOOR CLOSEOUT		048100	1

MISSING ITEM NUMBERS NOT APPLICABLE

— ITEM NOT ILLUSTRATED

HAP

25-24-32-25A

BOEING PROPRIETARY - Copyright © - Unpublished Work - See title page for details.

25-24-32
FIG. 25A
PAGE 3
OCT 15/08

BOEING
737-600/700/800/900
PARTS CATALOG (MAINTENANCE)

FIG ITEM	PART NUMBER	1 2 3 4 5 6 7	NOMENCLATURE	EFFECT FROM TO	UNITS PER ASSY
25A 140	HA225-11	.	STRIKE-LATCH SUPPLIER CODE: V83014 SPECIFICATION NUMBER: S412A001-16 OPTIONAL PART: HA951-5 V83014	048100	1
140	HA951-5	.	STRIKE-LATCH SUPPLIER CODE: V83014 SPECIFICATION NUMBER: S412A003-3 OPTIONAL PART: HA225-11 V83014	048100	1
- 145	BACS12ER08K5	.	ATTACHING PARTS SCREW -----*-----	048100	2
150	412A1242-52	.	EXTRUSION-SHELF ATTACHING PARTS	048100	1
155	BACS12ER3K5	.	SCREW	048100	5
160	BACS12ER3K6	.	SCREW	048100	2
165	H3-1233A3	.	WASHER- SUPPLIER CODE: V34941 SPECIFICATION NUMBER: S411A001-1 -----*-----	048100	5
170	412A1452-1B	.	TRIM	048100	2
175	412A1450-34	.	TRIM- POSITION DATA: UPR	048100	1
180	412A1450-35	.	TRIM- POSITION DATA: MID AND LWR	048100	2
185	412A1475-3A	.	FITTING ASSY-SPRT	048100	1
190	412A1475-4A	.	FITTING ASSY-SPRT ATTACHING PARTS	048100	1
- 195	BACS12ER3K5	.	SCREW -----*-----	048100	4
200	BACN11F3-1CD	..	NUT	048100	1
205	NAS1795-3	..	CLIP	048100	1
210	412A1475-1A	..	FITTING- USED ON: 412A1475-3A	048100	1
215	412A1475-2A	..	FITTING- USED ON: 412A1475-4A	048100	1

MISSING ITEM NUMBERS NOT APPLICABLE

- ITEM NOT ILLUSTRATED

HAP

25-24-32-25A

BOEING PROPRIETARY - Copyright © - Unpublished Work - See title page for details.

25-24-32
FIG. 25A
PAGE 4
OCT 15/08

BOEING
737-600/700/800/900
PARTS CATALOG (MAINTENANCE)

FIG ITEM	PART NUMBER	1 2 3 4 5 6 7	NOMENCLATURE	EFFECT FROM TO	UNITS PER ASSY
25A					
220	BACS12FA3K4	.SCREW		048100	22
225	BACS12FA3K5	.SCREW		048100	12
230	412A1220-3	.ANGLE		048100	1
235	412A1220-205	.ANGLE		048100	2
240	412A1245-28	.RAIL		048100	1
245	412A1220-24	.GUSSET		048100	1
250	412A1220-34	.FITTING ASSY		048100	1
255	BACR15BB4D	..RIVET-		048100	2
			SIZE DETERMINED ON INSTL.		
260	412A1220-41	..CORNER-GUSSET		048100	1
265	412A1220-35	..STRAP ASSY		048100	1
270	BACN10JP4ACD	...NUTPLATE		048100	1
			ATTACHING PARTS		
- 275	BACR15BA3AD	...RIVET-		048100	2
			SIZE DETERMINED ON INSTL.		
			-----*-----		
280	412A1220-37	...STRAP-CHIN		048100	1
285	412A1220-36	.FITTING ASSY		048100	1
290	BACR15BB4D	..RIVET		048100	2
295	412A1220-35	..STRAP ASSY-CHIN		048100	1
300	BACN10JP4ACD	...NUTPLATE		048100	1
			ATTACHING PARTS		
- 305	BACR15BA3AD	...RIVET-		048100	2
			SIZE DETERMINED ON INSTL.		
			-----*-----		
310	412A1220-37	...STRAP-CHIN		048100	1
315	412A1220-20	..DOUBLER-GUSSET		048100	1
320	412A1215-46B	.PANEL ASSY-		048100	1
			POSITION DATA:		
			RH SIDE		
325	SL2334-3A1	..INSERT-		048100	71
			SUPPLIER CODE:		
			V97393		
330	BCREF128023	..INSERT-		048100	7
			SUPPLIER CODE:		
			V97393		
			OVERLENGTH PART NUMBER:		
			SL603-3-375ASP13		
335	BCREF130325	..INSERT-		048100	2
			SUPPLIER CODE:		
			V97393		
			OVERLENGTH PART NUMBER:		
			SL603-4-375ASP24		
340	412A1215-4B	..PANEL		048100	1
345	412A1216-26B	.PANEL ASSY-END		048100	1
- 350	SL2334-3A1	..INSERT-		048100	14
			SUPPLIER CODE:		
			V97393		

MISSING ITEM NUMBERS NOT APPLICABLE

- ITEM NOT ILLUSTRATED

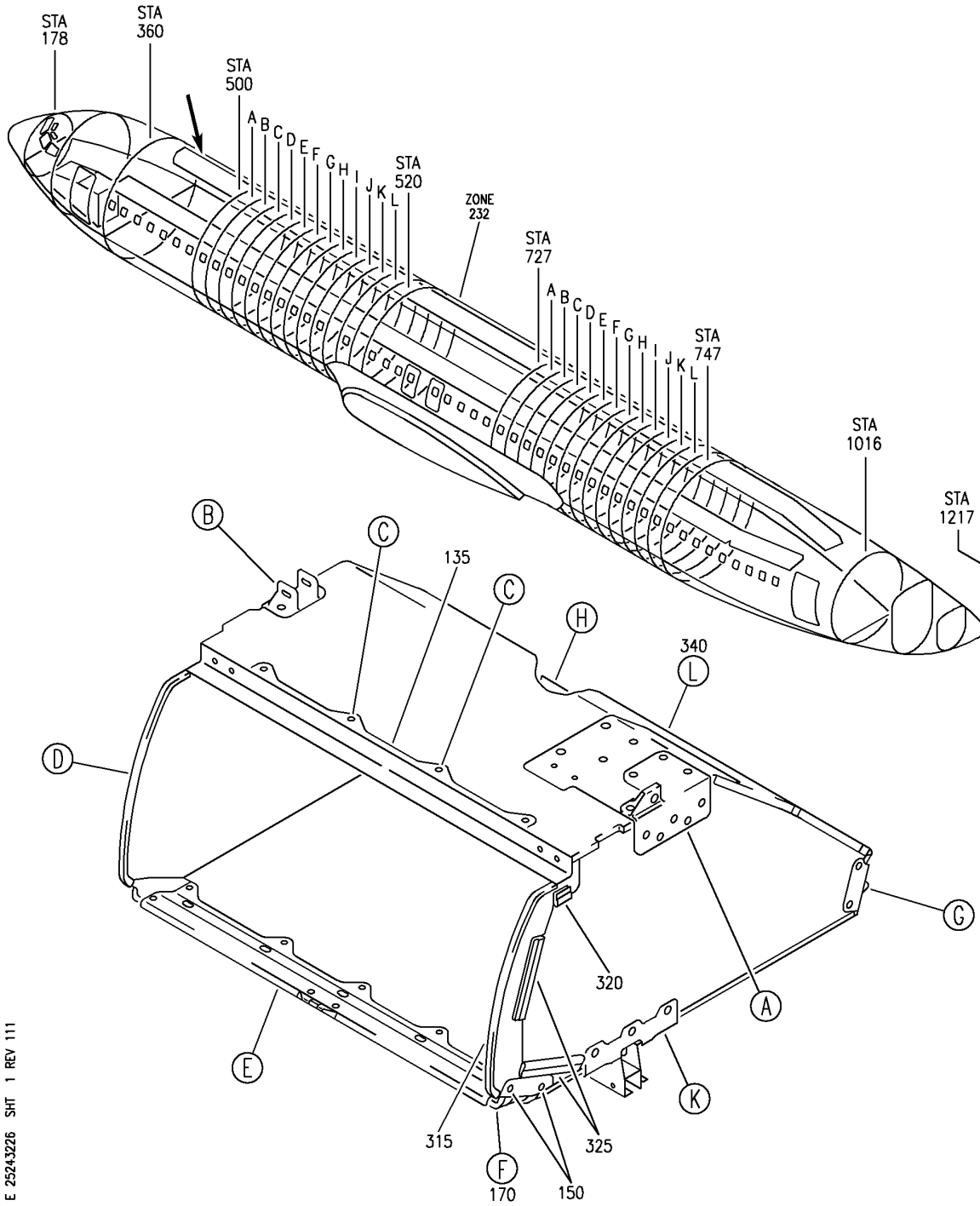
HAP

25-24-32-25A

BOEING PROPRIETARY - Copyright © - Unpublished Work - See title page for details.

25-24-32
FIG. 25A
PAGE 5
OCT 15/08

BOEING
 737-600/700/800/900
 PARTS CATALOG (MAINTENANCE)



E 2524-3226 SH1 1 REV 111

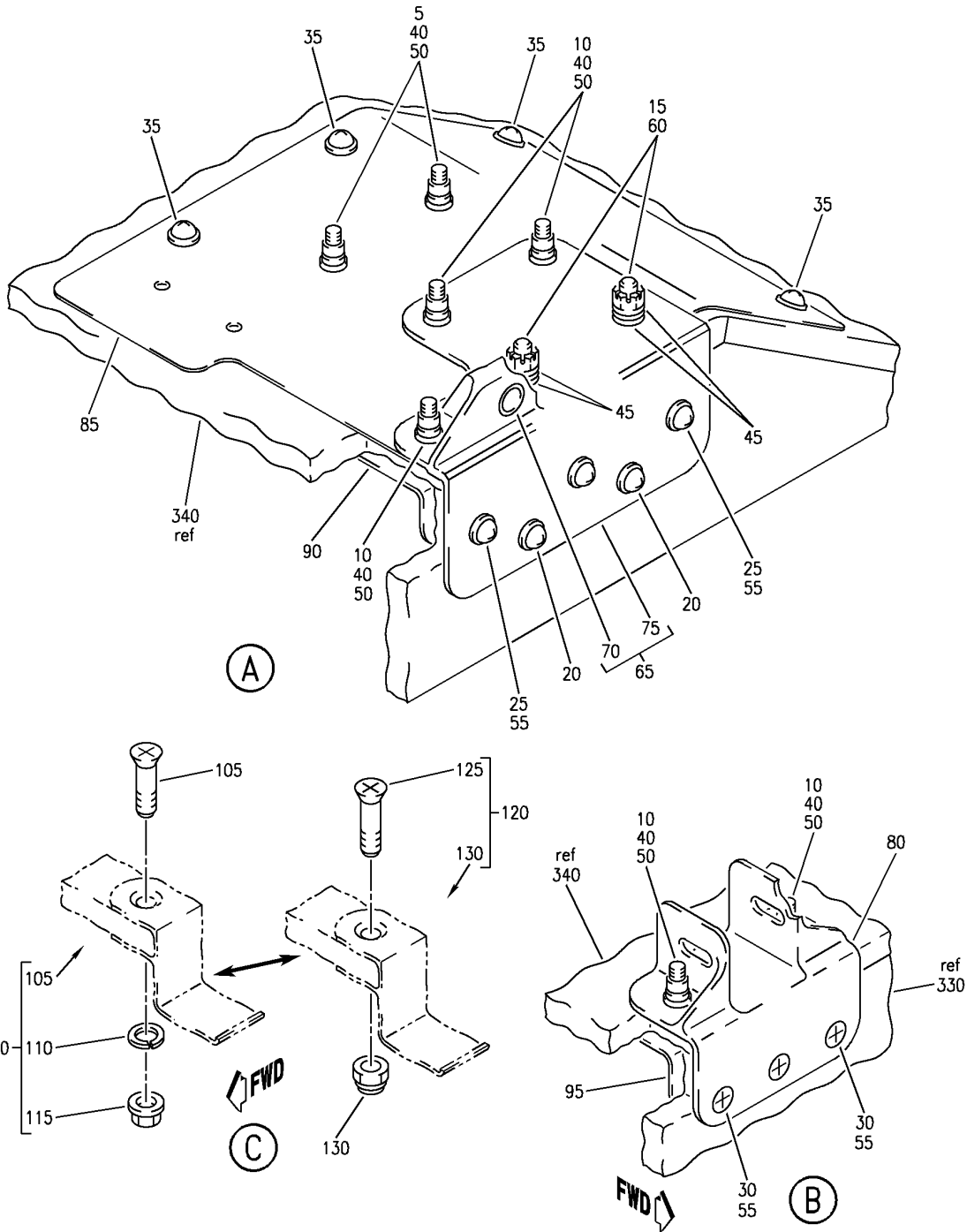
BOX ASSY-FWD RH 25 IN.
 FIGURE 26 (SHEET 1)

25-24-32-26

HAP
 OCT 10/06

25-24-32-26
 PAGE 0

BOEING
737-600/700/800/900
PARTS CATALOG (MAINTENANCE)



E 2524-3226 SHT 2 REV 111

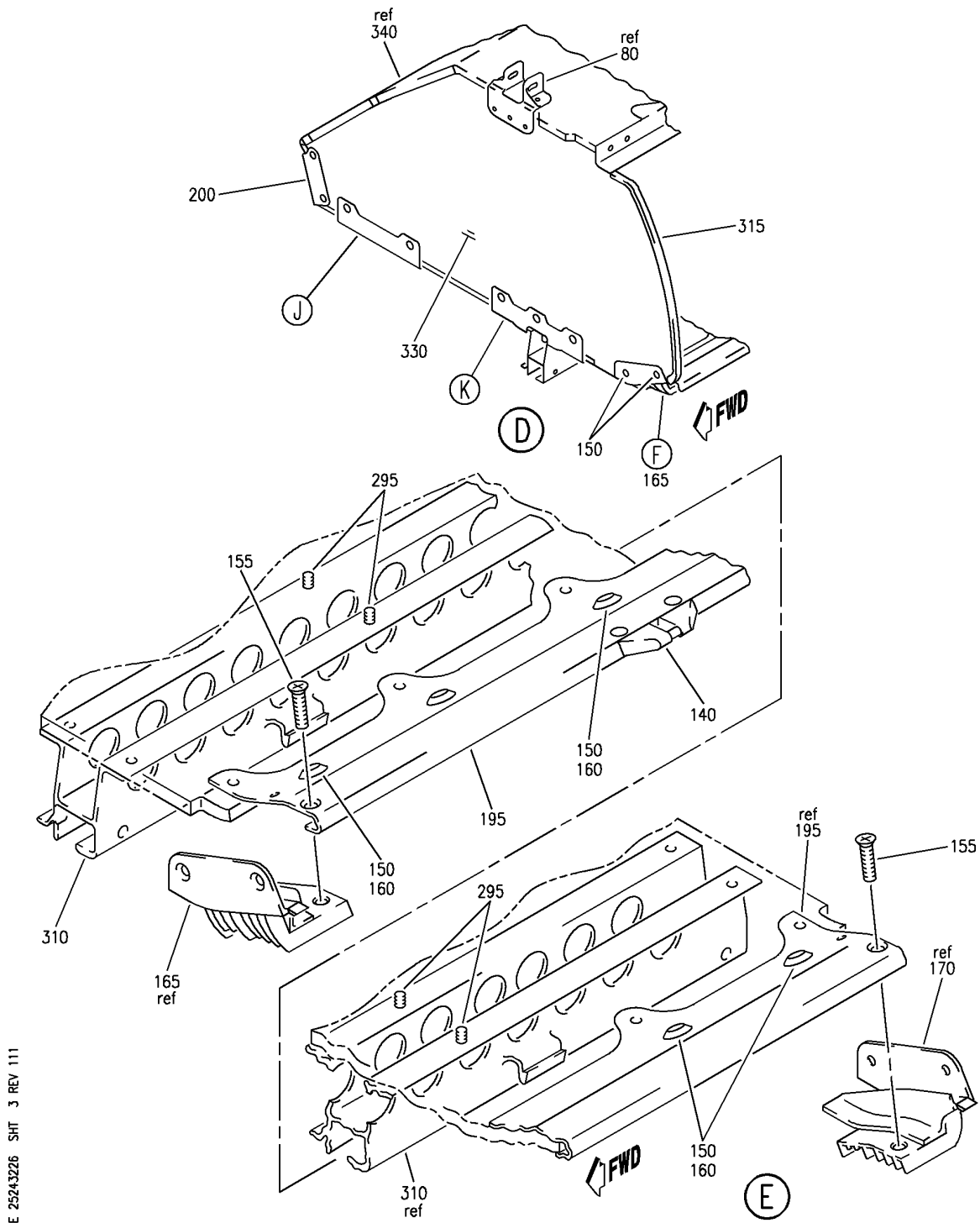
BOX ASSY-FWD RH 25 IN.
 FIGURE 26 (SHEET 2)

25-24-32-26

HAP
 OCT 10/06

25-24-32-26
 PAGE 0A

BOEING
 737-600/700/800/900
 PARTS CATALOG (MAINTENANCE)



E 2524-3226 SHT 3 REV 111

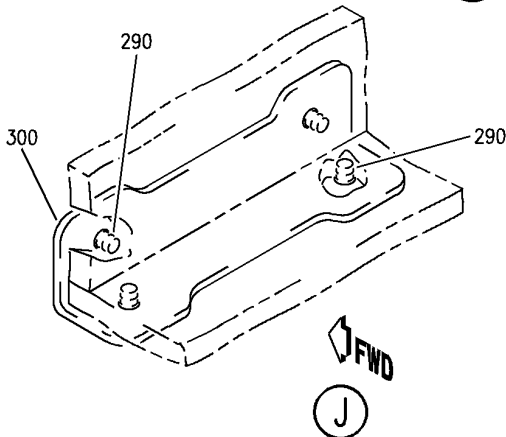
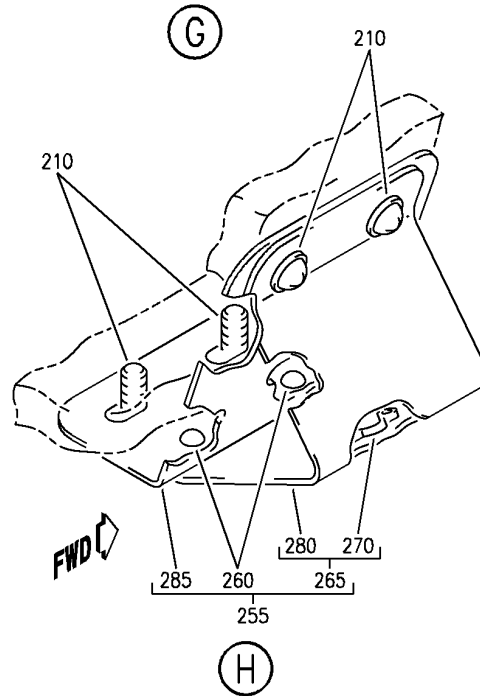
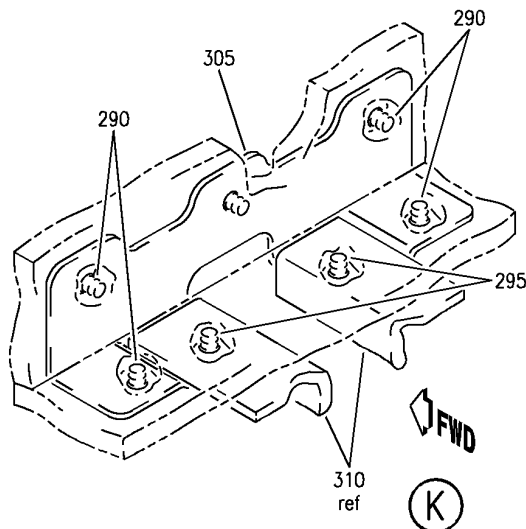
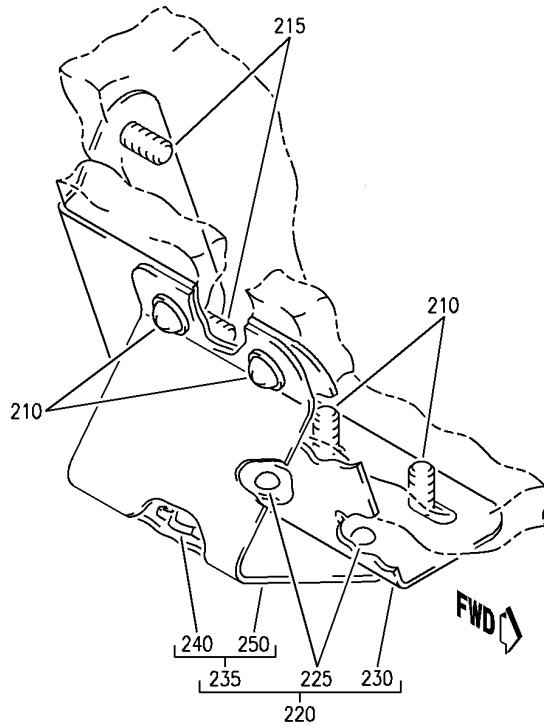
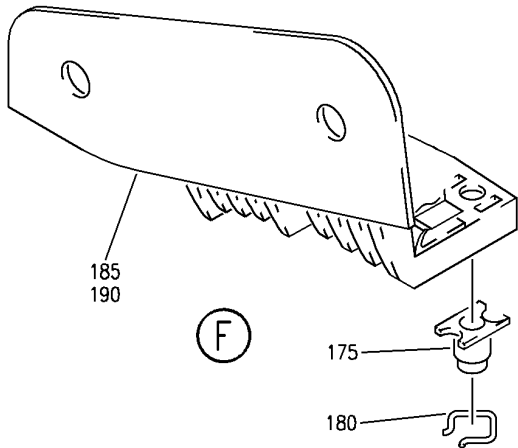
BOX ASSY-FWD RH 25 IN.
 FIGURE 26 (SHEET 3)

25-24-32-26

HAP
 OCT 10/06

25-24-32-26
 PAGE 0B

BOEING
 737-600/700/800/900
 PARTS CATALOG (MAINTENANCE)



E 2524-3226 SHT 4 REV 111

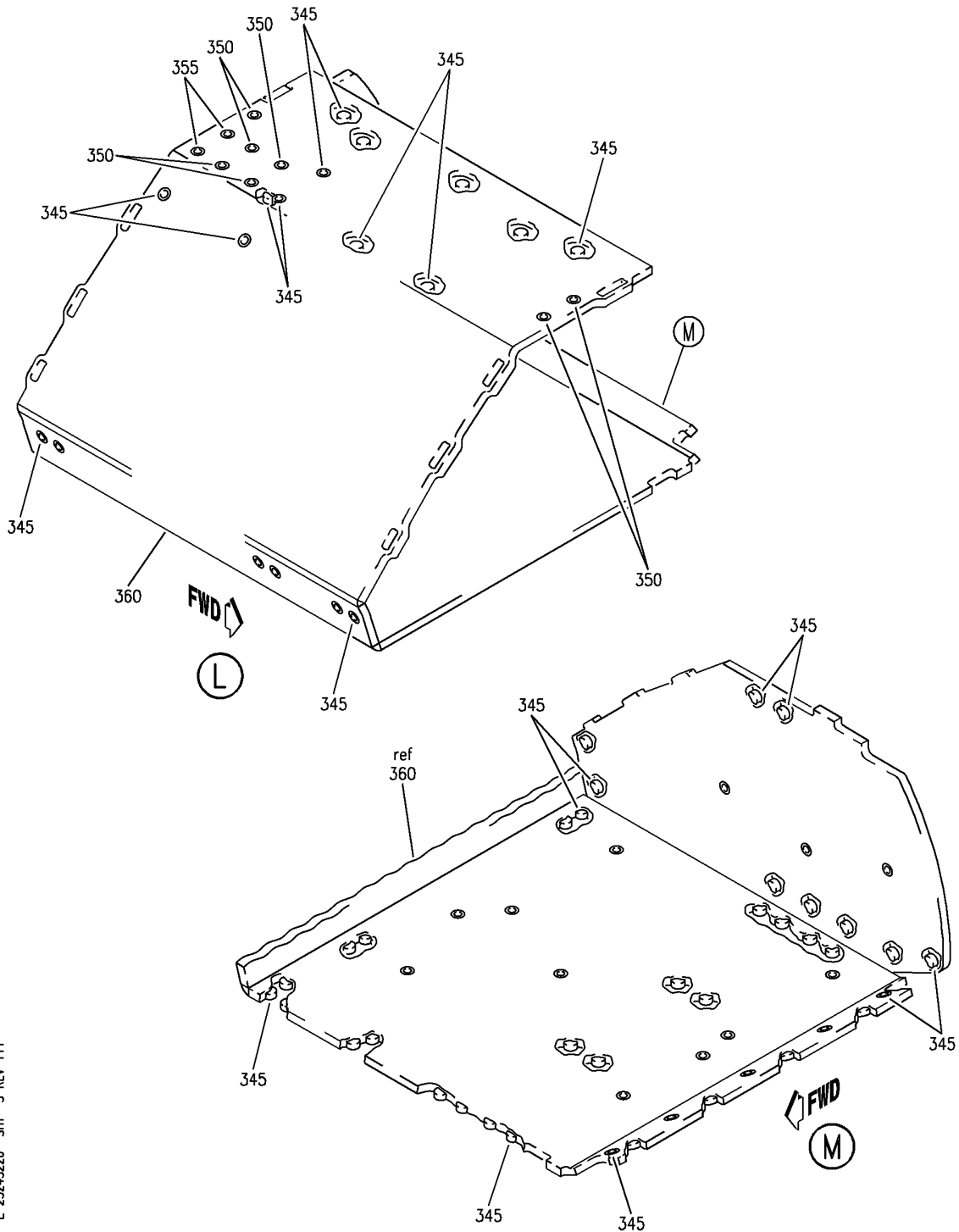
BOX ASSY-FWD RH 25 IN.
 FIGURE 26 (SHEET 4)

25-24-32-26

HAP
 OCT 10/06

25-24-32-26
 PAGE 0C

BOEING
 737-600/700/800/900
 PARTS CATALOG (MAINTENANCE)



E 2524-3226 SHT 5 REV 111

BOX ASSY-FWD RH 25 IN.
 FIGURE 26 (SHEET 5)

25-24-32-26

HAP
 OCT 10/06

25-24-32-26
 PAGE 0D

BOEING
737-600/700/800/900
PARTS CATALOG (MAINTENANCE)

FIG ITEM	PART NUMBER	1 2 3 4 5 6 7	NOMENCLATURE	EFFECT FROM TO	UNITS PER ASSY
26					
- 1	412A1255-36B		BOX ASSY-FWD RH 25 IN. BOX ASSY-25 IN. BIG BIN POSITION DATA: FWD RH FOR NHA SEE: 25-24-31-21G 25-24-31-21K 25-24-31-21M 25-24-31-21Q	031047 031047	RF
5	HL1012AZ6-9		.BOLT SUPPLIER CODE: V97928 SPECIFICATION NUMBER: BACB30NX6K9 OPTIONAL PART: HL12VAZ6-9 V73197 HL12VAZ6-9 V92215 HL12VAZ6-9 V97928 L802-6K9 V06725 HL12VAZ6-9 V56878 HL1012AZ6-9 VOPTK6 HL1012AZ6-9 V06725 HL1012AZ6-9 V06950 HL1012AZ6-9 V17446 HL1012AZ6-9 V56878 HL1012AZ6-9 V60516 HL1012AZ6-9 V73197	031047	2

MISSING ITEM NUMBERS NOT APPLICABLE

- ITEM NOT ILLUSTRATED

HAP

25-24-32-26

BOEING PROPRIETARY - Copyright © - Unpublished Work - See title page for details.

25-24-32
FIG. 26
PAGE 1
OCT 15/08

BOEING
737-600/700/800/900
PARTS CATALOG (MAINTENANCE)

FIG ITEM	PART NUMBER	1 2 3 4 5 6 7	NOMENCLATURE	EFFECT FROM TO	UNITS PER ASSY
26 10	HL1012AZ6-11	.BOLT	SUPPLIER CODE: V97928 SPECIFICATION NUMBER: BACB30NX6K11 OPTIONAL PART: HL12VAZ6-11 V73197 HL12VAZ6-11 V92215 HL12VAZ6-11 V97928 L802-6K11 V06725 HL12VAZ6-11 V56878 HL1012AZ6-11 VOPTK6 HL1012AZ6-11 V06725 HL1012AZ6-11 V06950 HL1012AZ6-11 V17446 HL1012AZ6-11 V56878 HL1012AZ6-11 V60516 HL1012AZ6-11 V73197	031047	5
15	BACB30NR4DK10	.BOLT		031047	2
20	BACS12FA3K5	.SCREW		031047	2
25	BACS12FA3K9	.SCREW		031047	3
30	BACS12ER3K9	.SCREW		031047	3
35	BACS12FA3K4	.SCREW		031047	4
40	NAS1149D0363J	.WASHER		031047	7
45	NAS1149D0463J	.WASHER		031047	6
50	HST1070CY6	.COLLAR	SUPPLIER CODE: V5M902 SPECIFICATION NUMBER: BACC30BZ6 OPTIONAL PART: VLC1070CY6 V92215 HST1070CY6 V73197	031047	7

MISSING ITEM NUMBERS NOT APPLICABLE

— ITEM NOT ILLUSTRATED

HAP

25-24-32-26

BOEING PROPRIETARY - Copyright © - Unpublished Work - See title page for details.

25-24-32
FIG. 26
PAGE 2
OCT 15/08

BOEING
737-600/700/800/900
PARTS CATALOG (MAINTENANCE)

FIG ITEM	PART NUMBER	1 2 3 4 5 6 7	NOMENCLATURE	EFFECT FROM TO	UNITS PER ASSY
26					
55	SL5-3-50C	.NUT-	SUPPLIER CODE: V97393	031047	6
60	BACN10JD104CD	.NUT		031047	2
65	412A1230-56	.FITTING ASSY		031047	1
70	BCREF13195	..BUSHING-	OVERLENGTH PART NUMBER: BACB28AY06A035CG	031047	1
75	412A1230-58	..FITTING		031047	1
80	412A1230-32	.FITTING-SPRT	POSITION DATA: UPR	031047	1
85	412A1220-248	.DOUBLER-9G EXT		031047	1
90	412A1220-245B	.DOUBLER-INTERNAL		031047	1
95	412A1220-63A	.DOUBLER-INTERNAL		031047	1
100	412A1340-16	.FASTENER ASSY-KIT	OPTIONAL PART: 412A1340-17	031047	2
105	BACB30VF3K7	..BOLT		031047	1
110	BACW10EC3S	..WASHER		031047	1
115	PLH53C	..NUT	SUPPLIER CODE: V62554 SPECIFICATION NUMBER: BACN10YR3C OPTIONAL PART: H52732-3C V15653	031047	1
120	412A1340-17	.FASTENER ASSY-KIT	OPTIONAL PART: 412A1340-16	031047	2
125	BACB30VF3K8	..BOLT		031047	1
130	F22K1-02	..NUT	SUPPLIER CODE: V72962 SPECIFICATION NUMBER: BACN10R10L OPTIONAL PART: 22K1-02 V72962 26CL02 V80539	031047	1
135	412A1247-20A	.EXTRUSION-DOOR CLOSEOUT		031047	1

MISSING ITEM NUMBERS NOT APPLICABLE

— ITEM NOT ILLUSTRATED

HAP

25-24-32-26

BOEING PROPRIETARY - Copyright © - Unpublished Work - See title page for details.

25-24-32
FIG. 26
PAGE 3
OCT 15/08

BOEING
737-600/700/800/900
PARTS CATALOG (MAINTENANCE)

FIG ITEM	PART NUMBER	1 2 3 4 5 6 7	NOMENCLATURE	EFFECT FROM TO	UNITS PER ASSY
26 140	HA951-5	.	STRIKE-LATCH SUPPLIER CODE: V83014 SPECIFICATION NUMBER: S412A003-3 OPTIONAL PART: HA225-11 V83014	031047	1
140	HA225-11	.	STRIKE-LATCH SUPPLIER CODE: V83014 SPECIFICATION NUMBER: S412A001-16 OPTIONAL PART: HA951-5 V83014 ATTACHING PARTS	031047	1
- 145	BACS12ER08K5	.	SCREW -----*-----	031047	2
150	BACS12ER3K5	.	SCREW	031047	9
155	BACS12ER3K6	.	SCREW	031047	2
160	H3-1233A3	.	WASHER- SUPPLIER CODE: V34941 SPECIFICATION NUMBER: S411A001-1	031047	5
165	412A1475-3A	.	FITTING ASSY-SPRT	031047	1
170	412A1475-4A	.	FITTING ASSY-SPRT	031047	1
175	BACN11F3-1CD	..	NUT	031047	1
180	NAS1795-3	..	CLIP	031047	1
185	412A1475-1A	..	FITTING- USED ON: 412A1475-3A	031047	1
190	412A1475-2A	..	FITTING- USED ON: 412A1475-4A	031047	1
195	412A1242-51	.	EXTRUSION-SHELF	031047	1
200	412A1220-24	.	GUSSET ATTACHING PARTS	031047	1
- 205	BACS12FA3K4	.	SCREW -----*-----	031047	6
210	BACS12FA3K5	.	SCREW	031047	8
215	BACS12FA3K4	.	SCREW	031047	2
220	412A1220-34	.	FITTING ASSY	031047	1
225	BACR15BB4D	..	RIVET- SIZE DETERMINED ON INSTL.	031047	2
230	412A1220-41	..	CORNER-GUSSET	031047	1
235	412A1220-35	..	STRAP ASSY	031047	1
240	BACN10JP4ACD	...	NUTPLATE	031047	1

MISSING ITEM NUMBERS NOT APPLICABLE

- ITEM NOT ILLUSTRATED

HAP

25-24-32-26

25-24-32
FIG. 26
PAGE 4
OCT 15/08

BOEING
737-600/700/800/900
PARTS CATALOG (MAINTENANCE)

FIG ITEM	PART NUMBER	1 2 3 4 5 6 7	NOMENCLATURE	EFFECT FROM TO	UNITS PER ASSY
26			ATTACHING PARTS		
- 245	BACR15BA3AD	...	RIVET- SIZE DETERMINED ON INSTL. -----*-----	031047	2
250	412A1220-37	...	STRAP-CHIN	031047	1
255	412A1220-36	.	FITTING ASSY	031047	1
260	BACR15BB4D	..	RIVET	031047	2
265	412A1220-35	..	STRAP ASSY-CHIN	031047	1
270	BACN10JP4ACD	...	NUTPLATE	031047	1
			ATTACHING PARTS		
- 275	BACR15BA3AD	...	RIVET- SIZE DETERMINED ON INSTL. -----*-----	031047	2
280	412A1220-37	...	STRAP-CHIN	031047	1
285	412A1220-20	..	DOUBLER-GUSSET	031047	1
290	BACS12FA3K4	.	SCREW	031047	14
295	BACS12FA3K5	.	SCREW	031047	8
300	412A1220-3	.	ANGLE	031047	1
305	412A1220-205	.	ANGLE	031047	2
310	412A1245-22	.	RAIL	031047	1
315	412A1452-1B	.	TRIM	031047	2
320	412A1450-34	.	TRIM-	031047	1
			POSITION DATA: UPR		
325	412A1450-35	.	TRIM-	031047	2
			POSITION DATA: MID AND LWR		
330	412A1216-26B	.	PANEL ASSY-END	031047	1
- 335	SL2334-3A1	..	INSERT- SUPPLIER CODE: V97393	031047	14
340	412A1215-76B	.	PANEL ASSY	031047	1
345	SL2334-3A1	..	INSERT- SUPPLIER CODE: V97393	031047	69
350	BCREF128023	..	INSERT- SUPPLIER CODE: V97393 OVERLENGTH PART NUMBER: SL603-3-375ASP13	031047	7
355	BCREF130325	..	INSERT- SUPPLIER CODE: V97393 OVERLENGTH PART NUMBER: SL603-4-375ASP24	031047	2
360	412A1215-4B	..	PANEL	031047	1

MISSING ITEM NUMBERS NOT APPLICABLE

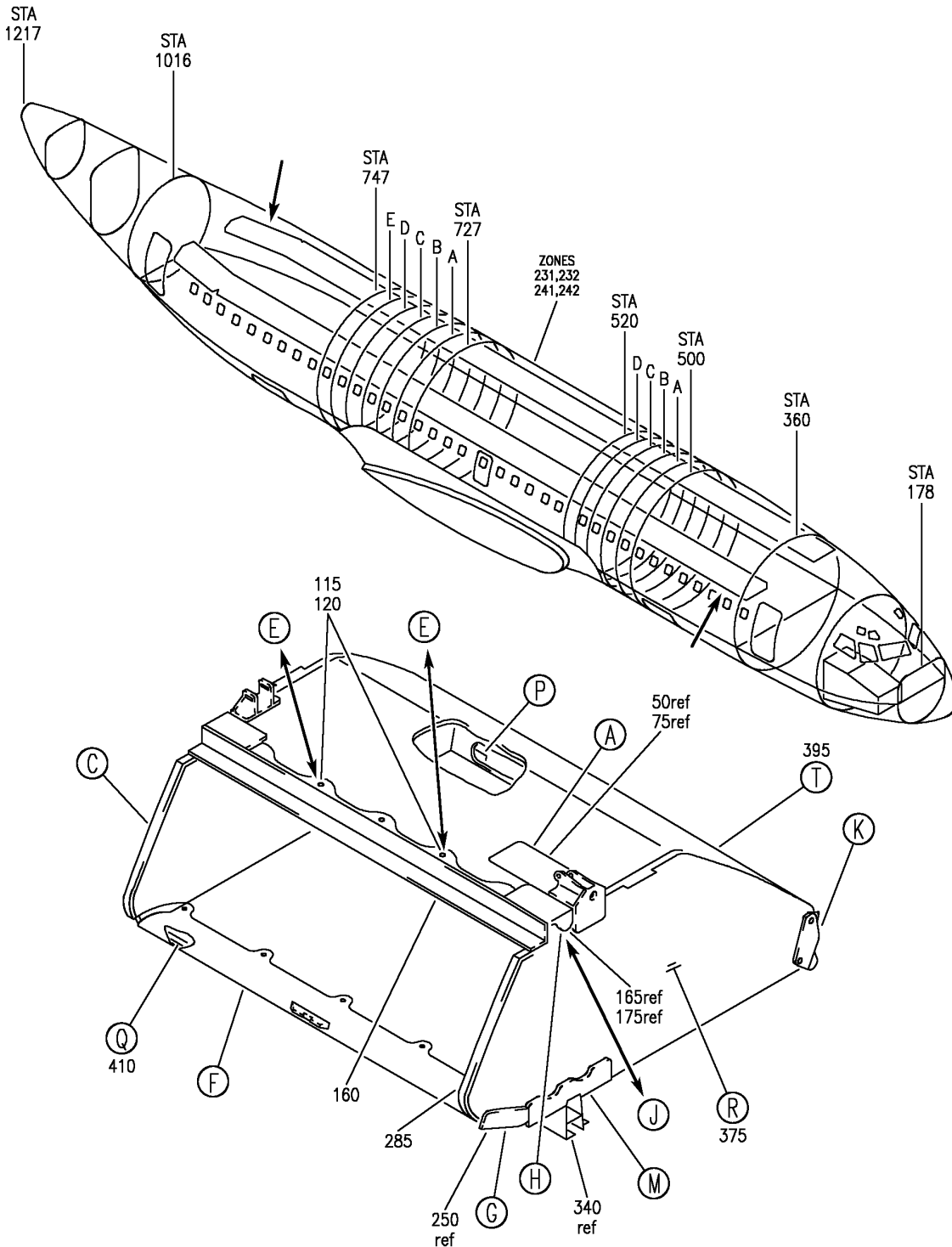
- ITEM NOT ILLUSTRATED

HAP

25-24-32-26

25-24-32
FIG. 26
PAGE 5
OCT 15/08

BOEING
 737-600/700/800/900
 PARTS CATALOG (MAINTENANCE)



E 25243230A SHT 1 REV 081

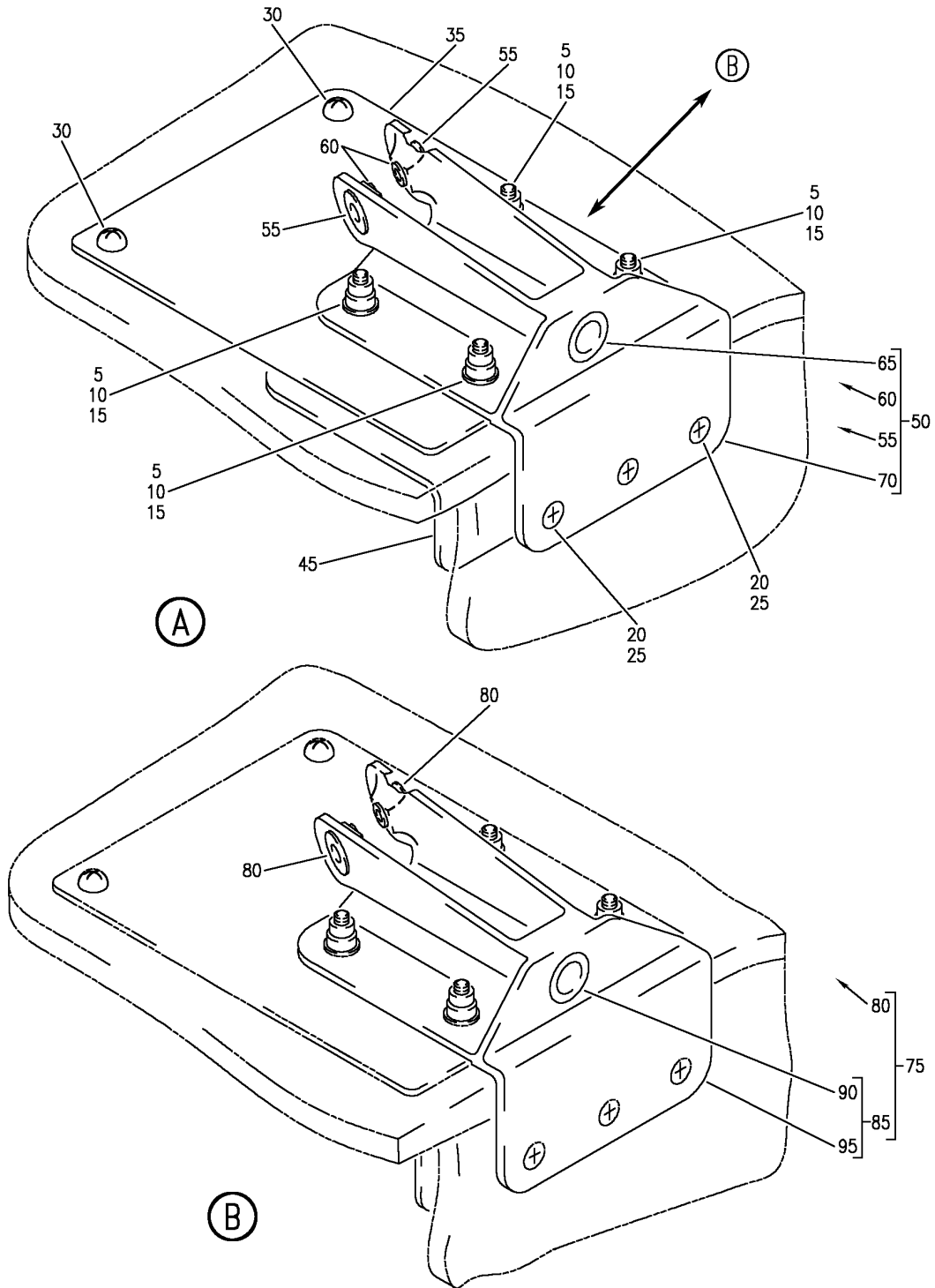
BOX ASSY-31 IN. AFT RH BIN
 FIGURE 30A (SHEET 1)

25-24-32-30A

HAP
 OCT 10/06

25-24-32-30A
 PAGE 0

BOEING
 737-600/700/800/900
 PARTS CATALOG (MAINTENANCE)



E 25243230A SHT 2 REV 081

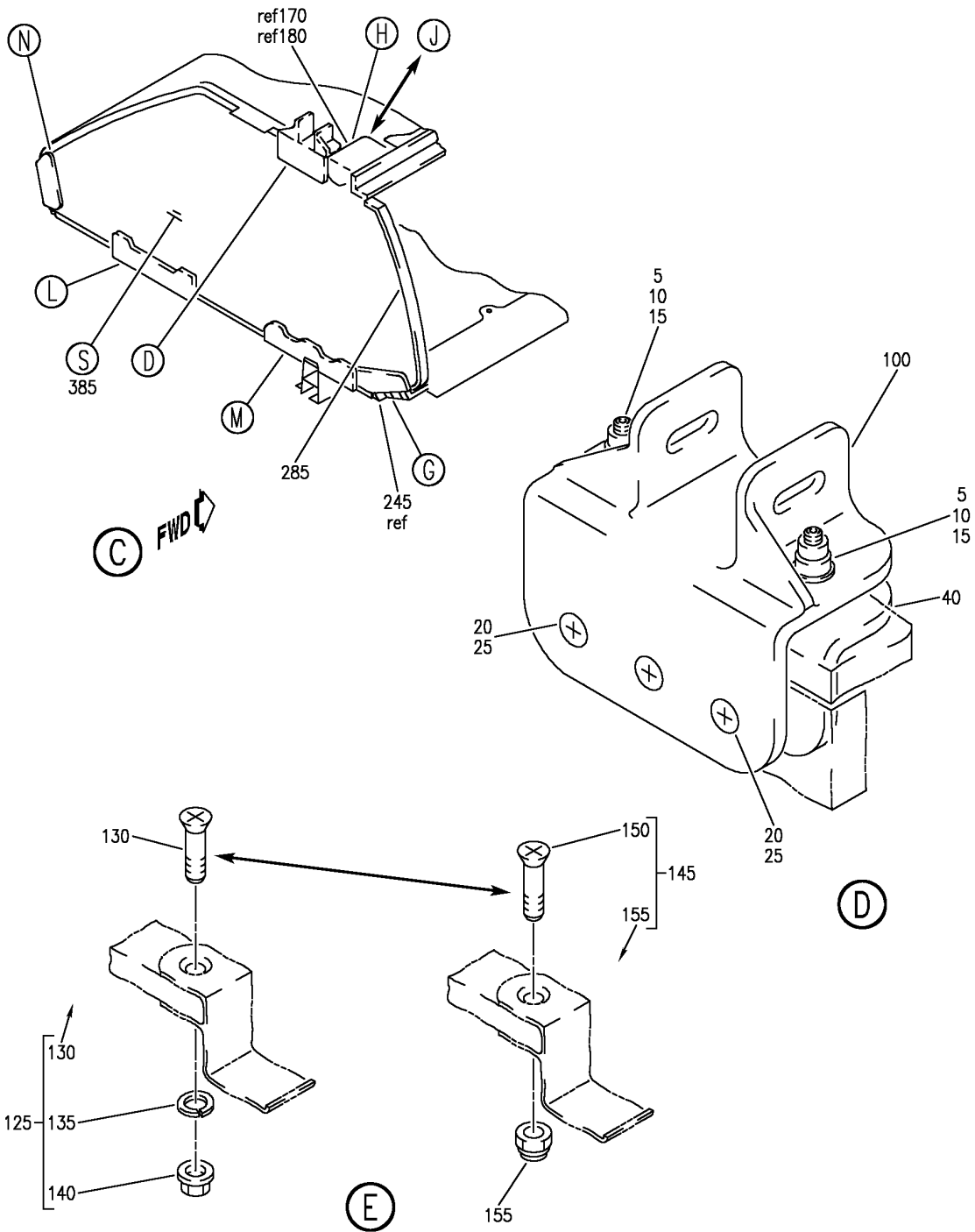
BOX ASSY-31 IN. AFT RH BIN
 FIGURE 30A (SHEET 2)

25-24-32-30A

HAP
 OCT 10/06

25-24-32-30A
 PAGE 0A


BOEING
 737-600/700/800/900
PARTS CATALOG (MAINTENANCE)



E 25243230A SHT 3 REV 081

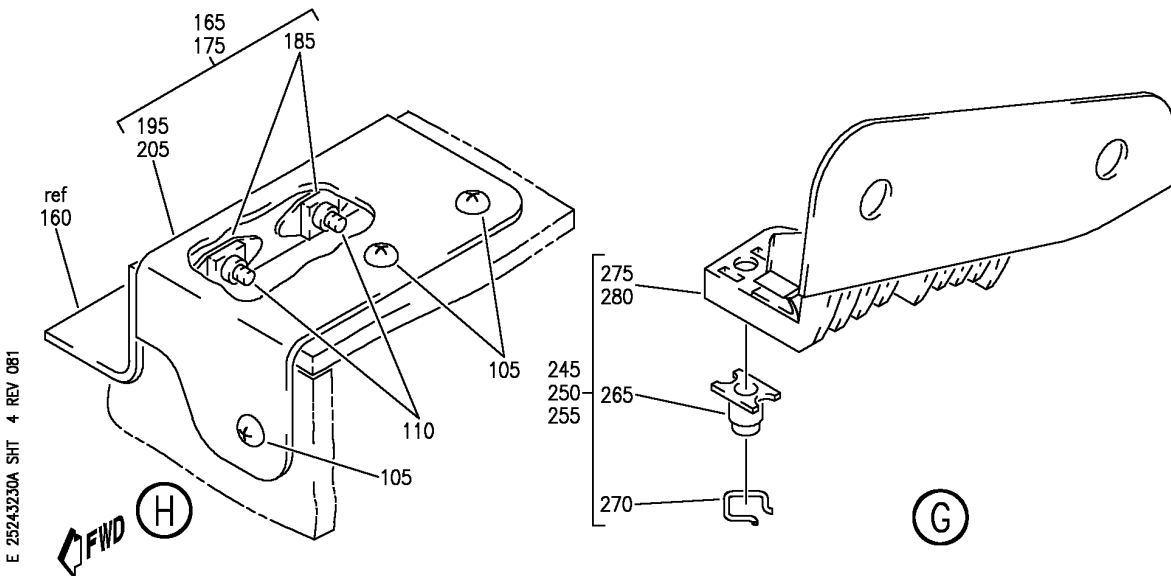
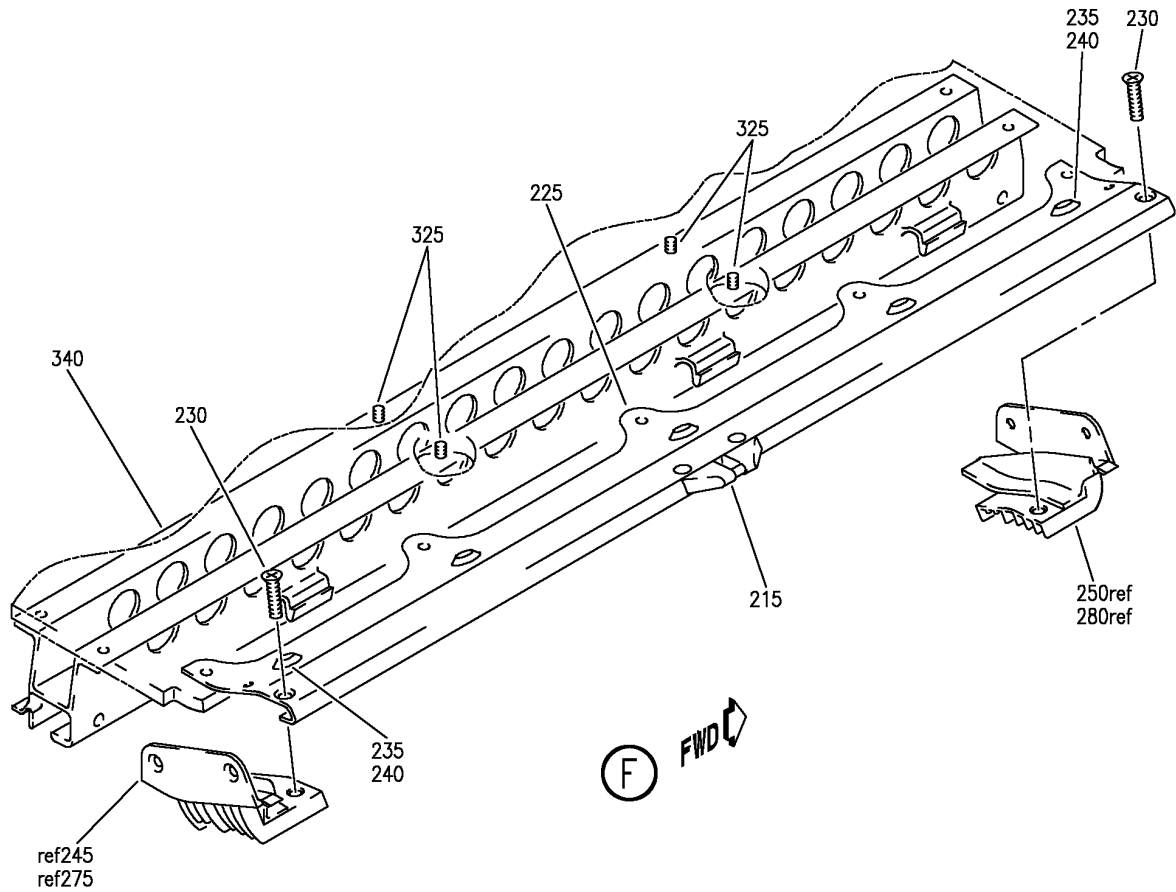
BOX ASSY-31 IN. AFT RH BIN
 FIGURE 30A (SHEET 3)

25-24-32-30A

HAP
OCT 10/06

25-24-32-30A
 PAGE 0B

BOEING
 737-600/700/800/900
 PARTS CATALOG (MAINTENANCE)



E 25243230A SHT 4 REV 081

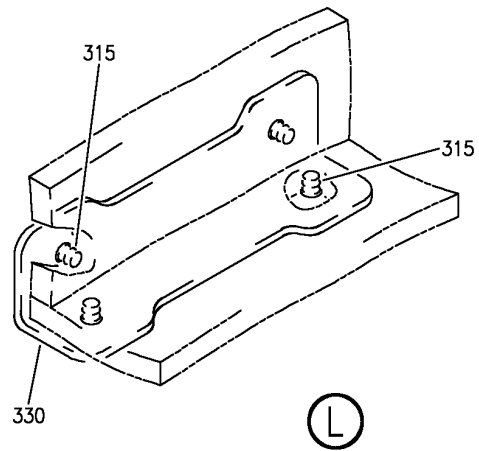
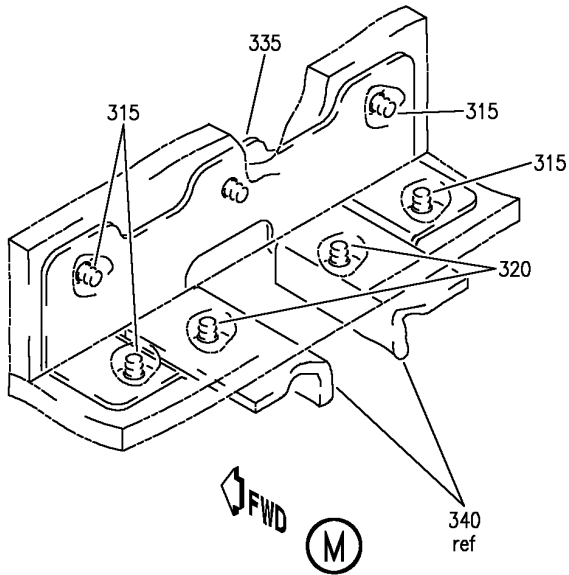
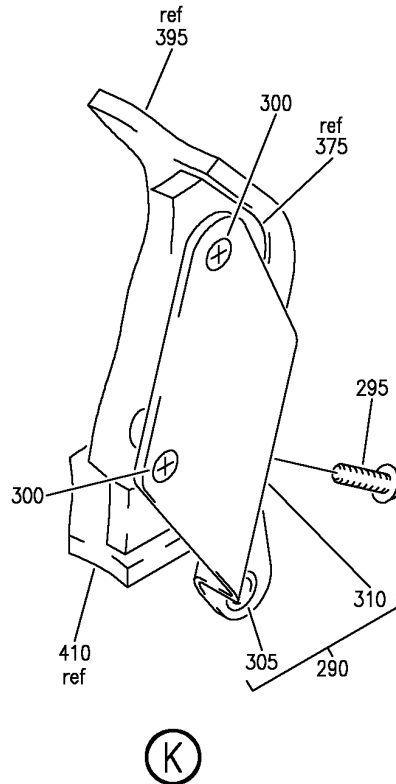
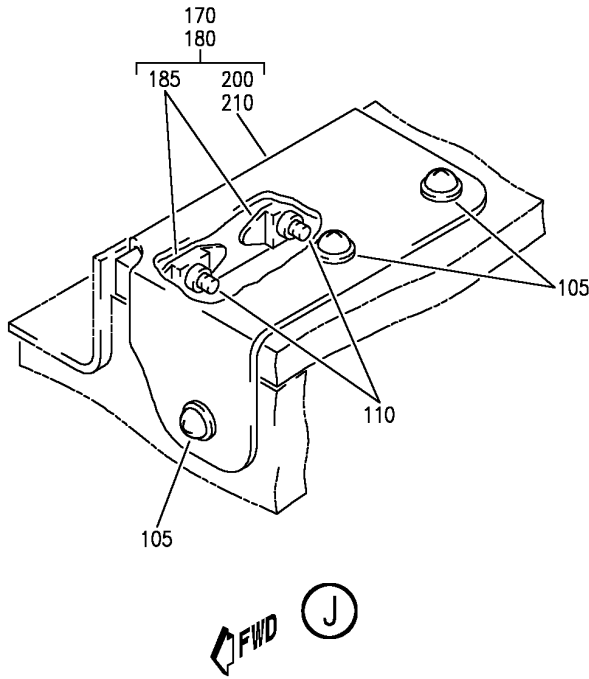
BOX ASSY-31 IN. AFT RH BIN
 FIGURE 30A (SHEET 4)

25-24-32-30A

HAP
 OCT 10/06

25-24-32-30A
 PAGE 0C

BOEING
 737-600/700/800/900
 PARTS CATALOG (MAINTENANCE)



E 25243230A SHT 5 REV 081

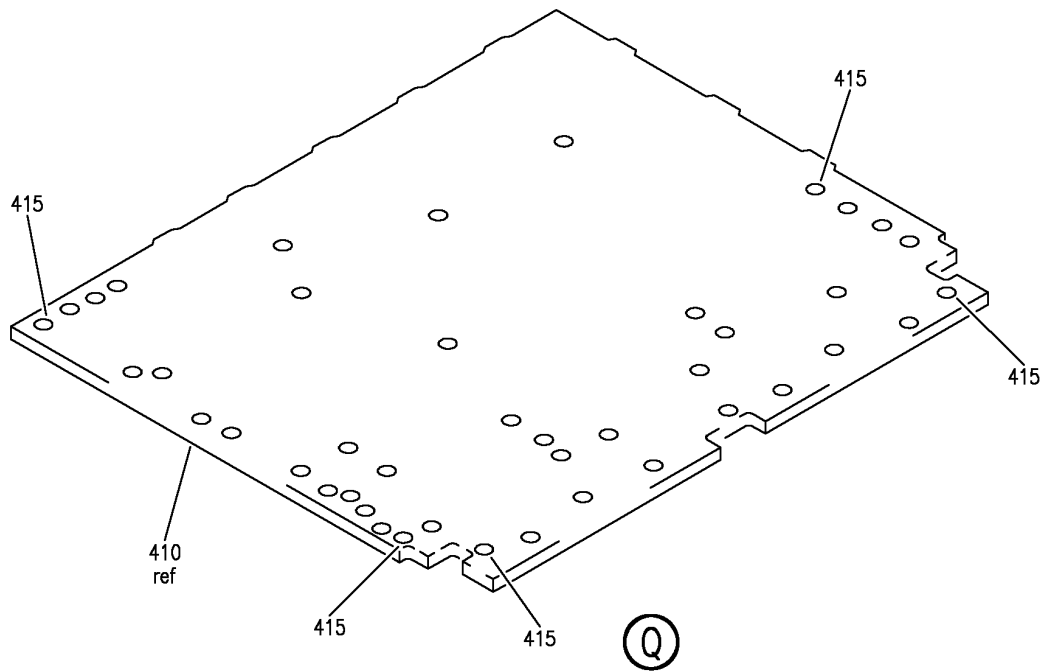
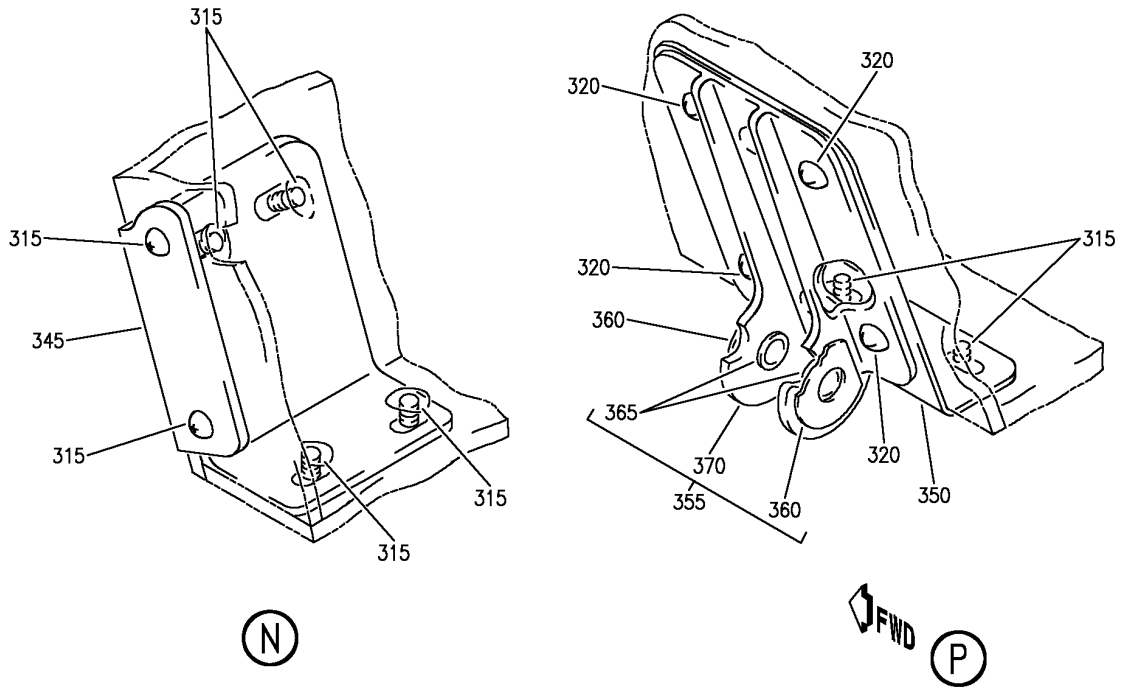
BOX ASSY-31 IN. AFT RH BIN
 FIGURE 30A (SHEET 5)

25-24-32-30A

HAP
 OCT 10/06

25-24-32-30A
 PAGE 0D

BOEING
 737-600/700/800/900
 PARTS CATALOG (MAINTENANCE)



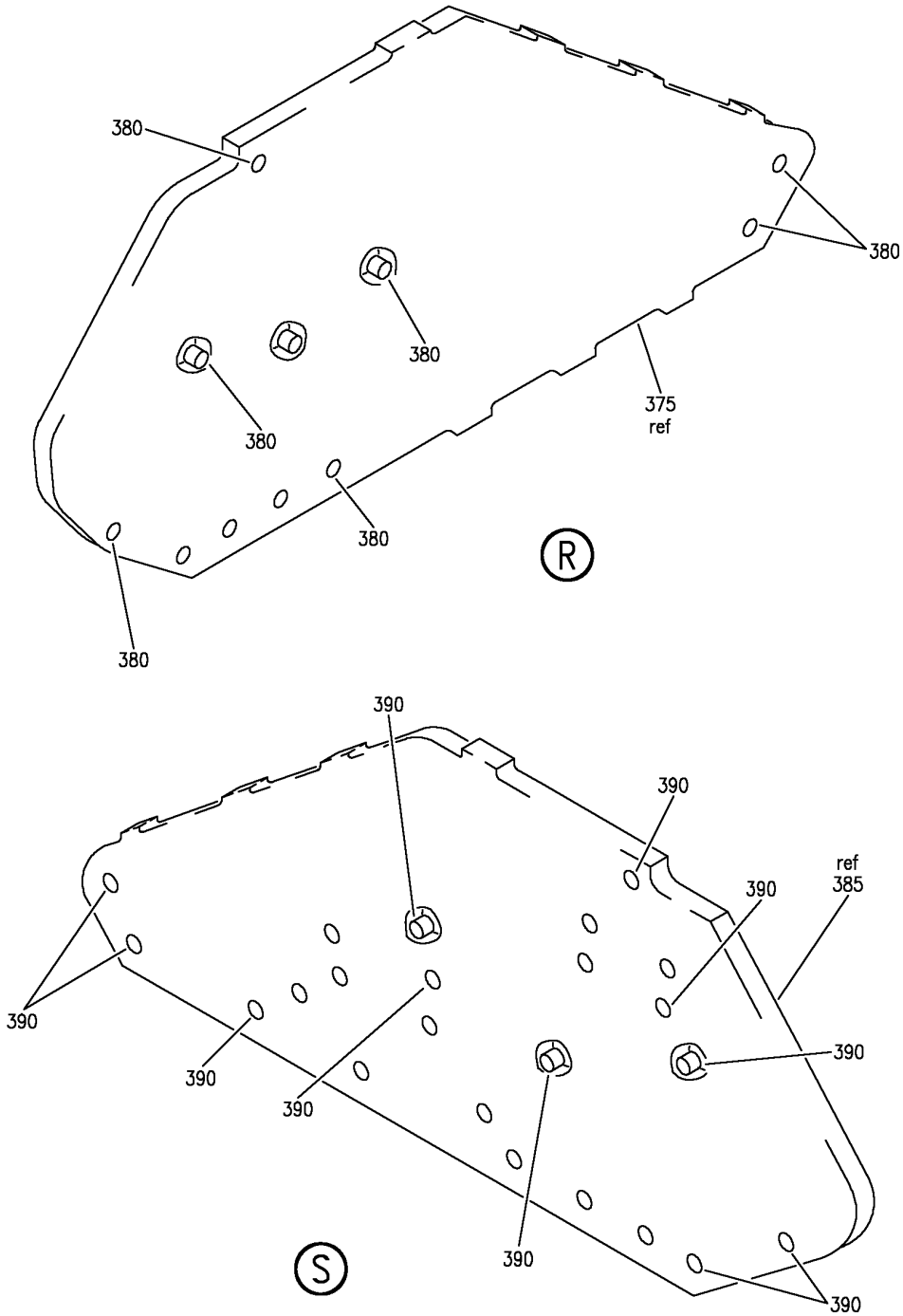
E 25243230A SHT 6 REV 081

BOX ASSY-31 IN. AFT RH BIN
 FIGURE 30A (SHEET 6)

25-24-32-30A

HAP
 OCT 10/06

25-24-32-30A
 PAGE 0E



E 25243230A SHIT 7 REV 081

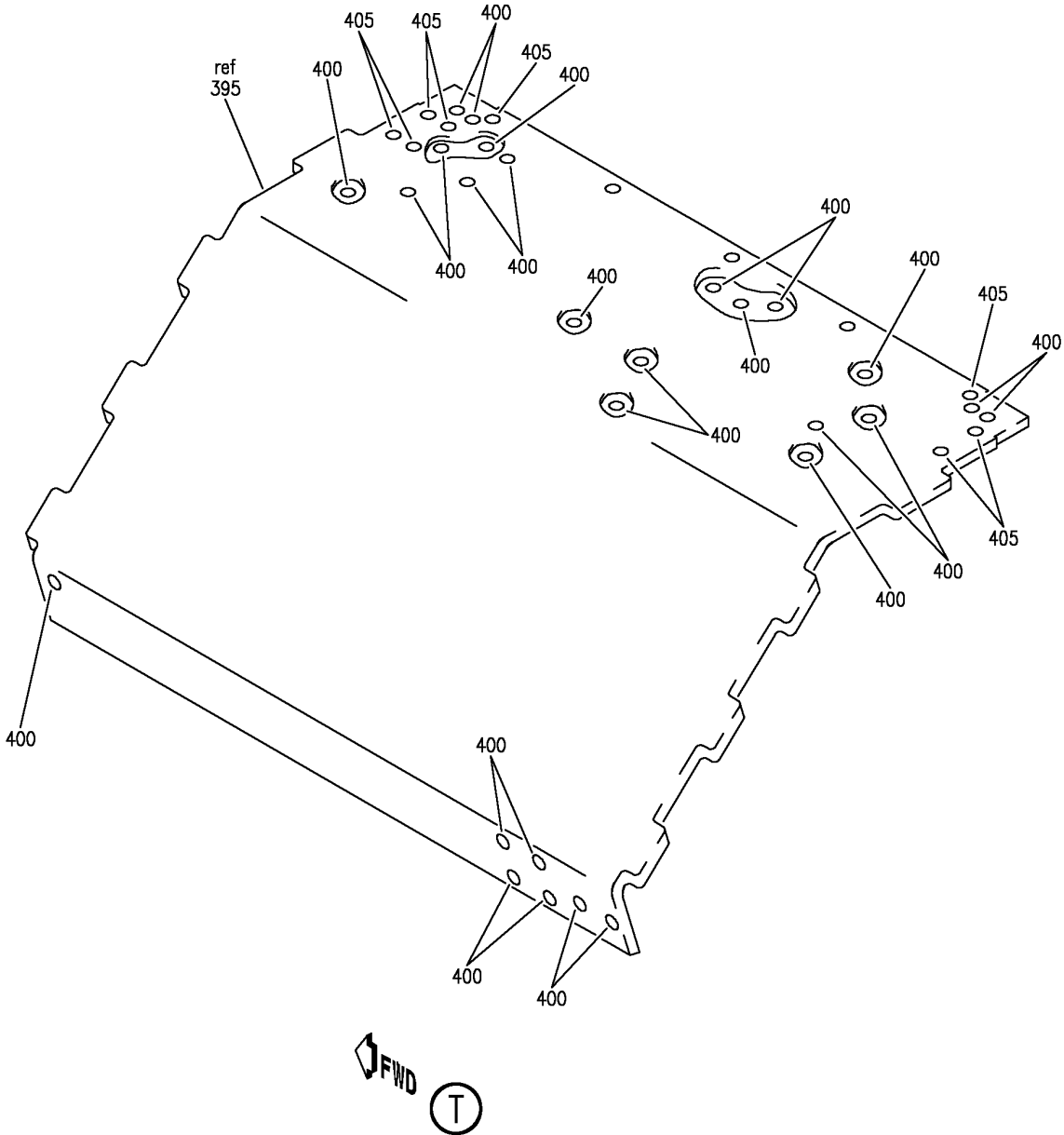
BOX ASSY-31 IN. AFT RH BIN
FIGURE 30A (SHEET 7)

25-24-32-30A

HAP
OCT 10/06

25-24-32-30A
PAGE OF

BOEING
737-600/700/800/900
PARTS CATALOG (MAINTENANCE)



E 25243230A SHT 8 REV 081

BOX ASSY-31 IN. AFT RH BIN
FIGURE 30A (SHEET 8)

25-24-32-30A

HAP
OCT 10/06

25-24-32-30A
PAGE 08

BOEING
737-600/700/800/900
PARTS CATALOG (MAINTENANCE)

FIG ITEM	PART NUMBER	1 2 3 4 5 6 7	NOMENCLATURE	EFFECT FROM TO	UNITS PER ASSY
30A			BOX ASSY-31 IN. AFT RH BIN	002005 008030 201967	
- 1	412A1250-120A		BOX ASSY-31 IN. BIN POSITION DATA: AFT RH OPTIONAL PART: 412A1250-1120B FOR NHA SEE: 25-24-31-30 25-24-31-63	002005 008030 201967	RF
- 1	412A1250-1120B		BOX ASSY-31 IN. BIN POSITION DATA: AFT RH OPTIONAL PART: 412A1250-120A FOR NHA SEE: 25-24-31-30 25-24-31-63	009030 201201	RF
5	HL1012AZ6-10		.BOLT SUPPLIER CODE: V97928 SPECIFICATION NUMBER: BACB30NX6K10 OPTIONAL PART: HL12VAZ6-10 V73197 HL12VAZ6-10 V92215 HL12VAZ6-10 V97928 L802-6K10 V06725 HL12VAZ6-10 V56878 HL1012AZ6-10 VOPTK6 HL1012AZ6-10 V06725 HL1012AZ6-10 V06950 HL1012AZ6-10 V17446 HL1012AZ6-10 V56878 HL1012AZ6-10 V60516 HL1012AZ6-10 V73197	002005 008030 201967	6

MISSING ITEM NUMBERS NOT APPLICABLE

- ITEM NOT ILLUSTRATED

HAP

25-24-32-30A

BOEING PROPRIETARY - Copyright © - Unpublished Work - See title page for details.

25-24-32
FIG. 30A
PAGE 1
OCT 15/08

BOEING
737-600/700/800/900
PARTS CATALOG (MAINTENANCE)

FIG ITEM	PART NUMBER	1 2 3 4 5 6 7	NOMENCLATURE	EFFECT FROM TO	UNITS PER ASSY
30A					
10	BACW10BP3NDP	.WASHER-		002005	6
		OPTIONAL PART:		008030	
		NAS1149D0363J		201967	
10	NAS1149D0363J	.WASHER-		002005	6
		OPTIONAL PART:		008030	
		BACW10BP3NDP		201967	
15	HL1087-6	.COLLAR-		002005	6
		SUPPLIER CODE:		008030	
		V73197		201967	
		SPECIFICATION NUMBER:			
		BACC30BH6			
		OPTIONAL PART:			
		HL1087-6			
		V56878			
		HL1087-6			
		V92215			
		HL1087-6			
		V9N513			
		BACC30BZ6			
15	HST1070CY6	.COLLAR-		002005	6
		SUPPLIER CODE:		008030	
		V5M902		201967	
		SPECIFICATION NUMBER:			
		BACC30BZ6			
		OPTIONAL PART:			
		VLC1070CY6			
		V92215			
		HST1070CY6			
		V73197			
		BACC30BH6			
20	BACS12ER3K9	.SCREW		002005	6
				008030	
				201967	
25	SL5-3-50C	.NUT-		002005	6
		SUPPLIER CODE:		008030	
		V97393		201967	
30	BACS12FA3K4	.SCREW		002005	2
				008030	
				201967	
35	412A1220-16	.DOUBLER-9G EXT		002005	1
				008030	
				201967	
40	412A1220-63A	.DOUBLER-INTERNAL		002005	1
				008030	
				201967	
45	412A1220-10A	.DOUBLER-9G INTERNAL		002005	1
				008030	
				201967	

MISSING ITEM NUMBERS NOT APPLICABLE

— ITEM NOT ILLUSTRATED

HAP

25-24-32-30A

BOEING PROPRIETARY - Copyright © - Unpublished Work - See title page for details.

25-24-32
FIG. 30A
PAGE 2
OCT 15/08

BOEING
737-600/700/800/900
PARTS CATALOG (MAINTENANCE)

FIG ITEM	PART NUMBER	1 2 3 4 5 6 7	NOMENCLATURE	EFFECT FROM TO	UNITS PER ASSY
30A					
50	412A1230-106	.	FITTING ASSY- OPTIONAL PART: 412A1230-152 USED ON: 412A1250-120A 412A1250-120SP	002005 008030 201967	1
55	BACW10P273L	..	WASHER	002005 008030 201967	2
60	BACB28AT04B023C	..	BUSHING- OPTIONAL PART: NAS538B4P023	002005 008030 201967	2
60	NAS538B4P023	..	BUSHING- OPTIONAL PART: BACB28AT04B023C	002005 008030 201967	2
65	BCREF13195	..	BUSHING- OVERLENGTH PART NUMBER: BACB28AY06A035CG	002005 008030 201967	1
70	412A1230-108	..	FITTING	002005 008030 201967	1
75	412A1230-152	.	FITTING ASSY- OPTIONAL PART: 412A1230-106 USED ON: 412A1250-120A 412A1250-120SP	002005 008030 201967	1
80	BACW10P273L	..	WASHER	002005 008030 201967	2
85	412A1230-4	..	FITTING ASSY	002005 008030 201967	1
90	BCREF13195	...	BUSHING- OVERLENGTH PART NUMBER: BACB28AY06A035CG	002005 008030 201967	1
95	412A1230-6	...	FITTING	002005 008030 201967	1
100	412A1230-32	.	FITTING-SPRT POSITION DATA: UPR	002005 008030 201967	1
105	BACS12FA3K4	.	SCREW	002005 008030 201967	6
110	BACS12FA3K7	.	SCREW	002005 008030 201967	4

MISSING ITEM NUMBERS NOT APPLICABLE

— ITEM NOT ILLUSTRATED

HAP

25-24-32-30A

BOEING PROPRIETARY - Copyright © - Unpublished Work - See title page for details.

25-24-32
FIG. 30A
PAGE 3
OCT 15/08

BOEING
737-600/700/800/900
PARTS CATALOG (MAINTENANCE)

FIG ITEM	PART NUMBER	1 2 3 4 5 6 7	NOMENCLATURE	EFFECT FROM TO	UNITS PER ASSY
30A 115	BACB30VF3K8	.BOLT-	USED ON: 412A1250-120A 412A1250-120SP	002005 008030 201967	3
120	F22K1-02	.NUT-	SUPPLIER CODE: V72962 SPECIFICATION NUMBER: BACN10R10L OPTIONAL PART: 22K1-02 V72962 26CLO2 V80539 USED ON: 412A1250-120A 412A1250-120SP	002005 008030 201967	3
125	412A1340-16	.FASTENER ASSY-KIT	OPTIONAL PART: 412A1340-17 USED ON: 412A1250-1120B 412A1250-1120SP	009030 201201	3
130	BACB30VF3K7	..BOLT		009030 201201	1
135	BACW10EC3S	..WASHER		009030 201201	1
140	PLH53C	..NUT	SUPPLIER CODE: V62554 SPECIFICATION NUMBER: BACN10YR3C OPTIONAL PART: H52732-3C V15653	009030 201201	1
145	412A1340-17	.FASTENER ASSY-KIT	OPTIONAL PART: 412A1340-16 USED ON: 412A1250-1120B 412A1250-1120SP	009030 201201	3
150	BACB30VF3K8	..BOLT		009030 201201	1

MISSING ITEM NUMBERS NOT APPLICABLE

— ITEM NOT ILLUSTRATED

HAP

25-24-32-30A

BOEING PROPRIETARY - Copyright © - Unpublished Work - See title page for details.

25-24-32
FIG. 30A
PAGE 4
OCT 15/08

BOEING
737-600/700/800/900
PARTS CATALOG (MAINTENANCE)

FIG ITEM	PART NUMBER	1 2 3 4 5 6 7	NOMENCLATURE	EFFECT FROM TO	UNITS PER ASSY
30A 155	F22K1-02	. .	NUT SUPPLIER CODE: V72962 SPECIFICATION NUMBER: BACN10R10L OPTIONAL PART: 22K1-02 V72962 26CLO2 V80539	009030 201201	1
160	412A1247-15A	. EXTRUSION-	DOOR CLOSOUT	002005 008030 201967	1
165	412A1220-5A	. CORNER ASSY-	OPTIONAL PART: 412A1220-209 412A1220-249	002005 008030 201967	1
165	412A1220-209	. CORNER ASSY-	OPTIONAL PART: 412A1220-249 412A1220-5A USED ON: 412A1250-1120B 412A1250-1120SP	009030 201201	1
170	412A1220-249	. CORNER ASSY-	OPTIONAL PART: 412A1220-209 412A1220-5A USED ON: 412A1250-1120B 412A1250-1120SP	009030 201201	1
175	412A1220-6A	. CORNER ASSY-	OPTIONAL PART: 412A1220-210 412A1220-250	002005 008030 201967	1
175	412A1220-210	. CORNER ASSY-	OPTIONAL PART: 412A1220-250 412A1220-6A USED ON: 412A1250-1120B 412A1250-1120SP	009030 201201	1
180	412A1220-250	. CORNER ASSY-	OPTIONAL PART: 412A1220-210 412A1220-6A USED ON: 412A1250-1120B 412A1250-1120SP	009030 201201	1

MISSING ITEM NUMBERS NOT APPLICABLE

- ITEM NOT ILLUSTRATED

HAP

25-24-32-30A

BOEING PROPRIETARY - Copyright © - Unpublished Work - See title page for details.

25-24-32
FIG. 30A
PAGE 5
OCT 15/08

BOEING
737-600/700/800/900
PARTS CATALOG (MAINTENANCE)

FIG ITEM	PART NUMBER	1 2 3 4 5 6 7	NOMENCLATURE	EFFECT FROM TO	UNITS PER ASSY
30A 185	BRF200C3D		..NUTPLATE SUPPLIER CODE: V52828 SPECIFICATION NUMBER: BACN10JR3CFD OPTIONAL PART: K51602-3BAC V15653 NS202476-02 V80539 102F9201-3 V72962 T8092C1032CD V11815 ATTACHING PARTS	002005 008030 201967	2
- 190	BACR15CE3D		..RIVET- SIZE DETERMINED ON INSTL. -----*-----	002005 008030 201967	4
195	412A1220-7A		..REINFORCEMENT- USED ON: 412A1220-5A	002005 008030 201967	1
195	412A1220-211		..REINFORCEMENT- USED ON: 412A1220-209	009030 201201	1
200	412A1220-251		..REINFORCEMENT- USED ON: 412A1220-249	009030 201201	1
205	412A1220-8A		..REINFORCEMENT- USED ON: 412A1220-6A	002005 008030 201967	1
205	412A1220-212		..REINFORCEMENT- USED ON: 412A1220-210	009030 201201	1
210	412A1220-252		..REINFORCEMENT- USED ON: 412A1220-250	009030 201201	1
215	HA225-11		.STRIKE- SUPPLIER CODE: V83014 SPECIFICATION NUMBER: S412A001-16 OPTIONAL PART: HA225-3 V83014	002005 008030 201967	1

MISSING ITEM NUMBERS NOT APPLICABLE

- ITEM NOT ILLUSTRATED

HAP

25-24-32-30A

BOEING PROPRIETARY - Copyright © - Unpublished Work - See title page for details.

25-24-32
FIG. 30A
PAGE 6
OCT 15/08

BOEING
737-600/700/800/900
PARTS CATALOG (MAINTENANCE)

FIG ITEM	PART NUMBER	1 2 3 4 5 6 7	NOMENCLATURE	EFFECT FROM TO	UNITS PER ASSY
30A 215	HA225-3		. STRIKE- SUPPLIER CODE: V83014 SPECIFICATION NUMBER: S412A001-6 OPTIONAL PART: HA225-11 V83014 USED ON: 412A1250-120A 412A1250-120SP ATTACHING PARTS	002005 008030 201967	1
- 220	BACS12ER08K5		. SCREW	002005 008030 201967	2
			-----*-----		
225	412A1242-50		. EXTRUSION-SHELF	002005 008030 201967	1
			ATTACHING PARTS		
230	BACS12ER3K6		. SCREW	002005 008030 201967	2
235	BACS12ER3K5		. SCREW	002005 008030 201967	5
240	H3-1233A3		. WASHER- SUPPLIER CODE: V34941 SPECIFICATION NUMBER: S411A001-1	002005 008030 201967	5
			-----*-----		
245	412A1475-3A		. FITTING ASSY-SPRT	002005 008030 201967	1
250	412A1475-4A		. FITTING ASSY-SPRT	002005 008030 201967	1
			ATTACHING PARTS		
- 260	BACS12ER3K5		. SCREW	002005 008030 201967	4
			-----*-----		
265	BACN11F3-1CD		. . NUT	002005 008030 201967	1
270	NAS1795-3		. . CLIP	002005 008030 201967	1

MISSING ITEM NUMBERS NOT APPLICABLE

- ITEM NOT ILLUSTRATED

HAP

25-24-32-30A

BOEING PROPRIETARY - Copyright © - Unpublished Work - See title page for details.

25-24-32
FIG. 30A
PAGE 7
OCT 15/08

BOEING
737-600/700/800/900
PARTS CATALOG (MAINTENANCE)

FIG ITEM	PART NUMBER	1 2 3 4 5 6 7	NOMENCLATURE	EFFECT FROM TO	UNITS PER ASSY
30A 275	412A1475-1A	..	FITTING- USED ON: 412A1475-3A	002005 008030 201967	1
280	412A1475-2A	..	FITTING- USED ON: 412A1475-4A	002005 008030 201967	1
285	412A1450-1A	.	TRIM-	002005 008030 201967	2
290	412A1230-87	.	FITTING ASSY	002005 008030 201967	1
295	BACS12FA3K5	.	ATTACHING PARTS SCREW	002005 008030 201967	1
300	BACS12ER3K6	.	SCREW- USED ON: 412A1250-120A 412A1250-120SP	002005 008030 201967	2
300	BACS12ER3K5	.	SCREW- USED ON: 412A1250-1120B 412A1250-1120SP -----*-----	009030 201201	2
305	BCREF13196	..	BUSHING- OVERLENGTH PART NUMBER: BACB28AT06A010CG	002005 008030 201967	1
310	412A1230-89	..	FITTING	002005 008030 201967	1
315	BACS12FA3K4	.	SCREW	002005 008030 201967	22
320	BACS12FA3K6	.	SCREW- USED ON: 412A1250-120A 412A1250-120SP	002005 008030 201967	8
320	BACS12FA3K5	.	SCREW- USED ON: 412A1250-1120B 412A1250-1120SP	009030 201201	8
325	BACS12FA3K5	.	SCREW	002005 008030 201967	4
330	412A1220-3	.	ANGLE	002005 008030 201967	1

MISSING ITEM NUMBERS NOT APPLICABLE

— ITEM NOT ILLUSTRATED

HAP

25-24-32-30A

BOEING PROPRIETARY - Copyright © - Unpublished Work - See title page for details.

25-24-32
FIG. 30A
PAGE 8
OCT 15/08

BOEING
737-600/700/800/900
PARTS CATALOG (MAINTENANCE)

FIG ITEM	PART NUMBER	1 2 3 4 5 6 7	NOMENCLATURE	EFFECT FROM TO	UNITS PER ASSY
30A					
335	412A1220-9A	. ANGLE-	OPTIONAL PART: 412A1220-205	002005 008030 201967	2
335	412A1220-205	. ANGLE-	OPTIONAL PART: 412A1220-9A USED ON: 412A1250-1120B 412A1250-1120SP	009030 201201	2
340	412A1245-17	. RAIL		002005 008030 201967	1
345	412A1220-23	. GUSSET		002005 008030 201967	1
350	412A1220-20	. DOUBLER		002005 008030 201967	1
355	412A1230-136	. FITTING ASSY-SPRT	POSITION DATA: LWR	002005 008030 201967	1
360	BACW10P273L	.. WASHER		002005 008030 201967	2
365	BACB28AT04B007C	.. BUSHING		002005 008030 201967	2
370	412A1230-146	.. FITTING		002005 008030 201967	1
375	412A1212-144A	. PANEL ASSY-END	USED ON: 412A1250-120A	002005 008030 201967	1
375	412A1212-1144B	. PANEL ASSY-END	USED ON: 412A1250-1120B	009030 201201	1
380	SL2334-3A1	.. INSERT-	SUPPLIER CODE: V97393	002005 008030 201967	11
385	412A1212-110A	. PANEL ASSY-END	USED ON: 412A1250-120A	002005 008030 201967	1
385	412A1212-1110B	. PANEL ASSY-END	USED ON: 412A1250-1120B	009030 201201	1
390	SL2334-3A1	.. INSERT-	SUPPLIER CODE: V97393	002005 008030 201967	23

MISSING ITEM NUMBERS NOT APPLICABLE

- ITEM NOT ILLUSTRATED

HAP

25-24-32-30A

BOEING PROPRIETARY - Copyright © - Unpublished Work - See title page for details.

25-24-32
FIG. 30A
PAGE 9
OCT 15/08

BOEING
737-600/700/800/900
PARTS CATALOG (MAINTENANCE)

FIG ITEM	PART NUMBER	1 2 3 4 5 6 7	NOMENCLATURE	EFFECT FROM TO	UNITS PER ASSY
30A					
395	412A1210-114A		.PANEL ASSY-SHELL USED ON: 412A1250-120A	002005 008030 201967	1
395	412A1210-1114B		.PANEL ASSY-SHELL USED ON: 412A1250-1120B	009030 201201	1
400	SL2334-3A1		..INSERT- SUPPLIER CODE: V97393	009030 201201	27
405	BCREF128023		..INSERT- SUPPLIER CODE: V97393 OVERLENGTH PART NUMBER: SL603-3-375ASP13	002005 008030 201967	11
410	412A1211-116A		.PANEL ASSY-SHELF USED ON: 412A1250-120A	002005 008030 201967	1
410	412A1211-1116B		.PANEL ASSY-SHELF USED ON: 412A1250-1120B	009030 201201	1
415	SL2334-3A1		..INSERT- SUPPLIER CODE: V97393	002005 008030 201967	43

MISSING ITEM NUMBERS NOT APPLICABLE

— ITEM NOT ILLUSTRATED

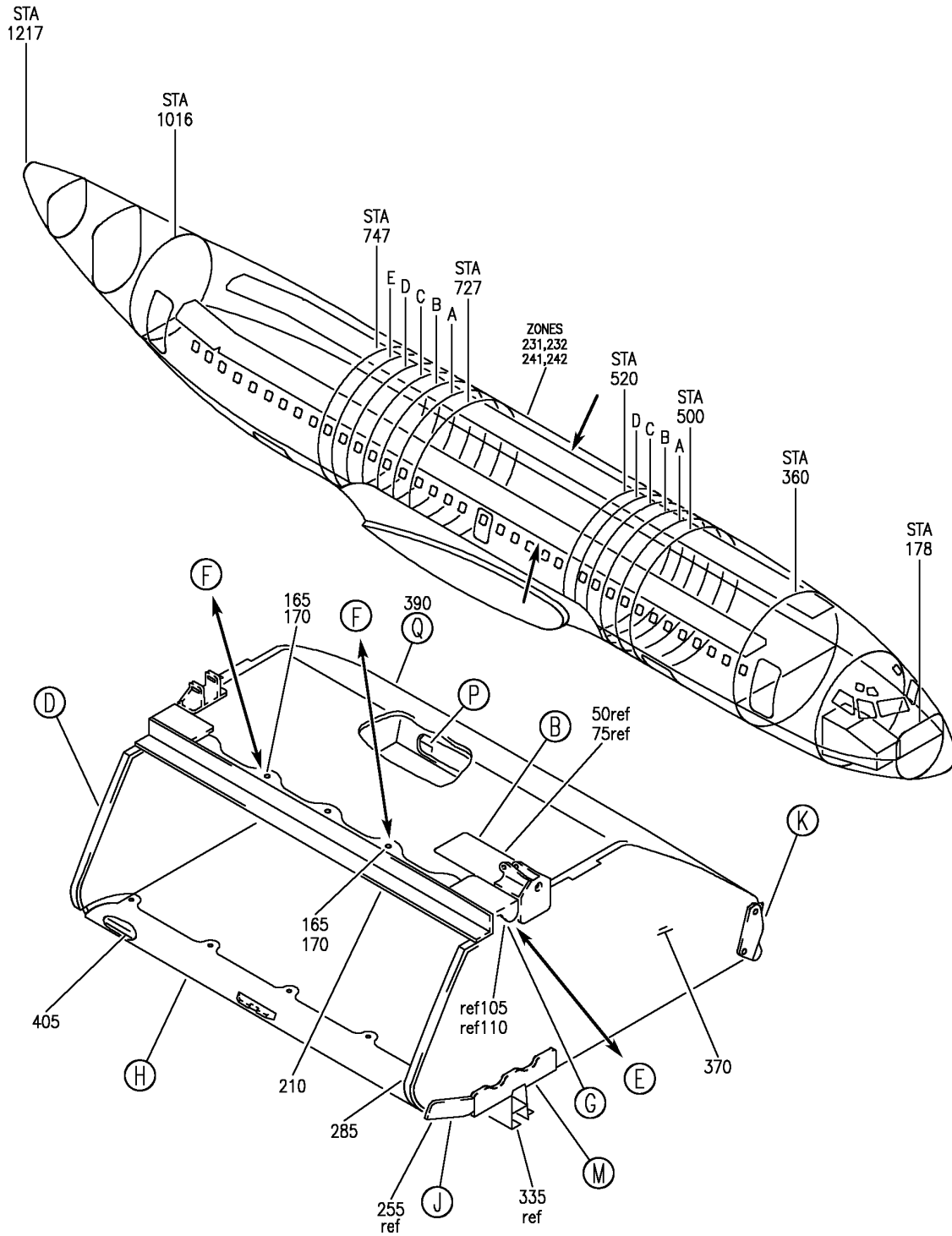
HAP

25-24-32-30A

BOEING PROPRIETARY - Copyright © - Unpublished Work - See title page for details.

25-24-32
FIG. 30A
PAGE 10
OCT 15/08

BOEING
 737-600/700/800/900
 PARTS CATALOG (MAINTENANCE)



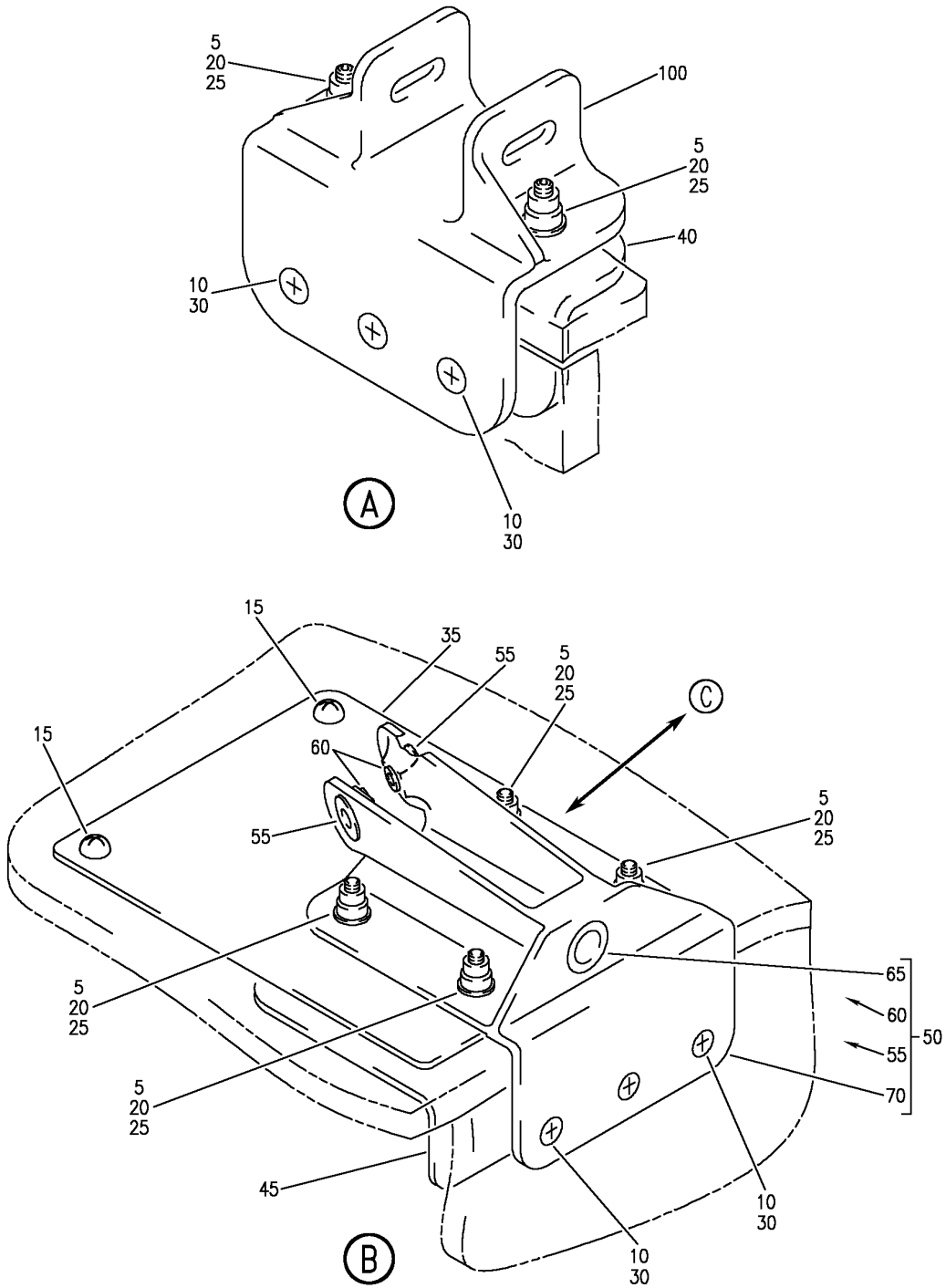
BOX ASSY-31 IN. BIN AFT LH
 FIGURE 30F (SHEET 1)

25-24-32-30F

HAP
 OCT 10/06

25-24-32-30F
 PAGE 0

BOEING
 737-600/700/800/900
 PARTS CATALOG (MAINTENANCE)



E 25243230F SHT 2 REV 081

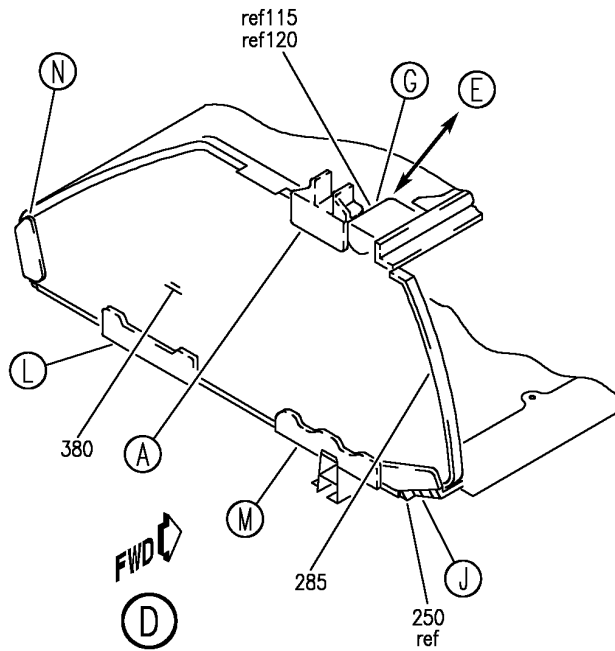
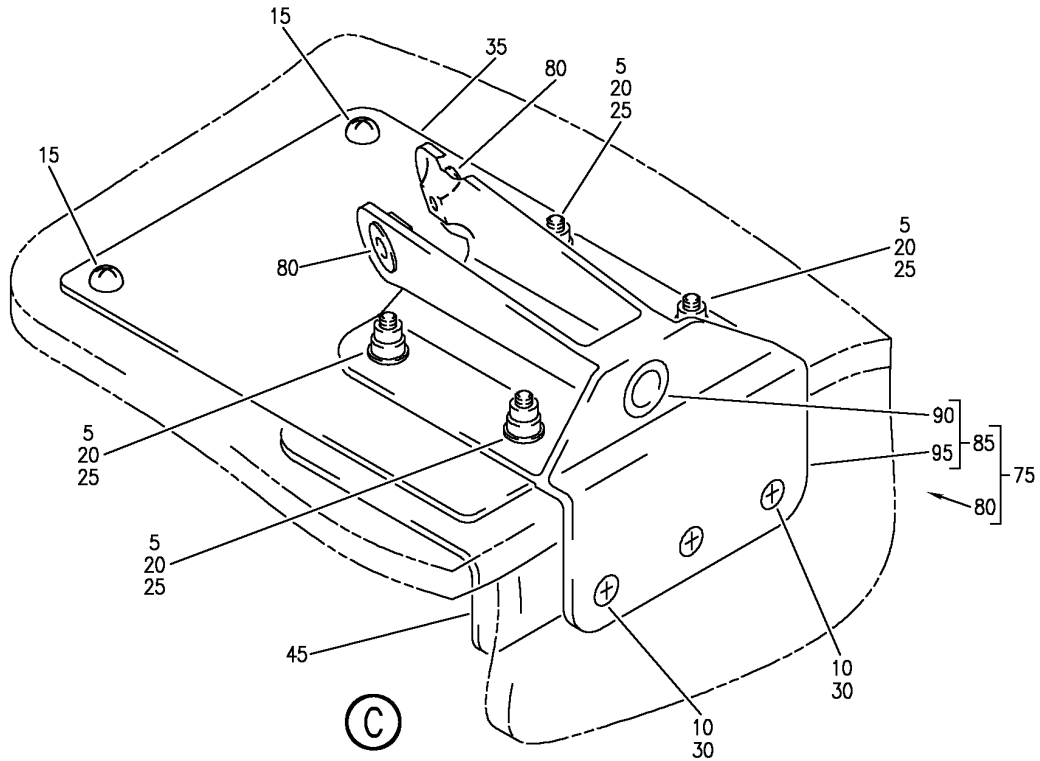
BOX ASSY-31 IN. BIN AFT LH
 FIGURE 30F (SHEET 2)

25-24-32-30F

HAP
 OCT 10/06

25-24-32-30F
 PAGE 0A

BOEING
 737-600/700/800/900
 PARTS CATALOG (MAINTENANCE)



E 25243230F SHT. 3 REV 081

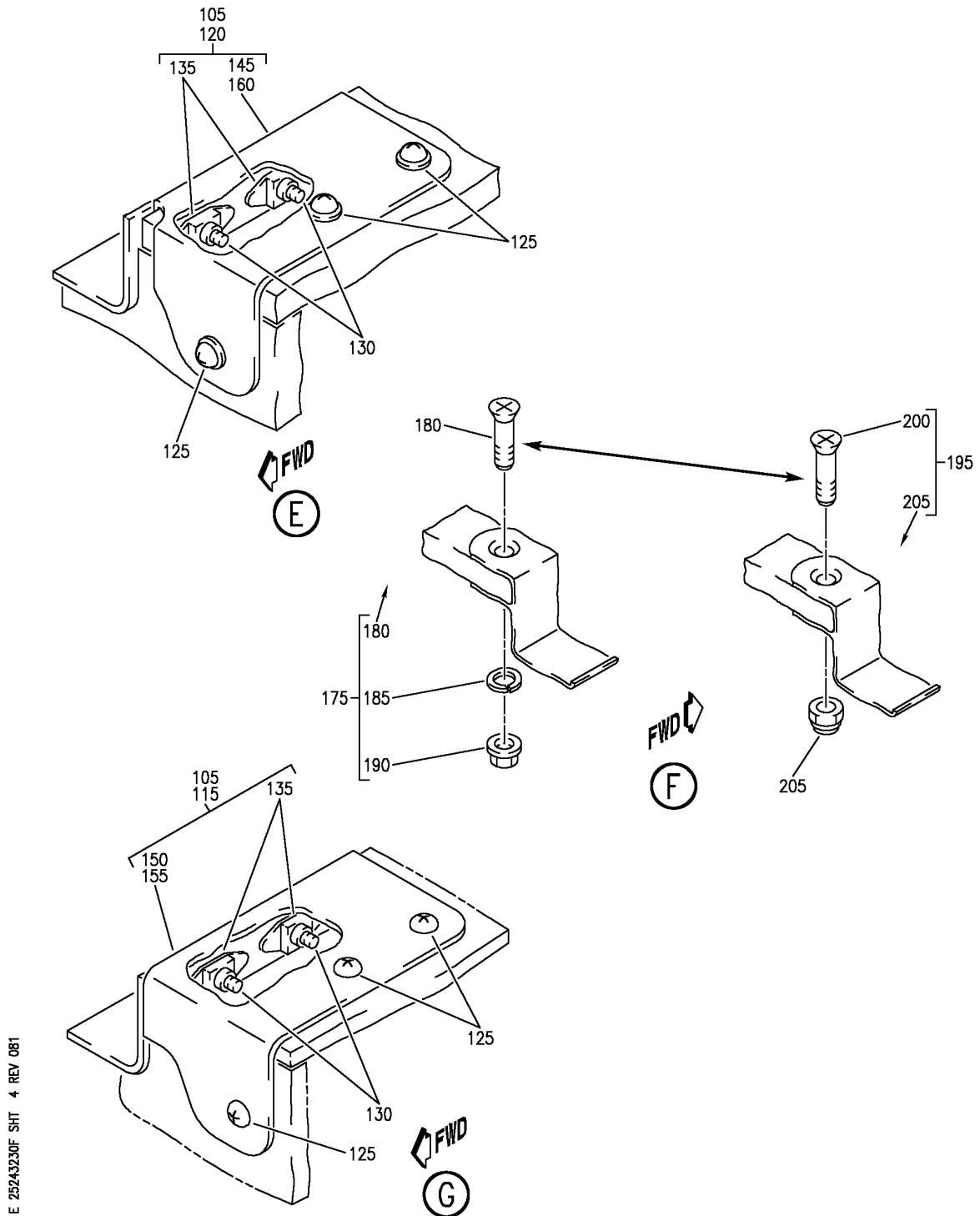
BOX ASSY-31 IN. BIN AFT LH
 FIGURE 30F (SHEET 3)

25-24-32-30F

HAP
 OCT 10/06

25-24-32-30F
 PAGE 0B

BOEING
 737-600/700/800/900
 PARTS CATALOG (MAINTENANCE)



E 25243230F SHT 4 REV 081

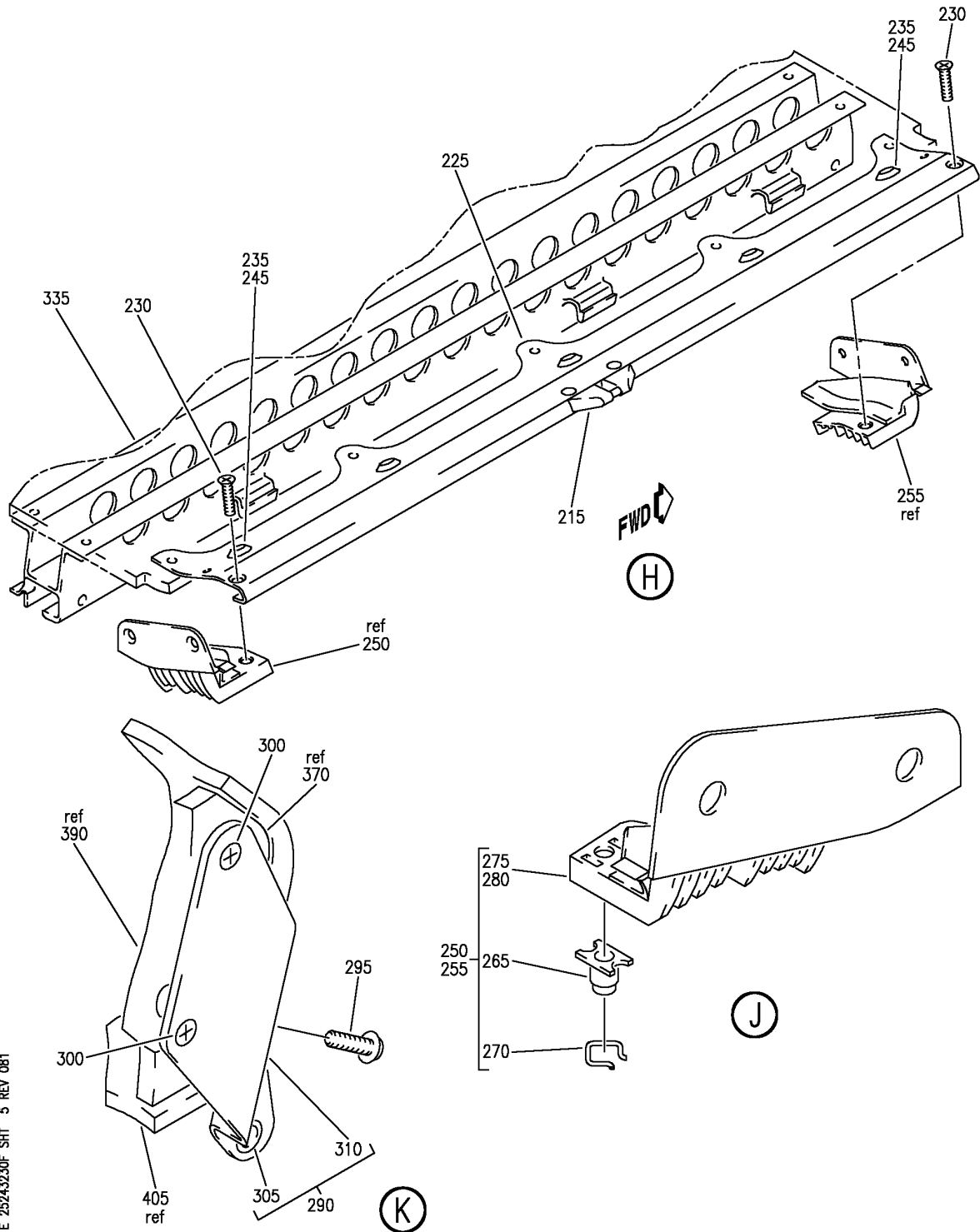
BOX ASSY-31 IN. BIN AFT LH
 FIGURE 30F (SHEET 4)

25-24-32-30F

HAP
 OCT 10/06

25-24-32-30F
 PAGE 0C

BOEING
 737-600/700/800/900
 PARTS CATALOG (MAINTENANCE)



E 25243230F SHT 5 REV 081

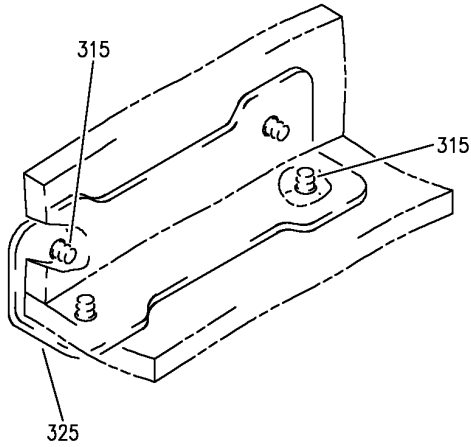
BOX ASSY-31 IN. BIN AFT LH
 FIGURE 30F (SHEET 5)

25-24-32-30F

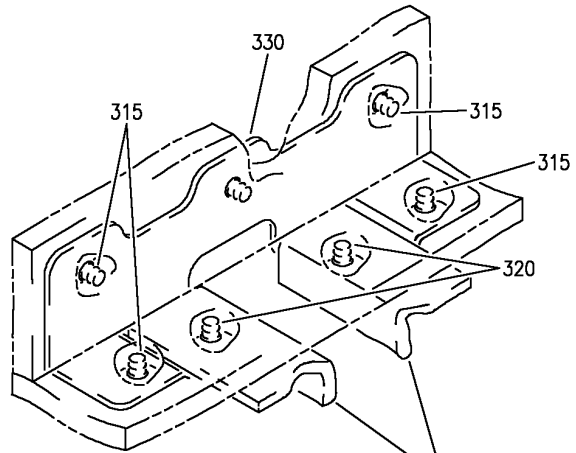
HAP
 OCT 10/06

25-24-32-30F
 PAGE 0D

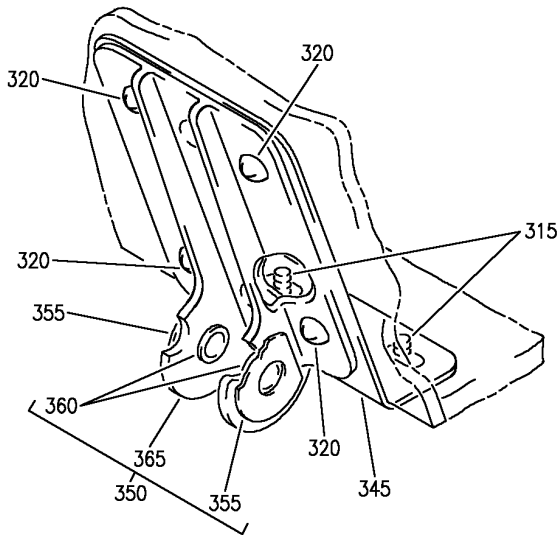
BOEING
 737-600/700/800/900
 PARTS CATALOG (MAINTENANCE)



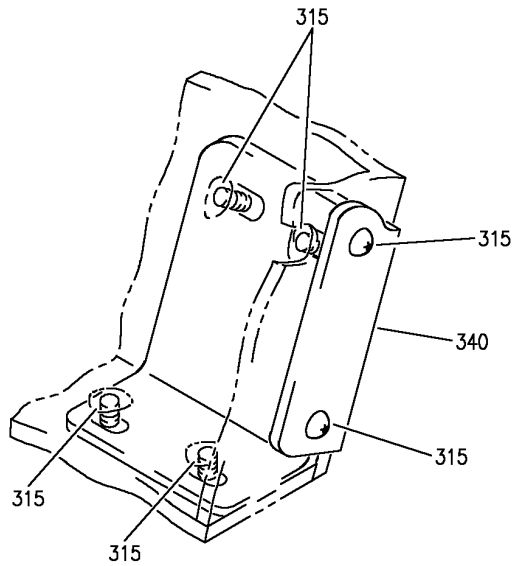
(L)



(M)



(P)



(N)

E 25243230F SHT 6 REV 081

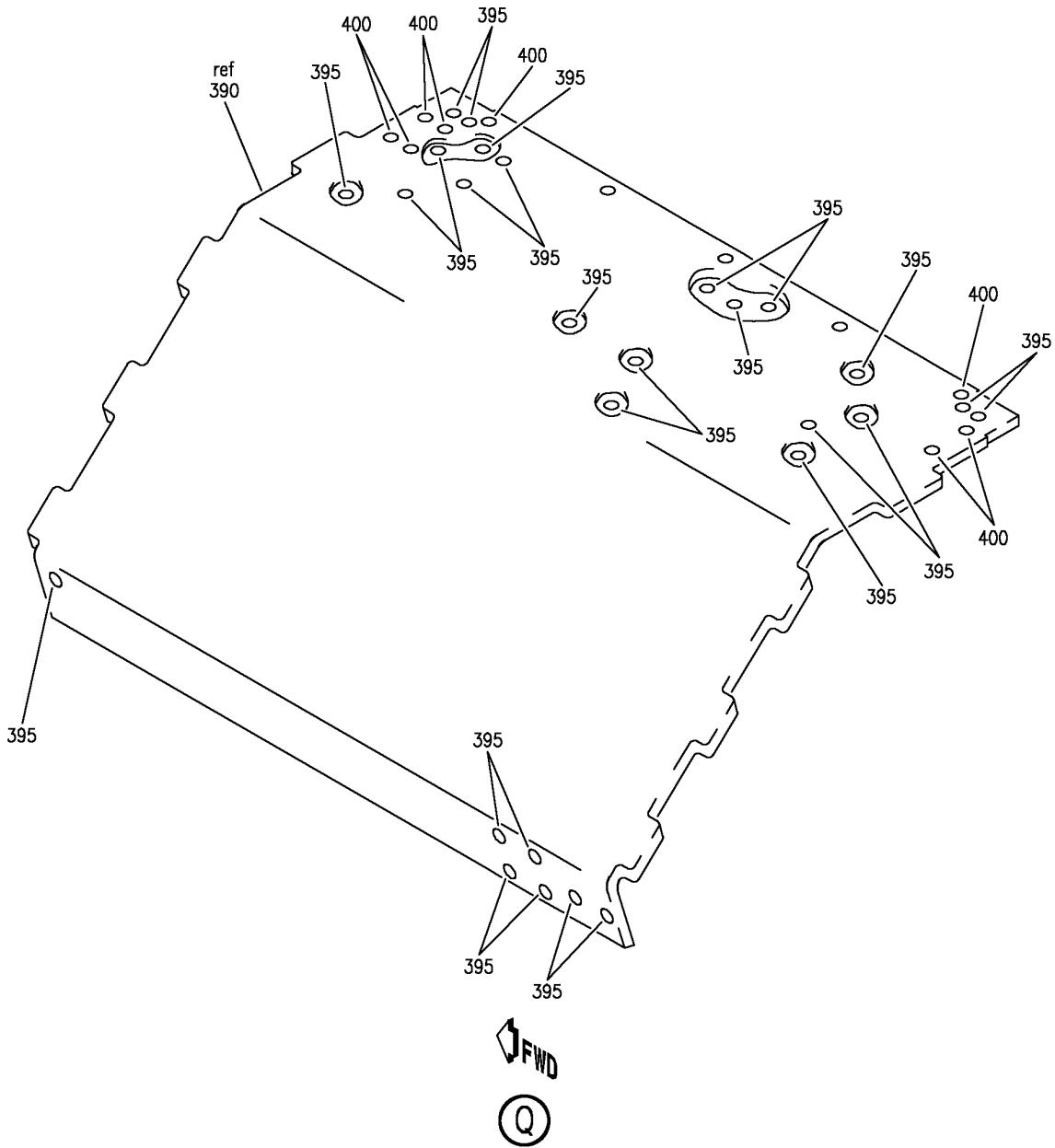
BOX ASSY-31 IN. BIN AFT LH
 FIGURE 30F (SHEET 6)

25-24-32-30F

HAP
 OCT 10/06

25-24-32-30F
 PAGE 0E

BOEING
 737-600/700/800/900
 PARTS CATALOG (MAINTENANCE)



E 25243230F SHT 7 REV 081

BOX ASSY-31 IN. BIN AFT LH
 FIGURE 30F (SHEET 7)

25-24-32-30F

HAP
 OCT 10/06

25-24-32-30F
 PAGE OF

BOEING
737-600/700/800/900
PARTS CATALOG (MAINTENANCE)

FIG ITEM	PART NUMBER	1 2 3 4 5 6 7	NOMENCLATURE	EFFECT FROM TO	UNITS PER ASSY
30F			BOX ASSY-31 IN. BIN AFT LH	002005 008030 201967	
- 1	412A1250-119A		BOX ASSY-31 IN. BIN POSITION DATA: AFT LH OPTIONAL PART: 412A1250-1119B FOR NHA SEE: 25-24-31-27 25-24-31-60	002005 008030 201967	RF
- 1	412A1250-1119B		BOX ASSY-31 IN. BIN POSITION DATA: AFT LH OPTIONAL PART: 412A1250-119A FOR NHA SEE: 25-24-31-27 25-24-31-60	002005 008030 201967	RF
5	HL1012AZ6-10		.BOLT SUPPLIER CODE: V97928 SPECIFICATION NUMBER: BACB30NX6K10 OPTIONAL PART: HL12VAZ6-10 V73197 HL12VAZ6-10 V92215 HL12VAZ6-10 V97928 L802-6K10 V06725 HL12VAZ6-10 V56878 HL1012AZ6-10 VOPTK6 HL1012AZ6-10 V06725 HL1012AZ6-10 V06950 HL1012AZ6-10 V17446 HL1012AZ6-10 V56878 HL1012AZ6-10 V60516 HL1012AZ6-10 V73197	002005 008030 201967	6

MISSING ITEM NUMBERS NOT APPLICABLE

- ITEM NOT ILLUSTRATED

HAP

25-24-32-30F

BOEING PROPRIETARY - Copyright © - Unpublished Work - See title page for details.

25-24-32
FIG. 30F
PAGE 1
OCT 15/08

BOEING
737-600/700/800/900
PARTS CATALOG (MAINTENANCE)

FIG ITEM	PART NUMBER	1 2 3 4 5 6 7	NOMENCLATURE	EFFECT FROM TO	UNITS PER ASSY
30F					
10	BACS12ER3K9	.	SCREW	002005 008030 201967	6
15	BACS12FA3K4	.	SCREW	002005 008030 201967	2
20	BACW10BP3NDP	.	WASHER-	002005	6
			OPTIONAL PART: NAS1149D0363J	008030 201967	
20	NAS1149D0363J	.	WASHER-	002005	6
			OPTIONAL PART: BACW10BP3NDP	008030 201967	
25	HL1087-6	.	COLLAR-	002005	6
			SUPPLIER CODE: V73197	008030 201967	
			SPECIFICATION NUMBER: BACC30BH6		
			OPTIONAL PART: HL1087-6		
			V56878		
			HL1087-6		
			V92215		
			HL1087-6		
			V9N513		
			BACC30BZ6		
25	HST1070CY6	.	COLLAR-	002005	6
			SUPPLIER CODE: V5M902	008030 201967	
			SPECIFICATION NUMBER: BACC30BZ6		
			OPTIONAL PART: VLC1070CY6		
			V92215		
			HST1070CY6		
			V73197		
			BACC30BH6		
30	SL5-3-50C	.	NUT-	002005	6
			SUPPLIER CODE: V97393	008030 201967	
35	412A1220-16	.	DOUBLER-9G EXT	002005	1
				008030 201967	
40	412A1220-63A	.	DOUBLER-INTERNAL	002005	1
				008030 201967	
45	412A1220-10A	.	DOUBLER-9G INTERNAL	002005	1
				008030 201967	

MISSING ITEM NUMBERS NOT APPLICABLE

- ITEM NOT ILLUSTRATED

HAP

25-24-32-30F

BOEING PROPRIETARY - Copyright © - Unpublished Work - See title page for details.

25-24-32
FIG. 30F
PAGE 2
OCT 15/08

BOEING
737-600/700/800/900
PARTS CATALOG (MAINTENANCE)

FIG ITEM	PART NUMBER	1 2 3 4 5 6 7	NOMENCLATURE	EFFECT FROM TO	UNITS PER ASSY
30F					
50	412A1230-105	.	FITTING ASSY- OPTIONAL PART: 412A1230-151	002005 008030 201967	1
55	BACW10P273L	..	WASHER	002005 008030 201967	2
60	BACB28AT04B023C	..	BUSHING- OPTIONAL PART: NAS538B4P023	002005 008030 201967	2
60	NAS538B4P023	..	BUSHING- OPTIONAL PART: BACB28AT04B023C	002005 008030 201967	2
65	BCREF13195	..	BUSHING- OVERLENGTH PART NUMBER: BACB28AY06A035CG	002005 008030 201967	1
70	412A1230-107	..	FITTING	002005 008030 201967	1
75	412A1230-151	.	FITTING ASSY- OPTIONAL PART: 412A1230-105 USED ON: 412A1250-119A 412A1250-119SP	002005 008030 201967	1
80	BACW10P273L	..	WASHER	002005 008030 201967	2
85	412A1230-3	..	FITTING ASSY-DRAG	002005 008030 201967	1
90	BCREF13195	...	BUSHING- OVERLENGTH PART NUMBER: BACB28AY06A035CG	002005 008030 201967	1
95	412A1230-5	...	FITTING	002005 008030 201967	1
100	412A1230-32	.	FITTING-SPRT POSITION DATA: UPR	002005 008030 201967	1
105	412A1220-249	.	CORNER ASSY- OPTIONAL PART: 412A1220-209 412A1220-5A USED ON: 412A1250-1119B 412A1250-1119SP	002005 008030 201967	1

MISSING ITEM NUMBERS NOT APPLICABLE

— ITEM NOT ILLUSTRATED

HAP

25-24-32-30F

BOEING PROPRIETARY - Copyright © - Unpublished Work - See title page for details.

25-24-32
FIG. 30F
PAGE 3
OCT 15/08

BOEING
737-600/700/800/900
PARTS CATALOG (MAINTENANCE)

FIG ITEM	PART NUMBER	1 2 3 4 5 6 7	NOMENCLATURE	EFFECT FROM TO	UNITS PER ASSY
30F 110	412A1220-5A	.	CORNER ASSY- OPTIONAL PART: 412A1220-209 412A1220-249	002005 008030 201967	1
110	412A1220-209	.	CORNER ASSY- OPTIONAL PART: 412A1220-249 412A1220-5A USED ON: 412A1250-1119B 412A1250-1119SP	002005 008030 201967	1
115	412A1220-6A	.	CORNER ASSY- OPTIONAL PART: 412A1220-210 412A1120-250	002005 008030 201967	1
115	412A1220-210	.	CORNER ASSY- OPTIONAL PART: 412A1120-250 412A1220-6A USED ON: 412A1250-1119B 412A1250-1119SP	002005 008030 201967	1
120	412A1220-250	.	CORNER ASSY- OPTIONAL PART: 412A1220-210 412A1220-6A USED ON: 412A1250-1119B 412A1250-1119SP	002005 008030 201967	1
125	BACS12FA3K4	.	ATTACHING PARTS SCREW	002005 008030 201967	6
130	BACS12FA3K7	.	SCREW -----*-----	002005 008030 201967	4

MISSING ITEM NUMBERS NOT APPLICABLE

— ITEM NOT ILLUSTRATED

HAP

25-24-32-30F

BOEING PROPRIETARY - Copyright © - Unpublished Work - See title page for details.

25-24-32
FIG. 30F
PAGE 4
OCT 15/08

BOEING
737-600/700/800/900
PARTS CATALOG (MAINTENANCE)

FIG ITEM	PART NUMBER	1 2 3 4 5 6 7	NOMENCLATURE	EFFECT FROM TO	UNITS PER ASSY
30F 135	BRF200C3D		..NUTPLATE SUPPLIER CODE: V52828 SPECIFICATION NUMBER: BACN10JR3CFD OPTIONAL PART: K51602-3BAC V15653 NS202476-02 V80539 102F9201-3 V72962 T8092C1032CD V11815 ATTACHING PARTS	002005 008030 201967	2
- 140	BACR15CE3D		..RIVET- SIZE DETERMINED ON INSTL. -----*-----	002005 008030 201967	4
145	412A1220-251		..REINFORCEMENT- USED ON: 412A1220-249	002005 008030 201967	1
150	412A1220-7A		..REINFORCEMENT- USED ON: 412A1220-5A	002005 008030 201967	1
150	412A1220-211		..REINFORCEMENT- USED ON: 412A1220-209	002005 008030 201967	1
155	412A1220-8A		..REINFORCEMENT- USED ON: 412A1220-6A	002005 008030 201967	1
160	412A1220-252		..REINFORCEMENT- USED ON: 412A1220-250	002005 008030 201967	1
165	BACB30VF3K8		.BOLT- USED ON: 412A1250-119A 412A1250-119SP	002005 008030 201967	3

MISSING ITEM NUMBERS NOT APPLICABLE

- ITEM NOT ILLUSTRATED

HAP

25-24-32-30F

BOEING PROPRIETARY - Copyright © - Unpublished Work - See title page for details.

25-24-32
FIG. 30F
PAGE 5
OCT 15/08

BOEING
737-600/700/800/900
PARTS CATALOG (MAINTENANCE)

FIG ITEM	PART NUMBER	1 2 3 4 5 6 7	NOMENCLATURE	EFFECT FROM TO	UNITS PER ASSY
30F 170	F22K1-02	.	NUT- SUPPLIER CODE: V72962 SPECIFICATION NUMBER: BACN10R10L OPTIONAL PART: 22K1-02 V72962 26CLO2 V80539 USED ON: 412A1250-119A 412A1250-119SP	002005 008030 201967	3
175	412A1340-16	.	FASTENER ASSY-KIT OPTIONAL PART: 412A1340-17 USED ON: 412A1250-1119B 412A1250-1119SP	002005 008030 201967	3
180	BACB30VF3K7	..	BOLT	002005 008030 201967	1
185	BACW10EC3S	..	WASHER	002005 008030 201967	1
190	PLH53C	..	NUT SUPPLIER CODE: V62554 SPECIFICATION NUMBER: BACN10YR3C OPTIONAL PART: H52732-3C V15653	002005 008030 201967	1
195	412A1340-17	.	FASTENER ASSY-KIT OPTIONAL PART: 412A1340-16 USED ON: 412A1250-1119B 412A1250-1119SP	002005 008030 201967	3
200	BACB30VF3K8	..	BOLT	002005 008030 201967	1

MISSING ITEM NUMBERS NOT APPLICABLE

— ITEM NOT ILLUSTRATED

HAP

25-24-32-30F

BOEING PROPRIETARY - Copyright © - Unpublished Work - See title page for details.

25-24-32
FIG. 30F
PAGE 6
OCT 15/08

BOEING
737-600/700/800/900
PARTS CATALOG (MAINTENANCE)

FIG ITEM	PART NUMBER	1 2 3 4 5 6 7	NOMENCLATURE	EFFECT FROM TO	UNITS PER ASSY
30F 205	F22K1-02	. .	NUT SUPPLIER CODE: V72962 SPECIFICATION NUMBER: BACN10R10L OPTIONAL PART: 22K1-02 V72962 26CLO2 V80539	002005 008030 201967	1
210	412A1247-16A	. EXTRUSION-	DOOR CLOSEOUT	002005 008030 201967	1
215	HA225-3	. STRIKE-	SUPPLIER CODE: V83014 SPECIFICATION NUMBER: S412A001-6	002005 008030 201967	1
215	HA225-11	. STRIKE-	SUPPLIER CODE: V83014 SPECIFICATION NUMBER: S412A001-16	002005 008030 201967	1
- 220	BACS12ER08K5	. SCREW	ATTACHING PARTS	002005 008030 201967	2
225	412A1242-50	-----*----- . EXTRUSION-	SHELF	002005 008030 201967	1
230	BACS12ER3K6	. SCREW	ATTACHING PARTS	002005 008030 201967	2
235	BACS12ER3K5	. SCREW		002005 008030 201967	5
245	H3-1233A3	. WASHER-	SUPPLIER CODE: V34941 SPECIFICATION NUMBER: S411A001-1	002005 008030 201967	5
250	412A1475-3A	-----*----- . FITTING ASSY-	SPRT	002005 008030 201967	1

MISSING ITEM NUMBERS NOT APPLICABLE

- ITEM NOT ILLUSTRATED

HAP

25-24-32-30F

BOEING PROPRIETARY - Copyright © - Unpublished Work - See title page for details.

25-24-32
FIG. 30F
PAGE 7
OCT 15/08

BOEING
737-600/700/800/900
PARTS CATALOG (MAINTENANCE)

FIG ITEM	PART NUMBER	1 2 3 4 5 6 7	NOMENCLATURE	EFFECT FROM TO	UNITS PER ASSY
30F 255	412A1475-4A	.	FITTING ASSY-SPRT	002005 008030 201967	1
- 260	BACS12ER3K5	.	ATTACHING PARTS SCREW	002005 008030 201967	4
265	BACN11F3-1CD	-----*	.. NUT	002005 008030 201967	1
270	NAS1795-3	..	CLIP	002005 008030 201967	1
275	412A1475-1A	..	FITTING- USED ON: 412A1475-3A	002005 008030 201967	1
280	412A1475-2A	..	FITTING- USED ON: 412A1475-4A	002005 008030 201967	1
285	412A1450-1A	.	TRIM	002005 008030 201967	2
290	412A1230-88	.	FITTING ASSY	002005 008030 201967	1
295	BACS12FA3K5	.	ATTACHING PARTS SCREW	002005 008030 201967	1
300	BACS12ER3K6	.	SCREW	002005 008030 201967	2
305	BCREF13196	-----*	.. BUSHING- OVERLENGTH PART NUMBER: BACB28AT06A010CG	002005 008030 201967	1
310	412A1230-90	..	FITTING	002005 008030 201967	1
315	BACS12FA3K4	.	SCREW	002005 008030 201967	22
320	BACS12FA3K6	.	SCREW	002005 008030 201967	8
320	BACS12FA3K5	.	SCREW	002005 008030 201967	8

MISSING ITEM NUMBERS NOT APPLICABLE

- ITEM NOT ILLUSTRATED

HAP

25-24-32-30F

BOEING PROPRIETARY - Copyright © - Unpublished Work - See title page for details.

25-24-32
FIG. 30F
PAGE 8
OCT 15/08

BOEING
737-600/700/800/900
PARTS CATALOG (MAINTENANCE)

FIG ITEM	PART NUMBER	1 2 3 4 5 6 7	NOMENCLATURE	EFFECT FROM TO	UNITS PER ASSY
30F 325	412A1220-3	.	ANGLE	002005 008030 201967	1
330	412A1220-9A	.	ANGLE- OPTIONAL PART: 412A1220-205	002005 008030 201967	2
330	412A1220-205	.	ANGLE- OPTIONAL PART: 412A1220-9A	002005 008030 201967	2
335	412A1245-18	.	RAIL	002005 008030 201967	1
340	412A1220-24	.	GUSSET	002005 008030 201967	1
345	412A1220-20	.	DOUBLER	002005 008030 201967	1
350	412A1230-136	.	FITTING ASSY-SPRT POSITION DATA: LWR	002005 008030 201967	1
355	BACW10P273L	..	WASHER	002005 008030 201967	2
360	BACB28AT04B007C	..	BUSHING	002005 008030 201967	2
365	412A1230-146	..	FITTING	002005 008030 201967	1
370	412A1212-143A	.	PANEL ASSY-END USED ON: 412A1250-119A	002005 008030 201967	1
370	412A1212-1143B	.	PANEL ASSY-END USED ON: 412A1250-1119SP 412A1250-1119B	002005 008030 201967	1
- 375	SL2334-3A1	..	INSERT- SUPPLIER CODE: V97393	002005 008030 201967	11
380	412A1212-109A	.	PANEL ASSY-END USED ON: 412A1250-119A	002005 008030 201967	1
380	412A1212-1109B	.	PANEL ASSY-END USED ON: 412A1250-1119SP 412A1250-1119B	002005 008030 201967	1

MISSING ITEM NUMBERS NOT APPLICABLE

- ITEM NOT ILLUSTRATED

HAP

25-24-32-30F

BOEING PROPRIETARY - Copyright © - Unpublished Work - See title page for details.

25-24-32
FIG. 30F
PAGE 9
OCT 15/08

BOEING
737-600/700/800/900
PARTS CATALOG (MAINTENANCE)

FIG ITEM	PART NUMBER	1 2 3 4 5 6 7	NOMENCLATURE	EFFECT FROM TO	UNITS PER ASSY
30F - 385	SL2334-3A1		.. INSERT- SUPPLIER CODE: V97393	002005 008030 201967	23
390	412A1210-113A		. PANEL ASSY-SHELL USED ON: 412A1250-119A	002005 008030 201967	1
390	412A1210-1113B		. PANEL ASSY-SHELL USED ON: 412A1250-1119SP 412A1250-1119B	002005 008030 201967	1
395	SL2334-3A1		.. INSERT- SUPPLIER CODE: V97393	002005 008030 201967	27
400	BCREF128023		.. INSERT- SUPPLIER CODE: V97393 OVERLENGTH PART NUMBER: SL603-3-375ASP13 USED ON: 412A1210-113A 412A1210-1113B	002005 008030 201967	11
405	412A1211-115A		. PANEL ASSY-SHELF USED ON: 412A1250-119A	002005 008030 201967	1
405	412A1211-1115B		. PANEL ASSY-SHELF USED ON: 412A1250-1119SP 412A1250-1119B	002005 008030 201967	1
- 410	SL2334-3A1		.. INSERT- SUPPLIER CODE: V97393	002005 008030 201967	43

MISSING ITEM NUMBERS NOT APPLICABLE

- ITEM NOT ILLUSTRATED

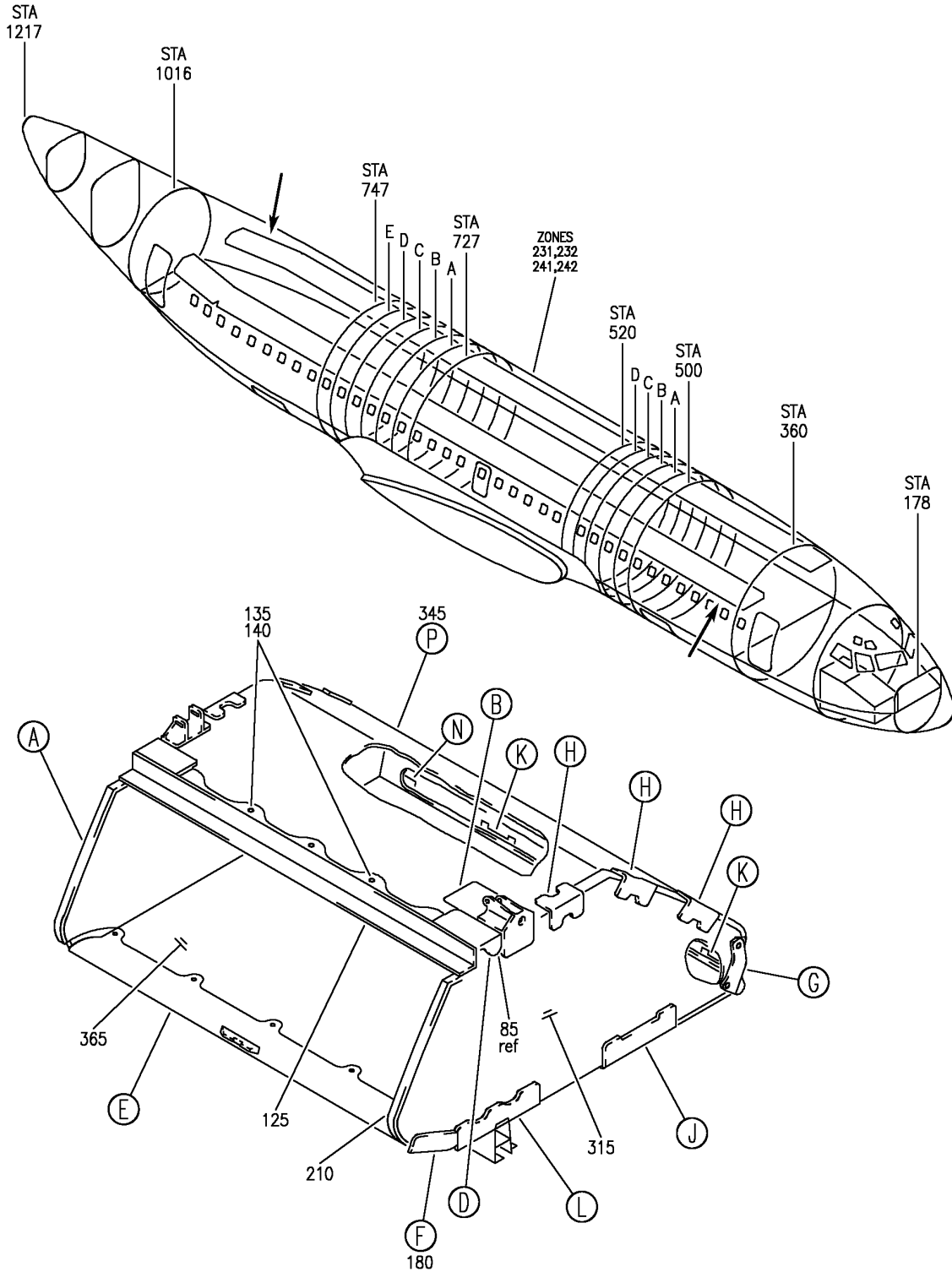
HAP

25-24-32-30F

BOEING PROPRIETARY - Copyright © - Unpublished Work - See title page for details.

25-24-32
FIG. 30F
PAGE 10
OCT 15/08

BOEING
 737-600/700/800/900
 PARTS CATALOG (MAINTENANCE)



E 25243230G SHT 1 REV 081

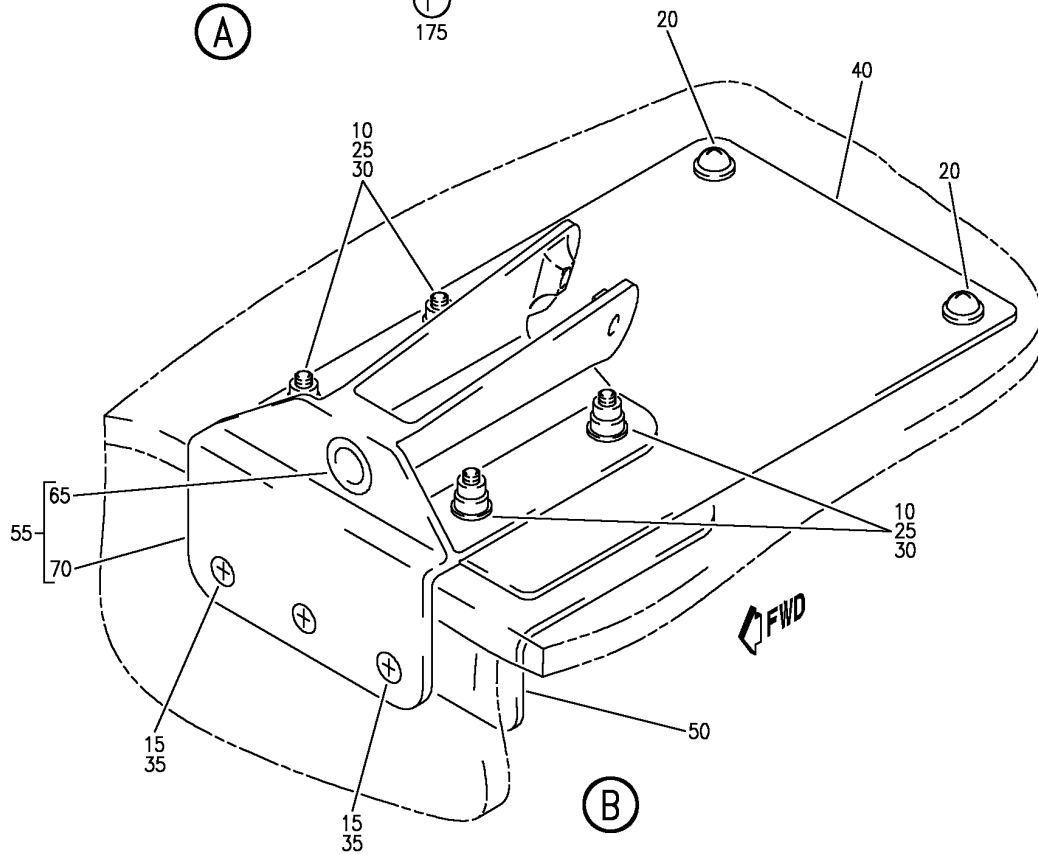
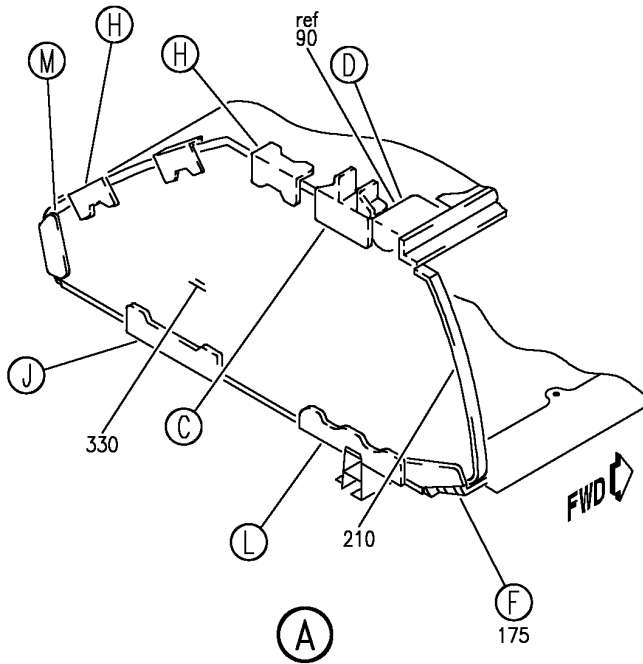
BOX ASSY-31 IN. BIN
 FIGURE 30G (SHEET 1)

25-24-32-30G

HAP
 OCT 10/06

25-24-32-30G
 PAGE 0

BOEING
 737-600/700/800/900
 PARTS CATALOG (MAINTENANCE)



E 25243230G SHT 2 REV 081

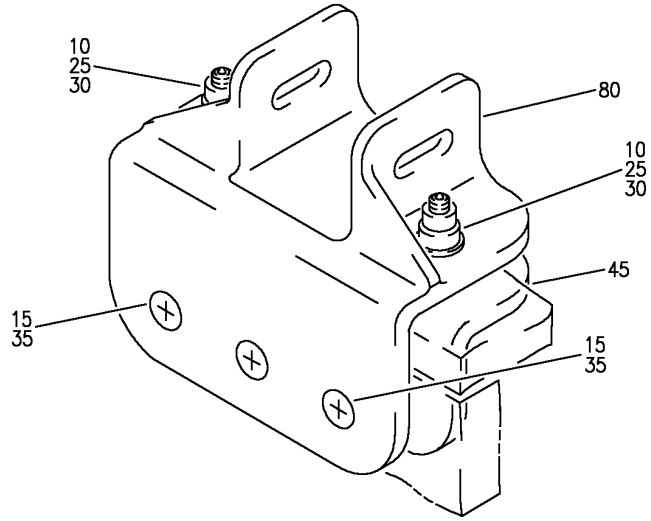
BOX ASSY-31 IN. BIN
 FIGURE 30G (SHEET 2)

25-24-32-30G

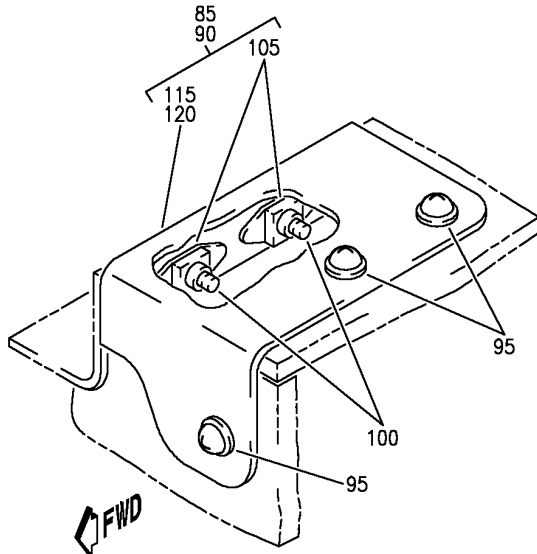
HAP
 OCT 10/06

25-24-32-30G
 PAGE 0A

BOEING
 737-600/700/800/900
 PARTS CATALOG (MAINTENANCE)



(C)



(D)

E 25243230G SHT 3 REV 081

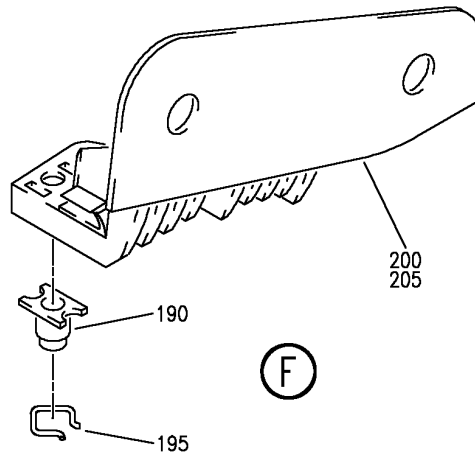
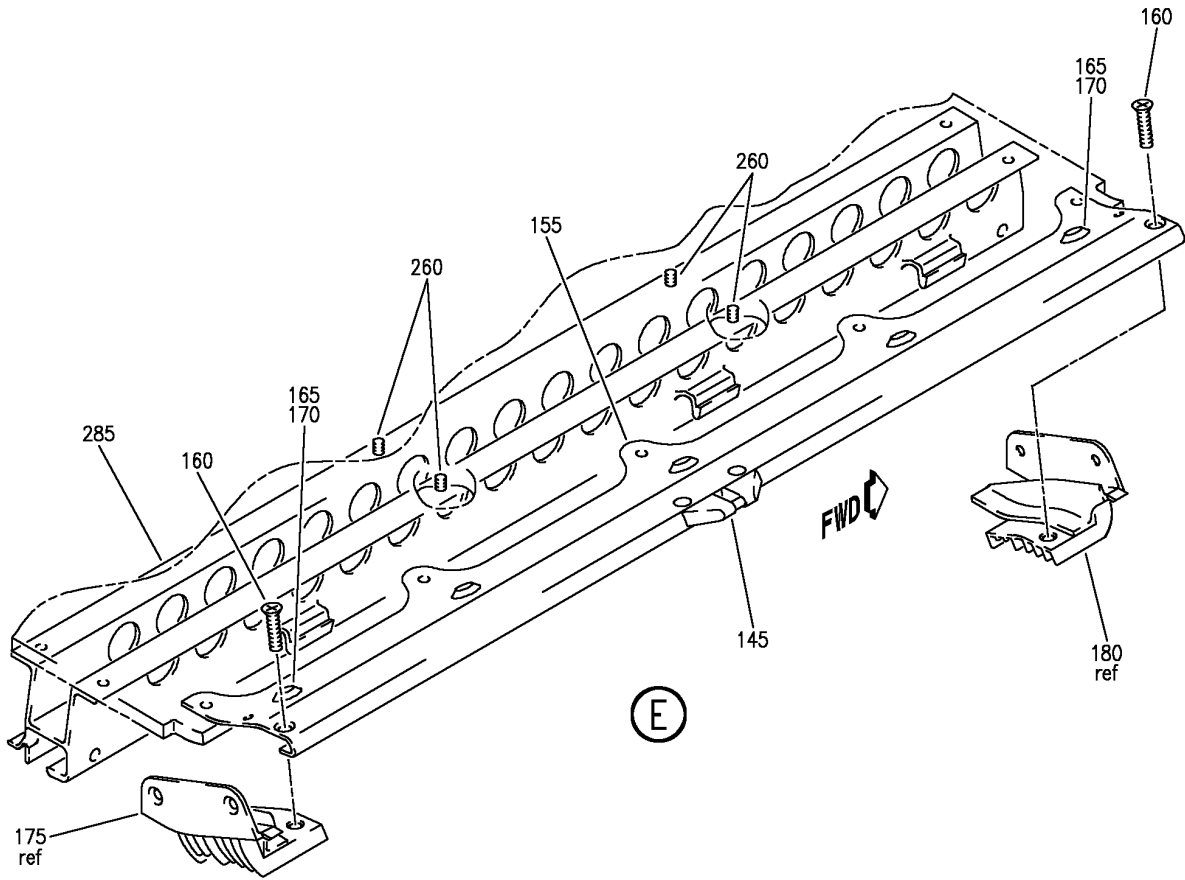
BOX ASSY-31 IN. BIN
 FIGURE 30G (SHEET 3)

25-24-32-30G

HAP
 OCT 10/06

25-24-32-30G
 PAGE 0B

BOEING
 737-600/700/800/900
 PARTS CATALOG (MAINTENANCE)



E 25243230G SHT 4 REV 081

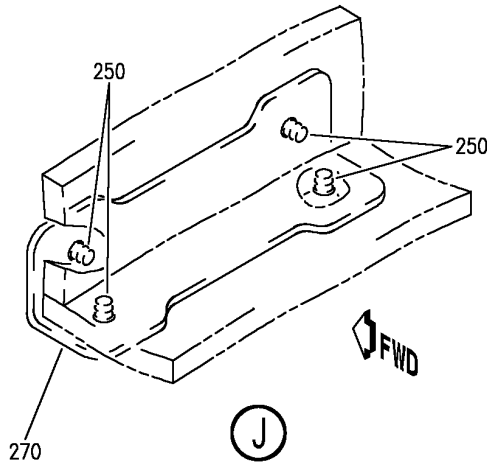
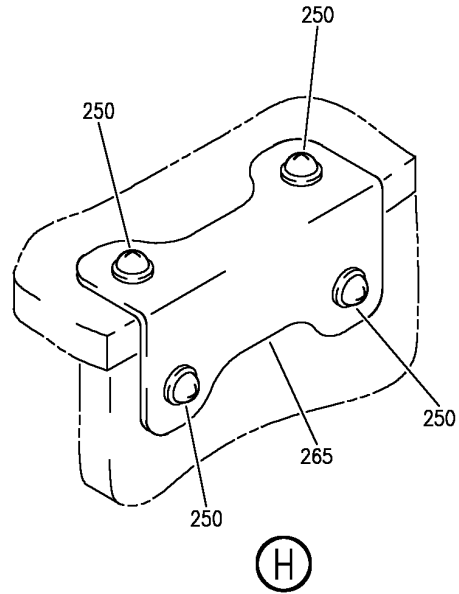
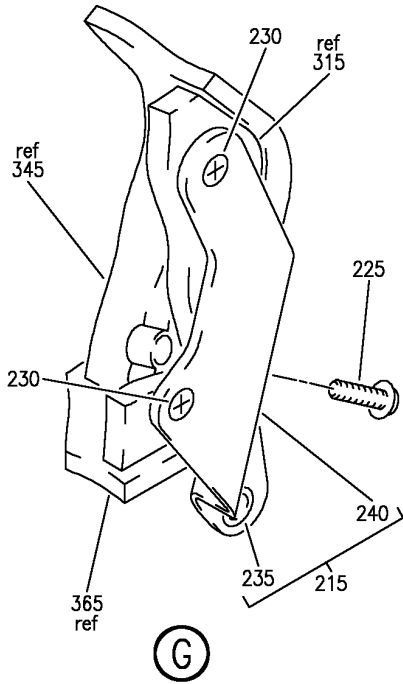
BOX ASSY-31 IN. BIN
 FIGURE 30G (SHEET 4)

25-24-32-30G

HAP
 OCT 10/06

25-24-32-30G
 PAGE 0C

BOEING
 737-600/700/800/900
 PARTS CATALOG (MAINTENANCE)



E 25243230G SHT 5 REV 081

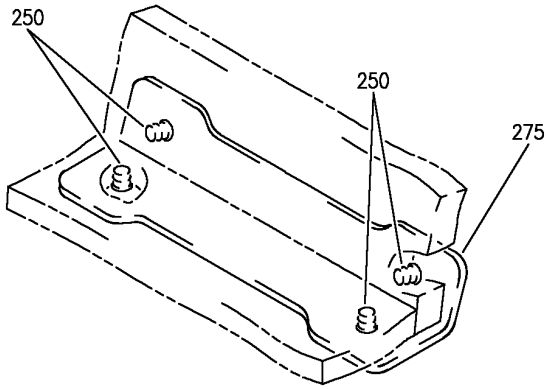
BOX ASSY-31 IN. BIN
 FIGURE 30G (SHEET 5)

25-24-32-30G

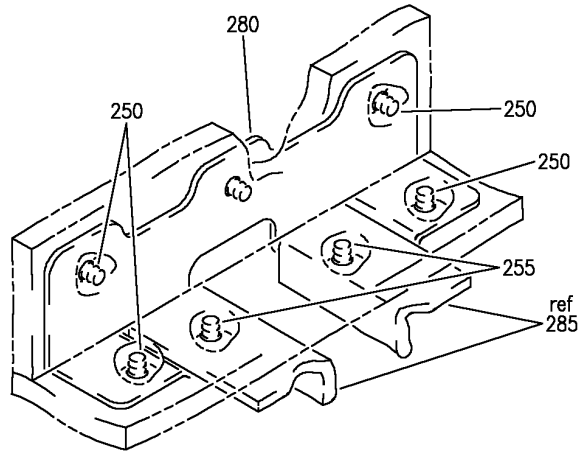
HAP
 OCT 10/06

25-24-32-30G
 PAGE 0D

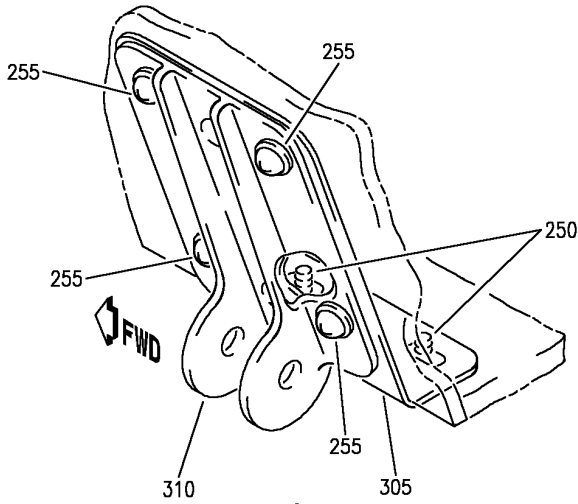
BOEING
 737-600/700/800/900
 PARTS CATALOG (MAINTENANCE)



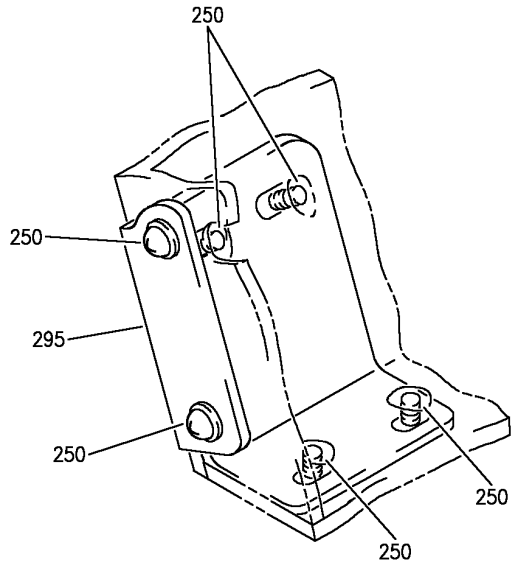
(K)



(L)



(N)



(M)

E 25243230G SHT 6 REV 081

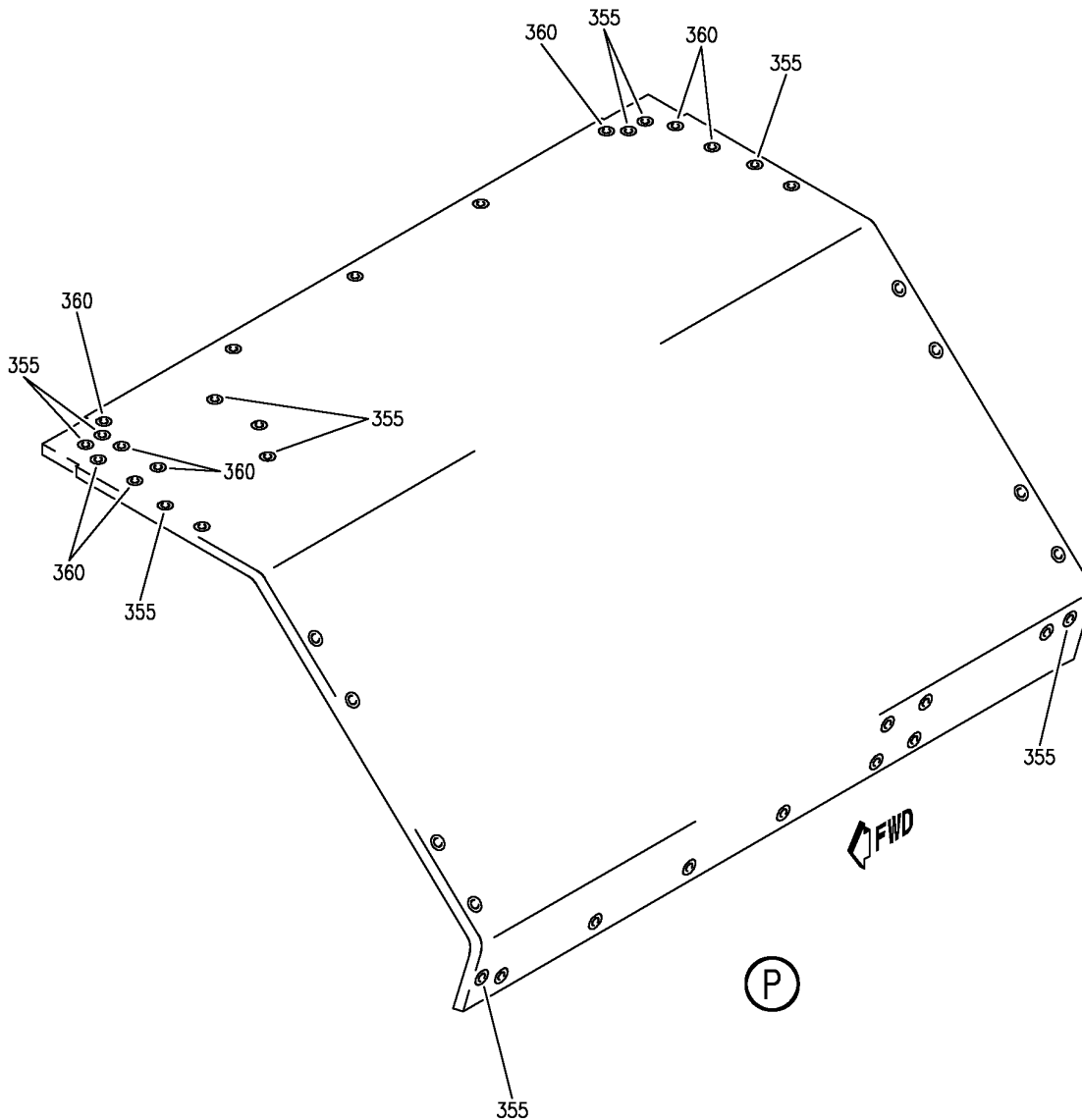
BOX ASSY-31 IN. BIN
 FIGURE 30G (SHEET 6)

25-24-32-30G

HAP
 OCT 10/06

25-24-32-30G
 PAGE 0E

BOEING
737-600/700/800/900
PARTS CATALOG (MAINTENANCE)



E 25243230G SHT 7 REV 081

BOX ASSY-31 IN. BIN
FIGURE 30G (SHEET 7)

25-24-32-30G

HAP
OCT 10/06

25-24-32-30G
PAGE OF

BOEING
737-600/700/800/900
PARTS CATALOG (MAINTENANCE)

FIG ITEM	PART NUMBER	1 2 3 4 5 6 7	NOMENCLATURE	EFFECT FROM TO	UNITS PER ASSY
30G			BOX ASSY-31 IN. BIN	001001 006007	
- 1	412A1250-19SP		BOX ASSY-31 IN. BIN POSITION DATA: LH FOR NHA SEE: 25-24-31-60E	001001 006007	RF
- 5	412A1250-20SP		BOX ASSY-31 IN. BIN POSITION DATA: RH FOR NHA SEE: 25-24-31-63C	001001 006007	RF
10	HL1012AZ6-10		.BOLT SUPPLIER CODE: V97928 SPECIFICATION NUMBER: BACB30NX6K10 OPTIONAL PART: HL12VAZ6-10 V73197 HL12VAZ6-10 V92215 HL12VAZ6-10 V97928 L802-6K10 V06725 HL12VAZ6-10 V56878 HL1012AZ6-10 VOPTK6 HL1012AZ6-10 V06725 HL1012AZ6-10 V06950 HL1012AZ6-10 V17446 HL1012AZ6-10 V56878 HL1012AZ6-10 V60516 HL1012AZ6-10 V73197	001001 006007	6
15	BACS12ER3K9		.SCREW	001001 006007	6
20	BACS12FA3K4		.SCREW	001001 006007	2
25	BACW10BP3NDP		.WASHER	001001 006007	6

MISSING ITEM NUMBERS NOT APPLICABLE

- ITEM NOT ILLUSTRATED

HAP

25-24-32-30G

BOEING PROPRIETARY - Copyright © - Unpublished Work - See title page for details.

25-24-32
FIG. 30G
PAGE 1
OCT 10/06

BOEING
737-600/700/800/900
PARTS CATALOG (MAINTENANCE)

FIG ITEM	PART NUMBER	1 2 3 4 5 6 7	NOMENCLATURE	EFFECT FROM TO	UNITS PER ASSY
30G 30	HL1087-6		.COLLAR SUPPLIER CODE: V73197 SPECIFICATION NUMBER: BACC30BH6 OPTIONAL PART: HL1087-6 V56878 HL1087-6 V92215 HL1087-6 V9N513	001001 006007	6
35	SL5-3-50C		.NUT- SUPPLIER CODE: V97393	001001 006007	6
40	412A1220-16		.DOUBLER-9G EXT	001001 006007	1
45	412A1220-63A		.DOUBLER-9G INTERNAL	001001 006007	1
50	412A1220-10A		.DOUBLER-INTERNAL	001001 006007	1
55	412A1230-3		.FITTING ASSY- POSITION DATA: LH SIDE	001001 006007	1
- 60	412A1230-4		.FITTING ASSY- POSITION DATA: RH SIDE	001001 006007	1
65	BCREF13195		..BUSHING- OVERLENGTH PART NUMBER: BACB28AY06A035CG	001001 006007	1
70	412A1230-5		..FITTING- POSITION DATA: LH SIDE	001001 006007	1
- 75	412A1230-6		..FITTING- POSITION DATA: RH SIDE	001001 006007	1
80	412A1230-32		.FITTING-SPRT POSITION DATA: UPR	001001 006007	1
85	412A1220-5SP		.CORNER ASSY	001001 006007	1
90	412A1220-6SP		.CORNER ASSY	001001 006007	1
95	BACS12FA3K4		ATTACHING PARTS .SCREW	001001 006007	6
100	BACS12FA3K7		.SCREW	001001 006007	4
-----*-----					
MISSING ITEM NUMBERS NOT APPLICABLE					

- ITEM NOT ILLUSTRATED

HAP

25-24-32-30G

BOEING PROPRIETARY - Copyright © - Unpublished Work - See title page for details.

25-24-32
FIG. 30G
PAGE 2
OCT 10/06

BOEING
737-600/700/800/900
PARTS CATALOG (MAINTENANCE)

FIG ITEM	PART NUMBER	1 2 3 4 5 6 7	NOMENCLATURE	EFFECT FROM TO	UNITS PER ASSY
30G 105	BRF200C3D		..NUTPLATE SUPPLIER CODE: V52828 SPECIFICATION NUMBER: BACN10JR3CFD OPTIONAL PART: K51602-3BAC V15653 NS202476-02 V80539 102F9201-3 V72962 T8092C1032CD V11815 ATTACHING PARTS	001001 006007	2
- 110	BACR15CE3D		..RIVET- SIZE DETERMINED ON INSTL. -----*-----	001001 006007	4
115	412A1220-7A		..REINFORCEMENT- USED ON: 412A1220-5SP	001001 006007	1
120	412A1220-8A		..REINFORCEMENT- USED ON: 412A1220-6SP	001001 006007	1
125	412A1247-16SP		.EXTRUSION-DOOR CLOSEOUT POSITION DATA: LH SIDE	001001 006007	1
- 130	412A1247-15SP		.EXTRUSION-DOOR CLOSEOUT POSITION DATA: RH SIDE ATTACHING PARTS	001001 006007	1
135	BACB30VF3K8		.BOLT	001001 006007	3
140	F22K1-02		.NUT SUPPLIER CODE: V72962 SPECIFICATION NUMBER: BACN10R10L OPTIONAL PART: 22K1-02 V72962 26CLO2 V80539 -----*-----	001001 006007	3
145	HA225-3		.STRIKE- SUPPLIER CODE: V83014 SPECIFICATION NUMBER: S412A001-6	001001 006007	1

MISSING ITEM NUMBERS NOT APPLICABLE

- ITEM NOT ILLUSTRATED

HAP

25-24-32-30G

BOEING PROPRIETARY - Copyright © - Unpublished Work - See title page for details.

25-24-32
FIG. 30G
PAGE 3
OCT 10/06

BOEING
737-600/700/800/900
PARTS CATALOG (MAINTENANCE)

FIG ITEM	PART NUMBER	1 2 3 4 5 6 7	NOMENCLATURE	EFFECT FROM TO	UNITS PER ASSY
30G 145	HA225-11		.STRIKE- SUPPLIER CODE: V83014 SPECIFICATION NUMBER: S412A001-16 ATTACHING PARTS	001001 006007	1
- 150	BACS12ER08K5		.SCREW	001001 006007	2
			-----*-----		
155	412A1242-50		.EXTRUSION-SHELF ATTACHING PARTS	001001 006007	1
160	BACS12ER3K6		.SCREW	001001 006007	2
165	BACS12ER3K5		.SCREW	001001 006007	5
170	H3-1233A3		.WASHER- SUPPLIER CODE: V34941 SPECIFICATION NUMBER: S411A001-1 -----*-----	001001 006007	5
175	412A1475-3SP		.FITTING ASSY-SPRT	001001 006007	1
180	412A1475-4SP		.FITTING ASSY-SPRT ATTACHING PARTS	001001 006007	1
- 185	BACS12ER3K5		.SCREW	001001 006007	4
			-----*-----		
190	BACN11F3-1CD		..NUT	001001 006007	1
195	NAS1795-3		..CLIP	001001 006007	1
200	412A1475-1SP		..FITTING- USED ON: 412A1475-3SP	001001 006007	1
205	412A1475-2SP		..FITTING- USED ON: 412A1475-4SP	001001 006007	1
210	412A1450-1SP		.TRIM	001001 006007	2
215	412A1230-8		.SUPPORT ASSY- POSITION DATA: LH SIDE	001001 006007	1
- 220	412A1230-7		.SUPPORT ASSY- POSITION DATA: RH SIDE	001001 006007	1

MISSING ITEM NUMBERS NOT APPLICABLE

- ITEM NOT ILLUSTRATED

HAP

25-24-32-30G

BOEING PROPRIETARY - Copyright © - Unpublished Work - See title page for details.

25-24-32
FIG. 30G
PAGE 4
JUN 15/08

BOEING
737-600/700/800/900
PARTS CATALOG (MAINTENANCE)

FIG ITEM	PART NUMBER	1 2 3 4 5 6 7	NOMENCLATURE	EFFECT FROM TO	UNITS PER ASSY
30G			ATTACHING PARTS		
225	BACS12FA3K5	.	SCREW	001001 006007	1
230	BACS12ER3K6	.	SCREW	001001 006007	2
235	BCREF13196	-----*-----	.. BUSHING- OVERLENGTH PART NUMBER: BACB28AT06A010CG	001001 006007	1
240	412A1230-10	..	SUPPORT- POSITION DATA: LH SIDE	001001 006007	1
- 245	412A1230-9	..	SUPPORT- POSITION DATA: RH SIDE	001001 006007	1
250	BACS12FA3K4	.	SCREW	001001 006007	58
255	BACS12FA3K6	.	SCREW	001001 006007	8
260	BACS12FA3K5	.	SCREW	001001 006007	4
265	412A1220-2	.	ANGLE	001001 006007	6
270	412A1220-3	.	ANGLE	001001 006007	2
275	412A1220-4	.	ANGLE	001001 006007	2
280	412A1220-9A	.	ANGLE	001001 006007	2
285	412A1245-18	.	RAIL- POSITION DATA: LH SIDE	001001 006007	1
- 290	412A1245-17	.	RAIL- POSITION DATA: RH SIDE	001001 006007	1
295	412A1220-24	.	GUSSET- POSITION DATA: LH SIDE	001001 006007	1
- 300	412A1220-23	.	GUSSET- POSITION DATA: RH SIDE	001001 006007	1
305	412A1220-20	.	DOUBLER	001001 006007	1
310	412A1230-27	.	FITTING-SPRT POSITION DATA: UPR	001001 006007	1
315	412A1212-4SP	.	PANEL ASSY-END POSITION DATA: LH SIDE	001001 006007	1

MISSING ITEM NUMBERS NOT APPLICABLE

- ITEM NOT ILLUSTRATED

HAP

25-24-32-30G

BOEING PROPRIETARY - Copyright © - Unpublished Work - See title page for details.

25-24-32
FIG. 30G
PAGE 5
JUN 15/08

BOEING
737-600/700/800/900
PARTS CATALOG (MAINTENANCE)

FIG ITEM	PART NUMBER	1 2 3 4 5 6 7	NOMENCLATURE	EFFECT FROM TO	UNITS PER ASSY
30G					
- 320	412A1212-3SP		.PANEL ASSY-END POSITION DATA: RH SIDE	001001 006007	1
- 325	SL2334-3A1		..INSERT- SUPPLIER CODE: V97393	001001 006007	16
330	412A1212-17SP		.PANEL ASSY-END POSITION DATA: LH SIDE	001001 006007	1
- 335	412A1212-18SP		.PANEL ASSY-END POSITION DATA: RH SIDE	001001 006007	1
- 340	SL2334-3A1		..INSERT- SUPPLIER CODE: V97393	001001 006007	28
345	412A1210-13SP		.PANEL ASSY-SHELL POSITION DATA: LH SIDE	001001 006007	1
- 350	412A1210-14SP		.PANEL ASSY-SHELL POSITION DATA: RH SIDE	001001 006007	1
355	SL2334-3A1		..INSERT- SUPPLIER CODE: V97393	001001 006007	30
360	BCREF128023		..INSERT- SUPPLIER CODE: V97393 OVERLENGTH PART NUMBER: SL603-3-375ASP13	001001 006007	11
365	412A1211-15SP		.PANEL ASSY-SHELF POSITION DATA: LH SIDE	001001 006007	1
- 370	412A1211-16SP		.PANEL ASSY-SHELF POSITION DATA: RH SIDE	001001 006007	1
- 375	SL2334-3A1		..INSERT- SUPPLIER CODE: V97393	001001 006007	49

MISSING ITEM NUMBERS NOT APPLICABLE

- ITEM NOT ILLUSTRATED

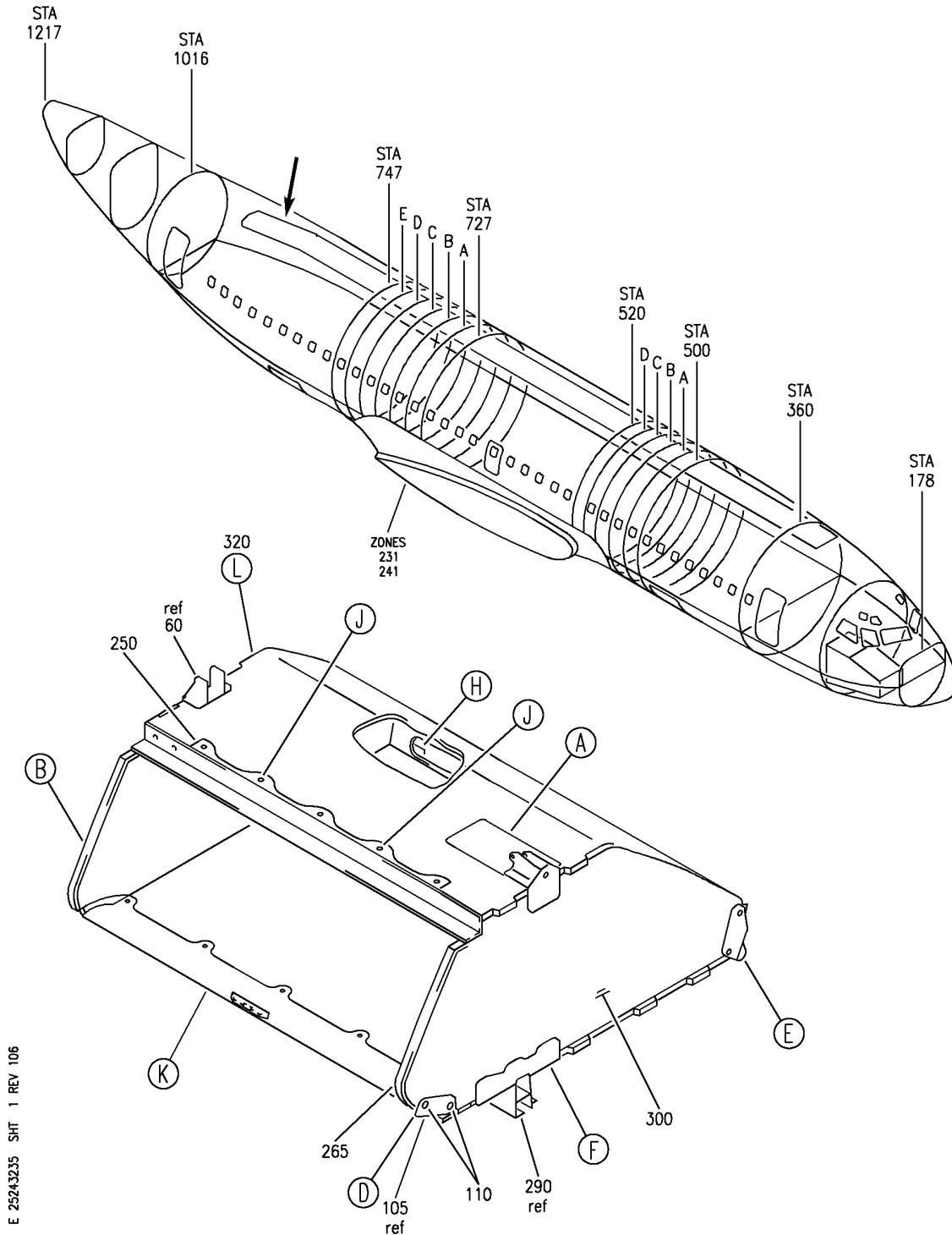
HAP

25-24-32-30G

BOEING PROPRIETARY - Copyright © - Unpublished Work - See title page for details.

25-24-32
FIG. 30G
PAGE 6
JUN 15/08

BOEING
 737-600/700/800/900
 PARTS CATALOG (MAINTENANCE)



E 2524-32-35 SHT 1 REV 106

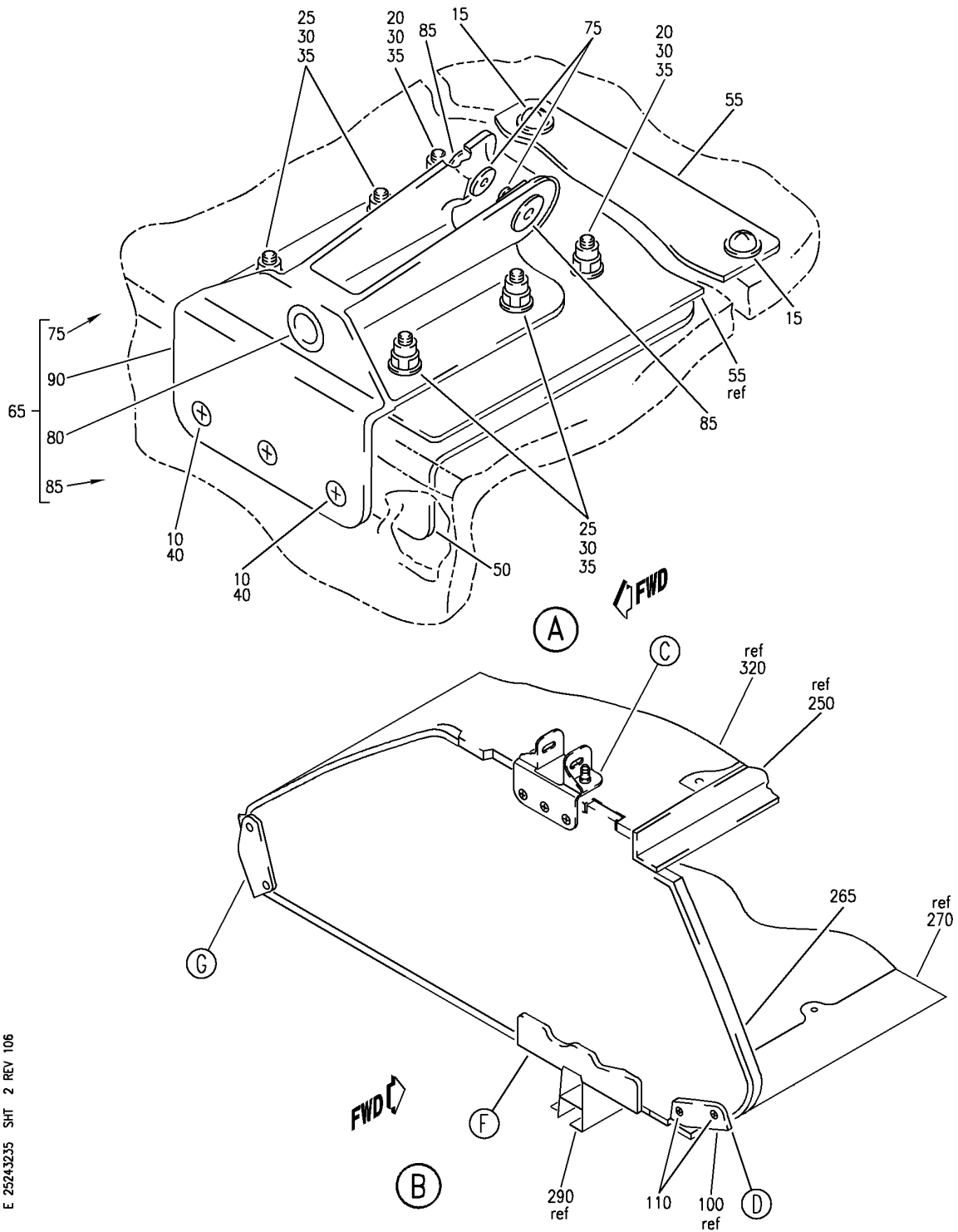
BOX ASSY-AFT LH 31 IN. BIG BIN
 FIGURE 35 (SHEET 1)

25-24-32-35

HAP
 OCT 10/06

25-24-32-35
 PAGE 0

BOEING
737-600/700/800/900
PARTS CATALOG (MAINTENANCE)



E 2524-3235 SHT 2 REV 106

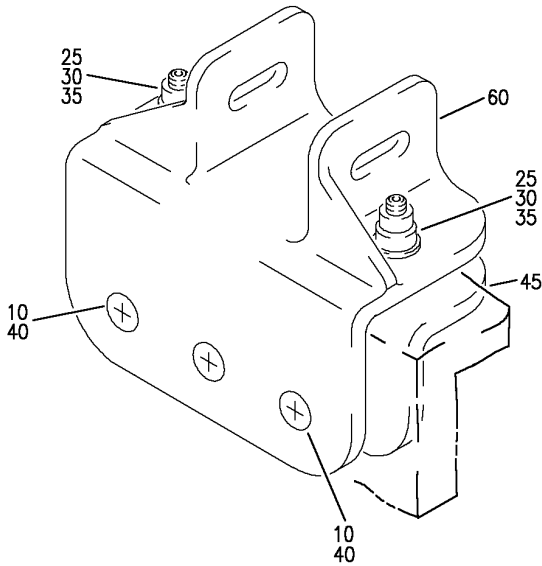
BOX ASSY-AFT LH 31 IN. BIG BIN
 FIGURE 35 (SHEET 2)

25-24-32-35

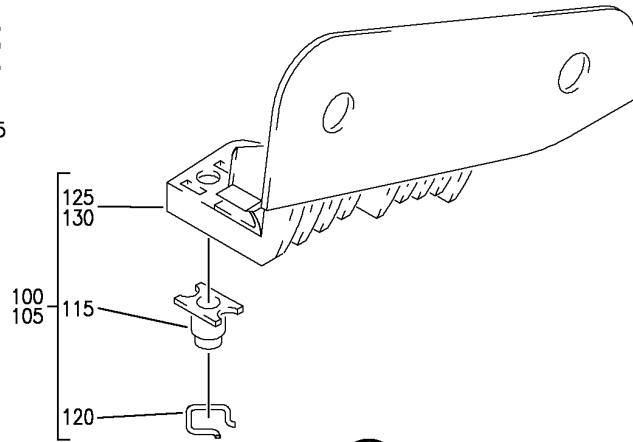
HAP
 OCT 10/06

25-24-32-35
 PAGE 0A

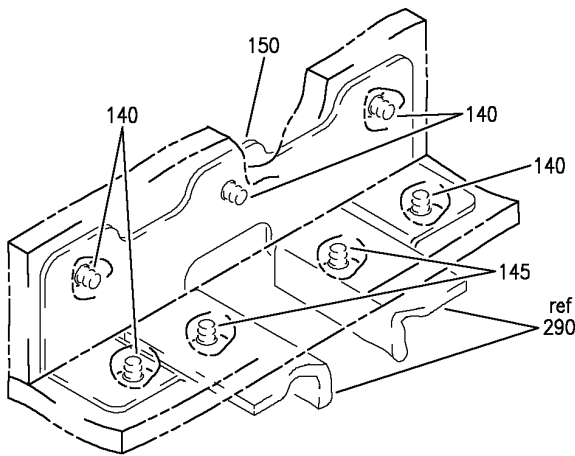
BOEING
 737-600/700/800/900
 PARTS CATALOG (MAINTENANCE)



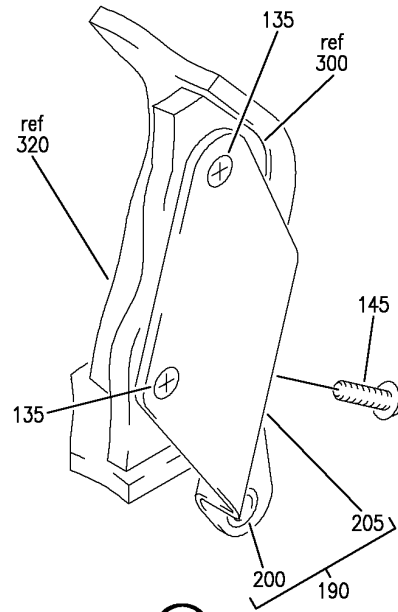
(C)



(D)



(F)



(E)

E 25243235 SHT 3 REV 081

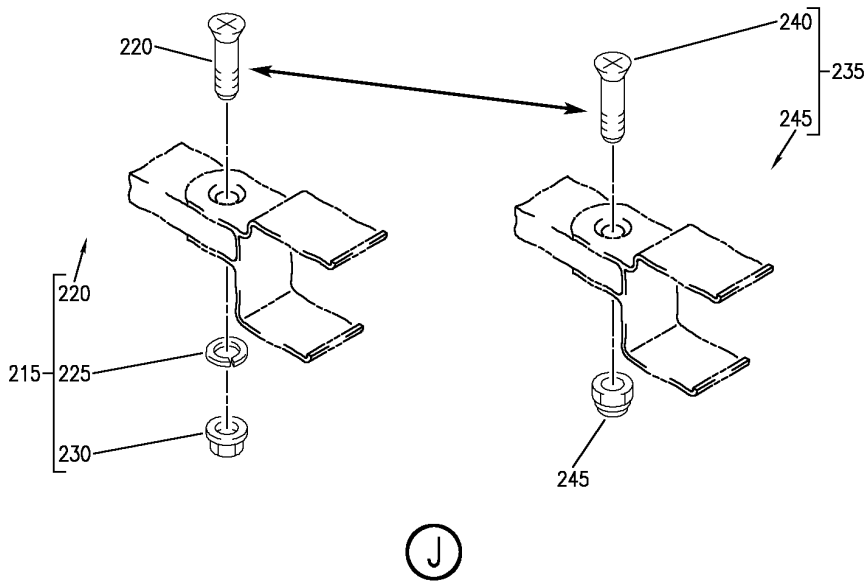
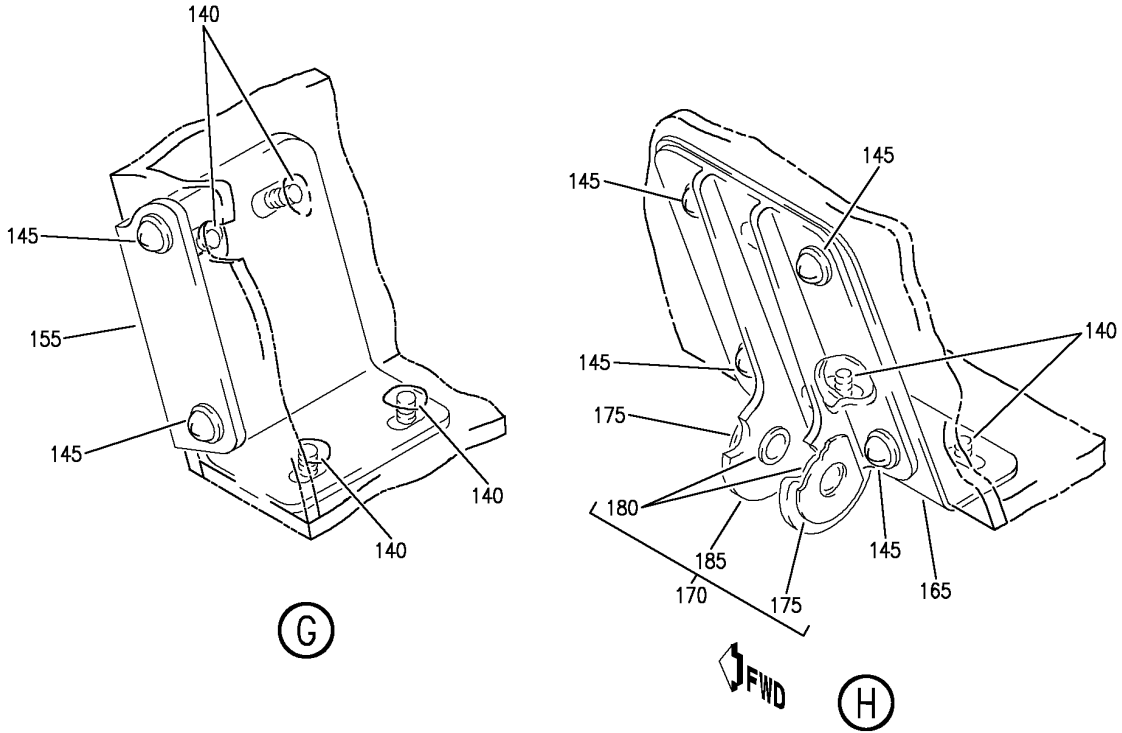
BOX ASSY-AFT LH 31 IN. BIG BIN
 FIGURE 35 (SHEET 3)

25-24-32-35

HAP
 OCT 10/06

25-24-32-35
 PAGE 0B

BOEING
 737-600/700/800/900
 PARTS CATALOG (MAINTENANCE)



E 25243235 SH1 4 REV 081

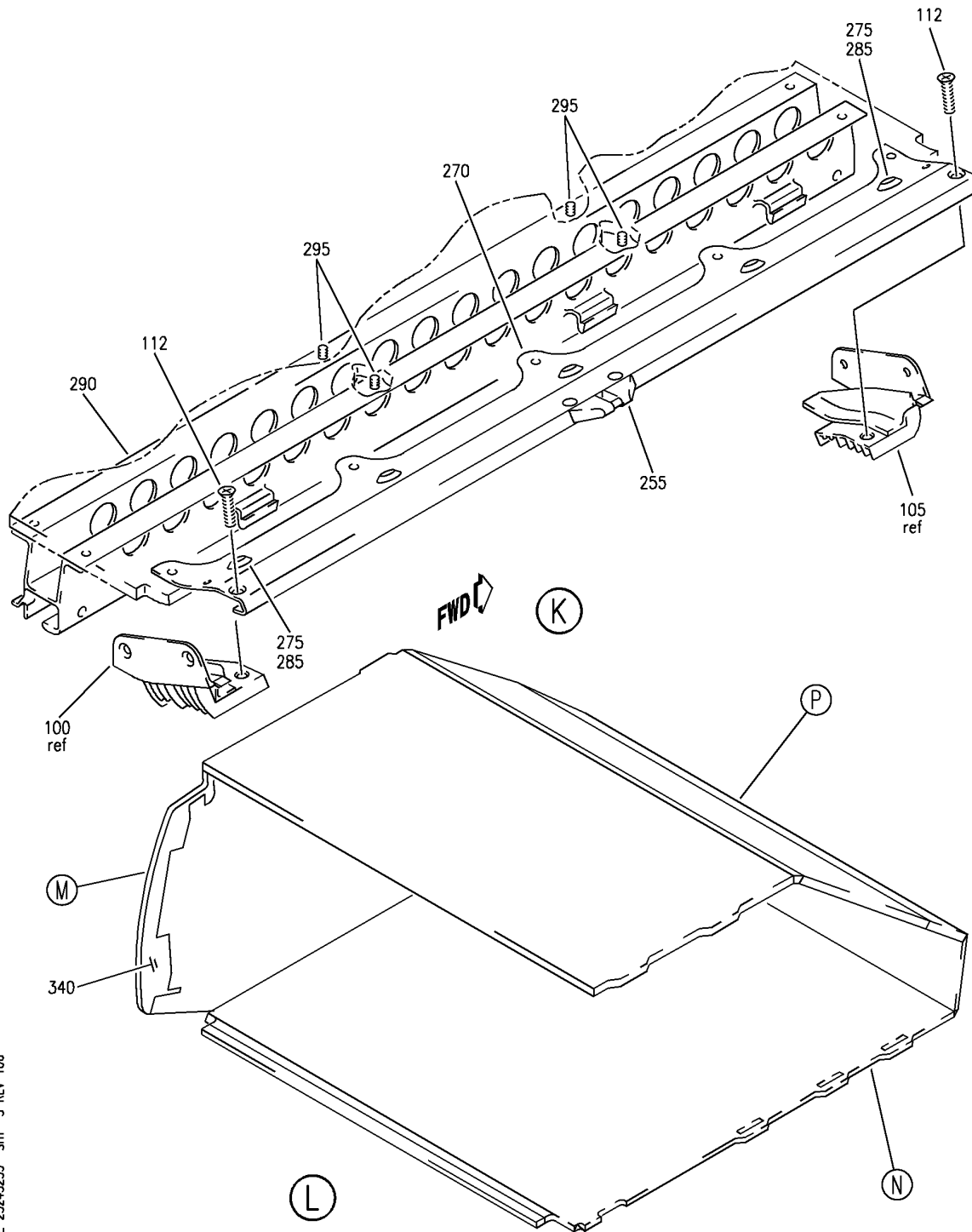
BOX ASSY-AFT LH 31 IN. BIG BIN
 FIGURE 35 (SHEET 4)

25-24-32-35

HAP
 OCT 10/06

25-24-32-35
 PAGE 0C

BOEING
 737-600/700/800/900
 PARTS CATALOG (MAINTENANCE)



E 2524-3235 SHT 5 REV 106

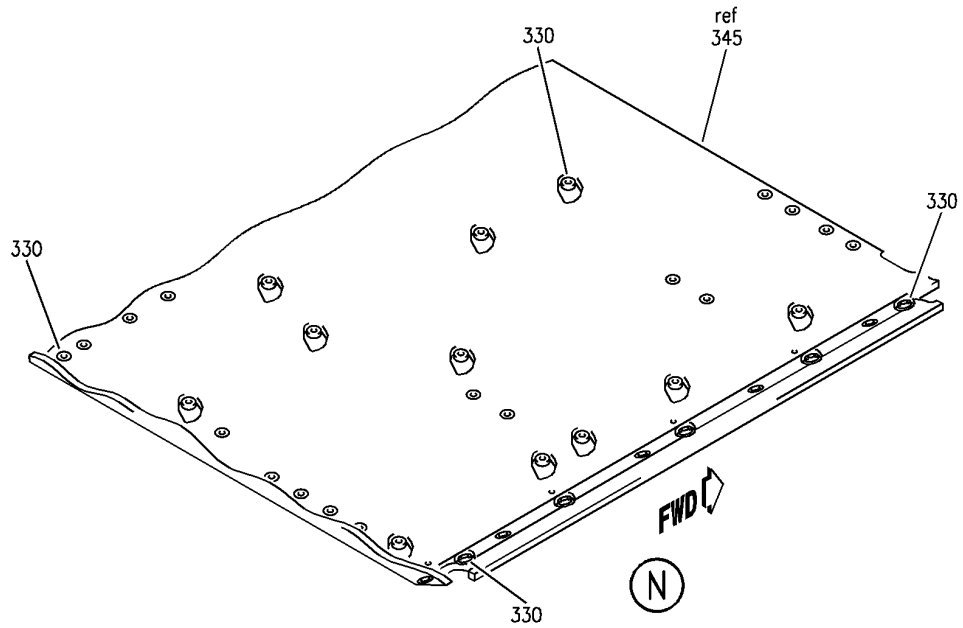
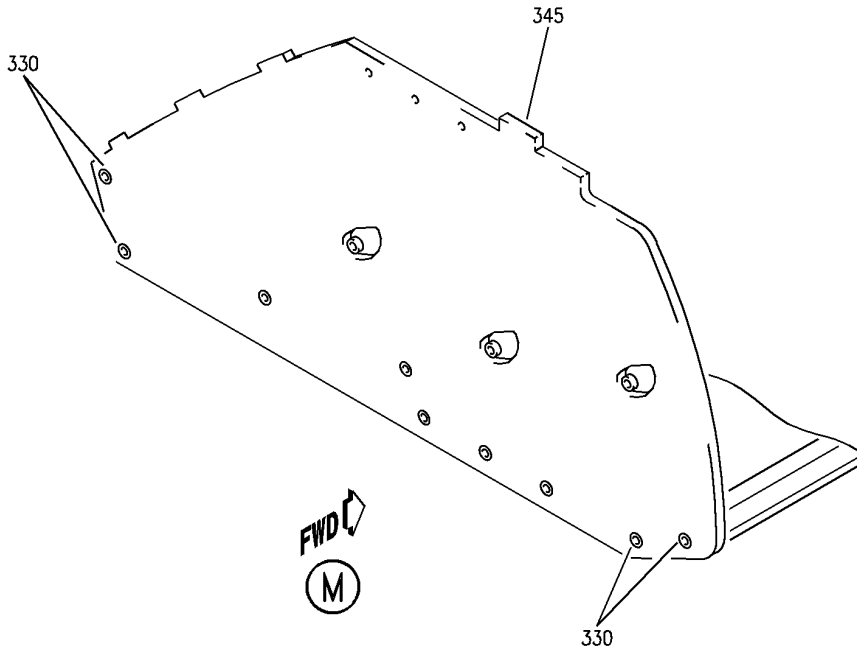
BOX ASSY-AFT LH 31 IN. BIG BIN
 FIGURE 35 (SHEET 5)

25-24-32-35

HAP
 OCT 10/06

25-24-32-35
 PAGE 0D

BOEING
737-600/700/800/900
PARTS CATALOG (MAINTENANCE)



E 2524-3235 SHT 6 REV 106

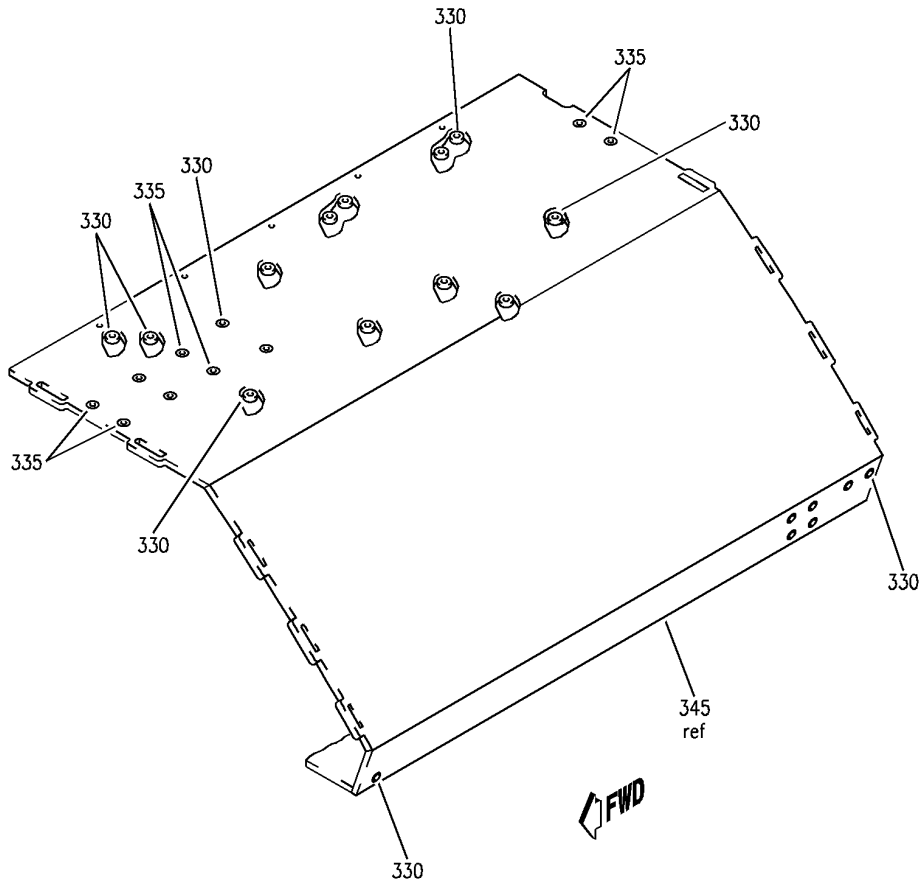
BOX ASSY-AFT LH 31 IN. BIG BIN
FIGURE 35 (SHEET 6)

25-24-32-35

HAP
OCT 10/06

25-24-32-35
PAGE 0E

BOEING
737-600/700/800/900
PARTS CATALOG (MAINTENANCE)



(P)

E 2524-3235 SHT 7 REV 106

BOX ASSY-AFT LH 31 IN. BIG BIN
FIGURE 35 (SHEET 7)

25-24-32-35

HAP
OCT 10/06

25-24-32-35
PAGE OF

BOEING
737-600/700/800/900
PARTS CATALOG (MAINTENANCE)

FIG ITEM	PART NUMBER	1 2 3 4 5 6 7	NOMENCLATURE	EFFECT FROM TO	UNITS PER ASSY
35			BOX ASSY-AFT LH 31 IN. BIG BIN	031200 968999	
- 1	412A1255-57B		BOX ASSY-31 IN. BIG BIN POSITION DATA: AFT LH FOR NHA SEE: 25-24-31-30B 25-24-31-30K	031200 968999	RF
10	BACS12ER3K9		.SCREW	031200 968999	6
15	BACS12FA3K4		.SCREW	031200 968999	2
20	HL1012AZ6-9		.BOLT- SUPPLIER CODE: V97928 SPECIFICATION NUMBER: BACB30NX6K9 OPTIONAL PART: HL12VAZ6-9 V73197 HL12VAZ6-9 V92215 HL12VAZ6-9 V97928 L802-6K9 V06725 HL12VAZ6-9 V56878 HL1012AZ6-9 VOPTK6 HL1012AZ6-9 V06725 HL1012AZ6-9 V06950 HL1012AZ6-9 V17446 HL1012AZ6-9 V56878 HL1012AZ6-9 V60516 HL1012AZ6-9 V73197 POSITION DATA: FAR SIDE	031200 968999	2

MISSING ITEM NUMBERS NOT APPLICABLE

- ITEM NOT ILLUSTRATED

HAP

25-24-32-35

BOEING PROPRIETARY - Copyright © - Unpublished Work - See title page for details.

25-24-32
FIG. 35
PAGE 1
OCT 15/08

BOEING
737-600/700/800/900
PARTS CATALOG (MAINTENANCE)

FIG ITEM	PART NUMBER	1 2 3 4 5 6 7	NOMENCLATURE	EFFECT FROM TO	UNITS PER ASSY
35 25	HL1012AZ6-11		.BOLT- SUPPLIER CODE: V97928 SPECIFICATION NUMBER: BACB30NX6K11 OPTIONAL PART: HL12VAZ6-11 V73197 HL12VAZ6-11 V92215 HL12VAZ6-11 V97928 L802-6K11 V06725 HL12VAZ6-11 V56878 HL1012AZ6-11 VOPTK6 HL1012AZ6-11 V06725 HL1012AZ6-11 V06950 HL1012AZ6-11 V17446 HL1012AZ6-11 V56878 HL1012AZ6-11 V60516 HL1012AZ6-11 V73197 POSITION DATA: FAR SIDE	031200 968999	6
30	NAS1149D0363J		.WASHER	031200 968999	8
35	HST1070CY6		.COLLAR SUPPLIER CODE: V5M902 SPECIFICATION NUMBER: BACC30BZ6 OPTIONAL PART: VLC1070CY6 V92215 HST1070CY6 V73197	031200 968999	8
40	SL5-3-50C		.NUT- SUPPLIER CODE: V97393	031200 968999	6
45	412A1220-63A		.DOUBLER-INTERNAL	031200 968999	1

MISSING ITEM NUMBERS NOT APPLICABLE

— ITEM NOT ILLUSTRATED

HAP

25-24-32-35

BOEING PROPRIETARY - Copyright © - Unpublished Work - See title page for details.

25-24-32
FIG. 35
PAGE 2
OCT 15/08

BOEING
737-600/700/800/900
PARTS CATALOG (MAINTENANCE)

FIG ITEM	PART NUMBER	1 2 3 4 5 6 7	NOMENCLATURE	EFFECT FROM TO	UNITS PER ASSY
35					
50	412A1220-241B	.	DOUBLER-9G INTERNAL	031200 968999	1
55	412A1220-243	.	DOUBLER-9G EXT	031200 968999	1
60	412A1230-32	.	FITTING-UPR	031200 968999	1
65	412A1230-105	.	FITTING ASSY-DRAG	031200 968999	1
75	BACB28AT04B023C	..	BUSHING- OPTIONAL PART: NAS538B4P023	031200 968999	2
75	NAS538B4P023	..	BUSHING- OPTIONAL PART: BACB28AT04B023C	031200 968999	2
80	BCREF13195	..	BUSHING- OVERLENGTH PART NUMBER: BACB28AY06A035CG	031200 968999	1
85	BACW10P273L	..	WASHER	031200 968999	2
90	412A1230-107	..	FITTING	031200 968999	1
100	412A1475-3A	.	FITTING ASSY-SPRT	031200 968999	1
105	412A1475-4A	.	FITTING ASSY-SPRT	031200 968999	1
			ATTACHING PARTS		
110	BACS12ER3K5	.	SCREW	031200 968999	4
112	BACS12ER3K6	.	SCREW	031200 968999	2
			-----*-----		
115	BACN11F3-1CD	..	NUT	031200 968999	1
120	NAS1795-3	..	CLIP	031200 968999	1
125	412A1475-1A	..	FITTING- USED ON: 412A1475-3A	031200 968999	1
130	412A1475-2A	..	FITTING- USED ON: 412A1475-4A	031200 968999	1
135	BACS12ER3K5	.	SCREW	031200 968999	2
140	BACS12FA3K4	.	SCREW	031200 968999	16
145	BACS12FA3K5	.	SCREW	031200 968999	11
150	412A1220-205	.	ANGLE	031200 968999	2

MISSING ITEM NUMBERS NOT APPLICABLE

— ITEM NOT ILLUSTRATED

HAP

25-24-32-35

25-24-32
FIG. 35
PAGE 3
OCT 15/08

BOEING
737-600/700/800/900
PARTS CATALOG (MAINTENANCE)

FIG ITEM	PART NUMBER	1 2 3 4 5 6 7	NOMENCLATURE	EFFECT FROM TO	UNITS PER ASSY
35					
155	412A1220-24	.	GUSSET	031200 968999	1
165	412A1220-20	.	DOUBLER	031200 968999	1
170	412A1230-136	.	FITTING ASSY	031200 968999	1
175	BACW10P273L	..	WASHER	031200 968999	2
180	BACB28AT04B007C	..	BUSHING	031200 968999	2
185	412A1230-146	..	FITTING	031200 968999	1
190	412A1230-88	.	FITTING ASSY-LWR	031200 968999	1
200	BCREF13196	..	BUSHING- OVERLENGTH PART NUMBER: BACB28AT06A010CG	031200 968999	1
205	412A1230-90	..	FITTING	031200 968999	1
215	412A1340-16	.	FASTENER ASSY-KIT OPTIONAL PART: 412A1340-17	031200 968999	3
220	BACB30VF3K7	..	BOLT	031200 968999	1
225	BACW10EC3S	..	WASHER	031200 968999	1
230	PLH53C	..	NUT SUPPLIER CODE: V62554 SPECIFICATION NUMBER: BACN10YR3C OPTIONAL PART: H52732-3C V15653	031200 968999	1
235	412A1340-17	.	FASTENER ASSY-KIT OPTIONAL PART: 412A1340-16	031200 968999	3
240	BACB30VF3K8	..	BOLT	031200 968999	1
245	F22K1-02	..	NUT SUPPLIER CODE: V72962 SPECIFICATION NUMBER: BACN10R10L OPTIONAL PART: 22K1-02 V72962 26CLO2 V80539	031200 968999	1

MISSING ITEM NUMBERS NOT APPLICABLE

— ITEM NOT ILLUSTRATED

HAP

25-24-32-35

25-24-32
FIG. 35
PAGE 4
OCT 15/08

BOEING
737-600/700/800/900
PARTS CATALOG (MAINTENANCE)

FIG ITEM	PART NUMBER	1 2 3 4 5 6 7	NOMENCLATURE	EFFECT FROM TO	UNITS PER ASSY
35					
250	412A1247-16A	.	EXTRUSION-DOOR CLOSEOUT	031200 968999	1
255	HA225-11	.	STRIKE-LATCH SUPPLIER CODE: V83014 SPECIFICATION NUMBER: S412A001-16 OPTIONAL PART: V83014 ATTACHING PARTS	031200 968999	1
- 260	BACS12ER08K5	.	SCREW	031200 968999	2
			-----*-----		
265	412A1452-1B	.	TRIM	031200 968999	2
270	412A1242-50	.	EXTRUSION	031200 968999	1
			ATTACHING PARTS		
275	BACS12ER3K5	.	SCREW	031200 968999	5
285	H3-1233A3	.	WASHER- SUPPLIER CODE: V34941 SPECIFICATION NUMBER: S411A001-1	031200 968999	5
			-----*-----		
290	412A1245-18	.	RAIL	031200 968999	1
			ATTACHING PARTS		
295	BACS12FA3K5	.	SCREW	031200 968999	4
			-----*-----		
300	412A1216-13B	.	PANEL ASSY-END	031200 968999	1
- 310	SL2334-3A1	..	INSERT- SUPPLIER CODE: V97393	031200 968999	10
315	412A1216-1C	..	PANEL-END	031200 968999	1
320	412A1215-103B	.	PANEL ASSY	031200 968999	1
330	SL2334-3A1	..	INSERT- SUPPLIER CODE: V97393	031200 968999	70
335	BCREF128023	..	INSERT- SUPPLIER CODE: V97393 OVERLENGTH PART NUMBER: SL603-3-375ASP13	031200 968999	8

MISSING ITEM NUMBERS NOT APPLICABLE

- ITEM NOT ILLUSTRATED

HAP

25-24-32-35

BOEING PROPRIETARY - Copyright © - Unpublished Work - See title page for details.

25-24-32
FIG. 35
PAGE 5
FEB 15/09


BOEING
 737-600/700/800/900
PARTS CATALOG (MAINTENANCE)

FIG ITEM	PART NUMBER	1 2 3 4 5 6 7	NOMENCLATURE	EFFECT FROM TO	UNITS PER ASSY
35					
340	412A1360-7B	. .	PANEL-END	031200 968999	1
345	412A1215-3B	. .	PANEL	031200 968999	1
MISSING ITEM NUMBERS NOT APPLICABLE					

— ITEM NOT ILLUSTRATED

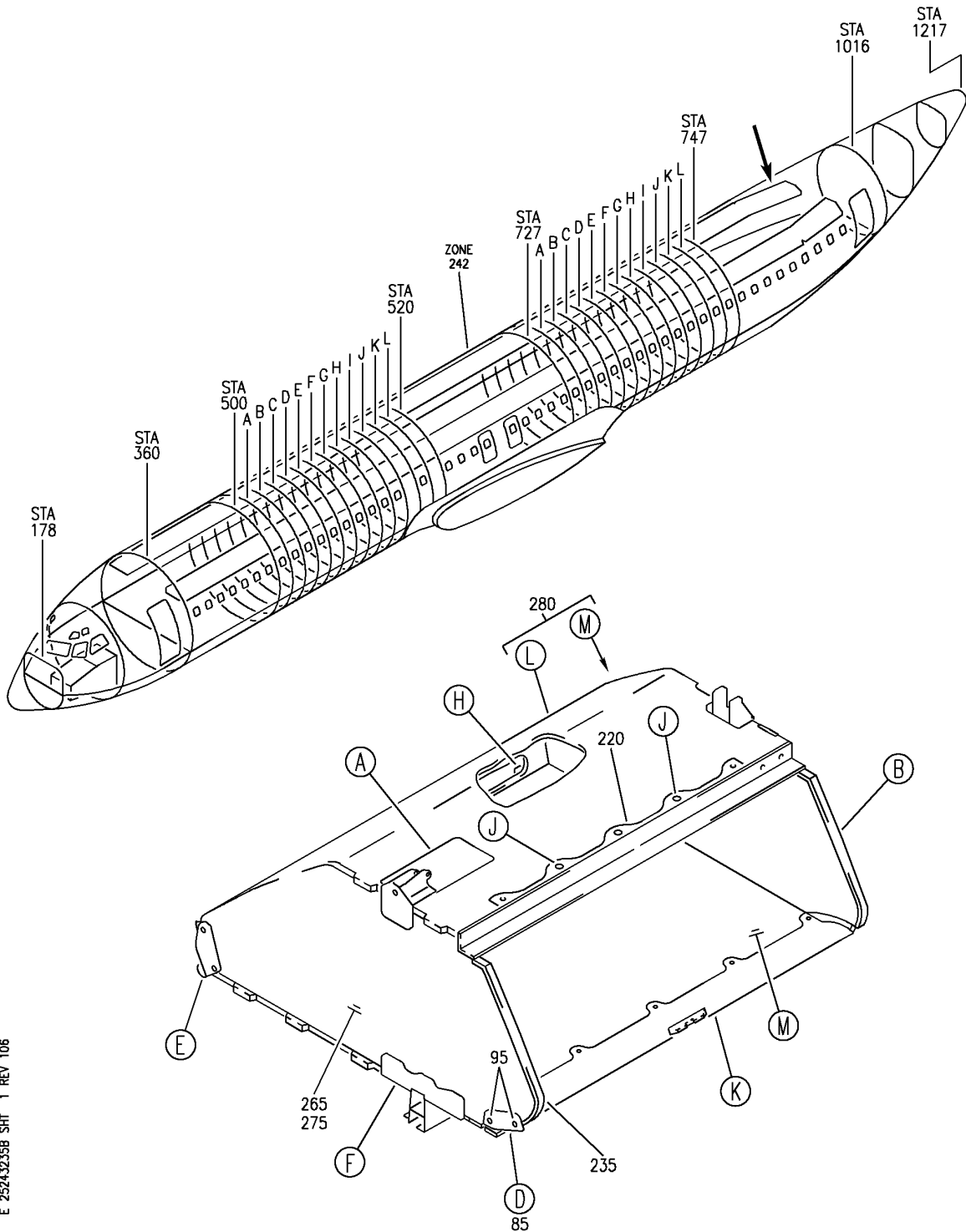
HAP

25-24-32-35

BOEING PROPRIETARY - Copyright © - Unpublished Work - See title page for details.

25-24-32
 FIG. 35
 PAGE 6
 OCT 15/08

BOEING
 737-600/700/800/900
 PARTS CATALOG (MAINTENANCE)



E 2524-32-35B SHT 1 REV 106

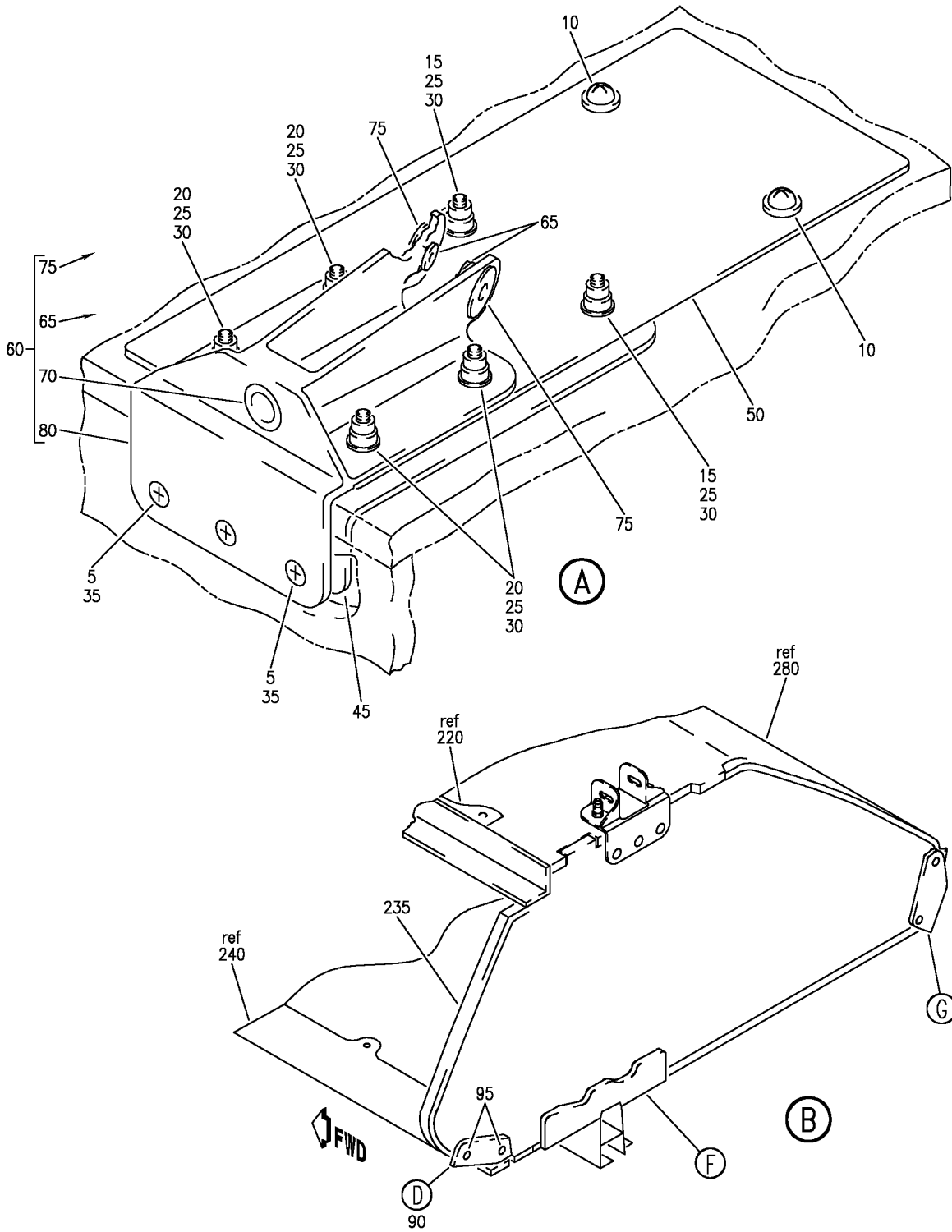
BOX ASSY-AFT RH 31 IN. BIG BIN
 FIGURE 35B (SHEET 1)

25-24-32-35B

HAP
 OCT 10/06

25-24-32-35B
 PAGE 0

BOEING
 737-600/700/800/900
 PARTS CATALOG (MAINTENANCE)



E 25243235B SHT 2 REV 155

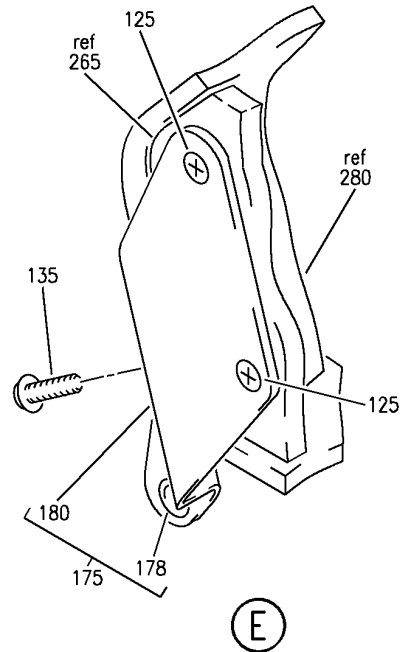
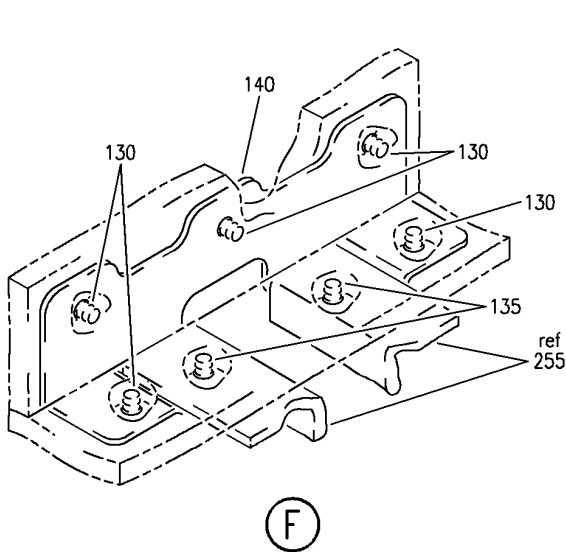
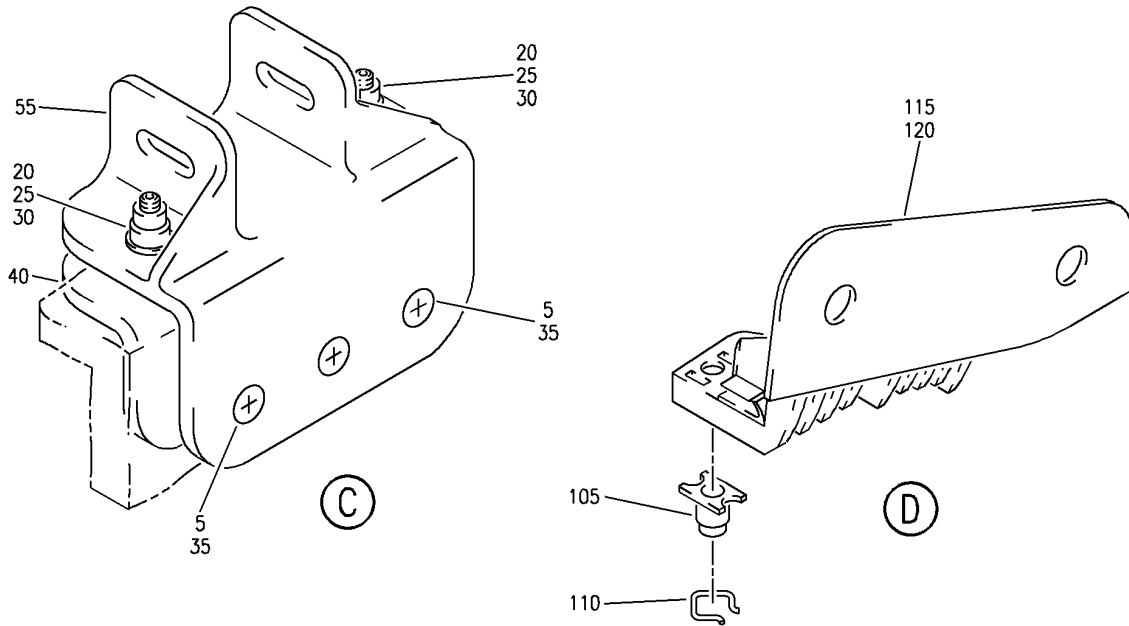
BOX ASSY-AFT RH 31 IN. BIG BIN
 FIGURE 35B (SHEET 2)

25-24-32-35B

HAP
 JUN 15/09

25-24-32-35B
 PAGE 0A

BOEING
 737-600/700/800/900
 PARTS CATALOG (MAINTENANCE)



E 2524-32-35B SHT 3 REV 107

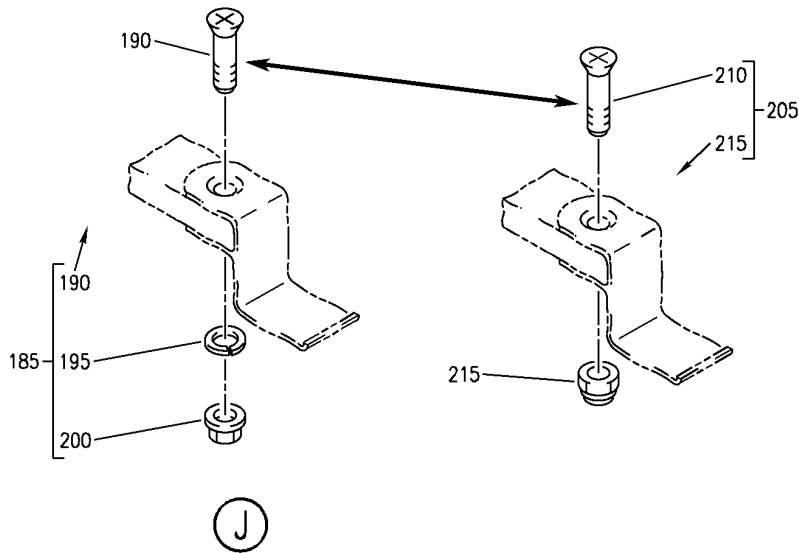
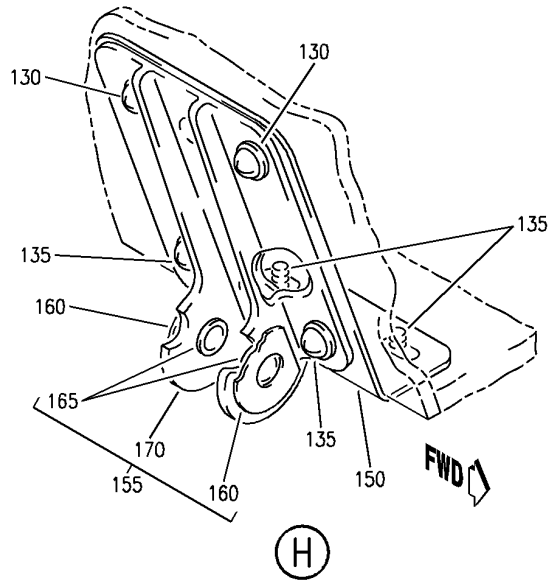
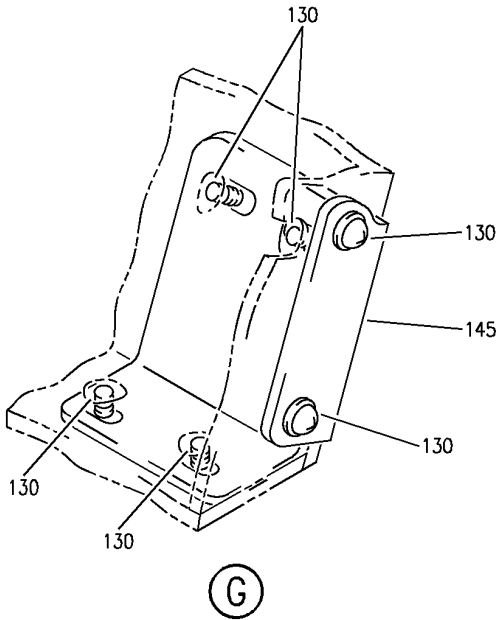
BOX ASSY-AFT RH 31 IN. BIG BIN
 FIGURE 35B (SHEET 3)

25-24-32-35B

HAP
 OCT 10/06

25-24-32-35B
 PAGE 0B

BOEING
 737-600/700/800/900
 PARTS CATALOG (MAINTENANCE)



E 2524-32-35B SHT 4 REV 106

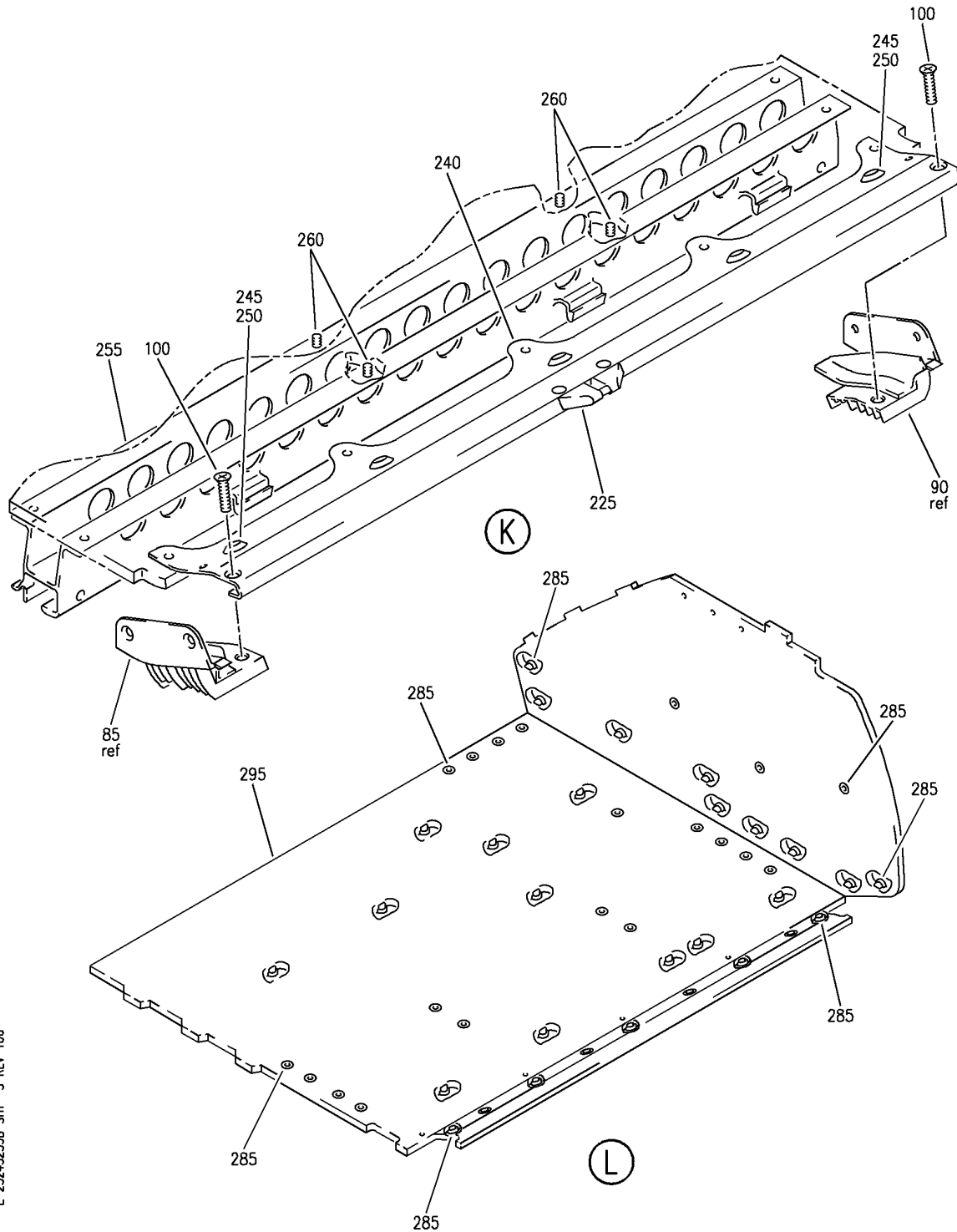
BOX ASSY-AFT RH 31 IN. BIG BIN
 FIGURE 35B (SHEET 4)

25-24-32-35B

HAP
 OCT 10/06

25-24-32-35B
 PAGE 0C

BOEING
 737-600/700/800/900
 PARTS CATALOG (MAINTENANCE)



E 2524-32-35B SHT 5 REV 106

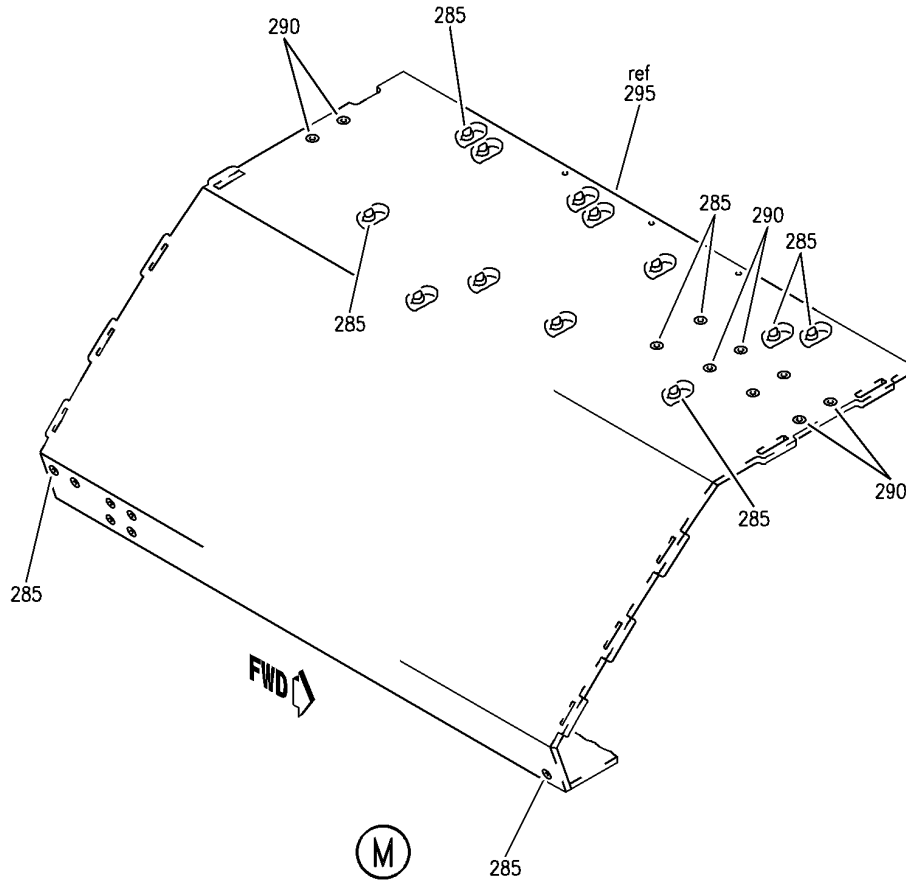
BOX ASSY-AFT RH 31 IN. BIG BIN
 FIGURE 35B (SHEET 5)

25-24-32-35B

HAP
 OCT 10/06

25-24-32-35B
 PAGE 0D

BOEING
737-600/700/800/900
PARTS CATALOG (MAINTENANCE)



E 2524-32-35B SHT 6 REV 106

BOX ASSY-AFT RH 31 IN. BIG BIN
FIGURE 35B (SHEET 6)

25-24-32-35B

HAP
OCT 10/06

25-24-32-35B
PAGE 06

BOEING
737-600/700/800/900
PARTS CATALOG (MAINTENANCE)

FIG ITEM	PART NUMBER	1 2 3 4 5 6 7	NOMENCLATURE	EFFECT FROM TO	UNITS PER ASSY
35B			BOX ASSY-AFT RH 31 IN. BIG BIN	031200 968999	
- 1	412A1255-56B		BOX ASSY-31 IN. BIG BIN POSITION DATA: AFT RH FOR NHA SEE: 25-24-31-30E 25-24-31-30F 25-24-31-30M 25-24-31-30P	031200 968999	RF
	5 BACS12ER3K9		.SCREW	031200 968999	6
	10 BACS12FA3K4		.SCREW	031200 968999	2
	15 HL1012AZ6-9		.BOLT- SUPPLIER CODE: V97928 SPECIFICATION NUMBER: BACB30NX6K9 OPTIONAL PART: HL12VAZ6-9 V73197 HL12VAZ6-9 V92215 HL12VAZ6-9 V97928 L802-6K9 V06725 HL12VAZ6-9 V56878 HL1012AZ6-9 VOPTK6 HL1012AZ6-9 V06725 HL1012AZ6-9 V06950 HL1012AZ6-9 V17446 HL1012AZ6-9 V56878 HL1012AZ6-9 V60516 HL1012AZ6-9 V73197 POSITION DATA: FAR SIDE	031200 968999	2

MISSING ITEM NUMBERS NOT APPLICABLE

- ITEM NOT ILLUSTRATED

HAP

25-24-32-35B

BOEING PROPRIETARY - Copyright © - Unpublished Work - See title page for details.

25-24-32
FIG. 35B
PAGE 1
OCT 15/08

BOEING
737-600/700/800/900
PARTS CATALOG (MAINTENANCE)

FIG ITEM	PART NUMBER	1 2 3 4 5 6 7	NOMENCLATURE	EFFECT FROM TO	UNITS PER ASSY
35B 20	HL1012AZ6-11	.BOLT-	SUPPLIER CODE: V97928 SPECIFICATION NUMBER: BACB30NX6K11 OPTIONAL PART: HL12VAZ6-11 V73197 HL12VAZ6-11 V92215 HL12VAZ6-11 V97928 L802-6K11 V06725 HL12VAZ6-11 V56878 HL1012AZ6-11 VOPTK6 HL1012AZ6-11 V06725 HL1012AZ6-11 V06950 HL1012AZ6-11 V17446 HL1012AZ6-11 V56878 HL1012AZ6-11 V60516 HL1012AZ6-11 V73197 POSITION DATA: FAR SIDE	031200 968999	6
25	NAS1149D0363J	.WASHER		031200 968999	8
30	HST1070CY6	.COLLAR	SUPPLIER CODE: V5M902 SPECIFICATION NUMBER: BACC30BZ6 OPTIONAL PART: VLC1070CY6 V92215 HST1070CY6 V73197	031200 968999	8
35	SL5-3-50C	.NUT-	SUPPLIER CODE: V97393	031200 968999	6
40	412A1220-63A	.DOUBLER-INTERNAL		031200 968999	1

MISSING ITEM NUMBERS NOT APPLICABLE

— ITEM NOT ILLUSTRATED

HAP

25-24-32-35B

BOEING PROPRIETARY - Copyright © - Unpublished Work - See title page for details.

25-24-32
FIG. 35B
PAGE 2
OCT 15/08

BOEING
737-600/700/800/900
PARTS CATALOG (MAINTENANCE)

FIG ITEM	PART NUMBER	1 2 3 4 5 6 7	NOMENCLATURE	EFFECT FROM TO	UNITS PER ASSY
35B					
45	412A1220-241B	.	DOUBLER-9G INTERNAL	031200 968999	1
50	412A1220-243	.	DOUBLER-9G EXT	031200 968999	1
55	412A1230-32	.	FITTING-UPR	031200 968999	1
60	412A1230-106	.	FITTING ASSY-DRAG	031200 968999	1
65	BACB28AT04B023C	..	BUSHING- OPTIONAL PART: NAS538B4P023	031200 968999	2
65	NAS538B4P023	..	BUSHING- OPTIONAL PART: BACB28AT04B023C	031200 968999	2
70	BCREF13195	..	BUSHING- OVERLENGTH PART NUMBER: BACB28AY06A035CG	031200 968999	1
75	BACW10P273L	..	WASHER	031200 968999	2
80	412A1230-108	..	FITTING	031200 968999	1
85	412A1475-3A	.	FITTING ASSY-SPRT	031200 968999	1
90	412A1475-4A	.	FITTING ASSY-SPRT	031200 968999	1
			ATTACHING PARTS		
95	BACS12ER3K5	.	SCREW	031200 968999	4
100	BACS12ER3K6	.	SCREW	031200 968999	2
			-----*-----		
105	BACN11F3-1CD	..	NUT	031200 968999	1
110	NAS1795-3	..	CLIP	031200 968999	1
115	412A1475-1A	..	FITTING- USED ON: 412A1475-3A	031200 968999	1
120	412A1475-2A	..	FITTING- USED ON: 412A1475-4A	031200 968999	1
125	BACS12ER3K5	.	SCREW	031200 968999	2
130	BACS12FA3K4	.	SCREW	031200 968999	18
135	BACS12FA3K5	.	SCREW	031200 968999	9
140	412A1220-205	.	ANGLE	031200 968999	2

MISSING ITEM NUMBERS NOT APPLICABLE

— ITEM NOT ILLUSTRATED

HAP

25-24-32-35B

BOEING PROPRIETARY - Copyright © - Unpublished Work - See title page for details.

25-24-32
FIG. 35B
PAGE 3
OCT 15/08

BOEING
737-600/700/800/900
PARTS CATALOG (MAINTENANCE)

FIG ITEM	PART NUMBER	1 2 3 4 5 6 7	NOMENCLATURE	EFFECT FROM TO	UNITS PER ASSY
35B					
145	412A1220-23	.	GUSSET	031200 968999	1
150	412A1220-20	.	DOUBLER	031200 968999	1
155	412A1230-136	.	FITTING ASSY	031200 968999	1
160	BACW10P273L	..	WASHER	031200 968999	2
165	BACB28AT04B007C	..	BUSHING	031200 968999	2
170	412A1230-146	..	FITTING	031200 968999	1
175	412A1230-87	.	FITTING ASSY-LWR	031200 968999	1
178	BCREF13196	..	BUSHING- OVERLENGTH PART NUMBER: BACB28AT06A010CG	031200 968999	1
180	412A1230-89	..	FITTING	031200 968999	1
185	412A1340-16	.	FASTENER ASSY-KIT OPTIONAL PART: 412A1340-17	031200 968999	3
190	BACB30VF3K7	..	BOLT	031200 968999	1
195	BACW10EC3S	..	WASHER	031200 968999	1
200	PLH53C	..	NUT SUPPLIER CODE: V62554 SPECIFICATION NUMBER: BACN10YR3C OPTIONAL PART: H52732-3C V15653	031200 968999	1
205	412A1340-17	.	FASTENER ASSY-KIT OPTIONAL PART: 412A1340-16	031200 968999	3
210	BACB30VF3K8	..	BOLT	031200 968999	1
215	F22K1-02	..	NUT SUPPLIER CODE: V72962 SPECIFICATION NUMBER: BACN10R10L OPTIONAL PART: 22K1-02 V72962 26CLO2 V80539	031200 968999	1

MISSING ITEM NUMBERS NOT APPLICABLE

— ITEM NOT ILLUSTRATED

HAP

25-24-32-35B

BOEING PROPRIETARY - Copyright © - Unpublished Work - See title page for details.

25-24-32
FIG. 35B
PAGE 4
OCT 15/08

BOEING
737-600/700/800/900
PARTS CATALOG (MAINTENANCE)

FIG ITEM	PART NUMBER	1 2 3 4 5 6 7	NOMENCLATURE	EFFECT FROM TO	UNITS PER ASSY
35B					
220	412A1247-15A	.	EXTRUSION-DOOR CLOSEOUT	031200 968999	1
225	HA225-11	.	STRIKE-LATCH SUPPLIER CODE: V83014 SPECIFICATION NUMBER: S412A001-16 ATTACHING PARTS	031200 968999	1
- 230	BACS12ER08K5	.	SCREW	031200 968999	2
			-----*-----		
235	412A1452-1B	.	TRIM	031200 968999	2
240	412A1242-50	.	EXTRUSION ATTACHING PARTS	031200 968999	1
245	BACS12ER3K5	.	SCREW	031200 968999	5
250	H3-1233A3	.	WASHER- SUPPLIER CODE: V34941 SPECIFICATION NUMBER: S411A001-1 -----*-----	031200 968999	5
255	412A1245-17	.	RAIL ATTACHING PARTS	031200 968999	1
260	BACS12FA3K5	.	SCREW	031200 968999	4
			-----*-----		
265	412A1216-14B	.	PANEL ASSY-END	031200 968999	1
- 270	SL2334-3A1	..	INSERT- SUPPLIER CODE: V97393	031200 968999	10
275	412A1216-1C	..	PANEL-END	031200 968999	1
280	412A1215-104B	.	PANEL ASSY	031200 968999	1
285	SL2334-3A1	..	INSERT- SUPPLIER CODE: V97393	031200 968999	70
290	BCREF128023	..	INSERT- SUPPLIER CODE: V97393 OVERLENGTH PART NUMBER: SL603-3-375ASP13	031200 968999	8
295	412A1215-3B	..	PANEL	031200 968999	1

MISSING ITEM NUMBERS NOT APPLICABLE

- ITEM NOT ILLUSTRATED

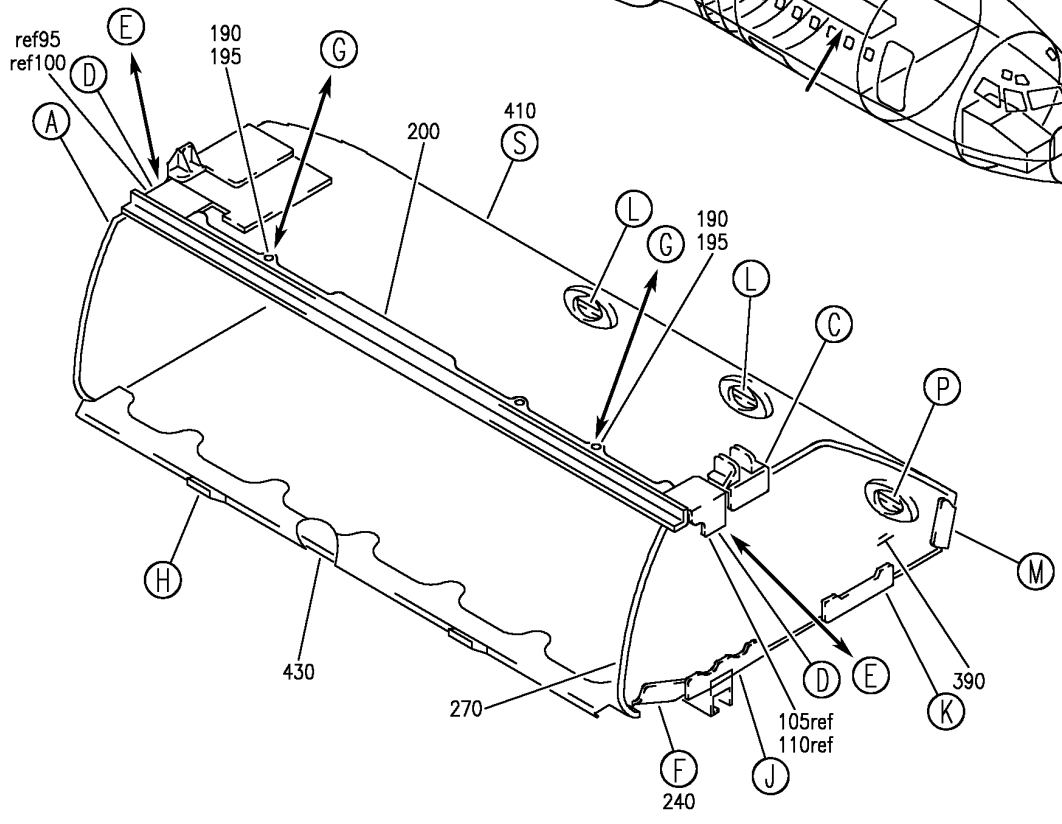
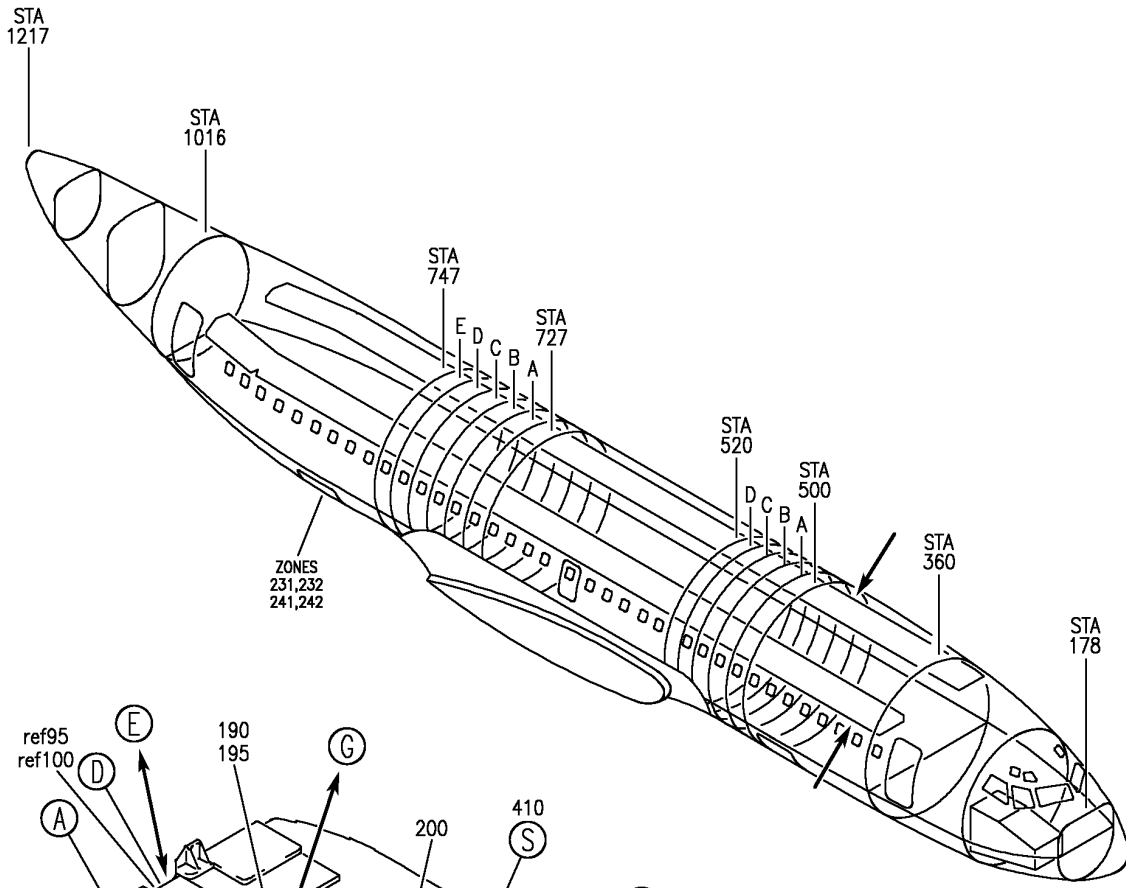
HAP

25-24-32-35B

BOEING PROPRIETARY - Copyright © - Unpublished Work - See title page for details.

25-24-32
FIG. 35B
PAGE 5
OCT 15/08

BOEING
737-600/700/800/900
PARTS CATALOG (MAINTENANCE)



E 25243244A SHT 1 REV 081

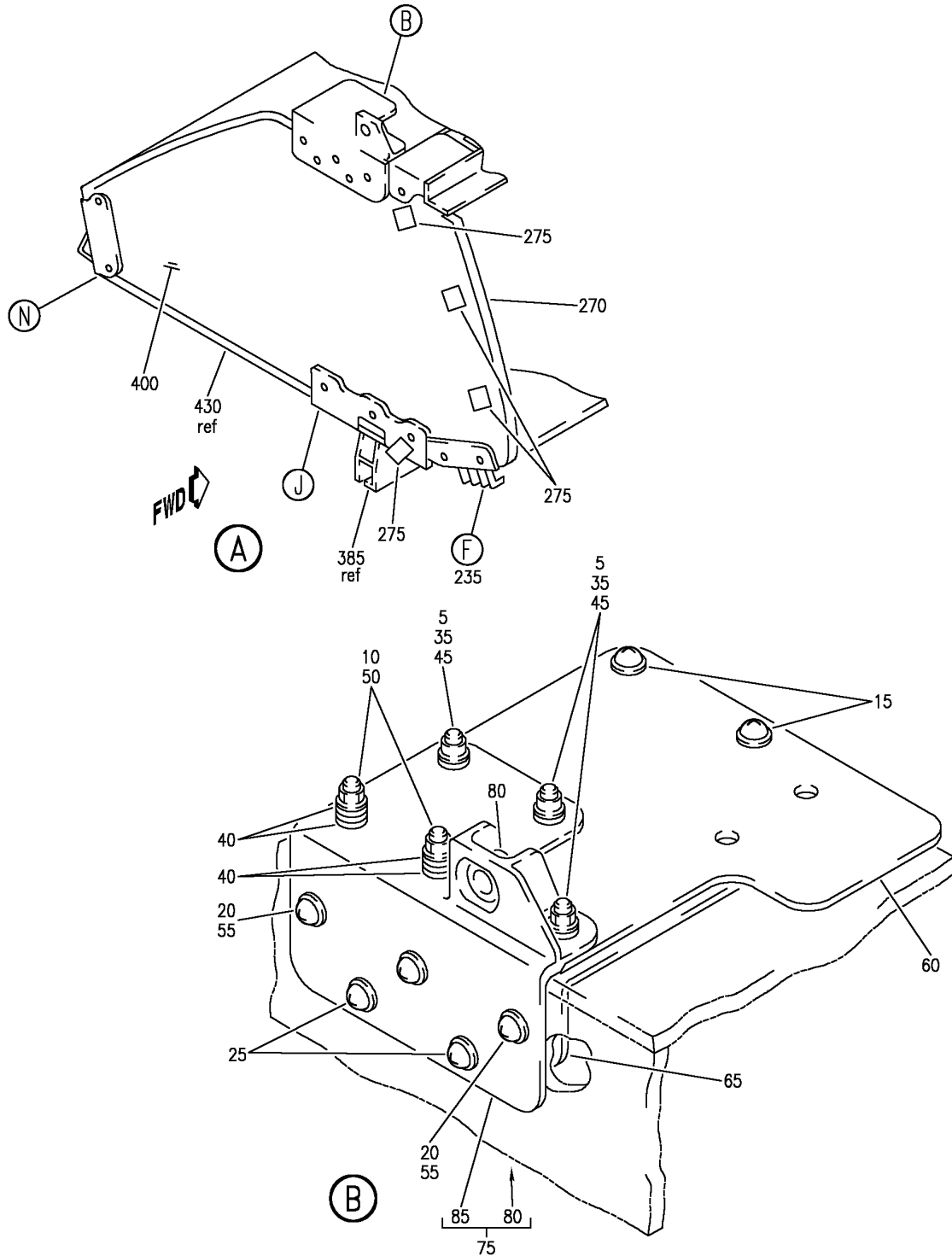
BOX ASSY-44 IN. BIN
FIGURE 44A (SHEET 1)

25-24-32-44A

HAP
OCT 10/06

25-24-32-44A
PAGE 0

BOEING
 737-600/700/800/900
 PARTS CATALOG (MAINTENANCE)



E 25243244A SHT 2 REV 081

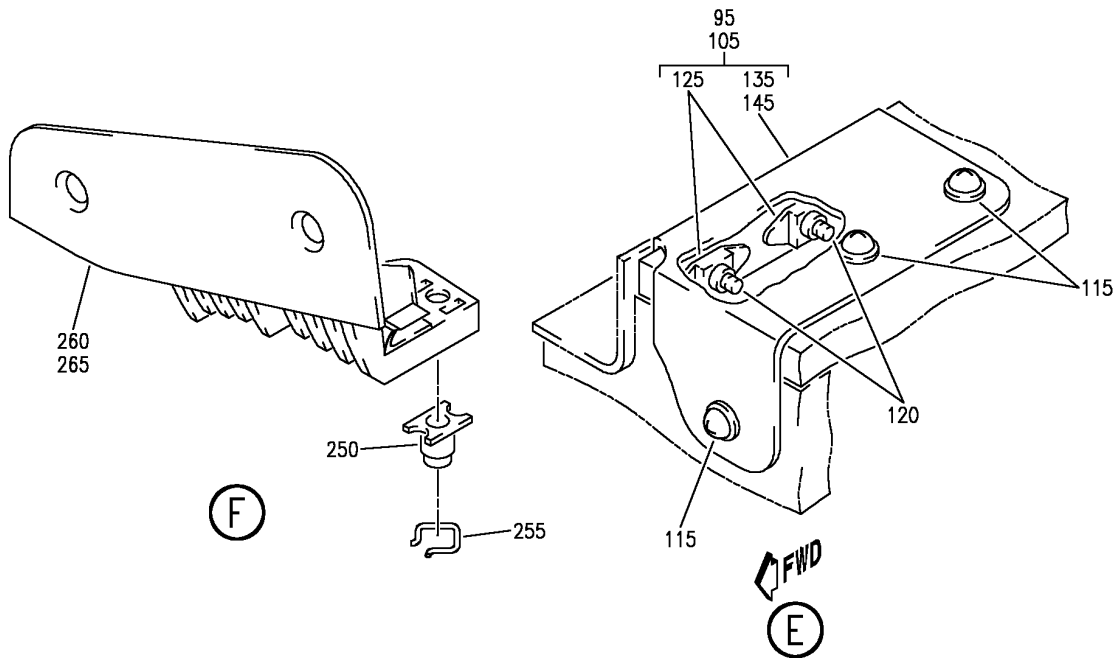
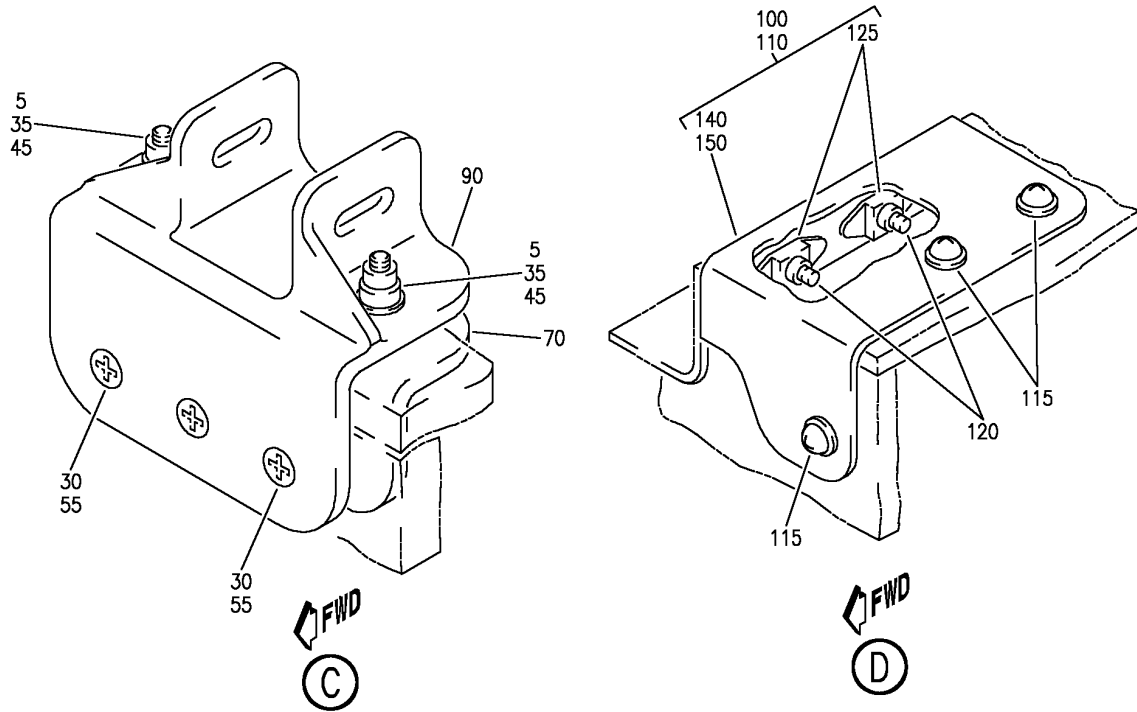
BOX ASSY-44 IN. BIN
 FIGURE 44A (SHEET 2)

25-24-32-44A

HAP
 OCT 10/06

25-24-32-44A
 PAGE 0A

BOEING
 737-600/700/800/900
 PARTS CATALOG (MAINTENANCE)



E 25243244A SHT 3 REV 081

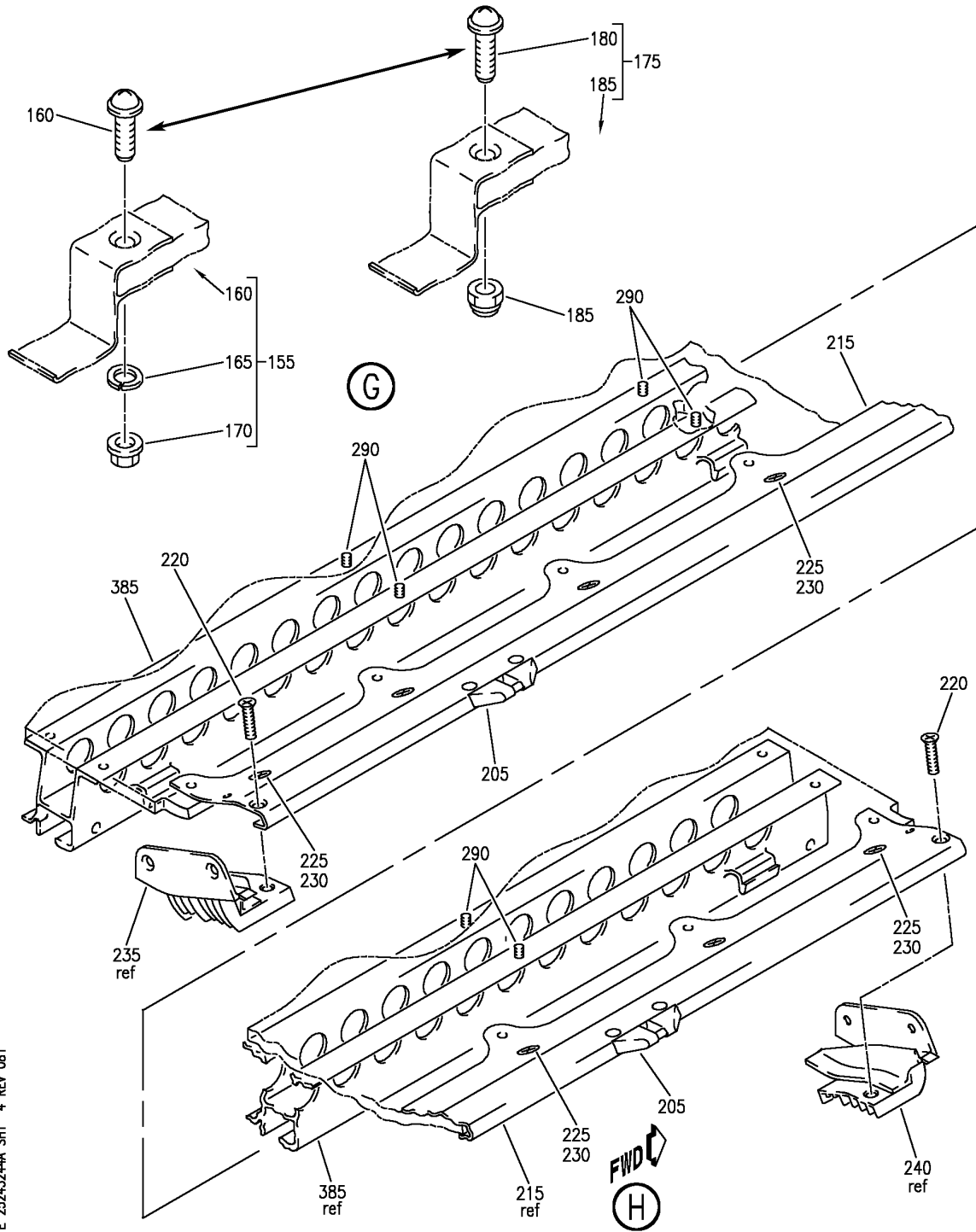
BOX ASSY-44 IN. BIN
 FIGURE 44A (SHEET 3)

25-24-32-44A

HAP
 OCT 10/06

25-24-32-44A
 PAGE 0B

BOEING
 737-600/700/800/900
 PARTS CATALOG (MAINTENANCE)



E 25243244A SHT 4 REV 081

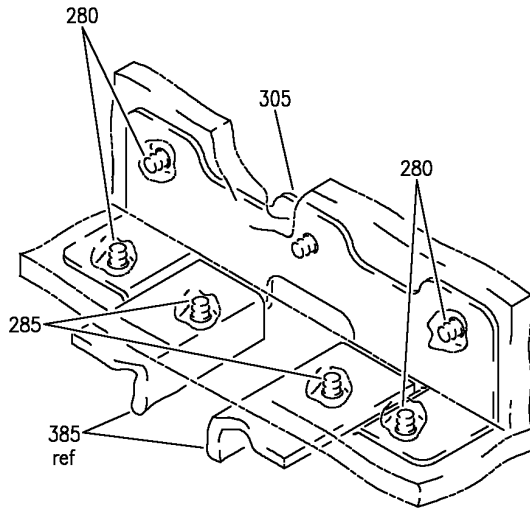
BOX ASSY-44 IN. BIN
 FIGURE 44A (SHEET 4)

25-24-32-44A

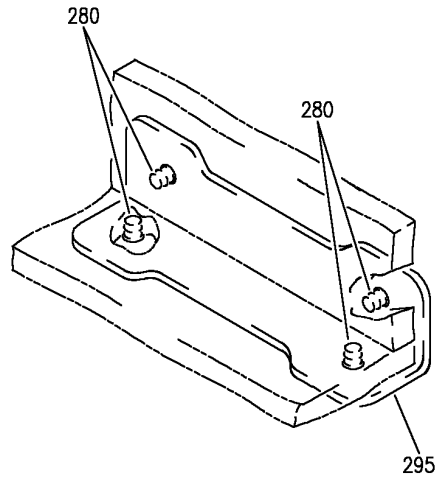
HAP
 OCT 10/06

25-24-32-44A
 PAGE 0C

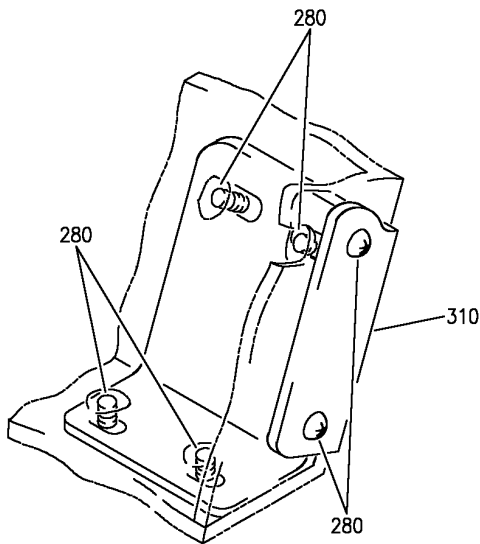
BOEING
 737-600/700/800/900
 PARTS CATALOG (MAINTENANCE)



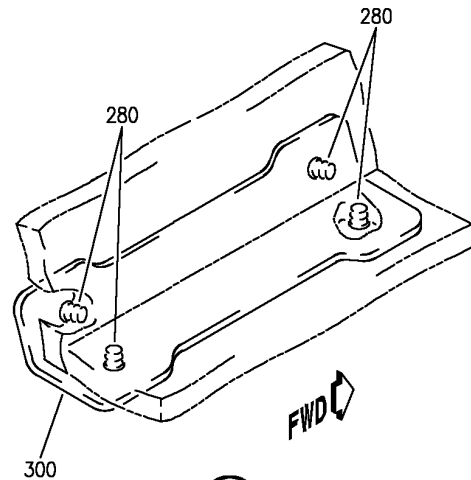
(J)



(K)



(M)



(L)

E 25243244A SHT 5 REV 081

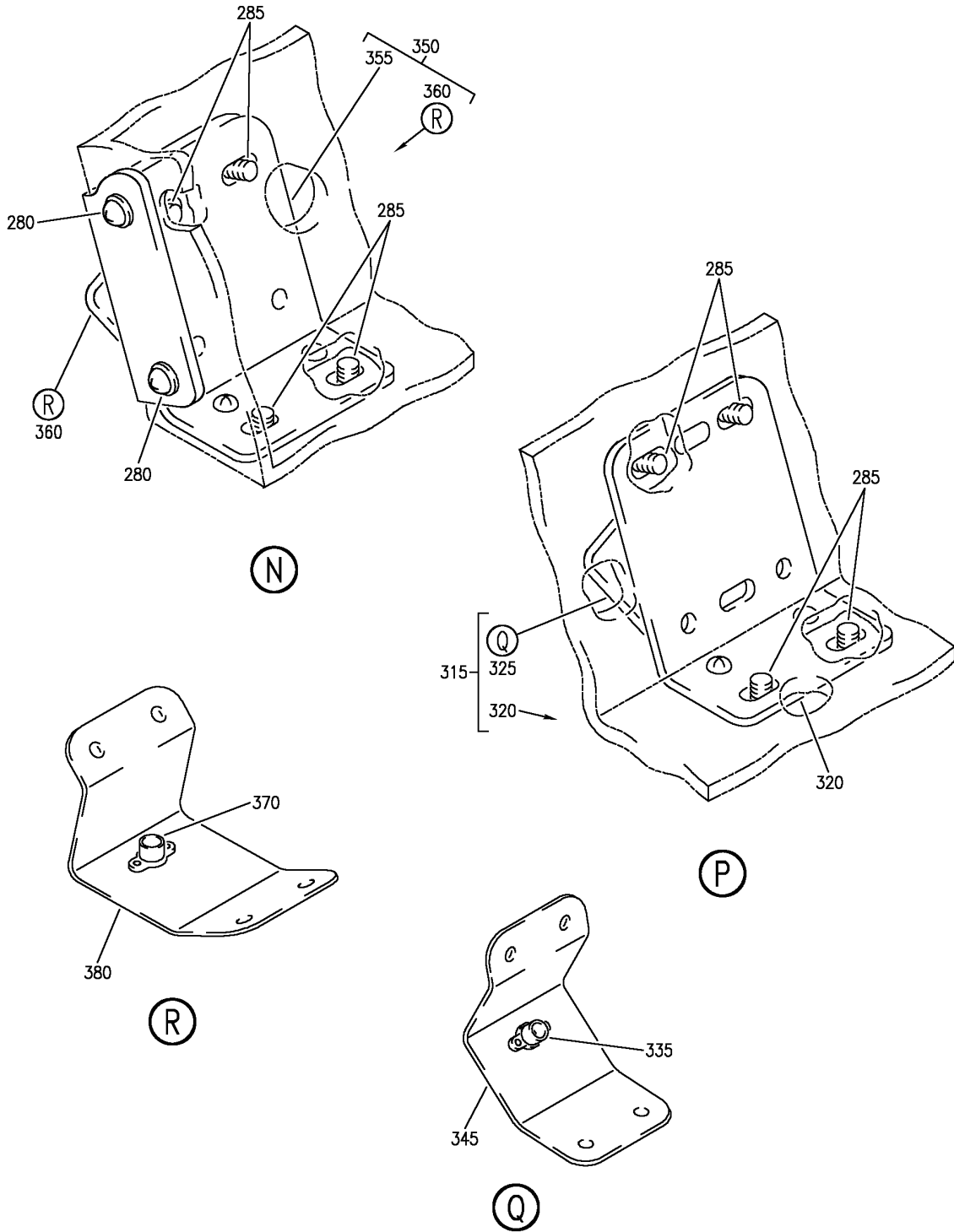
BOX ASSY-44 IN. BIN
 FIGURE 44A (SHEET 5)

25-24-32-44A

HAP
 OCT 10/06

25-24-32-44A
 PAGE 0D

BOEING
 737-600/700/800/900
 PARTS CATALOG (MAINTENANCE)



E 25243244A SHT 6 REV 081

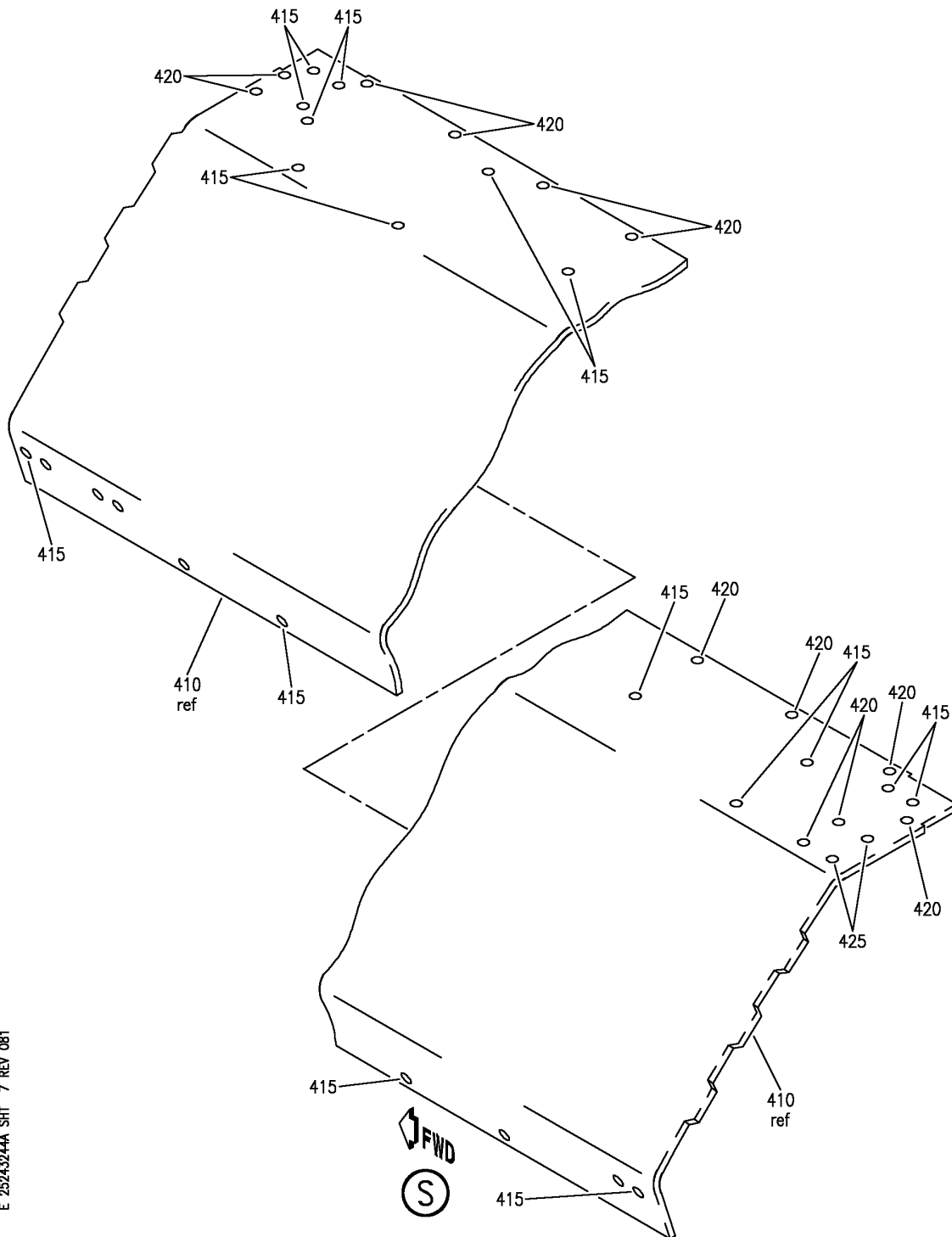
BOX ASSY-44 IN. BIN
 FIGURE 44A (SHEET 6)

25-24-32-44A

HAP
 OCT 10/06

25-24-32-44A
 PAGE 0E

BOEING
737-600/700/800/900
PARTS CATALOG (MAINTENANCE)



E 25243244A SHT 7 REV 081

BOX ASSY-44 IN. BIN
FIGURE 44A (SHEET 7)

25-24-32-44A

HAP
OCT 10/06

25-24-32-44A
PAGE OF

BOEING
737-600/700/800/900
PARTS CATALOG (MAINTENANCE)

FIG ITEM	PART NUMBER	1 2 3 4 5 6 7	NOMENCLATURE	EFFECT FROM TO	UNITS PER ASSY
44A			BOX ASSY-44 IN. BIN	001014 016017 019030 201967 202967	
- 1	412A1250-135SP		BOX ASSY-44 IN. BIN FOR NHA SEE: 25-24-31-32		RF
- 1	412A1250-135A		BOX ASSY-44 IN. BIN OPTIONAL PART: 412A1250-1135B POST SERVICE BULLETIN: 25-1542 FOR NHA SEE: 25-24-31-32 25-24-31-41B	001014 016017 019030 201201	RF
- 1	412A1250-1135B		BOX ASSY-44 IN. BIN OPTIONAL PART: 412A1250-135A POST SERVICE BULLETIN: 25-1542 FOR NHA SEE: 25-24-31-32 25-24-31-41B	001014 016017 019030 201201	RF

MISSING ITEM NUMBERS NOT APPLICABLE

- ITEM NOT ILLUSTRATED

HAP

25-24-32-44A

BOEING PROPRIETARY - Copyright © - Unpublished Work - See title page for details.

25-24-32
FIG. 44A
PAGE 1
OCT 15/08

BOEING
737-600/700/800/900
PARTS CATALOG (MAINTENANCE)

FIG ITEM	PART NUMBER	1 2 3 4 5 6 7	NOMENCLATURE	EFFECT FROM TO	UNITS PER ASSY
44A 5	HL1012AZ6-10	.BOLT	SUPPLIER CODE: V97928 SPECIFICATION NUMBER: BACB30NX6K10 OPTIONAL PART: HL12VAZ6-10 V73197 HL12VAZ6-10 V92215 HL12VAZ6-10 V97928 L802-6K10 V06725 HL12VAZ6-10 V56878 HL1012AZ6-10 VOPTK6 HL1012AZ6-10 V06725 HL1012AZ6-10 V06950 HL1012AZ6-10 V17446 HL1012AZ6-10 V56878 HL1012AZ6-10 V60516 HL1012AZ6-10 V73197	001014 016017 019030 201967	5
10	BACB30NR4DK10	.BOLT		001014 016017 019030 201967	2
15	BACS12FA3K4	.SCREW		001014 016017 019030 201967	2
20	BACS12FA3K9	.SCREW		001014 016017 019030 201967	3
25	BACS12FA3K5	.SCREW		001014 016017 019030 201967	2

MISSING ITEM NUMBERS NOT APPLICABLE

— ITEM NOT ILLUSTRATED

HAP

25-24-32-44A

BOEING PROPRIETARY - Copyright © - Unpublished Work - See title page for details.

25-24-32
FIG. 44A
PAGE 2
OCT 15/08

BOEING
737-600/700/800/900
PARTS CATALOG (MAINTENANCE)

FIG ITEM	PART NUMBER	1 2 3 4 5 6 7	NOMENCLATURE	EFFECT FROM TO	UNITS PER ASSY
44A 30	BACS12ER3K9	.	SCREW	001014 016017 019030 201967	3
35	BACW10BP3NDP	.	WASHER- OPTIONAL PART: BACC30BZ6	001014 016017 019030 201967	5
35	HST1070CY6	.	COLLAR- SUPPLIER CODE: V5M902 SPECIFICATION NUMBER: BACC30BZ6 OPTIONAL PART: VLC1070CY6 V92215 HST1070CY6 V73197 BACW10BP3NDP	001014 016017 019030 201967	5
40	NAS1149D0463J	.	WASHER	001014 016017 019030 201967	6
45	HL1087-6	.	COLLAR- SUPPLIER CODE: V73197 SPECIFICATION NUMBER: BACC30BH6 OPTIONAL PART: HL1087-6 V56878 HL1087-6 V92215 HL1087-6 V9N513 BACC30BZ6	001014 016017 019030 201967	5
45	HST1070CY6	.	COLLAR- SUPPLIER CODE: V5M902 SPECIFICATION NUMBER: BACC30BZ6 OPTIONAL PART: VLC1070CY6 V92215 HST1070CY6 V73197 BACC30BH6	001014 016017 019030 201967	5

MISSING ITEM NUMBERS NOT APPLICABLE

— ITEM NOT ILLUSTRATED

HAP

25-24-32-44A

BOEING PROPRIETARY - Copyright © - Unpublished Work - See title page for details.

25-24-32
FIG. 44A
PAGE 3
OCT 15/08

BOEING
737-600/700/800/900
PARTS CATALOG (MAINTENANCE)

FIG ITEM	PART NUMBER	1 2 3 4 5 6 7	NOMENCLATURE	EFFECT FROM TO	UNITS PER ASSY
44A					
50	BACN10JD104CD	.	NUT	001014 016017 019030 201967	2
55	SL5-3-50C	.	NUT- SUPPLIER CODE: V97393	001014 016017 019030 201967	6
60	412A1220-74	.	DOUBLER-9G EXT	001014 016017 019030 201967	1
65	412A1220-72SP	.	DOUBLER-INTERNAL	202967	1
65	412A1220-72A	.	DOUBLER-INTERNAL	001014 016017 019030 201201	1
70	412A1220-63SP	.	DOUBLER-INTERNAL	202967	1
70	412A1220-63A	.	DOUBLER-INTERNAL	001014 016017 019030 201201	1
75	412A1230-55	.	FITTING ASSY	001014 016017 019030 201967	1
80	BCREF13195	..	BUSHING- OVERLENGTH PART NUMBER: BACB28AY06A035CG	001014 016017 019030 201967	1
85	412A1230-57	..	FITTING	001014 016017 019030 201967	1
90	412A1230-32	.	FITTING-SPRT POSITION DATA: UPR	001014 016017 019030 201967	1
95	412A1220-249	.	CORNER ASSY- OPTIONAL PART: 412A1220-209 412A1220-5A USED ON: 412A1250-1135SP 412A1250-1135B	001014 016017 019030 201201	1
100	412A1220-5SP	.	CORNER ASSY-	202967	1

MISSING ITEM NUMBERS NOT APPLICABLE

— ITEM NOT ILLUSTRATED

HAP

25-24-32-44A

BOEING PROPRIETARY - Copyright © - Unpublished Work - See title page for details.

25-24-32
FIG. 44A
PAGE 4
OCT 15/08

BOEING
737-600/700/800/900
PARTS CATALOG (MAINTENANCE)

FIG ITEM	PART NUMBER	1 2 3 4 5 6 7	NOMENCLATURE	EFFECT FROM TO	UNITS PER ASSY
44A 100	412A1220-5A		.CORNER ASSY- OPTIONAL PART: 412A1220-209 412A1220-249	001014 016017 019030 201201	1
100	412A1220-209		.CORNER ASSY- OPTIONAL PART: 412A1220-249 412A1220-5A USED ON: 412A1250-1135B 412A1250-1135SP	001014 016017 019030 201201	1
105	412A1220-250		.CORNER ASSY- OPTIONAL PART: 412A1220-210 412A1220-6A USED ON: 412A1250-1135SP 412A1250-1135B	001014 016017 019030 201201	1
110	412A1220-6SP		.CORNER ASSY-	202967	1
110	412A1220-6A		.CORNER ASSY- OPTIONAL PART: 412A1220-210 412A1220-250	001014 016017 019030 201201	1
110	412A1220-210		.CORNER ASSY- OPTIONAL PART: 412A1220-250 412A1220-6A USED ON: 412A1250-1135B 412A1250-1135SP ATTACHING PARTS	001014 016017 019030 201201	1
115	BACS12FA3K4		.SCREW	001014 016017 019030 201967	6
120	BACS12FA3K7		.SCREW	001014 016017 019030 201967	4
-----*-----					

MISSING ITEM NUMBERS NOT APPLICABLE

— ITEM NOT ILLUSTRATED

HAP

25-24-32-44A

BOEING PROPRIETARY - Copyright © - Unpublished Work - See title page for details.

25-24-32
FIG. 44A
PAGE 5
OCT 15/08

BOEING
737-600/700/800/900
PARTS CATALOG (MAINTENANCE)

FIG ITEM	PART NUMBER	1 2 3 4 5 6 7	NOMENCLATURE	EFFECT FROM TO	UNITS PER ASSY
44A 125	BRF200C3D		..NUTPLATE SUPPLIER CODE: V52828 SPECIFICATION NUMBER: BACN10JR3CFD OPTIONAL PART: K51602-3BAC V15653 NS202476-02 V80539 102F9201-3 V72962 T8092C1032CD V11815 ATTACHING PARTS	001014 016017 019030 201967	2
- 130	BACR15CE3D		..RIVET- SIZE DETERMINED ON INSTL.	001014 016017 019030 201967	4
			-----*-----		
135	412A1220-251		..REINFORCEMENT- USED ON: 412A1220-249	001014 016017 019030 201201	1
140	412A1220-7A		..REINFORCEMENT- USED ON: 412A1220-5A 412A1220-5SP	001014 016017 019030 201967	1
140	412A1220-211		..REINFORCEMENT- USED ON: 412A1220-209	001014 016017 019030 201201	1
145	412A1220-252		..REINFORCEMENT- USED ON: 412A1220-250	001014 016017 019030 201201	1
150	412A1220-8A		..REINFORCEMENT- USED ON: 412A1220-6A 412A1220-6SP	001014 016017 019030 201967	1
150	412A1220-212		..REINFORCEMENT- USED ON: 412A1220-210	001014 016017 019030 201201	1

MISSING ITEM NUMBERS NOT APPLICABLE

- ITEM NOT ILLUSTRATED

HAP

25-24-32-44A

BOEING PROPRIETARY - Copyright © - Unpublished Work - See title page for details.

25-24-32
FIG. 44A
PAGE 6
OCT 15/08

BOEING
737-600/700/800/900
PARTS CATALOG (MAINTENANCE)

FIG ITEM	PART NUMBER	1 2 3 4 5 6 7	NOMENCLATURE	EFFECT FROM TO	UNITS PER ASSY
44A 155	412A1340-16	.	FASTENER ASSY-KIT OPTIONAL PART: 412A1340-17 USED ON: 412A1250-1135SP 412A1250-1135B	001014 016017 019030 201201	3
160	BACB30VF3K7	..	BOLT	001014 016017 019030 201201	1
165	BACW10EC3S	..	WASHER	001014 016017 019030 201201	1
170	PLH53C	..	NUT SUPPLIER CODE: V62554 SPECIFICATION NUMBER: BACN10YR3C OPTIONAL PART: H52732-3C V15653	001014 016017 019030 201201	1
175	412A1340-17	.	FASTENER ASSY-KIT OPTIONAL PART: 412A1340-16 USED ON: 412A1250-1135SP 412A1250-1135B	001014 016017 019030 201201	3
180	BACB30VF3K8	..	BOLT	001014 016017 019030 201201	1
185	F22K1-02	..	NUT SUPPLIER CODE: V72962 SPECIFICATION NUMBER: BACN10R10L OPTIONAL PART: 22K1-02 V72962 26CL02 V80539	001014 016017 019030 201201	1
190	BACB30VF3K8	.	BOLT- USED ON: 412A1250-135SP 412A1250-135A	001014 016017 019030 201967	3

MISSING ITEM NUMBERS NOT APPLICABLE

— ITEM NOT ILLUSTRATED

HAP

25-24-32-44A

BOEING PROPRIETARY - Copyright © - Unpublished Work - See title page for details.

25-24-32
FIG. 44A
PAGE 7
OCT 15/08

BOEING
737-600/700/800/900
PARTS CATALOG (MAINTENANCE)

FIG ITEM	PART NUMBER	1 2 3 4 5 6 7	NOMENCLATURE	EFFECT FROM TO	UNITS PER ASSY
44A 195	F22K1-02	.	NUT- SUPPLIER CODE: V72962 SPECIFICATION NUMBER: BACN10R10L OPTIONAL PART: 22K1-02 V72962 26CLO2 V80539 USED ON: 412A1250-135SP 412A1250-135A	001014 016017 019030 201967	3
200	412A1247-13SP	.	EXTRUSION-DOOR CLOSEOUT	202967	1
200	412A1247-13A	.	EXTRUSION-DOOR CLOSEOUT	001014 016017 019030 201201	1
205	HA225-3	.	STRIKE- SUPPLIER CODE: V83014 SPECIFICATION NUMBER: S412A001-6	001014 016017 019030 201967	2
205	HA225-11	.	STRIKE- SUPPLIER CODE: V83014 SPECIFICATION NUMBER: S412A001-16	001014 016017 019030 201967	2
- 210	BACS12ER08K5	.	ATTACHING PARTS SCREW	001014 016017 019030 201967	4
215	412A1242-11	-----*-----	EXTRUSION-SHELF	001014 016017 019030 201967	1
220	BACS12ER3K6	.	ATTACHING PARTS SCREW	001014 016017 019030 201967	2
225	BACS12ER3K5	.	SCREW	001014 016017 019030 201967	7

MISSING ITEM NUMBERS NOT APPLICABLE

- ITEM NOT ILLUSTRATED

HAP

25-24-32-44A

BOEING PROPRIETARY - Copyright © - Unpublished Work - See title page for details.

25-24-32
FIG. 44A
PAGE 8
OCT 15/08

BOEING
737-600/700/800/900
PARTS CATALOG (MAINTENANCE)

FIG ITEM	PART NUMBER	1 2 3 4 5 6 7	NOMENCLATURE	EFFECT FROM TO	UNITS PER ASSY
44A 230	H3-1233A3		.WASHER- SUPPLIER CODE: V34941 SPECIFICATION NUMBER: S411A001-1 -----*-----	001014 016017 019030 201967	7
235	412A1475-3SP		.FITTING ASSY-SPRT POSITION DATA: LH	202967	1
235	412A1475-3A		.FITTING ASSY-SPRT POSITION DATA: LH	001014 016017 019030 201201 202967	1
240	412A1475-4SP		.FITTING ASSY-SPRT POSITION DATA: RH	202967	1
240	412A1475-4A		.FITTING ASSY-SPRT POSITION DATA: RH	001014 016017 019030 201201	1
- 245	BACS12ER3K5		ATTACHING PARTS .SCREW -----*-----	001014 016017 019030 201967	4
250	BACN11F3-1CD		..NUT	001014 016017 019030 201967	1
255	NAS1795-3		..CLIP	001014 016017 019030 201967	1
260	412A1475-1SP		..FITTING- POSITION DATA: LH SIDE	202967	1
260	412A1475-1A		..FITTING- POSITION DATA: LH SIDE	001014 016017 019030 201201 202967	1
265	412A1475-2SP		..FITTING- POSITION DATA: RH SIDE	202967	1
265	412A1475-2A		..FITTING- POSITION DATA: RH SIDE	001014 016017 019030 201201 202967	1
270	412A1450-1SP		.TRIM-	202967	2

MISSING ITEM NUMBERS NOT APPLICABLE

- ITEM NOT ILLUSTRATED

HAP

25-24-32-44A

BOEING PROPRIETARY - Copyright © - Unpublished Work - See title page for details.

25-24-32
FIG. 44A
PAGE 9
OCT 15/08

BOEING
737-600/700/800/900
PARTS CATALOG (MAINTENANCE)

FIG ITEM	PART NUMBER	1 2 3 4 5 6 7	NOMENCLATURE	EFFECT FROM TO	UNITS PER ASSY
44A 270	412A1450-1A	.	TRIM-	001014 016017 019030 201201	2
275	412A1450-21	.	CLIP	001014 016017 019030 201967	4
280	BACS12FA3K4	.	SCREW	001014 016017 019030 201967	30
285	BACS12FA3K6	.	SCREW- USED ON: 412A1250-135A 412A1250-135SP	001014 016017 019030 201967	12
285	BACS12FA3K5	.	SCREW- USED ON: 412A1250-1135B 412A1250-1135SP	001014 016017 019030 201201	12
290	BACS12FA3K5	.	SCREW	001014 016017 019030 201967	6
295	412A1220-3	.	ANGLE	001014 016017 019030 201967	1
300	412A1220-4	.	ANGLE	001014 016017 019030 201967	2
305	412A1220-9SP	.	ANGLE-	202967	2
305	412A1220-9A	.	ANGLE- OPTIONAL PART: 412A1220-205	001014 016017 019030 201201	2
305	412A1220-205	.	ANGLE- OPTIONAL PART: 412A1220-9A USED ON: 412A1250-1135B 412A1250-1135SP	001014 016017 019030 201201	2
310	412A1220-23	.	GUSSET	001014 016017 019030 201967	1

MISSING ITEM NUMBERS NOT APPLICABLE

- ITEM NOT ILLUSTRATED

HAP

25-24-32-44A

BOEING PROPRIETARY - Copyright © - Unpublished Work - See title page for details.

25-24-32
FIG. 44A
PAGE 10
OCT 15/08

BOEING
737-600/700/800/900
PARTS CATALOG (MAINTENANCE)

FIG ITEM	PART NUMBER	1 2 3 4 5 6 7	NOMENCLATURE	EFFECT FROM TO	UNITS PER ASSY
44A 315	412A1220-49	.	FITTING ASSY	001014 016017 019030 201967	1
320	412A1220-20	..	DOUBLER	001014 016017 019030 201967	1
325	412A1220-27	..	STRAP ASSY-CHIN	001014 016017 019030 201967	1
- 330	BACR15BB4D		ATTACHING PARTS ..RIVET- SIZE DETERMINED ON INSTL.	001014 016017 019030 201967	2
335	BACN10JP4ACD	-----*-----	...NUTPLATE	001014 016017 019030 201967	1
- 340	BACR15BA3AD		ATTACHING PARTS ...RIVET- SIZE DETERMINED ON INSTL.	001014 016017 019030 201967	2
345	412A1220-29	-----*-----	...STRAP-CHIN	001014 016017 019030 201967	1
350	412A1220-33	.	FITTING ASSY	001014 016017 019030 201967	1
355	412A1220-42	..	GUSSET	001014 016017 019030 201967	1
360	412A1220-35	..	STRAP ASSY	001014 016017 019030 201967	1

MISSING ITEM NUMBERS NOT APPLICABLE

- ITEM NOT ILLUSTRATED

HAP

25-24-32-44A

BOEING PROPRIETARY - Copyright © - Unpublished Work - See title page for details.

25-24-32
FIG. 44A
PAGE 11
OCT 15/08

BOEING
737-600/700/800/900
PARTS CATALOG (MAINTENANCE)

FIG ITEM	PART NUMBER	1 2 3 4 5 6 7	NOMENCLATURE	EFFECT FROM TO	UNITS PER ASSY
44A			ATTACHING PARTS		
- 365	BACR15BB4D		..RIVET- SIZE DETERMINED ON INSTL.	001014 016017 019030 201967	2
			-----*-----		
370	BACN10JP4ACD		...NUTPLATE	001014 016017 019030 201967	1
			ATTACHING PARTS		
- 375	BACR15BA3AD		...RIVET- SIZE DETERMINED ON INSTL.	001014 016017 019030 201967	2
			-----*-----		
380	412A1220-37		...STRAP	001014 016017 019030 201967	1
385	412A1245-15		.RAIL	001014 016017 019030 201967	1
390	412A1212-117SP		.PANEL ASSY-END USED ON: 412A1250-135SP	202967	1
390	412A1212-117A		.PANEL ASSY-END USED ON: 412A1250-135A	001014 016017 019030 201201	1
390	412A1212-1117B		.PANEL ASSY-END USED ON: 412A1250-1135B	001014 016017 019030 201201	1
- 395	SL2334-3A1		..INSERT- SUPPLIER CODE: V97393	001014 016017 019030 201967 202967	23
400	412A1212-119SP		.PANEL ASSY-END USED ON: 412A1250-135SP	202967	1
400	412A1212-119A		.PANEL ASSY-END USED ON: 412A1250-135A	001014 016017 019030 201201	1

MISSING ITEM NUMBERS NOT APPLICABLE

- ITEM NOT ILLUSTRATED

HAP

25-24-32-44A

BOEING PROPRIETARY - Copyright © - Unpublished Work - See title page for details.

25-24-32
FIG. 44A
PAGE 12
OCT 15/08

BOEING
737-600/700/800/900
PARTS CATALOG (MAINTENANCE)

FIG ITEM	PART NUMBER	1 2 3 4 5 6 7	NOMENCLATURE	EFFECT FROM TO	UNITS PER ASSY
44A 400	412A1212-1119B		.PANEL ASSY-END USED ON: 412A1250-1135B	001014 016017 019030 201201	1
- 405	SL2334-3A1		..INSERT- SUPPLIER CODE: V97393	001014 016017 019030 201967	13
410	412A1210-119SP		.PANEL ASSY-SHELL USED ON: 412A1250-135SP	202967	1
410	412A1210-119A		.PANEL ASSY-SHELL USED ON: 412A1250-135A	001014 016017 019030 201201	1
410	412A1210-1119B		.PANEL ASSY-SHELL USED ON: 412A1250-1135B	001014 016017 019030 201201	1
415	SL2334-3A1		..INSERT- SUPPLIER CODE: V97393	001014 016017 019030 201967	23
420	BCREF128023		..INSERT- SUPPLIER CODE: V97393 OVERLENGTH PART NUMBER: SL603-3-375ASP13	001014 016017 019030 201967	12
425	BCREF130325		..INSERT- SUPPLIER CODE: V97393 OVERLENGTH PART NUMBER: SL603-4-375ASP24 OPTIONAL PART: 412A1230-59	001014 016017 019030 201967	2
425	412A1230-59		..INSERT- OPTIONAL PART: BCREF130325	001014 016017 019030 201967	2
430	412A1211-121SP		.PANEL ASSY-SHELF USED ON: 412A1250-135SP	202967	1
430	412A1211-121A		.PANEL ASSY-SHELF USED ON: 412A1250-135A	001014 016017 019030 201201	1

MISSING ITEM NUMBERS NOT APPLICABLE

- ITEM NOT ILLUSTRATED

HAP

25-24-32-44A

BOEING PROPRIETARY - Copyright © - Unpublished Work - See title page for details.

25-24-32
FIG. 44A
PAGE 13
OCT 15/08

BOEING
737-600/700/800/900
PARTS CATALOG (MAINTENANCE)

FIG ITEM	PART NUMBER	1 2 3 4 5 6 7	NOMENCLATURE	EFFECT FROM TO	UNITS PER ASSY
44A 430	412A1211-1121B		.PANEL ASSY-SHELF USED ON: 412A1250-1135B	001014 016017 019030 201201	1
- 435	SL2334-3A1		..INSERT- SUPPLIER CODE: V97393	001014 016017 019030 201967	59

MISSING ITEM NUMBERS NOT APPLICABLE

- ITEM NOT ILLUSTRATED

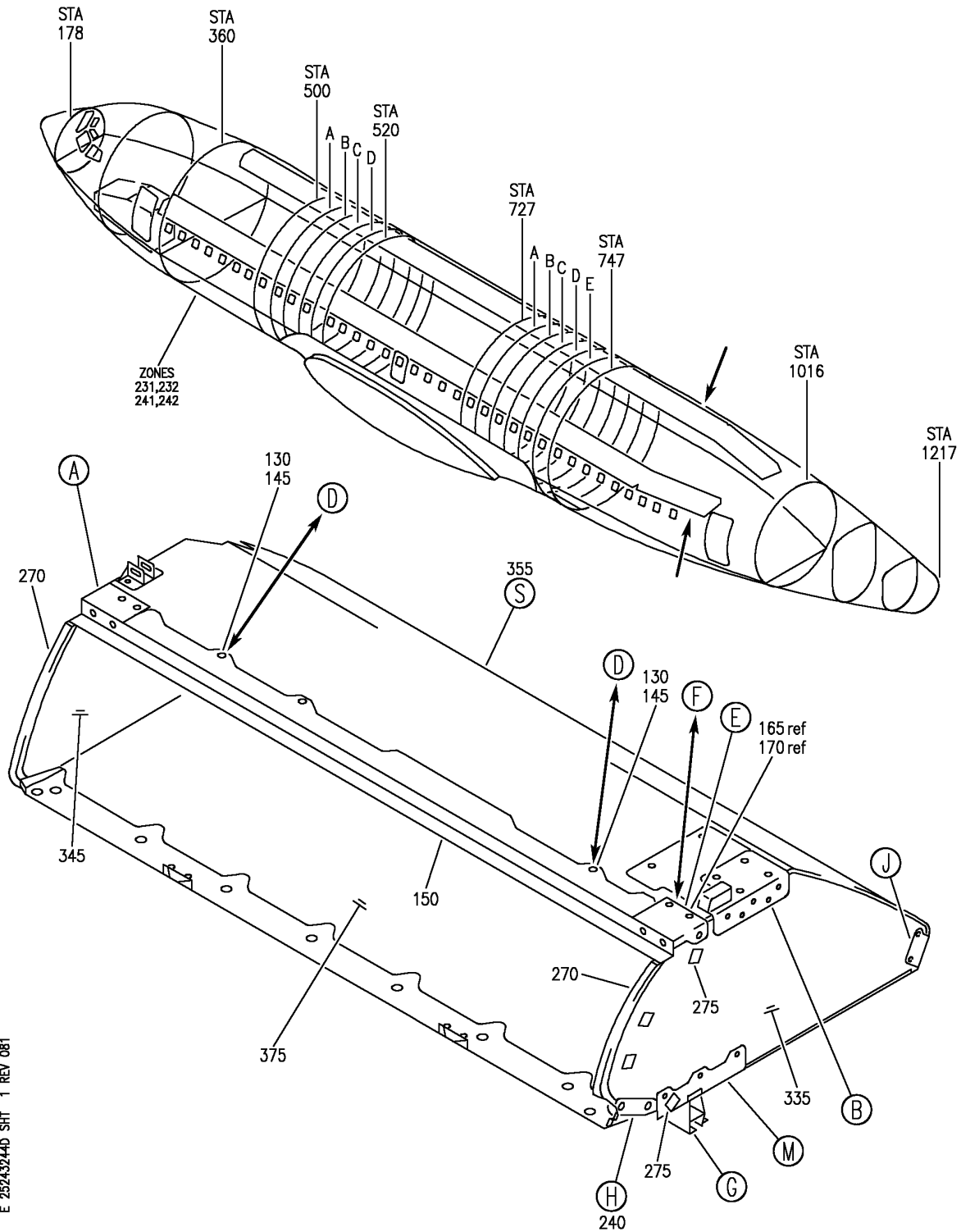
HAP

25-24-32-44A

BOEING PROPRIETARY - Copyright © - Unpublished Work - See title page for details.

25-24-32
FIG. 44A
PAGE 14
OCT 15/08


BOEING
 737-600/700/800/900
 PARTS CATALOG (MAINTENANCE)



E 25243244D SHT 1 REV 081

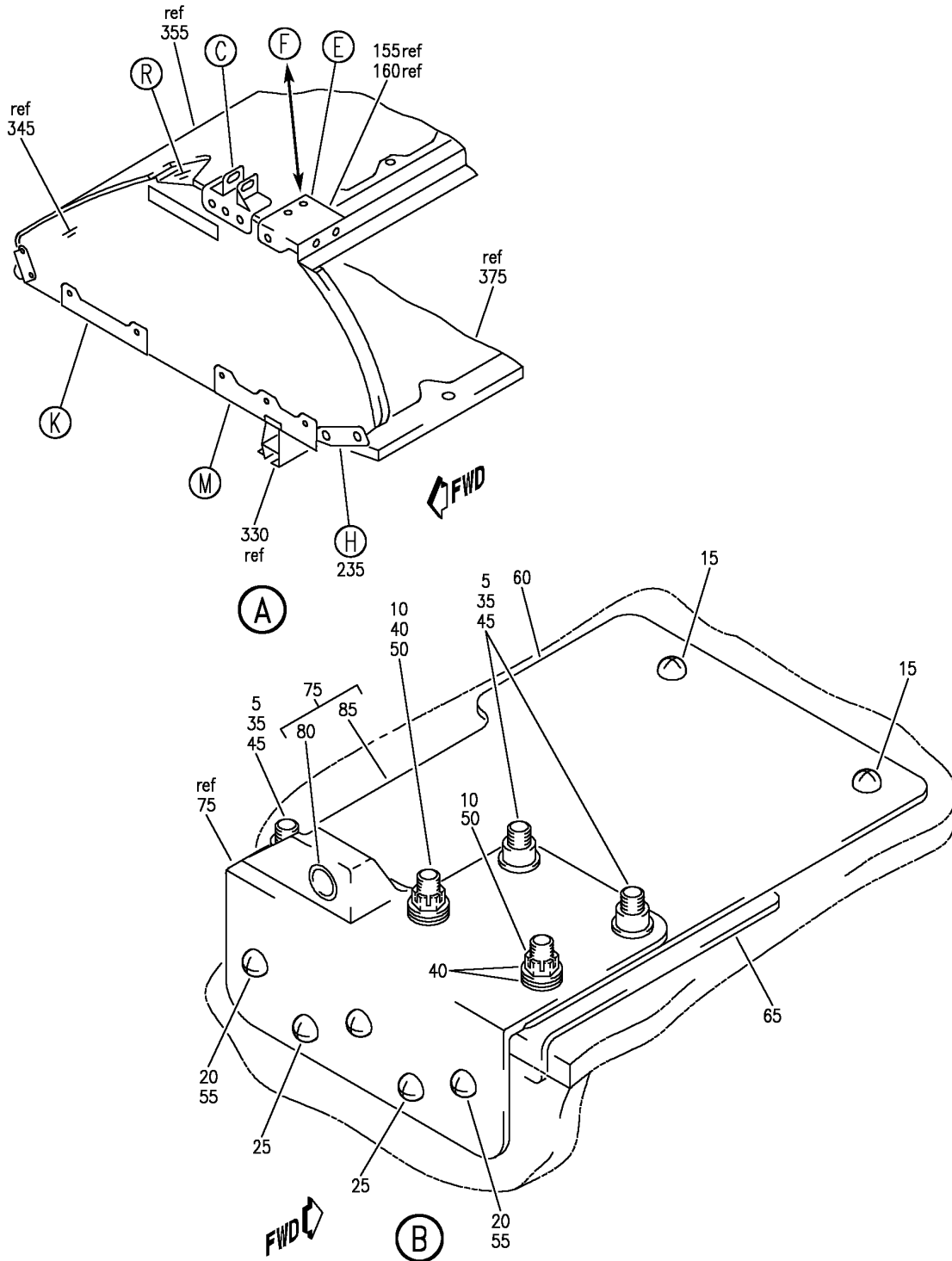
BOX ASSY-44 IN. BIN
 FIGURE 44D (SHEET 1)

25-24-32-44D

HAP
OCT 15/08

25-24-32-44D
 PAGE 0


BOEING
 737-600/700/800/900
PARTS CATALOG (MAINTENANCE)



E 25243244D SHT 2 REV 081

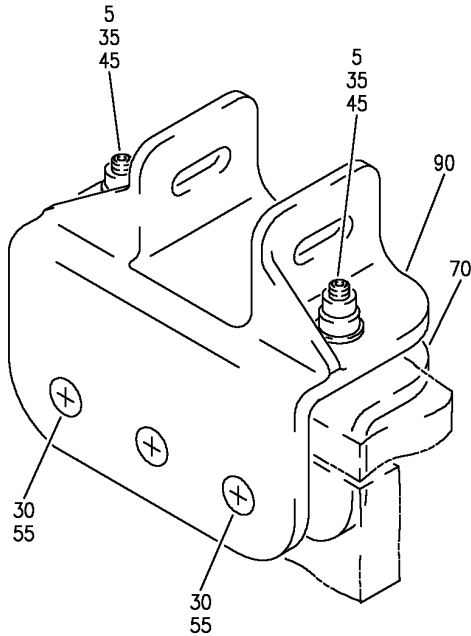
BOX ASSY-44 IN. BIN
 FIGURE 44D (SHEET 2)

25-24-32-44D

HAP
OCT 15/08

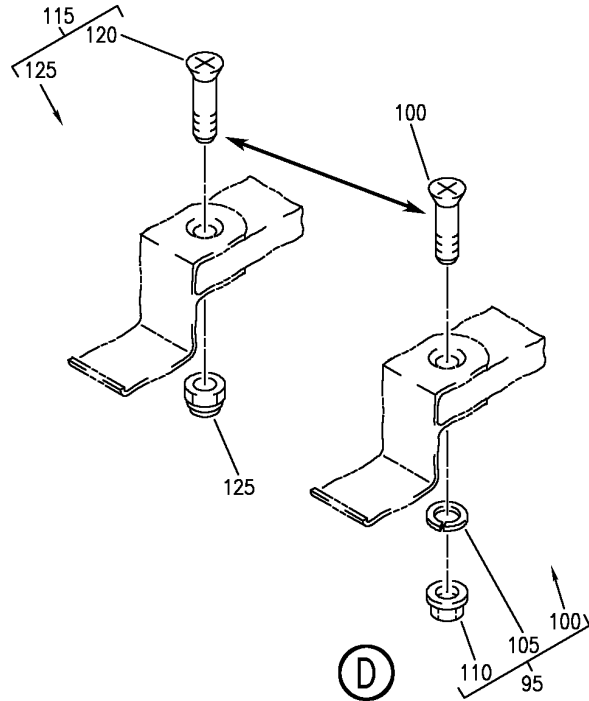
25-24-32-44D
PAGE 0A


BOEING
 737-600/700/800/900
PARTS CATALOG (MAINTENANCE)

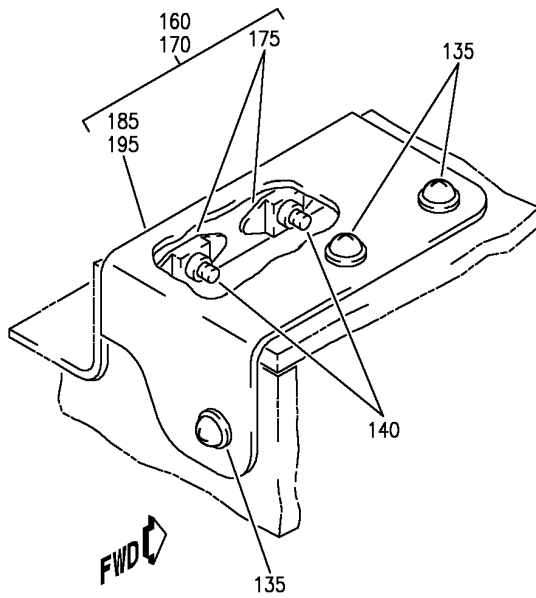


FWD ↗

(C)

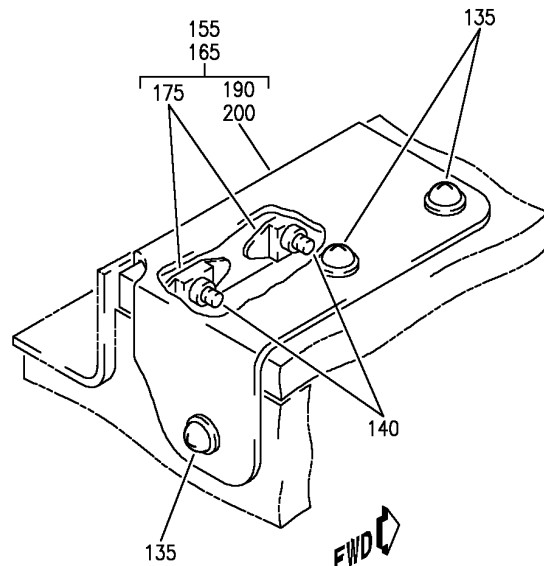


(D)



FWD ↗

(F)



FWD ↗

(E)

E 25243244D SHT 3 REV 081

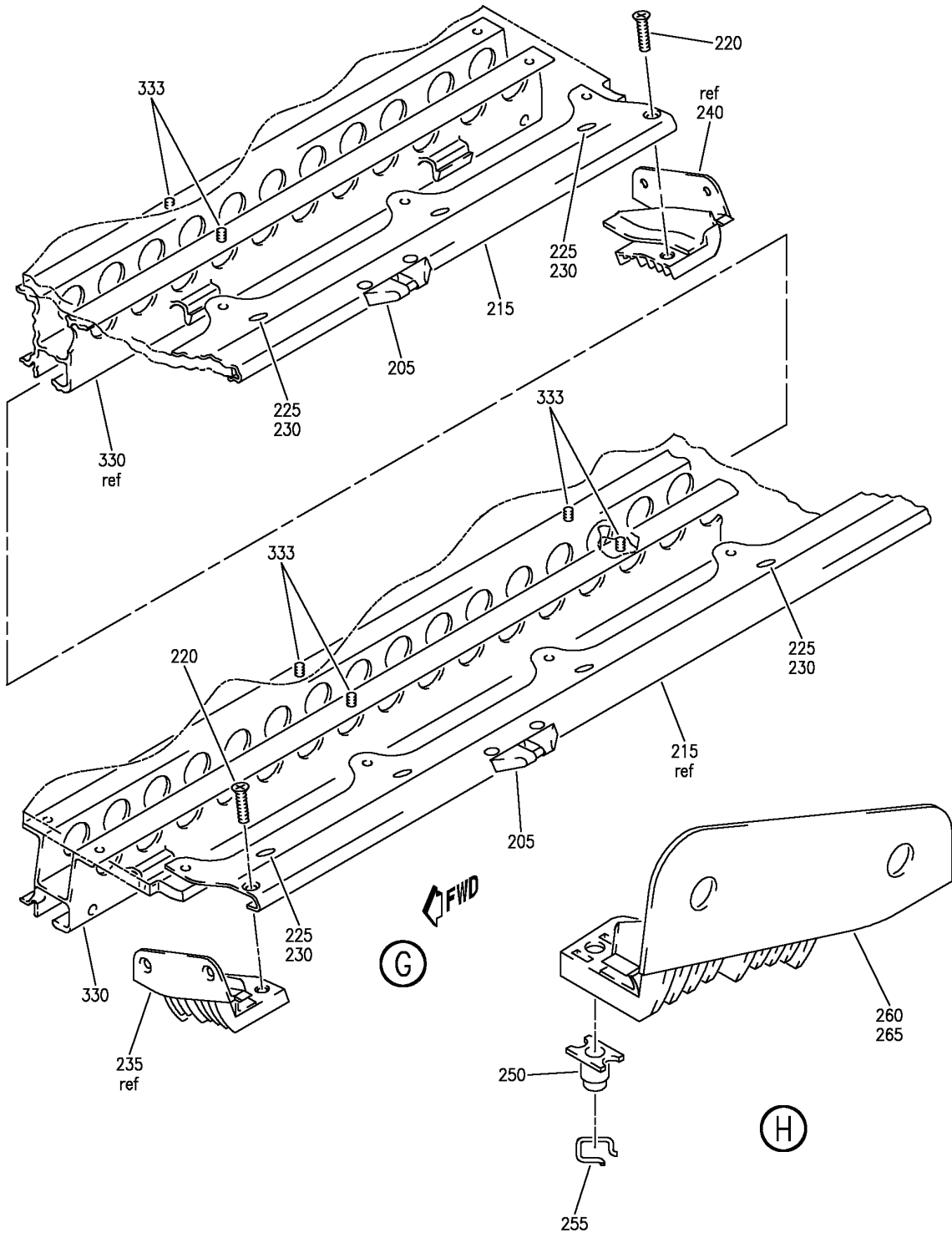
BOX ASSY-44 IN. BIN
FIGURE 44D (SHEET 3)

25-24-32-44D

HAP
OCT 15/08

25-24-32-44D
PAGE 08

BOEING
 737-600/700/800/900
 PARTS CATALOG (MAINTENANCE)



E 25243244D SHT 4 REV 081

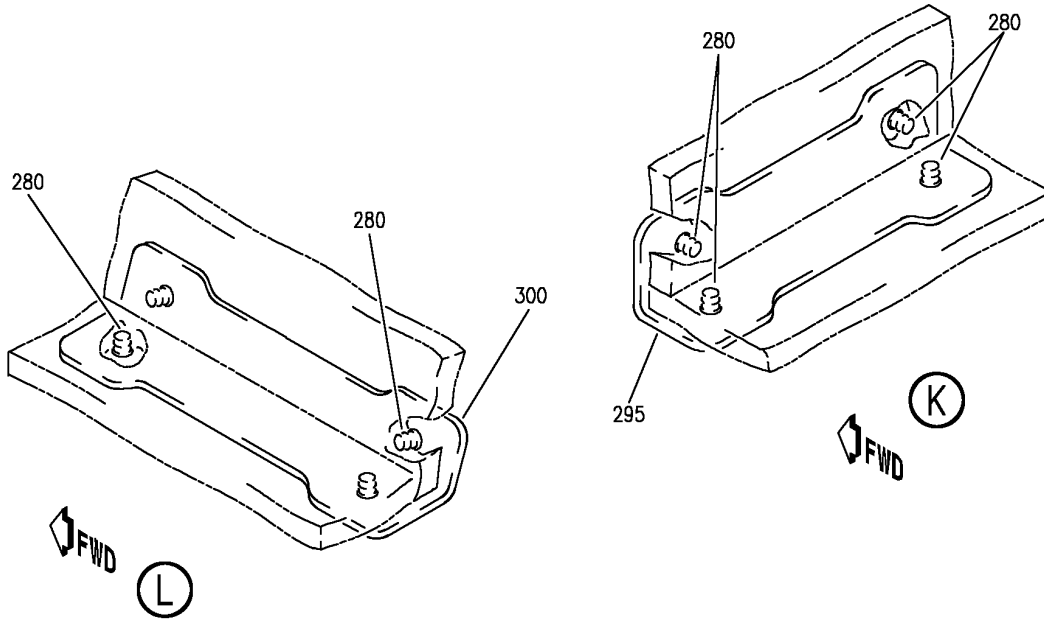
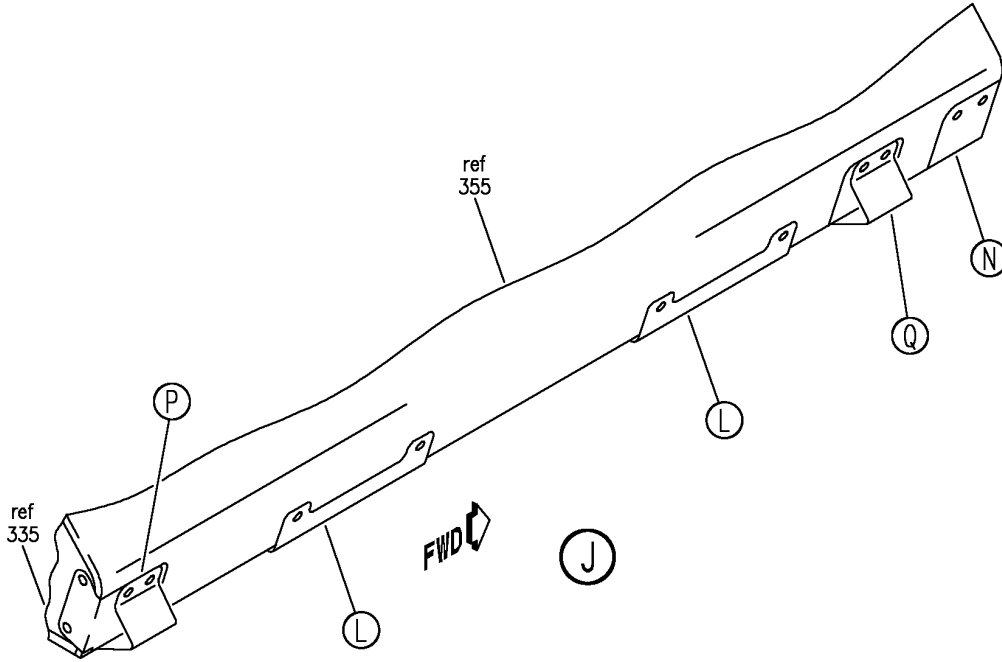
BOX ASSY-44 IN. BIN
 FIGURE 44D (SHEET 4)

25-24-32-44D

HAP
 OCT 15/08

25-24-32-44D
 PAGE 0C

BOEING
 737-600/700/800/900
 PARTS CATALOG (MAINTENANCE)



E 25243244D SHT 5 REV 081

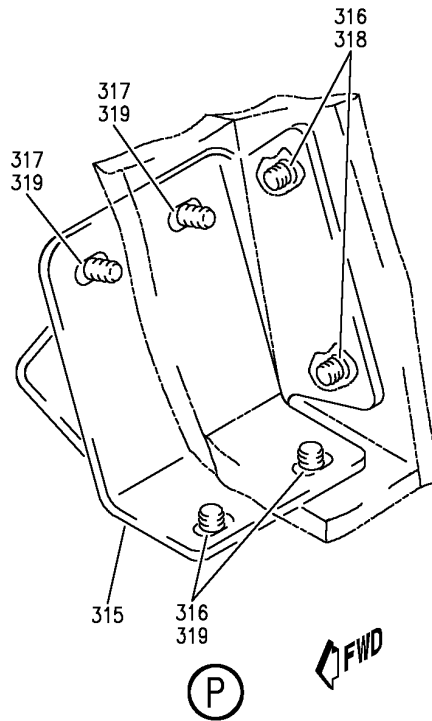
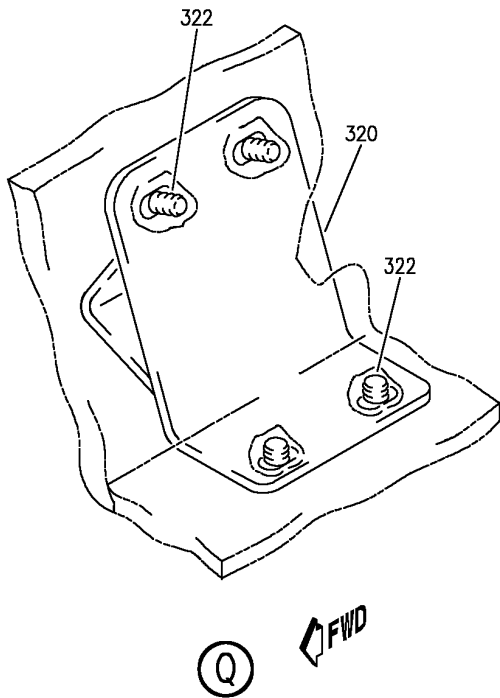
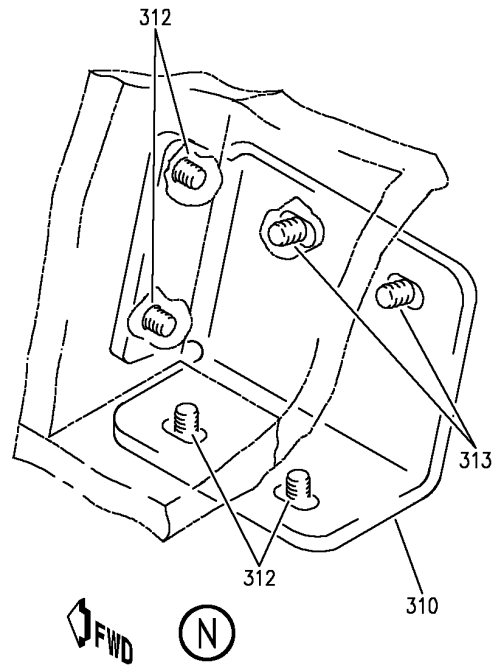
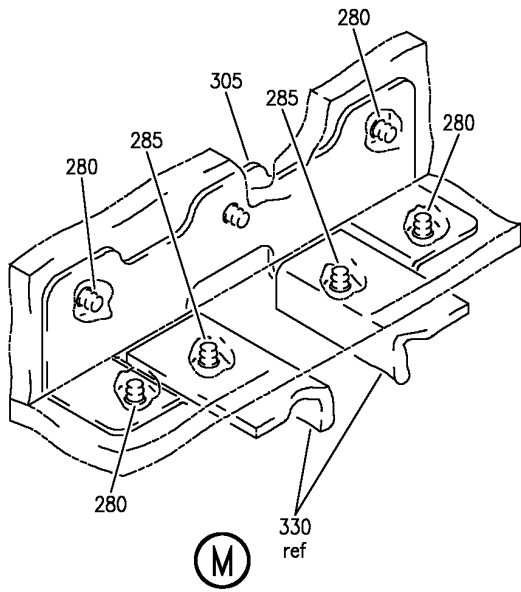
BOX ASSY-44 IN. BIN
 FIGURE 44D (SHEET 5)

25-24-32-44D

HAP
 OCT 15/08

25-24-32-44D
 PAGE 0D

BOEING
 737-600/700/800/900
 PARTS CATALOG (MAINTENANCE)



E 25243244D SHT 6 REV 081

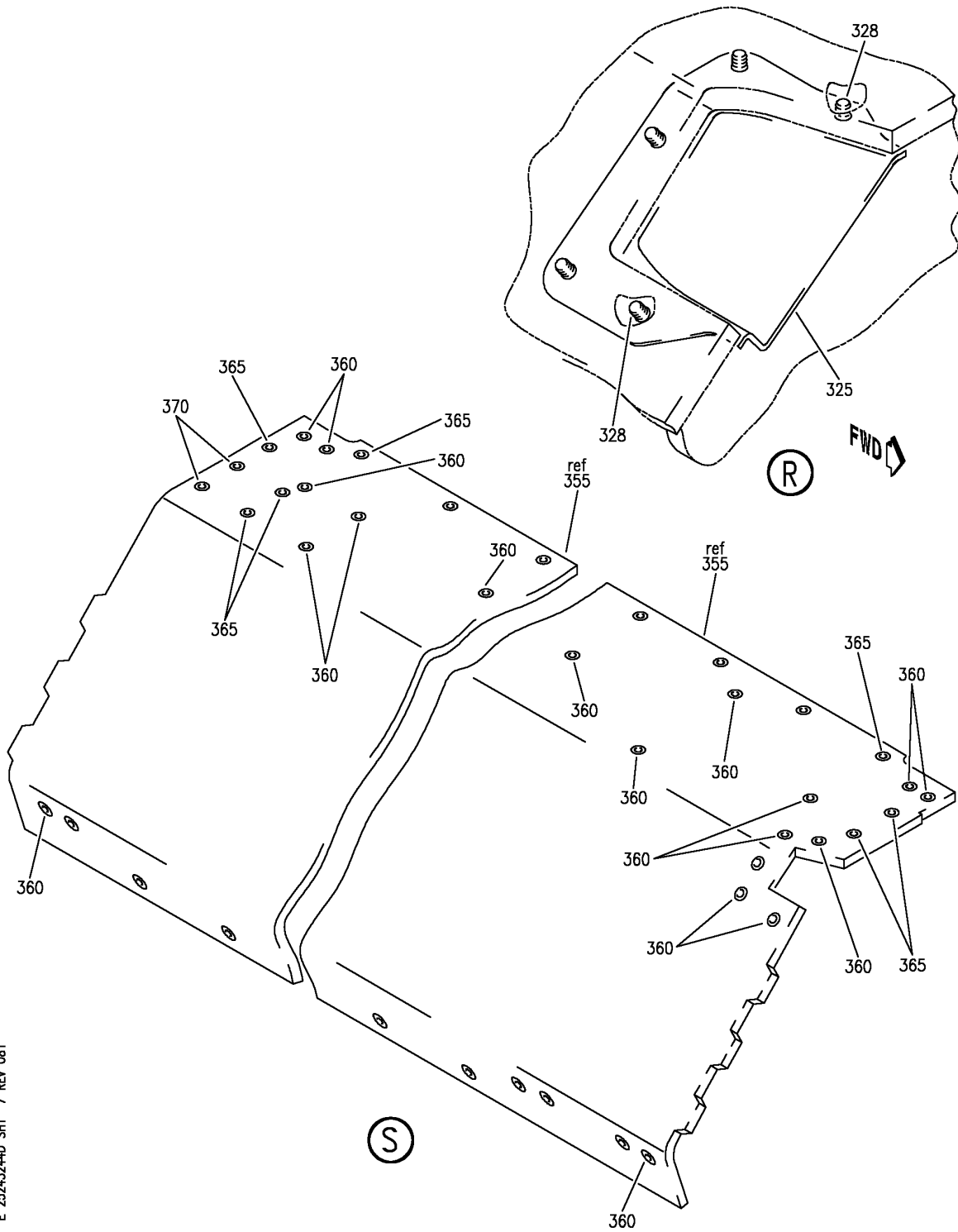
BOX ASSY-44 IN. BIN
 FIGURE 44D (SHEET 6)

25-24-32-44D

HAP
 OCT 15/08

25-24-32-44D
 PAGE 0E

BOEING
737-600/700/800/900
PARTS CATALOG (MAINTENANCE)



E 25243244D SHT 7 REV 081

BOX ASSY-44 IN. BIN
FIGURE 44D (SHEET 7)

25-24-32-44D

HAP
OCT 15/08

25-24-32-44D
PAGE OF

BOEING
737-600/700/800/900
PARTS CATALOG (MAINTENANCE)

FIG ITEM	PART NUMBER	1 2 3 4 5 6 7	NOMENCLATURE	EFFECT FROM TO	UNITS PER ASSY
44D					
- 1	412A1250-136A		BOX ASSY-44 IN. BIN BOX ASSY-44 IN. BIN OPTIONAL PART: 412A1250-1136B FOR NHA SEE: 25-24-31-35	201967 201967	RF
- 1	412A1250-1136B		BOX ASSY-44 IN. BIN OPTIONAL PART: 412A1250-136A FOR NHA SEE: 25-24-31-35	201967	RF
5	BACB30NX6DK10		.BOLT-	201967	5
10	BACB30NR4DK10		.BOLT	201967	2
15	BACS12FA3K4		.SCREW	201967	2
20	BACS12FA3K9		.SCREW	201967	3
25	BACS12FA3K5		.SCREW	201967	2
30	BACS12ER3K9		.SCREW	201967	3
35	BACW10BP3NDP		.WASHER-	201967	5
			OPTIONAL PART: NAS1149D0363J		
35	NAS1149D0363J		.WASHER-	201967	5
			OPTIONAL PART: BACW10BP3NDP		
40	NAS1149D0463J		.WASHER	201967	6
45	HL1087-6		.COLLAR-	201967	5
			SUPPLIER CODE: V73197 SPECIFICATION NUMBER: BACC30BH6 OPTIONAL PART: HL1087-6 V56878 HL1087-6 V92215 HL1087-6 V9N513 BACC30BZ6		
45	HST1070CY6		.COLLAR-	201967	5
			SUPPLIER CODE: V5M902 SPECIFICATION NUMBER: BACC30BZ6 OPTIONAL PART: VLC1070CY6 V92215 HST1070CY6 V73197 BACC30BH6		
50	BACN10JD104CD		.NUT	201967	2

MISSING ITEM NUMBERS NOT APPLICABLE

- ITEM NOT ILLUSTRATED

HAP

25-24-32-44D

BOEING PROPRIETARY - Copyright © - Unpublished Work - See title page for details.

25-24-32
FIG. 44D
PAGE 1
OCT 15/08

BOEING
737-600/700/800/900
PARTS CATALOG (MAINTENANCE)

FIG ITEM	PART NUMBER	1 2 3 4 5 6 7	NOMENCLATURE	EFFECT FROM TO	UNITS PER ASSY
44D					
55	SL5-3-50C		.NUT- SUPPLIER CODE: V97393	201967	6
60	412A1220-74		.DOUBLER-9G EXT	201967	1
65	412A1220-71A		.DOUBLER-INTERNAL	201967	1
70	412A1220-63A		.DOUBLER-INTERNAL	201967	1
75	412A1230-56		.FITTING ASSY	201967	1
80	BCREF13195		..BUSHING- OVERLENGTH PART NUMBER: BACB28AY06A035CG	201967	1
85	412A1230-58		..FITTING	201967	1
90	412A1230-32		.FITTING-SPRT POSITION DATA: UPR	201967	1
95	412A1340-16		.FASTENER ASSY-KIT OPTIONAL PART: 412A1340-17 USED ON: 412A1250-1136B 412A1250-1136SP	201201	3
100	BACB30VF3K7		..BOLT	201201	1
105	BACW10EC3S		..WASHER	201201	1
110	PLH53C		..NUT SUPPLIER CODE: V62554 SPECIFICATION NUMBER: BACN10YR3C OPTIONAL PART: H52732-3C V15653	201201	1
115	412A1340-17		.FASTENER ASSY-KIT OPTIONAL PART: 412A1340-16 USED ON: 412A1250-1136B 412A1250-1136SP	201201	3
120	BACB30VF3K8		..BOLT	201201	1
125	F22K1-02		..NUT SUPPLIER CODE: V72962 SPECIFICATION NUMBER: BACN10R10L OPTIONAL PART: 22K1-02 V72962 26CL02 V80539	201201	1

MISSING ITEM NUMBERS NOT APPLICABLE

— ITEM NOT ILLUSTRATED

HAP

25-24-32-44D

BOEING PROPRIETARY - Copyright © - Unpublished Work - See title page for details.

25-24-32
FIG. 44D
PAGE 2
OCT 15/08

BOEING
737-600/700/800/900
PARTS CATALOG (MAINTENANCE)

FIG ITEM	PART NUMBER	1 2 3 4 5 6 7	NOMENCLATURE	EFFECT FROM TO	UNITS PER ASSY
44D 130	BACB30VF3K8		.BOLT- USED ON: 412A1250-136A 412A1250-136SP	201967	3
135	BACS12FA3K4		.SCREW	201967	6
140	BACS12FA3K7		.SCREW	201967	4
145	F22K1-02		.NUT- SUPPLIER CODE: V72962 SPECIFICATION NUMBER: BACN10R10L OPTIONAL PART: 22K1-02 V72962 26CLO2 V80539 USED ON: 412A1250-136A 412A1250-136SP	201967	3
150	412A1247-14A		.EXTRUSION-DOOR CLOSEOUT	201967	1
155	412A1220-250		.CORNER ASSY- OPTIONAL PART: 412A1220-6A 412A1220-6SP 412A1220-210 USED ON: 412A1250-1136B 412A1250-1136SP	201201	1
160	412A1220-6A		.CORNER ASSY- OPTIONAL PART: 412A1220-210	201967	1
160	412A1220-210		.CORNER ASSY- OPTIONAL PART: 412A1220-6A 412A1220-6SP 412A1220-250 USED ON: 412A1250-1136B 412A1250-1136SP	201201	1
165	412A1220-249		.CORNER ASSY- OPTIONAL PART: 412A1220-5A 412A1220-5SP 412A1220-209 USED ON: 412A1250-1136B 412A1250-1136SP	201201	1

MISSING ITEM NUMBERS NOT APPLICABLE

— ITEM NOT ILLUSTRATED

HAP

25-24-32-44D

BOEING PROPRIETARY - Copyright © - Unpublished Work - See title page for details.

25-24-32
FIG. 44D
PAGE 3
OCT 15/08

BOEING
737-600/700/800/900
PARTS CATALOG (MAINTENANCE)

FIG ITEM	PART NUMBER	1 2 3 4 5 6 7	NOMENCLATURE	EFFECT FROM TO	UNITS PER ASSY
44D 170	412A1220-5A		.CORNER ASSY- OPTIONAL PART: 412A1220-209 412A1220-249	201967	1
170	412A1220-209		.CORNER ASSY- OPTIONAL PART: 412A1220-5A 412A1220-5SP 412A1220-249 USED ON: 412A1250-1136B 412A1250-1136SP	201201	1
175	BRF200C3D		..NUTPLATE SUPPLIER CODE: V52828 SPECIFICATION NUMBER: BACN10JR3CFD OPTIONAL PART: K51602-3BAC V15653 NS202476-02 V80539 102F9201-3 V72962 T8092C1032CD V11815 ATTACHING PARTS	201967	2
- 180	BACR15CE3D		..RIVET- SIZE DETERMINED ON INSTL. -----*-----	201967	4
185	412A1220-7SP		..REINFORCEMENT- USED ON: 412A1220-5A 412A1220-5SP	201967	1
185	412A1220-211		..REINFORCEMENT- USED ON: 412A1220-209	201967	1
190	412A1220-251		..REINFORCEMENT- USED ON: 412A1220-249	201201	1
195	412A1220-8SP		..REINFORCEMENT- USED ON: 412A1220-6A 412A1220-6SP	201967	1
195	412A1220-212		..REINFORCEMENT- USED ON: 412A1220-210	201967	1

MISSING ITEM NUMBERS NOT APPLICABLE

- ITEM NOT ILLUSTRATED

HAP

25-24-32-44D

BOEING PROPRIETARY - Copyright © - Unpublished Work - See title page for details.

25-24-32
FIG. 44D
PAGE 4
OCT 15/08

BOEING
737-600/700/800/900
PARTS CATALOG (MAINTENANCE)

FIG ITEM	PART NUMBER	1 2 3 4 5 6 7	NOMENCLATURE	EFFECT FROM TO	UNITS PER ASSY
44D 200	412A1220-252	..	REINFORCEMENT- USED ON: 412A1220-250	201201	1
205	HA225-3	.STRIKE-	SUPPLIER CODE: V83014 SPECIFICATION NUMBER: S412A001-6	201967	2
205	HA225-11	.STRIKE-	SUPPLIER CODE: V83014 SPECIFICATION NUMBER: S412A001-16 ATTACHING PARTS	201967	2
- 210	BACS12ER08K5	.SCREW	-----*-----	201967	4
215	412A1242-12	.EXTRUSION-SHELF	ATTACHING PARTS	201967	1
220	BACS12ER3K6	.SCREW		201967	2
225	BACS12ER3K5	.SCREW		201967	7
230	H3-1233A3	.WASHER-	SUPPLIER CODE: V34941 SPECIFICATION NUMBER: S411A001-1 -----*-----	201967	7
235	412A1475-3A	.FITTING ASSY-SPRT		201967	1
240	412A1475-4A	.FITTING ASSY-SPRT	ATTACHING PARTS	201967	1
- 245	BACS12ER3K5	.SCREW	-----*-----	201967	4
250	BACN11F3-1CD	..NUT		201967	1
255	NAS1795-3	..CLIP		201967	1
260	412A1475-1SP	..FITTING-	USED ON: 412A1475-3A	201967	1
265	412A1475-2SP	..FITTING-	USED ON: 412A1475-4A	201967	1
270	412A1450-1A	.TRIM-		201967	2
275	412A1450-21	.CLIP		201967	4
280	BACS12FA3K4	.SCREW		201967	22
285	BACS12FA3K6	.SCREW-	USED ON: 412A1250-136A 412A1250-136SP	201967	4

MISSING ITEM NUMBERS NOT APPLICABLE

- ITEM NOT ILLUSTRATED

HAP

25-24-32-44D

BOEING PROPRIETARY - Copyright © - Unpublished Work - See title page for details.

25-24-32
FIG. 44D
PAGE 5
OCT 15/08

BOEING
737-600/700/800/900
PARTS CATALOG (MAINTENANCE)

FIG ITEM	PART NUMBER	1 2 3 4 5 6 7	NOMENCLATURE	EFFECT FROM TO	UNITS PER ASSY
44D 285	BACS12FA3K5		.SCREW- USED ON: 412A1250-1136B 412A1250-1136SP	201201	4
295	412A1220-3		.ANGLE	201967	1
300	412A1220-4		.ANGLE	201967	2
305	412A1220-205		.ANGLE- OPTIONAL PART: 412A1220-9SP	201201	2
305	412A1220-9SP		.ANGLE- OPTIONAL PART: 412A1220-205	201967	2
310	412A1220-24		.GUSSET ATTACHING PARTS	201967	1
312	BACS12FA3K4		.SCREW	201967	4
313	BACS12FA3K6		.SCREW- USED ON: 412A1250-136A	201967	2
313	BACS12FA3K5		.SCREW- USED ON: 412A1250-1136B	201967	2
315	412A1220-34		-----*----- .FITTING ASSY ATTACHING PARTS	201967	1
316	BACS12FA3K4		.SCREW- USED ON: 412A1250-136A	201967	4
317	BACS12FA3K6		.SCREW- USED ON: 412A1250-136A	201967	2
318	BACS12FA3K4		.SCREW- USED ON: 412A1250-1136B	201967	2
319	BACS12FA3K5		.SCREW- USED ON: 412A1250-1136B	201967	4
320	412A1220-50		-----*----- .FITTING ASSY ATTACHING PARTS	201967	1
322	BACS12FA3K6		.SCREW- USED ON: 412A1250-136A	201967	4
322	BACS12FA3K5		.SCREW- USED ON: 412A1250-1136B	201967	4
325	412A1220-76A		-----*----- .COVER-	201967	1

MISSING ITEM NUMBERS NOT APPLICABLE

— ITEM NOT ILLUSTRATED

HAP

25-24-32-44D

BOEING PROPRIETARY - Copyright © - Unpublished Work - See title page for details.

25-24-32
FIG. 44D
PAGE 6
OCT 15/08

BOEING
737-600/700/800/900
PARTS CATALOG (MAINTENANCE)

FIG ITEM	PART NUMBER	1 2 3 4 5 6 7	NOMENCLATURE	EFFECT FROM TO	UNITS PER ASSY
44D			ATTACHING PARTS		
328	BACS12FA3K4		.SCREW	201967	5
			-----*-----		
330	412A1245-16		.RAIL	201967	1
333	BACS12FA3K5		.SCREW	201967	6
			-----*-----		
335	412A1212-120A		.PANEL ASSY-END USED ON: 412A1250-136A	201967	1
335	412A1212-1120B		.PANEL ASSY-END USED ON: 412A1250-1136B	201967	1
- 340	SL2334-3A1		..INSERT- SUPPLIER CODE: V97393	201967	13
345	412A1212-128A		.PANEL ASSY-END USED ON: 412A1250-136A	201967	1
345	412A1212-1128B		.PANEL ASSY-END USED ON: 412A1250-1136B	201967	1
- 350	SL2334-3A1		..INSERT- SUPPLIER CODE: V97393	201967	23
355	412A1210-120A		.PANEL ASSY-SHELL USED ON: 412A1250-136A	201967	1
355	412A1210-1120B		.PANEL ASSY-SHELL USED ON: 412A1250-1136B	201967	1
360	SL2334-3A1		..INSERT- SUPPLIER CODE: V97393	201967	27
365	BCREF128023		..INSERT- SUPPLIER CODE: V97393 OVERLENGTH PART NUMBER: SL603-3-375ASP13	201967	12
370	BCREF130325		..INSERT- SUPPLIER CODE: V97393 OVERLENGTH PART NUMBER: SL603-4-375ASP24 OPTIONAL PART: 412A1230-59	201967	2
370	412A1230-59		..INSERT- OPTIONAL PART: BCREF130325	201967	2

MISSING ITEM NUMBERS NOT APPLICABLE

- ITEM NOT ILLUSTRATED

HAP

25-24-32-44D

BOEING PROPRIETARY - Copyright © - Unpublished Work - See title page for details.

25-24-32
FIG. 44D
PAGE 7
OCT 15/08


BOEING
 737-600/700/800/900
PARTS CATALOG (MAINTENANCE)

FIG ITEM	PART NUMBER	1 2 3 4 5 6 7	NOMENCLATURE	EFFECT FROM TO	UNITS PER ASSY
44D 375	412A1211-122A	.	PANEL ASSY-SHELF USED ON: 412A1250-136A	201967	1
375	412A1211-1122B	.	PANEL ASSY-SHELF USED ON: 412A1250-1136B	201967	1
- 380	SL2334-3A1	..	INSERT- SUPPLIER CODE: V97393	201967	59

MISSING ITEM NUMBERS NOT APPLICABLE

- ITEM NOT ILLUSTRATED

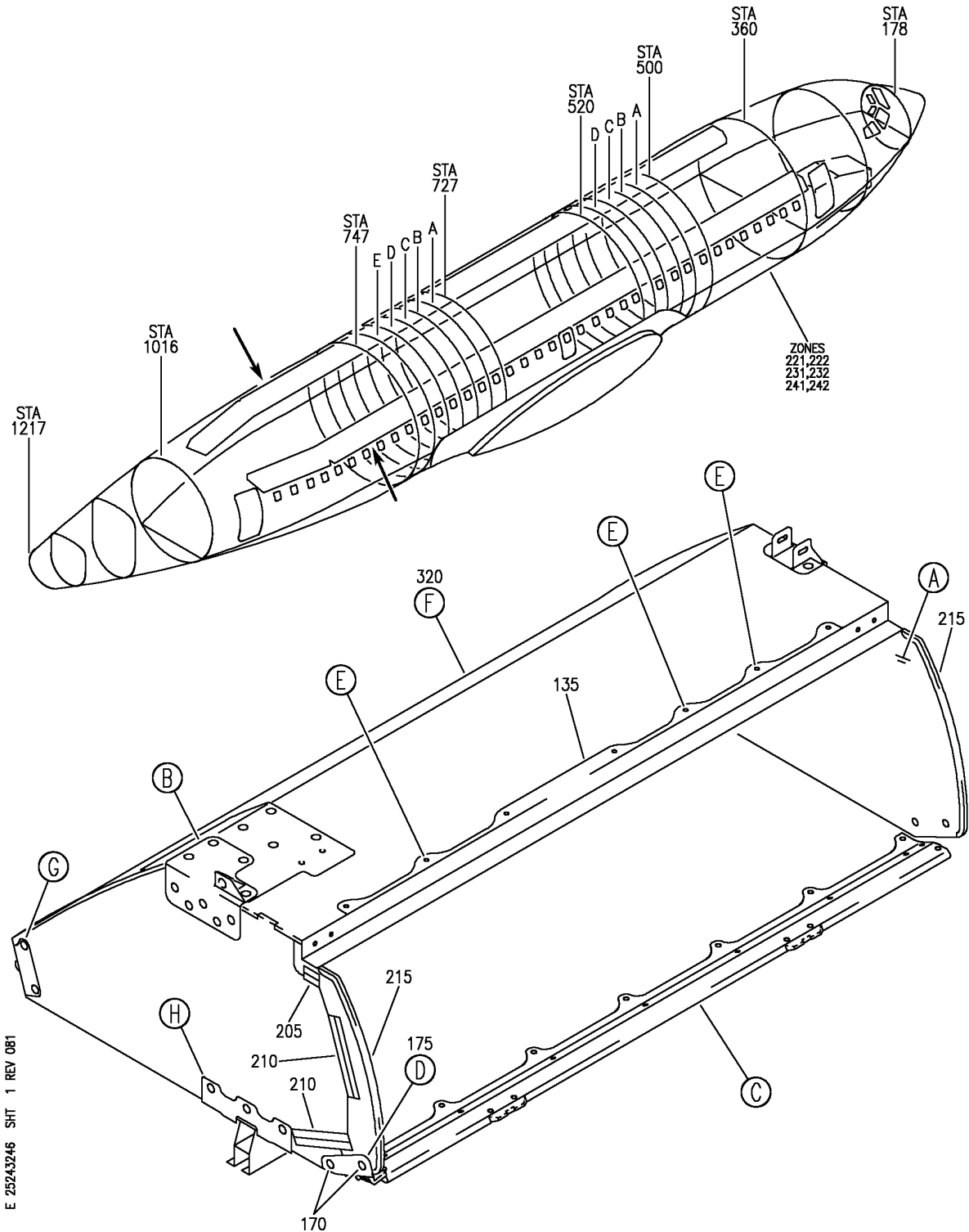
HAP

25-24-32-44D

BOEING PROPRIETARY - Copyright © - Unpublished Work - See title page for details.

25-24-32
 FIG. 44D
 PAGE 8
 OCT 15/08

BOEING
 737-600/700/800/900
 PARTS CATALOG (MAINTENANCE)



E 25243246 SHT 1 REV 081

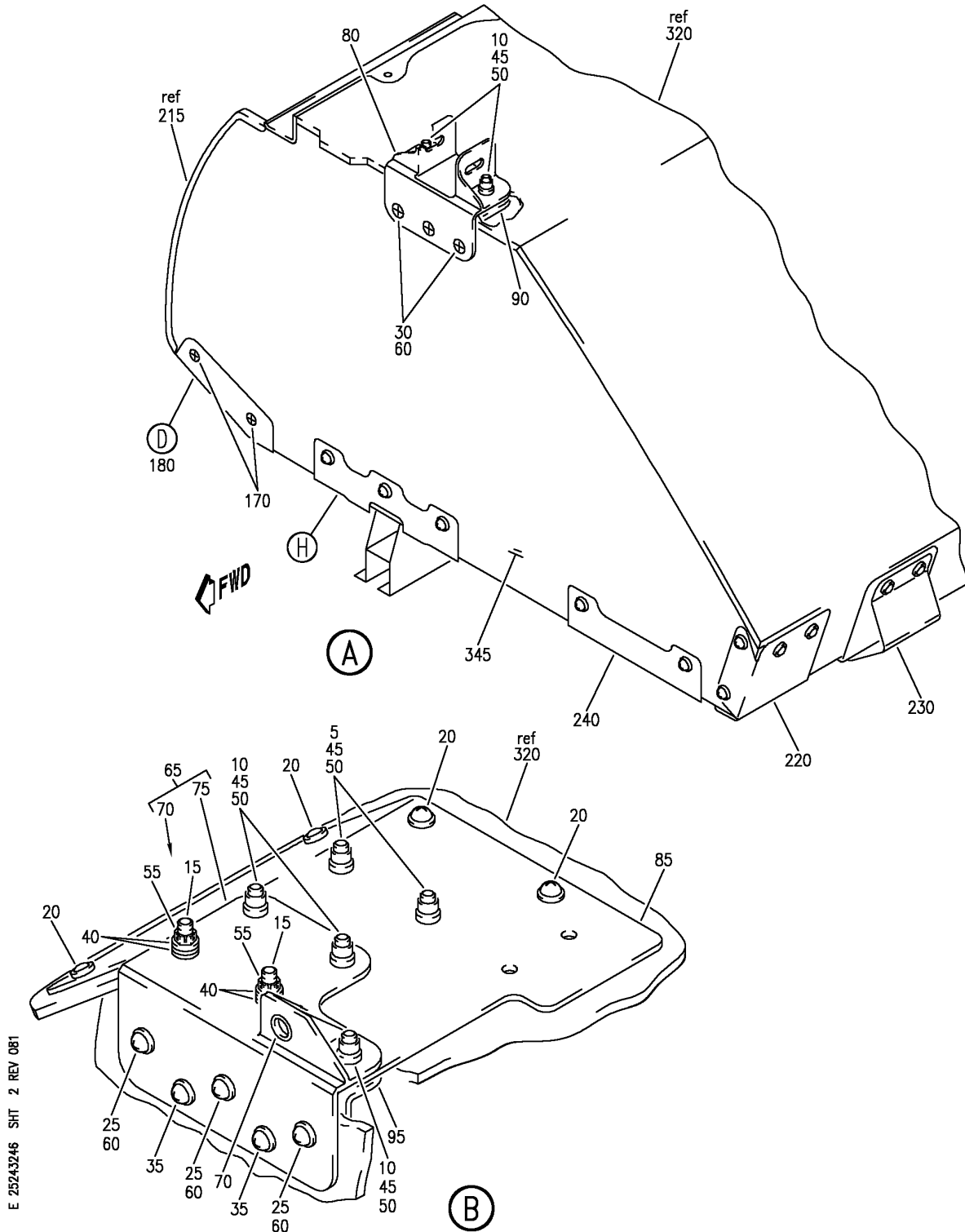
BOX ASSY-44 IN. LH BIG BIN
 FIGURE 46 (SHEET 1)

25-24-32-46

HAP
 OCT 10/06

25-24-32-46
 PAGE 0

BOEING
 737-600/700/800/900
 PARTS CATALOG (MAINTENANCE)



E 25243246 SH1 2 REV 081

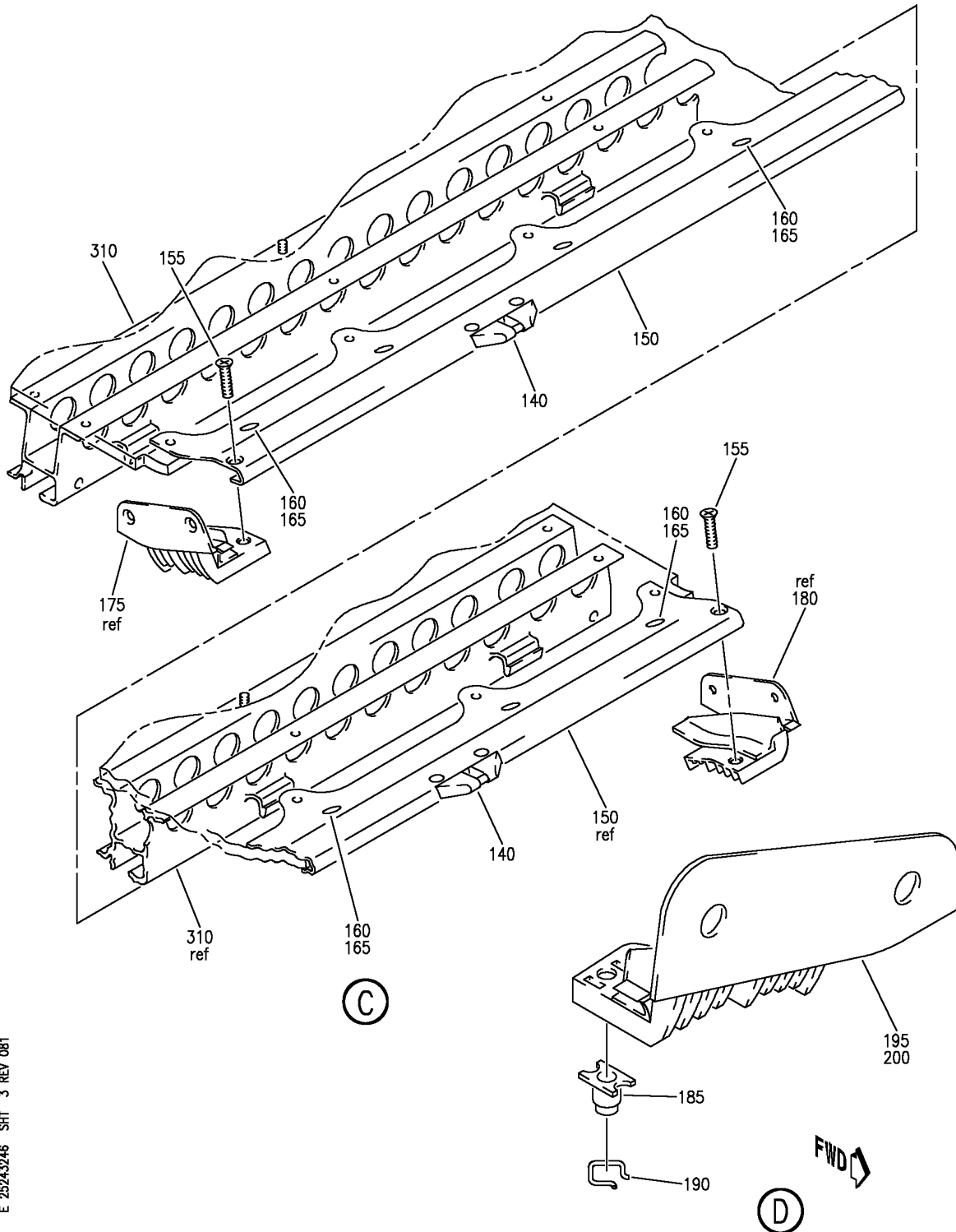
BOX ASSY-44 IN. LH BIG BIN
 FIGURE 46 (SHEET 2)

25-24-32-46

HAP
 OCT 10/06

25-24-32-46
 PAGE 0A

BOEING
 737-600/700/800/900
 PARTS CATALOG (MAINTENANCE)



E 25243246 SHT 3 REV 081

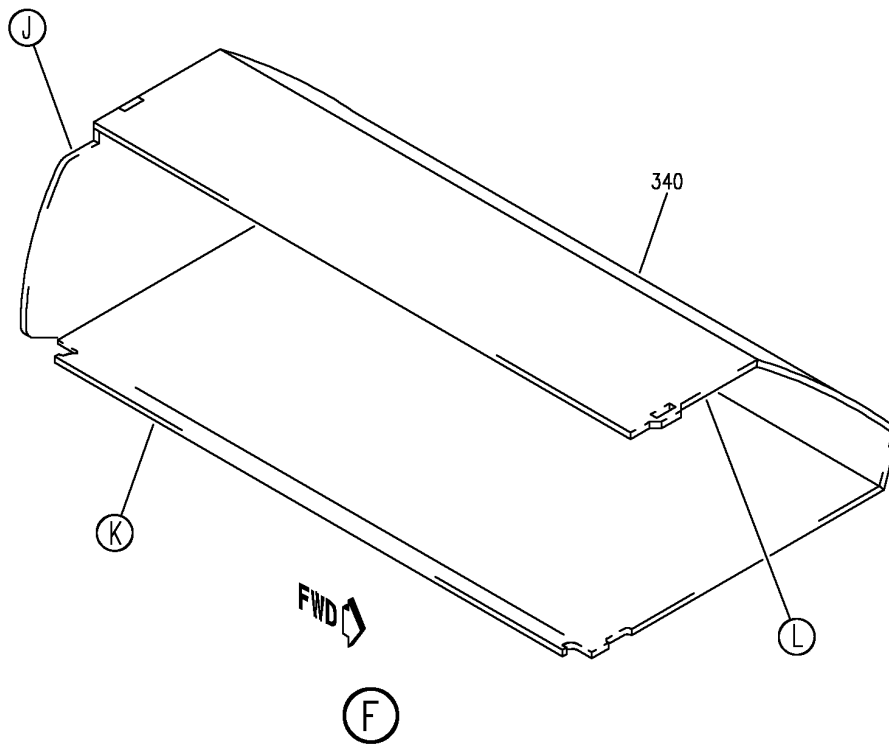
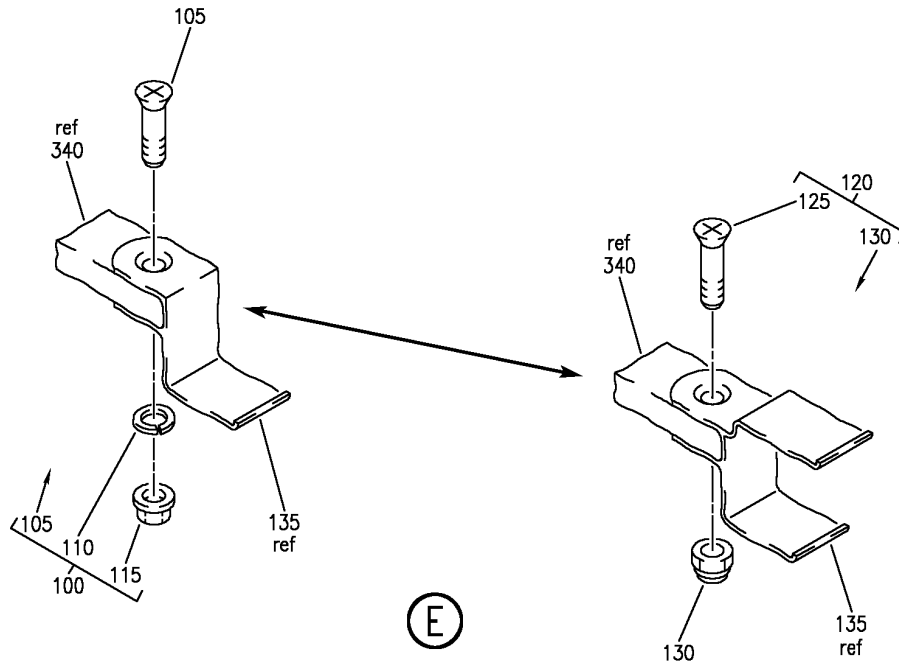
BOX ASSY-44 IN. LH BIG BIN
 FIGURE 46 (SHEET 3)

25-24-32-46

HAP
 OCT 10/06

25-24-32-46
 PAGE 0B

BOEING
 737-600/700/800/900
 PARTS CATALOG (MAINTENANCE)



E 25243246 SH1 4 REV 081

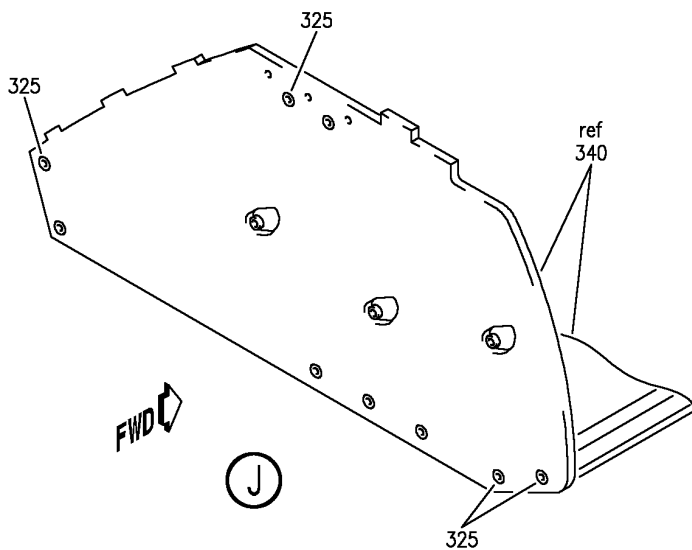
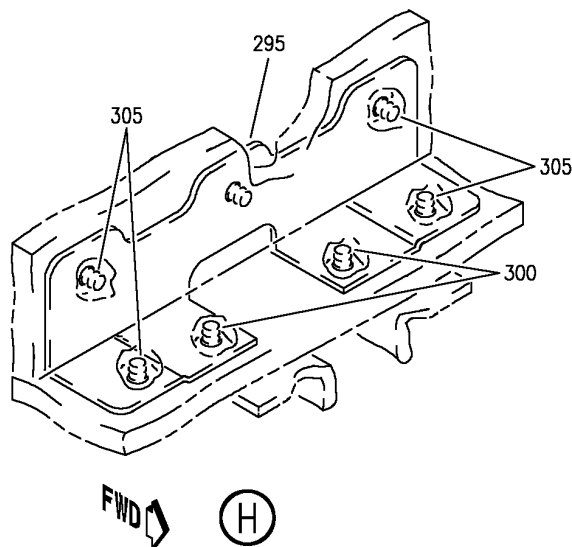
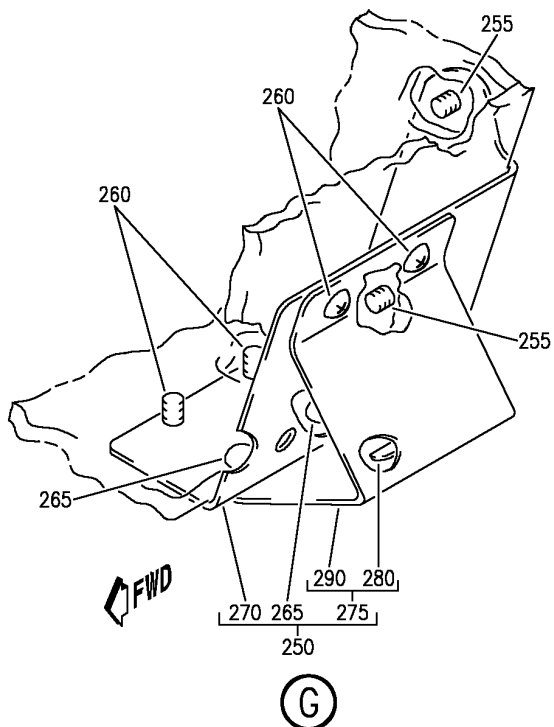
BOX ASSY-44 IN. LH BIG BIN
 FIGURE 46 (SHEET 4)

25-24-32-46

HAP
 OCT 10/06

25-24-32-46
 PAGE 0C

BOEING
 737-600/700/800/900
 PARTS CATALOG (MAINTENANCE)



E 25243246 SH1 5 REV 081

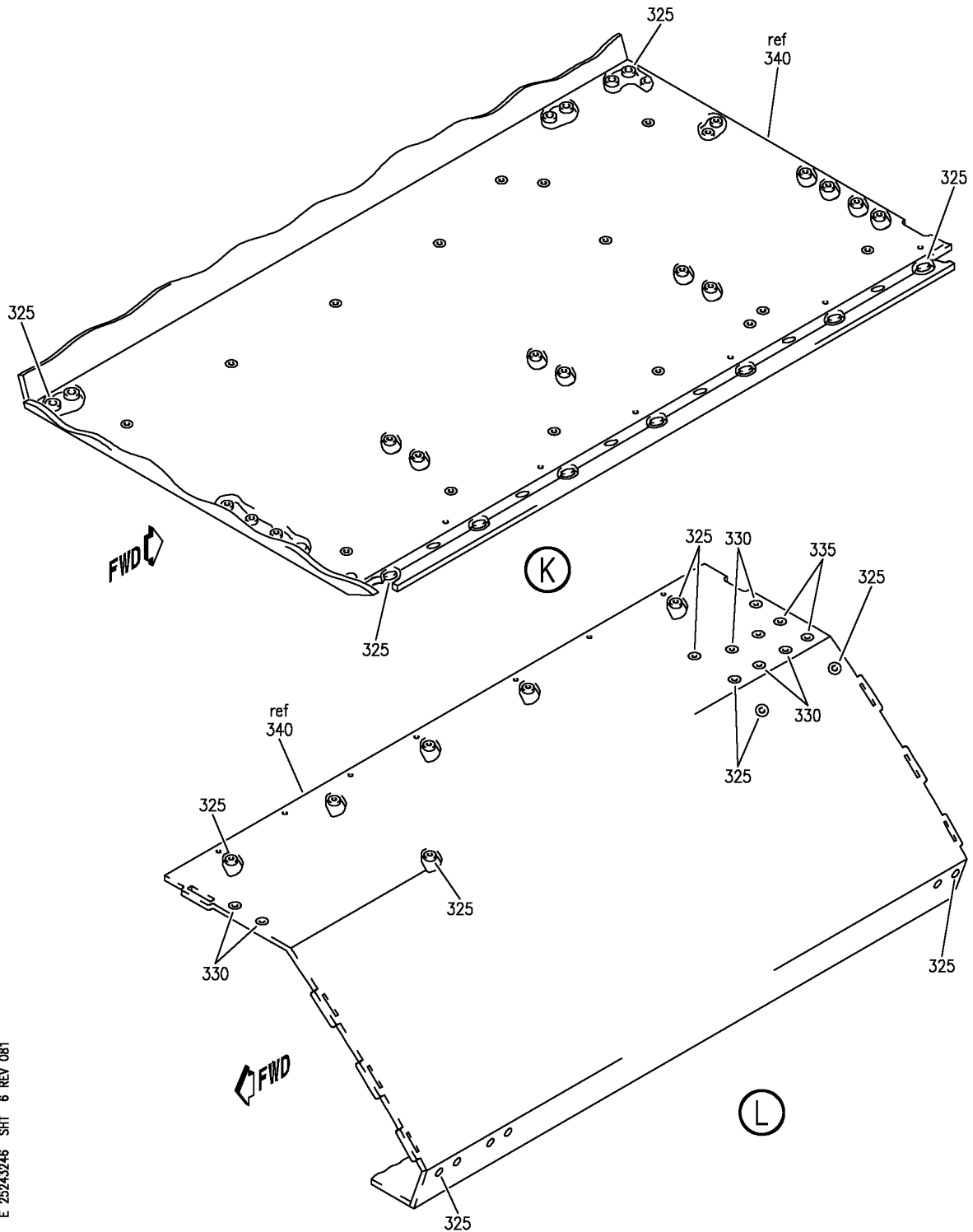
BOX ASSY-44 IN. LH BIG BIN
 FIGURE 46 (SHEET 5)

25-24-32-46

HAP
 OCT 10/06

25-24-32-46
 PAGE 0D

BOEING
737-600/700/800/900
PARTS CATALOG (MAINTENANCE)



E 25243246 SH1 6 REV 081

BOX ASSY-44 IN. LH BIG BIN
FIGURE 46 (SHEET 6)

25-24-32-46

HAP
OCT 10/06

25-24-32-46
PAGE 0E

BOEING
737-600/700/800/900
PARTS CATALOG (MAINTENANCE)

FIG ITEM	PART NUMBER	1 2 3 4 5 6 7	NOMENCLATURE	EFFECT FROM TO	UNITS PER ASSY
46			BOX ASSY-44 IN. LH BIG BIN	031200 968999	
- 1	412A1255-13B		BOX ASSY-44 IN. BIG BIN POSITION DATA: LH FOR NHA SEE: 25-24-31-32E 25-24-31-32F	031200 968999	RF
5	HL1012AZ6-9		.BOLT SUPPLIER CODE: V97928 SPECIFICATION NUMBER: BACB30NX6K9 OPTIONAL PART: HL12VAZ6-9 V73197 HL12VAZ6-9 V92215 HL12VAZ6-9 V97928 L802-6K9 V06725 HL12VAZ6-9 V56878 HL1012AZ6-9 V0PTK6 HL1012AZ6-9 V06725 HL1012AZ6-9 V06950 HL1012AZ6-9 V17446 HL1012AZ6-9 V56878 HL1012AZ6-9 V60516 HL1012AZ6-9 V73197	031200 968999	2

MISSING ITEM NUMBERS NOT APPLICABLE

- ITEM NOT ILLUSTRATED

HAP

25-24-32-46

BOEING PROPRIETARY - Copyright © - Unpublished Work - See title page for details.

25-24-32
FIG. 46
PAGE 1
OCT 15/08

BOEING
737-600/700/800/900
PARTS CATALOG (MAINTENANCE)

FIG ITEM	PART NUMBER	1 2 3 4 5 6 7	NOMENCLATURE	EFFECT FROM TO	UNITS PER ASSY
46 10	HL1012AZ6-11	.BOLT	SUPPLIER CODE: V97928 SPECIFICATION NUMBER: BACB30NX6K11 OPTIONAL PART: HL12VAZ6-11 V73197 HL12VAZ6-11 V92215 HL12VAZ6-11 V97928 L802-6K11 V06725 HL12VAZ6-11 V56878 HL1012AZ6-11 VOPTK6 HL1012AZ6-11 V06725 HL1012AZ6-11 V06950 HL1012AZ6-11 V17446 HL1012AZ6-11 V56878 HL1012AZ6-11 V60516 HL1012AZ6-11 V73197	031200 968999	5
15	BACB30NR4DK10	.BOLT		031200 968999	2
20	BACS12FA3K4	.SCREW		031200 968999	4
25	BACS12FA3K9	.SCREW		031200 968999	3
30	BACS12ER3K9	.SCREW		031200 968999	3
35	BACS12FA3K5	.SCREW		031200 968999	2
40	NAS1149D0463J	.WASHER		031200 968999	6
45	NAS1149D0363J	.WASHER		031200 968999	7

MISSING ITEM NUMBERS NOT APPLICABLE

— ITEM NOT ILLUSTRATED

HAP

25-24-32-46

BOEING PROPRIETARY - Copyright © - Unpublished Work - See title page for details.

25-24-32
FIG. 46
PAGE 2
OCT 15/08

BOEING
737-600/700/800/900
PARTS CATALOG (MAINTENANCE)

FIG ITEM	PART NUMBER	1 2 3 4 5 6 7	NOMENCLATURE	EFFECT FROM TO	UNITS PER ASSY
46					
50	HST1070CY6	.	COLLAR SUPPLIER CODE: V5M902 SPECIFICATION NUMBER: BACC30BZ6 OPTIONAL PART: VLC1070CY6 V92215 HST1070CY6 V73197	031200 968999	7
55	BACN10JD104CD	.	NUT	031200 968999	2
60	SL5-3-50C	.	NUT- SUPPLIER CODE: V97393	031200 968999	6
65	412A1230-55	.	FITTING ASSY	031200 968999	1
70	BCREF13195	..	BUSHING- OVERLENGTH PART NUMBER: BACB28AY06A035CG	031200 968999	1
75	412A1230-57	..	FITTING	031200 968999	1
80	412A1230-32	.	FITTING-SPRT POSITION DATA: UPR	031200 968999	1
85	412A1220-247	.	DOUBLER-9G EXT	031200 968999	1
90	412A1220-63A	.	DOUBLER-INTERNAL	031200 968999	1
95	412A1220-246B	.	DOUBLER-INTERNAL	031200 968999	1
100	412A1340-16	.	FASTENER ASSY-KIT OPTIONAL PART: 412A1340-17	031200 968999	3
105	BACB30VF3K7	..	BOLT	031200 968999	1
110	BACW10EC3S	..	WASHER	031200 968999	1
115	PLH53C	..	NUT SUPPLIER CODE: V62554 SPECIFICATION NUMBER: BACN10YR3C OPTIONAL PART: H52732-3C V15653	031200 968999	1
120	412A1340-17	.	FASTENER ASSY-KIT OPTIONAL PART: 412A1340-16	031200 968999	3

MISSING ITEM NUMBERS NOT APPLICABLE

— ITEM NOT ILLUSTRATED

HAP

25-24-32-46

BOEING PROPRIETARY - Copyright © - Unpublished Work - See title page for details.

25-24-32
FIG. 46
PAGE 3
OCT 15/08

BOEING
737-600/700/800/900
PARTS CATALOG (MAINTENANCE)

FIG ITEM	PART NUMBER	1 2 3 4 5 6 7	NOMENCLATURE	EFFECT FROM TO	UNITS PER ASSY
46					
125	BACB30VF3K8	..	BOLT	031200 968999	1
130	F22K1-02	..	NUT	031200 968999	1
			SUPPLIER CODE: V72962		
			SPECIFICATION NUMBER: BACN10R10L		
			OPTIONAL PART: 22K1-02		
			V72962		
			26CLO2		
			V80539		
135	412A1247-13A	.	EXTRUSION-DOOR CLOSEOUT	031200 968999	1
140	HA951-5	.	STRIKE-LATCH	031200 968999	2
			SUPPLIER CODE: V83014		
			SPECIFICATION NUMBER: S412A003-3		
			OPTIONAL PART: HA225-11		
			V83014		
140	HA225-11	.	STRIKE-LATCH	031200 968999	2
			SUPPLIER CODE: V83014		
			SPECIFICATION NUMBER: S412A001-16		
			OPTIONAL PART: HA951-5		
			V83014		
			ATTACHING PARTS		
- 145	BACS12ER08K5	.	SCREW	031200 968999	4
			-----*-----		
150	412A1242-11	.	EXTRUSION-SHELF	031200 968999	1
			ATTACHING PARTS		
155	BACS12ER3K6	.	SCREW	031200 968999	2
160	BACS12ER3K5	.	SCREW	031200 968999	7
165	H3-1233A3	.	WASHER-	031200 968999	7
			SUPPLIER CODE: V34941		
			SPECIFICATION NUMBER: S411A001-1		
			-----*-----		
170	BACS12ER3K5	.	SCREW	031200 968999	4

MISSING ITEM NUMBERS NOT APPLICABLE

- ITEM NOT ILLUSTRATED

HAP

25-24-32-46

BOEING PROPRIETARY - Copyright © - Unpublished Work - See title page for details.

25-24-32
FIG. 46
PAGE 4
OCT 15/08

BOEING
737-600/700/800/900
PARTS CATALOG (MAINTENANCE)

FIG ITEM	PART NUMBER	1 2 3 4 5 6 7	NOMENCLATURE	EFFECT FROM TO	UNITS PER ASSY
46					
175	412A1475-3A	.	FITTING ASSY-SPRT	031200 968999	1
180	412A1475-4A	.	FITTING ASSY-SPRT	031200 968999	1
185	BACN11F3-1CD	..	NUT	031200 968999	1
190	NAS1795-3	..	CLIP	031200 968999	1
195	412A1475-1A	..	FITTING- USED ON: 412A1475-3A	031200 968999	1
200	412A1475-2A	..	FITTING- USED ON: 412A1475-4A	031200 968999	1
205	412A1450-34	.	TRIM	031200 968999	1
210	412A1450-35	.	TRIM	031200 968999	2
215	412A1452-1B	.	TRIM	031200 968999	2
220	412A1220-23	.	GUSSET	031200 968999	1
			ATTACHING PARTS		
- 225	BACS12FA3K4	.	SCREW	031200 968999	6
			-----*-----		
230	412A1220-49	.	FITTING ASSY	031200 968999	1
			ATTACHING PARTS		
- 235	BACS12FA3K5	.	SCREW	031200 968999	4
			-----*-----		
240	412A1220-3	.	ANGLE	031200 968999	1
			ATTACHING PARTS		
- 245	BACS12FA3K4	.	SCREW	031200 968999	4
			-----*-----		
250	412A1220-33	.	FITTING ASSY	031200 968999	1
			ATTACHING PARTS		
255	BACS12FA3K4	.	SCREW	031200 968999	2
260	BACS12FA3K5	.	SCREW	031200 968999	4
			-----*-----		
265	BACR15BB4D	..	RIVET	031200 968999	2

MISSING ITEM NUMBERS NOT APPLICABLE

- ITEM NOT ILLUSTRATED

HAP

25-24-32-46

25-24-32
FIG. 46
PAGE 5
OCT 15/08

BOEING
737-600/700/800/900
PARTS CATALOG (MAINTENANCE)

FIG ITEM	PART NUMBER	1 2 3 4 5 6 7	NOMENCLATURE	EFFECT FROM TO	UNITS PER ASSY
46					
270	412A1220-42	..	GUSSET-CORNER	031200 968999	1
275	412A1220-35	..	STRAP ASSY	031200 968999	1
280	BACN10JP4ACD	...	NUTPLATE	031200 968999	1
			ATTACHING PARTS		
- 285	BACR15BA3AD	...	RIVET	031200 968999	2
			-----*-----		
290	412A1220-37	...	STRAP	031200 968999	1
295	412A1220-205	.	ANGLE	031200 968999	2
			ATTACHING PARTS		
300	BACS12FA3K5	.	SCREW	031200 968999	4
305	BACS12FA3K4	.	SCREW	031200 968999	10
			-----*-----		
310	412A1245-15	.	RAIL	031200 968999	1
			ATTACHING PARTS		
- 315	BACS12FA3K5	.	SCREW	031200 968999	6
			-----*-----		
320	412A1215-49B	.	PANEL ASSY- OPTIONAL PART: 412A1215-97B	031200 968999	1
320	412A1215-97B	.	PANEL ASSY- OPTIONAL PART: 412A1215-49B	031200 968999	1
325	SL2334-3A1	..	INSERT- SUPPLIER CODE: V97393	031200 968999	79
330	BCREF128023	..	INSERT- SUPPLIER CODE: V97393 OVERLENGTH PART NUMBER: SL603-3-375ASP13	031200 968999	7
335	BCREF130325	..	INSERT- SUPPLIER CODE: V97393 OVERLENGTH PART NUMBER: SL603-4-375ASP24	031200 968999	2
340	412A1215-4B	..	PANEL	031200 968999	1
345	412A1216-25B	.	PANEL ASSY-END	031200 968999	1

MISSING ITEM NUMBERS NOT APPLICABLE

- ITEM NOT ILLUSTRATED

HAP

25-24-32-46

25-24-32
FIG. 46
PAGE 6
OCT 15/08


BOEING
 737-600/700/800/900
PARTS CATALOG (MAINTENANCE)

FIG ITEM	PART NUMBER	1 2 3 4 5 6 7 NOMENCLATURE	EFFECT FROM TO	UNITS PER ASSY
46 - 350	SL2334-3A1	.. INSERT- SUPPLIER CODE : V97393	031200 968999	14

MISSING ITEM NUMBERS NOT APPLICABLE

- ITEM NOT ILLUSTRATED

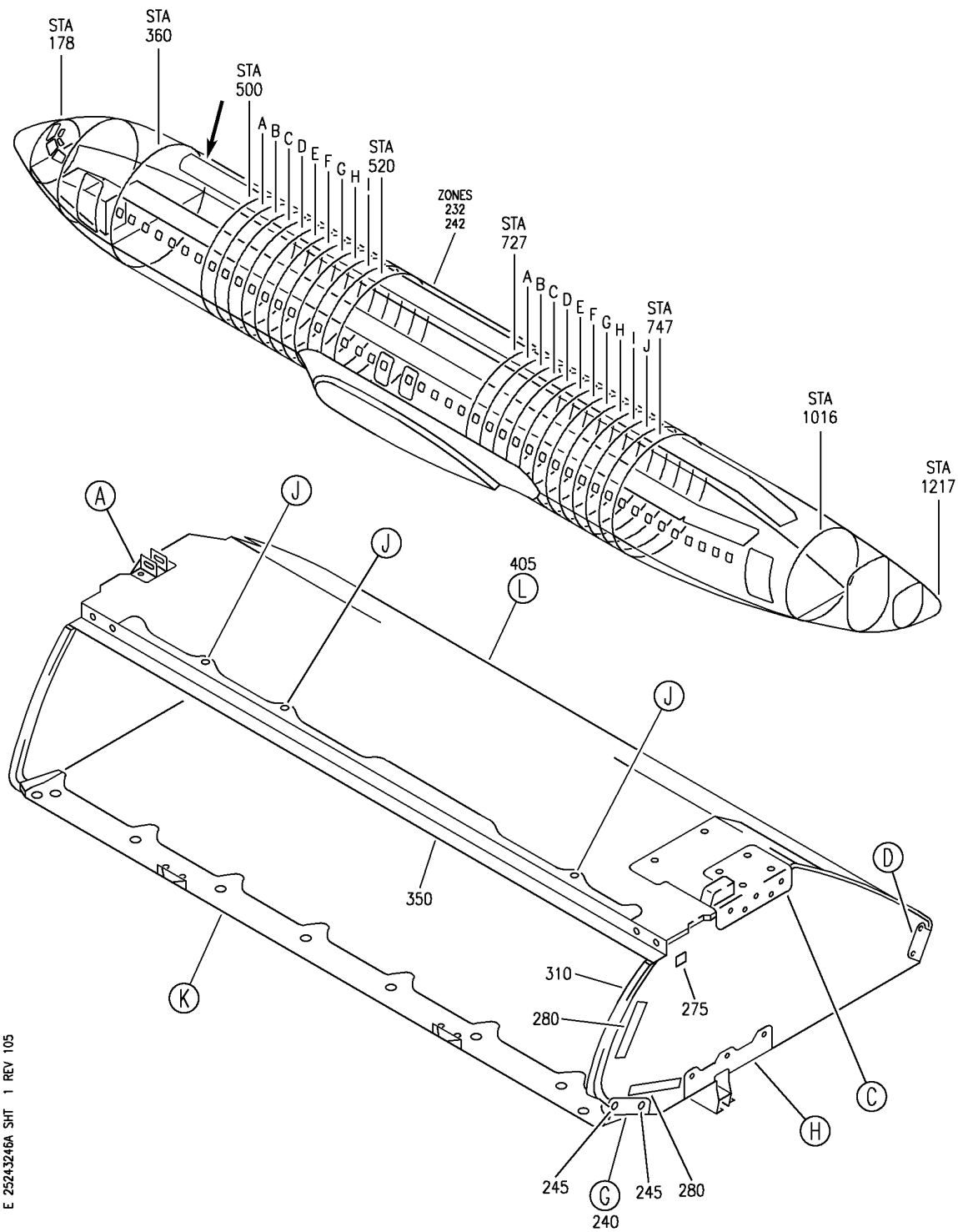
HAP

25-24-32-46

BOEING PROPRIETARY - Copyright © - Unpublished Work - See title page for details.

25-24-32
 FIG. 46
 PAGE 7
 OCT 15/08

BOEING
737-600/700/800/900
PARTS CATALOG (MAINTENANCE)



E 2524-32-46A SHT 1 REV 105

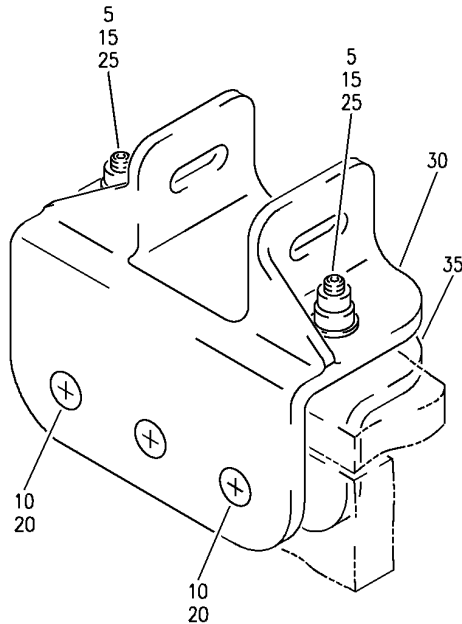
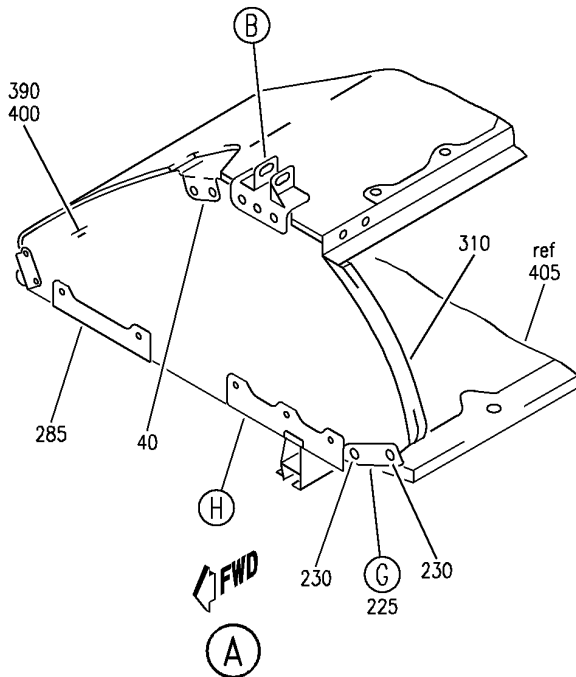
BOX ASSY-FWD RH 44 IN. BIG BIN
FIGURE 46A (SHEET 1)

25-24-32-46A

HAP
FEB 10/07

25-24-32-46A
PAGE 0

BOEING
 737-600/700/800/900
 PARTS CATALOG (MAINTENANCE)



(B)

E 2524-32-46A SHT 2 REV 105

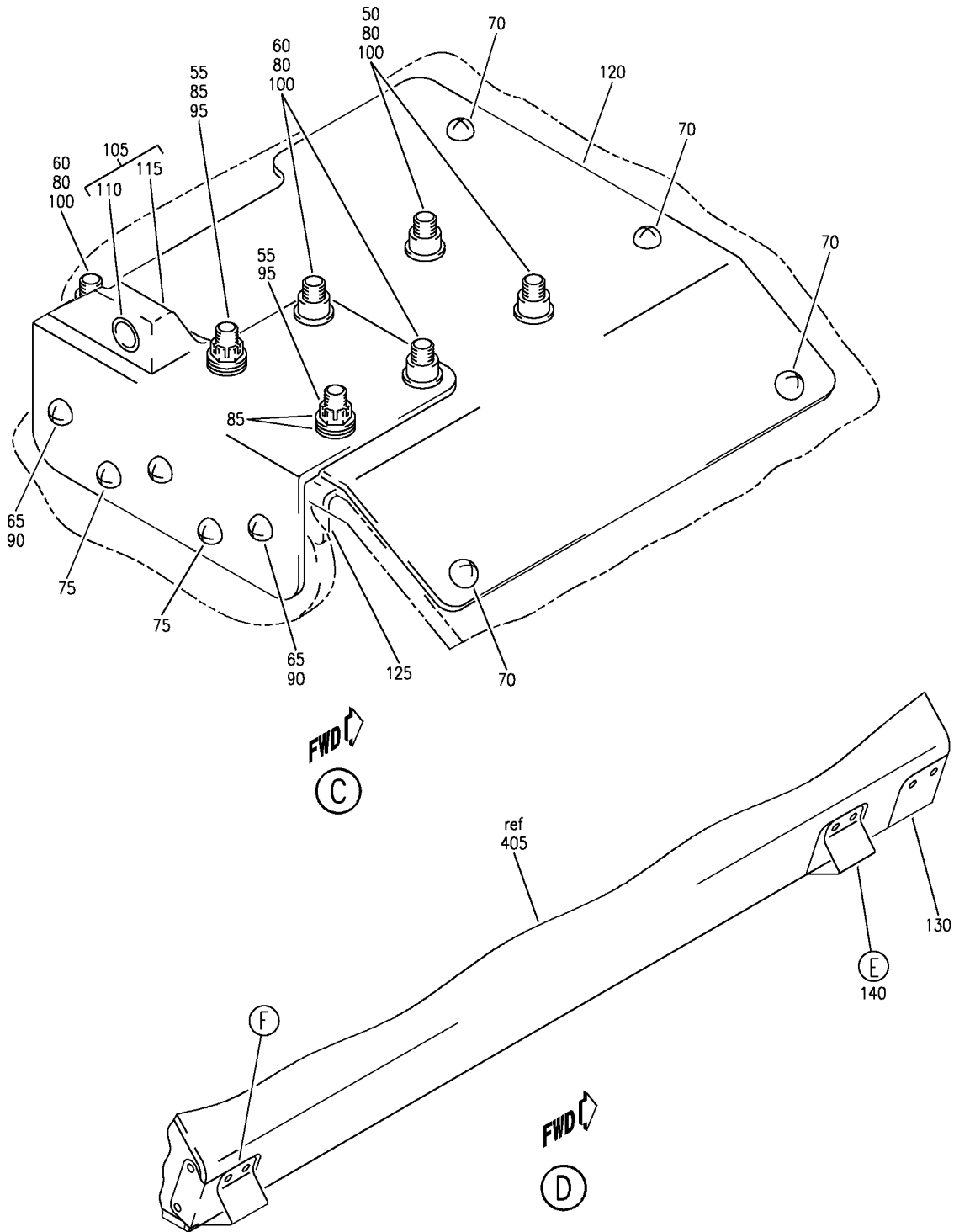
BOX ASSY-FWD RH 44 IN. BIG BIN
 FIGURE 46A (SHEET 2)

25-24-32-46A

HAP
 FEB 10/07

25-24-32-46A
 PAGE 0A

BOEING
 737-600/700/800/900
 PARTS CATALOG (MAINTENANCE)



E 2524-32-46A SHT 3 REV 105

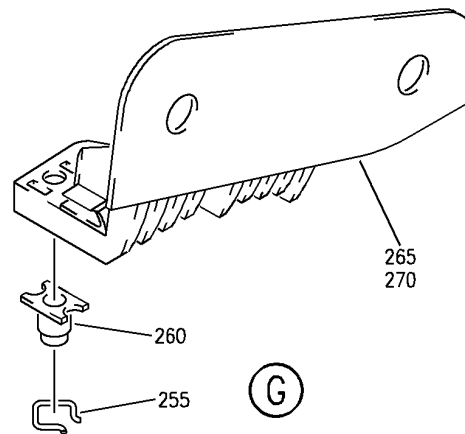
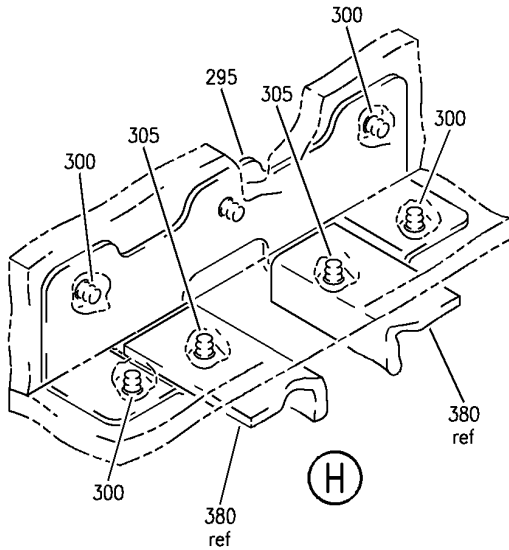
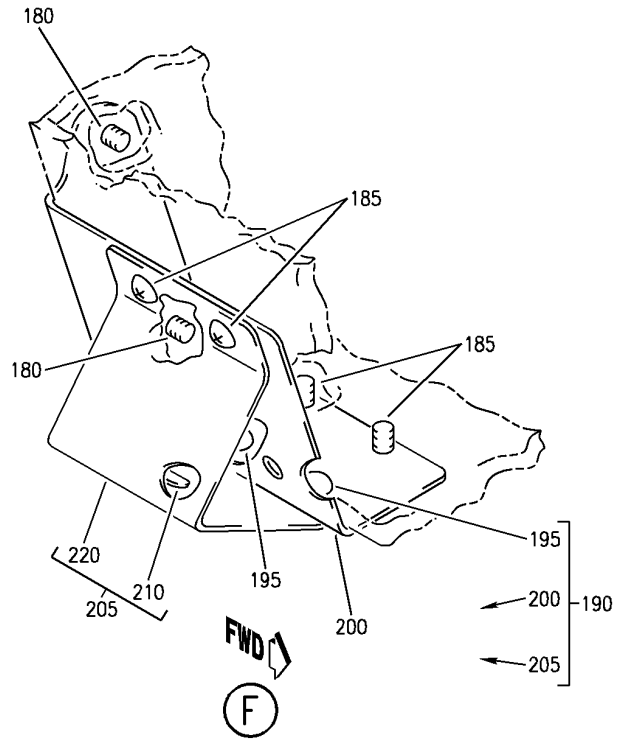
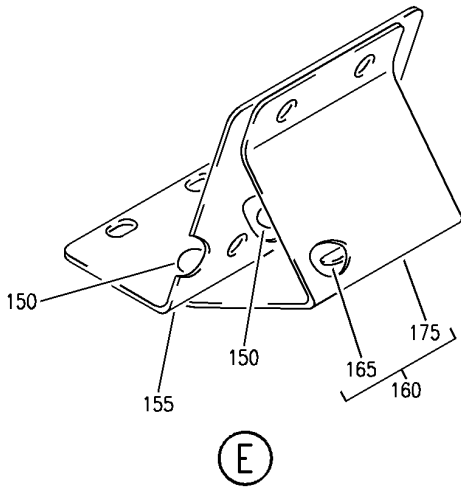
BOX ASSY-FWD RH 44 IN. BIG BIN
 FIGURE 46A (SHEET 3)

25-24-32-46A

HAP
 FEB 10/07

25-24-32-46A
 PAGE 0B

BOEING
 737-600/700/800/900
 PARTS CATALOG (MAINTENANCE)



E 2524-32-46A SHT 4 REV 105

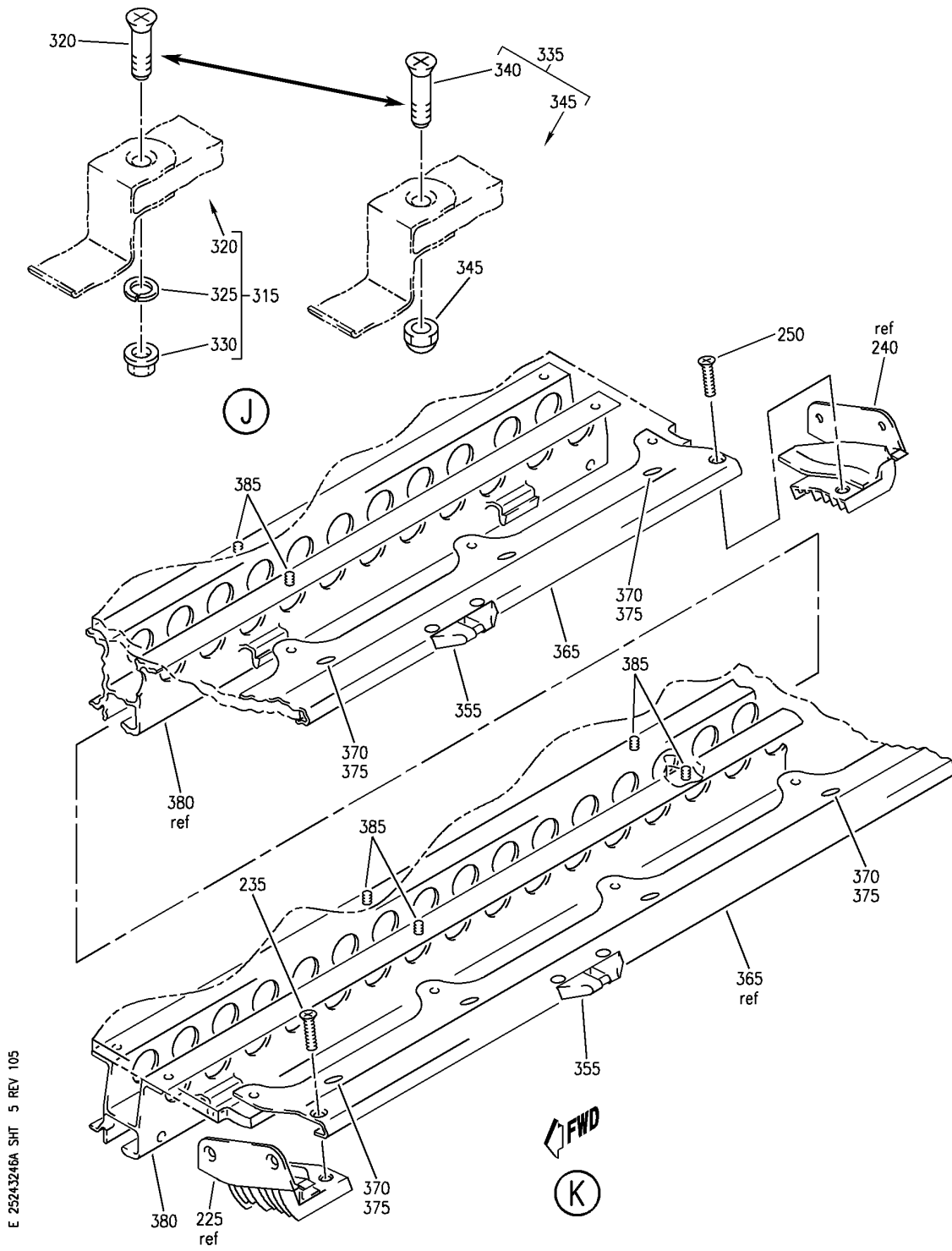
BOX ASSY-FWD RH 44 IN. BIG BIN
 FIGURE 46A (SHEET 4)

25-24-32-46A

HAP
 FEB 10/07

25-24-32-46A
 PAGE 0C

BOEING
 737-600/700/800/900
 PARTS CATALOG (MAINTENANCE)



E 2524-32-46A SHT 5 REV 105

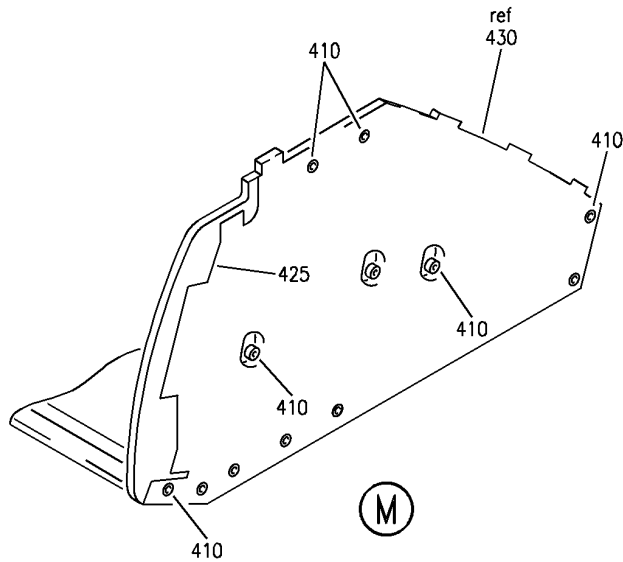
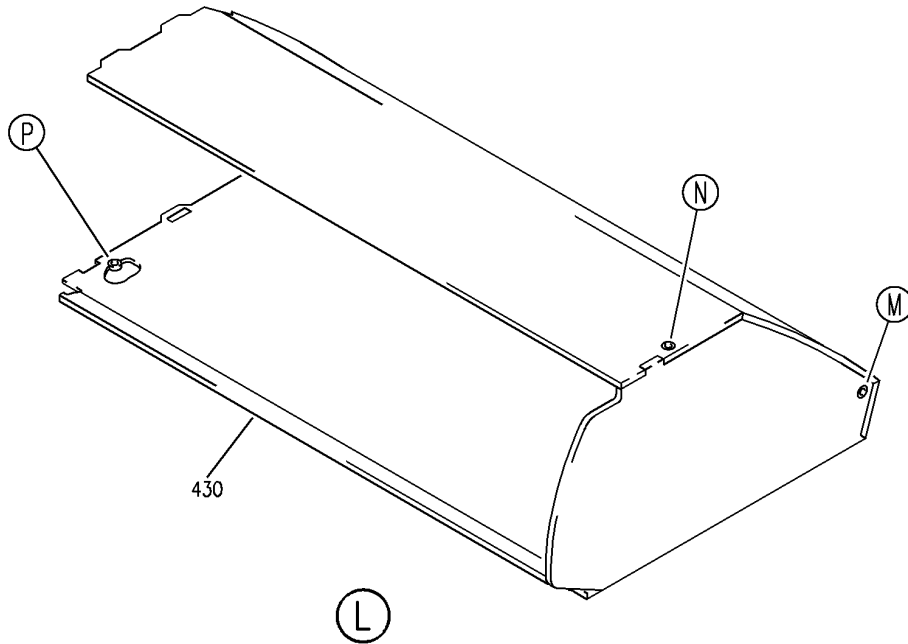
BOX ASSY-FWD RH 44 IN. BIG BIN
 FIGURE 46A (SHEET 5)

25-24-32-46A

HAP
 FEB 10/07

25-24-32-46A
 PAGE 0D

BOEING
737-600/700/800/900
PARTS CATALOG (MAINTENANCE)



E 2524-32-46A SHT 6 REV 105

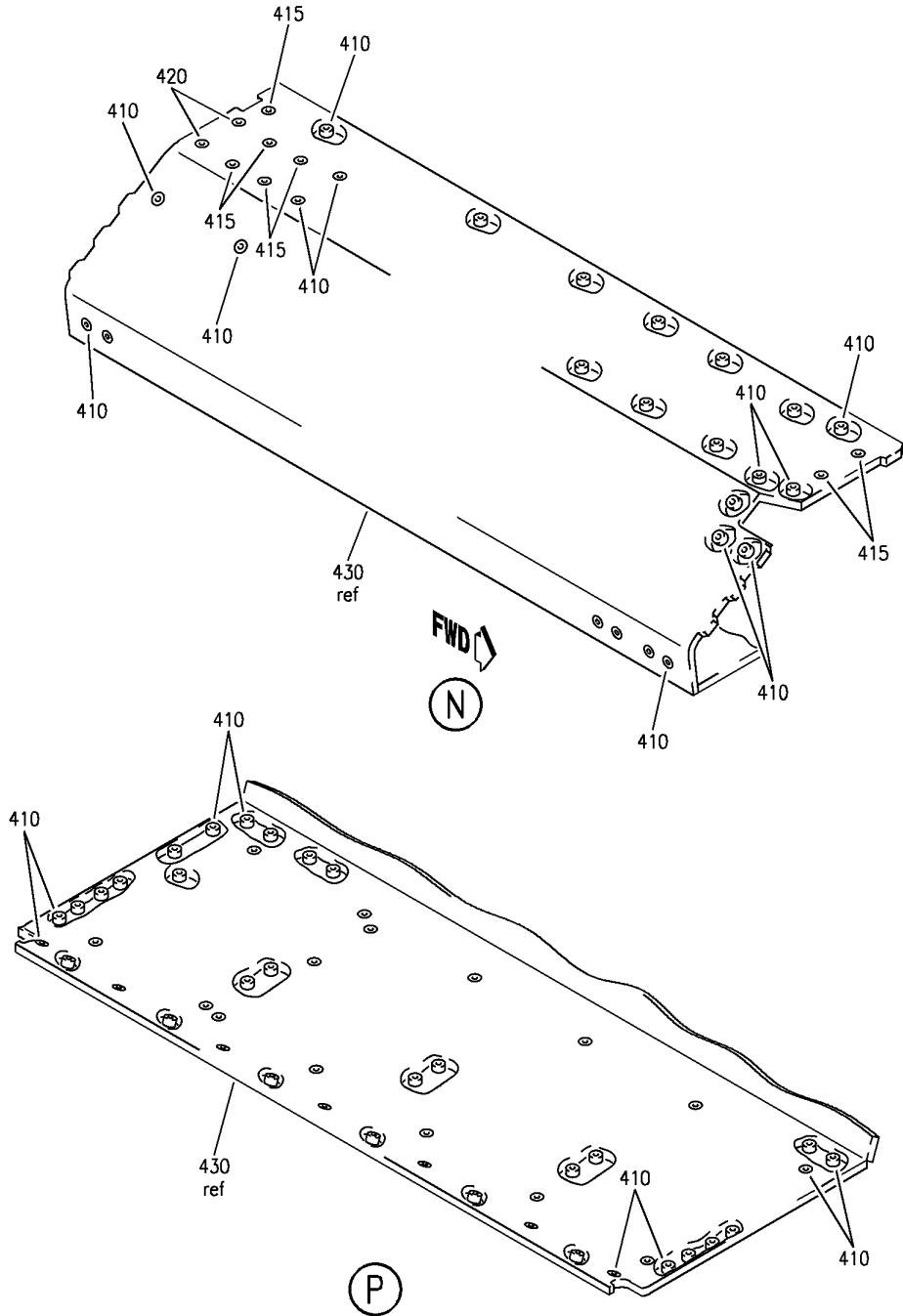
BOX ASSY-FWD RH 44 IN. BIG BIN
FIGURE 46A (SHEET 6)

HAP
FEB 10/07

25-24-32-46A

25-24-32-46A
PAGE 0E

BOEING
 737-600/700/800/900
 PARTS CATALOG (MAINTENANCE)



E 2524-32-46A SHT 7 REV 105

BOX ASSY-FWD RH 44 IN. BIG BIN
 FIGURE 46A (SHEET 7)

25-24-32-46A

HAP
 FEB 10/07

25-24-32-46A
 PAGE OF

BOEING
737-600/700/800/900
PARTS CATALOG (MAINTENANCE)

FIG ITEM	PART NUMBER	1 2 3 4 5 6 7	NOMENCLATURE	EFFECT FROM TO	UNITS PER ASSY
46A			BOX ASSY-FWD RH 44 IN. BIG BIN	101200 968999	
- 1	412A1255-60B		BOX ASSY-44 IN. BIG BIN POSITION DATA: FWD RH FOR NHA SEE: 25-24-31-47F 25-24-31-47K	101200 968999	RF
5	HL1012AZ6-11		.BOLT- SUPPLIER CODE: V97928 SPECIFICATION NUMBER: BACB30NX6K11 OPTIONAL PART: HL12VAZ6-11 V73197 HL12VAZ6-11 V92215 HL12VAZ6-11 V97928 L802-6K11 V06725 HL12VAZ6-11 V56878 HL1012AZ6-11 VOPTK6 HL1012AZ6-11 V06725 HL1012AZ6-11 V06950 HL1012AZ6-11 V17446 HL1012AZ6-11 V56878 HL1012AZ6-11 V60516 HL1012AZ6-11 V73197	101200 968999	2
10	BACS12ER3K9		.SCREW	101200 968999	3
15	NAS1149D0363J		.WASHER	101200 968999	2
20	SL5-3-50C		.NUT- SUPPLIER CODE: V97393	101200 968999	3

MISSING ITEM NUMBERS NOT APPLICABLE

- ITEM NOT ILLUSTRATED

HAP

25-24-32-46A

BOEING PROPRIETARY - Copyright © - Unpublished Work - See title page for details.

25-24-32
FIG. 46A
PAGE 1
OCT 15/08

BOEING
737-600/700/800/900
PARTS CATALOG (MAINTENANCE)

FIG ITEM	PART NUMBER	1 2 3 4 5 6 7	NOMENCLATURE	EFFECT FROM TO	UNITS PER ASSY
46A 25	HST1070CY6		.COLLAR SUPPLIER CODE: V5M902 SPECIFICATION NUMBER: BACC30BZ6 OPTIONAL PART: VLC1070CY6 V92215 HST1070CY6 V73197	101200 968999	2
30	412A1230-32		.FITTING-SPRT POSITION DATA: UPR	101200 968999	1
35	412A1220-63A		.DOUBLER-INTERNAL	101200 968999	1
40	412A1220-268B		.COVER-GALLEY CLOSEOUT	101200 968999	1
- 45	BACS12FA3K4		ATTACHING PARTS .SCREW -----*-----	101200 968999	7

MISSING ITEM NUMBERS NOT APPLICABLE

- ITEM NOT ILLUSTRATED

HAP

25-24-32-46A

BOEING PROPRIETARY - Copyright © - Unpublished Work - See title page for details.

25-24-32
FIG. 46A
PAGE 2
OCT 15/08

BOEING
737-600/700/800/900
PARTS CATALOG (MAINTENANCE)

FIG ITEM	PART NUMBER	1 2 3 4 5 6 7	NOMENCLATURE	EFFECT FROM TO	UNITS PER ASSY
46A 50	HL1012AZ6-9		.BOLT- SUPPLIER CODE: V97928 SPECIFICATION NUMBER: BACB30NX6K9 OPTIONAL PART: HL12VAZ6-9 V73197 HL12VAZ6-9 V92215 HL12VAZ6-9 V97928 L802-6K9 V06725 HL12VAZ6-9 V56878 HL1012AZ6-9 VOPTK6 HL1012AZ6-9 V06725 HL1012AZ6-9 V06950 HL1012AZ6-9 V17446 HL1012AZ6-9 V56878 HL1012AZ6-9 V60516 HL1012AZ6-9 V73197 POSITION DATA: FAR SIDE	101200 968999	2
55	BACB30NR4DK10		.BOLT- POSITION DATA: FAR SIDE	101200 968999	2

MISSING ITEM NUMBERS NOT APPLICABLE

— ITEM NOT ILLUSTRATED

HAP

25-24-32-46A

BOEING PROPRIETARY - Copyright © - Unpublished Work - See title page for details.

25-24-32
FIG. 46A
PAGE 3
OCT 15/08

BOEING
737-600/700/800/900
PARTS CATALOG (MAINTENANCE)

FIG ITEM	PART NUMBER	1 2 3 4 5 6 7	NOMENCLATURE	EFFECT FROM TO	UNITS PER ASSY
46A 60	HL1012AZ6-11	.	BOLT- SUPPLIER CODE: V97928 SPECIFICATION NUMBER: BACB30NX6K11 OPTIONAL PART: HL12VAZ6-11 V73197 HL12VAZ6-11 V92215 HL12VAZ6-11 V97928 L802-6K11 V06725 HL12VAZ6-11 V56878 HL1012AZ6-11 VOPTK6 HL1012AZ6-11 V06725 HL1012AZ6-11 V06950 HL1012AZ6-11 V17446 HL1012AZ6-11 V56878 HL1012AZ6-11 V60516 HL1012AZ6-11 V73197 POSITION DATA: FARSIDE	101200 968999	3
65	BACS12FA3K9	.	SCREW	101200 968999	3
70	BACS12FA3K4	.	SCREW	101200 968999	4
75	BACS12FA3K5	.	SCREW	101200 968999	2
80	NAS1149D0363J	.	WASHER	101200 968999	3
85	NAS1149D0463J	.	WASHER	101200 968999	6
90	SL5-3-50C	.	NUT- SUPPLIER CODE: V97393	101200 968999	3
95	BACN10JD104CD	.	NUT	101200 968999	2

MISSING ITEM NUMBERS NOT APPLICABLE

— ITEM NOT ILLUSTRATED

HAP

25-24-32-46A

BOEING PROPRIETARY - Copyright © - Unpublished Work - See title page for details.

25-24-32
FIG. 46A
PAGE 4
OCT 15/08

BOEING
737-600/700/800/900
PARTS CATALOG (MAINTENANCE)

FIG ITEM	PART NUMBER	1 2 3 4 5 6 7	NOMENCLATURE	EFFECT FROM TO	UNITS PER ASSY
46A 100	HST1070CY6	.	COLLAR SUPPLIER CODE: V5M902 SPECIFICATION NUMBER: BACC30BZ6 OPTIONAL PART: VLC1070CY6 V92215 HST1070CY6 V73197	101200 968999	5
105	412A1230-56	.	FITTING ASSY	101200 968999	1
110	BCREF13195	..	BUSHING- OVERLENGTH PART NUMBER: BACB28AY06A035CG	101200 968999	1
115	412A1230-58	..	FITTING	101200 968999	1
120	412A1220-248	.	DOUBLER-9G EXT	101200 968999	1
125	412A1220-245B	.	DOUBLER-9G INTERNAL	101200 968999	1
130	412A1220-24	.	GUSSET-CRNR	101200 968999	1
			ATTACHING PARTS		
- 135	BACS12FA3K4	.	SCREW	101200 968999	6
			-----*-----		
140	412A1220-50	.	FITTING ASSY	101200 968999	1
			ATTACHING PARTS		
- 145	BACS12FA3K5	.	SCREW	101200 968999	4
			-----*-----		
150	BACR15BB4D	..	RIVET- SIZE DETERMINED ON INSTL.	101200 968999	2
155	412A1220-20	..	DOUBLER	101200 968999	1
160	412A1220-28	..	STRAP ASSY-CHIN	101200 968999	1
165	BACN10JP4ACD	...	NUTPLATE	101200 968999	1
			ATTACHING PARTS		
- 170	BACR15BABAD	...	RIVET- SIZE DETERMINED ON INSTL.	101200 968999	2
			-----*-----		
175	412A1220-30	...	STRAP	101200 968999	1
180	BACS12FA3K4	.	SCREW	101200 968999	2

MISSING ITEM NUMBERS NOT APPLICABLE

- ITEM NOT ILLUSTRATED

HAP

25-24-32-46A

BOEING PROPRIETARY - Copyright © - Unpublished Work - See title page for details.

25-24-32
FIG. 46A
PAGE 5
OCT 15/08

BOEING
737-600/700/800/900
PARTS CATALOG (MAINTENANCE)

FIG ITEM	PART NUMBER	1 2 3 4 5 6 7	NOMENCLATURE	EFFECT FROM TO	UNITS PER ASSY
46A					
185	BACS12FA3K5	.	SCREW	101200 968999	4
190	412A1220-34	.	FITTING ASSY	101200 968999	1
195	BACR15BB4D	..	RIVET- SIZE DETERMINED ON INSTL.	101200 968999	2
200	412A1220-41	..	CORNER-GUSSET	101200 968999	1
205	412A1220-35	..	STRAP ASSY	101200 968999	1
210	BACN10JP4ACD	...	NUTPLATE	101200 968999	1
			ATTACHING PARTS		
- 215	BACR15BA3AD	...	RIVET- SIZE DETERMINED ON INSTL. -----*-----	101200 968999	2
220	412A1220-37	...	STRAP-CHIN	101200 968999	1
225	412A1475-3A	.	FITTING ASSY-SPRT	101200 968999	1
			ATTACHING PARTS		
230	BACS12ER3K5	.	SCREW	101200 968999	2
235	BACS12ER3K6	.	SCREW	101200 968999	1
			-----*-----		
240	412A1475-4A	.	FITTING ASSY-SPRT	101200 968999	1
			ATTACHING PARTS		
245	BACS12ER3K5	.	SCREW	101200 968999	2
250	BACS12ER3K6	.	SCREW	101200 968999	1
			-----*-----		
255	NAS1795-3	..	CLIP	101200 968999	1
260	BACN11F3-1CD	..	NUT	101200 968999	1
265	412A1475-1A	..	FITTING- USED ON: 412A1475-3A	101200 968999	1
270	412A1475-2A	..	FITTING- USED ON: 412A1475-4A	101200 968999	1
275	412A1450-34	.	TRIM-SEAL RTNR CLIP	101200 968999	1
280	412A1450-35	.	TRIM-SEAL RTNR CLIP	101200 968999	2

MISSING ITEM NUMBERS NOT APPLICABLE

- ITEM NOT ILLUSTRATED

HAP

25-24-32-46A

BOEING PROPRIETARY - Copyright © - Unpublished Work - See title page for details.

25-24-32
FIG. 46A
PAGE 6
OCT 15/08

BOEING
737-600/700/800/900
PARTS CATALOG (MAINTENANCE)

FIG ITEM	PART NUMBER	1 2 3 4 5 6 7	NOMENCLATURE	EFFECT FROM TO	UNITS PER ASSY
46A 285	412A1220-3	.	ANGLE	101200 968999	1
- 290	BACS12FA3K4	.	ATTACHING PARTS SCREW	101200 968999	4
			-----*-----		
295	412A1220-205	.	ANGLE	101200 968999	2
			ATTACHING PARTS		
300	BACS12FA3K4	.	SCREW	101200 968999	10
305	BACS12FA3K5	.	SCREW	101200 968999	4
			-----*-----		
310	412A1452-1B	.	TRIM-END PNL	101200 968999	2
315	412A1340-16	.	FASTENER ASSY-KIT OPTIONAL PART: 412A1340-17	101200 968999	3
320	BACB30VF3K7	..	BOLT	101200 968999	1
325	BACW10EC3S	..	WASHER	101200 968999	1
330	PLH53C	..	NUT SUPPLIER CODE: V62554 SPECIFICATION NUMBER: BACN10YR3C OPTIONAL PART: H52732-3C V15653	101200 968999	1
335	412A1340-17	.	FASTENER ASSY-KIT OPTIONAL PART: 412A1340-16	101200 968999	3
340	BACB30VF3K8	..	BOLT	101200 968999	1
345	F22K1-02	..	NUT SUPPLIER CODE: V72962 SPECIFICATION NUMBER: BACN10R10L OPTIONAL PART: 22K1-02 V72962 26CLO2 V80539	101200 968999	1
350	412A1247-14A	.	EXTRUSION	101200 968999	1

MISSING ITEM NUMBERS NOT APPLICABLE

- ITEM NOT ILLUSTRATED

HAP

25-24-32-46A

BOEING PROPRIETARY - Copyright © - Unpublished Work - See title page for details.

25-24-32
FIG. 46A
PAGE 7
OCT 15/08

BOEING
737-600/700/800/900
PARTS CATALOG (MAINTENANCE)

FIG ITEM	PART NUMBER	1 2 3 4 5 6 7	NOMENCLATURE	EFFECT FROM TO	UNITS PER ASSY
46A 355	HA225-11		. STRIKE- SUPPLIER CODE: V83014 SPECIFICATION NUMBER: S412A001-16 ATTACHING PARTS	101200 968999	2
- 360	BACS12ER08K5		. SCREW	101200 968999	4
			-----*-----		
365	412A1242-12		. EXTRUSION	101200 968999	1
			ATTACHING PARTS		
370	BACS12ER3K5		. SCREW	101200 968999	7
375	H3-1233A3		. WASHER- SUPPLIER CODE: V34941 SPECIFICATION NUMBER: S411A001-1	101200 968999	7
			-----*-----		
380	412A1245-16		. RAIL-MCD/PSU	101200 968999	1
			ATTACHING PARTS		
385	BACS12FA3K5		. SCREW	101200 968999	6
			-----*-----		
390	412A1216-38B		. PANEL ASSY-END	101200 968999	1
- 395	SL2334-3A1		.. INSERT- SUPPLIER CODE: V97393	101200 968999	16
400	412A1216-1C		.. PANEL	101200 968999	1
405	412A1215-110B		. PANEL ASSY-BODY	101200 968999	1
410	SL2334-3A1		.. INSERT- SUPPLIER CODE: V97393	101200 968999	88
415	BCREF128023		.. INSERT- SUPPLIER CODE: V97393	101200 968999	7
			OVERLENGTH PART NUMBER: SL603-3-375ASP13		
420	BCREF130325		.. INSERT- SUPPLIER CODE: V97393	101200 968999	2
			OVERLENGTH PART NUMBER: SL603-4-375ASP24		

MISSING ITEM NUMBERS NOT APPLICABLE

- ITEM NOT ILLUSTRATED

HAP

25-24-32-46A

BOEING PROPRIETARY - Copyright © - Unpublished Work - See title page for details.

25-24-32
FIG. 46A
PAGE 8
OCT 15/08

BOEING
737-600/700/800/900
PARTS CATALOG (MAINTENANCE)

FIG ITEM	PART NUMBER	1 2 3 4 5 6 7	NOMENCLATURE	EFFECT FROM TO	UNITS PER ASSY
46A					
425	412A1360-8B		.. END PANEL-END	101200 968999	1
430	412A1215-4B		.. PANEL	101200 968999	1
MISSING ITEM NUMBERS NOT APPLICABLE					

- ITEM NOT ILLUSTRATED

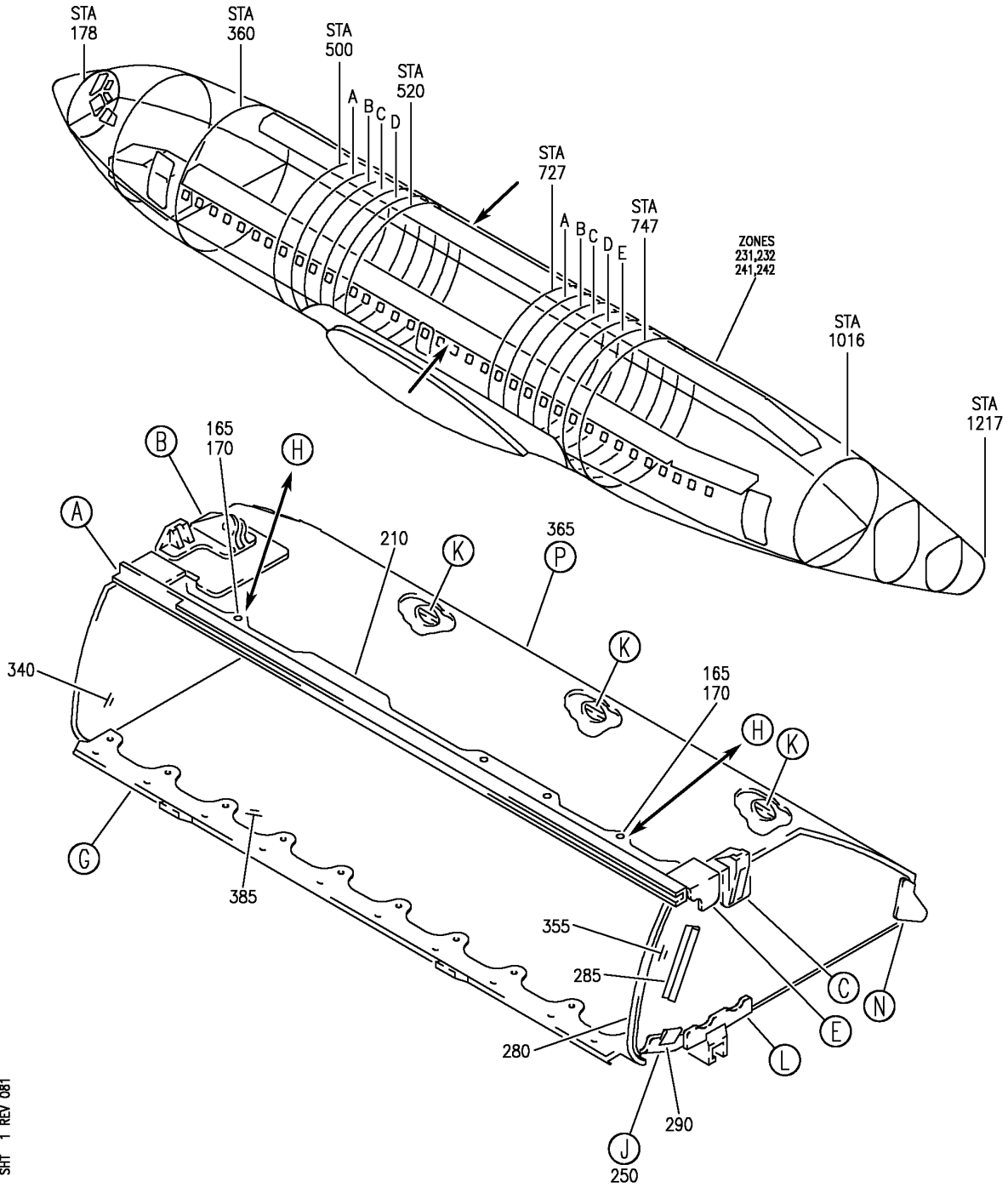
HAP

25-24-32-46A

BOEING PROPRIETARY - Copyright © - Unpublished Work - See title page for details.

25-24-32
FIG. 46A
PAGE 9
OCT 15/08


BOEING
 737-600/700/800/900
PARTS CATALOG (MAINTENANCE)



E 25243260 SHT 1 REV 081

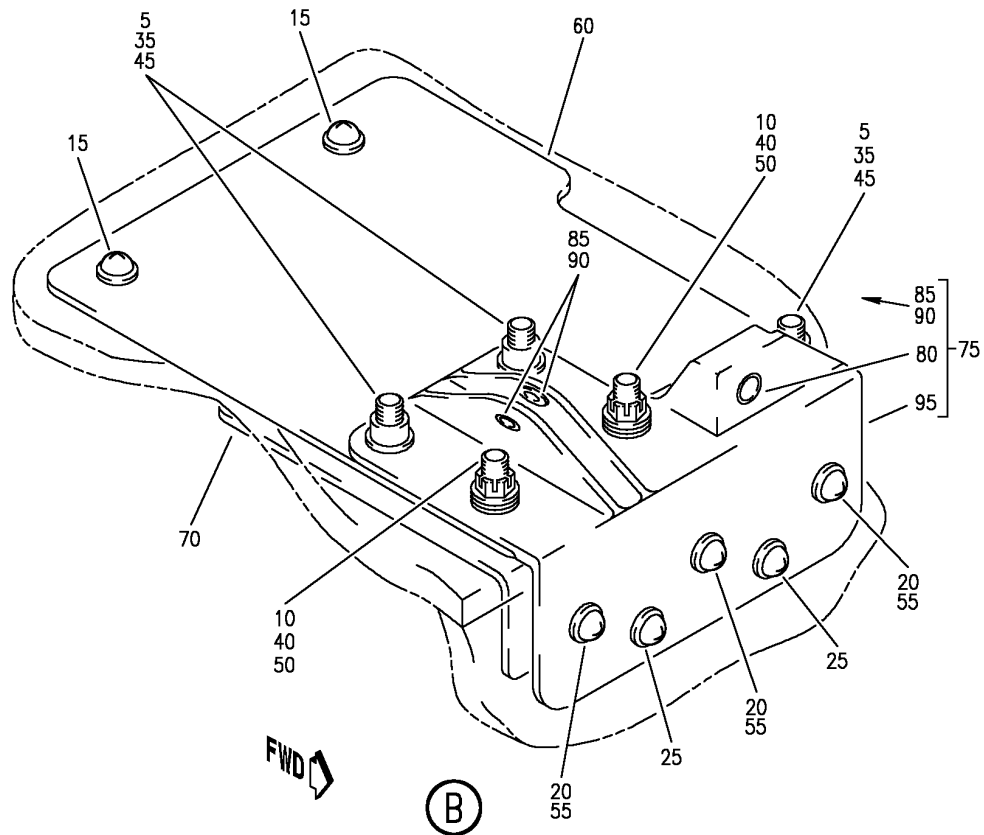
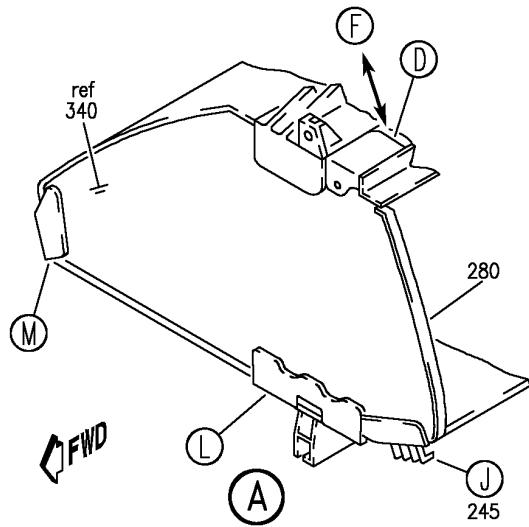
BOX ASSY-60 IN. BIN
 FIGURE 60 (SHEET 1)

25-24-32-60

HAP
OCT 10/06

25-24-32-60
 PAGE 0

BOEING
 737-600/700/800/900
 PARTS CATALOG (MAINTENANCE)



E 25243260 SH1 2 REV 081

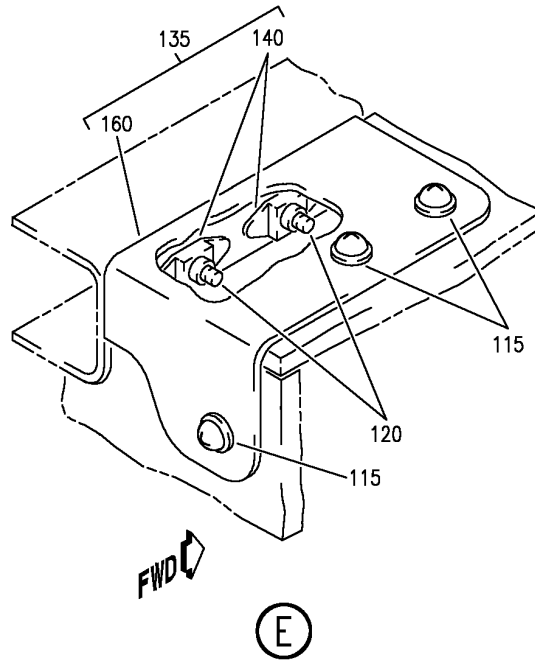
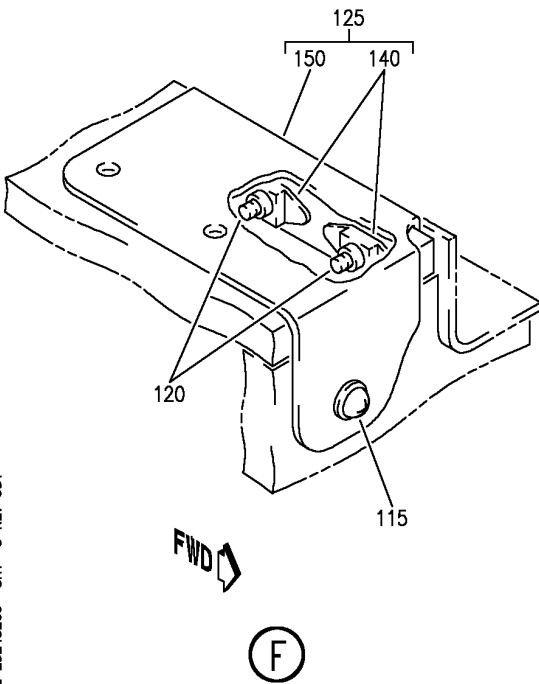
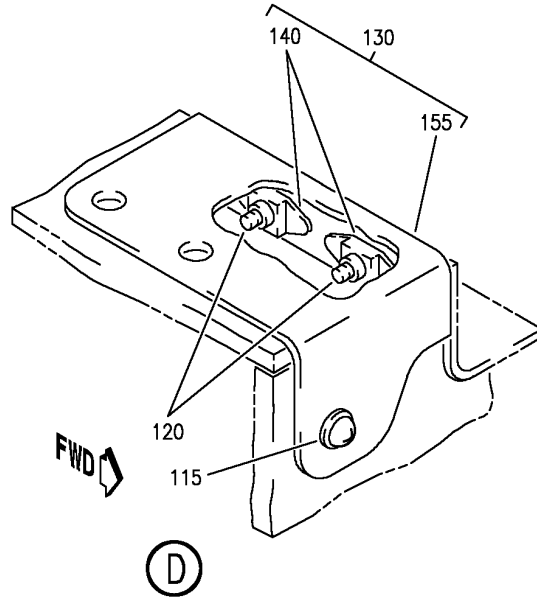
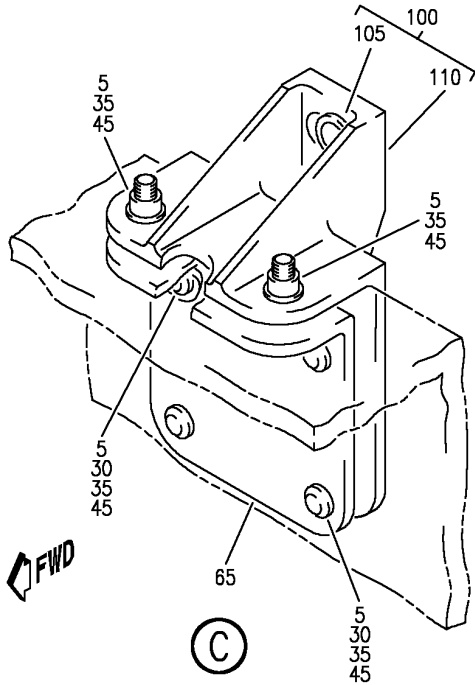
BOX ASSY-60 IN. BIN
 FIGURE 60 (SHEET 2)

25-24-32-60

HAP
 OCT 10/06

25-24-32-60
 PAGE 0A

BOEING
 737-600/700/800/900
 PARTS CATALOG (MAINTENANCE)



E 25243260 SHT 3 REV 081

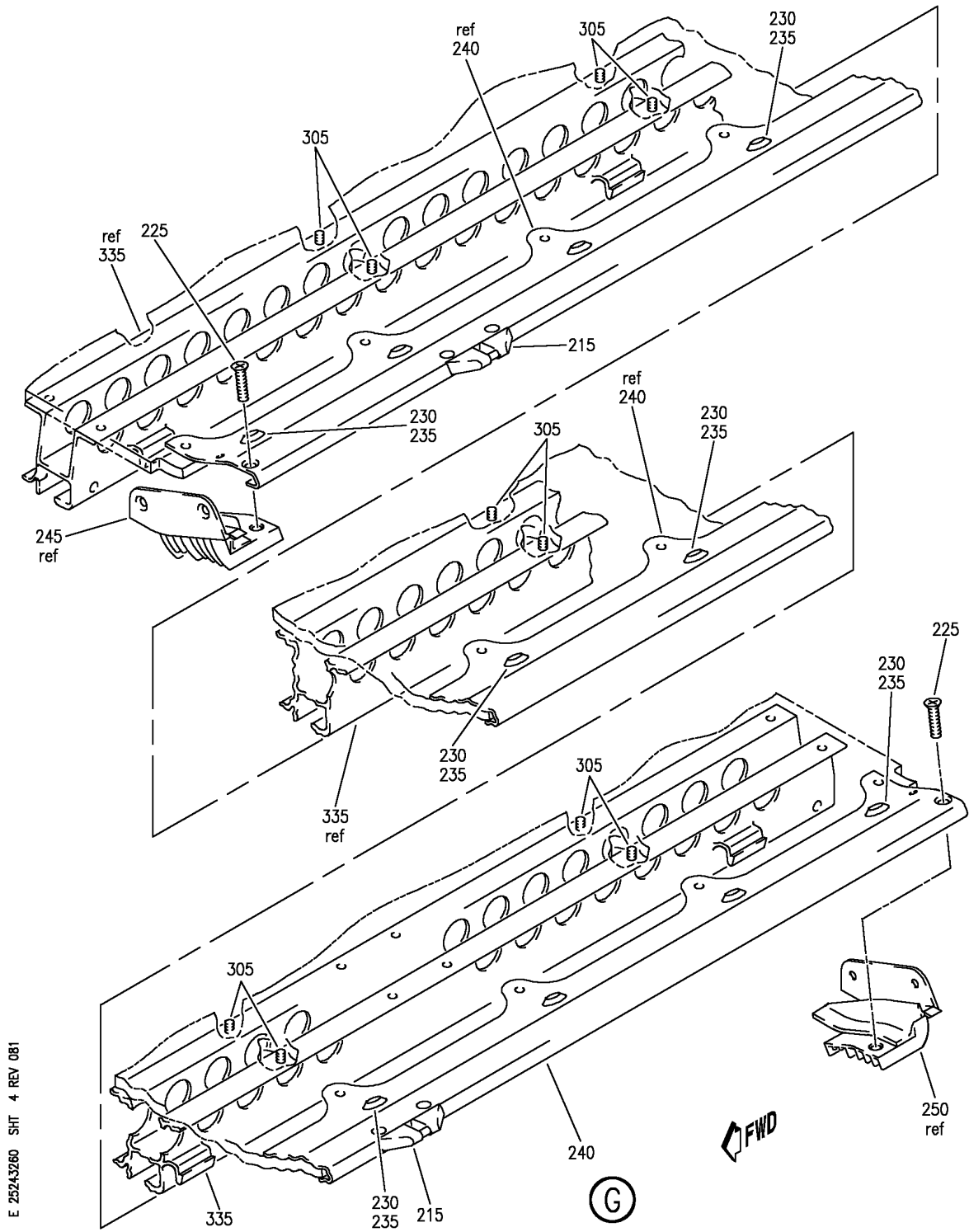
BOX ASSY-60 IN. BIN
 FIGURE 60 (SHEET 3)

25-24-32-60

HAP
 OCT 10/06

25-24-32-60
 PAGE 0B

BOEING
 737-600/700/800/900
 PARTS CATALOG (MAINTENANCE)



E 25243260 SHIT 4 REV 081

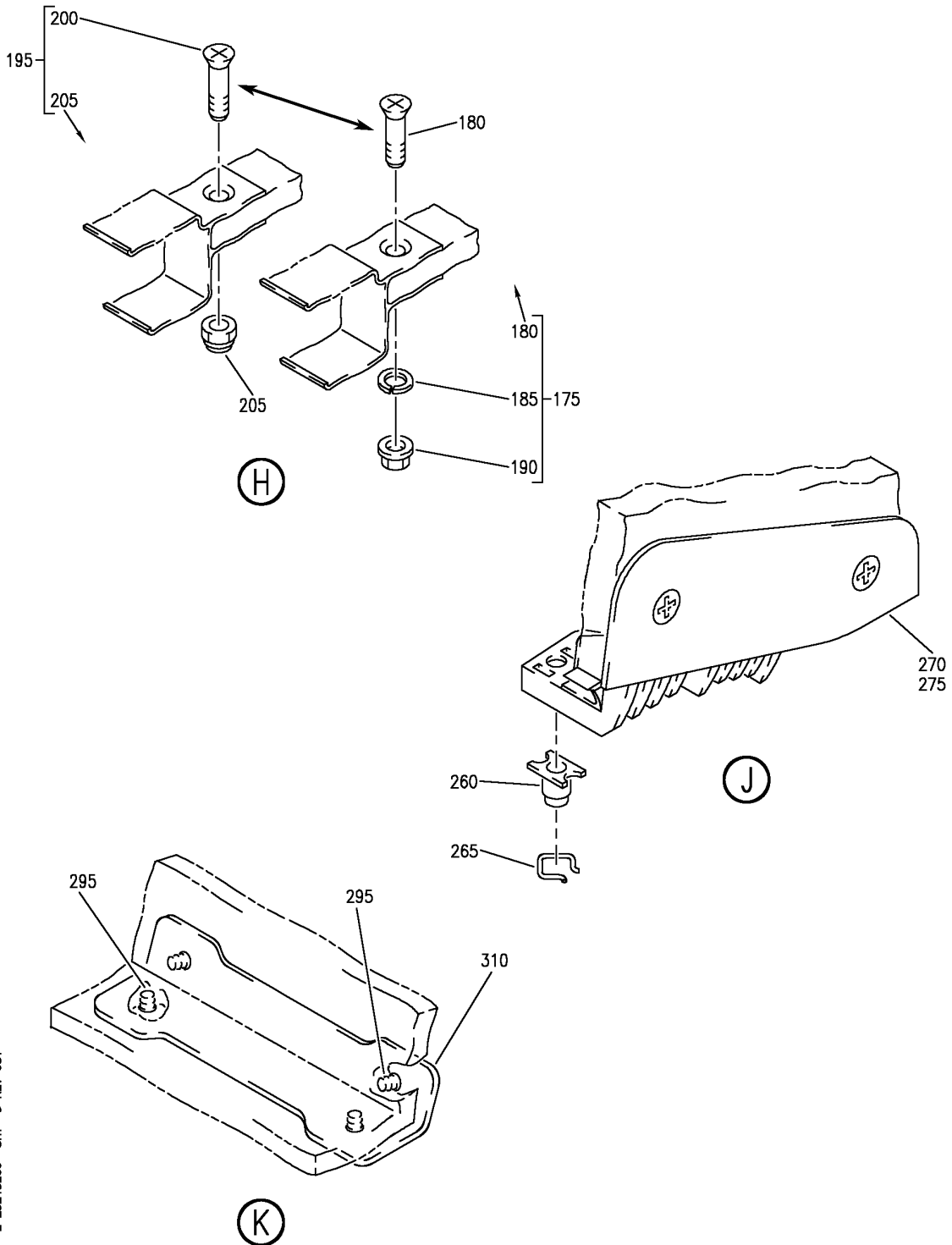
BOX ASSY-60 IN. BIN
 FIGURE 60 (SHEET 4)

25-24-32-60

HAP
 OCT 10/06

25-24-32-60
 PAGE 0C

BOEING
 737-600/700/800/900
 PARTS CATALOG (MAINTENANCE)



E 25243260 SHIT 5 REV 081

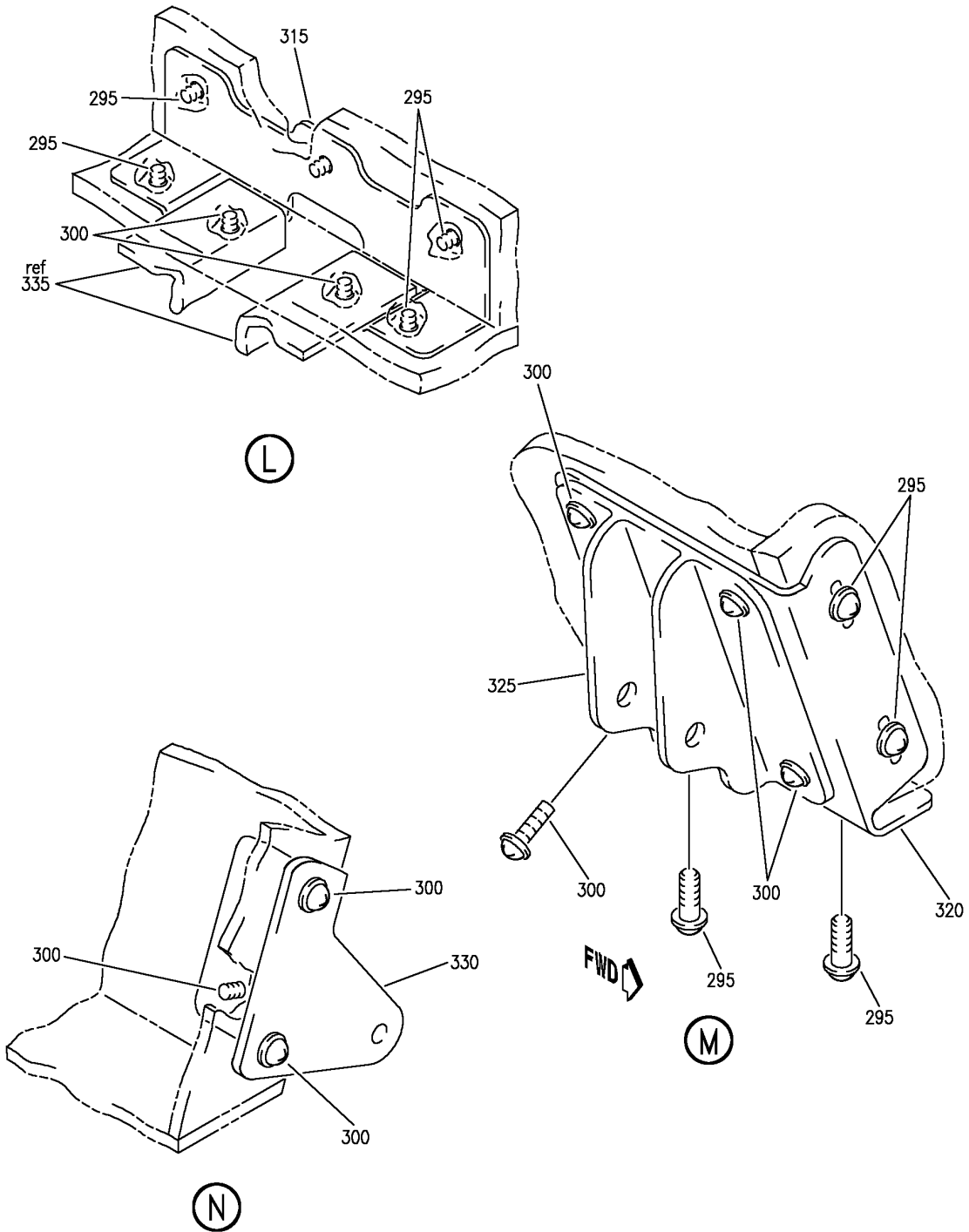
BOX ASSY-60 IN. BIN
 FIGURE 60 (SHEET 5)

25-24-32-60

HAP
 OCT 10/06

25-24-32-60
 PAGE 0D

BOEING
 737-600/700/800/900
 PARTS CATALOG (MAINTENANCE)



E 25243260 SH1 6 REV 081

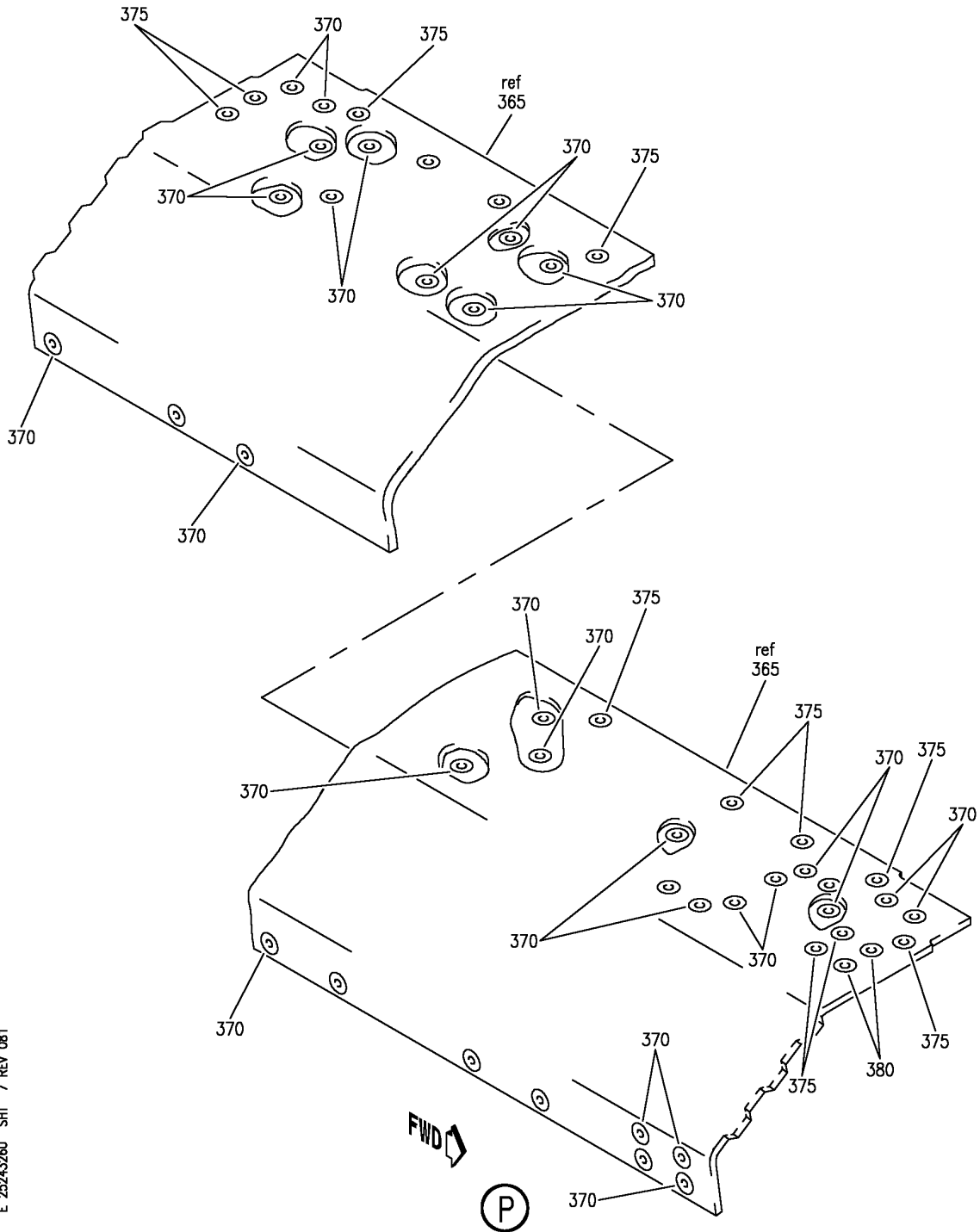
BOX ASSY-60 IN. BIN
 FIGURE 60 (SHEET 6)

25-24-32-60

HAP
 OCT 10/06

25-24-32-60
 PAGE 0E

BOEING
 737-600/700/800/900
 PARTS CATALOG (MAINTENANCE)



E 25243260 SH7 7 REV 081

BOX ASSY-60 IN. BIN
 FIGURE 60 (SHEET 7)

25-24-32-60

HAP
 OCT 10/06

25-24-32-60
 PAGE OF

BOEING
737-600/700/800/900
PARTS CATALOG (MAINTENANCE)

FIG ITEM	PART NUMBER	1 2 3 4 5 6 7	NOMENCLATURE	EFFECT FROM TO	UNITS PER ASSY
60			BOX ASSY-60 IN. BIN	002005 008008 201967	
- 1	412A1250-104SP		BOX ASSY-60 IN. BIN OPTIONAL PART: 412A1250-1104SP FOR NHA SEE: 25-24-31-58	002005 008008	RF
- 1	412A1250-1104SP		BOX ASSY-60 IN. BIN OPTIONAL PART: 412A1250-104SP FOR NHA SEE: 25-24-31-58	002005 008008	RF
- 1	412A1250-104A		BOX ASSY-60 IN. BIN OPTIONAL PART: 412A1250-1104B FOR NHA SEE: 25-24-31-33	201967	RF
- 1	412A1250-1104B		BOX ASSY-60 IN. BIN OPTIONAL PART: 412A1250-104A FOR NHA SEE: 25-24-31-33	201967	RF

MISSING ITEM NUMBERS NOT APPLICABLE

- ITEM NOT ILLUSTRATED

HAP

25-24-32-60

BOEING PROPRIETARY - Copyright © - Unpublished Work - See title page for details.

25-24-32
FIG. 60
PAGE 1
OCT 15/08

BOEING
737-600/700/800/900
PARTS CATALOG (MAINTENANCE)

FIG ITEM	PART NUMBER	1 2 3 4 5 6 7	NOMENCLATURE	EFFECT FROM TO	UNITS PER ASSY
60					
5	HL1012AZ6-10	.BOLT	SUPPLIER CODE: V97928 SPECIFICATION NUMBER: BACB30NX6K10 OPTIONAL PART: HL12VAZ6-10 V73197 HL12VAZ6-10 V92215 HL12VAZ6-10 V97928 L802-6K10 V06725 HL12VAZ6-10 V56878 HL1012AZ6-10 VOPTK6 HL1012AZ6-10 V06725 HL1012AZ6-10 V06950 HL1012AZ6-10 V17446 HL1012AZ6-10 V56878 HL1012AZ6-10 V60516 HL1012AZ6-10 V73197	002005 008008 201967	9
10	BACB30NR4DK10	.BOLT		002005 008008 201967	2
15	BACS12FA3K4	.SCREW		002005 008008 201967	2
20	BACS12FA3K9	.SCREW		002005 008008 201967	3
25	BACS12FA3K5	.SCREW		002005 008008 201967	2
30	NAS43HT3-24	.SPACER		002005 008008 201967	4
35	BACW10BP3NDP	.WASHER- OPTIONAL PART: NAS1149D0363J		002005 008008 201967	9

MISSING ITEM NUMBERS NOT APPLICABLE

— ITEM NOT ILLUSTRATED

HAP

25-24-32-60

BOEING PROPRIETARY - Copyright © - Unpublished Work - See title page for details.

25-24-32
FIG. 60
PAGE 2
OCT 15/08

BOEING
737-600/700/800/900
PARTS CATALOG (MAINTENANCE)

FIG ITEM	PART NUMBER	1 2 3 4 5 6 7	NOMENCLATURE	EFFECT FROM TO	UNITS PER ASSY
60					
35	NAS1149D0363J	.	WASHER- OPTIONAL PART: BACW10BP3NDP USED ON: 412A1250-1104SP 412A1250-104A 412A1250-1104B	002005 008008 201967	9
40	NAS1149D0463J	.	WASHER	002005 008008 201967	6
45	HL1087-6	.	COLLAR- SUPPLIER CODE: V73197 SPECIFICATION NUMBER: BACC30BH6 OPTIONAL PART: HL1087-6 V56878 HL1087-6 V92215 HL1087-6 V9N513 BACC30BZ6	002005 008008 201967	9
45	HST1070CY6	.	COLLAR- SUPPLIER CODE: V5M902 SPECIFICATION NUMBER: BACC30BZ6 OPTIONAL PART: VLC1070CY6 V92215 HST1070CY6 V73197 BACC30BH6 USED ON: 412A1250-1104SP 412A1250-104A 412A1250-1104B	002005 008008 201967	9
50	BACN10JD104CD	.	NUT	002005 008008 201967	2
55	SL5-3-50C	.	NUT- SUPPLIER CODE: V97393	002005 008008 201967	3
60	412A1220-74	.	DOUBLER-9G EXT	002005 008008 201967	1
65	412A1220-64SP	.	DOUBLER-9G INTR	002005 008008	1

MISSING ITEM NUMBERS NOT APPLICABLE

— ITEM NOT ILLUSTRATED

HAP

25-24-32-60

BOEING PROPRIETARY - Copyright © - Unpublished Work - See title page for details.

25-24-32
FIG. 60
PAGE 3
OCT 15/08

BOEING
737-600/700/800/900
PARTS CATALOG (MAINTENANCE)

FIG ITEM	PART NUMBER	1 2 3 4 5 6 7	NOMENCLATURE	EFFECT FROM TO	UNITS PER ASSY
60					
65	412A1220-64A	.	DOUBLER-9G INTR	201967	1
70	412A1220-72SP	.	DOUBLER-INTR	002005	1
				008008	
70	412A1220-72A	.	DOUBLER-INTR	201967	1
75	412A1230-138	.	FITTING ASSY-DRAG	002005	1
				008008	
				201967	
80	BCREF13195	..	BUSHING- OVERLENGTH PART NUMBER: BACB28AY06A035CG	002005	1
				008008	
				201967	
85	BACB28X4M010	..	BUSHING	002005	2
				008008	
				201967	
90	BACW10P273L	..	WASHER	002005	2
				008008	
				201967	
95	412A1230-54	..	FITTING	002005	1
				008008	
				201967	
100	412A1230-44	.	FITTING ASSY	002005	1
				008008	
				201967	
105	BCREF13195	..	BUSHING- OVERLENGTH PART NUMBER: BACB28AY06A035CG	002005	1
				008008	
				201967	
110	412A1230-46	..	FITTING	002005	1
				008008	
				201967	
115	BACS12FA3K4	.	SCREW	002005	4
				008008	
				201967	
120	BACS12FA3K7	.	SCREW	002005	4
				008008	
				201967	
125	412A1220-250	.	CORNER ASSY- OPTIONAL PART: 412A1220-210 412A1220-6A 412A1220-6SP USED ON: 412A1250-1104SP 412A1250-1104B	002005	1
				008008	
				201967	
130	412A1220-6SP	.	CORNER ASSY- OPTIONAL PART: 412A1220-210 USED ON: 412A1250-104SP 412A1250-1104SP	002005	1
				008008	

MISSING ITEM NUMBERS NOT APPLICABLE

— ITEM NOT ILLUSTRATED

HAP

25-24-32-60

BOEING PROPRIETARY - Copyright © - Unpublished Work - See title page for details.

25-24-32
FIG. 60
PAGE 4
OCT 15/08

BOEING
737-600/700/800/900
PARTS CATALOG (MAINTENANCE)

FIG ITEM	PART NUMBER	1 2 3 4 5 6 7	NOMENCLATURE	EFFECT FROM TO	UNITS PER ASSY
60 130	412A1220-6A	.	CORNER ASSY- OPTIONAL PART: 412A1220-210 USED ON: 412A1250-104A 412A1250-1104B	201967	1
130	412A1220-210	.	CORNER ASSY- OPTIONAL PART: 412A1220-250 412A1220-6SP 412A1220-6A USED ON: 412A1250-1104SP 412A1250-1104B	002005 008008 201967	1
135	412A1220-65SP	.	CORNER ASSY- OPTIONAL PART: 412A1220-217 USED ON: 412A1250-104SP 412A1250-1104SP	002005 008008	1
135	412A1220-65A	.	CORNER ASSY- OPTIONAL PART: 412A1220-217 USED ON: 412A1250-104A 412A1250-1104B	201967	1
135	412A1220-217	.	CORNER ASSY- OPTIONAL PART: 412A1220-65SP 412A1220-65A USED ON: 412A1250-1104SP 412A1250-1104B	002005 008008 201967	1
140	BRF200C3D	..	NUTPLATE SUPPLIER CODE: V52828 SPECIFICATION NUMBER: BACN10JR3CFD OPTIONAL PART: K51602-3BAC V15653 NS202476-02 V80539 102F9201-3 V72962 T8092C1032CD V11815	002005 008008 201967	2

MISSING ITEM NUMBERS NOT APPLICABLE

— ITEM NOT ILLUSTRATED

HAP

25-24-32-60

BOEING PROPRIETARY - Copyright © - Unpublished Work - See title page for details.

25-24-32
FIG. 60
PAGE 5
OCT 15/08

BOEING
737-600/700/800/900
PARTS CATALOG (MAINTENANCE)

FIG ITEM	PART NUMBER	1 2 3 4 5 6 7	NOMENCLATURE	EFFECT FROM TO	UNITS PER ASSY
60			ATTACHING PARTS		
- 145	BACR15CE3D		..RIVET- SIZE DETERMINED ON INSTL.	002005 008008 201967	4
150	412A1220-252		-----*----- ..REINFORCEMENT- USED ON: 412A1220-250	002005 008008 201967	1
155	412A1220-8SP		..REINFORCEMENT- USED ON: 412A1220-6SP	002005 008008	1
155	412A1220-8A		..REINFORCEMENT- USED ON: 412A1220-6A	201967	1
155	412A1220-212		..REINFORCEMENT- USED ON: 412A1220-210	002005 008008 201967	1
160	412A1220-67SP		..REINFORCEMENT- USED ON: 412A1220-65SP	002005 008008	1
160	412A1220-67A		..REINFORCEMENT- USED ON: 412A1220-65A	201967	1
160	412A1220-219		..REINFORCEMENT- USED ON: 412A1220-217	002005 008008 201967	1
165	BACB30VF3K8		.BOLT- USED ON: 412A1250-104SP 412A1250-104A	002005 008008 201967	4
170	F22K1-02		.NUT- SUPPLIER CODE: V72962 SPECIFICATION NUMBER: BACN10R10L OPTIONAL PART: 22K1-02 V72962 26CL02 V80539 USED ON: 412A1250-104SP 412A1250-104A	002005 008008 201967	4
175	412A1340-16		.FASTENER ASSY-KIT OPTIONAL PART: 412A1340-17 USED ON: 412A1250-1104SP 412A1250-1104B	002005 008008 201967	4

MISSING ITEM NUMBERS NOT APPLICABLE

- ITEM NOT ILLUSTRATED

HAP

25-24-32-60

BOEING PROPRIETARY - Copyright © - Unpublished Work - See title page for details.

25-24-32
FIG. 60
PAGE 6
OCT 15/08

BOEING
737-600/700/800/900
PARTS CATALOG (MAINTENANCE)

FIG ITEM	PART NUMBER	1 2 3 4 5 6 7	NOMENCLATURE	EFFECT FROM TO	UNITS PER ASSY
60					
180	BACB30VF3K7	..	BOLT	002005 008008 201967	1
185	BACW10EC3S	..	WASHER	002005 008008 201967	1
190	PLH53C	..	NUT SUPPLIER CODE: V62554 SPECIFICATION NUMBER: BACN10YR3C OPTIONAL PART: H52732-3C V15653	002005 008008 201967	1
195	412A1340-17	.FASTENER ASSY-KIT OPTIONAL PART: 412A1340-16 USED ON: 412A1250-1104SP 412A1250-1104B		002005 008008 201967	4
200	BACB30VF3K8	..	BOLT	002005 008008 201967	1
205	F22K1-02	..	NUT SUPPLIER CODE: V72962 SPECIFICATION NUMBER: BACN10R10L OPTIONAL PART: 22K1-02 V72962 26CLO2 V80539	002005 008008 201967	1
210	412A1247-4SP	.EXTRUSION-DOOR CLOSEOUT		002005 008008 201967	1
210	412A1247-4A	.EXTRUSION-DOOR CLOSEOUT		201967	1
215	HA225-3	.STRIKE- SUPPLIER CODE: V83014 SPECIFICATION NUMBER: S412A001-6 USED ON: 412A1250-104SP 412A1250-104A		002005 008008 201967	2

MISSING ITEM NUMBERS NOT APPLICABLE

— ITEM NOT ILLUSTRATED

HAP

25-24-32-60

BOEING PROPRIETARY - Copyright © - Unpublished Work - See title page for details.

25-24-32
FIG. 60
PAGE 7
OCT 15/08

BOEING
737-600/700/800/900
PARTS CATALOG (MAINTENANCE)

FIG ITEM	PART NUMBER	1 2 3 4 5 6 7	NOMENCLATURE	EFFECT FROM TO	UNITS PER ASSY
60 215	HA225-11		. STRIKE- SUPPLIER CODE: V83014 SPECIFICATION NUMBER: S412A001-16 USED ON: 412A1250-1104SP 412A1250-104A 412A1250-1104B ATTACHING PARTS	002005 008008 201967	2
- 220	BACS12ER08K5		. SCREW	002005 008008 201967	4
			-----*-----		
225	BACS12ER3K6		. SCREW	002005 008008 201967	2
230	BACS12ER3K5		. SCREW	002005 008008 201967	10
235	H3-1233A3		. WASHER- SUPPLIER CODE: V34941 SPECIFICATION NUMBER: S411A001-1	002005 008008 201967	10
240	412A1242-3		. EXTRUSION-SHELF	002005 008008 201967	1
245	412A1475-3SP		. FITTING ASSY-SPRT	002005 008008 201967	1
245	412A1475-3A		. FITTING ASSY-SPRT	201967	1
250	412A1475-4SP		. FITTING ASSY-SPRT	002005 008008 201967	1
250	412A1475-4A		. FITTING ASSY-SPRT ATTACHING PARTS	201967	1
- 255	BACS12ER3K5		. SCREW	002005 008008 201967	4
			-----*-----		
260	BACN11F3-1CD		. . NUT	002005 008008 201967	1
265	NAS1795-3		. . CLIP	002005 008008 201967	1
270	412A1475-1SP		. . FITTING- USED ON: 412A1475-3SP	002005 008008	1

MISSING ITEM NUMBERS NOT APPLICABLE

- ITEM NOT ILLUSTRATED

HAP

25-24-32-60

BOEING PROPRIETARY - Copyright © - Unpublished Work - See title page for details.

25-24-32
FIG. 60
PAGE 8
OCT 15/08

BOEING
737-600/700/800/900
PARTS CATALOG (MAINTENANCE)

FIG ITEM	PART NUMBER	1 2 3 4 5 6 7	NOMENCLATURE	EFFECT FROM TO	UNITS PER ASSY
60					
270	412A1475-1A	..	FITTING- USED ON: 412A1475-3A	201967	1
275	412A1475-2SP	..	FITTING- USED ON: 412A1475-4SP	002005 008008	1
275	412A1475-2A	..	FITTING- USED ON: 412A1475-4A	201967	1
280	412A1450-1SP	.	TRIM-	002005 008008	2
280	412A1450-1A	.	TRIM-	201967	2
285	412A1200-25	.	CLIP	002005 008008 201967	1
290	412A1252-5	.	RETAINER	002005 008008 201967	1
295	BACS12FA3K4	.	SCREW	002005 008008 201967	26
300	BACS12FA3K6	.	SCREW- USED ON: 412A1250-104SP 412A1250-104A	002005 008008 201967	11
300	BACS12FA3K5	.	SCREW- USED ON: 412A1250-1104SP 412A1250-1104B	002005 008008 201967	11
305	BACS12FA3K5	.	SCREW	002005 008008 201967	10
310	412A1220-4	.	ANGLE	002005 008008 201967	3
315	412A1220-9A	.	ANGLE- OPTIONAL PART: 412A1220-205	201967	2
315	412A1220-9SP	.	ANGLE- OPTIONAL PART: 412A1220-205	002005 008008	2
315	412A1220-205	.	ANGLE- OPTIONAL PART: 412A1220-9A 412A1220-9SP USED ON: 412A1250-1104SP 412A1250-1104B	002005 008008 201967	2

MISSING ITEM NUMBERS NOT APPLICABLE

— ITEM NOT ILLUSTRATED

HAP

25-24-32-60

BOEING PROPRIETARY - Copyright © - Unpublished Work - See title page for details.

25-24-32
FIG. 60
PAGE 9
OCT 15/08

BOEING
737-600/700/800/900
PARTS CATALOG (MAINTENANCE)

FIG ITEM	PART NUMBER	1 2 3 4 5 6 7	NOMENCLATURE	EFFECT FROM TO	UNITS PER ASSY
60					
320	412A1220-42	.	GUSSET	002005 008008 201967	1
325	412A1230-135	.	FITTING ASSY	002005 008008 201967	1
330	412A1230-74	.	FITTING	002005 008008 201967	1
335	412A1245-3	.	RAIL	002005 008008 201967	1
340	412A1212-168SP	.	PANEL ASSY-END USED ON: 412A1250-104SP	002005 008008	1
340	412A1212-168B	.	PANEL ASSY-END USED ON: 412A1250-104A	201967	1
340	412A1212-1168B	.	PANEL ASSY-END USED ON: 412A1250-1104B	201967	1
340	412A1212-1168SP	.	PANEL ASSY-END USED ON: 412A1250-1104SP	002005 008008	1
- 345	SL2334-3A1	..	INSERT- SUPPLIER CODE: V97393 USED ON: 412A1212-168SP 412A1212-168B	002005 008008 201967	13
- 350	SL2334-3A1	..	INSERT- SUPPLIER CODE: V97393 USED ON: 412A1212-1168B 412A1212-1168SP	002005 008008 201967	10
355	412A1212-126SP	.	PANEL ASSY-END USED ON: 412A1250-104SP	002005 008008	1
355	412A1212-126A	.	PANEL ASSY-END USED ON: 412A1250-104A	201967	1
355	412A1212-1126B	.	PANEL ASSY-END USED ON: 412A1250-1104B	201967	1
355	412A1212-1126SP	.	PANEL ASSY-END USED ON: 412A1250-1104SP	002005 008008	1

MISSING ITEM NUMBERS NOT APPLICABLE

- ITEM NOT ILLUSTRATED

HAP

25-24-32-60

BOEING PROPRIETARY - Copyright © - Unpublished Work - See title page for details.

25-24-32
FIG. 60
PAGE 10
OCT 15/08

BOEING
737-600/700/800/900
PARTS CATALOG (MAINTENANCE)

FIG ITEM	PART NUMBER	1 2 3 4 5 6 7	NOMENCLATURE	EFFECT FROM TO	UNITS PER ASSY
60					
- 360	SL2334-3A1	..	INSERT- SUPPLIER CODE: V97393	002005 008008 201967	11
365	412A1210-112SP	.	PANEL ASSY-SHELL USED ON: 412A1250-104SP	002005 008008	1
365	412A1210-1112SP	.	PANEL ASSY-SHELL USED ON: 412A1250-1104SP	002005 008008	1
365	412A1210-112A	.	PANEL ASSY-SHELL USED ON: 412A1250-104A	201967	1
365	412A1210-1112B	.	PANEL ASSY-SHELL USED ON: 412A1250-1104B	201967	1
370	SL2334-3A1	..	INSERT- SUPPLIER CODE: V97393	002005 008008 201967	34
375	BCREF128023	..	INSERT- SUPPLIER CODE: V97393 OVERLENGTH PART NUMBER: SL603-3-375ASP13	002005 008008 201967	13
380	BCREF130325	..	INSERT- SUPPLIER CODE: V97393 OVERLENGTH PART NUMBER: SL603-4-375ASP24	002005 008008 201967	2
385	412A1211-114SP	.	PANEL ASSY-SHELF USED ON: 412A1250-104SP	002005 008008	1
385	412A1211-1114SP	.	PANEL ASSY-SHELF USED ON: 412A1250-1104SP	002005 008008	1
385	412A1211-114A	.	PANEL ASSY-SHELF USED ON: 412A1250-104A	201967	1
385	412A1211-1114B	.	PANEL ASSY-SHELF USED ON: 412A1250-1104B	201967	1
- 390	SL2334-3A1	..	INSERT- SUPPLIER CODE: V97393	002005 008008 201967	66

MISSING ITEM NUMBERS NOT APPLICABLE

- ITEM NOT ILLUSTRATED

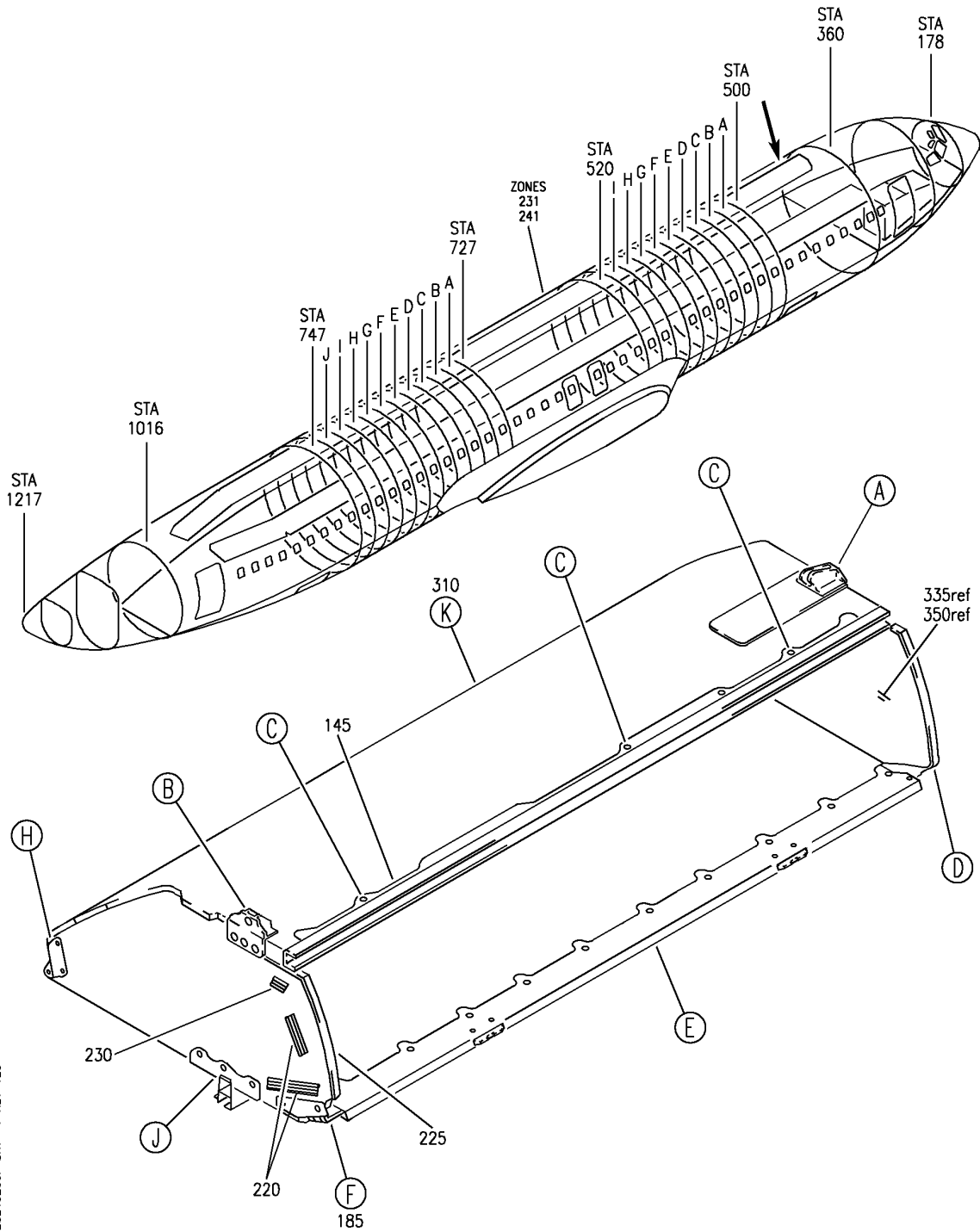
HAP

25-24-32-60

BOEING PROPRIETARY - Copyright © - Unpublished Work - See title page for details.

25-24-32
FIG. 60
PAGE 11
OCT 15/08

BOEING
 737-600/700/800/900
 PARTS CATALOG (MAINTENANCE)



E 2524-3260F SHT 1 REV 125

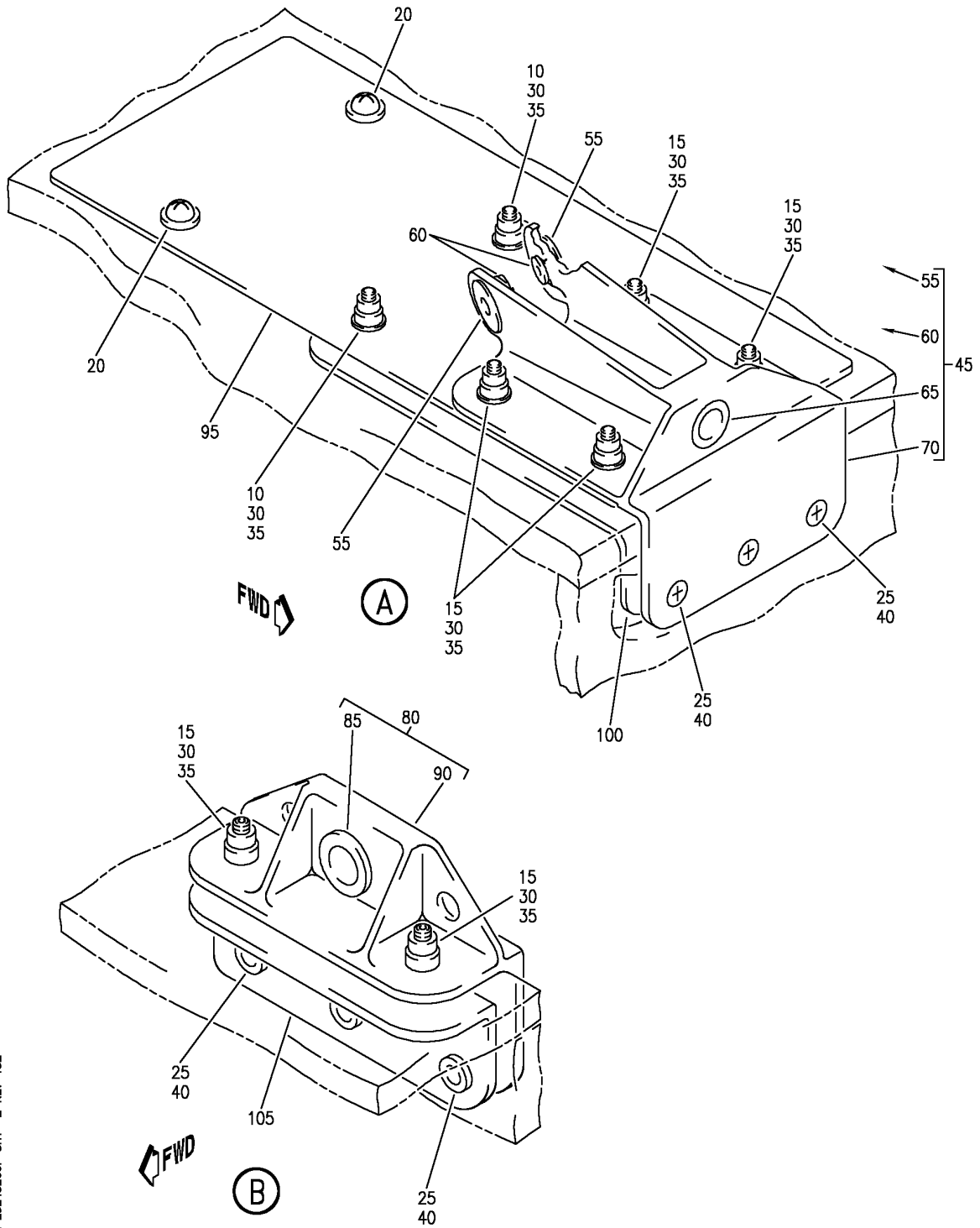
BOX ASSY-LH 60 IN. BIG BIN
 FIGURE 60F (SHEET 1)

25-24-32-60F

HAP
 FEB 10/07

25-24-32-60F
 PAGE 0

BOEING
 737-600/700/800/900
 PARTS CATALOG (MAINTENANCE)



E 25243260F SHT 2 REV 152

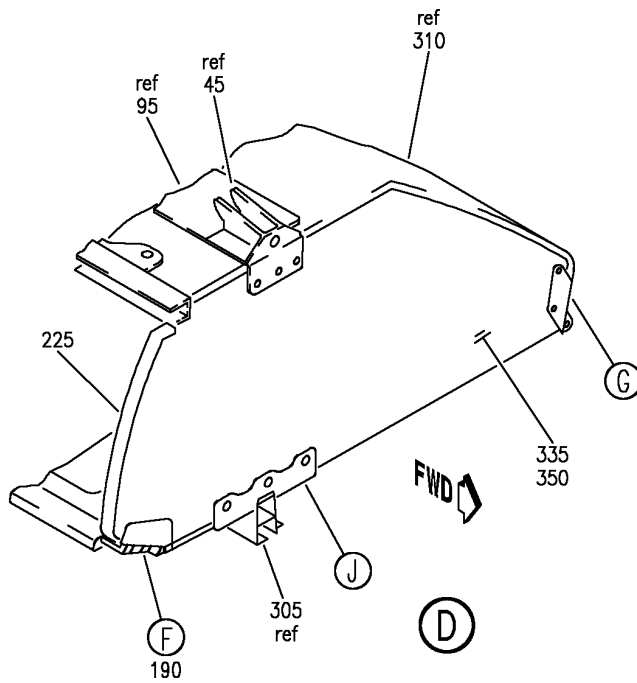
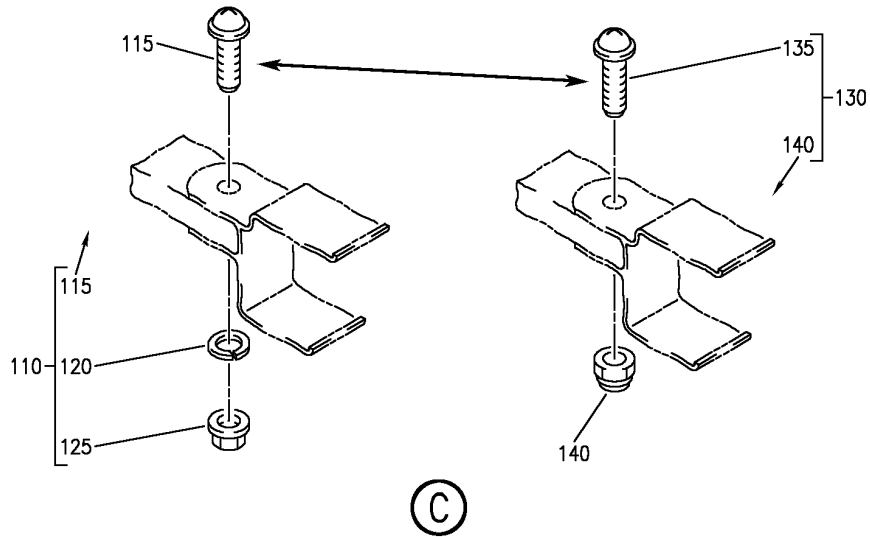
BOX ASSY-LH 60 IN. BIG BIN
 FIGURE 60F (SHEET 2)

25-24-32-60F

HAP
 JUN 15/09

25-24-32-60F
 PAGE 0A

BOEING
 737-600/700/800/900
 PARTS CATALOG (MAINTENANCE)



E 25243260F SHT 3 REV 082

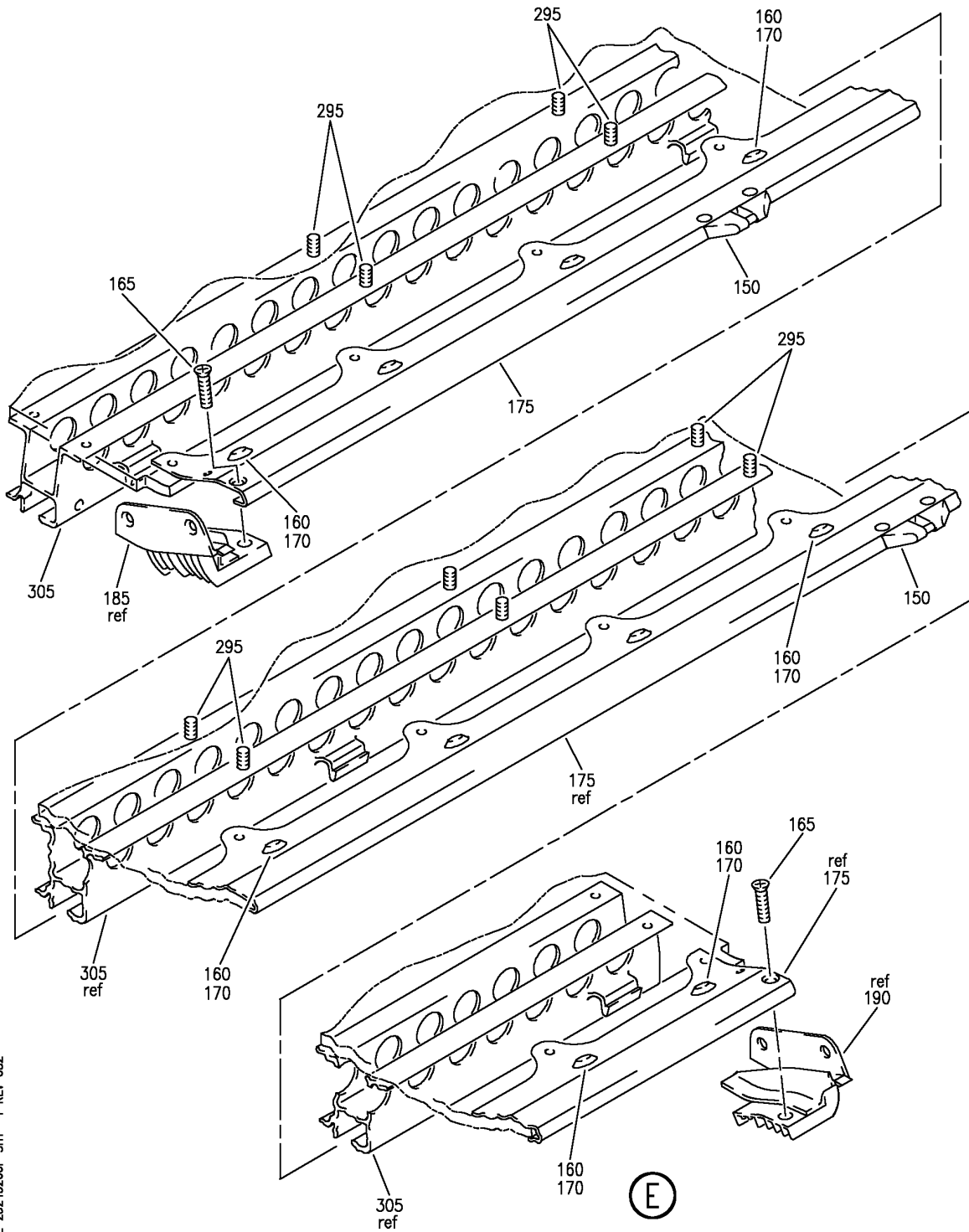
BOX ASSY-LH 60 IN. BIG BIN
 FIGURE 60F (SHEET 3)

25-24-32-60F

HAP
 OCT 10/06

25-24-32-60F
 PAGE 0B

BOEING
 737-600/700/800/900
 PARTS CATALOG (MAINTENANCE)



E 25243260F SHT 4 REV 082

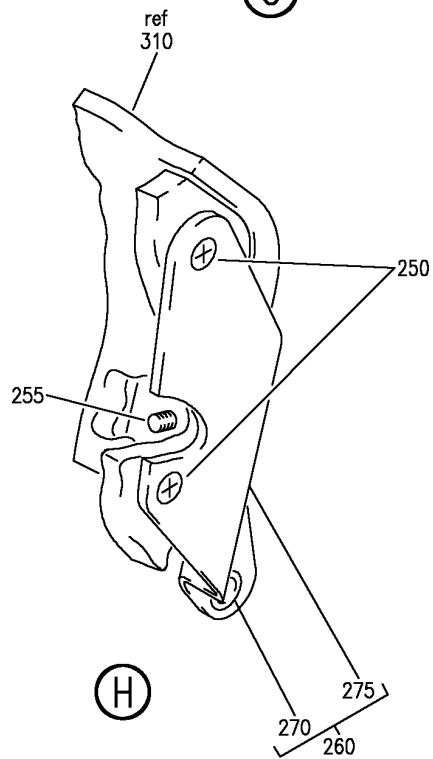
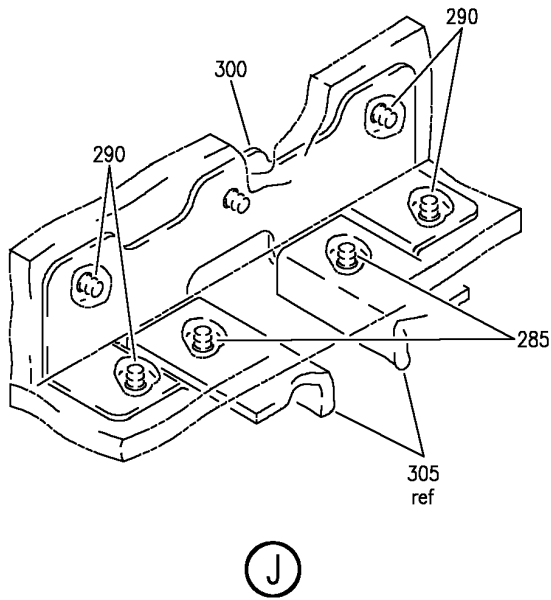
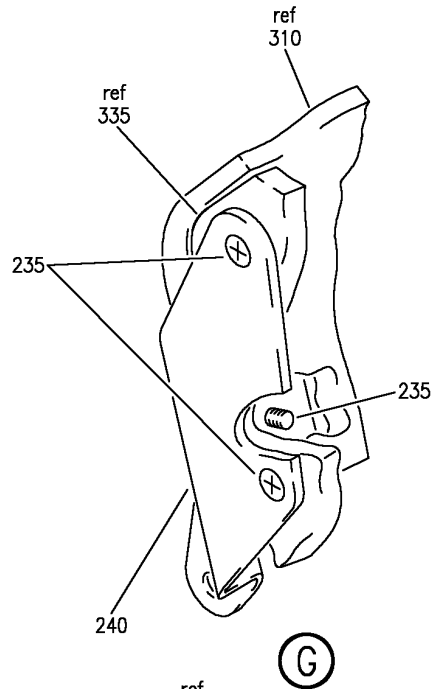
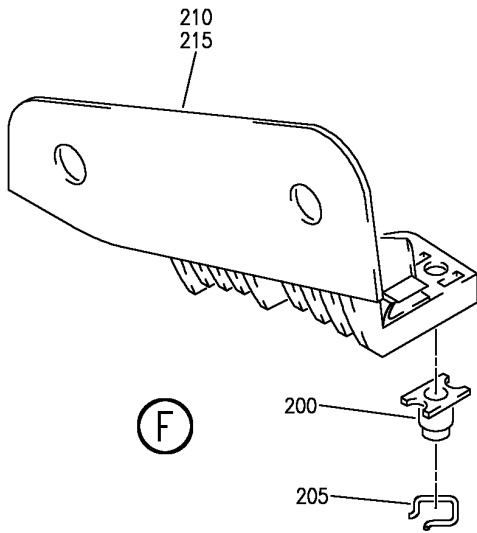
BOX ASSY-LH 60 IN. BIG BIN
 FIGURE 60F (SHEET 4)

25-24-32-60F

HAP
 OCT 10/06

25-24-32-60F
 PAGE 0C

BOEING
 737-600/700/800/900
 PARTS CATALOG (MAINTENANCE)



E 25243260F SHT 5 REV 082

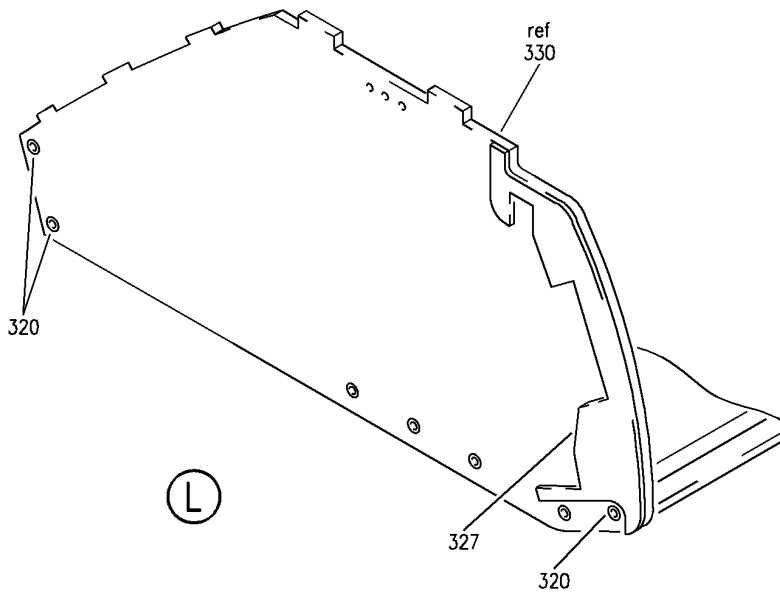
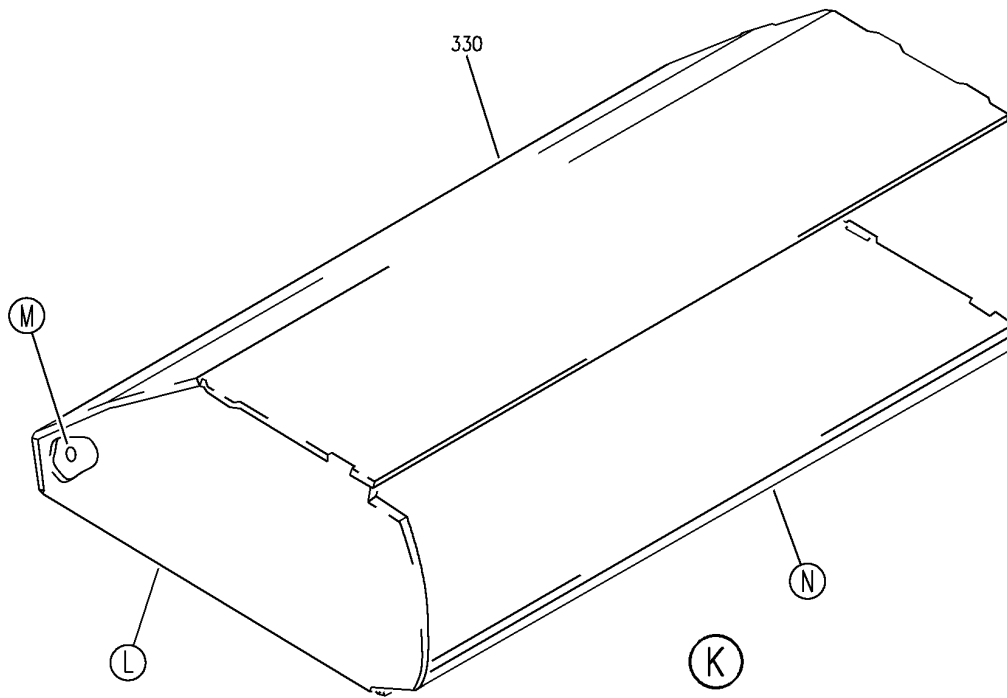
BOX ASSY-LH 60 IN. BIG BIN
 FIGURE 60F (SHEET 5)

25-24-32-60F

HAP
 OCT 10/06

25-24-32-60F
 PAGE 0D

BOEING
737-600/700/800/900
PARTS CATALOG (MAINTENANCE)



E 2524-3260F SHT 6 REV 125

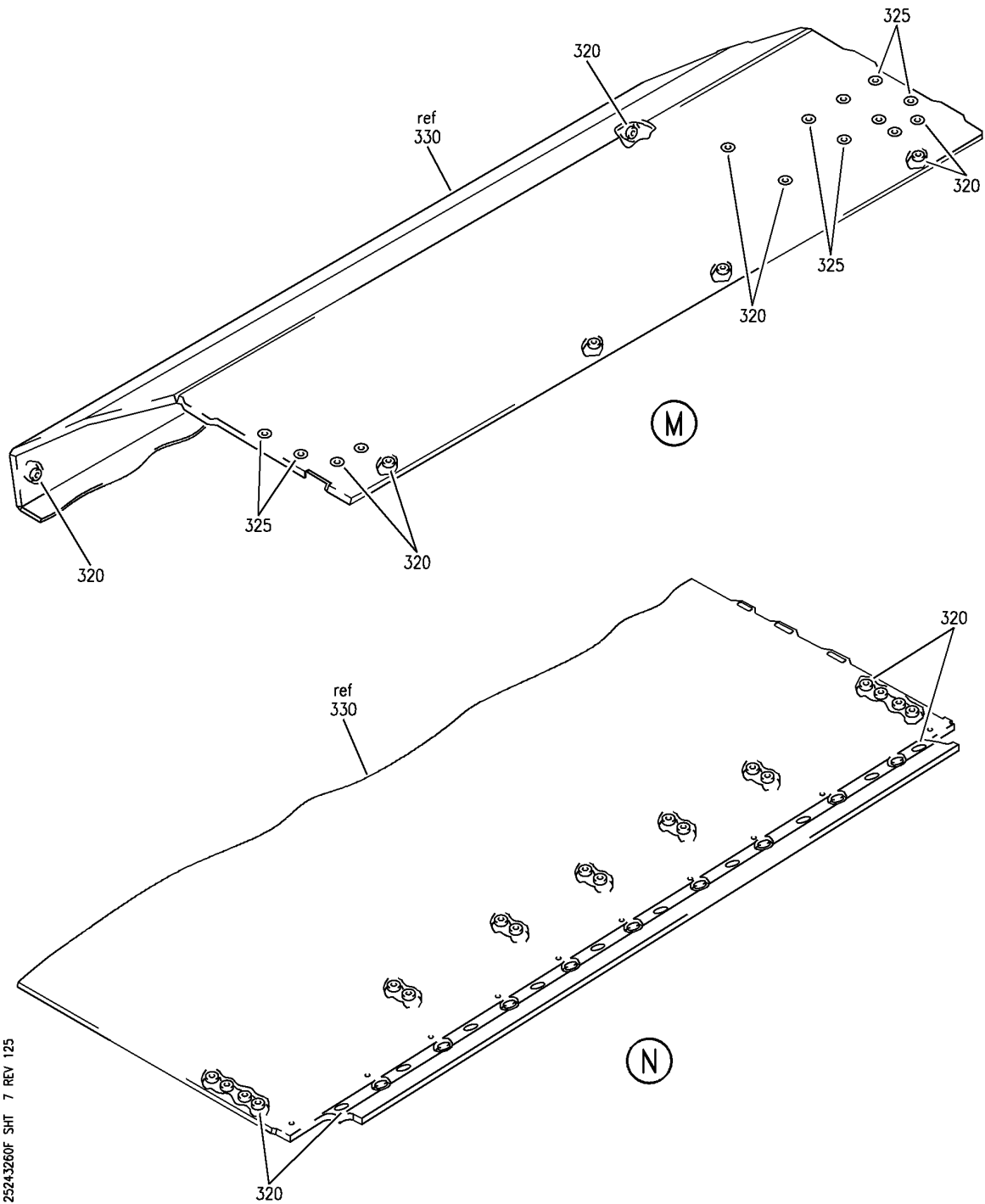
BOX ASSY-LH 60 IN. BIG BIN
FIGURE 60F (SHEET 6)

25-24-32-60F

HAP
FEB 10/07

25-24-32-60F
PAGE 0E

BOEING
737-600/700/800/900
PARTS CATALOG (MAINTENANCE)



E 2524-3260F SHT 7 REV 125

BOX ASSY-LH 60 IN. BIG BIN
FIGURE 60F (SHEET 7)

25-24-32-60F

HAP
FEB 10/07

25-24-32-60F
PAGE OF

BOEING
737-600/700/800/900
PARTS CATALOG (MAINTENANCE)

FIG ITEM	PART NUMBER	1 2 3 4 5 6 7	NOMENCLATURE	EFFECT FROM TO	UNITS PER ASSY
60F					
- 1	412A1205-33B		BOX ASSY-LH 60 IN. BIG BIN BOX ASSY-60 IN. BIG BIN POSITION DATA: LH FOR NHA SEE: 25-24-31-64C 25-24-31-64L	031100 031100	RF
10	HL1012AZ6-9		.BOLT SUPPLIER CODE: V97928 SPECIFICATION NUMBER: BACB30NX6K9 OPTIONAL PART: HL12VAZ6-9 V73197 HL12VAZ6-9 V92215 HL12VAZ6-9 V97928 L802-6K9 V06725 HL12VAZ6-9 V56878 HL1012AZ6-9 VOPTK6 HL1012AZ6-9 V06725 HL1012AZ6-9 V06950 HL1012AZ6-9 V17446 HL1012AZ6-9 V56878 HL1012AZ6-9 V60516 HL1012AZ6-9 V73197	031100	2

MISSING ITEM NUMBERS NOT APPLICABLE

- ITEM NOT ILLUSTRATED

HAP

25-24-32-60F

BOEING PROPRIETARY - Copyright © - Unpublished Work - See title page for details.

25-24-32
FIG. 60F
PAGE 1
OCT 10/07

BOEING
737-600/700/800/900
PARTS CATALOG (MAINTENANCE)

FIG ITEM	PART NUMBER	1 2 3 4 5 6 7	NOMENCLATURE	EFFECT FROM TO	UNITS PER ASSY
60F 15	HL1012AZ6-11	.BOLT	SUPPLIER CODE: V97928 SPECIFICATION NUMBER: BACB30NX6K11 OPTIONAL PART: HL12VAZ6-11 V73197 HL12VAZ6-11 V92215 HL12VAZ6-11 V97928 L802-6K11 V06725 HL12VAZ6-11 V56878 HL1012AZ6-11 VOPTK6 HL1012AZ6-11 V06725 HL1012AZ6-11 V06950 HL1012AZ6-11 V17446 HL1012AZ6-11 V56878 HL1012AZ6-11 V60516 HL1012AZ6-11 V73197	031100	6
20	BACS12FA3K4	.SCREW		031100	2
25	BACS12ER3K9	.SCREW		031100	6
30	NAS1149D0363J	.WASHER		031100	8
35	HST1070CY6	.COLLAR	SUPPLIER CODE: V5M902 SPECIFICATION NUMBER: BACC30BZ6 OPTIONAL PART: VLC1070CY6 V92215 HST1070CY6 V73197	031100	8
40	SL5-3-50C	.NUT-	SUPPLIER CODE: V97393	031100	6
45	412A1230-105	.FITTING ASSY-DRAG		031100	1
55	BACW10P273L	..WASHER		031100	2

MISSING ITEM NUMBERS NOT APPLICABLE

— ITEM NOT ILLUSTRATED

HAP

25-24-32-60F

BOEING PROPRIETARY - Copyright © - Unpublished Work - See title page for details.

25-24-32
FIG. 60F
PAGE 2
FEB 10/07

BOEING
737-600/700/800/900
PARTS CATALOG (MAINTENANCE)

FIG ITEM	PART NUMBER	1 2 3 4 5 6 7	NOMENCLATURE	EFFECT FROM TO	UNITS PER ASSY
60F					
60	BACB28AT04B023C	..	BUSHING- OPTIONAL PART: NAS538B4P023	031100	2
60	NAS538B4P023	..	BUSHING- OPTIONAL PART: BACB28AT04B023C	031100	2
65	BCREF13195	..	BUSHING- OVERLENGTH PART NUMBER: BACB28AY06A035CG	031100	1
70	412A1230-107	..	FITTING	031100	1
80	412A1230-201	.	FITTING ASSY	031100	1
85	BCREF13195	..	BUSHING- OVERLENGTH PART NUMBER: BACB28AY06A035CG	031100	1
90	412A1230-202	..	FITTING- OPTIONAL PART: 412A1230-203	031100	1
90	412A1230-203	..	FITTING- OPTIONAL PART: 412A1230-202	031100	1
95	412A1220-243	.	DOUBLER-9G EXT	031100	1
100	412A1220-241B	.	DOUBLER-INTERNAL	031100	1
105	412A1220-39A	.	DOUBLER-INTERNAL	031100	1
110	412A1340-14	.	FASTENER ASSY-KIT OPTIONAL PART: 412A1340-15	031100	4
115	BACS12FA3K12	..	SCREW	031100	1
120	BACW10EC3S	..	WASHER	031100	1
125	PLH53C	..	NUT SUPPLIER CODE: V62554 SPECIFICATION NUMBER: BACN10YR3C OPTIONAL PART: H52732-3C V15653	031100	1
130	412A1340-15	.	FASTENER ASSY-KIT OPTIONAL PART: 412A1340-14	031100	4
135	BACS12FA3K13	..	SCREW	031100	1

MISSING ITEM NUMBERS NOT APPLICABLE

— ITEM NOT ILLUSTRATED

HAP

25-24-32-60F

BOEING PROPRIETARY - Copyright © - Unpublished Work - See title page for details.

25-24-32
FIG. 60F
PAGE 3
FEB 10/07

BOEING
737-600/700/800/900
PARTS CATALOG (MAINTENANCE)

FIG ITEM	PART NUMBER	1 2 3 4 5 6 7	NOMENCLATURE	EFFECT FROM TO	UNITS PER ASSY
60F 140	F22K1-02	. .	NUT SUPPLIER CODE: V72962 SPECIFICATION NUMBER: BACN10R10L OPTIONAL PART: 22K1-02 V72962 26CLO2 V80539	031100	1
145	412A1247-2A	. .	EXTRUSION	031100	1
150	HA951-5	. .	STRIKE-LATCH SUPPLIER CODE: V83014 SPECIFICATION NUMBER: S412A003-3 OPTIONAL PART: HA225-11 V83014	031100	2
150	HA225-11	. .	STRIKE-LATCH SUPPLIER CODE: V83014 SPECIFICATION NUMBER: S412A001-16 OPTIONAL PART: HA951-5 V83014	031100	2
- 155	BACS12ER08K5	. .	ATTACHING PARTS SCREW -----*-----	031100	4
160	BACS12ER3K5	. .	SCREW	031100	10
165	BACS12ER3K6	. .	SCREW	031100	2
170	H3-1233A3	. .	WASHER- SUPPLIER CODE: V34941 SPECIFICATION NUMBER: S411A001-1	031100	10
175	412A1242-3	. .	EXTRUSION-SHELF	031100	1
185	412A1475-3A	. .	FITTING ASSY-SPRT	031100	1
190	412A1475-4A	. .	FITTING ASSY-SPRT ATTACHING PARTS	031100	1
- 195	BACS12ER3K5	. .	SCREW -----*-----	031100	4
200	BACN11F3-1CD	. .	NUT	031100	1
205	NAS1795-3	. .	CLIP	031100	1
210	412A1475-1A	. .	FITTING- USED ON: 412A1475-3A	031100	1

MISSING ITEM NUMBERS NOT APPLICABLE

- ITEM NOT ILLUSTRATED

HAP

25-24-32-60F

BOEING PROPRIETARY - Copyright © - Unpublished Work - See title page for details.

25-24-32
FIG. 60F
PAGE 4
JUN 15/08

BOEING
737-600/700/800/900
PARTS CATALOG (MAINTENANCE)

FIG ITEM	PART NUMBER	1 2 3 4 5 6 7	NOMENCLATURE	EFFECT FROM TO	UNITS PER ASSY
60F					
215	412A1475-2A	..	FITTING- USED ON: 412A1475-4A	031100	1
220	412A1450-35	.TRIM		031100	2
225	412A1452-1B	.TRIM		031100	2
230	412A1450-34	.TRIM		031100	1
235	BACS12FA3K5	.SCREW		031100	3
240	412A1230-68	.FITTING-LWR		031100	1
250	BACS12ER3K5	.SCREW		031100	2
255	BACS12FA3K5	.SCREW		031100	1
260	412A1230-87	.FITTING ASSY-LWR		031100	1
270	BCREF13196	..	BUSHING- OVERLENGTH PART NUMBER: BACB28AT06A010CG	031100	1
275	412A1230-89	..	FITTING	031100	1
285	BACS12FA3K5	.SCREW		031100	4
290	BACS12FA3K4	.SCREW		031100	10
295	BACS12FA3K5	.SCREW		031100	10
300	412A1220-205	.ANGLE		031100	2
305	412A1245-2	.RAIL		031100	1
310	412A1215-83B	.PANEL ASSY		031100	1
320	SL2334-3A1	..	INSERT- SUPPLIER CODE: V97393	031100	56
325	BCREF128023	..	INSERT- SUPPLIER CODE: V97393 OVERLENGTH PART NUMBER: SL603-3-375ASP13	031100	8
327	412A1360-7B	..	PANEL	031100	1
330	412A1215-1B	..	PANEL	031100	1
335	412A1216-13B	.PANEL ASSY		031100	1
- 345	SL2334-3A1	..	INSERT- SUPPLIER CODE: V97393	031100	10
350	412A1216-1C	..	PANEL	031100	1

MISSING ITEM NUMBERS NOT APPLICABLE

- ITEM NOT ILLUSTRATED

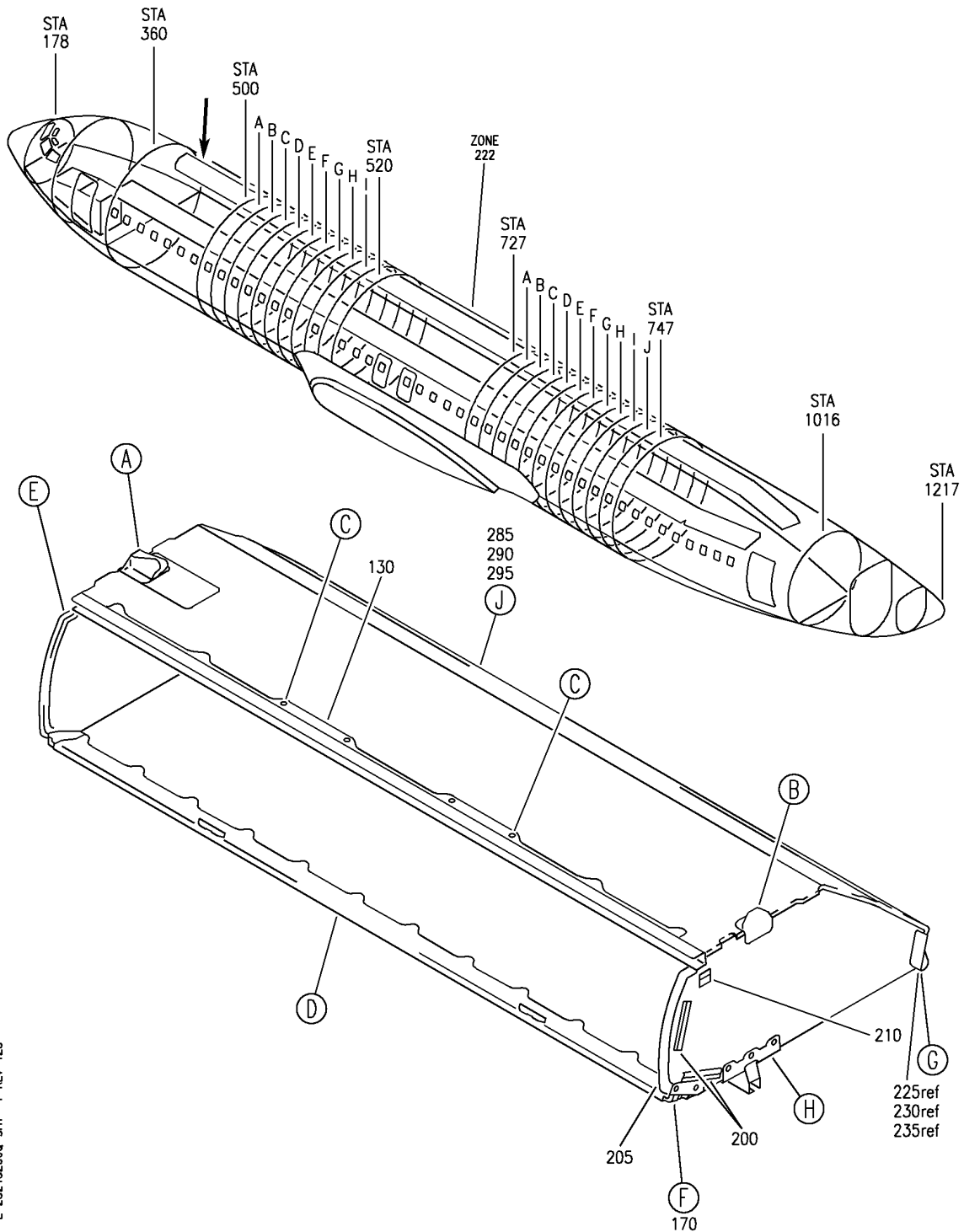
HAP

25-24-32-60F

BOEING PROPRIETARY - Copyright © - Unpublished Work - See title page for details.

25-24-32
FIG. 60F
PAGE 5
JUN 15/08

BOEING
 737-600/700/800/900
 PARTS CATALOG (MAINTENANCE)



E 2524-3260Q SHT 1 REV 125

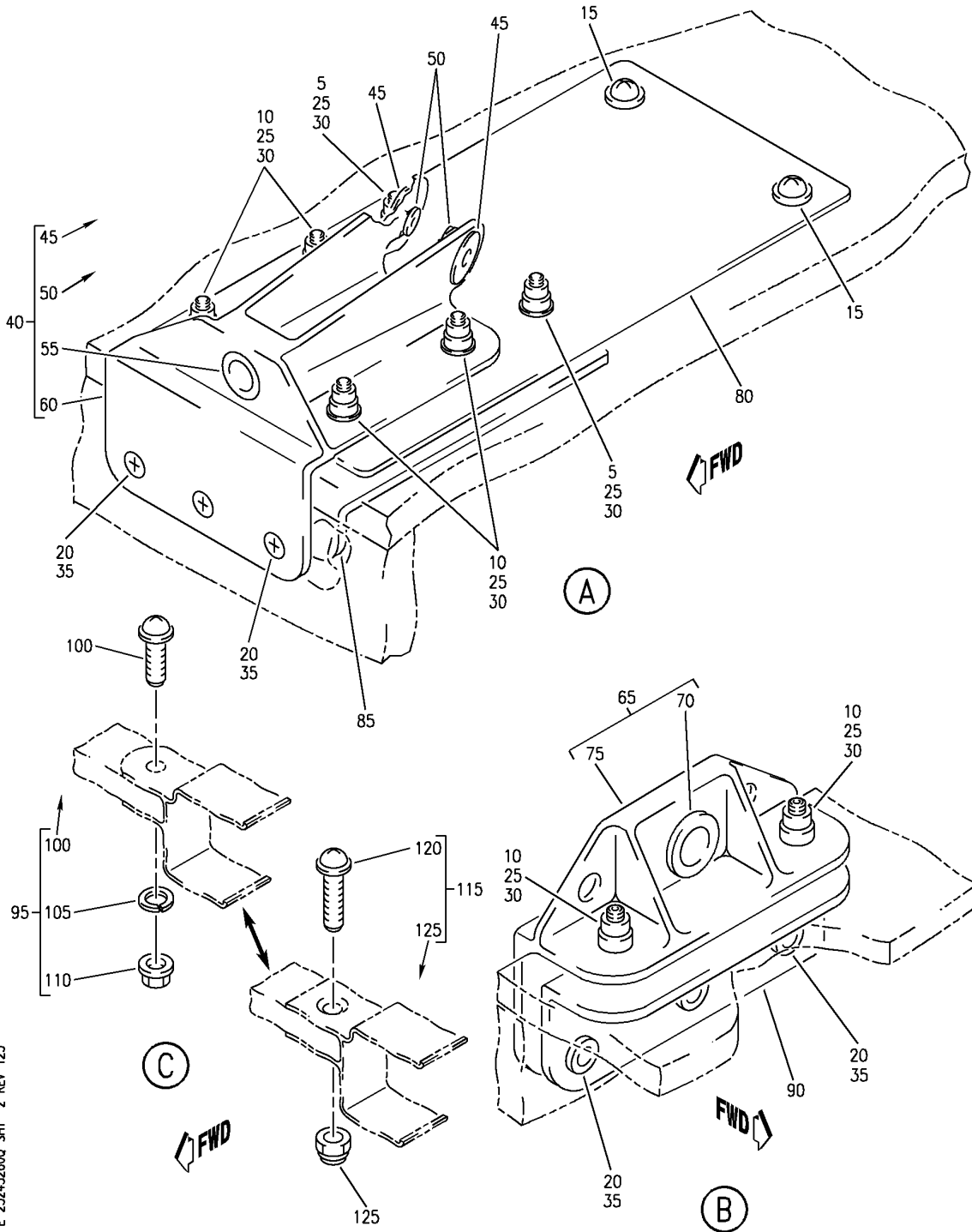
BOX ASSY-RH 60 IN. BIG BIN
 FIGURE 60Q (SHEET 1)

25-24-32-60Q

HAP
 FEB 10/07

25-24-32-60Q
 PAGE 0

BOEING
 737-600/700/800/900
 PARTS CATALOG (MAINTENANCE)



E 2524-3260Q SHT 2 REV 125

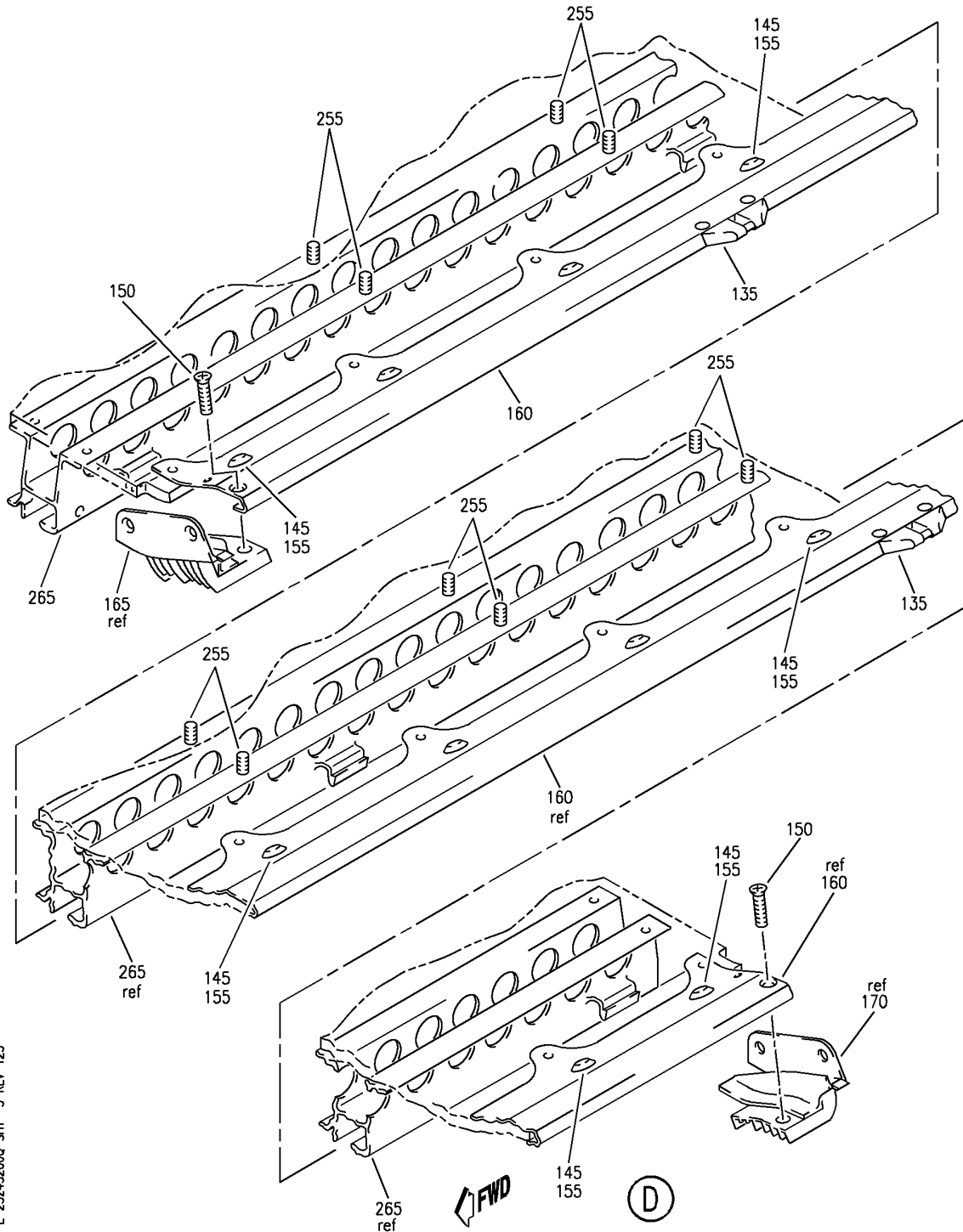
BOX ASSY-RH 60 IN. BIG BIN
 FIGURE 60Q (SHEET 2)

25-24-32-60Q

HAP
 FEB 10/07

25-24-32-60Q
 PAGE 0A

BOEING
 737-600/700/800/900
 PARTS CATALOG (MAINTENANCE)



E 2524-3260Q SHT 3 REV 125

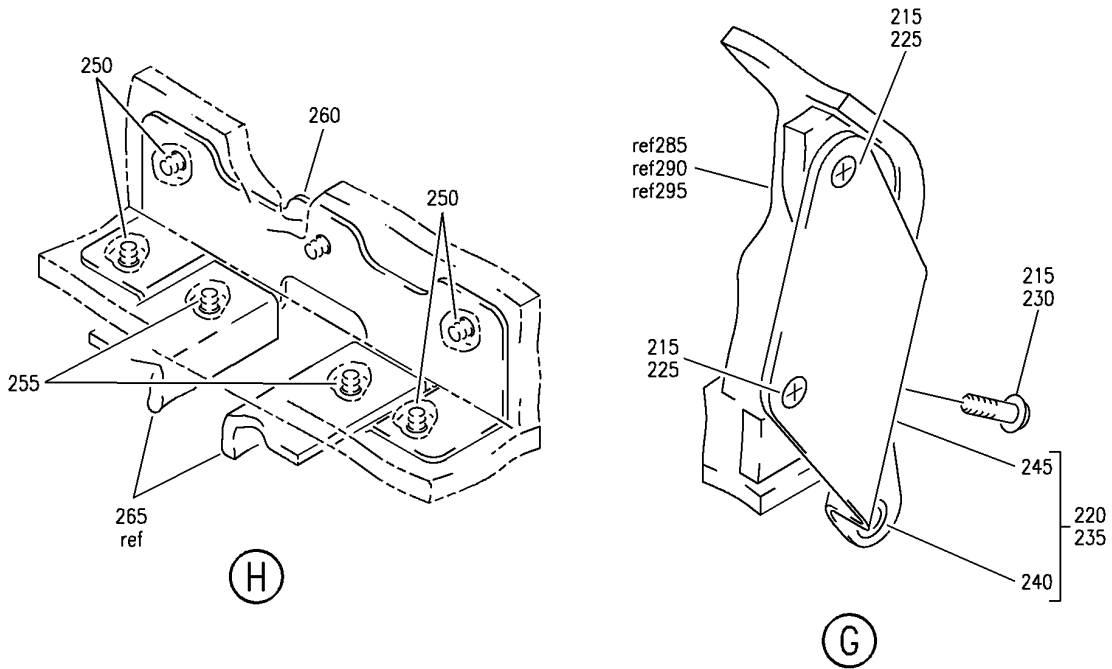
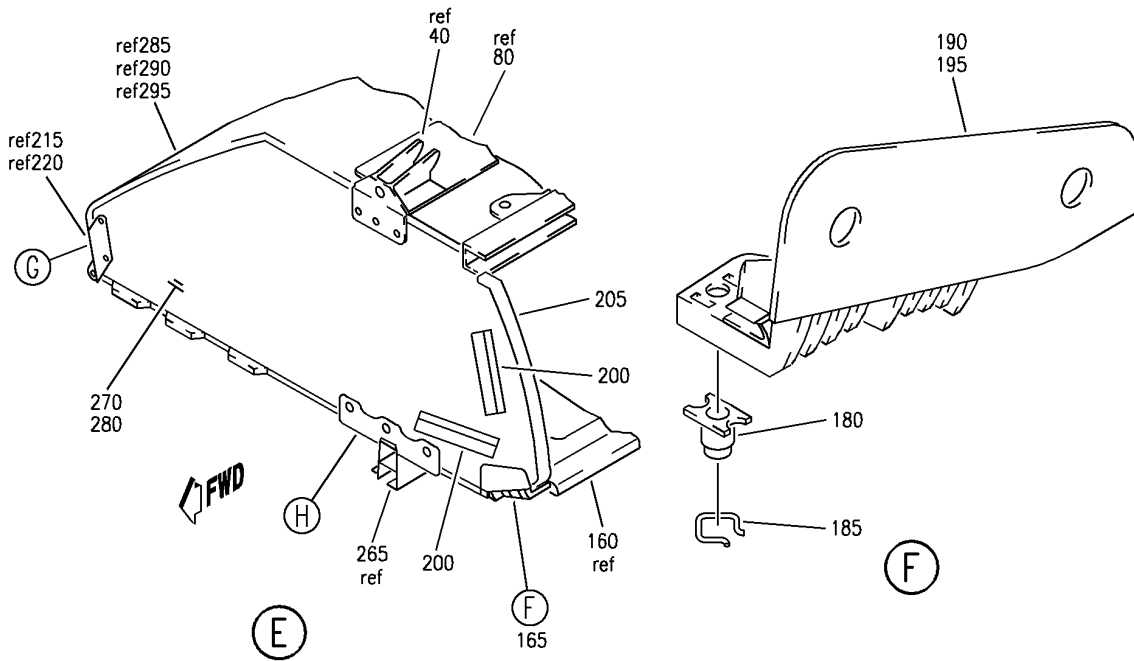
BOX ASSY-RH 60 IN. BIG BIN
 FIGURE 60Q (SHEET 3)

25-24-32-60Q

HAP
 FEB 10/07

25-24-32-60Q
 PAGE 0B

BOEING
737-600/700/800/900
PARTS CATALOG (MAINTENANCE)



E 2524-3260Q SHT 4 REV 125

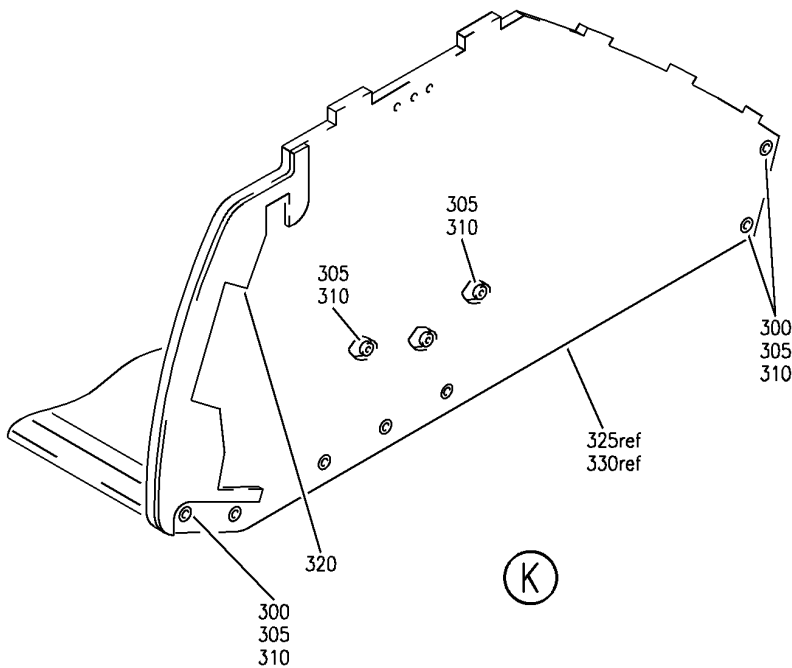
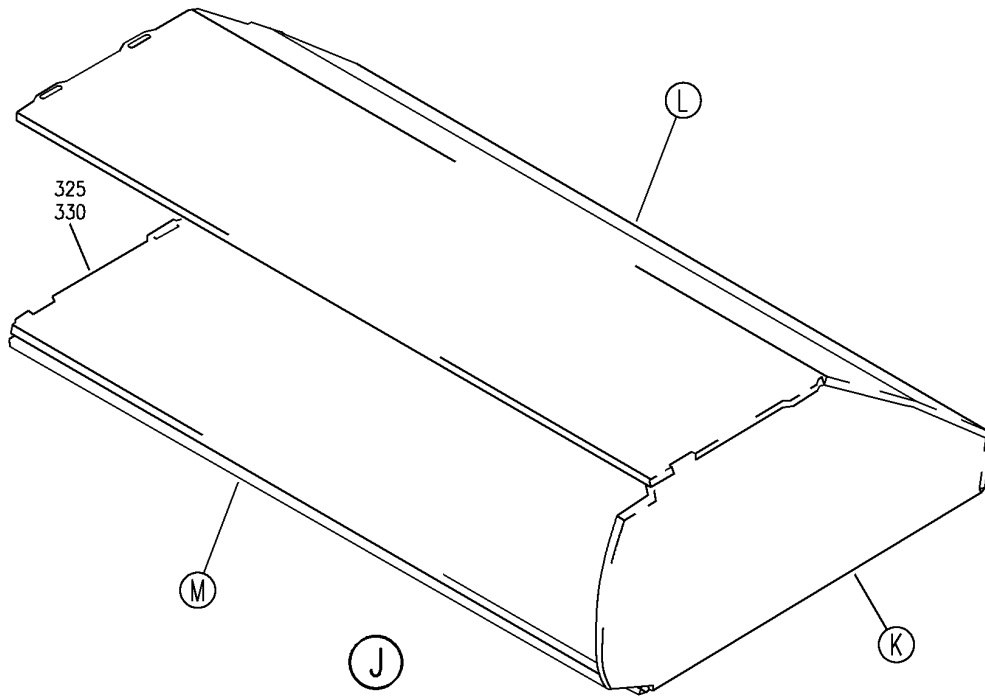
BOX ASSY-RH 60 IN. BIG BIN
FIGURE 60Q (SHEET 4)

25-24-32-60Q

HAP
FEB 10/07

25-24-32-60Q
PAGE 0C

BOEING
 737-600/700/800/900
 PARTS CATALOG (MAINTENANCE)



E 2524-3260Q SHT 5 REV 125

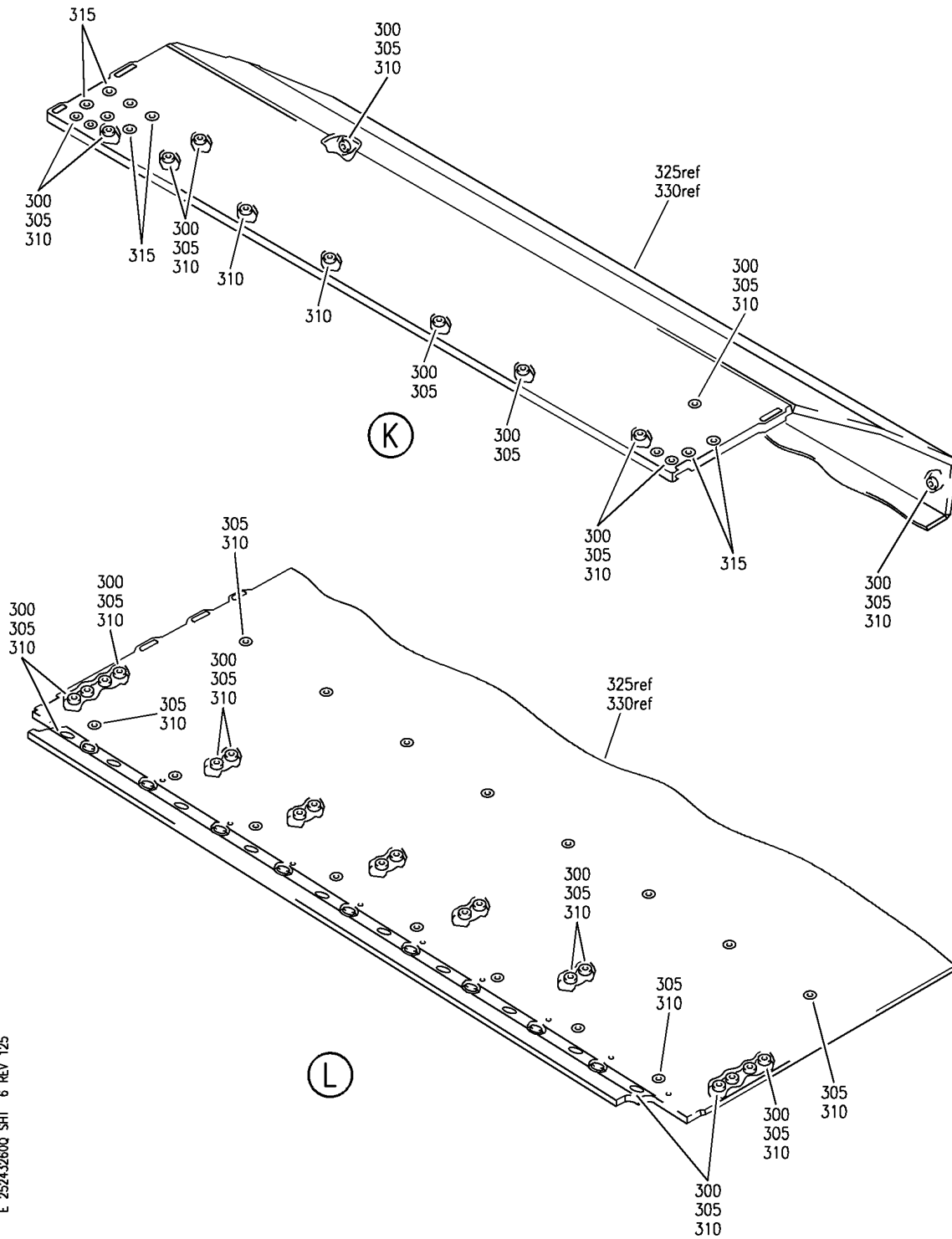
BOX ASSY-RH 60 IN. BIG BIN
 FIGURE 60Q (SHEET 5)

25-24-32-60Q

HAP
 FEB 10/07

25-24-32-60Q
 PAGE 0D

BOEING
 737-600/700/800/900
 PARTS CATALOG (MAINTENANCE)



E 2524-3260Q SHT 6 REV 125

BOX ASSY-RH 60 IN. BIG BIN
 FIGURE 60Q (SHEET 6)

25-24-32-60Q

HAP
 FEB 10/07

25-24-32-60Q
 PAGE 0E

BOEING
737-600/700/800/900
PARTS CATALOG (MAINTENANCE)

FIG ITEM	PART NUMBER	1 2 3 4 5 6 7	NOMENCLATURE	EFFECT FROM TO	UNITS PER ASSY
60Q					
- 1	412A1205-34B		BOX ASSY-RH 60 IN. BIG BIN BOX ASSY-60 IN. BIG BIN POSITION DATA: RH FOR NHA SEE: 25-24-31-64C 25-24-31-64M	031100 031100	RF
5	HL1012AZ6-9		.BOLT SUPPLIER CODE: V97928 SPECIFICATION NUMBER: BACB30NX6K9 OPTIONAL PART: HL12VAZ6-9 V73197 HL12VAZ6-9 V92215 HL12VAZ6-9 V97928 L802-6K9 V06725 HL12VAZ6-9 V56878 HL1012AZ6-9 VOPTK6 HL1012AZ6-9 V06725 HL1012AZ6-9 V06950 HL1012AZ6-9 V17446 HL1012AZ6-9 V56878 HL1012AZ6-9 V60516 HL1012AZ6-9 V73197	031100	2

MISSING ITEM NUMBERS NOT APPLICABLE

- ITEM NOT ILLUSTRATED

HAP

25-24-32-60Q

BOEING PROPRIETARY - Copyright © - Unpublished Work - See title page for details.

25-24-32
FIG. 60Q
PAGE 1
OCT 10/07

BOEING
737-600/700/800/900
PARTS CATALOG (MAINTENANCE)

FIG ITEM	PART NUMBER	1 2 3 4 5 6 7	NOMENCLATURE	EFFECT FROM TO	UNITS PER ASSY
60Q 10	HL1012AZ6-11	.	BOLT SUPPLIER CODE: V97928 SPECIFICATION NUMBER: BACB30NX6K11 OPTIONAL PART: HL12VAZ6-11 V73197 HL12VAZ6-11 V92215 HL12VAZ6-11 V97928 L802-6K11 V06725 HL12VAZ6-11 V56878 HL1012AZ6-11 VOPTK6 HL1012AZ6-11 V06725 HL1012AZ6-11 V06950 HL1012AZ6-11 V17446 HL1012AZ6-11 V56878 HL1012AZ6-11 V60516 HL1012AZ6-11 V73197	031100	6
15	BACS12FA3K4	.	SCREW	031100	2
20	BACS12ER3K9	.	SCREW	031100	6
25	NAS1149D0363J	.	WASHER	031100	8
30	HST1070CY6	.	COLLAR SUPPLIER CODE: V5M902 SPECIFICATION NUMBER: BACC30BZ6 OPTIONAL PART: VLC1070CY6 V92215 HST1070CY6 V73197	031100	8
35	SL5-3-50C	.	NUT- SUPPLIER CODE: V97393	031100	6
40	412A1230-106	.	FITTING ASSY-DRAG	031100	1
45	BACW10P273L	..	WASHER	031100	2

MISSING ITEM NUMBERS NOT APPLICABLE

- ITEM NOT ILLUSTRATED

HAP

25-24-32-60Q

BOEING PROPRIETARY - Copyright © - Unpublished Work - See title page for details.

25-24-32
FIG. 60Q
PAGE 2
FEB 10/07

BOEING
737-600/700/800/900
PARTS CATALOG (MAINTENANCE)

FIG ITEM	PART NUMBER	1 2 3 4 5 6 7	NOMENCLATURE	EFFECT FROM TO	UNITS PER ASSY
60Q					
50	BACB28AT04B023C	..	BUSHING- OPTIONAL PART: NAS538B4P023	031100	2
50	NAS538B4P023	..	BUSHING- OPTIONAL PART: BACB28AT04B023C	031100	2
55	BCREF13195	..	BUSHING- OVERLENGTH PART NUMBER: BACB28AY06A035CG	031100	1
60	412A1230-108	..	FITTING	031100	1
65	412A1230-201	.	FITTING ASSY	031100	1
70	BCREF13195	..	BUSHING- OVERLENGTH PART NUMBER: BACB28AY06A035CG	031100	1
75	412A1230-202	..	FITTING- OPTIONAL PART: 412A1230-203	031100	1
75	412A1230-203	..	FITTING- OPTIONAL PART: 412A1230-202	031100	1
80	412A1220-243	.	DOUBLER-9G EXT	031100	1
85	412A1220-241B	.	DOUBLER-INTERNAL	031100	1
90	412A1220-39A	.	DOUBLER-INTERNAL	031100	1
95	412A1340-14	.	FASTENER ASSY-KIT OPTIONAL PART: 412A1340-15	031100	4
100	BACS12FA3K12	..	SCREW	031100	1
105	BACW10EC3S	..	WASHER	031100	1
110	PLH53C	..	NUT SUPPLIER CODE: V62554 SPECIFICATION NUMBER: BACN10YR3C OPTIONAL PART: H52732-3C V15653	031100	1
115	412A1340-15	.	FASTENER ASSY-KIT OPTIONAL PART: 412A1340-14	031100	4
120	BACS12FA3K13	..	SCREW	031100	1

MISSING ITEM NUMBERS NOT APPLICABLE

- ITEM NOT ILLUSTRATED

HAP

25-24-32-60Q

BOEING PROPRIETARY - Copyright © - Unpublished Work - See title page for details.

25-24-32
FIG. 60Q
PAGE 3
FEB 10/07

BOEING
737-600/700/800/900
PARTS CATALOG (MAINTENANCE)

FIG ITEM	PART NUMBER	1 2 3 4 5 6 7	NOMENCLATURE	EFFECT FROM TO	UNITS PER ASSY
60Q 125	F22K1-02	. .	NUT SUPPLIER CODE: V72962 SPECIFICATION NUMBER: BACN10R10L OPTIONAL PART: 22K1-02 V72962 26CLO2 V80539	031100	1
130	412A1247-2A	. .	EXTRUSION	031100	1
135	HA225-11	. .	STRIKE-LATCH SUPPLIER CODE: V83014 SPECIFICATION NUMBER: S412A001-16 OPTIONAL PART: HA951-5 V83014	031100	2
135	HA951-5	. .	STRIKE-LATCH SUPPLIER CODE: V83014 SPECIFICATION NUMBER: S412A003-3 OPTIONAL PART: HA225-11 V83014	031100	2
- 140	BACS12ER08K5	. .	ATTACHING PARTS SCREW -----*-----	031100	4
145	BACS12ER3K5	. .	SCREW	031100	10
150	BACS12ER3K6	. .	SCREW	031100	2
155	H3-1233A3	. .	WASHER- SUPPLIER CODE: V34941 SPECIFICATION NUMBER: S411A001-1	031100	10
R 160	412A1242-2	. .	EXTRUSION-SHELF	031100	1
165	412A1475-3A	. .	FITTING ASSY-SPRT	031100	1
170	412A1475-4A	. .	FITTING ASSY-SPRT ATTACHING PARTS	031100	1
- 175	BACS12ER3K5	. .	SCREW -----*-----	031100	4
180	BACN11F3-1CD	. .	NUT	031100	1
185	NAS1795-3	. .	CLIP	031100	1
190	412A1475-1A	. .	FITTING- USED ON: 412A1475-3A	031100	1

MISSING ITEM NUMBERS NOT APPLICABLE

- ITEM NOT ILLUSTRATED

HAP

25-24-32-60Q

BOEING PROPRIETARY - Copyright © - Unpublished Work - See title page for details.

25-24-32
FIG. 60Q
PAGE 4
JUN 15/09

BOEING
737-600/700/800/900
PARTS CATALOG (MAINTENANCE)

FIG ITEM	PART NUMBER	1 2 3 4 5 6 7	NOMENCLATURE	EFFECT FROM TO	UNITS PER ASSY
60Q 195	412A1475-2A	..	FITTING- USED ON: 412A1475-4A	031100	1
200	412A1450-35	.	TRIM	031100	4
205	412A1452-1B	.	TRIM	031100	2
210	412A1450-34	.	TRIM	031100	1
215	BACS12FA3K5	.	SCREW	031100	3
220	412A1230-67	.	FITTING-LWR	031100	1
225	BACS12ER3K5	.	SCREW	031100	2
230	BACS12FA3K5	.	SCREW	031100	1
235	412A1230-88	.	FITTING ASSY-LWR	031100	1
240	BCREF13196	..	BUSHING- OVERLENGTH PART NUMBER: BACB28AT06A010CG	031100	1
245	412A1230-90	..	FITTING	031100	1
250	BACS12FA3K4	.	SCREW	031100	10
255	BACS12FA3K5	.	SCREW	031100	14
260	412A1220-205	.	ANGLE	031100	2
265	412A1245-2	.	RAIL	031100	1
270	412A1216-14B	.	PANEL ASSY	031100	1
- 275	SL2334-3A1	..	INSERT- SUPPLIER CODE: V97393	031100	10
280	412A1216-1C	..	PANEL	031100	1
285	412A1215-84B	.	PANEL ASSY	031100	1
300	SL2334-3A1	..	INSERT- SUPPLIER CODE: V97393	031100	57
315	BCREF128023	..	INSERT- SUPPLIER CODE: V97393 OVERLENGTH PART NUMBER: SL603-3-375ASP13	031100	8
320	412A1360-8B	..	END PANEL	031100	1
325	412A1215-1B	..	PANEL	031100	1

MISSING ITEM NUMBERS NOT APPLICABLE

- ITEM NOT ILLUSTRATED

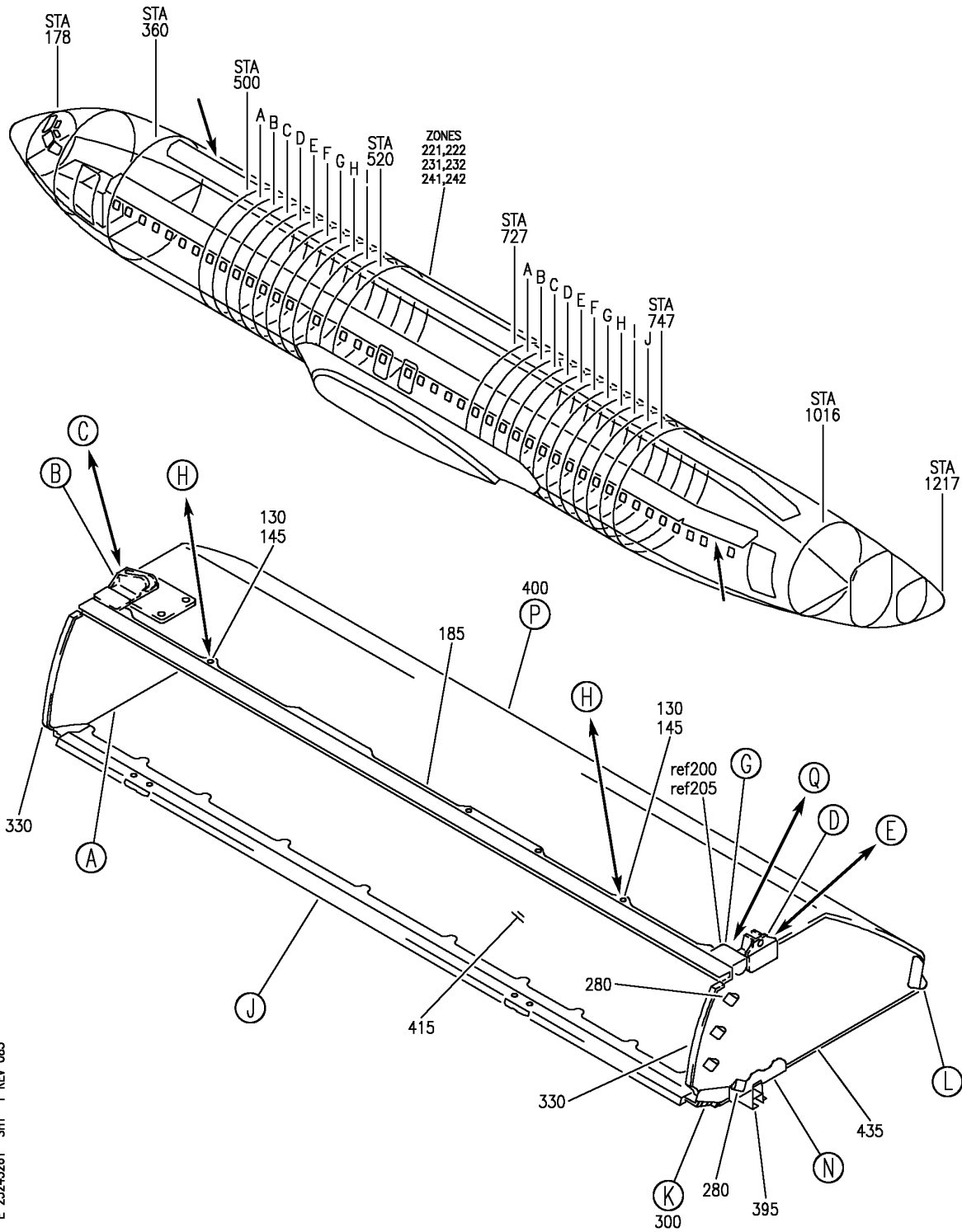
HAP

25-24-32-60Q

BOEING PROPRIETARY - Copyright © - Unpublished Work - See title page for details.

25-24-32
FIG. 60Q
PAGE 5
JUN 15/08

BOEING
 737-600/700/800/900
 PARTS CATALOG (MAINTENANCE)



E 25243261 SHT 1 REV 085

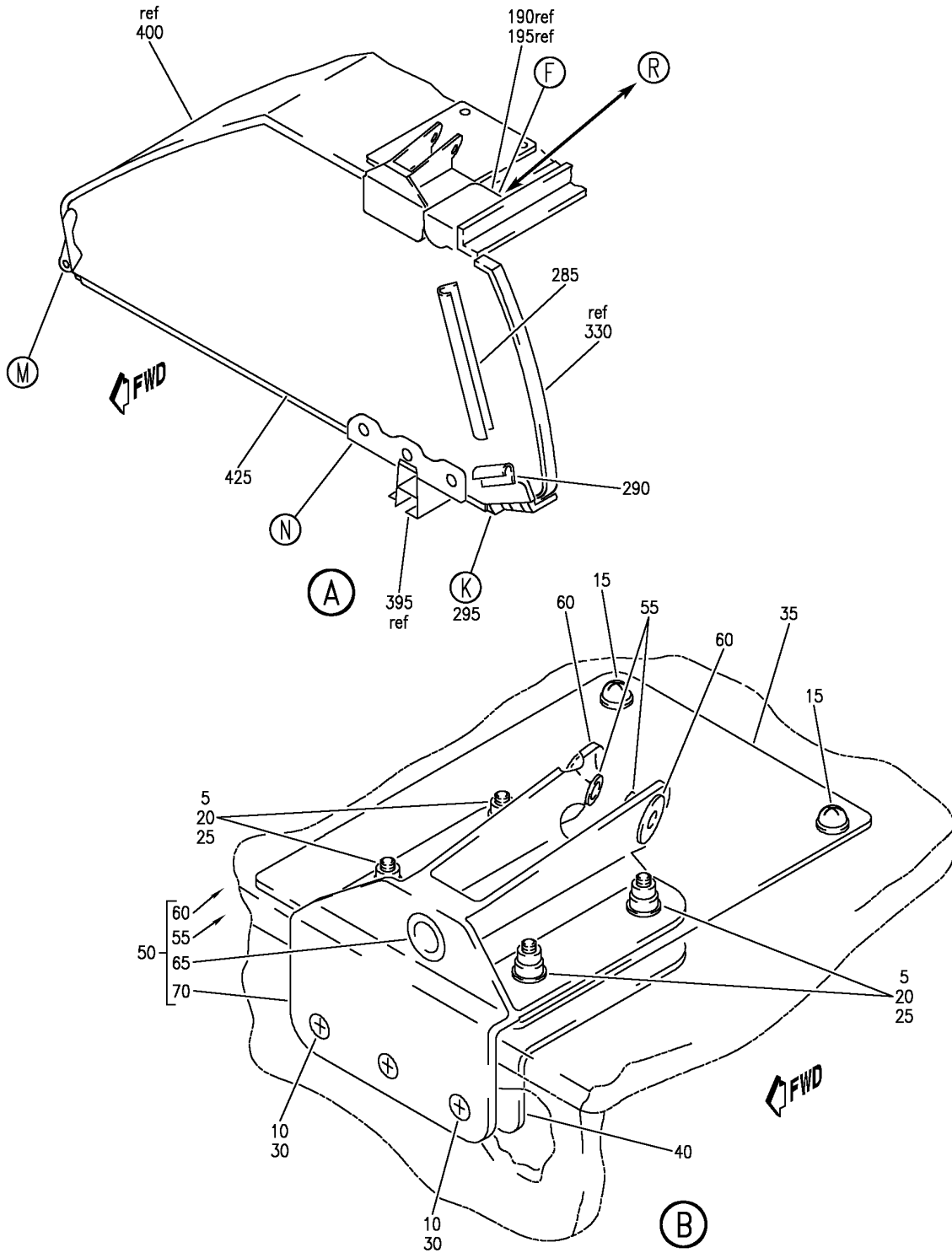
BOX ASSY-60 IN. BIN
 FIGURE 61 (SHEET 1)

25-24-32-61

HAP
 OCT 10/06

25-24-32-61
 PAGE 0

BOEING
 737-600/700/800/900
 PARTS CATALOG (MAINTENANCE)



E 25243261 SH1 2 REV 085

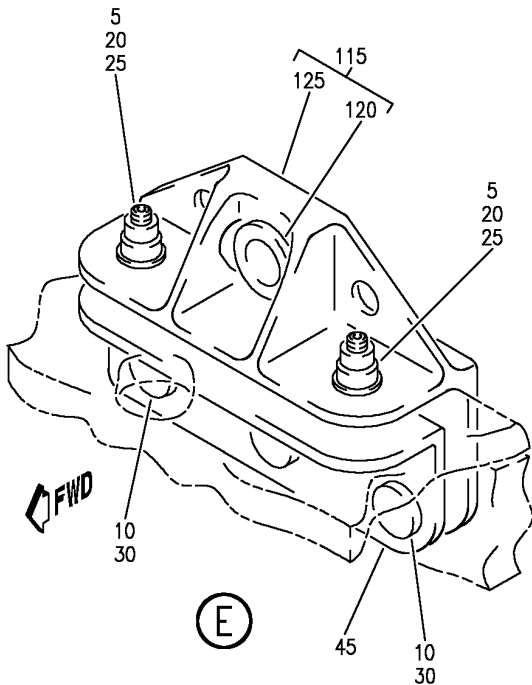
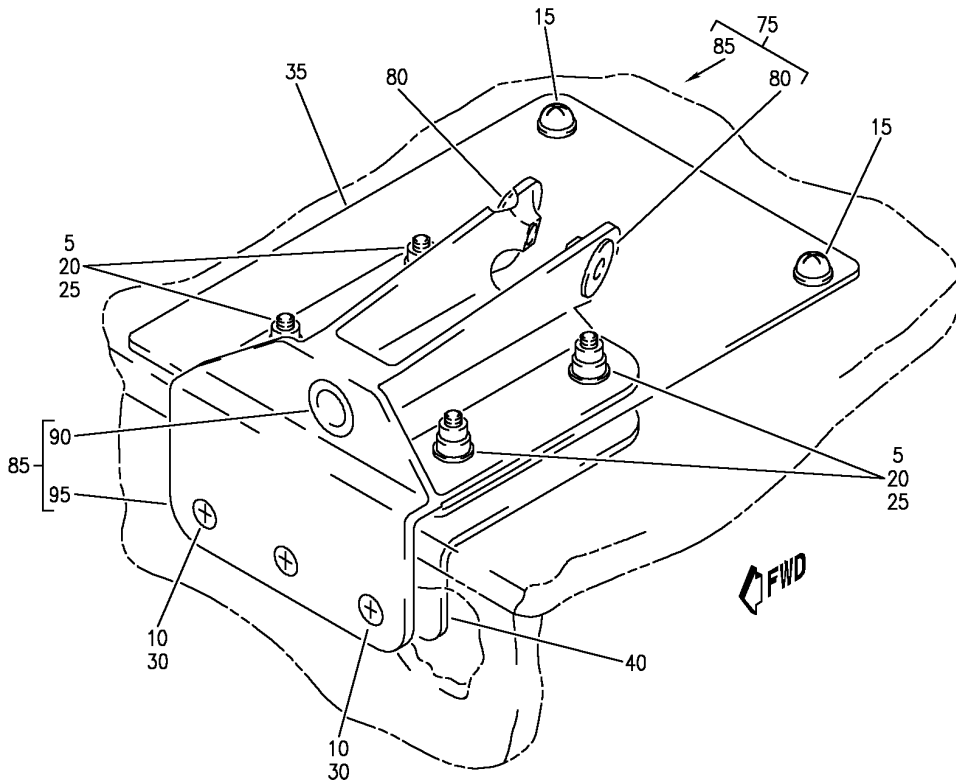
BOX ASSY-60 IN. BIN
 FIGURE 61 (SHEET 2)

25-24-32-61

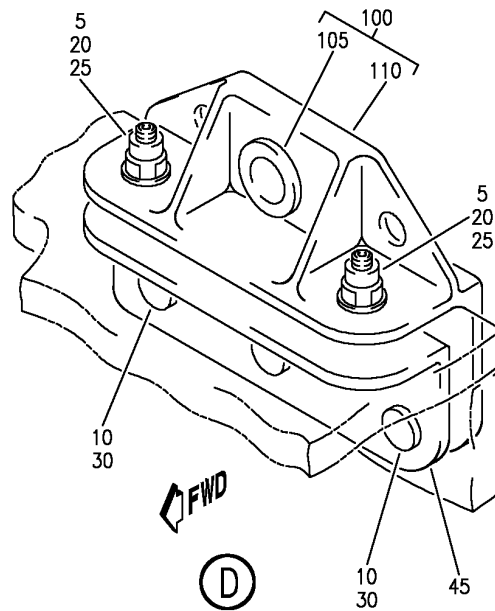
HAP
 OCT 10/06

25-24-32-61
 PAGE 0A

BOEING
 737-600/700/800/900
 PARTS CATALOG (MAINTENANCE)



(C)



E 25243261 SHT 3 REV 081

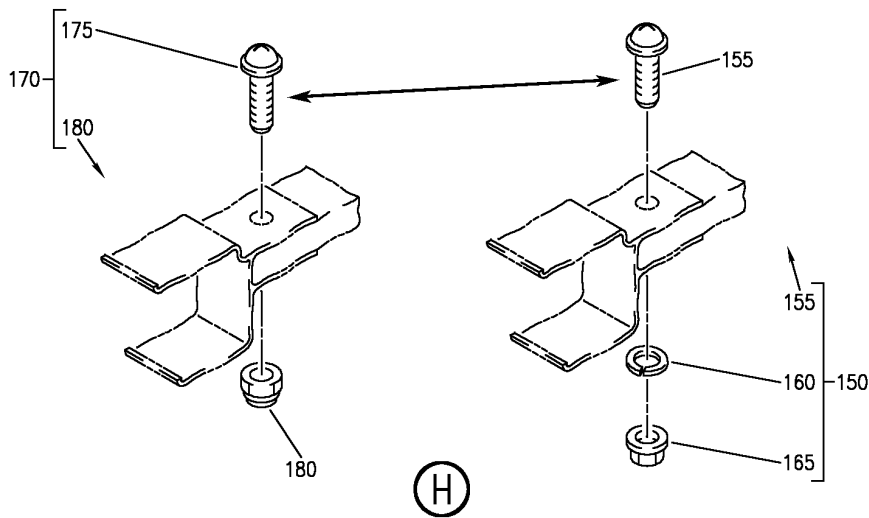
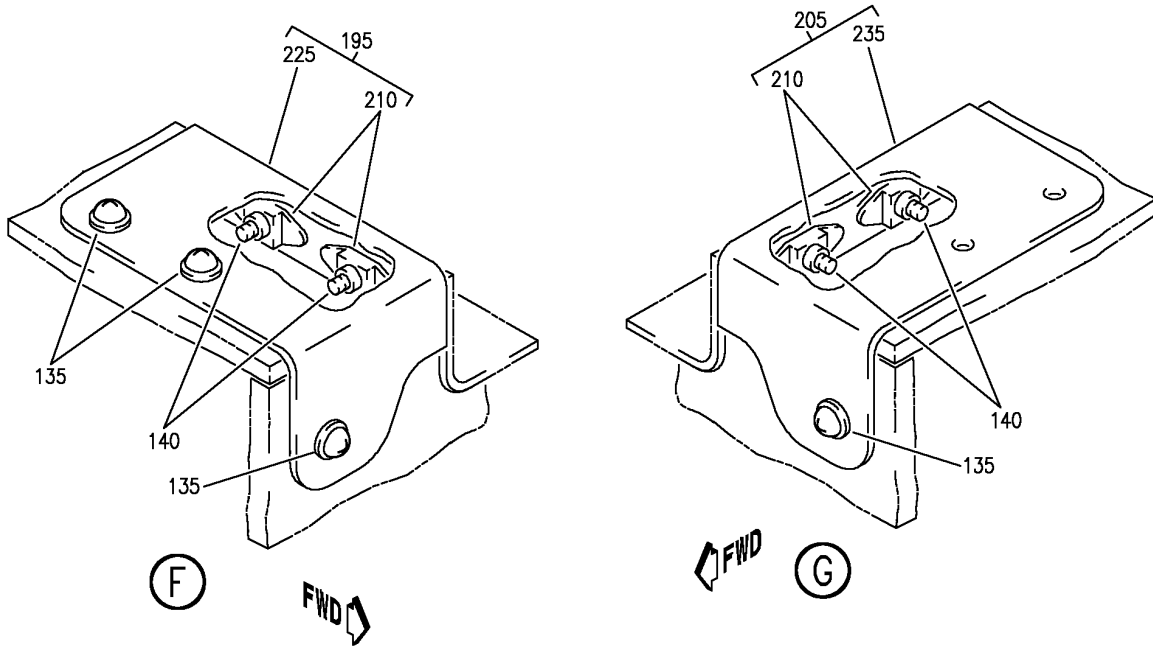
BOX ASSY-60 IN. BIN
 FIGURE 61 (SHEET 3)

25-24-32-61

HAP
 OCT 10/06

25-24-32-61
 PAGE 0B

BOEING
 737-600/700/800/900
 PARTS CATALOG (MAINTENANCE)



E 25243261 SH1 4 REV 085

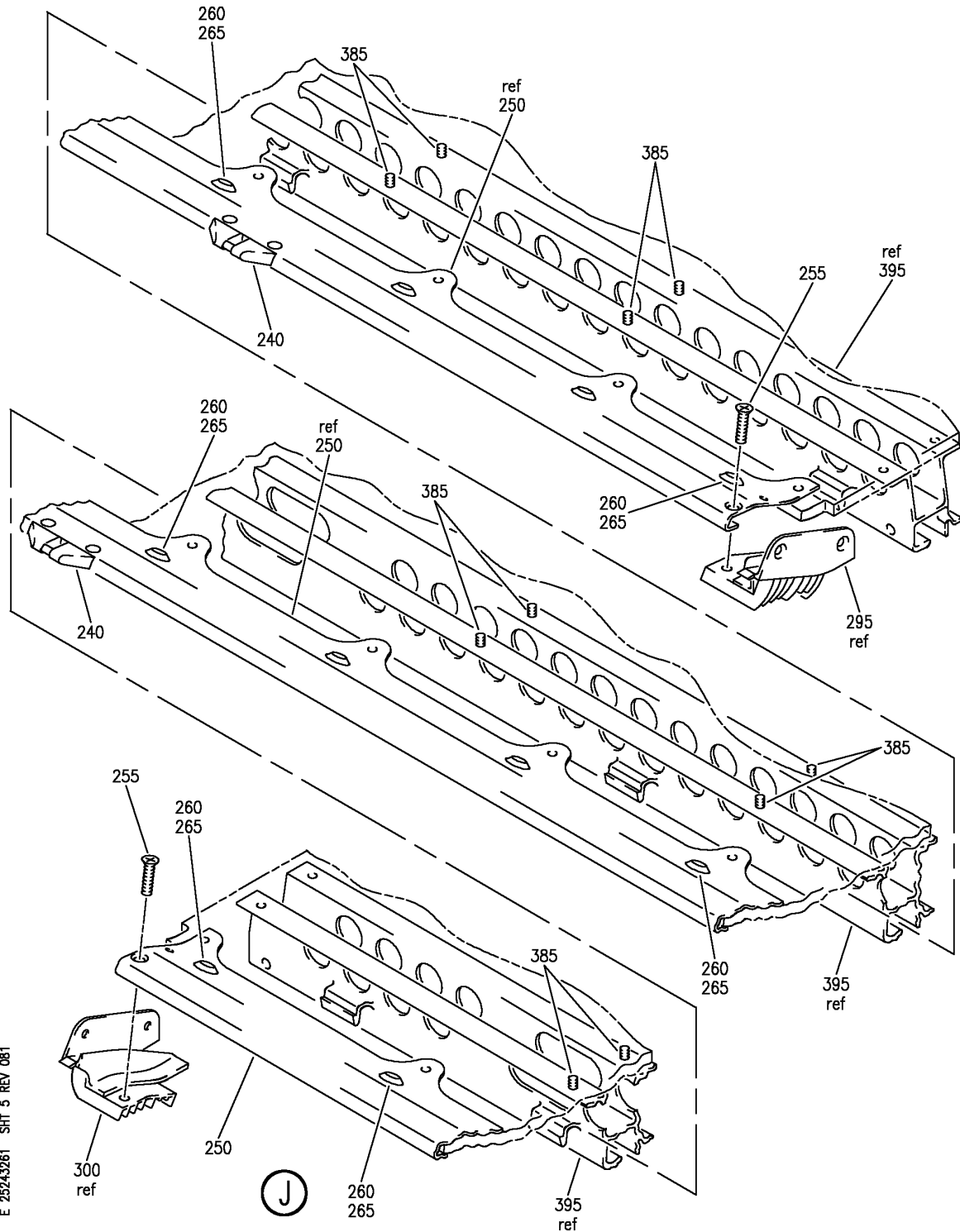
BOX ASSY-60 IN. BIN
 FIGURE 61 (SHEET 4)

25-24-32-61

HAP
 OCT 10/06

25-24-32-61
 PAGE 0C

BOEING
 737-600/700/800/900
 PARTS CATALOG (MAINTENANCE)



E 25243261 SHT 5 REV 081

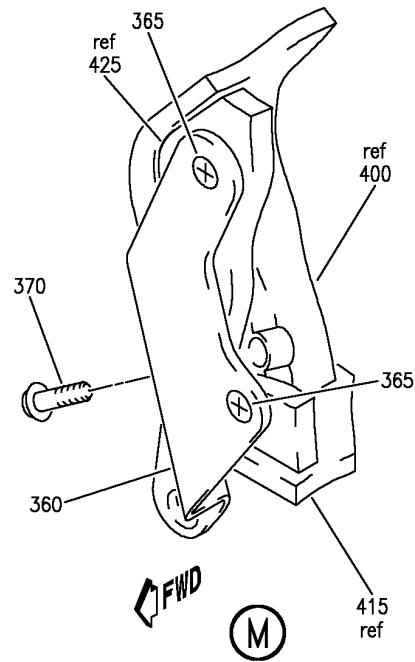
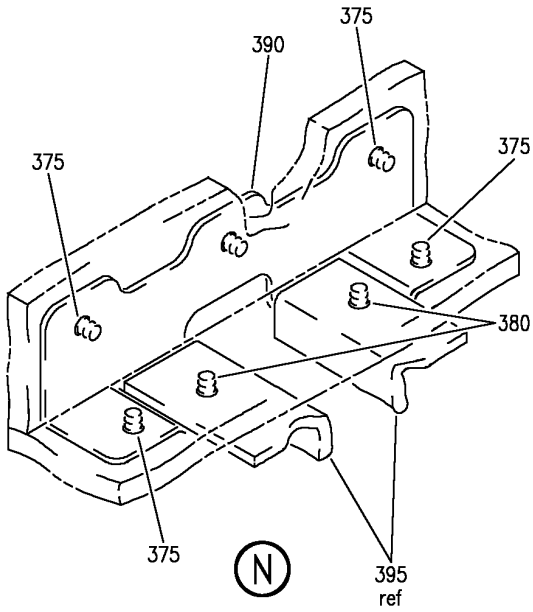
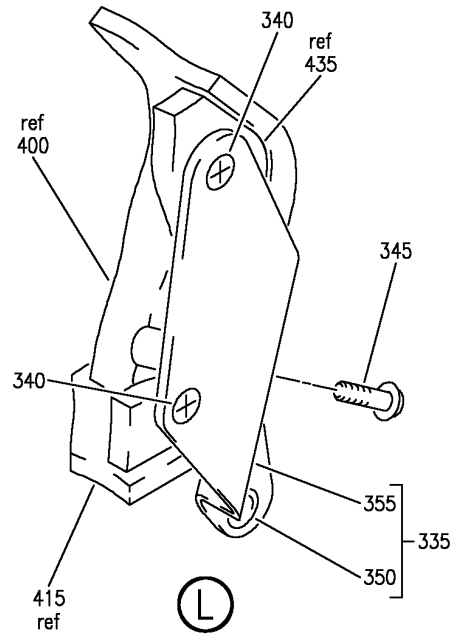
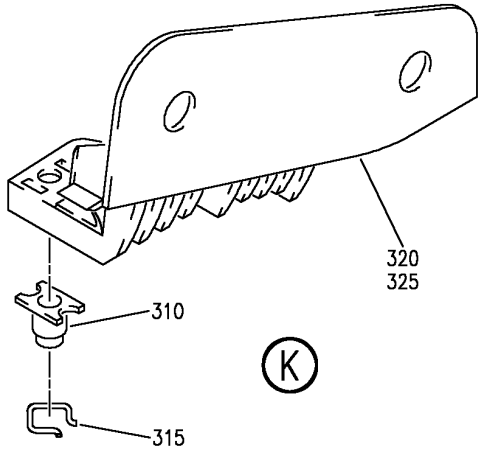
BOX ASSY-60 IN. BIN
 FIGURE 61 (SHEET 5)

25-24-32-61

HAP
 OCT 10/06

25-24-32-61
 PAGE 0D

BOEING
 737-600/700/800/900
 PARTS CATALOG (MAINTENANCE)



E 25243261 SHT 6 REV 081

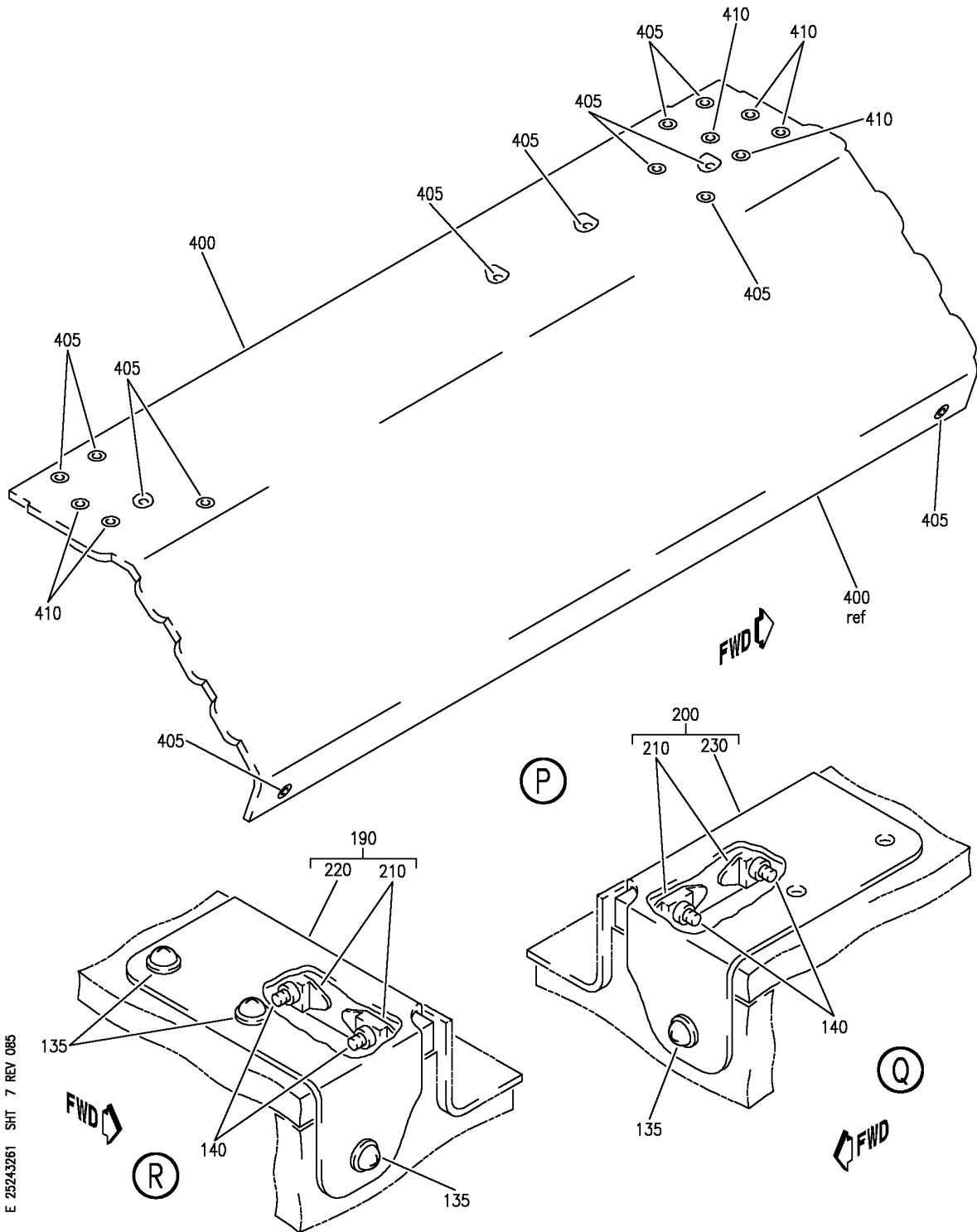
BOX ASSY-60 IN. BIN
 FIGURE 61 (SHEET 6)

25-24-32-61

HAP
 OCT 10/06

25-24-32-61
 PAGE 0E

BOEING
 737-600/700/800/900
 PARTS CATALOG (MAINTENANCE)



E 25243261 SH7 7 REV 085

BOX ASSY-60 IN. BIN
 FIGURE 61 (SHEET 7)

25-24-32-61

HAP
 OCT 10/06

25-24-32-61
 PAGE OF

BOEING
737-600/700/800/900
PARTS CATALOG (MAINTENANCE)

FIG ITEM	PART NUMBER	1 2 3 4 5 6 7	NOMENCLATURE	EFFECT FROM TO	UNITS PER ASSY
61			BOX ASSY-60 IN. BIN	002005 008030	
- 1	412A1200-106A		BOX ASSY-60 IN. BIN OPTIONAL PART: 412A1200-1106B FOR NHA SEE: 25-24-31-41	002005 008030	RF
- 1	412A1200-1106B		BOX ASSY-60 IN. BIN OPTIONAL PART: 412A1200-106A FOR NHA SEE: 25-24-31-41	002005 008008	RF
5	HL1012AZ6-10		.BOLT SUPPLIER CODE: V97928 SPECIFICATION NUMBER: BACB30NX6K10 OPTIONAL PART: HL12VAZ6-10 V73197 HL12VAZ6-10 V92215 HL12VAZ6-10 V97928 L802-6K10 V06725 HL12VAZ6-10 V56878 HL1012AZ6-10 VOPTK6 HL1012AZ6-10 V06725 HL1012AZ6-10 V06950 HL1012AZ6-10 V17446 HL1012AZ6-10 V56878 HL1012AZ6-10 V60516 HL1012AZ6-10 V73197	002005 008030	6
10	BACS12ER3K9		.SCREW	002005 008030	6
15	BACS12FA3K4		.SCREW	002005 008030	2
20	BACW10BP3NDP		.WASHER- OPTIONAL PART: NAS1149D0363J	002005 008030	6

MISSING ITEM NUMBERS NOT APPLICABLE

- ITEM NOT ILLUSTRATED

HAP

25-24-32-61

BOEING PROPRIETARY - Copyright © - Unpublished Work - See title page for details.

25-24-32
FIG. 61
PAGE 1
OCT 10/06

BOEING
737-600/700/800/900
PARTS CATALOG (MAINTENANCE)

FIG ITEM	PART NUMBER	1 2 3 4 5 6 7	NOMENCLATURE	EFFECT FROM TO	UNITS PER ASSY
61					
20	NAS1149D0363J	.	WASHER- OPTIONAL PART: BACW10BP3NDP USED ON: 412A1200-1106B	002005 008008	6
25	HL1087-6	.	COLLAR- SUPPLIER CODE: V73197 SPECIFICATION NUMBER: BACC30BH6 OPTIONAL PART: HL1087-6 V56878 HL1087-6 V92215 HL1087-6 V9N513 BACC30BZ6	002005 008030	6
25	HST1070CY6	.	COLLAR- SUPPLIER CODE: V5M902 SPECIFICATION NUMBER: BACC30BZ6 OPTIONAL PART: VLC1070CY6 V92215 HST1070CY6 V73197 BACC30BH6 USED ON: 412A1200-1106B	002005 008008	6
30	SL5-3-50C	.	NUT- SUPPLIER CODE: V97393	002005 008030	6
35	412A1220-16	.	DOUBLER-9G EXT	002005 008030	1
40	412A1220-10A	.	DOUBLER-9G INTERNAL	002005 008030	1
45	412A1220-39A	.	DOUBLER-INTERNAL USED ON: 412A1200-106A 412A1200-1106B	002005 008030	1
45	412A1220-39A	.	DOUBLER-INTERNAL	002005 008030	1
50	412A1230-106	.	FITTING ASSY-DRAG OPTIONAL PART: 412A1230-152	002005 008030	1
55	BACW10P273L	..	WASHER	002005 008030	2

MISSING ITEM NUMBERS NOT APPLICABLE

— ITEM NOT ILLUSTRATED

HAP

25-24-32-61

BOEING PROPRIETARY - Copyright © - Unpublished Work - See title page for details.

25-24-32
FIG. 61
PAGE 2
OCT 10/06

BOEING
737-600/700/800/900
PARTS CATALOG (MAINTENANCE)

FIG ITEM	PART NUMBER	1 2 3 4 5 6 7	NOMENCLATURE	EFFECT FROM TO	UNITS PER ASSY
61					
60	BACB28AT04B023C	..	BUSHING- OPTIONAL PART: NAS538B4P023	002005 008030	2
60	NAS538B4P023	..	BUSHING- OPTIONAL PART: BACB28AT04B023C	002005 008030	2
65	BCREF13195	..	BUSHING- OVERLENGTH PART NUMBER: BACB28AY06A035CG	002005 008030	1
70	412A1230-108	..	FITTING	002005 008030	1
75	412A1230-152	.	FITTING ASSY-DRAG OPTIONAL PART: 412A1230-106 USED ON: 412A1200-106A	002005 008030	1
80	BACW10P273L	..	WASHER	002005 008030	2
85	412A1230-4	..	FITTING ASSY	002005 008030	1
90	BCREF13195	...	BUSHING- OVERLENGTH PART NUMBER: BACB28AY06A035CG	002005 008030	1
95	412A1230-6	...	FITTING	002005 008030	1
100	412A1230-201	.	FITTING ASSY- OPTIONAL PART: 412A1230-1 USED ON: 412A1200-1106B	002005 008008	1
105	BCREF13195	..	BUSHING- OVERLENGTH PART NUMBER: BACB28AY06A035CG	002005 008008	1
110	412A1230-202	..	FITTING- OPTIONAL PART: 412A1230-203	002005 008008	1
110	412A1230-203	..	FITTING- OPTIONAL PART: 412A1230-202	002005 008008	1
115	412A1230-1	.	FITTING ASSY- OPTIONAL PART: 412A1230-201	002005 008030	1
120	BCREF13195	..	BUSHING- OVERLENGTH PART NUMBER: BACB28AY06A035CG	002005 008030	1
125	412A1230-2	..	SUPPORT	002005 008030	1

MISSING ITEM NUMBERS NOT APPLICABLE

— ITEM NOT ILLUSTRATED

HAP

25-24-32-61

25-24-32
FIG. 61
PAGE 3
OCT 10/06

BOEING
737-600/700/800/900
PARTS CATALOG (MAINTENANCE)

FIG ITEM	PART NUMBER	1 2 3 4 5 6 7	NOMENCLATURE	EFFECT FROM TO	UNITS PER ASSY
61					
130	BACS12FA3K13	.SCREW-	USED ON: 412A1200-106A	002005 008030	4
135	BACS12FA3K4	.SCREW		002005 008030	4
140	BACS12FA3K7	.SCREW		002005 008030	4
145	F22K1-02	.NUT-	SUPPLIER CODE: V72962 SPECIFICATION NUMBER: BACN10R10L OPTIONAL PART: 22K1-02 V72962 26CLO2 V80539 USED ON: 412A1200-106A	002005 008030	4
150	412A1340-14	.FASTENER ASSY-KIT	OPTIONAL PART: 412A1340-15 USED ON: 412A1200-1106B	002005 008008	4
155	BACS12FA3K12	..SCREW		002005 008008	1
160	BACW10EC3S	..WASHER		002005 008008	1
165	PLH53C	..NUT	SUPPLIER CODE: V62554 SPECIFICATION NUMBER: BACN10YR3C OPTIONAL PART: H52732-3C V15653	002005 008008	1
170	412A1340-15	.FASTENER ASSY-KIT	OPTIONAL PART: 412A1340-14 USED ON: 412A1200-1106B	002005 008008	4
175	BACS12FA3K13	..SCREW		002005 008008	1

MISSING ITEM NUMBERS NOT APPLICABLE

— ITEM NOT ILLUSTRATED

HAP

25-24-32-61

BOEING PROPRIETARY - Copyright © - Unpublished Work - See title page for details.

25-24-32
FIG. 61
PAGE 4
OCT 10/06

BOEING
737-600/700/800/900
PARTS CATALOG (MAINTENANCE)

FIG ITEM	PART NUMBER	1 2 3 4 5 6 7	NOMENCLATURE	EFFECT FROM TO	UNITS PER ASSY
61 180	F22K1-02	. .	NUT SUPPLIER CODE: V72962 SPECIFICATION NUMBER: BACN10R10L OPTIONAL PART: 22K1-02 V72962 26CLO2 V80539	002005 008008	1
185	412A1247-2A	. EXTRUSION-	DOOR CLOSEOUT	002005 008030	1
190	412A1220-250	. CORNER ASSY-	OPTIONAL PART: 412A1220-6A 412A1220-210 USED ON: 412A1200-1106B	002005 008008	1
195	412A1220-210	. CORNER ASSY-	OPTIONAL PART: 412A1220-6A 412A1220-250 USED ON: 412A1200-1106B	002005 008008	1
195	412A1220-6A	. CORNER ASSY-	OPTIONAL PART: 412A1200-210 412A1220-250	002005 008030	1
200	412A1220-249	. CORNER ASSY-	OPTIONAL PART: 412A1220-5A 412A1220-209 USED ON: 412A1200-1106B	002005 008008	1
205	412A1220-209	. CORNER ASSY-	OPTIONAL PART: 412A1220-249 412A1220-6A USED ON: 412A1200-1106B	002005 008008	1
205	412A1220-5A	. CORNER ASSY-	OPTIONAL PART: 412A1220-209 412A1220-249	002005 008030	1

MISSING ITEM NUMBERS NOT APPLICABLE

— ITEM NOT ILLUSTRATED

HAP

25-24-32-61

BOEING PROPRIETARY - Copyright © - Unpublished Work - See title page for details.

25-24-32
FIG. 61
PAGE 5
OCT 10/06

BOEING
737-600/700/800/900
PARTS CATALOG (MAINTENANCE)

FIG ITEM	PART NUMBER	1 2 3 4 5 6 7	NOMENCLATURE	EFFECT FROM TO	UNITS PER ASSY
61 210	BRF200C3D		..NUTPLATE SUPPLIER CODE: V52828 SPECIFICATION NUMBER: BACN10JR3CFD OPTIONAL PART: K51602-3BAC V15653 NS202476-02 V80539 102F9201-3 V72962 T8092C1032CD V11815 ATTACHING PARTS	002005 008030	2
- 215	BACR15CE3D		..RIVET- SIZE DETERMINED ON INSTL. -----*-----	002005 008030	4
220	412A1220-252		..REINFORCEMENT- USED ON: 412A1220-250	002005 008008	1
225	412A1220-8A		..REINFORCEMENT- USED ON: 412A1220-6A	002005 008030	1
225	412A1220-212		..REINFORCEMENT- USED ON: 412A1220-210	002005 008008	1
230	412A1220-251		..REINFORCEMENT- USED ON: 412A1220-249	002005 008008	1
235	412A1220-7A		..REINFORCEMENT- USED ON: 412A1220-5A	002005 008030	1
235	412A1220-211		..REINFORCEMENT- USED ON: 412A1220-209	002005 008008	1
240	HA225-11		.STRIKE- SUPPLIER CODE: V83014 SPECIFICATION NUMBER: S412A001-16	002005 008030	2
240	HA225-3		.STRIKE- SUPPLIER CODE: V83014 SPECIFICATION NUMBER: S412A001-6	002005 008030	2

MISSING ITEM NUMBERS NOT APPLICABLE

- ITEM NOT ILLUSTRATED

HAP

25-24-32-61

BOEING PROPRIETARY - Copyright © - Unpublished Work - See title page for details.

25-24-32
FIG. 61
PAGE 6
OCT 10/06

BOEING
737-600/700/800/900
PARTS CATALOG (MAINTENANCE)

FIG ITEM	PART NUMBER	1 2 3 4 5 6 7	NOMENCLATURE	EFFECT FROM TO	UNITS PER ASSY
61			ATTACHING PARTS		
- 245	BACS12ER08K5		.SCREW	002005 008030	4
			-----*-----		
250	412A1242-3		.EXTRUSION-SHELF	002005 008030	1
			ATTACHING PARTS		
255	BACS12ER3K6		.SCREW	002005 008030	2
260	BACS12ER3K5		.SCREW	002005 008030	10
265	H3-1233A3		.WASHER-	002005 008030	10
			SUPPLIER CODE: V34941		
			SPECIFICATION NUMBER: S411A001-1		
			-----*-----		
280	412A1450-21		.CLIP	002005 008030	4
285	412A1200-25		.CLIP	002005 008030	1
290	412A1252-5		.RETAINER	002005 008030	1
295	412A1475-3A		.FITTING ASSY-	002005 008030	1
300	412A1475-4A		.FITTING ASSY-	002005 008030	1
			ATTACHING PARTS		
- 305	BACS12ER3K5		.SCREW	002005 008030	4
			-----*-----		
310	BACN11F3-1CD		..NUT	002005 008030	1
315	NAS1795-3		..CLIP	002005 008030	1
320	412A1475-1A		..FITTING-	002005 008030	1
			USED ON: 412A1475-3A		
325	412A1475-2A		..FITTING-	002005 008030	1
			USED ON: 412A1475-4A		
330	412A1450-1A		.TRIM-END PNL	002005 008030	2
335	412A1230-88		.FITTING ASSY	002005 008030	1
			ATTACHING PARTS		
340	BACS12ER3K5		.SCREW-	002005 008008	2
			USED ON: 412A1200-1106B		

MISSING ITEM NUMBERS NOT APPLICABLE

- ITEM NOT ILLUSTRATED

HAP

25-24-32-61

25-24-32
FIG. 61
PAGE 7
JUN 15/08

BOEING
737-600/700/800/900
PARTS CATALOG (MAINTENANCE)

FIG ITEM	PART NUMBER	1 2 3 4 5 6 7	NOMENCLATURE	EFFECT FROM TO	UNITS PER ASSY
61					
340	BACS12ER3K6	.SCREW-	USED ON: 412A1200-106A	002005 008030	2
345	BACS12FA3K5	.SCREW		002005 008030	1
		-----*-----			
350	BCREF13196	..BUSHING-	OVERLENGTH PART NUMBER: BACB28AT06A010CG	002005 008030	1
355	412A1230-90	..FITTING		002005 008030	1
360	412A1230-67	.FITTING		002005 008030	1
		ATTACHING PARTS			
365	BACS12FA3K5	.SCREW-	USED ON: 412A1200-1106B	002005 008008	2
365	BACS12FA3K6	.SCREW-	USED ON: 412A1200-106A	002005 008030	2
370	BACS12FA3K5	.SCREW		002005 008030	1
		-----*-----			
375	BACS12FA3K4	.SCREW		002005 008030	10
380	BACS12FA3K5	.SCREW-	USED ON: 412A1200-1106B	002005 008008	4
380	BACS12FA3K6	.SCREW-	USED ON: 412A1200-106A	002005 008030	4
385	BACS12FA3K5	.SCREW		002005 008030	10
390	412A1220-205	.ANGLE-	OPTIONAL PART: 412A1220-9A USED ON: 412A1200-1106B	002005 008008	2
390	412A1220-9A	.ANGLE-	OPTIONAL PART: 412A1220-205	002005 008030	2
395	412A1245-2	.RAIL		002005 008030	1
400	412A1210-104A	.PANEL ASSY-	USED ON: 412A1200-106A	002005 008030	1
400	412A1210-1104B	.PANEL ASSY-	USED ON: 412A1200-1106B	002005 008008	1

MISSING ITEM NUMBERS NOT APPLICABLE

— ITEM NOT ILLUSTRATED

HAP

25-24-32-61

BOEING PROPRIETARY - Copyright © - Unpublished Work - See title page for details.

25-24-32
FIG. 61
PAGE 8
OCT 10/06

BOEING
737-600/700/800/900
PARTS CATALOG (MAINTENANCE)

FIG ITEM	PART NUMBER	1 2 3 4 5 6 7	NOMENCLATURE	EFFECT FROM TO	UNITS PER ASSY
61					
405	SL2334-3A1	..	INSERT- SUPPLIER CODE: V97393	002005 008030	13
410	BCREF128023	..	INSERT- SUPPLIER CODE: V97393 OVERLENGTH PART NUMBER: SL603-3-375ASP13	002005 008030	6
415	412A1211-104A	.	PANEL ASSY- USED ON: 412A1200-106A	002005 008030	1
415	412A1211-1104B	.	PANEL ASSY- USED ON: 412A1200-1106B	002005 008008	1
- 420	SL2334-3A1	..	INSERT- SUPPLIER CODE: V97393	002005 008030	37
425	412A1212-108A	.	PANEL ASSY-END USED ON: 412A1200-106A	002005 008030	1
425	412A1212-1108B	.	PANEL ASSY-END USED ON: 412A1200-1106B	002005 008008	1
- 430	SL2334-3A1	..	INSERT- SUPPLIER CODE: V97393	002005 008030	8
435	412A1212-106A	.	PANEL ASSY-END USED ON: 412A1200-106A	002005 008030	1
435	412A1212-1106B	.	PANEL ASSY-END USED ON: 412A1200-1106B	002005 008008	1
- 440	SL2334-3A1	..	INSERT- SUPPLIER CODE: V97393	002005 008030	8

MISSING ITEM NUMBERS NOT APPLICABLE

- ITEM NOT ILLUSTRATED

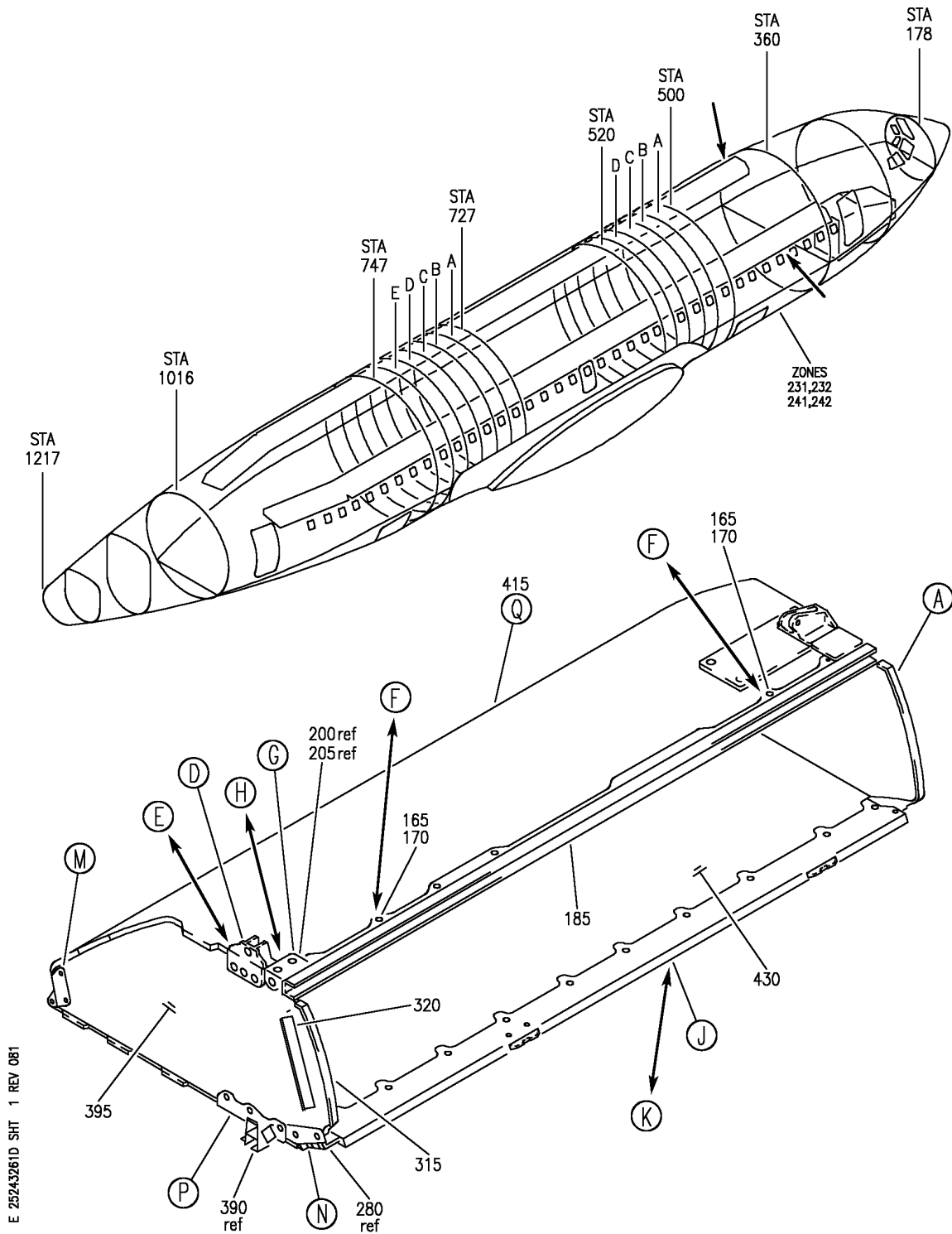
HAP

25-24-32-61

BOEING PROPRIETARY - Copyright © - Unpublished Work - See title page for details.

25-24-32
FIG. 61
PAGE 9
OCT 10/06

BOEING
737-600/700/800/900
PARTS CATALOG (MAINTENANCE)



E 25243261D SHT 1 REV 081

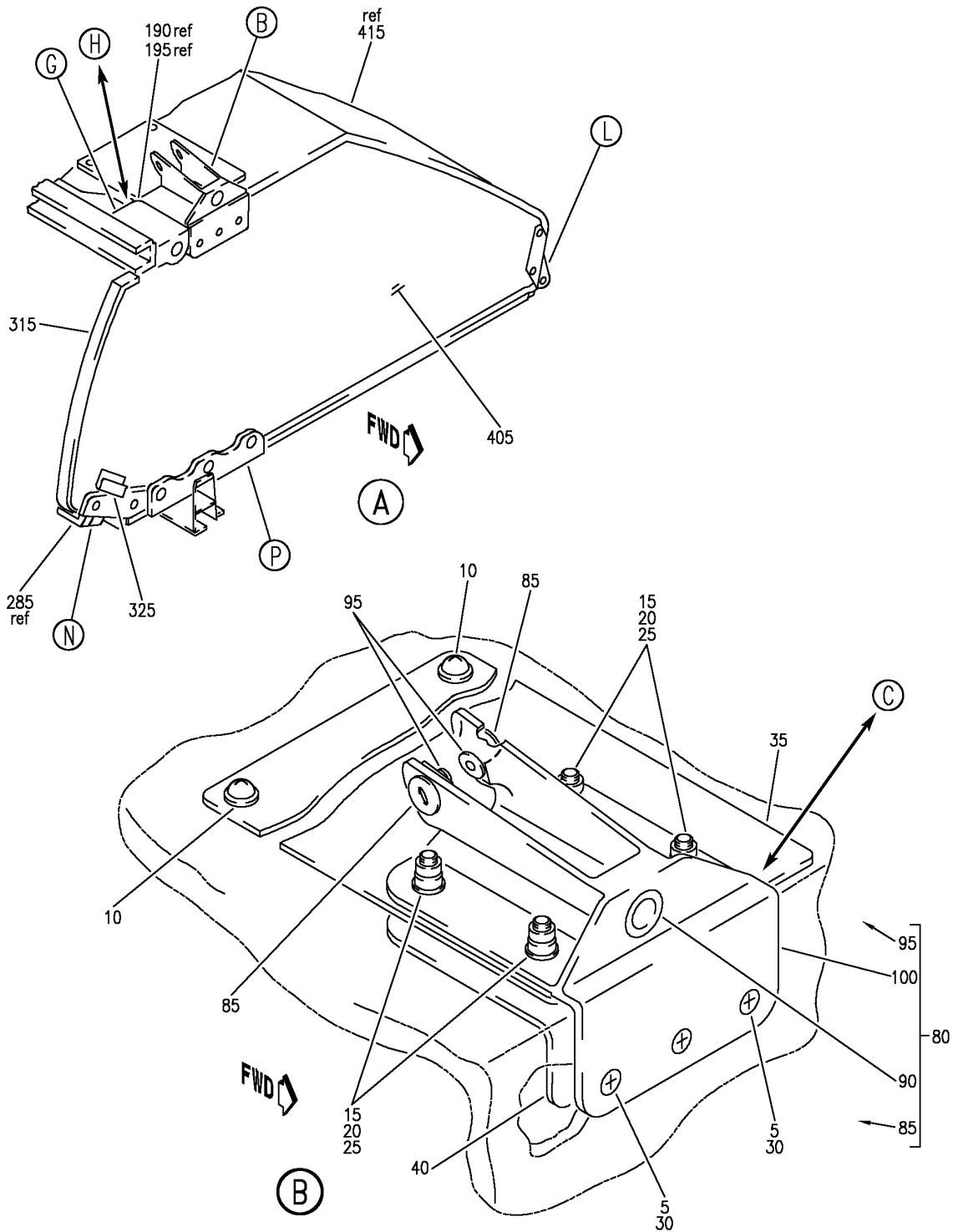
BOX ASSY-60 IN. BIN
FIGURE 61D (SHEET 1)

25-24-32-61D

HAP
OCT 15/08

25-24-32-61D
PAGE 0

BOEING
 737-600/700/800/900
 PARTS CATALOG (MAINTENANCE)



E 25243261D SHT 2 REV 081

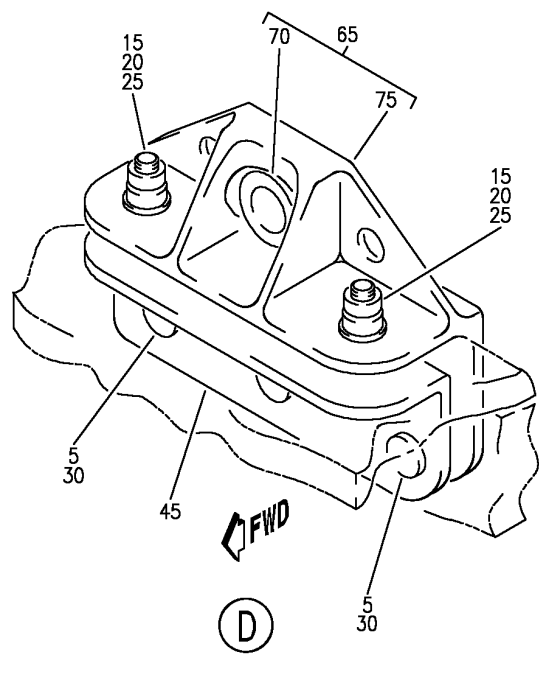
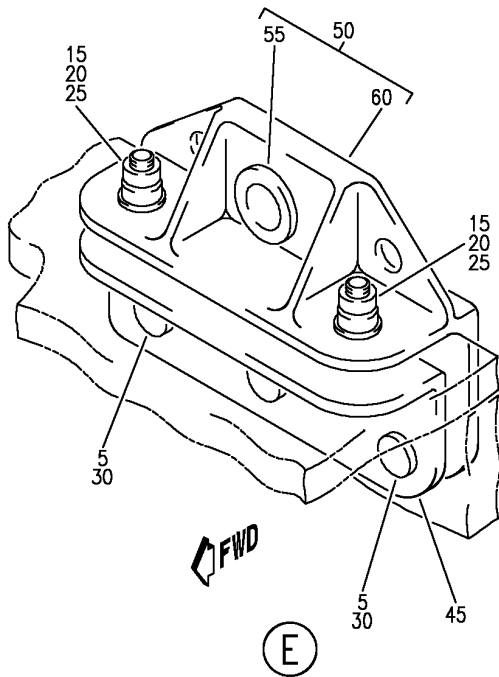
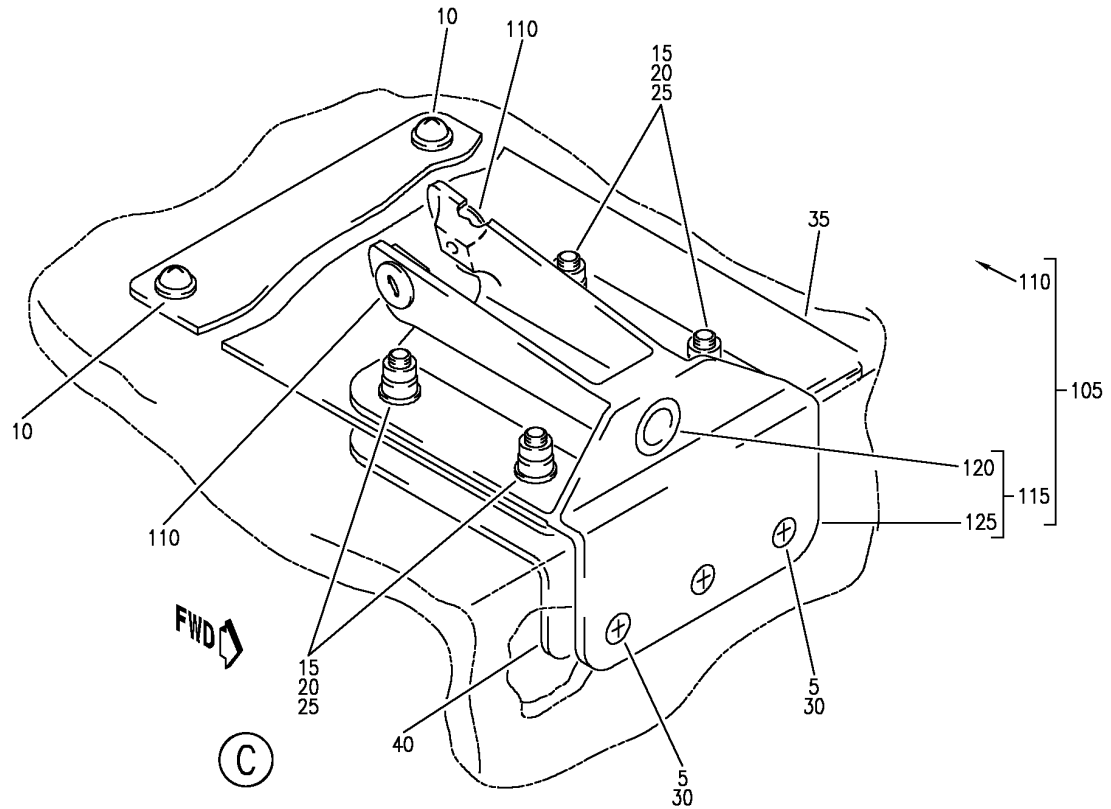
BOX ASSY-60 IN. BIN
 FIGURE 61D (SHEET 2)

25-24-32-61D

HAP
 OCT 15/08

25-24-32-61D
 PAGE 0A

BOEING
 737-600/700/800/900
 PARTS CATALOG (MAINTENANCE)



E 25243261D SHT 3 REV 081

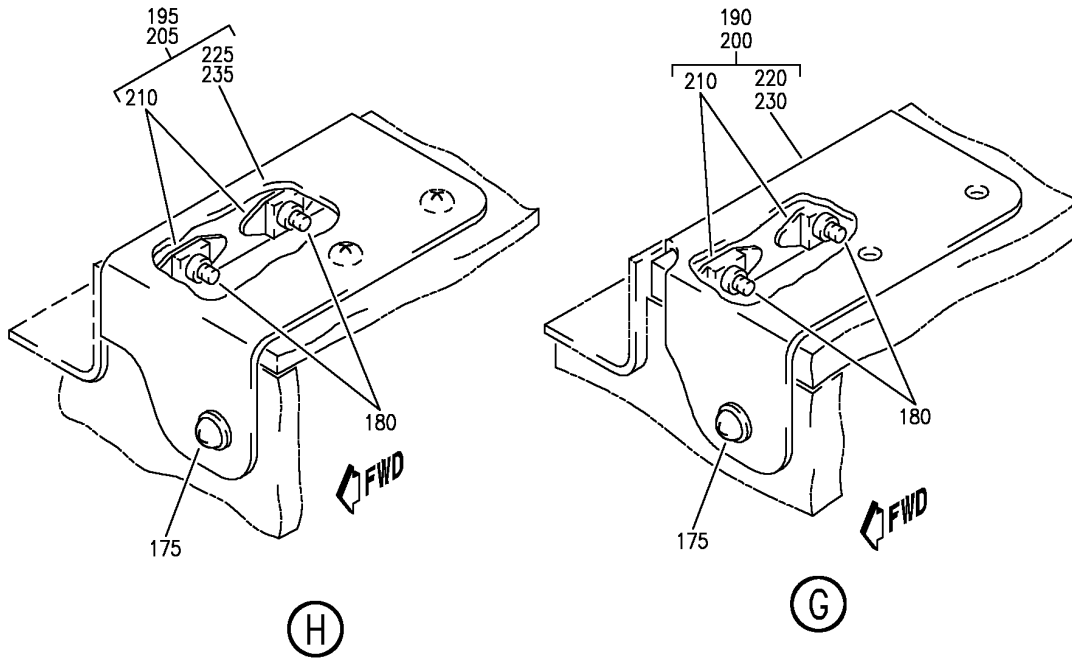
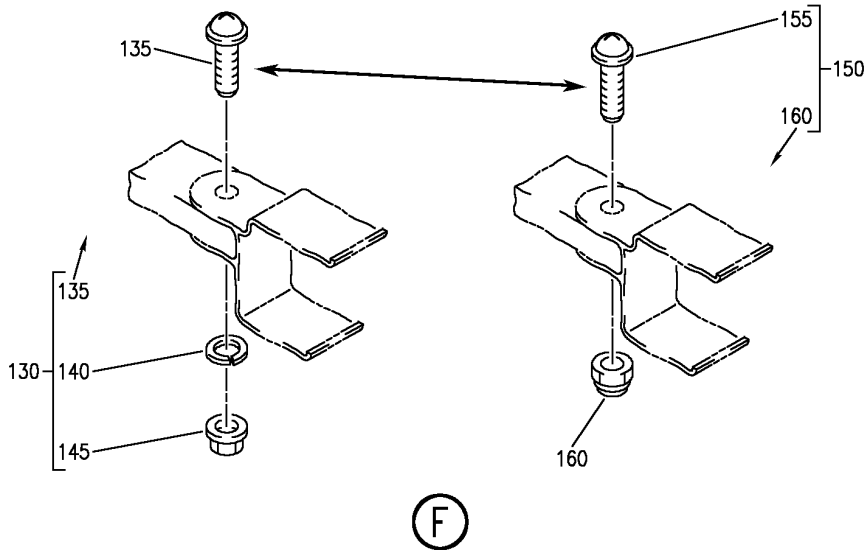
BOX ASSY-60 IN. BIN
 FIGURE 61D (SHEET 3)

25-24-32-61D

HAP
 OCT 15/08

25-24-32-61D
 PAGE 0B

BOEING
 737-600/700/800/900
 PARTS CATALOG (MAINTENANCE)



E 25243261D SHT 4 REV 081

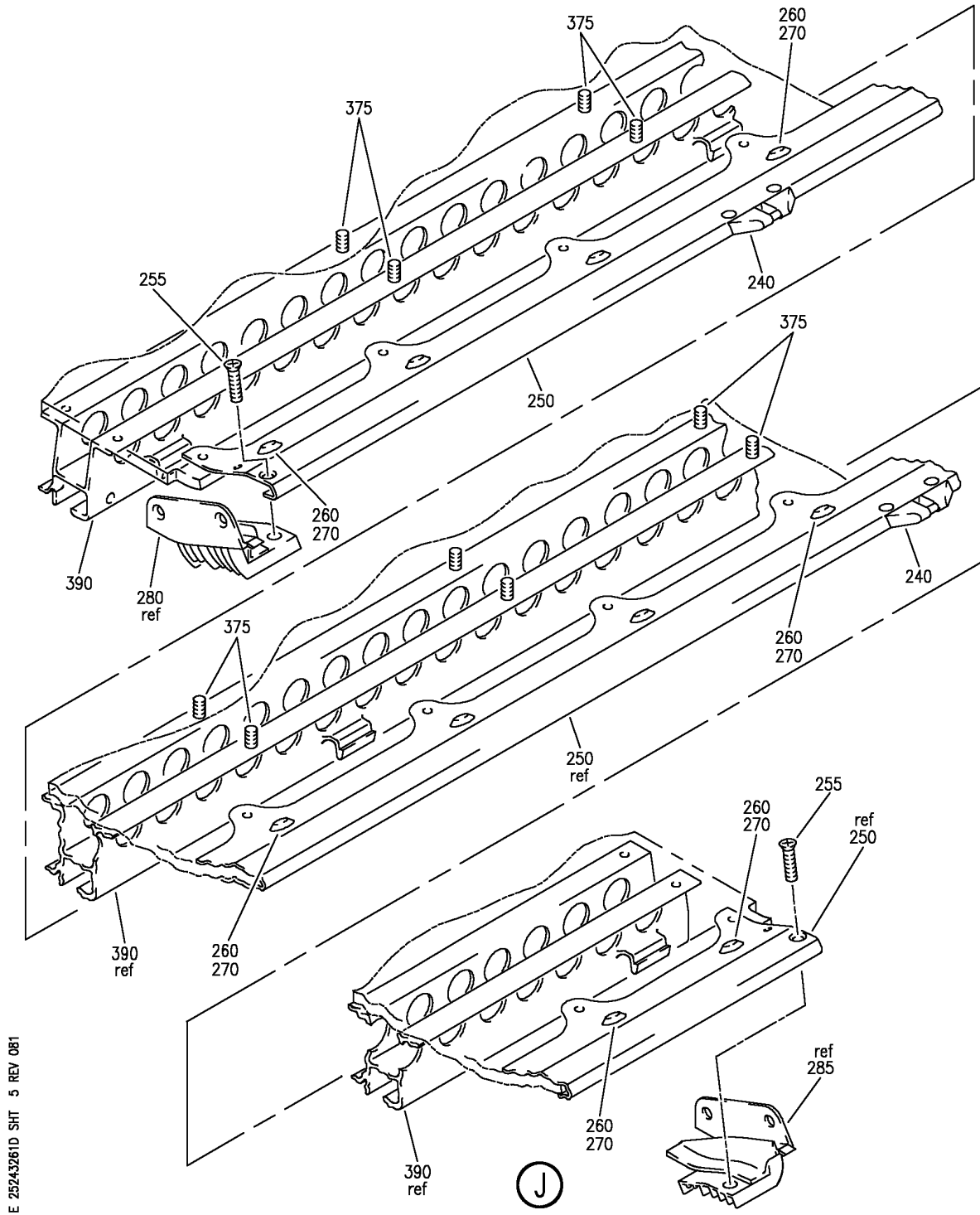
BOX ASSY-60 IN. BIN
 FIGURE 61D (SHEET 4)

25-24-32-61D

HAP
 OCT 15/08

25-24-32-61D
 PAGE 0C

BOEING
 737-600/700/800/900
 PARTS CATALOG (MAINTENANCE)



E 25243261D SHT 5 REV 081

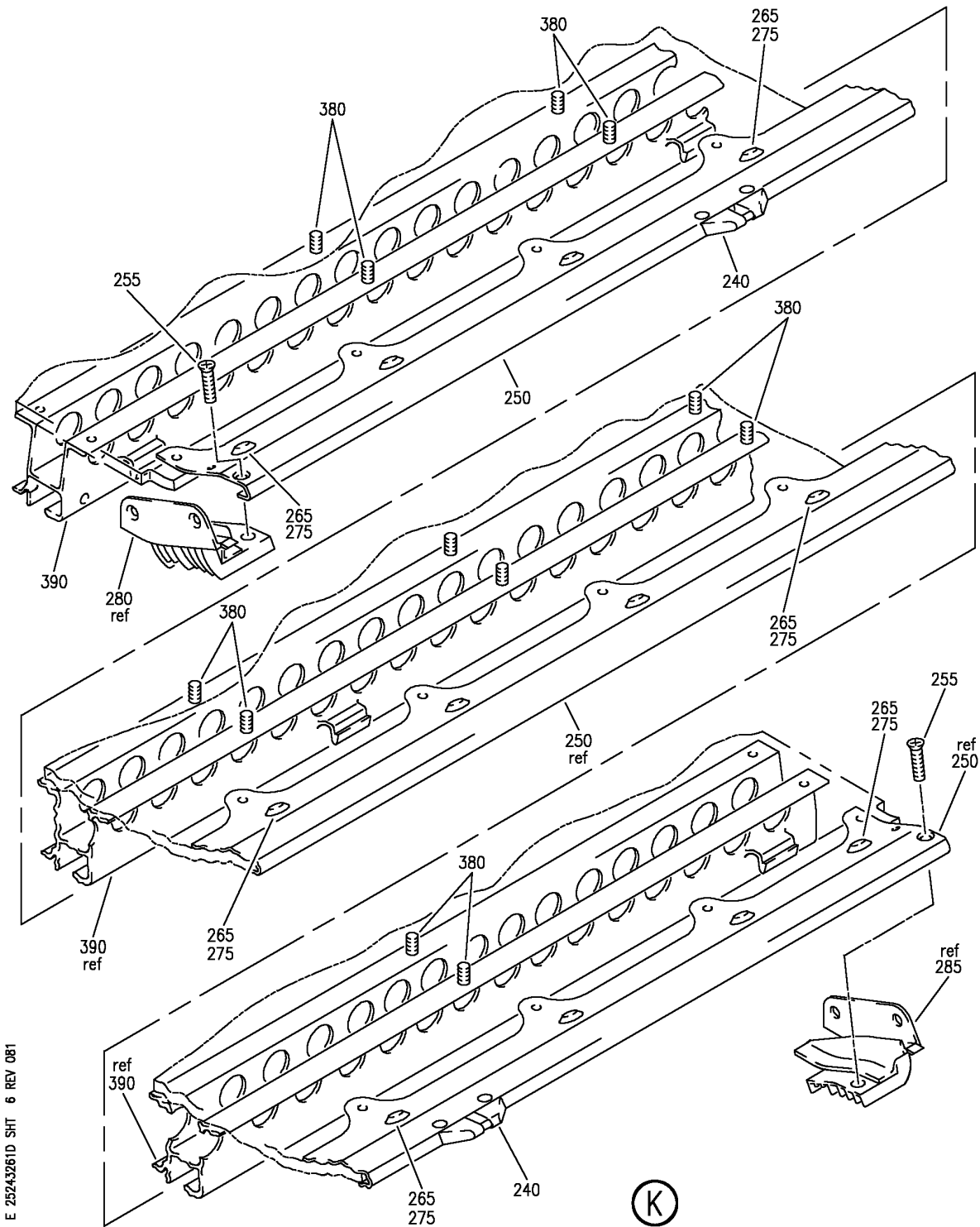
BOX ASSY-60 IN. BIN
 FIGURE 61D (SHEET 5)

25-24-32-61D

HAP
 OCT 15/08

25-24-32-61D
 PAGE 0D

BOEING
 737-600/700/800/900
 PARTS CATALOG (MAINTENANCE)



E 25243261D SHT 6 REV 081

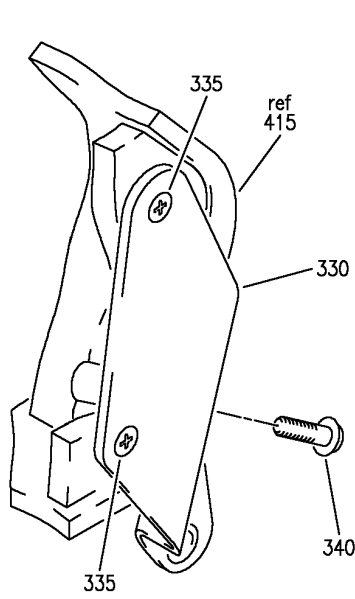
BOX ASSY-60 IN. BIN
 FIGURE 61D (SHEET 6)

25-24-32-61D

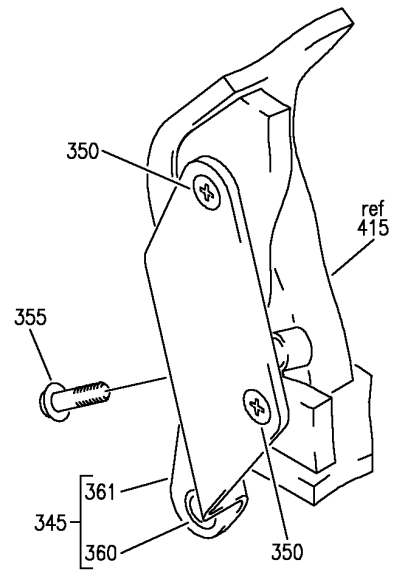
HAP
 OCT 15/08

25-24-32-61D
 PAGE 0E

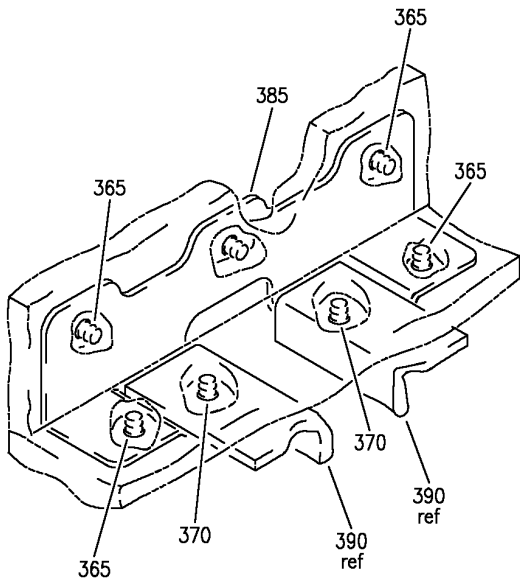
BOEING
 737-600/700/800/900
 PARTS CATALOG (MAINTENANCE)



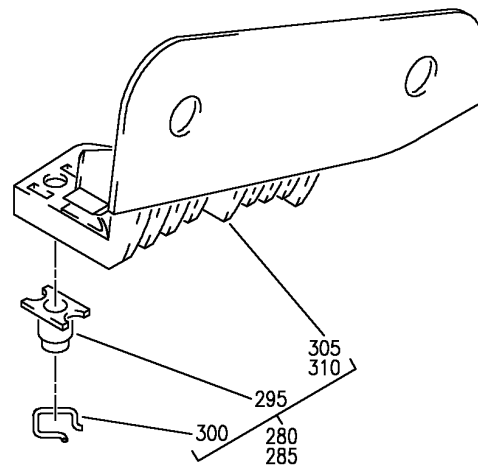
(L)



(M)



(P)



(N)

E 25243261D SHT 7 REV 081

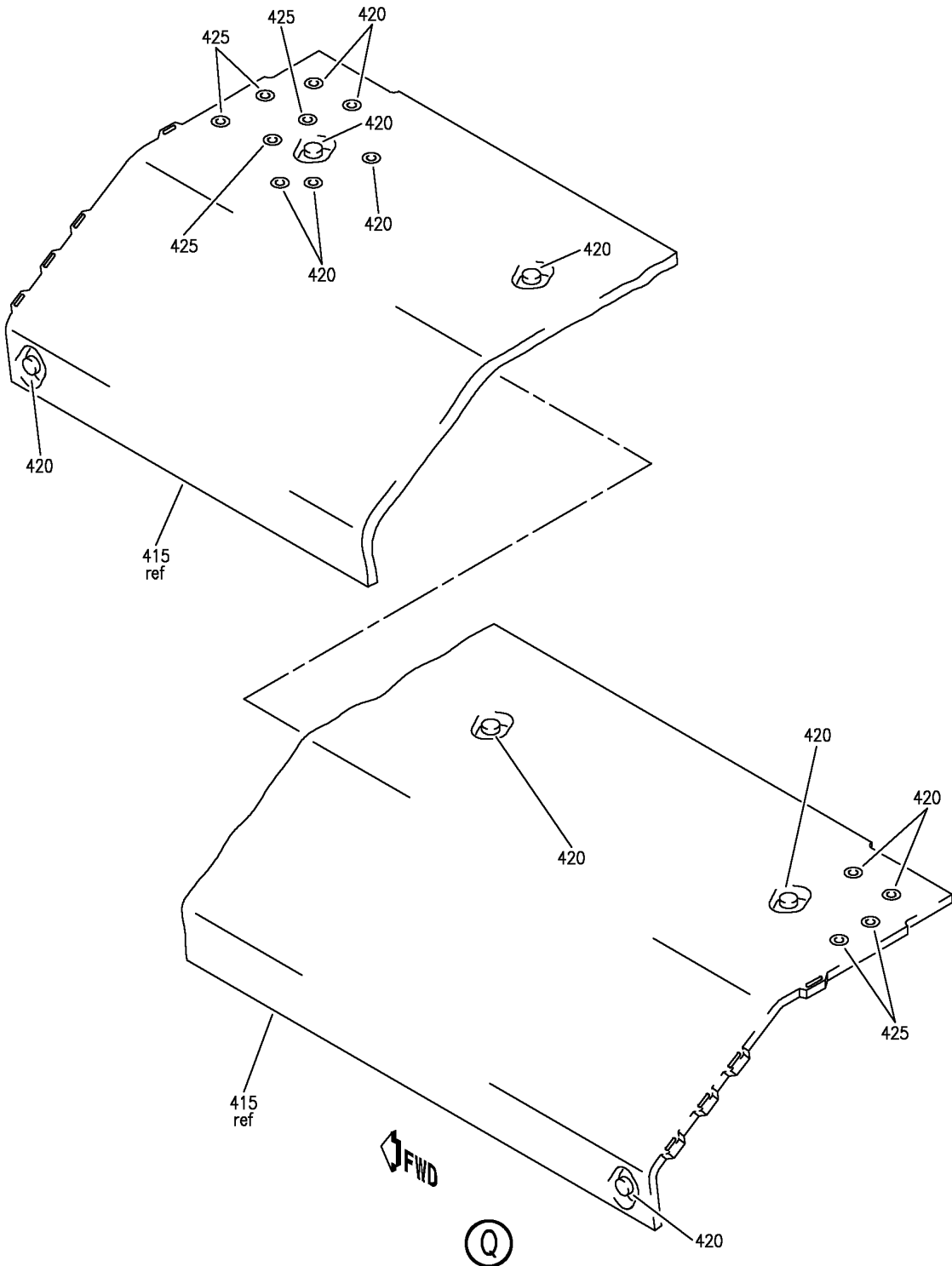
BOX ASSY-60 IN. BIN
 FIGURE 61D (SHEET 7)

25-24-32-61D

HAP
 OCT 15/08

25-24-32-61D
 PAGE OF

BOEING
 737-600/700/800/900
 PARTS CATALOG (MAINTENANCE)



E 25243261D SHT 8 REV 081

BOX ASSY-60 IN. BIN
 FIGURE 61D (SHEET 8)

25-24-32-61D

HAP
 OCT 15/08

25-24-32-61D
 PAGE 08

BOEING
737-600/700/800/900
PARTS CATALOG (MAINTENANCE)

FIG ITEM	PART NUMBER	1 2 3 4 5 6 7	NOMENCLATURE	EFFECT FROM TO	UNITS PER ASSY
61D					
- 1	412A1200-103A		BOX ASSY-60 IN. BIN BOX ASSY-60 IN. BIN POSITION DATA: AFT LH OPTIONAL PART: 412A1200-1103B FOR NHA SEE: 25-24-31-20	201967 201967	RF
- 1	412A1200-1103B		BOX ASSY-60 IN. BIN POSITION DATA: AFT LH OPTIONAL PART: 412A1200-103A FOR NHA SEE: 25-24-31-20	201201	RF
5	BACS12ER3K9		.SCREW	201967	6
10	BACS12FA3K4		.SCREW	201967	2
15	HL1012AZ6-10		.BOLT SUPPLIER CODE: V97928 SPECIFICATION NUMBER: BACB30NX6K10 OPTIONAL PART: HL12VAZ6-10 V73197 HL12VAZ6-10 V92215 HL12VAZ6-10 V97928 L802-6K10 V06725 HL12VAZ6-10 V56878 HL1012AZ6-10 VOPTK6 HL1012AZ6-10 V06725 HL1012AZ6-10 V06950 HL1012AZ6-10 V17446 HL1012AZ6-10 V56878 HL1012AZ6-10 V60516 HL1012AZ6-10 V73197	201967 201967 201967	6 2 6
MISSING ITEM NUMBERS NOT APPLICABLE					

- ITEM NOT ILLUSTRATED

HAP

25-24-32-61D

BOEING PROPRIETARY - Copyright © - Unpublished Work - See title page for details.

25-24-32
FIG. 61D
PAGE 1
OCT 15/08

BOEING
737-600/700/800/900
PARTS CATALOG (MAINTENANCE)

FIG ITEM	PART NUMBER	1 2 3 4 5 6 7	NOMENCLATURE	EFFECT FROM TO	UNITS PER ASSY
61D					
20	BACW10BP3NDP	.WASHER-		201967	6
		OPTIONAL PART:			
		NAS1149D0363J			
20	NAS1149D0363J	.WASHER-		201201	6
		OPTIONAL PART:			
		BACW10BP3NDP			
		USED ON:			
		412A1200-1103B			
		412A1200-1103SP			
25	HL1087-6	.COLLAR-		201967	6
		SUPPLIER CODE:			
		V73197			
		SPECIFICATION NUMBER:			
		BACC30BH6			
		OPTIONAL PART:			
		HL1087-6			
		V56878			
		HL1087-6			
		V92215			
		HL1087-6			
		V9N513			
		BACC30BZ6			
25	HST1070CY6	.COLLAR-		201201	6
		SUPPLIER CODE:			
		V5M902			
		SPECIFICATION NUMBER:			
		BACC30BZ6			
		OPTIONAL PART:			
		VLC1070CY6			
		V92215			
		HST1070CY6			
		V73197			
		BACC30BH6			
		USED ON:			
		412A1200-1103B			
		412A1200-1103SP			
30	SL5-3-50C	.NUT-		201967	6
		SUPPLIER CODE:			
		V97393			
35	412A1220-16	.DOUBLER-9G EXT		201967	1
40	412A1220-10A	.DOUBLER-9G INTERNAL		201967	1
45	412A1220-39A	.DOUBLER-INTERNAL		201967	1
50	412A1230-201	.FITTING ASSY-		201201	1
		OPTIONAL PART:			
		412A1230-1			
		USED ON:			
		412A1200-1103B			
		412A1200-1103SP			

MISSING ITEM NUMBERS NOT APPLICABLE

- ITEM NOT ILLUSTRATED

HAP

25-24-32-61D

BOEING PROPRIETARY - Copyright © - Unpublished Work - See title page for details.

25-24-32
FIG. 61D
PAGE 2
OCT 15/08

BOEING
737-600/700/800/900
PARTS CATALOG (MAINTENANCE)

FIG ITEM	PART NUMBER	1 2 3 4 5 6 7	NOMENCLATURE	EFFECT FROM TO	UNITS PER ASSY
61D					
55	BCREF13195	..	BUSHING- OVERLENGTH PART NUMBER: BACB28AY06A035CG	201201	1
60	412A1230-202	..	FITTING- OPTIONAL PART: 412A1230-203	201201	1
60	412A1230-203	..	FITTING- OPTIONAL PART: 412A1230-202	201201	1
65	412A1230-1	.FITTING	ASSY- OPTIONAL PART: 412A1230-201	201967	1
70	BCREF13195	..	BUSHING- OVERLENGTH PART NUMBER: BACB28AY06A035CG	201967	1
75	412A1230-2	..	SUPPORT	201967	1
80	412A1230-105	.FITTING	ASSY-DRAG OPTIONAL PART: 412A1230-151	201967	1
85	BACW10P273L	..	WASHER	201967	2
90	BCREF13195	..	BUSHING- OVERLENGTH PART NUMBER: BACB28AY06A035CG	201967	1
95	BACB28AT04B023C	..	BUSHING- OPTIONAL PART: NAS538B4P023	201967	2
95	NAS538B4P023	..	BUSHING- OPTIONAL PART: BACB28AT04B023C	201967	2
100	412A1230-107	..	FITTING	201967	1
105	412A1230-151	.FITTING	ASSY-DRAG OPTIONAL PART: 412A1230-105 USED ON: 412A1200-103A 412A1200-103SP	201967	1
110	BACW10P273L	..	WASHER	201967	2
115	412A1230-3	..	FITTING ASSY	201967	1
120	BCREF13195	...	BUSHING- OVERLENGTH PART NUMBER: BACB28AY06A035CG	201967	1
125	412A1230-5	...	FITTING	201967	1
130	412A1340-14	.FASTENER	ASSY-KIT OPTIONAL PART: 412A1340-15 USED ON: 412A1200-1103SP 412A1200-1103B	201201	4
135	BACS12FA3K12	..	SCREW	201201	1

MISSING ITEM NUMBERS NOT APPLICABLE

— ITEM NOT ILLUSTRATED

HAP

25-24-32-61D

BOEING PROPRIETARY - Copyright © - Unpublished Work - See title page for details.

25-24-32
FIG. 61D
PAGE 3
OCT 15/08

BOEING
737-600/700/800/900
PARTS CATALOG (MAINTENANCE)

FIG ITEM	PART NUMBER	1 2 3 4 5 6 7	NOMENCLATURE	EFFECT FROM TO	UNITS PER ASSY
61D					
140	BACW10EC3S	..	WASHER	201201	1
145	PLH53C	..	NUT	201201	1
			SUPPLIER CODE: V62554		
			SPECIFICATION NUMBER: BACN10YR3C		
			OPTIONAL PART: H52732-3C V15653		
150	412A1340-15	.FASTENER ASSY-KIT		201201	4
		OPTIONAL PART: 412A1340-14			
		USED ON: 412A1200-1103SP 412A1200-1103B			
155	BACS12FA3K13	..	SCREW	201201	1
160	F22K1-02	..	NUT	201201	1
			SUPPLIER CODE: V72962		
			SPECIFICATION NUMBER: BACN10R10L		
			OPTIONAL PART: 22K1-02 V72962 26CL02 V80539		
165	BACS12FA3K13	.SCREW-		201967	4
		USED ON: 412A1200-103SP 412A1200-103A			
170	F22K1-02	.NUT-		201967	4
		SUPPLIER CODE: V72962			
		SPECIFICATION NUMBER: BACN10R10L			
		OPTIONAL PART: 22K1-02 V72962 26CL02 V80539			
		USED ON: 412A1200-103SP 412A1200-103A			
175	BACS12FA3K4	.SCREW		201967	2
180	BACS12FA3K7	.SCREW		201967	4
185	412A1247-2A	.EXTRUSION-DOOR	CLOSEOUT	201967	1

MISSING ITEM NUMBERS NOT APPLICABLE

— ITEM NOT ILLUSTRATED

HAP

25-24-32-61D

BOEING PROPRIETARY - Copyright © - Unpublished Work - See title page for details.

25-24-32
FIG. 61D
PAGE 4
OCT 15/08

 **BOEING**
737-600/700/800/900
PARTS CATALOG (MAINTENANCE)

FIG ITEM	PART NUMBER	1 2 3 4 5 6 7	NOMENCLATURE	EFFECT FROM TO	UNITS PER ASSY
61D 190	412A1220-249		.CORNER ASSY- OPTIONAL PART: 412A1220-5A 412A1220-209 USED ON: 412A1200-1103B 412A1200-1103SP	201201	1
195	412A1220-5A		.CORNER ASSY- OPTIONAL PART: 412A1220-209 412A1220-249	201967	1
195	412A1220-209		.CORNER ASSY- OPTIONAL PART: 412A1220-5A 412A1220-249 USED ON: 412A1200-1103B 412A1200-1103SP	201201	1
200	412A1220-250		.CORNER ASSY- OPTIONAL PART: 412A1220-6A 412A1220-210 USED ON: 412A1200-1103B 412A1200-1103SP	201201	1
205	412A1220-6A		.CORNER ASSY- OPTIONAL PART: 412A1220-210 412A1220-250	201967	1
205	412A1220-210		.CORNER ASSY- OPTIONAL PART: 412A1220-6A 412A1220-250 USED ON: 412A1200-1103B 412A1200-1103SP	201201	1

MISSING ITEM NUMBERS NOT APPLICABLE

— ITEM NOT ILLUSTRATED

HAP

25-24-32-61D

BOEING PROPRIETARY - Copyright © - Unpublished Work - See title page for details.

25-24-32
FIG. 61D
PAGE 5
OCT 15/08

BOEING
737-600/700/800/900
PARTS CATALOG (MAINTENANCE)

FIG ITEM	PART NUMBER	1 2 3 4 5 6 7	NOMENCLATURE	EFFECT FROM TO	UNITS PER ASSY
61D 210	BRF200C3D		..NUTPLATE SUPPLIER CODE: V52828 SPECIFICATION NUMBER: BACN10JR3CFD OPTIONAL PART: K51602-3BAC V15653 NS202476-02 V80539 102F9201-3 V72962 T8092C1032CD V11815 ATTACHING PARTS	201967	2
- 215	BACR15CE3D		..RIVET- SIZE DETERMINED ON INSTL. -----*-----	201967	4
220	412A1220-251		..REINFORCEMENT- USED ON: 412A1220-249	201201	1
225	412A1220-7A		..REINFORCEMENT- USED ON: 412A1220-5A 412A1220-5SP	201967	1
225	412A1220-211		..REINFORCEMENT- USED ON: 412A1220-209	201201	1
230	412A1220-252		..REINFORCEMENT- USED ON: 412A1220-250	201201	1
235	412A1220-8A		..REINFORCEMENT- USED ON: 412A1220-6A 412A1220-6SP	201967	1
235	412A1220-212		..REINFORCEMENT- USED ON: 412A1220-210	201201	1
240	HA225-3		.STRIKE- SUPPLIER CODE: V83014 SPECIFICATION NUMBER: S412A001-6 USED ON: 412A1200-103A 412A1200-103SP	201967	2

MISSING ITEM NUMBERS NOT APPLICABLE

- ITEM NOT ILLUSTRATED

HAP

25-24-32-61D

BOEING PROPRIETARY - Copyright © - Unpublished Work - See title page for details.

25-24-32
FIG. 61D
PAGE 6
OCT 15/08

BOEING
737-600/700/800/900
PARTS CATALOG (MAINTENANCE)

FIG ITEM	PART NUMBER	1 2 3 4 5 6 7	NOMENCLATURE	EFFECT FROM TO	UNITS PER ASSY
61D 240	HA225-11		. STRIKE- SUPPLIER CODE: V83014 SPECIFICATION NUMBER: S412A001-16 ATTACHING PARTS	201967	2
- 245	BACS12ER08K5		. SCREW -----*-----	201967	4
250	412A1242-2		. EXTRUSION ATTACHING PARTS	201967	1
255	BACS12ER3K6		. SCREW	201967	2
260	BACS12ER3K5		. SCREW	201967	10
270	H3-1233A3		. WASHER- SUPPLIER CODE: V34941 SPECIFICATION NUMBER: S411A001-1 -----*-----	201967	10
280	412A1475-3A		. FITTING ASSY	201967	1
285	412A1475-4A		. FITTING ASSY ATTACHING PARTS	201967	1
- 290	BACS12ER3K5		. SCREW -----*-----	201967	4
295	BACN11F3-1CD		.. NUT	201967	1
300	NAS1795-3		.. CLIP	201967	1
305	412A1475-1A		.. FITTING- USED ON: 412A1475-3A	201967	1
310	412A1475-2A		.. FITTING- USED ON: 412A1475-4A	201967	1
315	412A1450-1A		. TRIM	201967	2
320	412A1200-25		. CLIP	201967	1
325	412A1252-5		. RETAINER	201967	1
330	412A1230-67		. FITTING- POSITION DATA: LWR ATTACHING PARTS	201967	1
335	BACS12FA3K6		. SCREW- USED ON: 412A1200-103A 412A1200-103SP	201967	2
335	BACS12FA3K5		. SCREW- USED ON: 412A1200-1103B 412A1200-1103SP	201201	2
340	BACS12FA3K5		. SCREW -----*-----	201967	1

MISSING ITEM NUMBERS NOT APPLICABLE

- ITEM NOT ILLUSTRATED

HAP

25-24-32-61D

BOEING PROPRIETARY - Copyright © - Unpublished Work - See title page for details.

25-24-32
FIG. 61D
PAGE 7
OCT 15/08

BOEING
737-600/700/800/900
PARTS CATALOG (MAINTENANCE)

FIG ITEM	PART NUMBER	1 2 3 4 5 6 7	NOMENCLATURE	EFFECT FROM TO	UNITS PER ASSY
61D 345	412A1230-88		.FITTING ASSY- POSITION DATA: LWR ATTACHING PARTS	201967	1
350	BACS12ER3K5		.SCREW- USED ON: 412A1200-1103B 412A1200-1103SP	201201	2
350	BACS12ER3K6		.SCREW- USED ON: 412A1200-103A 412A1200-103SP	201967	2
355	BACS12FA3K5		.SCREW -----*-----	201967	1
360	BCREF13196		..BUSHING- OVERLENGTH PART NUMBER: BACB28AT06A010CG	201967	1
360	412A1230-90		..FITTING- POSITION DATA: LWR	201967	1
365	BACS12FA3K4		.SCREW	201967	10
370	BACS12FA3K5		.SCREW- USED ON: 412A1200-1103B 412A1200-1103SP	201201	4
370	BACS12FA3K6		.SCREW- USED ON: 412A1200-103A 412A1200-103SP	201967	4
375	BACS12FA3K5		.SCREW	201967	10
385	412A1220-9A		.ANGLE- OPTIONAL PART: 412A1220-205	201967	2
385	412A1220-205		.ANGLE- OPTIONAL PART: 412A1220-9A USED ON: 412A1200-1103B 412A1200-1103SP	201201	2
390	412A1245-2		.RAIL	201967	1
395	412A1212-105A		.PANEL ASSY- USED ON: 412A1200-103A	201967	1
395	412A1212-1105B		.PANEL ASSY- USED ON: 412A1200-1103B 412A1200-1103SP	201201	1

MISSING ITEM NUMBERS NOT APPLICABLE

— ITEM NOT ILLUSTRATED

HAP

25-24-32-61D

BOEING PROPRIETARY - Copyright © - Unpublished Work - See title page for details.

25-24-32
FIG. 61D
PAGE 8
OCT 15/08

BOEING
737-600/700/800/900
PARTS CATALOG (MAINTENANCE)

FIG ITEM	PART NUMBER	1 2 3 4 5 6 7	NOMENCLATURE	EFFECT FROM TO	UNITS PER ASSY
61D - 400	SL2334-3A1		.. INSERT- SUPPLIER CODE: V97393	201967	8
405	412A1212-107A		. PANEL ASSY- USED ON: 412A1200-103A	201967	1
405	412A1212-1107B		. PANEL ASSY- USED ON: 412A1200-1103B 412A1200-1103SP	201201	1
- 410	SL2334-3A1		.. INSERT- SUPPLIER CODE: V97393	201967	8
415	412A1210-103A		. PANEL ASSY- POSITION DATA: LH SIDE USED ON: 412A1200-103A	201967	1
415	412A1210-1103B		. PANEL ASSY- POSITION DATA: LH SIDE USED ON: 412A1200-1103B 412A1200-1103SP	201201	1
420	SL2334-3A1		.. INSERT- SUPPLIER CODE: V97393	201967	13
425	BCREF128023		.. INSERT- SUPPLIER CODE: V97393 OVERLENGTH PART NUMBER: SL603-3-375ASP13	201967	6
430	412A1211-103A		. PANEL ASSY- POSITION DATA: LH SIDE USED ON: 412A1200-103A	201967	1
430	412A1211-1103B		. PANEL ASSY- POSITION DATA: LH SIDE USED ON: 412A1200-1103B 412A1200-1103SP	201201	1
- 435	SL2334-3A1		.. INSERT- SUPPLIER CODE: V97393	201967	37

MISSING ITEM NUMBERS NOT APPLICABLE

- ITEM NOT ILLUSTRATED

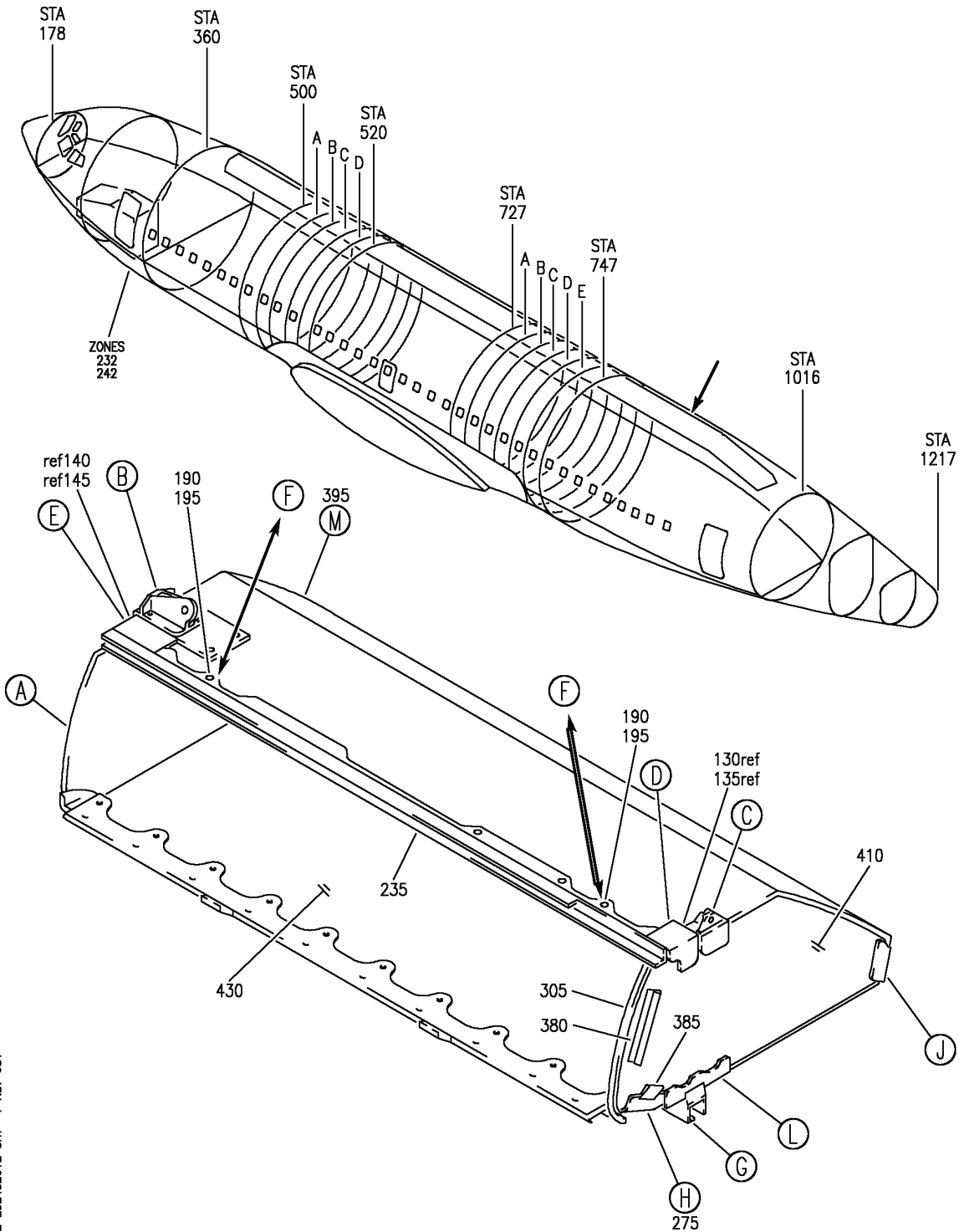
HAP

25-24-32-61D

BOEING PROPRIETARY - Copyright © - Unpublished Work - See title page for details.

25-24-32
FIG. 61D
PAGE 9
OCT 15/08

BOEING
 737-600/700/800/900
 PARTS CATALOG (MAINTENANCE)



E 25243261E SHT 1 REV 081

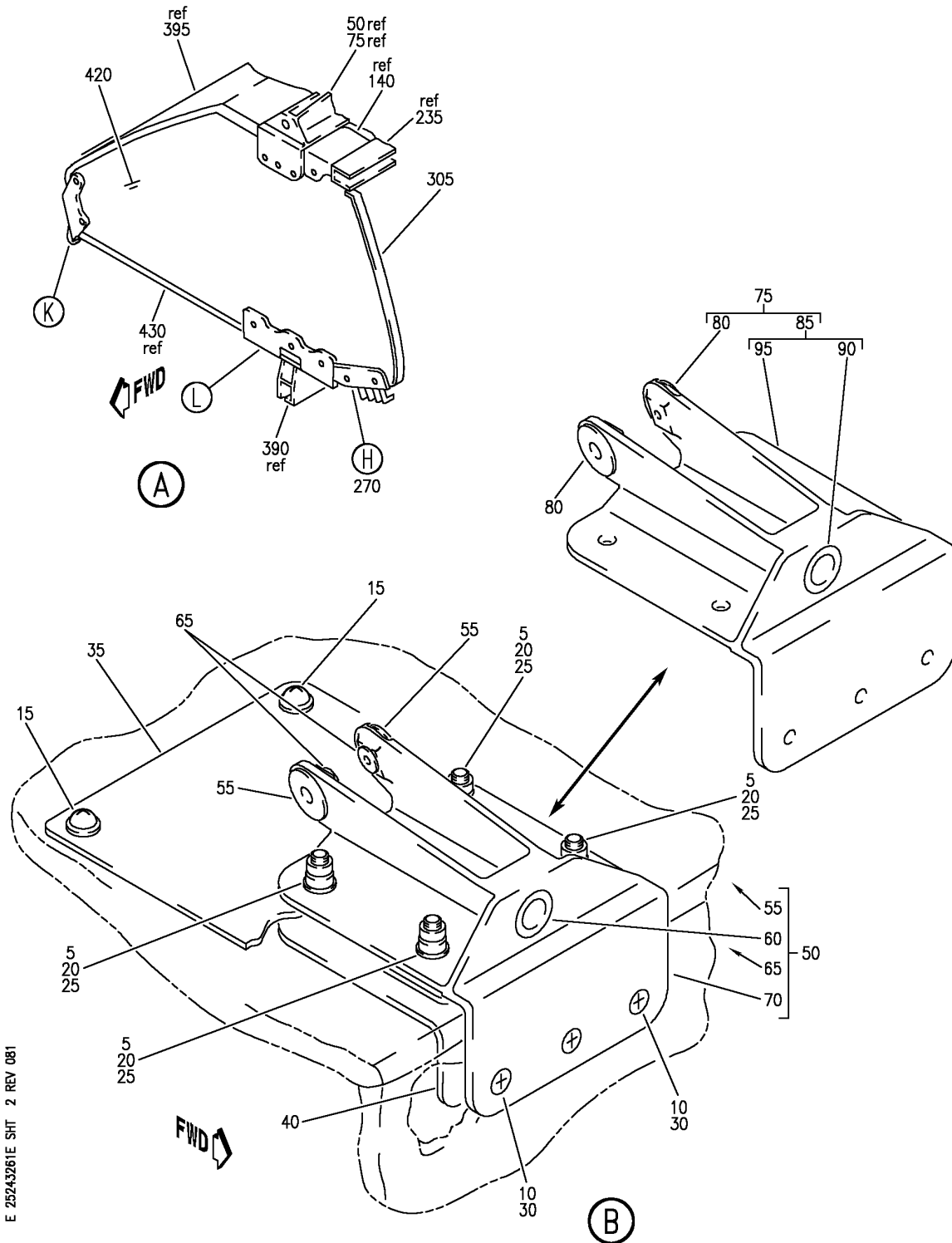
BOX ASSY-60 IN. BIN
 FIGURE 61E (SHEET 1)

25-24-32-61E

HAP
 OCT 15/08

25-24-32-61E
 PAGE 0


BOEING
 737-600/700/800/900
PARTS CATALOG (MAINTENANCE)



E 25243261E SHT 2 REV 081

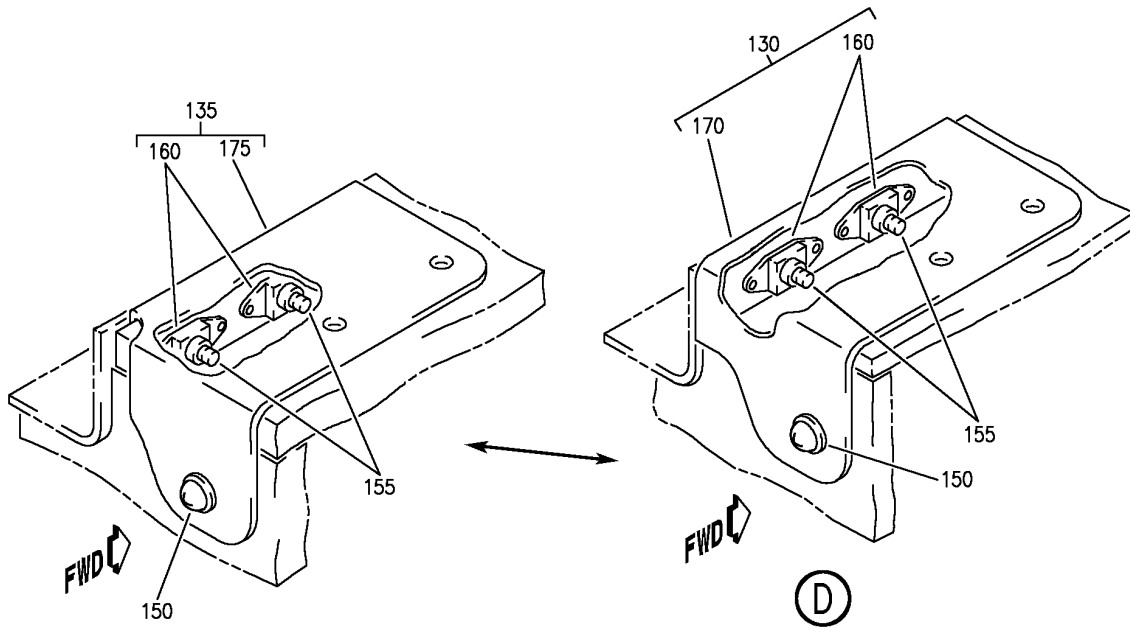
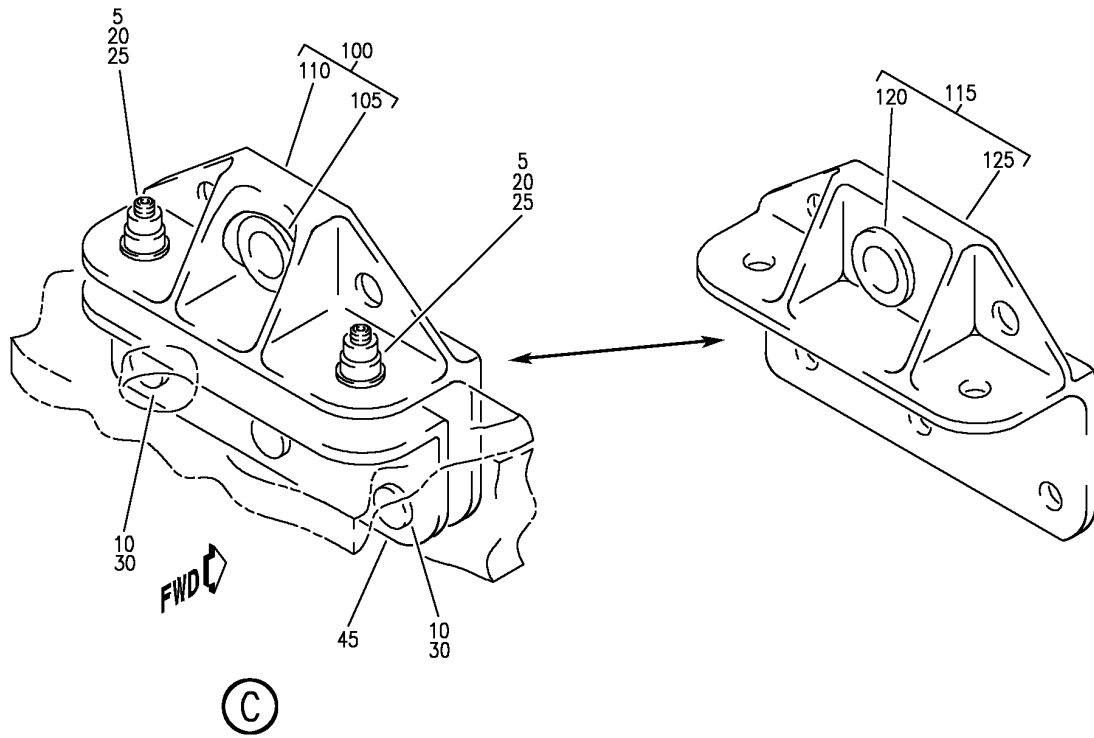
BOX ASSY-60 IN. BIN
FIGURE 61E (SHEET 2)

25-24-32-61E

HAP
OCT 15/08

25-24-32-61E
PAGE 0A

BOEING
 737-600/700/800/900
 PARTS CATALOG (MAINTENANCE)



E 25243261E SHT. 3 REV 081

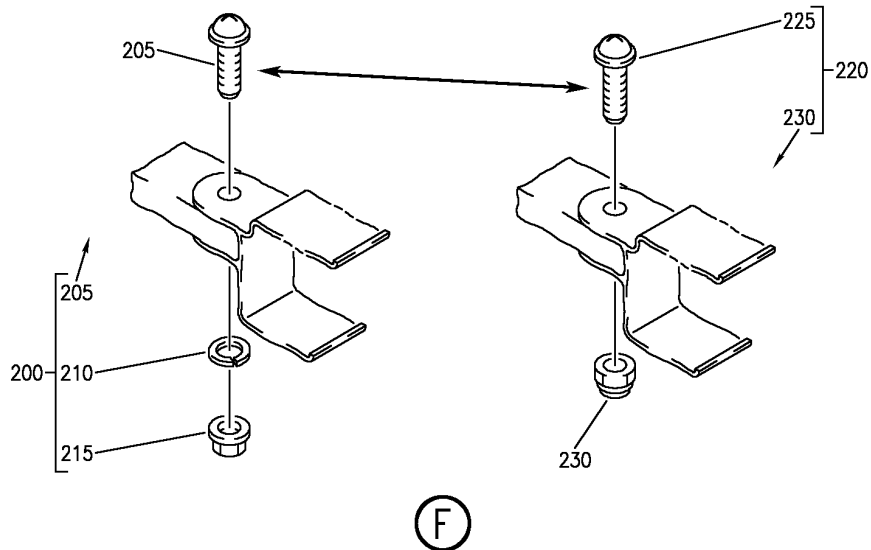
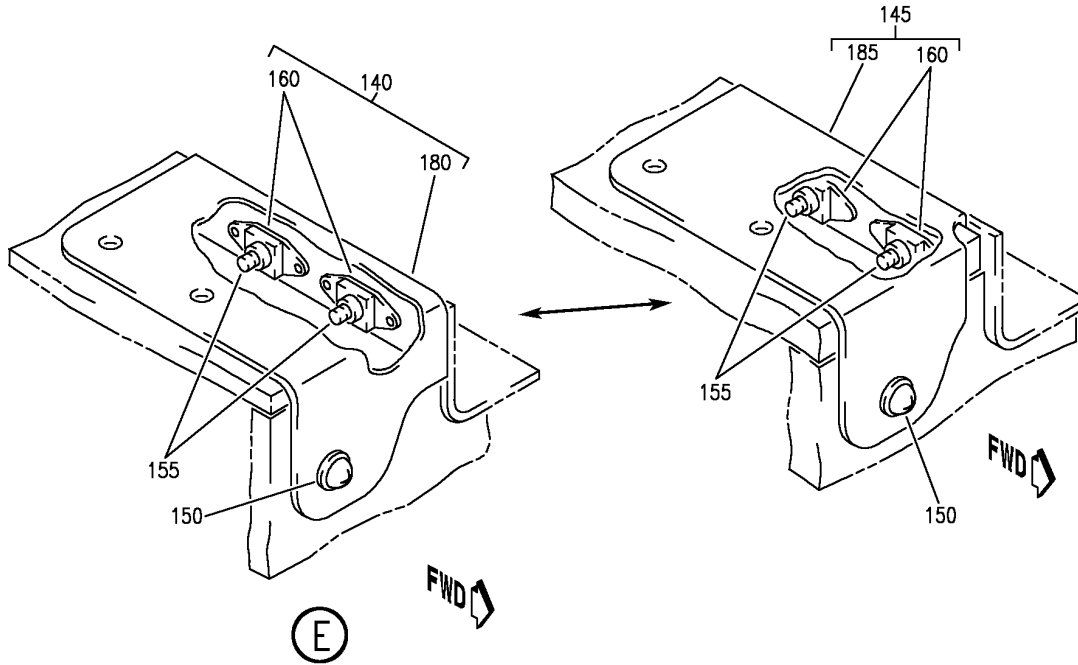
BOX ASSY-60 IN. BIN
 FIGURE 61E (SHEET 3)

25-24-32-61E

HAP
 OCT 15/08

25-24-32-61E
 PAGE 0B

BOEING
 737-600/700/800/900
 PARTS CATALOG (MAINTENANCE)



E 25243261E SHT 4 REV 081

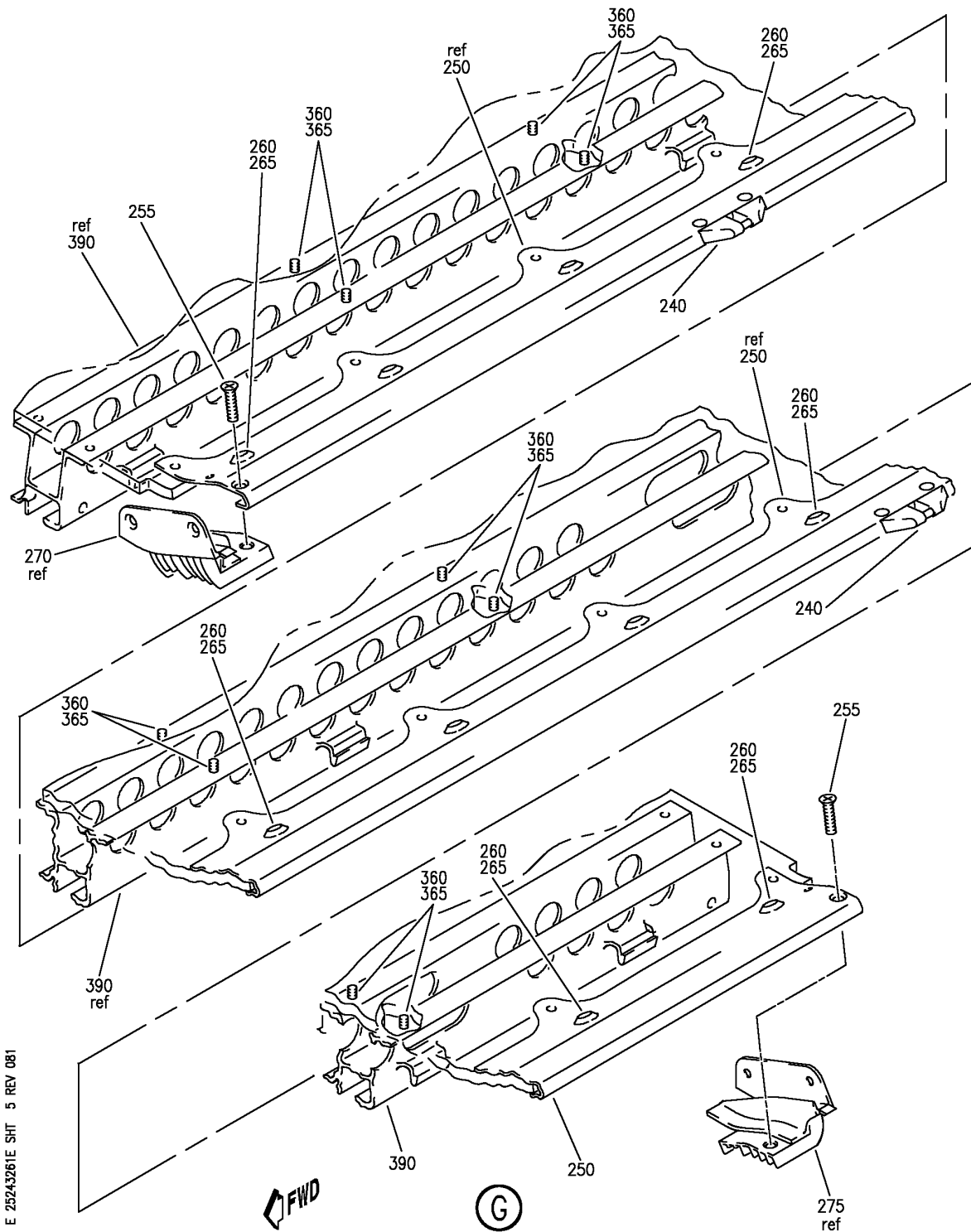
BOX ASSY-60 IN. BIN
 FIGURE 61E (SHEET 4)

25-24-32-61E

HAP
 OCT 15/08

25-24-32-61E
 PAGE 0C

BOEING
 737-600/700/800/900
 PARTS CATALOG (MAINTENANCE)



E 25243261E SHT 5 REV 081

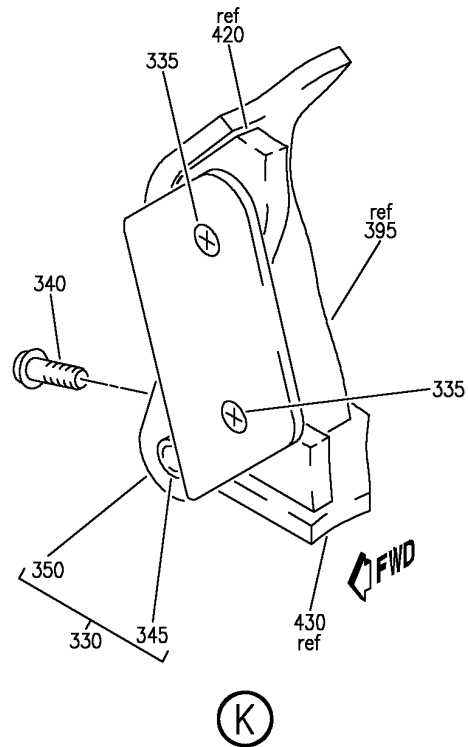
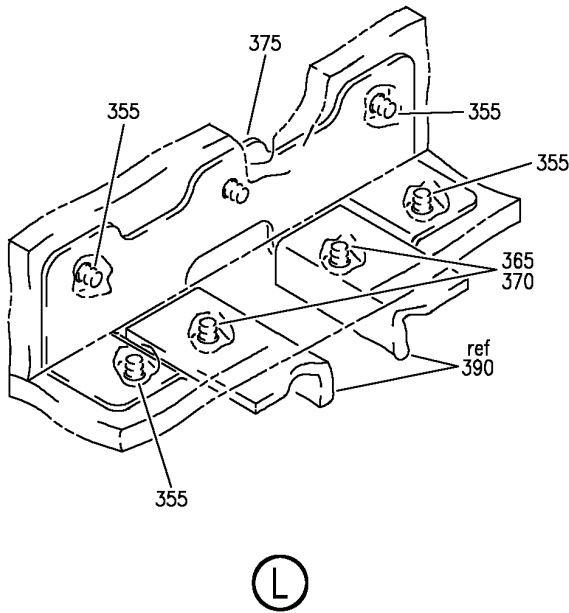
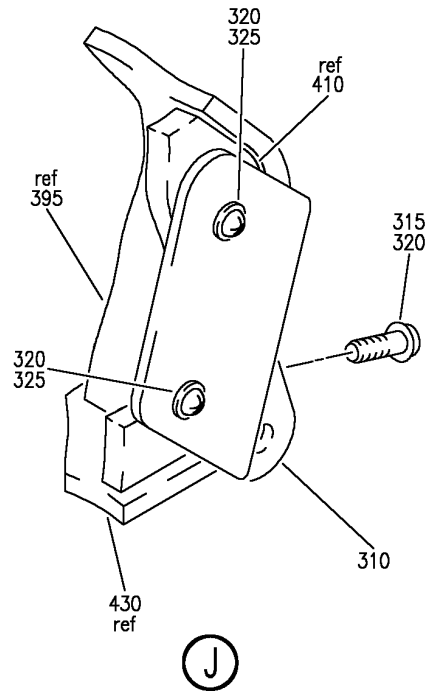
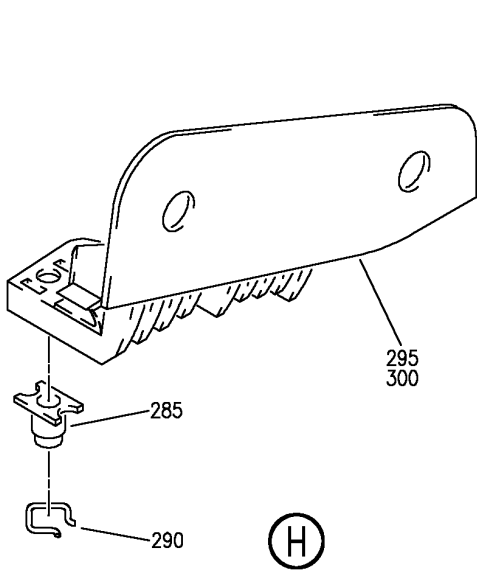
BOX ASSY-60 IN. BIN
 FIGURE 61E (SHEET 5)

25-24-32-61E

HAP
 OCT 15/08

25-24-32-61E
 PAGE 0D

BOEING
 737-600/700/800/900
 PARTS CATALOG (MAINTENANCE)



E 25243261E SHT 6 REV 081

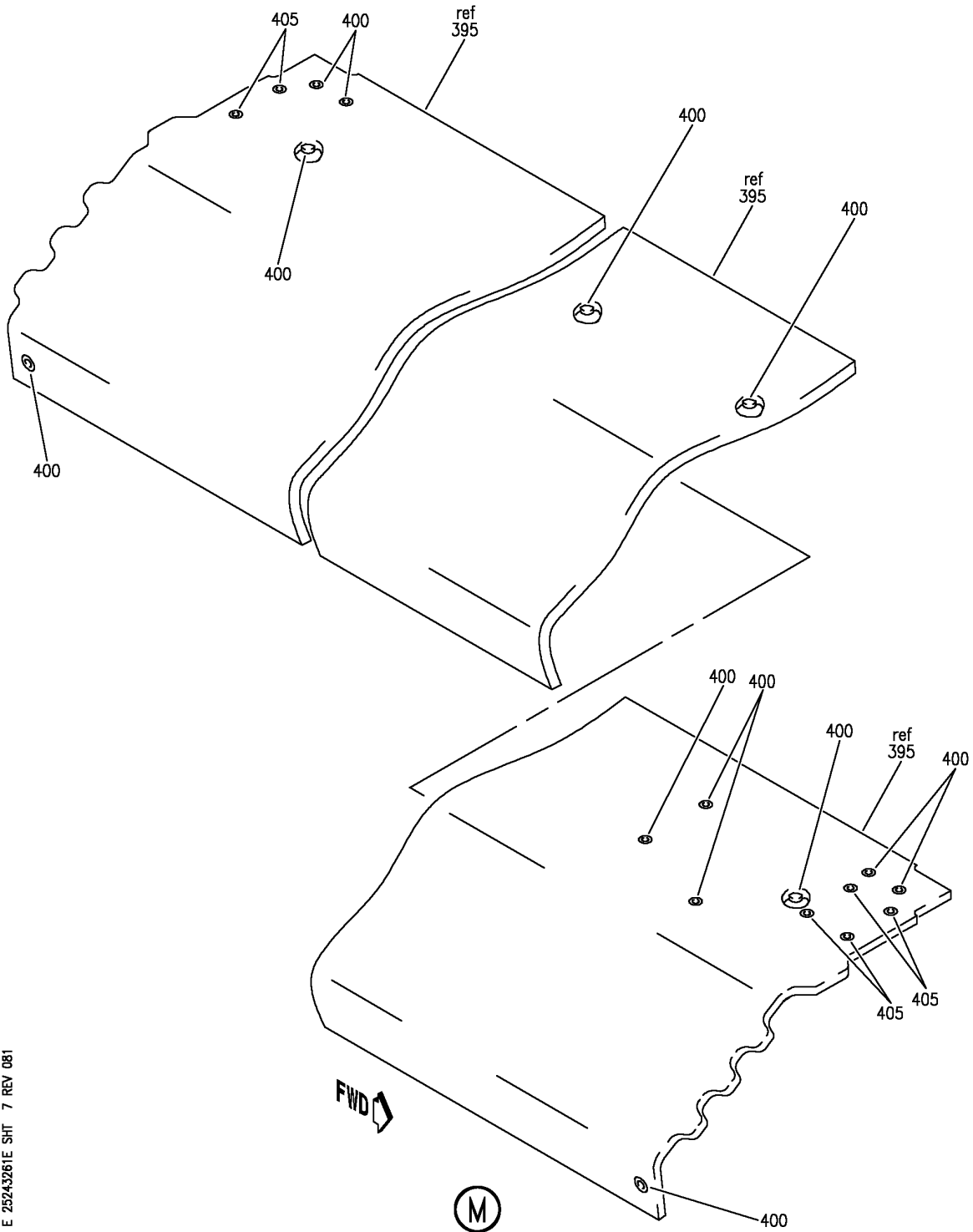
BOX ASSY-60 IN. BIN
 FIGURE 61E (SHEET 6)

25-24-32-61E

HAP
 OCT 15/08

25-24-32-61E
 PAGE 0E

BOEING
 737-600/700/800/900
 PARTS CATALOG (MAINTENANCE)



E 25243261E SHT 7 REV 081

BOX ASSY-60 IN. BIN
 FIGURE 61E (SHEET 7)

25-24-32-61E

HAP
 OCT 15/08

25-24-32-61E
 PAGE OF

BOEING
737-600/700/800/900
PARTS CATALOG (MAINTENANCE)

FIG ITEM	PART NUMBER	1 2 3 4 5 6 7	NOMENCLATURE	EFFECT FROM TO	UNITS PER ASSY
61E					
- 1	412A1200-104A		BOX ASSY-60 IN. BIN BOX ASSY-60 IN. BIN POSITION DATA: FWD RH OPTIONAL PART: 412A1200-1104B FOR NHA SEE: 25-24-31-21	201967 201967	RF
- 1	412A1200-1104B		BOX ASSY-60 IN. BIN POSITION DATA: FWD RH OPTIONAL PART: 412A1200-104A FOR NHA SEE: 25-24-31-21	201201	RF
5	HL1012AZ6-10		.BOLT- SUPPLIER CODE: V97928 SPECIFICATION NUMBER: BACB30NX6K10 OPTIONAL PART: HL12VAZ6-10 V73197 HL12VAZ6-10 V92215 HL12VAZ6-10 V97928 L802-6K10 V06725 HL12VAZ6-10 V56878 HL1012AZ6-10 VOPTK6 HL1012AZ6-10 V06725 HL1012AZ6-10 V06950 HL1012AZ6-10 V17446 HL1012AZ6-10 V56878 HL1012AZ6-10 V60516 HL1012AZ6-10 V73197 POSITION DATA: FAR SIDE	201967	6
10	BACS12ER3K9		.SCREW	201967	6
15	BACS12FA3K4		.SCREW	201967	2
MISSING ITEM NUMBERS NOT APPLICABLE					

- ITEM NOT ILLUSTRATED

HAP

25-24-32-61E

BOEING PROPRIETARY - Copyright © - Unpublished Work - See title page for details.

25-24-32
FIG. 61E
PAGE 1
OCT 15/08

BOEING
737-600/700/800/900
PARTS CATALOG (MAINTENANCE)

FIG ITEM	PART NUMBER	1 2 3 4 5 6 7	NOMENCLATURE	EFFECT FROM TO	UNITS PER ASSY
61E					
20	BACW10BP3NDP	.	WASHER- OPTIONAL PART: NAS1149D0363J	201967	6
20	NAS1149D0363J	.	WASHER- OPTIONAL PART: BACW10BP3NDP USED ON: 412A1200-1104B 412A1200-1104SP	201201	6
25	HL1087-6	.	COLLAR- SUPPLIER CODE: V73197 SPECIFICATION NUMBER: BACC30BH6 OPTIONAL PART: HL1087-6 V56878 HL1087-6 V92215 HL1087-6 V9N513 BACC30BZ6	201967	6
25	HST1070CY6	.	COLLAR- SUPPLIER CODE: V5M902 SPECIFICATION NUMBER: BACC30BZ6 OPTIONAL PART: VLC1070CY6 V92215 HST1070CY6 V73197 BACC30BH6 USED ON: 412A1200-1104B 412A1200-1104SP	201201	6
30	SL5-3-50C	.	NUT- SUPPLIER CODE: V97393	201967	6
35	412A1220-16	.	DOUBLER-9G EXT	201967	1
40	412A1220-10A	.	DOUBLER-9G INTERNAL	201967	1
45	412A1220-39A	.	DOUBLER-INTERNAL	201967	1
50	412A1230-106	.	FITTING ASSY- OPTIONAL PART: 412A1230-152	201967	1
55	BACW10P273L	..	WASHER	201967	2
60	BCREF13195	..	BUSHING- OVERLENGTH PART NUMBER: BACB28AY06A035CG	201967	1

MISSING ITEM NUMBERS NOT APPLICABLE

— ITEM NOT ILLUSTRATED

HAP

25-24-32-61E

BOEING PROPRIETARY - Copyright © - Unpublished Work - See title page for details.

25-24-32
FIG. 61E
PAGE 2
OCT 15/08

BOEING
737-600/700/800/900
PARTS CATALOG (MAINTENANCE)

FIG ITEM	PART NUMBER	1 2 3 4 5 6 7	NOMENCLATURE	EFFECT FROM TO	UNITS PER ASSY
61E					
65	BACB28AT04B023C	..	BUSHING- OPTIONAL PART: NAS538B4P023	201967	2
65	NAS538B4P023	..	BUSHING- OPTIONAL PART: BACB28AT04B023C	201967	2
70	412A1230-108	..	FITTING	201967	1
75	412A1230-152	.FITTING ASSY-	OPTIONAL PART: 412A1230-106 USED ON: 412A1200-104A 412A1200-104SP	201967	1
80	BACW10P273L	..	WASHER	201967	2
85	412A1230-4	..	FITTING ASSY	201967	1
90	BCREF13195	...	BUSHING- OVERLENGTH PART NUMBER: BACB28AY06A035CG	201967	1
95	412A1230-6	...	FITTING	201967	1
100	412A1230-1	.FITTING ASSY-	OPTIONAL PART: 412A1230-201	201967	1
105	BCREF13195	..	BUSHING- OVERLENGTH PART NUMBER: BACB28AY06A035CG	201967	1
110	412A1230-2	..	SUPPORT	201967	1
115	412A1230-201	.FITTING ASSY-	OPTIONAL PART: 412A1230-1 USED ON: 412A1200-1104B 412A1200-1104SP	201201	1
120	BCREF13195	..	BUSHING- OVERLENGTH PART NUMBER: BACB28AY06A035CG	201201	1
125	412A1230-202	..	FITTING- OPTIONAL PART: 412A1230-203	201201	1
125	412A1230-203	..	FITTING- OPTIONAL PART: 412A1230-202	201201	1
130	412A1220-5A	.CORNER ASSY-	OPTIONAL PART: 412A1220-209 412A1220-249	201967	1

MISSING ITEM NUMBERS NOT APPLICABLE

— ITEM NOT ILLUSTRATED

HAP

25-24-32-61E

BOEING PROPRIETARY - Copyright © - Unpublished Work - See title page for details.

25-24-32
FIG. 61E
PAGE 3
OCT 15/08

BOEING
737-600/700/800/900
PARTS CATALOG (MAINTENANCE)

FIG ITEM	PART NUMBER	1 2 3 4 5 6 7	NOMENCLATURE	EFFECT FROM TO	UNITS PER ASSY
61E 130	412A1220-209		.CORNER ASSY- OPTIONAL PART: 412A1220-5A 412A1220-249 USED ON: 412A1200-1104B 412A1200-1104SP	201201	1
135	412A1220-249		.CORNER ASSY- OPTIONAL PART: 412A1220-5A 412A1220-209 USED ON: 412A1200-1104B 412A1200-1104SP	201201	1
140	412A1220-6A		.CORNER ASSY- OPTIONAL PART: 412A1220-210 412A1220-250	201967	1
140	412A1220-210		.CORNER ASSY- OPTIONAL PART: 412A1220-6A 412A1220-250 USED ON: 412A1200-1104B 412A1200-1104SP	201201	1
145	412A1220-250		.CORNER ASSY- OPTIONAL PART: 412A1220-6A 412A1220-210 USED ON: 412A1200-1104B 412A1200-1104SP	201201	1
150	BACS12FA3K4		ATTACHING PARTS .SCREW	201967	2
155	BACS12FA3K7		.SCREW -----*-----	201967	4

MISSING ITEM NUMBERS NOT APPLICABLE

— ITEM NOT ILLUSTRATED

HAP

25-24-32-61E

BOEING PROPRIETARY - Copyright © - Unpublished Work - See title page for details.

25-24-32
FIG. 61E
PAGE 4
OCT 15/08

BOEING
737-600/700/800/900
PARTS CATALOG (MAINTENANCE)

FIG ITEM	PART NUMBER	1 2 3 4 5 6 7	NOMENCLATURE	EFFECT FROM TO	UNITS PER ASSY
61E 160	BRF200C3D		..NUTPLATE SUPPLIER CODE: V52828 SPECIFICATION NUMBER: BACN10JR3CFD OPTIONAL PART: K51602-3BAC V15653 NS202476-02 V80539 102F9201-3 V72962 T8092C1032CD V11815 ATTACHING PARTS	201967	2
- 165	BACR15CE3D		..RIVET- SIZE DETERMINED ON INSTL. -----*-----	201967	4
170	412A1220-7A		..REINFORCEMENT- USED ON: 412A1220-5A	201967	1
170	412A1220-211		..REINFORCEMENT- USED ON: 412A1220-209	201201	1
175	412A1220-251		..REINFORCEMENT- USED ON: 412A1220-249	201201	1
180	412A1220-8A		..REINFORCEMENT- USED ON: 412A1220-6A	201967	1
180	412A1220-212		..REINFORCEMENT- USED ON: 412A1220-210	201201	1
185	412A1220-252		..REINFORCEMENT- USED ON: 412A1220-250	201201	1
190	BACS12FA3K13		.SCREW- USED ON: 412A1200-104A 412A1200-104SP	201967	4

MISSING ITEM NUMBERS NOT APPLICABLE

- ITEM NOT ILLUSTRATED

HAP

25-24-32-61E

BOEING PROPRIETARY - Copyright © - Unpublished Work - See title page for details.

25-24-32
FIG. 61E
PAGE 5
OCT 15/08

BOEING
737-600/700/800/900
PARTS CATALOG (MAINTENANCE)

FIG ITEM	PART NUMBER	1 2 3 4 5 6 7	NOMENCLATURE	EFFECT FROM TO	UNITS PER ASSY
61E 195	F22K1-02	.	NUT- SUPPLIER CODE: V72962 SPECIFICATION NUMBER: BACN10R10L OPTIONAL PART: 22K1-02 V72962 26CLO2 V80539 USED ON: 412A1200-104A 412A1200-104SP	201967	4
200	412A1340-14	.	FASTENER ASSY-KIT OPTIONAL PART: 412A1340-15 USED ON: 412A1200-1104B 412A1200-1104SP	201201	4
205	BACS12FA3K12	..	SCREW	201201	1
210	BACW10EC3S	..	WASHER	201201	1
215	PLH53C	..	NUT SUPPLIER CODE: V62554 SPECIFICATION NUMBER: BACN10YR3C OPTIONAL PART: H52732-3C V15653	201201	1
220	412A1340-15	.	FASTENER ASSY-KIT OPTIONAL PART: 412A1340-14 USED ON: 412A1200-1104B 412A1200-1104SP	201201	4
225	BACS12FA3K13	..	SCREW	201201	1
230	F22K1-02	..	NUT SUPPLIER CODE: V72962 SPECIFICATION NUMBER: BACN10R10L OPTIONAL PART: 22K1-02 V72962 26CLO2 V80539	201201	1
235	412A1247-2A	.	EXTRUSION	201967	1

MISSING ITEM NUMBERS NOT APPLICABLE

— ITEM NOT ILLUSTRATED

HAP

25-24-32-61E

BOEING PROPRIETARY - Copyright © - Unpublished Work - See title page for details.

25-24-32
FIG. 61E
PAGE 6
OCT 15/08

BOEING
737-600/700/800/900
PARTS CATALOG (MAINTENANCE)

FIG ITEM	PART NUMBER	1 2 3 4 5 6 7	NOMENCLATURE	EFFECT FROM TO	UNITS PER ASSY
61E 240	HA225-3	.	STRIKE- SUPPLIER CODE: V83014 SPECIFICATION NUMBER: S412A001-6	201967	2
240	HA225-11	.	STRIKE- SUPPLIER CODE: V83014 SPECIFICATION NUMBER: S412A001-16	201967	2
- 245	BACS12ER08K5	.	SCREW -----*-----	201967	4
250	412A1242-3	.	EXTRUSION ATTACHING PARTS	201967	1
255	BACS12ER3K6	.	SCREW	201967	2
260	BACS12ER3K5	.	SCREW	201967	10
265	H3-1233A3	.	WASHER- SUPPLIER CODE: V34941 SPECIFICATION NUMBER: S411A001-1 -----*-----	201967	10
270	412A1475-3A	.	FITTING ASSY	201967	1
275	412A1475-4A	.	FITTING ASSY ATTACHING PARTS	201967	1
- 280	BACS12ER3K5	.	SCREW -----*-----	201967	4
285	BACN11F3-1CD	..	NUT	201967	1
290	NAS1795-3	..	CLIP	201967	1
295	412A1475-1A	..	FITTING- USED ON: 412A1475-3A	201967	1
300	412A1475-2A	..	FITTING- USED ON: 412A1475-4A	201967	1
305	412A1450-1A	.	TRIM	201967	2
310	412A1230-68	.	FITTING- POSITION DATA: LWR ATTACHING PARTS	201967	1
315	BACS12FA3K5	.	SCREW- USED ON: 412A1200-104A 412A1200-104SP	201967	1
320	BACS12FA3K5	.	SCREW- USED ON: 412A1200-1104B 412A1200-1104SP	201201	3

MISSING ITEM NUMBERS NOT APPLICABLE

- ITEM NOT ILLUSTRATED

HAP

25-24-32-61E

BOEING PROPRIETARY - Copyright © - Unpublished Work - See title page for details.

25-24-32
FIG. 61E
PAGE 7
OCT 15/08

BOEING
737-600/700/800/900
PARTS CATALOG (MAINTENANCE)

FIG ITEM	PART NUMBER	1 2 3 4 5 6 7	NOMENCLATURE	EFFECT FROM TO	UNITS PER ASSY
61E 325	BACS12FA3K6		.SCREW- USED ON: 412A1200-104A 412A1200-104SP -----*-----	201967	2
330	412A1230-87		.FITTING ASSY- POSITION DATA: LWR ATTACHING PARTS	201967	1
335	BACS12ER3K5		.SCREW- USED ON: 412A1200-1104B 412A1200-1104SP	201201	2
335	BACS12ER3K6		.SCREW- USED ON: 412A1200-104A 412A1200-104SP	201967	2
340	BACS12FA3K5		.SCREW -----*-----	201967	1
345	BCREF13196		..BUSHING- OVERLENGTH PART NUMBER: BACB28AT06A010CG	201967	1
350	412A1230-89		..FITTING	201967	1
355	BACS12FA3K4		.SCREW	201967	10
360	BACS12FA3K5		.SCREW- USED ON: 412A1200-104A 412A1200-104SP	201967	10
365	BACS12FA3K5		.SCREW- USED ON: 412A1200-1104B 412A1200-1104SP	201201	14
370	BACS12FA3K6		.SCREW- USED ON: 412A1200-104A 412A1200-104SP	201967	4
375	412A1220-9A		.ANGLE- OPTIONAL PART: 412A1220-205	201967	2
375	412A1220-205		.ANGLE- OPTIONAL PART: 412A1220-9A USED ON: 412A1200-1104B 412A1200-1104SP	201201	2
380	412A1200-25		.CLIP	201967	1
385	412A1252-5		.RETAINER	201967	1
390	412A1245-2		.RAIL	201967	1

MISSING ITEM NUMBERS NOT APPLICABLE

— ITEM NOT ILLUSTRATED

HAP

25-24-32-61E

BOEING PROPRIETARY - Copyright © - Unpublished Work - See title page for details.

25-24-32
FIG. 61E
PAGE 8
OCT 15/08

BOEING
737-600/700/800/900
PARTS CATALOG (MAINTENANCE)

FIG ITEM	PART NUMBER	1 2 3 4 5 6 7	NOMENCLATURE	EFFECT FROM TO	UNITS PER ASSY
61E 395	412A1210-104A		.PANEL ASSY- USED ON: 412A1200-104A	201967	1
395	412A1210-1104B		.PANEL ASSY- USED ON: 412A1200-1104B	201201	1
400	SL2334-3A1		..INSERT- SUPPLIER CODE: V97393	201967	13
405	BCREF128023		..INSERT- SUPPLIER CODE: V97393 OVERLENGTH PART NUMBER: SL603-3-375ASP13	201967	6
410	412A1212-106A		.PANEL ASSY- USED ON: 412A1200-104A	201967	1
410	412A1212-1106B		.PANEL ASSY- USED ON: 412A1200-1104B	201201	1
- 415	SL2334-3A1		..INSERT- SUPPLIER CODE: V97393	201967	8
420	412A1212-108A		.PANEL ASSY- USED ON: 412A1200-104A	201967	1
420	412A1212-1108B		.PANEL ASSY- USED ON: 412A1200-1104B	201201	1
- 425	SL2334-3A1		..INSERT- SUPPLIER CODE: V97393	201967	8
430	412A1211-104A		.PANEL ASSY- USED ON: 412A1200-104A	201967	1
430	412A1211-1104B		.PANEL ASSY- USED ON: 412A1200-1104B	201201	1
- 435	SL2334-3A1		..INSERT- SUPPLIER CODE: V97393	201967	37

MISSING ITEM NUMBERS NOT APPLICABLE

- ITEM NOT ILLUSTRATED

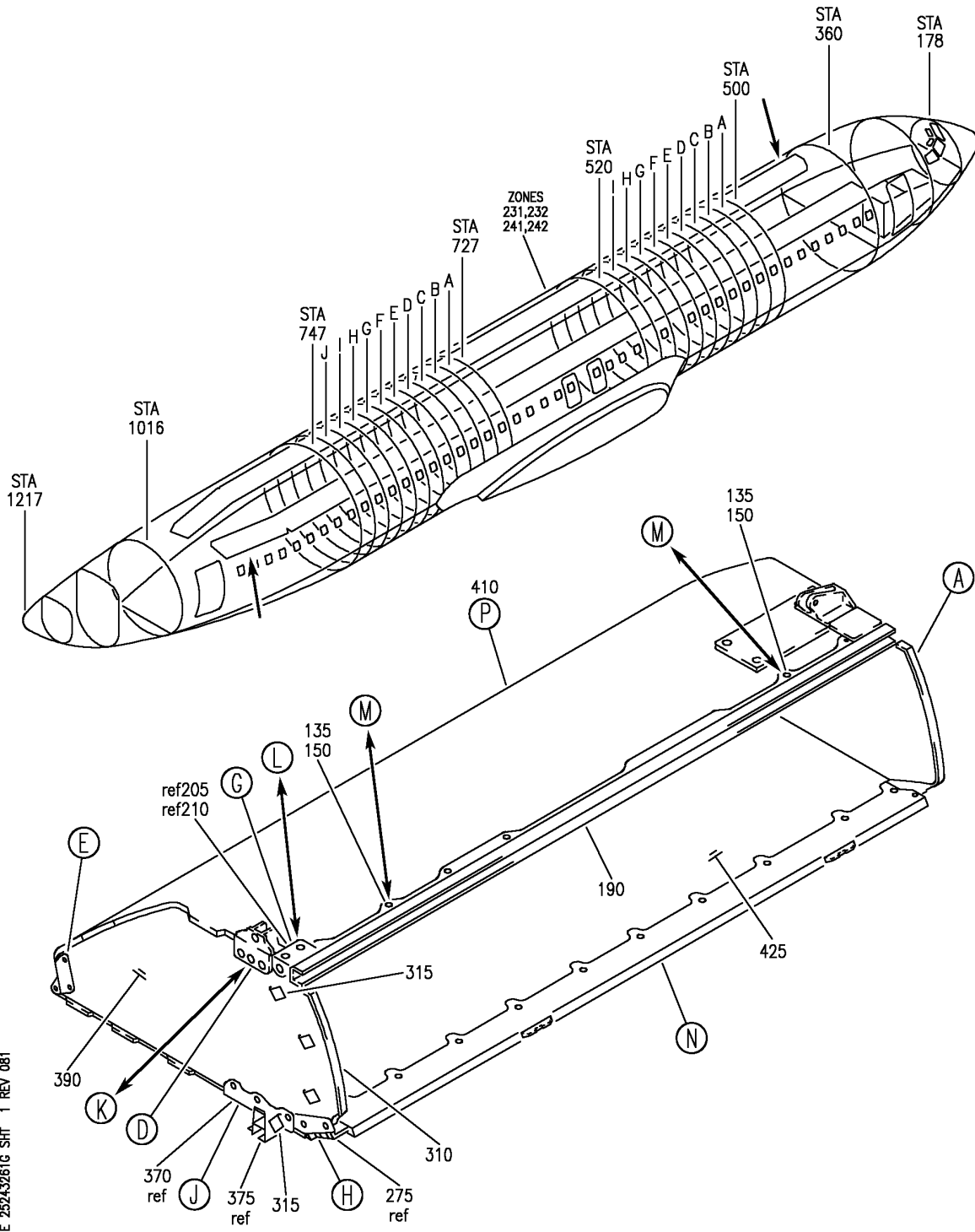
HAP

25-24-32-61E

BOEING PROPRIETARY - Copyright © - Unpublished Work - See title page for details.

25-24-32
FIG. 61E
PAGE 9
OCT 15/08

BOEING
 737-600/700/800/900
 PARTS CATALOG (MAINTENANCE)



E 25243261G SHT 1 REV 081

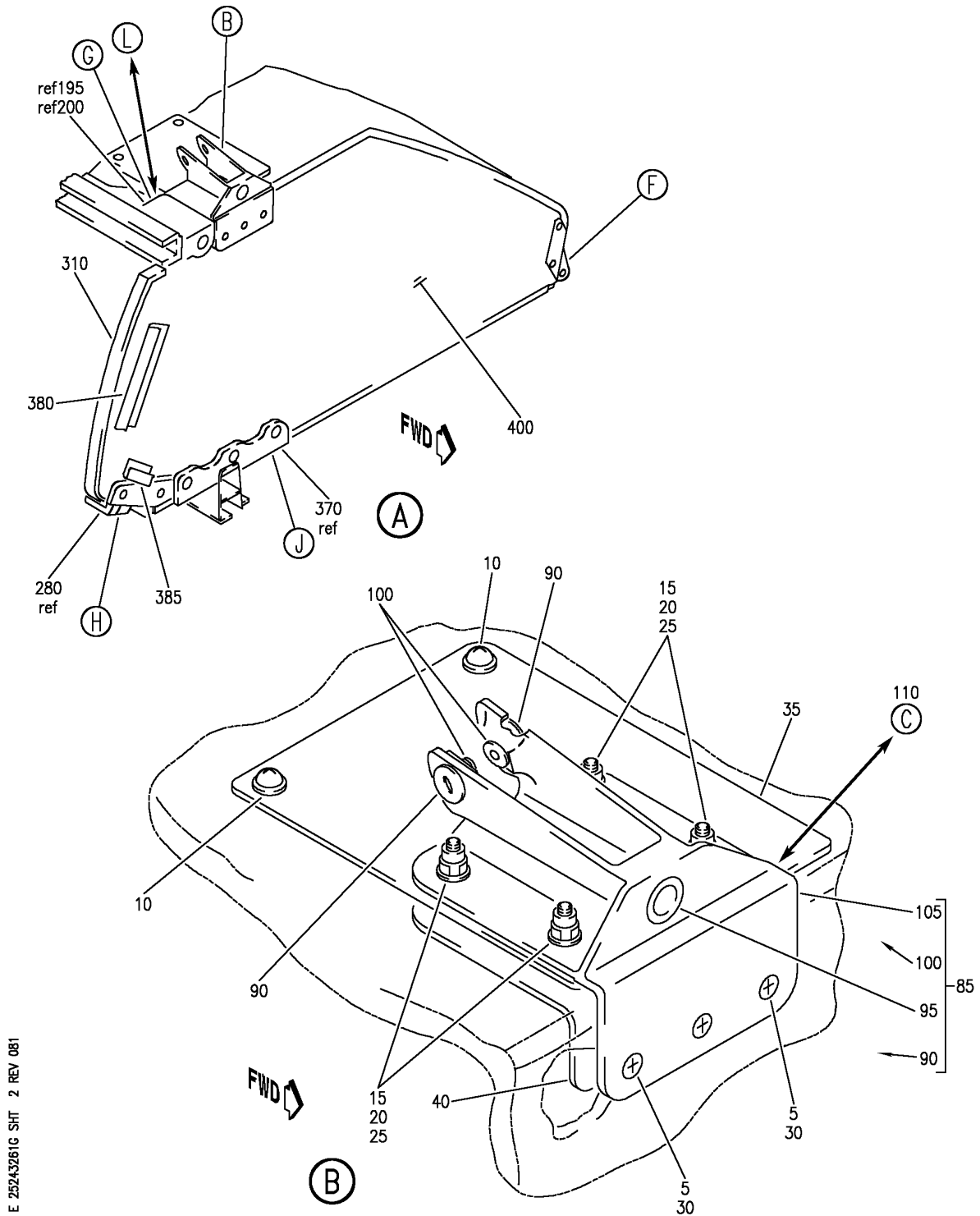
BOX ASSY-60 IN. FWD LH BIN
 FIGURE 61G (SHEET 1)

25-24-32-61G

HAP
 OCT 10/06

25-24-32-61G
 PAGE 0

BOEING
 737-600/700/800/900
 PARTS CATALOG (MAINTENANCE)



E 25243261G SHT 2 REV 081

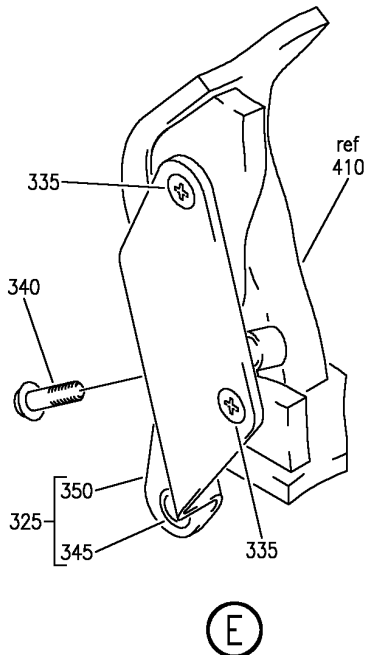
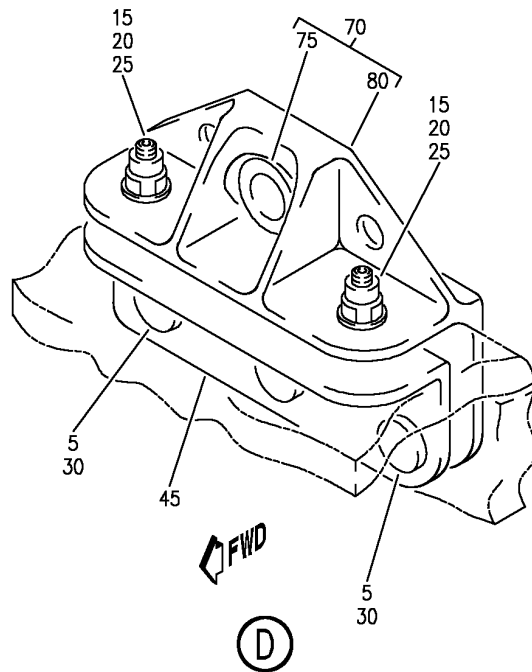
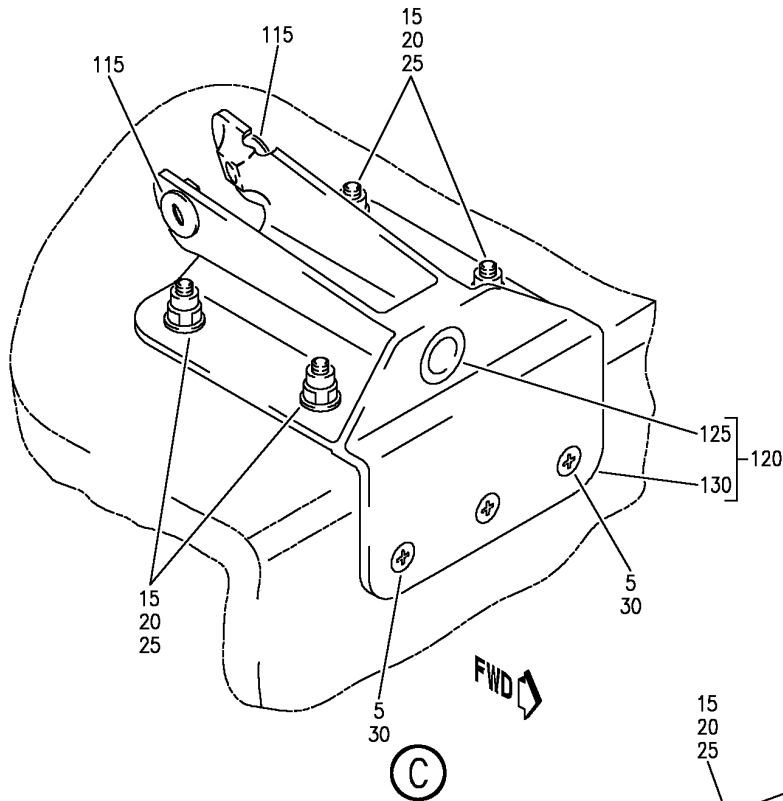
BOX ASSY-60 IN. FWD LH BIN
 FIGURE 61G (SHEET 2)

25-24-32-61G

HAP
 OCT 10/06

25-24-32-61G
 PAGE 0A

BOEING
737-600/700/800/900
PARTS CATALOG (MAINTENANCE)



E 25243261G SHT 3 REV 081

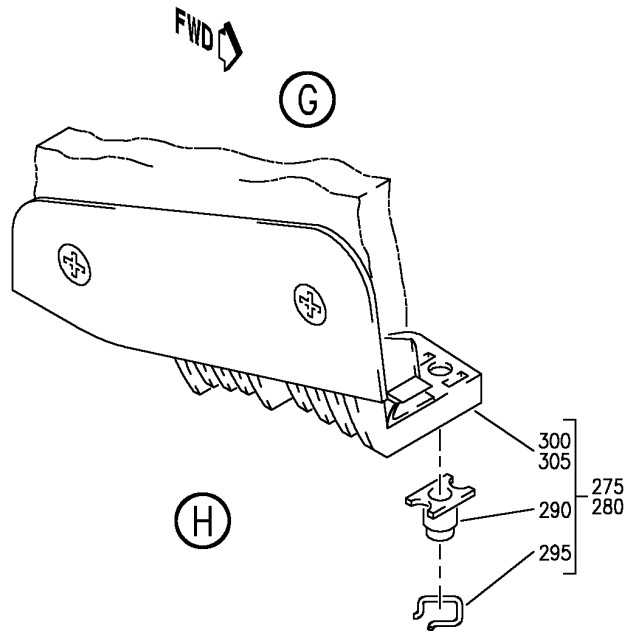
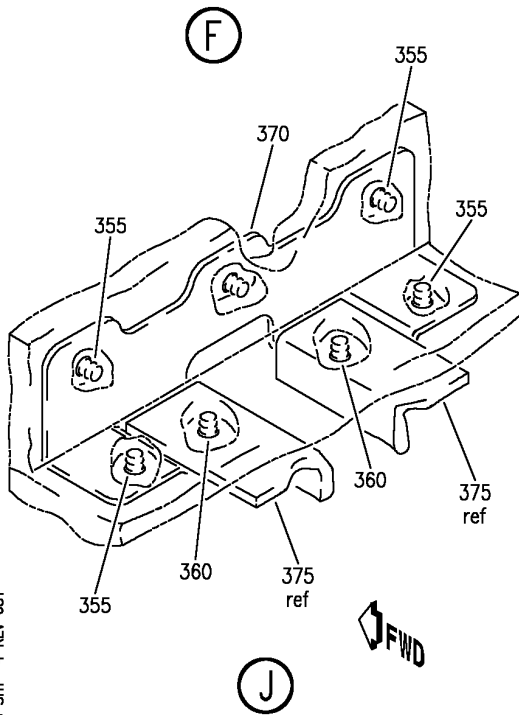
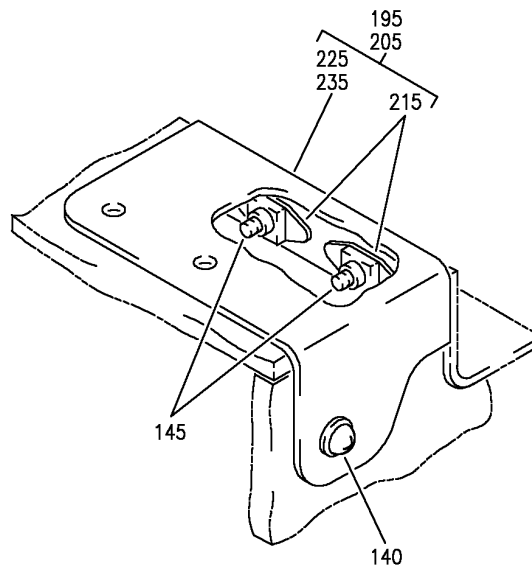
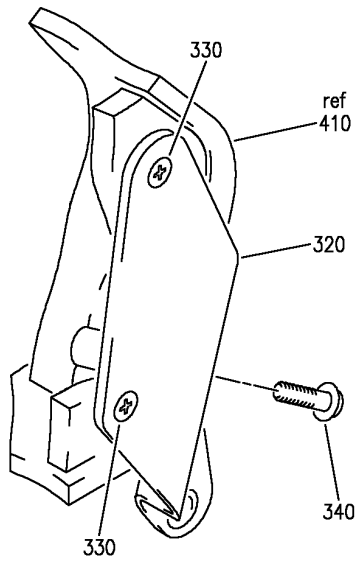
BOX ASSY-60 IN. FWD LH BIN
FIGURE 61G (SHEET 3)

25-24-32-61G

HAP
OCT 10/06

25-24-32-61G
PAGE 0B

BOEING
 737-600/700/800/900
 PARTS CATALOG (MAINTENANCE)



E 25243261G SHT 4 REV 081

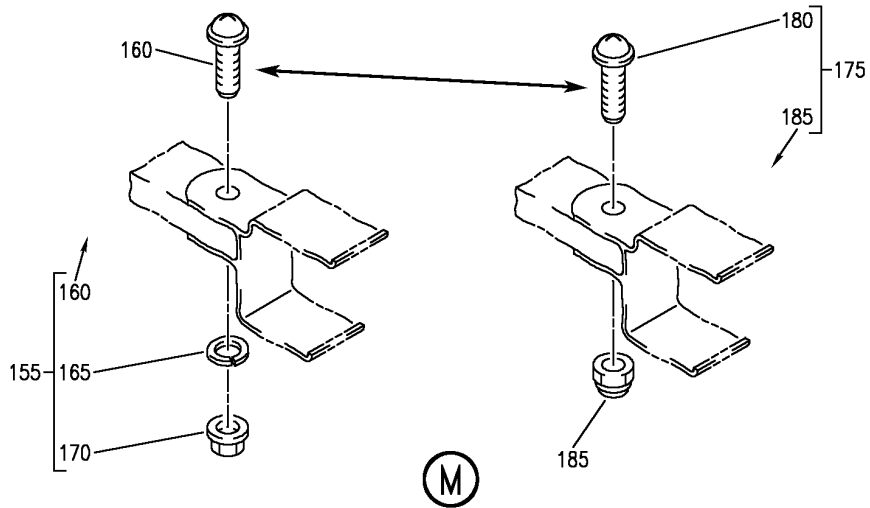
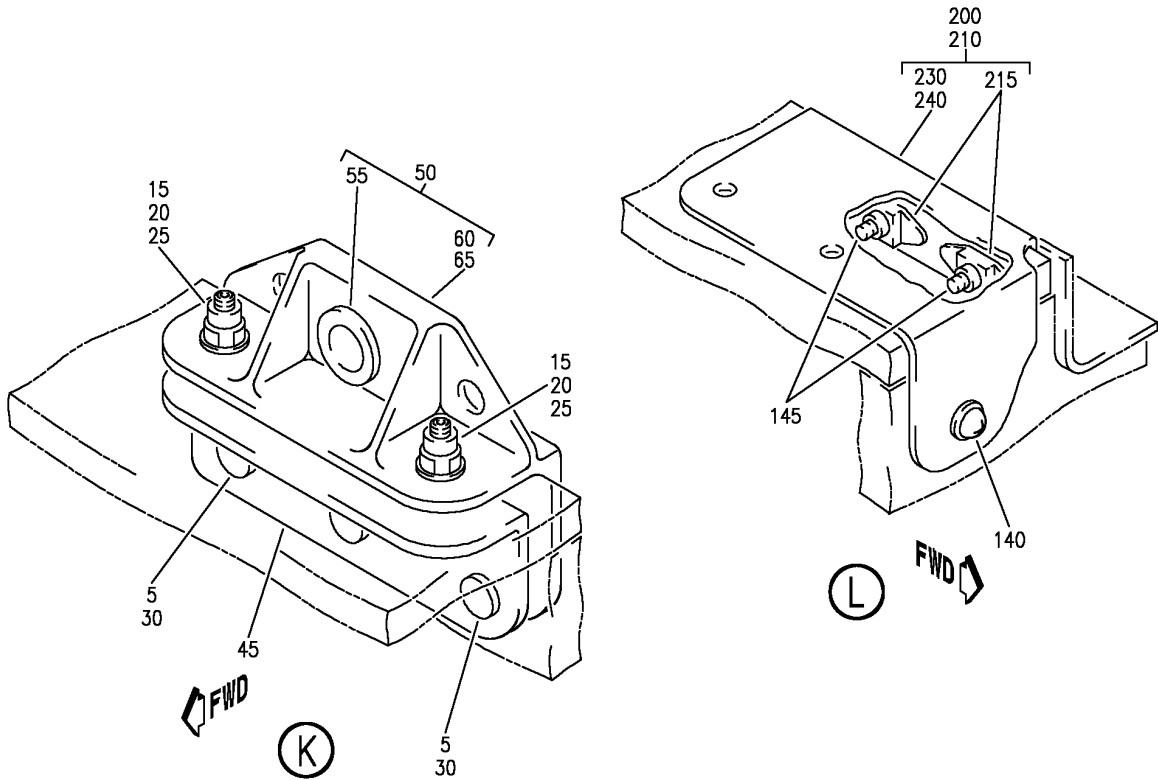
BOX ASSY-60 IN. FWD LH BIN
 FIGURE 61G (SHEET 4)

25-24-32-61G

HAP
 OCT 10/06

25-24-32-61G
 PAGE 0C

BOEING
 737-600/700/800/900
 PARTS CATALOG (MAINTENANCE)



E 25243261G SHT 5 REV 081

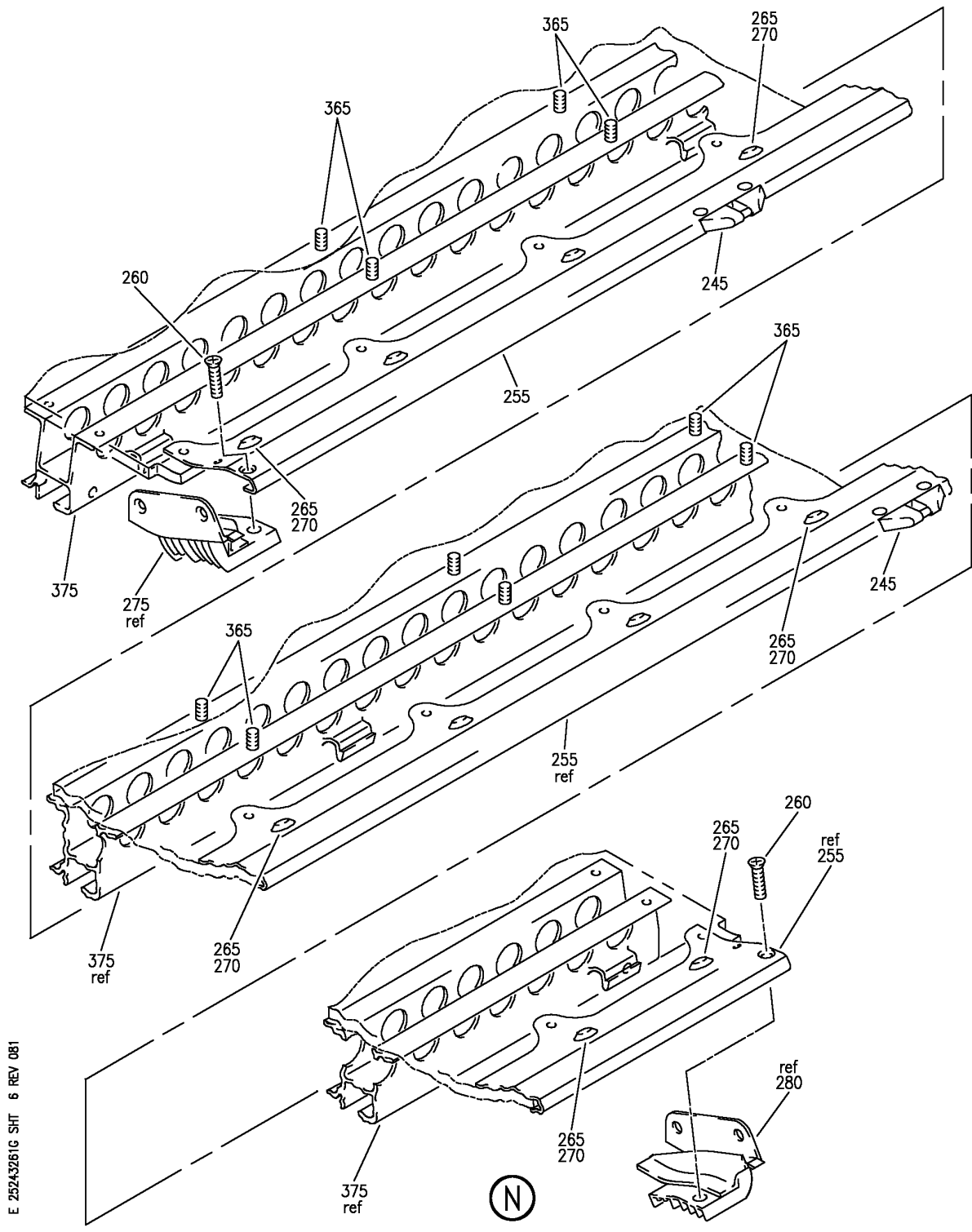
BOX ASSY-60 IN. FWD LH BIN
 FIGURE 61G (SHEET 5)

25-24-32-61G

HAP
 OCT 10/06

25-24-32-61G
 PAGE 0D

BOEING
 737-600/700/800/900
 PARTS CATALOG (MAINTENANCE)



E 25243261G SHT 6 REV 081

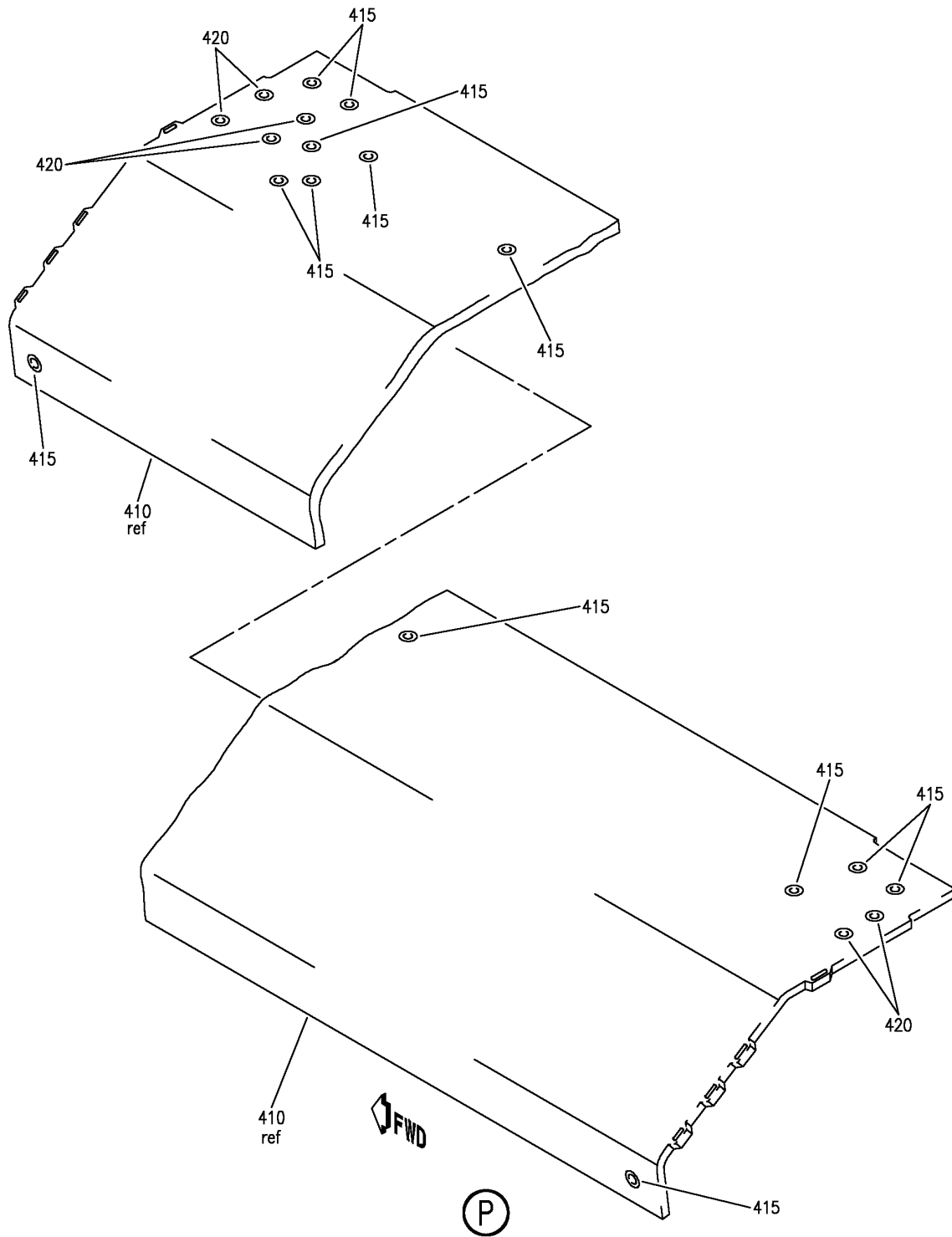
BOX ASSY-60 IN. FWD LH BIN
 FIGURE 61G (SHEET 6)

25-24-32-61G

HAP
 OCT 10/06

25-24-32-61G
 PAGE 0E

BOEING
 737-600/700/800/900
 PARTS CATALOG (MAINTENANCE)



E 25243261G SHT 7 REV 081

BOX ASSY-60 IN. FWD LH BIN
 FIGURE 61G (SHEET 7)

25-24-32-61G

HAP
 OCT 10/06

25-24-32-61G
 PAGE OF

BOEING
737-600/700/800/900
PARTS CATALOG (MAINTENANCE)

FIG ITEM	PART NUMBER	1 2 3 4 5 6 7	NOMENCLATURE	EFFECT FROM TO	UNITS PER ASSY
61G			BOX ASSY-60 IN. FWD LH BIN	002005 008030	
- 1	412A1200-105SP		BOX ASSY-60 IN. BIN POSITION DATA: FWD LH OPTIONAL PART: 412A1200-1105SP FOR NHA SEE: 25-24-31-42	002005 008008	RF
- 1	412A1200-1105SP		BOX ASSY-60 IN. BIN POSITION DATA: FWD LH OPTIONAL PART: 412A1200-105SP POST SERVICE BULLETIN: 25-1373 FOR NHA SEE: 25-24-31-42	002005 008008	RF
- 1	412A1200-105A		BOX ASSY-60 IN. BIN POSITION DATA: FWD LH OPTIONAL PART: 412A1200-1105B FOR NHA SEE: 25-24-31-42	009030	RF
- 1	412A1200-1105B		BOX ASSY-60 IN. BIN POSITION DATA: FWD LH OPTIONAL PART: 412A1200-105A FOR NHA SEE: 25-24-31-42	009030	RF
5	BACS12ER3K9		.SCREW	002005 008030	6
10	BACS12FA3K4		.SCREW	002005 008030	2

MISSING ITEM NUMBERS NOT APPLICABLE

- ITEM NOT ILLUSTRATED

HAP

25-24-32-61G

BOEING PROPRIETARY - Copyright © - Unpublished Work - See title page for details.

25-24-32
FIG. 61G
PAGE 1
OCT 10/06

BOEING
737-600/700/800/900
PARTS CATALOG (MAINTENANCE)

FIG ITEM	PART NUMBER	1 2 3 4 5 6 7	NOMENCLATURE	EFFECT FROM TO	UNITS PER ASSY
61G 15	HL1012AZ6-10	.	BOLT SUPPLIER CODE: V97928 SPECIFICATION NUMBER: BACB30NX6K10 OPTIONAL PART: HL12VAZ6-10 V73197 HL12VAZ6-10 V92215 HL12VAZ6-10 V97928 L802-6K10 V06725 HL12VAZ6-10 V56878 HL1012AZ6-10 VOPTK6 HL1012AZ6-10 V06725 HL1012AZ6-10 V06950 HL1012AZ6-10 V17446 HL1012AZ6-10 V56878 HL1012AZ6-10 V60516 HL1012AZ6-10 V73197	002005 008030	6
20	BACW10BP3NDP	.	WASHER- OPTIONAL PART: NAS1149D0363J	002005 008030	6
20	NAS1149D0363J	.	WASHER- OPTIONAL PART: BACW10BP3NDP USED ON: 412A1200-1105SP 412A1200-1105B	002005 008030	6

MISSING ITEM NUMBERS NOT APPLICABLE

— ITEM NOT ILLUSTRATED

HAP

25-24-32-61G

BOEING PROPRIETARY - Copyright © - Unpublished Work - See title page for details.

25-24-32
FIG. 61G
PAGE 2
OCT 10/06

BOEING
737-600/700/800/900
PARTS CATALOG (MAINTENANCE)

FIG ITEM	PART NUMBER	1 2 3 4 5 6 7	NOMENCLATURE	EFFECT FROM TO	UNITS PER ASSY
61G 25	HL1087-6		.COLLAR- SUPPLIER CODE: V73197 SPECIFICATION NUMBER: BACC30BH6 OPTIONAL PART: HL1087-6 V56878 HL1087-6 V92215 HL1087-6 V9N513 BACC30BZ6	002005 008030	6
25	HST1070CY6		.COLLAR- SUPPLIER CODE: V5M902 SPECIFICATION NUMBER: BACC30BZ6 OPTIONAL PART: VLC1070CY6 V92215 HST1070CY6 V73197 BACC30BH6 USED ON: 412A1200-1105SP 412A1200-1105B	002005 008030	6
30	SL5-3-50C		.NUT- SUPPLIER CODE: V97393	002005 008030	6
35	412A1220-16		.DOUBLER-9G EXT	002005 008030	1
40	412A1220-10SP		.DOUBLER-9G INTERNAL	002005 008008	1
40	412A1220-10A		.DOUBLER-9G INTERNAL	009030	1
45	412A1220-39SP		.DOUBLER-INTERNAL	002005 008008	1
45	412A1220-39A		.DOUBLER-INTERNAL	009030	1
50	412A1230-201		.FITTING ASSY- OPTIONAL PART: 412A1230-1 USED ON: 412A1200-1105SP 412A1200-1105B	002005 008030	1
55	BCREF13195		..BUSHING- OVERLENGTH PART NUMBER: BACB28AY06A035CG	002005 008030	1

MISSING ITEM NUMBERS NOT APPLICABLE

- ITEM NOT ILLUSTRATED

HAP

25-24-32-61G

BOEING PROPRIETARY - Copyright © - Unpublished Work - See title page for details.

25-24-32
FIG. 61G
PAGE 3
OCT 10/06

BOEING
737-600/700/800/900
PARTS CATALOG (MAINTENANCE)

FIG ITEM	PART NUMBER	1 2 3 4 5 6 7	NOMENCLATURE	EFFECT FROM TO	UNITS PER ASSY
61G					
60	412A1230-202	..	FITTING- OPTIONAL PART: 412A1230-203	002005 008030	1
65	412A1230-203	..	FITTING- OPTIONAL PART: 412A1230-202	002005 008030	1
70	412A1230-1	.FITTING ASSY-	OPTIONAL PART: 412A1230-201	002005 008030	1
75	BCREF13195	..	BUSHING- OVERLENGTH PART NUMBER: BACB28AY06A035CG	002005 008030	1
80	412A1230-2	..	SUPPORT	002005 008030	1
85	412A1230-105	.FITTING ASSY-DRAG	OPTIONAL PART: 412A1230-151	002005 008030	1
90	BACW10P273L	..	WASHER	002005 008030	2
95	BCREF13195	..	BUSHING- OVERLENGTH PART NUMBER: BACB28AY06A035CG	002005 008030	1
100	BACB28AT04B023C	..	BUSHING- OPTIONAL PART: NAS538B4P023	002005 008030	2
100	NAS538B4P023	..	BUSHING- OPTIONAL PART: BACB28AT04B023C	002005 008030	2
105	412A1230-107	..	FITTING-DRAG	002005 008030	1
110	412A1230-151	.FITTING ASSY-DRAG	OPTIONAL PART: 412A1230-105 USED ON: 412A1200-105SP 412A1200-105A	002005 008030	1
115	BACW10P273L	..	WASHER	002005 008030	2
120	412A1230-3	..	FITTING ASSY	002005 008030	1
125	BCREF13195	...	BUSHING- OVERLENGTH PART NUMBER: BACB28AY06A035CG	002005 008030	1
130	412A1230-5	...	FITTING	002005 008030	1
135	BACS12FA3K13	.SCREW-	USED ON: 412A1200-105A 412A1200-105SP	002005 008030	4

MISSING ITEM NUMBERS NOT APPLICABLE

— ITEM NOT ILLUSTRATED

HAP

25-24-32-61G

BOEING PROPRIETARY - Copyright © - Unpublished Work - See title page for details.

25-24-32
FIG. 61G
PAGE 4
OCT 10/06

BOEING
737-600/700/800/900
PARTS CATALOG (MAINTENANCE)

FIG ITEM	PART NUMBER	1 2 3 4 5 6 7	NOMENCLATURE	EFFECT FROM TO	UNITS PER ASSY
61G 140	BACS12FA3K4	.	SCREW	002005 008030	2
145	BACS12FA3K7	.	SCREW	002005 008030	4
150	F22K1-02	.	NUT- SUPPLIER CODE: V72962 SPECIFICATION NUMBER: BACN10R10L OPTIONAL PART: 22K1-02 V72962 26CLO2 V80539 USED ON: 412A1200-105A 412A1200-105SP	002005 008030	4
155	412A1340-14	.	FASTENER ASSY-KIT OPTIONAL PART: 412A1340-15 USED ON: 412A1200-1105SP 412A1200-1105B	002005 008030	4
160	BACS12FA3K12	..	SCREW	002005 008030	1
165	BACW10EC3S	..	WASHER	002005 008030	1
170	PLH53C	..	NUT SUPPLIER CODE: V62554 SPECIFICATION NUMBER: BACN10YR3C OPTIONAL PART: H52732-3C V15653	002005 008030	1
175	412A1340-15	.	FASTENER ASSY-KIT OPTIONAL PART: 412A1340-14 USED ON: 412A1200-1105SP 412A1200-1105B	002005 008030	4
180	BACS12FA3K13	..	SCREW	002005 008030	1

MISSING ITEM NUMBERS NOT APPLICABLE

— ITEM NOT ILLUSTRATED

HAP

25-24-32-61G

BOEING PROPRIETARY - Copyright © - Unpublished Work - See title page for details.

25-24-32
FIG. 61G
PAGE 5
OCT 10/06

BOEING
737-600/700/800/900
PARTS CATALOG (MAINTENANCE)

FIG ITEM	PART NUMBER	1 2 3 4 5 6 7	NOMENCLATURE	EFFECT FROM TO	UNITS PER ASSY
61G 185	F22K1-02	. .	NUT SUPPLIER CODE: V72962 SPECIFICATION NUMBER: BACN10R10L OPTIONAL PART: 22K1-02 V72962 26CLO2 V80539	002005 008030	1
190	412A1247-2SP	. EXTRUSION-	DOOR CLOSEOUT	002005 008008	1
190	412A1247-2A	. EXTRUSION-	DOOR CLOSEOUT	009030	1
195	412A1220-5SP	. CORNER ASSY-	OPTIONAL PART: 412A1220-209 412A1220-249	002005 008008	1
195	412A1220-5A	. CORNER ASSY-	OPTIONAL PART: 412A1220-209 412A1220-249	009030	1
195	412A1220-209	. CORNER ASSY-	OPTIONAL PART: 412A1220-5SP 412A1220-5A 412A1220-249 USED ON: 412A1200-1105SP 412A1200-1105B	002005 008030	1
200	412A1220-249	. CORNER ASSY-	OPTIONAL PART: 412A1220-209 412A1220-5A 412A1220-5SP USED ON: 412A1200-1105SP 412A1200-1105B	002005 008030	1
205	412A1220-6SP	. CORNER ASSY-	OPTIONAL PART: 412A1220-210 412A1220-250	002005 008008	1
205	412A1220-6A	. CORNER ASSY-	OPTIONAL PART: 412A1220-210 412A1220-250	009030	1

MISSING ITEM NUMBERS NOT APPLICABLE

— ITEM NOT ILLUSTRATED

HAP

25-24-32-61G

BOEING PROPRIETARY - Copyright © - Unpublished Work - See title page for details.

25-24-32
FIG. 61G
PAGE 6
OCT 10/06

BOEING
737-600/700/800/900
PARTS CATALOG (MAINTENANCE)

FIG ITEM	PART NUMBER	1 2 3 4 5 6 7	NOMENCLATURE	EFFECT FROM TO	UNITS PER ASSY
61G 205	412A1220-210		.CORNER ASSY- OPTIONAL PART: 412A1220-6SP 412A1220-6A 412A1220-250 USED ON: 412A1200-1105SP 412A1200-1105B	002005 008030	1
210	412A1220-250		.CORNER ASSY- OPTIONAL PART: 412A1220-6SP 412A1220-6A 412A1220-210	002005 008030	1
215	BRF200C3D		..NUTPLATE SUPPLIER CODE: V52828 SPECIFICATION NUMBER: BACN10JR3CFD OPTIONAL PART: K51602-3BAC V15653 NS202476-02 V80539 102F9201-3 V72962 T8092C1032CD V11815 ATTACHING PARTS	002005 008030	2
- 220	BACR15CE3D		..RIVET- SIZE DETERMINED ON INSTL. -----*-----	002005 008030	4
225	412A1220-7SP		..REINFORCEMENT- USED ON: 412A1220-5SP	002005 008008	1
225	412A1220-7A		..REINFORCEMENT- USED ON: 412A1220-5A	009030	1
225	412A1220-211		..REINFORCEMENT- USED ON: 412A1220-209	002005 008030	1
230	412A1220-251		..REINFORCEMENT- USED ON: 412A1220-249	002005 008030	1
235	412A1220-8SP		..REINFORCEMENT- USED ON: 412A1220-6SP	002005 008008	1
235	412A1220-8A		..REINFORCEMENT- USED ON: 412A1220-6A	009030	1

MISSING ITEM NUMBERS NOT APPLICABLE

- ITEM NOT ILLUSTRATED

HAP

25-24-32-61G

BOEING PROPRIETARY - Copyright © - Unpublished Work - See title page for details.

25-24-32
FIG. 61G
PAGE 7
OCT 10/06

BOEING
737-600/700/800/900
PARTS CATALOG (MAINTENANCE)

FIG ITEM	PART NUMBER	1 2 3 4 5 6 7	NOMENCLATURE	EFFECT FROM TO	UNITS PER ASSY
61G 235	412A1220-212	..	REINFORCEMENT- USED ON: 412A1220-210	002005 008030	1
240	412A1220-252	..	REINFORCEMENT- USED ON: 412A1220-250	002005 008030	1
245	HA225-3	.STRIKE- SUPPLIER CODE: V83014 SPECIFICATION NUMBER: S412A001-6 USED ON: 412A1200-105SP 412A1200-105A		002005 008030	2
245	HA225-11	.STRIKE- SUPPLIER CODE: V83014 SPECIFICATION NUMBER: S412A001-16		002005 008030	2
- 250	BACS12ER08K5	.ATTACHING PARTS SCREW		002005 008030	4
255	412A1242-2	-----*----- .EXTRUSION		002005 008030	1
260	BACS12ER3K6	.ATTACHING PARTS SCREW		002005 008030	2
265	BACS12ER3K5	.SCREW		002005 008030	10
270	H3-1233A3	.WASHER- SUPPLIER CODE: V34941 SPECIFICATION NUMBER: S411A001-1		002005 008030	10
275	412A1475-3SP	-----*----- .FITTING ASSY		002005 008008	1
275	412A1475-3A	.FITTING ASSY		009030	1
280	412A1475-4SP	.FITTING ASSY		002005 008008	1
280	412A1475-4A	.FITTING ASSY ATTACHING PARTS		009030	1
- 285	BACS12ER3K5	.SCREW		002005 008030	4
290	BACN11F3-1CD	-----*----- ..NUT		002005 008030	1

MISSING ITEM NUMBERS NOT APPLICABLE

- ITEM NOT ILLUSTRATED

HAP

25-24-32-61G

BOEING PROPRIETARY - Copyright © - Unpublished Work - See title page for details.

25-24-32
FIG. 61G
PAGE 8
JUN 15/08

BOEING
737-600/700/800/900
PARTS CATALOG (MAINTENANCE)

FIG ITEM	PART NUMBER	1 2 3 4 5 6 7	NOMENCLATURE	EFFECT FROM TO	UNITS PER ASSY
61G 295	NAS1795-3	..	CLIP	002005 008030	1
300	412A1475-1SP	..	FITTING- USED ON: 412A1475-3SP	002005 008008	1
300	412A1475-1A	..	FITTING- USED ON: 412A1475-3A	009030	1
305	412A1475-2SP	..	FITTING- USED ON: 412A1475-4SP	002005 008008	1
305	412A1475-2A	..	FITTING- USED ON: 412A1475-4A	009030	1
310	412A1450-1A	.	TRIM	002005 008030	2
315	412A1450-21	.	CLIP	002005 008030	4
320	412A1230-68	.	FITTING- POSITION DATA: LWR	002005 008030	1
325	412A1230-87	.	FITTING ASSY- POSITION DATA: LWR	002005 008030	1
330	BACS12FA3K6	.	ATTACHING PARTS SCREW- USED ON: 412A1200-105SP 412A1200-105A USED WITH: 412A1230-68	002005 008030	2
330	BACS12FA3K5	.	SCREW- USED ON: 412A1200-1105SP 412A1200-1105B USED WITH: 412A1230-68	002005 008030	2
335	BACS12ER3K6	.	SCREW- USED ON: 412A1200-105SP 412A1200-105A USED WITH: 412A1230-87	002005 008030	2
335	BACS12ER3K5	.	SCREW- USED ON: 412A1200-1105SP 412A1200-1105B USED WITH: 412A1230-87	002005 008030	2

MISSING ITEM NUMBERS NOT APPLICABLE

— ITEM NOT ILLUSTRATED

HAP

25-24-32-61G

BOEING PROPRIETARY - Copyright © - Unpublished Work - See title page for details.

25-24-32
FIG. 61G
PAGE 9
JUN 15/08

BOEING
737-600/700/800/900
PARTS CATALOG (MAINTENANCE)

FIG ITEM	PART NUMBER	1 2 3 4 5 6 7	NOMENCLATURE	EFFECT FROM TO	UNITS PER ASSY
61G 340	BACS12FA3K5	.	SCREW	002005 008030	2
			-----*-----		
345	BCREF13196	..	BUSHING- OVERLENGTH PART NUMBER: BACB28AT06A010CG	002005 008030	1
350	412A1230-89	..	FITTING- POSITION DATA: LWR USED ON: 412A1230-87	002005 008030	1
355	BACS12FA3K4	.	SCREW	002005 008030	10
360	BACS12FA3K6	.	SCREW- USED ON: 412A1200-105SP 412A1200-105A	002005 008030	4
360	BACS12FA3K5	.	SCREW- USED ON: 412A1200-1105SP 412A1200-1105B	002005 008030	4
365	BACS12FA3K5	.	SCREW	002005 008030	10
370	412A1220-9SP	.	ANGLE- OPTIONAL PART: 412A1220-205	002005 008008	2
370	412A1220-9A	.	ANGLE- OPTIONAL PART: 412A1220-205	009030	2
370	412A1220-205	.	ANGLE- OPTIONAL PART: 412A1220-9SP 412A1220-9A	002005 008030	2
375	412A1245-2	.	RAIL	002005 008030	1
380	412A1200-25	.	CLIP	002005 008030	1
385	412A1252-5	.	RETAINER	002005 008030	1
390	412A1212-105SP	.	PANEL ASSY- USED ON: 412A1200-105SP	002005 008008	1
390	412A1212-105A	.	PANEL ASSY- USED ON: 412A1200-105A	009030	1
390	412A1212-1105B	.	PANEL ASSY- USED ON: 412A1200-1105B	009030	1

MISSING ITEM NUMBERS NOT APPLICABLE

— ITEM NOT ILLUSTRATED

HAP

25-24-32-61G

BOEING PROPRIETARY - Copyright © - Unpublished Work - See title page for details.

25-24-32
FIG. 61G
PAGE 10
OCT 10/06

BOEING
737-600/700/800/900
PARTS CATALOG (MAINTENANCE)

FIG ITEM	PART NUMBER	1 2 3 4 5 6 7	NOMENCLATURE	EFFECT FROM TO	UNITS PER ASSY
61G 390	412A1212-1105SP		.PANEL ASSY- USED ON: 412A1200-1105SP	002005 008008	1
- 395	SL2334-3A1		..INSERT- SUPPLIER CODE: V97393	002005 008030	8
400	412A1212-107SP		.PANEL ASSY- USED ON: 412A1200-105SP	002005 008008	1
400	412A1212-107A		.PANEL ASSY- USED ON: 412A1200-105A	009030	1
400	412A1212-1107B		.PANEL ASSY- USED ON: 412A1200-1105B	009030	1
400	412A1212-1107SP		.PANEL ASSY- USED ON: 412A1200-1105SP	002005 008008	1
- 405	SL2334-3A1		..INSERT- SUPPLIER CODE: V97393	002005 008030	8
410	412A1210-103SP		.PANEL ASSY- POSITION DATA: LH SIDE USED ON: 412A1200-105SP	002005 008008	1
410	412A1210-103A		.PANEL ASSY- POSITION DATA: LH SIDE USED ON: 412A1200-105A	009030	1
410	412A1210-1103B		.PANEL ASSY-60 IN. POSITION DATA: LH SIDE USED ON: 412A1200-1105B	009030	1
410	412A1210-1103SP		.PANEL ASSY-60 IN. POSITION DATA: LH SIDE USED ON: 412A1200-1105SP	002005 008008	1
415	SL2334-3A1		..INSERT- SUPPLIER CODE: V97393	002005 008030	15
420	BCREF128023		..INSERT- SUPPLIER CODE: V97393 OVERLENGTH PART NUMBER: SL603-3-375ASP13	002005 008030	6

MISSING ITEM NUMBERS NOT APPLICABLE

- ITEM NOT ILLUSTRATED

HAP

25-24-32-61G

BOEING PROPRIETARY - Copyright © - Unpublished Work - See title page for details.

25-24-32
FIG. 61G
PAGE 11
OCT 10/06

BOEING
737-600/700/800/900
PARTS CATALOG (MAINTENANCE)

FIG ITEM	PART NUMBER	1 2 3 4 5 6 7	NOMENCLATURE	EFFECT FROM TO	UNITS PER ASSY
61G 425	412A1211-103SP		.PANEL ASSY- POSITION DATA: LH SIDE USED ON: 412A1200-105SP	002005 008008	1
425	412A1211-103A		.PANEL ASSY- POSITION DATA: LH SIDE USED ON: 412A1200-105A	009030	1
425	412A1211-1103B		.PANEL ASSY-60 IN. POSITION DATA: LH SIDE USED ON: 412A1200-1105B	009030	1
425	412A1211-1103SP		.PANEL ASSY-60 IN. POSITION DATA: LH SIDE USED ON: 412A1200-1105SP	002005 008008	1
- 430	SL2334-3A1		..INSERT- SUPPLIER CODE: V97393	002005 008030	37

MISSING ITEM NUMBERS NOT APPLICABLE

- ITEM NOT ILLUSTRATED

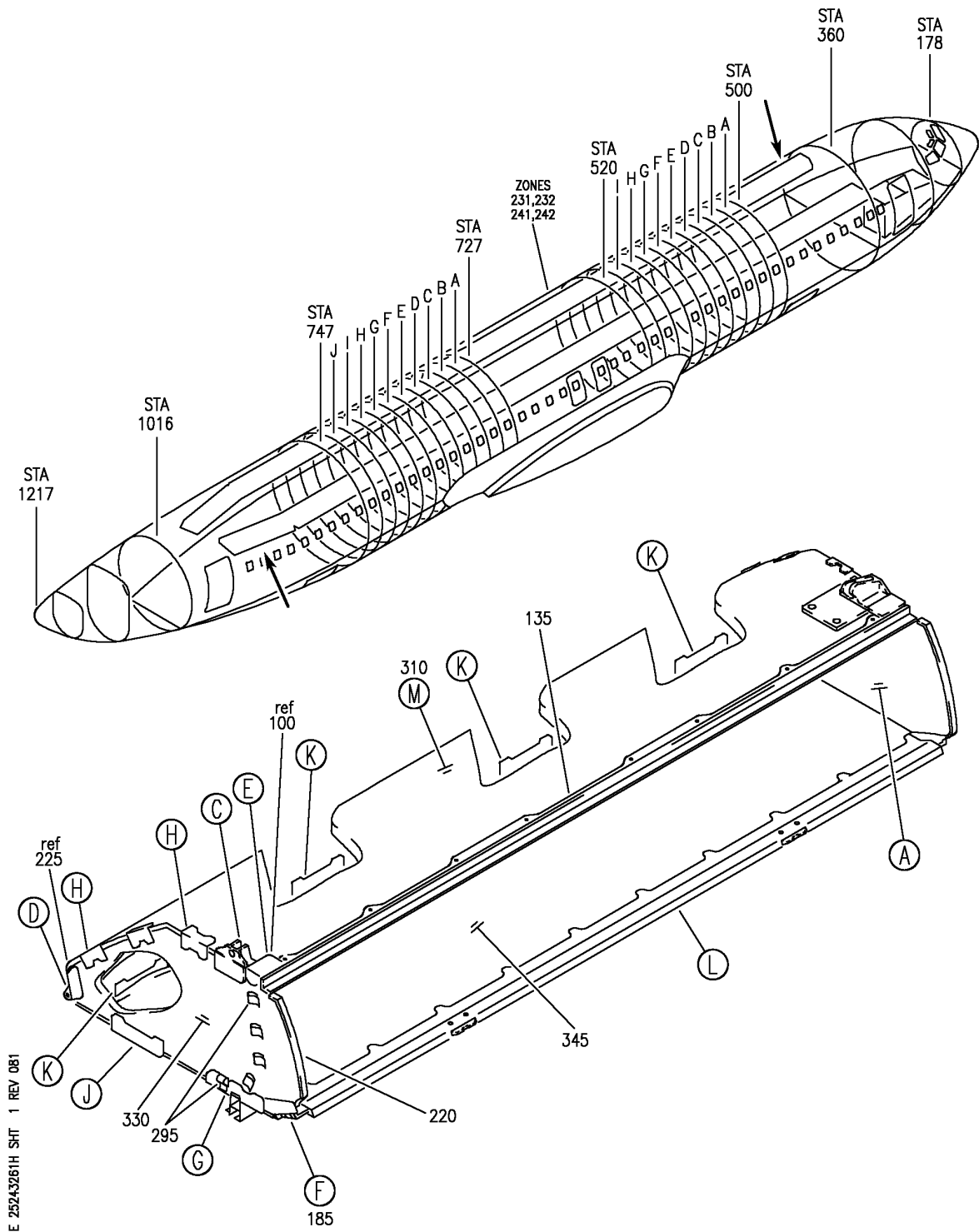
HAP

25-24-32-61G

BOEING PROPRIETARY - Copyright © - Unpublished Work - See title page for details.

25-24-32
FIG. 61G
PAGE 12
OCT 10/06

BOEING
 737-600/700/800/900
 PARTS CATALOG (MAINTENANCE)



E 25243261H SHT 1 REV 081

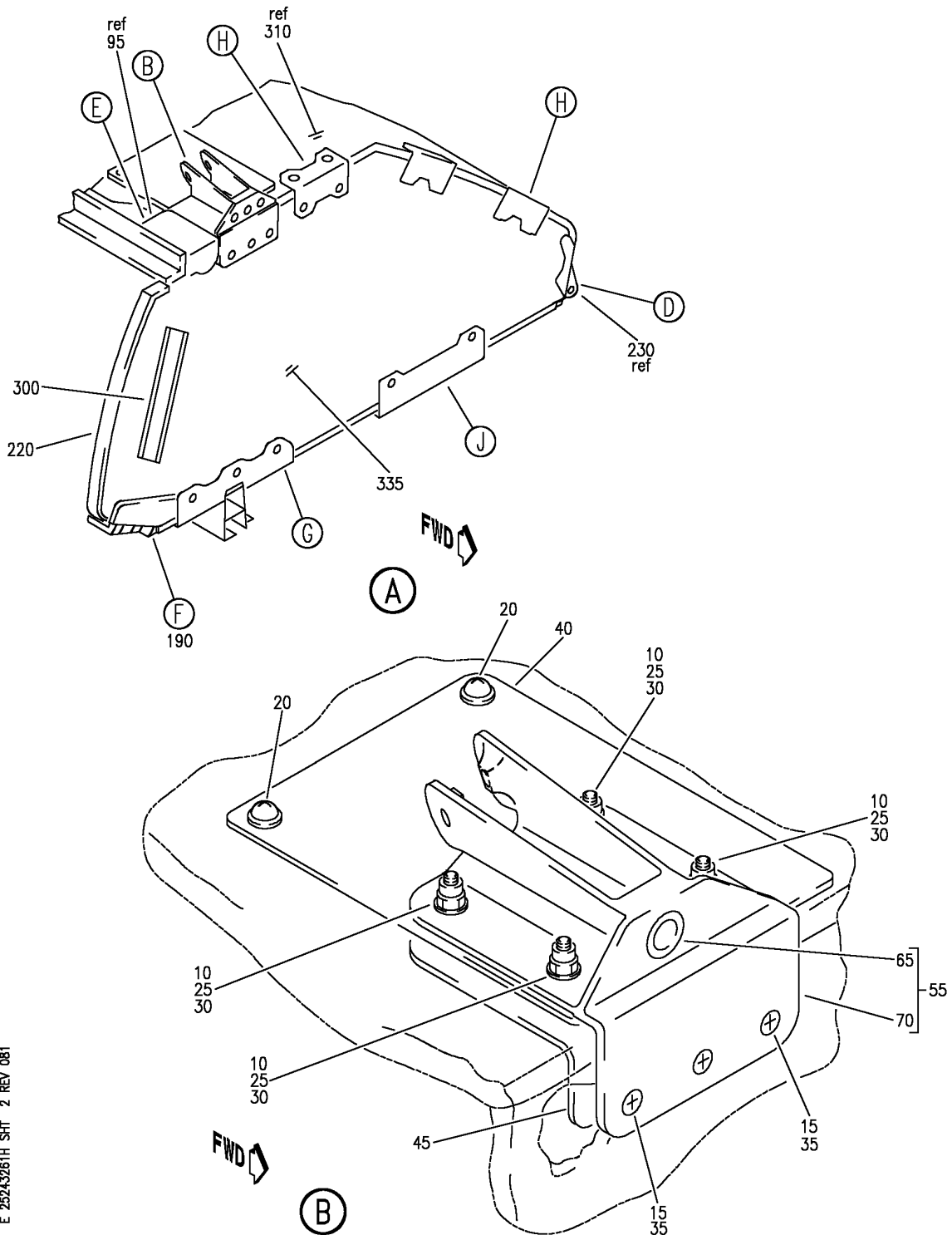
BOX ASSY-60 IN. BIN
 FIGURE 61H (SHEET 1)

25-24-32-61H

HAP
 OCT 10/06

25-24-32-61H
 PAGE 0


BOEING
 737-600/700/800/900
PARTS CATALOG (MAINTENANCE)



E 25243261H SHT 2 REV 081

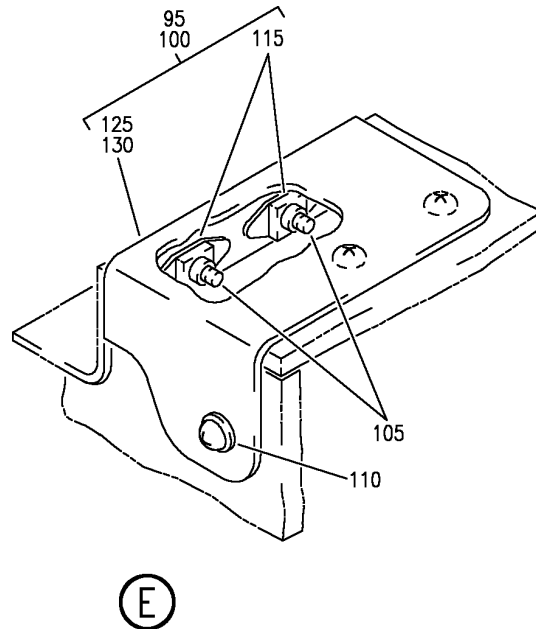
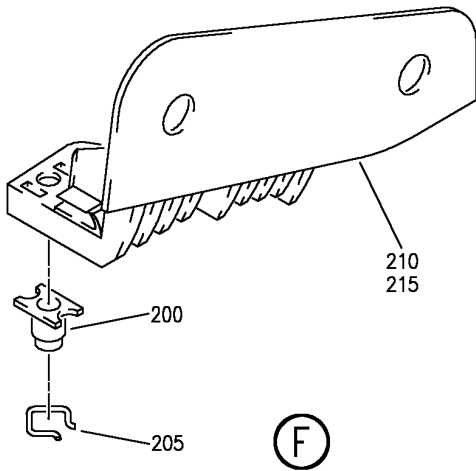
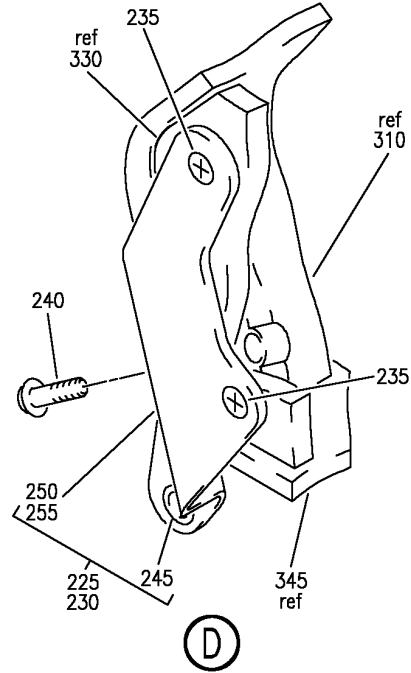
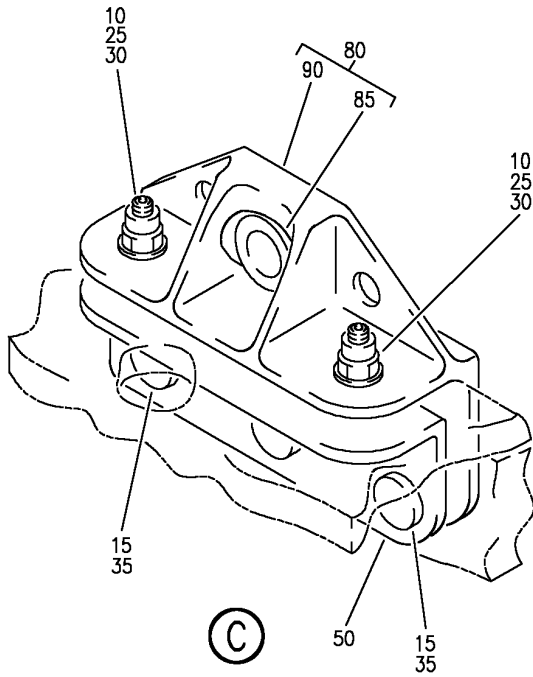
BOX ASSY-60 IN. BIN
 FIGURE 61H (SHEET 2)

25-24-32-61H

HAP
OCT 10/06

25-24-32-61H
PAGE 0A

BOEING
 737-600/700/800/900
 PARTS CATALOG (MAINTENANCE)



E 25243261H SHT 3 REV 081

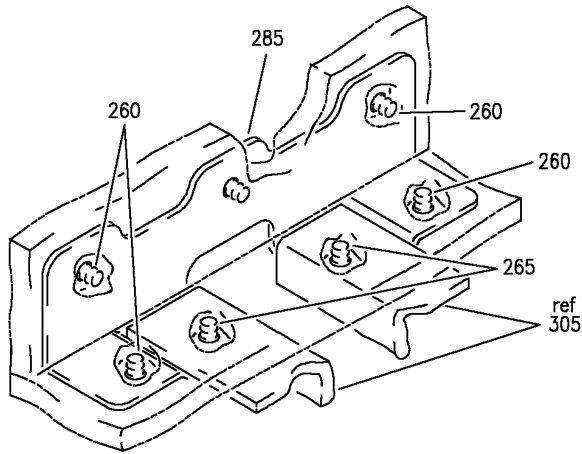
BOX ASSY-60 IN. BIN
 FIGURE 61H (SHEET 3)

25-24-32-61H

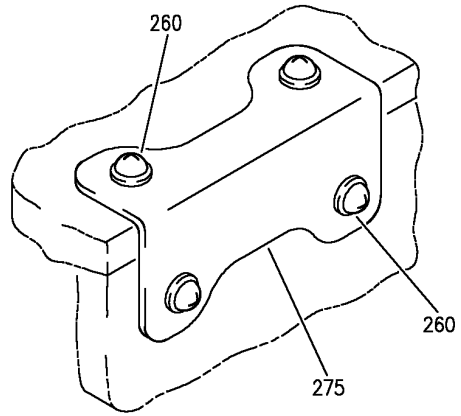
HAP
 OCT 10/06

25-24-32-61H
 PAGE 0B

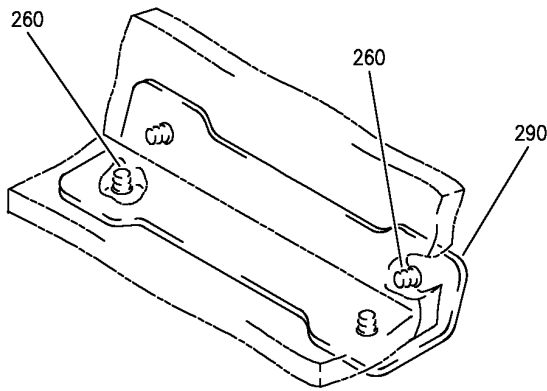
BOEING
 737-600/700/800/900
 PARTS CATALOG (MAINTENANCE)



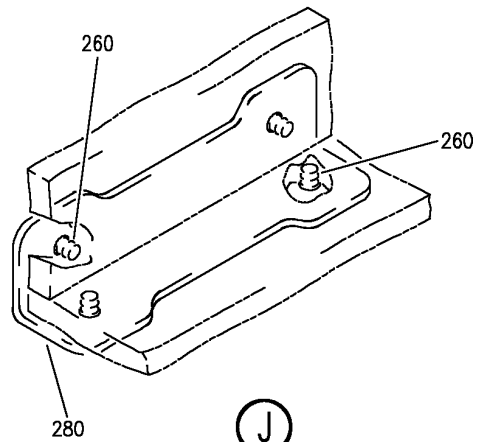
(G)



(H)



(K)



(J)

E 25243261H SHT 4 REV 081

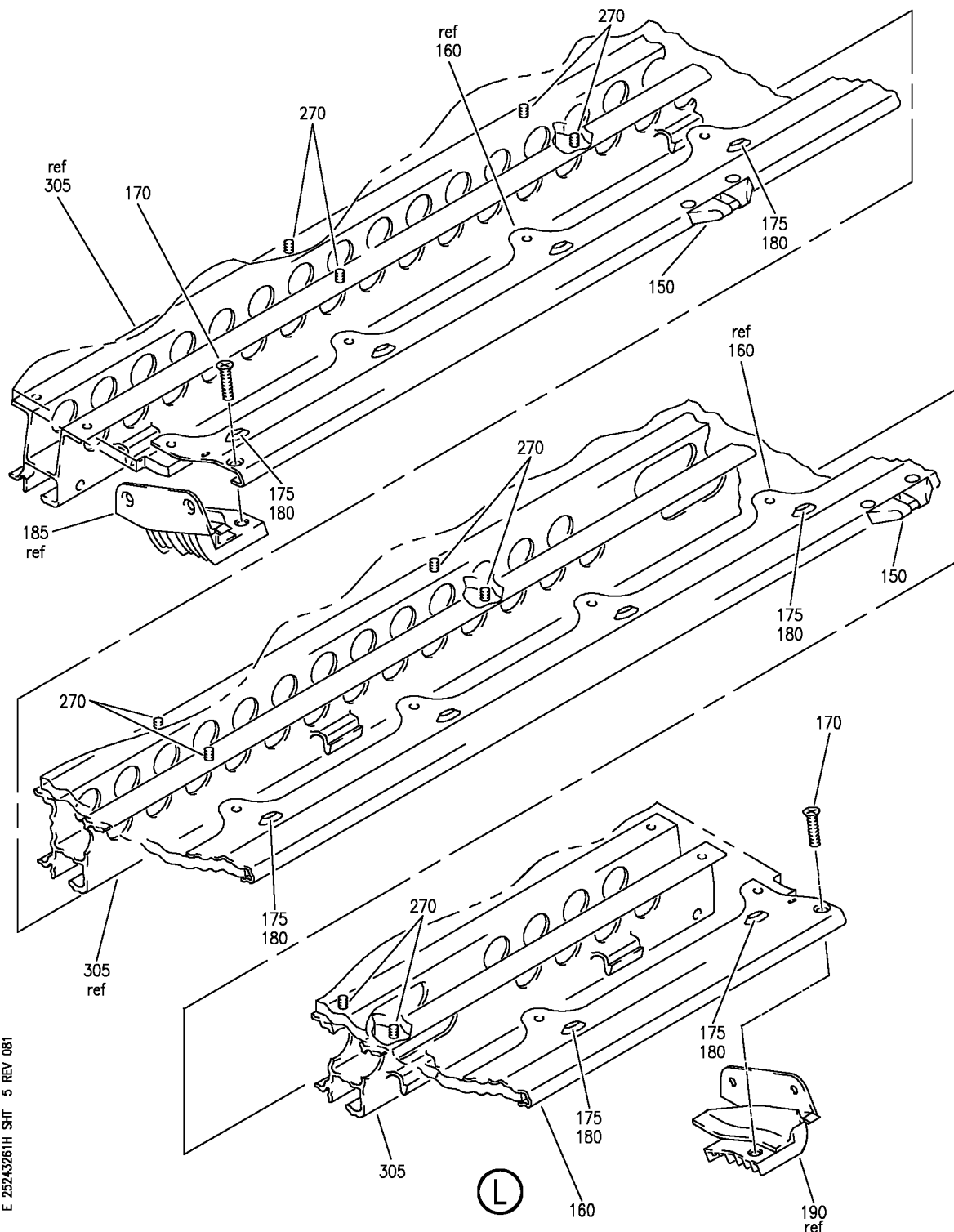
BOX ASSY-60 IN. BIN
 FIGURE 61H (SHEET 4)

25-24-32-61H

HAP
 OCT 10/06

25-24-32-61H
 PAGE 0C

BOEING
 737-600/700/800/900
 PARTS CATALOG (MAINTENANCE)



E 25243261H SHT 5 REV 081

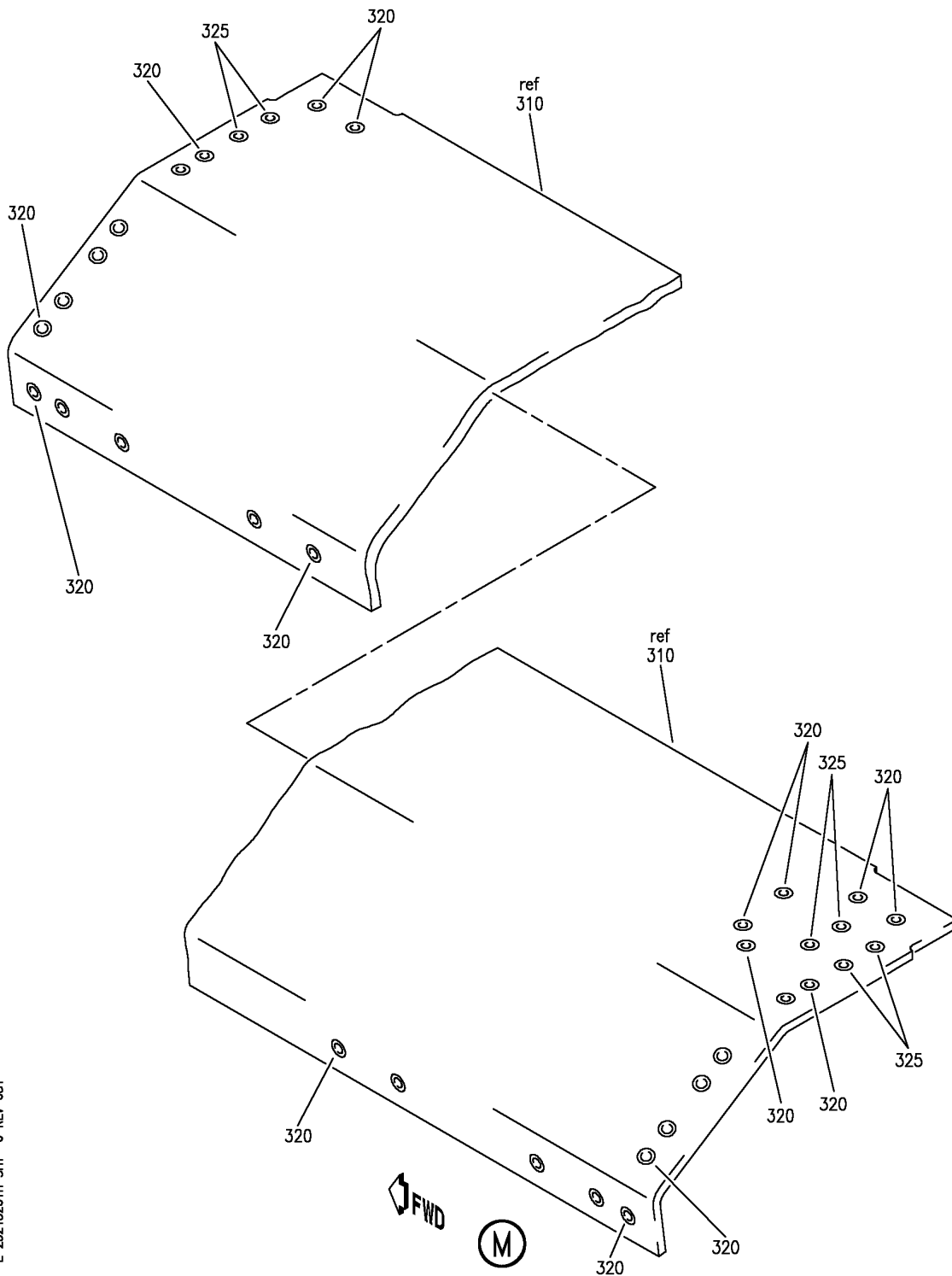
BOX ASSY-60 IN. BIN
 FIGURE 61H (SHEET 5)

25-24-32-61H

HAP
 OCT 10/06

25-24-32-61H
 PAGE 0D

BOEING
 737-600/700/800/900
 PARTS CATALOG (MAINTENANCE)



E 25243261H SHT 6 REV 081

BOX ASSY-60 IN. BIN
 FIGURE 61H (SHEET 6)

25-24-32-61H

HAP
 OCT 10/06

25-24-32-61H
 PAGE 0E

BOEING
737-600/700/800/900
PARTS CATALOG (MAINTENANCE)

FIG ITEM	PART NUMBER	1 2 3 4 5 6 7	NOMENCLATURE	EFFECT FROM TO	UNITS PER ASSY
61H			BOX ASSY-60 IN. BIN	001001 006007	
- 1	412A1200-5SP		BOX ASSY-60 IN. BIN POSITION DATA: LH FOR NHA SEE: 25-24-31-42D	001001 006007	RF
- 5	412A1200-6SP		BOX ASSY-60 IN. BIN POSITION DATA: RH FOR NHA SEE: 25-24-31-60D	001001 006007	RF
10	HL1012AZ6-10		.BOLT- SUPPLIER CODE: V97928 SPECIFICATION NUMBER: BACB30NX6K10 OPTIONAL PART: HL12VAZ6-10 V73197 HL12VAZ6-10 V92215 HL12VAZ6-10 V97928 L802-6K10 V06725 HL12VAZ6-10 V56878 HL1012AZ6-10 VOPTK6 HL1012AZ6-10 V06725 HL1012AZ6-10 V06950 HL1012AZ6-10 V17446 HL1012AZ6-10 V56878 HL1012AZ6-10 V60516 HL1012AZ6-10 V73197 POSITION DATA: FAR SIDE	001001 006007	6
15	BACS12ER3K9		.SCREW	001001 006007	6
20	BACS12FA3K4		.SCREW	001001 006007	2

MISSING ITEM NUMBERS NOT APPLICABLE

- ITEM NOT ILLUSTRATED

HAP

25-24-32-61H

BOEING PROPRIETARY - Copyright © - Unpublished Work - See title page for details.

25-24-32
FIG. 61H
PAGE 1
OCT 10/06

BOEING
737-600/700/800/900
PARTS CATALOG (MAINTENANCE)

FIG ITEM	PART NUMBER	1 2 3 4 5 6 7	NOMENCLATURE	EFFECT FROM TO	UNITS PER ASSY
61H					
25	BACW10BP3NDP	.	WASHER	001001 006007	6
30	HL1087-6	.	COLLAR SUPPLIER CODE: V73197 SPECIFICATION NUMBER: BACC30BH6 OPTIONAL PART: HL1087-6 V56878 HL1087-6 V92215 HL1087-6 V9N513	001001 006007	6
35	SL5-3-50C	.	NUT- SUPPLIER CODE: V97393	001001 006007	6
40	412A1220-16	.	DOUBLER	001001 006007	1
45	412A1220-10A	.	DOUBLER	001001 006007	1
50	412A1220-39A	.	DOUBLER	001001 006007	1
55	412A1230-3	.	FITTING ASSY- POSITION DATA: LH SIDE	001001 006007	1
- 60	412A1230-4	.	FITTING ASSY- POSITION DATA: RH SIDE	001001 006007	1
65	BCREF13195	..	BUSHING- OVERLENGTH PART NUMBER: BACB28AY06A035CG	001001 006007	1
70	412A1230-5	..	FITTING- POSITION DATA: LH SIDE	001001 006007	1
- 75	412A1230-6	..	FITTING- POSITION DATA: RH SIDE	001001 006007	1
80	412A1230-1	.	FITTING ASSY	001001 006007	1
85	BCREF13195	..	BUSHING- OVERLENGTH PART NUMBER: BACB28AY06A035CG	001001 006007	1
90	412A1230-2	..	SUPPORT	001001 006007	1
95	412A1220-5SP	.	CORNER ASSY	001001 006007	1
100	412A1220-6SP	.	CORNER ASSY	001001 006007	1

MISSING ITEM NUMBERS NOT APPLICABLE

- ITEM NOT ILLUSTRATED

HAP

25-24-32-61H

BOEING PROPRIETARY - Copyright © - Unpublished Work - See title page for details.

25-24-32
FIG. 61H
PAGE 2
OCT 10/06

BOEING
737-600/700/800/900
PARTS CATALOG (MAINTENANCE)

FIG ITEM	PART NUMBER	1 2 3 4 5 6 7	NOMENCLATURE	EFFECT FROM TO	UNITS PER ASSY
61H			ATTACHING PARTS		
105	BACS12FA3K7	.	SCREW	001001 006007	4
110	BACS12FA3K4	.	SCREW	001001 006007	2
			-----*-----		
115	BRF200C3D	..	NUTPLATE SUPPLIER CODE: V52828 SPECIFICATION NUMBER: BACN10JR3CFD OPTIONAL PART: K51602-3BAC V15653 NS202476-02 V80539 102F9201-3 V72962 T8092C1032CD V11815	001001 006007	2
			ATTACHING PARTS		
- 120	BACR15CE3D	..	RIVET- SIZE DETERMINED ON INSTL.	001001 006007	4
			-----*-----		
125	412A1220-7A	..	REINFORCEMENT- USED ON: 412A1220-5SP	001001 006007	1
130	412A1220-8A	..	REINFORCEMENT- USED ON: 412A1220-6SP	001001 006007	1
135	412A1247-2SP	.	EXTRUSION	001001 006007	1
			ATTACHING PARTS		
- 140	BACS12FA3K13	.	SCREW	001001 006007	4
- 145	F22K1-02	.	NUT SUPPLIER CODE: V72962 SPECIFICATION NUMBER: BACN10R10L OPTIONAL PART: 22K1-02 V72962 26CLO2 V80539	001001 006007	4
			-----*-----		

MISSING ITEM NUMBERS NOT APPLICABLE

- ITEM NOT ILLUSTRATED

HAP

25-24-32-61H

BOEING PROPRIETARY - Copyright © - Unpublished Work - See title page for details.

25-24-32
FIG. 61H
PAGE 3
OCT 10/06

BOEING
737-600/700/800/900
PARTS CATALOG (MAINTENANCE)

FIG ITEM	PART NUMBER	1 2 3 4 5 6 7	NOMENCLATURE	EFFECT FROM TO	UNITS PER ASSY
61H 150	HA225-11		. STRIKE- SUPPLIER CODE: V83014 SPECIFICATION NUMBER: S412A001-16	001001 006007	2
150	HA225-3		. STRIKE- SUPPLIER CODE: V83014 SPECIFICATION NUMBER: S412A001-6 ATTACHING PARTS	001001 006007	2
- 155	BACS12ER08K5		. SCREW	001001 006007	4
			-----*-----		
160	412A1242-2		. EXTRUSION- POSITION DATA: LH SIDE	001001 006007	1
- 165	412A1242-3		. EXTRUSION- POSITION DATA: RH SIDE ATTACHING PARTS	001001 006007	1
170	BACS12ER3K6		. SCREW	001001 006007	2
175	BACS12ER3K5		. SCREW	001001 006007	10
180	H3-1233A3		. WASHER- SUPPLIER CODE: V34941 SPECIFICATION NUMBER: S411A001-1	001001 006007	10
			-----*-----		
185	412A1475-3SP		. FITTING ASSY	001001 006007	1
190	412A1475-4SP		. FITTING ASSY ATTACHING PARTS	001001 006007	1
- 195	BACS12ER3K5		. SCREW	001001 006007	4
			-----*-----		
200	BACN11F3-1CD		.. NUT	001001 006007	1
205	NAS1795-3		.. CLIP	001001 006007	1
210	412A1475-1SP		.. FITTING- USED ON: 412A1475-3SP	001001 006007	1
215	412A1475-2SP		.. FITTING- USED ON: 412A1475-4SP	001001 006007	1

MISSING ITEM NUMBERS NOT APPLICABLE

- ITEM NOT ILLUSTRATED

HAP

25-24-32-61H

BOEING PROPRIETARY - Copyright © - Unpublished Work - See title page for details.

25-24-32
FIG. 61H
PAGE 4
JUN 15/08

BOEING
737-600/700/800/900
PARTS CATALOG (MAINTENANCE)

FIG ITEM	PART NUMBER	1 2 3 4 5 6 7	NOMENCLATURE	EFFECT FROM TO	UNITS PER ASSY
61H					
220	412A1450-1SP	.	TRIM	001001 006007	2
225	412A1230-7	.	SUPPORT ASSY	001001 006007	1
230	412A1230-8	.	SUPPORT ASSY	001001 006007	1
			ATTACHING PARTS		
235	BACS12ER3K6	.	SCREW	001001 006007	4
240	BACS12FA3K5	.	SCREW	001001 006007	2
			-----*-----		
245	BCREF13196	..	BUSHING- OVERLENGTH PART NUMBER: BACB28AT06A010CG	001001 006007	1
250	412A1230-9	..	SUPPORT- USED ON: 412A1230-7	001001 006007	1
255	412A1230-10	..	SUPPORT- USED ON: 412A1230-8	001001 006007	1
260	BACS12FA3K4	.	SCREW	001001 006007	58
265	BACS12FA3K6	.	SCREW	001001 006007	4
270	BACS12FA3K5	.	SCREW	001001 006007	10
275	412A1220-2	.	ANGLE	001001 006007	6
280	412A1220-3	.	ANGLE	001001 006007	2
285	412A1220-9A	.	ANGLE	001001 006007	2
290	412A1220-4	.	ANGLE	001001 006007	4
295	412A1450-21	.	CLIP	001001 006007	5
300	412A1200-25	.	CLIP	001001 006007	1
305	412A1245-2	.	RAIL	001001 006007	1
310	412A1210-3SP	.	PANEL ASSY- POSITION DATA: LH SIDE	001001 006007	1
- 315	412A1210-4SP	.	PANEL ASSY- POSITION DATA: RH SIDE	001001 006007	1

MISSING ITEM NUMBERS NOT APPLICABLE

- ITEM NOT ILLUSTRATED

HAP

25-24-32-61H

BOEING PROPRIETARY - Copyright © - Unpublished Work - See title page for details.

25-24-32
FIG. 61H
PAGE 5
JUN 15/08

 **BOEING**
737-600/700/800/900
PARTS CATALOG (MAINTENANCE)

FIG ITEM	PART NUMBER	1 2 3 4 5 6 7	NOMENCLATURE	EFFECT FROM TO	UNITS PER ASSY
61H 320	SL2334-3A1	..	INSERT- SUPPLIER CODE: V97393	001001 006007	29
325	BCREF128023	..	INSERT- SUPPLIER CODE: V97393 OVERLENGTH PART NUMBER: SL603-3-375ASP13	001001 006007	6
330	412A1212-3SP	.	PANEL ASSY	001001 006007	1
335	412A1212-4SP	.	PANEL ASSY	001001 006007	1
- 340	SL2334-3A1	..	INSERT- SUPPLIER CODE: V97393	001001 006007	16
345	412A1211-3SP	.	PANEL ASSY- POSITION DATA: LH SIDE	001001 006007	1
- 350	412A1211-4SP	.	PANEL ASSY- POSITION DATA: RH SIDE	001001 006007	1
- 355	SL2334-3A1	..	INSERT- SUPPLIER CODE: V97393	001001 006007	49

MISSING ITEM NUMBERS NOT APPLICABLE

- ITEM NOT ILLUSTRATED

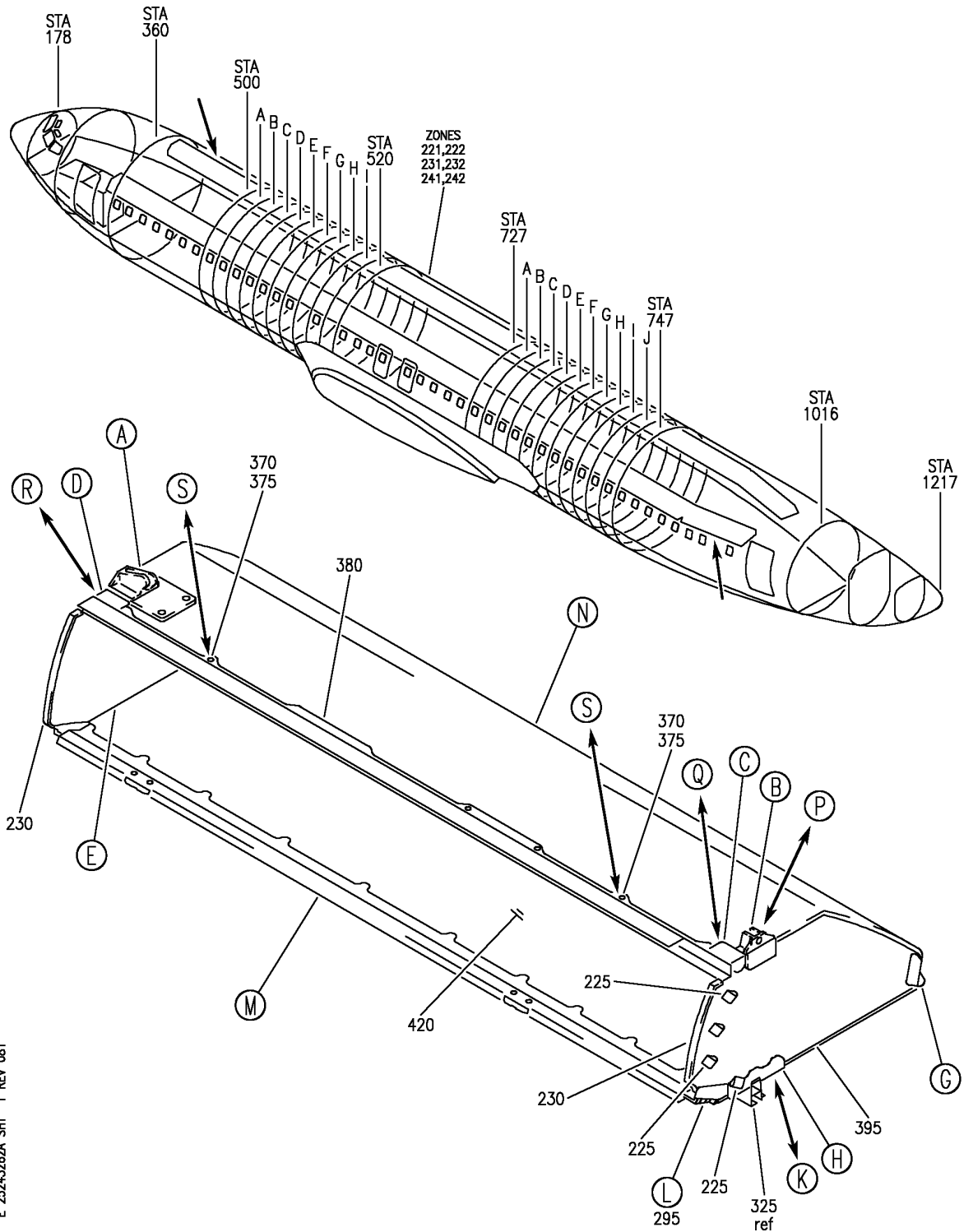
HAP

25-24-32-61H

BOEING PROPRIETARY - Copyright © - Unpublished Work - See title page for details.

25-24-32
FIG. 61H
PAGE 6
JUN 15/08

BOEING
 737-600/700/800/900
 PARTS CATALOG (MAINTENANCE)



E 25243262A SHT 1 REV 081

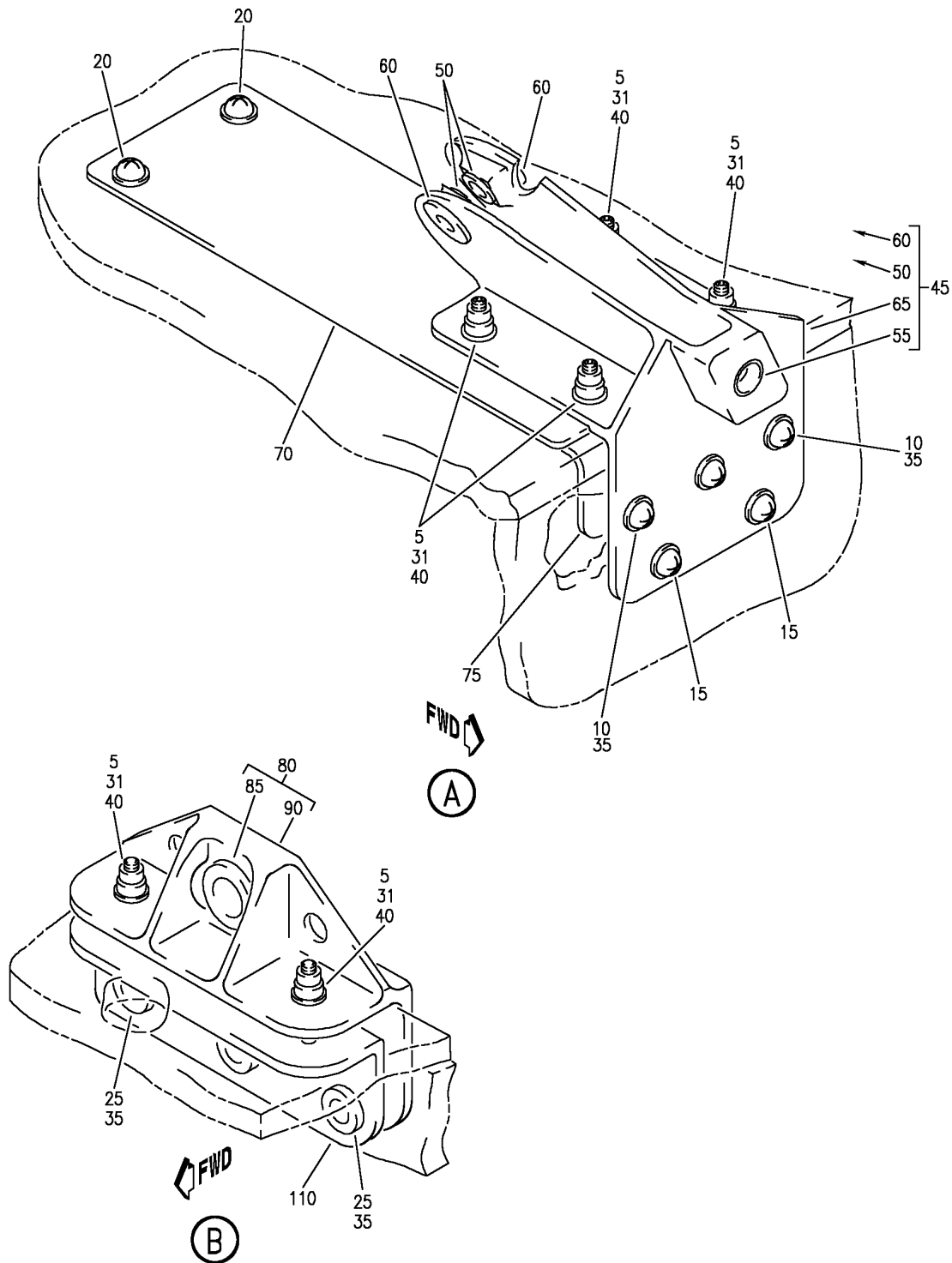
BOX ASSY-60 IN. RH BIN
 FIGURE 62A (SHEET 1)

25-24-32-62A

HAP
 OCT 15/08

25-24-32-62A
 PAGE 0

BOEING
 737-600/700/800/900
 PARTS CATALOG (MAINTENANCE)



E 25243262A SHT 2 REV 081

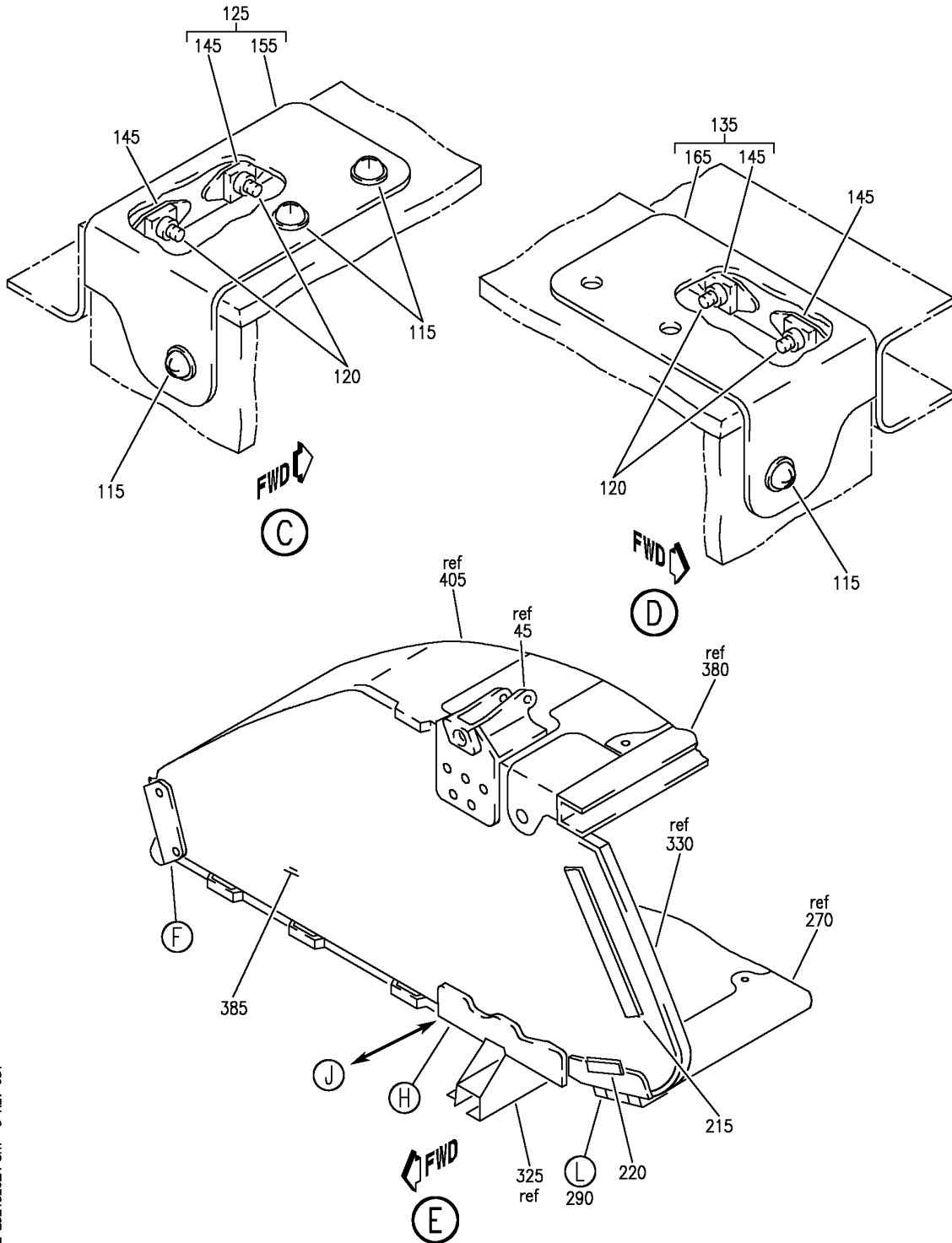
BOX ASSY-60 IN. RH BIN
 FIGURE 62A (SHEET 2)

25-24-32-62A

HAP
 OCT 15/08

25-24-32-62A
 PAGE 0A

BOEING
 737-600/700/800/900
 PARTS CATALOG (MAINTENANCE)



E 25243262A SHT 3 REV 081

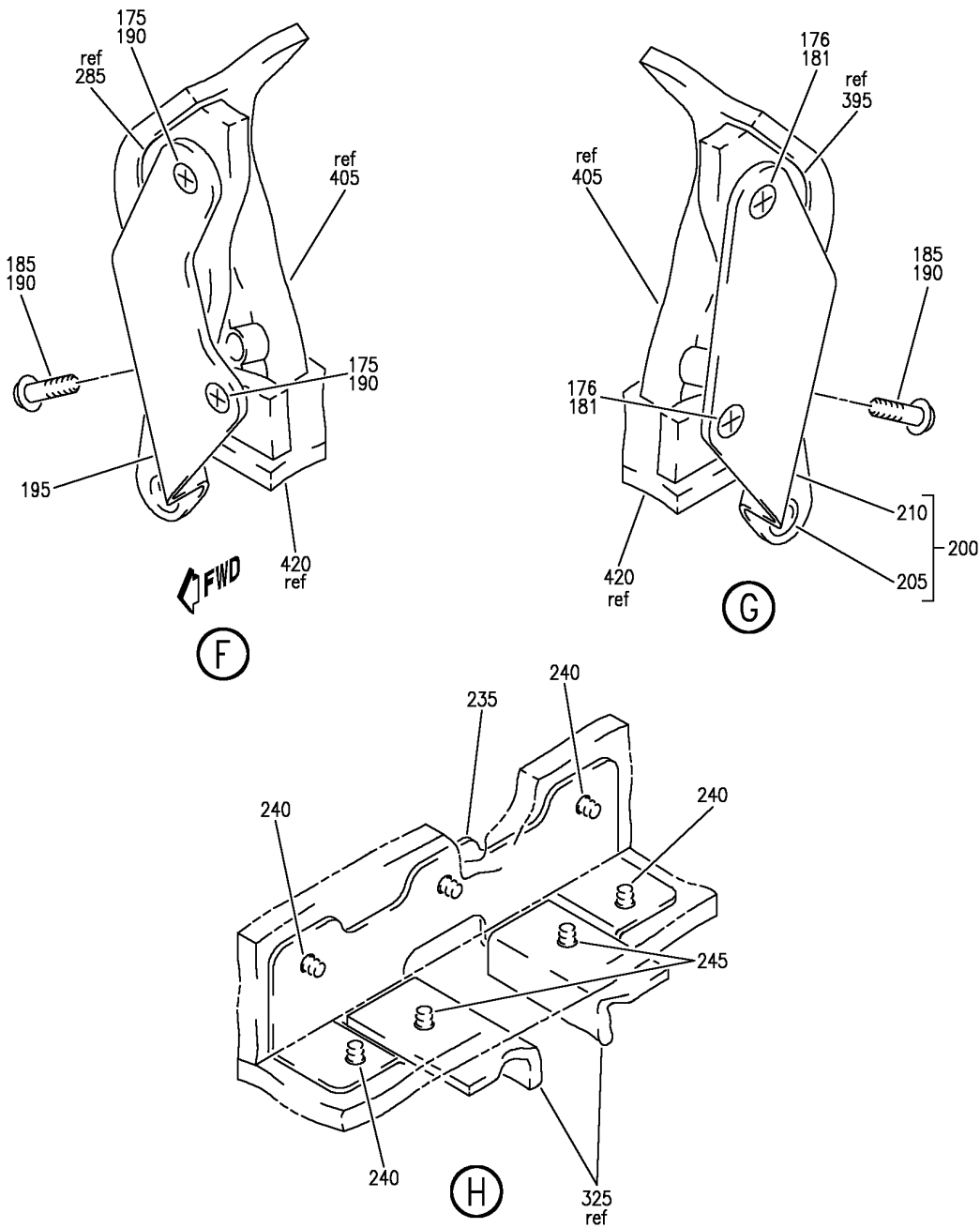
BOX ASSY-60 IN. RH BIN
 FIGURE 62A (SHEET 3)

25-24-32-62A

HAP
 OCT 15/08

25-24-32-62A
 PAGE 0B

BOEING
 737-600/700/800/900
 PARTS CATALOG (MAINTENANCE)



E 25243262A SHT 4 REV 081

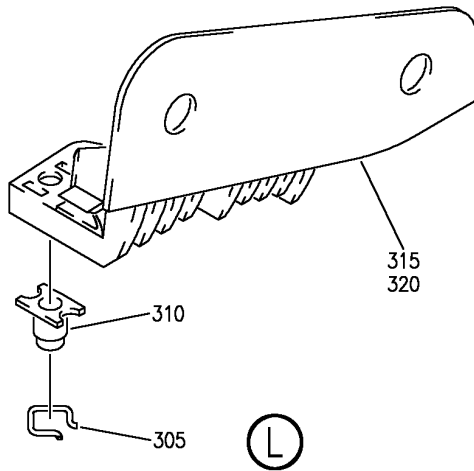
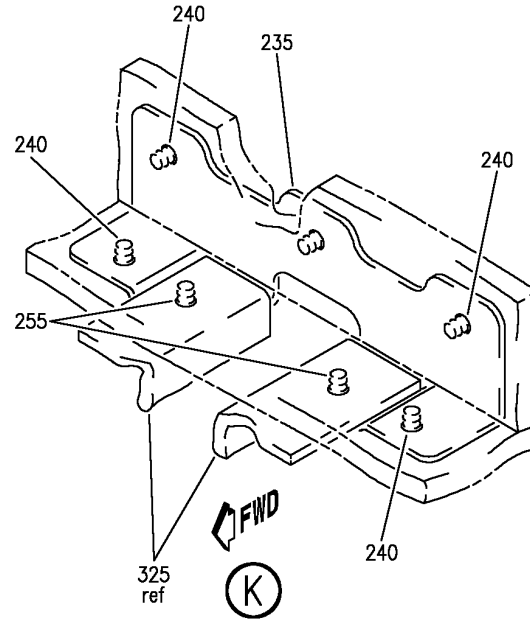
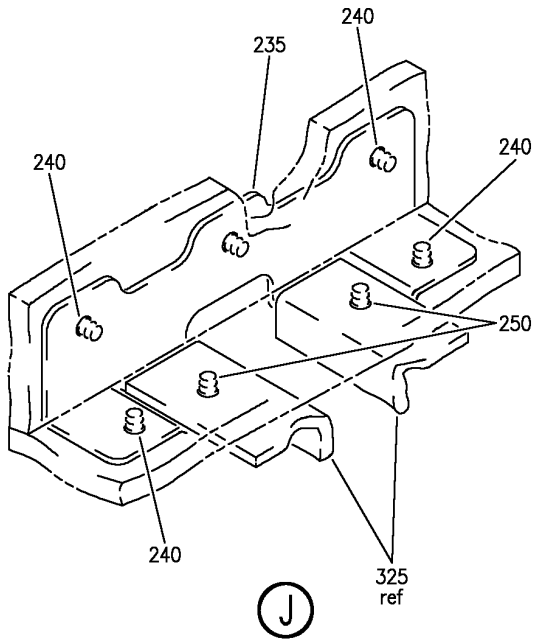
BOX ASSY-60 IN. RH BIN
 FIGURE 62A (SHEET 4)

25-24-32-62A

HAP
 OCT 15/08

25-24-32-62A
 PAGE 0C

BOEING
 737-600/700/800/900
 PARTS CATALOG (MAINTENANCE)



E 25243262A SHT 5 REV 081

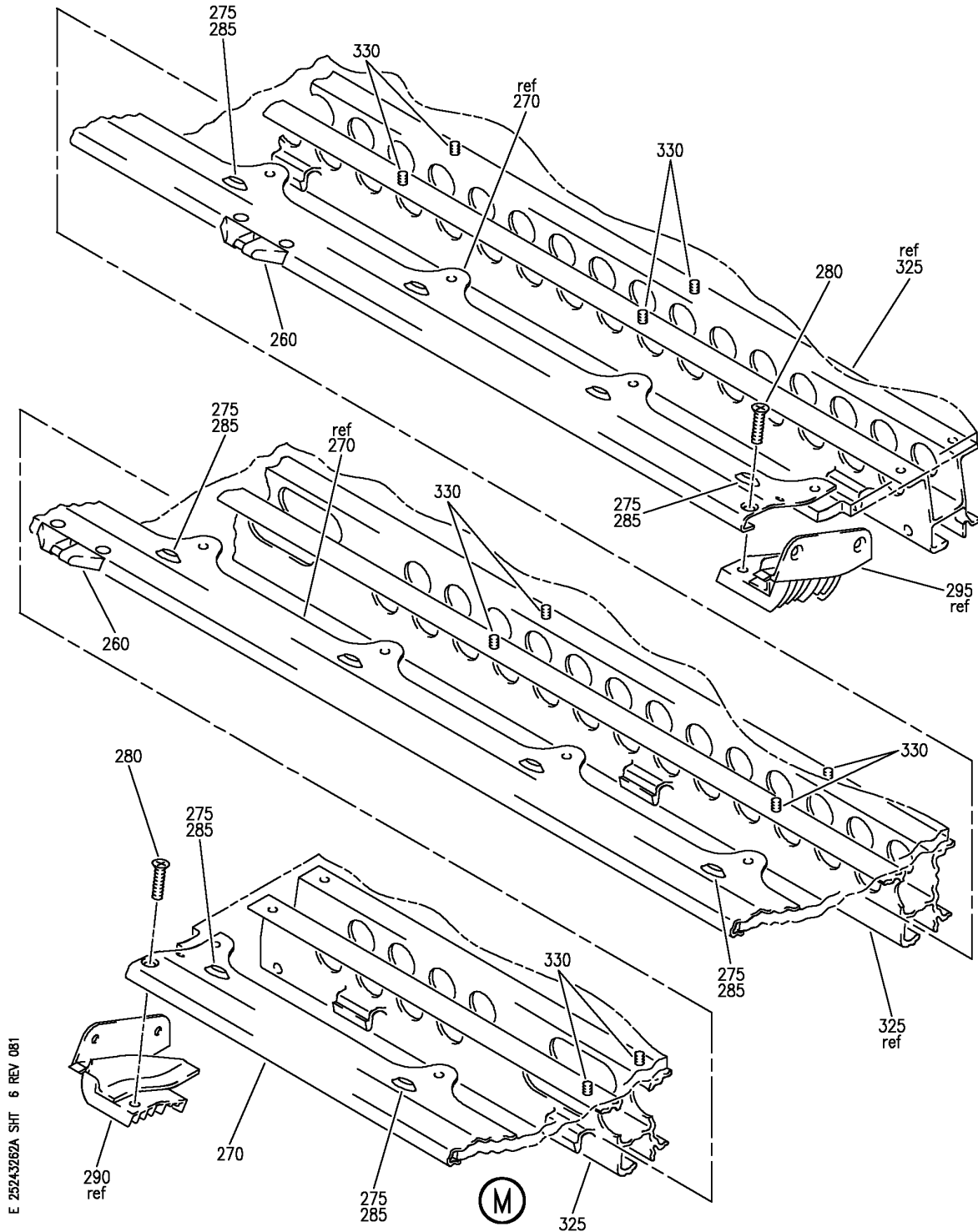
BOX ASSY-60 IN. RH BIN
 FIGURE 62A (SHEET 5)

25-24-32-62A

HAP
 OCT 15/08

25-24-32-62A
 PAGE 0D

BOEING
 737-600/700/800/900
 PARTS CATALOG (MAINTENANCE)



E 25243262A SHT 6 REV 081

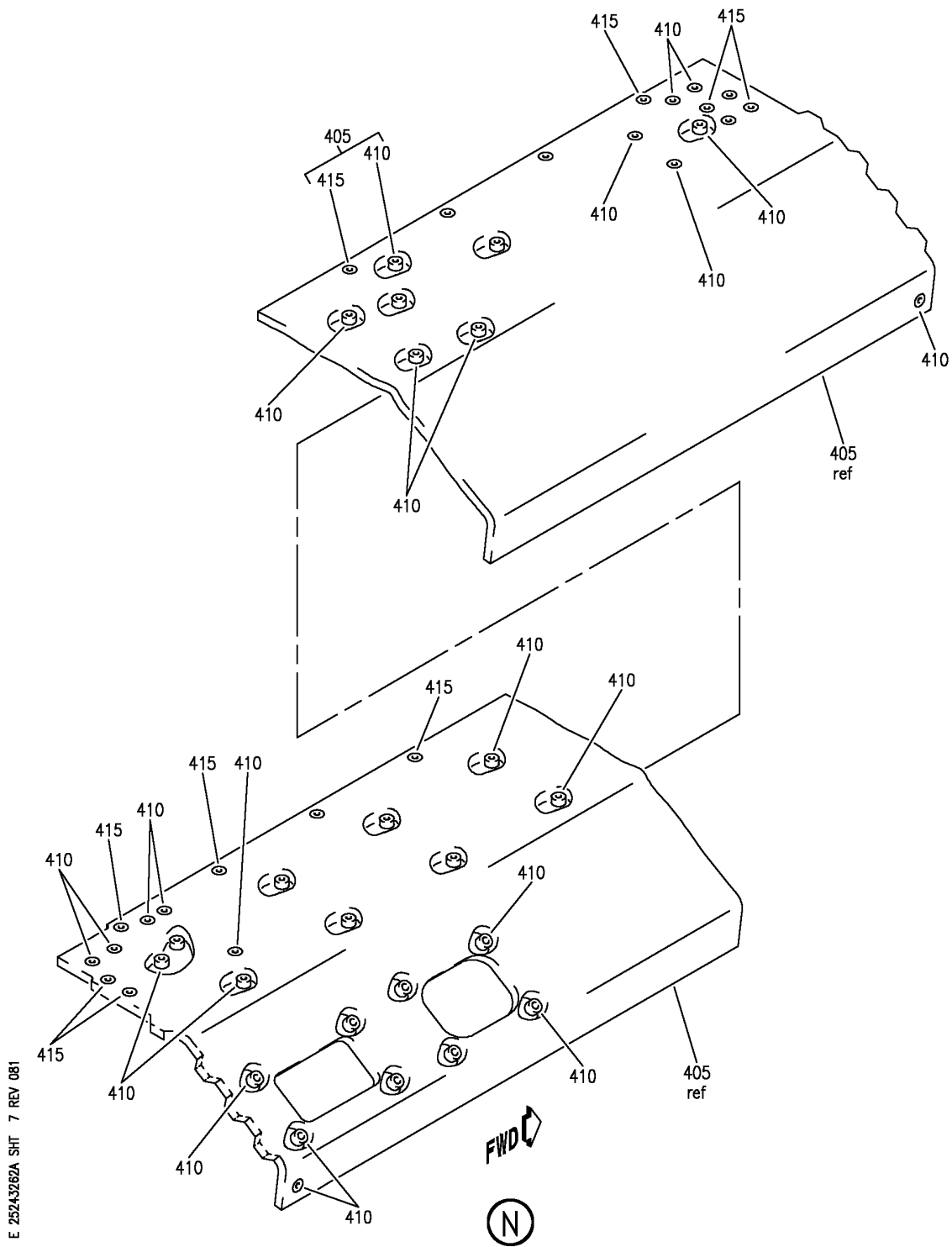
BOX ASSY-60 IN. RH BIN
 FIGURE 62A (SHEET 6)

25-24-32-62A

HAP
 OCT 15/08

25-24-32-62A
 PAGE 06

BOEING
737-600/700/800/900
PARTS CATALOG (MAINTENANCE)



E 25243262A SH1 7 REV 081

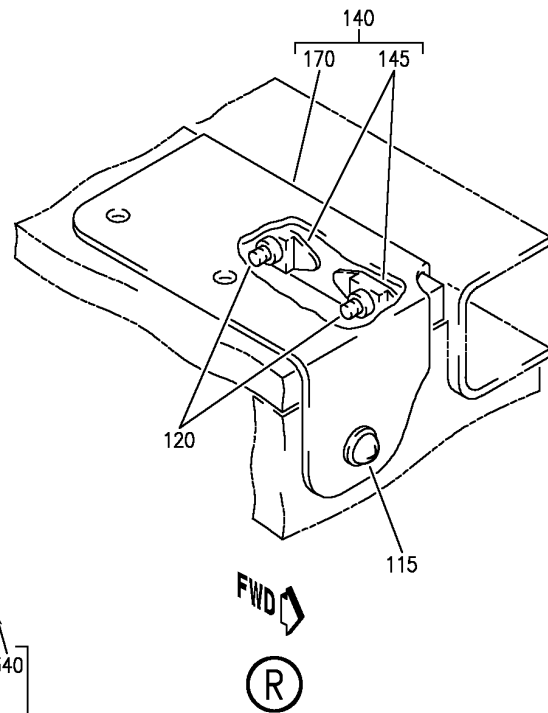
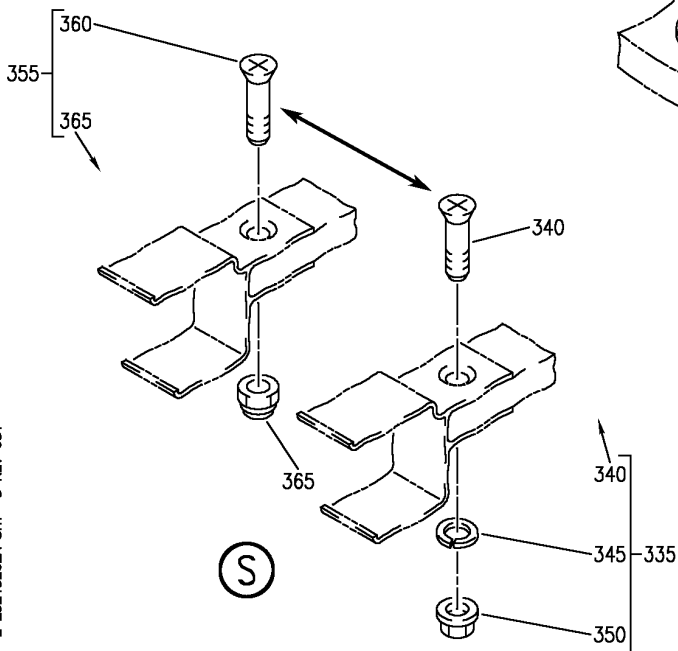
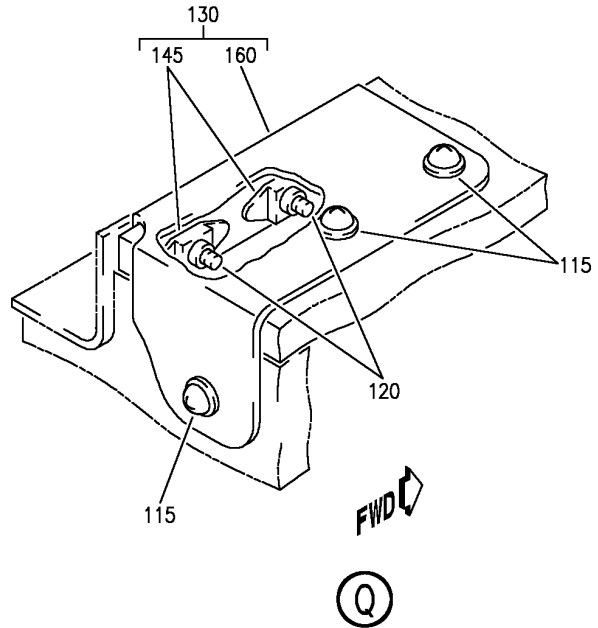
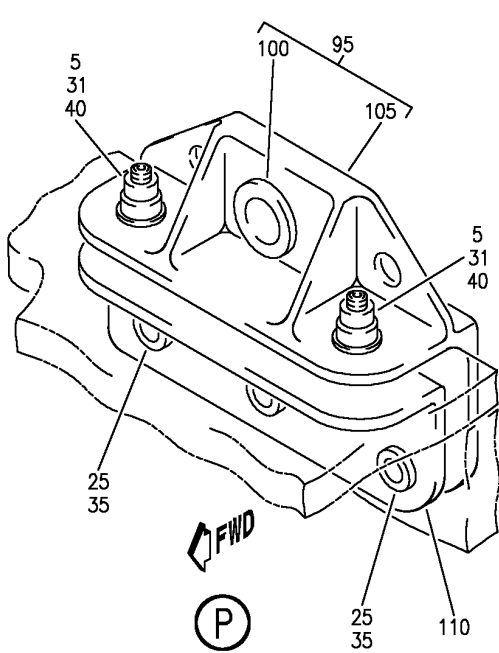
BOX ASSY-60 IN. RH BIN
FIGURE 62A (SHEET 7)

25-24-32-62A

HAP
OCT 15/08

25-24-32-62A
PAGE OF

BOEING
 737-600/700/800/900
 PARTS CATALOG (MAINTENANCE)



E 25243262A SHT 8 REV 081

BOX ASSY-60 IN. RH BIN
 FIGURE 62A (SHEET 8)

25-24-32-62A

HAP
 OCT 15/08

25-24-32-62A
 PAGE 08

BOEING
737-600/700/800/900
PARTS CATALOG (MAINTENANCE)

FIG ITEM	PART NUMBER	1 2 3 4 5 6 7	NOMENCLATURE	EFFECT FROM TO	UNITS PER ASSY
62A					
- 1	412A1250-178A		BOX ASSY-60 IN. RH BIN BOX ASSY-60 IN. BIN POSITION DATA: RH OPTIONAL PART: 412A1250-1178B FOR NHA SEE: 25-24-31-25C 25-24-31-25E	201967 201967	RF
- 1	412A1250-1178B		BOX ASSY-60 IN. BIN POSITION DATA: RH OPTIONAL PART: 412A1250-178A FOR NHA SEE: 25-24-31-25C 25-24-31-25E	201967	RF
5	HL1012AZ6-10		.BOLT SUPPLIER CODE: V97928 SPECIFICATION NUMBER: BACB30NX6K10 OPTIONAL PART: HL12VAZ6-10 V73197 HL12VAZ6-10 V92215 HL12VAZ6-10 V97928 L802-6K10 V06725 HL12VAZ6-10 V56878 HL1012AZ6-10 VOPTK6 HL1012AZ6-10 V06725 HL1012AZ6-10 V06950 HL1012AZ6-10 V17446 HL1012AZ6-10 V56878 HL1012AZ6-10 V60516 HL1012AZ6-10 V73197	201967	6
10	BACS12FA3K9		.SCREW	201967	3

MISSING ITEM NUMBERS NOT APPLICABLE

- ITEM NOT ILLUSTRATED

HAP

25-24-32-62A

BOEING PROPRIETARY - Copyright © - Unpublished Work - See title page for details.

25-24-32
FIG. 62A
PAGE 1
OCT 15/08

BOEING
737-600/700/800/900
PARTS CATALOG (MAINTENANCE)

FIG ITEM	PART NUMBER	1 2 3 4 5 6 7	NOMENCLATURE	EFFECT FROM TO	UNITS PER ASSY
62A					
15	BACS12FA3K5	.SCREW-	USED ON: 412A1250-1178B 412A1250-1178SP	201967	2
15	BACS12FA3K6	.SCREW-	USED ON: 412A1250-178A 412A1250-178SP	201967	2
20	BACS12FA3K4	.SCREW		201967	2
25	BACS12ER3K9	.SCREW		201967	3
30	NAS1149D0363J	.WASHER-	OPTIONAL PART: BACW10BP3NDP	201967	6
30	BACW10BP3NDP	.WASHER-	OPTIONAL PART: NAS1149D0363J	201967	6
35	SL5-3-50C	.NUT-	SUPPLIER CODE: V97393	201967	6
40	HL1087-6	.COLLAR-	SUPPLIER CODE: V73197 SPECIFICATION NUMBER: BACC30BH6 OPTIONAL PART: HL1087-6 V56878 HL1087-6 V92215 HL1087-6 V9N513 BACC30BZ6	201967	6
40	HST1070CY6	.COLLAR-	SUPPLIER CODE: V5M902 SPECIFICATION NUMBER: BACC30BZ6 OPTIONAL PART: VLC1070CY6 V92215 HST1070CY6 V73197 BACC30BH6	201967	6
45	412A1230-112	.FITTING ASSY		201967	1
50	BACB28AT04B023C	..BUSHING-	OPTIONAL PART: NAS538B4P023	201967	2

MISSING ITEM NUMBERS NOT APPLICABLE

— ITEM NOT ILLUSTRATED

HAP

25-24-32-62A

BOEING PROPRIETARY - Copyright © - Unpublished Work - See title page for details.

25-24-32
FIG. 62A
PAGE 2
OCT 15/08

BOEING
737-600/700/800/900
PARTS CATALOG (MAINTENANCE)

FIG ITEM	PART NUMBER	1 2 3 4 5 6 7	NOMENCLATURE	EFFECT FROM TO	UNITS PER ASSY
62A					
50	NAS538B4P023	..	BUSHING- OPTIONAL PART: BACB28AT04B023C	201967	2
55	BCREF13195	..	BUSHING- OVERLENGTH PART NUMBER: BACB28AY06A035CG	201967	1
60	BACW10P273L	..	WASHER	201967	2
65	412A1230-114	..	FITTING	201967	1
70	412A1220-40	.	DOUBLER-9G EXT	201967	1
75	412A1220-10A	.	DOUBLER-INTERNAL	201967	1
80	412A1230-1	.	FITTING ASSY- POSITION DATA: UPR AFT OPTIONAL PART: 412A1230-201	201967	1
85	BCREF13195	..	BUSHING- OVERLENGTH PART NUMBER: BACB28AY06A035CG	201967	1
90	412A1230-2	..	SUPPORT	201967	1
95	412A1230-201	.	FITTING ASSY- OPTIONAL PART: 412A1230-1 USED ON: 412A1250-1178B 412A1250-1178SP	201967	1
100	BCREF13195	..	BUSHING- OVERLENGTH PART NUMBER: BACB28AY06A035CG	201967	1
105	412A1230-202	..	FITTING- OPTIONAL PART: 412A1230-203	201967	1
105	412A1230-203	..	FITTING- OPTIONAL PART: 412A1230-202	201967	1
110	412A1220-39A	.	DOUBLER-INTERNAL	201967	1
115	BACS12FA3K4	.	SCREW	201967	4
120	BACS12FA3K7	.	SCREW	201967	4
125	412A1220-5A	.	CORNER ASSY- OPTIONAL PART: 412A1220-209 412A1220-249	201967	1
125	412A1220-209	.	CORNER ASSY- OPTIONAL PART: 412A1220-5A 412A1220-249 USED ON: 412A1250-1178B 412A1250-1178SP	201967	1

MISSING ITEM NUMBERS NOT APPLICABLE

— ITEM NOT ILLUSTRATED

HAP

25-24-32-62A

BOEING PROPRIETARY - Copyright © - Unpublished Work - See title page for details.

25-24-32
FIG. 62A
PAGE 3
OCT 15/08

BOEING
737-600/700/800/900
PARTS CATALOG (MAINTENANCE)

FIG ITEM	PART NUMBER	1 2 3 4 5 6 7	NOMENCLATURE	EFFECT FROM TO	UNITS PER ASSY
62A 130	412A1220-249		.CORNER ASSY- OPTIONAL PART: 412A1220-5A 412A1220-209 USED ON: 412A1250-1178B 412A1250-1178SP	201967	1
135	412A1220-6A		.CORNER ASSY- OPTIONAL PART: 412A1220-210 412A1220-250	201967	1
135	412A1220-210		.CORNER ASSY- OPTIONAL PART: 412A1220-6A 412A1220-250 USED ON: 412A1250-1178B 412A1250-1178SP	201967	1
140	412A1220-250		.CORNER ASSY- OPTIONAL PART: 412A1220-6A 412A1220-210 USED ON: 412A1250-1178B 412A1250-1178SP	201967	1
145	BRF200C3D		..NUTPLATE SUPPLIER CODE: V52828 SPECIFICATION NUMBER: BACN10JR3CFD OPTIONAL PART: K51602-3BAC V15653 NS202476-02 V80539 102F9201-3 V72962 T8092C1032CD V11815 ATTACHING PARTS	201967	2
- 150	BACR15CE3D		..RIVET- SIZE DETERMINED ON INSTL. -----*-----	201967	4
155	412A1220-7A		..REINFORCEMENT- USED ON: 412A1220-5A	201967	1
155	412A1220-211		..REINFORCEMENT- USED ON: 412A1220-209	201967	1

MISSING ITEM NUMBERS NOT APPLICABLE

- ITEM NOT ILLUSTRATED

HAP

25-24-32-62A

BOEING PROPRIETARY - Copyright © - Unpublished Work - See title page for details.

25-24-32
FIG. 62A
PAGE 4
OCT 15/08

 **BOEING**
737-600/700/800/900
PARTS CATALOG (MAINTENANCE)

FIG ITEM	PART NUMBER	1 2 3 4 5 6 7	NOMENCLATURE	EFFECT FROM TO	UNITS PER ASSY
62A 160	412A1220-251	..	REINFORCEMENT- USED ON: 412A1220-249	201967	1
165	412A1220-8A	..	REINFORCEMENT- USED ON: 412A1220-6A	201967	1
165	412A1220-212	..	REINFORCEMENT- USED ON: 412A1220-210	201967	1
170	412A1220-252	..	REINFORCEMENT- USED ON: 412A1220-250	201967	1
175	BACS12FA3K6	.SCREW-	USED ON: 412A1250-178A 412A1250-178SP	201967	4
180	BACS12FA3K6	.SCREW-	USED ON: 412A1250-1178B 412A1250-1178SP	201967	2
185	BACS12FA3K5	.SCREW-	USED ON: 412A1250-178A 412A1250-178SP	201967	2
190	BACS12FA3K5	.SCREW-	USED ON: 412A1250-1178B 412A1250-1178SP	201967	4
195	412A1230-67	.FITTING-	POSITION DATA: LWR	201967	1
200	412A1230-88	.FITTING ASSY		201967	1
205	BCREF13196	..BUSHING-	OVERLENGTH PART NUMBER: BACB28AT06A010CG	201967	1
210	412A1230-90	..FITTING		201967	1
215	412A1200-25	.CLIP-SEAL RTNR		201967	1
220	412A1252-5	.RETAINER		201967	1
225	412A1450-21	.CLIP-SEAL RTNR		201967	4
230	412A1450-1A	.TRIM		201967	2
235	412A1220-9A	.ANGLE-	OPTIONAL PART: 412A1220-205	201967	2
235	412A1220-205	.ANGLE-	OPTIONAL PART: 412A1220-9A	201967	2
240	BACS12FA3K4	.SCREW	ATTACHING PARTS	201967	10

MISSING ITEM NUMBERS NOT APPLICABLE

— ITEM NOT ILLUSTRATED

HAP

25-24-32-62A

BOEING PROPRIETARY - Copyright © - Unpublished Work - See title page for details.

25-24-32
FIG. 62A
PAGE 5
OCT 15/08

BOEING
737-600/700/800/900
PARTS CATALOG (MAINTENANCE)

FIG ITEM	PART NUMBER	1 2 3 4 5 6 7	NOMENCLATURE	EFFECT FROM TO	UNITS PER ASSY
62A 245	BACS12FA3K6	.SCREW-	USED ON: 412A1250-178A 412A1250-178SP	201967	4
250	BACS12FA3K5	.SCREW-	USED ON: 412A1250-1178B 412A1250-1178SP	201967	2
255	BACS12FA3K6	.SCREW-	USED ON: 412A1250-1178B 412A1250-1178SP	201967	2
260	HA225-3	.STRIKE-	-----*----- SUPPLIER CODE: V83014 SPECIFICATION NUMBER: S412A001-6	201967	2
260	HA225-11	.STRIKE-	SUPPLIER CODE: V83014 SPECIFICATION NUMBER: S412A001-16	201967	2
- 265	BACS12ER08K5	.SCREW	ATTACHING PARTS -----*-----	201967	4
270	412A1242-3	.EXTRUSION-SHELF	ATTACHING PARTS	201967	1
275	BACS12ER3K5	.SCREW		201967	10
280	BACS12ER3K6	.SCREW		201967	2
285	H3-1233A3	.WASHER-	SUPPLIER CODE: V34941 SPECIFICATION NUMBER: S411A001-1 -----*-----	201967	10
290	412A1475-3A	.FITTING ASSY-SPRT		201967	1
295	412A1475-4A	.FITTING ASSY-SPRT	ATTACHING PARTS	201967	1
- 300	BACS12ER3K5	.SCREW	-----*-----	201967	4
305	NAS1795-3	..CLIP		201967	1
310	BACN11F3-1CD	..NUT		201967	1
315	412A1475-1A	..FITTING-	USED ON: 412A1475-3A	201967	1
320	412A1475-2A	..FITTING-	USED ON: 412A1475-4A	201967	1

MISSING ITEM NUMBERS NOT APPLICABLE

- ITEM NOT ILLUSTRATED

HAP

25-24-32-62A

BOEING PROPRIETARY - Copyright © - Unpublished Work - See title page for details.

25-24-32
FIG. 62A
PAGE 6
OCT 15/08

BOEING
737-600/700/800/900
PARTS CATALOG (MAINTENANCE)

FIG ITEM	PART NUMBER	1 2 3 4 5 6 7	NOMENCLATURE	EFFECT FROM TO	UNITS PER ASSY
62A 325	412A1245-5		.RAIL ATTACHING PARTS	201967	1
- 330	BACS12FA3K5		.SCREW	201967	10
			-----*-----		
335	412A1340-16		.FASTENER ASSY-KIT OPTIONAL PART: 412A1340-17 USED ON: 412A1250-1178B 412A1250-1178SP	201967	4
340	BACB30VF3K7		..BOLT	201967	1
345	BACW10EC3S		..WASHER	201967	1
350	PLH53C		..NUT SUPPLIER CODE: V62554 SPECIFICATION NUMBER: BACN10YR3C OPTIONAL PART: H52732-3C V15653	201967	1
355	412A1340-17		.FASTENER ASSY-KIT OPTIONAL PART: 412A1340-16 USED ON: 412A1250-1178B 412A1250-1178SP	201967	4
360	BACB30VF3K8		..BOLT	201967	1
365	F22K1-02		..NUT SUPPLIER CODE: V72962 SPECIFICATION NUMBER: BACN10R10L OPTIONAL PART: 22K1-02 V72962 26CLO2 V80539	201967	1
370	BACB30VF3K8		.BOLT- USED ON: 412A1250-178A 412A1250-178SP	201967	4

MISSING ITEM NUMBERS NOT APPLICABLE

- ITEM NOT ILLUSTRATED

HAP

25-24-32-62A

BOEING PROPRIETARY - Copyright © - Unpublished Work - See title page for details.

25-24-32
FIG. 62A
PAGE 7
OCT 15/08

BOEING
737-600/700/800/900
PARTS CATALOG (MAINTENANCE)

FIG ITEM	PART NUMBER	1 2 3 4 5 6 7	NOMENCLATURE	EFFECT FROM TO	UNITS PER ASSY
62A 375	F22K1-02		.NUT- SUPPLIER CODE: V72962 SPECIFICATION NUMBER: BACN10R10L OPTIONAL PART: 22K1-02 V72962 26CLO2 V80539 USED ON: 412A1250-178A 412A1250-178SP	201967	4
380	412A1247-3A		.EXTRUSION-DOOR CLOSEOUT	201967	1
385	412A1212-114A		.PANEL ASSY-END USED ON: 412A1250-178A	201967	1
385	412A1212-1114B		.PANEL ASSY-END USED ON: 412A1250-1178B 412A1250-1178SP	201967	1
- 390	SL2334-3A1		..INSERT- SUPPLIER CODE: V97393	201967	10
395	412A1212-106A		.PANEL ASSY-END USED ON: 412A1250-178A 412A1250-178SP	201967	1
395	412A1212-1106B		.PANEL ASSY-END USED ON: 412A1250-1178B 412A1250-1178SP	201967	1
- 400	SL2334-3A1		..INSERT- SUPPLIER CODE: V97393	201967	8
405	412A1210-178A		.PANEL ASSY-SHELL USED ON: 412A1250-178A 412A1250-178SP	201967	1
405	412A1210-1178B		.PANEL ASSY-SHELL USED ON: 412A1250-1178B 412A1250-1178SP	201967	1
410	SL2334-3A1		..INSERT- SUPPLIER CODE: V97393	201967	35

MISSING ITEM NUMBERS NOT APPLICABLE

- ITEM NOT ILLUSTRATED

HAP

25-24-32-62A

BOEING PROPRIETARY - Copyright © - Unpublished Work - See title page for details.

25-24-32
FIG. 62A
PAGE 8
OCT 15/08


BOEING
 737-600/700/800/900
PARTS CATALOG (MAINTENANCE)

FIG ITEM	PART NUMBER	1 2 3 4 5 6 7	NOMENCLATURE	EFFECT FROM TO	UNITS PER ASSY
62A 415	BCREF128023		.. INSERT- SUPPLIER CODE: V97393 OVERLENGTH PART NUMBER: SL603-3-375ASP13	201967	14
420	412A1211-140A		. PANEL ASSY-SHELF USED ON: 412A1250-178A 412A1250-178SP	201967	1
420	412A1211-1140B		. PANEL ASSY-SHELF USED ON: 412A1250-1178B 412A1250-1178SP	201967	1
- 425	SL2334-3A1		.. INSERT- SUPPLIER CODE: V97393	201967	51

MISSING ITEM NUMBERS NOT APPLICABLE

- ITEM NOT ILLUSTRATED

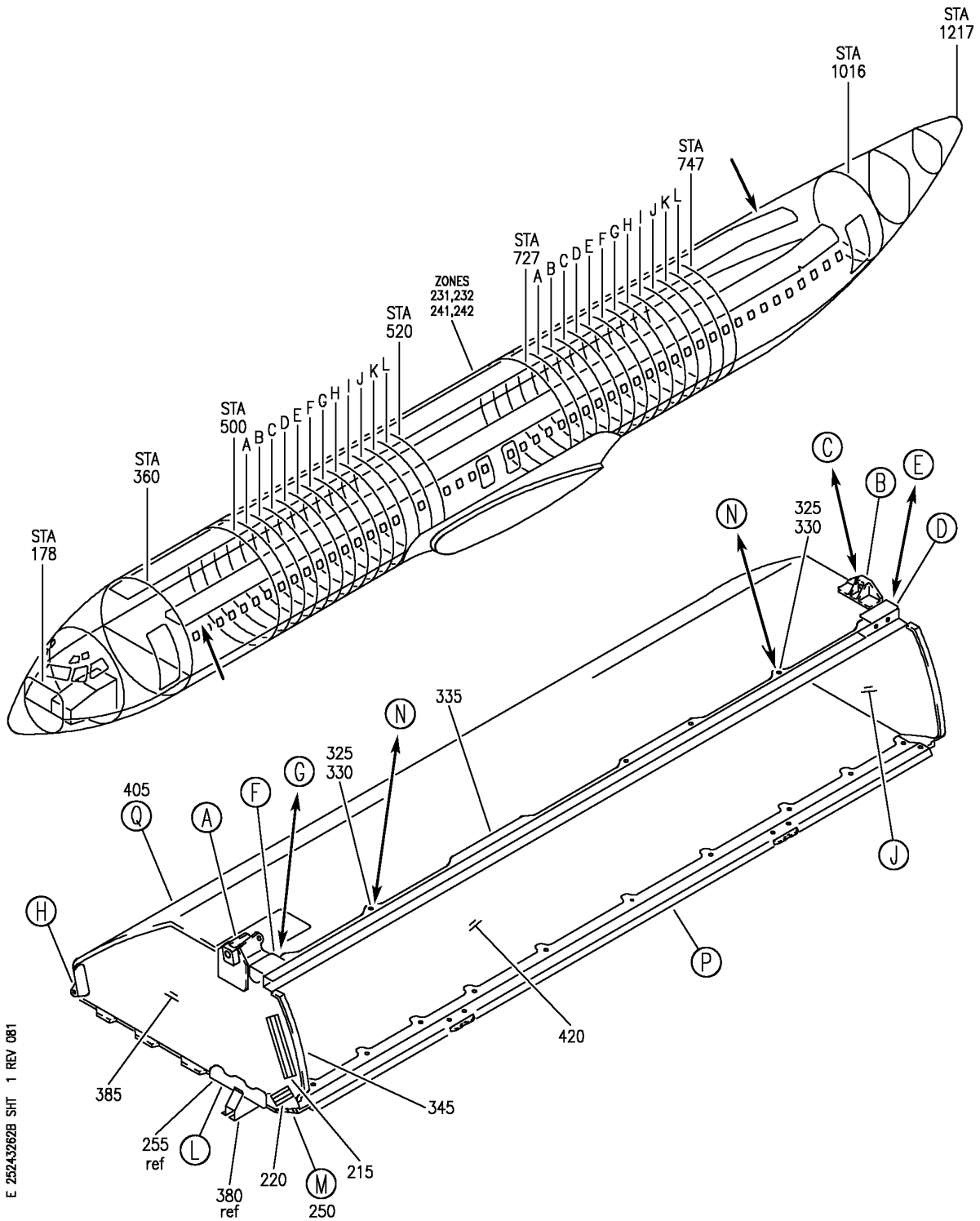
HAP

25-24-32-62A

BOEING PROPRIETARY - Copyright © - Unpublished Work - See title page for details.

25-24-32
 FIG. 62A
 PAGE 9
 OCT 15/08

BOEING
 737-600/700/800/900
 PARTS CATALOG (MAINTENANCE)



E 25243262B SHT 1 REV 081

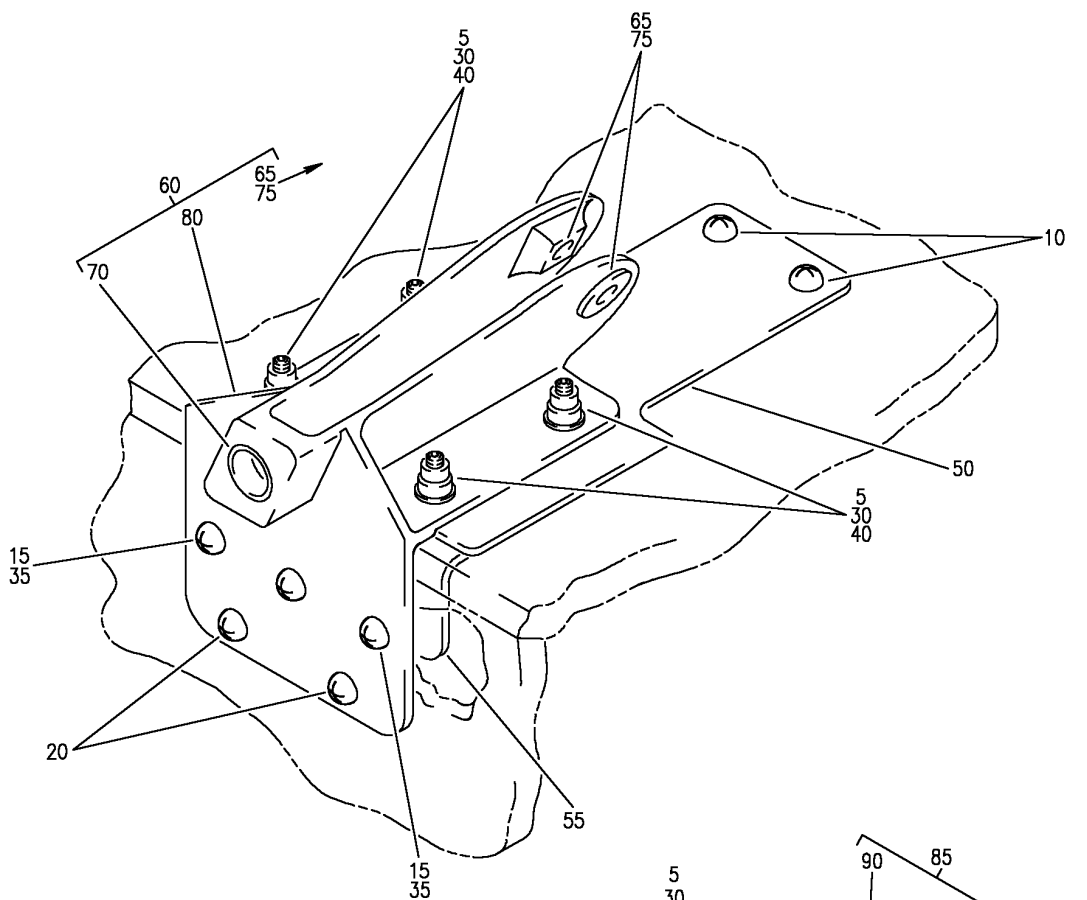
BOX ASSY-60 IN. AFT RH BIN
 FIGURE 62B (SHEET 1)

25-24-32-62B

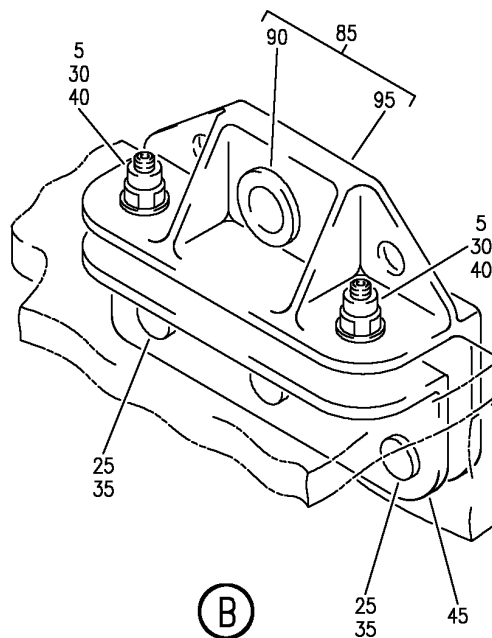
HAP
 OCT 10/06

25-24-32-62B
 PAGE 0

BOEING
 737-600/700/800/900
 PARTS CATALOG (MAINTENANCE)



(A)



(B)

E 25243262B SHT 2 REV 081

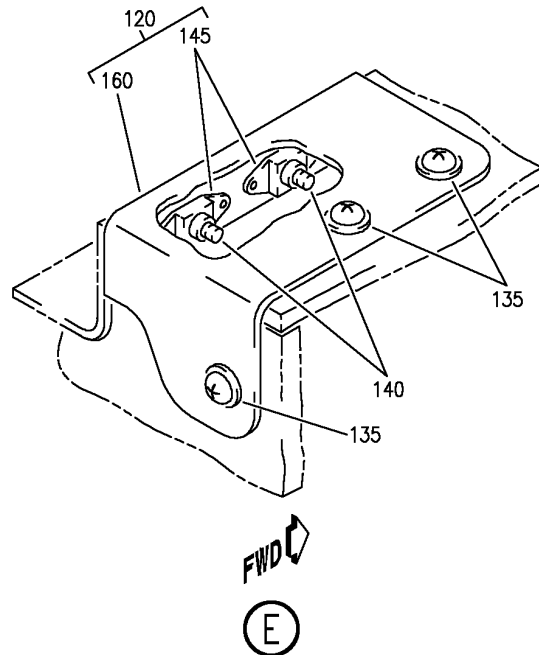
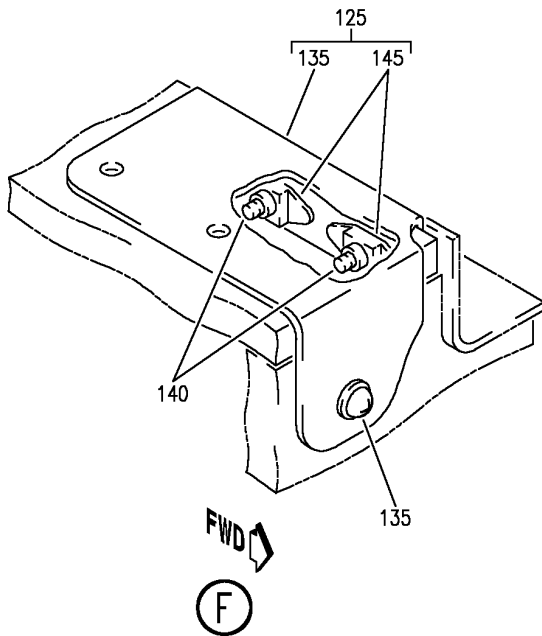
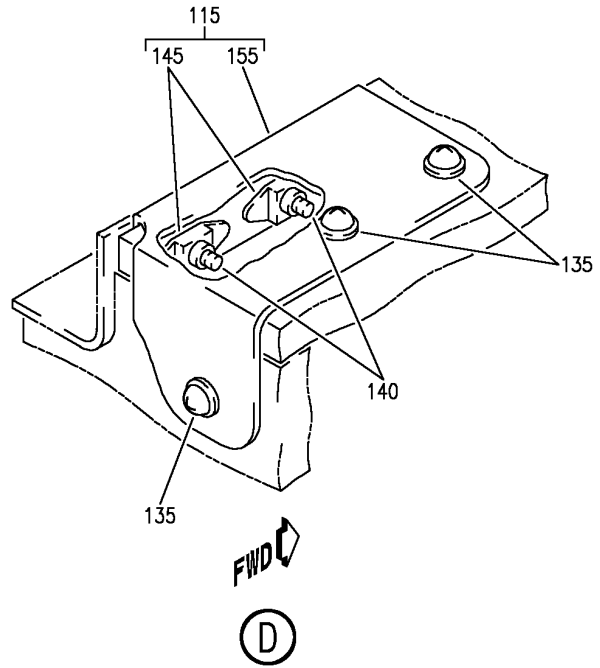
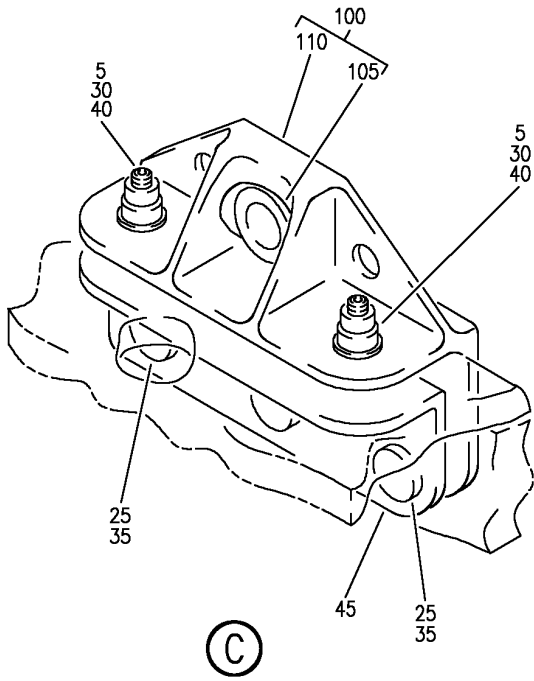
BOX ASSY-60 IN. AFT RH BIN
 FIGURE 62B (SHEET 2)

25-24-32-62B

HAP
 OCT 10/06

25-24-32-62B
 PAGE 0A


BOEING
 737-600/700/800/900
PARTS CATALOG (MAINTENANCE)



E 25243262B SHT 3 REV 081

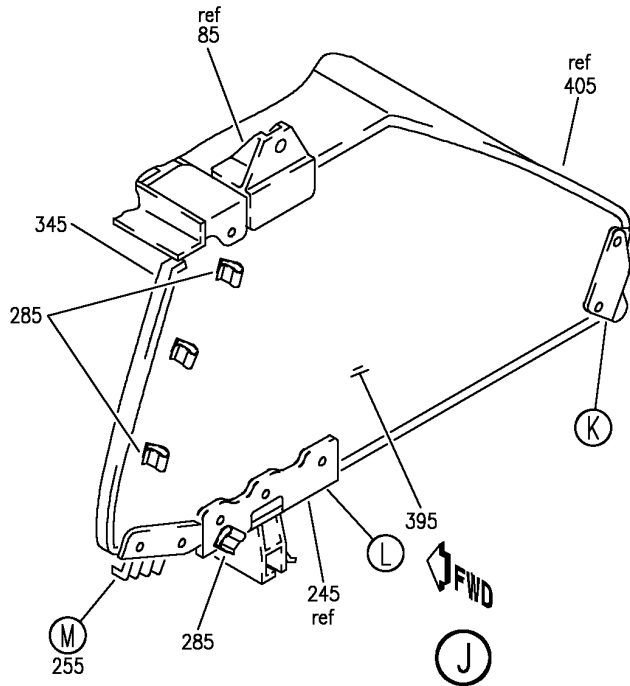
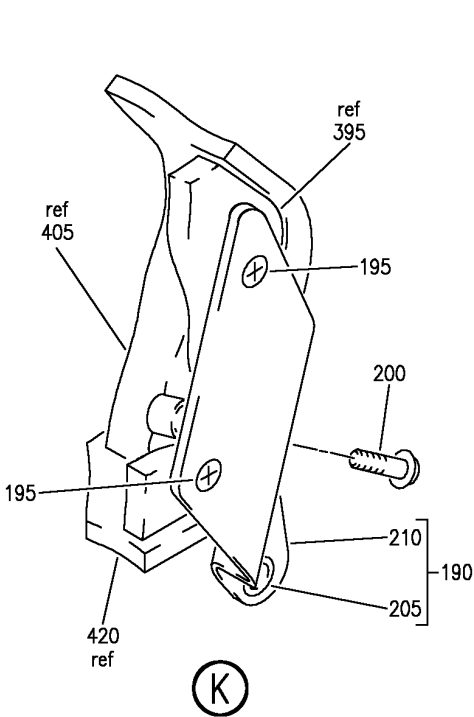
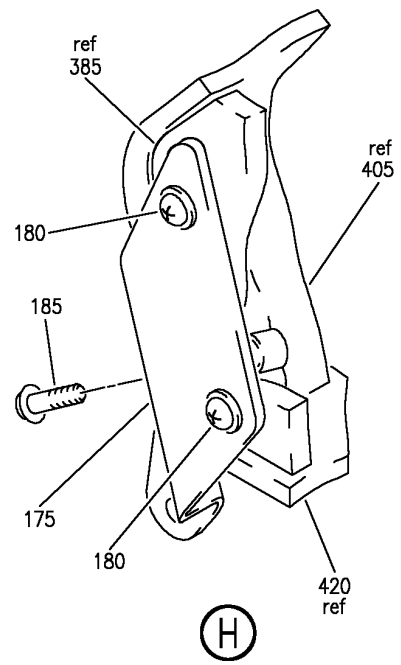
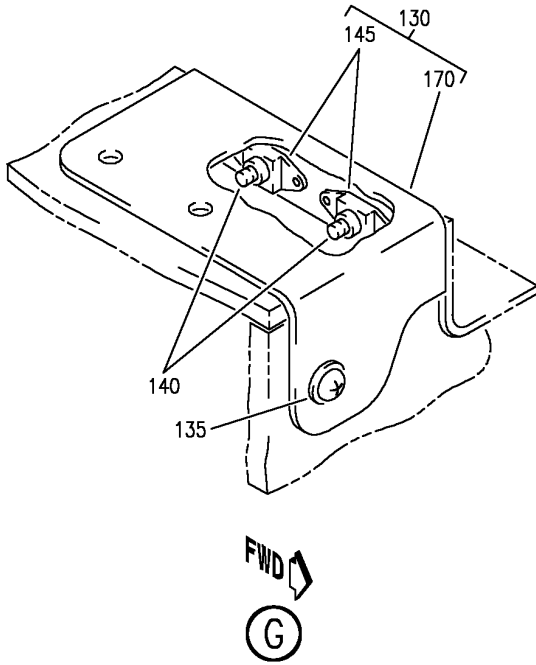
BOX ASSY-60 IN. AFT RH BIN
FIGURE 62B (SHEET 3)

25-24-32-62B

HAP
OCT 10/06

25-24-32-62B
PAGE 0B

BOEING
 737-600/700/800/900
 PARTS CATALOG (MAINTENANCE)



E 25243262B SHT 4 REV 081

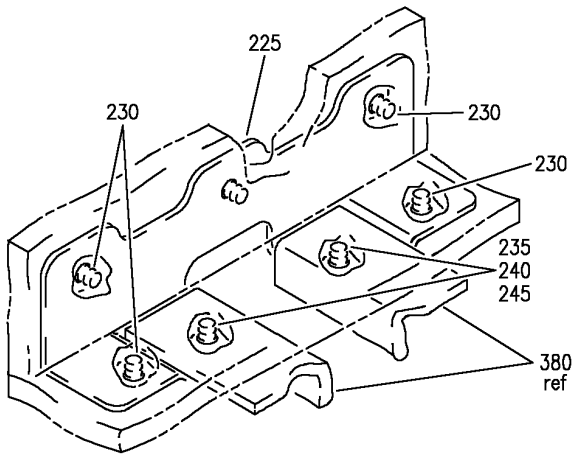
BOX ASSY-60 IN. AFT RH BIN
 FIGURE 62B (SHEET 4)

25-24-32-62B

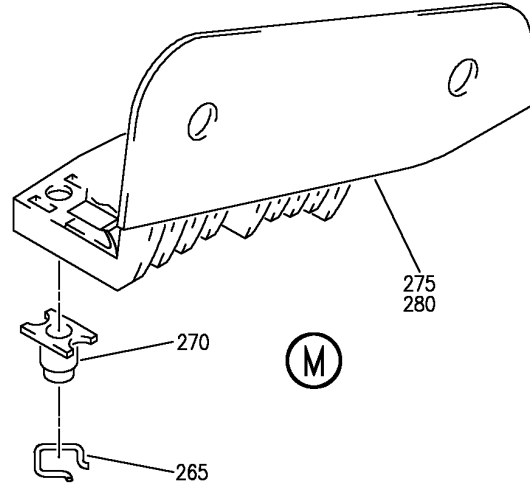
HAP
 OCT 10/06

25-24-32-62B
 PAGE 0C

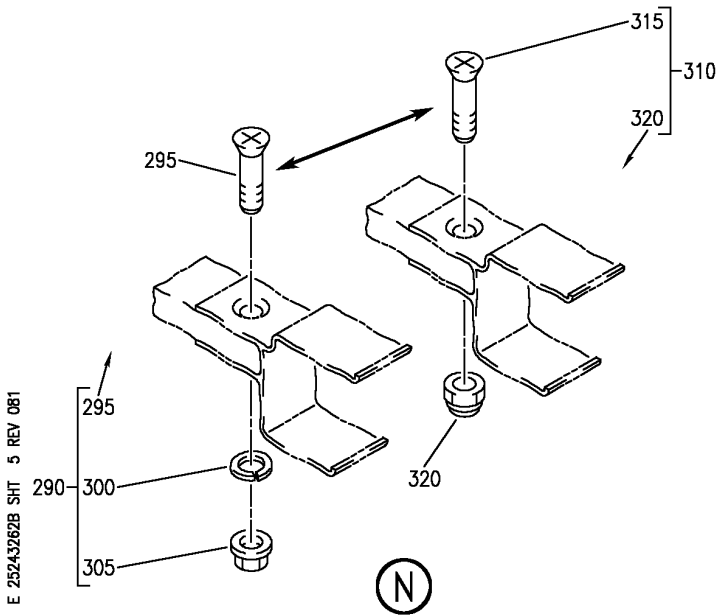
BOEING
 737-600/700/800/900
 PARTS CATALOG (MAINTENANCE)



(L)



(M)



(N)

E 25243262B SHT 5 REV 081

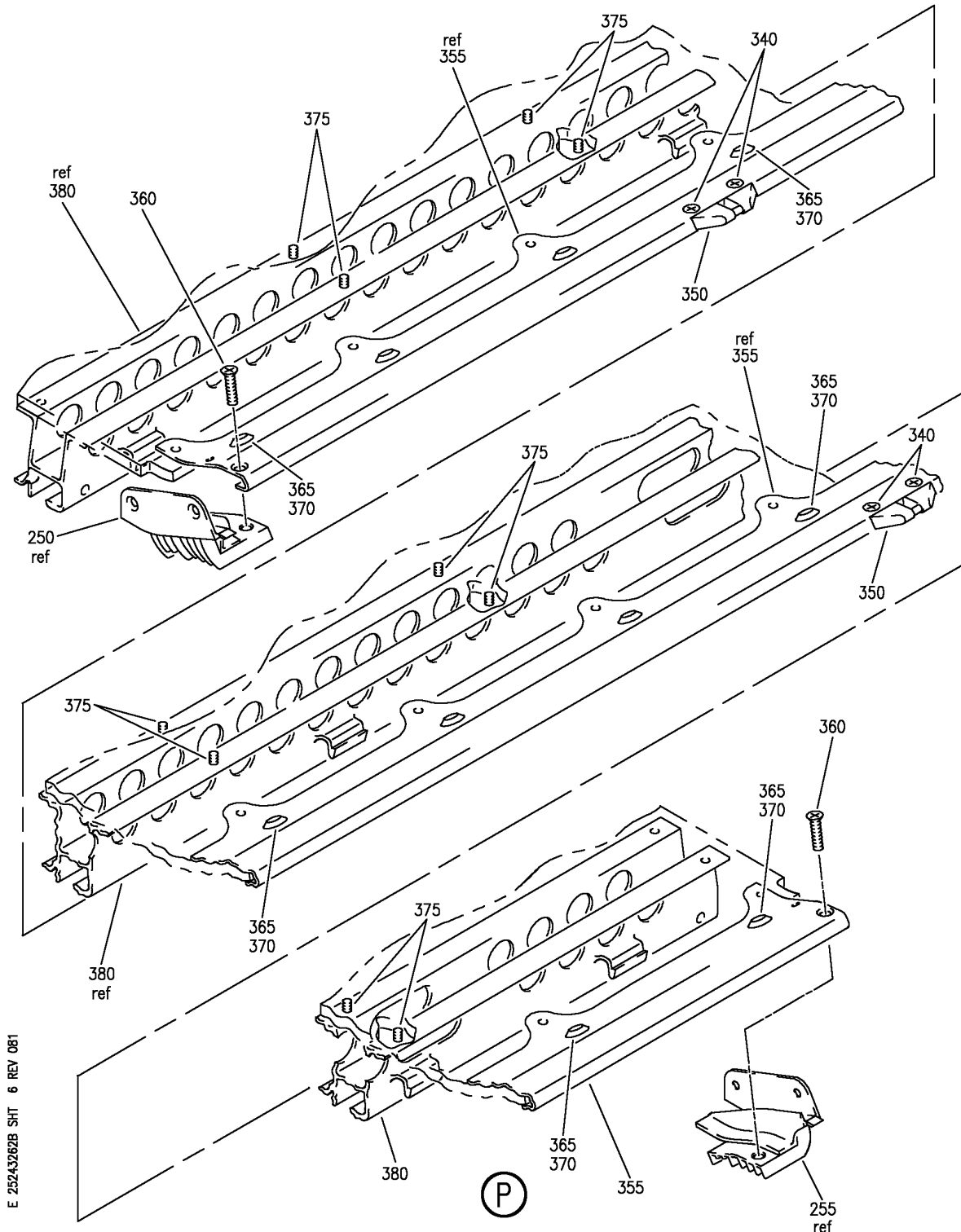
BOX ASSY-60 IN. AFT RH BIN
 FIGURE 62B (SHEET 5)

25-24-32-62B

HAP
 OCT 10/06

25-24-32-62B
 PAGE 0D

BOEING
 737-600/700/800/900
 PARTS CATALOG (MAINTENANCE)



E 25243262B SHIT 6 REV 081

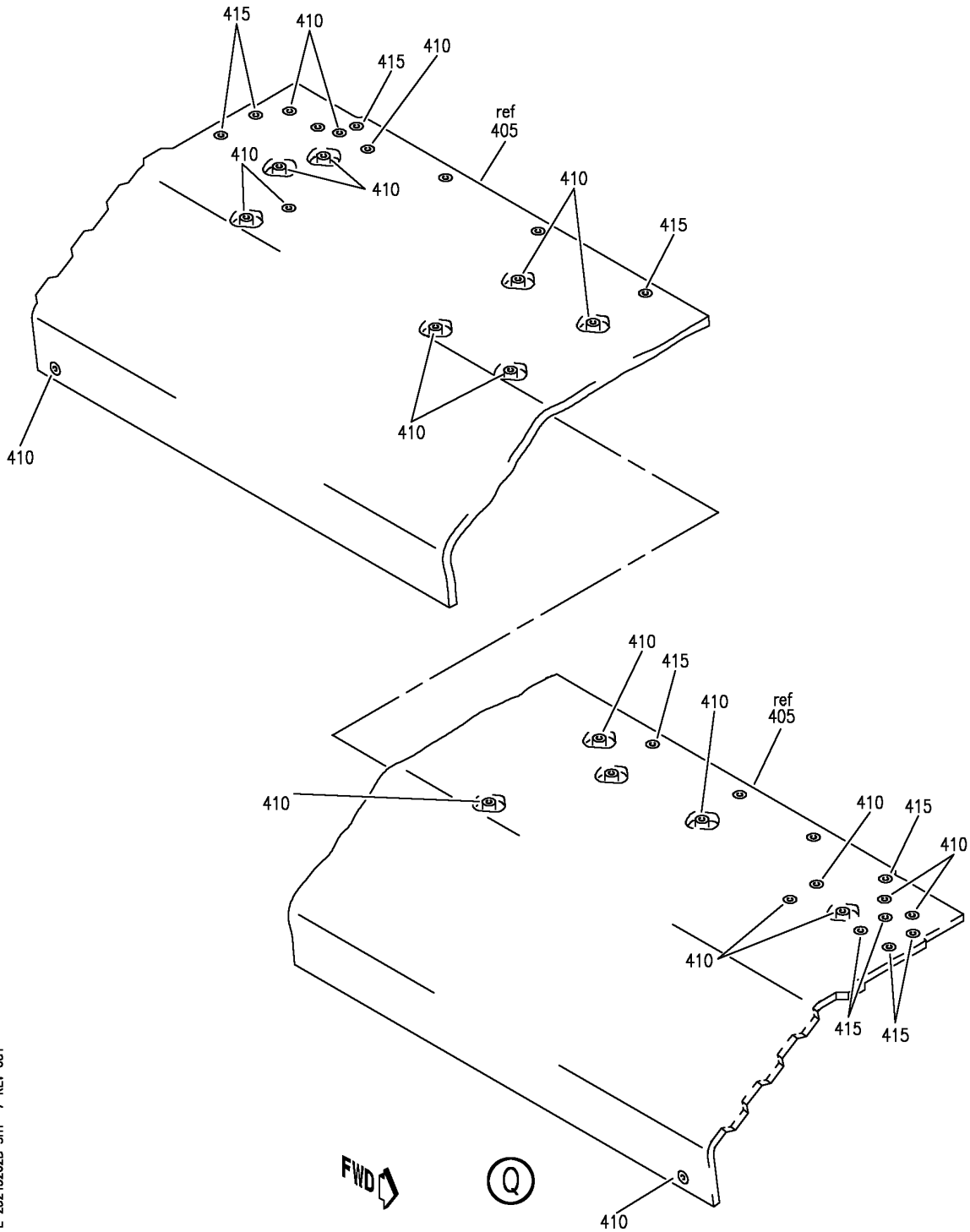
BOX ASSY-60 IN. AFT RH BIN
 FIGURE 62B (SHEET 6)

25-24-32-62B

HAP
 OCT 10/06

25-24-32-62B
 PAGE 0E

BOEING
 737-600/700/800/900
 PARTS CATALOG (MAINTENANCE)



E 25243262B SHT 7 REV 081

BOX ASSY-60 IN. AFT RH BIN
 FIGURE 62B (SHEET 7)

25-24-32-62B

HAP
 OCT 10/06

25-24-32-62B
 PAGE OF

BOEING
737-600/700/800/900
PARTS CATALOG (MAINTENANCE)

FIG ITEM	PART NUMBER	1 2 3 4 5 6 7	NOMENCLATURE	EFFECT FROM TO	UNITS PER ASSY
62B			BOX ASSY-60 IN. AFT RH BIN	002005 008030	
- 1	412A1250-102SP		BOX ASSY-60 IN. BIN POSITION DATA: AFT RH OPTIONAL PART: 412A1250-1102SP FOR NHA SEE: 25-24-31-64	002005 008008	RF
- 1	412A1250-1102SP		BOX ASSY-60 IN. BIN POSITION DATA: AFT RH OPTIONAL PART: 412A1250-102SP FOR NHA SEE: 25-24-31-64	002005 008008	RF
- 1	412A1250-102A		BOX ASSY-60 IN. BIN POSITION DATA: AFT RH OPTIONAL PART: 412A1250-1102B FOR NHA SEE: 25-24-31-64	009030	RF
- 1	412A1250-1102B		BOX ASSY-60 IN. BIN POSITION DATA: AFT RH OPTIONAL PART: 412A1250-102A FOR NHA SEE: 25-24-31-64	009030	RF

MISSING ITEM NUMBERS NOT APPLICABLE

- ITEM NOT ILLUSTRATED

HAP

25-24-32-62B

BOEING PROPRIETARY - Copyright © - Unpublished Work - See title page for details.

25-24-32
FIG. 62B
PAGE 1
OCT 10/06

BOEING
737-600/700/800/900
PARTS CATALOG (MAINTENANCE)

FIG ITEM	PART NUMBER	1 2 3 4 5 6 7	NOMENCLATURE	EFFECT FROM TO	UNITS PER ASSY
62B 5	HL1012AZ6-10	.BOLT	SUPPLIER CODE: V97928 SPECIFICATION NUMBER: BACB30NX6K10 OPTIONAL PART: HL12VAZ6-10 V73197 HL12VAZ6-10 V92215 HL12VAZ6-10 V97928 L802-6K10 V06725 HL12VAZ6-10 V56878 HL1012AZ6-10 VOPTK6 HL1012AZ6-10 V06725 HL1012AZ6-10 V06950 HL1012AZ6-10 V17446 HL1012AZ6-10 V56878 HL1012AZ6-10 V60516 HL1012AZ6-10 V73197	002005 008030	6
10	BACS12FA3K4	.SCREW		002005 008030	2
15	BACS12FA3K9	.SCREW		002005 008030	3
20	BACS12FA3K6	.SCREW- USED ON: 412A1250-102A		002005 008030	2
20	BACS12FA3K5	.SCREW- USED ON: 412A1250-1102B 412A1250-1102SP		002005 008030	2
25	BACS12ER3K9	.SCREW		002005 008030	3
30	BACW10BP3NDP	.WASHER- OPTIONAL PART: NAS1149D0363J		002005 008030	6
30	NAS1149D0363J	.WASHER- OPTIONAL PART: BACW10BP3NDP		002005 008030	6

MISSING ITEM NUMBERS NOT APPLICABLE

— ITEM NOT ILLUSTRATED

HAP

25-24-32-62B

BOEING PROPRIETARY - Copyright © - Unpublished Work - See title page for details.

25-24-32
FIG. 62B
PAGE 2
OCT 10/06

BOEING
737-600/700/800/900
PARTS CATALOG (MAINTENANCE)

FIG ITEM	PART NUMBER	1 2 3 4 5 6 7	NOMENCLATURE	EFFECT FROM TO	UNITS PER ASSY
62B 35	SL5-3-50C	.NUT-	SUPPLIER CODE: V97393	002005 008030	6
40	HL1087-6	.COLLAR-	SUPPLIER CODE: V73197 SPECIFICATION NUMBER: BACC30BH6 OPTIONAL PART: HL1087-6 V56878 HL1087-6 V92215 HL1087-6 V9N513 BACC30BZ6	002005 008030	6
40	HST1070CY6	.COLLAR-	SUPPLIER CODE: V5M902 SPECIFICATION NUMBER: BACC30BZ6 OPTIONAL PART: VLC1070CY6 V92215 HST1070CY6 V73197 BACC30BH6	002005 008030	6
45	412A1220-39SP	.DOUBLER-INTERNAL		002005 008008	1
45	412A1220-39A	.DOUBLER-INTERNAL		009030	1
50	412A1220-40	.DOUBLER-9G EXT		002005 008030	1
55	412A1220-10SP	.DOUBLER-INTERNAL		002005 008008	1
55	412A1220-10A	.DOUBLER-INTERNAL		009030	1
60	412A1230-112	.FITTING ASSY		002005 008030	1
65	BACB28AT04B023C	..BUSHING-	OPTIONAL PART: NAS538B4P023	002005 008030	2
65	NAS538B4P023	..BUSHING-	OPTIONAL PART: BACB28AT04B023C	002005 008030	2
70	BCREF13195	..BUSHING-	OVERLENGTH PART NUMBER: BACB28AY06A035CG	002005 008030	1
75	BACW10P273L	..WASHER		002005 008030	2

MISSING ITEM NUMBERS NOT APPLICABLE

- ITEM NOT ILLUSTRATED

HAP

25-24-32-62B

BOEING PROPRIETARY - Copyright © - Unpublished Work - See title page for details.

25-24-32
FIG. 62B
PAGE 3
OCT 10/06

BOEING
737-600/700/800/900
PARTS CATALOG (MAINTENANCE)

FIG ITEM	PART NUMBER	1 2 3 4 5 6 7	NOMENCLATURE	EFFECT FROM TO	UNITS PER ASSY
62B					
80	412A1230-114	..	FITTING	002005 008030	1
85	412A1230-201	.FITTING ASSY- OPTIONAL PART: 412A1230-1 USED ON: 412A1250-1102SP 412A1250-1102B		002005 008030	1
90	BCREF13195	..BUSHING- OVERLENGTH PART NUMBER: BACB28AY06A035CG		002005 008030	1
95	412A1230-202	..FITTING- OPTIONAL PART: 412A1230-203		002005 008030	1
95	412A1230-203	..FITTING- OPTIONAL PART: 412A1230-202		002005 008030	1
100	412A1230-1	.FITTING ASSY- POSITION DATA: UPR AFT OPTIONAL PART: 412A1230-201		002005 008030	1
105	BCREF13195	..BUSHING- OVERLENGTH PART NUMBER: BACB28AY06A035CG		002005 008030	1
110	412A1230-2	..SUPPORT		002005 008030	1
115	412A1220-249	.CORNER ASSY- OPTIONAL PART: 412A1220-5SP 412A1220-5A 412A1220-209 USED ON: 412A1250-1102SP 412A1250-1102B		002005 008030	1
120	412A1220-5SP	.CORNER ASSY- OPTIONAL PART: 412A1220-209 412A1250-249		002005 008008	1
120	412A1220-5A	.CORNER ASSY- OPTIONAL PART: 412A1220-209 412A1250-249		009030	1

MISSING ITEM NUMBERS NOT APPLICABLE

— ITEM NOT ILLUSTRATED

HAP

25-24-32-62B

BOEING PROPRIETARY - Copyright © - Unpublished Work - See title page for details.

25-24-32
FIG. 62B
PAGE 4
OCT 10/06

BOEING
737-600/700/800/900
PARTS CATALOG (MAINTENANCE)

FIG ITEM	PART NUMBER	1 2 3 4 5 6 7	NOMENCLATURE	EFFECT FROM TO	UNITS PER ASSY
62B 120	412A1220-209		.CORNER ASSY- OPTIONAL PART: 412A1220-5SP 412A1220-5A 412A1220-249 USED ON: 412A1250-1102B 412A1250-1102SP	002005 008030	1
125	412A1220-250		.CORNER ASSY- OPTIONAL PART: 412A1220-6SP 412A1220-6A 412A1220-210 USED ON: 412A1250-1102SP 412A1250-1102B	002005 008030	1
130	412A1220-6SP		.CORNER ASSY- OPTIONAL PART: 412A1220-210 412A1220-250	002005 008008	1
130	412A1220-6A		.CORNER ASSY- OPTIONAL PART: 412A1220-210 412A1220-250	009030	1
130	412A1220-210		.CORNER ASSY- OPTIONAL PART: 412A1220-6A 412A1220-6SP 412A1220-250 USED ON: 412A1250-1102B 412A1250-1102SP ATTACHING PARTS	002005 008030	1
135	BACS12FA3K4		.SCREW	002005 008030	4
140	BACS12FA3K7		.SCREW -----*-----	002005 008030	4

MISSING ITEM NUMBERS NOT APPLICABLE

— ITEM NOT ILLUSTRATED

HAP

25-24-32-62B

BOEING PROPRIETARY - Copyright © - Unpublished Work - See title page for details.

25-24-32
FIG. 62B
PAGE 5
OCT 10/06

BOEING
737-600/700/800/900
PARTS CATALOG (MAINTENANCE)

FIG ITEM	PART NUMBER	1 2 3 4 5 6 7	NOMENCLATURE	EFFECT FROM TO	UNITS PER ASSY
62B 145	BRF200C3D		..NUTPLATE SUPPLIER CODE: V52828 SPECIFICATION NUMBER: BACN10JR3CFD OPTIONAL PART: K51602-3BAC V15653 NS202476-02 V80539 102F9201-3 V72962 T8092C1032CD V11815 ATTACHING PARTS	002005 008030	2
- 150	BACR15CE3D		..RIVET- SIZE DETERMINED ON INSTL. -----*-----	002005 008030	4
155	412A1220-251		..REINFORCEMENT- USED ON: 412A1220-249	002005 008030	1
160	412A1220-7SP		..REINFORCEMENT- USED ON: 412A1220-5SP	002005 008008	1
160	412A1220-211		..REINFORCEMENT- USED ON: 412A1220-209	002005 008030	1
160	412A1220-7A		..REINFORCEMENT- USED ON: 412A1220-5A	009030	1
165	412A1220-252		..REINFORCEMENT- USED ON: 412A1220-250	002005 008030	1
170	412A1220-8SP		..REINFORCEMENT- USED ON: 412A1220-6SP	002005 008008	1
170	412A1220-212		..REINFORCEMENT- USED ON: 412A1220-210	002005 008030	1
170	412A1220-8A		..REINFORCEMENT- USED ON: 412A1220-6A	009030	1
175	412A1230-67		.FITTING- POSITION DATA: LWR	002005 008030	1

MISSING ITEM NUMBERS NOT APPLICABLE

- ITEM NOT ILLUSTRATED

HAP

25-24-32-62B

BOEING PROPRIETARY - Copyright © - Unpublished Work - See title page for details.

25-24-32
FIG. 62B
PAGE 6
OCT 10/06

BOEING
737-600/700/800/900
PARTS CATALOG (MAINTENANCE)

FIG ITEM	PART NUMBER	1 2 3 4 5 6 7	NOMENCLATURE	EFFECT FROM TO	UNITS PER ASSY
62B			ATTACHING PARTS		
180	BACS12FA3K6		.SCREW- USED ON: 412A1250-102A 412A1250-102SP	002005 008030	2
180	BACS12FA3K5		.SCREW- USED ON: 412A1250-1102B 412A1250-1102SP	002005 008030	2
185	BACS12FA3K5		.SCREW	002005 008030	1
			-----*-----		
190	412A1230-88		.FITTING ASSY	002005 008030	1
			ATTACHING PARTS		
195	BACS12ER3K6		.SCREW	002005 008030	2
200	BACS12FA3K5		.SCREW	002005 008030	1
			-----*-----		
205	BCREF13196		..BUSHING- OVERLENGTH PART NUMBER: BACB28AT06A010CG	002005 008030	1
210	412A1230-90		..FITTING	002005 008030	1
215	412A1200-25		.CLIP-SEAL RTNR	002005 008030	1
220	412A1252-5		.RETAINER-SEAL	002005 008030	1
225	412A1220-9SP		.ANGLE- OPTIONAL PART: 412A1220-205	002005 008008	2
225	412A1220-9A		.ANGLE- OPTIONAL PART: 412A1220-205	009030	2
225	412A1220-205		.ANGLE- OPTIONAL PART: 412A1220-9A 412A1220-9SP USED ON: 412A1250-1102B 412A1250-1102SP	002005 008030	2
			ATTACHING PARTS		
230	BACS12FA3K4		.SCREW	002005 008030	10
235	BACS12FA3K6		.SCREW- USED ON: 412A1250-102A 412A1250-102SP	002005 008030	4

MISSING ITEM NUMBERS NOT APPLICABLE

— ITEM NOT ILLUSTRATED

HAP

25-24-32-62B

BOEING PROPRIETARY - Copyright © - Unpublished Work - See title page for details.

25-24-32
FIG. 62B
PAGE 7
OCT 10/06

BOEING
737-600/700/800/900
PARTS CATALOG (MAINTENANCE)

FIG ITEM	PART NUMBER	1 2 3 4 5 6 7	NOMENCLATURE	EFFECT FROM TO	UNITS PER ASSY
62B 240	BACS12FA3K5	.SCREW-	USED ON: 412A1250-1102B 412A1250-1102SP	002005 008030	2
245	BACS12FA3K6	.SCREW-	USED ON: 412A1250-1102B 412A1250-1102SP	002005 008030	2
250	412A1475-3SP	-----*----- .FITTING ASSY-SPRT		002005 008008	1
250	412A1475-3A	.FITTING ASSY-SPRT		009030	1
255	412A1475-4SP	.FITTING ASSY-SPRT		002005 008008	1
255	412A1475-4A	.FITTING ASSY-SPRT	ATTACHING PARTS	009030	1
- 260	BACS12ER3K5	.SCREW		002005 008030	4
265	NAS1795-3	-----*----- ..CLIP-RETAINING		002005 008030	1
270	BACN11F3-1CD	..NUT		002005 008030	1
275	412A1475-1SP	..FITTING-	USED ON: 412A1475-3SP	002005 008008	1
275	412A1475-1A	..FITTING-	USED ON: 412A1475-3A	009030	1
280	412A1475-2SP	..FITTING-	USED ON: 412A1475-4SP	002005 008008	1
280	412A1475-2A	..FITTING-	USED ON: 412A1475-4A	009030	1
285	412A1450-21	.CLIP-SEAL RTNR		002005 008030	4
290	412A1340-16	.FASTENER ASSY-KIT	OPTIONAL PART: 412A1340-17 USED ON: 412A1250-1102SP 412A1250-1102B	002005 008030	4
295	BACB30VF3K7	..BOLT		002005 008030	1
300	BACW10EC3S	..WASHER		002005 008030	1

MISSING ITEM NUMBERS NOT APPLICABLE

- ITEM NOT ILLUSTRATED

HAP

25-24-32-62B

BOEING PROPRIETARY - Copyright © - Unpublished Work - See title page for details.

25-24-32
FIG. 62B
PAGE 8
OCT 10/06

BOEING
737-600/700/800/900
PARTS CATALOG (MAINTENANCE)

FIG ITEM	PART NUMBER	1 2 3 4 5 6 7	NOMENCLATURE	EFFECT FROM TO	UNITS PER ASSY
62B 305	PLH53C	. .	NUT SUPPLIER CODE: V62554 SPECIFICATION NUMBER: BACN10YR3C OPTIONAL PART: H52732-3C V15653	002005 008030	1
310	412A1340-17	. .	FASTENER ASSY-KIT OPTIONAL PART: 412A1340-16 USED ON: 412A1250-1102SP 412A1250-1102B	002005 008030	4
315	BACB30VF3K8	. .	BOLT	002005 008030	1
320	F22K1-02	. .	NUT SUPPLIER CODE: V72962 SPECIFICATION NUMBER: BACN10R10L OPTIONAL PART: 22K1-02 V72962 26CL02 V80539	002005 008030	1
325	BACB30VF3K8	. .	BOLT- USED ON: 412A1250-102SP 412A1250-102A	002005 008030	4
330	F22K1-02	. .	NUT- SUPPLIER CODE: V72962 SPECIFICATION NUMBER: BACN10R10L OPTIONAL PART: 22K1-02 V72962 26CL02 V80539 USED ON: 412A1250-102SP 412A1250-102A	002005 008030	4
335	412A1247-3SP	. .	EXTRUSION-DOOR CLOSEOUT	002005 008008	1
335	412A1247-3A	. .	EXTRUSION-DOOR CLOSEOUT	009030	1
340	BACS12ER08K5	. .	SCREW	002005 008030	4

MISSING ITEM NUMBERS NOT APPLICABLE

— ITEM NOT ILLUSTRATED

HAP

25-24-32-62B

BOEING PROPRIETARY - Copyright © - Unpublished Work - See title page for details.

25-24-32
FIG. 62B
PAGE 9
OCT 10/06

BOEING
737-600/700/800/900
PARTS CATALOG (MAINTENANCE)

FIG ITEM	PART NUMBER	1 2 3 4 5 6 7	NOMENCLATURE	EFFECT FROM TO	UNITS PER ASSY
62B					
345	412A1450-1SP	.	TRIM-	002005 008008	2
345	412A1450-1A	.	TRIM-	009030	2
350	HA225-3	.	STRIKE-	002005	2
			SUPPLIER CODE: V83014	008030	
			SPECIFICATION NUMBER: S412A001-6		
350	HA225-11	.	STRIKE-	002005	2
			SUPPLIER CODE: V83014	008030	
			SPECIFICATION NUMBER: S412A001-16		
355	412A1242-3	.	EXTRUSION-SHELF	002005 008030	1
			ATTACHING PARTS		
360	BACS12ER3K6	.	SCREW	002005 008030	2
365	BACS12ER3K5	.	SCREW	002005 008030	10
370	H3-1233A3	.	WASHER-	002005	10
			SUPPLIER CODE: V34941	008030	
			SPECIFICATION NUMBER: S411A001-1		
			-----*-----		
375	BACS12FA3K5	.	SCREW	002005 008030	10
380	412A1245-5	.	RAIL	002005 008030	1
385	412A1212-154SP	.	PANEL ASSY-END	002005 008008	1
385	412A1212-154A	.	PANEL ASSY-END	009030	1
			USED ON: 412A1250-102A		
385	412A1212-1154B	.	PANEL ASSY-END	009030	1
			USED ON: 412A1250-1102B		
385	412A1212-1154SP	.	PANEL ASSY-END	002005 008008	1
			USED ON: 412A1250-1102SP		
- 390	SL2334-3A1	..	INSERT-	002005	10
			SUPPLIER CODE: V97393	008030	
395	412A1212-116SP	.	PANEL ASSY-END	002005 008008	1
395	412A1212-116A	.	PANEL ASSY-END	009030	1
			USED ON: 412A1250-102A		

MISSING ITEM NUMBERS NOT APPLICABLE

- ITEM NOT ILLUSTRATED

HAP

25-24-32-62B

BOEING PROPRIETARY - Copyright © - Unpublished Work - See title page for details.

25-24-32
FIG. 62B
PAGE 10
JUN 15/08

BOEING
737-600/700/800/900
PARTS CATALOG (MAINTENANCE)

FIG ITEM	PART NUMBER	1 2 3 4 5 6 7	NOMENCLATURE	EFFECT FROM TO	UNITS PER ASSY
62B 395	412A1212-1116B	.	PANEL ASSY-END USED ON: 412A1250-1102B	009030	1
395	412A1212-1116SP	.	PANEL ASSY-END USED ON: 412A1250-1102SP	002005 008008	1
- 400	SL2334-3A1	..	INSERT-BLIND SUPPLIER CODE: V97393	002005 008030	8
405	412A1210-168SP	.	PANEL ASSY-SHELL	002005 008008	1
405	412A1210-168A	.	PANEL ASSY-SHELL USED ON: 412A1250-102A	009030	1
405	412A1210-1168B	.	PANEL ASSY-SHELL USED ON: 412A1250-1102B	009030	1
405	412A1210-1168SP	.	PANEL ASSY-SHELL USED ON: 412A1250-1102SP	002005 008008	1
410	SL2334-3A1	..	INSERT- SUPPLIER CODE: V97393	002005 008030	23
415	BCREF128023	..	INSERT- SUPPLIER CODE: V97393 OVERLENGTH PART NUMBER: SL603-3-375ASP13	002005 008030	14
420	412A1211-128SP	.	PANEL ASSY-SHELF	002005 008008	1
420	412A1211-1128SP	.	PANEL ASSY-SHELF USED ON: 412A1250-1102SP	002005 008008	1
420	412A1211-128A	.	PANEL ASSY-SHELF USED ON: 412A1250-102A	009030	1
420	412A1211-1128B	.	PANEL ASSY-SHELF USED ON: 412A1250-1102B	009030	1
- 425	SL2334-3A1	..	INSERT- SUPPLIER CODE: V97393	002005 008030	53

MISSING ITEM NUMBERS NOT APPLICABLE

- ITEM NOT ILLUSTRATED

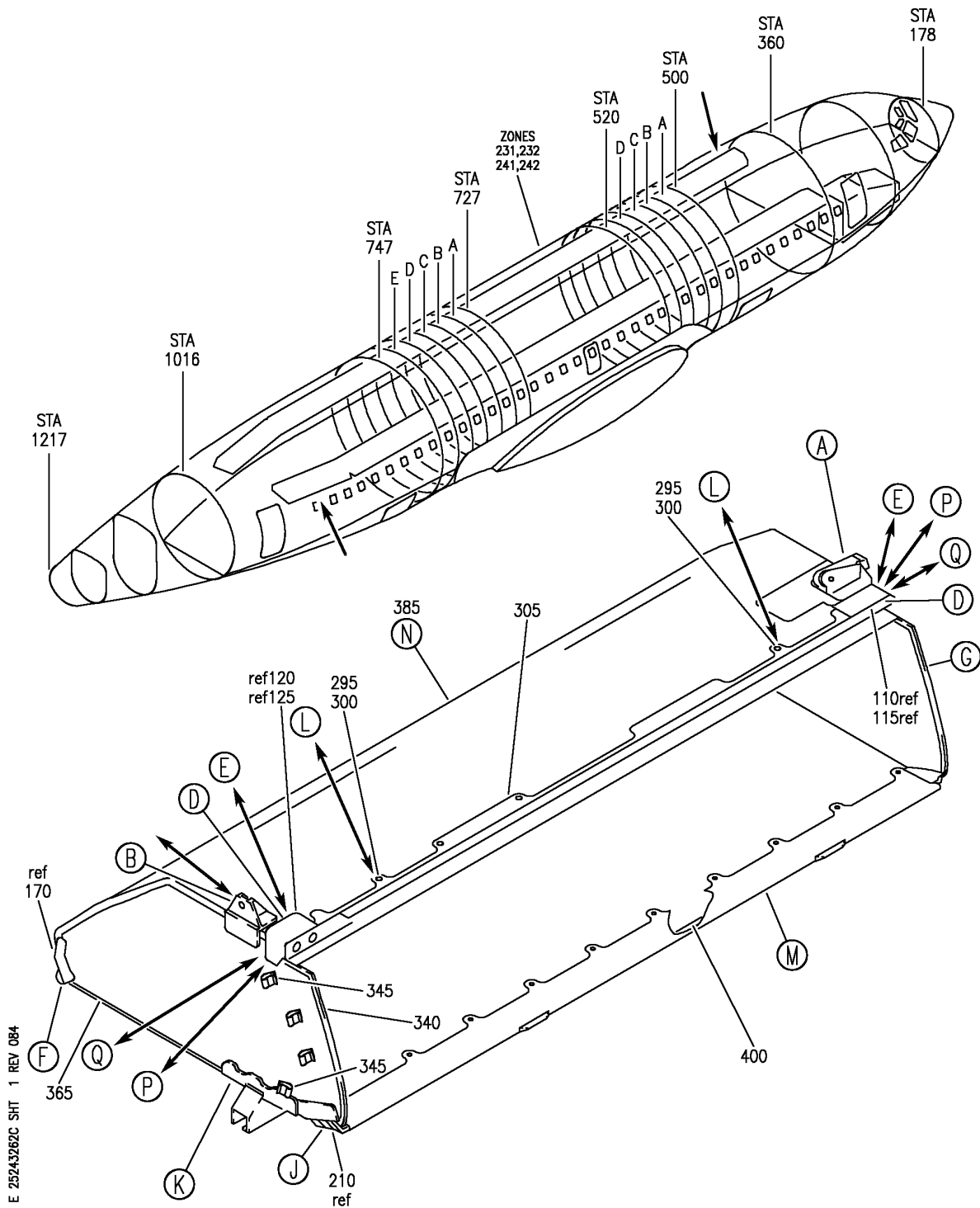
HAP

25-24-32-62B

BOEING PROPRIETARY - Copyright © - Unpublished Work - See title page for details.

25-24-32
FIG. 62B
PAGE 11
OCT 10/06

BOEING
 737-600/700/800/900
 PARTS CATALOG (MAINTENANCE)



E 25243262C SHT 1 REV 084

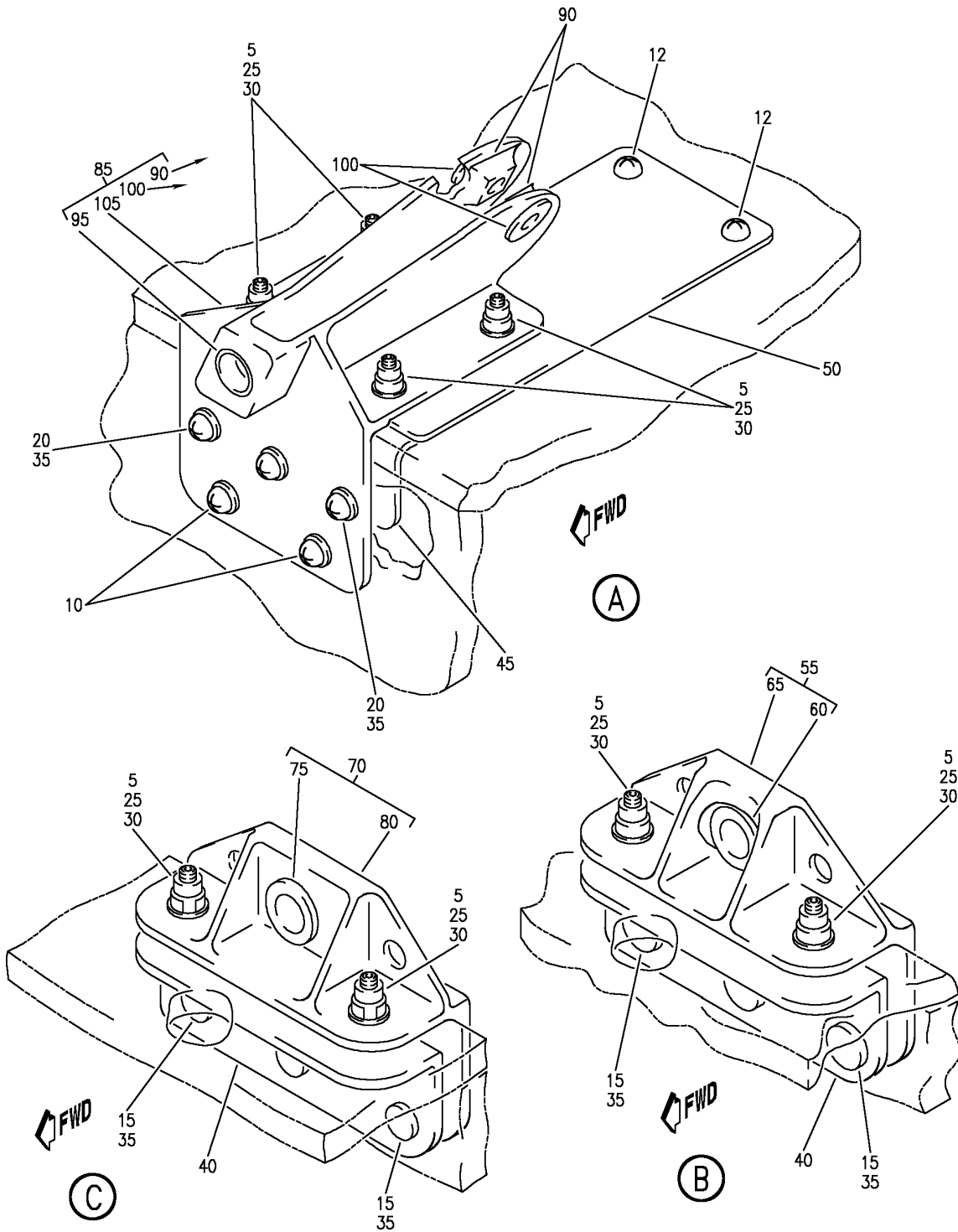
BOX ASSY-60 IN. LH BIN
 FIGURE 62C (SHEET 1)

25-24-32-62C

HAP
 OCT 10/06

25-24-32-62C
 PAGE 0

BOEING
 737-600/700/800/900
 PARTS CATALOG (MAINTENANCE)



E 25243262C SHT 2 REV 084

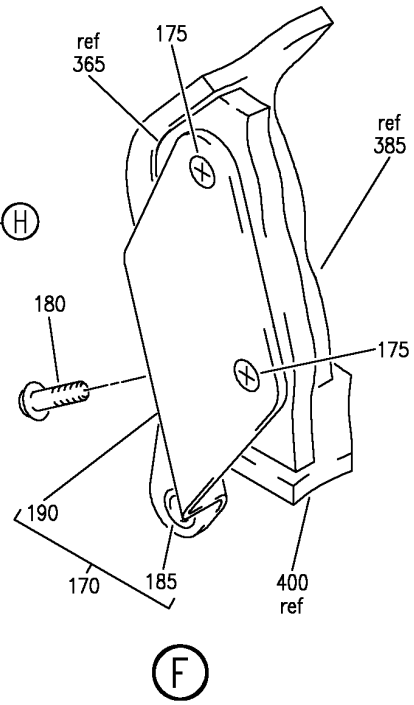
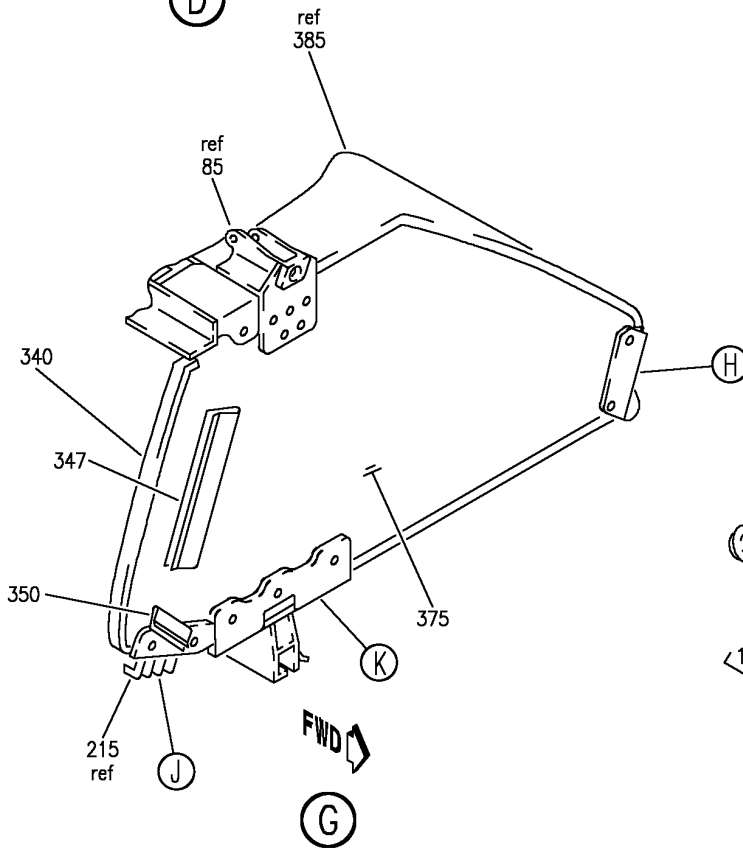
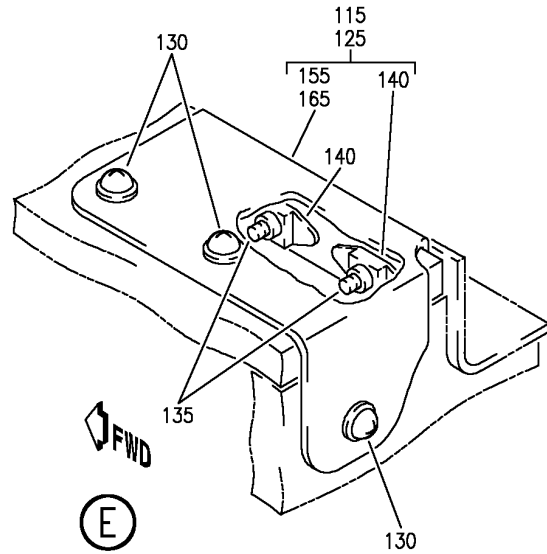
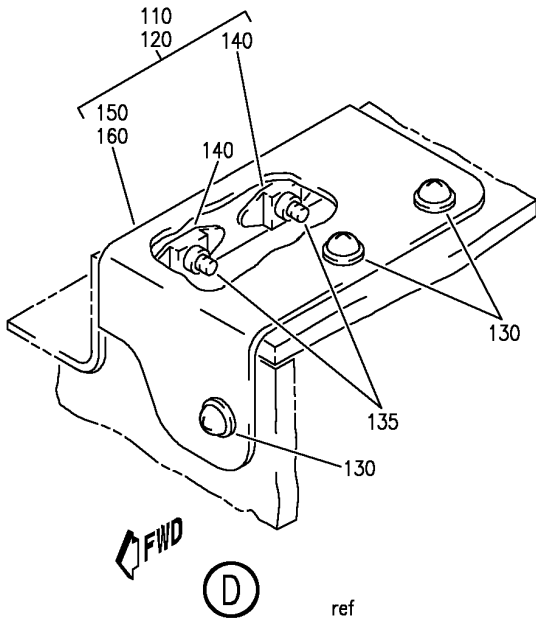
BOX ASSY-60 IN. LH BIN
 FIGURE 62C (SHEET 2)

25-24-32-62C

HAP
 OCT 10/06

25-24-32-62C
 PAGE 0A


BOEING
 737-600/700/800/900
PARTS CATALOG (MAINTENANCE)



E 25243262C SHT 3 REV 082

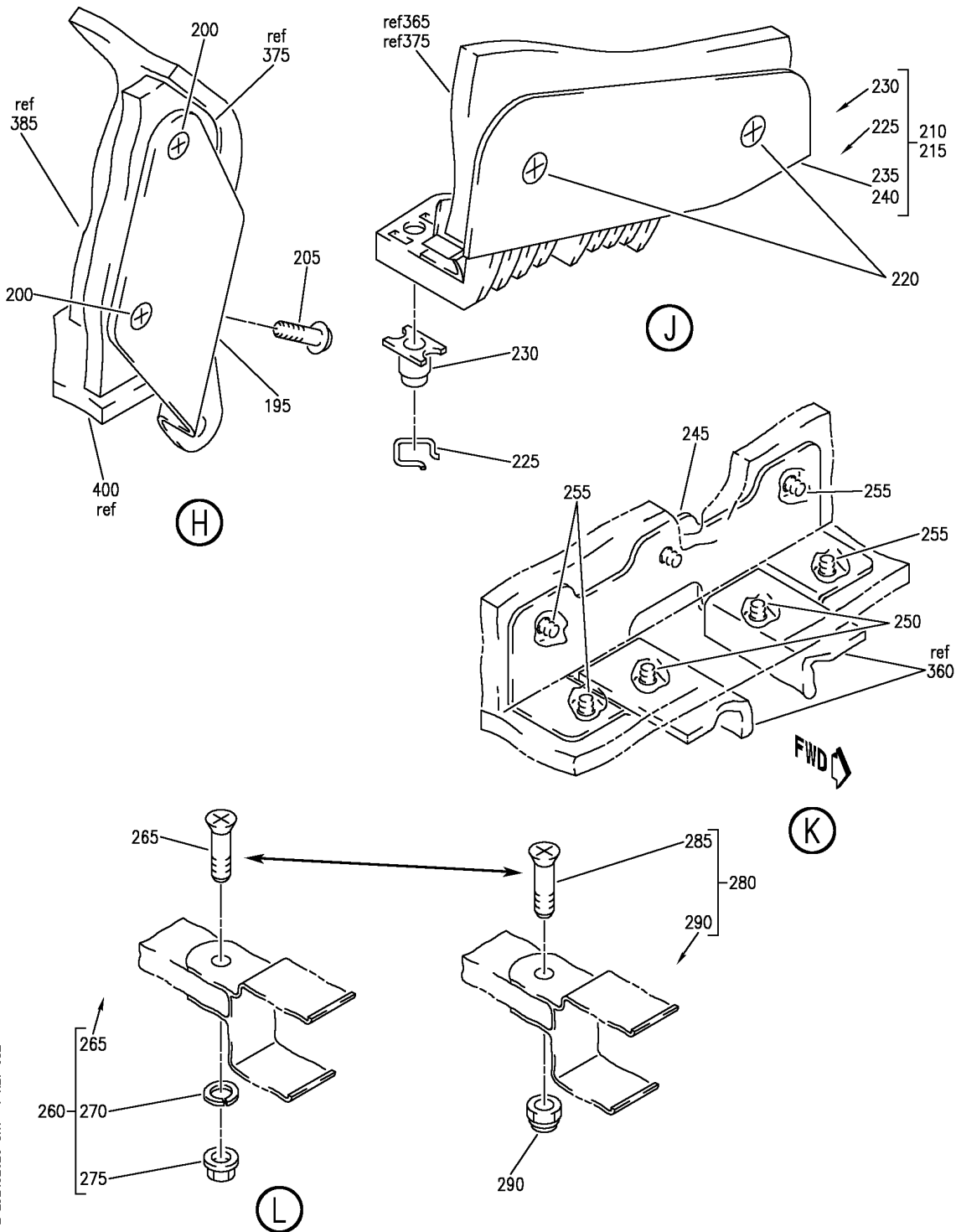
BOX ASSY-60 IN. LH BIN
FIGURE 62C (SHEET 3)

25-24-32-62C

HAP
OCT 10/06

25-24-32-62C
PAGE 0B

BOEING
 737-600/700/800/900
 PARTS CATALOG (MAINTENANCE)



E 25243262C SHT 4 REV 082

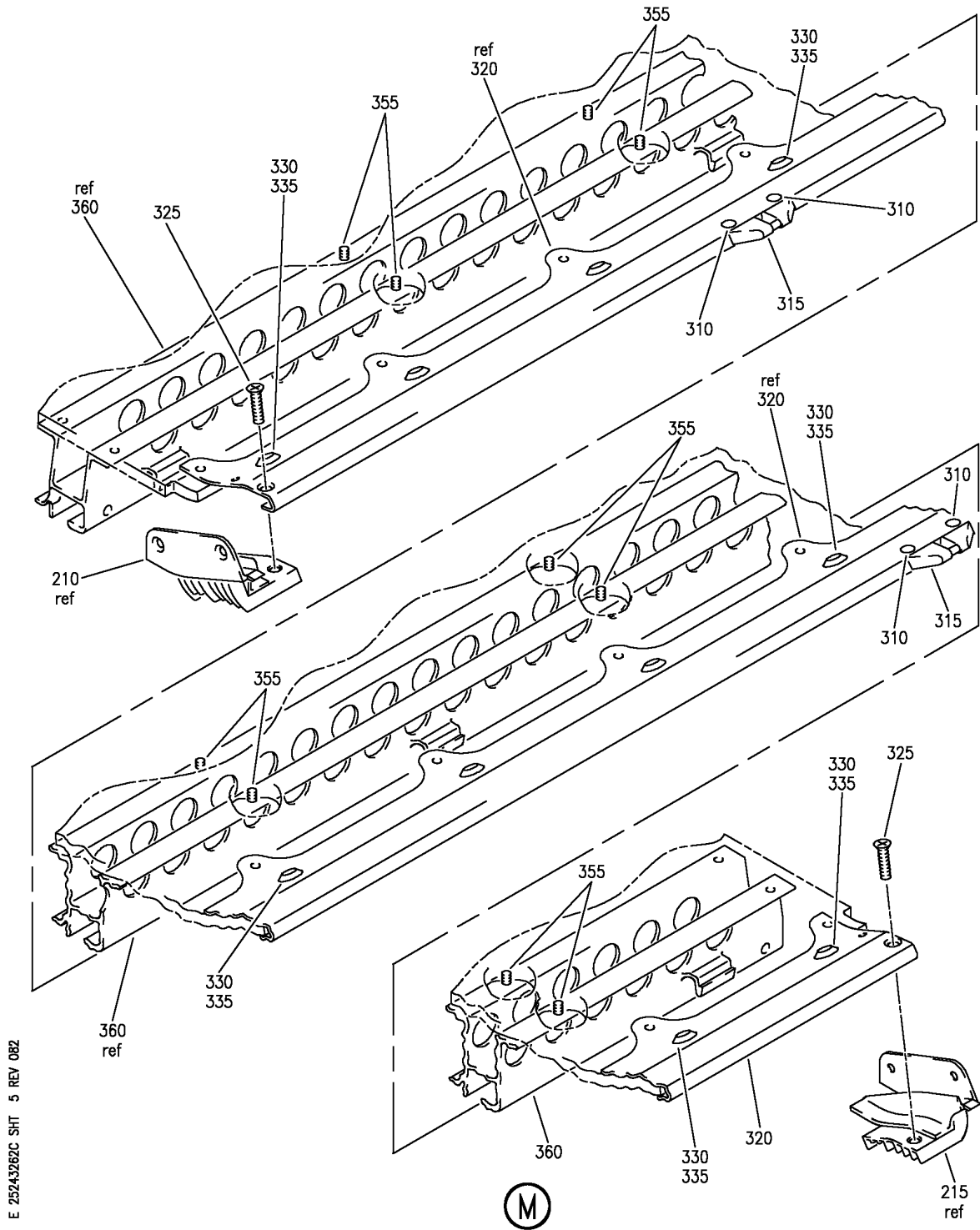
BOX ASSY-60 IN. LH BIN
 FIGURE 62C (SHEET 4)

25-24-32-62C

HAP
 OCT 10/06

25-24-32-62C
 PAGE 0C

BOEING
 737-600/700/800/900
 PARTS CATALOG (MAINTENANCE)



E 25243262C SHT 5 REV 082

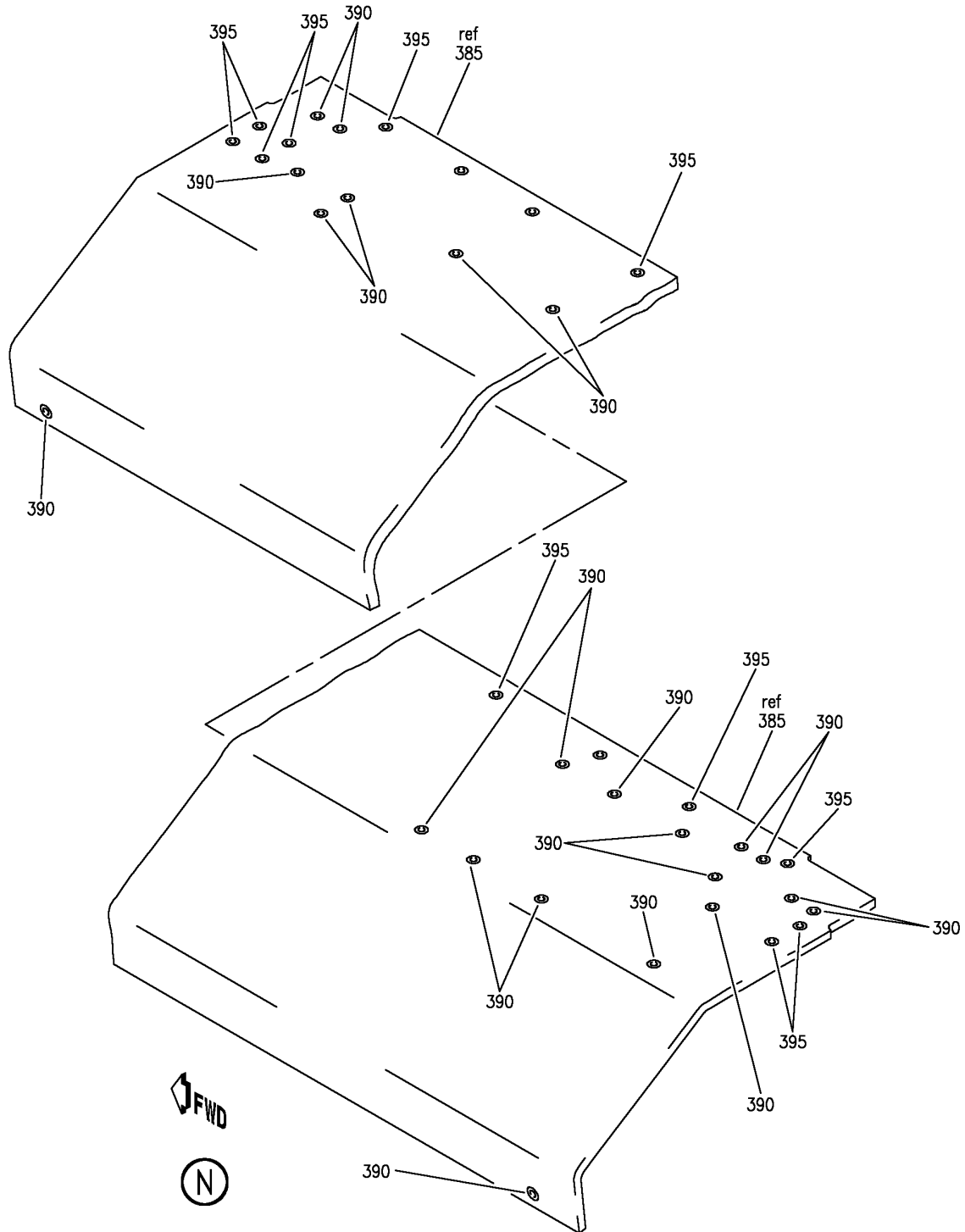
BOX ASSY-60 IN. LH BIN
 FIGURE 62C (SHEET 5)

25-24-32-62C

HAP
 OCT 10/06

25-24-32-62C
 PAGE 0D

BOEING
737-600/700/800/900
PARTS CATALOG (MAINTENANCE)



E 25243262C SHT 6 REV 082

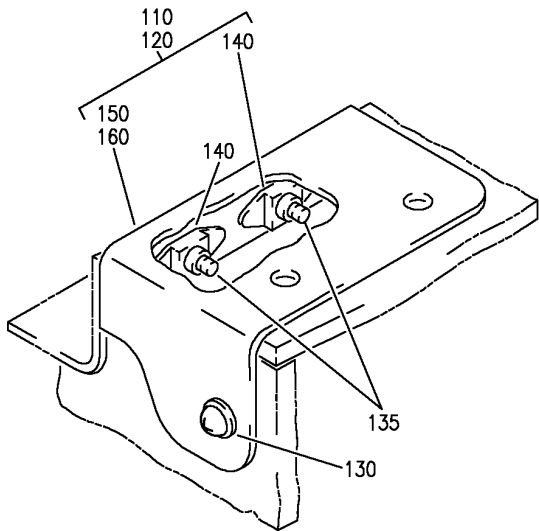
BOX ASSY-60 IN. LH BIN
FIGURE 62C (SHEET 6)

25-24-32-62C

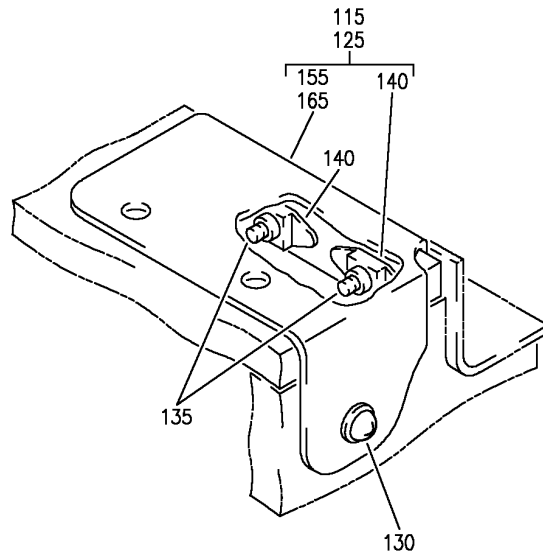
HAP
OCT 10/06

25-24-32-62C
PAGE 0E

BOEING
 737-600/700/800/900
 PARTS CATALOG (MAINTENANCE)



(P)



(Q)

E 25243262C SHT 7 REV 084

BOX ASSY-60 IN. LH BIN
 FIGURE 62C (SHEET 7)

25-24-32-62C

HAP
 OCT 10/06

25-24-32-62C
 PAGE OF

BOEING
737-600/700/800/900
PARTS CATALOG (MAINTENANCE)

FIG ITEM	PART NUMBER	1 2 3 4 5 6 7	NOMENCLATURE	EFFECT FROM TO	UNITS PER ASSY
62C			BOX ASSY-60 IN. LH BIN	002005 008030 201967	
- 1	412A1250-101A		BOX ASSY-60 IN. BIN POSITION DATA: LH OPTIONAL PART: 412A1250-1101B FOR NHA SEE: 25-24-31-24 25-24-31-61	002005 008030 201967	RF
- 1	412A1250-1101B		BOX ASSY-60 IN. BIN POSITION DATA: LH OPTIONAL PART: 412A1250-101A FOR NHA SEE: 25-24-31-24 25-24-31-61	002005 008030 201967	RF
5	HL1012AZ6-10		.BOLT SUPPLIER CODE: V97928 SPECIFICATION NUMBER: BACB30NX6K10 OPTIONAL PART: HL12VAZ6-10 V73197 HL12VAZ6-10 V92215 HL12VAZ6-10 V97928 L802-6K10 V06725 HL12VAZ6-10 V56878 HL1012AZ6-10 VOPTK6 HL1012AZ6-10 V06725 HL1012AZ6-10 V06950 HL1012AZ6-10 V17446 HL1012AZ6-10 V56878 HL1012AZ6-10 V60516 HL1012AZ6-10 V73197	002005 008030 201967	6

MISSING ITEM NUMBERS NOT APPLICABLE

- ITEM NOT ILLUSTRATED

HAP

25-24-32-62C

BOEING PROPRIETARY - Copyright © - Unpublished Work - See title page for details.

25-24-32
FIG. 62C
PAGE 1
OCT 15/08

BOEING
737-600/700/800/900
PARTS CATALOG (MAINTENANCE)

FIG ITEM	PART NUMBER	1 2 3 4 5 6 7	NOMENCLATURE	EFFECT FROM TO	UNITS PER ASSY
62C					
10	BACS12FA3K6	.SCREW-	USED ON: 412A1250-101A 412A1250-101SP	002005 008030 201967	2
10	BACS12FA3K5	.SCREW-	USED ON: 412A1250-1101B 412A1250-1101SP ATTACHING PARTS	002005 008030 201967	2
12	BACS12FA3K4	.SCREW		002005 008030 201967	2
15	BACS12ER3K9	-----*----- .SCREW		002005 008030 201967	3
20	BACS12FA3K8	.SCREW		002005 008030 201967	3
25	HL1087-6	.COLLAR-	SUPPLIER CODE: V73197 SPECIFICATION NUMBER: BACC30BH6 OPTIONAL PART: HL1087-6 V56878 HL1087-6 V92215 HL1087-6 V9N513 BACC30BZ6	002005 008030 201967	6
25	HST1070CY6	.COLLAR-	SUPPLIER CODE: V5M902 SPECIFICATION NUMBER: BACC30BZ6 OPTIONAL PART: VLC1070CY6 V92215 HST1070CY6 V73197 BACC30BH6	002005 008030 201967	6
30	BACW10BP3NDP	.WASHER-	OPTIONAL PART: NAS1149D0363J	002005 008030 201967	6
30	NAS1149D0363J	.WASHER-	OPTIONAL PART: BACW10BP3NDP	002005 008030 201967	6

MISSING ITEM NUMBERS NOT APPLICABLE

— ITEM NOT ILLUSTRATED

HAP

25-24-32-62C

BOEING PROPRIETARY - Copyright © - Unpublished Work - See title page for details.

25-24-32
FIG. 62C
PAGE 2
OCT 15/08

BOEING
737-600/700/800/900
PARTS CATALOG (MAINTENANCE)

FIG ITEM	PART NUMBER	1 2 3 4 5 6 7	NOMENCLATURE	EFFECT FROM TO	UNITS PER ASSY
62C					
35	SL5-3-50C	.NUT-		002005	6
		SUPPLIER CODE:		008030	
		V97393		201967	
40	412A1220-39A	.DOUBLER-INTERNAL		002005	1
				008030	
				201967	
45	412A1220-10A	.DOUBLER-INTERNAL		002005	1
				008030	
				201967	
50	412A1220-40	.DOUBLER-9G EXTERNAL		002005	1
				008030	
				201967	
55	412A1230-1	.FITTING ASSY-		002005	1
		POSITION DATA:		008030	
		UPR AFT		201967	
		OPTIONAL PART:			
		412A1230-201			
60	BCREF13195	..BUSHING-		002005	1
		OVERLENGTH PART NUMBER:		008030	
		BACB28AY06A035CG		201967	
65	412A1230-2	..SUPPORT		002005	1
				008030	
				201967	
70	412A1230-201	.FITTING ASSY-		002005	1
		OPTIONAL PART:		008030	
		412A1230-1		201967	
		USED ON:			
		412A1250-1101SP			
		412A1250-1101B			
75	BCREF13195	..BUSHING-		002005	1
		OVERLENGTH PART NUMBER:		008030	
		BACB28AY06A035CG		201967	
80	412A1230-202	..FITTING-		002005	1
		OPTIONAL PART:		008030	
		412A1230-203		201967	
80	412A1230-203	..FITTING-		002005	1
		OPTIONAL PART:		008030	
		412A1230-202		201967	
85	412A1230-111	.FITTING ASSY		002005	1
				008030	
				201967	
90	BACB28AT04B023C	..BUSHING-		002005	2
		OPTIONAL PART:		008030	
		NAS538B4P023		201967	
90	NAS538B4P023	..BUSHING-		002005	2
		OPTIONAL PART:		008030	
		BACB28AT04B023C		201967	

MISSING ITEM NUMBERS NOT APPLICABLE

— ITEM NOT ILLUSTRATED

HAP

25-24-32-62C

BOEING PROPRIETARY - Copyright © - Unpublished Work - See title page for details.

25-24-32
FIG. 62C
PAGE 3
OCT 15/08

BOEING
737-600/700/800/900
PARTS CATALOG (MAINTENANCE)

FIG ITEM	PART NUMBER	1 2 3 4 5 6 7	NOMENCLATURE	EFFECT FROM TO	UNITS PER ASSY
62C 95	BCREF13195	..	BUSHING- OVERLENGTH PART NUMBER: BACB28AY06A035CG	002005 008030 201967	1
100	BACW10P273L	..	WASHER	002005 008030 201967	2
105	412A1230-113	..	FITTING	002005 008030 201967	1
110	412A1220-5A	.	CORNER ASSY- OPTIONAL PART: 412A1220-209 412A1220-249	002005 008030 201967	1
110	412A1220-209	.	CORNER ASSY- OPTIONAL PART: 412A1220-249 412A1220-5A USED ON: 412A1250-1101B	002005 008030 201967	1
115	412A1220-249	.	CORNER ASSY- OPTIONAL PART: 412A1220-209 412A1220-5A USED ON: 412A1250-1101B	002005 008030 201967	1
120	412A1220-210	.	CORNER ASSY- OPTIONAL PART: 412A1220-250 412A1220-6A USED ON: 412A1250-1101B	002005 008030 201967	1
120	412A1220-6A	.	CORNER ASSY- OPTIONAL PART: 412A1220-210 412A1220-250	002005 008030 201967	1
125	412A1220-250	.	CORNER ASSY- OPTIONAL PART: 412A1220-210 412A1220-6A USED ON: 412A1250-1101B	002005 008030 201967	1
130	BACS12FA3K4	.	ATTACHING PARTS SCREW	002005 008030 201967	4
135	BACS12FA3K7	.	SCREW	002005 008030 201967	4
-----*-----					
MISSING ITEM NUMBERS NOT APPLICABLE					

— ITEM NOT ILLUSTRATED

HAP

25-24-32-62C

BOEING PROPRIETARY - Copyright © - Unpublished Work - See title page for details.

25-24-32
FIG. 62C
PAGE 4
OCT 15/08

BOEING
737-600/700/800/900
PARTS CATALOG (MAINTENANCE)

FIG ITEM	PART NUMBER	1 2 3 4 5 6 7	NOMENCLATURE	EFFECT FROM TO	UNITS PER ASSY
62C 140	BRF200C3D		..NUTPLATE SUPPLIER CODE: V52828 SPECIFICATION NUMBER: BACN10JR3CFD OPTIONAL PART: K51602-3BAC V15653 NS202476-02 V80539 102F9201-3 V72962 T8092C1032CD V11815 ATTACHING PARTS	002005 008030 201967	2
- 145	BACR15CE3D		..RIVET- SIZE DETERMINED ON INSTL. -----*-----	002005 008030 201967	4
150	412A1220-7A		..REINFORCEMENT-CORNER USED ON: 412A1220-5A	002005 008030 201967	1
150	412A1220-211		..REINFORCEMENT-CORNER USED ON: 412A1220-209	002005 008030 201967	1
155	412A1220-251		..REINFORCEMENT- USED ON: 412A1220-249	002005 008030 201967	1
160	412A1220-8A		..REINFORCEMENT-CORNER USED ON: 412A1220-6A	002005 008030 201967	1
160	412A1220-212		..REINFORCEMENT-CORNER USED ON: 412A1220-210	002005 008030 201967	1
165	412A1220-252		..REINFORCEMENT- USED ON: 412A1220-250	002005 008030 201967	1
170	412A1230-87		.FITTING ASSY- POSITION DATA: LWR ATTACHING PARTS	002005 008030 201967	1
175	BACS12ER3K6		.SCREW	002005 008030 201967	2
180	BACS12FA3K5		.SCREW -----*-----	002005 008030 201967	1

MISSING ITEM NUMBERS NOT APPLICABLE

- ITEM NOT ILLUSTRATED

HAP

25-24-32-62C

BOEING PROPRIETARY - Copyright © - Unpublished Work - See title page for details.

25-24-32
FIG. 62C
PAGE 5
OCT 15/08

BOEING
737-600/700/800/900
PARTS CATALOG (MAINTENANCE)

FIG ITEM	PART NUMBER	1 2 3 4 5 6 7	NOMENCLATURE	EFFECT FROM TO	UNITS PER ASSY
62C 185	BCREF13196	..	BUSHING- OVERLENGTH PART NUMBER: BACB28AT06A010CG	002005 008030 201967	1
190	412A1230-89	..	FITTING	002005 008030 201967	1
195	412A1230-68	.	FITTING- POSITION DATA: LWR ATTACHING PARTS	002005 008030 201967	1
200	BACS12FA3K6	.	SCREW- USED ON: 412A1250-101SP 412A1250-101A	002005 008030 201967	2
200	BACS12FA3K5	.	SCREW- USED ON: 412A1250-1101SP 412A1250-1101B	002005 008030 201967	2
205	BACS12FA3K5	.	SCREW	002005 008030 201967	1
210	412A1475-3A	-----*	FITTING ASSY-SPRT	002005 008030 201967	1
215	412A1475-4A	.	FITTING ASSY-SPRT	002005 008030 201967	1
220	BACS12ER3K5	.	ATTACHING PARTS SCREW	002005 008030 201967	4
225	NAS1795-3	-----*	CLIP-RETAINING	002005 008030 201967	1
230	BACN11F3-1CD	..	NUT	002005 008030 201967	1
235	412A1475-1A	..	FITTING- USED ON: 412A1475-3A	002005 008030 201967	1
240	412A1475-2A	..	FITTING- USED ON: 412A1475-4A	002005 008030 201967	1

MISSING ITEM NUMBERS NOT APPLICABLE

— ITEM NOT ILLUSTRATED

HAP

25-24-32-62C

BOEING PROPRIETARY - Copyright © - Unpublished Work - See title page for details.

25-24-32
FIG. 62C
PAGE 6
OCT 15/08

BOEING
737-600/700/800/900
PARTS CATALOG (MAINTENANCE)

FIG ITEM	PART NUMBER	1 2 3 4 5 6 7	NOMENCLATURE	EFFECT FROM TO	UNITS PER ASSY
62C 245	412A1220-9A	. ANGLE-	OPTIONAL PART: 412A1220-205 USED ON: 412A1250-101A	002005 008030 201967	2
245	412A1220-205	. ANGLE-	OPTIONAL PART: 412A1220-9A USED ON: 412A1250-1101B ATTACHING PARTS	002005 008030 201967	2
250	BAC S12FA3K6	. SCREW-	USED ON: 412A1250-101SP 412A1250-101A	002005 008030 201967	4
250	BAC S12FA3K5	. SCREW-	USED ON: 412A1250-1101SP 412A1250-1101B	002005 008030 201967	4
255	BAC S12FA3K4	. SCREW		002005 008030 201967	10
260	412A1340-16	-----*----- . FASTENER ASSY-KIT	OPTIONAL PART: 412A1340-17 USED ON: 412A1250-1101B	002005 008030 201967	4
265	BACB30VF3K7	.. BOLT		002005 008030 201967	1
270	BACW10EC3S	.. WASHER		002005 008030 201967	1
275	PLH53C	.. NUT	SUPPLIER CODE: V62554 SPECIFICATION NUMBER: BACN10YR3C OPTIONAL PART: H52732-3C V15653	002005 008030 201967	1
280	412A1340-17	. FASTENER ASSY-KIT	OPTIONAL PART: 412A1340-16 USED ON: 412A1250-1101B	002005 008030 201967	4

MISSING ITEM NUMBERS NOT APPLICABLE

— ITEM NOT ILLUSTRATED

HAP

25-24-32-62C

BOEING PROPRIETARY - Copyright © - Unpublished Work - See title page for details.

25-24-32
FIG. 62C
PAGE 7
OCT 15/08

BOEING
737-600/700/800/900
PARTS CATALOG (MAINTENANCE)

FIG ITEM	PART NUMBER	1 2 3 4 5 6 7	NOMENCLATURE	EFFECT FROM TO	UNITS PER ASSY
62C 285	BACB30VF3K8	. .	BOLT	002005 008030 201967	1
290	F22K1-02	. .	NUT SUPPLIER CODE: V72962 SPECIFICATION NUMBER: BACN10R10L OPTIONAL PART: 22K1-02 V72962 26CLO2 V80539	002005 008030 201967	1
295	BACB30VF3K8	. .	BOLT	002005 008030 201967	4
300	F22K1-02	. .	NUT SUPPLIER CODE: V72962 SPECIFICATION NUMBER: BACN10R10L OPTIONAL PART: 22K1-02 V72962 26CLO2 V80539	002005 008030 201967	4
305	412A1247-4A	. .	EXTRUSION-DOOR CLOSEOUT	002005 008030 201967	1
310	BACS12ER08K5	. .	SCREW	002005 008030 201967	4
315	HA225-3	. .	STRIKE- SUPPLIER CODE: V83014 SPECIFICATION NUMBER: S412A001-6 OPTIONAL PART: HA225-11 V83014 USED ON: 412A1250-101A	002005 008030 201967	2

MISSING ITEM NUMBERS NOT APPLICABLE

— ITEM NOT ILLUSTRATED

HAP

25-24-32-62C

BOEING PROPRIETARY - Copyright © - Unpublished Work - See title page for details.

25-24-32
FIG. 62C
PAGE 8
OCT 15/08

BOEING
737-600/700/800/900
PARTS CATALOG (MAINTENANCE)

FIG ITEM	PART NUMBER	1 2 3 4 5 6 7	NOMENCLATURE	EFFECT FROM TO	UNITS PER ASSY
62C 315	HA225-11		.STRIKE- SUPPLIER CODE: V83014 SPECIFICATION NUMBER: S412A001-16 OPTIONAL PART: HA225-3 V83014	002005 008030 201967	2
320	412A1242-2		.EXTRUSION	002005 008030 201967	1
325	BACS12ER3K6		ATTACHING PARTS .SCREW	002005 008030 201967	2
330	BACS12ER3K5		.SCREW	002005 008030 201967	10
335	H3-1233A3		.WASHER- SUPPLIER CODE: V34941 SPECIFICATION NUMBER: S411A001-1 -----*-----	002005 008030 201967	10
340	412A1450-1A		.TRIM-	002005 008030 201967	2
345	412A1450-21		.CLIP	002005 008030 201967	4
347	412A1200-25		.CLIP	002005 008030 201967	1
350	412A1252-5		.RETAINER	002005 008030 201967	1
355	BACS12FA3K5		.SCREW	002005 008030 201967	10
360	412A1245-6		.RAIL	002005 008030 201967	1
365	412A1212-115A		.PANEL ASSY-END USED ON: 412A1250-101A	002005 008030 201967	1
365	412A1212-1115B		.PANEL ASSY-END USED ON: 412A1250-1101B	002005 008030 201967	1

MISSING ITEM NUMBERS NOT APPLICABLE

— ITEM NOT ILLUSTRATED

HAP

25-24-32-62C

BOEING PROPRIETARY - Copyright © - Unpublished Work - See title page for details.

25-24-32
FIG. 62C
PAGE 9
OCT 15/08

BOEING
737-600/700/800/900
PARTS CATALOG (MAINTENANCE)

FIG ITEM	PART NUMBER	1 2 3 4 5 6 7	NOMENCLATURE	EFFECT FROM TO	UNITS PER ASSY
62C - 370	SL2334-3A1		.. INSERT- SUPPLIER CODE: V97393	002005 008030 201967	11
375	412A1212-153A		. PANEL ASSY-END USED ON: 412A1250-101A	002005 008030 201967	1
375	412A1212-1153B		. PANEL ASSY-END USED ON: 412A1250-1101B	002005 008030 201967	1
- 380	SL2334-3A1		.. INSERT- SUPPLIER CODE: V97393	002005 008030 201967	13
385	412A1210-167A		. PANEL ASSY-SHELL USED ON: 412A1250-101A	002005 008030 201967	1
385	412A1210-1167B		. PANEL ASSY-SHELL USED ON: 412A1250-1101B	002005 008030 201967	1
390	SL2334-3A1		.. INSERT- SUPPLIER CODE: V97393	002005 008030 201967	22
395	BCREF128023		.. INSERT- SUPPLIER CODE: V97393 OVERLENGTH PART NUMBER: SL603-3-375ASP13	002005 008030 201967	14
400	412A1211-127A		. PANEL ASSY-SHELF USED ON: 412A1250-101A	002005 008030 201967	1
400	412A1211-1127B		. PANEL ASSY-SHELF USED ON: 412A1250-1101B	002005 008030 201967	1
- 405	SL2334-3A1		.. INSERT- SUPPLIER CODE: V97393	002005 008030 201967	53

MISSING ITEM NUMBERS NOT APPLICABLE

- ITEM NOT ILLUSTRATED

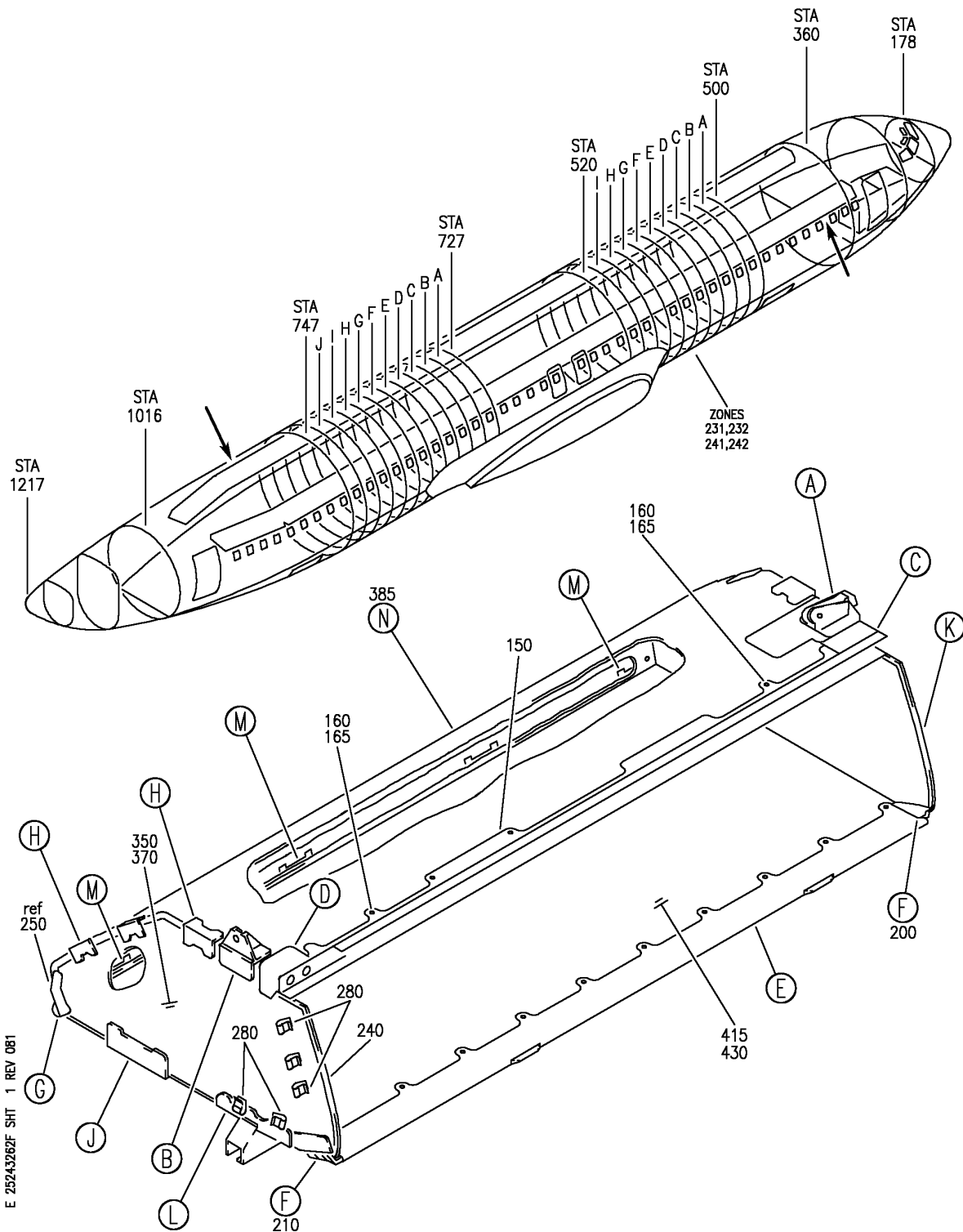
HAP

25-24-32-62C

BOEING PROPRIETARY - Copyright © - Unpublished Work - See title page for details.

25-24-32
FIG. 62C
PAGE 10
OCT 15/08

BOEING
 737-600/700/800/900
 PARTS CATALOG (MAINTENANCE)



E 25243262F SHT 1 REV 081

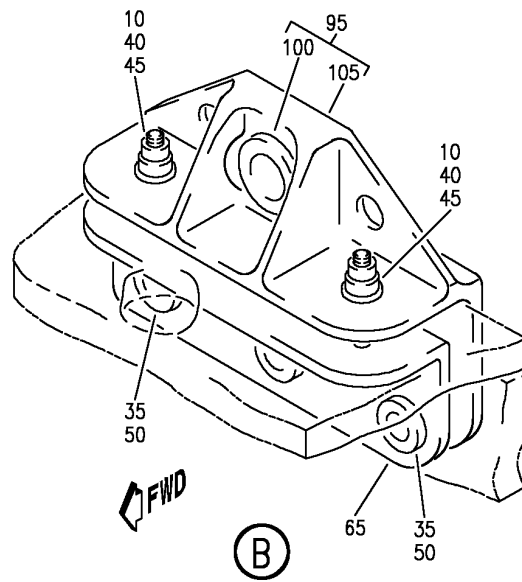
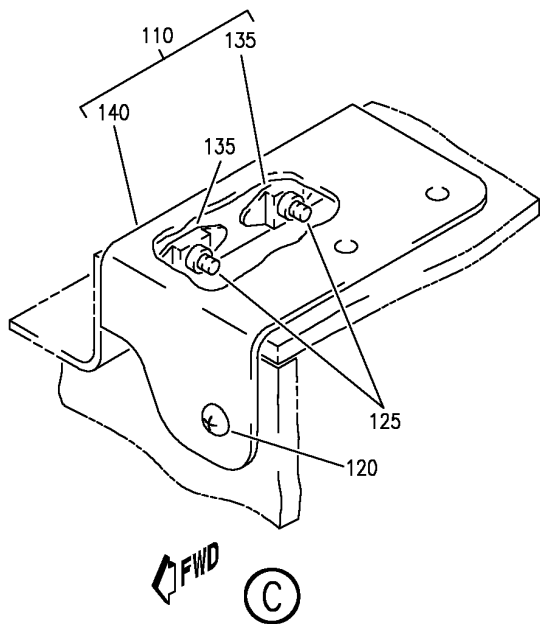
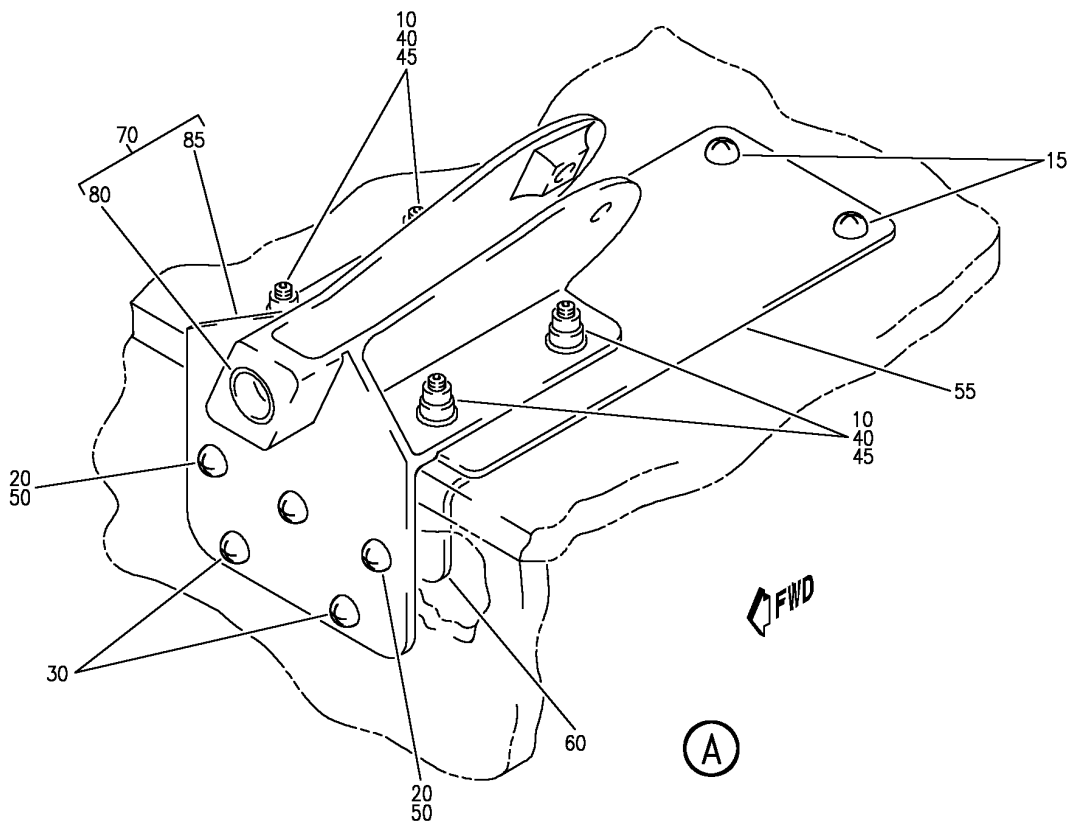
BOX ASSY-60 IN. BIN
 FIGURE 62F (SHEET 1)

25-24-32-62F

HAP
 OCT 10/06

25-24-32-62F
 PAGE 0

BOEING
 737-600/700/800/900
 PARTS CATALOG (MAINTENANCE)



E 25243262F SHT 2 REV 081

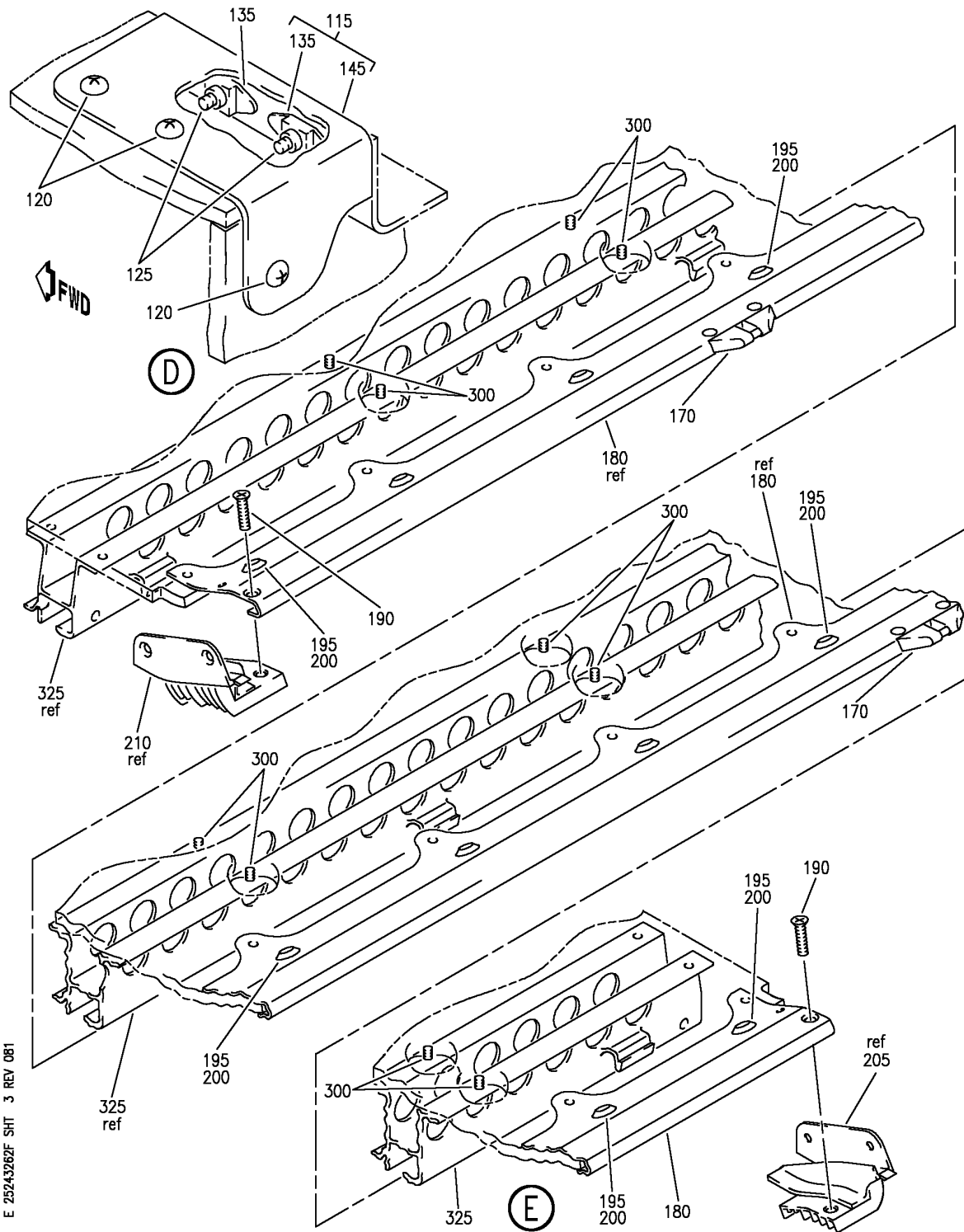
BOX ASSY-60 IN. BIN
 FIGURE 62F (SHEET 2)

25-24-32-62F

HAP
 OCT 10/06

25-24-32-62F
 PAGE 0A


BOEING
 737-600/700/800/900
PARTS CATALOG (MAINTENANCE)



E 25243262F SHT. 3 REV 081

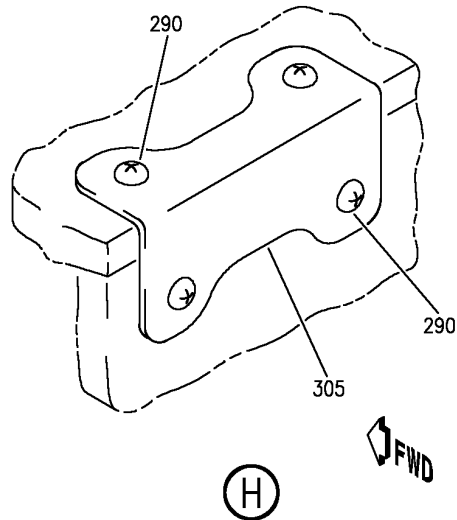
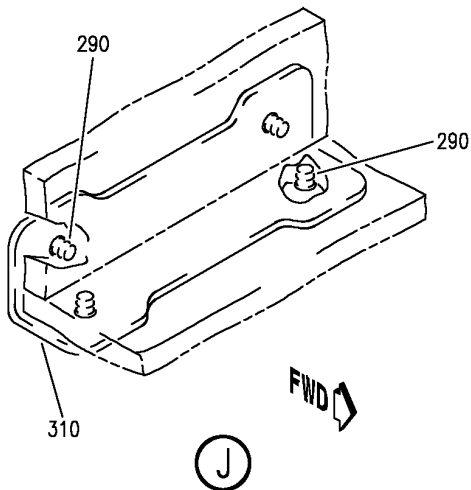
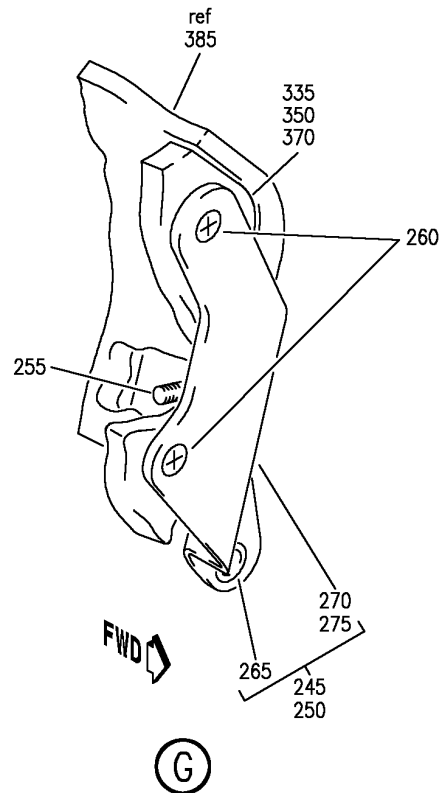
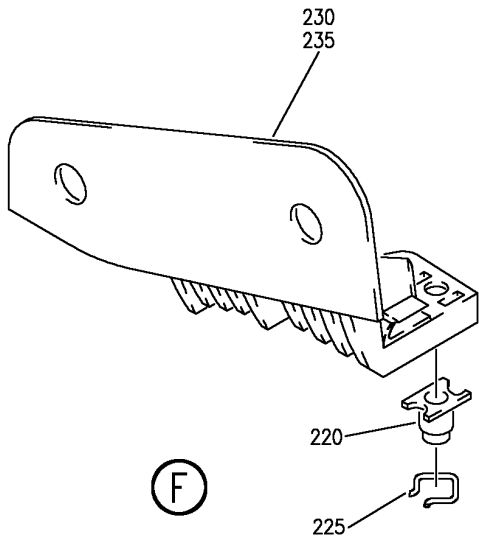
BOX ASSY-60 IN. BIN
 FIGURE 62F (SHEET 3)

25-24-32-62F

HAP
OCT 10/06

25-24-32-62F
PAGE 0B

BOEING
 737-600/700/800/900
 PARTS CATALOG (MAINTENANCE)



E 25243262F SHT 4 REV 081

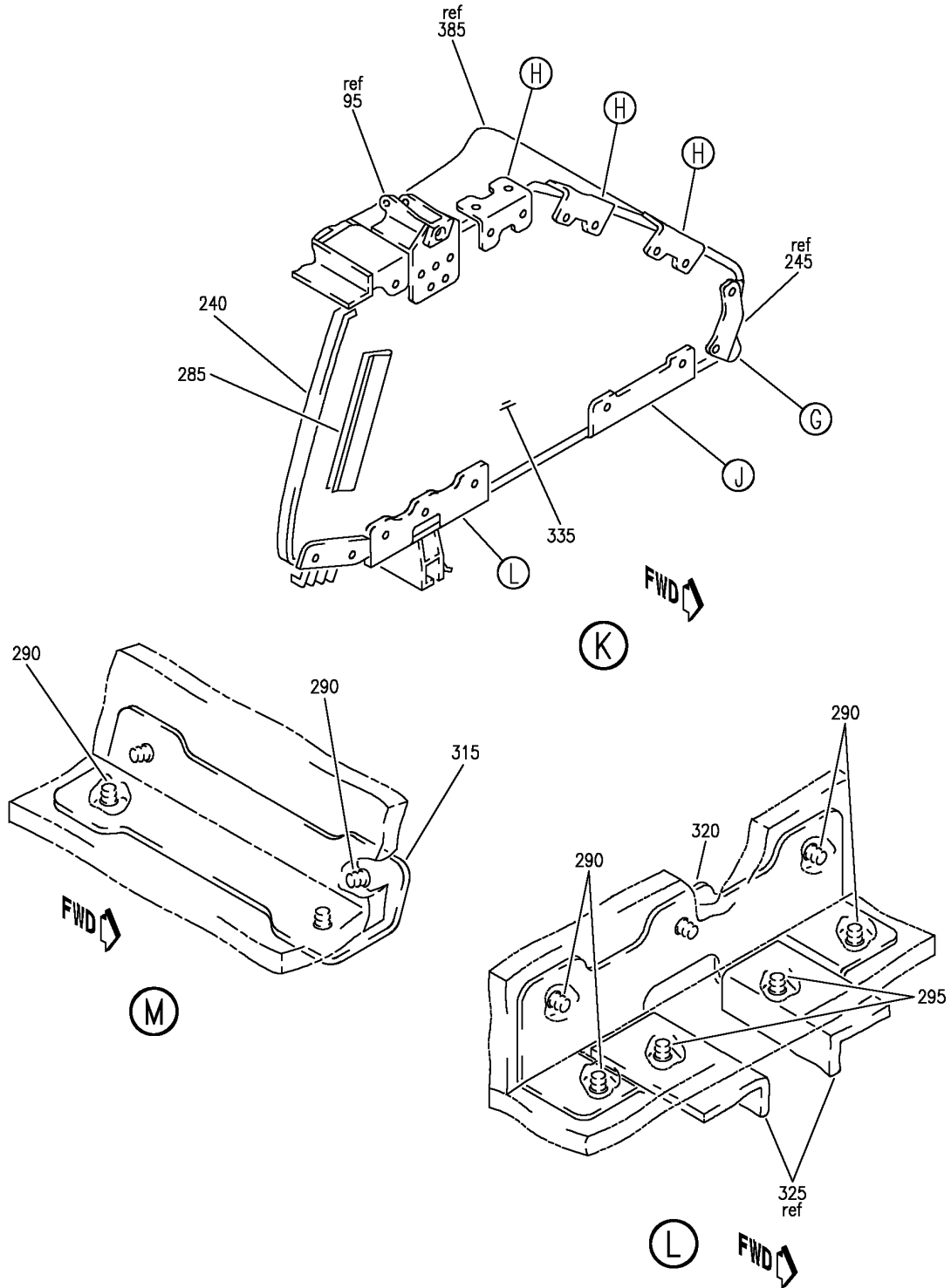
BOX ASSY-60 IN. BIN
 FIGURE 62F (SHEET 4)

25-24-32-62F

HAP
 OCT 10/06

25-24-32-62F
 PAGE 0C

BOEING
 737-600/700/800/900
 PARTS CATALOG (MAINTENANCE)



E 25243262F SHT 5 REV 081

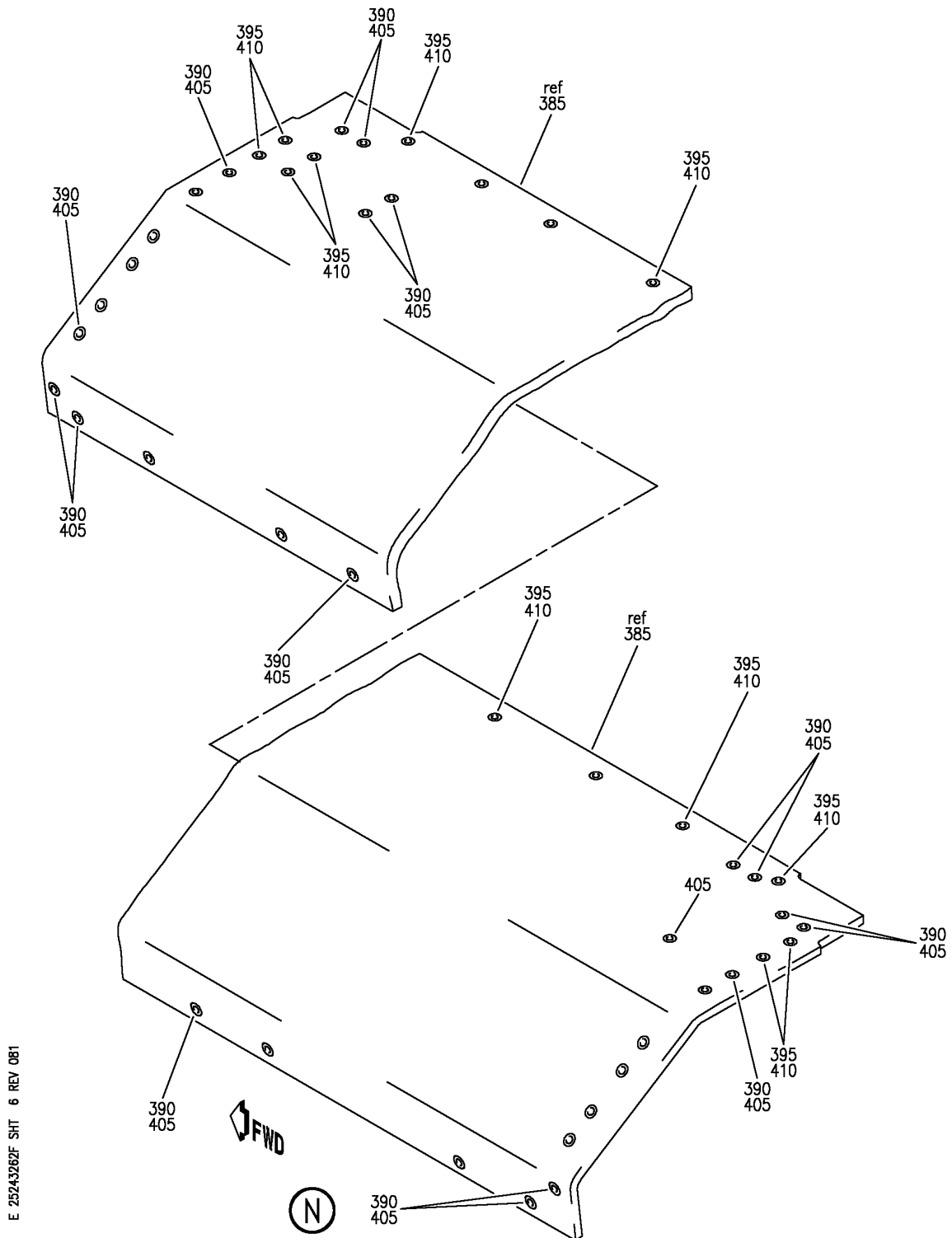
BOX ASSY-60 IN. BIN
 FIGURE 62F (SHEET 5)

25-24-32-62F

HAP
 OCT 10/06

25-24-32-62F
 PAGE 0D

BOEING
737-600/700/800/900
PARTS CATALOG (MAINTENANCE)



E 25243262F SHT 6 REV 081

BOX ASSY-60 IN. BIN
 FIGURE 62F (SHEET 6)

25-24-32-62F

HAP
 OCT 10/06

25-24-32-62F
 PAGE 0E

BOEING
737-600/700/800/900
PARTS CATALOG (MAINTENANCE)

FIG ITEM	PART NUMBER	1 2 3 4 5 6 7	NOMENCLATURE	EFFECT FROM TO	UNITS PER ASSY
62 F			BOX ASSY-60 IN. BIN	001001 006007	
- 1	412A1250-1SP		BOX ASSY-60 IN. BIN POSITION DATA: LH FOR NHA SEE: 25-24-31-61E	001001 006007	RF
- 5	412A1250-2SP		BOX ASSY-60 IN. BIN POSITION DATA: RH FOR NHA SEE: 25-24-31-64B	001001 006007	RF
10	HL1012AZ6-10		.BOLT SUPPLIER CODE: V97928 SPECIFICATION NUMBER: BACB30NX6K10 OPTIONAL PART: HL12VAZ6-10 V73197 HL12VAZ6-10 V92215 HL12VAZ6-10 V97928 L802-6K10 V06725 HL12VAZ6-10 V56878 HL1012AZ6-10 VOPTK6 HL1012AZ6-10 V06725 HL1012AZ6-10 V06950 HL1012AZ6-10 V17446 HL1012AZ6-10 V56878 HL1012AZ6-10 V60516 HL1012AZ6-10 V73197	001001 006007	6
15	BACS12FA3K4		.SCREW	001001 006007	2
20	BACS12FA3K8		.SCREW- USED ON: 412A1250-1SP 412A1250-95SP	001001 006007	3

MISSING ITEM NUMBERS NOT APPLICABLE

- ITEM NOT ILLUSTRATED

HAP

25-24-32-62F

BOEING PROPRIETARY - Copyright © - Unpublished Work - See title page for details.

25-24-32
FIG. 62F
PAGE 1
OCT 10/06

BOEING
737-600/700/800/900
PARTS CATALOG (MAINTENANCE)

FIG ITEM	PART NUMBER	1 2 3 4 5 6 7	NOMENCLATURE	EFFECT FROM TO	UNITS PER ASSY
62 F					
20	BACS12FA3K9	.	SCREW- USED ON: 412A1250-2SP 412A1250-78SP 412A1250-96SP	001001 006007	3
30	BACS12FA3K6	.	SCREW	001001 006007	2
35	BACS12ER3K9	.	SCREW	001001 006007	3
40	BACW10BP3NDP	.	WASHER	001001 006007	6
45	HL1087-6	.	COLLAR SUPPLIER CODE: V73197 SPECIFICATION NUMBER: BACC30BH6 OPTIONAL PART: HL1087-6 V56878 HL1087-6 V92215 HL1087-6 V9N513	001001 006007	6
50	SL5-3-50C	.	NUT- SUPPLIER CODE: V97393	001001 006007	6
55	412A1220-40	.	DOUBLER-9G EXT	001001 006007	1
60	412A1220-10SP	.	DOUBLER-9G INTR	001001 006007	1
65	412A1220-39SP	.	DOUBLER-INTR	001001 006007	1
70	412A1230-35	.	FITTING ASSY- POSITION DATA: LH SIDE	001001 006007	1
- 75	412A1230-36	.	FITTING ASSY- POSITION DATA: RH SIDE	001001 006007	1
80	BCREF13195	..	BUSHING- OVERLENGTH PART NUMBER: BACB28AY06A035CG	001001 006007	1
85	412A1230-37	..	FITTING- POSITION DATA: LH SIDE	001001 006007	1
- 90	412A1230-38	..	FITTING- POSITION DATA: RH SIDE	001001 006007	1

MISSING ITEM NUMBERS NOT APPLICABLE

- ITEM NOT ILLUSTRATED

HAP

25-24-32-62F

BOEING PROPRIETARY - Copyright © - Unpublished Work - See title page for details.

25-24-32
FIG. 62F
PAGE 2
OCT 10/06

BOEING
737-600/700/800/900
PARTS CATALOG (MAINTENANCE)

FIG ITEM	PART NUMBER	1 2 3 4 5 6 7	NOMENCLATURE	EFFECT FROM TO	UNITS PER ASSY
62 F					
95	412A1230-1	.	FITTING ASSY- POSITION DATA: UPR	001001 006007	1
100	BCREF13195	..	BUSHING- OVERLENGTH PART NUMBER: BACB28AY06A035CG	001001 006007	1
105	412A1230-2	..	SUPPORT	001001 006007	1
110	412A1220-5SP	.	CORNER ASSY	001001 006007	1
115	412A1220-6SP	.	CORNER ASSY	001001 006007	1
120	BACS12FA3K4	.	ATTACHING PARTS SCREW	001001 006007	4
125	BACS12FA3K7	.	SCREW	001001 006007	4
130	BRF200C3D	..	-----*----- NUTPLATE SUPPLIER CODE: V52828 SPECIFICATION NUMBER: BACN10JR3CFD OPTIONAL PART: K51602-3BAC V15653 NS202476-02 V80539 102F9201-3 V72962 T8092C1032CD V11815 ATTACHING PARTS	001001 006007	2
- 135	BACR15CE3D	..	RIVET- SIZE DETERMINED ON INSTL. -----*-----	001001 006007	4
140	412A1220-7SP	..	REINFORCEMENT- USED ON: 412A1220-5SP	001001 006007	1
145	412A1220-8SP	..	REINFORCEMENT- USED ON: 412A1220-6SP	001001 006007	1
150	412A1247-4SP	.	EXTRUSION-DOOR CLOSEOUT POSITION DATA: LH SIDE	001001 006007	1
- 155	412A1247-3SP	.	EXTRUSION-DOOR CLOSEOUT POSITION DATA: RH SIDE	001001 006007	1

MISSING ITEM NUMBERS NOT APPLICABLE

- ITEM NOT ILLUSTRATED

HAP

25-24-32-62F

BOEING PROPRIETARY - Copyright © - Unpublished Work - See title page for details.

25-24-32
FIG. 62F
PAGE 3
OCT 10/06

BOEING
737-600/700/800/900
PARTS CATALOG (MAINTENANCE)

FIG ITEM	PART NUMBER	1 2 3 4 5 6 7	NOMENCLATURE	EFFECT FROM TO	UNITS PER ASSY
62 F			ATTACHING PARTS		
160	BACB30VF3K8		.BOLT	001001 006007	4
165	F22K1-02		.NUT	001001 006007	4
			SUPPLIER CODE: V72962		
			SPECIFICATION NUMBER: BACN10R10L		
			OPTIONAL PART: 22K1-02		
			V72962		
			26CLO2		
			V80539		
			-----*-----		
170	HA225-3		.STRIKE-	001001 006007	2
			SUPPLIER CODE: V83014		
			SPECIFICATION NUMBER: S412A001-6		
170	HA225-11		.STRIKE-	001001 006007	2
			SUPPLIER CODE: V83014		
			SPECIFICATION NUMBER: S412A001-16		
			ATTACHING PARTS		
- 175	BACs12ER08K5		.SCREW	001001 006007	4
			-----*-----		
180	412A1242-2		.EXTRUSION-SHELF	001001 006007	1
			POSITION DATA: LH SIDE		
- 185	412A1242-3		.EXTRUSION-SHELF	001001 006007	1
			POSITION DATA: RH SIDE		
			ATTACHING PARTS		
190	BACs12ER3K6		.SCREW	001001 006007	2
195	BACs12ER3K5		.SCREW	001001 006007	10
200	H3-1233A3		.WASHER-	001001 006007	10
			SUPPLIER CODE: V34941		
			SPECIFICATION NUMBER: S411A001-1		
			-----*-----		
205	412A1475-4SP		.FITTING ASSY-SPRT	001001 006007	1
210	412A1475-3SP		.FITTING ASSY-SPRT	001001 006007	1

MISSING ITEM NUMBERS NOT APPLICABLE

- ITEM NOT ILLUSTRATED

HAP

25-24-32-62F

BOEING PROPRIETARY - Copyright © - Unpublished Work - See title page for details.

25-24-32
FIG. 62F
PAGE 4
JUN 15/08

BOEING
737-600/700/800/900
PARTS CATALOG (MAINTENANCE)

FIG ITEM	PART NUMBER	1 2 3 4 5 6 7	NOMENCLATURE	EFFECT FROM TO	UNITS PER ASSY
62 F			ATTACHING PARTS		
- 215	BACS12ER3K5		.SCREW	001001 006007	4
			-----*-----		
220	BACN11F3-1CD		..NUT	001001 006007	1
225	NAS1795-3		..CLIP	001001 006007	1
230	412A1475-2SP		..FITTING- USED ON: 412A1475-4SP	001001 006007	1
235	412A1475-1SP		..FITTING- USED ON: 412A1475-3SP	001001 006007	1
240	412A1450-1SP		.TRIM	001001 006007	2
245	412A1230-8		.SUPPORT ASSY	001001 006007	1
250	412A1230-7		.SUPPORT ASSY	001001 006007	1
			ATTACHING PARTS		
255	BACS12FA3K5		.SCREW	001001 006007	2
260	BACS12ER3K6		.SCREW	001001 006007	4
			-----*-----		
265	BCREF13196		..BUSHING- OVERLENGTH PART NUMBER: BACB28AT06A010CG	001001 006007	1
270	412A1230-10		..SUPPORT- USED ON: 412A1230-8	001001 006007	1
275	412A1230-9		..SUPPORT- USED ON: 412A1230-7	001001 006007	1
280	412A1450-21		.CLIP	001001 006007	5
285	412A1250-77		.RETAINER	001001 006007	1
290	BACS12FA3K4		.SCREW	001001 006007	58
295	BACS12FA3K6		.SCREW	001001 006007	4
300	BACS12FA3K5		.SCREW	001001 006007	10
305	412A1220-2		.ANGLE	001001 006007	6
310	412A1220-3		.ANGLE	001001 006007	2

MISSING ITEM NUMBERS NOT APPLICABLE

- ITEM NOT ILLUSTRATED

HAP

25-24-32-62F

25-24-32
FIG. 62F
PAGE 5
OCT 10/06

BOEING PROPRIETARY - Copyright © - Unpublished Work - See title page for details.

 **BOEING**
737-600/700/800/900
PARTS CATALOG (MAINTENANCE)

FIG ITEM	PART NUMBER	1 2 3 4 5 6 7	NOMENCLATURE	EFFECT FROM TO	UNITS PER ASSY
62 F					
315	412A1220-4	.	ANGLE	001001 006007	4
320	412A1220-9	.	ANGLE	001001 006007	2
325	412A1245-6	.	RAIL- POSITION DATA: LH SIDE	001001 006007	1
- 330	412A1245-5	.	RAIL- POSITION DATA: RH SIDE	001001 006007	1
335	412A1212-23SP	.	PANEL ASSY-END POSITION DATA: LH SIDE	001001 006007	1
- 340	412A1212-24SP	.	PANEL ASSY-END POSITION DATA: RH SIDE	001001 006007	1
- 345	SL2334-3A1	..	INSERT- SUPPLIER CODE: V97393	001001 006007	18
370	412A1212-7SP	.	PANEL ASSY-END POSITION DATA: LH SIDE	001001 006007	1
- 375	412A1212-8SP	.	PANEL ASSY-END POSITION DATA: RH SIDE	001001 006007	1
- 380	SL2334-3A1	..	INSERT- SUPPLIER CODE: V97393	001001 006007	18
385	412A1210-67SP	.	PANEL ASSY-SHELL POSITION DATA: LH SIDE	001001 006007	1
390	SL2334-3A1	..	INSERT- SUPPLIER CODE: V97393	001001 006007	30
395	BCREF128023	..	INSERT- SUPPLIER CODE: V97393 OVERLENGTH PART NUMBER: SL603-3-375ASP13	001001 006007	14
- 400	412A1210-68SP	.	PANEL ASSY-SHELL POSITION DATA: RH SIDE	001001 006007	1
405	SL2334-3A1	..	INSERT- SUPPLIER CODE: V97393	001001 006007	31

MISSING ITEM NUMBERS NOT APPLICABLE

- ITEM NOT ILLUSTRATED

HAP

25-24-32-62F

BOEING PROPRIETARY - Copyright © - Unpublished Work - See title page for details.

25-24-32
FIG. 62F
PAGE 6
OCT 10/06

BOEING
737-600/700/800/900
PARTS CATALOG (MAINTENANCE)

FIG ITEM	PART NUMBER	1 2 3 4 5 6 7	NOMENCLATURE	EFFECT FROM TO	UNITS PER ASSY
62 F 410	BCREF128023		.. INSERT- SUPPLIER CODE: V97393 OVERLENGTH PART NUMBER: SL603-3-375ASP13	001001 006007	14
415	412A1211-27SP		. PANEL ASSY-SHELF POSITION DATA: LH SIDE	001001 006007	1
- 420	412A1211-28SP		. PANEL ASSY-SHELF POSITION DATA: RH SIDE	001001 006007	1
- 425	SL2334-3A1		.. INSERT- SUPPLIER CODE: V97393	001001 006007	65

MISSING ITEM NUMBERS NOT APPLICABLE

- ITEM NOT ILLUSTRATED

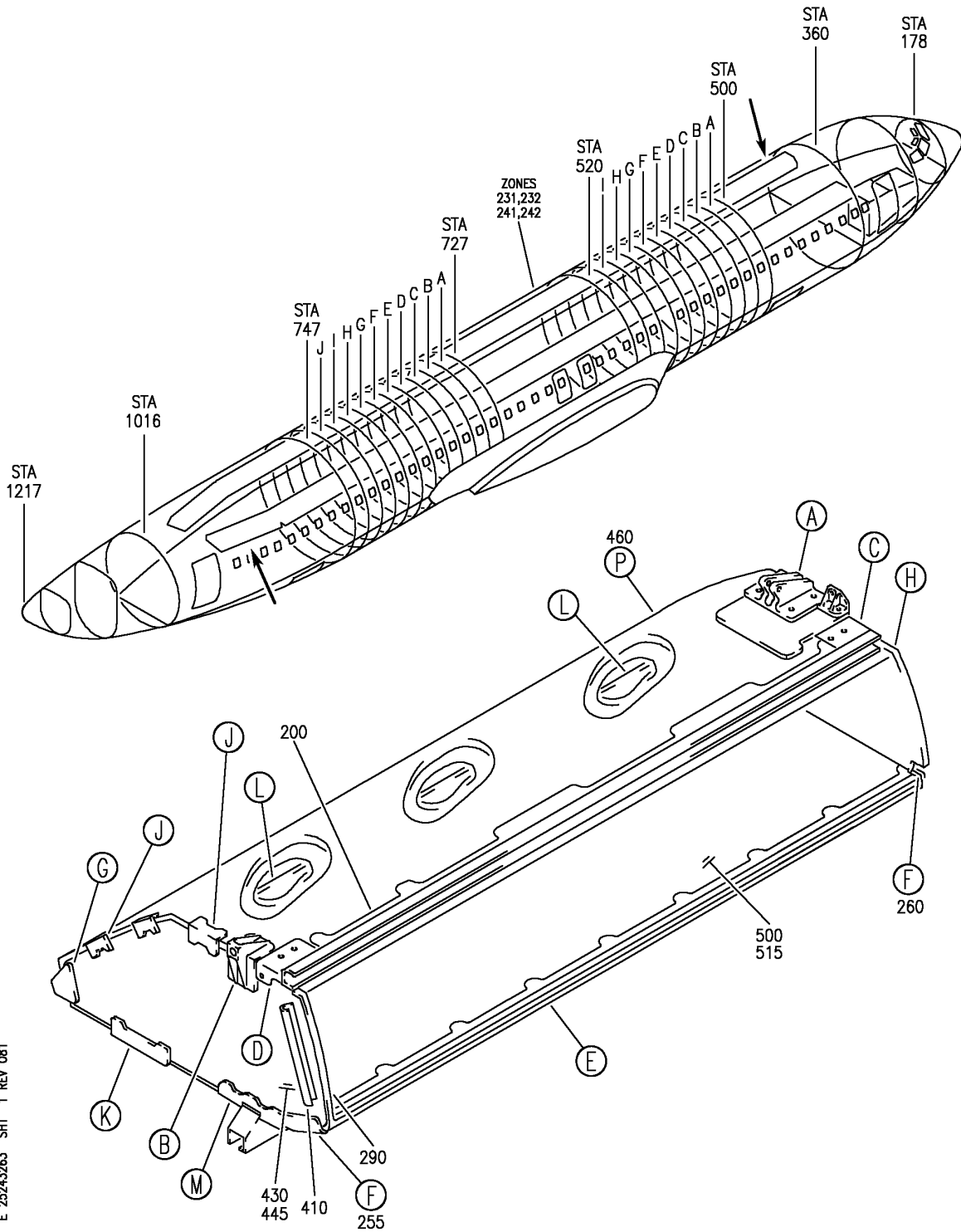
HAP

25-24-32-62F

BOEING PROPRIETARY - Copyright © - Unpublished Work - See title page for details.

25-24-32
FIG. 62F
PAGE 7
OCT 10/06

BOEING
 737-600/700/800/900
 PARTS CATALOG (MAINTENANCE)



E 25243263 SHT 1 REV 081

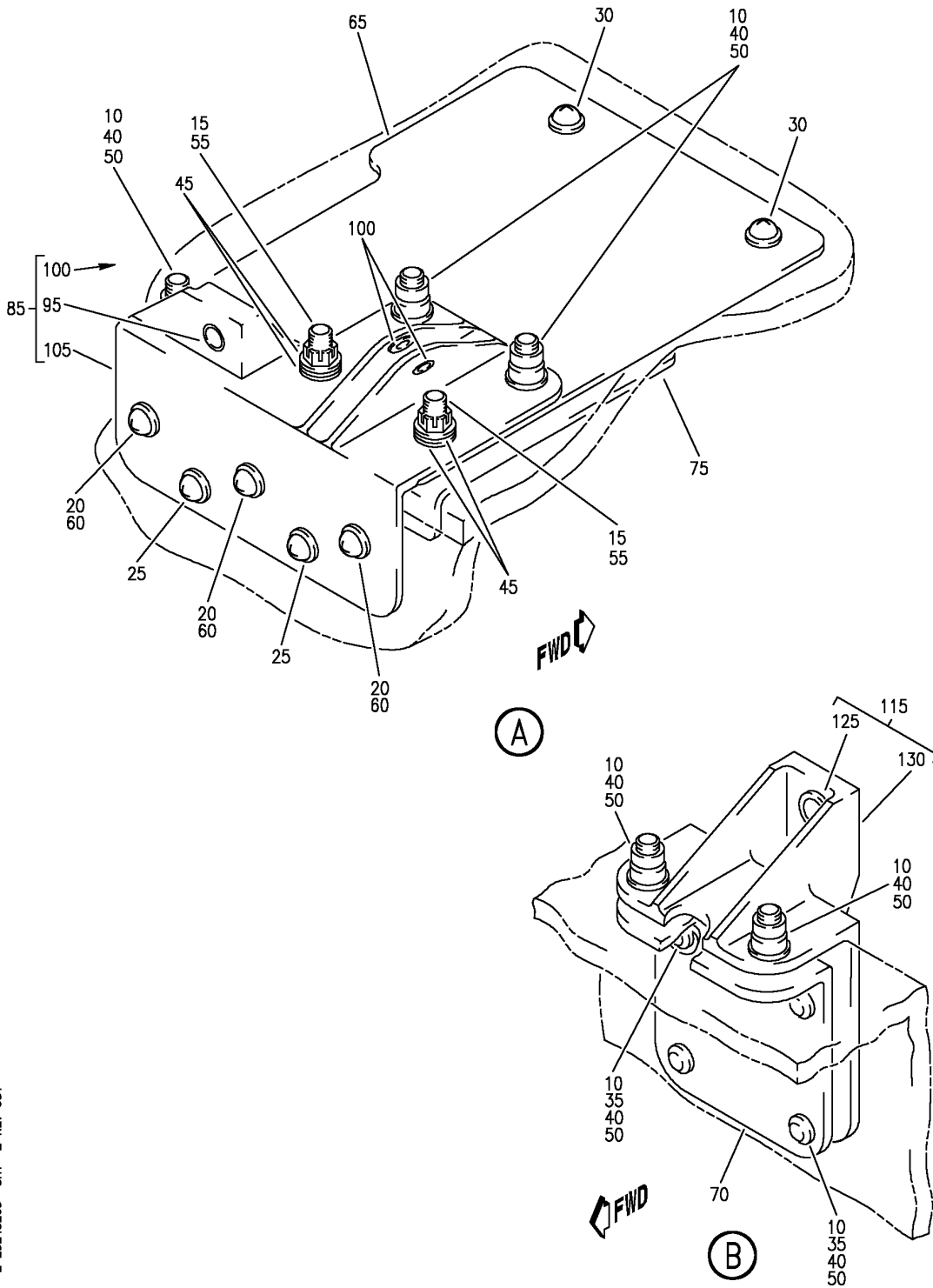
BIN BOX ASSY-60 IN. BIN
 FIGURE 63 (SHEET 1)

25-24-32-63

HAP
 OCT 10/06

25-24-32-63
 PAGE 0

BOEING
 737-600/700/800/900
 PARTS CATALOG (MAINTENANCE)



E 25243263 SH1 2 REV 081

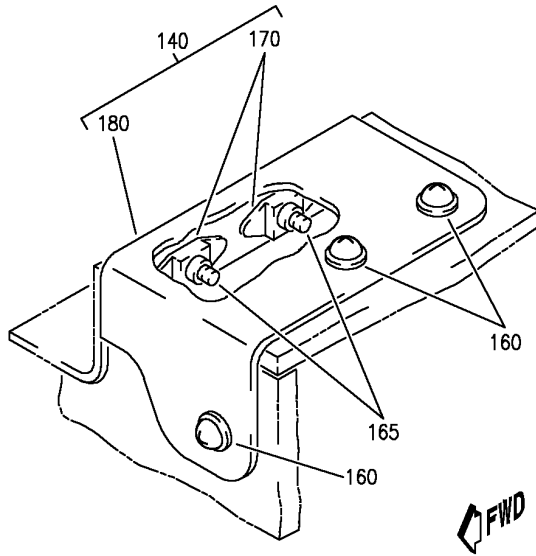
BIN BOX ASSY-60 IN. BIN
 FIGURE 63 (SHEET 2)

25-24-32-63

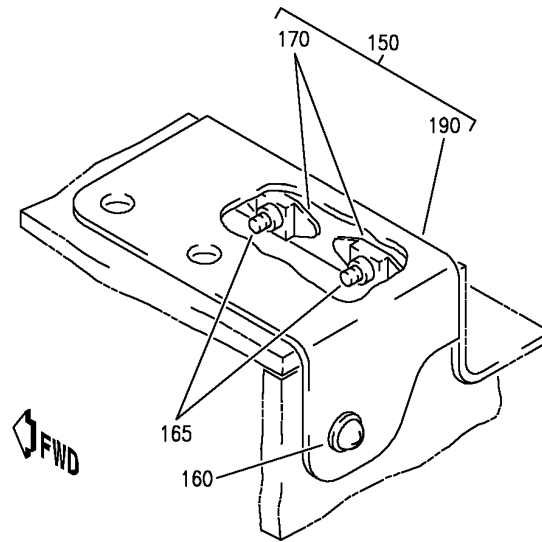
HAP
 OCT 10/06

25-24-32-63
 PAGE 0A

BOEING
737-600/700/800/900
PARTS CATALOG (MAINTENANCE)



(C)



(D)

E 25243263 SH1 3 REV 081

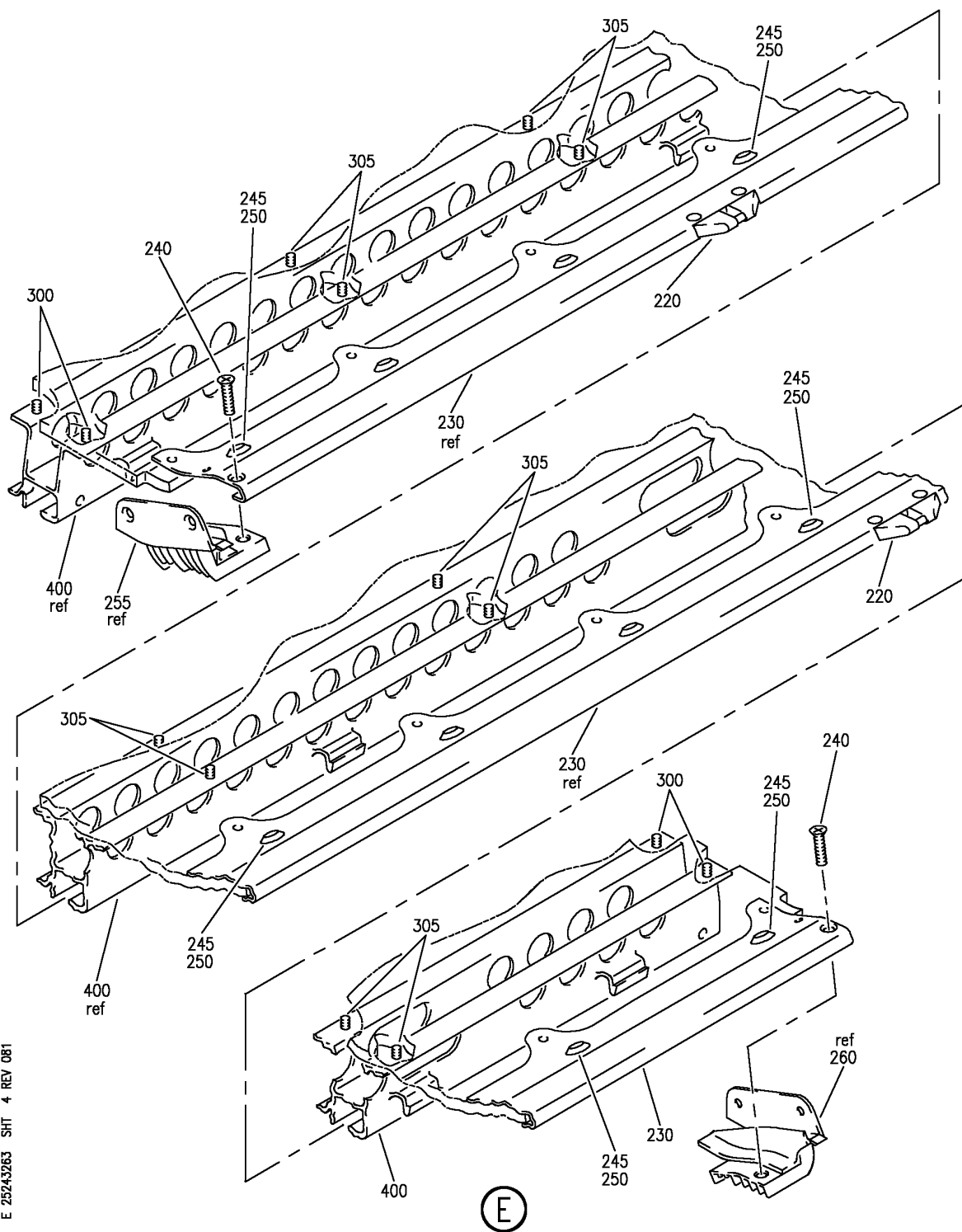
BIN BOX ASSY-60 IN. BIN
FIGURE 63 (SHEET 3)

25-24-32-63

HAP
OCT 10/06

25-24-32-63
PAGE 0B

BOEING
 737-600/700/800/900
 PARTS CATALOG (MAINTENANCE)



E 25243263 SHT 4 REV 081

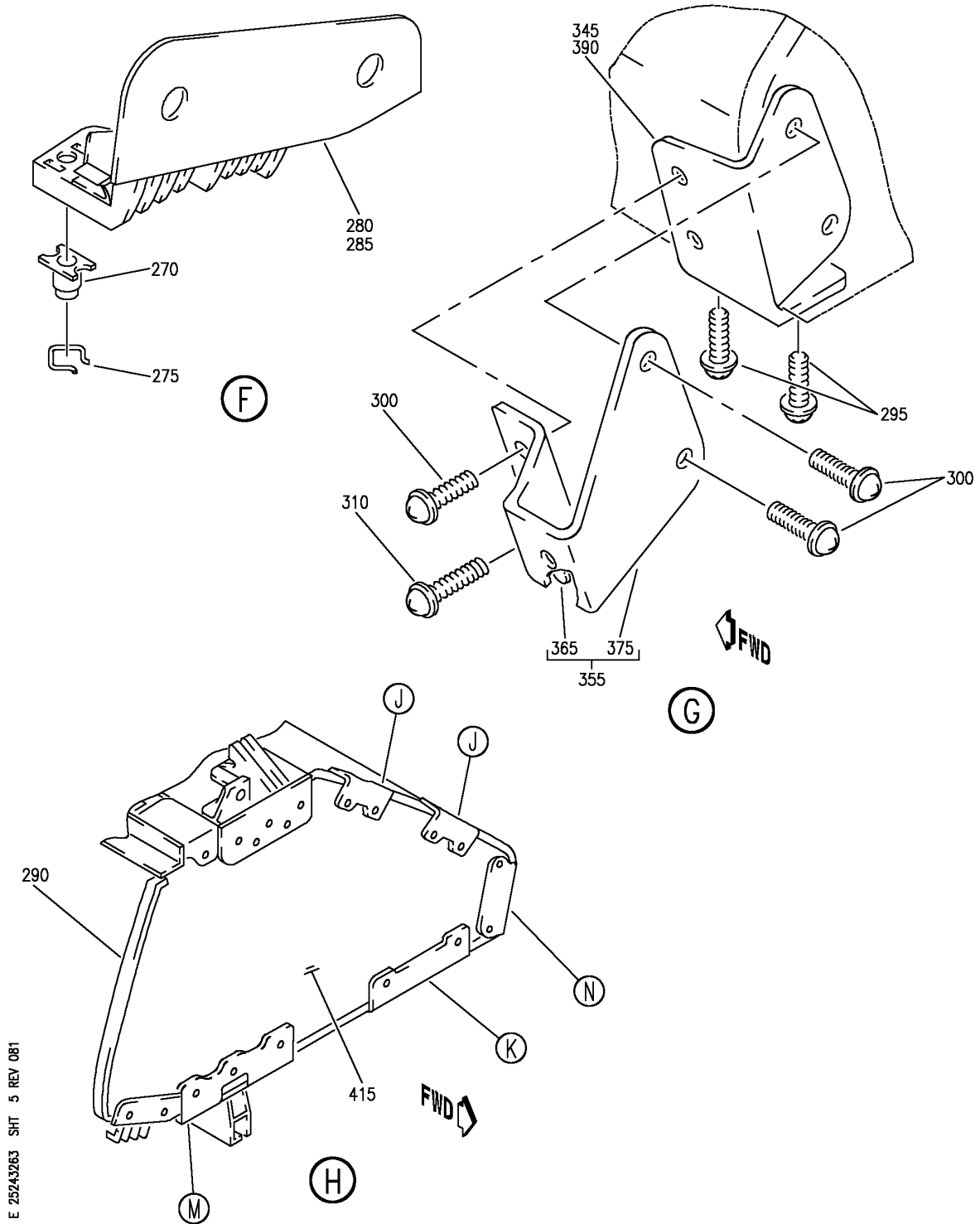
BIN BOX ASSY-60 IN. BIN
 FIGURE 63 (SHEET 4)

25-24-32-63

HAP
 OCT 10/06

25-24-32-63
 PAGE 0C

BOEING
 737-600/700/800/900
 PARTS CATALOG (MAINTENANCE)



E 25243263 SH1 5 REV 081

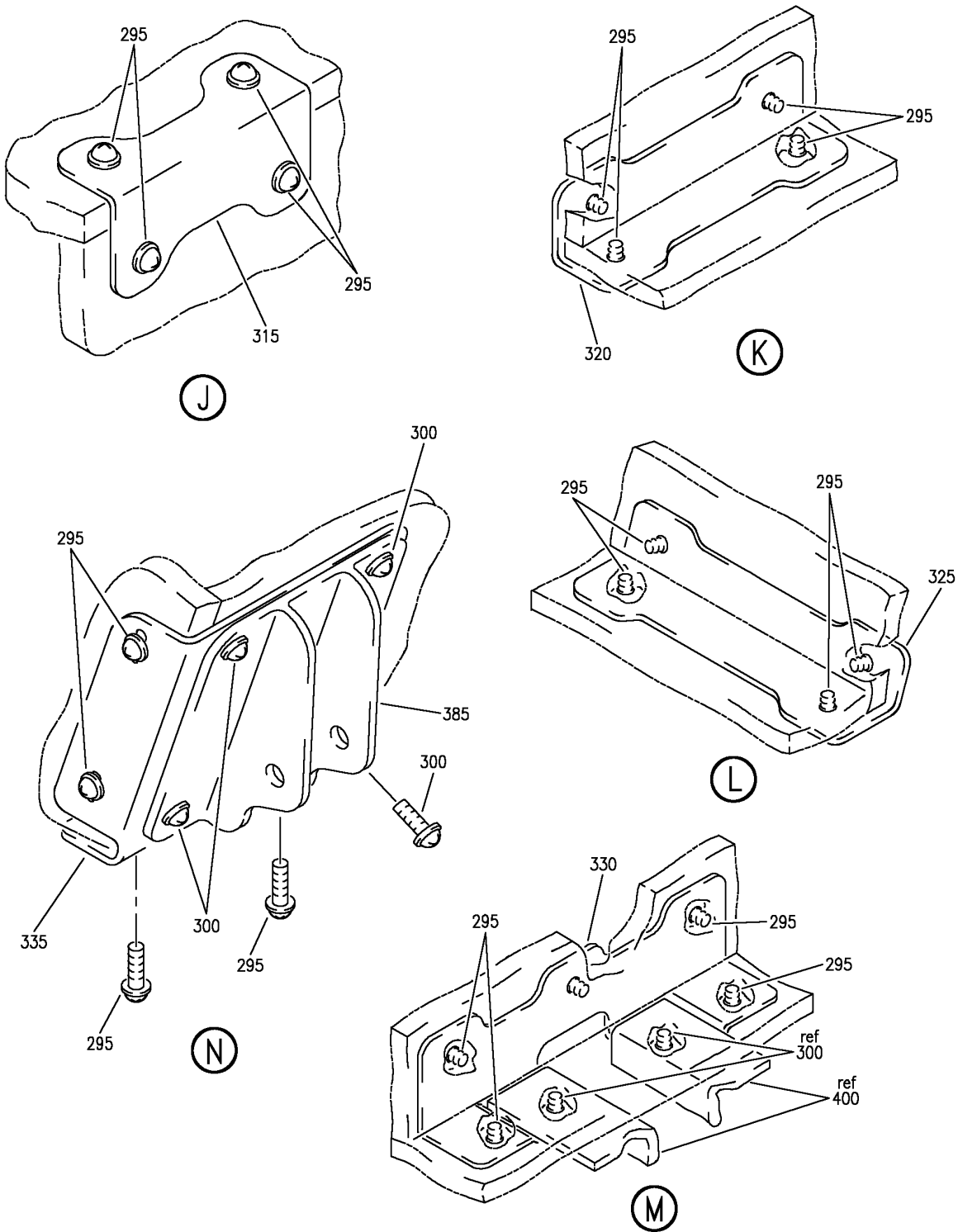
BIN BOX ASSY-60 IN. BIN
 FIGURE 63 (SHEET 5)

25-24-32-63

HAP
 OCT 10/06

25-24-32-63
 PAGE 0D

BOEING
 737-600/700/800/900
 PARTS CATALOG (MAINTENANCE)



E 25243263 SH1 6 REV 081

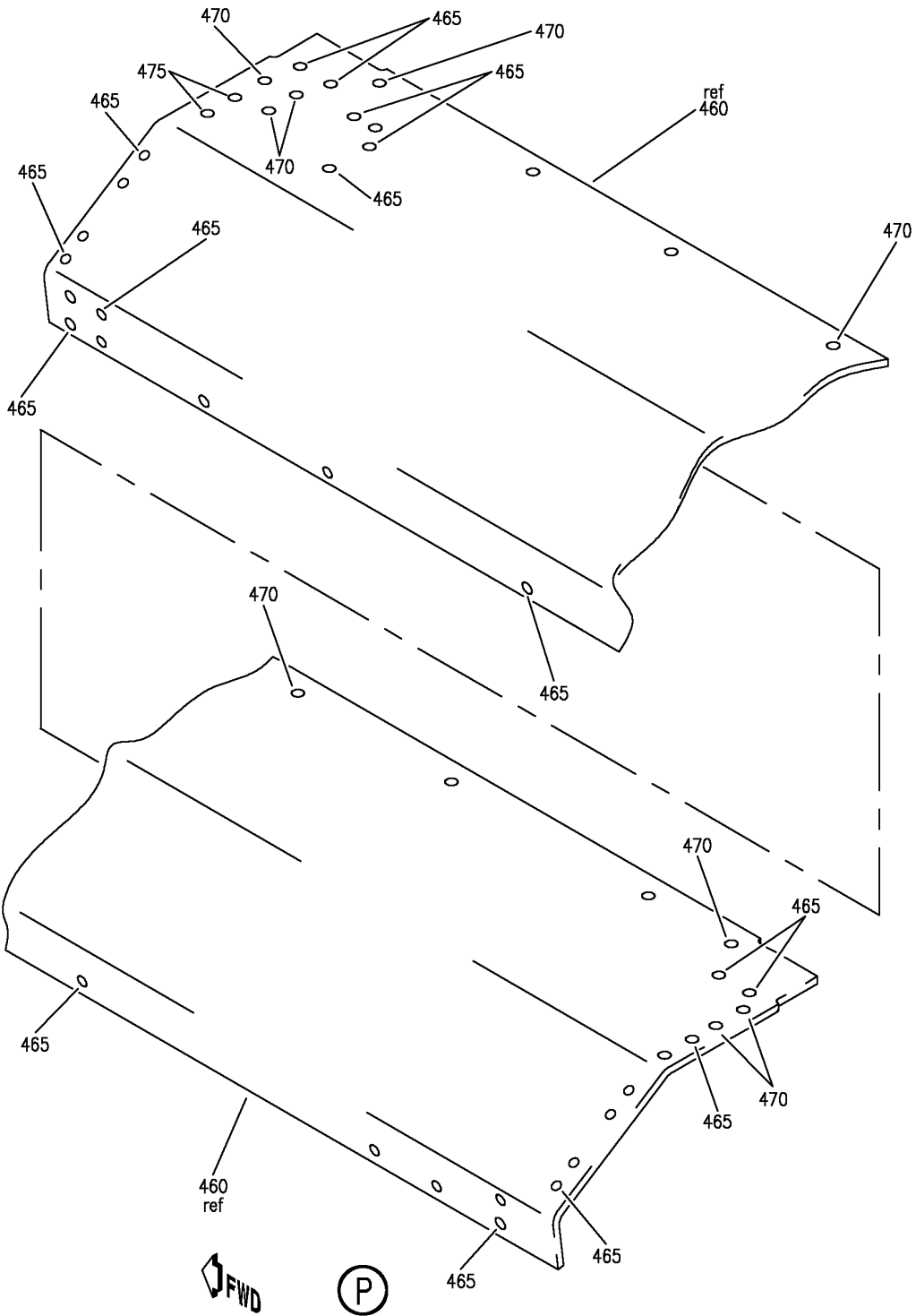
BIN BOX ASSY-60 IN. BIN
 FIGURE 63 (SHEET 6)

25-24-32-63

HAP
 OCT 10/06

25-24-32-63
 PAGE 0E

BOEING
 737-600/700/800/900
 PARTS CATALOG (MAINTENANCE)



E 25243263 SH7 7 REV 081

BIN BOX ASSY-60 IN. BIN
 FIGURE 63 (SHEET 7)

25-24-32-63

HAP
 OCT 10/06

25-24-32-63
 PAGE OF

BOEING
737-600/700/800/900
PARTS CATALOG (MAINTENANCE)

FIG ITEM	PART NUMBER	1 2 3 4 5 6 7	NOMENCLATURE	EFFECT FROM TO	UNITS PER ASSY
63			BIN BOX ASSY-60 IN. BIN	001001 006007	
- 1	412A1250-3SP		BOX ASSY-60 IN. BIN POSITION DATA: LH FOR NHA SEE: 25-24-31-67A	001001 006007	RF
- 5	412A1250-4SP		BOX ASSY-60 IN. BIN POSITION DATA: RH FOR NHA SEE: 25-24-31-61D	001001 006007	RF
10	HL1012AZ6-10		.BOLT SUPPLIER CODE: V97928 SPECIFICATION NUMBER: BACB30NX6K10 OPTIONAL PART: HL12VAZ6-10 V73197 HL12VAZ6-10 V92215 HL12VAZ6-10 V97928 L802-6K10 V06725 HL12VAZ6-10 V56878 HL1012AZ6-10 VOPTK6 HL1012AZ6-10 V06725 HL1012AZ6-10 V06950 HL1012AZ6-10 V17446 HL1012AZ6-10 V56878 HL1012AZ6-10 V60516 HL1012AZ6-10 V73197	001001 006007	9
15	BACB30NR4DK10		.BOLT	001001 006007	2
20	BACS12FA3K9		.SCREW	001001 006007	3
25	BACS12FA3K5		.SCREW	001001 006007	2

MISSING ITEM NUMBERS NOT APPLICABLE

- ITEM NOT ILLUSTRATED

HAP

25-24-32-63

BOEING PROPRIETARY - Copyright © - Unpublished Work - See title page for details.

25-24-32
FIG. 63
PAGE 1
OCT 10/06

BOEING
737-600/700/800/900
PARTS CATALOG (MAINTENANCE)

FIG ITEM	PART NUMBER	1 2 3 4 5 6 7	NOMENCLATURE	EFFECT FROM TO	UNITS PER ASSY
63					
30	BACS12FA3K4	.	SCREW	001001 006007	2
35	NAS43HT3-24	.	SPACER	001001 006007	4
40	BACW10BP3NDP	.	WASHER	001001 006007	9
45	NAS1149D0463J	.	WASHER	001001 006007	6
50	HL1087-6	.	COLLAR SUPPLIER CODE: V73197 SPECIFICATION NUMBER: BACC30BH6 OPTIONAL PART: HL1087-6 V56878 HL1087-6 V92215 HL1087-6 V9N513	001001 006007	9
55	BACN10JD104CD	.	NUT	001001 006007	2
60	SL5-3-50C	.	NUT- SUPPLIER CODE: V97393	001001 006007	3
65	412A1220-74	.	DOUBLER-9G EXT	001001 006007	1
70	412A1220-64A	.	DOUBLER-9G INTR	001001 006007	1
75	412A1220-71A	.	DOUBLER-INTR POSITION DATA: LH SIDE	001001 006007	1
- 80	412A1220-72A	.	DOUBLER-INTR POSITION DATA: RH SIDE	001001 006007	1
85	412A1230-51	.	FITTING ASSY-DRAG POSITION DATA: LH SIDE	001001 006007	1
- 90	412A1230-52	.	FITTING ASSY-DRAG POSITION DATA: RH SIDE	001001 006007	1
95	BCREF13195	..	BUSHING- OVERLENGTH PART NUMBER: BACB28AY06A035CG	001001 006007	1
100	BACB28X4M010	..	BUSHING	001001 006007	2
105	412A1230-53	..	FITTING- POSITION DATA: LH SIDE	001001 006007	1

MISSING ITEM NUMBERS NOT APPLICABLE

- ITEM NOT ILLUSTRATED

HAP

25-24-32-63

BOEING PROPRIETARY - Copyright © - Unpublished Work - See title page for details.

25-24-32
FIG. 63
PAGE 2
OCT 10/06

BOEING
737-600/700/800/900
PARTS CATALOG (MAINTENANCE)

FIG ITEM	PART NUMBER	1 2 3 4 5 6 7	NOMENCLATURE	EFFECT FROM TO	UNITS PER ASSY
63					
- 110	412A1230-54	..	FITTING- POSITION DATA: RH SIDE	001001 006007	1
115	412A1230-43	.FITTING ASSY-	POSITION DATA: LH SIDE	001001 006007	1
- 120	412A1230-44	.FITTING ASSY-	POSITION DATA: RH SIDE	001001 006007	1
125	BCREF13195	..BUSHING-	OVERLENGTH PART NUMBER: BACB28AY06A035CG	001001 006007	1
130	412A1230-45	..FITTING-	POSITION DATA: LH SIDE	001001 006007	1
- 135	412A1230-46	..FITTING-	POSITION DATA: RH SIDE	001001 006007	1
140	412A1220-5SP	.CORNER ASSY-	POSITION DATA: LH SIDE	001001 006007	1
- 145	412A1220-6SP	.CORNER ASSY-	POSITION DATA: RH SIDE	001001 006007	1
150	412A1220-66SP	.CORNER ASSY-	POSITION DATA: LH SIDE	001001 006007	1
- 155	412A1220-65SP	.CORNER ASSY-	POSITION DATA: RH SIDE	001001 006007	1
160	BACS12FA3K4	.SCREW	ATTACHING PARTS	001001 006007	4
165	BACS12FA3K7	.SCREW		001001 006007	4
			-----*-----		

MISSING ITEM NUMBERS NOT APPLICABLE

- ITEM NOT ILLUSTRATED

HAP

25-24-32-63

BOEING PROPRIETARY - Copyright © - Unpublished Work - See title page for details.

25-24-32
FIG. 63
PAGE 3
OCT 10/06

BOEING
737-600/700/800/900
PARTS CATALOG (MAINTENANCE)

FIG ITEM	PART NUMBER	1 2 3 4 5 6 7	NOMENCLATURE	EFFECT FROM TO	UNITS PER ASSY
63 170	BRF200C3D		..NUTPLATE SUPPLIER CODE: V52828 SPECIFICATION NUMBER: BACN10JR3CFD OPTIONAL PART: K51602-3BAC V15653 NS202476-02 V80539 102F9201-3 V72962 T8092C1032CD V11815 ATTACHING PARTS	001001 006007	2
- 175	BACR15CE3D		..RIVET- SIZE DETERMINED ON INSTL. -----*-----	001001 006007	4
180	412A1220-7A		..REINFORCEMENT- USED ON: 412A1220-5SP	001001 006007	1
- 185	412A1220-8A		..REINFORCEMENT- USED ON: 412A1220-6SP	001001 006007	1
190	412A1220-68A		..REINFORCEMENT- USED ON: 412A1220-66SP	001001 006007	1
- 195	412A1220-67A		..REINFORCEMENT- USED ON: 412A1220-65SP	001001 006007	1
200	412A1247-3SP		.EXTRUSION-DOOR CLOSEOUT POSITION DATA: LH SIDE	001001 006007	1
- 205	412A1247-4SP		.EXTRUSION-DOOR CLOSEOUT POSITION DATA: RH SIDE	001001 006007	1
- 210	BACB30VF3K8		ATTACHING PARTS .BOLT	001001 006007	4

MISSING ITEM NUMBERS NOT APPLICABLE

- ITEM NOT ILLUSTRATED

HAP

25-24-32-63

BOEING PROPRIETARY - Copyright © - Unpublished Work - See title page for details.

25-24-32
FIG. 63
PAGE 4
OCT 10/06

BOEING
737-600/700/800/900
PARTS CATALOG (MAINTENANCE)

FIG ITEM	PART NUMBER	1 2 3 4 5 6 7	NOMENCLATURE	EFFECT FROM TO	UNITS PER ASSY
63 - 215	F22K1-02		.NUT SUPPLIER CODE: V72962 SPECIFICATION NUMBER: BACN10R10L OPTIONAL PART: 22K1-02 V72962 26CL02 V80539 -----*-----	001001 006007	4
220	HA225-3		.STRIKE- SUPPLIER CODE: V83014 SPECIFICATION NUMBER: S412A001-6	001001 006007	2
220	HA225-11		.STRIKE- SUPPLIER CODE: V83014 SPECIFICATION NUMBER: S412A001-16 ATTACHING PARTS	001001 006007	2
- 225	BACS12ER08K5		.SCREW	001001 006007	4
230	412A1242-2		.EXTRUSION-SHELF POSITION DATA: LH SIDE	001001 006007	1
- 235	412A1242-3		.EXTRUSION-SHELF POSITION DATA: RH SIDE ATTACHING PARTS	001001 006007	1
240	BACS12ER3K6		.SCREW	001001 006007	2
245	BACS12ER3K5		.SCREW	001001 006007	10
250	H3-1233A3		.WASHER- SUPPLIER CODE: V34941 SPECIFICATION NUMBER: S411A001-1 -----*-----	001001 006007	10
255	412A1475-3SP		.FITTING ASSY-SPRT	001001 006007	1
260	412A1475-4SP		.FITTING ASSY-SPRT	001001 006007	1

MISSING ITEM NUMBERS NOT APPLICABLE

- ITEM NOT ILLUSTRATED

HAP

25-24-32-63

25-24-32
FIG. 63
PAGE 5
JUN 15/08

BOEING
737-600/700/800/900
PARTS CATALOG (MAINTENANCE)

FIG ITEM	PART NUMBER	1 2 3 4 5 6 7	NOMENCLATURE	EFFECT FROM TO	UNITS PER ASSY
63			ATTACHING PARTS		
- 265	BACS12ER3K5		.SCREW	001001 006007	4
			-----*-----		
270	BACN11F3-1CD		..NUT	001001 006007	1
275	NAS1795-3		..CLIP	001001 006007	1
280	412A1475-1SP		..FITTING- USED ON: 412A1475-3SP	001001 006007	1
285	412A1475-2SP		..FITTING- USED ON: 412A1475-4SP	001001 006007	1
290	412A1450-1SP		.TRIM	001001 006007	2
295	BACS12FA3K4		.SCREW	001001 006007	56
300	BACS12FA3K6		.SCREW	001001 006007	11
305	BACS12FA3K5		.SCREW	001001 006007	10
310	BACS12FA3K7		.SCREW	001001 006007	1
315	412A1220-2		.ANGLE	001001 006007	5
320	412A1220-3		.ANGLE	001001 006007	2
325	412A1220-4		.ANGLE	001001 006007	3
330	412A1220-9A		.ANGLE	001001 006007	2
335	412A1220-41		.CORNER-GUSSET POSITION DATA: LH SIDE	001001 006007	1
- 340	412A1220-42		.GUSSET- POSITION DATA: RH SIDE	001001 006007	1
345	412A1220-57		.GUSSET- POSITION DATA: LH SIDE	001001 006007	1
- 350	412A1220-58		.GUSSET- POSITION DATA: RH SIDE	001001 006007	1
355	412A1220-53		.FITTING ASSY- POSITION DATA: LH SIDE	001001 006007	1

MISSING ITEM NUMBERS NOT APPLICABLE

- ITEM NOT ILLUSTRATED

HAP

25-24-32-63

25-24-32
FIG. 63
PAGE 6
JUN 15/08

BOEING
737-600/700/800/900
PARTS CATALOG (MAINTENANCE)

FIG ITEM	PART NUMBER	1 2 3 4 5 6 7	NOMENCLATURE	EFFECT FROM TO	UNITS PER ASSY
63					
- 360	412A1220-54		.FITTING ASSY- POSITION DATA: RH SIDE	001001 006007	1
365	BACN10JP4ACD		..NUTPLATE	001001 006007	1
			ATTACHING PARTS		
- 370	BACR15BA3AD		..RIVET- SIZE DETERMINED ON INSTL. -----*-----	001001 006007	2
375	412A1220-55		..STRAP- POSITION DATA: LH SIDE	001001 006007	1
- 380	412A1220-56		..FITTING- POSITION DATA: RH SIDE	001001 006007	1
385	412A1230-25		.FITTING	001001 006007	1
390	412A1230-48		.FILLER- POSITION DATA: LH SIDE	001001 006007	1
- 395	412A1230-47		.RADIUS- POSITION DATA: RH SIDE	001001 006007	1
400	412A1245-4		.RAIL- POSITION DATA: LH SIDE	001001 006007	1
- 405	412A1245-3		.RAIL- POSITION DATA: RH SIDE	001001 006007	1
410	412A1250-77		.RETAINER	001001 006007	1
415	412A1212-15SP		.PANEL ASSY-END POSITION DATA: LH SIDE	001001 006007	1
- 420	412A1212-16SP		.PANEL ASSY-END POSITION DATA: RH SIDE	001001 006007	1
- 425	SL2334-3A1		..INSERT- SUPPLIER CODE: V97393	001001 006007	16
430	412A1212-21SP		.PANEL ASSY-END POSITION DATA: LH SIDE	001001 006007	1
- 435	412A1212-22SP		.PANEL ASSY-END POSITION DATA: RH SIDE	001001 006007	1
- 440	SL2334-3A1		..INSERT- SUPPLIER CODE: V97393	001001 006007	18

MISSING ITEM NUMBERS NOT APPLICABLE

- ITEM NOT ILLUSTRATED

HAP

25-24-32-63

25-24-32
FIG. 63
PAGE 7
JUN 15/08

 **BOEING**
737-600/700/800/900
PARTS CATALOG (MAINTENANCE)

FIG ITEM	PART NUMBER	1 2 3 4 5 6 7	NOMENCLATURE	EFFECT FROM TO	UNITS PER ASSY
63					
460	412A1210-11SP	.	PANEL ASSY-SHELL POSITION DATA: LH SIDE	001001 006007	1
465	SL2334-3A1	..	INSERT- SUPPLIER CODE: V97393	001001 006007	30
470	BCREF128023	..	INSERT- SUPPLIER CODE: V97393 OVERLENGTH PART NUMBER: SL603-3-375ASP13	001001 006007	13
475	BCREF130325	..	INSERT- SUPPLIER CODE: V97393 OVERLENGTH PART NUMBER: SL603-4-375ASP24	001001 006007	2
475	412A1230-59	..	INSERT- OPTIONAL PART: BCREF130325	001001 006007	2
- 480	412A1210-12SP	.	PANEL ASSY-SHELL POSITION DATA: RH SIDE	001001 006007	1
- 485	SL2334-3A1	..	INSERT- SUPPLIER CODE: V97393	001001 006007	33
- 490	BCREF128023	..	INSERT- SUPPLIER CODE: V97393 OVERLENGTH PART NUMBER: SL603-3-375ASP13	001001 006007	13
- 495	BCREF130325	..	INSERT- SUPPLIER CODE: V97393 OVERLENGTH PART NUMBER: SL603-4-375ASP24	001001 006007	2
- 495	412A1230-59	..	INSERT- OPTIONAL PART: BCREF130325	001001 006007	2
500	412A1211-13SP	.	PANEL ASSY-SHELL POSITION DATA: LH SIDE	001001 006007	1
- 505	412A1211-14SP	.	PANEL ASSY-SHELL POSITION DATA: RH SIDE	001001 006007	1

MISSING ITEM NUMBERS NOT APPLICABLE

- ITEM NOT ILLUSTRATED

HAP

25-24-32-63

25-24-32
FIG. 63
PAGE 8
JUN 15/08


BOEING
 737-600/700/800/900
PARTS CATALOG (MAINTENANCE)

FIG ITEM	PART NUMBER	1 2 3 4 5 6 7 NOMENCLATURE	EFFECT FROM TO	UNITS PER ASSY
63 - 510	SL2334-3A1	.. INSERT- SUPPLIER CODE : V97393	001001 006007	72

MISSING ITEM NUMBERS NOT APPLICABLE

- ITEM NOT ILLUSTRATED

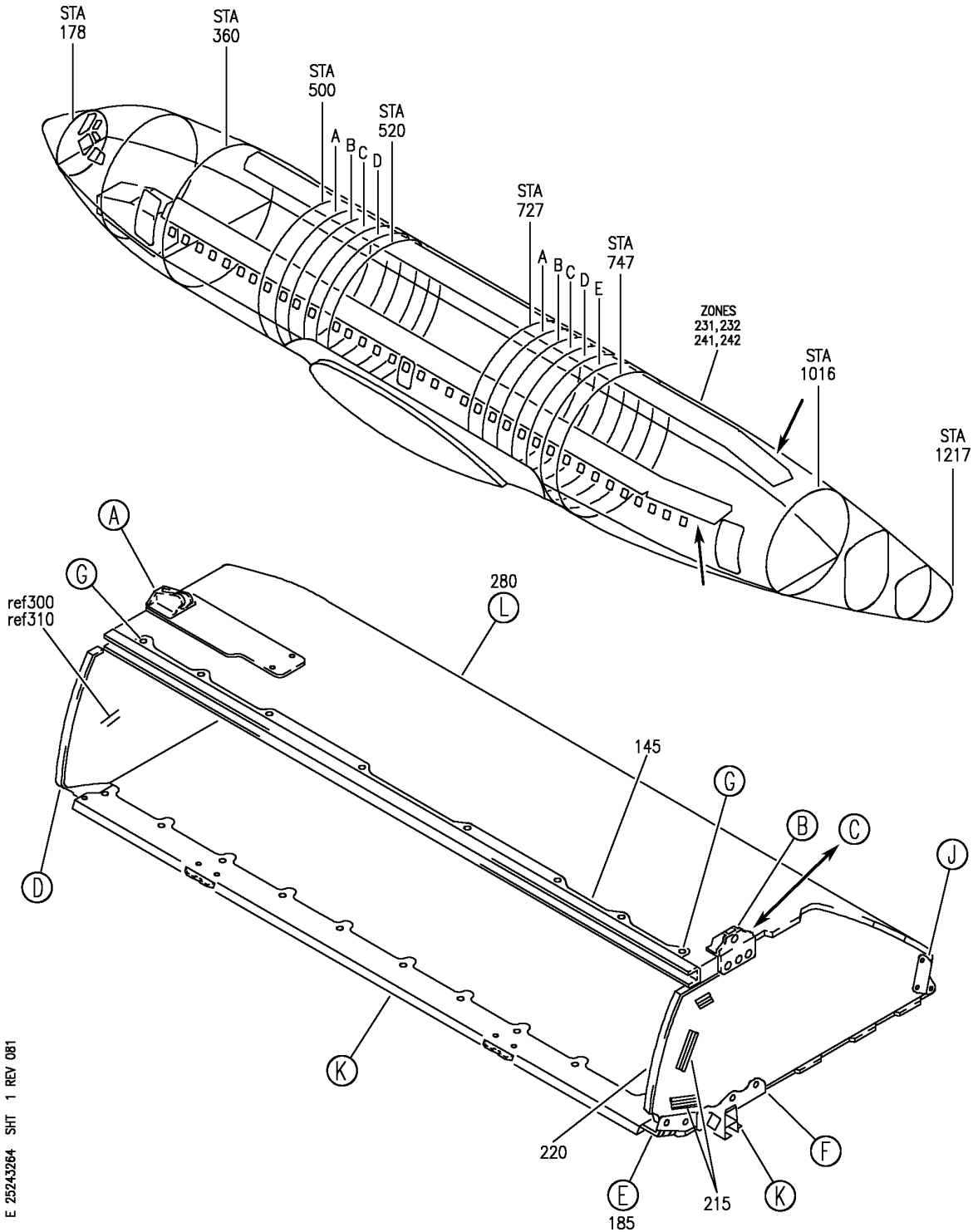
HAP

25-24-32-63

BOEING PROPRIETARY - Copyright © - Unpublished Work - See title page for details.

25-24-32
 FIG. 63
 PAGE 9
 JUN 15/08

BOEING
 737-600/700/800/900
 PARTS CATALOG (MAINTENANCE)



E 25243264 SHT 1 REV 081

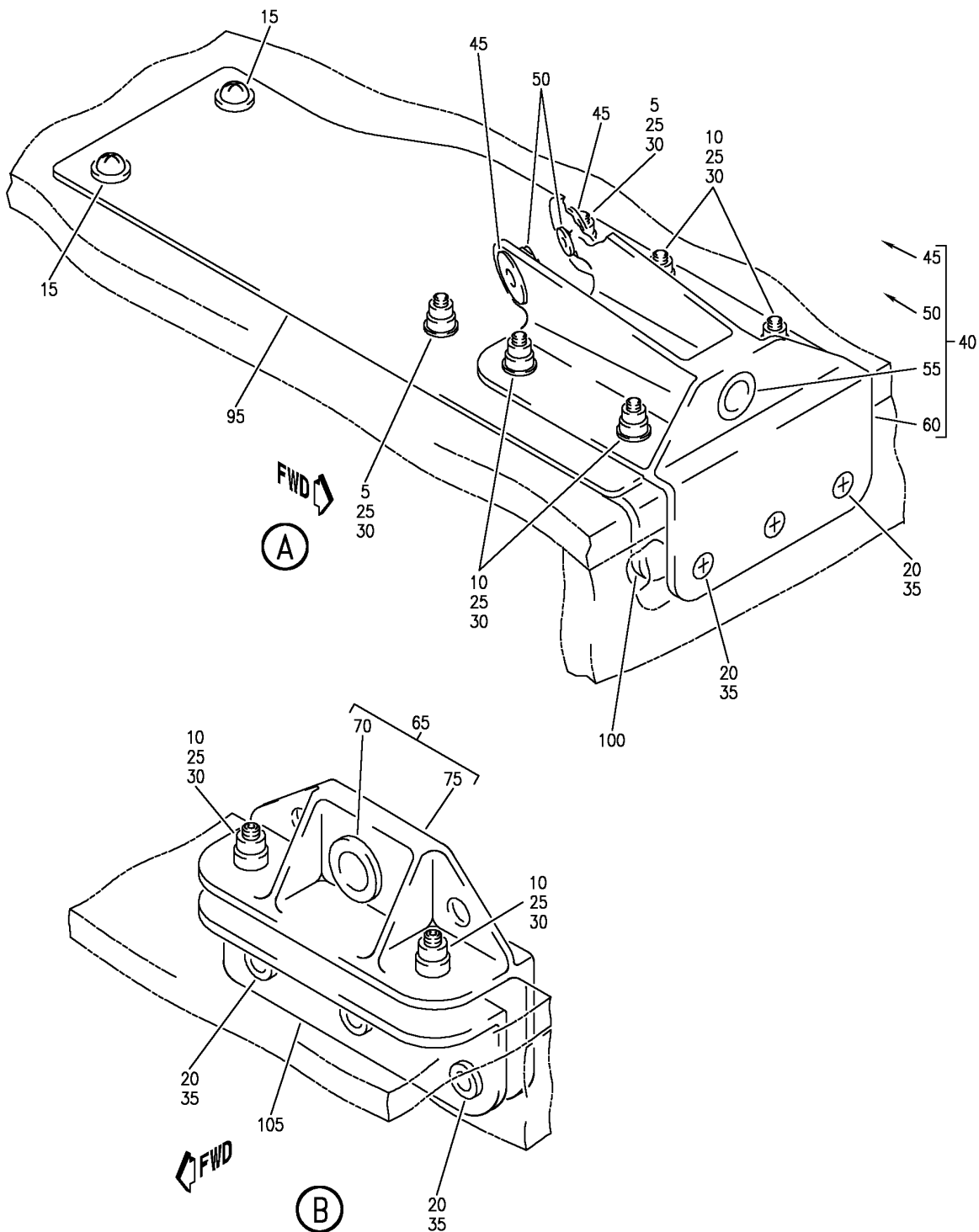
BOX ASSY-RH 60 IN. BIG BIN
 FIGURE 64 (SHEET 1)

25-24-32-64

HAP
 FEB 10/07

25-24-32-64
 PAGE 0

BOEING
 737-600/700/800/900
 PARTS CATALOG (MAINTENANCE)



E 25243264 SH1 2 REV 081

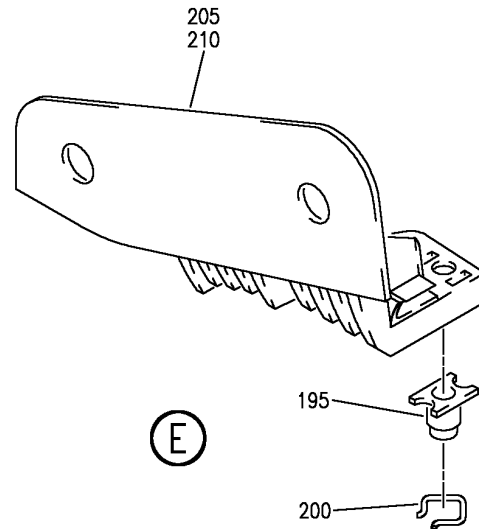
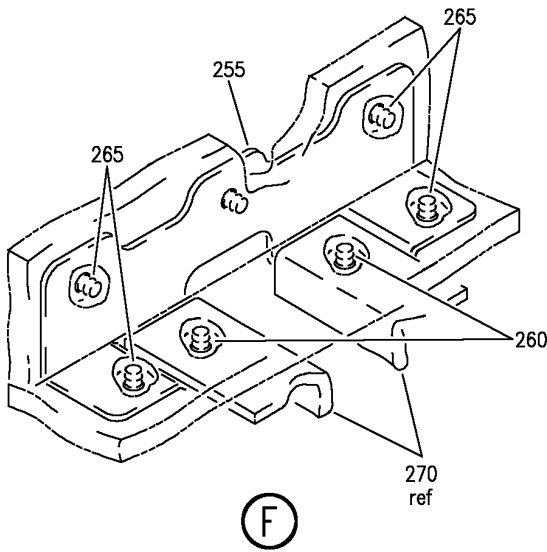
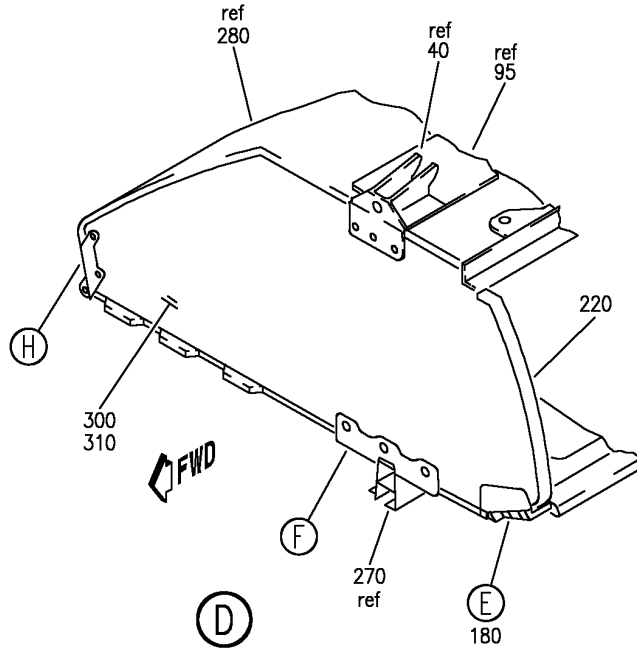
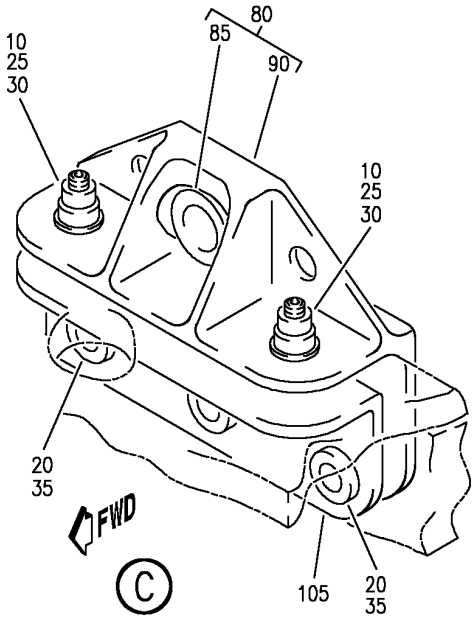
BOX ASSY-RH 60 IN. BIG BIN
 FIGURE 64 (SHEET 2)

25-24-32-64

HAP
 FEB 10/07

25-24-32-64
 PAGE 0A

BOEING
 737-600/700/800/900
 PARTS CATALOG (MAINTENANCE)



E 25243264 SH1 3 REV 081

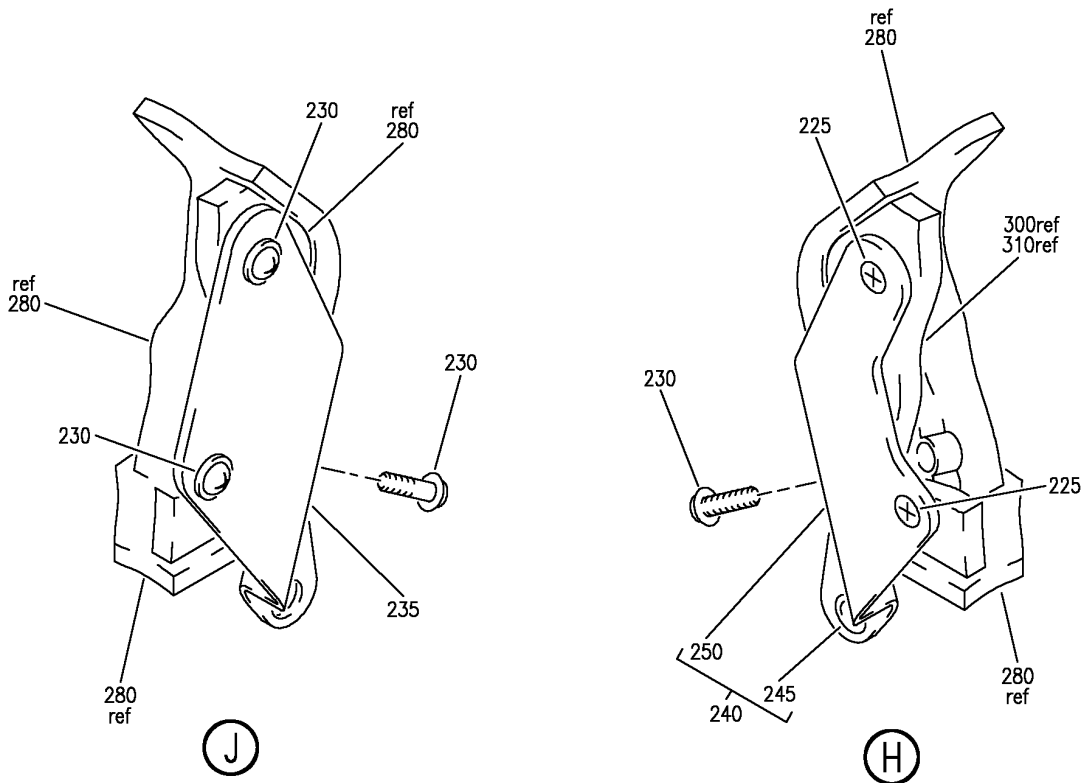
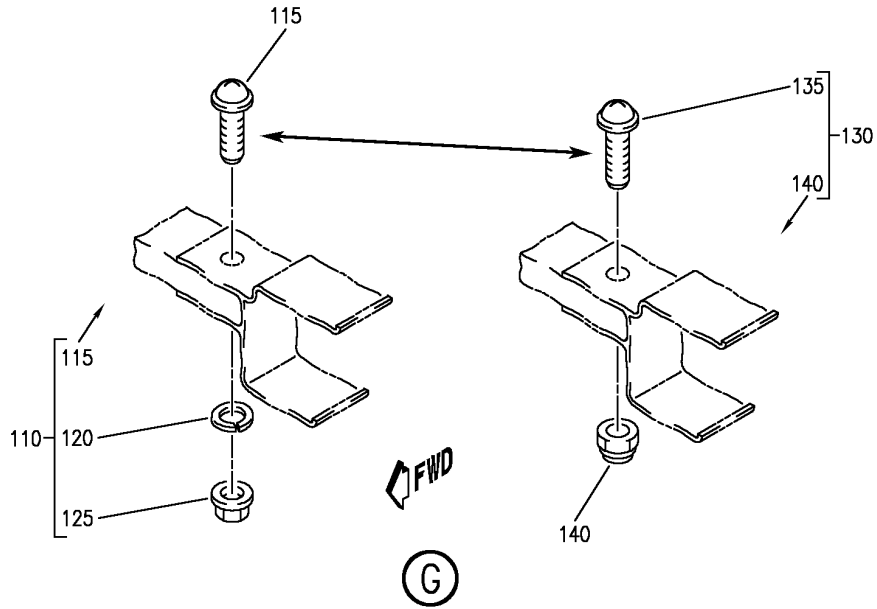
BOX ASSY-RH 60 IN. BIG BIN
 FIGURE 64 (SHEET 3)

25-24-32-64

HAP
 FEB 10/07

25-24-32-64
 PAGE 0B

BOEING
 737-600/700/800/900
 PARTS CATALOG (MAINTENANCE)



E 25243264 SHIT 4 REV 081

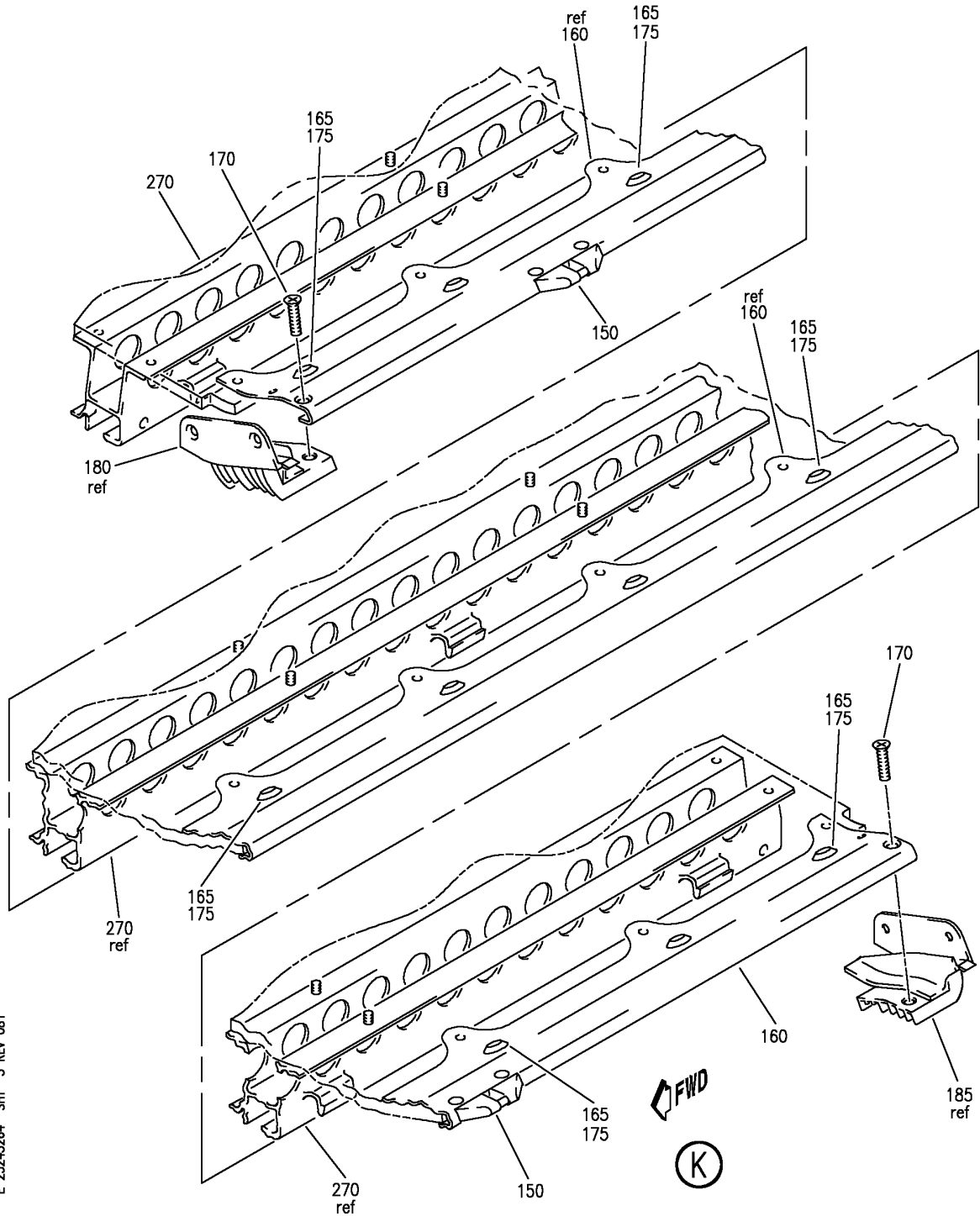
BOX ASSY-RH 60 IN. BIG BIN
 FIGURE 64 (SHEET 4)

25-24-32-64

HAP
 FEB 10/07

25-24-32-64
 PAGE 0C

BOEING
 737-600/700/800/900
 PARTS CATALOG (MAINTENANCE)



E 25243264 SHT 5 REV 081

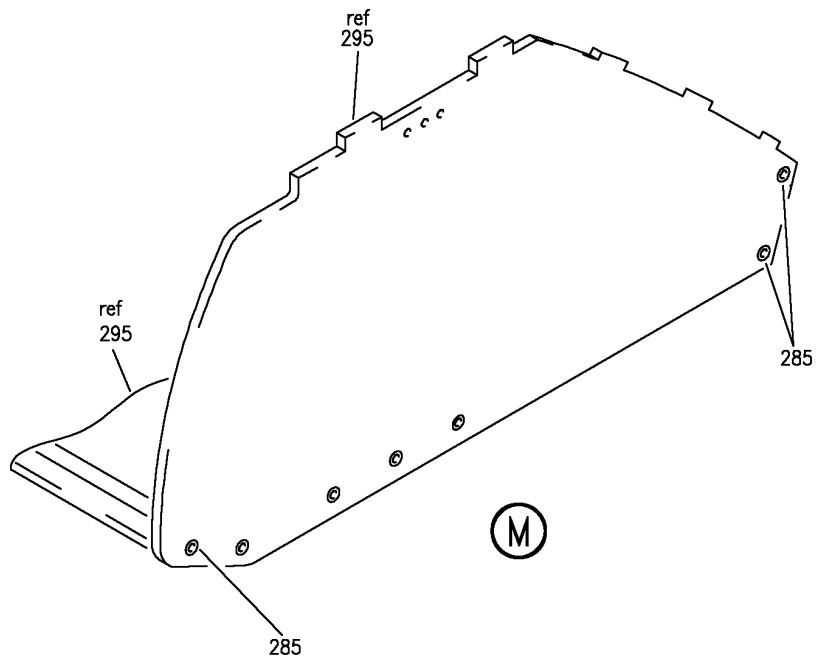
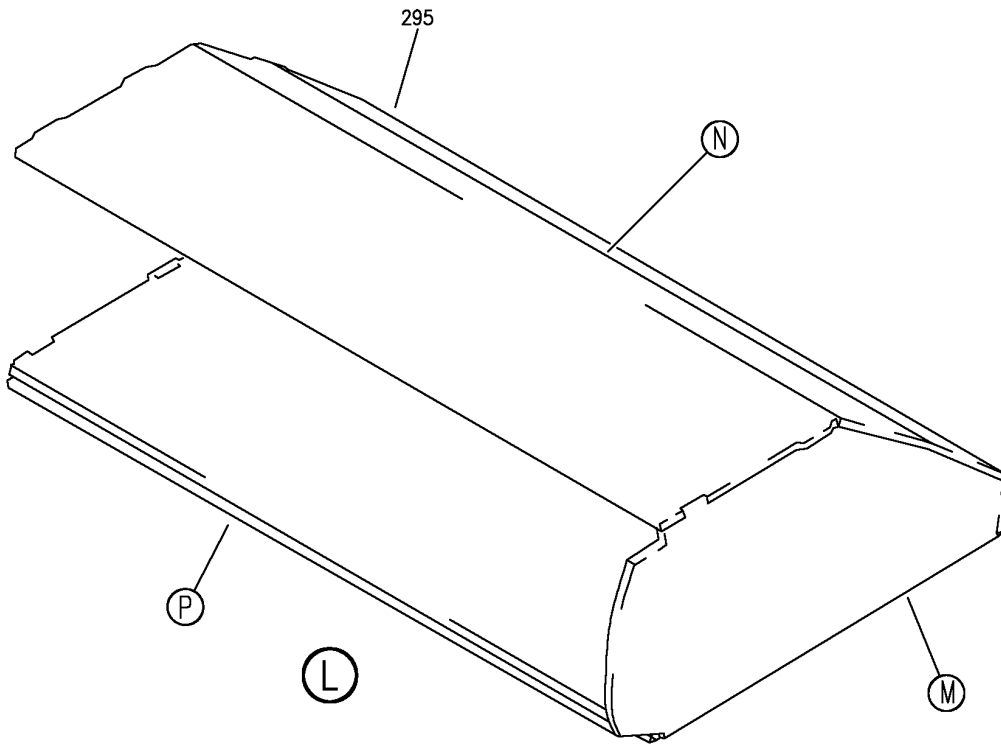
BOX ASSY-RH 60 IN. BIG BIN
 FIGURE 64 (SHEET 5)

25-24-32-64

HAP
 FEB 10/07

25-24-32-64
 PAGE 0D

BOEING
737-600/700/800/900
PARTS CATALOG (MAINTENANCE)



E 25243264 SHT 6 REV 081

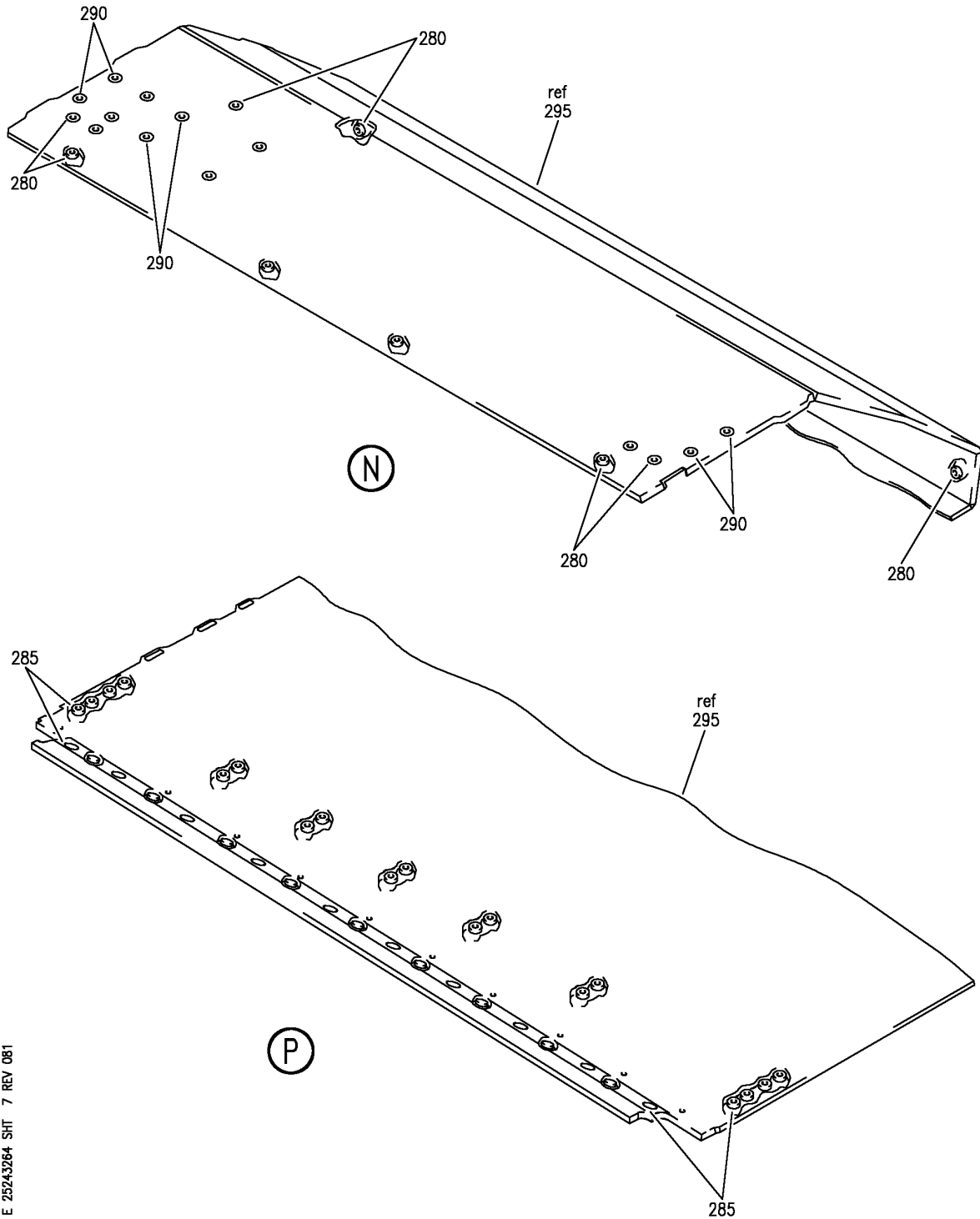
BOX ASSY-RH 60 IN. BIG BIN
FIGURE 64 (SHEET 6)

25-24-32-64

HAP
FEB 10/07

25-24-32-64
PAGE 0E

BOEING
737-600/700/800/900
PARTS CATALOG (MAINTENANCE)



E 25243264 SHT 7 REV 081

BOX ASSY-RH 60 IN. BIG BIN
FIGURE 64 (SHEET 7)

25-24-32-64

HAP
FEB 10/07

25-24-32-64
PAGE OF

BOEING
737-600/700/800/900
PARTS CATALOG (MAINTENANCE)

FIG ITEM	PART NUMBER	1 2 3 4 5 6 7	NOMENCLATURE	EFFECT FROM TO	UNITS PER ASSY
64			BOX ASSY-RH 60 IN. BIG BIN	101200 968999	
- 1	412A1205-18B		BOX ASSY-60 IN. BIG BIN POSITION DATA: RH FOR NHA SEE: 25-24-31-19G 25-24-31-64Q	101200 968999	RF
5	HL1012AZ6-9		.BOLT SUPPLIER CODE: V97928 SPECIFICATION NUMBER: BACB30NX6K9 OPTIONAL PART: HL12VAZ6-9 V73197 HL12VAZ6-9 V92215 HL12VAZ6-9 V97928 L802-6K9 V06725 HL12VAZ6-9 V56878 HL1012AZ6-9 V0PTK6 HL1012AZ6-9 V06725 HL1012AZ6-9 V06950 HL1012AZ6-9 V17446 HL1012AZ6-9 V56878 HL1012AZ6-9 V60516 HL1012AZ6-9 V73197	101200 968999	2

MISSING ITEM NUMBERS NOT APPLICABLE

- ITEM NOT ILLUSTRATED

HAP

25-24-32-64

BOEING PROPRIETARY - Copyright © - Unpublished Work - See title page for details.

25-24-32
FIG. 64
PAGE 1
OCT 15/08

BOEING
737-600/700/800/900
PARTS CATALOG (MAINTENANCE)

FIG ITEM	PART NUMBER	1 2 3 4 5 6 7	NOMENCLATURE	EFFECT FROM TO	UNITS PER ASSY
64 10	HL1012AZ6-11	.	BOLT SUPPLIER CODE: V97928 SPECIFICATION NUMBER: BACB30NX6K11 OPTIONAL PART: HL12VAZ6-11 V73197 HL12VAZ6-11 V92215 HL12VAZ6-11 V97928 L802-6K11 V06725 HL12VAZ6-11 V56878 HL1012AZ6-11 VOPTK6 HL1012AZ6-11 V06725 HL1012AZ6-11 V06950 HL1012AZ6-11 V17446 HL1012AZ6-11 V56878 HL1012AZ6-11 V60516 HL1012AZ6-11 V73197	101200 968999	6
15	BACS12FA3K4	.	SCREW	101200 968999	2
20	BACS12ER3K9	.	SCREW	101200 968999	6
25	NAS1149D0363J	.	WASHER	101200 968999	8
30	HST1070CY6	.	COLLAR SUPPLIER CODE: V5M902 SPECIFICATION NUMBER: BACC30BZ6 OPTIONAL PART: VLC1070CY6 V92215 HST1070CY6 V73197	101200 968999	8
35	SL5-3-50C	.	NUT- SUPPLIER CODE: V97393	101200 968999	6

MISSING ITEM NUMBERS NOT APPLICABLE

— ITEM NOT ILLUSTRATED

HAP

25-24-32-64

BOEING PROPRIETARY - Copyright © - Unpublished Work - See title page for details.

25-24-32
FIG. 64
PAGE 2
OCT 15/08

 **BOEING**
737-600/700/800/900
PARTS CATALOG (MAINTENANCE)

FIG ITEM	PART NUMBER	1 2 3 4 5 6 7	NOMENCLATURE	EFFECT FROM TO	UNITS PER ASSY
64					
40	412A1230-106	.	FITTING ASSY-DRAG	101200 968999	1
45	BACW10P273L	..	WASHER	101200 968999	2
50	BACB28AT04B023C	..	BUSHING- OPTIONAL PART: NAS538B4P023	101200 968999	2
50	NAS538B4P023	..	BUSHING- OPTIONAL PART: BACB28AT04B023C	101200 968999	2
55	BCREF13195	..	BUSHING- OVERLENGTH PART NUMBER: BACB28AY06A035CG	101200 968999	1
60	412A1230-108	..	FITTING	101200 968999	1
65	412A1230-201	.	FITTING ASSY- OPTIONAL PART: 412A1230-1	101200 968999	1
70	BCREF13195	..	BUSHING- OVERLENGTH PART NUMBER: BACB28AY06A035CG	101200 968999	1
75	412A1230-202	..	FITTING- OPTIONAL PART: 412A1230-203	101200 968999	1
75	412A1230-203	..	FITTING- OPTIONAL PART: 412A1230-202	101200 968999	1
80	412A1230-1	.	FITTING ASSY- OPTIONAL PART: 412A1230-201	101200 968999	1
85	BCREF13195	..	BUSHING- OVERLENGTH PART NUMBER: BACB28AY06A035CG	101200 968999	1
90	412A1230-2	..	SUPPORT	101200 968999	1
95	412A1220-243	.	DOUBLER-9G EXT	101200 968999	1
100	412A1220-241B	.	DOUBLER-INTERNAL	101200 968999	1
105	412A1220-39A	.	DOUBLER-INTERNAL	101200 968999	1
110	412A1340-14	.	FASTENER ASSY-KIT OPTIONAL PART: 412A1340-15	101200 968999	4
115	BACS12FA3K12	..	SCREW	101200 968999	1
120	BACW10EC3S	..	WASHER	101200 968999	1

MISSING ITEM NUMBERS NOT APPLICABLE

— ITEM NOT ILLUSTRATED

HAP

25-24-32-64

BOEING PROPRIETARY - Copyright © - Unpublished Work - See title page for details.

25-24-32
FIG. 64
PAGE 3
OCT 15/08

BOEING
737-600/700/800/900
PARTS CATALOG (MAINTENANCE)

FIG ITEM	PART NUMBER	1 2 3 4 5 6 7	NOMENCLATURE	EFFECT FROM TO	UNITS PER ASSY
64 125	PLH53C	. .	NUT SUPPLIER CODE: V62554 SPECIFICATION NUMBER: BACN10YR3C OPTIONAL PART: H52732-3C V15653	101200 968999	1
130	412A1340-15	. FASTENER ASSY-KIT	OPTIONAL PART: 412A1340-14	101200 968999	4
135	BACS12FA3K13	. .	SCREW	101200 968999	1
140	F22K1-02	. .	NUT SUPPLIER CODE: V72962 SPECIFICATION NUMBER: BACN10R10L OPTIONAL PART: 22K1-02 V72962 26CLO2 V80539	101200 968999	1
145	412A1247-2A	. EXTRUSION-DOOR CLOSEOUT		101200 968999	1
150	HA951-5	. STRIKE-LATCH	SUPPLIER CODE: V83014 SPECIFICATION NUMBER: S412A003-3 OPTIONAL PART: HA225-11 V83014	101200 968999	2
150	HA225-11	. STRIKE-LATCH	SUPPLIER CODE: V83014 SPECIFICATION NUMBER: S412A001-16 OPTIONAL PART: HA951-5 V83014	101200 968999	2
- 155	BACS12ER08K5	. ATTACHING PARTS SCREW		101200 968999	4
160	412A1242-3	-----*----- . EXTRUSION-SHELF		101200 968999	1

MISSING ITEM NUMBERS NOT APPLICABLE

- ITEM NOT ILLUSTRATED

HAP

25-24-32-64

BOEING PROPRIETARY - Copyright © - Unpublished Work - See title page for details.

25-24-32
FIG. 64
PAGE 4
OCT 15/08

BOEING
737-600/700/800/900
PARTS CATALOG (MAINTENANCE)

FIG ITEM	PART NUMBER	1 2 3 4 5 6 7	NOMENCLATURE	EFFECT FROM TO	UNITS PER ASSY
64			ATTACHING PARTS		
165	BACS12ER3K5	.	SCREW	101200 968999	10
170	BACS12ER3K6	.	SCREW	101200 968999	2
175	H3-1233A3	.	WASHER- SUPPLIER CODE: V34941 SPECIFICATION NUMBER: S411A001-1 -----*-----	101200 968999	10
180	412A1475-3A	.	FITTING ASSY-SPRT	101200 968999	1
185	412A1475-4A	.	FITTING ASSY-SPRT	101200 968999	1
- 190	BACS12ER3K5	.	ATTACHING PARTS SCREW -----*-----	101200 968999	4
195	BACN11F3-1CD	..	NUT	101200 968999	1
200	NAS1795-3	..	CLIP	101200 968999	1
205	412A1475-1A	..	FITTING- USED ON: 412A1475-3A	101200 968999	1
210	412A1475-2A	..	FITTING- USED ON: 412A1475-4A	101200 968999	1
215	412A1450-35	.	TRIM- POSITION DATA: MIDDLE AND LOWER	101200 968999	2
220	412A1452-1B	.	TRIM	101200 968999	2
225	BACS12ER3K5	.	SCREW	101200 968999	2
230	BACS12FA3K5	.	SCREW	101200 968999	4
235	412A1230-68	.	FITTING-LWR	101200 968999	1
240	412A1230-87	.	FITTING ASSY- POSITION DATA: LWR	101200 968999	1
245	BCREF13196	..	BUSHING- OVERLENGTH PART NUMBER: BACB28AT06A010CG	101200 968999	1
250	412A1230-89	..	FITTING	101200 968999	1

MISSING ITEM NUMBERS NOT APPLICABLE

- ITEM NOT ILLUSTRATED

HAP

25-24-32-64

25-24-32
FIG. 64
PAGE 5
OCT 15/08

BOEING
737-600/700/800/900
PARTS CATALOG (MAINTENANCE)

FIG ITEM	PART NUMBER	1 2 3 4 5 6 7	NOMENCLATURE	EFFECT FROM TO	UNITS PER ASSY
64 255	412A1220-205	.	ANGLE	101200 968999	2
			ATTACHING PARTS		
260	BACS12FA3K5	.	SCREW	101200 968999	4
265	BACS12FA3K4	.	SCREW	101200 968999	10
			-----*-----		
270	412A1245-2	.	RAIL	101200 968999	1
			ATTACHING PARTS		
- 275	BACS12FA3K5	.	SCREW	101200 968999	12
			-----*-----		
280	412A1215-48B	.	PANEL ASSY	101200 968999	1
285	SL2334-3A1	..	INSERT- SUPPLIER CODE: V97393	101200 968999	57
290	BCREF128023	..	INSERT- SUPPLIER CODE: V97393 OVERLENGTH PART NUMBER: SL603-3-375ASP13	101200 968999	8
295	412A1215-2B	..	PANEL	101200 968999	1
300	412A1216-12B	.	PANEL ASSY	101200 968999	1
- 305	SL2334-3A1	..	INSERT- SUPPLIER CODE: V97393	101200 968999	7
310	412A1216-1B	..	PANEL	101200 968999	1

MISSING ITEM NUMBERS NOT APPLICABLE

- ITEM NOT ILLUSTRATED

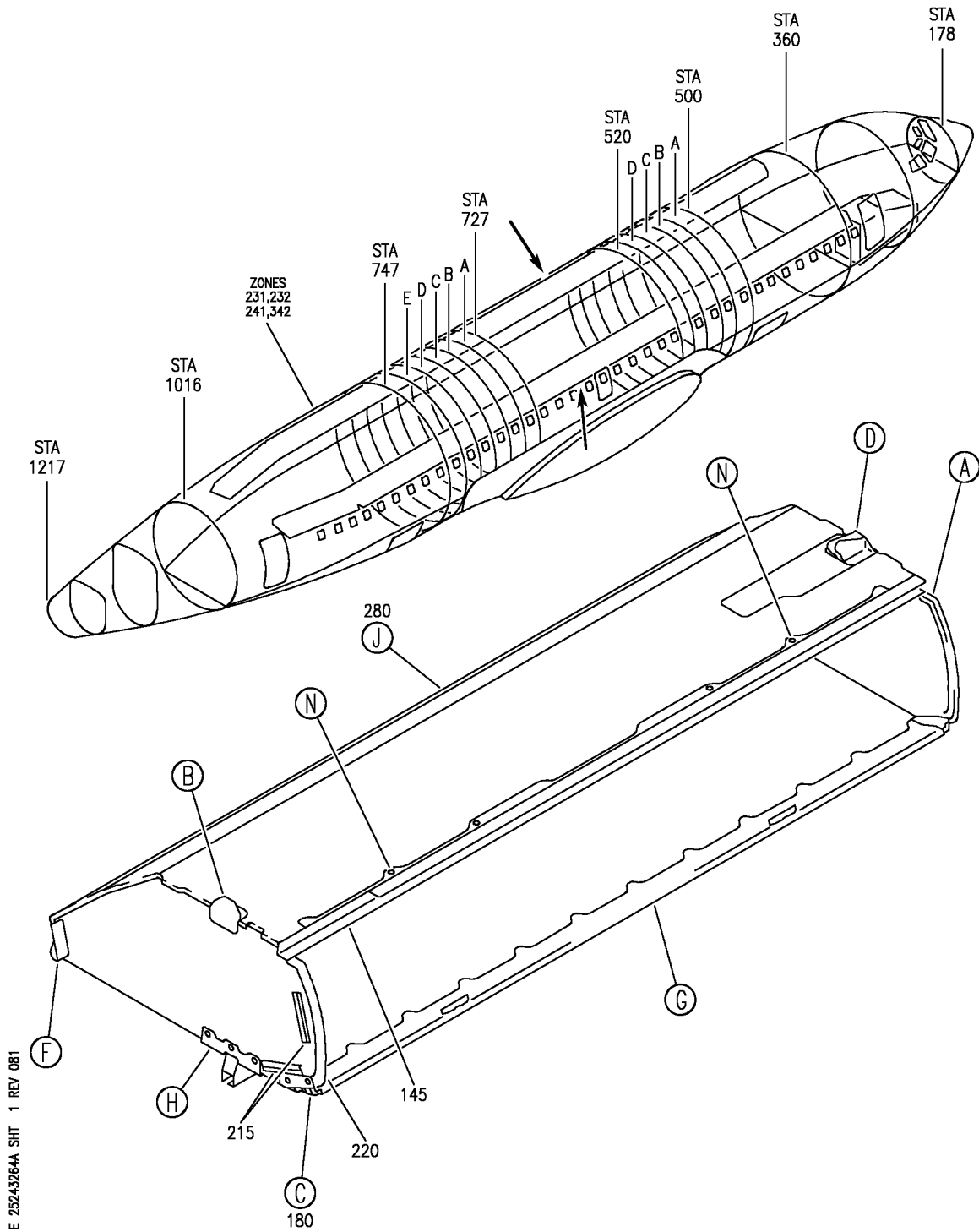
HAP

25-24-32-64

BOEING PROPRIETARY - Copyright © - Unpublished Work - See title page for details.

25-24-32
FIG. 64
PAGE 6
OCT 15/08

BOEING
 737-600/700/800/900
 PARTS CATALOG (MAINTENANCE)



E 25243264A SHT 1 REV 081

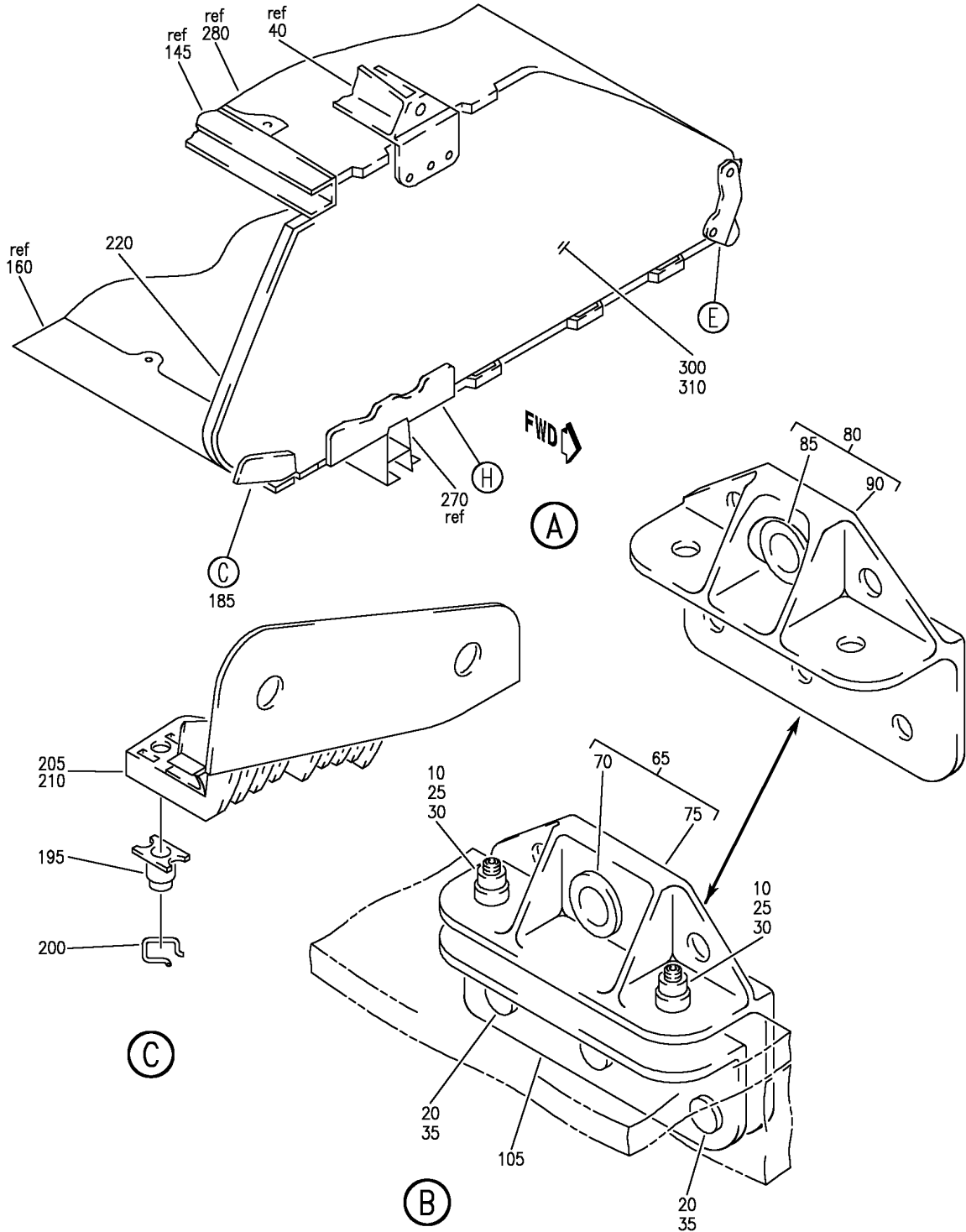
BOX ASSY-LH 60 IN. BIG BIN
 FIGURE 64A (SHEET 1)

25-24-32-64A

HAP
 FEB 10/07

25-24-32-64A
 PAGE 0

BOEING
 737-600/700/800/900
 PARTS CATALOG (MAINTENANCE)



E 25243264A SHT 2 REV 081

BOX ASSY-LH 60 IN. BIG BIN
 FIGURE 64A (SHEET 2)

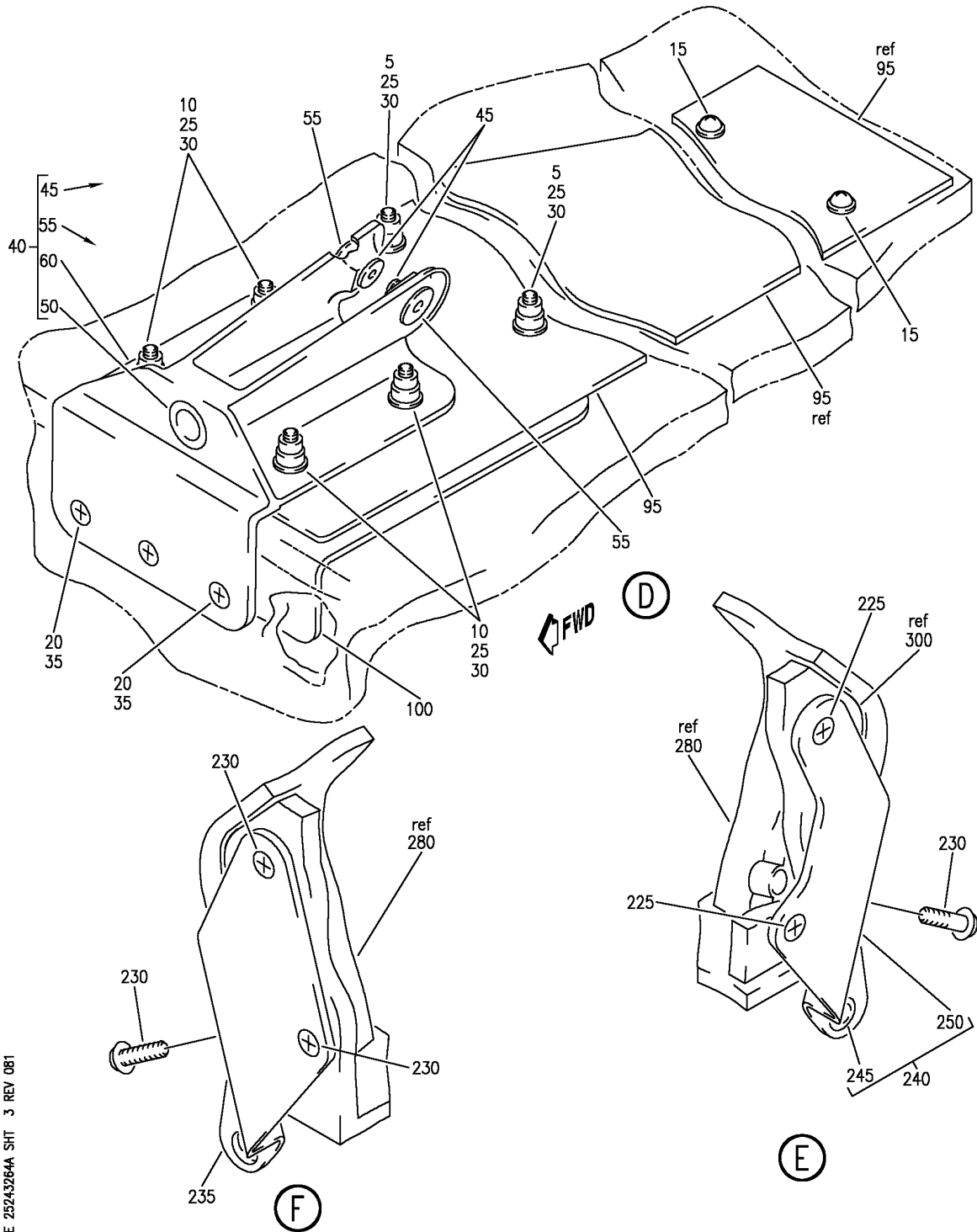
25-24-32-64A

HAP
 FEB 10/07

25-24-32-64A
 PAGE 0A

BOEING PROPRIETARY - Copyright © - Unpublished Work - See title page for details.

BOEING
 737-600/700/800/900
 PARTS CATALOG (MAINTENANCE)



E 25243264A SHT 3 REV 081

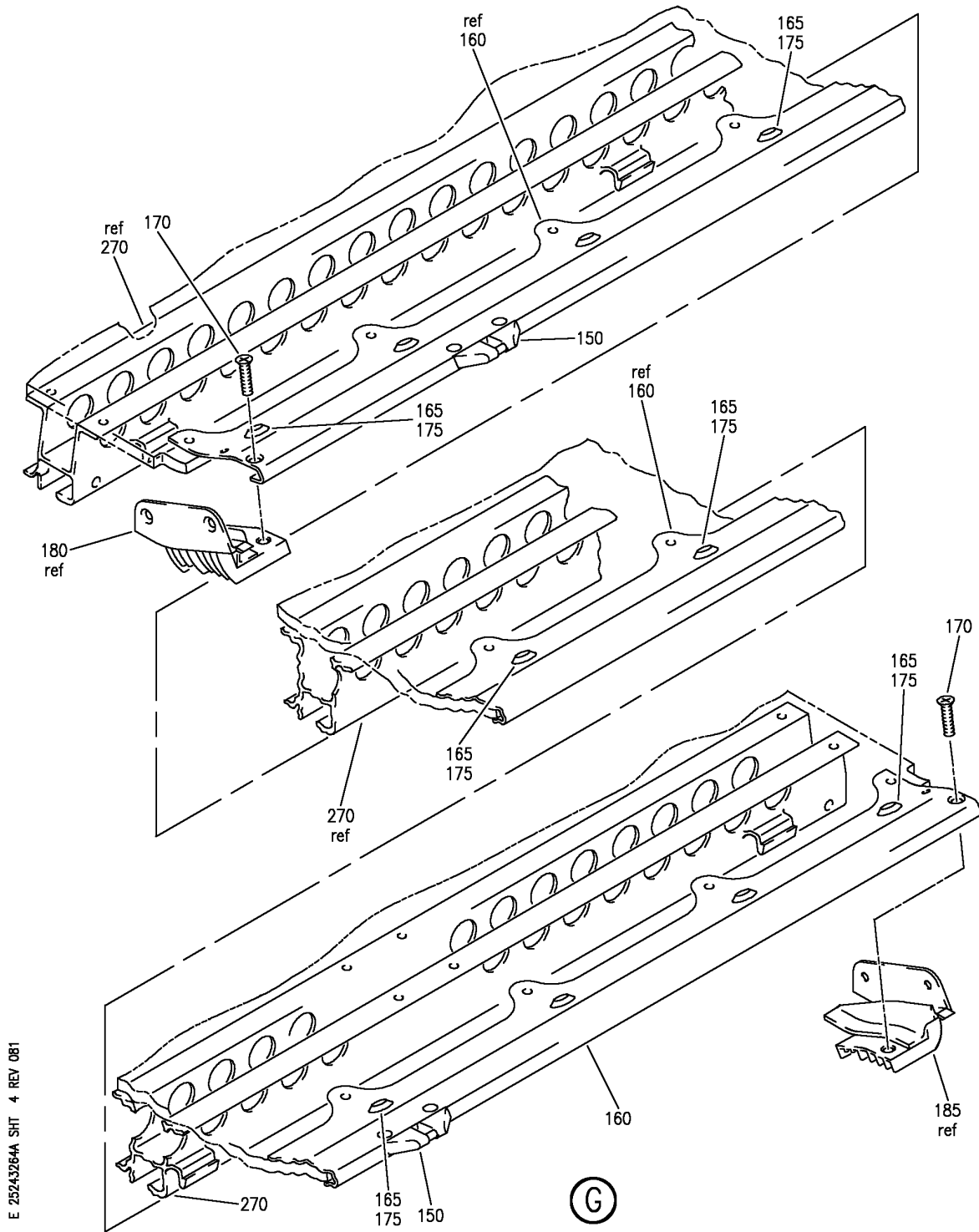
BOX ASSY-LH 60 IN. BIG BIN
 FIGURE 64A (SHEET 3)

25-24-32-64A

HAP
 FEB 10/07

25-24-32-64A
 PAGE 0B

BOEING
 737-600/700/800/900
 PARTS CATALOG (MAINTENANCE)



E 25243264A SHT 4 REV 081

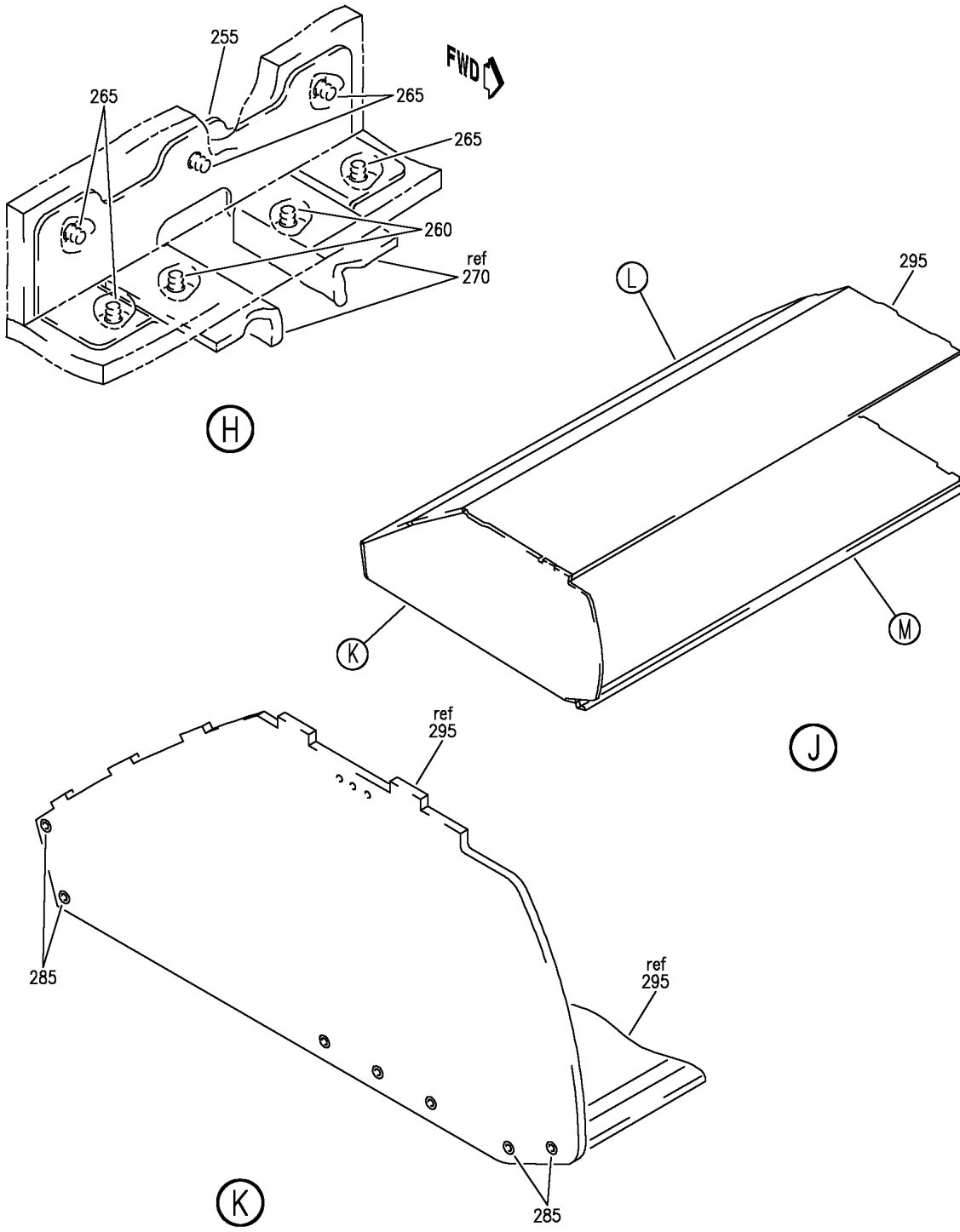
BOX ASSY-LH 60 IN. BIG BIN
 FIGURE 64A (SHEET 4)

25-24-32-64A

HAP
 FEB 10/07

25-24-32-64A
 PAGE 0C

BOEING
 737-600/700/800/900
 PARTS CATALOG (MAINTENANCE)



E 25243264A SHT 5 REV 081

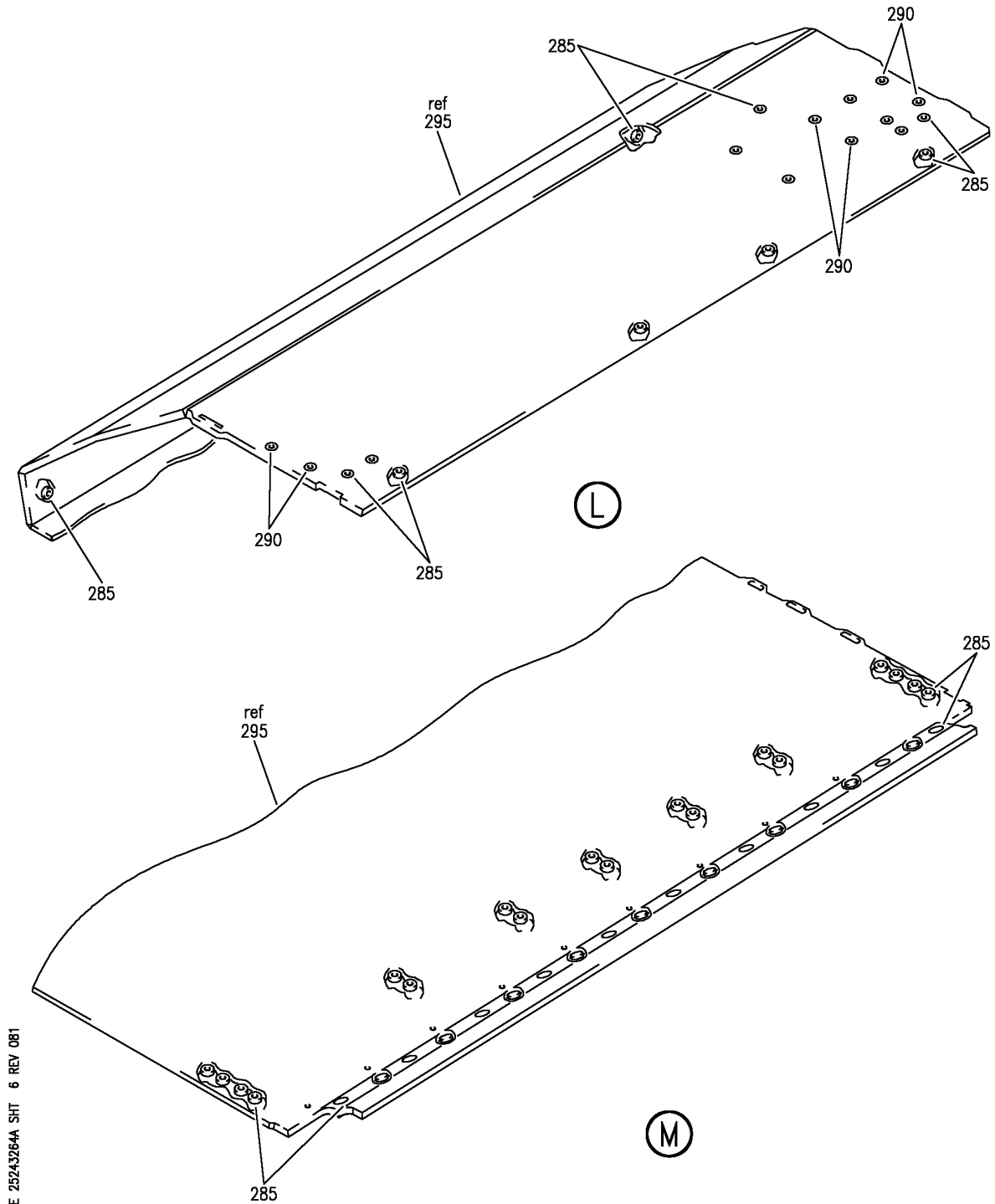
BOX ASSY-LH 60 IN. BIG BIN
 FIGURE 64A (SHEET 5)

25-24-32-64A

HAP
 FEB 10/07

25-24-32-64A
 PAGE 0D

BOEING
737-600/700/800/900
PARTS CATALOG (MAINTENANCE)



E 25243264A SHT 6 REV 081

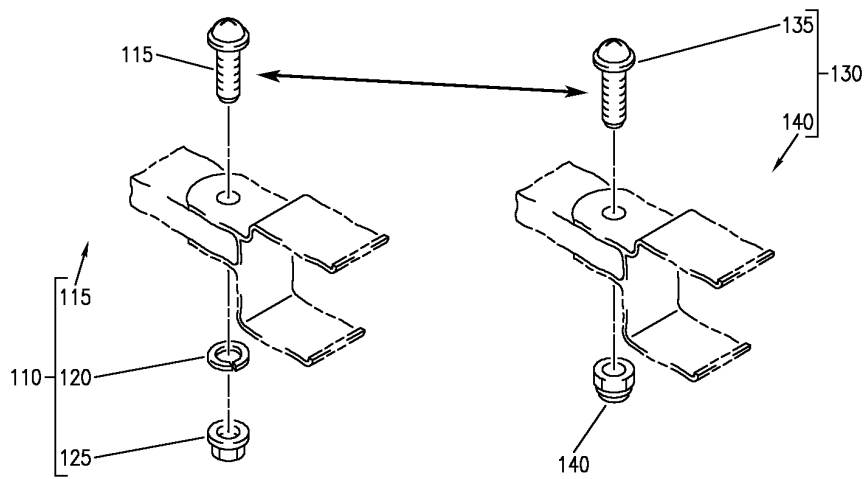
BOX ASSY-LH 60 IN. BIG BIN
FIGURE 64A (SHEET 6)

25-24-32-64A

HAP
FEB 10/07

25-24-32-64A
PAGE 0E

BOEING
737-600/700/800/900
PARTS CATALOG (MAINTENANCE)



(N)

E 25243264A SHT 7 REV 081

BOX ASSY-LH 60 IN. BIG BIN
FIGURE 64A (SHEET 7)

25-24-32-64A

HAP
FEB 10/07

25-24-32-64A
PAGE OF

BOEING
737-600/700/800/900
PARTS CATALOG (MAINTENANCE)

FIG ITEM	PART NUMBER	1 2 3 4 5 6 7	NOMENCLATURE	EFFECT FROM TO	UNITS PER ASSY
64A			BOX ASSY-LH 60 IN. BIG BIN	101200 968999	
- 1	412A1205-17B		BOX ASSY-60 IN. BIG BIN POSITION DATA: LH FOR NHA SEE: 25-24-31-19F 25-24-31-64P	101200 968999	RF
5	HL1012AZ6-9		.BOLT SUPPLIER CODE: V97928 SPECIFICATION NUMBER: BACB30NX6K9 OPTIONAL PART: HL12VAZ6-9 V73197 HL12VAZ6-9 V92215 HL12VAZ6-9 V97928 L802-6K9 V06725 HL12VAZ6-9 V56878 HL1012AZ6-9 V0PTK6 HL1012AZ6-9 V06725 HL1012AZ6-9 V06950 HL1012AZ6-9 V17446 HL1012AZ6-9 V56878 HL1012AZ6-9 V60516 HL1012AZ6-9 V73197	101200 968999	2

MISSING ITEM NUMBERS NOT APPLICABLE

- ITEM NOT ILLUSTRATED

HAP

25-24-32-64A

BOEING PROPRIETARY - Copyright © - Unpublished Work - See title page for details.

25-24-32
FIG. 64A
PAGE 1
OCT 15/08

BOEING
737-600/700/800/900
PARTS CATALOG (MAINTENANCE)

FIG ITEM	PART NUMBER	1 2 3 4 5 6 7	NOMENCLATURE	EFFECT FROM TO	UNITS PER ASSY
64A 10	HL1012AZ6-11	.	BOLT SUPPLIER CODE: V97928 SPECIFICATION NUMBER: BACB30NX6K11 OPTIONAL PART: HL12VAZ6-11 V73197 HL12VAZ6-11 V92215 HL12VAZ6-11 V97928 L802-6K11 V06725 HL12VAZ6-11 V56878 HL1012AZ6-11 VOPTK6 HL1012AZ6-11 V06725 HL1012AZ6-11 V06950 HL1012AZ6-11 V17446 HL1012AZ6-11 V56878 HL1012AZ6-11 V60516 HL1012AZ6-11 V73197	101200 968999	6
15	BACS12FA3K4	.	SCREW	101200 968999	2
20	BACS12ER3K9	.	SCREW	101200 968999	6
25	NAS1149D0363J	.	WASHER	101200 968999	8
30	HST1070CY6	.	COLLAR SUPPLIER CODE: V5M902 SPECIFICATION NUMBER: BACC30BZ6 OPTIONAL PART: VLC1070CY6 V92215 HST1070CY6 V73197	101200 968999	8
35	SL5-3-50C	.	NUT- SUPPLIER CODE: V97393	101200 968999	6

MISSING ITEM NUMBERS NOT APPLICABLE

— ITEM NOT ILLUSTRATED

HAP

25-24-32-64A

BOEING PROPRIETARY - Copyright © - Unpublished Work - See title page for details.

25-24-32
FIG. 64A
PAGE 2
OCT 15/08

 **BOEING**
737-600/700/800/900
PARTS CATALOG (MAINTENANCE)

FIG ITEM	PART NUMBER	1 2 3 4 5 6 7	NOMENCLATURE	EFFECT FROM TO	UNITS PER ASSY
64A					
40	412A1230-105	.	FITTING ASSY-DRAG	101200 968999	1
45	BACB28AT04B023C	..	BUSHING- OPTIONAL PART: NAS538B4P023	101200 968999	2
45	NAS538B4P023	..	BUSHING- OPTIONAL PART: BACB28AT04B023C	101200 968999	2
50	BCREF13195	..	BUSHING- OVERLENGTH PART NUMBER: BACB28AY06A035CG	101200 968999	1
55	BACW10P273L	..	WASHER	101200 968999	2
60	412A1230-107	..	FITTING	101200 968999	1
65	412A1230-201	.	FITTING ASSY- OPTIONAL PART: 412A1230-1	101200 968999	1
70	BCREF13195	..	BUSHING- OVERLENGTH PART NUMBER: BACB28AY06A035CG	101200 968999	1
75	412A1230-202	..	FITTING- OPTIONAL PART: 412A1230-203	101200 968999	1
75	412A1230-203	..	FITTING- OPTIONAL PART: 412A1230-202	101200 968999	1
80	412A1230-1	.	FITTING ASSY- OPTIONAL PART: 412A1230-201	101200 968999	1
85	BCREF13195	..	BUSHING- OVERLENGTH PART NUMBER: BACB28AY06A035CG	101200 968999	1
90	412A1230-2	..	SUPPORT	101200 968999	1
95	412A1220-243	.	DOUBLER-9G EXT	101200 968999	1
100	412A1220-241B	.	DOUBLER-INTERNAL	101200 968999	1
105	412A1220-39A	.	DOUBLER-INTERNAL	101200 968999	1
110	412A1340-14	.	FASTENER ASSY-KIT OPTIONAL PART: 412A1340-15	101200 968999	4
115	BACS12FA3K12	..	SCREW	101200 968999	1
120	BACW10EC3S	..	WASHER	101200 968999	1

MISSING ITEM NUMBERS NOT APPLICABLE

— ITEM NOT ILLUSTRATED

HAP

25-24-32-64A

BOEING PROPRIETARY - Copyright © - Unpublished Work - See title page for details.

25-24-32
FIG. 64A
PAGE 3
OCT 15/08

BOEING
737-600/700/800/900
PARTS CATALOG (MAINTENANCE)

FIG ITEM	PART NUMBER	1 2 3 4 5 6 7	NOMENCLATURE	EFFECT FROM TO	UNITS PER ASSY
64A 125	PLH53C	. .	NUT SUPPLIER CODE: V62554 SPECIFICATION NUMBER: BACN10YR3C OPTIONAL PART: H52732-3C V15653	101200 968999	1
130	412A1340-15	. FASTENER ASSY-KIT	OPTIONAL PART: 412A1340-14	101200 968999	4
135	BACS12FA3K13	. .	SCREW	101200 968999	1
140	F22K1-02	. .	NUT SUPPLIER CODE: V72962 SPECIFICATION NUMBER: BACN10R10L OPTIONAL PART: 22K1-02 V72962 26CLO2 V80539	101200 968999	1
145	412A1247-2A	. EXTRUSION-DOOR CLOSEOUT		101200 968999	1
150	HA951-5	. STRIKE-LATCH	SUPPLIER CODE: V83014 SPECIFICATION NUMBER: S412A003-3 OPTIONAL PART: HA225-11 V83014	101200 968999	2
150	HA225-11	. STRIKE-LATCH	SUPPLIER CODE: V83014 SPECIFICATION NUMBER: S412A001-16 OPTIONAL PART: HA951-5 V83014	101200 968999	2
- 155	BACS12ER08K5	. ATTACHING PARTS SCREW		101200 968999	4
160	412A1242-2	-----*----- . EXTRUSION-SHELF		101200 968999	1

MISSING ITEM NUMBERS NOT APPLICABLE

- ITEM NOT ILLUSTRATED

HAP

25-24-32-64A

BOEING PROPRIETARY - Copyright © - Unpublished Work - See title page for details.

25-24-32
FIG. 64A
PAGE 4
OCT 15/08

BOEING
737-600/700/800/900
PARTS CATALOG (MAINTENANCE)

FIG ITEM	PART NUMBER	1 2 3 4 5 6 7	NOMENCLATURE	EFFECT FROM TO	UNITS PER ASSY
64A			ATTACHING PARTS		
165	BACS12ER3K5	.	SCREW	101200 968999	10
170	BACS12ER3K6	.	SCREW	101200 968999	2
175	H3-1233A3	.	WASHER- SUPPLIER CODE: V34941 SPECIFICATION NUMBER: S411A001-1 -----*-----	101200 968999	10
180	412A1475-3A	.	FITTING ASSY-SPRT	101200 968999	1
185	412A1475-4A	.	FITTING ASSY-SPRT	101200 968999	1
- 190	BACS12ER3K5	.	ATTACHING PARTS SCREW -----*-----	101200 968999	4
195	BACN11F3-1CD	..	NUT	101200 968999	1
200	NAS1795-3	..	CLIP	101200 968999	1
205	412A1475-1A	..	FITTING- USED ON: 412A1475-3A	101200 968999	1
210	412A1475-2A	..	FITTING- USED ON: 412A1475-4A	101200 968999	1
215	412A1450-35	.	TRIM- POSITION DATA: MIDDLE AND LOWER	101200 968999	2
220	412A1452-1B	.	TRIM	101200 968999	2
225	BACS12ER3K5	.	SCREW	101200 968999	2
230	BACS12FA3K5	.	SCREW	101200 968999	4
235	412A1230-67	.	FITTING-LWR	101200 968999	1
240	412A1230-88	.	FITTING ASSY- POSITION DATA: LWR	101200 968999	1
245	BCREF13196	..	BUSHING- OVERLENGTH PART NUMBER: BACB28AT06A010CG	101200 968999	1
250	412A1230-90	..	FITTING	101200 968999	1

MISSING ITEM NUMBERS NOT APPLICABLE

- ITEM NOT ILLUSTRATED

HAP

25-24-32-64A

BOEING PROPRIETARY - Copyright © - Unpublished Work - See title page for details.

25-24-32
FIG. 64A
PAGE 5
OCT 15/08

BOEING
737-600/700/800/900
PARTS CATALOG (MAINTENANCE)

FIG ITEM	PART NUMBER	1 2 3 4 5 6 7	NOMENCLATURE	EFFECT FROM TO	UNITS PER ASSY
64A 255	412A1220-205	.	ANGLE	101200 968999	2
			ATTACHING PARTS		
260	BACS12FA3K5	.	SCREW	101200 968999	4
265	BACS12FA3K4	.	SCREW	101200 968999	10
			-----*-----		
270	412A1245-2	.	RAIL	101200 968999	1
			ATTACHING PARTS		
- 275	BACS12FA3K5	.	SCREW	101200 968999	8
			-----*-----		
280	412A1215-47B	.	PANEL ASSY	101200 968999	1
285	SL2334-3A1	..	INSERT- SUPPLIER CODE: V97393	101200 968999	57
290	BCREF128023	..	INSERT- SUPPLIER CODE: V97393 OVERLENGTH PART NUMBER: SL603-3-375ASP13	101200 968999	8
295	412A1215-2B	..	PANEL	101200 968999	1
300	412A1216-11B	.	PANEL ASSY	101200 968999	1
- 305	SL2334-3A1	..	INSERT- SUPPLIER CODE: V97393	101200 968999	7
310	412A1216-1B	..	PANEL	101200 968999	1

MISSING ITEM NUMBERS NOT APPLICABLE

- ITEM NOT ILLUSTRATED

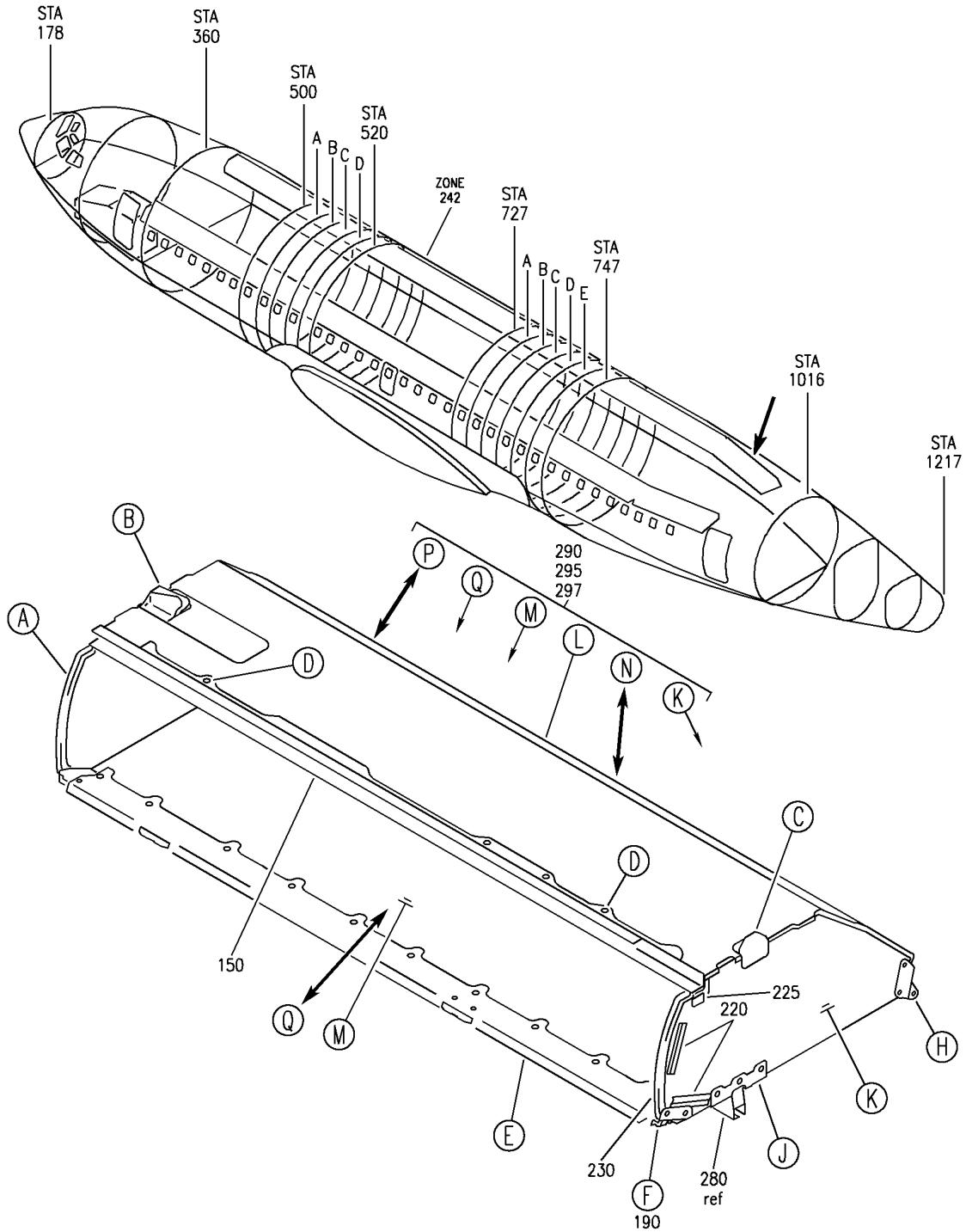
HAP

25-24-32-64A

BOEING PROPRIETARY - Copyright © - Unpublished Work - See title page for details.

25-24-32
FIG. 64A
PAGE 6
OCT 15/08


BOEING
 737-600/700/800/900
PARTS CATALOG (MAINTENANCE)



E 2524-3265 SHT 1 REV 113

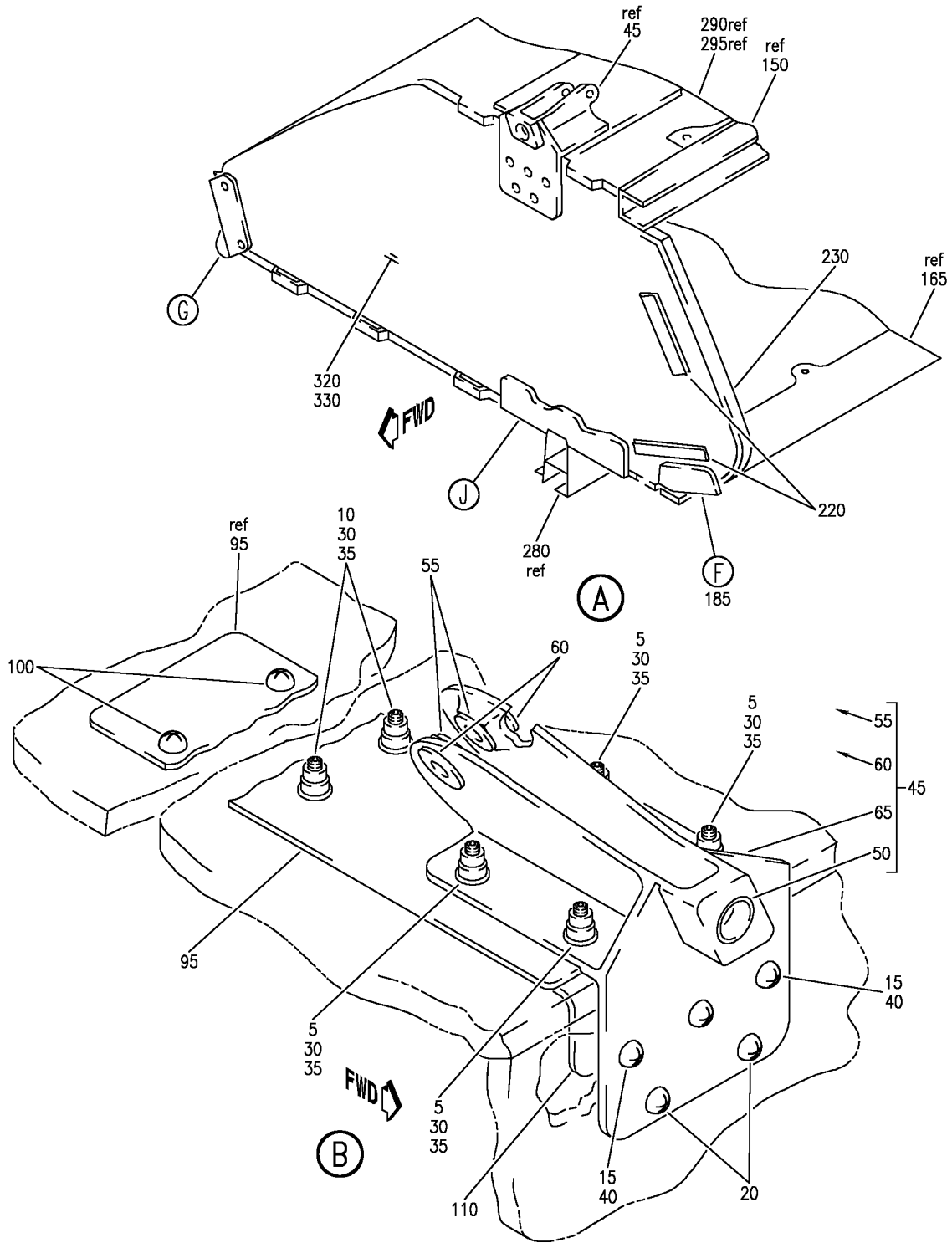
BOX ASSY-AFT RH 60 IN. BIG BIN
 FIGURE 65 (SHEET 1)

25-24-32-65

HAP
OCT 10/06

25-24-32-65
 PAGE 0

BOEING
 737-600/700/800/900
 PARTS CATALOG (MAINTENANCE)



E 25243265 SH1 2 REV 081

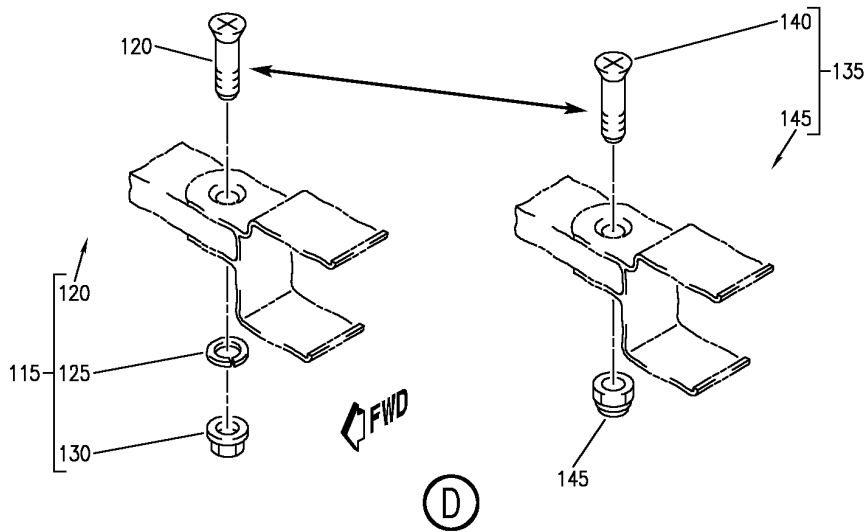
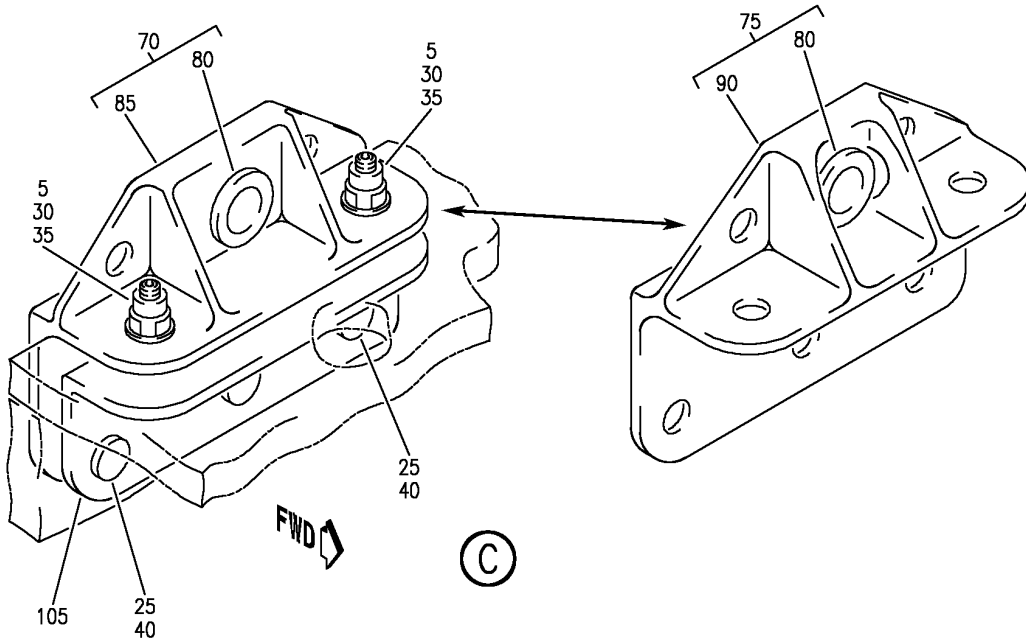
BOX ASSY-AFT RH 60 IN. BIG BIN
 FIGURE 65 (SHEET 2)

25-24-32-65

HAP
 OCT 10/06

25-24-32-65
 PAGE 0A

BOEING
 737-600/700/800/900
 PARTS CATALOG (MAINTENANCE)



E 25243265 SHT 3 REV 081

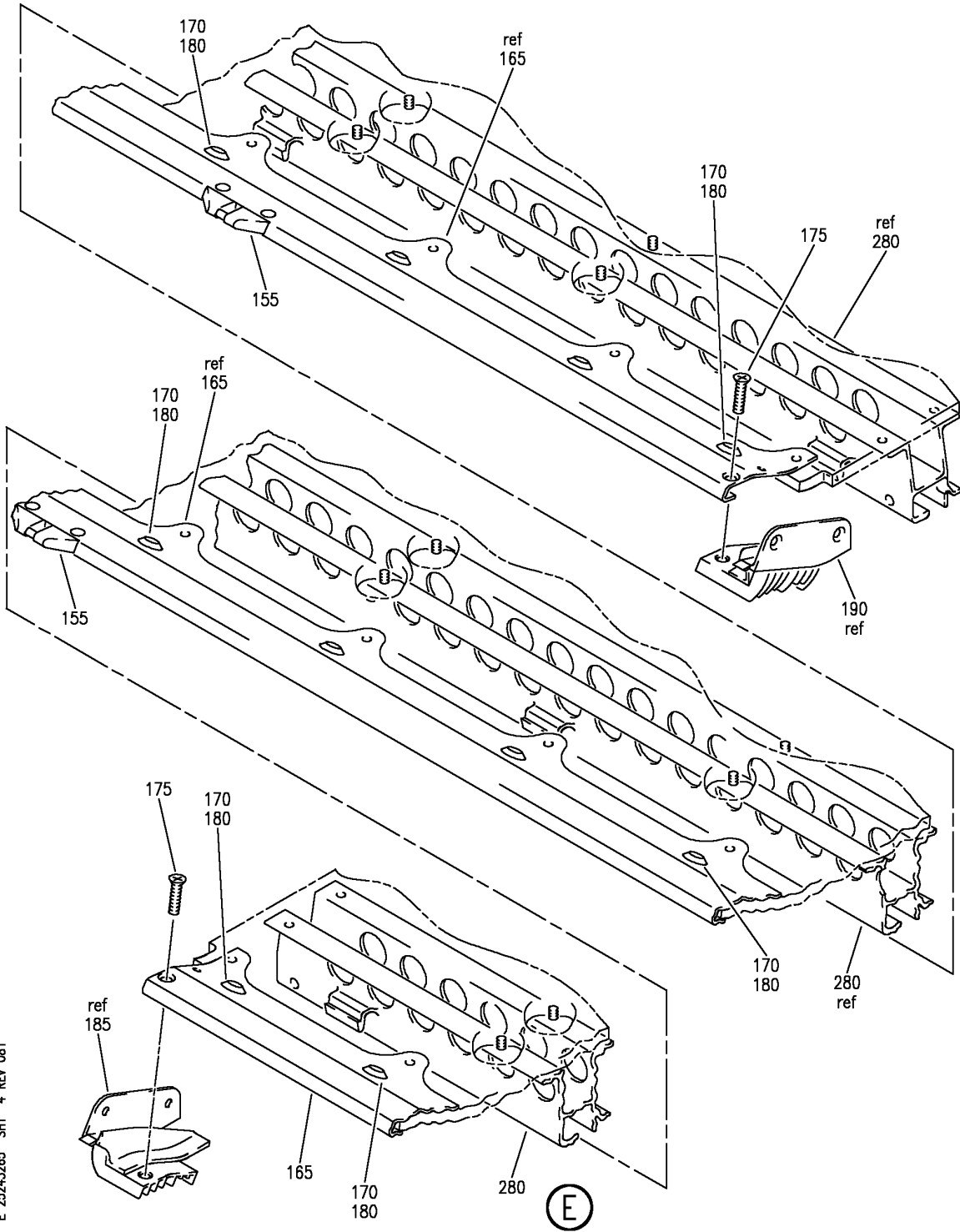
BOX ASSY-AFT RH 60 IN. BIG BIN
 FIGURE 65 (SHEET 3)

25-24-32-65

HAP
 OCT 10/06

25-24-32-65
 PAGE 0B

BOEING
 737-600/700/800/900
 PARTS CATALOG (MAINTENANCE)



E 25243265 SHT 4 REV 081

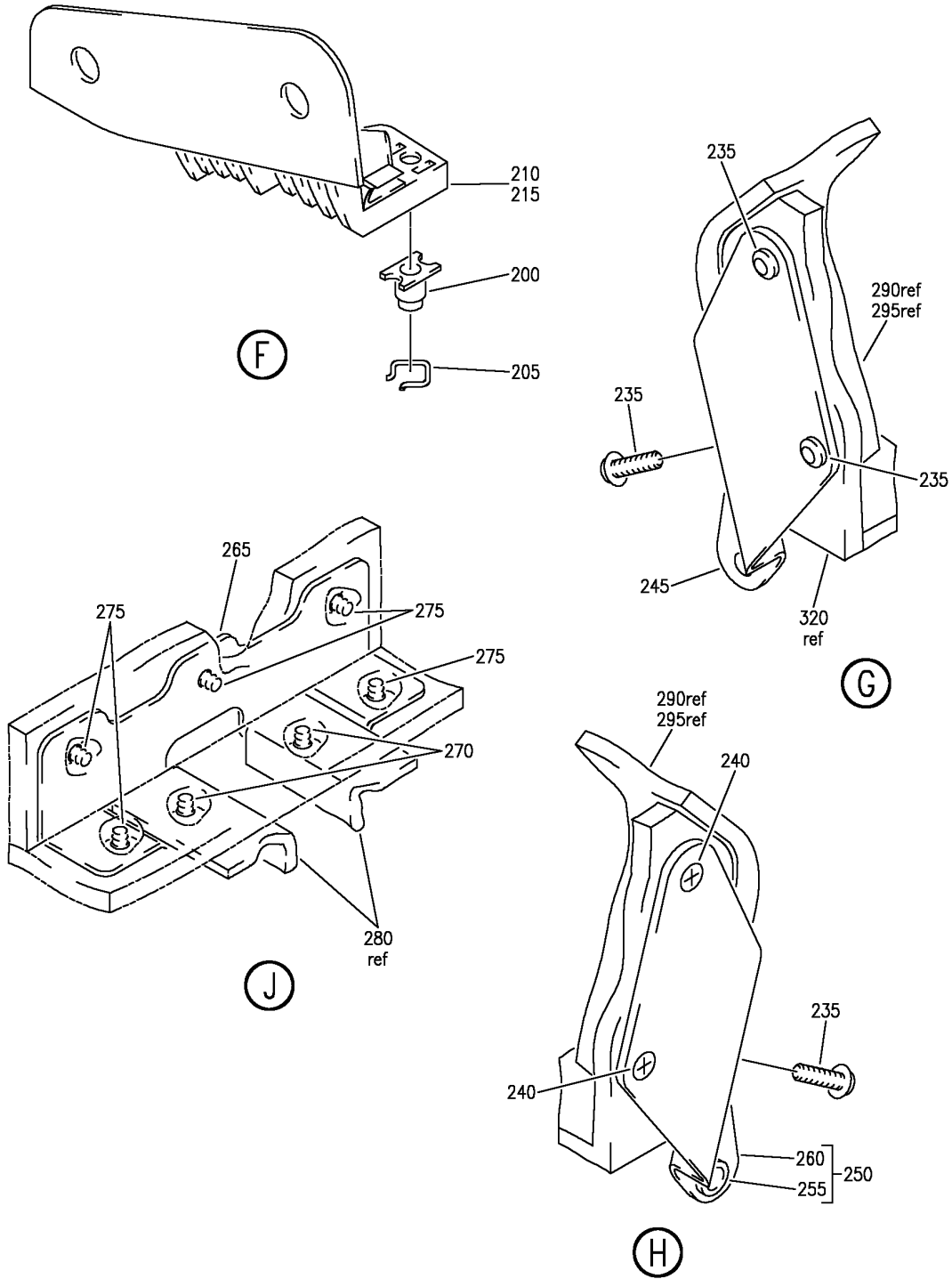
BOX ASSY-AFT RH 60 IN. BIG BIN
 FIGURE 65 (SHEET 4)

25-24-32-65

HAP
 OCT 10/06

25-24-32-65
 PAGE 0C

BOEING
 737-600/700/800/900
 PARTS CATALOG (MAINTENANCE)



E 25243265 SH1 5 REV 081

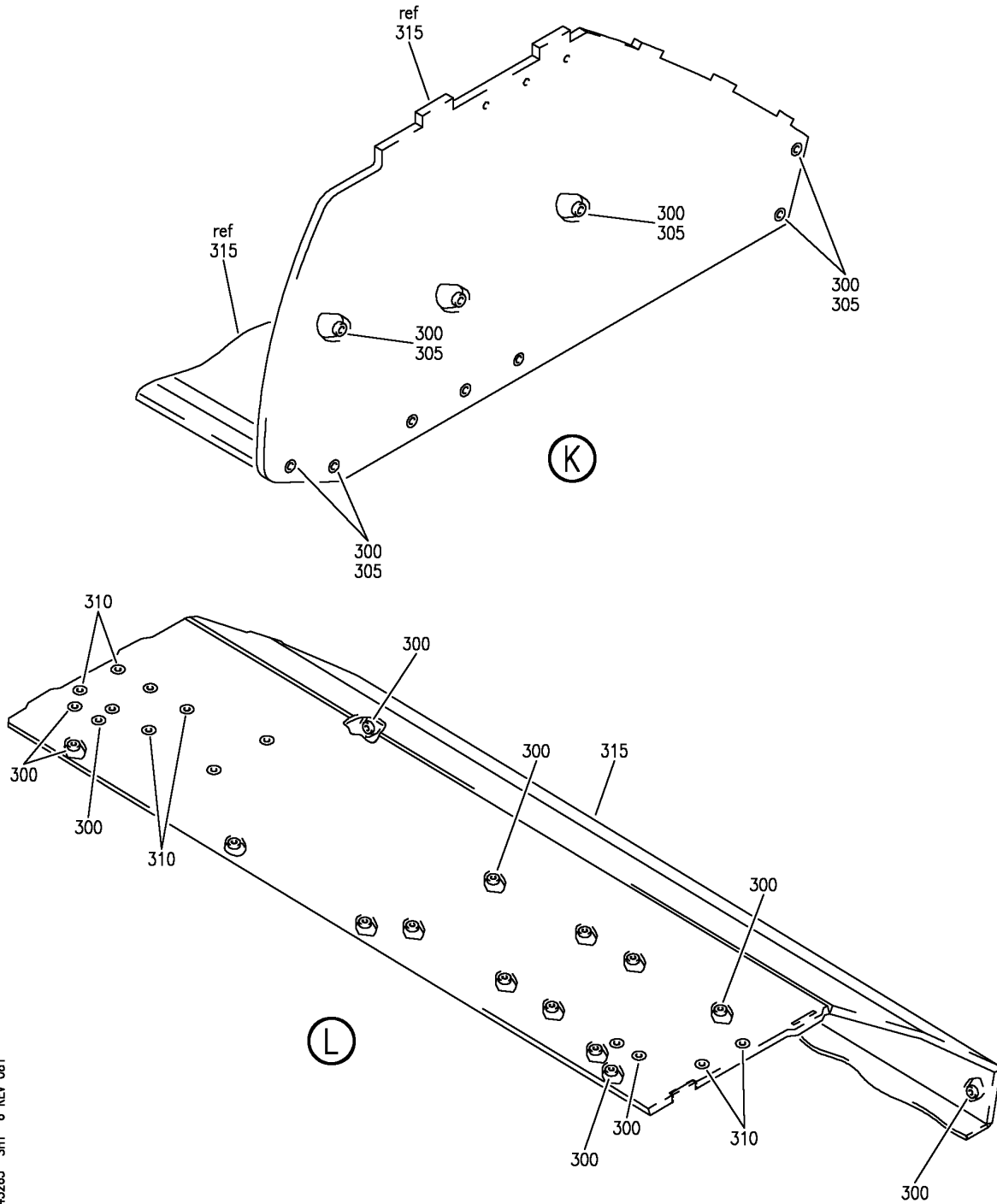
BOX ASSY-AFT RH 60 IN. BIG BIN
 FIGURE 65 (SHEET 5)

25-24-32-65

HAP
 OCT 10/06

25-24-32-65
 PAGE 0D

BOEING
737-600/700/800/900
PARTS CATALOG (MAINTENANCE)



E 25243265 SHT 6 REV 081

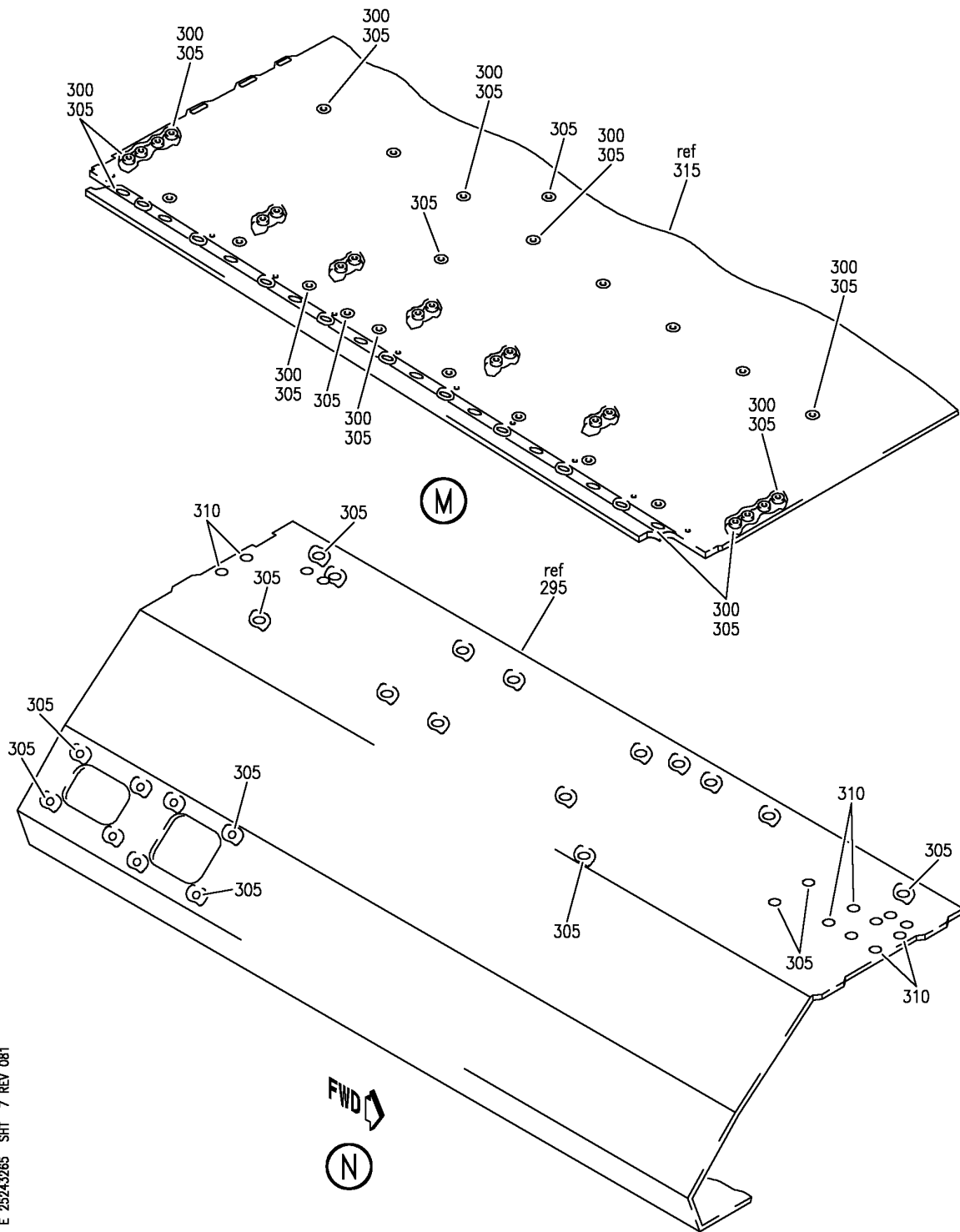
BOX ASSY-AFT RH 60 IN. BIG BIN
FIGURE 65 (SHEET 6)

25-24-32-65

HAP
OCT 10/06

25-24-32-65
PAGE 0E

BOEING
 737-600/700/800/900
 PARTS CATALOG (MAINTENANCE)



E 25243265 SHT 7 REV 081

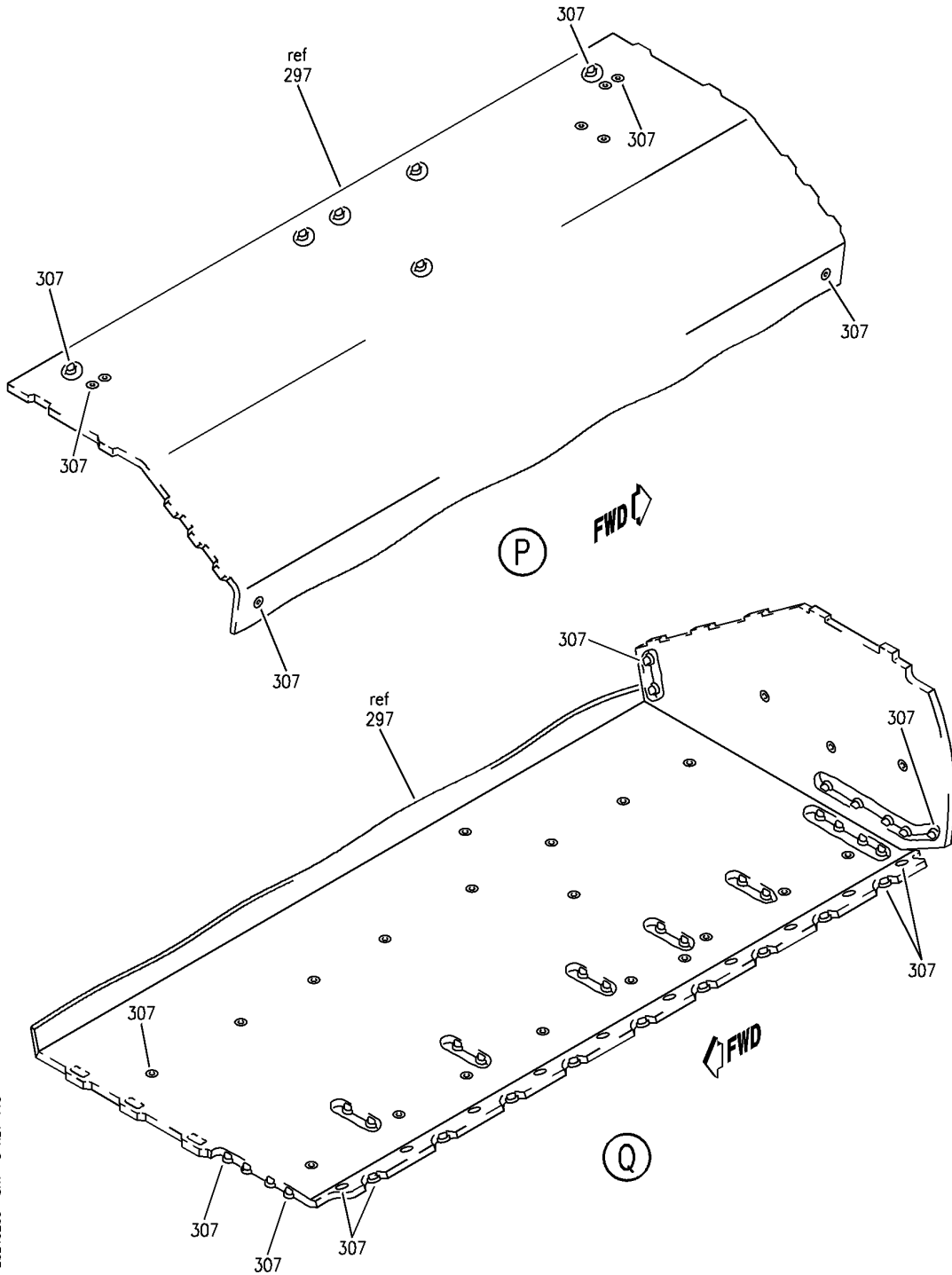
BOX ASSY-AFT RH 60 IN. BIG BIN
 FIGURE 65 (SHEET 7)

25-24-32-65

HAP
 OCT 10/06

25-24-32-65
 PAGE OF

BOEING
737-600/700/800/900
PARTS CATALOG (MAINTENANCE)



E 2524-3265 SH8 8 REV 113

BOX ASSY-AFT RH 60 IN. BIG BIN
FIGURE 65 (SHEET 8)

25-24-32-65

HAP
OCT 10/06

25-24-32-65
PAGE 06

BOEING
737-600/700/800/900
PARTS CATALOG (MAINTENANCE)

FIG ITEM	PART NUMBER	1 2 3 4 5 6 7	NOMENCLATURE	EFFECT FROM TO	UNITS PER ASSY
65			BOX ASSY-AFT RH 60 IN. BIG BIN	031200 968999	
- 1	412A1255-38B		BOX ASSY-60 IN. BIG BIN POSITION DATA: AFT RH FOR NHA SEE: 25-24-31-19E 25-24-31-19J 25-24-31-61N	031200 968999	RF
5	HL1012AZ6-11		.BOLT SUPPLIER CODE: V97928 SPECIFICATION NUMBER: BACB30NX6K11 OPTIONAL PART: HL12VAZ6-11 V73197 HL12VAZ6-11 V92215 HL12VAZ6-11 V97928 L802-6K11 V06725 HL12VAZ6-11 V56878 HL1012AZ6-11 VOPTK6 HL1012AZ6-11 V06725 HL1012AZ6-11 V06950 HL1012AZ6-11 V17446 HL1012AZ6-11 V56878 HL1012AZ6-11 V60516 HL1012AZ6-11 V73197	031200 968999	6

MISSING ITEM NUMBERS NOT APPLICABLE

- ITEM NOT ILLUSTRATED

HAP

25-24-32-65

BOEING PROPRIETARY - Copyright © - Unpublished Work - See title page for details.

25-24-32
FIG. 65
PAGE 1
OCT 15/08

BOEING
737-600/700/800/900
PARTS CATALOG (MAINTENANCE)

FIG ITEM	PART NUMBER	1 2 3 4 5 6 7	NOMENCLATURE	EFFECT FROM TO	UNITS PER ASSY
65 10	HL1012AZ6-9	.BOLT	SUPPLIER CODE: V97928 SPECIFICATION NUMBER: BACB30NX6K9 OPTIONAL PART: HL12VAZ6-9 V73197 HL12VAZ6-9 V92215 HL12VAZ6-9 V97928 L802-6K9 V06725 HL12VAZ6-9 V56878 HL1012AZ6-9 VOPTK6 HL1012AZ6-9 V06725 HL1012AZ6-9 V06950 HL1012AZ6-9 V17446 HL1012AZ6-9 V56878 HL1012AZ6-9 V60516 HL1012AZ6-9 V73197	031200 968999	2
15	BACS12FA3K9	.SCREW		031200 968999	3
20	BACS12FA3K5	.SCREW		031200 968999	2
25	BACS12ER3K9	.SCREW		031200 968999	3
30	NAS1149D0363J	.WASHER		031200 968999	8
35	HST1070CY6	.COLLAR	SUPPLIER CODE: V5M902 SPECIFICATION NUMBER: BACC30BZ6 OPTIONAL PART: VLC1070CY6 V92215 HST1070CY6 V73197	031200 968999	8

MISSING ITEM NUMBERS NOT APPLICABLE

— ITEM NOT ILLUSTRATED

HAP

25-24-32-65

BOEING PROPRIETARY - Copyright © - Unpublished Work - See title page for details.

25-24-32
FIG. 65
PAGE 2
OCT 15/08

BOEING
737-600/700/800/900
PARTS CATALOG (MAINTENANCE)

FIG ITEM	PART NUMBER	1 2 3 4 5 6 7	NOMENCLATURE	EFFECT FROM TO	UNITS PER ASSY
65					
40	SL5-3-50C	.NUT-	SUPPLIER CODE: V97393	031200 968999	6
45	412A1230-112	.FITTING ASSY		031200 968999	1
50	BCREF13195	..BUSHING-	OVERLENGTH PART NUMBER: BACB28AY06A035CG	031200 968999	1
55	BACB28AT04B023C	..BUSHING-	OPTIONAL PART: NAS538B4P023	031200 968999	2
55	NAS538B4P023	..BUSHING-	OPTIONAL PART: BACB28AT04B023C	031200 968999	2
60	BACW10P273L	..WASHER		031200 968999	2
65	412A1230-114	..FITTING		031200 968999	1
70	412A1230-201	.FITTING ASSY-		031200 968999	1
80	BCREF13195	..BUSHING-	OVERLENGTH PART NUMBER: BACB28AY06A035CG	031200 968999	1
85	412A1230-202	..FITTING-	OPTIONAL PART: 412A1230-203 USED ON: 412A1230-201	031200 968999	1
85	412A1230-203	..FITTING-	OPTIONAL PART: 412A1230-202 USED ON: 412A1230-201	031200 968999	1
95	412A1220-243	.DOUBLER-9G EXT		031200 968999	1
100	BACS12FA3K4	.SCREW	ATTACHING PARTS	031200 968999	2
105	412A1220-39A	.DOUBLER-INTERNAL	-----*-----	031200 968999	1
110	412A1220-241B	.DOUBLER-INTERNAL		031200 968999	1
115	412A1340-16	.FASTENER ASSY-KIT	OPTIONAL PART: 412A1340-17	031200 968999	4
120	BACB30VF3K7	..BOLT		031200 968999	1

MISSING ITEM NUMBERS NOT APPLICABLE

— ITEM NOT ILLUSTRATED

HAP

25-24-32-65

BOEING PROPRIETARY - Copyright © - Unpublished Work - See title page for details.

25-24-32
FIG. 65
PAGE 3
OCT 15/08

BOEING
737-600/700/800/900
PARTS CATALOG (MAINTENANCE)

FIG ITEM	PART NUMBER	1 2 3 4 5 6 7	NOMENCLATURE	EFFECT FROM TO	UNITS PER ASSY
65					
125	BACW10EC3S	..	WASHER	031200 968999	1
130	PLH53C	..	NUT SUPPLIER CODE: V62554 SPECIFICATION NUMBER: BACN10YR3C OPTIONAL PART: H52732-3C V15653	031200 968999	1
135	412A1340-17	.FASTENER ASSY-KIT	OPTIONAL PART: 412A1340-16	031200 968999	4
140	BACB30VF3K8	..	BOLT	031200 968999	1
145	F22K1-02	..	NUT SUPPLIER CODE: V72962 SPECIFICATION NUMBER: BACN10R10L OPTIONAL PART: 22K1-02 V72962 26CL02 V80539	031200 968999	1
150	412A1247-3A	.EXTRUSION-DOOR	CLOSEOUT	031200 968999	1
155	HA951-5	.STRIKE-LATCH	SUPPLIER CODE: V83014 SPECIFICATION NUMBER: S412A003-3 OPTIONAL PART: HA225-11 V83014	031200 968999	2
155	HA225-11	.STRIKE-LATCH	SUPPLIER CODE: V83014 SPECIFICATION NUMBER: S412A001-16 OPTIONAL PART: HA951-5 V83014	031200 968999	2
- 160	BACS12ER08K5	.SCREW	ATTACHING PARTS	031200 968999	4
165	412A1242-3	-----*-----	.EXTRUSION-SHELF	031200 968999	1

MISSING ITEM NUMBERS NOT APPLICABLE

- ITEM NOT ILLUSTRATED

HAP

25-24-32-65

BOEING PROPRIETARY - Copyright © - Unpublished Work - See title page for details.

25-24-32
FIG. 65
PAGE 4
OCT 15/08

BOEING
737-600/700/800/900
PARTS CATALOG (MAINTENANCE)

FIG ITEM	PART NUMBER	1 2 3 4 5 6 7	NOMENCLATURE	EFFECT FROM TO	UNITS PER ASSY
65			ATTACHING PARTS		
170	BACS12ER3K5	.SCREW		031200 968999	10
175	BACS12ER3K6	.SCREW		031200 968999	2
180	H3-1233A3	.WASHER-		031200	10
		SUPPLIER CODE:		968999	
		V34941			
		SPECIFICATION NUMBER:			
		S411A001-1			
		-----*-----			
185	412A1475-3A	.FITTING ASSY-SPRT		031200 968999	1
190	412A1475-4A	.FITTING ASSY-SPRT		031200 968999	1
		ATTACHING PARTS			
- 195	BACS12ER3K5	.SCREW		031200 968999	4
		-----*-----			
200	BACN11F3-1CD	..NUT		031200 968999	1
205	NAS1795-3	..CLIP		031200 968999	1
210	412A1475-1A	..FITTING-		031200	1
		USED ON:		968999	
		412A1475-3A			
215	412A1475-2A	..FITTING-		031200	1
		USED ON:		968999	
		412A1475-4A			
220	412A1450-35	.TRIM-		031200	4
		POSITION DATA:		968999	
		MIDDLE AND LOWER			
225	412A1450-34	.TRIM		031200 968999	1
230	412A1452-1B	.TRIM		031200 968999	2
235	BACS12FA3K5	.SCREW		031200 968999	4
240	BACS12ER3K5	.SCREW		031200 968999	2
245	412A1230-67	.FITTING		031200 968999	1
250	412A1230-88	.FITTING ASSY		031200 968999	1
255	BCREF13196	..BUSHING-		031200	1
		OVERLENGTH PART NUMBER:		968999	
		BACB28AT06A010CG			
260	412A1230-90	..FITTING		031200 968999	1

MISSING ITEM NUMBERS NOT APPLICABLE

- ITEM NOT ILLUSTRATED

HAP

25-24-32-65

25-24-32
FIG. 65
PAGE 5
OCT 15/08

BOEING
737-600/700/800/900
PARTS CATALOG (MAINTENANCE)

FIG ITEM	PART NUMBER	1 2 3 4 5 6 7	NOMENCLATURE	EFFECT FROM TO	UNITS PER ASSY
65					
265	412A1220-205	.	ANGLE	031200 968999	2
			ATTACHING PARTS		
270	BACS12FA3K5	.	SCREW	031200 968999	4
275	BACS12FA3K4	.	SCREW	031200 968999	10
			-----*-----		
280	412A1245-5	.	RAIL	031200 968999	1
			ATTACHING PARTS		
- 285	BACS12FA3K5	.	SCREW	031200 968999	10
			-----*-----		
295	412A1215-80B	.	PANEL ASSY	031200 968999	1
305	SL2334-3A1	..	INSERT- SUPPLIER CODE: V97393	031200 968999	96
310	BCREF128023	..	INSERT- SUPPLIER CODE: V97393 OVERLENGTH PART NUMBER: SL603-3-375ASP13	031200 968999	8
315	412A1215-2B	..	PANEL	031200 968999	1
320	412A1216-24B	.	PANEL ASSY-END	031200 968999	1
- 325	SL2334-3A1	..	INSERT- SUPPLIER CODE: V97393	031200 968999	12
330	412A1216-1B	..	PANEL	031200 968999	1

MISSING ITEM NUMBERS NOT APPLICABLE

- ITEM NOT ILLUSTRATED

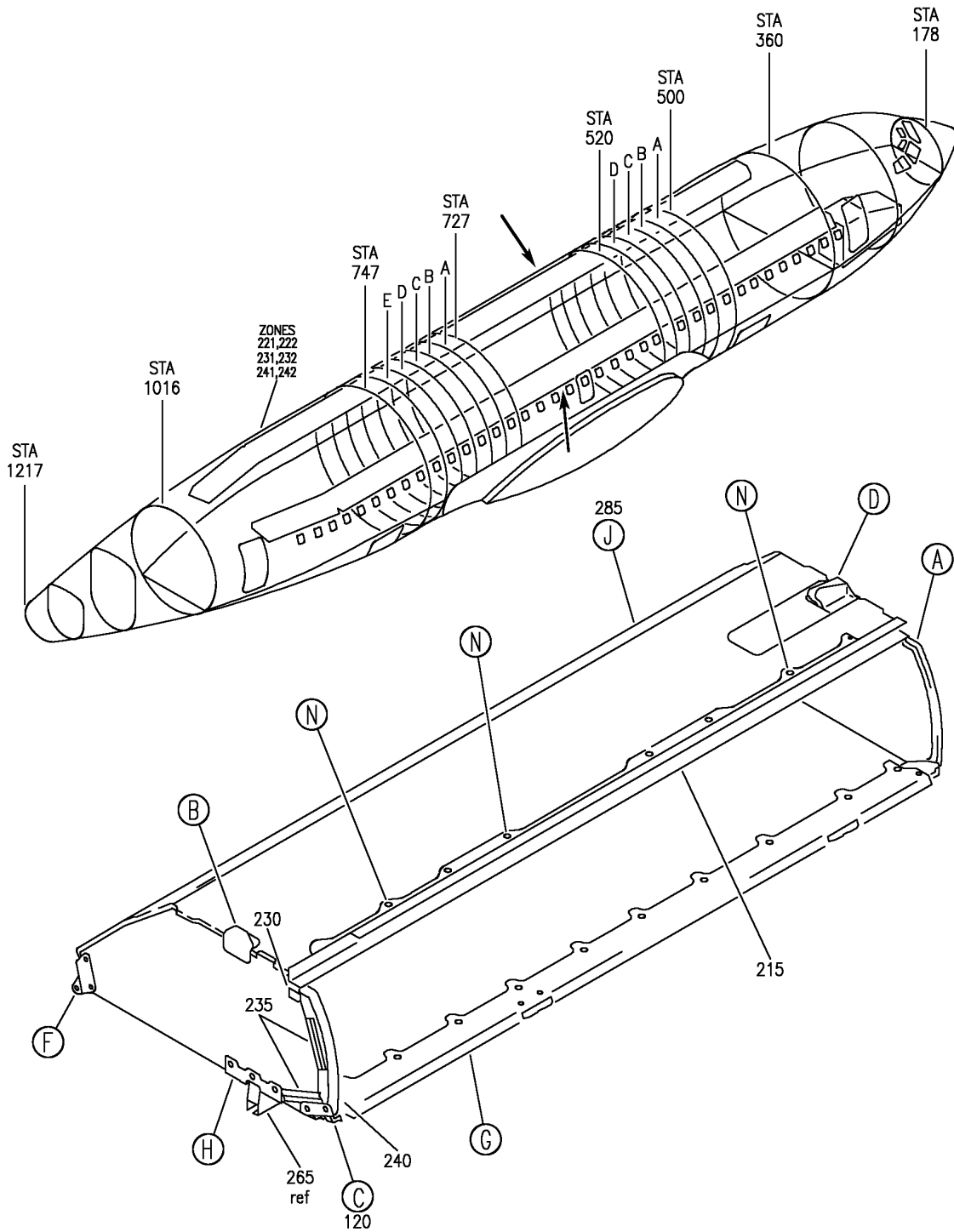
HAP

25-24-32-65

BOEING PROPRIETARY - Copyright © - Unpublished Work - See title page for details.

25-24-32
FIG. 65
PAGE 6
OCT 15/08

BOEING
 737-600/700/800/900
 PARTS CATALOG (MAINTENANCE)



E 25243265A SHT 1 REV 081

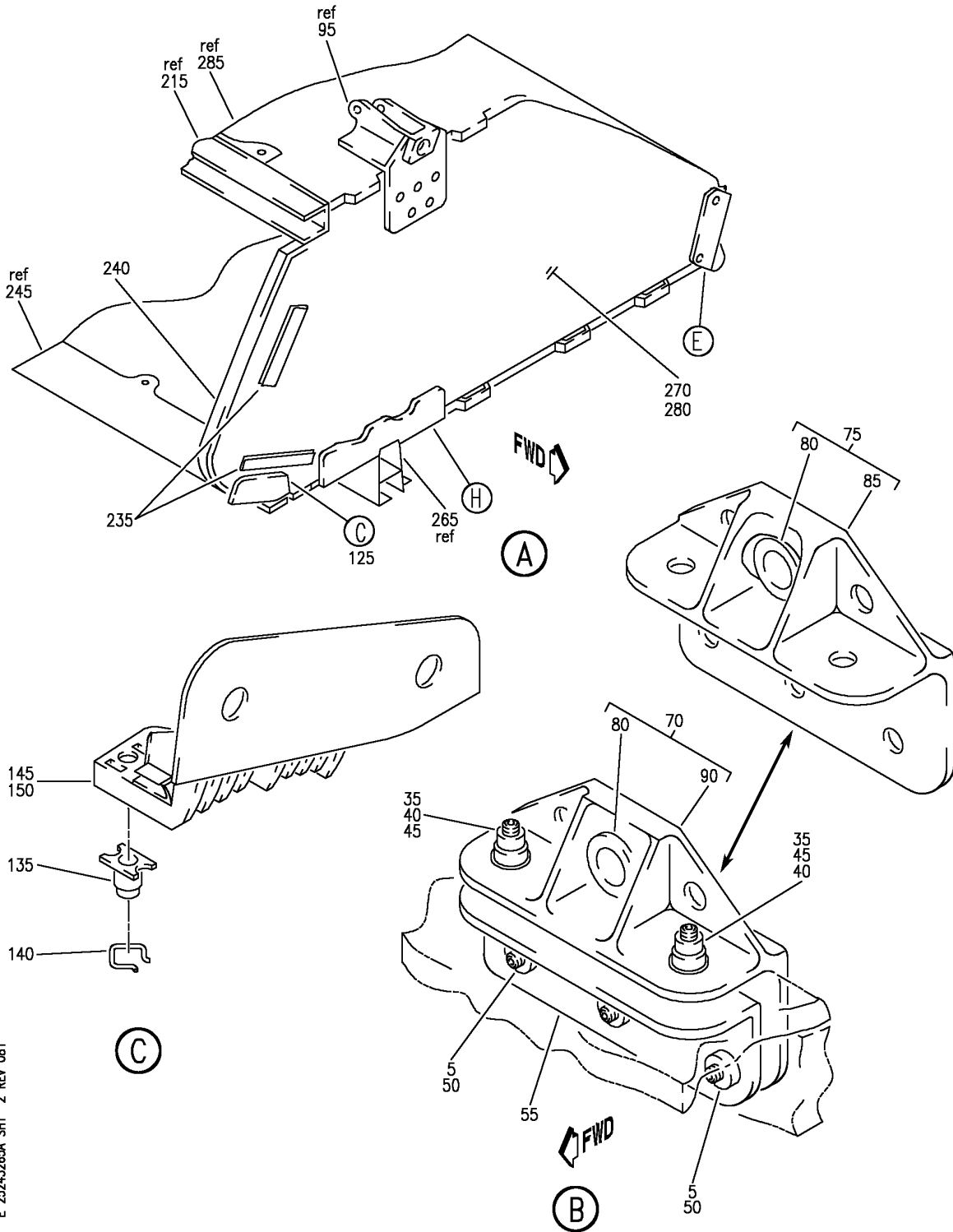
BOX ASSY-AFT LH 60 IN. BIG BIN
 FIGURE 65A (SHEET 1)

25-24-32-65A

HAP
 OCT 10/06

25-24-32-65A
 PAGE 0

BOEING
 737-600/700/800/900
 PARTS CATALOG (MAINTENANCE)



E 25243265A SHT 2 REV 081

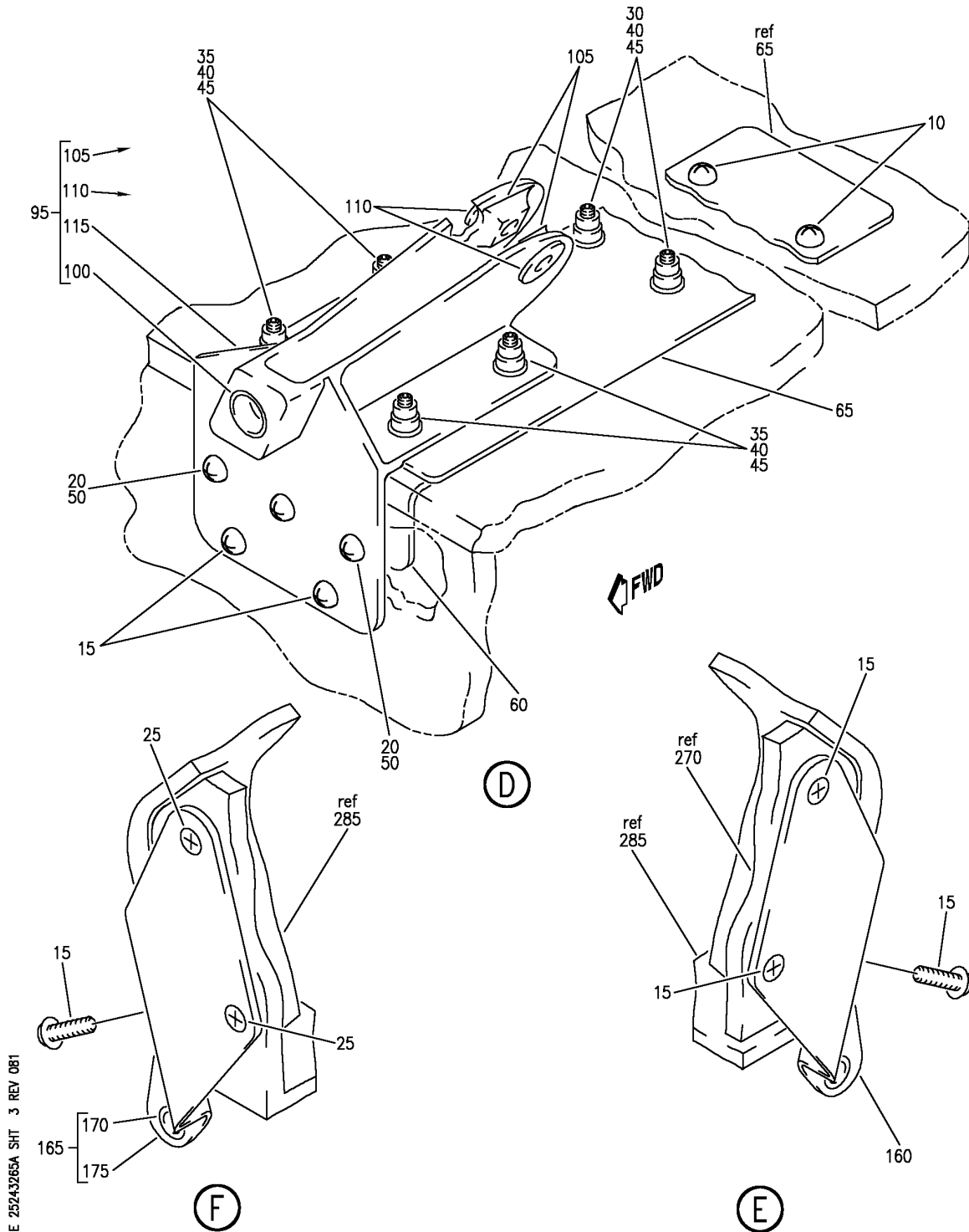
BOX ASSY-AFT LH 60 IN. BIG BIN
 FIGURE 65A (SHEET 2)

25-24-32-65A

HAP
 OCT 10/06

25-24-32-65A
 PAGE 0A

BOEING
 737-600/700/800/900
 PARTS CATALOG (MAINTENANCE)



E 25243265A SHT. 3 REV 081

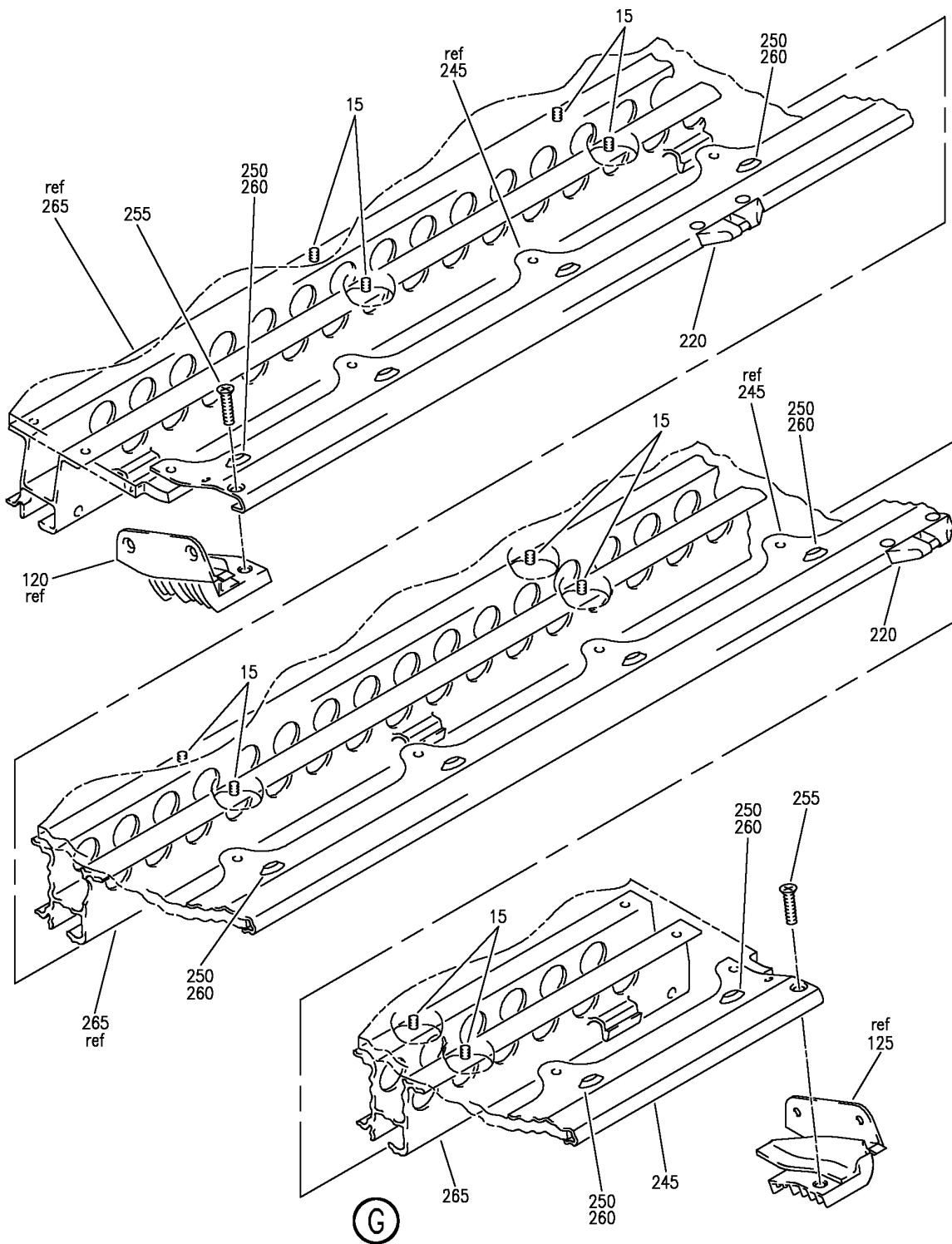
BOX ASSY-AFT LH 60 IN. BIG BIN
 FIGURE 65A (SHEET 3)

25-24-32-65A

HAP
 OCT 10/06

25-24-32-65A
 PAGE 0B

BOEING
 737-600/700/800/900
 PARTS CATALOG (MAINTENANCE)



E 25243265A SHT 4 REV 081

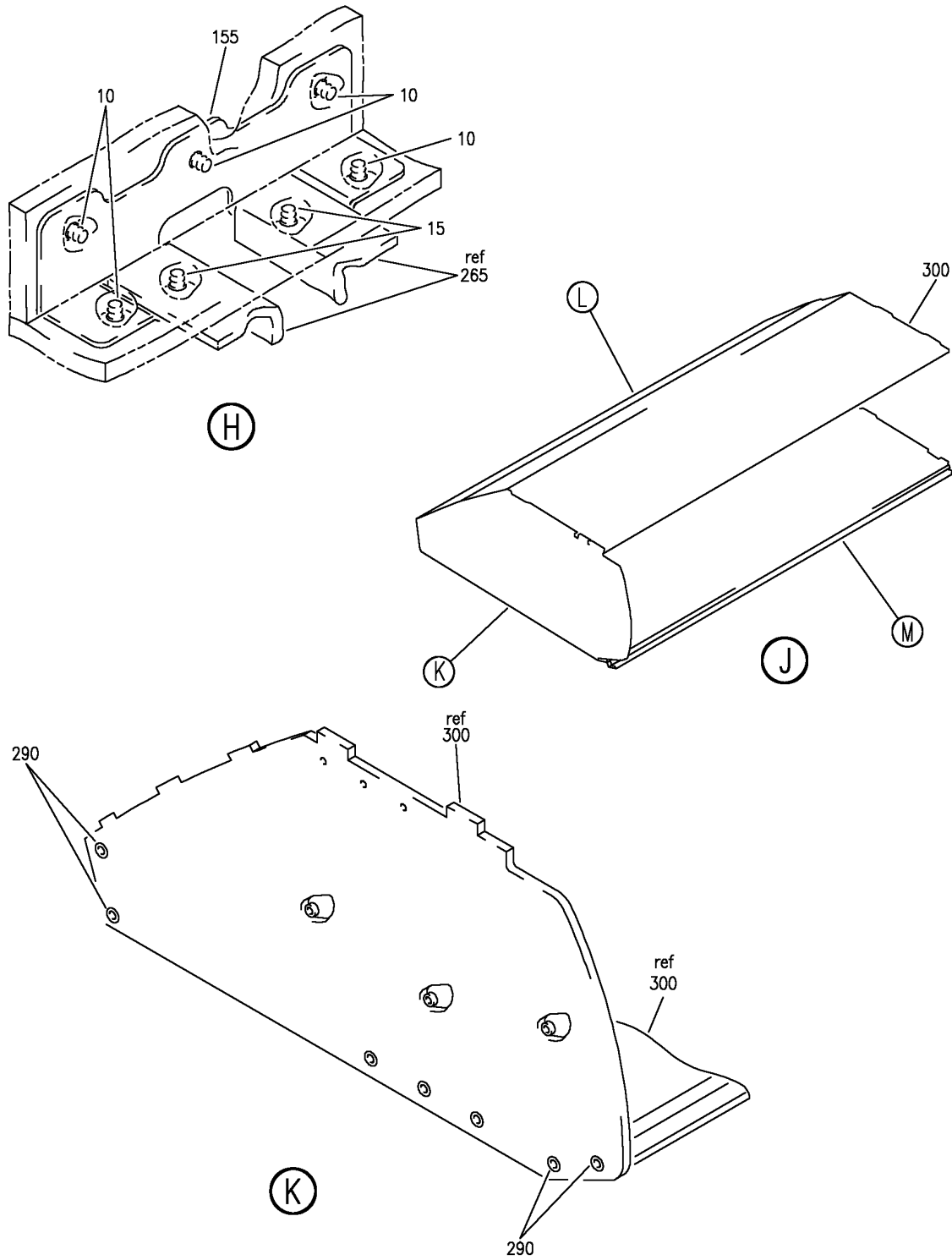
BOX ASSY-AFT LH 60 IN. BIG BIN
 FIGURE 65A (SHEET 4)

25-24-32-65A

HAP
 OCT 10/06

25-24-32-65A
 PAGE 0C

BOEING
 737-600/700/800/900
 PARTS CATALOG (MAINTENANCE)



E 25243265A SHT 5 REV 081

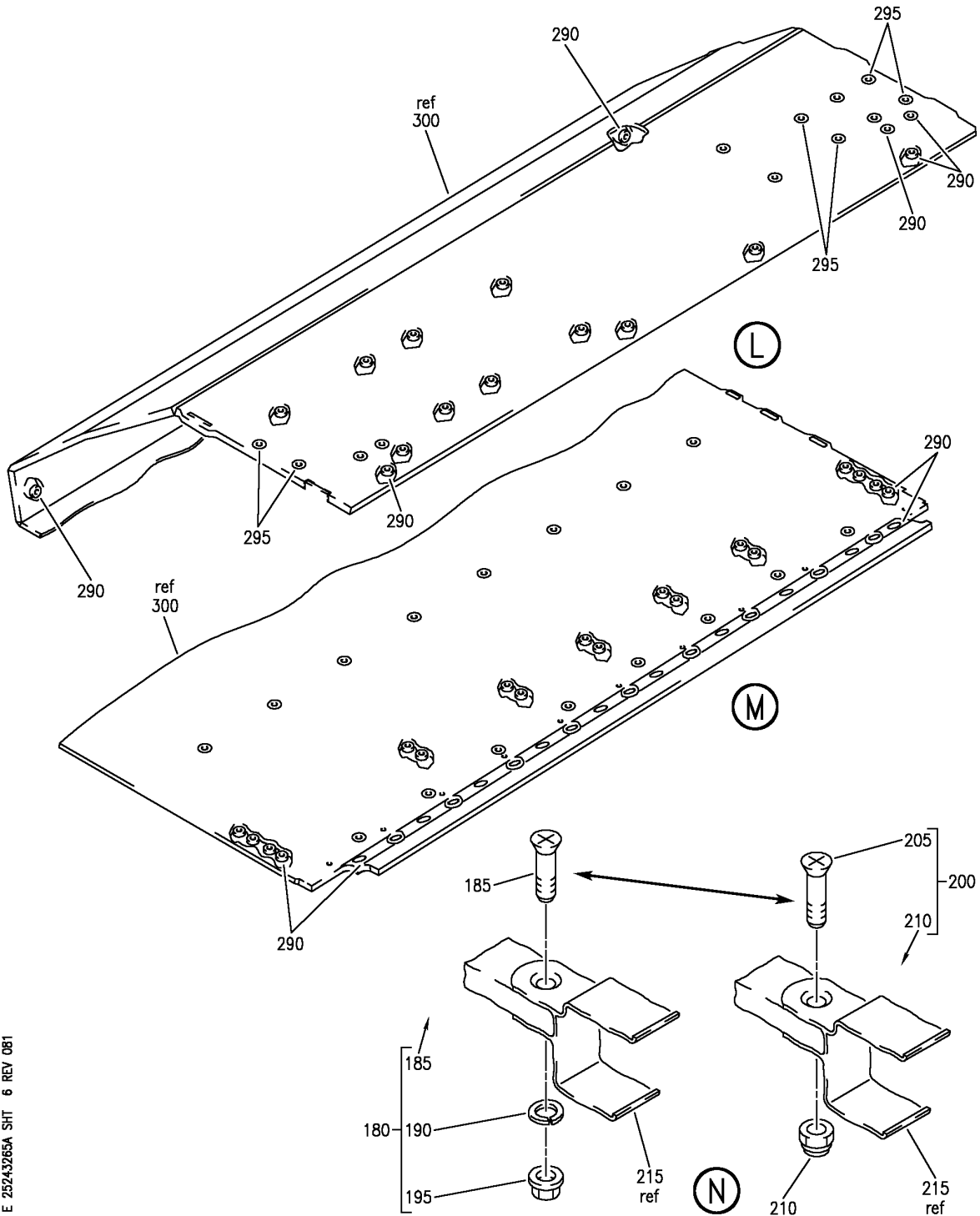
BOX ASSY-AFT LH 60 IN. BIG BIN
 FIGURE 65A (SHEET 5)

25-24-32-65A

HAP
 OCT 10/06

25-24-32-65A
 PAGE 0D

BOEING
 737-600/700/800/900
 PARTS CATALOG (MAINTENANCE)



E 25243265A SHIT 6 REV 081

BOX ASSY-AFT LH 60 IN. BIG BIN
 FIGURE 65A (SHEET 6)

25-24-32-65A

HAP
 OCT 10/06

25-24-32-65A
 PAGE 0E

BOEING
737-600/700/800/900
PARTS CATALOG (MAINTENANCE)

FIG ITEM	PART NUMBER	1 2 3 4 5 6 7	NOMENCLATURE	EFFECT FROM TO	UNITS PER ASSY
65A			BOX ASSY-AFT LH 60 IN. BIG BIN	031200 968999	
- 1	412A1255-17B		BOX ASSY-60 IN. BIG BIN POSITION DATA: AFT LH FOR NHA SEE: 25-24-31-19D 25-24-31-65M	031200 968999	RF
	5 BACS12ER3K9		.SCREW	031200 968999	3
	10 BACS12FA3K4		.SCREW	031200 968999	12
	15 BACS12FA3K5		.SCREW	031200 968999	20
	20 BACS12FA3K9		.SCREW	031200 968999	3
	25 BACS12ER3K5		.SCREW	031200 968999	2

MISSING ITEM NUMBERS NOT APPLICABLE

- ITEM NOT ILLUSTRATED

HAP

25-24-32-65A

BOEING PROPRIETARY - Copyright © - Unpublished Work - See title page for details.

25-24-32
FIG. 65A
PAGE 1
OCT 15/08

BOEING
737-600/700/800/900
PARTS CATALOG (MAINTENANCE)

FIG ITEM	PART NUMBER	1 2 3 4 5 6 7	NOMENCLATURE	EFFECT FROM TO	UNITS PER ASSY
65A 30	HL1012AZ6-9		.BOLT- SUPPLIER CODE: V97928 SPECIFICATION NUMBER: BACB30NX6K9 OPTIONAL PART: HL12VAZ6-9 V73197 HL12VAZ6-9 V92215 HL12VAZ6-9 V97928 L802-6K9 V06725 HL12VAZ6-9 V56878 HL1012AZ6-9 VOPTK6 HL1012AZ6-9 V06725 HL1012AZ6-9 V06950 HL1012AZ6-9 V17446 HL1012AZ6-9 V56878 HL1012AZ6-9 V60516 HL1012AZ6-9 V73197 POSITION DATA: FAR SIDE	031200 968999	2

MISSING ITEM NUMBERS NOT APPLICABLE

— ITEM NOT ILLUSTRATED

HAP

25-24-32-65A

BOEING PROPRIETARY - Copyright © - Unpublished Work - See title page for details.

25-24-32
FIG. 65A
PAGE 2
OCT 15/08

BOEING
737-600/700/800/900
PARTS CATALOG (MAINTENANCE)

FIG ITEM	PART NUMBER	1 2 3 4 5 6 7	NOMENCLATURE	EFFECT FROM TO	UNITS PER ASSY
65A 35	HL1012AZ6-11	.	BOLT- SUPPLIER CODE: V97928 SPECIFICATION NUMBER: BACB30NX6K11 OPTIONAL PART: HL12VAZ6-11 V73197 HL12VAZ6-11 V92215 HL12VAZ6-11 V97928 L802-6K11 V06725 HL12VAZ6-11 V56878 HL1012AZ6-11 VOPTK6 HL1012AZ6-11 V06725 HL1012AZ6-11 V06950 HL1012AZ6-11 V17446 HL1012AZ6-11 V56878 HL1012AZ6-11 V60516 HL1012AZ6-11 V73197 POSITION DATA: FAR SIDE	031200 968999	6
40	NAS1149D0363J	.	WASHER	031200 968999	8
45	HST1070CY6	.	COLLAR SUPPLIER CODE: V5M902 SPECIFICATION NUMBER: BACC30BZ6 OPTIONAL PART: VLC1070CY6 V92215 HST1070CY6 V73197	031200 968999	8
50	SL5-3-50C	.	NUT- SUPPLIER CODE: V97393	031200 968999	6

MISSING ITEM NUMBERS NOT APPLICABLE

— ITEM NOT ILLUSTRATED

HAP

25-24-32-65A

BOEING PROPRIETARY - Copyright © - Unpublished Work - See title page for details.

25-24-32
FIG. 65A
PAGE 3
OCT 15/08

BOEING
737-600/700/800/900
PARTS CATALOG (MAINTENANCE)

FIG ITEM	PART NUMBER	1 2 3 4 5 6 7	NOMENCLATURE	EFFECT FROM TO	UNITS PER ASSY
65A					
55	412A1220-39A	.	DOUBLER- POSITION DATA: AFT UPPER	031200 968999	1
60	412A1220-241B	.	DOUBLER-INTERNAL	031200 968999	1
65	412A1220-243	.	DOUBLER-9G EXT	031200 968999	1
70	412A1230-201	.	FITTING ASSY- OPTIONAL PART: 412A1230-1	031200 968999	1
75	412A1230-1	.	FITTING ASSY- OPTIONAL PART: 412A1230-201	031200 968999	1
80	BCREF13195	..	BUSHING- OVERLENGTH PART NUMBER: BACB28AY06A035CG	031200 968999	1
85	412A1230-2	..	SUPPORT- USED ON: 412A1230-1	031200 968999	1
90	412A1230-202	..	FITTING- OPTIONAL PART: 412A1230-203 USED ON: 412A1230-201	031200 968999	1
90	412A1230-203	..	FITTING- OPTIONAL PART: 412A1230-202 USED ON: 412A1230-201	031200 968999	1
95	412A1230-111	.	FITTING ASSY	031200 968999	1
100	BCREF13195	..	BUSHING- OVERLENGTH PART NUMBER: BACB28AY06A035CG	031200 968999	1
105	BACB28AT04B023C	..	BUSHING- OPTIONAL PART: NAS538B4P023	031200 968999	2
105	NAS538B4P023	..	BUSHING- OPTIONAL PART: BACB28AT04B023C	031200 968999	2
110	BACW10P273L	..	WASHER	031200 968999	2
115	412A1230-113	..	FITTING	031200 968999	1
120	412A1475-3A	.	FITTING ASSY-SPRT	031200 968999	1
125	412A1475-4A	.	FITTING ASSY-SPRT	031200 968999	1

MISSING ITEM NUMBERS NOT APPLICABLE

— ITEM NOT ILLUSTRATED

HAP

25-24-32-65A

BOEING PROPRIETARY - Copyright © - Unpublished Work - See title page for details.

25-24-32
FIG. 65A
PAGE 4
OCT 15/08

BOEING
737-600/700/800/900
PARTS CATALOG (MAINTENANCE)

FIG ITEM	PART NUMBER	1 2 3 4 5 6 7	NOMENCLATURE	EFFECT FROM TO	UNITS PER ASSY
65A			ATTACHING PARTS		
- 130	BACS12ER3K5		.SCREW	031200 968999	4
			-----*-----		
135	BACN11F3-1CD		..NUT	031200 968999	1
140	NAS1795-3		..CLIP	031200 968999	1
145	412A1475-1A		..FITTING- USED ON: 412A1475-3A	031200 968999	1
150	412A1475-2A		..FITTING- USED ON: 412A1475-4A	031200 968999	1
155	412A1220-205		.ANGLE	031200 968999	2
160	412A1230-68		.FITTING-LWR	031200 968999	1
165	412A1230-87		.FITTING ASSY-LWR	031200 968999	1
170	BCREF13196		..BUSHING- OVERLENGTH PART NUMBER: BACB28AT06A010CG	031200 968999	1
175	412A1230-89		..FITTING	031200 968999	1
180	412A1340-16		.FASTENER ASSY-KIT OPTIONAL PART: 412A1340-17	031200 968999	4
185	BACB30VF3K7		..BOLT	031200 968999	1
190	BACW10EC3S		..WASHER	031200 968999	1
195	PLH53C		..NUT SUPPLIER CODE: V62554 SPECIFICATION NUMBER: BACN10YR3C OPTIONAL PART: H52732-3C V15653	031200 968999	1
200	412A1340-17		.FASTENER ASSY-KIT OPTIONAL PART: 412A1340-16	031200 968999	4
205	BACS12VF3K8		..SCREW	031200 968999	1

MISSING ITEM NUMBERS NOT APPLICABLE

- ITEM NOT ILLUSTRATED

HAP

25-24-32-65A

BOEING PROPRIETARY - Copyright © - Unpublished Work - See title page for details.

25-24-32
FIG. 65A
PAGE 5
OCT 15/08

BOEING
737-600/700/800/900
PARTS CATALOG (MAINTENANCE)

FIG ITEM	PART NUMBER	1 2 3 4 5 6 7	NOMENCLATURE	EFFECT FROM TO	UNITS PER ASSY
65A 210	F22K1-02	. .	NUT SUPPLIER CODE: V72962 SPECIFICATION NUMBER: BACN10R10L OPTIONAL PART: 22K1-02 V72962 26CLO2 V80539	031200 968999	1
215	412A1247-4A	. .	EXTRUSION	031200 968999	1
220	HA951-5	. .	STRIKE-LATCH SUPPLIER CODE: V83014 SPECIFICATION NUMBER: S412A003-3 OPTIONAL PART: HA225-11 V83014	031200 968999	2
220	HA225-11	. .	STRIKE-LATCH SUPPLIER CODE: V83014 SPECIFICATION NUMBER: S412A001-16 OPTIONAL PART: HA951-5 V83014	031200 968999	2
- 225	BACS12ER08K5	. .	ATTACHING PARTS SCREW	031200 968999	4
230	412A1450-34	. .	TRIM	031200 968999	1
235	412A1450-35	. .	TRIM	031200 968999	4
240	412A1452-1B	. .	TRIM	031200 968999	2
245	412A1242-2	. .	EXTRUSION-SHELF ATTACHING PARTS	031200 968999	1
250	BACS12ER3K5	. .	SCREW	031200 968999	10
255	BACS12ER3K6	. .	SCREW	031200 968999	2

MISSING ITEM NUMBERS NOT APPLICABLE

- ITEM NOT ILLUSTRATED

HAP

25-24-32-65A

BOEING PROPRIETARY - Copyright © - Unpublished Work - See title page for details.

25-24-32
FIG. 65A
PAGE 6
OCT 15/08

BOEING
737-600/700/800/900
PARTS CATALOG (MAINTENANCE)

FIG ITEM	PART NUMBER	1 2 3 4 5 6 7	NOMENCLATURE	EFFECT FROM TO	UNITS PER ASSY
65A 260	H3-1233A3		.WASHER- SUPPLIER CODE: V34941 SPECIFICATION NUMBER: S411A001-1 -----*-----	031200 968999	10
265	412A1245-6		.RAIL	031200 968999	1
270	412A1216-23B		.PANEL ASSY-END	031200 968999	1
- 275	SL2334-3A1		..INSERT- SUPPLIER CODE: V97393	031200 968999	12
280	412A1216-1C		..PANEL-	031200 968999	1
285	412A1215-41B		.PANEL ASSY	031200 968999	1
290	SL2334-3A1		..INSERT- SUPPLIER CODE: V97393	031200 968999	83
295	BCREF128023		..INSERT- SUPPLIER CODE: V97393 OVERLENGTH PART NUMBER: SL603-3-375ASP13	031200 968999	8
300	412A1215-2B		..PANEL	031200 968999	1

MISSING ITEM NUMBERS NOT APPLICABLE

- ITEM NOT ILLUSTRATED

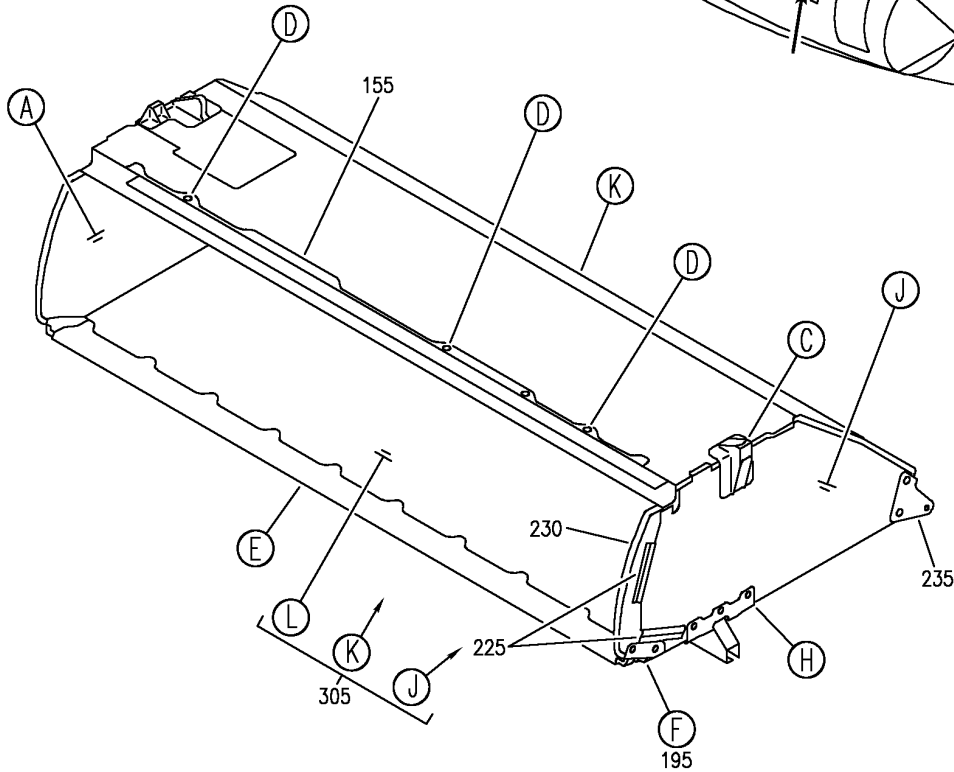
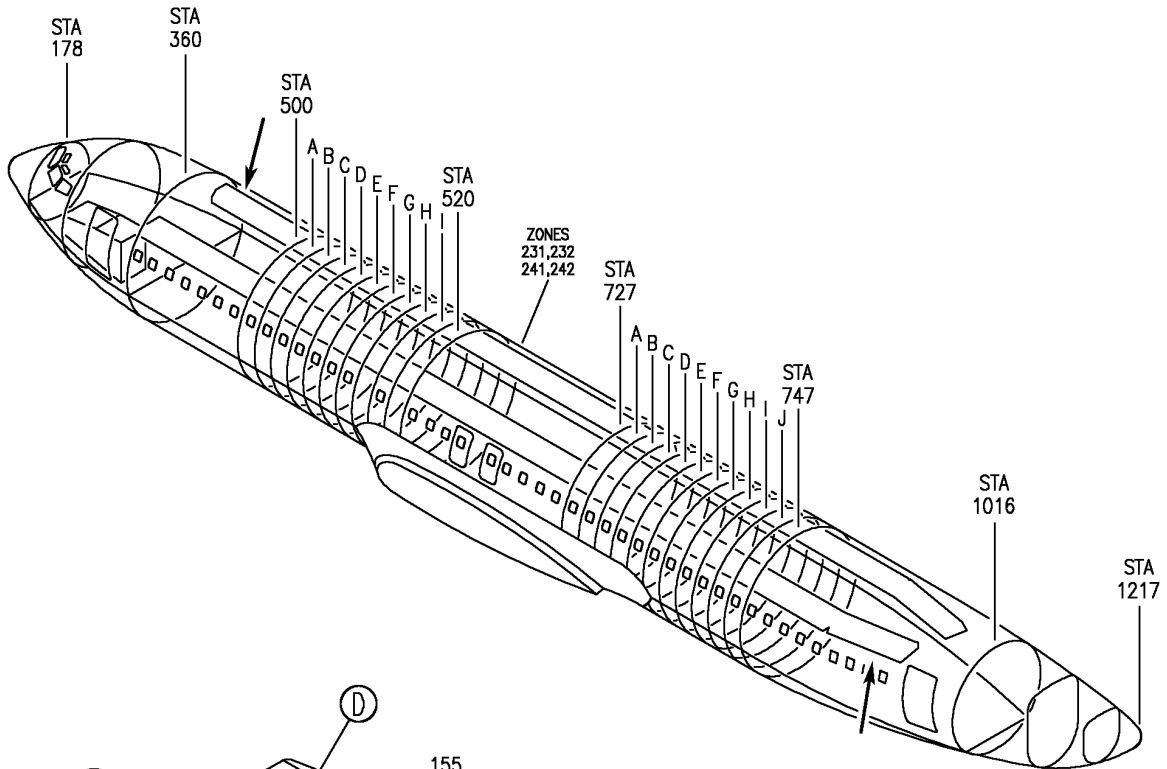
HAP

25-24-32-65A

BOEING PROPRIETARY - Copyright © - Unpublished Work - See title page for details.

25-24-32
FIG. 65A
PAGE 7
OCT 15/08

BOEING
 737-600/700/800/900
 PARTS CATALOG (MAINTENANCE)



E 25243265B SHT 1 REV 085

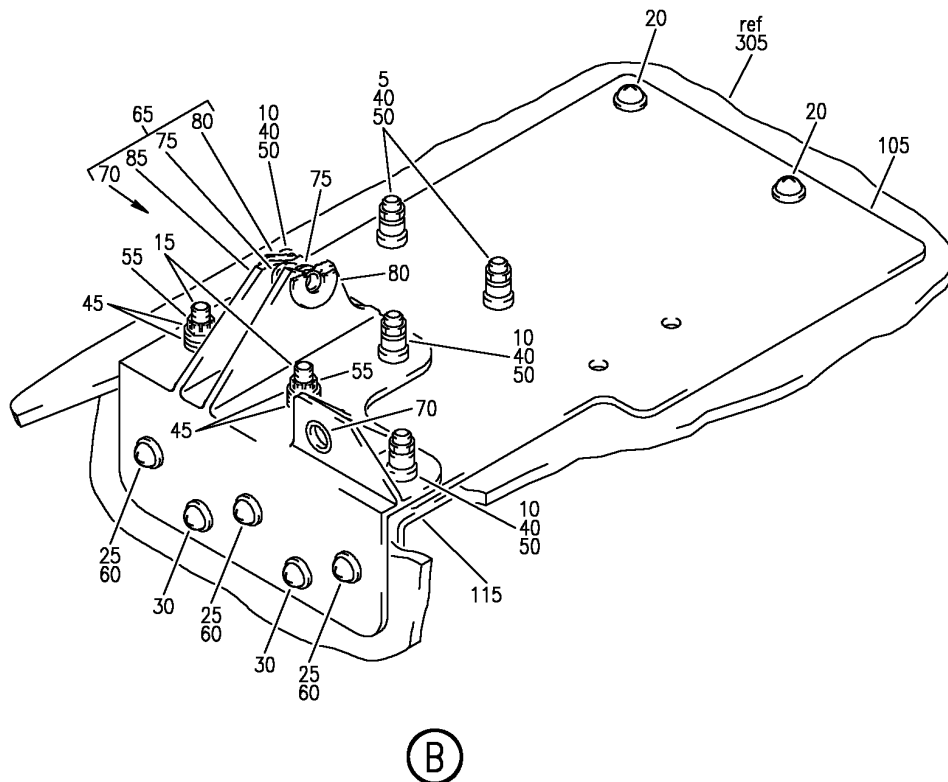
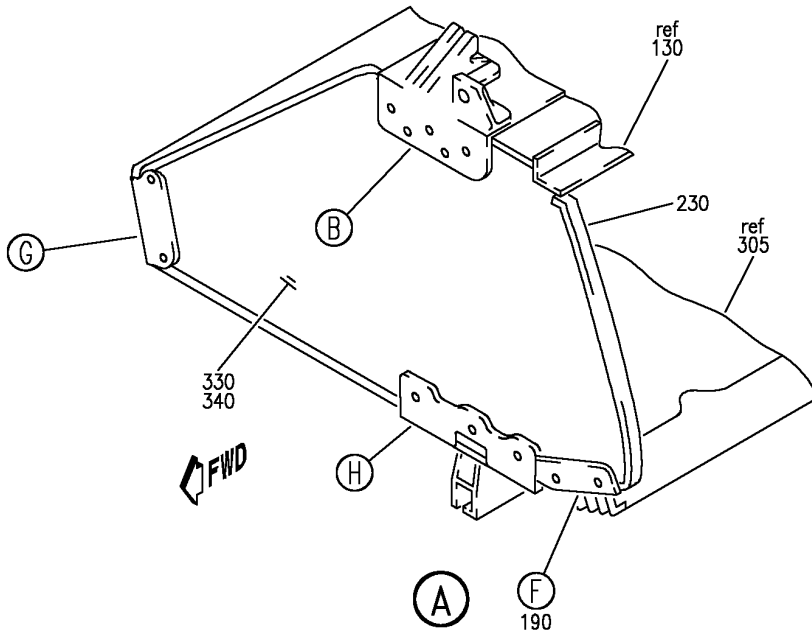
BOX ASSY-60 IN. BIG BIN FWD RH
 FIGURE 65B (SHEET 1)

25-24-32-65B

HAP
 OCT 10/06

25-24-32-65B
 PAGE 0

BOEING
 737-600/700/800/900
 PARTS CATALOG (MAINTENANCE)



E 25243265B SHT 2 REV 081

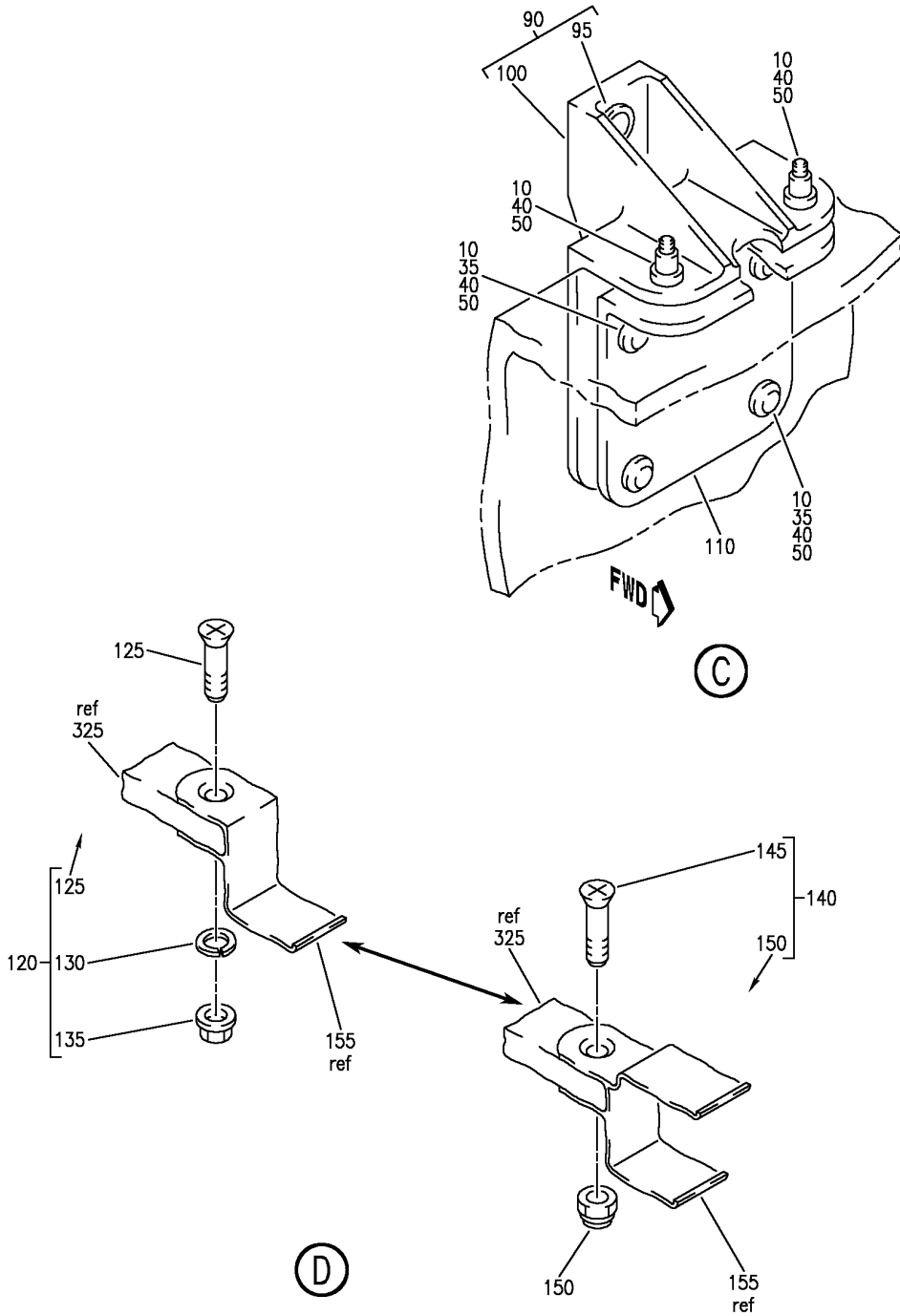
BOX ASSY-60 IN. BIG BIN FWD RH
 FIGURE 65B (SHEET 2)

25-24-32-65B

HAP
 OCT 10/06

25-24-32-65B
 PAGE 0A

BOEING
 737-600/700/800/900
 PARTS CATALOG (MAINTENANCE)



E 25243265B SHT 3 REV 081

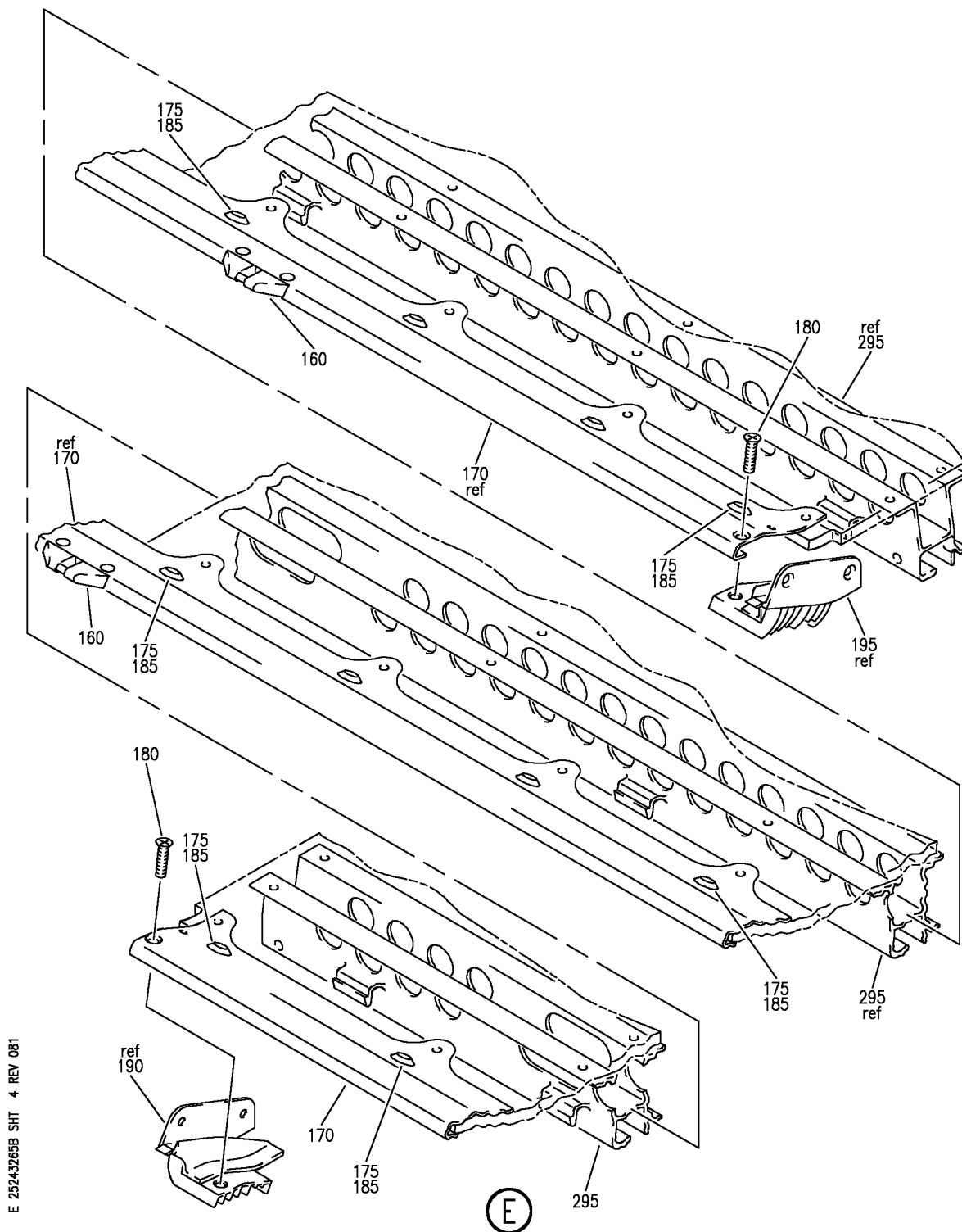
BOX ASSY-60 IN. BIG BIN FWD RH
 FIGURE 65B (SHEET 3)

25-24-32-65B

HAP
 OCT 10/06

25-24-32-65B
 PAGE 0B

BOEING
 737-600/700/800/900
 PARTS CATALOG (MAINTENANCE)



E 25243265B SHT 4 REV 081

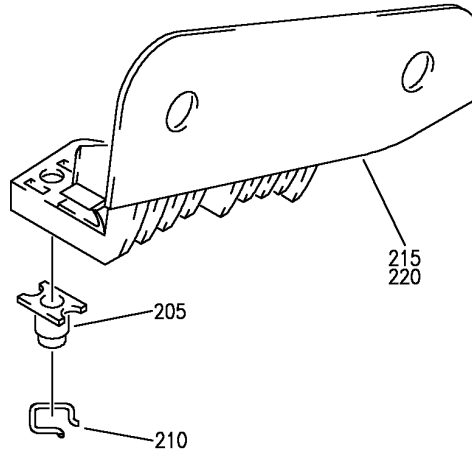
BOX ASSY-60 IN. BIG BIN FWD RH
 FIGURE 65B (SHEET 4)

25-24-32-65B

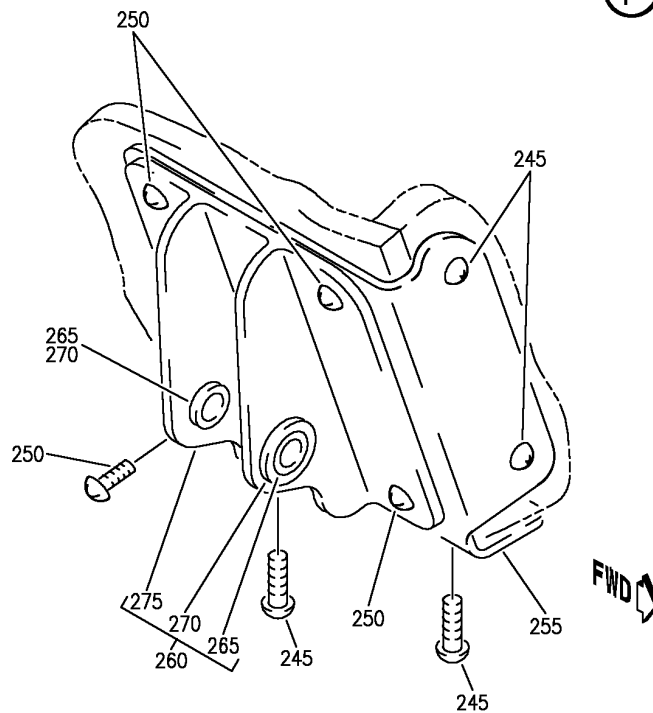
HAP
 OCT 10/06

25-24-32-65B
 PAGE 0C

BOEING
 737-600/700/800/900
 PARTS CATALOG (MAINTENANCE)



(F)



(G)

E 25243265B SHT 5 REV 081

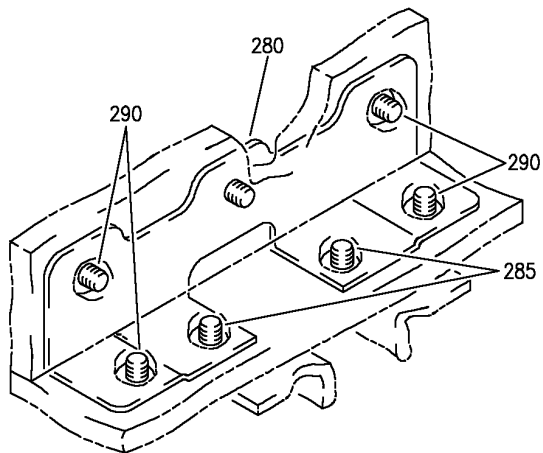
BOX ASSY-60 IN. BIG BIN FWD RH
 FIGURE 65B (SHEET 5)

25-24-32-65B

HAP
 OCT 10/06

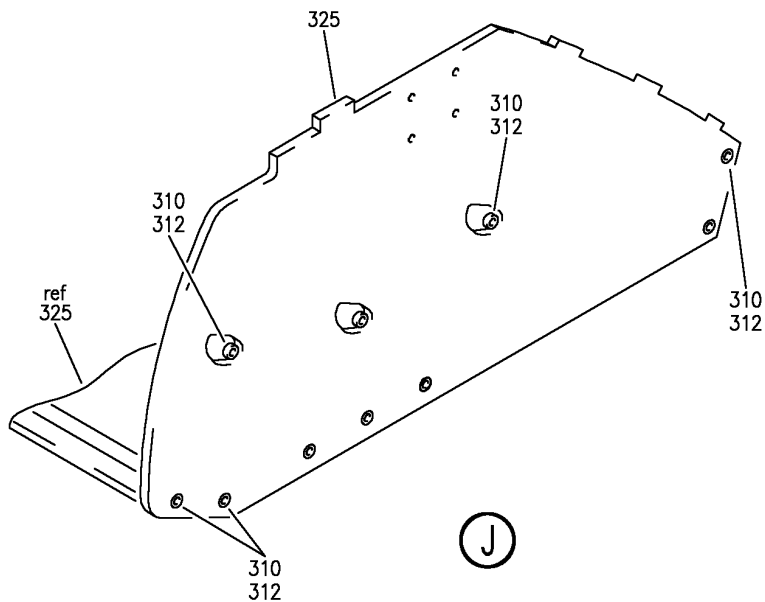
25-24-32-65B
 PAGE 0D

BOEING
 737-600/700/800/900
 PARTS CATALOG (MAINTENANCE)



FWD

(H)



E 25243265B SHT 6 REV 085

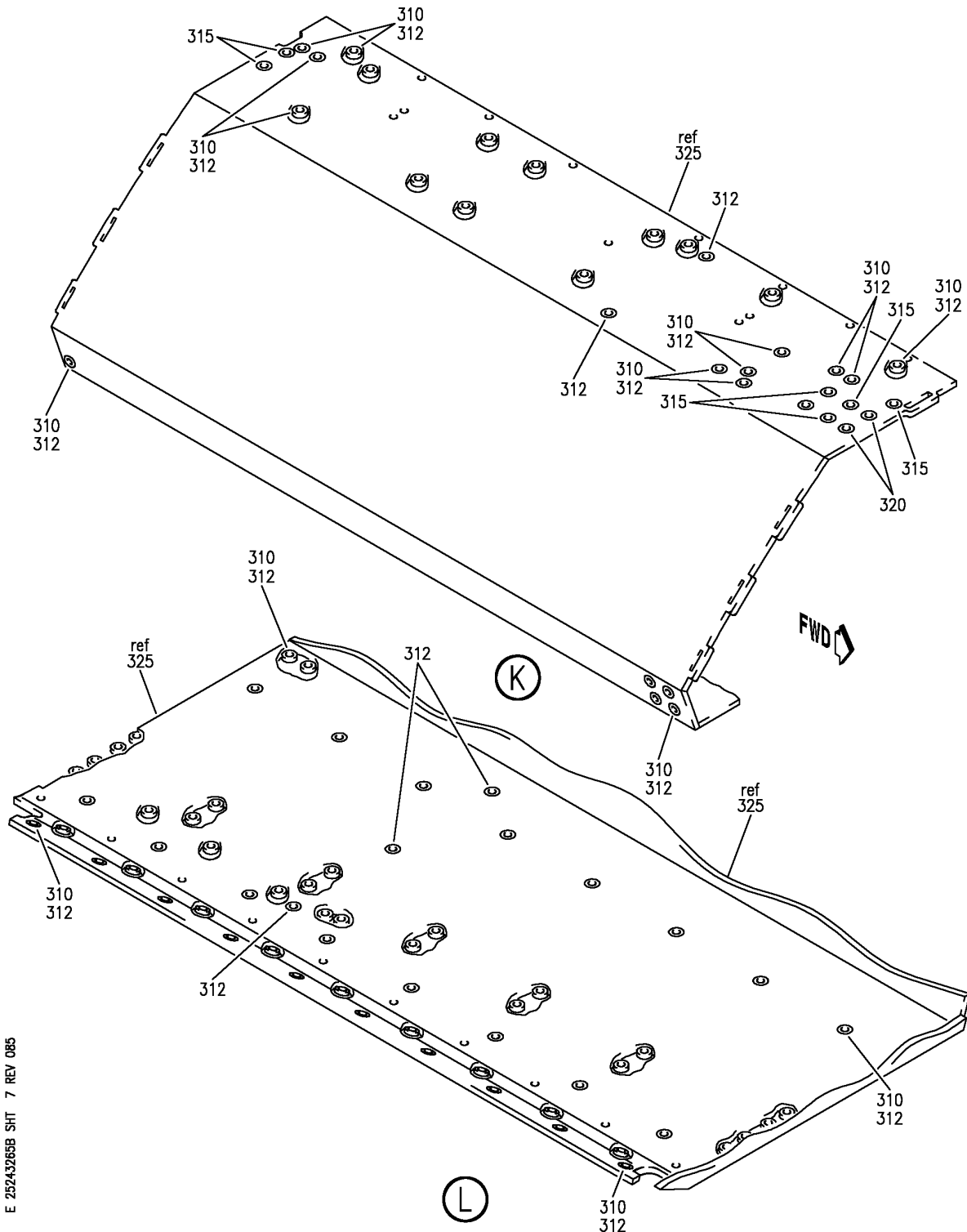
BOX ASSY-60 IN. BIG BIN FWD RH
 FIGURE 65B (SHEET 6)

25-24-32-65B

HAP
 OCT 10/06

25-24-32-65B
 PAGE 0E

BOEING
 737-600/700/800/900
 PARTS CATALOG (MAINTENANCE)



E 25243265B SHT 7 REV 085

BOX ASSY-60 IN. BIG BIN FWD RH
 FIGURE 65B (SHEET 7)

25-24-32-65B

HAP
 OCT 10/06

25-24-32-65B
 PAGE OF

BOEING
737-600/700/800/900
PARTS CATALOG (MAINTENANCE)

FIG ITEM	PART NUMBER	1 2 3 4 5 6 7	NOMENCLATURE	EFFECT FROM TO	UNITS PER ASSY
65B			BOX ASSY-60 IN. BIG BIN FWD RH	031200 968999	
- 1	412A1255-48B		BOX ASSY-60 IN. BIG BIN POSITION DATA: FWD RH FOR NHA SEE: 25-24-31-19C 25-24-31-19L	031200 968999	RF
5	HL1012AZ6-9		.BOLT SUPPLIER CODE: V97928 SPECIFICATION NUMBER: BACB30NX6K9 OPTIONAL PART: HL12VAZ6-9 V73197 HL12VAZ6-9 V92215 HL12VAZ6-9 V97928 L802-6K9 V06725 HL12VAZ6-9 V56878 HL1012AZ6-9 V0PTK6 HL1012AZ6-9 V06725 HL1012AZ6-9 V06950 HL1012AZ6-9 V17446 HL1012AZ6-9 V56878 HL1012AZ6-9 V60516 HL1012AZ6-9 V73197	031200 968999	2

MISSING ITEM NUMBERS NOT APPLICABLE

- ITEM NOT ILLUSTRATED

HAP

25-24-32-65B

BOEING PROPRIETARY - Copyright © - Unpublished Work - See title page for details.

25-24-32
FIG. 65B
PAGE 1
OCT 15/08

BOEING
737-600/700/800/900
PARTS CATALOG (MAINTENANCE)

FIG ITEM	PART NUMBER	1 2 3 4 5 6 7	NOMENCLATURE	EFFECT FROM TO	UNITS PER ASSY
65B 10	HL1012AZ6-11	.BOLT	SUPPLIER CODE: V97928 SPECIFICATION NUMBER: BACB30NX6K11 OPTIONAL PART: HL12VAZ6-11 V73197 HL12VAZ6-11 V92215 HL12VAZ6-11 V97928 L802-6K11 V06725 HL12VAZ6-11 V56878 HL1012AZ6-11 VOPTK6 HL1012AZ6-11 V06725 HL1012AZ6-11 V06950 HL1012AZ6-11 V17446 HL1012AZ6-11 V56878 HL1012AZ6-11 V60516 HL1012AZ6-11 V73197	031200 968999	9
15	BACB30NR4DK10	.BOLT		031200 968999	2
20	BACS12FA3K4	.SCREW		031200 968999	2
25	BACS12FA3K9	.SCREW		031200 968999	3
30	BACS12FA3K5	.SCREW		031200 968999	2
35	NAS43HT3-24	.SPACER		031200 968999	4
40	NAS1149D0363J	.WASHER		031200 968999	11
45	NAS1149D0463J	.WASHER		031200 968999	6

MISSING ITEM NUMBERS NOT APPLICABLE

— ITEM NOT ILLUSTRATED

HAP

25-24-32-65B

BOEING PROPRIETARY - Copyright © - Unpublished Work - See title page for details.

25-24-32
FIG. 65B
PAGE 2
OCT 15/08

BOEING
737-600/700/800/900
PARTS CATALOG (MAINTENANCE)

FIG ITEM	PART NUMBER	1 2 3 4 5 6 7	NOMENCLATURE	EFFECT FROM TO	UNITS PER ASSY
65B 50	HST1070CY6	.	COLLAR SUPPLIER CODE: V5M902 SPECIFICATION NUMBER: BACC30BZ6 OPTIONAL PART: VLC1070CY6 V92215 HST1070CY6 V73197	031200 968999	11
55	BACN10JD104CD	.	NUT	031200 968999	2
60	SL5-3-50C	.	NUT- SUPPLIER CODE: V97393	031200 968999	3
65	412A1230-138	.	FITTING ASSY-DRAG	031200 968999	1
70	BCREF13195	..	BUSHING- OVERLENGTH PART NUMBER: BACB28AY06A035CG	031200 968999	1
75	BACB28X4M010	..	BUSHING	031200 968999	2
80	BACW10P273L	..	WASHER	031200 968999	2
85	412A1230-54	..	FITTING	031200 968999	1
90	412A1230-44	.	FITTING ASSY	031200 968999	1
95	BCREF13195	..	BUSHING- OVERLENGTH PART NUMBER: BACB28AY06A035CG	031200 968999	1
100	412A1230-46	..	FITTING	031200 968999	1
105	412A1220-244	.	DOUBLER-9G EXT	031200 968999	1
110	412A1220-64A	.	DOUBLER-INTERNAL	031200 968999	1
115	412A1220-246B	.	DOUBLER-INTERNAL	031200 968999	1
120	412A1340-16	.	FASTENER ASSY-KIT OPTIONAL PART: 412A1340-17	031200 968999	4
125	BACB30VF3K7	..	BOLT	031200 968999	1
130	BACW10EC3S	..	WASHER	031200 968999	1

MISSING ITEM NUMBERS NOT APPLICABLE

— ITEM NOT ILLUSTRATED

HAP

25-24-32-65B

BOEING PROPRIETARY - Copyright © - Unpublished Work - See title page for details.

25-24-32
FIG. 65B
PAGE 3
OCT 15/08

BOEING
737-600/700/800/900
PARTS CATALOG (MAINTENANCE)

FIG ITEM	PART NUMBER	1 2 3 4 5 6 7	NOMENCLATURE	EFFECT FROM TO	UNITS PER ASSY
65B 135	PLH53C	. .	NUT SUPPLIER CODE: V62554 SPECIFICATION NUMBER: BACN10YR3C OPTIONAL PART: H52732-3C V15653	031200 968999	1
140	412A1340-17	. .	FASTENER ASSY-KIT OPTIONAL PART: 412A1340-16	031200 968999	4
145	BACB30VF3K8	. .	BOLT	031200 968999	1
150	F22K1-02	. .	NUT SUPPLIER CODE: V72962 SPECIFICATION NUMBER: BACN10R10L OPTIONAL PART: 22K1-02 V72962 26CLO2 V80539	031200 968999	1
155	412A1247-4A	. .	EXTRUSION-DOOR CLOSEOUT	031200 968999	1
160	HA951-5	. .	STRIKE-LATCH SUPPLIER CODE: V83014 SPECIFICATION NUMBER: S412A003-3 OPTIONAL PART: HA225-11 V83014	031200 968999	2
160	HA225-11	. .	STRIKE-LATCH SUPPLIER CODE: V83014 SPECIFICATION NUMBER: S412A001-16 OPTIONAL PART: HA951-5 V83014	031200 968999	2
- 165	BACS12ER08K5	. .	ATTACHING PARTS SCREW	031200 968999	4
170	412A1242-3	. .	-----*----- EXTRUSION-SHELF	031200 968999	1

MISSING ITEM NUMBERS NOT APPLICABLE

- ITEM NOT ILLUSTRATED

HAP

25-24-32-65B

BOEING PROPRIETARY - Copyright © - Unpublished Work - See title page for details.

25-24-32
FIG. 65B
PAGE 4
OCT 15/08

BOEING
737-600/700/800/900
PARTS CATALOG (MAINTENANCE)

FIG ITEM	PART NUMBER	1 2 3 4 5 6 7	NOMENCLATURE	EFFECT FROM TO	UNITS PER ASSY
65B			ATTACHING PARTS		
175	BACS12ER3K5	.	SCREW	031200 968999	10
180	BACS12ER3K6	.	SCREW	031200 968999	2
185	H3-1233A3	.	WASHER- SUPPLIER CODE: V34941 SPECIFICATION NUMBER: S411A001-1 -----*-----	031200 968999	10
190	412A1475-3A	.	FITTING ASSY-SPRT	031200 968999	1
195	412A1475-4A	.	FITTING ASSY-SPRT	031200 968999	1
- 200	BACS12ER3K5	.	ATTACHING PARTS SCREW -----*-----	031200 968999	4
205	BACN11F3-1CD	..	NUT	031200 968999	1
210	NAS1795-3	..	CLIP	031200 968999	1
215	412A1475-1A	..	FITTING- USED ON: 412A1475-3A	031200 968999	1
220	412A1475-2A	..	FITTING- USED ON: 412A1475-4A	031200 968999	1
225	412A1450-35	.	TRIM- POSITION DATA: MIDDLE AND LOWER	031200 968999	2
230	412A1452-1B	.	TRIM	031200 968999	2
235	412A1230-74	.	FITTING	031200 968999	1
- 240	BACS12FA3K5	.	ATTACHING PARTS SCREW -----*-----	031200 968999	3
245	BACS12FA3K4	.	SCREW	031200 968999	4
250	BACS12FA3K5	.	SCREW	031200 968999	4
255	412A1220-42	.	GUSSET-CORNER	031200 968999	1
260	412A1230-135	.	FITTING ASSY	031200 968999	1

MISSING ITEM NUMBERS NOT APPLICABLE

- ITEM NOT ILLUSTRATED

HAP

25-24-32-65B

BOEING PROPRIETARY - Copyright © - Unpublished Work - See title page for details.

25-24-32
FIG. 65B
PAGE 5
OCT 15/08

BOEING
737-600/700/800/900
PARTS CATALOG (MAINTENANCE)

FIG ITEM	PART NUMBER	1 2 3 4 5 6 7	NOMENCLATURE	EFFECT FROM TO	UNITS PER ASSY
65B					
265	BACB28AT04B007C	..	BUSHING	031200 968999	2
270	BACW10P273L	..	WASHER	031200 968999	2
275	412A1230-145	..	FITTING	031200 968999	1
280	412A1220-205	.	ANGLE	031200 968999	2
			ATTACHING PARTS		
285	BACS12FA3K5	.	SCREW	031200 968999	4
290	BACS12FA3K4	.	SCREW	031200 968999	10
			-----*-----		
295	412A1245-3	.	RAIL	031200 968999	1
			ATTACHING PARTS		
- 300	BACS12FA3K5	.	SCREW	031200 968999	10
			-----*-----		
305	412A1215-96B	.	PANEL ASSY-	031200 968999	1
312	SL2334-3A1	..	INSERT- SUPPLIER CODE: V97393	031200 968999	100
315	BCREF128023	..	INSERT- SUPPLIER CODE: V97393 OVERLENGTH PART NUMBER: SL603-3-375ASP13	031200 968999	7
320	BCREF130325	..	INSERT- SUPPLIER CODE: V97393 OVERLENGTH PART NUMBER: SL603-4-375ASP24	031200 968999	2
325	412A1215-2B	..	PANEL	031200 968999	1
330	412A1216-30B	.	PANEL ASSY-END	031200 968999	1
- 335	SL2334-3A1	..	INSERT- SUPPLIER CODE: V97393	031200 968999	12
340	412A1215-1B	..	PANEL	031200 968999	1

MISSING ITEM NUMBERS NOT APPLICABLE

- ITEM NOT ILLUSTRATED

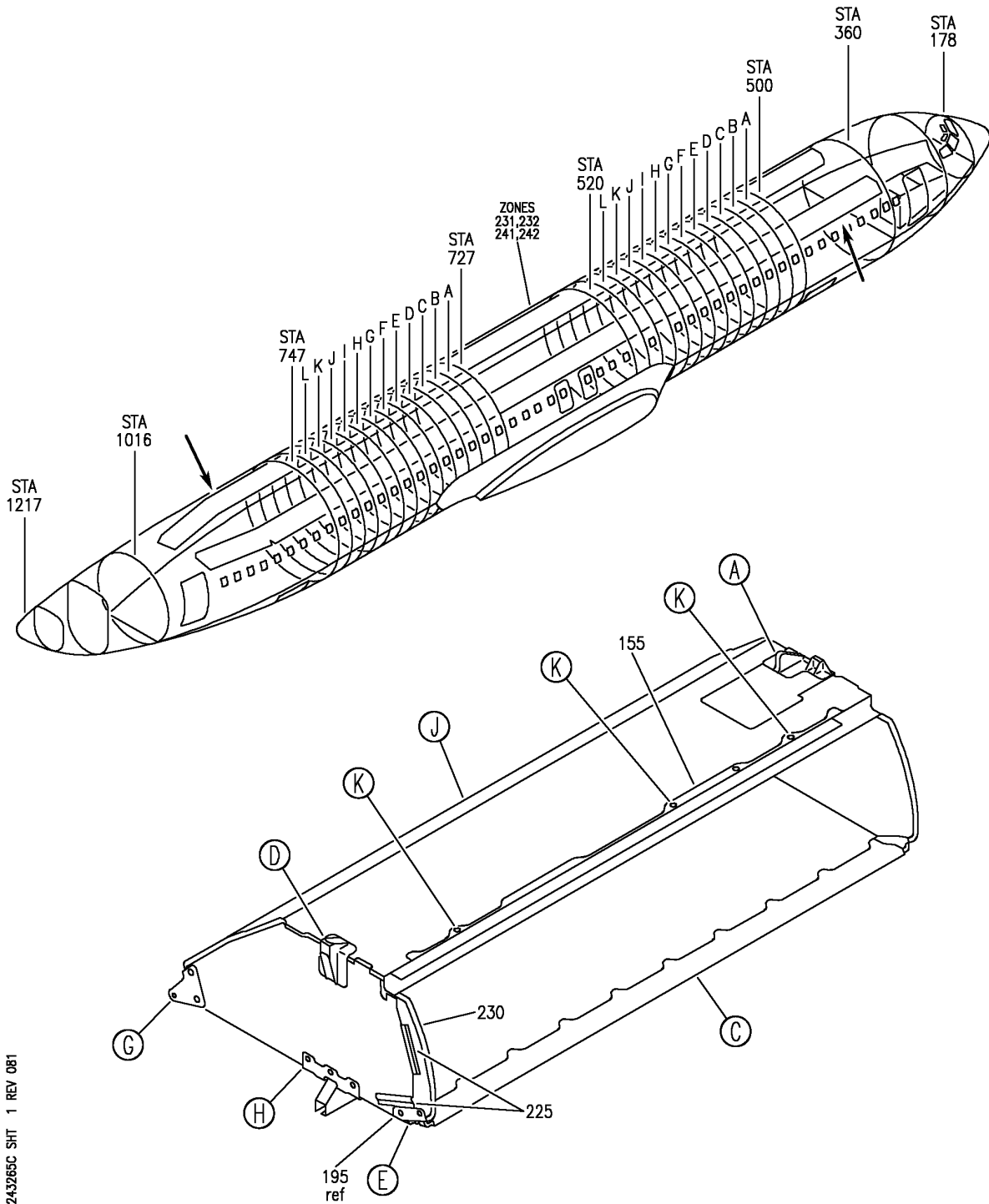
HAP

25-24-32-65B

BOEING PROPRIETARY - Copyright © - Unpublished Work - See title page for details.

25-24-32
FIG. 65B
PAGE 6
OCT 15/08

BOEING
 737-600/700/800/900
 PARTS CATALOG (MAINTENANCE)



E 25243265C SHT 1 REV 081

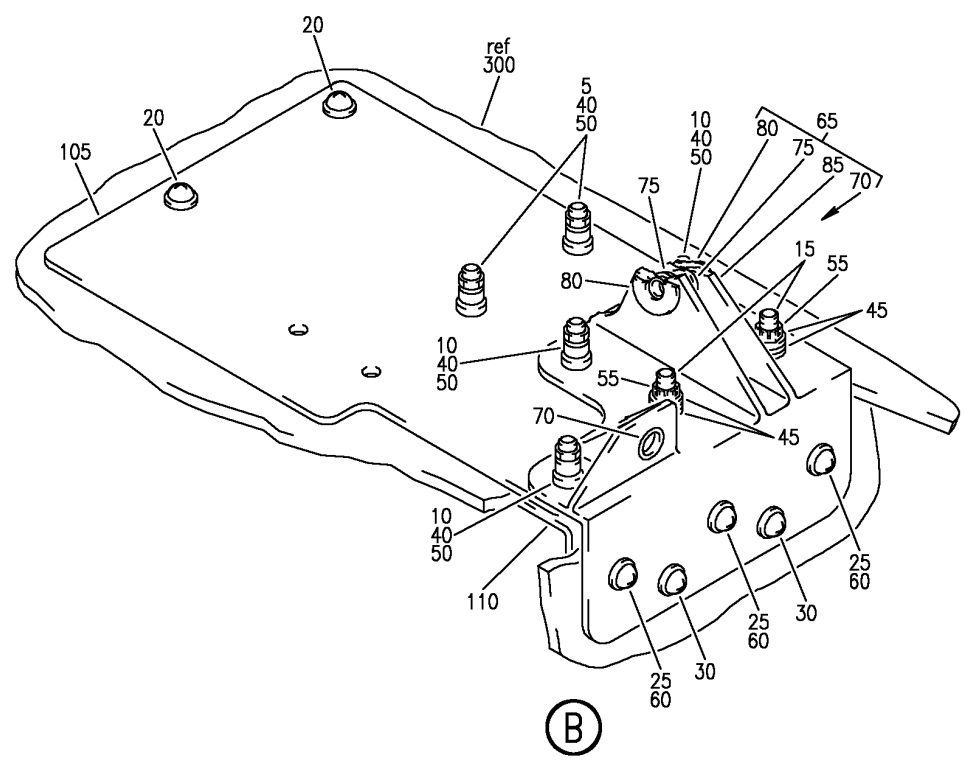
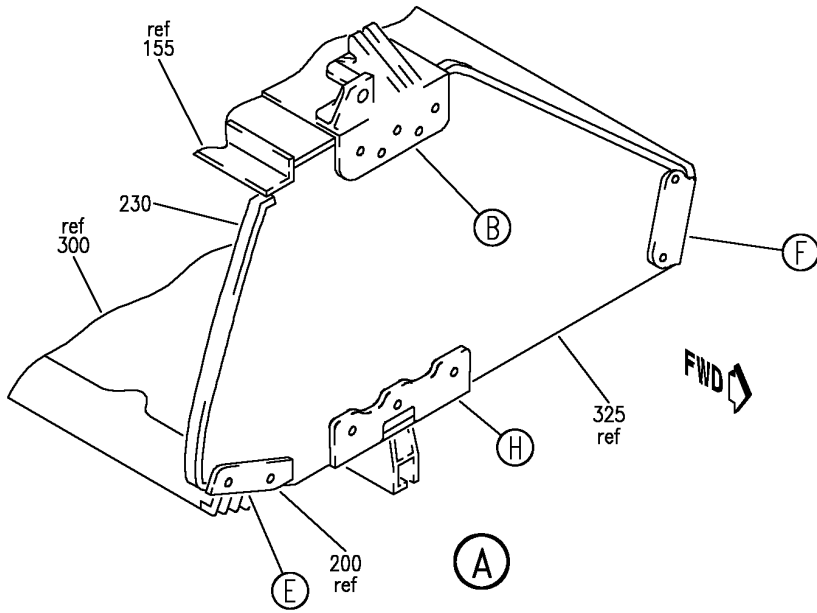
BOX ASSY-60 IN. BIG BIN FWD LH
 FIGURE 65C (SHEET 1)

25-24-32-65C

HAP
 OCT 10/06

25-24-32-65C
 PAGE 0

BOEING
 737-600/700/800/900
 PARTS CATALOG (MAINTENANCE)



E 25243265C SHT 2 REV 081

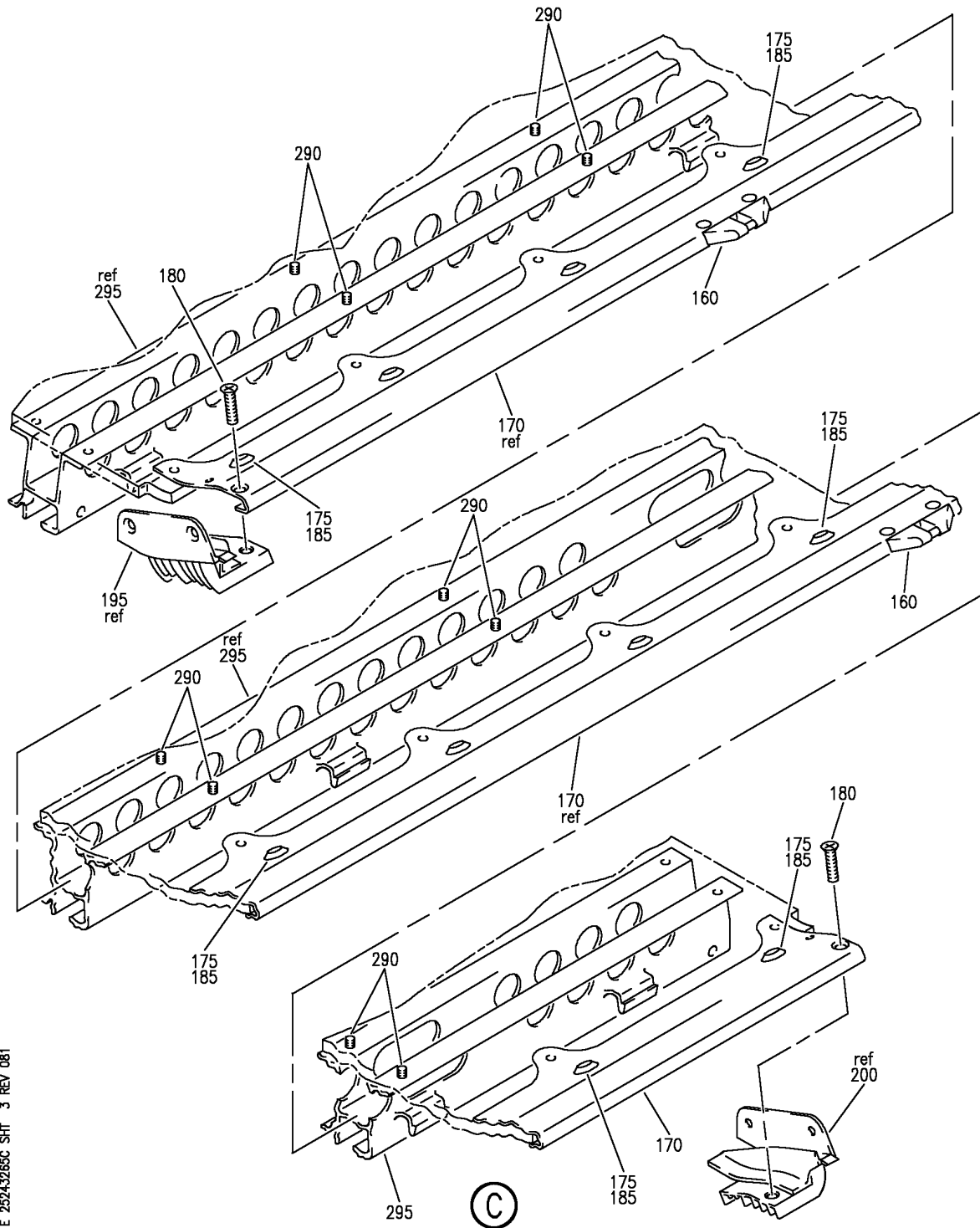
BOX ASSY-60 IN. BIG BIN FWD LH
 FIGURE 65C (SHEET 2)

25-24-32-65C

HAP
 OCT 10/06

25-24-32-65C
 PAGE 0A

BOEING
 737-600/700/800/900
 PARTS CATALOG (MAINTENANCE)



E 25243265C SHT 3 REV 081

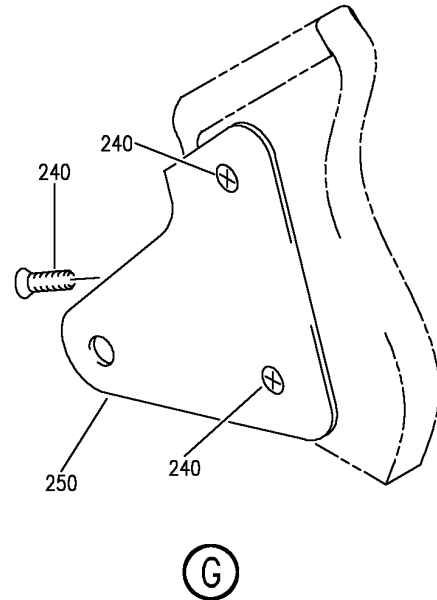
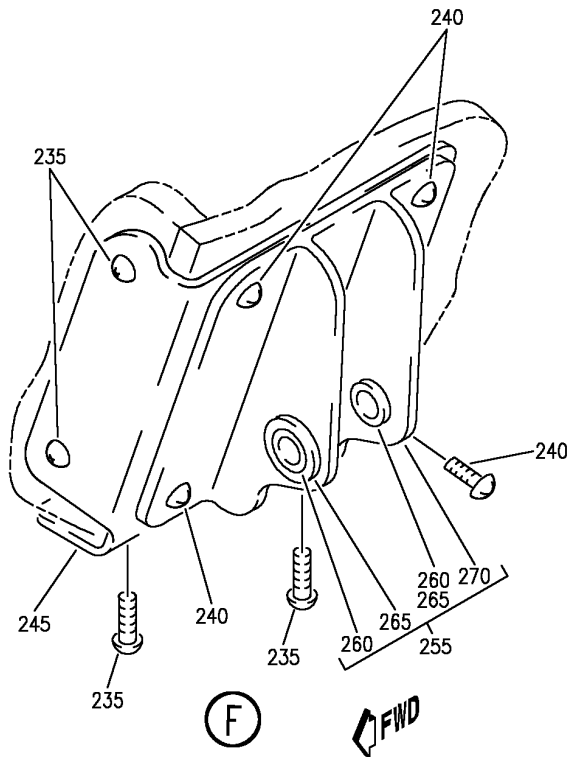
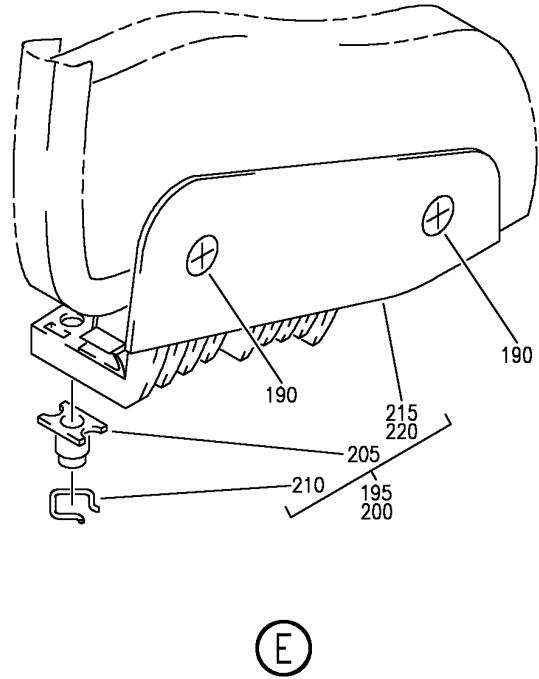
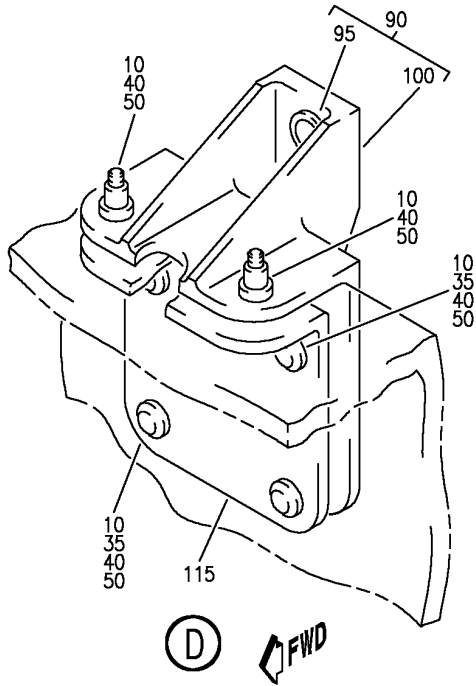
BOX ASSY-60 IN. BIG BIN FWD LH
 FIGURE 65C (SHEET 3)

25-24-32-65C

HAP
 OCT 10/06

25-24-32-65C
 PAGE 0B

BOEING
 737-600/700/800/900
 PARTS CATALOG (MAINTENANCE)



E 25243265C SHT 4 REV 081

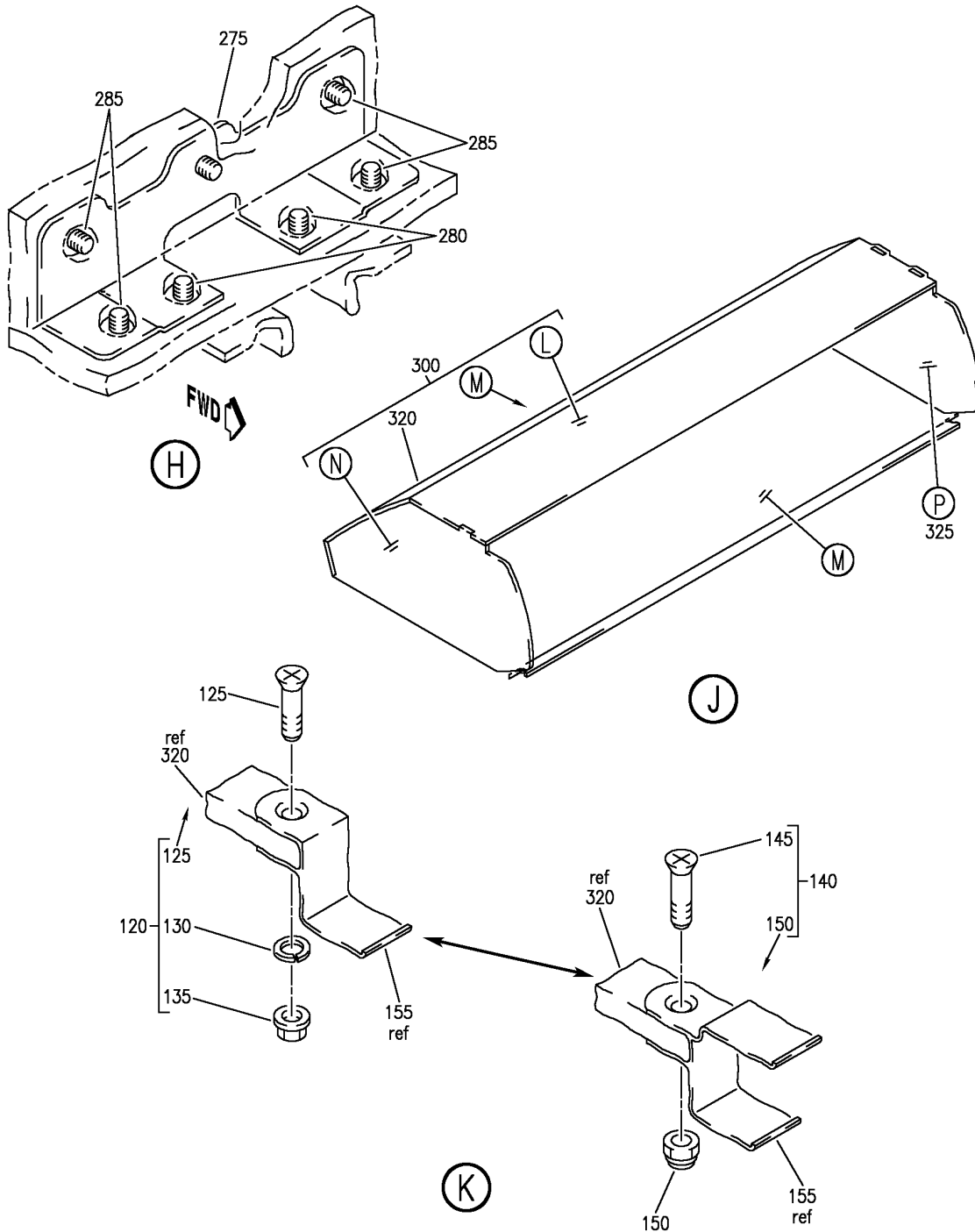
BOX ASSY-60 IN. BIG BIN FWD LH
 FIGURE 65C (SHEET 4)

25-24-32-65C

HAP
 OCT 10/06

25-24-32-65C
 PAGE 0C

BOEING
 737-600/700/800/900
 PARTS CATALOG (MAINTENANCE)



E 25243265C SHT 5 REV 081

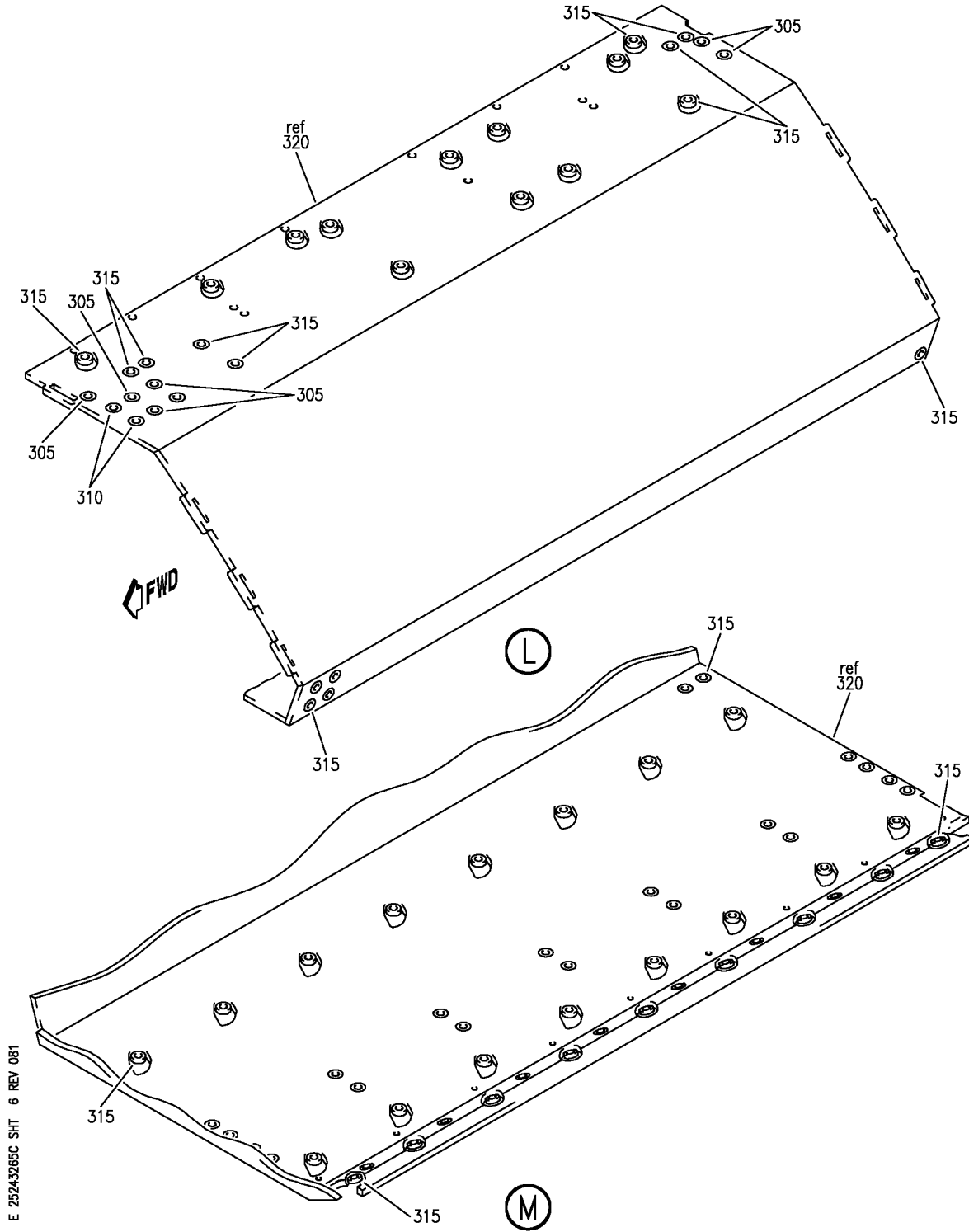
BOX ASSY-60 IN. BIG BIN FWD LH
 FIGURE 65C (SHEET 5)

25-24-32-65C

HAP
 OCT 10/06

25-24-32-65C
 PAGE 0D

BOEING
737-600/700/800/900
PARTS CATALOG (MAINTENANCE)



E 25243265C SHT 6 REV 081

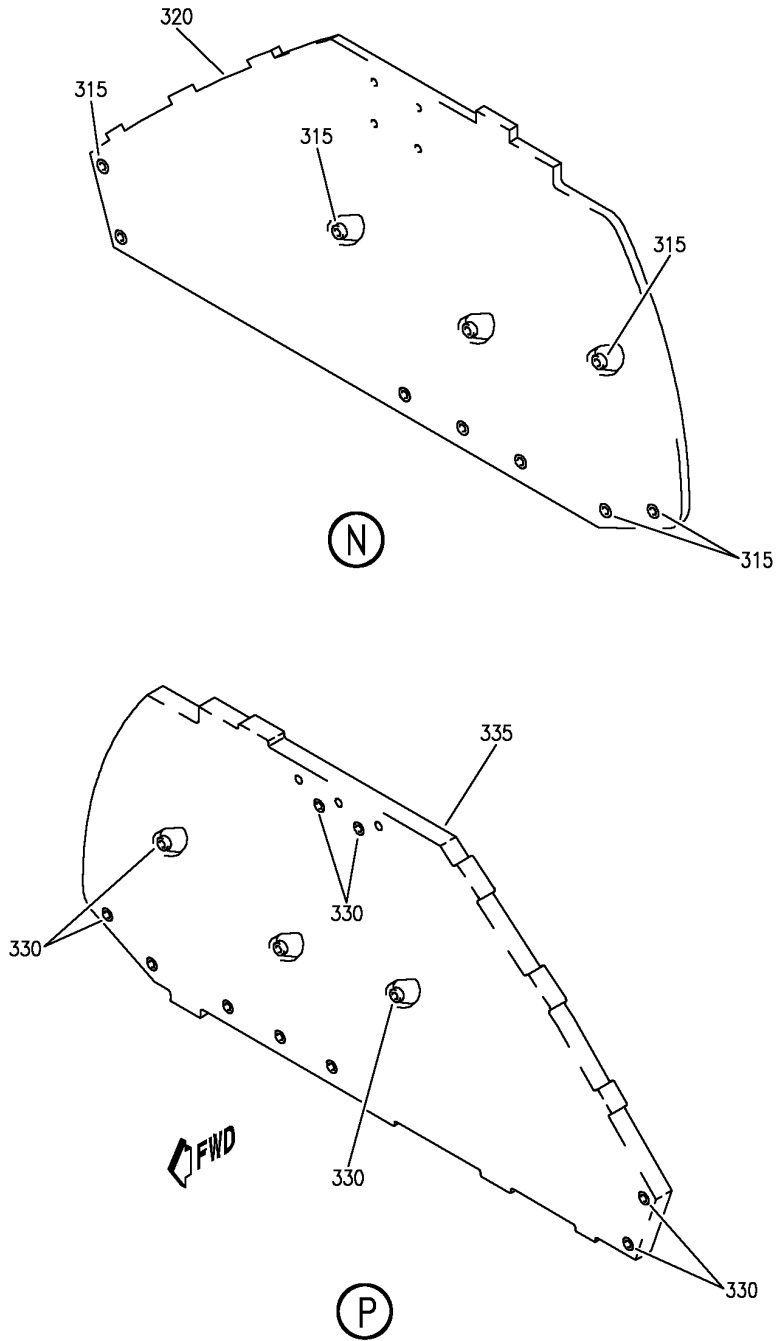
BOX ASSY-60 IN. BIG BIN FWD LH
FIGURE 65C (SHEET 6)

25-24-32-65C

HAP
OCT 10/06

25-24-32-65C
PAGE 0E

BOEING
737-600/700/800/900
PARTS CATALOG (MAINTENANCE)



E 25243265C SHT 7 REV 081

BOX ASSY-60 IN. BIG BIN FWD LH
FIGURE 65C (SHEET 7)

25-24-32-65C

HAP
OCT 10/06

25-24-32-65C
PAGE OF

BOEING
737-600/700/800/900
PARTS CATALOG (MAINTENANCE)

FIG ITEM	PART NUMBER	1 2 3 4 5 6 7	NOMENCLATURE	EFFECT FROM TO	UNITS PER ASSY
65C			BOX ASSY-60 IN. BIG BIN FWD LH	031200 968999	
- 1	412A1255-15B		BOX ASSY-60 IN. BIG BIN POSITION DATA: FWD LH FOR NHA SEE: 25-24-31-19B 25-24-31-19K	031200 968999	RF
5	HL1012AZ6-9		.BOLT SUPPLIER CODE: V97928 SPECIFICATION NUMBER: BACB30NX6K9 OPTIONAL PART: HL12VAZ6-9 V73197 HL12VAZ6-9 V92215 HL12VAZ6-9 V97928 L802-6K9 V06725 HL12VAZ6-9 V56878 HL1012AZ6-9 V0PTK6 HL1012AZ6-9 V06725 HL1012AZ6-9 V06950 HL1012AZ6-9 V17446 HL1012AZ6-9 V56878 HL1012AZ6-9 V60516 HL1012AZ6-9 V73197	031200 968999	2

MISSING ITEM NUMBERS NOT APPLICABLE

- ITEM NOT ILLUSTRATED

HAP

25-24-32-65C

BOEING PROPRIETARY - Copyright © - Unpublished Work - See title page for details.

25-24-32
FIG. 65C
PAGE 1
OCT 15/08

BOEING
737-600/700/800/900
PARTS CATALOG (MAINTENANCE)

FIG ITEM	PART NUMBER	1 2 3 4 5 6 7	NOMENCLATURE	EFFECT FROM TO	UNITS PER ASSY
65C 10	HL1012AZ6-11	.	BOLT SUPPLIER CODE: V97928 SPECIFICATION NUMBER: BACB30NX6K11 OPTIONAL PART: HL12VAZ6-11 V73197 HL12VAZ6-11 V92215 HL12VAZ6-11 V97928 L802-6K11 V06725 HL12VAZ6-11 V56878 HL1012AZ6-11 VOPTK6 HL1012AZ6-11 V06725 HL1012AZ6-11 V06950 HL1012AZ6-11 V17446 HL1012AZ6-11 V56878 HL1012AZ6-11 V60516 HL1012AZ6-11 V73197	031200 968999	9
15	BACB30NR4DK10	.	BOLT	031200 968999	2
20	BACS12FA3K4	.	SCREW	031200 968999	2
25	BACS12FA3K9	.	SCREW	031200 968999	3
30	BACS12FA3K5	.	SCREW	031200 968999	2
35	NAS43HT3-24	.	SPACER	031200 968999	4
40	NAS1149D0363J	.	WASHER	031200 968999	11
45	NAS1149D0463J	.	WASHER	031200 968999	6

MISSING ITEM NUMBERS NOT APPLICABLE

— ITEM NOT ILLUSTRATED

HAP

25-24-32-65C

BOEING PROPRIETARY - Copyright © - Unpublished Work - See title page for details.

25-24-32
FIG. 65C
PAGE 2
OCT 15/08

BOEING
737-600/700/800/900
PARTS CATALOG (MAINTENANCE)

FIG ITEM	PART NUMBER	1 2 3 4 5 6 7	NOMENCLATURE	EFFECT FROM TO	UNITS PER ASSY
65C 50	HST1070CY6	.	COLLAR SUPPLIER CODE: V5M902 SPECIFICATION NUMBER: BACC30BZ6 OPTIONAL PART: VLC1070CY6 V92215 HST1070CY6 V73197	031200 968999	11
55	BACN10JD104CD	.	NUT	031200 968999	2
60	SL5-3-50C	.	NUT- SUPPLIER CODE: V97393	031200 968999	3
65	412A1230-137	.	FITTING ASSY-DRAG	031200 968999	1
70	BCREF13195	..	BUSHING- OVERLENGTH PART NUMBER: BACB28AY06A035CG	031200 968999	1
75	BACB28X4M010	..	BUSHING	031200 968999	2
80	BACW10P273L	..	WASHER	031200 968999	2
85	412A1230-53	..	FITTING	031200 968999	1
90	412A1230-43	.	FITTING ASSY	031200 968999	1
95	BCREF13195	..	BUSHING- OVERLENGTH PART NUMBER: BACB28AY06A035CG	031200 968999	1
100	412A1230-45	..	FITTING	031200 968999	1
105	412A1220-244	.	DOUBLER-9G EXT	031200 968999	1
110	412A1220-245B	.	DOUBLER-INTERNAL	031200 968999	1
115	412A1220-64A	.	DOUBLER-INTERNAL	031200 968999	1
120	412A1340-16	.	FASTENER ASSY-KIT OPTIONAL PART: 412A1340-17	031200 968999	4
125	BACB30VF3K7	..	BOLT	031200 968999	1
130	BACW10EC3S	..	WASHER	031200 968999	1

MISSING ITEM NUMBERS NOT APPLICABLE

— ITEM NOT ILLUSTRATED

HAP

25-24-32-65C

BOEING PROPRIETARY - Copyright © - Unpublished Work - See title page for details.

25-24-32
FIG. 65C
PAGE 3
OCT 15/08

BOEING
737-600/700/800/900
PARTS CATALOG (MAINTENANCE)

FIG ITEM	PART NUMBER	1 2 3 4 5 6 7	NOMENCLATURE	EFFECT FROM TO	UNITS PER ASSY
65C 135	PLH53C	. .	NUT SUPPLIER CODE: V62554 SPECIFICATION NUMBER: BACN10YR3C OPTIONAL PART: H52732-3C V15653	031200 968999	1
140	412A1340-17	. FASTENER ASSY-KIT	OPTIONAL PART: 412A1340-16	031200 968999	4
145	BACB30VF3K8	. .	BOLT	031200 968999	1
150	F22K1-02	. .	NUT SUPPLIER CODE: V72962 SPECIFICATION NUMBER: BACN10R10L OPTIONAL PART: 22K1-02 V72962 26CLO2 V80539	031200 968999	1
155	412A1247-3A	. EXTRUSION-DOOR CLOSEOUT		031200 968999	1
160	HA951-5	. STRIKE-LATCH	SUPPLIER CODE: V83014 SPECIFICATION NUMBER: S412A003-3 OPTIONAL PART: HA225-11 V83014	031200 968999	2
160	HA225-11	. STRIKE-LATCH	SUPPLIER CODE: V83014 SPECIFICATION NUMBER: S412A001-16 OPTIONAL PART: HA951-5 V83014	031200 968999	2
- 165	BACS12ER08K5	. ATTACHING PARTS SCREW		031200 968999	4
170	412A1242-2	-----*----- . EXTRUSION-SHELF		031200 968999	1

MISSING ITEM NUMBERS NOT APPLICABLE

- ITEM NOT ILLUSTRATED

HAP

25-24-32-65C

BOEING PROPRIETARY - Copyright © - Unpublished Work - See title page for details.

25-24-32
FIG. 65C
PAGE 4
OCT 15/08

BOEING
737-600/700/800/900
PARTS CATALOG (MAINTENANCE)

FIG ITEM	PART NUMBER	1 2 3 4 5 6 7	NOMENCLATURE	EFFECT FROM TO	UNITS PER ASSY
65C			ATTACHING PARTS		
175	BACS12ER3K5	.	SCREW	031200 968999	10
180	BACS12ER3K6	.	SCREW	031200 968999	2
185	H3-1233A3	.	WASHER- SUPPLIER CODE: V34941 SPECIFICATION NUMBER: S411A001-1 -----*-----	031200 968999	10
190	BACS12ER3K5	.	SCREW	031200 968999	4
195	412A1475-3A	.	FITTING ASSY-SPRT	031200 968999	1
200	412A1475-4A	.	FITTING ASSY-SPRT	031200 968999	1
205	BACN11F3-1CD	..	NUT	031200 968999	1
210	NAS1795-3	..	CLIP	031200 968999	1
215	412A1475-1A	..	FITTING- USED ON: 412A1475-3A	031200 968999	1
220	412A1475-2A	..	FITTING- USED ON: 412A1475-4A	031200 968999	1
225	412A1450-35	.	TRIM- POSITION DATA: MIDDLE AND LOWER	031200 968999	2
230	412A1452-1B	.	TRIM	031200 968999	2
235	BACS12FA3K4	.	SCREW	031200 968999	4
240	BACS12FA3K5	.	SCREW	031200 968999	7
245	412A1220-41	.	CORNER-GUSSET	031200 968999	1
250	412A1230-73	.	FITTING	031200 968999	1
255	412A1230-135	.	FITTING ASSY	031200 968999	1
260	BACB28AT04B007C	..	BUSHING	031200 968999	2
265	BACW10P273L	..	WASHER	031200 968999	2
270	412A1230-145	..	FITTING	031200 968999	1

MISSING ITEM NUMBERS NOT APPLICABLE

— ITEM NOT ILLUSTRATED

HAP

25-24-32-65C

BOEING PROPRIETARY - Copyright © - Unpublished Work - See title page for details.

25-24-32
FIG. 65C
PAGE 5
OCT 15/08

BOEING
737-600/700/800/900
PARTS CATALOG (MAINTENANCE)

FIG ITEM	PART NUMBER	1 2 3 4 5 6 7	NOMENCLATURE	EFFECT FROM TO	UNITS PER ASSY
65C 275	412A1220-205	.	ANGLE	031200 968999	2
280	BACS12FA3K5	.	ATTACHING PARTS SCREW	031200 968999	4
285	BACS12FA3K4	.	SCREW	031200 968999	10
290	BACS12FA3K5	.	-----*----- SCREW	031200 968999	10
295	412A1245-4	.	RAIL	031200 968999	1
300	412A1215-53B	.	PANEL ASSY	031200 968999	1
305	BCREF128023	..	INSERT- SUPPLIER CODE: V97393 OVERLENGTH PART NUMBER: SL603-3-375ASP13	031200 968999	7
310	BCREF130325	..	INSERT- SUPPLIER CODE: V97393 OVERLENGTH PART NUMBER: SL603-4-375ASP24	031200 968999	2
315	SL2334-3A1	..	INSERT- SUPPLIER CODE: V97393	031200 968999	88
320	412A1215-2B	..	PANEL	031200 968999	1
325	412A1216-29B	.	PANEL ASSY-END	031200 968999	1
- 330	SL2334-3A1	..	INSERT- SUPPLIER CODE: V97393	031200 968999	12
335	412A1215-1B	..	PANEL	031200 968999	1

MISSING ITEM NUMBERS NOT APPLICABLE

- ITEM NOT ILLUSTRATED

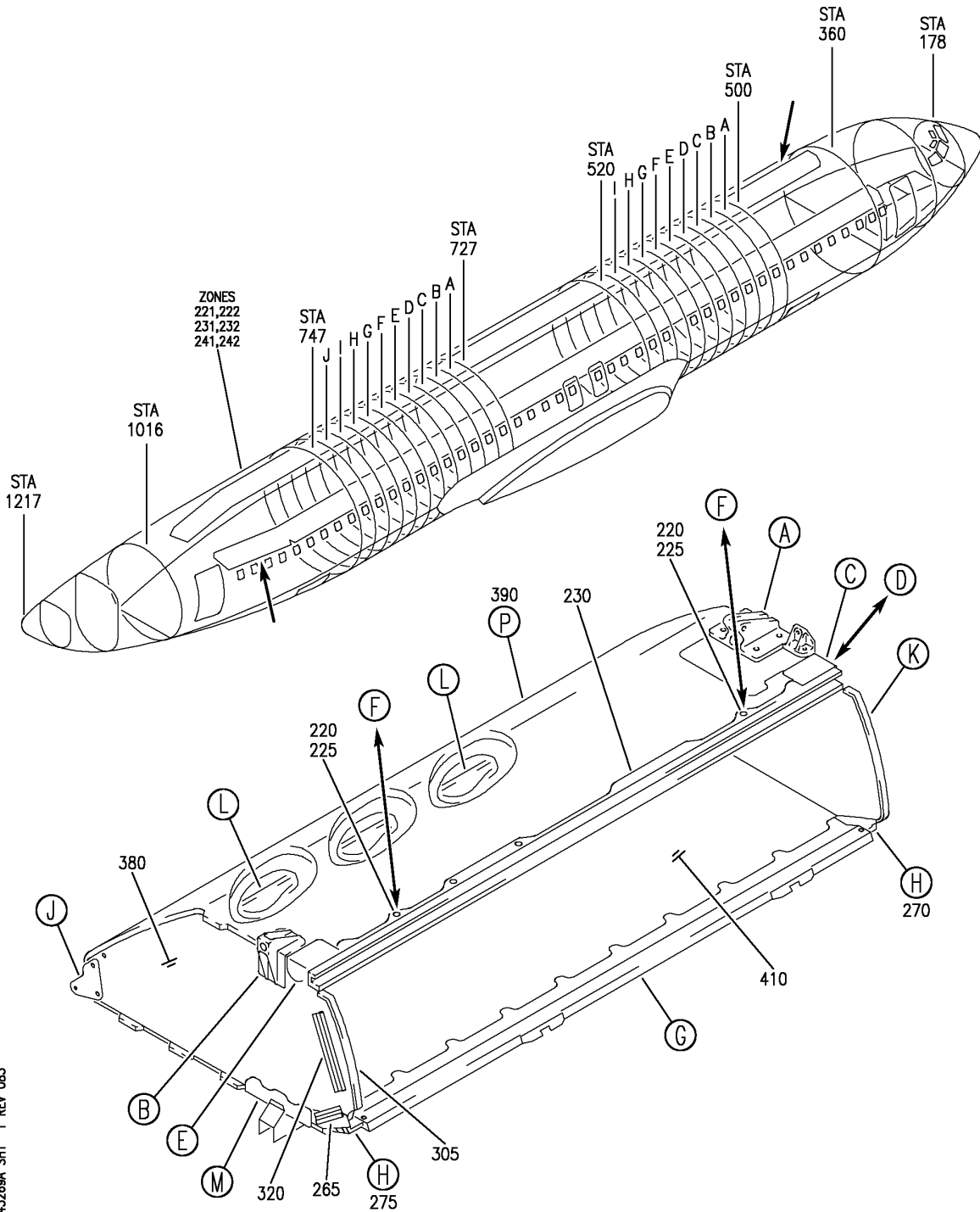
HAP

25-24-32-65C

BOEING PROPRIETARY - Copyright © - Unpublished Work - See title page for details.

25-24-32
FIG. 65C
PAGE 6
OCT 15/08

BOEING
 737-600/700/800/900
 PARTS CATALOG (MAINTENANCE)



E 25243269A SHT 1 REV 083

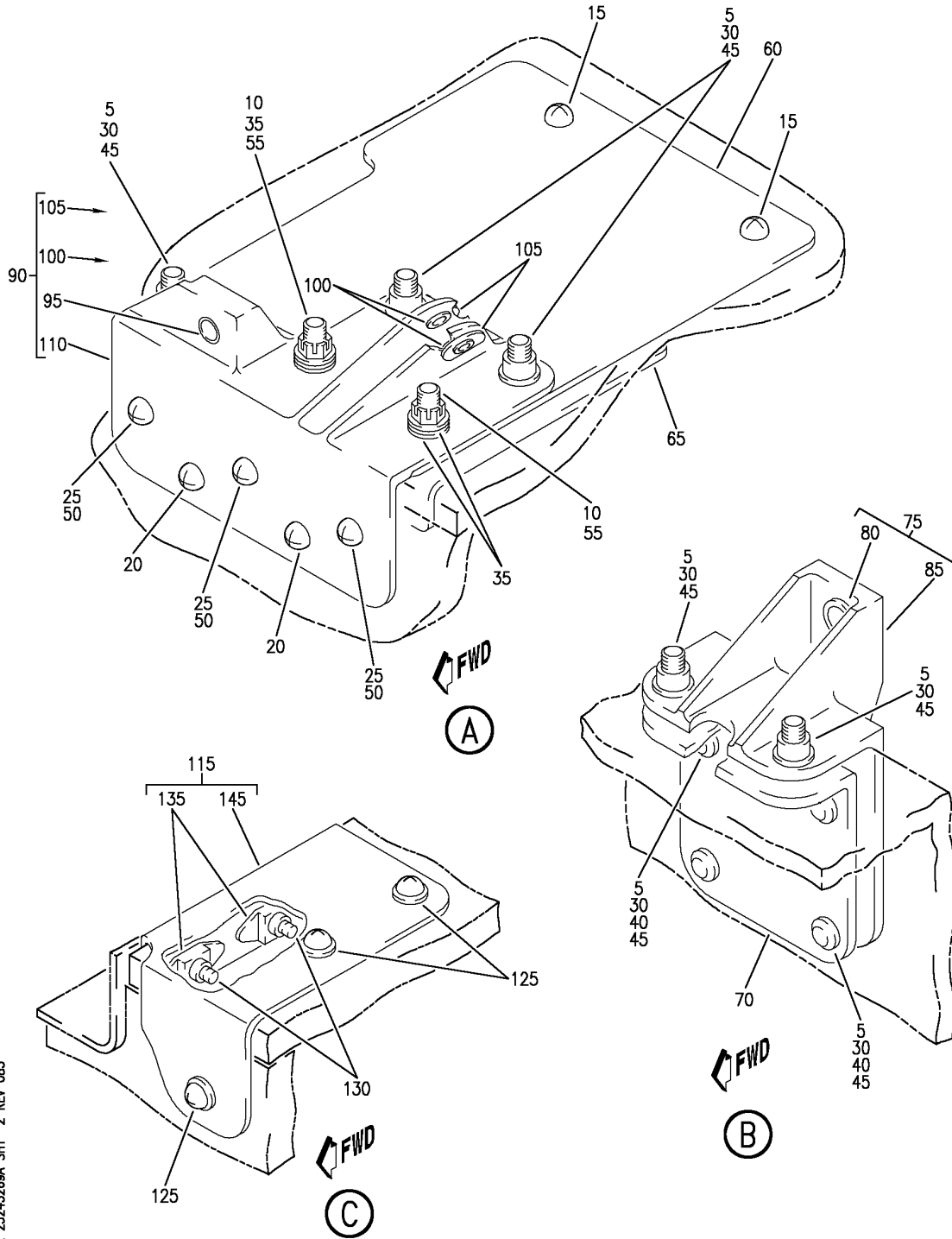
BOX ASSY-60 IN. BIN FWD LH
 FIGURE 69A (SHEET 1)

25-24-32-69A

HAP
 OCT 10/06

25-24-32-69A
 PAGE 0

BOEING
 737-600/700/800/900
 PARTS CATALOG (MAINTENANCE)



E 25243269A SHT 2 REV 083

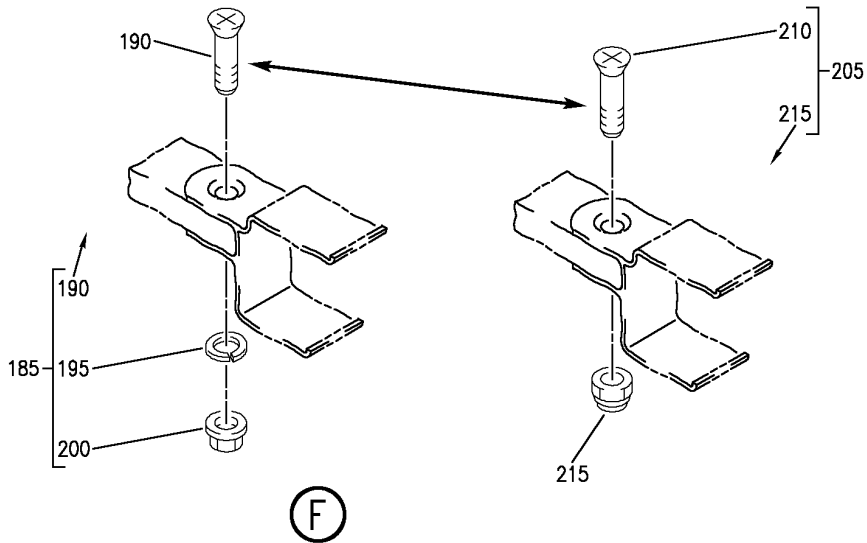
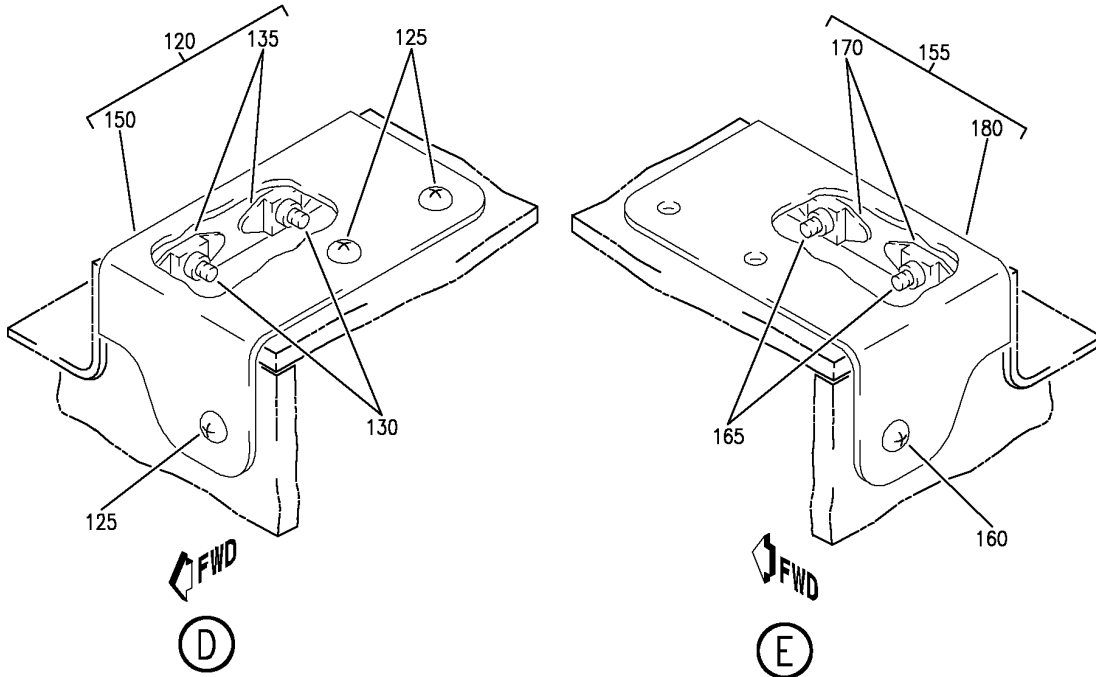
BOX ASSY-60 IN. BIN FWD LH
 FIGURE 69A (SHEET 2)

25-24-32-69A

HAP
 OCT 10/06

25-24-32-69A
 PAGE 0A

BOEING
 737-600/700/800/900
 PARTS CATALOG (MAINTENANCE)



E 25243269A SH1 3 REV 083

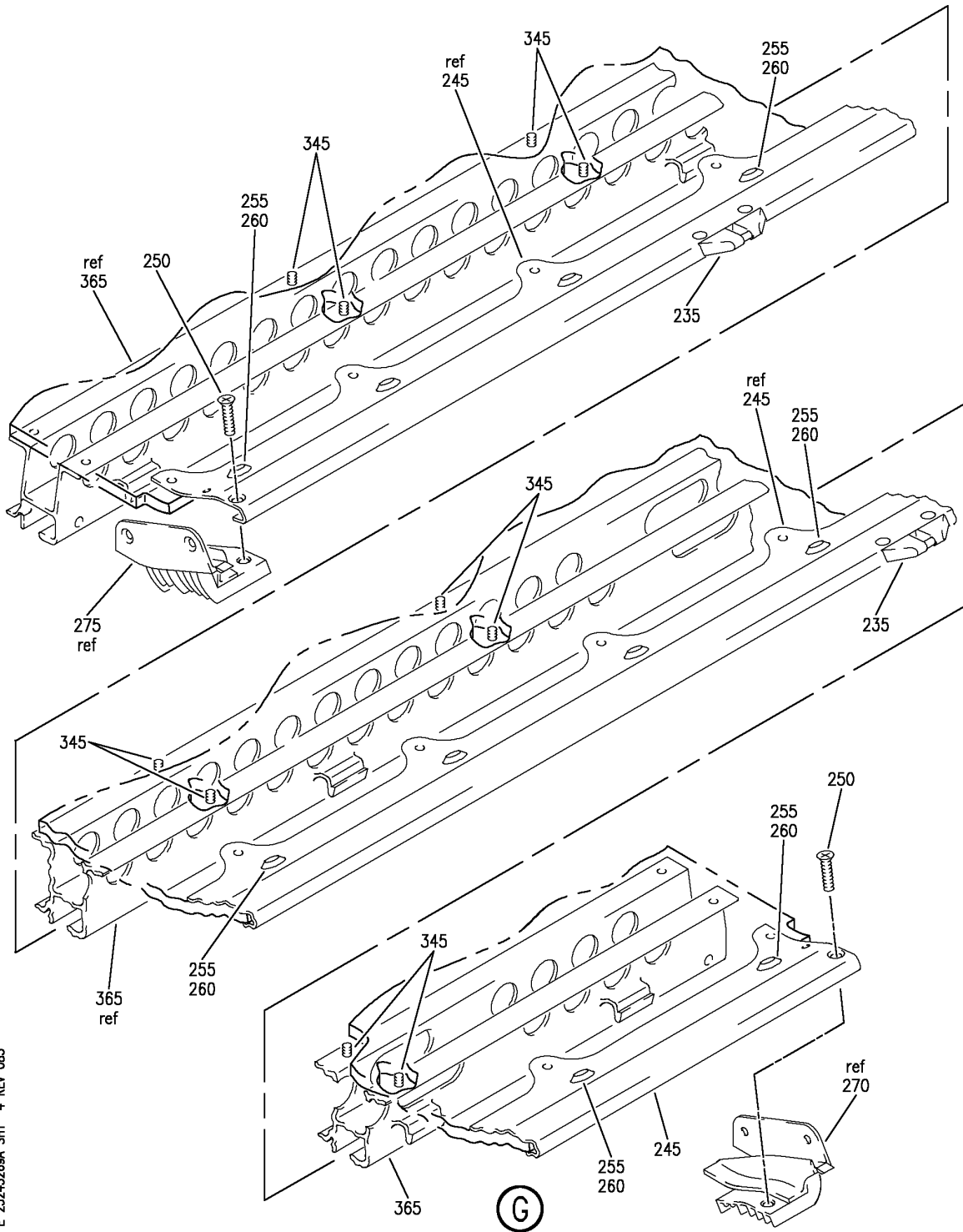
BOX ASSY-60 IN. BIN FWD LH
 FIGURE 69A (SHEET 3)

25-24-32-69A

HAP
 OCT 10/06

25-24-32-69A
 PAGE 0B

BOEING
 737-600/700/800/900
 PARTS CATALOG (MAINTENANCE)



E 25243269A SHT 4 REV 083

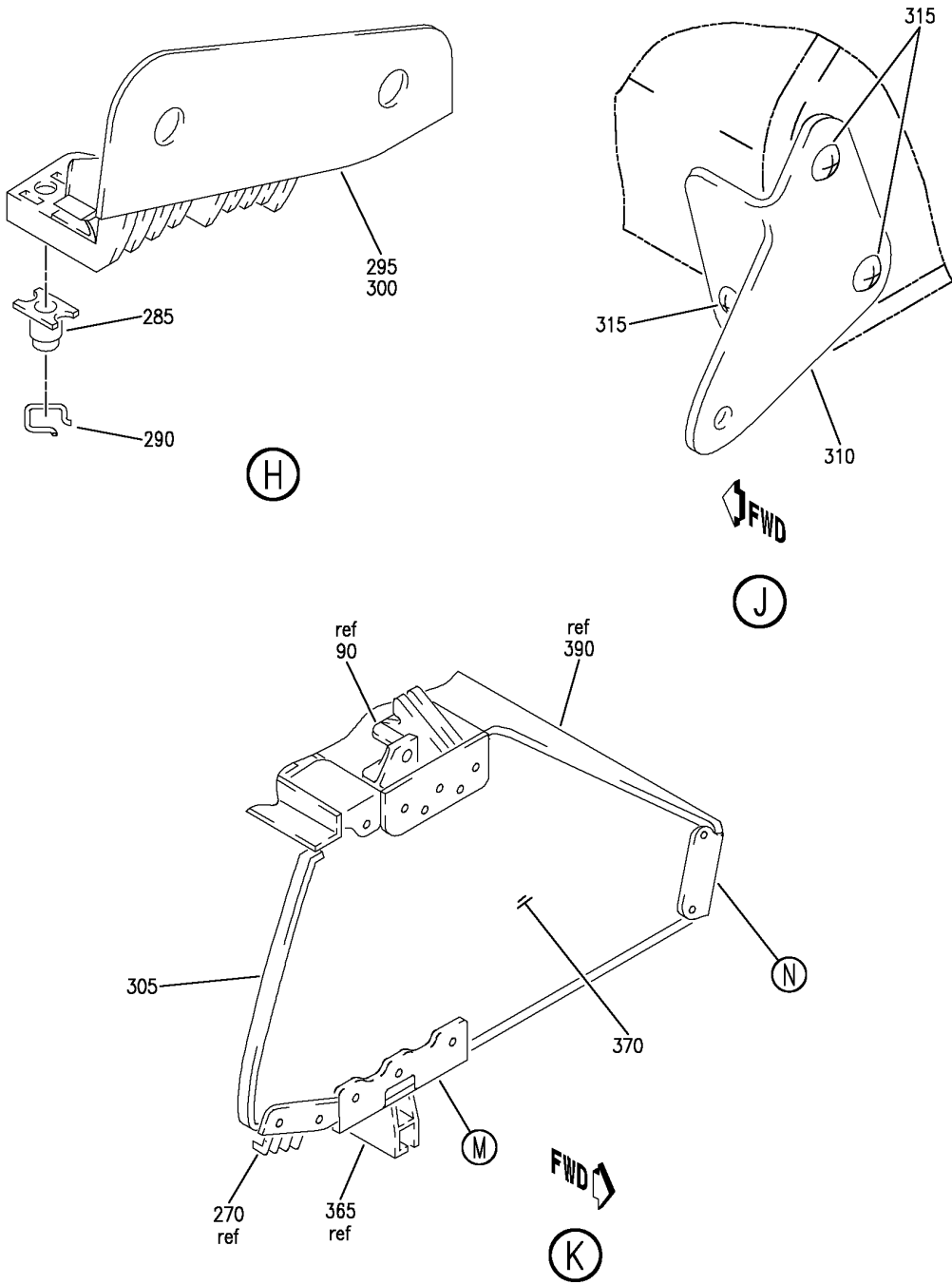
BOX ASSY-60 IN. BIN FWD LH
 FIGURE 69A (SHEET 4)

25-24-32-69A

HAP
 OCT 10/06

25-24-32-69A
 PAGE 0C

BOEING
 737-600/700/800/900
 PARTS CATALOG (MAINTENANCE)



E 25243269A SH1 5 REV 083

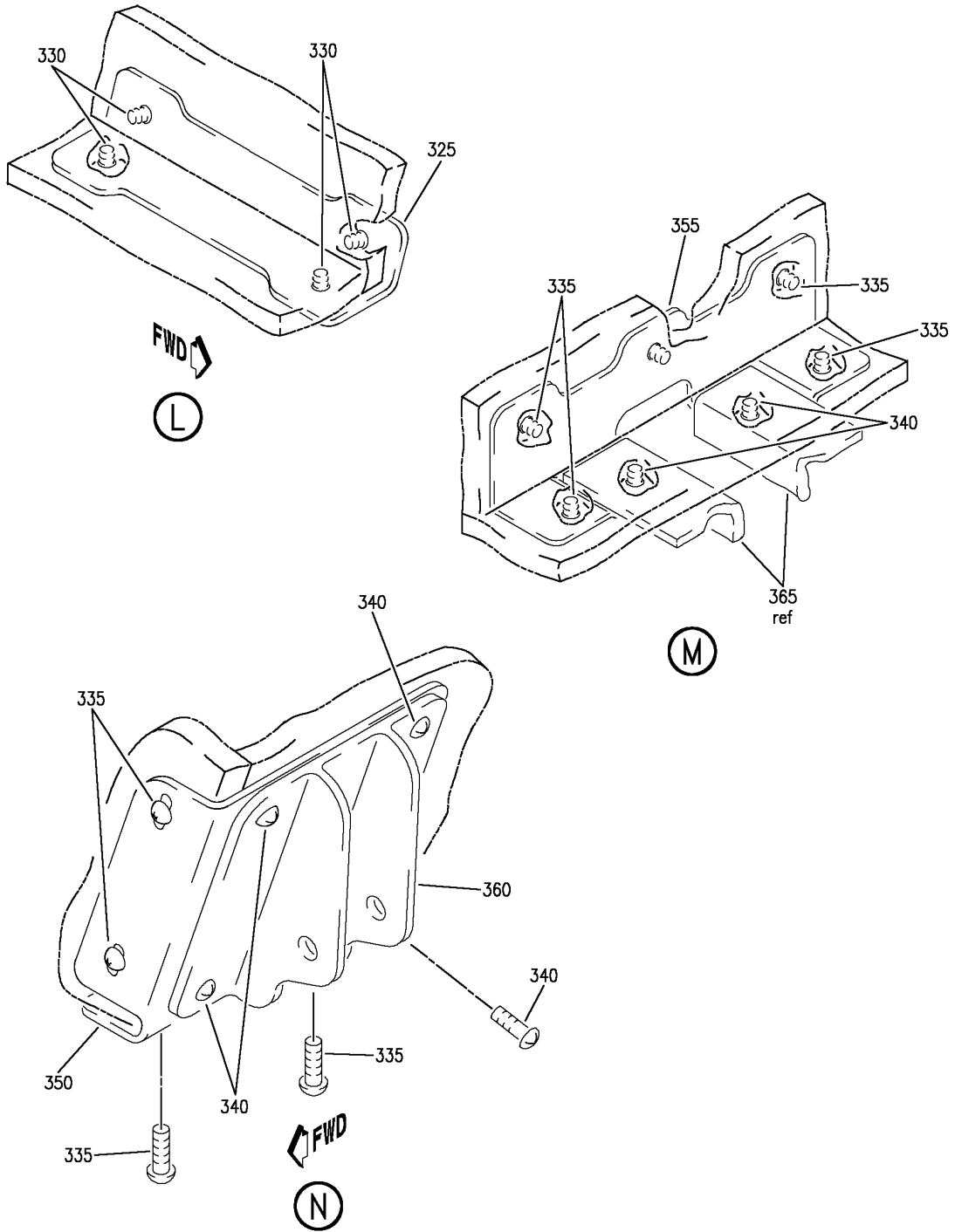
BOX ASSY-60 IN. BIN FWD LH
 FIGURE 69A (SHEET 5)

25-24-32-69A

HAP
 OCT 10/06

25-24-32-69A
 PAGE 0D

BOEING
 737-600/700/800/900
 PARTS CATALOG (MAINTENANCE)



E 25243269A SHIT 6 REV 083

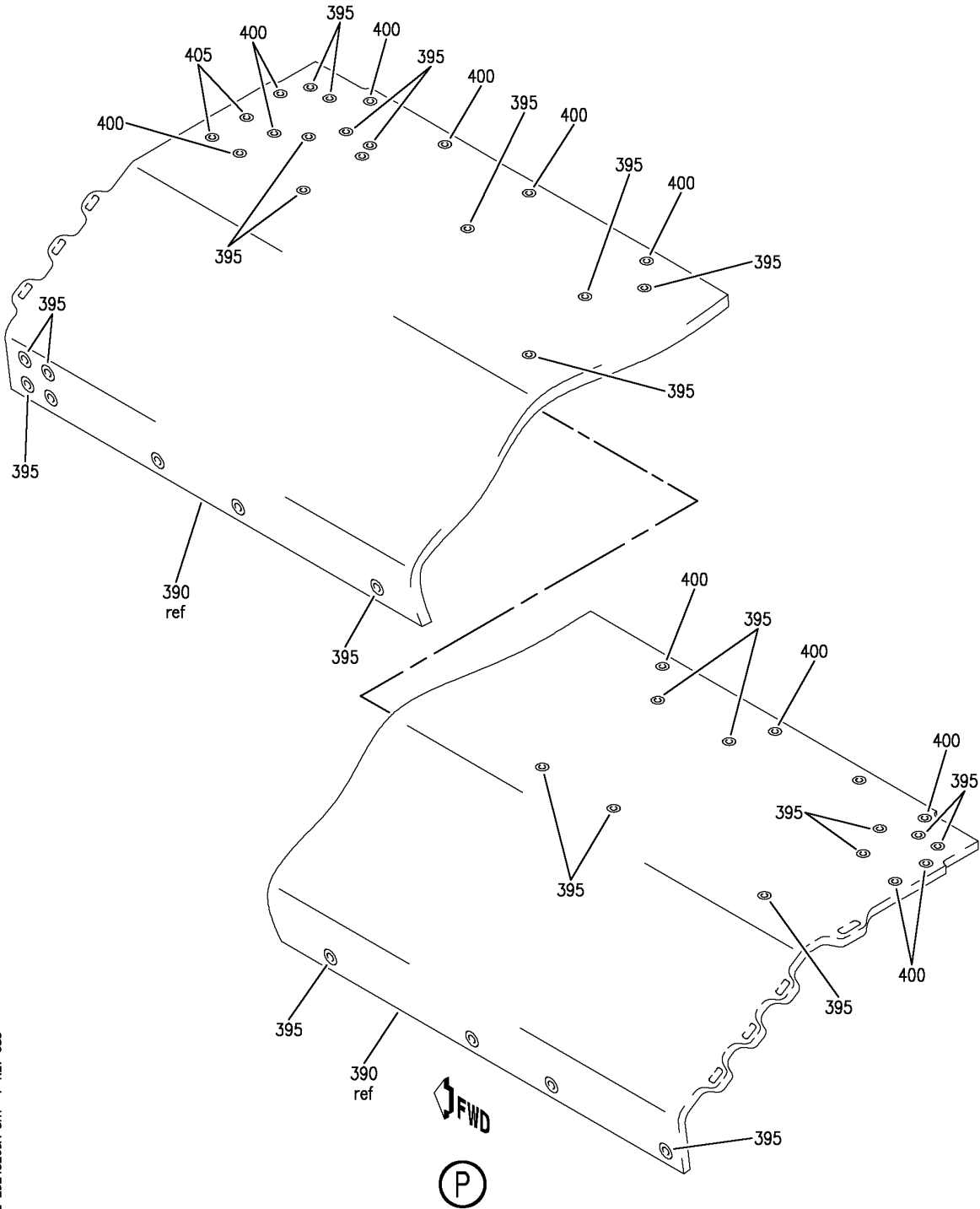
BOX ASSY-60 IN. BIN FWD LH
 FIGURE 69A (SHEET 6)

25-24-32-69A

HAP
 OCT 10/06

25-24-32-69A
 PAGE 0E

BOEING
 737-600/700/800/900
 PARTS CATALOG (MAINTENANCE)



E 25243269A SHT 7 REV 083

BOX ASSY-60 IN. BIN FWD LH
 FIGURE 69A (SHEET 7)

25-24-32-69A

HAP
 OCT 10/06

25-24-32-69A
 PAGE OF

BOEING
737-600/700/800/900
PARTS CATALOG (MAINTENANCE)

FIG ITEM	PART NUMBER	1 2 3 4 5 6 7	NOMENCLATURE	EFFECT FROM TO	UNITS PER ASSY
69A			BOX ASSY-60 IN. BIN FWD LH	002005 008030 201967	
- 1	412A1250-103SP		BOX ASSY-60 IN. BIN POSITION DATA: FWD LH OPTIONAL PART: 412A1250-1103SP FOR NHA SEE: 25-24-31-55	002005 008008	RF
- 1	412A1250-1103SP		BOX ASSY-60 IN. BIN POSITION DATA: FWD LH OPTIONAL PART: 412A1250-103SP FOR NHA SEE: 25-24-31-55	002005 008008	RF
- 1	412A1250-103A		BOX ASSY-60 IN. BIN POSITION DATA: FWD LH OPTIONAL PART: 412A1250-1103B FOR NHA SEE: 25-24-31-19 25-24-31-55	009030 201967	RF
- 1	412A1250-1103B		BOX ASSY-60 IN. BIN POSITION DATA: FWD LH OPTIONAL PART: 412A1250-103A FOR NHA SEE: 25-24-31-19 25-24-31-55	009030 201967	RF

MISSING ITEM NUMBERS NOT APPLICABLE

- ITEM NOT ILLUSTRATED

HAP

25-24-32-69A

BOEING PROPRIETARY - Copyright © - Unpublished Work - See title page for details.

25-24-32
FIG. 69A
PAGE 1
OCT 15/08

BOEING
737-600/700/800/900
PARTS CATALOG (MAINTENANCE)

FIG ITEM	PART NUMBER	1 2 3 4 5 6 7	NOMENCLATURE	EFFECT FROM TO	UNITS PER ASSY
69A 5	HL1012AZ6-10	.BOLT	SUPPLIER CODE: V97928 SPECIFICATION NUMBER: BACB30NX6K10 OPTIONAL PART: HL12VAZ6-10 V73197 HL12VAZ6-10 V92215 HL12VAZ6-10 V97928 L802-6K10 V06725 HL12VAZ6-10 V56878 HL1012AZ6-10 VOPTK6 HL1012AZ6-10 V06725 HL1012AZ6-10 V06950 HL1012AZ6-10 V17446 HL1012AZ6-10 V56878 HL1012AZ6-10 V60516 HL1012AZ6-10 V73197	002005 008030 201967	9
10	BACB30NR4DK10	.BOLT		002005 008030 201967	2
15	BACS12FA3K4	.SCREW		002005 008030 201967	2
20	BACS12FA3K5	.SCREW		002005 008030 201967	2
25	BACS12FA3K9	.SCREW		002005 008030 201967	3
30	BACW10BP3NDP	.WASHER-	OPTIONAL PART: NAS1149D0363J	002005 008030 201967	9
30	NAS1149D0363J	.WASHER-	OPTIONAL PART: BACW10BP3NDP	002005 008030 201967	9

MISSING ITEM NUMBERS NOT APPLICABLE

— ITEM NOT ILLUSTRATED

HAP

25-24-32-69A

BOEING PROPRIETARY - Copyright © - Unpublished Work - See title page for details.

25-24-32
FIG. 69A
PAGE 2
OCT 15/08

BOEING
737-600/700/800/900
PARTS CATALOG (MAINTENANCE)

FIG ITEM	PART NUMBER	1 2 3 4 5 6 7	NOMENCLATURE	EFFECT FROM TO	UNITS PER ASSY
69A					
35	NAS1149D0463J	.	WASHER	002005 008030 201967	6
40	NAS43HT3-24	.	SPACER	002005 008030 201967	4
45	HL1087-6	.	COLLAR- SUPPLIER CODE: V73197 SPECIFICATION NUMBER: BACC30BH6 OPTIONAL PART: HL1087-6 V56878 HL1087-6 V92215 HL1087-6 V9N513 BACC30BZ6	002005 008030 201967	9
45	HST1070CY6	.	COLLAR- SUPPLIER CODE: V5M902 SPECIFICATION NUMBER: BACC30BZ6 OPTIONAL PART: VLC1070CY6 V92215 HST1070CY6 V73197 BACC30BH6	002005 008030 201967	9
50	SL5-3-50C	.	NUT- SUPPLIER CODE: V97393	002005 008030 201967	3
55	BACN10JD104CD	.	NUT	002005 008030 201967	2
60	412A1220-74	.	DOUBLER-9G EXT	002005 008030 201967	1
65	412A1220-71A	.	DOUBLER-9G INTR	002005 008030 201967	1
70	412A1220-64A	.	DOUBLER-9G INTR	002005 008030 201967	1
75	412A1230-43	.	FITTING ASSY	002005 008030 201967	1

MISSING ITEM NUMBERS NOT APPLICABLE

— ITEM NOT ILLUSTRATED

HAP

25-24-32-69A

BOEING PROPRIETARY - Copyright © - Unpublished Work - See title page for details.

25-24-32
FIG. 69A
PAGE 3
OCT 15/08

BOEING
737-600/700/800/900
PARTS CATALOG (MAINTENANCE)

FIG ITEM	PART NUMBER	1 2 3 4 5 6 7	NOMENCLATURE	EFFECT FROM TO	UNITS PER ASSY
69A					
80	BCREF13195	..	BUSHING- OVERLENGTH PART NUMBER: BACB28AY06A035CG	002005 008030 201967	1
85	412A1230-45	..	FITTING	002005 008030 201967	1
90	412A1230-137	.	FITTING ASSY	002005 008030 201967	1
95	BCREF13195	..	BUSHING- OVERLENGTH PART NUMBER: BACB28AY06A035CG	002005 008030 201967	1
100	BACB28X4M010	..	BUSHING	002005 008030 201967	2
105	BACW10P273L	..	WASHER	002005 008030 201967	2
110	412A1230-53	..	FITTING	002005 008030 201967	1
115	412A1220-249	.	CORNER ASSY- OPTIONAL PART: 412A1220-5SP 412A1220-209 412A1220-5A USED ON: 412A1250-1103SP 412A1250-1103B	002005 008030 201967	1
120	412A1220-5SP	.	CORNER ASSY- OPTIONAL PART: 412A1220-209 412A1220-249	002005 008008	1
120	412A1220-5A	.	CORNER ASSY- OPTIONAL PART: 412A1220-209 412A1220-249	009030 201967	1
120	412A1220-209	.	CORNER ASSY- OPTIONAL PART: 412A1220-5SP 412A1220-249 412A1220-5A USED ON: 412A1250-1103SP 412A1250-1103B	002005 008030 201967	1
125	BACS12FA3K4	.	ATTACHING PARTS SCREW	002005 008030 201967	3

MISSING ITEM NUMBERS NOT APPLICABLE

— ITEM NOT ILLUSTRATED

HAP

25-24-32-69A

BOEING PROPRIETARY - Copyright © - Unpublished Work - See title page for details.

25-24-32
FIG. 69A
PAGE 4
OCT 15/08

BOEING
737-600/700/800/900
PARTS CATALOG (MAINTENANCE)

FIG ITEM	PART NUMBER	1 2 3 4 5 6 7	NOMENCLATURE	EFFECT FROM TO	UNITS PER ASSY
69A 130	BACS12FA3K7	.	SCREW	002005 008030 201967	2
135	BRF200C3D	-----*----- ..	NUTPLATE SUPPLIER CODE: V52828 SPECIFICATION NUMBER: BACN10JR3CFD OPTIONAL PART: K51602-3BAC V15653 NS202476-02 V80539 102F9201-3 V72962 T8092C1032CD V11815 ATTACHING PARTS	002005 008030 201967	2
- 140	BACR15CE3D	..	RIVET- SIZE DETERMINED ON INSTL.	002005 008030 201967	4
145	412A1220-251	..	REINFORCEMENT- USED ON: 412A1220-249	002005 008030 201967	1
150	412A1220-7SP	..	REINFORCEMENT	002005 008008	1
150	412A1220-7A	..	REINFORCEMENT	009030 201967	1
150	412A1220-211	..	REINFORCEMENT- USED ON: 412A1220-209	002005 008030 201967	1
155	412A1220-66SP	.	CORNER ASSY- OPTIONAL PART: 412A1220-218	002005 008008	1
155	412A1220-66A	.	CORNER ASSY- OPTIONAL PART: 412A1220-218	009030 201967	1
155	412A1220-218	.	CORNER ASSY- OPTIONAL PART: 412A1220-66SP 412A1220-66A USED ON: 412A1250-1103SP 412A1250-1103B	002005 008030 201967	1

MISSING ITEM NUMBERS NOT APPLICABLE

- ITEM NOT ILLUSTRATED

HAP

25-24-32-69A

BOEING PROPRIETARY - Copyright © - Unpublished Work - See title page for details.

25-24-32
FIG. 69A
PAGE 5
OCT 15/08

BOEING
737-600/700/800/900
PARTS CATALOG (MAINTENANCE)

FIG ITEM	PART NUMBER	1 2 3 4 5 6 7	NOMENCLATURE	EFFECT FROM TO	UNITS PER ASSY
69A			ATTACHING PARTS		
160	BACS12FA3K4		.SCREW	002005 008030 201967	1
165	BACS12FA3K7		.SCREW	002005 008030 201967	2
170	BRF200C3D		-----*----- ..NUTPLATE SUPPLIER CODE: V52828 SPECIFICATION NUMBER: BACN10JR3CFD OPTIONAL PART: K51602-3BAC V15653 NS202476-02 V80539 102F9201-3 V72962 T8092C1032CD V11815 ATTACHING PARTS	002005 008030 201967	2
- 175	BACR15CE3D		..RIVET- SIZE DETERMINED ON INSTL.	002005 008030 201967	4
180	412A1220-68SP		-----*----- ..REINFORCEMENT	002005 008008	1
180	412A1220-68A		..REINFORCEMENT	009030 201967	1
180	412A1220-220		..REINFORCEMENT- USED ON:	002005 008030	1
185	412A1340-16		412A1220-218 .FASTENER ASSY-KIT OPTIONAL PART: 412A1340-17 USED ON: 412A1250-1103SP 412A1250-1103B	201967 002005 008030 201967	4
190	BACB30VF3K7		..BOLT	002005 008030 201967	1
195	BACW10EC3S		..WASHER	002005 008030 201967	1

MISSING ITEM NUMBERS NOT APPLICABLE

- ITEM NOT ILLUSTRATED

HAP

25-24-32-69A

BOEING PROPRIETARY - Copyright © - Unpublished Work - See title page for details.

25-24-32
FIG. 69A
PAGE 6
OCT 15/08

BOEING
737-600/700/800/900
PARTS CATALOG (MAINTENANCE)

FIG ITEM	PART NUMBER	1 2 3 4 5 6 7	NOMENCLATURE	EFFECT FROM TO	UNITS PER ASSY
69A 200	PLH53C	. .	NUT SUPPLIER CODE: V62554 SPECIFICATION NUMBER: BACN10YR3C OPTIONAL PART: H52732-3C V15653	002005 008030 201967	1
205	412A1340-17	. .	FASTENER ASSY-KIT OPTIONAL PART: 412A1340-16 USED ON: 412A1250-1103SP 412A1250-1103B	002005 008030 201967	4
210	BACB30VF3K8	. .	BOLT	002005 008030 201967	1
215	F22K1-02	. .	NUT SUPPLIER CODE: V72962 SPECIFICATION NUMBER: BACN10R10L OPTIONAL PART: 22K1-02 V72962 26CLO2 V80539	002005 008030 201967	1
220	BACB30VF3K8	. .	BOLT- USED ON: 412A1250-103SP 412A1250-103A	002005 008030 201967	4
225	F22K1-02	. .	NUT- SUPPLIER CODE: V72962 SPECIFICATION NUMBER: BACN10R10L OPTIONAL PART: 22K1-02 V72962 26CLO2 V80539 USED ON: 412A1250-103SP 412A1250-103A	002005 008030 201967	4
230	412A1247-3SP	. .	EXTRUSION-DOOR CLOSEOUT	002005 008008	1
230	412A1247-3A	. .	EXTRUSION-DOOR CLOSEOUT	009030 201967	1

MISSING ITEM NUMBERS NOT APPLICABLE

— ITEM NOT ILLUSTRATED

HAP

25-24-32-69A

BOEING PROPRIETARY - Copyright © - Unpublished Work - See title page for details.

25-24-32
FIG. 69A
PAGE 7
OCT 15/08

BOEING
737-600/700/800/900
PARTS CATALOG (MAINTENANCE)

FIG ITEM	PART NUMBER	1 2 3 4 5 6 7	NOMENCLATURE	EFFECT FROM TO	UNITS PER ASSY
69A 235	HA225-3		. STRIKE- SUPPLIER CODE: V83014 SPECIFICATION NUMBER: S412A001-6	002005 008030 201967	2
235	HA225-11		. STRIKE- SUPPLIER CODE: V83014 SPECIFICATION NUMBER: S412A001-16	002005 008030 201967	2
- 240	BACS12ER08K5		ATTACHING PARTS . SCREW	002005 008030 201967	4
245	412A1242-2		-----*----- . EXTRUSION-SHELF	002005 008030 201967	1
250	BACS12ER3K6		ATTACHING PARTS . SCREW	002005 008030 201967	2
255	BACS12ER3K5		. SCREW	002005 008030 201967	10
260	H3-1233A3		. WASHER- SUPPLIER CODE: V34941 SPECIFICATION NUMBER: S411A001-1	002005 008030 201967	10
265	412A1252-5		-----*----- . RETAINER	002005 008030 201967	1
270	412A1475-4SP		. FITTING ASSY-SPRT	002005 008008	1
270	412A1475-4A		. FITTING ASSY-SPRT	009030 201967	1
275	412A1475-3SP		. FITTING ASSY-SPRT	002005 008008	1
275	412A1475-3A		. FITTING ASSY-SPRT	009030 201967	1
- 280	BACS12ER3K5		ATTACHING PARTS . SCREW	002005 008030 201967	4
			-----*-----		

MISSING ITEM NUMBERS NOT APPLICABLE

- ITEM NOT ILLUSTRATED

HAP

25-24-32-69A

BOEING PROPRIETARY - Copyright © - Unpublished Work - See title page for details.

25-24-32
FIG. 69A
PAGE 8
OCT 15/08

BOEING
737-600/700/800/900
PARTS CATALOG (MAINTENANCE)

FIG ITEM	PART NUMBER	1 2 3 4 5 6 7	NOMENCLATURE	EFFECT FROM TO	UNITS PER ASSY
69A 285	BACN11F3-1CD	..	NUT	002005 008030 201967	1
290	NAS1795-3	..	CLIP	002005 008030 201967	1
295	412A1475-2SP	..	FITTING- USED ON: 412A1475-4SP	002005 008008	1
295	412A1475-2A	..	FITTING- USED ON: 412A1475-4A	009030 201967	1
300	412A1475-1SP	..	FITTING- USED ON: 412A1475-3SP	002005 008008	1
300	412A1475-1A	..	FITTING- USED ON: 412A1475-3A	009030 201967	1
305	412A1450-1SP	.	TRIM	002005 008008	2
305	412A1450-1A	.	TRIM	009030 201967	2
310	412A1230-73	.	FITTING	002005 008030 201967	1
			ATTACHING PARTS		
315	BACs12FA3K6	.	SCREW- USED ON: 412A1250-103SP 412A1250-103A	002005 008030 201967	3
315	BACs12FA3K5	.	SCREW- USED ON: 412A1250-1103SP 412A1250-1103B	002005 008030 201967	3
			-----*-----		
320	412A1200-25	.	CLIP	002005 008030 201967	1
325	412A1220-4	.	ANGLE	002005 008030 201967	3
			ATTACHING PARTS		
330	BACs12FA3K4	.	SCREW	002005 008030 201967	12
			-----*-----		
335	BACs12FA3K4	.	SCREW	002005 008030 201967	14

MISSING ITEM NUMBERS NOT APPLICABLE

— ITEM NOT ILLUSTRATED

HAP

25-24-32-69A

BOEING PROPRIETARY - Copyright © - Unpublished Work - See title page for details.

25-24-32
FIG. 69A
PAGE 9
OCT 15/08

BOEING
737-600/700/800/900
PARTS CATALOG (MAINTENANCE)

FIG ITEM	PART NUMBER	1 2 3 4 5 6 7	NOMENCLATURE	EFFECT FROM TO	UNITS PER ASSY
69A 340	BACS12FA3K6	. SCREW-	USED ON: 412A1250-103SP 412A1250-103A	002005 008030 201967	8
340	BACS12FA3K5	. SCREW-	USED ON: 412A1250-1103SP 412A1250-1103B	002005 008030 201967	8
345	BACS12FA3K5	. SCREW		002005 008030 201967	10
350	412A1220-41	. CORNER-GUSSET		002005 008030 201967	1
355	412A1220-9A	. ANGLE-	OPTIONAL PART: 412A1220-205	002005 008030 201967	2
355	412A1220-205	. ANGLE-	OPTIONAL PART: 412A1220-9A USED ON: 412A1250-1103SP 412A1250-1103B	002005 008030 201967	2
360	412A1230-135	. FITTING ASSY		002005 008030 201967	1
365	412A1245-4	. RAIL		002005 008030 201967	1
370	412A1212-167SP	. PANEL ASSY-END	USED ON: 412A1250-103SP	002005 008008	1
370	412A1212-1167SP	. PANEL ASSY-END	USED ON: 412A1250-1103SP	002005 008008	1
370	412A1212-167B	. PANEL ASSY-END	USED ON: 412A1250-103A	009030 201967	1
370	412A1212-1167B	. PANEL ASSY-END	USED ON: 412A1250-1103B	009030 201967	1
- 375	SL2334-3A1	. . INSERT-	SUPPLIER CODE: V97393	002005 008030 201967	13
380	412A1212-125SP	. PANEL ASSY-END	USED ON: 412A1250-103SP	002005 008008	1

MISSING ITEM NUMBERS NOT APPLICABLE

- ITEM NOT ILLUSTRATED

HAP

25-24-32-69A

BOEING PROPRIETARY - Copyright © - Unpublished Work - See title page for details.

25-24-32
FIG. 69A
PAGE 10
OCT 15/08

BOEING
737-600/700/800/900
PARTS CATALOG (MAINTENANCE)

FIG ITEM	PART NUMBER	1 2 3 4 5 6 7	NOMENCLATURE	EFFECT FROM TO	UNITS PER ASSY
69A 380	412A1212-1125SP	.	PANEL ASSY-END USED ON: 412A1250-1103SP	002005 008008	1
380	412A1212-125A	.	PANEL ASSY-END USED ON: 412A1250-103A	009030 201967	1
380	412A1212-1125B	.	PANEL ASSY-END USED ON: 412A1250-1103B	009030 201967	1
- 385	SL2334-3A1	..	INSERT- SUPPLIER CODE: V97393	002005 008030 201967	11
390	412A1210-111SP	.	PANEL ASSY-SHELL USED ON: 412A1250-103SP	002005 008008	1
390	412A1210-1111SP	.	PANEL ASSY-SHELL USED ON: 412A1250-1103SP	002005 008008	1
390	412A1210-111A	.	PANEL ASSY-SHELL USED ON: 412A1250-103A	009030 201967	1
390	412A1210-1111B	.	PANEL ASSY-SHELL USED ON: 412A1250-1103B	009030 201967	1
395	SL2334-3A1	..	INSERT- SUPPLIER CODE: V97393	002005 008030 201967	31
400	BCREF128023	..	INSERT- SUPPLIER CODE: V97393 OVERLENGTH PART NUMBER: SL603-3-375ASP13	002005 008030 201967	13
405	BCREF130325	..	INSERT- SUPPLIER CODE: V97393 OVERLENGTH PART NUMBER: SL603-4-375ASP24 OPTIONAL PART: 412A1230-59	002005 008030 201967	2
405	412A1230-59	..	INSERT- OPTIONAL PART: BCREF130325	002005 008030 201967	2
410	412A1211-113SP	.	PANEL ASSY-SHELF USED ON: 412A1250-103SP	002005 008008	1
410	412A1211-1113SP	.	PANEL ASSY-SHELF USED ON: 412A1250-1103SP	002005 008008	1

MISSING ITEM NUMBERS NOT APPLICABLE

- ITEM NOT ILLUSTRATED

HAP

25-24-32-69A

BOEING PROPRIETARY - Copyright © - Unpublished Work - See title page for details.

25-24-32
FIG. 69A
PAGE 11
OCT 15/08

BOEING
737-600/700/800/900
PARTS CATALOG (MAINTENANCE)

FIG ITEM	PART NUMBER	1 2 3 4 5 6 7	NOMENCLATURE	EFFECT FROM TO	UNITS PER ASSY
69A 410	412A1211-113A	.	PANEL ASSY-SHELF USED ON: 412A1250-103A	009030 201967	1
410	412A1211-1113B	.	PANEL ASSY-SHELF USED ON: 412A1250-1103B	009030 201967	1
- 415	SL2334-3A1	..	INSERT- SUPPLIER CODE: V97393	002005 008030 201967	66

MISSING ITEM NUMBERS NOT APPLICABLE

- ITEM NOT ILLUSTRATED

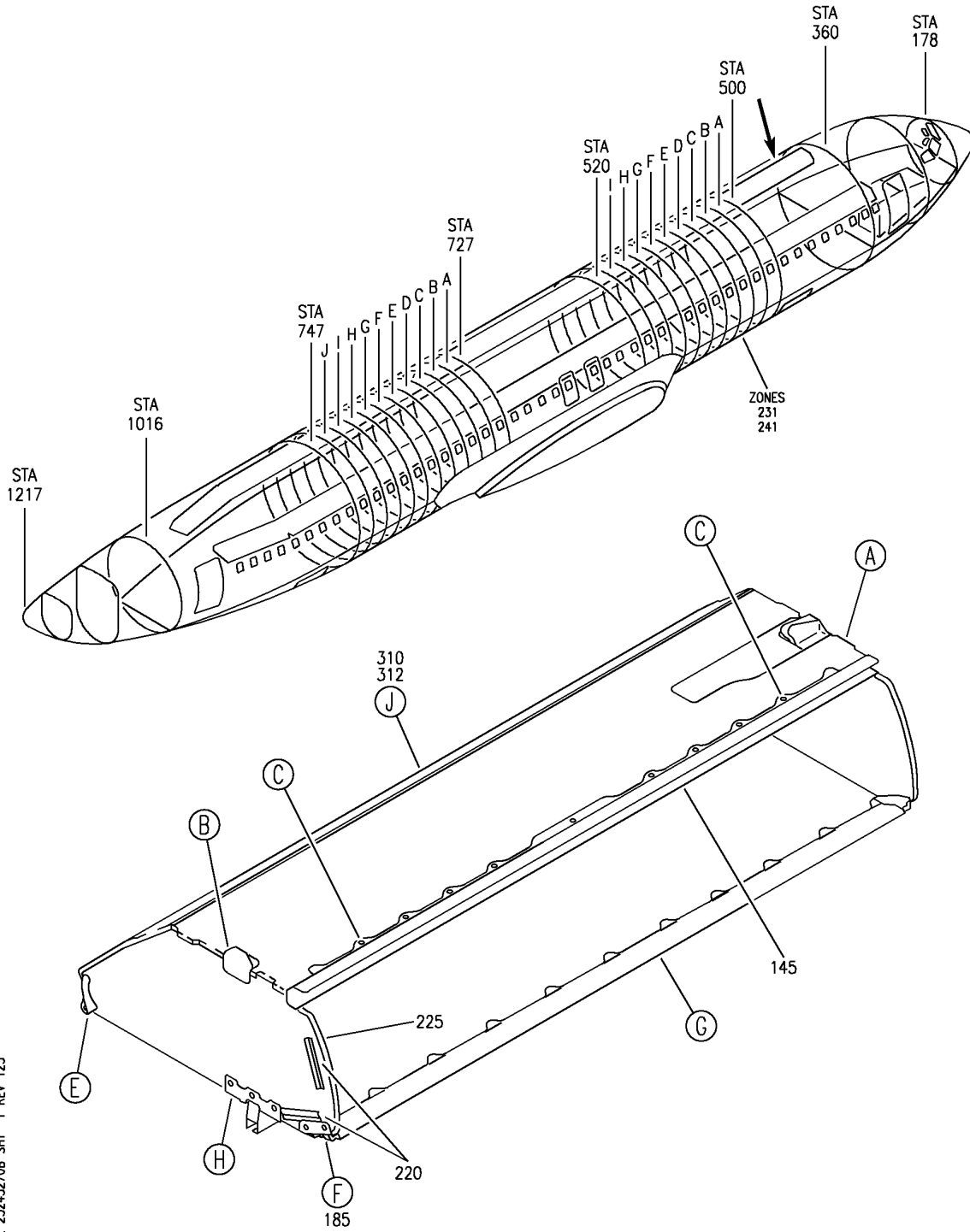
HAP

25-24-32-69A

BOEING PROPRIETARY - Copyright © - Unpublished Work - See title page for details.

25-24-32
FIG. 69A
PAGE 12
OCT 15/08

BOEING
 737-600/700/800/900
 PARTS CATALOG (MAINTENANCE)



E 2524-3270B SHT 1 REV 125

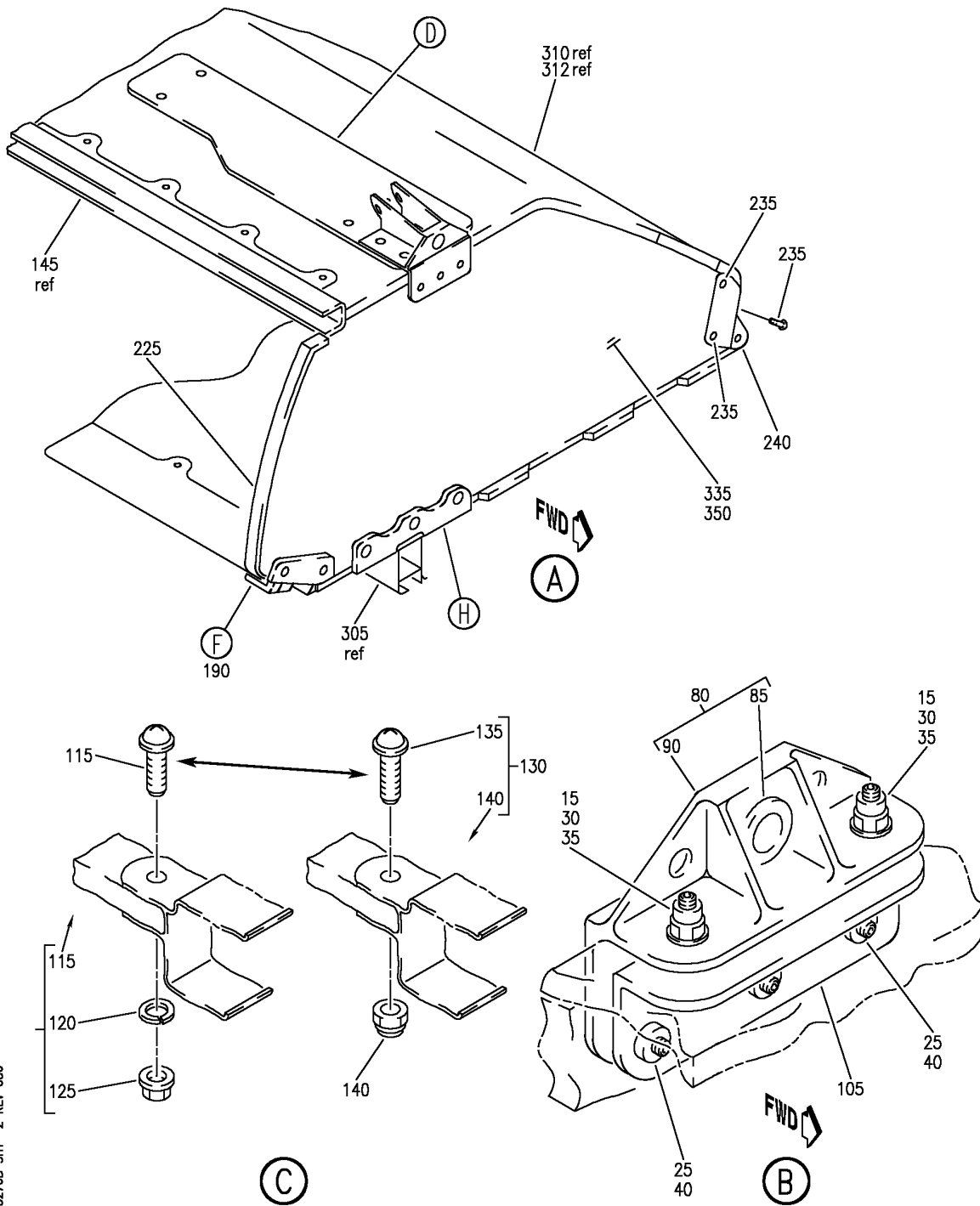
BOX ASSY-LH 70 IN. BIG BIN
 FIGURE 70B (SHEET 1)

25-24-32-70B

HAP
 FEB 10/07

25-24-32-70B
 PAGE 0

BOEING
 737-600/700/800/900
 PARTS CATALOG (MAINTENANCE)



E 25243270B SHT 2 REV 086

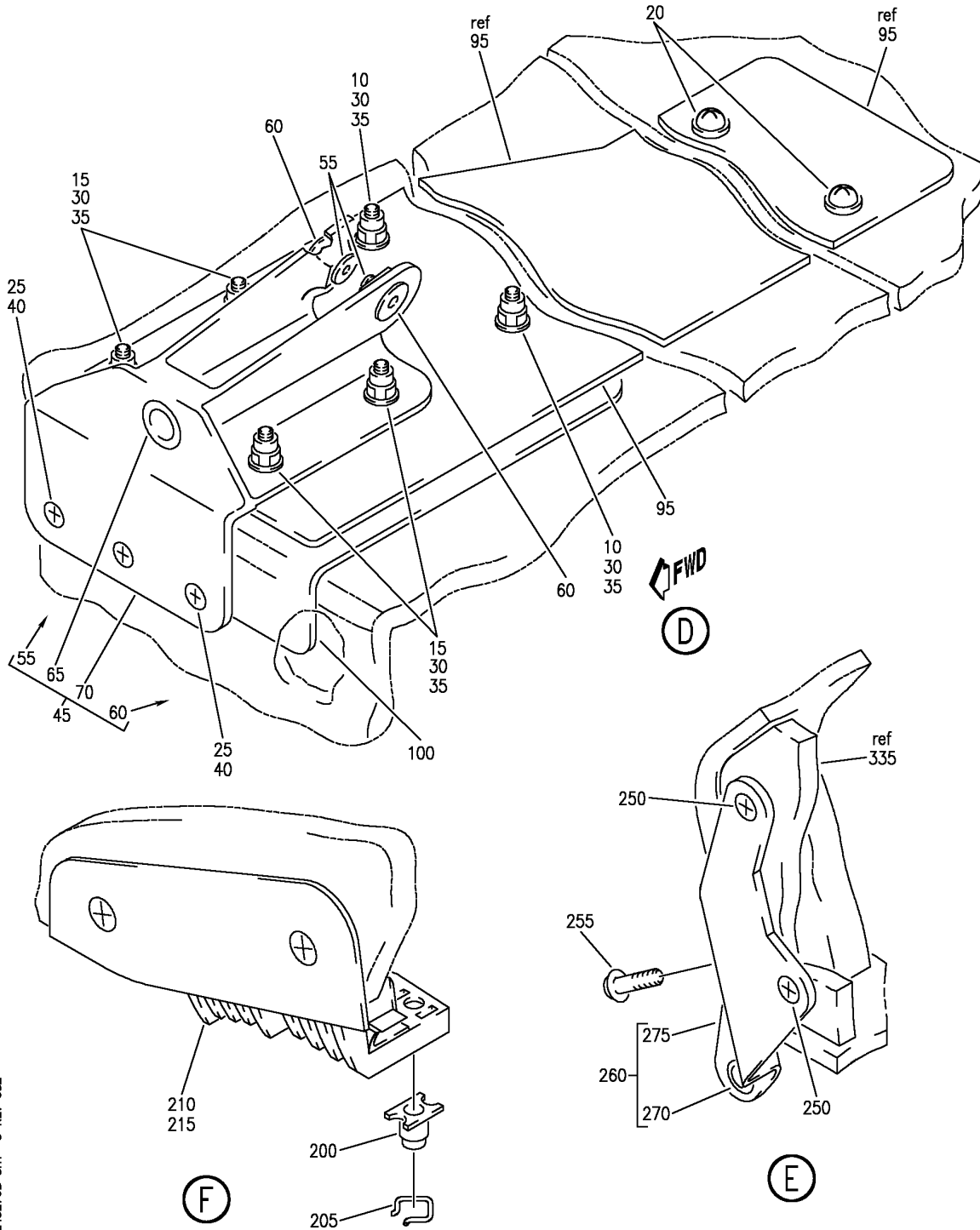
BOX ASSY-LH 70 IN. BIG BIN
 FIGURE 70B (SHEET 2)

25-24-32-70B

HAP
 FEB 10/07

25-24-32-70B
 PAGE 0A

BOEING
 737-600/700/800/900
 PARTS CATALOG (MAINTENANCE)



E 25243270B SHT 3 REV 082

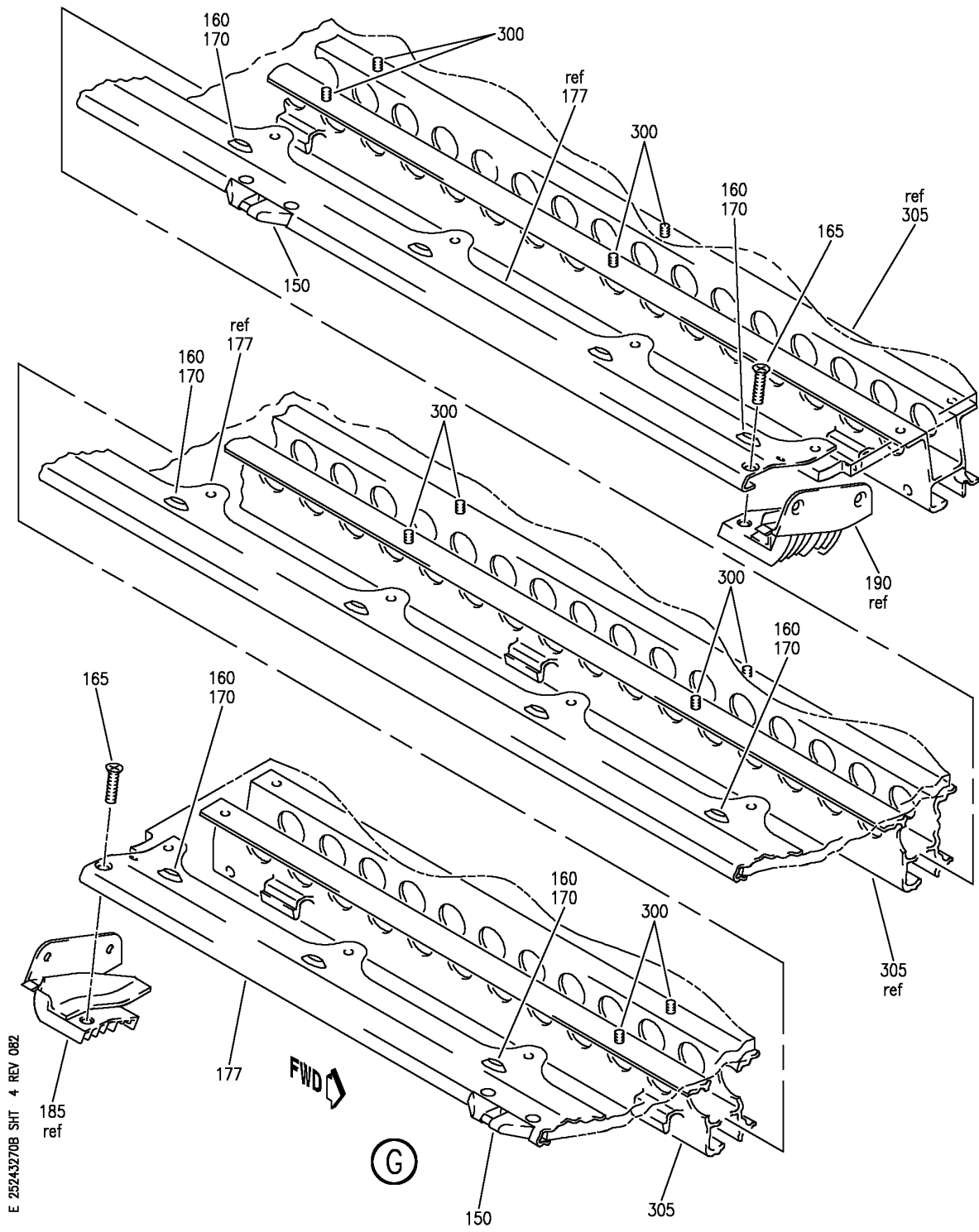
BOX ASSY-LH 70 IN. BIG BIN
 FIGURE 70B (SHEET 3)

25-24-32-70B

HAP
 FEB 10/07

25-24-32-70B
 PAGE 0B

BOEING
 737-600/700/800/900
 PARTS CATALOG (MAINTENANCE)



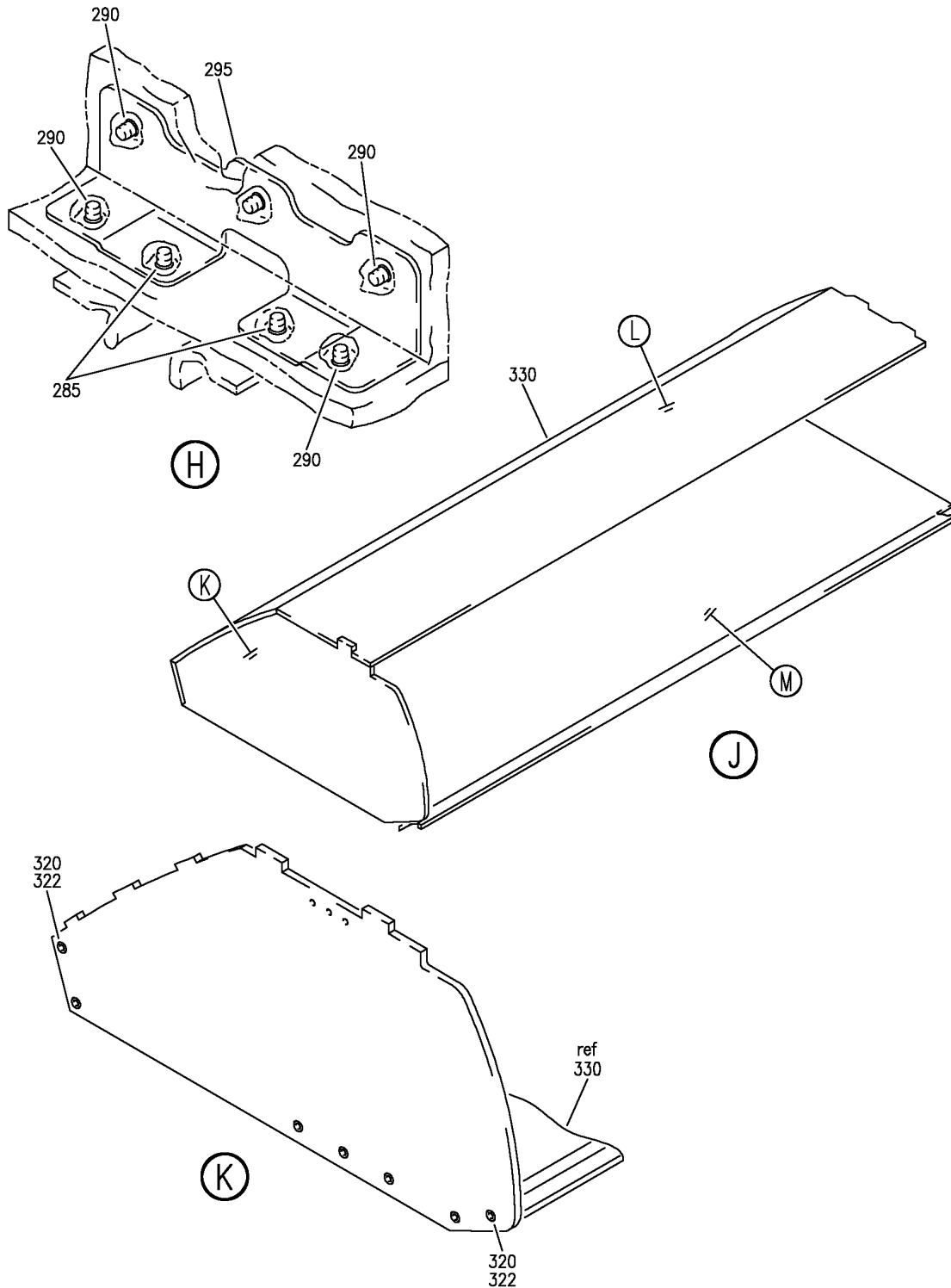
BOX ASSY-LH 70 IN. BIG BIN
 FIGURE 70B (SHEET 4)

25-24-32-70B

HAP
 FEB 10/07

25-24-32-70B
 PAGE 0C

BOEING
 737-600/700/800/900
 PARTS CATALOG (MAINTENANCE)



E 25243270B SHT 5 REV 086

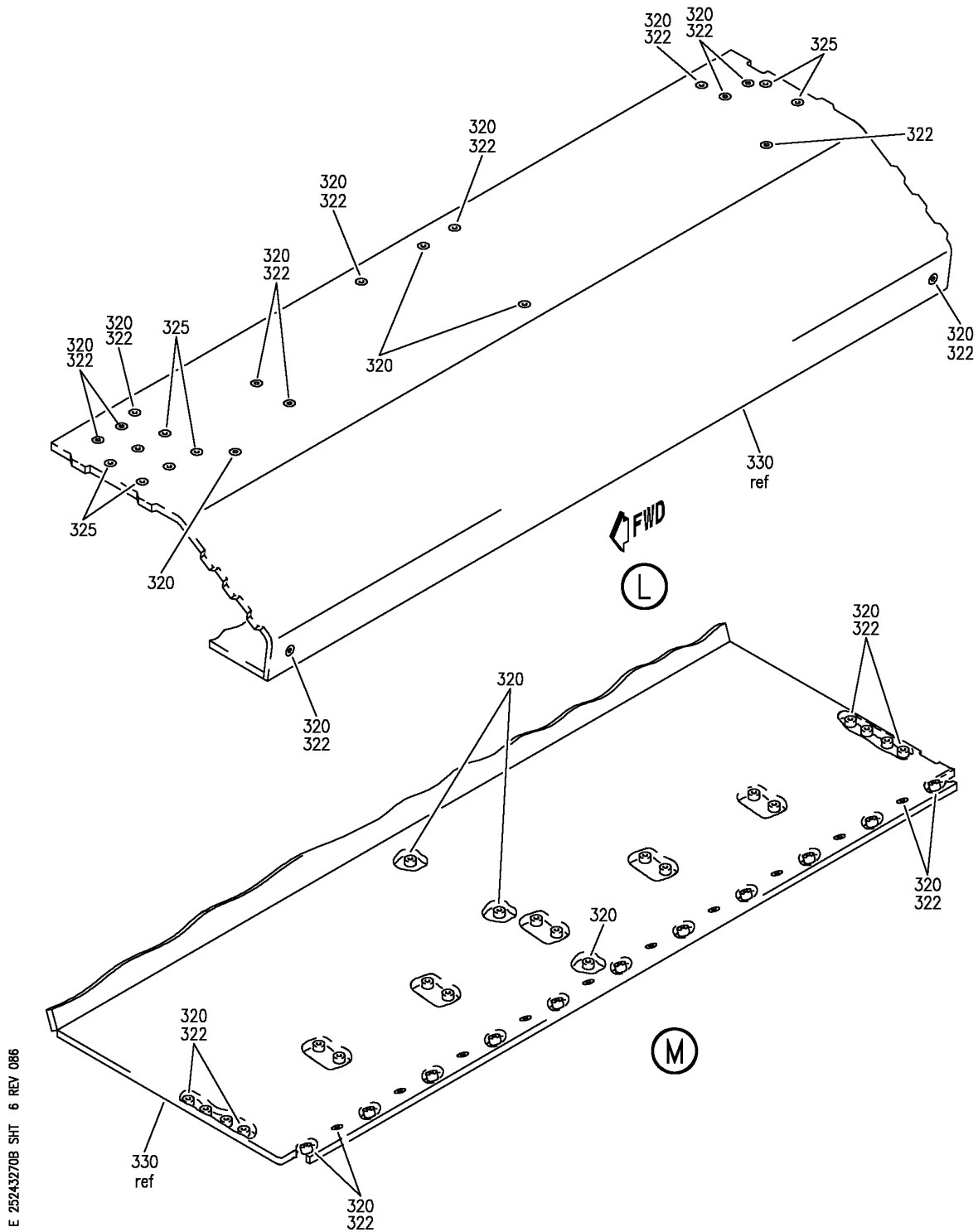
BOX ASSY-LH 70 IN. BIG BIN
 FIGURE 70B (SHEET 5)

25-24-32-70B

HAP
 FEB 10/07

25-24-32-70B
 PAGE 0D

BOEING
737-600/700/800/900
PARTS CATALOG (MAINTENANCE)



E 25243270B SHT 6 REV 086

BOX ASSY-LH 70 IN. BIG BIN
 FIGURE 70B (SHEET 6)

25-24-32-70B

HAP
 FEB 10/07

25-24-32-70B
 PAGE 0E

BOEING
737-600/700/800/900
PARTS CATALOG (MAINTENANCE)

FIG ITEM	PART NUMBER	1 2 3 4 5 6 7	NOMENCLATURE	EFFECT FROM TO	UNITS PER ASSY
70B					
- 1	412A1205-37B		BOX ASSY-LH 70 IN. BIG BIN BOX ASSY-70 IN. BIG BIN POSITION DATA: LH FOR NHA SEE: 25-24-31-71E 25-24-31-71L	031100 031100	RF
10	HL1012AZ6-9		.BOLT SUPPLIER CODE: V97928 SPECIFICATION NUMBER: BACB30NX6K9 OPTIONAL PART: HL12VAZ6-9 V73197 HL12VAZ6-9 V92215 HL12VAZ6-9 V97928 L802-6K9 V06725 HL12VAZ6-9 V56878 HL1012AZ6-9 VOPTK6 HL1012AZ6-9 V06725 HL1012AZ6-9 V06950 HL1012AZ6-9 V17446 HL1012AZ6-9 V56878 HL1012AZ6-9 V60516 HL1012AZ6-9 V73197	031100	2

MISSING ITEM NUMBERS NOT APPLICABLE

- ITEM NOT ILLUSTRATED

HAP

25-24-32-70B

BOEING PROPRIETARY - Copyright © - Unpublished Work - See title page for details.

25-24-32
FIG. 70B
PAGE 1
OCT 10/07

BOEING
737-600/700/800/900
PARTS CATALOG (MAINTENANCE)

FIG ITEM	PART NUMBER	1 2 3 4 5 6 7	NOMENCLATURE	EFFECT FROM TO	UNITS PER ASSY
70B 15	HL1012AZ6-11	.BOLT	SUPPLIER CODE: V97928 SPECIFICATION NUMBER: BACB30NX6K11 OPTIONAL PART: HL12VAZ6-11 V73197 HL12VAZ6-11 V92215 HL12VAZ6-11 V97928 L802-6K11 V06725 HL12VAZ6-11 V56878 HL1012AZ6-11 VOPTK6 HL1012AZ6-11 V06725 HL1012AZ6-11 V06950 HL1012AZ6-11 V17446 HL1012AZ6-11 V56878 HL1012AZ6-11 V60516 HL1012AZ6-11 V73197	031100	6
20	BACS12FA3K4	.SCREW		031100	2
25	BACS12ER3K9	.SCREW		031100	6
30	NAS1149D0363J	.WASHER		031100	8
35	HST1070CY6	.COLLAR	SUPPLIER CODE: V5M902 SPECIFICATION NUMBER: BACC30BZ6 OPTIONAL PART: VLC1070CY6 V92215 HST1070CY6 V73197	031100	8
40	SL5-3-50C	.NUT-	SUPPLIER CODE: V97393	031100	6
45	412A1230-105	.FITTING ASSY-DRAG		031100	1
55	BACW10P273L	..WASHER		031100	2

MISSING ITEM NUMBERS NOT APPLICABLE

- ITEM NOT ILLUSTRATED

HAP

25-24-32-70B

BOEING PROPRIETARY - Copyright © - Unpublished Work - See title page for details.

25-24-32
FIG. 70B
PAGE 2
FEB 10/07

BOEING
737-600/700/800/900
PARTS CATALOG (MAINTENANCE)

FIG ITEM	PART NUMBER	1 2 3 4 5 6 7	NOMENCLATURE	EFFECT FROM TO	UNITS PER ASSY
70B					
60	BACB28AT04B023C	..	BUSHING- OPTIONAL PART: NAS538B4P023	031100	2
60	NAS538B4P023	..	BUSHING- OPTIONAL PART: BACB28AT04B023C	031100	2
65	BCREF13195	..	BUSHING- OVERLENGTH PART NUMBER: BACB28AY06A035CG	031100	1
70	412A1230-107	..	FITTING	031100	1
80	412A1230-201	.	FITTING ASSY	031100	1
85	BCREF13195	..	BUSHING- OVERLENGTH PART NUMBER: BACB28AY06A035CG	031100	1
90	412A1230-202	..	FITTING- OPTIONAL PART: 412A1230-203	031100	1
90	412A1230-203	..	FITTING- OPTIONAL PART: 412A1230-202	031100	1
95	412A1220-242	.	DOUBLER-9G EXT	031100	1
100	412A1220-241B	.	DOUBLER-INTERNAL	031100	1
105	412A1220-39A	.	DOUBLER-INTERNAL	031100	1
110	412A1340-14	.	FASTENER ASSY-KIT OPTIONAL PART: 412A1340-15	031100	9
115	BACS12FA3K12	..	SCREW	031100	1
120	BACW10EC3S	..	WASHER	031100	1
125	PLH53C	..	NUT SUPPLIER CODE: V62554 SPECIFICATION NUMBER: BACN10YR3C OPTIONAL PART: H52732-3C V15653	031100	1
130	412A1340-15	.	FASTENER ASSY-KIT OPTIONAL PART: 412A1340-14	031100	9
135	BACS12FA3K13	..	SCREW	031100	1

MISSING ITEM NUMBERS NOT APPLICABLE

— ITEM NOT ILLUSTRATED

HAP

25-24-32-70B

BOEING PROPRIETARY - Copyright © - Unpublished Work - See title page for details.

25-24-32
FIG. 70B
PAGE 3
FEB 10/07

BOEING
737-600/700/800/900
PARTS CATALOG (MAINTENANCE)

FIG ITEM	PART NUMBER	1 2 3 4 5 6 7	NOMENCLATURE	EFFECT FROM TO	UNITS PER ASSY
70B 140	F22K1-02	. .	NUT SUPPLIER CODE: V72962 SPECIFICATION NUMBER: BACN10R10L OPTIONAL PART: 22K1-02 V72962 26CLO2 V80539	031100	1
145	412A1247-17A	. .	EXTRUSION	031100	1
150	HA951-5	. .	STRIKE-LATCH SUPPLIER CODE: V83014 SPECIFICATION NUMBER: S412A003-3 OPTIONAL PART: HA225-11 V83014	031100	2
150	HA225-11	. .	STRIKE-LATCH SUPPLIER CODE: V83014 SPECIFICATION NUMBER: S412A001-16 OPTIONAL PART: HA951-5 V83014	031100	2
- 155	BACS12ER08K5	. .	ATTACHING PARTS SCREW -----*-----	031100	4
160	BACS12ER3K5	. .	SCREW	031100	11
165	BACS12ER3K6	. .	SCREW	031100	2
170	H3-1233A3	. .	WASHER- SUPPLIER CODE: V34941 SPECIFICATION NUMBER: S411A001-1	031100	11
177	412A1242-4	. .	EXTRUSION-SHELF	031100	1
185	412A1475-3A	. .	FITTING ASSY-SPRT	031100	1
190	412A1475-4A	. .	FITTING ASSY-SPRT ATTACHING PARTS	031100	1
- 195	BACS12ER3K5	. .	SCREW -----*-----	031100	4
200	BACN11F3-1CD	. .	NUT	031100	1
205	NAS1795-3	. .	CLIP	031100	1
210	412A1475-1A	. .	FITTING- USED ON: 412A1475-3A	031100	1

MISSING ITEM NUMBERS NOT APPLICABLE

- ITEM NOT ILLUSTRATED

HAP

25-24-32-70B

BOEING PROPRIETARY - Copyright © - Unpublished Work - See title page for details.

25-24-32
FIG. 70B
PAGE 4
JUN 15/08

BOEING
737-600/700/800/900
PARTS CATALOG (MAINTENANCE)

FIG ITEM	PART NUMBER	1 2 3 4 5 6 7	NOMENCLATURE	EFFECT FROM TO	UNITS PER ASSY
70B					
215	412A1475-2A	..	FITTING- USED ON: 412A1475-4A	031100	1
220	412A1450-35	.TRIM		031100	2
225	412A1452-1B	.TRIM		031100	2
235	BACS12FA3K5	.SCREW		031100	3
240	412A1230-67	.FITTING-LWR		031100	1
250	BACS12ER3K5	.SCREW		031100	2
255	BACS12FA3K5	.SCREW		031100	1
260	412A1230-8	.SUPPORT ASSY-LWR		031100	1
270	BCREF13196	..BUSHING- OVERLENGTH PART NUMBER: BACB28ATO6A010CG		031100	1
275	412A1230-10	..SUPPORT		031100	1
285	BACS12FA3K5	.SCREW		031100	4
290	BACS12FA3K4	.SCREW		031100	10
295	412A1220-205	.ANGLE		031100	2
300	BACS12FA3K5	.SCREW		031100	10
305	412A1245-2	.RAIL		031100	1
312	412A1215-93B	.PANEL ASSY-		031100	1
322	SL2334-3A1	..INSERT- SUPPLIER CODE: V97393		031100	59
325	BCREF128023	..INSERT- SUPPLIER CODE: V97393 OVERLENGTH PART NUMBER: SL603-3-375ASP13		031100	8
330	412A1215-1B	..PANEL		031100	1
335	412A1216-11B	.PANEL ASSY		031100	1
- 345	SL2334-3A1	..INSERT- SUPPLIER CODE: V97393		031100	7
350	412A1216-1C	..PANEL		031100	1

MISSING ITEM NUMBERS NOT APPLICABLE

- ITEM NOT ILLUSTRATED

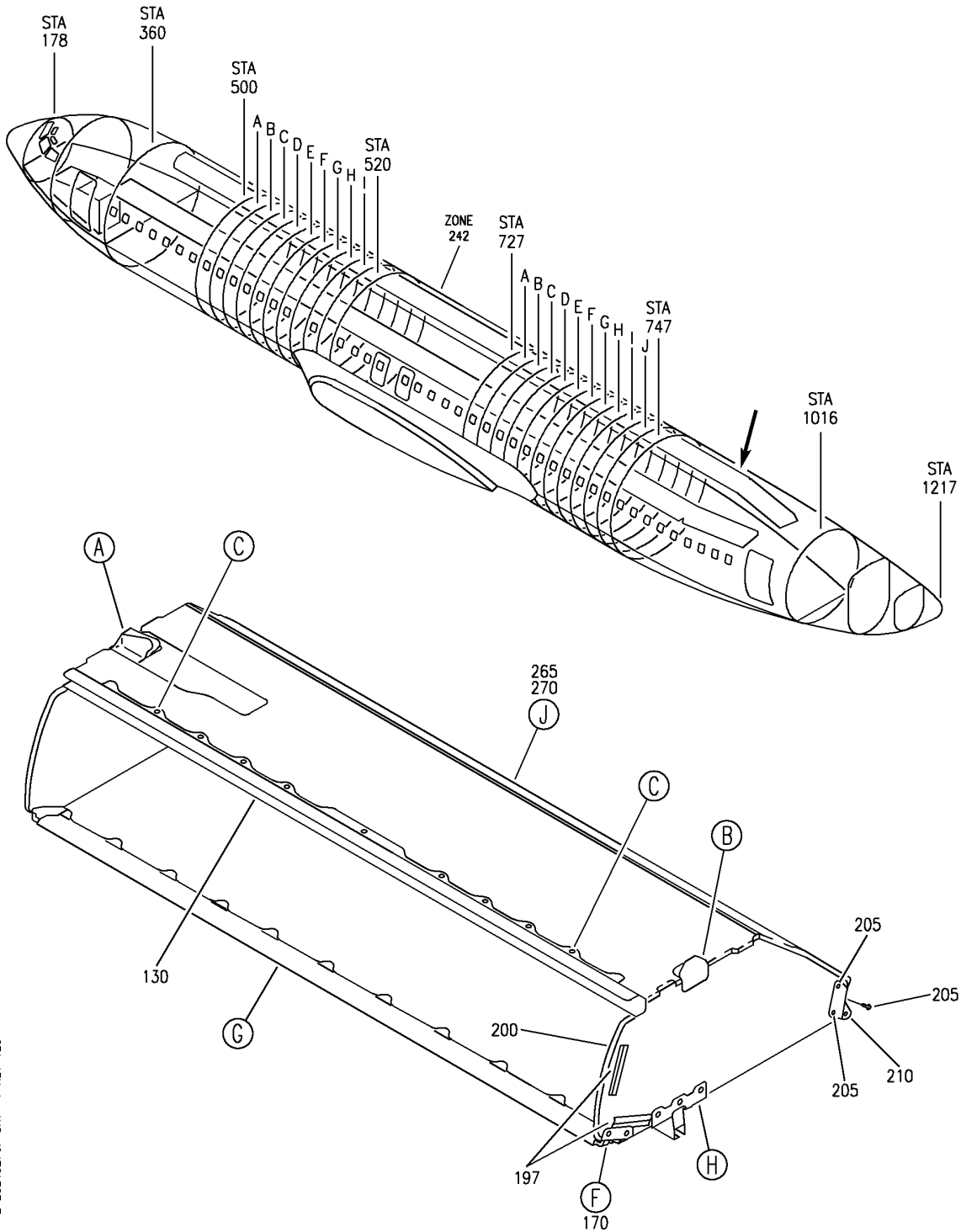
HAP

25-24-32-70B

BOEING PROPRIETARY - Copyright © - Unpublished Work - See title page for details.

25-24-32
FIG. 70B
PAGE 5
JUN 15/08

BOEING
 737-600/700/800/900
 PARTS CATALOG (MAINTENANCE)



E 2524-3270F SHT 1 REV 125

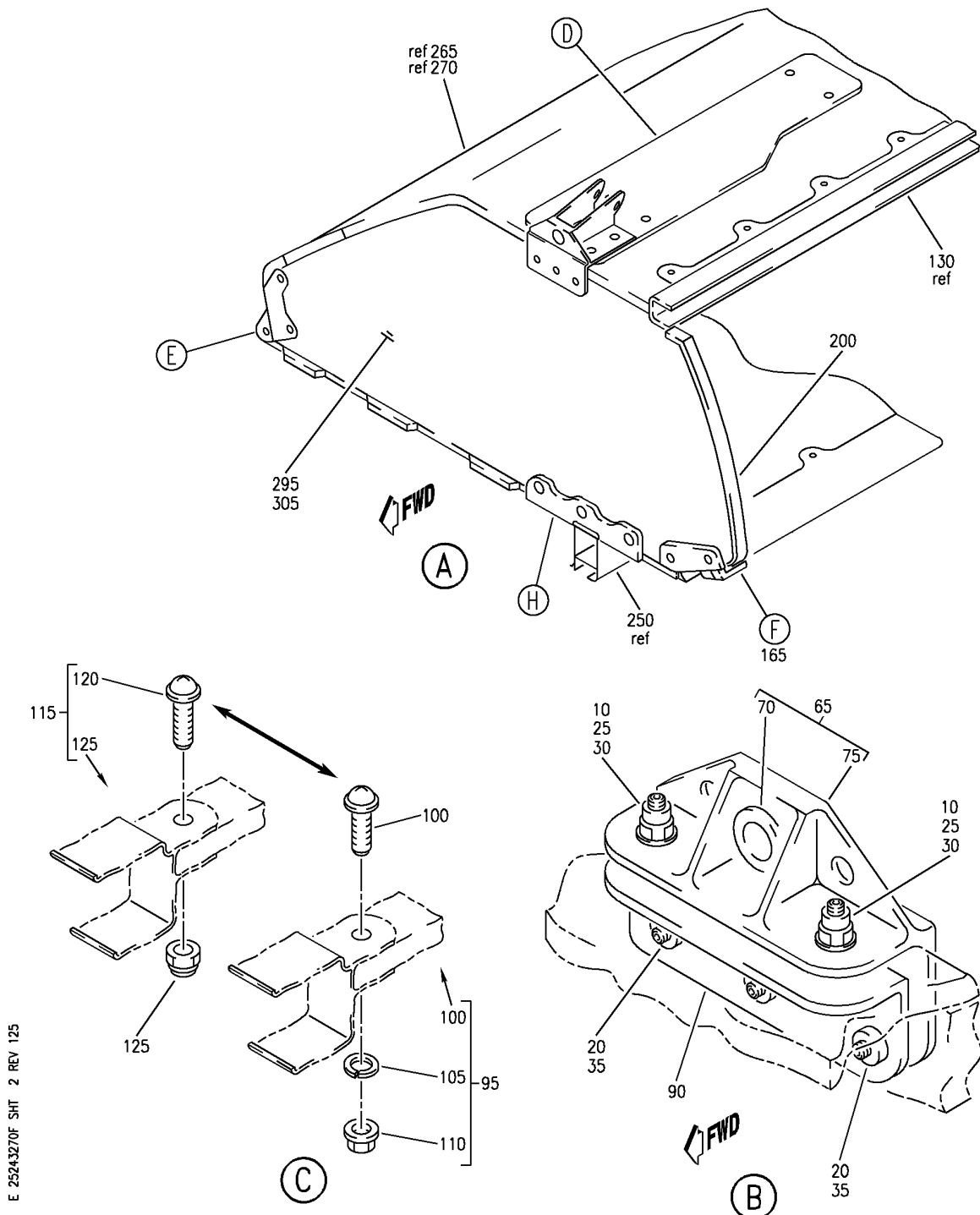
BOX ASSY-RH 70 IN. BIG BIN
 FIGURE 70F (SHEET 1)

25-24-32-70F

HAP
 FEB 10/07

25-24-32-70F
 PAGE 0

BOEING
 737-600/700/800/900
 PARTS CATALOG (MAINTENANCE)



E 2524-3270F SHT 2 REV 125

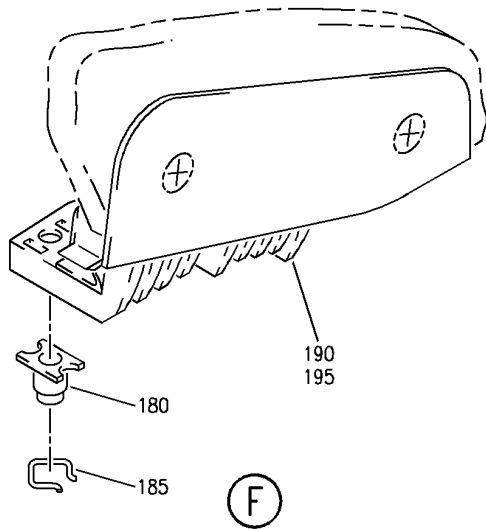
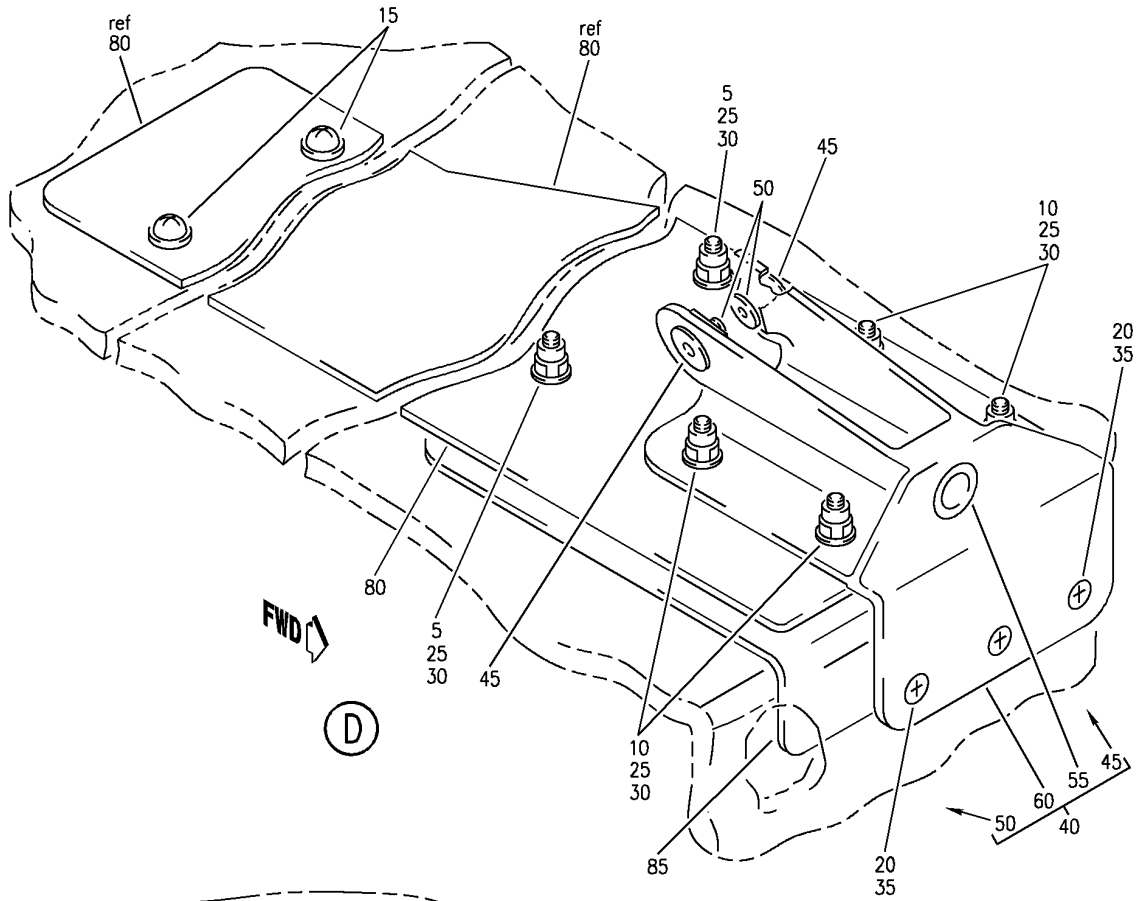
BOX ASSY-RH 70 IN. BIG BIN
 FIGURE 70F (SHEET 2)

25-24-32-70F

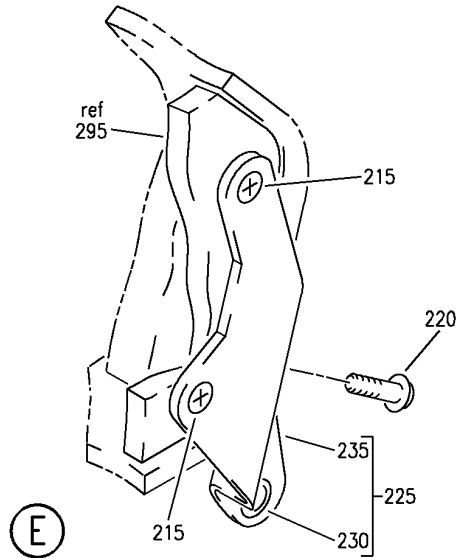
HAP
 FEB 10/07

25-24-32-70F
 PAGE 0A


BOEING
 737-600/700/800/900
PARTS CATALOG (MAINTENANCE)



E 2524-3270F SHT 3 REV 125



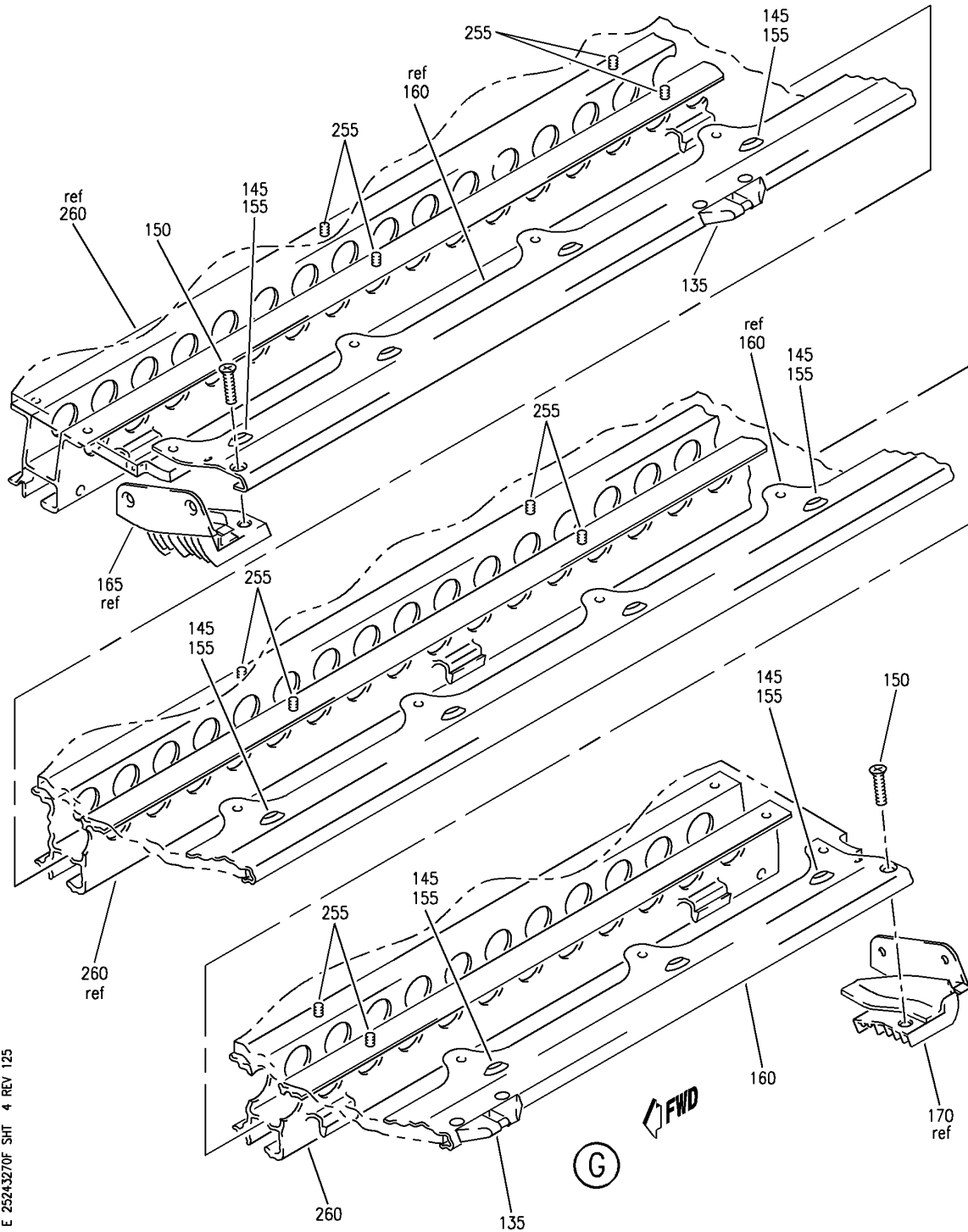
BOX ASSY-RH 70 IN. BIG BIN
 FIGURE 70F (SHEET 3)

25-24-32-70F

HAP
FEB 10/07

25-24-32-70F
 PAGE 0B

BOEING
 737-600/700/800/900
 PARTS CATALOG (MAINTENANCE)



E 2524-3270F SHT 4 REV 125

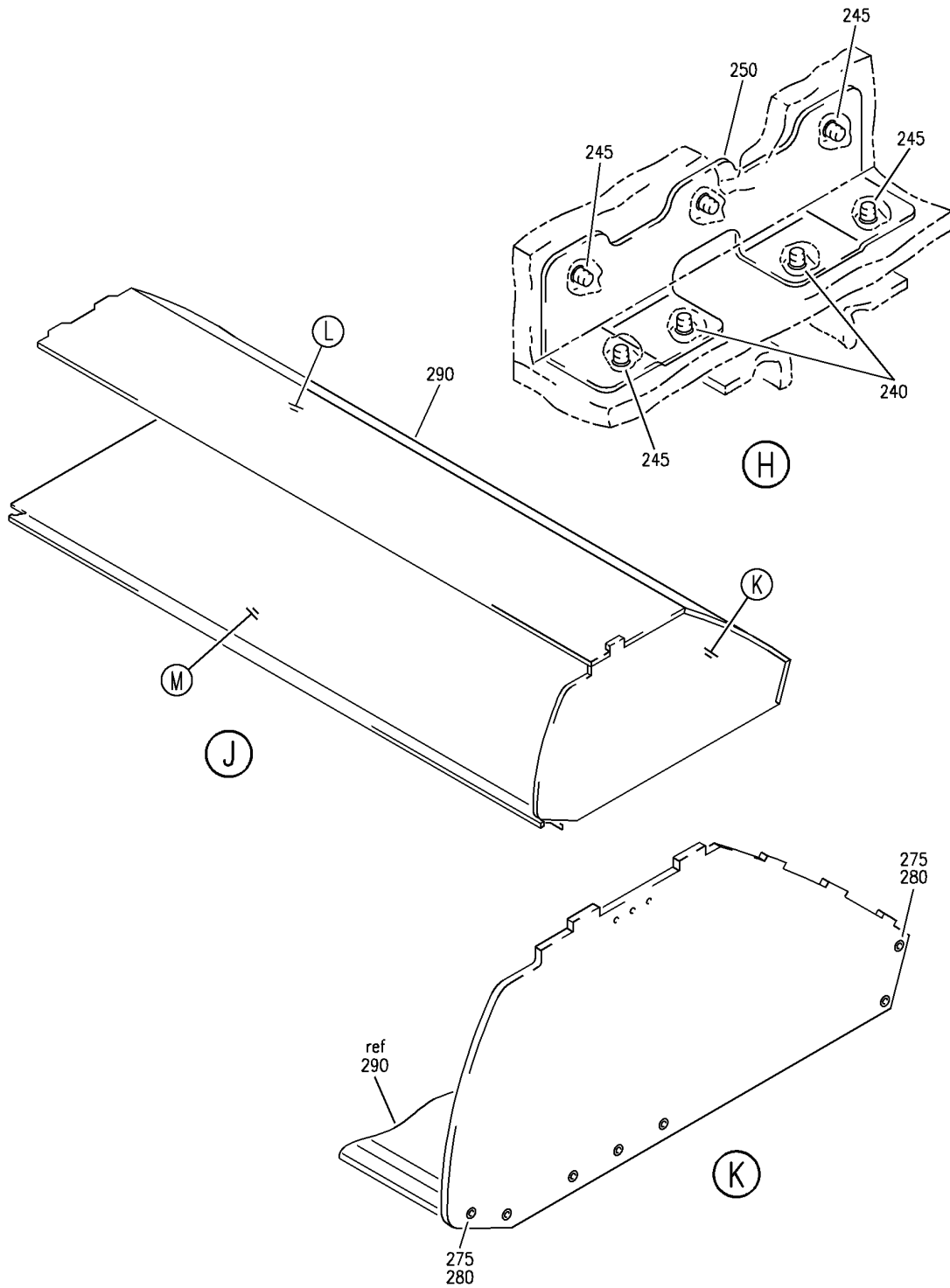
BOX ASSY-RH 70 IN. BIG BIN
 FIGURE 70F (SHEET 4)

25-24-32-70F

HAP
 FEB 10/07

25-24-32-70F
 PAGE 0C

BOEING
 737-600/700/800/900
 PARTS CATALOG (MAINTENANCE)



E 2524-3270F SHT 5 REV 125

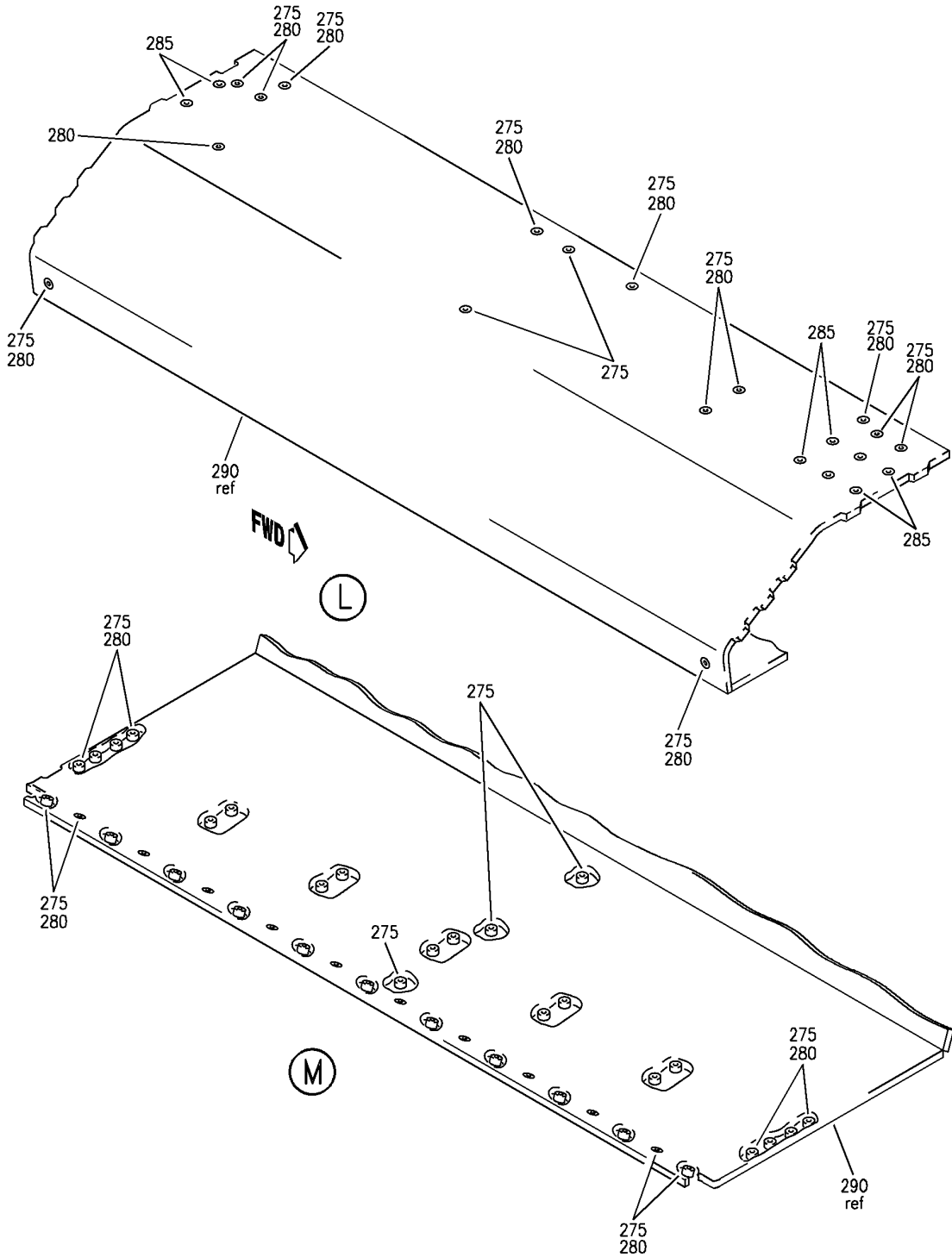
BOX ASSY-RH 70 IN. BIG BIN
 FIGURE 70F (SHEET 5)

25-24-32-70F

HAP
 FEB 10/07

25-24-32-70F
 PAGE 0D

BOEING
 737-600/700/800/900
 PARTS CATALOG (MAINTENANCE)



E 2524-3270F SHT 6 REV 125

BOX ASSY-RH 70 IN. BIG BIN
 FIGURE 70F (SHEET 6)

25-24-32-70F

HAP
 FEB 10/07

25-24-32-70F
 PAGE 0E


BOEING
 737-600/700/800/900
PARTS CATALOG (MAINTENANCE)

FIG ITEM	PART NUMBER	1 2 3 4 5 6 7	NOMENCLATURE	EFFECT FROM TO	UNITS PER ASSY
70F					
- 1	412A1205-38B		BOX ASSY-RH 70 IN. BIG BIN BOX ASSY-70 IN. BIG BIN POSITION DATA: RH FOR NHA SEE: 25-24-31-71E 25-24-31-71M	031100 031100	RF
5	HL1012AZ6-9		.BOLT SUPPLIER CODE: V97928 SPECIFICATION NUMBER: BACB30NX6K9 OPTIONAL PART: HL12VAZ6-9 V73197 HL12VAZ6-9 V92215 HL12VAZ6-9 V97928 L802-6K9 V06725 HL12VAZ6-9 V56878 HL1012AZ6-9 VOPTK6 HL1012AZ6-9 V06725 HL1012AZ6-9 V06950 HL1012AZ6-9 V17446 HL1012AZ6-9 V56878 HL1012AZ6-9 V60516 HL1012AZ6-9 V73197	031100	2

MISSING ITEM NUMBERS NOT APPLICABLE

- ITEM NOT ILLUSTRATED

HAP

25-24-32-70F

BOEING PROPRIETARY - Copyright © - Unpublished Work - See title page for details.

25-24-32
 FIG. 70F
 PAGE 1
 OCT 10/07

BOEING
737-600/700/800/900
PARTS CATALOG (MAINTENANCE)

FIG ITEM	PART NUMBER	1 2 3 4 5 6 7	NOMENCLATURE	EFFECT FROM TO	UNITS PER ASSY
70F 10	HL1012AZ6-11	.BOLT	SUPPLIER CODE: V97928 SPECIFICATION NUMBER: BACB30NX6K11 OPTIONAL PART: HL12VAZ6-11 V73197 HL12VAZ6-11 V92215 HL12VAZ6-11 V97928 L802-6K11 V06725 HL12VAZ6-11 V56878 HL1012AZ6-11 VOPTK6 HL1012AZ6-11 V06725 HL1012AZ6-11 V06950 HL1012AZ6-11 V17446 HL1012AZ6-11 V56878 HL1012AZ6-11 V60516 HL1012AZ6-11 V73197	031100	6
15	BACS12FA3K4	.SCREW		031100	2
20	BACS12ER3K9	.SCREW		031100	6
25	NAS1149D0363J	.WASHER		031100	8
30	HST1070CY6	.COLLAR	SUPPLIER CODE: V5M902 SPECIFICATION NUMBER: BACC30BZ6 OPTIONAL PART: VLC1070CY6 V92215 HST1070CY6 V73197	031100	8
35	SL5-3-50C	.NUT-	SUPPLIER CODE: V97393	031100	6
40	412A1230-106	.FITTING ASSY-DRAG		031100	1
45	BACW10P273L	..WASHER		031100	2

MISSING ITEM NUMBERS NOT APPLICABLE

— ITEM NOT ILLUSTRATED

HAP

25-24-32-70F

BOEING PROPRIETARY - Copyright © - Unpublished Work - See title page for details.

25-24-32
FIG. 70F
PAGE 2
FEB 10/07

BOEING
737-600/700/800/900
PARTS CATALOG (MAINTENANCE)

FIG ITEM	PART NUMBER	1 2 3 4 5 6 7	NOMENCLATURE	EFFECT FROM TO	UNITS PER ASSY
70F					
50	BACB28AT04B023C	..	BUSHING- OPTIONAL PART: NAS538B4P023	031100	2
50	NAS538B4P023	..	BUSHING- OPTIONAL PART: BACB28AT04B023C	031100	2
55	BCREF13195	..	BUSHING- OVERLENGTH PART NUMBER: BACB28AY06A035CG	031100	1
60	412A1230-108	..	FITTING	031100	1
65	412A1230-201	.	FITTING ASSY	031100	1
70	BCREF13195	..	BUSHING- OVERLENGTH PART NUMBER: BACB28AY06A035CG	031100	1
75	412A1230-202	..	FITTING- OPTIONAL PART: 412A1230-203	031100	1
75	412A1230-203	..	FITTING- OPTIONAL PART: 412A1230-202	031100	1
80	412A1220-242	.	DOUBLER-9G EXT	031100	1
85	412A1220-241B	.	DOUBLER-INTERNAL	031100	1
90	412A1220-39A	.	DOUBLER-INTERNAL	031100	1
95	412A1340-14	.	FASTENER ASSY-KIT OPTIONAL PART: 412A1340-15	031100	9
100	BACS12FA3K12	..	SCREW	031100	1
105	BACW10EC3S	..	WASHER	031100	1
110	PLH53C	..	NUT SUPPLIER CODE: V62554 SPECIFICATION NUMBER: BACN10YR3C OPTIONAL PART: H52732-3C V15653	031100	1
115	412A1340-15	.	FASTENER ASSY-KIT OPTIONAL PART: 412A1340-14	031100	9
120	BACS12FA3K13	..	SCREW	031100	1

MISSING ITEM NUMBERS NOT APPLICABLE

- ITEM NOT ILLUSTRATED

HAP

25-24-32-70F

BOEING PROPRIETARY - Copyright © - Unpublished Work - See title page for details.

25-24-32
FIG. 70F
PAGE 3
FEB 10/07

BOEING
737-600/700/800/900
PARTS CATALOG (MAINTENANCE)

FIG ITEM	PART NUMBER	1 2 3 4 5 6 7	NOMENCLATURE	EFFECT FROM TO	UNITS PER ASSY
70F 125	F22K1-02	. .	NUT SUPPLIER CODE: V72962 SPECIFICATION NUMBER: BACN10R10L OPTIONAL PART: 22K1-02 V72962 26CLO2 V80539	031100	1
130	412A1247-17A	. .	EXTRUSION	031100	1
135	HA951-5	. .	STRIKE-LATCH SUPPLIER CODE: V83014 SPECIFICATION NUMBER: S412A003-3 OPTIONAL PART: HA225-11 V83014	031100	2
135	HA225-11	. .	STRIKE-LATCH SUPPLIER CODE: V83014 SPECIFICATION NUMBER: S412A001-16 OPTIONAL PART: HA951-5 V83014	031100	2
- 140	BACS12ER08K5	. .	ATTACHING PARTS SCREW -----*-----	031100	4
145	BACS12ER3K5	. .	SCREW	031100	11
150	BACS12ER3K6	. .	SCREW	031100	2
155	H3-1233A3	. .	WASHER- SUPPLIER CODE: V34941 SPECIFICATION NUMBER: S411A001-1	031100	11
160	412A1242-4	. .	EXTRUSION-SHELF	031100	1
165	412A1475-3A	. .	FITTING ASSY-SPRT	031100	1
170	412A1475-4A	. .	FITTING ASSY-SPRT ATTACHING PARTS	031100	1
- 175	BACS12ER3K5	. .	SCREW -----*-----	031100	4
180	BACN11F3-1CD	. .	NUT	031100	1
185	NAS1795-3	. .	CLIP	031100	1
190	412A1475-1A	. .	FITTING- USED ON: 412A1475-3A	031100	1

MISSING ITEM NUMBERS NOT APPLICABLE

- ITEM NOT ILLUSTRATED

HAP

25-24-32-70F

BOEING PROPRIETARY - Copyright © - Unpublished Work - See title page for details.

25-24-32
FIG. 70F
PAGE 4
JUN 15/08

BOEING
737-600/700/800/900
PARTS CATALOG (MAINTENANCE)

FIG ITEM	PART NUMBER	1 2 3 4 5 6 7	NOMENCLATURE	EFFECT FROM TO	UNITS PER ASSY
70F					
195	412A1475-2A	..	FITTING- USED ON: 412A1475-4A	031100	1
197	412A1450-35	.TRIM		031100	2
200	412A1452-1B	.TRIM		031100	2
205	BACS12FA3K5	.SCREW		031100	3
210	412A1230-68	.FITTING-LWR		031100	1
215	BACS12ER3K5	.SCREW		031100	2
220	BACS12FA3K5	.SCREW		031100	1
225	412A1230-7	.SUPPORT ASSY-LWR		031100	1
230	BCREF13196	..BUSHING- OVERLENGTH PART NUMBER: BACB28ATO6A010CG		031100	1
235	412A1230-9	..SUPPORT		031100	1
240	BACS12FA3K5	.SCREW		031100	4
245	BACS12FA3K4	.SCREW		031100	10
250	412A1220-205	.ANGLE		031100	2
255	BACS12FA3K5	.SCREW		031100	10
260	412A1245-19	.RAIL-MCD/PCU		031100	1
270	412A1215-94B	.PANEL ASSY		031100	1
280	SL2334-3A1	..INSERT- SUPPLIER CODE: V97393		031100	59
285	BCREF128023	..INSERT- SUPPLIER CODE: V97393 OVERLENGTH PART NUMBER: SL603-3-375ASP13		031100	8
290	412A1215-1B	..PANEL		031100	1
295	412A1216-12B	.PANEL ASSY		031100	1
- 300	SL2334-3A1	..INSERT- SUPPLIER CODE: V97393		031100	7
305	412A1216-1C	..PANEL		031100	1

MISSING ITEM NUMBERS NOT APPLICABLE

- ITEM NOT ILLUSTRATED

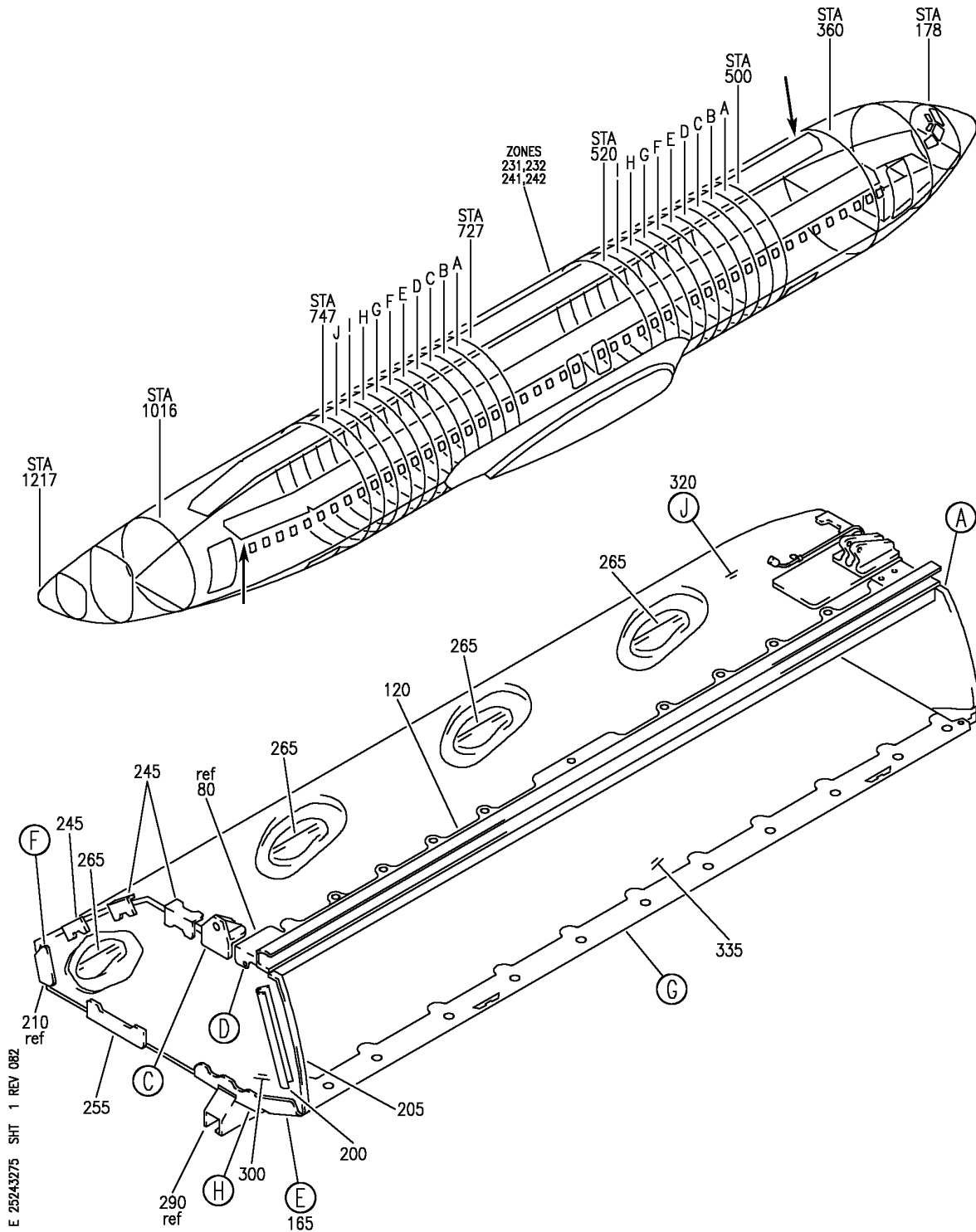
HAP

25-24-32-70F

BOEING PROPRIETARY - Copyright © - Unpublished Work - See title page for details.

25-24-32
FIG. 70F
PAGE 5
JUN 15/08

BOEING
 737-600/700/800/900
 PARTS CATALOG (MAINTENANCE)



E 25243275 SHT 1 REV 082

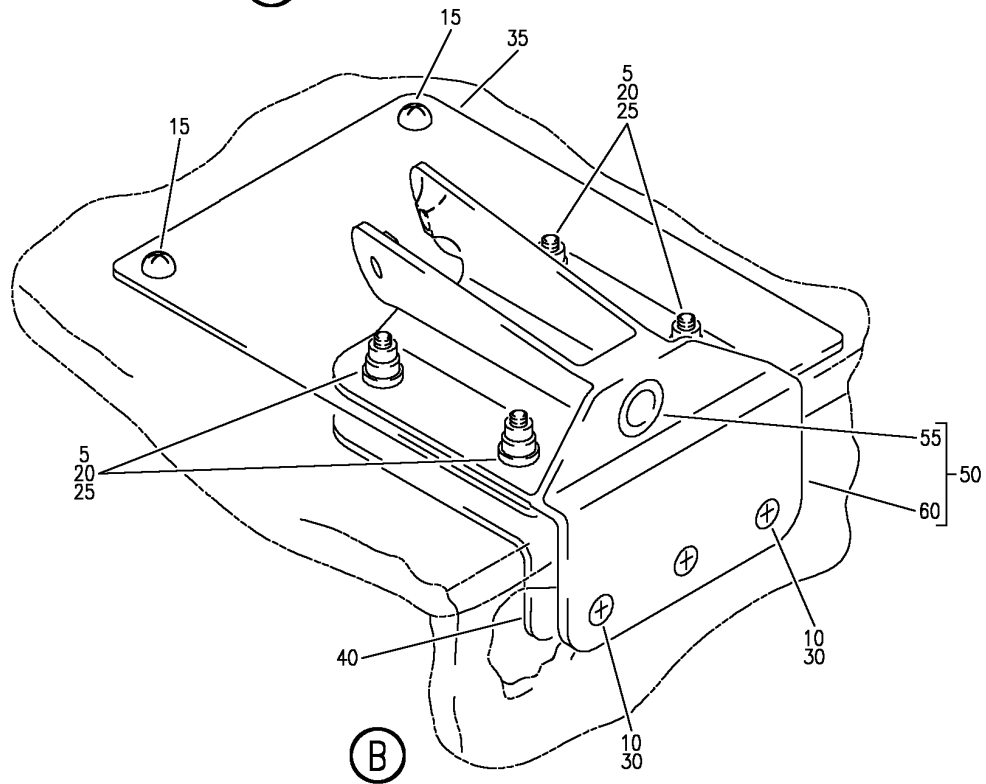
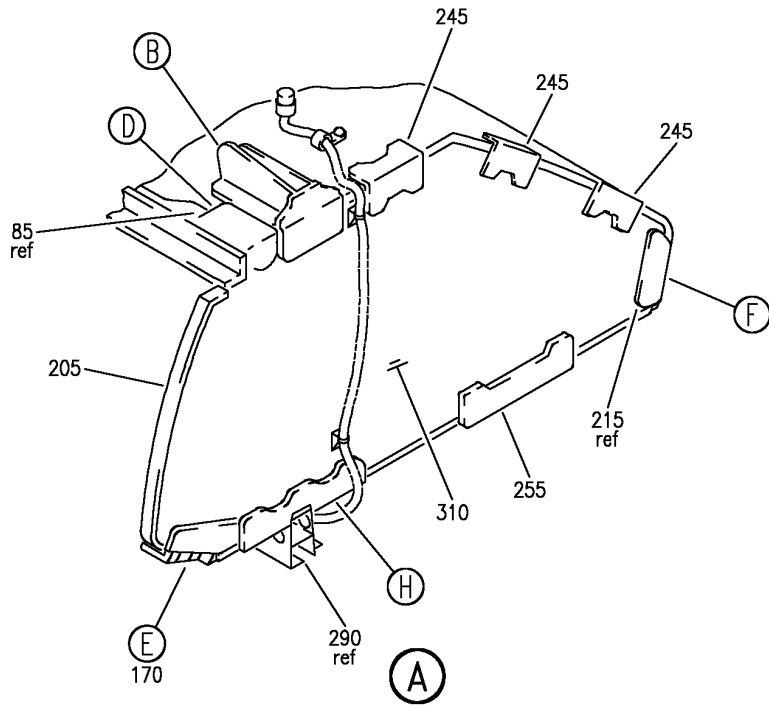
BOX ASSY-70 IN. BIN LH
 FIGURE 75 (SHEET 1)

25-24-32-75

HAP
 OCT 10/06

25-24-32-75
 PAGE 0


BOEING
 737-600/700/800/900
PARTS CATALOG (MAINTENANCE)



E 25243275 SHT 2 REV 082

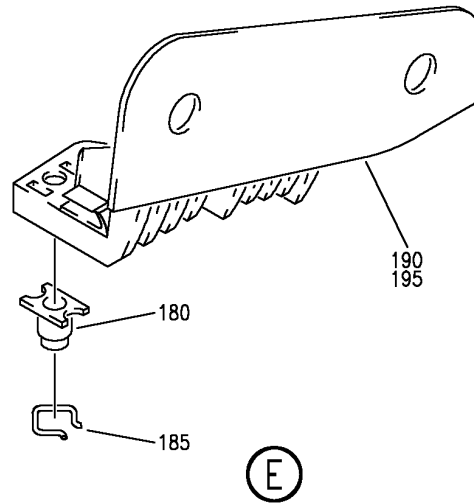
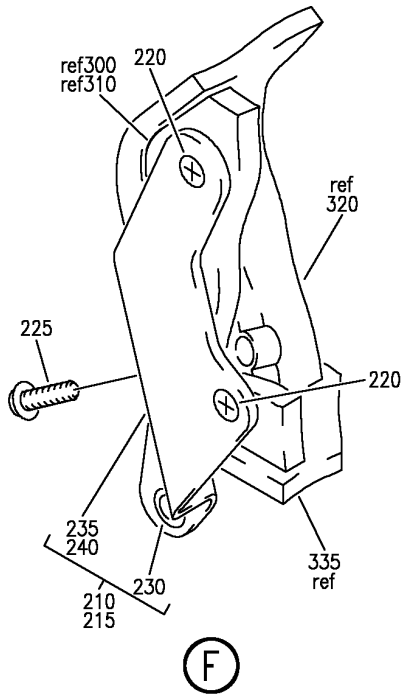
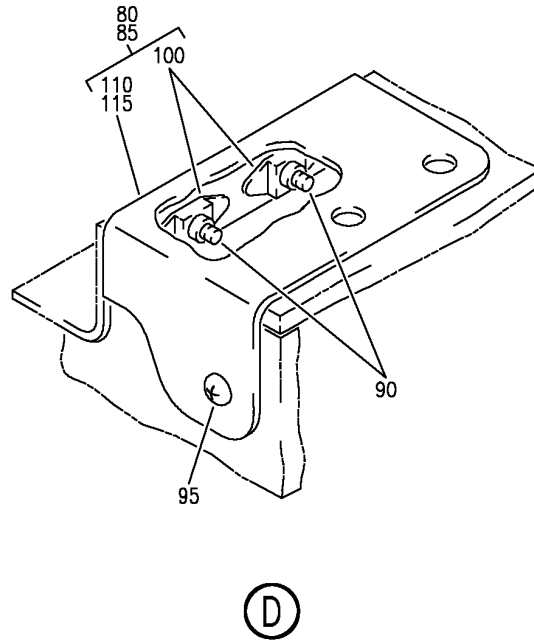
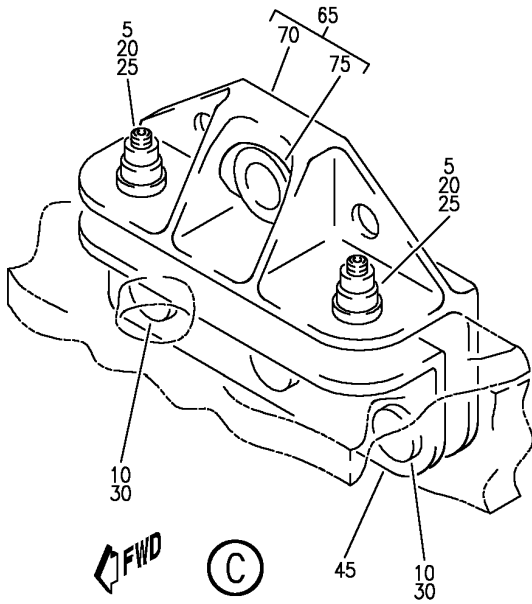
BOX ASSY-70 IN. BIN LH
 FIGURE 75 (SHEET 2)

25-24-32-75

HAP
OCT 10/06

25-24-32-75
 PAGE 0A

BOEING
 737-600/700/800/900
 PARTS CATALOG (MAINTENANCE)



E 25243275 SH1 3 REV 082

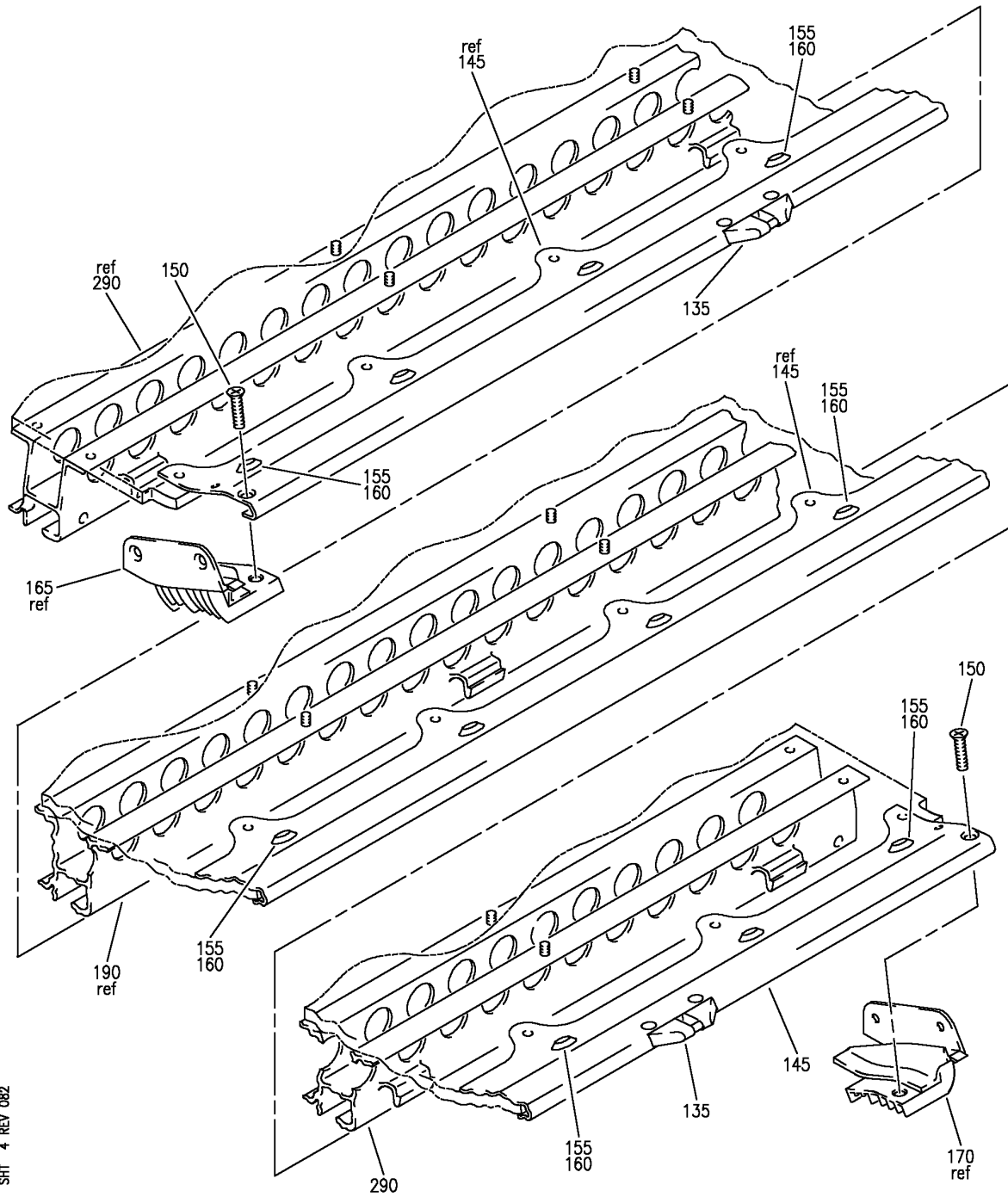
BOX ASSY-70 IN. BIN LH
 FIGURE 75 (SHEET 3)

25-24-32-75

HAP
 OCT 10/06

25-24-32-75
 PAGE 0B

BOEING
 737-600/700/800/900
 PARTS CATALOG (MAINTENANCE)



E 25243275 SH1 4 REV 082

(G)

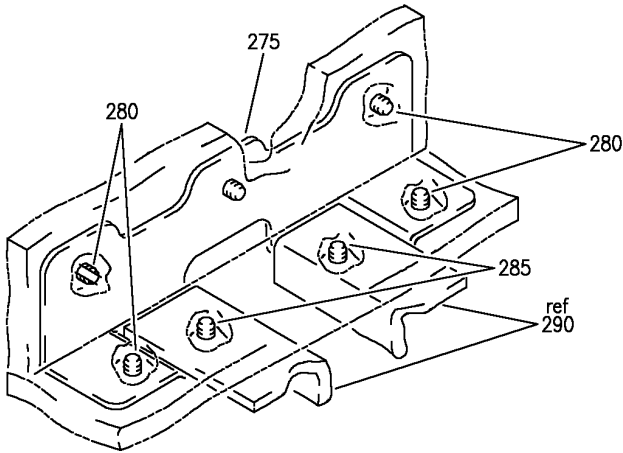
BOX ASSY-70 IN. BIN LH
 FIGURE 75 (SHEET 4)

25-24-32-75

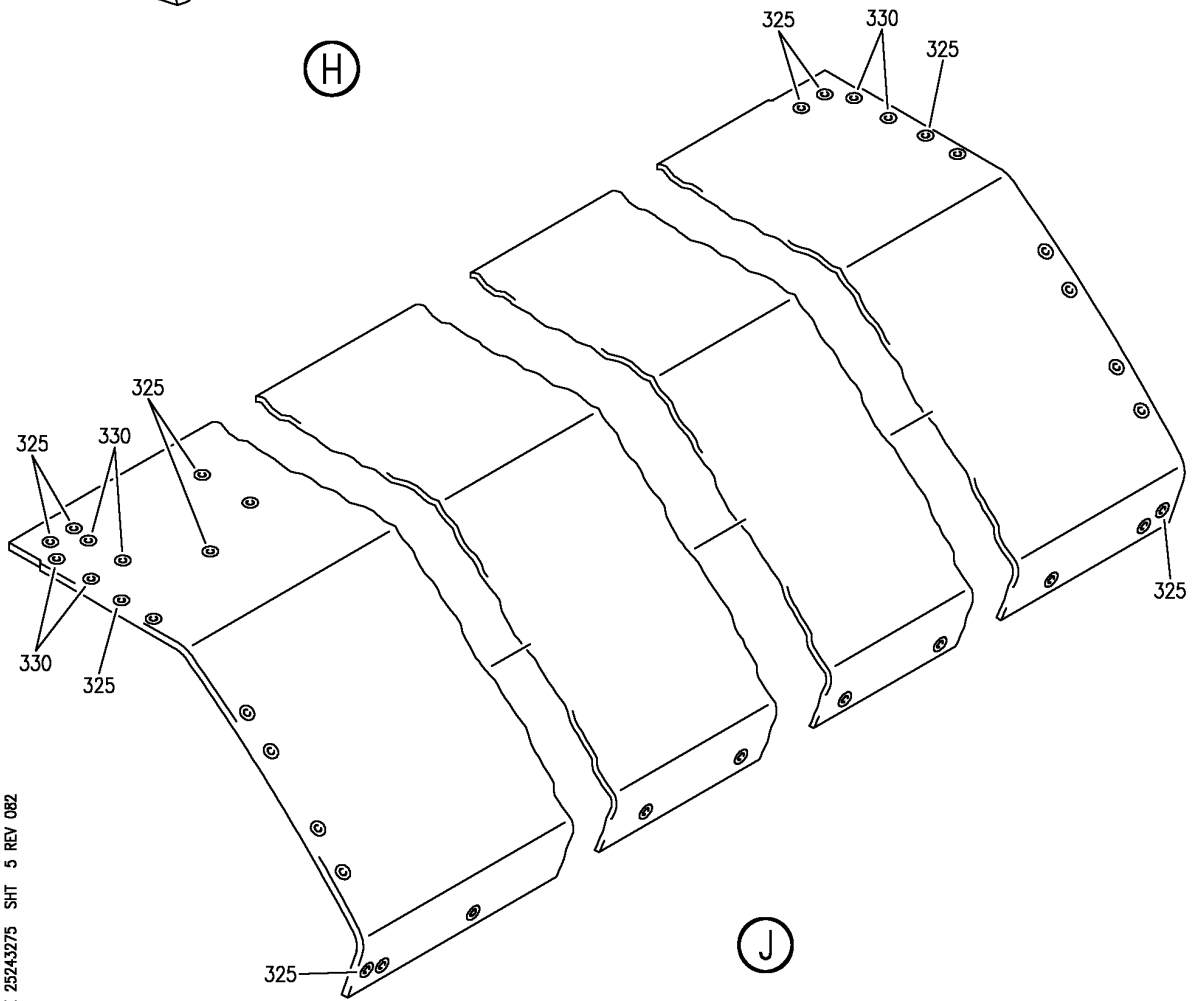
HAP
 OCT 10/06

25-24-32-75
 PAGE 0C

BOEING
 737-600/700/800/900
 PARTS CATALOG (MAINTENANCE)



(H)



(J)

E 25243275 SHT 5 REV 082

BOX ASSY-70 IN. BIN LH
 FIGURE 75 (SHEET 5)

25-24-32-75

HAP
 OCT 10/06

25-24-32-75
 PAGE 0D

BOEING
737-600/700/800/900
PARTS CATALOG (MAINTENANCE)

FIG ITEM	PART NUMBER	1 2 3 4 5 6 7	NOMENCLATURE	EFFECT FROM TO	UNITS PER ASSY
75			BOX ASSY-70 IN. BIN LH	001001 006007	
- 1	412A1200-19SP		BOX ASSY-70 IN. BIN POSITION DATA: LH FOR NHA SEE: 25-24-31-71B	001001 006007	RF
5	HL1012AZ6-10		.BOLT SUPPLIER CODE: V97928 SPECIFICATION NUMBER: BACB30NX6K10 OPTIONAL PART: HL12VAZ6-10 V73197 HL12VAZ6-10 V92215 HL12VAZ6-10 V97928 L802-6K10 V06725 HL12VAZ6-10 V56878 HL1012AZ6-10 VOPTK6 HL1012AZ6-10 V06725 HL1012AZ6-10 V06950 HL1012AZ6-10 V17446 HL1012AZ6-10 V56878 HL1012AZ6-10 V60516 HL1012AZ6-10 V73197	001001 006007	6
10	BACS12ER3K9		.SCREW	001001 006007	6
15	BACS12FA3K4		.SCREW	001001 006007	2
20	BACW10BP3NDP		.WASHER	001001 006007	6

MISSING ITEM NUMBERS NOT APPLICABLE

- ITEM NOT ILLUSTRATED

HAP

25-24-32-75

BOEING PROPRIETARY - Copyright © - Unpublished Work - See title page for details.

25-24-32
FIG. 75
PAGE 1
OCT 10/06

BOEING
737-600/700/800/900
PARTS CATALOG (MAINTENANCE)

FIG ITEM	PART NUMBER	1 2 3 4 5 6 7	NOMENCLATURE	EFFECT FROM TO	UNITS PER ASSY
75					
25	HL1087-6	.	COLLAR SUPPLIER CODE: V73197 SPECIFICATION NUMBER: BACC30BH6 OPTIONAL PART: HL1087-6 V56878 HL1087-6 V92215 HL1087-6 V9N513	001001 006007	6
30	SL5-3-50C	.	NUT- SUPPLIER CODE: V97393	001001 006007	6
35	412A1220-11	.	DOUBLER-9G EXT	001001 006007	1
40	412A1220-10A	.	DOUBLER-9G INTERNAL	001001 006007	1
45	412A1220-39A	.	DOUBLER-INTERNAL	001001 006007	1
50	412A1230-3	.	FITTING ASSY-DRAG	001001 006007	1
55	BCREF13195	..	BUSHING- OVERLENGTH PART NUMBER: BACB28AY06A035CG	001001 006007	1
60	412A1230-5	..	FITTING	001001 006007	1
65	412A1230-1	.	FITTING ASSY	001001 006007	1
70	BCREF13195	..	BUSHING- OVERLENGTH PART NUMBER: BACB28AY06A035CG	001001 006007	1
75	412A1230-2	..	SUPPORT	001001 006007	1
80	412A1220-6SP	.	CORNER ASSY	001001 006007	1
85	412A1220-5SP	.	CORNER ASSY	001001 006007	1
90	BACS12FA3K7	.	ATTACHING PARTS SCREW	001001 006007	4
95	BACS12FA3K4	.	SCREW	001001 006007	2
			-----*-----		

MISSING ITEM NUMBERS NOT APPLICABLE

— ITEM NOT ILLUSTRATED

HAP

25-24-32-75

BOEING PROPRIETARY - Copyright © - Unpublished Work - See title page for details.

25-24-32
FIG. 75
PAGE 2
OCT 10/06


BOEING
 737-600/700/800/900
PARTS CATALOG (MAINTENANCE)

FIG ITEM	PART NUMBER	1 2 3 4 5 6 7	NOMENCLATURE	EFFECT FROM TO	UNITS PER ASSY
75 100	BRF200C3D		..NUTPLATE SUPPLIER CODE: V52828 SPECIFICATION NUMBER: BACN10JR3CFD OPTIONAL PART: K51602-3BAC V15653 NS202476-02 V80539 102F9201-3 V72962 T8092C1032CD V11815 ATTACHING PARTS	001001 006007	2
- 105	BACR15CE3D		..RIVET- SIZE DETERMINED ON INSTL. -----*-----	001001 006007	4
110	412A1220-8A		..REINFORCEMENT- USED ON: 412A1220-6SP	001001 006007	1
115	412A1220-7A		..REINFORCEMENT- USED ON: 412A1220-5SP	001001 006007	1
120	412A1247-17SP		.EXTRUSION-DOOR CLOSEOUT ATTACHING PARTS	001001 006007	1
- 125	BACS12FA3K13		.SCREW	001001 006007	9
- 130	F22K1-02		.NUT SUPPLIER CODE: V72962 SPECIFICATION NUMBER: BACN10R10L OPTIONAL PART: 22K1-02 V72962 26CLO2 V80539 -----*-----	001001 006007	9
135	HA225-3		.STRIKE- SUPPLIER CODE: V83014 SPECIFICATION NUMBER: S412A001-6	001001 006007	2

MISSING ITEM NUMBERS NOT APPLICABLE

- ITEM NOT ILLUSTRATED

HAP

25-24-32-75

BOEING PROPRIETARY - Copyright © - Unpublished Work - See title page for details.

25-24-32
 FIG. 75
 PAGE 3
 OCT 10/06

BOEING
737-600/700/800/900
PARTS CATALOG (MAINTENANCE)

FIG ITEM	PART NUMBER	1 2 3 4 5 6 7	NOMENCLATURE	EFFECT FROM TO	UNITS PER ASSY
75 135	HA225-11		. STRIKE- SUPPLIER CODE: V83014 SPECIFICATION NUMBER: S412A001-16 ATTACHING PARTS	001001 006007	2
- 140	BACS12ER08K5		. SCREW	001001 006007	4
145	412A1242-4		-----*----- . EXTRUSION-SHELF ATTACHING PARTS	001001 006007	1
150	BACS12ER3K6		. SCREW	001001 006007	2
155	BACS12ER3K5		. SCREW	001001 006007	11
160	H3-1233A3		. WASHER- SUPPLIER CODE: V34941 SPECIFICATION NUMBER: S411A001-1 -----*-----	001001 006007	11
165	412A1475-3SP		. FITTING ASSY-SPRT	001001 006007	1
170	412A1475-4SP		. FITTING ASSY-SPRT ATTACHING PARTS	001001 006007	1
- 175	BACS12ER3K5		. SCREW	001001 006007	4
180	BACN11F3-1CD		-----*----- .. NUT	001001 006007	1
185	NAS1795-3		.. CLIP	001001 006007	1
190	412A1475-1SP		.. FITTING- USED ON: 412A1475-3SP	001001 006007	1
195	412A1475-2SP		.. FITTING- USED ON: 412A1475-4SP	001001 006007	1
200	412A1200-25		. CLIP	001001 006007	1
205	412A1450-1SP		. TRIM	001001 006007	2
210	412A1230-7		. SUPPORT ASSY	001001 006007	1
215	412A1230-8		. SUPPORT ASSY	001001 006007	1

MISSING ITEM NUMBERS NOT APPLICABLE

- ITEM NOT ILLUSTRATED

HAP

25-24-32-75

25-24-32
FIG. 75
PAGE 4
JUN 15/08

BOEING
737-600/700/800/900
PARTS CATALOG (MAINTENANCE)

FIG ITEM	PART NUMBER	1 2 3 4 5 6 7	NOMENCLATURE	EFFECT FROM TO	UNITS PER ASSY
75			ATTACHING PARTS		
220	BACS12ER3K6	.	SCREW	001001 006007	4
225	BACS12FA3K5	.	SCREW	001001 006007	2
			-----*-----		
230	BCREF13196	..	BUSHING- OVERLENGTH PART NUMBER: BACB28AT06A010CG	001001 006007	1
235	412A1230-9	..	SUPPORT- USED ON: 412A1230-7	001001 006007	1
240	412A1230-10	..	SUPPORT- USED ON: 412A1230-8	001001 006007	1
245	412A1220-2	.	ANGLE	001001 006007	6
			ATTACHING PARTS		
- 250	BACS12FA3K4	.	SCREW	001001 006007	24
			-----*-----		
255	412A1220-3	.	ANGLE	001001 006007	2
			ATTACHING PARTS		
- 260	BACS12FA3K4	.	SCREW	001001 006007	8
			-----*-----		
265	412A1220-4	.	ANGLE	001001 006007	4
			ATTACHING PARTS		
- 270	BACS12FA3K4	.	SCREW	001001 006007	16
			-----*-----		
275	412A1220-9A	.	ANGLE	001001 006007	2
			ATTACHING PARTS		
280	BACS12FA3K4	.	SCREW	001001 006007	10
285	BACS12FA3K6	.	SCREW	001001 006007	4
			-----*-----		
290	412A1245-19	.	RAIL-MCD/PCU	001001 006007	1
			ATTACHING PARTS		
- 295	BACS12FA3K5	.	SCREW	001001 006007	10
			-----*-----		
300	412A1212-3SP	.	PANEL ASSY-END	001001 006007	1

MISSING ITEM NUMBERS NOT APPLICABLE

- ITEM NOT ILLUSTRATED

HAP

25-24-32-75

25-24-32
FIG. 75
PAGE 5
JUN 15/08

BOEING
737-600/700/800/900
PARTS CATALOG (MAINTENANCE)

FIG ITEM	PART NUMBER	1 2 3 4 5 6 7	NOMENCLATURE	EFFECT FROM TO	UNITS PER ASSY
75					
- 305	SL2334-3A1		..INSERT- SUPPLIER CODE: V97393	001001 006007	16
	310 412A1212-4SP		.PANEL ASSY-END	001001 006007	1
- 315	SL2334-3A1		..INSERT- SUPPLIER CODE: V97393	001001 006007	16
	320 412A1210-33SP		.PANEL ASSY-SHELL	001001 006007	1
	325 SL2334-3A1		..INSERT- SUPPLIER CODE: V97393	001001 006007	29
	330 BCRE128023		..INSERT- SUPPLIER CODE: V97393 OVERLENGTH PART NUMBER: SL603-3-375ASP13	001001 006007	6
	335 412A1211-35SP		.PANEL ASSY-SHELF	001001 006007	1
- 340	SL2334-3A1		..INSERT- SUPPLIER CODE: V97393	001001 006007	51

MISSING ITEM NUMBERS NOT APPLICABLE

- ITEM NOT ILLUSTRATED

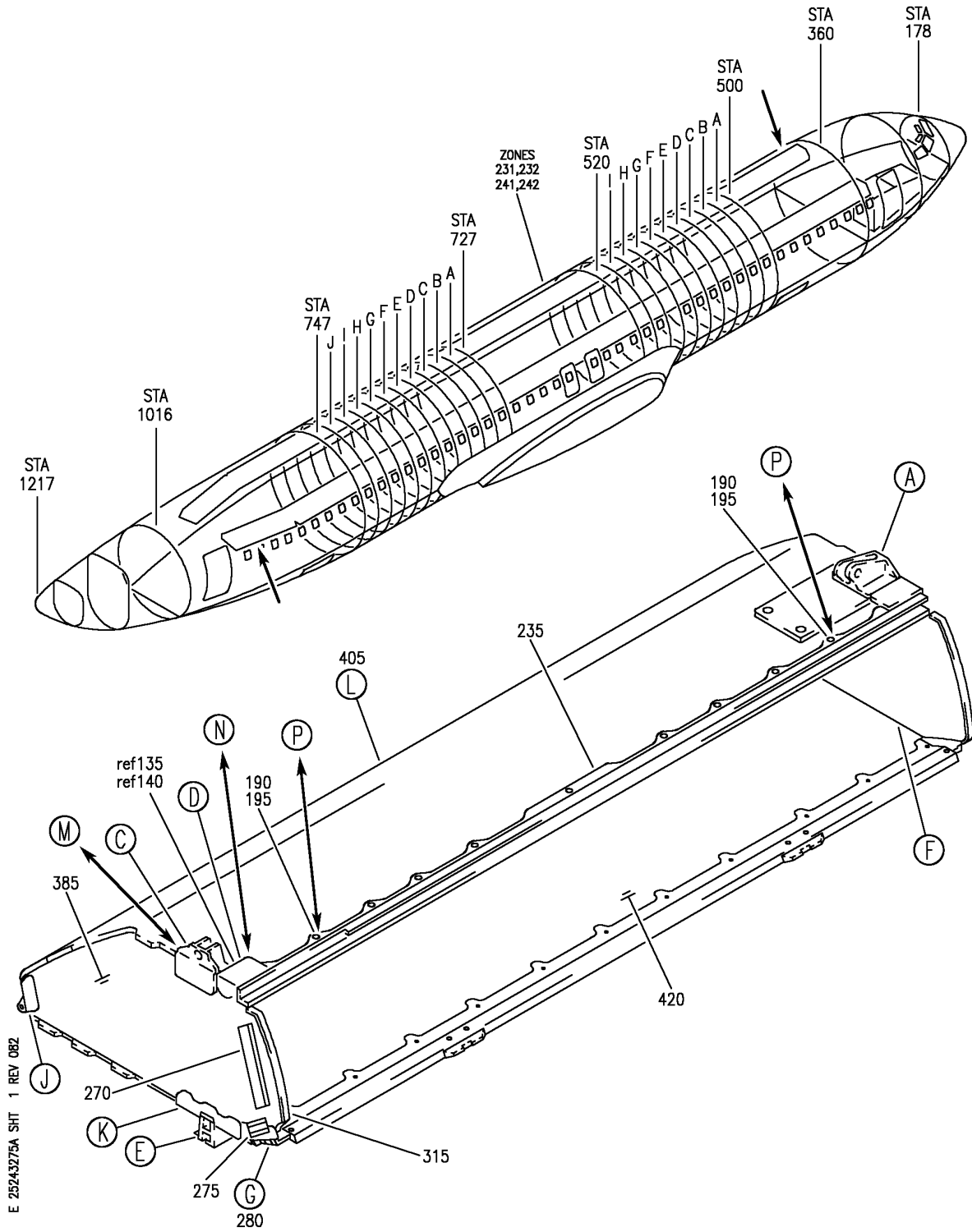
HAP

25-24-32-75

BOEING PROPRIETARY - Copyright © - Unpublished Work - See title page for details.

25-24-32
FIG. 75
PAGE 6
JUN 15/08

BOEING
 737-600/700/800/900
 PARTS CATALOG (MAINTENANCE)



E 25243275A SHT 1 REV 082

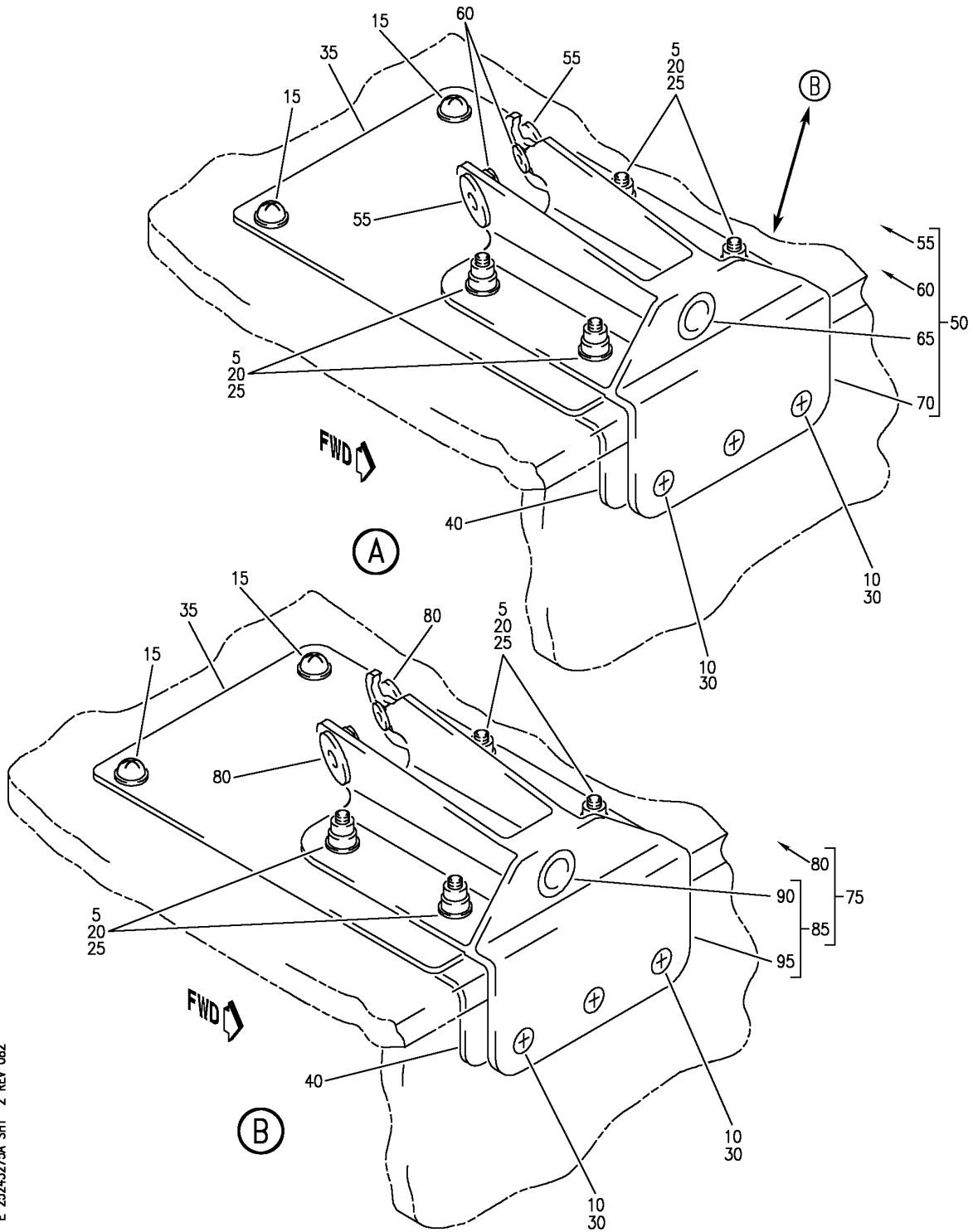
BOX ASSY-70 IN. BIN LH
 FIGURE 75A (SHEET 1)

25-24-32-75A

HAP
 OCT 10/06

25-24-32-75A
 PAGE 0

BOEING
 737-600/700/800/900
 PARTS CATALOG (MAINTENANCE)



E 25243275A SH1 2 REV 082

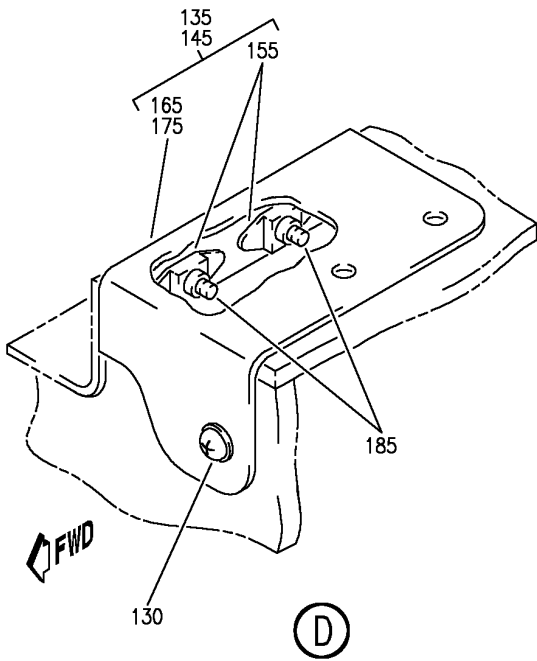
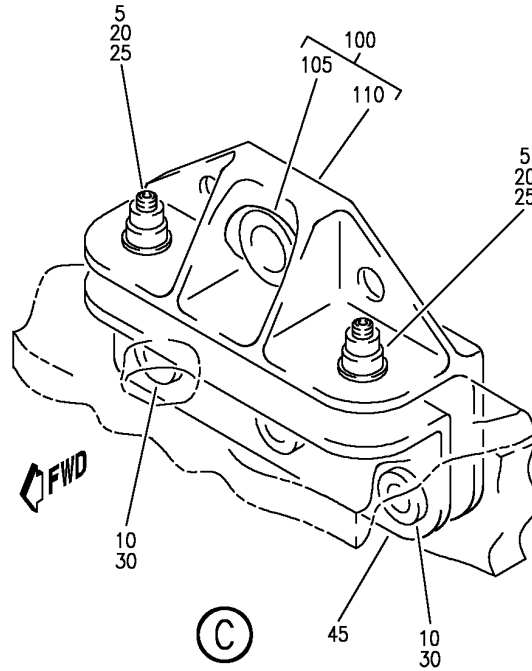
BOX ASSY-70 IN. BIN LH
 FIGURE 75A (SHEET 2)

25-24-32-75A

HAP
 OCT 10/06

25-24-32-75A
 PAGE 0A

BOEING
 737-600/700/800/900
 PARTS CATALOG (MAINTENANCE)



E 25243275A SHT 3 REV 082

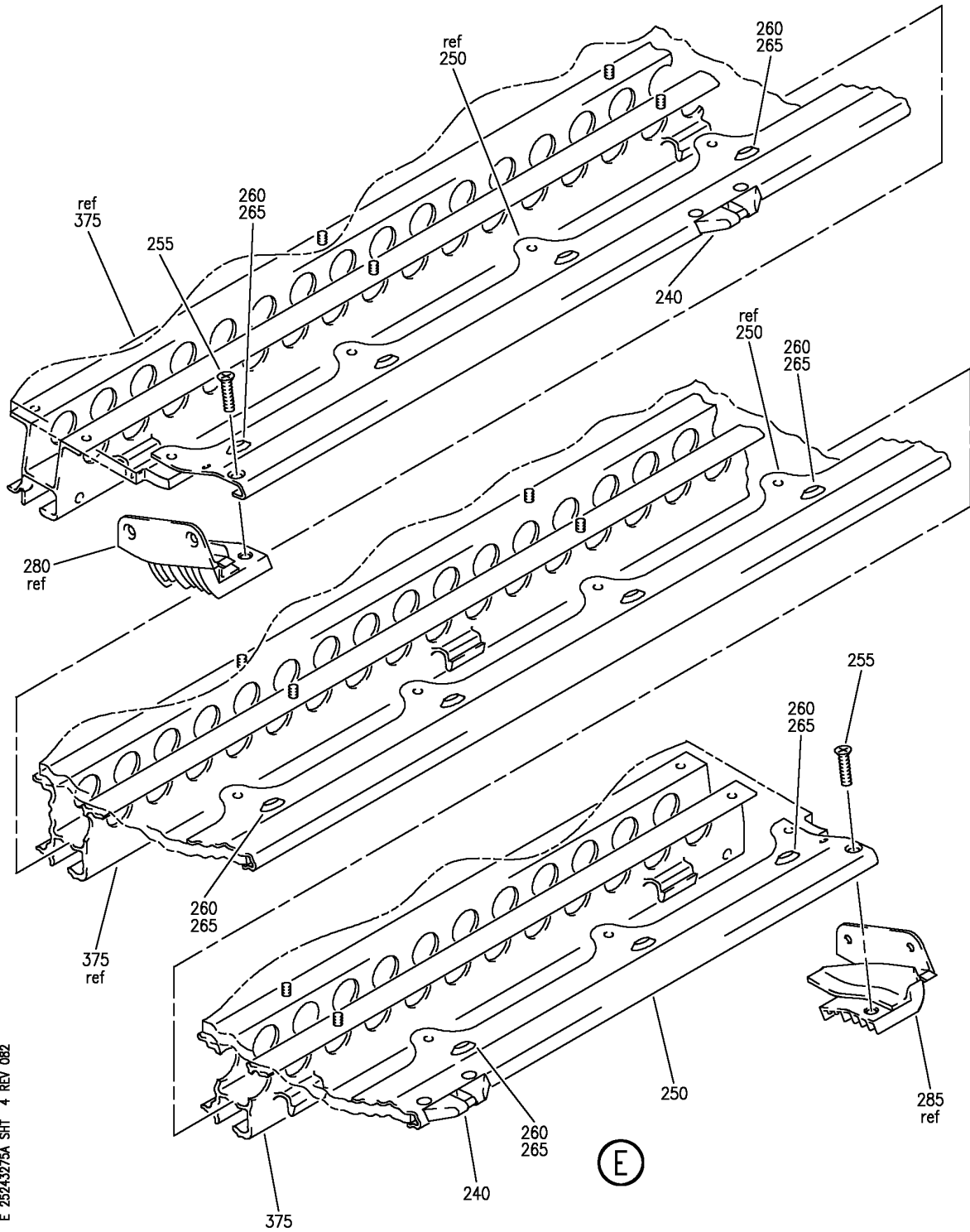
BOX ASSY-70 IN. BIN LH
 FIGURE 75A (SHEET 3)

25-24-32-75A

HAP
 OCT 10/06

25-24-32-75A
 PAGE 0B

BOEING
 737-600/700/800/900
 PARTS CATALOG (MAINTENANCE)



E 25243275A SHIT 4 REV 082

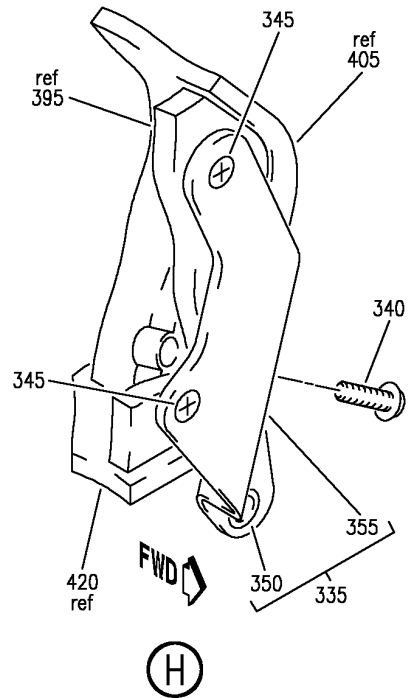
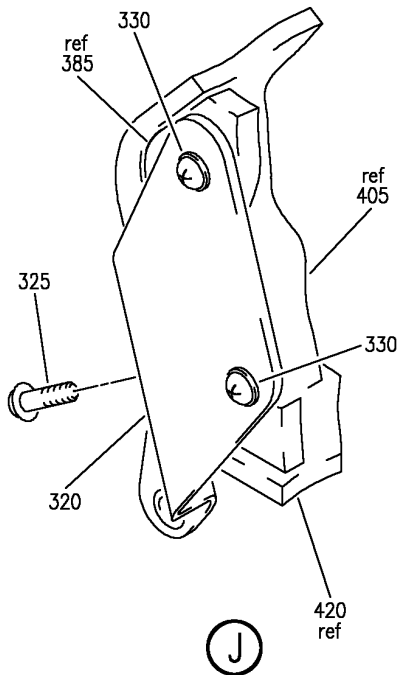
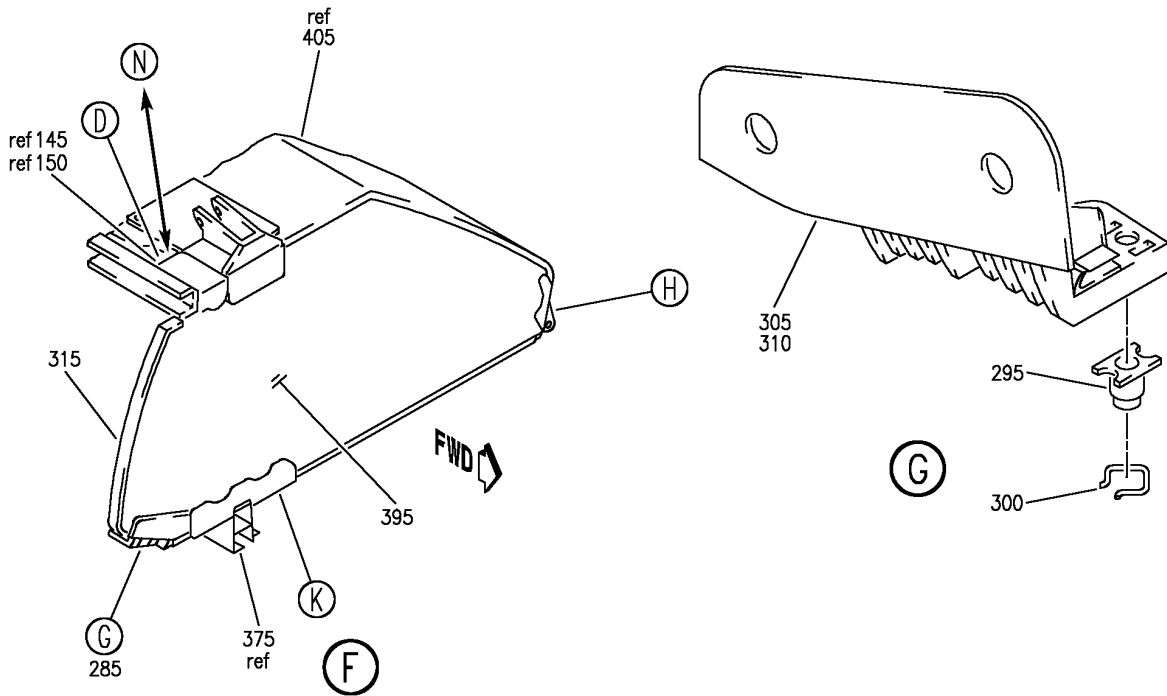
BOX ASSY-70 IN. BIN LH
 FIGURE 75A (SHEET 4)

25-24-32-75A

HAP
 OCT 10/06

25-24-32-75A
 PAGE 0C

BOEING
 737-600/700/800/900
 PARTS CATALOG (MAINTENANCE)



E 25243275A SHT 5 REV 082

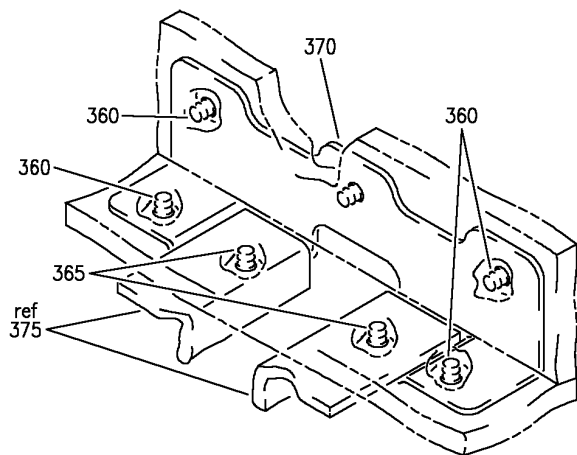
BOX ASSY-70 IN. BIN LH
 FIGURE 75A (SHEET 5)

25-24-32-75A

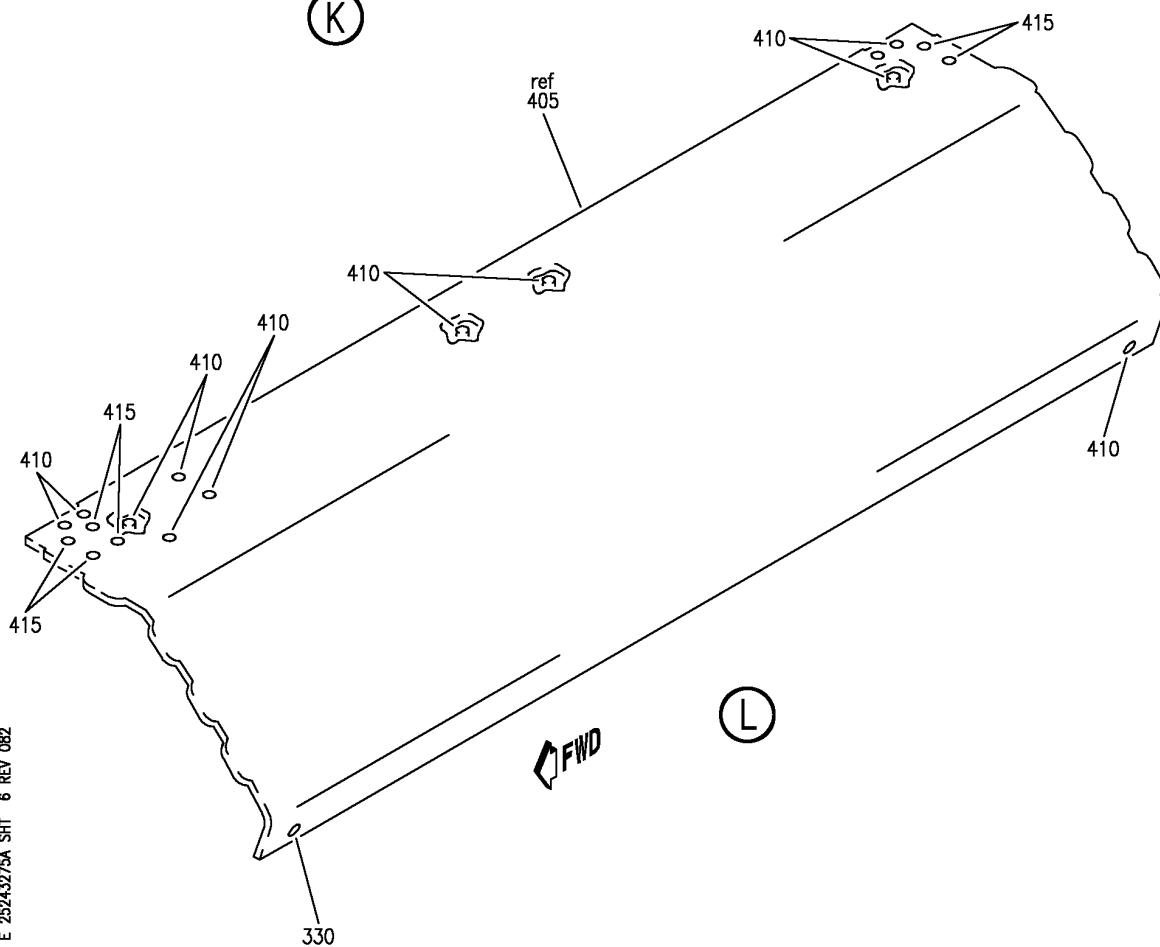
HAP
 OCT 10/06

25-24-32-75A
 PAGE 0D

BOEING
 737-600/700/800/900
 PARTS CATALOG (MAINTENANCE)



(K)



E 25243275A SHT 6 REV 082

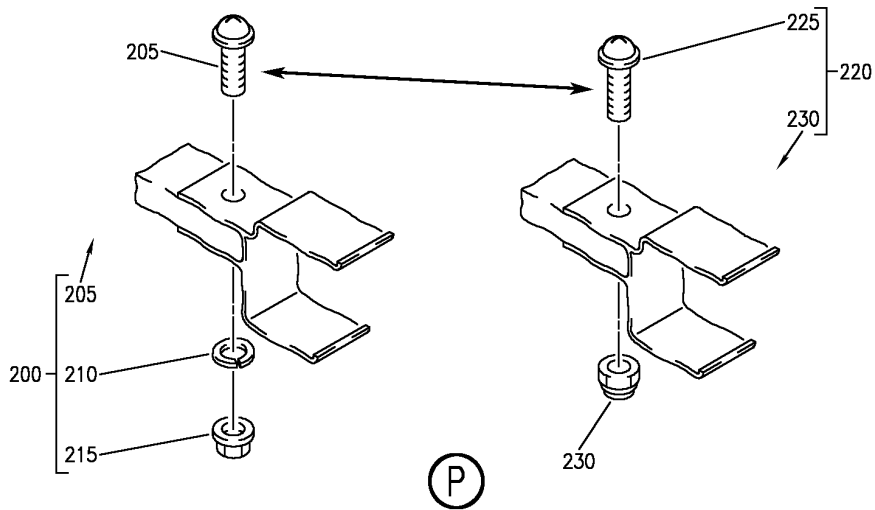
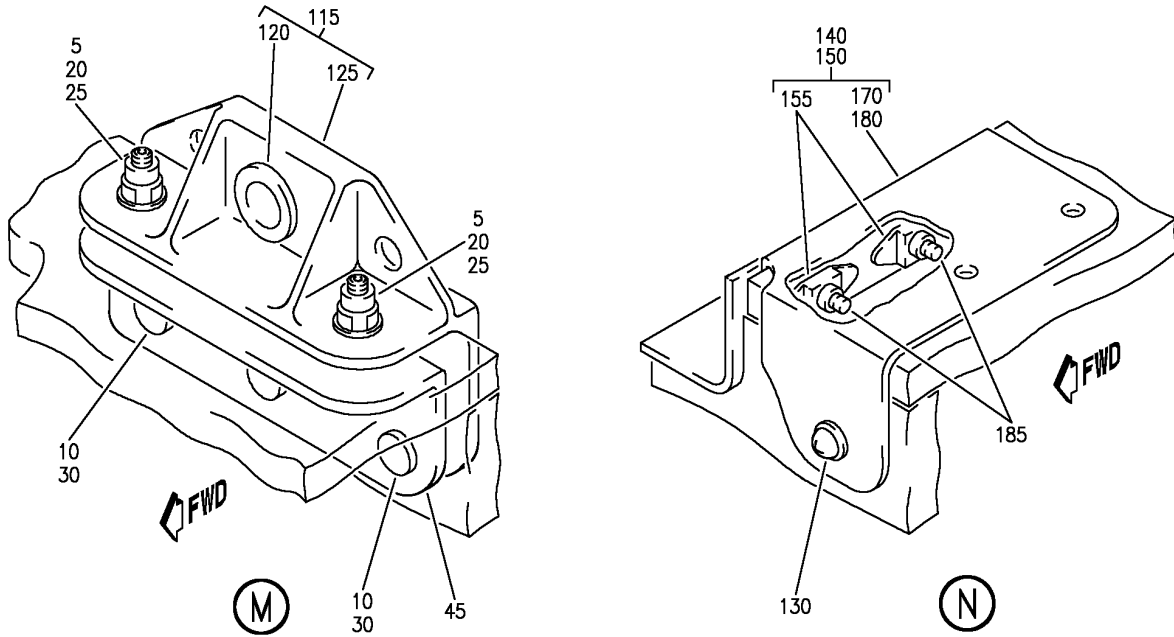
BOX ASSY-70 IN. BIN LH
 FIGURE 75A (SHEET 6)

25-24-32-75A

HAP
 OCT 10/06

25-24-32-75A
 PAGE 0E


BOEING
 737-600/700/800/900
PARTS CATALOG (MAINTENANCE)



E 25243275A SHT 7 REV 082

BOX ASSY-70 IN. BIN LH
FIGURE 75A (SHEET 7)

25-24-32-75A

HAP
OCT 10/06

25-24-32-75A
PAGE OF

BOEING
737-600/700/800/900
PARTS CATALOG (MAINTENANCE)

FIG ITEM	PART NUMBER	1 2 3 4 5 6 7	NOMENCLATURE	EFFECT FROM TO	UNITS PER ASSY
75A			BOX ASSY-70 IN. BIN LH	002005 008030	
- 1	412A1200-119SP		BOX ASSY-70 IN. BIN POSITION DATA: LH OPTIONAL PART: 412A1200-1119SP FOR NHA SEE: 25-24-31-43	002005 008008	RF
- 1	412A1200-1119SP		BOX ASSY-70 IN. BIN POSITION DATA: LH OPTIONAL PART: 412A1200-119SP FOR NHA SEE: 25-24-31-43	002005 008008	RF
- 1	412A1200-119A		BOX ASSY-70 IN. BIN POSITION DATA: LH FOR NHA SEE: 25-24-31-43	009030	RF
- 1	412A1200-1119B		BOX ASSY-70 IN. BIN POSITION DATA: LH FOR NHA SEE: 25-24-31-43	009030	RF

MISSING ITEM NUMBERS NOT APPLICABLE

- ITEM NOT ILLUSTRATED

HAP

25-24-32-75A

BOEING PROPRIETARY - Copyright © - Unpublished Work - See title page for details.

25-24-32
FIG. 75A
PAGE 1
OCT 10/06

BOEING
737-600/700/800/900
PARTS CATALOG (MAINTENANCE)

FIG ITEM	PART NUMBER	1 2 3 4 5 6 7	NOMENCLATURE	EFFECT FROM TO	UNITS PER ASSY
75A 5	HL1012AZ6-10	.BOLT	SUPPLIER CODE: V97928 SPECIFICATION NUMBER: BACB30NX6K10 OPTIONAL PART: HL12VAZ6-10 V73197 HL12VAZ6-10 V92215 HL12VAZ6-10 V97928 L802-6K10 V06725 HL12VAZ6-10 V56878 HL1012AZ6-10 VOPTK6 HL1012AZ6-10 V06725 HL1012AZ6-10 V06950 HL1012AZ6-10 V17446 HL1012AZ6-10 V56878 HL1012AZ6-10 V60516 HL1012AZ6-10 V73197	002005 008030	6
10	BACS12ER3K9	.SCREW		002005 008030	6
15	BACS12FA3K4	.SCREW		002005 008030	2
20	BACW10BP3NDP	.WASHER-	OPTIONAL PART: NAS1149D0363J	002005 008030	6
20	NAS1149D0363J	.WASHER-	OPTIONAL PART: BACW10BP3NDP USED ON: 412A1200-1119SP 412A1200-1119B	002005 008030	6

MISSING ITEM NUMBERS NOT APPLICABLE

— ITEM NOT ILLUSTRATED

HAP

25-24-32-75A

BOEING PROPRIETARY - Copyright © - Unpublished Work - See title page for details.

25-24-32
FIG. 75A
PAGE 2
OCT 10/06

BOEING
737-600/700/800/900
PARTS CATALOG (MAINTENANCE)

FIG ITEM	PART NUMBER	1 2 3 4 5 6 7	NOMENCLATURE	EFFECT FROM TO	UNITS PER ASSY
75A 25	HL1087-6	.	COLLAR- SUPPLIER CODE: V73197 SPECIFICATION NUMBER: BACC30BH6 OPTIONAL PART: HL1087-6 V56878 HL1087-6 V92215 HL1087-6 V9N513 BACC30BZ6	002005 008030	6
25	HST1070CY6	.	COLLAR- SUPPLIER CODE: V5M902 SPECIFICATION NUMBER: BACC30BZ6 OPTIONAL PART: VLC1070CY6 V92215 HST1070CY6 V73197 BACC30BH6 USED ON: 412A1200-1119SP 412A1200-1119B	002005 008030	6
30	SL5-3-50C	.	NUT- SUPPLIER CODE: V97393	002005 008030	6
35	412A1220-11	.	DOUBLER-9G EXT	002005 008030	1
40	412A1220-10SP	.	DOUBLER-9G INTERNAL	002005 008008	1
40	412A1220-10A	.	DOUBLER-9G INTERNAL	009030	1
45	412A1220-39SP	.	DOUBLER-INTERNAL	002005 008008	1
45	412A1220-39A	.	DOUBLER-INTERNAL	009030	1
50	412A1230-105	.	FITTING ASSY-DRAG OPTIONAL PART: 412A1230-151	002005 008030	1
55	BACW10P273L	..	WASHER	002005 008030	2
60	BACB28AT04B023C	..	BUSHING- OPTIONAL PART: NAS538B4P023	002005 008030	2
60	NAS538B4P023	..	BUSHING- OPTIONAL PART: BACB28AT04B023C	002005 008030	2

MISSING ITEM NUMBERS NOT APPLICABLE

- ITEM NOT ILLUSTRATED

HAP

25-24-32-75A

BOEING PROPRIETARY - Copyright © - Unpublished Work - See title page for details.

25-24-32
FIG. 75A
PAGE 3
OCT 10/06

BOEING
737-600/700/800/900
PARTS CATALOG (MAINTENANCE)

FIG ITEM	PART NUMBER	1 2 3 4 5 6 7	NOMENCLATURE	EFFECT FROM TO	UNITS PER ASSY
75A					
65	BCREF13195	..	BUSHING- OVERLENGTH PART NUMBER: BACB28AY06A035CG	002005 008030	1
70	412A1230-107	..	FITTING	002005 008030	1
75	412A1230-151	.FITTING ASSY-DRAG OPTIONAL PART: 412A1230-105 USED ON: 412A1200-119SP 412A1200-119A		002005 008030	1
80	BACW10P273L	..	WASHER	002005 008030	2
85	412A1230-3	..	FITTING ASSY	002005 008030	1
90	BCREF13195	...	BUSHING- OVERLENGTH PART NUMBER: BACB28AY06A035CG	002005 008030	1
95	412A1230-5	...	FITTING	002005 008030	1
100	412A1230-1	.FITTING ASSY- POSITION DATA: UPR,AFT OPTIONAL PART: 412A1230-201		002005 008030	1
105	BCREF13195	..	BUSHING- OVERLENGTH PART NUMBER: BACB28AY06A035CG	002005 008030	1
110	412A1230-2	..	SUPPORT	002005 008030	1
115	412A1230-201	.FITTING ASSY- OPTIONAL PART: 412A1230-1 USED ON: 412A1200-1119SP 412A1200-1119B		002005 008030	1
120	BCREF13195	..	BUSHING- OVERLENGTH PART NUMBER: BACB28AY06A035CG	002005 008030	1
125	412A1230-202	..FITTING- OPTIONAL PART: 412A1230-203		002005 008030	1
125	412A1230-203	..FITTING- OPTIONAL PART: 412A1230-202		002005 008030	1
130	BACS12FA3K4	.SCREW		002005 008030	2

MISSING ITEM NUMBERS NOT APPLICABLE

— ITEM NOT ILLUSTRATED

HAP

25-24-32-75A

BOEING PROPRIETARY - Copyright © - Unpublished Work - See title page for details.

25-24-32
FIG. 75A
PAGE 4
OCT 10/06

BOEING
737-600/700/800/900
PARTS CATALOG (MAINTENANCE)

FIG ITEM	PART NUMBER	1 2 3 4 5 6 7	NOMENCLATURE	EFFECT FROM TO	UNITS PER ASSY
75A 135	412A1220-6SP	.	CORNER ASSY- OPTIONAL PART: 412A1220-210 412A1220-250	002005 008008	1
135	412A1220-6A	.	CORNER ASSY- OPTIONAL PART: 412A1220-210 412A1220-250	009030	1
135	412A1220-210	.	CORNER ASSY- OPTIONAL PART: 412A1220-6SP 412A1220-6A 412A1220-250 USED ON: 412A1200-1119SP 412A1200-1119B	002005 008030	1
140	412A1220-250	.	CORNER ASSY- OPTIONAL PART: 412A1220-6SP 412A1220-6A 412A1220-210 USED ON: 412A1200-1119SP 412A1200-1119B	002005 008030	1
145	412A1220-5SP	.	CORNER ASSY- OPTIONAL PART: 412A1220-209 412A1220-249	002005 008008	1
145	412A1220-5A	.	CORNER ASSY- OPTIONAL PART: 412A1220-209 412A1220-249	009030	1
145	412A1220-209	.	CORNER ASSY- OPTIONAL PART: 412A1220-5SP 412A1220-5A 412A1220-249 USED ON: 412A1200-1119SP 412A1200-1119B	002005 008030	1
150	412A1220-249	.	CORNER ASSY- OPTIONAL PART: 412A1220-5SP 412A1220-5A 412A1220-209 USED ON: 412A1200-1119SP 412A1200-1119B	002005 008030	1

MISSING ITEM NUMBERS NOT APPLICABLE

— ITEM NOT ILLUSTRATED

HAP

25-24-32-75A

BOEING PROPRIETARY - Copyright © - Unpublished Work - See title page for details.

25-24-32
FIG. 75A
PAGE 5
OCT 10/06

BOEING
737-600/700/800/900
PARTS CATALOG (MAINTENANCE)

FIG ITEM	PART NUMBER	1 2 3 4 5 6 7	NOMENCLATURE	EFFECT FROM TO	UNITS PER ASSY
75A 155	BRF200C3D		..NUTPLATE SUPPLIER CODE: V52828 SPECIFICATION NUMBER: BACN10JR3CFD OPTIONAL PART: K51602-3BAC V15653 NS202476-02 V80539 102F9201-3 V72962 T8092C1032CD V11815 ATTACHING PARTS	002005 008030	2
- 160	BACR15CE3D		..RIVET- SIZE DETERMINED ON INSTL. -----*-----	002005 008030	4
165	412A1220-8SP		..REINFORCEMENT- USED ON: 412A1220-6SP	002005 008008	1
165	412A1220-8A		..REINFORCEMENT- USED ON: 412A1220-6A	009030	1
165	412A1220-212		..REINFORCEMENT- USED ON: 412A1220-210	002005 008030	1
170	412A1220-252		..REINFORCEMENT- USED ON: 412A1220-250	002005 008030	1
175	412A1220-7SP		..REINFORCEMENT- USED ON: 412A1220-5SP	002005 008008	1
175	412A1220-7A		..REINFORCEMENT- USED ON: 412A1220-5A	009030	1
175	412A1220-211		..REINFORCEMENT- USED ON: 412A1220-209	002005 008030	1
180	412A1220-251		..REINFORCEMENT- USED ON: 412A1220-249	002005 008030	1
185	BACS12FA3K7		.SCREW	002005 008030	4
190	BACS12FA3K13		.SCREW- USED ON: 412A1200-119SP 412A1200-119A	002005 008030	9

MISSING ITEM NUMBERS NOT APPLICABLE

- ITEM NOT ILLUSTRATED

HAP

25-24-32-75A

BOEING PROPRIETARY - Copyright © - Unpublished Work - See title page for details.

25-24-32
FIG. 75A
PAGE 6
OCT 10/06

BOEING
737-600/700/800/900
PARTS CATALOG (MAINTENANCE)

FIG ITEM	PART NUMBER	1 2 3 4 5 6 7	NOMENCLATURE	EFFECT FROM TO	UNITS PER ASSY
75A 195	F22K1-02	.	NUT- SUPPLIER CODE: V72962 SPECIFICATION NUMBER: BACN10R10L OPTIONAL PART: 22K1-02 V72962 26CLO2 V80539 USED ON: 412A1200-119SP 412A1200-119A	002005 008030	9
200	412A1340-14	.	FASTENER ASSY-KIT OPTIONAL PART: 412A1340-15 USED ON: 412A1200-1119SP 412A1200-1119B	002005 008030	9
205	BACS12FA3K12	..	SCREW	002005 008030	1
210	BACW10EC3S	..	WASHER	002005 008030	1
215	PLH53C	..	NUT SUPPLIER CODE: V62554 SPECIFICATION NUMBER: BACN10YR3C OPTIONAL PART: H52732-3C V15653	002005 008030	1
220	412A1340-15	.	FASTENER ASSY-KIT OPTIONAL PART: 412A1340-14 USED ON: 412A1200-1119SP 412A1200-1119B	002005 008030	9
225	BACS12FA3K13	..	SCREW	002005 008030	1
230	F22K1-02	..	NUT SUPPLIER CODE: V72962 SPECIFICATION NUMBER: BACN10R10L OPTIONAL PART: 22K1-02 V72962 26CLO2 V80539	002005 008030	1

MISSING ITEM NUMBERS NOT APPLICABLE

— ITEM NOT ILLUSTRATED

HAP

25-24-32-75A

BOEING PROPRIETARY - Copyright © - Unpublished Work - See title page for details.

25-24-32
FIG. 75A
PAGE 7
OCT 10/06

BOEING
737-600/700/800/900
PARTS CATALOG (MAINTENANCE)

FIG ITEM	PART NUMBER	1 2 3 4 5 6 7	NOMENCLATURE	EFFECT FROM TO	UNITS PER ASSY
75A 235	412A1247-17SP	.	EXTRUSION-DOOR CLOSEOUT	002005 008008	1
235 240	412A1247-17A HA225-3	.	EXTRUSION-DOOR CLOSEOUT	009030	1
		.	STRIKE- SUPPLIER CODE: V83014 SPECIFICATION NUMBER: S412A001-6 USED ON: 412A1200-119SP USED ON: 412A1200-119A	002005 008030	2
240	HA225-11	.	STRIKE- SUPPLIER CODE: V83014 SPECIFICATION NUMBER: S412A001-16 USED ON: 412A1200-1119B	002005 008030	2
- 245	BACS12ER08K5	.	ATTACHING PARTS SCREW	002005 008030	4
250	412A1242-4	-----*-----	EXTRUSION-SHELF	002005 008030	1
255	BACS12ER3K6	.	ATTACHING PARTS SCREW	002005 008030	2
260	BACS12ER3K5	.	SCREW	002005 008030	11
265	H3-1233A3	.	WASHER- SUPPLIER CODE: V34941 SPECIFICATION NUMBER: S411A001-1	002005 008030	11
270	412A1200-25	-----*-----	CLIP	002005 008030	1
275	412A1252-5	.	RETAINER	002005 008030	1
280	412A1475-3SP	.	FITTING ASSY-SPRT	002005 008008	1
280	412A1475-3A	.	FITTING ASSY-SPRT	009030	1
285	412A1475-4SP	.	FITTING ASSY-SPRT	002005 008008	1
285	412A1475-4A	.	FITTING ASSY-SPRT	009030	1

MISSING ITEM NUMBERS NOT APPLICABLE

- ITEM NOT ILLUSTRATED

HAP

25-24-32-75A

BOEING PROPRIETARY - Copyright © - Unpublished Work - See title page for details.

25-24-32
FIG. 75A
PAGE 8
JUN 15/08

BOEING
737-600/700/800/900
PARTS CATALOG (MAINTENANCE)

FIG ITEM	PART NUMBER	1 2 3 4 5 6 7	NOMENCLATURE	EFFECT FROM TO	UNITS PER ASSY
75A			ATTACHING PARTS		
- 290	BACS12ER3K5		.SCREW	002005 008030	4
			-----*-----		
295	BACN11F3-1CD		..NUT	002005 008030	1
300	NAS1795-3		..CLIP	002005 008030	1
305	412A1475-1SP		..FITTING- USED ON: 412A1475-3SP	002005 008008	1
305	412A1475-1A		..FITTING- USED ON: 412A1475-3A	009030	1
310	412A1475-2SP		..FITTING- USED ON: 412A1475-4SP	002005 008008	1
310	412A1475-2A		..FITTING- USED ON: 412A1475-4A	009030	1
315	412A1450-1SP		.TRIM	002005 008008	2
315	412A1450-1A		.TRIM	009030	2
320	412A1230-67		.FITTING- POSITION DATA: LWR	002005 008030	1
			ATTACHING PARTS		
325	BACS12FA3K5		.SCREW	002005 008030	1
330	BACS12FA3K6		.SCREW	002005 008030	2
330	BACS12FA3K5		.SCREW- USED ON: 412A1200-1119SP 412A1200-1119B	002005 008030	2
			-----*-----		
335	412A1230-8		.SUPPORT ASSY- POSITION DATA: LWR	002005 008030	1
			ATTACHING PARTS		
340	BACS12FA3K5		.SCREW	002005 008030	1
345	BACS12ER3K6		.SCREW	002005 008030	2
345	BACS12ER3K5		.SCREW- USED ON: 412A1200-1119SP 412A1200-1119B	002005 008030	2
			-----*-----		

MISSING ITEM NUMBERS NOT APPLICABLE

- ITEM NOT ILLUSTRATED

HAP

25-24-32-75A

BOEING PROPRIETARY - Copyright © - Unpublished Work - See title page for details.

25-24-32
FIG. 75A
PAGE 9
FEB 15/09

BOEING
737-600/700/800/900
PARTS CATALOG (MAINTENANCE)

FIG ITEM	PART NUMBER	1 2 3 4 5 6 7	NOMENCLATURE	EFFECT FROM TO	UNITS PER ASSY
75A 350	BCREF13196	..	BUSHING- OVERLENGTH PART NUMBER: BACB28AT06A010CG	002005 008030	1
355	412A1230-10	..	SUPPORT	002005 008030	1
360	BACS12FA3K4	.S	SCREW	002005 008030	10
365	BACS12FA3K6	.S	SCREW	002005 008030	4
365	BACS12FA3K5	.S	SCREW- USED ON: 412A1200-1119SP 412A1200-1119B	002005 008030	4
370	412A1220-9SP	.A	ANGLE- OPTIONAL PART: 412A1220-205	002005 008008	2
370	412A1220-9A	.A	ANGLE- OPTIONAL PART: 412A1220-205	009030	2
370	412A1220-205	.A	ANGLE- OPTIONAL PART: 412A1220-9SP 412A1220-9A USED ON: 412A1200-1119SP 412A1200-1119B	002005 008030	2
375	412A1245-19	.R	RAIL-MCD/PCU	002005 008030	1
- 380	BACS12FA3K5	.S	ATTACHING PARTS SCREW	002005 008030	10
385	412A1212-105SP	.P	PANEL ASSY-END USED ON: 412A1200-119SP	002005 008008	1
385	412A1212-1105SP	.P	PANEL ASSY-END USED ON: 412A1200-1119SP	002005 008008	1
385	412A1212-105A	.P	PANEL ASSY-END USED ON: 412A1200-119A	009030	1
385	412A1212-1105B	.P	PANEL ASSY-END USED ON: 412A1200-1119B	009030	1
- 390	SL2334-3A1	..	INSERT- SUPPLIER CODE: V97393	002005 008030	8

MISSING ITEM NUMBERS NOT APPLICABLE

- ITEM NOT ILLUSTRATED

HAP

25-24-32-75A

BOEING PROPRIETARY - Copyright © - Unpublished Work - See title page for details.

25-24-32
FIG. 75A
PAGE 10
FEB 15/09

BOEING
737-600/700/800/900
PARTS CATALOG (MAINTENANCE)

FIG ITEM	PART NUMBER	1 2 3 4 5 6 7	NOMENCLATURE	EFFECT FROM TO	UNITS PER ASSY
75A 395	412A1212-107SP	.	PANEL ASSY-END USED ON: 412A1200-119SP	002005 008008	1
395	412A1212-1107SP	.	PANEL ASSY-END USED ON: 412A1200-1119SP	002005 008008	1
395	412A1212-107A	.	PANEL ASSY-END USED ON: 412A1200-119A	009030	1
395	412A1212-1107B	.	PANEL ASSY-END USED ON: 412A1200-1119B	009030	1
- 400	SL2334-3A1	..	INSERT- SUPPLIER CODE: V97393	002005 008030	8
405	412A1210-133SP	.	PANEL ASSY-SHELL USED ON: 412A1200-119SP	002005 008008	1
405	412A1210-1133SP	.	PANEL ASSY-SHELL USED ON: 412A1200-1119SP	002005 008008	1
405	412A1210-133A	.	PANEL ASSY-SHELL USED ON: 412A1200-119A	009030	1
405	412A1210-1133B	.	PANEL ASSY-SHELL USED ON: 412A1200-1119B	009030	1
410	SL2334-3A1	..	INSERT- SUPPLIER CODE: V97393	002005 008030	13
415	BCREF128023	..	INSERT- SUPPLIER CODE: V97393 OVERLENGTH PART NUMBER: SL603-3-375ASP13	002005 008030	6
420	412A1211-135SP	.	PANEL ASSY-SHELF USED ON: 412A1200-119SP	002005 008008	1
420	412A1211-1135SP	.	PANEL ASSY-SHELF USED ON: 412A1200-1119SP	002005 008008	1
420	412A1211-135A	.	PANEL ASSY-SHELF USED ON: 412A1200-119A	009030	1
420	412A1211-1135B	.	PANEL ASSY-SHELF USED ON: 412A1200-1119B	009030	1

MISSING ITEM NUMBERS NOT APPLICABLE

- ITEM NOT ILLUSTRATED

HAP

25-24-32-75A

BOEING PROPRIETARY - Copyright © - Unpublished Work - See title page for details.

25-24-32
FIG. 75A
PAGE 11
FEB 15/09


BOEING
 737-600/700/800/900
PARTS CATALOG (MAINTENANCE)

FIG ITEM	PART NUMBER	1 2 3 4 5 6 7 NOMENCLATURE	EFFECT FROM TO	UNITS PER ASSY
75A - 425	SL2334-3A1	.. INSERT- SUPPLIER CODE : V97393	002005 008030	39

MISSING ITEM NUMBERS NOT APPLICABLE

- ITEM NOT ILLUSTRATED

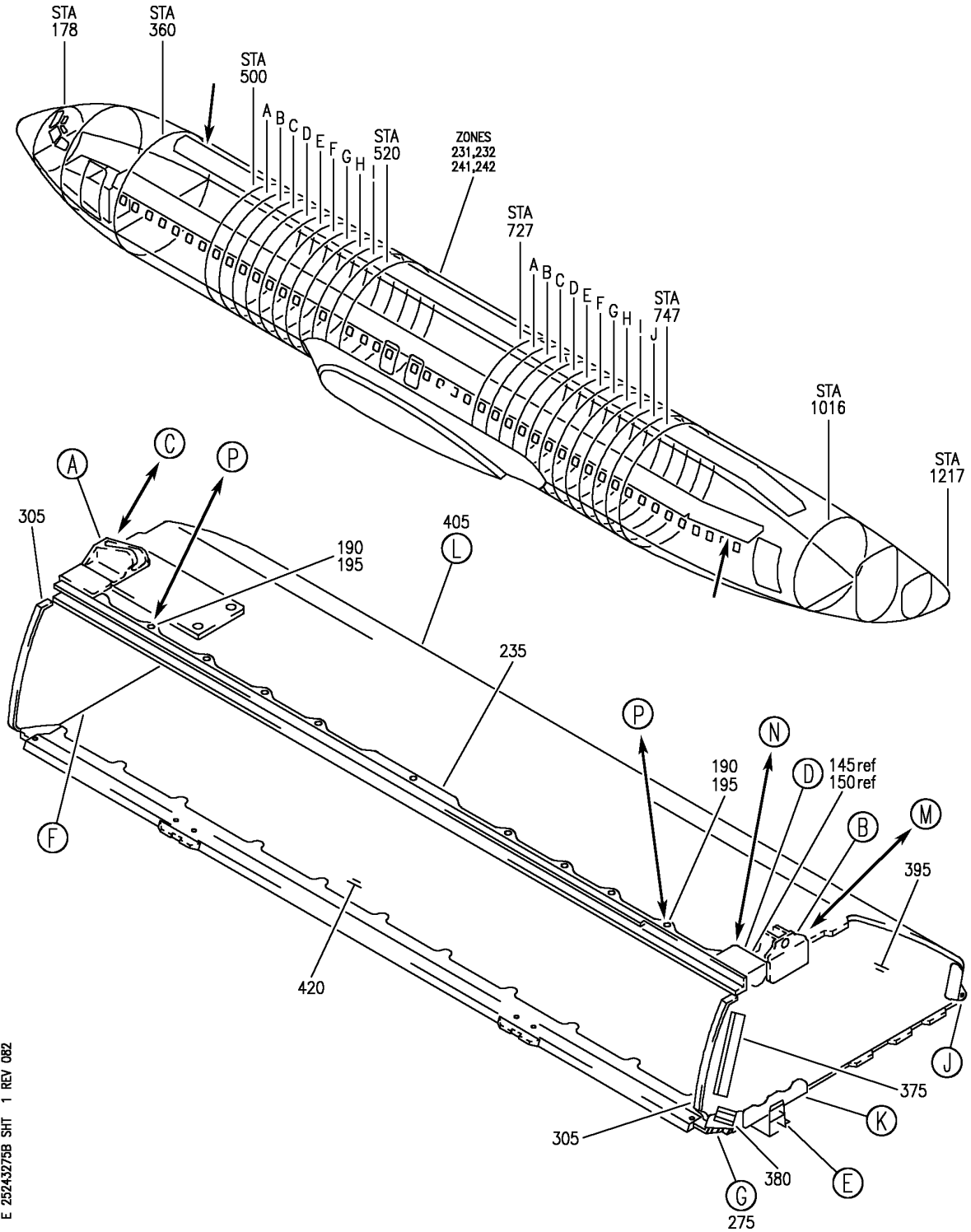
HAP

25-24-32-75A

BOEING PROPRIETARY - Copyright © - Unpublished Work - See title page for details.

25-24-32
 FIG. 75A
 PAGE 12
 FEB 15/09

BOEING
 737-600/700/800/900
 PARTS CATALOG (MAINTENANCE)



E 25243275B SHT 1 REV 082

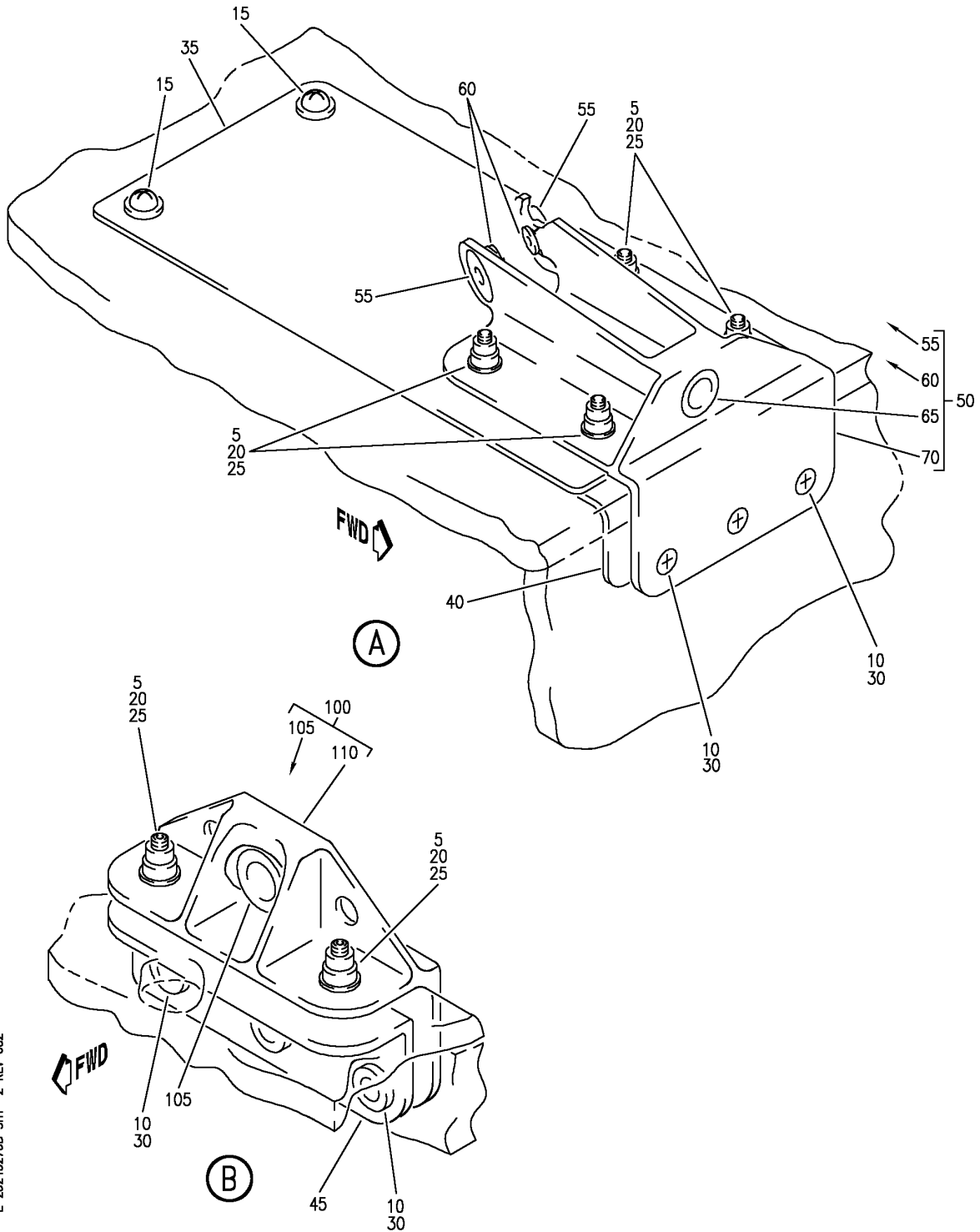
BOX ASSY-70 IN. BIN RH
 FIGURE 75B (SHEET 1)

25-24-32-75B

HAP
 OCT 10/06

25-24-32-75B
 PAGE 0

BOEING
 737-600/700/800/900
 PARTS CATALOG (MAINTENANCE)



E 25243275B SHT 2 REV 082

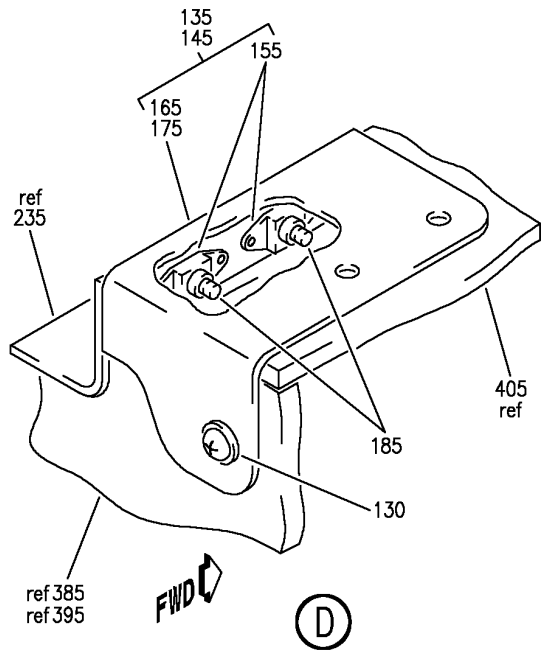
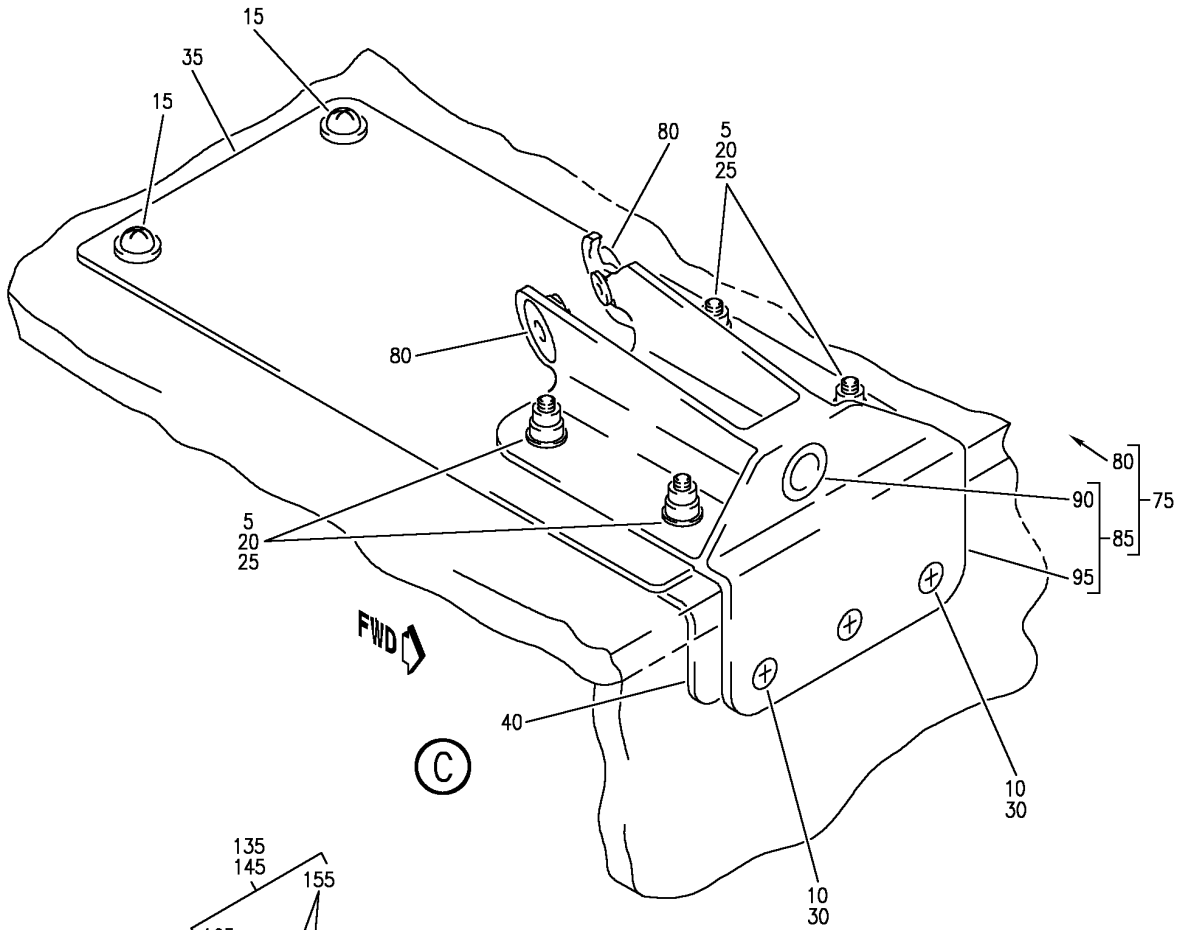
BOX ASSY-70 IN. BIN RH
 FIGURE 75B (SHEET 2)

25-24-32-75B

HAP
 OCT 10/06

25-24-32-75B
 PAGE 0A

BOEING
 737-600/700/800/900
 PARTS CATALOG (MAINTENANCE)



E 25243275B SHT 3 REV 082

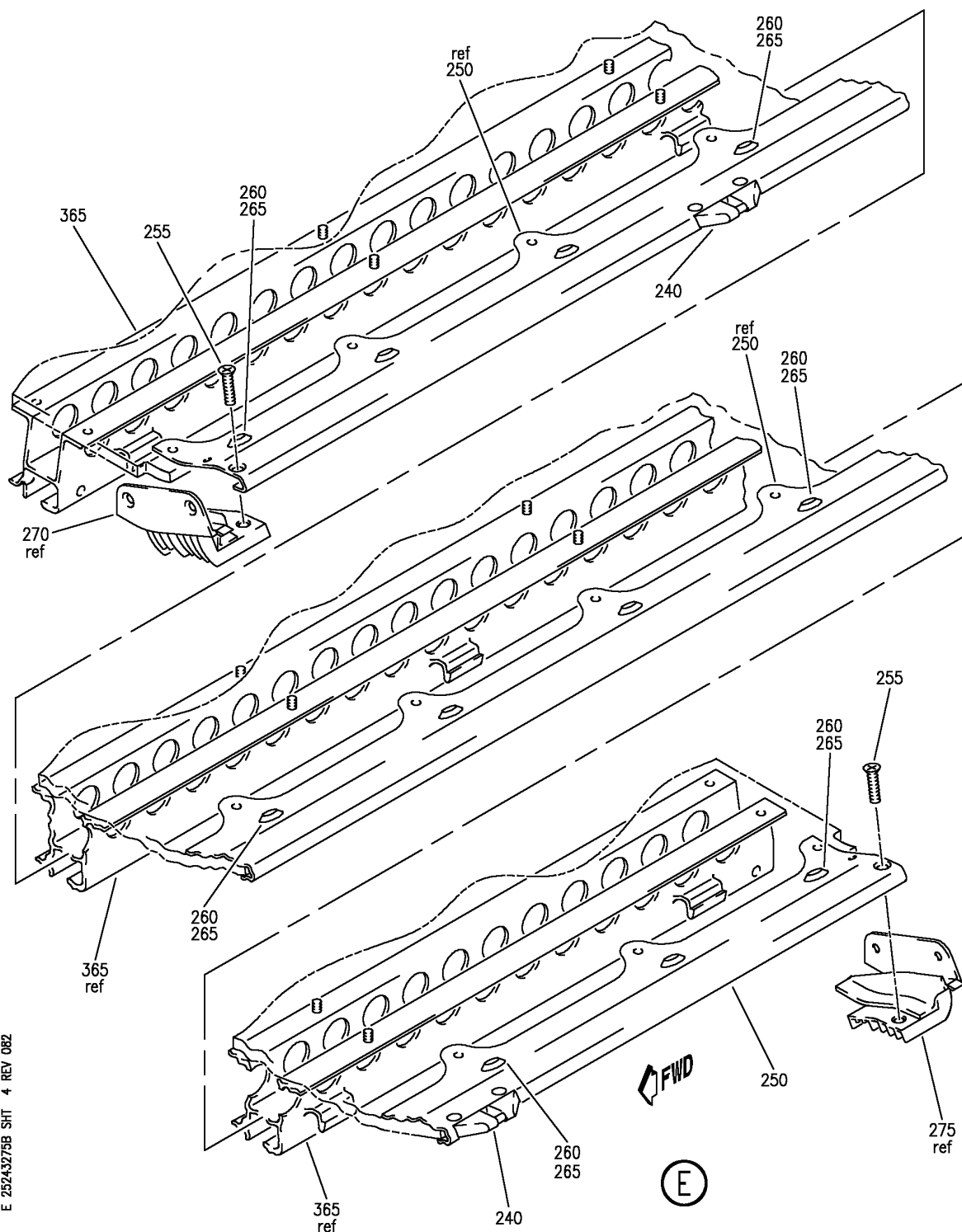
BOX ASSY-70 IN. BIN RH
 FIGURE 75B (SHEET 3)

25-24-32-75B

HAP
 OCT 10/06

25-24-32-75B
 PAGE 0B

BOEING
 737-600/700/800/900
 PARTS CATALOG (MAINTENANCE)



E 25243275B SHT 4 REV 082

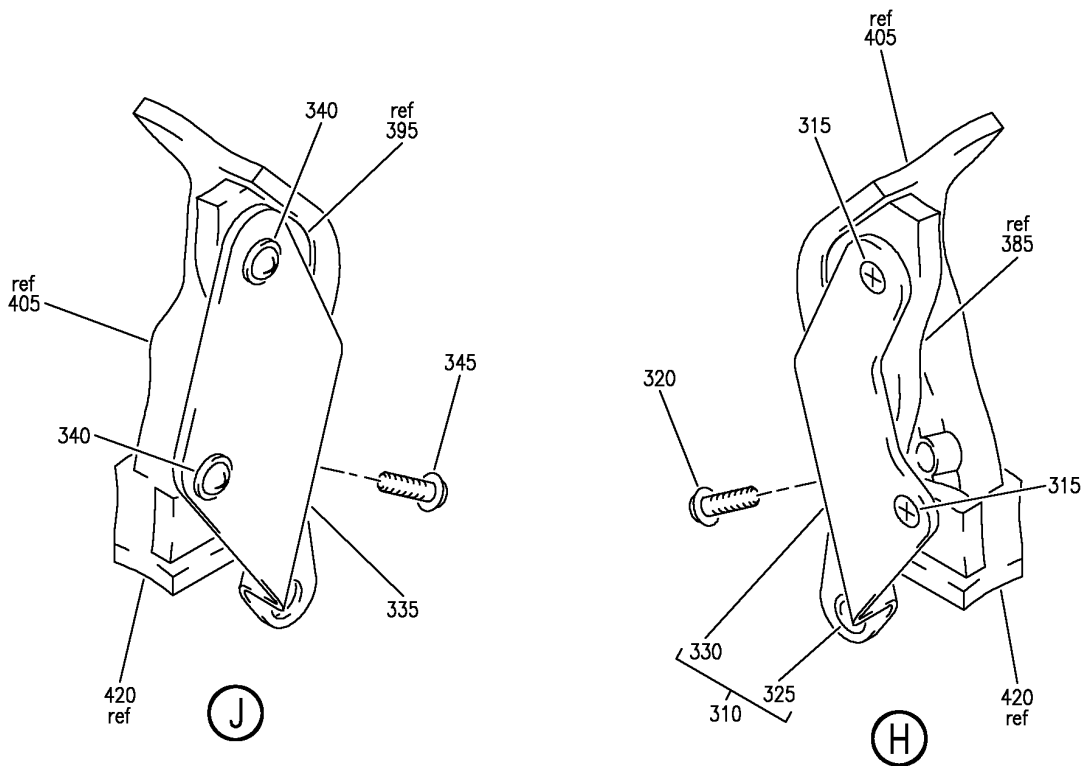
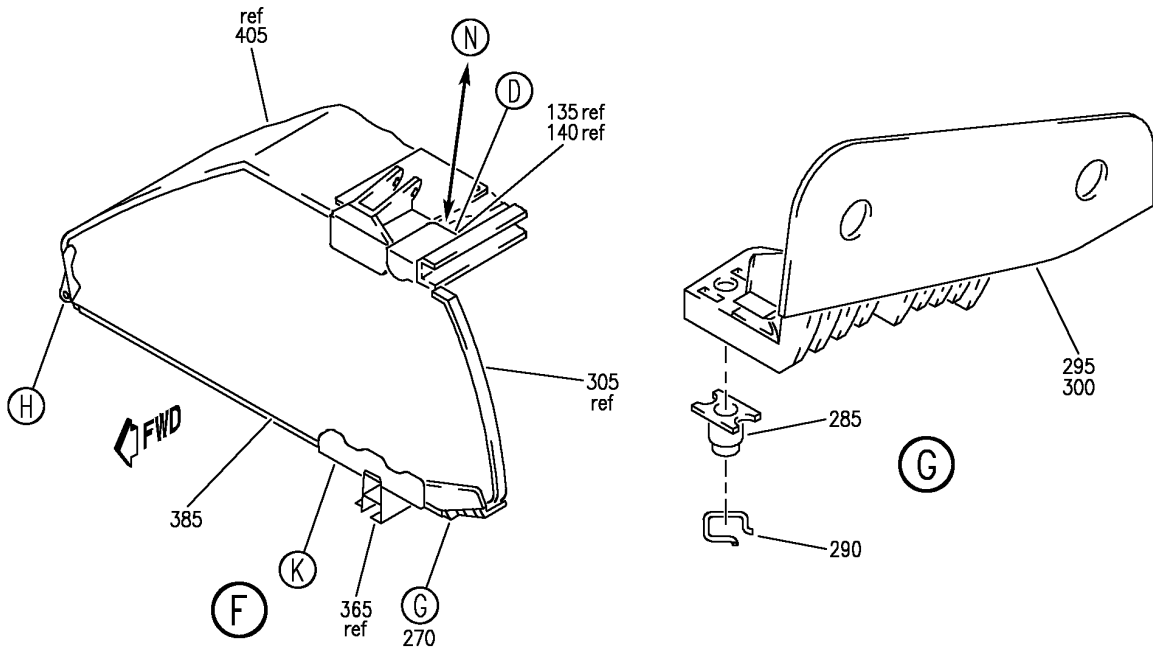
BOX ASSY-70 IN. BIN RH
 FIGURE 75B (SHEET 4)

25-24-32-75B

HAP
 OCT 10/06

25-24-32-75B
 PAGE 0C

BOEING
 737-600/700/800/900
 PARTS CATALOG (MAINTENANCE)



E 25243275B SHT 5 REV 082

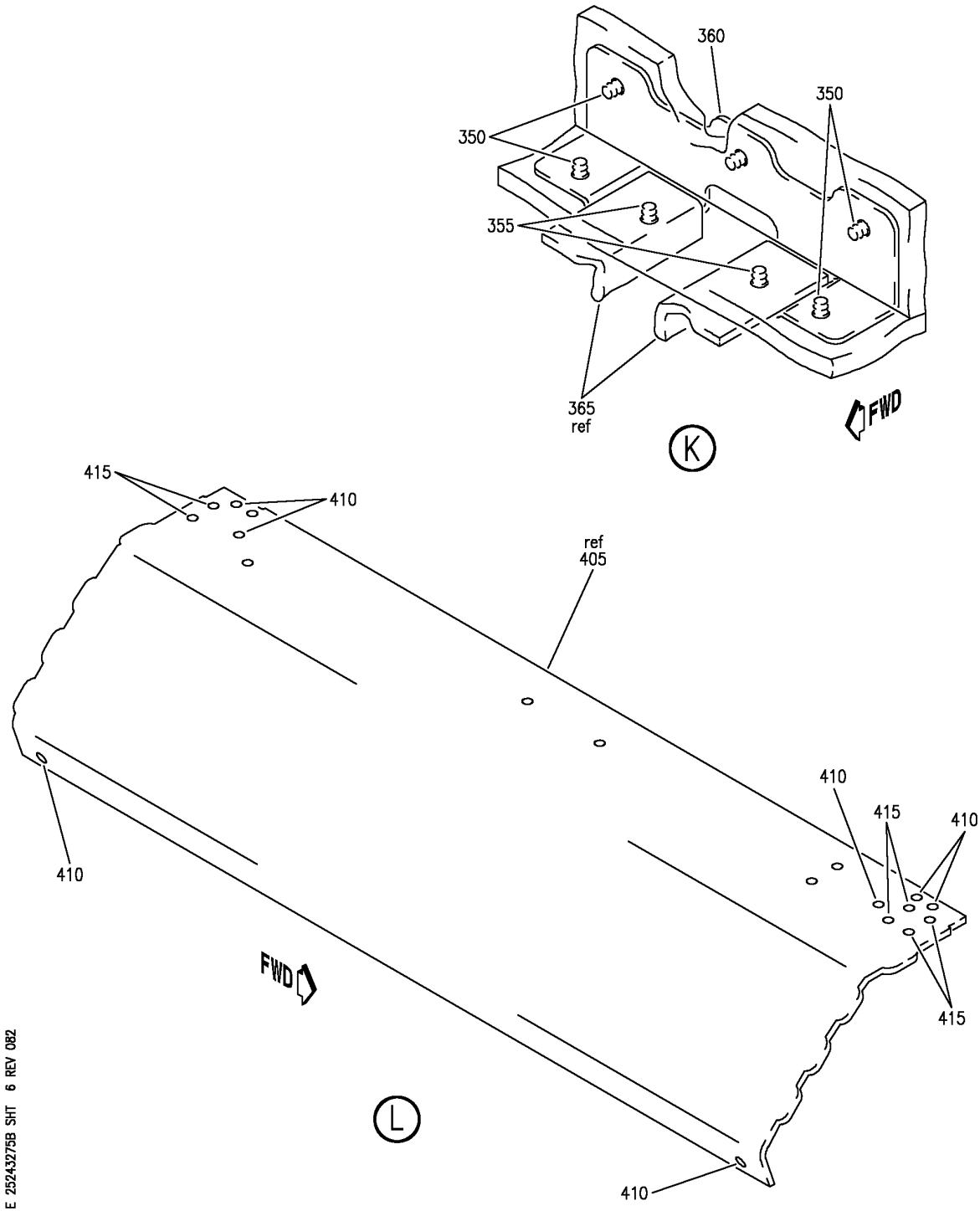
BOX ASSY-70 IN. BIN RH
 FIGURE 75B (SHEET 5)

25-24-32-75B

HAP
 OCT 10/06

25-24-32-75B
 PAGE 0D

BOEING
 737-600/700/800/900
 PARTS CATALOG (MAINTENANCE)



E 25243275B SHT 6 REV 082

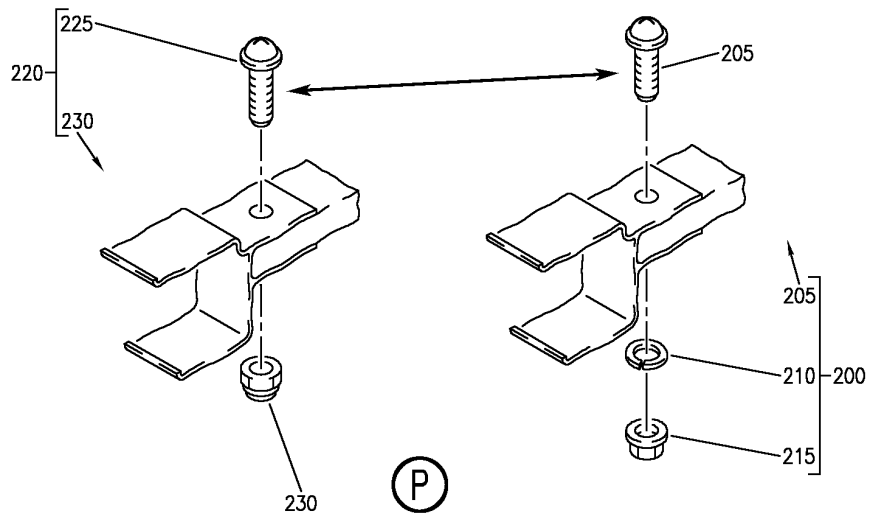
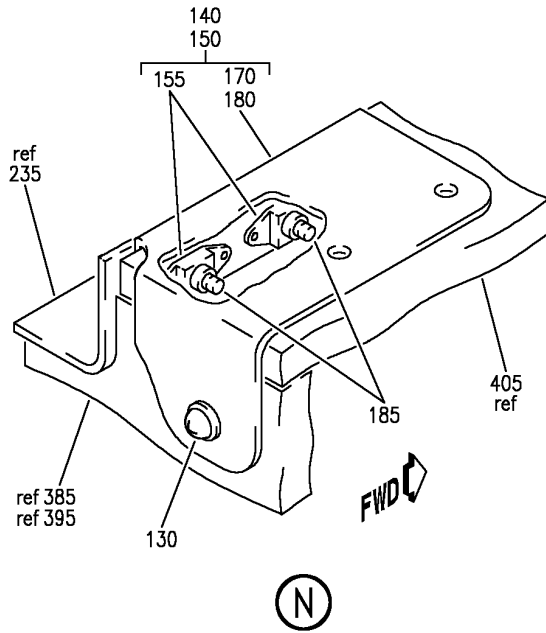
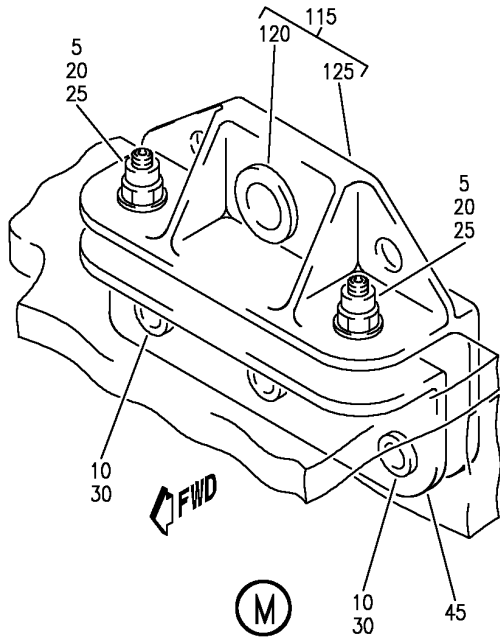
BOX ASSY-70 IN. BIN RH
 FIGURE 75B (SHEET 6)

25-24-32-75B

HAP
 OCT 10/06

25-24-32-75B
 PAGE 0E

BOEING
 737-600/700/800/900
 PARTS CATALOG (MAINTENANCE)



E 25243275B SHT 7 REV 082

BOX ASSY-70 IN. BIN RH
 FIGURE 75B (SHEET 7)

25-24-32-75B

HAP
 OCT 10/06

25-24-32-75B
 PAGE OF

BOEING
737-600/700/800/900
PARTS CATALOG (MAINTENANCE)

FIG ITEM	PART NUMBER	1 2 3 4 5 6 7	NOMENCLATURE	EFFECT FROM TO	UNITS PER ASSY
75B			BOX ASSY-70 IN. BIN RH	002005 008030	
- 1	412A1200-120SP		BOX ASSY-70 IN. BIN POSITION DATA: RH OPTIONAL PART: 412A1200-1120SP FOR NHA SEE: 25-24-31-39	002005 008008	RF
- 1	412A1200-1120SP		BOX ASSY-70 IN. BIN POSITION DATA: RH OPTIONAL PART: 412A1200-120SP FOR NHA SEE: 25-24-31-39	002005 008008	RF
- 1	412A1200-120A		BOX ASSY-70 IN. BIN POSITION DATA: RH OPTIONAL PART: 412A1200-1120B FOR NHA SEE: 25-24-31-39	009030	RF
- 1	412A1200-1120B		BOX ASSY-70 IN. BIN POSITION DATA: RH OPTIONAL PART: 412A1200-120A FOR NHA SEE: 25-24-31-39	009030	RF

MISSING ITEM NUMBERS NOT APPLICABLE

- ITEM NOT ILLUSTRATED

HAP

25-24-32-75B

BOEING PROPRIETARY - Copyright © - Unpublished Work - See title page for details.

25-24-32
FIG. 75B
PAGE 1
OCT 10/06

BOEING
737-600/700/800/900
PARTS CATALOG (MAINTENANCE)

FIG ITEM	PART NUMBER	1 2 3 4 5 6 7	NOMENCLATURE	EFFECT FROM TO	UNITS PER ASSY
75B 5	HL1012AZ6-10	.BOLT	SUPPLIER CODE: V97928 SPECIFICATION NUMBER: BACB30NX6K10 OPTIONAL PART: HL12VAZ6-10 V73197 HL12VAZ6-10 V92215 HL12VAZ6-10 V97928 L802-6K10 V06725 HL12VAZ6-10 V56878 HL1012AZ6-10 VOPTK6 HL1012AZ6-10 V06725 HL1012AZ6-10 V06950 HL1012AZ6-10 V17446 HL1012AZ6-10 V56878 HL1012AZ6-10 V60516 HL1012AZ6-10 V73197	002005 008030	6
10	BACS12ER3K9	.SCREW		002005 008030	6
15	BACS12FA3K4	.SCREW		002005 008030	2
20	BACW10BP3NDP	.WASHER-	OPTIONAL PART: NAS1149D0363J	002005 008030	6
20	NAS1149D0363J	.WASHER-	OPTIONAL PART: BACW10BP3NDP USED ON: 412A1200-1120SP 412A1200-1120B	002005 008030	6

MISSING ITEM NUMBERS NOT APPLICABLE

— ITEM NOT ILLUSTRATED

HAP

25-24-32-75B

BOEING PROPRIETARY - Copyright © - Unpublished Work - See title page for details.

25-24-32
FIG. 75B
PAGE 2
OCT 10/06

BOEING
737-600/700/800/900
PARTS CATALOG (MAINTENANCE)

FIG ITEM	PART NUMBER	1 2 3 4 5 6 7	NOMENCLATURE	EFFECT FROM TO	UNITS PER ASSY
75B 25	HL1087-6	.	COLLAR- SUPPLIER CODE: V73197 SPECIFICATION NUMBER: BACC30BH6 OPTIONAL PART: HL1087-6 V56878 HL1087-6 V92215 HL1087-6 V9N513 BACC30BZ6	002005 008030	6
25	HST1070CY6	.	COLLAR- SUPPLIER CODE: V5M902 SPECIFICATION NUMBER: BACC30BZ6 OPTIONAL PART: VLC1070CY6 V92215 HST1070CY6 V73197 BACC30BH6 USED ON: 412A1200-1120SP 412A1200-1120B	002005 008030	6
30	SL5-3-50C	.	NUT- SUPPLIER CODE: V97393	002005 008030	6
35	412A1220-11	.	DOUBLER-9G EXT	002005 008030	1
40	412A1220-10SP	.	DOUBLER-9G INTERNAL	002005 008008	1
40	412A1220-10A	.	DOUBLER-9G INTERNAL	009030	1
45	412A1220-39SP	.	DOUBLER-INTERNAL	002005 008008	1
45	412A1220-39A	.	DOUBLER-INTERNAL	009030	1
50	412A1230-106	.	FITTING ASSY-DRAG OPTIONAL PART: 412A1230-152	002005 008030	1
55	BACW10P273L	..	WASHER	002005 008030	2
60	BACB28AT04B023C	..	BUSHING- OPTIONAL PART: NAS538B4P023	002005 008030	2
60	NAS538B4P023	..	BUSHING- OPTIONAL PART: BACB28AT04B023C	002005 008030	2

MISSING ITEM NUMBERS NOT APPLICABLE

— ITEM NOT ILLUSTRATED

HAP

25-24-32-75B

BOEING PROPRIETARY - Copyright © - Unpublished Work - See title page for details.

25-24-32
FIG. 75B
PAGE 3
OCT 10/06

BOEING
737-600/700/800/900
PARTS CATALOG (MAINTENANCE)

FIG ITEM	PART NUMBER	1 2 3 4 5 6 7	NOMENCLATURE	EFFECT FROM TO	UNITS PER ASSY
75B					
65	BCREF13195	..	BUSHING- OVERLENGTH PART NUMBER: BACB28AY06A035CG	002005 008030	1
70	412A1230-108	..	FITTING	002005 008030	1
75	412A1230-152	.FITTING ASSY-DRAG OPTIONAL PART: 412A1230-106 USED ON: 412A1200-120A 412A1200-120SP		002005 008030	1
80	BACW10P273L	..	WASHER	002005 008030	2
85	412A1230-4	..	FITTING ASSY	002005 008030	1
90	BCREF13195	...BUSHING- OVERLENGTH PART NUMBER: BACB28AY06A035CG		002005 008030	1
95	412A1230-6	...FITTING		002005 008030	1
100	412A1230-1	.FITTING ASSY- OPTIONAL PART: 412A1230-201		002005 008030	1
105	BCREF13195	..BUSHING- OVERLENGTH PART NUMBER: BACB28AY06A035CG		002005 008030	1
110	412A1230-2	..	SUPPORT	002005 008030	1
115	412A1230-201	.FITTING ASSY- OPTIONAL PART: 412A1230-1 USED ON: 412A1200-1120SP 412A1200-1120B		002005 008030	1
120	BCREF13195	..BUSHING- OVERLENGTH PART NUMBER: BACB28AY06A035CG		002005 008030	1
125	412A1230-202	..FITTING- OPTIONAL PART: 412A1230-203		002005 008030	1
125	412A1230-203	..FITTING- OPTIONAL PART: 412A1230-202		002005 008030	1
130	BACS12FA3K4	.SCREW		002005 008030	2
135	412A1220-6SP	.CORNER ASSY- OPTIONAL PART: 412A1220-210 412A1220-250		002005 008008	1

MISSING ITEM NUMBERS NOT APPLICABLE

— ITEM NOT ILLUSTRATED

HAP

25-24-32-75B

BOEING PROPRIETARY - Copyright © - Unpublished Work - See title page for details.

25-24-32
FIG. 75B
PAGE 4
OCT 10/06

 **BOEING**
737-600/700/800/900
PARTS CATALOG (MAINTENANCE)

FIG ITEM	PART NUMBER	1 2 3 4 5 6 7	NOMENCLATURE	EFFECT FROM TO	UNITS PER ASSY
75B 135	412A1220-6A	.	CORNER ASSY- OPTIONAL PART: 412A1220-210 412A1220-250	009030	1
135	412A1220-210	.	CORNER ASSY- OPTIONAL PART: 412A1220-6SP 412A1220-6A 412A1220-250 USED ON: 412A1200-1120SP 412A1200-1120B	002005 008030	1
140	412A1220-250	.	CORNER ASSY- OPTIONAL PART: 412A1220-6SP 412A1220-6A 412A1220-210 USED ON: 412A1200-1120SP 412A1200-1120B	002005 008030	1
145	412A1220-5SP	.	CORNER ASSY- OPTIONAL PART: 412A1220-209 412A1220-249	002005 008008	1
145	412A1220-5A	.	CORNER ASSY- OPTIONAL PART: 412A1220-209 412A1220-249	009030	1
145	412A1220-209	.	CORNER ASSY- OPTIONAL PART: 412A1220-5SP 412A1220-5A 412A1220-249 USED ON: 412A1200-1120SP 412A1200-1120B	002005 008030	1
150	412A1220-249	.	CORNER ASSY- OPTIONAL PART: 412A1220-5SP 412A1220-5A 412A1220-209 USED ON: 412A1200-1120SP 412A1200-1120B	002005 008030	1

MISSING ITEM NUMBERS NOT APPLICABLE

- ITEM NOT ILLUSTRATED

HAP

25-24-32-75B

BOEING PROPRIETARY - Copyright © - Unpublished Work - See title page for details.

25-24-32
FIG. 75B
PAGE 5
OCT 10/06

BOEING
737-600/700/800/900
PARTS CATALOG (MAINTENANCE)

FIG ITEM	PART NUMBER	1 2 3 4 5 6 7	NOMENCLATURE	EFFECT FROM TO	UNITS PER ASSY
75B 155	BRF200C3D		..NUTPLATE SUPPLIER CODE: V52828 SPECIFICATION NUMBER: BACN10JR3CFD OPTIONAL PART: K51602-3BAC V15653 NS202476-02 V80539 102F9201-3 V72962 T8092C1032CD V11815 ATTACHING PARTS	002005 008030	2
- 160	BACR15CE3D		..RIVET- SIZE DETERMINED ON INSTL. -----*-----	002005 008030	4
165	412A1220-8SP		..REINFORCEMENT- USED ON: 412A1220-6SP	002005 008008	1
165	412A1220-8A		..REINFORCEMENT- USED ON: 412A1220-6A	009030	1
165	412A1220-212		..REINFORCEMENT- USED ON: 412A1220-210	002005 008030	1
170	412A1220-252		..REINFORCEMENT- USED ON: 412A1220-250	002005 008030	1
175	412A1220-7SP		..REINFORCEMENT- USED ON: 412A1220-5SP	002005 008008	1
175	412A1220-7A		..REINFORCEMENT- USED ON: 412A1220-5A	009030	1
175	412A1220-211		..REINFORCEMENT- USED ON: 412A1220-209	002005 008030	1
180	412A1220-251		..REINFORCEMENT- USED ON: 412A1220-249	002005 008030	1
185	BACs12FA3K7		.SCREW	002005 008030	4
190	BACs12FA3K13		.SCREW- USED ON: 412A1200-120SP 412A1200-120A	002005 008030	9

MISSING ITEM NUMBERS NOT APPLICABLE

- ITEM NOT ILLUSTRATED

HAP

25-24-32-75B

BOEING PROPRIETARY - Copyright © - Unpublished Work - See title page for details.

25-24-32
FIG. 75B
PAGE 6
OCT 10/06

BOEING
737-600/700/800/900
PARTS CATALOG (MAINTENANCE)

FIG ITEM	PART NUMBER	1 2 3 4 5 6 7	NOMENCLATURE	EFFECT FROM TO	UNITS PER ASSY
75B 195	F22K1-02	.	NUT- SUPPLIER CODE: V72962 SPECIFICATION NUMBER: BACN10R10L OPTIONAL PART: 22K1-02 V72962 26CLO2 V80539 USED ON: 412A1200-120SP 412A1200-120A	002005 008030	9
200	412A1340-14	.	FASTENER ASSY-KIT OPTIONAL PART: 412A1340-15 USED ON: 412A1200-1120SP 412A1200-1120B	002005 008030	9
205	BACS12FA3K12	..	SCREW	002005 008030	1
210	BACW10EC3S	..	WASHER	002005 008030	1
215	PLH53C	..	NUT SUPPLIER CODE: V62554 SPECIFICATION NUMBER: BACN10YR3C OPTIONAL PART: H52732-3C V15653	002005 008030	1
220	412A1340-15	.	FASTENER ASSY-KIT OPTIONAL PART: 412A1340-14 USED ON: 412A1200-1120SP 412A1200-1120B	002005 008030	9
225	BACS12FA3K13	..	SCREW	002005 008030	1
230	F22K1-02	..	NUT SUPPLIER CODE: V72962 SPECIFICATION NUMBER: BACN10R10L OPTIONAL PART: 22K1-02 V72962 26CLO2 V80539	002005 008030	1

MISSING ITEM NUMBERS NOT APPLICABLE

— ITEM NOT ILLUSTRATED

HAP

25-24-32-75B

BOEING PROPRIETARY - Copyright © - Unpublished Work - See title page for details.

25-24-32
FIG. 75B
PAGE 7
OCT 10/06

BOEING
737-600/700/800/900
PARTS CATALOG (MAINTENANCE)

FIG ITEM	PART NUMBER	1 2 3 4 5 6 7	NOMENCLATURE	EFFECT FROM TO	UNITS PER ASSY
75B 235	412A1247-17SP	.	EXTRUSION-DOOR CLOSEOUT	002005 008008	1
235 240	412A1247-17A HA225-3	.	EXTRUSION-DOOR CLOSEOUT	009030	1
		.	STRIKE- SUPPLIER CODE: V83014 SPECIFICATION NUMBER: S412A001-6 USED ON: 412A1200-120A	002005 008030	2
240	HA225-11	.	STRIKE- SUPPLIER CODE: V83014 SPECIFICATION NUMBER: S412A001-16 ATTACHING PARTS	002005 008030	2
- 245	BACS12ER08K5	.	SCREW	002005 008030	4
		-----*-----			
250	412A1242-4	.	EXTRUSION-SHELF ATTACHING PARTS	002005 008030	1
255	BACS12ER3K6	.	SCREW	002005 008030	2
260	BACS12ER3K5	.	SCREW	002005 008030	11
265	H3-1233A3	.	WASHER- SUPPLIER CODE: V34941 SPECIFICATION NUMBER: S411A001-1	002005 008030	11
		-----*-----			
270	412A1475-3SP	.	FITTING ASSY	002005 008008	1
270	412A1475-3A	.	FITTING ASSY	009030	1
275	412A1475-4SP	.	FITTING ASSY	002005 008008	1
275	412A1475-4A	.	FITTING ASSY ATTACHING PARTS	009030	1
- 280	BACS12ER3K5	.	SCREW	002005 008030	4
		-----*-----			
285	BACN11F3-1CD	..	NUT	002005 008030	1
290	NAS1795-3	..	CLIP	002005 008030	1
295	412A1475-1SP	..	FITTING- USED ON: 412A1475-3SP	002005 008008	1

MISSING ITEM NUMBERS NOT APPLICABLE

- ITEM NOT ILLUSTRATED

HAP

25-24-32-75B

BOEING PROPRIETARY - Copyright © - Unpublished Work - See title page for details.

25-24-32
FIG. 75B
PAGE 8
FEB 15/09

BOEING
737-600/700/800/900
PARTS CATALOG (MAINTENANCE)

FIG ITEM	PART NUMBER	1 2 3 4 5 6 7	NOMENCLATURE	EFFECT FROM TO	UNITS PER ASSY
75B 295	412A1475-1A	..	FITTING- USED ON: 412A1475-3A	009030	1
300	412A1475-2SP	..	FITTING- USED ON: 412A1475-4SP	002005 008008	1
300	412A1475-2A	..	FITTING- USED ON: 412A1475-4A	009030	1
305	412A1450-1SP	.	TRIM-END PANEL	002005 008008	2
305	412A1450-1A	.	TRIM-END PANEL	009030	2
310	412A1230-7	.	SUPPORT ASSY	002005 008030	1
			ATTACHING PARTS		
315	BACS12ER3K6	.	SCREW	002005 008030	2
315	BACS12ER3K5	.	SCREW- USED ON: 412A1200-1120SP 412A1200-1120B	002005 008030	2
320	BACS12FA3K5	.	SCREW	002005 008030	1
			-----*-----		
325	BCREF13196	..	BUSHING- OVERLENGTH PART NUMBER: BACB28AT06A010CG	002005 008030	1
330	412A1230-9	..	SUPPORT	002005 008030	1
335	412A1230-68	.	FITTING	002005 008030	1
			ATTACHING PARTS		
340	BACS12FA3K6	.	SCREW	002005 008030	2
340	BACS12FA3K5	.	SCREW- USED ON: 412A1200-1120SP 412A1200-1120B	002005 008030	2
345	BACS12FA3K5	.	SCREW	002005 008030	1
			-----*-----		
350	BACS12FA3K4	.	SCREW	002005 008030	10
355	BACS12FA3K6	.	SCREW	002005 008030	4
360	412A1220-9SP	.	ANGLE- OPTIONAL PART: 412A1220-205	002005 008008	2

MISSING ITEM NUMBERS NOT APPLICABLE

— ITEM NOT ILLUSTRATED

HAP

25-24-32-75B

BOEING PROPRIETARY - Copyright © - Unpublished Work - See title page for details.

25-24-32
FIG. 75B
PAGE 9
FEB 15/09

BOEING
737-600/700/800/900
PARTS CATALOG (MAINTENANCE)

FIG ITEM	PART NUMBER	1 2 3 4 5 6 7	NOMENCLATURE	EFFECT FROM TO	UNITS PER ASSY
75B 360	412A1220-9A	. ANGLE-	OPTIONAL PART: 412A1220-205	009030	2
360	412A1220-205	. ANGLE-	OPTIONAL PART: 412A1220-9SP 412A1220-9A USED ON: 412A1200-1120SP 412A1200-1120B	002005 008030	2
365	412A1245-19	. RAIL		002005 008030	1
- 370	BACS12FA3K5	. SCREW	ATTACHING PARTS	002005 008030	10
			-----*-----		
375	412A1200-25	. CLIP-SEAL RTNR		002005 008030	1
380	412A1252-5	. RETAINER-SEAL		002005 008030	1
385	412A1212-108SP	. PANEL ASSY-END	USED ON: 412A1200-120SP	002005 008008	1
385	412A1212-1108SP	. PANEL ASSY-END	USED ON: 412A1200-1120SP	002005 008008	1
385	412A1212-108A	. PANEL ASSY-END	USED ON: 412A1200-120A	009030	1
385	412A1212-1108B	. PANEL ASSY-END	USED ON: 412A1200-1120B	009030	1
- 390	SL2334-3A1	. . INSERT-	SUPPLIER CODE: V97393	002005 008030	8
395	412A1212-106SP	. PANEL ASSY-END	USED ON: 412A1200-120SP	002005 008008	1
395	412A1212-1106SP	. PANEL ASSY-END	USED ON: 412A1200-1120SP	002005 008008	1
395	412A1212-106A	. PANEL ASSY-END	USED ON: 412A1200-120A	009030	1
395	412A1212-1106B	. PANEL ASSY-END	USED ON: 412A1200-1120B	009030	1

MISSING ITEM NUMBERS NOT APPLICABLE

- ITEM NOT ILLUSTRATED

HAP

25-24-32-75B

BOEING PROPRIETARY - Copyright © - Unpublished Work - See title page for details.

25-24-32
FIG. 75B
PAGE 10
JUN 15/08

BOEING
737-600/700/800/900
PARTS CATALOG (MAINTENANCE)

FIG ITEM	PART NUMBER	1 2 3 4 5 6 7	NOMENCLATURE	EFFECT FROM TO	UNITS PER ASSY
75B - 400	SL2334-3A1		.. INSERT- SUPPLIER CODE: V97393	002005 008030	8
405	412A1210-134SP		. PANEL ASSY-SHELL USED ON: 412A1200-120SP	002005 008008	1
405	412A1210-1134SP		. PANEL ASSY-SHELL USED ON: 412A1200-1120SP	002005 008008	1
405	412A1210-134A		. PANEL ASSY-SHELL USED ON: 412A1200-120A	009030	1
405	412A1210-1134B		. PANEL ASSY-SHELL USED ON: 412A1200-1120B	009030	1
410	SL2334-3A1		.. INSERT- SUPPLIER CODE: V97393	002005 008030	13
415	BCREF128023		.. INSERT- SUPPLIER CODE: V97393 OVERLENGTH PART NUMBER: SL603-3-375ASP13	002005 008030	6
420	412A1211-136SP		. PANEL ASSY-SHELF USED ON: 412A1200-120SP	002005 008008	1
420	412A1211-1136SP		. PANEL ASSY-SHELF USED ON: 412A1200-1120SP	002005 008008	1
420	412A1211-136A		. PANEL ASSY-SHELF USED ON: 412A1200-120A	009030	1
420	412A1211-1136B		. PANEL ASSY-SHELF USED ON: 412A1200-1120B	009030	1
- 425	SL2334-3A1		.. INSERT- SUPPLIER CODE: V97393	002005 008030	39

MISSING ITEM NUMBERS NOT APPLICABLE

- ITEM NOT ILLUSTRATED

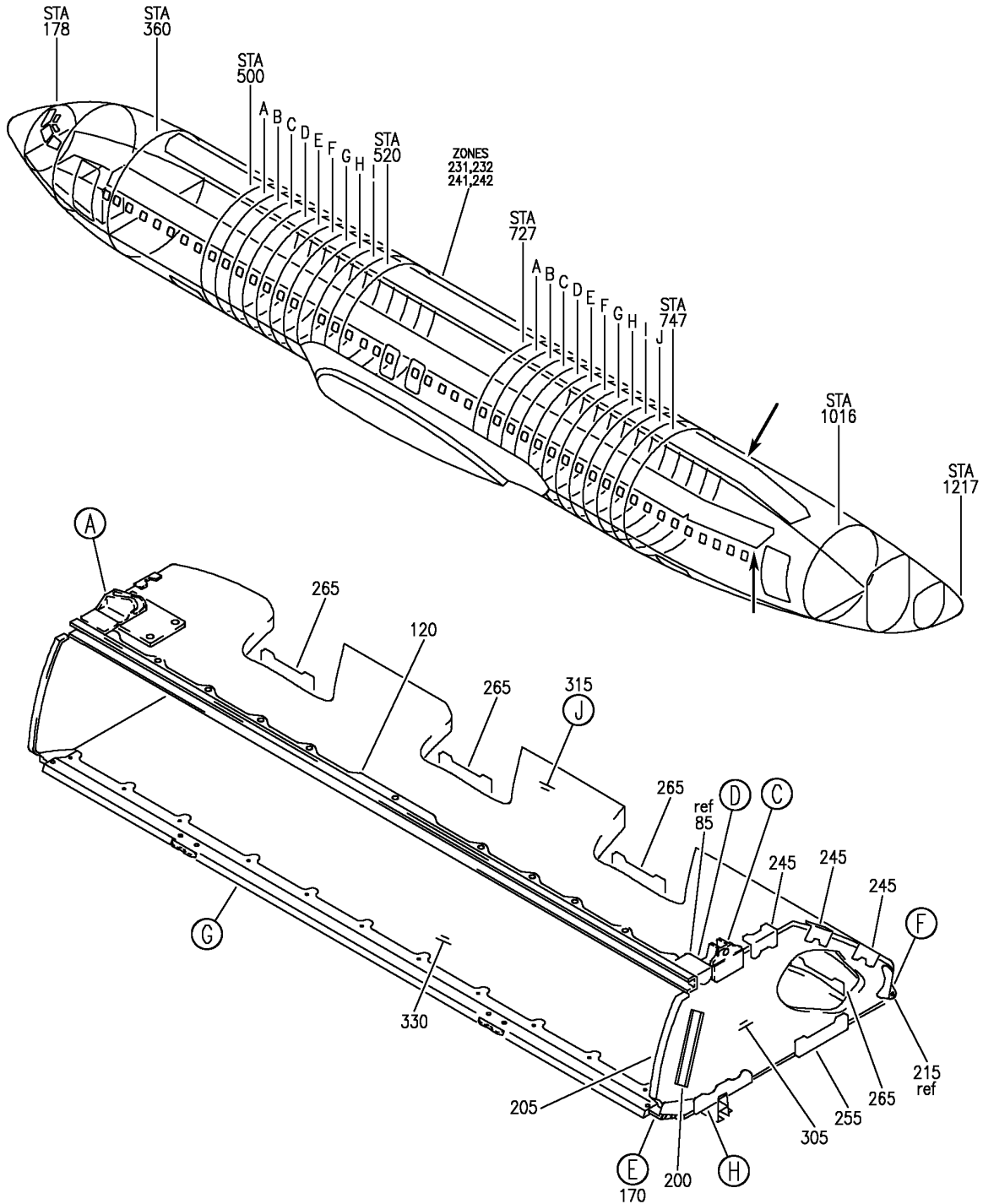
HAP

25-24-32-75B

BOEING PROPRIETARY - Copyright © - Unpublished Work - See title page for details.

25-24-32
FIG. 75B
PAGE 11
JUN 15/08

BOEING
 737-600/700/800/900
 PARTS CATALOG (MAINTENANCE)



E 25243275C SHT 1 REV 082

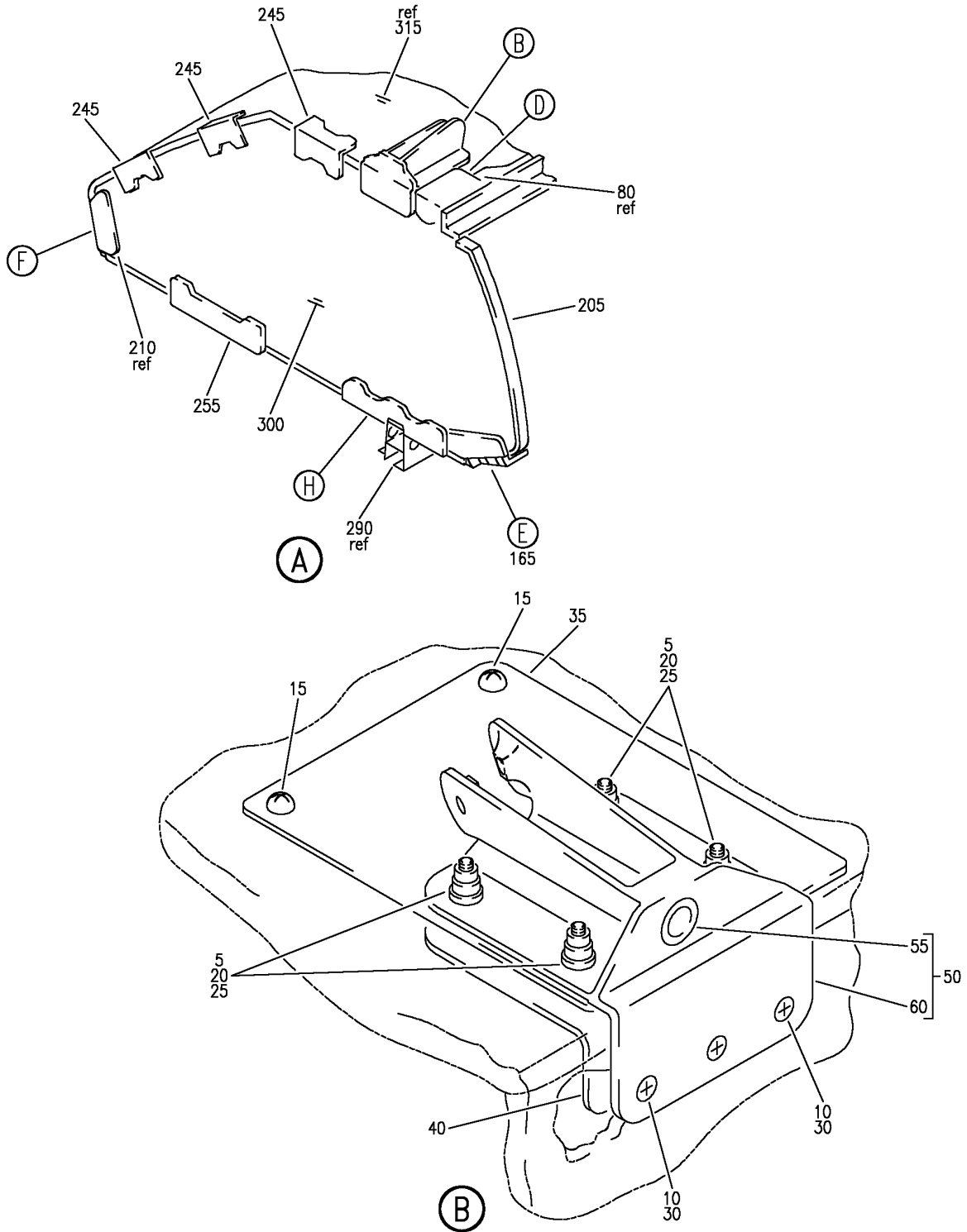
BOX ASSY-70 IN. BIN RH
 FIGURE 75C (SHEET 1)

25-24-32-75C

HAP
 OCT 10/06

25-24-32-75C
 PAGE 0

BOEING
 737-600/700/800/900
 PARTS CATALOG (MAINTENANCE)



E 25243275C SHT 2 REV 082

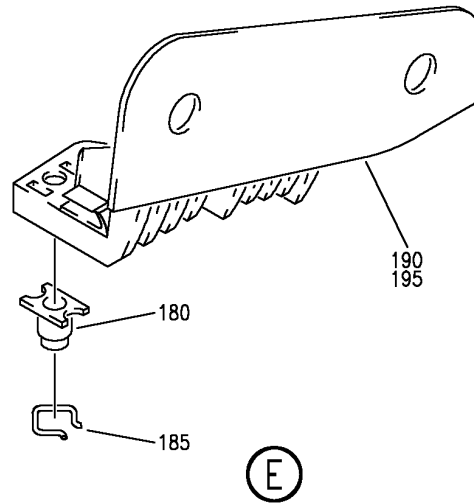
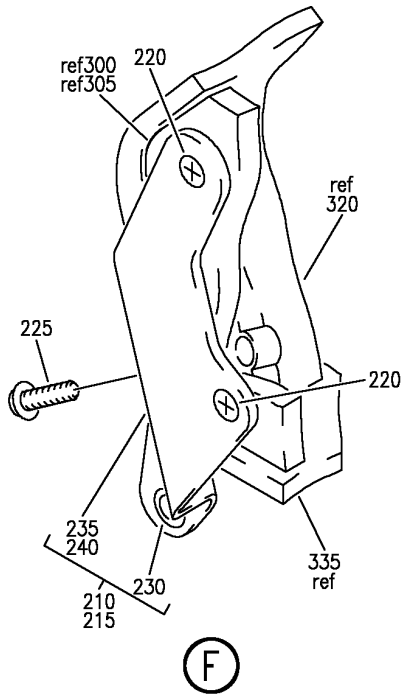
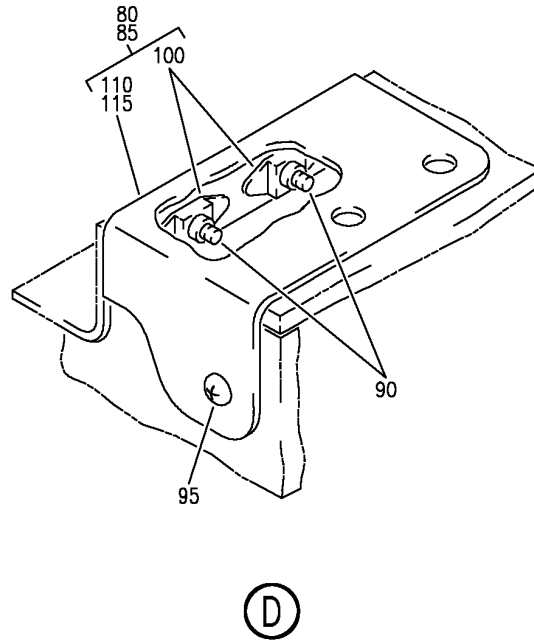
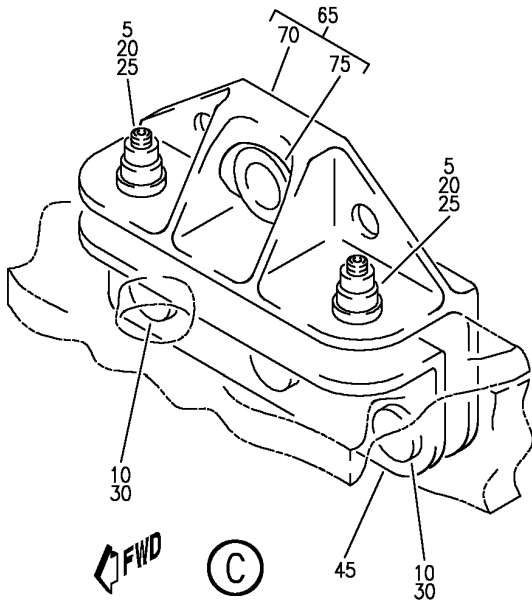
BOX ASSY-70 IN. BIN RH
 FIGURE 75C (SHEET 2)

25-24-32-75C

HAP
 OCT 10/06

25-24-32-75C
 PAGE 0A

BOEING
 737-600/700/800/900
 PARTS CATALOG (MAINTENANCE)



E 25243275C SHT 3 REV 082

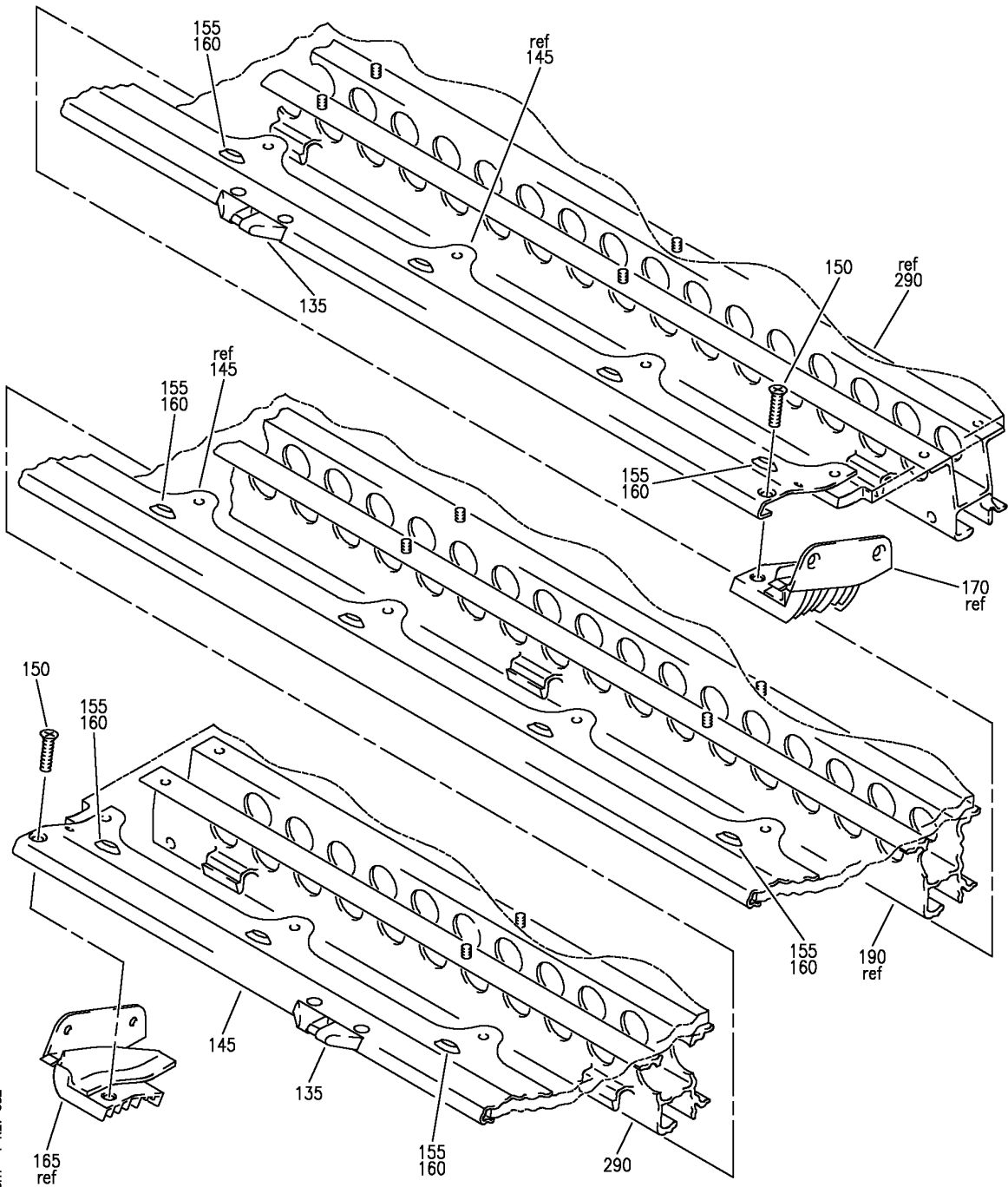
BOX ASSY-70 IN. BIN RH
 FIGURE 75C (SHEET 3)

25-24-32-75C

HAP
 OCT 10/06

25-24-32-75C
 PAGE 0B

BOEING
 737-600/700/800/900
 PARTS CATALOG (MAINTENANCE)



E 25243275C SHT 4 REV 082

(G)

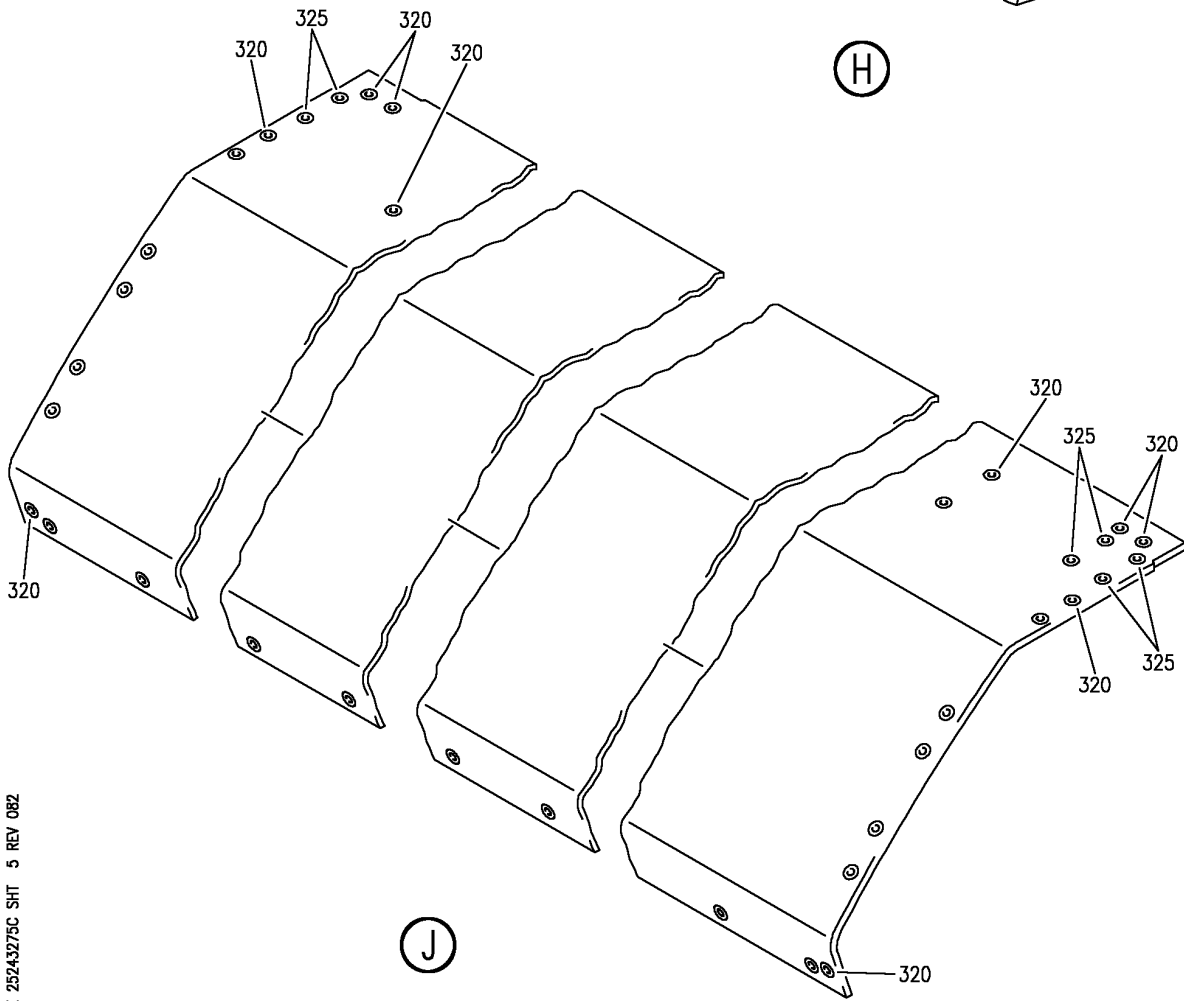
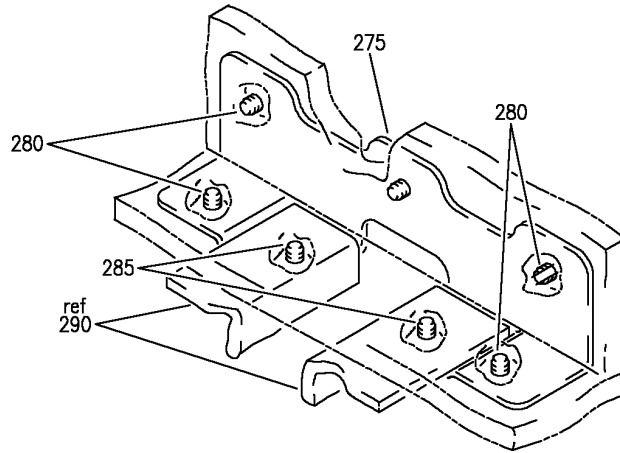
BOX ASSY-70 IN. BIN RH
 FIGURE 75C (SHEET 4)

25-24-32-75C

HAP
 OCT 10/06

25-24-32-75C
 PAGE 0C

BOEING
 737-600/700/800/900
 PARTS CATALOG (MAINTENANCE)



E 25243275C SHT 5 REV 082

BOX ASSY-70 IN. BIN RH
 FIGURE 75C (SHEET 5)

25-24-32-75C

HAP
 OCT 10/06

25-24-32-75C
 PAGE 0D

BOEING
737-600/700/800/900
PARTS CATALOG (MAINTENANCE)

FIG ITEM	PART NUMBER	1 2 3 4 5 6 7	NOMENCLATURE	EFFECT FROM TO	UNITS PER ASSY
75C			BOX ASSY-70 IN. BIN RH	001001 006007	
- 1	412A1200-20SP		BOX ASSY-70 IN. BIN POSITION DATA: RH FOR NHA SEE: 25-24-31-71B	001001 006007	RF
5	HL1012AZ6-10		.BOLT SUPPLIER CODE: V97928 SPECIFICATION NUMBER: BACB30NX6K10 OPTIONAL PART: HL12VAZ6-10 V73197 HL12VAZ6-10 V92215 HL12VAZ6-10 V97928 L802-6K10 V06725 HL12VAZ6-10 V56878 HL1012AZ6-10 VOPTK6 HL1012AZ6-10 V06725 HL1012AZ6-10 V06950 HL1012AZ6-10 V17446 HL1012AZ6-10 V56878 HL1012AZ6-10 V60516 HL1012AZ6-10 V73197	001001 006007	6
10	BACS12ER3K9		.SCREW	001001 006007	6
15	BACS12FA3K4		.SCREW	001001 006007	2
20	BACW10BP3NDP		.WASHER	001001 006007	6

MISSING ITEM NUMBERS NOT APPLICABLE

- ITEM NOT ILLUSTRATED

HAP

25-24-32-75C

BOEING PROPRIETARY - Copyright © - Unpublished Work - See title page for details.

25-24-32
FIG. 75C
PAGE 1
OCT 10/06

BOEING
737-600/700/800/900
PARTS CATALOG (MAINTENANCE)

FIG ITEM	PART NUMBER	1 2 3 4 5 6 7	NOMENCLATURE	EFFECT FROM TO	UNITS PER ASSY
75C 25	HL1087-6	.	COLLAR SUPPLIER CODE: V73197 SPECIFICATION NUMBER: BACC30BH6 OPTIONAL PART: HL1087-6 V56878 HL1087-6 V92215 HL1087-6 V9N513	001001 006007	6
30	SL5-3-50C	.	NUT- SUPPLIER CODE: V97393	001001 006007	6
35	412A1220-11	.	DOUBLER-9G EXT	001001 006007	1
40	412A1220-10A	.	DOUBLER-9G INTERNAL	001001 006007	1
45	412A1220-39A	.	DOUBLER-INTERNAL	001001 006007	1
50	412A1230-4	.	FITTING ASSY-DRAG	001001 006007	1
55	BCREF13195	..	BUSHING- OVERLENGTH PART NUMBER: BACB28AY06A035CG	001001 006007	1
60	412A1230-6	..	FITTING	001001 006007	1
65	412A1230-1	.	FITTING ASSY	001001 006007	1
70	BCREF13195	..	BUSHING- OVERLENGTH PART NUMBER: BACB28AY06A035CG	001001 006007	1
75	412A1230-2	..	SUPPORT	001001 006007	1
80	412A1220-6SP	.	CORNER ASSY	001001 006007	1
85	412A1220-5SP	.	CORNER ASSY	001001 006007	1
90	BACS12FA3K7	.	ATTACHING PARTS SCREW	001001 006007	4
95	BACS12FA3K4	.	SCREW	001001 006007	2
			-----*-----		

MISSING ITEM NUMBERS NOT APPLICABLE

— ITEM NOT ILLUSTRATED

HAP

25-24-32-75C

BOEING PROPRIETARY - Copyright © - Unpublished Work - See title page for details.

25-24-32
FIG. 75C
PAGE 2
OCT 10/06

BOEING
737-600/700/800/900
PARTS CATALOG (MAINTENANCE)

FIG ITEM	PART NUMBER	1 2 3 4 5 6 7	NOMENCLATURE	EFFECT FROM TO	UNITS PER ASSY
75C 100	BRF200C3D		..NUTPLATE SUPPLIER CODE: V52828 SPECIFICATION NUMBER: BACN10JR3CFD OPTIONAL PART: K51602-3BAC V15653 NS202476-02 V80539 102F9201-3 V72962 T8092C1032CD V11815 ATTACHING PARTS	001001 006007	2
- 105	BACR15CE3D		..RIVET- SIZE DETERMINED ON INSTL. -----*-----	001001 006007	4
110	412A1220-8A		..REINFORCEMENT- USED ON: 412A1220-6SP	001001 006007	1
115	412A1220-7A		..REINFORCEMENT- USED ON: 412A1220-5SP	001001 006007	1
120	412A1247-17SP		.EXTRUSION-DOOR CLOSEOUT ATTACHING PARTS	001001 006007	1
- 125	BACS12FA3K13		.SCREW	001001 006007	9
- 130	F22K1-02		.NUT SUPPLIER CODE: V72962 SPECIFICATION NUMBER: BACN10R10L OPTIONAL PART: 22K1-02 V72962 26CLO2 V80539 -----*-----	001001 006007	9
135	HA225-3		.STRIKE- SUPPLIER CODE: V83014 SPECIFICATION NUMBER: S412A001-6	001001 006007	2

MISSING ITEM NUMBERS NOT APPLICABLE

- ITEM NOT ILLUSTRATED

HAP

25-24-32-75C

BOEING PROPRIETARY - Copyright © - Unpublished Work - See title page for details.

25-24-32
FIG. 75C
PAGE 3
OCT 10/06

BOEING
737-600/700/800/900
PARTS CATALOG (MAINTENANCE)

FIG ITEM	PART NUMBER	1 2 3 4 5 6 7	NOMENCLATURE	EFFECT FROM TO	UNITS PER ASSY
75C 135	HA225-11		. STRIKE- SUPPLIER CODE: V83014 SPECIFICATION NUMBER: S412A001-16 ATTACHING PARTS	001001 006007	2
- 140	BACS12ER08K5		. SCREW	001001 006007	4
145	412A1242-4		-----*----- . EXTRUSION-SHELF ATTACHING PARTS	001001 006007	1
150	BACS12ER3K6		. SCREW	001001 006007	2
155	BACS12ER3K5		. SCREW	001001 006007	11
160	H3-1233A3		. WASHER- SUPPLIER CODE: V34941 SPECIFICATION NUMBER: S411A001-1 -----*-----	001001 006007	11
165	412A1475-3SP		. FITTING ASSY	001001 006007	1
170	412A1475-4SP		. FITTING ASSY ATTACHING PARTS	001001 006007	1
- 175	BACS12ER3K5		. SCREW	001001 006007	4
180	BACN11F3-1CD		-----*----- .. NUT	001001 006007	1
185	NAS1795-3		.. CLIP	001001 006007	1
190	412A1475-1SP		.. FITTING- USED ON: 412A1475-3SP	001001 006007	1
195	412A1475-2SP		.. FITTING- USED ON: 412A1475-4SP	001001 006007	1
200	412A1200-25		. CLIP-SEAL RTNR	001001 006007	1
205	412A1450-1SP		. TRIM-END PNL	001001 006007	2
210	412A1230-7		. SUPPORT ASSY	001001 006007	1
215	412A1230-8		. SUPPORT ASSY	001001 006007	1

MISSING ITEM NUMBERS NOT APPLICABLE

- ITEM NOT ILLUSTRATED

HAP

25-24-32-75C

BOEING PROPRIETARY - Copyright © - Unpublished Work - See title page for details.

25-24-32
FIG. 75C
PAGE 4
JUN 15/08

BOEING
737-600/700/800/900
PARTS CATALOG (MAINTENANCE)

FIG ITEM	PART NUMBER	1 2 3 4 5 6 7	NOMENCLATURE	EFFECT FROM TO	UNITS PER ASSY
75C			ATTACHING PARTS		
220	BACS12ER3K6	.	SCREW	001001 006007	4
225	BACS12FA3K5	.	SCREW	001001 006007	2
			-----*-----		
230	BCREF13196	..	BUSHING- OVERLENGTH PART NUMBER: BACB28AT06A010CG	001001 006007	1
235	412A1230-9	..	SUPPORT- USED ON: 412A1230-7	001001 006007	1
240	412A1230-10	..	SUPPORT- USED ON: 412A1230-8	001001 006007	1
245	412A1220-2	.	ANGLE	001001 006007	6
			ATTACHING PARTS		
- 250	BACS12FA3K4	.	SCREW	001001 006007	24
			-----*-----		
255	412A1220-3	.	ANGLE	001001 006007	2
			ATTACHING PARTS		
- 260	BACS12FA3K4	.	SCREW	001001 006007	8
			-----*-----		
265	412A1220-4	.	ANGLE	001001 006007	4
			ATTACHING PARTS		
- 270	BACS12FA3K4	.	SCREW	001001 006007	16
			-----*-----		
275	412A1220-9A	.	ANGLE	001001 006007	2
			ATTACHING PARTS		
280	BACS12FA3K4	.	SCREW	001001 006007	10
285	BACS12FA3K6	.	SCREW	001001 006007	4
			-----*-----		
290	412A1245-19	.	RAIL	001001 006007	1
			ATTACHING PARTS		
- 295	BACS12FA3K5	.	SCREW	001001 006007	10
			-----*-----		
300	412A1212-3SP	.	PANEL ASSY-END	001001 006007	1

MISSING ITEM NUMBERS NOT APPLICABLE

- ITEM NOT ILLUSTRATED

HAP

25-24-32-75C

BOEING PROPRIETARY - Copyright © - Unpublished Work - See title page for details.

25-24-32
FIG. 75C
PAGE 5
JUN 15/08

BOEING
737-600/700/800/900
PARTS CATALOG (MAINTENANCE)

FIG ITEM	PART NUMBER	1 2 3 4 5 6 7	NOMENCLATURE	EFFECT FROM TO	UNITS PER ASSY
75C 305	412A1212-4SP	.	PANEL ASSY-END	001001 006007	1
- 310	SL2334-3A1	..	INSERT- SUPPLIER CODE: V97393	001001 006007	16
315	412A1210-34SP	.	PANEL ASSY-SHELL	001001 006007	1
320	SL2334-3A1	..	INSERT- SUPPLIER CODE: V97393	001001 006007	29
325	BCREF128023	..	INSERT- SUPPLIER CODE: V97393 OVERLENGTH PART NUMBER: SL603-3-375ASP13	001001 006007	6
330	412A1211-35SP	.	PANEL ASSY-SHELF	001001 006007	1
- 335	SL2334-3A1	..	INSERT- SUPPLIER CODE: V97393	001001 006007	51

MISSING ITEM NUMBERS NOT APPLICABLE

- ITEM NOT ILLUSTRATED

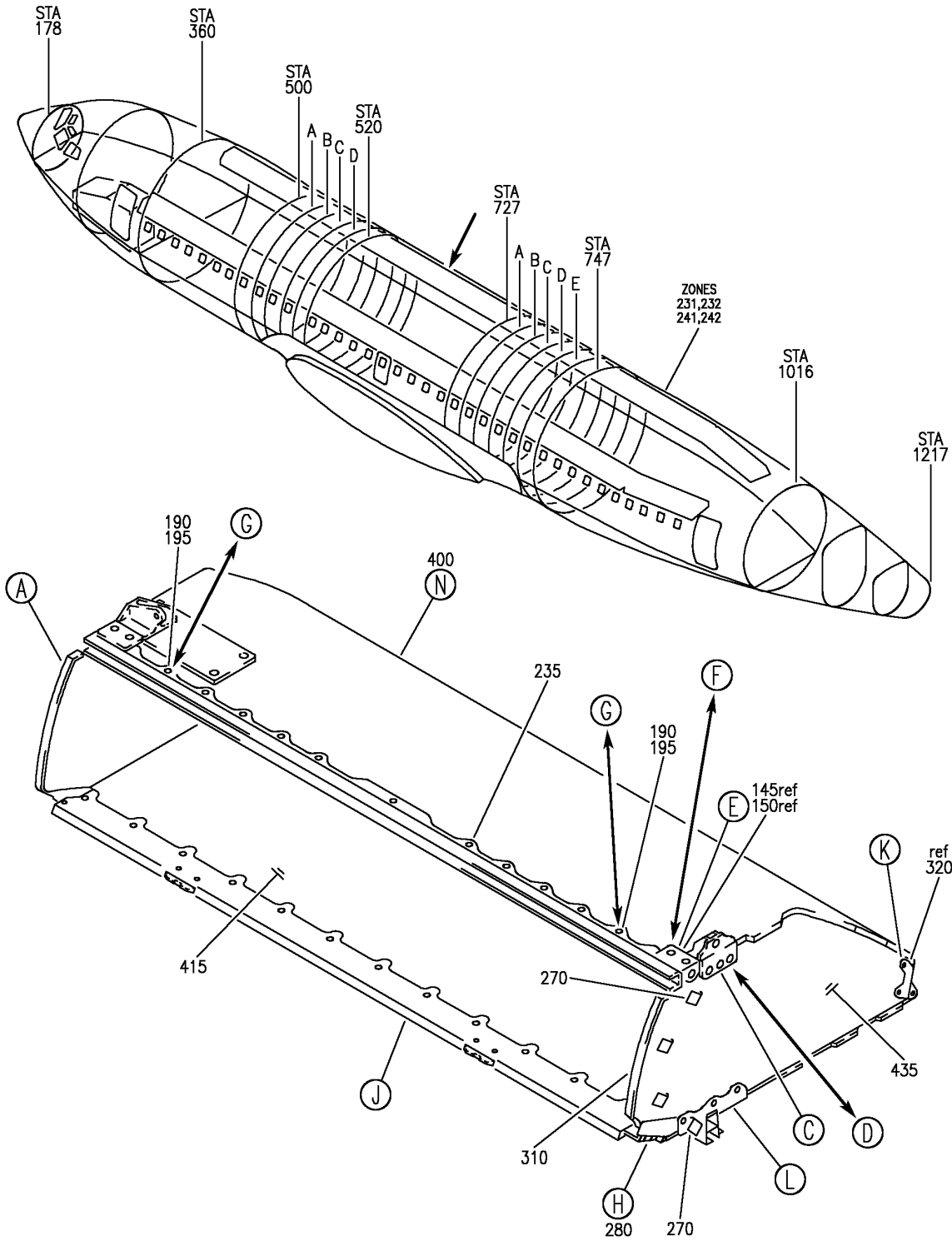
HAP

25-24-32-75C

BOEING PROPRIETARY - Copyright © - Unpublished Work - See title page for details.

25-24-32
FIG. 75C
PAGE 6
JUN 15/08

BOEING
737-600/700/800/900
PARTS CATALOG (MAINTENANCE)



E 25243280 SHT 1 REV 082

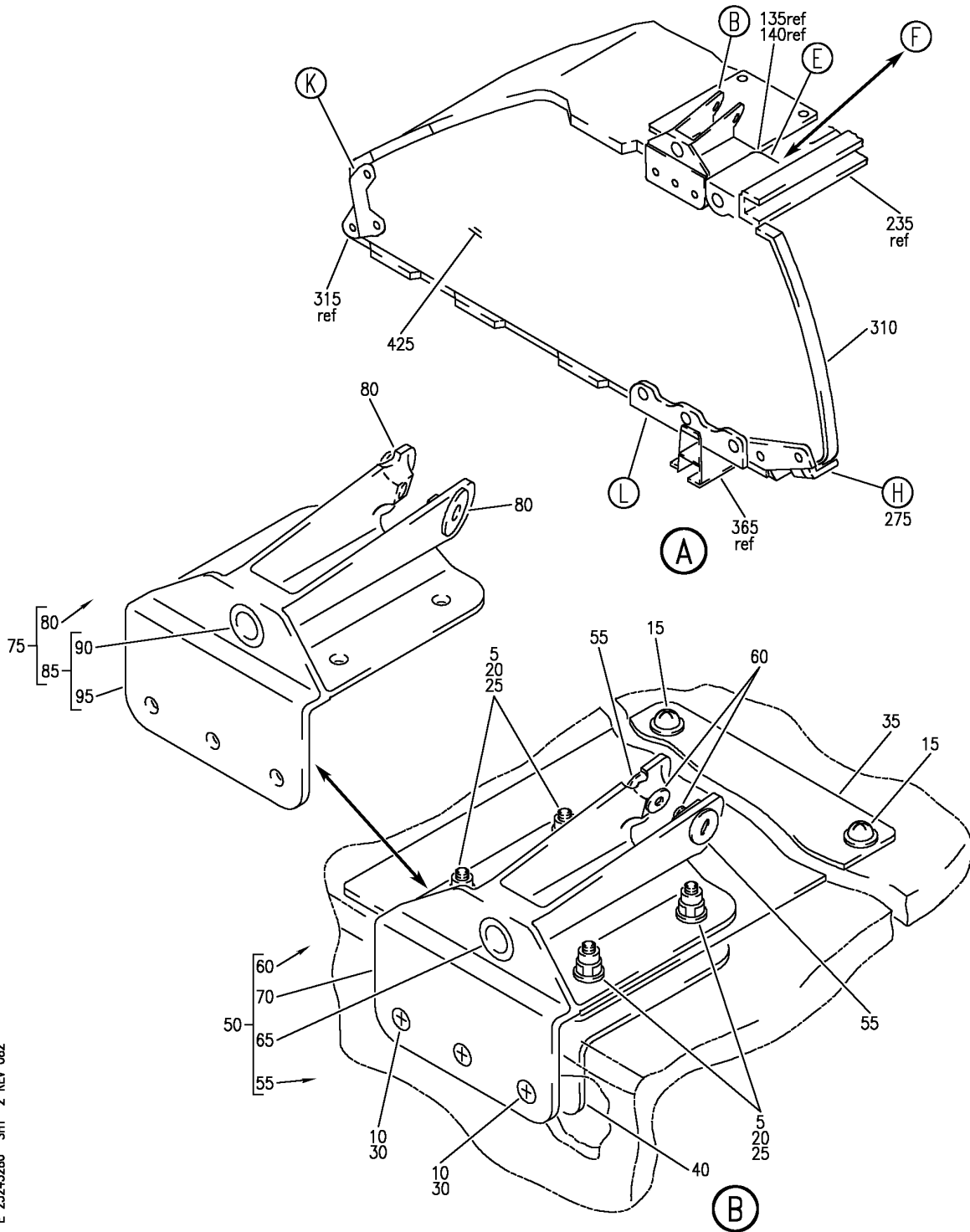
BOX ASSY-80 IN. BIN RH
 FIGURE 80 (SHEET 1)

25-24-32-80

HAP
 OCT 15/08

25-24-32-80
 PAGE 0

BOEING
 737-600/700/800/900
 PARTS CATALOG (MAINTENANCE)



E 25243280 SHT 2 REV 082

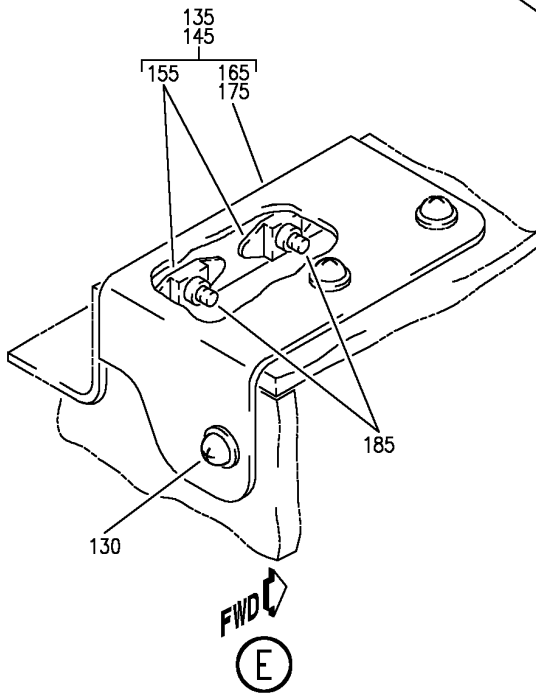
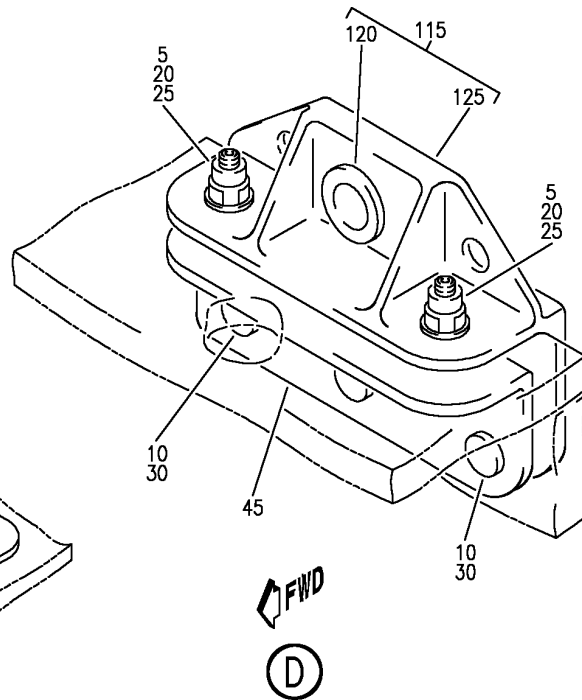
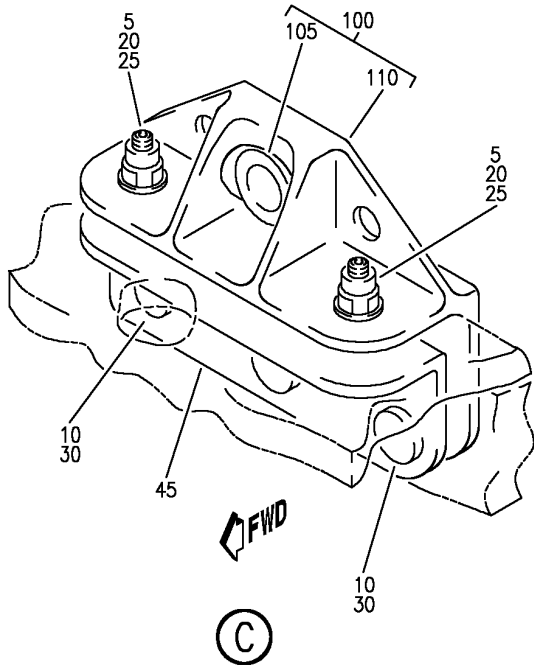
BOX ASSY-80 IN. BIN RH
 FIGURE 80 (SHEET 2)

25-24-32-80

HAP
 OCT 15/08

25-24-32-80
 PAGE 0A

BOEING
 737-600/700/800/900
 PARTS CATALOG (MAINTENANCE)



E 25243280 SHT 3 REV 082

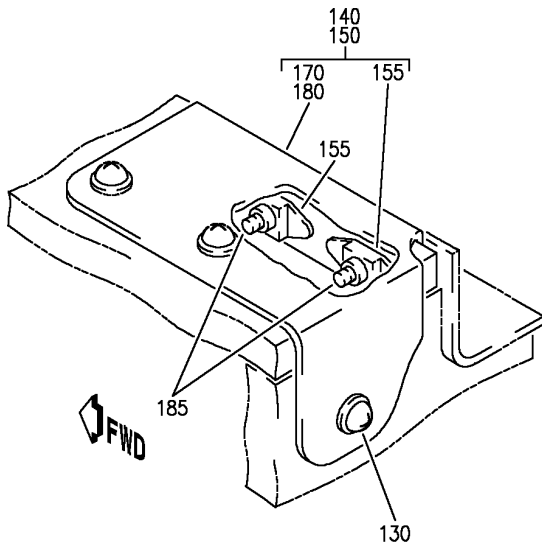
BOX ASSY-80 IN. BIN RH
 FIGURE 80 (SHEET 3)

25-24-32-80

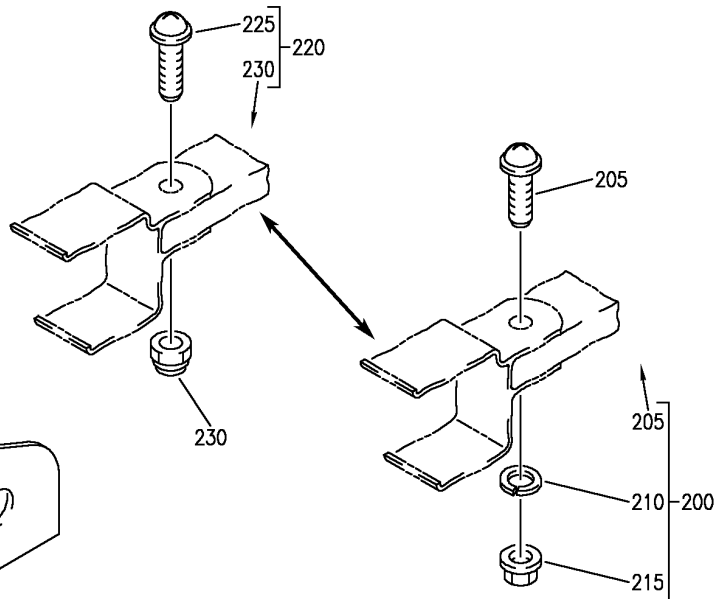
HAP
 OCT 15/08

25-24-32-80
 PAGE 0B

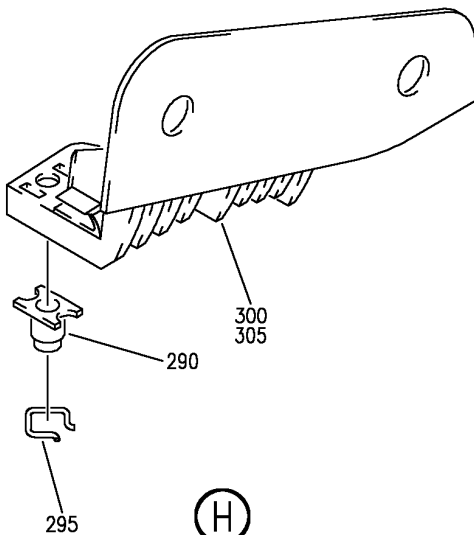
BOEING
 737-600/700/800/900
 PARTS CATALOG (MAINTENANCE)



(F)



(G)



(H)

E 25243280 SHT 4 REV 082

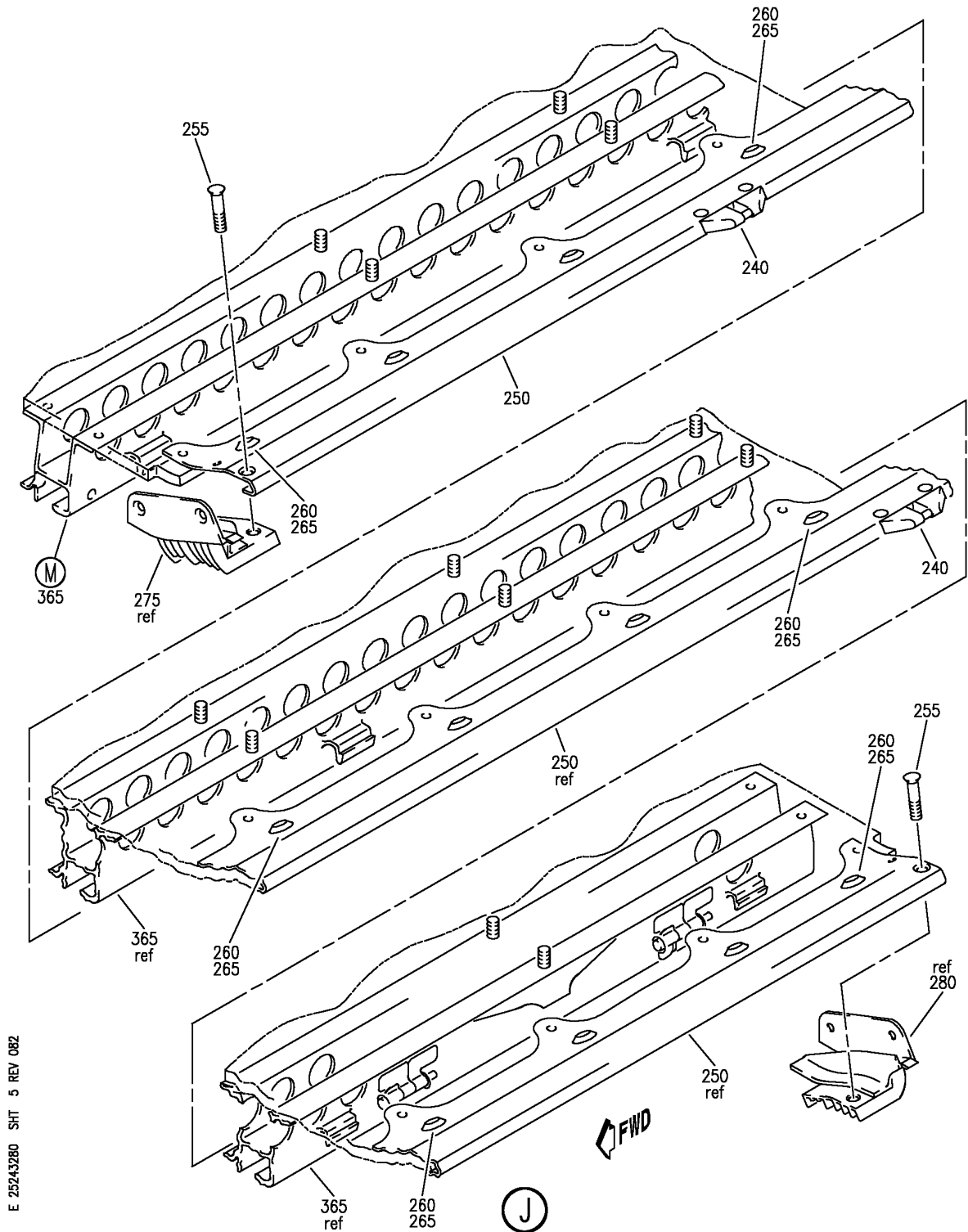
BOX ASSY-80 IN. BIN RH
 FIGURE 80 (SHEET 4)

25-24-32-80

HAP
 OCT 15/08

25-24-32-80
 PAGE 0C

BOEING
 737-600/700/800/900
 PARTS CATALOG (MAINTENANCE)



E 25243280 SHT 5 REV 082

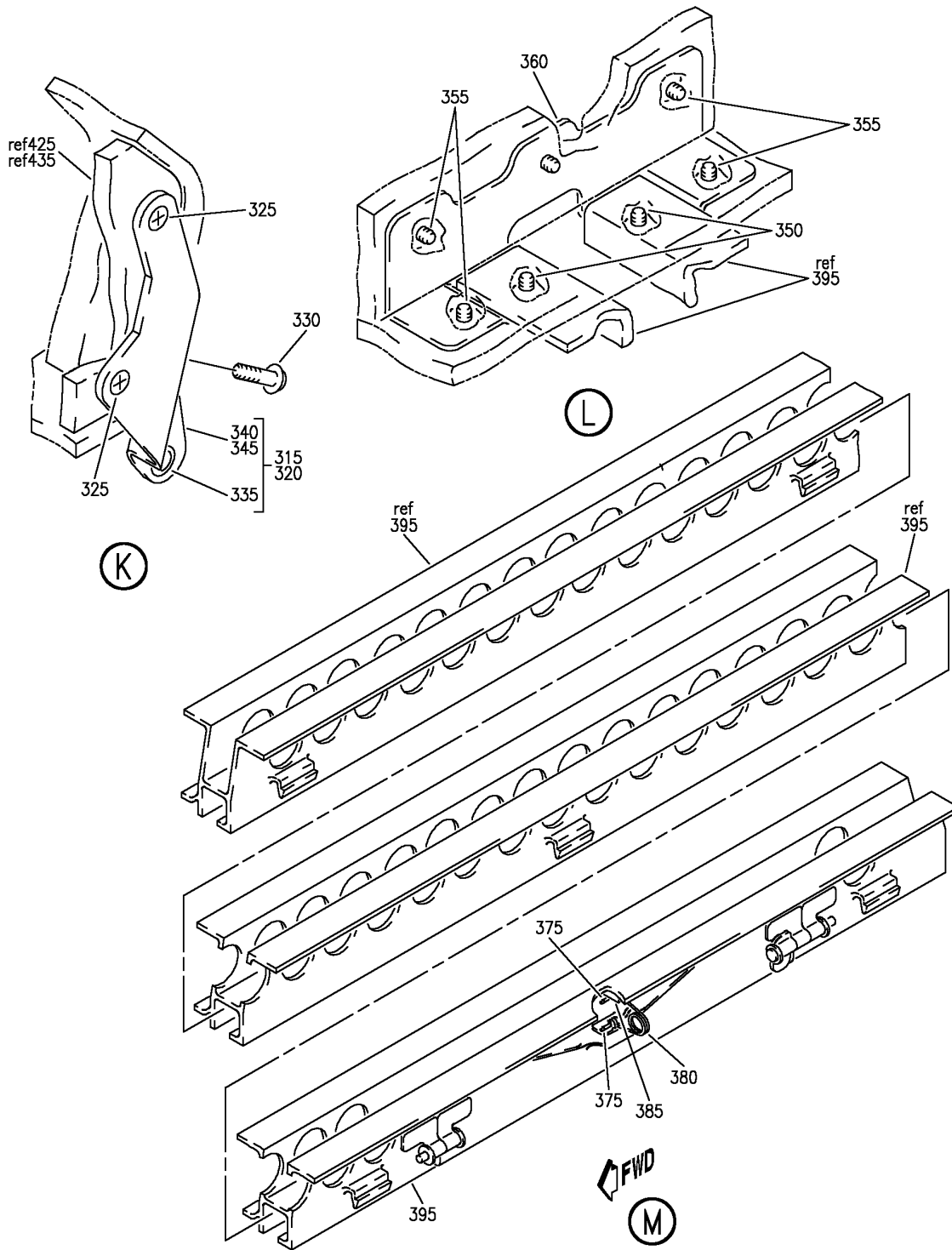
BOX ASSY-80 IN. BIN RH
 FIGURE 80 (SHEET 5)

25-24-32-80

HAP
 OCT 15/08

25-24-32-80
 PAGE 0D

BOEING
 737-600/700/800/900
 PARTS CATALOG (MAINTENANCE)



E 25243280 SH1 6 REV 082

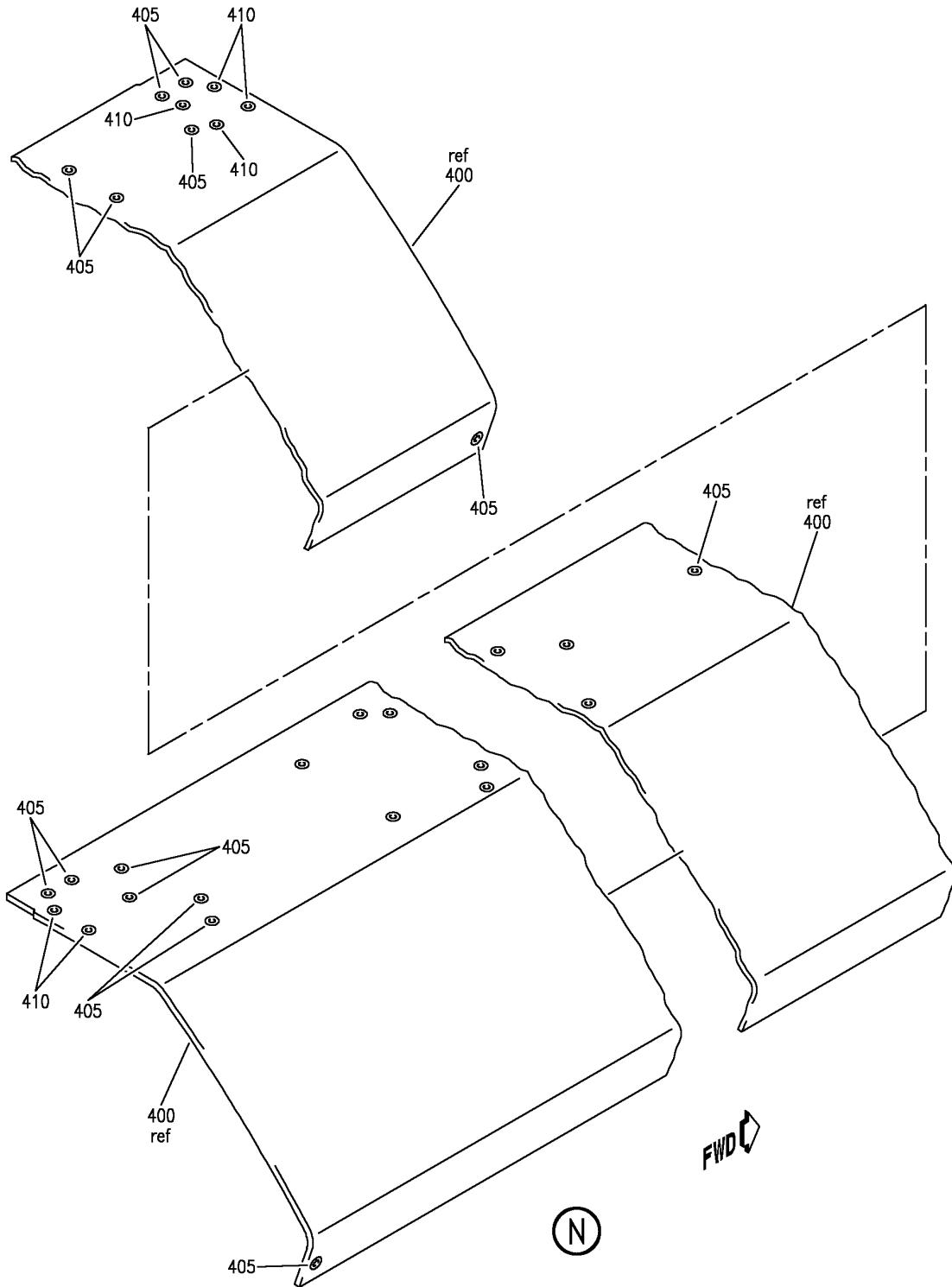
BOX ASSY-80 IN. BIN RH
 FIGURE 80 (SHEET 6)

25-24-32-80

HAP
 OCT 15/08

25-24-32-80
 PAGE 0E

BOEING
 737-600/700/800/900
 PARTS CATALOG (MAINTENANCE)



E 25243280 SHT 7 REV 082

BOX ASSY-80 IN. BIN RH
 FIGURE 80 (SHEET 7)

25-24-32-80

HAP
 OCT 15/08

25-24-32-80
 PAGE OF

BOEING
737-600/700/800/900
PARTS CATALOG (MAINTENANCE)

FIG ITEM	PART NUMBER	1 2 3 4 5 6 7	NOMENCLATURE	EFFECT FROM TO	UNITS PER ASSY
80			BOX ASSY-80 IN. BIN RH	201967	
- 1	412A1200-112A		BOX ASSY-80 IN. BIN POSITION DATA: RH OPTIONAL PART: 412A1200-1112B FOR NHA SEE: 25-24-31-15D 25-24-31-15H	201967	RF
- 1	412A1200-1112B		BOX ASSY-80 IN. BIN POSITION DATA: RH OPTIONAL PART: 412A1200-112A FOR NHA SEE: 25-24-31-15H	201967	RF
5	HL1012AZ6-10		.BOLT SUPPLIER CODE: V97928 SPECIFICATION NUMBER: BACB30NX6K10 OPTIONAL PART: HL12VAZ6-10 V73197 HL12VAZ6-10 V92215 HL12VAZ6-10 V97928 L802-6K10 V06725 HL12VAZ6-10 V56878 HL1012AZ6-10 VOPTK6 HL1012AZ6-10 V06725 HL1012AZ6-10 V06950 HL1012AZ6-10 V17446 HL1012AZ6-10 V56878 HL1012AZ6-10 V60516 HL1012AZ6-10 V73197	201967	6
10	BACS12ER3K9		.SCREW	201967	6
15	BACS12FA3K4		.SCREW	201967	2

MISSING ITEM NUMBERS NOT APPLICABLE

- ITEM NOT ILLUSTRATED

HAP

25-24-32-80

BOEING PROPRIETARY - Copyright © - Unpublished Work - See title page for details.

25-24-32
FIG. 80
PAGE 1
OCT 15/08

BOEING
737-600/700/800/900
PARTS CATALOG (MAINTENANCE)

FIG ITEM	PART NUMBER	1 2 3 4 5 6 7	NOMENCLATURE	EFFECT FROM TO	UNITS PER ASSY
80					
20	BACW10BP3NDP		.WASHER- OPTIONAL PART: NAS1149D0363J	201967	6
20	NAS1149D0363J		.WASHER- OPTIONAL PART: BACW10BP3NDP USED ON: 412A1200-1112SP 412A1200-1112B	201967	6
25	HL1087-6		.COLLAR- SUPPLIER CODE: V73197 SPECIFICATION NUMBER: BACC30BH6 OPTIONAL PART: HL1087-6 V56878 HL1087-6 V92215 HL1087-6 V9N513 BACC30BZ6	201967	6
25	HST1070CY6		.COLLAR- SUPPLIER CODE: V5M902 SPECIFICATION NUMBER: BACC30BZ6 OPTIONAL PART: VLC1070CY6 V92215 HST1070CY6 V73197 BACC30BH6 USED ON: 412A1200-1112SP 412A1200-1112B	201967	6
30	SL5-3-50C		.NUT- SUPPLIER CODE: V97393	201967	6
35	412A1220-11		.DOUBLER-9G EXT	201967	1
40	412A1220-10A		.DOUBLER-9G INTERNAL	201967	1
45	412A1220-39A		.DOUBLER-INTERNAL	201967	1
50	412A1230-106		.FITTING ASSY-DRAG OPTIONAL PART: 412A1230-152	201967	1
55	BACW10P273L		..WASHER	201967	2
60	BACB28AT04B023C		..BUSHING- OPTIONAL PART: NAS538B4P023	201967	2

MISSING ITEM NUMBERS NOT APPLICABLE

— ITEM NOT ILLUSTRATED

HAP

25-24-32-80

BOEING PROPRIETARY - Copyright © - Unpublished Work - See title page for details.

25-24-32
FIG. 80
PAGE 2
OCT 15/08

BOEING
737-600/700/800/900
PARTS CATALOG (MAINTENANCE)

FIG ITEM	PART NUMBER	1 2 3 4 5 6 7	NOMENCLATURE	EFFECT FROM TO	UNITS PER ASSY
80					
60	NAS538B4P023	..	BUSHING- OPTIONAL PART: BACB28AT04B023C	201967	2
65	BCREF13195	..	BUSHING- OVERLENGTH PART NUMBER: BACB28AY06A035CG	201967	1
70	412A1230-108	..	FITTING	201967	1
75	412A1230-152	.FITTING ASSY-DRAG OPTIONAL PART: 412A1230-106 USED ON: 412A1200-112SP 412A1200-112A	201967	1	
80	BACW10P273L	..	WASHER	201967	2
85	412A1230-4	..	FITTING ASSY	201967	1
90	BCREF13195	...	BUSHING- OVERLENGTH PART NUMBER: BACB28AY06A035CG	201967	1
95	412A1230-6	...	FITTING	201967	1
100	412A1230-1	.FITTING ASSY- OPTIONAL PART: 412A1230-201	201967	1	
105	BCREF13195	..	BUSHING- OVERLENGTH PART NUMBER: BACB28AY06A035CG	201967	1
110	412A1230-2	..	SUPPORT	201967	1
115	412A1230-201	.FITTING ASSY- OPTIONAL PART: 412A1230-1 USED ON: 412A1200-1112SP 412A1200-1112B	201967	1	
120	BCREF13195	..	BUSHING- OVERLENGTH PART NUMBER: BACB28AY06A035CG	201967	1
125	412A1230-202	..	FITTING- OPTIONAL PART: 412A1230-203	201967	1
125	412A1230-203	..	FITTING- OPTIONAL PART: 412A1230-202	201967	1
130	BACS12FA3K4	.SCREW	201967	2	
135	412A1220-6A	.CORNER ASSY- OPTIONAL PART: 412A1220-210 412A1220-250	201967	1	

MISSING ITEM NUMBERS NOT APPLICABLE

— ITEM NOT ILLUSTRATED

HAP

25-24-32-80

BOEING PROPRIETARY - Copyright © - Unpublished Work - See title page for details.

25-24-32
FIG. 80
PAGE 3
OCT 15/08

BOEING
737-600/700/800/900
PARTS CATALOG (MAINTENANCE)

FIG ITEM	PART NUMBER	1 2 3 4 5 6 7	NOMENCLATURE	EFFECT FROM TO	UNITS PER ASSY
80 135	412A1220-210		.CORNER ASSY- OPTIONAL PART: 412A1220-250 412A1220-6A USED ON: 412A1200-1112SP 412A1200-1112B	201967	1
140	412A1220-250		.CORNER ASSY- OPTIONAL PART: 412A1220-210 412A1220-6A USED ON: 412A1200-1112SP 412A1200-1112B	201967	1
145	412A1220-5A		.CORNER ASSY- OPTIONAL PART: 412A1220-209 412A1220-249	201967	1
145	412A1220-209		.CORNER ASSY- OPTIONAL PART: 412A1220-5A 412A1220-249 USED ON: 412A1200-1112SP 412A1200-1112B	201967	1
150	412A1220-249		.CORNER ASSY- OPTIONAL PART: 412A1220-209 412A1220-5A USED ON: 412A1200-1112SP 412A1200-1112B	201967	1
155	BRF200C3D		..NUTPLATE SUPPLIER CODE: V52828 SPECIFICATION NUMBER: BACN10JR3CFD OPTIONAL PART: K51602-3BAC V15653 NS202476-02 V80539 102F9201-3 V72962 T8092C1032CD V11815	201967	2

MISSING ITEM NUMBERS NOT APPLICABLE

— ITEM NOT ILLUSTRATED

HAP

25-24-32-80

BOEING PROPRIETARY - Copyright © - Unpublished Work - See title page for details.

25-24-32
FIG. 80
PAGE 4
OCT 15/08

BOEING
737-600/700/800/900
PARTS CATALOG (MAINTENANCE)

FIG ITEM	PART NUMBER	1 2 3 4 5 6 7	NOMENCLATURE	EFFECT FROM TO	UNITS PER ASSY
80			ATTACHING PARTS		
- 160	BACR15CE3D		..RIVET- SIZE DETERMINED ON INSTL. -----*-----	201967	4
165	412A1220-8A		..REINFORCEMENT- USED ON: 412A1220-6A	201967	1
165	412A1220-212		..REINFORCEMENT- USED ON: 412A1220-210	201967	1
170	412A1220-252		..REINFORCEMENT- USED ON: 412A1220-250	201967	1
175	412A1220-7A		..REINFORCEMENT- USED ON: 412A1220-5A	201967	1
175	412A1220-211		..REINFORCEMENT- USED ON: 412A1220-209	201967	1
180	412A1220-251		..REINFORCEMENT- USED ON: 412A1220-249	201967	1
185	BACS12FA3K7		.SCREW	201967	4
190	BACS12FA3K13		.SCREW- USED ON: 412A1200-112SP 412A1200-112A	201967	11
195	F22K1-02		.NUT- SUPPLIER CODE: V72962 SPECIFICATION NUMBER: BACN10R10L OPTIONAL PART: 22K1-02 V72962 26CLO2 V80539 USED ON: 412A1200-112SP 412A1200-112A	201967	11
200	412A1340-14		.FASTENER ASSY-KIT OPTIONAL PART: 412A1340-15 USED ON: 412A1200-1112SP 412A1200-1112B	201967	11
205	BACS12FA3K12		..SCREW	201967	1
210	BACW10EC3S		..WASHER	201967	1

MISSING ITEM NUMBERS NOT APPLICABLE

- ITEM NOT ILLUSTRATED

HAP

25-24-32-80

BOEING PROPRIETARY - Copyright © - Unpublished Work - See title page for details.

25-24-32
FIG. 80
PAGE 5
OCT 15/08

BOEING
737-600/700/800/900
PARTS CATALOG (MAINTENANCE)

FIG ITEM	PART NUMBER	1 2 3 4 5 6 7	NOMENCLATURE	EFFECT FROM TO	UNITS PER ASSY
80 215	PLH53C	. .	NUT SUPPLIER CODE: V62554 SPECIFICATION NUMBER: BACN10YR3C OPTIONAL PART: H52732-3C V15653	201967	1
220	412A1340-15	. FASTENER ASSY-KIT	OPTIONAL PART: 412A1340-14 USED ON: 412A1200-1112SP 412A1200-1112B	201967	11
225 230	BACS12FA3K13 F22K1-02	. .	SCREW NUT SUPPLIER CODE: V72962 SPECIFICATION NUMBER: BACN10R10L OPTIONAL PART: 22K1-02 V72962 26CL02 V80539	201967 201967	1 1
235 240	412A1247-1A HA225-3	. EXTRUSION-DOOR CLOSEOUT . STRIKE-	SUPPLIER CODE: V83014 SPECIFICATION NUMBER: S412A001-6	201967 201967	1 2
240	HA225-11	. STRIKE-	SUPPLIER CODE: V83014 SPECIFICATION NUMBER: S412A001-16	201967	2
- 245	BACS12ER08K5	. SCREW	ATTACHING PARTS -----*-----	201967	4
250	412A1242-1	. EXTRUSION-SHELF	ATTACHING PARTS	201967	1
255	BACS12ER3K6	. SCREW		201967	2
260	BACS12ER3K5	. SCREW		201967	12
265	H3-1233A3	. WASHER-	SUPPLIER CODE: V34941 SPECIFICATION NUMBER: S411A001-1 -----*-----	201967	12

MISSING ITEM NUMBERS NOT APPLICABLE

- ITEM NOT ILLUSTRATED

HAP

25-24-32-80

BOEING PROPRIETARY - Copyright © - Unpublished Work - See title page for details.

25-24-32
FIG. 80
PAGE 6
OCT 15/08

BOEING
737-600/700/800/900
PARTS CATALOG (MAINTENANCE)

FIG ITEM	PART NUMBER	1 2 3 4 5 6 7	NOMENCLATURE	EFFECT FROM TO	UNITS PER ASSY
80					
270	412A1450-21	.	CLIP	201967	4
275	412A1475-3A	.	FITTING ASSY	201967	1
280	412A1475-4A	.	FITTING ASSY	201967	1
- 285	BACS12ER3K5	.	FITTING ASSY ATTACHING PARTS SCREW	201967	4
			-----*-----		
290	BACN11F3-1CD	..	NUT	201967	1
295	NAS1795-3	..	CLIP	201967	1
300	412A1475-1A	..	FITTING- USED ON: 412A1475-3A	201967	1
305	412A1475-2A	..	FITTING- USED ON: 412A1475-4A	201967	1
310	412A1450-1A	.	TRIM-END PANEL	201967	2
315	412A1230-7	.	SUPPORT ASSY	201967	1
320	412A1230-8	.	SUPPORT ASSY ATTACHING PARTS	201967	1
325	BACS12ER3K5	.	SCREW	201967	4
330	BACS12FA3K5	.	SCREW	201967	2
			-----*-----		
335	BCREF13196	..	BUSHING- OVERLENGTH PART NUMBER: BACB28AT06A010CG	201967	1
340	412A1230-9	..	SUPPORT- USED ON: 412A1230-7	201967	1
345	412A1230-10	..	SUPPORT- USED ON: 412A1230-8	201967	1
350	BACS12FA3K5	.	SCREW	201967	4
355	BACS12FA3K4	.	SCREW	201967	10
360	412A1220-9A	.	ANGLE- OPTIONAL PART: 412A1220-205	201967	2
360	412A1220-205	.	ANGLE- OPTIONAL PART: 412A1220-9A USED ON: 412A1200-1112SP 412A1200-1112B	201967	2
365	412A1246-4A	.	RAIL ASSY ATTACHING PARTS	201967	1
- 370	BACS12FA3K4	.	SCREW- USED ON: 412A1200-112SP 412A1200-112A	201967	12

MISSING ITEM NUMBERS NOT APPLICABLE

- ITEM NOT ILLUSTRATED

HAP

25-24-32-80

25-24-32
FIG. 80
PAGE 7
FEB 15/09

BOEING
737-600/700/800/900
PARTS CATALOG (MAINTENANCE)

FIG ITEM	PART NUMBER	1 2 3 4 5 6 7	NOMENCLATURE	EFFECT FROM TO	UNITS PER ASSY
80					
- 370	BACS12FA3K5	.SCREW-	USED ON: 412A1200-1112SP 412A1200-1112B -----*-----	201967	12
375	BACP18BC02A06P	..PIN		201967	2
380	412A1350-1	..SPRING-MCD DOOR		201967	1
385	412A1230-26	..PLATFORM-SPR		201967	1
		ATTACHING PARTS			
- 390	BACR15CE5M	..RIVET-	SIZE DETERMINED ON INSTL. -----*-----	201967	2
392	412A1246-2A	..DOOR ASSY		201967	1
395	412A1245-24	..RAIL		201967	1
400	412A1210-170A	.PANEL ASSY-	USED ON: 412A1200-112A	201967	1
400	412A1210-1170B	.PANEL ASSY-	USED ON: 412A1200-1112B	201967	1
405	SL2334-3A1	..INSERT-	SUPPLIER CODE: V97393	201967	23
410	BCREF128023	..INSERT-	SUPPLIER CODE: V97393 OVERLENGTH PART NUMBER: SL603-3-375ASP13	201967	6
415	412A1211-124A	.PANEL ASSY-	USED ON: 412A1200-112A	201967	1
415	412A1211-1124B	.PANEL ASSY-	USED ON: 412A1200-1112B	201967	1
- 420	SL2334-3A1	..INSERT-	SUPPLIER CODE: V97393	201967	66
425	412A1212-144A	.PANEL ASSY-END	USED ON: 412A1200-112A	201967	1
425	412A1212-1144B	.PANEL ASSY-END	USED ON: 412A1200-1112B	201967	1
- 430	SL2334-3A1	..INSERT-	SUPPLIER CODE: V97393	201967	11
435	412A1212-116A	.PANEL ASSY-END	USED ON: 412A1200-112A	201967	1

MISSING ITEM NUMBERS NOT APPLICABLE

- ITEM NOT ILLUSTRATED

HAP

25-24-32-80

25-24-32
FIG. 80
PAGE 8
OCT 15/08

BOEING
737-600/700/800/900
PARTS CATALOG (MAINTENANCE)

FIG ITEM	PART NUMBER	1 2 3 4 5 6 7	NOMENCLATURE	EFFECT FROM TO	UNITS PER ASSY
80					
435	412A1212-1116B		.PANEL ASSY-END USED ON: 412A1200-1112B	201967	1
- 440	SL2334-3A1		..INSERT- SUPPLIER CODE: V97393	201967	11

MISSING ITEM NUMBERS NOT APPLICABLE

- ITEM NOT ILLUSTRATED

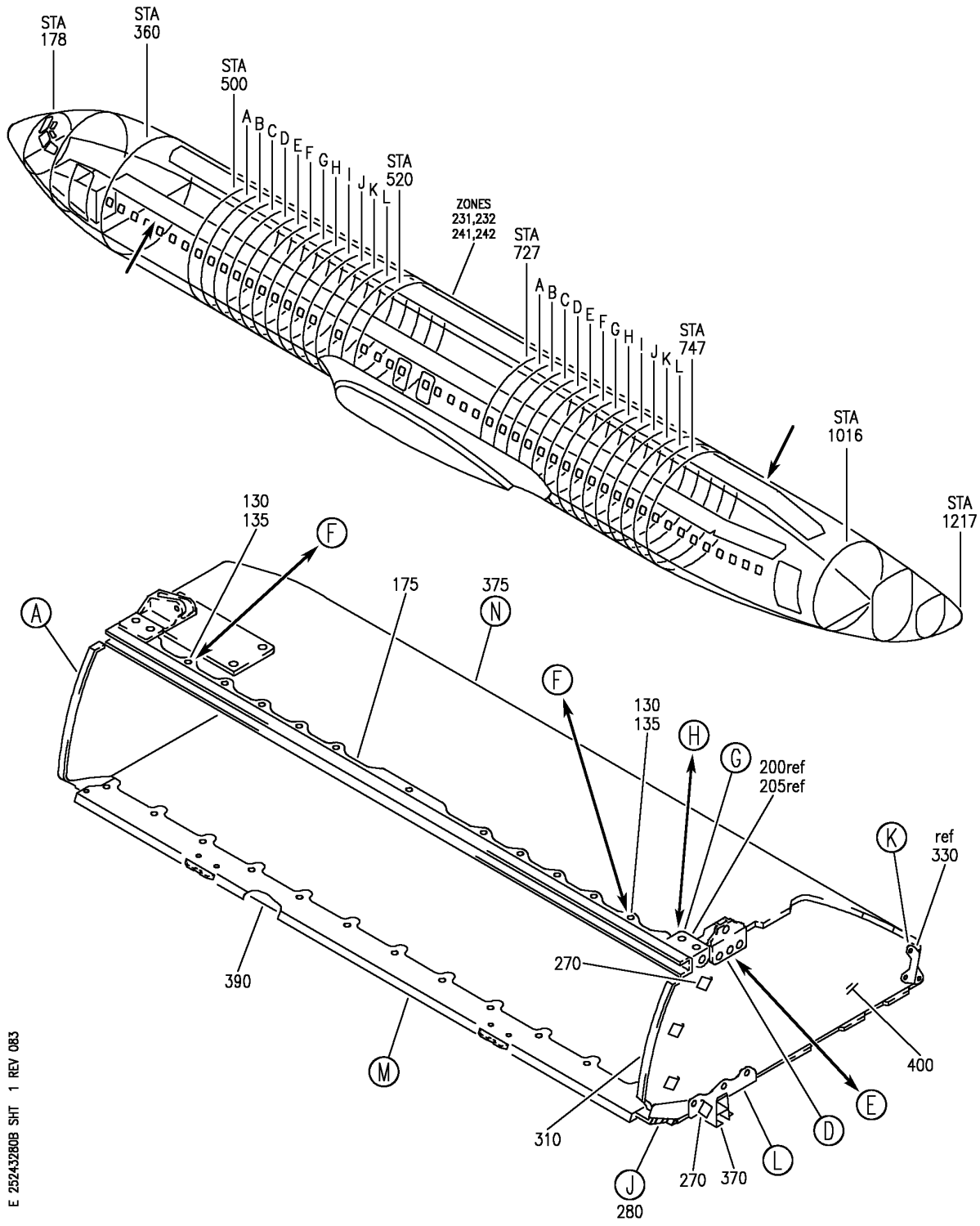
HAP

25-24-32-80

BOEING PROPRIETARY - Copyright © - Unpublished Work - See title page for details.

25-24-32
FIG. 80
PAGE 9
OCT 15/08

BOEING
737-600/700/800/900
PARTS CATALOG (MAINTENANCE)



E 25243280B SHT 1 REV 083

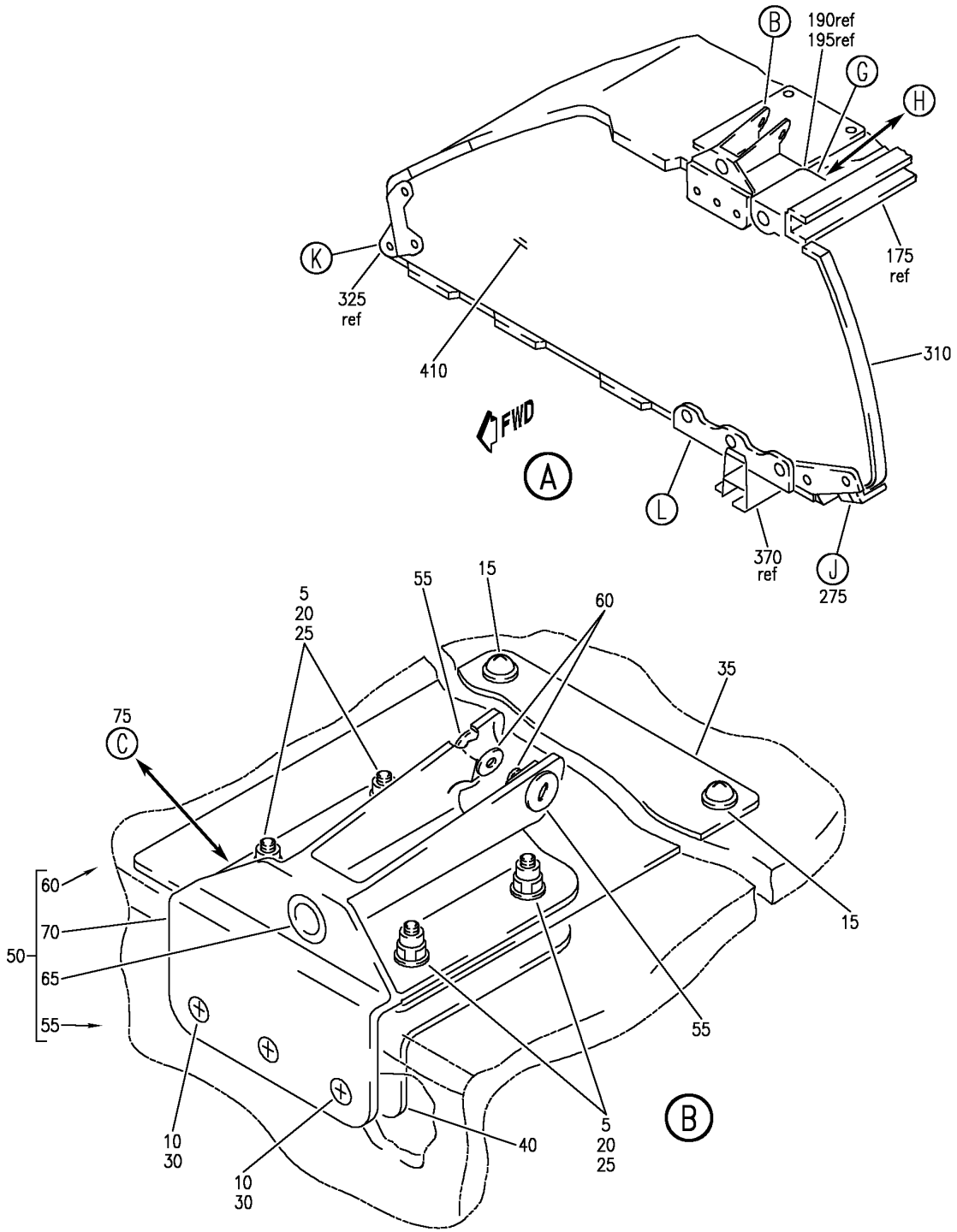
BOX ASSY-80 IN. BIN RH
 FIGURE 80B (SHEET 1)

25-24-32-80B

HAP
 OCT 10/06

25-24-32-80B
 PAGE 0

BOEING
 737-600/700/800/900
 PARTS CATALOG (MAINTENANCE)



E 25243280B SHT 2 REV 083

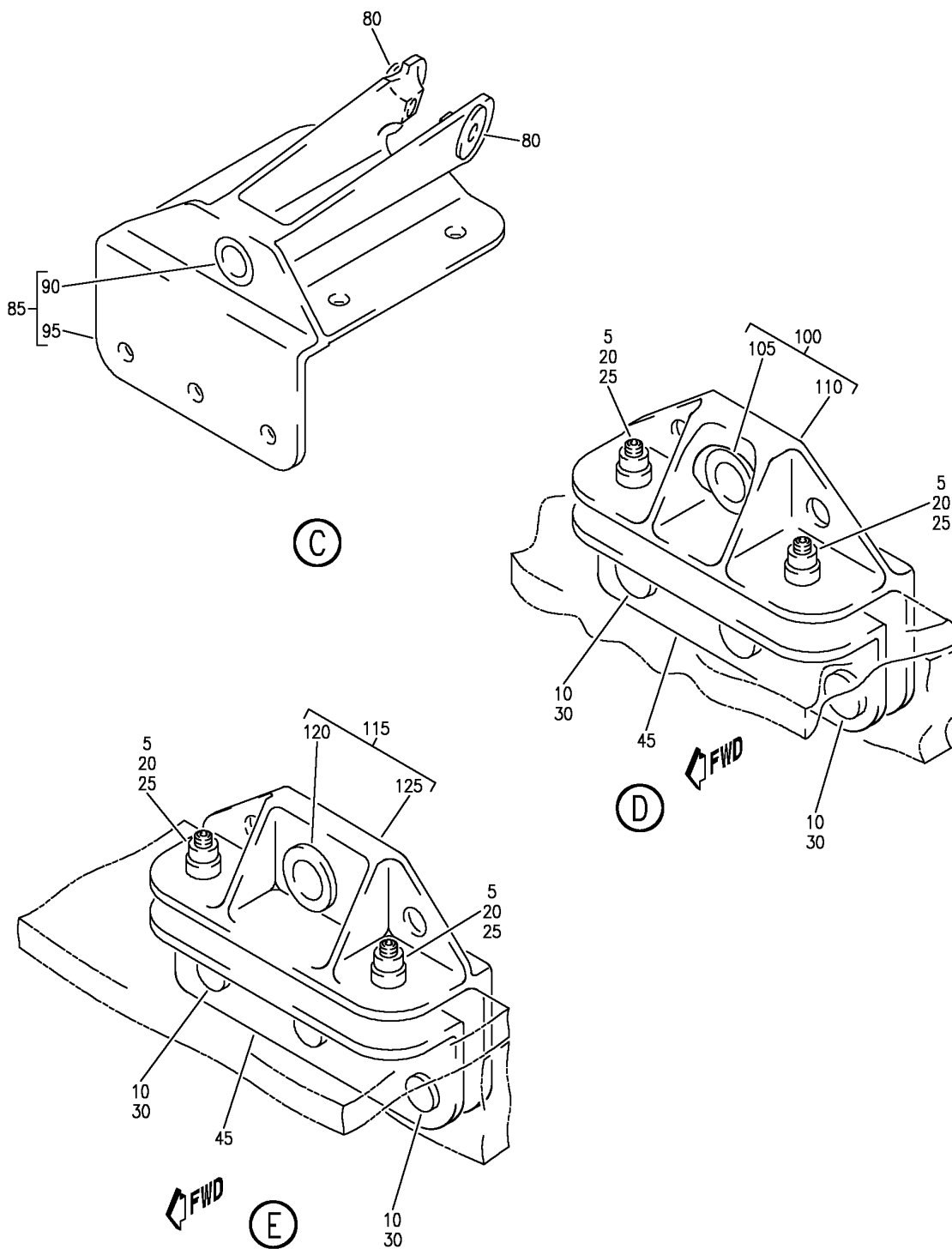
BOX ASSY-80 IN. BIN RH
 FIGURE 80B (SHEET 2)

25-24-32-80B

HAP
 OCT 10/06

25-24-32-80B
 PAGE 0A

BOEING
 737-600/700/800/900
 PARTS CATALOG (MAINTENANCE)



E 25243280B SHT 3 REV 083

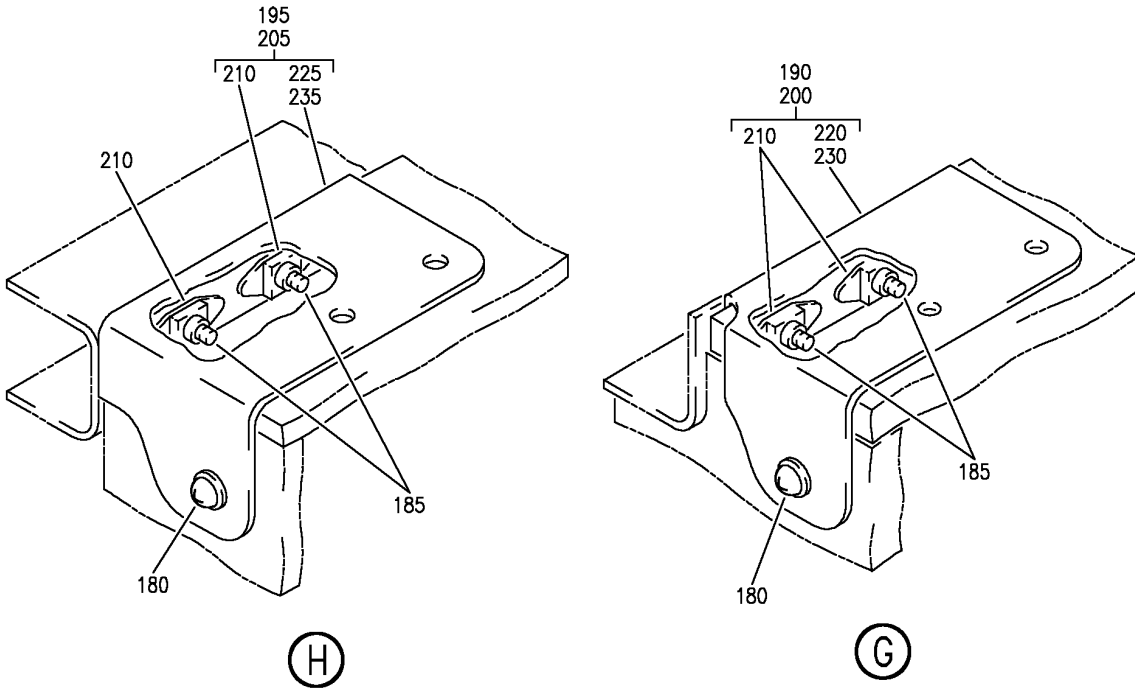
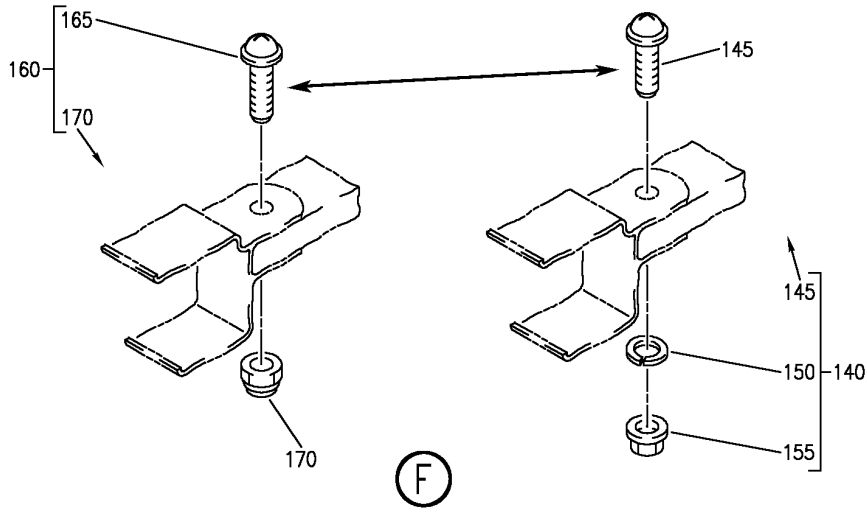
BOX ASSY-80 IN. BIN RH
 FIGURE 80B (SHEET 3)

25-24-32-80B

HAP
 OCT 10/06

25-24-32-80B
 PAGE 0B

BOEING
 737-600/700/800/900
 PARTS CATALOG (MAINTENANCE)



E 25243280B SHT 4 REV 083

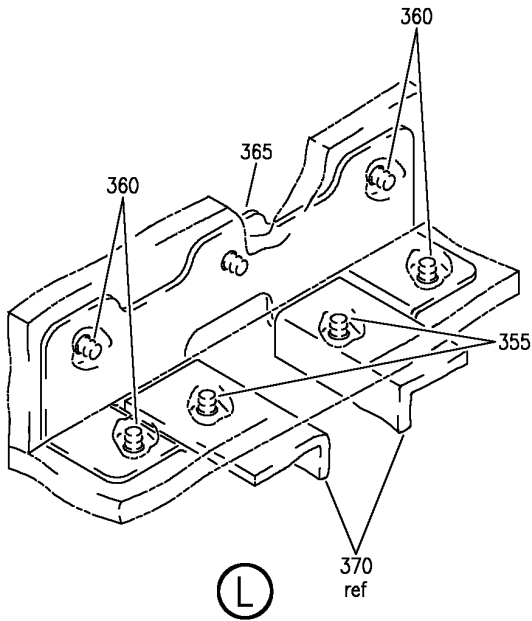
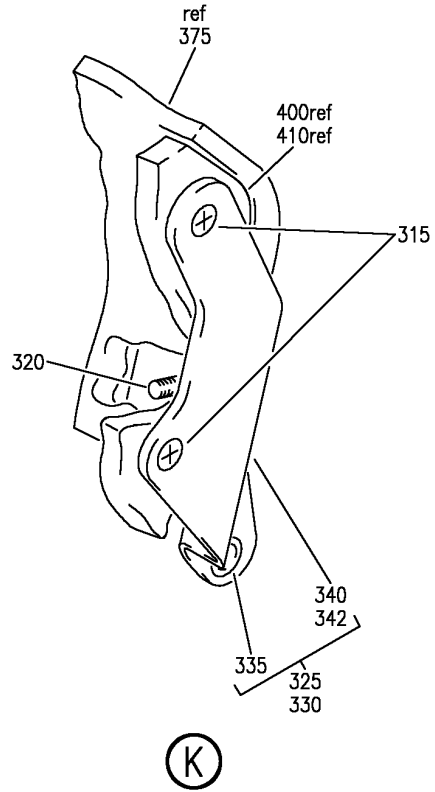
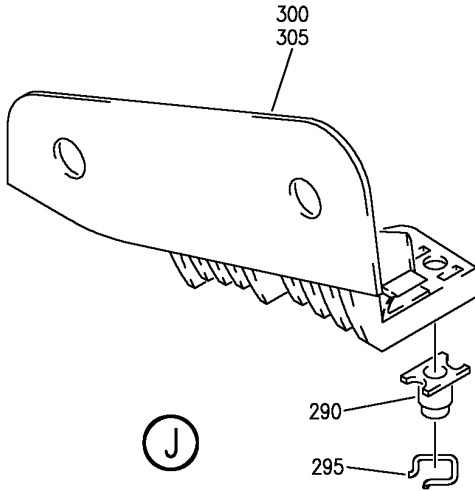
BOX ASSY-80 IN. BIN RH
 FIGURE 80B (SHEET 4)

25-24-32-80B

HAP
 OCT 10/06

25-24-32-80B
 PAGE 0C

BOEING
 737-600/700/800/900
 PARTS CATALOG (MAINTENANCE)



E 25243280B SHT 5 REV 083

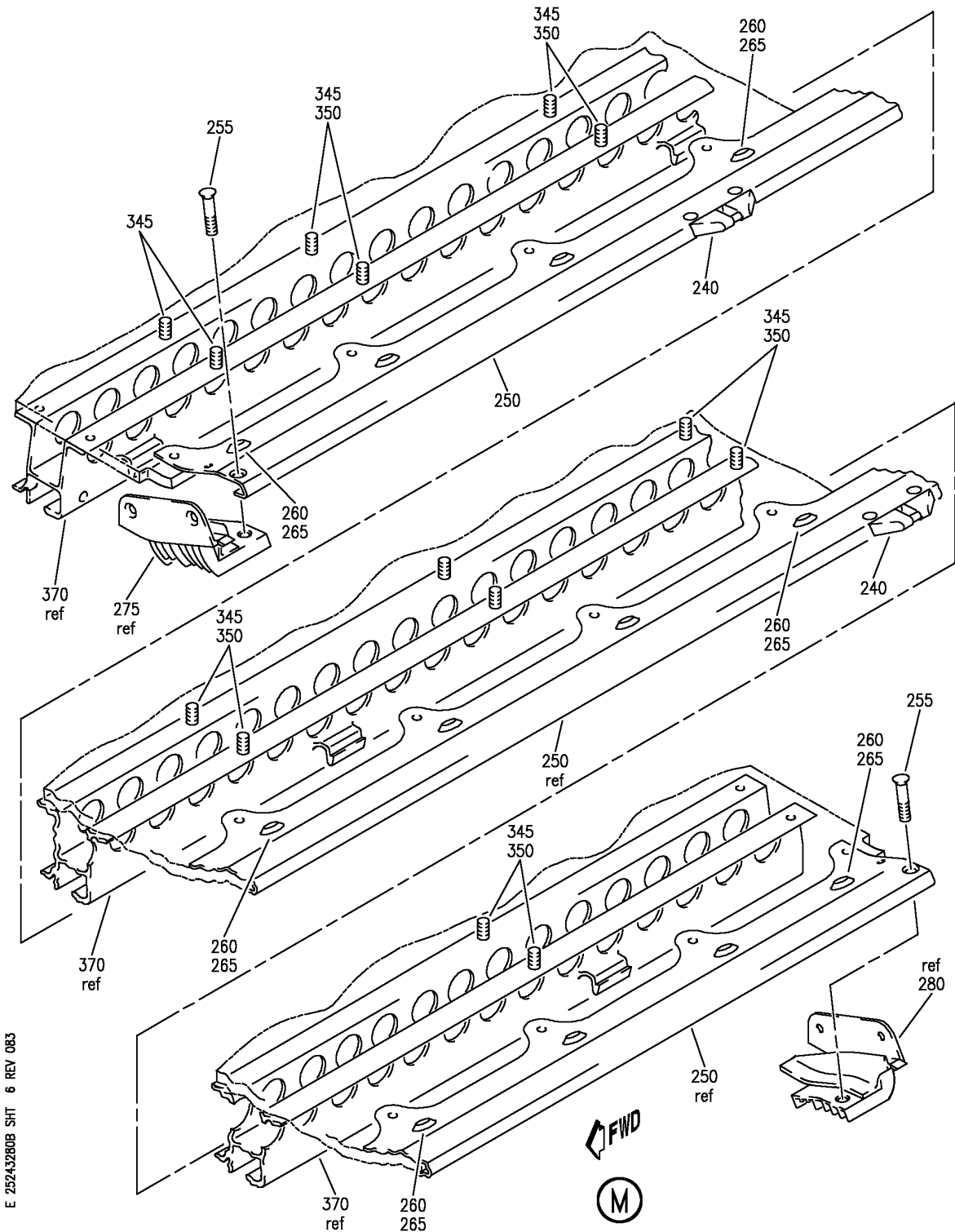
BOX ASSY-80 IN. BIN RH
 FIGURE 80B (SHEET 5)

25-24-32-80B

HAP
 OCT 10/06

25-24-32-80B
 PAGE 0D

BOEING
 737-600/700/800/900
 PARTS CATALOG (MAINTENANCE)



E 25243280B SHT 6 REV 083

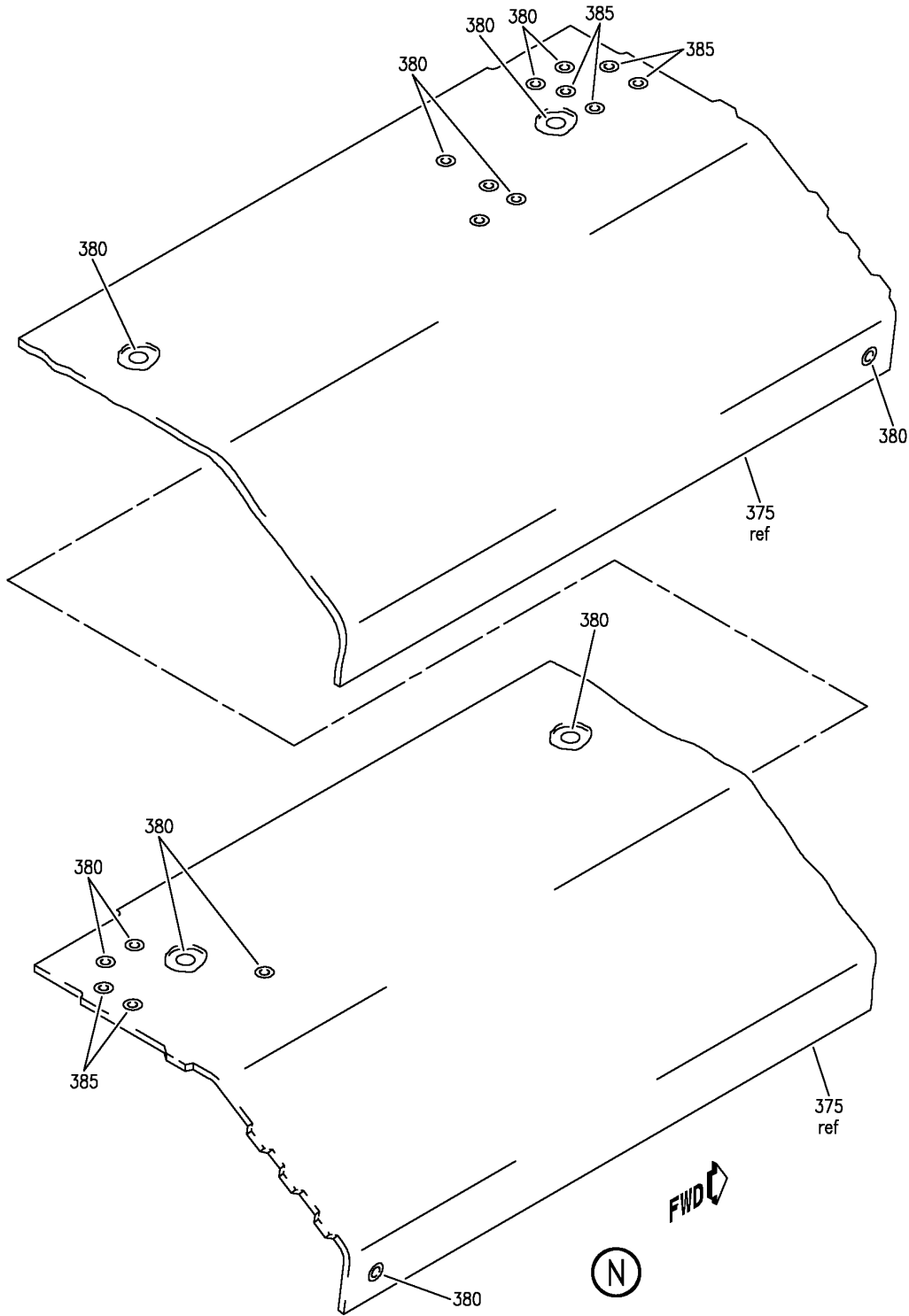
BOX ASSY-80 IN. BIN RH
 FIGURE 80B (SHEET 6)

25-24-32-80B

HAP
 OCT 10/06

25-24-32-80B
 PAGE 0E

BOEING
 737-600/700/800/900
 PARTS CATALOG (MAINTENANCE)



E 25243280B SHT 7 REV 083

BOX ASSY-80 IN. BIN RH
 FIGURE 80B (SHEET 7)

25-24-32-80B

HAP
 OCT 10/06

25-24-32-80B
 PAGE OF

BOEING
737-600/700/800/900
PARTS CATALOG (MAINTENANCE)

FIG ITEM	PART NUMBER	1 2 3 4 5 6 7	NOMENCLATURE	EFFECT FROM TO	UNITS PER ASSY
80B			BOX ASSY-80 IN. BIN RH	002005 008030	
- 1	412A1200-124SP		BOX ASSY-80 IN. BIN POSITION DATA: RH OPTIONAL PART: 412A1200-1124SP FOR NHA SEE: 25-24-31-38	002005 008008	RF
- 1	412A1200-1124SP		BOX ASSY-80 IN. BIN POSITION DATA: RH OPTIONAL PART: 412A1200-124SP FOR NHA SEE: 25-24-31-38	002005 008008	RF
- 1	412A1200-124A		BOX ASSY-80 IN. BIN POSITION DATA: RH OPTIONAL PART: 412A1200-1124B FOR NHA SEE: 25-24-31-38	009030	RF
- 1	412A1200-1124B		BOX ASSY-80 IN. BIN POSITION DATA: RH OPTIONAL PART: 412A1200-124A FOR NHA SEE: 25-24-31-38	009030	RF

MISSING ITEM NUMBERS NOT APPLICABLE

- ITEM NOT ILLUSTRATED

HAP

25-24-32-80B

BOEING PROPRIETARY - Copyright © - Unpublished Work - See title page for details.

25-24-32
FIG. 80B
PAGE 1
OCT 10/06

BOEING
737-600/700/800/900
PARTS CATALOG (MAINTENANCE)

FIG ITEM	PART NUMBER	1 2 3 4 5 6 7	NOMENCLATURE	EFFECT FROM TO	UNITS PER ASSY
80B 5	HL1012AZ6-10	.BOLT	SUPPLIER CODE: V97928 SPECIFICATION NUMBER: BACB30NX6K10 OPTIONAL PART: HL12VAZ6-10 V73197 HL12VAZ6-10 V92215 HL12VAZ6-10 V97928 L802-6K10 V06725 HL12VAZ6-10 V56878 HL1012AZ6-10 VOPTK6 HL1012AZ6-10 V06725 HL1012AZ6-10 V06950 HL1012AZ6-10 V17446 HL1012AZ6-10 V56878 HL1012AZ6-10 V60516 HL1012AZ6-10 V73197	002005 008030	6
10	BACS12ER3K9	.SCREW		002005 008030	6
15	BACS12FA3K4	.SCREW		002005 008030	2
20	BACW10BP3NDP	.WASHER-	OPTIONAL PART: NAS1149D0363J	002005 008030	6
20	NAS1149D0363J	.WASHER-	OPTIONAL PART: BACW10BP3NDP USED ON: 412A1200-1124SP 412A1200-1124B	002005 008030	6

MISSING ITEM NUMBERS NOT APPLICABLE

— ITEM NOT ILLUSTRATED

HAP

25-24-32-80B

BOEING PROPRIETARY - Copyright © - Unpublished Work - See title page for details.

25-24-32
FIG. 80B
PAGE 2
OCT 10/06

BOEING
737-600/700/800/900
PARTS CATALOG (MAINTENANCE)

FIG ITEM	PART NUMBER	1 2 3 4 5 6 7	NOMENCLATURE	EFFECT FROM TO	UNITS PER ASSY
80B 25	HL1087-6	.COLLAR	SUPPLIER CODE: V73197 SPECIFICATION NUMBER: BACC30BH6 OPTIONAL PART: HL1087-6 V56878 HL1087-6 V92215 HL1087-6 V9N513	002005 008030	6
30	SL5-3-50C	.NUT-	SUPPLIER CODE: V97393	002005 008030	6
35	412A1220-11	.DOUBLER-9G EXT		002005 008030	1
40	412A1220-10A	.DOUBLER-9G INTERNAL		002005 008030	1
45	412A1220-39A	.DOUBLER-INTERNAL		002005 008030	1
50	412A1230-106	.FITTING ASSY-DRAG	OPTIONAL PART: 412A1230-152	002005 008030	1
55	BACW10P273L	..WASHER		002005 008030	2
60	BACB28AT04B023C	..BUSHING-	OPTIONAL PART: NAS538B4P023	002005 008030	2
60	NAS538B4P023	..BUSHING-	OPTIONAL PART: BACB28AT04B023C	002005 008030	2
65	BCREF13195	..BUSHING-	OVERLENGTH PART NUMBER: BACB28AY06A035CG	002005 008030	1
70	412A1230-108	..FITTING		002005 008030	1
75	412A1230-152	.FITTING ASSY-DRAG	OPTIONAL PART: 412A1230-106 USED ON: 412A1200-124SP 412A1200-124A	002005 008030	1
80	BACW10P273L	..WASHER		002005 008030	2
85	412A1230-4	..FITTING ASSY		002005 008030	1

MISSING ITEM NUMBERS NOT APPLICABLE

- ITEM NOT ILLUSTRATED

HAP

25-24-32-80B

BOEING PROPRIETARY - Copyright © - Unpublished Work - See title page for details.

25-24-32
FIG. 80B
PAGE 3
OCT 10/06

BOEING
737-600/700/800/900
PARTS CATALOG (MAINTENANCE)

FIG ITEM	PART NUMBER	1 2 3 4 5 6 7	NOMENCLATURE	EFFECT FROM TO	UNITS PER ASSY
80B					
90	BCREF13195	...	BUSHING- OVERLENGTH PART NUMBER: BACB28AY06A035CG	002005 008030	1
95	412A1230-6	...	FITTING	002005 008030	1
100	412A1230-1	.	FITTING ASSY- OPTIONAL PART: 412A1230-201	002005 008030	1
105	BCREF13195	..	BUSHING- OVERLENGTH PART NUMBER: BACB28AY06A035CG	002005 008030	1
110	412A1230-2	..	SUPPORT	002005 008030	1
115	412A1230-201	.	FITTING ASSY- OPTIONAL PART: 412A1230-1 USED ON: 412A1200-1124SP 412A1200-1124B	002005 008030	1
120	BCREF13195	..	BUSHING- OVERLENGTH PART NUMBER: BACB28AY06A035CG	002005 008030	1
125	412A1230-202	..	FITTING- OPTIONAL PART: 412A1230-203	002005 008030	1
125	412A1230-203	..	FITTING- OPTIONAL PART: 412A1230-202	002005 008030	1
130	BACS12FA3K13	.	SCREW- USED ON: 412A1200-124SP 412A1200-124A	002005 008030	11
135	F22K1-02	.	NUT- SUPPLIER CODE: V72962 SPECIFICATION NUMBER: BACN10R10L OPTIONAL PART: 22K1-02 V72962 26CLO2 V80539 USED ON: 412A1200-124SP 412A1200-124A	002005 008030	11

MISSING ITEM NUMBERS NOT APPLICABLE

— ITEM NOT ILLUSTRATED

HAP

25-24-32-80B

BOEING PROPRIETARY - Copyright © - Unpublished Work - See title page for details.

25-24-32
FIG. 80B
PAGE 4
OCT 10/06

BOEING
737-600/700/800/900
PARTS CATALOG (MAINTENANCE)

FIG ITEM	PART NUMBER	1 2 3 4 5 6 7	NOMENCLATURE	EFFECT FROM TO	UNITS PER ASSY
80B 140	412A1340-14	.	FASTENER ASSY-KIT OPTIONAL PART: 412A1340-15 USED ON: 412A1200-1124SP 412A1200-1124B	002005 008030	11
145	BACS12FA3K12	..	SCREW	002005 008030	1
150	BACW10EC3S	..	WASHER	002005 008030	1
155	PLH53C	..	NUT SUPPLIER CODE: V62554 SPECIFICATION NUMBER: BACN10YR3C OPTIONAL PART: H52732-3C V15653	002005 008030	1
160	412A1340-15	.	FASTENER ASSY-KIT OPTIONAL PART: 412A1340-14 USED ON: 412A1200-1124SP 412A1200-1124B	002005 008030	11
165	BACS12FA3K13	..	SCREW	002005 008030	1
170	F22K1-02	..	NUT SUPPLIER CODE: V72962 SPECIFICATION NUMBER: BACN10R10L OPTIONAL PART: 22K1-02 V72962 26CLO2 V80539	002005 008030	1
175	412A1247-1SP	.	EXTRUSION	002005 008008	1
175	412A1247-1A	.	EXTRUSION	009030	1
180	BACS12FA3K4	.	SCREW	002005 008030	2
185	BACS12FA3K7	.	SCREW	002005 008030	4

MISSING ITEM NUMBERS NOT APPLICABLE

— ITEM NOT ILLUSTRATED

HAP

25-24-32-80B

BOEING PROPRIETARY - Copyright © - Unpublished Work - See title page for details.

25-24-32
FIG. 80B
PAGE 5
OCT 10/06

BOEING
737-600/700/800/900
PARTS CATALOG (MAINTENANCE)

FIG ITEM	PART NUMBER	1 2 3 4 5 6 7	NOMENCLATURE	EFFECT FROM TO	UNITS PER ASSY
80B 190	412A1220-250		.CORNER ASSY- OPTIONAL PART: 412A1220-6SP 412A1220-6A 412A1220-210 USED ON: 412A1200-1124SP 412A1200-1124B	002005 008030	1
195	412A1220-6SP		.CORNER ASSY- OPTIONAL PART: 412A1220-210 412A1220-250	002005 008008	1
195	412A1220-6A		.CORNER ASSY- OPTIONAL PART: 412A1220-250 412A1220-210	009030	1
195	412A1220-210		.CORNER ASSY- OPTIONAL PART: 412A1220-6SP 412A1220-6A 412A1220-250 USED ON: 412A1200-1124SP 412A1200-1124B	002005 008030	1
200	412A1220-249		.CORNER ASSY- OPTIONAL PART: 412A1220-5SP 412A1220-5A 412A1220-209 USED ON: 412A1200-1124SP 412A1200-1124B	002005 008030	1
205	412A1220-5SP		.CORNER ASSY- OPTIONAL PART: 412A1220-209 412A1220-249	002005 008008	1
205	412A1220-5A		.CORNER ASSY- OPTIONAL PART: 412A1220-249 412A1220-209	009030	1
205	412A1220-209		.CORNER ASSY- OPTIONAL PART: 412A1220-5SP 412A1220-5A 412A1220-249 USED ON: 412A1200-1124SP 412A1200-1124B	002005 008030	1

MISSING ITEM NUMBERS NOT APPLICABLE

— ITEM NOT ILLUSTRATED

HAP

25-24-32-80B

BOEING PROPRIETARY - Copyright © - Unpublished Work - See title page for details.

25-24-32
FIG. 80B
PAGE 6
OCT 10/06

BOEING
737-600/700/800/900
PARTS CATALOG (MAINTENANCE)

FIG ITEM	PART NUMBER	1 2 3 4 5 6 7	NOMENCLATURE	EFFECT FROM TO	UNITS PER ASSY
80B 210	BRF200C3D		..NUTPLATE SUPPLIER CODE: V52828 SPECIFICATION NUMBER: BACN10JR3CFD OPTIONAL PART: K51602-3BAC V15653 NS202476-02 V80539 102F9201-3 V72962 T8092C1032CD V11815 ATTACHING PARTS	002005 008030	2
- 215	BACR15CE3D		..RIVET- SIZE DETERMINED ON INSTL. -----*-----	002005 008030	4
220	412A1220-252		..REINFORCEMENT- USED ON: 412A1220-250	002005 008030	1
225	412A1220-8SP		..REINFORCEMENT- USED ON: 412A1220-6SP	002005 008008	1
225	412A1220-8A		..REINFORCEMENT- USED ON: 412A1220-6A	009030	1
225	412A1220-212		..REINFORCEMENT- USED ON: 412A1220-210	002005 008030	1
230	412A1220-251		..REINFORCEMENT- USED ON: 412A1220-249	002005 008030	1
235	412A1220-7SP		..REINFORCEMENT- USED ON: 412A1220-5SP	002005 008008	1
235	412A1220-7A		..REINFORCEMENT- USED ON: 412A1220-5A	009030	1
235	412A1220-211		..REINFORCEMENT- USED ON: 412A1220-209	002005 008030	1
240	HA225-11		.STRIKE- SUPPLIER CODE: V83014 SPECIFICATION NUMBER: S412A001-16	002005 008030	2

MISSING ITEM NUMBERS NOT APPLICABLE

- ITEM NOT ILLUSTRATED

HAP

25-24-32-80B

BOEING PROPRIETARY - Copyright © - Unpublished Work - See title page for details.

25-24-32
FIG. 80B
PAGE 7
OCT 10/06

BOEING
737-600/700/800/900
PARTS CATALOG (MAINTENANCE)

FIG ITEM	PART NUMBER	1 2 3 4 5 6 7	NOMENCLATURE	EFFECT FROM TO	UNITS PER ASSY
80B 240	HA225-3		. STRIKE- SUPPLIER CODE: V83014 SPECIFICATION NUMBER: S412A001-6 USED ON: 412A1200-124A 412A1200-148B ATTACHING PARTS	002005 008030	2
- 245	BACS12ER08K5		. SCREW	002005 008030	4
			-----*-----		
250	412A1242-1		. EXTRUSION-SHELF ATTACHING PARTS	002005 008030	1
255	BACS12ER3K6		. SCREW	002005 008030	2
260	BACS12ER3K5		. SCREW	002005 008030	12
265	H3-1233A3		. WASHER- SUPPLIER CODE: V34941 SPECIFICATION NUMBER: S411A001-1 -----*-----	002005 008030	12
270	412A1450-21		. CLIP	002005 008030	4
275	412A1475-3SP		. FITTING ASSY	002005 008008	1
275	412A1475-3A		. FITTING ASSY	009030	1
280	412A1475-4SP		. FITTING ASSY	002005 008008	1
280	412A1475-4A		. FITTING ASSY ATTACHING PARTS	009030	1
- 285	BACS12ER3K5		. SCREW	002005 008030	4
			-----*-----		
290	BACN11F3-1CD		.. NUT	002005 008030	1
295	NAS1795-3		.. CLIP	002005 008030	1
300	412A1475-1SP		.. FITTING- USED ON: 412A1475-3SP 412A1475-3A	002005 008030	1
305	412A1475-2SP		.. FITTING- USED ON: 412A1475-4SP 412A1475-4A	002005 008030	1

MISSING ITEM NUMBERS NOT APPLICABLE

- ITEM NOT ILLUSTRATED

HAP

25-24-32-80B

BOEING PROPRIETARY - Copyright © - Unpublished Work - See title page for details.

25-24-32
FIG. 80B
PAGE 8
JUN 15/08

 **BOEING**
737-600/700/800/900
PARTS CATALOG (MAINTENANCE)

FIG ITEM	PART NUMBER	1 2 3 4 5 6 7	NOMENCLATURE	EFFECT FROM TO	UNITS PER ASSY
80B					
310	412A1450-1SP	.	TRIM	002005 008008	2
310	412A1450-1A	.	TRIM	009030	2
315	BACS12ER3K6	.	SCREW- USED ON: 412A1200-124SP 412A1200-124A	002005 008030	4
315	BACS12ER3K5	.	SCREW- USED ON: 412A1200-1124SP 412A1200-1124B	002005 008030	4
320	BACS12FA3K5	.	SCREW	002005 008030	2
325	412A1230-7	.	SUPPORT ASSY	002005 008030	1
330	412A1230-8	.	SUPPORT ASSY	002005 008030	1
335	BCREF13196	..	BUSHING- OVERLENGTH PART NUMBER: BACB28AT06A010CG	002005 008030	1
340	412A1230-9	..	SUPPORT- USED ON: 412A1230-7	002005 008030	1
342	412A1230-10	..	SUPPORT- USED ON: 412A1230-8	002005 008030	1
345	BACS12FA3K5	.	SCREW- USED ON: 412A1200-124SP 412A1200-124A	002005 008030	14
350	BACS12FA3K5	.	SCREW- USED ON: 412A1200-1124SP 412A1200-1124B	002005 008030	12
355	BACS12FA3K6	.	SCREW- USED ON: 412A1200-124SP 412A1200-124A	002005 008030	4
355	BACS12FA3K5	.	SCREW- USED ON: 412A1200-1124SP 412A1200-1124B	002005 008030	4
360	BACS12FA3K4	.	SCREW	002005 008030	10
365	412A1220-9A	.	ANGLE- OPTIONAL PART: 412A1220-205	002005 008030	2

MISSING ITEM NUMBERS NOT APPLICABLE

— ITEM NOT ILLUSTRATED

HAP

25-24-32-80B

BOEING PROPRIETARY - Copyright © - Unpublished Work - See title page for details.

25-24-32
FIG. 80B
PAGE 9
JUN 15/08

BOEING
737-600/700/800/900
PARTS CATALOG (MAINTENANCE)

FIG ITEM	PART NUMBER	1 2 3 4 5 6 7	NOMENCLATURE	EFFECT FROM TO	UNITS PER ASSY
80B 365	412A1220-205	. ANGLE-	OPTIONAL PART: 412A1220-9A USED ON: 412A1200-1124SP 412A1200-1124B	002005 008030	2
370	412A1245-20	. RAIL		002005 008030	1
375	412A1210-180SP	. PANEL ASSY-	USED ON: 412A1200-124SP	002005 008008	1
375	412A1210-180A	. PANEL ASSY-	USED ON: 412A1200-124A	009030	1
375	412A1210-1180B	. PANEL ASSY-	USED ON: 412A1200-1124SP 412A1200-1124B	002005 008030	1
380	SL2334-3A1	.. INSERT-	SUPPLIER CODE: V97393	002005 008030	15
385	BCREF128023	.. INSERT-	SUPPLIER CODE: V97393 OVERLENGTH PART NUMBER: SL603-3-375ASP13	002005 008030	6
390	412A1211-142SP	. PANEL ASSY-	USED ON: 412A1200-124SP	002005 008008	1
390	412A1211-142A	. PANEL ASSY-	USED ON: 412A1200-124A	009030	1
390	412A1211-1142B	. PANEL ASSY-	USED ON: 412A1200-1124SP 412A1200-1124B	002005 008030	1
- 395	SL2334-3A1	.. INSERT-	SUPPLIER CODE: V97393	002005 008030	50
400	412A1212-106SP	. PANEL ASSY-	USED ON: 412A1200-148SP	002005 008008	1
400	412A1212-106A	. PANEL ASSY-	USED ON: 412A1200-124A	009030	1
400	412A1212-1106B	. PANEL ASSY-	USED ON: 412A1200-1124SP 412A1200-1124B	002005 008030	1

MISSING ITEM NUMBERS NOT APPLICABLE

- ITEM NOT ILLUSTRATED

HAP

25-24-32-80B

BOEING PROPRIETARY - Copyright © - Unpublished Work - See title page for details.

25-24-32
FIG. 80B
PAGE 10
OCT 10/06

BOEING
737-600/700/800/900
PARTS CATALOG (MAINTENANCE)

FIG ITEM	PART NUMBER	1 2 3 4 5 6 7	NOMENCLATURE	EFFECT FROM TO	UNITS PER ASSY
80B - 405	SL2334-3A1		.. INSERT- SUPPLIER CODE: V97393	002005 008030	8
410	412A1212-108SP		. PANEL ASSY- USED ON: 412A1200-148SP	002005 008008	1
410	412A1212-108A		. PANEL ASSY- USED ON: 412A1200-124A	009030	1
410	412A1212-1108B		. PANEL ASSY- USED ON: 412A1200-1124SP 412A1200-1124B	002005 008030	1
- 415	SL2334-3A1		.. INSERT- SUPPLIER CODE: V97393	002005 008030	8

MISSING ITEM NUMBERS NOT APPLICABLE

- ITEM NOT ILLUSTRATED

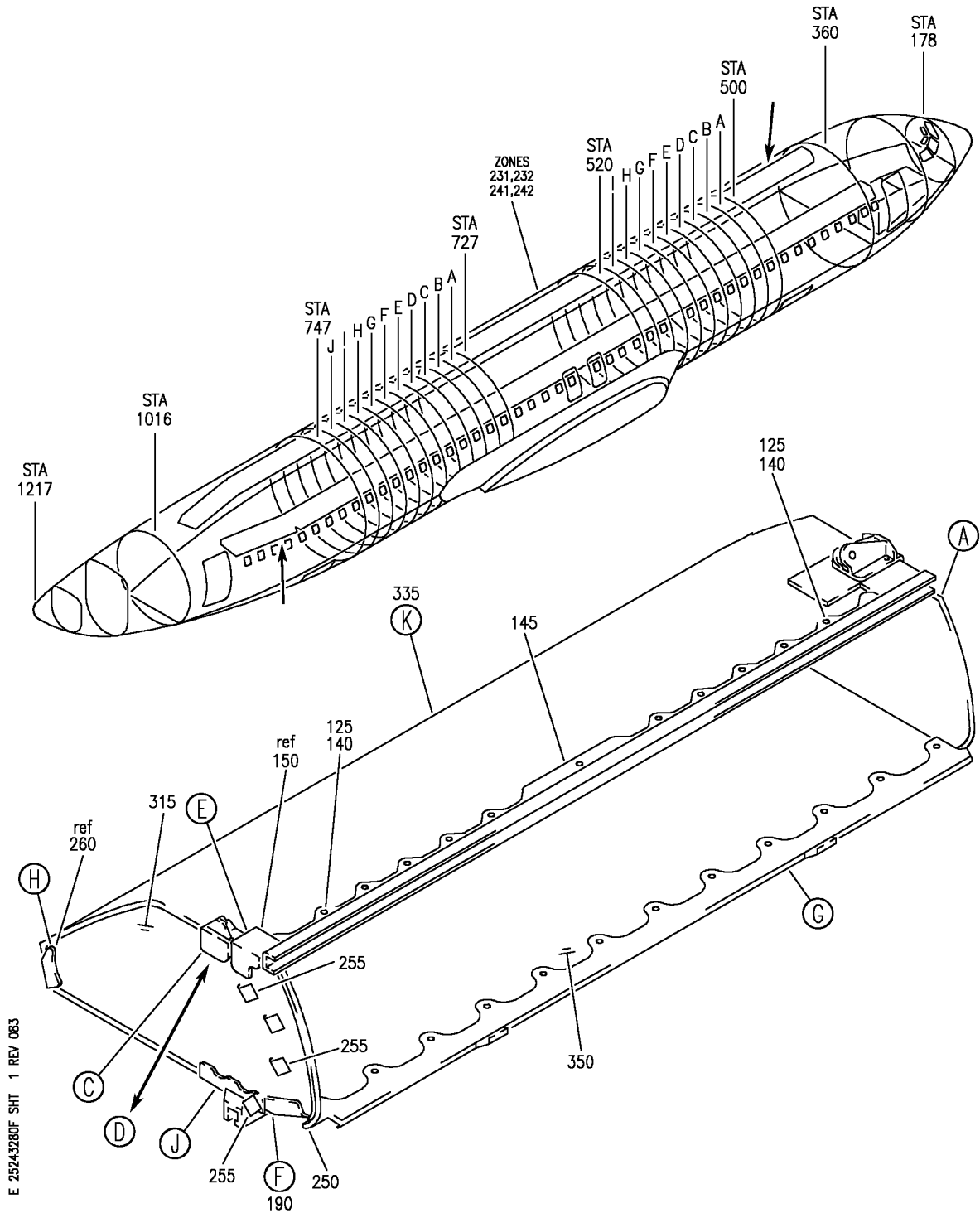
HAP

25-24-32-80B

BOEING PROPRIETARY - Copyright © - Unpublished Work - See title page for details.

25-24-32
FIG. 80B
PAGE 11
OCT 10/06

BOEING
 737-600/700/800/900
 PARTS CATALOG (MAINTENANCE)



E 25243280F SHT 1 REV 083

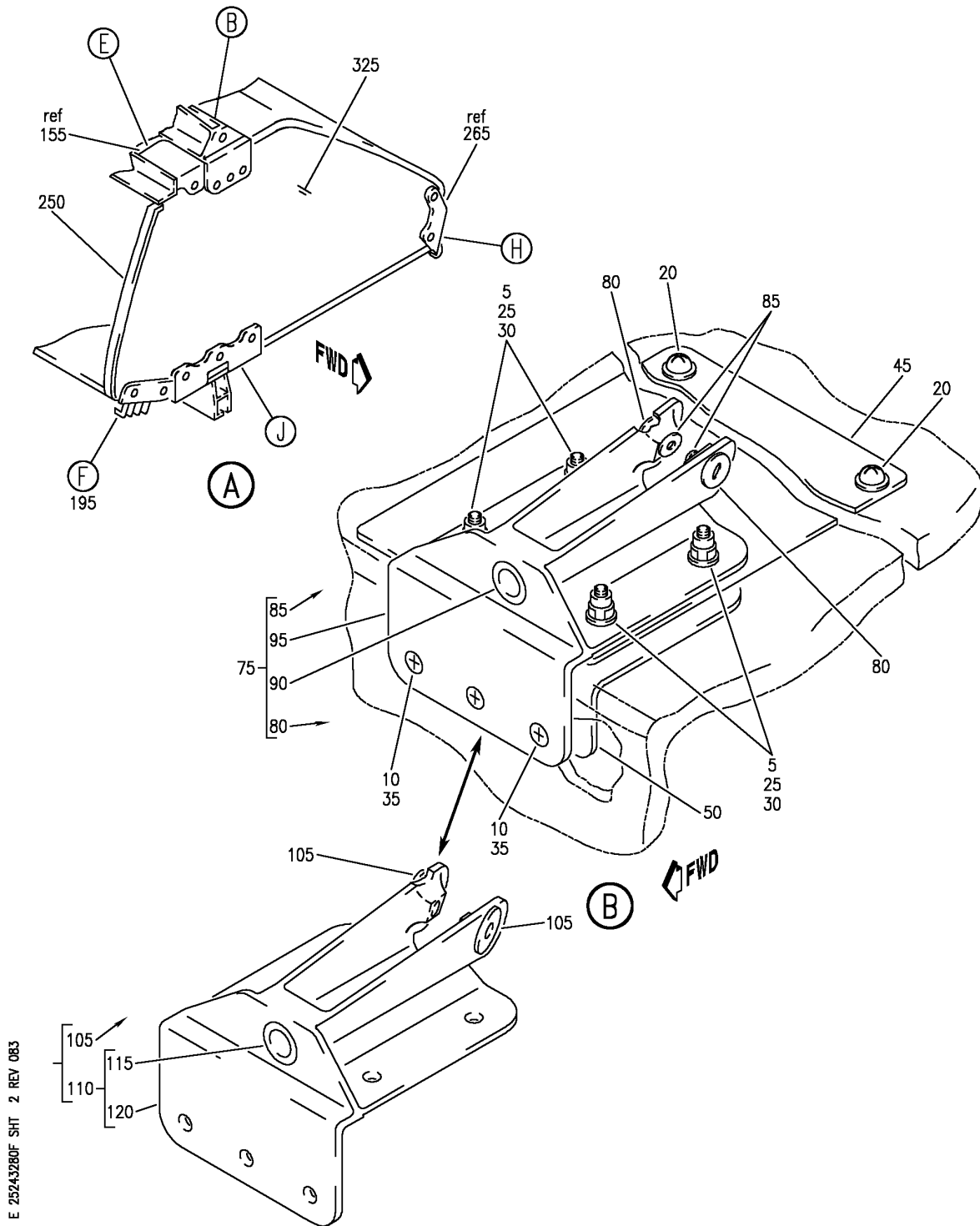
BOX ASSY-80 IN. BIN LH
 FIGURE 80F (SHEET 1)

25-24-32-80F

HAP
 OCT 10/06

25-24-32-80F
 PAGE 0


BOEING
 737-600/700/800/900
PARTS CATALOG (MAINTENANCE)



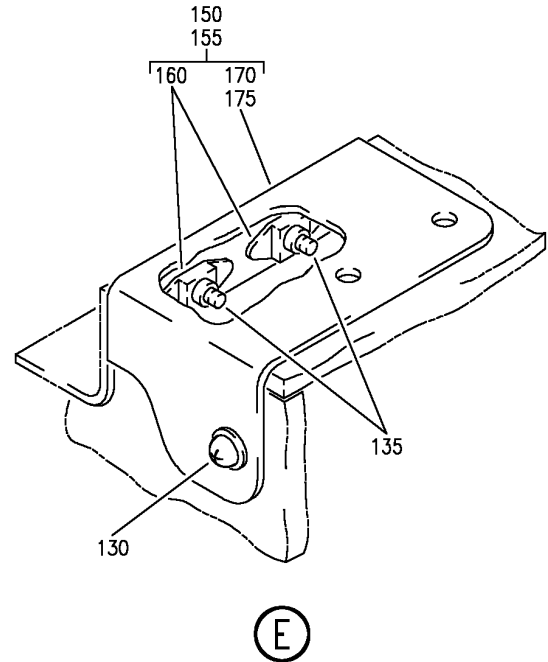
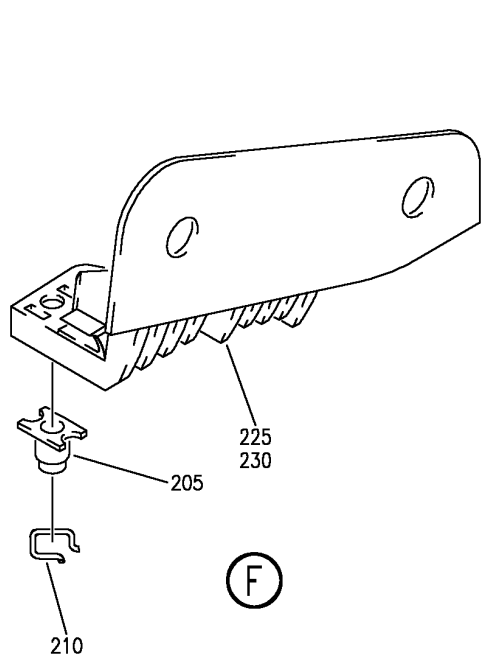
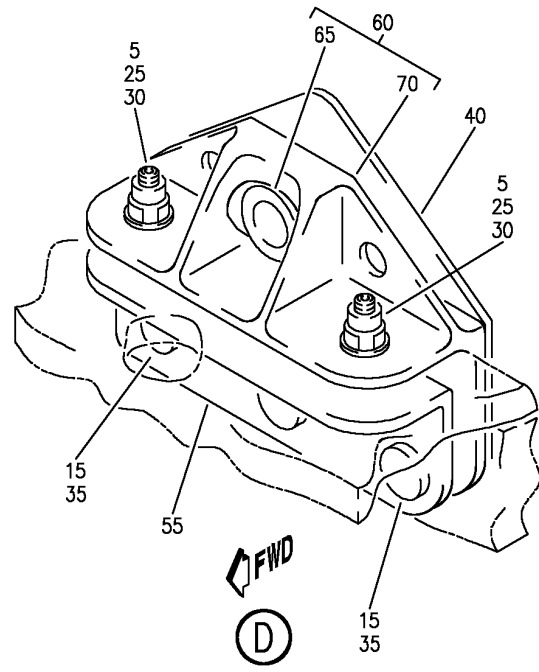
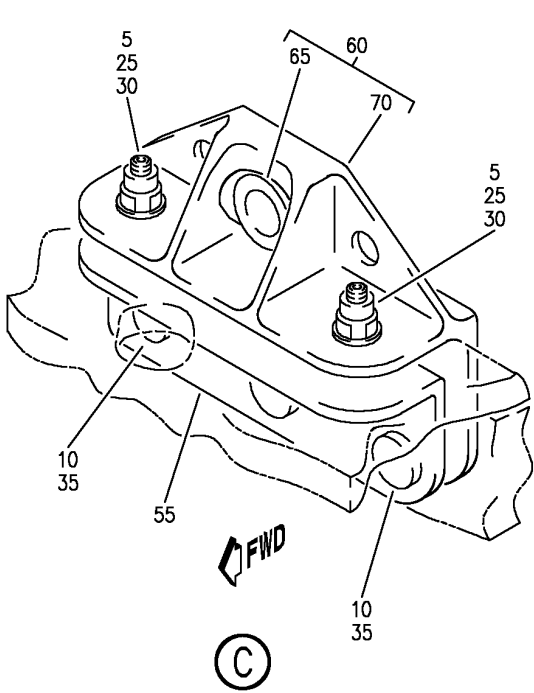
BOX ASSY-80 IN. BIN LH
 FIGURE 80F (SHEET 2)

25-24-32-80F

HAP
 OCT 10/06

25-24-32-80F
 PAGE 0A

BOEING
 737-600/700/800/900
 PARTS CATALOG (MAINTENANCE)



E 25243280F SHT 3 REV 083

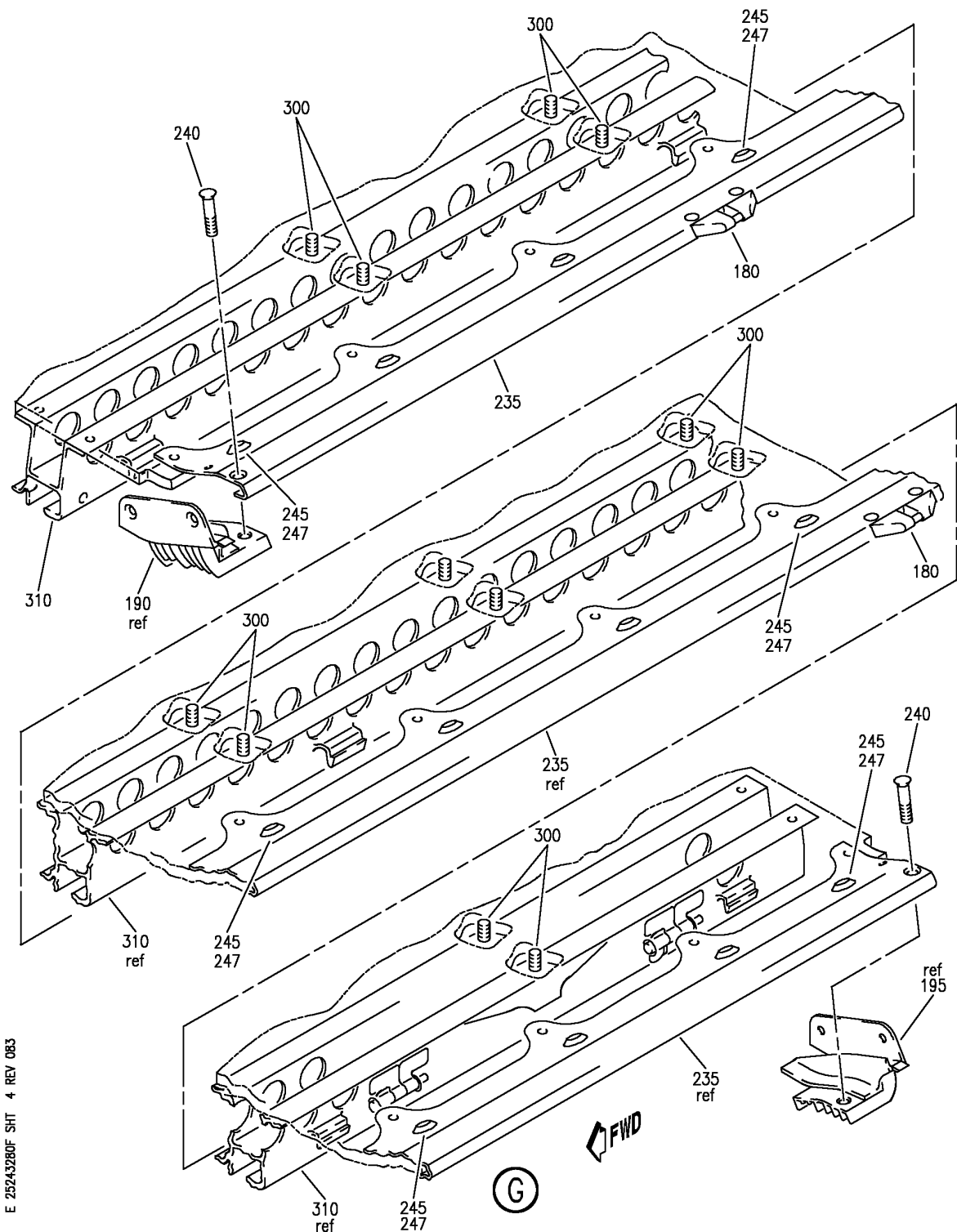
BOX ASSY-80 IN. BIN LH
 FIGURE 80F (SHEET 3)

25-24-32-80F

HAP
 OCT 10/06

25-24-32-80F
 PAGE 0B

BOEING
 737-600/700/800/900
 PARTS CATALOG (MAINTENANCE)



E 25243280F SHT 4 REV 083

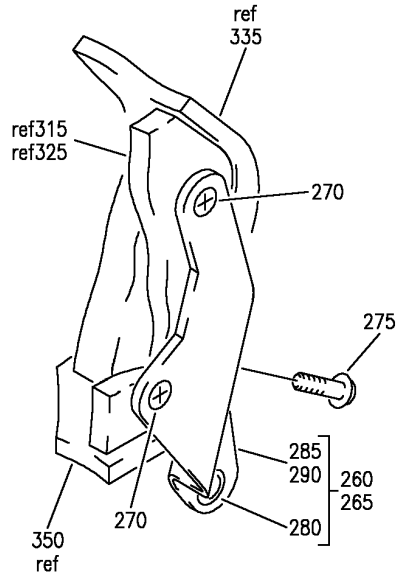
BOX ASSY-80 IN. BIN LH
 FIGURE 80F (SHEET 4)

25-24-32-80F

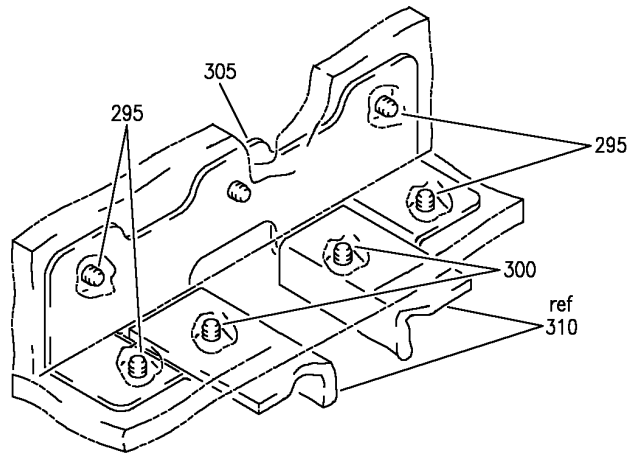
HAP
 OCT 10/06

25-24-32-80F
 PAGE 0C

BOEING
 737-600/700/800/900
 PARTS CATALOG (MAINTENANCE)



(H)



(J)

E 25243280F SHT 5 REV 083

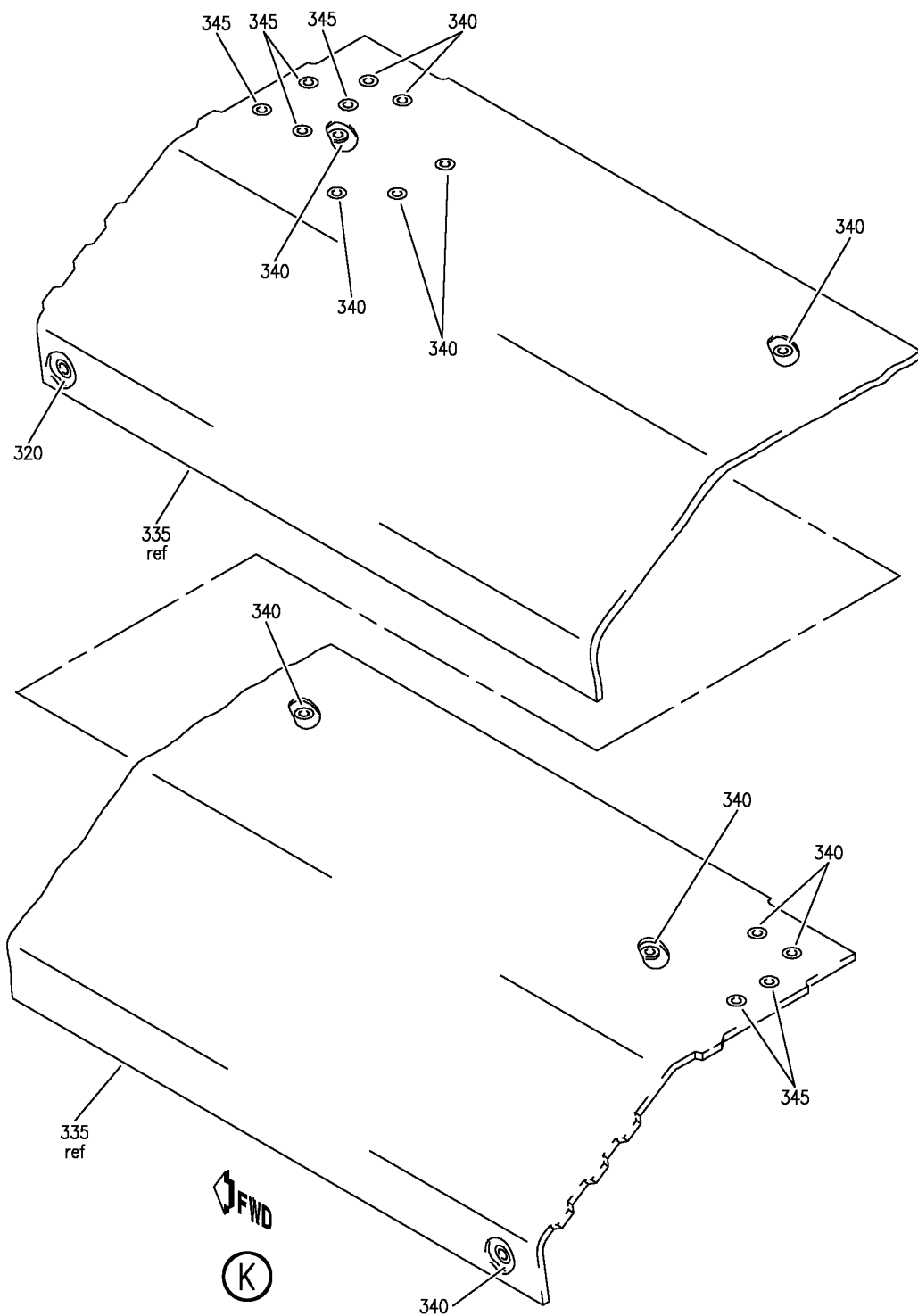
BOX ASSY-80 IN. BIN LH
 FIGURE 80F (SHEET 5)

25-24-32-80F

HAP
 OCT 10/06

25-24-32-80F
 PAGE 0D

BOEING
 737-600/700/800/900
 PARTS CATALOG (MAINTENANCE)



E 25243280F SHT 6 REV 083

BOX ASSY-80 IN. BIN LH
 FIGURE 80F (SHEET 6)

25-24-32-80F

HAP
 OCT 10/06

25-24-32-80F
 PAGE 0E

BOEING
737-600/700/800/900
PARTS CATALOG (MAINTENANCE)

FIG ITEM	PART NUMBER	1 2 3 4 5 6 7	NOMENCLATURE	EFFECT FROM TO	UNITS PER ASSY
80F			BOX ASSY-80 IN. BIN LH	002005 008030 201967	
- 1	412A1200-101A		BOX ASSY-80 IN. BIN POSITION DATA: LH OPTIONAL PART: 412A1200-1101B FOR NHA SEE: 25-24-31-14 25-24-31-36B	002005 008030 201967	RF
- 1	412A1200-1101B		BOX ASSY-80 IN. BIN POSITION DATA: LH OPTIONAL PART: 412A1200-101A FOR NHA SEE: 25-24-31-14 25-24-31-36B	002005 008030 201967	RF
5	HL1012AZ6-10		.BOLT SUPPLIER CODE: V97928 SPECIFICATION NUMBER: BACB30NX6K10 OPTIONAL PART: HL12VAZ6-10 V73197 HL12VAZ6-10 V92215 HL12VAZ6-10 V97928 L802-6K10 V06725 HL12VAZ6-10 V56878 HL1012AZ6-10 VOPTK6 HL1012AZ6-10 V06725 HL1012AZ6-10 V06950 HL1012AZ6-10 V17446 HL1012AZ6-10 V56878 HL1012AZ6-10 V60516 HL1012AZ6-10 V73197	201967	6

MISSING ITEM NUMBERS NOT APPLICABLE

- ITEM NOT ILLUSTRATED

HAP

25-24-32-80F

BOEING PROPRIETARY - Copyright © - Unpublished Work - See title page for details.

25-24-32
FIG. 80F
PAGE 1
OCT 15/08

BOEING
737-600/700/800/900
PARTS CATALOG (MAINTENANCE)

FIG ITEM	PART NUMBER	1 2 3 4 5 6 7	NOMENCLATURE	EFFECT FROM TO	UNITS PER ASSY
80F 5	HL1012AZ6-10	.BOLT	SUPPLIER CODE: V97928 SPECIFICATION NUMBER: BACB30NX6K10 OPTIONAL PART: HL12VAZ6-10 V73197 HL12VAZ6-10 V92215 HL12VAZ6-10 V97928 L802-6K10 V06725 HL12VAZ6-10 V56878 HL1012AZ6-10 VOPTK6 HL1012AZ6-10 V06725 HL1012AZ6-10 V06950 HL1012AZ6-10 V17446 HL1012AZ6-10 V56878 HL1012AZ6-10 V60516 HL1012AZ6-10 V73197	002005 008030	6
10	BACS12ER3K9	.SCREW		201967	6
10	BACS12ER3K9	.SCREW		002005 008030	6
20	BACS12FA3K4	.SCREW		201967	2
20	BACS12FA3K4	.SCREW		002005 008030	2
25	BACW10BP3NDP	.WASHER-		201967	6
		OPTIONAL PART: NAS1149D0363J			
25	BACW10BP3NDP	.WASHER-		002005 008030	6
		OPTIONAL PART: NAS1149D0363J			
25	NAS1149D0363J	.WASHER-		201967	6
		OPTIONAL PART: BACW10BP3NDP USED ON: 412A1200-1101B 412A1200-1101			

MISSING ITEM NUMBERS NOT APPLICABLE

— ITEM NOT ILLUSTRATED

HAP

25-24-32-80F

BOEING PROPRIETARY - Copyright © - Unpublished Work - See title page for details.

25-24-32
FIG. 80F
PAGE 2
OCT 15/08

BOEING
737-600/700/800/900
PARTS CATALOG (MAINTENANCE)

FIG ITEM	PART NUMBER	1 2 3 4 5 6 7	NOMENCLATURE	EFFECT FROM TO	UNITS PER ASSY
80F 25	NAS1149D0363J		.WASHER- OPTIONAL PART: BACW10BP3NDP USED ON: 412A1200-1101B	002005 008030	6
30	HL1087-6		.COLLAR- SUPPLIER CODE: V73197 SPECIFICATION NUMBER: BACC30BH6 OPTIONAL PART: HL1087-6 V56878 HL1087-6 V92215 HL1087-6 V9N513 BACC30BZ6	201967	6
30	HL1087-6		.COLLAR- SUPPLIER CODE: V73197 SPECIFICATION NUMBER: BACC30BH6 OPTIONAL PART: HL1087-6 V56878 HL1087-6 V92215 HL1087-6 V9N513 BACC30BZ6	002005 008030	6
30	HST1070CY6		.COLLAR- SUPPLIER CODE: V5M902 SPECIFICATION NUMBER: BACC30BZ6 OPTIONAL PART: VLC1070CY6 V92215 HST1070CY6 V73197 BACC30BH6 USED ON: 412A1200-1101 412A1200-1101B	201967	6

MISSING ITEM NUMBERS NOT APPLICABLE

— ITEM NOT ILLUSTRATED

HAP

25-24-32-80F

BOEING PROPRIETARY - Copyright © - Unpublished Work - See title page for details.

25-24-32
FIG. 80F
PAGE 3
OCT 15/08

BOEING
737-600/700/800/900
PARTS CATALOG (MAINTENANCE)

FIG ITEM	PART NUMBER	1 2 3 4 5 6 7	NOMENCLATURE	EFFECT FROM TO	UNITS PER ASSY
80F 30	HST1070CY6	.	COLLAR- SUPPLIER CODE: V5M902 SPECIFICATION NUMBER: BACC30BZ6 OPTIONAL PART: VLC1070CY6 V92215 HST1070CY6 V73197 BACC30BH6 USED ON: 412A1200-1101B	002005 008030	6
35	SL5-3-50C	.	NUT- SUPPLIER CODE: V97393	201967	6
35	SL5-3-50C	.	NUT- SUPPLIER CODE: V97393	002005 008030	6
45	412A1220-11	.	DOUBLER-9G EXT	201967	1
45	412A1220-11	.	DOUBLER-9G EXT	002005 008030	1
50	412A1220-10A	.	DOUBLER-9G INTERNAL	201967	1
50	412A1220-10A	.	DOUBLER-9G INTERNAL	002005 008030	1
55	412A1220-39A	.	DOUBLER-INTERNAL	201967	1
55	412A1220-39A	.	DOUBLER-INTERNAL	002005 008030	1
60	412A1230-1	.	FITTING ASSY	201967	1
60	412A1230-1	.	FITTING ASSY	002005 008030	1
65	BCREF13195	..	BUSHING- OVERLENGTH PART NUMBER: BACB28AY06A035CG	201967	1
65	BCREF13195	..	BUSHING- OVERLENGTH PART NUMBER: BACB28AY06A035CG	002005 008030	1
70	412A1230-2	..	SUPPORT	201967	1
70	412A1230-2	..	SUPPORT	002005 008030	1
75	412A1230-105	.	FITTING ASSY-DRAG OPTIONAL PART: 412A1230-151	201967	1
75	412A1230-105	.	FITTING ASSY-DRAG OPTIONAL PART: 412A1230-151	002005 008030	1
80	BACW10P273L	..	WASHER	201967	2
80	BACW10P273L	..	WASHER	002005 008030	2

MISSING ITEM NUMBERS NOT APPLICABLE

— ITEM NOT ILLUSTRATED

HAP

25-24-32-80F

BOEING PROPRIETARY - Copyright © - Unpublished Work - See title page for details.

25-24-32
FIG. 80F
PAGE 4
OCT 15/08

BOEING
737-600/700/800/900
PARTS CATALOG (MAINTENANCE)

FIG ITEM	PART NUMBER	1 2 3 4 5 6 7	NOMENCLATURE	EFFECT FROM TO	UNITS PER ASSY
80F					
85	BACB28AT04B023C	..	BUSHING- OPTIONAL PART: NAS538B4P023	201967	2
85	BACB28AT04B023C	..	BUSHING- OPTIONAL PART: NAS538B4P023	002005 008030	2
85	NAS538B4P023	..	BUSHING- OPTIONAL PART: BACB28AT04B023C	201967	2
85	NAS538B4P023	..	BUSHING- OPTIONAL PART: BACB28AT04B023C	002005 008030	2
90	BCREF13195	..	BUSHING- OVERLENGTH PART NUMBER: BACB28AY06A035CG	201967	1
90	BCREF13195	..	BUSHING- OVERLENGTH PART NUMBER: BACB28AY06A035CG	002005 008030	1
95	412A1230-107	..	FITTING	201967	1
95	412A1230-107	..	FITTING	002005 008030	1
100	412A1230-151	.	FITTING ASSY-DRAG OPTIONAL PART: 412A1230-105 USED ON: 412A1200-101A 412A1200-101	201967	1
100	412A1230-151	.	FITTING ASSY-DRAG OPTIONAL PART: 412A1230-105 USED ON: 412A1200-101A	002005 008030	1
105	BACW10P273L	..	WASHER	201967	2
105	BACW10P273L	..	WASHER	002005 008030	2
110	412A1230-3	..	FITTING ASSY	201967	1
115	BCREF13195	...	BUSHING- OVERLENGTH PART NUMBER: BACB28AY06A035CG	201967	1
115	BCREF13195	...	BUSHING- OVERLENGTH PART NUMBER: BACB28AY06A035CG	002005 008030	1
120	412A1230-5	...	FITTING	201967	1
120	412A1230-5	...	FITTING	002005 008030	1
125	BACS12FA3K13	.	SCREW	201967	11
125	BACS12FA3K13	.	SCREW	002005 008030	11
130	BACS12FA3K4	.	SCREW	201967	2

MISSING ITEM NUMBERS NOT APPLICABLE

— ITEM NOT ILLUSTRATED

HAP

25-24-32-80F

BOEING PROPRIETARY - Copyright © - Unpublished Work - See title page for details.

25-24-32
FIG. 80F
PAGE 5
OCT 15/08

BOEING
737-600/700/800/900
PARTS CATALOG (MAINTENANCE)

FIG ITEM	PART NUMBER	1 2 3 4 5 6 7	NOMENCLATURE	EFFECT FROM TO	UNITS PER ASSY
80F					
130	BACS12FA3K4	.	SCREW	002005 008030	2
135	BACS12FA3K7	.	SCREW	201967	4
135	BACS12FA3K7	.	SCREW	002005 008030	4
140	F22K1-02	.	NUT	201967	11
			SUPPLIER CODE: V72962		
			SPECIFICATION NUMBER: BACN10R10L		
			OPTIONAL PART: 22K1-02		
			V72962		
			26CLO2		
			V80539		
140	F22K1-02	.	NUT	002005 008030	11
			SUPPLIER CODE: V72962		
			SPECIFICATION NUMBER: BACN10R10L		
			OPTIONAL PART: 22K1-02		
			V72962		
			26CLO2		
			V80539		
145	412A1247-1A	.	EXTRUSION-DOOR CLOSEOUT	201967	1
145	412A1247-1A	.	EXTRUSION-DOOR CLOSEOUT	002005 008030	1
150	412A1220-6A	.	CORNER ASSY- OPTIONAL PART: 412A1220-210	201967	1
150	412A1220-6A	.	CORNER ASSY- OPTIONAL PART: 412A1220-210	002005 008030	1
150	412A1220-210	.	CORNER ASSY- OPTIONAL PART: 412A1220-6A	201967	1
150	412A1220-210	.	CORNER ASSY- OPTIONAL PART: 412A1220-6A	002005 008030	1
155	412A1220-5A	.	CORNER ASSY- OPTIONAL PART: 412A1220-209	201967	1
155	412A1220-5A	.	CORNER ASSY- OPTIONAL PART: 412A1220-209	002005 008030	1
155	412A1220-209	.	CORNER ASSY- OPTIONAL PART: 412A1220-5A	201967	1

MISSING ITEM NUMBERS NOT APPLICABLE

— ITEM NOT ILLUSTRATED

HAP

25-24-32-80F

BOEING PROPRIETARY - Copyright © - Unpublished Work - See title page for details.

25-24-32
FIG. 80F
PAGE 6
OCT 15/08

BOEING
737-600/700/800/900
PARTS CATALOG (MAINTENANCE)

FIG ITEM	PART NUMBER	1 2 3 4 5 6 7	NOMENCLATURE	EFFECT FROM TO	UNITS PER ASSY
80F 155	412A1220-209	.	CORNER ASSY- OPTIONAL PART: 412A1220-5A	002005 008030	1
160	BRF200C3D	..	NUTPLATE SUPPLIER CODE: V52828 SPECIFICATION NUMBER: BACN10JR3CFD OPTIONAL PART: K51602-3BAC V15653 NS202476-02 V80539 102F9201-3 V72962 T8092C1032CD V11815	201967	2
160	BRF200C3D	..	NUTPLATE SUPPLIER CODE: V52828 SPECIFICATION NUMBER: BACN10JR3CFD OPTIONAL PART: K51602-3BAC V15653 NS202476-02 V80539 102F9201-3 V72962 T8092C1032CD V11815	002005 008030	2
- 165	BACR15CE3D	..	ATTACHING PARTS RIVET- SIZE DETERMINED ON INSTL.	201967	4
- 165	BACR15CE3D	..	RIVET- SIZE DETERMINED ON INSTL. -----*-----	002005 008030	4
170	412A1220-8A	..	REINFORCEMENT- USED ON: 412A1220-6A	201967	1
170	412A1220-8A	..	REINFORCEMENT- USED ON: 412A1220-6A	002005 008030	1
175	412A1220-7A	..	REINFORCEMENT- USED ON: 412A1220-5A	201967	1
175	412A1220-7A	..	REINFORCEMENT- USED ON: 412A1220-5A	002005 008030	1

MISSING ITEM NUMBERS NOT APPLICABLE

- ITEM NOT ILLUSTRATED

HAP

25-24-32-80F

BOEING PROPRIETARY - Copyright © - Unpublished Work - See title page for details.

25-24-32
FIG. 80F
PAGE 7
OCT 15/08

BOEING
737-600/700/800/900
PARTS CATALOG (MAINTENANCE)

FIG ITEM	PART NUMBER	1 2 3 4 5 6 7	NOMENCLATURE	EFFECT FROM TO	UNITS PER ASSY
80F 180	HA225-3	.	STRIKE- SUPPLIER CODE: V83014 SPECIFICATION NUMBER: S412A001-6	201967	2
180	HA225-3	.	STRIKE- SUPPLIER CODE: V83014 SPECIFICATION NUMBER: S412A001-6	002005 008030	2
180	HA225-11	.	STRIKE- SUPPLIER CODE: V83014 SPECIFICATION NUMBER: S412A001-16	201967	2
180	HA225-11	.	STRIKE- SUPPLIER CODE: V83014 SPECIFICATION NUMBER: S412A001-16	002005 008030	2
- 185	BACS12ER08K5	.	SCREW	201967	4
- 185	BACS12ER08K5	.	SCREW	002005 008030	4
			-----*-----		
190	412A1475-3A	.	FITTING ASSY-SPRT	201967	1
190	412A1475-3A	.	FITTING ASSY-SPRT	002005 008030	1
195	412A1475-4A	.	FITTING ASSY-SPRT	201967	1
195	412A1475-4A	.	FITTING ASSY-SPRT	002005 008030	1
			ATTACHING PARTS		
- 200	BACS12ER3K5	.	SCREW	201967	4
- 200	BACS12ER3K5	.	SCREW	002005 008030	4
			-----*-----		
205	BACN11F3-1CD	..	NUT	201967	1
205	BACN11F3-1CD	..	NUT	002005 008030	1
210	NAS1795-3	..	CLIP	201967	1
210	NAS1795-3	..	CLIP	002005 008030	1
225	412A1475-1A	..	FITTING- USED ON: 412A1475-3A	002005 008030	1
225	412A1475-1A	..	FITTING- USED ON: 412A1475-3A	201967	1

MISSING ITEM NUMBERS NOT APPLICABLE

- ITEM NOT ILLUSTRATED

HAP

25-24-32-80F

BOEING PROPRIETARY - Copyright © - Unpublished Work - See title page for details.

25-24-32
FIG. 80F
PAGE 8
OCT 15/08

BOEING
737-600/700/800/900
PARTS CATALOG (MAINTENANCE)

FIG ITEM	PART NUMBER	1 2 3 4 5 6 7	NOMENCLATURE	EFFECT FROM TO	UNITS PER ASSY
80F					
230	412A1475-2A	..	FITTING- USED ON: 412A1475-4A	201967	1
230	412A1475-2A	..	FITTING- USED ON: 412A1475-4A	002005 008030	1
235	412A1242-1	.	EXTRUSION-SHELF	201967	1
235	412A1242-1	.	EXTRUSION-SHELF	002005 008030	1
			ATTACHING PARTS		
240	BACS12ER3K6	.	SCREW	201967	2
240	BACS12ER3K6	.	SCREW	002005 008030	2
245	BACS12ER3K5	.	SCREW	201967	12
245	BACS12ER3K5	.	SCREW	002005 008030	12
247	H3-1233A3	.	WASHER- SUPPLIER CODE: V34941 SPECIFICATION NUMBER: S411A001-1	201967	12
247	H3-1233A3	.	WASHER- SUPPLIER CODE: V34941 SPECIFICATION NUMBER: S411A001-1	002005 008030	12
			-----*-----		
250	412A1450-1A	.	TRIM-	201967	2
250	412A1450-1A	.	TRIM	002005 008030	2
255	412A1450-21	.	CLIP	201967	4
255	412A1450-21	.	CLIP	002005 008030	4
260	412A1230-7	.	SUPPORT ASSY	201967	1
260	412A1230-7	.	SUPPORT ASSY	002005 008030	1
265	412A1230-8	.	SUPPORT ASSY	201967	1
265	412A1230-8	.	SUPPORT ASSY	002005 008030	1
			ATTACHING PARTS		
270	BACS12ER3K5	.	SCREW	201967	4
270	BACS12ER3K5	.	SCREW	002005 008030	4
275	BACS12FA3K5	.	SCREW	201967	2
275	BACS12FA3K5	.	SCREW	002005 008030	2
			-----*-----		

MISSING ITEM NUMBERS NOT APPLICABLE

— ITEM NOT ILLUSTRATED

HAP

25-24-32-80F

BOEING PROPRIETARY - Copyright © - Unpublished Work - See title page for details.

25-24-32
FIG. 80F
PAGE 9
OCT 15/08

BOEING
737-600/700/800/900
PARTS CATALOG (MAINTENANCE)

FIG ITEM	PART NUMBER	1 2 3 4 5 6 7	NOMENCLATURE	EFFECT FROM TO	UNITS PER ASSY
80F 280	BCREF13196	..	BUSHING- OVERLENGTH PART NUMBER: BACB28AT06A010CG	201967	1
280	BCREF13196	..	BUSHING- OVERLENGTH PART NUMBER: BACB28AT06A010CG	002005 008030	1
285	412A1230-9	..	SUPPORT- USED ON: 412A1230-7	201967	1
285	412A1230-9	..	SUPPORT- USED ON: 412A1230-7	002005 008030	1
290	412A1230-10	..	SUPPORT- USED ON: 412A1230-8	201967	1
290	412A1230-10	..	SUPPORT- USED ON: 412A1230-8	002005 008030	1
295	BACS12FA3K4	.	SCREW	201967	10
295	BACS12FA3K4	.	SCREW	002005 008030	10
300	BACS12FA3K5	.	SCREW	201967	16
300	BACS12FA3K5	.	SCREW	002005 008030	16
305	412A1220-9A	.	ANGLE- OPTIONAL PART: 412A1220-205	201967	2
305	412A1220-9A	.	ANGLE- OPTIONAL PART: 412A1220-205	002005 008030	2
305	412A1220-205	.	ANGLE- OPTIONAL PART: 412A1220-9A USED ON: 412A1200-1101B	201967	2
305	412A1220-205	.	ANGLE- OPTIONAL PART: 412A1220-9A USED ON: 412A1200-1101B	002005 008030	2
310	412A1245-1	.	RAIL-MCD PSU	201967	1
310	412A1245-1	.	RAIL-MCD PSU	002005 008030	1
315	412A1212-105A	.	PANEL ASSY-END USED ON: 412A1200-101A	201967	1
315	412A1212-105A	.	PANEL ASSY-END USED ON: 412A1200-101A	002005 008030	1

MISSING ITEM NUMBERS NOT APPLICABLE

— ITEM NOT ILLUSTRATED

HAP

25-24-32-80F

BOEING PROPRIETARY - Copyright © - Unpublished Work - See title page for details.

25-24-32
FIG. 80F
PAGE 10
OCT 15/08

BOEING
737-600/700/800/900
PARTS CATALOG (MAINTENANCE)

FIG ITEM	PART NUMBER	1 2 3 4 5 6 7	NOMENCLATURE	EFFECT FROM TO	UNITS PER ASSY
80F					
315	412A1212-1105B	.	PANEL ASSY-END USED ON: 412A1200-1101B	201967	1
315	412A1212-1105B	.	PANEL ASSY-END USED ON: 412A1200-1101B	002005 008030	1
- 320	SL2334-3A1	..	INSERT- SUPPLIER CODE: V97393	201967	8
- 320	SL2334-3A1	..	INSERT- SUPPLIER CODE: V97393	002005 008030	8
325	412A1212-107A	.	PANEL ASSY-END USED ON: 412A1200-101A	201967	1
325	412A1212-107A	.	PANEL ASSY-END USED ON: 412A1200-101A	002005 008030	1
325	412A1212-1107B	.	PANEL ASSY-END USED ON: 412A1200-1101B	201967	1
325	412A1212-1107B	.	PANEL ASSY-END USED ON: 412A1200-1101B	002005 008030	1
- 330	SL2334-3A1	..	INSERT- SUPPLIER CODE: V97393	201967	8
- 330	SL2334-3A1	..	INSERT- SUPPLIER CODE: V97393	002005 008030	8
335	412A1210-101A	.	PANEL ASSY-SHELL USED ON: 412A1200-101A	201967	1
335	412A1210-101A	.	PANEL ASSY-SHELL USED ON: 412A1200-101A	002005 008030	1
335	412A1210-1101B	.	PANEL ASSY-SHELL USED ON: 412A1200-1101B	201967	1
335	412A1210-1101B	.	PANEL ASSY-SHELL USED ON: 412A1200-1101B	002005 008030	1
340	SL2334-3A1	..	INSERT- SUPPLIER CODE: V97393	201967	13
340	SL2334-3A1	..	INSERT- SUPPLIER CODE: V97393	002005 008030	13

MISSING ITEM NUMBERS NOT APPLICABLE

- ITEM NOT ILLUSTRATED

HAP

25-24-32-80F

BOEING PROPRIETARY - Copyright © - Unpublished Work - See title page for details.

25-24-32
FIG. 80F
PAGE 11
OCT 15/08

 **BOEING**
737-600/700/800/900
PARTS CATALOG (MAINTENANCE)

FIG ITEM	PART NUMBER	1 2 3 4 5 6 7	NOMENCLATURE	EFFECT FROM TO	UNITS PER ASSY
80F 345	BCREF128023		.. INSERT- SUPPLIER CODE: V97393 OVERLENGTH PART NUMBER: SL603-3-375ASP13	201967	6
345	BCREF128023		.. INSERT- SUPPLIER CODE: V97393 OVERLENGTH PART NUMBER: SL603-3-375ASP13	002005 008030	6
350	412A1211-101A		. PANEL ASSY-SHELF USED ON: 412A1200-101A	201967	1
350	412A1211-101A		. PANEL ASSY-SHELF USED ON: 412A1200-101A	002005 008030	1
350	412A1211-1101B		. PANEL ASSY-SHELF USED ON: 412A1200-1101B	201967	1
350	412A1211-1101B		. PANEL ASSY-SHELF USED ON: 412A1200-1101B	002005 008030	1
- 355	SL2334-3A1		.. INSERT- SUPPLIER CODE: V97393	201967	43
- 355	SL2334-3A1		.. INSERT- SUPPLIER CODE: V97393	002005 008030	43

MISSING ITEM NUMBERS NOT APPLICABLE

- ITEM NOT ILLUSTRATED

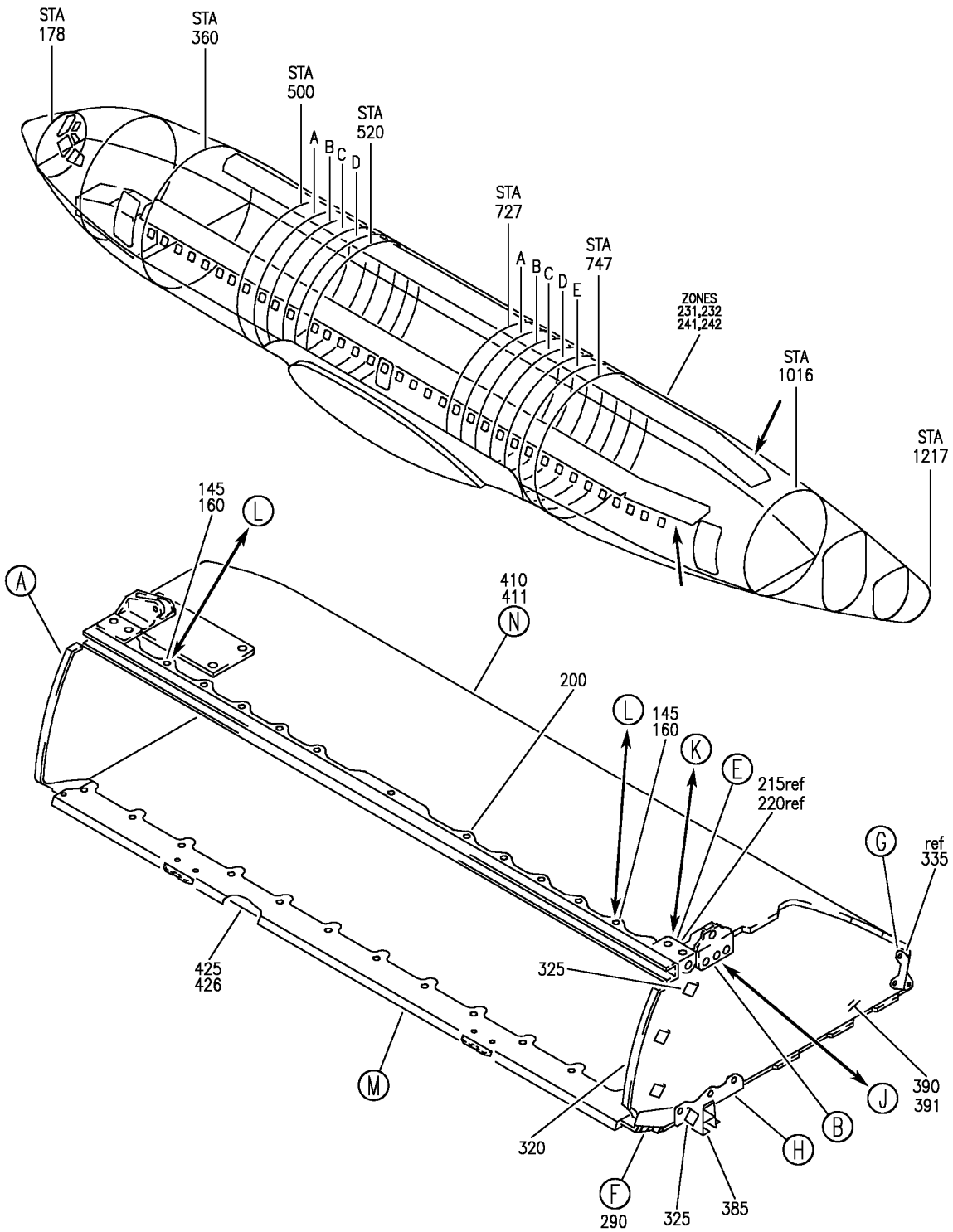
HAP

25-24-32-80F

BOEING PROPRIETARY - Copyright © - Unpublished Work - See title page for details.

25-24-32
FIG. 80F
PAGE 12
OCT 15/08

BOEING
737-600/700/800/900
PARTS CATALOG (MAINTENANCE)



E 25243280G SHT 1 REV 085

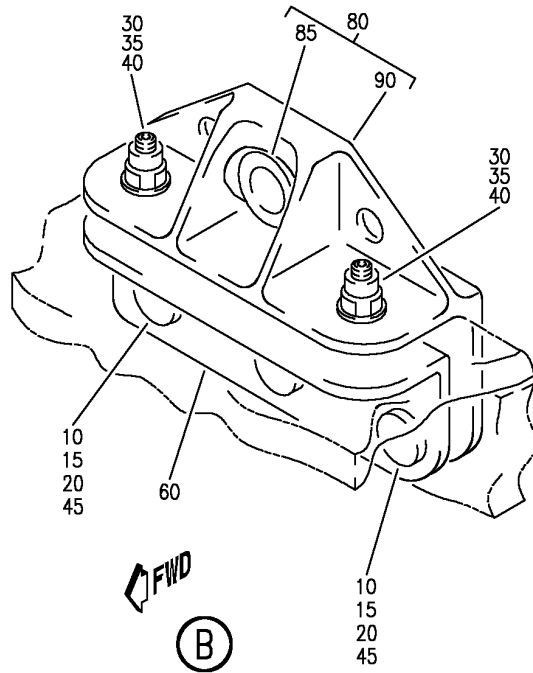
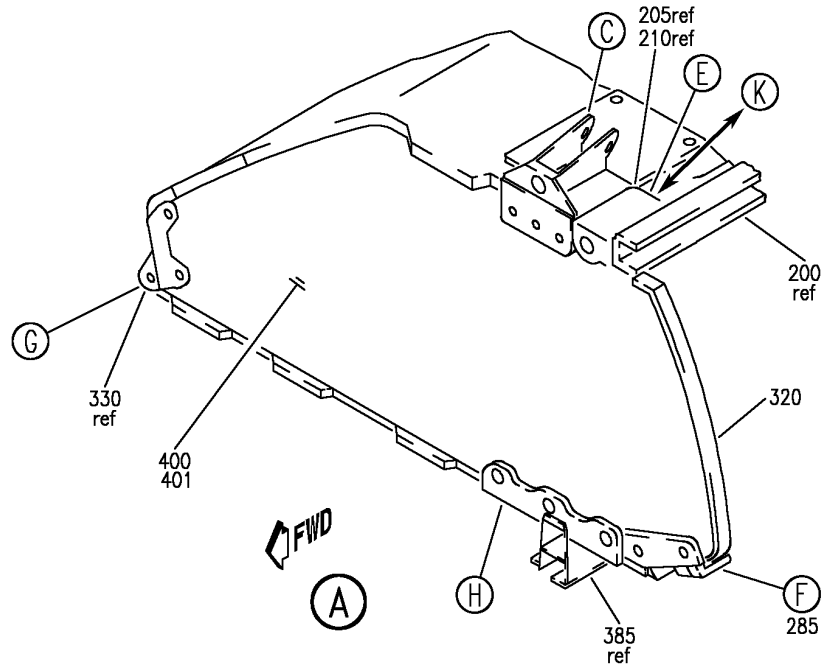
BOX ASSY-80 IN. BIN RH
 FIGURE 80G (SHEET 1)

25-24-32-80G

HAP
 OCT 10/06

25-24-32-80G
 PAGE 0

BOEING
 737-600/700/800/900
 PARTS CATALOG (MAINTENANCE)



E 25243280G SHT 2 REV 085

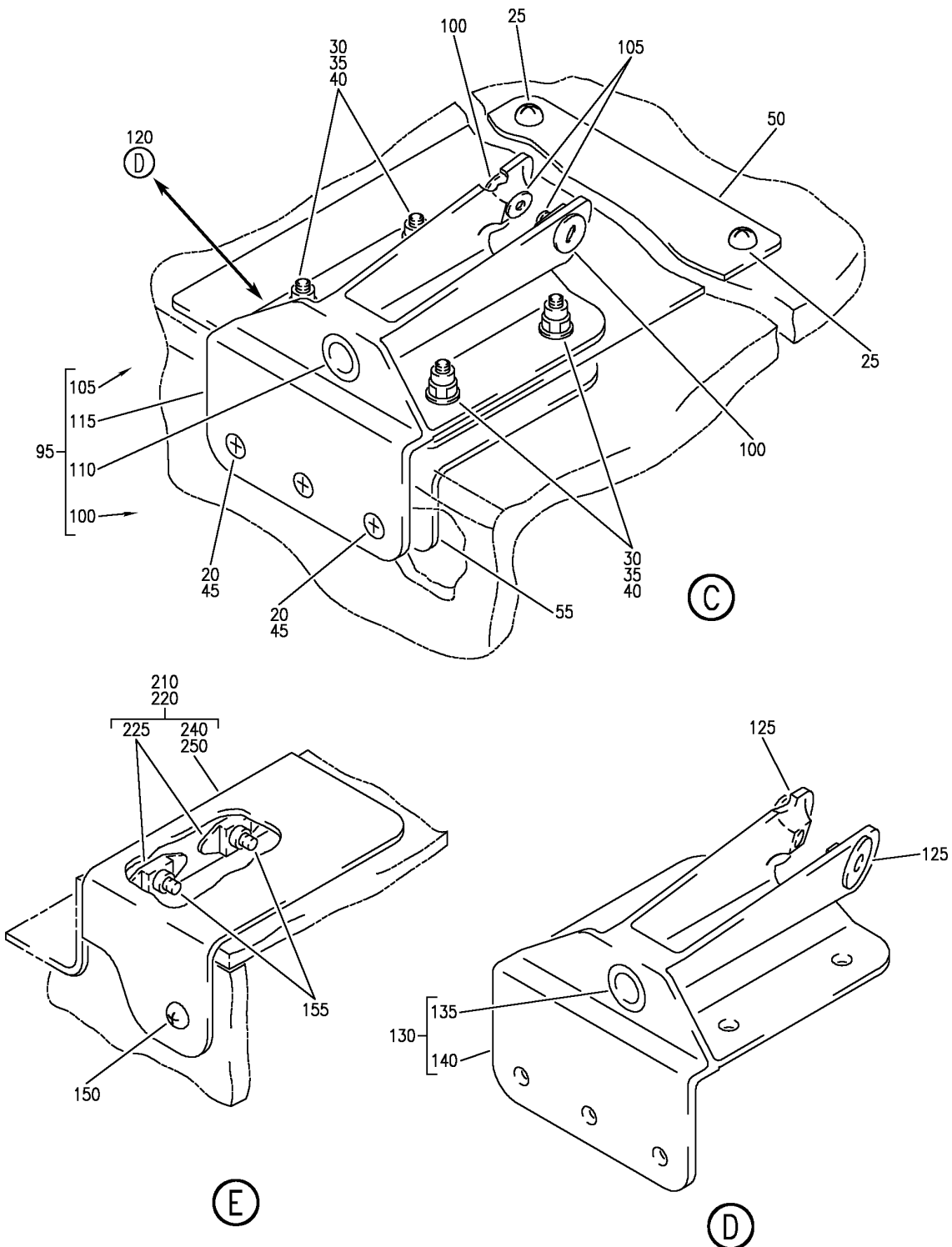
BOX ASSY-80 IN. BIN RH
 FIGURE 80G (SHEET 2)

25-24-32-80G

HAP
 OCT 10/06

25-24-32-80G
 PAGE 0A


BOEING
 737-600/700/800/900
PARTS CATALOG (MAINTENANCE)



E 25243280G SHT 3 REV 085

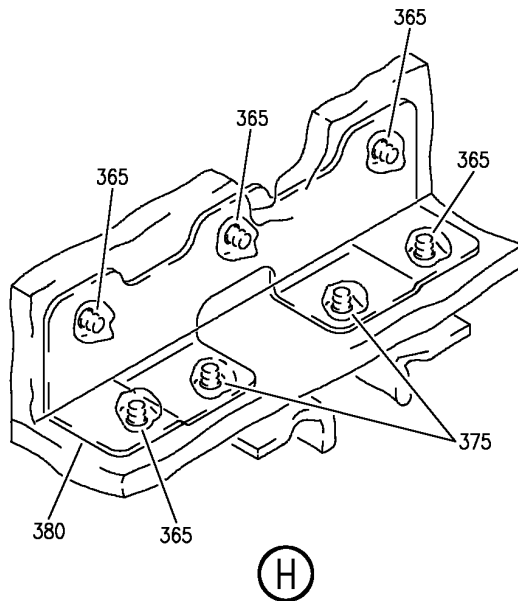
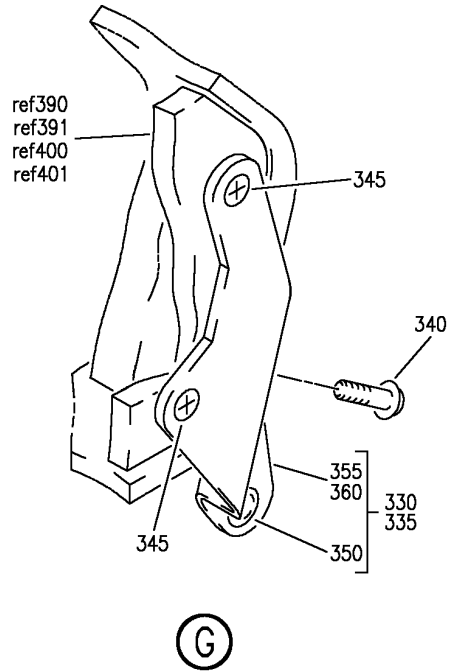
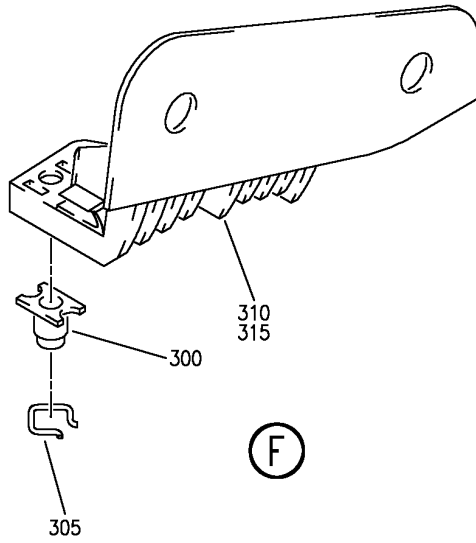
BOX ASSY-80 IN. BIN RH
 FIGURE 80G (SHEET 3)

25-24-32-80G

HAP
OCT 10/06

25-24-32-80G
 PAGE 0B

BOEING
 737-600/700/800/900
 PARTS CATALOG (MAINTENANCE)



E 25243280G SHT 4 REV 085

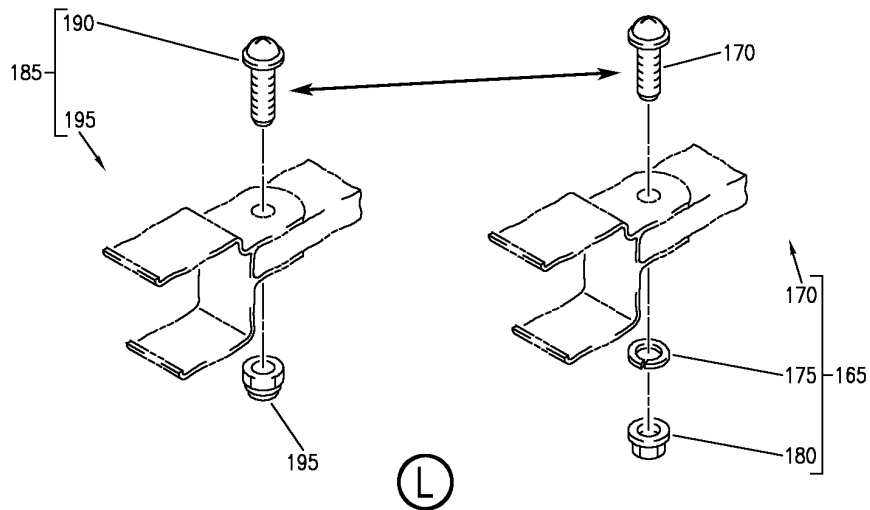
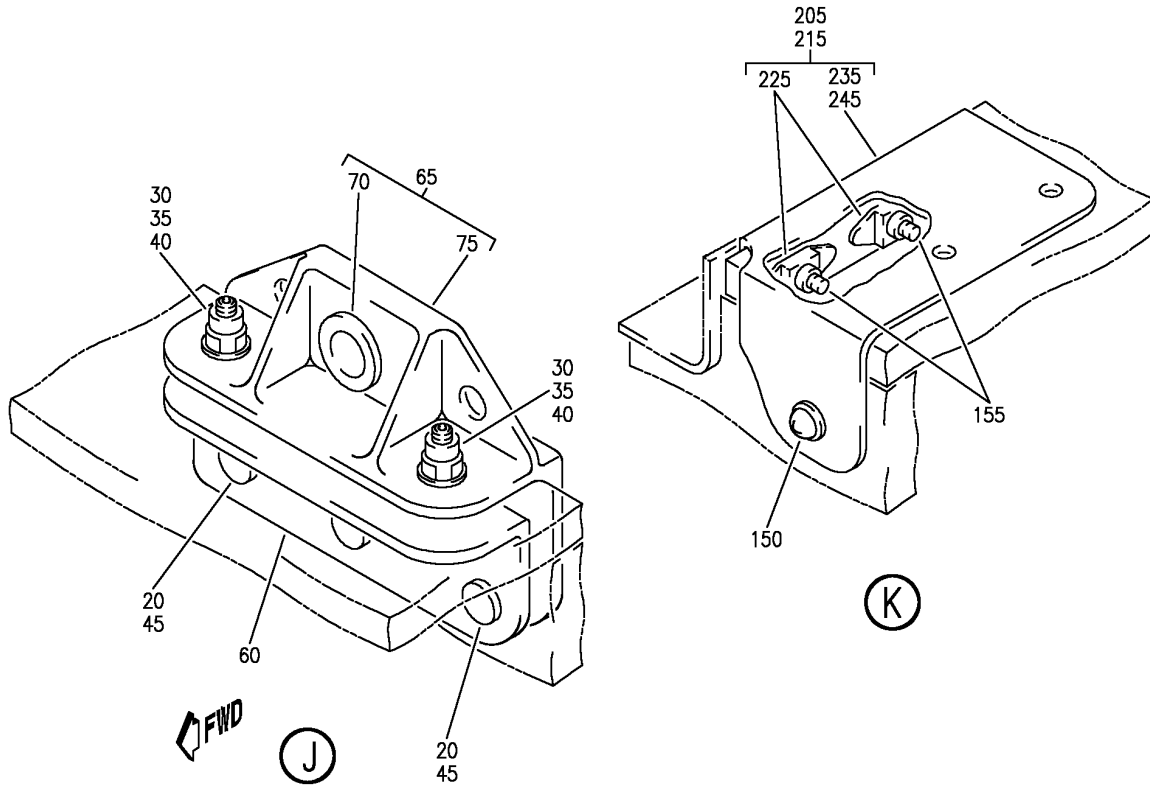
BOX ASSY-80 IN. BIN RH
 FIGURE 80G (SHEET 4)

25-24-32-80G

HAP
 OCT 10/06

25-24-32-80G
 PAGE 0C

BOEING
 737-600/700/800/900
 PARTS CATALOG (MAINTENANCE)



E 25243280G SHT 5 REV 085

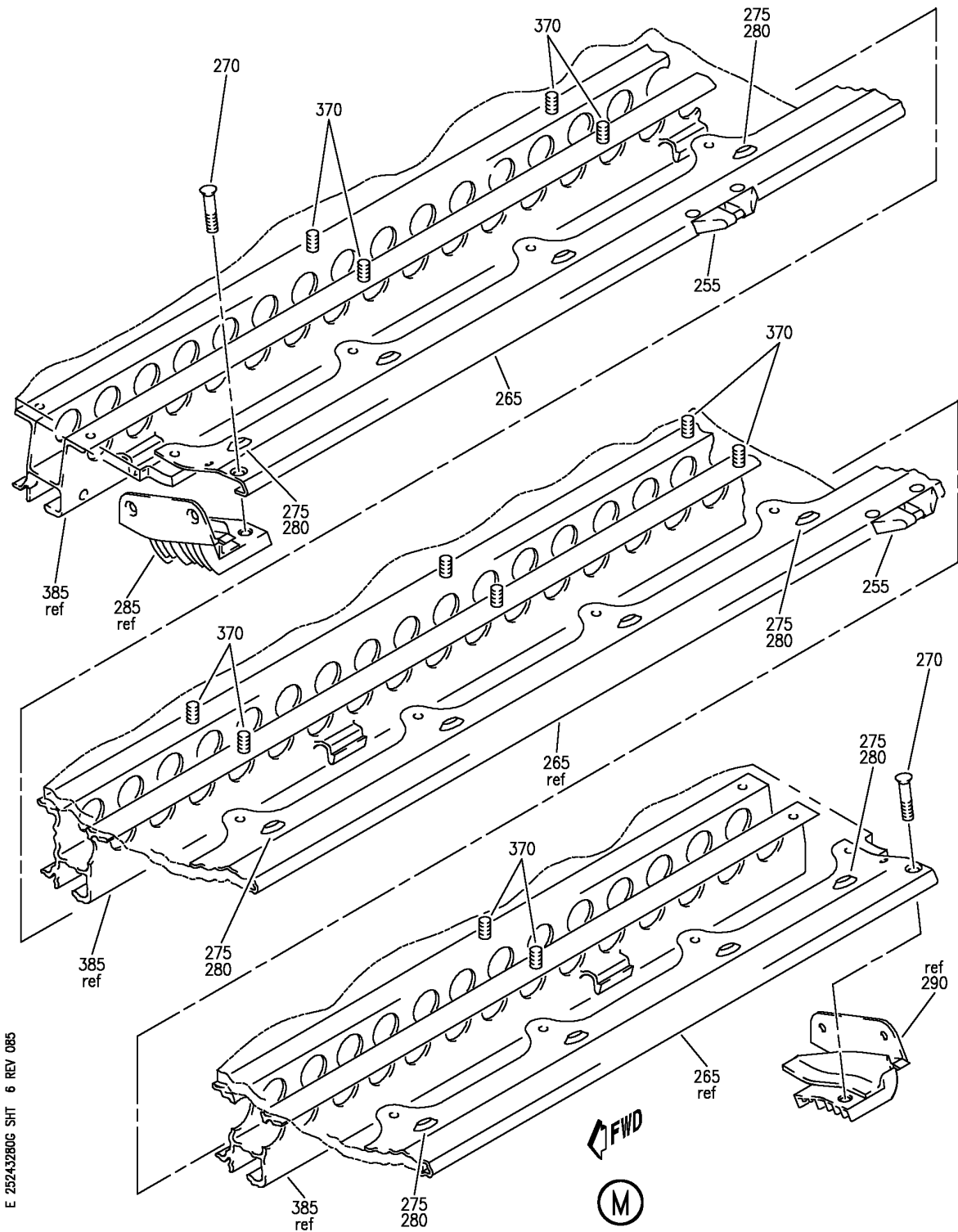
BOX ASSY-80 IN. BIN RH
 FIGURE 80G (SHEET 5)

25-24-32-80G

HAP
 OCT 10/06

25-24-32-80G
 PAGE 0D

BOEING
 737-600/700/800/900
 PARTS CATALOG (MAINTENANCE)



E 25243280G SHT 6 REV 085

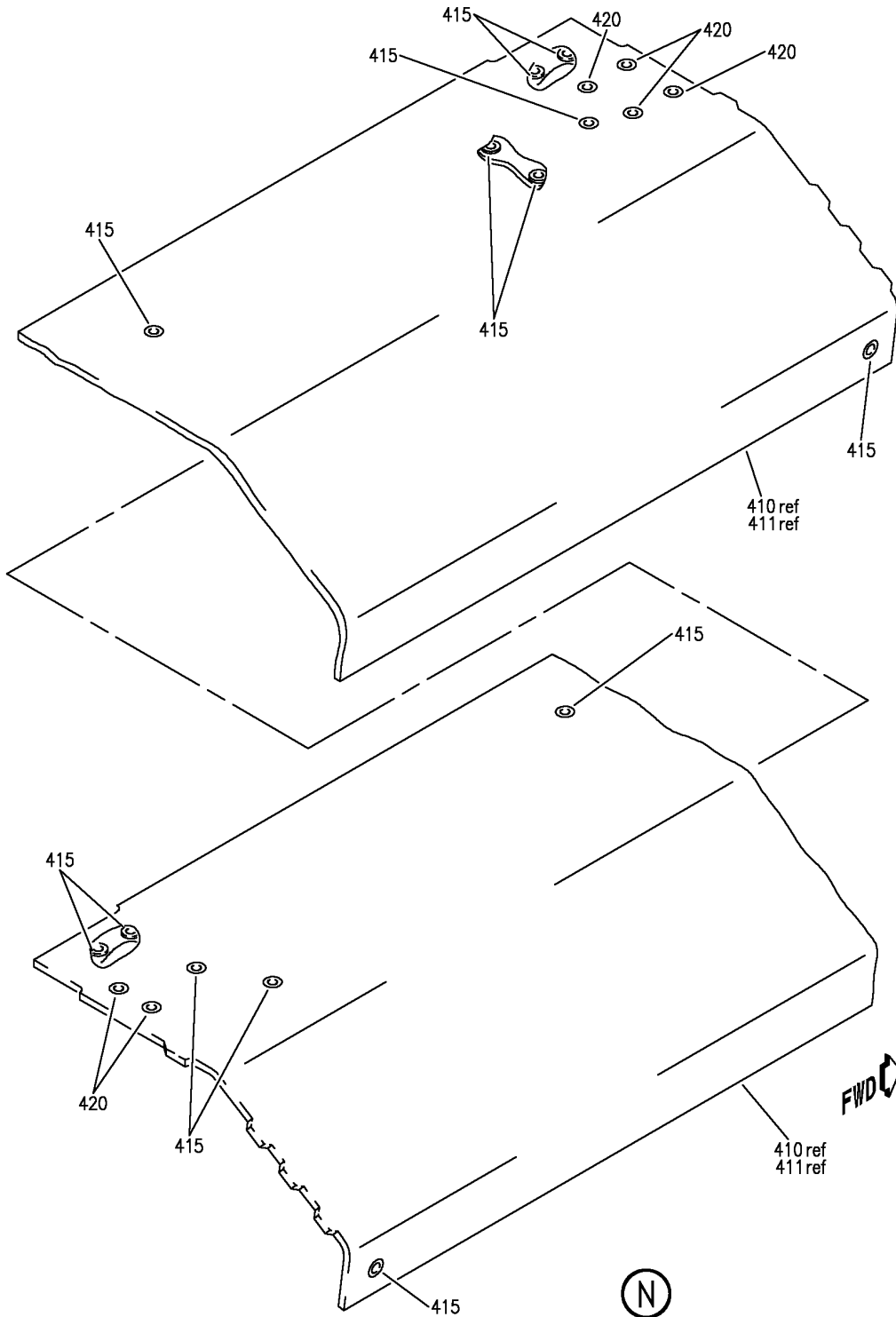
BOX ASSY-80 IN. BIN RH
 FIGURE 80G (SHEET 6)

25-24-32-80G

HAP
 OCT 10/06

25-24-32-80G
 PAGE 0E

BOEING
 737-600/700/800/900
 PARTS CATALOG (MAINTENANCE)



E 25243280G SHT 7 REV 085

BOX ASSY-80 IN. BIN RH
 FIGURE 80G (SHEET 7)

25-24-32-80G

HAP
 OCT 10/06

25-24-32-80G
 PAGE OF

BOEING
737-600/700/800/900
PARTS CATALOG (MAINTENANCE)

FIG ITEM	PART NUMBER	1 2 3 4 5 6 7	NOMENCLATURE	EFFECT FROM TO	UNITS PER ASSY
80G			BOX ASSY-80 IN. BIN RH	002005 008030 201967	
- 1	412A1200-102SP		BOX ASSY-80 IN. BIN POSITION DATA: RH OPTIONAL PART: 412A1200-1102SP POST SERVICE BULLETIN: 25-1373	002005 008008	RF
- 1	412A1200-1102SP		BOX ASSY-80 IN. BIN OPTIONAL PART: 412A1200-102SP POST SERVICE BULLETIN: 25-1373	002005 008008	RF
- 1	412A1200-102A		BOX ASSY-80 IN. BIN POSITION DATA: RH OPTIONAL PART: 412A1200-1102B FOR NHA SEE: 25-24-31-15 25-24-31-15D 25-24-31-37B	009030 201967	RF
- 1	412A1200-1102B		BOX ASSY-80 IN. BIN POSITION DATA: RH OPTIONAL PART: 412A1200-102A FOR NHA SEE: 25-24-31-15 25-24-31-37B	009030 201201	RF
20	BACS12ER3K9	.SCREW		201967	6
20	BACS12ER3K9	.SCREW		002005 008030	6
25	BACS12FA3K4	.SCREW		201967	2
25	BACS12FA3K4	.SCREW		002005 008030	2

MISSING ITEM NUMBERS NOT APPLICABLE

- ITEM NOT ILLUSTRATED

HAP

25-24-32-80G

BOEING PROPRIETARY - Copyright © - Unpublished Work - See title page for details.

25-24-32
FIG. 80G
PAGE 1
OCT 15/08

BOEING
737-600/700/800/900
PARTS CATALOG (MAINTENANCE)

FIG ITEM	PART NUMBER	1 2 3 4 5 6 7	NOMENCLATURE	EFFECT FROM TO	UNITS PER ASSY
80G 30	HL1012AZ6-10	.	BOLT SUPPLIER CODE: V97928 SPECIFICATION NUMBER: BACB30NX6K10 OPTIONAL PART: HL12VAZ6-10 V73197 HL12VAZ6-10 V92215 HL12VAZ6-10 V97928 L802-6K10 V06725 HL12VAZ6-10 V56878 HL1012AZ6-10 VOPTK6 HL1012AZ6-10 V06725 HL1012AZ6-10 V06950 HL1012AZ6-10 V17446 HL1012AZ6-10 V56878 HL1012AZ6-10 V60516 HL1012AZ6-10 V73197	201967	6

MISSING ITEM NUMBERS NOT APPLICABLE

— ITEM NOT ILLUSTRATED

HAP

25-24-32-80G

BOEING PROPRIETARY - Copyright © - Unpublished Work - See title page for details.

25-24-32
FIG. 80G
PAGE 2
OCT 15/08

BOEING
737-600/700/800/900
PARTS CATALOG (MAINTENANCE)

FIG ITEM	PART NUMBER	1 2 3 4 5 6 7	NOMENCLATURE	EFFECT FROM TO	UNITS PER ASSY
80G 30	HL1012AZ6-10		.BOLT SUPPLIER CODE: V97928 SPECIFICATION NUMBER: BACB30NX6K10 OPTIONAL PART: HL12VAZ6-10 V73197 HL12VAZ6-10 V92215 HL12VAZ6-10 V97928 L802-6K10 V06725 HL12VAZ6-10 V56878 HL1012AZ6-10 VOPTK6 HL1012AZ6-10 V06725 HL1012AZ6-10 V06950 HL1012AZ6-10 V17446 HL1012AZ6-10 V56878 HL1012AZ6-10 V60516 HL1012AZ6-10 V73197	002005 008030	6
35	BACW10BP3NDP		.WASHER- OPTIONAL PART: NAS1149D0363J	201967	6
35	BACW10BP3NDP		.WASHER- OPTIONAL PART: NAS1149D0363J	002005 008030	6
35	NAS1149D0363J		.WASHER- OPTIONAL PART: BACW10BP3NDP USED ON: 412A1200-1102B 412A1200-1102SP	201201	6
35	NAS1149D0363J		.WASHER- OPTIONAL PART: BACW10BP3NDP USED ON: 412A1200-1102B 412A1200-1102SP	002005 008030	6

MISSING ITEM NUMBERS NOT APPLICABLE

— ITEM NOT ILLUSTRATED

HAP

25-24-32-80G

BOEING PROPRIETARY - Copyright © - Unpublished Work - See title page for details.

25-24-32
FIG. 80G
PAGE 3
OCT 15/08

BOEING
737-600/700/800/900
PARTS CATALOG (MAINTENANCE)

FIG ITEM	PART NUMBER	1 2 3 4 5 6 7	NOMENCLATURE	EFFECT FROM TO	UNITS PER ASSY
80G 40	HL1087-6		.COLLAR- SUPPLIER CODE: V73197 SPECIFICATION NUMBER: BACC30BH6 OPTIONAL PART: HL1087-6 V56878 HL1087-6 V92215 HL1087-6 V9N513 BACC30BZ6	201967	6
40	HL1087-6		.COLLAR- SUPPLIER CODE: V73197 SPECIFICATION NUMBER: BACC30BH6 OPTIONAL PART: HL1087-6 V56878 HL1087-6 V92215 HL1087-6 V9N513 BACC30BZ6	002005 008030	6
40	HST1070CY6		.COLLAR- SUPPLIER CODE: V5M902 SPECIFICATION NUMBER: BACC30BZ6 OPTIONAL PART: VLC1070CY6 V92215 HST1070CY6 V73197 BACC30BH6 USED ON: 412A1200-1102B 412A1200-1102SP	201201	6

MISSING ITEM NUMBERS NOT APPLICABLE

— ITEM NOT ILLUSTRATED

HAP

25-24-32-80G

BOEING PROPRIETARY - Copyright © - Unpublished Work - See title page for details.

25-24-32
FIG. 80G
PAGE 4
OCT 15/08

BOEING
737-600/700/800/900
PARTS CATALOG (MAINTENANCE)

FIG ITEM	PART NUMBER	1 2 3 4 5 6 7	NOMENCLATURE	EFFECT FROM TO	UNITS PER ASSY
80G 40	HST1070CY6	.	COLLAR- SUPPLIER CODE: V5M902 SPECIFICATION NUMBER: BACC30BZ6 OPTIONAL PART: VLC1070CY6 V92215 HST1070CY6 V73197 BACC30BH6 USED ON: 412A1200-1102B 412A1200-1102SP	002005 008030	6
45	SL5-3-50C	.	NUT- SUPPLIER CODE: V97393	201967	6
45	SL5-3-50C	.	NUT- SUPPLIER CODE: V97393	002005 008030	6
50	412A1220-11	.	DOUBLER-9G EXT	201967	1
50	412A1220-11	.	DOUBLER-9G EXT	002005 008030	1
55	412A1220-10SP	.	DOUBLER-9G INTERNAL	002005 008008	1
55	412A1220-10A	.	DOUBLER-9G INTERNAL	201967	1
55	412A1220-10A	.	DOUBLER-9G INTERNAL	009030	1
60	412A1220-39SP	.	DOUBLER-INTERNAL	002005 008008	1
60	412A1220-39A	.	DOUBLER-INTERNAL	201967	1
60	412A1220-39A	.	DOUBLER-INTERNAL	009030	1
65	412A1230-201	.	FITTING ASSY- OPTIONAL PART: 412A1230-1 USED ON: 412A1200-1102B 412A1200-1102SP	201201	1
65	412A1230-201	.	FITTING ASSY- OPTIONAL PART: 412A1230-1 USED ON: 412A1200-1102B 412A1200-1102SP	002005 008030	1
70	BCREF13195	..	BUSHING- OVERLENGTH PART NUMBER: BACB28AY06A035CG	201201	1
70	BCREF13195	..	BUSHING- OVERLENGTH PART NUMBER: BACB28AY06A035CG	002005 008030	1

MISSING ITEM NUMBERS NOT APPLICABLE

— ITEM NOT ILLUSTRATED

HAP

25-24-32-80G

BOEING PROPRIETARY - Copyright © - Unpublished Work - See title page for details.

25-24-32
FIG. 80G
PAGE 5
OCT 15/08

BOEING
737-600/700/800/900
PARTS CATALOG (MAINTENANCE)

FIG ITEM	PART NUMBER	1 2 3 4 5 6 7	NOMENCLATURE	EFFECT FROM TO	UNITS PER ASSY
80G					
75	412A1230-202	..	FITTING- OPTIONAL PART: 412A1230-203	201201	1
75	412A1230-202	..	FITTING- OPTIONAL PART: 412A1230-203	002005 008030	1
75	412A1230-203	..	FITTING- OPTIONAL PART: 412A1230-202	201201	1
75	412A1230-203	..	FITTING- OPTIONAL PART: 412A1230-202	002005 008030	1
80	412A1230-1	.	FITTING ASSY- OPTIONAL PART: 412A1230-201	201967	1
80	412A1230-1	.	FITTING ASSY- OPTIONAL PART: 412A1230-201	002005 008030	1
85	BCREF13195	..	BUSHING- OVERLENGTH PART NUMBER: BACB28AY06A035CG	201967	1
85	BCREF13195	..	BUSHING- OVERLENGTH PART NUMBER: BACB28AY06A035CG	002005 008030	1
90	412A1230-2	..	SUPPORT	201967	1
90	412A1230-2	..	SUPPORT	002005 008030	1
95	412A1230-106	.	FITTING ASSY-DRAG OPTIONAL PART: 412A1230-152	201967	1
95	412A1230-106	.	FITTING ASSY-DRAG OPTIONAL PART: 412A1230-152	002005 008030	1
100	BACW10P273L	..	WASHER	201967	2
100	BACW10P273L	..	WASHER	002005 008030	2
105	BACB28AT04B023C	..	BUSHING	201967	2
105	BACB28AT04B023C	..	BUSHING	002005 008030	2
110	BCREF13195	..	BUSHING- OVERLENGTH PART NUMBER: BACB28AY06A035CG	201967	1
110	BCREF13195	..	BUSHING- OVERLENGTH PART NUMBER: BACB28AY06A035CG	002005 008030	1
115	412A1230-108	..	FITTING	201967	1
115	412A1230-108	..	FITTING	002005 008030	1

MISSING ITEM NUMBERS NOT APPLICABLE

— ITEM NOT ILLUSTRATED

HAP

25-24-32-80G

BOEING PROPRIETARY - Copyright © - Unpublished Work - See title page for details.

25-24-32
FIG. 80G
PAGE 6
OCT 15/08

BOEING
737-600/700/800/900
PARTS CATALOG (MAINTENANCE)

FIG ITEM	PART NUMBER	1 2 3 4 5 6 7	NOMENCLATURE	EFFECT FROM TO	UNITS PER ASSY
80G 120	412A1230-152	.	FITTING ASSY-DRAG OPTIONAL PART: 412A1230-106 USED ON: 412A1200-102A 412A1200-102SP	201967	1
120	412A1230-152	.	FITTING ASSY-DRAG OPTIONAL PART: 412A1230-106 USED ON: 412A1200-102A 412A1200-102SP	002005 008030	1
125	BACW10P273L	..	WASHER	201967	2
125	BACW10P273L	..	WASHER	002005 008030	2
130	412A1230-4	..	FITTING ASSY	201967	1
130	412A1230-4	..	FITTING ASSY	002005 008030	1
135	BCREF13195	...	BUSHING- OVERLENGTH PART NUMBER: BACB28AY06A035CG	201967	1
135	BCREF13195	...	BUSHING- OVERLENGTH PART NUMBER: BACB28AY06A035CG	002005 008030	1
140	412A1230-6	...	FITTING	201967	1
140	412A1230-6	...	FITTING	002005 008030	1
145	BACS12FA3K13	.	SCREW- USED ON: 412A1200-102SP 412A1200-102A	201967	11
145	BACS12FA3K13	.	SCREW- USED ON: 412A1200-102SP 412A1200-102A	002005 008030	11
150	BACS12FA3K4	.	SCREW	201967	2
150	BACS12FA3K4	.	SCREW	002005 008030	2
155	BACS12FA3K7	.	SCREW	201967	4
155	BACS12FA3K7	.	SCREW	002005 008030	4

MISSING ITEM NUMBERS NOT APPLICABLE

— ITEM NOT ILLUSTRATED

HAP

25-24-32-80G

BOEING PROPRIETARY - Copyright © - Unpublished Work - See title page for details.

25-24-32
FIG. 80G
PAGE 7
OCT 15/08

BOEING
737-600/700/800/900
PARTS CATALOG (MAINTENANCE)

FIG ITEM	PART NUMBER	1 2 3 4 5 6 7	NOMENCLATURE	EFFECT FROM TO	UNITS PER ASSY
80G 160	F22K1-02	.NUT-	SUPPLIER CODE: V72962 SPECIFICATION NUMBER: BACN10R10L OPTIONAL PART: 22K1-02 V72962 26CLO2 V80539 USED ON: 412A1200-102A 412A1200-102SP	201967	11
160	F22K1-02	.NUT-	SUPPLIER CODE: V72962 SPECIFICATION NUMBER: BACN10R10L OPTIONAL PART: 22K1-02 V72962 26CLO2 V80539 USED ON: 412A1200-102A 412A1200-102SP	002005 008030	11
165	412A1340-14	.FASTENER ASSY-KIT	OPTIONAL PART: 412A1340-15 USED ON: 412A1200-1102B 412A1200-1102SP	201201	11
165	412A1340-14	.FASTENER ASSY-KIT	OPTIONAL PART: 412A1340-15 USED ON: 412A1200-1102B 412A1200-1102SP	002005 008030	11
170	BACS12FA3K12	..SCREW		201201	1
170	BACS12FA3K12	..SCREW		002005 008030	1
175	BACW10EC3S	..WASHER		201201	1
175	BACW10EC3S	..WASHER		002005 008030	1

MISSING ITEM NUMBERS NOT APPLICABLE

— ITEM NOT ILLUSTRATED

HAP

25-24-32-80G

BOEING PROPRIETARY - Copyright © - Unpublished Work - See title page for details.

25-24-32
FIG. 80G
PAGE 8
OCT 15/08

BOEING
737-600/700/800/900
PARTS CATALOG (MAINTENANCE)

FIG ITEM	PART NUMBER	1 2 3 4 5 6 7	NOMENCLATURE	EFFECT FROM TO	UNITS PER ASSY
80G 180	PLH53C	..	NUT SUPPLIER CODE: V62554 SPECIFICATION NUMBER: BACN10YR3C OPTIONAL PART: H52732-3C V15653	201201	1
180	PLH53C	..	NUT SUPPLIER CODE: V62554 SPECIFICATION NUMBER: BACN10YR3C OPTIONAL PART: H52732-3C V15653	002005 008030	1
185	412A1340-15	.FASTENER ASSY-KIT	OPTIONAL PART: 412A1340-14 USED ON: 412A1200-1102B 412A1200-1102SP	201201	11
185	412A1340-15	.FASTENER ASSY-KIT	OPTIONAL PART: 412A1340-14 USED ON: 412A1200-1102B 412A1200-1102SP	002005 008030	11
190	BACS12FA3K13	..	SCREW	201201	1
190	BACS12FA3K13	..	SCREW	002005 008030	1
195	F22K1-02	..	NUT SUPPLIER CODE: V72962 SPECIFICATION NUMBER: BACN10R10L OPTIONAL PART: 22K1-02 V72962 26CLO2 V80539	201201	1

MISSING ITEM NUMBERS NOT APPLICABLE

— ITEM NOT ILLUSTRATED

HAP

25-24-32-80G

BOEING PROPRIETARY - Copyright © - Unpublished Work - See title page for details.

25-24-32
FIG. 80G
PAGE 9
OCT 15/08

BOEING
737-600/700/800/900
PARTS CATALOG (MAINTENANCE)

FIG ITEM	PART NUMBER	1 2 3 4 5 6 7	NOMENCLATURE	EFFECT FROM TO	UNITS PER ASSY
80G 195	F22K1-02	. .	NUT SUPPLIER CODE: V72962 SPECIFICATION NUMBER: BACN10R10L OPTIONAL PART: 22K1-02 V72962 26CLO2 V80539	002005 008030	1
200	412A1247-1SP	. EXTRUSION-DOOR	CLOSEOUT	002005 008008	1
200	412A1247-1A	. EXTRUSION-DOOR	CLOSEOUT	201967	1
200	412A1247-1A	. EXTRUSION-DOOR	CLOSEOUT	009030	1
205	412A1220-250	. CORNER ASSY-	OPTIONAL PART: 412A1220-210 412A1220-6A USED ON: 412A1200-1102B 412A1200-1102SP	201201	1
205	412A1220-250	. CORNER ASSY-	OPTIONAL PART: 412A1220-6A 412A1220-6SP 412A1220-210 USED ON: 412A1200-1102B 412A1200-1102SP	002005 008030	1
210	412A1220-6SP	. CORNER ASSY-	OPTIONAL PART: 412A1220-210 412A1220-250	002005 008008	1
210	412A1220-6A	. CORNER ASSY-	OPTIONAL PART: 412A1220-210 412A1220-250	201967	1
210	412A1220-6A	. CORNER ASSY-	OPTIONAL PART: 412A1220-210 412A1220-250	009030	1
210	412A1220-210	. CORNER ASSY-	OPTIONAL PART: 412A1220-250 412A1220-6A	201201	1

MISSING ITEM NUMBERS NOT APPLICABLE

— ITEM NOT ILLUSTRATED

HAP

25-24-32-80G

BOEING PROPRIETARY - Copyright © - Unpublished Work - See title page for details.

25-24-32
FIG. 80G
PAGE 10
OCT 15/08

BOEING
737-600/700/800/900
PARTS CATALOG (MAINTENANCE)

FIG ITEM	PART NUMBER	1 2 3 4 5 6 7	NOMENCLATURE	EFFECT FROM TO	UNITS PER ASSY
80G 210	412A1220-210		.CORNER ASSY- OPTIONAL PART: 412A1220-6A 412A1220-6SP 412A1220-250	002005 008030	1
215	412A1220-249		.CORNER ASSY- OPTIONAL PART: 412A1220-209 412A1220-5A USED ON: 412A1200-1102B 412A1200-1102SP	201201	1
215	412A1220-249		.CORNER ASSY- OPTIONAL PART: 412A1220-5A 412A1220-5SP 412A1220-209 USED ON: 412A1200-1102B 412A1200-1102SP	002005 008030	1
220	412A1220-5SP		.CORNER ASSY- OPTIONAL PART: 412A1220-209 412A1220-249	002005 008008	1
220	412A1220-5A		.CORNER ASSY- OPTIONAL PART: 412A1220-209 412A1220-249	201967	1
220	412A1220-5A		.CORNER ASSY- OPTIONAL PART: 412A1220-209 412A1220-249	009030	1
220	412A1220-209		.CORNER ASSY- OPTIONAL PART: 412A1220-249 412A1220-5A	201201	1
220	412A1220-209		.CORNER ASSY- OPTIONAL PART: 412A1220-5A 412A1220-5SP 412A1220-249	002005 008030	1

MISSING ITEM NUMBERS NOT APPLICABLE

— ITEM NOT ILLUSTRATED

HAP

25-24-32-80G

BOEING PROPRIETARY - Copyright © - Unpublished Work - See title page for details.

25-24-32
FIG. 80G
PAGE 11
OCT 15/08

BOEING
737-600/700/800/900
PARTS CATALOG (MAINTENANCE)

FIG ITEM	PART NUMBER	1 2 3 4 5 6 7	NOMENCLATURE	EFFECT FROM TO	UNITS PER ASSY
80G 225	BRF200C3D		..NUTPLATE SUPPLIER CODE: V52828 SPECIFICATION NUMBER: BACN10JR3CFD OPTIONAL PART: K51602-3BAC V15653 NS202476-02 V80539 102F9201-3 V72962 T8092C1032CD V11815	201967	2
	225 BRF200C3D		..NUTPLATE SUPPLIER CODE: V52828 SPECIFICATION NUMBER: BACN10JR3CFD OPTIONAL PART: K51602-3BAC V15653 NS202476-02 V80539 102F9201-3 V72962 T8092C1032CD V11815	002005 008030	2
- 230	BACR15CE3D		ATTACHING PARTS ..RIVET-	201967	4
- 230	BACR15CE3D		SIZE DETERMINED ON INSTL. ..RIVET-	002005 008030	4
			SIZE DETERMINED ON INSTL. -----*-----		
235	412A1220-252		..REINFORCEMENT- USED ON: 412A1220-250	201201	1
235	412A1220-252		..REINFORCEMENT- USED ON: 412A1220-250	002005 008030	1
240	412A1220-8SP		..REINFORCEMENT- USED ON: 412A1220-6SP	002005 008008	1
240	412A1220-8A		..REINFORCEMENT- USED ON: 412A1220-6A	201967	1
240	412A1220-8A		..REINFORCEMENT- USED ON: 412A1220-6A	009030	1

MISSING ITEM NUMBERS NOT APPLICABLE

- ITEM NOT ILLUSTRATED

HAP

25-24-32-80G

BOEING PROPRIETARY - Copyright © - Unpublished Work - See title page for details.

25-24-32
FIG. 80G
PAGE 12
OCT 15/08

BOEING
737-600/700/800/900
PARTS CATALOG (MAINTENANCE)

FIG ITEM	PART NUMBER	1 2 3 4 5 6 7	NOMENCLATURE	EFFECT FROM TO	UNITS PER ASSY
80G					
240	412A1220-212	..	REINFORCEMENT- USED ON: 412A1220-210	002005 008030	1
245	412A1220-251	..	REINFORCEMENT- USED ON: 412A1220-249	201201	1
245	412A1220-251	..	REINFORCEMENT- USED ON: 412A1220-249	002005 008030	1
250	412A1220-7SP	..	REINFORCEMENT- USED ON: 412A1220-5SP	002005 008008	1
250	412A1220-7A	..	REINFORCEMENT	201967	1
250	412A1220-7A	..	REINFORCEMENT	009030	1
250	412A1220-211	..	REINFORCEMENT- USED ON: 412A1220-209	201201	1
250	412A1220-211	..	REINFORCEMENT- USED ON: 412A1220-209	002005 008030	1
255	HA225-3	.STRIKE- SUPPLIER CODE: V83014 SPECIFICATION NUMBER: S412A001-6		201967	2
255	HA225-3	.STRIKE- SUPPLIER CODE: V83014 SPECIFICATION NUMBER: S412A001-6		002005 008030	2
255	HA225-11	.STRIKE- SUPPLIER CODE: V83014 SPECIFICATION NUMBER: S412A001-16		201967	2
255	HA225-11	.STRIKE- SUPPLIER CODE: V83014 SPECIFICATION NUMBER: S412A001-16		002005 008030	2
- 260	BACS12ER08K5	.SCREW	ATTACHING PARTS	201967	4
- 260	BACS12ER08K5	.SCREW		002005 008030	4
265	412A1242-1	-----*----- .EXTRUSION-SHELF		201967	1
265	412A1242-1	.EXTRUSION-SHELF		002005 008030	1

MISSING ITEM NUMBERS NOT APPLICABLE

- ITEM NOT ILLUSTRATED

HAP

25-24-32-80G

BOEING PROPRIETARY - Copyright © - Unpublished Work - See title page for details.

25-24-32
FIG. 80G
PAGE 13
OCT 15/08

BOEING
737-600/700/800/900
PARTS CATALOG (MAINTENANCE)

FIG ITEM	PART NUMBER	1 2 3 4 5 6 7	NOMENCLATURE	EFFECT FROM TO	UNITS PER ASSY
80G			ATTACHING PARTS		
270	BACS12ER3K6	.	SCREW	201967	2
270	BACS12ER3K6	.	SCREW	002005	2
				008030	
275	BACS12ER3K5	.	SCREW	201967	12
275	BACS12ER3K5	.	SCREW	002005	12
				008030	
280	H3-1233A3	.	WASHER-	201967	12
			SUPPLIER CODE: V34941		
			SPECIFICATION NUMBER: S411A001-1		
280	H3-1233A3	.	WASHER-	002005	12
			SUPPLIER CODE: V34941	008030	
			SPECIFICATION NUMBER: S411A001-1		
			-----*-----		
285	412A1475-3SP	.	FITTING ASSY-SPRT	002005	1
				008008	
285	412A1475-3A	.	FITTING ASSY-SPRT	201967	1
285	412A1475-3A	.	FITTING ASSY-SPRT	009030	1
290	412A1475-4SP	.	FITTING ASSY-SPRT	002005	1
				008008	
290	412A1475-4A	.	FITTING ASSY-SPRT	201967	1
290	412A1475-4A	.	FITTING ASSY-SPRT	009030	1
			ATTACHING PARTS		
- 295	BACS12ER3K5	.	SCREW	201967	4
- 295	BACS12ER3K5	.	SCREW	002005	4
				008030	
			-----*-----		
300	BACN11F3-1CD	..	NUT	201967	1
300	BACN11F3-1CD	..	NUT	002005	1
				008030	
305	NAS1795-3	..	CLIP	201967	1
305	NAS1795-3	..	CLIP	002005	1
				008030	
310	412A1475-1SP	..	FITTING-	002005	1
			USED ON: 412A1475-3SP	008008	
310	412A1475-1A	..	FITTING-	201967	1
			USED ON: 412A1475-3A		
310	412A1475-1A	..	FITTING-	009030	1
			USED ON: 412A1475-3A		
315	412A1475-2SP	..	FITTING-	002005	1
			USED ON: 412A1475-4SP	008008	

MISSING ITEM NUMBERS NOT APPLICABLE

- ITEM NOT ILLUSTRATED

HAP

25-24-32-80G

BOEING PROPRIETARY - Copyright © - Unpublished Work - See title page for details.

25-24-32
FIG. 80G
PAGE 14
OCT 15/08

BOEING
737-600/700/800/900
PARTS CATALOG (MAINTENANCE)

FIG ITEM	PART NUMBER	1 2 3 4 5 6 7	NOMENCLATURE	EFFECT FROM TO	UNITS PER ASSY
80G					
315	412A1475-2A	..	FITTING- USED ON: 412A1475-4A	201967	1
315	412A1475-2A	..	FITTING- USED ON: 412A1475-4A	009030	1
320	412A1450-1SP	.	TRIM	002005 008008	2
320	412A1450-1A	.	TRIM	201967	2
320	412A1450-1A	.	TRIM	009030	2
325	412A1450-21	.	CLIP	201967	4
325	412A1450-21	.	CLIP	002005 008030	4
330	412A1230-7	.	SUPPORT ASSY	201967	1
330	412A1230-7	.	SUPPORT ASSY	002005 008030	1
335	412A1230-8	.	SUPPORT ASSY	201967	1
335	412A1230-8	.	SUPPORT ASSY	002005 008030	1
			ATTACHING PARTS		
340	BACS12FA3K5	.	SCREW	201967	2
340	BACS12FA3K5	.	SCREW	002005 008030	2
345	BACS12ER3K6	.	SCREW- USED ON: 412A1200-102A 412A1200-102SP	201967	4
345	BACS12ER3K6	.	SCREW- USED ON: 412A1200-102A 412A1200-102SP	002005 008030	4
345	BACS12ER3K5	.	SCREW- USED ON: 412A1200-1102B 412A1200-1102SP	201201	4
345	BACS12ER3K5	.	SCREW- USED ON: 412A1200-1102B 412A1200-1102SP	002005 008030	4
			-----*-----		
350	BCREF13196	..	BUSHING- OVERLENGTH PART NUMBER: BACB28AT06A010CG	201967	1
350	BCREF13196	..	BUSHING- OVERLENGTH PART NUMBER: BACB28AT06A010CG	002005 008030	1
355	412A1230-9	..	SUPPORT- USED ON: 412A1230-7	201967	1

MISSING ITEM NUMBERS NOT APPLICABLE

— ITEM NOT ILLUSTRATED

HAP

25-24-32-80G

BOEING PROPRIETARY - Copyright © - Unpublished Work - See title page for details.

25-24-32
FIG. 80G
PAGE 15
OCT 15/08

BOEING
737-600/700/800/900
PARTS CATALOG (MAINTENANCE)

FIG ITEM	PART NUMBER	1 2 3 4 5 6 7	NOMENCLATURE	EFFECT FROM TO	UNITS PER ASSY
80G 355	412A1230-9	. .	SUPPORT- USED ON: 412A1230-7	002005 008030	1
360	412A1230-10	. .	SUPPORT- USED ON: 412A1230-8	201967	1
360	412A1230-10	. .	SUPPORT- USED ON: 412A1230-8	002005 008030	1
365	BACS12FA3K4	. .	SCREW	201967	10
365	BACS12FA3K4	. .	SCREW	002005 008030	10
370	BACS12FA3K5	. .	SCREW	201967	12
370	BACS12FA3K5	. .	SCREW	002005 008030	12
375	BACS12FA3K6	. .	SCREW- USED ON: 412A1200-102A 412A1200-102SP	201967	4
375	BACS12FA3K6	. .	SCREW- USED ON: 412A1200-102A 412A1200-102SP	002005 008030	4
375	BACS12FA3K5	. .	SCREW- USED ON: 412A1200-1102B 412A1200-1102SP	201201	4
375	BACS12FA3K5	. .	SCREW- USED ON: 412A1200-1102B 412A1200-1102SP	002005 008030	4
380	412A1220-9SP	. .	ANGLE- OPTIONAL PART: 412A1220-205	002005 008008	2
380	412A1220-9A	. .	ANGLE- OPTIONAL PART: 412A1220-205	201967	2
380	412A1220-9A	. .	ANGLE- OPTIONAL PART: 412A1220-205	009030	2
380	412A1220-205	. .	ANGLE- OPTIONAL PART: 412A1220-9A	201201	2
380	412A1220-205	. .	ANGLE- OPTIONAL PART: 412A1220-9A 412A1220-9SP	002005 008030	2
385	412A1245-1	. .	RAIL-MCD PSU	201967	1

MISSING ITEM NUMBERS NOT APPLICABLE

— ITEM NOT ILLUSTRATED

HAP

25-24-32-80G

BOEING PROPRIETARY - Copyright © - Unpublished Work - See title page for details.

25-24-32
FIG. 80G
PAGE 16
OCT 15/08

BOEING
737-600/700/800/900
PARTS CATALOG (MAINTENANCE)

FIG ITEM	PART NUMBER	1 2 3 4 5 6 7	NOMENCLATURE	EFFECT FROM TO	UNITS PER ASSY
80G 385	412A1245-1	.	RAIL-MCD PSU	002005 008030	1
390	412A1212-106SP	.	PANEL ASSY-END USED ON: 412A1200-102SP	002005 008008	1
390	412A1212-106A	.	PANEL ASSY-END OPTIONAL PART: 412A1220-102A	201967	1
390	412A1212-106A	.	PANEL ASSY-END OPTIONAL PART: 412A1220-102A	009030	1
390	412A1212-1106SP	.	PANEL ASSY-END USED ON: 412A1200-1102SP	002005 008008	1
390	412A1212-1106B	.	PANEL ASSY-END USED ON: 412A1200-1102B	201201	1
391	412A1212-1106B	.	PANEL ASSY-END USED ON: 412A1200-1102B	009030	1
- 395	SL2334-3A1	..	INSERT- SUPPLIER CODE: V97393	201967	8
- 395	SL2334-3A1	..	INSERT- SUPPLIER CODE: V97393	002005 008030	8
400	412A1212-108SP	.	PANEL ASSY-END USED ON: 412A1200-102SP	002005 008008	1
400	412A1212-108A	.	PANEL ASSY-END USED ON: 412A1200-102A	201967	1
400	412A1212-108A	.	PANEL ASSY-END USED ON: 412A1200-102A	009030	1
400	412A1212-1108SP	.	PANEL ASSY-END USED ON: 412A1200-1102SP	002005 008008	1
400	412A1212-1108B	.	PANEL ASSY-END OPTIONAL PART: 412A1200-1102B	201201	1
401	412A1212-1108B	.	PANEL ASSY-END OPTIONAL PART: 412A1200-1102B	009030	1
- 405	SL2334-3A1	..	INSERT- SUPPLIER CODE: V97393	201967	8

MISSING ITEM NUMBERS NOT APPLICABLE

- ITEM NOT ILLUSTRATED

HAP

25-24-32-80G

BOEING PROPRIETARY - Copyright © - Unpublished Work - See title page for details.

25-24-32
FIG. 80G
PAGE 17
OCT 15/08

BOEING
737-600/700/800/900
PARTS CATALOG (MAINTENANCE)

FIG ITEM	PART NUMBER	1 2 3 4 5 6 7	NOMENCLATURE	EFFECT FROM TO	UNITS PER ASSY
80G - 405	SL2334-3A1	..	INSERT- SUPPLIER CODE: V97393	002005 008030	8
410	412A1210-102SP	.	PANEL ASSY-SHELL USED ON: 412A1200-102SP	002005 008008	1
410	412A1210-102A	.	PANEL ASSY-SHELL USED ON: 412A1200-102A	201967	1
410	412A1210-102A	.	PANEL ASSY-SHELL USED ON: 412A1200-102A	009030	1
410	412A1210-1102SP	.	PANEL ASSY-SHELL USED ON: 412A1200-1102SP	002005 008008	1
410	412A1210-1102B	.	PANEL ASSY-SHELL USED ON: 412A1200-1102B	201201	1
411	412A1210-1102B	.	PANEL ASSY-SHELL USED ON: 412A1200-1102B	009030	1
415	SL2334-3A1	..	INSERT- SUPPLIER CODE: V97393	201967	13
415	SL2334-3A1	..	INSERT- SUPPLIER CODE: V97393	002005 008030	13
420	BCREF128023	..	INSERT- SUPPLIER CODE: V97393 OVERLENGTH PART NUMBER: SL603-3-375ASP13	201967	6
420	BCREF128023	..	INSERT- SUPPLIER CODE: V97393 OVERLENGTH PART NUMBER: SL603-3-375ASP13	002005 008030	6
425	412A1211-102SP	.	PANEL ASSY-SHELF USED ON: 412A1200-102SP	002005 008008	1
425	412A1211-102A	.	PANEL ASSY-SHELF USED ON: 412A1200-102A	201967	1
425	412A1211-102A	.	PANEL ASSY-SHELF USED ON: 412A1200-102A	009030	1
425	412A1211-1102SP	.	PANEL ASSY-SHELF USED ON: 412A1200-1102SP	002005 008008	1

MISSING ITEM NUMBERS NOT APPLICABLE

- ITEM NOT ILLUSTRATED

HAP

25-24-32-80G

BOEING PROPRIETARY - Copyright © - Unpublished Work - See title page for details.

25-24-32
FIG. 80G
PAGE 18
OCT 15/08

BOEING
737-600/700/800/900
PARTS CATALOG (MAINTENANCE)

FIG ITEM	PART NUMBER	1 2 3 4 5 6 7	NOMENCLATURE	EFFECT FROM TO	UNITS PER ASSY
80G 425	412A1211-1102B		.PANEL ASSY-SHELF USED ON: 412A1200-1102B	201201	1
426	412A1211-1102B		.PANEL ASSY-SHELF USED ON: 412A1200-1102B	009030	1
- 430	SL2334-3A1		..INSERT- SUPPLIER CODE: V97393	201967	43
- 430	SL2334-3A1		..INSERT- SUPPLIER CODE: V97393	002005 008030	43

MISSING ITEM NUMBERS NOT APPLICABLE

- ITEM NOT ILLUSTRATED

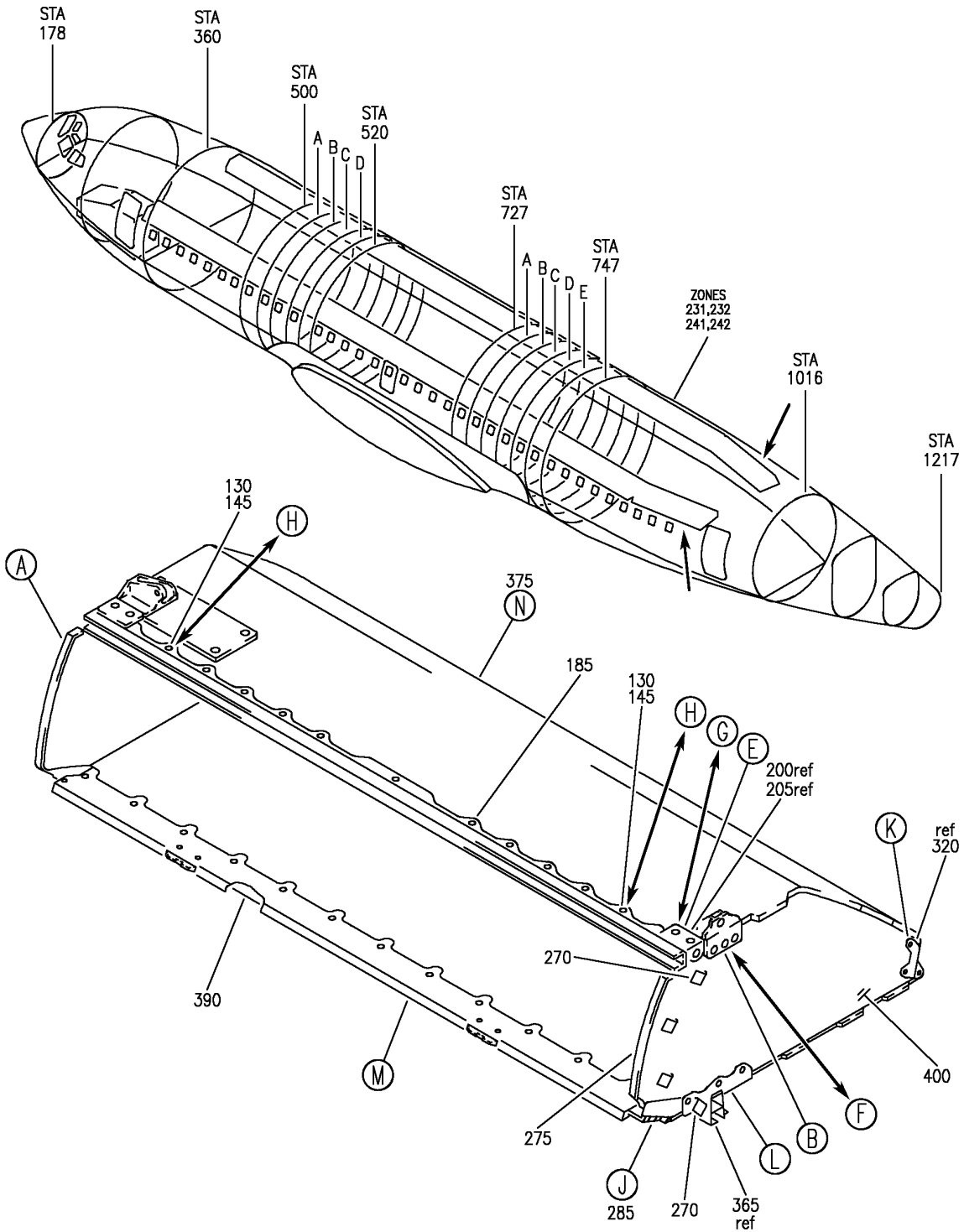
HAP

25-24-32-80G

BOEING PROPRIETARY - Copyright © - Unpublished Work - See title page for details.

25-24-32
FIG. 80G
PAGE 19
OCT 15/08

BOEING
737-600/700/800/900
PARTS CATALOG (MAINTENANCE)



E 25243280H SHT 1 REV 086

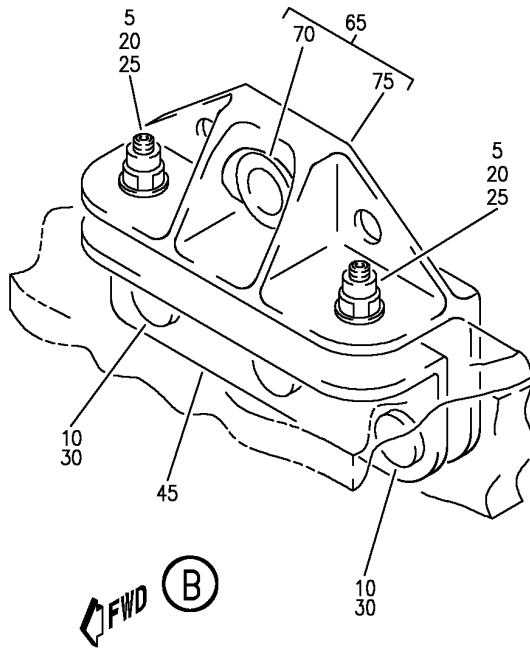
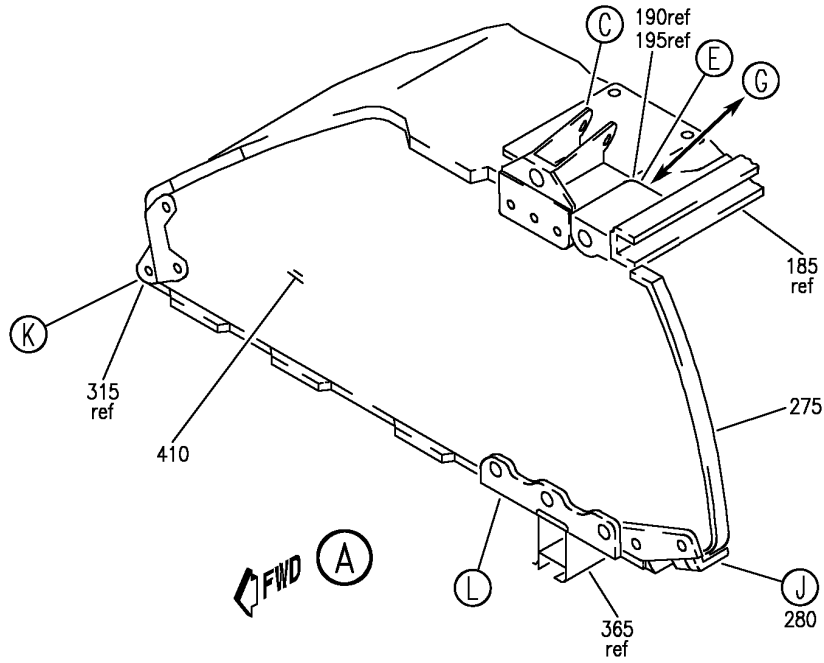
BOX ASSY-80 IN. BIN
 FIGURE 80H (SHEET 1)

25-24-32-80H

HAP
 OCT 10/06

25-24-32-80H
 PAGE 0

BOEING
 737-600/700/800/900
 PARTS CATALOG (MAINTENANCE)



E 25243280H SHT 2 REV 086

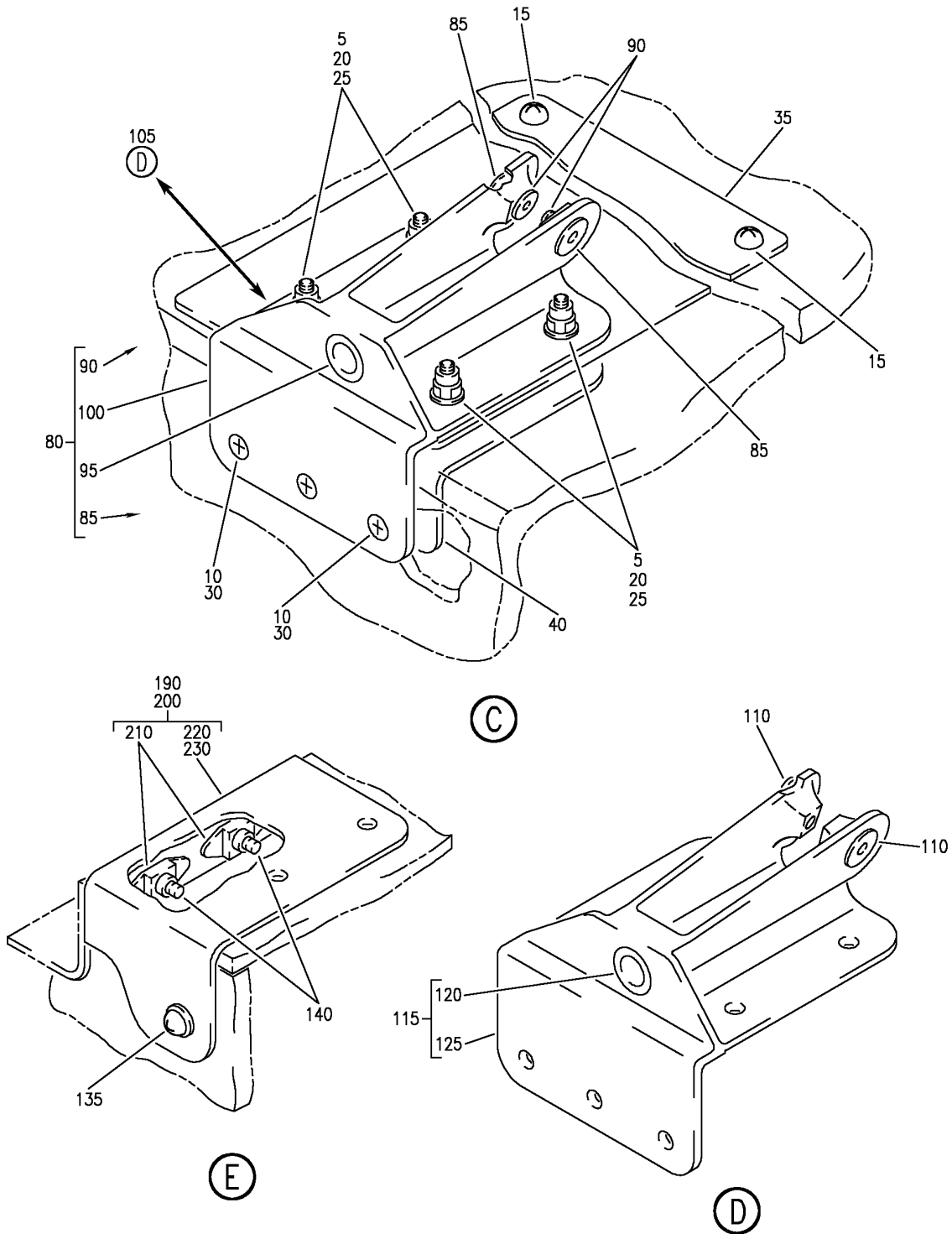
BOX ASSY-80 IN. BIN
 FIGURE 80H (SHEET 2)

25-24-32-80H

HAP
 OCT 10/06

25-24-32-80H
 PAGE 0A

BOEING
 737-600/700/800/900
 PARTS CATALOG (MAINTENANCE)



E 25243280H SHT 3 REV 086

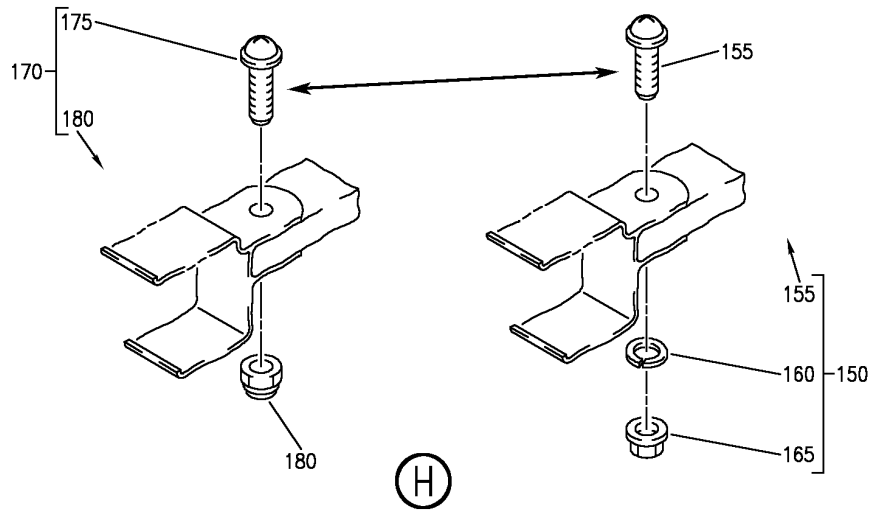
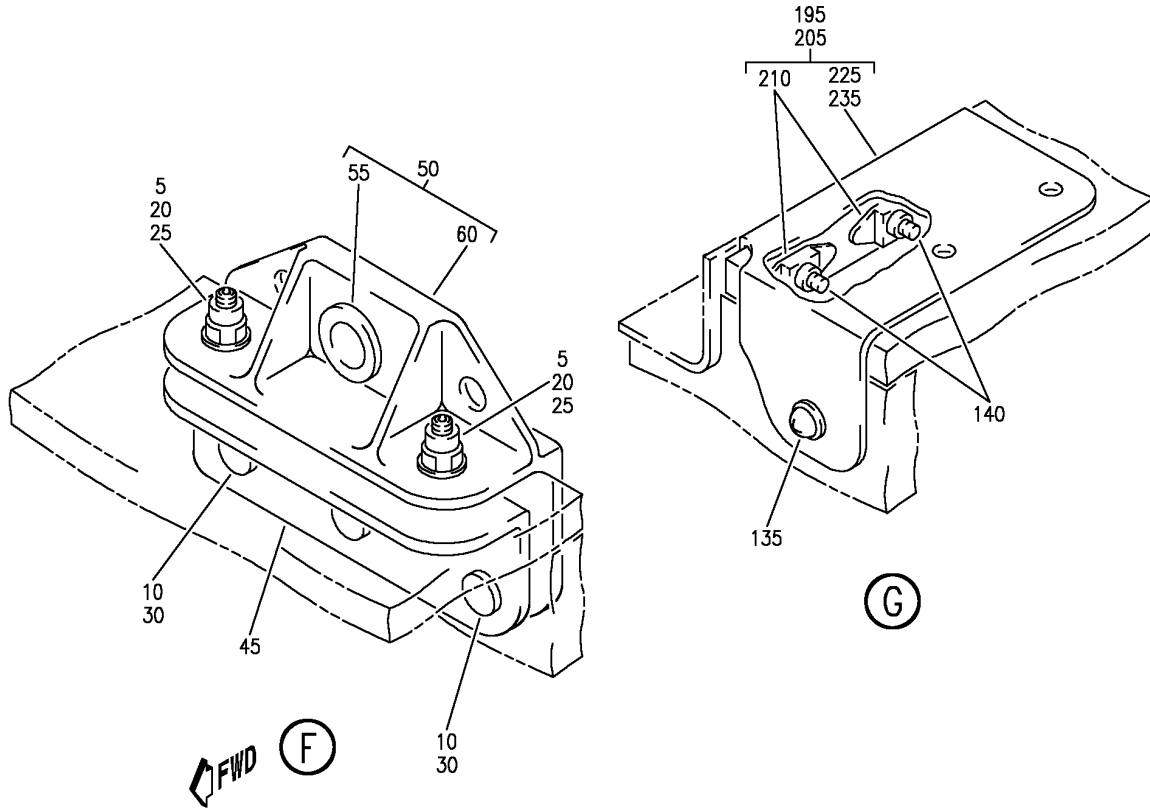
BOX ASSY-80 IN. BIN
 FIGURE 80H (SHEET 3)

25-24-32-80H

HAP
 OCT 10/06

25-24-32-80H
 PAGE 0B

BOEING
 737-600/700/800/900
 PARTS CATALOG (MAINTENANCE)



E 25243280H SHT 4 REV 086

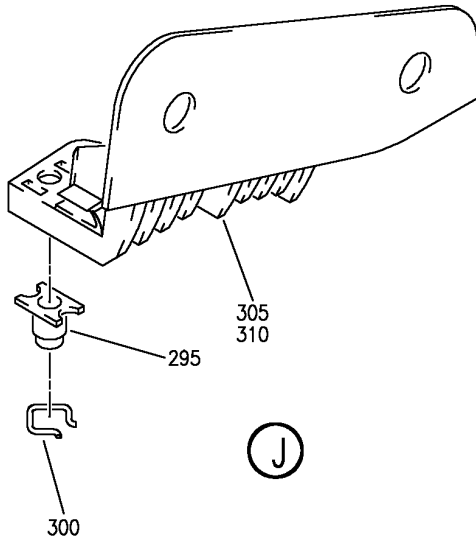
BOX ASSY-80 IN. BIN
 FIGURE 80H (SHEET 4)

25-24-32-80H

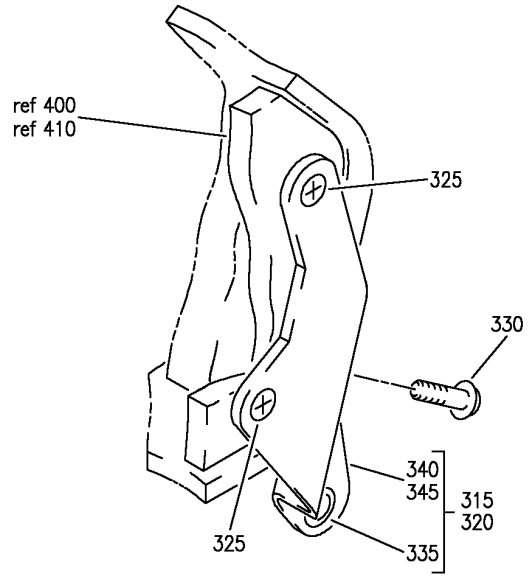
HAP
 OCT 10/06

25-24-32-80H
 PAGE 0C

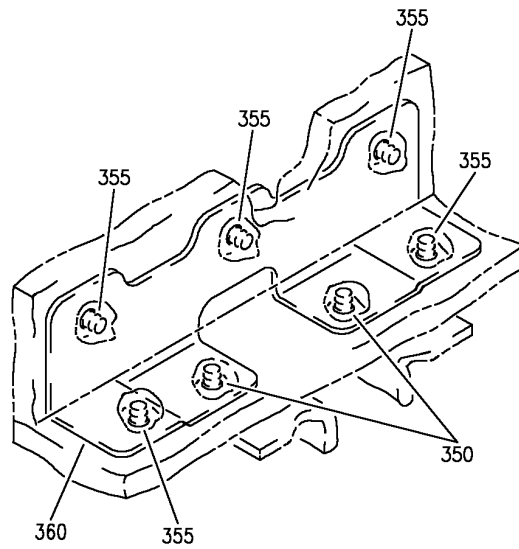
BOEING
 737-600/700/800/900
 PARTS CATALOG (MAINTENANCE)



(J)



(K)



(L)

E 25243280H SHT 5 REV 086

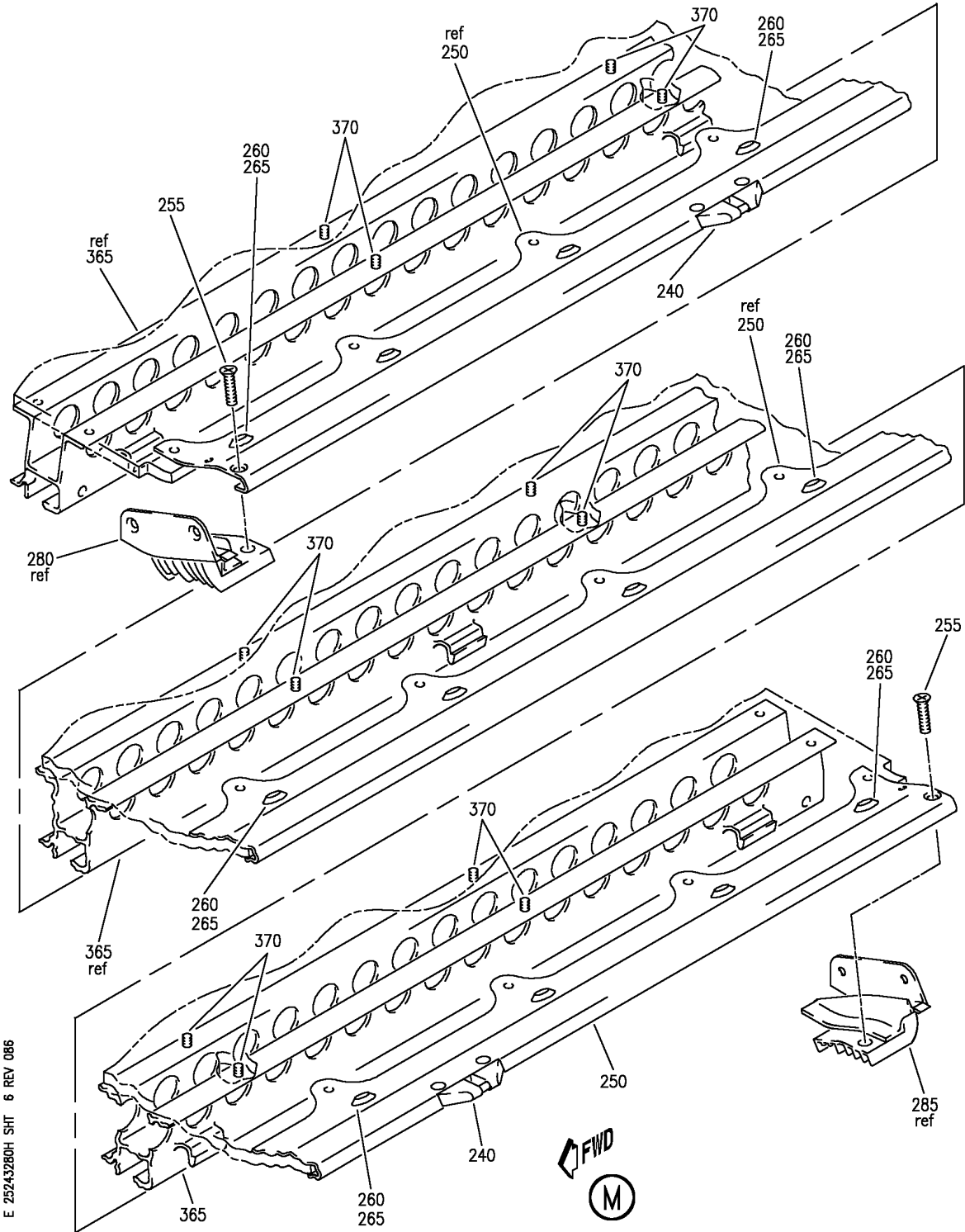
BOX ASSY-80 IN. BIN
 FIGURE 80H (SHEET 5)

25-24-32-80H

HAP
 OCT 10/06

25-24-32-80H
 PAGE 0D

BOEING
 737-600/700/800/900
 PARTS CATALOG (MAINTENANCE)



E 25243280H SHT 6 REV 086

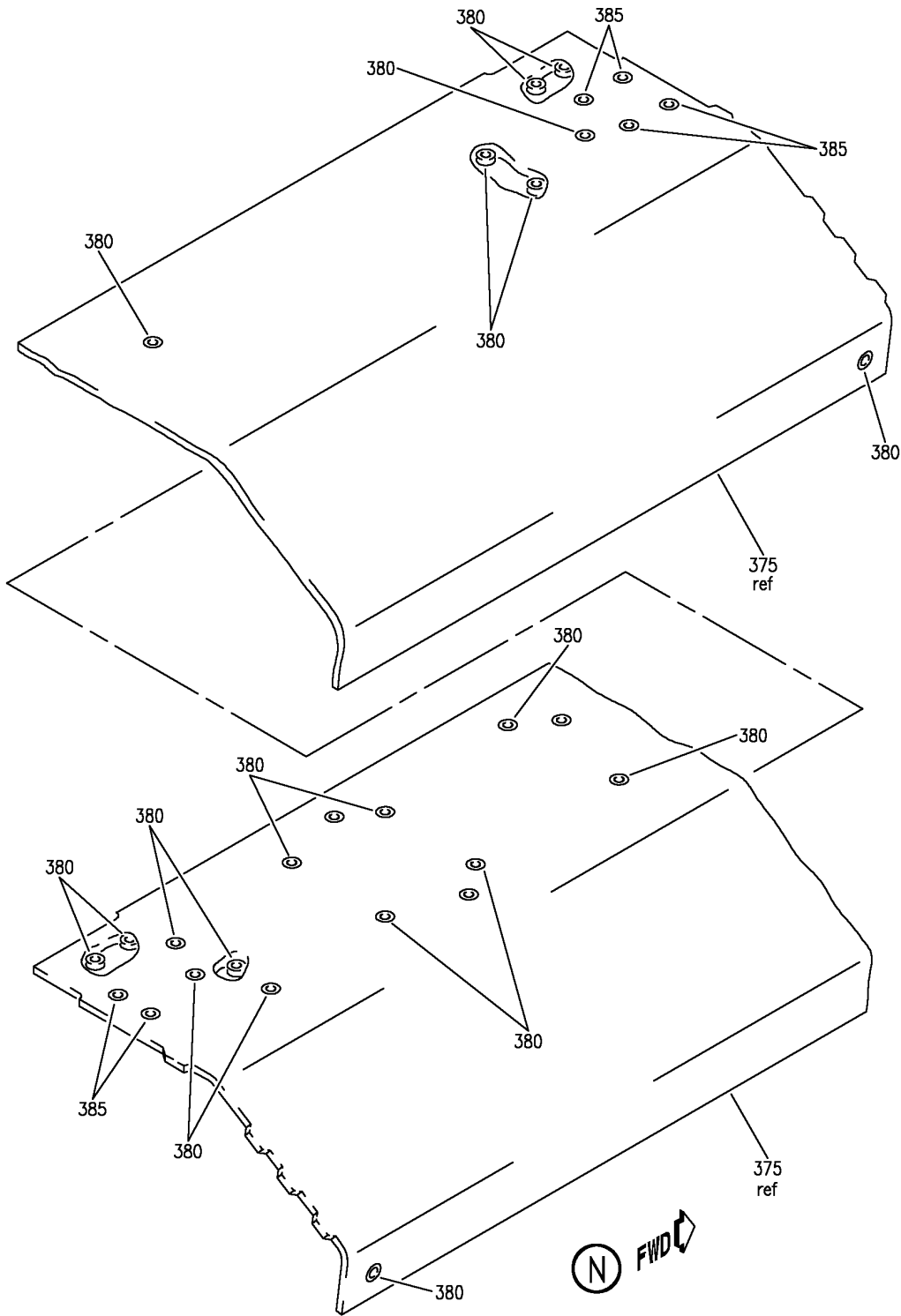
BOX ASSY-80 IN. BIN
 FIGURE 80H (SHEET 6)

25-24-32-80H

HAP
 OCT 10/06

25-24-32-80H
 PAGE 0E

BOEING
737-600/700/800/900
PARTS CATALOG (MAINTENANCE)



E 25243280H SHT 7 REV 086

BOX ASSY-80 IN. BIN
FIGURE 80H (SHEET 7)

25-24-32-80H

HAP
OCT 10/06

25-24-32-80H
PAGE OF

BOEING
737-600/700/800/900
PARTS CATALOG (MAINTENANCE)

FIG ITEM	PART NUMBER	1 2 3 4 5 6 7	NOMENCLATURE	EFFECT FROM TO	UNITS PER ASSY
80H			BOX ASSY-80 IN. BIN	002005 008030	
- 1	412A1200-110SP		BOX ASSY-80 IN. BIN OPTIONAL PART: 412A1200-1110SP FOR NHA SEE: 25-24-31-37D	002005 008008	RF
- 1	412A1200-1110SP		BOX ASSY-80 IN. BIN OPTIONAL PART: 412A1200-110SP FOR NHA SEE: 25-24-31-37D	002005 008008	RF
- 1	412A1200-110A		BOX ASSY-80 IN. BIN OPTIONAL PART: 412A1200-1110B FOR NHA SEE: 25-24-31-37D	009030	RF
- 1	412A1200-1110B		BOX ASSY-80 IN. BIN OPTIONAL PART: 412A1200-110A FOR NHA SEE: 25-24-31-37D	009030	RF

MISSING ITEM NUMBERS NOT APPLICABLE

- ITEM NOT ILLUSTRATED

HAP

25-24-32-80H

BOEING PROPRIETARY - Copyright © - Unpublished Work - See title page for details.

25-24-32
FIG. 80H
PAGE 1
OCT 10/06

BOEING
737-600/700/800/900
PARTS CATALOG (MAINTENANCE)

FIG ITEM	PART NUMBER	1 2 3 4 5 6 7	NOMENCLATURE	EFFECT FROM TO	UNITS PER ASSY
80H 5	HL1012AZ6-10	.BOLT	SUPPLIER CODE: V97928 SPECIFICATION NUMBER: BACB30NX6K10 OPTIONAL PART: HL12VAZ6-10 V73197 HL12VAZ6-10 V92215 HL12VAZ6-10 V97928 L802-6K10 V06725 HL12VAZ6-10 V56878 HL1012AZ6-10 VOPTK6 HL1012AZ6-10 V06725 HL1012AZ6-10 V06950 HL1012AZ6-10 V17446 HL1012AZ6-10 V56878 HL1012AZ6-10 V60516 HL1012AZ6-10 V73197	002005 008030	6
10	BACS12ER3K9	.SCREW		002005 008030	6
15	BACS12FA3K4	.SCREW		002005 008030	2
20	BACW10BP3NDP	.WASHER-	OPTIONAL PART: NAS1149D0363J	002005 008030	6
20	NAS1149D0363J	.WASHER-	OPTIONAL PART: BACW10BP3NDP USED ON: 412A1200-1110SP 412A1200-1110B	002005 008030	6

MISSING ITEM NUMBERS NOT APPLICABLE

— ITEM NOT ILLUSTRATED

HAP

25-24-32-80H

BOEING PROPRIETARY - Copyright © - Unpublished Work - See title page for details.

25-24-32
FIG. 80H
PAGE 2
OCT 10/06

BOEING
737-600/700/800/900
PARTS CATALOG (MAINTENANCE)

FIG ITEM	PART NUMBER	1 2 3 4 5 6 7	NOMENCLATURE	EFFECT FROM TO	UNITS PER ASSY
80H 25	HL1087-6	.	COLLAR- SUPPLIER CODE: V73197 SPECIFICATION NUMBER: BACC30BH6 OPTIONAL PART: HL1087-6 V56878 HL1087-6 V92215 HL1087-6 V9N513 BACC30BZ6	002005 008030	6
25	HST1070CY6	.	COLLAR- SUPPLIER CODE: V5M902 SPECIFICATION NUMBER: BACC30BZ6 OPTIONAL PART: VLC1070CY6 V92215 HST1070CY6 V73197 BACC30BH6 USED ON: 412A1200-1110SP 412A1200-1110B	002005 008030	6
30	SL5-3-50C	.	NUT- SUPPLIER CODE: V97393	002005 008030	6
35	412A1220-11	.	DOUBLER-9G EXT	002005 008030	1
40	412A1220-10SP	.	DOUBLER-9G INTERNAL	002005 008008	1
40	412A1220-10A	.	DOUBLER-9G INTERNAL	009030	1
45	412A1220-39SP	.	DOUBLER-INTERNAL	002005 008008	1
45	412A1220-39A	.	DOUBLER-INTERNAL	009030	1
50	412A1230-201	.	FITTING ASSY- OPTIONAL PART: 412A1230-1 USED ON: 412A1200-1110SP 412A1200-1110B	002005 008030	1
55	BCREF13195	..	BUSHING- OVERLENGTH PART NUMBER: BACB28AY06A035CG	002005 008030	1

MISSING ITEM NUMBERS NOT APPLICABLE

— ITEM NOT ILLUSTRATED

HAP

25-24-32-80H

BOEING PROPRIETARY - Copyright © - Unpublished Work - See title page for details.

25-24-32
FIG. 80H
PAGE 3
OCT 10/06

BOEING
737-600/700/800/900
PARTS CATALOG (MAINTENANCE)

FIG ITEM	PART NUMBER	1 2 3 4 5 6 7	NOMENCLATURE	EFFECT FROM TO	UNITS PER ASSY
80H					
60	412A1230-202	..	FITTING- OPTIONAL PART: 412A1230-203	002005 008030	1
60	412A1230-203	..	FITTING- OPTIONAL PART: 412A1230-202	002005 008030	1
65	412A1230-1	.	FITTING ASSY- OPTIONAL PART: 412A1230-201	002005 008030	1
70	BCREF13195	..	BUSHING- OVERLENGTH PART NUMBER: BACB28AY06A035CG	002005 008030	1
75	412A1230-2	..	SUPPORT	002005 008030	1
80	412A1230-106	.	FITTING ASSY-DRAG OPTIONAL PART: 412A1230-152	002005 008030	1
85	BACW10P273L	..	WASHER	002005 008030	2
90	BACB28AT04B023C	..	BUSHING- OPTIONAL PART: NAS538B4P023	002005 008030	2
90	NAS538B4P023	..	BUSHING- OPTIONAL PART: BACB28AT04B023C	002005 008030	2
95	BCREF13195	..	BUSHING- OVERLENGTH PART NUMBER: BACB28AY06A035CG	002005 008030	1
100	412A1230-108	..	FITTING	002005 008030	1
105	412A1230-152	.	FITTING ASSY-DRAG OPTIONAL PART: 412A1230-106 USED ON: 412A1200-110SP 412A1200-110A	002005 008030	1
110	BACW10P273L	..	WASHER	002005 008030	2
115	412A1230-4	..	FITTING ASSY	002005 008030	1
120	BCREF13195	...	BUSHING- OVERLENGTH PART NUMBER: BACB28AY06A035CG	002005 008030	1
125	412A1230-6	...	FITTING	002005 008030	1
130	BACS12FA3K13	.	SCREW- USED ON: 412A1250-110SP 412A1250-110A	002005 008030	11

MISSING ITEM NUMBERS NOT APPLICABLE

— ITEM NOT ILLUSTRATED

HAP

25-24-32-80H

BOEING PROPRIETARY - Copyright © - Unpublished Work - See title page for details.

25-24-32
FIG. 80H
PAGE 4
OCT 10/06

BOEING
737-600/700/800/900
PARTS CATALOG (MAINTENANCE)

FIG ITEM	PART NUMBER	1 2 3 4 5 6 7	NOMENCLATURE	EFFECT FROM TO	UNITS PER ASSY
80H					
135	BACS12FA3K4	.	SCREW	002005 008030	2
140	BACS12FA3K7	.	SCREW	002005 008030	4
145	F22K1-02	.	NUT- SUPPLIER CODE: V72962 SPECIFICATION NUMBER: BACN10R10L OPTIONAL PART: 22K1-02 V72962 26CLO2 V80539 USED ON: 412A1200-110SP 412A1200-110A	002005 008030	11
150	412A1340-14	.	FASTENER ASSY-KIT OPTIONAL PART: 412A1340-15 USED ON: 412A1200-1110SP 412A1200-1110B	002005 008030	11
155	BACS12FA3K12	..	SCREW	002005 008030	1
160	BACW10EC3S	..	WASHER	002005 008030	1
165	PLH53C	..	NUT SUPPLIER CODE: V62554 SPECIFICATION NUMBER: BACN10YR3C OPTIONAL PART: H52732-3C V15653	002005 008030	1
170	412A1340-15	.	FASTENER ASSY-KIT OPTIONAL PART: 412A1340-14 USED ON: 412A1200-1110SP 412A1200-1110B	002005 008030	11
175	BACS12FA3K13	..	SCREW	002005 008030	1

MISSING ITEM NUMBERS NOT APPLICABLE

— ITEM NOT ILLUSTRATED

HAP

25-24-32-80H

BOEING PROPRIETARY - Copyright © - Unpublished Work - See title page for details.

25-24-32
FIG. 80H
PAGE 5
OCT 10/06

 **BOEING**
737-600/700/800/900
PARTS CATALOG (MAINTENANCE)

FIG ITEM	PART NUMBER	1 2 3 4 5 6 7	NOMENCLATURE	EFFECT FROM TO	UNITS PER ASSY
80H 180	F22K1-02	. .	NUT SUPPLIER CODE: V72962 SPECIFICATION NUMBER: BACN10R10L OPTIONAL PART: 22K1-02 V72962 26CLO2 V80539	002005 008030	1
185	412A1247-1SP	. EXTRUSION-	DOOR CLOSEOUT	002005 008008	1
185	412A1247-1A	. EXTRUSION-	DOOR CLOSEOUT	009030	1
190	412A1220-6SP	. CORNER ASSY-	OPTIONAL PART: 412A1220-210 412A1220-250	002005 008008	1
190	412A1220-6A	. CORNER ASSY-	OPTIONAL PART: 412A1220-210 412A1220-250	009030	1
190	412A1220-210	. CORNER ASSY-	OPTIONAL PART: 412A1220-6SP 412A1220-6A USED ON: 412A1200-1110SP 412A1200-1110B	002005 008030	1
195	412A1220-250	. CORNER ASSY-	OPTIONAL PART: 412A1220-6SP 412A1220-6A 412A1220-210 USED ON: 412A1200-1110SP 412A1200-1110B	002005 008030	1
200	412A1220-5SP	. CORNER ASSY-	OPTIONAL PART: 412A1220-209 412A1220-249	002005 008008	1
200	412A1220-5A	. CORNER ASSY-	OPTIONAL PART: 412A1220-209 412A1220-249	009030	1

MISSING ITEM NUMBERS NOT APPLICABLE

— ITEM NOT ILLUSTRATED

HAP

25-24-32-80H

BOEING PROPRIETARY - Copyright © - Unpublished Work - See title page for details.

25-24-32
FIG. 80H
PAGE 6
OCT 10/06

BOEING
737-600/700/800/900
PARTS CATALOG (MAINTENANCE)

FIG ITEM	PART NUMBER	1 2 3 4 5 6 7	NOMENCLATURE	EFFECT FROM TO	UNITS PER ASSY
80H 200	412A1220-209		.CORNER ASSY- OPTIONAL PART: 412A1220-5SP 412A1220-5A 412A1220-249 USED ON: 412A1200-1110SP 412A1200-1110B	002005 008030	1
205	412A1220-249		.CORNER ASSY- OPTIONAL PART: 412A1220-5SP 412A1220-5A 412A1220-209 USED ON: 412A1200-1110SP 412A1200-1110B	002005 008030	1
210	BRF200C3D		..NUTPLATE SUPPLIER CODE: V52828 SPECIFICATION NUMBER: BACN10JR3CFD OPTIONAL PART: K51602-3BAC V15653 NS202476-02 V80539 102F9201-3 V72962 T8092C1032CD V11815 ATTACHING PARTS	002005 008030	2
- 215	BACR15CE3D		..RIVET- SIZE DETERMINED ON INSTL. -----*-----	002005 008030	4
220	412A1220-8SP		..REINFORCEMENT- USED ON: 412A1220-6SP	002005 008008	1
220	412A1220-8A		..REINFORCEMENT- USED ON: 412A1220-6A	009030	1
220	412A1220-212		..REINFORCEMENT- USED ON: 412A1220-210	002005 008030	1
225	412A1220-252		..REINFORCEMENT- USED ON: 412A1220-250	002005 008030	1
230	412A1220-7SP		..REINFORCEMENT- USED ON: 412A1220-5SP	002005 008008	1

MISSING ITEM NUMBERS NOT APPLICABLE

- ITEM NOT ILLUSTRATED

HAP

25-24-32-80H

BOEING PROPRIETARY - Copyright © - Unpublished Work - See title page for details.

25-24-32
FIG. 80H
PAGE 7
OCT 10/06

BOEING
737-600/700/800/900
PARTS CATALOG (MAINTENANCE)

FIG ITEM	PART NUMBER	1 2 3 4 5 6 7	NOMENCLATURE	EFFECT FROM TO	UNITS PER ASSY
80H 230	412A1220-7A		.. REINFORCEMENT- USED ON: 412A1220-5A	009030	1
230	412A1220-211		.. REINFORCEMENT- USED ON: 412A1220-209	002005 008030	1
235	412A1220-251		.. REINFORCEMENT- USED ON: 412A1220-249	002005 008030	1
240	HA225-11		. STRIKE- SUPPLIER CODE: V83014 SPECIFICATION NUMBER: S412A001-16	002005 008030	2
240	HA225-3		. STRIKE- SUPPLIER CODE: V83014 SPECIFICATION NUMBER: S412A001-6	002005 008030	2
- 245	BACS12ER08K5		ATTACHING PARTS . SCREW	002005 008030	4
250	412A1242-1		-----*----- . EXTRUSION-SHELF ATTACHING PARTS	002005 008030	1
255	BACS12ER3K6		. SCREW	002005 008030	2
260	BACS12ER3K5		. SCREW	002005 008030	12
265	H3-1233A3		. WASHER- SUPPLIER CODE: V34941 SPECIFICATION NUMBER: S411A001-1	002005 008030	12
270	412A1450-21		-----*----- . CLIP	002005 008030	4
275	412A1450-1SP		. TRIM-END PNL	002005 008008	2
275	412A1450-1A		. TRIM-END PNL	009030	2
280	412A1475-3SP		. FITTING ASSY	002005 008008	1
280	412A1475-3A		. FITTING ASSY	009030	1
285	412A1475-4SP		. FITTING ASSY	002005 008008	1
285	412A1475-4A		. FITTING ASSY	009030	1

MISSING ITEM NUMBERS NOT APPLICABLE

- ITEM NOT ILLUSTRATED

HAP

25-24-32-80H

BOEING PROPRIETARY - Copyright © - Unpublished Work - See title page for details.

25-24-32
FIG. 80H
PAGE 8
JUN 15/08

BOEING
737-600/700/800/900
PARTS CATALOG (MAINTENANCE)

FIG ITEM	PART NUMBER	1 2 3 4 5 6 7	NOMENCLATURE	EFFECT FROM TO	UNITS PER ASSY
80H			ATTACHING PARTS		
- 290	BACS12ER3K5		.SCREW	002005 008030	4
			-----*-----		
295	BACN11F3-1CD		..NUT	002005 008030	1
300	NAS1795-3		..CLIP	002005 008030	1
305	412A1475-1SP		..FITTING- USED ON: 412A1475-3SP	002005 008008	1
305	412A1475-1A		..FITTING- USED ON: 412A1475-3A	009030	1
310	412A1475-2SP		..FITTING- USED ON: 412A1475-4SP	002005 008008	1
310	412A1475-2A		..FITTING- USED ON: 412A1475-4A	009030	1
315	412A1230-7		.SUPPORT ASSY	002005 008030	1
320	412A1230-8		.SUPPORT ASSY	002005 008030	1
			ATTACHING PARTS		
325	BACS12ER3K6		.SCREW- USED ON: 412A1200-110SP 412A1200-110A	002005 008030	4
325	BACS12ER3K5		.SCREW- USED ON: 412A1200-1110SP 412A1200-1110B	002005 008030	4
330	BACS12FA3K5		.SCREW	002005 008030	2
			-----*-----		
335	BCREF13196		..BUSHING- OVERLENGTH PART NUMBER: BACB28AT06A010CG	002005 008030	1
340	412A1230-9		..SUPPORT- USED ON: 412A1230-7	002005 008030	1
345	412A1230-10		..SUPPORT- USED ON: 412A1230-8	002005 008030	1
350	BACS12FA3K6		.SCREW- USED ON: 412A1200-110SP 412A1200-110A	002005 008030	4

MISSING ITEM NUMBERS NOT APPLICABLE

- ITEM NOT ILLUSTRATED

HAP

25-24-32-80H

BOEING PROPRIETARY - Copyright © - Unpublished Work - See title page for details.

25-24-32
FIG. 80H
PAGE 9
JUN 15/08

BOEING
737-600/700/800/900
PARTS CATALOG (MAINTENANCE)

FIG ITEM	PART NUMBER	1 2 3 4 5 6 7	NOMENCLATURE	EFFECT FROM TO	UNITS PER ASSY
80H 350	BACS12FA3K5		.SCREW- USED ON: 412A1200-1110SP 412A1200-1110B	002005 008030	4
355	BACS12FA3K4		.SCREW	002005 008030	10
360	412A1220-9SP		.ANGLE- OPTIONAL PART: 412A1220-205	002005 008008	2
360	412A1220-9A		.ANGLE- OPTIONAL PART: 412A1220-205	009030	2
360	412A1220-205		.ANGLE- OPTIONAL PART: 412A1220-9SP 412A1220-9A USED ON: 412A1200-1110SP 412A1200-1110B	002005 008030	2
365	412A1245-1		.RAIL	002005 008030	1
370	BACS12FA3K5		ATTACHING PARTS .SCREW	002005 008030	12
375	412A1210-170SP		-----*----- .PANEL ASSY- USED ON: 412A1200-110SP	002005 008008	1
375	412A1210-1170SP		.PANEL ASSY- USED ON: 412A1200-1110SP	002005 008008	1
375	412A1210-170A		.PANEL ASSY- USED ON: 412A1200-110A	009030	1
375	412A1210-1170B		.PANEL ASSY- USED ON: 412A1200-1110B	009030	1
380	SL2334-3A1		..INSERT- SUPPLIER CODE: V97393	002005 008030	23
385	BCREF128023		..INSERT- SUPPLIER CODE: V97393 OVERLENGTH PART NUMBER: SL603-3-375ASP13	002005 008030	6
390	412A1211-124SP		.PANEL ASSY-SHELF USED ON: 412A1200-110SP	002005 008008	1

MISSING ITEM NUMBERS NOT APPLICABLE

— ITEM NOT ILLUSTRATED

HAP

25-24-32-80H

BOEING PROPRIETARY - Copyright © - Unpublished Work - See title page for details.

25-24-32
FIG. 80H
PAGE 10
JUN 15/08

BOEING
737-600/700/800/900
PARTS CATALOG (MAINTENANCE)

FIG ITEM	PART NUMBER	1 2 3 4 5 6 7	NOMENCLATURE	EFFECT FROM TO	UNITS PER ASSY
80H					
390	412A1211-1124SP	.	PANEL ASSY-AYELF USED ON: 412A1200-1110SP	002005 008008	1
390	412A1211-124A	.	PANEL ASSY-SHELF USED ON: 412A1200-110A	009030	1
390	412A1211-1124B	.	PANEL ASSY-SHELF USED ON: 412A1200-1110B	009030	1
- 395	SL2334-3A1	..	INSERT- SUPPLIER CODE: V97393	002005 008030	66
400	412A1212-116SP	.	PANEL ASSY-END USED ON: 412A1200-110SP	002005 008030	1
400	412A1212-1116SP	.	PANEL ASSY-END USED ON: 412A1200-1110SP	002005 008030	1
400	412A1212-116A	.	PANEL ASSY-END USED ON: 412A1200-110A	009030	1
400	412A1212-1116B	.	PANEL ASSY-END USED ON: 412A1200-1110B	009030	1
- 405	SL2334-3A1	..	INSERT- SUPPLIER CODE: V97393	002005 008030	11
410	412A1212-144SP	.	PANEL ASSY-END USED ON: 412A1200-110SP	002005 008008	1
410	412A1212-1144SP	.	PANEL ASSY-END USED ON: 412A1200-1110SP	002005 008008	1
410	412A1212-144A	.	PANEL ASSY-END USED ON: 412A1200-110A	009030	1
410	412A1212-1144B	.	PANEL ASSY-END USED ON: 412A1200-1110B	009030	1
- 415	SL2334-3A1	..	INSERT- SUPPLIER CODE: V97393	002005 008030	11

MISSING ITEM NUMBERS NOT APPLICABLE

- ITEM NOT ILLUSTRATED

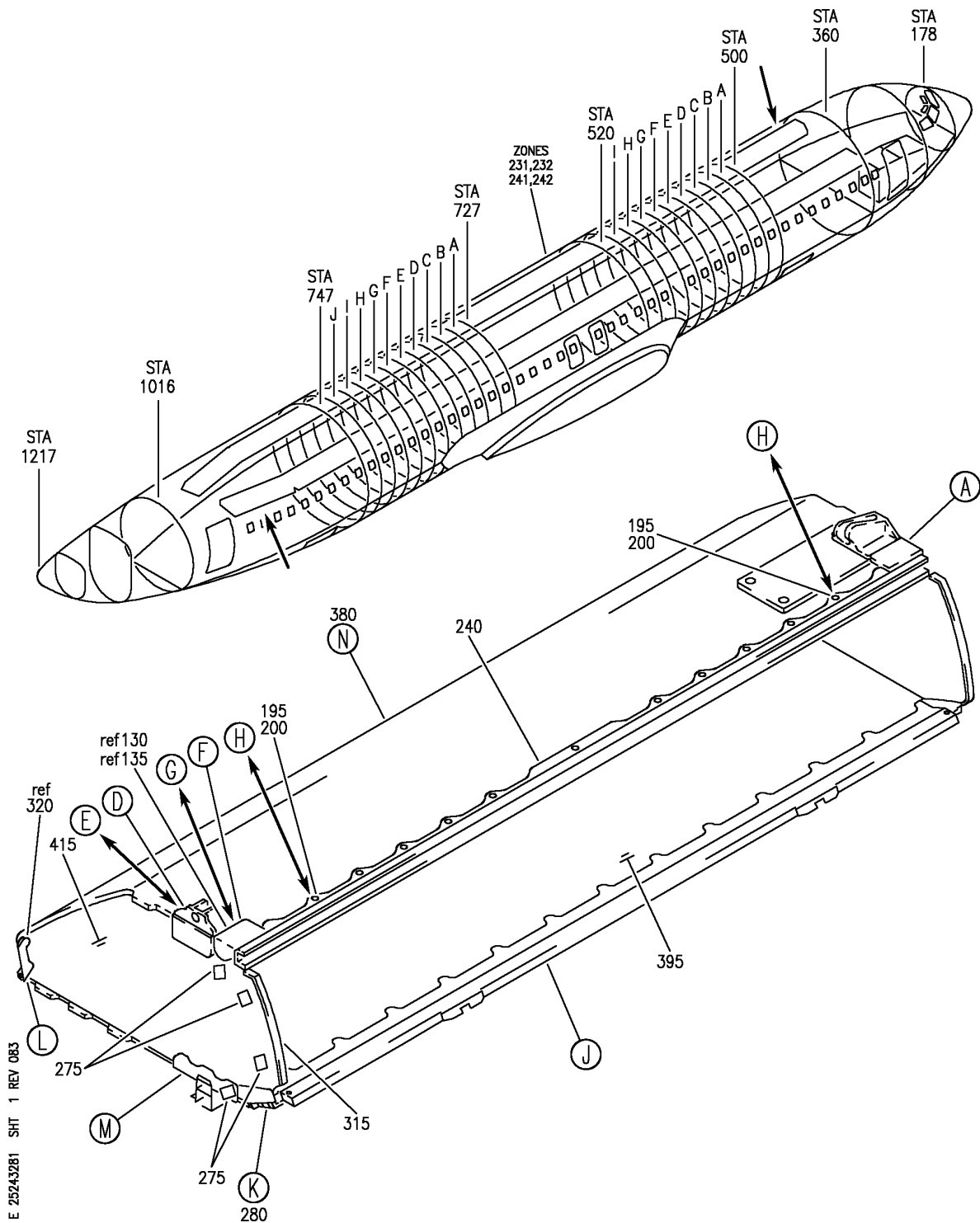
HAP

25-24-32-80H

BOEING PROPRIETARY - Copyright © - Unpublished Work - See title page for details.

25-24-32
FIG. 80H
PAGE 11
JUN 15/08

BOEING
 737-600/700/800/900
 PARTS CATALOG (MAINTENANCE)



E 25243281 SHT 1 REV 083

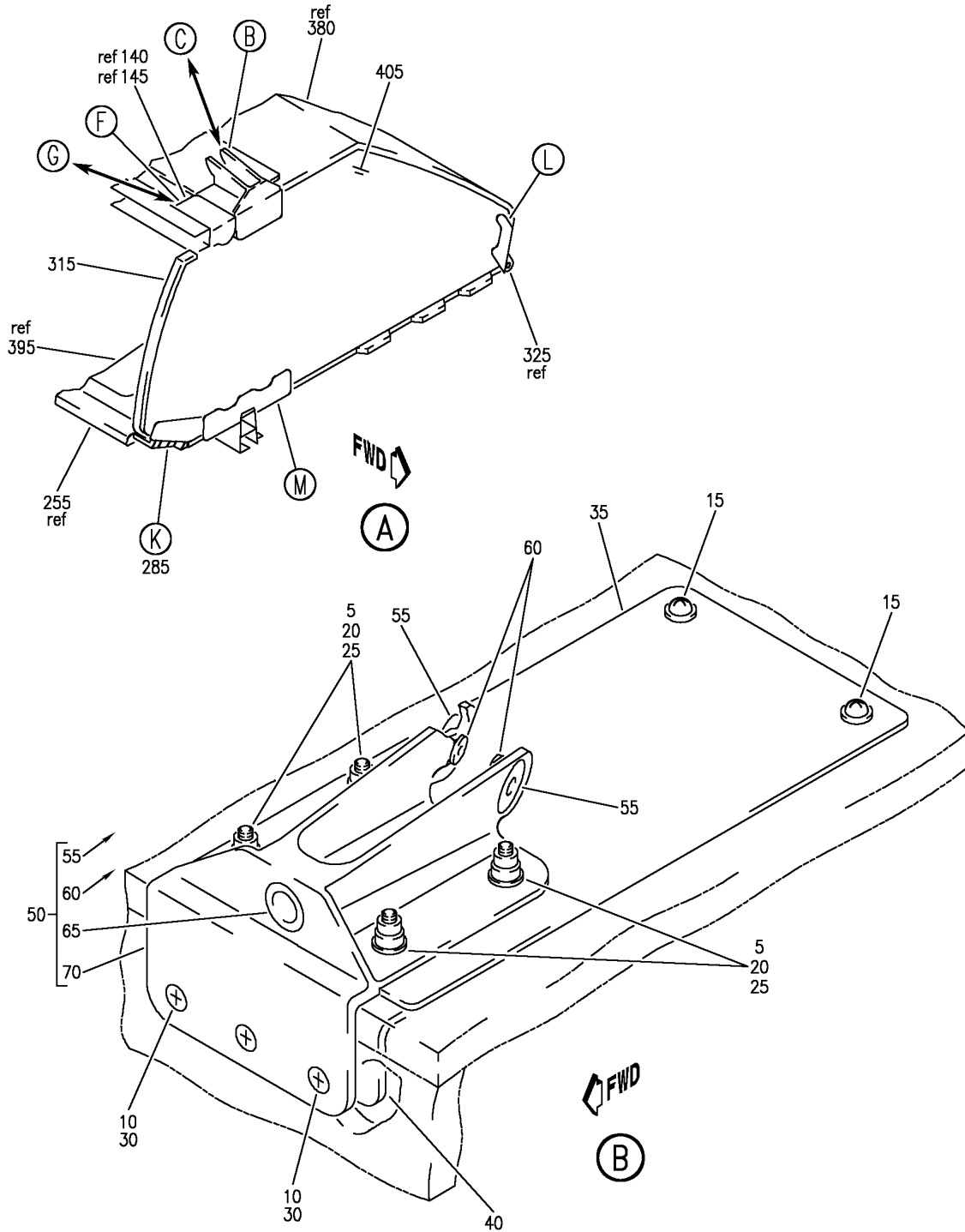
BOX ASSY-80 IN. BIN LH
 FIGURE 81 (SHEET 1)

25-24-32-81

HAP
 OCT 10/06

25-24-32-81
 PAGE 0


BOEING
 737-600/700/800/900
PARTS CATALOG (MAINTENANCE)



E 25243281 SHT 2 REV 083

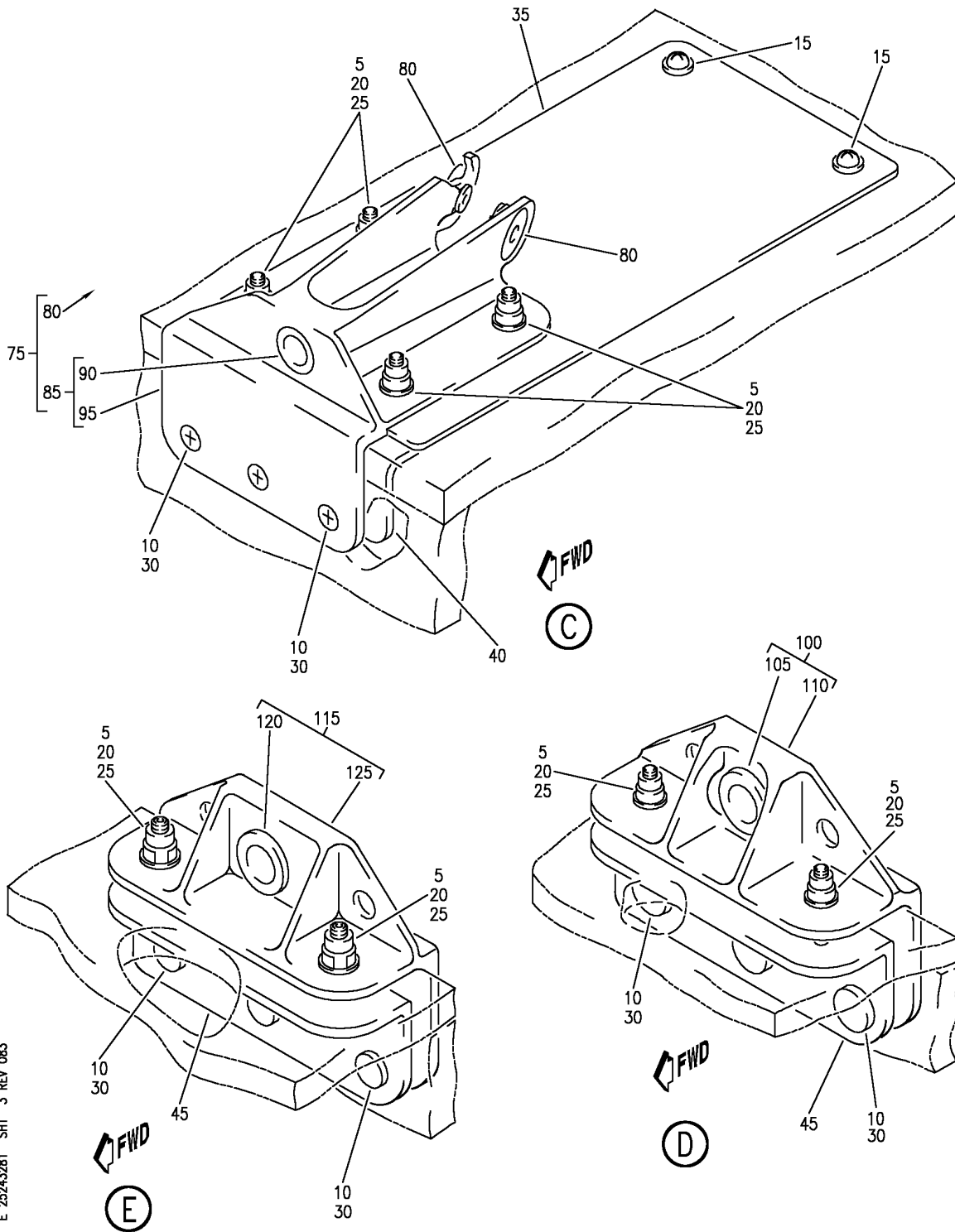
BOX ASSY-80 IN. BIN LH
 FIGURE 81 (SHEET 2)

25-24-32-81

HAP
 OCT 10/06

25-24-32-81
 PAGE 0A

BOEING
 737-600/700/800/900
 PARTS CATALOG (MAINTENANCE)



E 25243281 SHT 3 REV 083

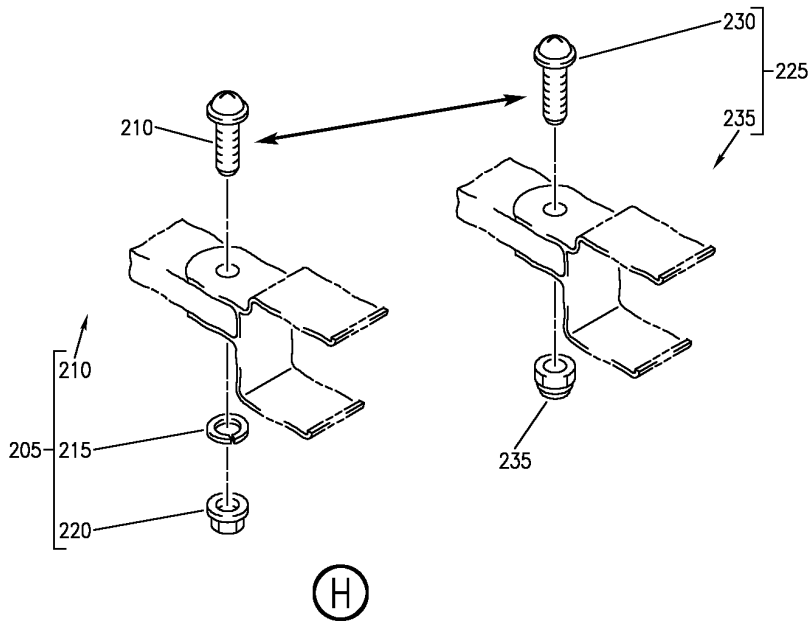
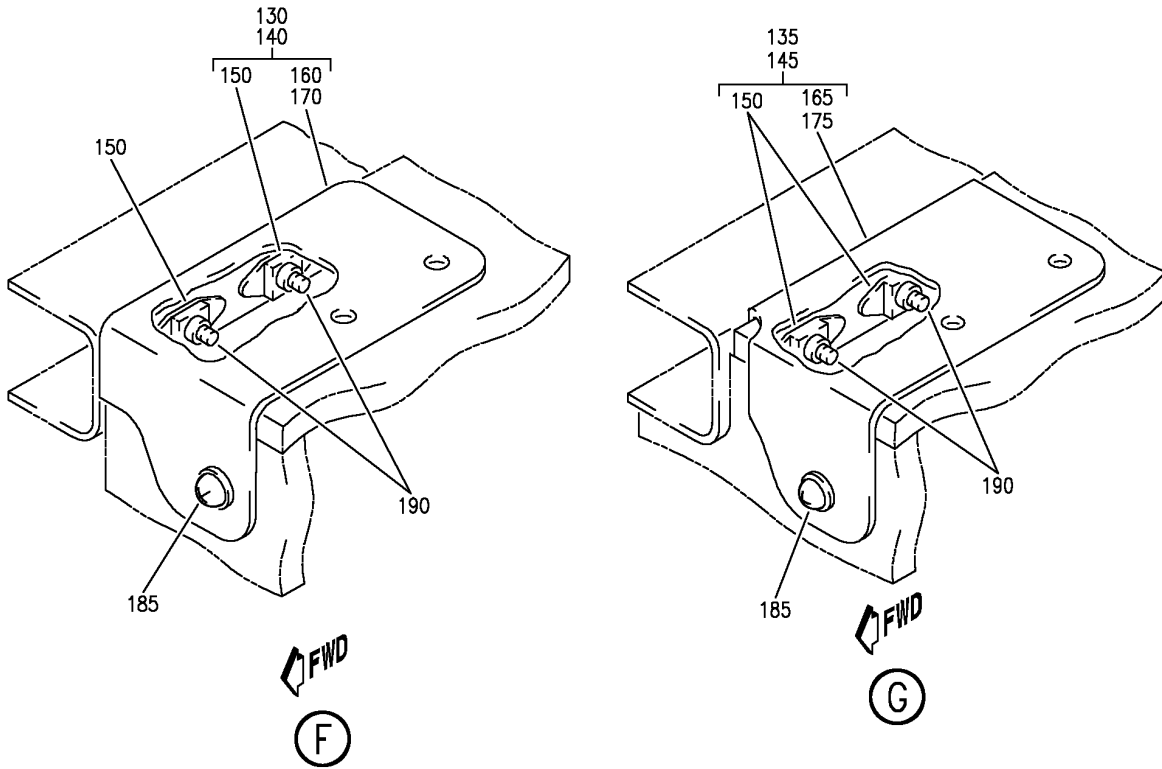
BOX ASSY-80 IN. BIN LH
 FIGURE 81 (SHEET 3)

25-24-32-81

HAP
 OCT 10/06

25-24-32-81
 PAGE 0B

BOEING
 737-600/700/800/900
 PARTS CATALOG (MAINTENANCE)



E 25243281 SHT 4 REV 083

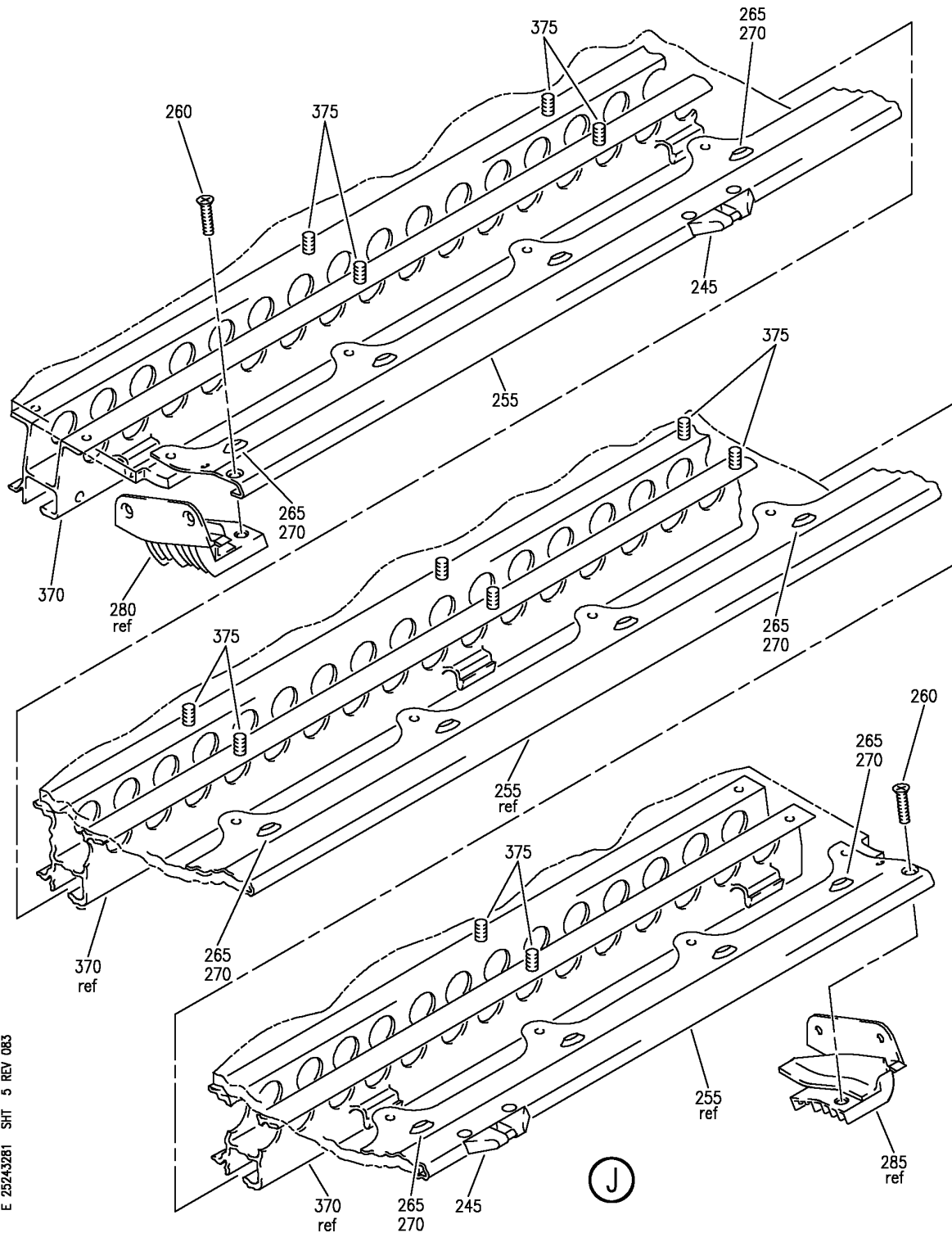
BOX ASSY-80 IN. BIN LH
 FIGURE 81 (SHEET 4)

25-24-32-81

HAP
 OCT 10/06

25-24-32-81
 PAGE 0C

BOEING
 737-600/700/800/900
 PARTS CATALOG (MAINTENANCE)



E 25243281 SHT 5 REV 083

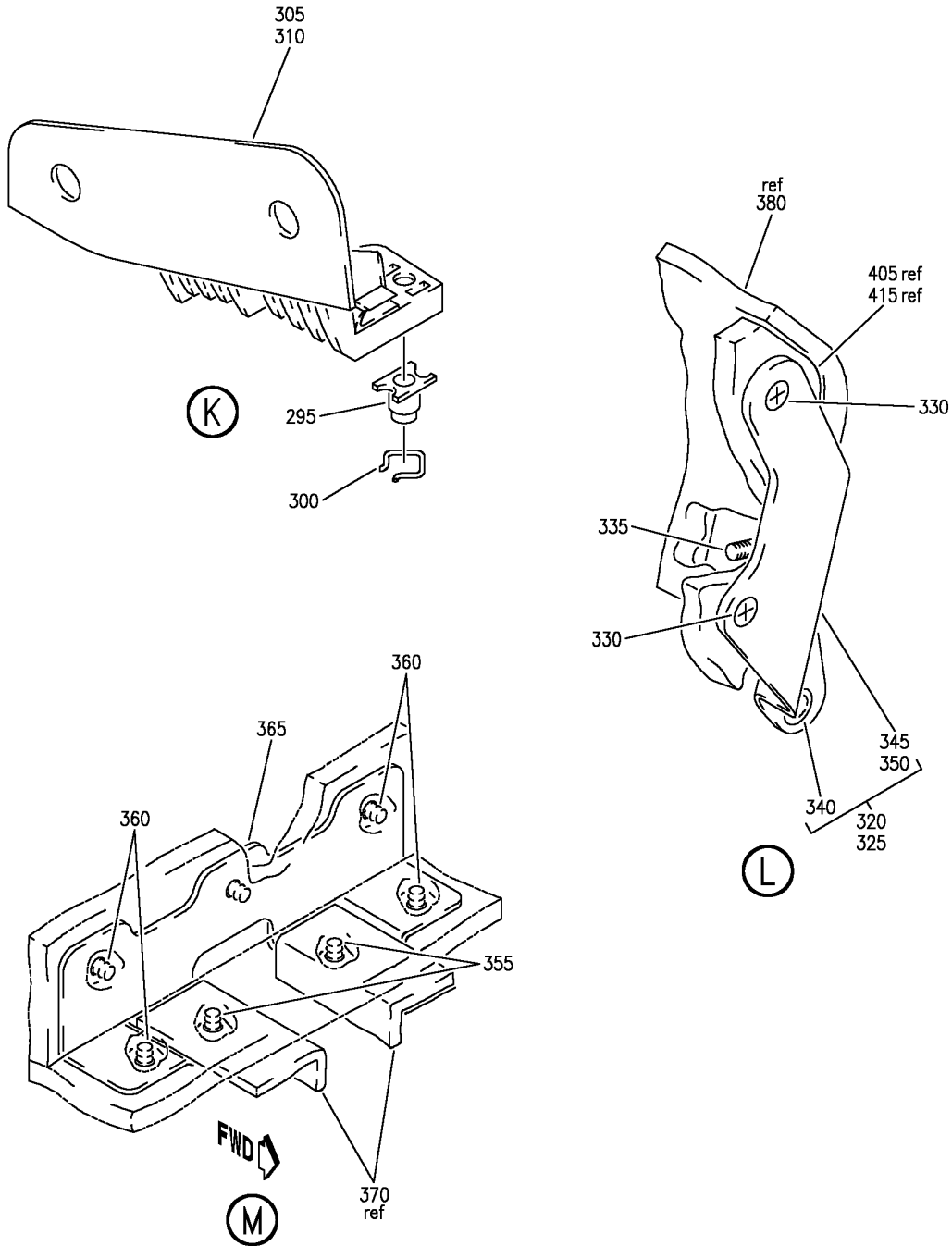
BOX ASSY-80 IN. BIN LH
 FIGURE 81 (SHEET 5)

25-24-32-81

HAP
 OCT 10/06

25-24-32-81
 PAGE 0D

BOEING
 737-600/700/800/900
 PARTS CATALOG (MAINTENANCE)



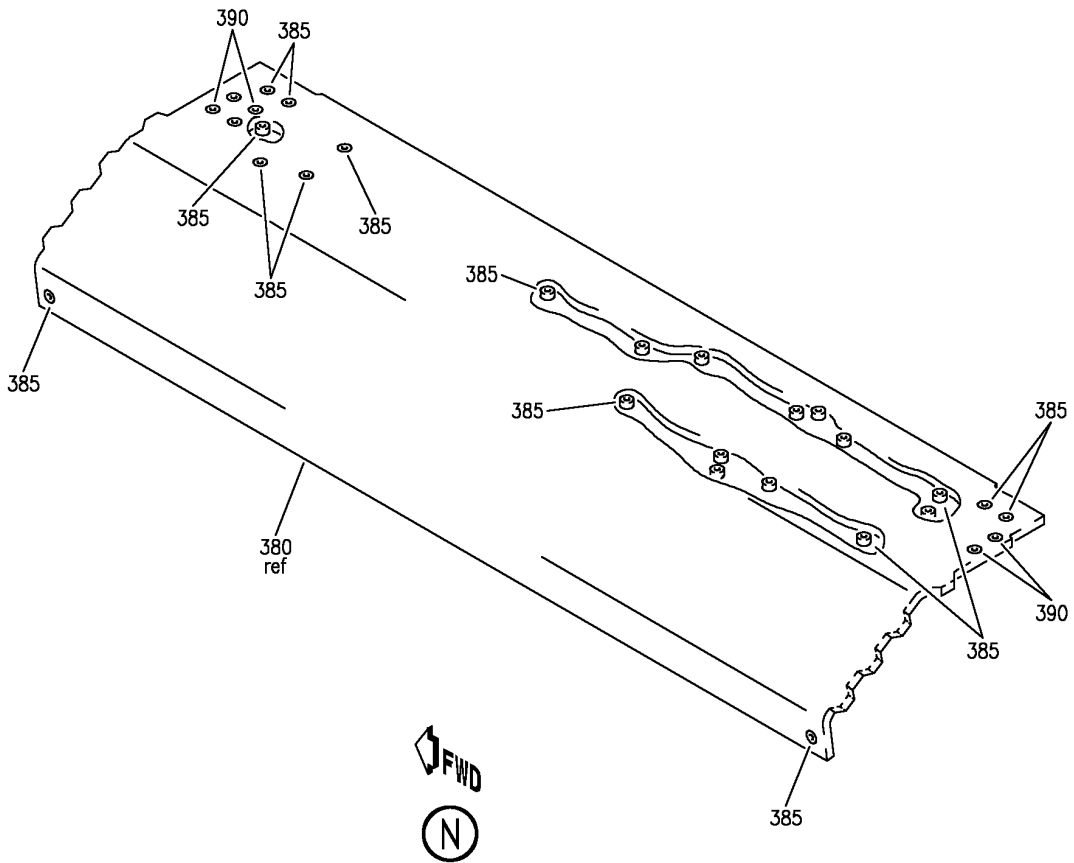
E 25243281 SH1 6 REV 083

BOX ASSY-80 IN. BIN LH
 FIGURE 81 (SHEET 6)

25-24-32-81

HAP
 OCT 10/06

25-24-32-81
 PAGE 0E



E 25243281 SH1 7 REV 083

BOX ASSY-80 IN. BIN LH
FIGURE 81 (SHEET 7)

25-24-32-81

HAP
OCT 10/06

25-24-32-81
PAGE OF

BOEING
737-600/700/800/900
PARTS CATALOG (MAINTENANCE)

FIG ITEM	PART NUMBER	1 2 3 4 5 6 7	NOMENCLATURE	EFFECT FROM TO	UNITS PER ASSY
81			BOX ASSY-80 IN. BIN LH	002005 008030	
- 1	412A1200-109SP		BOX ASSY-80 IN. BIN POSITION DATA: LH OPTIONAL PART: 412A1200-1109SP FOR NHA SEE: 25-24-31-36F	002005 008008	RF
- 1	412A1200-1109SP		BOX ASSY-80 IN. BIN POSITION DATA: LH OPTIONAL PART: 412A1200-109SP FOR NHA SEE: 25-24-31-36F	002005 008008	RF
- 1	412A1200-109A		BOX ASSY-80 IN. BIN POSITION DATA: LH OPTIONAL PART: 412A1200-1109B FOR NHA SEE: 25-24-31-36F	009030	RF
- 1	412A1200-1109B		BOX ASSY-80 IN. BIN POSITION DATA: LH OPTIONAL PART: 412A1200-109A FOR NHA SEE: 25-24-31-36F	002005 008030	RF

MISSING ITEM NUMBERS NOT APPLICABLE

- ITEM NOT ILLUSTRATED

HAP

25-24-32-81

BOEING PROPRIETARY - Copyright © - Unpublished Work - See title page for details.

25-24-32
FIG. 81
PAGE 1
OCT 10/06

BOEING
737-600/700/800/900
PARTS CATALOG (MAINTENANCE)

FIG ITEM	PART NUMBER	1 2 3 4 5 6 7	NOMENCLATURE	EFFECT FROM TO	UNITS PER ASSY
81	5 HL1012AZ6-10	.	BOLT SUPPLIER CODE: V97928 SPECIFICATION NUMBER: BACB30NX6K10 OPTIONAL PART: HL12VAZ6-10 V73197 HL12VAZ6-10 V92215 HL12VAZ6-10 V97928 L802-6K10 V06725 HL12VAZ6-10 V56878 HL1012AZ6-10 VOPTK6 HL1012AZ6-10 V06725 HL1012AZ6-10 V06950 HL1012AZ6-10 V17446 HL1012AZ6-10 V56878 HL1012AZ6-10 V60516 HL1012AZ6-10 V73197	002005 008030	6
	10 BACS12ER3K9	.	SCREW	002005 008030	6
	15 BACS12FA3K4	.	SCREW	002005 008030	2
	20 BACW10BP3NDP	.	WASHER- OPTIONAL PART: NAS1149D0363J	002005 008030	6
	20 NAS1149D0363J	.	WASHER- OPTIONAL PART: BACW10BP3NDP USED ON: 412A1200-1109SP 412A1200-1109B	002005 008030	6

MISSING ITEM NUMBERS NOT APPLICABLE

— ITEM NOT ILLUSTRATED

HAP

25-24-32-81

BOEING PROPRIETARY - Copyright © - Unpublished Work - See title page for details.

25-24-32
FIG. 81
PAGE 2
OCT 10/06

BOEING
737-600/700/800/900
PARTS CATALOG (MAINTENANCE)

FIG ITEM	PART NUMBER	1 2 3 4 5 6 7	NOMENCLATURE	EFFECT FROM TO	UNITS PER ASSY
81					
25	HL1087-6	.	COLLAR- SUPPLIER CODE: V73197 SPECIFICATION NUMBER: BACC30BH6 OPTIONAL PART: HL1087-6 V56878 HL1087-6 V92215 HL1087-6 V9N513 BACC30BZ6	002005 008030	6
30	SL5-3-50C	.	NUT- SUPPLIER CODE: V97393	002005 008030	6
35	412A1220-11	.	DOUBLER-9G EXT	002005 008030	1
40	412A1220-10SP	.	DOUBLER-9G INTERNAL	002005 008008	1
40	412A1220-10A	.	DOUBLER-9G INTERNAL	009030	1
45	412A1220-39SP	.	DOUBLER-INTERNAL	002005 008008	1
45	412A1220-39A	.	DOUBLER-INTERNAL	009030	1
50	412A1230-105	.	FITTING ASSY-DRAG OPTIONAL PART: 412A1230-151	002005 008030	1
55	BACW10P273L	..	WASHER	002005 008030	2
60	BACB28AT04B023C	..	BUSHING- OPTIONAL PART: NAS538B4P023	002005 008030	2
60	NAS538B4P023	..	BUSHING- OPTIONAL PART: BACB28AT04B023C	002005 008030	2
65	BCREF13195	..	BUSHING- OVERLENGTH PART NUMBER: BACB28AY06A035CG	002005 008030	1
70	412A1230-107	..	FITTING	002005 008030	1
75	412A1230-151	.	FITTING ASSY-DRAG OPTIONAL PART: 412A1230-105 USED ON: 412A1200-109SP 412A1200-109A	002005 008030	1
80	BACW10P273L	..	WASHER	002005 008030	2

MISSING ITEM NUMBERS NOT APPLICABLE

— ITEM NOT ILLUSTRATED

HAP

25-24-32-81

25-24-32
FIG. 81
PAGE 3
OCT 10/06

BOEING
737-600/700/800/900
PARTS CATALOG (MAINTENANCE)

FIG ITEM	PART NUMBER	1 2 3 4 5 6 7	NOMENCLATURE	EFFECT FROM TO	UNITS PER ASSY
81					
85	412A1230-3	..	FITTING ASSY	002005 008030	1
90	BCREF13195	...	BUSHING- OVERLENGTH PART NUMBER: BACB28AY06A035CG	002005 008030	1
95	412A1230-5	...	FITTING	002005 008030	1
100	412A1230-1	.	FITTING ASSY- OPTIONAL PART: 412A1230-201	002005 008030	1
105	BCREF13195	..	BUSHING- OVERLENGTH PART NUMBER: BACB28AY06A035CG	002005 008030	1
110	412A1230-2	..	SUPPORT	002005 008030	1
115	412A1230-201	.	FITTING ASSY- OPTIONAL PART: 412A1230-1 USED ON: 412A1200-1109B	002005 008030	1
120	BCREF13195	..	BUSHING- OVERLENGTH PART NUMBER: BACB28AY06A035CG	002005 008030	1
125	412A1230-202	..	FITTING- OPTIONAL PART: 412A1230-203	002005 008030	1
125	412A1230-203	..	FITTING- OPTIONAL PART: 412A1230-202	002005 008030	1
130	412A1220-6SP	.	CORNER ASSY- OPTIONAL PART: 412A1220-210 412A1220-250	002005 008008	1
130	412A1220-6A	.	CORNER ASSY- OPTIONAL PART: 412A1220-210 412A1220-250	009030	1
130	412A1220-210	.	CORNER ASSY- OPTIONAL PART: 412A1220-6SP 412A1220-6A 412A1220-250 USED ON: 412A1200-1109B	002005 008030	1

MISSING ITEM NUMBERS NOT APPLICABLE

— ITEM NOT ILLUSTRATED

HAP

25-24-32-81

BOEING PROPRIETARY - Copyright © - Unpublished Work - See title page for details.

25-24-32
FIG. 81
PAGE 4
OCT 10/06

BOEING
737-600/700/800/900
PARTS CATALOG (MAINTENANCE)

FIG ITEM	PART NUMBER	1 2 3 4 5 6 7	NOMENCLATURE	EFFECT FROM TO	UNITS PER ASSY
81 135	412A1220-250		.CORNER ASSY- OPTIONAL PART: 412A1220-6SP 412A1220-6A 412A1220-210 USED ON: 412A1200-1109B	002005 008030	1
140	412A1220-5SP		.CORNER ASSY- OPTIONAL PART: 412A1220-209 412A1220-249	002005 008008	1
140	412A1220-5A		.CORNER ASSY- OPTIONAL PART: 412A1220-249	009030	1
140	412A1220-209		.CORNER ASSY- OPTIONAL PART: 412A1220-5SP 412A1220-5A 412A1220-249 USED ON: 412A1200-1109B	002005 008030	1
145	412A1220-249		.CORNER ASSY- OPTIONAL PART: 412A1220-5SP 412A1220-5A 412A1220-209 USED ON: 412A1200-1109B	002005 008030	1
150	BRF200C3D		..NUTPLATE SUPPLIER CODE: V52828 SPECIFICATION NUMBER: BACN10JR3CFD OPTIONAL PART: K51602-3BAC V15653 NS202476-02 V80539 102F9201-3 V72962 T8092C1032CD V11815 ATTACHING PARTS	002005 008030	2
- 155	BACR15CE3D		..RIVET- SIZE DETERMINED ON INSTL. -----*-----	002005 008030	4
160	412A1220-8SP		..REINFORCEMENT- USED ON: 412A1220-6SP	002005 008008	1

MISSING ITEM NUMBERS NOT APPLICABLE

- ITEM NOT ILLUSTRATED

HAP

25-24-32-81

BOEING PROPRIETARY - Copyright © - Unpublished Work - See title page for details.

25-24-32
FIG. 81
PAGE 5
OCT 10/06

BOEING
737-600/700/800/900
PARTS CATALOG (MAINTENANCE)

FIG ITEM	PART NUMBER	1 2 3 4 5 6 7	NOMENCLATURE	EFFECT FROM TO	UNITS PER ASSY
81					
160	412A1220-8A	..	REINFORCEMENT- USED ON: 412A1220-6A	009030	1
160	412A1220-212	..	REINFORCEMENT- USED ON: 412A1220-210	002005 008030	1
165	412A1220-252	..	REINFORCEMENT- USED ON: 412A1220-250	002005 008030	1
170	412A1220-7SP	..	REINFORCEMENT- USED ON: 412A1220-5SP	002005 008008	1
170	412A1220-7A	..	REINFORCEMENT- USED ON: 412A1220-5A	009030	1
170	412A1220-211	..	REINFORCEMENT- USED ON: 412A1220-209	002005 008030	1
175	412A1220-251	..	REINFORCEMENT- USED ON: 412A1220-249	002005 008030	1
185	BACS12FA3K4	.	SCREW	002005 008030	2
190	BACS12FA3K7	.	SCREW	002005 008030	4
195	BACS12FA3K13	.	SCREW- USED ON: 412A1200-109SP 412A1200-109A	002005 008030	11
200	F22K1-02	.	NUT- SUPPLIER CODE: V72962 SPECIFICATION NUMBER: BACN10R10L OPTIONAL PART: 22K1-02 V72962 26CLO2 V80539 USED ON: 412A1200-109SP 412A1200-109A	002005 008030	11
205	412A1340-14	.	FASTENER ASSY-KIT OPTIONAL PART: 412A1340-15 USED ON: 412A1200-1109B	002005 008030	11
210	BACS12FA3K12	..	SCREW	002005 008030	1

MISSING ITEM NUMBERS NOT APPLICABLE

— ITEM NOT ILLUSTRATED

HAP

25-24-32-81

BOEING PROPRIETARY - Copyright © - Unpublished Work - See title page for details.

25-24-32
FIG. 81
PAGE 6
OCT 10/06

BOEING
737-600/700/800/900
PARTS CATALOG (MAINTENANCE)

FIG ITEM	PART NUMBER	1 2 3 4 5 6 7	NOMENCLATURE	EFFECT FROM TO	UNITS PER ASSY
81					
215	BACW10EC3S	..	WASHER	002005 008030	1
220	PLH53C	..	NUT SUPPLIER CODE: V62554 SPECIFICATION NUMBER: BACN10YR3C OPTIONAL PART: H52732-3C V15653	002005 008030	1
225	412A1340-15	.FASTENER ASSY-KIT OPTIONAL PART: 412A1340-14 USED ON: 412A1200-1109B		002005 008030	11
230	BACS12FA3K13	..	SCREW	002005 008030	1
235	F22K1-02	..	NUT SUPPLIER CODE: V72962 SPECIFICATION NUMBER: BACN10R10L OPTIONAL PART: 22K1-02 V72962 26CL02 V80539	002005 008030	1
240	412A1247-1SP	.	EXTRUSION-DOOR CLOSEOUT	002005 008008	1
240	412A1247-1A	.	EXTRUSION-DOOR CLOSEOUT	009030	1
245	HA225-3	.STRIKE- SUPPLIER CODE: V83014 SPECIFICATION NUMBER: S412A001-6 USED ON: 412A1200-109SP 412A1200-109A		002005 008030	2
245	HA225-11	.STRIKE- SUPPLIER CODE: V83014 SPECIFICATION NUMBER: S412A001-16 USED ON: 412A1200-1109B		002005 008030	2
- 250	BACS12ER08K5	.ATTACHING PARTS SCREW		002005 008030	4
		-----*-----			

MISSING ITEM NUMBERS NOT APPLICABLE

- ITEM NOT ILLUSTRATED

HAP

25-24-32-81

BOEING PROPRIETARY - Copyright © - Unpublished Work - See title page for details.

25-24-32
FIG. 81
PAGE 7
OCT 10/06

BOEING
737-600/700/800/900
PARTS CATALOG (MAINTENANCE)

FIG ITEM	PART NUMBER	1 2 3 4 5 6 7	NOMENCLATURE	EFFECT FROM TO	UNITS PER ASSY
81					
255	412A1242-1	.	EXTRUSION-SHELF	002005 008030	1
			ATTACHING PARTS		
260	BACS12ER3K6	.	SCREW	002005 008030	2
265	BACS12ER3K5	.	SCREW	002005 008030	12
270	H3-1233A3	.	WASHER- SUPPLIER CODE: V34941 SPECIFICATION NUMBER: S411A001-1 -----*-----	002005 008030	12
275	412A1450-21	.	CLIP	002005 008030	4
280	412A1475-3SP	.	FITTING ASSY	002005 008008	1
280	412A1475-3A	.	FITTING ASSY	009030	1
285	412A1475-4SP	.	FITTING ASSY	002005 008008	1
285	412A1475-4A	.	FITTING ASSY ATTACHING PARTS	009030	1
- 290	BACS12ER3K5	.	SCREW	002005 008030	4
			-----*-----		
295	BACN11F3-1CD	..	NUT	002005 008030	1
300	NAS1795-3	..	CLIP	002005 008030	1
305	412A1475-1SP	..	FITTING- USED ON: 412A1475-3SP 412A1475-3A	002005 008008	1
305	412A1475-1A	..	FITTING- USED ON: 412A1475-3A	009030	1
310	412A1475-2SP	..	FITTING- USED ON: 412A1475-4SP 412A1475-4A	002005 008008	1
310	412A1475-2A	..	FITTING- USED ON: 412A1475-4A	009030	1
315	412A1450-1SP	.	TRIM-END PANEL	002005 008008	2
315	412A1450-1A	.	TRIM-END PANEL	009030	2
320	412A1230-7	.	SUPPORT ASSY	002005 008030	1

MISSING ITEM NUMBERS NOT APPLICABLE

- ITEM NOT ILLUSTRATED

HAP

25-24-32-81

25-24-32
FIG. 81
PAGE 8
JUN 15/08

BOEING
737-600/700/800/900
PARTS CATALOG (MAINTENANCE)

FIG ITEM	PART NUMBER	1 2 3 4 5 6 7	NOMENCLATURE	EFFECT FROM TO	UNITS PER ASSY
81					
325	412A1230-8	.	SUPPORT ASSY	002005 008030	1
			ATTACHING PARTS		
330	BACS12ER3K5	.	SCREW-	002005 008030	4
			USED ON: 412A1200-1109B		
330	BACS12ER3K6	.	SCREW-	002005 008030	4
			USED ON: 412A1200-109SP 412A1200-109A		
335	BACS12FA3K5	.	SCREW	002005 008030	2
			-----*-----		
340	BCREF13196	..	BUSHING-	002005 008030	1
			OVERLENGTH PART NUMBER: BACB28AT06A010CG		
345	412A1230-9	..	SUPPORT-	002005 008030	1
			USED ON: 412A1230-7		
350	412A1230-10	..	SUPPORT-	002005 008030	1
			USED ON: 412A1230-8		
355	BACS12FA3K6	.	SCREW-	002005 008030	4
			USED ON: 412A1200-109SP 412A1200-109A		
355	BACS12FA3K5	.	SCREW-	002005 008030	4
			USED ON: 412A1200-1109B		
360	BACS12FA3K4	.	SCREW	002005 008030	10
365	412A1220-9SP	.	ANGLE-	002005 008008	2
			OPTIONAL PART: 412A1220-205		
365	412A1220-9A	.	ANGLE-	009030	2
365	412A1220-205	.	ANGLE-	002005 008030	2
			OPTIONAL PART: 412A1220-9SP 412A1220-9A USED ON: 412A1200-1109B		
370	412A1245-1	.	RAIL-MCD PSU	002005 008030	1
			ATTACHING PARTS		
375	BACS12FA3K5	.	SCREW	002005 008030	12
			-----*-----		

MISSING ITEM NUMBERS NOT APPLICABLE

— ITEM NOT ILLUSTRATED

HAP

25-24-32-81

BOEING PROPRIETARY - Copyright © - Unpublished Work - See title page for details.

25-24-32
FIG. 81
PAGE 9
JUN 15/08

BOEING
737-600/700/800/900
PARTS CATALOG (MAINTENANCE)

FIG ITEM	PART NUMBER	1 2 3 4 5 6 7	NOMENCLATURE	EFFECT FROM TO	UNITS PER ASSY
81					
380	412A1210-169SP		.PANEL ASSY- USED ON: 412A1200-109SP	002005 008008	1
380	412A1210-1169SP		.PANEL ASSY- USED ON: 412A1200-1109SP	002005 008008	1
380	412A1210-169A		.PANEL ASSY- USED ON: 412A1200-109A	009030	1
380	412A1210-1169B		.PANEL ASSY- USED ON: 412A1200-1109B	009030	1
385	SL2334-3A1		..INSERT- SUPPLIER CODE: V97393	002005 008030	23
390	BCREF128023		..INSERT- SUPPLIER CODE: V97393 OVERLENGTH PART NUMBER: SL603-3-375ASP13	002005 008030	6
395	412A1211-123SP		.PANEL ASSY- USED ON: 412A1200-109SP	002005 008008	1
395	412A1211-1123SP		.PANEL ASSY- USED ON: 412A1200-1109SP	002005 008008	1
395	412A1211-123A		.PANEL ASSY- USED ON: 412A1200-109A	009030	1
395	412A1211-1123B		.PANEL ASSY- USED ON: 412A1200-1109B	009030	1
- 400	SL2334-3A1		..INSERT- SUPPLIER CODE: V97393	002005 008030	66
405	412A1212-143SP		.PANEL ASSY-END USED ON: 412A1200-109SP	002005 008008	1
405	412A1212-1143SP		.PANEL ASSY-END USED ON: 412A1200-1109SP	002005 008008	1
405	412A1212-143A		.PANEL ASSY-END USED ON: 412A1200-109A	009030	1
405	412A1212-1143B		.PANEL ASSY-END USED ON: 412A1200-1109B	009030	1

MISSING ITEM NUMBERS NOT APPLICABLE

- ITEM NOT ILLUSTRATED

HAP

25-24-32-81

BOEING PROPRIETARY - Copyright © - Unpublished Work - See title page for details.

25-24-32
FIG. 81
PAGE 10
JUN 15/08

BOEING
737-600/700/800/900
PARTS CATALOG (MAINTENANCE)

FIG ITEM	PART NUMBER	1 2 3 4 5 6 7	NOMENCLATURE	EFFECT FROM TO	UNITS PER ASSY
81					
- 410	SL2334-3A1		.. INSERT- SUPPLIER CODE: V97393	002005 008030	11
415	412A1212-115SP		. PANEL ASSY-END USED ON: 412A1200-109SP	002005 008008	1
415	412A1212-1115SP		. PANEL ASSY-END USED ON: 412A1200-1109SP	002005 008008	1
415	412A1212-115A		. PANEL ASSY-END USED ON: 412A1200-109A	009030	1
415	412A1212-1115B		. PANEL ASSY-END USED ON: 412A1200-1109B	009030	1
- 420	SL2334-3A1		.. INSERT- SUPPLIER CODE: V97393	002005 008030	12

MISSING ITEM NUMBERS NOT APPLICABLE

- ITEM NOT ILLUSTRATED

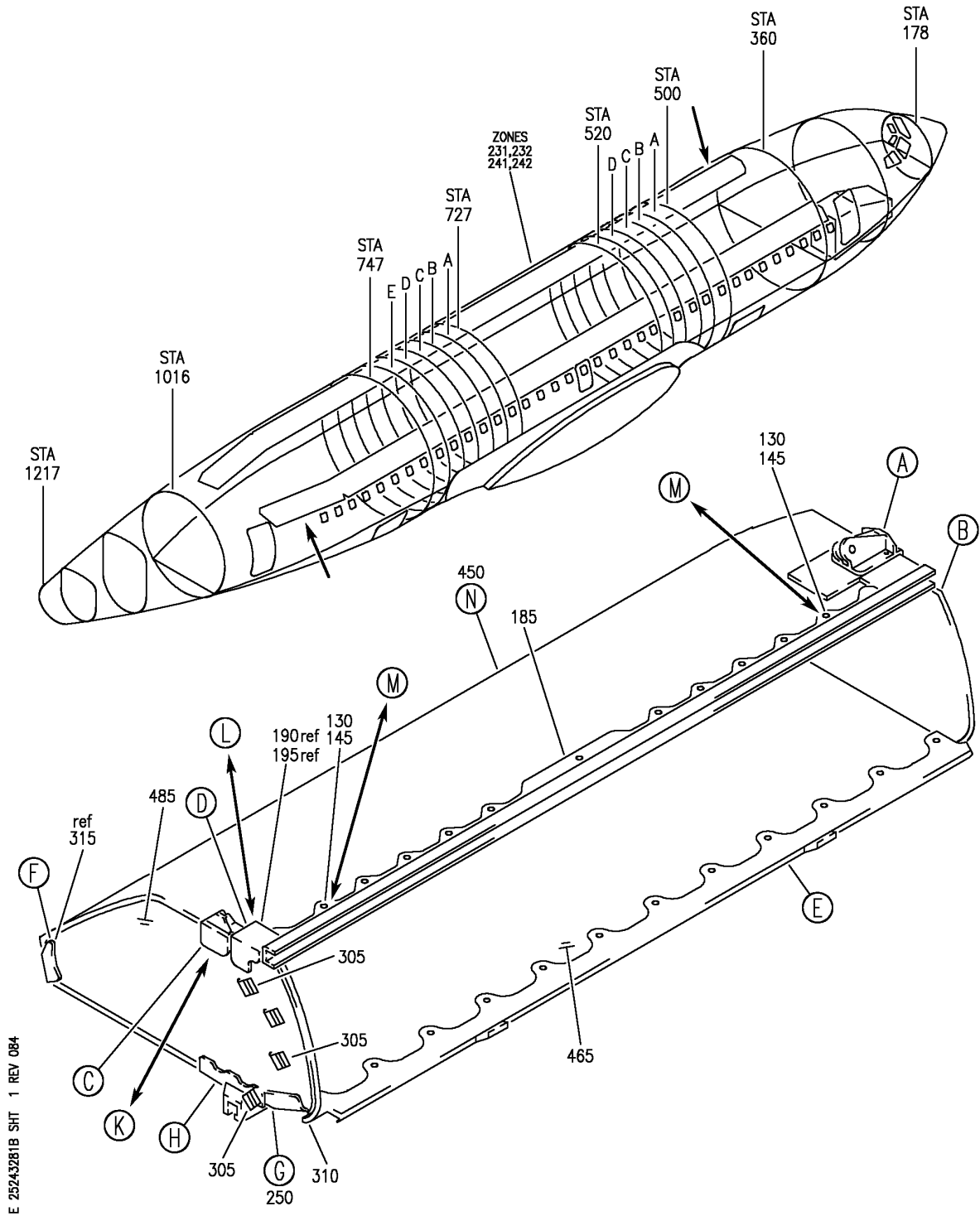
HAP

25-24-32-81

BOEING PROPRIETARY - Copyright © - Unpublished Work - See title page for details.

25-24-32
FIG. 81
PAGE 11
JUN 15/08

BOEING
 737-600/700/800/900
 PARTS CATALOG (MAINTENANCE)



E 25243281B SHT 1 REV 084

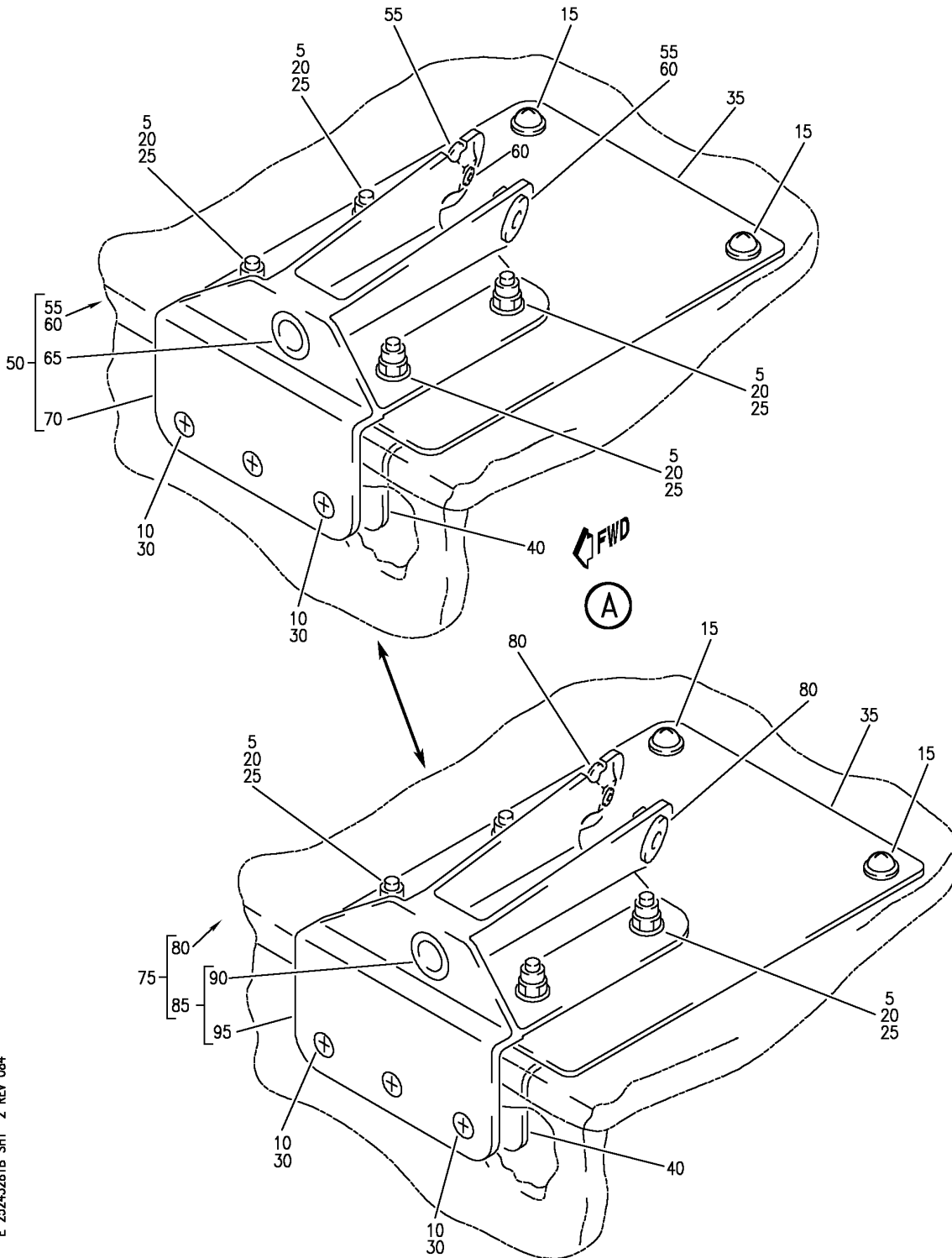
BOX ASSY-80 IN. BIN LH
 FIGURE 81B (SHEET 1)

25-24-32-81B

HAP
 OCT 15/08

25-24-32-81B
 PAGE 0

BOEING
737-600/700/800/900
PARTS CATALOG (MAINTENANCE)



E 25243281B SHT 2 REV 084

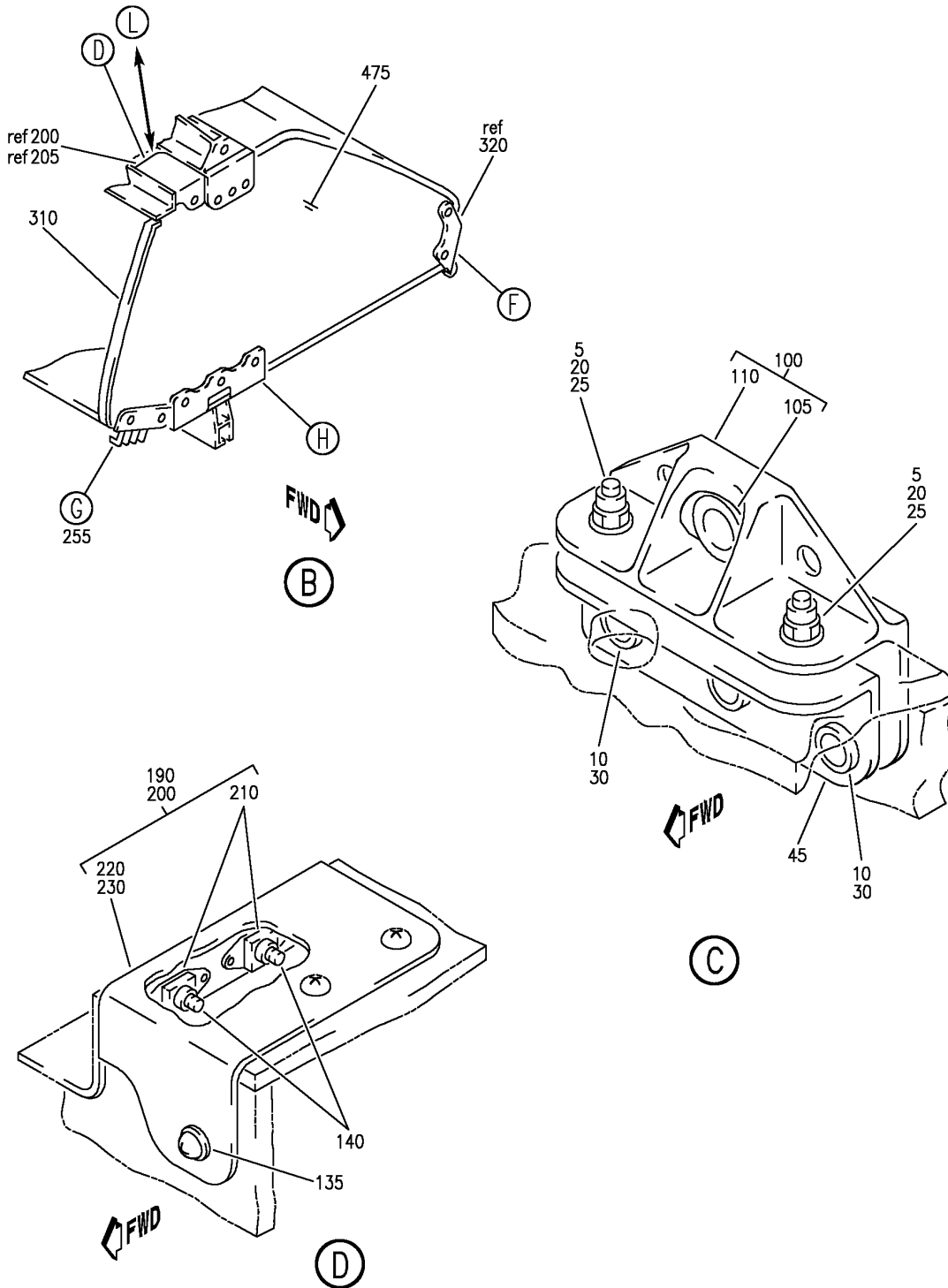
BOX ASSY-80 IN. BIN LH
 FIGURE 81B (SHEET 2)

25-24-32-81B

HAP
 OCT 15/08

25-24-32-81B
 PAGE 0A

BOEING
 737-600/700/800/900
 PARTS CATALOG (MAINTENANCE)



E 25243281B SHT 3 REV 084

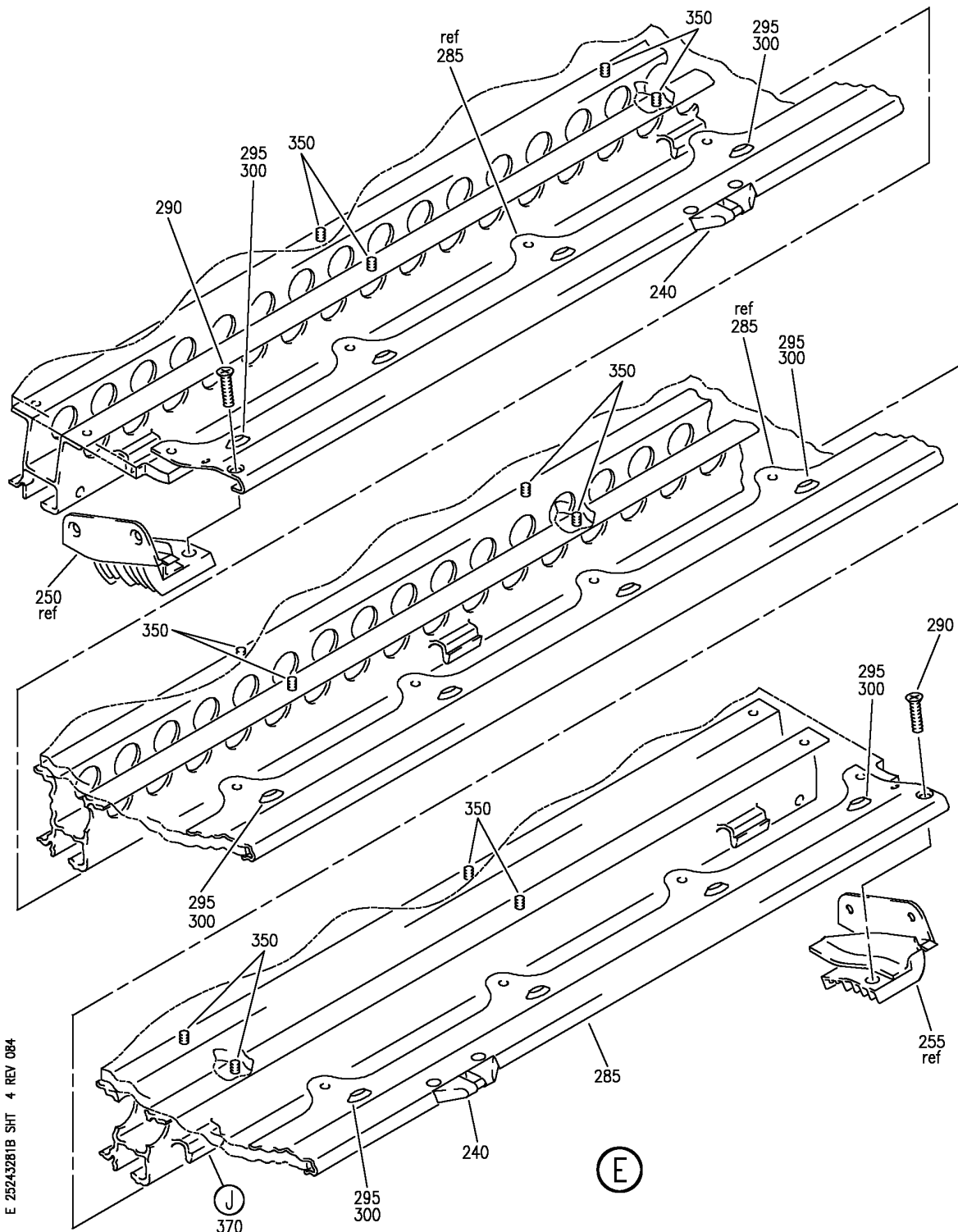
BOX ASSY-80 IN. BIN LH
 FIGURE 81B (SHEET 3)

25-24-32-81B

HAP
 OCT 15/08

25-24-32-81B
 PAGE 0B

BOEING
 737-600/700/800/900
 PARTS CATALOG (MAINTENANCE)



E 25243281B SHT 4 REV 084

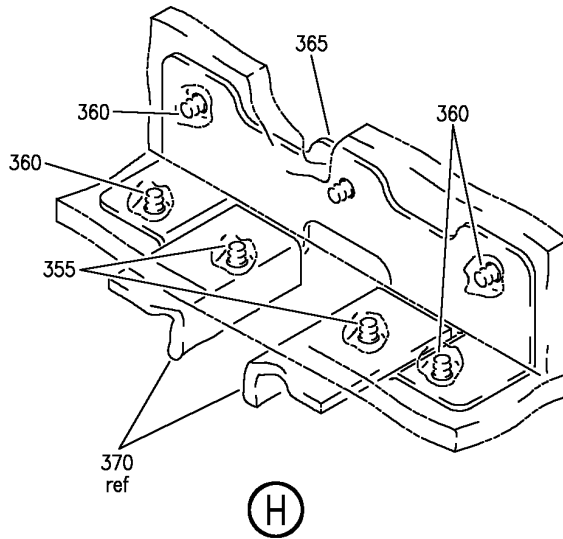
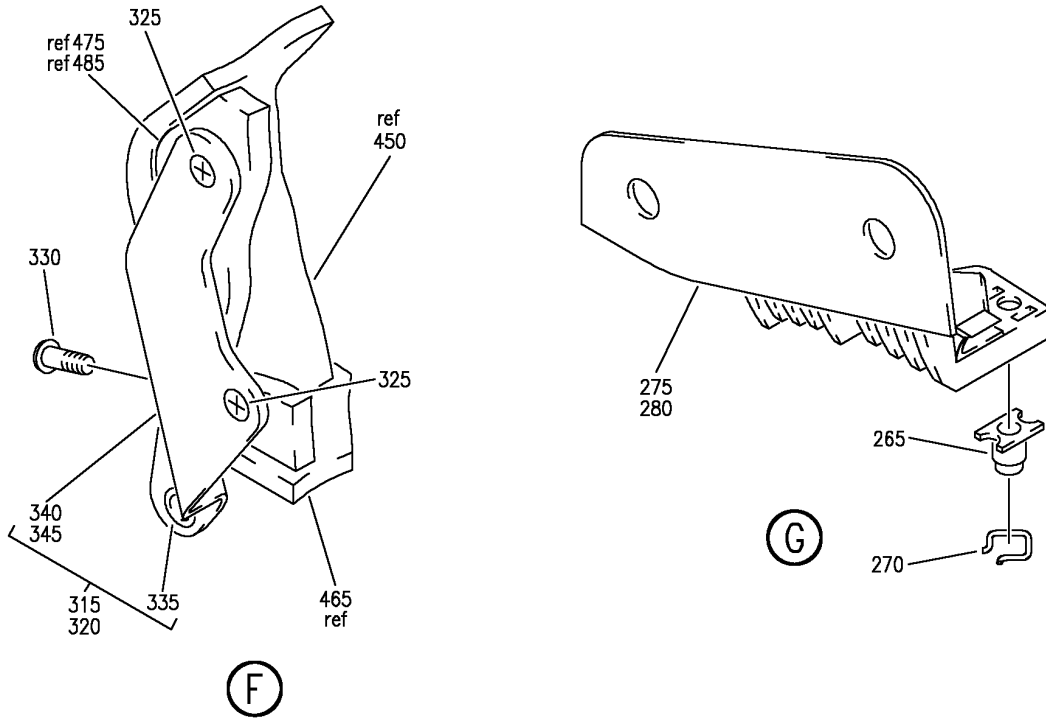
BOX ASSY-80 IN. BIN LH
 FIGURE 81B (SHEET 4)

25-24-32-81B

HAP
 OCT 15/08

25-24-32-81B
 PAGE 0C

BOEING
 737-600/700/800/900
 PARTS CATALOG (MAINTENANCE)



E 25243281B SHT 5 REV 084

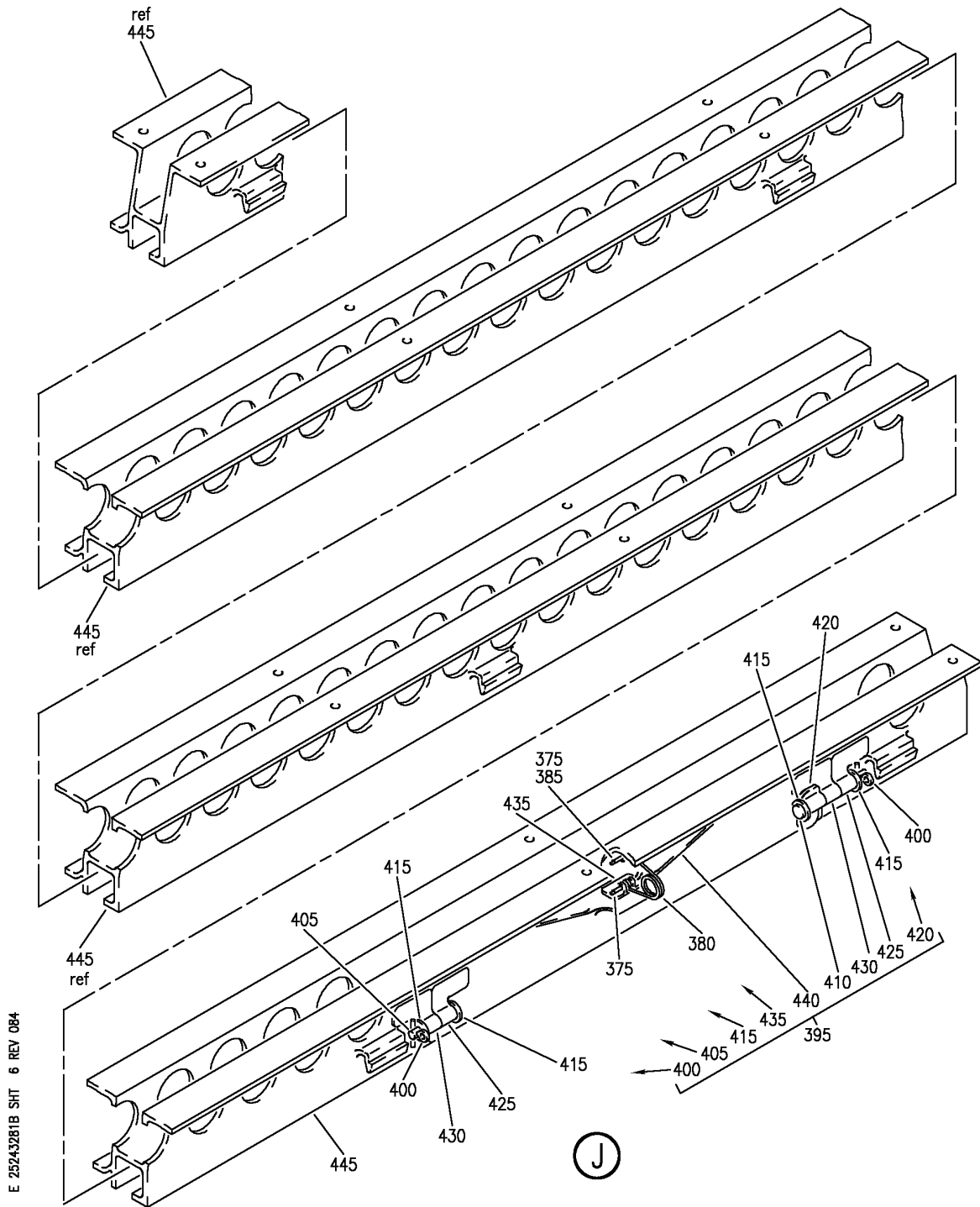
BOX ASSY-80 IN. BIN LH
 FIGURE 81B (SHEET 5)

25-24-32-81B

HAP
 OCT 15/08

25-24-32-81B
 PAGE 0D

BOEING
 737-600/700/800/900
 PARTS CATALOG (MAINTENANCE)



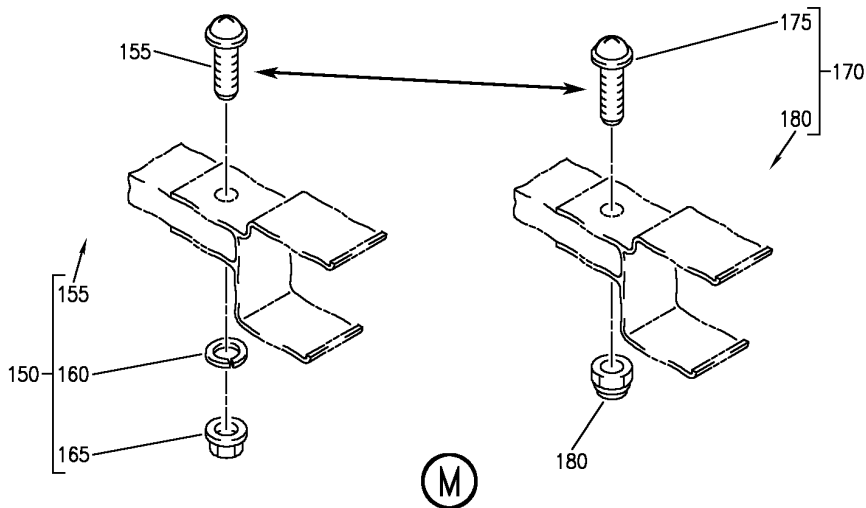
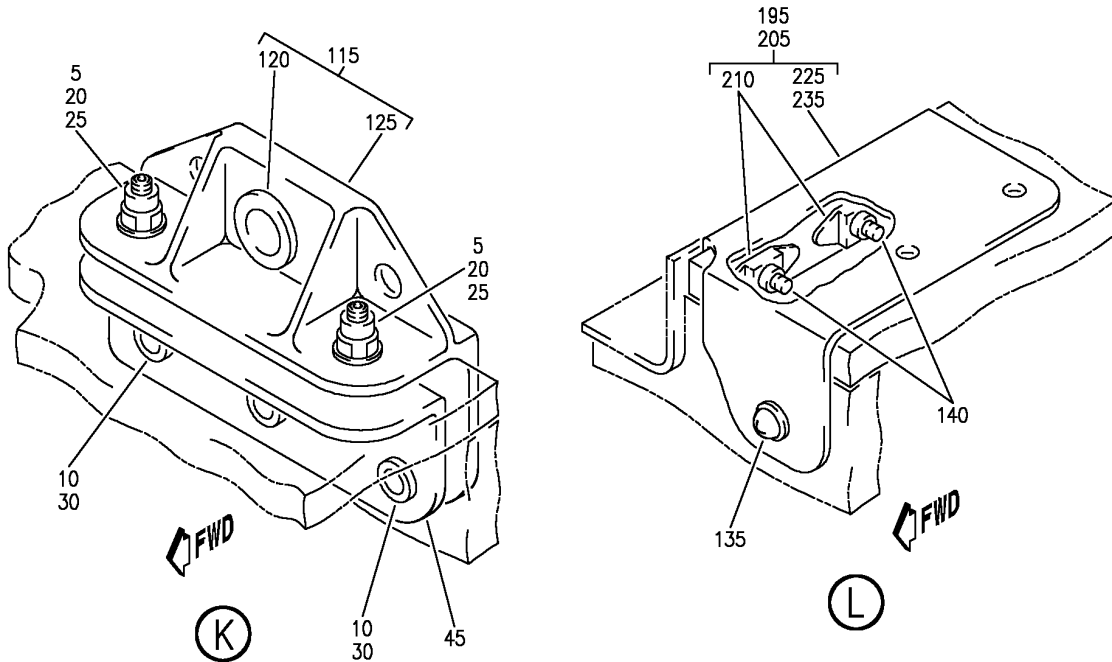
BOX ASSY-80 IN. BIN LH
 FIGURE 81B (SHEET 6)

25-24-32-81B

HAP
 OCT 15/08

25-24-32-81B
 PAGE 0E

BOEING
 737-600/700/800/900
 PARTS CATALOG (MAINTENANCE)



E 25243281B SHT 7 REV 084

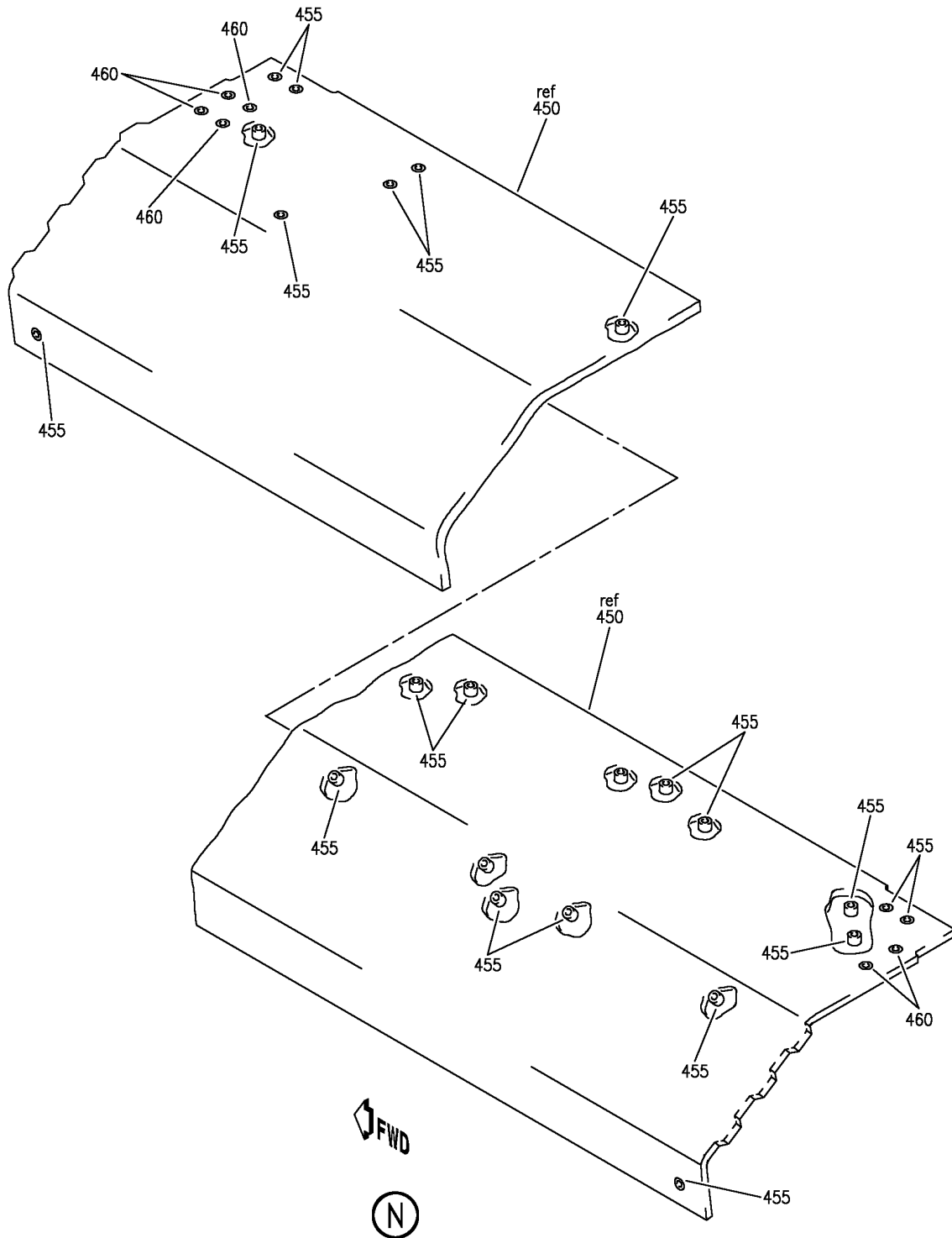
BOX ASSY-80 IN. BIN LH
 FIGURE 81B (SHEET 7)

25-24-32-81B

HAP
 OCT 15/08

25-24-32-81B
 PAGE OF

BOEING
737-600/700/800/900
PARTS CATALOG (MAINTENANCE)



E 25243281B SHT 8 REV 084

BOX ASSY-80 IN. BIN LH
FIGURE 81B (SHEET 8)

25-24-32-81B

HAP
OCT 15/08

25-24-32-81B
PAGE 0G

BOEING
737-600/700/800/900
PARTS CATALOG (MAINTENANCE)

FIG ITEM	PART NUMBER	1 2 3 4 5 6 7	NOMENCLATURE	EFFECT FROM TO	UNITS PER ASSY
81B			BOX ASSY-80 IN. BIN LH	201967	
- 1	412A1200-111A		BOX ASSY-80 IN. BIN POSITION DATA: LH OPTIONAL PART: 412A1200-1111B FOR NHA SEE: 25-24-31-14E	201967	RF
- 1	412A1200-1111B		BOX ASSY-80 IN. BIN POSITION DATA: LH OPTIONAL PART: 412A1200-111A FOR NHA SEE: 25-24-31-14E	201967	RF
5	HL1012AZ6-10		.BOLT SUPPLIER CODE: V97928 SPECIFICATION NUMBER: BACB30NX6K10 OPTIONAL PART: HL12VAZ6-10 V73197 HL12VAZ6-10 V92215 HL12VAZ6-10 V97928 L802-6K10 V06725 HL12VAZ6-10 V56878 HL1012AZ6-10 VOPTK6 HL1012AZ6-10 V06725 HL1012AZ6-10 V06950 HL1012AZ6-10 V17446 HL1012AZ6-10 V56878 HL1012AZ6-10 V60516 HL1012AZ6-10 V73197	201967	6
10	BACS12ER3K9		.SCREW	201967	6
15	BACS12FA3K4		.SCREW	201967	2

MISSING ITEM NUMBERS NOT APPLICABLE

- ITEM NOT ILLUSTRATED

HAP

25-24-32-81B

BOEING PROPRIETARY - Copyright © - Unpublished Work - See title page for details.

25-24-32
FIG. 81B
PAGE 1
OCT 15/08

BOEING
737-600/700/800/900
PARTS CATALOG (MAINTENANCE)

FIG ITEM	PART NUMBER	1 2 3 4 5 6 7	NOMENCLATURE	EFFECT FROM TO	UNITS PER ASSY
81B					
20	BACW10BP3NDP	.	WASHER- OPTIONAL PART: NAS1149D0363J	201967	6
20	NAS1149D0363J	.	WASHER- OPTIONAL PART: BACW10BP3NDP USED ON: 412A1200-1111SP 412A1200-1111B	201967	6
25	HL1087-6	.	COLLAR- SUPPLIER CODE: V73197 SPECIFICATION NUMBER: BACC30BH6 OPTIONAL PART: HL1087-6 V56878 HL1087-6 V92215 HL1087-6 V9N513 BACC30BZ6	201967	6
25	HST1070CY6	.	COLLAR- SUPPLIER CODE: V5M902 SPECIFICATION NUMBER: BACC30BZ6 OPTIONAL PART: VLC1070CY6 V92215 HST1070CY6 V73197 BACC30BH6 USED ON: 412A1200-1111SP 412A1200-1111B	201967	6
30	SL5-3-50C	.	NUT- SUPPLIER CODE: V97393	201967	6
35	412A1220-11	.	DOUBLER-9G EXT	201967	1
40	412A1220-10A	.	DOUBLER-9G INTERNAL	201967	1
45	412A1220-39A	.	DOUBLER-INTERNAL	201967	1
50	412A1230-105	.	FITTING ASSY-DRAG OPTIONAL PART: 412A1230-151	201967	1
55	BACW10P273L	..	WASHER	201967	2
60	BACB28AT04B023C	..	BUSHING- OPTIONAL PART: NAS538B4P023	201967	2

MISSING ITEM NUMBERS NOT APPLICABLE

— ITEM NOT ILLUSTRATED

HAP

25-24-32-81B

BOEING PROPRIETARY - Copyright © - Unpublished Work - See title page for details.

25-24-32
FIG. 81B
PAGE 2
OCT 15/08

BOEING
737-600/700/800/900
PARTS CATALOG (MAINTENANCE)

FIG ITEM	PART NUMBER	1 2 3 4 5 6 7	NOMENCLATURE	EFFECT FROM TO	UNITS PER ASSY
81B					
60	NAS538B4P023	..	BUSHING- OPTIONAL PART: BACB28AT04B023C	201967	2
65	BCREF13195	..	BUSHING- OVERLENGTH PART NUMBER: BACB28AY06A035CG	201967	1
70	412A1230-107	..	FITTING	201967	1
75	412A1230-151	.FITTING ASSY-DRAG	OPTIONAL PART: 412A1230-105 USED ON: 412A1200-111SP 412A1200-111A	201967	1
80	BACW10P273L	..	WASHER	201967	2
85	412A1230-3	..	FITTING ASSY	201967	1
90	BCREF13195	...	BUSHING- OVERLENGTH PART NUMBER: BACB28AY06A035CG	201967	1
95	412A1230-5	...	FITTING	201967	1
100	412A1230-1	.FITTING ASSY-	OPTIONAL PART: 412A1230-201	201967	1
105	BCREF13195	..	BUSHING- OVERLENGTH PART NUMBER: BACB28AY06A035CG	201967	1
110	412A1230-2	..	SUPPORT	201967	1
115	412A1230-201	.FITTING ASSY-	OPTIONAL PART: 412A1230-1 USED ON: 412A1200-1111SP 412A1200-1111B	201967	1
120	BCREF13195	..	BUSHING- OVERLENGTH PART NUMBER: BACB28AY06A035CG	201967	1
125	412A1230-202	..	FITTING- OPTIONAL PART: 412A1230-203	201967	1
125	412A1230-203	..	FITTING- OPTIONAL PART: 412A1230-202	201967	1
130	BACS12FA3K13	.SCREW-	USED ON: 412A1200-111SP 412A1200-111A	201967	11
135	BACS12FA3K4	.SCREW		201967	2
140	BACS12FA3K7	.SCREW		201967	4

MISSING ITEM NUMBERS NOT APPLICABLE

— ITEM NOT ILLUSTRATED

HAP

25-24-32-81B

BOEING PROPRIETARY - Copyright © - Unpublished Work - See title page for details.

25-24-32
FIG. 81B
PAGE 3
OCT 15/08

 **BOEING**
737-600/700/800/900
PARTS CATALOG (MAINTENANCE)

FIG ITEM	PART NUMBER	1 2 3 4 5 6 7	NOMENCLATURE	EFFECT FROM TO	UNITS PER ASSY
81B 145	F22K1-02		.NUT- SUPPLIER CODE: V72962 SPECIFICATION NUMBER: BACN10R10L OPTIONAL PART: 22K1-02 V72962 26CLO2 V80539 USED ON: 412A1200-111SP 412A1200-111A	201967	11
150	412A1340-14		.FASTENER ASSY-KIT OPTIONAL PART: 412A1340-15 USED ON: 412A1200-1111SP 412A1200-1111B	201967	11
155	BACS12FA3K12		..SCREW	201967	1
160	BACW10EC3S		..WASHER	201967	1
165	PLH53C		..NUT SUPPLIER CODE: V62554 SPECIFICATION NUMBER: BACN10YR3C OPTIONAL PART: H52732-3C V15653	201967	1
170	412A1340-15		.FASTENER ASSY-KIT OPTIONAL PART: 412A1340-14 USED ON: 412A1200-1111SP 412A1200-1111B	201967	11
175	BACS12FA3K13		..SCREW	201967	1
180	F22K1-02		..NUT SUPPLIER CODE: V72962 SPECIFICATION NUMBER: BACN10R10L OPTIONAL PART: 22K1-02 V72962 26CLO2 V80539	201967	1
185	412A1247-1A		.EXTRUSION-DOOR CLOSEOUT	201967	1

MISSING ITEM NUMBERS NOT APPLICABLE

— ITEM NOT ILLUSTRATED

HAP

25-24-32-81B

BOEING PROPRIETARY - Copyright © - Unpublished Work - See title page for details.

25-24-32
FIG. 81B
PAGE 4
OCT 15/08

BOEING
737-600/700/800/900
PARTS CATALOG (MAINTENANCE)

FIG ITEM	PART NUMBER	1 2 3 4 5 6 7	NOMENCLATURE	EFFECT FROM TO	UNITS PER ASSY
81B 190	412A1220-6A		.CORNER ASSY- OPTIONAL PART: 412A1220-210 412A1220-250	201967	1
190	412A1220-210		.CORNER ASSY- OPTIONAL PART: 412A1220-6A 412A1220-250 USED ON: 412A1200-1111SP 412A1200-1111B	201967	1
195	412A1220-250		.CORNER ASSY- OPTIONAL PART: 412A1220-210 412A1220-6A USED ON: 412A1200-1111SP 412A1200-1111B	201967	1
200	412A1220-5A		.CORNER ASSY- OPTIONAL PART: 412A1220-209 412A1220-249	201967	1
200	412A1220-209		.CORNER ASSY- OPTIONAL PART: 412A1220-5A 412A1220-249 USED ON: 412A1200-1111SP 412A1200-1111B	201967	1
205	412A1220-249		.CORNER ASSY- OPTIONAL PART: 412A1220-209 412A1220-5A USED ON: 412A1200-1111SP 412A1200-1111B	201967	1

MISSING ITEM NUMBERS NOT APPLICABLE

— ITEM NOT ILLUSTRATED

HAP

25-24-32-81B

BOEING PROPRIETARY - Copyright © - Unpublished Work - See title page for details.

25-24-32
FIG. 81B
PAGE 5
OCT 15/08

BOEING
737-600/700/800/900
PARTS CATALOG (MAINTENANCE)

FIG ITEM	PART NUMBER	1 2 3 4 5 6 7	NOMENCLATURE	EFFECT FROM TO	UNITS PER ASSY
81B 210	BRF200C3D		..NUTPLATE SUPPLIER CODE: V52828 SPECIFICATION NUMBER: BACN10JR3CFD OPTIONAL PART: K51602-3BAC V15653 NS202476-02 V80539 102F9201-3 V72962 T8092C1032CD V11815 ATTACHING PARTS	201967	2
- 215	BACR15CE3D		..RIVET- SIZE DETERMINED ON INSTL. -----*-----	201967	4
220	412A1220-8A		..REINFORCEMENT- USED ON: 412A1220-6A	201967	1
220	412A1220-212		..REINFORCEMENT- USED ON: 412A1220-210	201967	1
225	412A1220-252		..REINFORCEMENT- USED ON: 412A1220-250	201967	1
230	412A1220-7A		..REINFORCEMENT- USED ON: 412A1220-5A	201967	1
230	412A1220-211		..REINFORCEMENT- USED ON: 412A1220-209	201967	1
235	412A1220-251		..REINFORCEMENT- USED ON: 412A1220-249	201967	1
240	HA225-3		.STRIKE- SUPPLIER CODE: V83014 SPECIFICATION NUMBER: S412A001-6	201967	2
240	HA225-11		.STRIKE- SUPPLIER CODE: V83014 SPECIFICATION NUMBER: S412A001-16 ATTACHING PARTS	201967	2
- 245	BACS12ER08K5		.SCREW -----*-----	201967	4

MISSING ITEM NUMBERS NOT APPLICABLE

- ITEM NOT ILLUSTRATED

HAP

25-24-32-81B

BOEING PROPRIETARY - Copyright © - Unpublished Work - See title page for details.

25-24-32
FIG. 81B
PAGE 6
OCT 15/08

BOEING
737-600/700/800/900
PARTS CATALOG (MAINTENANCE)

FIG ITEM	PART NUMBER	1 2 3 4 5 6 7	NOMENCLATURE	EFFECT FROM TO	UNITS PER ASSY
81B					
250	412A1475-3A	.	FITTING ASSY	201967	1
255	412A1475-4A	.	FITTING ASSY	201967	1
- 260	BACS12ER3K5	.	SCREW	201967	4
		-----*			
265	BACN11F3-1CD	..	NUT	201967	1
270	NAS1795-3	..	CLIP	201967	1
275	412A1475-1A	..	FITTING-	201967	1
			USED ON:		
			412A1475-3A		
280	412A1475-2A	..	FITTING-	201967	1
			USED ON:		
			412A1475-4A		
285	412A1242-1	.	EXTRUSION-SHELF	201967	1
			ATTACHING PARTS		
290	BACS12ER3K6	.	SCREW	201967	2
295	BACS12ER3K5	.	SCREW	201967	12
300	H3-1233A3	.	WASHER-	201967	12
			SUPPLIER CODE:		
			V34941		
			SPECIFICATION NUMBER:		
			S411A001-1		
			-----*		
305	412A1450-21	.	CLIP	201967	4
310	412A1450-1A	.	TRIM-END PANEL	201967	2
315	412A1230-7	.	SUPPORT ASSY	201967	1
320	412A1230-8	.	SUPPORT ASSY	201967	1
			ATTACHING PARTS		
325	BACS12ER3K5	.	SCREW	201967	4
330	BACS12FA3K5	.	SCREW	201967	2
			-----*		
335	BCREF13196	..	BUSHING-	201967	1
			OVERLENGTH PART NUMBER:		
			BACB28AT06A010CG		
340	412A1230-9	..	SUPPORT-	201967	1
			USED ON:		
			412A1230-7		
345	412A1230-10	..	SUPPORT-	201967	1
			USED ON:		
			412A1230-8		
350	BACS12FA3K4	.	SCREW-	201967	12
			USED ON:		
			412A1200-111SP		
			412A1200-111A		
350	BACS12FA3K5	.	SCREW-	201967	12
			USED ON:		
			412A1200-1111SP		
			412A1200-1111B		
355	BACS12FA3K5	.	SCREW	201967	4

MISSING ITEM NUMBERS NOT APPLICABLE

- ITEM NOT ILLUSTRATED

HAP

25-24-32-81B

BOEING PROPRIETARY - Copyright © - Unpublished Work - See title page for details.

25-24-32
FIG. 81B
PAGE 7
OCT 15/08

BOEING
737-600/700/800/900
PARTS CATALOG (MAINTENANCE)

FIG ITEM	PART NUMBER	1 2 3 4 5 6 7	NOMENCLATURE	EFFECT FROM TO	UNITS PER ASSY
81B					
360	BACS12FA3K4	.SCREW		201967	10
365	412A1220-9A	.ANGLE-		201967	2
		OPTIONAL PART:			
		412A1220-205			
365	412A1220-205	.ANGLE-		201967	2
		OPTIONAL PART:			
		412A1220-9A			
		USED ON:			
		412A1200-1111SP			
		412A1200-1111B			
370	412A1246-3A	.RAIL ASSY		201967	1
375	BACP18BC02A06P	..PIN		201967	2
380	412A1350-1	..SPRING-MCD DOOR		201967	1
385	412A1230-26	..PLATFORM-SPR		201967	1
		ATTACHING PARTS			
- 390	BACR15CE5M	..RIVET-		201967	2
		SIZE DETERMINED ON INSTL.			
		-----*-----			
395	412A1246-1A	..DOOR ASSY		201967	1
400	BACP18BC02A06P	...PIN		201967	2
405	MS20392-2C37	...PIN		201967	1
410	MS20392-2C59	...PIN		201967	1
415	MS51859-5	...WASHER		201967	4
420	412A1230-22	...TRIGGER		201967	1
425	412A1230-29	...HINGE-MCD DOOR		201967	2
430	412A1230-30	...HINGE-MCD DOOR		201967	2
435	412A1230-26	...PLATFORM-MCD DOOR		201967	1
440	412A1245-25	...DOOR		201967	1
445	412A1245-23	..RAIL		201967	1
450	412A1210-169A	.PANEL ASSY-		201967	1
		USED ON:			
		412A1200-111A			
450	412A1210-1169B	.PANEL ASSY-		201967	1
		USED ON:			
		412A1200-1111B			
455	SL2334-3A1	..INSERT-		201967	23
		SUPPLIER CODE:			
		V97393			
460	BCREF128023	..INSERT-		201967	6
		SUPPLIER CODE:			
		V97393			
		OVERLENGTH PART NUMBER:			
		SL603-3-375ASP13			
465	412A1211-123A	.PANEL ASSY-		201967	1
		USED ON:			
		412A1200-111A			
465	412A1211-1123B	.PANEL ASSY-		201967	1
		USED ON:			
		412A1200-1111B			

MISSING ITEM NUMBERS NOT APPLICABLE

- ITEM NOT ILLUSTRATED

HAP

25-24-32-81B

BOEING PROPRIETARY - Copyright © - Unpublished Work - See title page for details.

25-24-32
FIG. 81B
PAGE 8
OCT 15/08

BOEING
737-600/700/800/900
PARTS CATALOG (MAINTENANCE)

FIG ITEM	PART NUMBER	1 2 3 4 5 6 7	NOMENCLATURE	EFFECT FROM TO	UNITS PER ASSY
81B - 470	SL2334-3A1		.. INSERT- SUPPLIER CODE: V97393	201967	66
	475 412A1212-143A		. PANEL ASSY-END USED ON: 412A1200-111A	201967	1
	475 412A1212-1143B		. PANEL ASSY-END USED ON: 412A1200-1111B	201967	1
- 480	SL2334-3A1		.. INSERT- SUPPLIER CODE: V97393	201967	11
	485 412A1212-115A		. PANEL ASSY-END USED ON: 412A1200-111A	201967	1
	485 412A1212-1115B		. PANEL ASSY-END USED ON: 412A1200-1111B	201967	1
- 490	SL2334-3A1		.. INSERT- SUPPLIER CODE: V97393	201967	11

MISSING ITEM NUMBERS NOT APPLICABLE

- ITEM NOT ILLUSTRATED

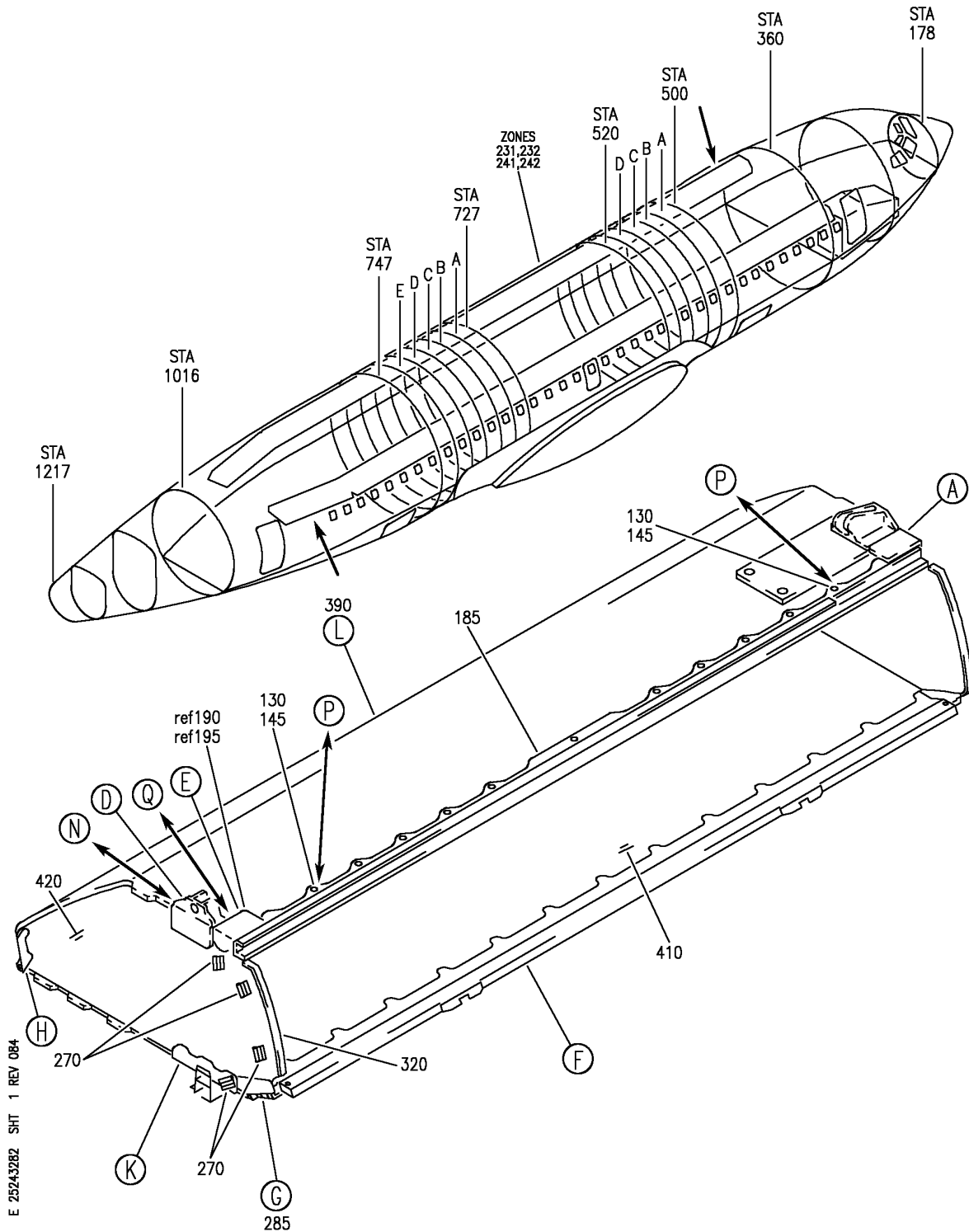
HAP

25-24-32-81B

BOEING PROPRIETARY - Copyright © - Unpublished Work - See title page for details.

25-24-32
FIG. 81B
PAGE 9
OCT 15/08

BOEING
 737-600/700/800/900
 PARTS CATALOG (MAINTENANCE)



E 25243282 SHT 1 REV 084

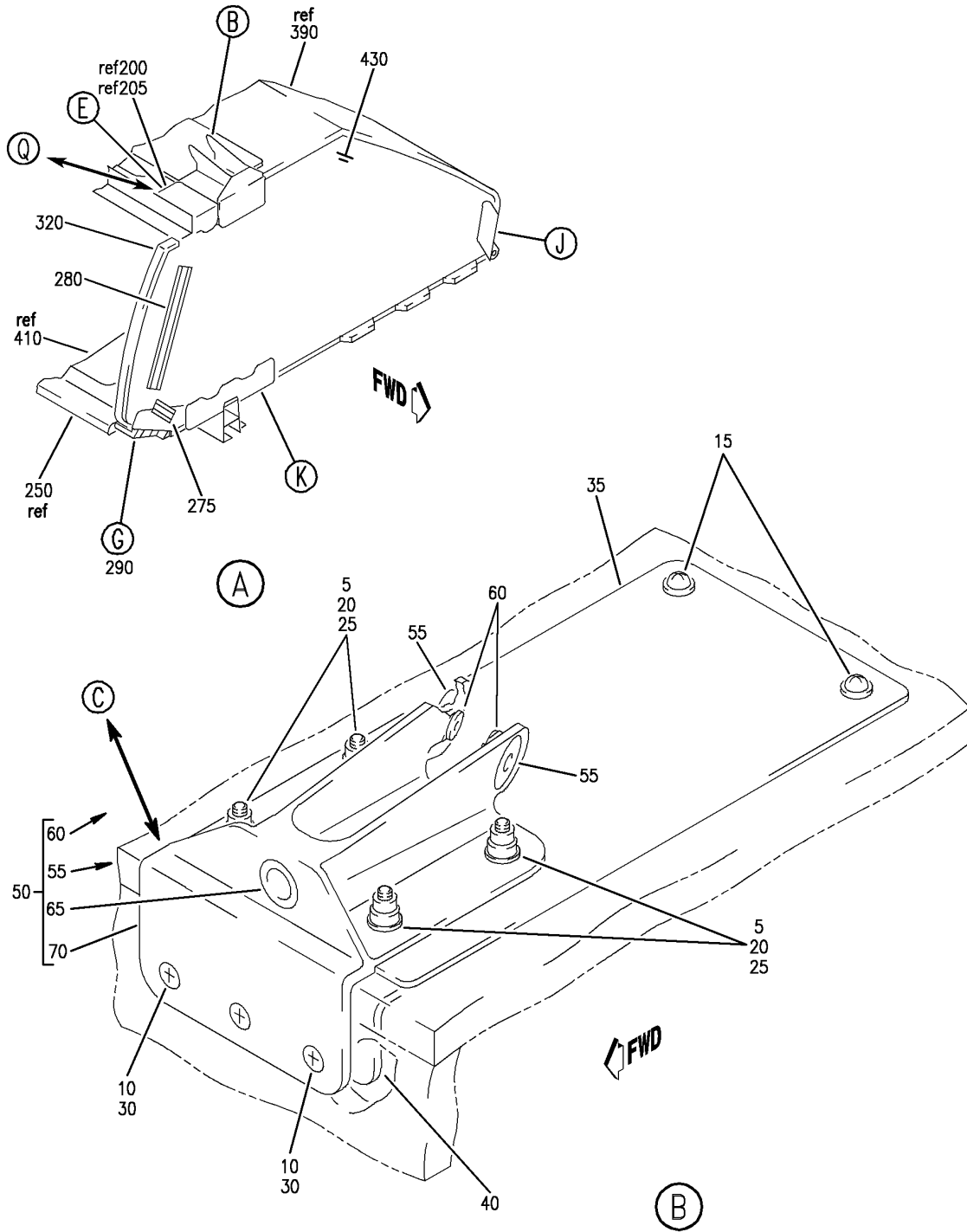
BOX ASSY-80 IN. BIN LH
 FIGURE 82 (SHEET 1)

25-24-32-82

HAP
 OCT 15/08

25-24-32-82
 PAGE 0


BOEING
 737-600/700/800/900
 PARTS CATALOG (MAINTENANCE)



E 25243282 SHT 2 REV 084

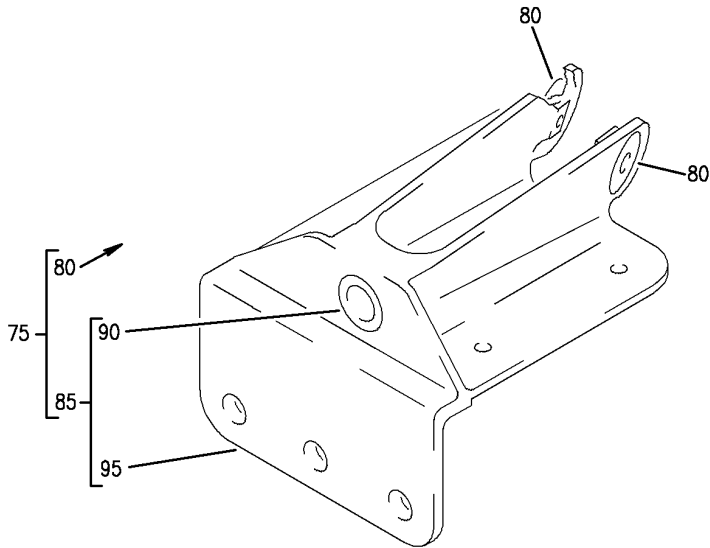
BOX ASSY-80 IN. BIN LH
 FIGURE 82 (SHEET 2)

25-24-32-82

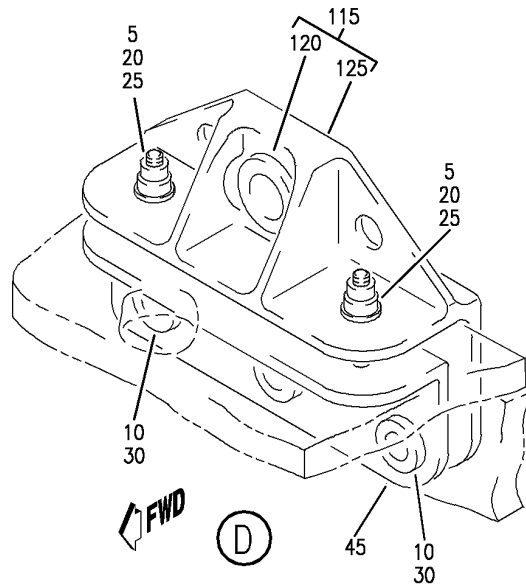
HAP
 OCT 15/08

25-24-32-82
 PAGE 0A

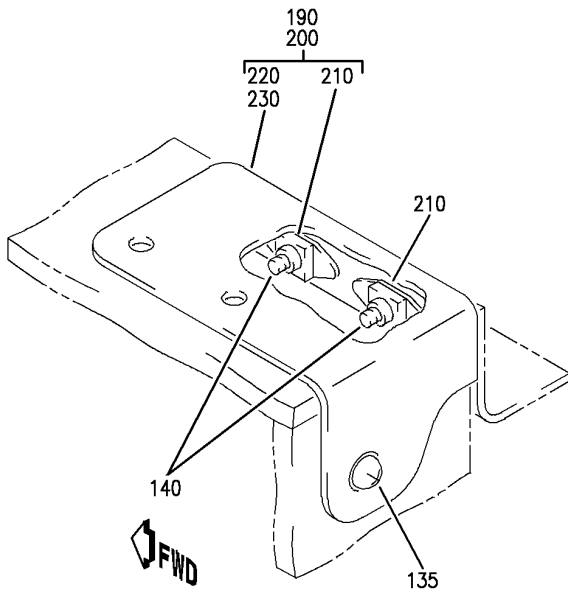
BOEING
 737-600/700/800/900
 PARTS CATALOG (MAINTENANCE)



(C)



(D)



(E)

E 25243282 SH1 3 REV 084

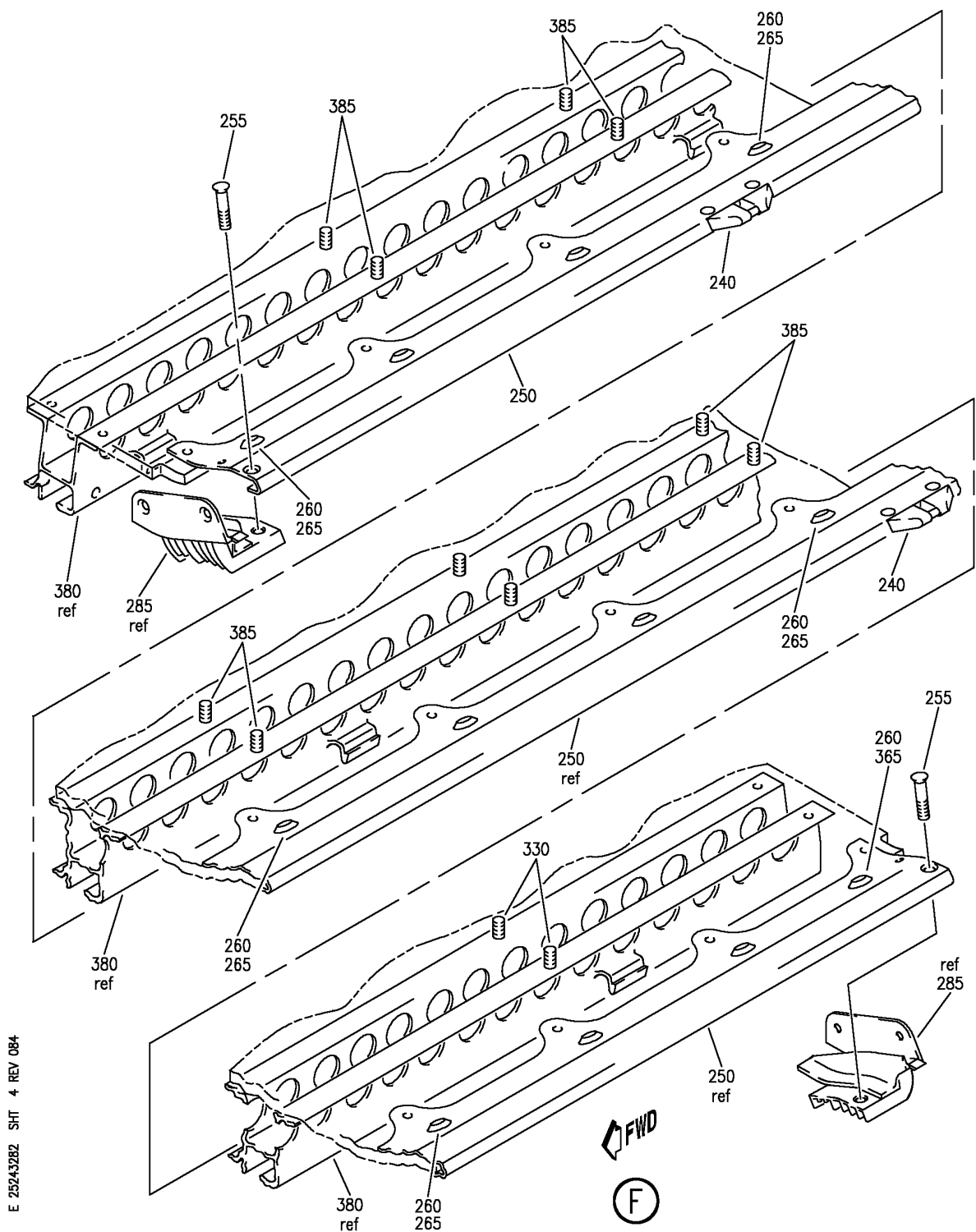
BOX ASSY-80 IN. BIN LH
 FIGURE 82 (SHEET 3)

25-24-32-82

HAP
 OCT 15/08

25-24-32-82
 PAGE 0B

BOEING
 737-600/700/800/900
 PARTS CATALOG (MAINTENANCE)



E 25243282 SH- 4 REV 084

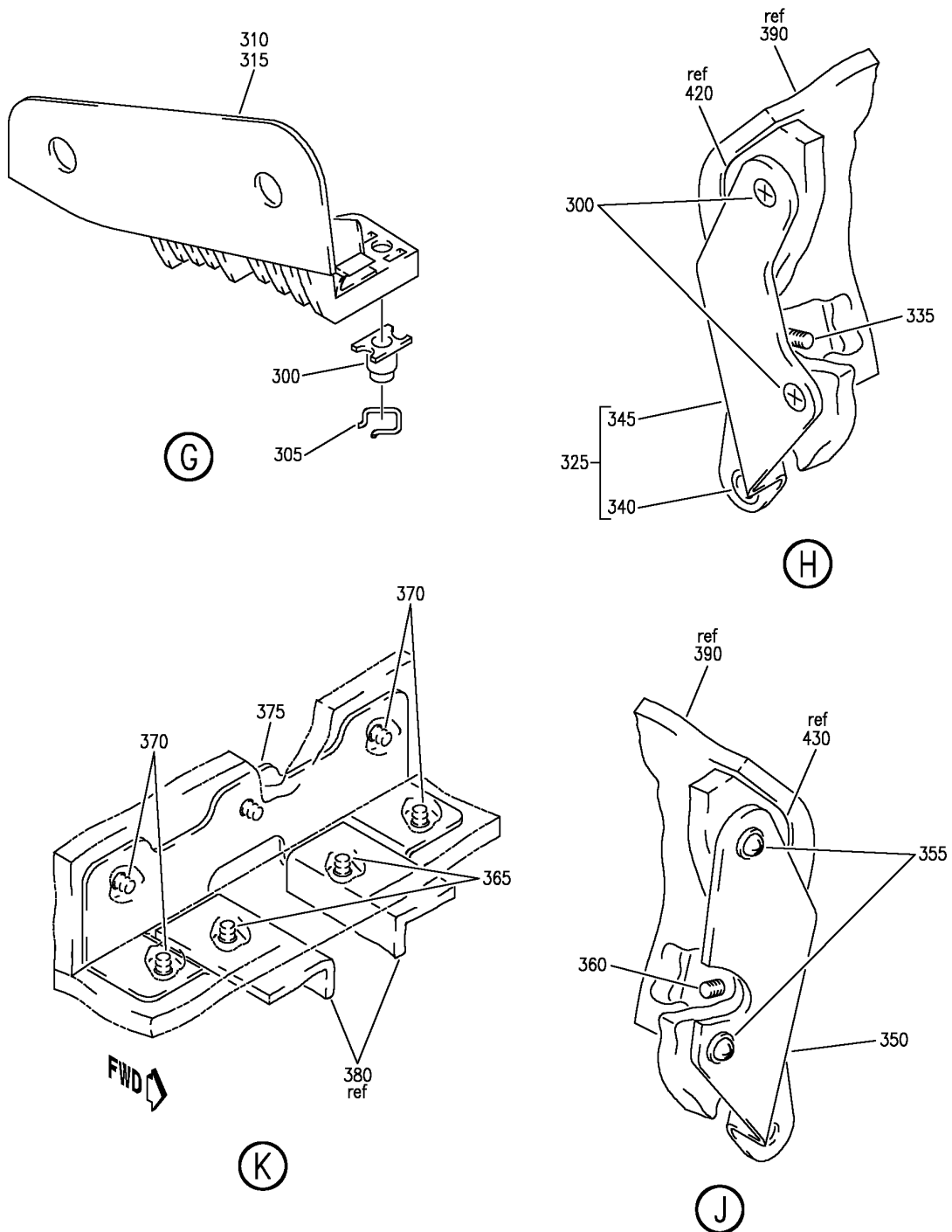
BOX ASSY-80 IN. BIN LH
 FIGURE 82 (SHEET 4)

25-24-32-82

HAP
 OCT 15/08

25-24-32-82
 PAGE 0C

BOEING
 737-600/700/800/900
 PARTS CATALOG (MAINTENANCE)



E 25243282 SH1 5 REV 084

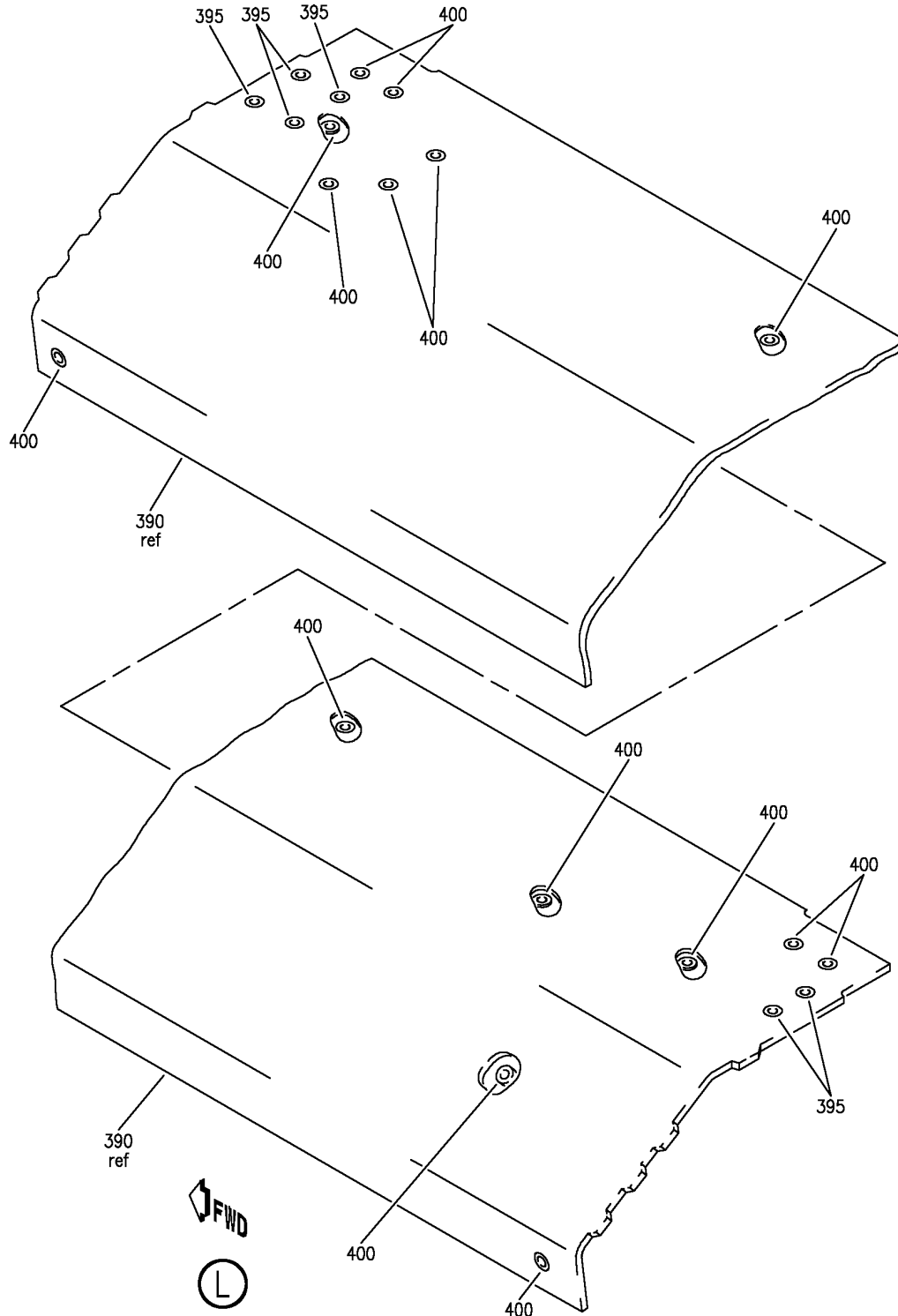
BOX ASSY-80 IN. BIN LH
 FIGURE 82 (SHEET 5)

25-24-32-82

HAP
 OCT 15/08

25-24-32-82
 PAGE 0D

BOEING
737-600/700/800/900
PARTS CATALOG (MAINTENANCE)



E 25243282 SHIT 6 REV 084

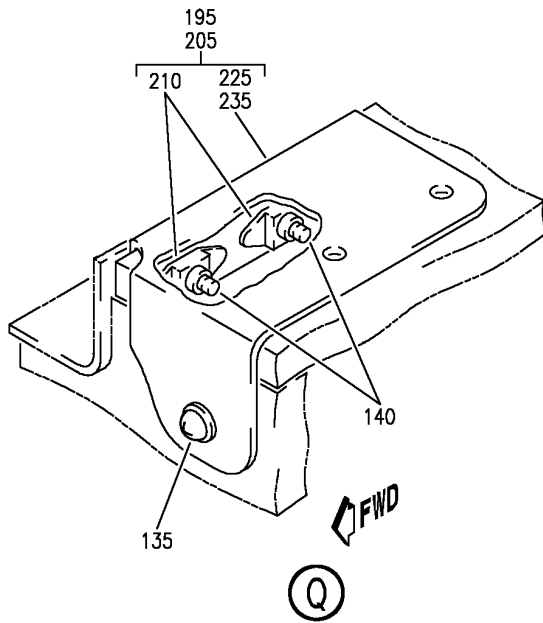
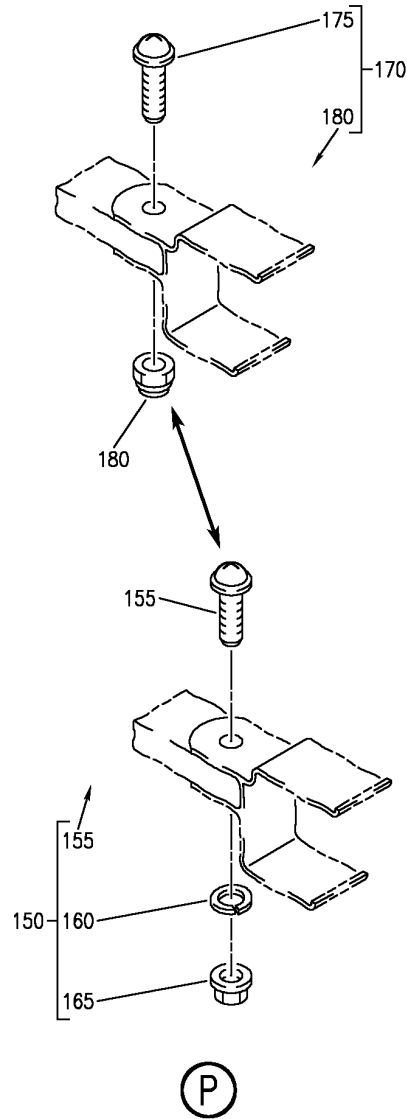
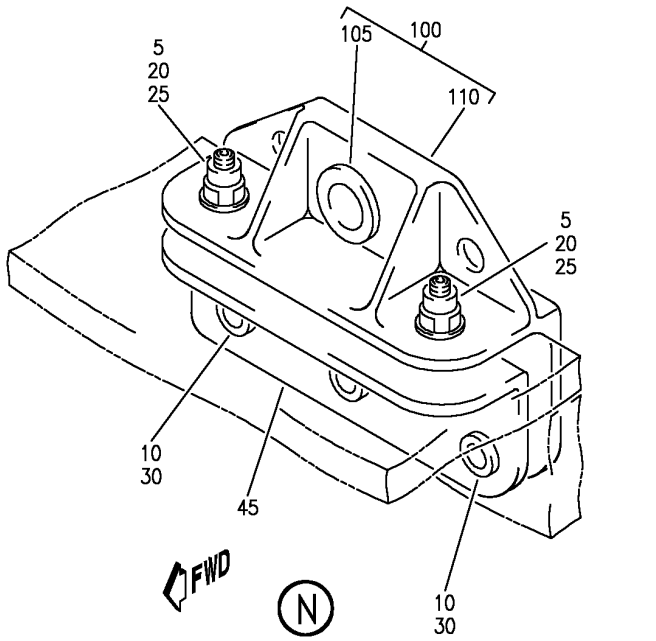
BOX ASSY-80 IN. BIN LH
 FIGURE 82 (SHEET 6)

25-24-32-82

HAP
 OCT 15/08

25-24-32-82
 PAGE 0E

BOEING
737-600/700/800/900
PARTS CATALOG (MAINTENANCE)



E 25243282 SH1 7 REV 084

BOX ASSY-80 IN. BIN LH
FIGURE 82 (SHEET 7)

25-24-32-82

HAP
OCT 15/08

25-24-32-82
PAGE OF

BOEING
737-600/700/800/900
PARTS CATALOG (MAINTENANCE)

FIG ITEM	PART NUMBER	1 2 3 4 5 6 7	NOMENCLATURE	EFFECT FROM TO	UNITS PER ASSY
82			BOX ASSY-80 IN. BIN LH	201967	
- 1	412A1200-107SP		BOX ASSY-80 IN. BIN POSITION DATA: LH OPTIONAL PART: 412A1200-1107SP FOR NHA SEE: 25-24-31-14C	202967	RF
- 1	412A1200-1107SP		BOX ASSY-80 IN. BIN POSITION DATA: LH OPTIONAL PART: 412A1200-107SP FOR NHA SEE: 25-24-31-14C	202967	RF
- 1	412A1200-107A		BOX ASSY-80 IN. BIN POSITION DATA: LH OPTIONAL PART: 412A1200-1107B FOR NHA SEE: 25-24-31-14C	201201	RF
- 1	412A1200-1107B		BOX ASSY-80 IN. BIN POSITION DATA: LH OPTIONAL PART: 412A1200-107A FOR NHA SEE: 25-24-31-14C	201201	RF

MISSING ITEM NUMBERS NOT APPLICABLE

- ITEM NOT ILLUSTRATED

HAP

25-24-32-82

BOEING PROPRIETARY - Copyright © - Unpublished Work - See title page for details.

25-24-32
FIG. 82
PAGE 1
OCT 15/08

BOEING
737-600/700/800/900
PARTS CATALOG (MAINTENANCE)

FIG ITEM	PART NUMBER	1 2 3 4 5 6 7	NOMENCLATURE	EFFECT FROM TO	UNITS PER ASSY
82 5	HL1012AZ6-10	.BOLT	SUPPLIER CODE: V97928 SPECIFICATION NUMBER: BACB30NX6K10 OPTIONAL PART: HL12VAZ6-10 V73197 HL12VAZ6-10 V92215 HL12VAZ6-10 V97928 L802-6K10 V06725 HL12VAZ6-10 V56878 HL1012AZ6-10 VOPTK6 HL1012AZ6-10 V06725 HL1012AZ6-10 V06950 HL1012AZ6-10 V17446 HL1012AZ6-10 V56878 HL1012AZ6-10 V60516 HL1012AZ6-10 V73197	201967	6
10	BACS12ER3K9	.SCREW		201967	6
15	BACS12FA3K4	.SCREW		201967	2
20	BACW10BP3NDP	.WASHER-	OPTIONAL PART: NAS1149D0363J	201967	6
20	NAS1149D0363J	.WASHER-	OPTIONAL PART: BACW10BP3NDP USED ON: 412A1200-1107SP 412A1200-1107B	201967	6

MISSING ITEM NUMBERS NOT APPLICABLE

— ITEM NOT ILLUSTRATED

HAP

25-24-32-82

BOEING PROPRIETARY - Copyright © - Unpublished Work - See title page for details.

25-24-32
FIG. 82
PAGE 2
OCT 15/08

BOEING
737-600/700/800/900
PARTS CATALOG (MAINTENANCE)

FIG ITEM	PART NUMBER	1 2 3 4 5 6 7	NOMENCLATURE	EFFECT FROM TO	UNITS PER ASSY
82					
25	HL1087-6	.	COLLAR- SUPPLIER CODE: V73197 SPECIFICATION NUMBER: BACC30BH6 OPTIONAL PART: HL1087-6 V56878 HL1087-6 V92215 HL1087-6 V9N513 BACC30BZ6	201967	6
25	HST1070CY6	.	COLLAR- SUPPLIER CODE: V5M902 SPECIFICATION NUMBER: BACC30BZ6 OPTIONAL PART: VLC1070CY6 V92215 HST1070CY6 V73197 BACC30BH6 USED ON: 412A1200-1107SP 412A1200-1107B	201967	6
30	SL5-3-50C	.	NUT- SUPPLIER CODE: V97393	201967	6
35	412A1220-11	.	DOUBLER-9G EXT	201967	1
40	412A1220-10A	.	DOUBLER-9G INTERNAL	201967	1
45	412A1220-39A	.	DOUBLER-INTERNAL	201967	1
50	412A1230-105	.	FITTING ASSY-DRAG OPTIONAL PART: 412A1230-151	201967	1
55	BACW10P273L	..	WASHER	201967	2
60	BACB28AT04B023C	..	BUSHING- OPTIONAL PART: NAS538B4P023	201967	2
60	NAS538B4P023	..	BUSHING- OPTIONAL PART: BACB28AT04B023C	201967	2
65	BCREF13195	..	BUSHING- OVERLENGTH PART NUMBER: BACB28AY06A035CG	201967	1
70	412A1230-107	..	FITTING	201967	1

MISSING ITEM NUMBERS NOT APPLICABLE

— ITEM NOT ILLUSTRATED

HAP

25-24-32-82

BOEING PROPRIETARY - Copyright © - Unpublished Work - See title page for details.

25-24-32
FIG. 82
PAGE 3
OCT 15/08

BOEING
737-600/700/800/900
PARTS CATALOG (MAINTENANCE)

FIG ITEM	PART NUMBER	1 2 3 4 5 6 7	NOMENCLATURE	EFFECT FROM TO	UNITS PER ASSY
82					
75	412A1230-151	.	FITTING ASSY-DRAG OPTIONAL PART: 412A1230-105 USED ON: 412A1200-107SP 412A1200-107A	201967	1
80	BACW10P273L	..	WASHER	201967	2
85	412A1230-3	..	FITTING ASSY	201967	1
90	BCREF13195	...	BUSHING- OVERLENGTH PART NUMBER: BACB28AY06A035CG	201967	1
95	412A1230-5	...	FITTING	201967	1
100	412A1230-201	.	FITTING ASSY- OPTIONAL PART: 412A1230-1 USED ON: 412A1200-1107SP 412A1200-1107B	201967	1
105	BCREF13195	..	BUSHING- OVERLENGTH PART NUMBER: BACB28AY06A035CG	201967	1
110	412A1230-202	..	FITTING- OPTIONAL PART: 412A1230-203	201967	1
110	412A1230-203	..	FITTING- OPTIONAL PART: 412A1230-202	201967	1
115	412A1230-1	.	FITTING ASSY- OPTIONAL PART: 412A1230-201	201967	1
120	BCREF13195	..	BUSHING- OVERLENGTH PART NUMBER: BACB28AY06A035CG	201967	1
125	412A1230-2	..	SUPPORT	201967	1
130	BACS12FA3K13	.	SCREW- USED ON: 412A1200-107SP 412A1200-107A	201967	11
135	BACS12FA3K4	.	SCREW	201967	2
140	BACS12FA3K7	.	SCREW	201967	4

MISSING ITEM NUMBERS NOT APPLICABLE

— ITEM NOT ILLUSTRATED

HAP

25-24-32-82

BOEING PROPRIETARY - Copyright © - Unpublished Work - See title page for details.

25-24-32
FIG. 82
PAGE 4
OCT 15/08

BOEING
737-600/700/800/900
PARTS CATALOG (MAINTENANCE)

FIG ITEM	PART NUMBER	1 2 3 4 5 6 7	NOMENCLATURE	EFFECT FROM TO	UNITS PER ASSY
82 145	F22K1-02	.NUT-	SUPPLIER CODE: V72962 SPECIFICATION NUMBER: BACN10R10L OPTIONAL PART: 22K1-02 V72962 26CLO2 V80539 USED ON: 412A1200-107SP 412A1200-107A	201967	11
150	412A1340-14	.FASTENER ASSY-KIT	OPTIONAL PART: 412A1340-15 USED ON: 412A1200-1107SP 412A1200-1107B	201967	11
155	BACS12FA3K12	..SCREW		201967	1
160	BACW10EC3S	..WASHER		201967	1
165	PLH53C	..NUT	SUPPLIER CODE: V62554 SPECIFICATION NUMBER: BACN10YR3C OPTIONAL PART: H52732-3C V15653	201967	1
170	412A1340-15	.FASTENER ASSY-KIT	OPTIONAL PART: 412A1340-14 USED ON: 412A1200-1107SP 412A1200-1107B	201967	11
175	BACS12FA3K13	..SCREW		201967	1
180	F22K1-02	..NUT	SUPPLIER CODE: V72962 SPECIFICATION NUMBER: BACN10R10L OPTIONAL PART: 22K1-02 V72962 26CLO2 V80539	201967	1
185	412A1247-1SP	.EXTRUSION-DOOR CLOSEOUT		202967	1
185	412A1247-1A	.EXTRUSION-DOOR CLOSEOUT		201201	1

MISSING ITEM NUMBERS NOT APPLICABLE

- ITEM NOT ILLUSTRATED

HAP

25-24-32-82

BOEING PROPRIETARY - Copyright © - Unpublished Work - See title page for details.

25-24-32
FIG. 82
PAGE 5
OCT 15/08

BOEING
737-600/700/800/900
PARTS CATALOG (MAINTENANCE)

FIG ITEM	PART NUMBER	1 2 3 4 5 6 7	NOMENCLATURE	EFFECT FROM TO	UNITS PER ASSY
82					
190	412A1220-6SP		.CORNER ASSY- OPTIONAL PART: 412A1220-210 412A1220-250	202967	1
190	412A1220-6A		.CORNER ASSY- OPTIONAL PART: 412A1220-210 412A1220-250	201201	1
190	412A1220-210		.CORNER ASSY- OPTIONAL PART: 412A1220-6SP 412A1220-6A 412A1220-250 USED ON: 412A1200-1107SP 412A1200-1107B	201967	1
195	412A1220-250		.CORNER ASSY- OPTIONAL PART: 412A1220-6SP 412A1220-6A 412A1220-210 USED ON: 412A1200-1107SP 412A1200-1107B	201967	1
200	412A1220-5SP		.CORNER ASSY- OPTIONAL PART: 412A1220-209 412A1220-249	202967	1
200	412A1220-5A		.CORNER ASSY- OPTIONAL PART: 412A1220-209 412A1220-249	201201	1
200	412A1220-209		.CORNER ASSY- OPTIONAL PART: 412A1220-5SP 412A1220-5A 412A1220-249 USED ON: 412A1200-1107SP 412A1200-1107B	201967	1
205	412A1220-249		.CORNER ASSY- OPTIONAL PART: 412A1220-5SP 412A1220-5A 412A1220-209 USED ON: 412A1200-1107SP 412A1200-1107B	201967	1

MISSING ITEM NUMBERS NOT APPLICABLE

— ITEM NOT ILLUSTRATED

HAP

25-24-32-82

BOEING PROPRIETARY - Copyright © - Unpublished Work - See title page for details.

25-24-32
FIG. 82
PAGE 6
OCT 15/08

BOEING
737-600/700/800/900
PARTS CATALOG (MAINTENANCE)

FIG ITEM	PART NUMBER	1 2 3 4 5 6 7	NOMENCLATURE	EFFECT FROM TO	UNITS PER ASSY
82 210	BRF200C3D		..NUTPLATE SUPPLIER CODE: V52828 SPECIFICATION NUMBER: BACN10JR3CFD OPTIONAL PART: K51602-3BAC V15653 NS202476-02 V80539 102F9201-3 V72962 T8092C1032CD V11815 ATTACHING PARTS	201967	2
- 215	BACR15CE3D		..RIVET- SIZE DETERMINED ON INSTL. -----*-----	201967	4
220	412A1220-8SP		..REINFORCEMENT- USED ON: 412A1220-6SP	202967	1
220	412A1220-8A		..REINFORCEMENT- USED ON: 412A1220-6A	201201	1
220	412A1220-212		..REINFORCEMENT- USED ON: 412A1220-210	201967	1
225	412A1220-252		..REINFORCEMENT- USED ON: 412A1220-250	201967	1
230	412A1220-7SP		..REINFORCEMENT- USED ON: 412A1220-5SP	202967	1
230	412A1220-7A		..REINFORCEMENT- USED ON: 412A1220-5A	201201	1
230	412A1220-211		..REINFORCEMENT- USED ON: 412A1220-209	201967	1
235	412A1220-251		..REINFORCEMENT- USED ON: 412A1220-249	201967	1
240	HA225-3		.STRIKE- SUPPLIER CODE: V83014 SPECIFICATION NUMBER: S412A001-6	201967	2

MISSING ITEM NUMBERS NOT APPLICABLE

- ITEM NOT ILLUSTRATED

HAP

25-24-32-82

BOEING PROPRIETARY - Copyright © - Unpublished Work - See title page for details.

25-24-32
FIG. 82
PAGE 7
OCT 15/08

BOEING
737-600/700/800/900
PARTS CATALOG (MAINTENANCE)

FIG ITEM	PART NUMBER	1 2 3 4 5 6 7	NOMENCLATURE	EFFECT FROM TO	UNITS PER ASSY
82 240	HA225-11		. STRIKE- SUPPLIER CODE: V83014 SPECIFICATION NUMBER: S412A001-16 ATTACHING PARTS	201967	2
- 245	BACS12ER08K5		. SCREW -----*-----	201967	4
250	412A1242-1		. EXTRUSION-SHELF ATTACHING PARTS	201967	1
255	BACS12ER3K6		. SCREW	201967	2
260	BACS12ER3K5		. SCREW	201967	12
265	H3-1233A3		. WASHER- SUPPLIER CODE: V34941 SPECIFICATION NUMBER: S411A001-1 -----*-----	201967	12
270	412A1450-21		. CLIP	201967	4
275	412A1252-5		. RETAINER	201967	1
280	412A1200-25		. CLIP-SEAL RETAINER	201967	1
285	412A1475-3SP		. FITTING ASSY-	202967	1
285	412A1475-3A		. FITTING ASSY-	201201	1
290	412A1475-4SP		. FITTING ASSY-	202967	1
290	412A1475-4A		. FITTING ASSY- ATTACHING PARTS	201201	1
- 295	BACS12ER3K5		. SCREW -----*-----	201967	4
300	BACN11F3-1CD		.. NUT	201967	1
305	NAS1795-3		.. CLIP	201967	1
310	412A1475-1SP		.. FITTING- USED ON: 412A1475-3SP 412A1475-3A	201967	1
315	412A1475-2SP		.. FITTING- USED ON: 412A1475-4SP 412A1475-4A	201967	1
320	412A1450-1SP		. TRIM-END PANEL	202967	2
320	412A1450-1A		. TRIM-END PANEL	201201	2
325	412A1230-7		. SUPPORT ASSY ATTACHING PARTS	201967	1
330	BACS12ER3K5		. SCREW- USED ON: 412A1200-1107SP 412A1200-1107B	201967	2

MISSING ITEM NUMBERS NOT APPLICABLE

- ITEM NOT ILLUSTRATED

HAP

25-24-32-82

25-24-32
FIG. 82
PAGE 8
OCT 15/08

BOEING
737-600/700/800/900
PARTS CATALOG (MAINTENANCE)

FIG ITEM	PART NUMBER	1 2 3 4 5 6 7	NOMENCLATURE	EFFECT FROM TO	UNITS PER ASSY
82					
330	BACS12ER3K6	.SCREW-	USED ON: 412A1200-107SP 412A1200-107A	201967	2
335	BACS12FA3K5	.SCREW	-----*-----	201967	1
340	BCREF13196	..BUSHING-	OVERLENGTH PART NUMBER: BACB28AT06A010CG	201967	1
345	412A1230-9	..SUPPORT		201967	1
350	412A1230-68	.FITTING	ATTACHING PARTS	201967	1
355	BACS12FA3K5	.SCREW-	USED ON: 412A1200-1107SP 412A1200-1107B	201967	2
355	BACS12FA3K6	.SCREW-	USED ON: 412A1200-107SP 412A1200-107A	201967	2
360	BACS12FA3K5	.SCREW	-----*-----	201967	1
365	BACS12FA3K5	.SCREW-	USED ON: 412A1200-1107SP 412A1200-1107B	201967	4
365	BACS12FA3K6	.SCREW-	USED ON: 412A1200-107SP 412A1200-107A	201967	4
370	BACS12FA3K4	.SCREW		201967	10
375	412A1220-9A	.ANGLE-	OPTIONAL PART: 412A1220-205	201967	2
375	412A1220-205	.ANGLE-	OPTIONAL PART: 412A1220-9A USED ON: 412A1200-1107SP 412A1200-1107B	201967	2
380	412A1245-1	.RAIL-MCD PSU	ATTACHING PARTS	201967	1
385	BACS12FA3K5	.SCREW	-----*-----	201967	12
390	412A1210-171SP	.PANEL ASSY-SHELL	USED ON: 412A1200-107SP	202967	1

MISSING ITEM NUMBERS NOT APPLICABLE

— ITEM NOT ILLUSTRATED

HAP

25-24-32-82

25-24-32
FIG. 82
PAGE 9
OCT 15/08

BOEING
737-600/700/800/900
PARTS CATALOG (MAINTENANCE)

FIG ITEM	PART NUMBER	1 2 3 4 5 6 7	NOMENCLATURE	EFFECT FROM TO	UNITS PER ASSY
82					
390	412A1210-171A	.	PANEL ASSY-SHELL USED ON: 412A1200-107A	201201	1
390	412A1210-1171B	.	PANEL ASSY-SHELL USED ON: 412A1200-1107B 412A1200-1107SP	201967	1
395	BCREF128023	..	INSERT- SUPPLIER CODE: V97393 OVERLENGTH PART NUMBER: SL603-3-375ASP13	201967	6
400	SL2334-3A1	..	INSERT- SUPPLIER CODE: V97393 USED ON: 412A1210-1171B	201967	15
410	412A1211-125SP	.	PANEL ASSY-SHELF USED ON: 412A1200-107SP	202967	1
410	412A1211-125A	.	PANEL ASSY-SHELF USED ON: 412A1200-107A	201201	1
410	412A1211-1125B	.	PANEL ASSY-SHELF USED ON: 412A1200-1107B 412A1200-1107SP	201967	1
- 415	SL2334-3A1	..	INSERT- SUPPLIER CODE: V97393	201967	46
420	412A1212-105SP	.	PANEL ASSY-END USED ON: 412A1200-107SP	202967	1
420	412A1212-105A	.	PANEL ASSY-END USED ON: 412A1200-107A	201201	1
420	412A1212-1105B	.	PANEL ASSY-END USED ON: 412A1200-1107B 412A1200-1107SP	201967	1
- 425	SL2334-3A1	..	INSERT- SUPPLIER CODE: V97393	201967	8
430	412A1212-107SP	.	PANEL ASSY-END USED ON: 412A1200-107SP	202967	1
430	412A1212-107A	.	PANEL ASSY-END USED ON: 412A1200-107A	201201	1

MISSING ITEM NUMBERS NOT APPLICABLE

- ITEM NOT ILLUSTRATED

HAP

25-24-32-82

25-24-32
FIG. 82
PAGE 10
OCT 15/08


BOEING
 737-600/700/800/900
PARTS CATALOG (MAINTENANCE)

FIG ITEM	PART NUMBER	1 2 3 4 5 6 7	NOMENCLATURE	EFFECT FROM TO	UNITS PER ASSY
82 430	412A1212-1107B		.PANEL ASSY-END USED ON: 412A1200-1107B 412A1200-1107SP	201967	1
- 435	SL2334-3A1		..INSERT- SUPPLIER CODE: V97393	201967	8

MISSING ITEM NUMBERS NOT APPLICABLE

- ITEM NOT ILLUSTRATED

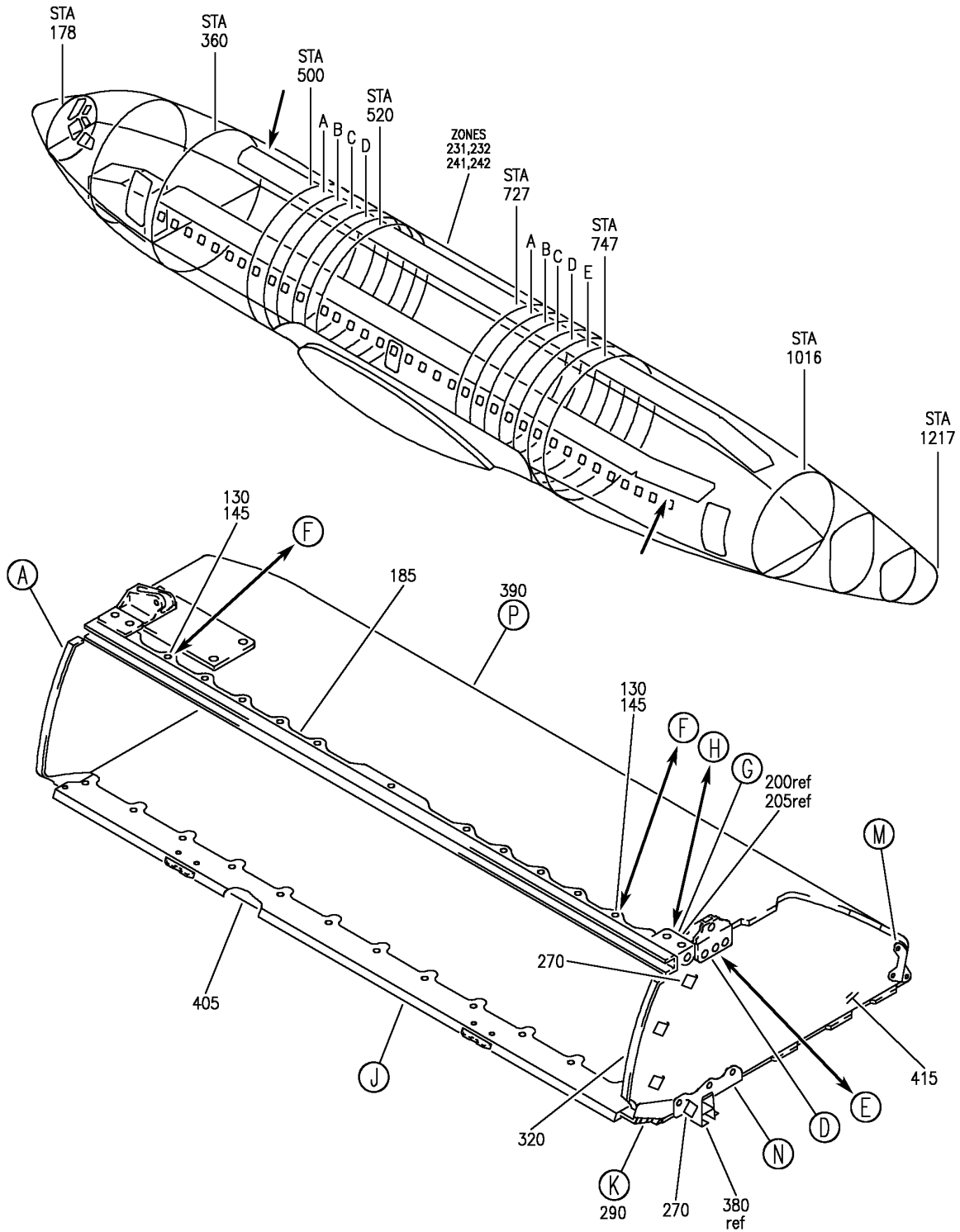
HAP

25-24-32-82

BOEING PROPRIETARY - Copyright © - Unpublished Work - See title page for details.

25-24-32
 FIG. 82
 PAGE 11
 OCT 15/08

BOEING
 737-600/700/800/900
 PARTS CATALOG (MAINTENANCE)



E 25243282E SHT 1 REV 084

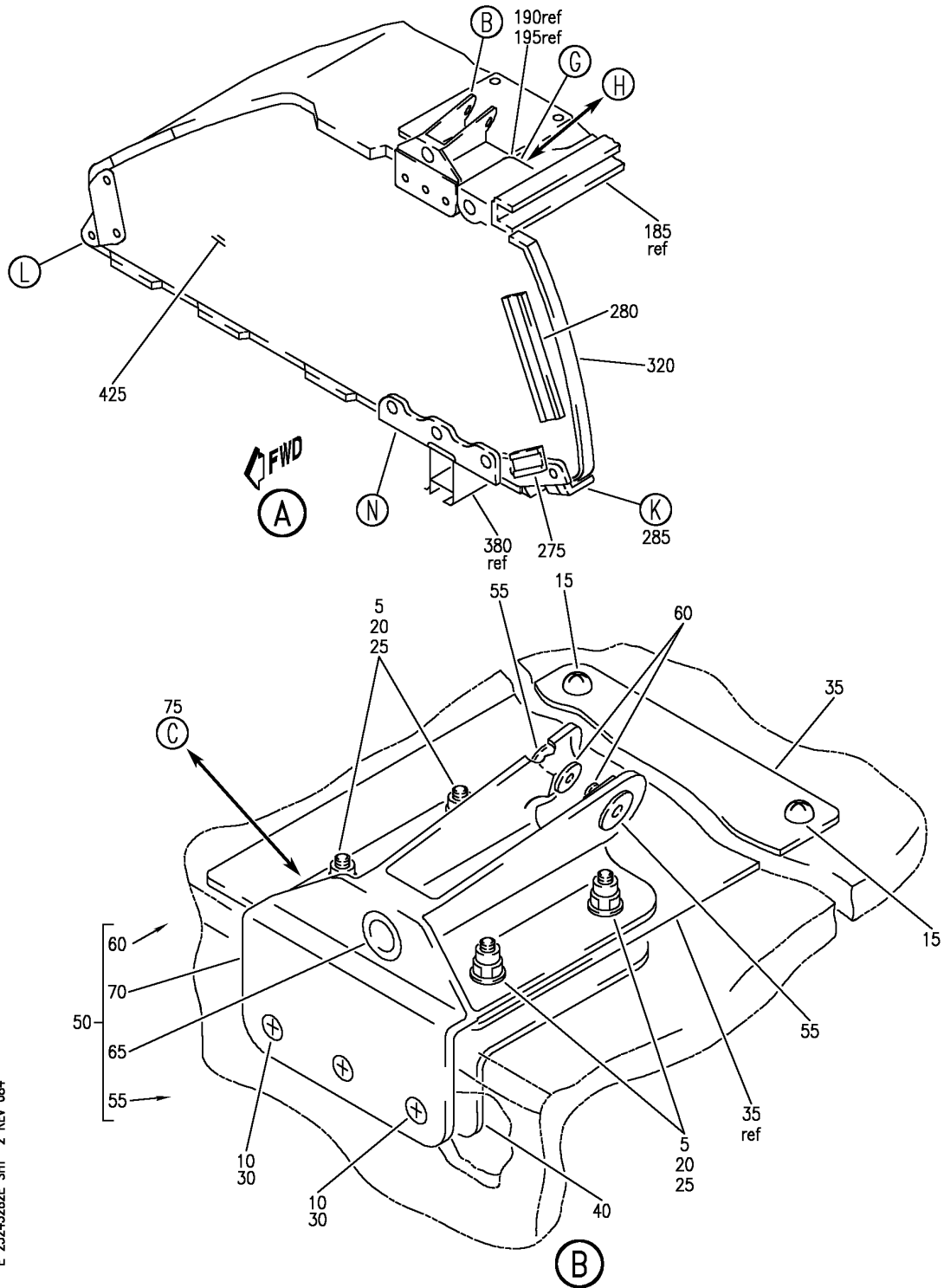
BOX ASSY-80 IN. BIN
 FIGURE 82E (SHEET 1)

25-24-32-82E

HAP
 OCT 15/08

25-24-32-82E
 PAGE 0

BOEING
 737-600/700/800/900
 PARTS CATALOG (MAINTENANCE)



E 25243282E SHT 2 REV 084

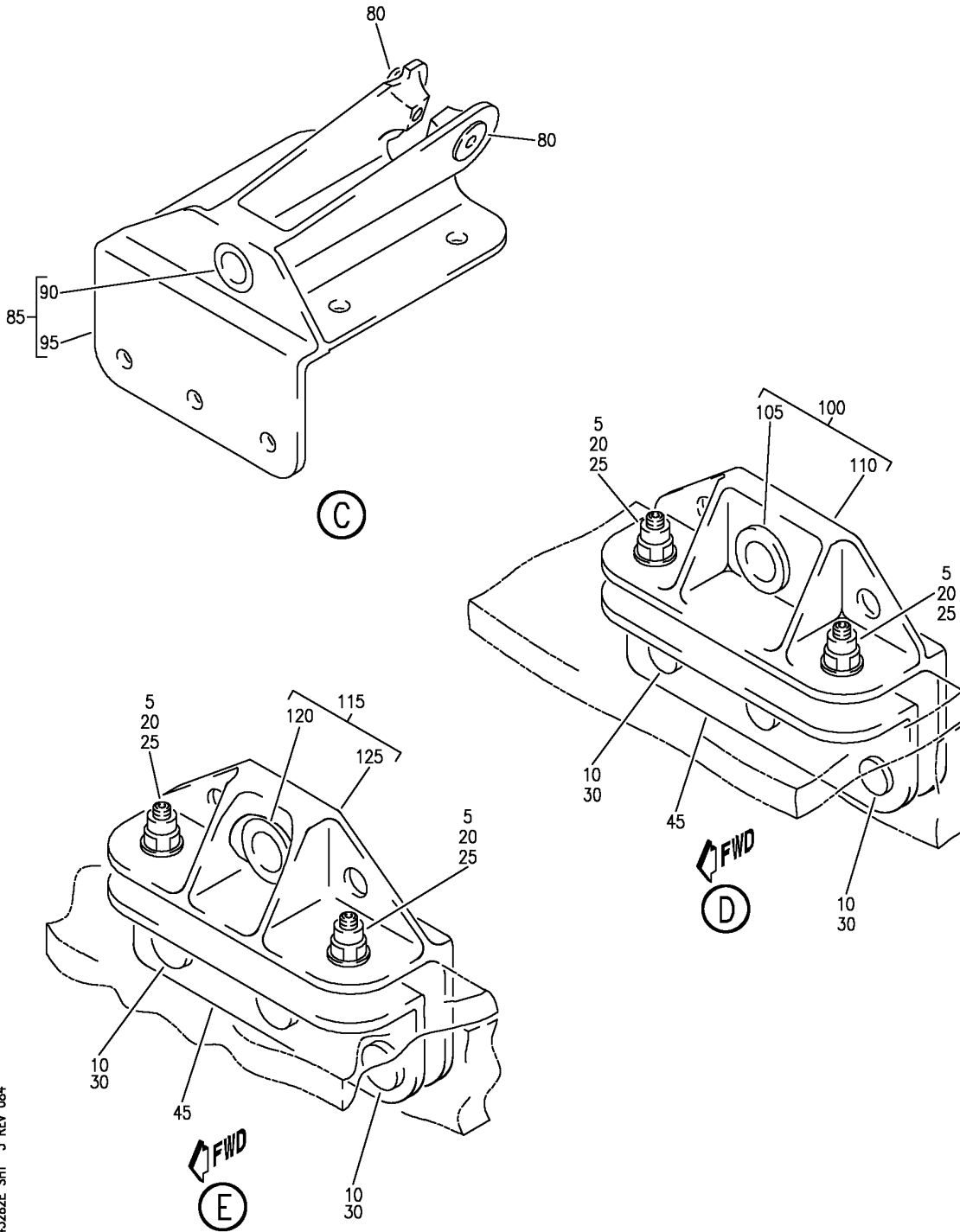
BOX ASSY-80 IN. BIN
 FIGURE 82E (SHEET 2)

25-24-32-82E

HAP
 OCT 15/08

25-24-32-82E
 PAGE 0A

BOEING
 737-600/700/800/900
 PARTS CATALOG (MAINTENANCE)



E 25243282E SHT 3 REV 084

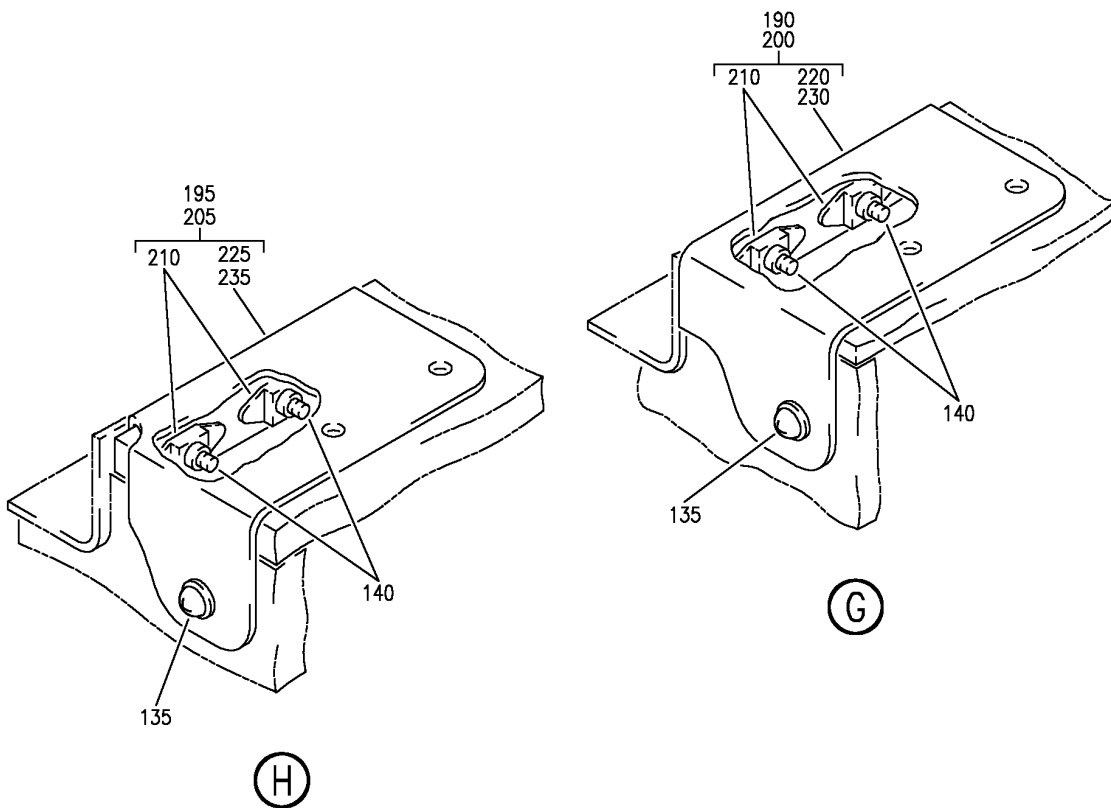
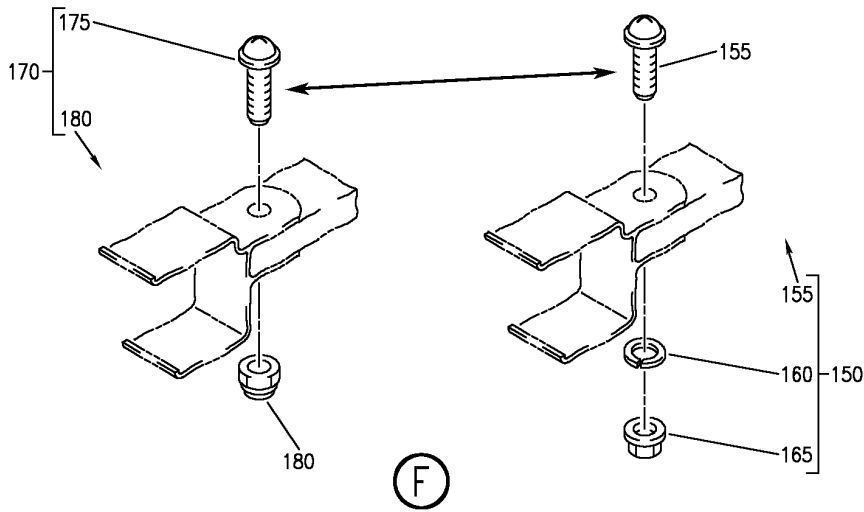
BOX ASSY-80 IN. BIN
 FIGURE 82E (SHEET 3)

25-24-32-82E

HAP
 OCT 15/08

25-24-32-82E
 PAGE 0B

BOEING
 737-600/700/800/900
 PARTS CATALOG (MAINTENANCE)



E 25243282E SHT 4 REV 084

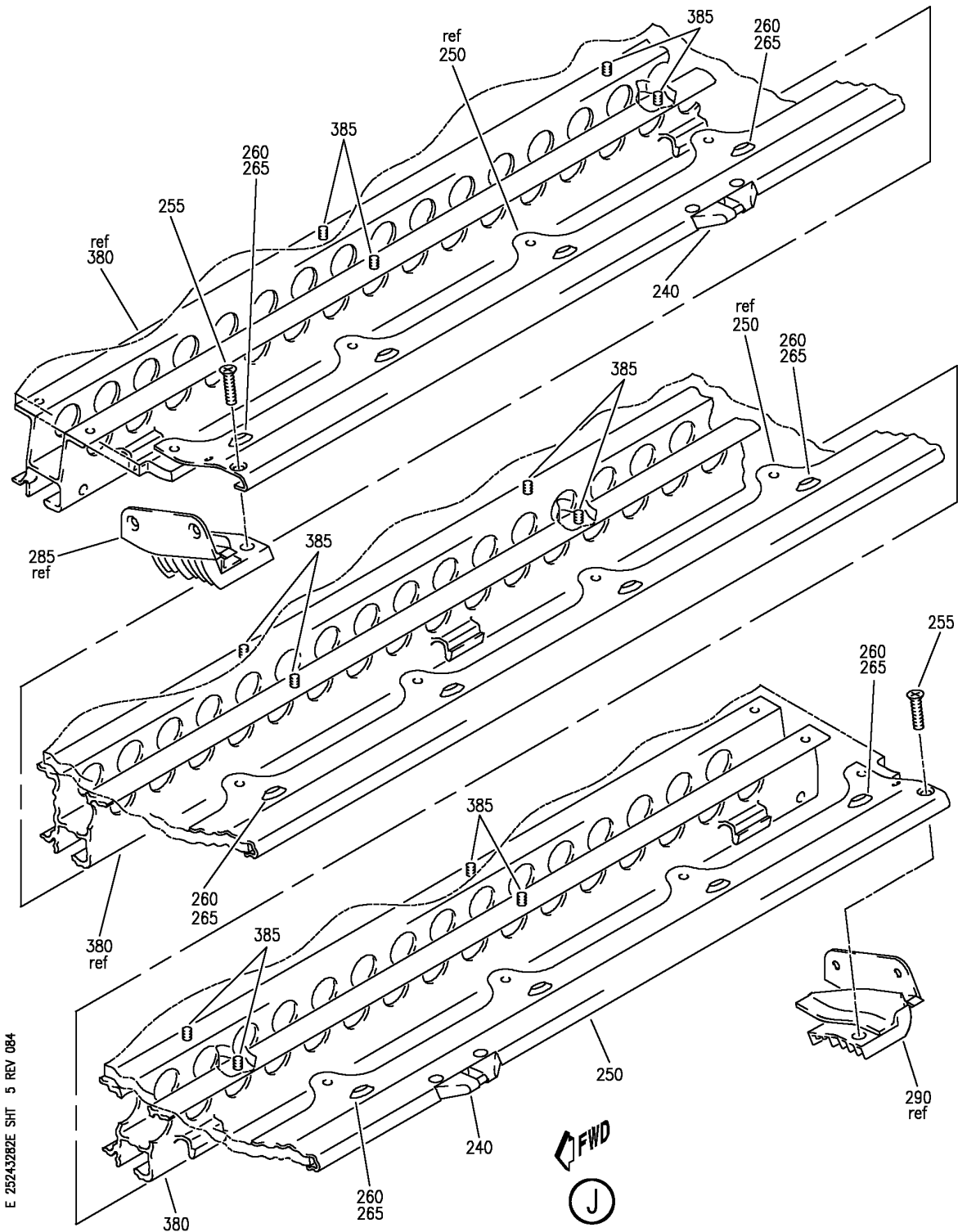
BOX ASSY-80 IN. BIN
 FIGURE 82E (SHEET 4)

25-24-32-82E

HAP
 OCT 15/08

25-24-32-82E
 PAGE 0C

BOEING
 737-600/700/800/900
 PARTS CATALOG (MAINTENANCE)



E 25243282E SHT 5 REV 084

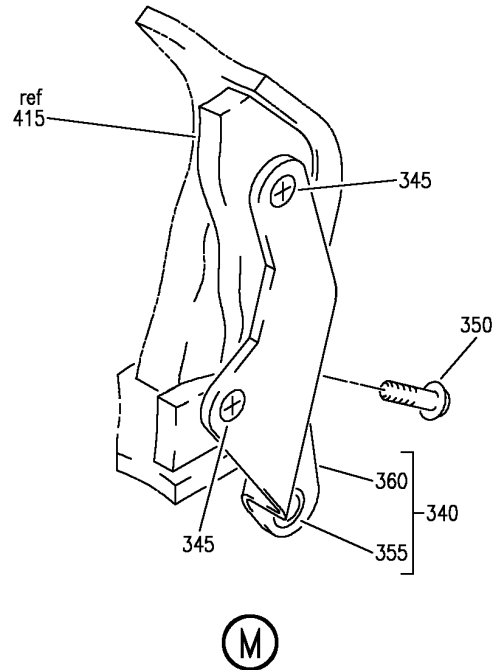
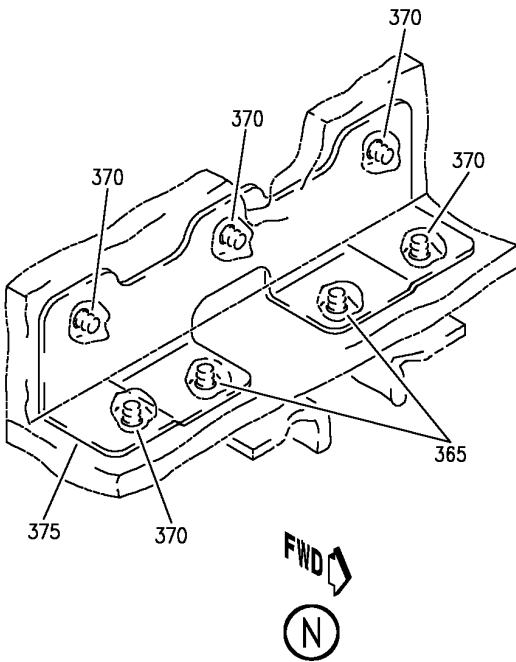
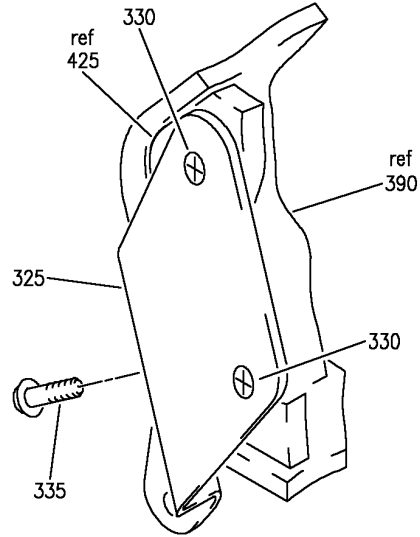
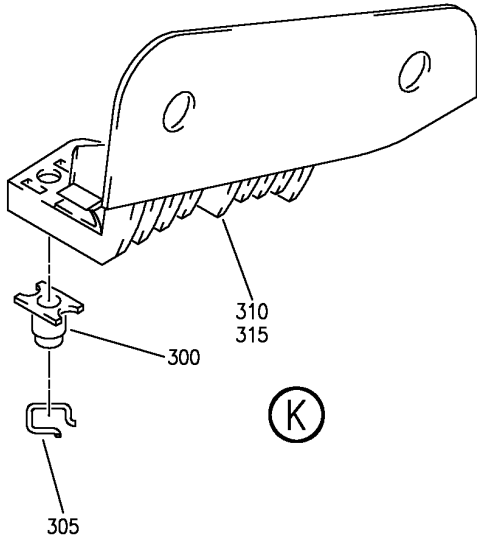
BOX ASSY-80 IN. BIN
 FIGURE 82E (SHEET 5)

25-24-32-82E

HAP
 OCT 15/08

25-24-32-82E
 PAGE 0D

BOEING
 737-600/700/800/900
 PARTS CATALOG (MAINTENANCE)



E 25243282E SHT 6 REV 084

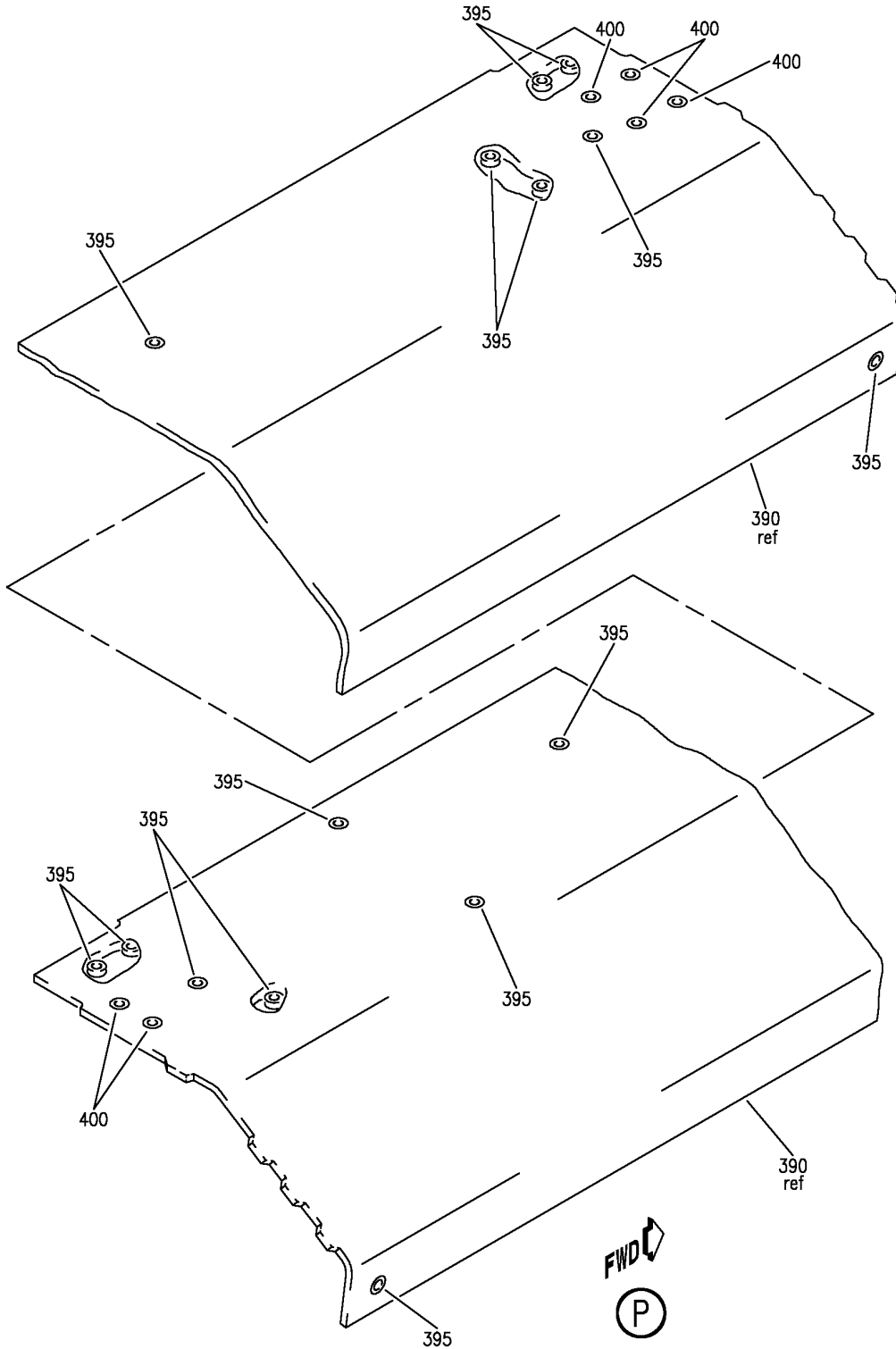
BOX ASSY-80 IN. BIN
 FIGURE 82E (SHEET 6)

25-24-32-82E

HAP
 OCT 15/08

25-24-32-82E
 PAGE 0E

BOEING
 737-600/700/800/900
 PARTS CATALOG (MAINTENANCE)



E 25243282E SHT 7 REV 084

BOX ASSY-80 IN. BIN
 FIGURE 82E (SHEET 7)

25-24-32-82E

HAP
 OCT 15/08

25-24-32-82E
 PAGE OF

BOEING
737-600/700/800/900
PARTS CATALOG (MAINTENANCE)

FIG ITEM	PART NUMBER	1 2 3 4 5 6 7	NOMENCLATURE	EFFECT FROM TO	UNITS PER ASSY
82E					
- 1	412A1200-108SP		BOX ASSY-80 IN. BIN BOX ASSY-80 IN. BIN OPTIONAL PART: 412A1200-1108SP FOR NHA SEE: 25-24-31-15D	201967 202967	RF
- 1	412A1200-108A		BOX ASSY-80 IN. BIN OPTIONAL PART: 412A1200-1108B FOR NHA SEE: 25-24-31-15G	201201	RF
- 1	412A1200-1108B		BOX ASSY-80 IN. BIN OPTIONAL PART: 412A1200-108A FOR NHA SEE: 25-24-31-15G	201201	RF
5	HL1012AZ6-10		.BOLT SUPPLIER CODE: V97928 SPECIFICATION NUMBER: BACB30NX6K10 OPTIONAL PART: HL12VAZ6-10 V73197 HL12VAZ6-10 V92215 HL12VAZ6-10 V97928 L802-6K10 V06725 HL12VAZ6-10 V56878 HL1012AZ6-10 VOPTK6 HL1012AZ6-10 V06725 HL1012AZ6-10 V06950 HL1012AZ6-10 V17446 HL1012AZ6-10 V56878 HL1012AZ6-10 V60516 HL1012AZ6-10 V73197	201967	6
10	BACS12ER3K9		.SCREW	201967	6
15	BACS12FA3K4		.SCREW	201967	2

MISSING ITEM NUMBERS NOT APPLICABLE

- ITEM NOT ILLUSTRATED

HAP

25-24-32-82E

BOEING PROPRIETARY - Copyright © - Unpublished Work - See title page for details.

25-24-32
FIG. 82E
PAGE 1
OCT 15/08

BOEING
737-600/700/800/900
PARTS CATALOG (MAINTENANCE)

FIG ITEM	PART NUMBER	1 2 3 4 5 6 7	NOMENCLATURE	EFFECT FROM TO	UNITS PER ASSY
82E					
20	BACW10BP3NDP	.	WASHER- OPTIONAL PART: NAS1149D0363J	201967	6
20	NAS1149D0363J	.	WASHER- OPTIONAL PART: BACW10BP3NDP USED ON: 412A1200-1108SP 412A1200-1108B	201967	6
25	HL1087-6	.	COLLAR- SUPPLIER CODE: V73197 SPECIFICATION NUMBER: BACC30BH6 OPTIONAL PART: HL1087-6 V56878 HL1087-6 V92215 HL1087-6 V9N513 BACC30BZ6	201967	6
25	HST1070CY6	.	COLLAR- SUPPLIER CODE: V5M902 SPECIFICATION NUMBER: BACC30BZ6 OPTIONAL PART: VLC1070CY6 V92215 HST1070CY6 V73197 BACC30BH6 USED ON: 412A1200-1108SP 412A1200-1108B	201201	6
30	SL5-3-50C	.	NUT- SUPPLIER CODE: V97393	201967	6
35	412A1220-11	.	DOUBLER-9G EXT	201967	1
40	412A1220-10A	.	DOUBLER-9G INTERNAL	201967	1
45	412A1220-39A	.	DOUBLER-INTERNAL	201967	1
50	412A1230-106	.	FITTING ASSY-DRAG OPTIONAL PART: 412A1230-152	201967	1
55	BACW10P273L	..	WASHER	201967	2
60	BACB28AT04B023C	..	BUSHING- OPTIONAL PART: NAS538B4P023	201967	2

MISSING ITEM NUMBERS NOT APPLICABLE

— ITEM NOT ILLUSTRATED

HAP

25-24-32-82E

BOEING PROPRIETARY - Copyright © - Unpublished Work - See title page for details.

25-24-32
FIG. 82E
PAGE 2
OCT 15/08

BOEING
737-600/700/800/900
PARTS CATALOG (MAINTENANCE)

FIG ITEM	PART NUMBER	1 2 3 4 5 6 7	NOMENCLATURE	EFFECT FROM TO	UNITS PER ASSY
82E					
60	NAS538B4P023	..	BUSHING- OPTIONAL PART: BACB28AT04B023C	201967	2
65	BCREF13195	..	BUSHING- OVERLENGTH PART NUMBER: BACB28AY06A035CG	201967	1
70	412A1230-108	..	FITTING	201967	1
75	412A1230-152	.FITTING ASSY-DRAG	OPTIONAL PART: 412A1230-106 USED ON: 412A1200-108SP 412A1200-108A	201967	1
80	BACW10P273L	..	WASHER	201967	2
85	412A1230-4	..	FITTING ASSY	201967	1
90	BCREF13195	...	BUSHING- OVERLENGTH PART NUMBER: BACB28AY06A035CG	201967	1
95	412A1230-6	...	FITTING	201967	1
100	412A1230-201	.FITTING ASSY-	OPTIONAL PART: 412A1230-1 USED ON: 412A1200-1108SP 412A1200-1108B	201201	1
105	BCREF13195	..	BUSHING- OVERLENGTH PART NUMBER: BACB28AY06A035CG	201201	1
110	412A1230-202	..	FITTING- OPTIONAL PART: 412A1230-203	201201	1
110	412A1230-203	..	FITTING- OPTIONAL PART: 412A1230-202	201201	1
115	412A1230-1	.FITTING ASSY-	OPTIONAL PART: 412A1230-201	201967	1
120	BCREF13195	..	BUSHING- OVERLENGTH PART NUMBER: BACB28AY06A035CG	201967	1
125	412A1230-2	..	SUPPORT	201967	1
130	BACS12FA3K13	.SCREW-	USED ON: 412A1200-108SP 412A1200-108A	201967	11
135	BACS12FA3K4	.SCREW		201967	2
140	BACS12FA3K7	.SCREW		201967	4

MISSING ITEM NUMBERS NOT APPLICABLE

- ITEM NOT ILLUSTRATED

HAP

25-24-32-82E

BOEING PROPRIETARY - Copyright © - Unpublished Work - See title page for details.

25-24-32
FIG. 82E
PAGE 3
OCT 15/08

BOEING
737-600/700/800/900
PARTS CATALOG (MAINTENANCE)

FIG ITEM	PART NUMBER	1 2 3 4 5 6 7	NOMENCLATURE	EFFECT FROM TO	UNITS PER ASSY
82 E 145	F22K1-02	.	NUT- SUPPLIER CODE: V72962 SPECIFICATION NUMBER: BACN10R10L OPTIONAL PART: 22K1-02 V72962 26CLO2 V80539 USED ON: 412A1200-108SP 412A1200-108A	201967	11
150	412A1340-14	.	FASTENER ASSY-KIT OPTIONAL PART: 412A1340-15 USED ON: 412A1200-1108SP 412A1200-1108B	201201	11
155	BACS12FA3K12	..	SCREW	201201	1
160	BACW10EC3S	..	WASHER	201201	1
165	PLH53C	..	NUT SUPPLIER CODE: V62554 SPECIFICATION NUMBER: BACN10YR3C OPTIONAL PART: H52732-3C V15653	201201	1
170	412A1340-15	.	FASTENER ASSY-KIT OPTIONAL PART: 412A1340-14 USED ON: 412A1200-1108SP 412A1200-1108B	201201	11
175	BACS12FA3K13	..	SCREW	201201	1
180	F22K1-02	..	NUT SUPPLIER CODE: V72962 SPECIFICATION NUMBER: BACN10R10L OPTIONAL PART: 22K1-02 V72962 26CLO2 V80539	201201	1
185	412A1247-1SP	.	EXTRUSION-DOOR CLOSEOUT	202967	1
185	412A1247-1A	.	EXTRUSION-DOOR CLOSEOUT	201201	1

MISSING ITEM NUMBERS NOT APPLICABLE

— ITEM NOT ILLUSTRATED

HAP

25-24-32-82E

BOEING PROPRIETARY - Copyright © - Unpublished Work - See title page for details.

25-24-32
FIG. 82E
PAGE 4
OCT 15/08

BOEING
737-600/700/800/900
PARTS CATALOG (MAINTENANCE)

FIG ITEM	PART NUMBER	1 2 3 4 5 6 7	NOMENCLATURE	EFFECT FROM TO	UNITS PER ASSY
82 E 190	412A1220-6SP		.CORNER ASSY- OPTIONAL PART: 412A1220-210 412A1220-250	202967	1
190	412A1220-6A		.CORNER ASSY- OPTIONAL PART: 412A1220-210 412A1220-250	201201	1
190	412A1220-210		.CORNER ASSY- OPTIONAL PART: 412A1220-6SP 412A1220-250 USED ON: 412A1200-1108SP 412A1200-1108B	201201	1
195	412A1220-250		.CORNER ASSY- OPTIONAL PART: 412A1220-6SP 412A1220-210 USED ON: 412A1200-1108SP 412A1200-1108B	201201	1
200	412A1220-5SP		.CORNER ASSY- OPTIONAL PART: 412A1220-209 412A1220-249	202967	1
200	412A1220-5A		.CORNER ASSY- OPTIONAL PART: 412A1220-209 412A1220-249	201201	1
200	412A1220-209		.CORNER ASSY- OPTIONAL PART: 412A1220-5SP 412A1220-249 USED ON: 412A1200-1108SP 412A1200-1108B	201201	1
205	412A1220-249		.CORNER ASSY- OPTIONAL PART: 412A1220-5SP 412A1220-209 USED ON: 412A1200-1108SP 412A1200-1108B	201201	1

MISSING ITEM NUMBERS NOT APPLICABLE

— ITEM NOT ILLUSTRATED

HAP

25-24-32-82E

BOEING PROPRIETARY - Copyright © - Unpublished Work - See title page for details.

25-24-32
FIG. 82E
PAGE 5
OCT 15/08

BOEING
737-600/700/800/900
PARTS CATALOG (MAINTENANCE)

FIG ITEM	PART NUMBER	1 2 3 4 5 6 7	NOMENCLATURE	EFFECT FROM TO	UNITS PER ASSY
82 E 210	BRF200C3D		..NUTPLATE SUPPLIER CODE: V52828 SPECIFICATION NUMBER: BACN10JR3CFD OPTIONAL PART: K51602-3BAC V15653 NS202476-02 V80539 102F9201-3 V72962 T8092C1032CD V11815 ATTACHING PARTS	201967	2
- 215	BACR15CE3D		..RIVET- SIZE DETERMINED ON INSTL. -----*-----	201967	4
220	412A1220-8A		..REINFORCEMENT- USED ON: 412A1220-6A	201967	1
220	412A1220-212		..REINFORCEMENT- USED ON: 412A1220-210	201201	1
225	412A1220-252		..REINFORCEMENT- USED ON: 412A1220-250	201201	1
230	412A1220-7A		..REINFORCEMENT- USED ON: 412A1220-5A	201967	1
230	412A1220-211		..REINFORCEMENT- USED ON: 412A1220-209	201201	1
235	412A1220-251		..REINFORCEMENT- USED ON: 412A1220-249	201201	1
240	HA225-3		.STRIKE- SUPPLIER CODE: V83014 SPECIFICATION NUMBER: S412A001-6	201967	2
240	HA225-11		.STRIKE- SUPPLIER CODE: V83014 SPECIFICATION NUMBER: S412A001-16 ATTACHING PARTS	201967	2
- 245	BACS12ER08K5		.SCREW -----*-----	201967	4

MISSING ITEM NUMBERS NOT APPLICABLE

- ITEM NOT ILLUSTRATED

HAP

25-24-32-82E

BOEING PROPRIETARY - Copyright © - Unpublished Work - See title page for details.

25-24-32
FIG. 82E
PAGE 6
OCT 15/08

BOEING
737-600/700/800/900
PARTS CATALOG (MAINTENANCE)

FIG ITEM	PART NUMBER	1 2 3 4 5 6 7	NOMENCLATURE	EFFECT FROM TO	UNITS PER ASSY
82E					
250	412A1242-1	.	EXTRUSION-SHELF ATTACHING PARTS	201967	1
255	BACS12ER3K6	.	SCREW	201967	2
260	BACS12ER3K5	.	SCREW	201967	12
265	H3-1233A3	.	WASHER-	201967	12
			SUPPLIER CODE: V34941		
			SPECIFICATION NUMBER: S411A001-1		
			-----*-----		
270	412A1450-21	.	CLIP	201967	4
275	412A1252-5	.	RETAINER	201967	1
280	412A1200-25	.	CLIP-SEAL RTNR	201967	1
285	412A1475-3SP	.	FITTING ASSY	202967	1
285	412A1475-3A	.	FITTING ASSY	201201	1
290	412A1475-4SP	.	FITTING ASSY	202967	1
290	412A1475-4A	.	FITTING ASSY	201201	1
			ATTACHING PARTS		
- 295	BACS12ER3K5	.	SCREW	201967	4
			-----*-----		
300	BACN11F3-1CD	..	NUT	201967	1
305	NAS1795-3	..	CLIP	201967	1
310	412A1475-1A	..	FITTING-	201967	1
			USED ON: 412A1475-3A		
315	412A1475-2A	..	FITTING-	201967	1
			USED ON: 412A1475-4A		
320	412A1450-1SP	.	TRIM-END PANEL	202967	2
320	412A1450-1A	.	TRIM-END PANEL	201201	2
325	412A1230-67	.	FITTING	201967	1
			ATTACHING PARTS		
330	BACS12FA3K5	.	SCREW-	201201	2
			USED ON: 412A1200-1108SP 412A1200-1108B		
330	BACS12ER3K6	.	SCREW-	201967	2
			USED ON: 412A1200-108SP 412A1200-108A		
335	BACS12FA3K5	.	SCREW	201967	1
			-----*-----		
340	412A1230-8	.	SUPPORT ASSY-DRAG	201967	1
			ATTACHING PARTS		
345	BACS12ER3K5	.	SCREW-	201201	2
			USED ON: 412A1200-1108SP 412A1200-1108B		

MISSING ITEM NUMBERS NOT APPLICABLE

- ITEM NOT ILLUSTRATED

HAP

25-24-32-82E

BOEING PROPRIETARY - Copyright © - Unpublished Work - See title page for details.

25-24-32
FIG. 82E
PAGE 7
OCT 15/08

BOEING
737-600/700/800/900
PARTS CATALOG (MAINTENANCE)

FIG ITEM	PART NUMBER	1 2 3 4 5 6 7	NOMENCLATURE	EFFECT FROM TO	UNITS PER ASSY
82E 345	BACS12ER3K6	.SCREW-	USED ON: 412A1200-108SP 412A1200-108A	201967	2
350	BACS12FA3K5	.SCREW	-----*-----	201967	1
355	BCREF13196	..BUSHING-	OVERLENGTH PART NUMBER: BACB28AT06A010CG	201967	1
360	412A1230-10	..SUPPORT		201967	1
365	BACS12FA3K6	.SCREW-	USED ON: 412A1200-108SP 412A1200-108A	201967	4
365	BACS12FA3K5	.SCREW-	USED ON: 412A1200-1108SP 412A1200-1108B	201201	4
370	BACS12FA3K4	.SCREW		201967	10
375	412A1220-9A	.ANGLE-	OPTIONAL PART: 412A1220-205	201967	2
375	412A1220-205	.ANGLE-	OPTIONAL PART: 412A1220-9A USED ON: 412A1200-1108SP 412A1200-1108B	201201	2
380	412A1245-1	.RAIL-MCD PSU	ATTACHING PARTS	201967	1
385	BACS12FA3K5	.SCREW	-----*-----	201967	12
390	412A1210-172SP	.PANEL ASSY-	USED ON: 412A1200-108SP	202967	1
390	412A1210-172A	.PANEL ASSY-	USED ON: 412A1200-108A	201201	1
390	412A1210-1172B	.PANEL ASSY-	USED ON: 412A1200-1108B	201201	1
395	SL2334-3A1	..INSERT-	SUPPLIER CODE: V97393	201967	15
400	BCREF128023	..INSERT-	SUPPLIER CODE: V97393 OVERLENGTH PART NUMBER: SL603-3-375ASP13	201967	6

MISSING ITEM NUMBERS NOT APPLICABLE

— ITEM NOT ILLUSTRATED

HAP

25-24-32-82E

BOEING PROPRIETARY - Copyright © - Unpublished Work - See title page for details.

25-24-32
FIG. 82E
PAGE 8
OCT 15/08

BOEING
737-600/700/800/900
PARTS CATALOG (MAINTENANCE)

FIG ITEM	PART NUMBER	1 2 3 4 5 6 7	NOMENCLATURE	EFFECT FROM TO	UNITS PER ASSY
82 E					
405	412A1211-126SP		.PANEL ASSY-SHELF USED ON: 412A1200-108SP	202967	1
405	412A1211-126A		.PANEL ASSY-SHELF USED ON: 412A1200-108A	201201	1
405	412A1211-1126B		.PANEL ASSY-SHELF USED ON: 412A1200-1108B	201201	1
- 410	SL2334-3A1		..INSERT- SUPPLIER CODE: V97393	201967	46
415	412A1212-106SP		.PANEL ASSY-END USED ON: 412A1200-108SP	202967	1
415	412A1212-106A		.PANEL ASSY-END USED ON: 412A1200-108A	201201	1
415	412A1212-1106B		.PANEL ASSY-END USED ON: 412A1200-1108B	201201	1
- 420	SL2334-3A1		..INSERT- SUPPLIER CODE: V97393	201967	8
425	412A1212-108SP		.PANEL ASSY-END USED ON: 412A1200-108SP	202967	1
425	412A1212-108A		.PANEL ASSY-END USED ON: 412A1200-108A	201201	1
425	412A1212-1108B		.PANEL ASSY-END USED ON: 412A1200-1108B	201201	1
- 430	SL2334-3A1		..INSERT- SUPPLIER CODE: V97393	201967	8

MISSING ITEM NUMBERS NOT APPLICABLE

- ITEM NOT ILLUSTRATED

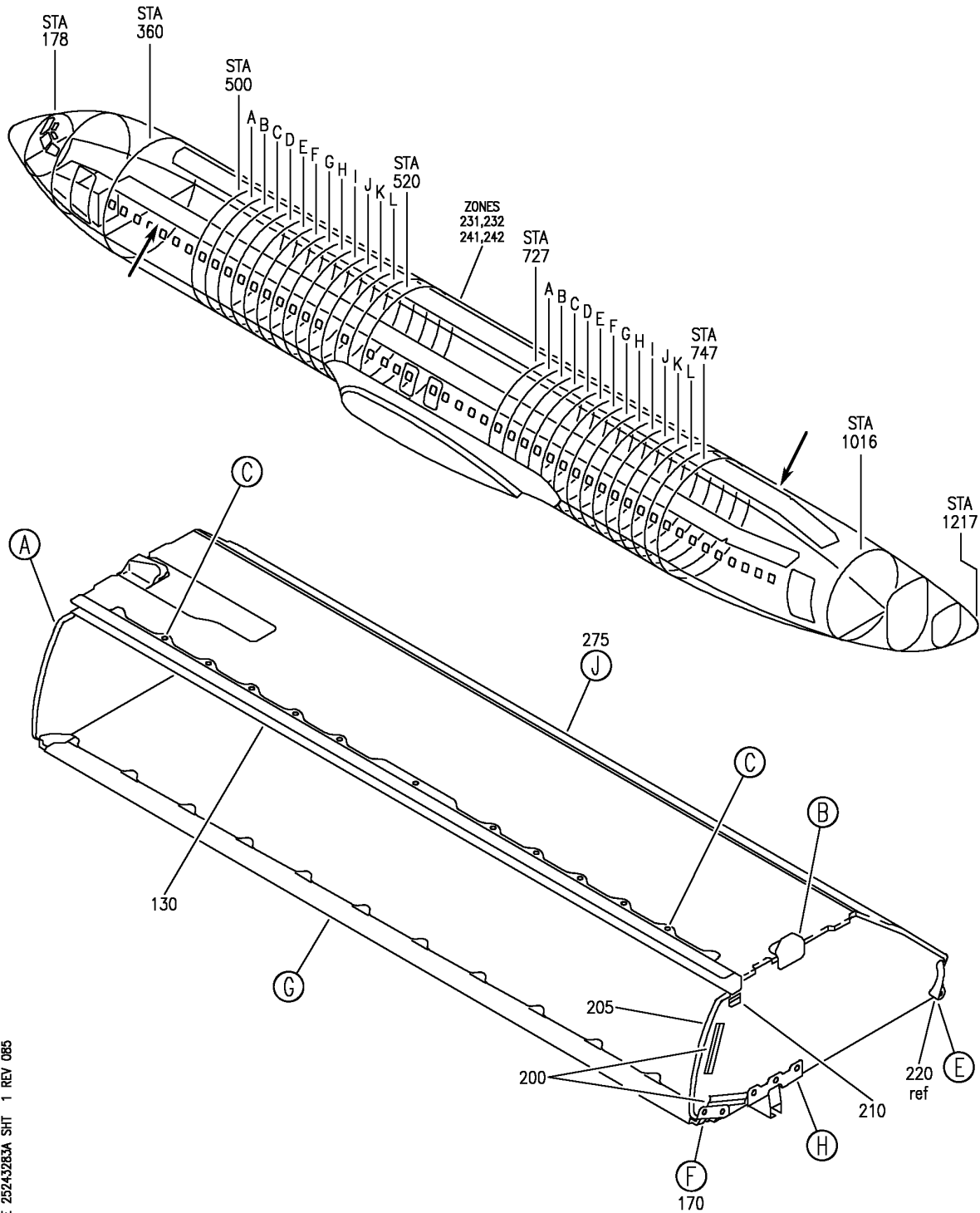
HAP

25-24-32-82E

BOEING PROPRIETARY - Copyright © - Unpublished Work - See title page for details.

25-24-32
FIG. 82E
PAGE 9
OCT 15/08

BOEING
 737-600/700/800/900
 PARTS CATALOG (MAINTENANCE)



E 25243283A SHT 1 REV 085

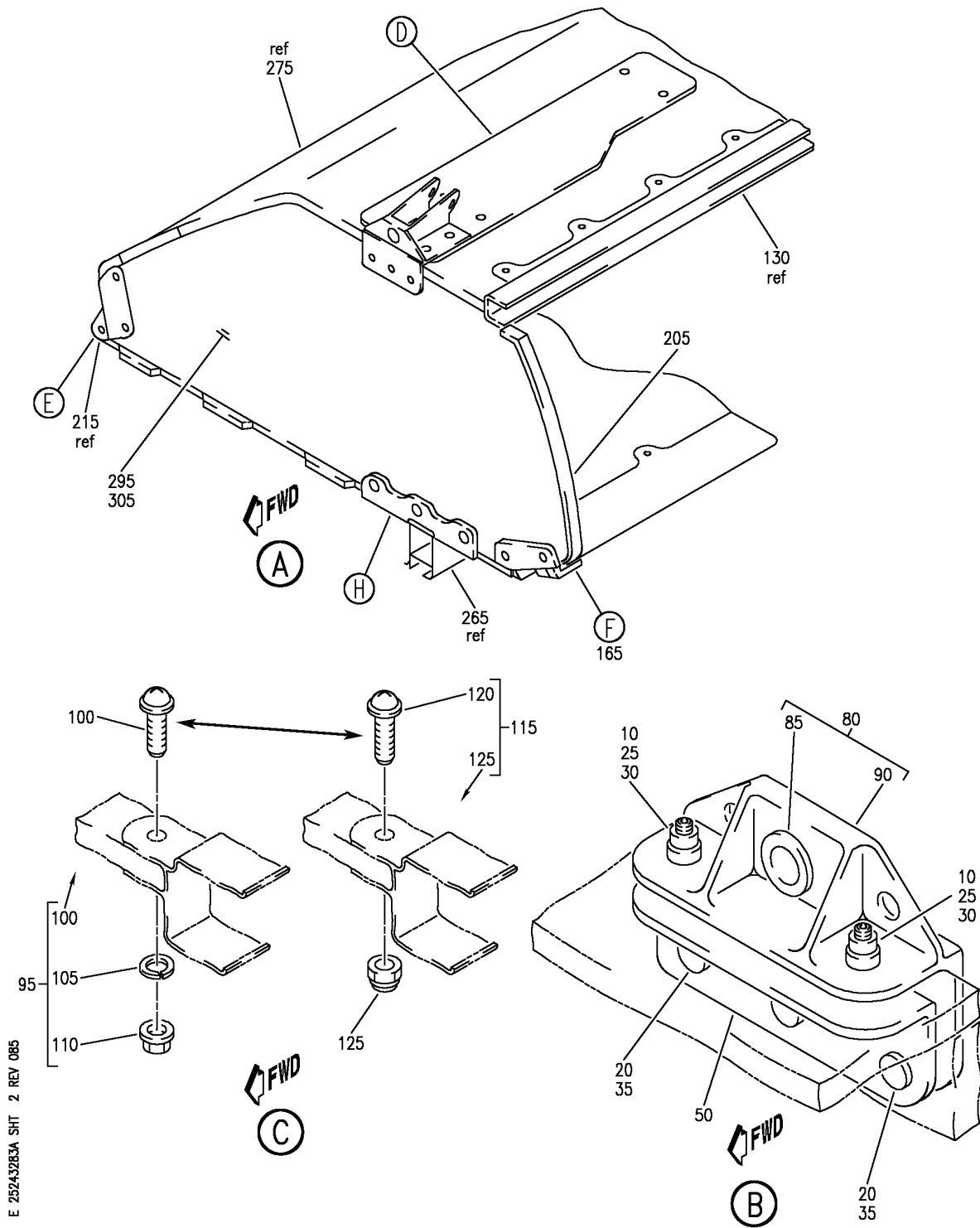
BOX ASSY-RH 80 IN. BIG BIN
 FIGURE 83A (SHEET 1)

25-24-32-83A

HAP
 OCT 10/07

25-24-32-83A
 PAGE 0

BOEING
 737-600/700/800/900
 PARTS CATALOG (MAINTENANCE)



E 25243283A SHT 2 REV 085

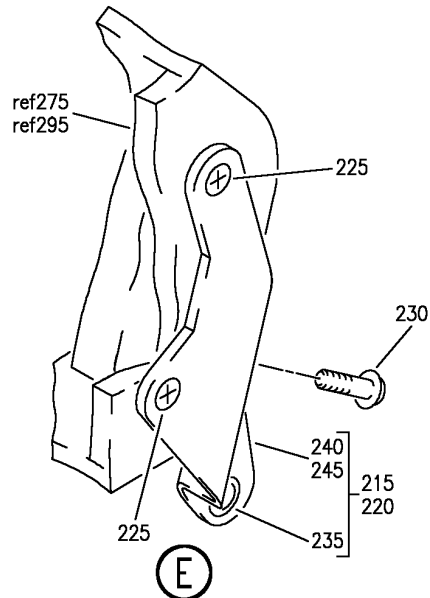
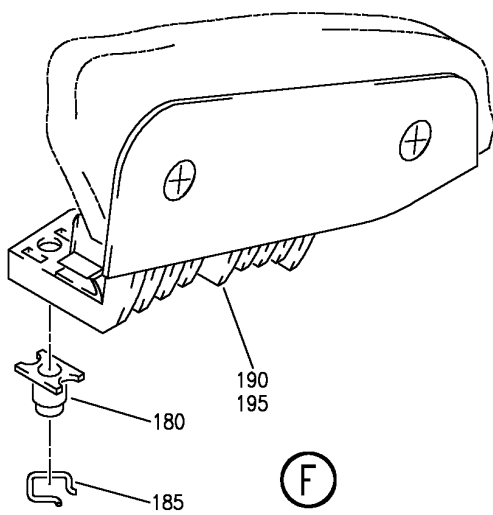
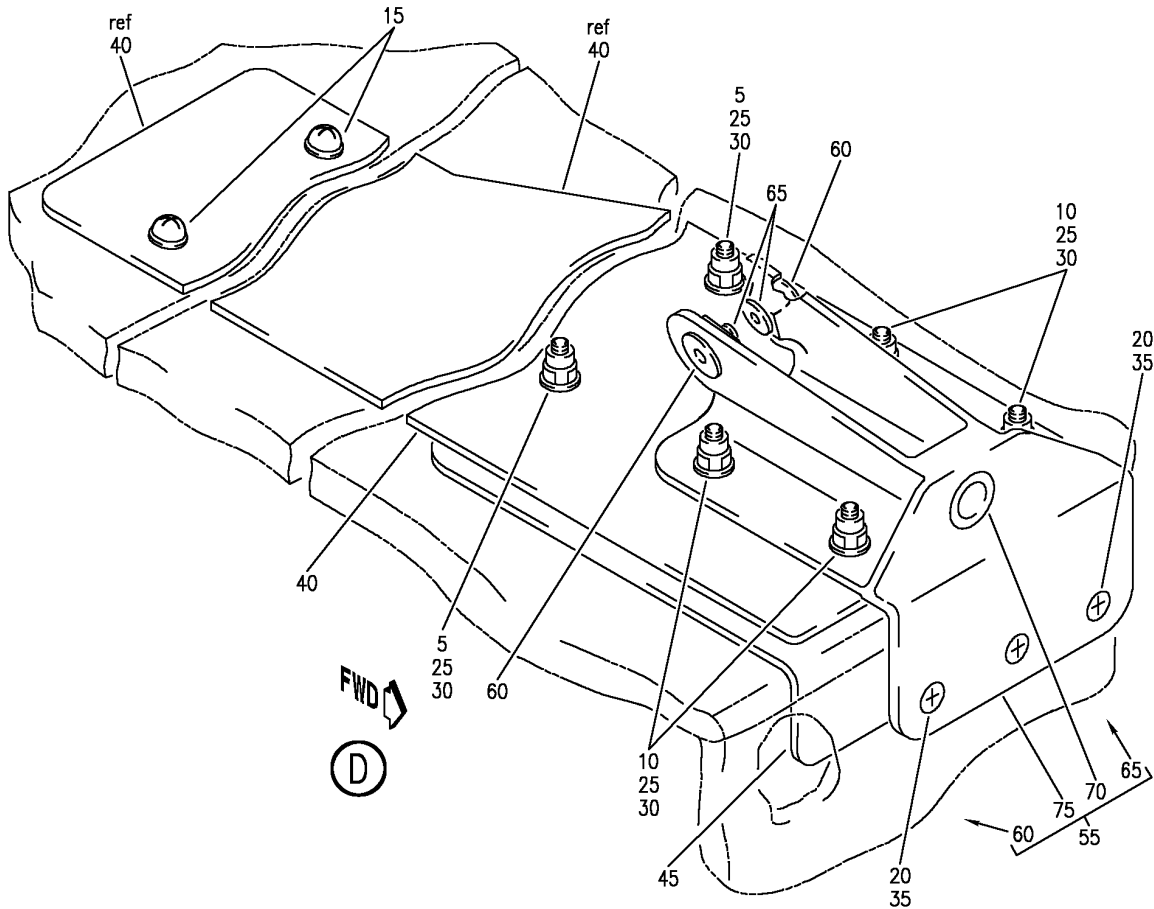
BOX ASSY-RH 80 IN. BIG BIN
 FIGURE 83A (SHEET 2)

25-24-32-83A

HAP
 OCT 10/07

25-24-32-83A
 PAGE 0A


BOEING
 737-600/700/800/900
PARTS CATALOG (MAINTENANCE)



E 25243283A SHT 3 REV 085

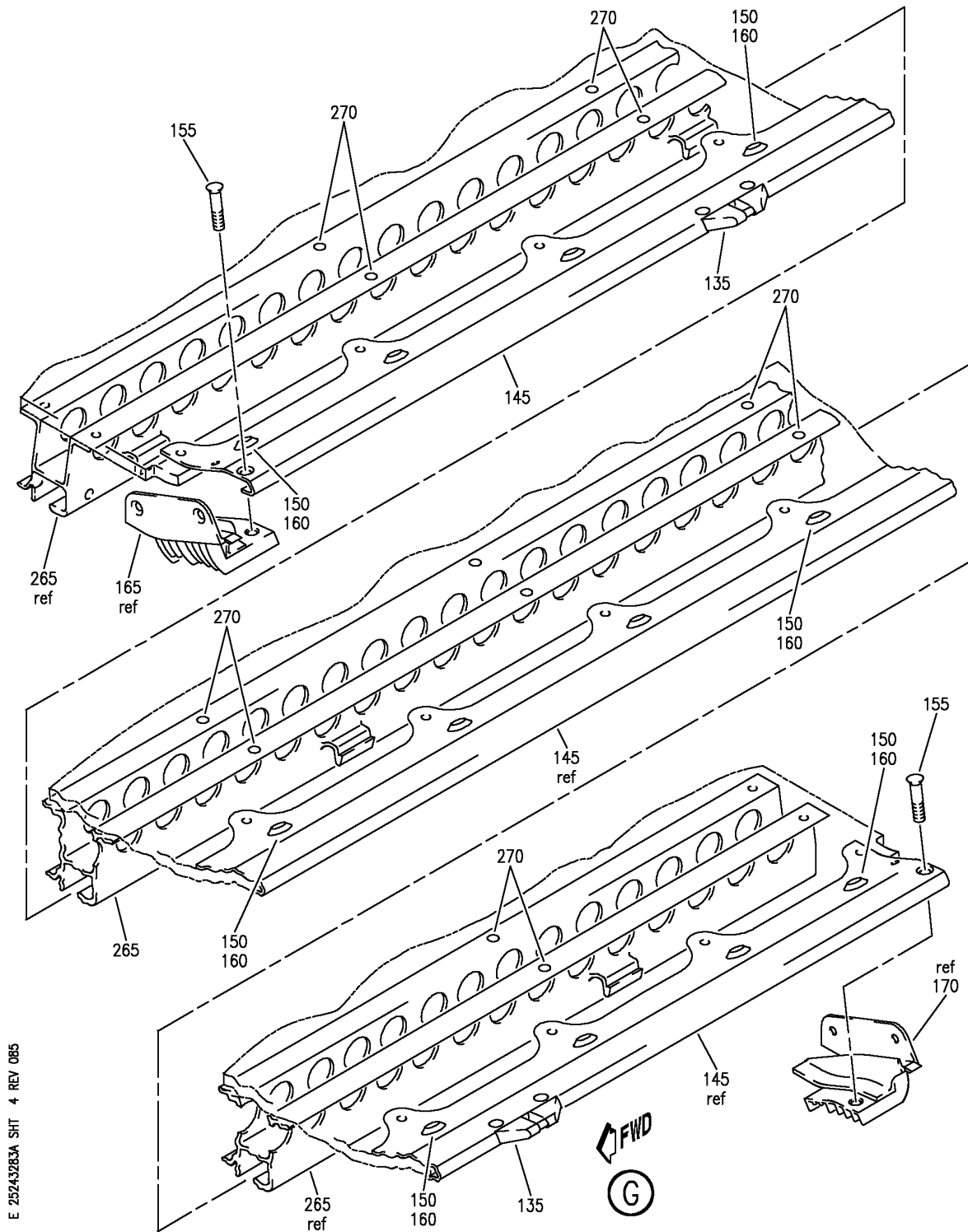
BOX ASSY-RH 80 IN. BIG BIN
FIGURE 83A (SHEET 3)

25-24-32-83A

HAP
OCT 10/07

25-24-32-83A
PAGE 0B

BOEING
 737-600/700/800/900
 PARTS CATALOG (MAINTENANCE)



E 25243283A SHT 4 REV 085

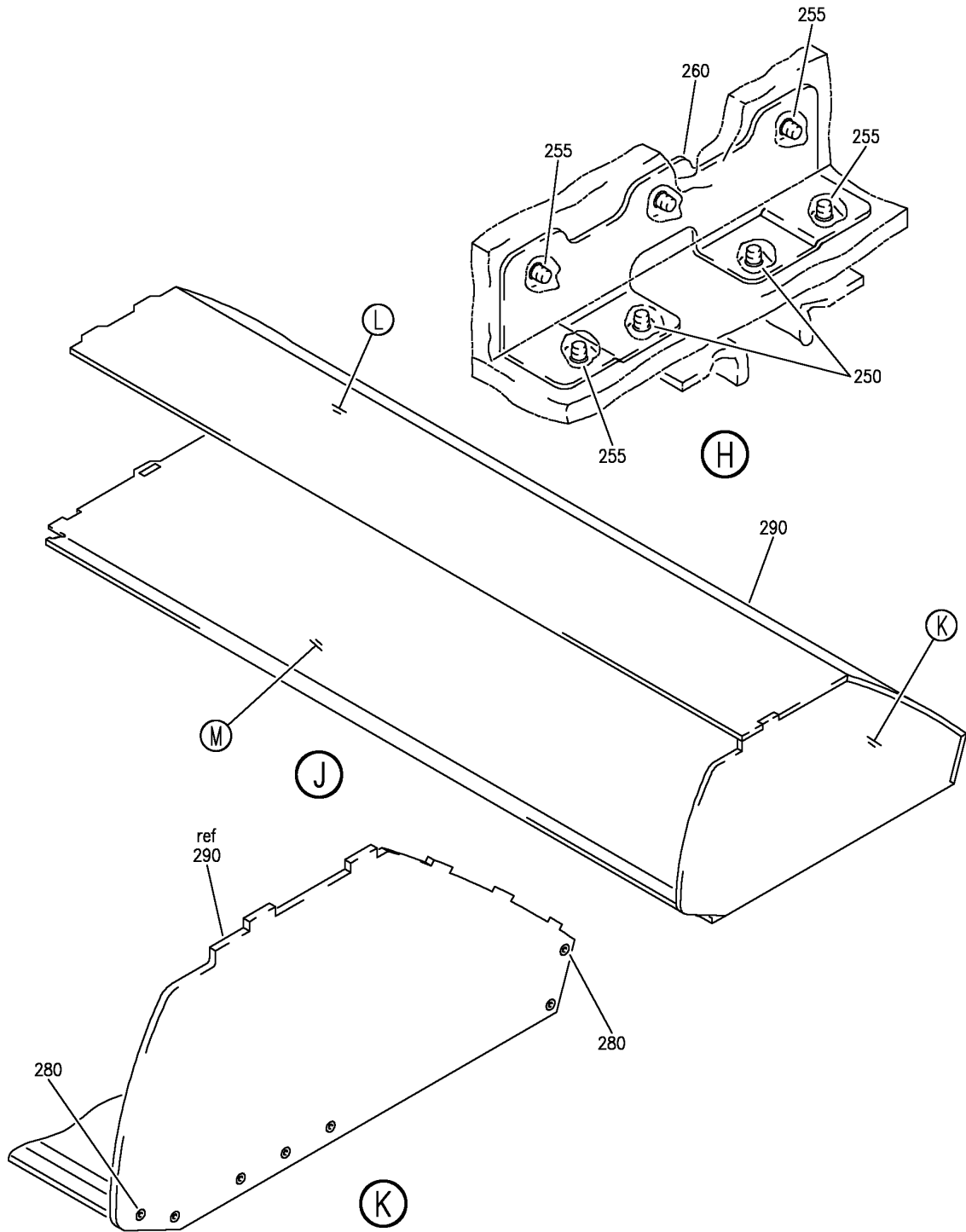
BOX ASSY-RH 80 IN. BIG BIN
 FIGURE 83A (SHEET 4)

25-24-32-83A

HAP
 OCT 10/07

25-24-32-83A
 PAGE 0C

BOEING
737-600/700/800/900
PARTS CATALOG (MAINTENANCE)



E 25243283A SHT 5 REV 085

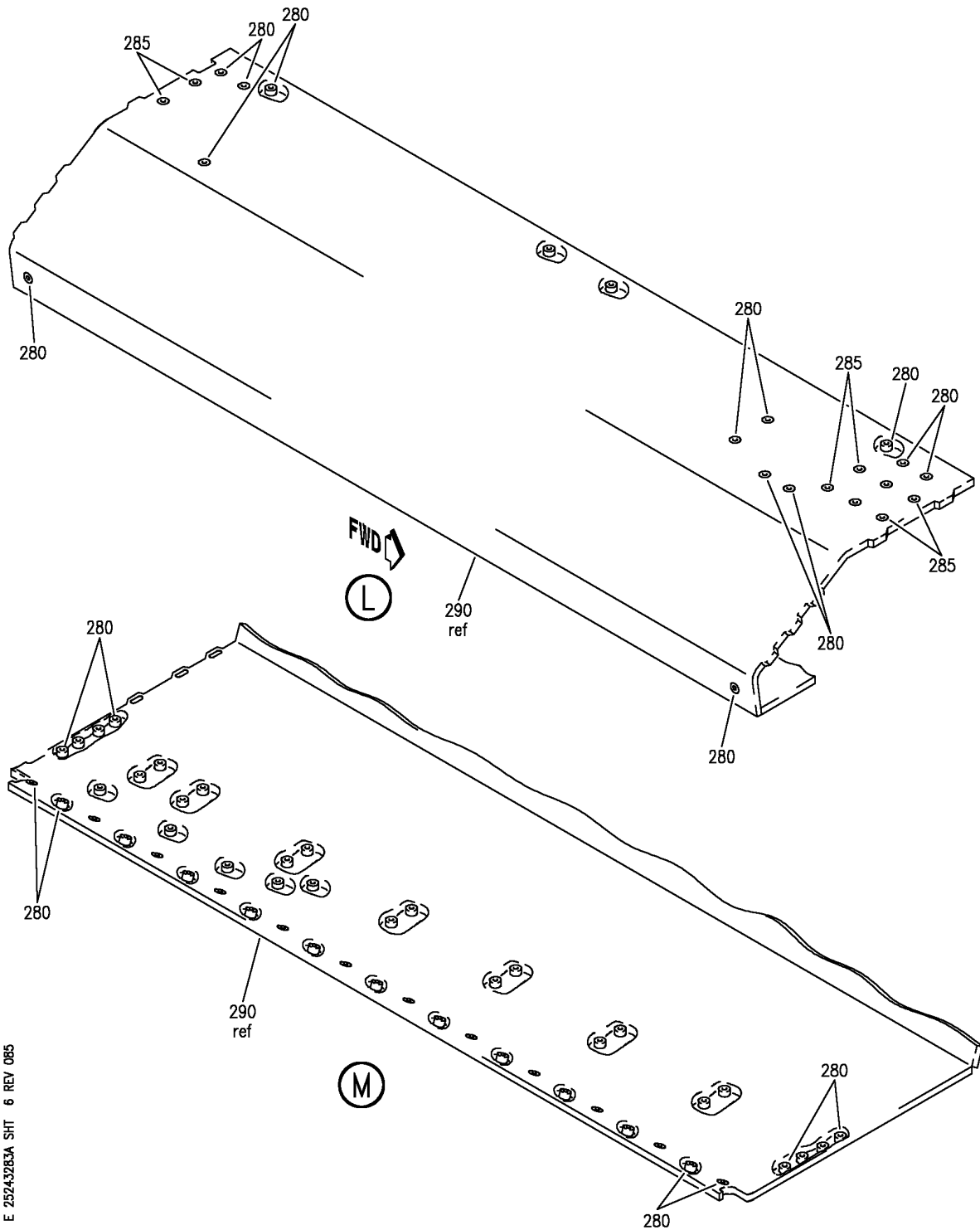
BOX ASSY-RH 80 IN. BIG BIN
FIGURE 83A (SHEET 5)

25-24-32-83A

HAP
OCT 10/07

25-24-32-83A
PAGE 0D

BOEING
737-600/700/800/900
PARTS CATALOG (MAINTENANCE)



E 25243283A SHIT 6 REV 085

BOX ASSY-RH 80 IN. BIG BIN
FIGURE 83A (SHEET 6)

25-24-32-83A

HAP
OCT 10/07

25-24-32-83A
PAGE 0E

BOEING
737-600/700/800/900
PARTS CATALOG (MAINTENANCE)

FIG ITEM	PART NUMBER	1 2 3 4 5 6 7	NOMENCLATURE	EFFECT FROM TO	UNITS PER ASSY
83A					
- 1	412A1205-32B		BOX ASSY-RH 80 IN. BIG BIN BOX ASSY-80 IN. BIG BIN POSITION DATA: RH FOR NHA SEE: 25-24-31-14P 25-24-31-80A	031100 031100	RF
5	HL1012AZ6-9		.BOLT SUPPLIER CODE: V97928 SPECIFICATION NUMBER: BACB30NX6K9 OPTIONAL PART: HL12VAZ6-9 V73197 HL12VAZ6-9 V92215 HL12VAZ6-9 V97928 L802-6K9 V06725 HL12VAZ6-9 V56878 HL1012AZ6-9 VOPTK6 HL1012AZ6-9 V06725 HL1012AZ6-9 V06950 HL1012AZ6-9 V17446 HL1012AZ6-9 V56878 HL1012AZ6-9 V60516 HL1012AZ6-9 V73197	031100	2

MISSING ITEM NUMBERS NOT APPLICABLE

- ITEM NOT ILLUSTRATED

HAP

25-24-32-83A

BOEING PROPRIETARY - Copyright © - Unpublished Work - See title page for details.

25-24-32
FIG. 83A
PAGE 1
OCT 10/07

BOEING
737-600/700/800/900
PARTS CATALOG (MAINTENANCE)

FIG ITEM	PART NUMBER	1 2 3 4 5 6 7	NOMENCLATURE	EFFECT FROM TO	UNITS PER ASSY
83A 10	HL1012AZ6-11	.BOLT	SUPPLIER CODE: V97928 SPECIFICATION NUMBER: BACB30NX6K11 OPTIONAL PART: HL12VAZ6-11 V73197 HL12VAZ6-11 V92215 HL12VAZ6-11 V97928 L802-6K11 V06725 HL12VAZ6-11 V56878 HL1012AZ6-11 VOPTK6 HL1012AZ6-11 V06725 HL1012AZ6-11 V06950 HL1012AZ6-11 V17446 HL1012AZ6-11 V56878 HL1012AZ6-11 V60516 HL1012AZ6-11 V73197	031100	6
15	BACS12FA3K4	.SCREW		031100	2
20	BACS12ER3K9	.SCREW		031100	6
25	NAS1149D0363J	.WASHER		031100	8
30	HST1070CY6	.COLLAR	SUPPLIER CODE: V5M902 SPECIFICATION NUMBER: BACC30BZ6 OPTIONAL PART: VLC1070CY6 V92215 HST1070CY6 V73197	031100	8
40	412A1220-242	.DOUBLER-9G EXT		031100	1
45	412A1220-241B	.DOUBLER-INTERNAL		031100	1
50	412A1220-39A	.DOUBLER-INTERNAL		031100	1
55	412A1230-106	.FITTING ASSY-DRAG		031100	1
60	BACW10P273L	..WASHER		031100	2

MISSING ITEM NUMBERS NOT APPLICABLE

— ITEM NOT ILLUSTRATED

HAP

25-24-32-83A

BOEING PROPRIETARY - Copyright © - Unpublished Work - See title page for details.

25-24-32
FIG. 83A
PAGE 2
FEB 10/07

BOEING
737-600/700/800/900
PARTS CATALOG (MAINTENANCE)

FIG ITEM	PART NUMBER	1 2 3 4 5 6 7	NOMENCLATURE	EFFECT FROM TO	UNITS PER ASSY
83A					
65	BACB28AT04B023C	..	BUSHING- OPTIONAL PART: NAS538B4P023	031100	2
65	NAS538B4P023	..	BUSHING- OPTIONAL PART: BACB28AT04B023C	031100	2
70	BCREF13195	..	BUSHING- OVERLENGTH PART NUMBER: BACB28AY06A035CG	031100	1
75	412A1230-108	..	FITTING	031100	1
80	412A1230-201	.	FITTING ASSY	031100	1
85	BCREF13195	..	BUSHING- OVERLENGTH PART NUMBER: BACB28AY06A035CG	031100	1
90	412A1230-202	..	FITTING- OPTIONAL PART: 412A1230-203	031100	1
90	412A1230-203	..	FITTING- OPTIONAL PART: 412A1230-202	031100	1
95	412A1340-14	.	FASTENER ASSY-KIT OPTIONAL PART: 412A1340-15	031100	11
100	BACS12FA3K12	..	SCREW	031100	1
105	BACW10EC3S	..	WASHER	031100	1
110	PLH53C	..	NUT SUPPLIER CODE: V62554 SPECIFICATION NUMBER: BACN10YR3C OPTIONAL PART: H52732-3C V15653	031100	1
115	412A1340-15	.	FASTENER ASSY-KIT OPTIONAL PART: 412A1340-14	031100	11
120	BACS12FA3K13	..	SCREW	031100	1
125	F22K1-02	..	NUT SUPPLIER CODE: V72962 SPECIFICATION NUMBER: BACN10R10L OPTIONAL PART: 22K1-02 V72962 26CL02 V80539	031100	1
130	412A1247-1A	.	EXTRUSION	031100	1

MISSING ITEM NUMBERS NOT APPLICABLE

— ITEM NOT ILLUSTRATED

HAP

25-24-32-83A

BOEING PROPRIETARY - Copyright © - Unpublished Work - See title page for details.

25-24-32
FIG. 83A
PAGE 3
FEB 10/07

BOEING
737-600/700/800/900
PARTS CATALOG (MAINTENANCE)

FIG ITEM	PART NUMBER	1 2 3 4 5 6 7	NOMENCLATURE	EFFECT FROM TO	UNITS PER ASSY
83A 135	HA951-5	.	STRIKE-LATCH SUPPLIER CODE: V83014 SPECIFICATION NUMBER: S412A003-3 OPTIONAL PART: HA225-11 V83014	031100	2
135	HA225-11	.	STRIKE-LATCH SUPPLIER CODE: V83014 SPECIFICATION NUMBER: S412A001-16 OPTIONAL PART: HA951-5 V83014	031100	2
- 140	BACS12ER08K5	.	ATTACHING PARTS SCREW	031100	4
145	412A1242-1	.	EXTRUSION-SHELF ATTACHING PARTS	031100	1
150	BACS12ER3K5	.	SCREW	031100	12
155	BACS12ER3K6	.	SCREW	031100	2
160	H3-1233A3	.	WASHER- SUPPLIER CODE: V34941 SPECIFICATION NUMBER: S411A001-1	031100	12
165	412A1475-3A	.	FITTING ASSY-SPRT	031100	1
170	412A1475-4A	.	FITTING ASSY-SPRT ATTACHING PARTS	031100	1
- 175	BACS12ER3K5	.	SCREW	031100	4
180	BACN11F3-1CD	..	NUT	031100	1
185	NAS1795-3	..	CLIP	031100	1
190	412A1475-1SP	..	FITTING- USED ON: 412A1475-3A	031100	1
195	412A1475-2SP	..	FITTING- USED ON: 412A1475-4A	031100	1
200	412A1450-35	.	TRIM- POSITION DATA: MIDDLE AND LOWER	031100	2
205	412A1452-1B	.	TRIM	031100	2
210	412A1450-34	.	TRIM	031100	1
215	412A1230-7	.	SUPPORT ASSY-LWR	031100	1
220	412A1230-8	.	SUPPORT ASSY-LWR	031100	1

MISSING ITEM NUMBERS NOT APPLICABLE

- ITEM NOT ILLUSTRATED

HAP

25-24-32-83A

BOEING PROPRIETARY - Copyright © - Unpublished Work - See title page for details.

25-24-32
FIG. 83A
PAGE 4
JUN 15/08

BOEING
737-600/700/800/900
PARTS CATALOG (MAINTENANCE)

FIG ITEM	PART NUMBER	1 2 3 4 5 6 7	NOMENCLATURE	EFFECT FROM TO	UNITS PER ASSY
83A			ATTACHING PARTS		
225	BACS12ER3K5	.	SCREW	031100	4
230	BACS12FA3K5	.	SCREW	031100	2
			-----*-----		
235	BCREF13196	..	BUSHING- OVERLENGTH PART NUMBER: BACB28AT06A010CG	031100	1
240	412A1230-9	..	SUPPORT- USED ON: 412A1230-7	031100	1
245	412A1230-10	..	SUPPORT- USED ON: 412A1230-8	031100	1
250	BACS12FA3K5	.	SCREW	031100	4
255	BACS12FA3K4	.	SCREW	031100	10
260	412A1220-205	.	ANGLE	031100	2
265	412A1245-20	.	RAIL	031100	1
			ATTACHING PARTS		
270	BACS12FA3K5	.	SCREW	031100	12
			-----*-----		
275	412A1215-82B	.	PANEL ASSY	031100	1
280	SL2334-3A1	..	INSERT- SUPPLIER CODE: V97393	031100	70
285	BCREF128023	..	INSERT- SUPPLIER CODE: V97393 OVERLENGTH PART NUMBER: SL603-3-375ASP13	031100	8
290	412A1215-1B	..	PANEL	031100	1
295	412A1216-12B	.	PANEL ASSY	031100	1
- 300	SL2334-3A1	..	INSERT- SUPPLIER CODE: V97393	031100	7
305	412A1216-1C	..	PANEL	031100	1

MISSING ITEM NUMBERS NOT APPLICABLE

- ITEM NOT ILLUSTRATED

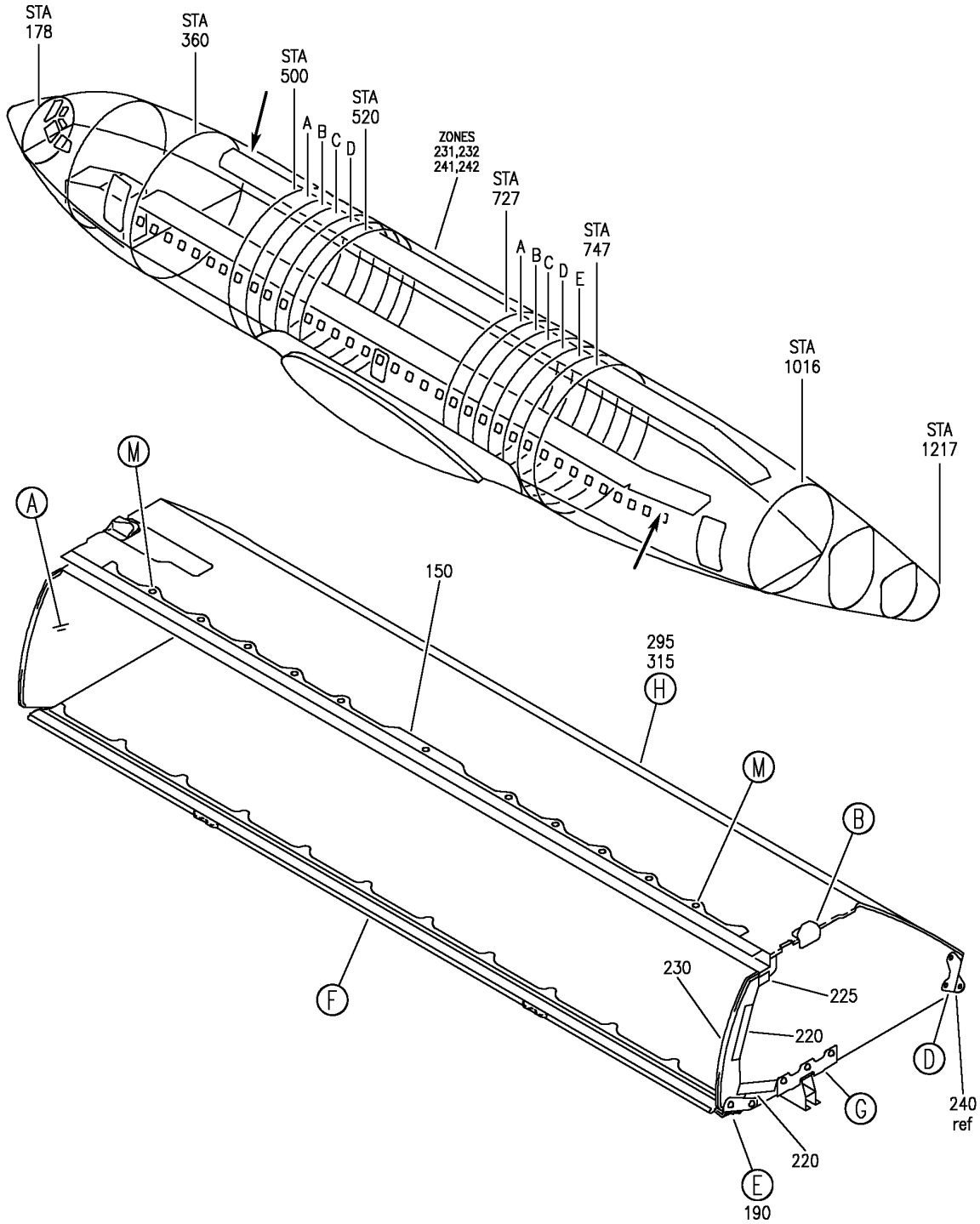
HAP

25-24-32-83A

BOEING PROPRIETARY - Copyright © - Unpublished Work - See title page for details.

25-24-32
FIG. 83A
PAGE 5
JUN 15/08


BOEING
 737-600/700/800/900
PARTS CATALOG (MAINTENANCE)



E 25243283B SHT 1 REV 086

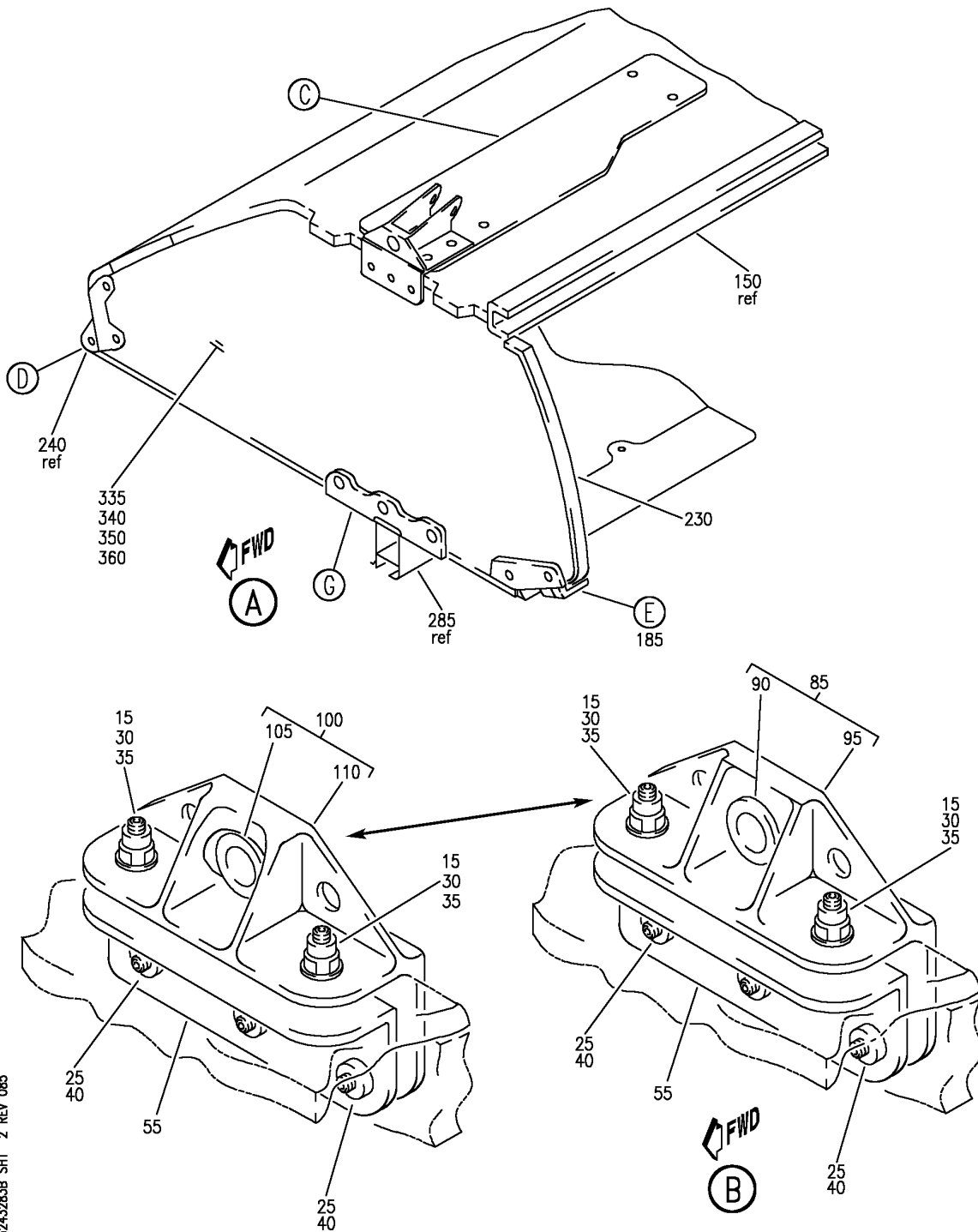
BOX ASSY-RH 80 IN. OVHD STOWAGE BIG BIN BULLNOSE CONFIGURATION
 FIGURE 83B (SHEET 1)

25-24-32-83B

HAP
OCT 10/07

25-24-32-83B
 PAGE 0

BOEING
 737-600/700/800/900
 PARTS CATALOG (MAINTENANCE)



E 25243283B SHT 2 REV 085

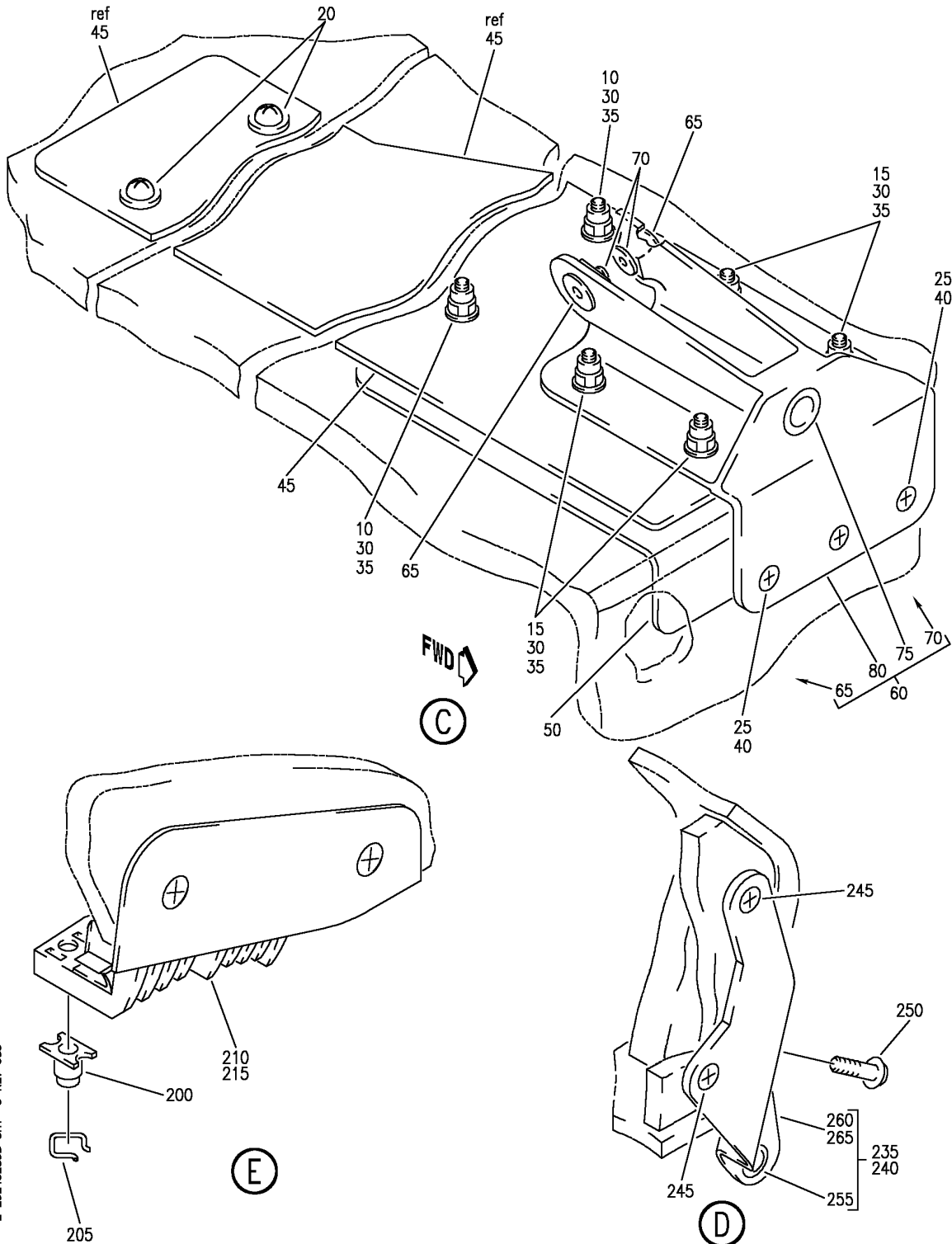
BOX ASSY-RH 80 IN. OVHD STOWAGE BIG BIN BULLNOSE CONFIGURATION
 FIGURE 83B (SHEET 2)

HAP
 OCT 10/07

25-24-32-83B

25-24-32-83B
 PAGE 0A

BOEING
 737-600/700/800/900
 PARTS CATALOG (MAINTENANCE)



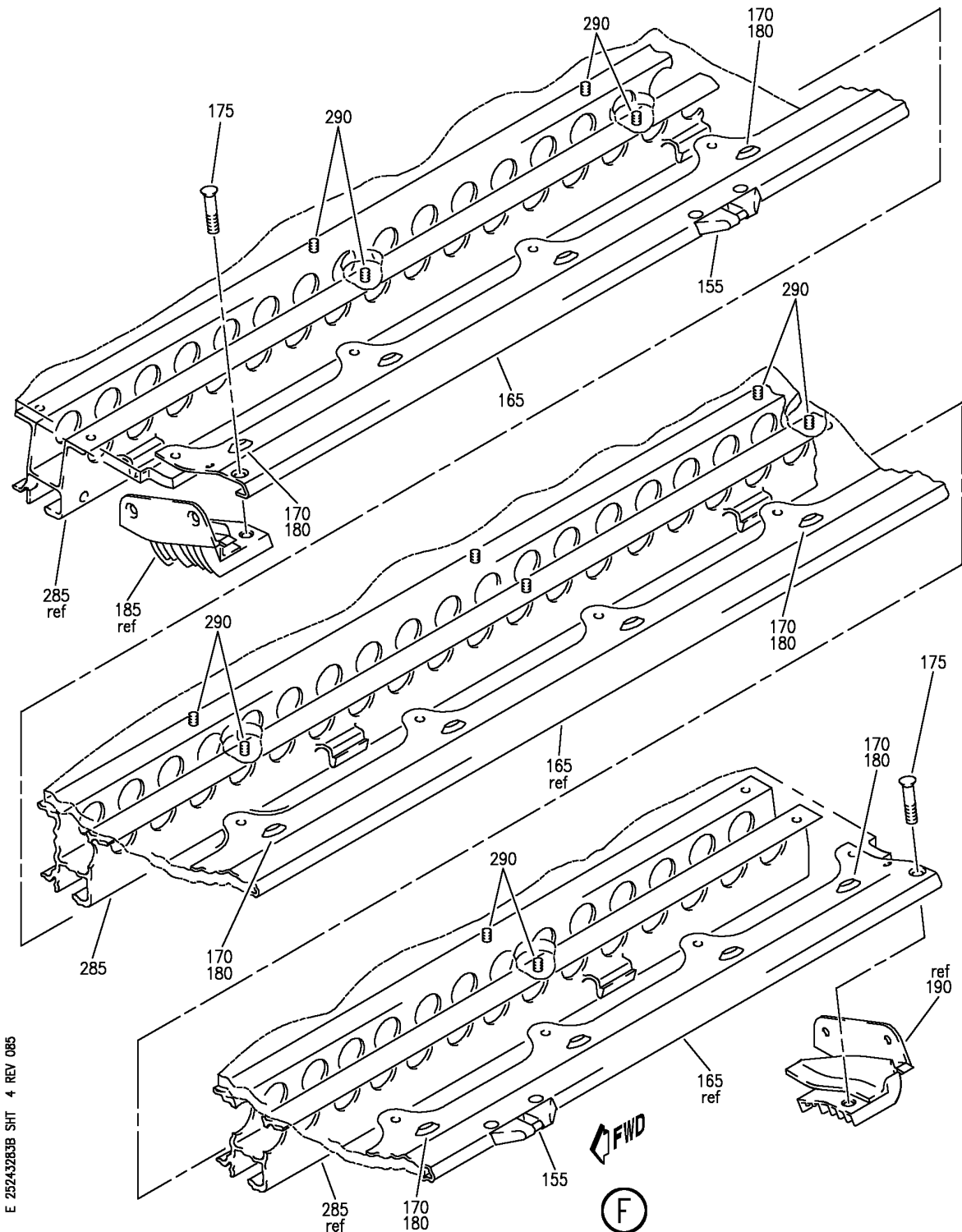
BOX ASSY-RH 80 IN. OVHD STOWAGE BIG BIN BULLNOSE CONFIGURATION
 FIGURE 83B (SHEET 3)

25-24-32-83B

HAP
 OCT 10/07

25-24-32-83B
 PAGE 0B

BOEING
 737-600/700/800/900
 PARTS CATALOG (MAINTENANCE)



E 25243283B SHT 4 REV 085

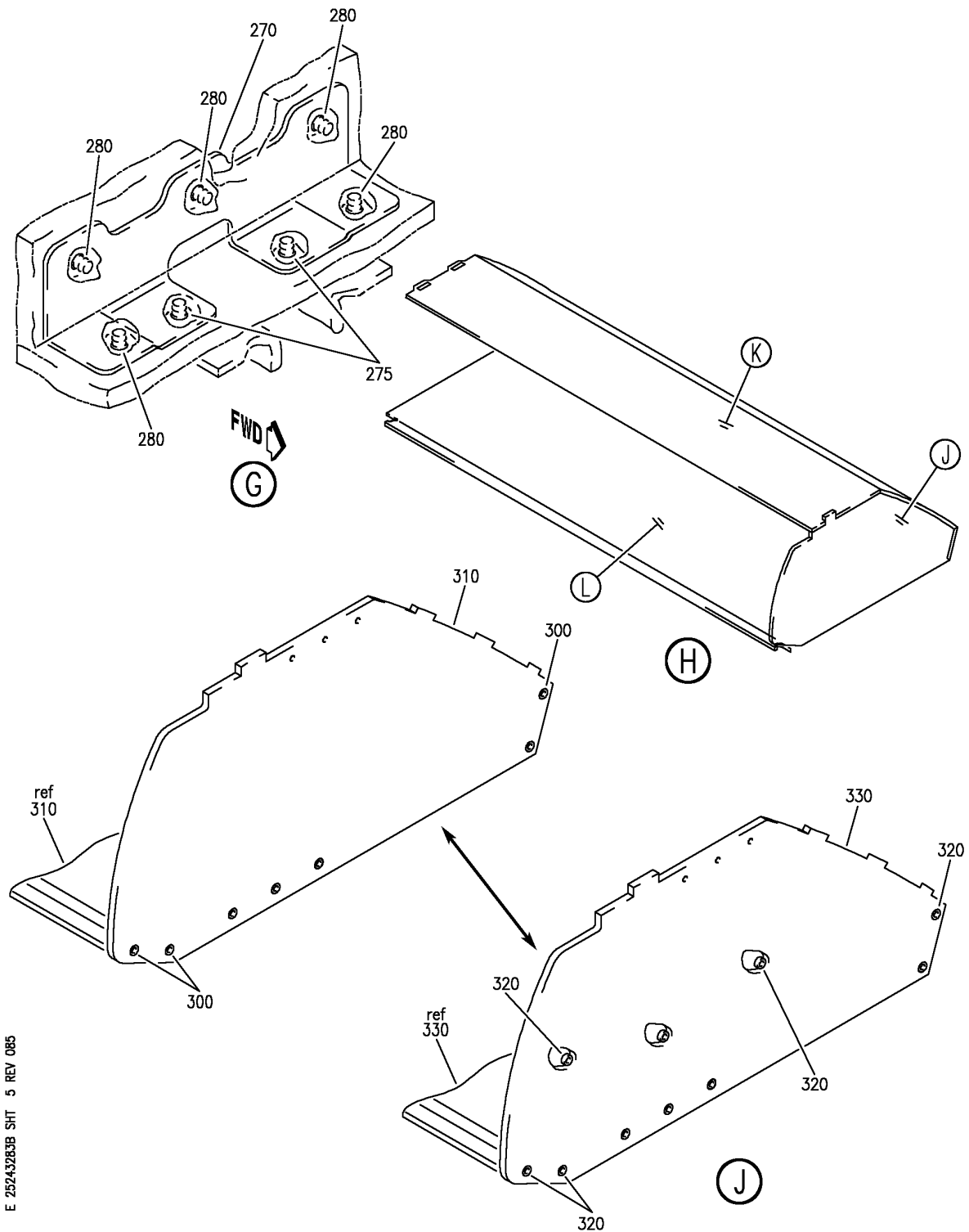
BOX ASSY-RH 80 IN. OVHD STOWAGE BIG BIN BULLNOSE CONFIGURATION
 FIGURE 83B (SHEET 4)

25-24-32-83B

HAP
 OCT 10/07

25-24-32-83B
 PAGE 0C

BOEING
 737-600/700/800/900
 PARTS CATALOG (MAINTENANCE)



E 25243283B SHT 5 REV 085

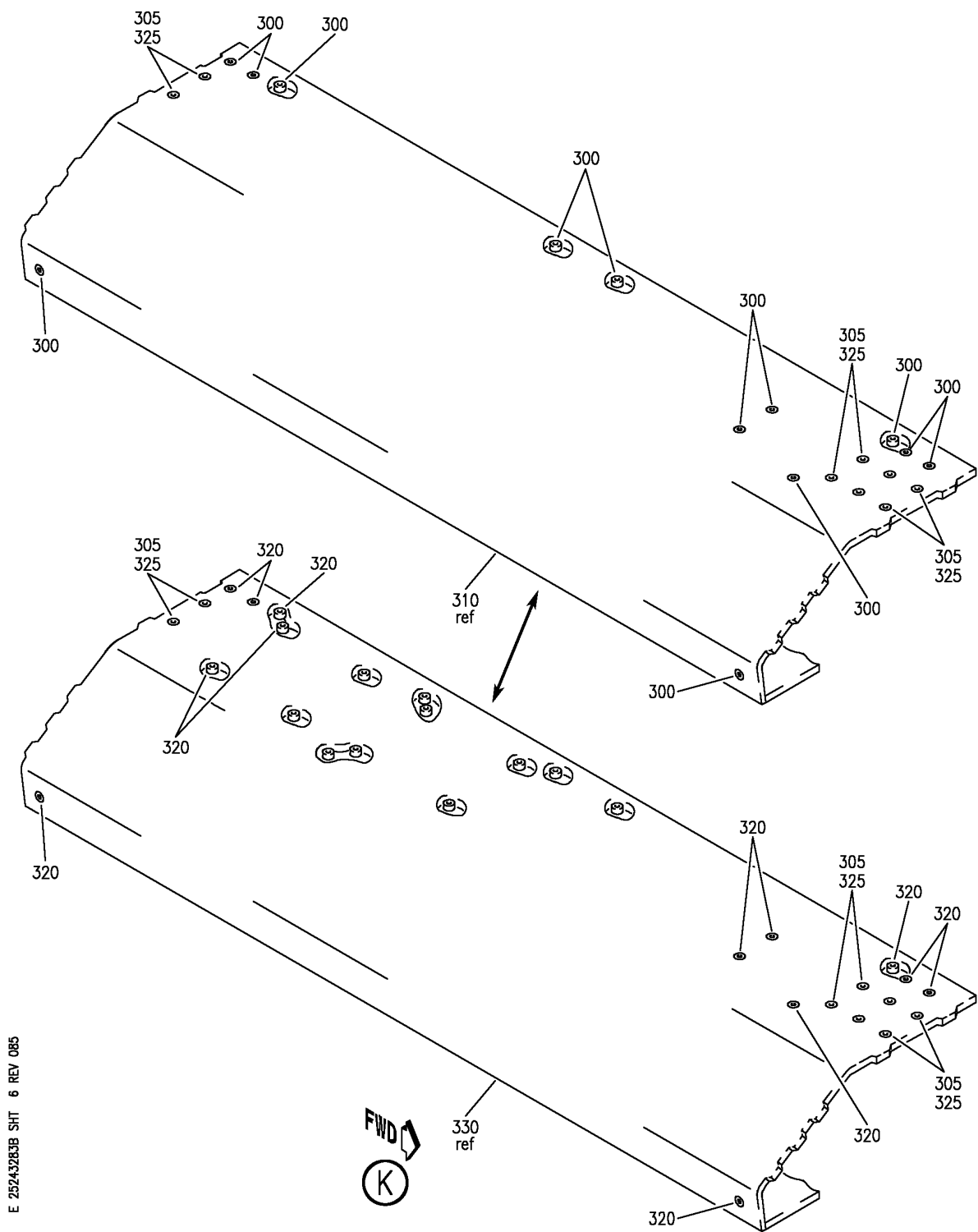
BOX ASSY-RH 80 IN. OVHD STOWAGE BIG BIN BULLNOSE CONFIGURATION
 FIGURE 83B (SHEET 5)

25-24-32-83B

HAP
 OCT 10/07

25-24-32-83B
 PAGE 0D

BOEING
737-600/700/800/900
PARTS CATALOG (MAINTENANCE)



E 25243283B SHT 6 REV 085

BOX ASSY-RH 80 IN. OVHD STOWAGE BIG BIN BULLNOSE CONFIGURATION
FIGURE 83B (SHEET 6)

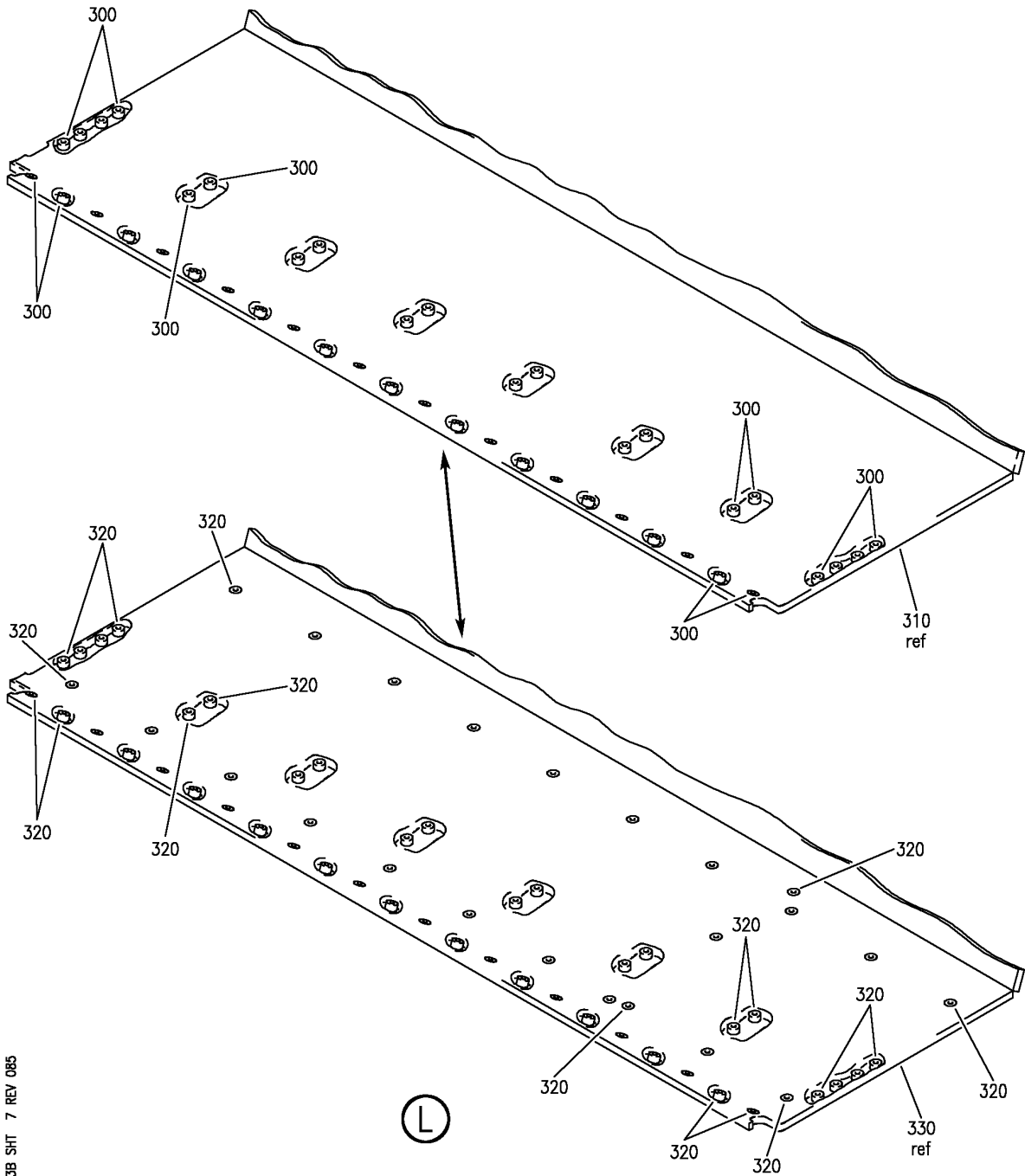
25-24-32-83B

HAP
OCT 10/07

25-24-32-83B
PAGE 0E

BOEING PROPRIETARY - Copyright © - Unpublished Work - See title page for details.

BOEING
 737-600/700/800/900
 PARTS CATALOG (MAINTENANCE)



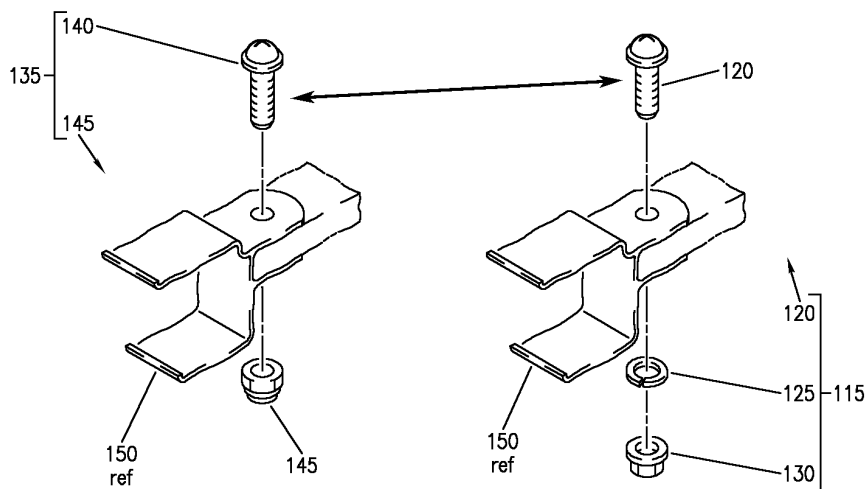
E 25243283B SHT 7 REV 085

BOX ASSY-RH 80 IN. OVHD STOWAGE BIG BIN BULLNOSE CONFIGURATION
 FIGURE 83B (SHEET 7)

25-24-32-83B

HAP
 OCT 10/07

25-24-32-83B
 PAGE OF



(M)

E 25243283B SHT 8 REV 085

BOX ASSY-RH 80 IN. OVHD STOWAGE BIG BIN BULLNOSE CONFIGURATION
 FIGURE 83B (SHEET 8)

25-24-32-83B

HAP
 OCT 10/07

25-24-32-83B
 PAGE 08

BOEING
737-600/700/800/900
PARTS CATALOG (MAINTENANCE)

FIG ITEM	PART NUMBER	1 2 3 4 5 6 7	NOMENCLATURE	EFFECT FROM TO	UNITS PER ASSY
83B			BOX ASSY-RH 80 IN. OVHD STOWAGE BIG BIN BULLNOSE CONFIGURATION	031200 968999	
- 1	412A1205-2B		BOX ASSY-80 IN. OVHD STOWAGE BIG BIN BULLNOSE CONFIGURATION POSITION DATA: RH FOR NHA SEE: 25-24-31-14F 25-24-31-14N	031200 968999	RF
10	HL1012AZ6-9		.BOLT SUPPLIER CODE: V97928 SPECIFICATION NUMBER: BACB30NX6K9 OPTIONAL PART: HL12VAZ6-9 V73197 HL12VAZ6-9 V92215 HL12VAZ6-9 V97928 L802-6K9 V06725 HL12VAZ6-9 V56878 HL1012AZ6-9 VOPTK6 HL1012AZ6-9 V06725 HL1012AZ6-9 V06950 HL1012AZ6-9 V17446 HL1012AZ6-9 V56878 HL1012AZ6-9 V60516 HL1012AZ6-9 V73197	101200 968999	2
R R R R R R R R R R R R R R R R R R R R R R					

MISSING ITEM NUMBERS NOT APPLICABLE

- ITEM NOT ILLUSTRATED

HAP

25-24-32-83B

BOEING PROPRIETARY - Copyright © - Unpublished Work - See title page for details.

25-24-32
FIG. 83B
PAGE 1
JUN 15/09

BOEING
737-600/700/800/900
PARTS CATALOG (MAINTENANCE)

FIG ITEM	PART NUMBER	1 2 3 4 5 6 7	NOMENCLATURE	EFFECT FROM TO	UNITS PER ASSY
83B 10	HL1012AZ6-9		.BOLT SUPPLIER CODE: V97928 SPECIFICATION NUMBER: BACB30NX6K9 OPTIONAL PART: HL12VAZ6-9 V73197 HL12VAZ6-9 V92215 HL12VAZ6-9 V97928 L802-6K9 V06725 HL12VAZ6-9 V56878 HL1012AZ6-9 VOPTK6 HL1012AZ6-9 V06725 HL1012AZ6-9 V06950 HL1012AZ6-9 V17446 HL1012AZ6-9 V56878 HL1012AZ6-9 V60516 HL1012AZ6-9 V73197	031100	2

MISSING ITEM NUMBERS NOT APPLICABLE

— ITEM NOT ILLUSTRATED

HAP

25-24-32-83B

BOEING PROPRIETARY - Copyright © - Unpublished Work - See title page for details.

25-24-32
FIG. 83B
PAGE 2
FEB 10/07


BOEING
 737-600/700/800/900
PARTS CATALOG (MAINTENANCE)

FIG ITEM	PART NUMBER	1 2 3 4 5 6 7	NOMENCLATURE	EFFECT FROM TO	UNITS PER ASSY
83B 15	HL1012AZ6-11	.	BOLT	101200 968999	6
			SUPPLIER CODE: V97928		
			SPECIFICATION NUMBER: BACB30NX6K11		
			OPTIONAL PART: HL12VAZ6-11		
			V73197		
			HL12VAZ6-11		
			V92215		
			HL12VAZ6-11		
			V97928		
			L802-6K11		
			V06725		
			HL12VAZ6-11		
			V56878		
			HL1012AZ6-11		
			VOPTK6		
			HL1012AZ6-11		
			V06725		
			HL1012AZ6-11		
			V06950		
			HL1012AZ6-11		
			V17446		
			HL1012AZ6-11		
			V56878		
			HL1012AZ6-11		
			V60516		
			HL1012AZ6-11		
			V73197		

R
R
R
R
R
R
R
R
R
R
R
R
R
R
R
R
R
R
R
R
R
R

MISSING ITEM NUMBERS NOT APPLICABLE

— ITEM NOT ILLUSTRATED

25-24-32-83B

25-24-32
 FIG. 83B
 PAGE 3
 JUN 15/09

HAP

BOEING
737-600/700/800/900
PARTS CATALOG (MAINTENANCE)

FIG ITEM	PART NUMBER	1 2 3 4 5 6 7	NOMENCLATURE	EFFECT FROM TO	UNITS PER ASSY
83B 15	HL1012AZ6-11	.BOLT	SUPPLIER CODE: V97928 SPECIFICATION NUMBER: BACB30NX6K11 OPTIONAL PART: HL12VAZ6-11 V73197 HL12VAZ6-11 V92215 HL12VAZ6-11 V97928 L802-6K11 V06725 HL12VAZ6-11 V56878 HL1012AZ6-11 VOPTK6 HL1012AZ6-11 V06725 HL1012AZ6-11 V06950 HL1012AZ6-11 V17446 HL1012AZ6-11 V56878 HL1012AZ6-11 V60516 HL1012AZ6-11 V73197	031100	6
R	20	BACS12FA3K4	.SCREW	101200	2
R	20	BACS12FA3K4	.SCREW	968999	
R	25	BACS12ER3K9	.SCREW	031100	2
R	25	BACS12ER3K9	.SCREW	101200	6
R	25	BACS12ER3K9	.SCREW	968999	
R	30	NAS1149D0363J	.WASHER	031100	6
R	30	NAS1149D0363J	.WASHER	101200	8
R	35	HST1070CY6	.WASHER	968999	
R			.COLLAR	031100	8
R			SUPPLIER CODE: V5M902	101200	
R			SPECIFICATION NUMBER: BACC30BZ6	968999	
R			OPTIONAL PART: VLC1070CY6		
R			V92215		
R			HST1070CY6		
R			V73197		

MISSING ITEM NUMBERS NOT APPLICABLE

— ITEM NOT ILLUSTRATED

HAP

25-24-32-83B

BOEING PROPRIETARY - Copyright © - Unpublished Work - See title page for details.

25-24-32
FIG. 83B
PAGE 4
JUN 15/09

BOEING
737-600/700/800/900
PARTS CATALOG (MAINTENANCE)

FIG ITEM	PART NUMBER	1 2 3 4 5 6 7	NOMENCLATURE	EFFECT FROM TO	UNITS PER ASSY
83B 35	HST1070CY6	.	COLLAR SUPPLIER CODE: V5M902 SPECIFICATION NUMBER: BACC30BZ6 OPTIONAL PART: VLC1070CY6 V92215 HST1070CY6 V73197	031100	8
R R R	40 SL5-3-50C	.	NUT- SUPPLIER CODE: V97393	101200 968999	6
	40 SL5-3-50C	.	NUT- SUPPLIER CODE: V97393	031100	6
R R	45 412A1220-242	.	DOUBLER-9G EXT	101200 968999	1
R R	45 412A1220-242	.	DOUBLER-9G EXT	031100	1
R R	50 412A1220-241B	.	DOUBLER-INTERNAL	101200 968999	1
R R	50 412A1220-241B	.	DOUBLER-INTERNAL	031100	1
R R	55 412A1220-39A	.	DOUBLER-INTERNAL	101200 968999	1
R R	55 412A1220-39A	.	DOUBLER-INTERNAL	031100	1
R R	60 412A1230-106	.	FITTING ASSY-DRAG	101200 968999	1
R R	60 412A1230-106	.	FITTING ASSY-DRAG	031100	1
R R	65 BACW10P273L	..	WASHER	101200 968999	2
R R R	65 BACW10P273L	..	WASHER	031100	2
R R R	70 BACB28AT04B023C	..	BUSHING- OPTIONAL PART: NAS538B4P023	101200 968999	2
R R R	70 NAS538B4P023	..	BUSHING- OPTIONAL PART: BACB28AT04B023C	101200 968999	2
R R R	70 BACB28AT04B023C	..	BUSHING- OPTIONAL PART: NAS538B4P023	031100	2
R R R	70 NAS538B4P023	..	BUSHING- OPTIONAL PART: BACB28AT04B023C	031100	2
R R R	75 BCREF13195	..	BUSHING- OVERLENGTH PART NUMBER: BACB28AY06A035CG	101200 968999	1
R R R	75 BCREF13195	..	BUSHING- OVERLENGTH PART NUMBER: BACB28AY06A035CG	031100	1

MISSING ITEM NUMBERS NOT APPLICABLE

— ITEM NOT ILLUSTRATED

HAP

25-24-32-83B

BOEING PROPRIETARY - Copyright © - Unpublished Work - See title page for details.

25-24-32
FIG. 83B
PAGE 5
JUN 15/09

BOEING
737-600/700/800/900
PARTS CATALOG (MAINTENANCE)

FIG ITEM	PART NUMBER	1 2 3 4 5 6 7	NOMENCLATURE	EFFECT FROM TO	UNITS PER ASSY
83B					
R	80	412A1230-108	.. FITTING	101200	1
R				968999	
	80	412A1230-108	.. FITTING	031100	1
R	85	412A1230-201	. FITTING ASSY-	101200	1
R			OPTIONAL PART:	968999	
R			412A1230-1		
	85	412A1230-201	. FITTING ASSY-	031100	1
			OPTIONAL PART:		
			412A1230-1		
R	90	BCREF13195	.. BUSHING-	101200	1
R			OVERLENGTH PART NUMBER:	968999	
R			BACB28AY06A035CG		
	90	BCREF13195	.. BUSHING-	031100	1
			OVERLENGTH PART NUMBER:		
			BACB28AY06A035CG		
R	95	412A1230-202	.. FITTING-	101200	1
R			OPTIONAL PART:	968999	
R			412A1230-203		
R	95	412A1230-203	.. FITTING-	101200	1
R			OPTIONAL PART:	968999	
R			412A1230-202		
	95	412A1230-202	.. FITTING-	031100	1
			OPTIONAL PART:		
			412A1230-203		
	95	412A1230-203	.. FITTING-	031100	1
			OPTIONAL PART:		
			412A1230-202		
R	100	412A1230-1	. FITTING ASSY-	101200	1
R			OPTIONAL PART:	968999	
R			412A1230-201		
	100	412A1230-1	. FITTING ASSY-	031100	1
			OPTIONAL PART:		
			412A1230-201		
R	105	BCREF13195	.. BUSHING-	101200	1
R			OVERLENGTH PART NUMBER:	968999	
R			BACB28AY06A035CG		
	105	BCREF13195	.. BUSHING-	031100	1
			OVERLENGTH PART NUMBER:		
			BACB28AY06A035CG		
R	110	412A1230-2	.. SUPPORT	101200	1
R				968999	
	110	412A1230-2	.. SUPPORT	031100	1
R	115	412A1340-14	. FASTENER ASSY-KIT	101200	11
R			OPTIONAL PART:	968999	
R			412A1340-15		
	115	412A1340-14	. FASTENER ASSY-KIT	031100	11
			OPTIONAL PART:		
			412A1340-15		

MISSING ITEM NUMBERS NOT APPLICABLE

— ITEM NOT ILLUSTRATED

HAP

25-24-32-83B

BOEING PROPRIETARY - Copyright © - Unpublished Work - See title page for details.

25-24-32
FIG. 83B
PAGE 6
JUN 15/09

BOEING
737-600/700/800/900
PARTS CATALOG (MAINTENANCE)

FIG ITEM	PART NUMBER	1 2 3 4 5 6 7	NOMENCLATURE	EFFECT FROM TO	UNITS PER ASSY
R R R R R R R R R R R R R R R	83B 120	BACS12FA3K12	.. SCREW	101200 968999	1
	120	BACS12FA3K12	.. SCREW	031100	1
	125	BACW10EC3S	.. WASHER	101200 968999	1
	125	BACW10EC3S	.. WASHER	031100	1
	130	PLH53C	.. NUT	101200 968999	1
			SUPPLIER CODE: V62554		
			SPECIFICATION NUMBER: BACN10YR3C		
			OPTIONAL PART: H52732-3C V15653		
	130	PLH53C	.. NUT	031100	1
			SUPPLIER CODE: V62554		
			SPECIFICATION NUMBER: BACN10YR3C		
			OPTIONAL PART: H52732-3C V15653		
	130	PLH53C	.. NUT	107200	1
			SUPPLIER CODE: V62554		
			SPECIFICATION NUMBER: BACN10YR3C		
		OPTIONAL PART: H52732-3C V15653			
135	412A1340-15	. FASTENER ASSY-KIT	101200 968999	11	
		OPTIONAL PART: 412A1340-14			
135	412A1340-15	. FASTENER ASSY-KIT	031100	11	
		OPTIONAL PART: 412A1340-14			
140	BACS12FA3K13	.. SCREW	101200 968999	1	
140	BACS12FA3K13	.. SCREW	031100	1	
145	F22K1-02	.. NUT	101200 968999	1	
		SUPPLIER CODE: V72962			
		SPECIFICATION NUMBER: BACN10R10L			
		OPTIONAL PART: 22K1-02 V72962 26CLO2 V80539			

MISSING ITEM NUMBERS NOT APPLICABLE

— ITEM NOT ILLUSTRATED

HAP

25-24-32-83B

BOEING PROPRIETARY - Copyright © - Unpublished Work - See title page for details.

25-24-32
FIG. 83B
PAGE 7
JUN 15/09


737-600/700/800/900
PARTS CATALOG (MAINTENANCE)

FIG ITEM	PART NUMBER	1 2 3 4 5 6 7	NOMENCLATURE	EFFECT FROM TO	UNITS PER ASSY
83B 145	F22K1-02	. . NUT	SUPPLIER CODE: V72962 SPECIFICATION NUMBER: BACN10R10L OPTIONAL PART: 22K1-02 V72962 26CLO2 V80539	031100	1
R R 150	412A1247-1A	. EXTRUSION-DOOR CLOSEOUT		101200 968999	1
R R R 150	412A1247-1A	. EXTRUSION-DOOR CLOSEOUT		031100	1
R R R R R R R R R R R R R R R R	155 HA951-5	. STRIKE-LATCH SUPPLIER CODE: V83014 SPECIFICATION NUMBER: S412A003-3 OPTIONAL PART: HA225-11 V83014		101200 968999	2
R R R R R R R R R R R R R R	155 HA225-11	. STRIKE-LATCH SUPPLIER CODE: V83014 SPECIFICATION NUMBER: S412A001-16 OPTIONAL PART: HA951-5 V83014		101200 968999	2
R R R R R R R R R R R R R R R R R	155 HA951-5	. STRIKE-LATCH SUPPLIER CODE: V83014 SPECIFICATION NUMBER: S412A003-3 OPTIONAL PART: HA225-11 V83014		031100	2
R R R R R R R R R R R R R R R R R R	155 HA225-11	. STRIKE-LATCH SUPPLIER CODE: V83014 SPECIFICATION NUMBER: S412A001-16 OPTIONAL PART: HA951-5 V83014		031100	2
R R - 160	BACS12ER08K5	. ATTACHING PARTS . SCREW		101200 968999	4

MISSING ITEM NUMBERS NOT APPLICABLE

- ITEM NOT ILLUSTRATED

HAP

25-24-32-83B

BOEING PROPRIETARY - Copyright © - Unpublished Work - See title page for details.

25-24-32
 FIG. 83B
 PAGE 8
 JUN 15/09

BOEING
737-600/700/800/900
PARTS CATALOG (MAINTENANCE)

FIG ITEM	PART NUMBER	1 2 3 4 5 6 7	NOMENCLATURE	EFFECT FROM TO	UNITS PER ASSY
83B					
- 160	BACS12ER08K5	.	SCREW	031100	4
		-----*			
R 165	412A1242-1	.	EXTRUSION-SHELF	101200	1
R				968999	
	165	412A1242-1	. EXTRUSION-SHELF	031100	1
			ATTACHING PARTS		
R 170	BACS12ER3K5	.	SCREW	101200	12
R				968999	
	170	BACS12ER3K5	. SCREW	031100	12
R					
	175	BACS12ER3K6	. SCREW	101200	2
R				968999	
	175	BACS12ER3K6	. SCREW	031100	2
R					
	180	H3-1233A3	. WASHER-	101200	12
R			SUPPLIER CODE:	968999	
R			V34941		
R			SPECIFICATION NUMBER:		
R			S411A001-1		
	180	H3-1233A3	. WASHER-	031100	12
			SUPPLIER CODE:		
			V34941		
			SPECIFICATION NUMBER:		
			S411A001-1		
			-----*		
R 185	412A1475-3A	.	FITTING ASSY-SPRT	101200	1
R				968999	
	185	412A1475-3A	. FITTING ASSY-SPRT	031100	1
R					
	190	412A1475-4A	. FITTING ASSY-SPRT	101200	1
R				968999	
	190	412A1475-4A	. FITTING ASSY-SPRT	031100	1
			ATTACHING PARTS		
R - 195	BACS12ER3K5	.	SCREW	101200	4
R				968999	
	- 195	BACS12ER3K5	. SCREW	031100	4
			-----*		
R 200	BACN11F3-1CD	..	NUT	101200	1
R				968999	
	200	BACN11F3-1CD	.. NUT	031100	1
	205	NAS1795-3	.. CLIP	048048	1
				101200	
				968999	
	205	NAS1795-3	.. CLIP	031100	1
R					
	210	412A1475-1A	.. FITTING-	101200	1
R			USED ON:	968999	
R			412A1475-3A		
	210	412A1475-1A	.. FITTING-	031100	1
			USED ON:		
			412A1475-3A		

MISSING ITEM NUMBERS NOT APPLICABLE

- ITEM NOT ILLUSTRATED

HAP

25-24-32-83B

BOEING PROPRIETARY - Copyright © - Unpublished Work - See title page for details.

25-24-32
FIG. 83B
PAGE 9
JUN 15/09

BOEING
737-600/700/800/900
PARTS CATALOG (MAINTENANCE)

FIG ITEM	PART NUMBER	1 2 3 4 5 6 7	NOMENCLATURE	EFFECT FROM TO	UNITS PER ASSY
83B					
R	215	412A1475-2A	.. FITTING- USED ON: 412A1475-4A	101200 968999	1
R	215	412A1475-2A	.. FITTING- USED ON: 412A1475-4A	031100	1
R	220	412A1450-35	.TRIM- POSITION DATA: MIDDLE AND LOWER	101200 968999	2
R	220	412A1450-35	.TRIM- POSITION DATA: MIDDLE AND LOWER	031100	2
R	225	412A1450-34	.TRIM	101200 968999	1
R	225	412A1450-34	.TRIM	031100	1
R	230	412A1452-1B	.TRIM	101200 968999	2
R	230	412A1452-1B	.TRIM	031100	2
R	235	412A1230-7	.SUPPORT ASSY-LWR	101200 968999	1
R	235	412A1230-7	.SUPPORT ASSY-LWR	031100	1
R	240	412A1230-8	.SUPPORT ASSY-LWR	101200 968999	1
R	240	412A1230-8	.SUPPORT ASSY-LWR ATTACHING PARTS	031100	1
R	245	BACS12ER3K5	.SCREW	101200 968999	4
R	245	BACS12ER3K5	.SCREW	031100	4
R	250	BACS12FA3K5	.SCREW	101200 968999	2
R	250	BACS12FA3K5	.SCREW	031100	2
R	255	BCREF13196	-----*----- .. BUSHING- OVERLENGTH PART NUMBER: BACB28AT06A010CG	101200 968999	1
R	255	BCREF13196	.. BUSHING- OVERLENGTH PART NUMBER: BACB28AT06A010CG	031100	1
R	260	412A1230-9	.. SUPPORT- USED ON: 412A1230-7	101200 968999	1
R	260	412A1230-9	.. SUPPORT- USED ON: 412A1230-7	031100	1
R	265	412A1230-10	.. SUPPORT- USED ON: 412A1230-8	101200 968999	1

MISSING ITEM NUMBERS NOT APPLICABLE

— ITEM NOT ILLUSTRATED

HAP

25-24-32-83B

BOEING PROPRIETARY - Copyright © - Unpublished Work - See title page for details.

25-24-32
FIG. 83B
PAGE 10
JUN 15/09

BOEING
737-600/700/800/900
PARTS CATALOG (MAINTENANCE)

FIG ITEM	PART NUMBER	1 2 3 4 5 6 7	NOMENCLATURE	EFFECT FROM TO	UNITS PER ASSY
83B					
	265 412A1230-10	..	SUPPORT- USED ON: 412A1230-8	031100	1
R	270 412A1220-205	.	ANGLE	101200 968999	2
R	270 412A1220-205	.	ANGLE ATTACHING PARTS	031100	2
R	275 BACS12FA3K5	.	SCREW	101200 968999	4
R	275 BACS12FA3K5	.	SCREW	031100	4
R	280 BACS12FA3K4	.	SCREW	101200 968999	10
R	280 BACS12FA3K4	.	SCREW	031100	10
			-----*-----		
R	285 412A1245-1	.	RAIL	101200 968999	1
R	285 412A1245-1	.	RAIL ATTACHING PARTS	031100	1
R	290 BACS12FA3K5	.	SCREW	101200 968999	12
R	290 BACS12FA3K5	.	SCREW	031100	12
			-----*-----		
R	295 412A1215-12B	.	PANEL ASSY- USED ON: 412A1205-2B	101200 968999	1
R	295 412A1215-12B	.	PANEL ASSY- USED ON: 412A1205-2B	031100	1
R	300 SL2334-3A1	..	INSERT- SUPPLIER CODE: V97393	101200 968999	63
R	300 SL2334-3A1	..	INSERT- SUPPLIER CODE: V97393	031100	63
R	305 BCREP128023	..	INSERT- SUPPLIER CODE: V97393 OVERLENGTH PART NUMBER: SL603-3-375ASP13	101200 968999	8
R	305 BCREP128023	..	INSERT- SUPPLIER CODE: V97393 OVERLENGTH PART NUMBER: SL603-3-375ASP13	031100	8
R	310 412A1215-1B	..	PANEL	101200 968999	1
R	310 412A1215-1B	..	PANEL	031100	1

MISSING ITEM NUMBERS NOT APPLICABLE

— ITEM NOT ILLUSTRATED

HAP

25-24-32-83B

BOEING PROPRIETARY - Copyright © - Unpublished Work - See title page for details.

25-24-32
FIG. 83B
PAGE 11
JUN 15/09

BOEING
737-600/700/800/900
PARTS CATALOG (MAINTENANCE)

FIG ITEM	PART NUMBER	1 2 3 4 5 6 7	NOMENCLATURE	EFFECT FROM TO	UNITS PER ASSY
R R R	83B 335	412A1216-12B	.PANEL ASSY- USED ON: 412A1205-2B	101200 968999	1
	335	412A1216-12B	.PANEL ASSY- USED ON: 412A1205-2B	031100	1
R R R	- 340	SL2334-3A1	..INSERT- SUPPLIER CODE: V97393	101200 968999	7
	- 340	SL2334-3A1	..INSERT- SUPPLIER CODE: V97393	031100	7
R R	- 340	SL2334-3A1	..INSERT- SUPPLIER CODE: V97393	107200	7
	345	412A1216-1C	..PANEL	101200 968999	1
	345	412A1216-1C	..PANEL	031100	1

MISSING ITEM NUMBERS NOT APPLICABLE

- ITEM NOT ILLUSTRATED

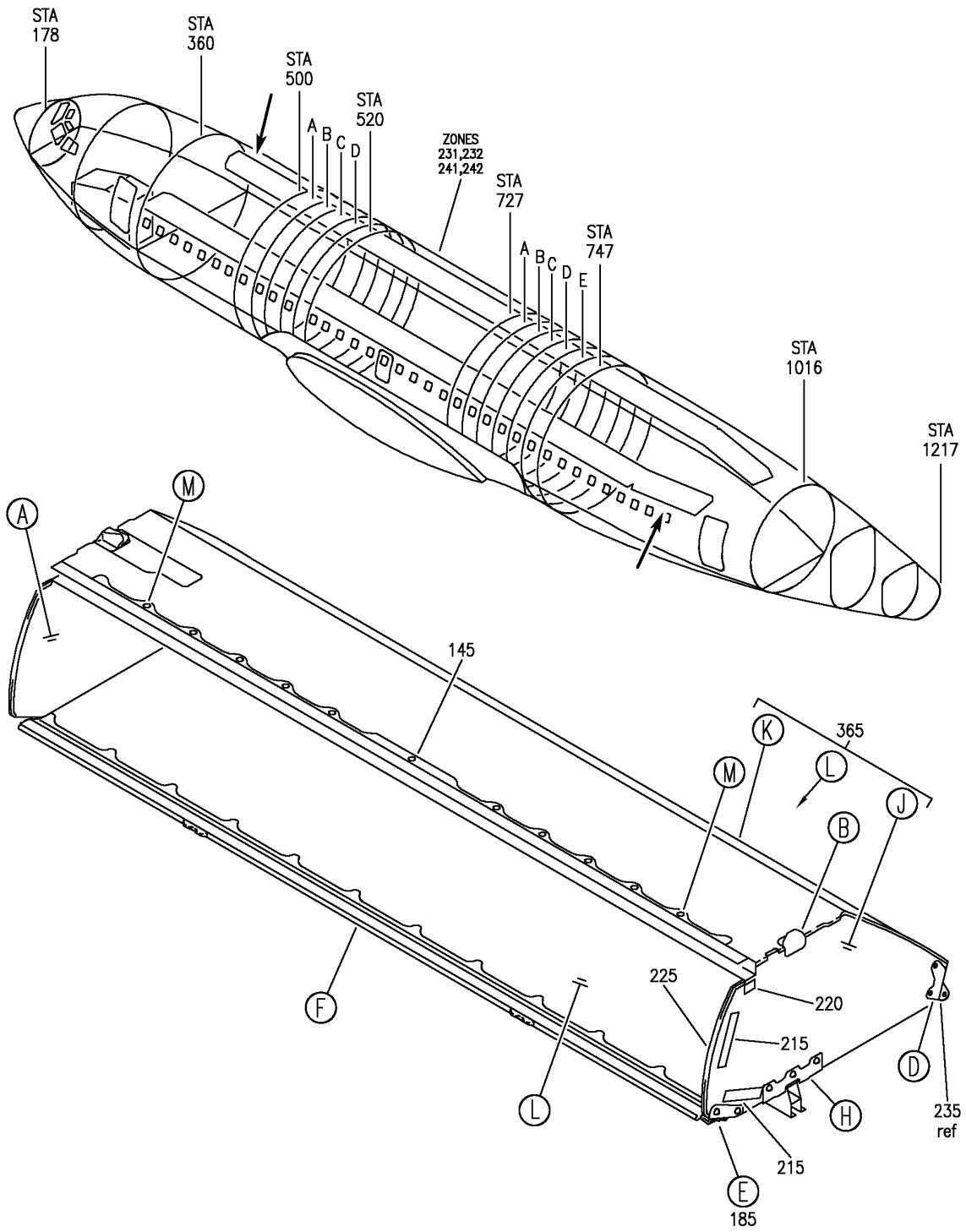
HAP

25-24-32-83B

BOEING PROPRIETARY - Copyright © - Unpublished Work - See title page for details.

25-24-32
FIG. 83B
PAGE 12
JUN 15/09


BOEING
 737-600/700/800/900
PARTS CATALOG (MAINTENANCE)



E 25243283C SHT 1 REV 085

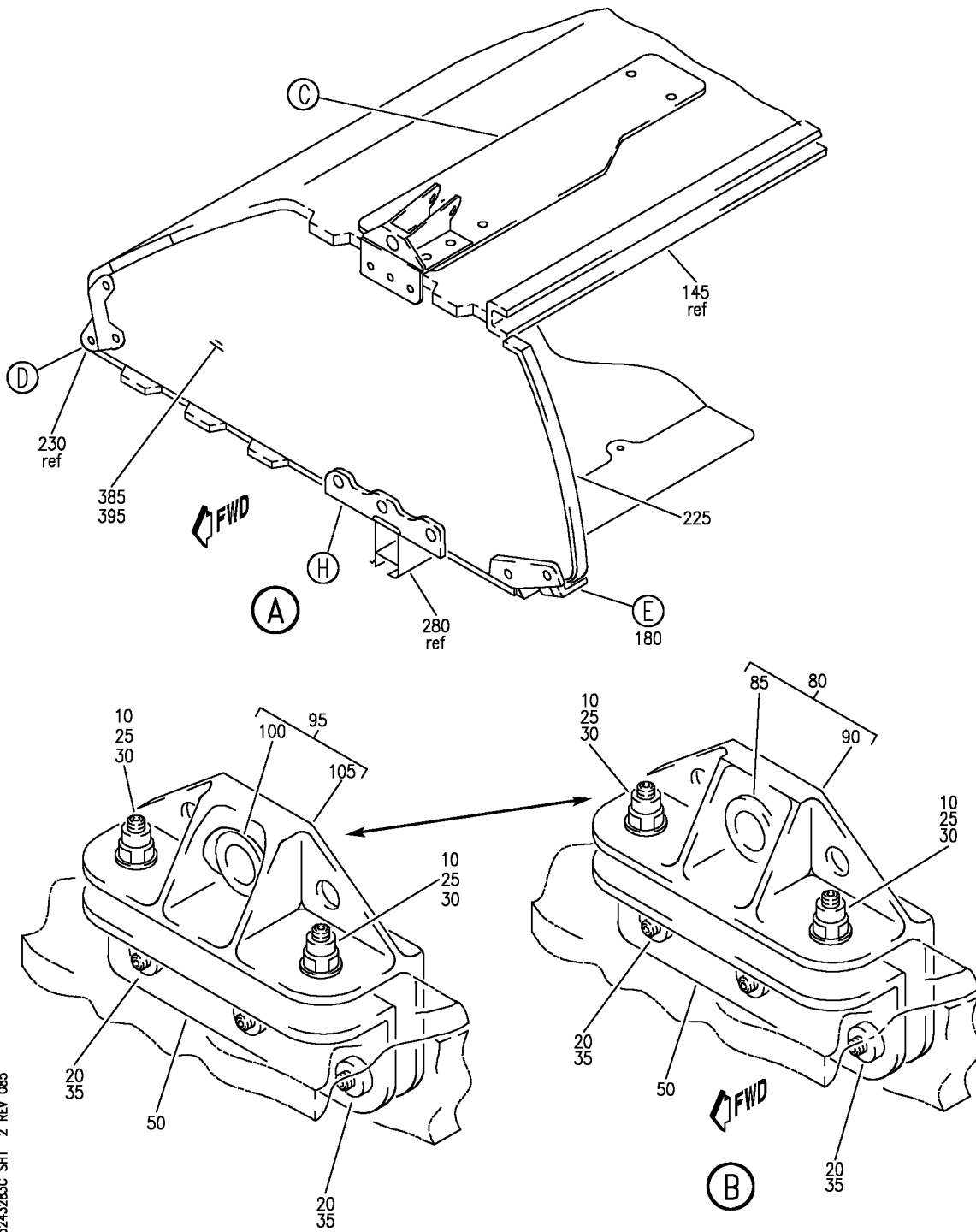
BOX ASSY-80 IN. BIG BIN RH
 FIGURE 83C (SHEET 1)

25-24-32-83C

HAP
OCT 10/06

25-24-32-83C
 PAGE 0

BOEING
 737-600/700/800/900
 PARTS CATALOG (MAINTENANCE)



E 25243283C SHT 2 REV 085

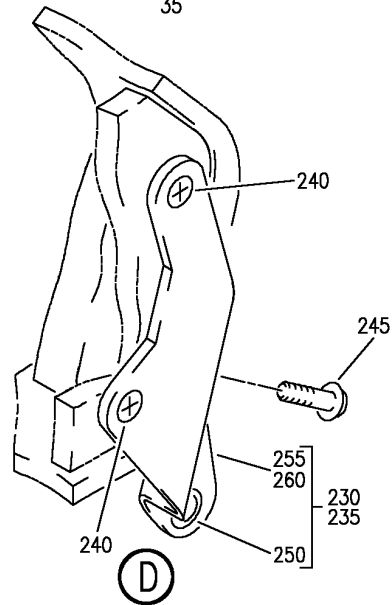
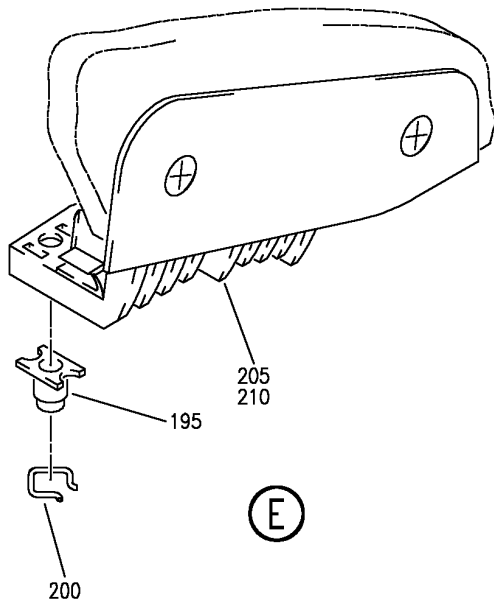
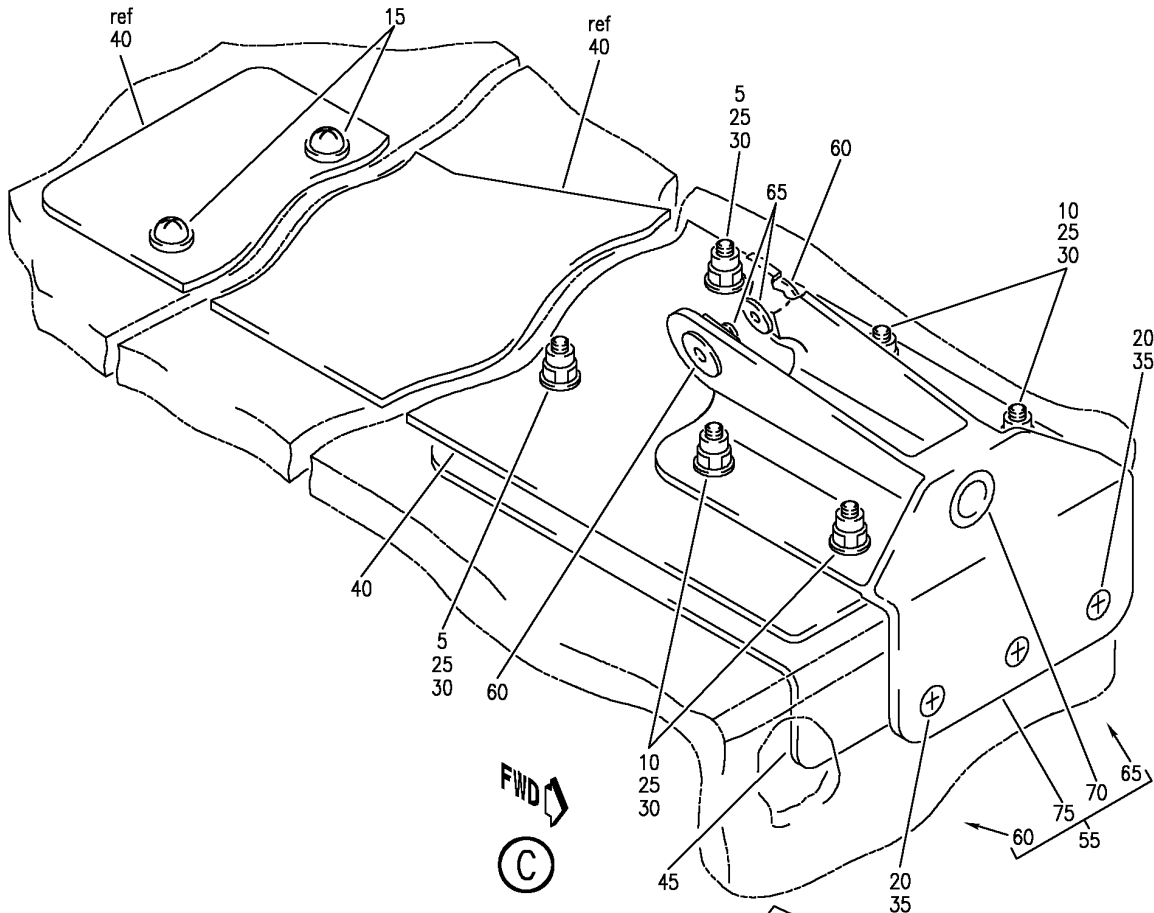
BOX ASSY-80 IN. BIG BIN RH
 FIGURE 83C (SHEET 2)

25-24-32-83C

HAP
 OCT 10/06

25-24-32-83C
 PAGE 0A

BOEING
 737-600/700/800/900
 PARTS CATALOG (MAINTENANCE)



E 25243283C SHT 3 REV 085

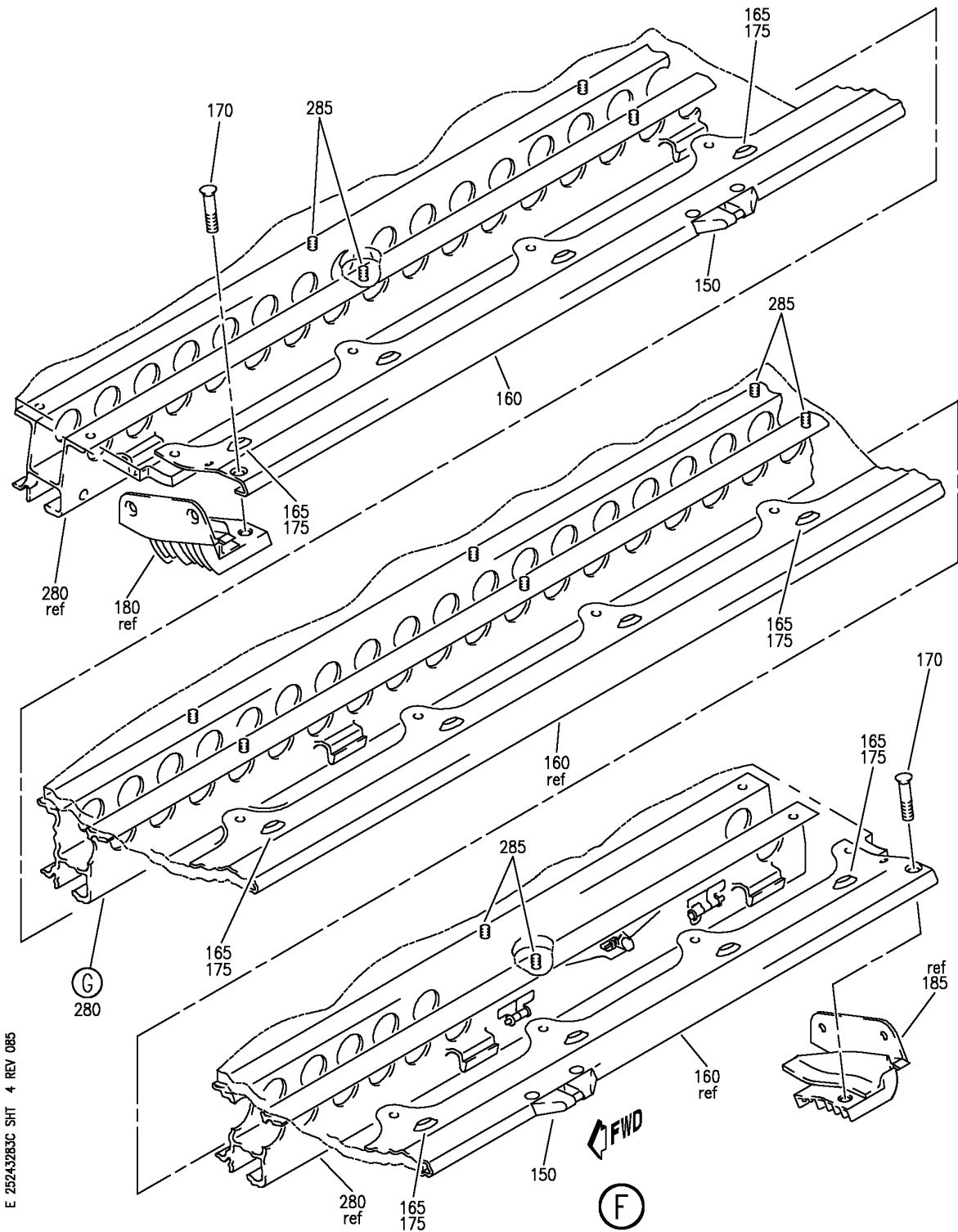
BOX ASSY-80 IN. BIG BIN RH
 FIGURE 83C (SHEET 3)

25-24-32-83C

HAP
 OCT 10/06

25-24-32-83C
 PAGE 0B

BOEING
 737-600/700/800/900
 PARTS CATALOG (MAINTENANCE)



E 25243283C SHT 4 REV 085

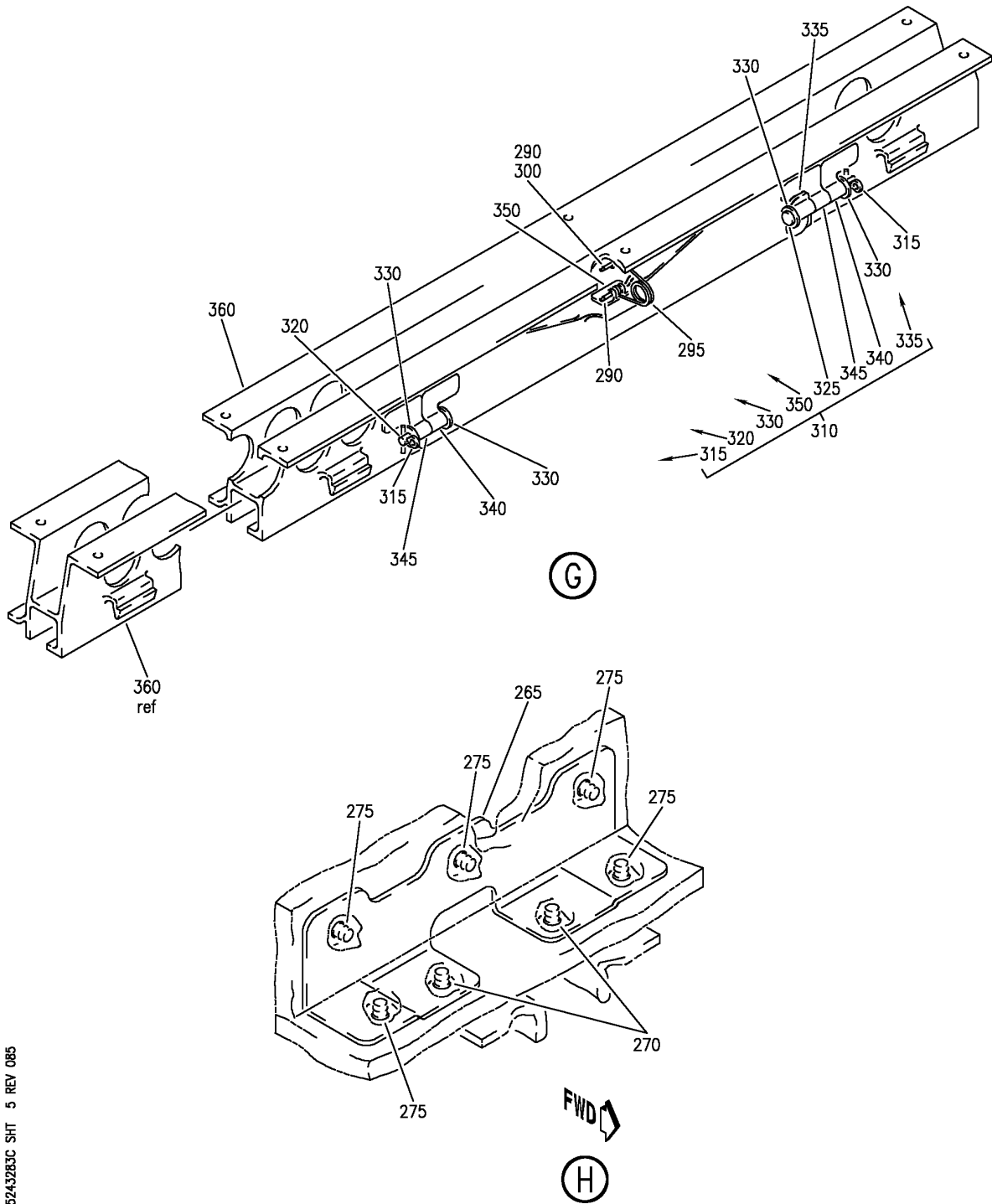
BOX ASSY-80 IN. BIG BIN RH
 FIGURE 83C (SHEET 4)

25-24-32-83C

HAP
 OCT 10/06

25-24-32-83C
 PAGE 0C

BOEING
 737-600/700/800/900
 PARTS CATALOG (MAINTENANCE)



E 25243283C SHT 5 REV 085

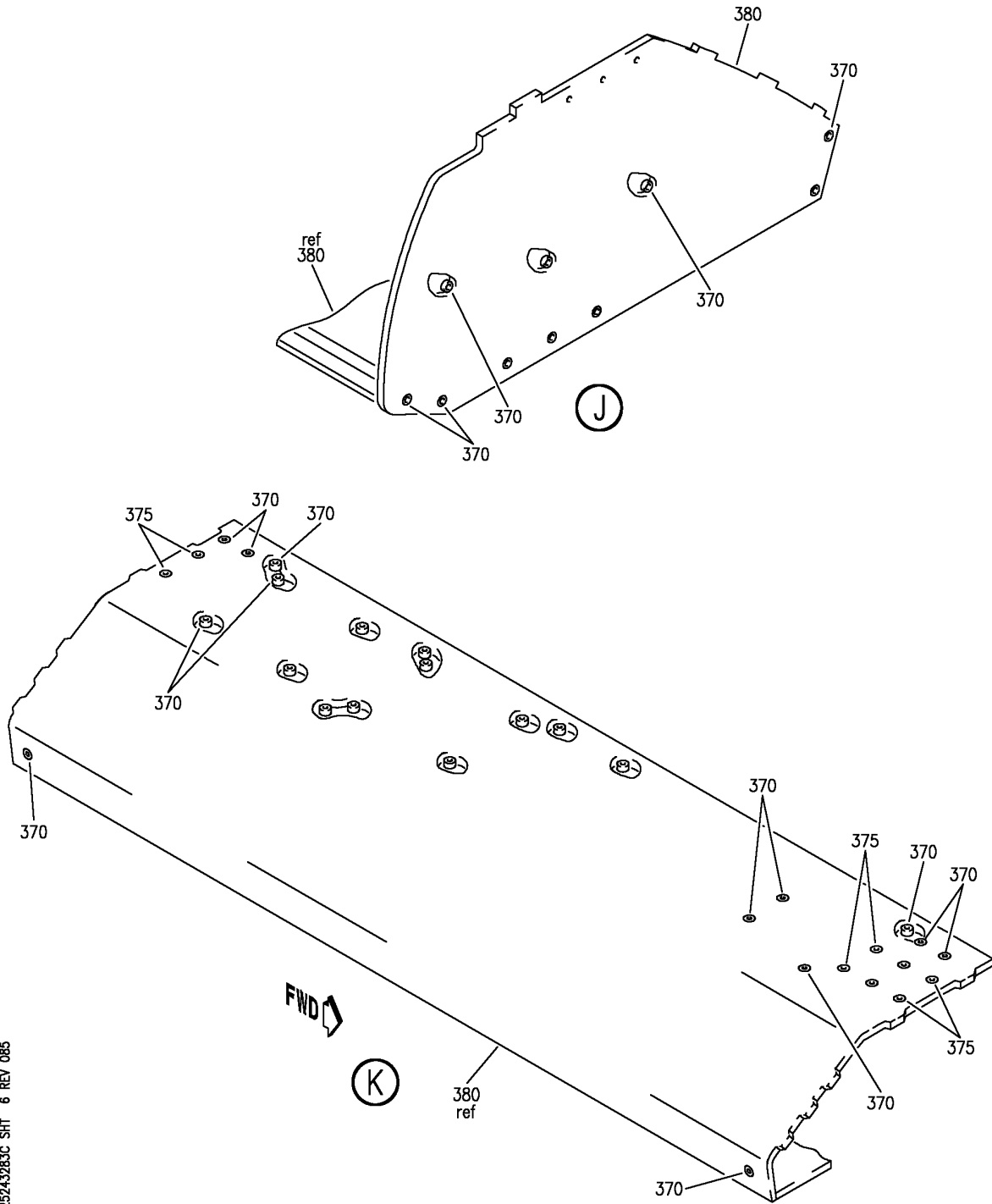
BOX ASSY-80 IN. BIG BIN RH
 FIGURE 83C (SHEET 5)

25-24-32-83C

HAP
 OCT 10/06

25-24-32-83C
 PAGE 0D

BOEING
 737-600/700/800/900
 PARTS CATALOG (MAINTENANCE)



E 25243283C SHT 6 REV 085

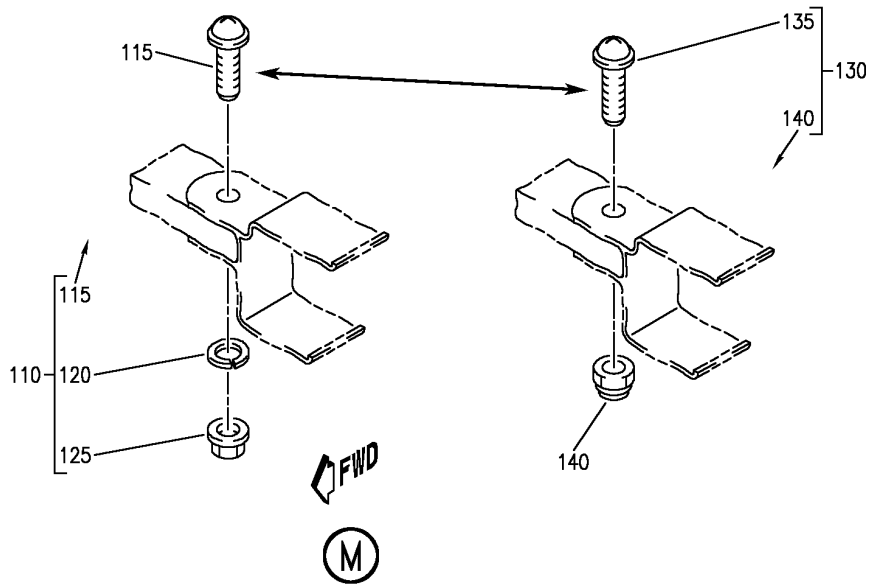
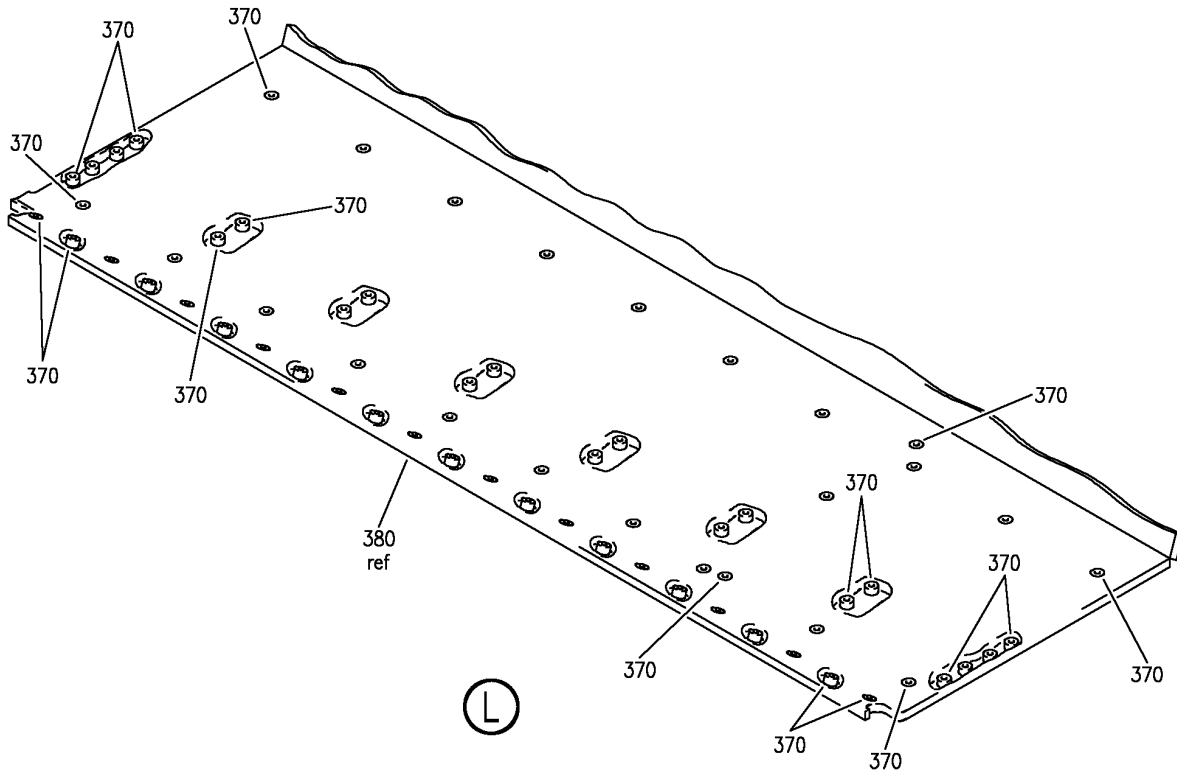
BOX ASSY-80 IN. BIG BIN RH
 FIGURE 83C (SHEET 6)

25-24-32-83C

HAP
 OCT 10/06

25-24-32-83C
 PAGE 0E

BOEING
 737-600/700/800/900
 PARTS CATALOG (MAINTENANCE)



E 25243283C SHT 7 REV 085

BOX ASSY-80 IN. BIG BIN RH
 FIGURE 83C (SHEET 7)

25-24-32-83C

HAP
 OCT 10/06

25-24-32-83C
 PAGE OF

BOEING
737-600/700/800/900
PARTS CATALOG (MAINTENANCE)

FIG ITEM	PART NUMBER	1 2 3 4 5 6 7	NOMENCLATURE	EFFECT FROM TO	UNITS PER ASSY
83C			BOX ASSY-80 IN. BIG BIN RH	031200 968999	
- 1	412A1205-16B		BOX ASSY-80 IN. BIG BIN POSITION DATA: RH FOR NHA SEE: 25-24-31-14M 25-24-31-82B	031200 968999	RF
5	HL1012AZ6-9		.BOLT SUPPLIER CODE: V97928 SPECIFICATION NUMBER: BACB30NX6K9 OPTIONAL PART: HL12VAZ6-9 V73197 HL12VAZ6-9 V92215 HL12VAZ6-9 V97928 L802-6K9 V06725 HL12VAZ6-9 V56878 HL1012AZ6-9 V0PTK6 HL1012AZ6-9 V06725 HL1012AZ6-9 V06950 HL1012AZ6-9 V17446 HL1012AZ6-9 V56878 HL1012AZ6-9 V60516 HL1012AZ6-9 V73197	031200 968999	2

MISSING ITEM NUMBERS NOT APPLICABLE

- ITEM NOT ILLUSTRATED

HAP

25-24-32-83C

BOEING PROPRIETARY - Copyright © - Unpublished Work - See title page for details.

25-24-32
FIG. 83C
PAGE 1
OCT 15/08

BOEING
737-600/700/800/900
PARTS CATALOG (MAINTENANCE)

FIG ITEM	PART NUMBER	1 2 3 4 5 6 7	NOMENCLATURE	EFFECT FROM TO	UNITS PER ASSY
83C 10	HL1012AZ6-11	.	BOLT SUPPLIER CODE: V97928 SPECIFICATION NUMBER: BACB30NX6K11 OPTIONAL PART: HL12VAZ6-11 V73197 HL12VAZ6-11 V92215 HL12VAZ6-11 V97928 L802-6K11 V06725 HL12VAZ6-11 V56878 HL1012AZ6-11 VOPTK6 HL1012AZ6-11 V06725 HL1012AZ6-11 V06950 HL1012AZ6-11 V17446 HL1012AZ6-11 V56878 HL1012AZ6-11 V60516 HL1012AZ6-11 V73197	031200 968999	6
15	BACS12FA3K4	.	SCREW	031200 968999	2
20	BACS12ER3K9	.	SCREW	031200 968999	6
25	NAS1149D0363J	.	WASHER	031200 968999	8
30	HST1070CY6	.	COLLAR SUPPLIER CODE: V5M902 SPECIFICATION NUMBER: BACC30BZ6 OPTIONAL PART: VLC1070CY6 V92215 HST1070CY6 V73197	031200 968999	8
35	SL5-3-50C	.	NUT- SUPPLIER CODE: V97393	031200 968999	6

MISSING ITEM NUMBERS NOT APPLICABLE

— ITEM NOT ILLUSTRATED

HAP

25-24-32-83C

BOEING PROPRIETARY - Copyright © - Unpublished Work - See title page for details.

25-24-32
FIG. 83C
PAGE 2
OCT 15/08

 **BOEING**
737-600/700/800/900
PARTS CATALOG (MAINTENANCE)

FIG ITEM	PART NUMBER	1 2 3 4 5 6 7	NOMENCLATURE	EFFECT FROM TO	UNITS PER ASSY
83C					
40	412A1220-242	.	DOUBLER-9G EXT	031200 968999	1
45	412A1220-241B	.	DOUBLER-INTERNAL	031200 968999	1
50	412A1220-39A	.	DOUBLER-INTERNAL	031200 968999	1
55	412A1230-106	.	FITTING ASSY-DRAG	031200 968999	1
60	BACW10P273L	..	WASHER	031200 968999	2
65	BACB28AT04B023C	..	BUSHING- OPTIONAL PART: NAS538B4P023	031200 968999	2
65	NAS538B4P023	..	BUSHING- OPTIONAL PART: BACB28AT04B023C	031200 968999	2
70	BCREF13195	..	BUSHING- OVERLENGTH PART NUMBER: BACB28AY06A035CG	031200 968999	1
75	412A1230-108	..	FITTING	031200 968999	1
80	412A1230-201	.	FITTING ASSY- OPTIONAL PART: 412A1230-1	031200 968999	1
85	BCREF13195	..	BUSHING- OVERLENGTH PART NUMBER: BACB28AY06A035CG	031200 968999	1
90	412A1230-202	..	FITTING- OPTIONAL PART: 412A1230-203	031200 968999	1
90	412A1230-203	..	FITTING- OPTIONAL PART: 412A1230-202	031200 968999	1
95	412A1230-1	.	FITTING ASSY- OPTIONAL PART: 412A1230-201	031200 968999	1
100	BCREF13195	..	BUSHING- OVERLENGTH PART NUMBER: BACB28AY06A035CG	031200 968999	1
105	412A1230-2	..	SUPPORT	031200 968999	1
110	412A1340-14	.	FASTENER ASSY-KIT OPTIONAL PART: 412A1340-15	031200 968999	11
115	BACS12FA3K12	..	SCREW	031200 968999	1
120	BACW10EC3S	..	WASHER	031200 968999	1

MISSING ITEM NUMBERS NOT APPLICABLE

— ITEM NOT ILLUSTRATED

HAP

25-24-32-83C

BOEING PROPRIETARY - Copyright © - Unpublished Work - See title page for details.

25-24-32
FIG. 83C
PAGE 3
OCT 15/08

BOEING
737-600/700/800/900
PARTS CATALOG (MAINTENANCE)

FIG ITEM	PART NUMBER	1 2 3 4 5 6 7	NOMENCLATURE	EFFECT FROM TO	UNITS PER ASSY
83C 125	PLH53C	. .	NUT SUPPLIER CODE: V62554 SPECIFICATION NUMBER: BACN10YR3C OPTIONAL PART: H52732-3C V15653	031200 968999	1
130	412A1340-15	. .	FASTENER ASSY-KIT OPTIONAL PART: 412A1340-14	031200 968999	11
135	BACS12FA3K13	. .	SCREW	031200 968999	1
140	F22K1-02	. .	NUT SUPPLIER CODE: V72962 SPECIFICATION NUMBER: BACN10R10L OPTIONAL PART: 22K1-02 V72962 26CLO2 V80539	031200 968999	1
145	412A1247-1A	. .	EXTRUSION-DOOR CLOSEOUT	031200 968999	1
150	HA951-5	. .	STRIKE-LATCH SUPPLIER CODE: V83014 SPECIFICATION NUMBER: S412A003-3	031200 968999	2
150	HA225-11	. .	STRIKE-LATCH SUPPLIER CODE: V83014 SPECIFICATION NUMBER: S412A001-16 ATTACHING PARTS	031200 968999	2
- 155	BACS12ER08K5	. .	SCREW	031200 968999	4
160	412A1242-1	. .	EXTRUSION-SHELF ATTACHING PARTS	031200 968999	1
165	BACS12ER3K5	. .	SCREW	031200 968999	12
170	BACS12ER3K6	. .	SCREW	031200 968999	2

MISSING ITEM NUMBERS NOT APPLICABLE

- ITEM NOT ILLUSTRATED

HAP

25-24-32-83C

BOEING PROPRIETARY - Copyright © - Unpublished Work - See title page for details.

25-24-32
FIG. 83C
PAGE 4
JUN 15/09

BOEING
737-600/700/800/900
PARTS CATALOG (MAINTENANCE)

FIG ITEM	PART NUMBER	1 2 3 4 5 6 7	NOMENCLATURE	EFFECT FROM TO	UNITS PER ASSY
83C 175	H3-1233A3		.WASHER- SUPPLIER CODE: V34941 SPECIFICATION NUMBER: S411A001-1 -----*-----	031200 968999	12
180	412A1475-3A		.FITTING ASSY-SPRT	031200 968999	1
185	412A1475-4A		.FITTING ASSY-SPRT	031200 968999	1
			ATTACHING PARTS		
- 190	BACS12ER3K5		.SCREW	031200 968999	4
			-----*-----		
195	BACN11F3-1CD		..NUT	031200 968999	1
200	NAS1795-3		..CLIP	031200 968999	1
205	412A1475-1A		..FITTING- USED ON: 412A1475-3A	031200 968999	1
210	412A1475-2A		..FITTING- USED ON: 412A1475-4A	031200 968999	1
215	412A1450-35		.TRIM- POSITION DATA: MIDDLE AND LOWER	031200 968999	2
220	412A1450-34		.TRIM	031200 968999	1
225	412A1452-1B		.TRIM	031200 968999	2
230	412A1230-7		.SUPPORT ASSY-LWR	031200 968999	1
235	412A1230-8		.SUPPORT ASSY-LWR	031200 968999	1
			ATTACHING PARTS		
240	BACS12ER3K5		.SCREW	031200 968999	4
245	BACS12FA3K5		.SCREW	031200 968999	2
			-----*-----		
250	BCREF13196		..BUSHING- OVERLENGTH PART NUMBER: BACB28AT06A010CG	031200 968999	1
255	412A1230-9		..SUPPORT- USED ON: 412A1230-7	031200 968999	1

MISSING ITEM NUMBERS NOT APPLICABLE

- ITEM NOT ILLUSTRATED

HAP

25-24-32-83C

BOEING PROPRIETARY - Copyright © - Unpublished Work - See title page for details.

25-24-32
FIG. 83C
PAGE 5
JUN 15/09

BOEING
737-600/700/800/900
PARTS CATALOG (MAINTENANCE)

FIG ITEM	PART NUMBER	1 2 3 4 5 6 7	NOMENCLATURE	EFFECT FROM TO	UNITS PER ASSY
83C 260	412A1230-10	..	SUPPORT- USED ON: 412A1230-8	031200 968999	1
265	412A1220-205	.ANGLE		031200 968999	2
270	BACS12FA3K5	.SCREW	ATTACHING PARTS	031200 968999	4
275	BACS12FA3K4	.SCREW		031200 968999	10
280	412A1246-4A	.RAIL ASSY	-----*-----	031200 968999	1
285	BACS12FA3K5	.SCREW	ATTACHING PARTS	031200 968999	12
290	BACP18BC02A06P	..PIN	-----*-----	031200 968999	2
295	412A1350-1	..	SPRING-MCD DOOR	031200 968999	1
300	412A1230-26	..	PLATFORM-SPR	031200 968999	1
- 305	BACR15CE5M	..RIVET-	ATTACHING PARTS SIZE DETERMINED ON INSTL.	031200 968999	2
310	412A1246-2A	..DOOR ASSY	-----*-----	031200 968999	1
315	BACP18BC02A06P	...PIN		031200 968999	2
320	MS20392-2C37	...PIN		031200 968999	1
325	MS20392-2C59	...PIN		031200 968999	1
330	MS51859-5	...WASHER		031200 968999	4
335	412A1230-22	...TRIGGER		031200 968999	1
340	412A1230-29	...HINGE-MCD DOOR		031200 968999	2
345	412A1230-30	...HINGE-MCD DOOR		031200 968999	2
350	412A1230-26	...PLATFORM		031200 968999	1
355	412A1245-25	...DOOR		031200 968999	1
360	412A1245-24	..RAIL-MCD PSU		031200 968999	1

MISSING ITEM NUMBERS NOT APPLICABLE

- ITEM NOT ILLUSTRATED

HAP

25-24-32-83C

BOEING PROPRIETARY - Copyright © - Unpublished Work - See title page for details.

25-24-32
FIG. 83C
PAGE 6
JUN 15/09

BOEING
737-600/700/800/900
PARTS CATALOG (MAINTENANCE)

FIG ITEM	PART NUMBER	1 2 3 4 5 6 7	NOMENCLATURE	EFFECT FROM TO	UNITS PER ASSY
83C 365	412A1215-14B	.	PANEL ASSY	031200 968999	1
370	SL2334-3A1	..	INSERT- SUPPLIER CODE: V97393	031200 968999	99
375	BCREF128023	..	INSERT- SUPPLIER CODE: V97393 OVERLENGTH PART NUMBER: SL603-3-375ASP13	031200 968999	8
380	412A1215-1B	..	PANEL	031200 968999	1
385	412A1216-14B	.	PANEL ASSY	031200 968999	1
- 390	SL2334-3A1	..	INSERT- SUPPLIER CODE: V97393	031200 968999	10
395	412A1216-1C	..	PANEL	031200 968999	1

MISSING ITEM NUMBERS NOT APPLICABLE

- ITEM NOT ILLUSTRATED

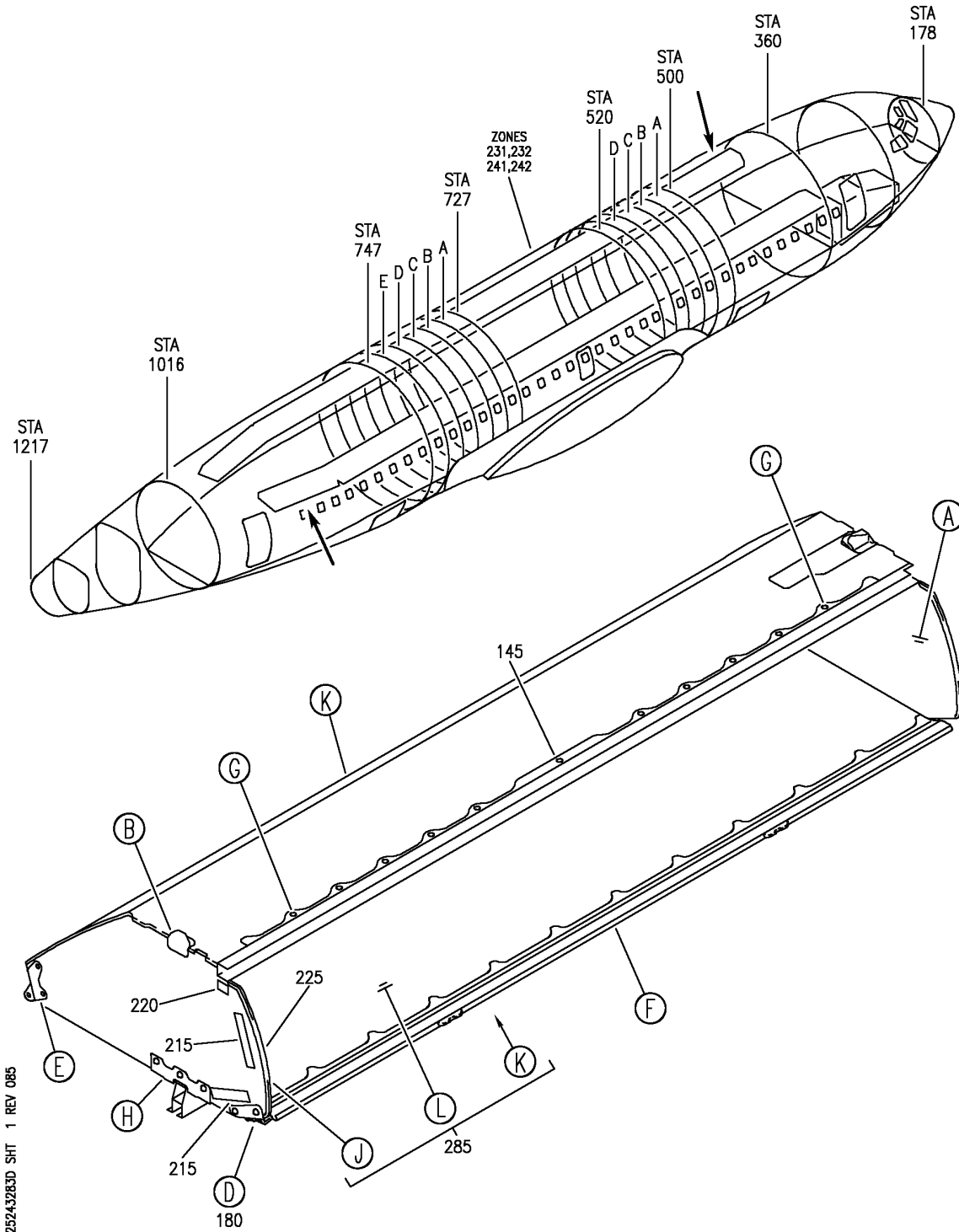
HAP

25-24-32-83C

BOEING PROPRIETARY - Copyright © - Unpublished Work - See title page for details.

25-24-32
FIG. 83C
PAGE 7
JUN 15/09

BOEING
 737-600/700/800/900
 PARTS CATALOG (MAINTENANCE)



E 25243283D SHT 1 REV 085

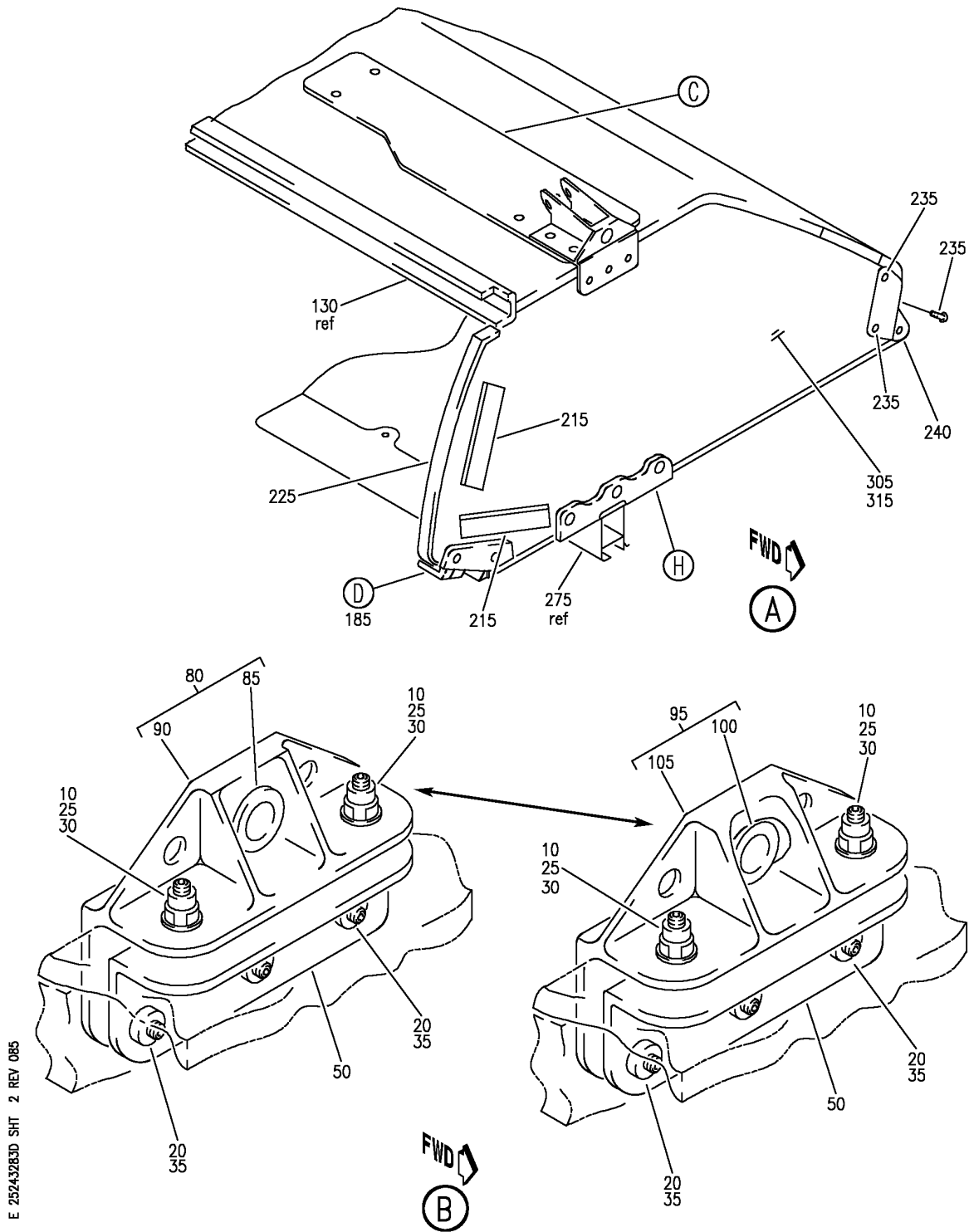
BOX ASSY-80 IN. BIG BIN LH
 FIGURE 83D (SHEET 1)

25-24-32-83D

HAP
 FEB 10/07

25-24-32-83D
 PAGE 0

BOEING
 737-600/700/800/900
 PARTS CATALOG (MAINTENANCE)



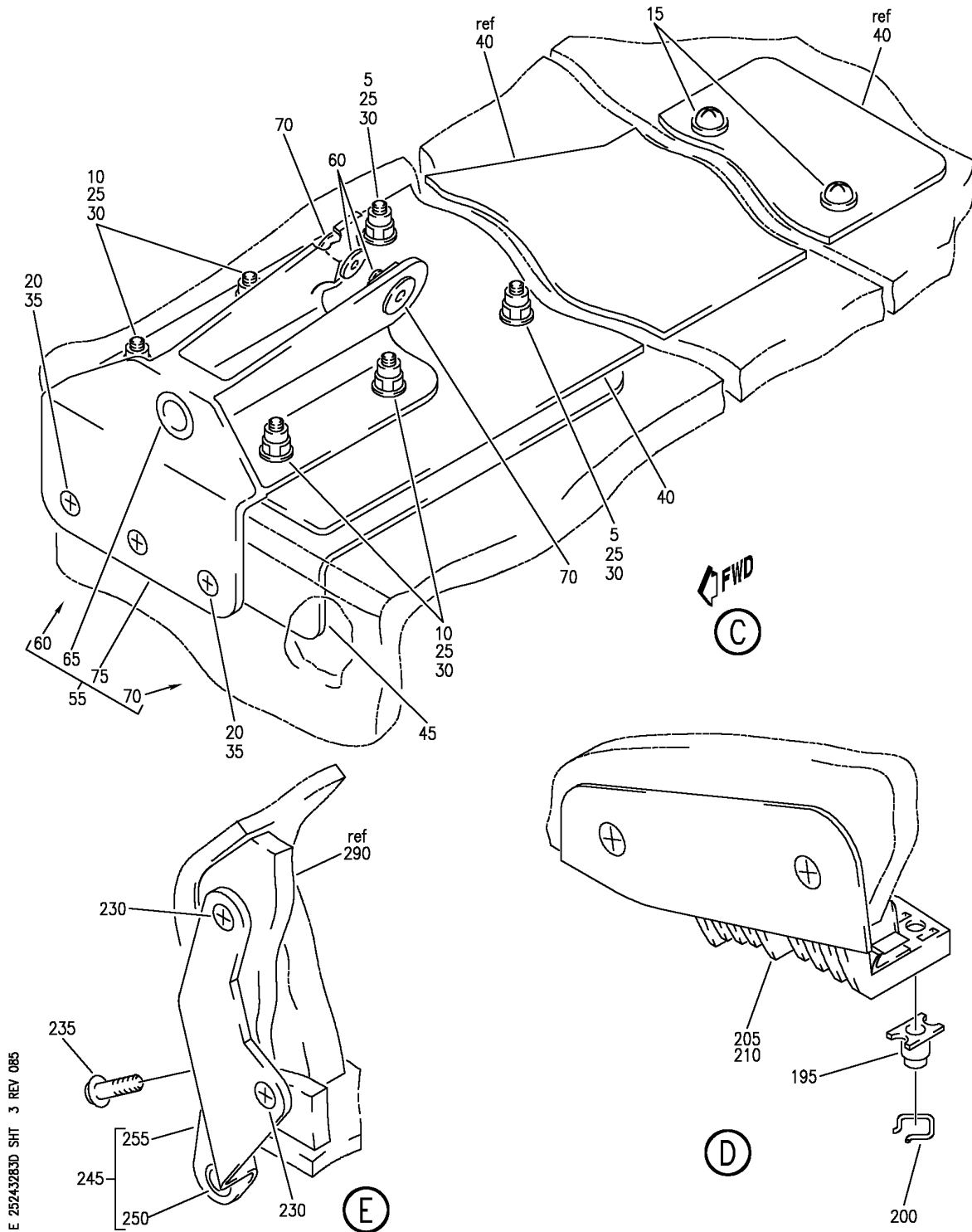
BOX ASSY-80 IN. BIG BIN LH
 FIGURE 83D (SHEET 2)

25-24-32-83D

HAP
 FEB 10/07

25-24-32-83D
 PAGE 0A


BOEING
 737-600/700/800/900
PARTS CATALOG (MAINTENANCE)



E 25243283D SHT 3 REV 085

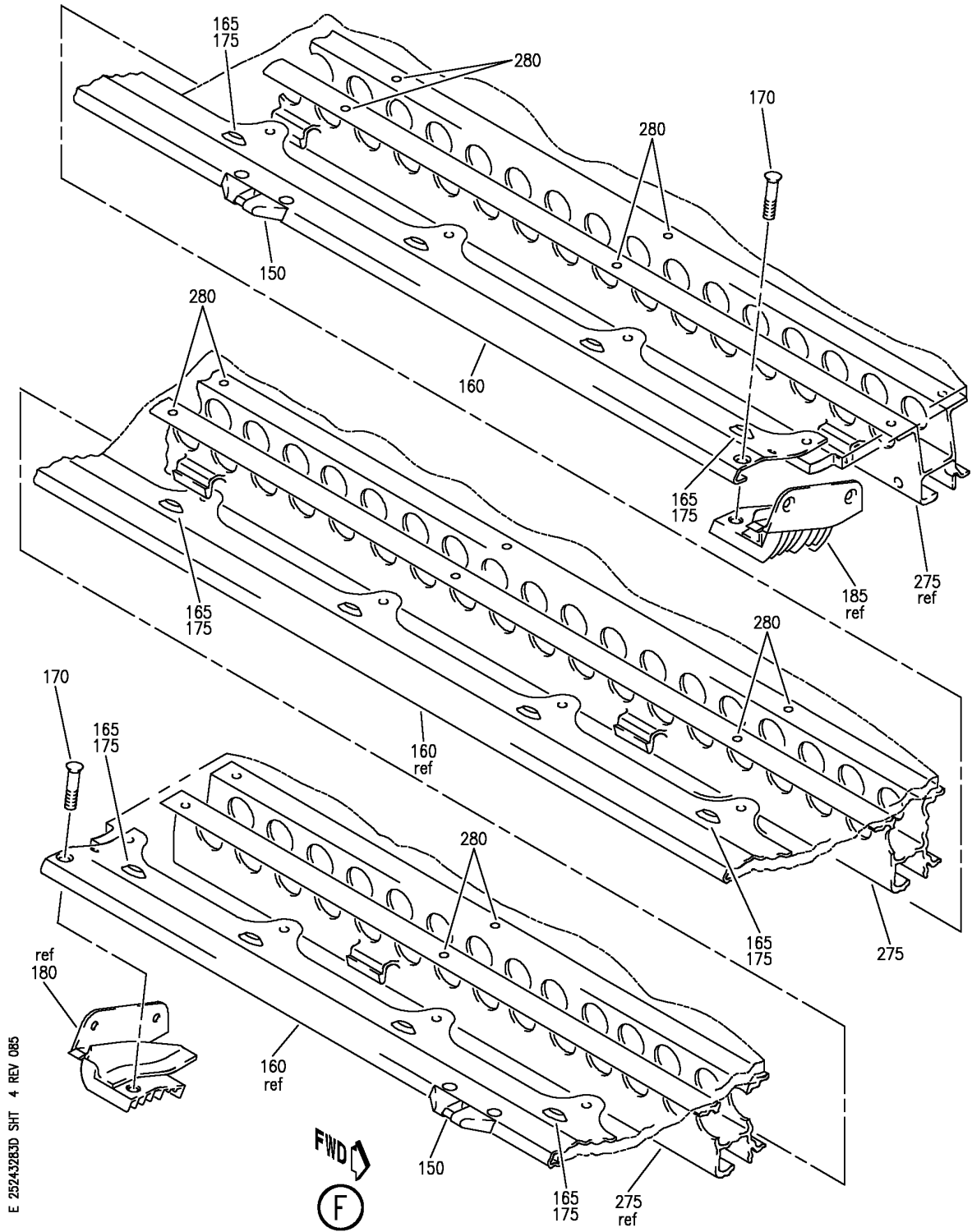
BOX ASSY-80 IN. BIG BIN LH
 FIGURE 83D (SHEET 3)

25-24-32-83D

HAP
FEB 10/07

25-24-32-83D
 PAGE 0B

BOEING
 737-600/700/800/900
 PARTS CATALOG (MAINTENANCE)



E 25243283D SHT 4 REV 085

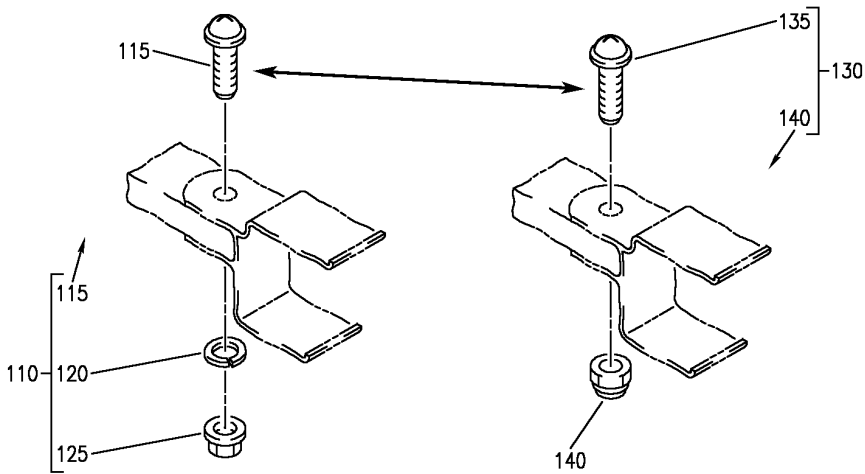
BOX ASSY-80 IN. BIG BIN LH
 FIGURE 83D (SHEET 4)

25-24-32-83D

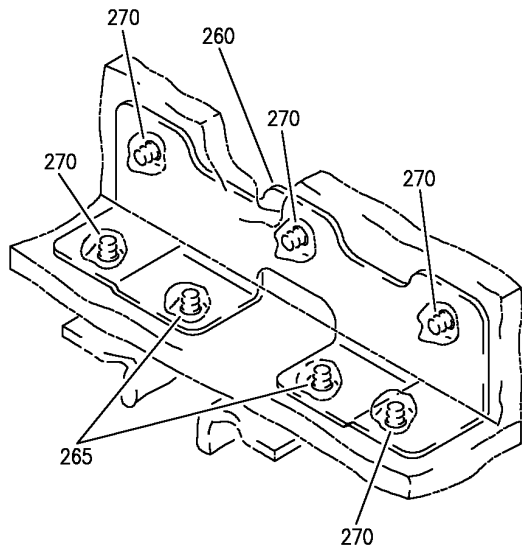
HAP
 FEB 10/07

25-24-32-83D
 PAGE 0C

BOEING
 737-600/700/800/900
 PARTS CATALOG (MAINTENANCE)

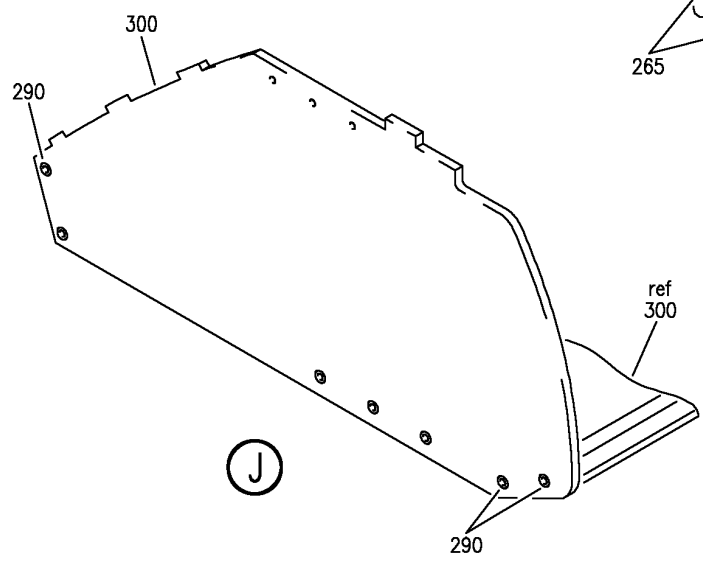


(G)



FWD

(H)



(J)

E 25243283D SHT 5 REV 085

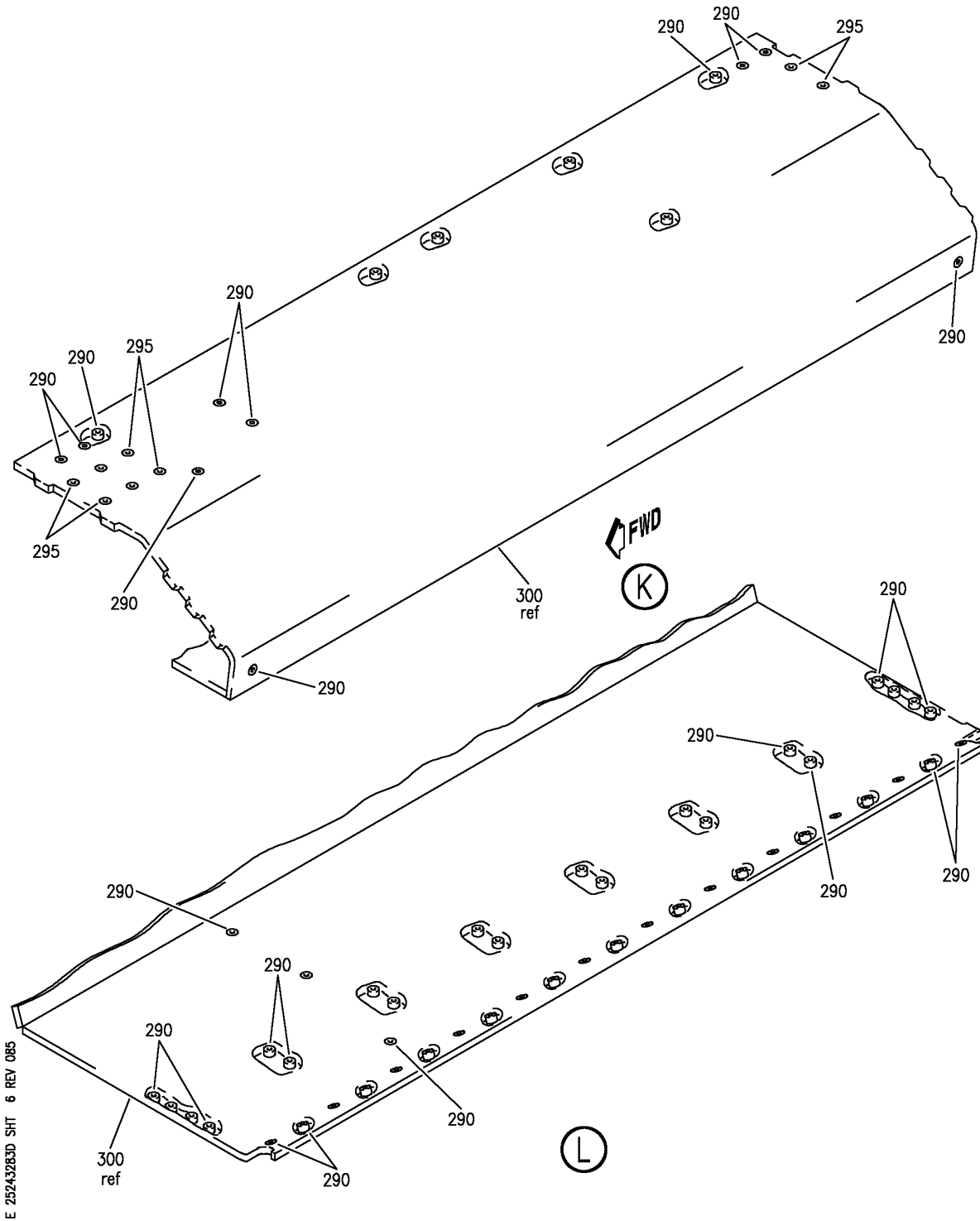
BOX ASSY-80 IN. BIG BIN LH
 FIGURE 83D (SHEET 5)

25-24-32-83D

HAP
 FEB 10/07

25-24-32-83D
 PAGE 0D

BOEING
737-600/700/800/900
PARTS CATALOG (MAINTENANCE)



BOX ASSY-80 IN. BIG BIN LH
FIGURE 83D (SHEET 6)

25-24-32-83D

HAP
FEB 10/07

25-24-32-83D
PAGE 0E

BOEING
737-600/700/800/900
PARTS CATALOG (MAINTENANCE)

FIG ITEM	PART NUMBER	1 2 3 4 5 6 7	NOMENCLATURE	EFFECT FROM TO	UNITS PER ASSY
83D			BOX ASSY-80 IN. BIG BIN LH	101200 968999	
- 1	412A1205-19B		BOX ASSY-80 IN. BIG BIN POSITION DATA: LH FOR NHA SEE: 25-24-31-81A 25-24-31-82N	101200 968999	RF
5	HL1012AZ6-9		.BOLT SUPPLIER CODE: V97928 SPECIFICATION NUMBER: BACB30NX6K9 OPTIONAL PART: HL12VAZ6-9 V73197 HL12VAZ6-9 V92215 HL12VAZ6-9 V97928 L802-6K9 V06725 HL12VAZ6-9 V56878 HL1012AZ6-9 V0PTK6 HL1012AZ6-9 V06725 HL1012AZ6-9 V06950 HL1012AZ6-9 V17446 HL1012AZ6-9 V56878 HL1012AZ6-9 V60516 HL1012AZ6-9 V73197	101200 968999	2

MISSING ITEM NUMBERS NOT APPLICABLE

- ITEM NOT ILLUSTRATED

HAP

25-24-32-83D

BOEING PROPRIETARY - Copyright © - Unpublished Work - See title page for details.

25-24-32
FIG. 83D
PAGE 1
OCT 15/08

BOEING
737-600/700/800/900
PARTS CATALOG (MAINTENANCE)

FIG ITEM	PART NUMBER	1 2 3 4 5 6 7	NOMENCLATURE	EFFECT FROM TO	UNITS PER ASSY
83D 10	HL1012AZ6-11	.BOLT	SUPPLIER CODE: V97928 SPECIFICATION NUMBER: BACB30NX6K11 OPTIONAL PART: HL12VAZ6-11 V73197 HL12VAZ6-11 V92215 HL12VAZ6-11 V97928 L802-6K11 V06725 HL12VAZ6-11 V56878 HL1012AZ6-11 VOPTK6 HL1012AZ6-11 V06725 HL1012AZ6-11 V06950 HL1012AZ6-11 V17446 HL1012AZ6-11 V56878 HL1012AZ6-11 V60516 HL1012AZ6-11 V73197	101200 968999	6
15	BACS12FA3K4	.SCREW		101200 968999	2
20	BACS12ER3K9	.SCREW		101200 968999	6
25	NAS1149D0363J	.WASHER		101200 968999	8
30	HST1070CY6	.COLLAR	SUPPLIER CODE: V5M902 SPECIFICATION NUMBER: BACC30BZ6 OPTIONAL PART: VLC1070CY6 V92215 HST1070CY6 V73197	101200 968999	8
35	SL5-3-50C	.NUT-	SUPPLIER CODE: V97393	101200 968999	6

MISSING ITEM NUMBERS NOT APPLICABLE

— ITEM NOT ILLUSTRATED

HAP

25-24-32-83D

BOEING PROPRIETARY - Copyright © - Unpublished Work - See title page for details.

25-24-32
FIG. 83D
PAGE 2
OCT 15/08

BOEING
737-600/700/800/900
PARTS CATALOG (MAINTENANCE)

FIG ITEM	PART NUMBER	1 2 3 4 5 6 7	NOMENCLATURE	EFFECT FROM TO	UNITS PER ASSY
83D					
40	412A1220-242	.	DOUBLER-9G EXT	101200 968999	1
45	412A1220-241B	.	DOUBLER-INTERNAL	101200 968999	1
50	412A1220-39A	.	DOUBLER-INTERNAL	101200 968999	1
55	412A1230-105	.	FITTING ASSY-DRAG	101200 968999	1
60	BACB28AT04B023C	..	BUSHING- OPTIONAL PART: NAS538B4P023	101200 968999	2
60	NAS538B4P023	..	BUSHING- OPTIONAL PART: BACB28AT04B023C	101200 968999	2
65	BCREF13195	..	BUSHING- OVERLENGTH PART NUMBER: BACB28AY06A035CG	101200 968999	1
70	BACW10P273L	..	WASHER	101200 968999	2
75	412A1230-107	..	FITTING	101200 968999	1
80	412A1230-201	.	FITTING ASSY- OPTIONAL PART: 412A1230-1	101200 968999	1
85	BCREF13195	..	BUSHING- OVERLENGTH PART NUMBER: BACB28AY06A035CG	101200 968999	1
90	412A1230-202	..	FITTING- OPTIONAL PART: 412A1230-203	101200 968999	1
90	412A1230-203	..	FITTING- OPTIONAL PART: 412A1230-202	101200 968999	1
95	412A1230-1	.	FITTING ASSY- OPTIONAL PART: 412A1230-201	101200 968999	1
100	BCREF13195	..	BUSHING- OVERLENGTH PART NUMBER: BACB28AY06A035CG	101200 968999	1
105	412A1230-2	..	SUPPORT	101200 968999	1
110	412A1340-14	.	FASTENER ASSY-KIT OPTIONAL PART: 412A1340-15	101200 968999	11
115	BACS12FA3K12	..	SCREW	101200 968999	1
120	BACW10EC3S	..	WASHER	101200 968999	1

MISSING ITEM NUMBERS NOT APPLICABLE

— ITEM NOT ILLUSTRATED

HAP

25-24-32-83D

BOEING PROPRIETARY - Copyright © - Unpublished Work - See title page for details.

25-24-32
FIG. 83D
PAGE 3
OCT 15/08

BOEING
737-600/700/800/900
PARTS CATALOG (MAINTENANCE)

FIG ITEM	PART NUMBER	1 2 3 4 5 6 7	NOMENCLATURE	EFFECT FROM TO	UNITS PER ASSY
83D 125	PLH53C	. .	NUT SUPPLIER CODE: V62554 SPECIFICATION NUMBER: BACN10YR3C OPTIONAL PART: H52732-3C V15653	101200 968999	1
130	412A1340-15	. FASTENER ASSY-KIT	OPTIONAL PART: 412A1340-14	101200 968999	11
135	BACS12FA3K13	. .	SCREW	101200 968999	1
140	F22K1-02	. .	NUT SUPPLIER CODE: V72962 SPECIFICATION NUMBER: BACN10R10L OPTIONAL PART: 22K1-02 V72962 26CLO2 V80539	101200 968999	1
145	412A1247-1A	. EXTRUSION-DOOR CLOSEOUT		101200 968999	1
150	HA951-5	. STRIKE-LATCH	SUPPLIER CODE: V83014 SPECIFICATION NUMBER: S412A003-3 OPTIONAL PART: HA225-11 V83014	101200 968999	2
150	HA225-11	. STRIKE-LATCH	SUPPLIER CODE: V83014 SPECIFICATION NUMBER: S412A001-16 OPTIONAL PART: HA951-5 V83014	101200 968999	2
- 155	BACS12ER08K5	. ATTACHING PARTS SCREW		101200 968999	4
160	412A1242-1	-----*----- . EXTRUSION-SHELF		101200 968999	1

MISSING ITEM NUMBERS NOT APPLICABLE

- ITEM NOT ILLUSTRATED

HAP

25-24-32-83D

BOEING PROPRIETARY - Copyright © - Unpublished Work - See title page for details.

25-24-32
FIG. 83D
PAGE 4
OCT 15/08

BOEING
737-600/700/800/900
PARTS CATALOG (MAINTENANCE)

FIG ITEM	PART NUMBER	1 2 3 4 5 6 7	NOMENCLATURE	EFFECT FROM TO	UNITS PER ASSY
83D			ATTACHING PARTS		
165	BACS12ER3K5	.	SCREW	101200 968999	12
170	BACS12ER3K6	.	SCREW	101200 968999	2
175	H3-1233A3	.	WASHER- SUPPLIER CODE: V34941 SPECIFICATION NUMBER: S411A001-1 -----*-----	101200 968999	12
180	412A1475-3A	.	FITTING ASSY-SPRT	101200 968999	1
185	412A1475-4A	.	FITTING ASSY-SPRT	101200 968999	1
- 190	BACS12ER3K5	.	ATTACHING PARTS SCREW -----*-----	101200 968999	4
195	BACN11F3-1CD	..	NUT	101200 968999	1
200	NAS1795-3	..	CLIP	101200 968999	1
205	412A1475-1A	..	FITTING- USED ON: 412A1475-3A	101200 968999	1
210	412A1475-2A	..	FITTING- USED ON: 412A1475-4A	101200 968999	1
215	412A1450-35	.	TRIM- POSITION DATA: MIDDLE AND LOWER	101200 968999	4
220	412A1450-34	.	TRIM	101200 968999	1
225	412A1452-1B	.	TRIM	101200 968999	2
230	BACS12ER3K5	.	SCREW	101200 968999	2
235	BACS12FA3K5	.	SCREW	101200 968999	4
240	412A1230-68	.	FITTING-LWR	101200 968999	1
245	412A1230-7	.	SUPPORT ASSY- POSITION DATA: LWR	101200 968999	1
250	BCREF13196	..	BUSHING- OVERLENGTH PART NUMBER: BACB28AT06A010CG	101200 968999	1

MISSING ITEM NUMBERS NOT APPLICABLE

- ITEM NOT ILLUSTRATED

HAP

25-24-32-83D

BOEING PROPRIETARY - Copyright © - Unpublished Work - See title page for details.

25-24-32
FIG. 83D
PAGE 5
OCT 15/08

BOEING
737-600/700/800/900
PARTS CATALOG (MAINTENANCE)

FIG ITEM	PART NUMBER	1 2 3 4 5 6 7	NOMENCLATURE	EFFECT FROM TO	UNITS PER ASSY
83D 255	412A1230-9	. .	SUPPORT	101200 968999	1
260	412A1220-205	. ANGLE		101200 968999	2
			ATTACHING PARTS		
265	BACS12FA3K5	. SCREW		101200 968999	4
270	BACS12FA3K4	. SCREW		101200 968999	10
		-----*-----			
275	412A1245-1	. RAIL		101200 968999	1
			ATTACHING PARTS		
280	BACS12FA3K5	. SCREW		101200 968999	12
		-----*-----			
285	412A1215-17B	. PANEL ASSY		101200 968999	1
290	SL2334-3A1	. . INSERT- SUPPLIER CODE: V97393		101200 968999	68
295	BCREF128023	. . INSERT- SUPPLIER CODE: V97393 OVERLENGTH PART NUMBER: SL603-3-375ASP13		101200 968999	8
300	412A1215-1B	. . PANEL		101200 968999	1
305	412A1216-13B	. PANEL ASSY		101200 968999	1
- 310	SL2334-3A1	. . INSERT- SUPPLIER CODE: V97393		101200 968999	10
315	412A1216-1C	. . PANEL		101200 968999	1

MISSING ITEM NUMBERS NOT APPLICABLE

- ITEM NOT ILLUSTRATED

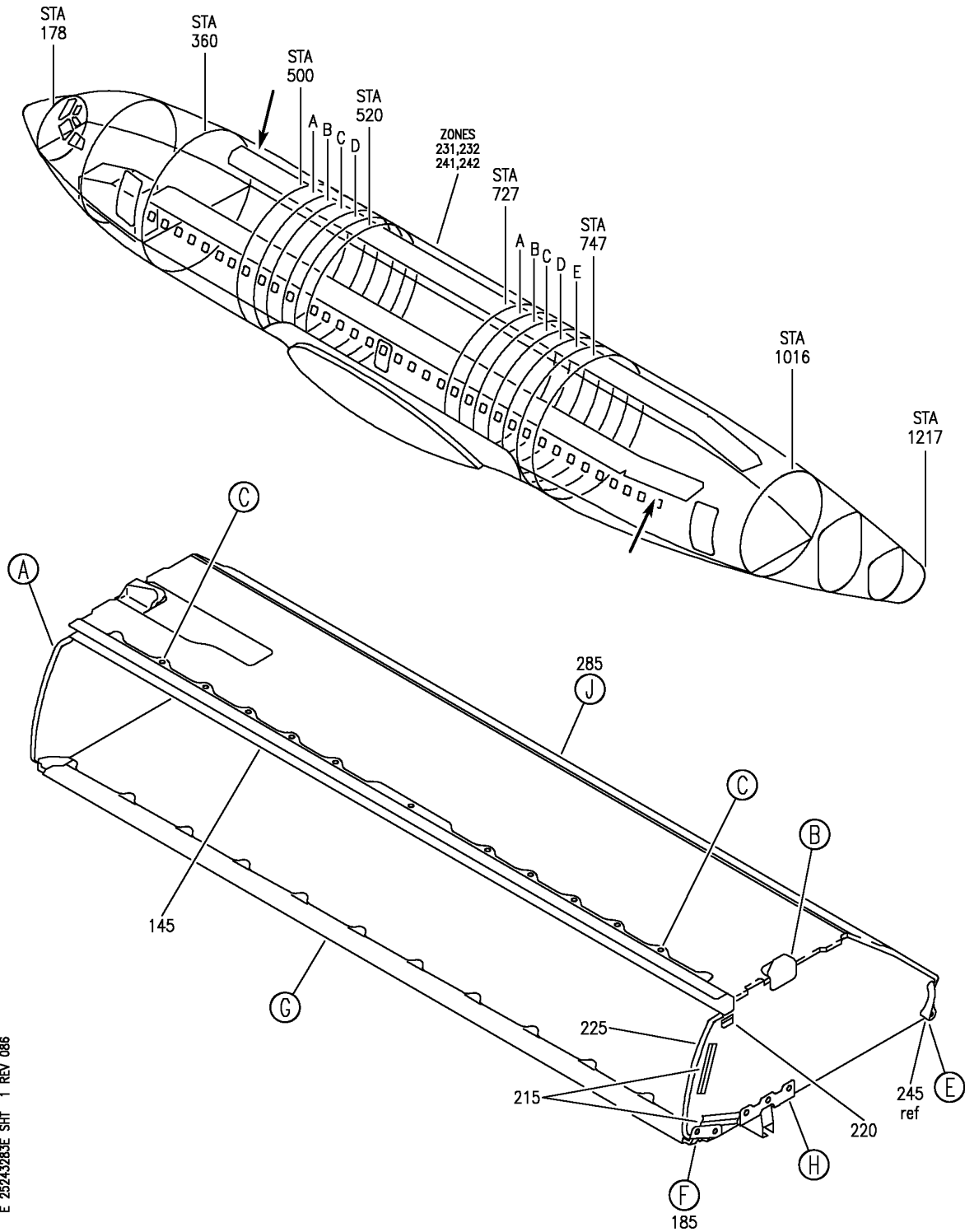
HAP

25-24-32-83D

BOEING PROPRIETARY - Copyright © - Unpublished Work - See title page for details.

25-24-32
FIG. 83D
PAGE 6
OCT 15/08

BOEING
 737-600/700/800/900
 PARTS CATALOG (MAINTENANCE)



E 25243283E SHT 1 REV 086

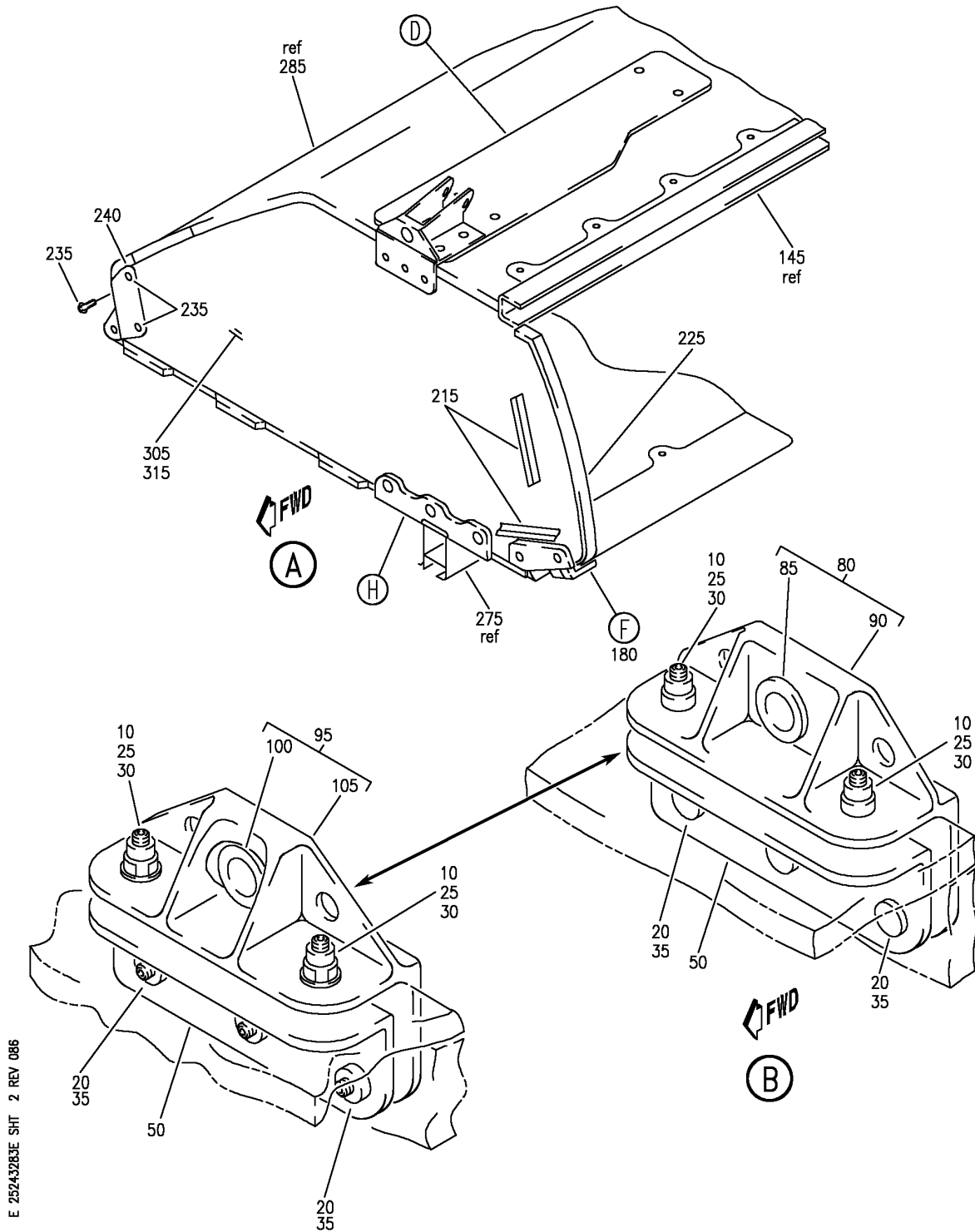
BOX ASSY-80 IN. BIG BIN RH
 FIGURE 83E (SHEET 1)

25-24-32-83E

HAP
 FEB 10/07

25-24-32-83E
 PAGE 0

BOEING
 737-600/700/800/900
 PARTS CATALOG (MAINTENANCE)



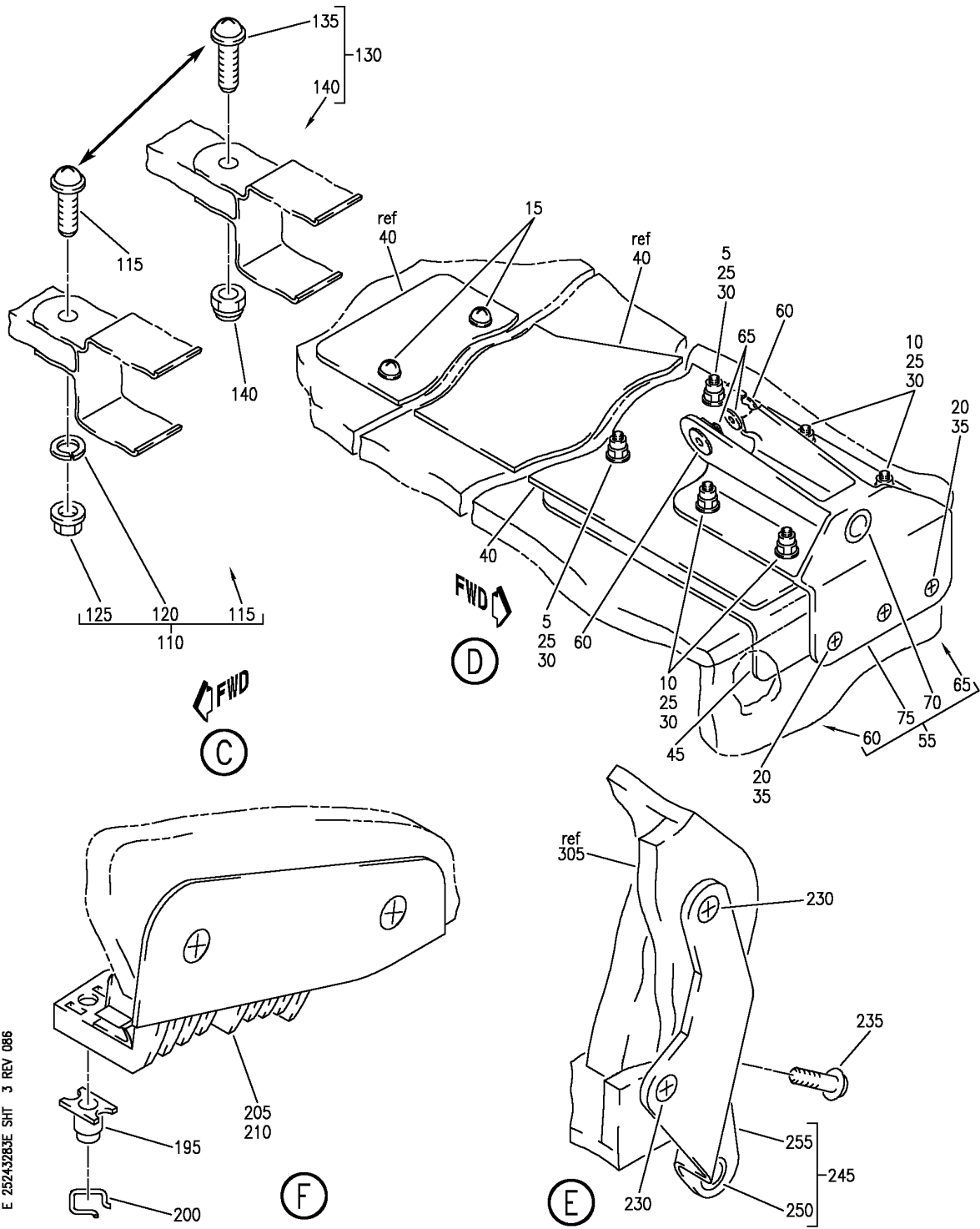
BOX ASSY-80 IN. BIG BIN RH
 FIGURE 83E (SHEET 2)

25-24-32-83E

HAP
 FEB 10/07

25-24-32-83E
 PAGE 0A

BOEING
 737-600/700/800/900
 PARTS CATALOG (MAINTENANCE)



E 25243283E SHT 3 REV 086

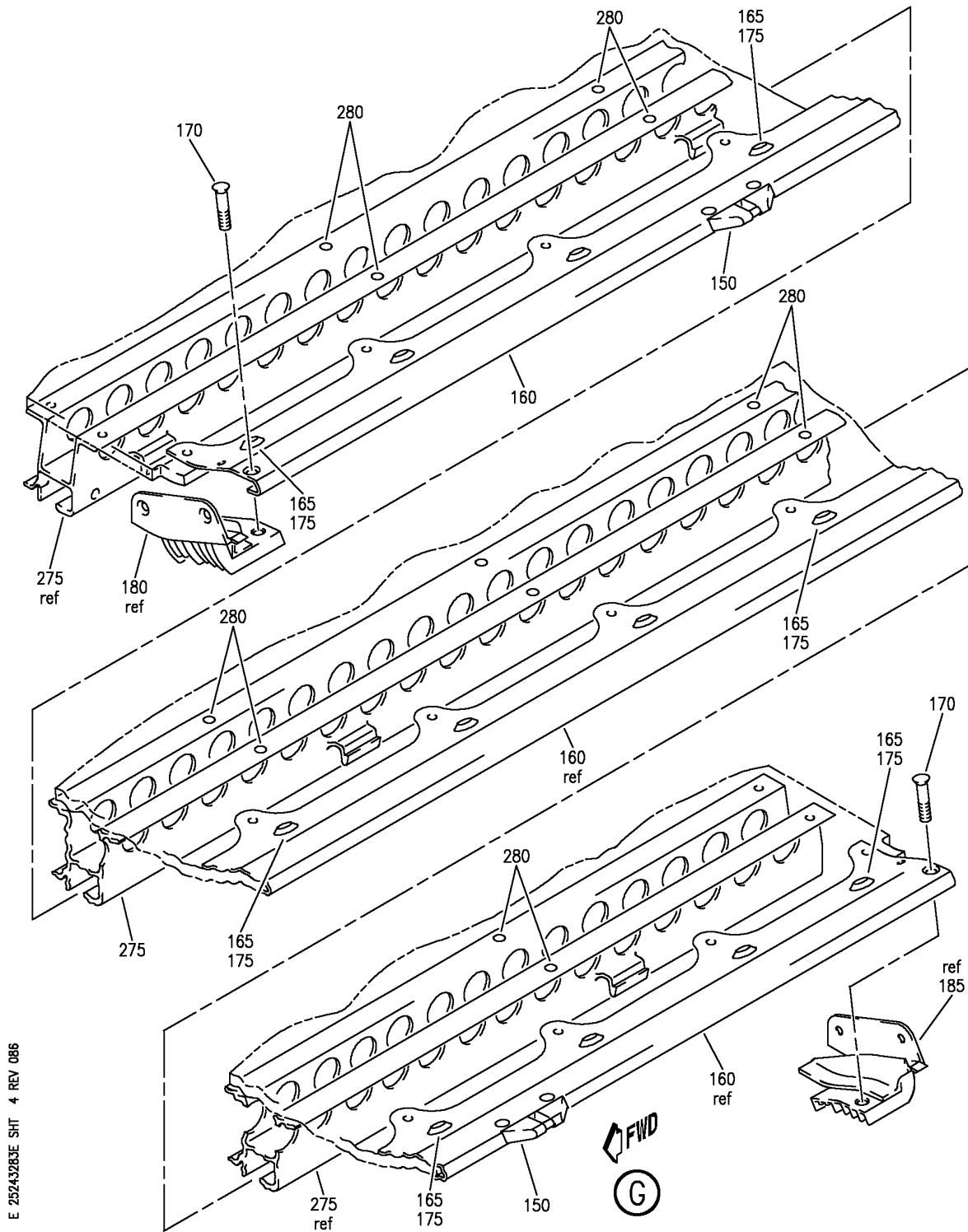
BOX ASSY-80 IN. BIG BIN RH
 FIGURE 83E (SHEET 3)

25-24-32-83E

HAP
 FEB 10/07

25-24-32-83E
 PAGE 0B

BOEING
 737-600/700/800/900
 PARTS CATALOG (MAINTENANCE)



E 25243283E SHT 4 REV 086

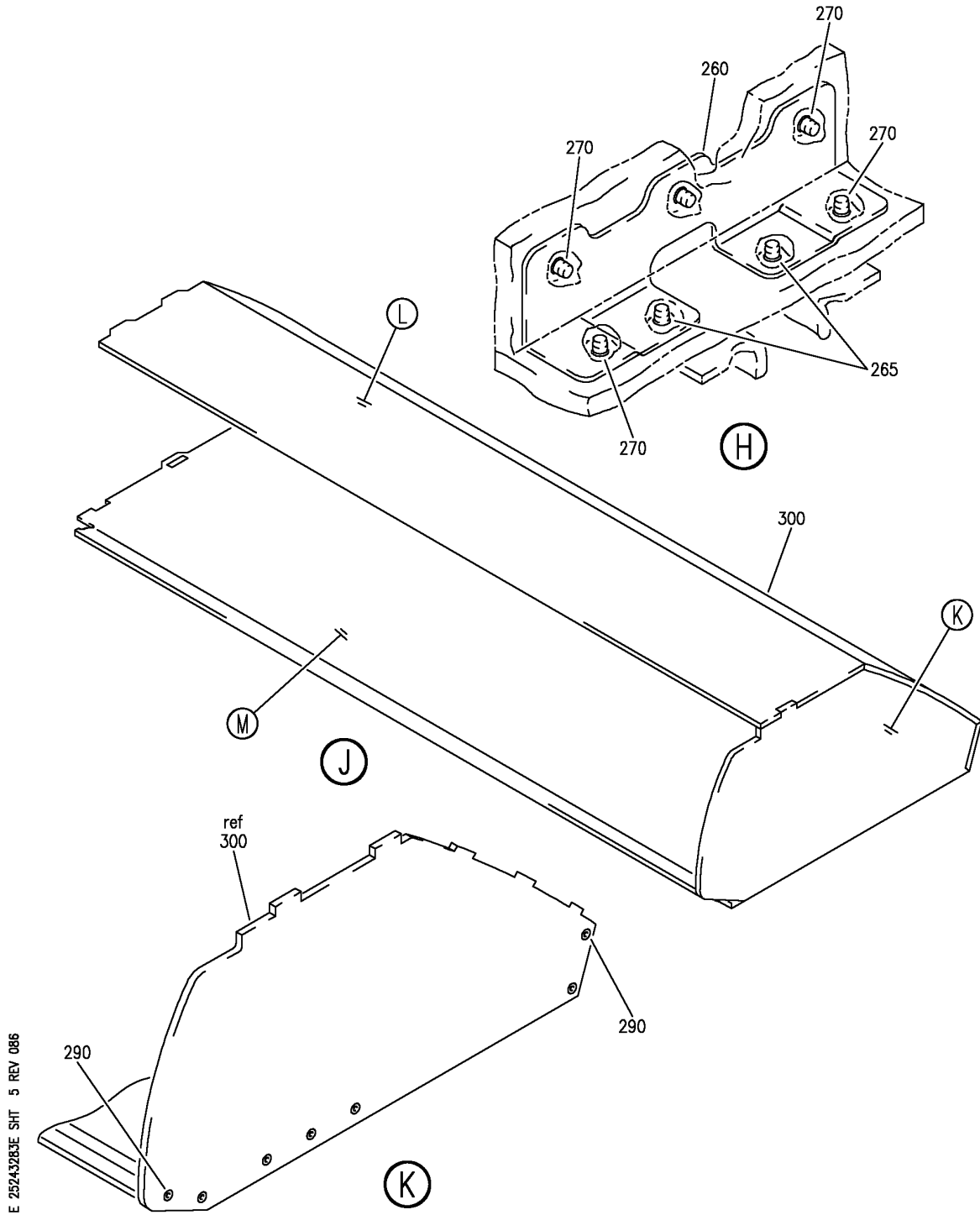
BOX ASSY-80 IN. BIG BIN RH
 FIGURE 83E (SHEET 4)

25-24-32-83E

HAP
 FEB 10/07

25-24-32-83E
 PAGE 0C

BOEING
 737-600/700/800/900
 PARTS CATALOG (MAINTENANCE)



E 25243283E SHT 5 REV 086

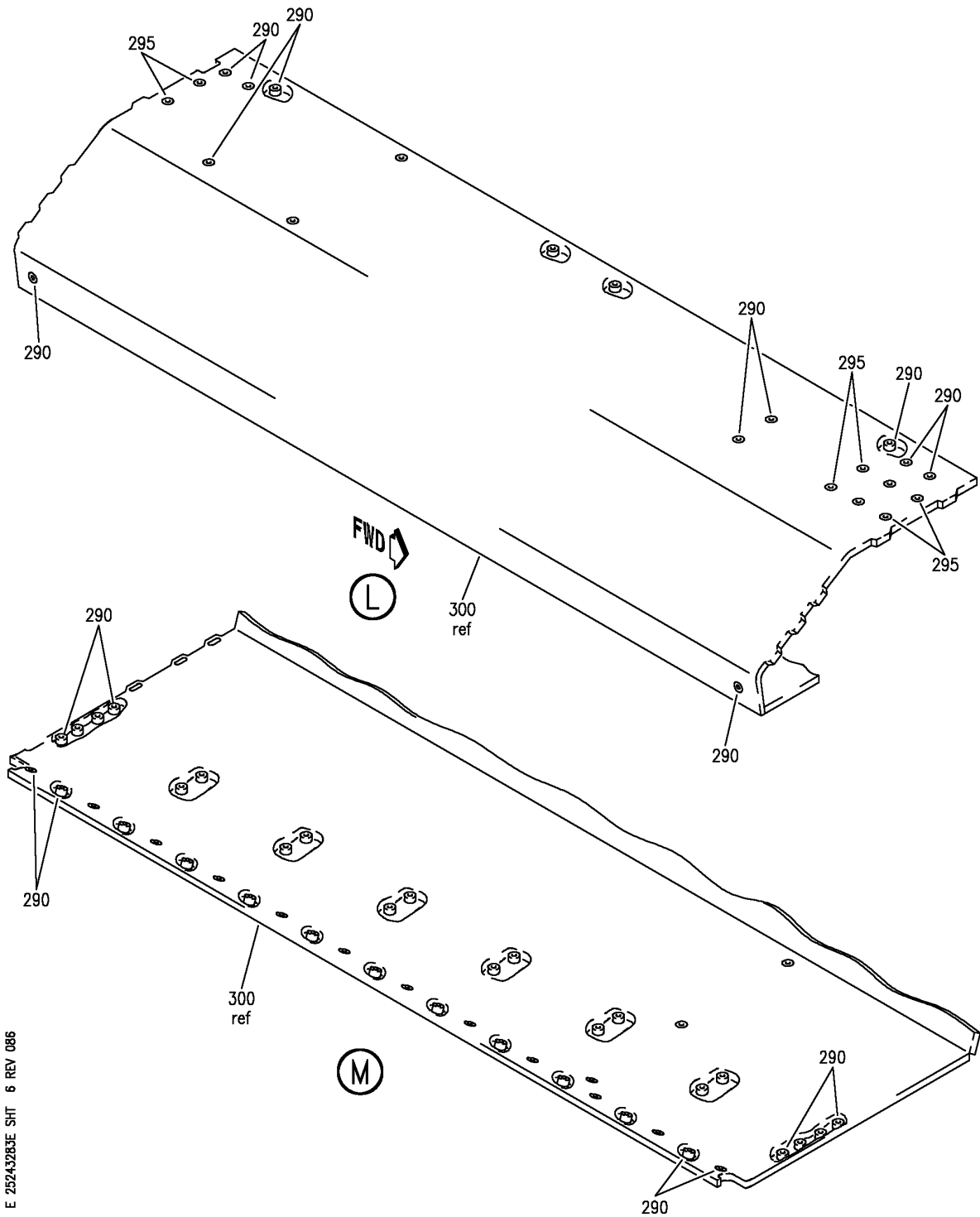
BOX ASSY-80 IN. BIG BIN RH
 FIGURE 83E (SHEET 5)

25-24-32-83E

HAP
 FEB 10/07

25-24-32-83E
 PAGE 0D

BOEING
737-600/700/800/900
PARTS CATALOG (MAINTENANCE)



E 25243283E SHT 6 REV 086

BOX ASSY-80 IN. BIG BIN RH
FIGURE 83E (SHEET 6)

25-24-32-83E

HAP
FEB 10/07

25-24-32-83E
PAGE 0E

BOEING
737-600/700/800/900
PARTS CATALOG (MAINTENANCE)

FIG ITEM	PART NUMBER	1 2 3 4 5 6 7	NOMENCLATURE	EFFECT FROM TO	UNITS PER ASSY
83E			BOX ASSY-80 IN. BIG BIN RH	101200 968999	
- 1	412A1205-20B		BOX ASSY-80 IN. BIG BIN POSITION DATA: RH FOR NHA SEE: 25-24-31-82C 25-24-31-82P	101200 968999	RF
5	HL1012AZ6-9		.BOLT SUPPLIER CODE: V97928 SPECIFICATION NUMBER: BACB30NX6K9 OPTIONAL PART: HL12VAZ6-9 V73197 HL12VAZ6-9 V92215 HL12VAZ6-9 V97928 L802-6K9 V06725 HL12VAZ6-9 V56878 HL1012AZ6-9 V0PTK6 HL1012AZ6-9 V06725 HL1012AZ6-9 V06950 HL1012AZ6-9 V17446 HL1012AZ6-9 V56878 HL1012AZ6-9 V60516 HL1012AZ6-9 V73197	101200 968999	2

MISSING ITEM NUMBERS NOT APPLICABLE

- ITEM NOT ILLUSTRATED

HAP

25-24-32-83E

BOEING PROPRIETARY - Copyright © - Unpublished Work - See title page for details.

25-24-32
FIG. 83E
PAGE 1
OCT 15/08

BOEING
737-600/700/800/900
PARTS CATALOG (MAINTENANCE)

FIG ITEM	PART NUMBER	1 2 3 4 5 6 7	NOMENCLATURE	EFFECT FROM TO	UNITS PER ASSY
83E 10	HL1012AZ6-11	.BOLT	SUPPLIER CODE: V97928 SPECIFICATION NUMBER: BACB30NX6K11 OPTIONAL PART: HL12VAZ6-11 V73197 HL12VAZ6-11 V92215 HL12VAZ6-11 V97928 L802-6K11 V06725 HL12VAZ6-11 V56878 HL1012AZ6-11 VOPTK6 HL1012AZ6-11 V06725 HL1012AZ6-11 V06950 HL1012AZ6-11 V17446 HL1012AZ6-11 V56878 HL1012AZ6-11 V60516 HL1012AZ6-11 V73197	101200 968999	6
15	BACS12FA3K4	.SCREW		101200 968999	2
20	BACS12ER3K9	.SCREW		101200 968999	6
25	NAS1149D0363J	.WASHER		101200 968999	8
30	HST1070CY6	.COLLAR	SUPPLIER CODE: V5M902 SPECIFICATION NUMBER: BACC30BZ6 OPTIONAL PART: VLC1070CY6 V92215 HST1070CY6 V73197	101200 968999	8
35	SL5-3-50C	.NUT-	SUPPLIER CODE: V97393	101200 968999	6

MISSING ITEM NUMBERS NOT APPLICABLE

— ITEM NOT ILLUSTRATED

HAP

25-24-32-83E

BOEING PROPRIETARY - Copyright © - Unpublished Work - See title page for details.

25-24-32
FIG. 83E
PAGE 2
OCT 15/08

BOEING
737-600/700/800/900
PARTS CATALOG (MAINTENANCE)

FIG ITEM	PART NUMBER	1 2 3 4 5 6 7	NOMENCLATURE	EFFECT FROM TO	UNITS PER ASSY
83E					
40	412A1220-242	.	DOUBLER-9G EXT	101200 968999	1
45	412A1220-241B	.	DOUBLER-INTERNAL	101200 968999	1
50	412A1220-39A	.	DOUBLER-INTERNAL	101200 968999	1
55	412A1230-106	.	FITTING ASSY-DRAG	101200 968999	1
60	BACW10P273L	..	WASHER	101200 968999	2
65	BACB28AT04B023C	..	BUSHING- OPTIONAL PART: NAS538B4P023	101200 968999	2
65	NAS538B4P023	..	BUSHING- OPTIONAL PART: BACB28AT04B023C	101200 968999	2
70	BCREF13195	..	BUSHING- OVERLENGTH PART NUMBER: BACB28AY06A035CG	101200 968999	1
75	412A1230-108	..	FITTING	101200 968999	1
80	412A1230-201	.	FITTING ASSY- OPTIONAL PART: 412A1230-1	101200 968999	1
85	BCREF13195	..	BUSHING- OVERLENGTH PART NUMBER: BACB28AY06A035CG	101200 968999	1
90	412A1230-202	..	FITTING- OPTIONAL PART: 412A1230-203	101200 968999	1
90	412A1230-203	..	FITTING- OPTIONAL PART: 412A1230-202	101200 968999	1
95	412A1230-1	.	FITTING ASSY- OPTIONAL PART: 412A1230-201	101200 968999	1
100	BCREF13195	..	BUSHING- OVERLENGTH PART NUMBER: BACB28AY06A035CG	101200 968999	1
105	412A1230-2	..	SUPPORT	101200 968999	1
110	412A1340-14	.	FASTENER ASSY-KIT OPTIONAL PART: 412A1340-15	101200 968999	11
115	BACS12FA3K12	..	SCREW	101200 968999	1
120	BACW10EC3S	..	WASHER	101200 968999	1

MISSING ITEM NUMBERS NOT APPLICABLE

— ITEM NOT ILLUSTRATED

HAP

25-24-32-83E

BOEING PROPRIETARY - Copyright © - Unpublished Work - See title page for details.

25-24-32
FIG. 83E
PAGE 3
OCT 15/08

BOEING
737-600/700/800/900
PARTS CATALOG (MAINTENANCE)

FIG ITEM	PART NUMBER	1 2 3 4 5 6 7	NOMENCLATURE	EFFECT FROM TO	UNITS PER ASSY
83E 125	PLH53C	. .	NUT SUPPLIER CODE: V62554 SPECIFICATION NUMBER: BACN10YR3C OPTIONAL PART: H52732-3C V15653	101200 968999	1
130	412A1340-15	. .	FASTENER ASSY-KIT OPTIONAL PART: 412A1340-14	101200 968999	11
135	BACS12FA3K13	. .	SCREW	101200 968999	1
140	F22K1-02	. .	NUT SUPPLIER CODE: V72962 SPECIFICATION NUMBER: BACN10R10L OPTIONAL PART: 22K1-02 V72962 26CLO2 V80539	101200 968999	1
145	412A1247-1A	. .	EXTRUSION-DOOR CLOSEOUT	101200 968999	1
150	HA951-5	. .	STRIKE-LATCH SUPPLIER CODE: V83014 SPECIFICATION NUMBER: S412A003-3 OPTIONAL PART: HA225-11 V83014	101200 968999	2
150	HA225-11	. .	STRIKE-LATCH SUPPLIER CODE: V83014 SPECIFICATION NUMBER: S412A001-16 OPTIONAL PART: HA951-5 V83014	101200 968999	2
- 155	BACS12ER08K5	. .	ATTACHING PARTS SCREW	101200 968999	4
160	412A1242-1	. .	-----*----- EXTRUSION-SHELF	101200 968999	1

MISSING ITEM NUMBERS NOT APPLICABLE

- ITEM NOT ILLUSTRATED

HAP

25-24-32-83E

BOEING PROPRIETARY - Copyright © - Unpublished Work - See title page for details.

25-24-32
FIG. 83E
PAGE 4
OCT 15/08

BOEING
737-600/700/800/900
PARTS CATALOG (MAINTENANCE)

FIG ITEM	PART NUMBER	1 2 3 4 5 6 7	NOMENCLATURE	EFFECT FROM TO	UNITS PER ASSY
83E			ATTACHING PARTS		
165	BACS12ER3K5	.	SCREW	101200 968999	12
170	BACS12ER3K6	.	SCREW	101200 968999	2
175	H3-1233A3	.	WASHER- SUPPLIER CODE: V34941 SPECIFICATION NUMBER: S411A001-1 -----*-----	101200 968999	12
180	412A1475-3A	.	FITTING ASSY-SPRT	101200 968999	1
185	412A1475-4A	.	FITTING ASSY-SPRT	101200 968999	1
- 190	BACS12ER3K5	.	ATTACHING PARTS SCREW	101200 968999	4
195	BACN11F3-1CD	..	NUT	101200 968999	1
200	NAS1795-3	..	CLIP	101200 968999	1
205	412A1475-1A	..	FITTING- USED ON: 412A1475-3A	101200 968999	1
210	412A1475-2A	..	FITTING- USED ON: 412A1475-4A	101200 968999	1
215	412A1450-35	.	TRIM- POSITION DATA: MIDDLE AND LOWER	101200 968999	4
220	412A1450-34	.	TRIM	101200 968999	1
225	412A1452-1B	.	TRIM	101200 968999	2
230	BACS12ER3K5	.	SCREW	101200 968999	2
235	BACS12FA3K5	.	SCREW	101200 968999	4
240	412A1230-67	.	FITTING-LWR	101200 968999	1
245	412A1230-8	.	SUPPORT ASSY-LWR	101200 968999	1
250	BCREF13196	..	BUSHING- OVERLENGTH PART NUMBER: BACB28AT06A010CG	101200 968999	1
255	412A1230-10	..	SUPPORT	101200 968999	1

MISSING ITEM NUMBERS NOT APPLICABLE

- ITEM NOT ILLUSTRATED

HAP

25-24-32-83E

BOEING PROPRIETARY - Copyright © - Unpublished Work - See title page for details.

25-24-32
FIG. 83E
PAGE 5
OCT 15/08

BOEING
737-600/700/800/900
PARTS CATALOG (MAINTENANCE)

FIG ITEM	PART NUMBER	1 2 3 4 5 6 7	NOMENCLATURE	EFFECT FROM TO	UNITS PER ASSY
83E 260	412A1220-205		. ANGLE	101200 968999	2
			ATTACHING PARTS		
265	BACS12FA3K5		. SCREW	101200 968999	4
270	BACS12FA3K4		. SCREW	101200 968999	10
			-----*-----		
275	412A1245-1		. RAIL	101200 968999	1
			ATTACHING PARTS		
280	BACS12FA3K5		. SCREW	101200 968999	12
			-----*-----		
285	412A1215-18B		. PANEL ASSY	101200 968999	1
290	SL2334-3A1		.. INSERT- SUPPLIER CODE: V97393	101200 968999	68
295	BCREF128023		.. INSERT- SUPPLIER CODE: V97393 OVERLENGTH PART NUMBER: SL603-3-375ASP13	101200 968999	8
300	412A1215-1B		.. PANEL	101200 968999	1
305	412A1216-14B		. PANEL ASSY	101200 968999	1
- 310	SL2334-3A1		.. INSERT- SUPPLIER CODE: V97393	101200 968999	10
315	412A1216-1C		.. PANEL	101200 968999	1

MISSING ITEM NUMBERS NOT APPLICABLE

- ITEM NOT ILLUSTRATED

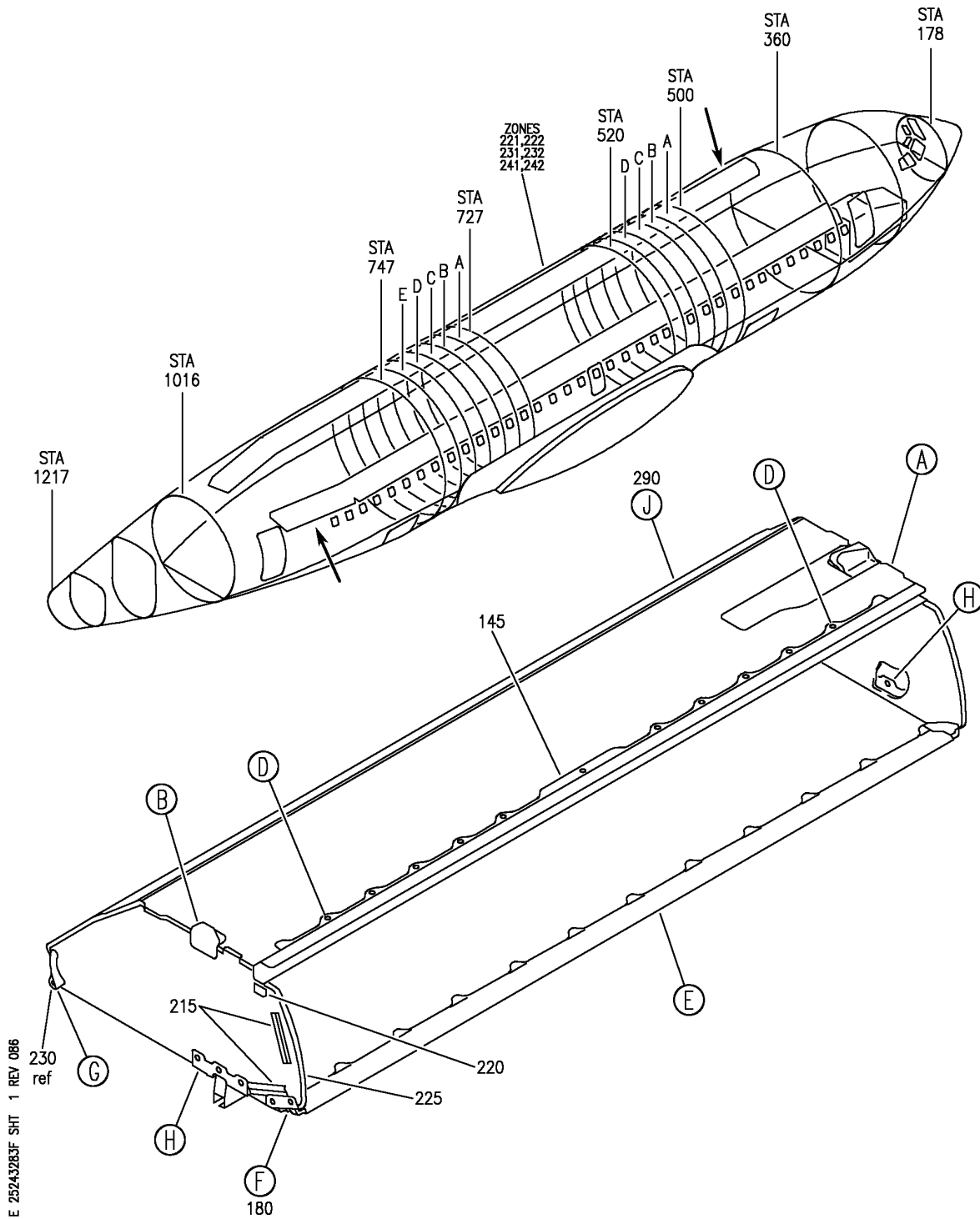
HAP

25-24-32-83E

BOEING PROPRIETARY - Copyright © - Unpublished Work - See title page for details.

25-24-32
FIG. 83E
PAGE 6
OCT 15/08

BOEING
 737-600/700/800/900
 PARTS CATALOG (MAINTENANCE)



E 25243283F SHT 1 REV 086
 230 ref

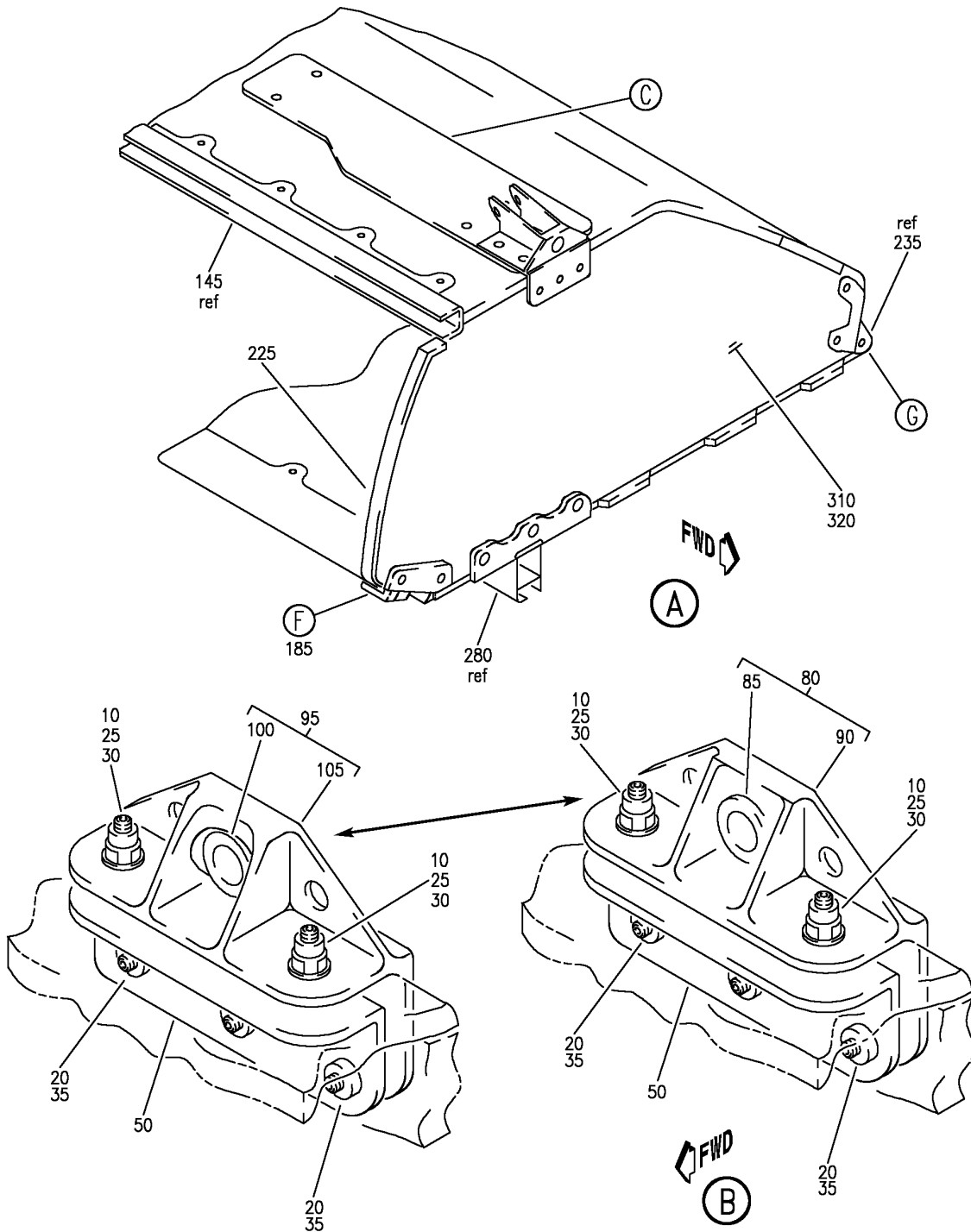
BOX ASSY-LH 80 IN. BIG BIN
 FIGURE 83F (SHEET 1)

25-24-32-83F

HAP
 OCT 10/06

25-24-32-83F
 PAGE 0

BOEING
 737-600/700/800/900
 PARTS CATALOG (MAINTENANCE)



E 25243283F SHT 2 REV 086

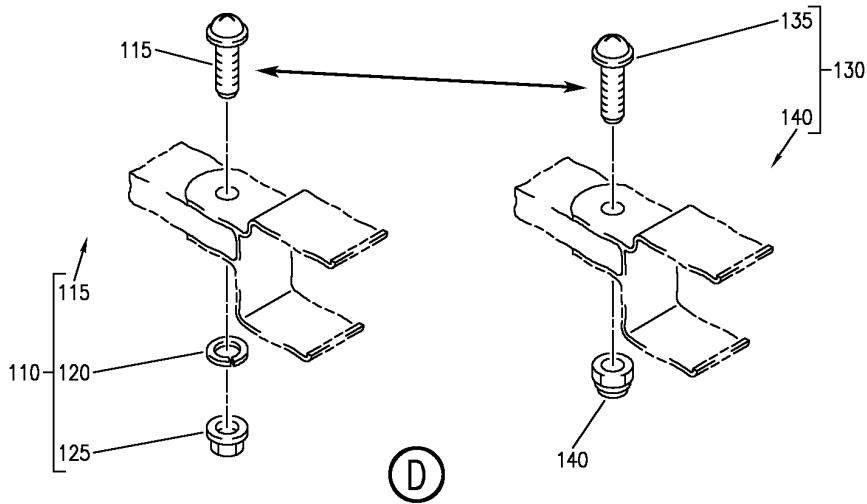
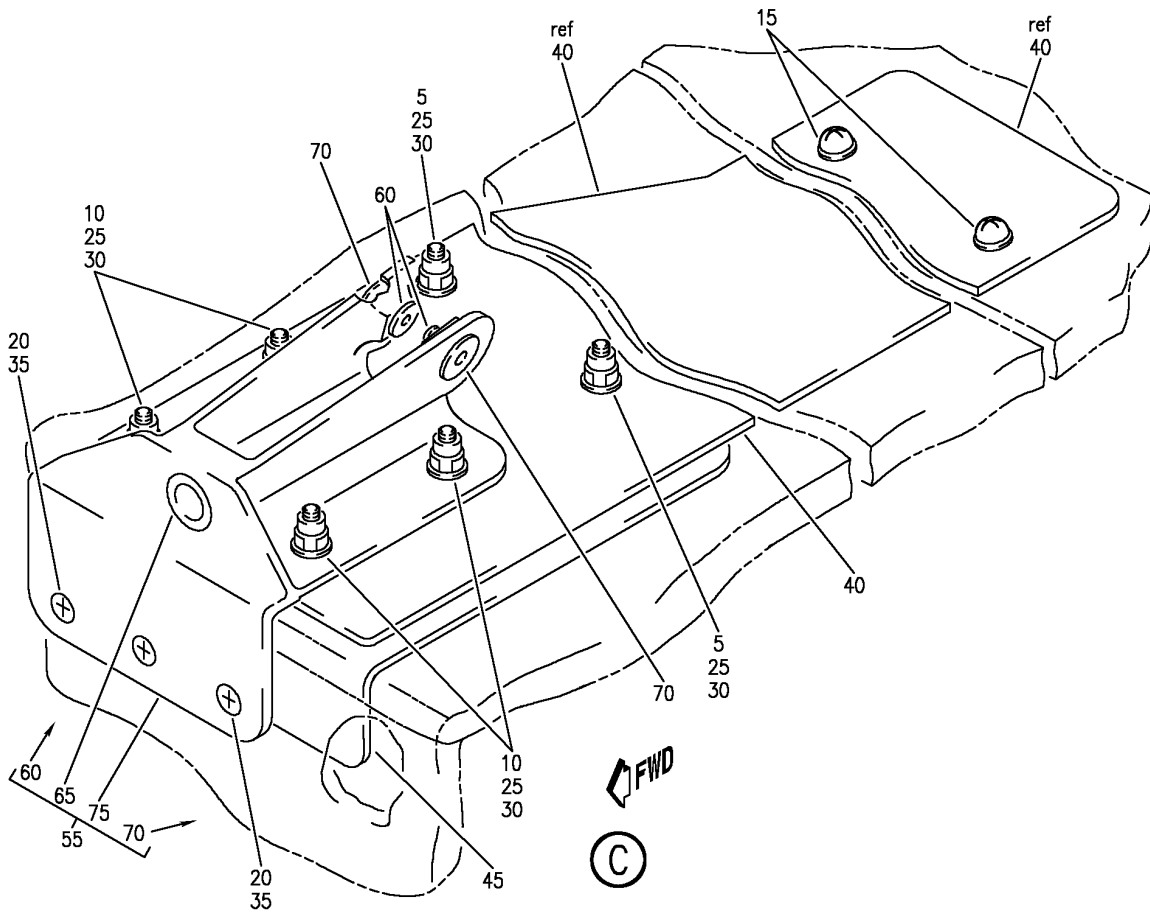
BOX ASSY-LH 80 IN. BIG BIN
 FIGURE 83F (SHEET 2)

25-24-32-83F

HAP
 OCT 10/06

25-24-32-83F
 PAGE 0A

BOEING
 737-600/700/800/900
 PARTS CATALOG (MAINTENANCE)



E 25243283F SHT 3 REV 086

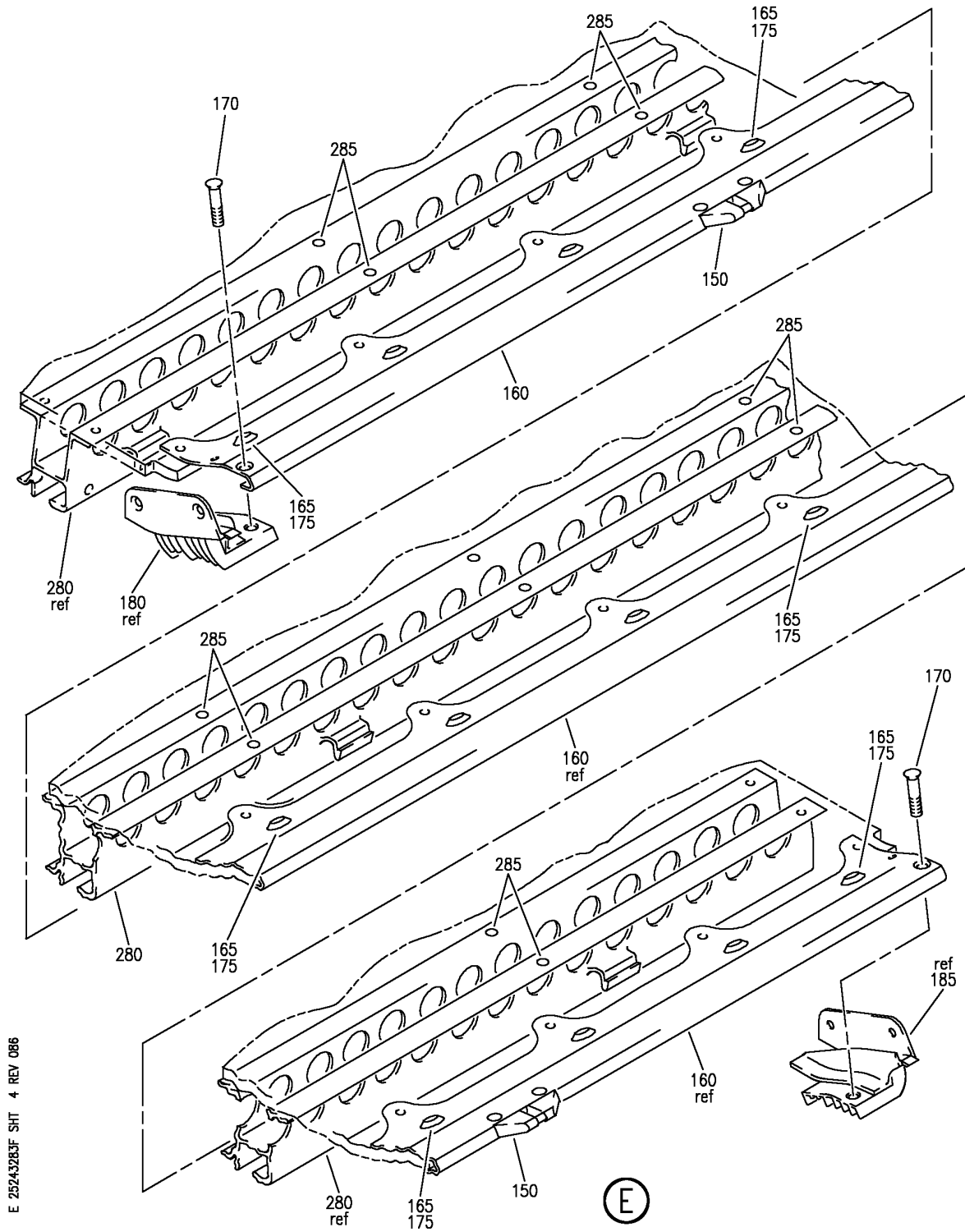
BOX ASSY-LH 80 IN. BIG BIN
 FIGURE 83F (SHEET 3)

25-24-32-83F

HAP
 OCT 10/06

25-24-32-83F
 PAGE 0B

BOEING
 737-600/700/800/900
 PARTS CATALOG (MAINTENANCE)



E 25243283F SHT 4 REV 086

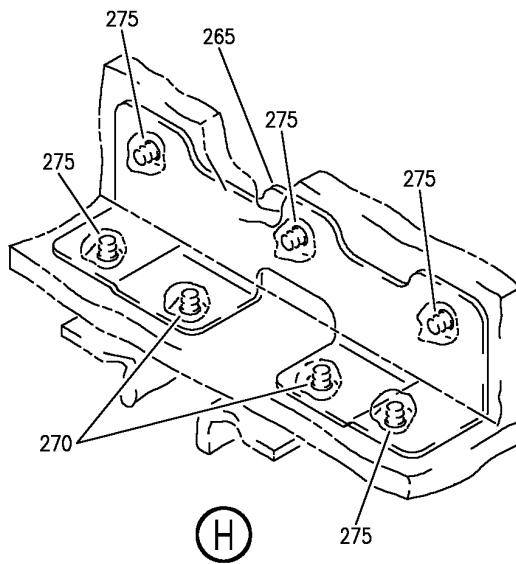
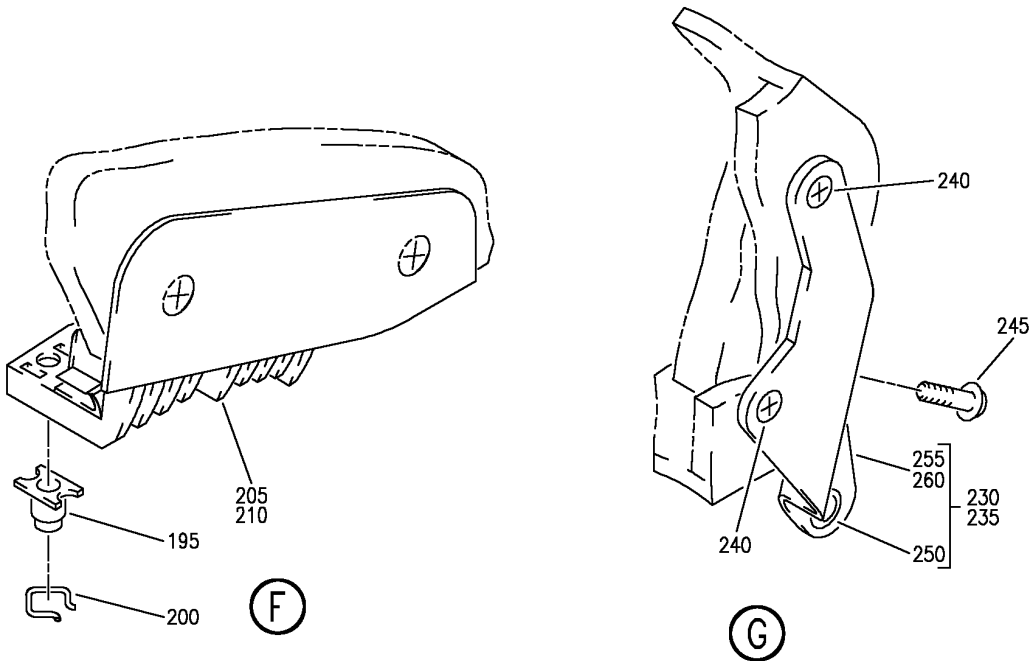
BOX ASSY-LH 80 IN. BIG BIN
 FIGURE 83F (SHEET 4)

25-24-32-83F

HAP
 OCT 10/06

25-24-32-83F
 PAGE 0C

BOEING
 737-600/700/800/900
 PARTS CATALOG (MAINTENANCE)



E 25243283F SHT 5 REV 086

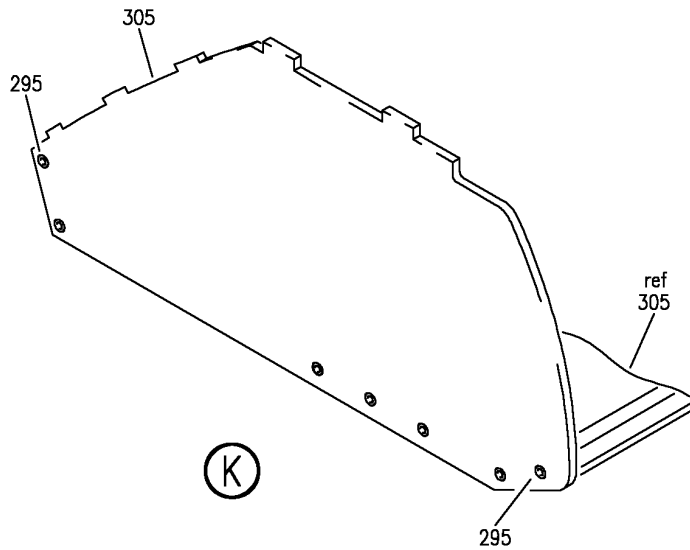
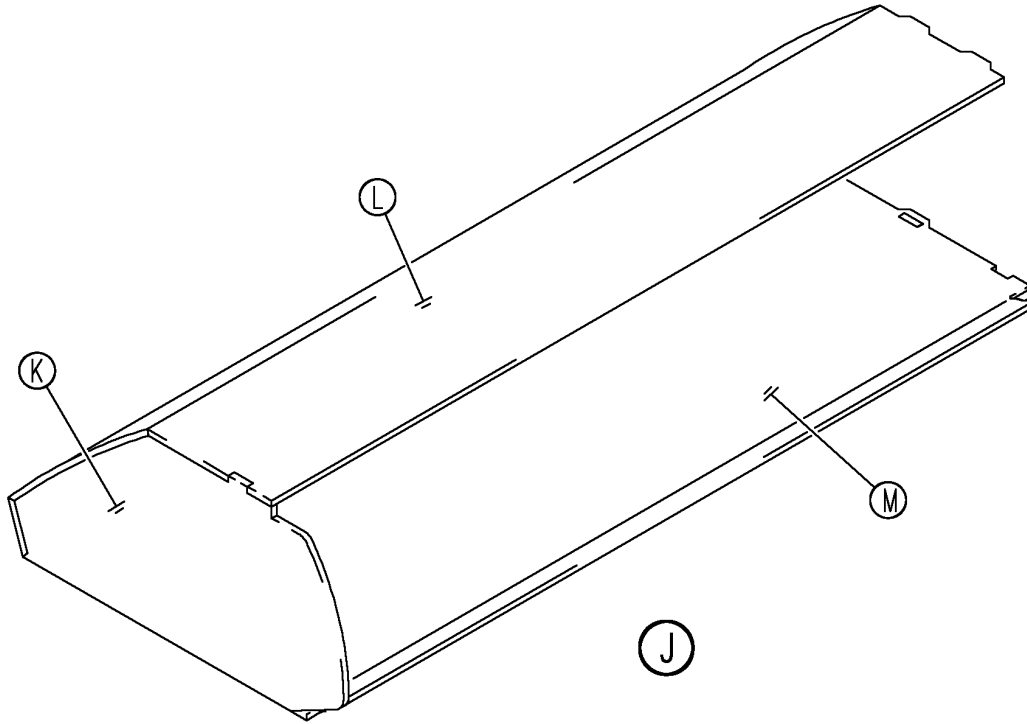
BOX ASSY-LH 80 IN. BIG BIN
 FIGURE 83F (SHEET 5)

25-24-32-83F

HAP
 OCT 10/06

25-24-32-83F
 PAGE 0D

BOEING
737-600/700/800/900
PARTS CATALOG (MAINTENANCE)



E 25243283F SHT 6 REV 086

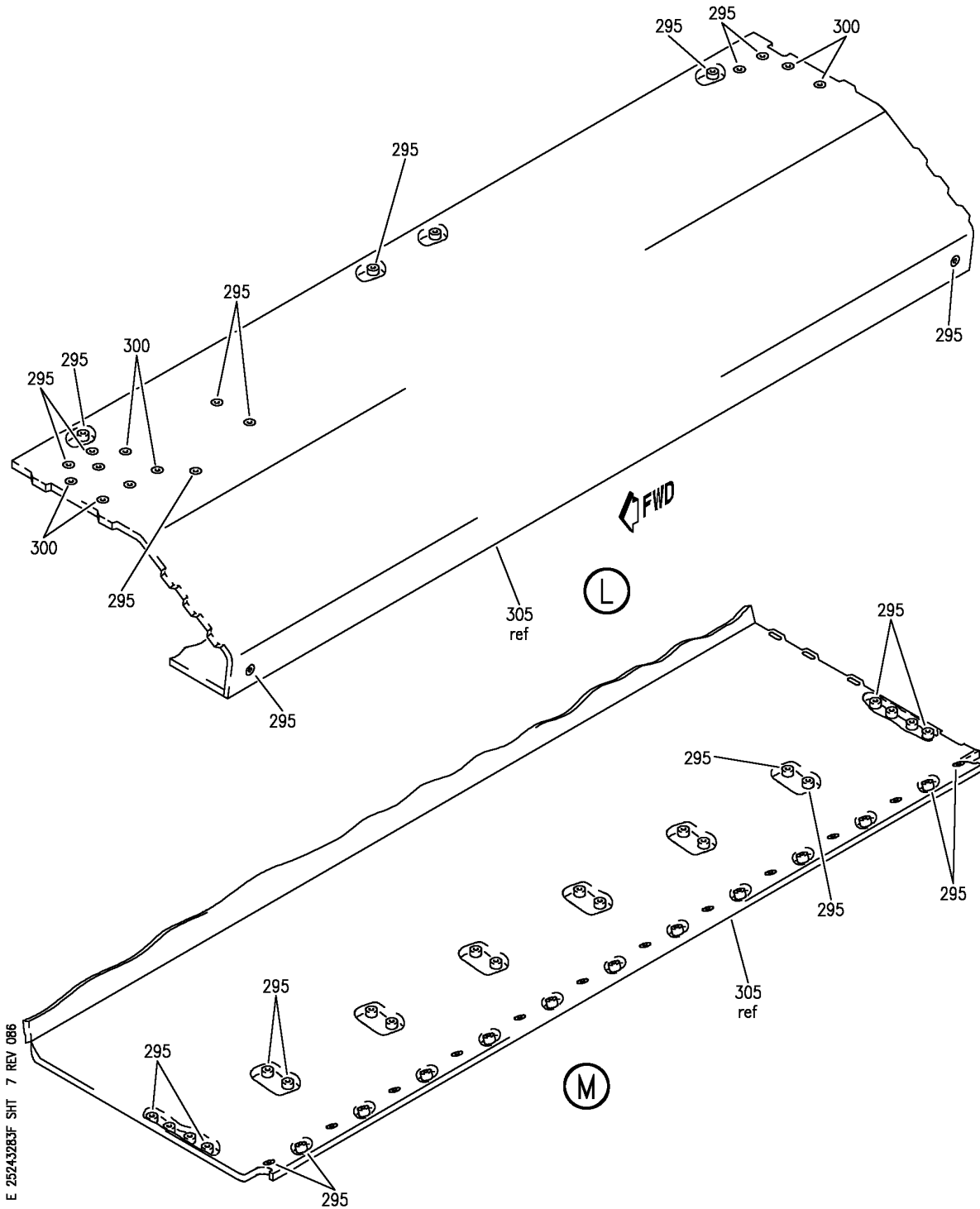
BOX ASSY-LH 80 IN. BIG BIN
FIGURE 83F (SHEET 6)

25-24-32-83F

HAP
OCT 10/06

25-24-32-83F
PAGE 0E

BOEING
737-600/700/800/900
PARTS CATALOG (MAINTENANCE)



E 25243283F SHT 7 REV 086

BOX ASSY-LH 80 IN. BIG BIN
FIGURE 83F (SHEET 7)

25-24-32-83F

HAP
OCT 10/06

25-24-32-83F
PAGE OF

BOEING
737-600/700/800/900
PARTS CATALOG (MAINTENANCE)

FIG ITEM	PART NUMBER	1 2 3 4 5 6 7	NOMENCLATURE	EFFECT FROM TO	UNITS PER ASSY
83F			BOX ASSY-LH 80 IN. BIG BIN	031200 968999	
- 1	412A1205-1B		BOX ASSY-80 IN. BIG BIN POSITION DATA: LH FOR NHA SEE: 25-24-31-14G 25-24-31-14K	031200 968999	RF
5	HL1012AZ6-9		.BOLT SUPPLIER CODE: V97928 SPECIFICATION NUMBER: BACB30NX6K9 OPTIONAL PART: HL12VAZ6-9 V73197 HL12VAZ6-9 V92215 HL12VAZ6-9 V97928 L802-6K9 V06725 HL12VAZ6-9 V56878 HL1012AZ6-9 V0PTK6 HL1012AZ6-9 V06725 HL1012AZ6-9 V06950 HL1012AZ6-9 V17446 HL1012AZ6-9 V56878 HL1012AZ6-9 V60516 HL1012AZ6-9 V73197	101200 968999	2

MISSING ITEM NUMBERS NOT APPLICABLE

- ITEM NOT ILLUSTRATED

HAP

25-24-32-83F

BOEING PROPRIETARY - Copyright © - Unpublished Work - See title page for details.

25-24-32
FIG. 83F
PAGE 1
OCT 15/08

BOEING
737-600/700/800/900
PARTS CATALOG (MAINTENANCE)

FIG ITEM	PART NUMBER	1 2 3 4 5 6 7	NOMENCLATURE	EFFECT FROM TO	UNITS PER ASSY
83F 5	HL1012AZ6-9		.BOLT SUPPLIER CODE: V97928 SPECIFICATION NUMBER: BACB30NX6K9 OPTIONAL PART: HL12VAZ6-9 V73197 HL12VAZ6-9 V92215 HL12VAZ6-9 V97928 L802-6K9 V06725 HL12VAZ6-9 V56878 HL1012AZ6-9 VOPTK6 HL1012AZ6-9 V06725 HL1012AZ6-9 V06950 HL1012AZ6-9 V17446 HL1012AZ6-9 V56878 HL1012AZ6-9 V60516 HL1012AZ6-9 V73197	031100	2

MISSING ITEM NUMBERS NOT APPLICABLE

— ITEM NOT ILLUSTRATED

HAP

25-24-32-83F

BOEING PROPRIETARY - Copyright © - Unpublished Work - See title page for details.

25-24-32
FIG. 83F
PAGE 2
FEB 10/07

BOEING
737-600/700/800/900
PARTS CATALOG (MAINTENANCE)

FIG ITEM	PART NUMBER	1 2 3 4 5 6 7	NOMENCLATURE	EFFECT FROM TO	UNITS PER ASSY
83 F 10	HL1012AZ6-11	.	BOLT SUPPLIER CODE: V97928 SPECIFICATION NUMBER: BACB30NX6K11 OPTIONAL PART: HL12VAZ6-11 V73197 HL12VAZ6-11 V92215 HL12VAZ6-11 V97928 L802-6K11 V06725 HL12VAZ6-11 V56878 HL1012AZ6-11 VOPTK6 HL1012AZ6-11 V06725 HL1012AZ6-11 V06950 HL1012AZ6-11 V17446 HL1012AZ6-11 V56878 HL1012AZ6-11 V60516 HL1012AZ6-11 V73197	101200 968999	6

MISSING ITEM NUMBERS NOT APPLICABLE

— ITEM NOT ILLUSTRATED

HAP

25-24-32-83F

BOEING PROPRIETARY - Copyright © - Unpublished Work - See title page for details.

25-24-32
FIG. 83F
PAGE 3
OCT 15/08

BOEING
737-600/700/800/900
PARTS CATALOG (MAINTENANCE)

FIG ITEM	PART NUMBER	1 2 3 4 5 6 7	NOMENCLATURE	EFFECT FROM TO	UNITS PER ASSY
83 F 10	HL1012AZ6-11	.BOLT	SUPPLIER CODE: V97928 SPECIFICATION NUMBER: BACB30NX6K11 OPTIONAL PART: HL12VAZ6-11 V73197 HL12VAZ6-11 V92215 HL12VAZ6-11 V97928 L802-6K11 V06725 HL12VAZ6-11 V56878 HL1012AZ6-11 VOPTK6 HL1012AZ6-11 V06725 HL1012AZ6-11 V06950 HL1012AZ6-11 V17446 HL1012AZ6-11 V56878 HL1012AZ6-11 V60516 HL1012AZ6-11 V73197	031100	6
15	BACS12FA3K4	.SCREW		101200 968999	2
15	BACS12FA3K4	.SCREW		031100	2
20	BACS12ER3K9	.SCREW		101200 968999	6
20	BACS12ER3K9	.SCREW		031100	6
25	NAS1149D0363J	.WASHER		101200 968999	8
25	NAS1149D0363J	.WASHER		031100	8
30	HST1070CY6	.COLLAR	SUPPLIER CODE: V5M902 SPECIFICATION NUMBER: BACC30BZ6 OPTIONAL PART: VLC1070CY6 V92215 HST1070CY6 V73197	101200 968999	8

MISSING ITEM NUMBERS NOT APPLICABLE

— ITEM NOT ILLUSTRATED

HAP

25-24-32-83F

BOEING PROPRIETARY - Copyright © - Unpublished Work - See title page for details.

25-24-32
FIG. 83F
PAGE 4
OCT 15/08

BOEING
737-600/700/800/900
PARTS CATALOG (MAINTENANCE)

FIG ITEM	PART NUMBER	1 2 3 4 5 6 7	NOMENCLATURE	EFFECT FROM TO	UNITS PER ASSY
83F 30	HST1070CY6	.	COLLAR SUPPLIER CODE: V5M902 SPECIFICATION NUMBER: BACC30BZ6 OPTIONAL PART: VLC1070CY6 V92215 HST1070CY6 V73197	031100	8
35	SL5-3-50C	.	NUT- SUPPLIER CODE: V97393	101200 968999	6
35	SL5-3-50C	.	NUT- SUPPLIER CODE: V97393	031100	6
40	412A1220-242	.	DOUBLER-9G EXT	101200 968999	1
40	412A1220-242	.	DOUBLER-9G EXT	031100	1
45	412A1220-241B	.	DOUBLER-INTERNAL	101200 968999	1
45	412A1220-241B	.	DOUBLER-INTERNAL	031100	1
50	412A1220-39A	.	DOUBLER-INTERNAL	101200 968999	1
50	412A1220-39A	.	DOUBLER-INTERNAL	031100	1
55	412A1230-105	.	FITTING ASSY-DRAG	101200 968999	1
55	412A1230-105	.	FITTING ASSY-DRAG	031100	1
60	BACB28AT04B023C	..	BUSHING- OPTIONAL PART: NAS538B4P023	101200 968999	2
60	BACB28AT04B023C	..	BUSHING- OPTIONAL PART: NAS538B4P023	031100	2
60	NAS538B4P023	..	BUSHING- OPTIONAL PART: BACB28AT04B023C	101200 968999	2
60	NAS538B4P023	..	BUSHING- OPTIONAL PART: BACB28AT04B023C	031100	2
65	BCREF13195	..	BUSHING- OVERLENGTH PART NUMBER: BACB28AY06A035CG	101200 968999	1
65	BCREF13195	..	BUSHING- OVERLENGTH PART NUMBER: BACB28AY06A035CG	031100	1
70	BACW10P273L	..	WASHER	101200 968999	2
70	BACW10P273L	..	WASHER	031100	2

MISSING ITEM NUMBERS NOT APPLICABLE

— ITEM NOT ILLUSTRATED

HAP

25-24-32-83F

BOEING PROPRIETARY - Copyright © - Unpublished Work - See title page for details.

25-24-32
FIG. 83F
PAGE 5
OCT 15/08

BOEING
737-600/700/800/900
PARTS CATALOG (MAINTENANCE)

FIG ITEM	PART NUMBER	1 2 3 4 5 6 7	NOMENCLATURE	EFFECT FROM TO	UNITS PER ASSY
83F					
75	412A1230-107	..	FITTING	101200 968999	1
75	412A1230-107	..	FITTING	031100	1
80	412A1230-201	.FITTING ASSY-		101200	1
		OPTIONAL PART:		968999	
		412A1230-1			
80	412A1230-201	.FITTING ASSY-		031100	1
		OPTIONAL PART:			
		412A1230-1			
85	BCREF13195	..BUSHING-		101200	1
		OVERLENGTH PART NUMBER:		968999	
		BACB28AY06A035CG			
85	BCREF13195	..BUSHING-		031100	1
		OVERLENGTH PART NUMBER:			
		BACB28AY06A035CG			
90	412A1230-202	..FITTING-		101200	1
		OPTIONAL PART:		968999	
		412A1230-203			
90	412A1230-202	..FITTING-		031100	1
		OPTIONAL PART:			
		412A1230-203			
90	412A1230-203	..FITTING-		101200	1
		OPTIONAL PART:		968999	
		412A1230-202			
90	412A1230-203	..FITTING-		031100	1
		OPTIONAL PART:			
		412A1230-202			
95	412A1230-1	.FITTING ASSY-		101200	1
		OPTIONAL PART:		968999	
		412A1230-201			
95	412A1230-1	.FITTING ASSY-		031100	1
		OPTIONAL PART:			
		412A1230-201			
100	BCREF13195	..BUSHING-		101200	1
		OVERLENGTH PART NUMBER:		968999	
		BACB28AY06A035CG			
100	BCREF13195	..BUSHING-		031100	1
		OVERLENGTH PART NUMBER:			
		BACB28AY06A035CG			
105	412A1230-2	..SUPPORT		101200	1
				968999	
105	412A1230-2	..SUPPORT		031100	1
110	412A1340-14	.FASTENER ASSY-KIT		101200	11
		OPTIONAL PART:		968999	
		412A1340-15			
110	412A1340-14	.FASTENER ASSY-KIT		031100	11
		OPTIONAL PART:			
		412A1340-15			

MISSING ITEM NUMBERS NOT APPLICABLE

— ITEM NOT ILLUSTRATED

HAP

25-24-32-83F

BOEING PROPRIETARY - Copyright © - Unpublished Work - See title page for details.

25-24-32
FIG. 83F
PAGE 6
OCT 15/08

BOEING
737-600/700/800/900
PARTS CATALOG (MAINTENANCE)

FIG ITEM	PART NUMBER	1 2 3 4 5 6 7	NOMENCLATURE	EFFECT FROM TO	UNITS PER ASSY
83 F					
115	BACS12FA3K12	..	SCREW	101200 968999	1
115	BACS12FA3K12	..	SCREW	031100	1
120	BACW10EC3S	..	WASHER	101200 968999	1
120	BACW10EC3S	..	WASHER	031100	1
125	PLH53C	..	NUT	101200 968999	1
			SUPPLIER CODE: V62554		
			SPECIFICATION NUMBER: BACN10YR3C		
			OPTIONAL PART: H52732-3C V15653		
125	PLH53C	..	NUT	031100	1
			SUPPLIER CODE: V62554		
			SPECIFICATION NUMBER: BACN10YR3C		
			OPTIONAL PART: H52732-3C V15653		
130	412A1340-15	.FASTENER ASSY-KIT		101200 968999	11
		OPTIONAL PART: 412A1340-14			
130	412A1340-15	.FASTENER ASSY-KIT		031100	11
		OPTIONAL PART: 412A1340-14			
135	BACS12FA3K13	..	SCREW	101200 968999	1
135	BACS12FA3K13	..	SCREW	031100	1
140	F22K1-02	..	NUT	101200 968999	1
			SUPPLIER CODE: V72962		
			SPECIFICATION NUMBER: BACN10R10L		
			OPTIONAL PART: 22K1-02 V72962 26CLO2 V80539		

MISSING ITEM NUMBERS NOT APPLICABLE

— ITEM NOT ILLUSTRATED

HAP

25-24-32-83F

BOEING PROPRIETARY - Copyright © - Unpublished Work - See title page for details.

25-24-32
FIG. 83F
PAGE 7
OCT 15/08

BOEING
737-600/700/800/900
PARTS CATALOG (MAINTENANCE)

FIG ITEM	PART NUMBER	1 2 3 4 5 6 7	NOMENCLATURE	EFFECT FROM TO	UNITS PER ASSY
83 F 140	F22K1-02	. .	NUT SUPPLIER CODE: V72962 SPECIFICATION NUMBER: BACN10R10L OPTIONAL PART: 22K1-02 V72962 26CLO2 V80539	031100	1
145	412A1247-1A	. EX	TRUSION-DOOR CLOSEOUT	101200 968999	1
145	412A1247-1A	. EX	TRUSION-DOOR CLOSEOUT	031100	1
150	HA951-5	. STR	RIKE-LATCH SUPPLIER CODE: V83014 SPECIFICATION NUMBER: S412A003-3 OPTIONAL PART: HA225-11 V83014	101200 968999	2
150	HA951-5	. STR	RIKE-LATCH SUPPLIER CODE: V83014 SPECIFICATION NUMBER: S412A003-3 OPTIONAL PART: HA225-11 V83014	031100	2
150	HA225-11	. STR	RIKE-LATCH SUPPLIER CODE: V83014 SPECIFICATION NUMBER: S412A001-16 OPTIONAL PART: HA951-5 V83014	101200 968999	2
150	HA225-11	. STR	RIKE-LATCH SUPPLIER CODE: V83014 SPECIFICATION NUMBER: S412A001-16 OPTIONAL PART: HA951-5 V83014	031100	2
- 155	BACS12ER08K5	. ATT	ACHING PARTS SCREW	101200 968999	4

MISSING ITEM NUMBERS NOT APPLICABLE

- ITEM NOT ILLUSTRATED

HAP

25-24-32-83F

BOEING PROPRIETARY - Copyright © - Unpublished Work - See title page for details.

25-24-32
FIG. 83F
PAGE 8
OCT 15/08

BOEING
737-600/700/800/900
PARTS CATALOG (MAINTENANCE)

FIG ITEM	PART NUMBER	1 2 3 4 5 6 7	NOMENCLATURE	EFFECT FROM TO	UNITS PER ASSY
83F					
- 155	BACS12ER08K5	.	SCREW	031100	4
		-----*			
160	412A1242-1	.	EXTRUSION-SHELF	101200	1
				968999	
160	412A1242-1	.	EXTRUSION-SHELF	031100	1
			ATTACHING PARTS		
165	BACS12ER3K5	.	SCREW	101200	12
				968999	
165	BACS12ER3K5	.	SCREW	031100	12
170	BACS12ER3K6	.	SCREW	101200	2
				968999	
170	BACS12ER3K6	.	SCREW	031100	2
175	H3-1233A3	.	WASHER-	101200	12
			SUPPLIER CODE:	968999	
			V34941		
			SPECIFICATION NUMBER:		
			S411A001-1		
175	H3-1233A3	.	WASHER-	031100	12
			SUPPLIER CODE:		
			V34941		
			SPECIFICATION NUMBER:		
			S411A001-1		
		-----*			
180	412A1475-3A	.	FITTING ASSY-SPRT	101200	1
				968999	
180	412A1475-3A	.	FITTING ASSY-SPRT	031100	1
185	412A1475-4A	.	FITTING ASSY-SPRT	101200	1
				968999	
185	412A1475-4A	.	FITTING ASSY-SPRT	031100	1
			ATTACHING PARTS		
- 190	BACS12ER3K5	.	SCREW	101200	4
				968999	
- 190	BACS12ER3K5	.	SCREW	031100	4
		-----*			
195	BACN11F3-1CD	..	NUT	101200	1
				968999	
195	BACN11F3-1CD	..	NUT	031100	1
200	NAS1795-3	..	CLIP	101200	1
				968999	
200	NAS1795-3	..	CLIP	031100	1
205	412A1475-1A	..	FITTING-	101200	1
			USED ON:	968999	
			412A1475-3A		
205	412A1475-1A	..	FITTING-	031100	1
			USED ON:		
			412A1475-3A		
210	412A1475-2A	..	FITTING-	101200	1
			USED ON:	968999	
			412A1475-4A		

MISSING ITEM NUMBERS NOT APPLICABLE

- ITEM NOT ILLUSTRATED

HAP

25-24-32-83F

BOEING PROPRIETARY - Copyright © - Unpublished Work - See title page for details.

25-24-32
FIG. 83F
PAGE 9
OCT 15/08

BOEING
737-600/700/800/900
PARTS CATALOG (MAINTENANCE)

FIG ITEM	PART NUMBER	1 2 3 4 5 6 7	NOMENCLATURE	EFFECT FROM TO	UNITS PER ASSY
83 F					
210	412A1475-2A	..	FITTING- USED ON: 412A1475-4A	031100	1
215	412A1450-35	.TRIM-	POSITION DATA: MIDDLE AND LOWER	101200 968999	2
215	412A1450-35	.TRIM-	POSITION DATA: MIDDLE AND LOWER	031100	2
220	412A1450-34	.TRIM		101200 968999	1
220	412A1450-34	.TRIM		031100	1
225	412A1452-1B	.TRIM		101200 968999	2
225	412A1452-1B	.TRIM		031100	2
230	412A1230-7	.SUPPORT	ASSY-LWR	101200 968999	1
230	412A1230-7	.SUPPORT	ASSY-LWR	031100	1
235	412A1230-8	.SUPPORT	ASSY-LWR	101200 968999	1
235	412A1230-8	.SUPPORT	ASSY-LWR ATTACHING PARTS	031100	1
240	BACS12ER3K5	.SCREW		101200 968999	4
240	BACS12ER3K5	.SCREW		031100	4
245	BACS12FA3K5	.SCREW		101200 968999	2
245	BACS12FA3K5	.SCREW		031100	2
			-----*-----		
250	BCREF13196	..BUSHING-	OVERLENGTH PART NUMBER: BACB28AT06A010CG	101200 968999	1
250	BCREF13196	..BUSHING-	OVERLENGTH PART NUMBER: BACB28AT06A010CG	031100	1
255	412A1230-9	..SUPPORT-	USED ON: 412A1230-7	101200 968999	1
255	412A1230-9	..SUPPORT-	USED ON: 412A1230-7	031100	1
260	412A1230-10	..SUPPORT-	USED ON: 412A1230-8	101200 968999	1
260	412A1230-10	..SUPPORT-	USED ON: 412A1230-8	031100	1
265	412A1220-205	.ANGLE		101200 968999	2

MISSING ITEM NUMBERS NOT APPLICABLE

— ITEM NOT ILLUSTRATED

HAP

25-24-32-83F

BOEING PROPRIETARY - Copyright © - Unpublished Work - See title page for details.

25-24-32
FIG. 83F
PAGE 10
OCT 15/08

BOEING
737-600/700/800/900
PARTS CATALOG (MAINTENANCE)

FIG ITEM	PART NUMBER	1 2 3 4 5 6 7	NOMENCLATURE	EFFECT FROM TO	UNITS PER ASSY
83F					
265	412A1220-205	. ANGLE	ATTACHING PARTS	031100	2
270	BACS12FA3K5	. SCREW		101200 968999	4
270	BACS12FA3K5	. SCREW		031100	4
275	BACS12FA3K4	. SCREW		101200 968999	10
275	BACS12FA3K4	. SCREW		031100	10
		-----*-----			
280	412A1245-1	. RAIL		101200 968999	1
280	412A1245-1	. RAIL	ATTACHING PARTS	031100	1
285	BACS12FA3K5	. SCREW		101200 968999	12
285	BACS12FA3K5	. SCREW		031100	12
		-----*-----			
290	412A1215-11B	. PANEL ASSY		101200 968999	1
290	412A1215-11B	. PANEL ASSY		031100	1
295	SL2334-3A1	.. INSERT-	SUPPLIER CODE: V97393	101200 968999	63
295	SL2334-3A1	.. INSERT-	SUPPLIER CODE: V97393	031100	63
300	BCREF128023	.. INSERT-	SUPPLIER CODE: V97393 OVERLENGTH PART NUMBER: SL603-3-375ASP13	101200 968999	8
300	BCREF128023	.. INSERT-	SUPPLIER CODE: V97393 OVERLENGTH PART NUMBER: SL603-3-375ASP13	031100	8
305	412A1215-1B	.. PANEL		101200 968999	1
305	412A1215-1B	.. PANEL		031100	1
310	412A1216-11B	. PANEL ASSY		101200 968999	1
310	412A1216-11B	. PANEL ASSY		031100	1
- 315	SL2334-3A1	.. INSERT-	SUPPLIER CODE: V97393	101200 968999	7
- 315	SL2334-3A1	.. INSERT-	SUPPLIER CODE: V97393	031100	7

MISSING ITEM NUMBERS NOT APPLICABLE

- ITEM NOT ILLUSTRATED

HAP

25-24-32-83F

25-24-32
FIG. 83F
PAGE 11
OCT 15/08

BOEING PROPRIETARY - Copyright © - Unpublished Work - See title page for details.


BOEING
 737-600/700/800/900
PARTS CATALOG (MAINTENANCE)

FIG ITEM	PART NUMBER	1 2 3 4 5 6 7	NOMENCLATURE	EFFECT FROM TO	UNITS PER ASSY
83 F					
320	412A1216-1C	. .	PANEL	101200 968999	1
320	412A1216-1C	. .	PANEL	031100	1
MISSING ITEM NUMBERS NOT APPLICABLE					

— ITEM NOT ILLUSTRATED

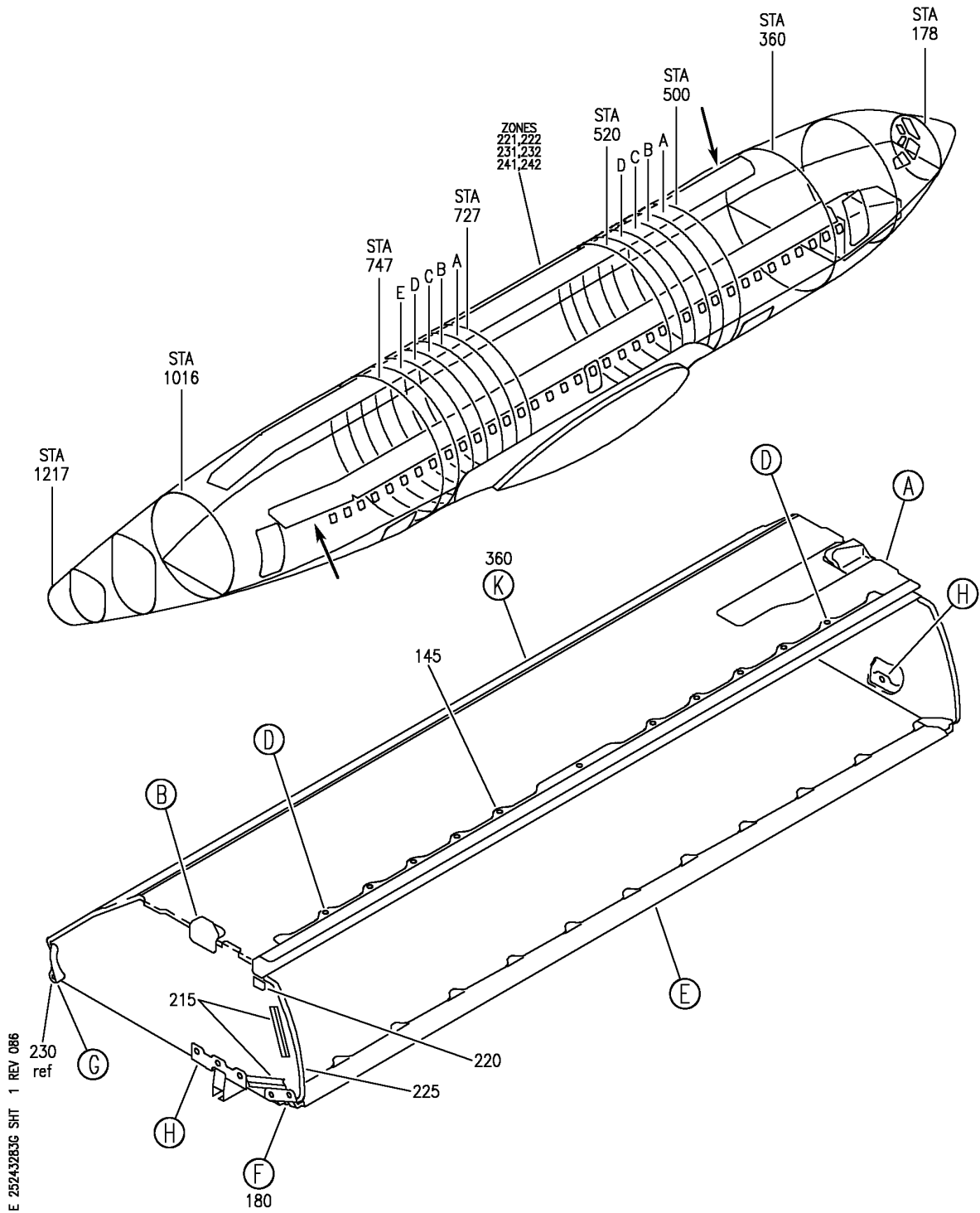
HAP

25-24-32-83F

BOEING PROPRIETARY - Copyright © - Unpublished Work - See title page for details.

25-24-32
 FIG. 83F
 PAGE 12
 OCT 15/08

BOEING
 737-600/700/800/900
 PARTS CATALOG (MAINTENANCE)



E 25243283G SHT 1 REV 086
 230 ref

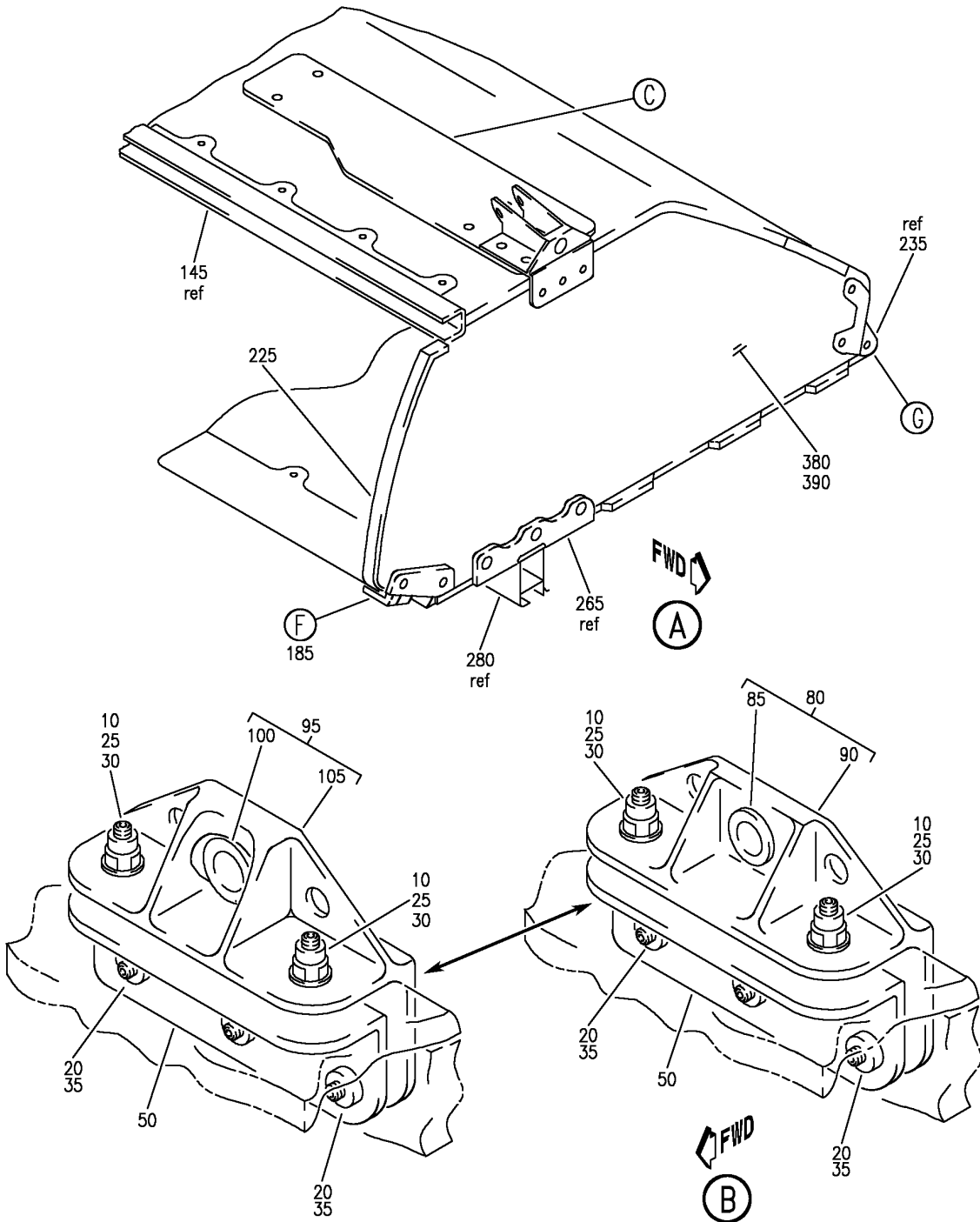
BOX ASSY-LH 80. IN BIG BIN
 FIGURE 83G (SHEET 1)

25-24-32-83G

HAP
 OCT 10/06

25-24-32-83G
 PAGE 0

BOEING
 737-600/700/800/900
 PARTS CATALOG (MAINTENANCE)



E 25243283G SHT 2 REV 086

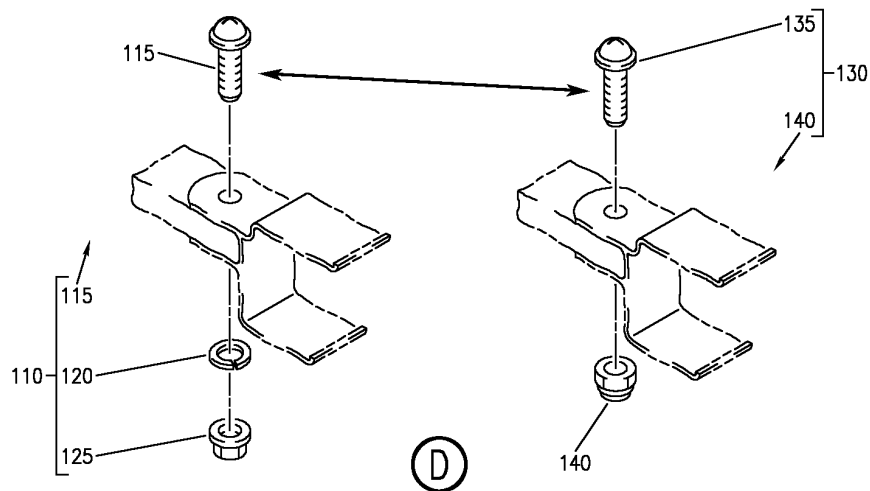
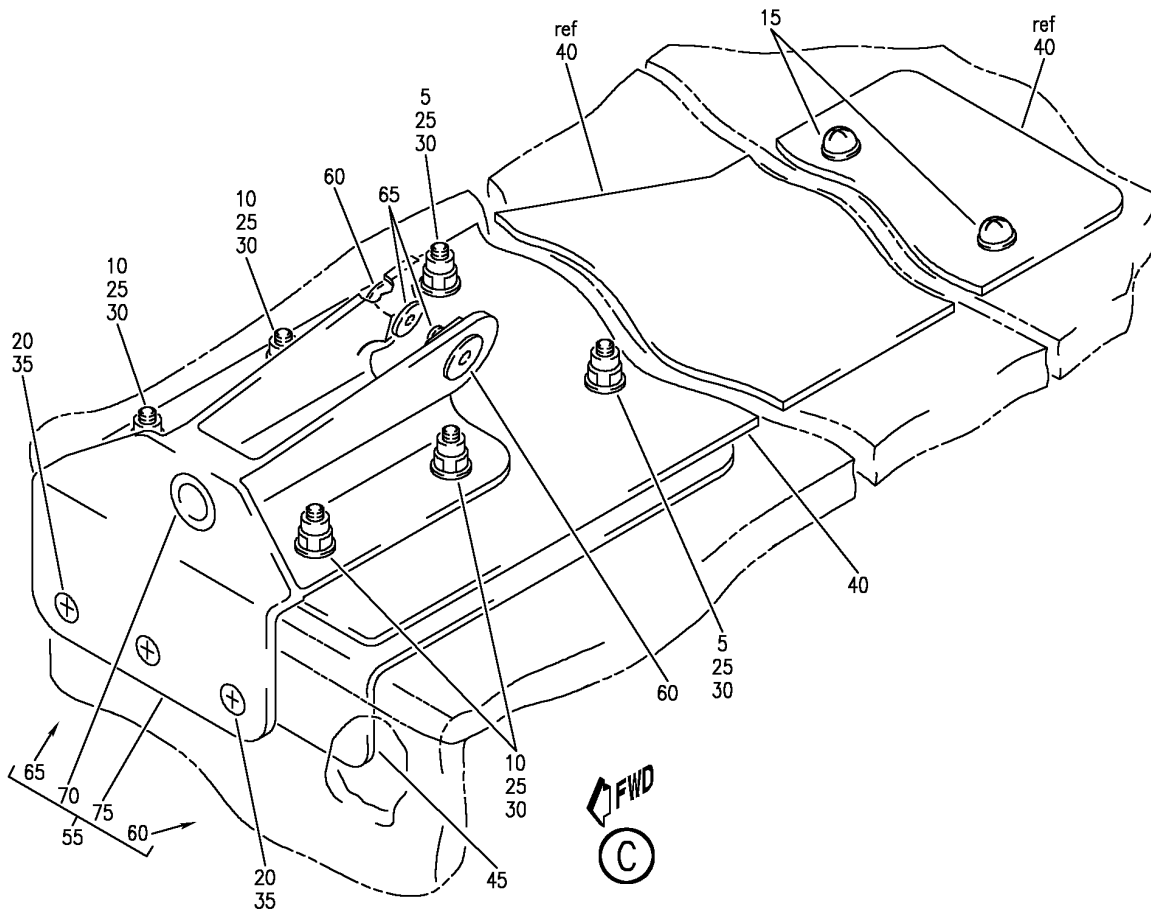
BOX ASSY-LH 80. IN BIG BIN
 FIGURE 83G (SHEET 2)

25-24-32-83G

HAP
 OCT 10/06

25-24-32-83G
 PAGE 0A

BOEING
 737-600/700/800/900
 PARTS CATALOG (MAINTENANCE)



E 25243283G SHT 3 REV 086

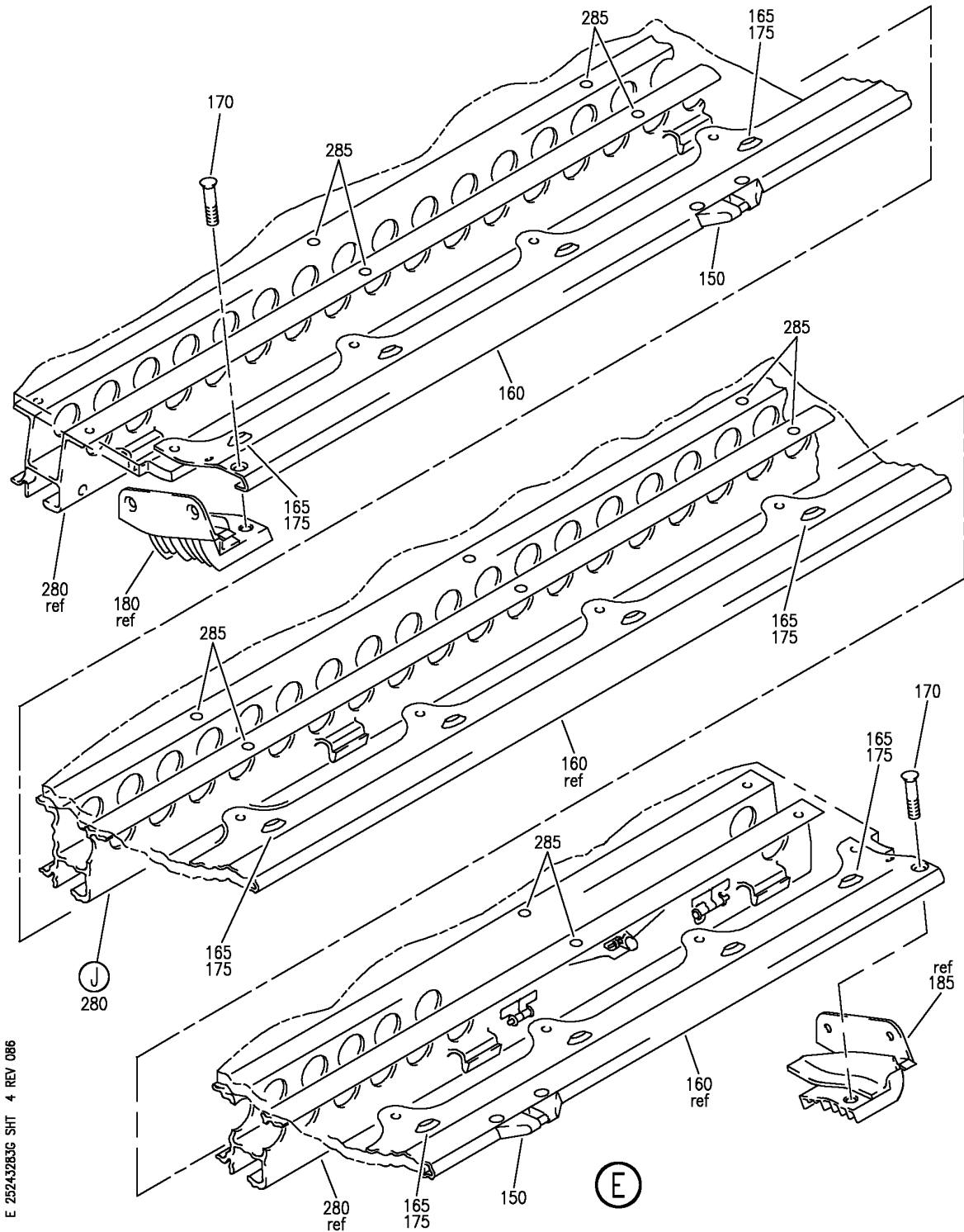
BOX ASSY-LH 80. IN BIG BIN
 FIGURE 83G (SHEET 3)

25-24-32-83G

HAP
 OCT 10/06

25-24-32-83G
 PAGE 0B

BOEING
 737-600/700/800/900
 PARTS CATALOG (MAINTENANCE)



E 25243283G SHT 4 REV 086

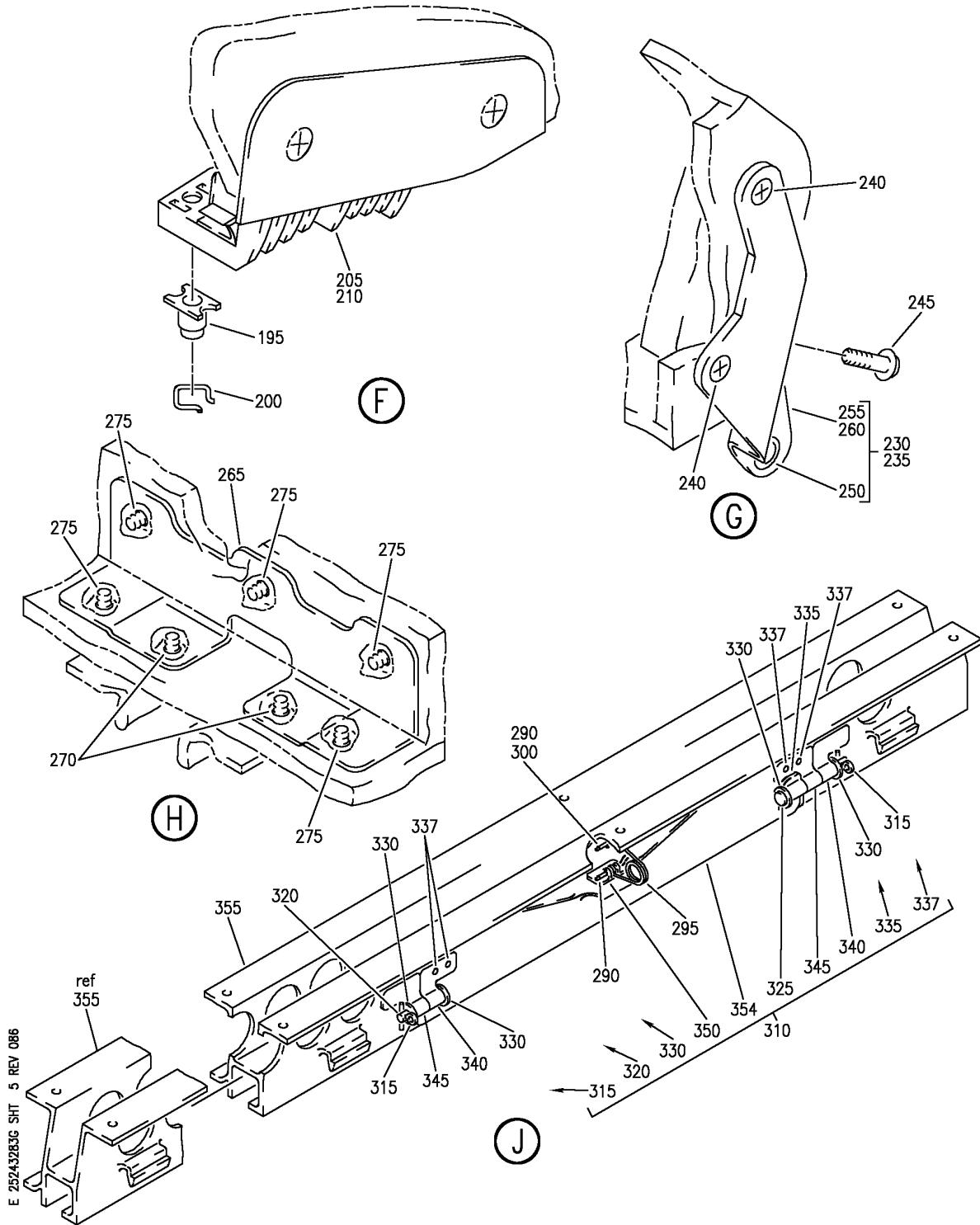
BOX ASSY-LH 80. IN BIG BIN
 FIGURE 83G (SHEET 4)

25-24-32-83G

HAP
 OCT 10/06

25-24-32-83G
 PAGE 0C

BOEING
 737-600/700/800/900
 PARTS CATALOG (MAINTENANCE)



E 25243283G SHT 5 REV 086

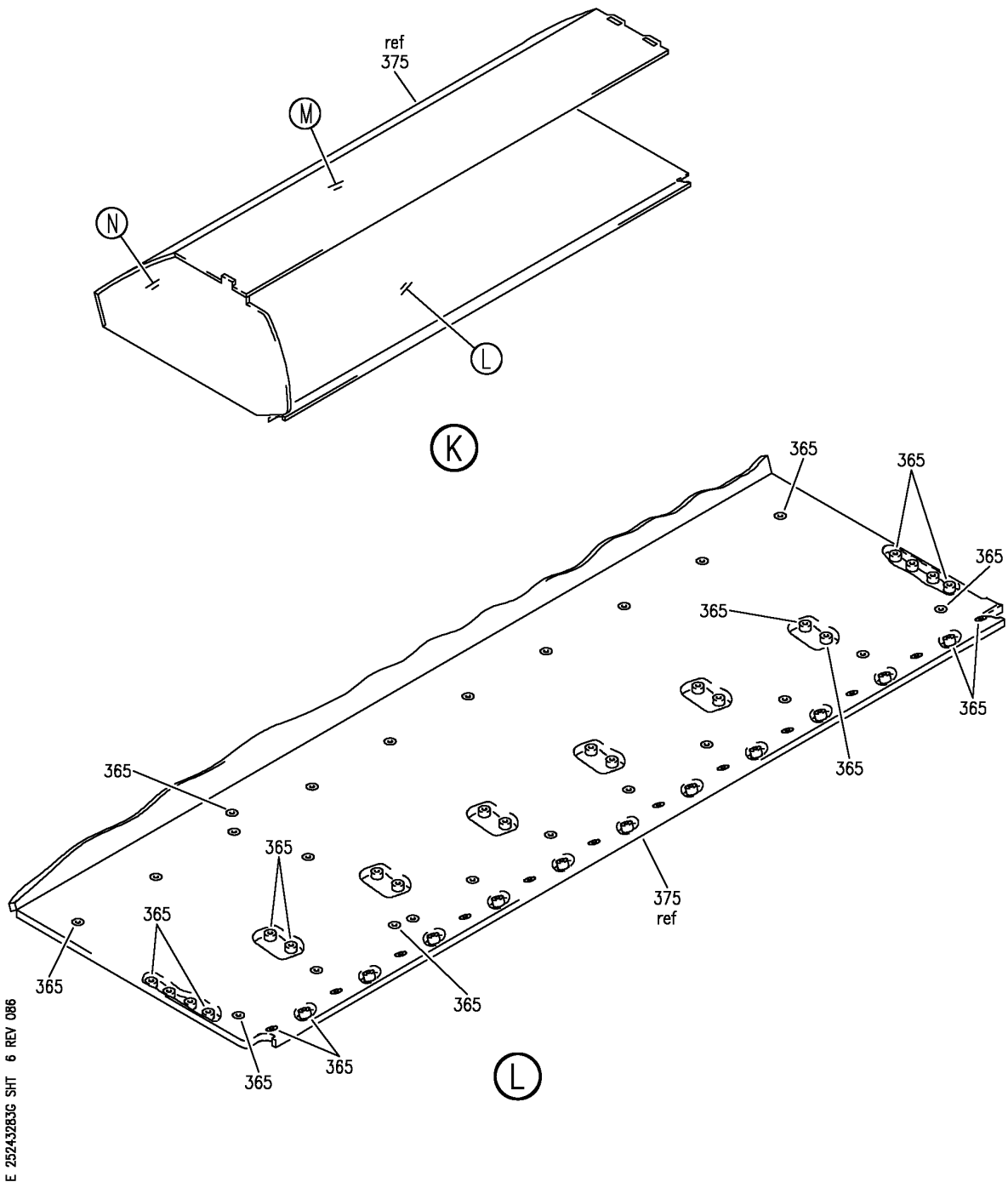
BOX ASSY-LH 80. IN BIG BIN
 FIGURE 83G (SHEET 5)

25-24-32-83G

HAP
 OCT 10/06

25-24-32-83G
 PAGE 0D

BOEING
737-600/700/800/900
PARTS CATALOG (MAINTENANCE)



E 25243283G SHT 6 REV 086

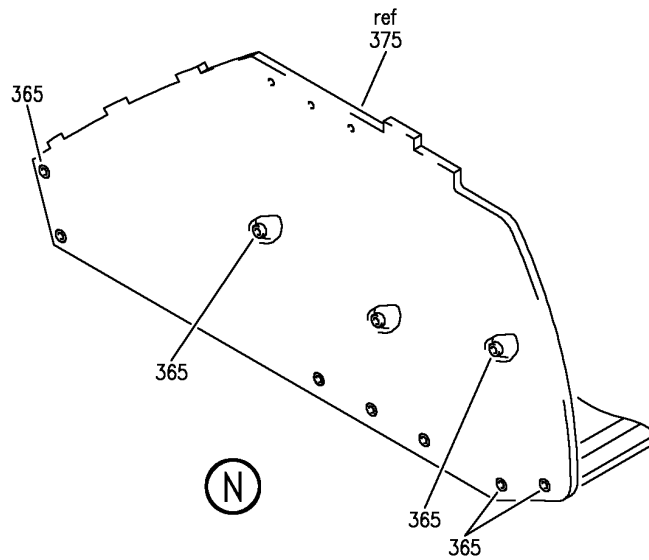
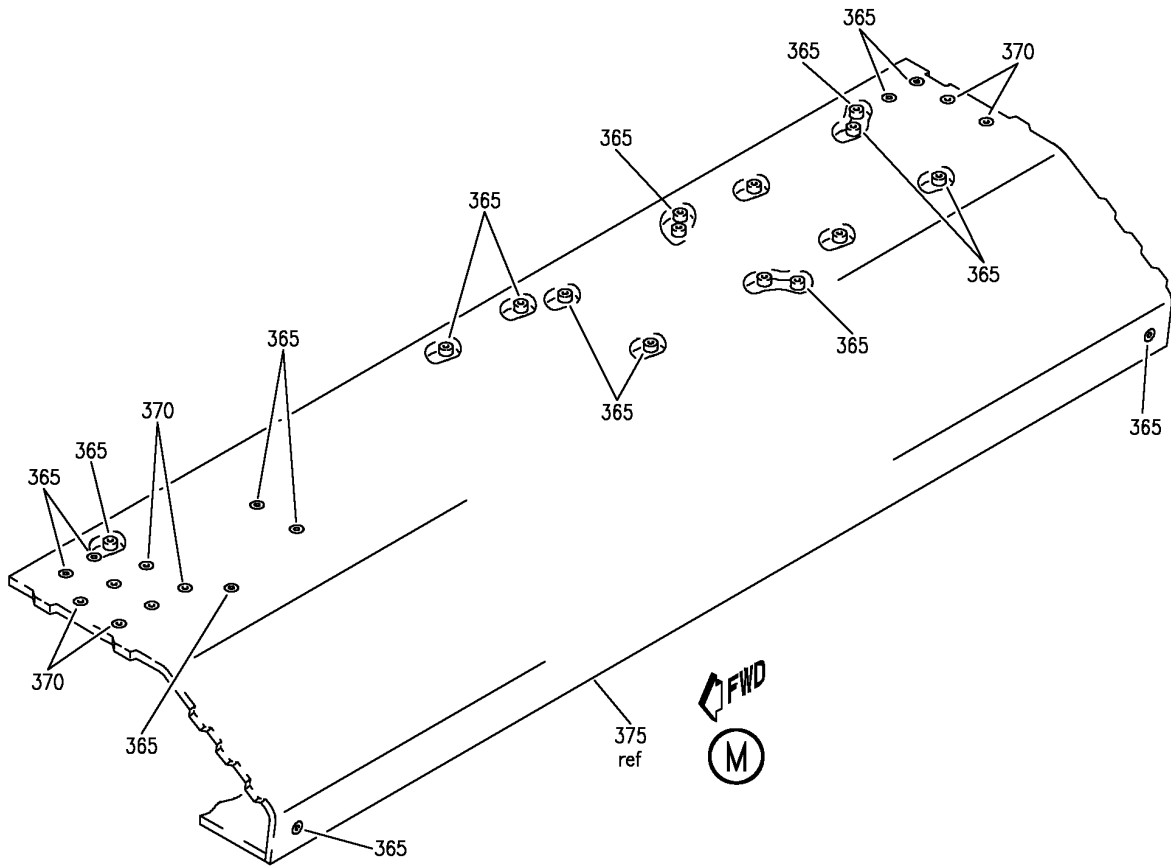
BOX ASSY-LH 80. IN BIG BIN
FIGURE 83G (SHEET 6)

25-24-32-83G

HAP
OCT 10/06

25-24-32-83G
PAGE 0E

BOEING
 737-600/700/800/900
 PARTS CATALOG (MAINTENANCE)



E 25243283G SHT 7 REV 086

BOX ASSY-LH 80. IN BIG BIN
 FIGURE 83G (SHEET 7)

25-24-32-83G

HAP
 OCT 10/06

25-24-32-83G
 PAGE OF

BOEING
737-600/700/800/900
PARTS CATALOG (MAINTENANCE)

FIG ITEM	PART NUMBER	1 2 3 4 5 6 7	NOMENCLATURE	EFFECT FROM TO	UNITS PER ASSY
83G			BOX ASSY-LH 80. IN BIG BIN	031200 968999	
- 1	412A1205-15B		BOX ASSY-80 IN. BIG BIN POSITION DATA: LH FOR NHA SEE: 25-24-31-14L 25-24-31-80	031200 968999	RF
5	HL1012AZ6-9		.BOLT SUPPLIER CODE: V97928 SPECIFICATION NUMBER: BACB30NX6K9 OPTIONAL PART: HL12VAZ6-9 V73197 HL12VAZ6-9 V92215 HL12VAZ6-9 V97928 L802-6K9 V06725 HL12VAZ6-9 V56878 HL1012AZ6-9 V0PTK6 HL1012AZ6-9 V06725 HL1012AZ6-9 V06950 HL1012AZ6-9 V17446 HL1012AZ6-9 V56878 HL1012AZ6-9 V60516 HL1012AZ6-9 V73197	031200 968999	2

MISSING ITEM NUMBERS NOT APPLICABLE

- ITEM NOT ILLUSTRATED

HAP

25-24-32-83G

BOEING PROPRIETARY - Copyright © - Unpublished Work - See title page for details.

25-24-32
FIG. 83G
PAGE 1
OCT 15/08

BOEING
737-600/700/800/900
PARTS CATALOG (MAINTENANCE)

FIG ITEM	PART NUMBER	1 2 3 4 5 6 7	NOMENCLATURE	EFFECT FROM TO	UNITS PER ASSY
83G 10	HL1012AZ6-11	.BOLT	SUPPLIER CODE: V97928 SPECIFICATION NUMBER: BACB30NX6K11 OPTIONAL PART: HL12VAZ6-11 V73197 HL12VAZ6-11 V92215 HL12VAZ6-11 V97928 L802-6K11 V06725 HL12VAZ6-11 V56878 HL1012AZ6-11 VOPTK6 HL1012AZ6-11 V06725 HL1012AZ6-11 V06950 HL1012AZ6-11 V17446 HL1012AZ6-11 V56878 HL1012AZ6-11 V60516 HL1012AZ6-11 V73197	031200 968999	6
15	BACS12FA3K4	.SCREW		031200 968999	2
20	BACS12ER3K9	.SCREW		031200 968999	6
25	NAS1149D0363J	.WASHER		031200 968999	8
30	HST1070CY6	.COLLAR	SUPPLIER CODE: V5M902 SPECIFICATION NUMBER: BACC30BZ6 OPTIONAL PART: VLC1070CY6 V92215 HST1070CY6 V73197	031200 968999	8
35	SL5-3-50C	.NUT-	SUPPLIER CODE: V97393	031200 968999	6

MISSING ITEM NUMBERS NOT APPLICABLE

— ITEM NOT ILLUSTRATED

HAP

25-24-32-83G

BOEING PROPRIETARY - Copyright © - Unpublished Work - See title page for details.

25-24-32
FIG. 83G
PAGE 2
OCT 15/08

BOEING
737-600/700/800/900
PARTS CATALOG (MAINTENANCE)

FIG ITEM	PART NUMBER	1 2 3 4 5 6 7	NOMENCLATURE	EFFECT FROM TO	UNITS PER ASSY
83G					
40	412A1220-242	.	DOUBLER-9G EXT	031200 968999	1
45	412A1220-241B	.	DOUBLER-INTERNAL	031200 968999	1
50	412A1220-39A	.	DOUBLER-INTERNAL	031200 968999	1
55	412A1230-105	.	FITTING ASSY-DRAG	031200 968999	1
60	BACW10P273L	..	WASHER	031200 968999	2
65	BACB28AT04B023C	..	BUSHING- OPTIONAL PART: NAS538B4P023	031200 968999	2
65	NAS538B4P023	..	BUSHING- OPTIONAL PART: BACB28AT04B023C	031200 968999	2
70	BCREF13195	..	BUSHING- OVERLENGTH PART NUMBER: BACB28AY06A035CG	031200 968999	1
75	412A1230-107	..	FITTING	031200 968999	1
80	412A1230-201	.	FITTING ASSY- OPTIONAL PART: 412A1230-1	031200 968999	1
85	BCREF13195	..	BUSHING- OVERLENGTH PART NUMBER: BACB28AY06A035CG	031200 968999	1
90	412A1230-202	..	FITTING- OPTIONAL PART: 412A1230-203	031200 968999	1
90	412A1230-203	..	FITTING- OPTIONAL PART: 412A1230-202	031200 968999	1
95	412A1230-1	.	FITTING ASSY- OPTIONAL PART: 412A1230-201	031200 968999	1
100	BCREF13195	..	BUSHING- OVERLENGTH PART NUMBER: BACB28AY06A035CG	031200 968999	1
105	412A1230-2	..	SUPPORT	031200 968999	1
110	412A1340-14	.	FASTENER ASSY-KIT OPTIONAL PART: 412A1340-15	031200 968999	11
115	BACS12FA3K12	..	SCREW	031200 968999	1
120	BACW10EC3S	..	WASHER	031200 968999	1

MISSING ITEM NUMBERS NOT APPLICABLE

— ITEM NOT ILLUSTRATED

HAP

25-24-32-83G

BOEING PROPRIETARY - Copyright © - Unpublished Work - See title page for details.

25-24-32
FIG. 83G
PAGE 3
OCT 15/08

BOEING
737-600/700/800/900
PARTS CATALOG (MAINTENANCE)

FIG ITEM	PART NUMBER	1 2 3 4 5 6 7	NOMENCLATURE	EFFECT FROM TO	UNITS PER ASSY
83G 125	PLH53C	. .	NUT SUPPLIER CODE: V62554 SPECIFICATION NUMBER: BACN10YR3C OPTIONAL PART: H52732-3C V15653	031200 968999	1
130	412A1340-15	. .	FASTENER ASSY-KIT OPTIONAL PART: 412A1340-14	031200 968999	11
135	BACS12FA3K13	. .	SCREW	031200 968999	1
140	F22K1-02	. .	NUT SUPPLIER CODE: V72962 SPECIFICATION NUMBER: BACN10R10L OPTIONAL PART: 22K1-02 V72962 26CLO2 V80539	031200 968999	1
145	412A1247-1A	. .	EXTRUSION-DOOR CLOSEOUT	031200 968999	1
150	HA951-5	. .	STRIKE-LATCH SUPPLIER CODE: V83014 SPECIFICATION NUMBER: S412A003-3 OPTIONAL PART: HA225-11 V83014	031200 968999	2
150	HA225-11	. .	STRIKE-LATCH SUPPLIER CODE: V83014 SPECIFICATION NUMBER: S412A001-16 OPTIONAL PART: HA951-5 V83014	031200 968999	2
- 155	BACS12ER08K5	. .	ATTACHING PARTS SCREW	031200 968999	4
160	412A1242-1	. .	-----*----- EXTRUSION-SHELF	031200 968999	1

MISSING ITEM NUMBERS NOT APPLICABLE

- ITEM NOT ILLUSTRATED

HAP

25-24-32-83G

BOEING PROPRIETARY - Copyright © - Unpublished Work - See title page for details.

25-24-32
FIG. 83G
PAGE 4
OCT 15/08

BOEING
737-600/700/800/900
PARTS CATALOG (MAINTENANCE)

FIG ITEM	PART NUMBER	1 2 3 4 5 6 7	NOMENCLATURE	EFFECT FROM TO	UNITS PER ASSY
83G			ATTACHING PARTS		
165	BACS12ER3K5	.	SCREW	031200 968999	12
170	BACS12ER3K6	.	SCREW	031200 968999	2
175	H3-1233A3	.	WASHER- SUPPLIER CODE: V34941 SPECIFICATION NUMBER: S411A001-1 -----*-----	031200 968999	12
180	412A1475-3A	.	FITTING ASSY-SPRT	031200 968999	1
185	412A1475-4A	.	FITTING ASSY-SPRT	031200 968999	1
- 190	BACS12ER3K5	.	ATTACHING PARTS SCREW -----*-----	031200 968999	4
195	BACN11F3-1CD	..	NUT	031200 968999	1
200	NAS1795-3	..	CLIP	031200 968999	1
205	412A1475-1A	..	FITTING- USED ON: 412A1475-3A	031200 968999	1
210	412A1475-2A	..	FITTING- USED ON: 412A1475-4A	031200 968999	1
215	412A1450-35	.	TRIM- POSITION DATA: MIDDLE AND LWR	031200 968999	2
220	412A1450-34	.	TRIM- POSITION DATA: UPR	031200 968999	1
225	412A1452-1B	.	TRIM	031200 968999	2
230	412A1230-7	.	SUPPORT ASSY-LWR	031200 968999	1
235	412A1230-8	.	SUPPORT ASSY-LWR	031200 968999	1
240	BACS12ER3K5	.	ATTACHING PARTS SCREW	031200 968999	4
245	BACS12FA3K5	.	SCREW -----*-----	031200 968999	2

MISSING ITEM NUMBERS NOT APPLICABLE

- ITEM NOT ILLUSTRATED

HAP

25-24-32-83G

BOEING PROPRIETARY - Copyright © - Unpublished Work - See title page for details.

25-24-32
FIG. 83G
PAGE 5
OCT 15/08

BOEING
737-600/700/800/900
PARTS CATALOG (MAINTENANCE)

FIG ITEM	PART NUMBER	1 2 3 4 5 6 7	NOMENCLATURE	EFFECT FROM TO	UNITS PER ASSY
83G 250	BCREF13196	..	BUSHING- OVERLENGTH PART NUMBER: BACB28AT06A010CG	031200 968999	1
255	412A1230-9	..	SUPPORT- USED ON: 412A1230-7	031200 968999	1
260	412A1230-10	..	SUPPORT- USED ON: 412A1230-8	031200 968999	1
265	412A1220-205	.	ANGLE	031200 968999	2
270	BACS12FA3K5	.	ATTACHING PARTS SCREW	031200 968999	4
275	BACS12FA3K4	.	SCREW	031200 968999	10
280	412A1246-3A	.	-----*----- RAIL ASSY	031200 968999	1
285	BACS12FA3K5	.	ATTACHING PARTS SCREW	031200 968999	12
290	BACP18BC02A06P	..	-----*----- PIN	031200 968999	2
295	412A1350-1	..	SPRING-MCD DOOR	031200 968999	1
300	412A1230-26	..	PLATFORM	031200 968999	1
- 305	BACR15CE5M	..	ATTACHING PARTS RIVET- SIZE DETERMINED ON INSTL.	031200 968999	2
310	412A1246-1A	..	-----*----- DOOR ASSY	031200 968999	1
- 312	BACR15CE5M	..	ATTACHING PARTS RIVET- SIZE DETERMINED ON INSTL.	031200 968999	4
315	BACP18BC02A06P	...	-----*----- PIN	031200 968999	2
320	MS20392-2C37	...	PIN	031200 968999	1
325	MS20392-2C59	...	PIN	031200 968999	1
330	MS51859-5	...	WASHER	031200 968999	4
335	412A1230-22	...	TRIGGER	031200 968999	1

MISSING ITEM NUMBERS NOT APPLICABLE

- ITEM NOT ILLUSTRATED

HAP

25-24-32-83G

BOEING PROPRIETARY - Copyright © - Unpublished Work - See title page for details.

25-24-32
FIG. 83G
PAGE 6
OCT 15/08

BOEING
737-600/700/800/900
PARTS CATALOG (MAINTENANCE)

FIG ITEM	PART NUMBER	1 2 3 4 5 6 7	NOMENCLATURE	EFFECT FROM TO	UNITS PER ASSY
83G					
337	BACR15CE5M	...	RIVET- SIZE DETERMINED ON INSTL.	031200 968999	4
340	412A1230-29	...	HINGE-MCD DOOR	031200 968999	2
345	412A1230-30	...	HINGE-MCD DOOR	031200 968999	2
350	412A1230-26	...	PLATFORM-MCD DOOR	031200 968999	1
			ATTACHING PARTS		
- 352	BACR15CE5M	...	RIVET- SIZE DETERMINED ON INSTL. -----*-----	031200 968999	2
354	412A1245-25	...	DOOR	031200 968999	1
355	412A1245-23	..	RAIL	031200 968999	1
360	412A1215-13B	.	PANEL ASSY-BODY	031200 968999	1
365	SL2334-3A1	..	INSERT- SUPPLIER CODE: V97393	031200 968999	99
370	BCREF128023	..	INSERT- SUPPLIER CODE: V97393 OVERLENGTH PART NUMBER: SL603-3-375ASP13	031200 968999	8
375	412A1215-1B	..	PANEL	031200 968999	1
380	412A1216-13B	.	PANEL ASSY-END	031200 968999	1
- 385	SL2334-3A1	..	INSERT- SUPPLIER CODE: V97393	031200 968999	10
390	412A1216-1C	..	PANEL	031200 968999	1

MISSING ITEM NUMBERS NOT APPLICABLE

- ITEM NOT ILLUSTRATED

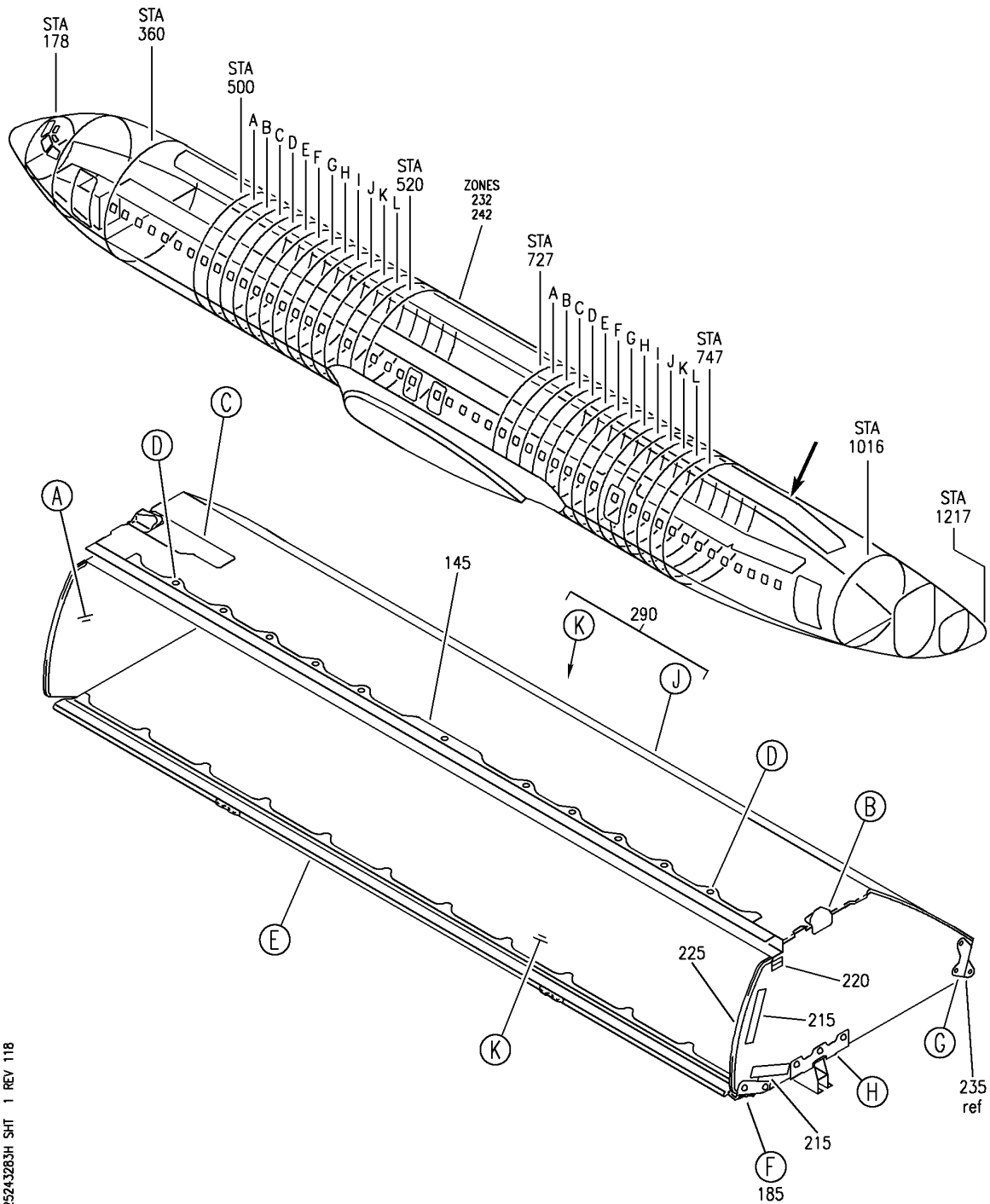
HAP

25-24-32-83G

BOEING PROPRIETARY - Copyright © - Unpublished Work - See title page for details.

25-24-32
FIG. 83G
PAGE 7
OCT 15/08

BOEING
 737-600/700/800/900
 PARTS CATALOG (MAINTENANCE)



E 2524-3283H SHT 1 REV 118

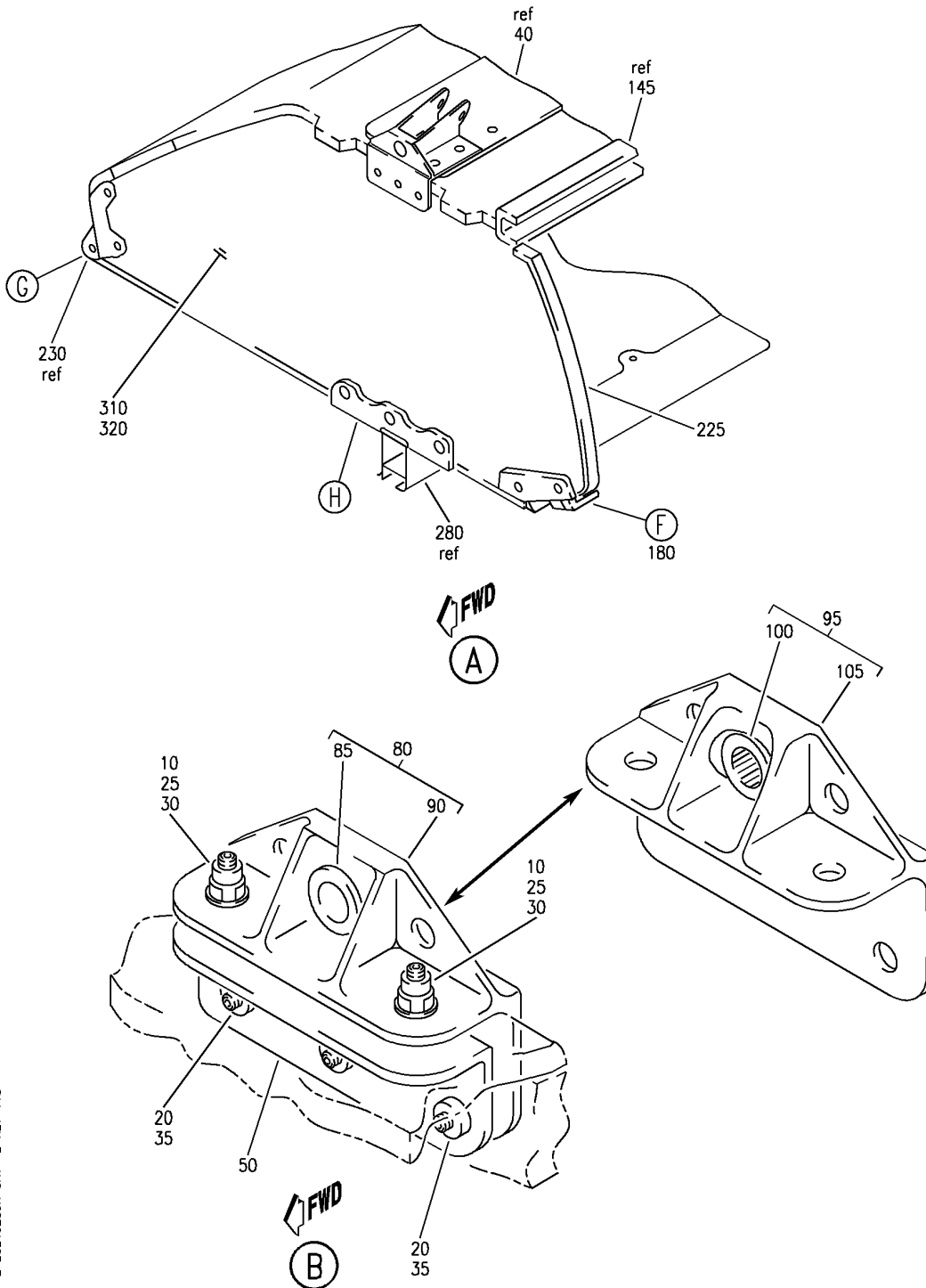
BOX ASSY-80 IN. BIG BIN RH
 FIGURE 83H (SHEET 1)

25-24-32-83H

HAP
 OCT 10/06

25-24-32-83H
 PAGE 0

BOEING
 737-600/700/800/900
 PARTS CATALOG (MAINTENANCE)



E 2524-3283H SHT 2 REV 118

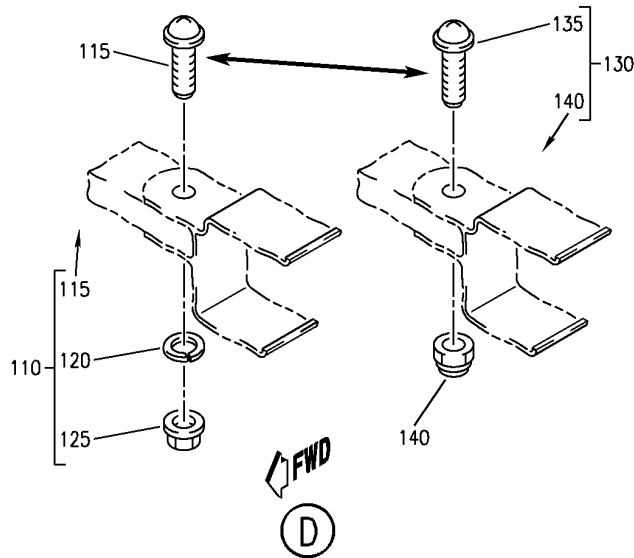
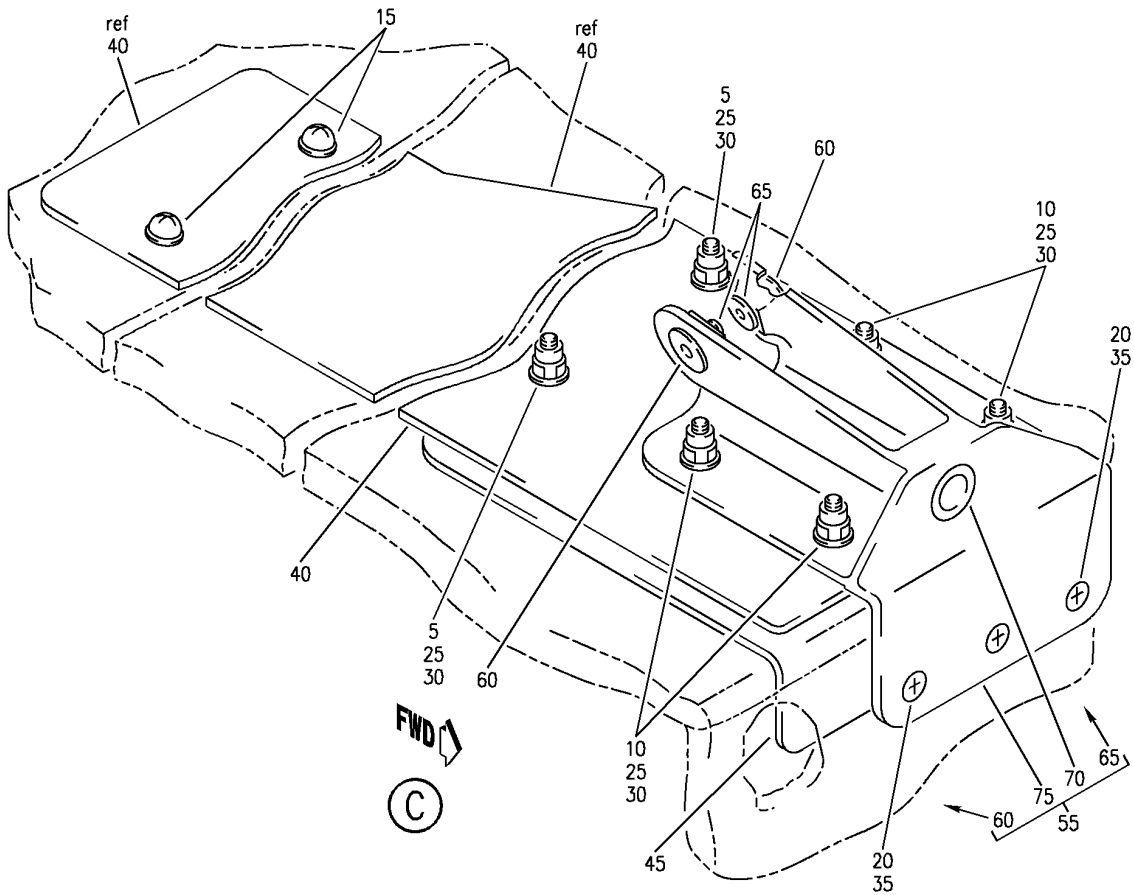
BOX ASSY-80 IN. BIG BIN RH
 FIGURE 83H (SHEET 2)

25-24-32-83H

HAP
 OCT 10/06

25-24-32-83H
 PAGE 0A

BOEING
 737-600/700/800/900
 PARTS CATALOG (MAINTENANCE)



E 2524-3283H SHT 3 REV 118

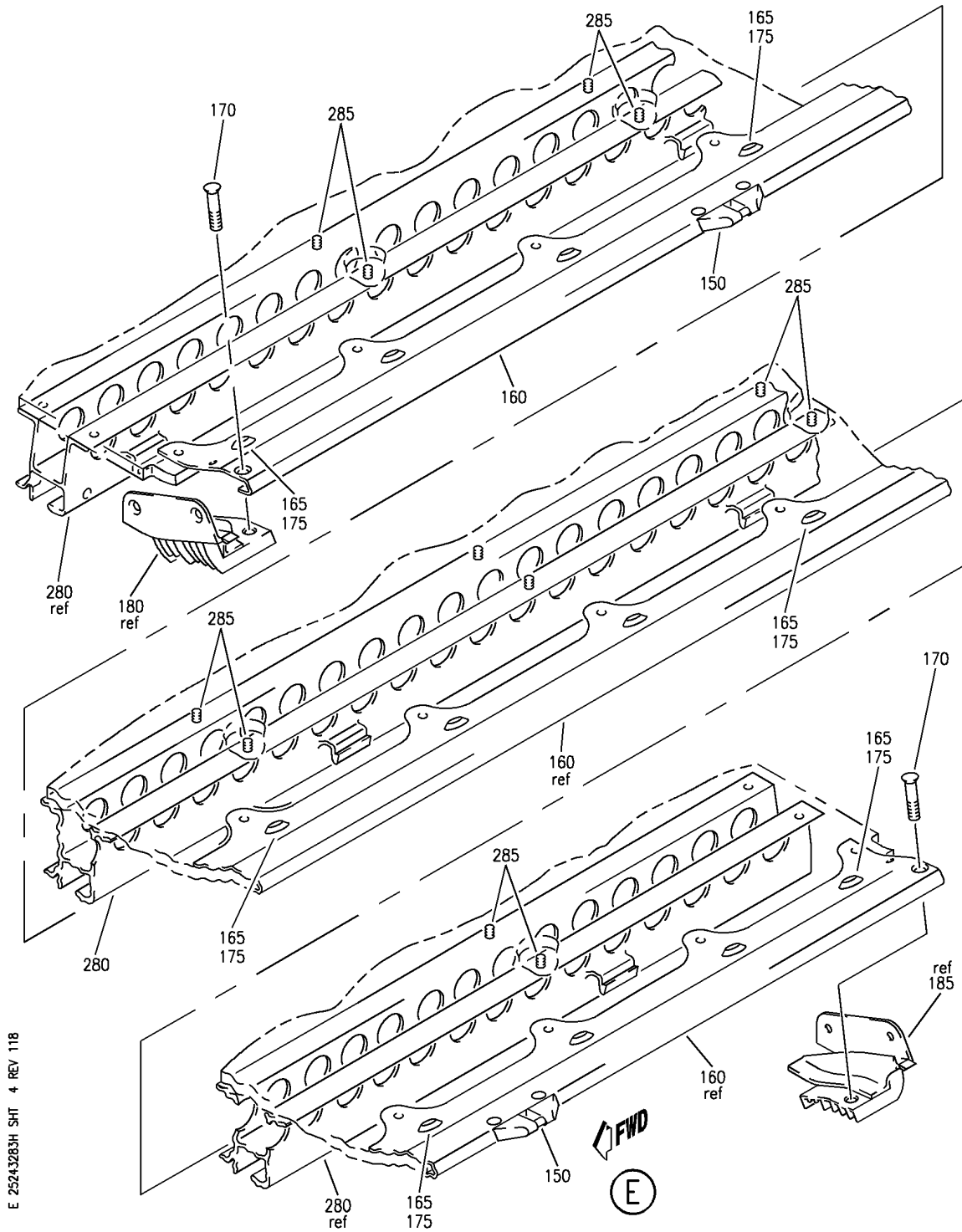
BOX ASSY-80 IN. BIG BIN RH
 FIGURE 83H (SHEET 3)

25-24-32-83H

HAP
 OCT 10/06

25-24-32-83H
 PAGE 0B

BOEING
 737-600/700/800/900
 PARTS CATALOG (MAINTENANCE)



E 2524-3283H SHT 4 REV 118

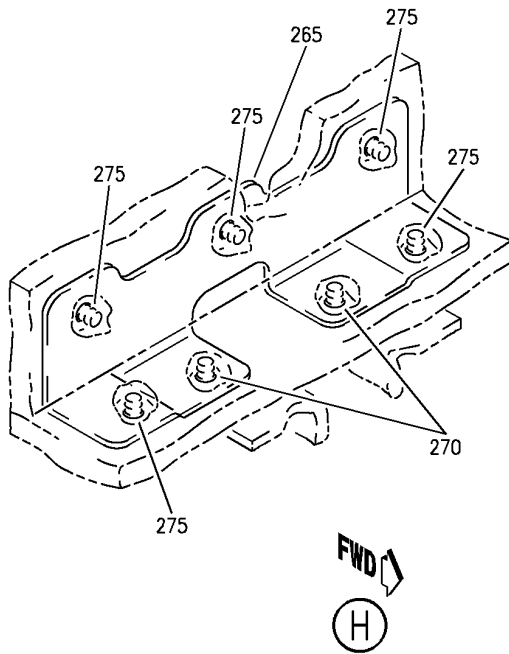
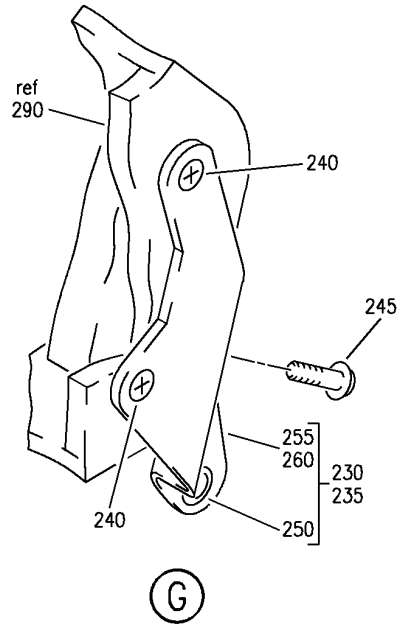
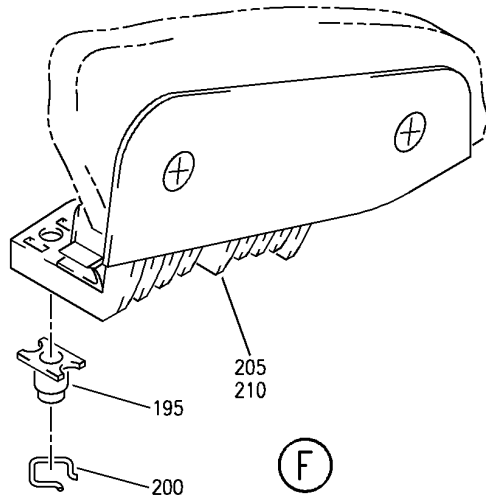
BOX ASSY-80 IN. BIG BIN RH
 FIGURE 83H (SHEET 4)

25-24-32-83H

HAP
 OCT 10/06

25-24-32-83H
 PAGE 0C

BOEING
 737-600/700/800/900
 PARTS CATALOG (MAINTENANCE)



E 2524-3283H SHT 5 REV 118

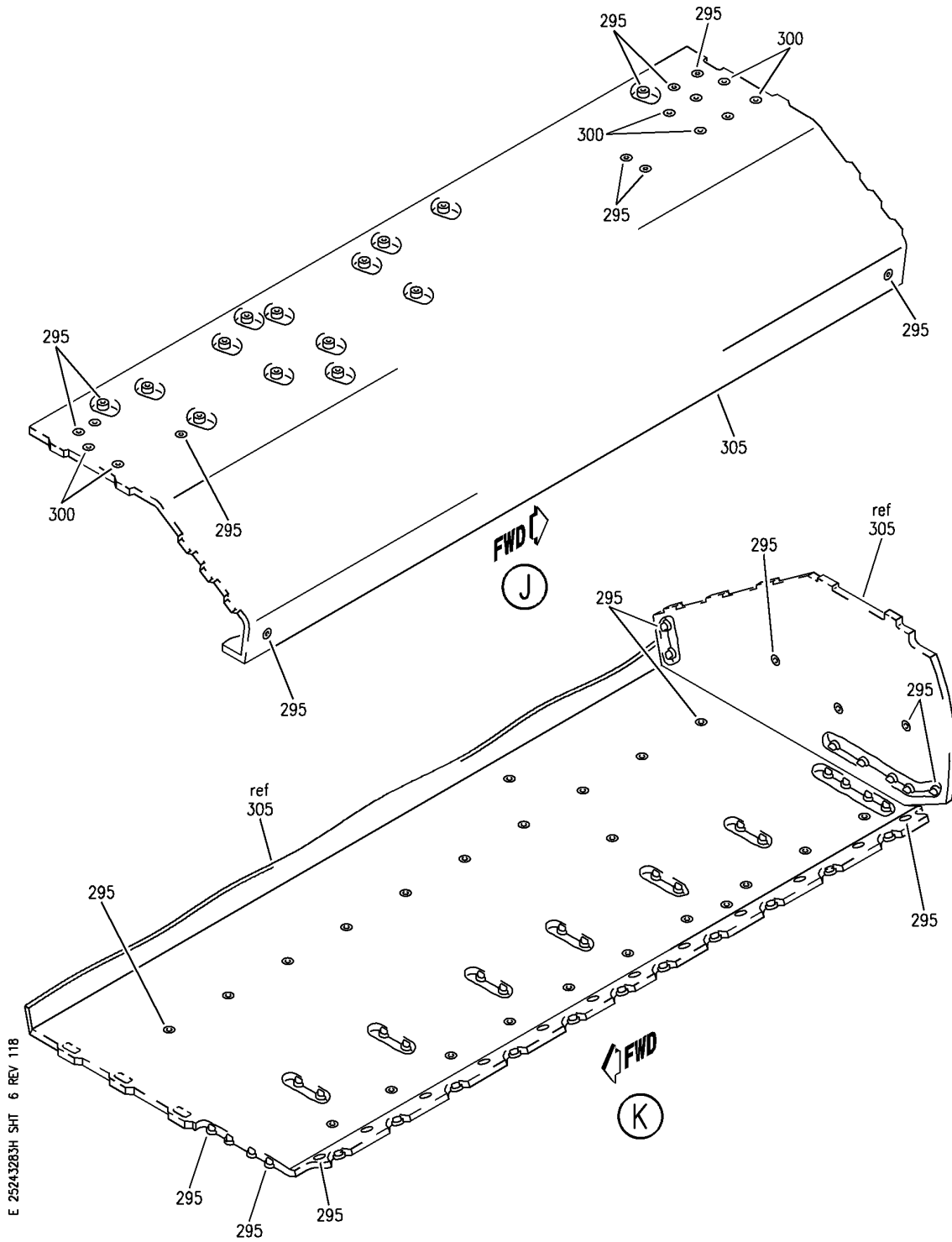
BOX ASSY-80 IN. BIG BIN RH
 FIGURE 83H (SHEET 5)

25-24-32-83H

HAP
 OCT 10/06

25-24-32-83H
 PAGE 0D

BOEING
737-600/700/800/900
PARTS CATALOG (MAINTENANCE)



E 2524-3283H SHT 6 REV 118

BOX ASSY-80 IN. BIG BIN RH
FIGURE 83H (SHEET 6)

25-24-32-83H

HAP
OCT 10/06

25-24-32-83H
PAGE 0E

BOEING
737-600/700/800/900
PARTS CATALOG (MAINTENANCE)

FIG ITEM	PART NUMBER	1 2 3 4 5 6 7	NOMENCLATURE	EFFECT FROM TO	UNITS PER ASSY
83H			BOX ASSY-80 IN. BIG BIN RH	031200 968999	
- 1	412A1205-4B		BOX ASSY-80 IN. BIG BIN POSITION DATA: RH FOR NHA SEE: 25-24-31-14Q 25-24-31-82A	031200 968999	RF
5	HL1012AZ6-9		.BOLT SUPPLIER CODE: V97928 SPECIFICATION NUMBER: BACB30NX6K9 OPTIONAL PART: HL12VAZ6-9 V73197 HL12VAZ6-9 V92215 HL12VAZ6-9 V97928 L802-6K9 V06725 HL12VAZ6-9 V56878 HL1012AZ6-9 V0PTK6 HL1012AZ6-9 V06725 HL1012AZ6-9 V06950 HL1012AZ6-9 V17446 HL1012AZ6-9 V56878 HL1012AZ6-9 V60516 HL1012AZ6-9 V73197	031200 968999	2

MISSING ITEM NUMBERS NOT APPLICABLE

- ITEM NOT ILLUSTRATED

HAP

25-24-32-83H

BOEING PROPRIETARY - Copyright © - Unpublished Work - See title page for details.

25-24-32
FIG. 83H
PAGE 1
OCT 15/08

BOEING
737-600/700/800/900
PARTS CATALOG (MAINTENANCE)

FIG ITEM	PART NUMBER	1 2 3 4 5 6 7	NOMENCLATURE	EFFECT FROM TO	UNITS PER ASSY
83H 10	HL1012AZ6-11	.	BOLT SUPPLIER CODE: V97928 SPECIFICATION NUMBER: BACB30NX6K11 OPTIONAL PART: HL12VAZ6-11 V73197 HL12VAZ6-11 V92215 HL12VAZ6-11 V97928 L802-6K11 V06725 HL12VAZ6-11 V56878 HL1012AZ6-11 VOPTK6 HL1012AZ6-11 V06725 HL1012AZ6-11 V06950 HL1012AZ6-11 V17446 HL1012AZ6-11 V56878 HL1012AZ6-11 V60516 HL1012AZ6-11 V73197	031200 968999	6
15	BACS12FA3K4	.	SCREW	031200 968999	2
20	BACS12ER3K9	.	SCREW	031200 968999	6
25	NAS1149D0363J	.	WASHER	031200 968999	8
30	HST1070CY6	.	COLLAR SUPPLIER CODE: V5M902 SPECIFICATION NUMBER: BACC30BZ6 OPTIONAL PART: VLC1070CY6 V92215 HST1070CY6 V73197	031200 968999	8
35	SL5-3-50C	.	NUT- SUPPLIER CODE: V97393	031200 968999	6

MISSING ITEM NUMBERS NOT APPLICABLE

— ITEM NOT ILLUSTRATED

HAP

25-24-32-83H

BOEING PROPRIETARY - Copyright © - Unpublished Work - See title page for details.

25-24-32
FIG. 83H
PAGE 2
OCT 15/08

BOEING
737-600/700/800/900
PARTS CATALOG (MAINTENANCE)

FIG ITEM	PART NUMBER	1 2 3 4 5 6 7	NOMENCLATURE	EFFECT FROM TO	UNITS PER ASSY
83H					
40	412A1220-242	.	DOUBLER-9G EXT	031200 968999	1
45	412A1220-241B	.	DOUBLER-INTERNAL	031200 968999	1
50	412A1220-39A	.	DOUBLER-INTERNAL	031200 968999	1
55	412A1230-106	.	FITTING ASSY-DRAG	031200 968999	1
60	BACW10P273L	..	WASHER	031200 968999	2
65	BACB28AT04B023C	..	BUSHING- OPTIONAL PART: NAS538B4P023	031200 968999	2
65	NAS538B4P023	..	BUSHING- OPTIONAL PART: BACB28AT04B023C	031200 968999	2
70	BCREF13195	..	BUSHING- OVERLENGTH PART NUMBER: BACB28AY06A035CG	031200 968999	1
75	412A1230-108	..	FITTING	031200 968999	1
80	412A1230-201	.	FITTING ASSY- OPTIONAL PART: 412A1230-1	031200 968999	1
85	BCREF13195	..	BUSHING- OVERLENGTH PART NUMBER: BACB28AY06A035CG	031200 968999	1
90	412A1230-202	..	FITTING- OPTIONAL PART: 412A1230-203	031200 968999	1
90	412A1230-203	..	FITTING- OPTIONAL PART: 412A1230-202	031200 968999	1
95	412A1230-1	.	FITTING ASSY- OPTIONAL PART: 412A1230-201	031200 968999	1
100	BCREF13195	..	BUSHING- OVERLENGTH PART NUMBER: BACB28AY06A035CG	031200 968999	1
105	412A1230-2	..	SUPPORT	031200 968999	1
110	412A1340-14	.	FASTENER ASSY-KIT OPTIONAL PART: 412A1340-15	031200 968999	11
115	BACS12FA3K12	..	SCREW	031200 968999	1
120	BACW10EC3S	..	WASHER	031200 968999	1

MISSING ITEM NUMBERS NOT APPLICABLE

— ITEM NOT ILLUSTRATED

HAP

25-24-32-83H

BOEING PROPRIETARY - Copyright © - Unpublished Work - See title page for details.

25-24-32
FIG. 83H
PAGE 3
OCT 15/08

BOEING
737-600/700/800/900
PARTS CATALOG (MAINTENANCE)

FIG ITEM	PART NUMBER	1 2 3 4 5 6 7	NOMENCLATURE	EFFECT FROM TO	UNITS PER ASSY
83H 125	PLH53C	. .	NUT SUPPLIER CODE: V62554 SPECIFICATION NUMBER: BACN10YR3C OPTIONAL PART: H52732-3C V15653	031200 968999	1
130	412A1340-15	. FASTENER ASSY-KIT OPTIONAL PART: 412A1340-14		031200 968999	11
135	BACS12FA3K13	. .	SCREW	031200 968999	1
140	F22K1-02	. .	NUT SUPPLIER CODE: V72962 SPECIFICATION NUMBER: BACN10R10L OPTIONAL PART: 22K1-02 V72962 26CLO2 V80539	031200 968999	1
145	412A1247-1A	. EXTRUSION-DOOR CLOSEOUT		031200 968999	1
150	HA951-5	. STRIKE-LATCH SUPPLIER CODE: V83014 SPECIFICATION NUMBER: S412A003-3 OPTIONAL PART: HA225-11 V83014		031200 968999	2
150	HA225-11	. STRIKE-LATCH SUPPLIER CODE: V83014 SPECIFICATION NUMBER: S412A001-16 OPTIONAL PART: HA951-5 V83014		031200 968999	2
- 155	BACS12ER08K5	. ATTACHING PARTS SCREW		031200 968999	4
160	412A1242-1	-----*----- . EXTRUSION-SHELF		031200 968999	1

MISSING ITEM NUMBERS NOT APPLICABLE

- ITEM NOT ILLUSTRATED

HAP

25-24-32-83H

BOEING PROPRIETARY - Copyright © - Unpublished Work - See title page for details.

25-24-32
FIG. 83H
PAGE 4
OCT 15/08

BOEING
737-600/700/800/900
PARTS CATALOG (MAINTENANCE)

FIG ITEM	PART NUMBER	1 2 3 4 5 6 7	NOMENCLATURE	EFFECT FROM TO	UNITS PER ASSY
83H			ATTACHING PARTS		
165	BACS12ER3K5	.	SCREW	031200 968999	12
170	BACS12ER3K6	.	SCREW	031200 968999	2
175	H3-1233A3	.	WASHER- SUPPLIER CODE: V34941 SPECIFICATION NUMBER: S411A001-1 -----*-----	031200 968999	12
180	412A1475-3A	.	FITTING ASSY-SPRT	031200 968999	1
185	412A1475-4A	.	FITTING ASSY-SPRT	031200 968999	1
- 190	BACS12ER3K5	.	ATTACHING PARTS SCREW -----*-----	031200 968999	4
195	BACN11F3-1CD	..	NUT	031200 968999	1
200	NAS1795-3	..	CLIP	031200 968999	1
205	412A1475-1A	..	FITTING- USED ON: 412A1475-3A	031200 968999	1
210	412A1475-2A	..	FITTING- USED ON: 412A1475-4A	031200 968999	1
215	412A1450-35	.	TRIM- POSITION DATA: MIDDLE AND LOWER	031200 968999	2
220	412A1450-34	.	TRIM	031200 968999	1
225	412A1452-1B	.	TRIM	031200 968999	2
230	412A1230-7	.	SUPPORT ASSY-LWR	031200 968999	1
235	412A1230-8	.	SUPPORT ASSY-LWR	031200 968999	1
240	BACS12ER3K5	.	ATTACHING PARTS SCREW	031200 968999	4
245	BACS12FA3K5	.	SCREW	031200 968999	2
250	BCREF13196	..	BUSHING- OVERLENGTH PART NUMBER: BACB28AT06A010CG -----*-----	031200 968999	1

MISSING ITEM NUMBERS NOT APPLICABLE

- ITEM NOT ILLUSTRATED

HAP

25-24-32-83H

BOEING PROPRIETARY - Copyright © - Unpublished Work - See title page for details.

25-24-32
FIG. 83H
PAGE 5
OCT 15/08

BOEING
737-600/700/800/900
PARTS CATALOG (MAINTENANCE)

FIG ITEM	PART NUMBER	1 2 3 4 5 6 7	NOMENCLATURE	EFFECT FROM TO	UNITS PER ASSY
83H 255	412A1230-9	..	SUPPORT- USED ON: 412A1230-7	031200 968999	1
260	412A1230-10	..	SUPPORT- USED ON: 412A1230-8	031200 968999	1
265	412A1220-205	.	ANGLE	031200 968999	2
270	BACS12FA3K5	.	ATTACHING PARTS SCREW	031200 968999	4
275	BACS12FA3K4	.	SCREW	031200 968999	10
280	412A1245-1	..	-----*----- RAIL	031200 968999	1
285	BACS12FA3K5	.	ATTACHING PARTS SCREW	031200 968999	12
290	412A1215-14B	..	-----*----- PANEL ASSY	031200 968999	1
295	SL2334-3A1	..	INSERT- SUPPLIER CODE: V97393	031200 968999	99
300	BCREF128023	..	INSERT- SUPPLIER CODE: V97393 OVERLENGTH PART NUMBER: SL603-3-375ASP13	031200 968999	8
305	412A1215-1B	..	PANEL	031200 968999	1
310	412A1216-14B	.	PANEL ASSY	031200 968999	1
- 315	SL2334-3A1	..	INSERT- SUPPLIER CODE: V97393	031200 968999	10
320	412A1216-1C	..	PANEL	031200 968999	1

MISSING ITEM NUMBERS NOT APPLICABLE

- ITEM NOT ILLUSTRATED

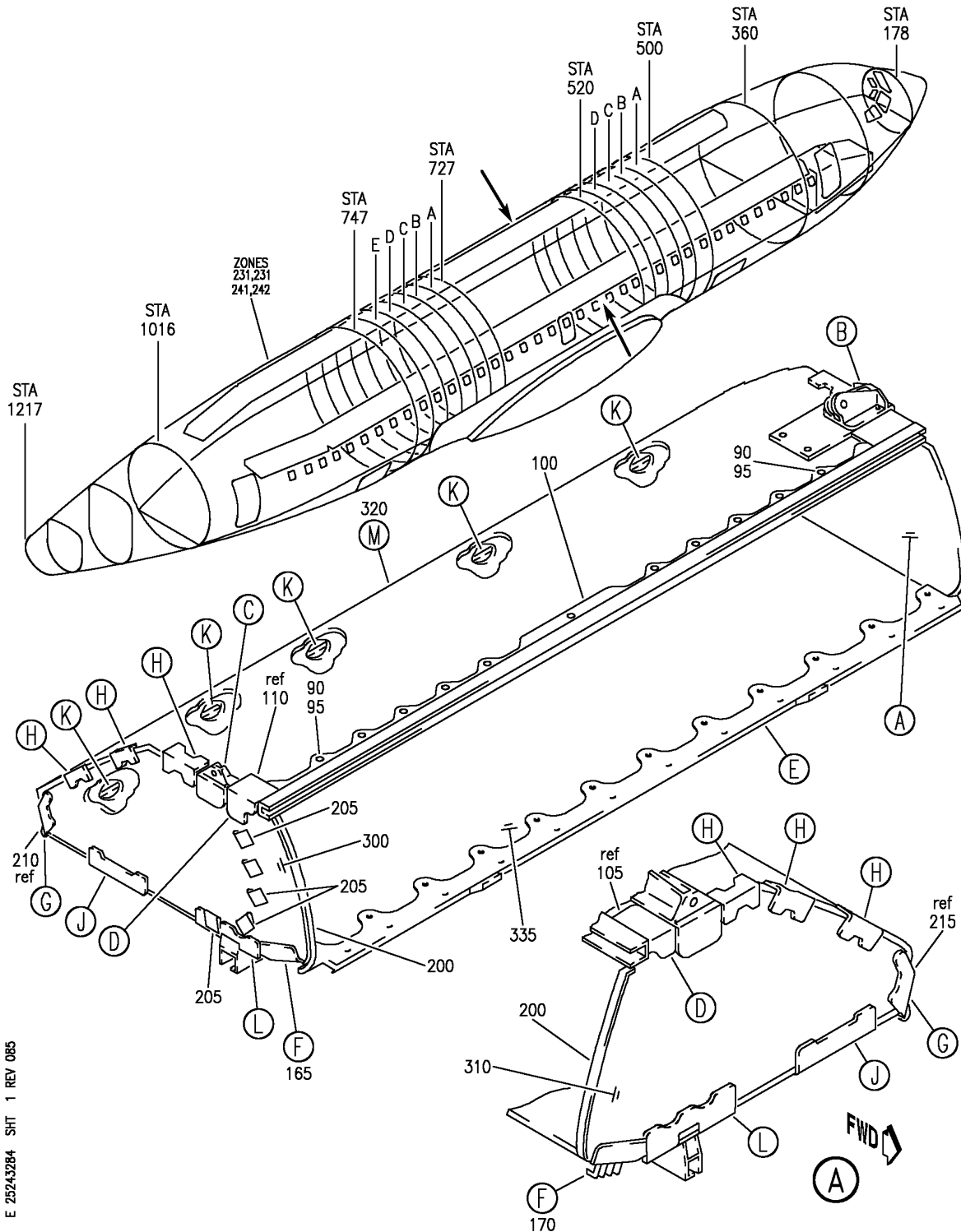
HAP

25-24-32-83H

BOEING PROPRIETARY - Copyright © - Unpublished Work - See title page for details.

25-24-32
FIG. 83H
PAGE 6
OCT 15/08

BOEING
737-600/700/800/900
PARTS CATALOG (MAINTENANCE)



E 25243284 SHT 1 REV 085

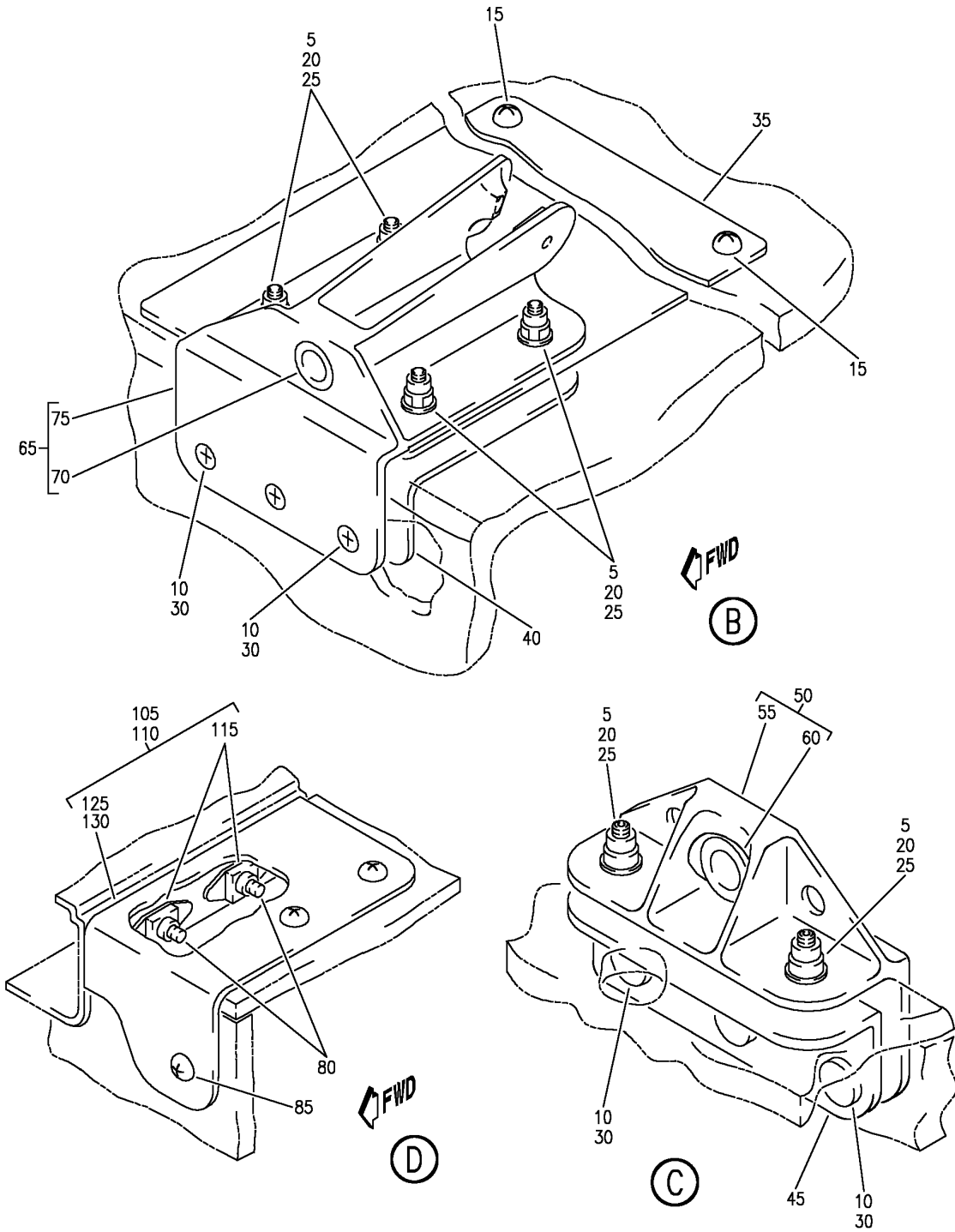
BOX ASSY-80 IN. BIN
FIGURE 84 (SHEET 1)

25-24-32-84

HAP
OCT 10/06

25-24-32-84
PAGE 0

BOEING
 737-600/700/800/900
 PARTS CATALOG (MAINTENANCE)



E 25243284 SHT 2 REV 085

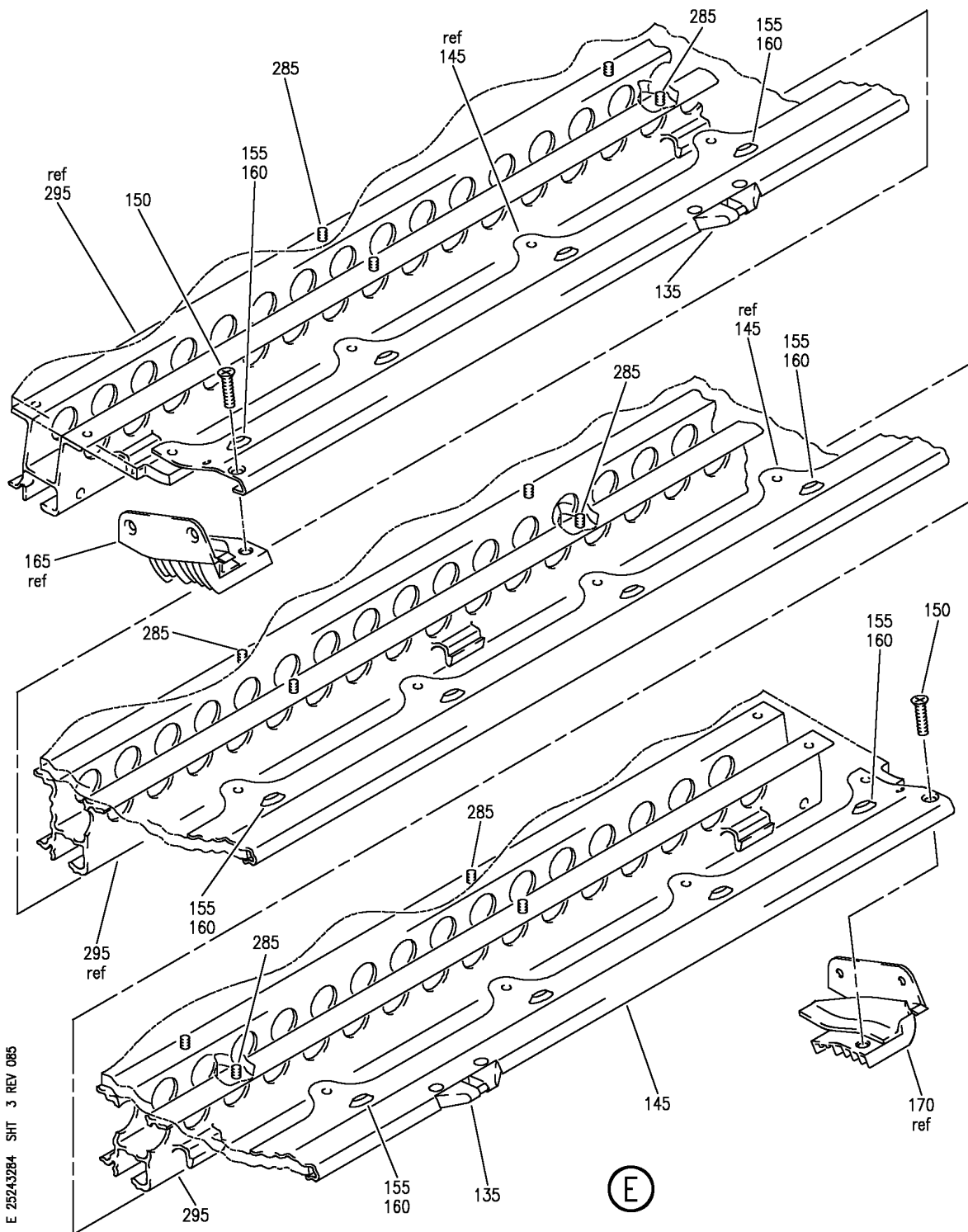
BOX ASSY-80 IN. BIN
 FIGURE 84 (SHEET 2)

25-24-32-84

HAP
 OCT 10/06

25-24-32-84
 PAGE 0A

BOEING
 737-600/700/800/900
 PARTS CATALOG (MAINTENANCE)



E 25243284 SHT 3 REV 085

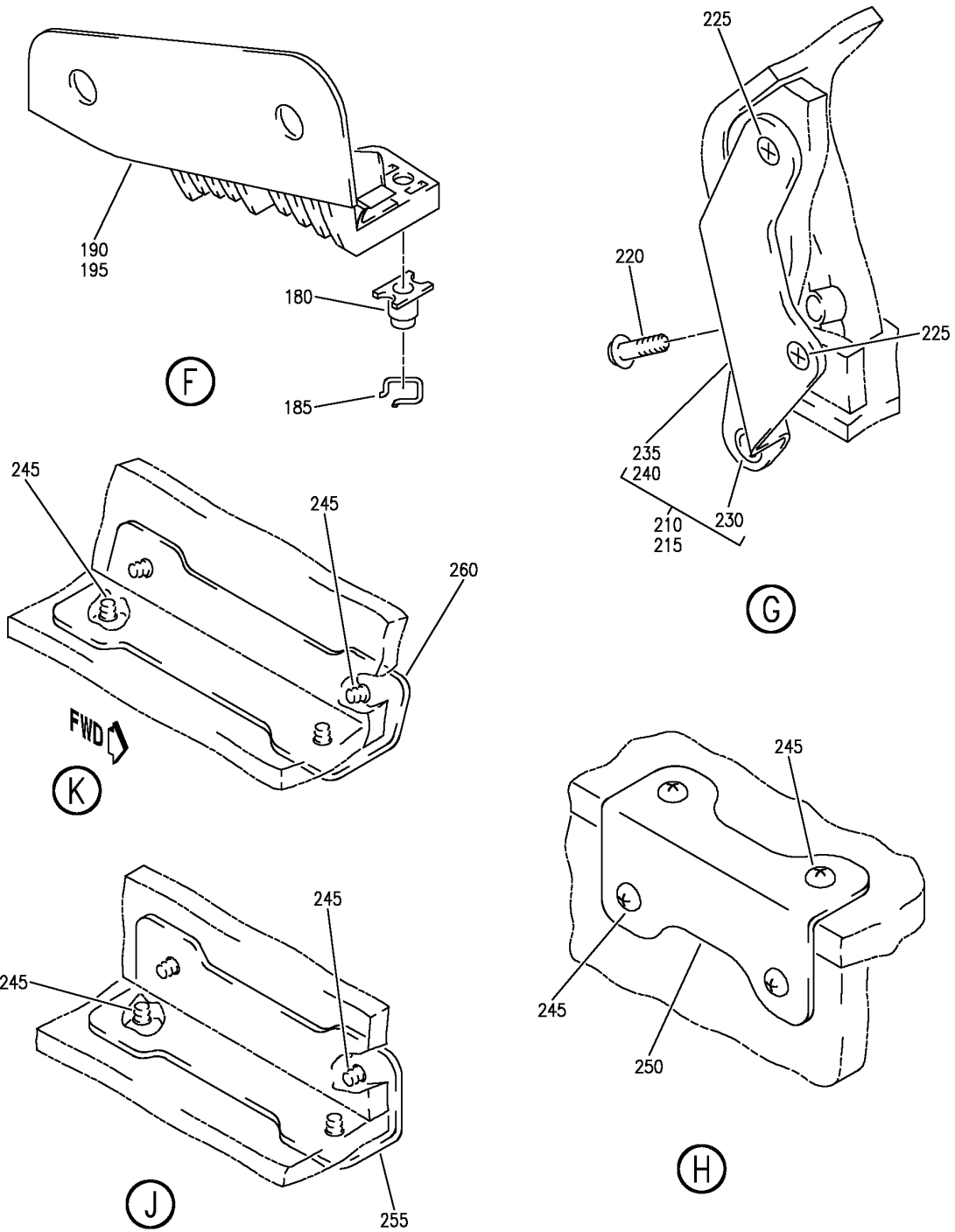
BOX ASSY-80 IN. BIN
 FIGURE 84 (SHEET 3)

25-24-32-84

HAP
 OCT 10/06

25-24-32-84
 PAGE 08

BOEING
 737-600/700/800/900
 PARTS CATALOG (MAINTENANCE)



E 25243284 SHIT 4 REV 085

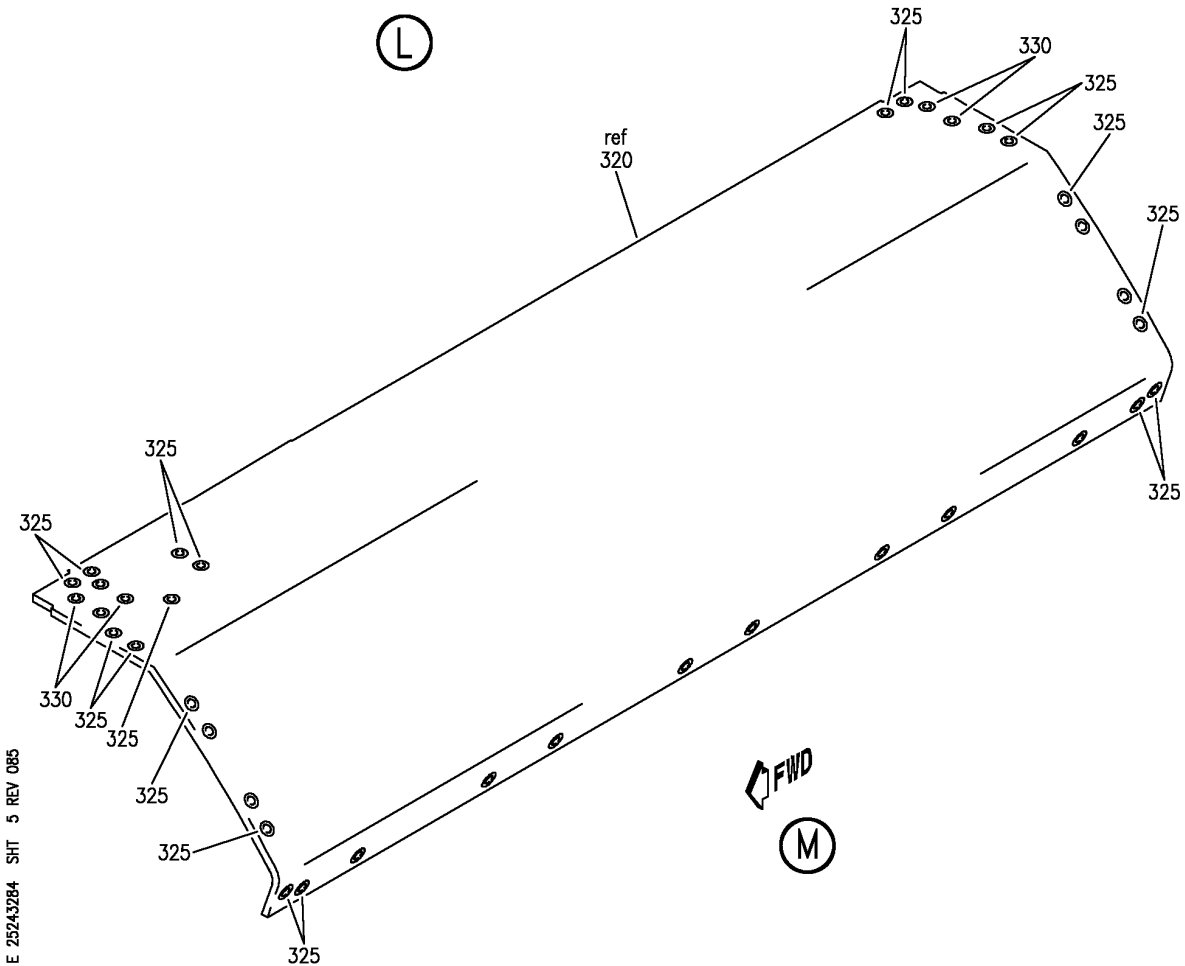
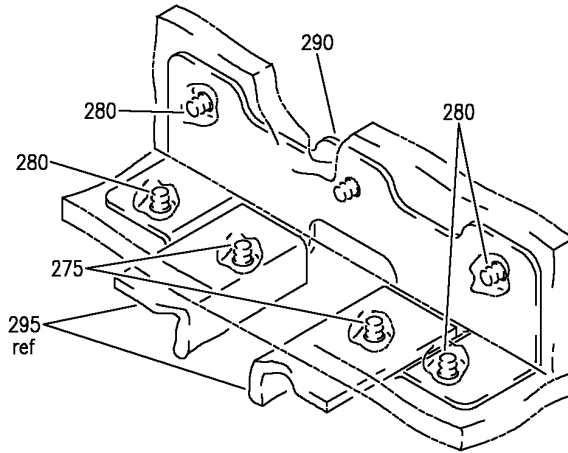
BOX ASSY-80 IN. BIN
 FIGURE 84 (SHEET 4)

25-24-32-84

HAP
 OCT 10/06

25-24-32-84
 PAGE 0C

BOEING
 737-600/700/800/900
 PARTS CATALOG (MAINTENANCE)



BOX ASSY-80 IN. BIN
 FIGURE 84 (SHEET 5)

25-24-32-84

HAP
 OCT 10/06

25-24-32-84
 PAGE 0D

BOEING
737-600/700/800/900
PARTS CATALOG (MAINTENANCE)

FIG ITEM	PART NUMBER	1 2 3 4 5 6 7	NOMENCLATURE	EFFECT FROM TO	UNITS PER ASSY
84			BOX ASSY-80 IN. BIN	001001 006007	
- 1	412A1200-1SP		BOX ASSY- POSITION DATA: LH FOR NHA SEE: 25-24-31-36	001001 006007	RF
5	HL1012AZ6-10		.BOLT SUPPLIER CODE: V97928 SPECIFICATION NUMBER: BACB30NX6K10 OPTIONAL PART: HL12VAZ6-10 V73197 HL12VAZ6-10 V92215 HL12VAZ6-10 V97928 L802-6K10 V06725 HL12VAZ6-10 V56878 HL1012AZ6-10 VOPTK6 HL1012AZ6-10 V06725 HL1012AZ6-10 V06950 HL1012AZ6-10 V17446 HL1012AZ6-10 V56878 HL1012AZ6-10 V60516 HL1012AZ6-10 V73197	001001 006007	6
10	BACS12ER3K9		.SCREW	001001 006007	6
15	BACS12FA3K4		.SCREW	001001 006007	2
20	BACW10BP3NDP		.WASHER	001001 006007	6

MISSING ITEM NUMBERS NOT APPLICABLE

- ITEM NOT ILLUSTRATED

HAP

25-24-32-84

BOEING PROPRIETARY - Copyright © - Unpublished Work - See title page for details.

25-24-32
FIG. 84
PAGE 1
OCT 10/06

BOEING
737-600/700/800/900
PARTS CATALOG (MAINTENANCE)

FIG ITEM	PART NUMBER	1 2 3 4 5 6 7	NOMENCLATURE	EFFECT FROM TO	UNITS PER ASSY
84 25	HL1087-6	.	COLLAR SUPPLIER CODE: V73197 SPECIFICATION NUMBER: BACC30BH6 OPTIONAL PART: HL1087-6 V56878 HL1087-6 V92215 HL1087-6 V9N513	001001 006007	6
30	SL5-3-50C	.	NUT- SUPPLIER CODE: V97393	001001 006007	6
35	412A1220-11	.	DOUBLER-9G EXT	001001 006007	1
40	412A1220-10A	.	DOUBLER-9G INTR	001001 006007	1
45	412A1220-39A	.	DOUBLER-INTR	001001 006007	1
50	412A1230-1	.	FITTING ASSY	001001 006007	1
55	BCREF13195	..	BUSHING- OVERLENGTH PART NUMBER: BACB28AY06A035CG	001001 006007	1
60	412A1230-2	..	SUPPORT	001001 006007	1
65	412A1230-3	.	FITTING ASSY-DRAG	001001 006007	1
70	BCREF13195	..	BUSHING- OVERLENGTH PART NUMBER: BACB28AY06A035CG	001001 006007	1
75	412A1230-5	..	FITTING	001001 006007	1
80	BACS12FA3K7	.	SCREW	001001 006007	4
85	BACS12FA3K4	.	SCREW	001001 006007	2
90	BACS12FA3K13	.	SCREW	001001 006007	11

MISSING ITEM NUMBERS NOT APPLICABLE

— ITEM NOT ILLUSTRATED

HAP

25-24-32-84

25-24-32
FIG. 84
PAGE 2
OCT 10/06

BOEING PROPRIETARY - Copyright © - Unpublished Work - See title page for details.

BOEING
737-600/700/800/900
PARTS CATALOG (MAINTENANCE)

FIG ITEM	PART NUMBER	1 2 3 4 5 6 7	NOMENCLATURE	EFFECT FROM TO	UNITS PER ASSY
84 95	F22K1-02	.NUT	SUPPLIER CODE: V72962 SPECIFICATION NUMBER: BACN10R10L OPTIONAL PART: 22K1-02 V72962 26CLO2 V80539	001001 006007	11
100	412A1247-1SP	.EXTRUSION-DOOR	CLOSEOUT	001001 006007	1
105	412A1220-5SP	.CORNER ASSY		001001 006007	1
110	412A1220-6SP	.CORNER ASSY		001001 006007	1
115	BRF200C3D	..NUTPLATE	SUPPLIER CODE: V52828 SPECIFICATION NUMBER: BACN10JR3CFD OPTIONAL PART: K51602-3BAC V15653 NS202476-02 V80539 102F9201-3 V72962 T8092C1032CD V11815 ATTACHING PARTS	001001 006007	2
- 120	BACR15CE3D	..RIVET-	SIZE DETERMINED ON INSTL. -----*-----	001001 006007	4
125	412A1220-7A	..REINFORCEMENT-	USED ON: 412A1220-5SP	001001 006007	1
130	412A1220-8A	..REINFORCEMENT-	USED ON: 412A1220-6SP	001001 006007	1
135	HA225-3	.STRIKE-	SUPPLIER CODE: V83014 SPECIFICATION NUMBER: S412A001-6	001001 006007	2

MISSING ITEM NUMBERS NOT APPLICABLE

- ITEM NOT ILLUSTRATED

HAP

25-24-32-84

BOEING PROPRIETARY - Copyright © - Unpublished Work - See title page for details.

25-24-32
FIG. 84
PAGE 3
OCT 10/06

BOEING
737-600/700/800/900
PARTS CATALOG (MAINTENANCE)

FIG ITEM	PART NUMBER	1 2 3 4 5 6 7	NOMENCLATURE	EFFECT FROM TO	UNITS PER ASSY
84 135	HA225-11		. STRIKE- SUPPLIER CODE: V83014 SPECIFICATION NUMBER: S412A001-16 ATTACHING PARTS	001001 006007	2
- 140	BACS12ER08K5		. SCREW	001001 006007	4
145	412A1242-1		-----*----- . EXTRUSION-SHELF ATTACHING PARTS	001001 006007	1
150	BACS12ER3K6		. SCREW	001001 006007	2
155	BACS12ER3K5		. SCREW	001001 006007	12
160	H3-1233A3		. WASHER- SUPPLIER CODE: V34941 SPECIFICATION NUMBER: S411A001-1 -----*-----	001001 006007	12
165	412A1475-3SP		. FITTING ASSY-SPRT	001001 006007	1
170	412A1475-4SP		. FITTING ASSY-SPRT ATTACHING PARTS	001001 006007	1
- 175	BACS12ER3K5		. SCREW	001001 006007	4
180	BACN11F3-1CD		-----*----- .. NUT	001001 006007	1
185	NAS1795-3		.. CLIP	001001 006007	1
190	412A1475-1SP		.. FITTING- USED ON: 412A1220-3SP	001001 006007	1
195	412A1475-2SP		.. FITTING- USED ON: 412A1220-4SP	001001 006007	1
200	412A1450-1SP		. TRIM	001001 006007	2
205	412A1450-21		. CLIP	001001 006007	5
210	412A1230-7		. SUPPORT ASSY	001001 006007	1
215	412A1230-8		. SUPPORT ASSY	001001 006007	1

MISSING ITEM NUMBERS NOT APPLICABLE

- ITEM NOT ILLUSTRATED

HAP

25-24-32-84

25-24-32
FIG. 84
PAGE 4
JUN 15/08

BOEING
737-600/700/800/900
PARTS CATALOG (MAINTENANCE)

FIG ITEM	PART NUMBER	1 2 3 4 5 6 7	NOMENCLATURE	EFFECT FROM TO	UNITS PER ASSY
84			ATTACHING PARTS		
220	BACS12FA3K5		.SCREW	001001 006007	2
225	BACS12ER3K6		.SCREW	001001 006007	4
			-----*-----		
230	BCREF13196		..BUSHING- OVERLENGTH PART NUMBER: BACB28AT06A010CG	001001 006007	1
235	412A1230-9		..SUPPORT- USED ON: 412A1230-7	001001 006007	1
240	412A1230-10		..SUPPORT- USED ON: 412A1230-8	001001 006007	1
245	BACS12FA3K4		.SCREW	001001 006007	52
250	412A1220-2		.ANGLE	001001 006007	6
255	412A1220-3		.ANGLE	001001 006007	2
260	412A1220-4		.ANGLE	001001 006007	5
275	BACS12FA3K6		.SCREW	001001 006007	4
280	BACS12FA3K4		.SCREW	001001 006007	10
285	BACS12FA3K5		.SCREW	001001 006007	12
290	412A1220-9A		.ANGLE	001001 006007	2
295	412A1245-1		.RAIL	001001 006007	1
300	412A1212-3SP		.PANEL ASSY-END	001001 006007	1
- 305	SL2334-3A1		..INSERT- SUPPLIER CODE: V97393	001001 006007	16
310	412A1212-4SP		.PANEL ASSY-END	001001 006007	1
- 315	SL2334-3A1		..INSERT- SUPPLIER CODE: V97393	001001 006007	16
320	412A1210-1SP		.PANEL ASSY-SHELL	001001 006007	1
325	SL2334-3A1		..INSERT- SUPPLIER CODE: V97393	001001 006007	31

MISSING ITEM NUMBERS NOT APPLICABLE

- ITEM NOT ILLUSTRATED

HAP

25-24-32-84

25-24-32
FIG. 84
PAGE 5
JUN 15/08

BOEING
737-600/700/800/900
PARTS CATALOG (MAINTENANCE)

FIG ITEM	PART NUMBER	1 2 3 4 5 6 7	NOMENCLATURE	EFFECT FROM TO	UNITS PER ASSY
84 330	BCREF128023	..	INSERT- SUPPLIER CODE: V97393 OVERLENGTH PART NUMBER: SL603-3-375ASP13	001001 006007	6
335	412A1211-1SP	.	PANEL ASSY-SHELF	001001 006007	1
- 340	SL2334-3A1	..	INSERT- SUPPLIER CODE: V97393	001001 006007	57

MISSING ITEM NUMBERS NOT APPLICABLE

- ITEM NOT ILLUSTRATED

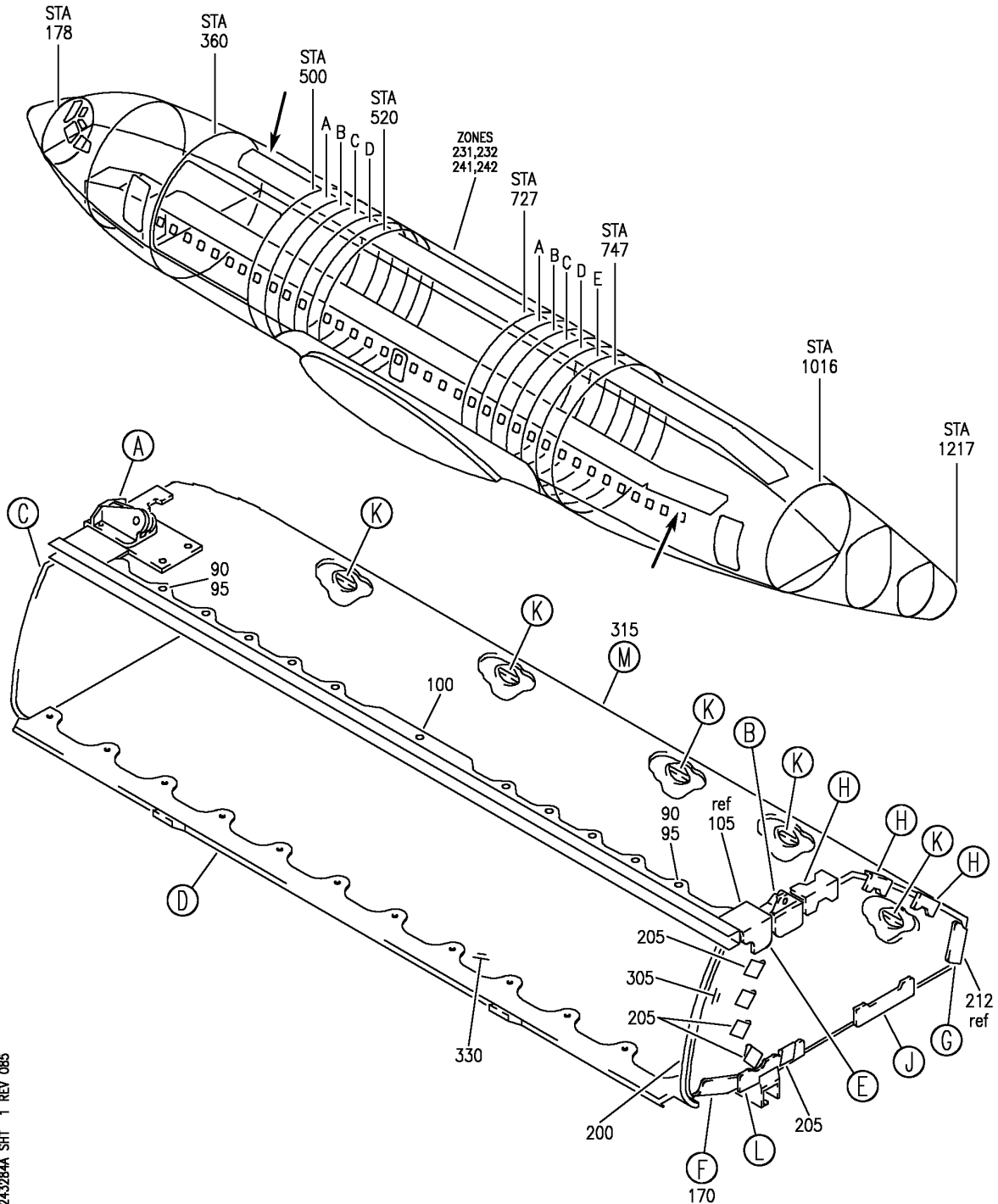
HAP

25-24-32-84

BOEING PROPRIETARY - Copyright © - Unpublished Work - See title page for details.

25-24-32
FIG. 84
PAGE 6
OCT 10/06


BOEING
 737-600/700/800/900
 PARTS CATALOG (MAINTENANCE)



E 25243284A SHT 1 REV 085

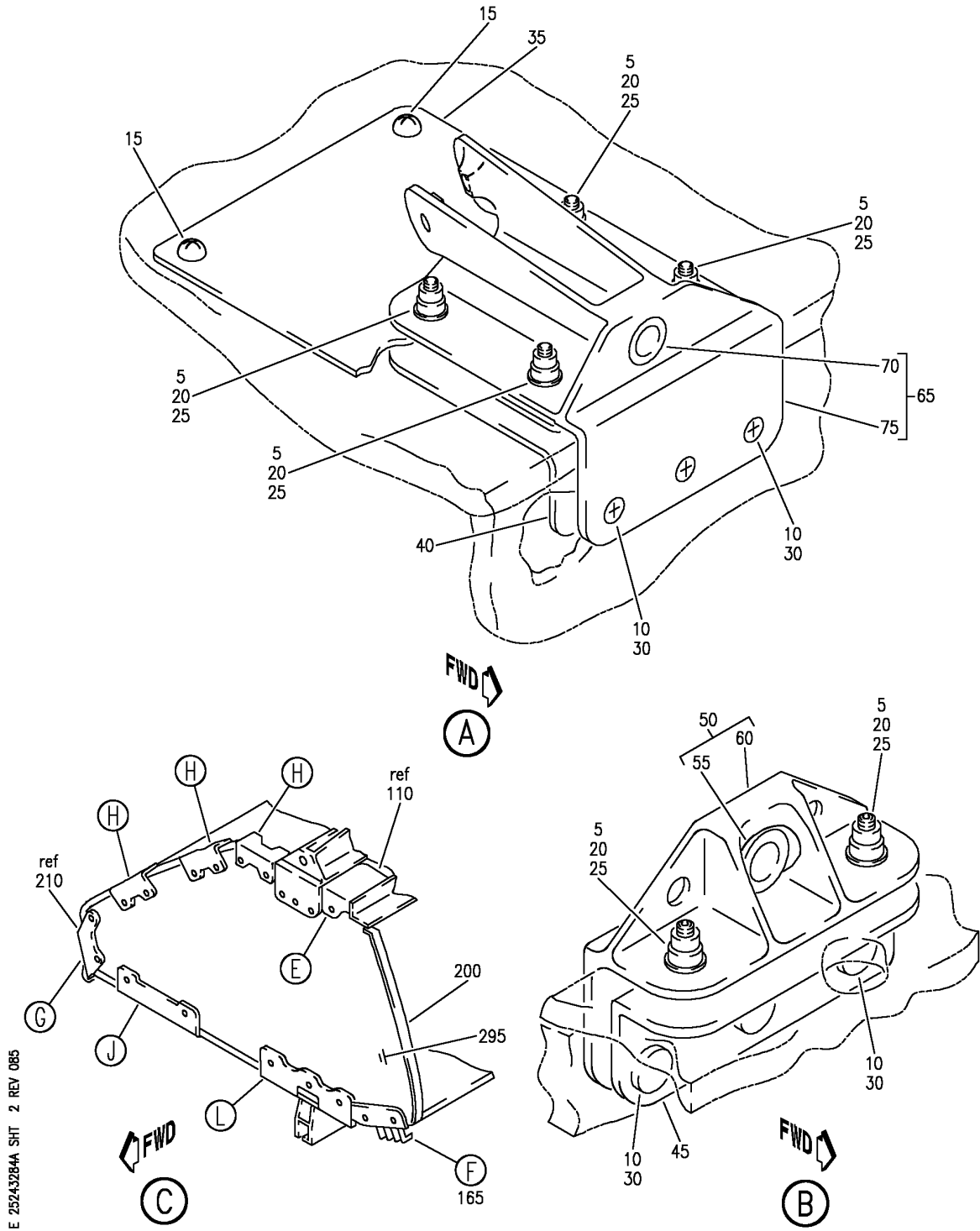
BOX ASSY-80 IN. BIN
 FIGURE 84A (SHEET 1)

25-24-32-84A

HAP
OCT 10/06

25-24-32-84A
 PAGE 0

BOEING
 737-600/700/800/900
 PARTS CATALOG (MAINTENANCE)



E 25243284A SHT 2 REV 085

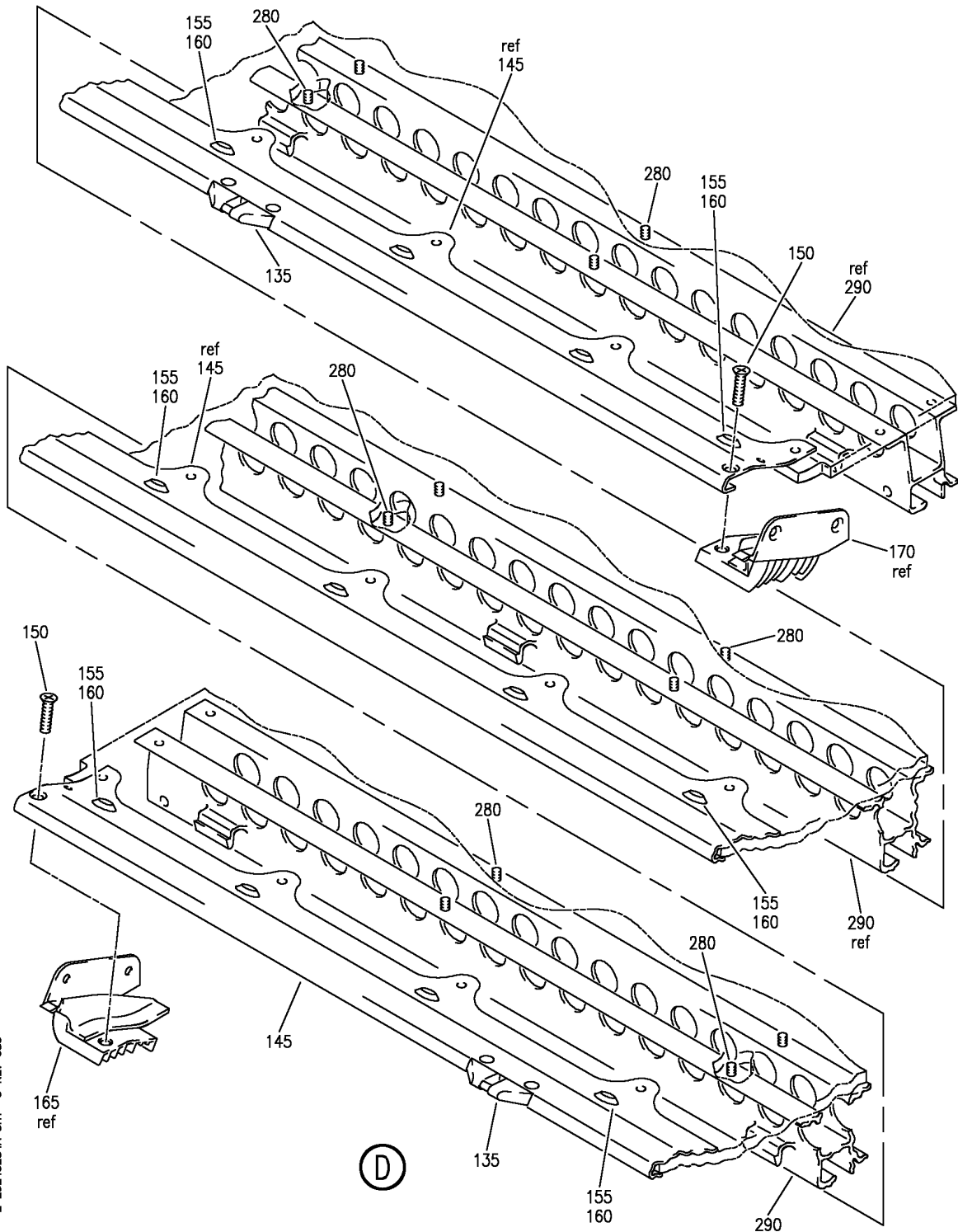
BOX ASSY-80 IN. BIN
 FIGURE 84A (SHEET 2)

25-24-32-84A

HAP
 OCT 10/06

25-24-32-84A
 PAGE 0A

BOEING
737-600/700/800/900
PARTS CATALOG (MAINTENANCE)



E 25243284A SHT 3 REV 085

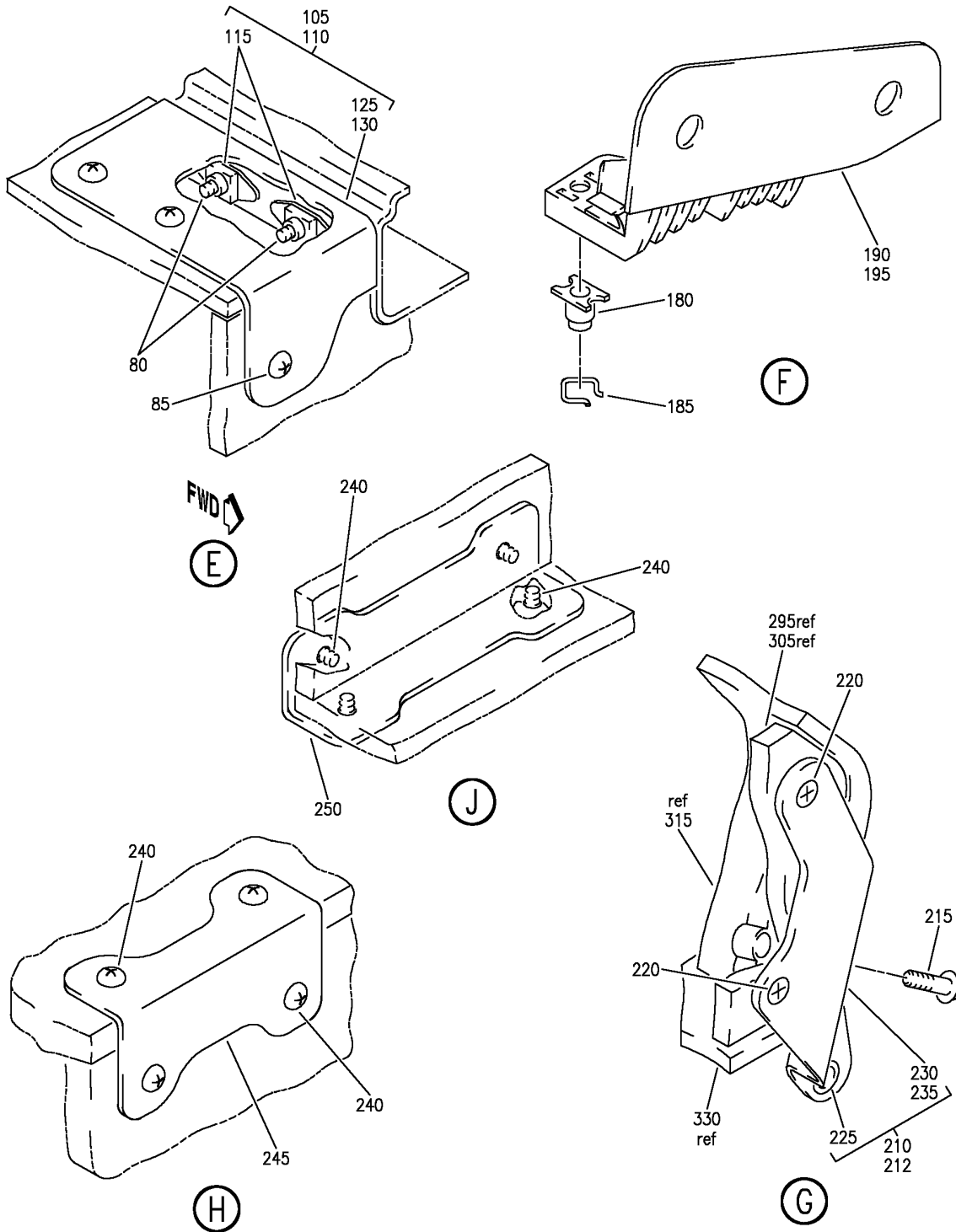
BOX ASSY-80 IN. BIN
 FIGURE 84A (SHEET 3)

25-24-32-84A

HAP
 OCT 10/06

25-24-32-84A
 PAGE 0B

BOEING
 737-600/700/800/900
 PARTS CATALOG (MAINTENANCE)



E 25243284A SHT 4 REV 085

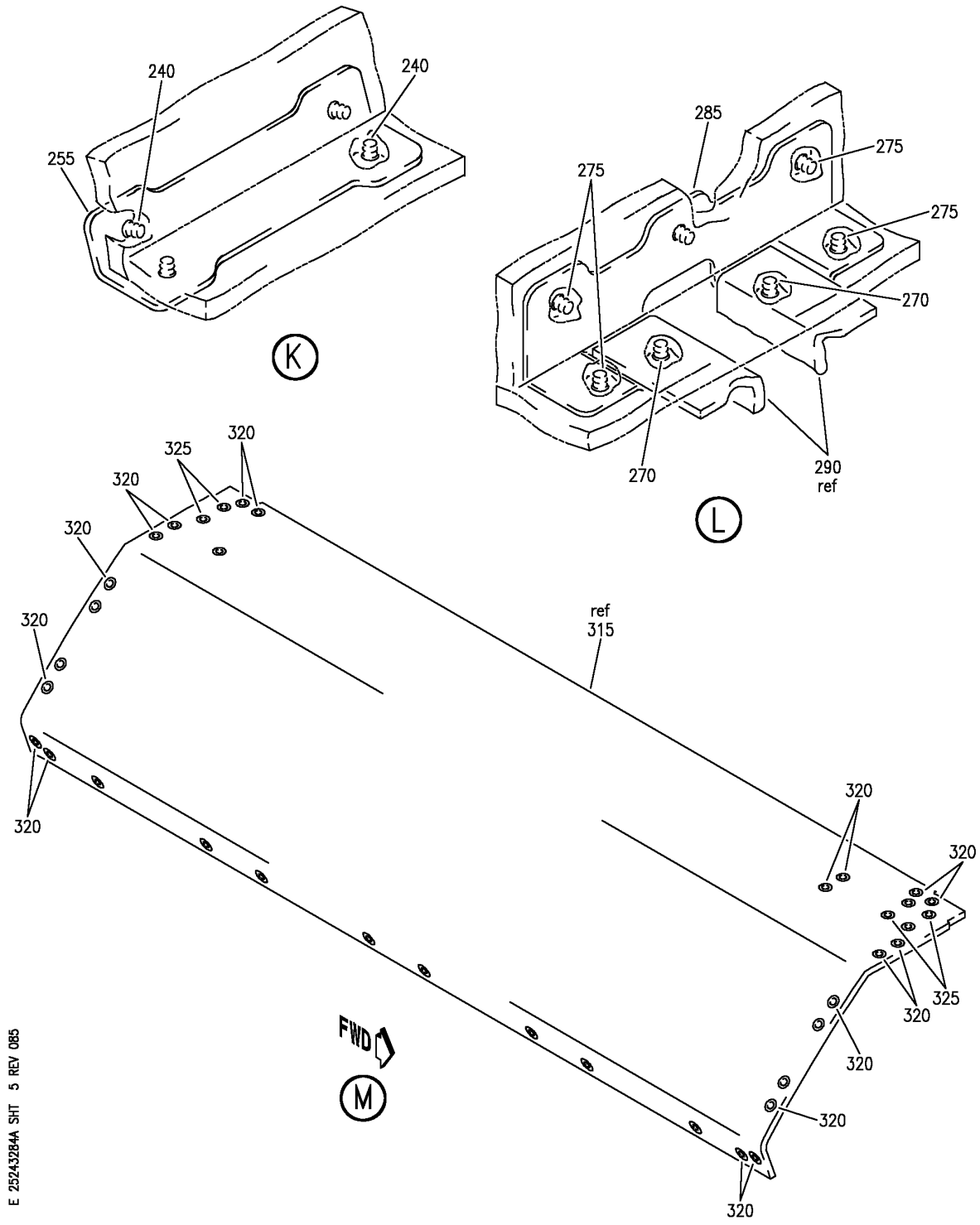
BOX ASSY-80 IN. BIN
 FIGURE 84A (SHEET 4)

25-24-32-84A

HAP
 OCT 10/06

25-24-32-84A
 PAGE 0C

BOEING
 737-600/700/800/900
 PARTS CATALOG (MAINTENANCE)



E 25243284A SHT 5 REV 085

BOX ASSY-80 IN. BIN
 FIGURE 84A (SHEET 5)

25-24-32-84A

HAP
 OCT 10/06

25-24-32-84A
 PAGE 0D

BOEING
737-600/700/800/900
PARTS CATALOG (MAINTENANCE)

FIG ITEM	PART NUMBER	1 2 3 4 5 6 7	NOMENCLATURE	EFFECT FROM TO	UNITS PER ASSY
84A			BOX ASSY-80 IN. BIN	001001 006007	
- 1	412A1200-2SP		BOX ASSY-80 IN. BIN POSITION DATA: RH FOR NHA SEE: 25-24-31-37	001001 006007	RF
5	HL1012AZ6-10		.BOLT SUPPLIER CODE: V97928 SPECIFICATION NUMBER: BACB30NX6K10 OPTIONAL PART: HL12VAZ6-10 V73197 HL12VAZ6-10 V92215 HL12VAZ6-10 V97928 L802-6K10 V06725 HL12VAZ6-10 V56878 HL1012AZ6-10 VOPTK6 HL1012AZ6-10 V06725 HL1012AZ6-10 V06950 HL1012AZ6-10 V17446 HL1012AZ6-10 V56878 HL1012AZ6-10 V60516 HL1012AZ6-10 V73197	001001 006007	6
10	BACS12ER3K9		.SCREW	001001 006007	6
15	BACS12FA3K4		.SCREW	001001 006007	2
20	BACW10BP3NDP		.WASHER	001001 006007	6

MISSING ITEM NUMBERS NOT APPLICABLE

- ITEM NOT ILLUSTRATED

HAP

25-24-32-84A

BOEING PROPRIETARY - Copyright © - Unpublished Work - See title page for details.

25-24-32
FIG. 84A
PAGE 1
OCT 10/06

BOEING
737-600/700/800/900
PARTS CATALOG (MAINTENANCE)

FIG ITEM	PART NUMBER	1 2 3 4 5 6 7	NOMENCLATURE	EFFECT FROM TO	UNITS PER ASSY
84A 25	HL1087-6	.	COLLAR SUPPLIER CODE: V73197 SPECIFICATION NUMBER: BACC30BH6 OPTIONAL PART: HL1087-6 V56878 HL1087-6 V92215 HL1087-6 V9N513	001001 006007	6
30	SL5-3-50C	.	NUT- SUPPLIER CODE: V97393	001001 006007	6
35	412A1220-11	.	DOUBLER-9G EXT	001001 006007	1
40	412A1220-10A	.	DOUBLER-9G INTR	001001 006007	1
45	412A1220-39A	.	DOUBLER-INTR	001001 006007	1
50	412A1230-1	.	FITTING ASSY	001001 006007	1
55	BCREF13195	..	BUSHING- OVERLENGTH PART NUMBER: BACB28AY06A035CG	001001 006007	1
60	412A1230-2	..	SUPPORT	001001 006007	1
65	412A1230-4	.	FITTING ASSY-DRAG	001001 006007	1
70	BCREF13195	..	BUSHING- OVERLENGTH PART NUMBER: BACB28AY06A035CG	001001 006007	1
75	412A1230-6	..	FITTING	001001 006007	1
80	BACS12FA3K7	.	SCREW	001001 006007	4
85	BACS12FA3K4	.	SCREW	001001 006007	2
90	BACS12FA3K13	.	SCREW	001001 006007	11

MISSING ITEM NUMBERS NOT APPLICABLE

— ITEM NOT ILLUSTRATED

HAP

25-24-32-84A

BOEING PROPRIETARY - Copyright © - Unpublished Work - See title page for details.

25-24-32
FIG. 84A
PAGE 2
OCT 10/06

BOEING
737-600/700/800/900
PARTS CATALOG (MAINTENANCE)

FIG ITEM	PART NUMBER	1 2 3 4 5 6 7	NOMENCLATURE	EFFECT FROM TO	UNITS PER ASSY
84A 95	F22K1-02	.NUT	SUPPLIER CODE: V72962 SPECIFICATION NUMBER: BACN10R10L OPTIONAL PART: 22K1-02 V72962 26CL02 V80539	001001 006007	11
100	412A1247-1SP	.EXTRUSION-DOOR	CLOSEOUT	001001 006007	1
105	412A1220-5SP	.CORNER ASSY		001001 006007	1
110	412A1220-6SP	.CORNER ASSY		001001 006007	1
115	BRF200C3D	..NUTPLATE	SUPPLIER CODE: V52828 SPECIFICATION NUMBER: BACN10JR3CFD OPTIONAL PART: K51602-3BAC V15653 NS202476-02 V80539 102F9201-3 V72962 T8092C1032CD V11815 ATTACHING PARTS	001001 006007	2
- 120	BACR15CE3D	..RIVET-	SIZE DETERMINED ON INSTL. -----*-----	001001 006007	4
125	412A1220-7A	..REINFORCEMENT-	USED ON: 412A1220-5SP	001001 006007	1
130	412A1220-8A	..REINFORCEMENT-	USED ON: 412A1220-6SP	001001 006007	1
135	HA225-3	.STRIKE-	SUPPLIER CODE: V83014 SPECIFICATION NUMBER: S412A001-6	001001 006007	2

MISSING ITEM NUMBERS NOT APPLICABLE

- ITEM NOT ILLUSTRATED

HAP

25-24-32-84A

BOEING PROPRIETARY - Copyright © - Unpublished Work - See title page for details.

25-24-32
FIG. 84A
PAGE 3
OCT 10/06

BOEING
737-600/700/800/900
PARTS CATALOG (MAINTENANCE)

FIG ITEM	PART NUMBER	1 2 3 4 5 6 7	NOMENCLATURE	EFFECT FROM TO	UNITS PER ASSY
84A 135	HA225-11	.	STRIKE- SUPPLIER CODE: V83014 SPECIFICATION NUMBER: S412A001-16 ATTACHING PARTS	001001 006007	2
- 140	BACS12ER08K5	.	SCREW	001001 006007	4
145	412A1242-1	.	EXTRUSION-SHELF ATTACHING PARTS	001001 006007	1
150	BACS12ER3K6	.	SCREW	001001 006007	2
155	BACS12ER3K5	.	SCREW	001001 006007	12
160	H3-1233A3	.	WASHER- SUPPLIER CODE: V34941 SPECIFICATION NUMBER: S411A001-1 ATTACHING PARTS	001001 006007	12
165	412A1475-3SP	.	FITTING ASSY-SPRT	001001 006007	1
170	412A1475-4SP	.	FITTING ASSY-SPRT ATTACHING PARTS	001001 006007	1
- 175	BACS12ER3K5	.	SCREW	001001 006007	4
180	BACN11F3-1CD	..	NUT	001001 006007	1
185	NAS1795-3	..	CLIP	001001 006007	1
190	412A1475-1SP	..	FITTING- USED ON: 412A1220-3SP	001001 006007	1
195	412A1475-2SP	..	FITTING- USED ON: 412A1220-4SP	001001 006007	1
200	412A1450-1SP	.	TRIM	001001 006007	2
205	412A1450-21	.	CLIP	001001 006007	5
210	412A1230-7	.	SUPPORT ASSY	001001 006007	1
212	412A1230-8	.	SUPPORT ASSY	001001 006007	1

MISSING ITEM NUMBERS NOT APPLICABLE

- ITEM NOT ILLUSTRATED

HAP

25-24-32-84A

BOEING PROPRIETARY - Copyright © - Unpublished Work - See title page for details.

25-24-32
FIG. 84A
PAGE 4
JUN 15/08

BOEING
737-600/700/800/900
PARTS CATALOG (MAINTENANCE)

FIG ITEM	PART NUMBER	1 2 3 4 5 6 7	NOMENCLATURE	EFFECT FROM TO	UNITS PER ASSY
84A			ATTACHING PARTS		
215	BACS12FA3K5	.	SCREW	001001 006007	2
220	BACS12ER3K6	.	SCREW	001001 006007	4
225	BCREF13196	-----*-----	.. BUSHING- OVERLENGTH PART NUMBER: BACB28AT06A010CG	001001 006007	1
230	412A1230-9	..	SUPPORT- USED ON: 412A1230-7	001001 006007	1
235	412A1230-10	..	SUPPORT- USED ON: 412A1230-8	001001 006007	1
240	BACS12FA3K4	.	SCREW	001001 006007	52
245	412A1220-2	.	ANGLE	001001 006007	6
250	412A1220-3	.	ANGLE	001001 006007	2
255	412A1220-4	.	ANGLE	001001 006007	5
270	BACS12FA3K6	.	SCREW	001001 006007	4
275	BACS12FA3K4	.	SCREW	001001 006007	10
280	BACS12FA3K5	.	SCREW	001001 006007	12
285	412A1220-9A	.	ANGLE	001001 006007	2
290	412A1245-1	.	RAIL	001001 006007	1
295	412A1212-3SP	.	PANEL ASSY-END	001001 006007	1
- 300	SL2334-3A1	..	INSERT- SUPPLIER CODE: V97393	001001 006007	16
305	412A1212-4SP	.	PANEL ASSY-END	001001 006007	1
- 310	SL2334-3A1	..	INSERT- SUPPLIER CODE: V97393	001001 006007	16
315	412A1210-2SP	.	PANEL ASSY-SHELL	001001 006007	1
320	SL2334-3A1	..	INSERT- SUPPLIER CODE: V97393	001001 006007	31

MISSING ITEM NUMBERS NOT APPLICABLE

- ITEM NOT ILLUSTRATED

HAP

25-24-32-84A

BOEING PROPRIETARY - Copyright © - Unpublished Work - See title page for details.

25-24-32
FIG. 84A
PAGE 5
JUN 15/08

BOEING
737-600/700/800/900
PARTS CATALOG (MAINTENANCE)

FIG ITEM	PART NUMBER	1 2 3 4 5 6 7	NOMENCLATURE	EFFECT FROM TO	UNITS PER ASSY
84A 325	B cref 128023		.. INSERT- SUPPLIER CODE: V97393 OVERLENGTH PART NUMBER: SL603-3-375ASP13	001001 006007	6
330	412A1211-1SP		. PANEL ASSY-SHELF	001001 006007	1
- 335	SL2334-3A1		.. INSERT- SUPPLIER CODE: V97393	001001 006007	57

MISSING ITEM NUMBERS NOT APPLICABLE

- ITEM NOT ILLUSTRATED

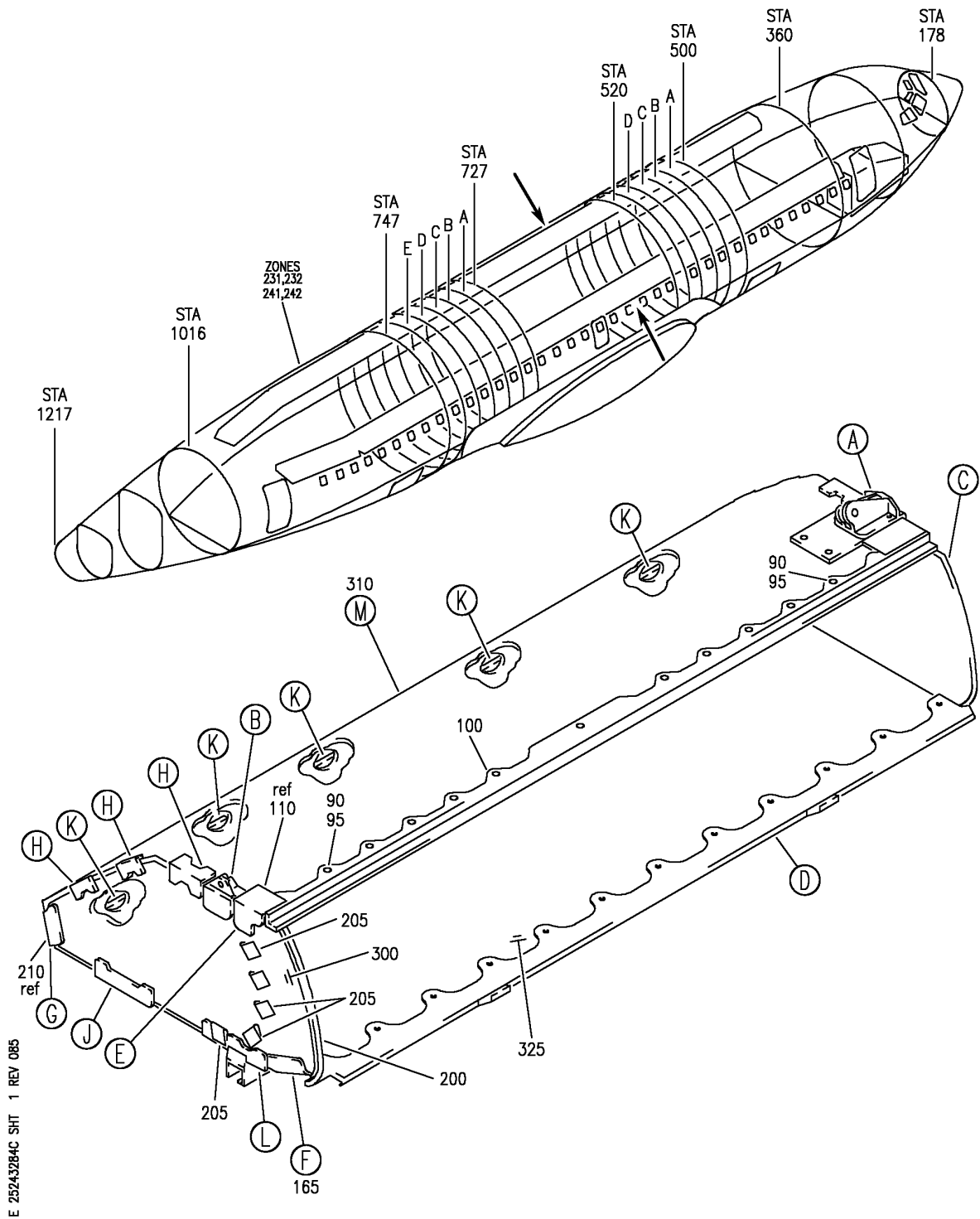
HAP

25-24-32-84A

BOEING PROPRIETARY - Copyright © - Unpublished Work - See title page for details.

25-24-32
FIG. 84A
PAGE 6
OCT 10/06


BOEING
 737-600/700/800/900
 PARTS CATALOG (MAINTENANCE)



E 25243284C SHT 1 REV 085

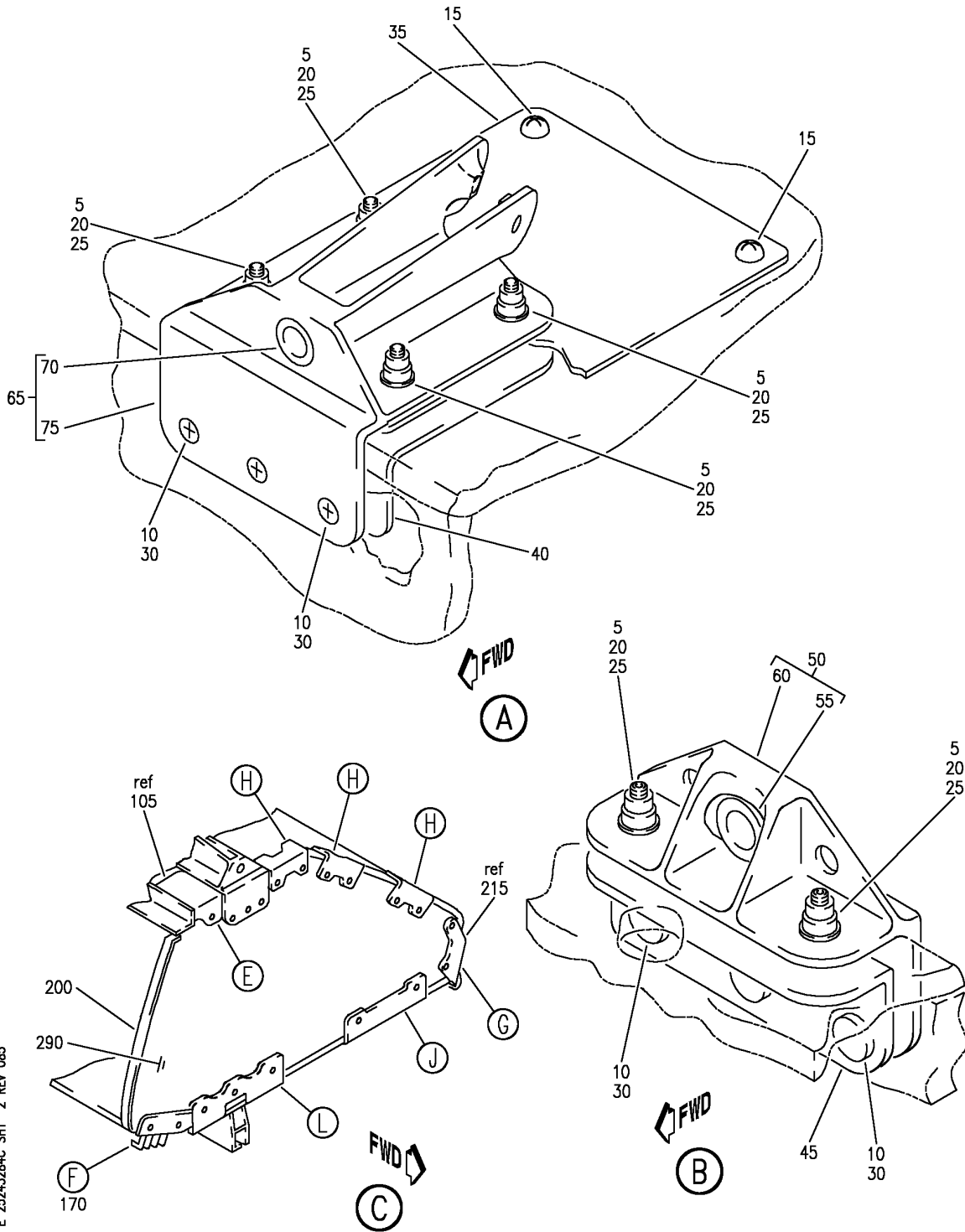
BOX ASSY-80 IN. BIN
 FIGURE 84C (SHEET 1)

25-24-32-84C

HAP
 OCT 10/06

25-24-32-84C
 PAGE 0

BOEING
 737-600/700/800/900
 PARTS CATALOG (MAINTENANCE)



E 25243284C SHT 2 REV 085

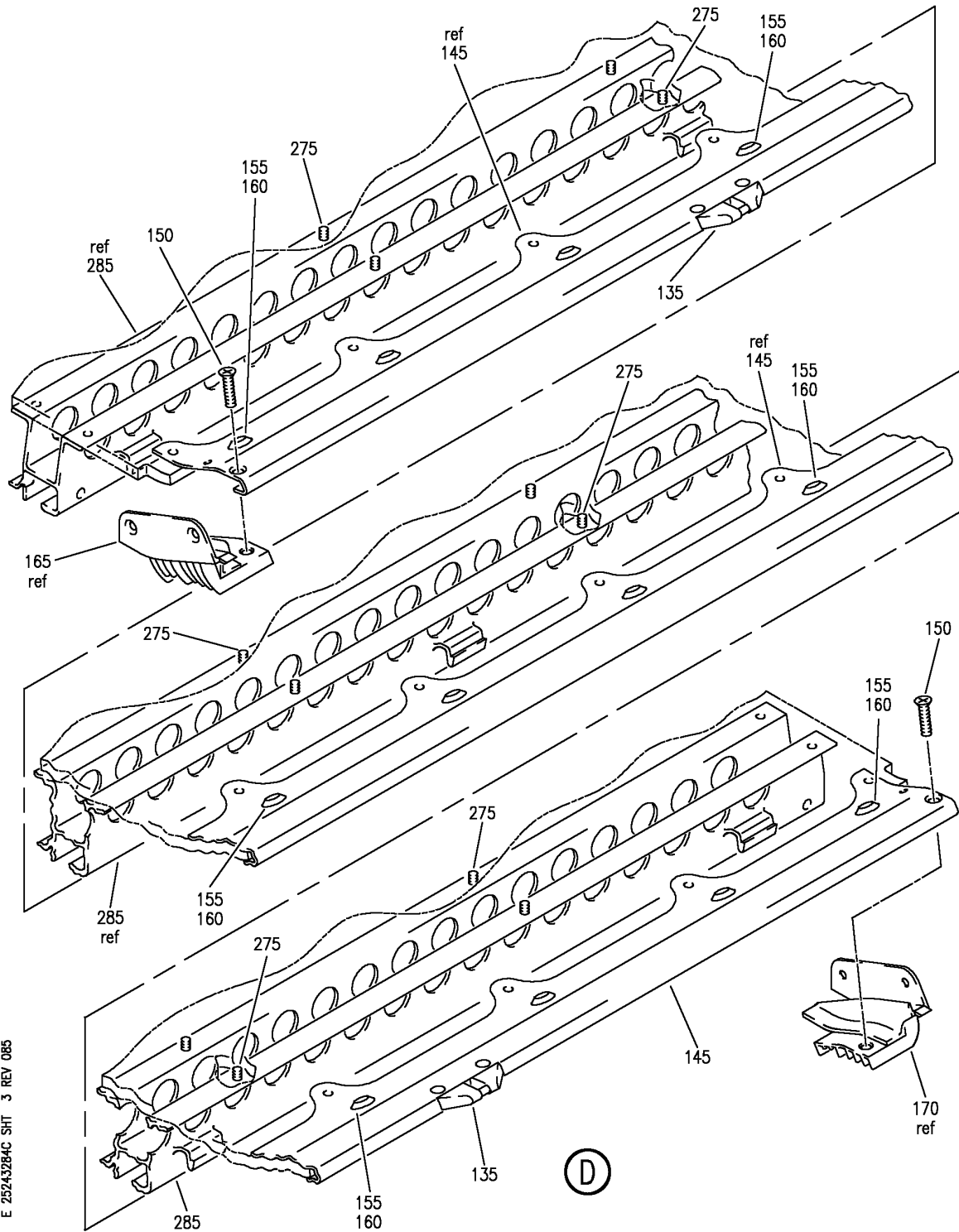
BOX ASSY-80 IN. BIN
 FIGURE 84C (SHEET 2)

25-24-32-84C

HAP
 OCT 10/06

25-24-32-84C
 PAGE 0A

BOEING
 737-600/700/800/900
 PARTS CATALOG (MAINTENANCE)



E 25243284C SHT 3 REV 085

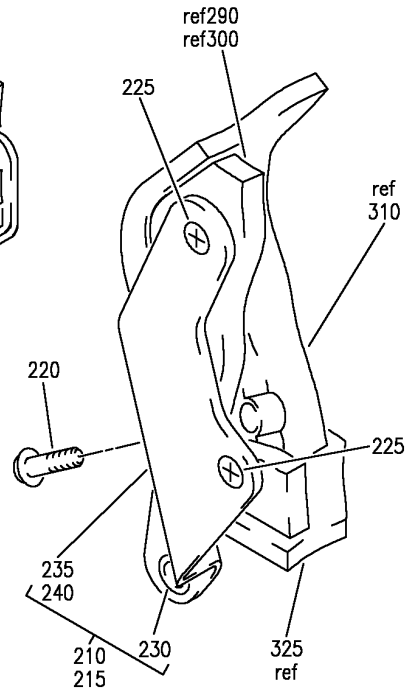
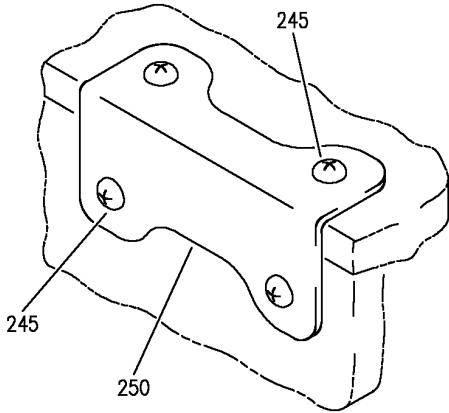
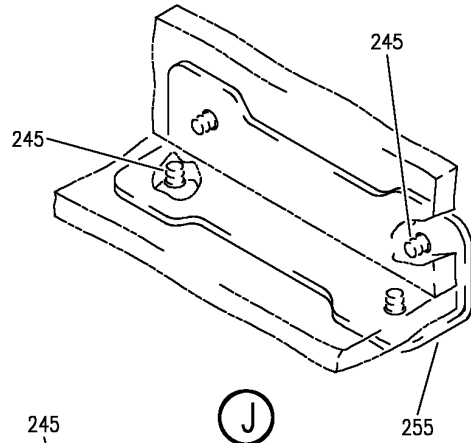
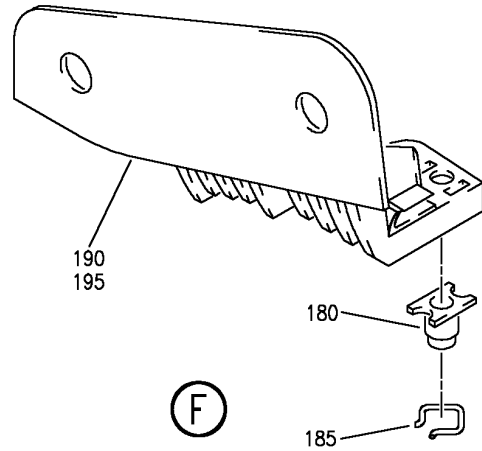
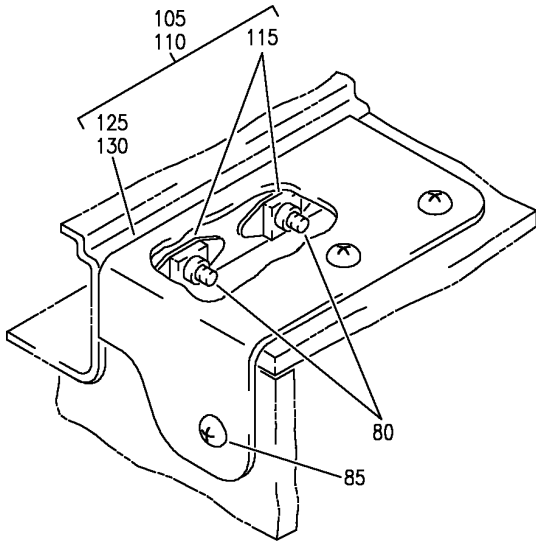
BOX ASSY-80 IN. BIN
 FIGURE 84C (SHEET 3)

25-24-32-84C

HAP
 OCT 10/06

25-24-32-84C
 PAGE 0B

BOEING
 737-600/700/800/900
 PARTS CATALOG (MAINTENANCE)



E 25243284C SHT 4 REV 085

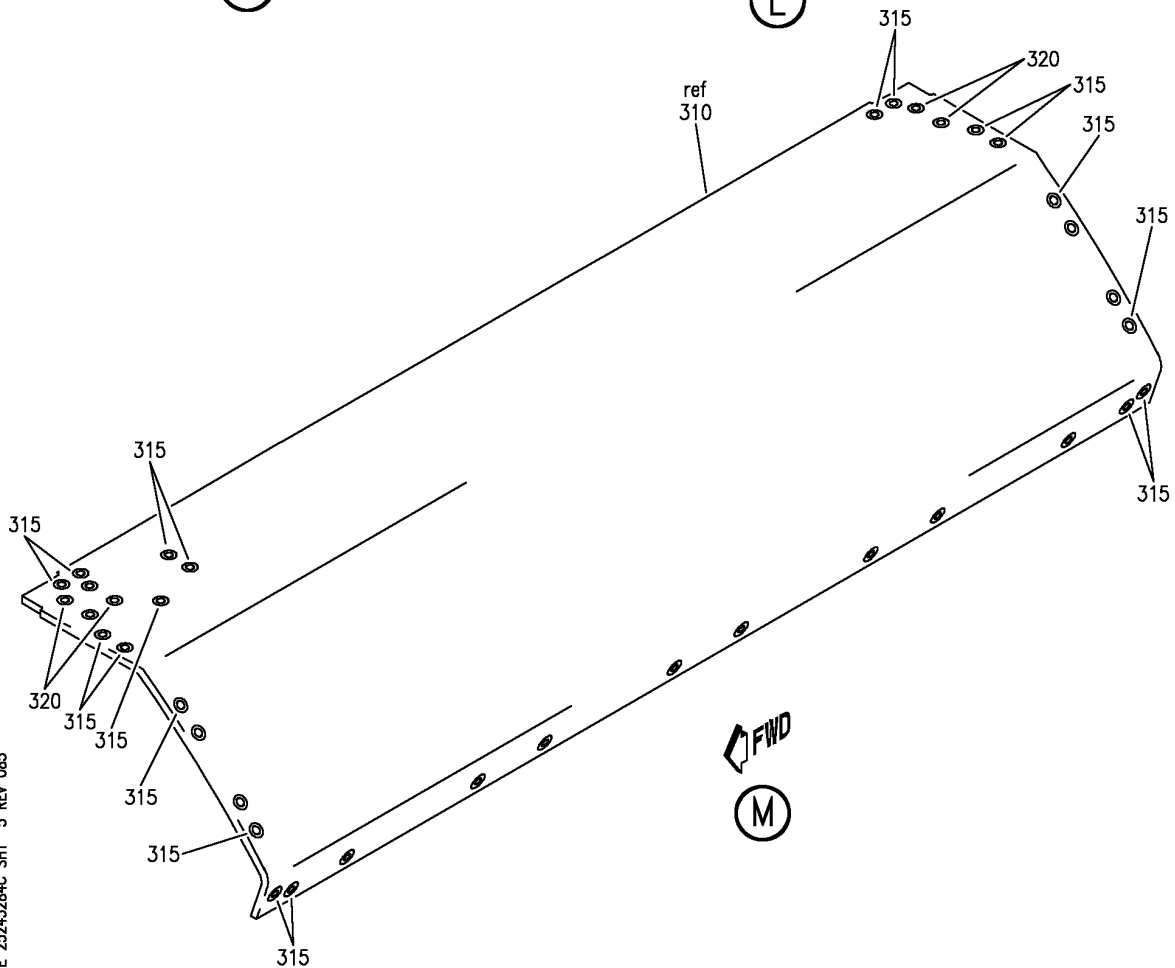
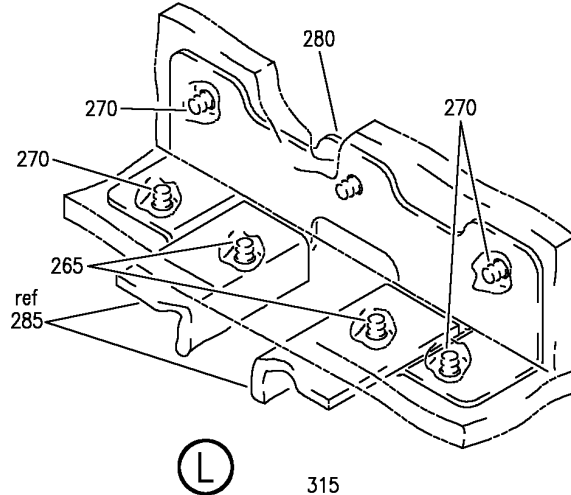
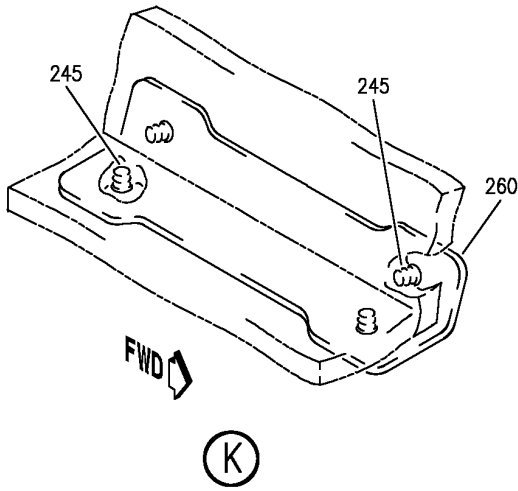
BOX ASSY-80 IN. BIN
 FIGURE 84C (SHEET 4)

25-24-32-84C

HAP
 OCT 10/06

25-24-32-84C
 PAGE 0C

BOEING
 737-600/700/800/900
 PARTS CATALOG (MAINTENANCE)



E 25243284C SHT 5 REV 085

BOX ASSY-80 IN. BIN
 FIGURE 84C (SHEET 5)

25-24-32-84C

HAP
 OCT 10/06

25-24-32-84C
 PAGE 0D

BOEING
737-600/700/800/900
PARTS CATALOG (MAINTENANCE)

FIG ITEM	PART NUMBER	1 2 3 4 5 6 7	NOMENCLATURE	EFFECT FROM TO	UNITS PER ASSY
84C			BOX ASSY-80 IN. BIN	001001 006007	
- 1	412A1200-9SP		BOX ASSY-80 IN. BIN POSITION DATA: LH FOR NHA SEE: 25-24-31-36	001001 006007	RF
5	HL1012AZ6-10		.BOLT SUPPLIER CODE: V97928 SPECIFICATION NUMBER: BACB30NX6K10 OPTIONAL PART: HL12VAZ6-10 V73197 HL12VAZ6-10 V92215 HL12VAZ6-10 V97928 L802-6K10 V06725 HL12VAZ6-10 V56878 HL1012AZ6-10 VOPTK6 HL1012AZ6-10 V06725 HL1012AZ6-10 V06950 HL1012AZ6-10 V17446 HL1012AZ6-10 V56878 HL1012AZ6-10 V60516 HL1012AZ6-10 V73197	001001 006007	6
10	BACS12ER3K9		.SCREW	001001 006007	6
15	BACS12FA3K4		.SCREW	001001 006007	2
15	BACS12FA3K4		.SCREW	001001 006007	2
20	BACW10BP3NDP		.WASHER	001001 006007	6

MISSING ITEM NUMBERS NOT APPLICABLE

- ITEM NOT ILLUSTRATED

HAP

25-24-32-84C

BOEING PROPRIETARY - Copyright © - Unpublished Work - See title page for details.

25-24-32
FIG. 84C
PAGE 1
OCT 10/06

BOEING
737-600/700/800/900
PARTS CATALOG (MAINTENANCE)

FIG ITEM	PART NUMBER	1 2 3 4 5 6 7	NOMENCLATURE	EFFECT FROM TO	UNITS PER ASSY
84C 25	HL1087-6	.	COLLAR SUPPLIER CODE: V73197 SPECIFICATION NUMBER: BACC30BH6 OPTIONAL PART: HL1087-6 V56878 HL1087-6 V92215 HL1087-6 V9N513	001001 006007	6
30	SL5-3-50C	.	NUT- SUPPLIER CODE: V97393	001001 006007	6
35	412A1220-11	.	DOUBLER-9G EXT	001001 006007	1
40	412A1220-10A	.	DOUBLER-9G INTR	001001 006007	1
45	412A1220-39A	.	DOUBLER-INTR	001001 006007	1
50	412A1230-1	.	FITTING ASSY	001001 006007	1
55	BCREF13195	..	BUSHING- OVERLENGTH PART NUMBER: BACB28AY06A035CG	001001 006007	1
60	412A1230-2	..	SUPPORT	001001 006007	1
65	412A1230-3	.	FITTING ASSY-DRAG	001001 006007	1
70	BCREF13195	..	BUSHING- OVERLENGTH PART NUMBER: BACB28AY06A035CG	001001 006007	1
75	412A1230-5	..	FITTING	001001 006007	1
80	BACS12FA3K7	.	SCREW	001001 006007	4
85	BACS12FA3K4	.	SCREW	001001 006007	2
90	BACS12FA3K13	.	SCREW	001001 006007	11

MISSING ITEM NUMBERS NOT APPLICABLE

— ITEM NOT ILLUSTRATED

HAP

25-24-32-84C

BOEING PROPRIETARY - Copyright © - Unpublished Work - See title page for details.

25-24-32
FIG. 84C
PAGE 2
OCT 10/06

BOEING
737-600/700/800/900
PARTS CATALOG (MAINTENANCE)

FIG ITEM	PART NUMBER	1 2 3 4 5 6 7	NOMENCLATURE	EFFECT FROM TO	UNITS PER ASSY
84C 95	F22K1-02	.NUT	SUPPLIER CODE: V72962 SPECIFICATION NUMBER: BACN10R10L OPTIONAL PART: 22K1-02 V72962 26CL02 V80539	001001 006007	11
100	412A1247-1SP	.EXTRUSION-DOOR	CLOSEOUT	001001 006007	1
105	412A1220-5SP	.CORNER ASSY		001001 006007	1
110	412A1220-6SP	.CORNER ASSY		001001 006007	1
115	BRF200C3D	..NUTPLATE	SUPPLIER CODE: V52828 SPECIFICATION NUMBER: BACN10JR3CFD OPTIONAL PART: K51602-3BAC V15653 NS202476-02 V80539 102F9201-3 V72962 T8092C1032CD V11815 ATTACHING PARTS	001001 006007	2
- 120	BACR15CE3D	..RIVET-	SIZE DETERMINED ON INSTL. -----*-----	001001 006007	4
125	412A1220-7A	..REINFORCEMENT-	USED ON: 412A1220-5SP	001001 006007	1
130	412A1220-8A	..REINFORCEMENT-	USED ON: 412A1220-6SP	001001 006007	1
135	HA225-3	.STRIKE-	SUPPLIER CODE: V83014 SPECIFICATION NUMBER: S412A001-6	001001 006007	2

MISSING ITEM NUMBERS NOT APPLICABLE

- ITEM NOT ILLUSTRATED

HAP

25-24-32-84C

BOEING PROPRIETARY - Copyright © - Unpublished Work - See title page for details.

25-24-32
FIG. 84C
PAGE 3
OCT 10/06

BOEING
737-600/700/800/900
PARTS CATALOG (MAINTENANCE)

FIG ITEM	PART NUMBER	1 2 3 4 5 6 7	NOMENCLATURE	EFFECT FROM TO	UNITS PER ASSY
84C 135	HA225-11		. STRIKE- SUPPLIER CODE: V83014 SPECIFICATION NUMBER: S412A001-16 ATTACHING PARTS	001001 006007	2
- 140	BACS12ER08K5		. SCREW	001001 006007	4
145	412A1242-1		-----*----- . EXTRUSION-SHELF ATTACHING PARTS	001001 006007	1
150	BACS12ER3K6		. SCREW	001001 006007	2
155	BACS12ER3K5		. SCREW	001001 006007	12
160	H3-1233A3		. WASHER- SUPPLIER CODE: V34941 SPECIFICATION NUMBER: S411A001-1 -----*-----	001001 006007	12
165	412A1475-3SP		. FITTING ASSY-SPRT	001001 006007	1
170	412A1475-4SP		. FITTING ASSY-SPRT ATTACHING PARTS	001001 006007	1
- 175	BACS12ER3K5		. SCREW	001001 006007	4
180	BACN11F3-1CD		-----*----- .. NUT	001001 006007	1
185	NAS1795-3		.. CLIP	001001 006007	1
190	412A1475-1SP		.. FITTING- USED ON: 412A1220-3SP	001001 006007	1
195	412A1475-2SP		.. FITTING- USED ON: 412A1220-4SP	001001 006007	1
200	412A1450-1SP		. TRIM	001001 006007	2
205	412A1450-21		. CLIP	001001 006007	5
210	412A1230-7		. SUPPORT ASSY	001001 006007	1
215	412A1230-8		. SUPPORT ASSY	001001 006007	1

MISSING ITEM NUMBERS NOT APPLICABLE

- ITEM NOT ILLUSTRATED

HAP

25-24-32-84C

BOEING PROPRIETARY - Copyright © - Unpublished Work - See title page for details.

25-24-32
FIG. 84C
PAGE 4
JUN 15/08

BOEING
737-600/700/800/900
PARTS CATALOG (MAINTENANCE)

FIG ITEM	PART NUMBER	1 2 3 4 5 6 7	NOMENCLATURE	EFFECT FROM TO	UNITS PER ASSY
84C			ATTACHING PARTS		
220	BACS12FA3K5	.	SCREW	001001 006007	2
225	BACS12ER3K6	.	SCREW	001001 006007	4
			-----*-----		
230	BCREF13196	..	BUSHING- OVERLENGTH PART NUMBER: BACB28AT06A010CG	001001 006007	1
235	412A1230-9	..	SUPPORT- USED ON: 412A1230-7	001001 006007	1
240	412A1230-10	..	SUPPORT- USED ON: 412A1230-8	001001 006007	1
245	BACS12FA3K4	.	SCREW	001001 006007	52
250	412A1220-2	.	ANGLE	001001 006007	6
255	412A1220-3	.	ANGLE	001001 006007	2
260	412A1220-4	.	ANGLE	001001 006007	5
265	BACS12FA3K6	.	SCREW	001001 006007	4
270	BACS12FA3K4	.	SCREW	001001 006007	10
275	BACS12FA3K5	.	SCREW	001001 006007	12
280	412A1220-9A	.	ANGLE	001001 006007	2
285	412A1245-1	.	RAIL	001001 006007	1
290	412A1212-4SP	.	PANEL ASSY-END	001001 006007	1
- 295	SL2334-3A1	..	INSERT- SUPPLIER CODE: V97393	001001 006007	16
300	412A1212-7SP	.	PANEL ASSY-END	001001 006007	1
- 305	SL2334-3A1	..	INSERT- SUPPLIER CODE: V97393	001001 006007	18
310	412A1210-69SP	.	PANEL ASSY-SHELL	001001 006007	1
315	SL2334-3A1	..	INSERT- SUPPLIER CODE: V97393	001001 006007	31

MISSING ITEM NUMBERS NOT APPLICABLE

- ITEM NOT ILLUSTRATED

HAP

25-24-32-84C

BOEING PROPRIETARY - Copyright © - Unpublished Work - See title page for details.

25-24-32
FIG. 84C
PAGE 5
JUN 15/08


BOEING
 737-600/700/800/900
PARTS CATALOG (MAINTENANCE)

FIG ITEM	PART NUMBER	1 2 3 4 5 6 7	NOMENCLATURE	EFFECT FROM TO	UNITS PER ASSY
84C 320	B cref 128023		.. INSERT- SUPPLIER CODE: V97393 OVERLENGTH PART NUMBER: SL603-3-375ASP13	001001 006007	6
325	412A1211-23SP		. PANEL ASSY-SHELF	001001 006007	1
- 330	SL2334-3A1		.. INSERT- SUPPLIER CODE: V97393	001001 006007	69

MISSING ITEM NUMBERS NOT APPLICABLE

- ITEM NOT ILLUSTRATED

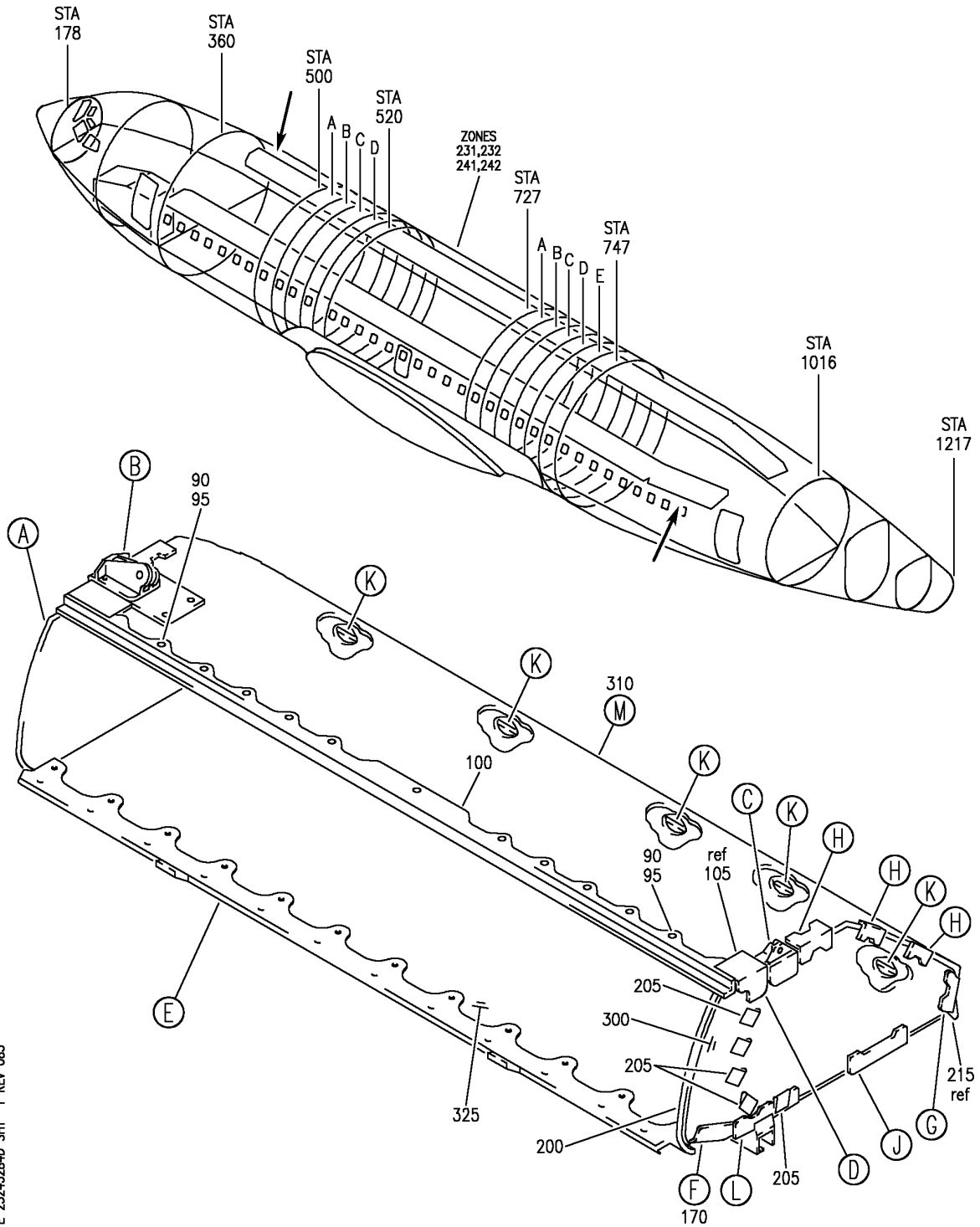
HAP

25-24-32-84C

BOEING PROPRIETARY - Copyright © - Unpublished Work - See title page for details.

25-24-32
 FIG. 84C
 PAGE 6
 OCT 10/06

BOEING
 737-600/700/800/900
 PARTS CATALOG (MAINTENANCE)



E 25243284D SHT 1 REV 085

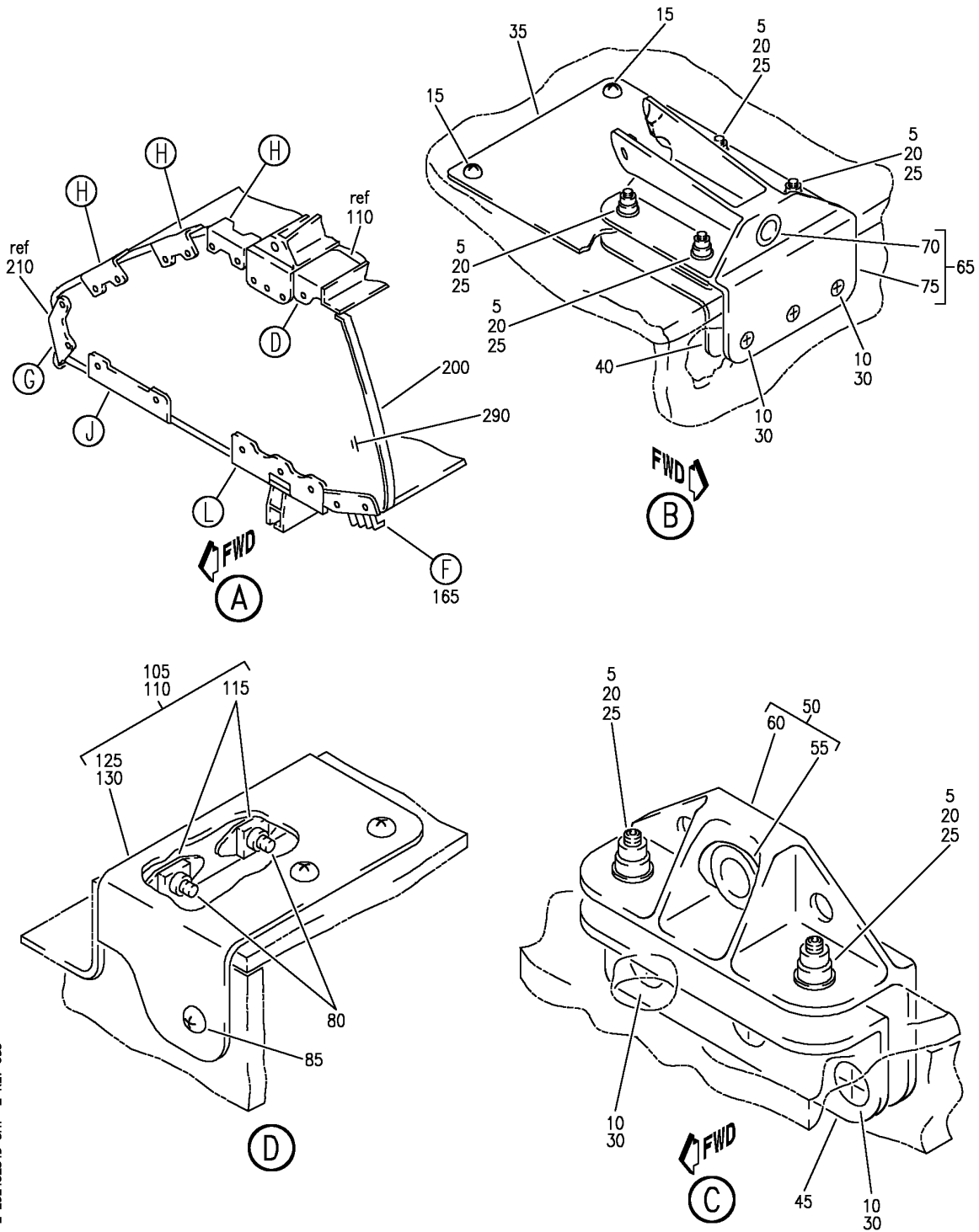
BOX ASSY-80 IN. BIN
 FIGURE 84D (SHEET 1)

25-24-32-84D

HAP
 OCT 10/06

25-24-32-84D
 PAGE 0

BOEING
737-600/700/800/900
PARTS CATALOG (MAINTENANCE)



E 25243284D SHT 2 REV 085

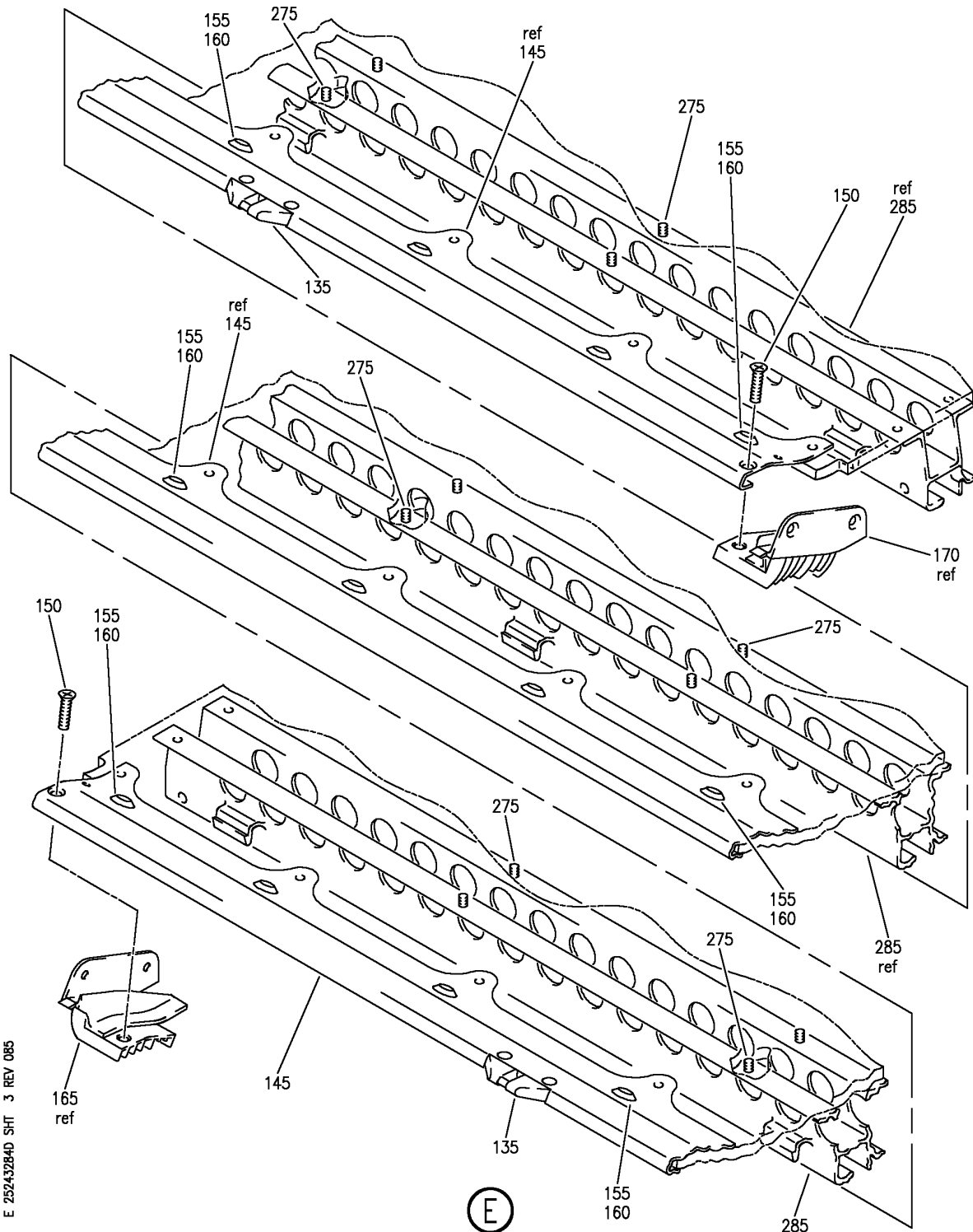
BOX ASSY-80 IN. BIN
FIGURE 84D (SHEET 2)

25-24-32-84D

HAP
OCT 10/06

25-24-32-84D
PAGE 0A

BOEING
 737-600/700/800/900
 PARTS CATALOG (MAINTENANCE)



E 25243284D SHT 3 REV 085

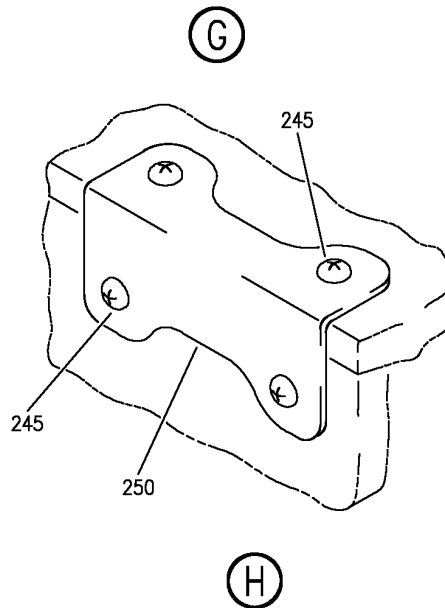
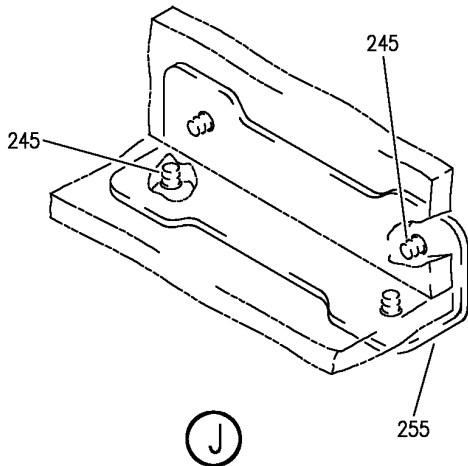
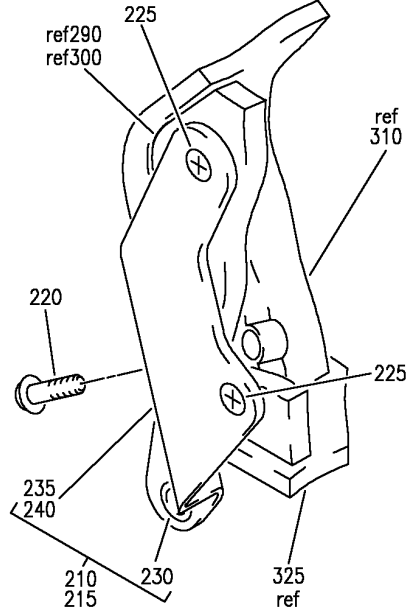
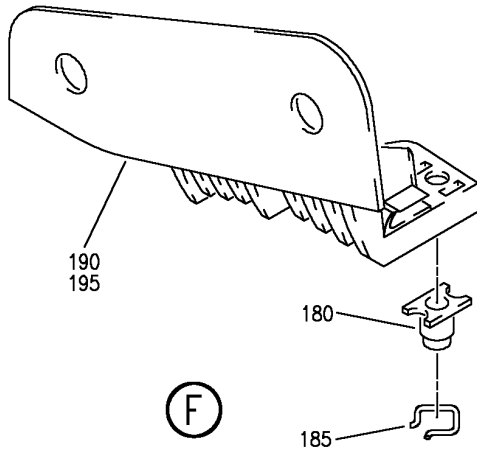
BOX ASSY-80 IN. BIN
 FIGURE 84D (SHEET 3)

25-24-32-84D

HAP
 OCT 10/06

25-24-32-84D
 PAGE 0B

BOEING
 737-600/700/800/900
 PARTS CATALOG (MAINTENANCE)



E 25243284D SHT 4 REV 085

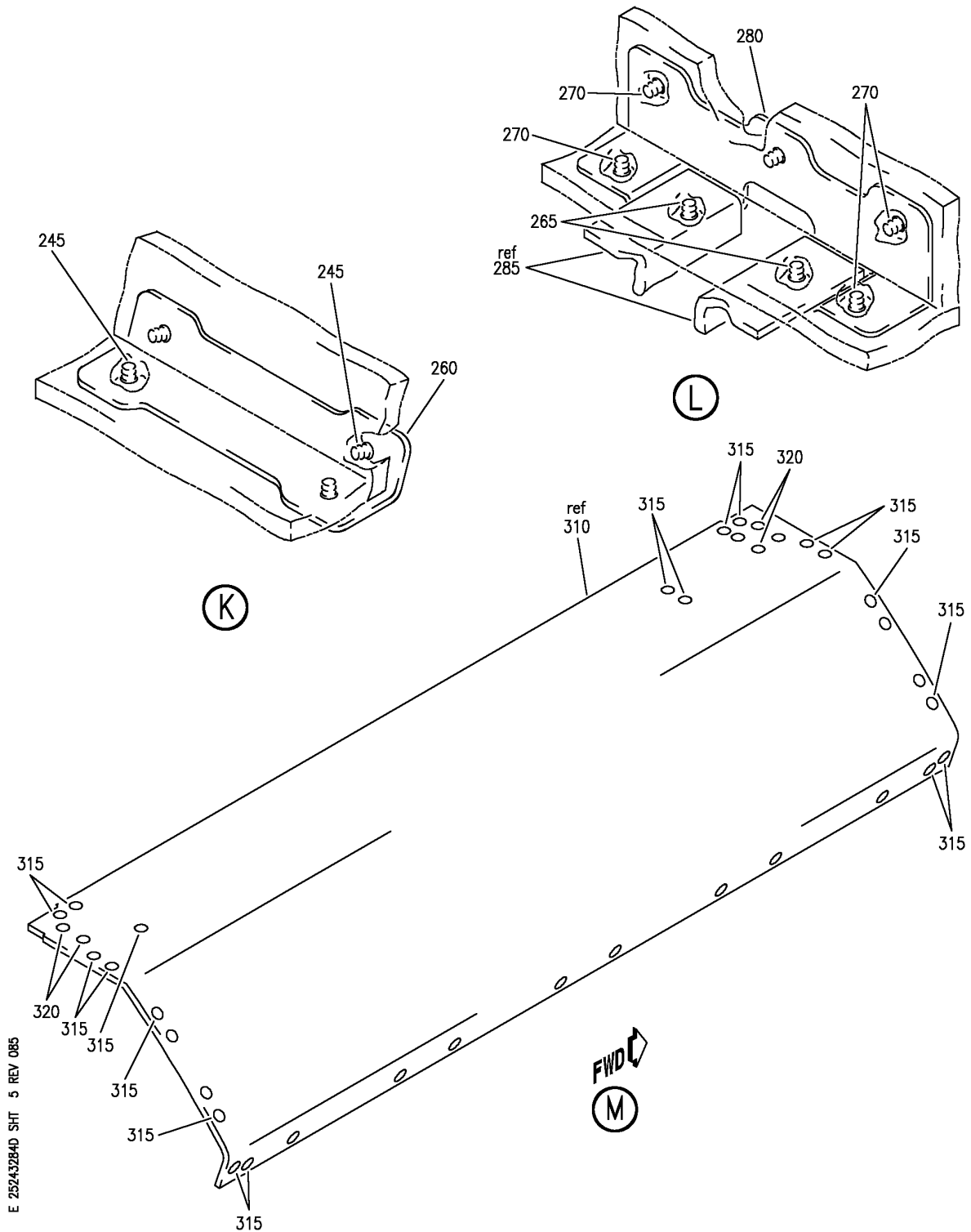
BOX ASSY-80 IN. BIN
 FIGURE 84D (SHEET 4)

25-24-32-84D

HAP
 OCT 10/06

25-24-32-84D
 PAGE 0C

BOEING
 737-600/700/800/900
 PARTS CATALOG (MAINTENANCE)



E 25243284D SHT 5 REV 085

BOX ASSY-80 IN. BIN
 FIGURE 84D (SHEET 5)

25-24-32-84D

HAP
 OCT 10/06

25-24-32-84D
 PAGE 0D

BOEING
737-600/700/800/900
PARTS CATALOG (MAINTENANCE)

FIG ITEM	PART NUMBER	1 2 3 4 5 6 7	NOMENCLATURE	EFFECT FROM TO	UNITS PER ASSY
84D			BOX ASSY-80 IN. BIN	001001 006007	
- 1	412A1200-10SP		BOX ASSY-80 IN. BIN POSITION DATA: RH FOR NHA SEE: 25-24-31-37	001001 006007	RF
5	HL1012AZ6-10		.BOLT SUPPLIER CODE: V97928 SPECIFICATION NUMBER: BACB30NX6K10 OPTIONAL PART: HL12VAZ6-10 V73197 HL12VAZ6-10 V92215 HL12VAZ6-10 V97928 L802-6K10 V06725 HL12VAZ6-10 V56878 HL1012AZ6-10 VOPTK6 HL1012AZ6-10 V06725 HL1012AZ6-10 V06950 HL1012AZ6-10 V17446 HL1012AZ6-10 V56878 HL1012AZ6-10 V60516 HL1012AZ6-10 V73197	001001 006007	6
10	BACS12ER3K9		.SCREW	001001 006007	6
20	BACW10BP3NDP		.WASHER	001001 006007	6

MISSING ITEM NUMBERS NOT APPLICABLE

- ITEM NOT ILLUSTRATED

HAP

25-24-32-84D

BOEING PROPRIETARY - Copyright © - Unpublished Work - See title page for details.

25-24-32
FIG. 84D
PAGE 1
OCT 10/06

BOEING
737-600/700/800/900
PARTS CATALOG (MAINTENANCE)

FIG ITEM	PART NUMBER	1 2 3 4 5 6 7	NOMENCLATURE	EFFECT FROM TO	UNITS PER ASSY
84D 25	HL1087-6	.	COLLAR SUPPLIER CODE: V73197 SPECIFICATION NUMBER: BACC30BH6 OPTIONAL PART: HL1087-6 V56878 HL1087-6 V92215 HL1087-6 V9N513	001001 006007	6
30	SL5-3-50C	.	NUT- SUPPLIER CODE: V97393	001001 006007	6
35	412A1220-11	.	DOUBLER-9G EXT	001001 006007	1
40	412A1220-10A	.	DOUBLER-9G INTR	001001 006007	1
45	412A1220-39A	.	DOUBLER-INTR	001001 006007	1
50	412A1230-1	.	FITTING ASSY	001001 006007	1
55	BCREF13195	..	BUSHING- OVERLENGTH PART NUMBER: BACB28AY06A035CG	001001 006007	1
60	412A1230-2	..	SUPPORT	001001 006007	1
65	412A1230-4	.	FITTING ASSY-DRAG	001001 006007	1
70	BCREF13195	..	BUSHING- OVERLENGTH PART NUMBER: BACB28AY06A035CG	001001 006007	1
75	412A1230-6	..	FITTING	001001 006007	1
80	BACS12FA3K7	.	SCREW	001001 006007	4
85	BACS12FA3K4	.	SCREW	001001 006007	2
90	BACS12FA3K13	.	SCREW	001001 006007	11

MISSING ITEM NUMBERS NOT APPLICABLE

— ITEM NOT ILLUSTRATED

HAP

25-24-32-84D

BOEING PROPRIETARY - Copyright © - Unpublished Work - See title page for details.

25-24-32
FIG. 84D
PAGE 2
OCT 10/06

BOEING
737-600/700/800/900
PARTS CATALOG (MAINTENANCE)

FIG ITEM	PART NUMBER	1 2 3 4 5 6 7	NOMENCLATURE	EFFECT FROM TO	UNITS PER ASSY
84D 95	F22K1-02	.NUT	SUPPLIER CODE: V72962 SPECIFICATION NUMBER: BACN10R10L OPTIONAL PART: 22K1-02 V72962 26CLO2 V80539	001001 006007	11
100	412A1247-1SP	.EXTRUSION-DOOR	CLOSEOUT	001001 006007	1
105	412A1220-5SP	.CORNER ASSY		001001 006007	1
110	412A1220-6SP	.CORNER ASSY		001001 006007	1
115	BRF200C3D	..NUTPLATE	SUPPLIER CODE: V52828 SPECIFICATION NUMBER: BACN10JR3CFD OPTIONAL PART: K51602-3BAC V15653 NS202476-02 V80539 102F9201-3 V72962 T8092C1032CD V11815 ATTACHING PARTS	001001 006007	2
- 120	BACR15CE3D	..RIVET-	SIZE DETERMINED ON INSTL. -----*-----	001001 006007	4
125	412A1220-7A	..REINFORCEMENT-	USED ON: 412A1220-5SP	001001 006007	1
130	412A1220-8A	..REINFORCEMENT-	USED ON: 412A1220-6SP	001001 006007	1
135	HA225-3	.STRIKE-	SUPPLIER CODE: V83014 SPECIFICATION NUMBER: S412A001-6	001001 006007	2

MISSING ITEM NUMBERS NOT APPLICABLE

- ITEM NOT ILLUSTRATED

HAP

25-24-32-84D

BOEING PROPRIETARY - Copyright © - Unpublished Work - See title page for details.

25-24-32
FIG. 84D
PAGE 3
OCT 10/06

BOEING
737-600/700/800/900
PARTS CATALOG (MAINTENANCE)

FIG ITEM	PART NUMBER	1 2 3 4 5 6 7	NOMENCLATURE	EFFECT FROM TO	UNITS PER ASSY
84D 135	HA225-11		. STRIKE- SUPPLIER CODE: V83014 SPECIFICATION NUMBER: S412A001-16 ATTACHING PARTS	001001 006007	2
- 140	BACS12ER08K5		. SCREW	001001 006007	4
145	412A1242-1		-----*----- . EXTRUSION-SHELF ATTACHING PARTS	001001 006007	1
150	BACS12ER3K6		. SCREW	001001 006007	2
155	BACS12ER3K5		. SCREW	001001 006007	12
160	H3-1233A3		. WASHER- SUPPLIER CODE: V34941 SPECIFICATION NUMBER: S411A001-1 -----*-----	001001 006007	12
165	412A1475-3SP		. FITTING ASSY-SPRT	001001 006007	1
170	412A1475-4SP		. FITTING ASSY-SPRT ATTACHING PARTS	001001 006007	1
- 175	BACS12ER3K5		. SCREW	001001 006007	4
180	BACN11F3-1CD		-----*----- .. NUT	001001 006007	1
185	NAS1795-3		.. CLIP	001001 006007	1
190	412A1475-1SP		.. FITTING- USED ON: 412A1220-3SP	001001 006007	1
195	412A1475-2SP		.. FITTING- USED ON: 412A1220-4SP	001001 006007	1
200	412A1450-1SP		. TRIM	001001 006007	2
205	412A1450-21		. CLIP	001001 006007	5
210	412A1230-7		. SUPPORT ASSY	001001 006007	1
215	412A1230-8		. SUPPORT ASSY	001001 006007	1

MISSING ITEM NUMBERS NOT APPLICABLE

- ITEM NOT ILLUSTRATED

HAP

25-24-32-84D

BOEING PROPRIETARY - Copyright © - Unpublished Work - See title page for details.

25-24-32
FIG. 84D
PAGE 4
JUN 15/08

BOEING
737-600/700/800/900
PARTS CATALOG (MAINTENANCE)

FIG ITEM	PART NUMBER	1 2 3 4 5 6 7	NOMENCLATURE	EFFECT FROM TO	UNITS PER ASSY
84D			ATTACHING PARTS		
220	BACS12FA3K5	.	SCREW	001001 006007	2
225	BACS12ER3K6	.	SCREW	001001 006007	4
			-----*-----		
230	BCREF13196	..	BUSHING- OVERLENGTH PART NUMBER: BACB28AT06A010CG	001001 006007	1
235	412A1230-9	..	SUPPORT- USED ON: 412A1230-7	001001 006007	1
240	412A1230-10	..	SUPPORT- USED ON: 412A1230-8	001001 006007	1
245	BACS12FA3K4	.	SCREW	001001 006007	52
250	412A1220-2	.	ANGLE	001001 006007	6
255	412A1220-3	.	ANGLE	001001 006007	2
260	412A1220-4	.	ANGLE	001001 006007	5
265	BACS12FA3K6	.	SCREW	001001 006007	4
270	BACS12FA3K4	.	SCREW	001001 006007	10
275	BACS12FA3K5	.	SCREW	001001 006007	12
280	412A1220-9A	.	ANGLE	001001 006007	2
285	412A1245-1	.	RAIL	001001 006007	1
290	412A1212-3SP	.	PANEL ASSY-END	001001 006007	1
- 295	SL2334-3A1	..	INSERT- SUPPLIER CODE: V97393	001001 006007	16
300	412A1212-8SP	.	PANEL ASSY-END	001001 006007	1
- 305	SL2334-3A1	..	INSERT- SUPPLIER CODE: V97393	001001 006007	18
310	412A1210-70SP	.	PANEL ASSY-SHELL	001001 006007	1
315	SL2334-3A1	..	INSERT- SUPPLIER CODE: V97393	001001 006007	31

MISSING ITEM NUMBERS NOT APPLICABLE

- ITEM NOT ILLUSTRATED

HAP

25-24-32-84D

BOEING PROPRIETARY - Copyright © - Unpublished Work - See title page for details.

25-24-32
FIG. 84D
PAGE 5
JUN 15/08


BOEING
 737-600/700/800/900
PARTS CATALOG (MAINTENANCE)

FIG ITEM	PART NUMBER	1 2 3 4 5 6 7	NOMENCLATURE	EFFECT FROM TO	UNITS PER ASSY
84D 320	BCREF128023		.. INSERT- SUPPLIER CODE: V97393 OVERLENGTH PART NUMBER: SL603-3-375ASP13	001001 006007	6
325	412A1211-24SP		. PANEL ASSY-SHELF	001001 006007	1
- 330	SL2334-3A1		.. INSERT- SUPPLIER CODE: V97393	001001 006007	69

MISSING ITEM NUMBERS NOT APPLICABLE

- ITEM NOT ILLUSTRATED

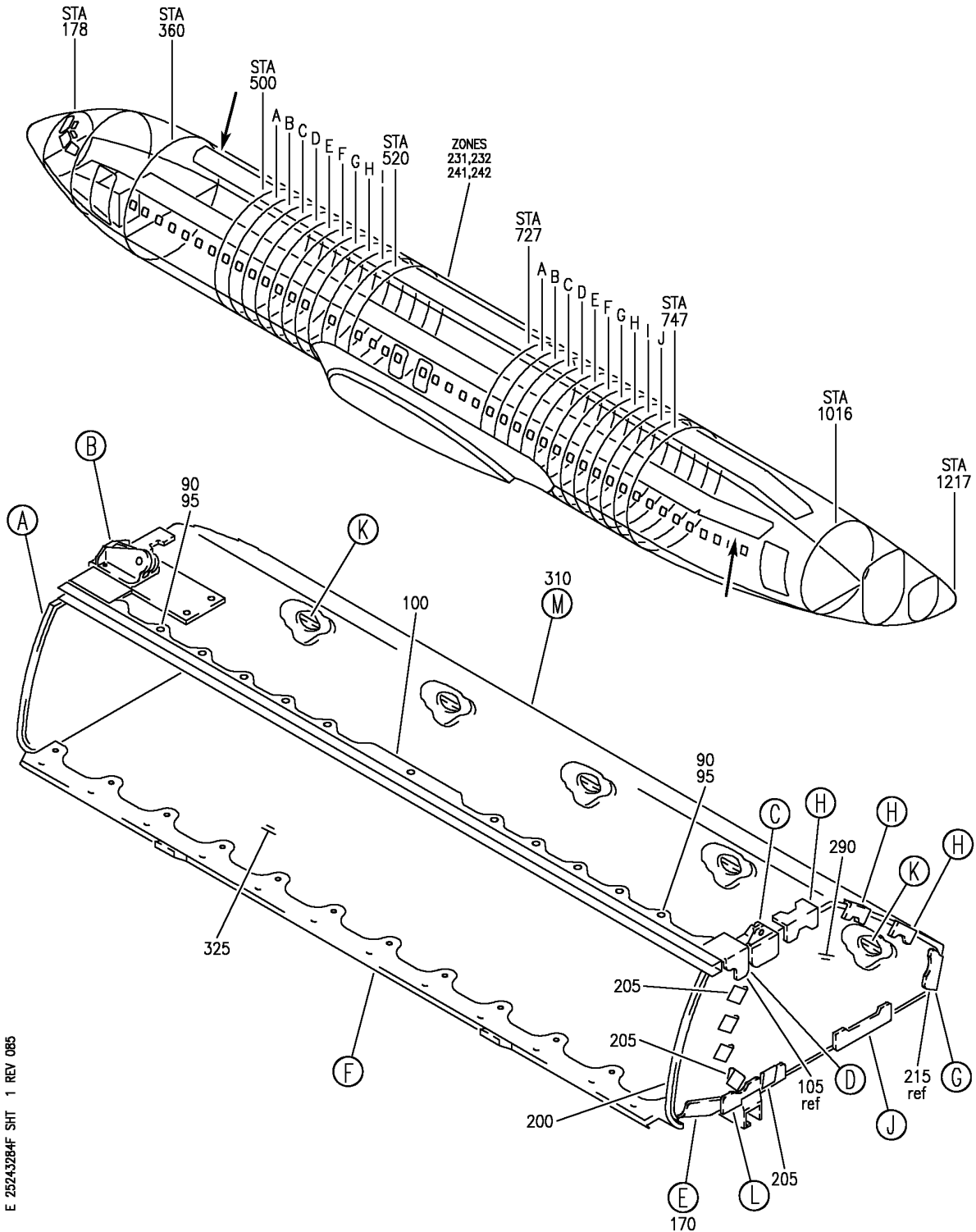
HAP

25-24-32-84D

BOEING PROPRIETARY - Copyright © - Unpublished Work - See title page for details.

25-24-32
 FIG. 84D
 PAGE 6
 OCT 10/06


BOEING
 737-600/700/800/900
PARTS CATALOG (MAINTENANCE)



E 25243284F SHT 1 REV 085

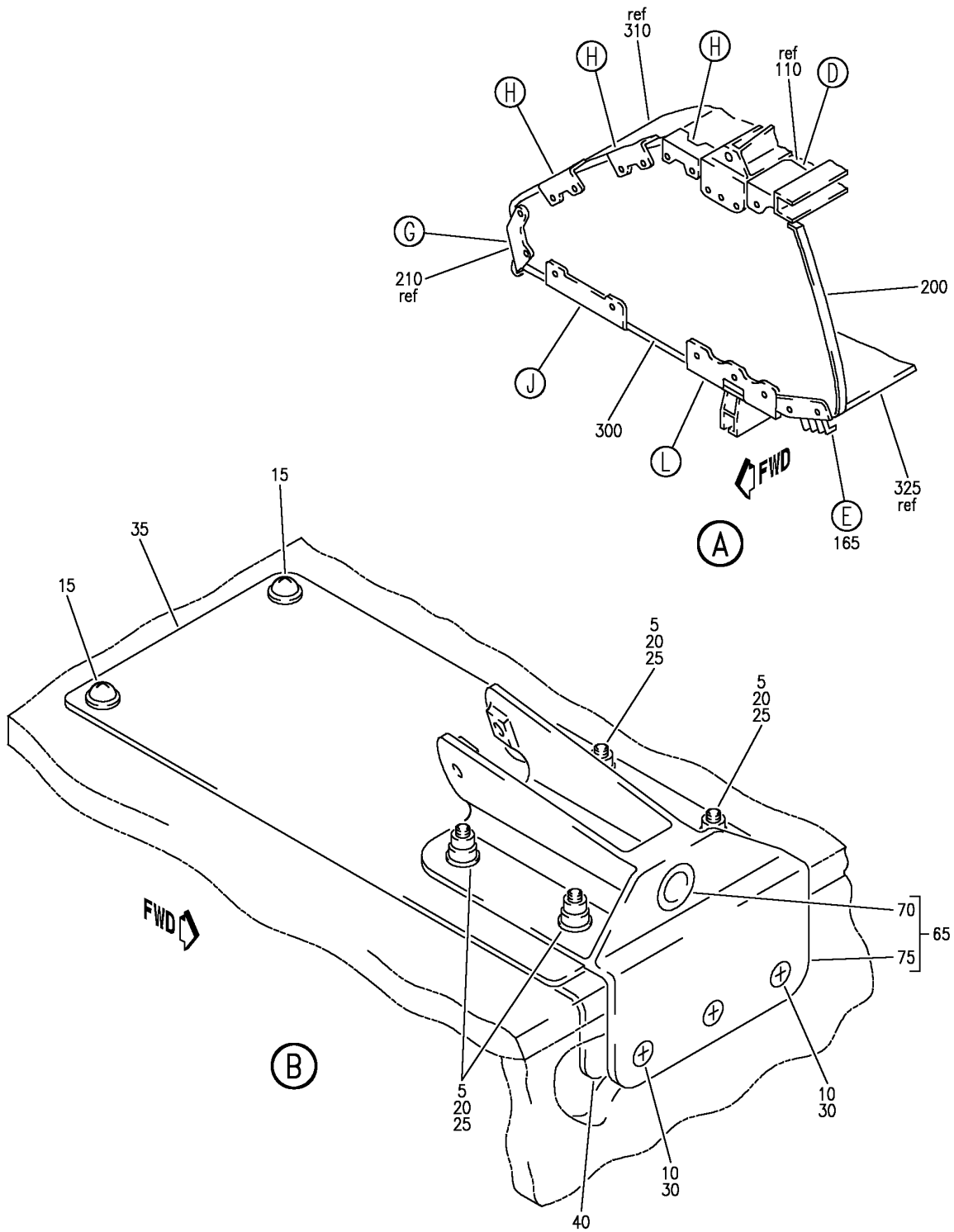
BOX ASSY-80 IN. BIN
 FIGURE 84F (SHEET 1)

25-24-32-84F

HAP
OCT 10/06

25-24-32-84F
 PAGE 0

BOEING
 737-600/700/800/900
 PARTS CATALOG (MAINTENANCE)



E 25243284F SHT 2 REV 085

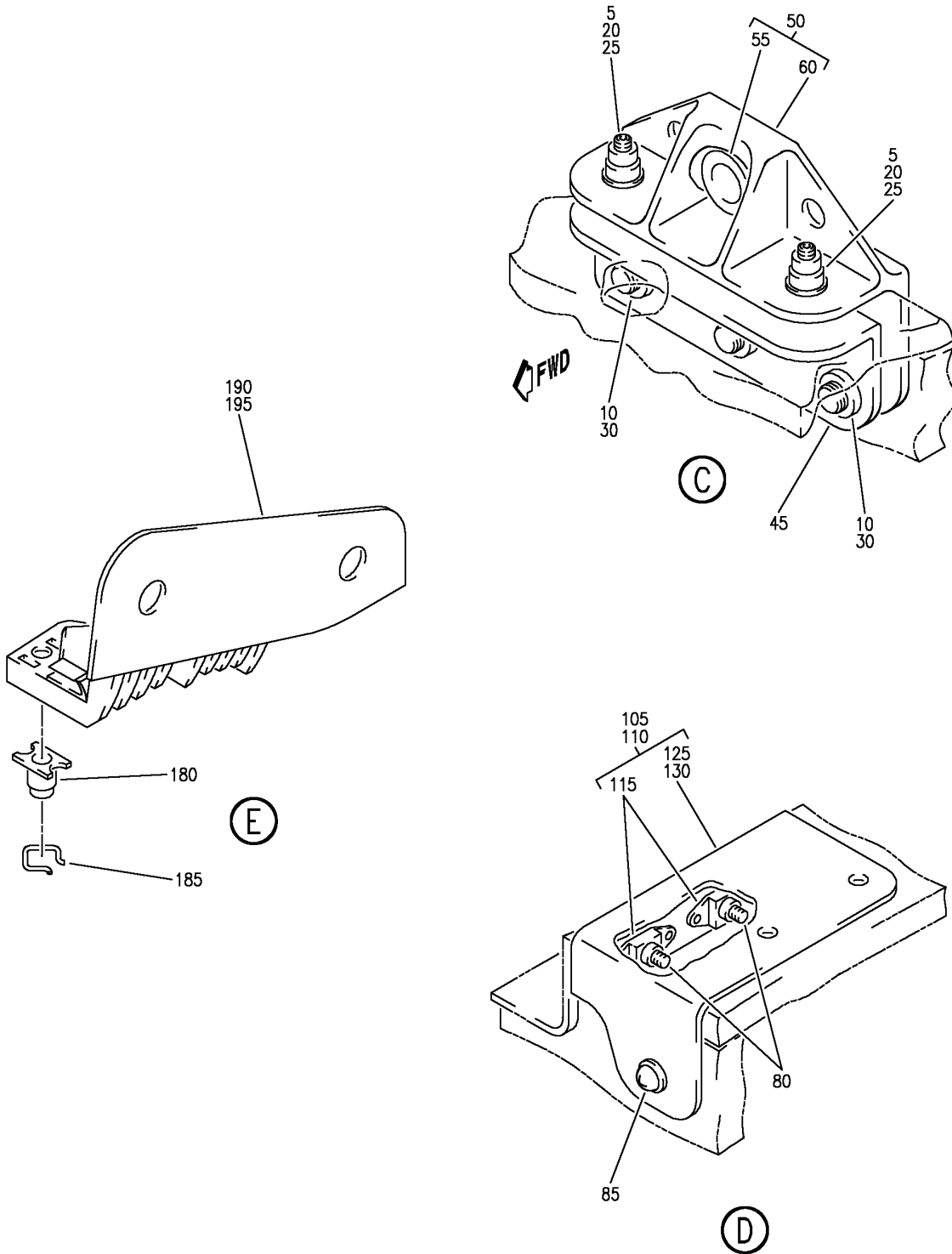
BOX ASSY-80 IN. BIN
 FIGURE 84F (SHEET 2)

25-24-32-84F

HAP
 OCT 10/06

25-24-32-84F
 PAGE 0A

BOEING
 737-600/700/800/900
 PARTS CATALOG (MAINTENANCE)



E 25243284F SHT 3 REV 085

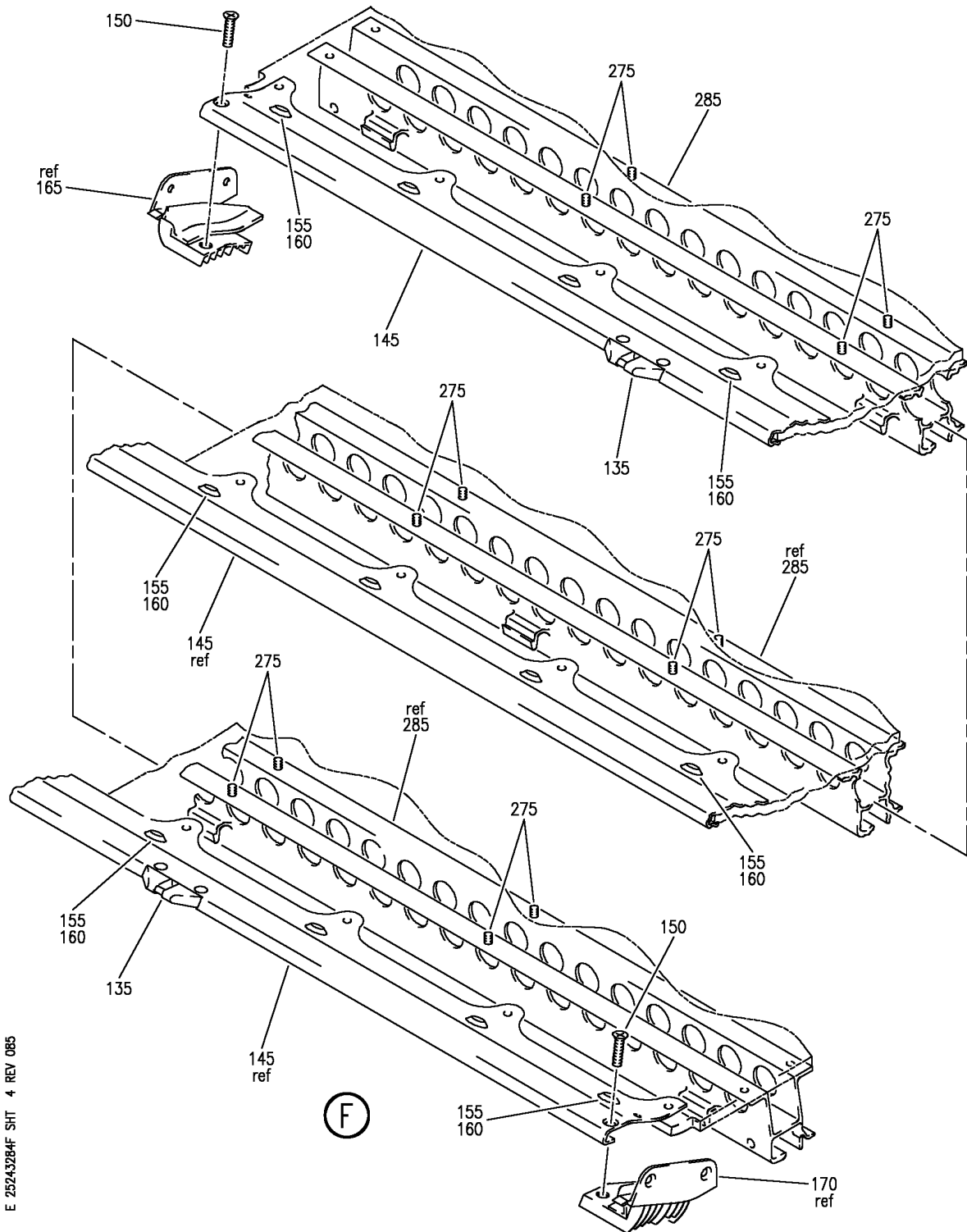
BOX ASSY-80 IN. BIN
 FIGURE 84F (SHEET 3)

25-24-32-84F

HAP
 OCT 10/06

25-24-32-84F
 PAGE 08

BOEING
 737-600/700/800/900
 PARTS CATALOG (MAINTENANCE)



E 25243284F SHT 4 REV 085

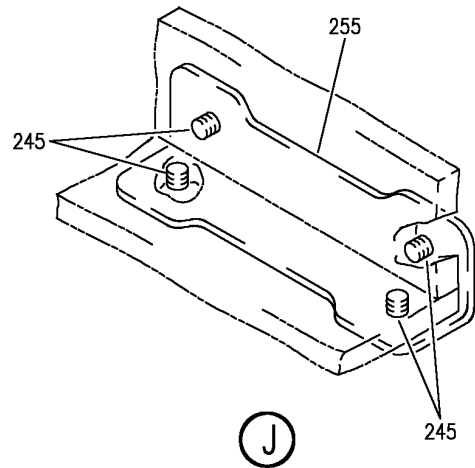
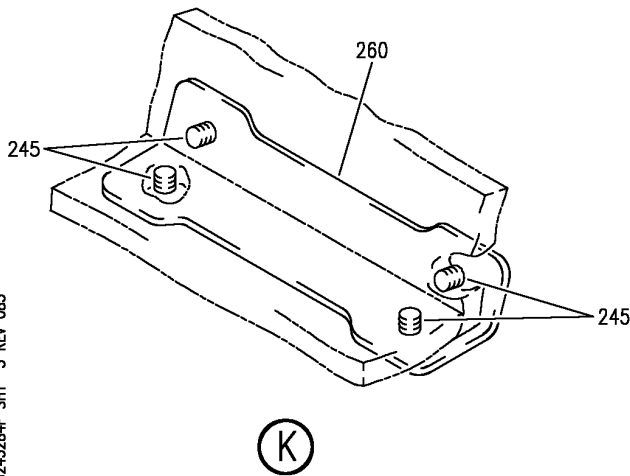
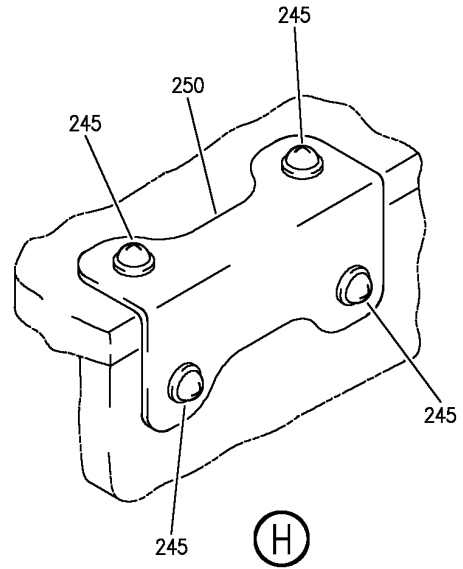
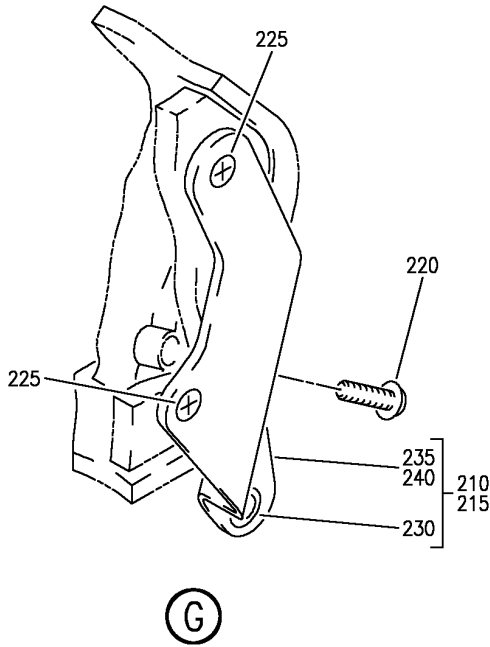
BOX ASSY-80 IN. BIN
 FIGURE 84F (SHEET 4)

25-24-32-84F

HAP
 OCT 10/06

25-24-32-84F
 PAGE 0C

BOEING
 737-600/700/800/900
 PARTS CATALOG (MAINTENANCE)



E 25243284F SHT 5 REV 085

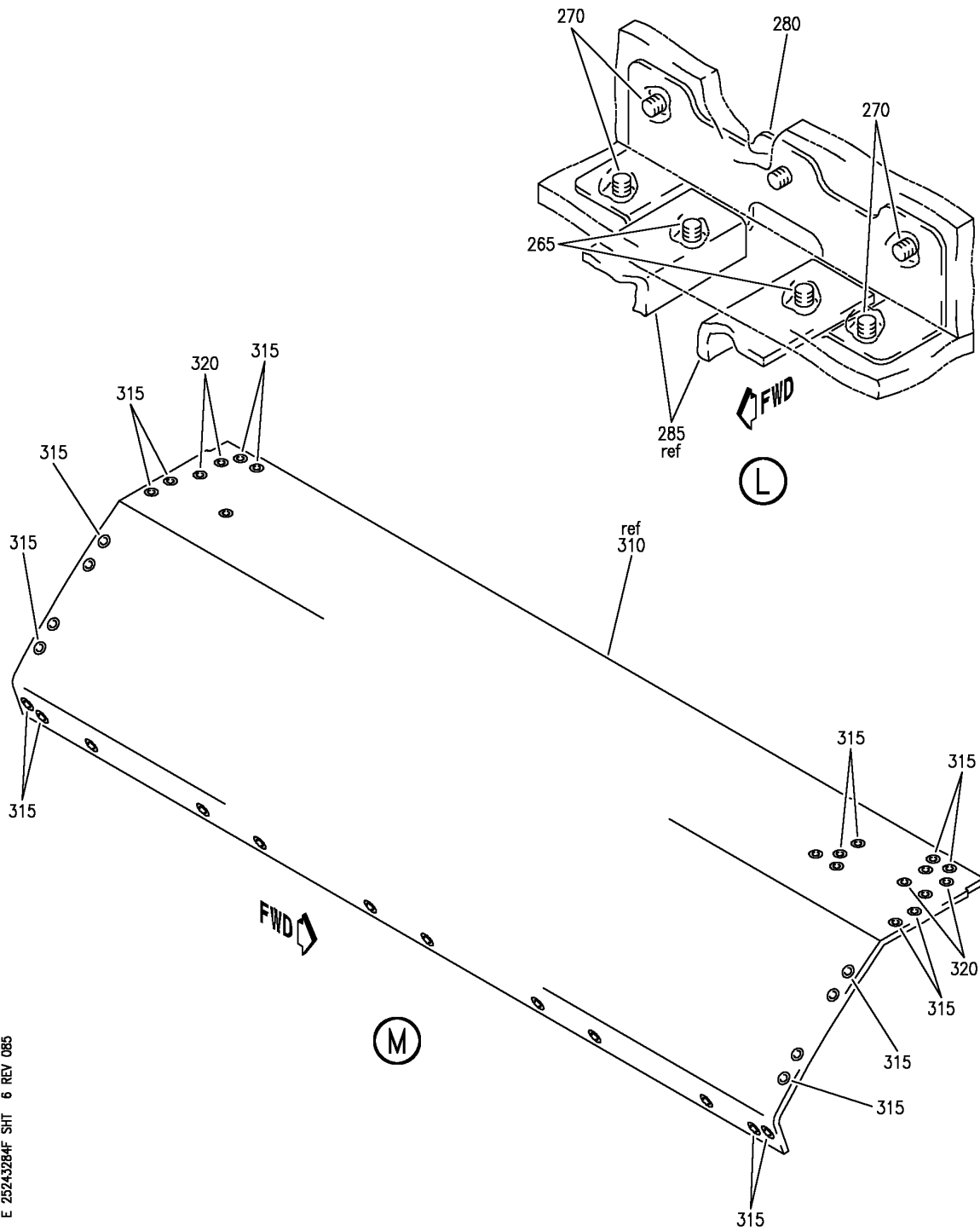
BOX ASSY-80 IN. BIN
 FIGURE 84F (SHEET 5)

25-24-32-84F

HAP
 OCT 10/06

25-24-32-84F
 PAGE 0D

BOEING
 737-600/700/800/900
 PARTS CATALOG (MAINTENANCE)



E 25243284F SHT 6 REV 085

BOX ASSY-80 IN. BIN
 FIGURE 84F (SHEET 6)

25-24-32-84F

HAP
 OCT 10/06

25-24-32-84F
 PAGE 0E

BOEING
737-600/700/800/900
PARTS CATALOG (MAINTENANCE)

FIG ITEM	PART NUMBER	1 2 3 4 5 6 7	NOMENCLATURE	EFFECT FROM TO	UNITS PER ASSY
84 F			BOX ASSY-80 IN. BIN	001001 006007	
- 1	412A1200-24SP		BOX ASSY-80 IN. BIN POSITION DATA: RH FOR NHA SEE: 25-24-31-38D	001001 006007	RF
5	HL1012AZ6-10		.BOLT SUPPLIER CODE: V97928 SPECIFICATION NUMBER: BACB30NX6K10 OPTIONAL PART: HL12VAZ6-10 V73197 HL12VAZ6-10 V92215 HL12VAZ6-10 V97928 L802-6K10 V06725 HL12VAZ6-10 V56878 HL1012AZ6-10 VOPTK6 HL1012AZ6-10 V06725 HL1012AZ6-10 V06950 HL1012AZ6-10 V17446 HL1012AZ6-10 V56878 HL1012AZ6-10 V60516 HL1012AZ6-10 V73197	001001 006007	6
10	BACS12ER3K9		.SCREW	001001 006007	6
15	BACS12FA3K4		.SCREW	001001 006007	2
20	BACW10BP3NDP		.WASHER	001001 006007	6

MISSING ITEM NUMBERS NOT APPLICABLE

- ITEM NOT ILLUSTRATED

HAP

25-24-32-84F

BOEING PROPRIETARY - Copyright © - Unpublished Work - See title page for details.

25-24-32
FIG. 84F
PAGE 1
OCT 10/06

BOEING
737-600/700/800/900
PARTS CATALOG (MAINTENANCE)

FIG ITEM	PART NUMBER	1 2 3 4 5 6 7	NOMENCLATURE	EFFECT FROM TO	UNITS PER ASSY
84 F 25	HL1087-6	.	COLLAR SUPPLIER CODE: V73197 SPECIFICATION NUMBER: BACC30BH6 OPTIONAL PART: HL1087-6 V56878 HL1087-6 V92215 HL1087-6 V9N513	001001 006007	6
30	SL5-3-50C	.	NUT- SUPPLIER CODE: V97393	001001 006007	6
35	412A1220-11	.	DOUBLER-9G EXT	001001 006007	1
40	412A1220-10A	.	DOUBLER-9G INTR	001001 006007	1
45	412A1220-39A	.	DOUBLER-INTR	001001 006007	1
50	412A1230-1	.	FITTING ASSY	001001 006007	1
55	BCREF13195	..	BUSHING- OVERLENGTH PART NUMBER: BACB28AY06A035CG	001001 006007	1
60	412A1230-2	..	SUPPORT	001001 006007	1
65	412A1230-4	.	FITTING ASSY-DRAG	001001 006007	1
70	BCREF13195	..	BUSHING- OVERLENGTH PART NUMBER: BACB28AY06A035CG	001001 006007	1
75	412A1230-6	..	FITTING	001001 006007	1
80	BACS12FA3K7	.	SCREW	001001 006007	4
85	BACS12FA3K4	.	SCREW	001001 006007	2
90	BACS12FA3K13	.	SCREW	001001 006007	11

MISSING ITEM NUMBERS NOT APPLICABLE

— ITEM NOT ILLUSTRATED

HAP

25-24-32-84F

BOEING PROPRIETARY - Copyright © - Unpublished Work - See title page for details.

25-24-32
FIG. 84F
PAGE 2
OCT 10/06

BOEING
737-600/700/800/900
PARTS CATALOG (MAINTENANCE)

FIG ITEM	PART NUMBER	1 2 3 4 5 6 7	NOMENCLATURE	EFFECT FROM TO	UNITS PER ASSY
84 F 95	F22K1-02	.NUT	SUPPLIER CODE: V72962 SPECIFICATION NUMBER: BACN10R10L OPTIONAL PART: 22K1-02 V72962 26CL02 V80539	001001 006007	11
100	412A1247-1SP	.EXTRUSION-DOOR	CLOSEOUT	001001 006007	1
105	412A1220-5SP	.CORNER ASSY		001001 006007	1
110	412A1220-6SP	.CORNER ASSY		001001 006007	1
115	BRF200C3D	..NUTPLATE	SUPPLIER CODE: V52828 SPECIFICATION NUMBER: BACN10JR3CFD OPTIONAL PART: K51602-3BAC V15653 NS202476-02 V80539 102F9201-3 V72962 T8092C1032CD V11815 ATTACHING PARTS	001001 006007	2
- 120	BACR15CE3D	..RIVET-	SIZE DETERMINED ON INSTL. -----*-----	001001 006007	4
125	412A1220-7A	..REINFORCEMENT-	USED ON: 412A1220-5SP	001001 006007	1
130	412A1220-8A	..REINFORCEMENT-	USED ON: 412A1220-6SP	001001 006007	1
135	HA225-3	.STRIKE-	SUPPLIER CODE: V83014 SPECIFICATION NUMBER: S412A001-6	001001 006007	2

MISSING ITEM NUMBERS NOT APPLICABLE

- ITEM NOT ILLUSTRATED

HAP

25-24-32-84F

BOEING PROPRIETARY - Copyright © - Unpublished Work - See title page for details.

25-24-32
FIG. 84F
PAGE 3
OCT 10/06

BOEING
737-600/700/800/900
PARTS CATALOG (MAINTENANCE)

FIG ITEM	PART NUMBER	1 2 3 4 5 6 7	NOMENCLATURE	EFFECT FROM TO	UNITS PER ASSY
84 F 135	HA225-11	.	STRIKE- SUPPLIER CODE: V83014 SPECIFICATION NUMBER: S412A001-16 ATTACHING PARTS	001001 006007	2
- 140	BACS12ER08K5	.	SCREW	001001 006007	4
145	412A1242-1	.	-----*----- EXTRUSION-SHELF ATTACHING PARTS	001001 006007	1
150	BACS12ER3K6	.	SCREW	001001 006007	2
155	BACS12ER3K5	.	SCREW	001001 006007	12
160	H3-1233A3	.	WASHER- SUPPLIER CODE: V34941 SPECIFICATION NUMBER: S411A001-1 -----*-----	001001 006007	12
165	412A1475-3SP	.	FITTING ASSY-SPRT	001001 006007	1
170	412A1475-4SP	.	FITTING ASSY-SPRT ATTACHING PARTS	001001 006007	1
- 175	BACS12ER3K5	.	SCREW	001001 006007	4
180	BACN11F3-1CD	..	NUT -----*-----	001001 006007	1
185	NAS1795-3	..	CLIP	001001 006007	1
190	412A1475-1SP	..	FITTING- USED ON: 412A1220-3SP	001001 006007	1
195	412A1475-2SP	..	FITTING- USED ON: 412A1220-4SP	001001 006007	1
200	412A1450-1SP	.	TRIM	001001 006007	2
205	412A1450-21	.	CLIP	001001 006007	5
210	412A1230-7	.	SUPPORT ASSY	001001 006007	1
215	412A1230-8	.	SUPPORT ASSY	001001 006007	1

MISSING ITEM NUMBERS NOT APPLICABLE

- ITEM NOT ILLUSTRATED

HAP

25-24-32-84F

BOEING PROPRIETARY - Copyright © - Unpublished Work - See title page for details.

25-24-32
FIG. 84F
PAGE 4
JUN 15/08

BOEING
737-600/700/800/900
PARTS CATALOG (MAINTENANCE)

FIG ITEM	PART NUMBER	1 2 3 4 5 6 7	NOMENCLATURE	EFFECT FROM TO	UNITS PER ASSY
84 F			ATTACHING PARTS		
220	BACS12FA3K5	.	SCREW	001001 006007	2
225	BACS12ER3K6	.	SCREW	001001 006007	4
230	BCREF13196	..	BUSHING- OVERLENGTH PART NUMBER: BACB28AT06A010CG	001001 006007	1
235	412A1230-9	..	SUPPORT- USED ON: 412A1230-7	001001 006007	1
240	412A1230-10	..	SUPPORT- USED ON: 412A1230-8	001001 006007	1
245	BACS12FA3K4	.	SCREW	001001 006007	52
250	412A1220-2	.	ANGLE	001001 006007	6
255	412A1220-3	.	ANGLE	001001 006007	2
260	412A1220-4	.	ANGLE	001001 006007	5
265	BACS12FA3K6	.	SCREW	001001 006007	4
270	BACS12FA3K4	.	SCREW	001001 006007	10
275	BACS12FA3K5	.	SCREW	001001 006007	12
280	412A1220-9A	.	ANGLE	001001 006007	2
285	412A1245-20	.	RAIL	001001 006007	1
290	412A1212-4SP	.	PANEL ASSY-END	001001 006007	1
- 295	SL2334-3A1	..	INSERT- SUPPLIER CODE: V97393	001001 006007	16
300	412A1212-3SP	.	PANEL ASSY-END	001001 006007	1
- 305	SL2334-3A1	..	INSERT- SUPPLIER CODE: V97393	001001 006007	16
310	412A1210-80SP	.	PANEL ASSY-SHELL	001001 006007	1
315	SL2334-3A1	..	INSERT- SUPPLIER CODE: V97393	001001 006007	33

MISSING ITEM NUMBERS NOT APPLICABLE

- ITEM NOT ILLUSTRATED

HAP

25-24-32-84F

BOEING PROPRIETARY - Copyright © - Unpublished Work - See title page for details.

25-24-32
FIG. 84F
PAGE 5
JUN 15/08


BOEING
 737-600/700/800/900
PARTS CATALOG (MAINTENANCE)

FIG ITEM	PART NUMBER	1 2 3 4 5 6 7	NOMENCLATURE	EFFECT FROM TO	UNITS PER ASSY
84 F 320	BCREF128023		.. INSERT- SUPPLIER CODE: V97393 OVERLENGTH PART NUMBER: SL603-3-375ASP13	001001 006007	6
325	412A1211-42SP		. PANEL ASSY-SHELF	001001 006007	1
- 330	SL2334-3A1		.. INSERT- SUPPLIER CODE: V97393	001001 006007	64

MISSING ITEM NUMBERS NOT APPLICABLE

- ITEM NOT ILLUSTRATED

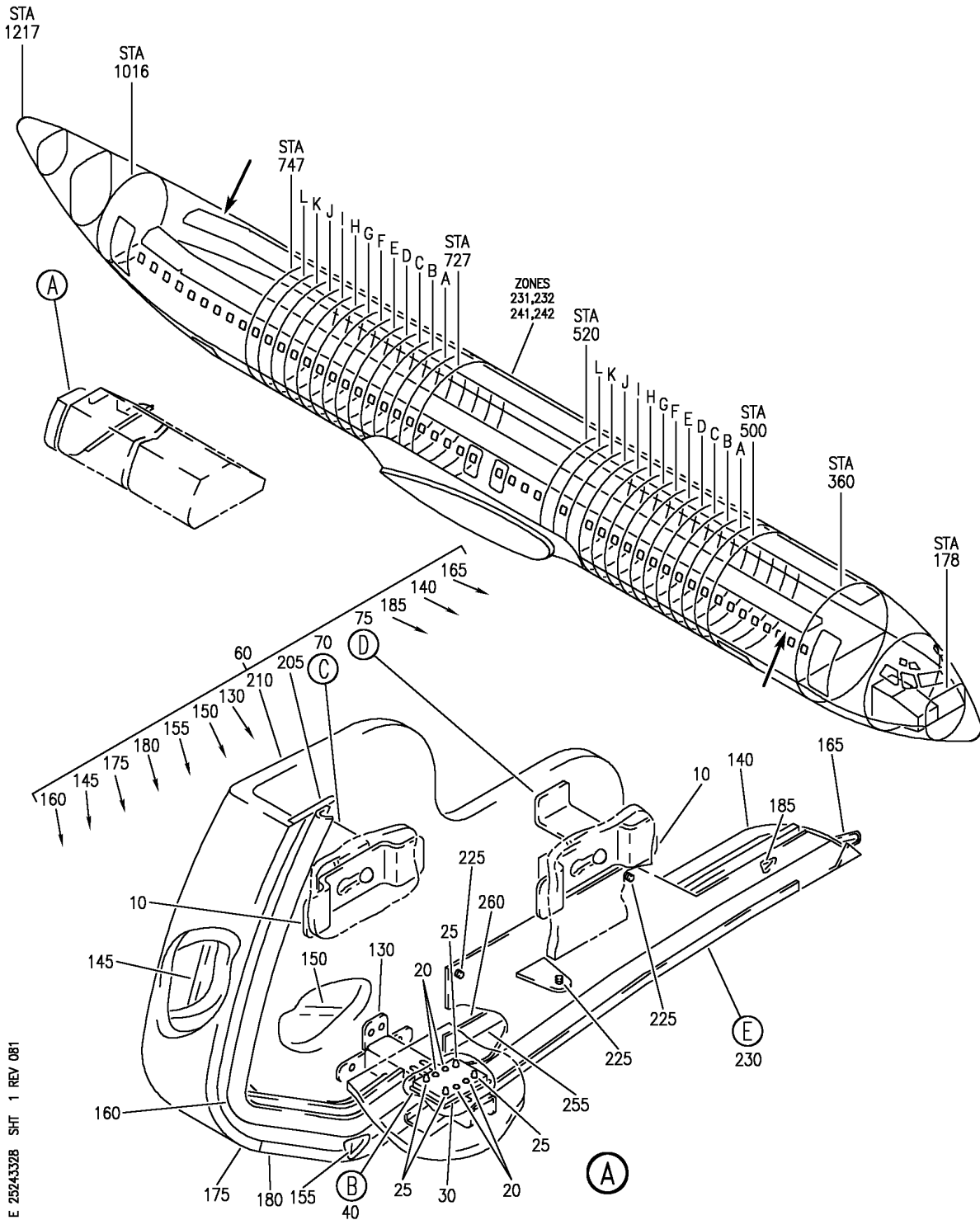
HAP

25-24-32-84F

BOEING PROPRIETARY - Copyright © - Unpublished Work - See title page for details.

25-24-32
 FIG. 84F
 PAGE 6
 OCT 10/06

BOEING
 737-600/700/800/900
 PARTS CATALOG (MAINTENANCE)



E 25243328 SHT 1 REV 081

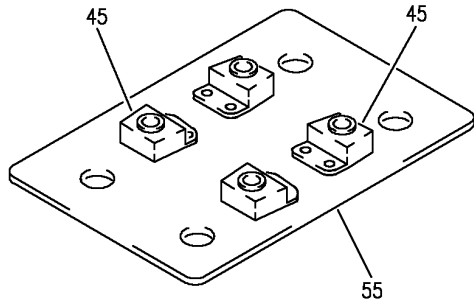
MOUNTING ASSY-2.81 IN. WIDE END CAP
 FIGURE 28 (SHEET 1)

25-24-33-28

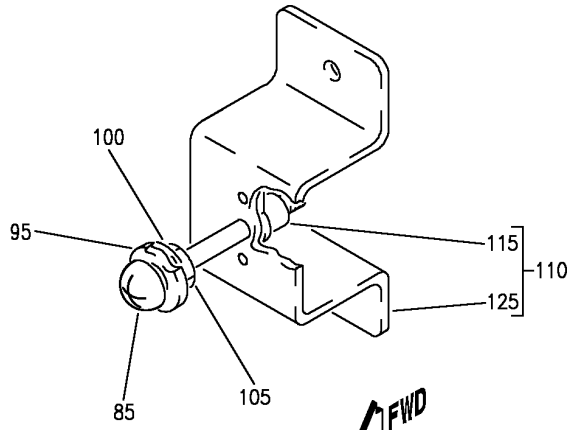
HAP
 OCT 10/06

25-24-33-28
 PAGE 0

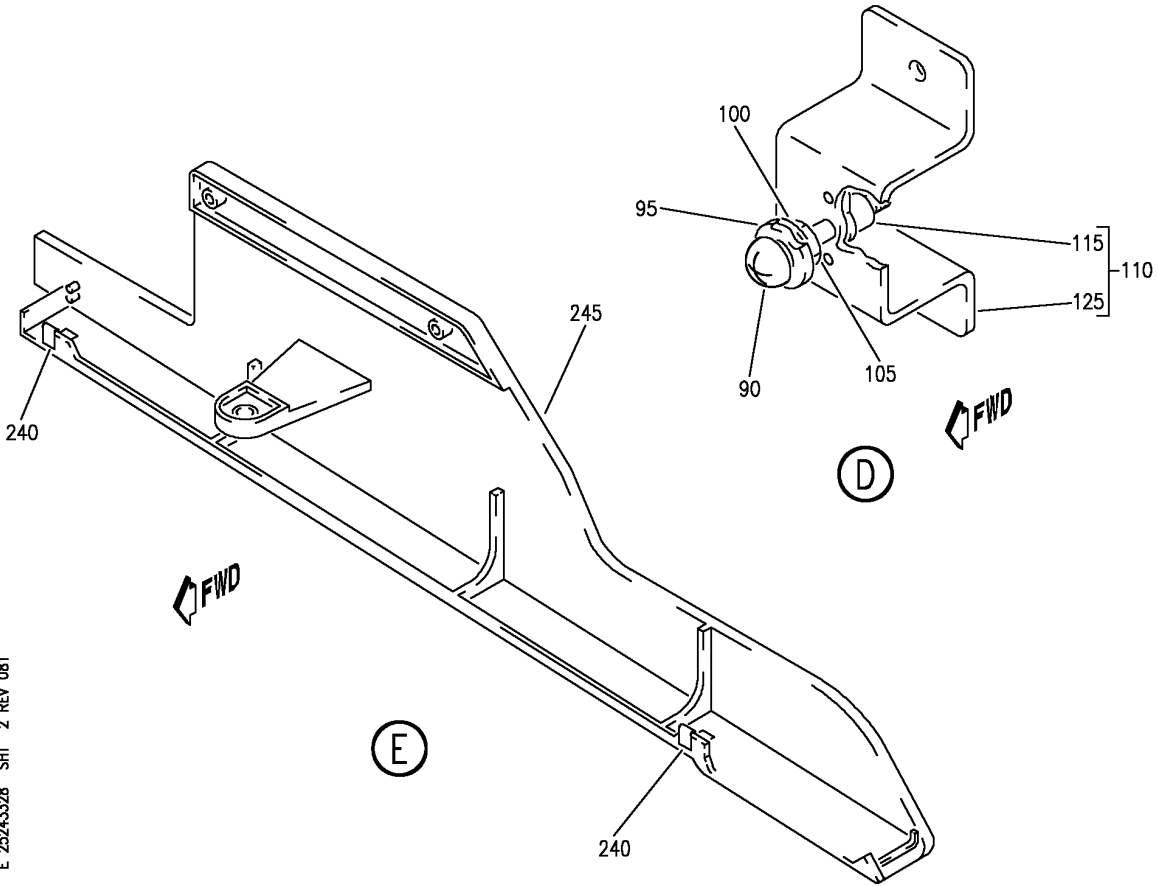
BOEING
 737-600/700/800/900
 PARTS CATALOG (MAINTENANCE)



(B)



(C)



(E)

E 2524332B SH1 2 REV 081

MOUNTING ASSY-2.81 IN. WIDE END CAP
 FIGURE 28 (SHEET 2)

25-24-33-28

HAP
 OCT 10/06

25-24-33-28
 PAGE 0A

BOEING
737-600/700/800/900
PARTS CATALOG (MAINTENANCE)

FIG ITEM	PART NUMBER	1 2 3 4 5 6 7	NOMENCLATURE	EFFECT FROM TO	UNITS PER ASSY
28			MOUNTING ASSY-2.81 IN. WIDE END CAP	001030 201967	
- 1	412A1310-333SP		MOUNTING ASSY-2.81 IN. WIDE END CAP POSITION DATA: AFT LH FOR NHA SEE: 25-24-30-36 25-24-30-39	001030	RF
- 1	412A1310-333A		MOUNTING ASSY-2.81 IN. WIDE END CAP POSITION DATA: AFT LH FOR NHA SEE: 25-24-30-37	201967	RF
- 5	412A1310-334SP		MOUNTING ASSY-2.81 IN. WIDE END CAP POSITION DATA: AFT RH FOR NHA SEE: 25-24-30-47B 25-24-30-49 25-24-30-49D	001030 202967	RF
10	412A1220-13		.BRACKET	001030 202967	2
10	412A1220-13		.BRACKET ATTACHING PARTS	201201	2
- 15	BACS12FA3K5		.SCREW	001030 202967	8
- 15	BACS12FA3K5		.SCREW	201201	8
20	BACS12FA3K7		.SCREW -----*-----	001030 202967	4
20	BACS12FA3K7		.SCREW	201201	4
25	BACS12FA3K11		.SCREW	001030 202967	4
25	BACS12FA3K11		.SCREW	201201	4
30	412A1330-2		.SPACER- POSITION DATA: LH SIDE	001030 201967	1
- 35	412A1330-1		.SPACER- POSITION DATA: RH SIDE	001030 202967	1
40	412A1220-48		.PLATE ASSY	001030 202967	1
40	412A1220-48		.PLATE ASSY	201201	1

MISSING ITEM NUMBERS NOT APPLICABLE

- ITEM NOT ILLUSTRATED

HAP

25-24-33-28

25-24-33
FIG. 28
PAGE 1
OCT 15/08

BOEING
737-600/700/800/900
PARTS CATALOG (MAINTENANCE)

FIG ITEM	PART NUMBER	1 2 3 4 5 6 7	NOMENCLATURE	EFFECT FROM TO	UNITS PER ASSY
28					
45	FS1651-3	..	NUTPLATE SUPPLIER CODE: V15653 SPECIFICATION NUMBER: BACN10KH3CD OPTIONAL PART: 102F9209M3 V72962 NS202496-02 V80539	001030 202967	4
45	FS1651-3	..	NUTPLATE SUPPLIER CODE: V15653 SPECIFICATION NUMBER: BACN10KH3CD OPTIONAL PART: 102F9209M3 V72962 NS202496-02 V80539	201201	4
- 50	BACR15CE3D	..	RIVET- SIZE DETERMINED ON INSTL.	001030 202967	8
- 50	BACR15CE3D	..	RIVET- SIZE DETERMINED ON INSTL.	201201	8
			-----*-----		
55	412A1220-47	..	PLATE	001030 202967	1
55	412A1220-47	..	PLATE	201201	1
60	412A1310-33A	.END	CAP ASSY- POSITION DATA: LH SIDE	001030 201967	1
- 65	412A1310-34A	.END	CAP ASSY- POSITION DATA: RH SIDE	001030 202967	1
70	412A1310-52	..	BRACKET ASSY	001030 202967	1
70	412A1310-52	..	BRACKET ASSY	201201	1
75	412A1310-53	..	BRACKET ASSY	001030 202967	1
75	412A1310-53	..	BRACKET ASSY ATTACHING PARTS	201201	1
- 80	BACS12FA3K4	..	SCREW	001030 202967	4
- 80	BACS12FA3K4	..	SCREW	201201	4
			-----*-----		
85	NAS604-28P	...	SCREW- USED ON: 412A1310-52	001030 202967	1

MISSING ITEM NUMBERS NOT APPLICABLE

- ITEM NOT ILLUSTRATED

HAP

25-24-33-28

25-24-33
FIG. 28
PAGE 2
OCT 15/08

 **BOEING**
737-600/700/800/900
PARTS CATALOG (MAINTENANCE)

FIG ITEM	PART NUMBER	1 2 3 4 5 6 7	NOMENCLATURE	EFFECT FROM TO	UNITS PER ASSY
28					
85	NAS604-28P	...	SCREW- USED ON: 412A1310-52	201201	1
90	NAS604-20P	...	SCREW- USED ON: 412A1310-53	001030 202967	1
90	NAS604-20P	...	SCREW- USED ON: 412A1310-53	201201	1
95	BACW10P168L	...	WASHER	001030 202967	1
95	BACW10P168L	...	WASHER	201201	1
100	BACW10AZ4	...	WASHER	001030 202967	1
100	BACW10AZ4	...	WASHER	201201	1
105	BRH10C4D	...	NUT SUPPLIER CODE: V52828 SPECIFICATION NUMBER: BACN10JC4CD OPTIONAL PART: T6C428JCD V11815 NS202486-048 V80539 102LH9075-4W V72962 H51650-4BAC V15653	001030 202967	1
105	BRH10C4D	...	NUT SUPPLIER CODE: V52828 SPECIFICATION NUMBER: BACN10JC4CD OPTIONAL PART: T6C428JCD V11815 NS202486-048 V80539 102LH9075-4W V72962 H51650-4BAC V15653	201201	1
110	412A1220-18	...	BRACKET ASSY	001030 202967	1
110	412A1220-18	...	BRACKET ASSY	201201	1
115	BACN10JP4ACD	NUTPLATE	001030 202967	1
115	BACN10JP4ACD	NUTPLATE	201201	1

MISSING ITEM NUMBERS NOT APPLICABLE

— ITEM NOT ILLUSTRATED

HAP

25-24-33-28

25-24-33
FIG. 28
PAGE 3
OCT 15/08

BOEING
737-600/700/800/900
PARTS CATALOG (MAINTENANCE)

FIG ITEM	PART NUMBER	1 2 3 4 5 6 7	NOMENCLATURE	EFFECT FROM TO	UNITS PER ASSY
28			ATTACHING PARTS		
- 120	BACR15BB3AD	RIVET- SIZE DETERMINED ON INSTL.	001030 202967	2
- 120	BACR15BB3AD	RIVET- SIZE DETERMINED ON INSTL.	201201	2
			-----*-----		
125	412A1220-17	BRACKET	001030 202967	1
125	412A1220-17	BRACKET	201201	1
130	412A1220-80	..	BRACKET	001030 202967	1
130	412A1220-80	..	BRACKET	201201	1
			ATTACHING PARTS		
- 135	BACS12FA3K4	..	SCREW	001030 202967	4
- 135	BACS12FA3K4	..	SCREW	201201	4
			-----*-----		
140	412A1310-601	..	CLIP-SEAL RTNR	001030 202967	1
140	412A1310-601	..	CLIP-SEAL RTNR	201201	1
145	412A1310-602	..	CLIP-SEAL RTNR	001030 202967	1
145	412A1310-602	..	CLIP-SEAL RTNR	201201	1
150	412A1310-603	..	CLIP-SEAL RTNR	001030 202967	1
150	412A1310-603	..	CLIP-SEAL RTNR	201201	1
155	412A1220-81	..	ANGLE	001030 202967	1
155	412A1220-81	..	ANGLE	201201	1
160	403A3210-17A	..	SEAL	001030 202967	1
160	403A3210-17A	..	SEAL	201201	1
165	403A3210-7A	..	SEAL ASSY- POSITION DATA: LH SIDE QUALIFIED I/W DATA: 403A3210-61B MUST REPLACE 403A3210-7A WHEN A MOUSEHOLE CONDITION EXISTS.	001030 201967	1
165	403A3210-61B	..	SEAL ASSY- POSITION DATA: LH SIDE QUALIFIED I/W DATA: 403A3210-61B MUST REPLACE 403A3210-7A WHEN A MOUSEHOLE CONDITION EXISTS.	001030 201967	1

MISSING ITEM NUMBERS NOT APPLICABLE

- ITEM NOT ILLUSTRATED

HAP

25-24-33-28

BOEING PROPRIETARY - Copyright © - Unpublished Work - See title page for details.

25-24-33
FIG. 28
PAGE 4
FEB 15/09

BOEING
737-600/700/800/900
PARTS CATALOG (MAINTENANCE)

FIG ITEM	PART NUMBER	1 2 3 4 5 6 7	NOMENCLATURE	EFFECT FROM TO	UNITS PER ASSY
28					
- 170	403A3210-8A	..	SEAL ASSY- POSITION DATA: RH SIDE QUALIFIED I/W DATA: 403A3210-62B MUST REPLACE 403A3210-8A WHEN A MOUSEHOLE CONDITION EXISTS.	001030 202967	1
- 170	403A3210-62B	..	SEAL ASSY- POSITION DATA: RH SIDE QUALIFIED I/W DATA: 403A3210-62B MUST REPLACE 403A3210-8A WHEN A MOUSEHOLE CONDITION EXISTS.	001030 202967	1
175	412A1450-12A	..	TRIM- POSITION DATA: LH SIDE	001030 201967	1
180	412A1450-14A	..	TRIM- POSITION DATA: LH SIDE	001030 201967	1
185	412A1450-16A	..	TRIM- POSITION DATA: LH SIDE	001030 201967	1
- 190	412A1450-11A	..	TRIM- POSITION DATA: RH SIDE	001030 202967	1
- 195	412A1450-13A	..	TRIM- POSITION DATA: RH SIDE	001030 202967	1
- 200	412A1450-15A	..	TRIM- POSITION DATA: RH SIDE	001030 202967	1
205	412A1325-1A	..	PANEL ASSY-CLOSEOUT	001030 202967	1
205	412A1325-1A	..	PANEL ASSY-CLOSEOUT	201201	1
210	412A1320-33A	..	PANEL ASSY- POSITION DATA: LH SIDE	001030 201967	1
- 215	412A1320-34A	..	PANEL ASSY- POSITION DATA: RH SIDE	001030 202967	1
- 220	SL618-3A	...	INSERT- SUPPLIER CODE: V97393	001030 202967	8
- 220	SL618-3A	...	INSERT- SUPPLIER CODE: V97393	201201	8

MISSING ITEM NUMBERS NOT APPLICABLE

- ITEM NOT ILLUSTRATED

HAP

25-24-33-28

25-24-33
FIG. 28
PAGE 5
FEB 15/09

BOEING
737-600/700/800/900
PARTS CATALOG (MAINTENANCE)

FIG ITEM	PART NUMBER	1 2 3 4 5 6 7	NOMENCLATURE	EFFECT FROM TO	UNITS PER ASSY
28					
225	BACS12FA3K8	.	SCREW	001030 202967	3
225	BACS12FA3K8	.	SCREW	201201	3
230	412A1471-1A	.	COVER ASSY- POSITION DATA: LH SIDE	001030 201967	1
- 235	412A1471-2A	.	COVER ASSY- POSITION DATA: RH SIDE	001030 202967	1
240	412A1220-19	..	CLIP	001030 202967	2
240	412A1220-19	..	CLIP	201201	2
245	412A1470-1A	..	COVER- POSITION DATA: LH SIDE	001030 201967	1
- 250	412A1470-2A	..	COVER- POSITION DATA: RH SIDE	001030 202967	1
255	412A1310-700	.	TAPE-VELCRO HOOK	001030 202967	AR
255	412A1310-700	.	TAPE-VELCRO HOOK	201201	AR
260	412A1310-701	.	TAPE-VELCRO LOOP	001030 202967	AR
260	412A1310-701	.	TAPE-VELCRO LOOP	201201	AR

MISSING ITEM NUMBERS NOT APPLICABLE

- ITEM NOT ILLUSTRATED

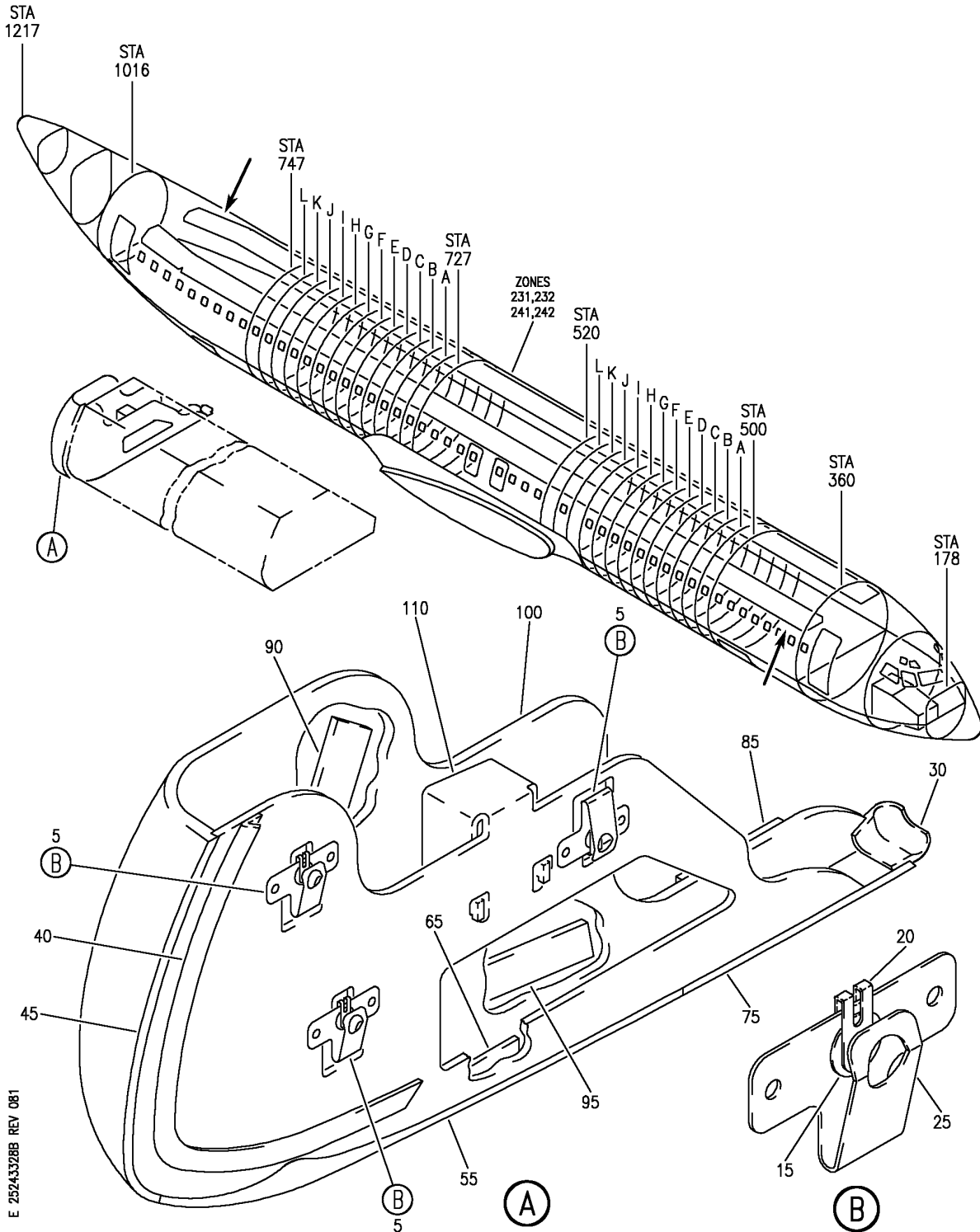
HAP

25-24-33-28

BOEING PROPRIETARY - Copyright © - Unpublished Work - See title page for details.

25-24-33
FIG. 28
PAGE 6
FEB 15/09

BOEING
 737-600/700/800/900
 PARTS CATALOG (MAINTENANCE)



E 25243328B REV 081

CAP ASSY-AFT LH 2.86 IN. WIDE BIG BIN END
 FIGURE 28B

25-24-33-28B

HAP
 OCT 10/06

25-24-33-28B
 PAGE 0

BOEING
737-600/700/800/900
PARTS CATALOG (MAINTENANCE)

FIG ITEM	PART NUMBER	1 2 3 4 5 6 7	NOMENCLATURE	EFFECT FROM TO	UNITS PER ASSY
28B			CAP ASSY-AFT LH 2.86 IN. WIDE BIG BIN END	031200 968999	
- 1	412N1372-105B		CAP ASSY-2.86 IN. WIDE BIG BIN END POSITION DATA: AFT LH FOR NHA SEE: 25-24-31-30B 25-24-31-30K	031200 968999	RF
	5 412A1220-235		.BRACKET ASSY-CLIP	031200 968999	3
- 10	BACS12FA3K5		ATTACHING PARTS .SCREW	031200 968999	6
	15 BACW10P6AL		-----*----- ..WASHER	031200 968999	1
	20 BRC600-10-3		..NUT SUPPLIER CODE: V52828 SPECIFICATION NUMBER: BACN10YD2 OPTIONAL PART: 130121 V60119	031200 968999	1
	25 412A1220-233		..BRACKET	031200 968999	1
	30 403A3210-61B		.SEAL ASSY- QUALIFIED I/W DATA: 403A3210-61B MUST REPLACE 403A3210-7A WHEN A MOUSEHOLE CONDITION EXISTS.	031200 968999	1
	40 403A3210-81B		.SEAL ASSY- OPTIONAL PART: 403A3210-82B	031200 968999	1
	40 403A3210-82B		.SEAL ASSY- OPTIONAL PART: 403A3210-81B	031200 968999	1
	45 412A1452-12B		.TRIM	031200 968999	1
	55 412A1452-14B		.TRIM	031200 968999	1
	65 412A1220-81		.ANGLE	031200 968999	1
	75 412A1450-16A		.TRIM	031200 968999	1
	85 412A1310-601		.CLIP	031200 968999	1

MISSING ITEM NUMBERS NOT APPLICABLE

- ITEM NOT ILLUSTRATED

HAP

25-24-33-28B

BOEING PROPRIETARY - Copyright © - Unpublished Work - See title page for details.

25-24-33
FIG. 28B
PAGE 1
FEB 15/09

BOEING
737-600/700/800/900
PARTS CATALOG (MAINTENANCE)

FIG ITEM	PART NUMBER	1 2 3 4 5 6 7	NOMENCLATURE	EFFECT FROM TO	UNITS PER ASSY
28B					
90	412A1310-602	.	CLIP	031200 968999	1
95	412A1310-603	.	CLIP	031200 968999	1
100	412N1382-105B	.	PANEL ASSY	031200 968999	1
110	412N1385-105B	.	PANEL ASSY	031200 968999	1

MISSING ITEM NUMBERS NOT APPLICABLE

— ITEM NOT ILLUSTRATED

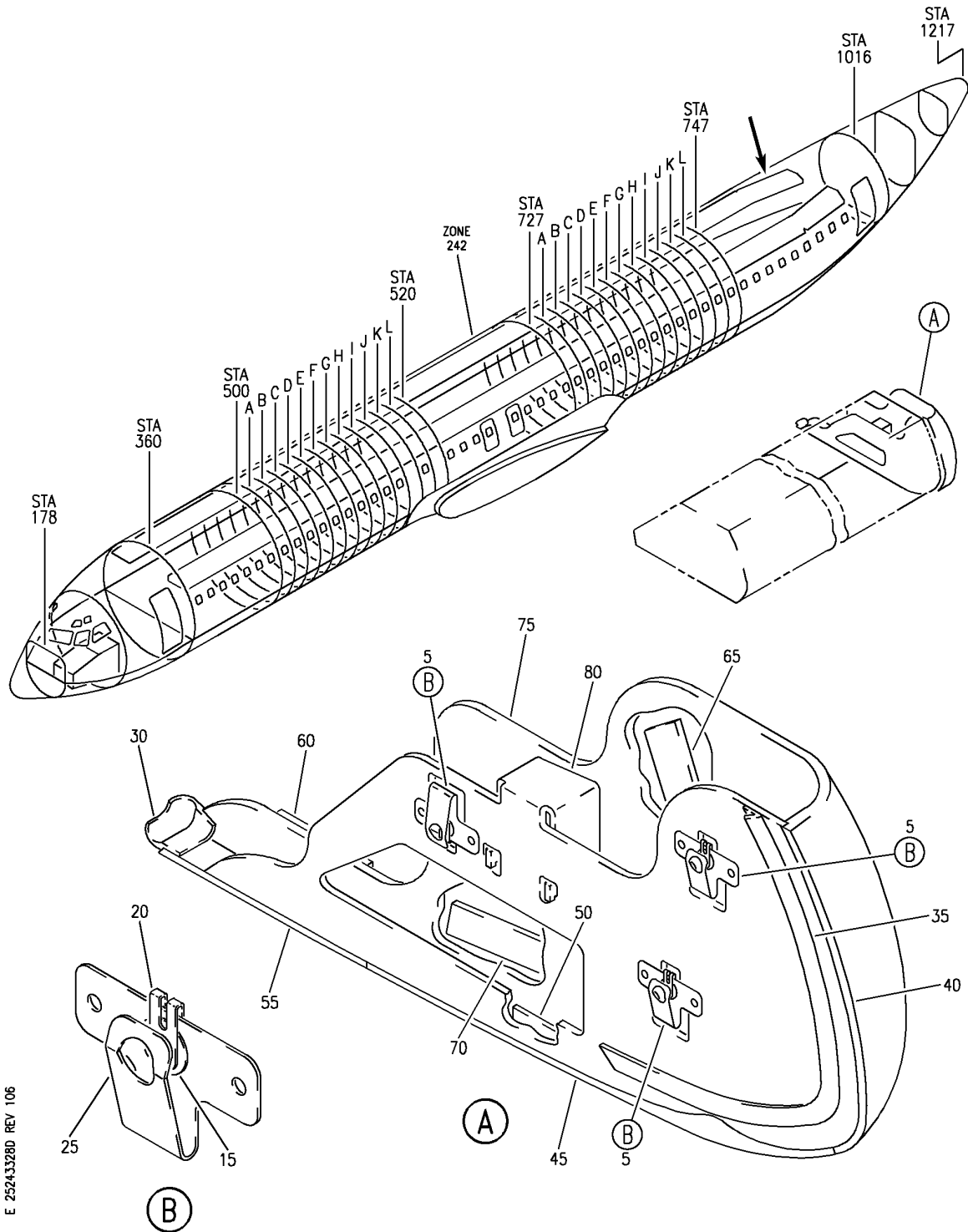
HAP

25-24-33-28B

BOEING PROPRIETARY - Copyright © - Unpublished Work - See title page for details.

25-24-33
FIG. 28B
PAGE 2
FEB 15/09

BOEING
 737-600/700/800/900
 PARTS CATALOG (MAINTENANCE)



E 2524-3328D REV 106

CAP ASSY-AFT RH 2.86 IN. WIDE BIG BIN END
 FIGURE 28D

25-24-33-28D

HAP
 OCT 10/06

25-24-33-28D
 PAGE 0

BOEING
737-600/700/800/900
PARTS CATALOG (MAINTENANCE)

FIG ITEM	PART NUMBER	1 2 3 4 5 6 7	NOMENCLATURE	EFFECT FROM TO	UNITS PER ASSY
28D					
- 1	412N1372-108B		CAP ASSY-AFT RH 2.86 IN. WIDE BIG BIN END CAP ASSY-2.86 IN. WIDE BIG BIN END POSITION DATA: AFT RH FOR NHA SEE: 25-24-31-30E 25-24-31-30F 25-24-31-30M 25-24-31-30P	031200 968999 031200 968999	RF
5	412A1220-235		.BRACKET ASSY-CLIP	031200 968999	3
- 10	BACS12FA3K5		ATTACHING PARTS .SCREW	031200 968999	6
15	BACW10P6AL		-----*----- ..WASHER	031200 968999	1
20	BRC600-10-3		..NUT SUPPLIER CODE: V52828 SPECIFICATION NUMBER: BACN10YD2 OPTIONAL PART: 130121 V60119	031200 968999	1
25	412A1220-233		..BRACKET	031200 968999	1
30	403A3210-62B		.SEAL ASSY- QUALIFIED I/W DATA: 403A3210-62B MUST REPLACE 403A3210-8A WHEN A MOUSEHOLE CONDITION EXISTS.	031200 968999	1
35	403A3210-82B		.SEAL ASSY- OPTIONAL PART: 403A3210-81B	031200 968999	1
35	403A3210-81B		.SEAL ASSY- OPTIONAL PART: 403A3210-82B	031200 968999	1
40	412A1452-11B		.TRIM- POSITION DATA: UPR	031200 968999	1
45	412A1452-13B		.TRIM- POSITION DATA: MID	031200 968999	1
50	412A1220-81		.ANGLE	031200 968999	1

MISSING ITEM NUMBERS NOT APPLICABLE

- ITEM NOT ILLUSTRATED

HAP

25-24-33-28D

BOEING PROPRIETARY - Copyright © - Unpublished Work - See title page for details.

25-24-33
FIG. 28D
PAGE 1
FEB 15/09

BOEING
737-600/700/800/900
PARTS CATALOG (MAINTENANCE)

FIG ITEM	PART NUMBER	1 2 3 4 5 6 7	NOMENCLATURE	EFFECT FROM TO	UNITS PER ASSY
28D					
55	412A1450-15A	.	TRIM	031200 968999	1
60	412A1310-601	.	CLIP	031200 968999	1
65	412A1310-602	.	CLIP	031200 968999	1
70	412A1310-603	.	CLIP	031200 968999	1
75	412N1382-108B	.	PANEL ASSY	031200 968999	1
80	412N1385-108B	.	PANEL ASSY	031200 968999	1

MISSING ITEM NUMBERS NOT APPLICABLE

— ITEM NOT ILLUSTRATED

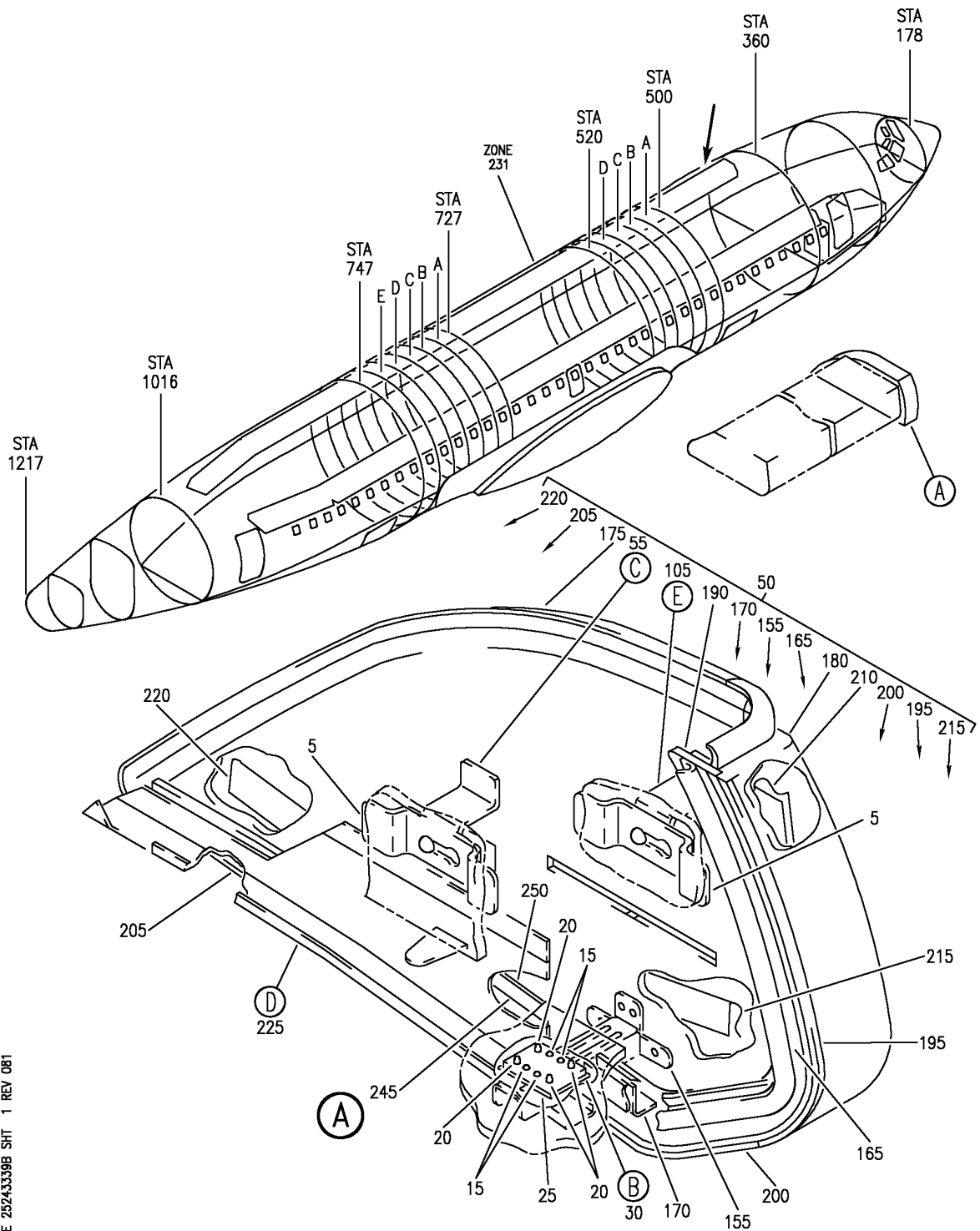
HAP

25-24-33-28D

BOEING PROPRIETARY - Copyright © - Unpublished Work - See title page for details.

25-24-33
FIG. 28D
PAGE 2
FEB 15/09

BOEING
 737-600/700/800/900
 PARTS CATALOG (MAINTENANCE)



E 25243339B SHT 1 REV 081

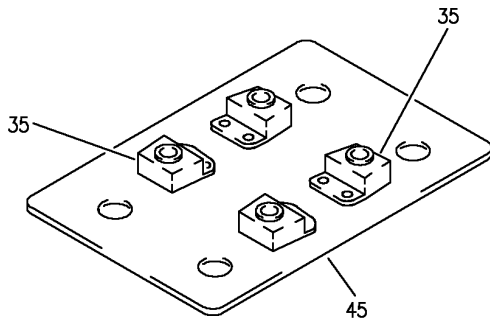
MOUNTING ASSY-3.92 IN. WIDE FWD RH END CAP
 FIGURE 39B (SHEET 1)

25-24-33-39B

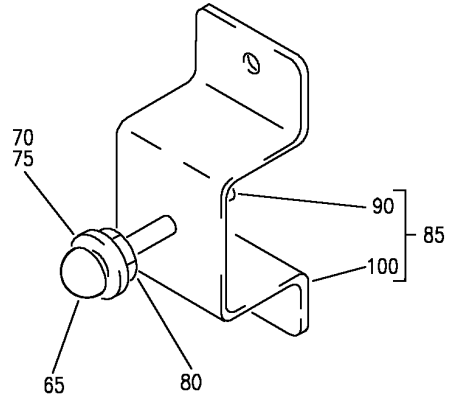
HAP
 OCT 15/08

25-24-33-39B
 PAGE 0

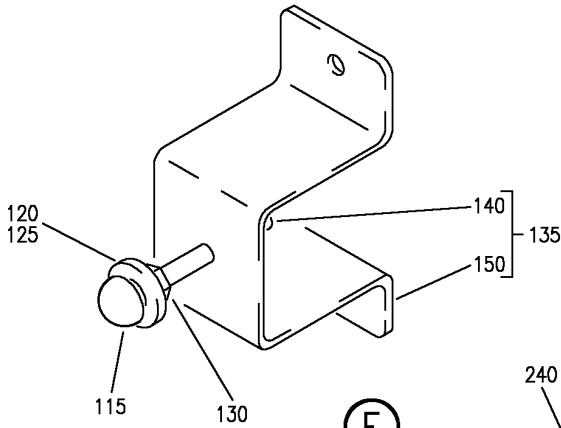
BOEING
 737-600/700/800/900
 PARTS CATALOG (MAINTENANCE)



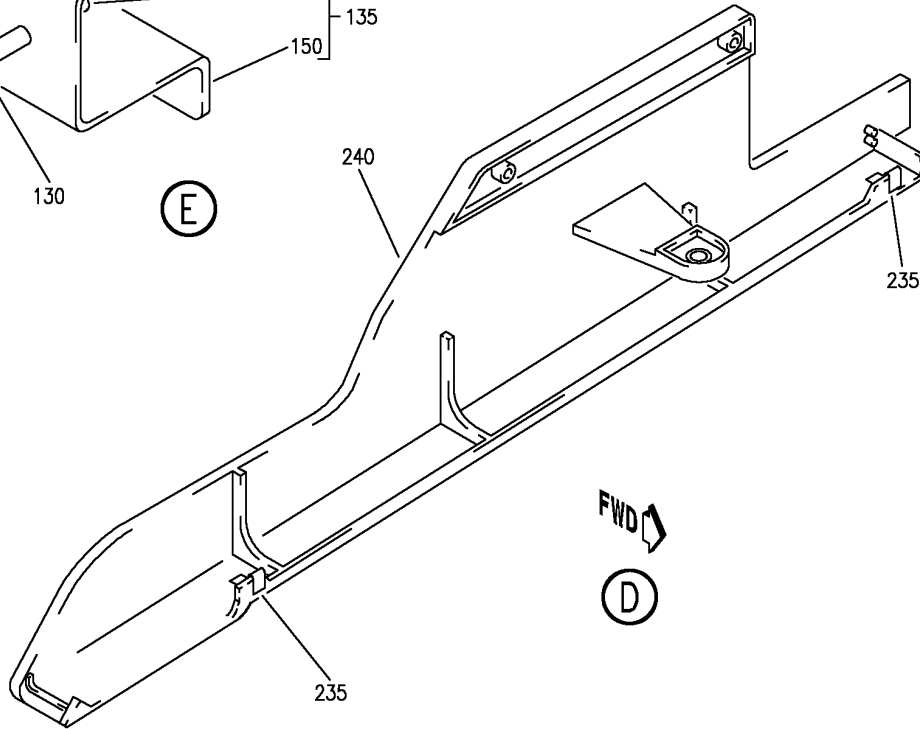
(B)



(C)



(E)



(D)

E 25243339B SHT 2 REV 081

MOUNTING ASSY-3.92 IN. WIDE FWD RH END CAP
 FIGURE 39B (SHEET 2)

25-24-33-39B

HAP
 OCT 15/08

25-24-33-39B
 PAGE 0A

BOEING
737-600/700/800/900
PARTS CATALOG (MAINTENANCE)

FIG ITEM	PART NUMBER	1 2 3 4 5 6 7	NOMENCLATURE	EFFECT FROM TO	UNITS PER ASSY
39B			MOUNTING ASSY-3.92 IN. WIDE FWD RH END CAP	201967	
- 1	412A1310-605SP		MOUNTING ASSY-3.92 IN. WIDE END CAP POSITION DATA: FWD LH FOR NHA SEE: 25-24-30-15B	201967	RF
5	412A1220-13		.BRACKET ATTACHING PARTS	201967	2
- 10	BACS12FA3K5		.SCREW -----*-----	201967	8
15	BACS12FA3K7		.SCREW	201967	4
20	BACS12FA3K11		.SCREW	201967	4
25	412A1330-1		.SPACER	201967	1
30	412A1220-48		.PLATE ASSY	201967	1
35	FS1651-3		..NUTPLATE SUPPLIER CODE: V15653 SPECIFICATION NUMBER: BACN10KH3CD OPTIONAL PART: 102F9209M3 V72962 NS202496-02 V80539 ATTACHING PARTS	201967	4
- 40	BACR15CE3D		..RIVET- SIZE DETERMINED ON INSTL. -----*-----	201967	8
45	412A1220-47		..PLATE	201967	1
50	412A1310-205A		.CAP ASSY-END	201967	1
55	412A1310-52		..BRACKET ASSY ATTACHING PARTS	201967	1
- 60	BACS12FA3K4		..SCREW -----*-----	201967	2
65	NAS604-28P		...SCREW	201967	1
70	BACW10P168L		...WASHER	201967	1
75	BACW10AZ4		...WASHER	201967	1

MISSING ITEM NUMBERS NOT APPLICABLE

- ITEM NOT ILLUSTRATED

HAP

25-24-33-39B

25-24-33
FIG. 39B
PAGE 1
OCT 15/08

BOEING
737-600/700/800/900
PARTS CATALOG (MAINTENANCE)

FIG ITEM	PART NUMBER	1 2 3 4 5 6 7	NOMENCLATURE	EFFECT FROM TO	UNITS PER ASSY
39B 80	BRH10C4D	...	NUT SUPPLIER CODE: V52828 SPECIFICATION NUMBER: BACN10JC4CD OPTIONAL PART: T6C428JCD V11815 NS202486-048 V80539 102LH9075-4W V72962 H51650-4BAC V15653	201967	1
85	412A1220-18	...	BRACKET ASSY	201967	1
90	BACN10JP4ACD	NUTPLATE ATTACHING PARTS	201967	1
- 95	BACR15BB3AD	RIVET- SIZE DETERMINED ON INSTL. -----*-----	201967	2
100	412A1220-17	BRACKET	201967	1
105	412A1310-51	..	BRACKET ASSY ATTACHING PARTS	201967	1
- 110	BACS12FA3K4	..	SCREW -----*-----	201967	2
115	NAS604-28P	...	SCREW	201967	1
120	BACW10P168L	...	WASHER	201967	1
125	BACW10AZ4	...	WASHER	201967	1
130	BRH10C4D	...	NUT SUPPLIER CODE: V52828 SPECIFICATION NUMBER: BACN10JC4CD OPTIONAL PART: T6C428JCD V11815 NS202486-048 V80539 102LH9075-4W V72962 H51650-4BAC V15653	201967	1
135	412A1220-15	...	BRACKET ASSY	201967	1
140	BACN10JP4ACD	NUTPLATE ATTACHING PARTS	201967	1
- 145	BACR15BB3AD	RIVET- SIZE DETERMINED ON INSTL. -----*-----	201967	2
150	412A1220-14	BRACKET	201967	1

MISSING ITEM NUMBERS NOT APPLICABLE

- ITEM NOT ILLUSTRATED

HAP

25-24-33-39B

BOEING PROPRIETARY - Copyright © - Unpublished Work - See title page for details.

25-24-33
FIG. 39B
PAGE 2
OCT 15/08

BOEING
737-600/700/800/900
PARTS CATALOG (MAINTENANCE)

FIG ITEM	PART NUMBER	1 2 3 4 5 6 7	NOMENCLATURE	EFFECT FROM TO	UNITS PER ASSY
39B					
155	412A1220-79		.. BRACKET ATTACHING PARTS	201967	1
- 160	BACS12FA3K4		.. SCREW -----*-----	201967	4
165	403A3210-17A		.. SEAL	201967	1
170	412A1220-82		.. ANGLE	201967	1
175	403A3210-9A		.. SEAL ASSY	201967	1
180	412A1320-105A		.. PANEL ASSY-END CAP	201967	1
- 185	SL618-3A		... INSERT- SUPPLIER CODE: V97393	201967	8
190	412A1325-1A		.. PANEL ASSY-CLOSEOUT	201967	1
195	412A1450-11A		.. TRIM-END CAP	201967	1
200	412A1450-13A		.. TRIM-END CAP	201967	1
205	412A1450-15A		.. TRIM-END CAP	201967	1
210	412A1310-603		.. CLIP-SEAL RTNR	201967	1
215	412A1310-602		.. CLIP-SEAL RTNR	201967	1
220	412A1310-601		.. CLIP-SEAL RTNR	201967	1
225	412A1471-2A		. COVER ASSY ATTACHING PARTS	201967	1
- 230	BACS12FA3K8		. SCREW -----*-----	201967	3
235	412A1220-19		.. CLIP	201967	2
240	412A1470-2SP		.. COVER	201967	1
245	412A1310-700		. TAPE-VELCRO HOOK	201967	AR
250	412A1310-701		. TAPE-VELCRO LOOP	201967	AR

MISSING ITEM NUMBERS NOT APPLICABLE

- ITEM NOT ILLUSTRATED

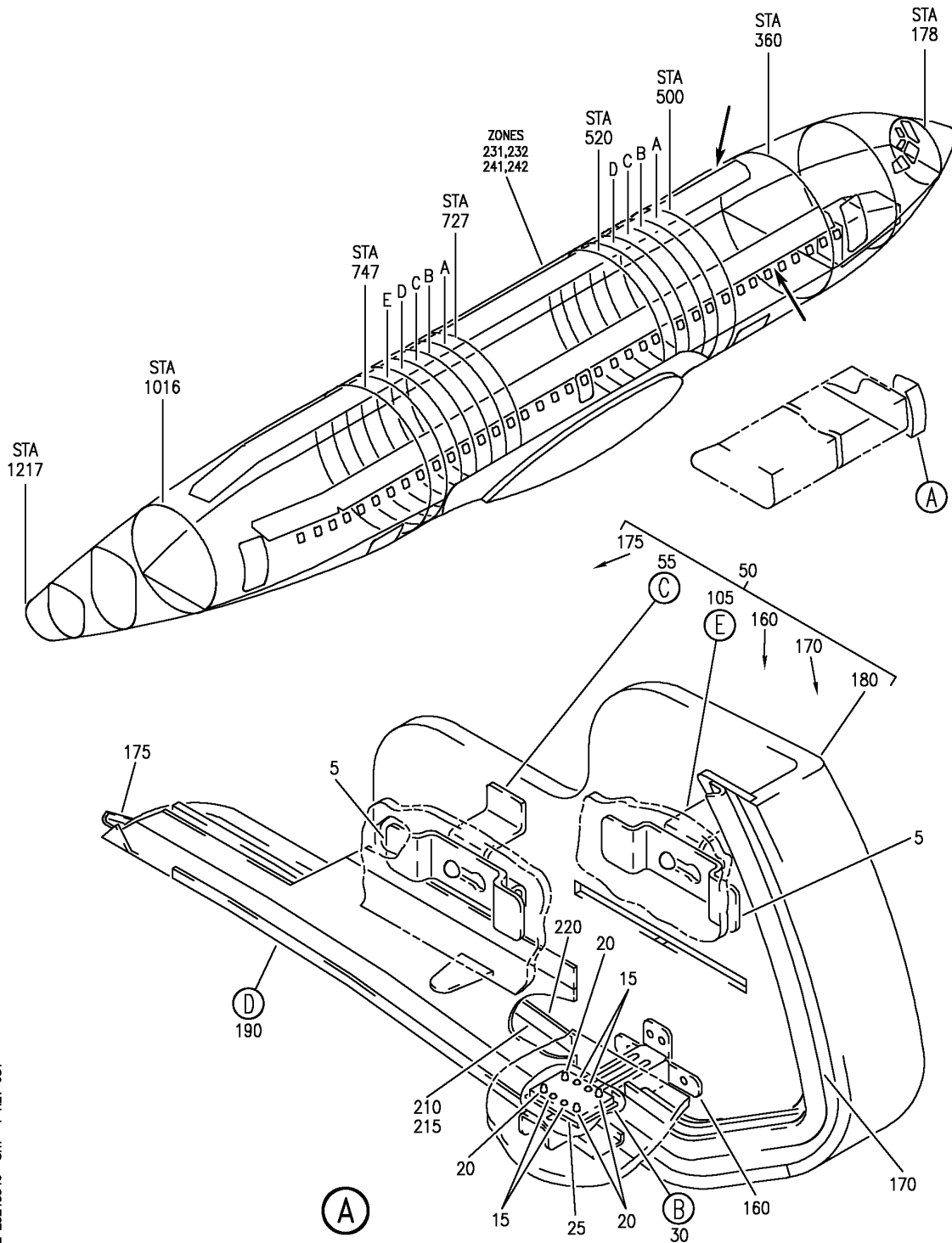
HAP

25-24-33-39B

BOEING PROPRIETARY - Copyright © - Unpublished Work - See title page for details.

25-24-33
FIG. 39B
PAGE 3
OCT 15/08

BOEING
 737-600/700/800/900
 PARTS CATALOG (MAINTENANCE)



E 25243340 SH1 1 REV 081

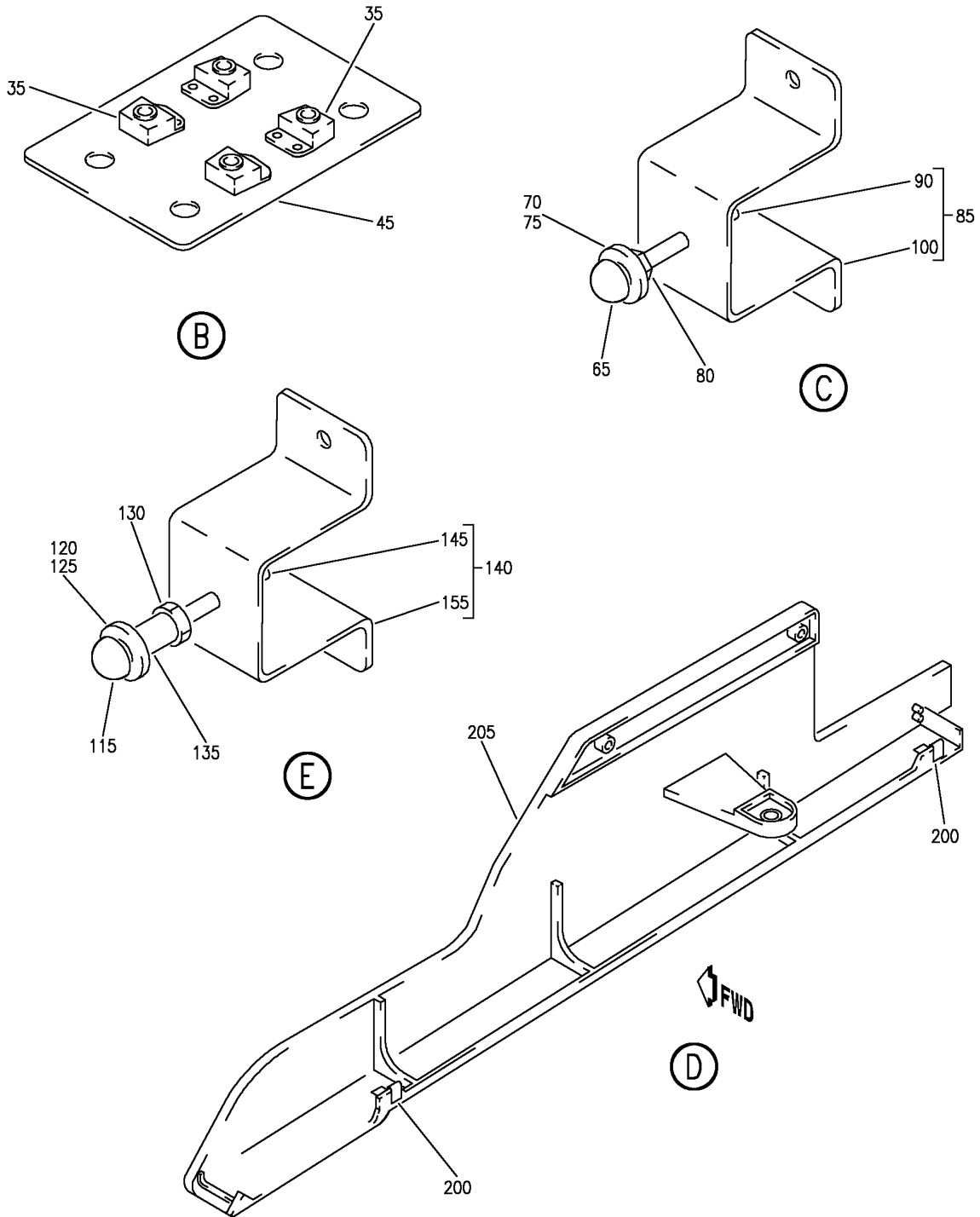
MOUNTING ASSY-FWD LH END CAP 4.41 IN. WIDE
 FIGURE 40 (SHEET 1)

25-24-33-40

HAP
 OCT 10/06

25-24-33-40
 PAGE 0

BOEING
 737-600/700/800/900
 PARTS CATALOG (MAINTENANCE)



E 25243340 SH1 2 REV 081

MOUNTING ASSY-FWD LH END CAP 4.41 IN. WIDE
 FIGURE 40 (SHEET 2)

25-24-33-40

HAP
 OCT 10/06

25-24-33-40
 PAGE 0A

BOEING
737-600/700/800/900
PARTS CATALOG (MAINTENANCE)

FIG ITEM	PART NUMBER	1 2 3 4 5 6 7	NOMENCLATURE	EFFECT FROM TO	UNITS PER ASSY
40			MOUNTING ASSY-FWD LH END CAP 4.41 IN. WIDE	001007	
- 1	412A1310-309SP		MOUNTING ASSY-END CAP 4.41 IN. WIDE POSITION DATA: FWD LH PRE SERVICE BULLETIN: 25-1360 FOR NHA SEE: 25-24-30-11E 25-24-30-17A	001007	RF
5	412A1220-13		.BRACKET ATTACHING PARTS	001007	2
- 10	BACS12FA3K5		.SCREW -----*-----	001007	8
15	BACS12FA3K7		.SCREW	001007	4
20	BACS12FA3K11		.SCREW	001007	4
25	412A1330-1		.SPACER	001007	1
30	412A1220-48		.PLATE ASSY	001007	1
35	FS1651-3		..NUTPLATE SUPPLIER CODE: V15653 SPECIFICATION NUMBER: BACN10KH3CD OPTIONAL PART: 102F9209M3 V72962 NS202496-02 V80539 ATTACHING PARTS	001007	4
- 40	BACR15CE3D		..RIVET- SIZE DETERMINED ON INSTL. -----*-----	001007	8
45	412A1220-47		..PLATE	001007	1
50	412A1310-9SP		.END CAP ASSY-	001007	1
55	412A1310-51		..BRACKET ASSY ATTACHING PARTS	001007	1
- 60	BACS12FA3K4		..SCREW -----*-----	001007	2
65	NAS604-28P		...SCREW	001007	1
70	BACW10P168L		...WASHER	001007	1
75	BACW10AZ4		...WASHER	001007	1

MISSING ITEM NUMBERS NOT APPLICABLE

- ITEM NOT ILLUSTRATED

HAP

25-24-33-40

BOEING PROPRIETARY - Copyright © - Unpublished Work - See title page for details.

25-24-33
FIG. 40
PAGE 1
OCT 10/06

BOEING
737-600/700/800/900
PARTS CATALOG (MAINTENANCE)

FIG ITEM	PART NUMBER	1 2 3 4 5 6 7	NOMENCLATURE	EFFECT FROM TO	UNITS PER ASSY
40					
80	BRH10C4D	...	NUT SUPPLIER CODE: V52828 SPECIFICATION NUMBER: BACN10JC4CD OPTIONAL PART: T6C428JCD V11815 NS202486-048 V80539 102LH9075-4W V72962 H51650-4BAC V15653	001007	1
85	412A1220-15	...	BRACKET ASSY	001007	1
90	BACN10JP4ACD	NUTPLATE ATTACHING PARTS	001007	1
- 95	BACR15BB3AD	RIVET- SIZE DETERMINED ON INSTL. -----*-----	001007	2
100	412A1220-14	BRACKET	001007	1
105	412A1310-50	..	BRACKET ASSY ATTACHING PARTS	001007	1
- 110	BACS12FA3K4	..	SCREW -----*-----	001007	2
115	NAS604-36P	...	SCREW	001007	1
120	BACW10P168L	...	WASHER	001007	1
125	BACW10AZ4	...	WASHER	001007	1
130	BRH10C4D	...	NUT SUPPLIER CODE: V52828 SPECIFICATION NUMBER: BACN10JC4CD OPTIONAL PART: T6C428JCD V11815 NS202486-048 V80539 102LH9075-4W V72962 H51650-4BAC V15653	001007	1
135	BACB28AK04-045	...	BUSHING	001007	1
140	412A1220-15	...	BRACKET ASSY	001007	1
145	BACN10JP4ACD	NUTPLATE ATTACHING PARTS	001007	1
- 150	BACR15BB3AD	RIVET- SIZE DETERMINED ON INSTL. -----*-----	001007	2

MISSING ITEM NUMBERS NOT APPLICABLE

- ITEM NOT ILLUSTRATED

HAP

25-24-33-40

BOEING PROPRIETARY - Copyright © - Unpublished Work - See title page for details.

25-24-33
FIG. 40
PAGE 2
OCT 10/06

BOEING
737-600/700/800/900
PARTS CATALOG (MAINTENANCE)

FIG ITEM	PART NUMBER	1 2 3 4 5 6 7	NOMENCLATURE	EFFECT FROM TO	UNITS PER ASSY
40					
155	412A1220-14	BRACKET	001007	1
160	412A1220-79	..	BRACKET	001007	1
			ATTACHING PARTS		
- 165	BACS12FA3K4	..	SCREW	001007	4
		-----*			
170	403A3210-17SP	..	SEAL-	001007	1
175	403A3210-8SP	..	SEAL ASSY-	001007	1
			OPTIONAL PART:		
			403A3210-62SP		
175	403A3210-62SP	..	SEAL ASSY-	001007	1
			OPTIONAL PART:		
			403A3210-8SP		
180	412A1320-9SP	..	PANEL ASSY-	001007	1
- 185	SL618-3A	...	INSERT-	001007	8
			SUPPLIER CODE:		
			V97393		
190	412A1471-2SP	.	COVER ASSY-	001007	1
			ATTACHING PARTS		
- 195	BACS12FA3K8	.	SCREW	001007	3
		-----*			
200	412A1220-19	..	CLIP	001007	2
205	412A1470-2SP	..	COVER-	001007	1
210	412A1310-700	.	TAPE-VELCRO HOOK	001007	1
215	412A1310-700	.	TAPE-VELCRO HOOK	001007	AR
220	412A1310-701	.	TAPE-VELCRO LOOP	001007	AR

MISSING ITEM NUMBERS NOT APPLICABLE

- ITEM NOT ILLUSTRATED

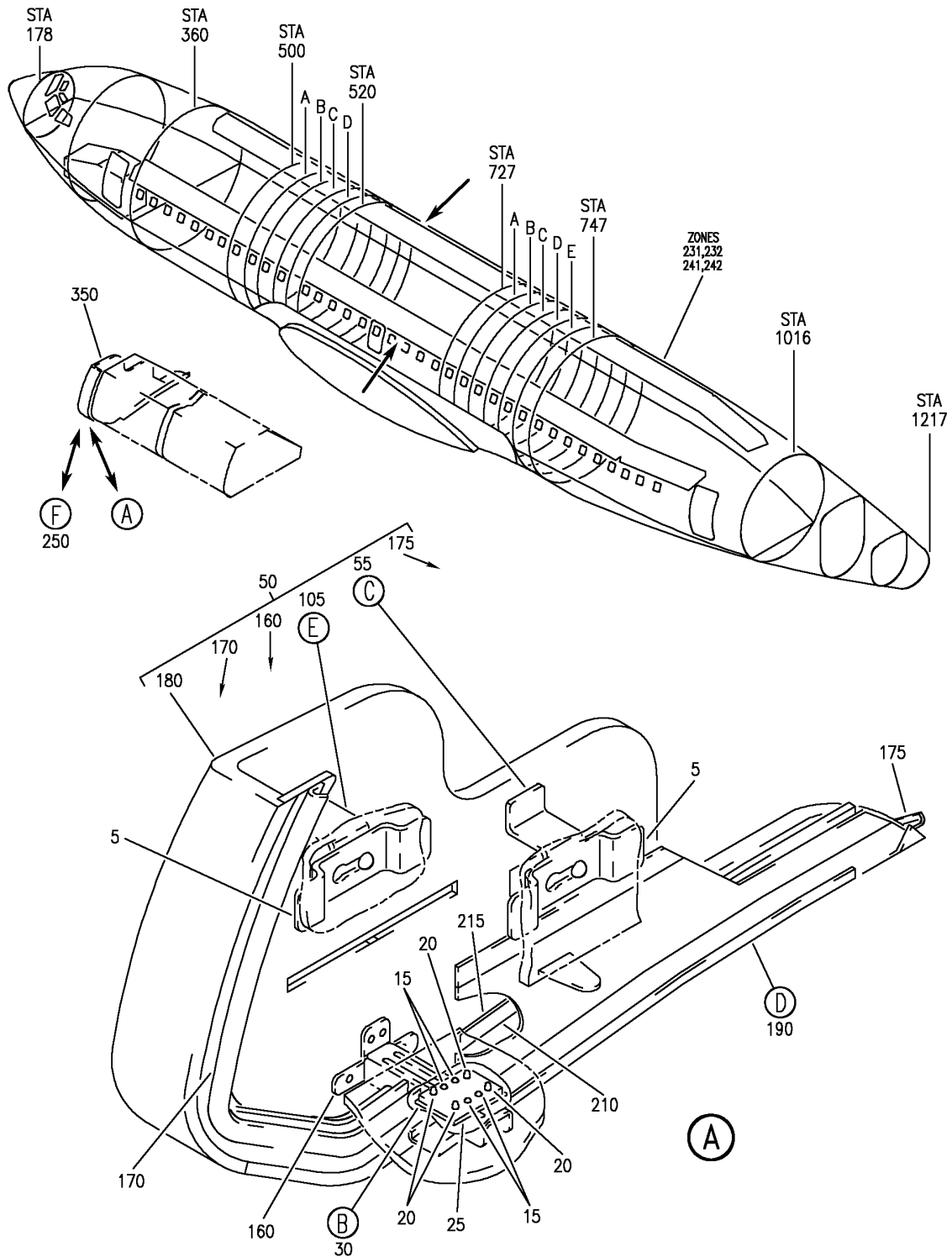
HAP

25-24-33-40

BOEING PROPRIETARY - Copyright © - Unpublished Work - See title page for details.

25-24-33
FIG. 40
PAGE 3
OCT 10/06

BOEING
737-600/700/800/900
PARTS CATALOG (MAINTENANCE)



E 25243340A SHT 1 REV 081

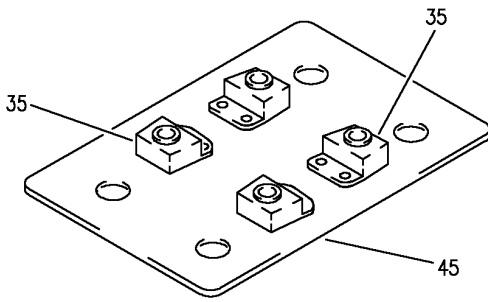
MOUNTING ASSY-4.41 IN. FWD RH WIDE END CAP
 FIGURE 40A (SHEET 1)

25-24-33-40A

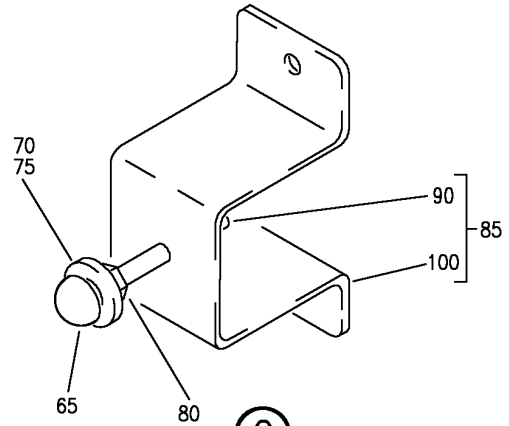
HAP
 OCT 10/06

25-24-33-40A
 PAGE 0

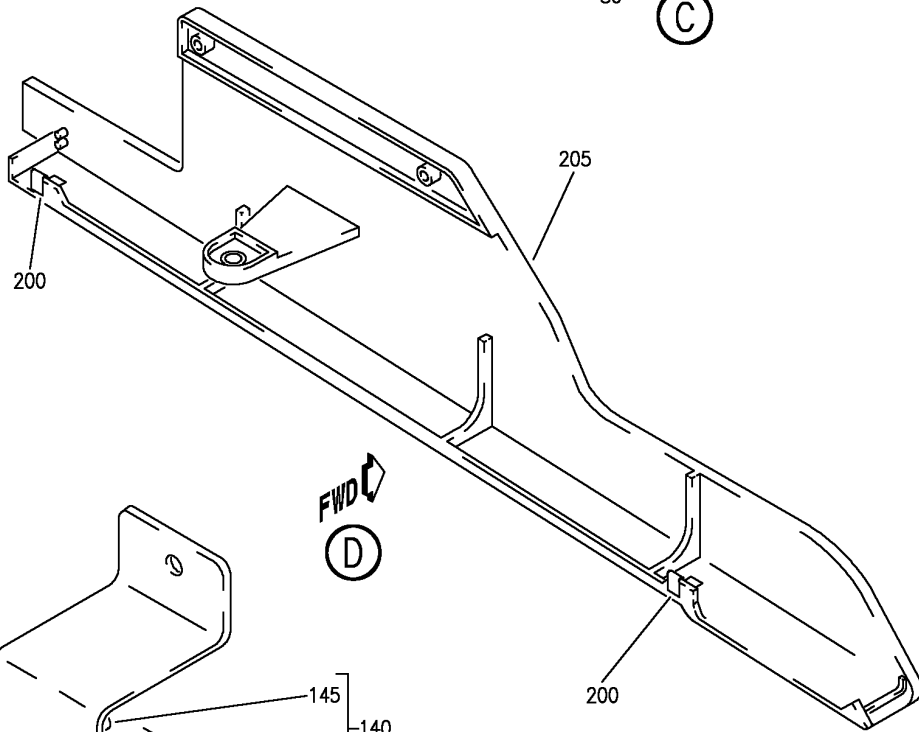
BOEING
 737-600/700/800/900
 PARTS CATALOG (MAINTENANCE)



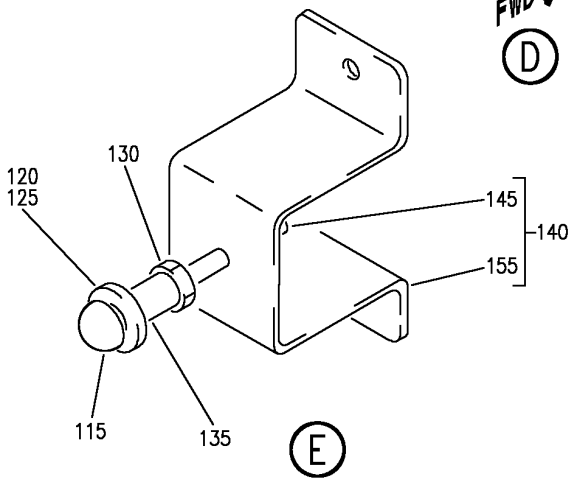
(B)



(C)



FWD
 (D)



(E)

E 25243340A SHT 2 REV 081

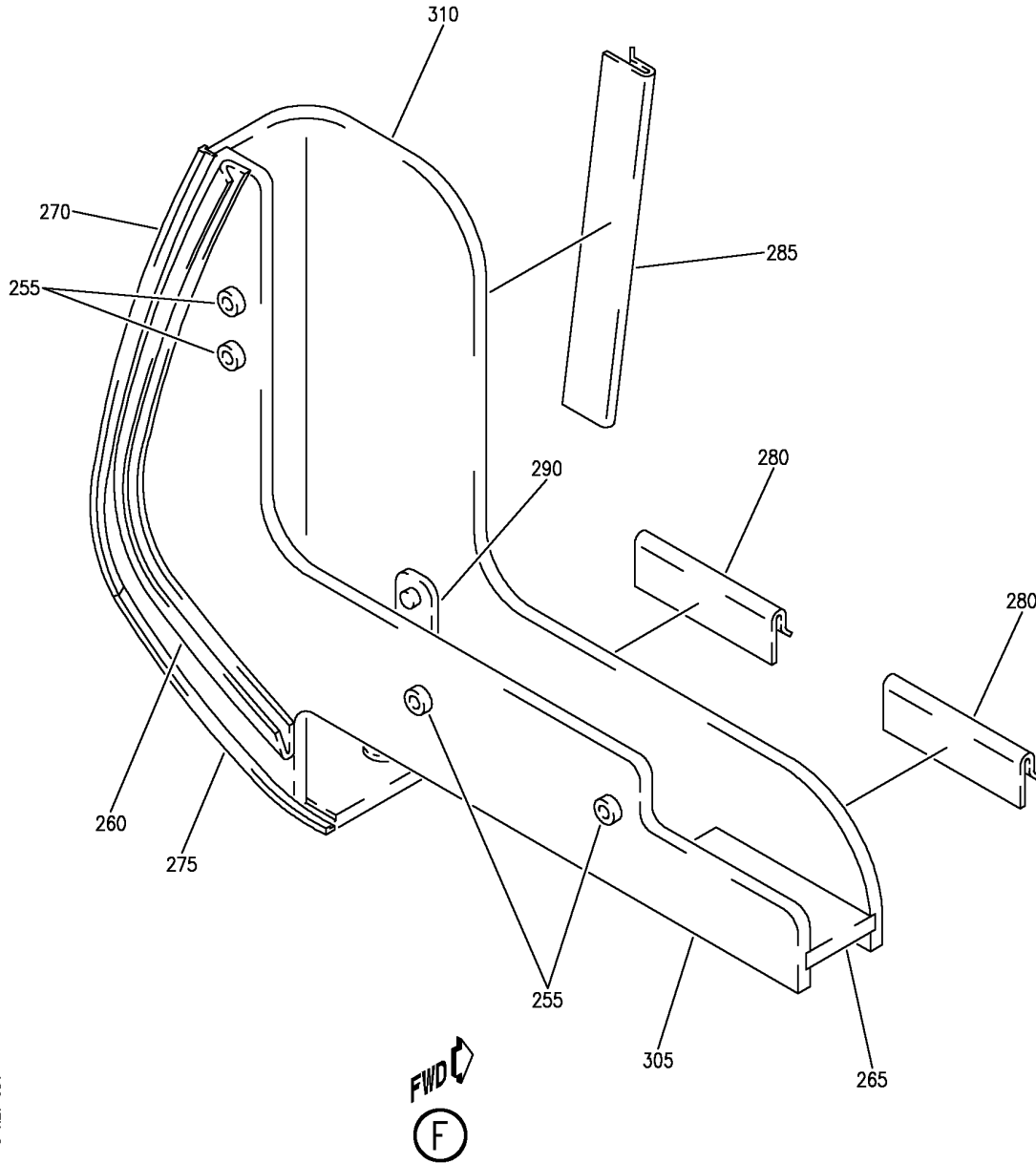
MOUNTING ASSY-4.41 IN. FWD RH WIDE END CAP
 FIGURE 40A (SHEET 2)

25-24-33-40A

HAP
 OCT 10/06

25-24-33-40A
 PAGE 0A

BOEING
 737-600/700/800/900
 PARTS CATALOG (MAINTENANCE)



E 25243340A SHT 3 REV 081

MOUNTING ASSY-4.41 IN. FWD RH WIDE END CAP
 FIGURE 40A (SHEET 3)

25-24-33-40A

HAP
 OCT 10/06

25-24-33-40A
 PAGE 0B

BOEING
737-600/700/800/900
PARTS CATALOG (MAINTENANCE)

FIG ITEM	PART NUMBER	1 2 3 4 5 6 7	NOMENCLATURE	EFFECT FROM TO	UNITS PER ASSY
40A			MOUNTING ASSY-4.41 IN. FWD RH WIDE END CAP	001007 201967	
- 1	412A1310-310SP		MOUNTING ASSY-4.41 IN. WIDE END CAP POSITION DATA: FWD RH PRE SERVICE BULLETIN: 25-1360 FOR NHA SEE: 25-24-30-22 25-24-30-24B 25-24-30-27	001007 201967	RF
	5 412A1220-13		.BRACKET-	001007 201967	2
- 10	BACS12FA3K5		ATTACHING PARTS .SCREW-	001007 201967	8
	15 BACS12FA3K7		-----*----- .SCREW-	001007 201967	4
	20 BACS12FA3K11		.SCREW-	001007 201967	4
	25 412A1330-2		.SPACER-	001007 201967	1
	30 412A1220-48		.PLATE ASSY-	001007 201967	1
	35 FS1651-3		..NUTPLATE SUPPLIER CODE: V15653 SPECIFICATION NUMBER: BACN10KH3CD OPTIONAL PART: 102F9209M3 V72962 NS202496-02 V80539 ATTACHING PARTS	001007 201967	4
- 40	BACR15CE3D		..RIVET- SIZE DETERMINED ON INSTL. -----*-----	001007 201967	8
	45 412A1220-47		..PLATE	001007 201967	1
	50 412A1310-10A		.END CAP ASSY-	001007 201967	1
	55 412A1310-51		..BRACKET ASSY	001007 201967	1

MISSING ITEM NUMBERS NOT APPLICABLE

- ITEM NOT ILLUSTRATED

HAP

25-24-33-40A

BOEING PROPRIETARY - Copyright © - Unpublished Work - See title page for details.

25-24-33
FIG. 40A
PAGE 1
OCT 15/08

BOEING
737-600/700/800/900
PARTS CATALOG (MAINTENANCE)

FIG ITEM	PART NUMBER	1 2 3 4 5 6 7	NOMENCLATURE	EFFECT FROM TO	UNITS PER ASSY
40A			ATTACHING PARTS		
- 60	BACS12FA3K4	..	SCREW	001007 201967	2
			-----*-----		
65	NAS604-28P	...	SCREW	001007 201967	1
70	BACW10P168L	...	WASHER	001007 201967	1
75	BACW10AZ4	...	WASHER	001007 201967	1
80	BRH10C4D	...	NUT	001007 201967	1
			SUPPLIER CODE: V52828		
			SPECIFICATION NUMBER: BACN10JC4CD		
			OPTIONAL PART: T6C428JCD		
			V11815		
			NS202486-048		
			V80539		
			102LH9075-4W		
			V72962		
			H51650-4BAC		
			V15653		
85	412A1220-15	...	BRACKET ASSY	001007 201967	1
90	BACN10JP4ACD	NUTPLATE	001007 201967	1
			ATTACHING PARTS		
- 95	BACR15BB3AD	RIVET-	001007	2
			SIZE DETERMINED ON INSTL.	201967	
			-----*-----		
100	412A1220-14	BRACKET	001007 201967	1
105	412A1310-50	..	BRACKET ASSY	001007 201967	1
			ATTACHING PARTS		
- 110	BACS12FA3K4	..	SCREW	001007 201967	2
			-----*-----		
115	NAS604-36P	...	SCREW	001007 201967	1
120	BACW10P168L	...	WASHER	001007 201967	1
125	BACW10AZ4	...	WASHER	001007 201967	1

MISSING ITEM NUMBERS NOT APPLICABLE

- ITEM NOT ILLUSTRATED

HAP

25-24-33-40A

BOEING PROPRIETARY - Copyright © - Unpublished Work - See title page for details.

25-24-33
FIG. 40A
PAGE 2
OCT 15/08

BOEING
737-600/700/800/900
PARTS CATALOG (MAINTENANCE)

FIG ITEM	PART NUMBER	1 2 3 4 5 6 7	NOMENCLATURE	EFFECT FROM TO	UNITS PER ASSY
40A 130	BRH10C4D	...	NUT SUPPLIER CODE: V52828 SPECIFICATION NUMBER: BACN10JC4CD OPTIONAL PART: T6C428JCD V11815 NS202486-048 V80539 102LH9075-4W V72962 H51650-4BAC V15653	001007 201967	1
135	BACB28AK04-045	...	BUSHING	001007 201967	1
140	412A1220-15	...	BRACKET ASSY	001007 201967	1
145	BACN10JP4ACD	NUTPLATE	001007 201967	1
- 150	BACR15BB3AD	ATTACHING PARTS RIVET- SIZE DETERMINED ON INSTL. -----*-----	001007 201967	2
155	412A1220-14	BRACKET	001007 201967	1
160	412A1220-79	..	BRACKET	001007 201967	1
- 165	BACS12FA3K4	..	ATTACHING PARTS SCREW -----*-----	001007 201967	4
170	403A3210-17A	..	SEAL	001007 201967	1
175	403A3210-7A	..	SEAL ASSY- QUALIFIED I/W DATA: 403A3210-61B MUST REPLACE 403A3210-7A WHEN A MOUSEHOLE CONDITION EXISTS.	001007 201967	1
175	403A3210-61B	..	SEAL ASSY- QUALIFIED I/W DATA: 403A3210-61B MUST REPLACE 403A3210-7A WHEN A MOUSEHOLE CONDITION EXISTS.	001007 201967	1
180	412A1320-10A	..	PANEL ASSY	001007 201967	1

MISSING ITEM NUMBERS NOT APPLICABLE

- ITEM NOT ILLUSTRATED

HAP

25-24-33-40A

BOEING PROPRIETARY - Copyright © - Unpublished Work - See title page for details.

25-24-33
FIG. 40A
PAGE 3
FEB 15/09

BOEING
737-600/700/800/900
PARTS CATALOG (MAINTENANCE)

FIG ITEM	PART NUMBER	1 2 3 4 5 6 7	NOMENCLATURE	EFFECT FROM TO	UNITS PER ASSY
40A - 185	SL618-3A		...INSERT- SUPPLIER CODE: V97393	001007 201967	8
190	412A1471-1SP		.COVER ASSY-	001007 201967	1
- 195	BACS12FA3K8		ATTACHING PARTS .SCREW-	001007 201967	3
200	412A1220-19		-----*----- ..CLIP	001007 201967	2
205	412A1470-1SP		..COVER	001007 201967	1
210	412A1310-700		.TAPE-VELCRO HOOK	001007 201967	AR
215	412A1310-701		.TAPE-VELCRO LOOP	001007 201967	AR

MISSING ITEM NUMBERS NOT APPLICABLE

- ITEM NOT ILLUSTRATED

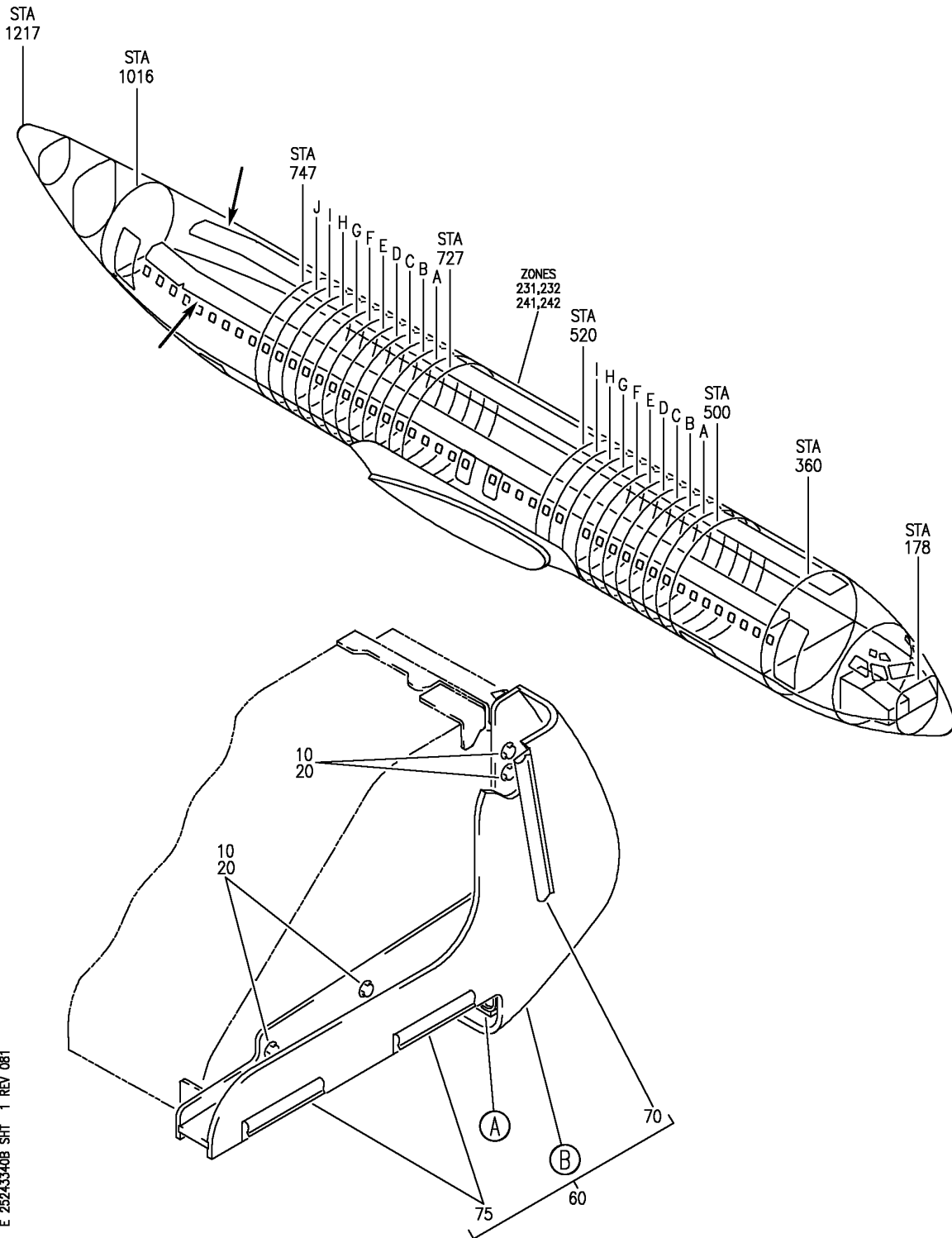
HAP

25-24-33-40A

BOEING PROPRIETARY - Copyright © - Unpublished Work - See title page for details.

25-24-33
FIG. 40A
PAGE 4
FEB 15/09

BOEING
 737-600/700/800/900
 PARTS CATALOG (MAINTENANCE)



E 25243340B SHT 1 REV 081

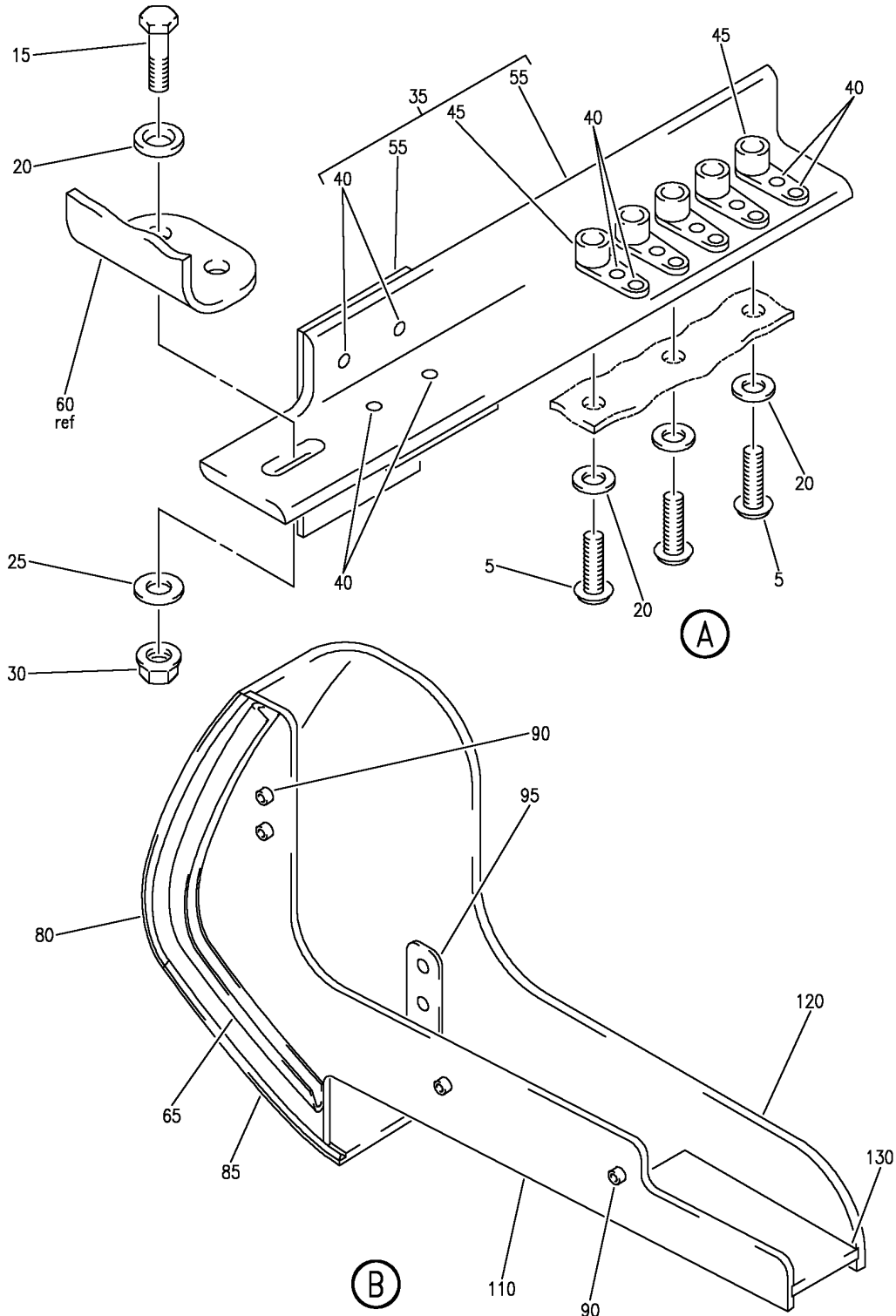
MOUNTING ASSY-4.41 IN. FWD RH WIDE END CAP
 FIGURE 40B (SHEET 1)

25-24-33-40B

HAP
 OCT 10/06

25-24-33-40B
 PAGE 0

BOEING
 737-600/700/800/900
 PARTS CATALOG (MAINTENANCE)



E 25243340B SHT 2 REV 081

MOUNTING ASSY-4.41 IN. FWD RH WIDE END CAP
 FIGURE 40B (SHEET 2)

25-24-33-40B

HAP
 OCT 10/06

25-24-33-40B
 PAGE 0A

BOEING
737-600/700/800/900
PARTS CATALOG (MAINTENANCE)

FIG ITEM	PART NUMBER	1 2 3 4 5 6 7	NOMENCLATURE	EFFECT FROM TO	UNITS PER ASSY
40B			MOUNTING ASSY-4.41 IN. FWD RH WIDE END CAP	001030	
- 1	412A1310-362SP		MOUNTING ASSY-4.41 IN. WIDE END CAP POSITION DATA: FWD RH POST SERVICE BULLETIN: 25-1360 FOR NHA SEE: 25-24-30-22 25-24-30-24B	001030	RF
- 5	BACS12FA3K10		.SCREW- OPTIONAL PART: BACS12FA3K10BK	001030	3
	5 BACS12FA3K10BK		.SCREW- OPTIONAL PART: BACS12FA3K10	001030	3
	10 BACB30NM3K9		.BOLT-	001030	4
	15 BACB30NM3K6		.BOLT-	001030	1
	20 BACW10BN3AC		.WASHER-	001030	8
	25 NAS1149D0363J		.WASHER-	001030	1
	30 PLH53CD		.NUT- SUPPLIER CODE: VF0224 SPECIFICATION NUMBER: BACN10YR3CD OPTIONAL PART: H52732-3CD V15653	001030	1
	35 412A1230-170		.FITTING ASSY-SPRT	001030	1
	40 BACR15BA3ADC		..RIVET- SIZE DETERMINED ON INSTL.	001030	14
	45 T8077S1032		..NUTPLATE- SUPPLIER CODE: V11815 SPECIFICATION NUMBER: BACN10JP3B OPTIONAL PART: MK2000-3BAC V15653 NS103198-02 V80539 RMA9207-3 V72962 VN201A1-02 V92215 BRM100A3 V52828	001030	5
	50 412A1230-168		..FITTING-SPRT	001030	1

MISSING ITEM NUMBERS NOT APPLICABLE

- ITEM NOT ILLUSTRATED

HAP

25-24-33-40B

BOEING PROPRIETARY - Copyright © - Unpublished Work - See title page for details.

25-24-33
FIG. 40B
PAGE 1
FEB 15/09

BOEING
737-600/700/800/900
PARTS CATALOG (MAINTENANCE)

FIG ITEM	PART NUMBER	1 2 3 4 5 6 7	NOMENCLATURE	EFFECT FROM TO	UNITS PER ASSY
40B					
55	412A1230-166	..	FITTING-SPRT	001030	1
60	412A1310-62SP	..	END CAP-PNL	001030	1
65	403A3210-17SP	..	SEAL-CLOSEOUT	001030	1
70	412A1310-602	..	CLIP-SEAL RTNR	001030	1
75	412A1310-601	..	CLIP-SEAL RTNR	001030	2
80	412A1450-12SP	..	TRIM-	001030	1
85	412A1450-14SP	..	END CAP-TRIM	001030	1
90	BACS18K25-16W	..	SPACER	001030	4
95	412A1220-168	..	BRACKET-SPRT	001030	1
			ATTACHING PARTS		
- 100	BACS12FA3K5	..	SCREW	001030	2
- 105	BACW10BN3AC	..	WASHER	001030	2
			-----*-----		
110	412A1325-4SP	..	PANEL ASSY-CLOSEOUT	001030	1
- 115	BCREF128023	...	INSERT-	001030	4
			SUPPLIER CODE: V97393		
			OVERLENGTH PART NUMBER: SL603-3-375ASP13		
120	412A1320-62SP	..	PANEL ASSY-	001030	1
- 125	SL618-3A	...	INSERT-	001030	2
			SUPPLIER CODE: V97393		

MISSING ITEM NUMBERS NOT APPLICABLE

- ITEM NOT ILLUSTRATED

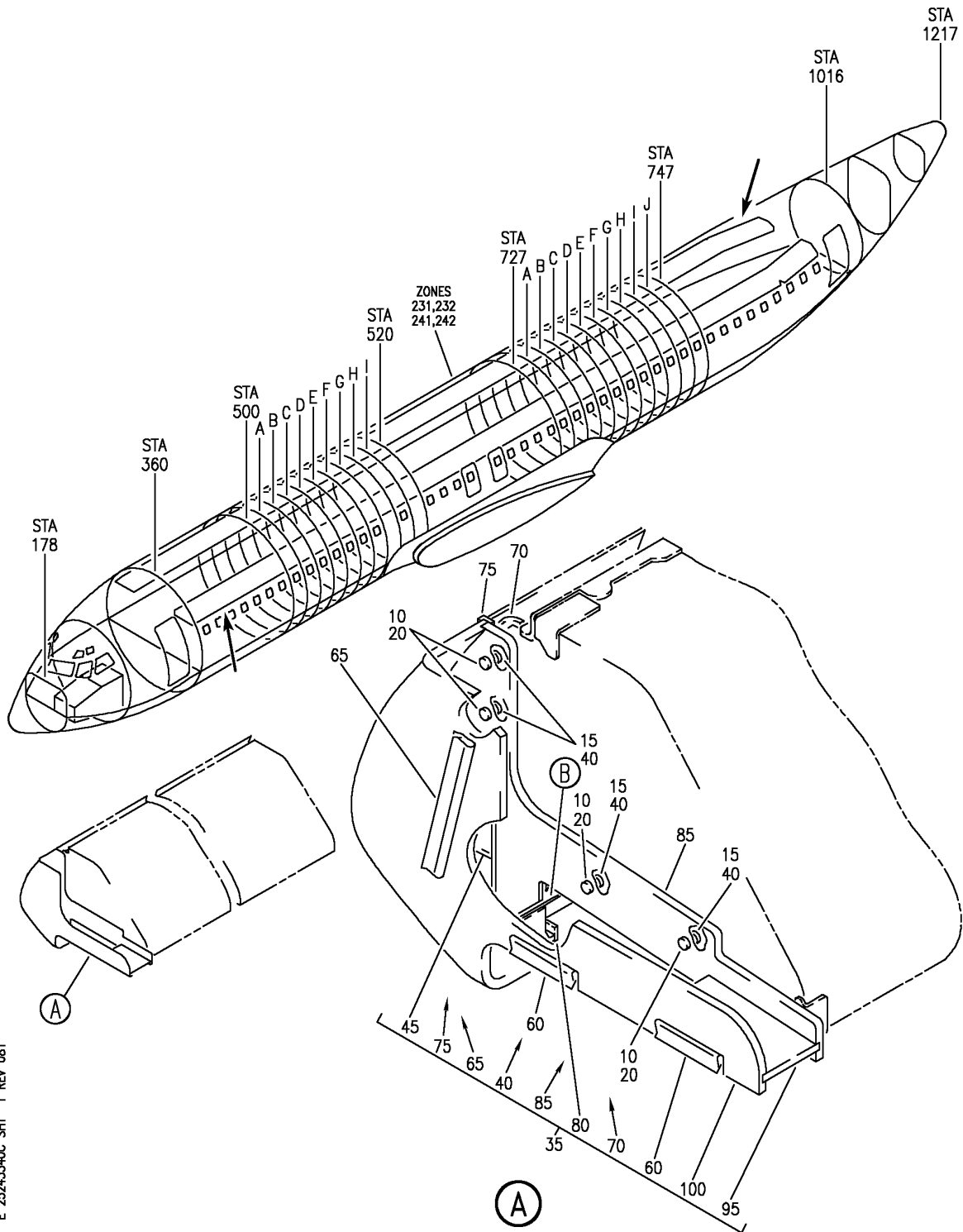
HAP

25-24-33-40B

BOEING PROPRIETARY - Copyright © - Unpublished Work - See title page for details.

25-24-33
FIG. 40B
PAGE 2
OCT 10/06

BOEING
 737-600/700/800/900
 PARTS CATALOG (MAINTENANCE)



E 25243340C SHT 1 REV 081

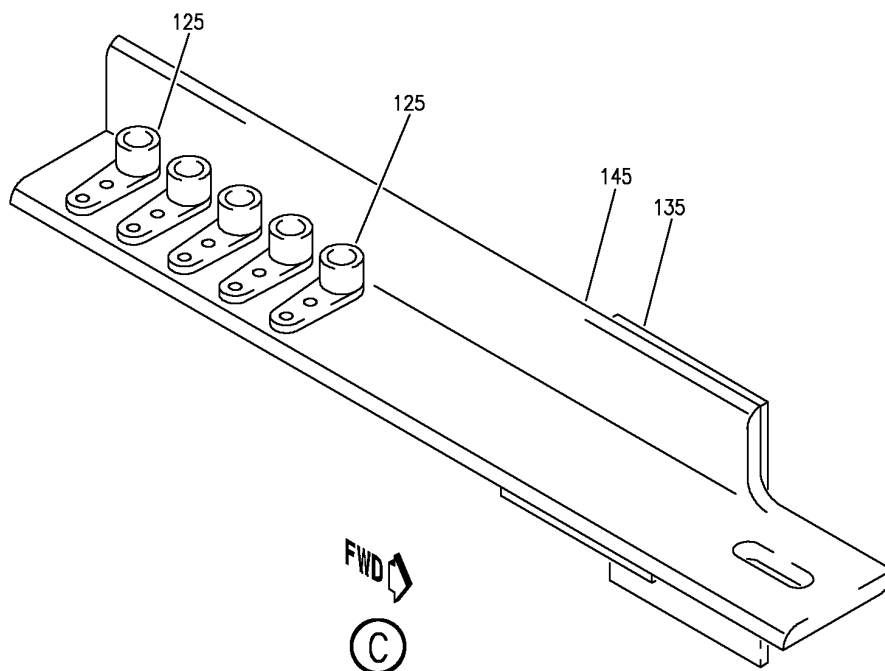
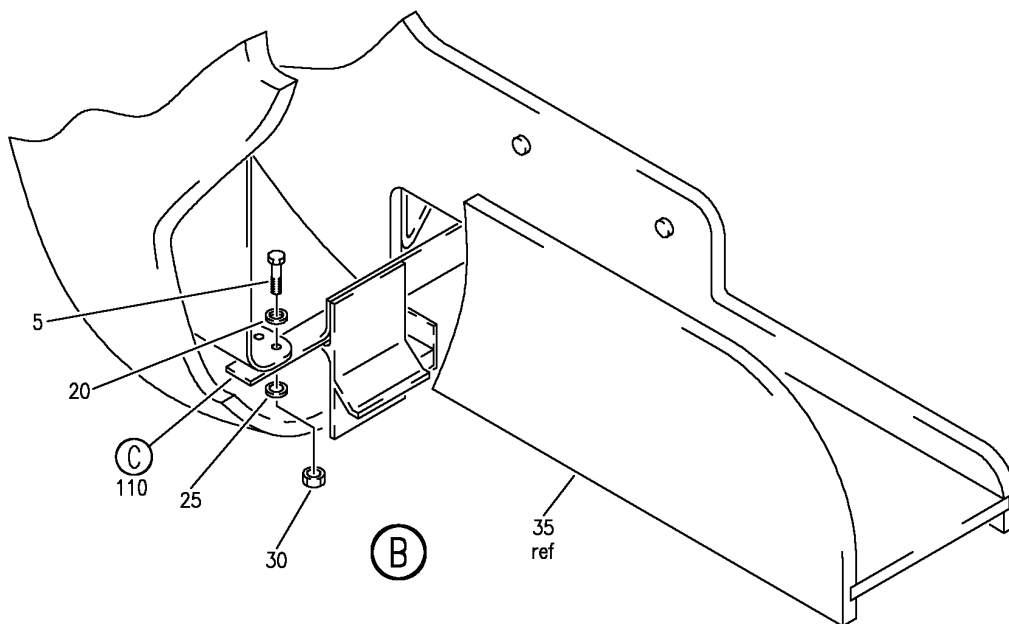
MOUNTING ASSY-FWD LH END CAP 4.41 IN. WIDE
 FIGURE 40C (SHEET 1)

25-24-33-40C

HAP
 OCT 10/06

25-24-33-40C
 PAGE 0

BOEING
 737-600/700/800/900
 PARTS CATALOG (MAINTENANCE)



E 25243340C SH1 2 REV 081

MOUNTING ASSY-FWD LH END CAP 4.41 IN. WIDE
 FIGURE 40C (SHEET 2)

25-24-33-40C

HAP
 OCT 10/06

25-24-33-40C
 PAGE 0A

BOEING
737-600/700/800/900
PARTS CATALOG (MAINTENANCE)

FIG ITEM	PART NUMBER	1 2 3 4 5 6 7	NOMENCLATURE	EFFECT FROM TO	UNITS PER ASSY
40C			MOUNTING ASSY-FWD LH END CAP 4.41 IN. WIDE	001030	
- 1	412A1310-361SP		MOUNTING ASSY-END CAP 4.41 IN. WIDE POSITION DATA: FWD LH POST SERVICE BULLETIN: 25-1360 FOR NHA SEE: 25-24-30-11E 25-24-30-17A	001030	RF
5	BACB30NM3K6		.BOLT-	001030	1
10	BACB30NM3K9		.BOLT-	001030	4
20	BACW10BN3AC		.WASHER-	001030	5
25	NAS1149D0363J		.WASHER-	001030	1
30	PLH53CD		.NUT-	001030	1
			SUPPLIER CODE: VF0224 SPECIFICATION NUMBER: BACN10YR3CD OPTIONAL PART: H52732-3CD V15653		
35	412A1310-61SP		.END CAP ASSY-	001030	1
40	BACS18K25-16W		..SPACER	001030	4
45	412A1220-168		..BRACKET	001030	1
			ATTACHING PARTS		
- 50	BACS12FA3K5		..SCREW	001030	2
- 55	BACW10BN3AC		..WASHER	001030	2
			-----*-----		
60	412A1310-601		..CLIP	001030	2
65	412A1310-602		..CLIP	001030	1
70	403A3210-17SP		..SEAL-	001030	1
75	412A1450-11SP		..TRIM-	001030	1
80	412A1450-13SP		..TRIM-	001030	1
85	412A1325-5SP		..PANEL ASSY-CLOSEOUT	001030	1
- 90	BCREF128023		...INSERT-	001030	4
			SUPPLIER CODE: V97393 OVERLENGTH PART NUMBER: SL603-3-375ASP13		
95	412A1325-6SP		..PANEL ASSY-WEDGE	001030	1
100	412A1320-61SP		..PANEL ASSY-END CAP	001030	1
- 105	SL618-3A		...INSERT-	001030	2
			SUPPLIER CODE: V97393		
110	412A1230-169		.FITTING ASSY-SPRT	001030	1

MISSING ITEM NUMBERS NOT APPLICABLE

- ITEM NOT ILLUSTRATED

HAP

25-24-33-40C

BOEING PROPRIETARY - Copyright © - Unpublished Work - See title page for details.

25-24-33
FIG. 40C
PAGE 1
FEB 15/09

BOEING
737-600/700/800/900
PARTS CATALOG (MAINTENANCE)

FIG ITEM	PART NUMBER	1 2 3 4 5 6 7	NOMENCLATURE	EFFECT FROM TO	UNITS PER ASSY
40C			ATTACHING PARTS		
- 115	BACS12FA3K10BK	.SCREW-	OPTIONAL PART: BACS12FA3K10	001030	3
- 115	BACS12FA3K10	.SCREW-	OPTIONAL PART: BACS12FA3K10BK	001030	3
- 120	BACW10BN3AC	.WASHER-	-----*-----	001030	3
125	T8077S1032	..NUTPLATE	SUPPLIER CODE: V11815 SPECIFICATION NUMBER: BACN10JP3B OPTIONAL PART: MK2000-3BAC V15653 NS103198-02 V80539 RMA9207-3 V72962 VN201A1-02 V92215 BRM100A3 V52828	001030	5
- 130	BACR15BA3ADC	..RIVET-	ATTACHING PARTS SIZE DETERMINED ON INSTL. -----*-----	001030	10
135	412A1230-168	..FITTING-SPRT	ATTACHING PARTS	001030	1
- 140	BACR15BA3ADC	..RIVET-	SIZE DETERMINED ON INSTL. -----*-----	001030	4
145	412A1230-165	..FITTING-SPRT		001030	1

MISSING ITEM NUMBERS NOT APPLICABLE

- ITEM NOT ILLUSTRATED

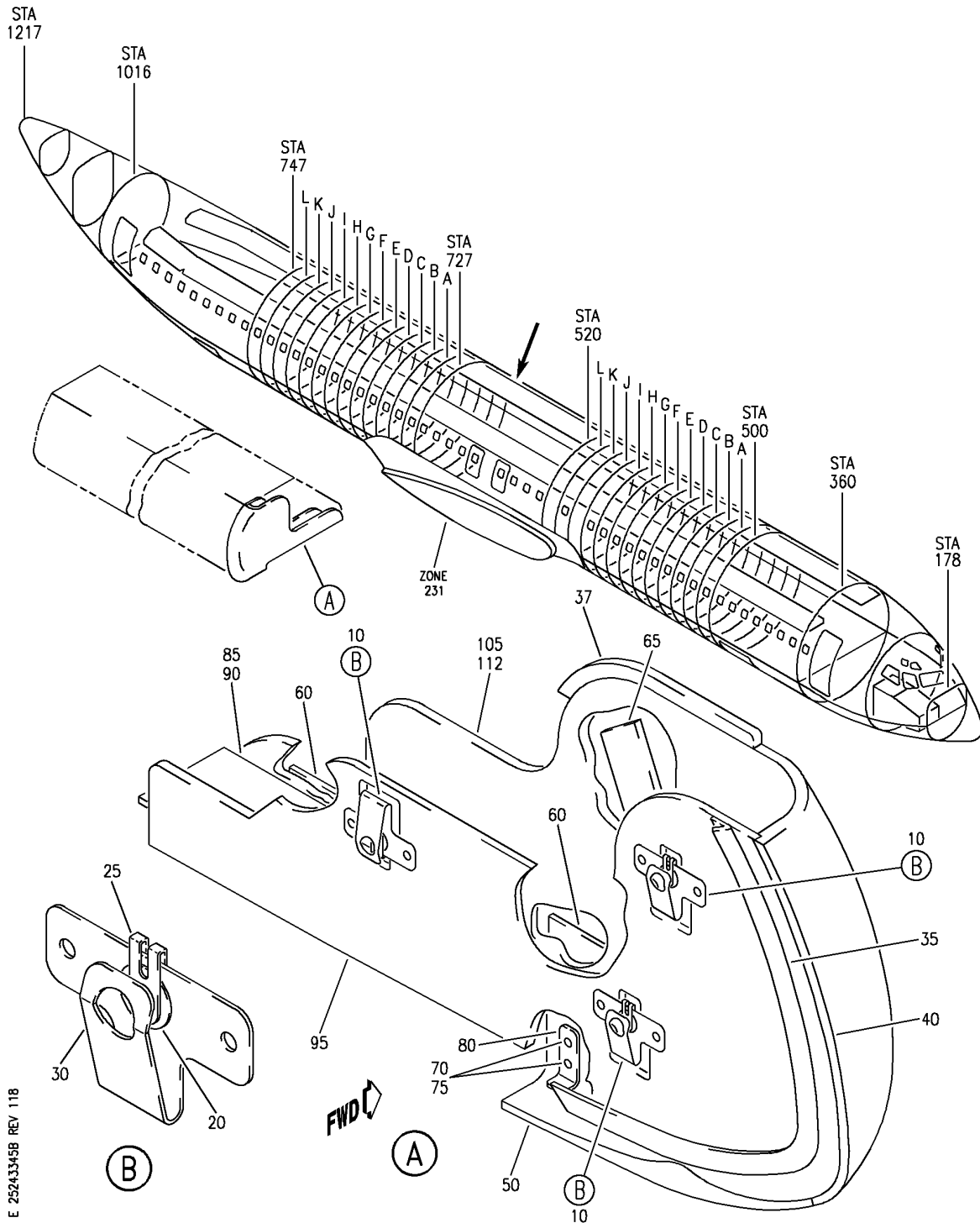
HAP

25-24-33-40C

BOEING PROPRIETARY - Copyright © - Unpublished Work - See title page for details.

25-24-33
FIG. 40C
PAGE 2
OCT 10/06

BOEING
 737-600/700/800/900
 PARTS CATALOG (MAINTENANCE)



E 2524-33-45B REV 118

CAP ASSY-FWD LH 3.54 AND 4.54 IN. WIDE BIG BIN END
 FIGURE 45B

25-24-33-45B

HAP
 OCT 10/06

25-24-33-45B
 PAGE 0

BOEING PROPRIETARY - Copyright © - Unpublished Work - See title page for details.

BOEING
737-600/700/800/900
PARTS CATALOG (MAINTENANCE)

FIG ITEM	PART NUMBER	1 2 3 4 5 6 7	NOMENCLATURE	EFFECT FROM TO	UNITS PER ASSY
45B			CAP ASSY-FWD LH 3.54 AND 4.54 IN. WIDE BIG BIN END	031200 968999	
- 1	412N1372-209B		CAP ASSY-4.54 IN. WIDE BIG BIN END POSITION DATA: FWD LH FOR NHA SEE: 25-24-31-32E	031031	RF
- 1	412N1372-225B		CAP ASSY-4.54 IN. WIDE BIG BIN END POSITION DATA: FWD LH FOR NHA SEE: 25-24-31-32E 25-24-31-32F	032200 968999	RF
10	412A1220-235		.BRACKET ASSY-CLIP	031200 968999	3
- 15	BACS12FA3K5		ATTACHING PARTS .SCREW	031200 968999	6
20	BACW10P6AL		-----*----- ..WASHER	031200 968999	1
25	BRC600-10-3		..NUT SUPPLIER CODE: V52828 SPECIFICATION NUMBER: BACN10YD2 OPTIONAL PART: 130121 V60119	031200 968999	1
30	412A1220-233		..BRACKET	031200 968999	1
35	403A3210-81B		.SEAL ASSY- OPTIONAL PART: 403A3210-82B	031200 968999	1
35	403A3210-82B		.SEAL ASSY- OPTIONAL PART: 403A3210-81B	031200 968999	1
37	403A3210-101B		.SEAL	032200 968999	1
40	412A1452-11B		.TRIM	031200 968999	1
50	412A1452-13B		.TRIM	031200 968999	1
60	412A1310-601		.CLIP	031200 968999	2
65	412A1310-602		.CLIP	031200 968999	1

MISSING ITEM NUMBERS NOT APPLICABLE

- ITEM NOT ILLUSTRATED

HAP

25-24-33-45B

BOEING PROPRIETARY - Copyright © - Unpublished Work - See title page for details.

25-24-33
FIG. 45B
PAGE 1
OCT 15/08

BOEING
737-600/700/800/900
PARTS CATALOG (MAINTENANCE)

FIG ITEM	PART NUMBER	1 2 3 4 5 6 7	NOMENCLATURE	EFFECT FROM TO	UNITS PER ASSY
45B					
70	BACS12FA3K5	.	SCREW	031200 968999	2
75	BACW10BN3AC	.	WASHER	031200 968999	2
80	412A1220-168	.	BRACKET	031200 968999	1
90	412A1325-6B	.	PANEL ASSY	031200 968999	1
95	412N1385-207B	.	PANEL ASSY	031200 968999	1
112	412N1382-209B	.	PANEL ASSY	031200 968999	1
- 115	SL618-3A	..	INSERT- SUPPLIER CODE: V97393	031200 968999	2

MISSING ITEM NUMBERS NOT APPLICABLE

- ITEM NOT ILLUSTRATED

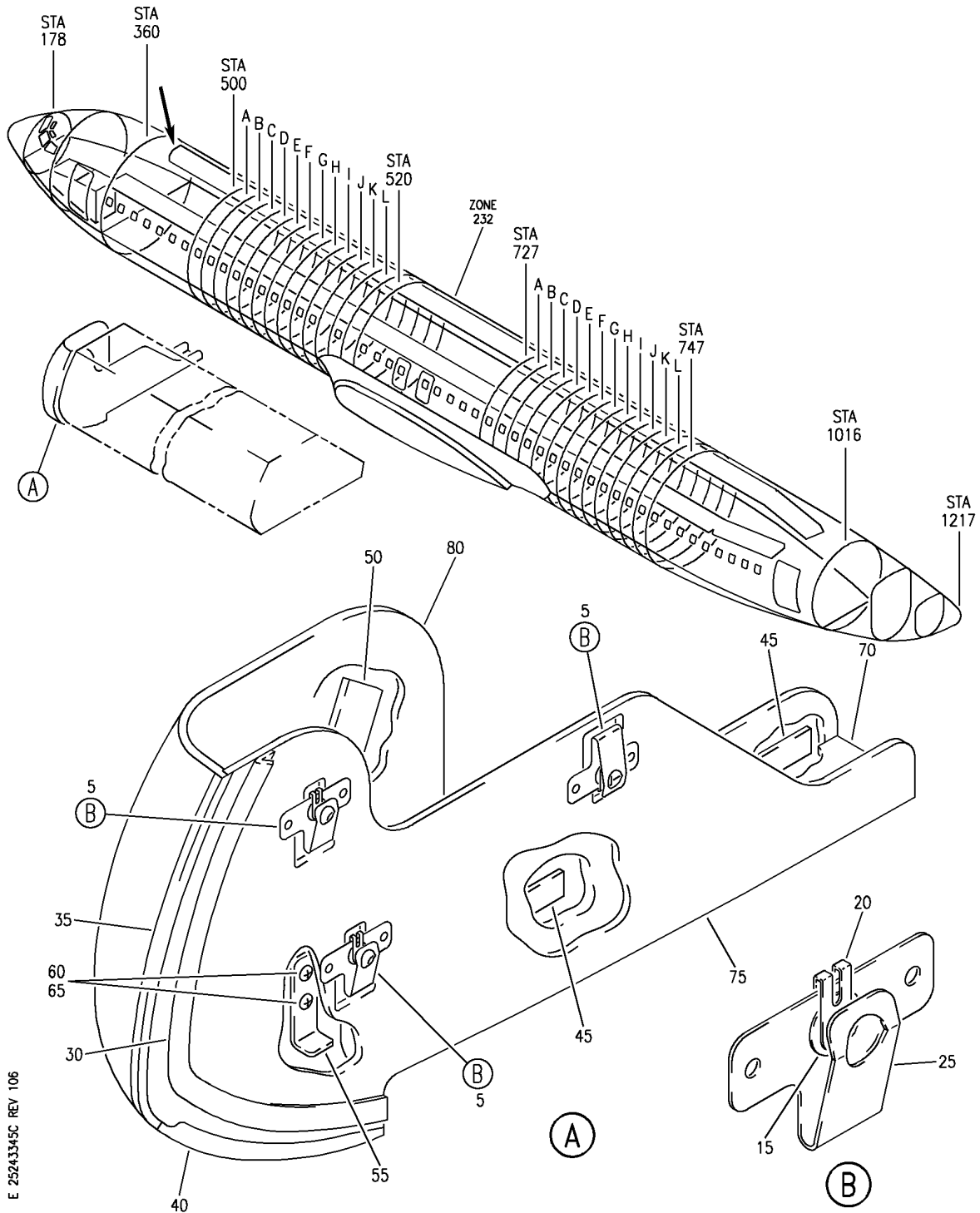
HAP

25-24-33-45B

BOEING PROPRIETARY - Copyright © - Unpublished Work - See title page for details.

25-24-33
FIG. 45B
PAGE 2
OCT 15/08


BOEING
 737-600/700/800/900
PARTS CATALOG (MAINTENANCE)



E 2524-33-45C REV 106

CAP ASSY-FWD RH 3.54 AND 4.54 IN. WIDE BIG BIN END
 FIGURE 45C

25-24-33-45C

HAP
 OCT 10/06

25-24-33-45C
 PAGE 0

BOEING
737-600/700/800/900
PARTS CATALOG (MAINTENANCE)

FIG ITEM	PART NUMBER	1 2 3 4 5 6 7	NOMENCLATURE	EFFECT FROM TO	UNITS PER ASSY
45C					
- 1	412N1372-210B		CAP ASSY-FWD RH 3.54 AND 4.54 IN. WIDE BIG BIN END CAP ASSY-4.54 IN. WIDE BIG BIN END POSITION DATA: FWD RH FOR NHA SEE: 25-24-31-20K 25-24-31-20Q 25-24-31-21G 25-24-31-21K 25-24-31-21M 25-24-31-21Q 25-24-31-47F 25-24-31-47K	031200 968999 031200 968999	RF
5	412A1220-235		.BRACKET ASSY-CLIP	031200 968999	3
- 10	BACS12FA3K5		ATTACHING PARTS .SCREW	031200 968999	6
15	BACW10P6AL		-----*----- ..WASHER	031200 968999	1
20	BRC600-10-3		..NUT SUPPLIER CODE: V52828 SPECIFICATION NUMBER: BACN10YD2 OPTIONAL PART: 130121 V60119	031200 968999	1
25	412A1220-233		..BRACKET	031200 968999	1
30	403A3210-82B		.SEAL ASSY- OPTIONAL PART: 403A3210-81B	031200 968999	1
30	403A3210-81B		.SEAL ASSY- OPTIONAL PART: 403A3210-82B	031200 968999	1
35	412A1452-12B		.TRIM	031200 968999	1
40	412A1452-14B		.TRIM	031200 968999	1
45	412A1310-601		.CLIP	031200 968999	2
50	412A1310-602		.CLIP	031200 968999	1
55	412A1220-168		.BRACKET	031200 968999	1

MISSING ITEM NUMBERS NOT APPLICABLE

- ITEM NOT ILLUSTRATED

HAP

25-24-33-45C

BOEING PROPRIETARY - Copyright © - Unpublished Work - See title page for details.

25-24-33
FIG. 45C
PAGE 1
OCT 15/08


BOEING
 737-600/700/800/900
PARTS CATALOG (MAINTENANCE)

FIG ITEM	PART NUMBER	1 2 3 4 5 6 7	NOMENCLATURE	EFFECT FROM TO	UNITS PER ASSY
45C					
60	BACS12FA3K5	.	SCREW	031200 968999	2
65	BACW10BN3AC	.	WASHER	031200 968999	2
70	412A1325-6B	.	PANEL ASSY-	031200 968999	1
75	412N1385-208B	.	PANEL ASSY	031200 968999	1
80	412N1382-210B	.	PANEL ASSY-	031200 968999	1
- 85	SL618-3A	..	INSERT- SUPPLIER CODE: V97393	031200 968999	2

MISSING ITEM NUMBERS NOT APPLICABLE

- ITEM NOT ILLUSTRATED

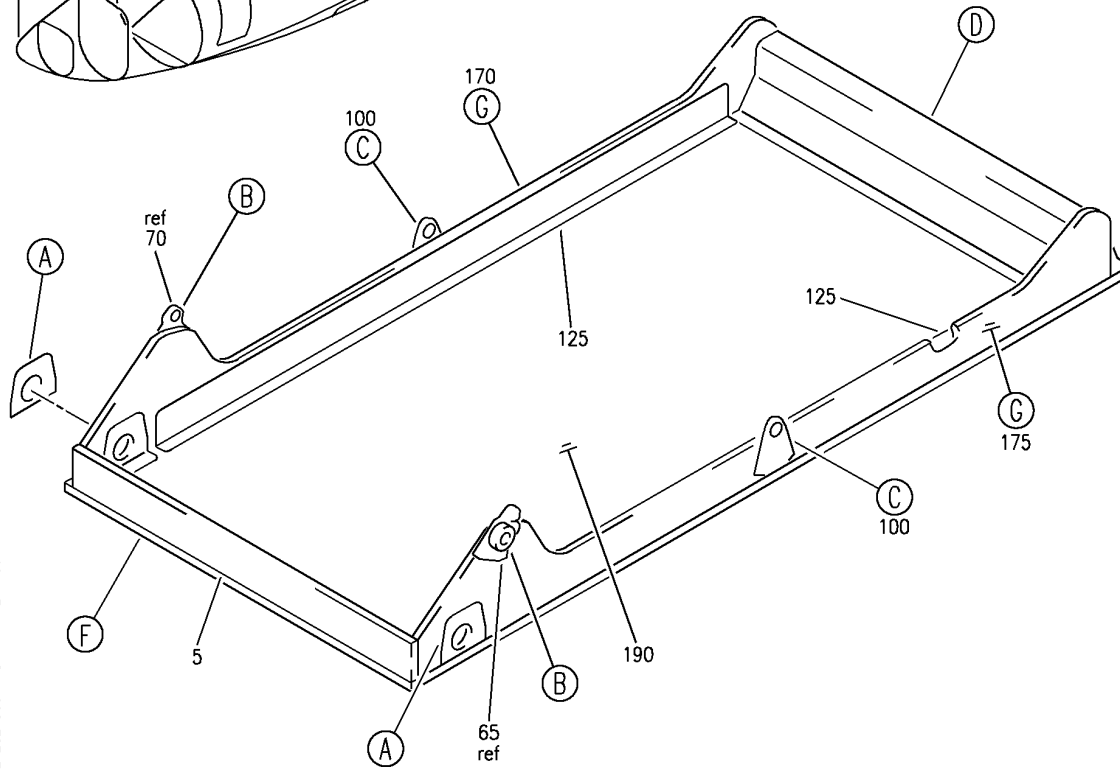
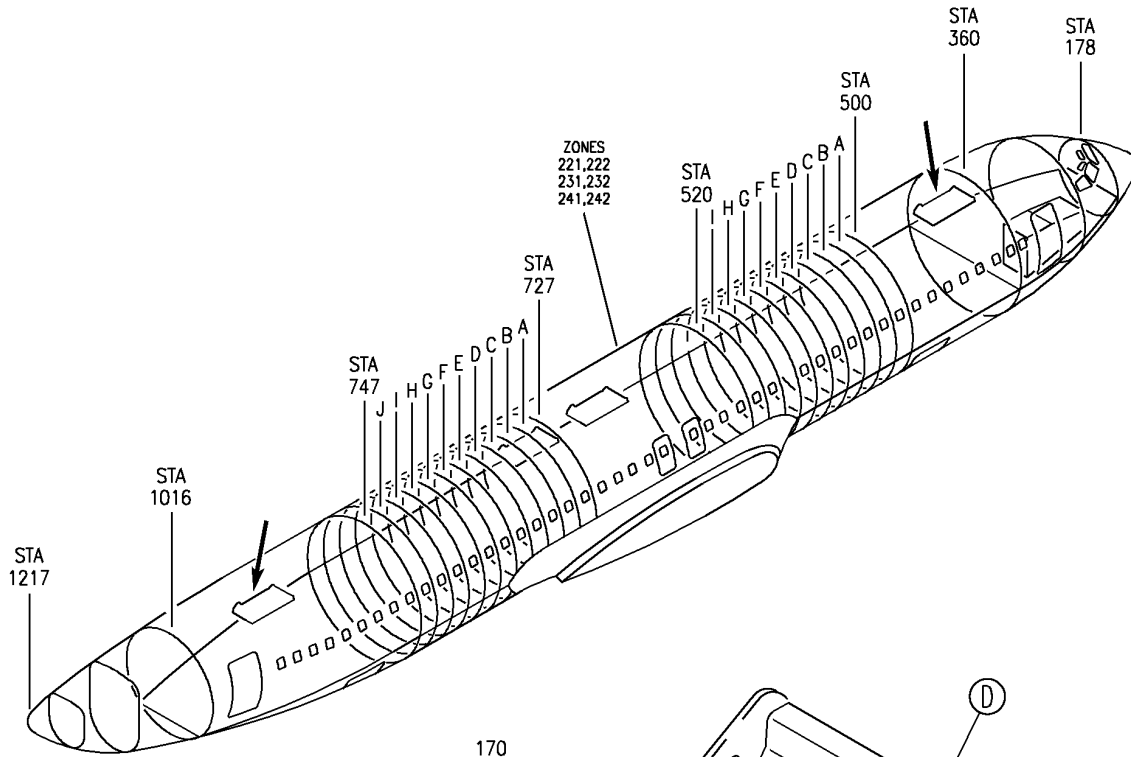
HAP

25-24-33-45C

BOEING PROPRIETARY - Copyright © - Unpublished Work - See title page for details.

25-24-33
 FIG. 45C
 PAGE 2
 OCT 15/08

BOEING
737-600/700/800/900
PARTS CATALOG (MAINTENANCE)



E 2524-3601 SHT 1 REV 106

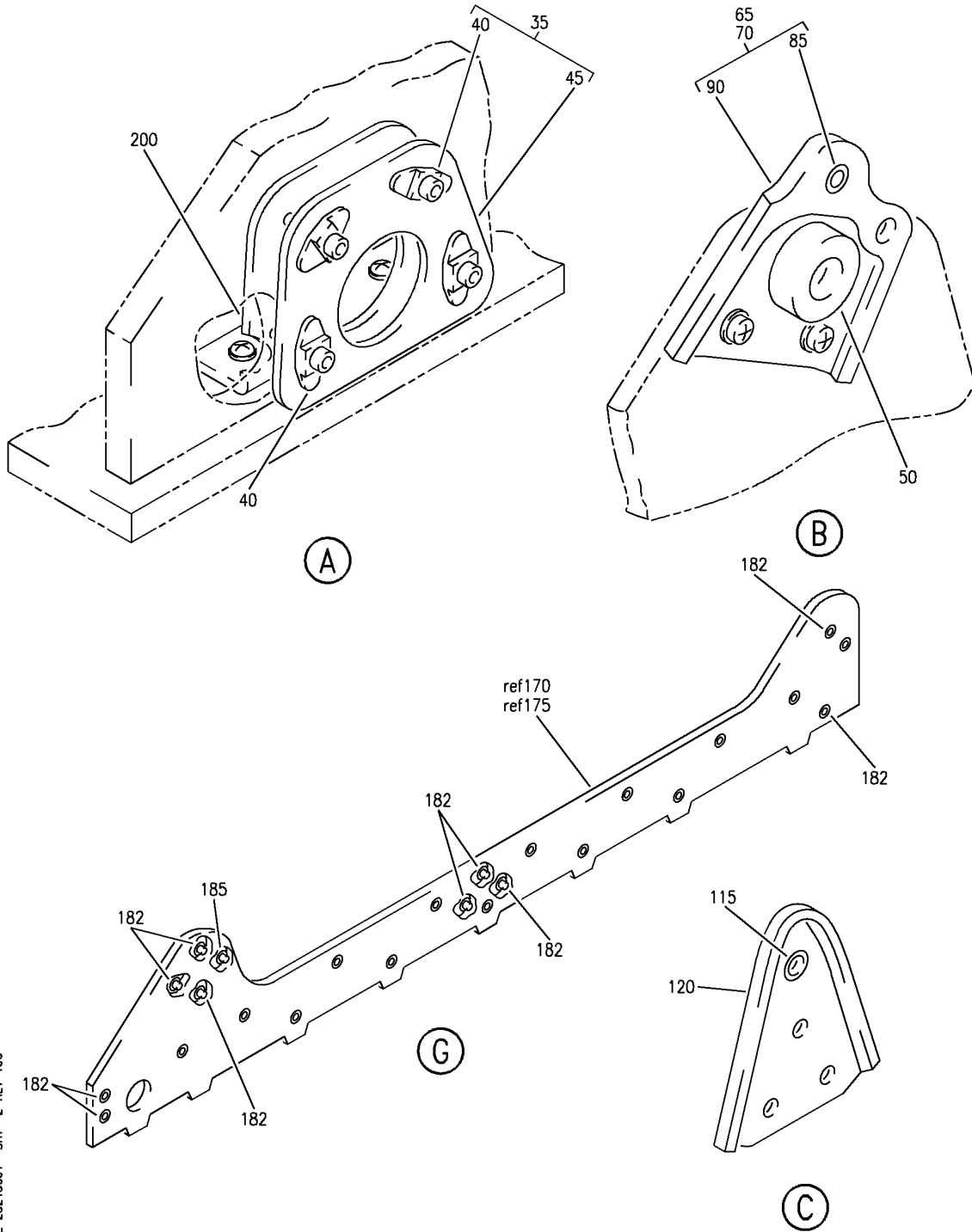
DOOR ASSY-CTR OVHD STOWAGE
 FIGURE 1 (SHEET 1)

25-24-36-01

HAP
 OCT 10/06

25-24-36-01
 PAGE 0

BOEING
 737-600/700/800/900
 PARTS CATALOG (MAINTENANCE)



E 2524-3601 SHT 2 REV 106

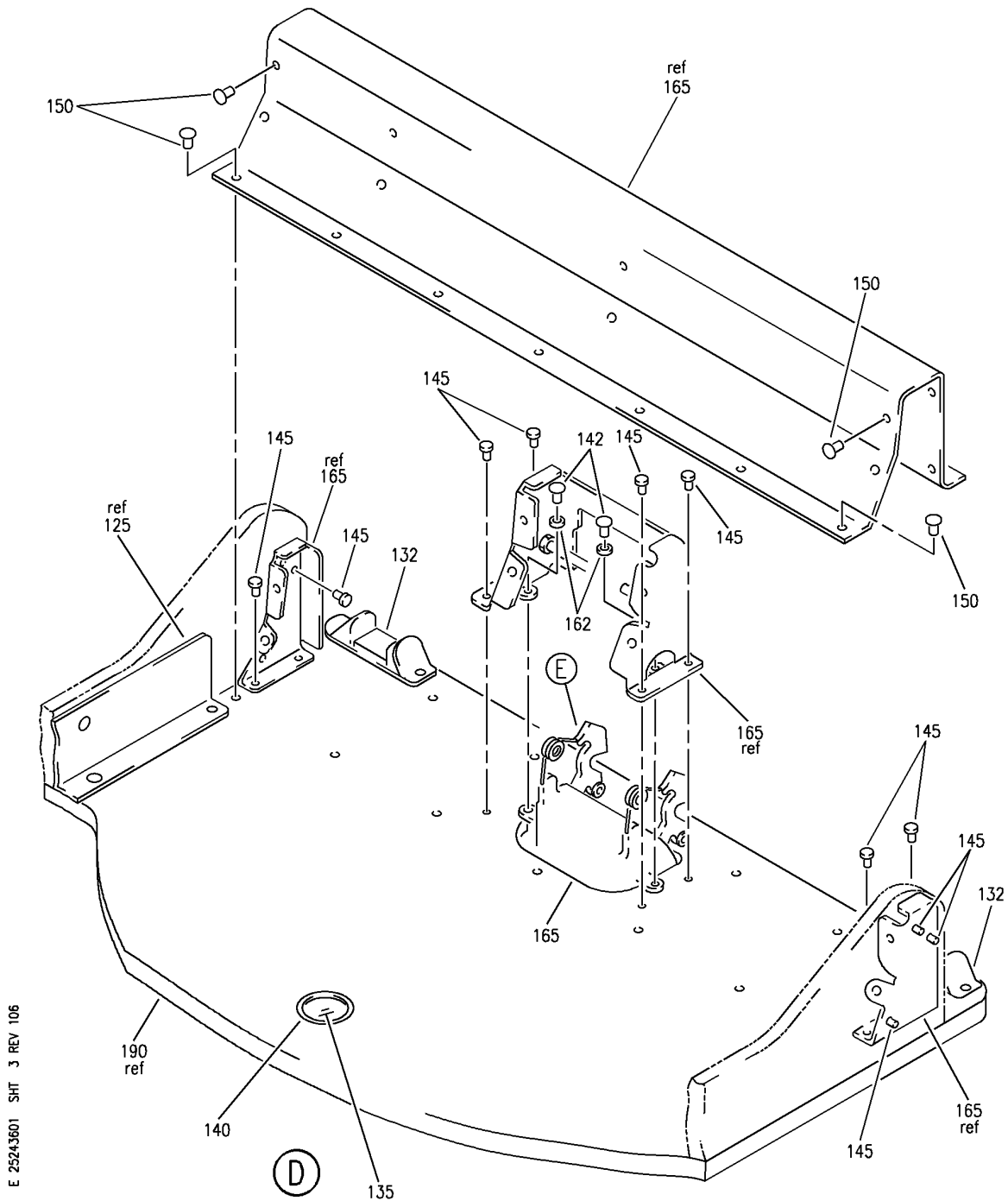
DOOR ASSY-CTR OVHD STOWAGE
 FIGURE 1 (SHEET 2)

25-24-36-01

HAP
 OCT 10/06

25-24-36-01
 PAGE 0A

BOEING
737-600/700/800/900
PARTS CATALOG (MAINTENANCE)



E 2524-3601 SHT 3 REV 106

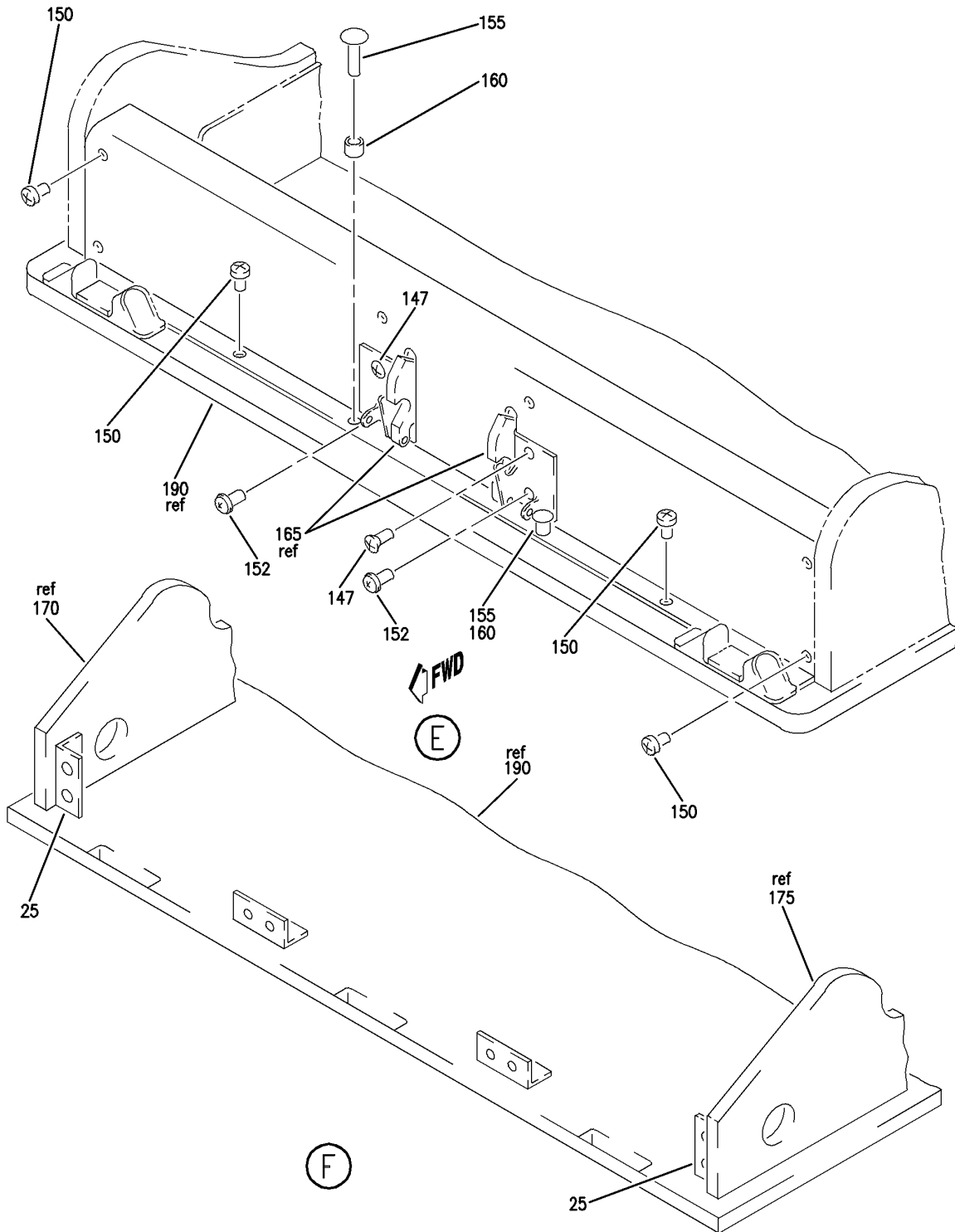
DOOR ASSY-CTR OVHD STOWAGE
FIGURE 1 (SHEET 3)

25-24-36-01

HAP
OCT 10/06

25-24-36-01
PAGE 08

BOEING
 737-600/700/800/900
 PARTS CATALOG (MAINTENANCE)



E 25243601 SH1 4 REV 063

DOOR ASSY-CTR OVHD STOWAGE
 FIGURE 1 (SHEET 4)

25-24-36-01

HAP
 OCT 10/06

25-24-36-01
 PAGE 0C

BOEING
737-600/700/800/900
PARTS CATALOG (MAINTENANCE)

FIG ITEM	PART NUMBER	1 2 3 4 5 6 7	NOMENCLATURE	EFFECT FROM TO	UNITS PER ASSY
1			DOOR ASSY-CTR OVHD STOWAGE	001030	
- 1	412A4112-1A		DOOR ASSY-OVHD STOWAGE POSITION DATA: CTR FOR NHA SEE: 25-24-40-05 25-24-40-06 25-24-40-07 25-24-40-08	001030	RF
5	412A4125-3A		.PANEL ASSY-BACK WALL ATTACHING PARTS	001030	1
- 10	BACS12FA3K5		.SCREW	001030	8
- 15	SL2334-3A1		..INSERT- SUPPLIER CODE: V97393	001030	8
25	413U5008-21A		.CLIP- ATTACHING PARTS	001030	4
- 30	BACS12FA3K5		.SCREW	001030	8
35	412A4161-17A		.DOUBLER ASSY-HINGE	001030	2
40	BRF200C3D		..NUTPLATE SUPPLIER CODE: V52828 SPECIFICATION NUMBER: BACN10JR3CFD OPTIONAL PART: K51602-3BAC V15653 NS202476-02 V80539 102F9201-3 V72962 T8092C1032CD V11815 ATTACHING PARTS	001030	4
- 43	BACR15BA3AD		..RIVET- SIZE DETERMINED ON INSTL.	001030	8
45	412A4161-18A		..DOUBLER-	001030	1
50	412A4134-1		.BLOCK-GUIDE ATTACHING PARTS	001030	2
- 55	BACS12GU3K11		.SCREW	001030	2
- 60	NAS1149D0332J		.WASHER	001030	2
65	412A4160-33A		.FITTING ASSY-ACTUATOR	001030	1
70	412A4160-34A		.FITTING ASSY-ACTUATOR	001030	1

MISSING ITEM NUMBERS NOT APPLICABLE

- ITEM NOT ILLUSTRATED

HAP

25-24-36-01

BOEING PROPRIETARY - Copyright © - Unpublished Work - See title page for details.

25-24-36
FIG. 01
PAGE 1
OCT 10/06

BOEING
737-600/700/800/900
PARTS CATALOG (MAINTENANCE)

FIG ITEM	PART NUMBER	1 2 3 4 5 6 7	NOMENCLATURE	EFFECT FROM TO	UNITS PER ASSY
1			ATTACHING PARTS		
- 75	BACS12GU3K6		.SCREW	001030	4
- 80	NAS1149D0332J		.WASHER	001030	4
			-----*-----		
85	BACB28AP04P020		..BUSHING	001030	1
90	412A4160-35SP		..FITTING-	001030	1
			USED ON: 412A4160-33SP		
- 95	412A4160-36SP		..FITTING-	001030	1
			USED ON: 412A4160-34SP		
100	412A4160-7A		.FITTING ASSY-ACTUATOR	001030	2
			ATTACHING PARTS		
- 105	BACS12GU3K6		.SCREW	001030	6
- 110	NAS1149D0332J		.WASHER	001030	6
			-----*-----		
115	BACB28AP04P005		..BUSHING	001030	1
120	412A4160-8SP		..FITTING-	001030	1
125	412A4161-23A		.BRACKET-	001030	2
			ATTACHING PARTS		
- 130	BACS12FA3K5		.SCREW	001030	52
			-----*-----		
132	412A4160-23		.STOP ASSY	001030	1
			ATTACHING PARTS		
- 133	BACS12FA3K6		.SCREW	001030	2
			-----*-----		
135	412A4132-1		.WINDOW-VIEWPORT	001030	1
140	411A3082-7A		.GROMMET-	001030	1
142	NAS8201A6		.SCREW	001030	2
145	BACS12GU3K5		.SCREW	001030	14
147	BACB30VF3K3		.BOLT-	001030	2
150	BACS12FA3K4		.SCREW-	001030	25
152	BACS12FA3K7		.SCREW	001030	2
155	BACS12FA3K13		.SCREW	001030	2
160	NAS43HT3-16		.SPACER	001030	2
162	NAS1149FN632P		.WASHER	001030	2
165	H3-1608-1A		.LATCH-	001030	1
			SUPPLIER CODE: V34941		
			OPTIONAL PART: H3-1608-1 V34941		
170	412A4125-9A		.PANEL ASSY-	001030	1
			POSITION DATA: LH SIDE		
175	412A4125-10A		.PANEL ASSY-	001030	1
			POSITION DATA: RH SIDE		

MISSING ITEM NUMBERS NOT APPLICABLE

- ITEM NOT ILLUSTRATED

HAP

25-24-36-01

BOEING PROPRIETARY - Copyright © - Unpublished Work - See title page for details.

25-24-36
FIG. 01
PAGE 2
OCT 10/06

BOEING
737-600/700/800/900
PARTS CATALOG (MAINTENANCE)

FIG ITEM	PART NUMBER	1 2 3 4 5 6 7	NOMENCLATURE	EFFECT FROM TO	UNITS PER ASSY
1					
182	SL2334-3A1		.. INSERT- SUPPLIER CODE: V97393	001030	24
185	SL2334-4A1		.. INSERT- SUPPLIER CODE: V97393	001030	1
190	412A4125-8A		. PANEL ASSY-	001030	1
- 195	SL2334-3A1		.. INSERT- SUPPLIER CODE: V97393	001030	71
200	412A4161-7A		. BRACKET- ATTACHING PARTS	001030	2
- 210	BACS12FA3K5		. SCREW -----*-----	001030	4

MISSING ITEM NUMBERS NOT APPLICABLE

- ITEM NOT ILLUSTRATED

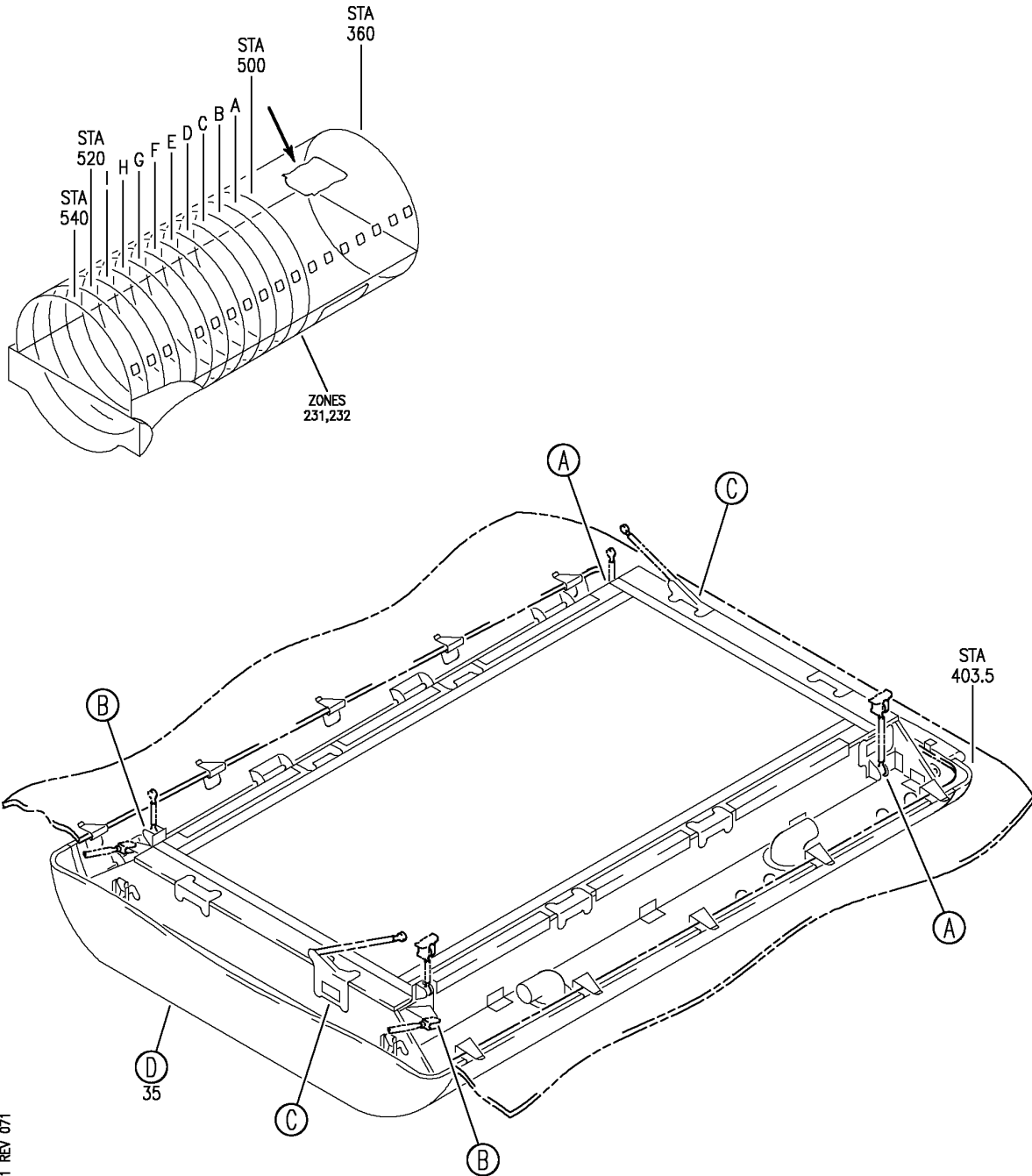
HAP

25-24-36-01

BOEING PROPRIETARY - Copyright © - Unpublished Work - See title page for details.

25-24-36
FIG. 01
PAGE 3
OCT 10/06

BOEING
 737-600/700/800/900
 PARTS CATALOG (MAINTENANCE)



E 2524-4005 SH1 1 REV 071

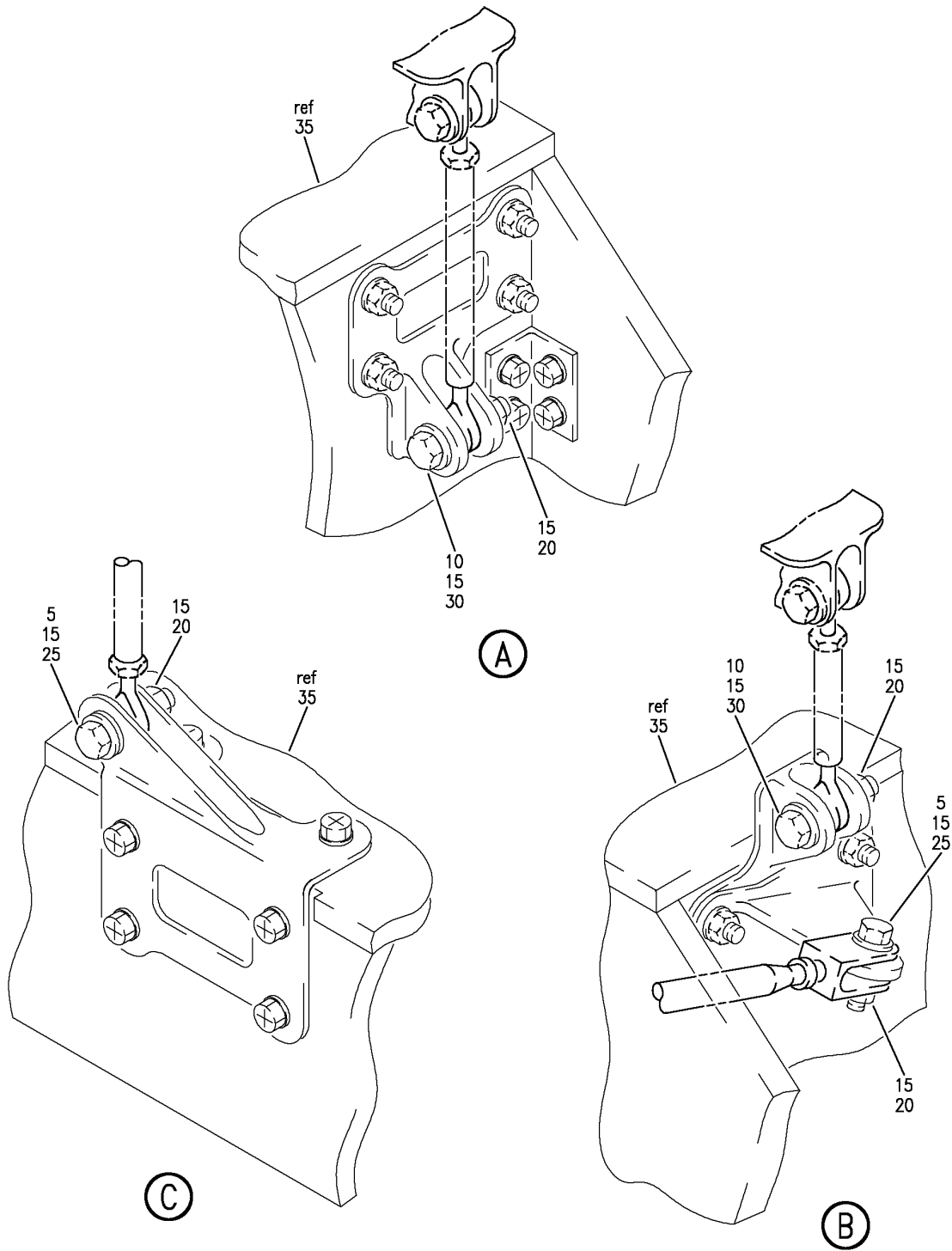
BOX INSTL-FWD CTR OVHD STOWAGE
 FIGURE 5 (SHEET 1)

25-24-40-05

HAP
 OCT 10/06

25-24-40-05
 PAGE 0

BOEING
 737-600/700/800/900
 PARTS CATALOG (MAINTENANCE)



E 2524-4005 SH1 2 REV 071

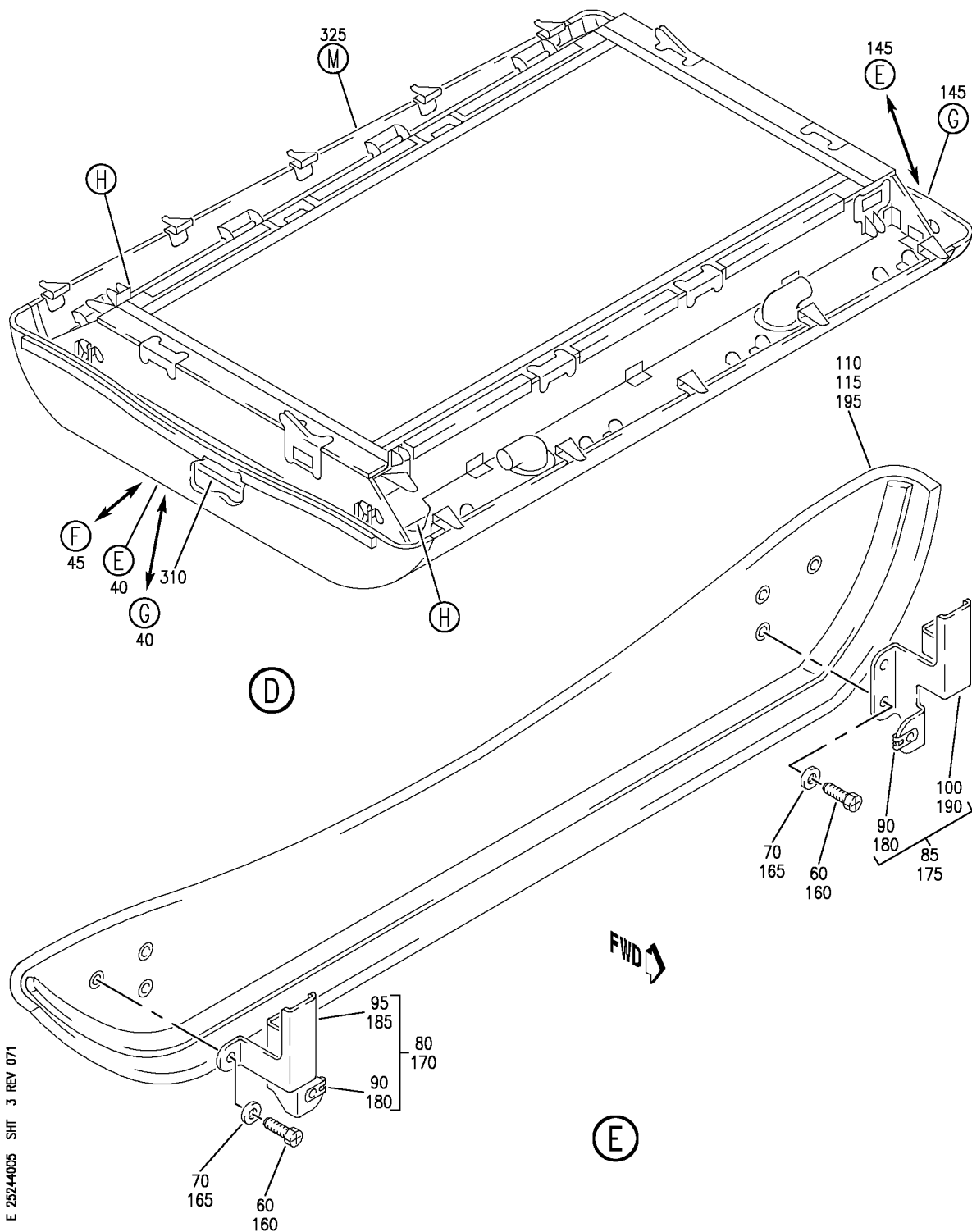
BOX INSTL-FWD CTR OVHD STOWAGE
 FIGURE 5 (SHEET 2)

25-24-40-05

HAP
 OCT 10/06

25-24-40-05
 PAGE 0A

BOEING
 737-600/700/800/900
 PARTS CATALOG (MAINTENANCE)



E 2524-4005 SH1 3 REV 071

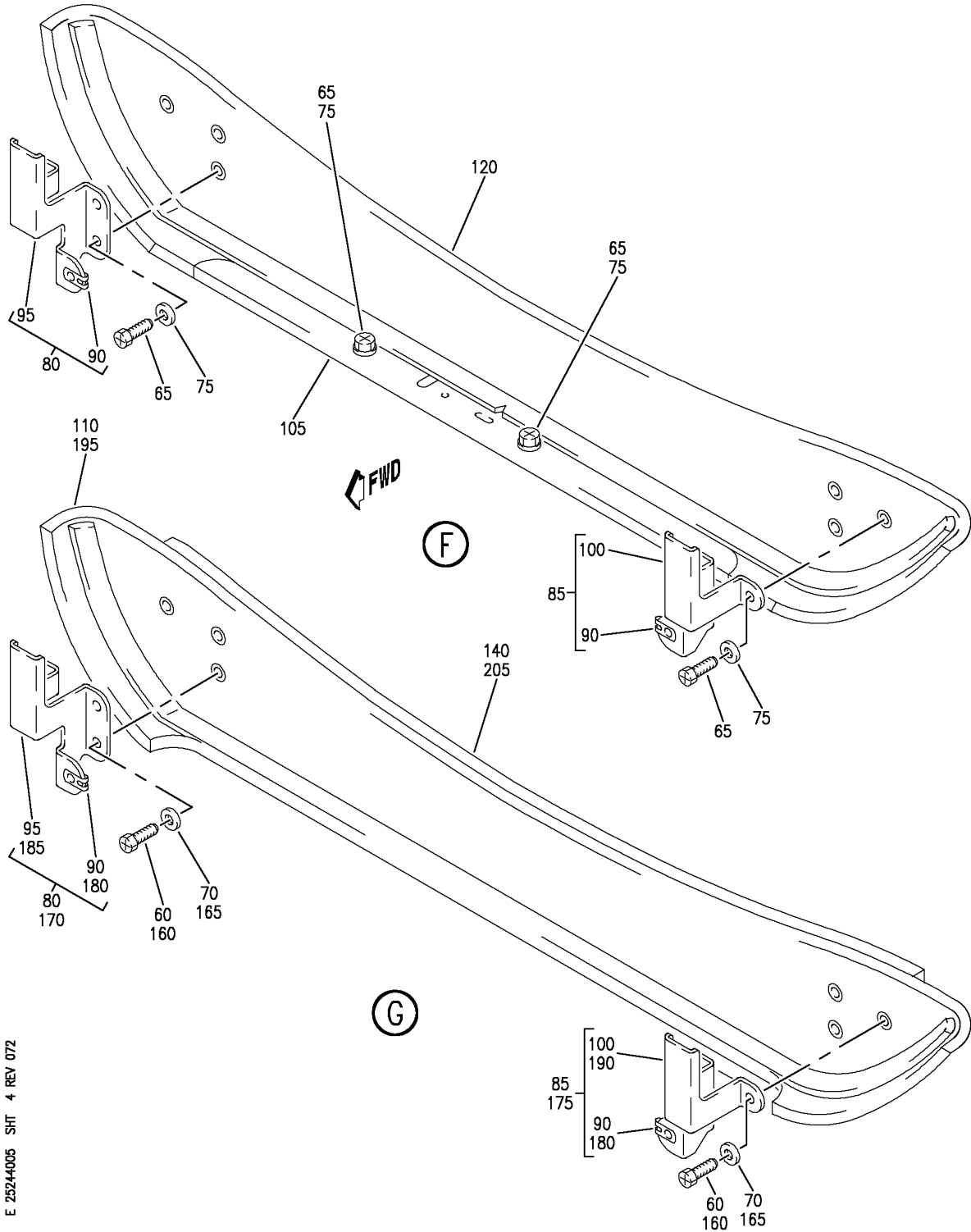
BOX INSTL-FWD CTR OVHD STOWAGE
 FIGURE 5 (SHEET 3)

25-24-40-05

HAP
 OCT 10/06

25-24-40-05
 PAGE 0B

BOEING
 737-600/700/800/900
 PARTS CATALOG (MAINTENANCE)



E 2524-4005 SH1 4 REV 072

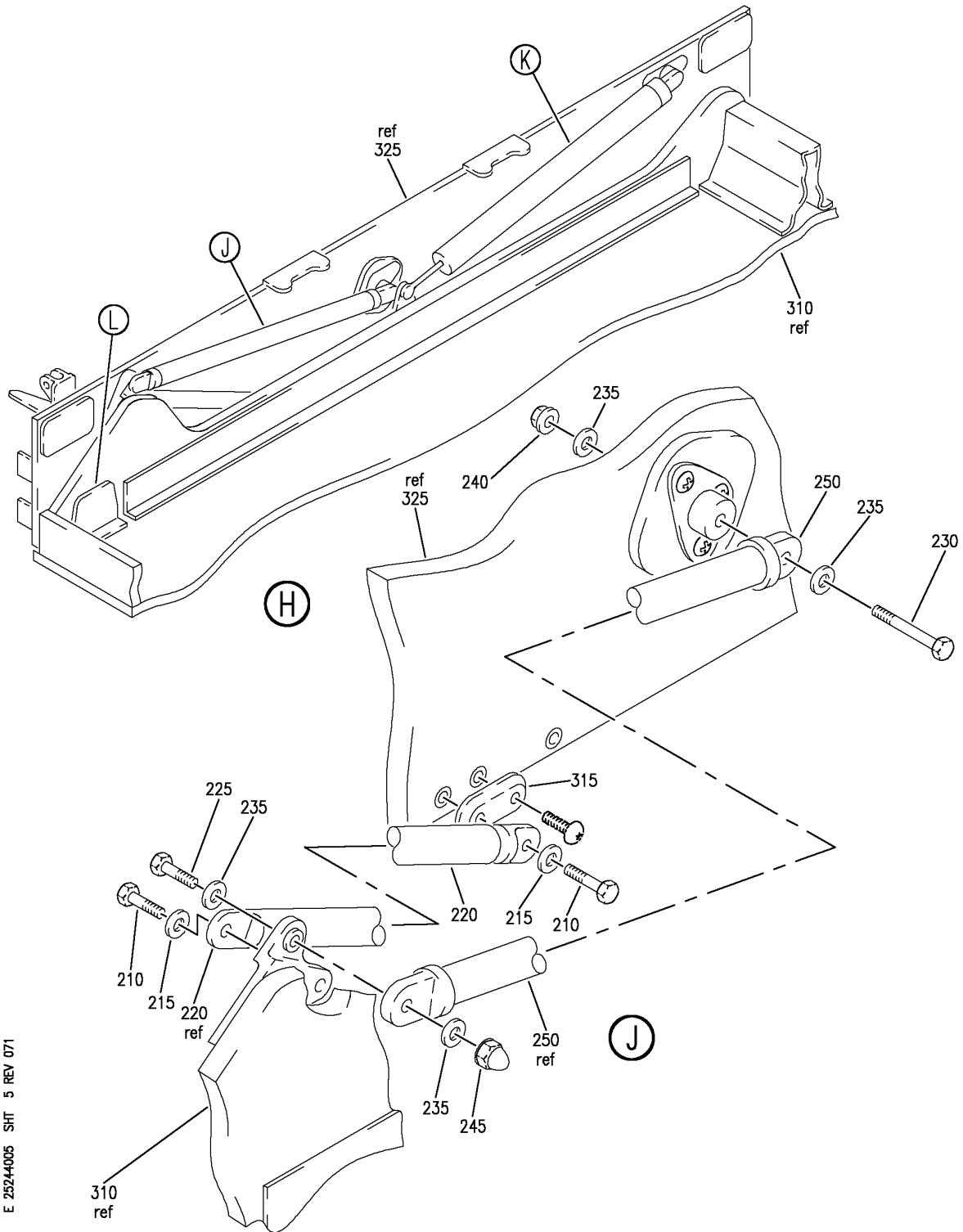
BOX INSTL-FWD CTR OVHD STOWAGE
 FIGURE 5 (SHEET 4)

25-24-40-05

HAP
 OCT 10/06

25-24-40-05
 PAGE 0C

BOEING
 737-600/700/800/900
 PARTS CATALOG (MAINTENANCE)



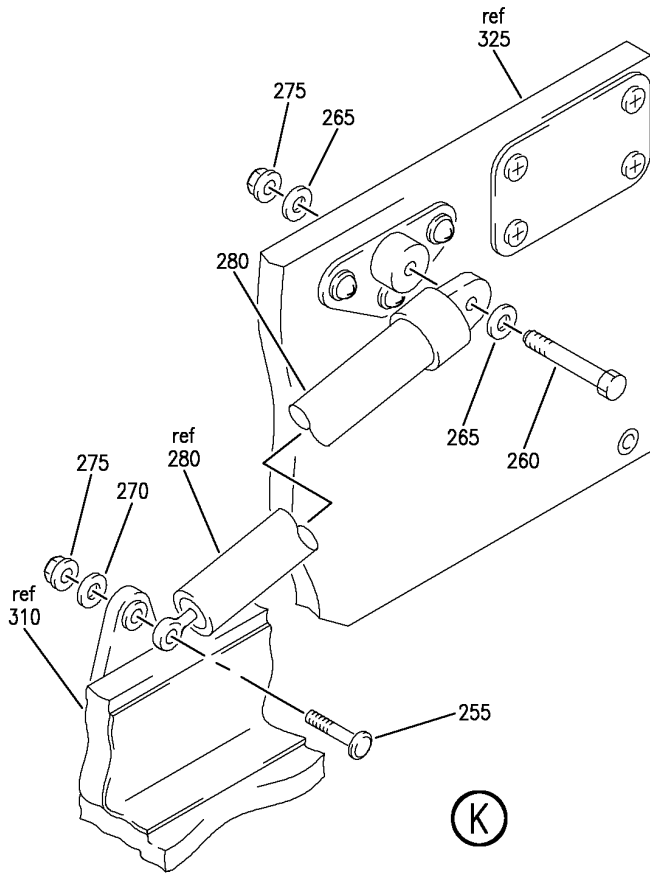
BOX INSTL-FWD CTR OVHD STOWAGE
 FIGURE 5 (SHEET 5)

25-24-40-05

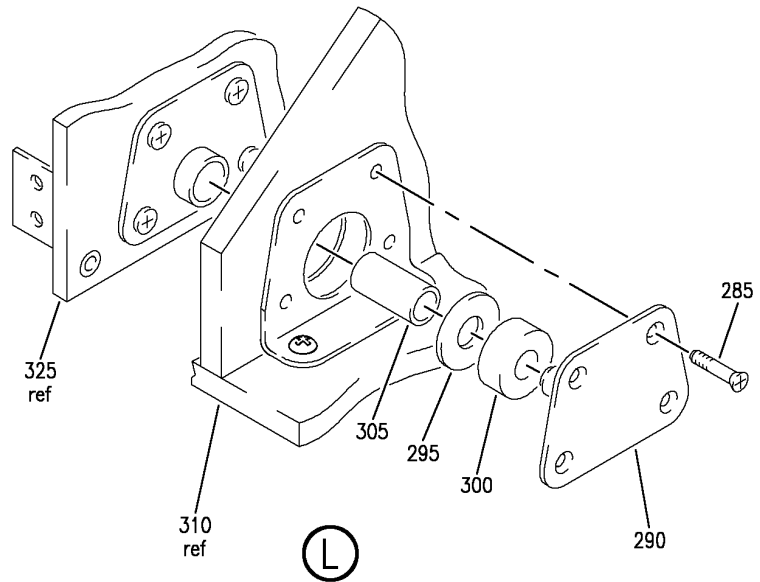
HAP
 OCT 10/06

25-24-40-05
 PAGE 00

BOEING
 737-600/700/800/900
 PARTS CATALOG (MAINTENANCE)



(K)



(L)

E 2524-40-05 SH1 6 REV 071

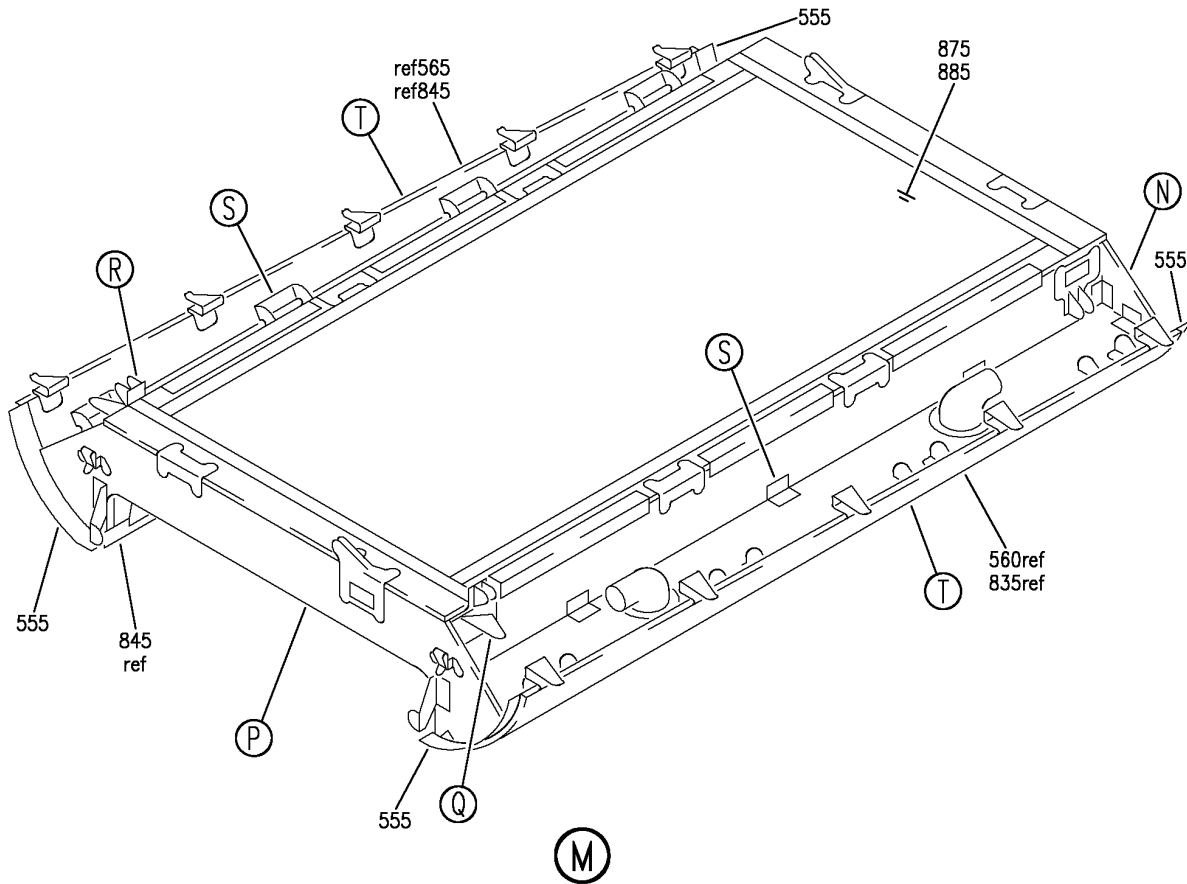
BOX INSTL-FWD CTR OVHD STOWAGE
 FIGURE 5 (SHEET 6)

25-24-40-05

HAP
 OCT 10/06

25-24-40-05
 PAGE 0E

BOEING
 737-600/700/800/900
 PARTS CATALOG (MAINTENANCE)



E 25244005 SH1 7 REV 071

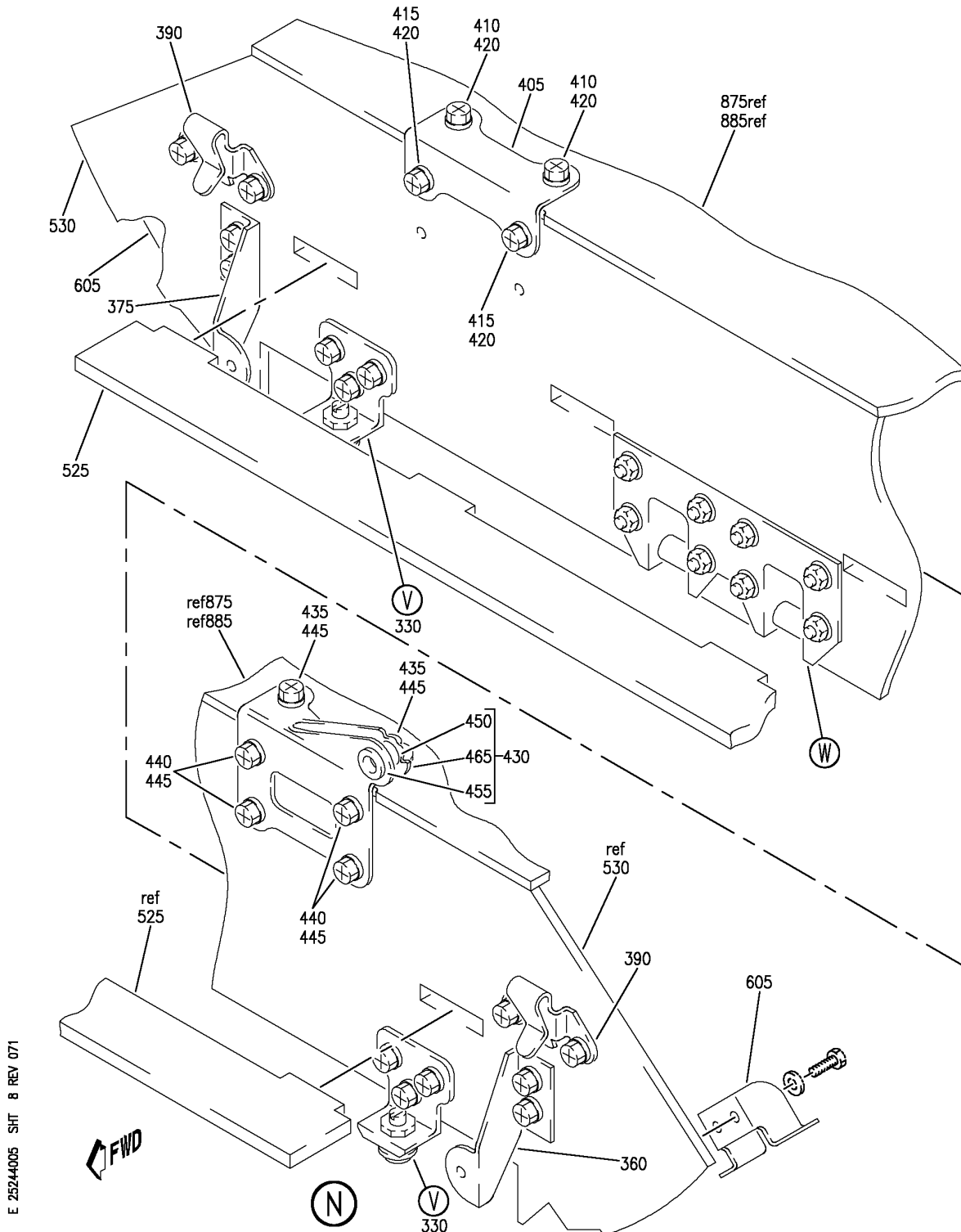
BOX INSTL-FWD CTR OVHD STOWAGE
 FIGURE 5 (SHEET 7)

25-24-40-05

HAP
 OCT 10/06

25-24-40-05
 PAGE OF


BOEING
737-600/700/800/900
PARTS CATALOG (MAINTENANCE)



E 2524-4005 SH1 8 REV 071

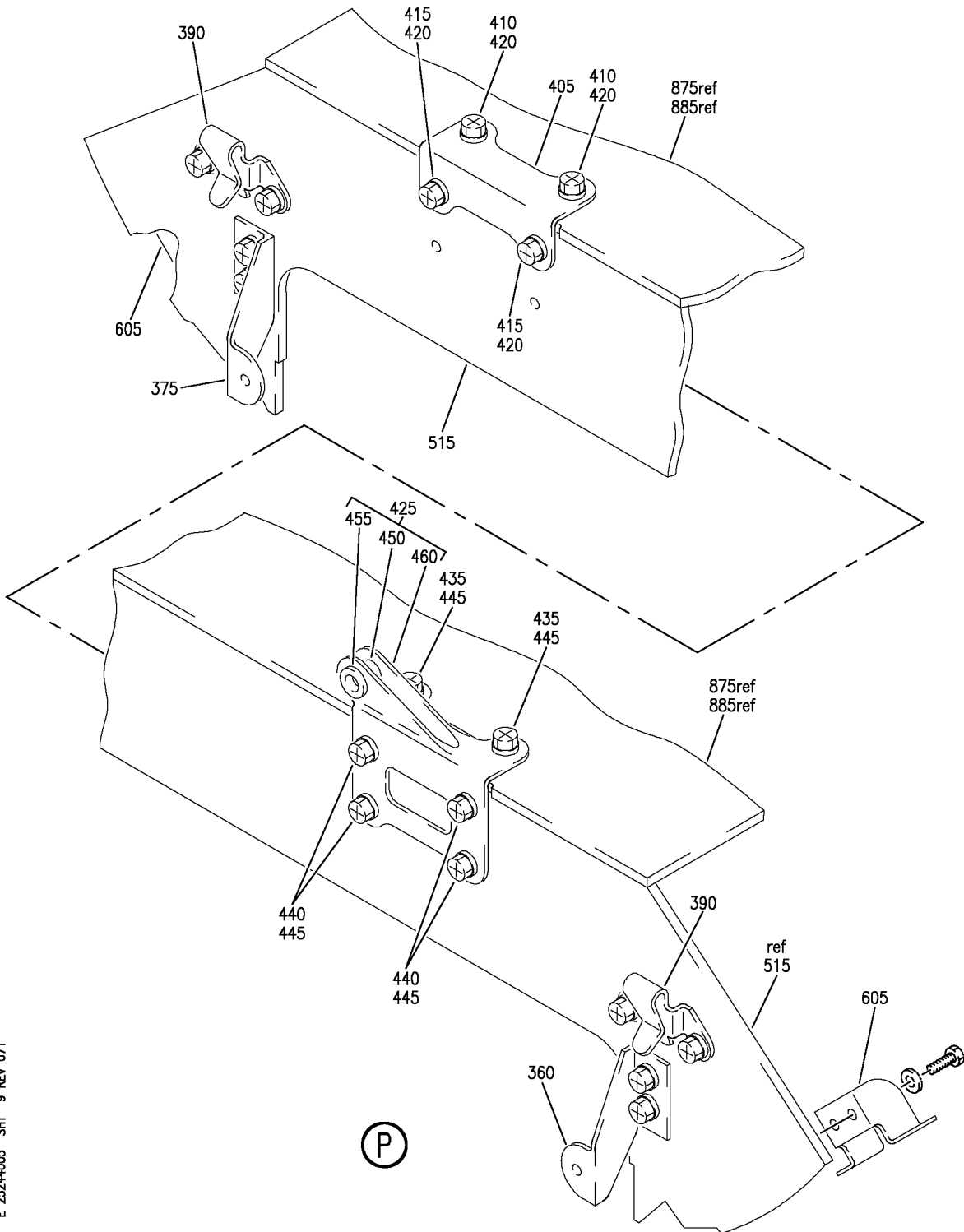
BOX INSTL-FWD CTR OVHD STOWAGE
FIGURE 5 (SHEET 8)

25-24-40-05

HAP
OCT 10/06

25-24-40-05
PAGE 06

BOEING
737-600/700/800/900
PARTS CATALOG (MAINTENANCE)



E 2524-4005 SH1 9 REV 071

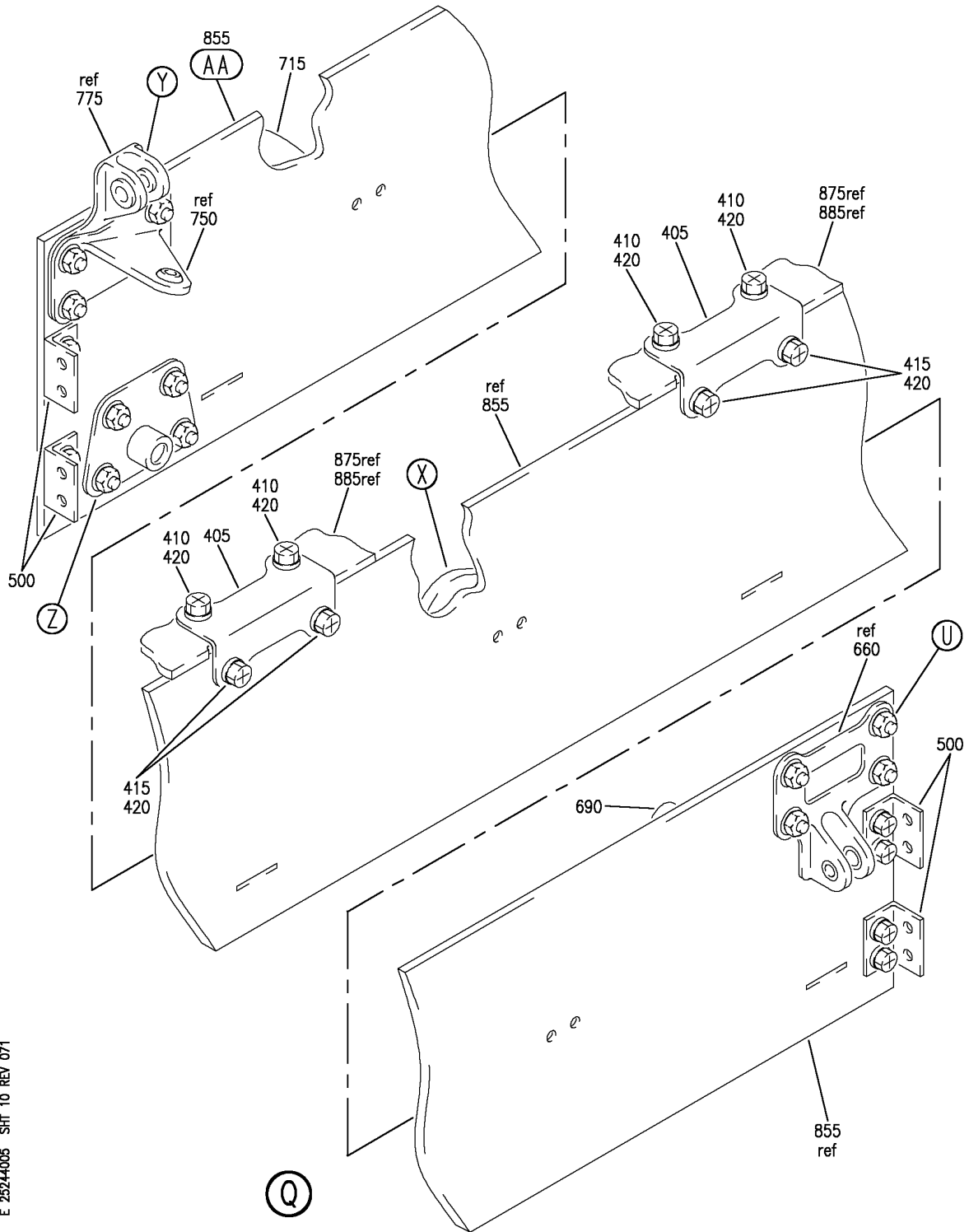
BOX INSTL-FWD CTR OVHD STOWAGE
 FIGURE 5 (SHEET 9)

25-24-40-05

HAP
 OCT 10/06

25-24-40-05
 PAGE 0H

BOEING
 737-600/700/800/900
 PARTS CATALOG (MAINTENANCE)



E 2524-4005 SH1 10 REV 071

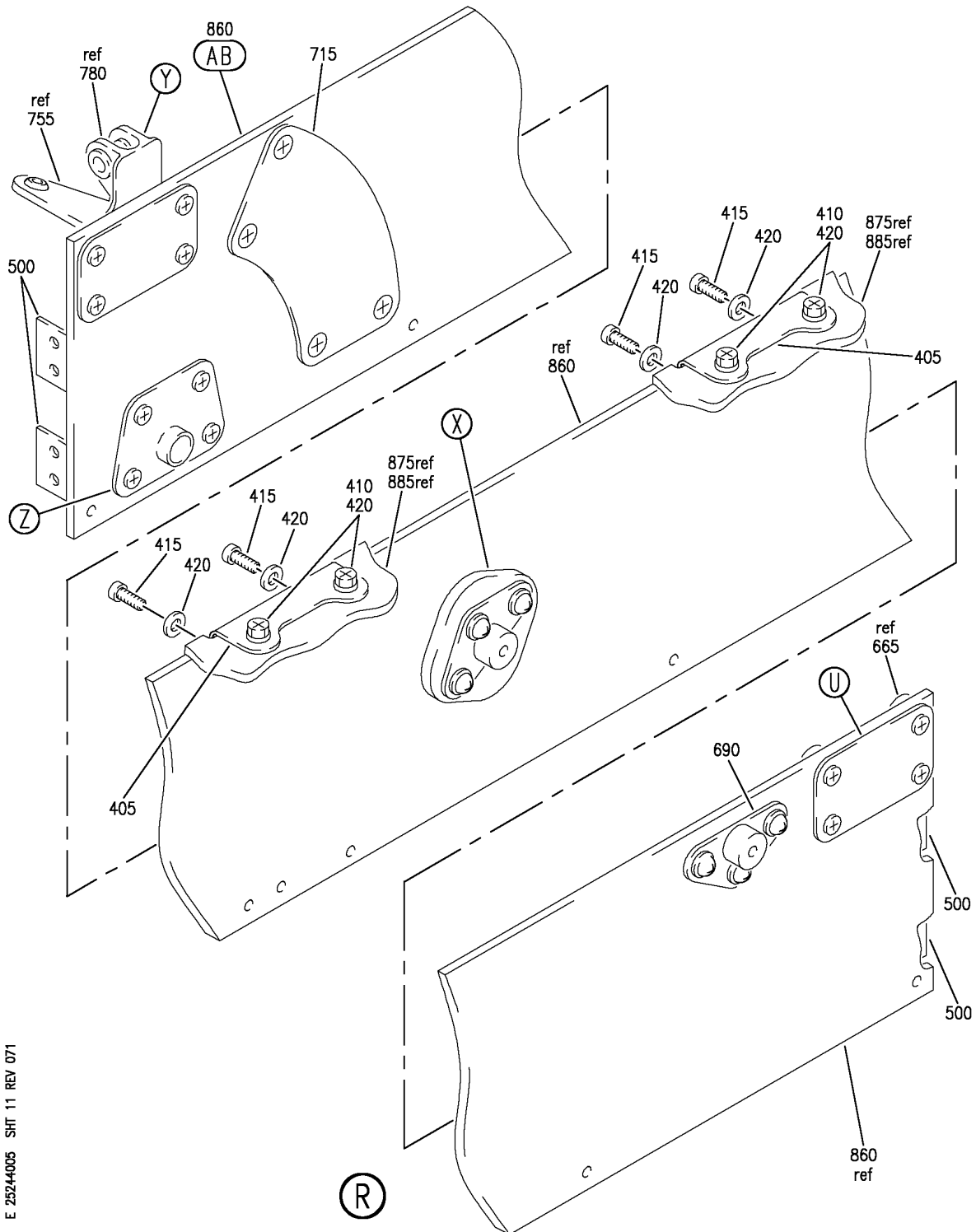
BOX INSTL-FWD CTR OVHD STOWAGE
 FIGURE 5 (SHEET 10)

25-24-40-05

HAP
 OCT 10/06

25-24-40-05
 PAGE 01

BOEING
 737-600/700/800/900
 PARTS CATALOG (MAINTENANCE)



E 25244005 SH1 11 REV 071

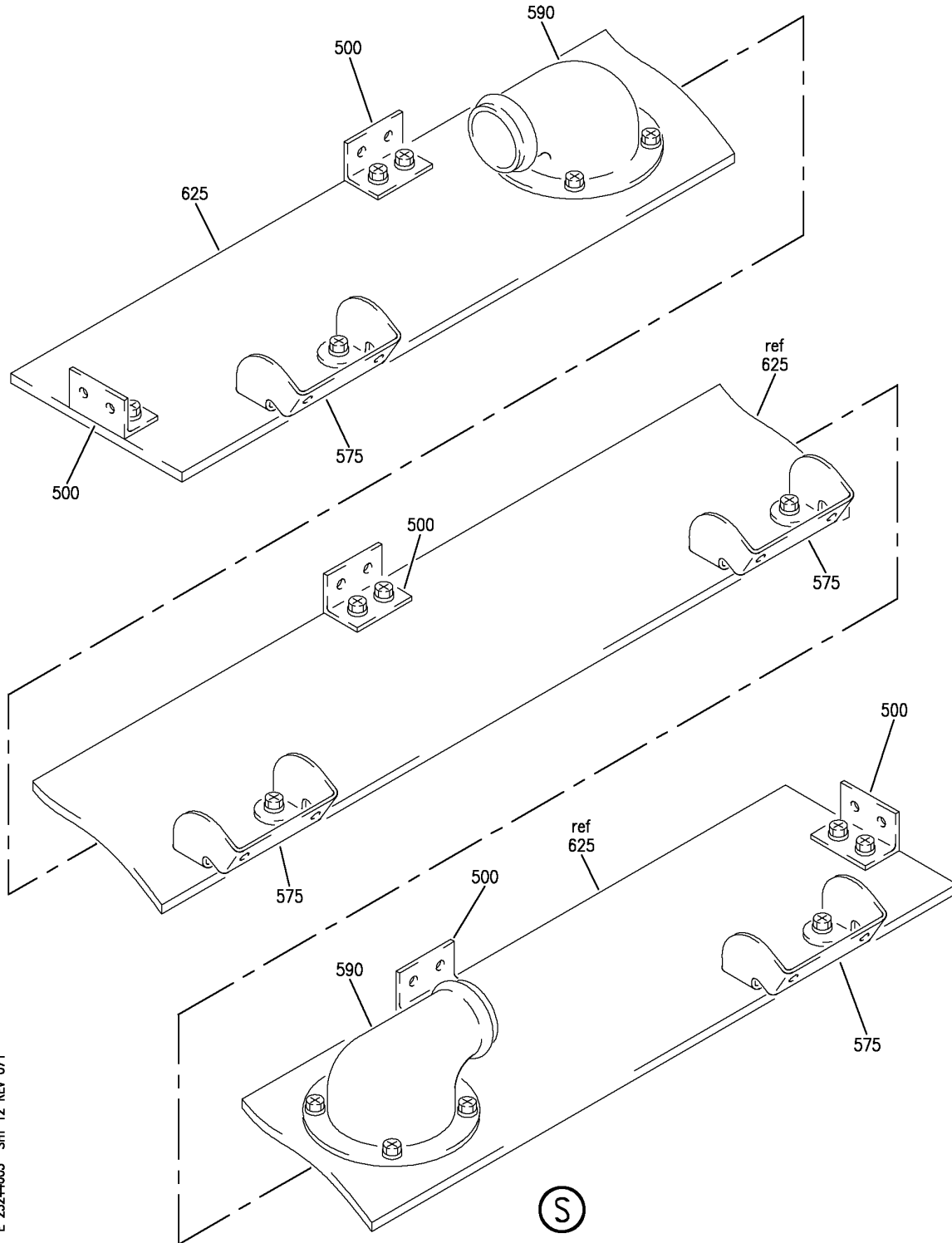
BOX INSTL-FWD CTR OVHD STOWAGE
 FIGURE 5 (SHEET 11)

25-24-40-05

HAP
 OCT 10/06

25-24-40-05
 PAGE 0J

BOEING
737-600/700/800/900
PARTS CATALOG (MAINTENANCE)



E 2524-4005 SH1 12 REV 071

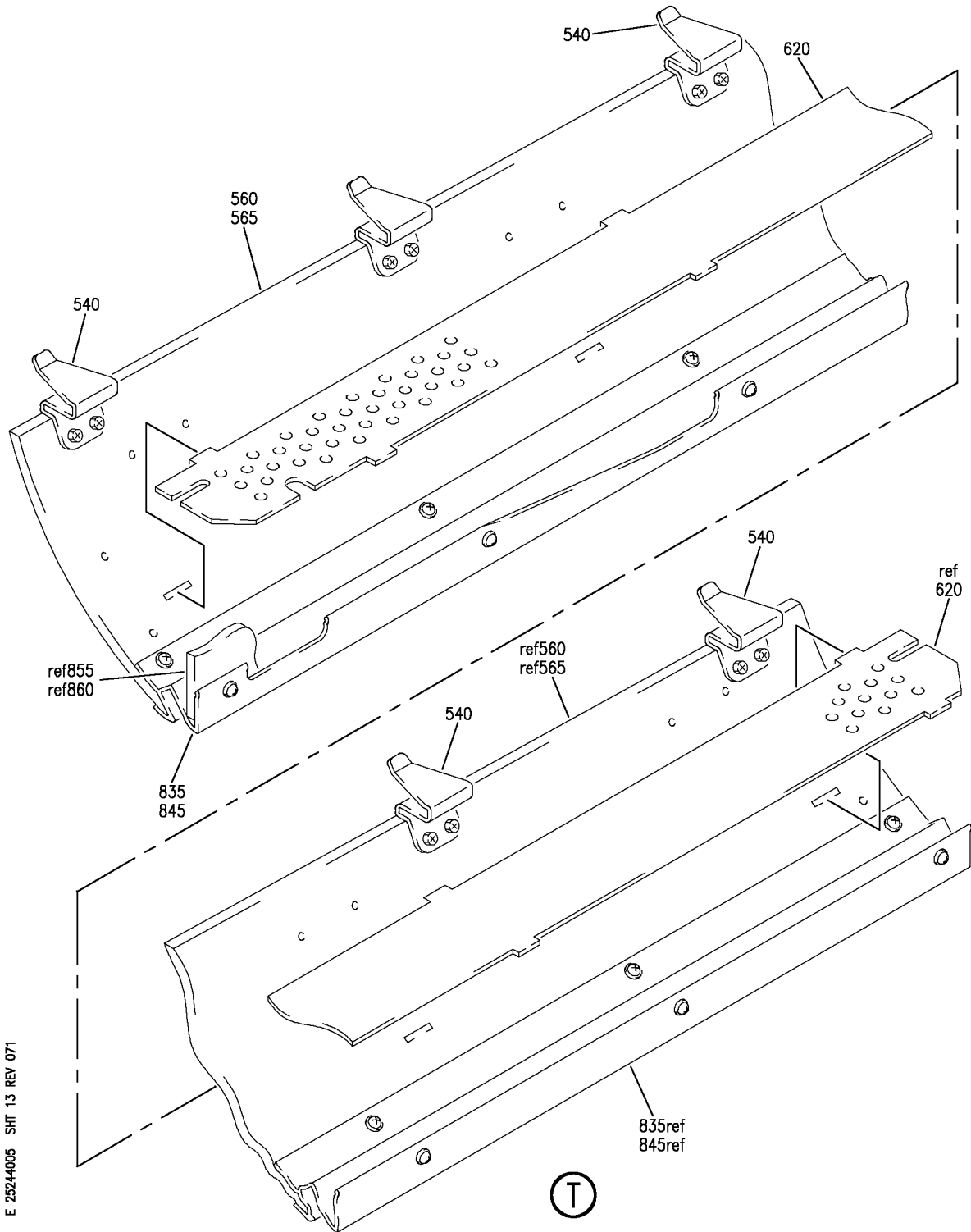
BOX INSTL-FWD CTR OVHD STOWAGE
FIGURE 5 (SHEET 12)

25-24-40-05

HAP
OCT 10/06

25-24-40-05
PAGE OK

BOEING
 737-600/700/800/900
 PARTS CATALOG (MAINTENANCE)



E 2524-4005 SH13 REV 071

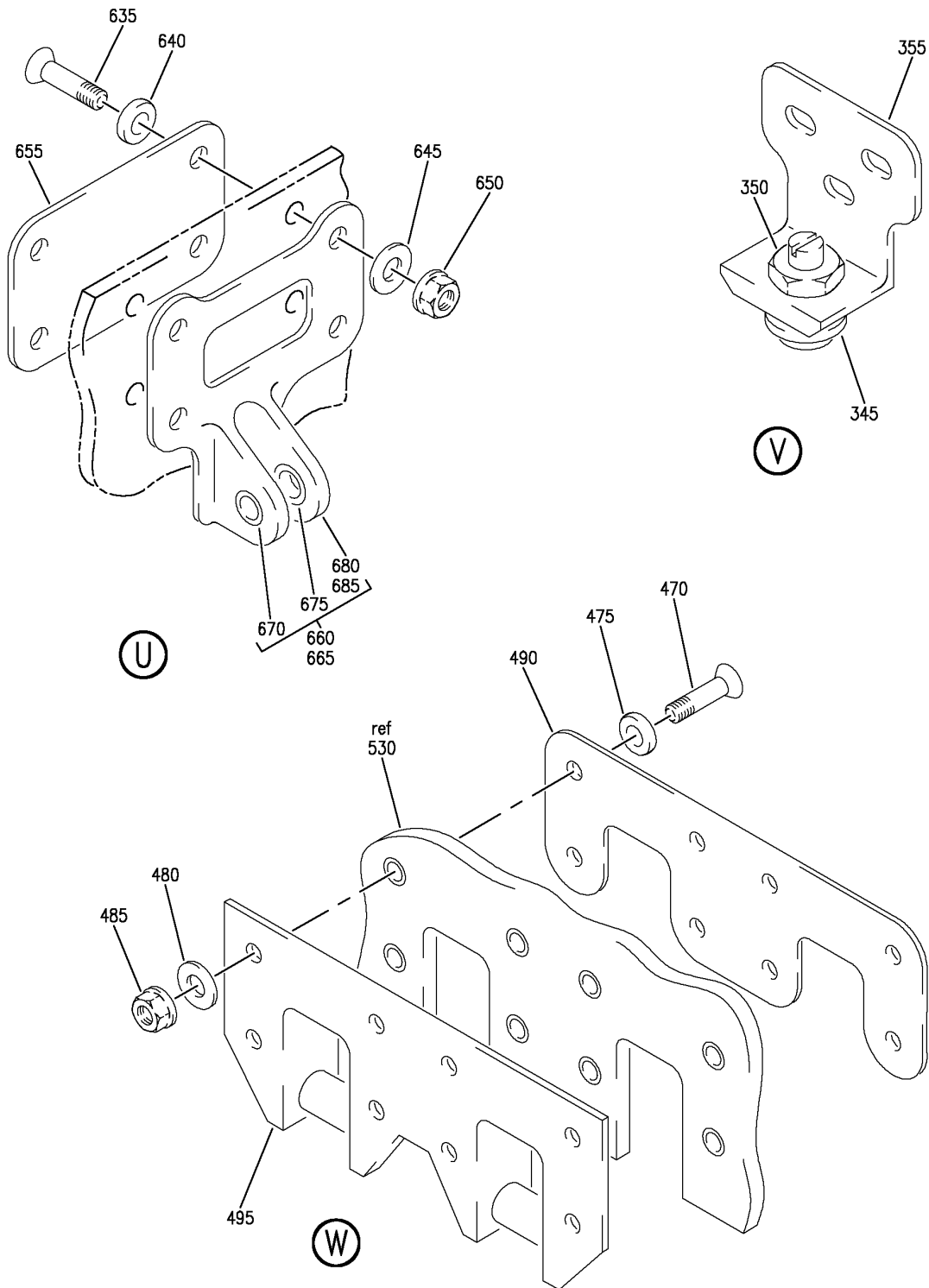
BOX INSTL-FWD CTR OVHD STOWAGE
 FIGURE 5 (SHEET 13)

25-24-40-05

HAP
 OCT 10/06

25-24-40-05
 PAGE 01

BOEING
 737-600/700/800/900
 PARTS CATALOG (MAINTENANCE)



E 2524-4005 SH1 14 REV 072

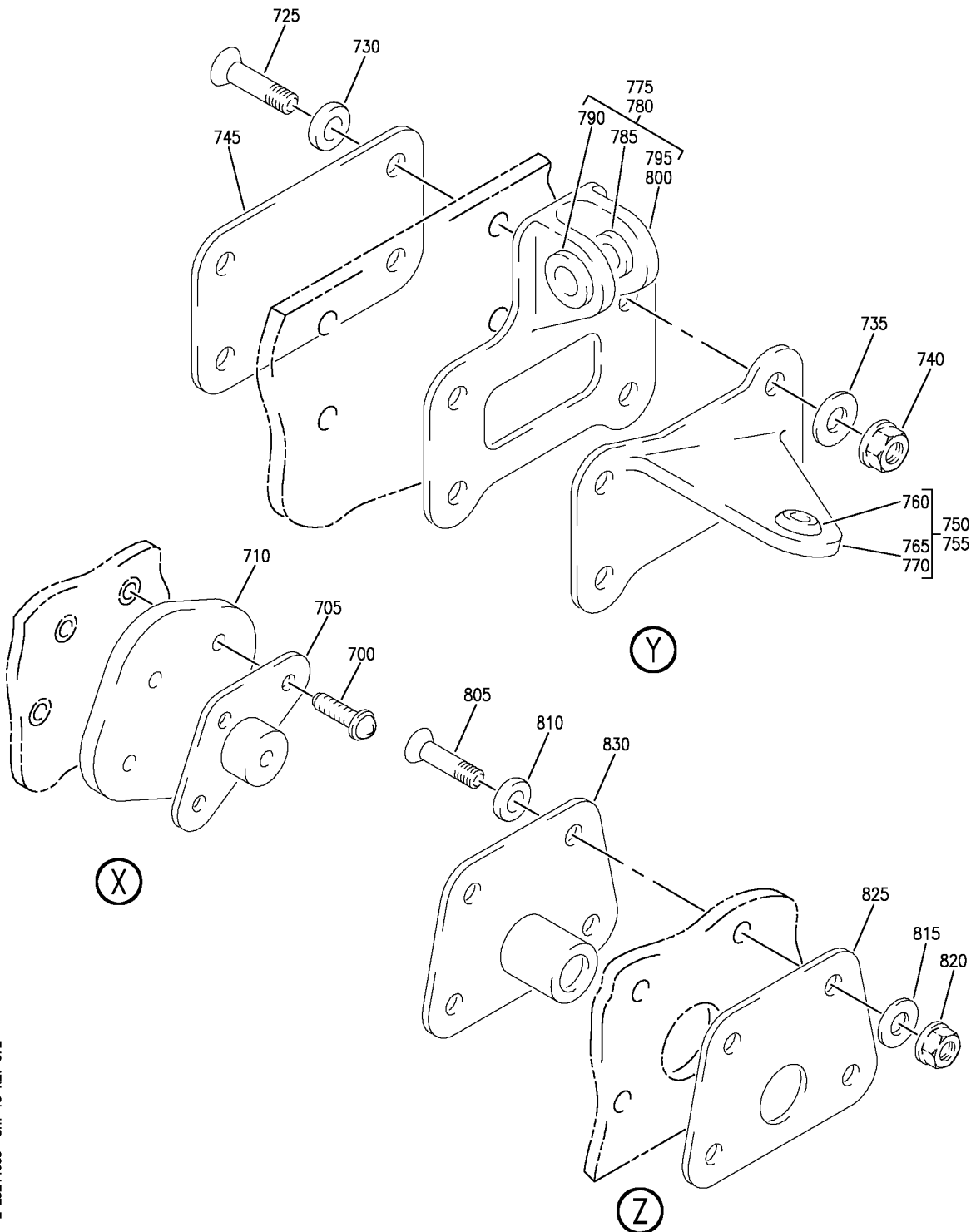
BOX INSTL-FWD CTR OVHD STOWAGE
 FIGURE 5 (SHEET 14)

25-24-40-05

HAP
 OCT 10/06

25-24-40-05
 PAGE 0M

BOEING
 737-600/700/800/900
 PARTS CATALOG (MAINTENANCE)



E 2524-4005 SH1 15 REV 072

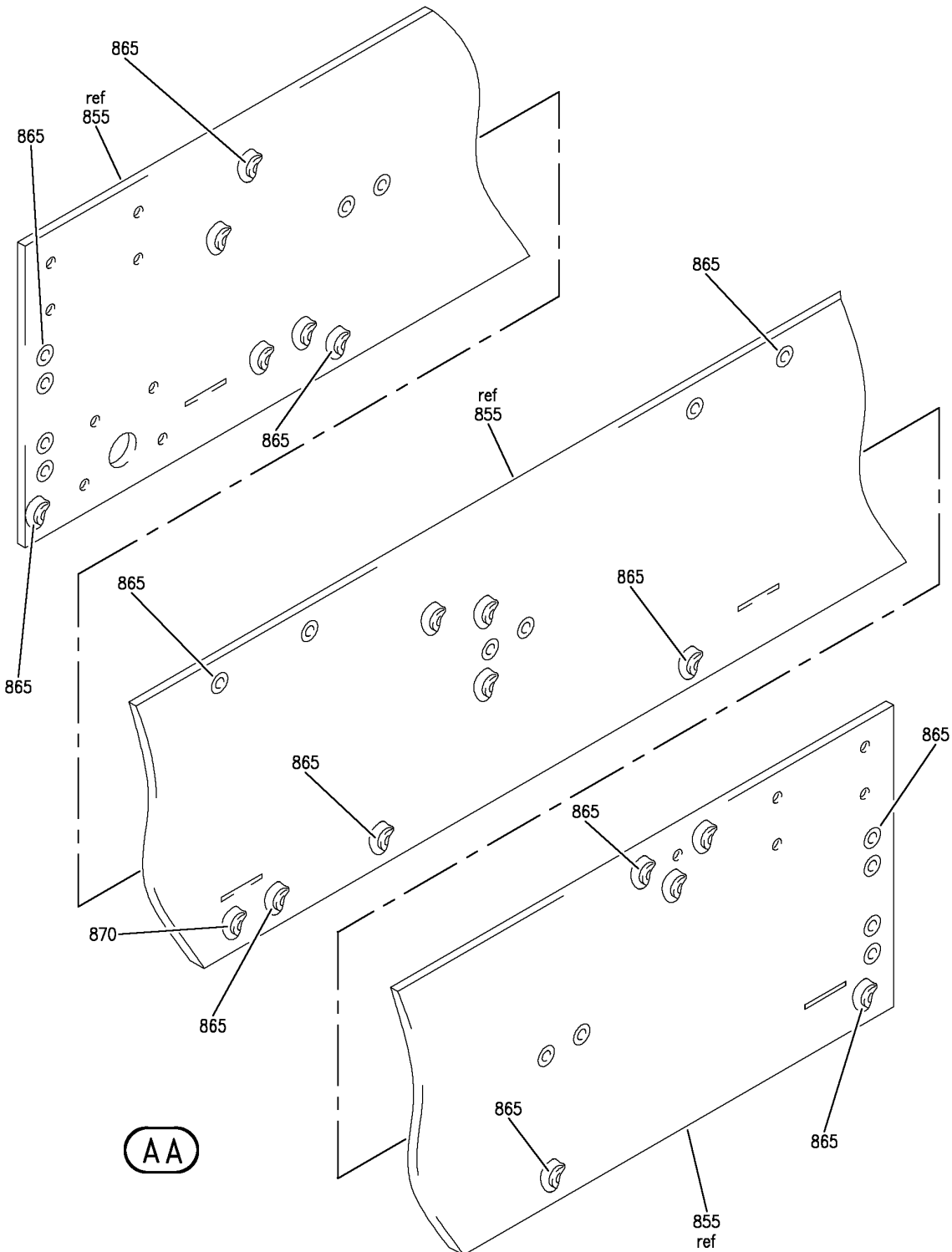
BOX INSTL-FWD CTR OVHD STOWAGE
 FIGURE 5 (SHEET 15)

25-24-40-05

HAP
 OCT 10/06

25-24-40-05
 PAGE ON

BOEING
 737-600/700/800/900
 PARTS CATALOG (MAINTENANCE)



E 25244005 SH1 16 REV 071

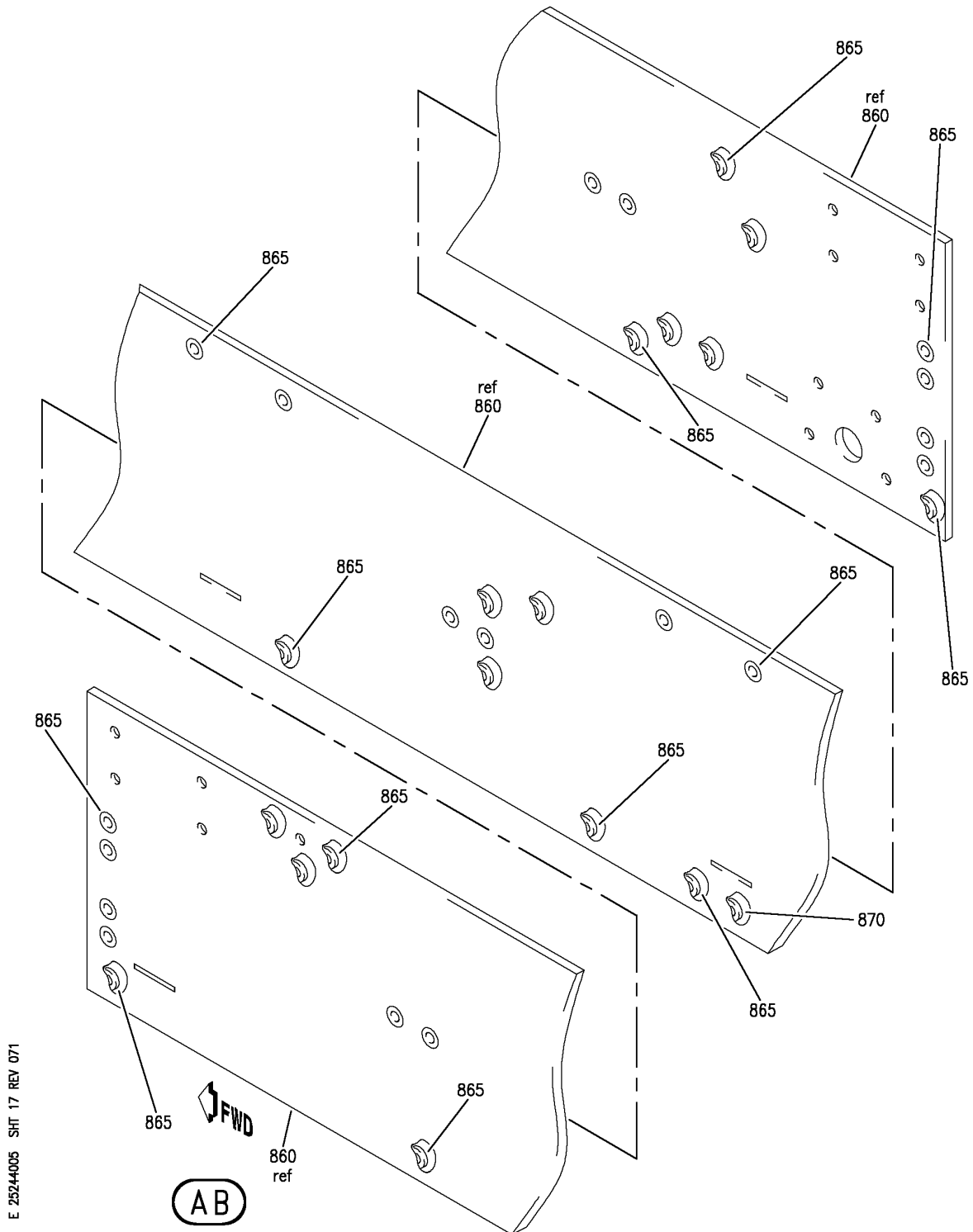
BOX INSTL-FWD CTR OVHD STOWAGE
 FIGURE 5 (SHEET 16)

25-24-40-05

HAP
 OCT 10/06

25-24-40-05
 PAGE 00

BOEING
737-600/700/800/900
PARTS CATALOG (MAINTENANCE)



E 25244005 SH17 REV 071

BOX INSTL-FWD CTR OVHD STOWAGE
FIGURE 5 (SHEET 17)

HAP
OCT 10/06

25-24-40-05

25-24-40-05
PAGE 0P

BOEING
737-600/700/800/900
PARTS CATALOG (MAINTENANCE)

FIG ITEM	PART NUMBER	1 2 3 4 5 6 7	NOMENCLATURE	EFFECT FROM TO	UNITS PER ASSY
5			BOX INSTL-FWD CTR OVHD STOWAGE	001030	
- 1	412A4100-100SP		BOX INSTL-OVHD STOWAGE POSITION DATA: FWD CTR FOR NHA SEE: 25-24-00-13A	001030	RF
5	BACB30NR4K11		.BOLT-	001030	4
10	BACB30NR4K16		.BOLT-	001030	4
15	NAS1149D0432J		.WASHER-	001030	16
20	PLH54CD		.NUT- SUPPLIER CODE: VF0224 SPECIFICATION NUMBER: BACN10YR4CD OPTIONAL PART: H52732-4CD V15653	001030	8
25	BACB28AK04-028		.BUSHING-	001030	4
30	BACB28AK04-050		.BUSHING-	001030	4
35	412A4110-100SP		.BOX ASSY	001030	1
40	412A4113-2SP		..CAP ASSY-END ATTACHING PARTS	001030	1
- 50	BACS12GU3K8		..SCREW	001030	2
- 55	NAS1149D0332J		..WASHER -----*-----	001030	2
60	BACS12GU3K5		...SCREW	001030	6
70	NAS1149D0332J		...WASHER	001030	6
80	412A4161-13		...BRACKET ASSY	001030	1
85	412A4161-14		...BRACKET ASSY	001030	1
90	BRC600-10-3	NUT SUPPLIER CODE: V52828 SPECIFICATION NUMBER: BACN10YD2 OPTIONAL PART: 130121 V60119	001030	1
95	412A4161-21	BRACKET- USED ON: 412A4161-13	001030	1
100	412A4161-22	BRACKET- USED ON: 412A4161-14	001030	1
110	412A4120-200SP		...CAP ASSY	001030	1

MISSING ITEM NUMBERS NOT APPLICABLE

- ITEM NOT ILLUSTRATED

HAP

25-24-40-05

BOEING PROPRIETARY - Copyright © - Unpublished Work - See title page for details.

25-24-40
FIG. 05
PAGE 1
FEB 15/09

BOEING
737-600/700/800/900
PARTS CATALOG (MAINTENANCE)

FIG ITEM	PART NUMBER	1 2 3 4 5 6 7	NOMENCLATURE	EFFECT FROM TO	UNITS PER ASSY
5					
- 125	SL2334-3A1	INSERT- SUPPLIER CODE: V97393 OPTIONAL PART: SL618-3A V97393	001030	6
- 125	SL618-3A	INSERT- SUPPLIER CODE: V97393 OPTIONAL PART: SL2334-3A1 V97393	001030	6
145	412A4113-1SP	..	CAP ASSY-END ATTACHING PARTS	001030	1
- 150	BACS12GU3K8	..	SCREW	001030	2
- 155	NAS1149D0332J	..	WASHER	001030	2
			-----*-----		
160	BACS12GU3K5	...	SCREW	001030	6
165	NAS1149D0332J	...	WASHER	001030	6
170	412A4161-13	...	BRACKET ASSY	001030	1
175	412A4161-14	...	BRACKET ASSY	001030	1
180	BRC600-10-3	NUT SUPPLIER CODE: V52828 SPECIFICATION NUMBER: BACN10YD2 OPTIONAL PART: 130121 V60119	001030	1
185	412A4161-21	BRACKET- USED ON: 412A4161-13	001030	1
190	412A4161-22	BRACKET- USED ON: 412A4161-14	001030	1
195	412A4120-100SP	...	CAP ASSY	001030	1
- 200	SL2334-3A1	INSERT- SUPPLIER CODE: V97393 OPTIONAL PART: SL618-3A V97393	001030	6
- 200	SL618-3A	INSERT- SUPPLIER CODE: V97393 OPTIONAL PART: SL2334-3A1 V97393	001030	6

MISSING ITEM NUMBERS NOT APPLICABLE

- ITEM NOT ILLUSTRATED

HAP

25-24-40-05

BOEING PROPRIETARY - Copyright © - Unpublished Work - See title page for details.

25-24-40
FIG. 05
PAGE 2
OCT 10/06

BOEING
737-600/700/800/900
PARTS CATALOG (MAINTENANCE)

FIG ITEM	PART NUMBER	1 2 3 4 5 6 7	NOMENCLATURE	EFFECT FROM TO	UNITS PER ASSY
5					
205	412A4113-203	...	SEAL- OPTIONAL PART: 413W1160-107	001030	AR
205	413W1160-107	...	SEAL- MANUFACTURED FROM: SH FELT PER MILF5656 TYPE 53 .05 IN 3.30 IN 3.30 IN SPARES ORDER MATERIAL CODE: 5370630510 OPTIONAL PART: 412A4113-203	001030	AR
210	BACB30NM4K6	..	BOLT	001030	4
215	NAS1149D0432J	..	WASHER	001030	4
220	SP20101	..	SNUBBER- SUPPLIER CODE: V24403 SPECIFICATION NUMBER: S413U160-2	001030	2
225	BACB30NM4K10	..	BOLT	001030	2
230	BACB30NM4K24	..	BOLT	001030	2
235	NAS1149D0432J	..	WASHER	001030	8
240	PLH54CD	..	NUT SUPPLIER CODE: VFO224 SPECIFICATION NUMBER: BACN10YR4CD OPTIONAL PART: H52732-4CD V15653	001030	2
245	26C048	..	NUT SUPPLIER CODE: V80539 SPECIFICATION NUMBER: BACN10R428A	001030	2
250	SP20257	..	ACTUATOR- SUPPLIER CODE: V24403 SPECIFICATION NUMBER: S412A415-2	001030	2

R
R
R
R
R
R
R
R

MISSING ITEM NUMBERS NOT APPLICABLE

- ITEM NOT ILLUSTRATED

HAP

25-24-40-05

BOEING PROPRIETARY - Copyright © - Unpublished Work - See title page for details.

25-24-40
FIG. 05
PAGE 3
JUN 15/09

BOEING
737-600/700/800/900
PARTS CATALOG (MAINTENANCE)

FIG ITEM	PART NUMBER	1 2 3 4 5 6 7	NOMENCLATURE	EFFECT FROM TO	UNITS PER ASSY
5 255	HST10AG8-8	..	BOLT SUPPLIER CODE: VOPTK6 SPECIFICATION NUMBER: BACB30VT8K8 OPTIONAL PART: HST10AG8-8 V06725 HST10AG8-8 V56878 HST10AG8-8 V73197 WC10K8-8 V60516	001030	2
260	BACB30NM4K20	..	BOLT	001030	2
265	NAS1149D0432J	..	WASHER	001030	4
270	NAS1149D0463J	..	WASHER	001030	2
275	PLH54CD	..	NUT SUPPLIER CODE: VFO224 SPECIFICATION NUMBER: BACN10YR4CD OPTIONAL PART: H52732-4CD V15653	001030	4
280	SP20367	..	SNUBBER-RATE CONT SUPPLIER CODE: V24403 SPECIFICATION NUMBER: S412A415-1	001030	2
285	BACB30XD3K9	..	BOLT	001030	8
290	412A4160-2SP	..	PIN-HINGE PIVOT	001030	2
295	421W1285-3	..	WASHER	001030	2
300	421W1285-1	..	DAMPER	001030	2
305	421W1285-2	..	BUSHING	001030	2
310	412A4112-1A	..	DOOR ASSY- FOR DETAILS SEE: 25-24-36-01	001030	1
315	412A4160-37SP	..	FITTING-REBOUND DAMPER ATTACHING PARTS	001030	2
- 320	BACS12FA3K8	..	SCREW -----*-----	001030	2
325	412A4111-1A	..	BOX ASSY- POSITION DATA: UPR	001030	1
330	412A4160-21	...	STOP ASSY-DOOR ATTACHING PARTS	001030	2
- 335	BACS12GU3K6	...	SCREW	001030	6

MISSING ITEM NUMBERS NOT APPLICABLE

- ITEM NOT ILLUSTRATED

HAP

25-24-40-05

BOEING PROPRIETARY - Copyright © - Unpublished Work - See title page for details.

25-24-40
FIG. 05
PAGE 4
JUN 15/09

BOEING
737-600/700/800/900
PARTS CATALOG (MAINTENANCE)

FIG ITEM	PART NUMBER	1 2 3 4 5 6 7	NOMENCLATURE	EFFECT FROM TO	UNITS PER ASSY
5					
- 340	NAS1149D0332J	...	WASHER	001030	6
		-----*			
345	421W1284-1	SCREW	001030	1
350	MS25082-5	NUT	001030	1
355	412A4160-22	STOP	001030	1
360	412A4160-39	...	BRACKET-ENDCAP	001030	2
			ATTACHING PARTS		
- 365	BACS12GU3K6	...	SCREW	001030	4
- 370	NAS1149D0332J	...	WASHER	001030	4
		-----*			
375	412A4160-40	...	BRACKET-ENDCAP	001030	2
			ATTACHING PARTS		
- 380	BACS12GU3K6	...	SCREW	001030	4
- 385	NAS1149D0332J	...	WASHER	001030	4
		-----*			
390	69B51733-1	...	CLIP-SPR	001030	4
			ATTACHING PARTS		
- 395	BACS12GU3K5	...	SCREW	001030	8
- 400	NAS1149D0332J	...	WASHER	001030	8
		-----*			
405	412A4161-20	...	CLIP	001030	6
			ATTACHING PARTS		
410	BACS12GU3K4	...	SCREW	001030	12
415	BACS12GU3K5	...	SCREW	001030	12
420	NAS1149D0332J	...	WASHER	001030	24
		-----*			
425	412A4160-13	...	FITTING ASSY-SIDE SPRT	001030	1
430	412A4160-14	...	FITTING ASSY-SIDE SPRT	001030	1
			ATTACHING PARTS		
435	BACS12GU3K4	...	SCREW	001030	4
440	BACS12GU3K6	...	SCREW	001030	8
445	NAS1149D0332J	...	WASHER	001030	12
		-----*			
450	BACB28AP04P010	BUSHING	001030	1
455	BACB28AT06B010C	BUSHING	001030	1
460	412A4160-15	FITTING-	001030	1
			USED ON:		
			412A4160-13		
465	412A4160-16	FITTING-	001030	1
			USED ON:		
			412A4160-14		
470	BACB30NN3K9	...	BOLT	001030	8
475	BACW10BP42CD	...	WASHER	001030	8
480	NAS1149D0332J	...	WASHER	001030	8

MISSING ITEM NUMBERS NOT APPLICABLE

- ITEM NOT ILLUSTRATED

HAP

25-24-40-05

25-24-40
FIG. 05
PAGE 5
JUN 15/09

BOEING
737-600/700/800/900
PARTS CATALOG (MAINTENANCE)

FIG ITEM	PART NUMBER	1 2 3 4 5 6 7	NOMENCLATURE	EFFECT FROM TO	UNITS PER ASSY
5 485	PLH53CD	...	NUT SUPPLIER CODE: VFO224 SPECIFICATION NUMBER: BACN10YR3CD OPTIONAL PART: H52732-3CD V15653	001030	8
490	412A4161-19A	...	DOUBLER-STRIKE	001030	1
495	H3-1608-2	...	LATCH- SUPPLIER CODE: V34941 SPECIFICATION NUMBER: S412A414-2	001030	1
500	413U5008-21A	...	CLIP- ATTACHING PARTS	001030	18
- 505	BACS12GU3K6	...	SCREW	001030	72
- 510	NAS1149D0332J	...	WASHER -----*-----	001030	72
515	412A4125-1A	...	PANEL ASSY-	001030	1
- 520	SL2334-3A1	INSERT- SUPPLIER CODE: V97393	001030	32
525	412A4125-6	...	PANEL ASSY	001030	1
530	412A4125-7A	...	PANEL ASSY-	001030	1
- 535	SL2334-3A1	INSERT- SUPPLIER CODE: V97393	001030	36
540	412A4161-4	...	BRACKET ATTACHING PARTS	001030	10
- 545	BACS12GU3K4	...	SCREW	001030	20
- 550	NAS1149D0332J	...	WASHER -----*-----	001030	20
555	412A4133-1	...	SEAL-GAP COVER	001030	4
560	412A4120-2A	...	PANEL ASSY-	001030	1
565	412A4120-1A	...	PANEL ASSY-	001030	1
- 570	SL2334-3A1	INSERT- SUPPLIER CODE: V97393 OPTIONAL PART: SL618-3A V97393	001030	28
- 570	SL618-3A	INSERT- SUPPLIER CODE: V97393 OPTIONAL PART: SL2334-3A1 V97393	001030	28
575	412A4161-5	...	BRACKET	001030	8

MISSING ITEM NUMBERS NOT APPLICABLE

- ITEM NOT ILLUSTRATED

HAP

25-24-40-05

25-24-40
FIG. 05
PAGE 6
JUN 15/09

BOEING
737-600/700/800/900
PARTS CATALOG (MAINTENANCE)

FIG ITEM	PART NUMBER	1 2 3 4 5 6 7	NOMENCLATURE	EFFECT FROM TO	UNITS PER ASSY
5			ATTACHING PARTS		
- 580	BACS12GU3K5	...	SCREW	001030	32
- 585	NAS1149D0332J	...	WASHER	001030	32
			-----*-----		
590	214A2401-3	...	PLENUM-GASPER	001030	4
			ATTACHING PARTS		
- 595	BACS12GU3K5	...	SCREW	001030	16
- 600	NAS1149D0332J	...	WASHER	001030	16
			-----*-----		
605	412A4161-8	...	BRACKET	001030	4
			ATTACHING PARTS		
- 610	BACS12GU3K4	...	SCREW	001030	16
- 615	NAS1149D0332J	...	WASHER	001030	16
			-----*-----		
620	412A4131-2	...	BAFFLE	001030	2
625	412A4125-2	...	PANEL ASSY	001030	2
- 630	SL2334-3A1	INSERT-	001030	26
			SUPPLIER CODE: V97393		
635	BACB30NN3K9	...	BOLT	001030	8
640	BACW10BP42CD	...	WASHER	001030	8
645	NAS1149D0332J	...	WASHER	001030	8
650	PLH53CD	...	NUT	001030	8
			SUPPLIER CODE: VFO224		
			SPECIFICATION NUMBER: BACN10YR3CD		
			OPTIONAL PART: H52732-3CD V15653		
655	412A4161-15A	...	DOUBLER-	001030	2
660	412A4160-18	...	FITTING ASSY-VERT SPRT	001030	1
665	412A4160-17	...	FITTING ASSY-VERT SPRT	001030	1
670	BACB28AP04P017	BUSHING	001030	1
675	BACB28AT06B017C	BUSHING	001030	1
680	412A4160-20	FITTING-	001030	1
			USED ON: 412A4160-18		
685	412A4160-19	FITTING-	001030	1
			USED ON: 412A4160-17		
690	413U5007-1	...	SNUBBER	001030	2
			ATTACHING PARTS		
- 695	BACS12FA3K4	...	SCREW	001030	6
			-----*-----		
700	BACS12FA3K9	...	SCREW	001030	6
705	413U5007-1	...	SNUBBER	001030	2
710	412A4160-38A	...	SPACER-	001030	2
715	412A4134-2	...	RUBSTRIP	001030	2

MISSING ITEM NUMBERS NOT APPLICABLE

- ITEM NOT ILLUSTRATED

HAP

25-24-40-05

25-24-40
FIG. 05
PAGE 7
JUN 15/09

BOEING
737-600/700/800/900
PARTS CATALOG (MAINTENANCE)

FIG ITEM	PART NUMBER	1 2 3 4 5 6 7	NOMENCLATURE	EFFECT FROM TO	UNITS PER ASSY
5			ATTACHING PARTS		
- 720	BACS12ER3K5	...	SCREW	001030	8
		-----*	-----		
725	BACB30NN3K11	...	BOLT	001030	8
730	BACW10BP42CD	...	WASHER	001030	8
735	NAS1149D0332J	...	WASHER	001030	8
740	PLH53CD	...	NUT	001030	8
			SUPPLIER CODE: VFO224		
			SPECIFICATION NUMBER: BACN10YR3CD		
			OPTIONAL PART: H52732-3CD V15653		
745	412A4161-15A	...	DOUBLER-	001030	2
750	412A4160-10	...	FITTING ASSY-FWD SPRT	001030	1
755	412A4160-9	...	FITTING ASSY-FWD SPRT	001030	1
760	AG4V4009	BEARING-	001030	1
			SUPPLIER CODE: V15860		
			SPECIFICATION NUMBER: 60B00180-68		
			OPTIONAL PART: LHBG4BAC V73134 NC4G12 V56644		
765	412A4160-12	FITTING-	001030	1
			USED ON: 412A4160-10		
770	412A4160-11	FITTING-	001030	1
			USED ON: 412A4160-9		
775	412A4160-18	...	FITTING ASSY-VERT SPRT	001030	1
780	412A4160-17	...	FITTING ASSY-VERT SPRT	001030	1
785	BACB28AP04P017	BUSHING	001030	1
790	BACB28AT06B017C	BUSHING	001030	1
795	412A4160-20	FITTING-	001030	1
			USED ON: 412A4160-18		
800	412A4160-19	FITTING-	001030	1
			USED ON: 412A4160-17		
805	BACB30NN3K10	...	BOLT	001030	8
810	BACW10BP42CD	...	WASHER	001030	8
815	NAS1149D0332J	...	WASHER	001030	8

MISSING ITEM NUMBERS NOT APPLICABLE

- ITEM NOT ILLUSTRATED

HAP

25-24-40-05

25-24-40
FIG. 05
PAGE 8
JUN 15/09

BOEING
737-600/700/800/900
PARTS CATALOG (MAINTENANCE)

FIG ITEM	PART NUMBER	1 2 3 4 5 6 7	NOMENCLATURE	EFFECT FROM TO	UNITS PER ASSY
5 820	PLH53CD		...NUT SUPPLIER CODE: VFO224 SPECIFICATION NUMBER: BACN10YR3CD OPTIONAL PART: H52732-3CD V15653	001030	8
825	412A4160-3		...HINGE-PIVOT DOUBLER	001030	2
830	412A4160-4		...HINGE-PIVOT DOUBLER	001030	2
835	412A4131-1A		...OUTLET-AIR ATTACHING PARTS	001030	1
- 840	BACS12FA3K4		...SCREW -----*-----	001030	12
845	412A4131-4A		...OUTLET-AIR ATTACHING PARTS	001030	1
- 850	BACS12FA3K4		...SCREW -----*-----	001030	12
855	412A4125-12A		...PANEL ASSY-	001030	1
860	412A4125-11A		...PANEL ASSY-	001030	1
865	SL2334-3A1	INSERT- SUPPLIER CODE: V97393	001030	35
870	SL2334-4A1	INSERT- SUPPLIER CODE: V97393	001030	1
875	412A4125-4A		...PANEL ASSY-	001030	1
- 880	SL6224-3A	INSERT- SUPPLIER CODE: V97393	001030	24

MISSING ITEM NUMBERS NOT APPLICABLE

- ITEM NOT ILLUSTRATED

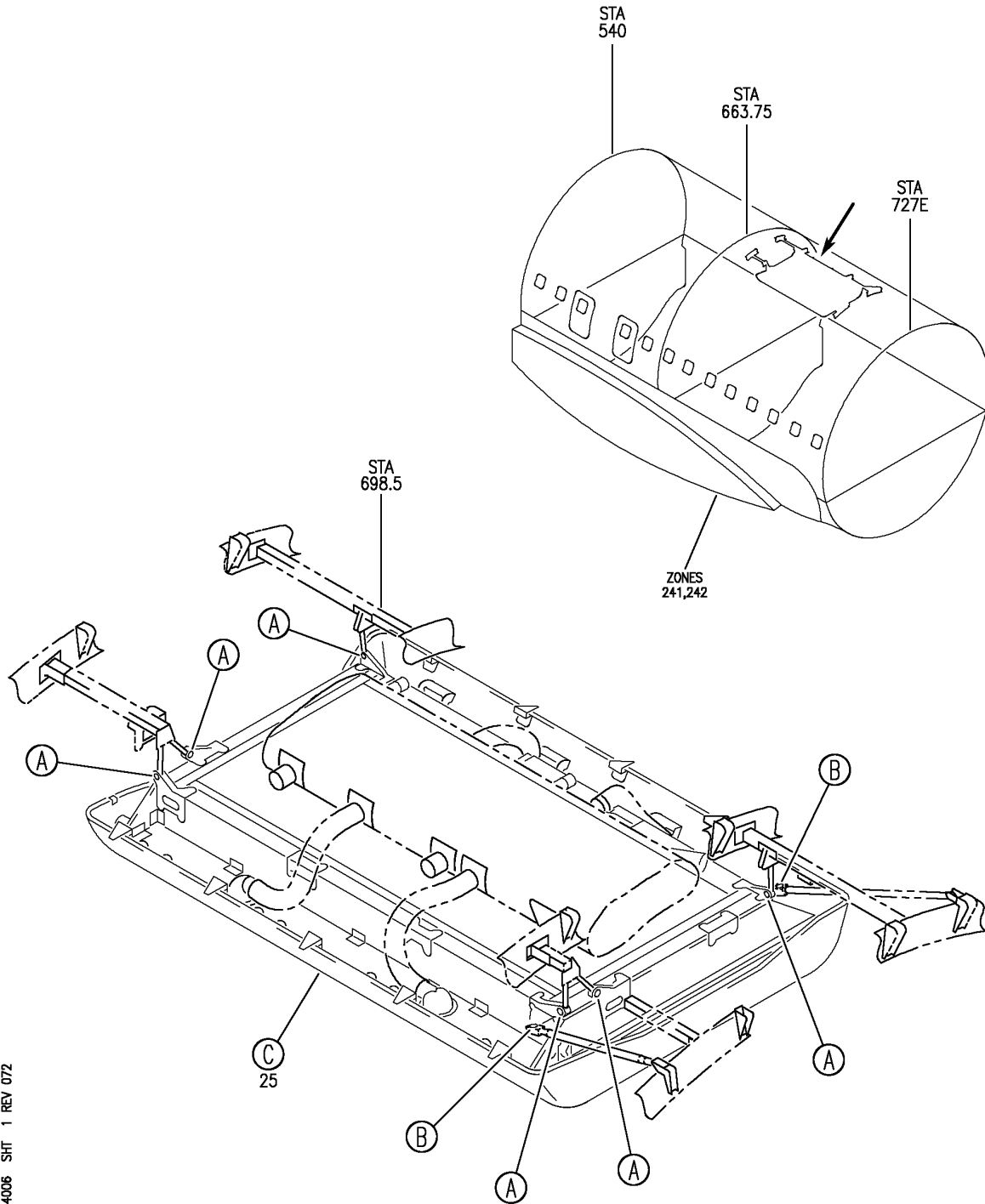
HAP

25-24-40-05

BOEING PROPRIETARY - Copyright © - Unpublished Work - See title page for details.

25-24-40
FIG. 05
PAGE 9
JUN 15/09

BOEING
737-600/700/800/900
PARTS CATALOG (MAINTENANCE)



E 2524-4006 SH1 1 REV 072

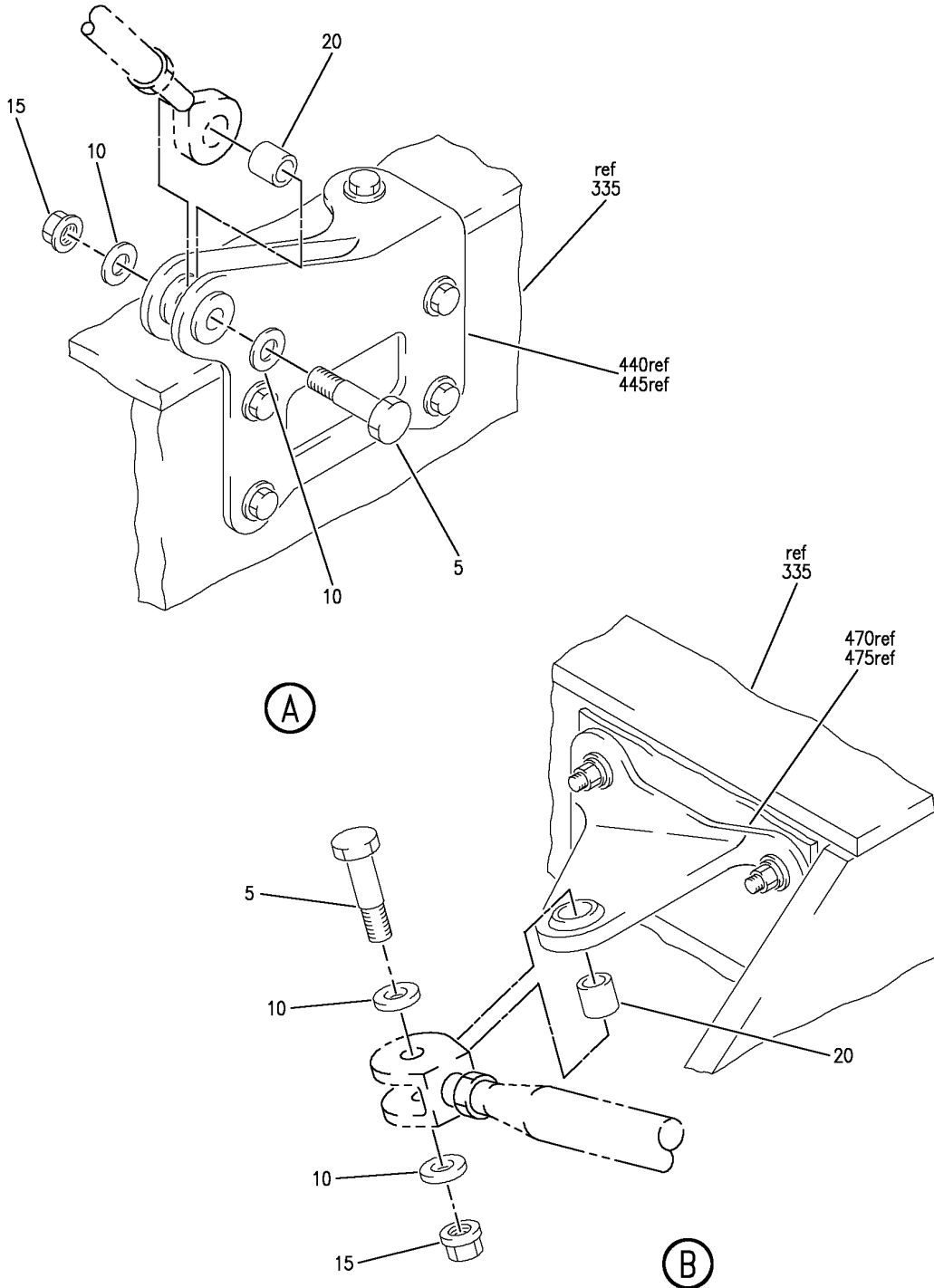
BOX INSTL-MID CTR OVHD STOWAGE
FIGURE 6 (SHEET 1)

25-24-40-06

HAP
OCT 10/06

25-24-40-06
PAGE 0

BOEING
 737-600/700/800/900
 PARTS CATALOG (MAINTENANCE)



E 2524-4006 SH1 2 REV 072

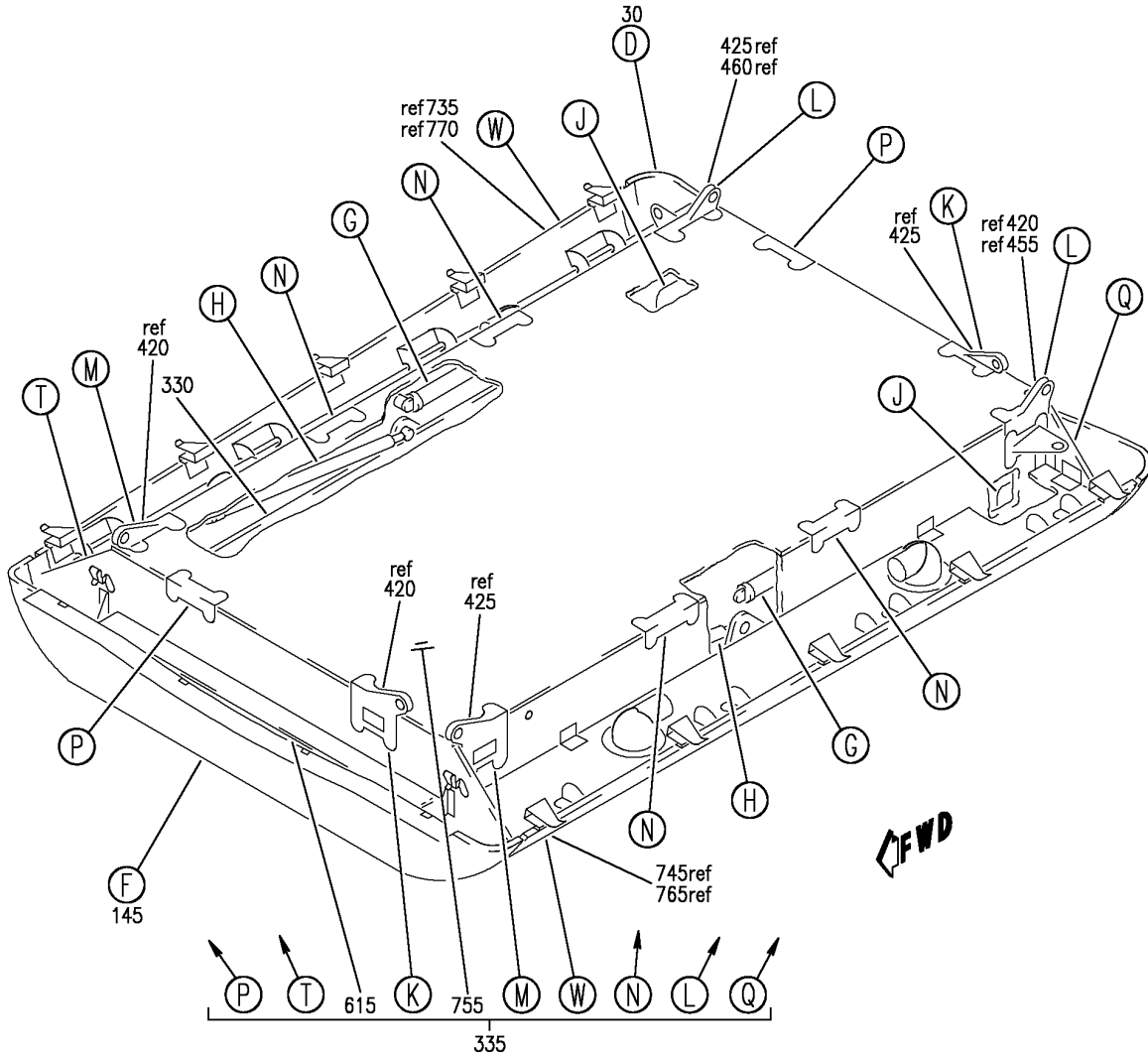
BOX INSTL-MID CTR OVHD STOWAGE
 FIGURE 6 (SHEET 2)

25-24-40-06

HAP
 OCT 10/06

25-24-40-06
 PAGE 0A

BOEING
 737-600/700/800/900
 PARTS CATALOG (MAINTENANCE)



(C)

E 2524-4006 SH1 3 REV 072

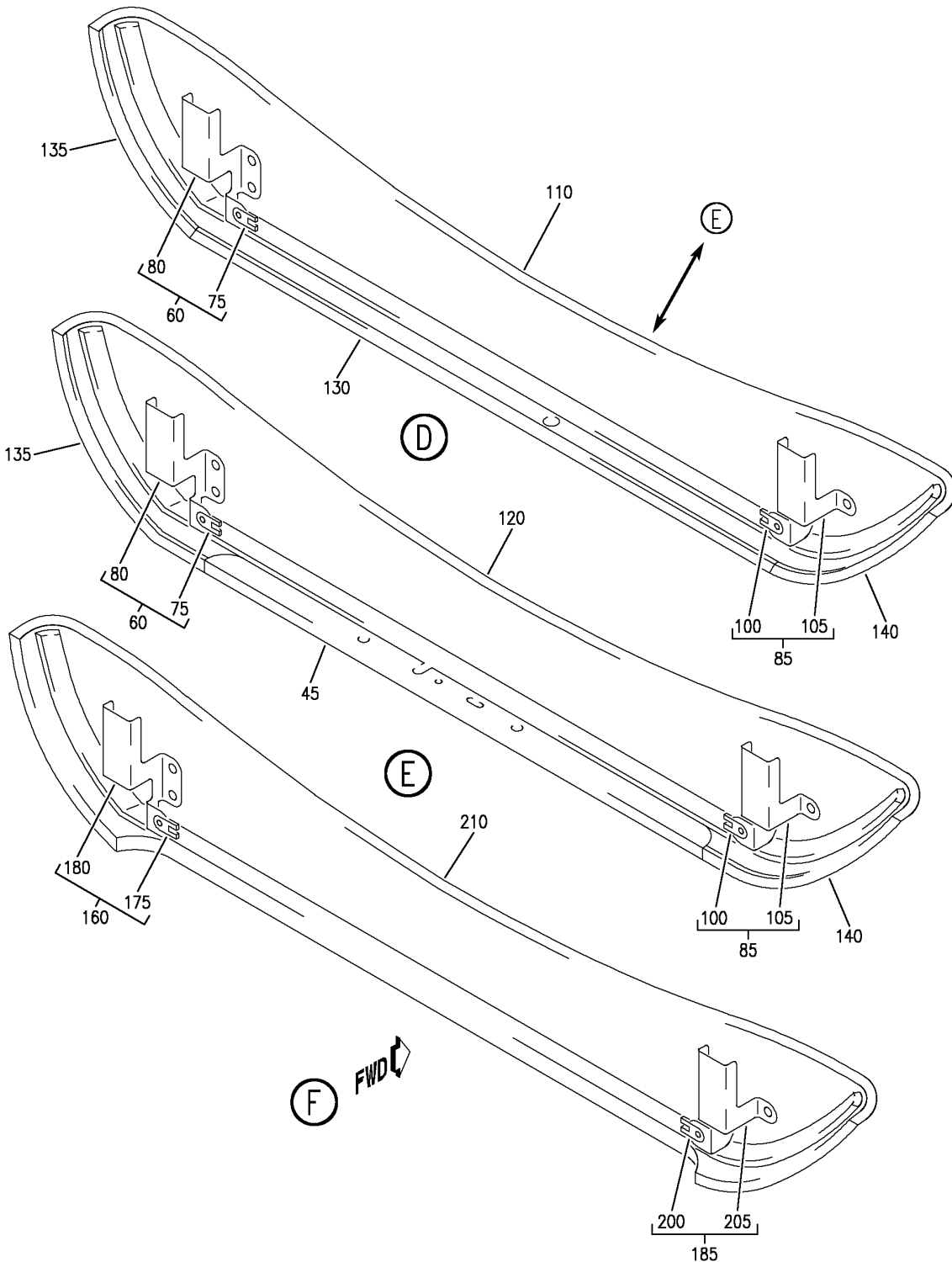
BOX INSTL-MID CTR OVHD STOWAGE
 FIGURE 6 (SHEET 3)

25-24-40-06

HAP
 OCT 10/06

25-24-40-06
 PAGE 08

BOEING
 737-600/700/800/900
 PARTS CATALOG (MAINTENANCE)



E 25244006 SH 4 REV 072

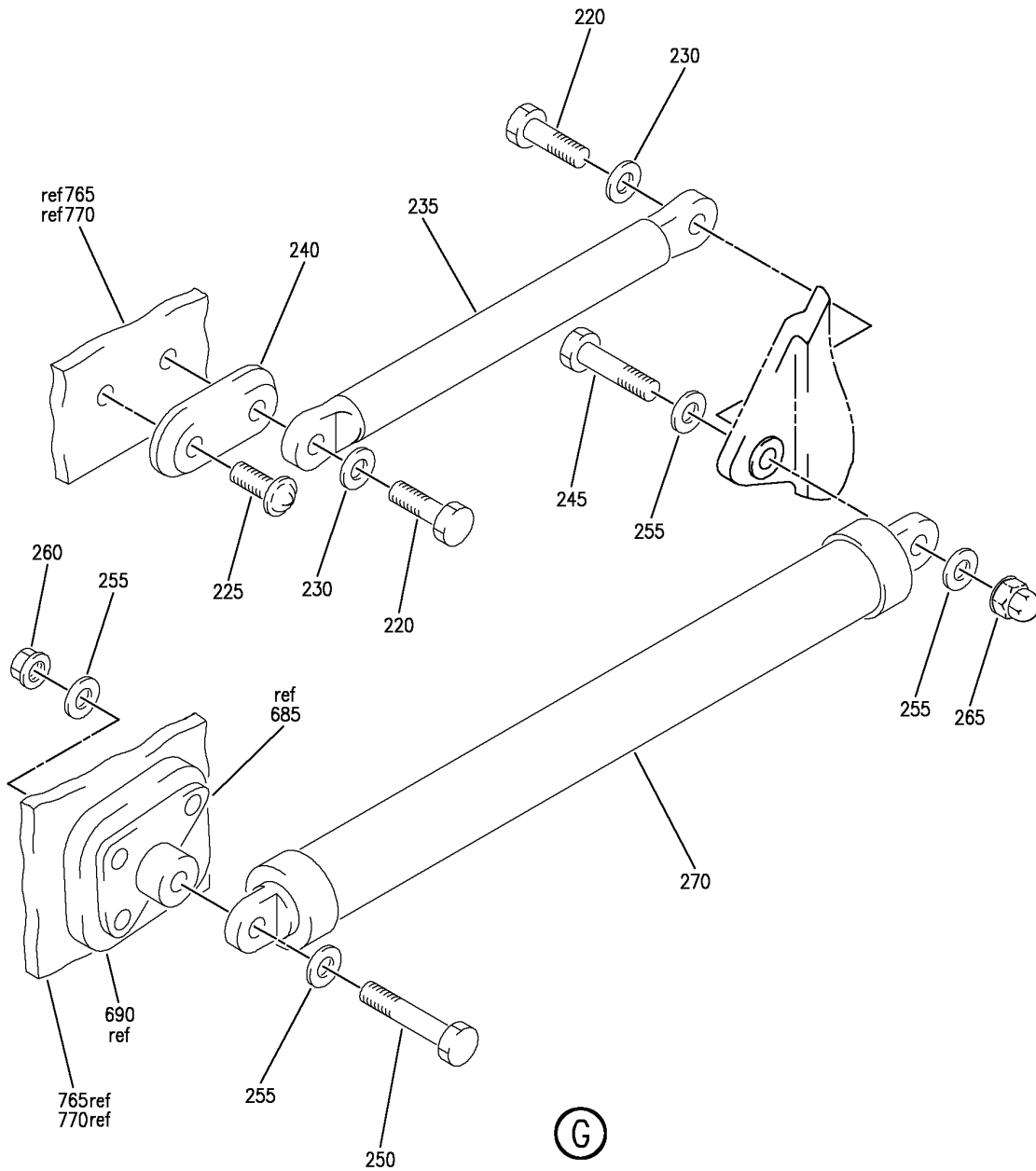
BOX INSTL-MID CTR OVHD STOWAGE
 FIGURE 6 (SHEET 4)

25-24-40-06

HAP
 OCT 10/06

25-24-40-06
 PAGE 0C

BOEING
 737-600/700/800/900
 PARTS CATALOG (MAINTENANCE)



E 2524-4006 SH1 5 REV 072

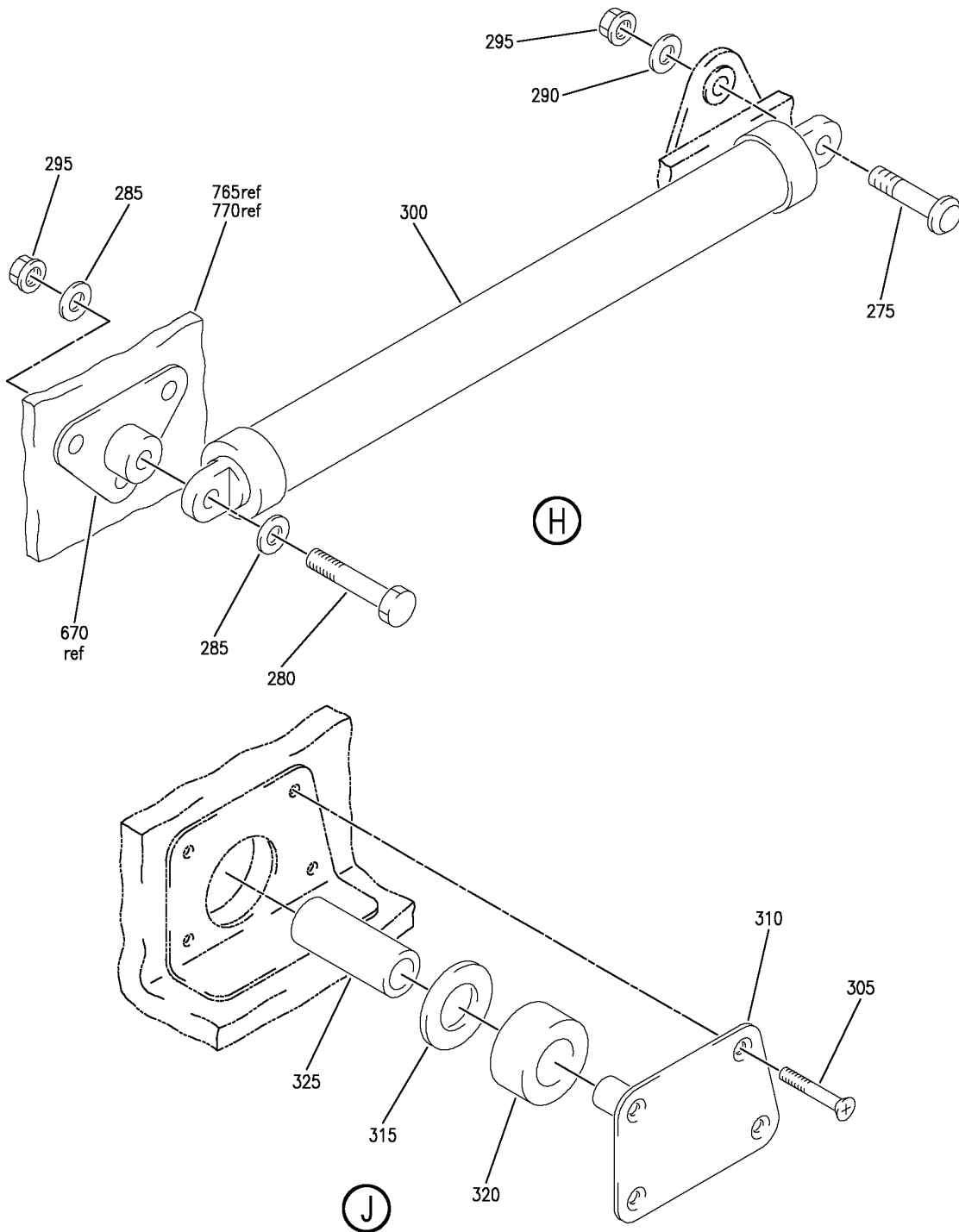
BOX INSTL-MID CTR OVHD STOWAGE
 FIGURE 6 (SHEET 5)

25-24-40-06

HAP
 OCT 10/06

25-24-40-06
 PAGE 0D

BOEING
 737-600/700/800/900
 PARTS CATALOG (MAINTENANCE)



E 2524-4006 SH1 6 REV 072

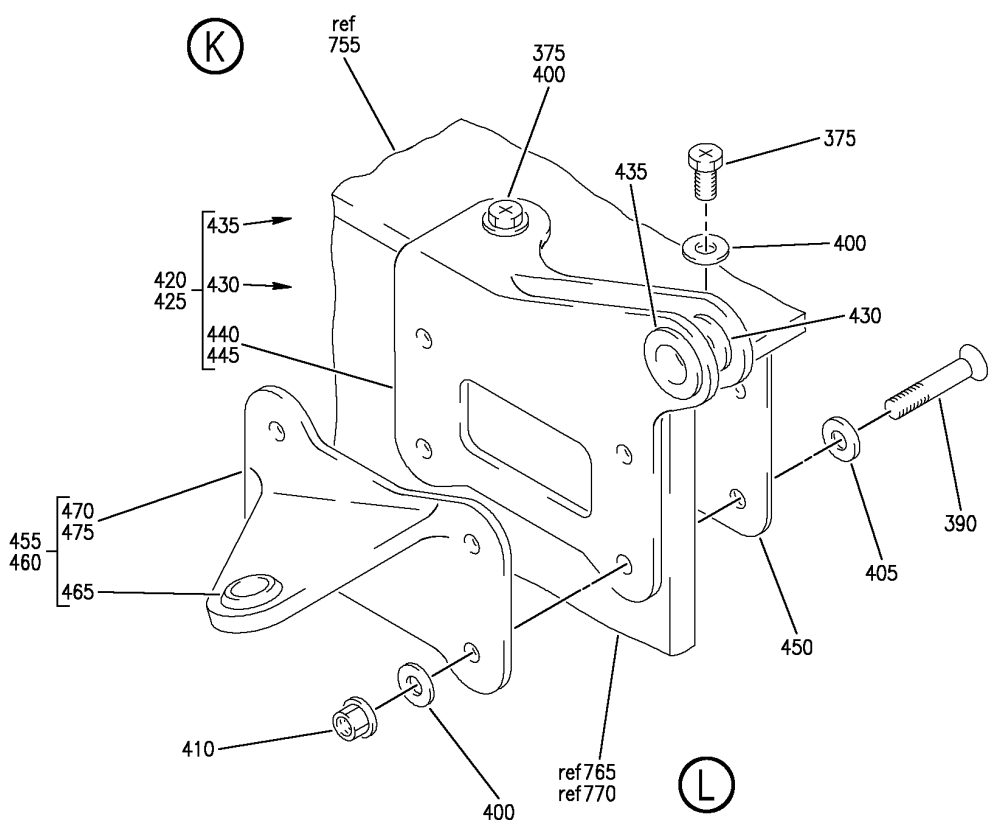
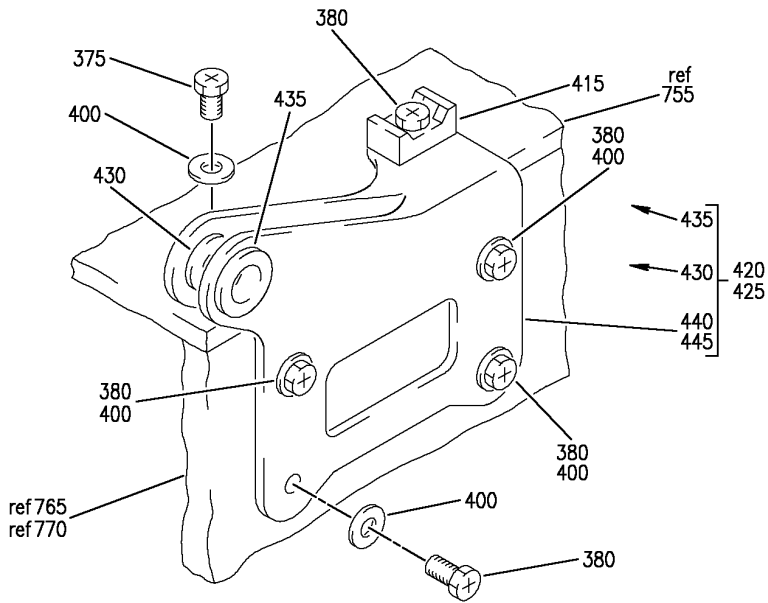
BOX INSTL-MID CTR OVHD STOWAGE
 FIGURE 6 (SHEET 6)

25-24-40-06

HAP
 OCT 10/06

25-24-40-06
 PAGE 0E

BOEING
737-600/700/800/900
PARTS CATALOG (MAINTENANCE)



E 2524-4006 SH1 7 REV 072

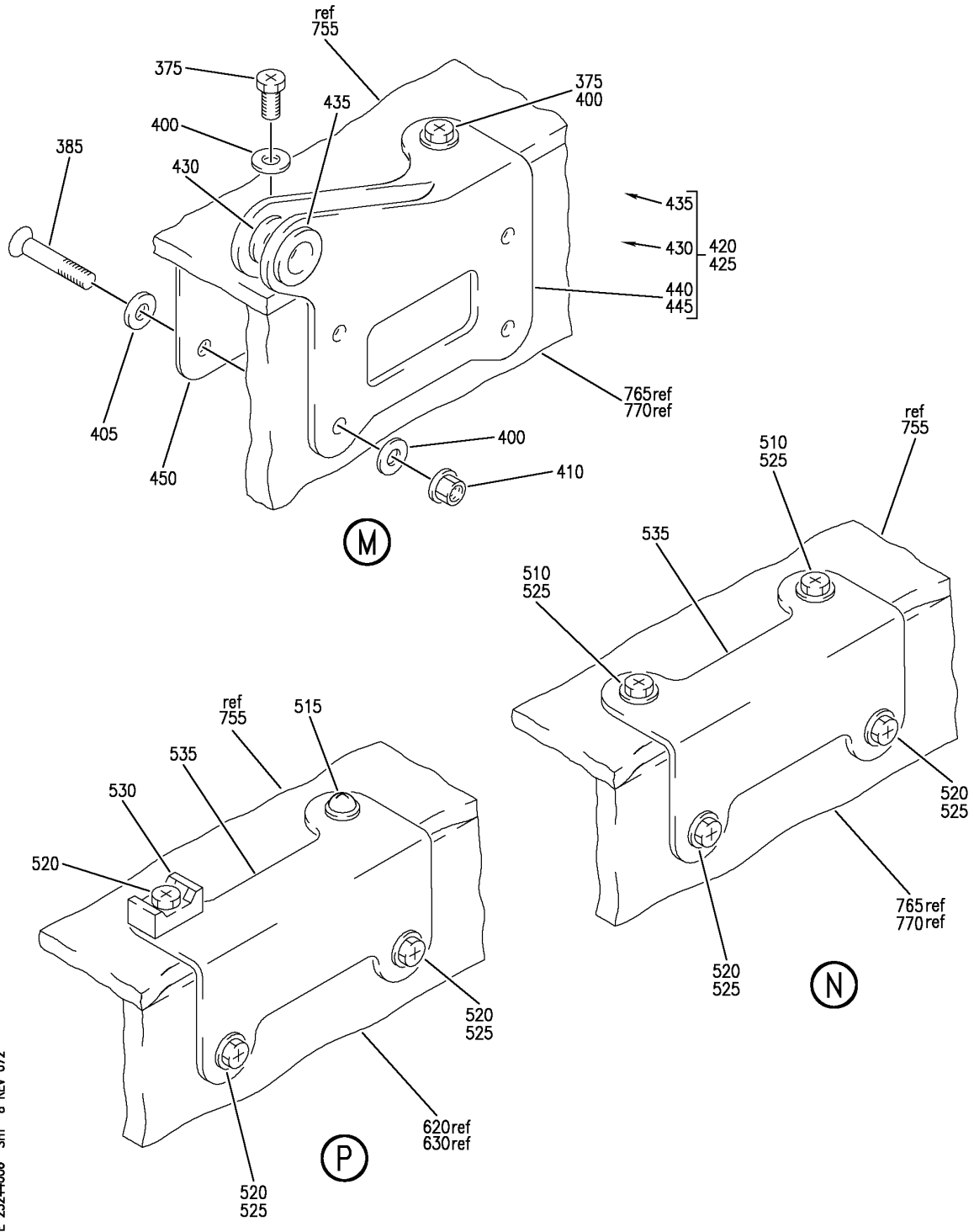
BOX INSTL-MID CTR OVHD STOWAGE
 FIGURE 6 (SHEET 7)

25-24-40-06

HAP
 OCT 10/06

25-24-40-06
 PAGE OF

BOEING
 737-600/700/800/900
 PARTS CATALOG (MAINTENANCE)



E 2524-4006 SH1 8 REV 072

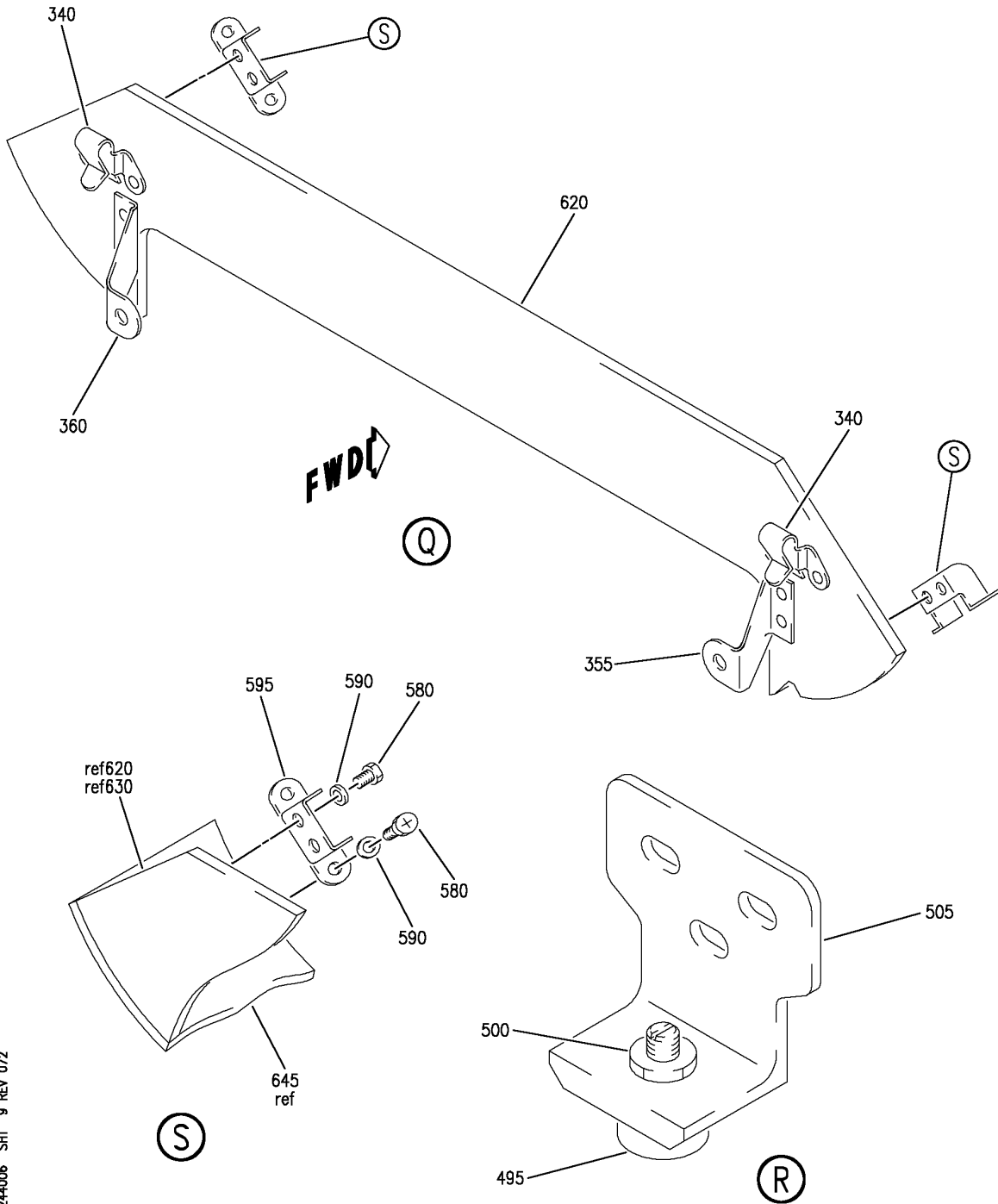
BOX INSTL-MID CTR OVHD STOWAGE
 FIGURE 6 (SHEET 8)

25-24-40-06

HAP
 OCT 10/06

25-24-40-06
 PAGE 06

BOEING
 737-600/700/800/900
 PARTS CATALOG (MAINTENANCE)



E 2524-4006 SH1 9 REV 072

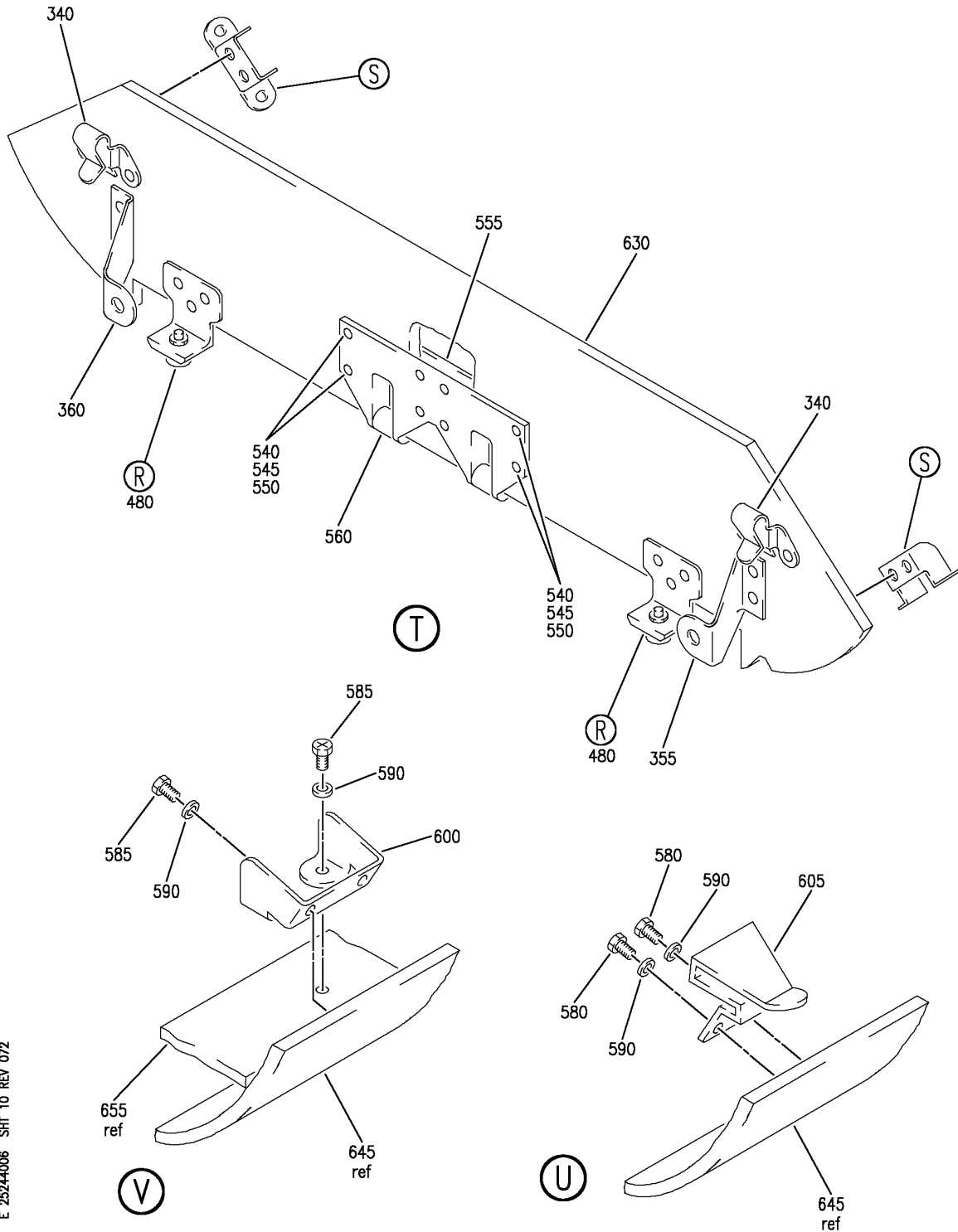
BOX INSTL-MID CTR OVHD STOWAGE
 FIGURE 6 (SHEET 9)

25-24-40-06

HAP
 OCT 10/06

25-24-40-06
 PAGE 0H

BOEING
 737-600/700/800/900
 PARTS CATALOG (MAINTENANCE)



E 2524-4006 SH1 10 REV 072

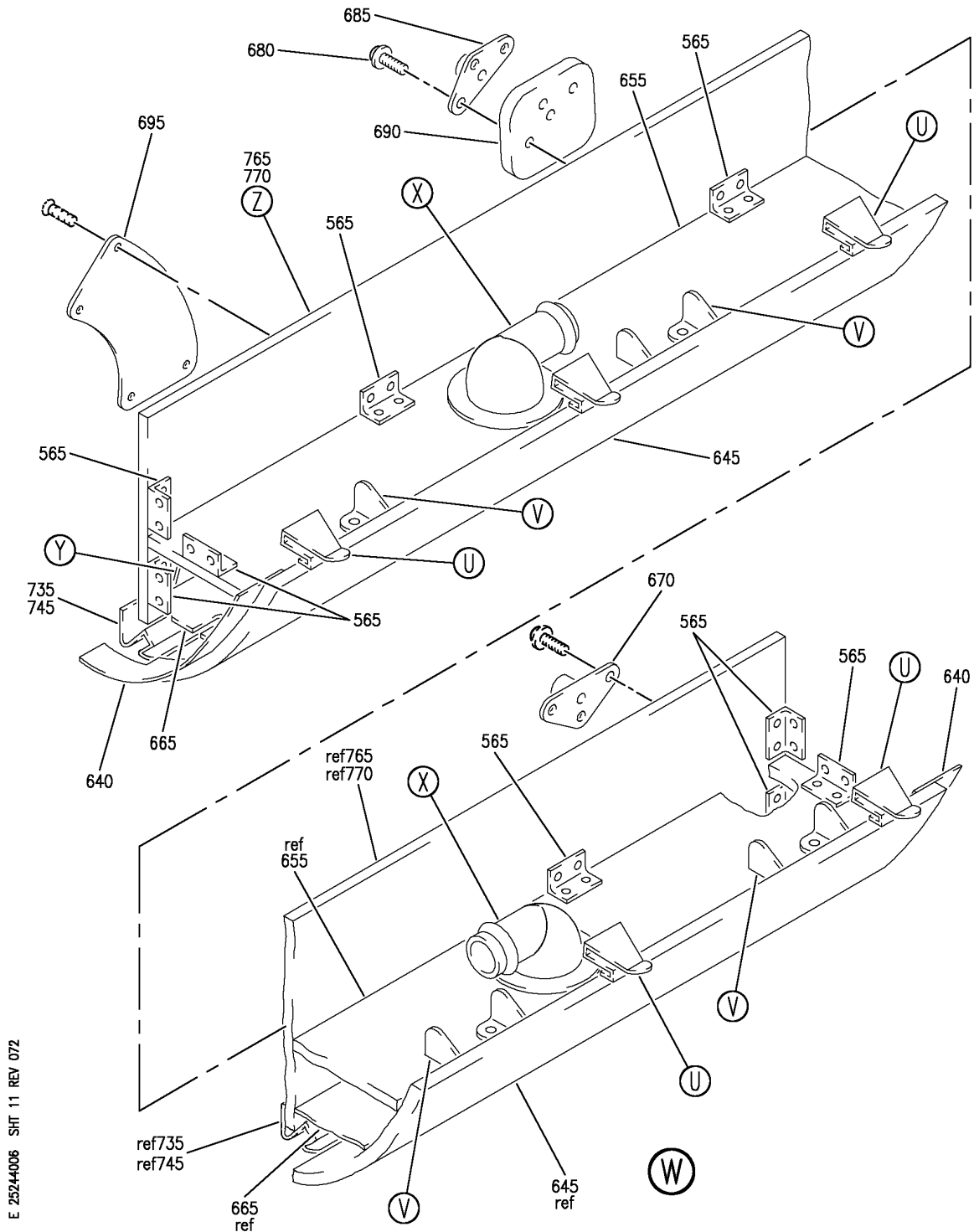
BOX INSTL-MID CTR OVHD STOWAGE
 FIGURE 6 (SHEET 10)

25-24-40-06

HAP
 OCT 10/06

25-24-40-06
 PAGE 01

BOEING
 737-600/700/800/900
 PARTS CATALOG (MAINTENANCE)



E 25244006 SH11 REV 072

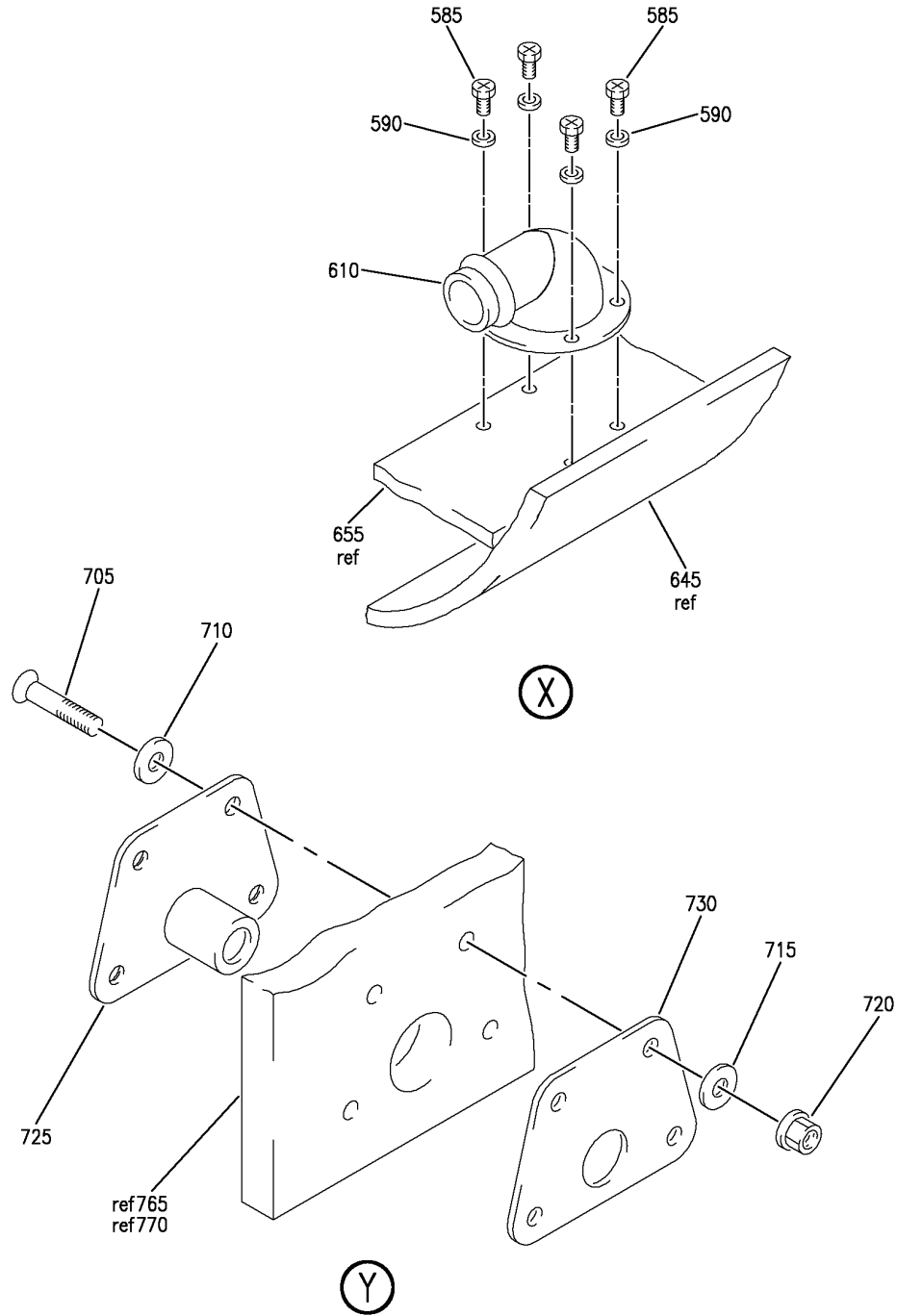
BOX INSTL-MID CTR OVHD STOWAGE
 FIGURE 6 (SHEET 11)

25-24-40-06

HAP
 OCT 10/06

25-24-40-06
 PAGE 0J

BOEING
 737-600/700/800/900
 PARTS CATALOG (MAINTENANCE)



E 2524-4006 SH1 12 REV 072

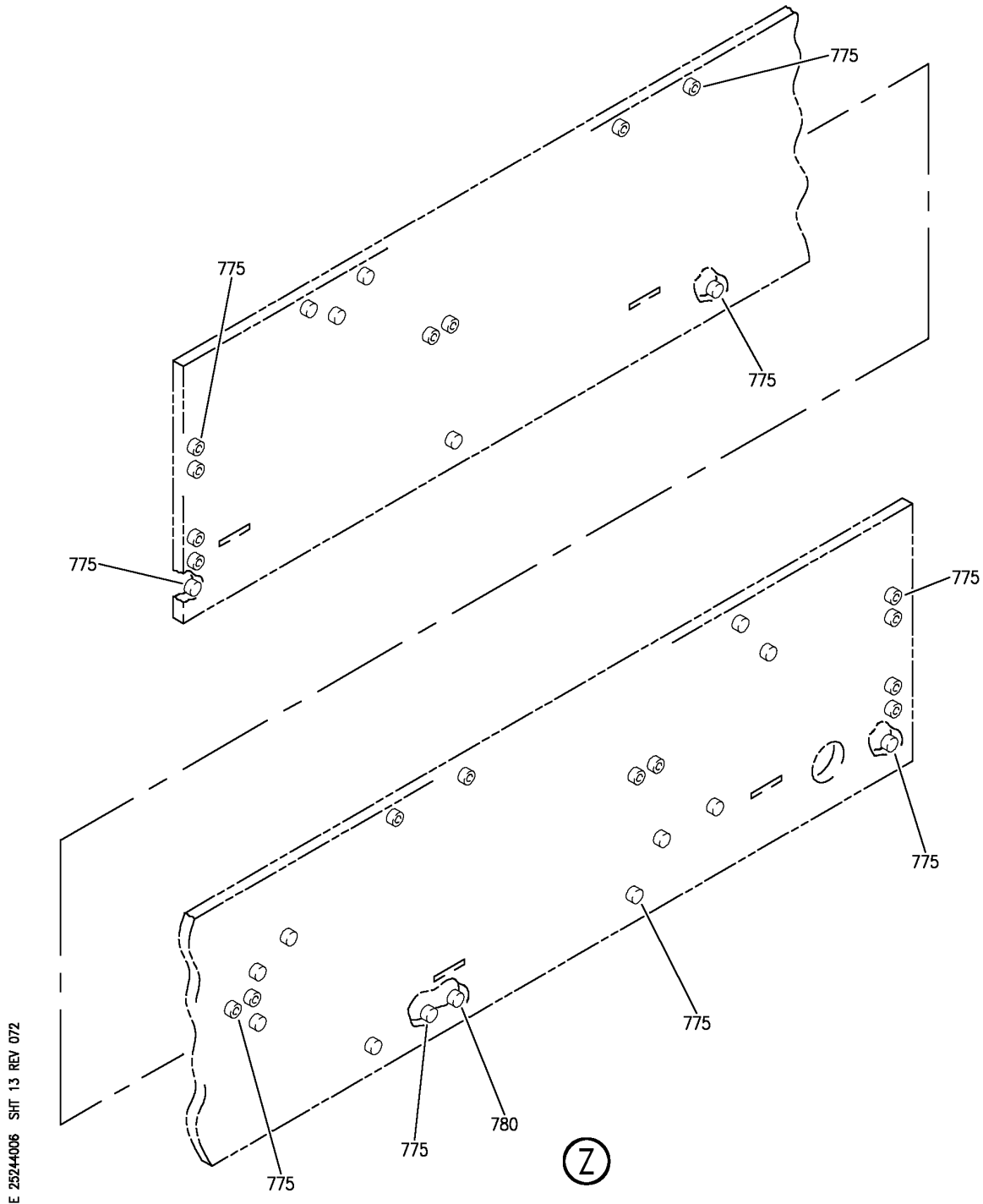
BOX INSTL-MID CTR OVHD STOWAGE
 FIGURE 6 (SHEET 12)

25-24-40-06

HAP
 OCT 10/06

25-24-40-06
 PAGE OK

BOEING
737-600/700/800/900
PARTS CATALOG (MAINTENANCE)



BOX INSTL-MID CTR OVHD STOWAGE
FIGURE 6 (SHEET 13)

25-24-40-06

HAP
OCT 10/06

25-24-40-06
PAGE 01

BOEING
737-600/700/800/900
PARTS CATALOG (MAINTENANCE)

FIG ITEM	PART NUMBER	1 2 3 4 5 6 7	NOMENCLATURE	EFFECT FROM TO	UNITS PER ASSY
6			BOX INSTL-MID CTR OVHD STOWAGE	001030	
- 1	412A4100-200SP		BOX INSTL-OVHD STOWAGE POSITION DATA: MID CTR FOR NHA SEE: 25-24-00-13A	001027	RF
- 1	412A4100-210SP		BOX INSTL-OVHD STOWAGE POSITION DATA: MID CTR FOR NHA SEE: 25-24-00-13A	028030	RF
5	BACB30NR4K11		.BOLT-	001030	8
10	NAS1149D0432J		.WASHER-	001030	16
15	PLH54CD		.NUT- SUPPLIER CODE: VF0224 SPECIFICATION NUMBER: BACN10YR4CD OPTIONAL PART: H52732-4CD V15653	001030	8
20	BACB28AK04-028		.BUSHING-	001030	8
25	412A4110-200SP		.BOX ASSY-	001027	1
25	412A4110-210SP		.BOX ASSY-	028030	1
30	412A4113-4SP		..CAP ASSY-END	001027	1
30	412A4113-8SP		..CAP ASSY-END ATTACHING PARTS	028030	1
- 35	BACS12GU3K8		..SCREW	001030	2
- 40	NAS1149D0332J		..WASHER -----*-----	001030	2
45	412A4161-26SP		...BRACKET- ATTACHING PARTS	028030	1
- 50	BACS12GU3K5		...SCREW-	028030	2
- 55	NAS1149D0332J		...WASHER- POST SERVICE BULLETIN: 33-1117 -----*-----	028030	2
60	412A4161-13		...BRACKET ASSY ATTACHING PARTS	001030	1
- 65	BACS12GU3K5		...SCREW	001030	3
- 70	NAS1149D0332J		...WASHER -----*-----	001030	3

MISSING ITEM NUMBERS NOT APPLICABLE

- ITEM NOT ILLUSTRATED

HAP

25-24-40-06

BOEING PROPRIETARY - Copyright © - Unpublished Work - See title page for details.

25-24-40
FIG. 06
PAGE 1
FEB 15/09

BOEING
737-600/700/800/900
PARTS CATALOG (MAINTENANCE)

FIG ITEM	PART NUMBER	1 2 3 4 5 6 7	NOMENCLATURE	EFFECT FROM TO	UNITS PER ASSY
6					
75	BRC600-10-3	NUT SUPPLIER CODE: V52828 SPECIFICATION NUMBER: BACN10YD2 OPTIONAL PART: 130121 V60119	001030	1
80	412A4161-21	BRACKET	001030	1
85	412A4161-14	BRACKET ASSY ATTACHING PARTS	001030	1
- 90	BACS12GU3K5	SCREW	001030	3
- 95	NAS1149D0332J	WASHER	001030	3
			-----*-----		
100	BRC600-10-3	NUT SUPPLIER CODE: V52828 SPECIFICATION NUMBER: BACN10YD2 OPTIONAL PART: 130121 V60119	001030	1
105	412A4161-22	BRACKET	001030	1
110	412A4120-400SP	CAP ASSY-	001027	1
- 115	SL2334-3A1	INSERT- SUPPLIER CODE: V97393 OPTIONAL PART: SL618-3A V97393	001027	8
- 115	SL618-3A	INSERT- SUPPLIER CODE: V97393 OPTIONAL PART: SL2334-3A1 V97393	001027	8
120	412A4120-1000SP	CAP ASSY-	028030	1
- 125	SL618-3A	INSERT- SUPPLIER CODE: V97393	028030	10
130	412A4113-201SP	TRIM-EDGE	001027	1
135	412A4130-1SP	TRIM-EDGE	001030	1
140	412A4130-2SP	TRIM-EDGE	001030	1
145	412A4113-3SP	CAP ASSY-END ATTACHING PARTS	001030	1
- 150	BACS12GU3K8	SCREW	001030	2
- 155	NAS1149D0332J	WASHER	001030	2
			-----*-----		
160	412A4161-13	BRACKET ASSY	001030	1

MISSING ITEM NUMBERS NOT APPLICABLE

- ITEM NOT ILLUSTRATED

HAP

25-24-40-06

BOEING PROPRIETARY - Copyright © - Unpublished Work - See title page for details.

25-24-40
FIG. 06
PAGE 2
OCT 10/06

BOEING
737-600/700/800/900
PARTS CATALOG (MAINTENANCE)

FIG ITEM	PART NUMBER	1 2 3 4 5 6 7	NOMENCLATURE	EFFECT FROM TO	UNITS PER ASSY
6			ATTACHING PARTS		
- 165	BACS12GU3K5	...	SCREW	001030	3
- 170	NAS1149D0332J	...	WASHER	001030	3
			-----*-----		
175	BRC600-10-3	NUT	001030	1
			SUPPLIER CODE: V52828		
			SPECIFICATION NUMBER: BACN10YD2		
			OPTIONAL PART: 130121 V60119		
180	412A4161-21	BRACKET	001030	1
185	412A4161-14	...	BRACKET ASSY	001030	1
			ATTACHING PARTS		
- 190	BACS12GU3K5	...	SCREW	001030	3
- 195	NAS1149D0332J	...	WASHER	001030	3
			-----*-----		
200	BRC600-10-3	NUT	001030	1
			SUPPLIER CODE: V52828		
			SPECIFICATION NUMBER: BACN10YD2		
			OPTIONAL PART: 130121 V60119		
205	412A4161-22	BRACKET	001030	1
210	412A4120-300SP	...	CAP ASSY	001030	1
- 215	SL2334-3A1	INSERT-	001030	6
			SUPPLIER CODE: V97393		
			POSITION DATA: NEAR SIDE		
			OPTIONAL PART: SL618-3A V97393		
- 215	SL618-3A	INSERT-	001030	6
			SUPPLIER CODE: V97393		
			POSITION DATA: NEAR SIDE		
			OPTIONAL PART: SL2334-3A1 V97393		
220	BACB30NM4K6	..	BOLT	001030	4
225	BACS12FA3K8	..	SCREW	001030	2
230	NAS1149D0432J	..	WASHER	001030	4

MISSING ITEM NUMBERS NOT APPLICABLE

- ITEM NOT ILLUSTRATED

HAP

25-24-40-06

BOEING PROPRIETARY - Copyright © - Unpublished Work - See title page for details.

25-24-40
FIG. 06
PAGE 3
OCT 10/06

BOEING
737-600/700/800/900
PARTS CATALOG (MAINTENANCE)

FIG ITEM	PART NUMBER	1 2 3 4 5 6 7	NOMENCLATURE	EFFECT FROM TO	UNITS PER ASSY
6					
235	SP20101	..	SNUBBER- SUPPLIER CODE: V24403 SPECIFICATION NUMBER: S413U160-2	001030	2
240	412A4160-37SP	..	FITTING-DAMPER	001030	2
245	BACB30NM4K10	..	BOLT	001030	2
250	BACB30NM4K24	..	BOLT	001030	2
255	NAS1149D0432J	..	WASHER	001030	8
260	PLH54CD	..	NUT SUPPLIER CODE: VFO224 SPECIFICATION NUMBER: BACN10YR4CD OPTIONAL PART: H52732-4CD V15653	001030	2
265	26C048	..	NUT SUPPLIER CODE: V80539 SPECIFICATION NUMBER: BACN10R428A	001030	2
270	SP20257	..	ACTUATOR- SUPPLIER CODE: V24403 SPECIFICATION NUMBER: S412A415-2	001030	2
275	HST10AG8-8	..	BOLT SUPPLIER CODE: VOPTK6 SPECIFICATION NUMBER: BACB30VT8K8 OPTIONAL PART: HST10AG8-8 V06725 HST10AG8-8 V56878 HST10AG8-8 V73197 WC10K8-8 V60516	001030	2
280	BACB30NM4K20	..	BOLT	001030	2
285	NAS1149D0432J	..	WASHER	001030	4
290	NAS1149D0463J	..	WASHER	001030	2

MISSING ITEM NUMBERS NOT APPLICABLE

— ITEM NOT ILLUSTRATED

HAP

25-24-40-06

BOEING PROPRIETARY - Copyright © - Unpublished Work - See title page for details.

25-24-40
FIG. 06
PAGE 4
FEB 15/09

BOEING
737-600/700/800/900
PARTS CATALOG (MAINTENANCE)

FIG ITEM	PART NUMBER	1 2 3 4 5 6 7	NOMENCLATURE	EFFECT FROM TO	UNITS PER ASSY
6 295	PLH54CD	..	NUT SUPPLIER CODE: VFO224 SPECIFICATION NUMBER: BACN10YR4CD OPTIONAL PART: H52732-4CD V15653	001030	4
300	SP20367	..	SNUBBER-RATE CONT SUPPLIER CODE: V24403 SPECIFICATION NUMBER: S412A415-1	001030	2
305	BACB30XD3K9	..	BOLT	001030	8
310	412A4160-2SP	..	PIN-HINGE	001030	2
315	421W1285-3	..	WASHER-HINGE	001030	2
320	421W1285-1	..	DAMPER-HINGE	001030	2
325	421W1285-2	..	BUSHING-HINGE	001030	2
330	412A4112-1A	..	DOOR ASSY- FOR DETAILS SEE: 25-24-36-01	001030	1
335	412A4111-2A	..	BOX ASSY- POSITION DATA: UPR	001030	1
340	69B51733-1	...	CLIP-SPR ATTACHING PARTS	001030	4
- 345	BACS12GU3K5	...	SCREW	001030	8
- 350	NAS1149D0332J	...	WASHER	001030	8
			-----*-----		
355	412A4160-39	...	BRACKET-ENDCAP	001030	2
360	412A4160-40	...	BRACKET-ENDCAP ATTACHING PARTS	001030	2
- 365	BACS12GU3K6	...	SCREW	001030	8
- 370	NAS1149D0332J	...	WASHER	001030	8
			-----*-----		
375	BACS12GU3K4	...	SCREW	001030	10
380	BACS12GU3K6	...	SCREW	001030	10
385	BACB30NN3K9	...	BOLT	001030	8
390	BACB30NN3K11	...	BOLT	001030	8
400	NAS1149D0332J	...	WASHER	001030	34
405	BACW10BP42CD	...	WASHER	001030	16
410	PLH53CD	...	NUT SUPPLIER CODE: VFO224 SPECIFICATION NUMBER: BACN10YR3CD OPTIONAL PART: H52732-3CD V15653	001030	16

MISSING ITEM NUMBERS NOT APPLICABLE

- ITEM NOT ILLUSTRATED

HAP

25-24-40-06

25-24-40
FIG. 06
PAGE 5
FEB 15/09

BOEING
737-600/700/800/900
PARTS CATALOG (MAINTENANCE)

FIG ITEM	PART NUMBER	1 2 3 4 5 6 7	NOMENCLATURE	EFFECT FROM TO	UNITS PER ASSY
6					
415	STBP19M12	...	PLATE- SUPPLIER CODE: V1B249	001030	2
420	412A4160-14	...	FITTING ASSY-SPRT POSITION DATA: SIDE	001030	3
425	412A4160-13	...	FITTING ASSY-SPRT POSITION DATA: SIDE	001030	3
430	BACB28AP04P010	BUSHING	001030	1
435	BACB28AT06B010C	BUSHING	001030	1
440	412A4160-15	FITTING- USED ON: 412A4160-13	001030	1
445	412A4160-16	FITTING- USED ON: 412A4160-14	001030	1
450	412A4161-15A	...	DOUBLER	001030	4
455	412A4160-9	...	FITTING ASSY-SPRT POSITION DATA: FWD	001030	1
460	412A4160-10	...	FITTING ASSY-SPRT POSITION DATA: FWD	001030	1
465	AG4V4009	BEARING- SUPPLIER CODE: V15860 SPECIFICATION NUMBER: 60B00180-68 OPTIONAL PART: LHBG4BAC V73134 NC4G12 V56644	001030	1
470	412A4160-11	FITTING- USED ON: 412A4160-9	001030	1
475	412A4160-12	FITTING- USED ON: 412A4160-10	001030	1
480	412A4160-21	...	STOP ASSY-DOOR ATTACHING PARTS	001030	2
- 485	BACS12GU3K6	...	SCREW	001030	6
- 490	NAS1149D0332J	...	WASHER	001030	6
			-----*-----		
495	421W1284-1	SCREW	001030	1
500	MS25082-5	NUT	001030	1
505	412A4160-22	STOP	001030	1
510	BACS12GU3K4	...	SCREW	001030	8

MISSING ITEM NUMBERS NOT APPLICABLE

- ITEM NOT ILLUSTRATED

HAP

25-24-40-06

25-24-40
FIG. 06
PAGE 6
JUN 10/07

BOEING
737-600/700/800/900
PARTS CATALOG (MAINTENANCE)

FIG ITEM	PART NUMBER	1 2 3 4 5 6 7	NOMENCLATURE	EFFECT FROM TO	UNITS PER ASSY
6					
515	BACS12FA3K4	...	SCREW	001030	2
520	BACS12GU3K5	...	SCREW	001030	14
525	NAS1149D0332J	...	WASHER	001030	20
530	STBP19M12	...	PLATE-	001030	2
			SUPPLIER CODE: V1B249		
535	412A4161-20	...	CLIP	001030	6
540	BACB30NN3K9	...	BOLT	001030	8
545	BACW10BP42CD	...	WASHER	001030	8
550	NAS1149D0332J	...	WASHER	001030	8
555	412A4161-19A	...	DOUBLER-STRIKE	001030	1
560	H3-1608-2	...	LATCH-STRIKE	001030	1
			SUPPLIER CODE: V34941		
			SPECIFICATION NUMBER: S412A414-2		
565	413U5008-21A	...	CLIP	001030	18
			ATTACHING PARTS		
- 570	BACS12GU3K6	...	SCREW	001030	72
- 575	NAS1149D0332J	...	WASHER	001030	72
			-----*-----		
580	BACS12GU3K4	...	SCREW	001030	36
585	BACS12GU3K5	...	SCREW	001030	48
590	NAS1149D0332J	...	WASHER	001030	84
595	412A4161-8	...	BRACKET	001030	4
600	412A4161-5	...	BRACKET	001030	8
605	412A4161-4	...	BRACKET	001030	10
610	214A2401-3	...	PLENUM	001030	4
615	412A4125-6	...	PANEL ASSY	001030	1
620	412A4125-1A	...	PANEL ASSY	001030	1
- 625	SL2334-3A1	INSERT-	001030	32
			SUPPLIER CODE: V97393		
630	412A4125-7A	...	PANEL ASSY	001030	1
- 635	SL2334-3A1	INSERT-	001030	38
			SUPPLIER CODE: V97393		
640	412A4133-1	...	SEAL-GAP COVER	001030	4
645	412A4120-3A	...	PANEL ASSY	001030	2
- 650	SL2334-3A1	INSERT-	001030	28
			SUPPLIER CODE: V97393		
			OPTIONAL PART: SL618-3A V97393		

MISSING ITEM NUMBERS NOT APPLICABLE

- ITEM NOT ILLUSTRATED

HAP

25-24-40-06

25-24-40
FIG. 06
PAGE 7
FEB 15/08

BOEING
737-600/700/800/900
PARTS CATALOG (MAINTENANCE)

FIG ITEM	PART NUMBER	1 2 3 4 5 6 7	NOMENCLATURE	EFFECT FROM TO	UNITS PER ASSY
6					
- 650	SL618-3A	INSERT- SUPPLIER CODE: V97393 OPTIONAL PART: SL2334-3A1 V97393	001030	28
655	412A4125-2	...	PANEL ASSY	001030	2
- 660	SL2334-3A1	INSERT- SUPPLIER CODE: V97393	001030	26
665	412A4131-2	...	BAFFLE	001030	2
670	413U5007-1	...	SNUBBER	001030	2
- 675	BACS12FA3K5	...	ATTACHING PARTS SCREW	001030	6
680	BACS12FA3K9	...	SCREW	001030	6
685	413U5007-1	...	SNUBBER	001030	2
690	412A4160-38A	...	SPACER-ACTUATOR FITTING	001030	2
695	412A4134-2	...	RUBSTRIP	001030	2
- 700	BACS12ER3K5	...	ATTACHING PARTS SCREW	001030	8
705	BACB30NN3K10	...	BOLT	001030	8
710	BACW10BP42CD	...	WASHER	001030	8
715	NAS1149D0332J	...	WASHER	001030	8
720	PLH53CD	...	NUT	001030	8
			SUPPLIER CODE: VFO224 SPECIFICATION NUMBER: BACN10YR3CD OPTIONAL PART: H52732-3CD V15653		
725	412A4160-4	...	HINGE-PIVOT DOUBLER	001030	2
730	412A4160-3	...	HINGE-PIVOT DOUBLER	001030	2
735	412A4131-1A	...	OUTLET-AIR	001030	1
- 740	BACS12FA3K4	...	ATTACHING PARTS SCREW	001030	12
745	412A4131-4A	...	OUTLET-AIR	001030	1
- 750	BACS12FA3K4	...	ATTACHING PARTS SCREW	001030	12
755	412A4125-4A	...	PANEL ASSY	001030	1
- 760	SL6224-3A	INSERT- SUPPLIER CODE: V97393	001030	24

MISSING ITEM NUMBERS NOT APPLICABLE

- ITEM NOT ILLUSTRATED

HAP

25-24-40-06

25-24-40
FIG. 06
PAGE 8
FEB 15/09

BOEING
737-600/700/800/900
PARTS CATALOG (MAINTENANCE)

FIG ITEM	PART NUMBER	1 2 3 4 5 6 7	NOMENCLATURE	EFFECT FROM TO	UNITS PER ASSY
6					
765	412A4125-11A	...	PANEL ASSY- POSITION DATA: SIDE PANEL, LH	001030	1
770	412A4125-12A	...	PANEL ASSY- POSITION DATA: SIDE PANEL, RH	001030	1
775	SL2334-3A1	INSERT- SUPPLIER CODE: V97393	001030	35
780	SL2334-4A1	INSERT- SUPPLIER CODE: V97393	001030	1

MISSING ITEM NUMBERS NOT APPLICABLE

— ITEM NOT ILLUSTRATED

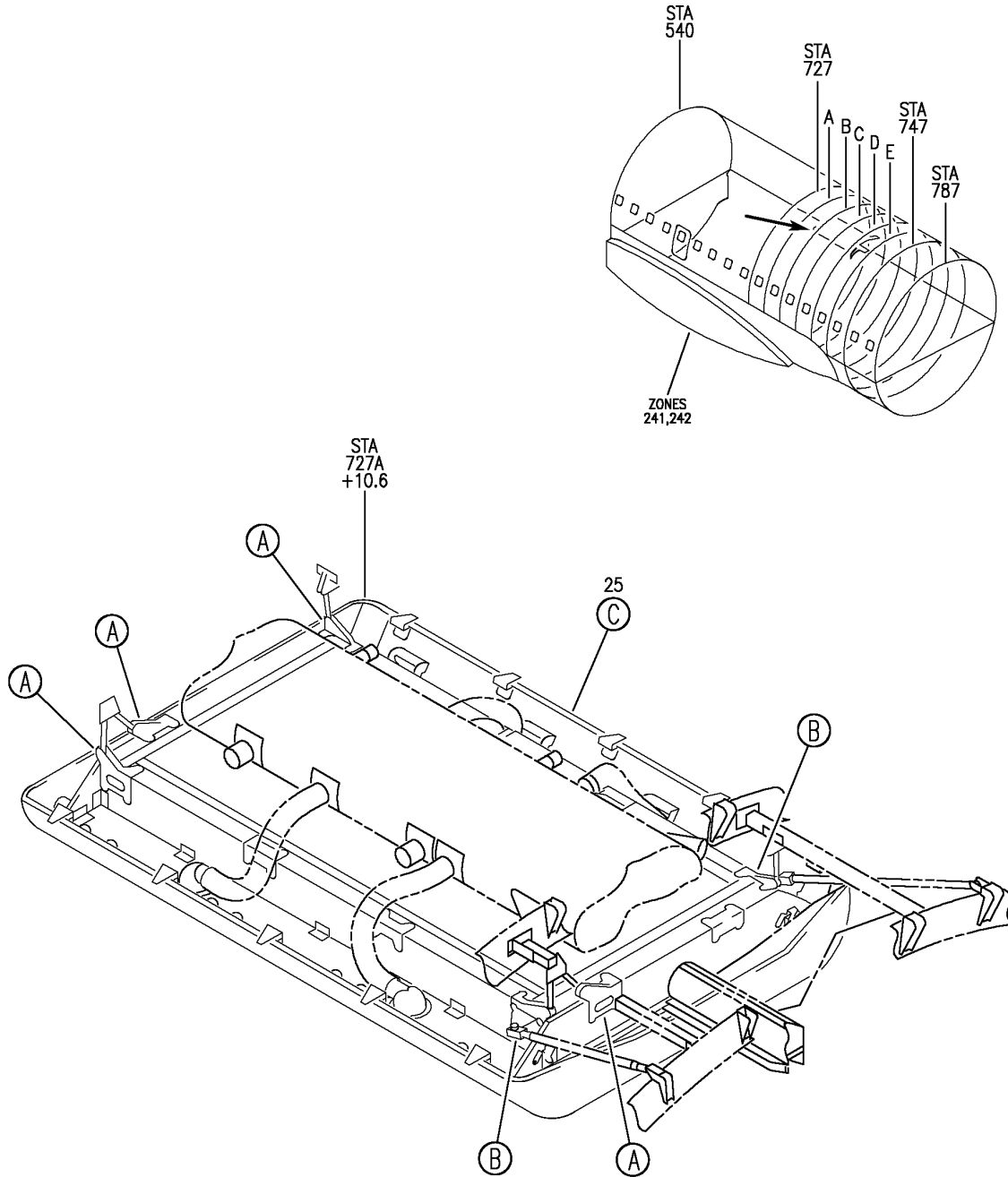
HAP

25-24-40-06

BOEING PROPRIETARY - Copyright © - Unpublished Work - See title page for details.

25-24-40
FIG. 06
PAGE 9
OCT 10/06

BOEING
 737-600/700/800/900
 PARTS CATALOG (MAINTENANCE)



E 25244007 SH1 1 REV 071

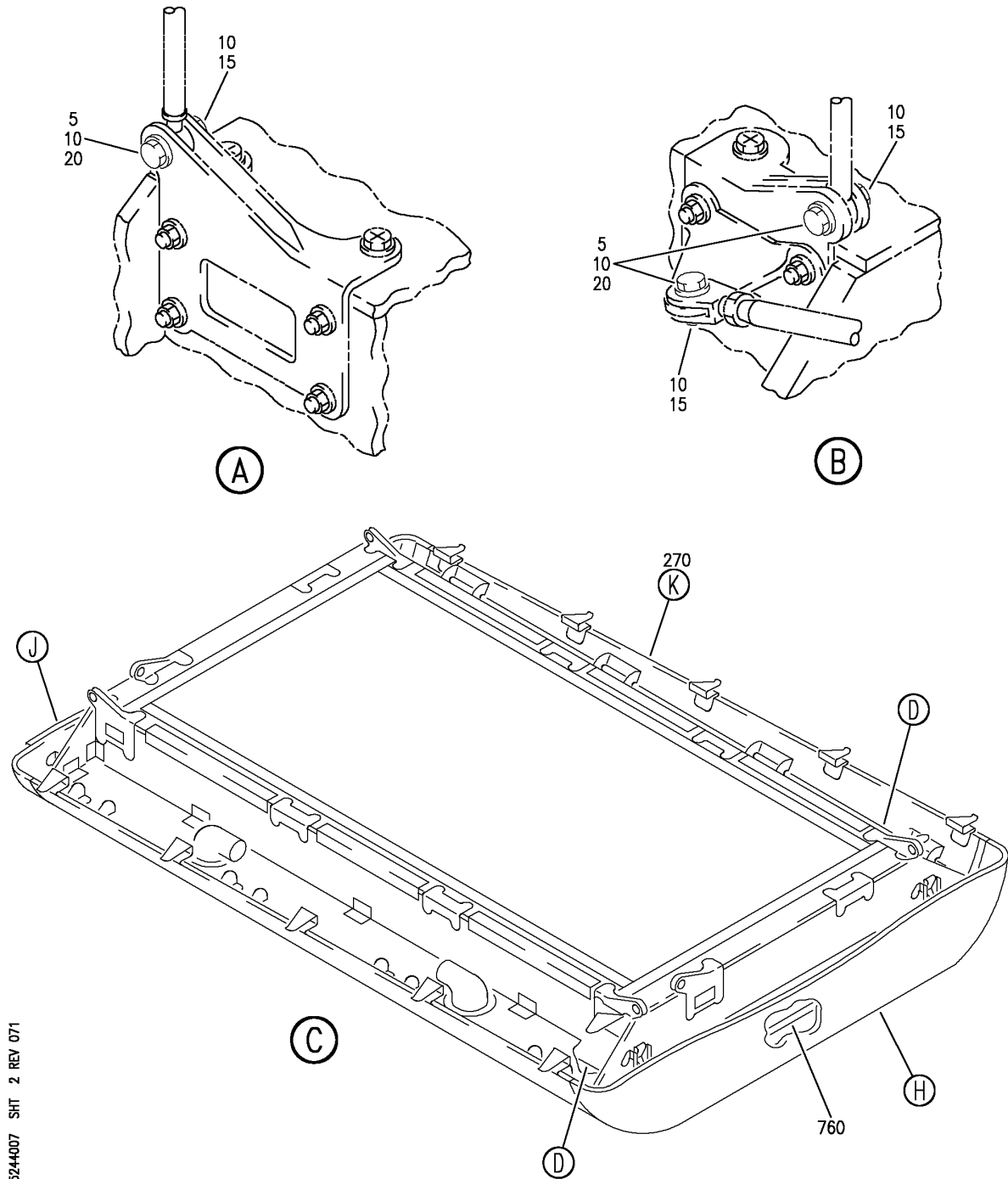
BOX INSTL-MID CTR OVHD STOWAGE
 FIGURE 7 (SHEET 1)

25-24-40-07

HAP
 OCT 10/06

25-24-40-07
 PAGE 0

BOEING
 737-600/700/800/900
 PARTS CATALOG (MAINTENANCE)



E 25244007 SH1 2 REV 071

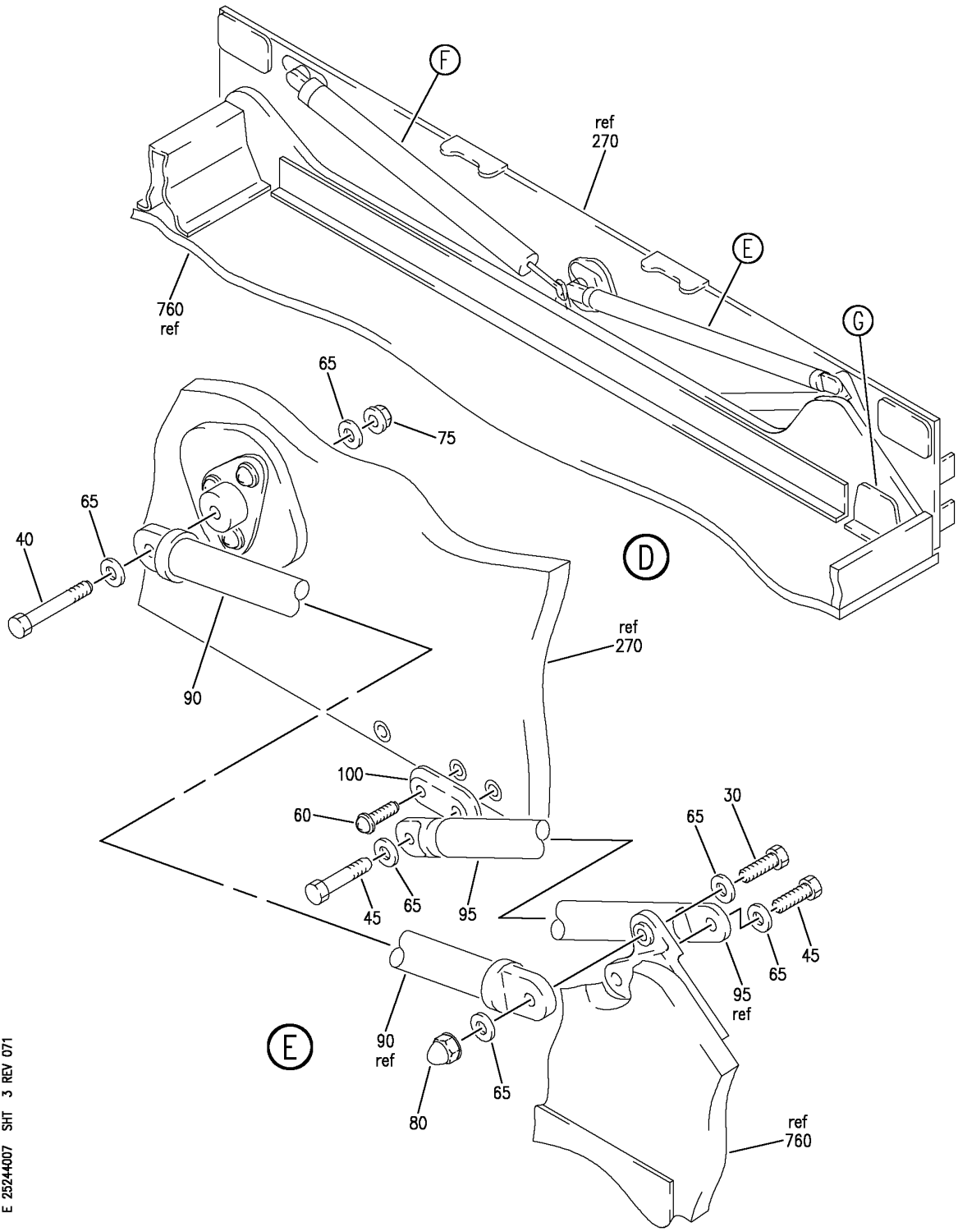
BOX INSTL-MID CTR OVHD STOWAGE
 FIGURE 7 (SHEET 2)

25-24-40-07

HAP
 OCT 10/06

25-24-40-07
 PAGE 0A

BOEING
 737-600/700/800/900
 PARTS CATALOG (MAINTENANCE)



E 25244007 SHT 3 REV 071

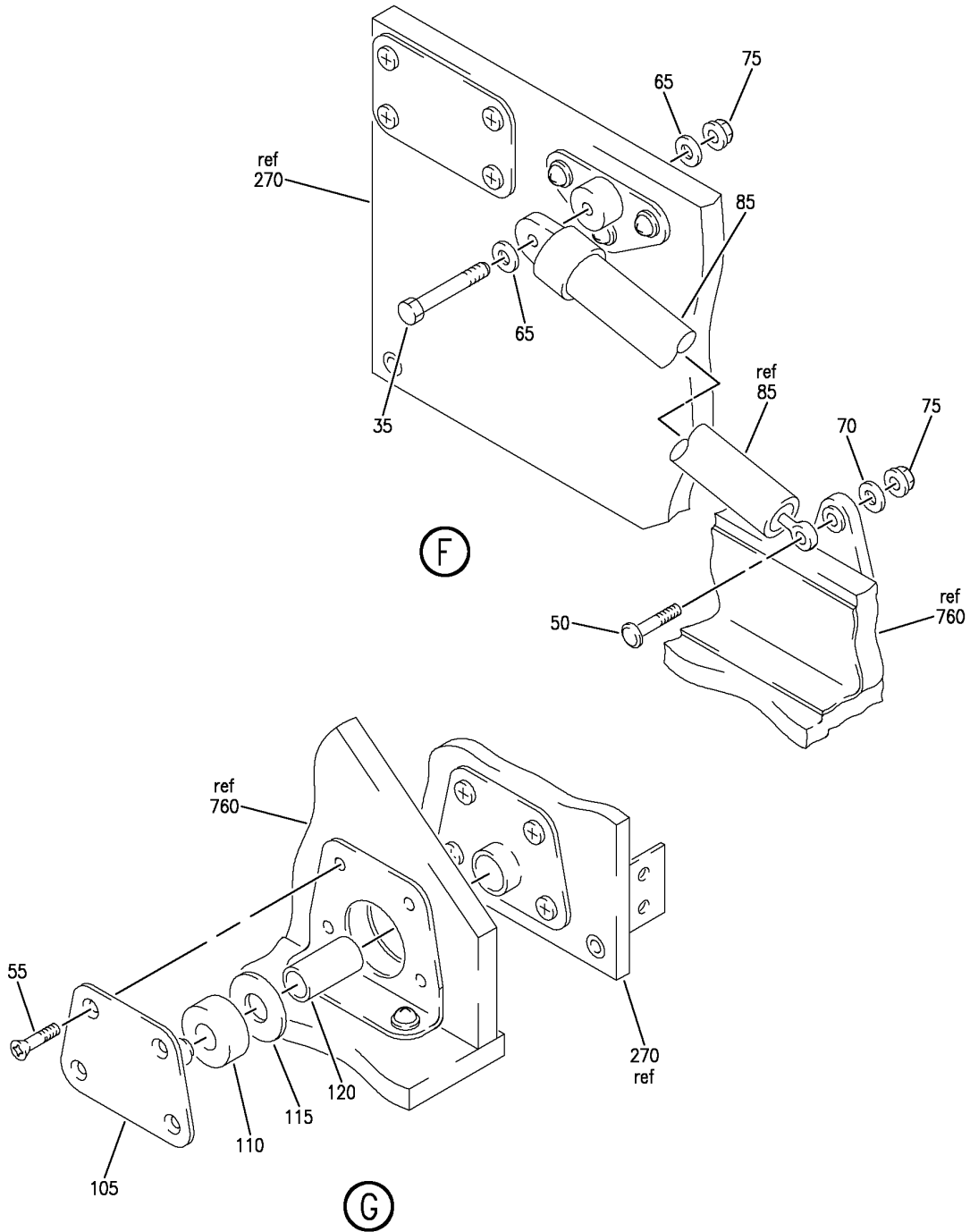
BOX INSTL-MID CTR OVHD STOWAGE
 FIGURE 7 (SHEET 3)

25-24-40-07

HAP
 OCT 10/06

25-24-40-07
 PAGE 0B

BOEING
 737-600/700/800/900
 PARTS CATALOG (MAINTENANCE)



E 25244007 SH1 4 REV 071

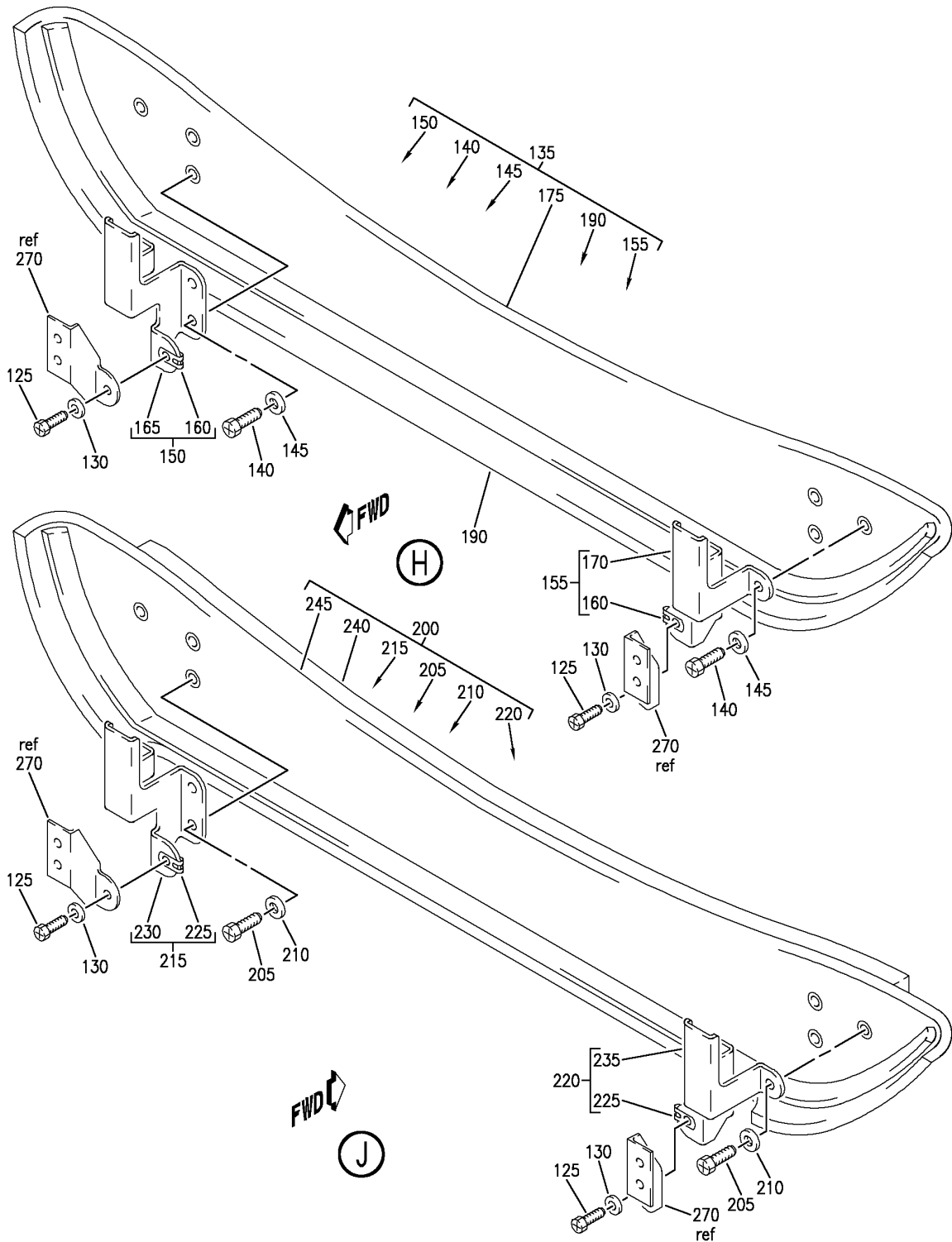
BOX INSTL-MID CTR OVHD STOWAGE
 FIGURE 7 (SHEET 4)

25-24-40-07

HAP
 OCT 10/06

25-24-40-07
 PAGE 0C

BOEING
 737-600/700/800/900
 PARTS CATALOG (MAINTENANCE)



E 25244007 SH1 5 REV 071

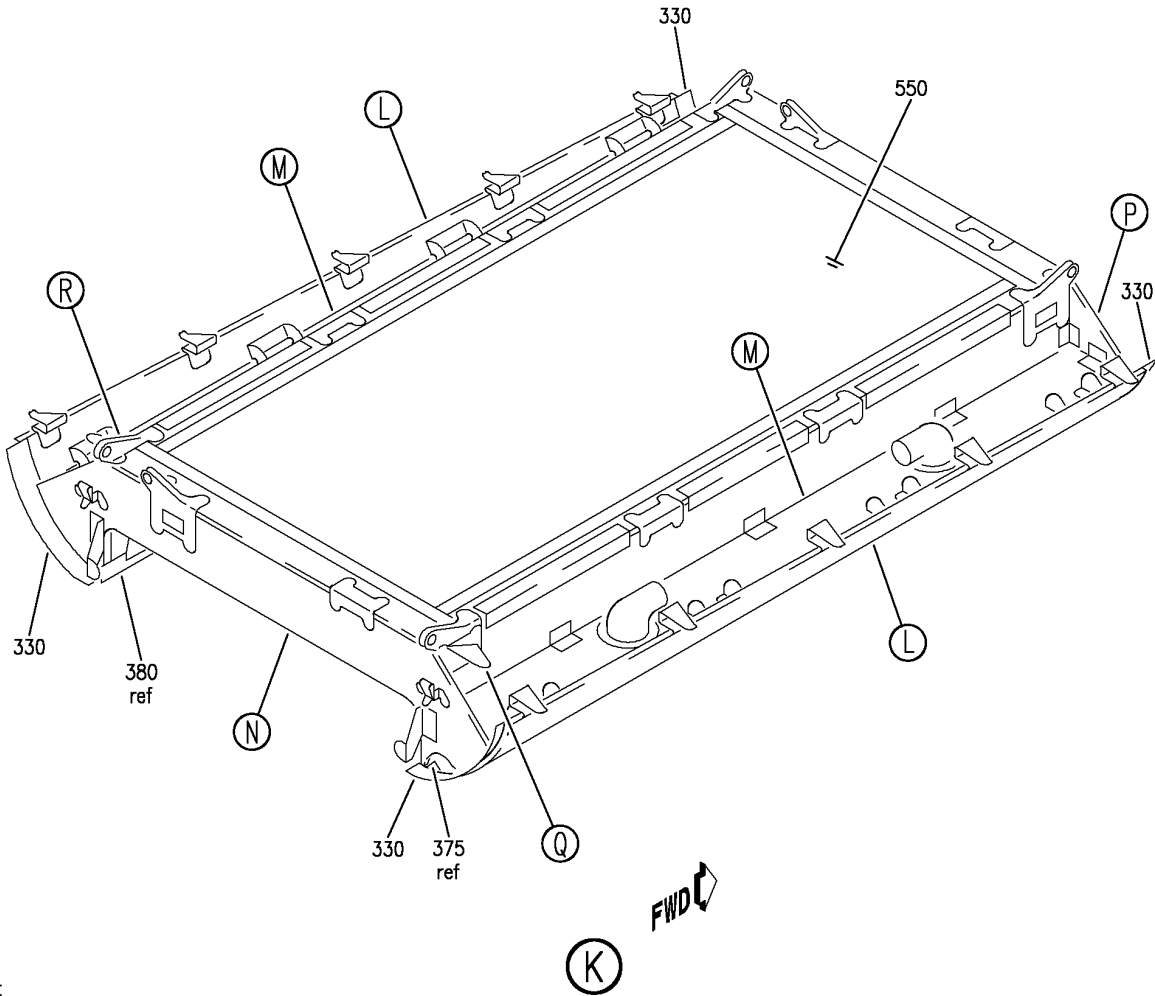
BOX INSTL-MID CTR OVHD STOWAGE
 FIGURE 7 (SHEET 5)

25-24-40-07

HAP
 OCT 10/06

25-24-40-07
 PAGE 0D

BOEING
 737-600/700/800/900
 PARTS CATALOG (MAINTENANCE)



E 25244007 SH1 6 REV 071

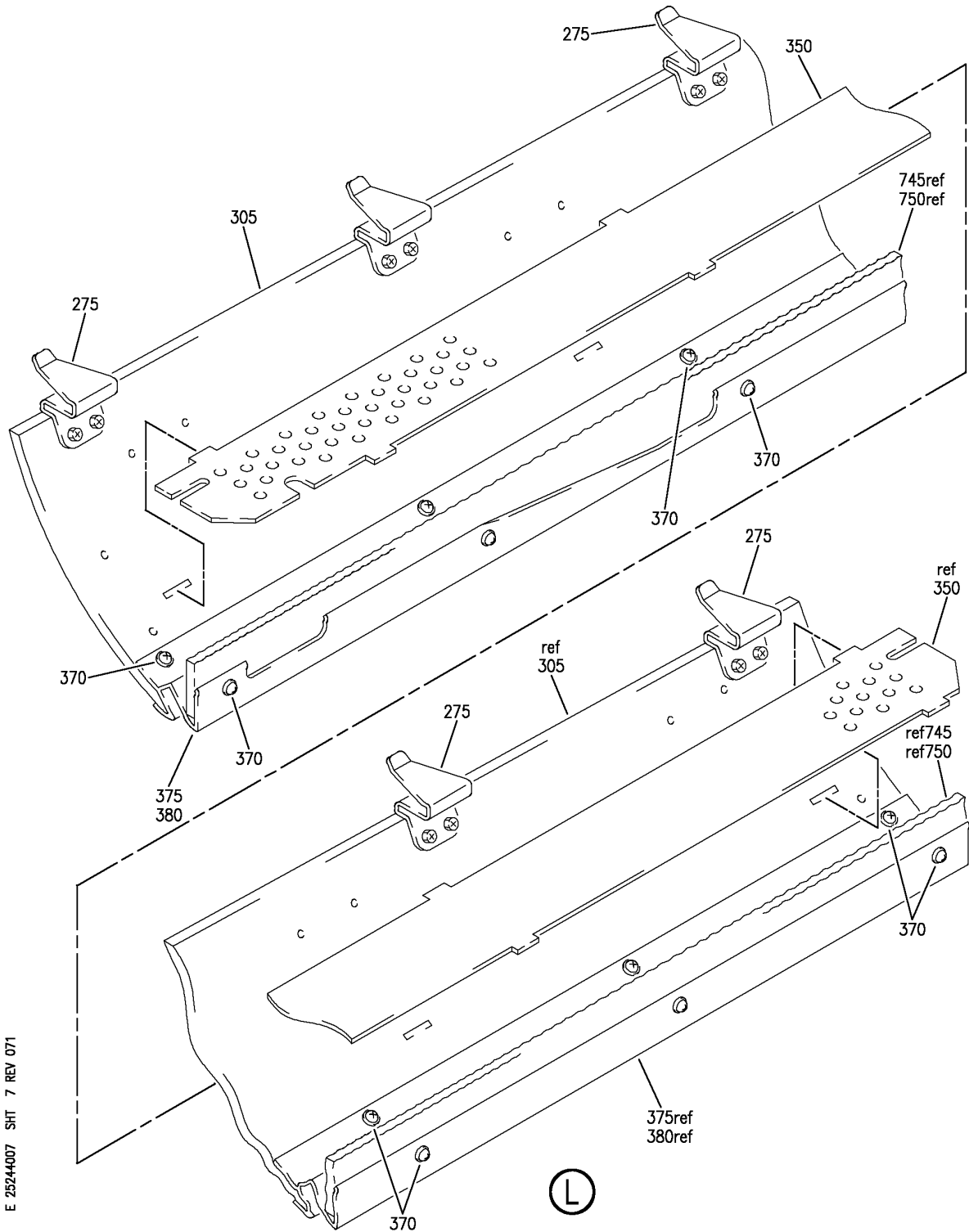
BOX INSTL-MID CTR OVHD STOWAGE
 FIGURE 7 (SHEET 6)

25-24-40-07

HAP
 OCT 10/06

25-24-40-07
 PAGE 0E

BOEING
 737-600/700/800/900
 PARTS CATALOG (MAINTENANCE)



E 25244007 SH1 7 REV 071

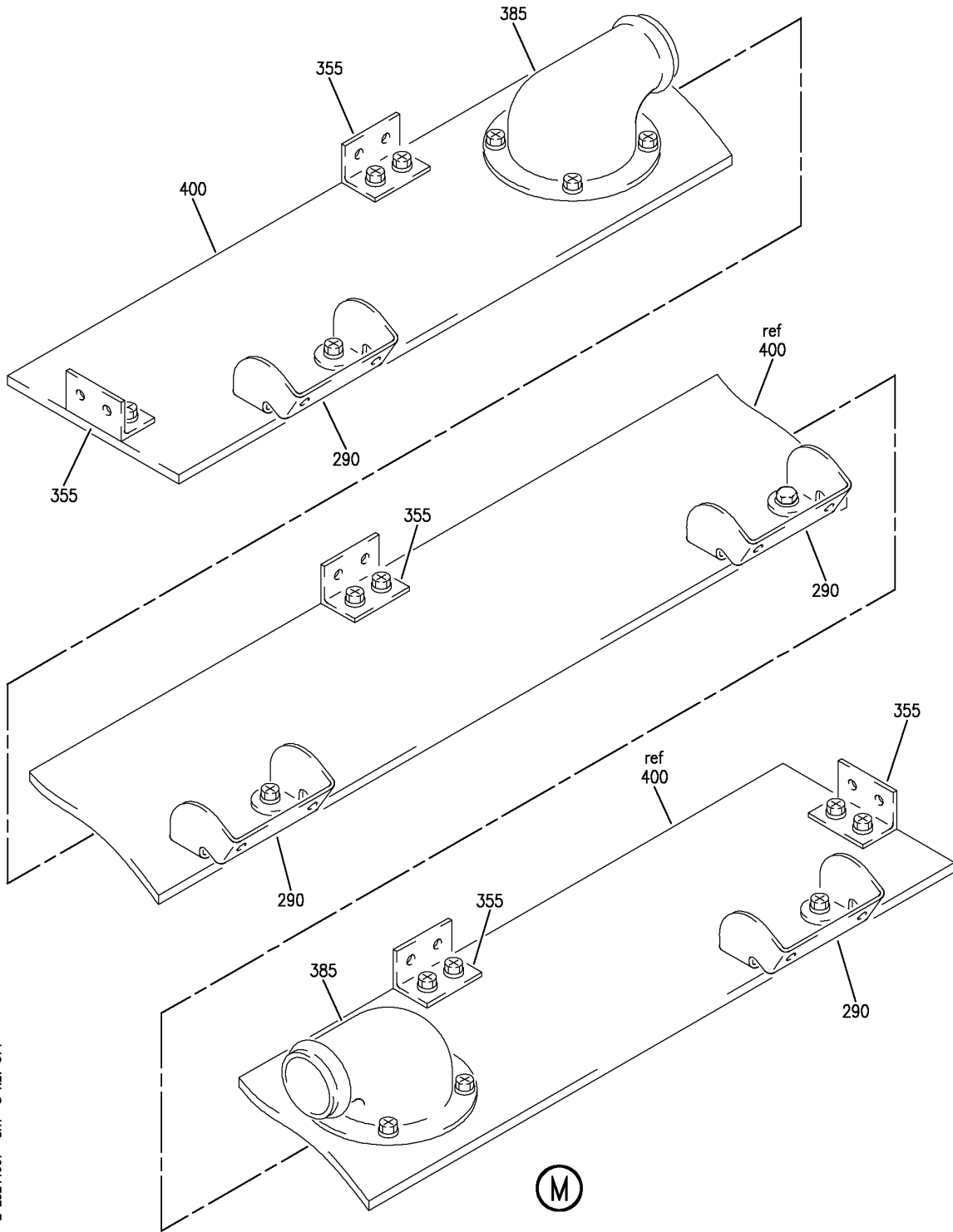
BOX INSTL-MID CTR OVHD STOWAGE
 FIGURE 7 (SHEET 7)

25-24-40-07

HAP
 OCT 10/06

25-24-40-07
 PAGE OF

BOEING
737-600/700/800/900
PARTS CATALOG (MAINTENANCE)



E 25244007 SH1 8 REV 071

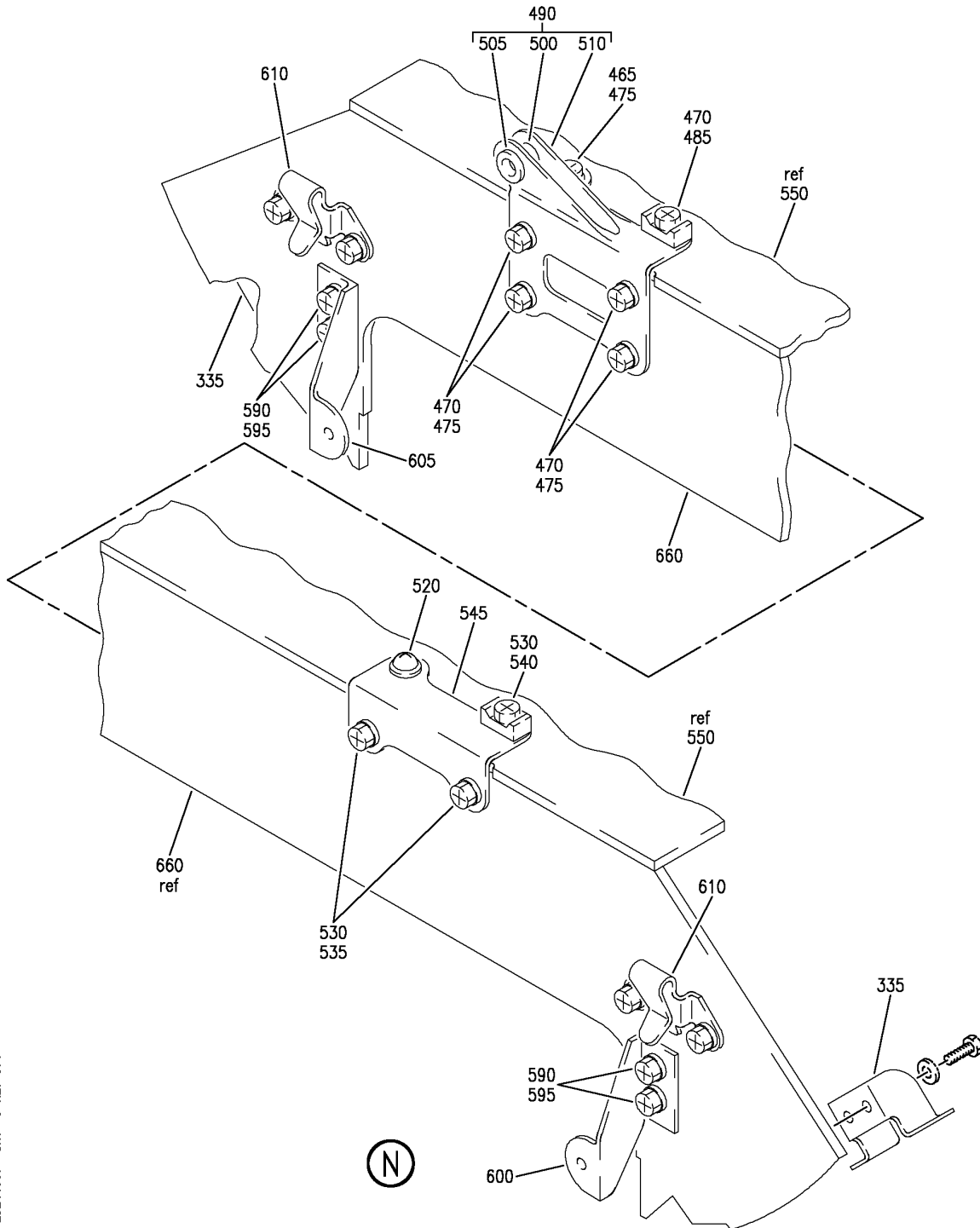
BOX INSTL-MID CTR OVHD STOWAGE
FIGURE 7 (SHEET 8)

25-24-40-07

HAP
OCT 10/06

25-24-40-07
PAGE 06

BOEING
 737-600/700/800/900
 PARTS CATALOG (MAINTENANCE)



E 25244007 SH1 9 REV 071

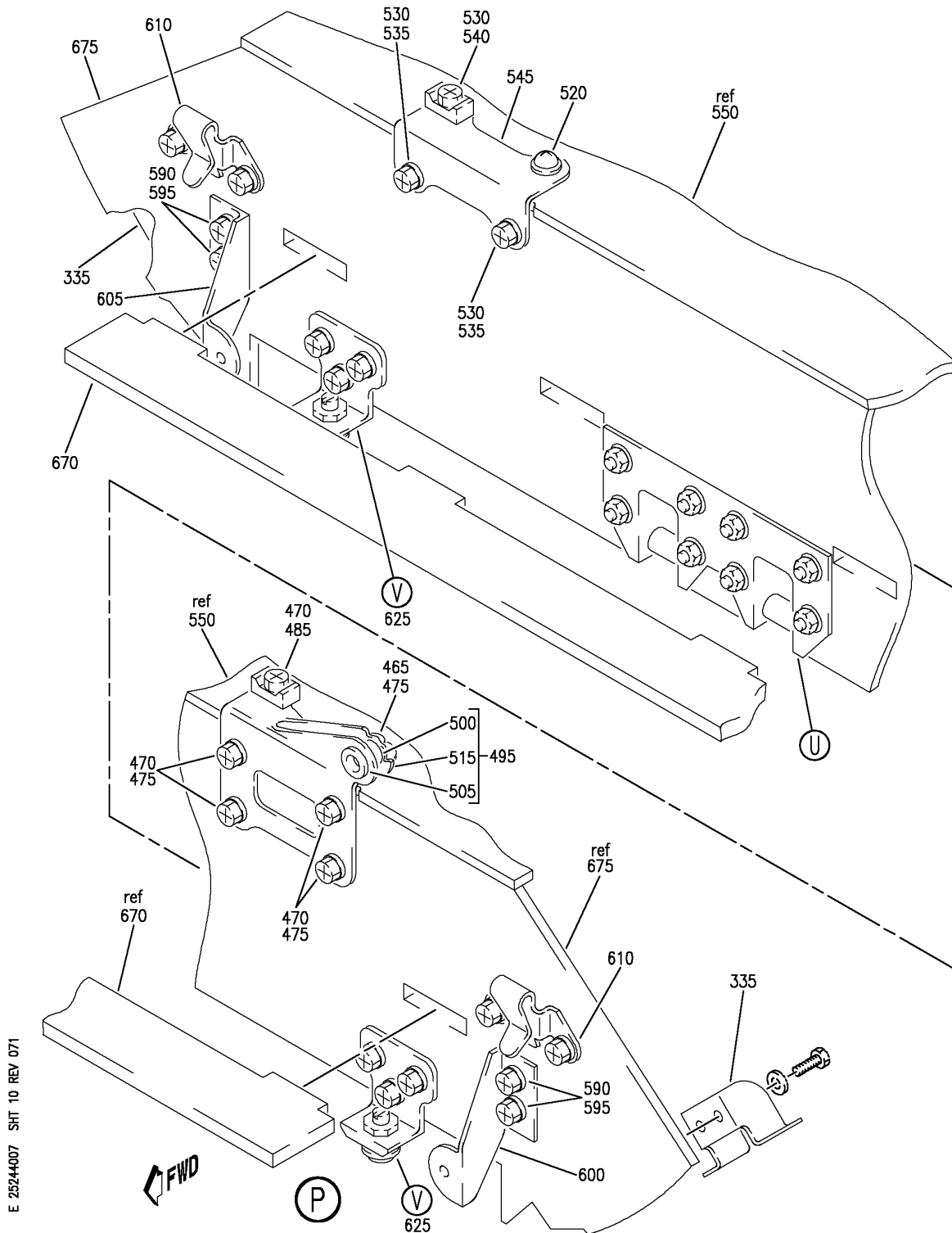
BOX INSTL-MID CTR OVHD STOWAGE
 FIGURE 7 (SHEET 9)

25-24-40-07

HAP
 OCT 10/06

25-24-40-07
 PAGE 0H


BOEING
 737-600/700/800/900
PARTS CATALOG (MAINTENANCE)



E 25244007 SHT 10 REV 071

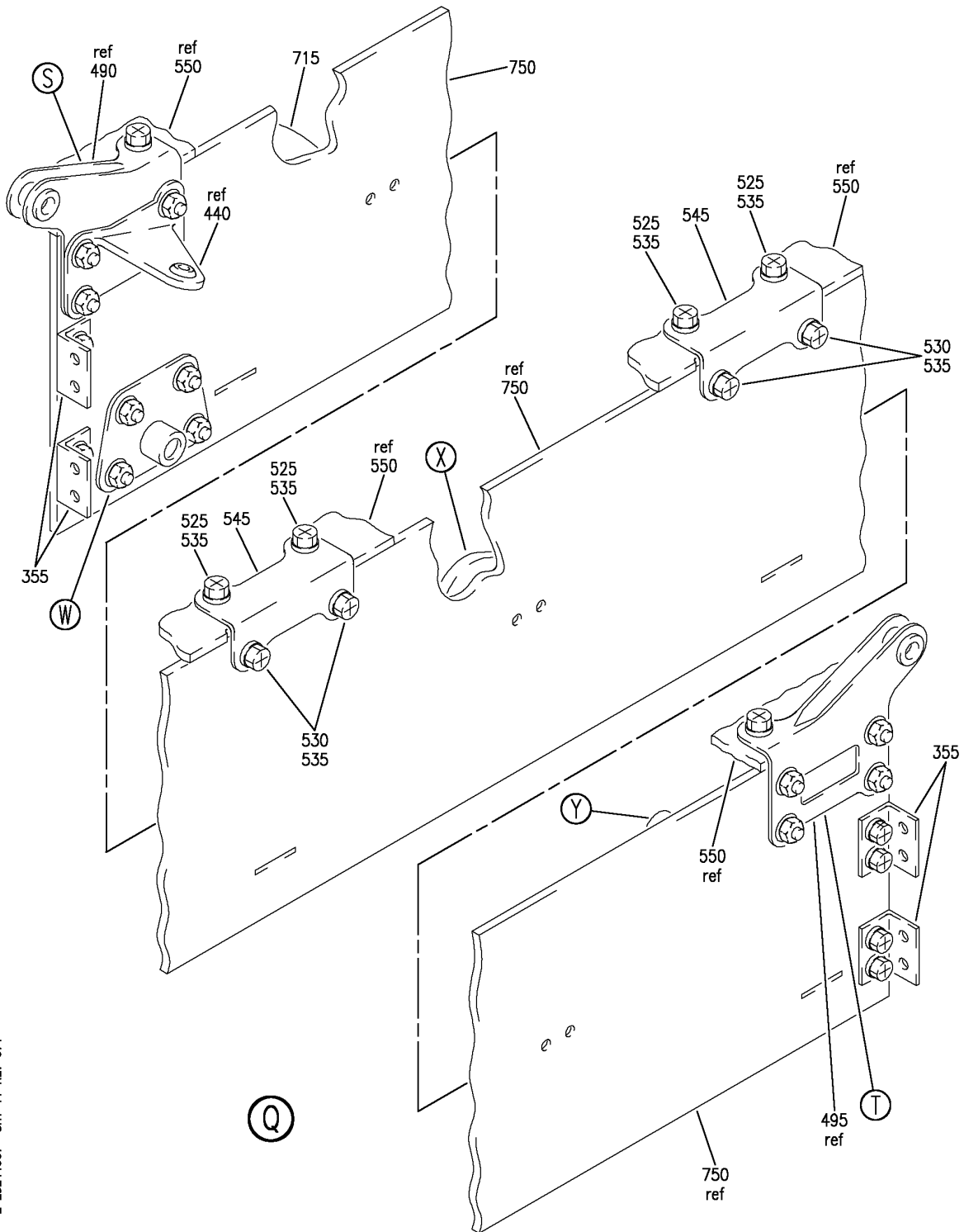
BOX INSTL-MID CTR OVHD STOWAGE
FIGURE 7 (SHEET 10)

25-24-40-07

HAP
OCT 10/06

25-24-40-07
PAGE 01

BOEING
 737-600/700/800/900
 PARTS CATALOG (MAINTENANCE)



E 25244007 SHT 11 REV 071

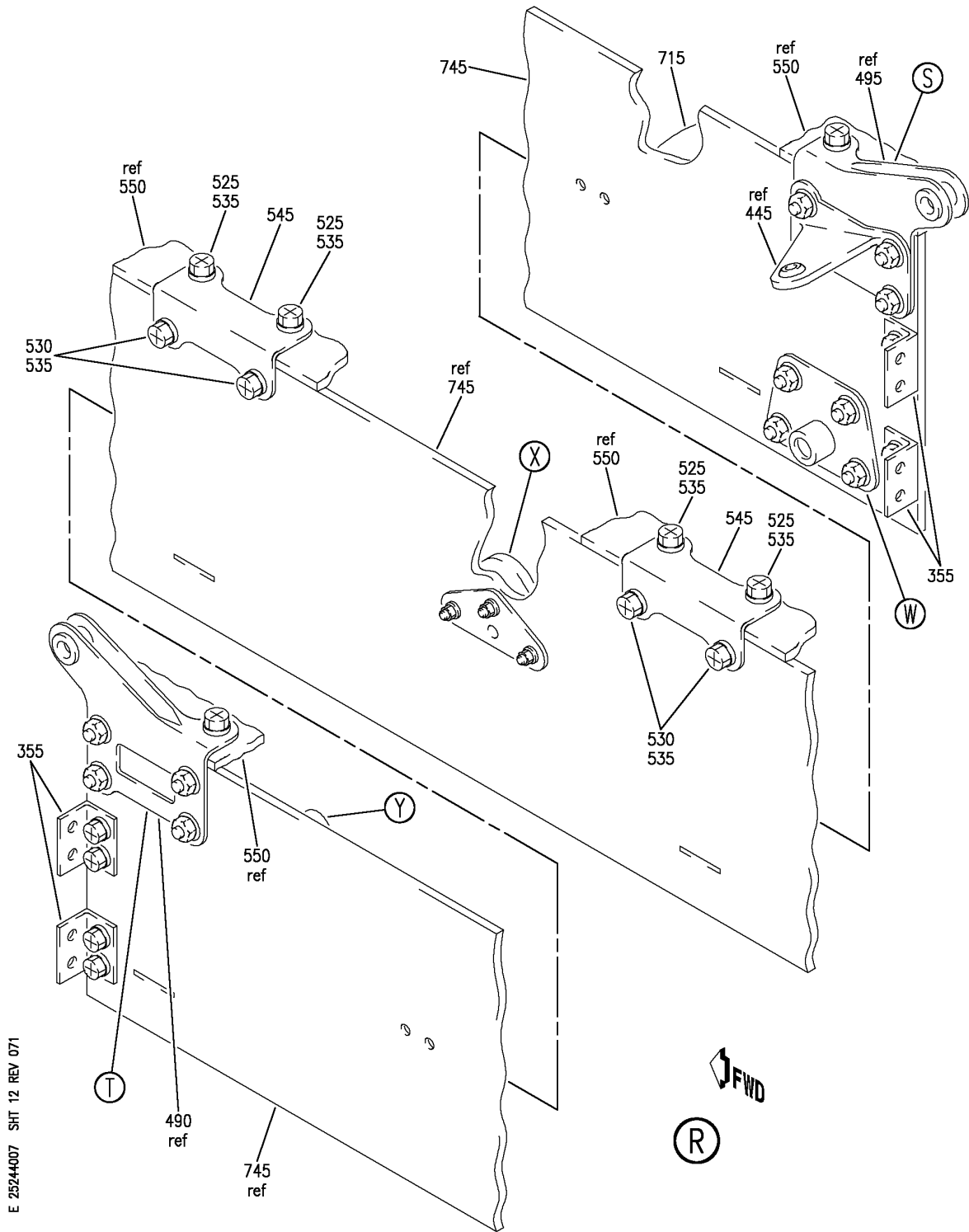
BOX INSTL-MID CTR OVHD STOWAGE
 FIGURE 7 (SHEET 11)

25-24-40-07

HAP
 OCT 10/06

25-24-40-07
 PAGE 0J

BOEING
 737-600/700/800/900
 PARTS CATALOG (MAINTENANCE)



E 25244007 SHT 12 REV 071

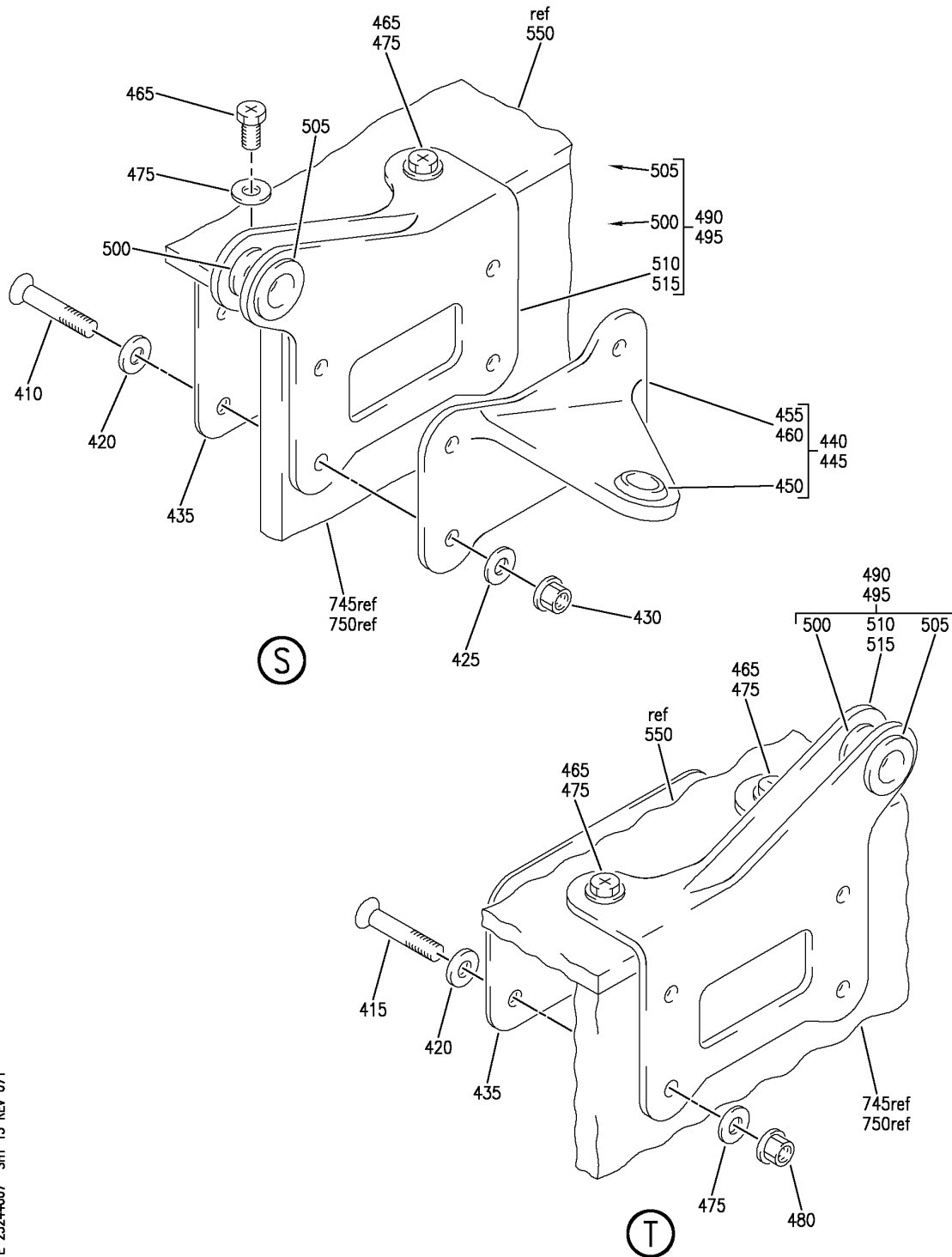
BOX INSTL-MID CTR OVHD STOWAGE
 FIGURE 7 (SHEET 12)

25-24-40-07

HAP
 OCT 10/06

25-24-40-07
 PAGE OK

BOEING
 737-600/700/800/900
 PARTS CATALOG (MAINTENANCE)



E 25244007 SH1 13 REV 071

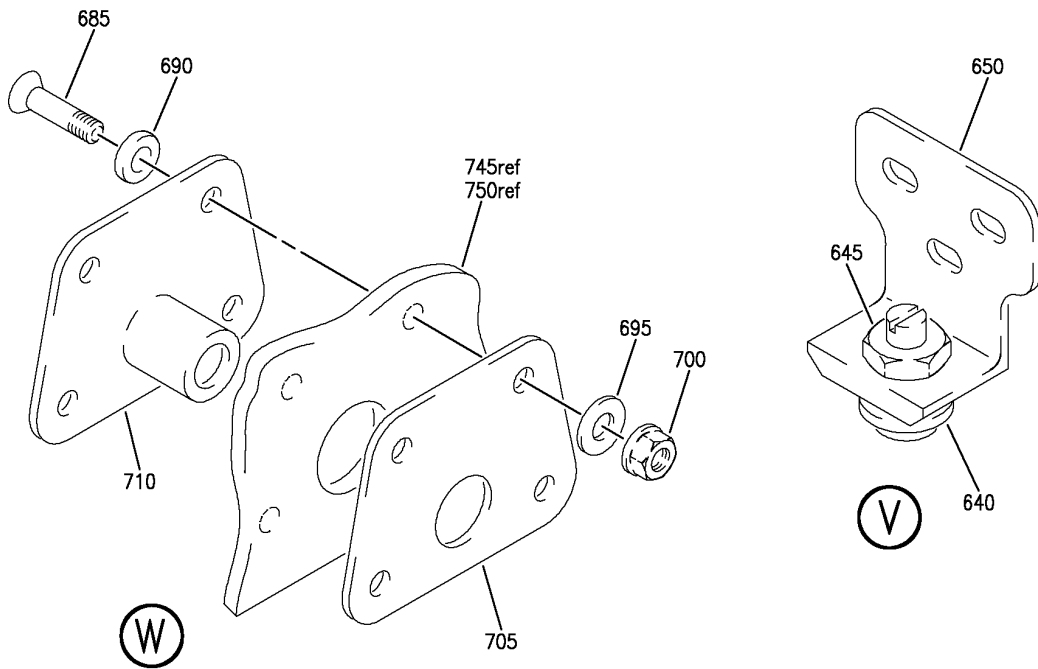
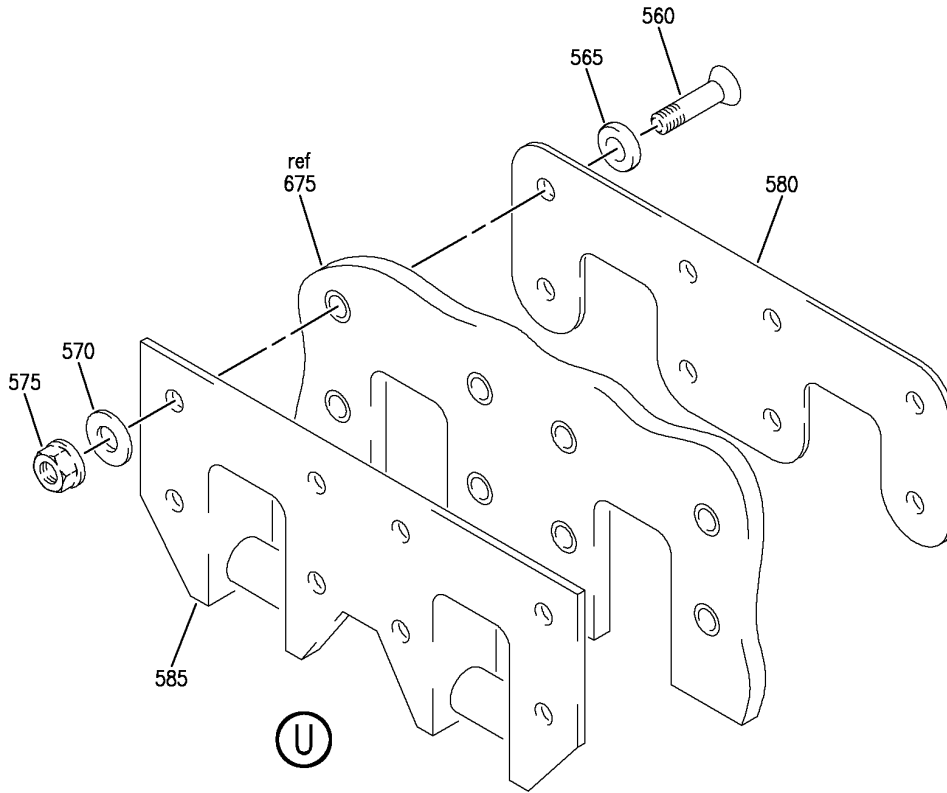
BOX INSTL-MID CTR OVHD STOWAGE
 FIGURE 7 (SHEET 13)

25-24-40-07

HAP
 OCT 10/06

25-24-40-07
 PAGE 01

BOEING
 737-600/700/800/900
 PARTS CATALOG (MAINTENANCE)



E 25244007 SH1 14 REV 071

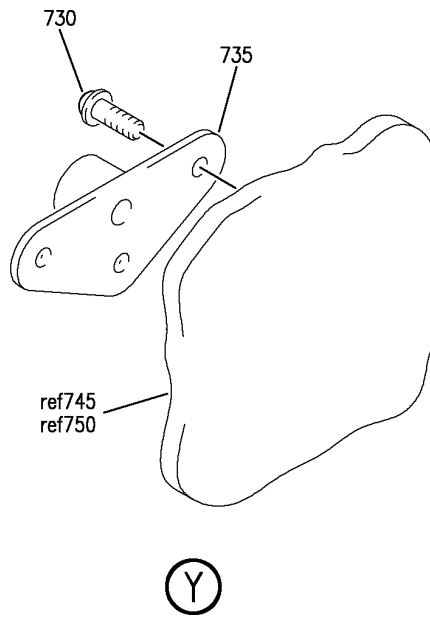
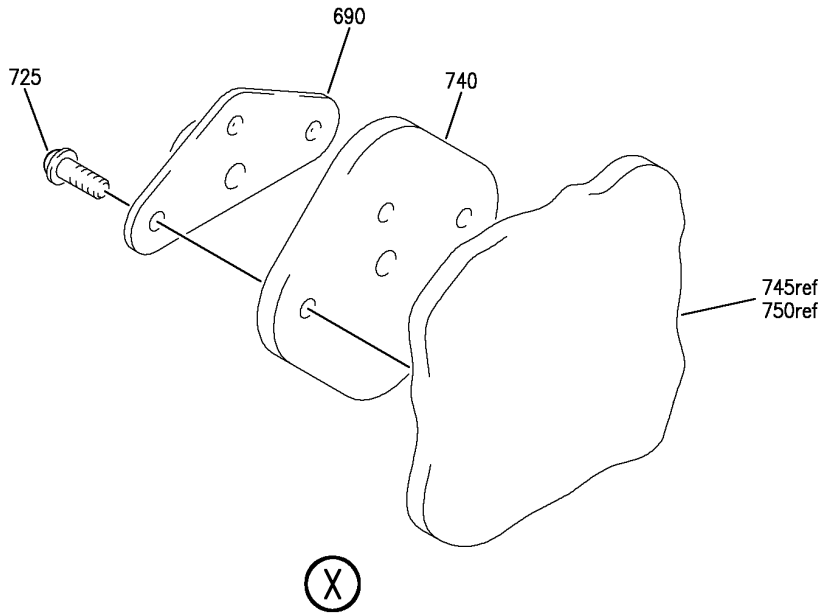
BOX INSTL-MID CTR OVHD STOWAGE
 FIGURE 7 (SHEET 14)

25-24-40-07

HAP
 OCT 10/06

25-24-40-07
 PAGE 0M

BOEING
737-600/700/800/900
PARTS CATALOG (MAINTENANCE)



E 25244007 SH1 15 REV 071

BOX INSTL-MID CTR OVHD STOWAGE
FIGURE 7 (SHEET 15)

25-24-40-07

HAP
OCT 10/06

25-24-40-07
PAGE ON

BOEING
737-600/700/800/900
PARTS CATALOG (MAINTENANCE)

FIG ITEM	PART NUMBER	1 2 3 4 5 6 7	NOMENCLATURE	EFFECT FROM TO	UNITS PER ASSY
7			BOX INSTL-MID CTR OVHD STOWAGE	001030	
- 1	412A4100-250SP		BOX INSTL-OVHD STOWAGE POSITION DATA: MID CTR FOR NHA SEE: 25-24-00-13A	001030	RF
5	BACB30NR4K11		.BOLT-	001030	8
10	NAS1149D0432J		.WASHER-	001030	16
15	PLH54CD		.NUT- SUPPLIER CODE: VF0224 SPECIFICATION NUMBER: BACN10YR4CD OPTIONAL PART: H52732-4CD V15653	001030	8
20	BACB28AK04-028		.BUSHING-	001030	8
25	412A4110-250SP		.BOX ASSY	001030	1
30	BACB30NM4K10		..BOLT	001030	2
35	BACB30NM4K20		..BOLT	001030	2
40	BACB30NM4K24		..BOLT	001030	2
45	BACB30NM4K6		..BOLT	001030	4
50	HST10AG8-8		..BOLT SUPPLIER CODE: VOPTK6 SPECIFICATION NUMBER: BACB30VT8K8 OPTIONAL PART: HST10AG8-8 V06725 HST10AG8-8 V56878 HST10AG8-8 V73197 WC10K8-8 V60516	001030	2
55	BACB30XD3K9		..BOLT	001030	8
60	BACS12FA3K8		..SCREW	001030	2
65	NAS1149D0432J		..WASHER	001030	16
70	NAS1149D0463J		..WASHER	001030	2
75	PLH54CD		..NUT SUPPLIER CODE: VF0224 SPECIFICATION NUMBER: BACN10YR4CD OPTIONAL PART: H52732-4CD V15653	001030	6

MISSING ITEM NUMBERS NOT APPLICABLE

- ITEM NOT ILLUSTRATED

HAP

25-24-40-07

BOEING PROPRIETARY - Copyright © - Unpublished Work - See title page for details.

25-24-40
FIG. 07
PAGE 1
FEB 15/09

BOEING
737-600/700/800/900
PARTS CATALOG (MAINTENANCE)

FIG ITEM	PART NUMBER	1 2 3 4 5 6 7	NOMENCLATURE	EFFECT FROM TO	UNITS PER ASSY
7					
80	26C048	..	NUT SUPPLIER CODE: V80539 SPECIFICATION NUMBER: BACN10R428A	001030	2
85	SP20367	..	SNUBBER-RATE CONT SUPPLIER CODE: V24403 SPECIFICATION NUMBER: S412A415-1	001030	2
90	SP20257	..	ACTUATOR- SUPPLIER CODE: V24403 SPECIFICATION NUMBER: S412A415-2	001030	2
95	SP20101	..	SNUBBER- SUPPLIER CODE: V24403 SPECIFICATION NUMBER: S413U160-2	001030	2
100	412A4160-37SP	..	FITTING-DAMPER	001030	2
105	412A4160-2SP	..	PIN-HINGE	001030	2
110	421W1285-1	..	DAMPER-HINGE	001030	2
115	421W1285-3	..	WASHER-HINGE	001030	2
120	421W1285-2	..	BUSHING-HINGE	001030	2
125	BACS12GU3K8	..	SCREW	001030	4
130	NAS1149D0332J	..	WASHER	001030	4
135	412A4113-2SP	..	CAP ASSY-END	001030	1
140	BACS12GU3K5	...	SCREW	001030	6
145	NAS1149D0332J	...	WASHER	001030	6
150	412A4161-13	...	BRACKET ASSY	001030	1
155	412A4161-14	...	BRACKET ASSY	001030	1
160	BRC600-10-3	NUT SUPPLIER CODE: V52828 SPECIFICATION NUMBER: BACN10YD2 OPTIONAL PART: 130121 V60119	001030	1
165	412A4161-21	BRACKET- USED ON: 412A4161-13	001030	1
170	412A4161-22	BRACKET- USED ON: 412A4161-14	001030	1
175	412A4120-200SP	...	CAP ASSY	001030	1

MISSING ITEM NUMBERS NOT APPLICABLE

— ITEM NOT ILLUSTRATED

HAP

25-24-40-07

BOEING PROPRIETARY - Copyright © - Unpublished Work - See title page for details.

25-24-40
FIG. 07
PAGE 2
OCT 10/06

BOEING
737-600/700/800/900
PARTS CATALOG (MAINTENANCE)

FIG ITEM	PART NUMBER	1 2 3 4 5 6 7	NOMENCLATURE	EFFECT FROM TO	UNITS PER ASSY
7					
- 180	SL2334-3A1	INSERT- SUPPLIER CODE: V97393 OPTIONAL PART: SL618-3A V97393	001030	6
- 180	SL618-3A	INSERT- SUPPLIER CODE: V97393 OPTIONAL PART: SL2334-3A1 V97393	001030	6
185	412A4130-1SP	...	TRIM-EDGE	001030	1
190	412A4113-201SP	...	TRIM-EDGE	001030	1
195	412A4130-2SP	...	TRIM-EDGE	001030	1
200	412A4113-5SP	..	CAP ASSY-END	001030	1
205	BACS12GU3K5	...	SCREW	001030	6
210	NAS1149D0332J	...	WASHER	001030	6
215	412A4161-13	...	BRACKET ASSY	001030	1
220	412A4161-14	...	BRACKET ASSY	001030	1
225	BRC600-10-3	NUT SUPPLIER CODE: V52828 SPECIFICATION NUMBER: BACN10YD2 OPTIONAL PART: 130121 V60119	001030	1
230	412A4161-21	BRACKET- USED ON: 412A4161-13	001030	1
235	412A4161-22	BRACKET- USED ON: 412A4161-14	001030	1
240	412A4113-204	...	SEAL-COVER	001030	1
245	412A4120-300SP	...	CAP ASSY	001030	1
- 250	SL2334-3A1	INSERT- SUPPLIER CODE: V97393 POSITION DATA: NEAR SIDE OPTIONAL PART: SL618-3A V97393	001030	6

MISSING ITEM NUMBERS NOT APPLICABLE

- ITEM NOT ILLUSTRATED

HAP

25-24-40-07

BOEING PROPRIETARY - Copyright © - Unpublished Work - See title page for details.

25-24-40
FIG. 07
PAGE 3
OCT 10/06

BOEING
737-600/700/800/900
PARTS CATALOG (MAINTENANCE)

FIG ITEM	PART NUMBER	1 2 3 4 5 6 7	NOMENCLATURE	EFFECT FROM TO	UNITS PER ASSY
7					
- 250	SL618-3A	INSERT- SUPPLIER CODE: V97393 OPTIONAL PART: SL2334-3A1 V97393	001030	6
255	412A4130-1SP	...	TRIM-EDGE	001030	1
260	412A4113-201SP	...	TRIM-EDGE	001030	1
265	412A4130-2SP	...	TRIM-EDGE	001030	1
270	412A4111-2A	..	BOX ASSY- POSITION DATA: UPR	001030	1
275	412A4161-4	...	BRACKET ATTACHING PARTS	001030	10
- 280	BACS12GU3K4	...	SCREW	001030	20
- 285	NAS1149D0332J	...	WASHER	001030	20
			-----*-----		
290	412A4161-5	...	BRACKET ATTACHING PARTS	001030	8
- 295	BACS12GU3K5	...	SCREW	001030	32
- 300	NAS1149D0332J	...	WASHER	001030	32
			-----*-----		
305	412A4120-3A	...	PANEL ASSY-	001030	2
- 310	SL2334-3A1	INSERT- SUPPLIER CODE: V97393 OPTIONAL PART: SL618-3A V97393	001030	28
- 315	SL618-3A	INSERT- SUPPLIER CODE: V97393 OPTIONAL PART: SL2334-3A1 V97393	001030	28
- 320	412A4130-1SP	...	TRIM-EDGE	001030	2
- 325	412A4130-2SP	...	TRIM-EDGE	001030	2
330	412A4133-1	...	SEAL-GAP COVER	001030	4
335	412A4161-8	...	BRACKET ATTACHING PARTS	001030	4
- 340	BACS12GU3K4	...	SCREW	001030	16
- 345	NAS1149D0332J	...	WASHER	001030	16
			-----*-----		
350	412A4131-2	...	BAFFLE	001030	2
355	413U5008-21A	...	CLIP- ATTACHING PARTS	001030	18
- 360	BACS12GU3K6	...	SCREW	001030	72
- 365	NAS1149D0332J	...	WASHER	001030	72
			-----*-----		

MISSING ITEM NUMBERS NOT APPLICABLE

- ITEM NOT ILLUSTRATED

HAP

25-24-40-07

25-24-40
FIG. 07
PAGE 4
OCT 10/06

BOEING
737-600/700/800/900
PARTS CATALOG (MAINTENANCE)

FIG ITEM	PART NUMBER	1 2 3 4 5 6 7	NOMENCLATURE	EFFECT FROM TO	UNITS PER ASSY
7					
	370		...SCREW	001030	24
	375		...OUTLET-AIR	001030	1
	380		...OUTLET-AIR	001030	1
	385		...PLENUM	001030	4
			ATTACHING PARTS		
-	390		...SCREW	001030	16
-	395		...WASHER	001030	16
			-----*-----		
	400		...PANEL ASSY	001030	2
-	405	INSERT-	001030	26
			SUPPLIER CODE:		
			V97393		
	410		...BOLT	001030	8
	415		...BOLT	001030	8
	420		...WASHER	001030	16
	425		...WASHER	001030	8
	430		...NUT	001030	8
			SUPPLIER CODE:		
			VFO224		
			SPECIFICATION NUMBER:		
			BACN10YR3CD		
			OPTIONAL PART:		
			H52732-3CD		
			V15653		
	435		...DOUBLER-	001030	4
	440		...FITTING ASSY-SPRT	001030	1
			POSITION DATA:		
			FWD		
	445		...FITTING ASSY-SPRT	001030	1
			POSITION DATA:		
			FWD		
	450	BEARING-	001030	1
			SUPPLIER CODE:		
			V15860		
			SPECIFICATION NUMBER:		
			60B00180-68		
			OPTIONAL PART:		
			LHBG4BAC		
			V73134		
			NC4G12		
			V56644		
	455	FITTING-	001030	1
			USED ON:		
			412A4160-9		
	460	FITTING-	001030	1
			USED ON:		
			412A4160-10		
	465		...SCREW	001030	10
	470		...SCREW	001030	10

MISSING ITEM NUMBERS NOT APPLICABLE

- ITEM NOT ILLUSTRATED

HAP

25-24-40-07

BOEING PROPRIETARY - Copyright © - Unpublished Work - See title page for details.

25-24-40
FIG. 07
PAGE 5
FEB 15/09

BOEING
737-600/700/800/900
PARTS CATALOG (MAINTENANCE)

FIG ITEM	PART NUMBER	1 2 3 4 5 6 7	NOMENCLATURE	EFFECT FROM TO	UNITS PER ASSY
7					
475	NAS1149D0332J	...	WASHER	001030	26
480	PLH53CD	...	NUT	001030	8
			SUPPLIER CODE: VFO224		
			SPECIFICATION NUMBER: BACN10YR3CD		
			OPTIONAL PART: H52732-3CD V15653		
485	STBP19M12	...	PLATE-	001030	2
			SUPPLIER CODE: V1B249		
490	412A4160-13	...	FITTING ASSY-VERT. SIDE SPRT	001030	3
495	412A4160-14	...	FITTING ASSY-VERT. SIDE SPRT	001030	3
500	BACB28AP04P010	BUSHING	001030	1
505	BACB28AT06B010C	BUSHING	001030	1
510	412A4160-15	FITTING- USED ON: 412A4160-13	001030	1
515	412A4160-16	FITTING- USED ON: 412A4160-14	001030	1
520	BACS12FA3K4	...	SCREW	001030	2
525	BACS12GU3K4	...	SCREW	001030	8
530	BACS12GU3K5	...	SCREW	001030	14
535	NAS1149D0332J	...	WASHER	001030	20
540	STBP19M12	...	PLATE- SUPPLIER CODE: V1B249	001030	2
545	412A4161-20	...	CLIP	001030	6
550	412A4125-4A	...	PANEL ASSY-	001030	1
- 555	SL6224-3A	INSERT- SUPPLIER CODE: V97393	001030	24
560	BACB30NN3K9	...	BOLT	001030	8
565	BACW10BP42CD	...	WASHER	001030	8
570	NAS1149D0332J	...	WASHER	001030	8
575	PLH53CD	...	NUT	001030	8
			SUPPLIER CODE: VFO224		
			SPECIFICATION NUMBER: BACN10YR3CD		
			OPTIONAL PART: H52732-3CD V15653		
580	412A4161-19A	...	DOUBLER-STRIKE	001030	1

MISSING ITEM NUMBERS NOT APPLICABLE

- ITEM NOT ILLUSTRATED

HAP

25-24-40-07

25-24-40
FIG. 07
PAGE 6
FEB 15/09

BOEING
737-600/700/800/900
PARTS CATALOG (MAINTENANCE)

FIG ITEM	PART NUMBER	1 2 3 4 5 6 7	NOMENCLATURE	EFFECT FROM TO	UNITS PER ASSY
7					
585	H3-1608-2	...	LATCH-STRIKE SUPPLIER CODE: V34941 SPECIFICATION NUMBER: S412A414-2	001030	1
590	BACS12GU3K6	...	SCREW	001030	8
595	NAS1149D0332J	...	WASHER	001030	8
600	412A4160-39	...	BRACKET-ENDCAP	001030	2
605	412A4160-40	...	BRACKET-ENDCAP	001030	2
610	69B51733-1	...	CLIP-SPRING	001030	4
			ATTACHING PARTS		
- 615	BACS12GU3K5	...	SCREW	001030	8
- 620	NAS1149D0332J	...	WASHER	001030	8
			-----*-----		
625	412A4160-21	...	STOP ASSY	001030	2
			ATTACHING PARTS		
- 630	BACS12GU3K6	...	SCREW	001030	6
- 635	NAS1149AD0332J	...	WASHER	001030	6
			-----*-----		
640	421W1284-1	SCREW	001030	1
645	MS25082-5	NUT	001030	1
650	412A4160-22	STOP	001030	1
- 655	412A4111-201SP	...	TRIM-EDGE	001030	AR
660	412A4125-1A	...	PANEL ASSY-HINGE END	001030	1
- 665	SL2334-3A1	INSERT- SUPPLIER CODE: V97393	001030	32
670	412A4125-6SP	...	PANEL ASSY-CLOSEOUT	001030	1
675	412A4125-7A	...	PANEL ASSY-LATCH END	001030	1
- 680	SL2334-3A1	INSERT- SUPPLIER CODE: V97393	001030	38
685	BACB30NN3K10	...	BOLT	001030	8
690	BACW10BP42CD	...	WASHER	001030	8
695	NAS1149D0332J	...	WASHER	001030	8
700	PLH53CD	...	NUT SUPPLIER CODE: VF0224 SPECIFICATION NUMBER: BACN10YR3CD OPTIONAL PART: H52732-3CD V15653	001030	8
705	412A4160-3	...	HINGE-PIVOT DOUBLER	001030	2
710	412A4160-4	...	HINGE-PIVOT DOUBLER	001030	2
715	412A4134-2	...	RUBSTRIP	001030	2
			ATTACHING PARTS		
- 720	BACS12ER3K5	...	SCREW	001030	8
			-----*-----		

MISSING ITEM NUMBERS NOT APPLICABLE

- ITEM NOT ILLUSTRATED

HAP

25-24-40-07

25-24-40
FIG. 07
PAGE 7
FEB 15/09

 **BOEING**
737-600/700/800/900
PARTS CATALOG (MAINTENANCE)

FIG ITEM	PART NUMBER	1 2 3 4 5 6 7	NOMENCLATURE	EFFECT FROM TO	UNITS PER ASSY
7					
725	BACS12FA3K9	...	SCREW	001030	6
730	BACS12FA3K5	...	SCREW	001030	6
735	413U5007-1	...	SNUBBER	001030	4
740	412A4160-38A	...	SPACER-ACTUATOR	001030	2
745	412A4125-11A	...	PANEL ASSY-SIDE	001030	1
			POSITION DATA: UPR LH		
750	412A4125-12A	...	PANEL ASSY-SIDE	001030	1
			POSITION DATA: UPR RH		
- 755	SL2334-3A1	INSERT-	001030	36
			SUPPLIER CODE: V97393		
760	412A4112-1A	..	DOOR ASSY-	001030	1
			FOR DETAILS SEE: 25-24-36-01		

MISSING ITEM NUMBERS NOT APPLICABLE

- ITEM NOT ILLUSTRATED

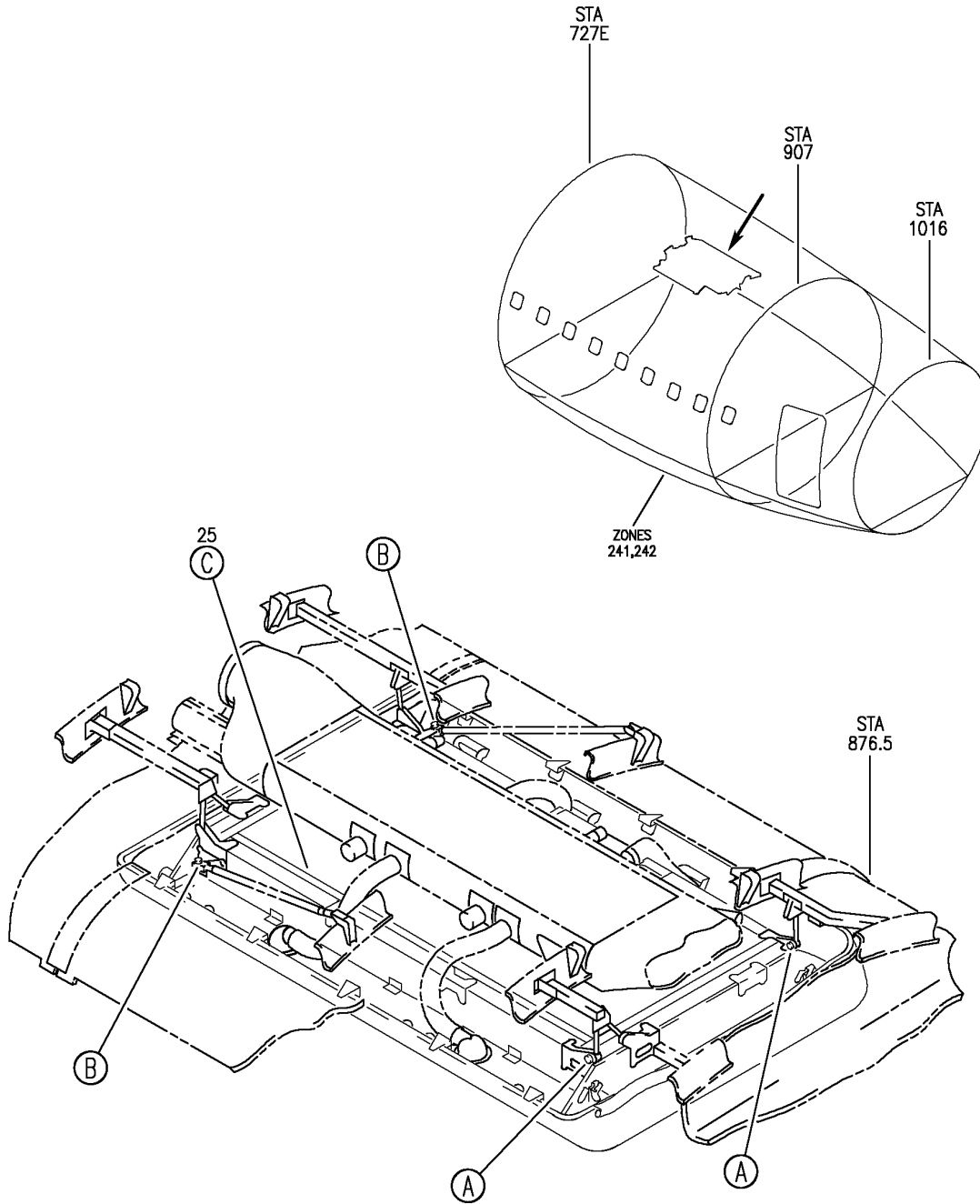
HAP

25-24-40-07

BOEING PROPRIETARY - Copyright © - Unpublished Work - See title page for details.

25-24-40
FIG. 07
PAGE 8
JUN 10/07

BOEING
737-600/700/800/900
PARTS CATALOG (MAINTENANCE)



E 25244008 SHT 1 REV 072

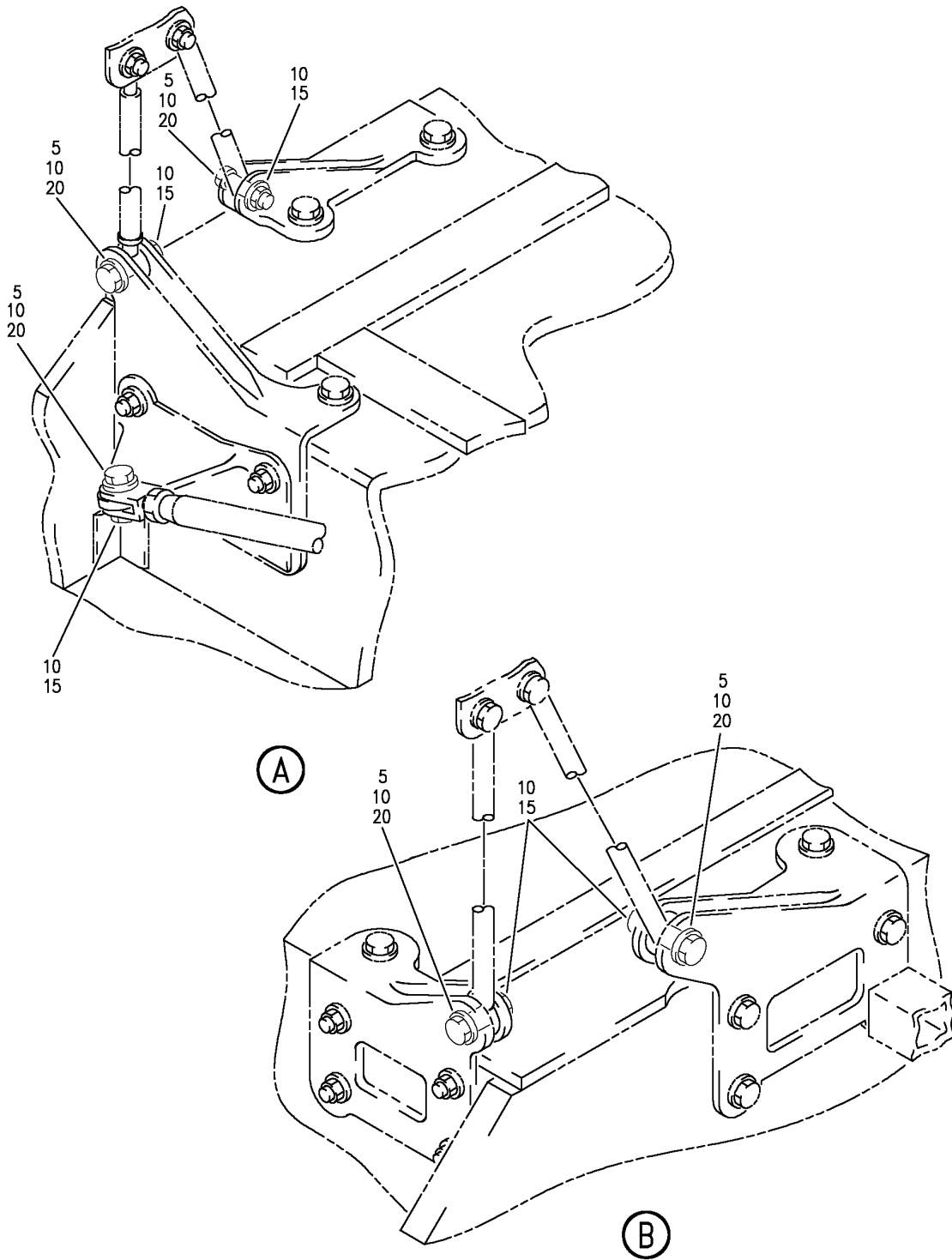
BOX INSTL-AFT CTR OVHD STOWAGE
FIGURE 8 (SHEET 1)

25-24-40-08

HAP
OCT 10/06

25-24-40-08
PAGE 0

BOEING
 737-600/700/800/900
 PARTS CATALOG (MAINTENANCE)



E 25244008 SHT 2 REV 072

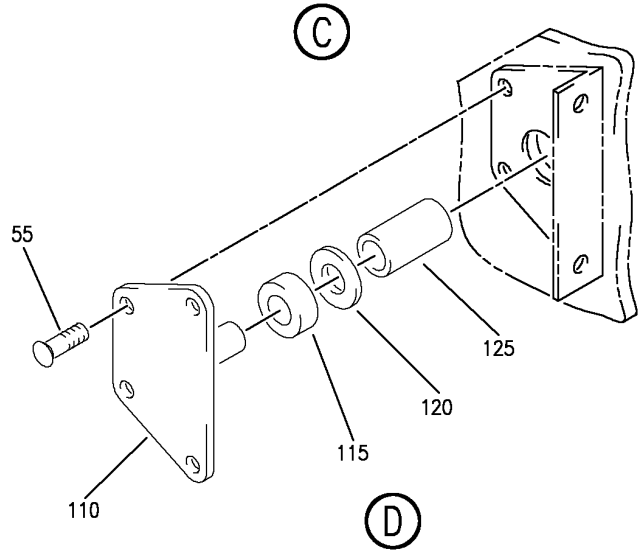
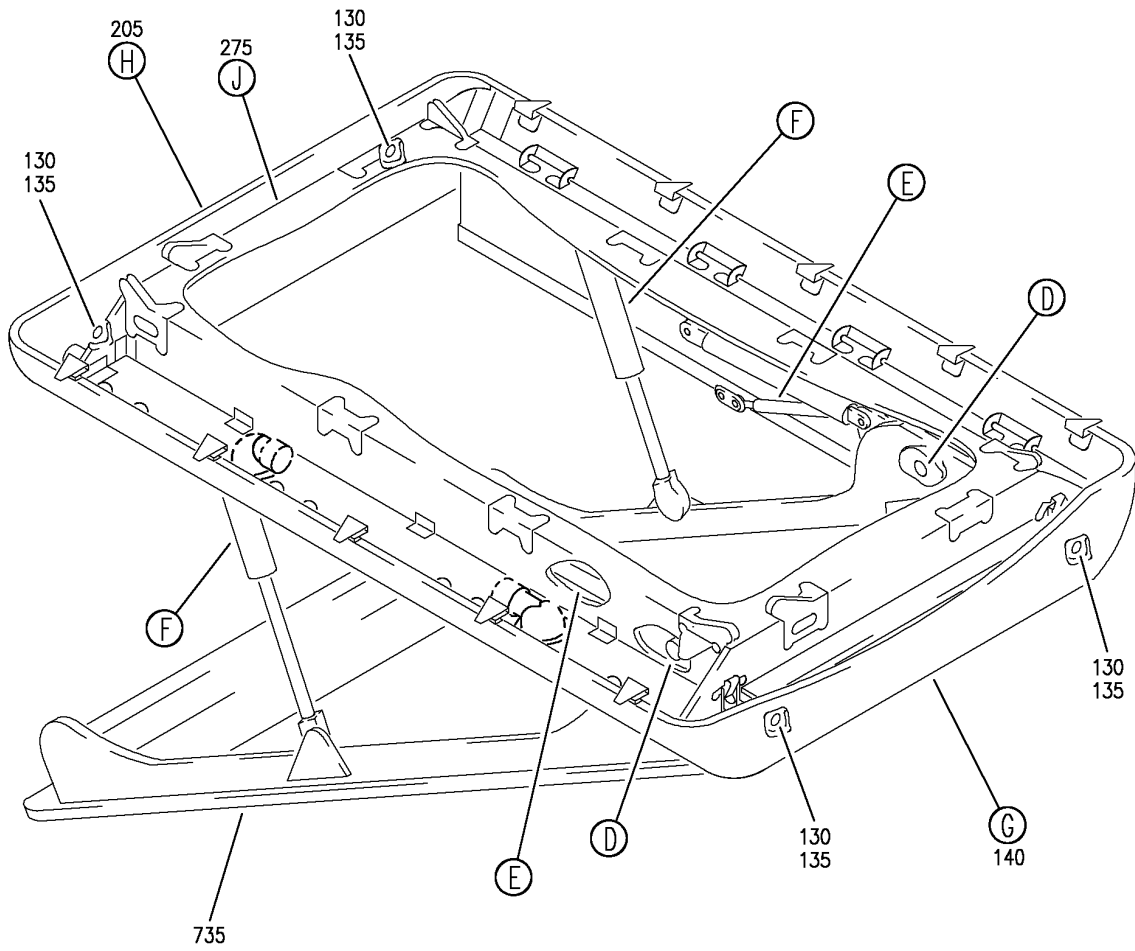
BOX INSTL-AFT CTR OVHD STOWAGE
 FIGURE 8 (SHEET 2)

25-24-40-08

HAP
 OCT 10/06

25-24-40-08
 PAGE 0A

BOEING
 737-600/700/800/900
 PARTS CATALOG (MAINTENANCE)



E 25244008 SHT 3 REV 072

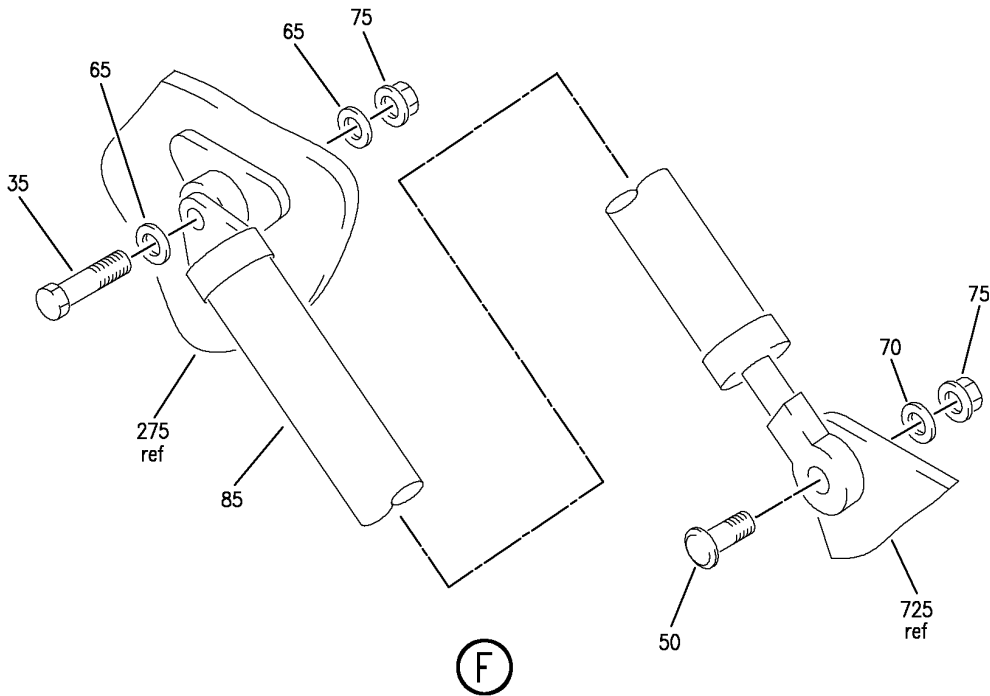
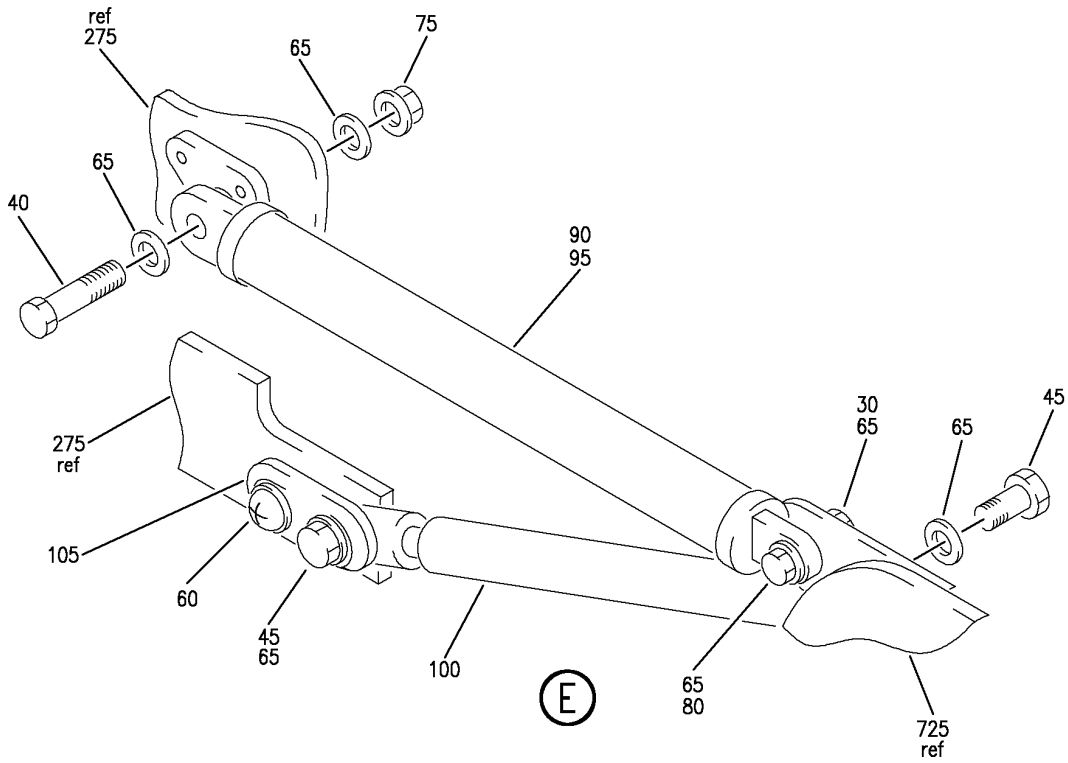
BOX INSTL-AFT CTR OVHD STOWAGE
 FIGURE 8 (SHEET 3)

25-24-40-08

HAP
 OCT 10/06

25-24-40-08
 PAGE 08

BOEING
 737-600/700/800/900
 PARTS CATALOG (MAINTENANCE)



E 25244008 SH1 4 REV 072

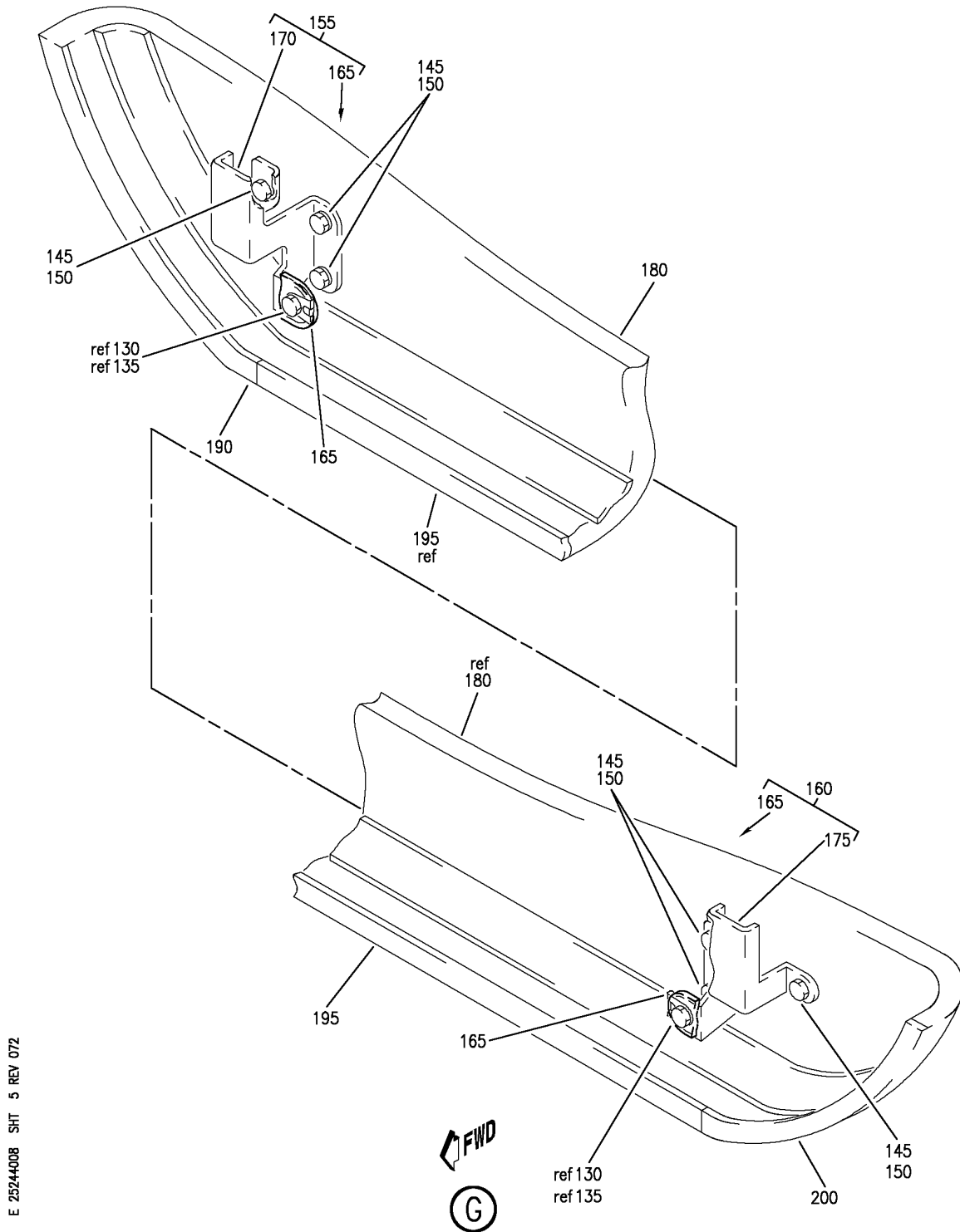
BOX INSTL-AFT CTR OVHD STOWAGE
 FIGURE 8 (SHEET 4)

25-24-40-08

HAP
 OCT 10/06

25-24-40-08
 PAGE 0C

BOEING
 737-600/700/800/900
 PARTS CATALOG (MAINTENANCE)



E 25244008 SH1 5 REV 072

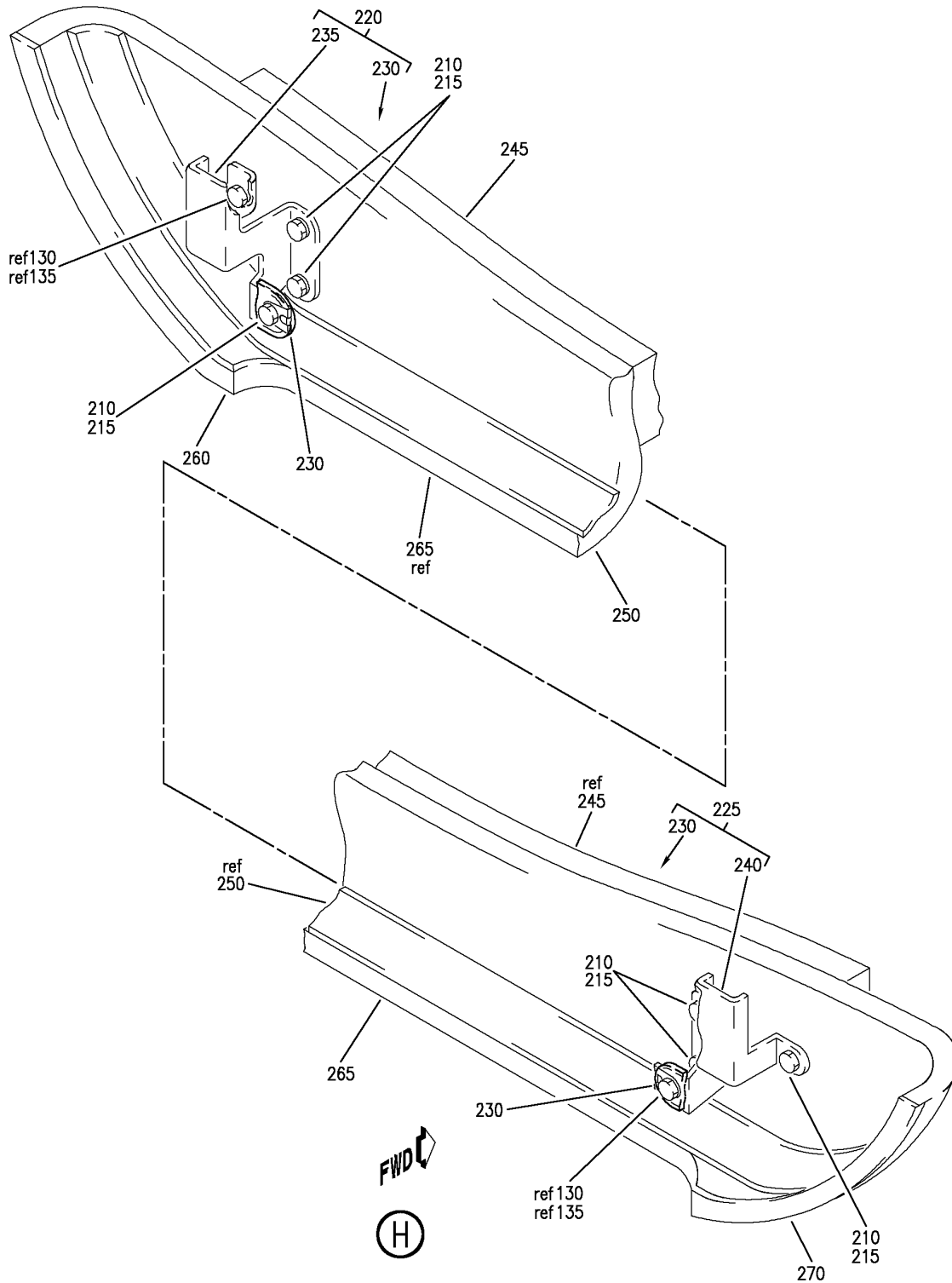
BOX INSTL-AFT CTR OVHD STOWAGE
 FIGURE 8 (SHEET 5)

25-24-40-08

HAP
 OCT 10/06

25-24-40-08
 PAGE 08

BOEING
 737-600/700/800/900
 PARTS CATALOG (MAINTENANCE)



E 25244008 SH1 6 REV 072

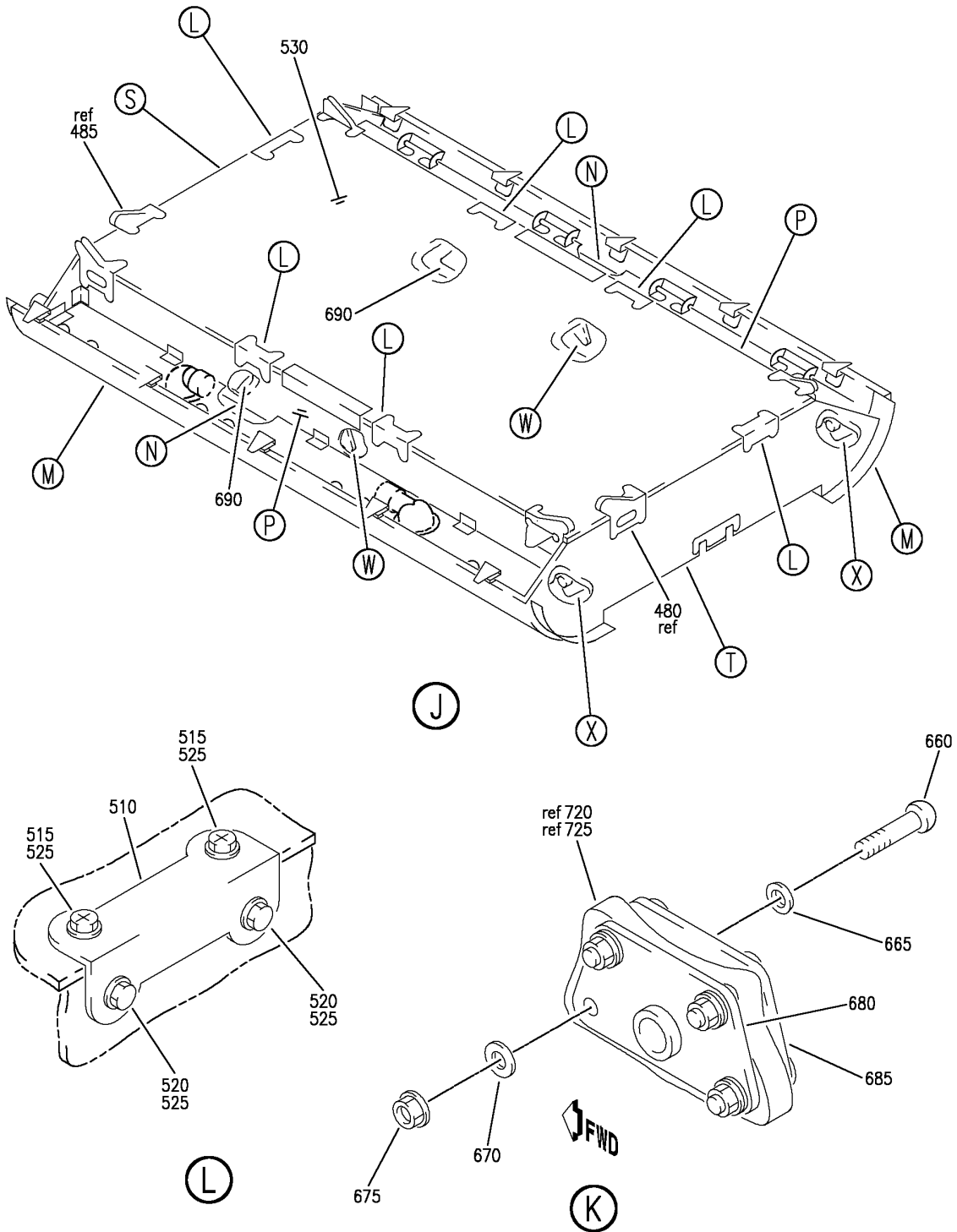
BOX INSTL-AFT CTR OVHD STOWAGE
 FIGURE 8 (SHEET 6)

25-24-40-08

HAP
 OCT 10/06

25-24-40-08
 PAGE 0E

BOEING
 737-600/700/800/900
 PARTS CATALOG (MAINTENANCE)



E 25244008 SH7 7 REV 072

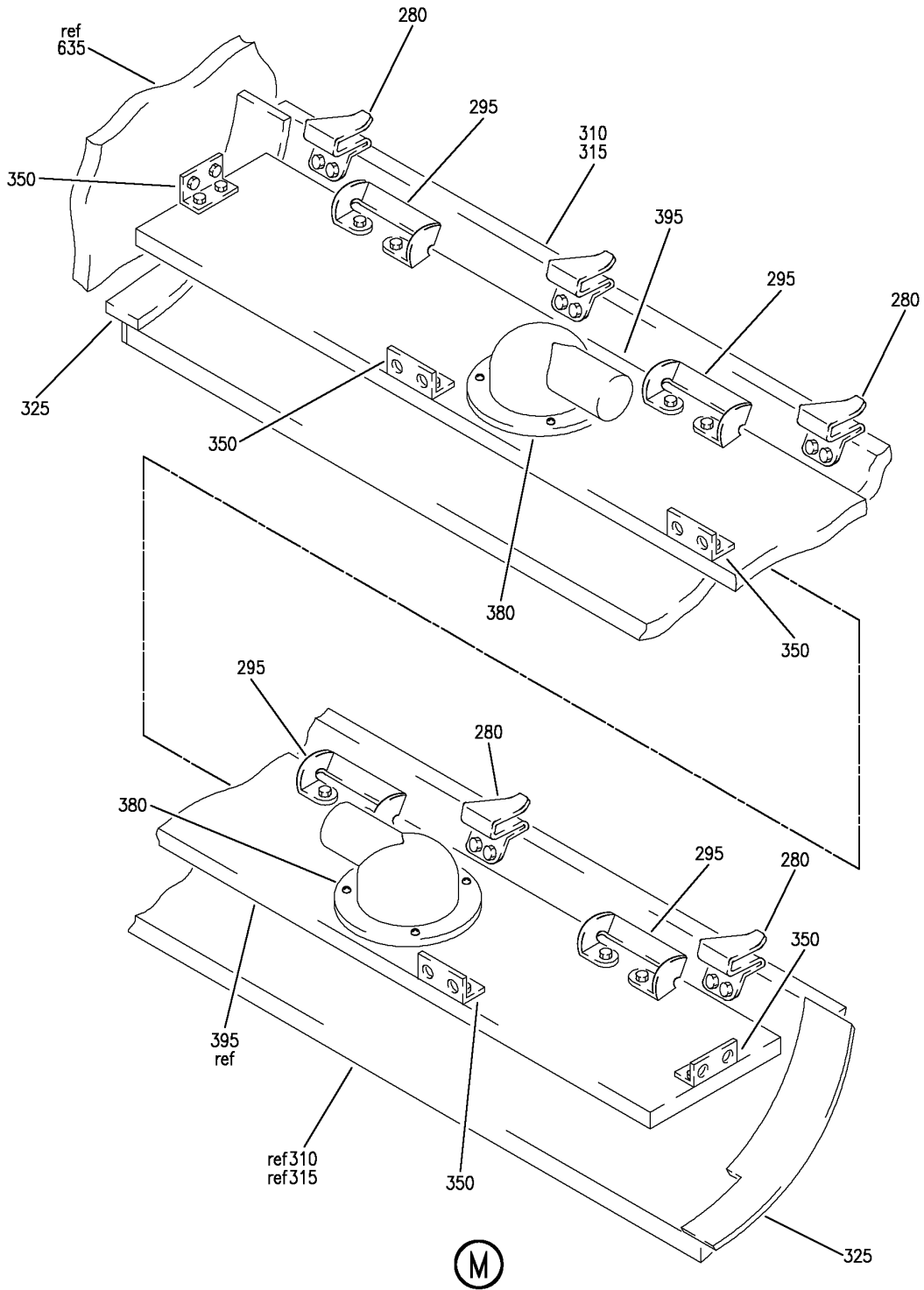
BOX INSTL-AFT CTR OVHD STOWAGE
 FIGURE 8 (SHEET 7)

25-24-40-08

HAP
 OCT 10/06

25-24-40-08
 PAGE OF

BOEING
 737-600/700/800/900
 PARTS CATALOG (MAINTENANCE)



E 25244008 SH1 8 REV 072

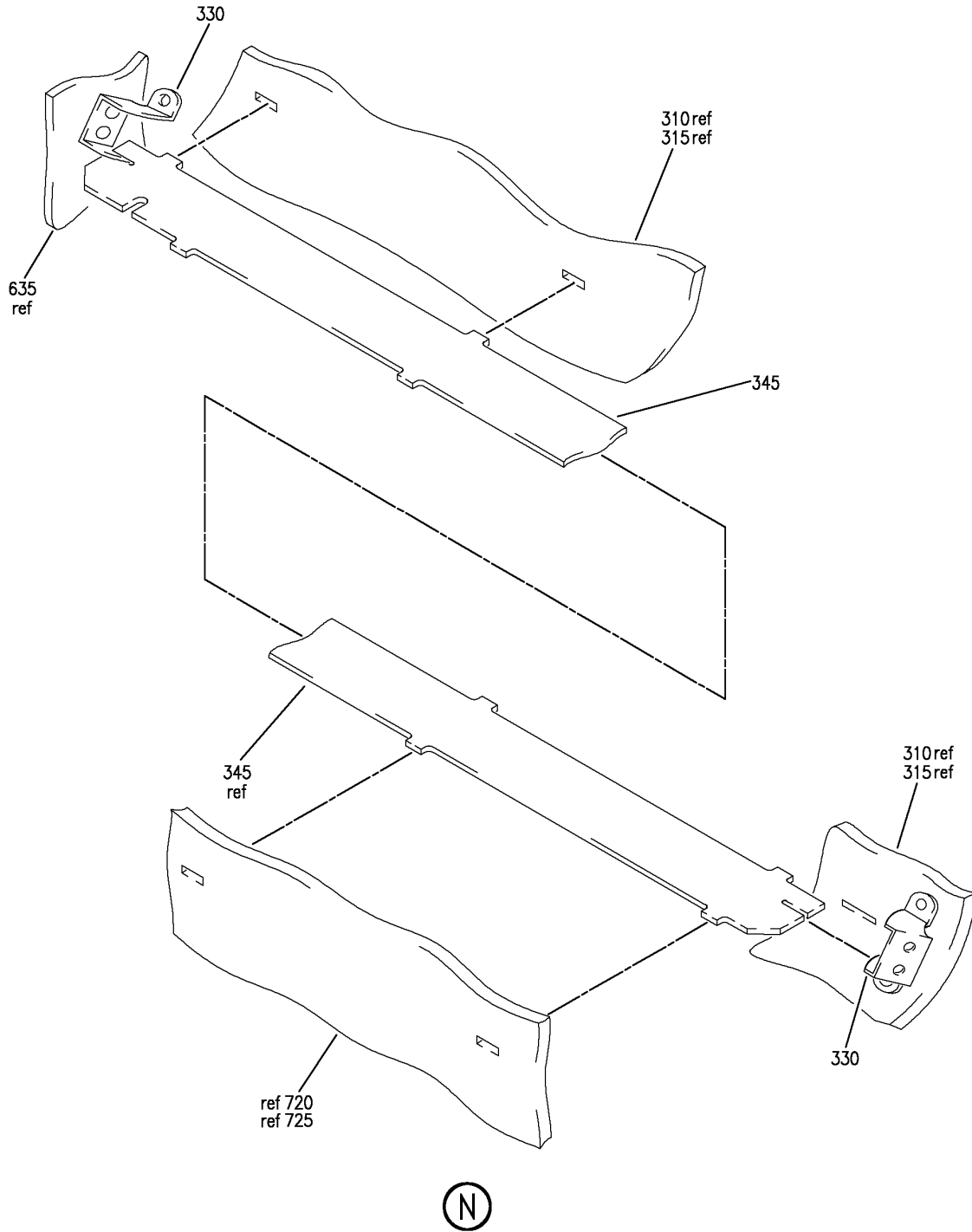
BOX INSTL-AFT CTR OVHD STOWAGE
 FIGURE 8 (SHEET 8)

25-24-40-08

HAP
 OCT 10/06

25-24-40-08
 PAGE 08

BOEING
737-600/700/800/900
PARTS CATALOG (MAINTENANCE)



E 25244008 SH1 9 REV 072

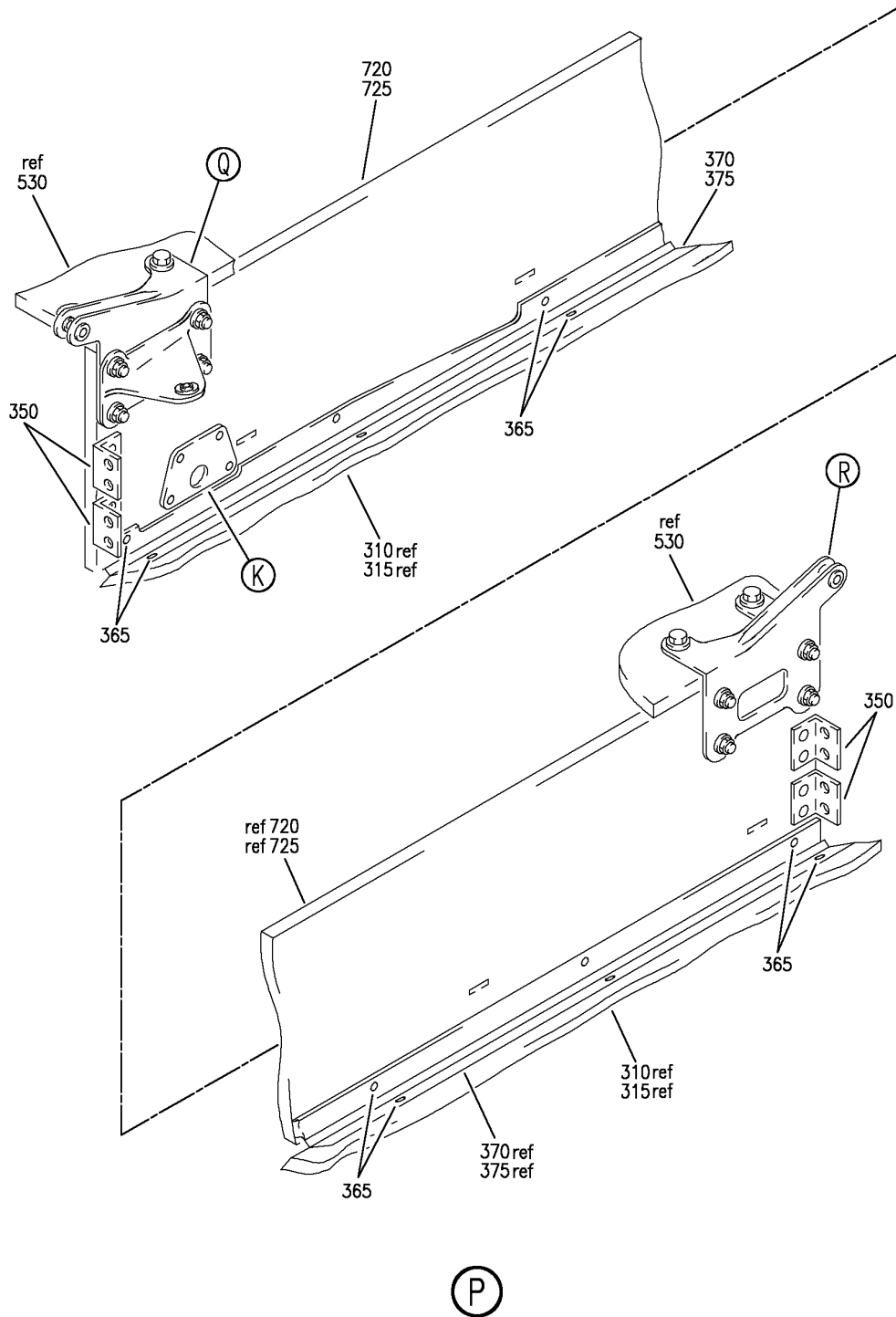
BOX INSTL-AFT CTR OVHD STOWAGE
FIGURE 8 (SHEET 9)

25-24-40-08

HAP
OCT 10/06

25-24-40-08
PAGE 0H

BOEING
 737-600/700/800/900
 PARTS CATALOG (MAINTENANCE)



E 25244008 SH1 10 REV 072

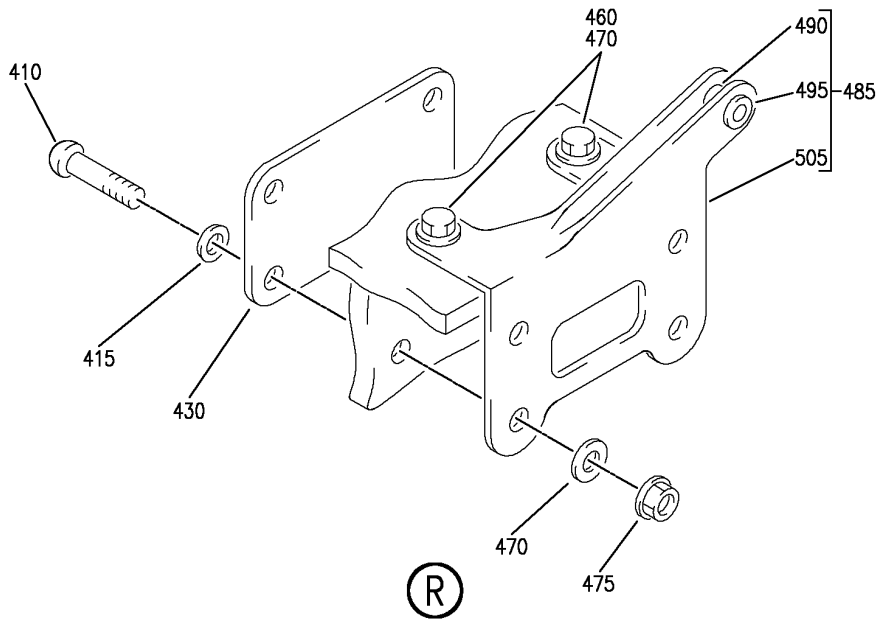
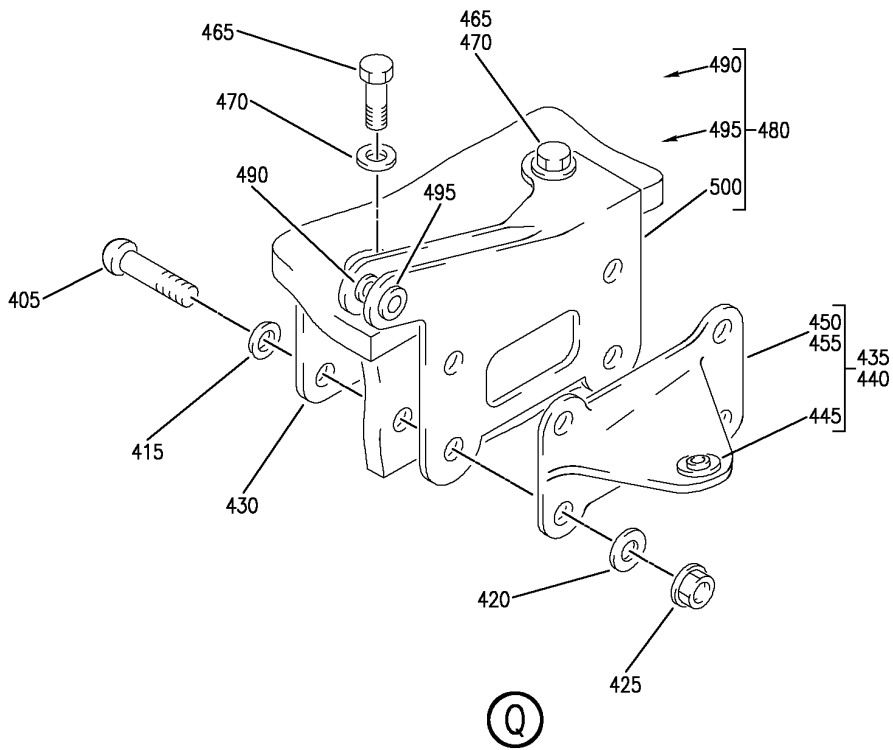
BOX INSTL-AFT CTR OVHD STOWAGE
 FIGURE 8 (SHEET 10)

25-24-40-08

HAP
 OCT 10/06

25-24-40-08
 PAGE 01

BOEING
 737-600/700/800/900
 PARTS CATALOG (MAINTENANCE)



E 25244008 SHT 11 REV 072

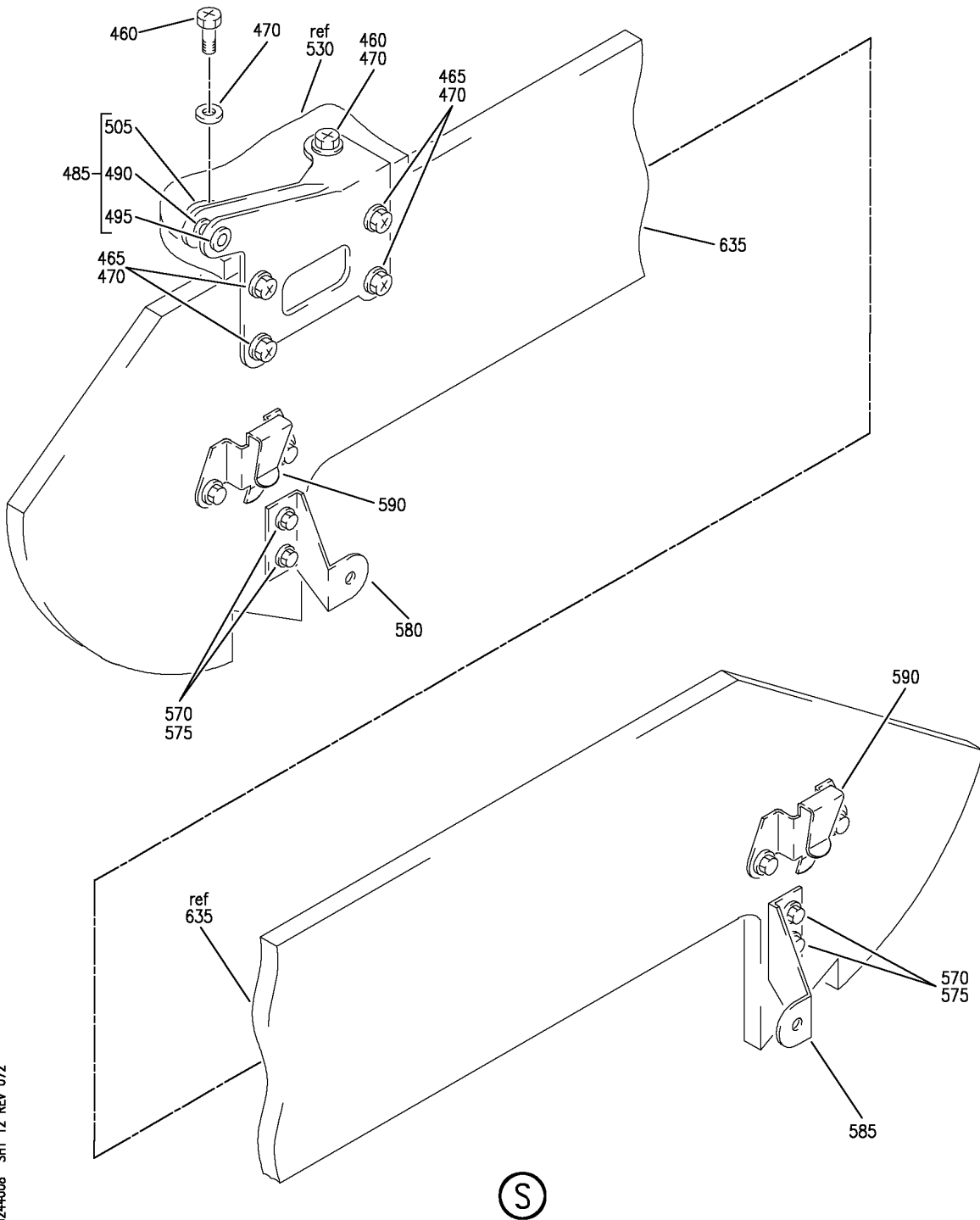
BOX INSTL-AFT CTR OVHD STOWAGE
 FIGURE 8 (SHEET 11)

25-24-40-08

HAP
 OCT 10/06

25-24-40-08
 PAGE 0J

BOEING
 737-600/700/800/900
 PARTS CATALOG (MAINTENANCE)



E 25244008 SH1 12 REV 072

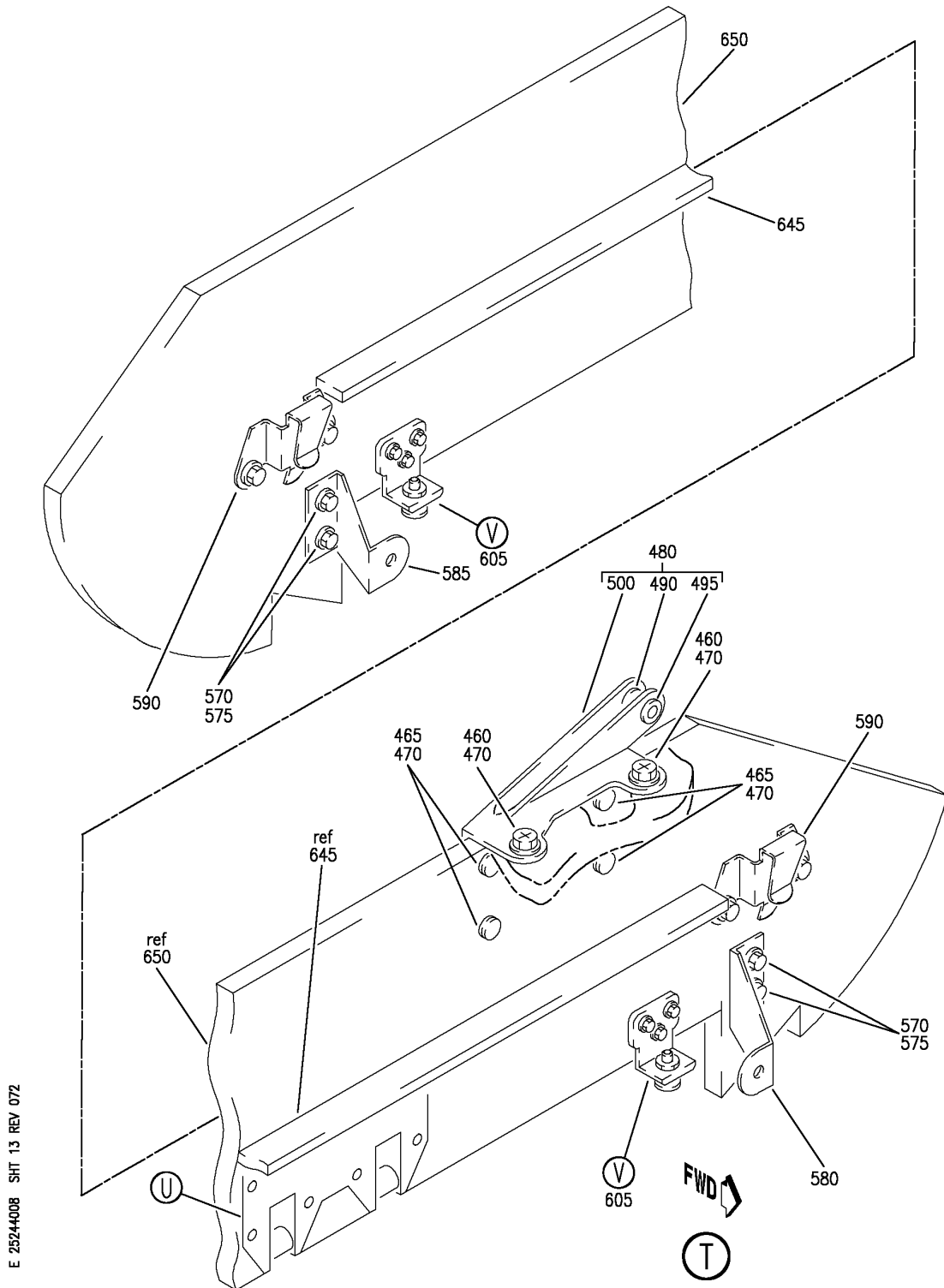
BOX INSTL-AFT CTR OVHD STOWAGE
 FIGURE 8 (SHEET 12)

25-24-40-08

HAP
 OCT 10/06

25-24-40-08
 PAGE OK

BOEING
 737-600/700/800/900
 PARTS CATALOG (MAINTENANCE)



E 25244008 SHT 13 REV 072

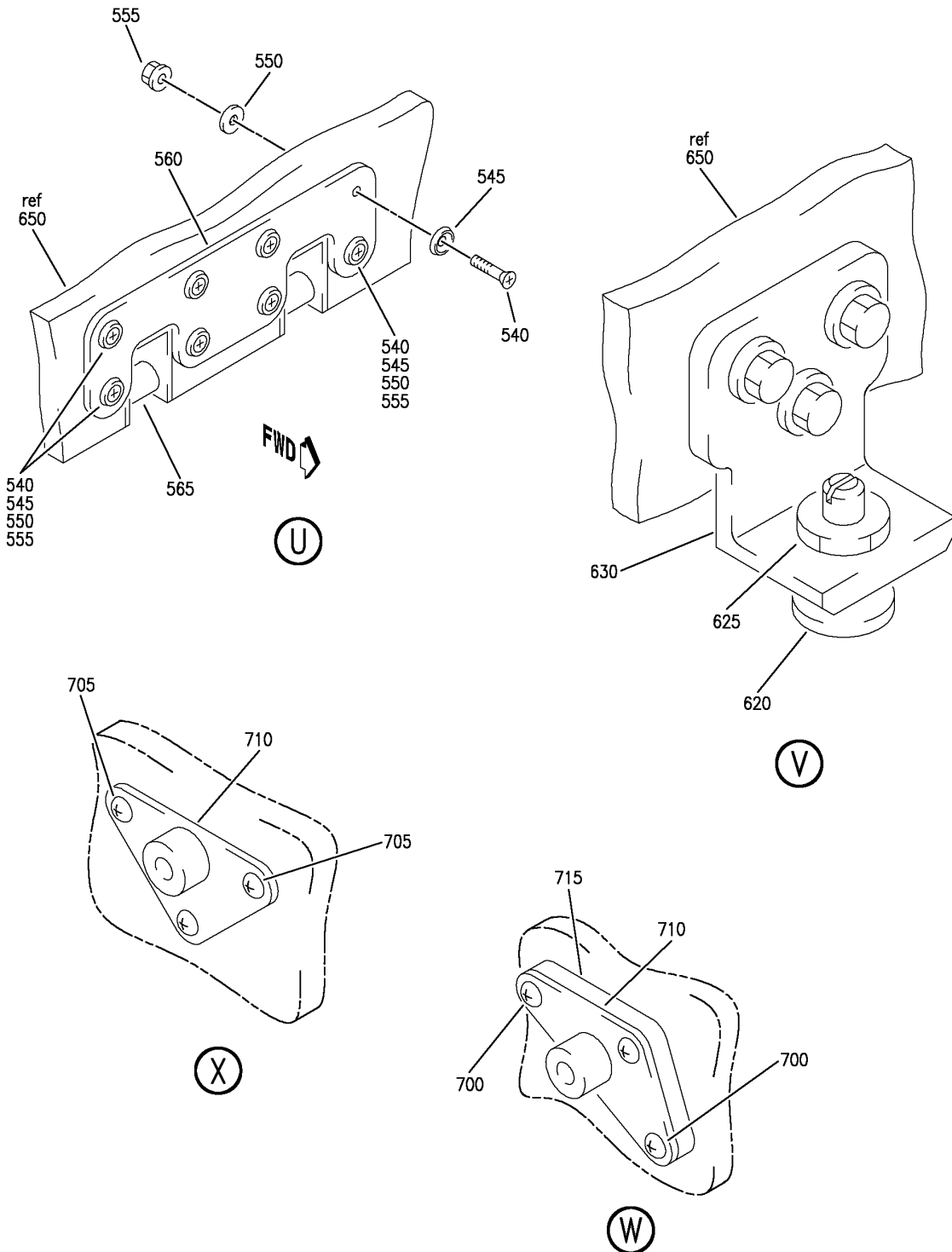
BOX INSTL-AFT CTR OVHD STOWAGE
 FIGURE 8 (SHEET 13)

25-24-40-08

HAP
 OCT 10/06

25-24-40-08
 PAGE 01

BOEING
 737-600/700/800/900
 PARTS CATALOG (MAINTENANCE)



E 25244008 SH1 14 REV 072

BOX INSTL-AFT CTR OVHD STOWAGE
 FIGURE 8 (SHEET 14)

25-24-40-08

HAP
 OCT 10/06

25-24-40-08
 PAGE 0M

BOEING
737-600/700/800/900
PARTS CATALOG (MAINTENANCE)

FIG ITEM	PART NUMBER	1 2 3 4 5 6 7	NOMENCLATURE	EFFECT FROM TO	UNITS PER ASSY
8			BOX INSTL-AFT CTR OVHD STOWAGE	001030	
- 1	412A4100-300SP		BOX INSTL-OVHD STOWAGE POSITION DATA: AFT CTR FOR NHA SEE: 25-24-00-13A	001030	RF
5	BACB30NR4K11		.BOLT	001030	10
10	NAS1149D0432J		.WASHER	001030	20
15	PLH54CD		.NUT	001030	10
			SUPPLIER CODE: VF0224		
			SPECIFICATION NUMBER: BACN10YR4CD		
			OPTIONAL PART: H52732-4CD V15653		
20	BACB28AK04-028		.BUSHING	001030	10
25	412A4110-300SP		.BOX ASSY-STOWAGE	001030	1
30	BACB30NM4K10		..BOLT	001030	2
35	BACB30NM4K20		..BOLT	001030	2
40	BACB30NM4K24		..BOLT	001030	2
45	BACB30NM4K6		..BOLT	001030	4
50	HST10AG8-8		..BOLT	001030	2
			SUPPLIER CODE: VOPTK6		
			SPECIFICATION NUMBER: BACB30VT8K8		
			OPTIONAL PART: HST10AG8-8 V06725 HST10AG8-8 V56878 HST10AG8-8 V73197 WC10K8-8 V60516		
55	BACB30XD3K9		..BOLT	001030	8
60	BACS12FA3K8		..SCREW	001030	2
65	NAS1149D0432J		..WASHER	001030	16
70	NAS1149D0463J		..WASHER	001030	2
75	PLH54CD		..NUT	001030	6
			SUPPLIER CODE: VF0224		
			SPECIFICATION NUMBER: BACN10YR4CD		
			OPTIONAL PART: H52732-4CD V15653		

MISSING ITEM NUMBERS NOT APPLICABLE

- ITEM NOT ILLUSTRATED

HAP

25-24-40-08

BOEING PROPRIETARY - Copyright © - Unpublished Work - See title page for details.

25-24-40
FIG. 08
PAGE 1
FEB 15/09

BOEING
737-600/700/800/900
PARTS CATALOG (MAINTENANCE)

FIG ITEM	PART NUMBER	1 2 3 4 5 6 7	NOMENCLATURE	EFFECT FROM TO	UNITS PER ASSY
8					
80	26C048	..	NUT SUPPLIER CODE: V80539 SPECIFICATION NUMBER: BACN10R428A	001030	2
85	SP20367	..	SNUBBER-RATE CONT SUPPLIER CODE: V24403 SPECIFICATION NUMBER: S412A415-1	001030	2
90	SP20257	..	ACTUATOR- SUPPLIER CODE: V24403 SPECIFICATION NUMBER: S412A415-2	001030	2
100	SP20101	..	SNUBBER- SUPPLIER CODE: V24403 SPECIFICATION NUMBER: S413U160-2	001030	2
105	412A4160-37SP	..	FITTING-DAMPER	001030	2
110	412A4160-2SP	..	PIN-HINGE	001030	2
115	421W1285-1	..	DAMPER-HINGE	001030	2
120	421W1285-3	..	WASHER-HINGE	001030	2
125	421W1285-2	..	BUSHING-HINGE	001030	2
130	BACS12GU3K8	..	SCREW	001030	4
135	NAS1149D0332J	..	WASHER	001030	4
140	412A4113-2SP	..	CAP ASSY-END	001030	1
145	BACS12GU3K5	...	SCREW	001030	6
150	NAS1149D0332J	...	WASHER	001030	6
155	412A4161-13	...	BRACKET ASSY	001030	1
160	412A4161-14	...	BRACKET ASSY	001030	1
165	BRC600-10-3	NUT SUPPLIER CODE: V52828 SPECIFICATION NUMBER: BACN10YD2 OPTIONAL PART: 130121 V60119	001030	1
170	412A4161-21	BRACKET- USED ON: 412A4161-13	001030	1
175	412A4161-22	BRACKET- USED ON: 412A4161-14	001030	1
180	412A4120-200SP	...	CAP ASSY	001030	1

MISSING ITEM NUMBERS NOT APPLICABLE

— ITEM NOT ILLUSTRATED

HAP

25-24-40-08

BOEING PROPRIETARY - Copyright © - Unpublished Work - See title page for details.

25-24-40
FIG. 08
PAGE 2
OCT 10/06

BOEING
737-600/700/800/900
PARTS CATALOG (MAINTENANCE)

FIG ITEM	PART NUMBER	1 2 3 4 5 6 7	NOMENCLATURE	EFFECT FROM TO	UNITS PER ASSY
8					
- 185	SL2334-3A1	INSERT- SUPPLIER CODE: V97393 OPTIONAL PART: SL618-3A V97393	001030	6
- 185	SL618-3A	INSERT- SUPPLIER CODE: V97393 OPTIONAL PART: SL2334-3A1 V97393	001030	6
190	412A4130-1SP	...	TRIM-EDGE	001030	1
195	412A4113-201SP	...	TRIM-EDGE	001030	1
200	412A4130-2SP	...	TRIM-EDGE	001030	1
205	412A4113-1SP	..	CAP ASSY-END	001030	1
210	BACS12GU3K5	...	SCREW	001030	6
215	NAS1149D0332J	...	WASHER	001030	6
220	412A4161-13	...	BRACKET ASSY	001030	1
225	412A4161-14	...	BRACKET ASSY	001030	1
230	BRC600-10-3	NUT SUPPLIER CODE: V52828 SPECIFICATION NUMBER: BACN10YD2 OPTIONAL PART: 130121 V60119	001030	1
235	412A4161-21	BRACKET- USED ON: 412A4161-13	001030	1
240	412A4161-22	BRACKET- USED ON: 412A4161-14	001030	1
245	412A4113-203	...	SEAL-SEAL OPTIONAL PART: 413W1160-107	001030	AR
245	413W1160-107	...	SEAL-SEAL MANUFACTURED FROM: SH FELT PER MILF5656 TYPE 53 .05 IN 3.30 IN 3.30 IN SPARES ORDER MATERIAL CODE: 5370630510 OPTIONAL PART: 412A4113-203	001030	AR
250	412A4120-100SP	...	CAP ASSY	001030	1

MISSING ITEM NUMBERS NOT APPLICABLE

- ITEM NOT ILLUSTRATED

HAP

25-24-40-08

BOEING PROPRIETARY - Copyright © - Unpublished Work - See title page for details.

25-24-40
FIG. 08
PAGE 3
JUN 15/09

BOEING
737-600/700/800/900
PARTS CATALOG (MAINTENANCE)

FIG ITEM	PART NUMBER	1 2 3 4 5 6 7	NOMENCLATURE	EFFECT FROM TO	UNITS PER ASSY
8					
- 255	SL2334-3A1	INSERT- SUPPLIER CODE: V97393 POSITION DATA: NEAR SIDE OPTIONAL PART: SL618-3A V97393	001030	6
- 255	SL618-3A	INSERT- SUPPLIER CODE: V97393 POSITION DATA: NEAR SIDE OPTIONAL PART: SL2334-3A1 V97393	001030	6
260	412A4130-1SP	...	TRIM-EDGE	001030	1
265	412A4113-201SP	...	TRIM-EDGE	001030	AR
270	412A4130-2SP	...	TRIM-EDGE	001030	1
275	412A4111-3SP	..	BOX ASSY- POSITION DATA: UPR	001030	1
280	412A4161-4	...	BRACKET ATTACHING PARTS	001030	10
- 285	BACS12GU3K4	...	SCREW	001030	20
- 290	NAS1149D0332J	...	WASHER	001030	20
			-----*-----		
295	412A4161-5	...	BRACKET ATTACHING PARTS	001030	8
- 300	BACS12GU3K5	...	SCREW	001030	32
- 305	NAS1149D0332J	...	WASHER	001030	32
			-----*-----		
310	412A4120-1SP	...	PANEL ASSY	001030	1
315	412A4120-2SP	...	PANEL ASSY	001030	1
- 320	SL2334-3A1	INSERT- SUPPLIER CODE: V97393 OPTIONAL PART: SL618-3A V97393	001030	28
- 320	SL618-3A	INSERT- SUPPLIER CODE: V97393 OPTIONAL PART: SL2334-3A1 V97393	001030	28
325	412A4133-1	...	SEAL-GAP COVER	001030	4
330	412A4161-8	...	BRACKET	001030	4

MISSING ITEM NUMBERS NOT APPLICABLE

- ITEM NOT ILLUSTRATED

HAP

25-24-40-08

25-24-40
FIG. 08
PAGE 4
JUN 15/09

BOEING
737-600/700/800/900
PARTS CATALOG (MAINTENANCE)

FIG ITEM	PART NUMBER	1 2 3 4 5 6 7	NOMENCLATURE	EFFECT FROM TO	UNITS PER ASSY
8			ATTACHING PARTS		
- 335	BACS12GU3K4	...	SCREW	001030	16
- 340	NAS1149D0332J	...	WASHER	001030	16
			-----*-----		
345	412A4131-2	...	BAFFLE	001030	2
350	413U5008-21SP	...	CLIP	001030	18
			ATTACHING PARTS		
- 355	BACS12GU3K6	...	SCREW	001030	72
- 360	NAS1149D0332J	...	WASHER	001030	72
			-----*-----		
365	BACS12FA3K4	...	SCREW	001030	24
370	412A4131-1SP	...	OUTLET-AIR	001030	1
375	412A4131-4SP	...	OUTLET-AIR	001030	1
380	214A2401-3	...	PLENUM	001030	4
			ATTACHING PARTS		
- 385	BACS12GU3K5	...	SCREW	001030	16
- 390	NAS1149D0332J	...	WASHER	001030	16
			-----*-----		
395	412A4125-2	...	PANEL ASSY	001030	2
- 400	SL2334-3A1	INSERT-	001030	26
			SUPPLIER CODE: V97393		
405	BACB30NN3K11	...	BOLT	001030	8
410	BACB30NN3K9	...	BOLT	001030	8
415	BACW10BP42CD	...	WASHER	001030	16
420	NAS1149D0332J	...	WASHER	001030	8
425	PLH53CD	...	NUT	001030	8
			SUPPLIER CODE: VF0224		
			SPECIFICATION NUMBER: BACN10YR3CD		
			OPTIONAL PART: H52732-3CD V15653		
430	412A4161-15SP	...	DOUBLER	001030	4
435	412A4160-10	...	FITTING ASSY-SPRT	001030	1
			POSITION DATA: FWD		
440	412A4160-9	...	FITTING ASSY-SPRT	001030	1
			POSITION DATA: FWD		

MISSING ITEM NUMBERS NOT APPLICABLE

- ITEM NOT ILLUSTRATED

HAP

25-24-40-08

BOEING PROPRIETARY - Copyright © - Unpublished Work - See title page for details.

25-24-40
FIG. 08
PAGE 5
JUN 15/09

BOEING
737-600/700/800/900
PARTS CATALOG (MAINTENANCE)

FIG ITEM	PART NUMBER	1 2 3 4 5 6 7	NOMENCLATURE	EFFECT FROM TO	UNITS PER ASSY
8					
445	AG4V4009	BEARING- SUPPLIER CODE: V15860 SPECIFICATION NUMBER: 60B00180-68 OPTIONAL PART: LHBG4BAC V73134 NC4G12 V56644	001030	1
450	412A4160-11	FITTING- USED ON: 412A4160-9	001030	1
455	412A4160-12	FITTING- USED ON: 412A4160-10	001030	1
460	BACS12GU3K4	...	SCREW	001030	6
465	BACS12GU3K6	...	SCREW	001030	8
470	NAS1149D0332J	...	WASHER	001030	28
475	PLH53CD	...	NUT SUPPLIER CODE: VFO224 SPECIFICATION NUMBER: BACN10YR3CD OPTIONAL PART: H52732-3CD V15653	001030	8
480	412A4160-13	...	FITTING ASSY-SPRT POSITION DATA: SIDE	001030	3
485	412A4160-14	...	FITTING ASSY-SPRT POSITION DATA: SIDE	001030	3
490	BACB28AP04P010	BUSHING	001030	1
495	BACB28AT06B010C	BUSHING	001030	1
500	412A4160-15	FITTING- USED ON: 412A4160-13	001030	1
505	412A4160-16	FITTING- USED ON: 412A4160-14	001030	1
510	412A4161-20	...	CLIP ATTACHING PARTS	001030	6
515	BACS12GU3K4	...	SCREW	001030	12
520	BACS12GU3K5	...	SCREW-	001030	12
525	NAS1149D0332J	...	WASHER	001030	24
			-----*-----		
530	412A4125-4SP	...	PANEL ASSY	001030	1

MISSING ITEM NUMBERS NOT APPLICABLE

— ITEM NOT ILLUSTRATED

HAP

25-24-40-08

25-24-40
FIG. 08
PAGE 6
JUN 15/09

BOEING
737-600/700/800/900
PARTS CATALOG (MAINTENANCE)

FIG ITEM	PART NUMBER	1 2 3 4 5 6 7	NOMENCLATURE	EFFECT FROM TO	UNITS PER ASSY
8					
- 535	SL2334-3A1	INSERT- SUPPLIER CODE: V97393	001030	24
540	BACB30NN3K9	...	BOLT	001030	8
545	BACW10BP42CD	...	WASHER	001030	8
550	NAS1149D0332J	...	WASHER	001030	8
555	PLH53CD	...	NUT SUPPLIER CODE: VFO224 SPECIFICATION NUMBER: BACN10YR3CD OPTIONAL PART: H52732-3CD V15653	001030	8
560	412A4161-19SP	...	LATCH STRIKE-DOUBLER	001030	1
565	H3-1608-2	...	LATCH-STRIKE SUPPLIER CODE: V34941 SPECIFICATION NUMBER: S412A414-2	001030	1
570	BACS12GU3K6	...	SCREW	001030	AR
575	NAS1149D0332J	...	WASHER	001030	8
580	412A4160-39	...	BRACKET-ENDCAP	001030	2
585	412A4160-40	...	BRACKET-ENDCAP	001030	2
590	69B51733-1	...	CLIP-SPRING ATTACHING PARTS	001030	4
- 595	BACS12GU3K5	...	SCREW	001030	8
- 600	NAS1149D0332J	...	WASHER -----*-----	001030	8
605	412A4160-21	...	STOP ASSY ATTACHING PARTS	001030	2
- 610	BACS12GU3K6	...	SCREW	001030	6
- 615	NAS1149AD0332J	...	WASHER -----*-----	001030	6
620	421W1284-1	SCREW	001030	1
625	MS25082-5	NUT	001030	1
630	412A4160-22	STOP	001030	1
635	412A4125-1SP	...	PANEL ASSY-HINGE END	001030	1
- 640	SL2334-3A1	INSERT- SUPPLIER CODE: V97393	001030	32
645	412A4125-6	...	PANEL ASSY-CLOSEOUT	001030	1
650	412A4125-7SP	...	PANEL ASSY-LATCH END	001030	1
- 655	SL2334-3A1	INSERT- SUPPLIER CODE: V97393	001030	38
660	BACB30NN3K10	...	BOLT	001030	8
665	BACW10BP42CD	...	WASHER	001030	8
670	NAS1149D0332J	...	WASHER	001030	8

MISSING ITEM NUMBERS NOT APPLICABLE

- ITEM NOT ILLUSTRATED

HAP

25-24-40-08

25-24-40
FIG. 08
PAGE 7
JUN 15/09

BOEING
737-600/700/800/900
PARTS CATALOG (MAINTENANCE)

FIG ITEM	PART NUMBER	1 2 3 4 5 6 7	NOMENCLATURE	EFFECT FROM TO	UNITS PER ASSY
8 675	PLH53CD	...	NUT SUPPLIER CODE: VFO224 SPECIFICATION NUMBER: BACN10YR3CD OPTIONAL PART: H52732-3CD V15653	001030	8
680	412A4160-3	...	HINGE-PIVOT DOUBLER	001030	2
685	412A4160-4	...	HINGE-PIVOT DOUBLER	001030	2
690	412A4134-2	...	RUBSTRIP ATTACHING PARTS	001030	2
- 695	BACS12ER3K5	...	SCREW -----*-----	001030	8
700	BACS12FA3K9	...	SCREW	001030	6
705	BACS12FA3K5	...	SCREW	001030	6
710	413U5007-1	...	SNUBBER	001030	4
715	412A4160-38SP	...	SPACER-ACTUATOR	001030	2
720	412A4125-11SP	...	PANEL ASSY- POSITION DATA: SIDE PANEL, LH	001030	1
725	412A4125-12SP	...	PANEL ASSY- POSITION DATA: SIDE PANEL, RH	001030	1
- 730	SL2334-3A1	INSERT- SUPPLIER CODE: V97393	001030	36
735	412A4112-1A	..	DOOR ASSY- FOR DETAILS SEE: 25-24-36-01	001030	1

MISSING ITEM NUMBERS NOT APPLICABLE

- ITEM NOT ILLUSTRATED

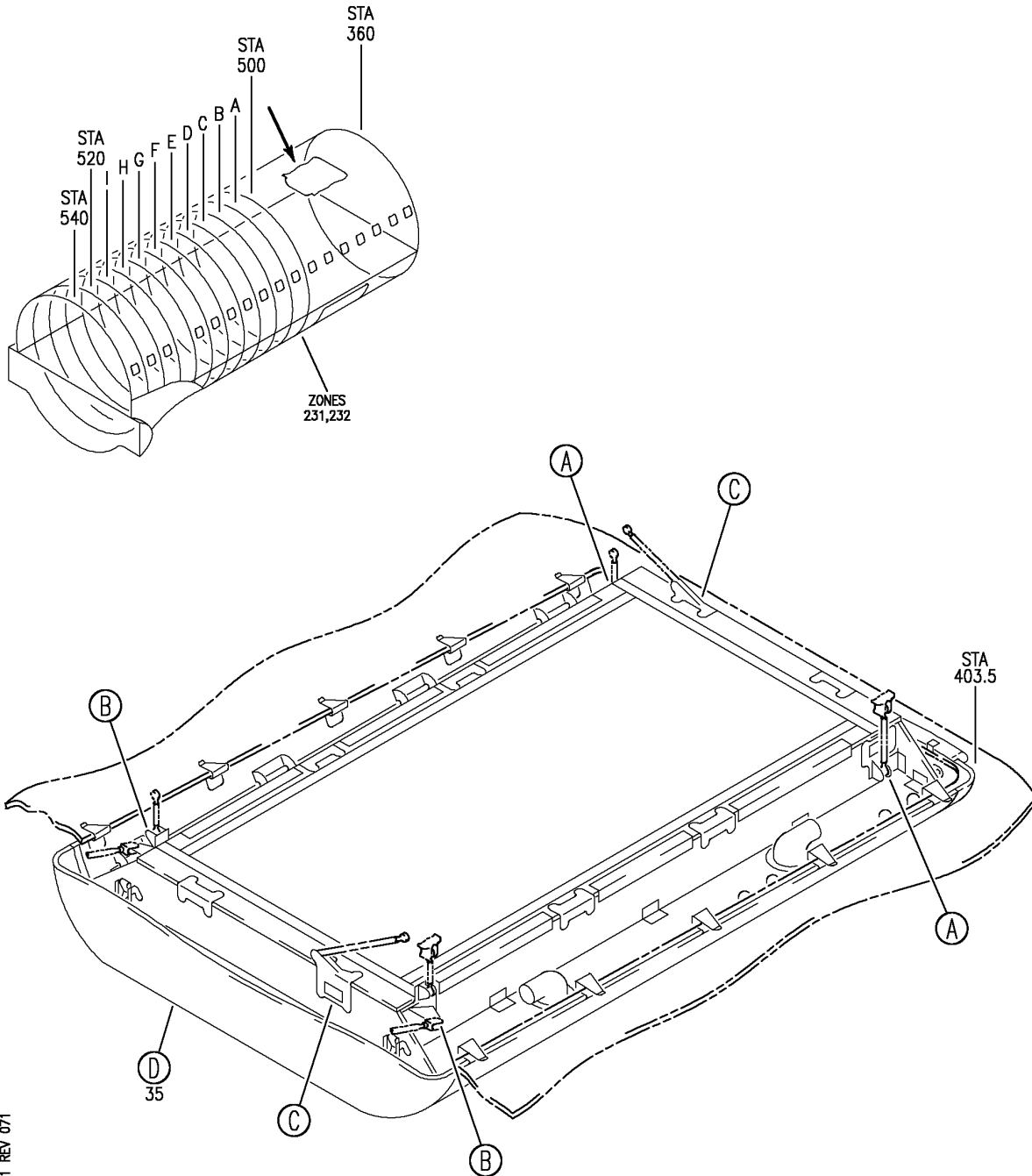
HAP

25-24-40-08

BOEING PROPRIETARY - Copyright © - Unpublished Work - See title page for details.

25-24-40
FIG. 08
PAGE 8
JUN 15/09

BOEING
 737-600/700/800/900
 PARTS CATALOG (MAINTENANCE)



E 2524-4009 SH1 1 REV 071

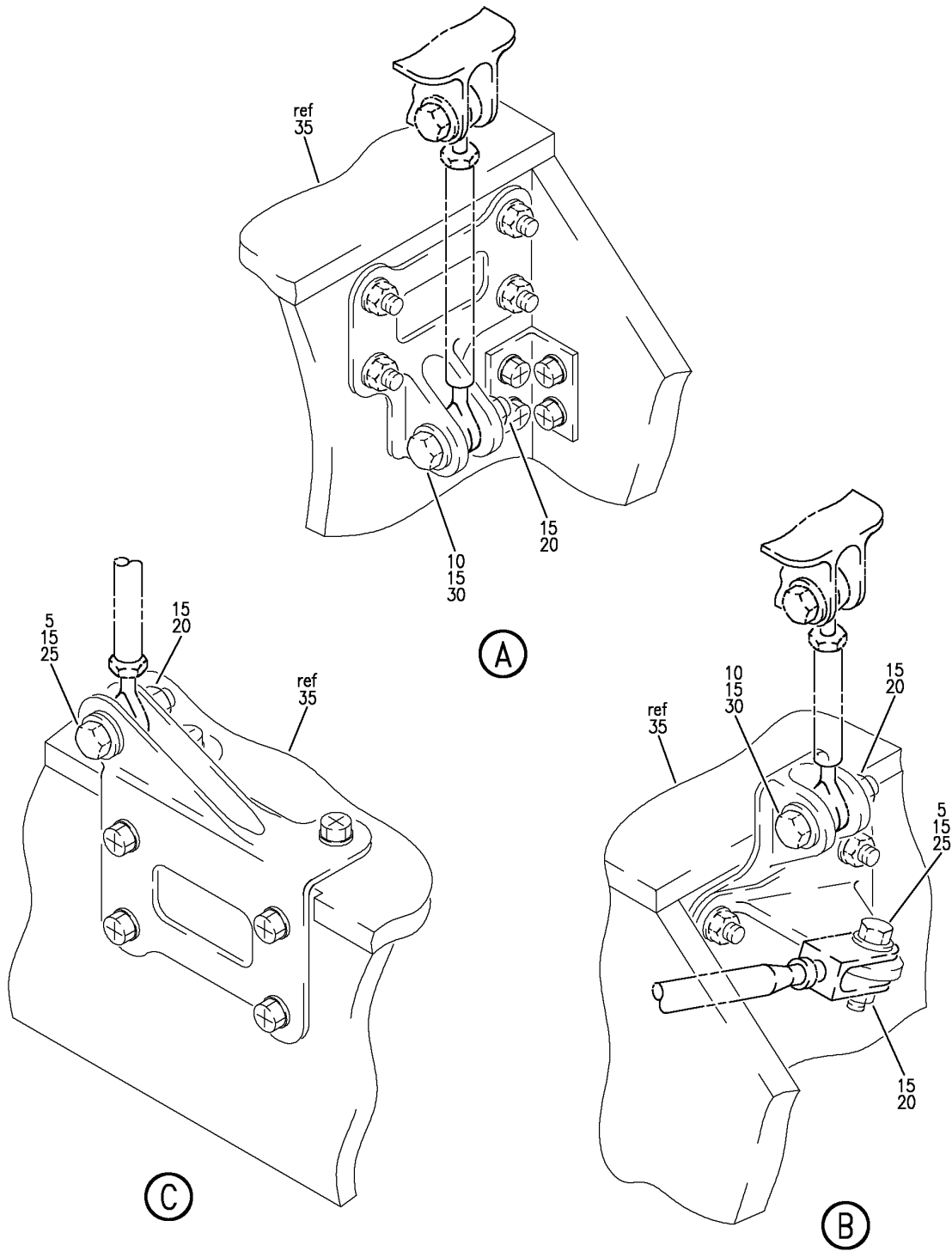
BOX INSTL-FWD CTR OVHD STOWAGE
 FIGURE 9 (SHEET 1)

25-24-40-09

HAP
 OCT 10/06

25-24-40-09
 PAGE 0

BOEING
 737-600/700/800/900
 PARTS CATALOG (MAINTENANCE)



E 25244009 SH1 2 REV 071

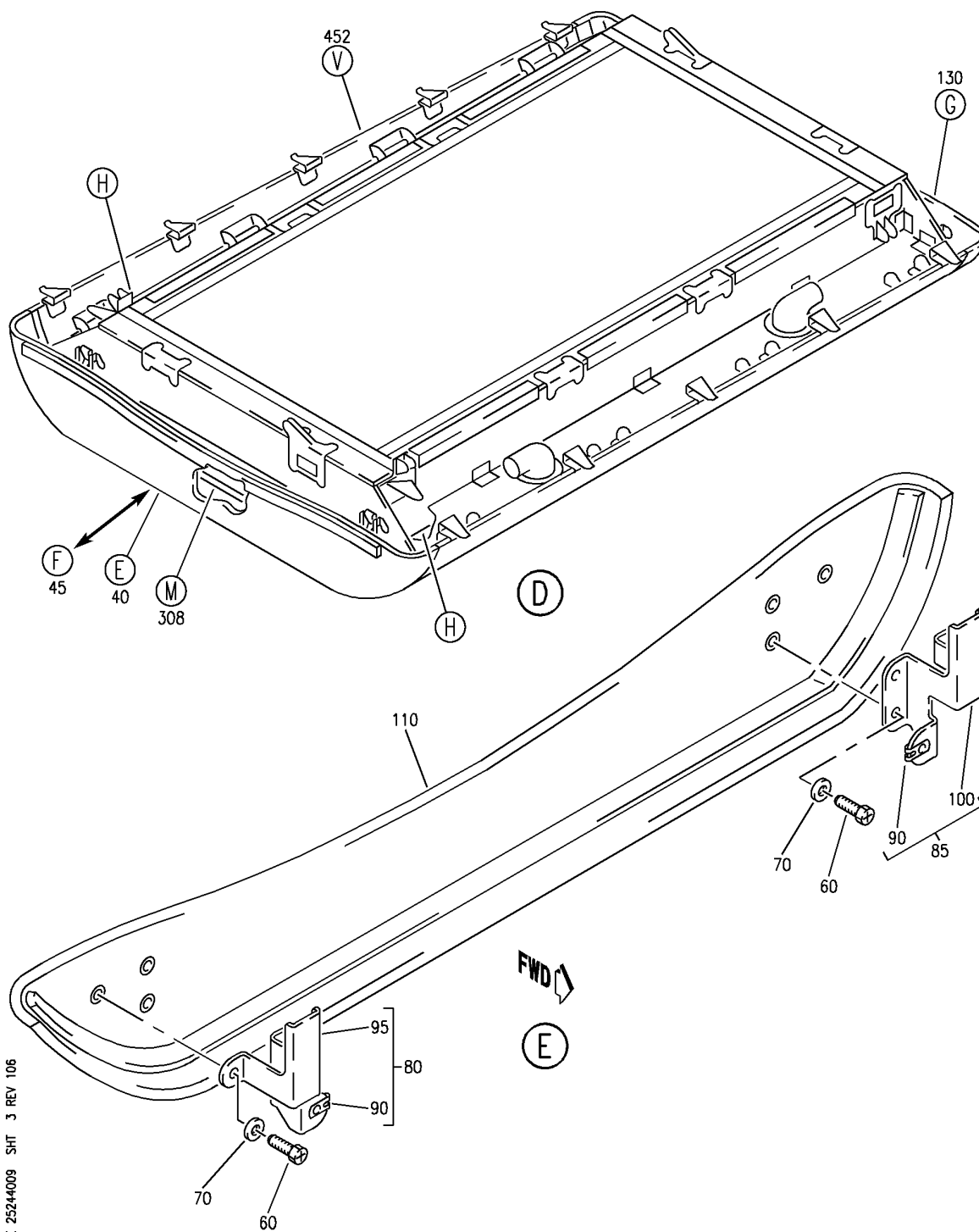
BOX INSTL-FWD CTR OVHD STOWAGE
 FIGURE 9 (SHEET 2)

25-24-40-09

HAP
 OCT 10/06

25-24-40-09
 PAGE 0A

BOEING
 737-600/700/800/900
 PARTS CATALOG (MAINTENANCE)



E 2524-4009 SHT 3 REV 106

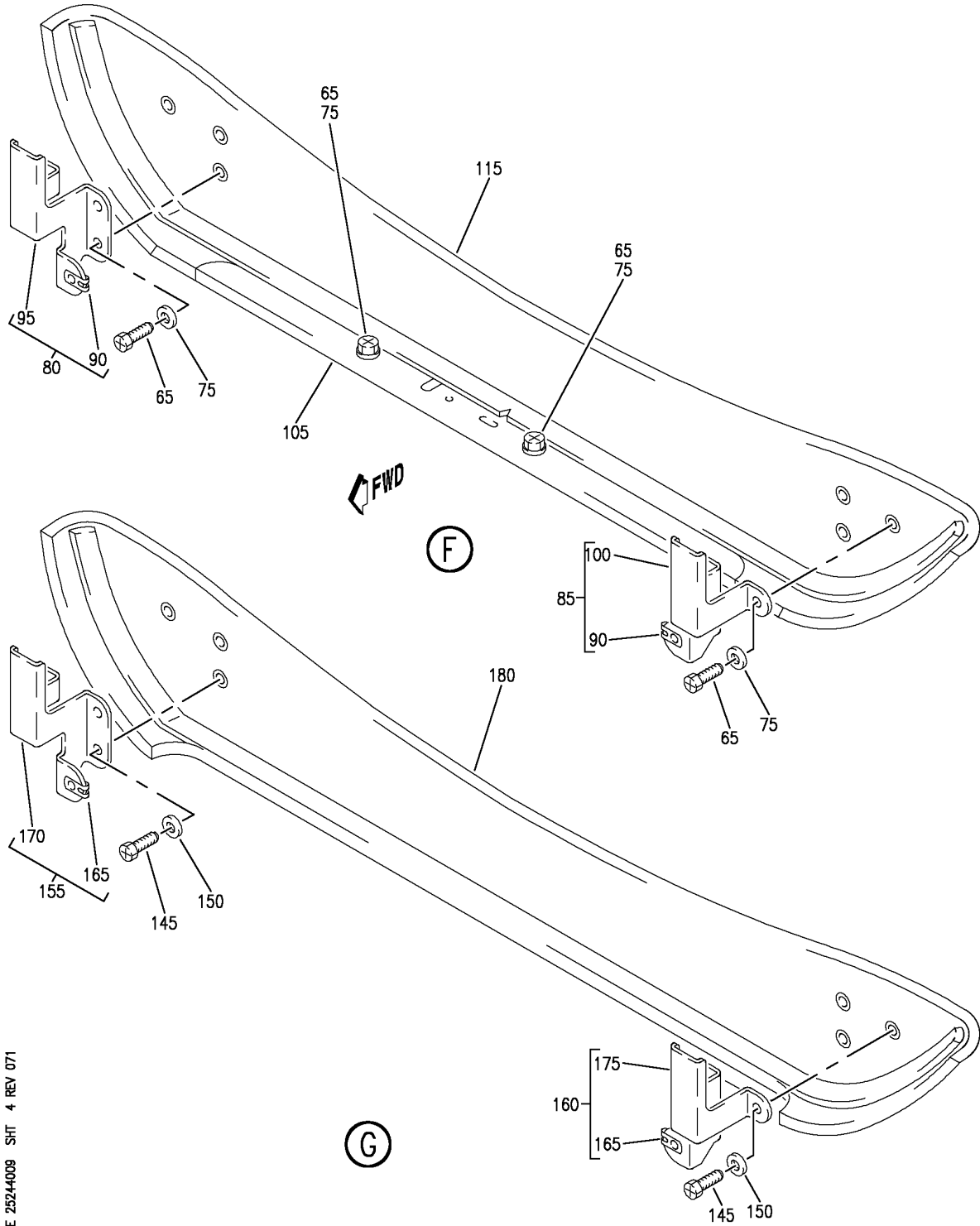
BOX INSTL-FWD CTR OVHD STOWAGE
 FIGURE 9 (SHEET 3)

25-24-40-09

HAP
 OCT 10/06

25-24-40-09
 PAGE 0B

BOEING
 737-600/700/800/900
 PARTS CATALOG (MAINTENANCE)



E 25244009 SH1 4 REV 071

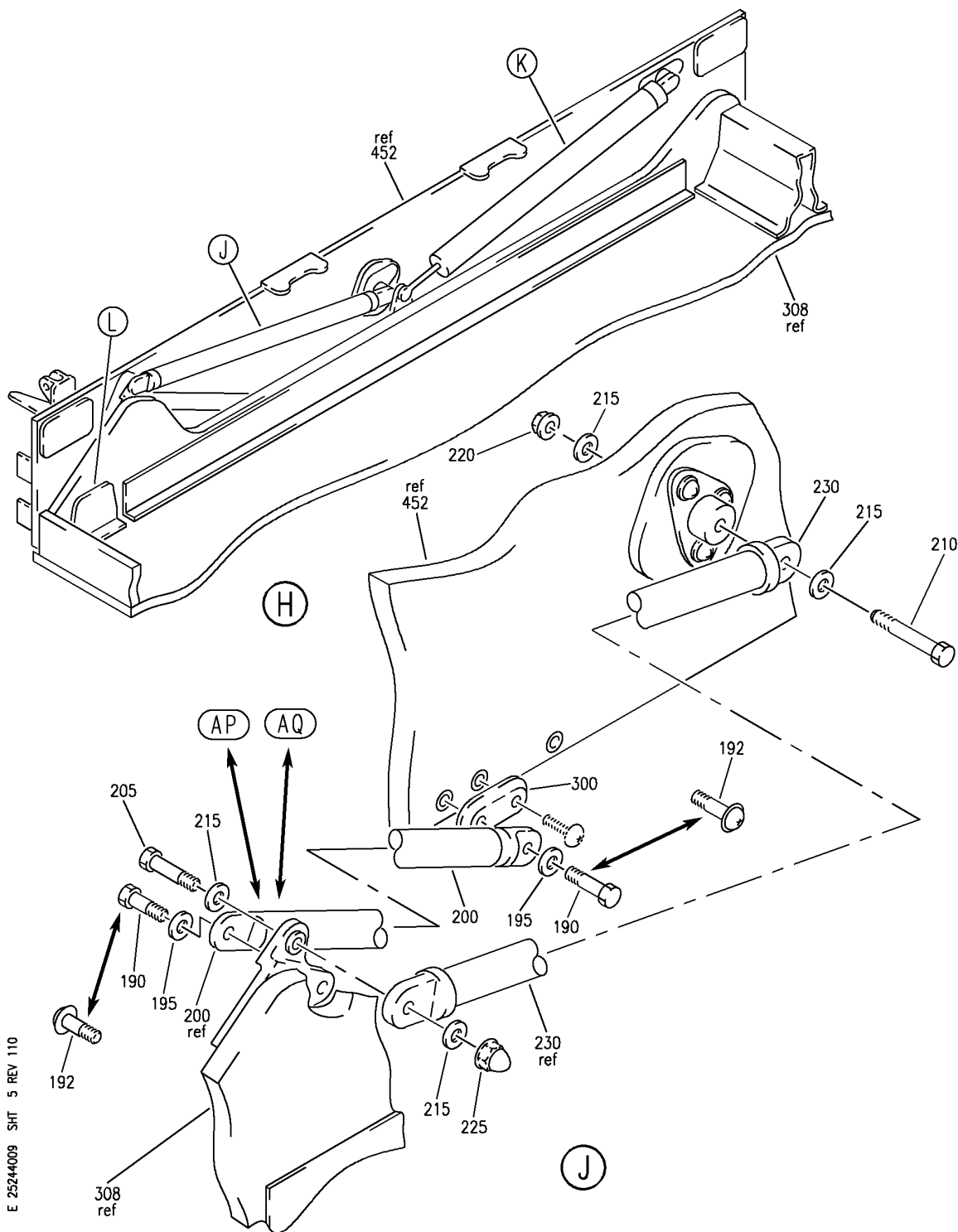
BOX INSTL-FWD CTR OVHD STOWAGE
 FIGURE 9 (SHEET 4)

25-24-40-09

HAP
 OCT 10/06

25-24-40-09
 PAGE 0C

BOEING
 737-600/700/800/900
 PARTS CATALOG (MAINTENANCE)



E 2524-4009 SHT 5 REV 110

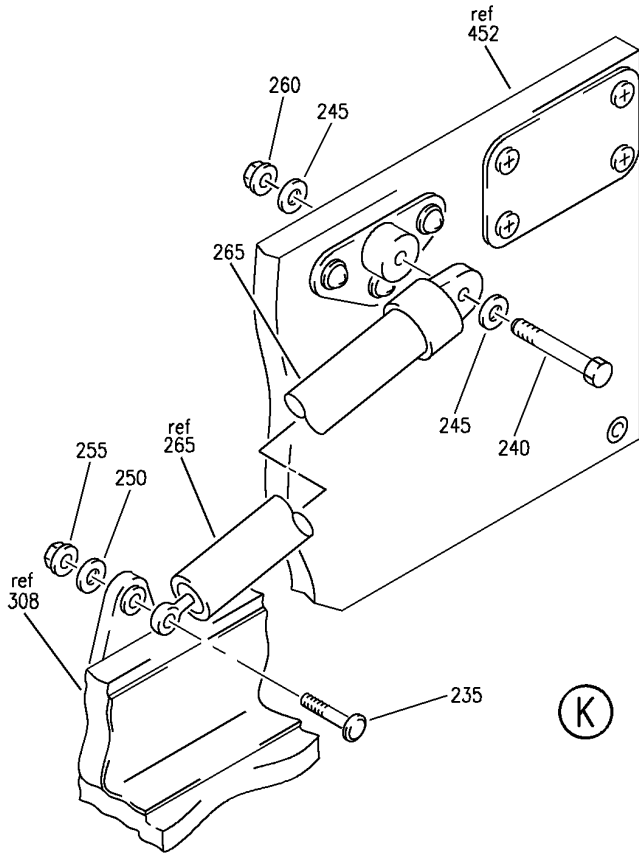
BOX INSTL-FWD CTR OVHD STOWAGE
 FIGURE 9 (SHEET 5)

25-24-40-09

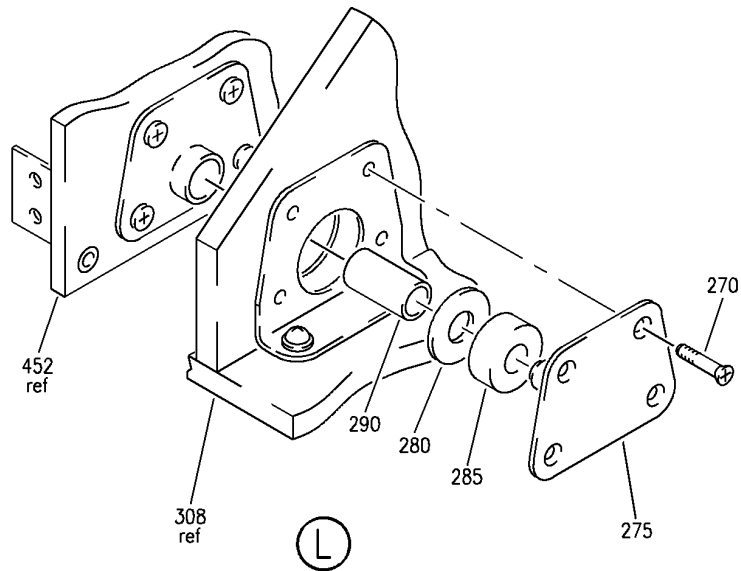
HAP
 OCT 10/06

25-24-40-09
 PAGE 0D

BOEING
 737-600/700/800/900
 PARTS CATALOG (MAINTENANCE)



(K)



(L)

E 2524-40-09 SH1 6 REV 106

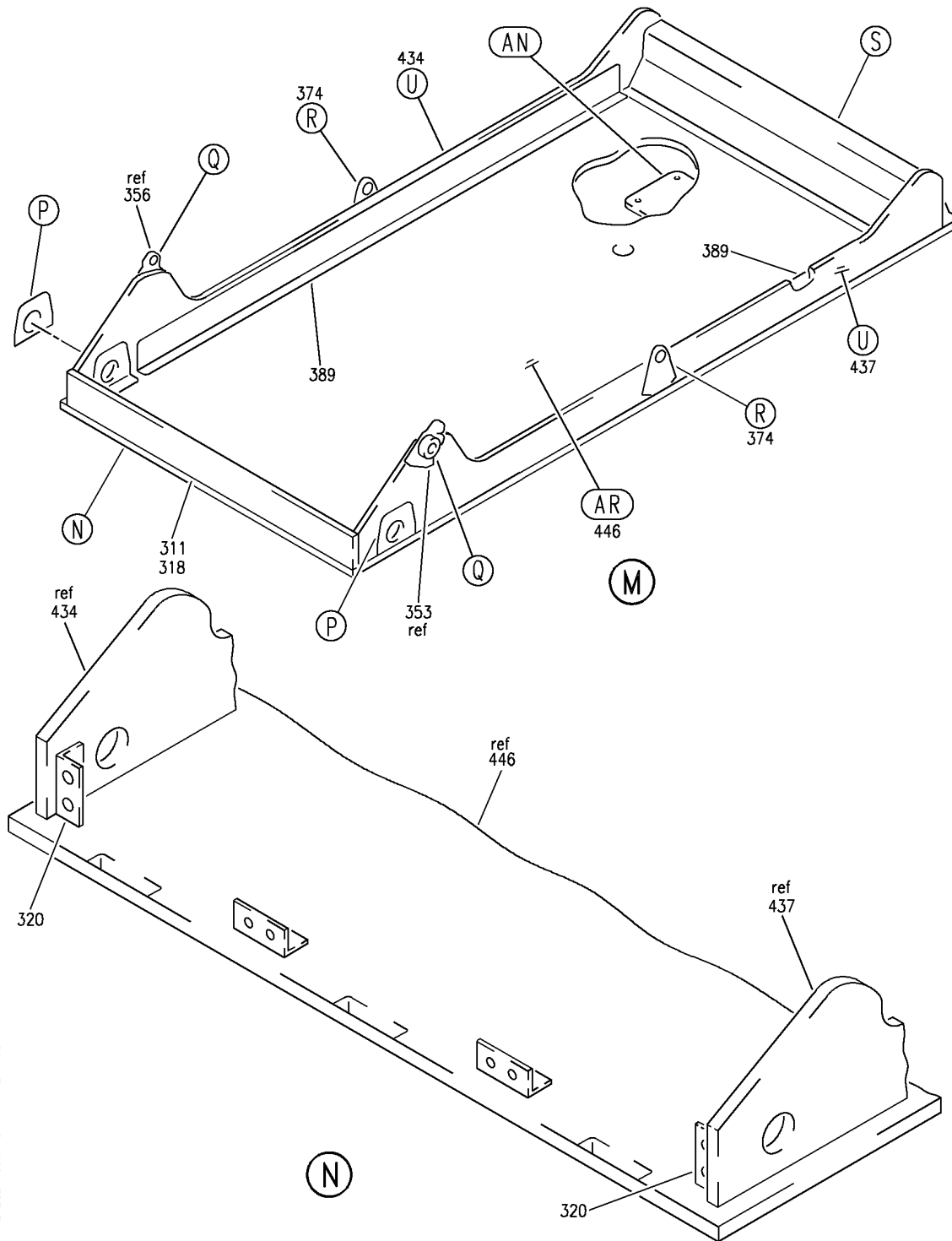
BOX INSTL-FWD CTR OVHD STOWAGE
 FIGURE 9 (SHEET 6)

25-24-40-09

HAP
 OCT 10/06

25-24-40-09
 PAGE 0E

BOEING
 737-600/700/800/900
 PARTS CATALOG (MAINTENANCE)



E 2524-4009 SH7 7 REV 139

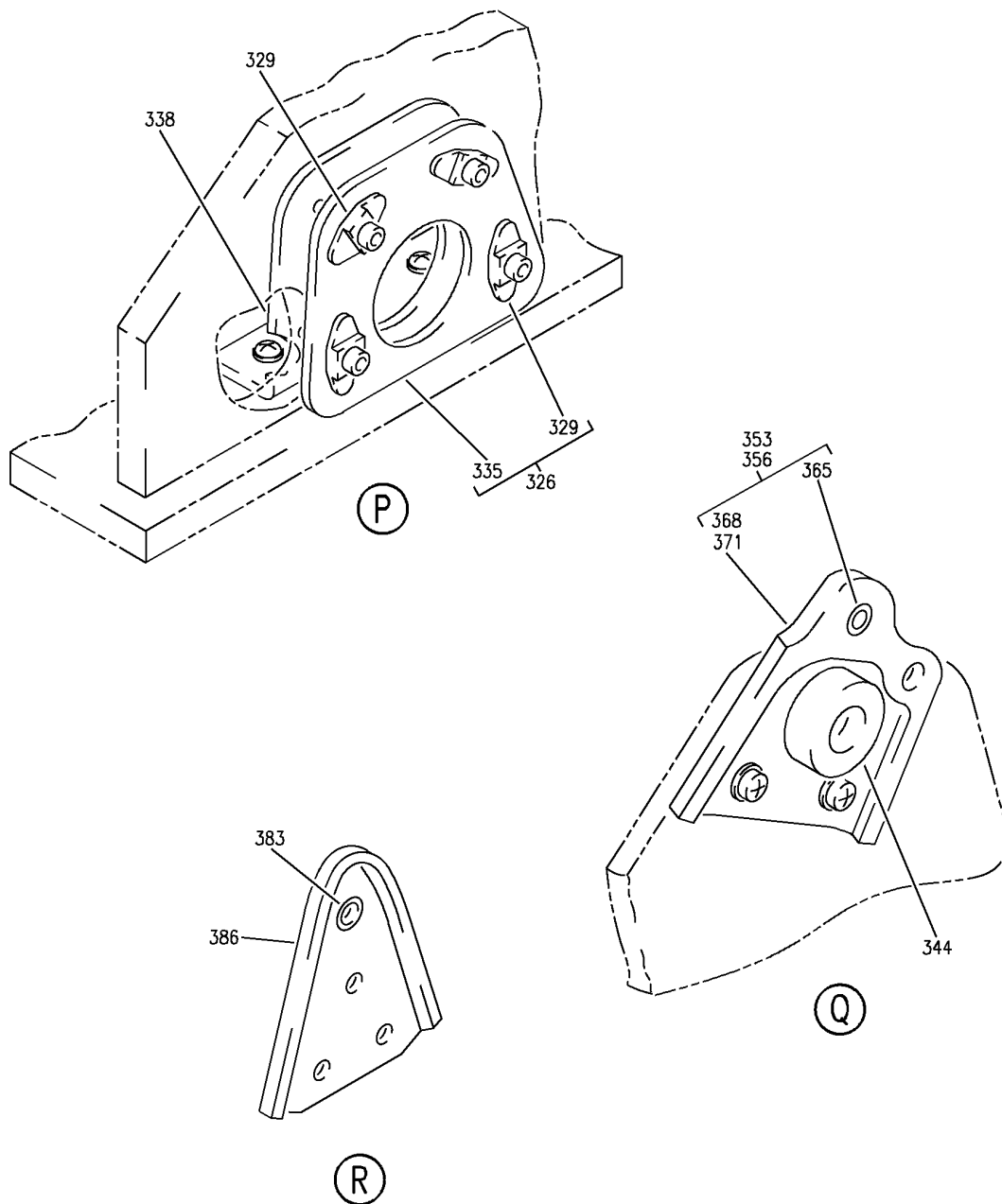
BOX INSTL-FWD CTR OVHD STOWAGE
 FIGURE 9 (SHEET 7)

25-24-40-09

HAP
 FEB 15/08

25-24-40-09
 PAGE OF

BOEING
737-600/700/800/900
PARTS CATALOG (MAINTENANCE)



E 2524-4009 SH8 8 REV 106

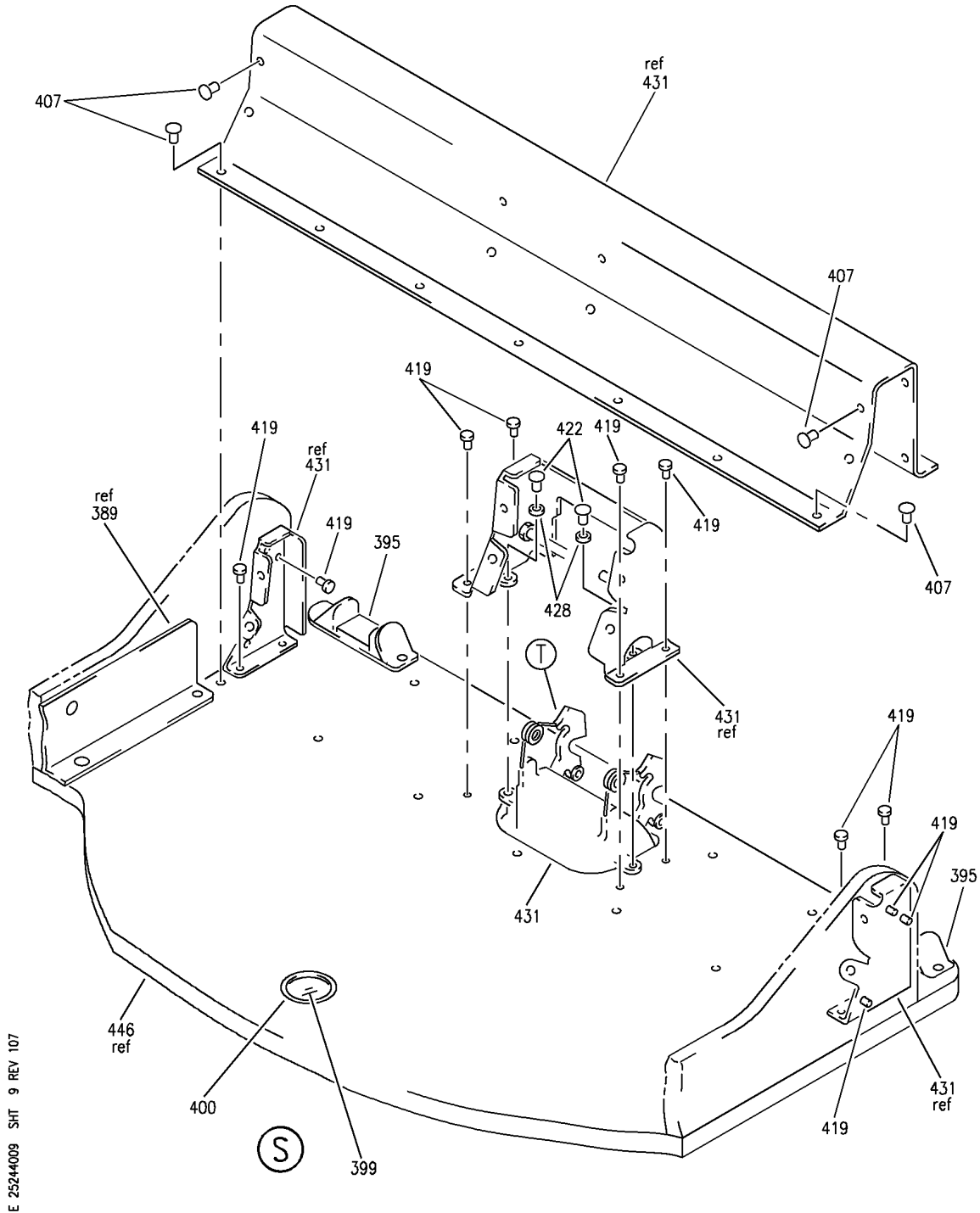
BOX INSTL-FWD CTR OVHD STOWAGE
FIGURE 9 (SHEET 8)

25-24-40-09

HAP
OCT 10/06

25-24-40-09
PAGE 06

BOEING
 737-600/700/800/900
 PARTS CATALOG (MAINTENANCE)



E 2524-4009 SHT 9 REV 107

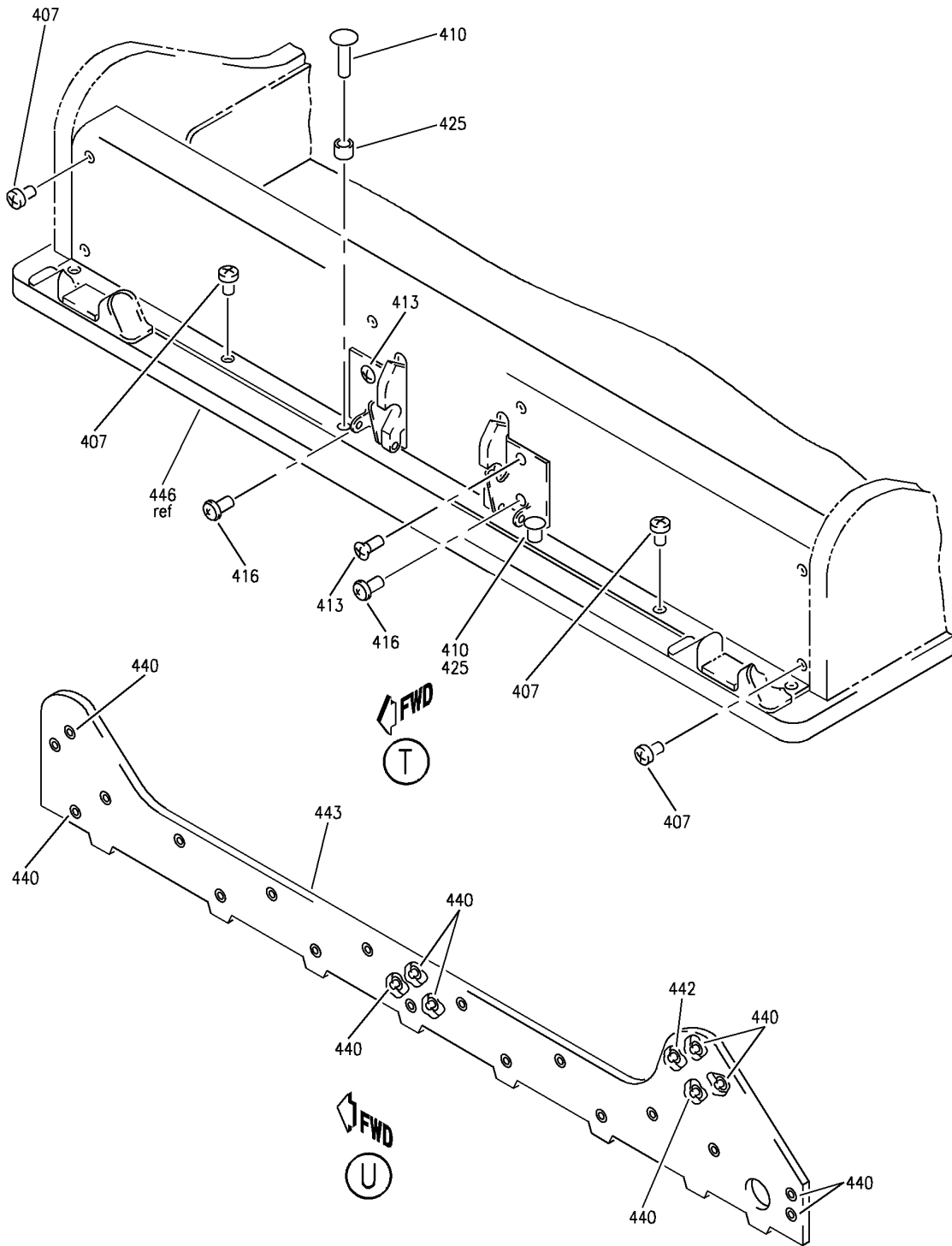
BOX INSTL-FWD CTR OVHD STOWAGE
 FIGURE 9 (SHEET 9)

25-24-40-09

HAP
 OCT 10/06

25-24-40-09
 PAGE 0H

BOEING
 737-600/700/800/900
 PARTS CATALOG (MAINTENANCE)



E 2524-4009 SHT 10 REV 106

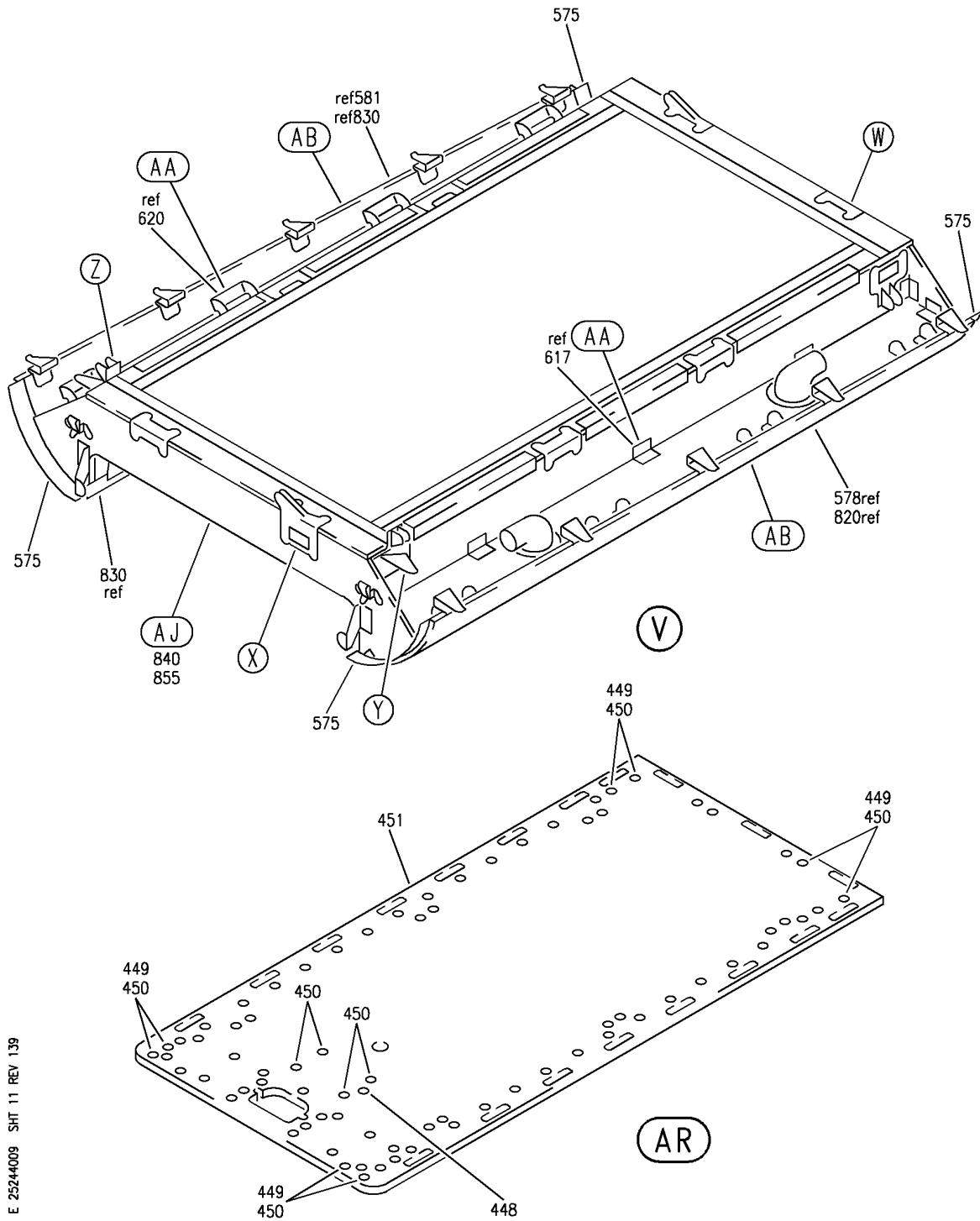
BOX INSTL-FWD CTR OVHD STOWAGE
 FIGURE 9 (SHEET 10)

25-24-40-09

HAP
 OCT 10/06

25-24-40-09
 PAGE 01

BOEING
 737-600/700/800/900
 PARTS CATALOG (MAINTENANCE)



E 2524-4009 SHT 11 REV 139

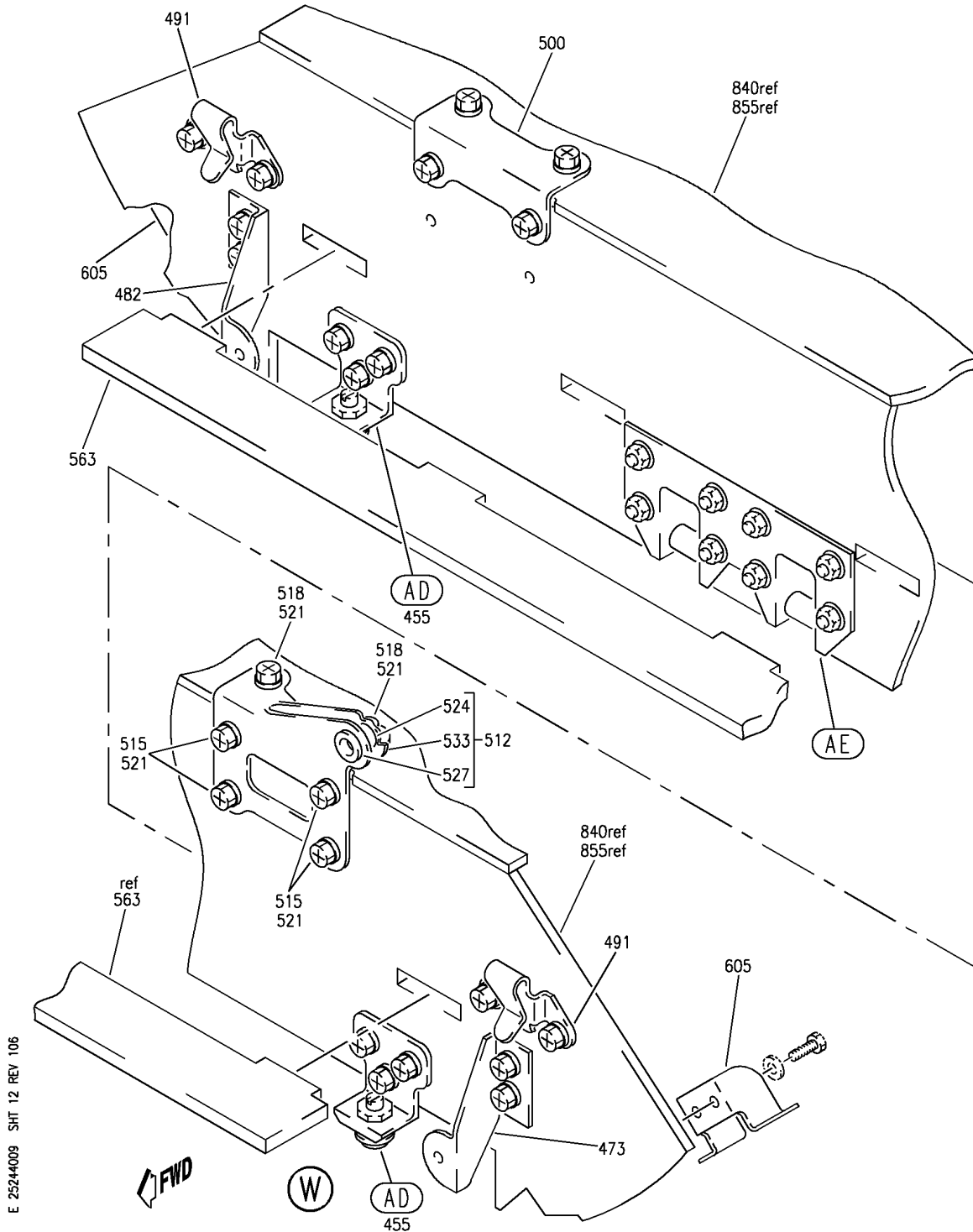
BOX INSTL-FWD CTR OVHD STOWAGE
 FIGURE 9 (SHEET 11)

25-24-40-09

HAP
 FEB 15/08

25-24-40-09
 PAGE 0J

BOEING
 737-600/700/800/900
 PARTS CATALOG (MAINTENANCE)



E 2524-4009 SHT 12 REV 106

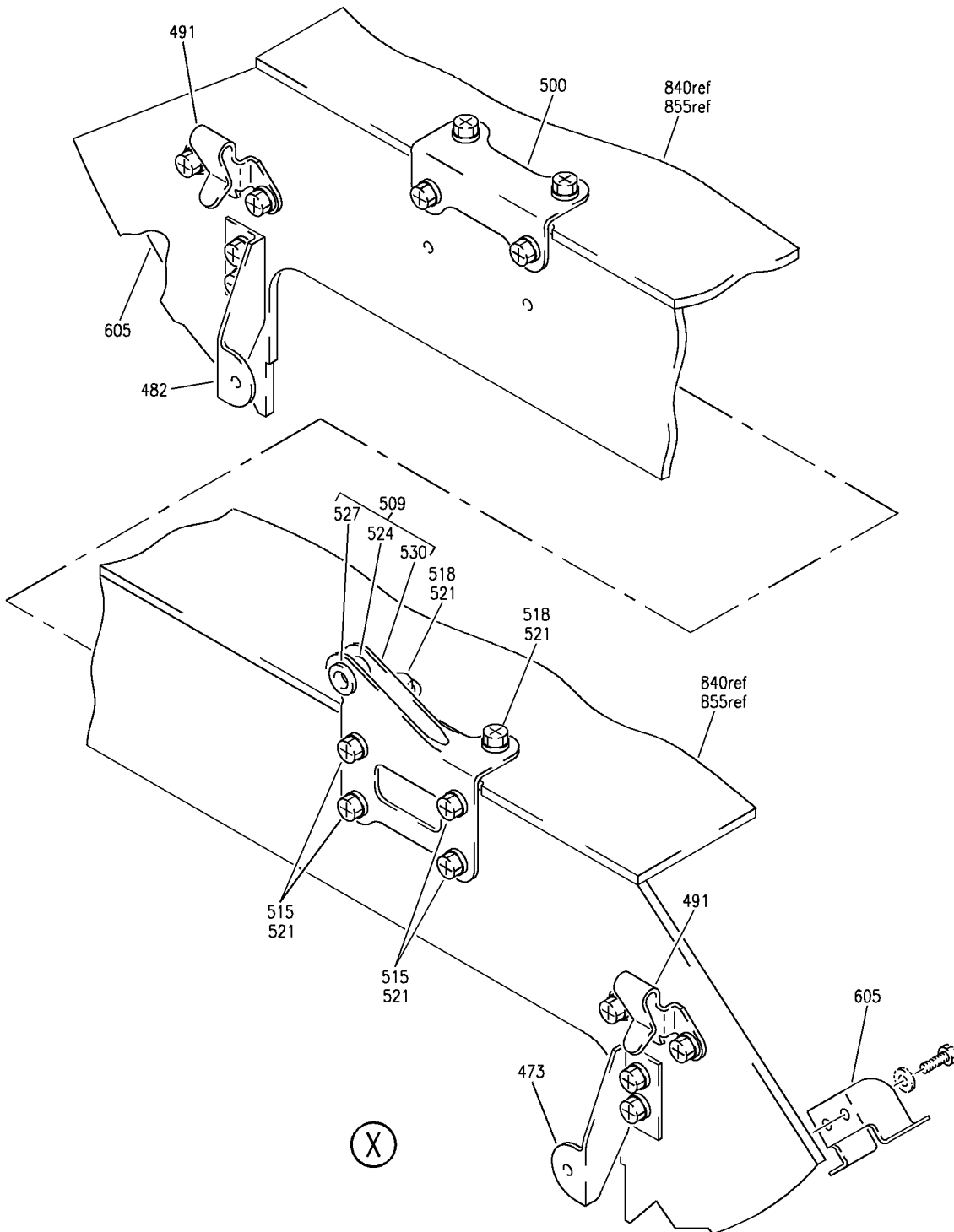
BOX INSTL-FWD CTR OVHD STOWAGE
 FIGURE 9 (SHEET 12)

25-24-40-09

HAP
 OCT 10/06

25-24-40-09
 PAGE OK

BOEING
 737-600/700/800/900
 PARTS CATALOG (MAINTENANCE)



E 2524-4009 SHT 13 REV 106

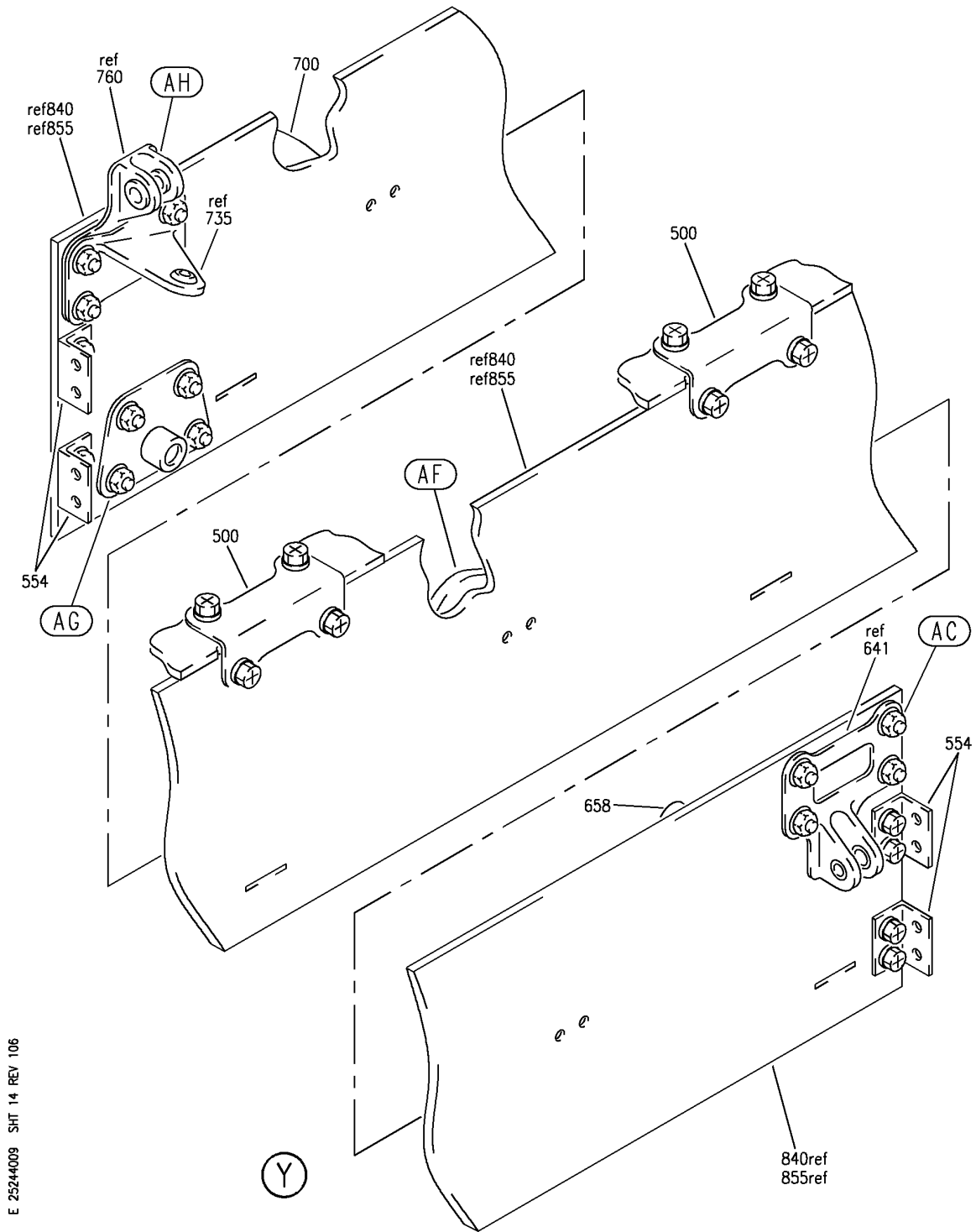
BOX INSTL-FWD CTR OVHD STOWAGE
 FIGURE 9 (SHEET 13)

25-24-40-09

HAP
 OCT 10/06

25-24-40-09
 PAGE 01

BOEING
737-600/700/800/900
PARTS CATALOG (MAINTENANCE)



E 2524-4009 SHT 14 REV 106

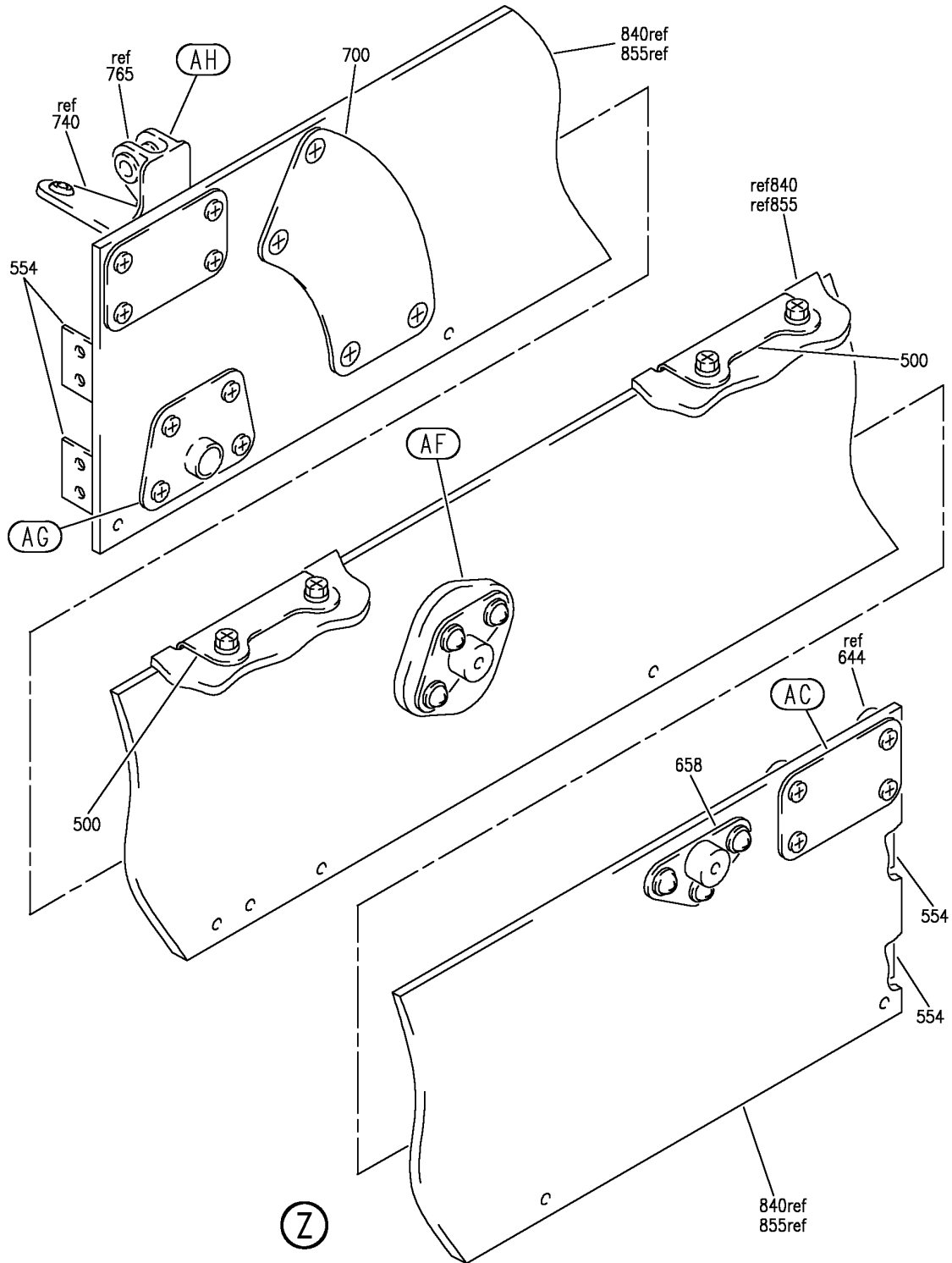
BOX INSTL-FWD CTR OVHD STOWAGE
FIGURE 9 (SHEET 14)

25-24-40-09

HAP
OCT 10/06

25-24-40-09
PAGE 0M

BOEING
 737-600/700/800/900
 PARTS CATALOG (MAINTENANCE)



E 25244008 SH1 15 REV 106

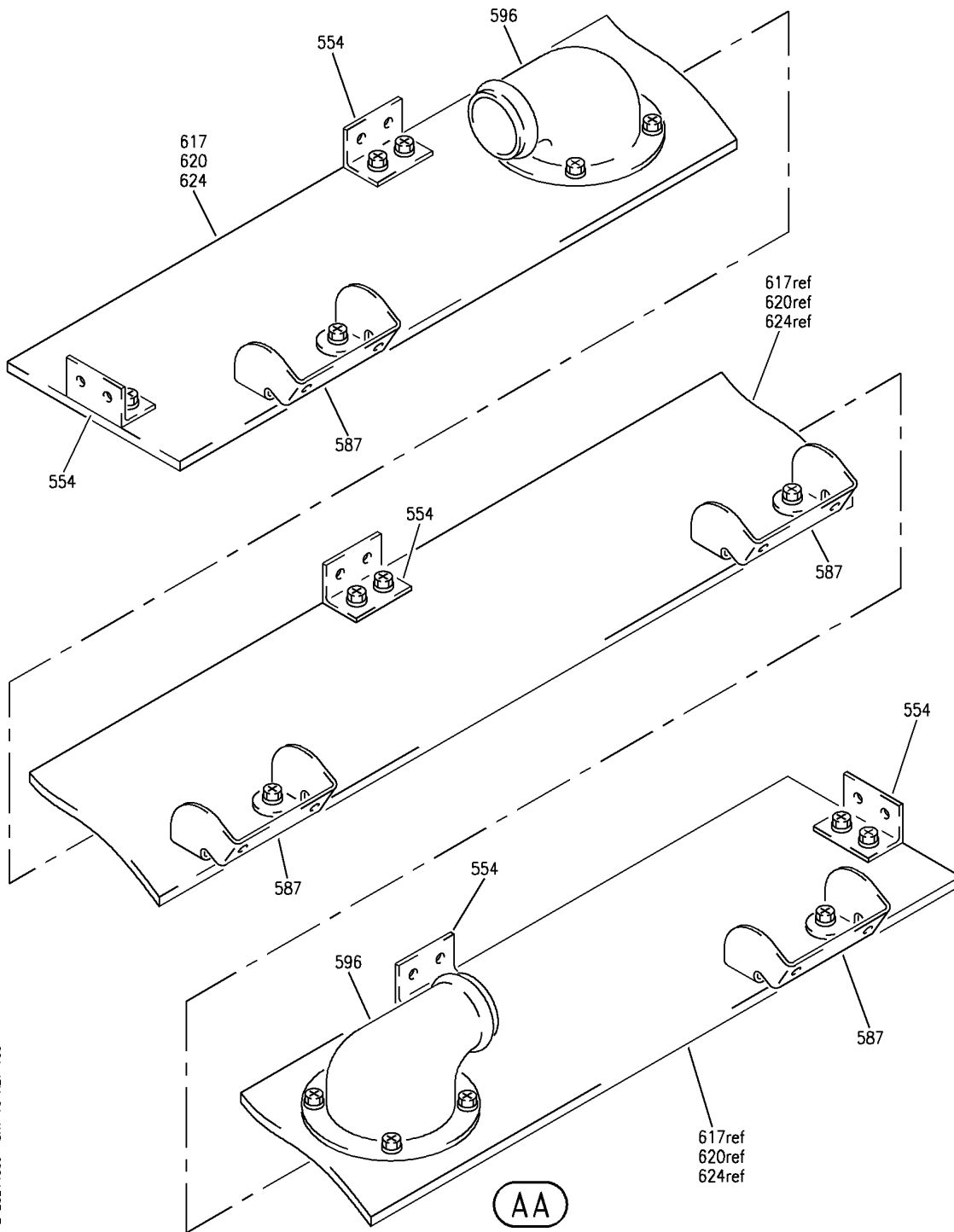
BOX INSTL-FWD CTR OVHD STOWAGE
 FIGURE 9 (SHEET 15)

25-24-40-09

HAP
 OCT 10/06

25-24-40-09
 PAGE ON

BOEING
 737-600/700/800/900
 PARTS CATALOG (MAINTENANCE)



E 2524-4009 SHT 16 REV 106

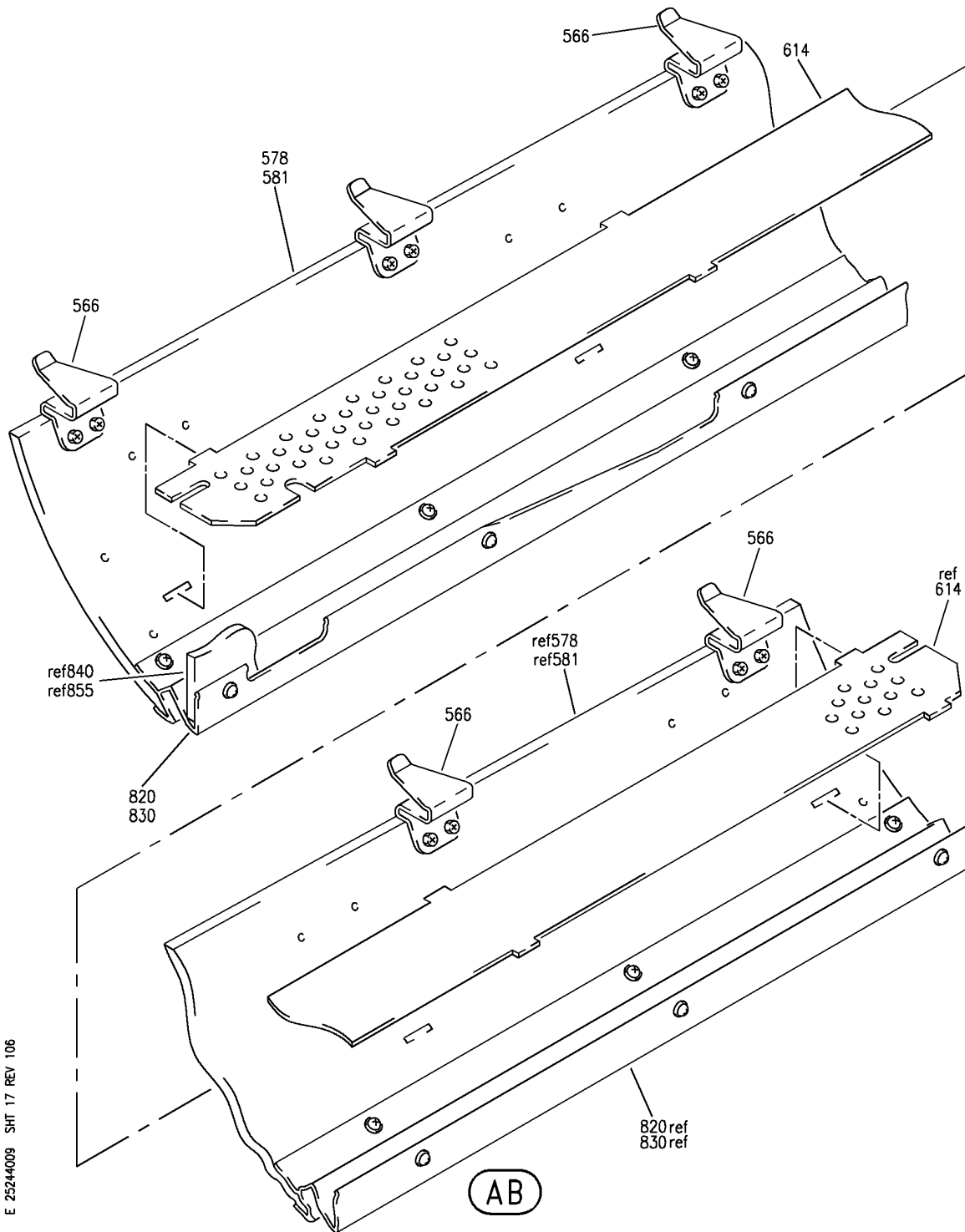
BOX INSTL-FWD CTR OVHD STOWAGE
 FIGURE 9 (SHEET 16)

25-24-40-09

HAP
 OCT 10/06

25-24-40-09
 PAGE 00

BOEING
 737-600/700/800/900
 PARTS CATALOG (MAINTENANCE)



E 2524-4009 SHT 17 REV 106

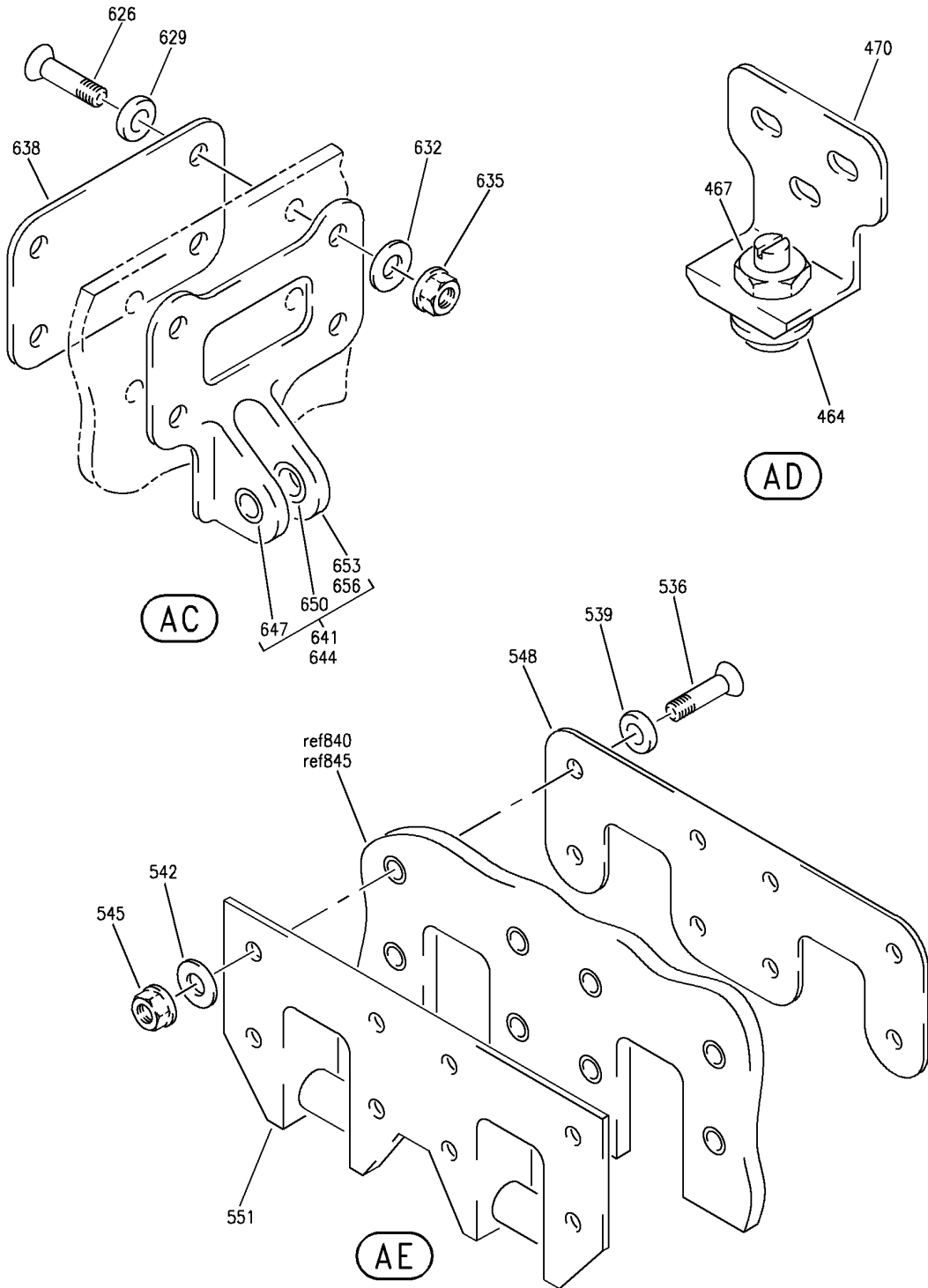
BOX INSTL-FWD CTR OVHD STOWAGE
 FIGURE 9 (SHEET 17)

25-24-40-09

HAP
 OCT 10/06

25-24-40-09
 PAGE 0P

BOEING
 737-600/700/800/900
 PARTS CATALOG (MAINTENANCE)



E 2524-4009 SHT 18 REV 106

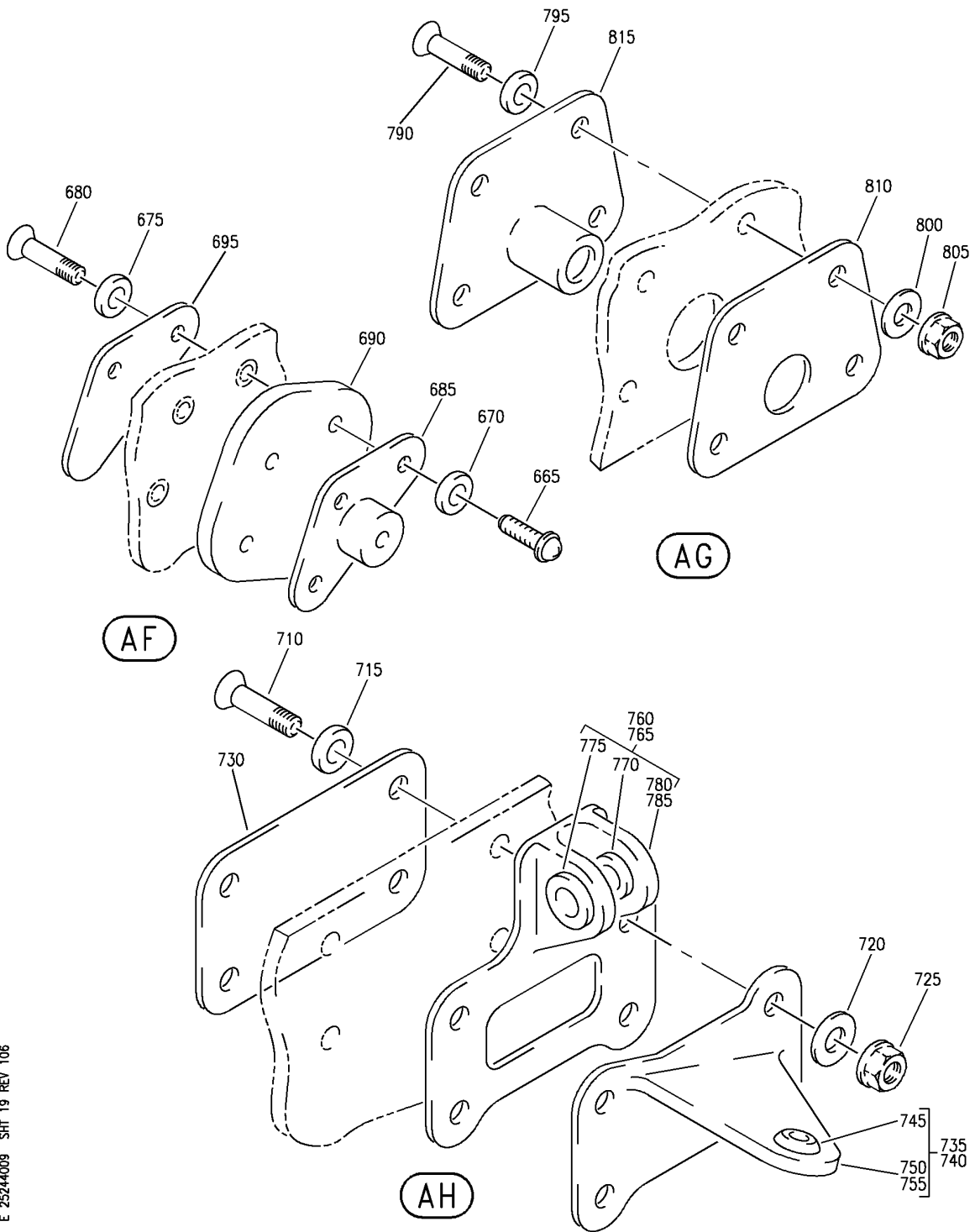
BOX INSTL-FWD CTR OVHD STOWAGE
 FIGURE 9 (SHEET 18)

25-24-40-09

HAP
 OCT 10/06

25-24-40-09
 PAGE 00

BOEING
 737-600/700/800/900
 PARTS CATALOG (MAINTENANCE)



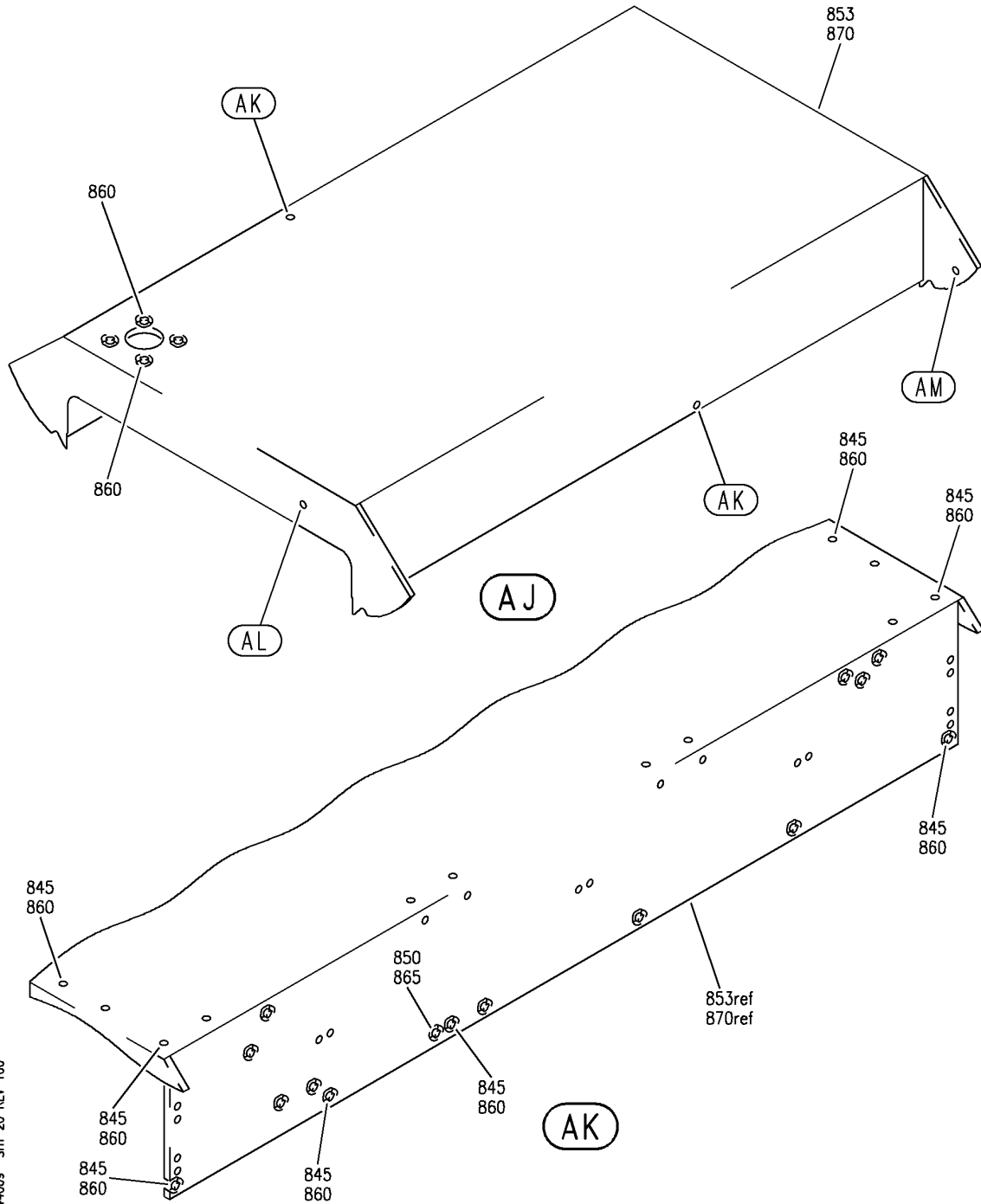
E 2524-4009 SH1 19 REV 106

BOX INSTL-FWD CTR OVHD STOWAGE
 FIGURE 9 (SHEET 19)

25-24-40-09

HAP
 OCT 10/06

25-24-40-09
 PAGE OR



E 2524-4009 SHT 20 REV 106

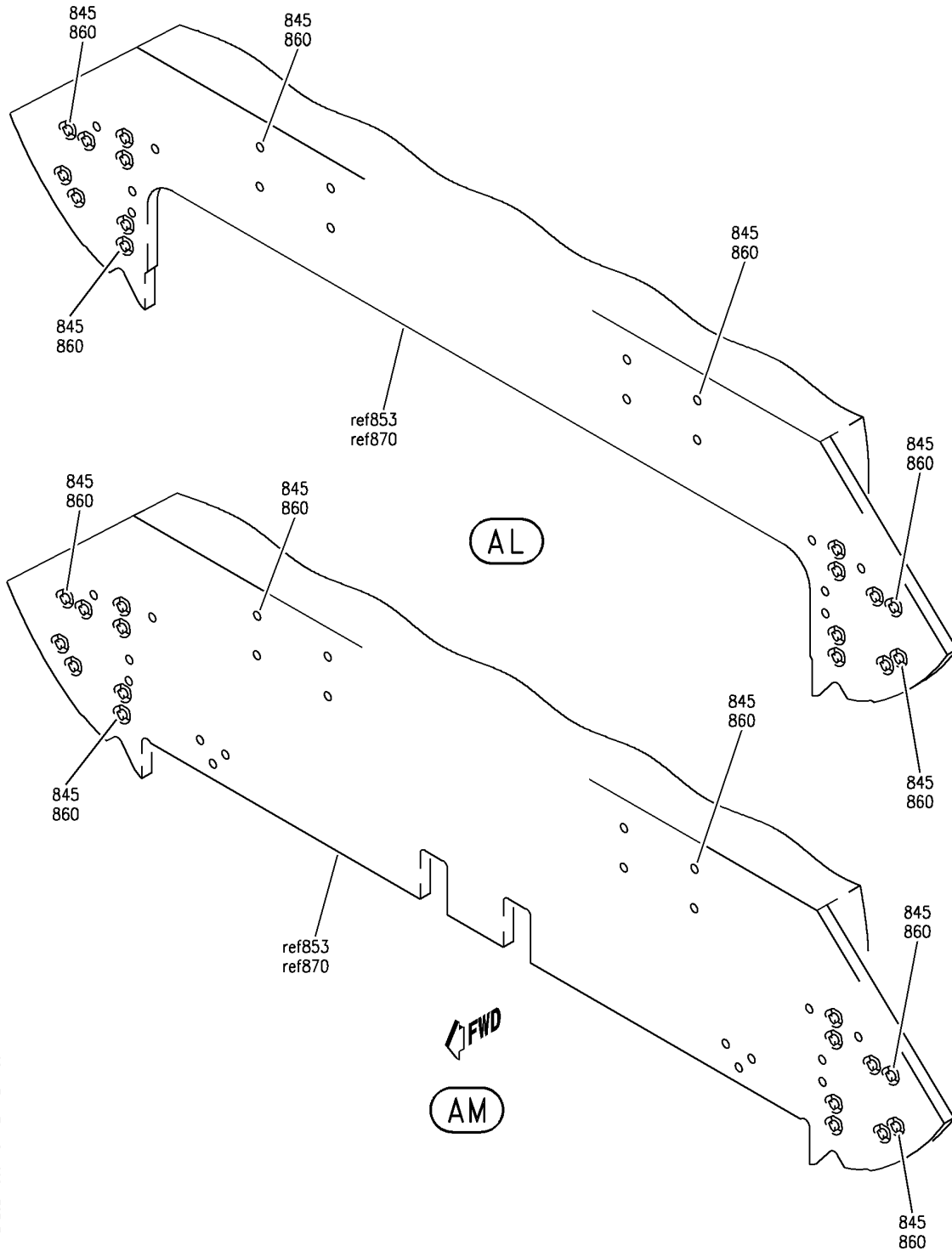
BOX INSTL-FWD CTR OVHD STOWAGE
 FIGURE 9 (SHEET 20)

25-24-40-09

HAP
 OCT 10/06

25-24-40-09
 PAGE 05

BOEING
737-600/700/800/900
PARTS CATALOG (MAINTENANCE)



E 2524-4009 SHT 21 REV 106

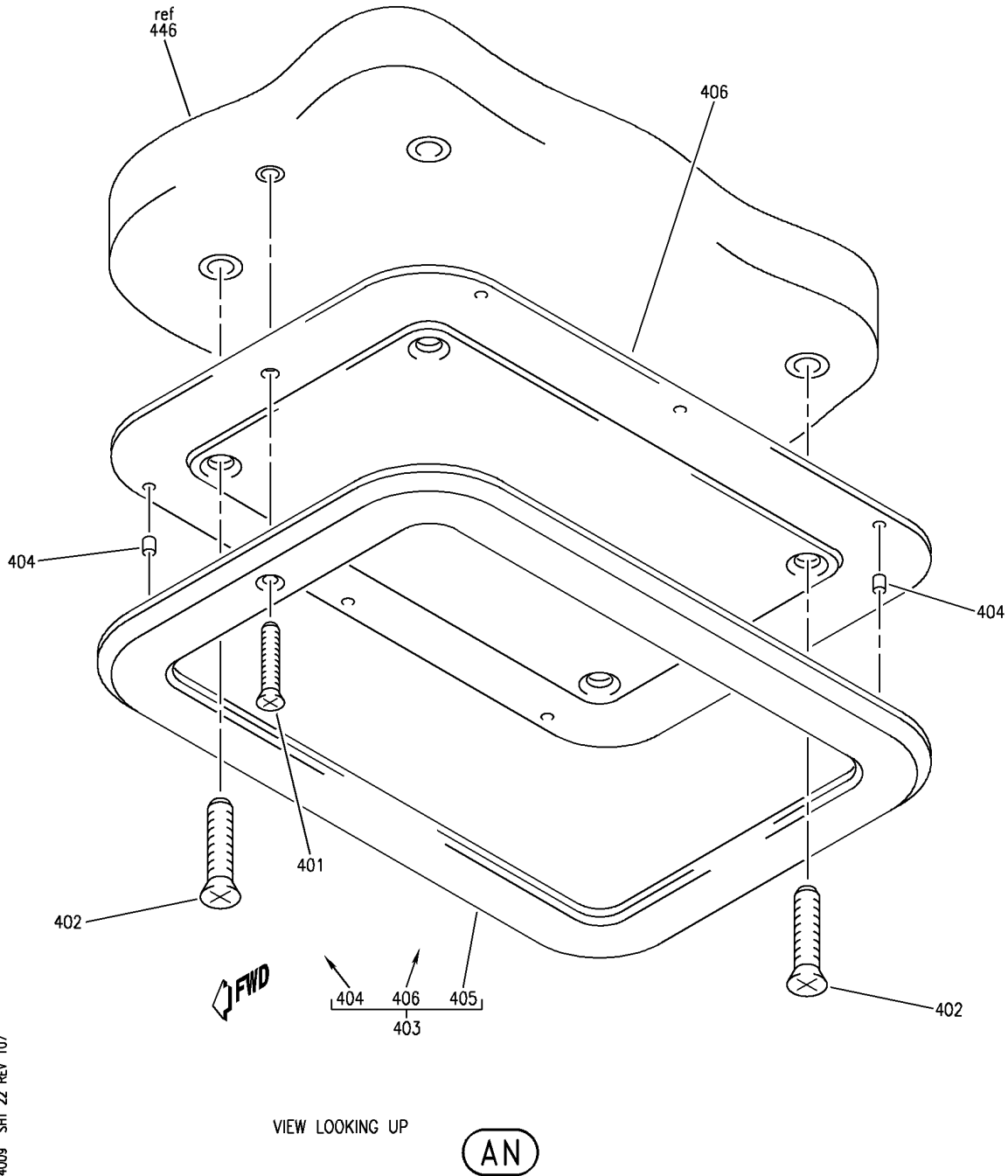
BOX INSTL-FWD CTR OVHD STOWAGE
FIGURE 9 (SHEET 21)

HAP
OCT 10/06

25-24-40-09

25-24-40-09
PAGE 0T

BOEING
 737-600/700/800/900
 PARTS CATALOG (MAINTENANCE)



E 2524-4009 SHT 22 REV 107

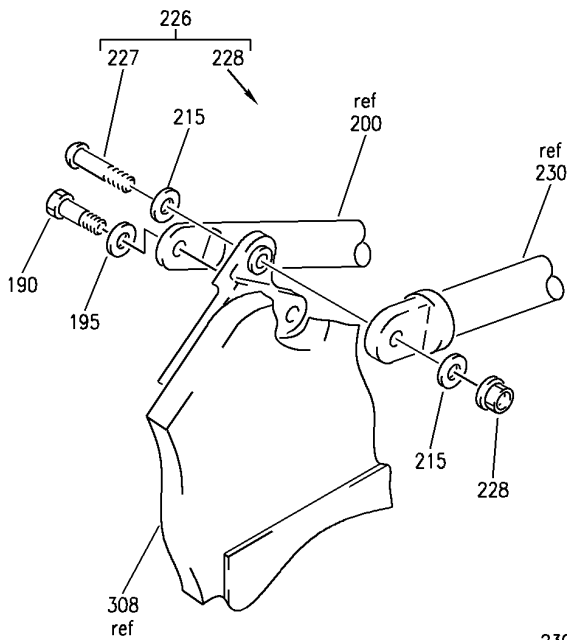
BOX INSTL-FWD CTR OVHD STOWAGE
 FIGURE 9 (SHEET 22)

25-24-40-09

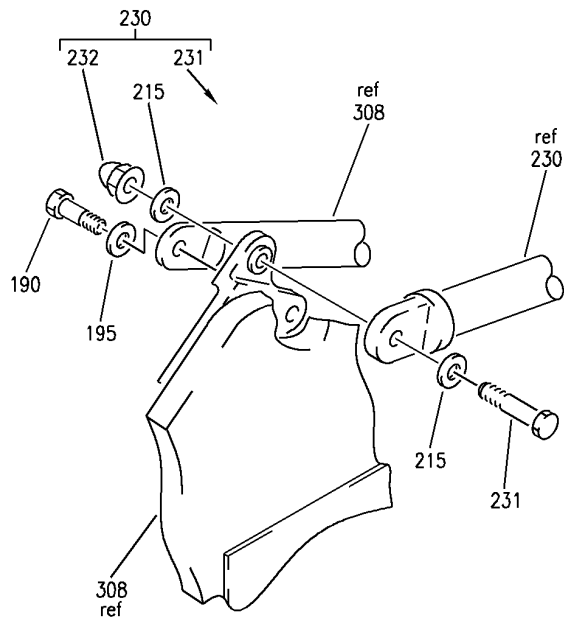
HAP
 OCT 10/06

25-24-40-09
 PAGE 0U

BOEING
737-600/700/800/900
PARTS CATALOG (MAINTENANCE)



AP



AQ

E 2524-4009 SHT 23 REV 110

BOX INSTL-FWD CTR OVHD STOWAGE
 FIGURE 9 (SHEET 23)

25-24-40-09

HAP
 OCT 10/06

25-24-40-09
 PAGE 0V

BOEING
737-600/700/800/900
PARTS CATALOG (MAINTENANCE)

FIG ITEM	PART NUMBER	1 2 3 4 5 6 7	NOMENCLATURE	EFFECT FROM TO	UNITS PER ASSY
9			BOX INSTL-FWD CTR OVHD STOWAGE	031200 968999	
- 1	MODREF211383		BOX INSTL-OVHD STOWAGE MODULE NUMBER: 412A4100-111B REV B POSITION DATA: FWD CTR	031200 968999	1
5	BACB30NR4K11		.BOLT-	031200 968999	4
10	BACB30NR4K16		.BOLT-	031200 968999	4
15	NAS1149D0432J		.WASHER-	031200 968999	16
20	PLH54CD		.NUT- SUPPLIER CODE: VF0224 SPECIFICATION NUMBER: BACN10YR4CD OPTIONAL PART: H52732-4CD V15653	031200 968999	8
25	BACB28AK04-028		.BUSHING-	031200 968999	4
30	BACB28AK04-050		.BUSHING-	031200 968999	4
35	412A4110-2B		.BOX ASSY-	031200 968999	1
45	412A4113-16B		..CAP ASSY-END	031200 968999	1
- 50	BACS12GU3K8		ATTACHING PARTS ..SCREW	031200 968999	2
- 55	NAS1149D0332J		..WASHER	031200 968999	2
65	BACS12GU3K5		-----*----- ...SCREW	031200 968999	8
75	NAS1149D0332J		...WASHER	031200 968999	8
80	412A4161-13		...BRACKET ASSY	031200 968999	1
85	412A4161-14		...BRACKET ASSY	031200 968999	1

MISSING ITEM NUMBERS NOT APPLICABLE

- ITEM NOT ILLUSTRATED

HAP

25-24-40-09

25-24-40
FIG. 09
PAGE 1
FEB 15/09

BOEING
737-600/700/800/900
PARTS CATALOG (MAINTENANCE)

FIG ITEM	PART NUMBER	1 2 3 4 5 6 7	NOMENCLATURE	EFFECT FROM TO	UNITS PER ASSY
9					
90	BRC600-10-3	NUT SUPPLIER CODE: V52828 SPECIFICATION NUMBER: BACN10YD2 OPTIONAL PART: 130121 V60119	031200 968999	1
95	412A4161-21	BRACKET- USED ON: 412A4161-13	031200 968999	1
100	412A4161-22	BRACKET- USED ON: 412A4161-14	031200 968999	1
105	412A4161-26A	...	BRACKET-	031200 968999	1
115	412A4120-15B	...	CAP ASSY- OPTIONAL PART: 412A4120-1000A	031200 968999	1
115	412A4120-1000A	...	CAP ASSY- OPTIONAL PART: 412A4120-15B	031200 968999	1
- 125	SL2334-3A1	INSERT- SUPPLIER CODE: V97393 USED ON: 412A4120-1000A	031200 968999	10
- 125	SL618-3A	INSERT- SUPPLIER CODE: V97393 USED ON: 412A4120-15B	031200 968999	10
130	412A4113-9B	..	CAP ASSY-END	031200 968999	1
- 135	BACS12GU3K8	..	ATTACHING PARTS SCREW	031200 968999	2
- 140	NAS1149D0332J	..	WASHER	031200 968999	2
145	BACS12GU3K5	...	-----*----- SCREW	031200 968999	6
150	NAS1149D0332J	...	WASHER	031200 968999	6
155	412A4161-13	...	BRACKET ASSY	031200 968999	1
160	412A4161-14	...	BRACKET ASSY	031200 968999	1

MISSING ITEM NUMBERS NOT APPLICABLE

- ITEM NOT ILLUSTRATED

HAP

25-24-40-09

BOEING PROPRIETARY - Copyright © - Unpublished Work - See title page for details.

25-24-40
FIG. 09
PAGE 2
OCT 15/08

BOEING
737-600/700/800/900
PARTS CATALOG (MAINTENANCE)

FIG ITEM	PART NUMBER	1 2 3 4 5 6 7	NOMENCLATURE	EFFECT FROM TO	UNITS PER ASSY
9					
165	BRC600-10-3	NUT SUPPLIER CODE: V52828 SPECIFICATION NUMBER: BACN10YD2 OPTIONAL PART: 130121 V60119	031200 968999	1
170	412A4161-21	BRACKET- USED ON: 412A4161-13	031200 968999	1
175	412A4161-22	BRACKET- USED ON: 412A4161-14	031200 968999	1
180	412A4120-9B	...	CAP ASSY- OPTIONAL PART: 412A4120-100A	031200 968999	1
180	412A4120-100A	...	CAP ASSY- OPTIONAL PART: 412A4120-9B	031200 968999	1
- 185	SL2334-3A1	INSERT- SUPPLIER CODE: V97393 OPTIONAL PART: SL618-3A V97393 USED ON: 412A4120-100SP	031200 968999	6
- 185	SL618-3A	INSERT- SUPPLIER CODE: V97393 OPTIONAL PART: SL2334-3A1 V97393	031200 968999	6
190	BACB30NM4K6	..	BOLT- OPTIONAL PART: BACS12FA4K12	031200 968999	4
192	BACS12FA4K12	..	SCREW- OPTIONAL PART: BACB30NM4K6	031200 968999	4
195	NAS1149D0432J	..	WASHER	031200 968999	4
200	SP20101	..	SNUBBER- SUPPLIER CODE: V24403 SPECIFICATION NUMBER: S413U160-2	031200 968999	2
210	BACB30NM4K24	..	BOLT	031200 968999	2

MISSING ITEM NUMBERS NOT APPLICABLE

- ITEM NOT ILLUSTRATED

HAP

25-24-40-09

BOEING PROPRIETARY - Copyright © - Unpublished Work - See title page for details.

25-24-40
FIG. 09
PAGE 3
OCT 15/08

BOEING
737-600/700/800/900
PARTS CATALOG (MAINTENANCE)

FIG ITEM	PART NUMBER	1 2 3 4 5 6 7	NOMENCLATURE	EFFECT FROM TO	UNITS PER ASSY
9					
215	NAS1149D0432J	..	WASHER	031200 968999	8
220	PLH54CD	..	NUT SUPPLIER CODE: VFO224 SPECIFICATION NUMBER: BACN10YR4CD OPTIONAL PART: H52732-4CD V15653	031200 968999	2
226	412A4110-17	..	KIT ASSY-SUBSTITUTION OPTIONAL PART: 412A4110-16	031200 968999	2
227	BACB30NT4K9	...	BOLT	031200 968999	1
228	PLH54CD	...	NUT SUPPLIER CODE: VFO224 SPECIFICATION NUMBER: BACN10YR4CD OPTIONAL PART: H52732-4CD V15653	031200 968999	1
230	412A4110-16	..	KIT ASSY-SUBSTITUTION OPTIONAL PART: 412A4110-17	031200 968999	2
231	BACB30NM4K10	...	BOLT	031200 968999	1
232	26C048	...	NUT SUPPLIER CODE: V80539 SPECIFICATION NUMBER: BACN10R428A	031200 968999	1
234	SP20257	..	ACTUATOR- SUPPLIER CODE: V24403 SPECIFICATION NUMBER: S412A415-2	031200 968999	2

MISSING ITEM NUMBERS NOT APPLICABLE

— ITEM NOT ILLUSTRATED

HAP

25-24-40-09

BOEING PROPRIETARY - Copyright © - Unpublished Work - See title page for details.

25-24-40
FIG. 09
PAGE 4
FEB 15/09

BOEING
737-600/700/800/900
PARTS CATALOG (MAINTENANCE)

FIG ITEM	PART NUMBER	1 2 3 4 5 6 7	NOMENCLATURE	EFFECT FROM TO	UNITS PER ASSY
9					
235	HST10AG8-8	..	BOLT SUPPLIER CODE: VOPTK6 SPECIFICATION NUMBER: BACB30VT8K8 OPTIONAL PART: HST10AG8-8 V06725 HST10AG8-8 V56878 HST10AG8-8 V73197 WC10K8-8 V60516	031200 968999	2
240	BACB30NM4K20	..	BOLT	031200 968999	2
245	NAS1149D0432J	..	WASHER	031200 968999	4
250	NAS1149D0463J	..	WASHER	031200 968999	2
255	PLH54CD	..	NUT SUPPLIER CODE: VF0224 SPECIFICATION NUMBER: BACN10YR4CD OPTIONAL PART: H52732-4CD V15653	031200 968999	2
260	BACC30BL8	..	COLLAR	031200 968999	2
265	SP20367	..	SNUBBER-RATE CONT SUPPLIER CODE: V24403 SPECIFICATION NUMBER: S412A415-1	031200 968999	2
270	BACB30XD3K9	..	BOLT	031200 968999	8
275	412A4160-2A	..	PIN-HINGE PIVOT	031200 968999	2
280	421W1285-3	..	WASHER	031200 968999	2
285	421W1285-1	..	DAMPER	031200 968999	2
290	421W1285-2	..	BUSHING	031200 968999	2
300	412A4160-37A	..	FITTING-REBOUND DAMPER	031200 968999	2

MISSING ITEM NUMBERS NOT APPLICABLE

— ITEM NOT ILLUSTRATED

HAP

25-24-40-09

BOEING PROPRIETARY - Copyright © - Unpublished Work - See title page for details.

25-24-40
FIG. 09
PAGE 5
FEB 15/09

BOEING
737-600/700/800/900
PARTS CATALOG (MAINTENANCE)

FIG ITEM	PART NUMBER	1 2 3 4 5 6 7	NOMENCLATURE	EFFECT FROM TO	UNITS PER ASSY
9			ATTACHING PARTS		
- 305	BACS12FA3K8	..	SCREW	031200 968999	2
			-----*-----		
308	412A4112-3B	..	DOOR ASSY-	031200 968999	1
311	412A4125-35B	...	PANEL ASSY-BACK WALL OPTIONAL PART: 412A4125-26B	031200 968999	1
311	412A4125-26B	...	PANEL ASSY-BACK WALL OPTIONAL PART: 412A4125-35B	031200 968999	1
			ATTACHING PARTS		
- 314	BACS12FA3K5	...	SCREW	031200 968999	8
			-----*-----		
- 317	SL2334-3A1	INSERT- SUPPLIER CODE: V97393	031200 968999	8
318	432W8501-26BRMA	PANEL	031200 968999	1
320	413U5008-21A	...	CLIP	031200 968999	4
			ATTACHING PARTS		
- 323	BACS12FA3K5	...	SCREW	031200 968999	8
			-----*-----		
326	412A4161-17A	...	DOUBLER ASSY-HINGE	031200 968999	2
329	BRF200C3D	NUTPLATE SUPPLIER CODE: V52828 SPECIFICATION NUMBER: BACN10JR3CFD OPTIONAL PART: K51602-3BAC V15653 NS202476-02 V80539 102F9201-3 V72962 T8092C1032CD V11815	031200 968999	4
			ATTACHING PARTS		
- 332	BACR15BA3AD	RIVET- SIZE DETERMINED ON INSTL.	031200 968999	8
			-----*-----		
335	412A4161-18A	DOUBLER	031200 968999	1

MISSING ITEM NUMBERS NOT APPLICABLE

- ITEM NOT ILLUSTRATED

HAP

25-24-40-09

BOEING PROPRIETARY - Copyright © - Unpublished Work - See title page for details.

25-24-40
FIG. 09
PAGE 6
FEB 15/09

BOEING
737-600/700/800/900
PARTS CATALOG (MAINTENANCE)

FIG ITEM	PART NUMBER	1 2 3 4 5 6 7	NOMENCLATURE	EFFECT FROM TO	UNITS PER ASSY
9					
338	412A4161-7A	...	BRACKET	031200 968999	2
			ATTACHING PARTS		
- 341	BACS12FA3K5	...	SCREW	031200 968999	4
			-----*-----		
344	412A4134-1	...	BLOCK-GUIDE	031200 968999	2
			ATTACHING PARTS		
- 347	BACS12GU3K11	...	SCREW	031200 968999	2
- 350	NAS1149D0332J	...	WASHER	031200 968999	2
			-----*-----		
353	412A4160-33A	...	FITTING ASSY-ACTR	031200 968999	1
356	412A4160-34A	...	FITTING ASSY-ACTR	031200 968999	1
			ATTACHING PARTS		
- 359	BACS12GU3K6	...	SCREW	031200 968999	4
- 362	NAS1149D0332J	...	WASHER	031200 968999	4
			-----*-----		
365	BACB28AP04P020	BUSHING	031200 968999	1
368	412A4160-35A	FITTING- USED ON: 412A4160-33A	031200 968999	1
371	412A4160-36A	FITTING- USED ON: 412A4160-34A	031200 968999	1
374	412A4160-7A	...	FITTING ASSY-ACTR	031200 968999	2
			ATTACHING PARTS		
- 377	BACS12GU3K6	...	SCREW	031200 968999	6
- 380	NAS1149D0332J	...	WASHER	031200 968999	6
			-----*-----		
383	BACB28AP04P005	BUSHING	031200 968999	1
386	412A4160-8A	FITTING	031200 968999	1
389	412A4161-23A	...	BRACKET	031200 968999	2

MISSING ITEM NUMBERS NOT APPLICABLE

- ITEM NOT ILLUSTRATED

HAP

25-24-40-09

25-24-40
FIG. 09
PAGE 7
FEB 15/09

BOEING
737-600/700/800/900
PARTS CATALOG (MAINTENANCE)

FIG ITEM	PART NUMBER	1 2 3 4 5 6 7	NOMENCLATURE	EFFECT FROM TO	UNITS PER ASSY
9			ATTACHING PARTS		
- 392	BACS12FA3K5	...	SCREW	031200 968999	52
			-----*-----		
395	412A4160-23	...	STOP ASSY	031200 968999	2
			ATTACHING PARTS		
- 398	BACS12FA3K6	...	SCREW	031200 968999	4
			-----*-----		
399	412A4132-1	...	WINDOW-VIEWPORT	031200 968999	1
400	411A3082-7A	...	GROMMET	031200 968999	1
407	BACS12FA3K4	...	SCREW	031200 968999	25
410	BACS12FA3K13	...	SCREW	031200 968999	2
413	BACB30VF3K3	...	BOLT	031200 968999	2
416	BACS12FA3K7	...	SCREW	031200 968999	2
419	BACS12GU3K5	...	SCREW	031200 968999	14
422	NAS8201A6	...	SCREW	031200 968999	2
425	NAS43HT3-16	...	SPACER	031200 968999	2
428	NAS1149FN632P	...	WASHER	031200 968999	2
431	H3-1608-1A	...	LATCH- SUPPLIER CODE: V34941 OPTIONAL PART: H3-1608-1 V34941	031200 968999	1
434	412A4125-34B	...	PANEL ASSY- POSITION DATA: LH SIDE OPTIONAL PART: 412A4125-25B	031200 968999	1
434	412A4125-25B	...	PANEL ASSY- POSITION DATA: LH SIDE OPTIONAL PART: 412A4125-34B	031200 968999	1

MISSING ITEM NUMBERS NOT APPLICABLE

- ITEM NOT ILLUSTRATED

HAP

25-24-40-09

BOEING PROPRIETARY - Copyright © - Unpublished Work - See title page for details.

25-24-40
FIG. 09
PAGE 8
FEB 15/09

BOEING
737-600/700/800/900
PARTS CATALOG (MAINTENANCE)

FIG ITEM	PART NUMBER	1 2 3 4 5 6 7	NOMENCLATURE	EFFECT FROM TO	UNITS PER ASSY
9					
437	412A4125-33B	...	PANEL ASSY- POSITION DATA: RH SIDE OPTIONAL PART: 412A4125-24B	031200 968999	1
437	412A4125-24B	...	PANEL ASSY- POSITION DATA: RH SIDE OPTIONAL PART: 412A4125-33B	031200 968999	1
440	SL2334-3A1	INSERT- SUPPLIER CODE: V97393	031200 968999	24
- 442	SL2334-4A1	INSERT- SUPPLIER CODE: V97393	031200 968999	1
443	432W8501-32BRMA	PANEL	031200 968999	1
446	412A4125-31B	...	PANEL ASSY- OPTIONAL PART: 412A4125-22B 412A4125-45B	031200 968999	1
446	412A4125-22B	...	PANEL ASSY- OPTIONAL PART: 412A4125-31B 412A4125-45B	031200 968999	1
446	412A4125-45B	...	PANEL ASSY- OPTIONAL PART: 412A4125-31B 412A4125-22B	031200 968999	1
449	SL2334-3A1	INSERT- SUPPLIER CODE: V97393	031200 968999	71
451	432W8501-112B	PANEL- USED ON: 412A4125-31B 412A4125-32B	031200 968999	1
451	432W8501-82C	PANEL- USED ON: 412A4125-22B 412A4125-23B	031200 968999	1
451	432W8501-72	PANEL- USED ON: 412A4125-44B 412A4125-45B	031200 968999	1
452	412A4111-7B	..	BOX ASSY- POSITION DATA: UPR	031200 968999	1

MISSING ITEM NUMBERS NOT APPLICABLE

- ITEM NOT ILLUSTRATED

HAP

25-24-40-09

BOEING PROPRIETARY - Copyright © - Unpublished Work - See title page for details.

25-24-40
FIG. 09
PAGE 9
FEB 15/09

BOEING
737-600/700/800/900
PARTS CATALOG (MAINTENANCE)

FIG ITEM	PART NUMBER	1 2 3 4 5 6 7	NOMENCLATURE	EFFECT FROM TO	UNITS PER ASSY
9					
455	412A4160-21	...	STOP ASSY-DOOR	031200 968999	2
			ATTACHING PARTS		
- 458	BACS12GU3K6	...	SCREW	031200 968999	6
- 461	NAS1149D0332J	...	WASHER	031200 968999	6
			-----*-----		
464	421W1284-1	SCREW	031200 968999	1
467	MS25082-5	NUT	031200 968999	1
470	412A4160-22	STOP	031200 968999	1
473	412A4160-39	...	BRACKET-ENDCAP	031200 968999	2
			ATTACHING PARTS		
- 476	BACS12GU3K6	...	SCREW	031200 968999	4
- 479	NAS1149D0332J	...	WASHER	031200 968999	4
			-----*-----		
482	412A4160-40	...	BRACKET-ENDCAP	031200 968999	2
			ATTACHING PARTS		
- 485	BACS12GU3K6	...	SCREW	031200 968999	4
- 488	NAS1149D0332J	...	WASHER	031200 968999	4
			-----*-----		
491	69B51733-1	...	CLIP-SPR	031200 968999	4
			ATTACHING PARTS		
- 494	BACS12GU3K5	...	SCREW	031200 968999	8
- 497	NAS1149D0332J	...	WASHER	031200 968999	8
			-----*-----		
500	412A4161-20	...	CLIP	031200 968999	6
			ATTACHING PARTS		
- 503	BACS12GU3K5	...	SCREW	031200 968999	24
- 506	NAS1149D0332J	...	WASHER	031200 968999	24
			-----*-----		
509	412A4160-13	...	FITTING ASSY-SIDE SPRT	031200 968999	1

MISSING ITEM NUMBERS NOT APPLICABLE

- ITEM NOT ILLUSTRATED

HAP

25-24-40-09

25-24-40
FIG. 09
PAGE 10
FEB 15/09

BOEING
737-600/700/800/900
PARTS CATALOG (MAINTENANCE)

FIG ITEM	PART NUMBER	1 2 3 4 5 6 7	NOMENCLATURE	EFFECT FROM TO	UNITS PER ASSY
9					
512	412A4160-14	...	FITTING ASSY-SIDE SPRT	031200 968999	1
			ATTACHING PARTS		
515	BACS12GU3K6	...	SCREW	031200 968999	8
518	BACS12GU3K7	...	SCREW	031200 968999	4
521	NAS1149D0332J	...	WASHER	031200 968999	12
			-----*-----		
524	BACB28AP04P010	BUSHING	031200 968999	1
527	BACB28AT06B010C	BUSHING	031200 968999	1
530	412A4160-15	FITTING- USED ON: 412A4160-13	031200 968999	1
533	412A4160-16	FITTING- USED ON: 412A4160-14	031200 968999	1
536	BACB30NN3K9	...	BOLT	031200 968999	8
539	BACW10BP42CD	...	WASHER	031200 968999	8
542	NAS1149D0332J	...	WASHER	031200 968999	8
545	PLH53CD	...	NUT SUPPLIER CODE: VFO224 SPECIFICATION NUMBER: BACN10YR3CD OPTIONAL PART: H52732-3CD V15653	031200 968999	8
548	412A4161-19A	...	DOUBLER-STRIKE	031200 968999	1
551	H3-1608-2	...	LATCH- SUPPLIER CODE: V34941 SPECIFICATION NUMBER: S412A414-2	031200 968999	1
554	413U5008-21A	...	CLIP	031200 968999	18
			ATTACHING PARTS		
- 557	BACS12GU3K6	...	SCREW	031200 968999	72
- 560	NAS1149D0332J	...	WASHER	031200 968999	72
			-----*-----		

MISSING ITEM NUMBERS NOT APPLICABLE

- ITEM NOT ILLUSTRATED

HAP

25-24-40-09

BOEING PROPRIETARY - Copyright © - Unpublished Work - See title page for details.

25-24-40
FIG. 09
PAGE 11
FEB 15/09

BOEING
737-600/700/800/900
PARTS CATALOG (MAINTENANCE)

FIG ITEM	PART NUMBER	1 2 3 4 5 6 7	NOMENCLATURE	EFFECT FROM TO	UNITS PER ASSY
9					
563	412A4125-21B	...	PANEL ASSY	031200 968999	1
566	412A4161-4	...	BRACKET	031200 968999	10
			ATTACHING PARTS		
- 569	BACS12GU3K4	...	SCREW	031200 968999	20
- 572	NAS1149D0332J	...	WASHER	031200 968999	20
			-----*-----		
575	412A4133-1	...	SEAL-GAP COVER	031200 968999	4
578	412A4120-6B	...	PANEL ASSY- OPTIONAL PART: 412A4120-2A	031200 968999	1
578	412A4120-2A	...	PANEL ASSY- OPTIONAL PART: 412A4120-6B	031200 968999	1
581	412A4120-5B	...	PANEL ASSY- OPTIONAL PART: 412A4120-1A	031200 968999	1
581	412A4120-1A	...	PANEL ASSY- OPTIONAL PART: 412A4120-5B	031200 968999	1
- 584	SL2334-3A1	INSERT- SUPPLIER CODE: V97393 OPTIONAL PART: SL618-3A V97393 USED ON: 412A4120-1A 412A4120-2A	031200 968999	28
- 584	SL618-3A	INSERT- SUPPLIER CODE: V97393 OPTIONAL PART: SL2334-3A1 V97393 USED ON: 412A4120-1A 412A4120-2A	031200 968999	28
- 584	SL618-3A	INSERT- SUPPLIER CODE: V97393 USED ON: 412A4120-5B 412A4120-6B	031200 968999	28

MISSING ITEM NUMBERS NOT APPLICABLE

- ITEM NOT ILLUSTRATED

HAP

25-24-40-09

BOEING PROPRIETARY - Copyright © - Unpublished Work - See title page for details.

25-24-40
FIG. 09
PAGE 12
FEB 15/09

BOEING
737-600/700/800/900
PARTS CATALOG (MAINTENANCE)

FIG ITEM	PART NUMBER	1 2 3 4 5 6 7	NOMENCLATURE	EFFECT FROM TO	UNITS PER ASSY
9					
587	412A4161-5	...	BRACKET	031200 968999	8
			ATTACHING PARTS		
- 590	BACS12GU3K5	...	SCREW	031200 968999	32
- 593	NAS1149D0332J	...	WASHER	031200 968999	32
			-----*-----		
596	214A2401-3	...	PLENUM-GASPER	031200 968999	4
			ATTACHING PARTS		
- 599	BACS12GU3K5	...	SCREW	031200 968999	16
- 602	NAS1149D0332J	...	WASHER	031200 968999	16
			-----*-----		
605	412A4161-8	...	BRACKET	031200 968999	4
			ATTACHING PARTS		
- 608	BACS12GU3K5	...	SCREW	031200 968999	16
- 611	NAS1149D0332J	...	WASHER	031200 968999	16
			-----*-----		
614	412A4131-2	...	BAFFLE	031200 968999	2
617	412A4125-20B	...	PANEL ASSY	031200 968999	1
620	412A4125-19B	...	PANEL ASSY	031200 968999	1
- 623	SL2334-3A1	INSERT- SUPPLIER CODE: V97393	031200 968999	26
624	432W8501-16RMA	PANEL	031200 968999	1
626	BACB30NN3K9	...	BOLT	031200 968999	8
629	BACW10BP42CD	...	WASHER	031200 968999	8
632	NAS1149D0332J	...	WASHER	031200 968999	8
635	PLH53CD	...	NUT SUPPLIER CODE: VFO224 SPECIFICATION NUMBER: BACN10YR3CD OPTIONAL PART: H52732-3CD V15653	031200 968999	8

MISSING ITEM NUMBERS NOT APPLICABLE

- ITEM NOT ILLUSTRATED

HAP

25-24-40-09

25-24-40
FIG. 09
PAGE 13
FEB 15/09

BOEING
737-600/700/800/900
PARTS CATALOG (MAINTENANCE)

FIG ITEM	PART NUMBER	1 2 3 4 5 6 7	NOMENCLATURE	EFFECT FROM TO	UNITS PER ASSY
9					
638	412A4161-27B	...	DOUBLER	031200 968999	2
641	412A4160-18	...	FITTING ASSY-VERT SPRT	031200 968999	1
644	412A4160-17	...	FITTING ASSY-VERT SPRT	031200 968999	1
647	BACB28AP04P017	BUSHING	031200 968999	1
650	BACB28AT06B017C	BUSHING	031200 968999	1
653	412A4160-20	FITTING- USED ON: 412A4160-18	031200 968999	1
656	412A4160-19	FITTING- USED ON: 412A4160-17	031200 968999	1
658	413U5007-1	...	SNUBBER	031200 968999	2
			ATTACHING PARTS		
- 660	BACS12FA3K5	...	SCREW	031200 968999	6
			-----*-----		
665	BACB30NN3K18	...	BOLT	031200 968999	6
670	BACW10BP42CD	...	WASHER	031200 968999	6
675	NAS1149D0332J	...	WASHER	031200 968999	6
680	PLH53CD	...	NUT	031200 968999	6
			SUPPLIER CODE: VFO224		
			SPECIFICATION NUMBER: BACN10YR3CD		
			OPTIONAL PART: H52732-3CD V15653		
685	413U5007-1	...	SNUBBER	031200 968999	2
690	412A4160-38A	...	SPACER-	031200 968999	2
695	412A4161-28B	...	DOUBLER-	031200 968999	2
700	412A4134-2	...	RUBSTRIP	031200 968999	2
			ATTACHING PARTS		
- 705	BACS12ER3K5	...	SCREW	031200 968999	8
			-----*-----		

MISSING ITEM NUMBERS NOT APPLICABLE

- ITEM NOT ILLUSTRATED

HAP

25-24-40-09

BOEING PROPRIETARY - Copyright © - Unpublished Work - See title page for details.

25-24-40
FIG. 09
PAGE 14
FEB 15/09

BOEING
737-600/700/800/900
PARTS CATALOG (MAINTENANCE)

FIG ITEM	PART NUMBER	1 2 3 4 5 6 7	NOMENCLATURE	EFFECT FROM TO	UNITS PER ASSY
9					
710	BACB30NN3K11	...	BOLT	031200 968999	8
715	BACW10BP42CD	...	WASHER	031200 968999	8
720	NAS1149D0332J	...	WASHER	031200 968999	8
725	PLH53CD	...	NUT	031200 968999	8
			SUPPLIER CODE: VFO224		
			SPECIFICATION NUMBER: BACN10YR3CD		
			OPTIONAL PART: H52732-3CD V15653		
730	412A4161-27B	...	DOUBLER-	031200 968999	2
735	412A4160-10	...	FITTING ASSY-FWD SPRT	031200 968999	1
740	412A4160-9	...	FITTING ASSY-FWD SPRT	031200 968999	1
745	AG4V4009	BEARING-	031200 968999	1
			SUPPLIER CODE: V15860		
			SPECIFICATION NUMBER: 60B00180-68		
			OPTIONAL PART: LHBG4BAC V73134 NC4G12 V56644		
750	412A4160-12	FITTING-	031200 968999	1
			USED ON: 412A4160-10		
755	412A4160-11	FITTING-	031200 968999	1
			USED ON: 412A4160-9		
760	412A4160-18	...	FITTING ASSY-VERT SPRT	031200 968999	1
765	412A4160-17	...	FITTING ASSY-VERT SPRT	031200 968999	1
770	BACB28AP04P017	BUSHING	031200 968999	1
775	BACB28AT06B017C	BUSHING	031200 968999	1
780	412A4160-20	FITTING-	031200 968999	1
			USED ON: 412A4160-18		

MISSING ITEM NUMBERS NOT APPLICABLE

- ITEM NOT ILLUSTRATED

HAP

25-24-40-09

25-24-40
FIG. 09
PAGE 15
FEB 15/09

BOEING
737-600/700/800/900
PARTS CATALOG (MAINTENANCE)

FIG ITEM	PART NUMBER	1 2 3 4 5 6 7	NOMENCLATURE	EFFECT FROM TO	UNITS PER ASSY
9					
785	412A4160-19	FITTING- USED ON: 412A4160-17	031200 968999	1
790	BACB30NN3K10	...	BOLT	031200 968999	8
795	BACW10BP42CD	...	WASHER	031200 968999	8
800	NAS1149D0332J	...	WASHER	031200 968999	8
805	PLH53CD	...	NUT SUPPLIER CODE: VFO224 SPECIFICATION NUMBER: BACN10YR3CD OPTIONAL PART: H52732-3CD V15653	031200 968999	8
810	412A4160-3	...	HINGE-PIVOT DOUBLER	031200 968999	2
815	412A4160-4	...	HINGE-PIVOT DOUBLER	031200 968999	2
820	412A4131-1A	...	OUTLET-AIR	031200 968999	1
			ATTACHING PARTS		
- 825	BACs12FA3K4	...	SCREW	031200 968999	12
			-----*-----		
830	412A4131-4A	...	OUTLET-AIR	031200 968999	1
			ATTACHING PARTS		
- 835	BACs12FA3K4	...	SCREW	031200 968999	12
			-----*-----		
840	412A4125-36B	...	PANEL ASSY- OPTIONAL PART: 412A4125-17B	031200 968999	1
840	412A4125-17B	...	PANEL ASSY- OPTIONAL PART: 412A4125-36B	031200 968999	1
845	SL2334-3A1	INSERT- SUPPLIER CODE: V97393	031200 968999	158
850	SL2334-4A1	INSERT- SUPPLIER CODE: V97393	031200 968999	2
853	432W8501-26BRMA	PANEL	031200 968999	1

MISSING ITEM NUMBERS NOT APPLICABLE

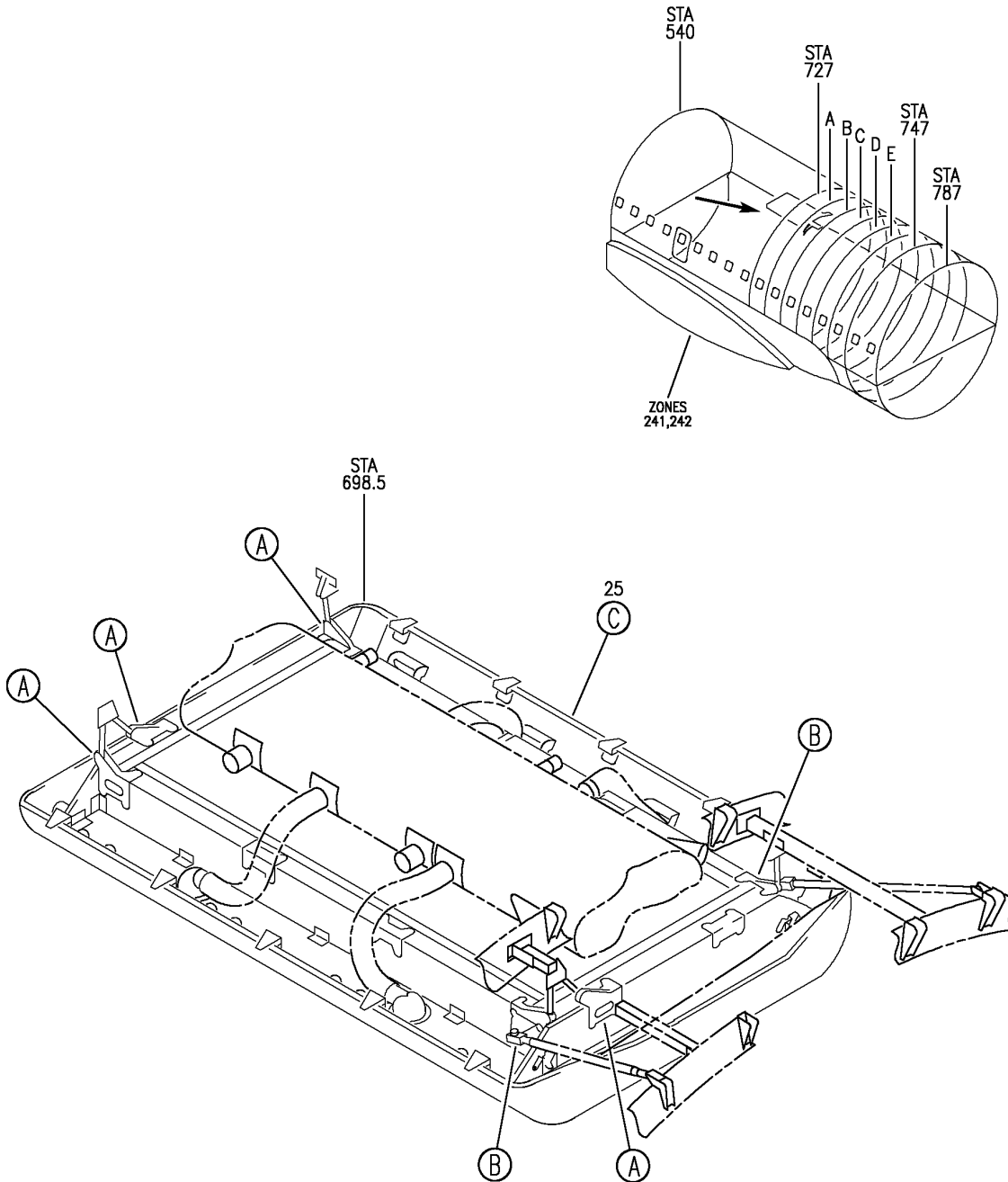
- ITEM NOT ILLUSTRATED

HAP

25-24-40-09

25-24-40
FIG. 09
PAGE 16
FEB 15/09

BOEING
 737-600/700/800/900
 PARTS CATALOG (MAINTENANCE)



E 25244010 SHT 1 REV 072

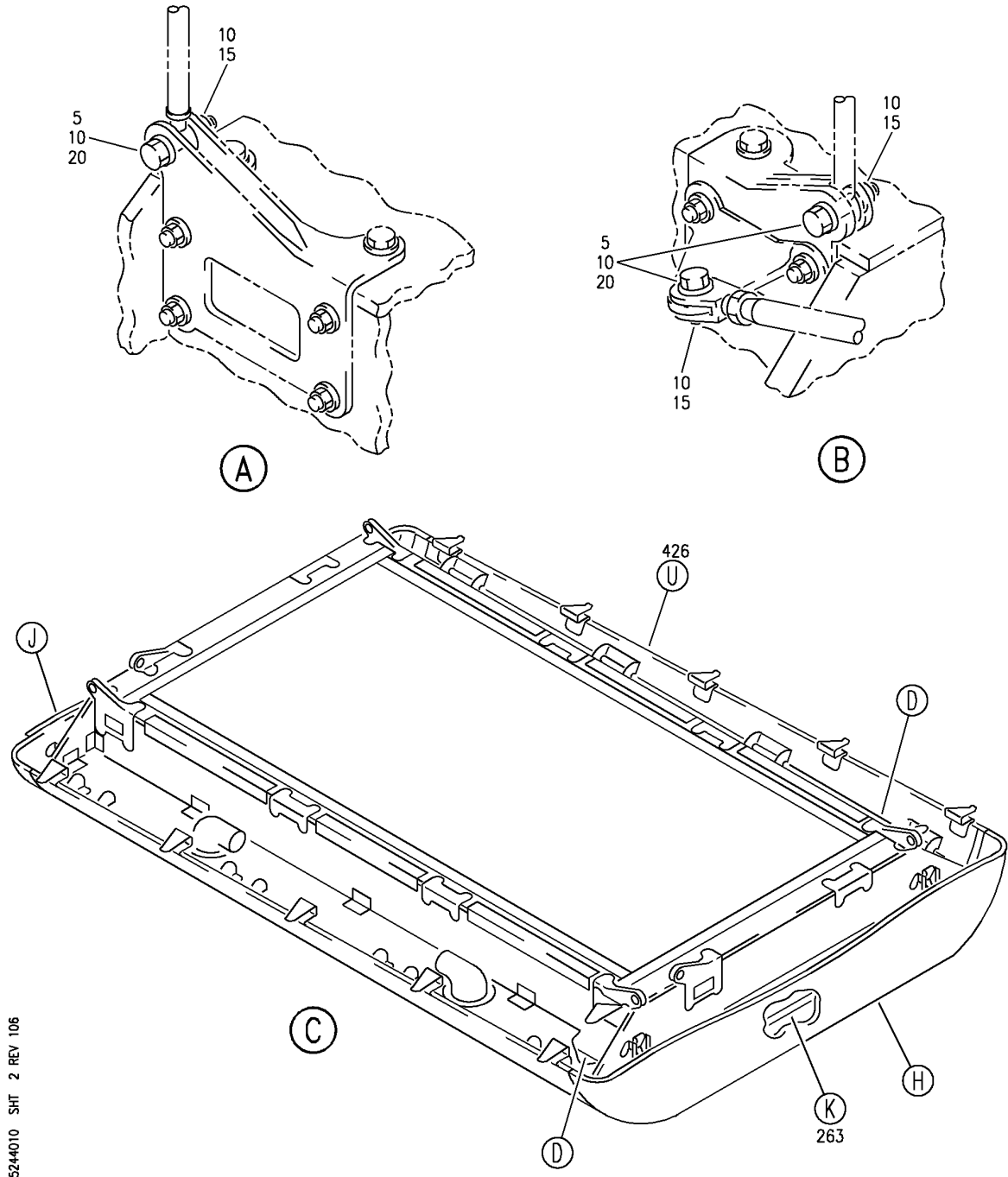
BOX INSTL-MID CTR OVHD STOWAGE
 FIGURE 10 (SHEET 1)

25-24-40-10

HAP
 OCT 10/06

25-24-40-10
 PAGE 0

BOEING
 737-600/700/800/900
 PARTS CATALOG (MAINTENANCE)



E 25244010 SHT 2 REV 106

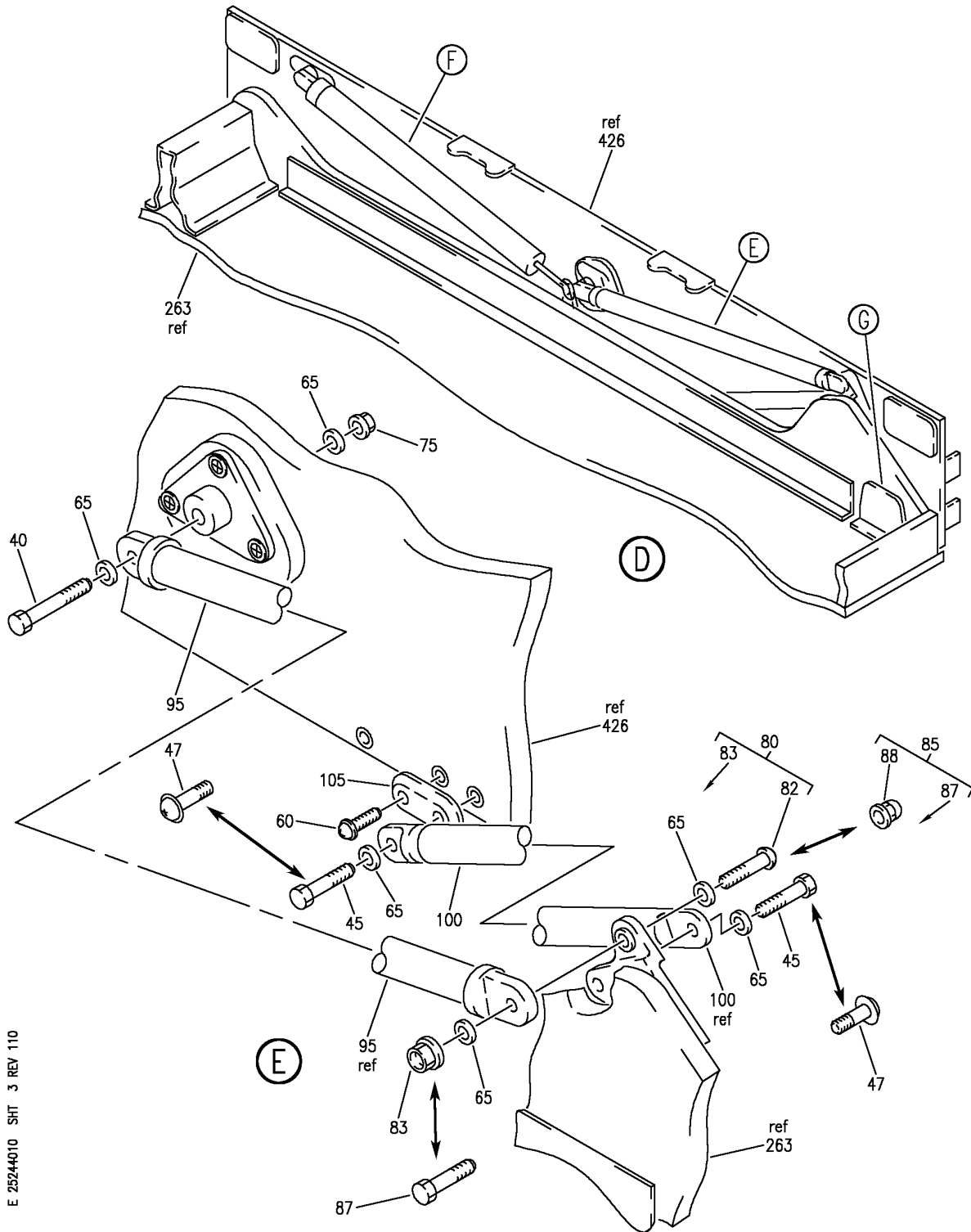
BOX INSTL-MID CTR OVHD STOWAGE
 FIGURE 10 (SHEET 2)

25-24-40-10

HAP
 OCT 10/06

25-24-40-10
 PAGE 0A

BOEING
 737-600/700/800/900
 PARTS CATALOG (MAINTENANCE)



E 25244010 SHT 3 REV 110

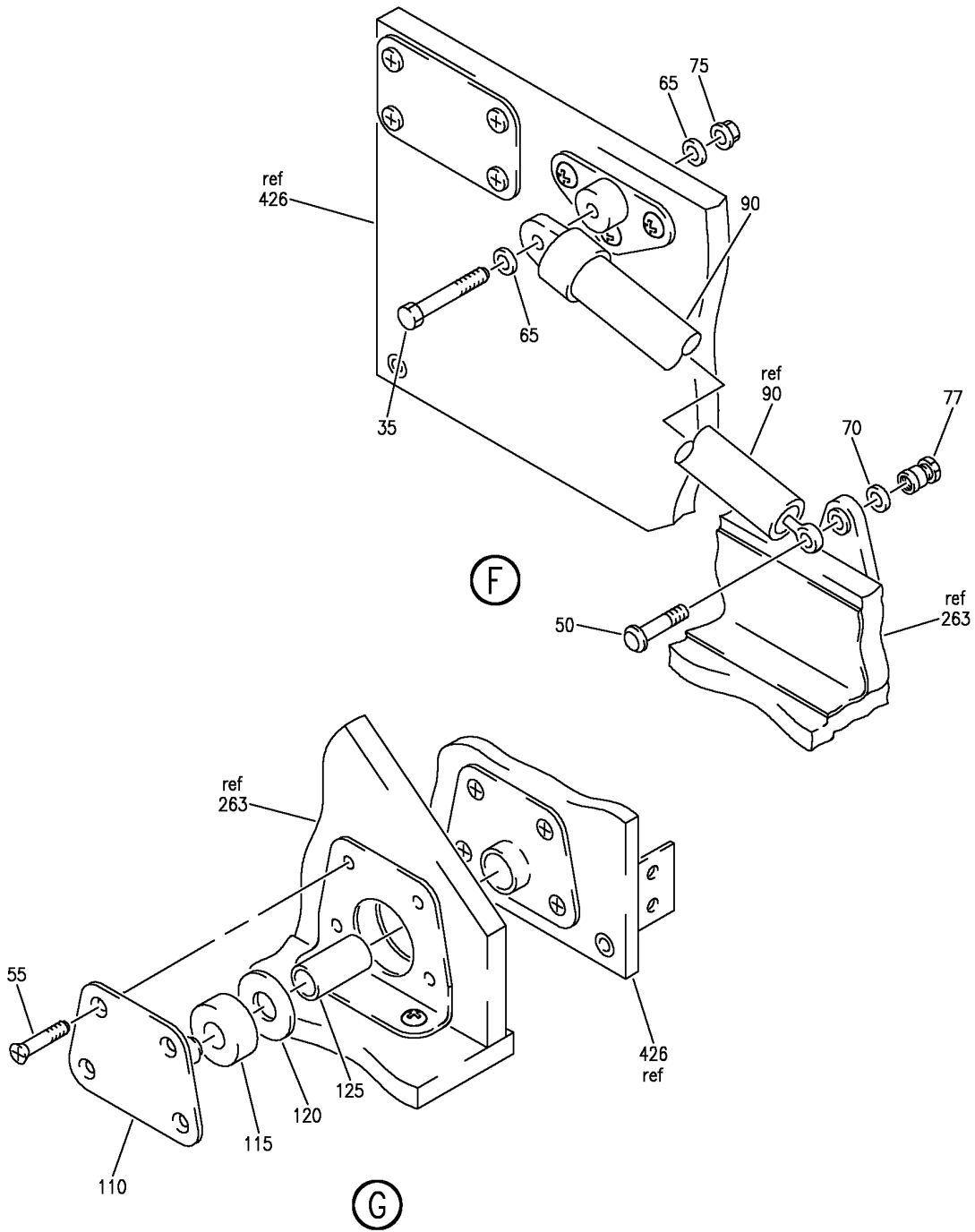
BOX INSTL-MID CTR OVHD STOWAGE
 FIGURE 10 (SHEET 3)

25-24-40-10

HAP
 OCT 10/06

25-24-40-10
 PAGE 0B

BOEING
 737-600/700/800/900
 PARTS CATALOG (MAINTENANCE)



E 25244010 SHT 4 REV 110

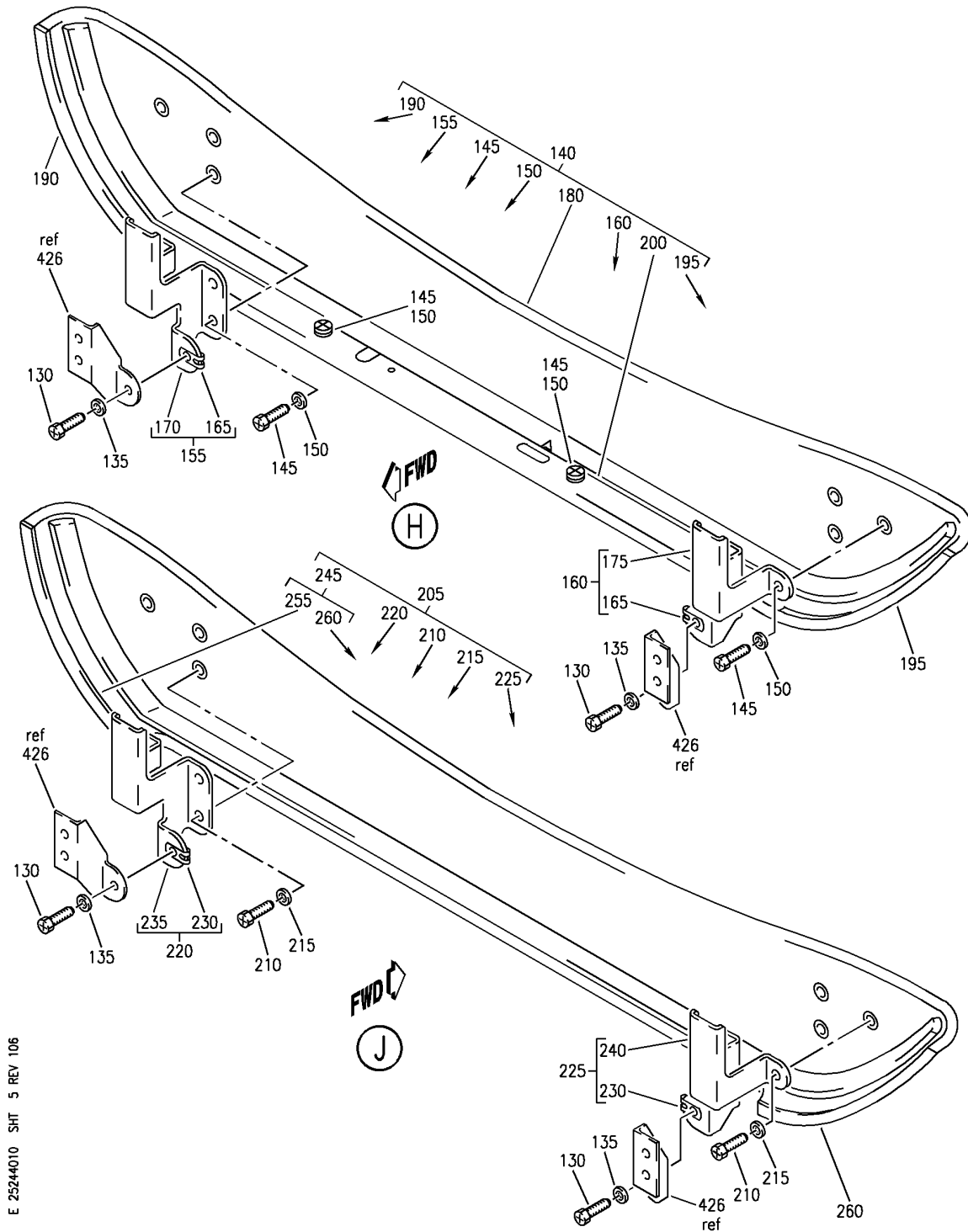
BOX INSTL-MID CTR OVHD STOWAGE
 FIGURE 10 (SHEET 4)

25-24-40-10

HAP
 OCT 10/06

25-24-40-10
 PAGE 0C

BOEING
 737-600/700/800/900
 PARTS CATALOG (MAINTENANCE)



E 25244010 SHT 5 REV 106

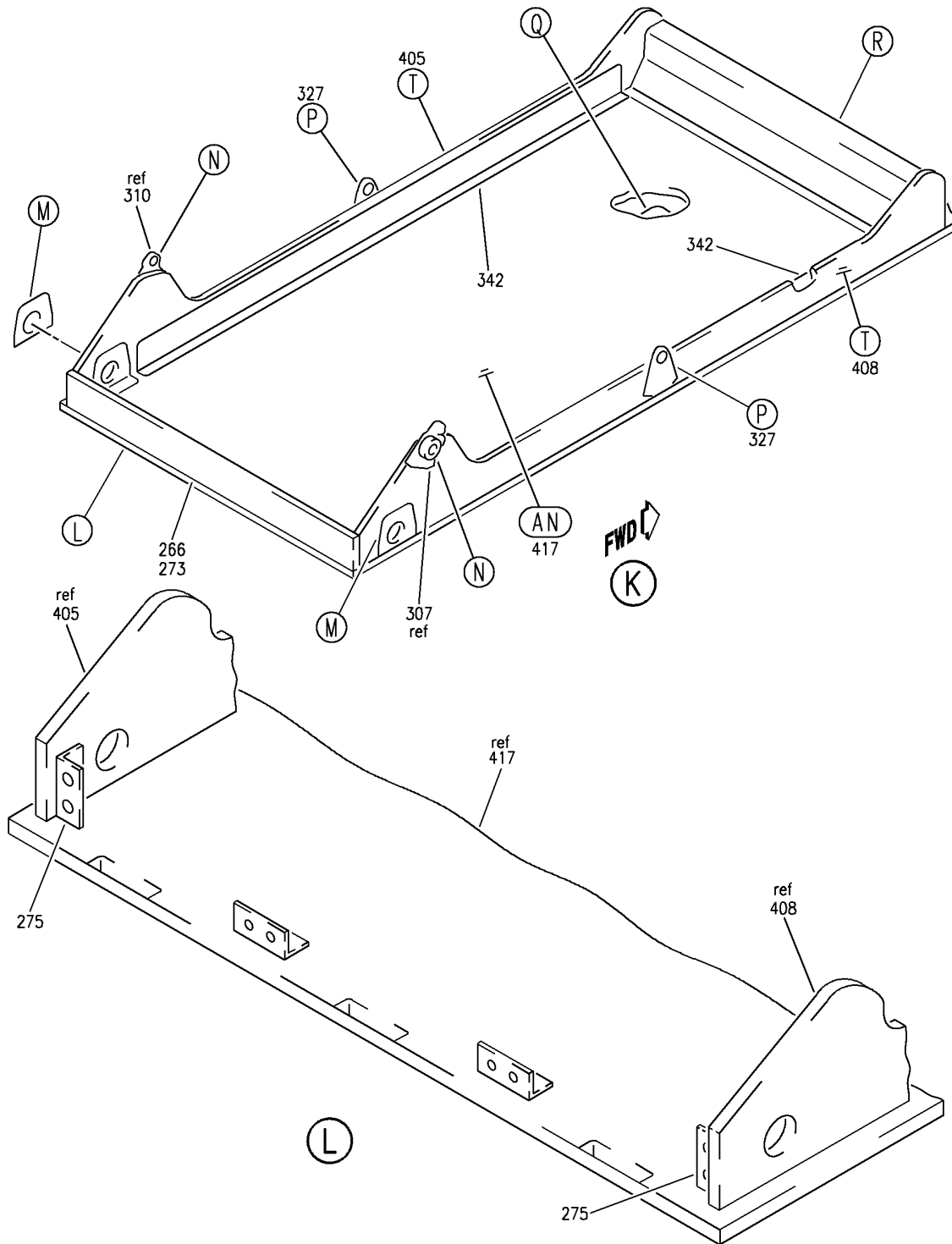
BOX INSTL-MID CTR OVHD STOWAGE
 FIGURE 10 (SHEET 5)

25-24-40-10

HAP
 OCT 10/06

25-24-40-10
 PAGE 0D

BOEING
 737-600/700/800/900
 PARTS CATALOG (MAINTENANCE)



E 25244010 SHT 6 REV 139

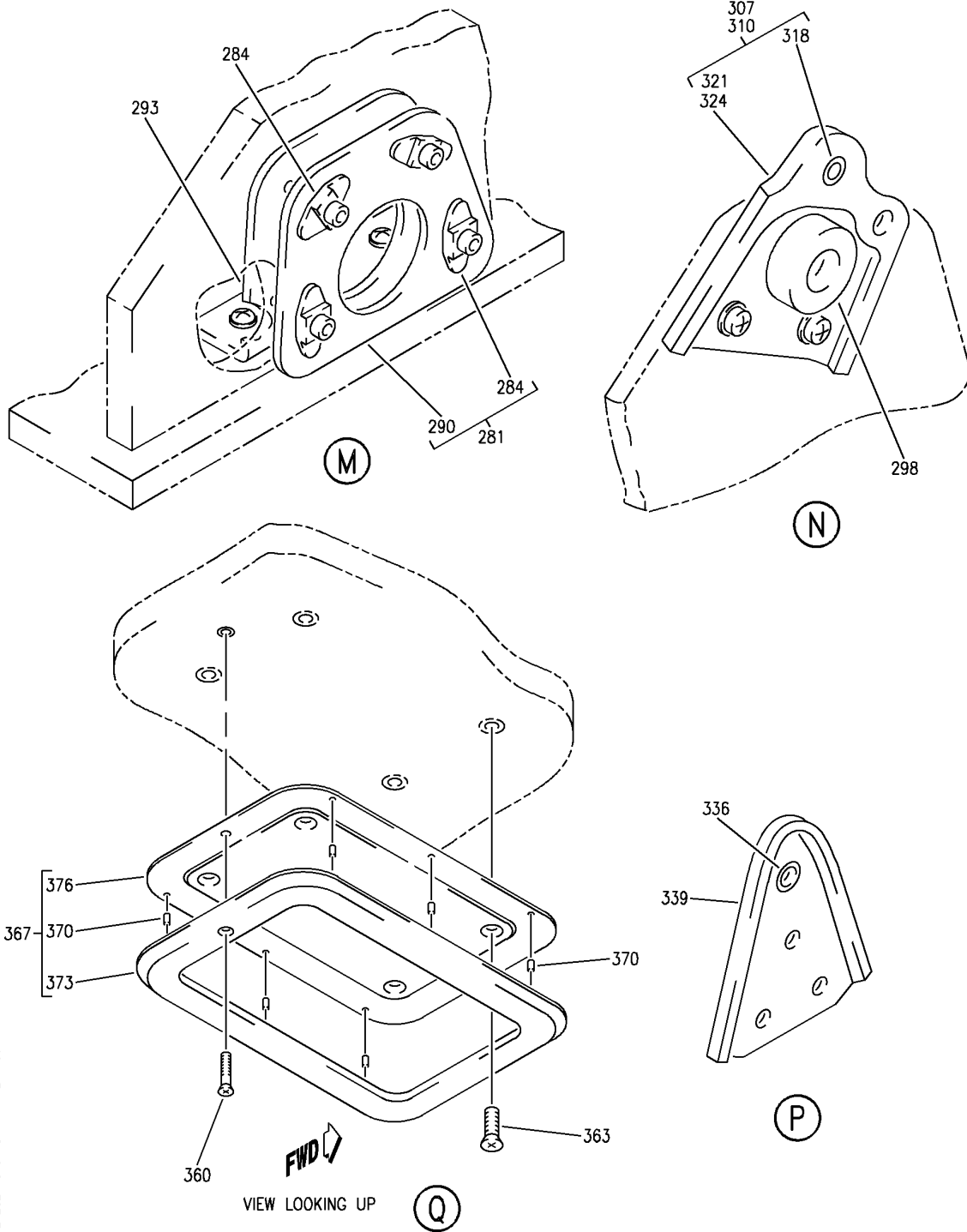
BOX INSTL-MID CTR OVHD STOWAGE
 FIGURE 10 (SHEET 6)

25-24-40-10

HAP
 FEB 15/08

25-24-40-10
 PAGE 0E

BOEING
 737-600/700/800/900
 PARTS CATALOG (MAINTENANCE)



E 25244010 SHT 7 REV 106

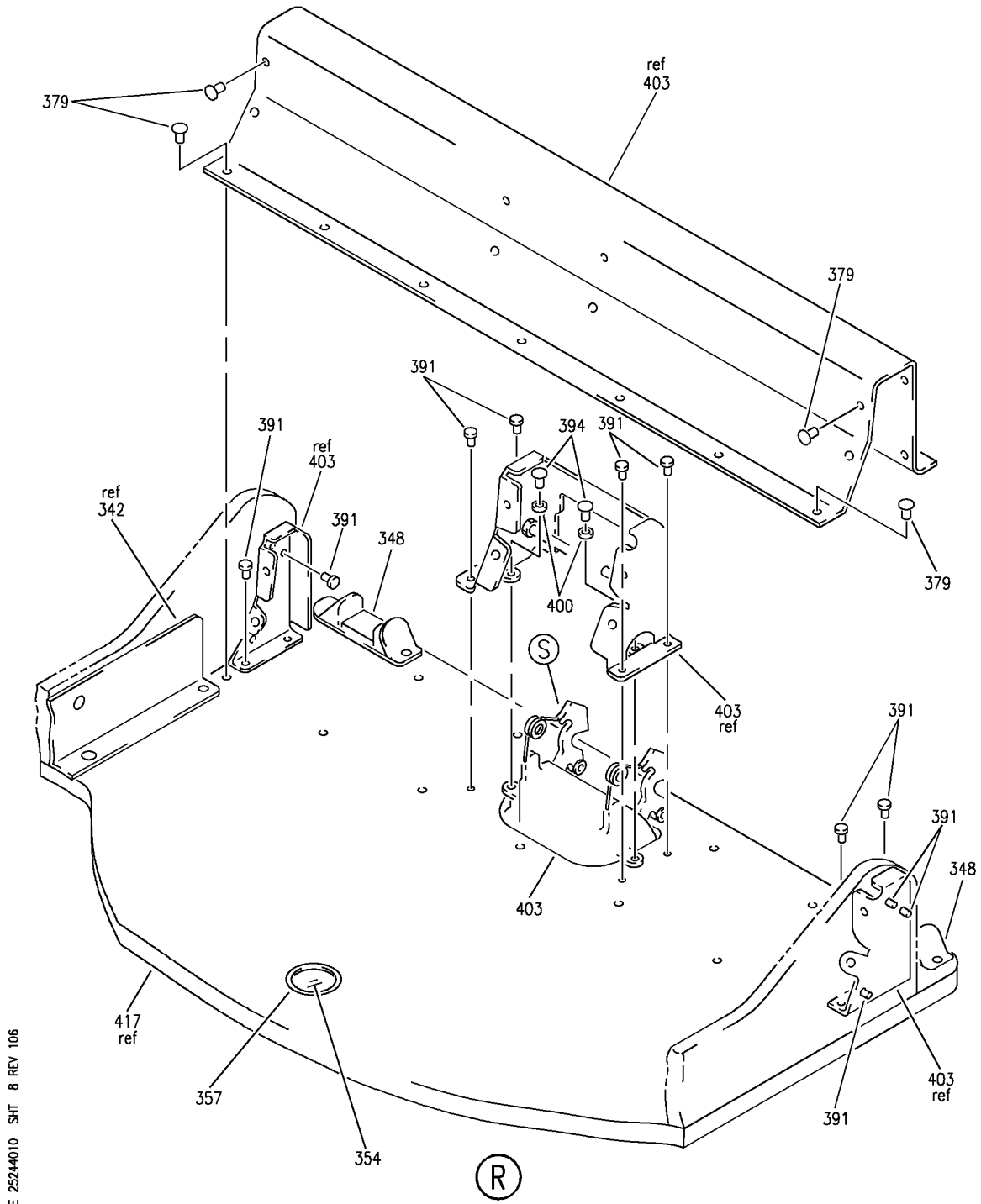
BOX INSTL-MID CTR OVHD STOWAGE
 FIGURE 10 (SHEET 7)

25-24-40-10

HAP
 OCT 10/06

25-24-40-10
 PAGE OF

BOEING
737-600/700/800/900
PARTS CATALOG (MAINTENANCE)



E 25244010 SHT 8 REV 106

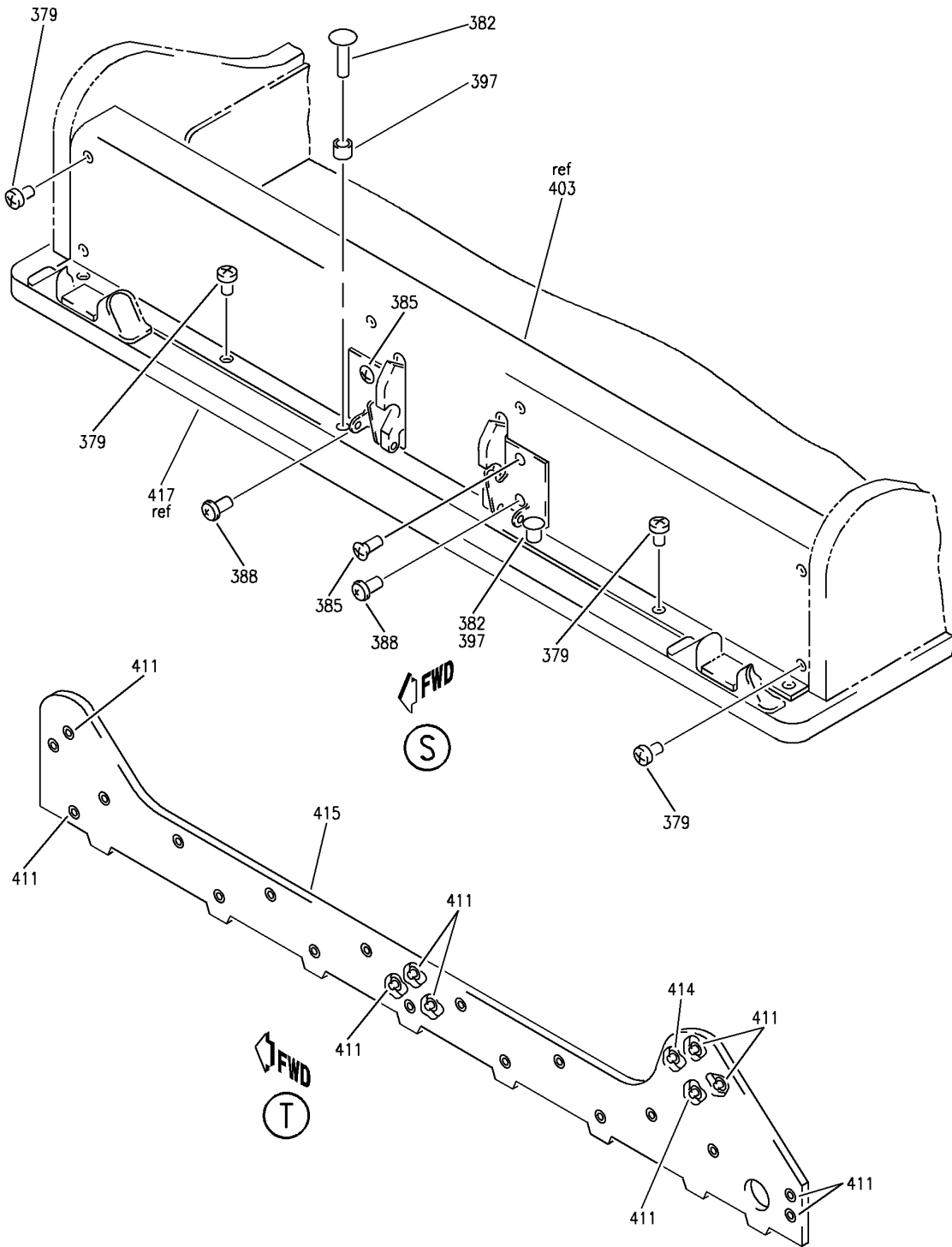
BOX INSTL-MID CTR OVHD STOWAGE
FIGURE 10 (SHEET 8)

25-24-40-10

HAP
OCT 10/06

25-24-40-10
PAGE 06

BOEING
 737-600/700/800/900
 PARTS CATALOG (MAINTENANCE)



E 25244010 SHT 9 REV 106

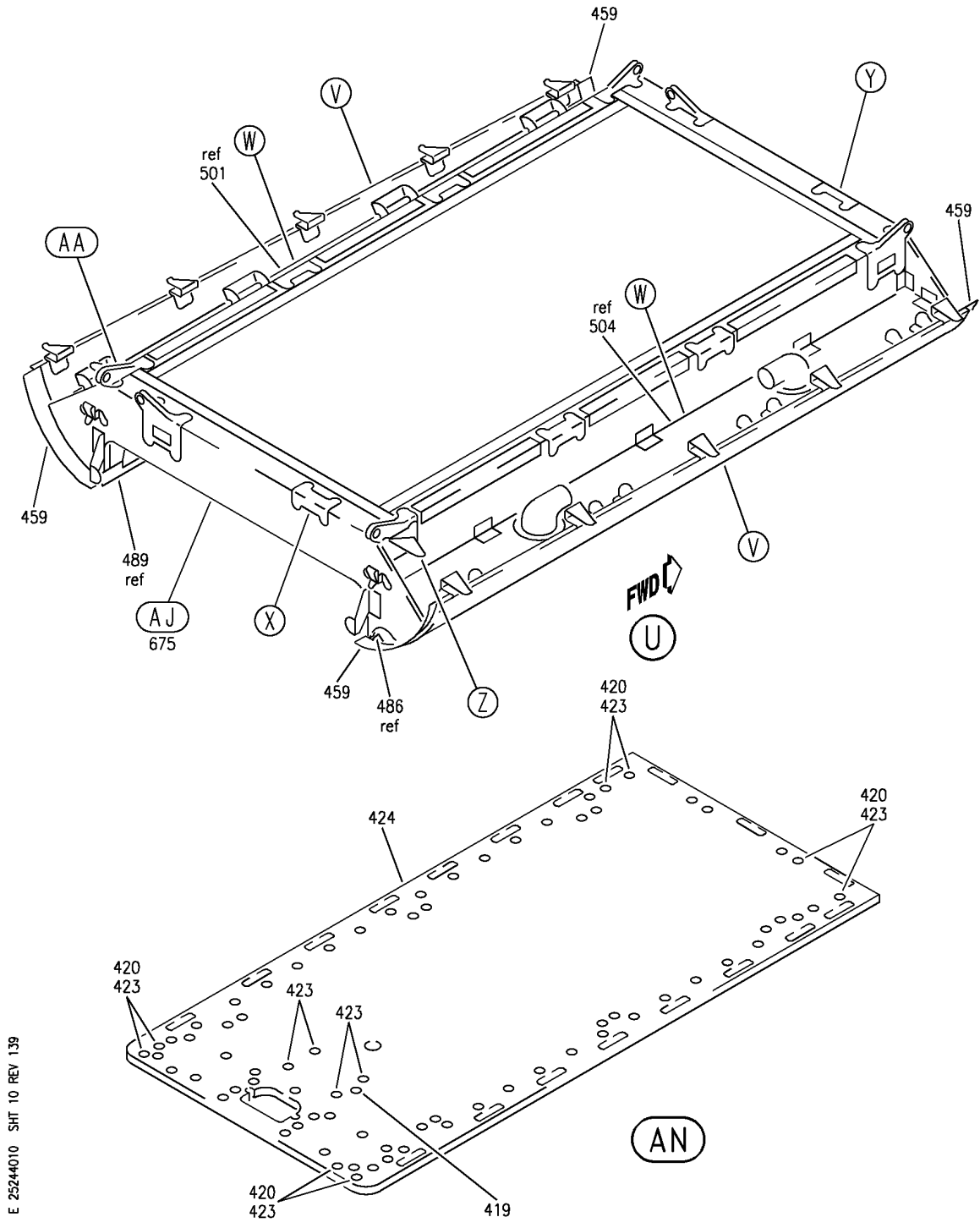
BOX INSTL-MID CTR OVHD STOWAGE
 FIGURE 10 (SHEET 9)

25-24-40-10

HAP
 OCT 10/06

25-24-40-10
 PAGE 0H

BOEING
 737-600/700/800/900
 PARTS CATALOG (MAINTENANCE)



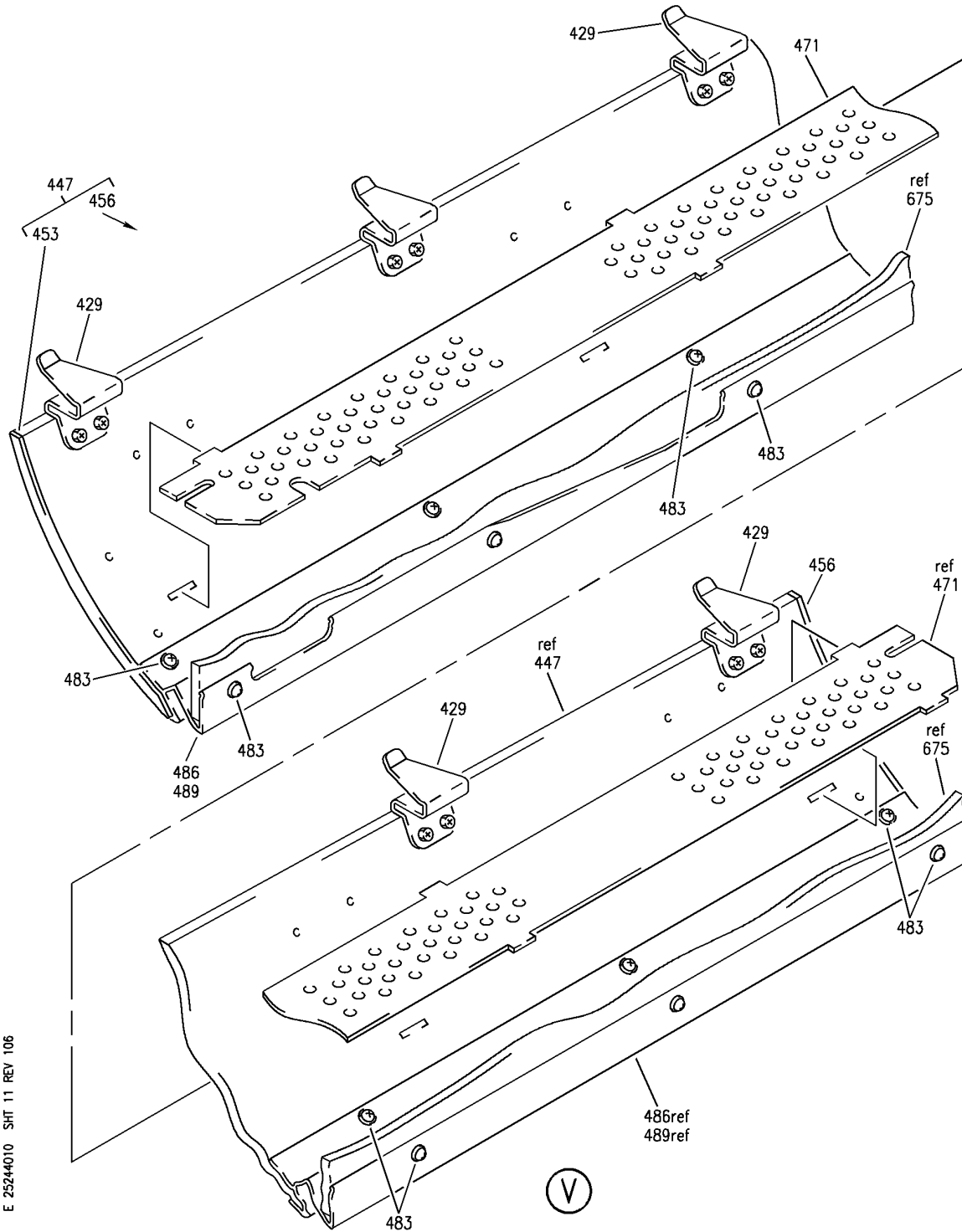
BOX INSTL-MID CTR OVHD STOWAGE
 FIGURE 10 (SHEET 10)

25-24-40-10

HAP
 FEB 15/08

25-24-40-10
 PAGE 01

BOEING
 737-600/700/800/900
 PARTS CATALOG (MAINTENANCE)



E 25244010 SHT 11 REV 106

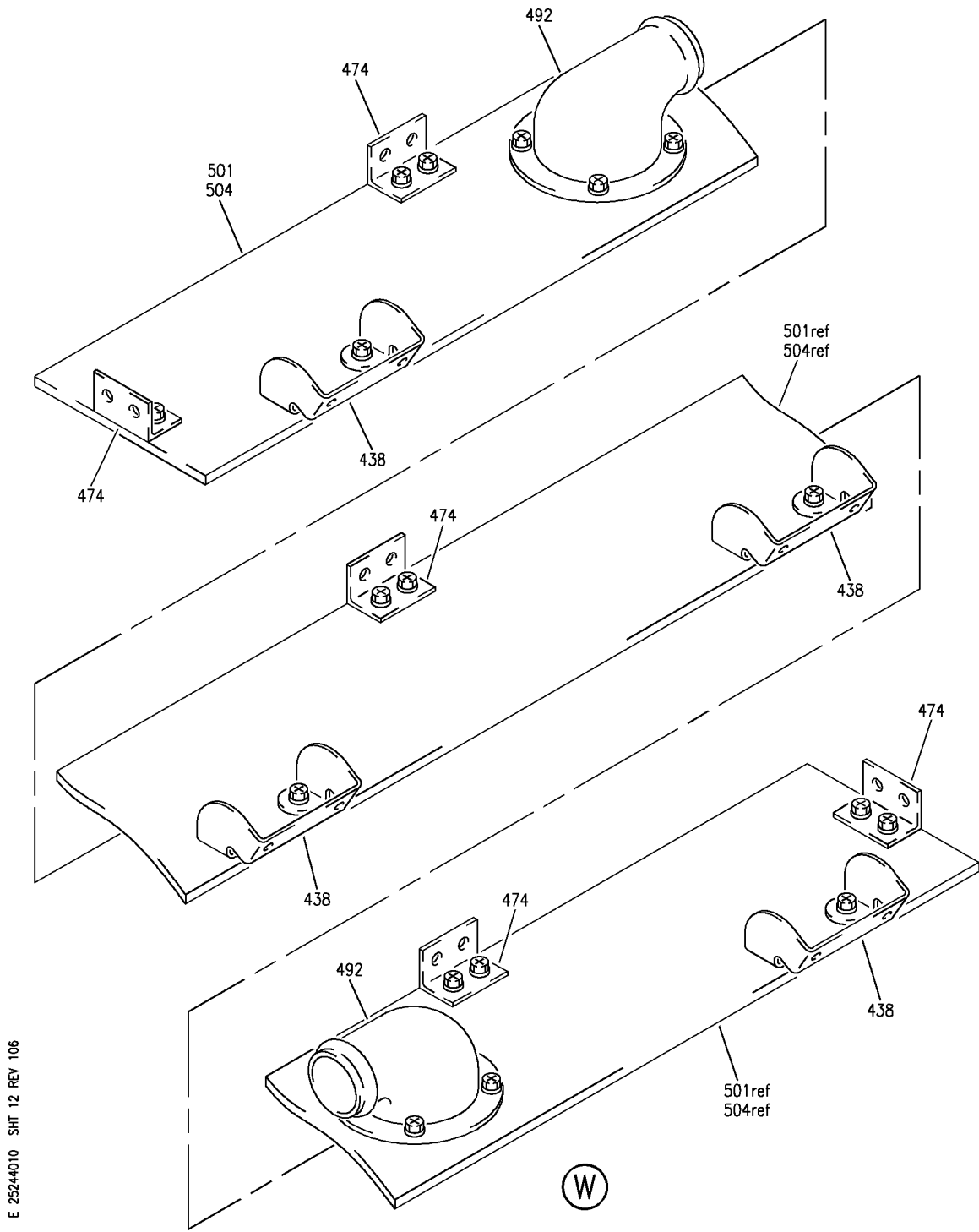
BOX INSTL-MID CTR OVHD STOWAGE
 FIGURE 10 (SHEET 11)

25-24-40-10

HAP
 OCT 10/06

25-24-40-10
 PAGE 0J

BOEING
737-600/700/800/900
PARTS CATALOG (MAINTENANCE)



E 25244010 SHT 12 REV 106

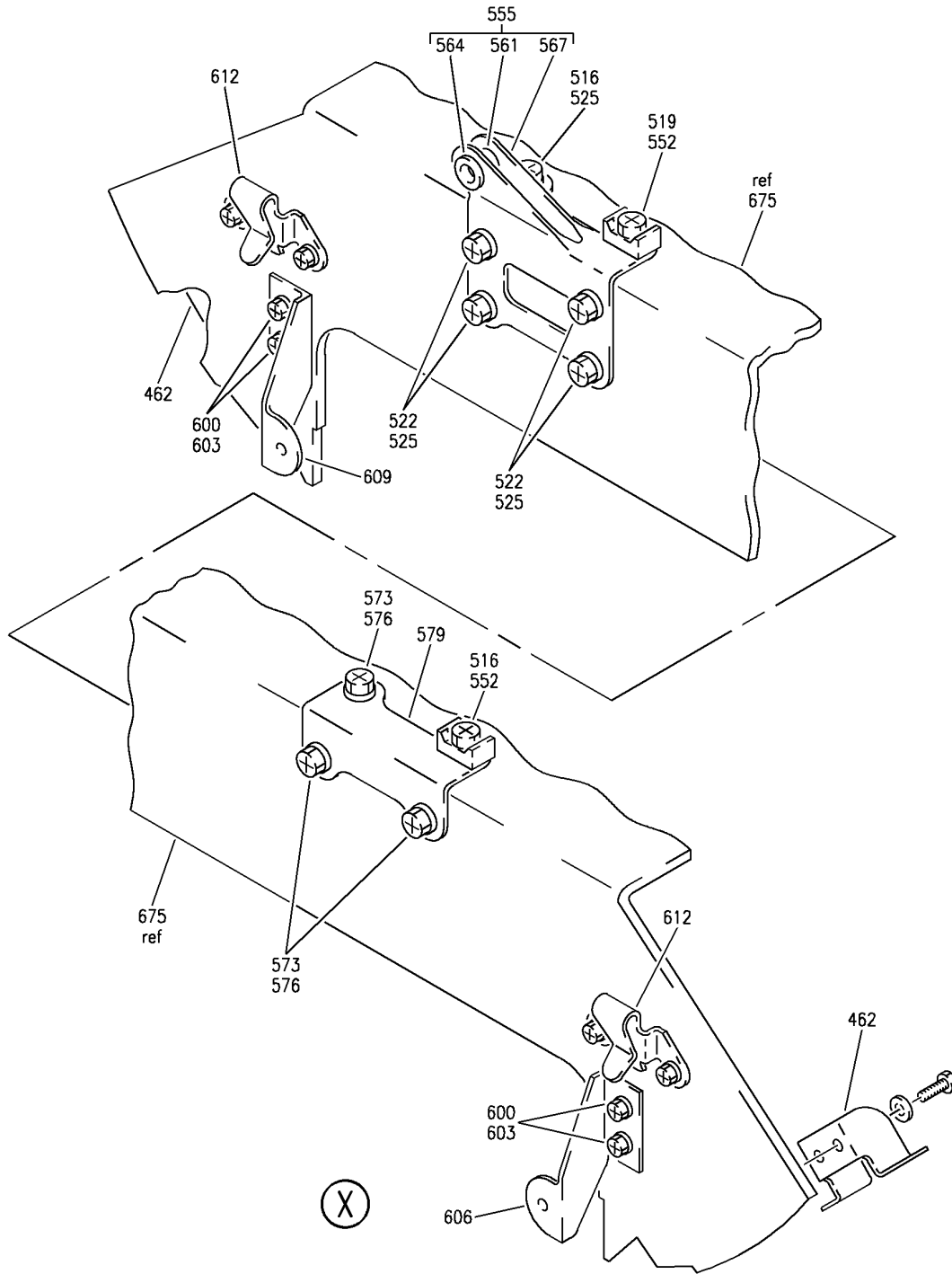
BOX INSTL-MID CTR OVHD STOWAGE
FIGURE 10 (SHEET 12)

25-24-40-10

HAP
OCT 10/06

25-24-40-10
PAGE OK

BOEING
737-600/700/800/900
PARTS CATALOG (MAINTENANCE)



E 25244010 SHT 13 REV 106

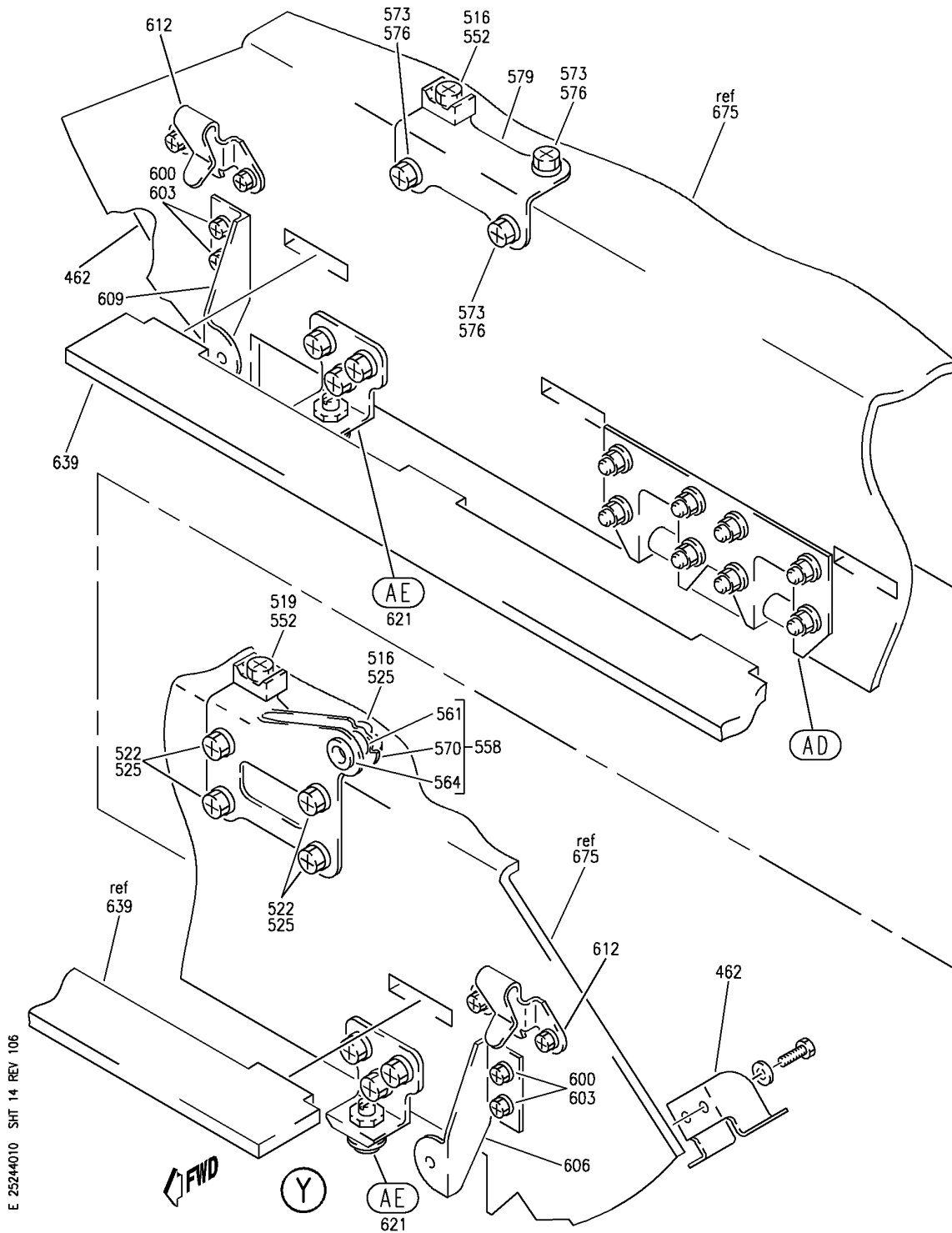
BOX INSTL-MID CTR OVHD STOWAGE
 FIGURE 10 (SHEET 13)

25-24-40-10

HAP
 OCT 10/06

25-24-40-10
 PAGE 01

BOEING
737-600/700/800/900
PARTS CATALOG (MAINTENANCE)



E 25244010 SHT 14 REV 106

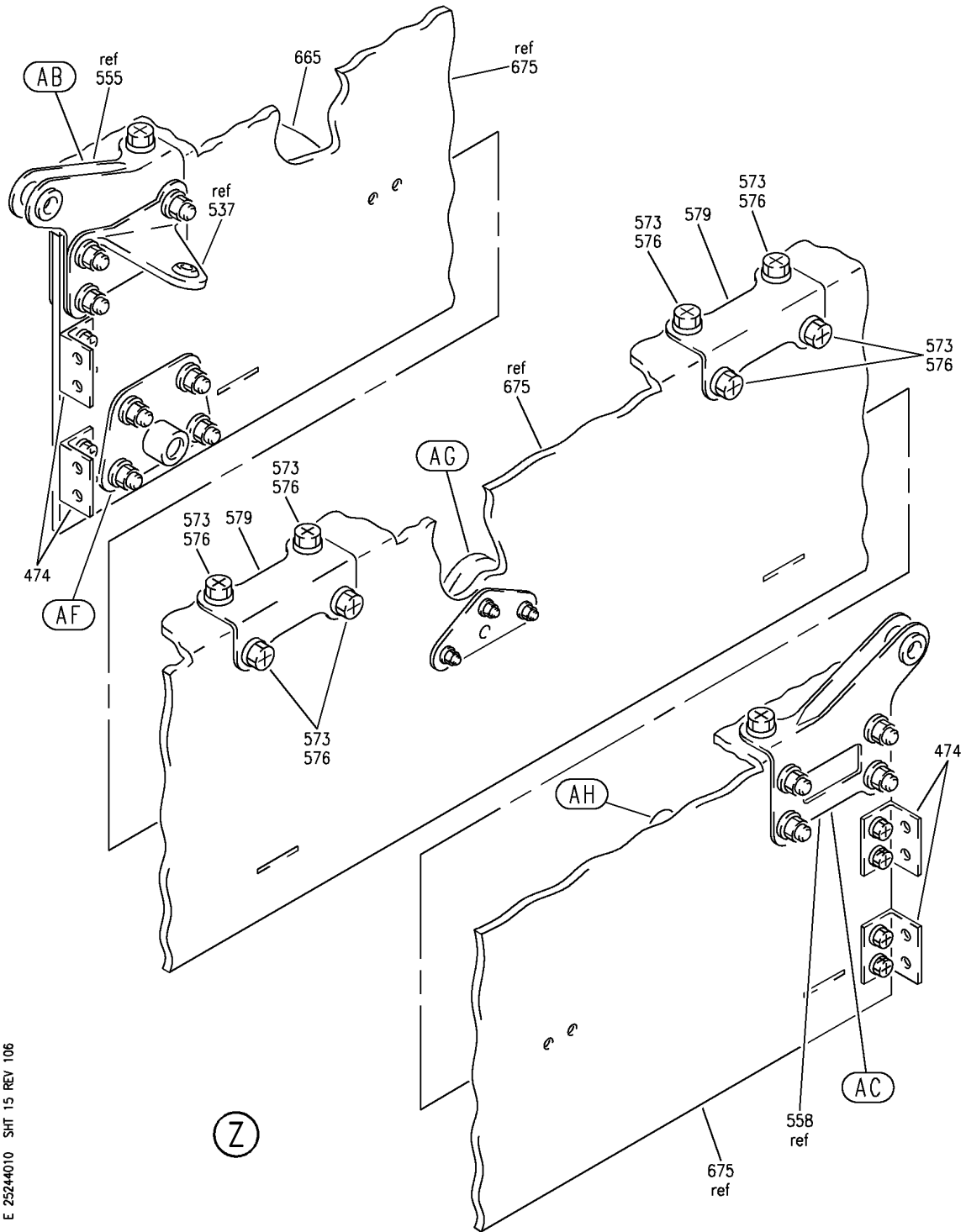
BOX INSTL-MID CTR OVHD STOWAGE
 FIGURE 10 (SHEET 14)

25-24-40-10

HAP
 OCT 10/06

25-24-40-10
 PAGE 0M

BOEING
 737-600/700/800/900
 PARTS CATALOG (MAINTENANCE)



E 25244010 SHT 15 REV 106

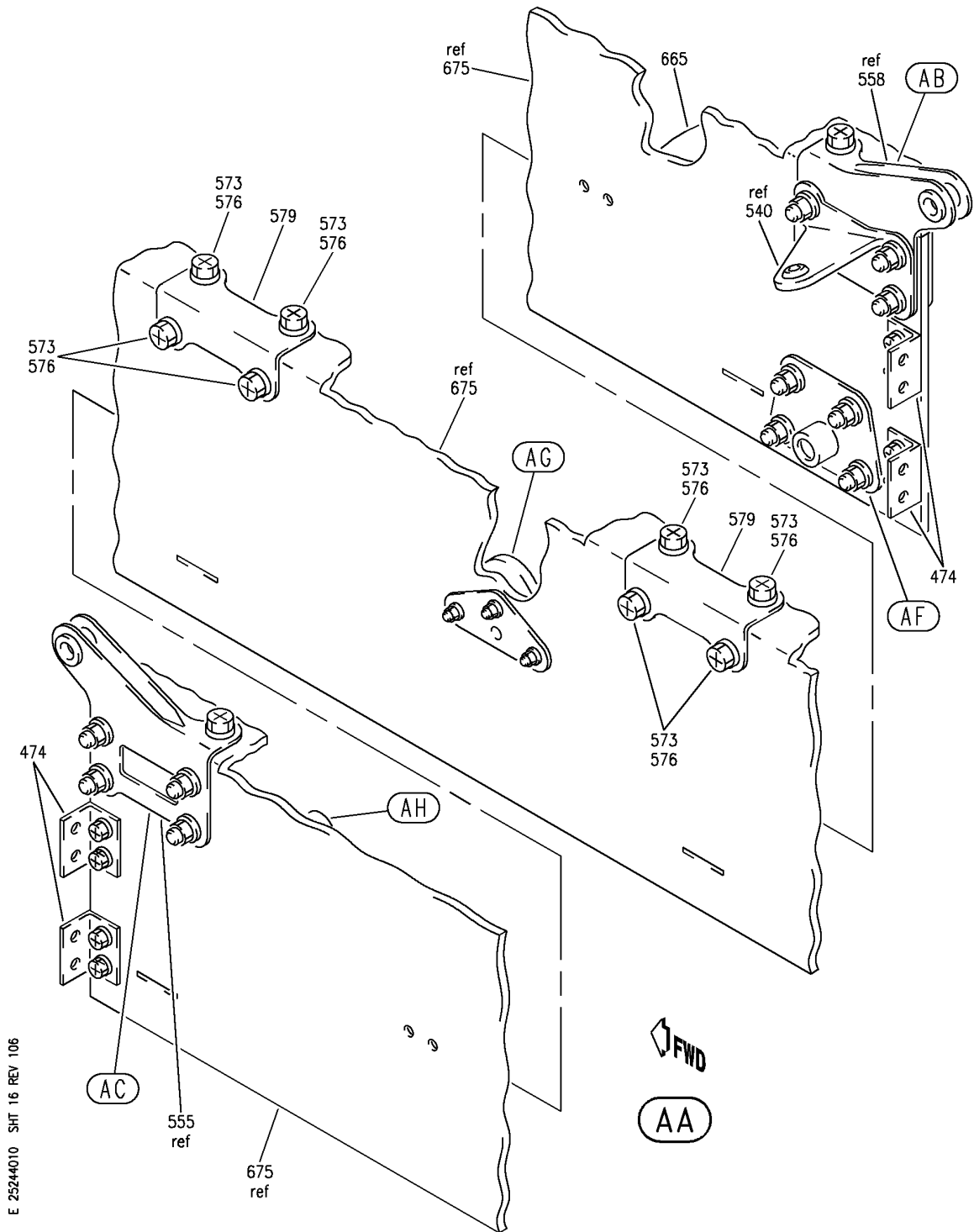
BOX INSTL-MID CTR OVHD STOWAGE
 FIGURE 10 (SHEET 15)

25-24-40-10

HAP
 OCT 10/06

25-24-40-10
 PAGE ON

BOEING
 737-600/700/800/900
 PARTS CATALOG (MAINTENANCE)



E 25244010 SHT 16 REV 106

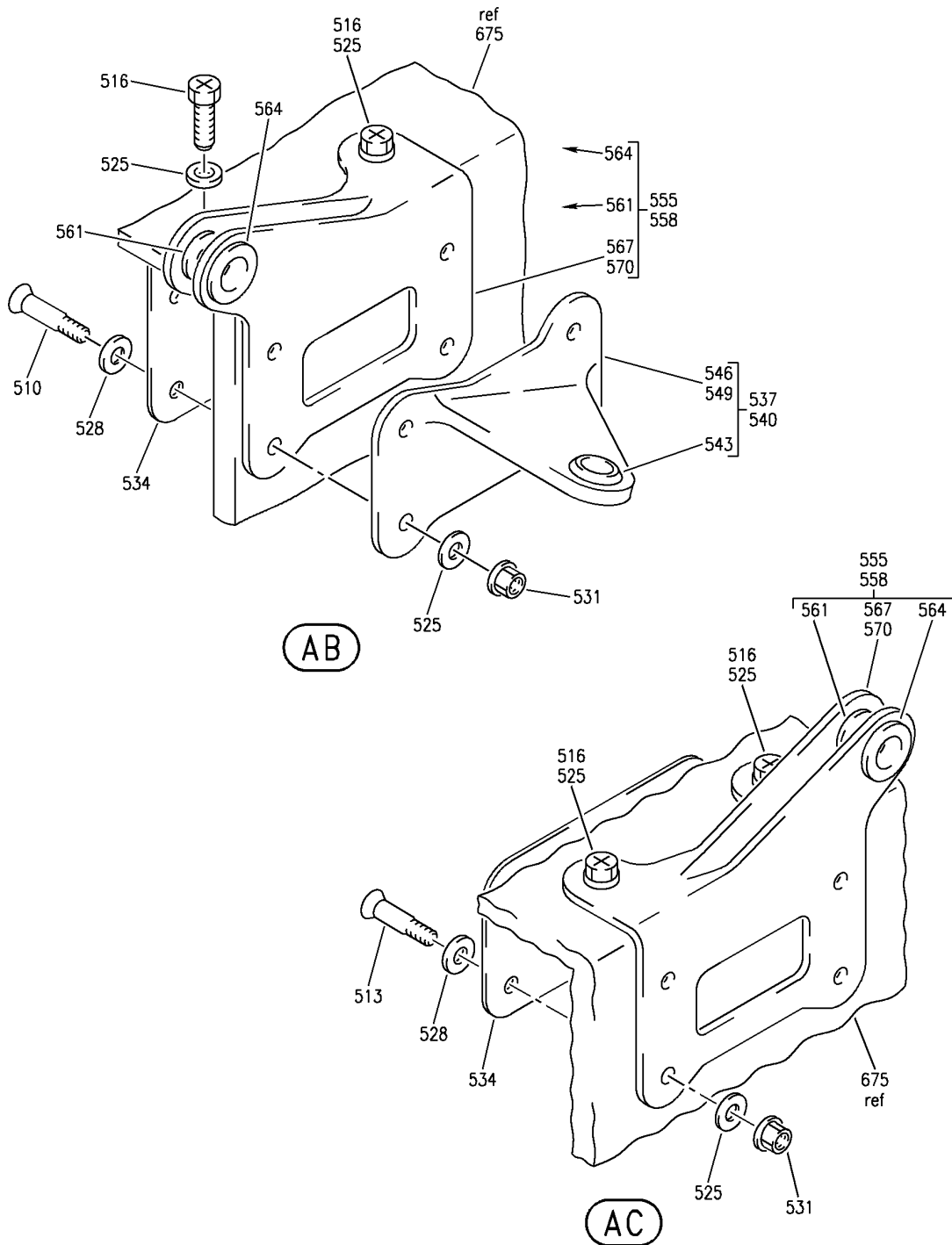
BOX INSTL-MID CTR OVHD STOWAGE
 FIGURE 10 (SHEET 16)

25-24-40-10

HAP
 OCT 10/06

25-24-40-10
 PAGE 00

BOEING
 737-600/700/800/900
 PARTS CATALOG (MAINTENANCE)



E 25244010 SH1 17 REV 106

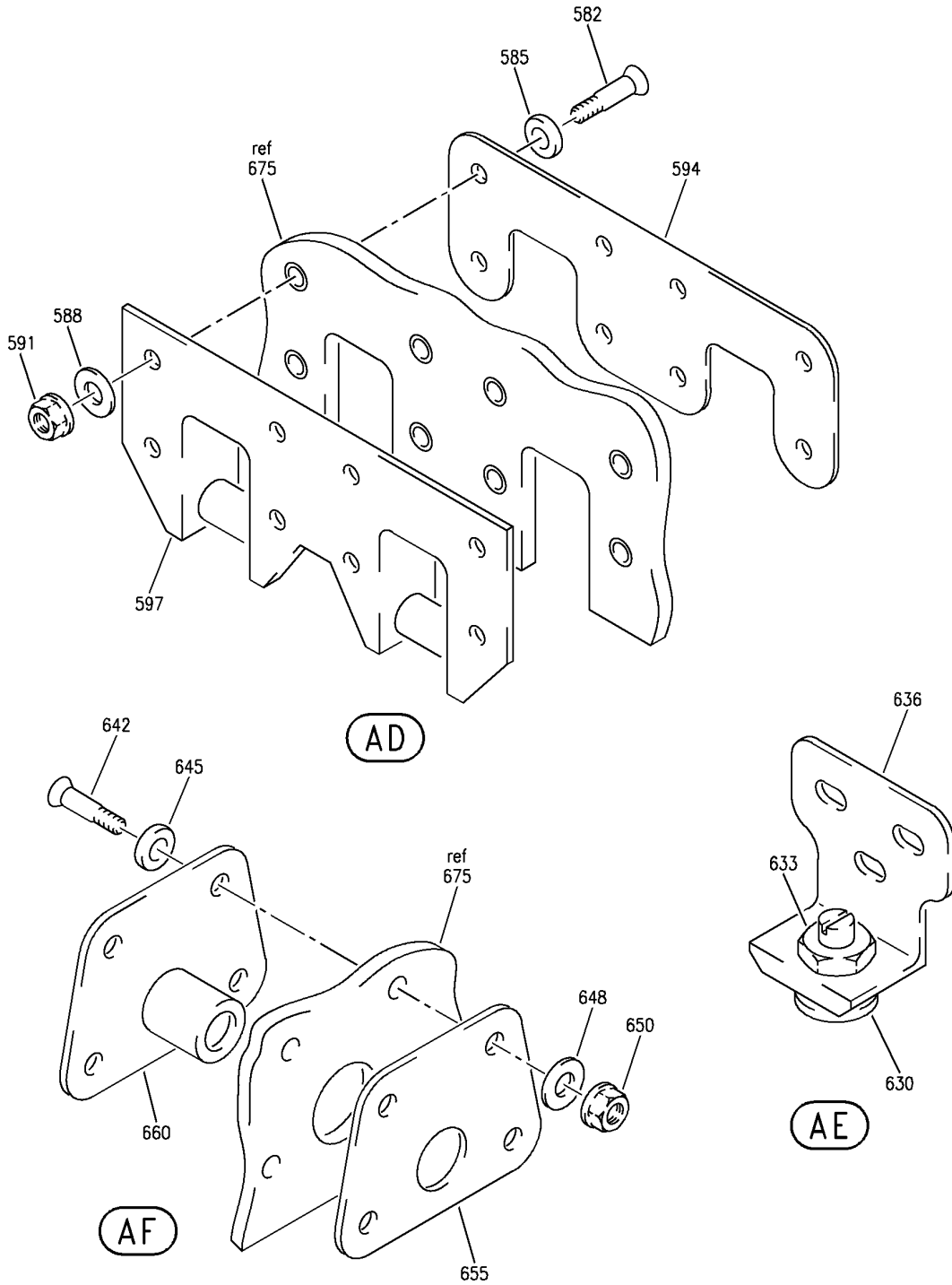
BOX INSTL-MID CTR OVHD STOWAGE
 FIGURE 10 (SHEET 17)

25-24-40-10

HAP
 OCT 10/06

25-24-40-10
 PAGE 0P

BOEING
 737-600/700/800/900
 PARTS CATALOG (MAINTENANCE)



E 25244010 SHT 18 REV 106

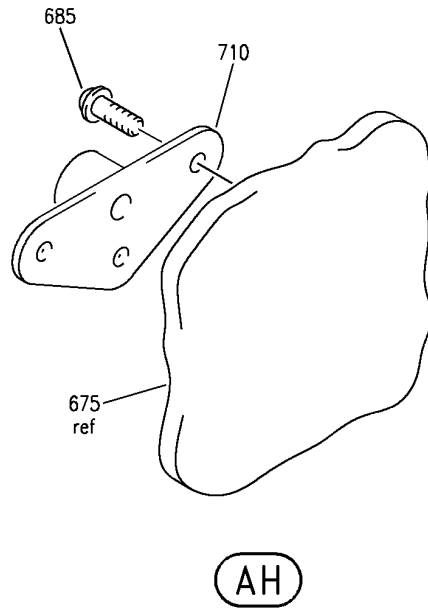
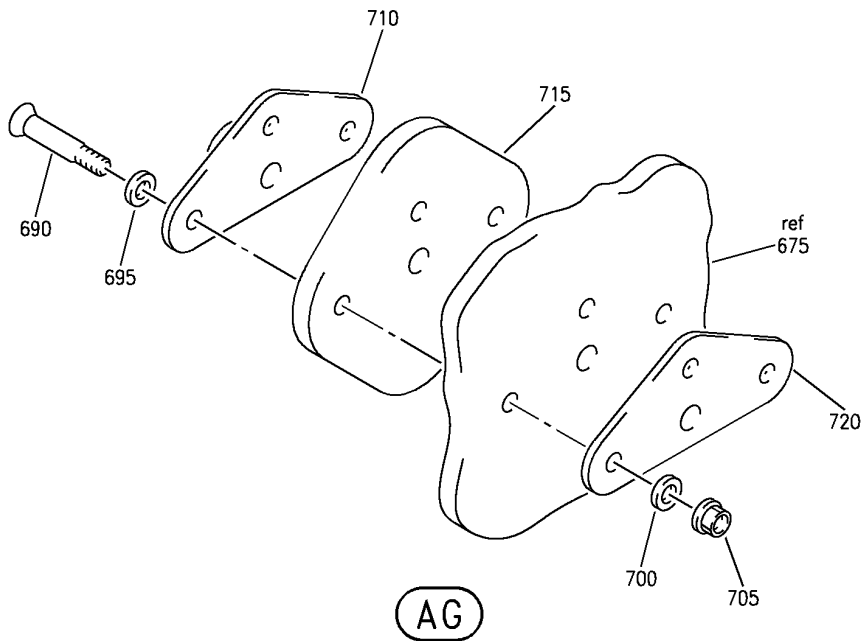
BOX INSTL-MID CTR OVHD STOWAGE
 FIGURE 10 (SHEET 18)

25-24-40-10

HAP
 OCT 10/06

25-24-40-10
 PAGE 00

BOEING
737-600/700/800/900
PARTS CATALOG (MAINTENANCE)



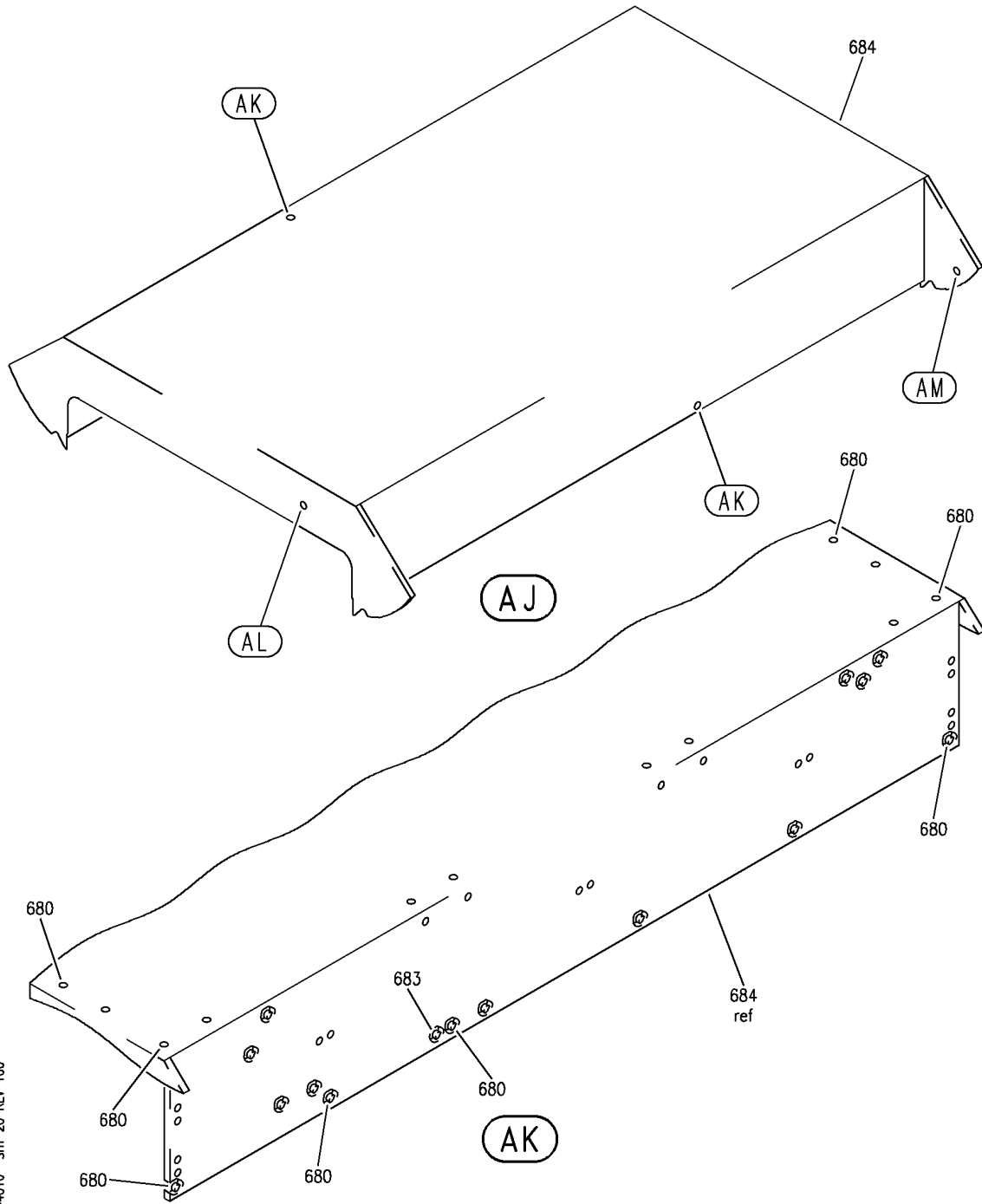
E 25244010 SHT 19 REV 106

BOX INSTL-MID CTR OVHD STOWAGE
FIGURE 10 (SHEET 19)

25-24-40-10

HAP
OCT 10/06

25-24-40-10
PAGE OR



E 25244010 SHT 20 REV 106

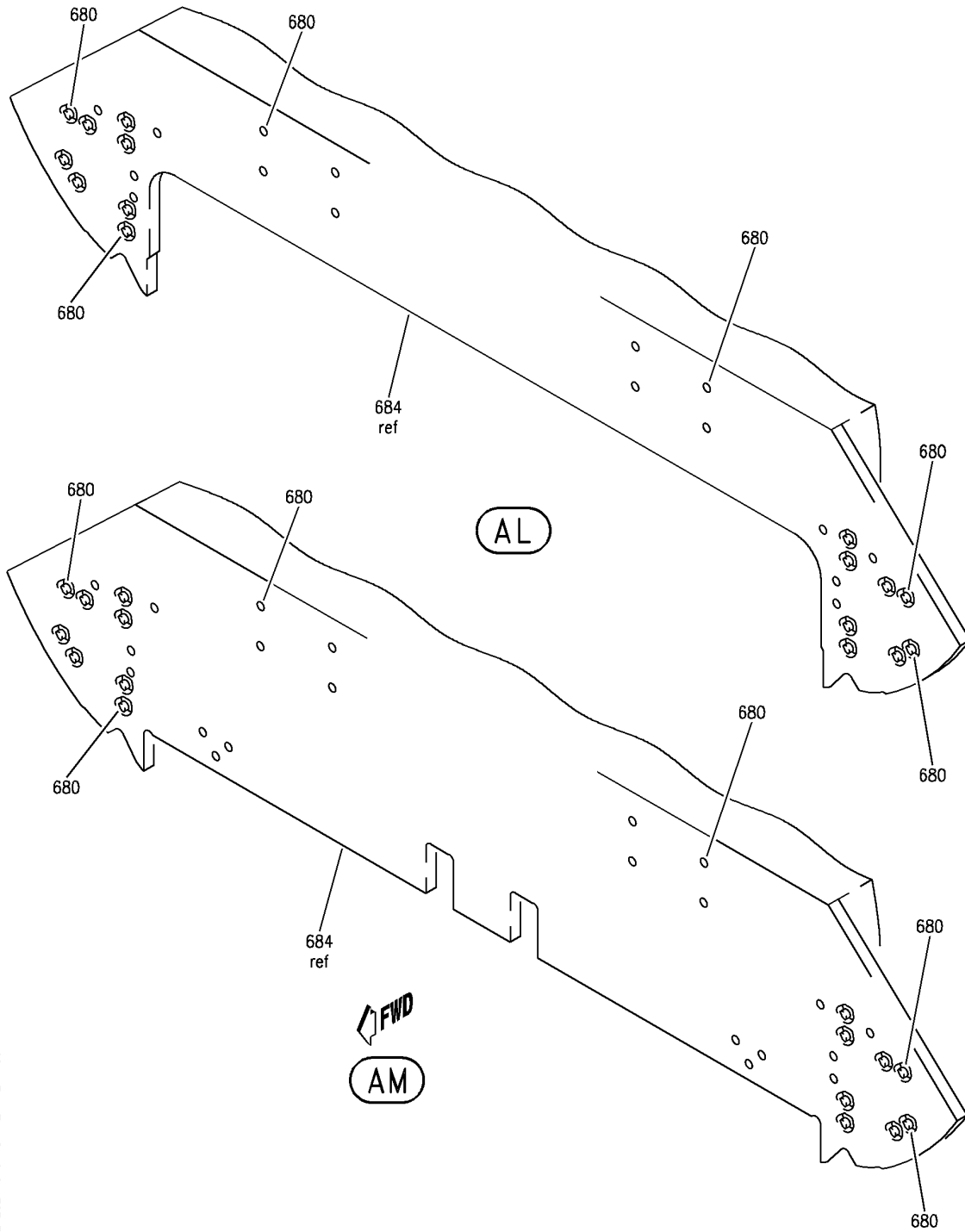
BOX INSTL-MID CTR OVHD STOWAGE
 FIGURE 10 (SHEET 20)

25-24-40-10

HAP
 OCT 10/06

25-24-40-10
 PAGE 05

BOEING
737-600/700/800/900
PARTS CATALOG (MAINTENANCE)



E 25244010 SHT 21 REV 106

BOX INSTL-MID CTR OVHD STOWAGE
FIGURE 10 (SHEET 21)

25-24-40-10

HAP
OCT 10/06

25-24-40-10
PAGE 0T

BOEING
737-600/700/800/900
PARTS CATALOG (MAINTENANCE)

FIG ITEM	PART NUMBER	1 2 3 4 5 6 7	NOMENCLATURE	EFFECT FROM TO	UNITS PER ASSY
10			BOX INSTL-MID CTR OVHD STOWAGE	031200 968999	
- 1	MODREF91671		BOX INSTL-OVHD STOWAGE MODULE NUMBER: 412A4100-211B REV A POSITION DATA: MID CTR	031200 968999	1
5	BACB30NR4K11		.BOLT-	031200 968999	8
10	NAS1149D0432J		.WASHER-	031200 968999	16
15	PLH54CD		.NUT- SUPPLIER CODE: VF0224 SPECIFICATION NUMBER: BACN10YR4CD OPTIONAL PART: H52732-4CD V15653	031200 968999	8
20	BACB28AK04-028		.BUSHING-	031200 968999	8
25	412A4110-7B		.BOX ASSY-STOWAGE	031200 968999	1
35	BACB30NM4K20		..BOLT	031200 968999	2
40	BACB30NM4K24		..BOLT	031200 968999	2
45	BACB30NM4K6		..BOLT- OPTIONAL PART: BACS12FA4K12	031200 968999	4
47	BACS12FA4K12		..SCREW- OPTIONAL PART: BACB30NM4K6	031200 968999	4
50	HST10AG8-8		..BOLT SUPPLIER CODE: VOPTK6 SPECIFICATION NUMBER: BACB30VT8K8 OPTIONAL PART: HST10AG8-8 V06725 HST10AG8-8 V56878 HST10AG8-8 V73197 WC10K8-8 V60516	031200 968999	2
55	BACB30XD3K9		..BOLT	031200 968999	8

MISSING ITEM NUMBERS NOT APPLICABLE

- ITEM NOT ILLUSTRATED

HAP

25-24-40-10

25-24-40
FIG. 10
PAGE 1
FEB 15/09

BOEING
737-600/700/800/900
PARTS CATALOG (MAINTENANCE)

FIG ITEM	PART NUMBER	1 2 3 4 5 6 7	NOMENCLATURE	EFFECT FROM TO	UNITS PER ASSY
10					
60	BACS12FA3K8	..	SCREW	031200 968999	2
65	NAS1149D0432J	..	WASHER	031200 968999	16
70	NAS1149D0463J	..	WASHER	031200 968999	2
75	PLH54CD	..	NUT SUPPLIER CODE: VFO224 SPECIFICATION NUMBER: BACN10YR4CD OPTIONAL PART: H52732-4CD V15653	031200 968999	4
77	BACC30BL8	..	COLLAR	031200 968999	2
80	412A4110-17	..	KIT ASSY-SUBSTITUTION OPTIONAL PART: 412A4110-16	031200 968999	2
82	BACB30NT4K9	...	BOLT	031200 968999	1
83	PLH54CD	...	NUT SUPPLIER CODE: VFO224 SPECIFICATION NUMBER: BACN10YR4CD OPTIONAL PART: H52732-4CD V15653	031200 968999	1
85	412A4110-16	..	KIT ASSY-SUBSTITUTION OPTIONAL PART: 412A4110-17	031200 968999	2
87	BACB30NM4K10	...	BOLT	031200 968999	1
88	26C048	...	NUT SUPPLIER CODE: V80539 SPECIFICATION NUMBER: BACN10R428A	031200 968999	1
90	SP20367	..	SNUBBER-RATE CONT SUPPLIER CODE: V24403 SPECIFICATION NUMBER: S412A415-1	031200 968999	2
95	SP20257	..	ACTUATOR- SUPPLIER CODE: V24403 SPECIFICATION NUMBER: S412A415-2	031200 968999	2

MISSING ITEM NUMBERS NOT APPLICABLE

— ITEM NOT ILLUSTRATED

HAP

25-24-40-10

BOEING PROPRIETARY - Copyright © - Unpublished Work - See title page for details.

25-24-40
FIG. 10
PAGE 2
FEB 15/09

BOEING
737-600/700/800/900
PARTS CATALOG (MAINTENANCE)

FIG ITEM	PART NUMBER	1 2 3 4 5 6 7	NOMENCLATURE	EFFECT FROM TO	UNITS PER ASSY
10					
100	SP20101	..	SNUBBER- SUPPLIER CODE: V24403 SPECIFICATION NUMBER: S413U160-2	031200 968999	2
105	412A4160-37A	..	FITTING-DAMPER	031200 968999	2
110	412A4160-2A	..	PIN-HINGE	031200 968999	2
115	421W1285-1	..	DAMPER-HINGE	031200 968999	2
120	421W1285-3	..	WASHER-HINGE	031200 968999	2
125	421W1285-2	..	BUSHING-HINGE	031200 968999	2
130	BACS12GU3K8	..	SCREW	031200 968999	4
135	NAS1149D0332J	..	WASHER	031200 968999	4
140	412A4113-16B	..	CAP ASSY-END	031200 968999	1
145	BACS12GU3K5	...	SCREW	031200 968999	8
150	NAS1149D0332J	...	WASHER	031200 968999	8
155	412A4161-13	...	BRACKET ASSY	031200 968999	1
160	412A4161-14	...	BRACKET ASSY	031200 968999	1
165	BRC600-10-3	NUT SUPPLIER CODE: V52828 SPECIFICATION NUMBER: BACN10YD2 OPTIONAL PART: 130121 V60119	031200 968999	1
170	412A4161-21	BRACKET- USED ON: 412A4161-13	031200 968999	1
175	412A4161-22	BRACKET- USED ON: 412A4161-14	031200 968999	1
180	412A4120-15B	...	CAP ASSY- OPTIONAL PART: 412A4120-1000A	031200 968999	1
180	412A4120-1000A	...	CAP ASSY- OPTIONAL PART: 412A4120-15B	031200 968999	1

MISSING ITEM NUMBERS NOT APPLICABLE

— ITEM NOT ILLUSTRATED

HAP

25-24-40-10

BOEING PROPRIETARY - Copyright © - Unpublished Work - See title page for details.

25-24-40
FIG. 10
PAGE 3
FEB 15/09

BOEING
737-600/700/800/900
PARTS CATALOG (MAINTENANCE)

FIG ITEM	PART NUMBER	1 2 3 4 5 6 7	NOMENCLATURE	EFFECT FROM TO	UNITS PER ASSY
10					
- 185	SL618-3A	INSERT- SUPPLIER CODE: V97393	031200 968999	10
190	412A4130-1A	...	TRIM-EDGE	031200 968999	1
195	412A4130-2A	...	TRIM-EDGE	031200 968999	1
200	412A4161-26A	...	BRACKET	031200 968999	1
205	412A4113-11B	..	CAP ASSY-END	031200 968999	1
210	BACS12GU3K5	...	SCREW	031200 968999	6
215	NAS1149D0332J	...	WASHER	031200 968999	6
220	412A4161-13	...	BRACKET ASSY	031200 968999	1
225	412A4161-14	...	BRACKET ASSY	031200 968999	1
230	BRC600-10-3	NUT SUPPLIER CODE: V52828 SPECIFICATION NUMBER: BACN10YD2 OPTIONAL PART: 130121 V60119	031200 968999	1
235	412A4161-21	BRACKET- USED ON: 412A4161-13	031200 968999	1
240	412A4161-22	BRACKET- USED ON: 412A4161-14	031200 968999	1
245	412A4120-11B	...	CAP ASSY- OPTIONAL PART: 412A4120-300A	031200 968999	1
245	412A4120-300A	...	CAP ASSY- OPTIONAL PART: 412A4120-11B	031200 968999	1
- 250	SL2334-3A1	INSERT- SUPPLIER CODE: V97393 OPTIONAL PART: SL618-3A V97393 USED ON: 412A4120-300A	031200 968999	6

MISSING ITEM NUMBERS NOT APPLICABLE

- ITEM NOT ILLUSTRATED

HAP

25-24-40-10

BOEING PROPRIETARY - Copyright © - Unpublished Work - See title page for details.

25-24-40
FIG. 10
PAGE 4
FEB 15/09

BOEING
737-600/700/800/900
PARTS CATALOG (MAINTENANCE)

FIG ITEM	PART NUMBER	1 2 3 4 5 6 7	NOMENCLATURE	EFFECT FROM TO	UNITS PER ASSY
10					
- 250	SL618-3A	INSERT- SUPPLIER CODE: V97393 OPTIONAL PART: SL2334-3A1 V97393	031200 968999	6
255	412A4130-1A	TRIM-EDGE USED ON: 412A4120-11B	031200 968999	1
260	412A4130-2A	TRIM-EDGE USED ON: 412A4120-11B	031200 968999	1
263	412A4112-3B	..	DOOR ASSY-	031200 968999	1
266	412A4125-35B	...	PANEL ASSY-BACK WALL OPTIONAL PART: 412A4125-26B	031200 968999	1
266	412A4125-26B	...	PANEL ASSY-BACK WALL OPTIONAL PART: 412A4125-35B ATTACHING PARTS	031200 968999	1
- 269	BACS12FA3K5	...	SCREW	031200 968999	8
			-----*-----		
- 272	SL2334-3A1	INSERT- SUPPLIER CODE: V97393	031200 968999	8
273	432W8501-26BRMA	PANEL	031200 968999	1
275	413U5008-21A	...	CLIP ATTACHING PARTS	031200 968999	4
- 278	BACS12FA3K5	...	SCREW	031200 968999	8
			-----*-----		
281	412A4161-17A	...	DOUBLER ASSY-HINGE	031200 968999	2

MISSING ITEM NUMBERS NOT APPLICABLE

- ITEM NOT ILLUSTRATED

HAP

25-24-40-10

BOEING PROPRIETARY - Copyright © - Unpublished Work - See title page for details.

25-24-40
FIG. 10
PAGE 5
FEB 15/09

BOEING
737-600/700/800/900
PARTS CATALOG (MAINTENANCE)

FIG ITEM	PART NUMBER	1 2 3 4 5 6 7	NOMENCLATURE	EFFECT FROM TO	UNITS PER ASSY
10 284	BRF200C3D	NUTPLATE SUPPLIER CODE: V52828 SPECIFICATION NUMBER: BACN10JR3CFD OPTIONAL PART: K51602-3BAC V15653 NS202476-02 V80539 102F9201-3 V72962 T8092C1032CD V11815 ATTACHING PARTS	031200 968999	4
- 287	BACR15BA3AD	RIVET- SIZE DETERMINED ON INSTL. -----*-----	031200 968999	8
290	412A4161-18A	DOUBLER	031200 968999	1
293	412A4161-7A	...	BRACKET ATTACHING PARTS	031200 968999	2
- 295	BACS12FA3K5	...	SCREW -----*-----	031200 968999	4
298	412A4134-1	...	BLOCK-GUIDE ATTACHING PARTS	031200 968999	2
- 301	BACS12GU3K11	...	SCREW	031200 968999	2
- 304	NAS1149D0332J	...	WASHER -----*-----	031200 968999	2
307	412A4160-33A	...	FITTING ASSY-ACTR	031200 968999	1
310	412A4160-34A	...	FITTING ASSY-ACTR	031200 968999	1
- 313	BACS12GU3K6	...	SCREW ATTACHING PARTS	031200 968999	4
- 315	NAS1149D0332J	...	WASHER -----*-----	031200 968999	4
318	BACB28AP04P020	BUSHING	031200 968999	1
321	412A4160-35A	FITTING- USED ON: 412A4160-33A	031200 968999	1

MISSING ITEM NUMBERS NOT APPLICABLE

- ITEM NOT ILLUSTRATED

HAP

25-24-40-10

BOEING PROPRIETARY - Copyright © - Unpublished Work - See title page for details.

25-24-40
FIG. 10
PAGE 6
OCT 15/08

BOEING
737-600/700/800/900
PARTS CATALOG (MAINTENANCE)

FIG ITEM	PART NUMBER	1 2 3 4 5 6 7	NOMENCLATURE	EFFECT FROM TO	UNITS PER ASSY
10					
324	412A4160-36A	FITTING- USED ON: 412A4160-34A	031200 968999	1
327	412A4160-7A	...	FITTING ASSY-ACTR	031200 968999	2
			ATTACHING PARTS		
- 330	BACS12GU3K6	...	SCREW	031200 968999	6
- 333	NAS1149D0332J	...	WASHER	031200 968999	6
			-----*-----		
336	BACB28AP04P005	BUSHING	031200 968999	1
339	412A4160-8A	FITTING	031200 968999	1
342	412A4161-23A	...	BRACKET	031200 968999	2
			ATTACHING PARTS		
- 345	BACS12FA3K5	...	SCREW	031200 968999	52
			-----*-----		
348	412A4160-23	...	STOP ASSY	031200 968999	2
			ATTACHING PARTS		
- 351	BACS12FA3K6	...	SCREW	031200 968999	4
			-----*-----		
354	412A4132-1	...	WINDOW-VIEWPORT	031200 968999	1
357	411A3082-7A	...	GROMMET	031200 968999	1
379	BACS12FA3K4	...	SCREW	031200 968999	25
382	BACS12FA3K13	...	SCREW	031200 968999	2
385	BACB30VF3K3	...	BOLT	031200 968999	2
388	BACS12FA3K7	...	SCREW	031200 968999	2
391	BACS12GU3K5	...	SCREW	031200 968999	14
394	NAS8201A6	...	SCREW	031200 968999	2
397	NAS43HT3-16	...	SPACER	031200 968999	2
400	NAS1149FN632P	...	WASHER	031200 968999	2

MISSING ITEM NUMBERS NOT APPLICABLE

- ITEM NOT ILLUSTRATED

HAP

25-24-40-10

BOEING PROPRIETARY - Copyright © - Unpublished Work - See title page for details.

25-24-40
FIG. 10
PAGE 7
OCT 15/08

BOEING
737-600/700/800/900
PARTS CATALOG (MAINTENANCE)

FIG ITEM	PART NUMBER	1 2 3 4 5 6 7	NOMENCLATURE	EFFECT FROM TO	UNITS PER ASSY
10 403	H3-1608-1A	...	LATCH- SUPPLIER CODE: V34941 OPTIONAL PART: H3-1608-1 V34941	031200 968999	1
405	412A4125-34B	...	PANEL ASSY- POSITION DATA: LH SIDE OPTIONAL PART: 412A4125-25B	031200 968999	1
405	412A4125-25B	...	PANEL ASSY- POSITION DATA: LH SIDE OPTIONAL PART: 412A4125-34B	031200 968999	1
408	412A4125-33B	...	PANEL ASSY- POSITION DATA: RH SIDE OPTIONAL PART: 412A4125-24B	031200 968999	1
408	412A4125-24B	...	PANEL ASSY- POSITION DATA: RH SIDE OPTIONAL PART: 412A4125-33B	031200 968999	1
411	SL2334-3A1	INSERT- SUPPLIER CODE: V97393	031200 968999	24
414	SL2334-4A1	INSERT- SUPPLIER CODE: V97393	031200 968999	1
415	432W8501-32BRMA	PANEL	031200 968999	1
417	412A4125-31B	...	PANEL ASSY- OPTIONAL PART: 412A4125-22B 412A4125-45B	031200 968999	1
417	412A4125-22B	...	PANEL ASSY- OPTIONAL PART: 412A4125-31B 412A4125-45B	031200 968999	1
417	412A4125-45B	...	PANEL ASSY- OPTIONAL PART: 412A4125-31B 412A4125-22B	031200 968999	1
420	SL2334-3A1	INSERT- SUPPLIER CODE: V97393	031200 968999	71

MISSING ITEM NUMBERS NOT APPLICABLE

— ITEM NOT ILLUSTRATED

HAP

25-24-40-10

BOEING PROPRIETARY - Copyright © - Unpublished Work - See title page for details.

25-24-40
FIG. 10
PAGE 8
OCT 15/08

BOEING
737-600/700/800/900
PARTS CATALOG (MAINTENANCE)

FIG ITEM	PART NUMBER	1 2 3 4 5 6 7	NOMENCLATURE	EFFECT FROM TO	UNITS PER ASSY
10					
424	432W8501-112B	PANEL- USED ON: 412A4125-31B 412A4125-32B	031200 968999	1
424	432W8501-82C	PANEL- USED ON: 412A4125-22B 412A4125-23B	031200 968999	1
424	432W8501-72	PANEL- USED ON: 412A4125-44B 412A4125-45B	031200 968999	1
426	412A4111-8B	..	BOX ASSY- POSITION DATA: UPR	031200 968999	1
429	412A4161-4	...	BRACKET	031200 968999	10
			ATTACHING PARTS		
- 432	BACS12GU3K4	...	SCREW	031200 968999	20
- 435	NAS1149D0332J	...	WASHER	031200 968999	20
			-----*-----		
438	412A4161-5	...	BRACKET	031200 968999	8
			ATTACHING PARTS		
- 441	BACS12GU3K5	...	SCREW	031200 968999	32
- 444	NAS1149D0332J	...	WASHER	031200 968999	32
			-----*-----		
447	412A4120-7B	...	PANEL ASSY- OPTIONAL PART: 412A4120-3A	031200 968999	2
447	412A4120-3A	...	PANEL ASSY- OPTIONAL PART: 412A4120-7B	031200 968999	2
- 450	SL2334-3A1	INSERT- SUPPLIER CODE: V97393 OPTIONAL PART: SL618-3A V97393 USED ON: 412A4120-3A	031200 968999	28

MISSING ITEM NUMBERS NOT APPLICABLE

- ITEM NOT ILLUSTRATED

HAP

25-24-40-10

BOEING PROPRIETARY - Copyright © - Unpublished Work - See title page for details.

25-24-40
FIG. 10
PAGE 9
OCT 15/08

BOEING
737-600/700/800/900
PARTS CATALOG (MAINTENANCE)

FIG ITEM	PART NUMBER	1 2 3 4 5 6 7	NOMENCLATURE	EFFECT FROM TO	UNITS PER ASSY
10					
- 450	SL618-3A	INSERT- SUPPLIER CODE: V97393 OPTIONAL PART: SL2334-3A1 V97393 USED ON: 412A4120-3A	031200 968999	28
- 450	SL618-3A	INSERT- SUPPLIER CODE: V97393 USED ON: 412A4120-7B	031200 968999	28
453	412A4130-1A	TRIM-EDGE	031200 968999	1
456	412A4130-2A	TRIM-EDGE	031200 968999	1
459	412A4133-1	...	SEAL-GAP COVER	031200 968999	4
462	412A4161-8	...	BRACKET	031200 968999	4
			ATTACHING PARTS		
- 465	BACS12GU3K4	...	SCREW	031200 968999	16
- 468	NAS1149D0332J	...	WASHER	031200 968999	16
			-----*-----		
471	412A4131-2	...	BAFFLE	031200 968999	2
474	413U5008-21A	...	CLIP	031200 968999	18
			ATTACHING PARTS		
- 477	BACS12GU3K6	...	SCREW	031200 968999	72
- 480	NAS1149D0332J	...	WASHER	031200 968999	72
			-----*-----		
483	BACS12FA3K4	...	SCREW	031200 968999	24
486	412A4131-1A	...	OUTLET-AIR	031200 968999	1
489	412A4131-4A	...	OUTLET-AIR	031200 968999	1
492	214A2401-3	...	PLENUM	031200 968999	4
			ATTACHING PARTS		
- 495	BACS12GU3K5	...	SCREW	031200 968999	16

MISSING ITEM NUMBERS NOT APPLICABLE

- ITEM NOT ILLUSTRATED

HAP

25-24-40-10

BOEING PROPRIETARY - Copyright © - Unpublished Work - See title page for details.

25-24-40
FIG. 10
PAGE 10
OCT 15/08

BOEING
737-600/700/800/900
PARTS CATALOG (MAINTENANCE)

FIG ITEM	PART NUMBER	1 2 3 4 5 6 7	NOMENCLATURE	EFFECT FROM TO	UNITS PER ASSY
10					
- 498	NAS1149D0332J	...	WASHER	031200 968999	16
			-----*-----		
501	412A4125-19B	...	PANEL ASSY	031200 968999	1
504	412A4125-20B	...	PANEL ASSY	031200 968999	1
505	432W8501-16RMA	PANEL	031200 968999	1
- 507	SL2334-3A1	INSERT- SUPPLIER CODE: V97393	031200 968999	26
510	BACB30NN3K11	...	BOLT	031200 968999	8
513	BACB30NN3K9	...	BOLT	031200 968999	8
516	BACS12GU3K7	...	SCREW	031200 968999	12
519	BACS12GU3K9	...	SCREW	031200 968999	2
522	BACS12GU3K6	...	SCREW	031200 968999	8
525	NAS1149D0332J	...	WASHER	031200 968999	34
528	BACW10BP42CD	...	WASHER	031200 968999	16
531	PLH53CD	...	NUT SUPPLIER CODE: VF0224 SPECIFICATION NUMBER: BACN10YR3CD OPTIONAL PART: H52732-3CD V15653	031200 968999	16
534	412A4161-27B	...	DOUBLER	031200 968999	4
537	412A4160-10	...	FITTING ASSY-SPRT POSITION DATA: FWD	031200 968999	1
540	412A4160-9	...	FITTING ASSY-SPRT POSITION DATA: FWD	031200 968999	1

MISSING ITEM NUMBERS NOT APPLICABLE

- ITEM NOT ILLUSTRATED

HAP

25-24-40-10

BOEING PROPRIETARY - Copyright © - Unpublished Work - See title page for details.

25-24-40
FIG. 10
PAGE 11
FEB 15/09

BOEING
737-600/700/800/900
PARTS CATALOG (MAINTENANCE)

FIG ITEM	PART NUMBER	1 2 3 4 5 6 7	NOMENCLATURE	EFFECT FROM TO	UNITS PER ASSY
10 543	AG4V4009	BEARING- SUPPLIER CODE: V15860 SPECIFICATION NUMBER: 60B00180-68 OPTIONAL PART: LHBG4BAC V73134 NC4G12 V56644	031200 968999	1
546	412A4160-11	FITTING- USED ON: 412A4160-9	031200 968999	1
549	412A4160-12	FITTING- USED ON: 412A4160-10	031200 968999	1
552	STBP19M12	PLATE- SUPPLIER CODE: V1B249	031200 968999	4
555	412A4160-13	...	FITTING ASSY-VERT SIDE SPRT	031200 968999	3
558	412A4160-14	...	FITTING ASSY-VERT SIDE SPRT	031200 968999	3
561	BACB28AP04P010	BUSHING	031200 968999	1
564	BACB28AT06B010C	BUSHING	031200 968999	1
567	412A4160-15	FITTING- USED ON: 412A4160-13	031200 968999	1
570	412A4160-16	FITTING- USED ON: 412A4160-14	031200 968999	1
573	BACS12GU3K5	...	SCREW	031200 968999	22
576	NAS1149D0332J	...	WASHER	031200 968999	22
579	412A4161-20	...	CLIP	031200 968999	6
582	BACB30NN3K9	...	BOLT	031200 968999	8
585	BACW10BP42CD	...	WASHER	031200 968999	8
588	NAS1149D0332J	...	WASHER	031200 968999	8

MISSING ITEM NUMBERS NOT APPLICABLE

— ITEM NOT ILLUSTRATED

HAP

25-24-40-10

BOEING PROPRIETARY - Copyright © - Unpublished Work - See title page for details.

25-24-40
FIG. 10
PAGE 12
OCT 15/08

BOEING
737-600/700/800/900
PARTS CATALOG (MAINTENANCE)

FIG ITEM	PART NUMBER	1 2 3 4 5 6 7	NOMENCLATURE	EFFECT FROM TO	UNITS PER ASSY
10 591	PLH53CD	...	NUT SUPPLIER CODE: VFO224 SPECIFICATION NUMBER: BACN10YR3CD OPTIONAL PART: H52732-3CD V15653	031200 968999	8
594	412A4161-19A	...	DOUBLER-STRIKE	031200 968999	1
597	H3-1608-2	...	LATCH-STRIKE SUPPLIER CODE: V34941 SPECIFICATION NUMBER: S412A414-2	031200 968999	1
600	BACS12GU3K6	...	SCREW	031200 968999	8
603	NAS1149D0332J	...	WASHER	031200 968999	8
606	412A4160-39	...	BRACKET-ENDCAP	031200 968999	2
609	412A4160-40	...	BRACKET-ENDCAP	031200 968999	2
612	69B51733-1	...	CLIP-SPR	031200 968999	4
			ATTACHING PARTS		
- 615	BACS12GU3K5	...	SCREW	031200 968999	8
- 618	NAS1149D0332J	...	WASHER	031200 968999	8
			-----*-----		
621	412A4160-21	...	STOP ASSY	031200 968999	2
			ATTACHING PARTS		
- 624	BACS12GU3K6	...	SCREW	031200 968999	6
- 627	NAS1149AD0332J	...	WASHER	031200 968999	6
			-----*-----		
630	421W1284-1	SCREW	031200 968999	1
633	MS25082-5	NUT	031200 968999	1
636	412A4160-22	STOP	031200 968999	1
639	412A4125-21B	...	PANEL ASSY-CLOSEOUT	031200 968999	1
642	BACB30NN3K10	...	BOLT	031200 968999	8

MISSING ITEM NUMBERS NOT APPLICABLE

- ITEM NOT ILLUSTRATED

HAP

25-24-40-10

25-24-40
FIG. 10
PAGE 13
FEB 15/09

BOEING
737-600/700/800/900
PARTS CATALOG (MAINTENANCE)

FIG ITEM	PART NUMBER	1 2 3 4 5 6 7	NOMENCLATURE	EFFECT FROM TO	UNITS PER ASSY
10					
645	BACW10BP42CD	...	WASHER	031200 968999	8
648	NAS1149D0332J	...	WASHER	031200 968999	8
650	PLH53CD	...	NUT SUPPLIER CODE: VFO224 SPECIFICATION NUMBER: BACN10YR3CD OPTIONAL PART: H52732-3CD V15653	031200 968999	8
655	412A4160-3	...	HINGE-PIVOT DOUBLER	031200 968999	2
660	412A4160-4	...	HINGE-PIVOT DOUBLER	031200 968999	2
665	412A4134-2	...	RUBSTRIP	031200 968999	2
			ATTACHING PARTS		
- 670	BACS12ER3K5	...	SCREW	031200 968999	8
			-----*-----		
675	412A4125-17B	...	PANEL ASSY- OPTIONAL PART: 412A4125-36B	031200 968999	1
675	412A4125-36B	...	PANEL ASSY- OPTIONAL PART: 412A4125-17B	031200 968999	1
680	SL2334-3A1	INSERT- SUPPLIER CODE: V97393	031200 968999	158
683	SL2334-4A1	INSERT- SUPPLIER CODE: V97393	031200 968999	2
684	432W8501-26BRMA	PANEL	031200 968999	1
685	BACS12FA3K5	...	SCREW	031200 968999	6
690	BACB30NN3K18	...	BOLT	031200 968999	6
695	BACW10BP42CD	...	WASHER	031200 968999	6
700	NAS1149D0332J	...	WASHER	031200 968999	6

MISSING ITEM NUMBERS NOT APPLICABLE

- ITEM NOT ILLUSTRATED

HAP

25-24-40-10

25-24-40
FIG. 10
PAGE 14
FEB 15/09

BOEING
737-600/700/800/900
PARTS CATALOG (MAINTENANCE)

FIG ITEM	PART NUMBER	1 2 3 4 5 6 7	NOMENCLATURE	EFFECT FROM TO	UNITS PER ASSY
10 705	PLH53CD	...	NUT SUPPLIER CODE: VFO224 SPECIFICATION NUMBER: BACN10YR3CD OPTIONAL PART: H52732-3CD V15653	031200 968999	6
710	413U5007-1	...	SNUBBER	031200 968999	4
715	412A4160-38A	...	SPACER	031200 968999	2
720	412A4161-28B	...	DOUBLER	031200 968999	2

MISSING ITEM NUMBERS NOT APPLICABLE

— ITEM NOT ILLUSTRATED

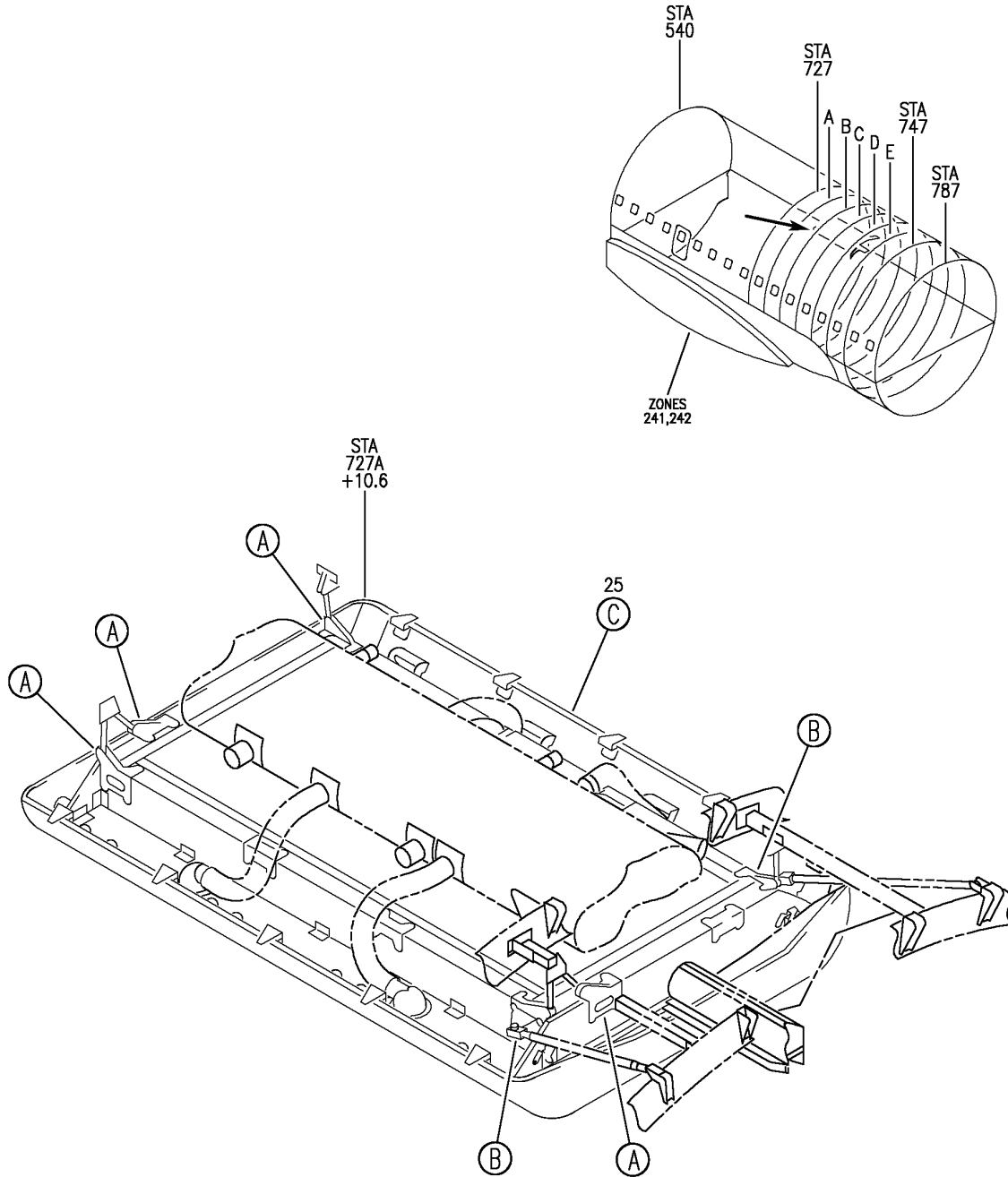
HAP

25-24-40-10

BOEING PROPRIETARY - Copyright © - Unpublished Work - See title page for details.

25-24-40
FIG. 10
PAGE 15
FEB 15/09

BOEING
 737-600/700/800/900
 PARTS CATALOG (MAINTENANCE)



E 25244011 SH1 1 REV 071

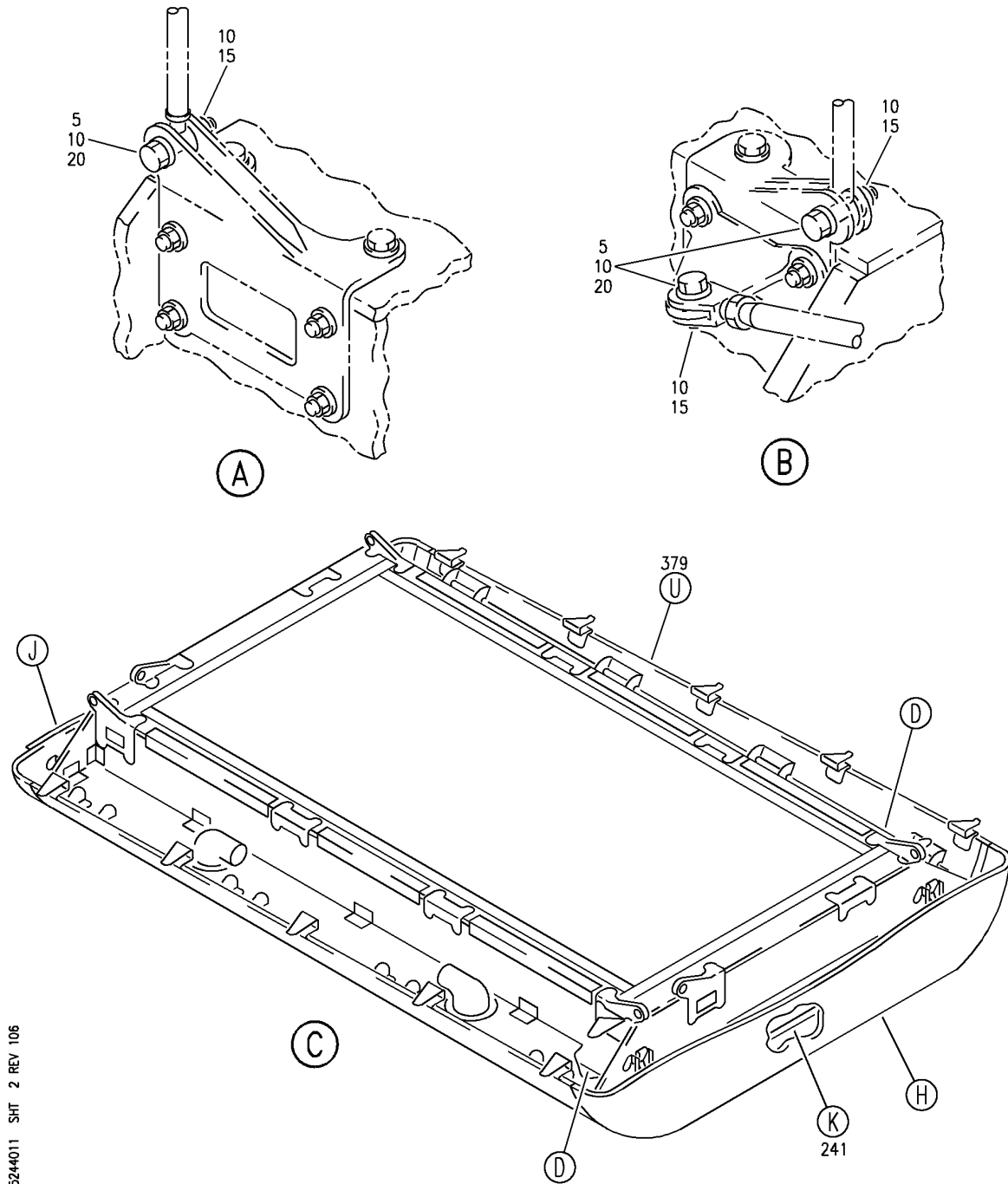
BOX INSTL-MID CTR OVHD STOWAGE
 FIGURE 11 (SHEET 1)

25-24-40-11

HAP
 OCT 10/06

25-24-40-11
 PAGE 0

BOEING
737-600/700/800/900
PARTS CATALOG (MAINTENANCE)



E 25244011 SHT 2 REV 106

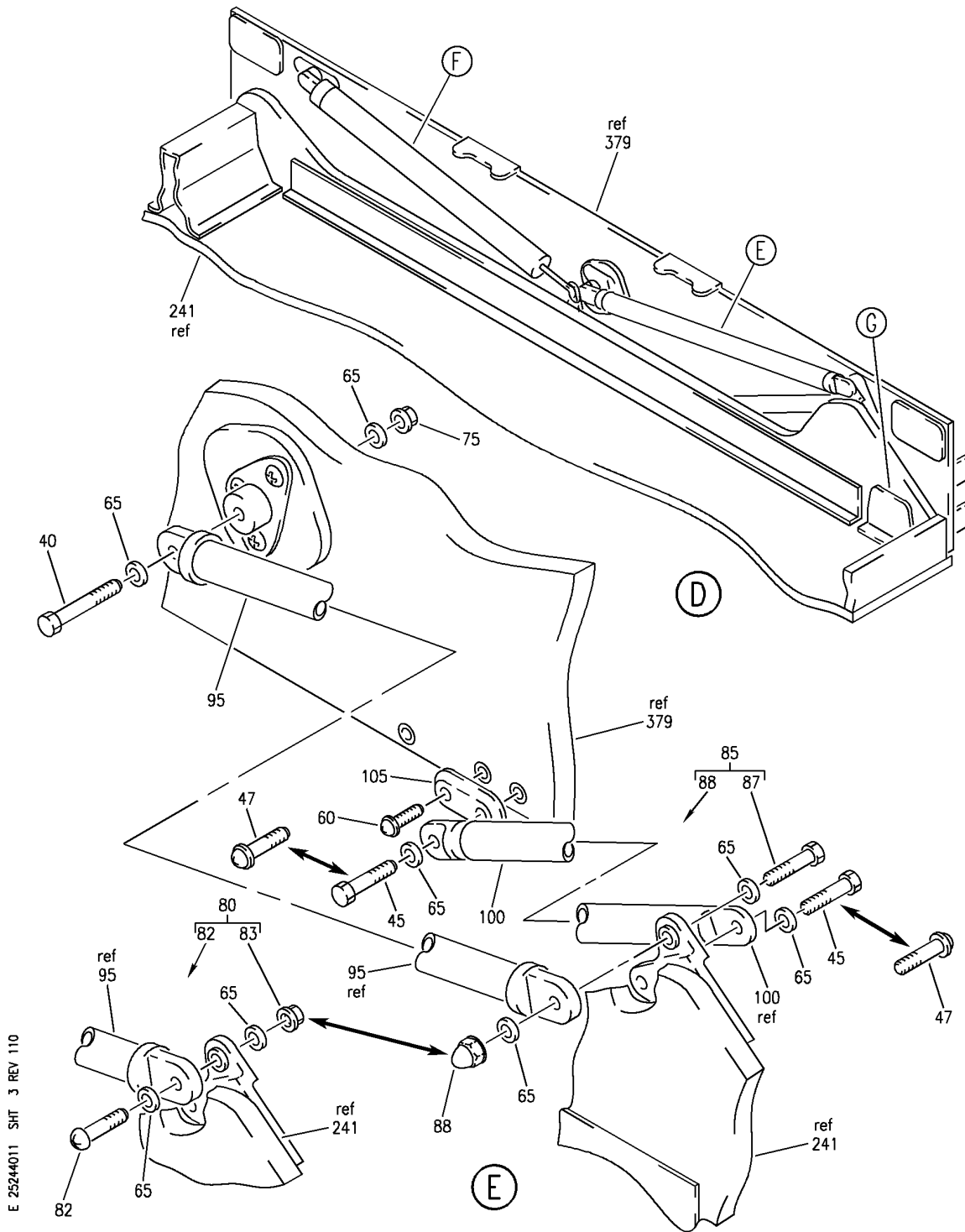
BOX INSTL-MID CTR OVHD STOWAGE
FIGURE 11 (SHEET 2)

25-24-40-11

HAP
OCT 10/06

25-24-40-11
PAGE 0A

BOEING
 737-600/700/800/900
 PARTS CATALOG (MAINTENANCE)



E 25244011 SHT 3 REV 110

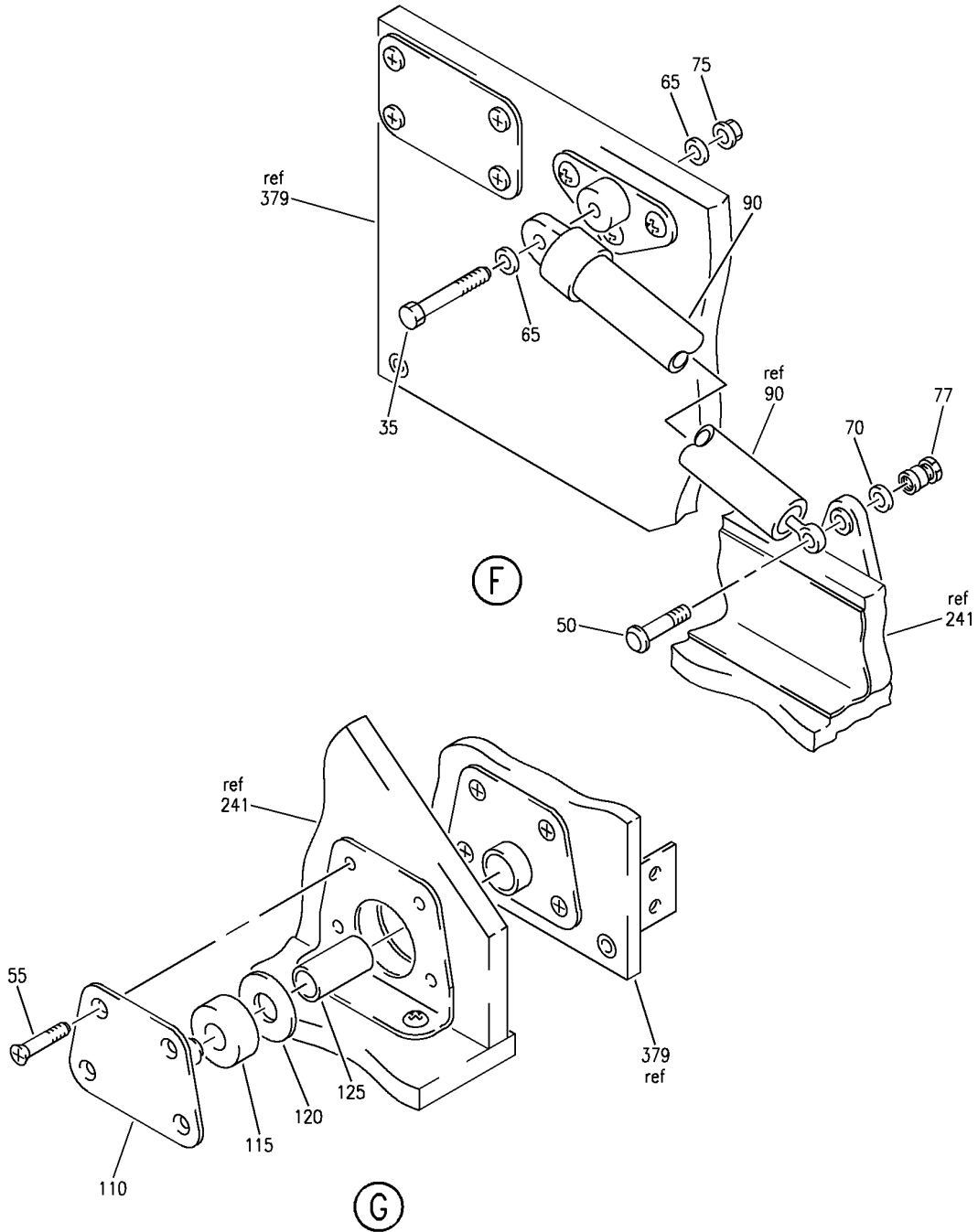
BOX INSTL-MID CTR OVHD STOWAGE
 FIGURE 11 (SHEET 3)

25-24-40-11

HAP
 OCT 10/06

25-24-40-11
 PAGE 0B

BOEING
 737-600/700/800/900
 PARTS CATALOG (MAINTENANCE)



E 25244011 SHT 4 REV 110

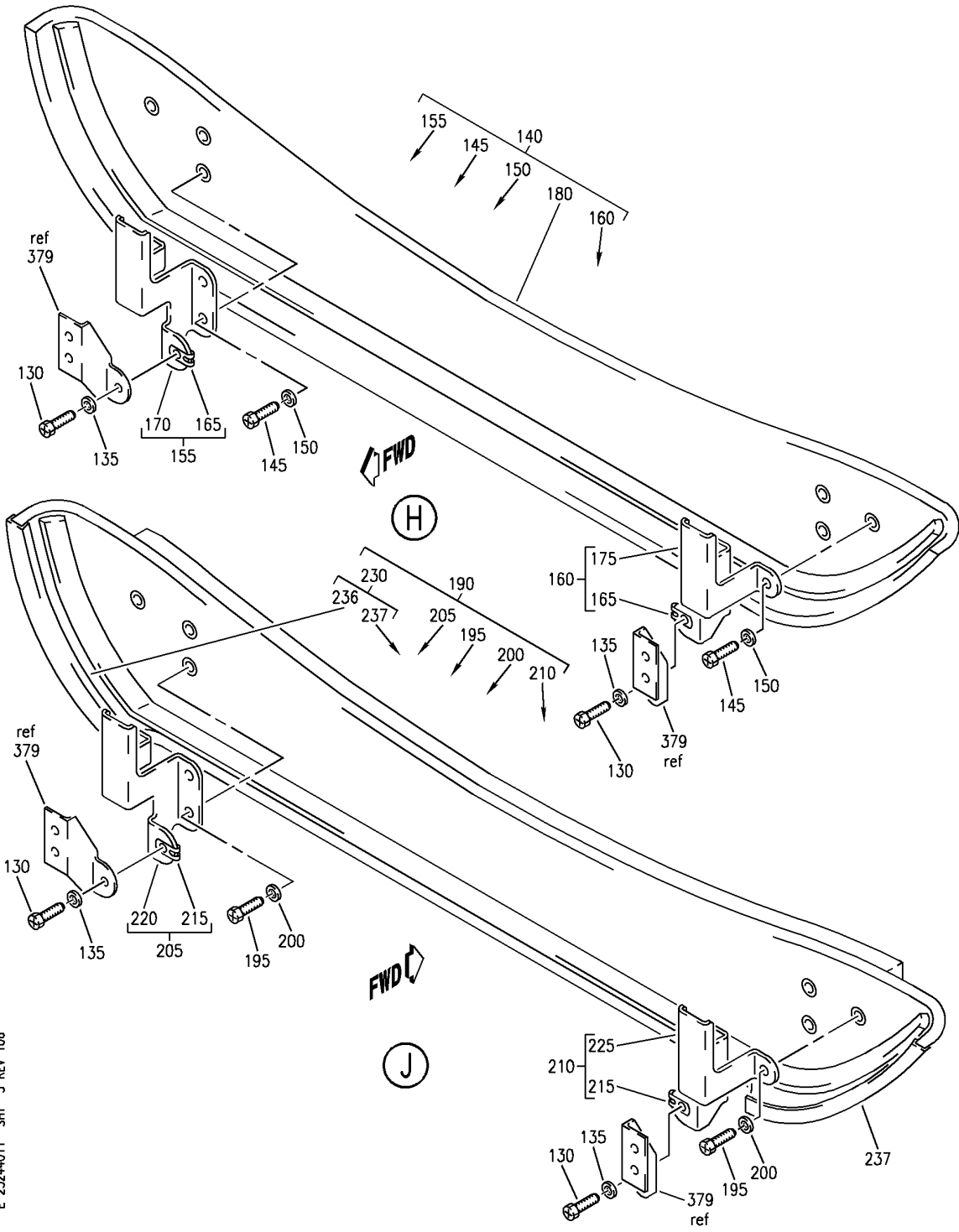
BOX INSTL-MID CTR OVHD STOWAGE
 FIGURE 11 (SHEET 4)

25-24-40-11

HAP
 OCT 10/06

25-24-40-11
 PAGE 0C


BOEING
 737-600/700/800/900
PARTS CATALOG (MAINTENANCE)



E 25244011 SHT 5 REV 106

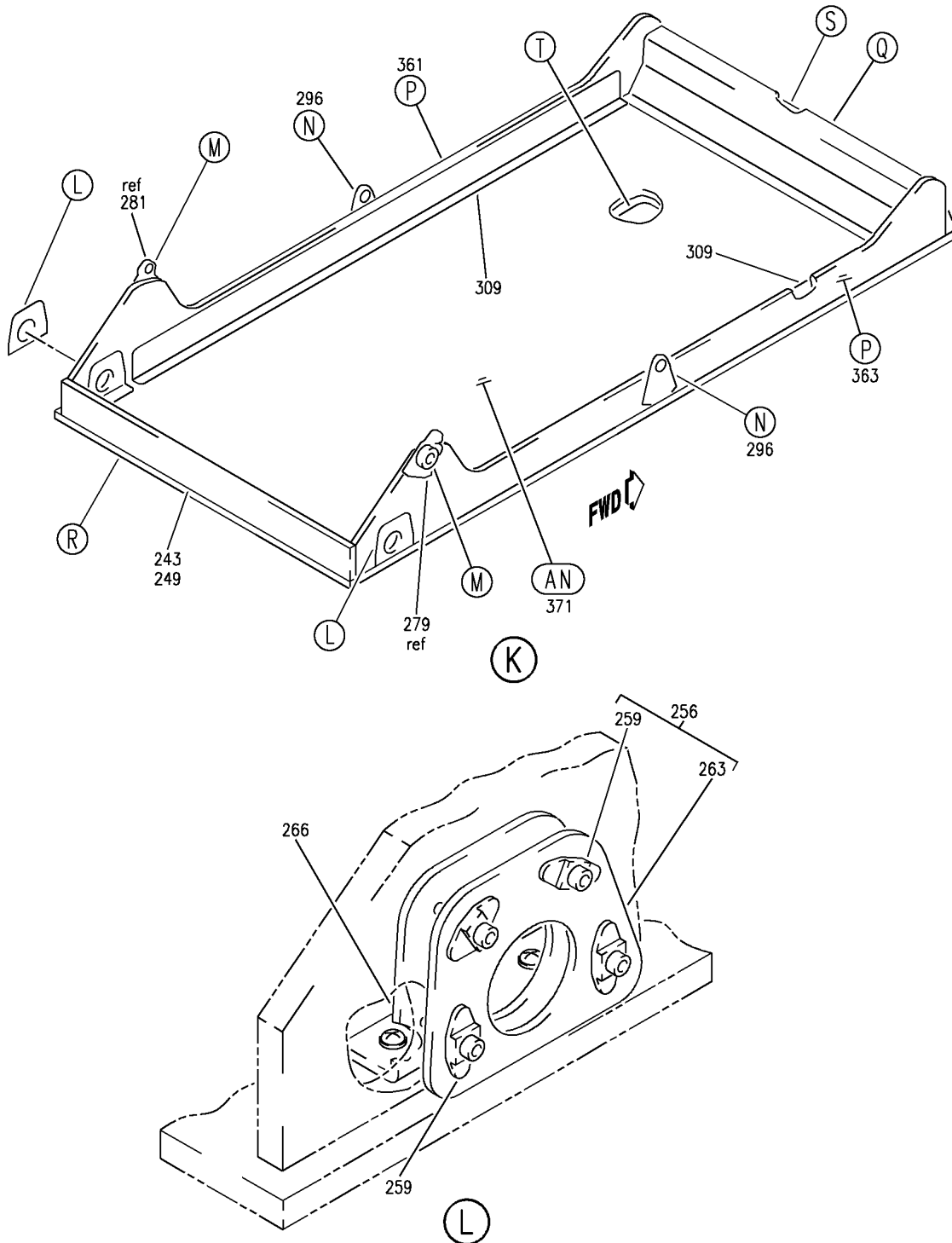
BOX INSTL-MID CTR OVHD STOWAGE
 FIGURE 11 (SHEET 5)

25-24-40-11

HAP
OCT 10/06

25-24-40-11
 PAGE 0D

BOEING
 737-600/700/800/900
 PARTS CATALOG (MAINTENANCE)



E 25244011 SHT 6 REV 139

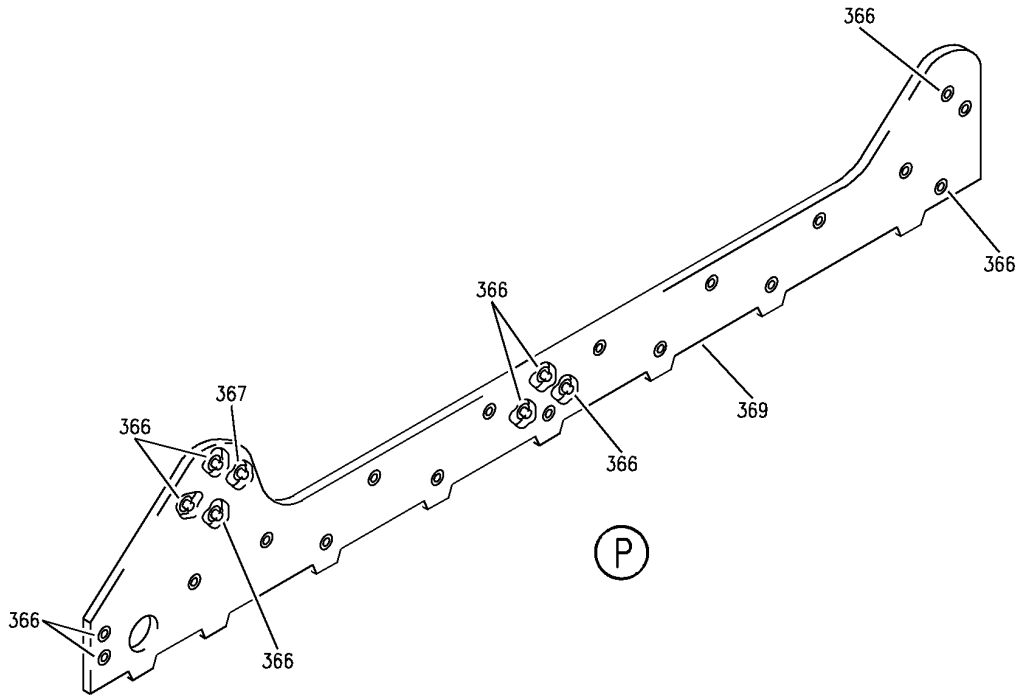
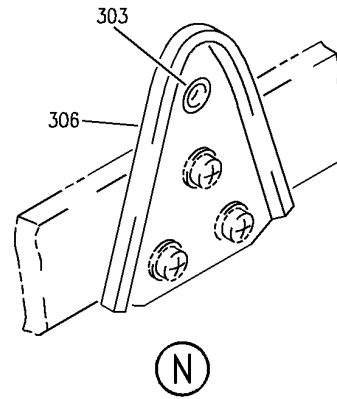
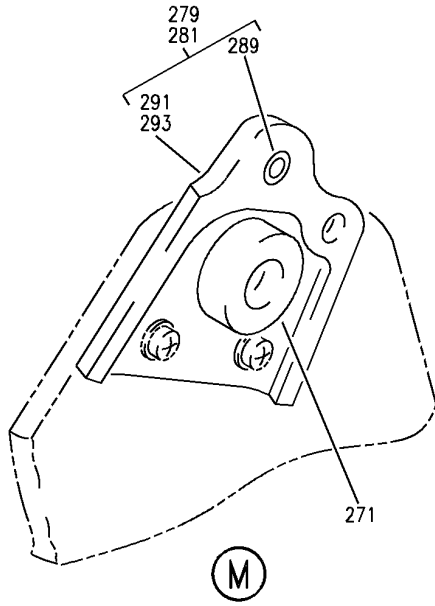
BOX INSTL-MID CTR OVHD STOWAGE
 FIGURE 11 (SHEET 6)

25-24-40-11

HAP
 FEB 15/08

25-24-40-11
 PAGE 0E

BOEING
 737-600/700/800/900
 PARTS CATALOG (MAINTENANCE)



E 25244011 SH7 7 REV 106

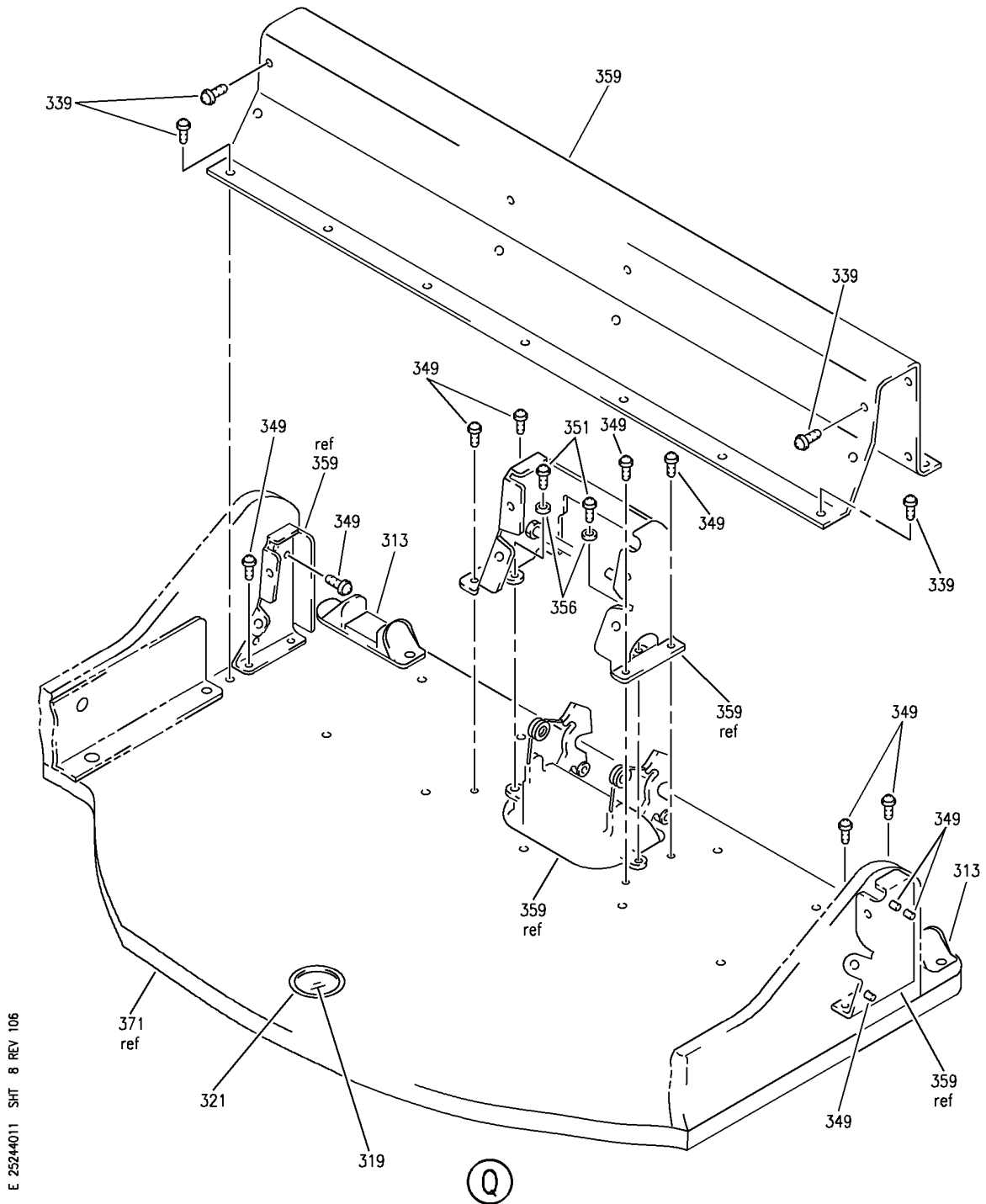
BOX INSTL-MID CTR OVHD STOWAGE
 FIGURE 11 (SHEET 7)

25-24-40-11

HAP
 OCT 10/06

25-24-40-11
 PAGE OF

BOEING
 737-600/700/800/900
 PARTS CATALOG (MAINTENANCE)



E 25244011 SHT 8 REV 106

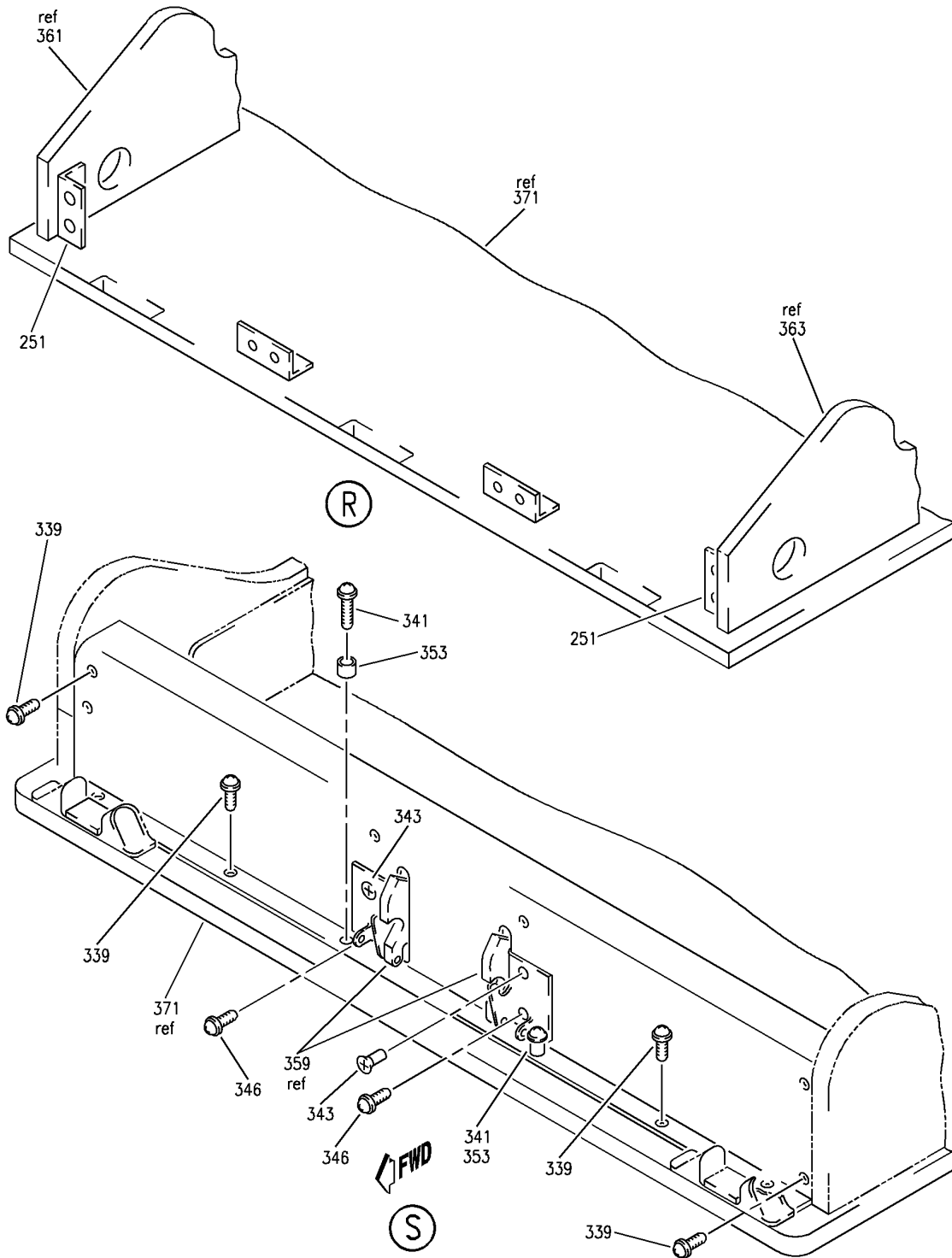
BOX INSTL-MID CTR OVHD STOWAGE
 FIGURE 11 (SHEET 8)

25-24-40-11

HAP
 OCT 10/06

25-24-40-11
 PAGE 06

BOEING
 737-600/700/800/900
 PARTS CATALOG (MAINTENANCE)



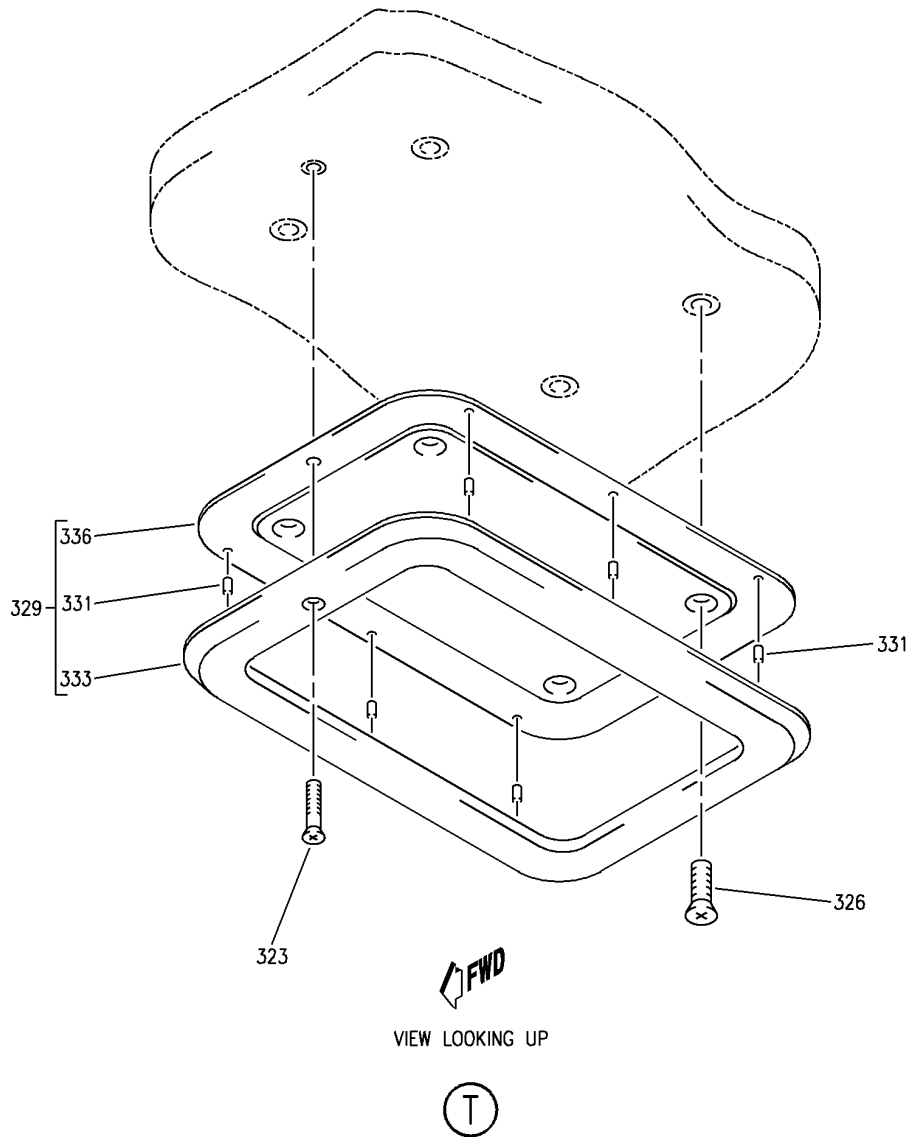
E 25244011 SHT 9 REV 106

BOX INSTL-MID CTR OVHD STOWAGE
 FIGURE 11 (SHEET 9)

25-24-40-11

HAP
 OCT 10/06

25-24-40-11
 PAGE 0H



E 25244011 SHT 10 REV 106

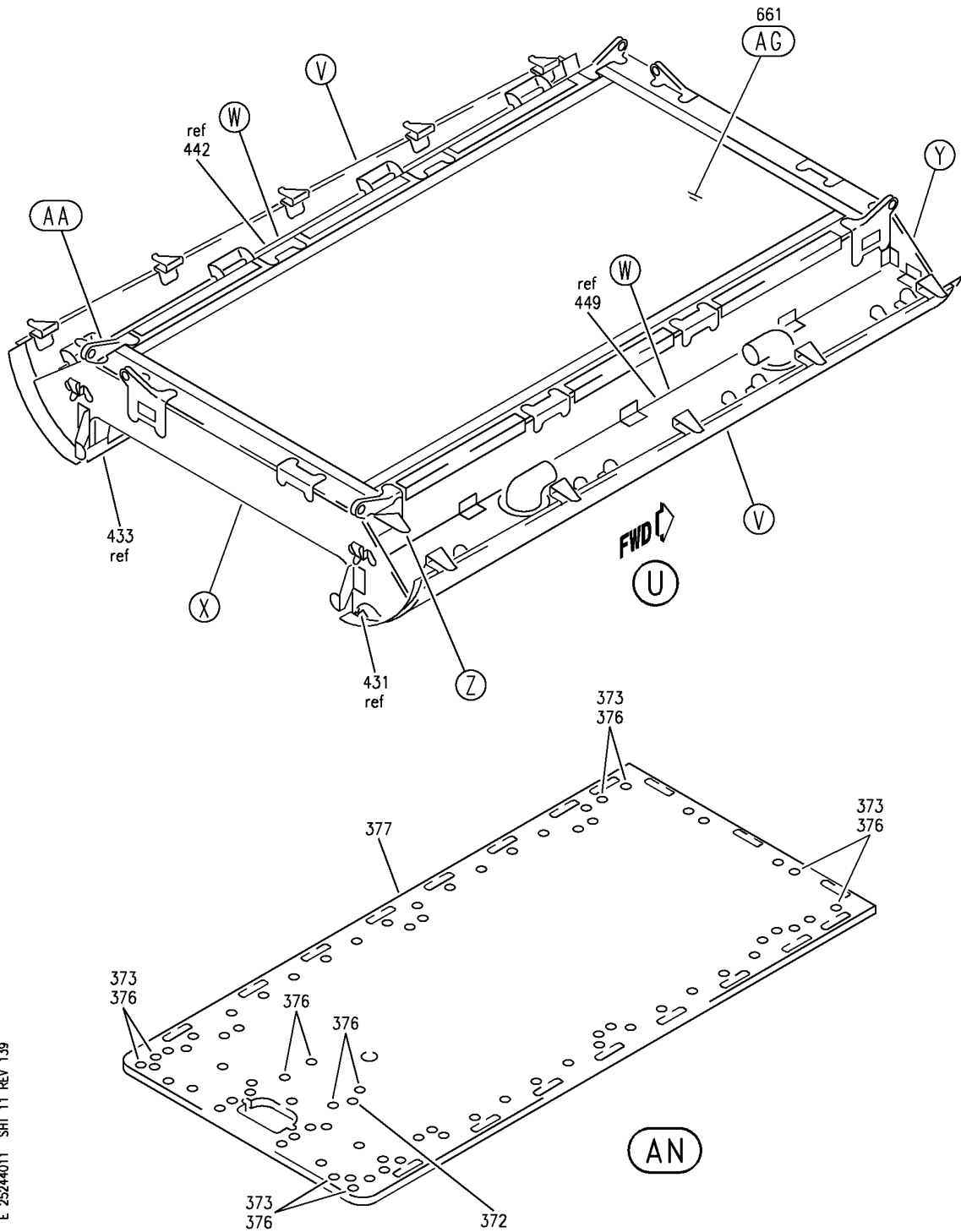
BOX INSTL-MID CTR OVHD STOWAGE
 FIGURE 11 (SHEET 10)

25-24-40-11

HAP
 OCT 10/06

25-24-40-11
 PAGE 01

BOEING
 737-600/700/800/900
 PARTS CATALOG (MAINTENANCE)



E 25244011 SH1 11 REV 139

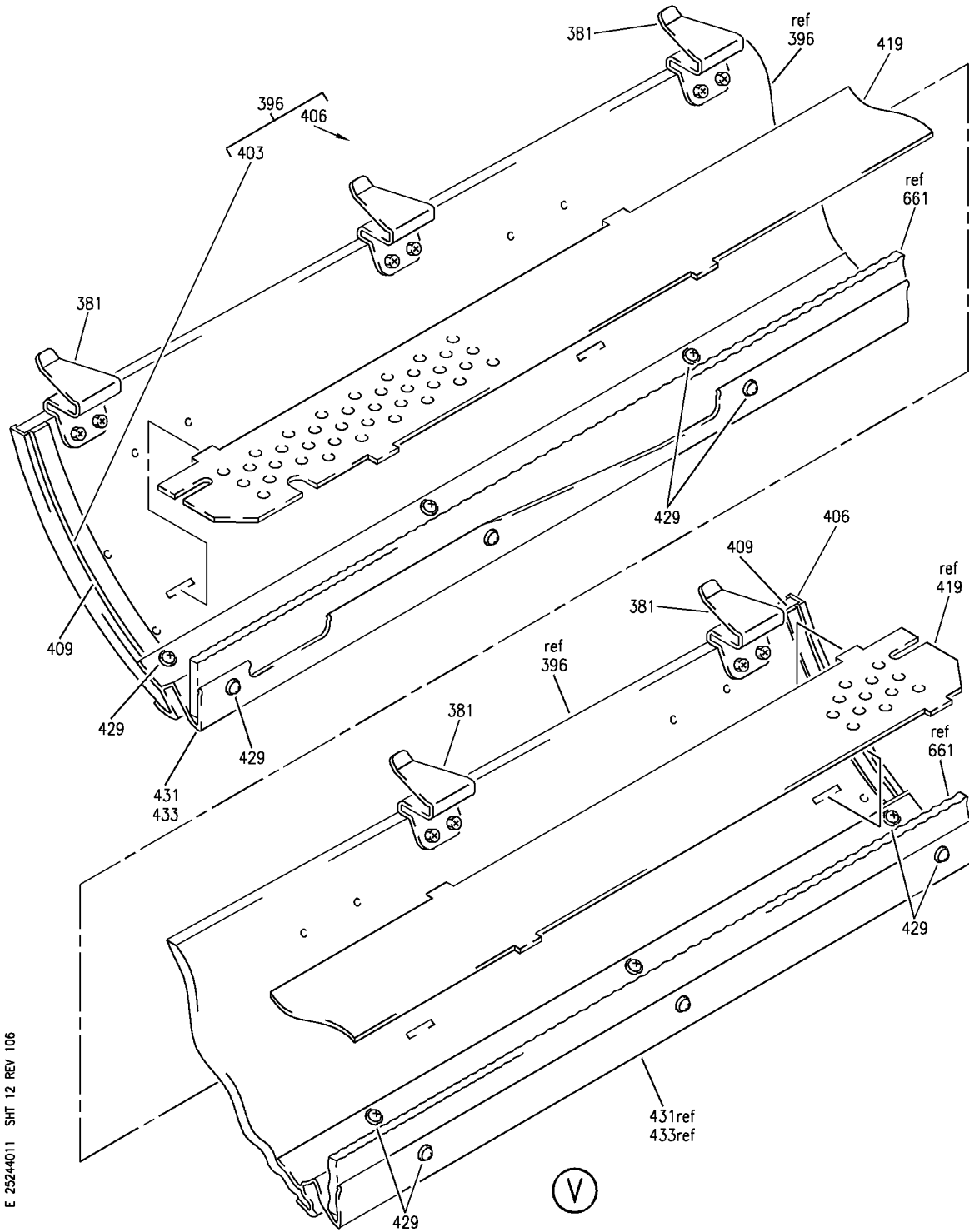
BOX INSTL-MID CTR OVHD STOWAGE
 FIGURE 11 (SHEET 11)

25-24-40-11

HAP
 FEB 15/08

25-24-40-11
 PAGE 0J

BOEING
 737-600/700/800/900
 PARTS CATALOG (MAINTENANCE)



E 25244011 SHT 12 REV 106

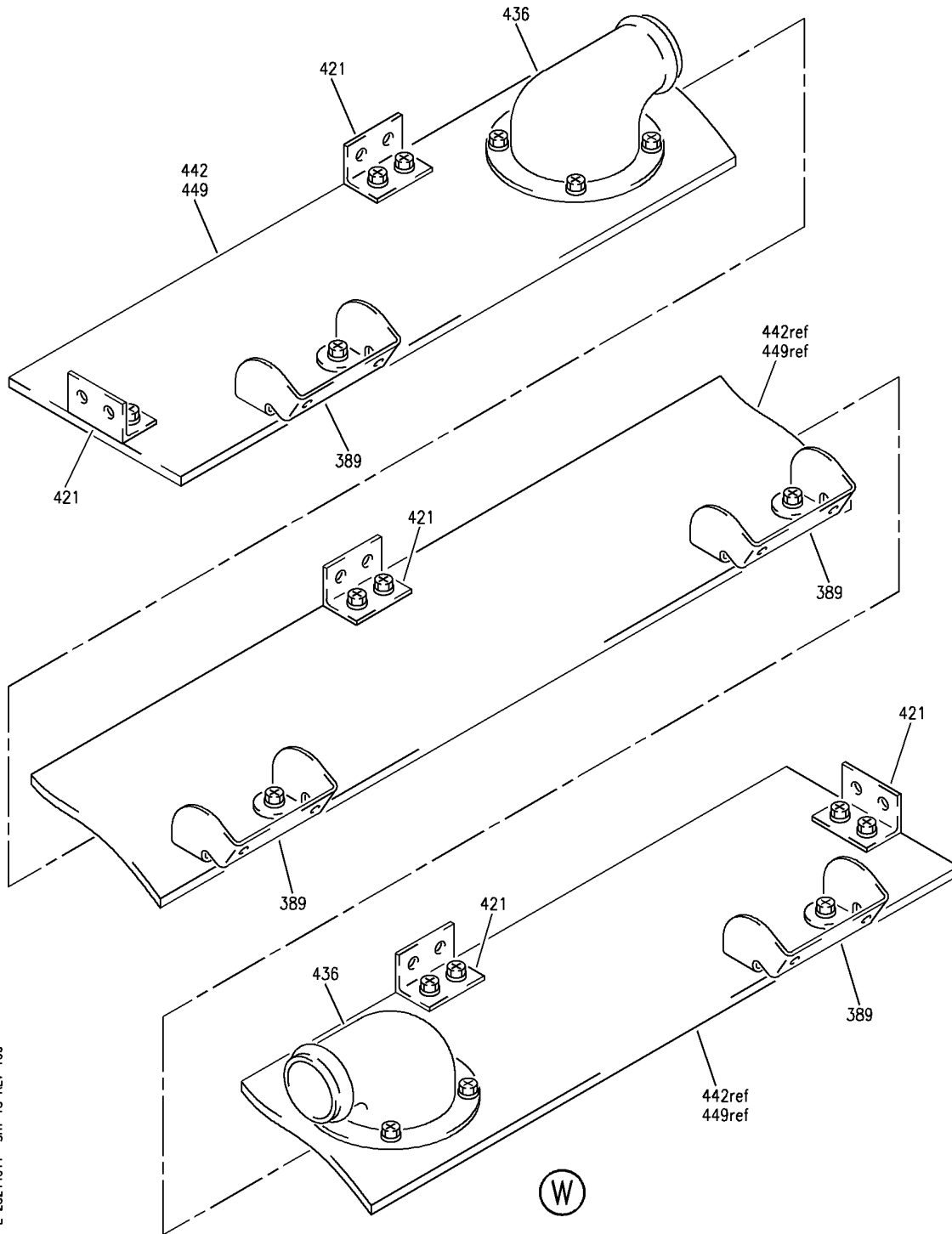
BOX INSTL-MID CTR OVHD STOWAGE
 FIGURE 11 (SHEET 12)

25-24-40-11

HAP
 OCT 10/06

25-24-40-11
 PAGE OK

BOEING
737-600/700/800/900
PARTS CATALOG (MAINTENANCE)



E 25244011 SHT 13 REV 106

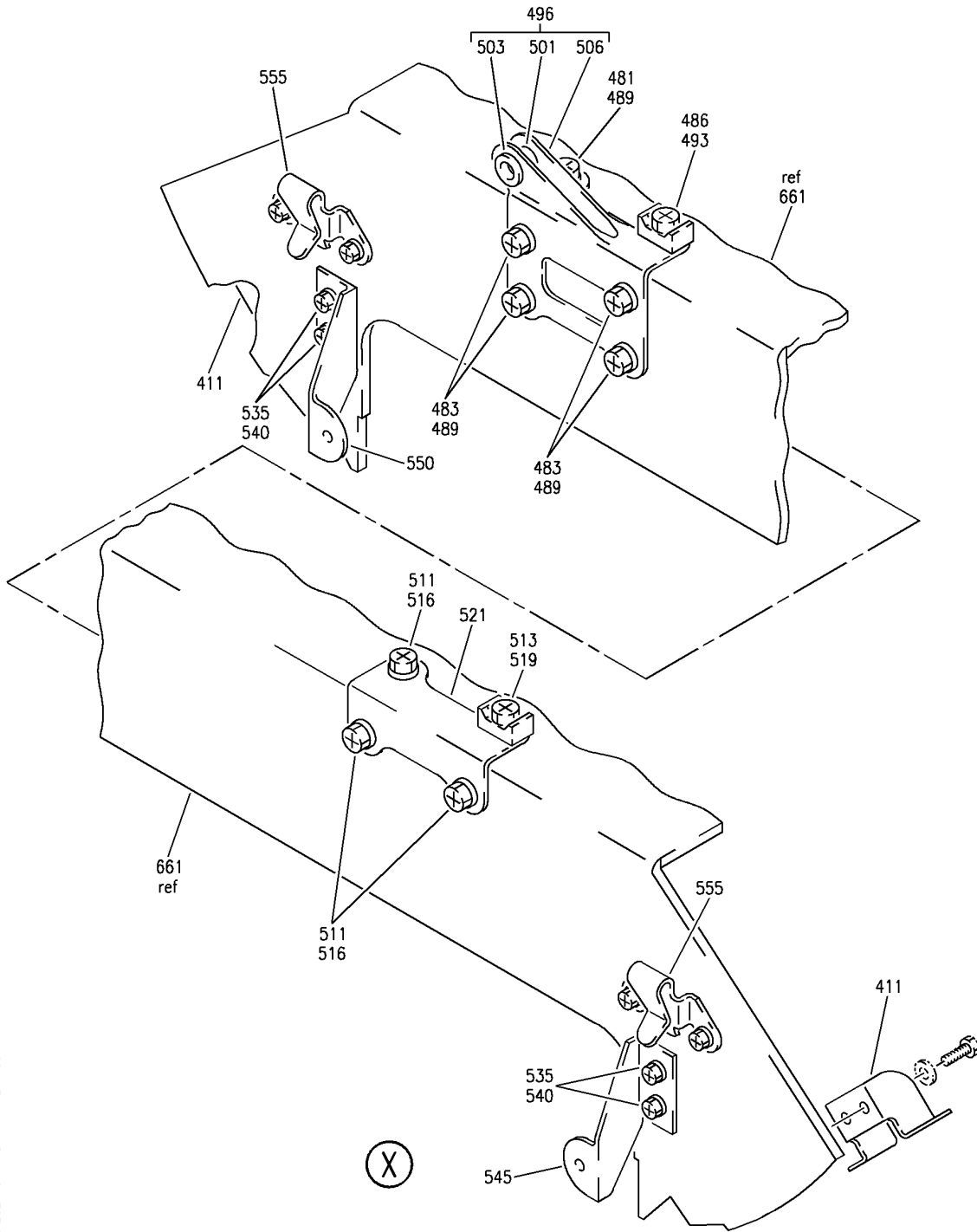
BOX INSTL-MID CTR OVHD STOWAGE
FIGURE 11 (SHEET 13)

25-24-40-11

HAP
OCT 10/06

25-24-40-11
PAGE 0L

BOEING
 737-600/700/800/900
 PARTS CATALOG (MAINTENANCE)



E 25244011 SHT 14 REV 106

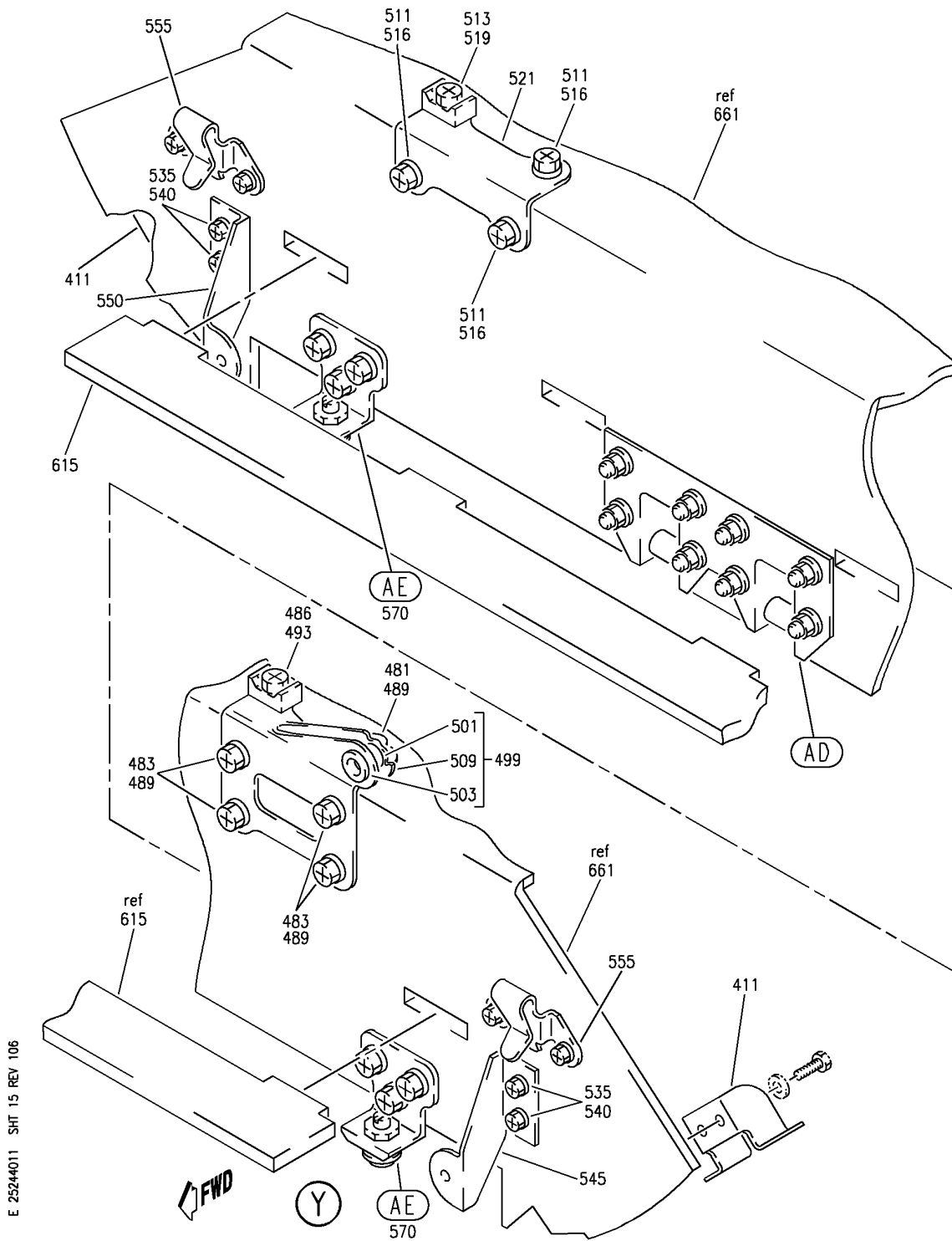
BOX INSTL-MID CTR OVHD STOWAGE
 FIGURE 11 (SHEET 14)

25-24-40-11

HAP
 OCT 10/06

25-24-40-11
 PAGE 0M

BOEING
 737-600/700/800/900
 PARTS CATALOG (MAINTENANCE)



E 25244011 SH1 15 REV 106

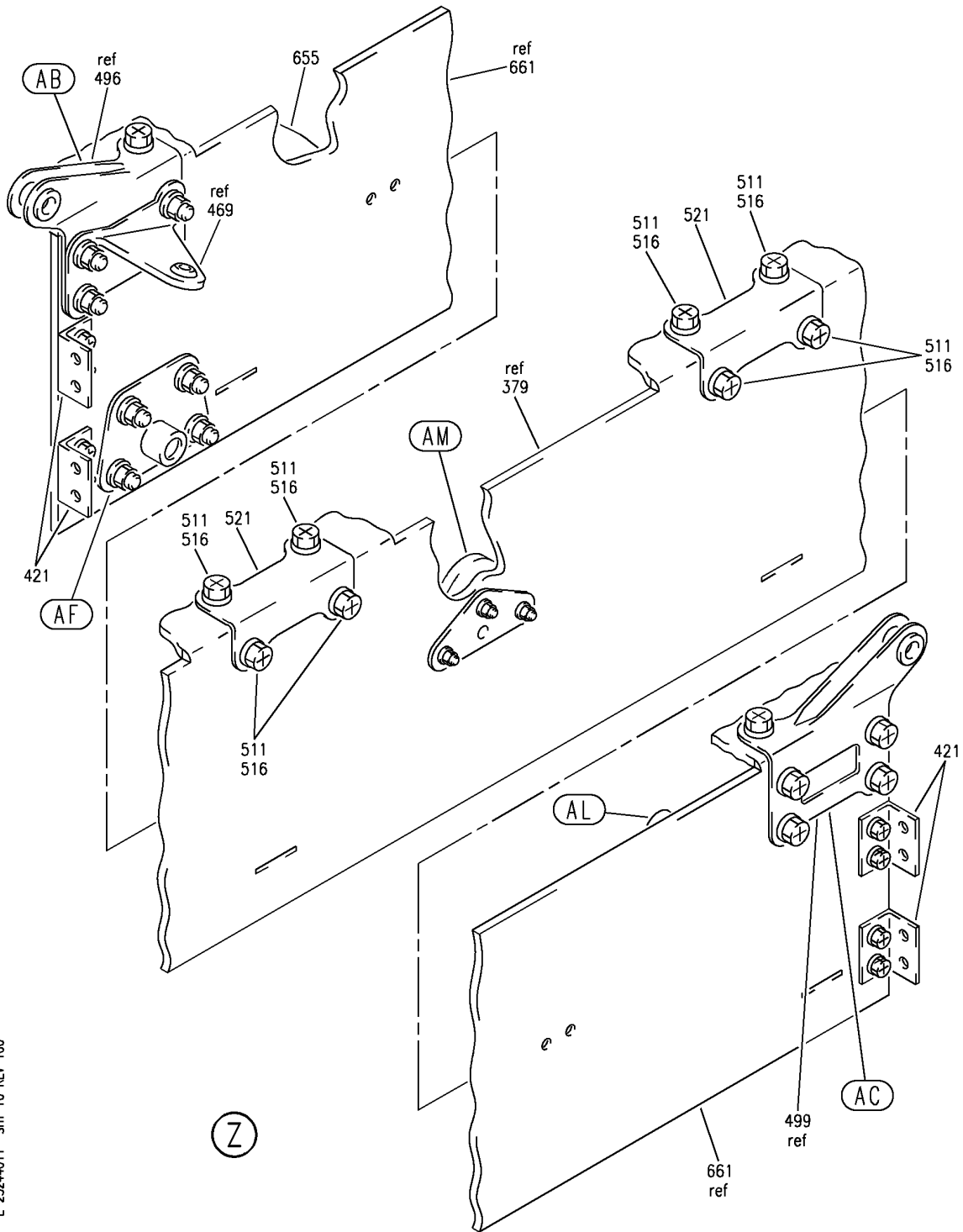
BOX INSTL-MID CTR OVHD STOWAGE
 FIGURE 11 (SHEET 15)

25-24-40-11

HAP
 OCT 10/06

25-24-40-11
 PAGE ON

BOEING
 737-600/700/800/900
 PARTS CATALOG (MAINTENANCE)



E 25244011 SHT 16 REV 106

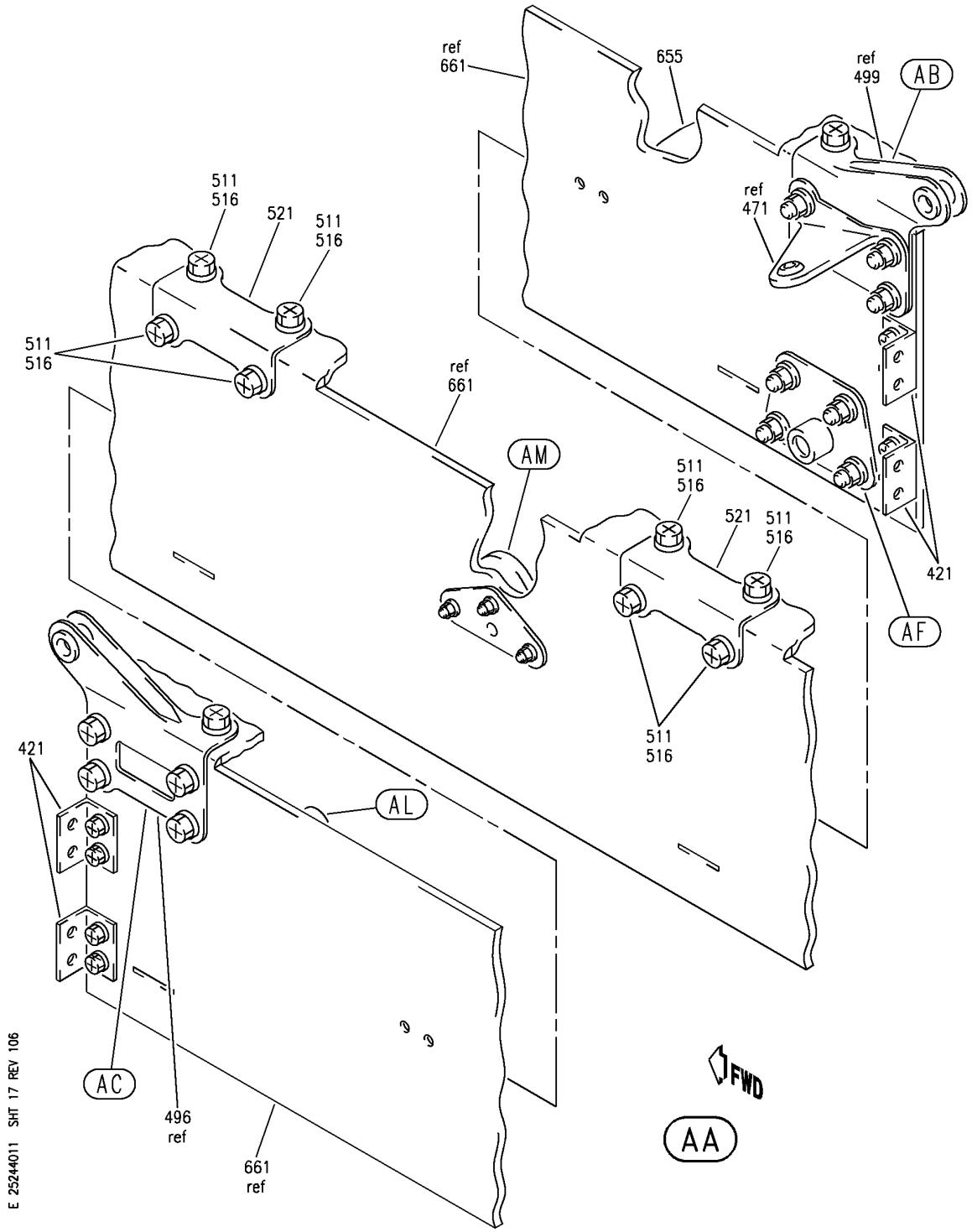
BOX INSTL-MID CTR OVHD STOWAGE
 FIGURE 11 (SHEET 16)

25-24-40-11

HAP
 OCT 10/06

25-24-40-11
 PAGE 00

BOEING
 737-600/700/800/900
 PARTS CATALOG (MAINTENANCE)



E 25244011 SHT 17 REV 106

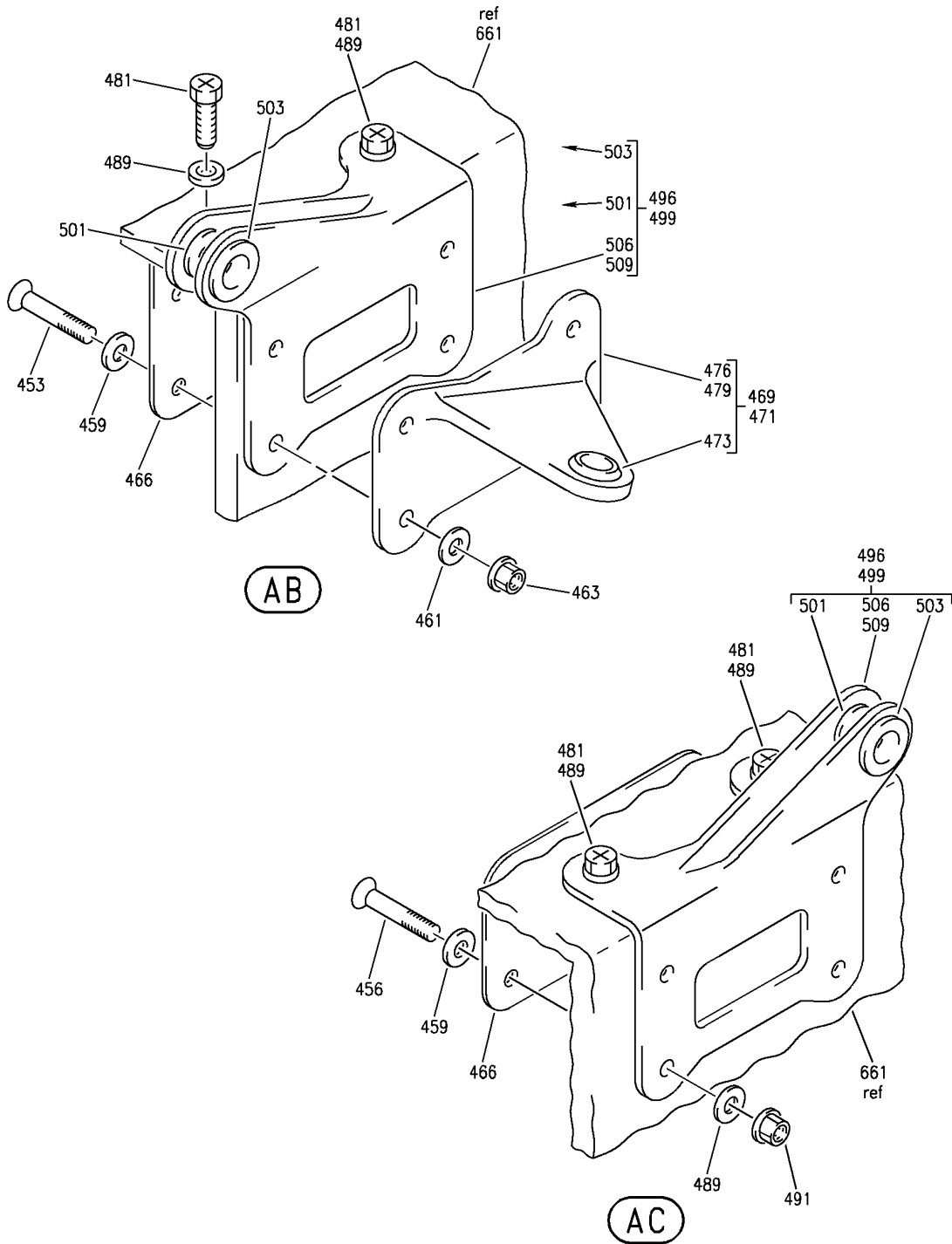
BOX INSTL-MID CTR OVHD STOWAGE
 FIGURE 11 (SHEET 17)

25-24-40-11

HAP
 OCT 10/06

25-24-40-11
 PAGE 0P

BOEING
 737-600/700/800/900
 PARTS CATALOG (MAINTENANCE)



E 25244011 SH1 18 REV 106

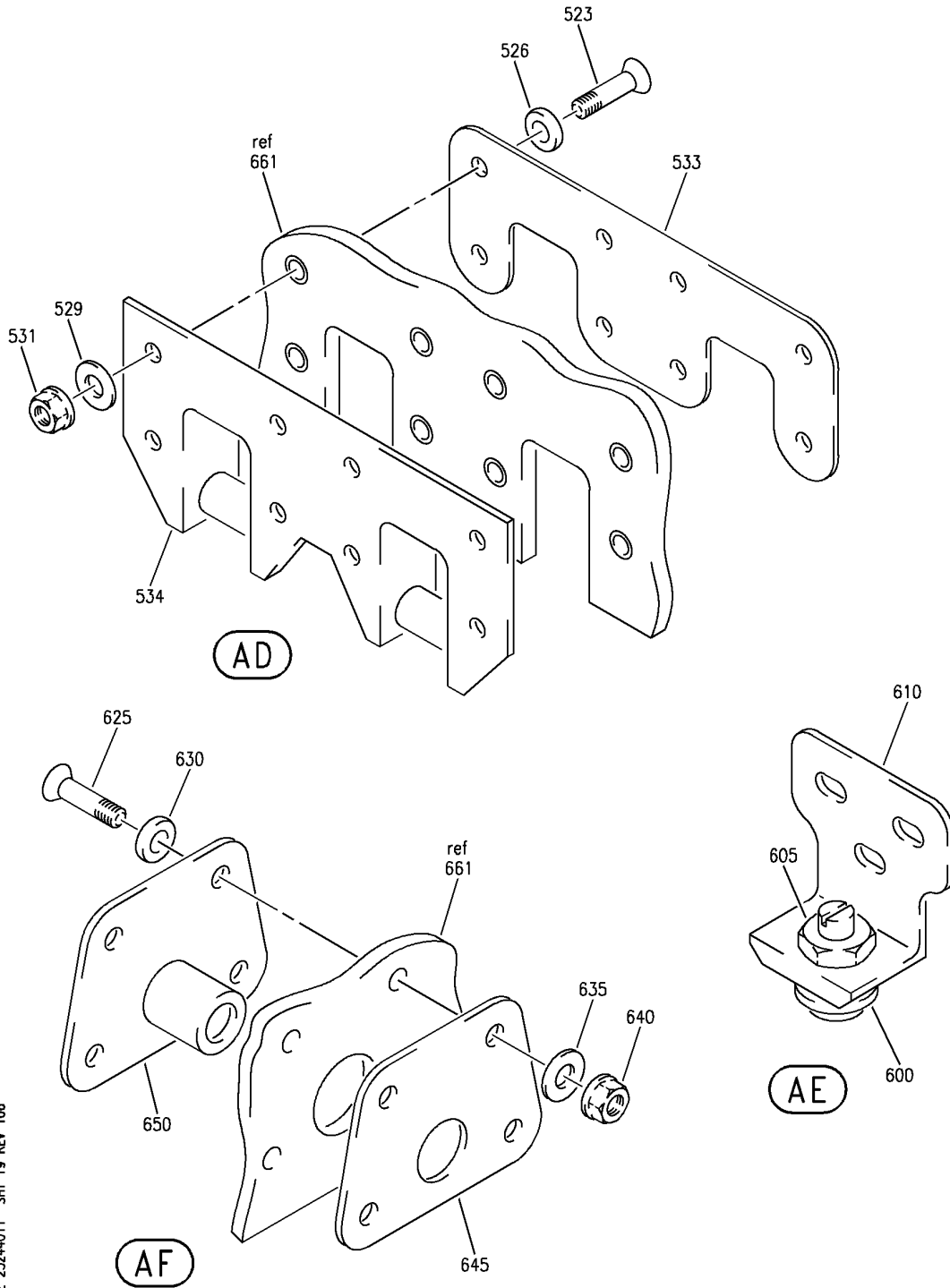
BOX INSTL-MID CTR OVHD STOWAGE
 FIGURE 11 (SHEET 18)

25-24-40-11

HAP
 OCT 10/06

25-24-40-11
 PAGE 00

BOEING
737-600/700/800/900
PARTS CATALOG (MAINTENANCE)



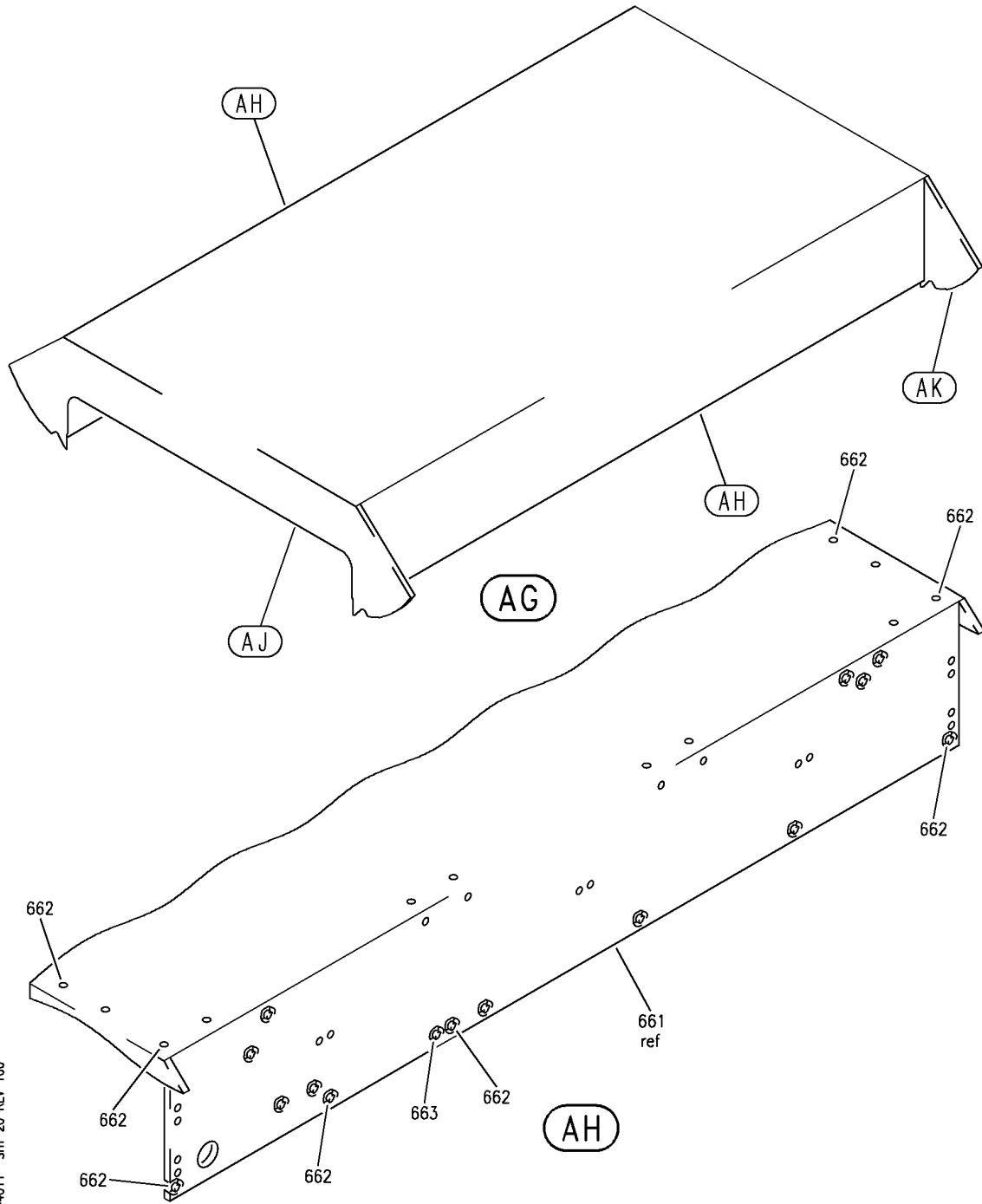
E 25244011 SHT 19 REV 106

BOX INSTL-MID CTR OVHD STOWAGE
FIGURE 11 (SHEET 19)

25-24-40-11

HAP
OCT 10/06

25-24-40-11
PAGE OR



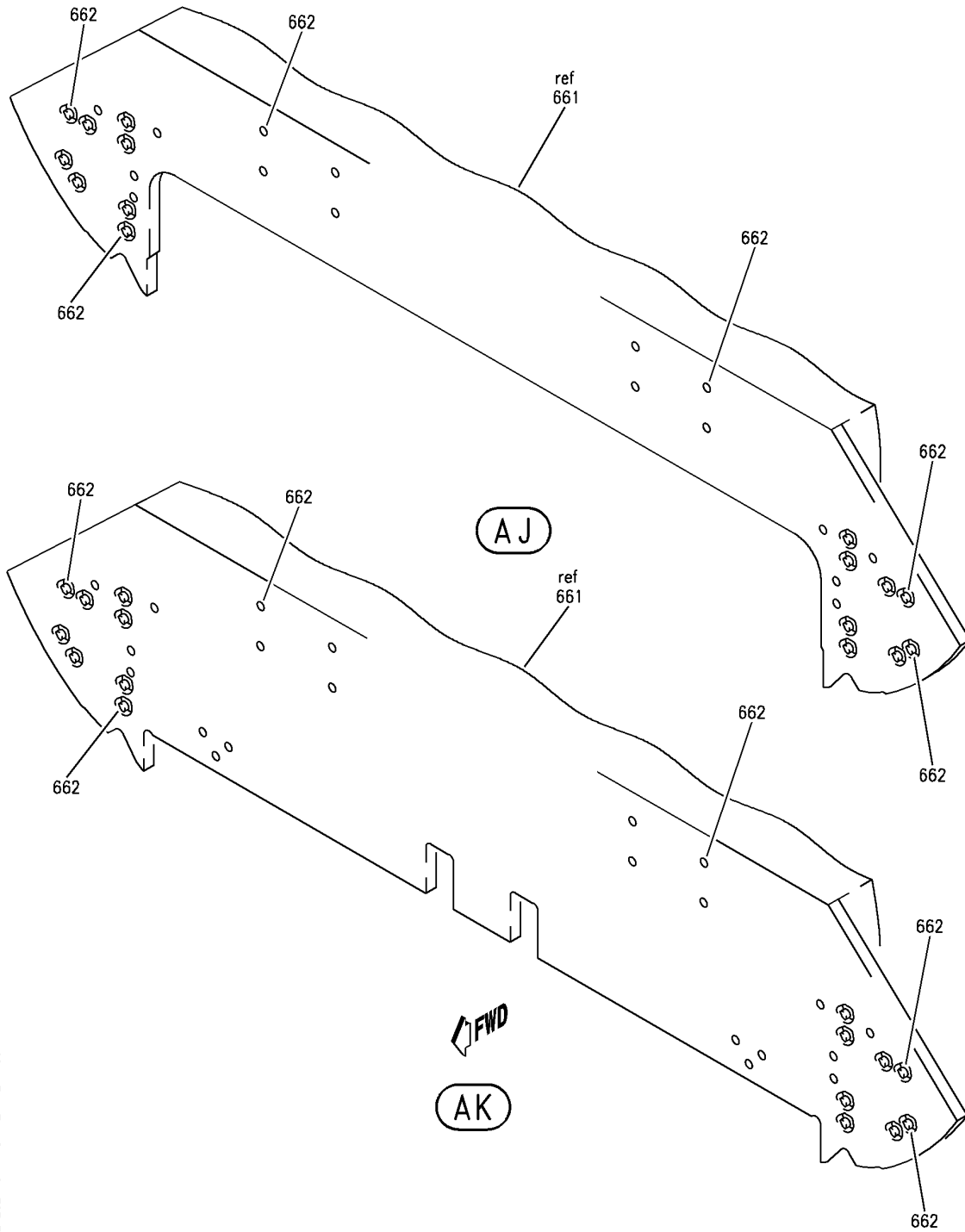
E 25244011 SHT 20 REV 106

BOX INSTL-MID CTR OVHD STOWAGE
 FIGURE 11 (SHEET 20)

25-24-40-11

HAP
 OCT 10/06

25-24-40-11
 PAGE 05



E 25244011 SHT 21 REV 106

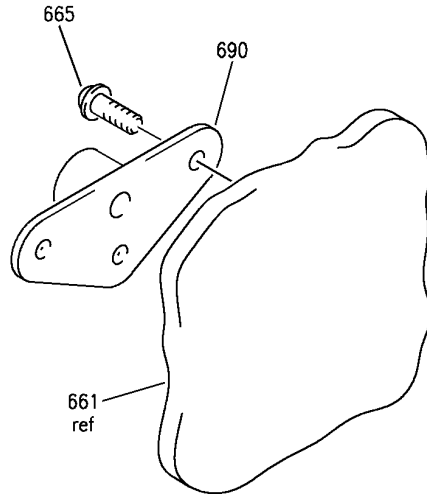
BOX INSTL-MID CTR OVHD STOWAGE
FIGURE 11 (SHEET 21)

25-24-40-11

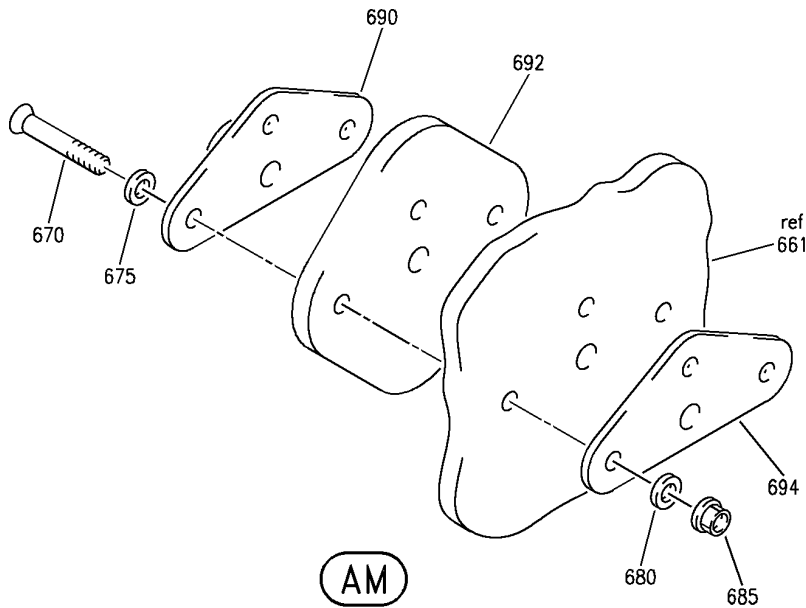
HAP
OCT 10/06

25-24-40-11
PAGE 01

BOEING
 737-600/700/800/900
 PARTS CATALOG (MAINTENANCE)



AL



AM

E 25244011 SHT 22 REV 106

BOX INSTL-MID CTR OVHD STOWAGE
 FIGURE 11 (SHEET 22)

25-24-40-11

HAP
 OCT 10/06

25-24-40-11
 PAGE 00

BOEING
737-600/700/800/900
PARTS CATALOG (MAINTENANCE)

FIG ITEM	PART NUMBER	1 2 3 4 5 6 7	NOMENCLATURE	EFFECT FROM TO	UNITS PER ASSY
11			BOX INSTL-MID CTR OVHD STOWAGE	031200 968999	
- 1	MODREF91673		BOX INSTL-OVHD STOWAGE MODULE NUMBER: 412A4100-251B REV A POSITION DATA: MID CTR	031200 968999	1
5	BACB30NR4K11		.BOLT-	031200 968999	8
10	NAS1149D0432J		.WASHER-	031200 968999	16
15	PLH54CD		.NUT- SUPPLIER CODE: VF0224 SPECIFICATION NUMBER: BACN10YR4CD OPTIONAL PART: H52732-4CD V15653	031200 968999	8
20	BACB28AK04-028		.BUSHING-	031200 968999	8
25	412A4110-8B		.BOX ASSY-	031200 968999	1
35	BACB30NM4K20		..BOLT	031200 968999	2
40	BACB30NM4K24		..BOLT	031200 968999	2
45	BACB30NM4K6		..BOLT- OPTIONAL PART: BACS12FA4K12	031200 968999	4
47	BACS12FA4K12		..SCREW- OPTIONAL PART: BACB30NM4K6	031200 968999	4
50	HST10AG8-8		..BOLT SUPPLIER CODE: VOPTK6 SPECIFICATION NUMBER: BACB30VT8K8 OPTIONAL PART: HST10AG8-8 V06725 HST10AG8-8 V56878 HST10AG8-8 V73197 WC10K8-8 V60516	031200 968999	2
55	BACB30XD3K9		..BOLT	031200 968999	8

MISSING ITEM NUMBERS NOT APPLICABLE

- ITEM NOT ILLUSTRATED

HAP

25-24-40-11

BOEING PROPRIETARY - Copyright © - Unpublished Work - See title page for details.

25-24-40
FIG. 11
PAGE 1
FEB 15/09

BOEING
737-600/700/800/900
PARTS CATALOG (MAINTENANCE)

FIG ITEM	PART NUMBER	1 2 3 4 5 6 7	NOMENCLATURE	EFFECT FROM TO	UNITS PER ASSY
11					
60	BACS12FA3K8	..	SCREW	031200 968999	2
65	NAS1149D0432J	..	WASHER	031200 968999	16
70	NAS1149D0463J	..	WASHER	031200 968999	2
75	PLH54CD	..	NUT SUPPLIER CODE: VFO224 SPECIFICATION NUMBER: BACN10YR4CD OPTIONAL PART: H52732-4CD V15653	031200 968999	4
77	BACC30BL8	..	COLLAR	031200 968999	2
80	412A4110-17	..	KIT ASSY-SUBSTITUTION OPTIONAL PART: 412A4110-16	031200 968999	2
82	BACB30NT4K9	...	BOLT	031200 968999	1
83	PLH54CD	...	NUT SUPPLIER CODE: VFO224 SPECIFICATION NUMBER: BACN10YR4CD OPTIONAL PART: H52732-4CD V15653	031200 968999	1
85	412A4110-16	..	KIT ASSY-SUBSTITUTION OPTIONAL PART: 412A4110-17	031200 968999	2
87	BACB30NM4K10	...	BOLT	031200 968999	1
88	26C048	...	NUT SUPPLIER CODE: V80539 SPECIFICATION NUMBER: BACN10R428A	031200 968999	1
90	SP20367	..	SNUBBER-RATE CONT SUPPLIER CODE: V24403 SPECIFICATION NUMBER: S412A415-1	031200 968999	2
95	SP20257	..	ACTUATOR- SUPPLIER CODE: V24403 SPECIFICATION NUMBER: S412A415-2	031200 968999	2

MISSING ITEM NUMBERS NOT APPLICABLE

— ITEM NOT ILLUSTRATED

HAP

25-24-40-11

BOEING PROPRIETARY - Copyright © - Unpublished Work - See title page for details.

25-24-40
FIG. 11
PAGE 2
FEB 15/09

BOEING
737-600/700/800/900
PARTS CATALOG (MAINTENANCE)

FIG ITEM	PART NUMBER	1 2 3 4 5 6 7	NOMENCLATURE	EFFECT FROM TO	UNITS PER ASSY
11					
100	SP20101	..	SNUBBER- SUPPLIER CODE: V24403 SPECIFICATION NUMBER: S413U160-2	031200 968999	2
105	412A4160-37A	..	FITTING-DAMPER	031200 968999	2
110	412A4160-2A	..	PIN-HINGE	031200 968999	2
115	421W1285-1	..	DAMPER-HINGE	031200 968999	2
120	421W1285-3	..	WASHER-HINGE	031200 968999	2
125	421W1285-2	..	BUSHING-HINGE	031200 968999	2
130	BACS12GU3K8	..	SCREW	031200 968999	4
135	NAS1149D0332J	..	WASHER	031200 968999	4
140	412A4113-10B	..	CAP ASSY-END	031200 968999	1
145	BACS12GU3K5	...	SCREW	031200 968999	6
150	NAS1149D0332J	...	WASHER	031200 968999	6
155	412A4161-13	...	BRACKET ASSY	031200 968999	1
160	412A4161-14	...	BRACKET ASSY	031200 968999	1
165	BRC600-10-3	NUT SUPPLIER CODE: V52828 SPECIFICATION NUMBER: BACN10YD2 OPTIONAL PART: 130121 V60119	031200 968999	1
170	412A4161-21	BRACKET- USED ON: 412A4161-13	031200 968999	1
175	412A4161-22	BRACKET- USED ON: 412A4161-14	031200 968999	1
180	412A4120-10B	...	CAP ASSY- OPTIONAL PART: 412A4120-200A	031200 968999	1
180	412A4120-200A	...	CAP ASSY- OPTIONAL PART: 412A4120-10B	031200 968999	1

MISSING ITEM NUMBERS NOT APPLICABLE

— ITEM NOT ILLUSTRATED

HAP

25-24-40-11

25-24-40
FIG. 11
PAGE 3
FEB 15/09

BOEING PROPRIETARY - Copyright © - Unpublished Work - See title page for details.

BOEING
737-600/700/800/900
PARTS CATALOG (MAINTENANCE)

FIG ITEM	PART NUMBER	1 2 3 4 5 6 7	NOMENCLATURE	EFFECT FROM TO	UNITS PER ASSY
11					
- 185	SL2334-3A1	INSERT- SUPPLIER CODE: V97393 OPTIONAL PART: SL618-3A V97393	031200 968999	6
- 185	SL618-3A	INSERT- SUPPLIER CODE: V97393 OPTIONAL PART: SL2334-3A1 V97393	031200 968999	6
190	412A4113-13B	..	CAP ASSY-END	031200 968999	1
195	BACS12GU3K5	...	SCREW	031200 968999	6
200	NAS1149D0332J	...	WASHER	031200 968999	6
205	412A4161-13	...	BRACKET ASSY	031200 968999	1
210	412A4161-14	...	BRACKET ASSY	031200 968999	1
215	BRC600-10-3	NUT SUPPLIER CODE: V52828 SPECIFICATION NUMBER: BACN10YD2 OPTIONAL PART: 130121 V60119	031200 968999	1
220	412A4161-21	BRACKET- USED ON: 412A4161-13	031200 968999	1
225	412A4161-22	BRACKET- USED ON: 412A4161-14	031200 968999	1
230	412A4120-11B	...	CAP ASSY- OPTIONAL PART: 412A4120-300A	031200 968999	1
230	412A4120-300A	...	CAP ASSY- OPTIONAL PART: 412A4120-11B	031200 968999	1

MISSING ITEM NUMBERS NOT APPLICABLE

- ITEM NOT ILLUSTRATED

HAP

25-24-40-11

BOEING PROPRIETARY - Copyright © - Unpublished Work - See title page for details.

25-24-40
FIG. 11
PAGE 4
FEB 15/09

BOEING
737-600/700/800/900
PARTS CATALOG (MAINTENANCE)

FIG ITEM	PART NUMBER	1 2 3 4 5 6 7	NOMENCLATURE	EFFECT FROM TO	UNITS PER ASSY
11					
- 235	SL2334-3A1	INSERT- SUPPLIER CODE: V97393 POSITION DATA: NEAR SIDE OPTIONAL PART: SL618-3A V97393	031200 968999	6
- 235	SL618-3A	INSERT- SUPPLIER CODE: V97393 POSITION DATA: NEAR SIDE OPTIONAL PART: SL2334-3A1 V97393	031200 968999	6
236	412A4130-1A	TRIM-EDGE USED ON: 412A4120-11B	031200 968999	1
237	412A4130-2A	TRIM-EDGE USED ON: 412A4120-11B	031200 968999	1
241	412A4112-3B	..	DOOR ASSY-	031200 968999	1
243	412A4125-35B	...	PANEL ASSY-BACK WALL OPTIONAL PART: 412A4125-26B	031200 968999	1
243	412A4125-26B	...	PANEL ASSY-BACK WALL OPTIONAL PART: 412A4125-35B ATTACHING PARTS	031200 968999	1
- 246	BACS12FA3K5	...	SCREW	031200 968999	8
- 248	SL2334-3A1	INSERT- SUPPLIER CODE: V97393	031200 968999	8
249	432W8501-26BRMA	PANEL	031200 968999	1
251	413U5008-21A	...	CLIP ATTACHING PARTS	031200 968999	4
- 253	BACS12FA3K5	...	SCREW	031200 968999	8
256	412A4161-17A	DOUBLER ASSY-HINGE	031200 968999	2

MISSING ITEM NUMBERS NOT APPLICABLE

- ITEM NOT ILLUSTRATED

HAP

25-24-40-11

BOEING PROPRIETARY - Copyright © - Unpublished Work - See title page for details.

25-24-40
FIG. 11
PAGE 5
FEB 15/09

BOEING
737-600/700/800/900
PARTS CATALOG (MAINTENANCE)

FIG ITEM	PART NUMBER	1 2 3 4 5 6 7	NOMENCLATURE	EFFECT FROM TO	UNITS PER ASSY
11 259	BRF200C3D	NUTPLATE SUPPLIER CODE: V52828 SPECIFICATION NUMBER: BACN10JR3CFD OPTIONAL PART: K51602-3BAC V15653 NS202476-02 V80539 102F9201-3 V72962 T8092C1032CD V11815 ATTACHING PARTS	031200 968999	4
- 261	BACR15BA3AD	RIVET- SIZE DETERMINED ON INSTL. -----*-----	031200 968999	8
263	412A4161-18A	DOUBLER	031200 968999	1
266	412A4161-7A	...	BRACKET ATTACHING PARTS	031200 968999	2
- 269	BACS12FA3K5	...	SCREW -----*-----	031200 968999	4
271	412A4134-1	...	BLOCK-GUIDE ATTACHING PARTS	031200 968999	2
- 273	BACS12GU3K11	...	SCREW	031200 968999	2
- 276	NAS1149D0332J	...	WASHER -----*-----	031200 968999	2
279	412A4160-33A	...	FITTING ASSY-ACTR	031200 968999	1
281	412A4160-34A	...	FITTING ASSY-ACTR	031200 968999	1
- 283	BACS12GU3K6	...	SCREW ATTACHING PARTS	031200 968999	4
- 286	NAS1149D0332J	...	WASHER -----*-----	031200 968999	4
289	BACB28AP04P020	BUSHING	031200 968999	1
291	412A4160-35A	FITTING- USED ON: 412A4160-33A	031200 968999	1

MISSING ITEM NUMBERS NOT APPLICABLE

- ITEM NOT ILLUSTRATED

HAP

25-24-40-11

25-24-40
FIG. 11
PAGE 6
FEB 15/09

BOEING
737-600/700/800/900
PARTS CATALOG (MAINTENANCE)

FIG ITEM	PART NUMBER	1 2 3 4 5 6 7	NOMENCLATURE	EFFECT FROM TO	UNITS PER ASSY
11					
293	412A4160-36A	FITTING- USED ON: 412A4160-34A	031200 968999	1
296	412A4160-7A	...	FITTING ASSY-ACTR	031200 968999	2
			ATTACHING PARTS		
- 299	BACS12GU3K6	...	SCREW	031200 968999	6
- 301	NAS1149D0332J	...	WASHER	031200 968999	6
			-----*-----		
303	BACB28AP04P005	BUSHING	031200 968999	1
306	412A4160-8A	FITTING	031200 968999	1
309	412A4161-23A	...	BRACKET	031200 968999	2
			ATTACHING PARTS		
- 311	BACS12FA3K5	...	SCREW	031200 968999	52
			-----*-----		
313	412A4160-23	...	STOP ASSY	031200 968999	2
			ATTACHING PARTS		
- 316	BACS12FA3K6	...	SCREW	031200 968999	4
			-----*-----		
319	412A4132-1	...	WINDOW-VIEWPORT	031200 968999	1
321	411A3082-7A	...	GROMMET	031200 968999	1
339	BACS12FA3K4	...	SCREW	031200 968999	25
341	BACS12FA3K13	...	SCREW	031200 968999	2
343	BACB30VF3K3	...	BOLT	031200 968999	2
346	BACS12FA3K7	...	SCREW	031200 968999	2
349	BACS12GU3K5	...	SCREW	031200 968999	14
351	NAS8201A6	...	SCREW	031200 968999	2
353	NAS43HT3-16	...	SPACER	031200 968999	2
356	NAS1149FN632P	...	WASHER	031200 968999	2

MISSING ITEM NUMBERS NOT APPLICABLE

- ITEM NOT ILLUSTRATED

HAP

25-24-40-11

25-24-40
FIG. 11
PAGE 7
FEB 15/09

BOEING
737-600/700/800/900
PARTS CATALOG (MAINTENANCE)

FIG ITEM	PART NUMBER	1 2 3 4 5 6 7	NOMENCLATURE	EFFECT FROM TO	UNITS PER ASSY
11 359	H3-1608-1A	...	LATCH- SUPPLIER CODE: V34941 OPTIONAL PART: H3-1608-1 V34941	031200 968999	1
361	412A4125-34B	...	PANEL ASSY- POSITION DATA: LH SIDE OPTIONAL PART: 412A4125-25B	031200 968999	1
361	412A4125-25B	...	PANEL ASSY- POSITION DATA: LH SIDE OPTIONAL PART: 412A4125-34B	031200 968999	1
363	412A4125-33B	...	PANEL ASSY- POSITION DATA: RH SIDE OPTIONAL PART: 412A4125-24B	031200 968999	1
363	412A4125-24B	...	PANEL ASSY- POSITION DATA: RH SIDE OPTIONAL PART: 412A4125-33B	031200 968999	1
366	SL2334-3A1	INSERT- SUPPLIER CODE: V97393	031200 968999	24
367	SL2334-4A1	INSERT- SUPPLIER CODE: V97393	031200 968999	1
369	432W8501-32BRMA	PANEL	031200 968999	1
371	412A4125-31B	...	PANEL ASSY- OPTIONAL PART: 412A4125-22B 412A4125-45B	031200 968999	1
371	412A4125-22B	...	PANEL ASSY- OPTIONAL PART: 412A4125-31B	031200 968999	1
371	412A4125-45B	...	PANEL ASSY- OPTIONAL PART: 412A4125-22B 412A4125-31B	031200 968999	1
373	SL2334-3A1	INSERT- SUPPLIER CODE: V97393	031200 968999	71

MISSING ITEM NUMBERS NOT APPLICABLE

— ITEM NOT ILLUSTRATED

HAP

25-24-40-11

BOEING PROPRIETARY - Copyright © - Unpublished Work - See title page for details.

25-24-40
FIG. 11
PAGE 8
FEB 15/09

BOEING
737-600/700/800/900
PARTS CATALOG (MAINTENANCE)

FIG ITEM	PART NUMBER	1 2 3 4 5 6 7	NOMENCLATURE	EFFECT FROM TO	UNITS PER ASSY
11					
377	432W8501-112B	PANEL- USED ON: 412A4125-31B 412A4125-32B	031200 968999	1
377	432W8501-82C	PANEL- USED ON: 412A4125-22B 412A4125-23B	031200 968999	1
377	432W8501-72	PANEL- USED ON: 412A4125-44B 412A4125-45B	031200 968999	1
379	412A4111-8B	..	BOX ASSY- POSITION DATA: UPR	031200 968999	1
381	412A4161-4	...	BRACKET	031200 968999	10
			ATTACHING PARTS		
- 383	BACS12GU3K4	...	SCREW	031200 968999	20
- 386	NAS1149D0332J	...	WASHER	031200 968999	20
			-----*-----		
389	412A4161-5	...	BRACKET	031200 968999	8
			ATTACHING PARTS		
- 391	BACS12GU3K5	...	SCREW	031200 968999	32
- 393	NAS1149D0332J	...	WASHER	031200 968999	32
			-----*-----		
396	412A4120-3A	...	PANEL ASSY- OPTIONAL PART: 412A4120-7B	031200 968999	2
396	412A4120-7B	...	PANEL ASSY- OPTIONAL PART: 412A4120-3A	031200 968999	2
- 401	SL2334-3A1	INSERT- SUPPLIER CODE: V97393 OPTIONAL PART: SL618-3A V97393 USED ON: 412A4120-3A	031200 968999	28

MISSING ITEM NUMBERS NOT APPLICABLE

- ITEM NOT ILLUSTRATED

HAP

25-24-40-11

BOEING PROPRIETARY - Copyright © - Unpublished Work - See title page for details.

25-24-40
FIG. 11
PAGE 9
FEB 15/09

BOEING
737-600/700/800/900
PARTS CATALOG (MAINTENANCE)

FIG ITEM	PART NUMBER	1 2 3 4 5 6 7	NOMENCLATURE	EFFECT FROM TO	UNITS PER ASSY
11					
- 401	SL618-3A	INSERT- SUPPLIER CODE: V97393 OPTIONAL PART: SL2334-3A1 V97393 USED ON: 412A4120-3A	031200 968999	28
- 401	SL618-3A	INSERT- SUPPLIER CODE: V97393 USED ON: 412A4120-7B	031200 968999	28
403	412A4130-1A	TRIM-EDGE	031200 968999	1
406	412A4130-2A	TRIM-EDGE	031200 968999	1
409	412A4133-1	...	SEAL-GAP COVER	031200 968999	4
411	412A4161-8	...	BRACKET	031200 968999	4
			ATTACHING PARTS		
- 413	BACS12GU3K5	...	SCREW	031200 968999	16
- 416	NAS1149D0332J	...	WASHER	031200 968999	16
			-----*-----		
419	412A4131-2	...	BAFFLE	031200 968999	2
421	413U5008-21A	...	CLIP	031200 968999	18
			ATTACHING PARTS		
- 423	BACS12GU3K6	...	SCREW	031200 968999	72
- 426	NAS1149D0332J	...	WASHER	031200 968999	72
			-----*-----		
429	BACS12FA3K4	...	SCREW	031200 968999	24
431	412A4131-1A	...	OUTLET-AIR	031200 968999	1
433	412A4131-4A	...	OUTLET-AIR	031200 968999	1
436	214A2401-3	...	PLENUM	031200 968999	4
			ATTACHING PARTS		
- 439	BACS12GU3K5	...	SCREW	031200 968999	16

MISSING ITEM NUMBERS NOT APPLICABLE

- ITEM NOT ILLUSTRATED

HAP

25-24-40-11

BOEING PROPRIETARY - Copyright © - Unpublished Work - See title page for details.

25-24-40
FIG. 11
PAGE 10
FEB 15/09

BOEING
737-600/700/800/900
PARTS CATALOG (MAINTENANCE)

FIG ITEM	PART NUMBER	1 2 3 4 5 6 7	NOMENCLATURE	EFFECT FROM TO	UNITS PER ASSY
11					
- 441	NAS1149D0332J	...	WASHER	031200 968999	16
			-----*-----		
442	412A4125-19B	...	PANEL ASSY	031200 968999	1
- 446	SL2334-3A1	INSERT- SUPPLIER CODE: V97393	031200 968999	26
449	412A4125-20B	...	PANEL ASSY	031200 968999	1
- 451	SL2334-3A1	INSERT- SUPPLIER CODE: V97393	031200 968999	26
453	BACB30NN3K11	...	BOLT	031200 968999	8
456	BACB30NN3K9	...	BOLT	031200 968999	8
459	BACW10BP42CD	...	WASHER	031200 968999	16
461	NAS1149D0332J	...	WASHER	031200 968999	8
463	PLH53CD	...	NUT SUPPLIER CODE: VF0224 SPECIFICATION NUMBER: BACN10YR3CD OPTIONAL PART: H52732-3CD V15653	031200 968999	8
466	412A4161-27B	...	DOUBLER	031200 968999	4
469	412A4160-10	...	FITTING ASSY-SPRT POSITION DATA: FWD	031200 968999	1
471	412A4160-9	...	FITTING ASSY-SPRT POSITION DATA: FWD	031200 968999	1
473	AG4V4009	BEARING- SUPPLIER CODE: V15860 SPECIFICATION NUMBER: 60B00180-68 OPTIONAL PART: LHBG4BAC V73134 NC4G12 V56644	031200 968999	1

MISSING ITEM NUMBERS NOT APPLICABLE

- ITEM NOT ILLUSTRATED

HAP

25-24-40-11

BOEING PROPRIETARY - Copyright © - Unpublished Work - See title page for details.

25-24-40
FIG. 11
PAGE 11
FEB 15/09

BOEING
737-600/700/800/900
PARTS CATALOG (MAINTENANCE)

FIG ITEM	PART NUMBER	1 2 3 4 5 6 7	NOMENCLATURE	EFFECT FROM TO	UNITS PER ASSY
11					
476	412A4160-11	FITTING- USED ON: 412A4160-9	031200 968999	1
479	412A4160-12	FITTING- USED ON: 412A4160-10	031200 968999	1
481	BACS12GU3K7	...	SCREW	031200 968999	10
483	BACS12GU3K6	...	SCREW	031200 968999	8
486	BACS12GU3K9	...	SCREW	031200 968999	2
489	NAS1149D0332J	...	WASHER	031200 968999	26
491	PLH53CD	...	NUT SUPPLIER CODE: VFO224 SPECIFICATION NUMBER: BACN10YR3CD OPTIONAL PART: H52732-3CD V15653	031200 968999	8
493	STBP19M12	...	PLATE- SUPPLIER CODE: V1B249	031200 968999	2
496	412A4160-13	...	FITTING ASSY-VERT SIDE SPRT	031200 968999	3
499	412A4160-14	...	FITTING ASSY-VERT SIDE SPRT	031200 968999	3
501	BACB28AP04P010	BUSHING	031200 968999	1
503	BACB28AT06B010C	BUSHING	031200 968999	1
506	412A4160-15	FITTING- USED ON: 412A4160-13	031200 968999	1
509	412A4160-16	FITTING- USED ON: 412A4160-14	031200 968999	1
511	BACS12GU3K5	...	SCREW	031200 968999	22
513	BACS12GU3K7	...	SCREW	031200 968999	2
516	NAS1149D0332J	...	WASHER	031200 968999	22
519	STBP19M12	...	PLATE- SUPPLIER CODE: V1B249	031200 968999	2

MISSING ITEM NUMBERS NOT APPLICABLE

- ITEM NOT ILLUSTRATED

HAP

25-24-40-11

BOEING PROPRIETARY - Copyright © - Unpublished Work - See title page for details.

25-24-40
FIG. 11
PAGE 12
FEB 15/09

BOEING
737-600/700/800/900
PARTS CATALOG (MAINTENANCE)

FIG ITEM	PART NUMBER	1 2 3 4 5 6 7	NOMENCLATURE	EFFECT FROM TO	UNITS PER ASSY
11					
521	412A4161-20	...	CLIP	031200 968999	6
523	BACB30NN3K9	...	BOLT	031200 968999	8
526	BACW10BP42CD	...	WASHER	031200 968999	8
529	NAS1149D0332J	...	WASHER	031200 968999	8
531	PLH53CD	...	NUT SUPPLIER CODE: VFO224 SPECIFICATION NUMBER: BACN10YR3CD OPTIONAL PART: H52732-3CD V15653	031200 968999	8
533	412A4161-19A	...	DOUBLER-STRIKE	031200 968999	1
534	H3-1608-2	...	LATCH-STRIKE SUPPLIER CODE: V34941 SPECIFICATION NUMBER: S412A414-2	031200 968999	1
535	BACS12GU3K6	...	SCREW	031200 968999	8
540	NAS1149D0332J	...	WASHER	031200 968999	8
545	412A4160-39	...	BRACKET-ENDCAP	031200 968999	2
550	412A4160-40	...	BRACKET-ENDCAP	031200 968999	2
555	69B51733-1	...	CLIP-SPR	031200 968999	4
			ATTACHING PARTS		
- 560	BACS12GU3K5	...	SCREW	031200 968999	8
- 565	NAS1149D0332J	...	WASHER	031200 968999	8
			-----*-----		
570	412A4160-21	...	STOP ASSY	031200 968999	2
			ATTACHING PARTS		
- 575	BACS12GU3K6	...	SCREW	031200 968999	6
- 580	NAS1149AD0332J	...	WASHER	031200 968999	6
			-----*-----		
600	421W1284-1	SCREW	031200 968999	1

MISSING ITEM NUMBERS NOT APPLICABLE

- ITEM NOT ILLUSTRATED

HAP

25-24-40-11

25-24-40
FIG. 11
PAGE 13
FEB 15/09

BOEING
737-600/700/800/900
PARTS CATALOG (MAINTENANCE)

FIG ITEM	PART NUMBER	1 2 3 4 5 6 7	NOMENCLATURE	EFFECT FROM TO	UNITS PER ASSY
11					
605	MS25082-5	NUT	031200 968999	1
610	412A4160-22	STOP	031200 968999	1
615	412A4125-21B	...	PANEL ASSY-HINGE END	031200 968999	1
625	BACB30NN3K10	...	BOLT	031200 968999	8
630	BACW10BP42CD	...	WASHER	031200 968999	8
635	NAS1149D0332J	...	WASHER	031200 968999	8
640	PLH53CD	NUT SUPPLIER CODE: VFO224 SPECIFICATION NUMBER: BACN10YR3CD OPTIONAL PART: H52732-3CD V15653	031200 968999	8
645	412A4160-3	...	HINGE-PIVOT DOUBLER	031200 968999	2
650	412A4160-4	...	HINGE-PIVOT DOUBLER	031200 968999	2
655	412A4134-2	...	RUBSTRIP	031200 968999	2
			ATTACHING PARTS		
- 660	BACS12ER3K5	...	SCREW	031200 968999	8
			-----*-----		
661	412A4125-17B	...	PANEL ASSY- OPTIONAL PART: 412A4125-36B	031200 968999	1
661	412A4125-36B	...	PANEL ASSY- OPTIONAL PART: 412A4125-17B	031200 968999	1
662	SL2334-3A1	INSERT- SUPPLIER CODE: V97393	031200 968999	158
663	SL2334-4A1	INSERT- SUPPLIER CODE: V97393	031200 968999	2
665	BACS12FA3K5	...	SCREW	031200 968999	6
670	BACB30NN3K18	...	BOLT	031200 968999	6
675	BACW10BP42CD	...	WASHER	031200 968999	6

MISSING ITEM NUMBERS NOT APPLICABLE

- ITEM NOT ILLUSTRATED

HAP

25-24-40-11

25-24-40
FIG. 11
PAGE 14
FEB 15/09

 **BOEING**
737-600/700/800/900
PARTS CATALOG (MAINTENANCE)

FIG ITEM	PART NUMBER	1 2 3 4 5 6 7	NOMENCLATURE	EFFECT FROM TO	UNITS PER ASSY
11					
680	NAS1149D0332J	...	WASHER	031200 968999	6
685	PLH53CD	...	NUT SUPPLIER CODE: VF0224 SPECIFICATION NUMBER: BACN10YR3CD OPTIONAL PART: H52732-3CD V15653	031200 968999	6
690	413U5007-1	...	SNUBBER	031200 968999	4
692	412A4160-38A	...	SPACER	031200 968999	2
694	412A4161-28B	...	DOUBLER	031200 968999	2

MISSING ITEM NUMBERS NOT APPLICABLE

— ITEM NOT ILLUSTRATED

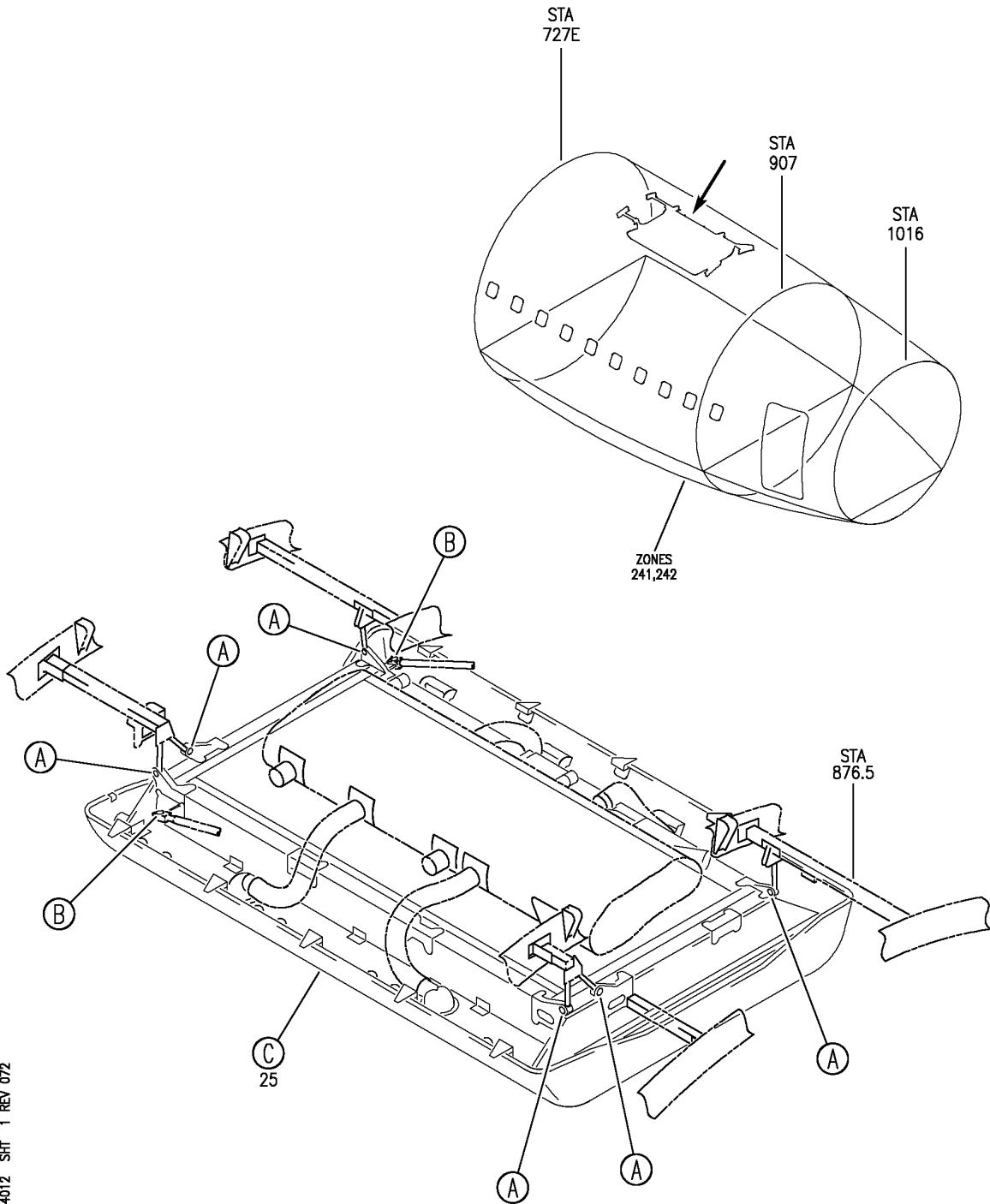
HAP

25-24-40-11

BOEING PROPRIETARY - Copyright © - Unpublished Work - See title page for details.

25-24-40
FIG. 11
PAGE 15
FEB 15/09

BOEING
737-600/700/800/900
PARTS CATALOG (MAINTENANCE)



E 25244012 SH1 1 REV 072

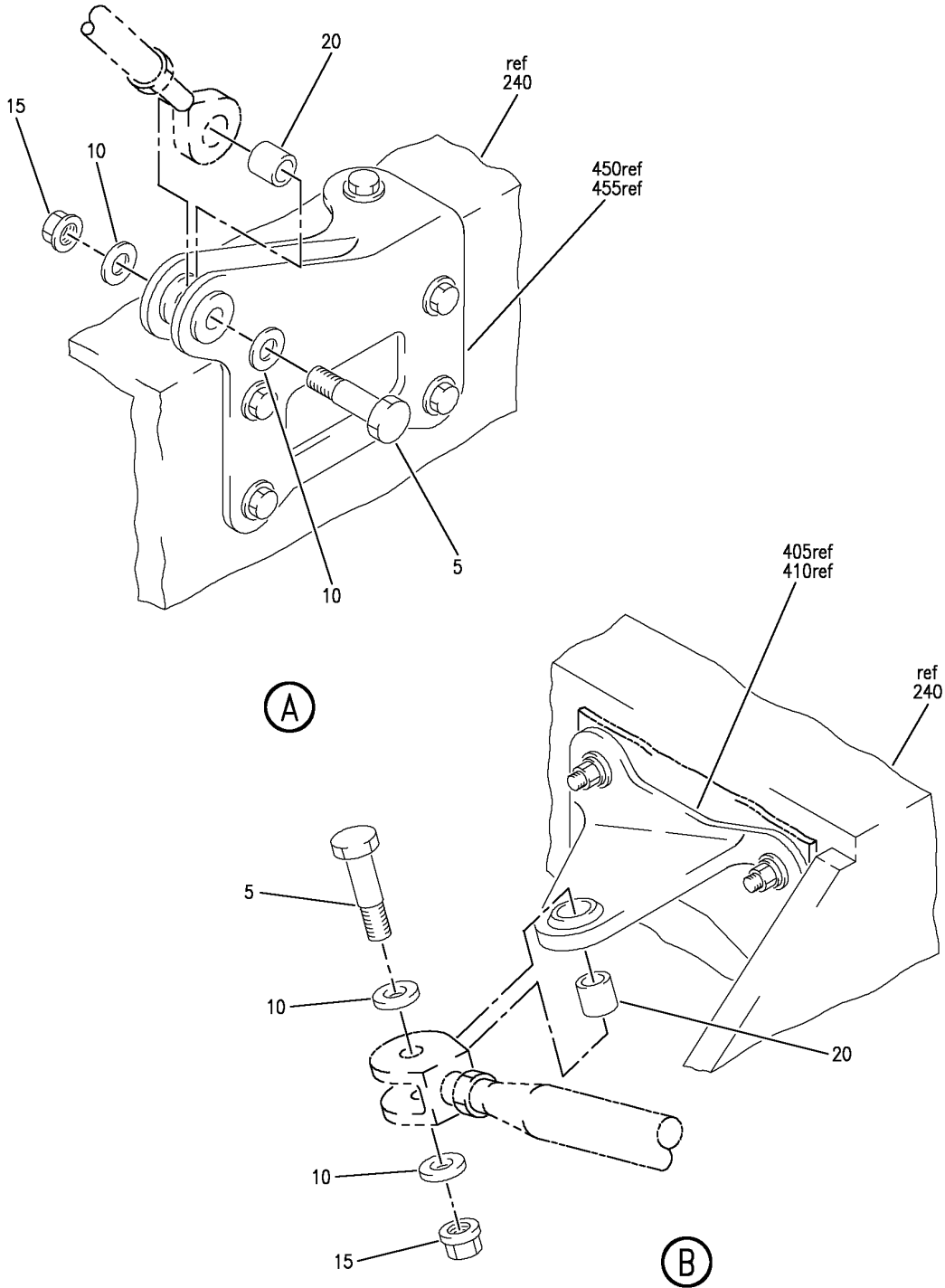
BOX INSTL-AFT CTR OVHD STOWAGE
FIGURE 12 (SHEET 1)

25-24-40-12

HAP
OCT 10/06

25-24-40-12
PAGE 0

BOEING
 737-600/700/800/900
 PARTS CATALOG (MAINTENANCE)



E 25244012 SH1 2 REV 072

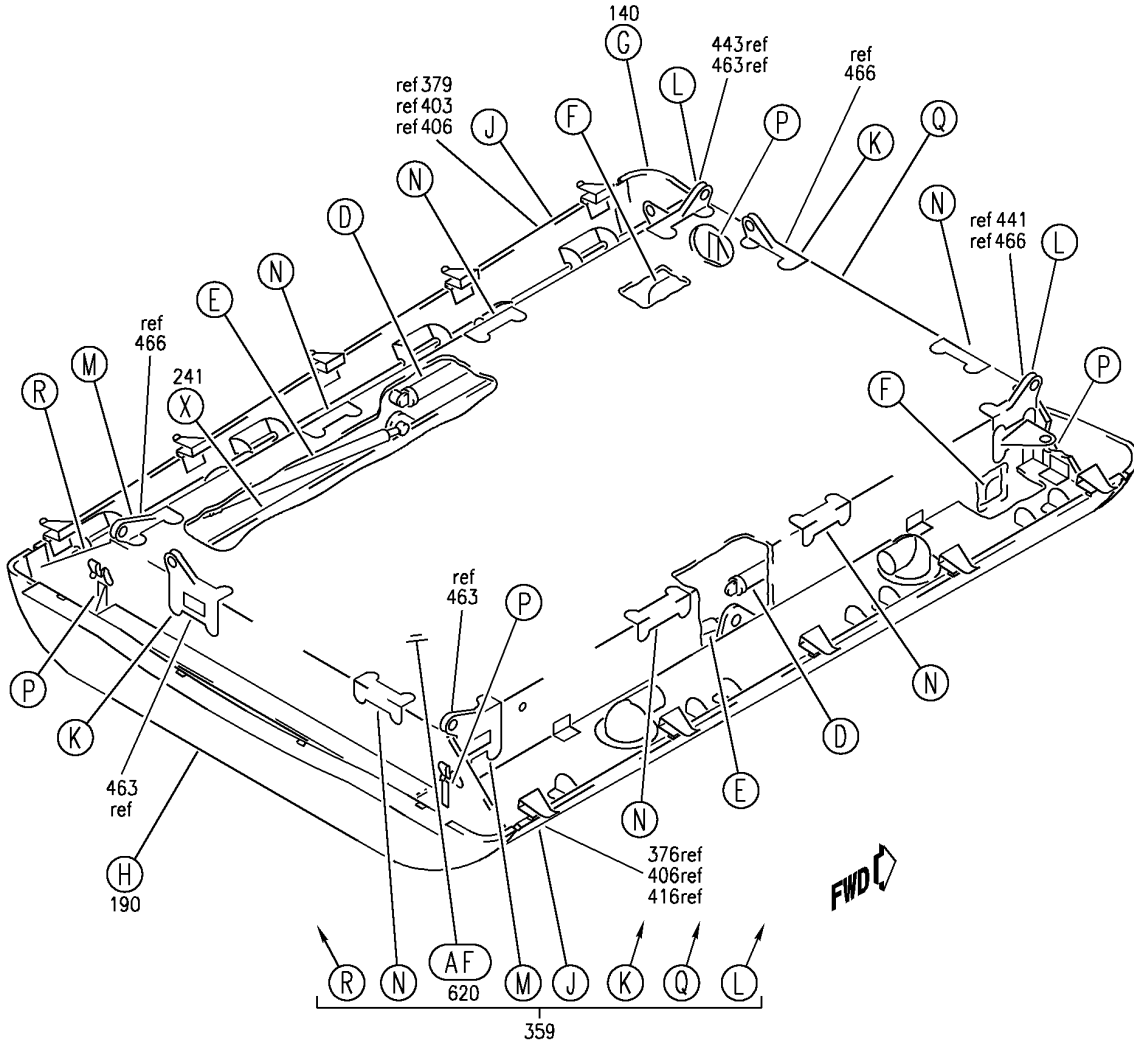
BOX INSTL-AFT CTR OVHD STOWAGE
 FIGURE 12 (SHEET 2)

25-24-40-12

HAP
 OCT 10/06

25-24-40-12
 PAGE 0A

BOEING
 737-600/700/800/900
 PARTS CATALOG (MAINTENANCE)



(C)

E 25244012 SHT 3 REV 106

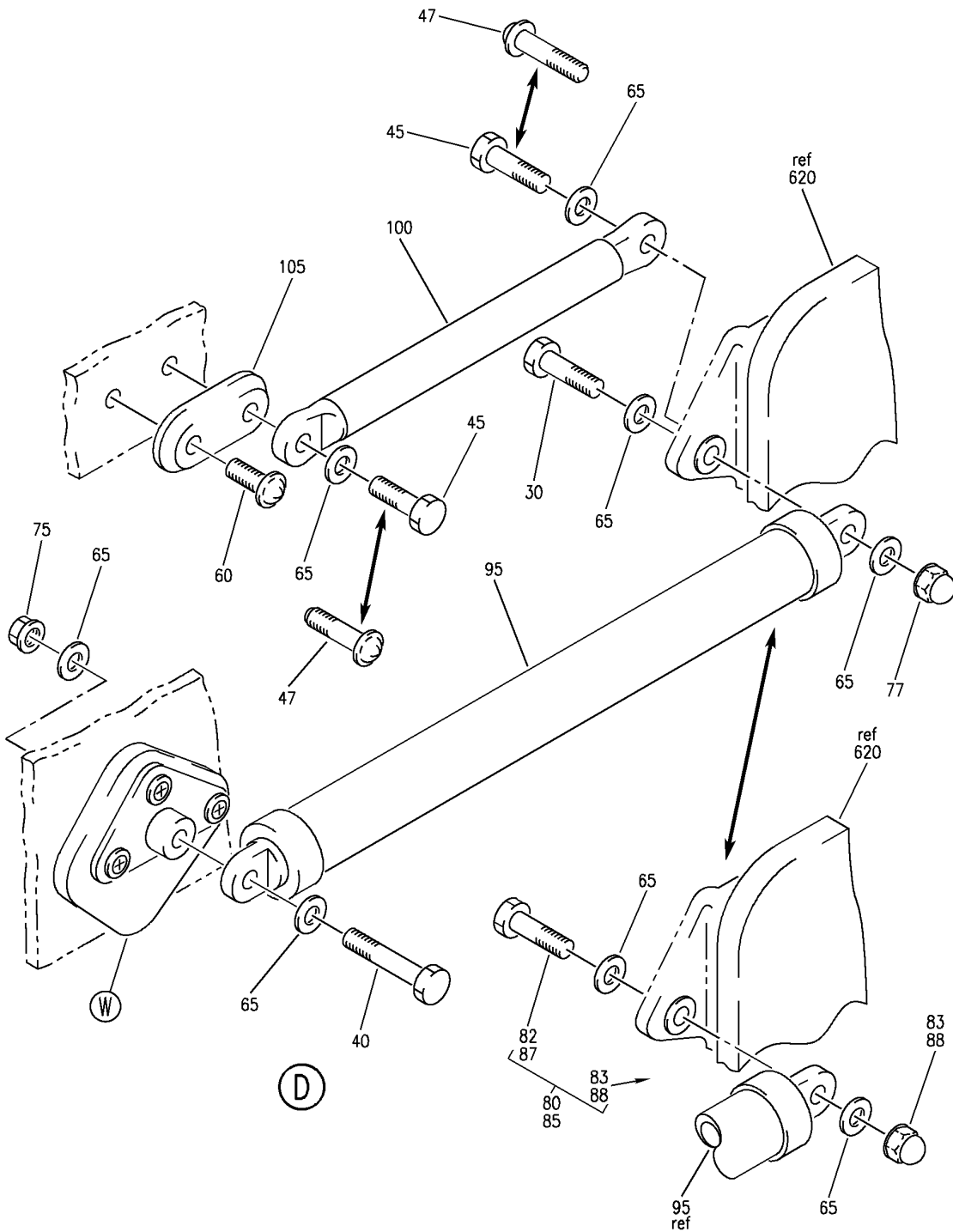
BOX INSTL-AFT CTR OVHD STOWAGE
 FIGURE 12 (SHEET 3)

25-24-40-12

HAP
 OCT 10/06

25-24-40-12
 PAGE 0B

BOEING
 737-600/700/800/900
 PARTS CATALOG (MAINTENANCE)



E 25244012 SHT 4 REV 110

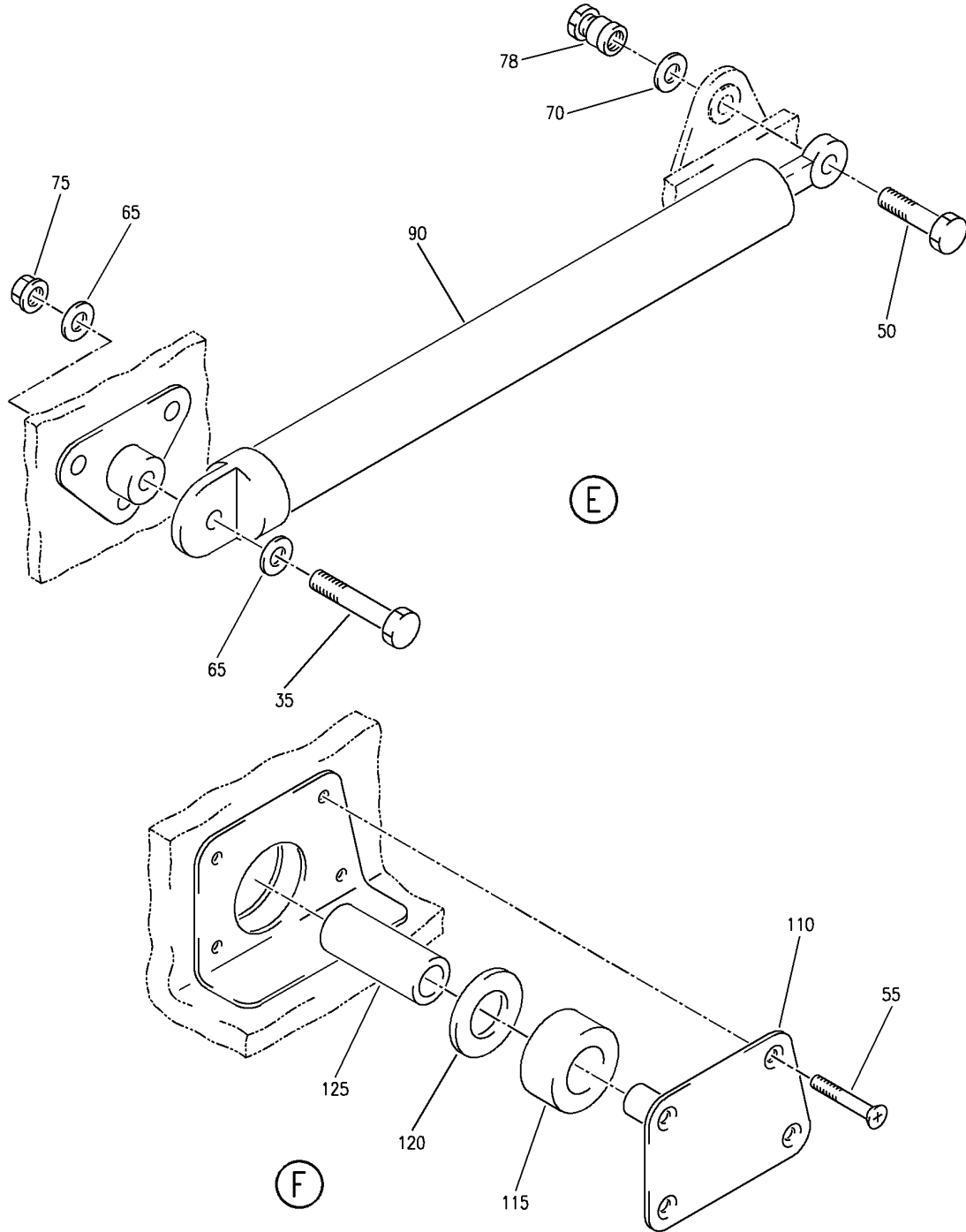
BOX INSTL-AFT CTR OVHD STOWAGE
 FIGURE 12 (SHEET 4)

25-24-40-12

HAP
 OCT 10/06

25-24-40-12
 PAGE 0C

BOEING
737-600/700/800/900
PARTS CATALOG (MAINTENANCE)



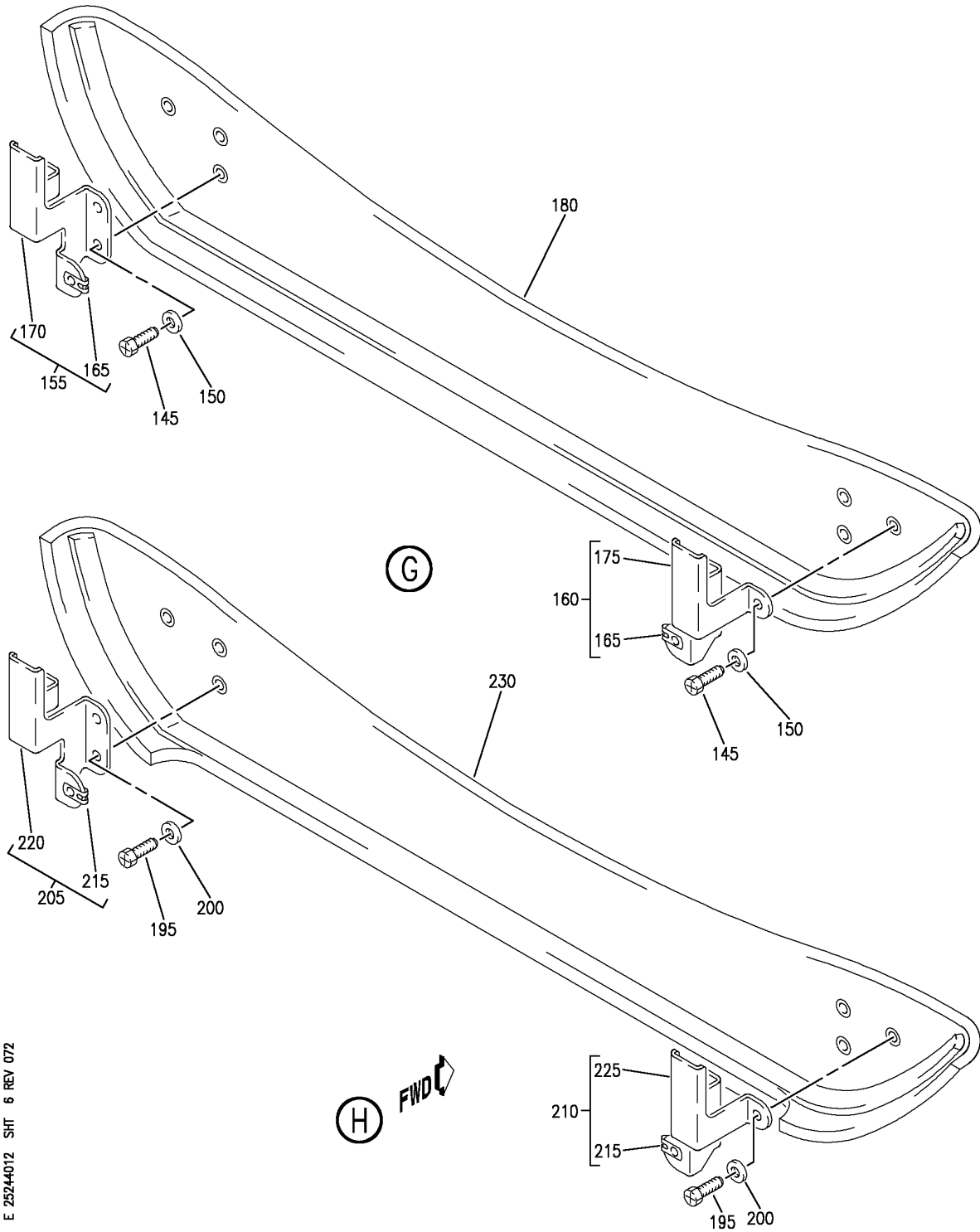
E 25244012 SHT 5 REV 110

BOX INSTL-AFT CTR OVHD STOWAGE
FIGURE 12 (SHEET 5)

25-24-40-12

HAP
OCT 10/06

25-24-40-12
PAGE 0D



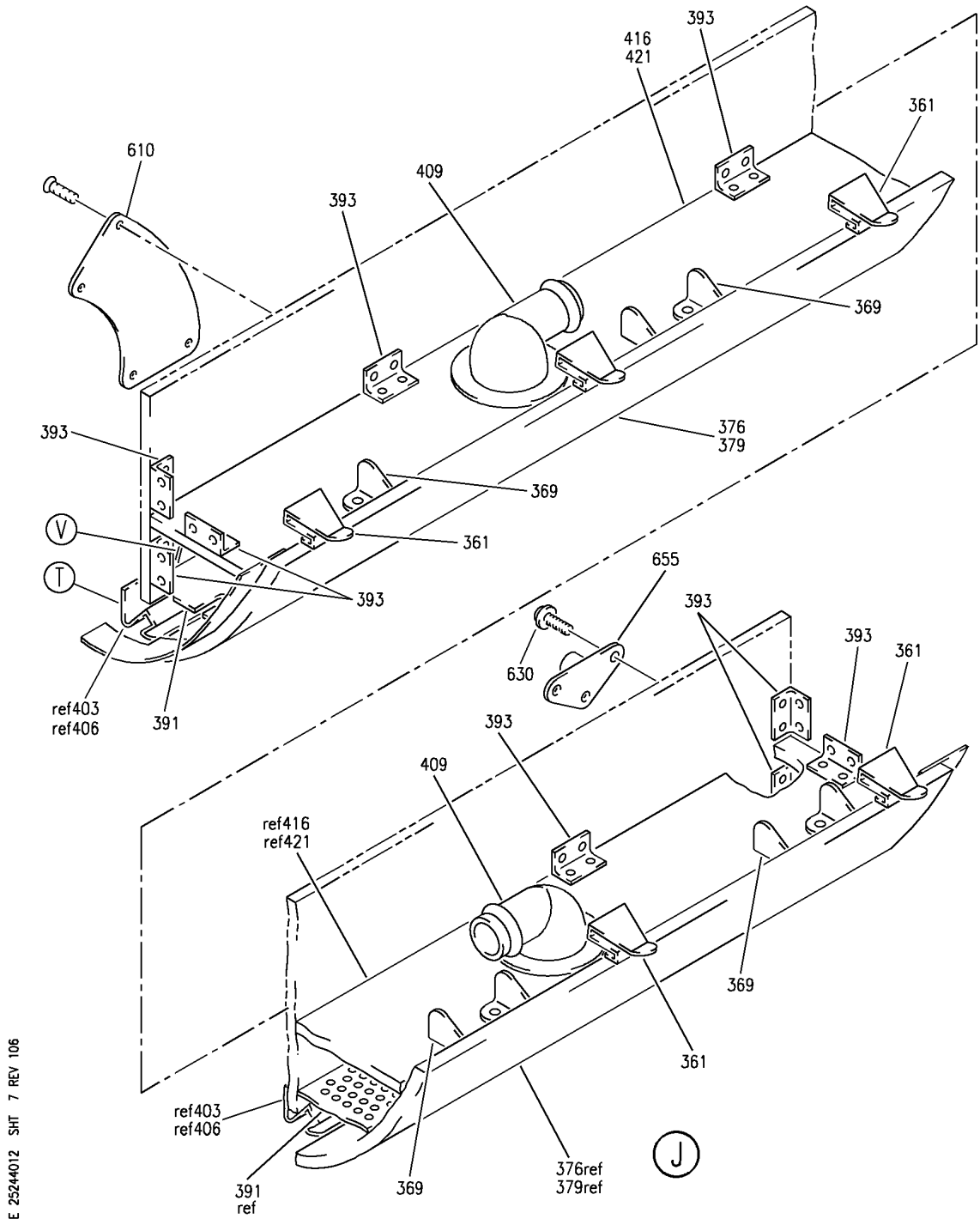
BOX INSTL-AFT CTR OVHD STOWAGE
 FIGURE 12 (SHEET 6)

25-24-40-12

HAP
 OCT 10/06

25-24-40-12
 PAGE 0E

BOEING
 737-600/700/800/900
 PARTS CATALOG (MAINTENANCE)



E 25244012 SH7 7 REV 106

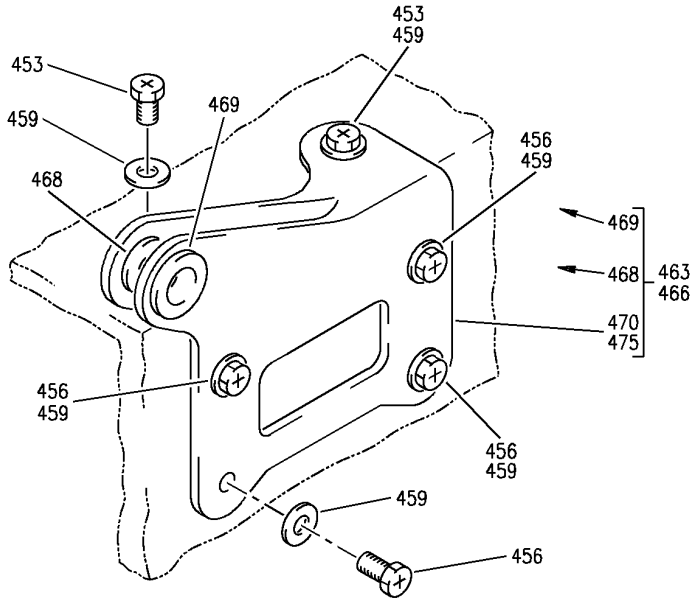
BOX INSTL-AFT CTR OVHD STOWAGE
 FIGURE 12 (SHEET 7)

25-24-40-12

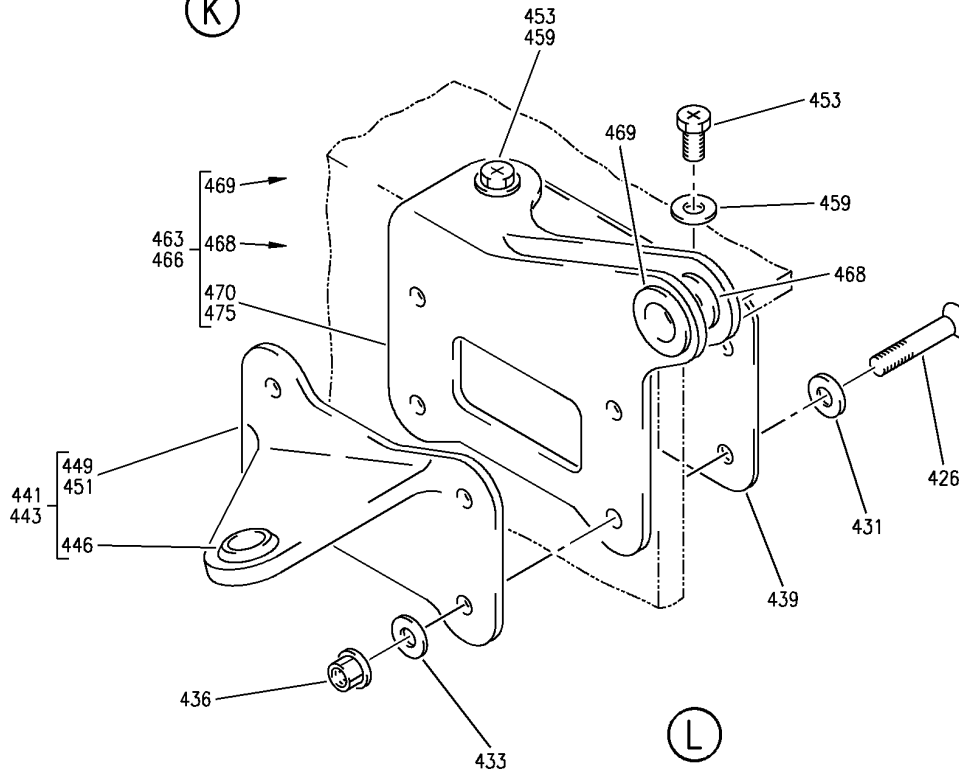
HAP
 OCT 10/06

25-24-40-12
 PAGE OF

BOEING
737-600/700/800/900
PARTS CATALOG (MAINTENANCE)



(K)



(L)

E 25244012 SHT 8 REV 106

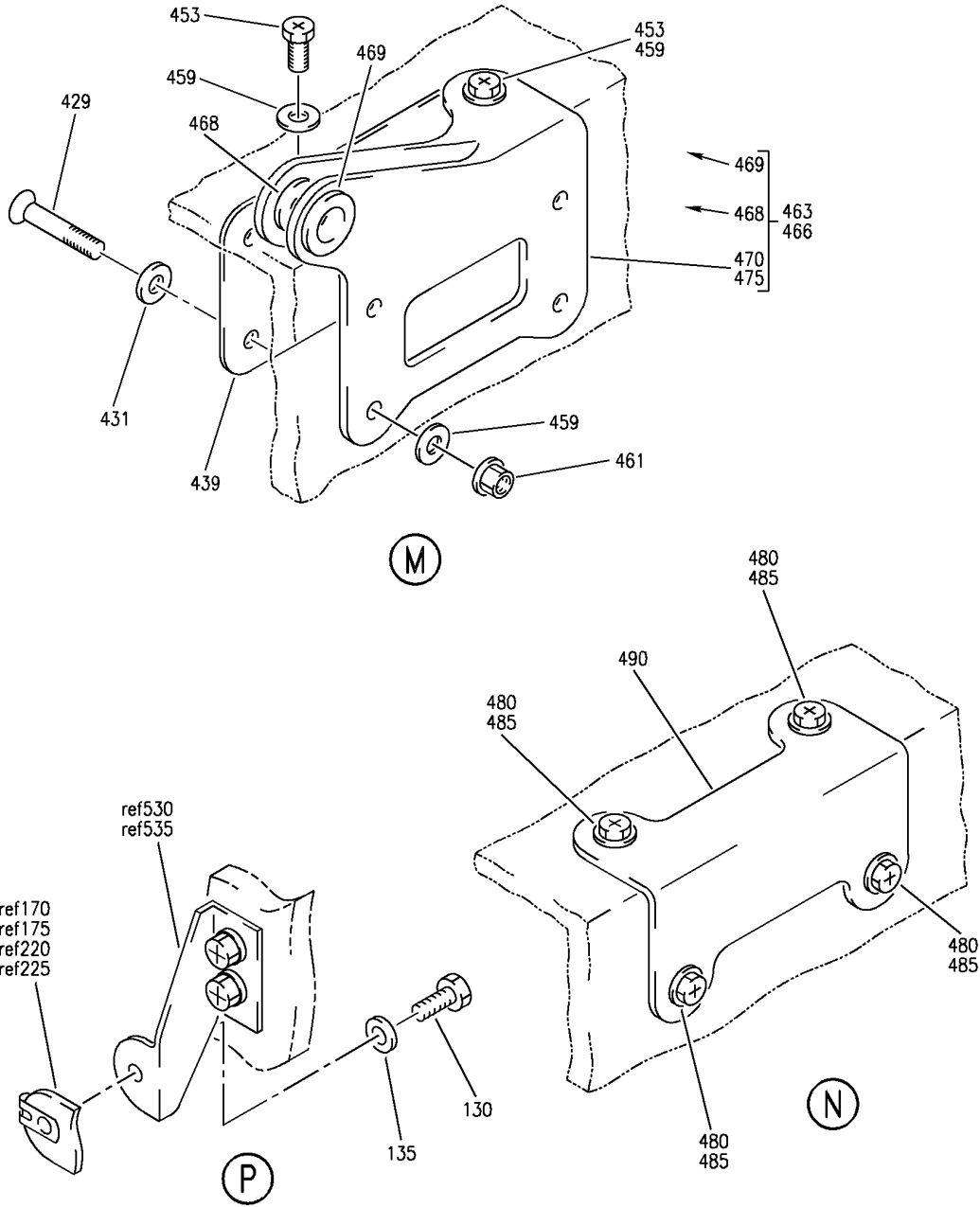
BOX INSTL-AFT CTR OVHD STOWAGE
FIGURE 12 (SHEET 8)

25-24-40-12

HAP
OCT 10/06

25-24-40-12
PAGE 06

BOEING
 737-600/700/800/900
 PARTS CATALOG (MAINTENANCE)



E 25244012 SHT 9 REV 106

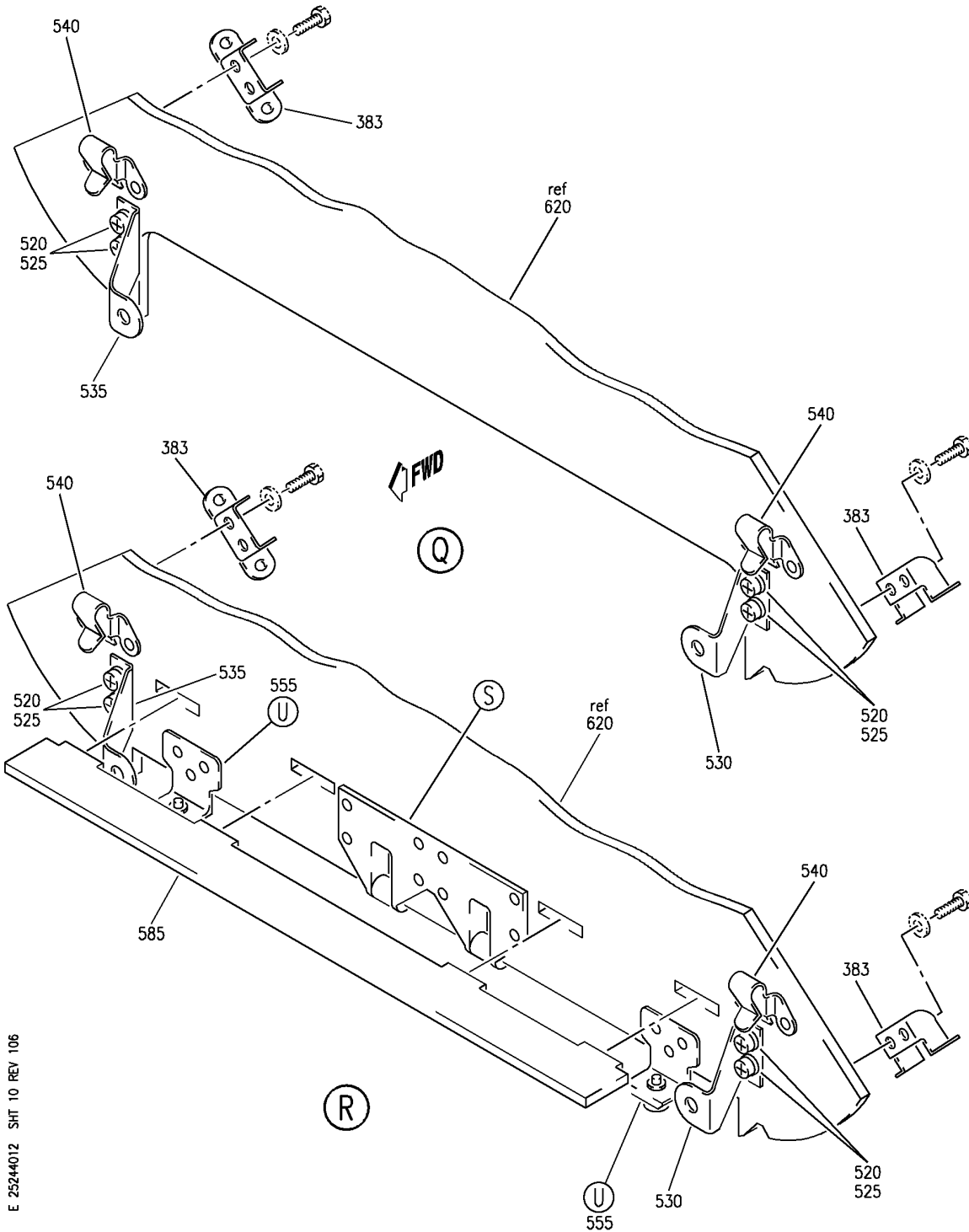
BOX INSTL-AFT CTR OVHD STOWAGE
 FIGURE 12 (SHEET 9)

25-24-40-12

HAP
 OCT 10/06

25-24-40-12
 PAGE 0H

BOEING
 737-600/700/800/900
 PARTS CATALOG (MAINTENANCE)



E 25244012 SHT 10 REV 106

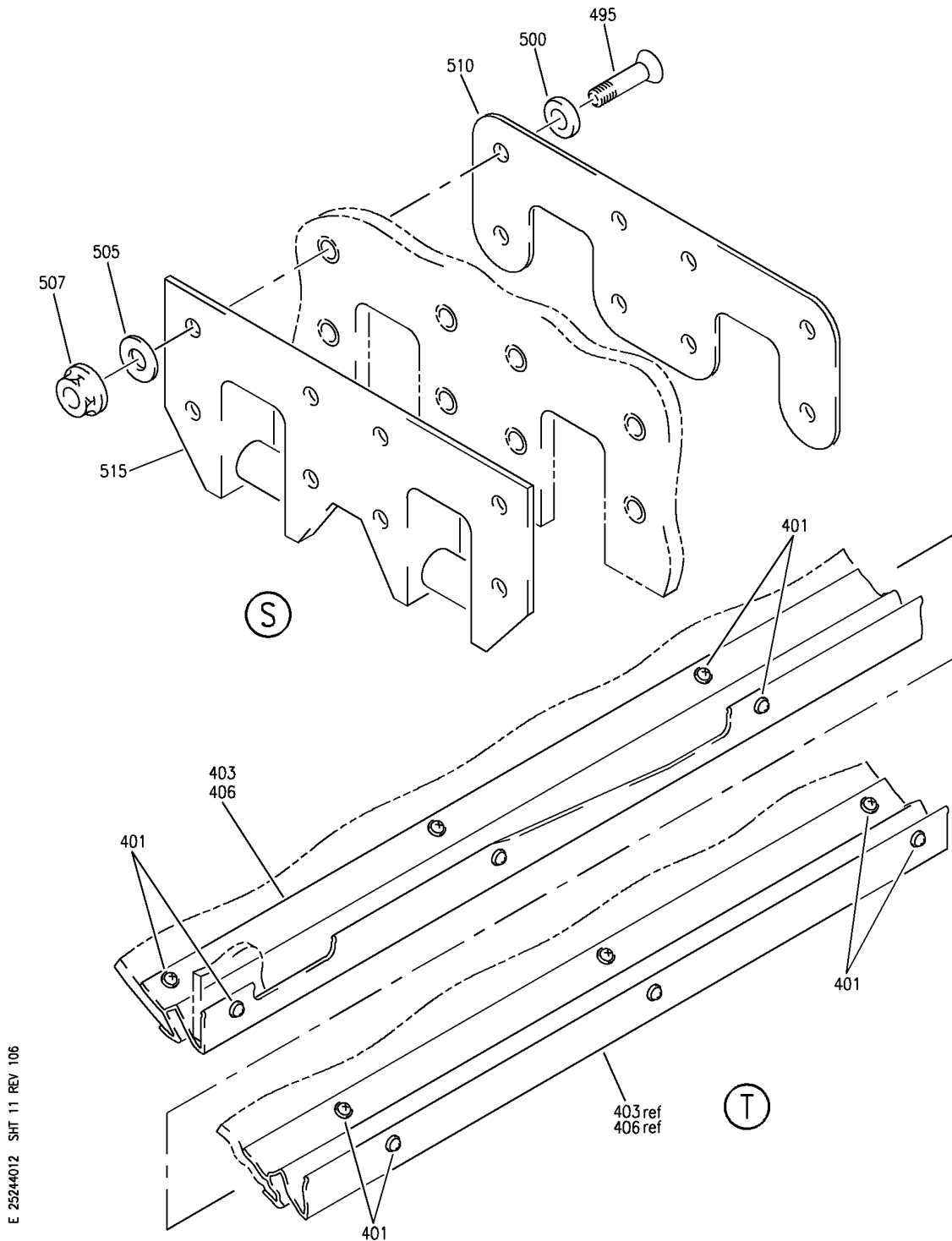
BOX INSTL-AFT CTR OVHD STOWAGE
 FIGURE 12 (SHEET 10)

25-24-40-12

HAP
 OCT 10/06

25-24-40-12
 PAGE 01

BOEING
737-600/700/800/900
PARTS CATALOG (MAINTENANCE)



E 25244012 SHT 11 REV 106

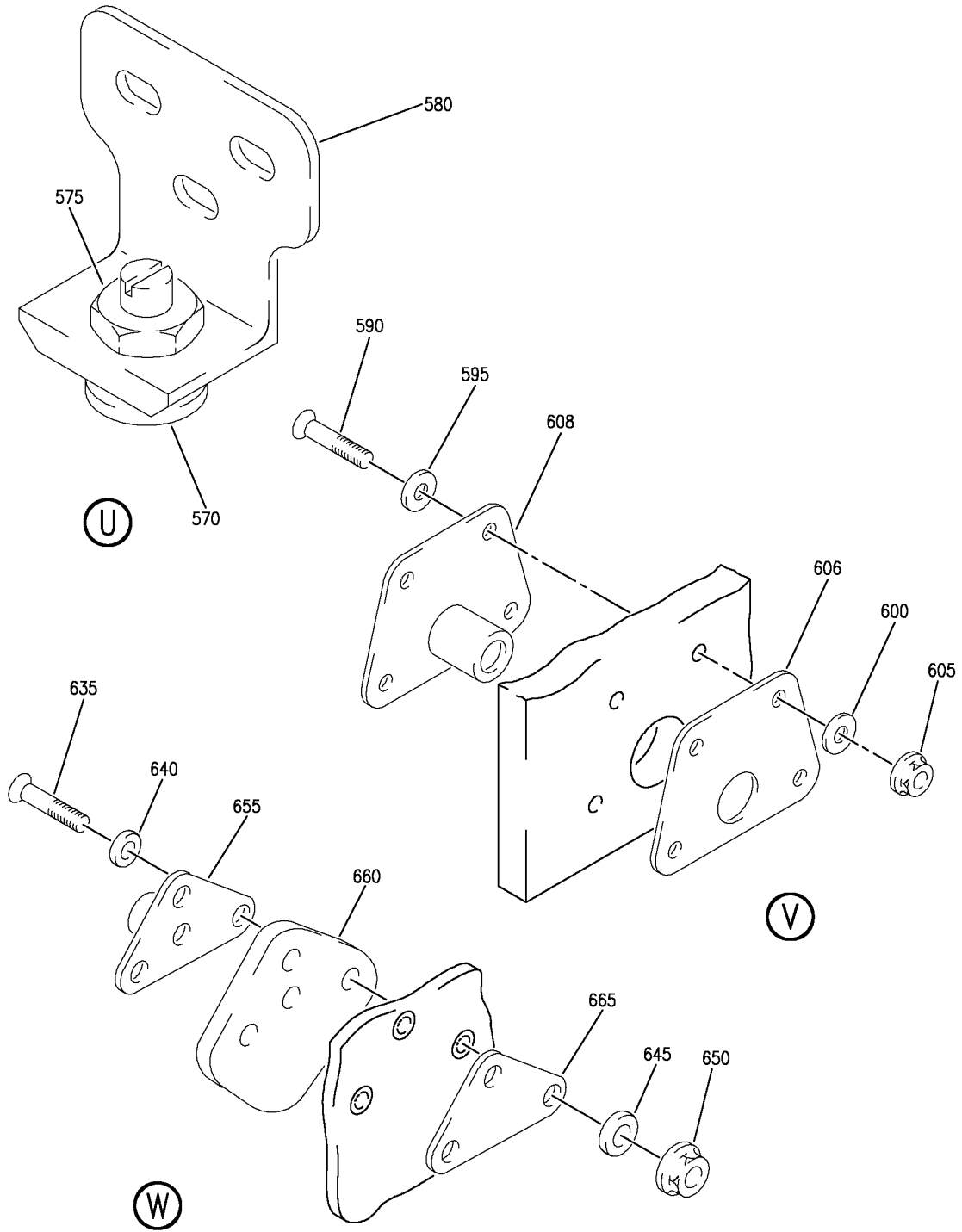
BOX INSTL-AFT CTR OVHD STOWAGE
FIGURE 12 (SHEET 11)

25-24-40-12

HAP
OCT 10/06

25-24-40-12
PAGE 0J

BOEING
 737-600/700/800/900
 PARTS CATALOG (MAINTENANCE)



E 25244012 SH1 12 REV 072

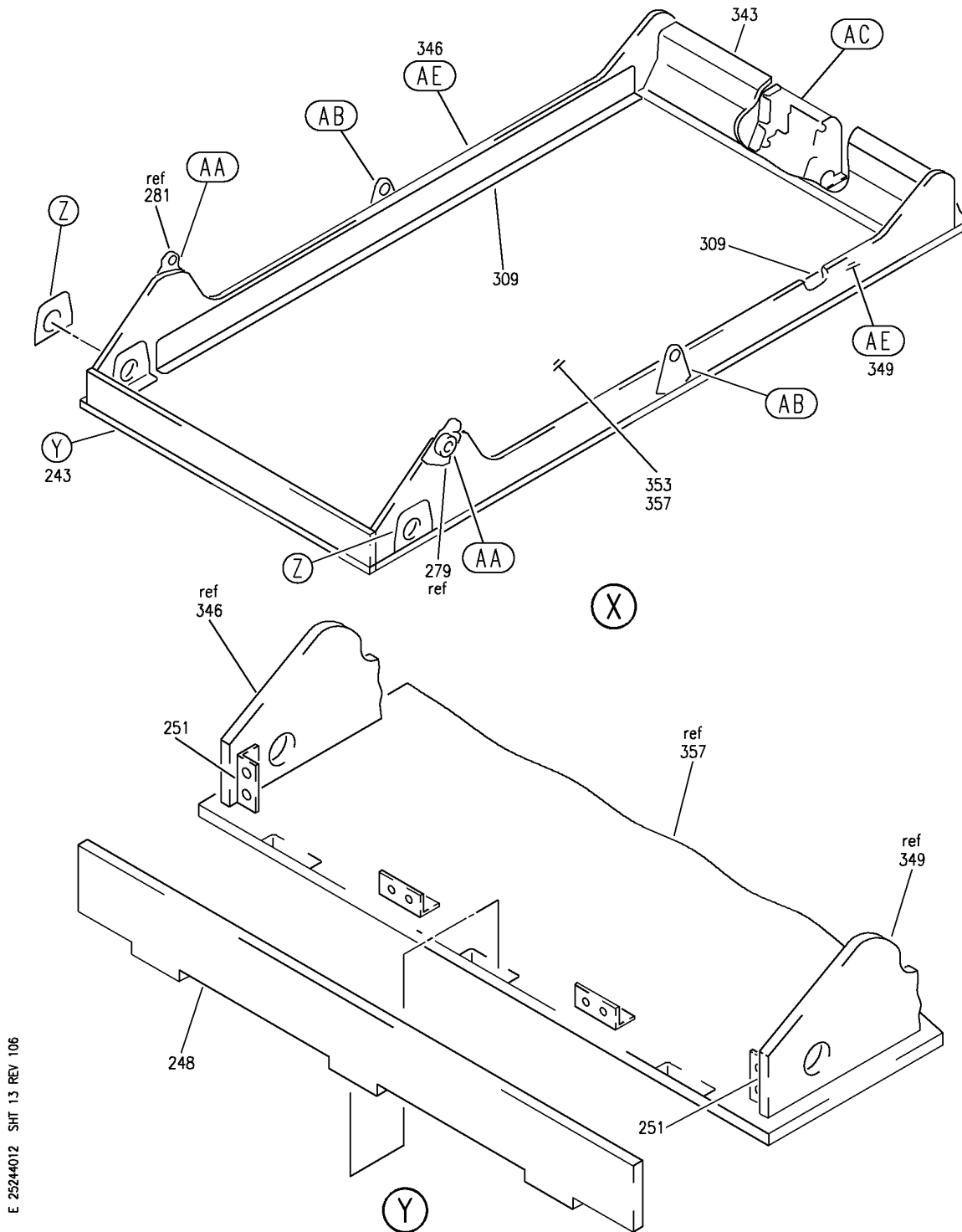
BOX INSTL-AFT CTR OVHD STOWAGE
 FIGURE 12 (SHEET 12)

25-24-40-12

HAP
 OCT 10/06

25-24-40-12
 PAGE 0K

BOEING
 737-600/700/800/900
 PARTS CATALOG (MAINTENANCE)



E 25244012 SHT 13 REV 106

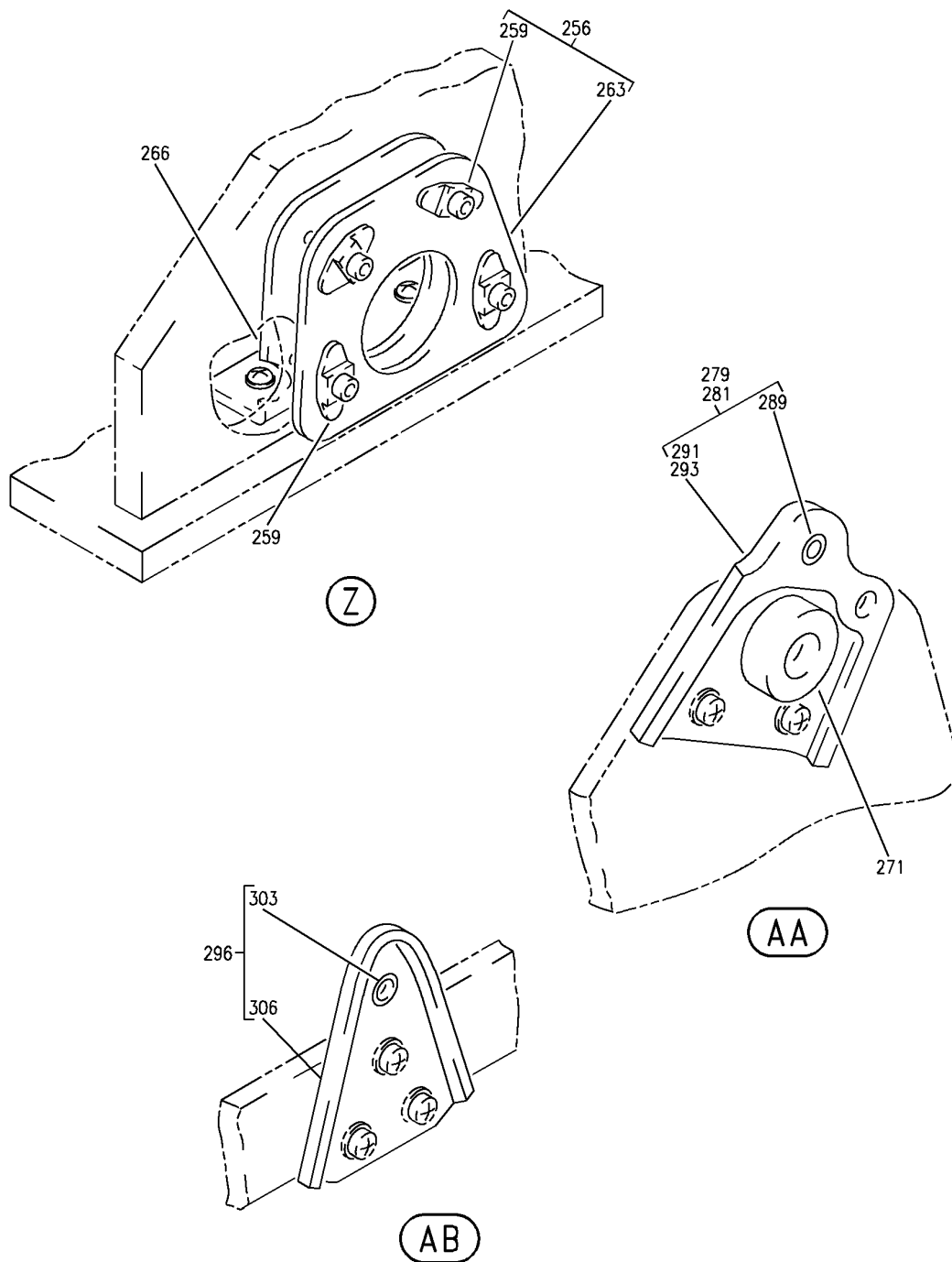
BOX INSTL-AFT CTR OVHD STOWAGE
 FIGURE 12 (SHEET 13)

25-24-40-12

HAP
 OCT 10/06

25-24-40-12
 PAGE 01

BOEING
737-600/700/800/900
PARTS CATALOG (MAINTENANCE)



E 25244012 SH1 14 REV 106

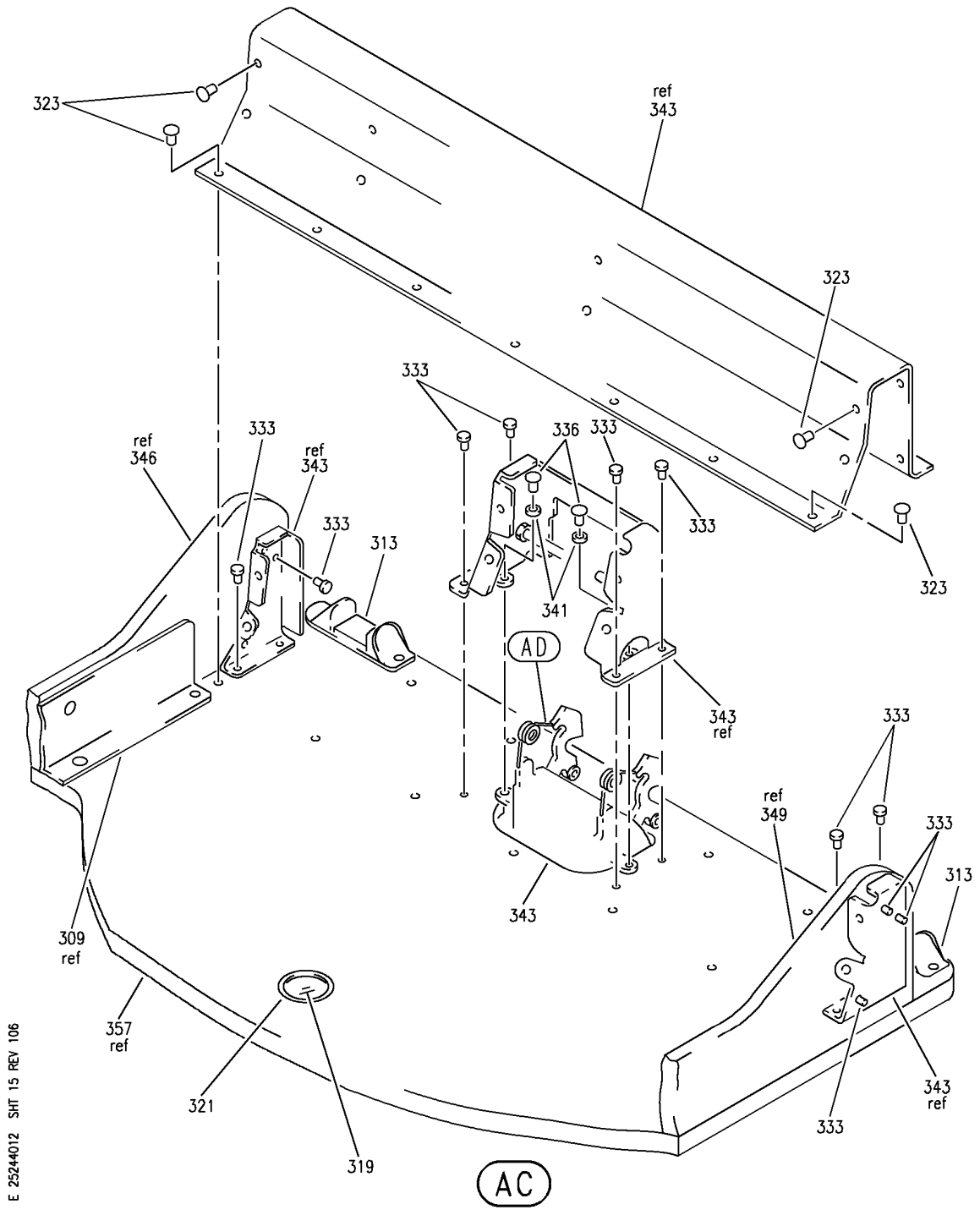
BOX INSTL-AFT CTR OVHD STOWAGE
FIGURE 12 (SHEET 14)

25-24-40-12

HAP
OCT 10/06

25-24-40-12
PAGE 0M

BOEING
 737-600/700/800/900
 PARTS CATALOG (MAINTENANCE)



E 25244012 SHT 15 REV 106

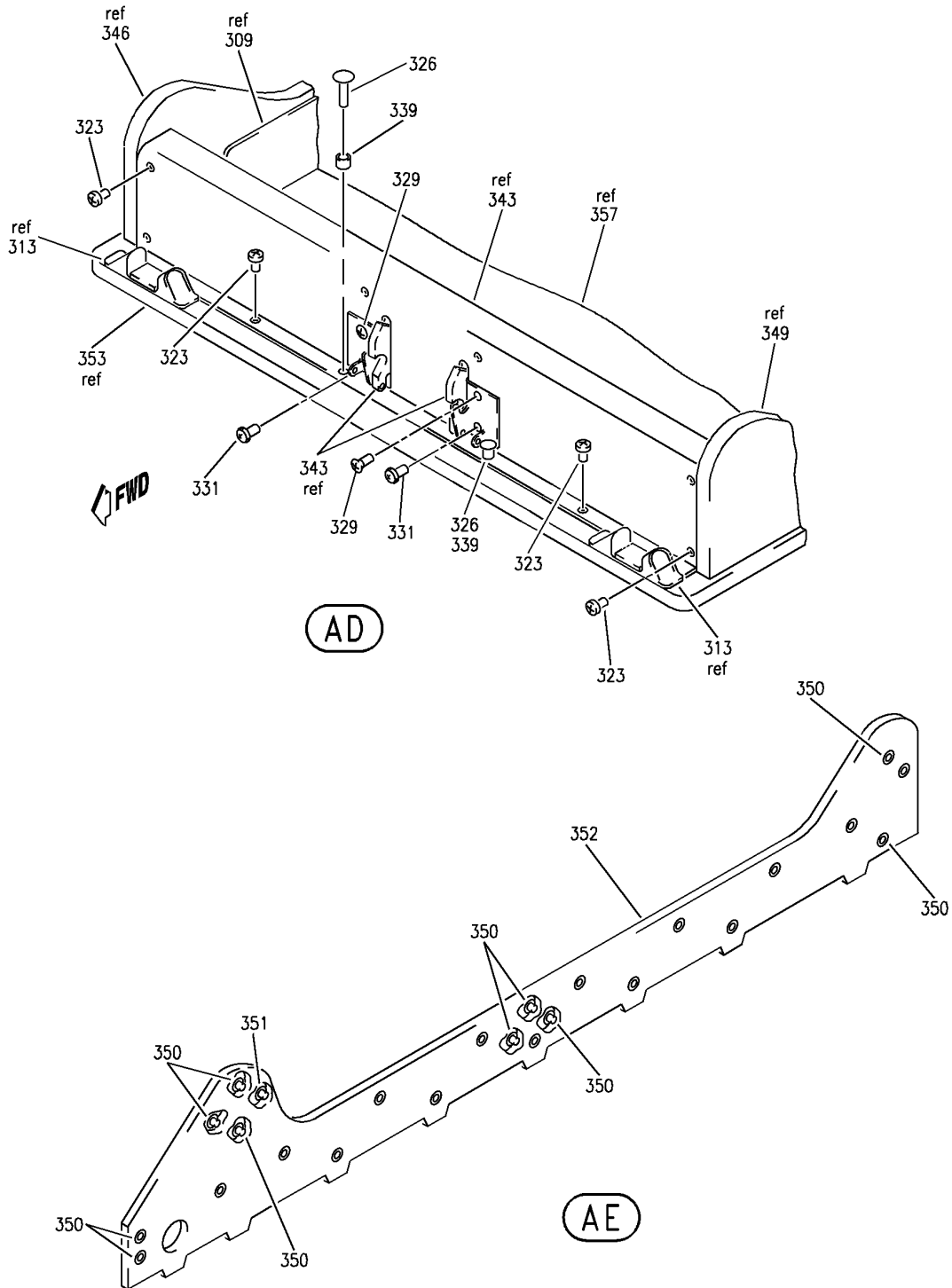
BOX INSTL-AFT CTR OVHD STOWAGE
 FIGURE 12 (SHEET 15)

25-24-40-12

HAP
 OCT 10/06

25-24-40-12
 PAGE ON

BOEING
 737-600/700/800/900
 PARTS CATALOG (MAINTENANCE)



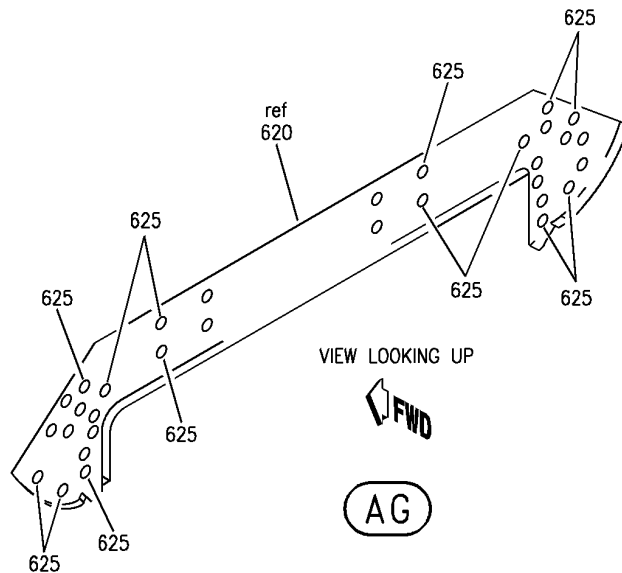
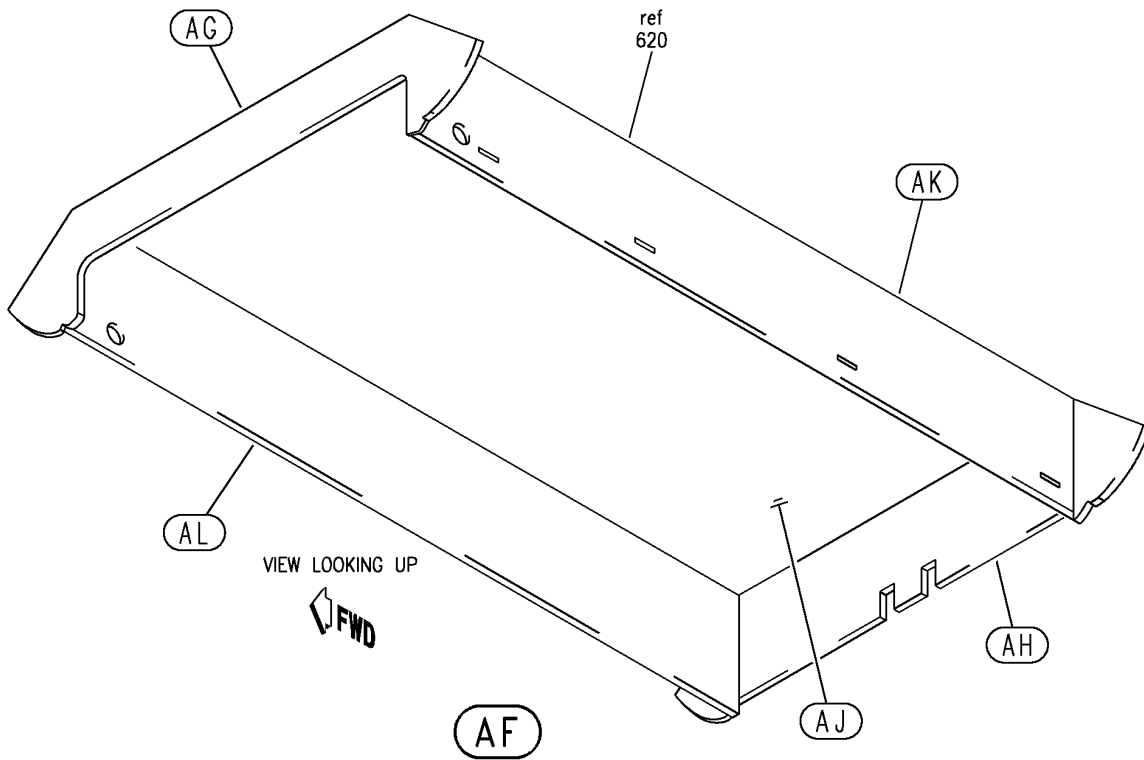
E 25244012 SH1 16 REV 106

BOX INSTL-AFT CTR OVHD STOWAGE
 FIGURE 12 (SHEET 16)

25-24-40-12

HAP
 OCT 10/06

25-24-40-12
 PAGE 00



E 25244012 SH1 17 REV 106

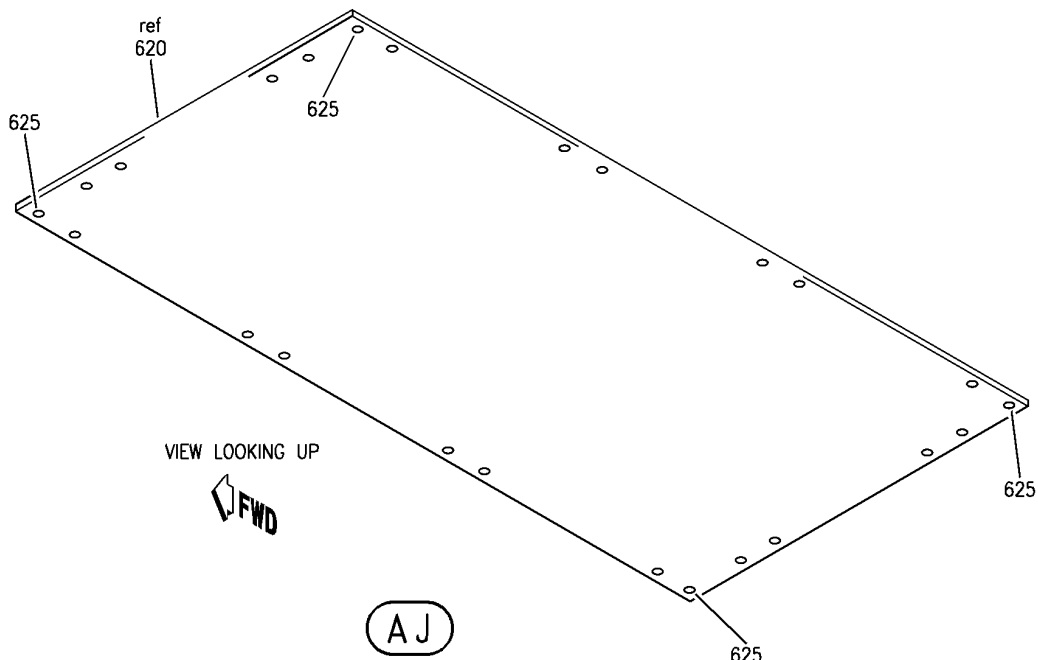
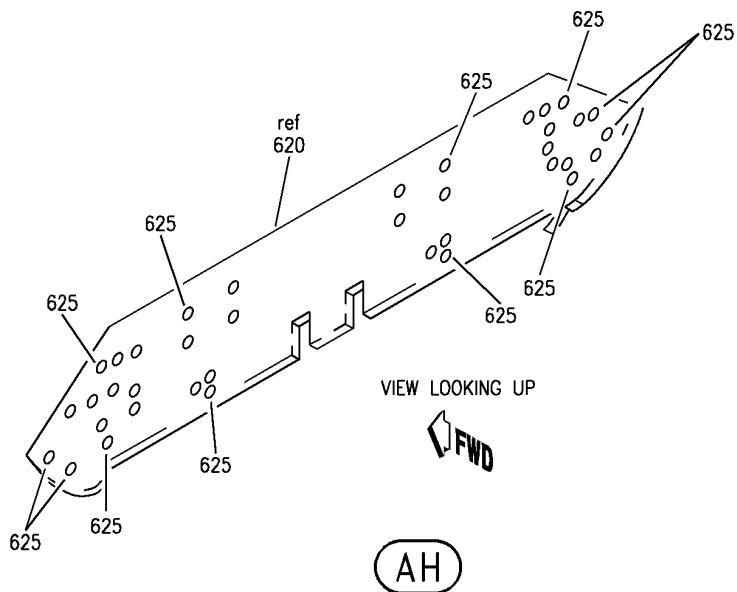
BOX INSTL-AFT CTR OVHD STOWAGE
 FIGURE 12 (SHEET 17)

25-24-40-12

HAP
 OCT 10/06

25-24-40-12
 PAGE 0P

BOEING
737-600/700/800/900
PARTS CATALOG (MAINTENANCE)



E 25244012 SHT 18 REV 106

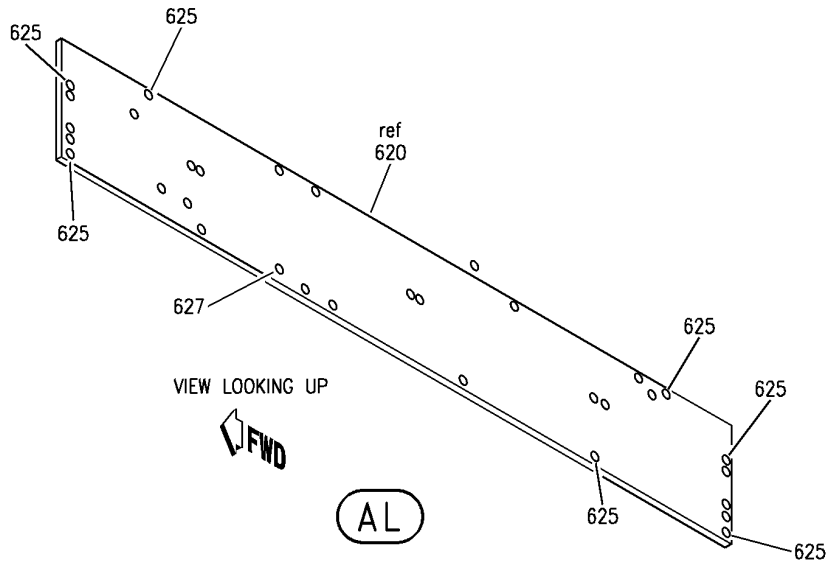
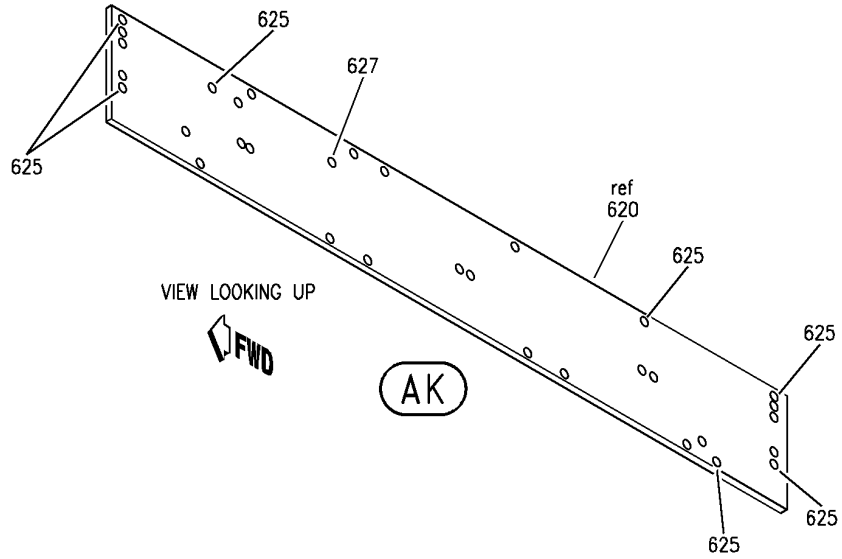
BOX INSTL-AFT CTR OVHD STOWAGE
FIGURE 12 (SHEET 18)

25-24-40-12

HAP
OCT 10/06

25-24-40-12
PAGE 00

BOEING
737-600/700/800/900
PARTS CATALOG (MAINTENANCE)



E 25244012 SHT 19 REV 106

BOX INSTL-AFT CTR OVHD STOWAGE
FIGURE 12 (SHEET 19)

25-24-40-12

HAP
OCT 10/06

25-24-40-12
PAGE OR

BOEING
737-600/700/800/900
PARTS CATALOG (MAINTENANCE)

FIG ITEM	PART NUMBER	1 2 3 4 5 6 7	NOMENCLATURE	EFFECT FROM TO	UNITS PER ASSY
12			BOX INSTL-AFT CTR OVHD STOWAGE	031100	
- 1	MODREF91675		BOX INSTL-OVHD STOWAGE MODULE NUMBER: 412A4100-302B REV A POSITION DATA: AFT CTR	031100	1
5	BACB30NR4K11		.BOLT	031100	8
10	NAS1149D0432J		.WASHER	031100	16
15	PLH54CD		.NUT SUPPLIER CODE: VF0224 SPECIFICATION NUMBER: BACN10YR4CD OPTIONAL PART: H52732-4CD V15653	031100	8
20	BACB28AK04-028		.BUSHING	031100	8
25	412A4110-9B		.BOX ASSY	031100	1
35	BACB30NM4K20		..BOLT	031100	2
40	BACB30NM4K24		..BOLT	031100	2
45	BACB30NM4K6		..BOLT- OPTIONAL PART: BACS12FA4K12	031100	4
47	BACS12FA4K12		..SCREW- OPTIONAL PART: BACB30NM4K6	031100	4
50	HST10AG8-8		..BOLT SUPPLIER CODE: VOPTK6 SPECIFICATION NUMBER: BACB30VT8K8 OPTIONAL PART: HST10AG8-8 V06725 HST10AG8-8 V56878 HST10AG8-8 V73197 WC10K8-8 V60516	031100	2
55	BACB30XD3K9		..BOLT	031100	8
60	BACS12FA3K8		..SCREW	031100	2
65	NAS1149D0432J		..WASHER	031100	16
70	NAS1149D0463J		..WASHER	031100	2

MISSING ITEM NUMBERS NOT APPLICABLE

- ITEM NOT ILLUSTRATED

HAP

25-24-40-12

BOEING PROPRIETARY - Copyright © - Unpublished Work - See title page for details.

25-24-40
FIG. 12
PAGE 1
FEB 15/09

 **BOEING**
737-600/700/800/900
PARTS CATALOG (MAINTENANCE)

FIG ITEM	PART NUMBER	1 2 3 4 5 6 7	NOMENCLATURE	EFFECT FROM TO	UNITS PER ASSY
12					
75	PLH54CD	..	NUT SUPPLIER CODE: VFO224 SPECIFICATION NUMBER: BACN10YR4CD OPTIONAL PART: H52732-4CD V15653	031100	4
78	BACC3OBL8	..	COLLAR	031100	2
80	412A4110-17	..	KIT ASSY-SUBSTITUTION OPTIONAL PART: 412A4110-16	031100	2
82	BACB3ONT4K9	...	BOLT	031100	1
83	PLH54CD	...	NUT SUPPLIER CODE: VFO224 SPECIFICATION NUMBER: BACN10YR4CD OPTIONAL PART: H52732-4CD V15653	031100	1
85	412A4110-16	..	KIT ASSY-SUBSTITUTION OPTIONAL PART: 412A4110-17	031100	2
87	BACB3ONM4K10	...	BOLT	031100	1
88	26C048	...	NUT SUPPLIER CODE: V80539 SPECIFICATION NUMBER: BACN10R428A	031100	1
90	SP20367	..	SNUBBER-RATE CONT SUPPLIER CODE: V24403 SPECIFICATION NUMBER: S412A415-1	031100	2
95	SP20257	..	ACTUATOR- SUPPLIER CODE: V24403 SPECIFICATION NUMBER: S412A415-2	031100	2
100	SP20101	..	SNUBBER- SUPPLIER CODE: V24403 SPECIFICATION NUMBER: S413U160-2	031100	2
105	412A4160-37A	..	FITTING-DAMPER	031100	2
110	412A4160-2A	..	PIN-HINGE	031100	2
115	421W1285-1	..	DAMPER-HINGE	031100	2
120	421W1285-3	..	WASHER-HINGE	031100	2

MISSING ITEM NUMBERS NOT APPLICABLE

— ITEM NOT ILLUSTRATED

HAP

25-24-40-12

BOEING PROPRIETARY - Copyright © - Unpublished Work - See title page for details.

25-24-40
FIG. 12
PAGE 2
FEB 15/09

BOEING
737-600/700/800/900
PARTS CATALOG (MAINTENANCE)

FIG ITEM	PART NUMBER	1 2 3 4 5 6 7	NOMENCLATURE	EFFECT FROM TO	UNITS PER ASSY
12					
125	421W1285-2	..	BUSHING-HINGE	031100	2
130	BACS12GU3K8	..	SCREW	031100	4
135	NAS1149D0332J	..	WASHER	031100	4
140	412A4113-10B	..	CAP ASSY-END	031100	1
145	BACS12GU3K5	...	SCREW	031100	6
150	NAS1149D0332J	...	WASHER	031100	6
155	412A4161-13	...	BRACKET ASSY	031100	1
160	412A4161-14	...	BRACKET ASSY	031100	1
165	BRC600-10-3	NUT	031100	1
			SUPPLIER CODE: V52828		
			SPECIFICATION NUMBER: BACN10YD2		
			OPTIONAL PART: 130121 V60119		
170	412A4161-21	BRACKET- USED ON: 412A4161-13	031100	1
175	412A4161-22	BRACKET- USED ON: 412A4161-14	031100	1
180	412A4120-10B	...	CAP ASSY- OPTIONAL PART: 412A4120-200A	031100	1
180	412A4120-200A	...	CAP ASSY- OPTIONAL PART: 412A4120-10B	031100	1
- 185	SL2334-3A1	INSERT- SUPPLIER CODE: V97393 OPTIONAL PART: SL618-3A V97393	031100	6
- 185	SL618-3A	INSERT- SUPPLIER CODE: V97393 OPTIONAL PART: SL2334-3A1 V97393	031100	6
190	412A4113-9B	..	CAP ASSY-END	031100	1
195	BACS12GU3K5	...	SCREW	031100	6
200	NAS1149D0332J	...	WASHER	031100	6
205	412A4161-13	...	BRACKET ASSY	031100	1
210	412A4161-14	...	BRACKET ASSY	031100	1

MISSING ITEM NUMBERS NOT APPLICABLE

- ITEM NOT ILLUSTRATED

HAP

25-24-40-12

25-24-40
FIG. 12
PAGE 3
FEB 15/09

BOEING
737-600/700/800/900
PARTS CATALOG (MAINTENANCE)

FIG ITEM	PART NUMBER	1 2 3 4 5 6 7	NOMENCLATURE	EFFECT FROM TO	UNITS PER ASSY
12 215	BRC600-10-3	NUT SUPPLIER CODE: V52828 SPECIFICATION NUMBER: BACN10YD2 OPTIONAL PART: 130121 V60119	031100	1
220	412A4161-21	BRACKET- USED ON: 412A4161-13	031100	1
225	412A4161-22	BRACKET- USED ON: 412A4161-14	031100	1
230	412A4120-9B	...	CAP ASSY- OPTIONAL PART: 412A4120-100A	031100	1
230	412A4120-100A	...	CAP ASSY- OPTIONAL PART: 412A4120-9B	031100	1
- 235	SL2334-3A1	INSERT- SUPPLIER CODE: V97393 POSITION DATA: NEAR SIDE OPTIONAL PART: SL618-3A V97393	031100	6
- 235	SL618-3A	INSERT- SUPPLIER CODE: V97393 POSITION DATA: NEAR SIDE OPTIONAL PART: SL2334-3A1 V97393	031100	6
241	412A4112-3B	..	DOOR ASSY-	031100	1
243	412A4125-35B	...	PANEL ASSY-BACK WALL OPTIONAL PART: 412A4125-26B	031100	1
243	412A4125-26B	...	PANEL ASSY-BACK WALL OPTIONAL PART: 412A4125-35B ATTACHING PARTS	031100	1
- 246	BACS12FA3K5	...	SCREW -----*-----	031100	8
- 247	SL2334-3A1	INSERT- SUPPLIER CODE: V97393	031100	8

MISSING ITEM NUMBERS NOT APPLICABLE

- ITEM NOT ILLUSTRATED

HAP

25-24-40-12

25-24-40
FIG. 12
PAGE 4
FEB 15/09

BOEING
737-600/700/800/900
PARTS CATALOG (MAINTENANCE)

FIG ITEM	PART NUMBER	1 2 3 4 5 6 7	NOMENCLATURE	EFFECT FROM TO	UNITS PER ASSY
12					
248	432W8501-26BRMA	PANEL	031100	1
251	413U5008-21A	...CLIP		031100	4
			ATTACHING PARTS		
- 253	BACS12FA3K5	...SCREW		031100	8
		-----*-----			
256	412A4161-17A	...DOUBLER	ASSY-HINGE	031100	2
259	BRF200C3DNUTPLATE		031100	4
			SUPPLIER CODE: V52828		
			SPECIFICATION NUMBER: BACN10JR3CFD		
			OPTIONAL PART: K51602-3BAC		
			V15653		
			NS202476-02		
			V80539		
			102F9201-3		
			V72962		
			T8092C1032CD		
			V11815		
			ATTACHING PARTS		
- 261	BACR15BA3ADRIVET-		031100	8
			SIZE DETERMINED ON INSTL.		
		-----*-----			
263	412A4161-18ADOUBLER		031100	1
266	412A4161-7A	...BRACKET		031100	2
			ATTACHING PARTS		
- 269	BACS12FA3K5	...SCREW		031100	4
		-----*-----			
271	412A4134-1	...BLOCK-GUIDE		031100	2
			ATTACHING PARTS		
- 273	BACS12GU3K11	...SCREW		031100	2
- 276	NAS1149D0332J	...WASHER		031100	2
		-----*-----			
279	412A4160-33A	...FITTING	ASSY-ACTUATOR	031100	1
281	412A4160-34A	...FITTING	ASSY-ACTUATOR	031100	1
			ATTACHING PARTS		
- 283	BACS12GU3K6	...SCREW		031100	4
- 286	NAS1149D0332J	...WASHER		031100	4
		-----*-----			
289	BACB28AP04P020BUSHING		031100	1
291	412A4160-35AFITTING-		031100	1
			USED ON: 412A4160-33A		
293	412A4160-36AFITTING-		031100	1
			USED ON: 412A4160-34A		
296	412A4160-7A	...FITTING	ASSY-ACTUATOR	031100	2

MISSING ITEM NUMBERS NOT APPLICABLE

- ITEM NOT ILLUSTRATED

HAP

25-24-40-12

25-24-40
FIG. 12
PAGE 5
FEB 15/09

BOEING
737-600/700/800/900
PARTS CATALOG (MAINTENANCE)

FIG ITEM	PART NUMBER	1 2 3 4 5 6 7	NOMENCLATURE	EFFECT FROM TO	UNITS PER ASSY
12			ATTACHING PARTS		
- 299	BACS12GU3K6	...	SCREW	031100	6
- 301	NAS1149D0332J	...	WASHER	031100	6
		-----*	-----		
	303 BACB28AP04P005	BUSHING	031100	1
	306 412A4160-8A	FITTING	031100	1
	309 412A4161-23A	...	BRACKET	031100	2
			ATTACHING PARTS		
- 311	BACS12FA3K5	...	SCREW	031100	52
		-----*	-----		
	313 412A4160-23	...	STOP ASSY	031100	2
			ATTACHING PARTS		
- 316	BACS12FA3K6	...	SCREW	031100	4
		-----*	-----		
	319 412A4132-1	...	WINDOW-VIEWPORT	031100	1
	321 411A3082-7A	...	GROMMET	031100	1
	323 BACS12FA3K4	...	SCREW	031100	25
	326 BACS12FA3K13	...	SCREW	031100	2
	329 BACB30VF3K3	...	BOLT	031100	2
	331 BACS12FA3K7	...	SCREW	031100	2
	333 BACS12GU3K5	...	SCREW	031100	14
	336 NAS8201A6	...	SCREW	031100	2
	339 NAS43HT3-16	...	SPACER	031100	2
	341 NAS1149FN632P	...	WASHER	031100	2
	343 H3-1608-1A	...	LATCH-	031100	1
			SUPPLIER CODE: V34941		
			OPTIONAL PART: H3-1608-1 V34941		
346	412A4125-34B	...	PANEL ASSY- POSITION DATA: LH SIDE OPTIONAL PART: 412A4125-25B	031100	1
346	412A4125-25B	...	PANEL ASSY- POSITION DATA: LH SIDE OPTIONAL PART: 412A4125-34B	031100	1
349	412A4125-33B	...	PANEL ASSY- POSITION DATA: RH SIDE OPTIONAL PART: 412A4125-24B	031100	1

MISSING ITEM NUMBERS NOT APPLICABLE

- ITEM NOT ILLUSTRATED

HAP

25-24-40-12

BOEING PROPRIETARY - Copyright © - Unpublished Work - See title page for details.

25-24-40
FIG. 12
PAGE 6
FEB 15/09

BOEING
737-600/700/800/900
PARTS CATALOG (MAINTENANCE)

FIG ITEM	PART NUMBER	1 2 3 4 5 6 7	NOMENCLATURE	EFFECT FROM TO	UNITS PER ASSY
12					
349	412A4125-24B	...	PANEL ASSY- POSITION DATA: RH SIDE OPTIONAL PART: 412A4125-33B	031100	1
350	SL2334-3A1	INSERT- SUPPLIER CODE: V97393	031100	24
351	SL2334-4A1	INSERT- SUPPLIER CODE: V97393	031100	1
352	432W8501-32BRMA	PANEL	031100	1
353	412A4125-31B	...	PANEL ASSY- OPTIONAL PART: 412A4125-22B 412A4125-45B	031100	1
353	412A4125-22B	...	PANEL ASSY- OPTIONAL PART: 412A4125-31B 412A4125-45B	031100	1
353	412A4125-45B	...	PANEL ASSY- OPTIONAL PART: 412A4125-31B 412A4125-22B	031100	1
- 356	SL2334-3A1	INSERT- SUPPLIER CODE: V97393	031100	71
357	432W8501-112B	PANEL- USED ON: 412A4125-31B	031100	1
357	432W8501-82C	PANEL- USED ON: 412A4125-22B	031100	1
357	432W8501-72	PANEL- USED ON: 412A4125-45B	031100	1
359	412A4111-9B	..	BOX ASSY- POSITION DATA: UPR	031100	1
361	412A4161-4	...	BRACKET ATTACHING PARTS	031100	10
- 363	BACS12GU3K4	...	SCREW	031100	20
- 366	NAS1149D0332J	...	WASHER -----*-----	031100	20
369	412A4161-5	...	BRACKET ATTACHING PARTS	031100	8
- 371	BACS12GU3K5	...	SCREW	031100	32
- 373	NAS1149D0332J	...	WASHER -----*-----	031100	32

MISSING ITEM NUMBERS NOT APPLICABLE

- ITEM NOT ILLUSTRATED

HAP

25-24-40-12

25-24-40
FIG. 12
PAGE 7
FEB 15/09

BOEING
737-600/700/800/900
PARTS CATALOG (MAINTENANCE)

FIG ITEM	PART NUMBER	1 2 3 4 5 6 7	NOMENCLATURE	EFFECT FROM TO	UNITS PER ASSY
12					
376	412A4120-1A	...	PANEL ASSY- OPTIONAL PART: 412A4120-5B	031100	1
376	412A4120-5B	...	PANEL ASSY- OPTIONAL PART: 412A4120-1A	031100	1
379	412A4120-6B	...	PANEL ASSY- OPTIONAL PART: 412A4120-2A	031100	1
379	412A4120-2A	...	PANEL ASSY- OPTIONAL PART: 412A4120-6B	031100	1
- 381	SL2334-3A1	INSERT- SUPPLIER CODE: V97393 OPTIONAL PART: SL618-3A V97393	031100	28
- 381	SL618-3A	INSERT- SUPPLIER CODE: V97393 OPTIONAL PART: SL2334-3A1 V97393	031100	28
383	412A4161-8	...	BRACKET ATTACHING PARTS	031100	4
- 386	BACS12GU3K5	...	SCREW	031100	16
- 389	NAS1149D0332J	...	WASHER	031100	16
			-----*-----		
391	412A4131-2	...	BAFFLE	031100	2
393	413U5008-21A	...	CLIP ATTACHING PARTS	031100	18
- 396	BACS12GU3K6	...	SCREW	031100	72
- 399	NAS1149D0332J	...	WASHER	031100	72
			-----*-----		
401	BACS12FA3K4	...	SCREW	031100	24
403	412A4131-1A	...	OUTLET-AIR	031100	1
406	412A4131-4A	...	OUTLET-AIR	031100	1
409	214A2401-3	...	PLENUM ATTACHING PARTS	031100	4
- 411	BACS12GU3K5	...	SCREW	031100	16
- 413	NAS1149D0332J	...	WASHER	031100	16
			-----*-----		
416	412A4125-19B	...	PANEL ASSY	031100	1
- 419	SL2334-3A1	INSERT- SUPPLIER CODE: V97393	031100	26
421	412A4125-20B	...	PANEL ASSY	031100	1

MISSING ITEM NUMBERS NOT APPLICABLE

- ITEM NOT ILLUSTRATED

HAP

25-24-40-12

25-24-40
FIG. 12
PAGE 8
FEB 15/09

BOEING
737-600/700/800/900
PARTS CATALOG (MAINTENANCE)

FIG ITEM	PART NUMBER	1 2 3 4 5 6 7	NOMENCLATURE	EFFECT FROM TO	UNITS PER ASSY
12					
- 423	SL2334-3A1	INSERT- SUPPLIER CODE: V97393	031100	26
426	BACB30NN3K11	...	BOLT	031100	8
429	BACB30NN3K9	...	BOLT	031100	8
431	BACW10BP42CD	...	WASHER	031100	16
433	NAS1149D0332J	...	WASHER	031100	8
436	PLH53CD	...	NUT SUPPLIER CODE: VFO224 SPECIFICATION NUMBER: BACN10YR3CD OPTIONAL PART: H52732-3CD V15653	031100	8
439	412A4161-27B	...	DOUBLER	031100	4
441	412A4160-10	...	FITTING ASSY-SPRT POSITION DATA: FWD	031100	1
443	412A4160-9	...	FITTING ASSY-SPRT POSITION DATA: FWD	031100	1
446	AG4V4009	BEARING- SUPPLIER CODE: V15860 SPECIFICATION NUMBER: 60B00180-68 OPTIONAL PART: LHBG4BAC V73134 NC4G12 V56644	031100	1
449	412A4160-11	FITTING- USED ON: 412A4160-9	031100	1
451	412A4160-12	FITTING- USED ON: 412A4160-10	031100	1
453	BACS12GU3K7	...	SCREW	031100	12
456	BACS12GU3K6	...	SCREW	031100	8
459	NAS1149D0332J	...	WASHER	031100	28
461	PLH53CD	...	NUT SUPPLIER CODE: VFO224 SPECIFICATION NUMBER: BACN10YR3CD OPTIONAL PART: H52732-3CD V15653	031100	8

MISSING ITEM NUMBERS NOT APPLICABLE

- ITEM NOT ILLUSTRATED

HAP

25-24-40-12

BOEING PROPRIETARY - Copyright © - Unpublished Work - See title page for details.

25-24-40
FIG. 12
PAGE 9
FEB 15/09

BOEING
737-600/700/800/900
PARTS CATALOG (MAINTENANCE)

FIG ITEM	PART NUMBER	1 2 3 4 5 6 7	NOMENCLATURE	EFFECT FROM TO	UNITS PER ASSY
12					
463	412A4160-13	...	FITTING ASSY-VERT. SIDE SPRT	031100	3
466	412A4160-14	...	FITTING ASSY-VERT. SIDE SPRT	031100	3
468	BACB28AP04P010	BUSHING	031100	1
469	BACB28AT06B010C	BUSHING	031100	1
470	412A4160-15	FITTING- USED ON: 412A4160-13	031100	1
475	412A4160-16	FITTING- USED ON: 412A4160-14	031100	1
480	BACS12GU3K5	...	SCREW	031100	24
485	NAS1149D0332J	...	WASHER	031100	24
490	412A4161-20	...	CLIP	031100	6
495	BACB30NN3K9	...	BOLT	031100	8
500	BACW10BP42CD	...	WASHER	031100	8
505	NAS1149D0332J	...	WASHER	031100	8
507	PLH53CD	...	NUT	031100	8
			SUPPLIER CODE: VFO224		
			SPECIFICATION NUMBER: BACN10YR3CD		
			OPTIONAL PART: H52732-3CD V15653		
510	412A4161-19A	...	DOUBLER-STRIKE	031100	1
515	H3-1608-2	...	LATCH-STRIKE	031100	1
			SUPPLIER CODE: V34941		
			SPECIFICATION NUMBER: S412A414-2		
520	BACS12GU3K6	...	SCREW	031100	8
525	NAS1149D0332J	...	WASHER	031100	8
530	412A4160-39	...	BRACKET-ENDCAP	031100	2
535	412A4160-40	...	BRACKET-ENDCAP	031100	2
540	69B51733-1	...	CLIP-SPRING	031100	4
			ATTACHING PARTS		
- 545	BACS12GU3K5	...	SCREW	031100	8
- 550	NAS1149D0332J	...	WASHER	031100	8
			-----*-----		
555	412A4160-21	...	STOP ASSY	031100	2
			ATTACHING PARTS		
- 560	BACS12GU3K6	...	SCREW	031100	6
- 565	NAS1149AD0332J	...	WASHER	031100	6
			-----*-----		
570	421W1284-1	SCREW	031100	1
575	MS25082-5	NUT	031100	1
580	412A4160-22	STOP	031100	1

MISSING ITEM NUMBERS NOT APPLICABLE

- ITEM NOT ILLUSTRATED

HAP

25-24-40-12

25-24-40
FIG. 12
PAGE 10
FEB 15/09

BOEING
737-600/700/800/900
PARTS CATALOG (MAINTENANCE)

FIG ITEM	PART NUMBER	1 2 3 4 5 6 7	NOMENCLATURE	EFFECT FROM TO	UNITS PER ASSY
12					
585	412A4125-21B	...	PANEL ASSY-CLOSEOUT	031100	1
590	BACB30NN3K10	...	BOLT	031100	8
595	BACW10BP42CD	...	WASHER	031100	8
600	NAS1149D0332J	...	WASHER	031100	8
605	PLH53CD	...	NUT	031100	8
			SUPPLIER CODE: VFO224		
			SPECIFICATION NUMBER: BACN10YR3CD		
			OPTIONAL PART: H52732-3CD V15653		
606	412A4160-3	...	HINGE	031100	2
608	412A4160-4	...	HINGE	031100	2
610	412A4134-2	...	RUBSTRIP	031100	2
			ATTACHING PARTS		
- 615	BACS12ER3K5	...	SCREW	031100	8
			-----*-----		
620	412A4125-17B	...	PANEL ASSY-	031100	1
			OPTIONAL PART: 412A4125-36B		
620	412A4125-36B	...	PANEL ASSY-	031100	1
			OPTIONAL PART: 412A4125-17B		
625	SL2334-3A1	INSERT-	031100	158
			SUPPLIER CODE: V97393		
627	SL2334-4A1	INSERT-	031100	2
			SUPPLIER CODE: V97393		
630	BACS12FA3K5	...	SCREW	031100	6
635	BACB30NN3K18	...	BOLT	031100	6
640	BACW10BP42CD	...	WASHER	031100	6
645	NAS1149D0332J	...	WASHER	031100	6
650	PLH53CD	...	NUT	031100	6
			SUPPLIER CODE: VFO224		
			SPECIFICATION NUMBER: BACN10YR3CD		
			OPTIONAL PART: H52732-3CD V15653		
655	413U5007-1	...	SNUBBER	031100	4
660	412A4160-38A	...	SPACER	031100	2
665	412A4161-28B	...	DOUBLER	031100	2

MISSING ITEM NUMBERS NOT APPLICABLE

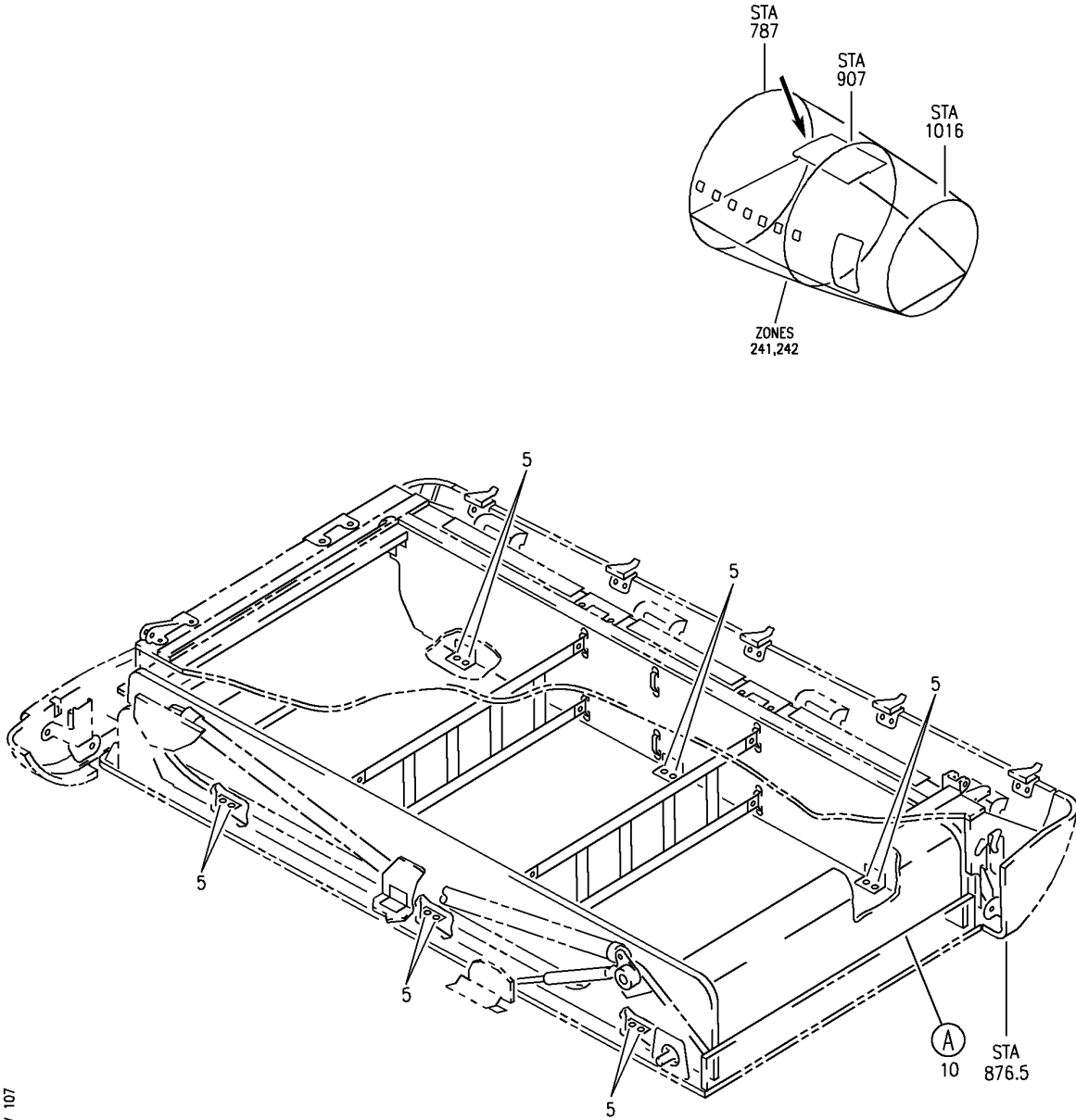
- ITEM NOT ILLUSTRATED

HAP

25-24-40-12

25-24-40
FIG. 12
PAGE 11
FEB 15/09

BOEING
737-600/700/800/900
PARTS CATALOG (MAINTENANCE)



E 25244016 SH1 1 REV 107

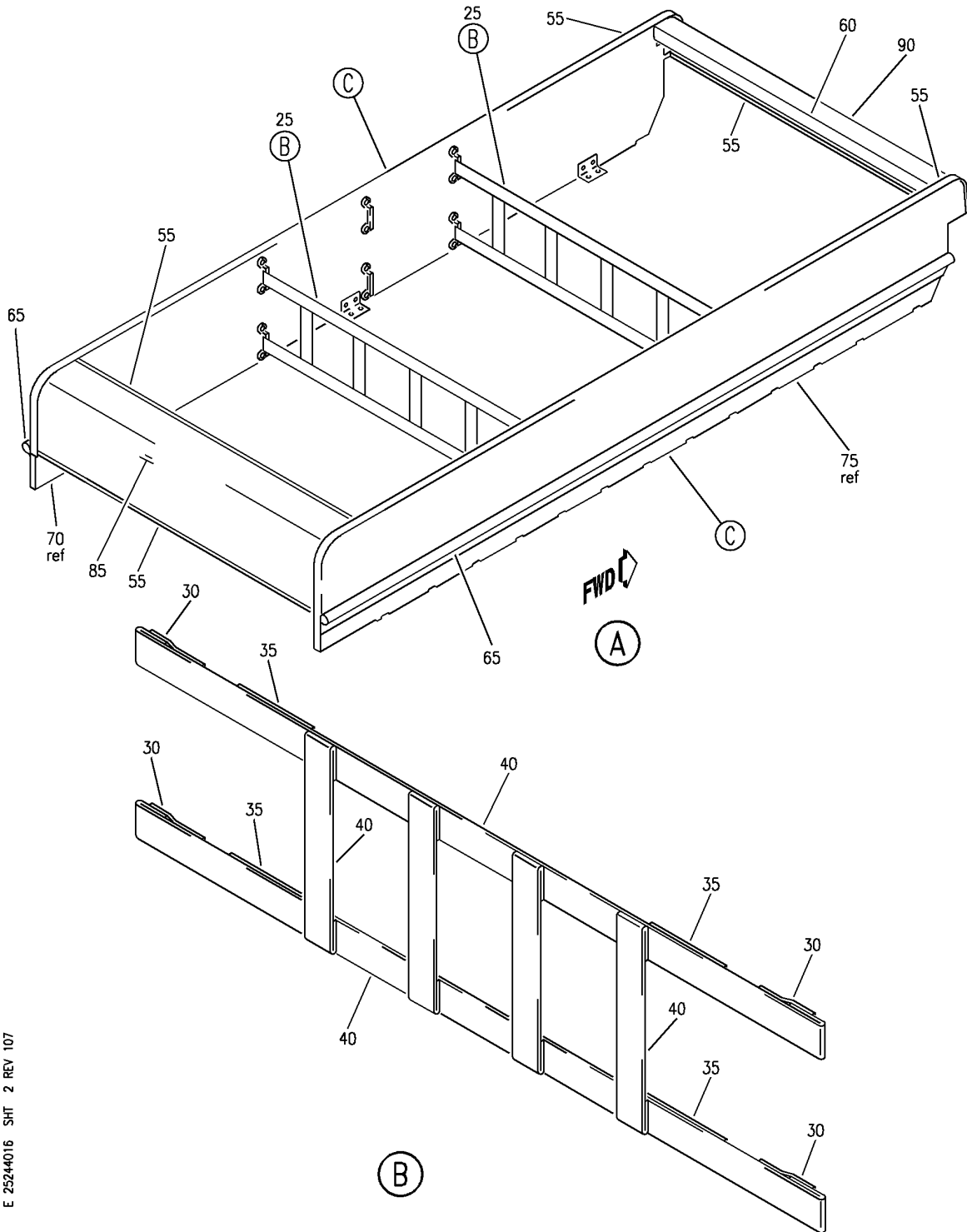
SHROUD INSTL-AFT CTR OVHD STOWAGE
FIGURE 16 (SHEET 1)

25-24-40-16

HAP
OCT 10/06

25-24-40-16
PAGE 0

BOEING
 737-600/700/800/900
 PARTS CATALOG (MAINTENANCE)



E 25244016 SH1 2 REV 107

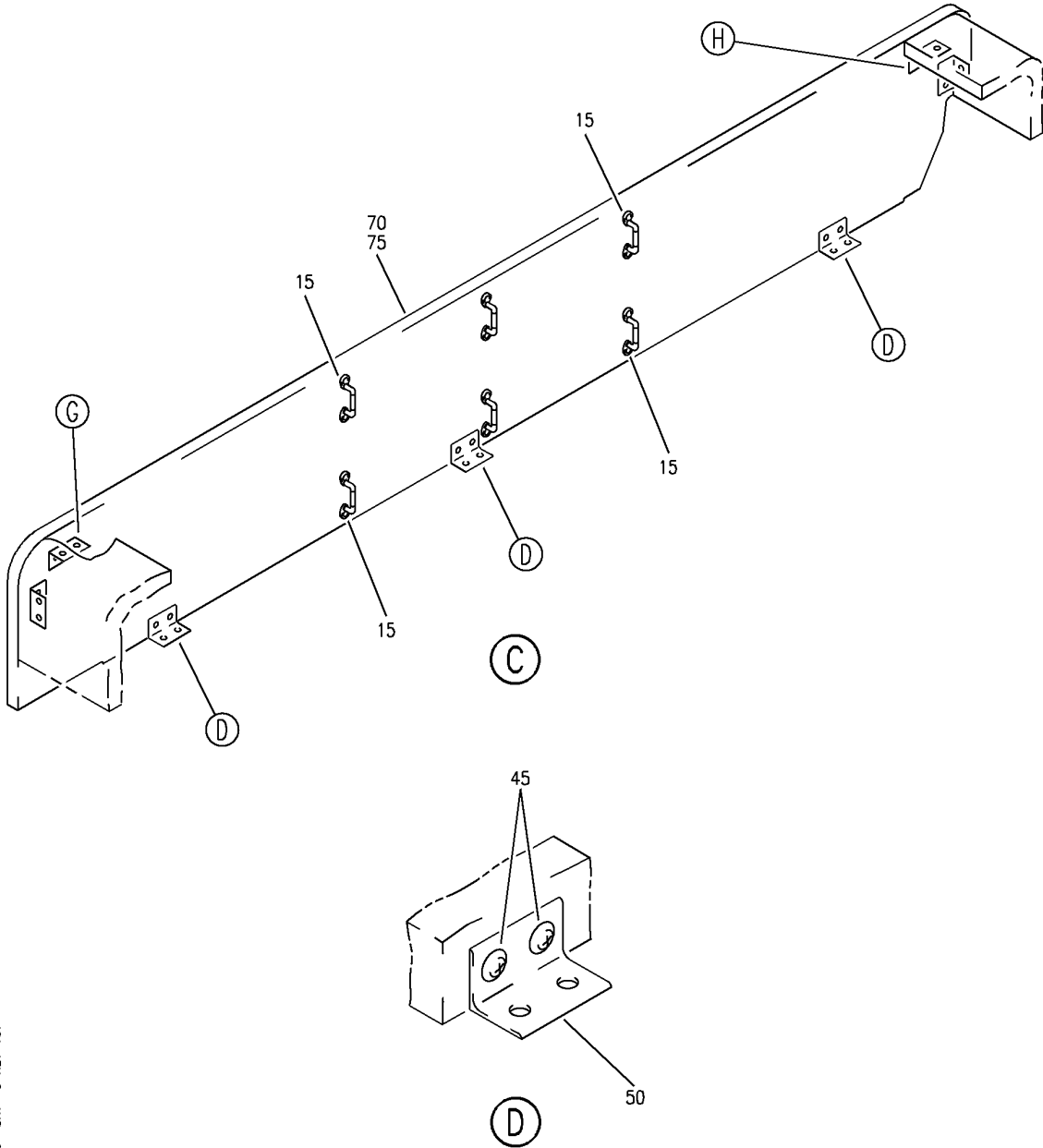
SHROUD INSTL-AFT CTR OVHD STOWAGE
 FIGURE 16 (SHEET 2)

25-24-40-16

HAP
 OCT 10/06

25-24-40-16
 PAGE 0A

BOEING
 737-600/700/800/900
 PARTS CATALOG (MAINTENANCE)



E 25244016 SHT 3 REV 107

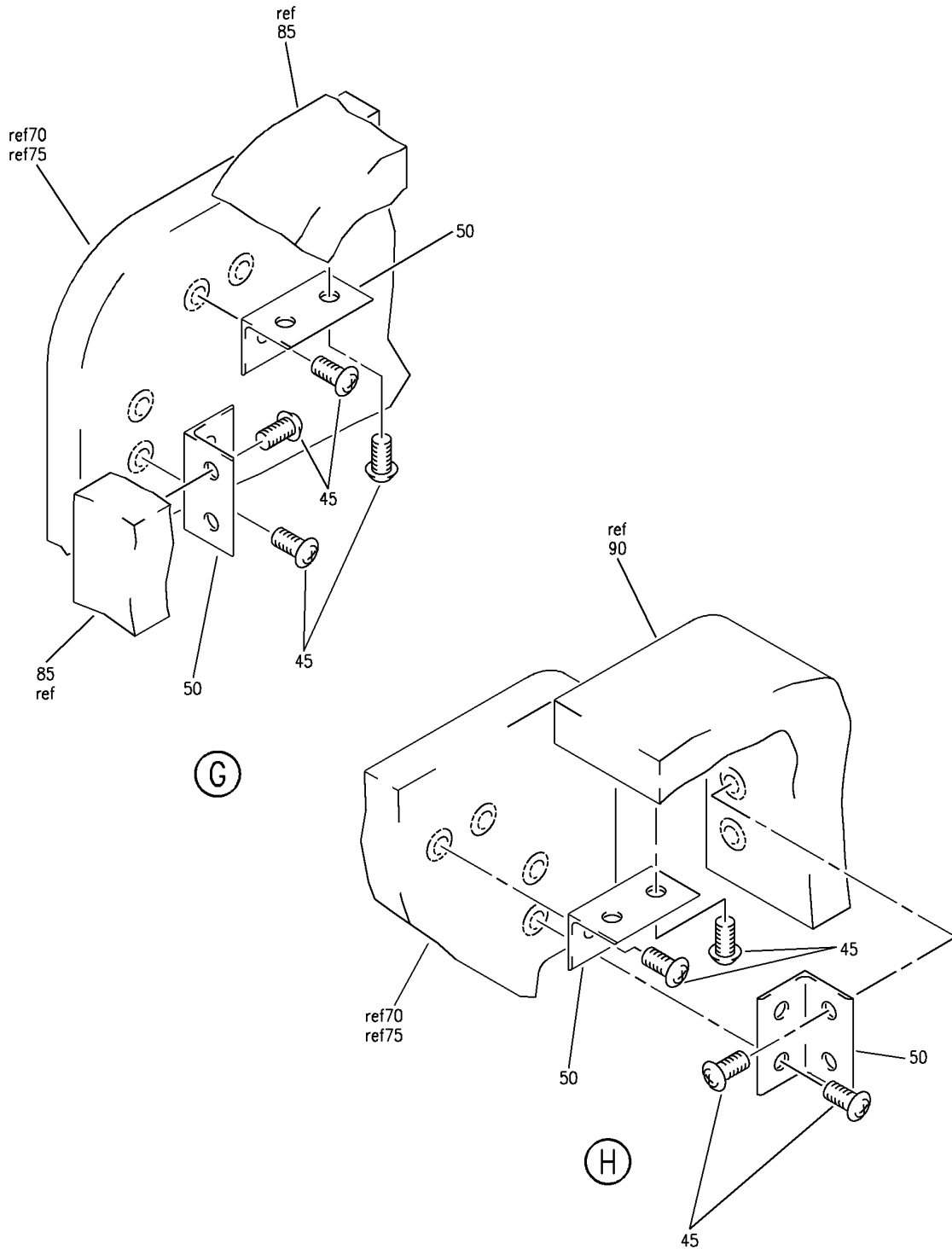
SHROUD INSTL-AFT CTR OVHD STOWAGE
 FIGURE 16 (SHEET 3)

25-24-40-16

HAP
 OCT 10/06

25-24-40-16
 PAGE 0B

BOEING
737-600/700/800/900
PARTS CATALOG (MAINTENANCE)



E 25244016 SH 4 REV 107

SHROUD INSTL-AFT CTR OVHD STOWAGE
FIGURE 16 (SHEET 4)

25-24-40-16

HAP
OCT 10/06

25-24-40-16
PAGE 0C

BOEING
737-600/700/800/900
PARTS CATALOG (MAINTENANCE)

FIG ITEM	PART NUMBER	1 2 3 4 5 6 7	NOMENCLATURE	EFFECT FROM TO	UNITS PER ASSY
16			SHROUD INSTL-AFT CTR OVHD STOWAGE	031037 039041 047050 053100	
- 1	MODREF91697		SHROUD INSTL-OVHD STOWAGE MODULE NUMBER: 412A4400-301B REV A POSITION DATA: AFT CTR	031037 039041 047050 053100	1
5	BACS12FA3K5		.SCREW	031037 039041 047050 053100	12
10	412A4410-2B		.SHROUD ASSY	031037 039041 047050 053100	1
15	MML20AE		..LOOP SUPPLIER CODE: V9H468 SPECIFICATION NUMBER: BACL20AE ATTACHING PARTS	031037 039041 047050 053100	12
- 20	BACS12ER3K7		..SCREW	031037 039041 047050 053100	24
25	412A4410-100		-----*----- ..WEB ASSY	031037 039041 047050 053100	2
30	412A4410-103		...HOOK-NYLON	031037 039041 047050 053100	AR
35	412A4410-104		...LOOP-NYLON	031037 039041 047050 053100	AR
40	412A4410-101		...WEBBING	031037 039041 047050 053100	AR
45	BACS12FA3K5		..SCREW	031037 039041 047050 053100	44

MISSING ITEM NUMBERS NOT APPLICABLE

- ITEM NOT ILLUSTRATED

HAP

25-24-40-16

25-24-40
FIG. 16
PAGE 1
FEB 15/09

BOEING
737-600/700/800/900
PARTS CATALOG (MAINTENANCE)

FIG ITEM	PART NUMBER	1 2 3 4 5 6 7	NOMENCLATURE	EFFECT FROM TO	UNITS PER ASSY
16					
50	413U5008-21A	..	CLIP	031037 039041 047050 053100	14
70	412A4125-27B	..	PANEL ASSY-SIDE OPTIONAL PART: 412A4125-38B	031037 039041 047050 053100	1
70	412A4125-38B	..	PANEL ASSY-SIDE OPTIONAL PART: 412A4125-27B	031037 039041 047050 053100	1
75	412A4125-28B	..	PANEL ASSY-SIDE OPTIONAL PART: 412A4125-39B	031037 039041 047050 053100	1
75	412A4125-39B	..	PANEL ASSY-SIDE OPTIONAL PART: 412A4125-28B	031037 039041 047050 053100	1
- 80	SL2334-3A1	...	INSERT- SUPPLIER CODE: V97393	031037 039041 047050 053100	26
85	412A4120-17B	..	PANEL ASSY-END OPTIONAL PART: 412A4120-19B	031037 039041 047050 053100	1
85	412A4120-19B	..	PANEL ASSY-END OPTIONAL PART: 412A4120-17B	031037 039041 047050 053100	1
90	412A4120-16B	..	PANEL ASSY-END OPTIONAL PART: 412A4120-18B	031037 039041 047050 053100	1
90	412A4120-18B	..	PANEL ASSY-END OPTIONAL PART: 412A4120-16B	031037 039041 047050 053100	1
- 95	SL618-3A	...	INSERT- SUPPLIER CODE: V97393	031037 039041 047050 053100	8

MISSING ITEM NUMBERS NOT APPLICABLE

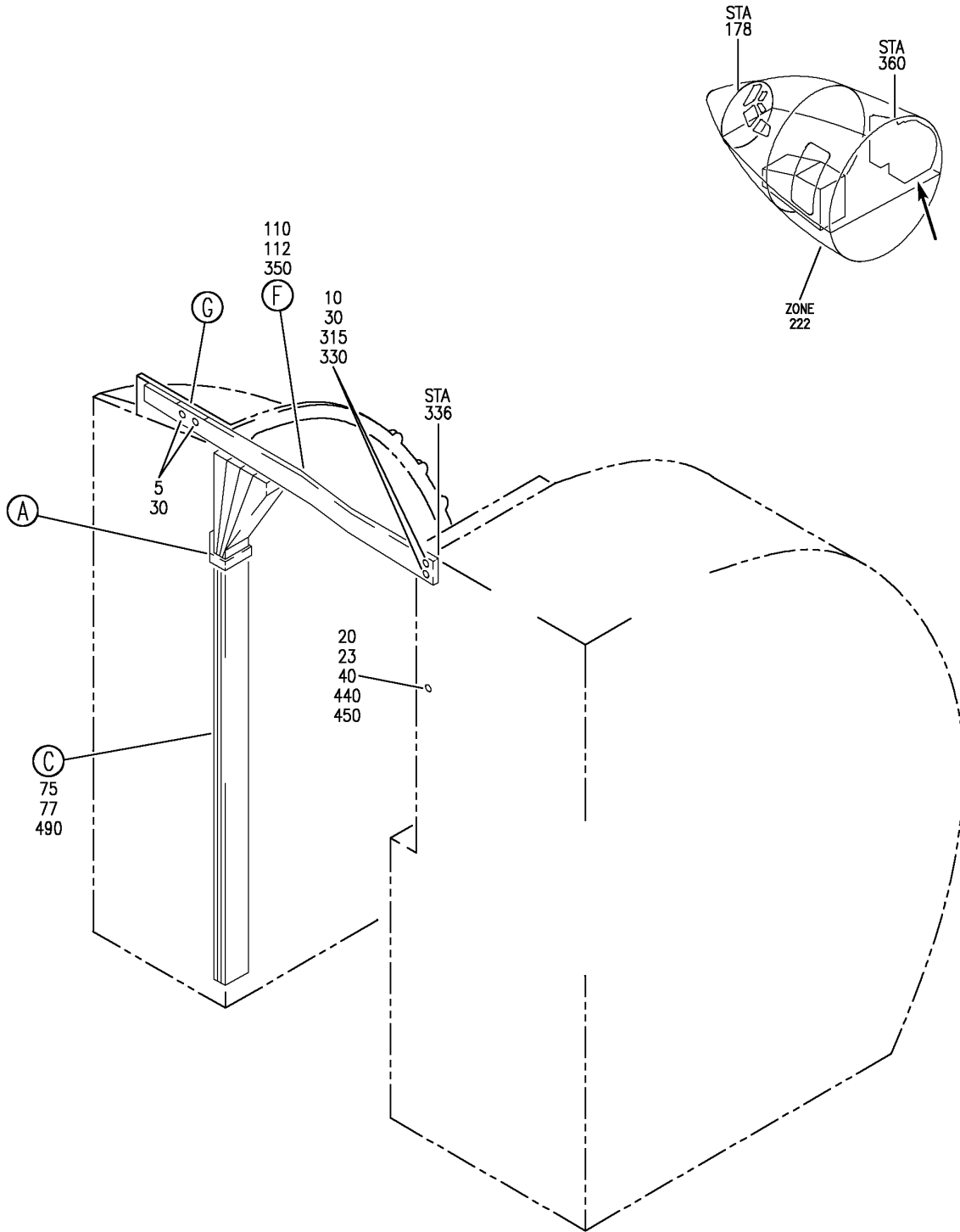
- ITEM NOT ILLUSTRATED

HAP

25-24-40-16

BOEING PROPRIETARY - Copyright © - Unpublished Work - See title page for details.

25-24-40
FIG. 16
PAGE 2
FEB 15/09



E 25245002 SH1 1 REV 075

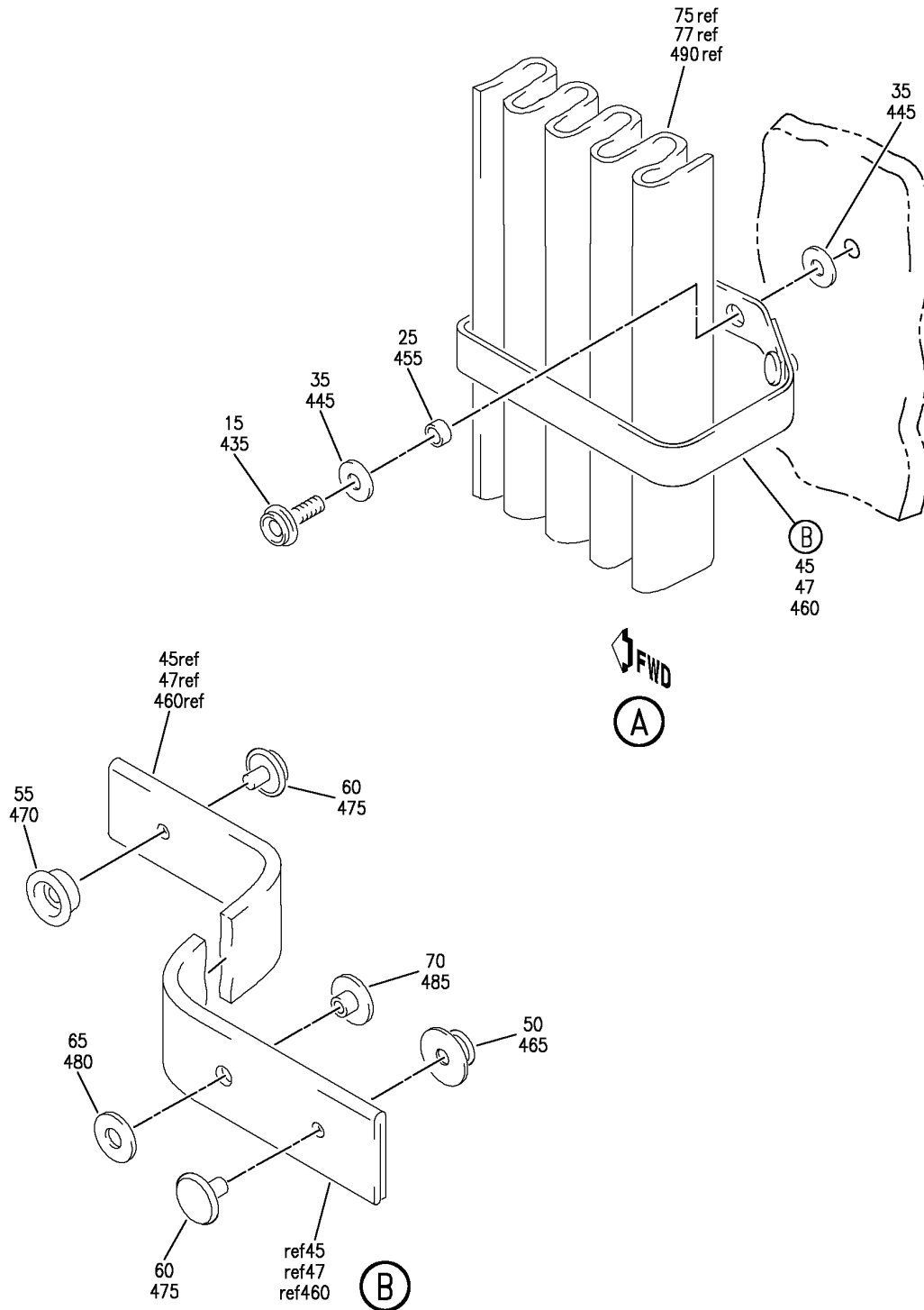
CURTAIN AND HEADER INSTL FWD GALLEY AREA
 FIGURE 2 (SHEET 1)

25-24-50-02

HAP
 OCT 10/06

25-24-50-02
 PAGE 0

BOEING
 737-600/700/800/900
 PARTS CATALOG (MAINTENANCE)



E 25245002 SHT 2 REV 075

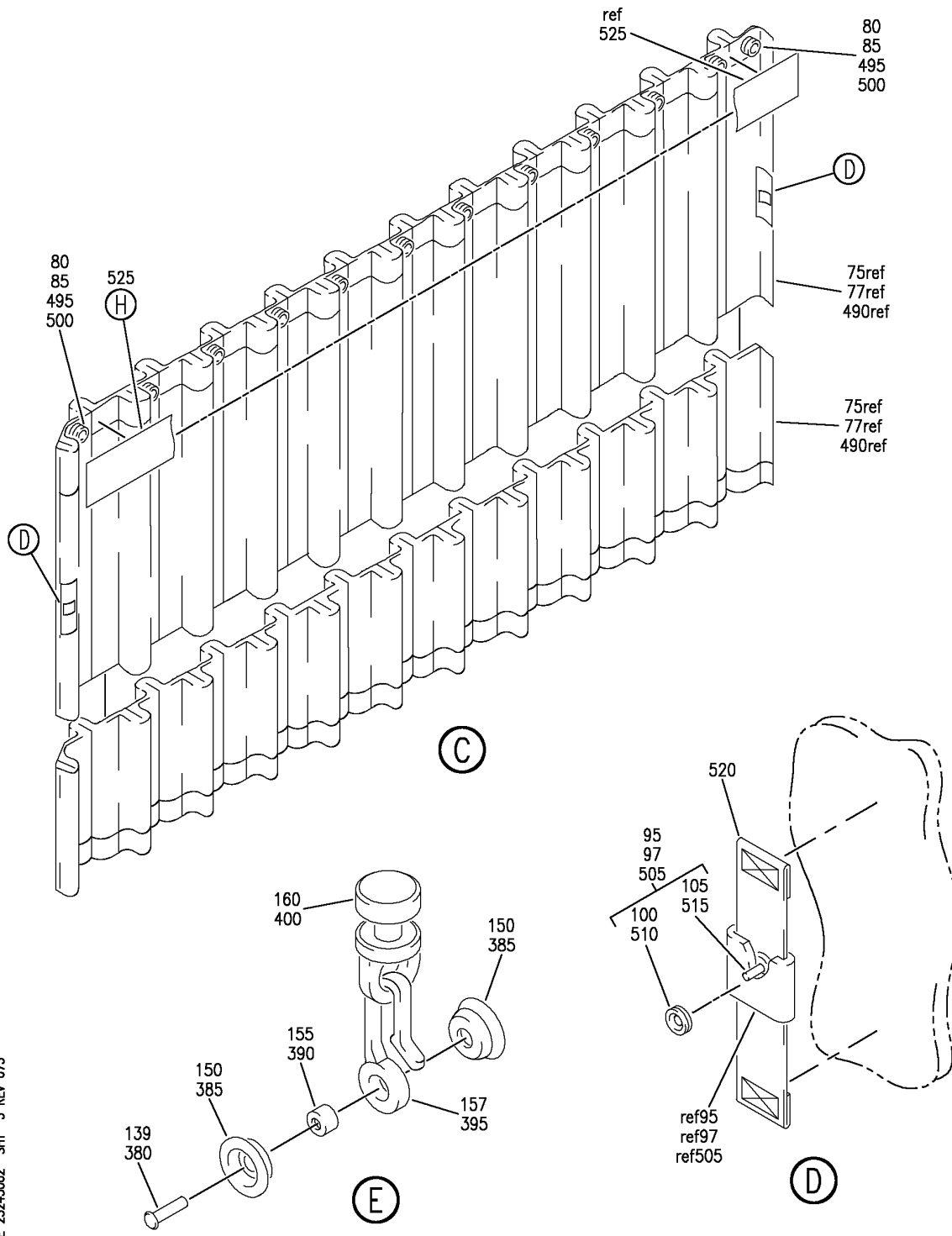
CURTAIN AND HEADER INSTL FWD GALLEY AREA
 FIGURE 2 (SHEET 2)

25-24-50-02

HAP
 OCT 10/06

25-24-50-02
 PAGE 0A

BOEING
 737-600/700/800/900
 PARTS CATALOG (MAINTENANCE)



E 25245002 SHT 3 REV 075

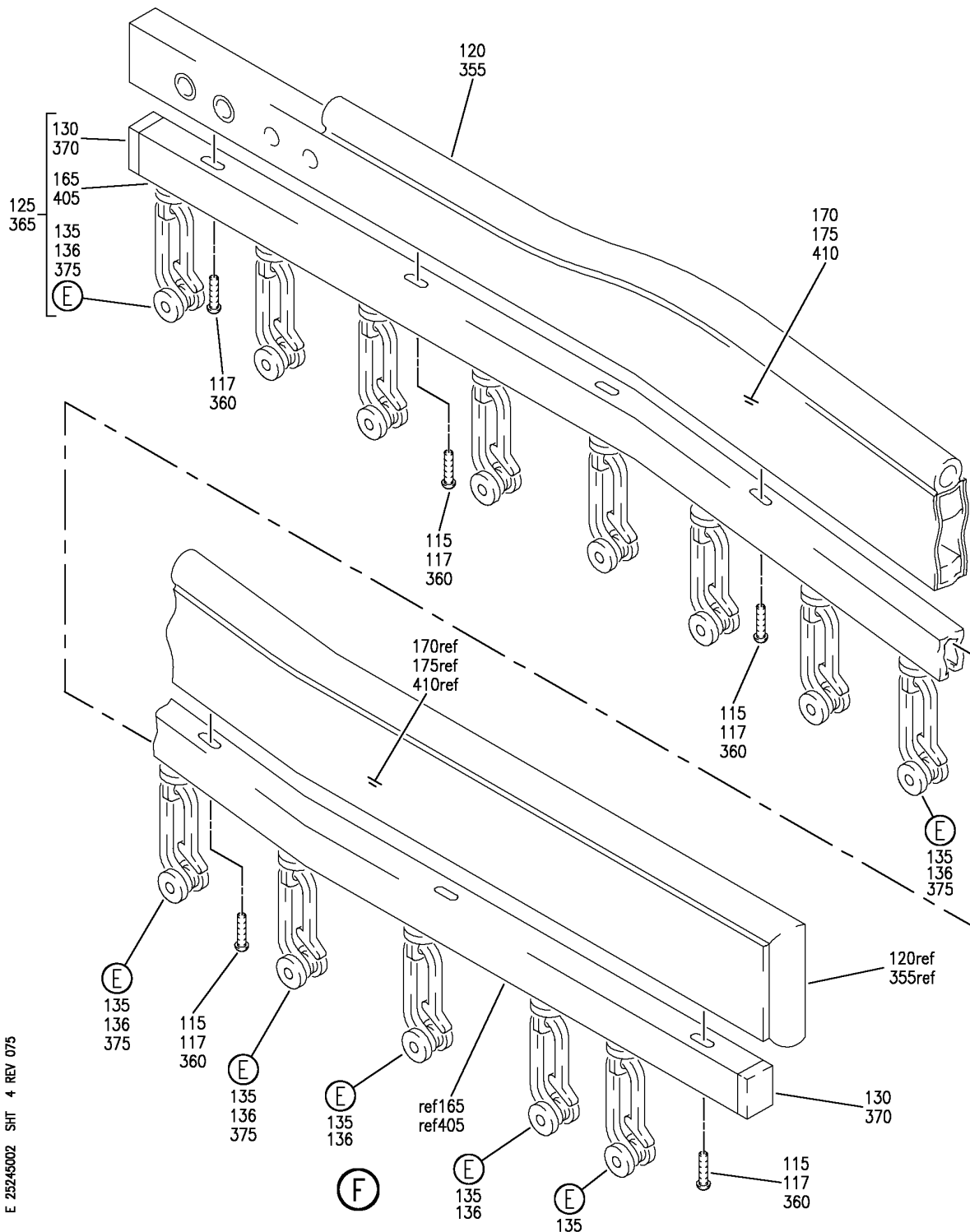
CURTAIN AND HEADER INSTL FWD GALLEY AREA
 FIGURE 2 (SHEET 3)

25-24-50-02

HAP
 OCT 10/06

25-24-50-02
 PAGE 0B


BOEING
 737-600/700/800/900
PARTS CATALOG (MAINTENANCE)



E 25245002 SH1 4 REV 075

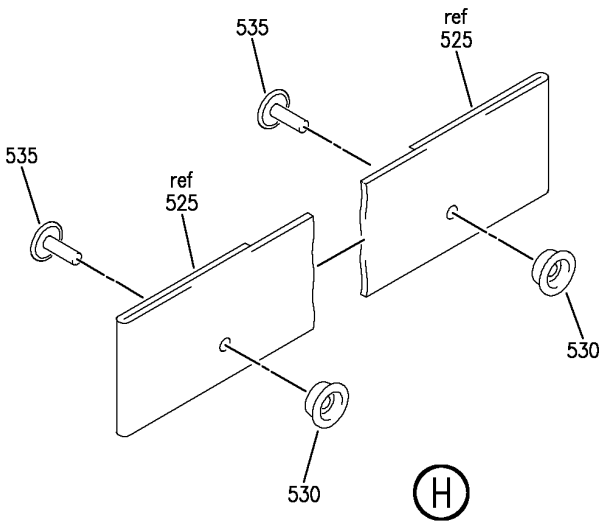
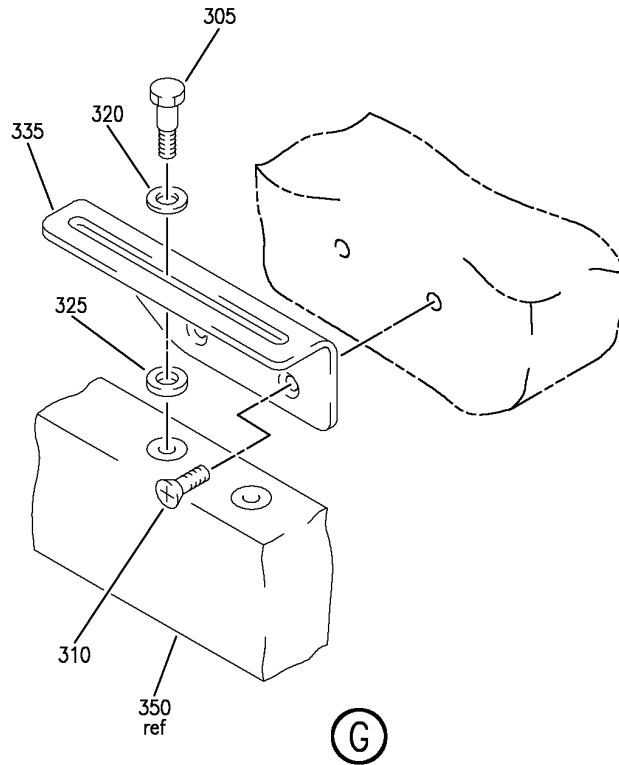
CURTAIN AND HEADER INSTL FWD GALLEY AREA
FIGURE 2 (SHEET 4)

25-24-50-02

HAP
OCT 10/06

25-24-50-02
PAGE 0C

BOEING
737-600/700/800/900
PARTS CATALOG (MAINTENANCE)



E 25245002 SH1 5 REV 075

CURTAIN AND HEADER INSTL FWD GALLEY AREA
FIGURE 2 (SHEET 5)

25-24-50-02

HAP
OCT 10/06

25-24-50-02
PAGE 0D

BOEING
737-600/700/800/900
PARTS CATALOG (MAINTENANCE)

FIG ITEM	PART NUMBER	1 2 3 4 5 6 7	NOMENCLATURE	EFFECT FROM TO	UNITS PER ASSY
2			CURTAIN AND HEADER INSTL FWD GALLEY AREA	001011	
- 1	413A3601-1A		CURTAIN AND HEADER INSTL- GALLEY AREA POSITION DATA: FWD FOR NHA SEE: 25-24-00-13B	001011	RF
5	BACB30NT3K12	.BOLT		001011	2
10	BACS12FA3K6	.SCREW		001011	2
15	MS27980-18N	.SNAP		001011	1
20	MS27980-17N	.SNAP		001011	1
25	NAS43DD3-12FC	.SPACER		001011	1
30	NAS1149D0332J	.WASHER		001011	4
35	BACW10P44AL	.WASHER		001011	2
40	66-22283-1	.WASHER		001011	1
45	413A3611-1R	.TIEBACK ASSY		001011	1
50	MS27980-7N	..STUD		001011	1
55	MS27980-6N	..SOCKET		001011	1
60	MS27980-2N	..EYELET		001011	2
65	MS20230WBP2	..GROMMET		001011	1
70	MS20230GBP2	..GROMMET		001011	1
75	413A3610-6G	.CURTAIN ASSY		001011	1
80	MS27981-4N	..STUD		001011	AR
85	MS27981-5N	..EYELET		001011	AR
95	413A3610-200P	..LOOP ASSY		001011	2
100	MS27980-6N	...SOCKET		001011	1
105	MS27980-2N	...EYELET		001011	1
110	413A3620-11G	.HEADER AND TRACK ASSY		001011	1
117	NAS8201A5	..SCREW		001011	7
120	413A3620-310	..SEAL		001011	AR
125	413A3640-14	..TRACK ASSY		001011	1
130	9682	...CAP-END		001011	2
		SUPPLIER CODE: VOHYRO			
135	413T3032-1065	...SLIDER ASSY		001011	13
139	BACR15BB3ACRIVET-		001011	1
		SIZE DETERMINED ON INSTL.			
150	MS27981-3NSOCKET		001011	2
155	NAS42DD3-8FCSPACER		001011	1
157	6146HOOK-NYLON		001011	1
		SUPPLIER CODE: V1048B			
160	6143GLIDER-TRACK		001011	1
		SUPPLIER CODE: V1048B			
165	413A3640-101	...TRACK		001011	1
170	413A3621-1M	..PANEL ASSY		001011	1

MISSING ITEM NUMBERS NOT APPLICABLE

- ITEM NOT ILLUSTRATED

HAP

25-24-50-02

25-24-50
FIG. 02
PAGE 1
OCT 10/06


BOEING
 737-600/700/800/900
PARTS CATALOG (MAINTENANCE)

FIG ITEM	PART NUMBER	1 2 3 4 5 6 7 NOMENCLATURE	EFFECT FROM TO	UNITS PER ASSY
2 - 180	SL2334-3A3	...INSERT- SUPPLIER CODE: V97393 POSITION DATA: FAR SIDE	001011	2

MISSING ITEM NUMBERS NOT APPLICABLE

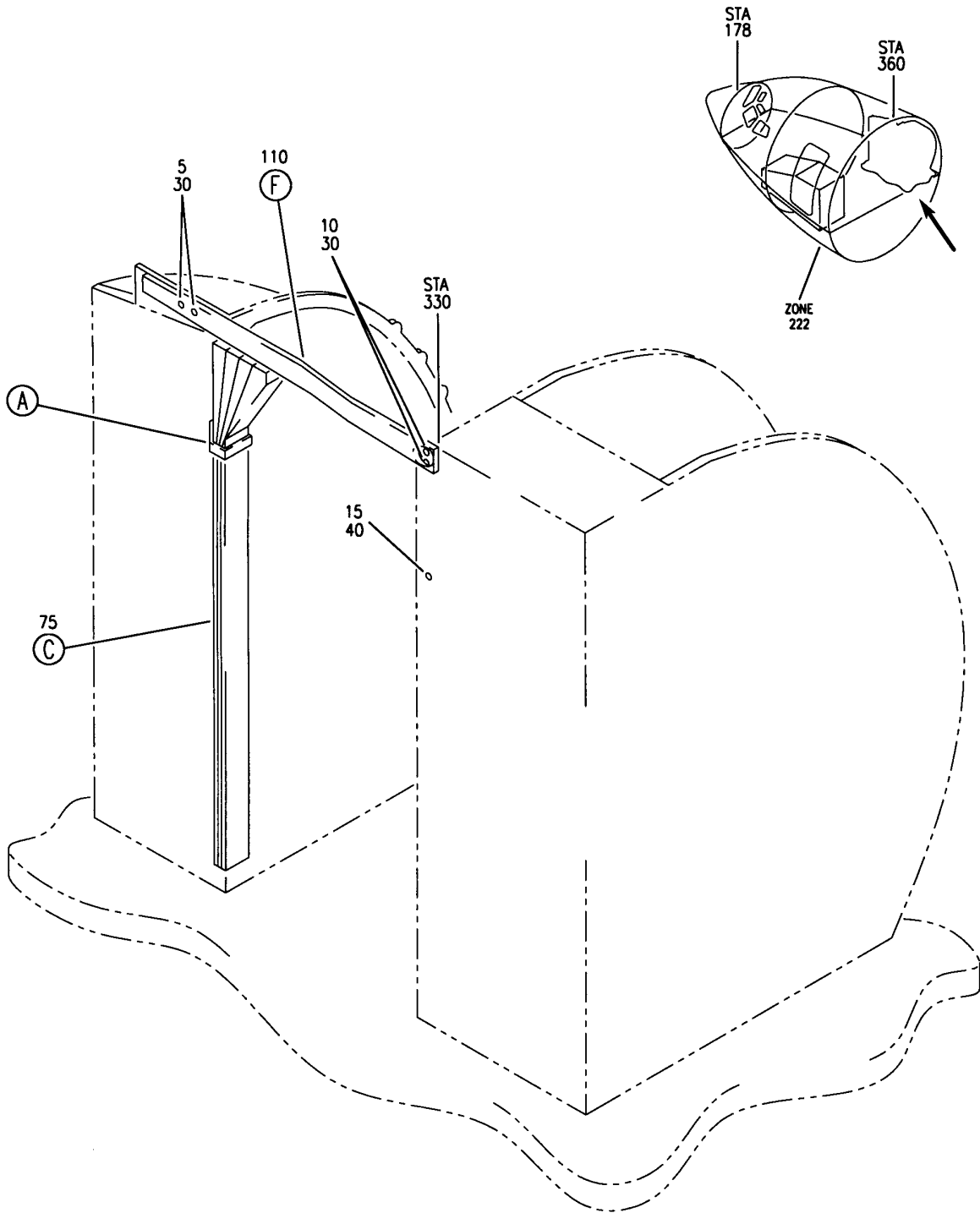
- ITEM NOT ILLUSTRATED

HAP

25-24-50-02

BOEING PROPRIETARY - Copyright © - Unpublished Work - See title page for details.

25-24-50
 FIG. 02
 PAGE 2
 OCT 10/06



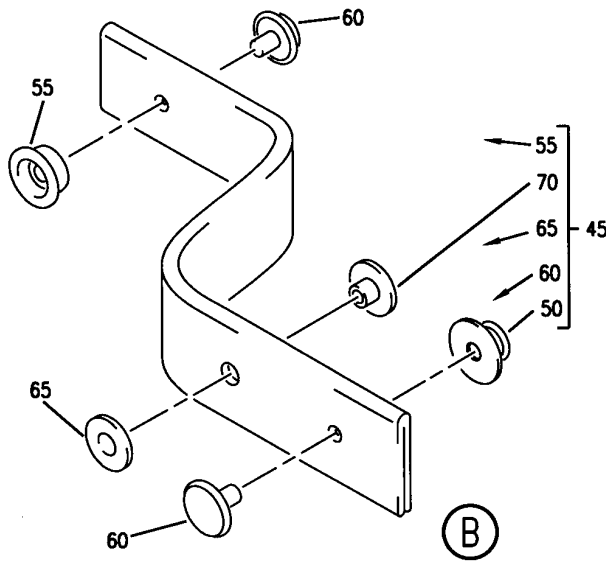
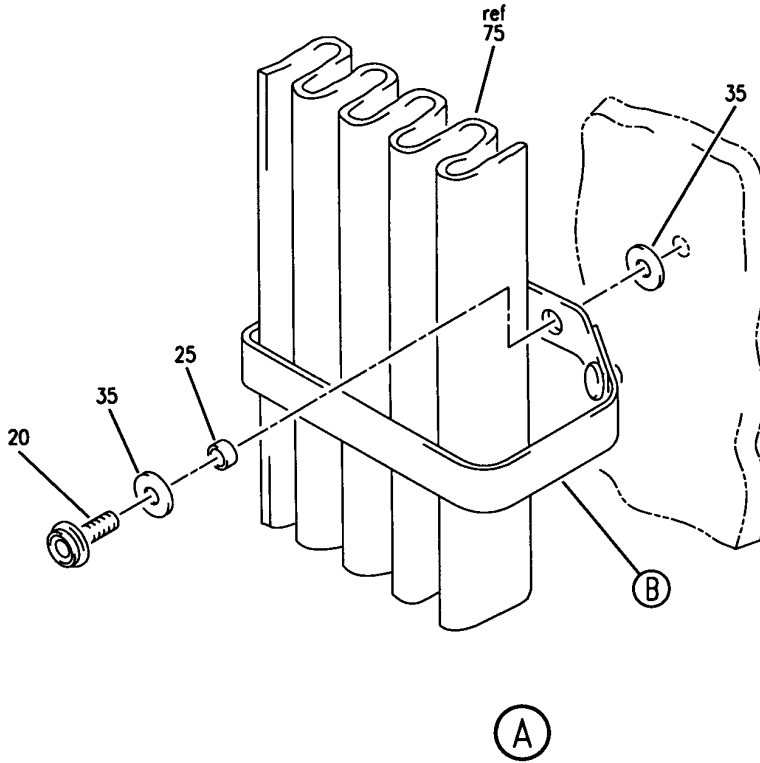
E 25245005 SH1 1 REV 02B

CURTAIN AND HEADER INSTL FWD GALLEY AREA
 FIGURE 5 (SHEET 1)

25-24-50-05

HAP
 OCT 15/08

25-24-50-05
 PAGE 0



E 25245005 SH1 2 REV 02B

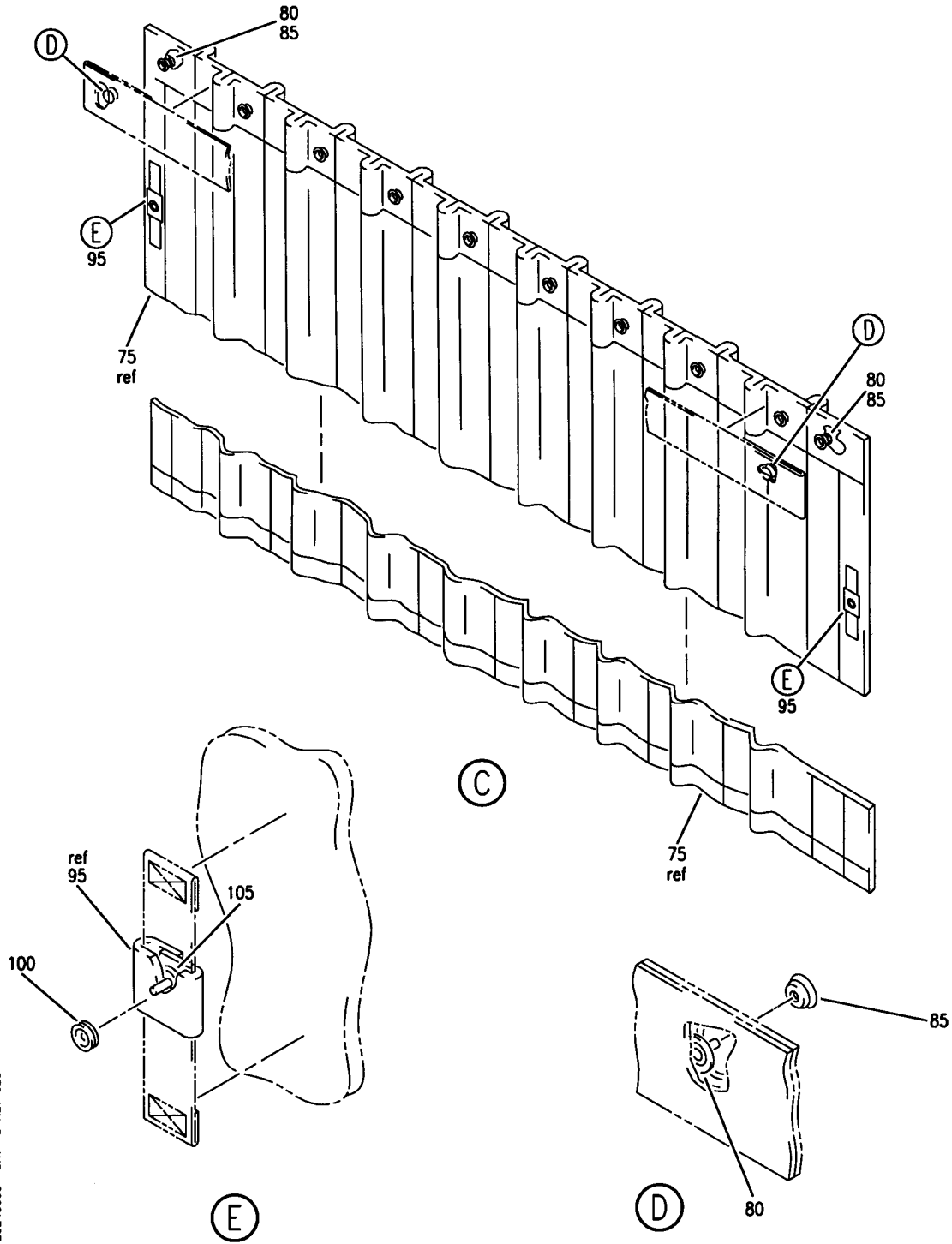
CURTAIN AND HEADER INSTL FWD GALLEY AREA
 FIGURE 5 (SHEET 2)

25-24-50-05

HAP
 OCT 15/08

25-24-50-05
 PAGE 0A

BOEING
 737-600/700/800/900
 PARTS CATALOG (MAINTENANCE)



E 25245005 SHT 3 REV 028

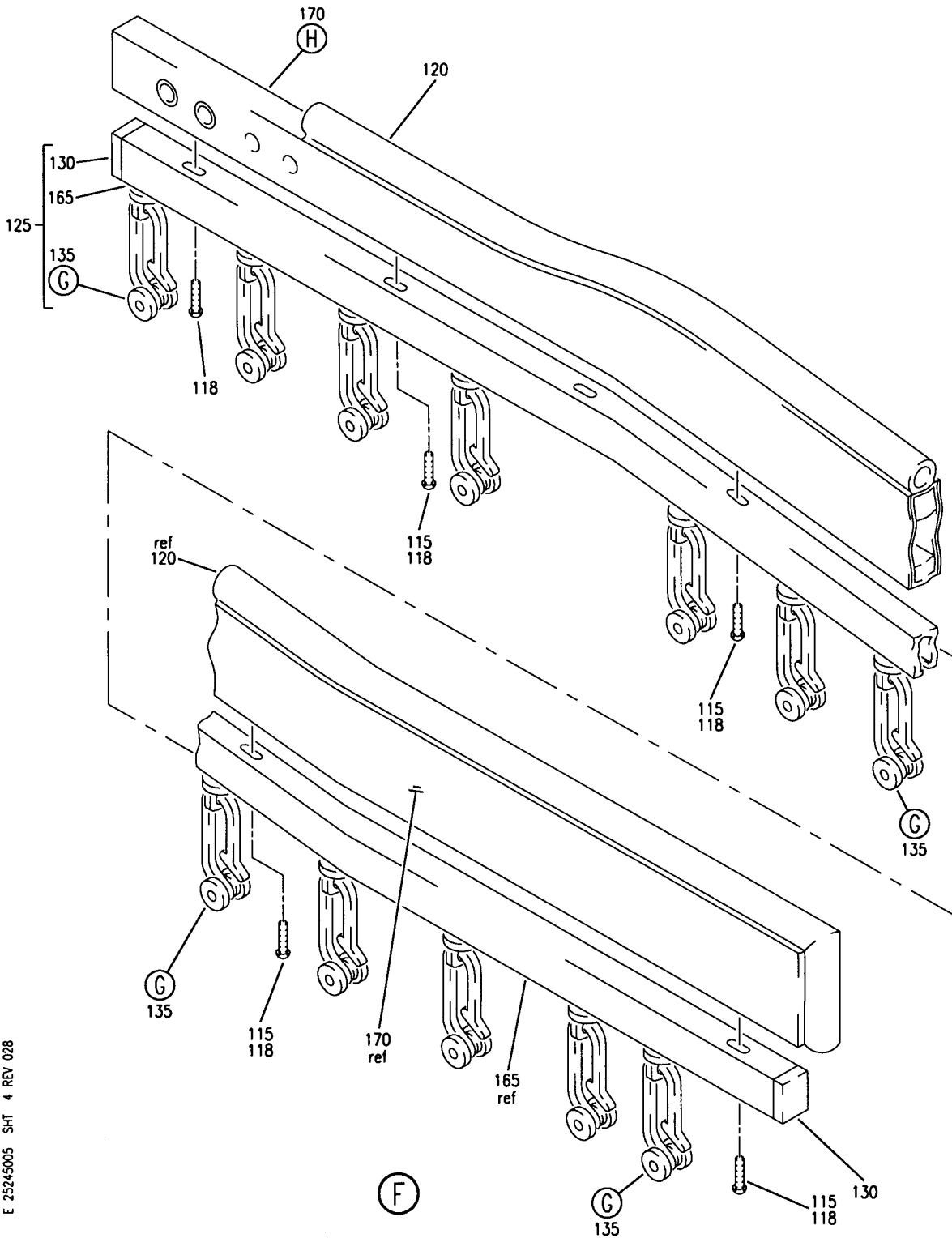
CURTAIN AND HEADER INSTL FWD GALLEY AREA
 FIGURE 5 (SHEET 3)

25-24-50-05

HAP
 OCT 15/08

25-24-50-05
 PAGE 0B


BOEING
 737-600/700/800/900
PARTS CATALOG (MAINTENANCE)



E 25245005 SH1 4 REV 028

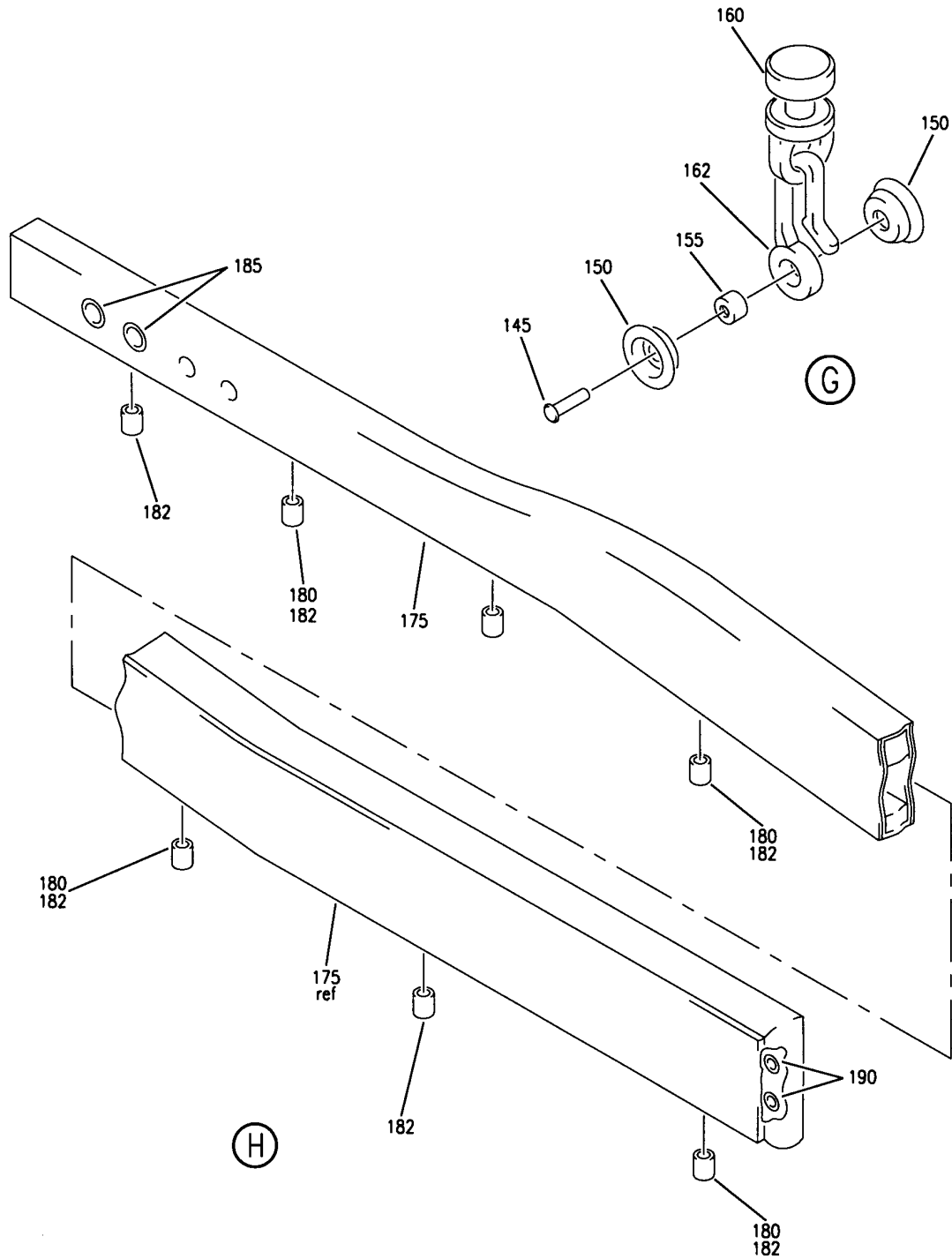
CURTAIN AND HEADER INSTL FWD GALLEY AREA
FIGURE 5 (SHEET 4)

25-24-50-05

HAP
OCT 15/08

25-24-50-05
PAGE 0C

BOEING
 737-600/700/800/900
 PARTS CATALOG (MAINTENANCE)



E 25245005 SHT 5 REV 028

CURTAIN AND HEADER INSTL FWD GALLEY AREA
 FIGURE 5 (SHEET 5)

25-24-50-05

HAP
 OCT 15/08

25-24-50-05
 PAGE 0D

BOEING
737-600/700/800/900
PARTS CATALOG (MAINTENANCE)

FIG ITEM	PART NUMBER	1 2 3 4 5 6 7	NOMENCLATURE	EFFECT FROM TO	UNITS PER ASSY
5			CURTAIN AND HEADER INSTL FWD GALLEY AREA	201967	
- 1	413A3601-13B		CURTAIN AND HEADER INSTL- GALLEY AREA POSITION DATA: FWD FOR NHA SEE: 25-24-00-15A	201967	RF
5	BACB30NT3K12	.BOLT		201967	2
10	BACS12FA3K6	.SCREW		201967	2
15	MS27980-17N	.SNAP		201967	1
20	MS27980-18N	.SNAP		201967	1
25	NAS43DD3-12FC	.SPACER		201967	1
30	NAS1149D0332J	.WASHER		201967	4
35	BACW10P44AL	.WASHER		201967	2
40	66-22283-1	.WASHER		201967	1
45	413A3611-1BB	.TIEBACK ASSY		201967	1
50	MS27980-7N	..STUD		201967	1
55	MS27980-6N	..SOCKET		201967	1
60	MS27980-2N	..EYELET		201967	2
65	MS20230WBP2	..GROMMET		201967	1
70	MS20230GBP2	..GROMMET		201967	1
75	413A3610-1M	.CURTAIN ASSY		201967	1
80	MS27981-4N	..STUD		201967	AR
85	MS27981-5N	..EYELET		201967	AR
95	413A3610-200BD	..LOOP ASSY		201967	2
100	MS27980-6N	...SOCKET		201967	2
105	MS27980-2N	...EYELET		201967	2
110	413A3620-14B	.HEADER AND TRACK ASSY		201967	1
115	NAS8201A5	..SCREW		201967	5
118	NAS8201A5	..SCREW		201967	1
120	413A3620-310	..SEAL		201967	1
125	413A3640-3	..TRACK ASSY		201967	1
130	9682	...CAP-END		201967	2
		SUPPLIER CODE: VOHYRO			
135	413T3032-1065	...SLIDER ASSY-		201967	12
145	BACR15BB3ACRIVET-		201967	1
		SIZE DETERMINED ON INSTL.			
150	MS27981-3NSOCKET		201967	2
155	NAS42DD3-8FCSPACER		201967	1
160	6143GLIDER-TRACK		201967	1
		SUPPLIER CODE: V1048B			
162	6146HOOK-NYLON		201967	1
		SUPPLIER CODE: V1048B			
165	413A3640-102	...TRACK-CURT.		201967	1
170	413A3621-12B	..PANEL ASSY		201967	1

MISSING ITEM NUMBERS NOT APPLICABLE

- ITEM NOT ILLUSTRATED

HAP

25-24-50-05

25-24-50
FIG. 05
PAGE 1
OCT 15/08


BOEING
 737-600/700/800/900
PARTS CATALOG (MAINTENANCE)

FIG ITEM	PART NUMBER	1 2 3 4 5 6 7	NOMENCLATURE	EFFECT FROM TO	UNITS PER ASSY
5					
175	413A3621-2W	...	COVER-DECO	201967	1
180	NAS1836-06-14	...	INSERT	201967	5
182	NAS1836-06-14	...	INSERT	201967	2
185	NAS1834A3-750	...	INSERT	201967	2
190	SL2334-3A3	...	INSERT-	201967	2
			SUPPLIER CODE: V97393		
MISSING ITEM NUMBERS NOT APPLICABLE					

- ITEM NOT ILLUSTRATED

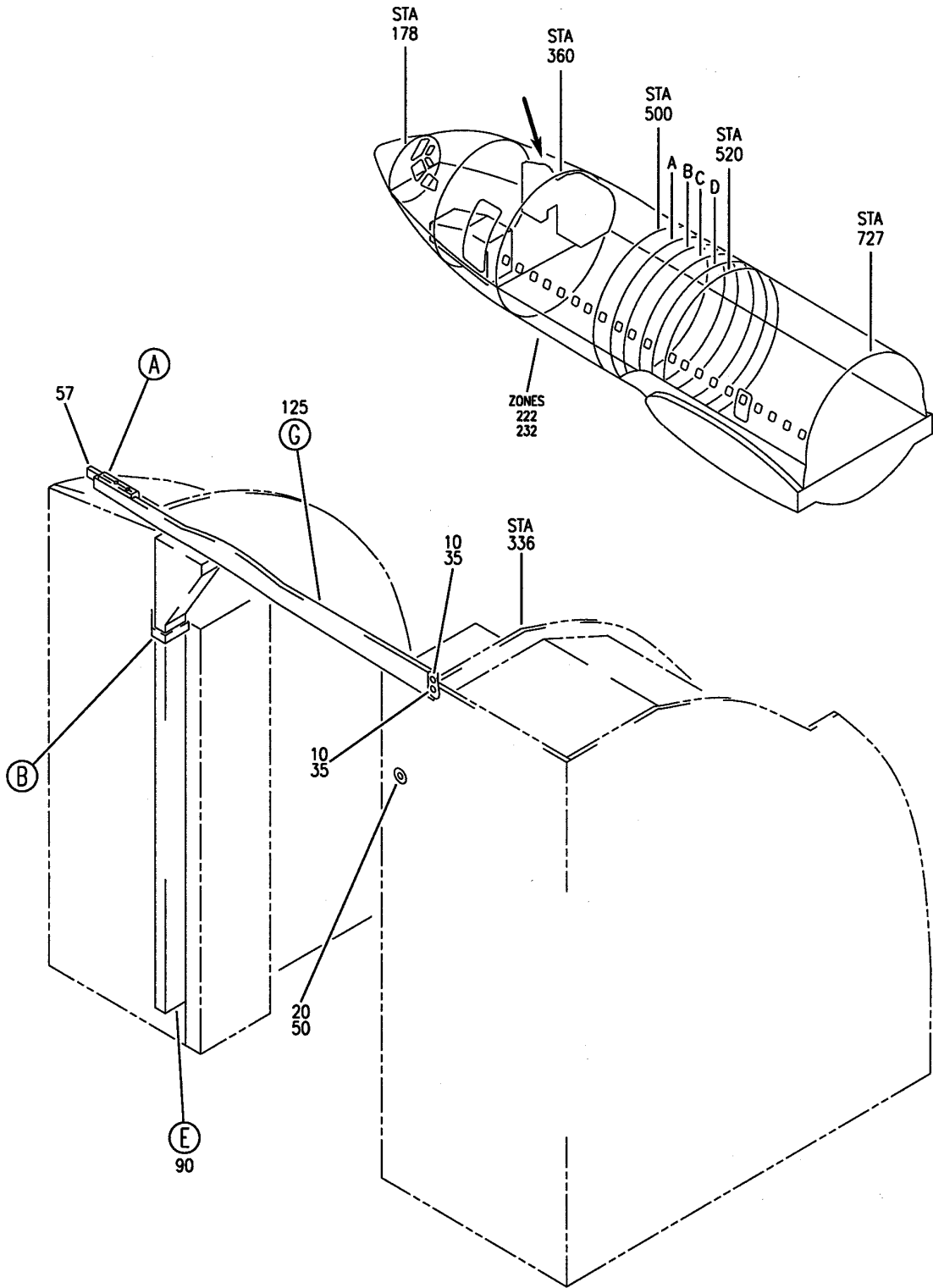
HAP

25-24-50-05

BOEING PROPRIETARY - Copyright © - Unpublished Work - See title page for details.

25-24-50
 FIG. 05
 PAGE 2
 OCT 15/08

BOEING
 737-600/700/800/900
 PARTS CATALOG (MAINTENANCE)



E 25245019 SHT 1 REV 034

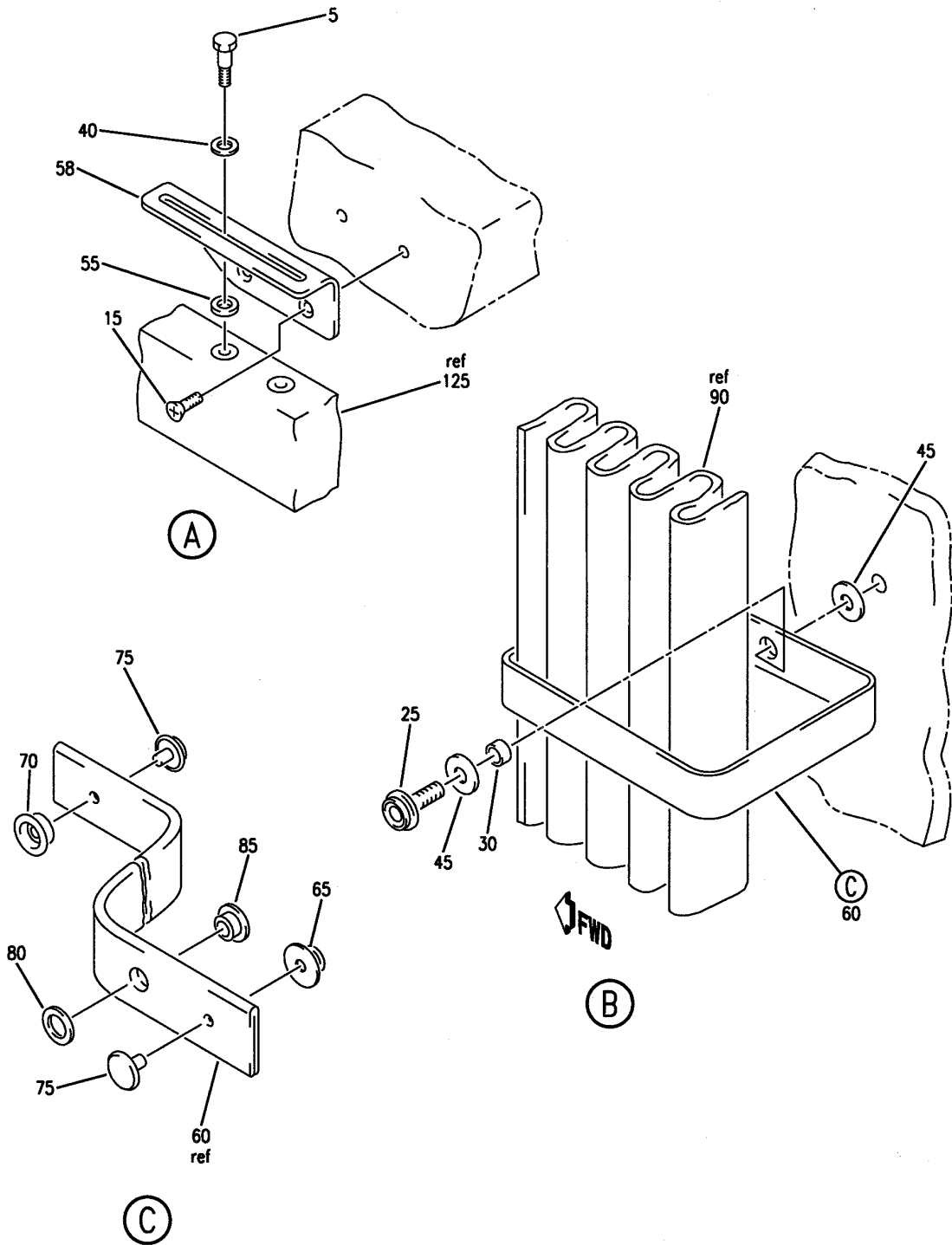
CURTAIN AND HEADER INSTL FWD GALLEY AREA
 FIGURE 19 (SHEET 1)

25-24-50-19

HAP
 JUN 10/07

25-24-50-19
 PAGE 0

BOEING
 737-600/700/800/900
 PARTS CATALOG (MAINTENANCE)



E 25245019 SHT 2 REV 034

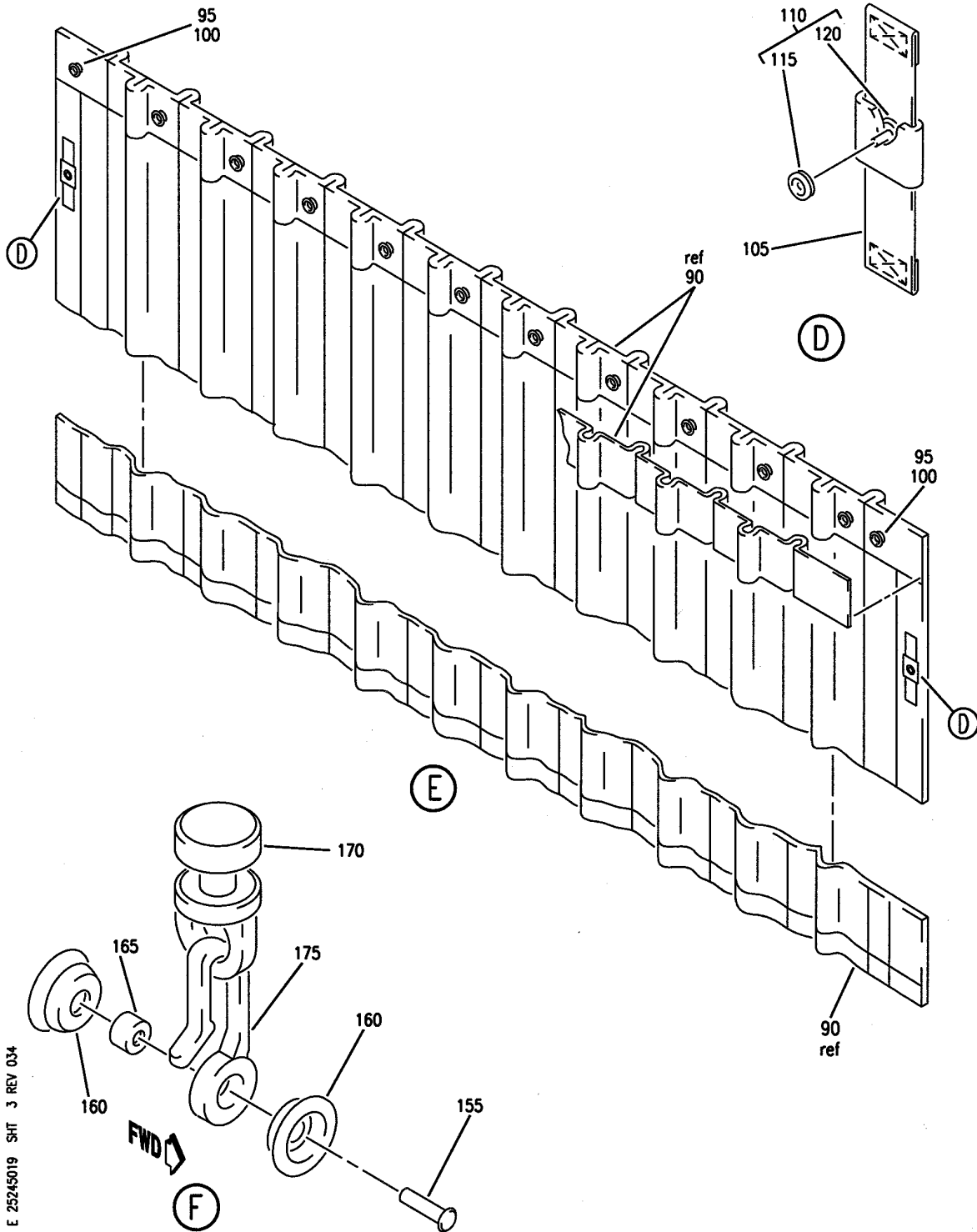
CURTAIN AND HEADER INSTL FWD GALLEY AREA
 FIGURE 19 (SHEET 2)

25-24-50-19

HAP
 JUN 10/07

25-24-50-19
 PAGE 0A

BOEING
 737-600/700/800/900
 PARTS CATALOG (MAINTENANCE)



E 25245019 SHT 3 REV 034

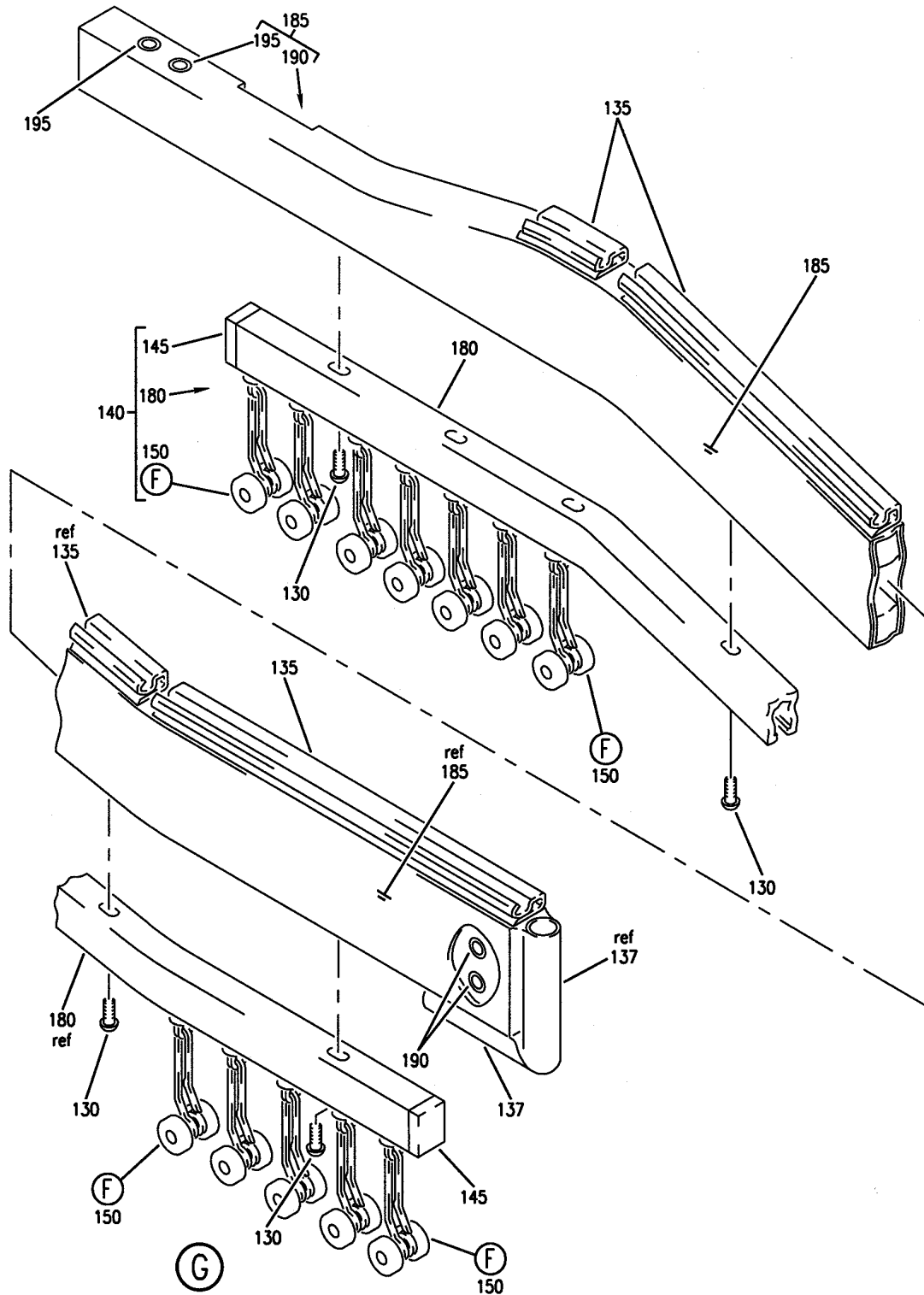
CURTAIN AND HEADER INSTL FWD GALLEY AREA
 FIGURE 19 (SHEET 3)

25-24-50-19

HAP
 JUN 10/07

25-24-50-19
 PAGE 0B

BOEING
 737-600/700/800/900
 PARTS CATALOG (MAINTENANCE)



E 25245019 SHT 4 REV 034

CURTAIN AND HEADER INSTL FWD GALLEY AREA
 FIGURE 19 (SHEET 4)

25-24-50-19

HAP
 JUN 10/07

25-24-50-19
 PAGE 0C

BOEING
737-600/700/800/900
PARTS CATALOG (MAINTENANCE)

FIG ITEM	PART NUMBER	1 2 3 4 5 6 7	NOMENCLATURE	EFFECT FROM TO	UNITS PER ASSY
19			CURTAIN AND HEADER INSTL FWD GALLEY AREA	101106 968999	
- 1	MODREF327183		CURTAIN AND HEADER INSTL- GALLEY AREA MODULE NUMBER: 413A3601-48C REV A POSITION DATA: FWD	101106 968999	1
5	BACB30PW4-4		.BOLT	101106 968999	2
10	BACS12FA3K6		.SCREW- POSITION DATA: FS	101106 968999	2
15	BACS12ER3K6		.SCREW	101106 968999	2
20	MS27980-17N		.SNAP	101106 968999	1
25	MS27980-18N		.SNAP	101106 968999	1
30	NAS43DD3-12FC		.SPACER	101106 968999	1
35	NAS1149D0332J		.WASHER- POSITION DATA: FS	101106 968999	2
40	NAS1149D0432K		.WASHER	101106 968999	2
45	BACW10P44AL		.WASHER	101106 968999	2
50	66-22283-1		.WASHER	101106 968999	1
55	NAS1515H4		.WASHER	101106 968999	2
57	413A3601-300		.SEAL	101106 968999	1
58	413A3660-5B		.BRACKET	101106 968999	1
60	413A3611-1MN		.TIEBACK ASSY	101106 968999	1
65	MS27980-7N		..STUD	101106 968999	1
70	MS27980-6N		..SOCKET	101106 968999	1
75	MS27980-2N		..EYELET	101106 968999	2
80	MS20230WBP2		..GROMMET	101106 968999	1
85	MS20230GBP2		..GROMMET	101106 968999	1

MISSING ITEM NUMBERS NOT APPLICABLE

- ITEM NOT ILLUSTRATED

HAP

25-24-50-19

BOEING PROPRIETARY - Copyright © - Unpublished Work - See title page for details.

25-24-50
FIG. 19
PAGE 1
OCT 15/08

BOEING
737-600/700/800/900
PARTS CATALOG (MAINTENANCE)

FIG ITEM	PART NUMBER	1 2 3 4 5 6 7	NOMENCLATURE	EFFECT FROM TO	UNITS PER ASSY
19					
90	413A3610-1CL	.	CURTAIN ASSY	101106 968999	1
95	MS27981-4N	..	STUD	101106 968999	AR
100	MS27981-5N	..	EYELET	101106 968999	AR
105	413A3610-100NB	..	STRAP ASSY	101106 968999	2
110	413A3610-200NB	..	LOOP ASSY	101106 968999	2
115	MS27980-6N	...	SOCKET- POSITION DATA: NS	101106 968999	1
120	MS27980-2N	...	EYELET- POSITION DATA: NS	101106 968999	1
125	413A3620-35C	.	HEADER AND TRACK ASSY	101106 968999	1
130	NAS8201A5	..	SCREW- OPTIONAL PART: BACS12HJ06K5	101106 968999	6
130	BACS12HJ06K5	..	SCREW- OPTIONAL PART: NAS8201A5	101106 968999	6
135	413A3620-330	..	SEAL-	101106 968999	AR
137	413A3620-310	..	SEAL	101106 968999	AR
140	413A3640-35	..	TRACK ASSY	101106 968999	1
145	9682	...	CAP-END SUPPLIER CODE: VOHYRO	101106 968999	2
150	413T3032-1065	...	SLIDER ASSY-	101106 968999	12
155	BACR15BB3AC	RIVET- SIZE DETERMINED ON INSTL.	101106 968999	1
160	MS27981-3N	SOCKET	101106 968999	2
165	NAS42DD3-8FC	SPACER	101106 968999	1
170	6143	GLIDER-TRACK SUPPLIER CODE: V1048B	101106 968999	1
175	6146	HOOK-NYLON SUPPLIER CODE: V1048B	101106 968999	1
180	413A3640-135	...	TRACK	101106 968999	1

MISSING ITEM NUMBERS NOT APPLICABLE

— ITEM NOT ILLUSTRATED

HAP

25-24-50-19

BOEING PROPRIETARY - Copyright © - Unpublished Work - See title page for details.

25-24-50
FIG. 19
PAGE 2
OCT 15/08


BOEING
 737-600/700/800/900
PARTS CATALOG (MAINTENANCE)

FIG ITEM	PART NUMBER	1 2 3 4 5 6 7	NOMENCLATURE	EFFECT FROM TO	UNITS PER ASSY
19					
185	413A3621-23GL	..	PANEL ASSY	101106 968999	1
190	SL2334-3A3	...	INSERT- SUPPLIER CODE: V97393	101106 968999	2
195	SL2334-3A4	...	INSERT- SUPPLIER CODE: V97393	101106 968999	2

MISSING ITEM NUMBERS NOT APPLICABLE

— ITEM NOT ILLUSTRATED

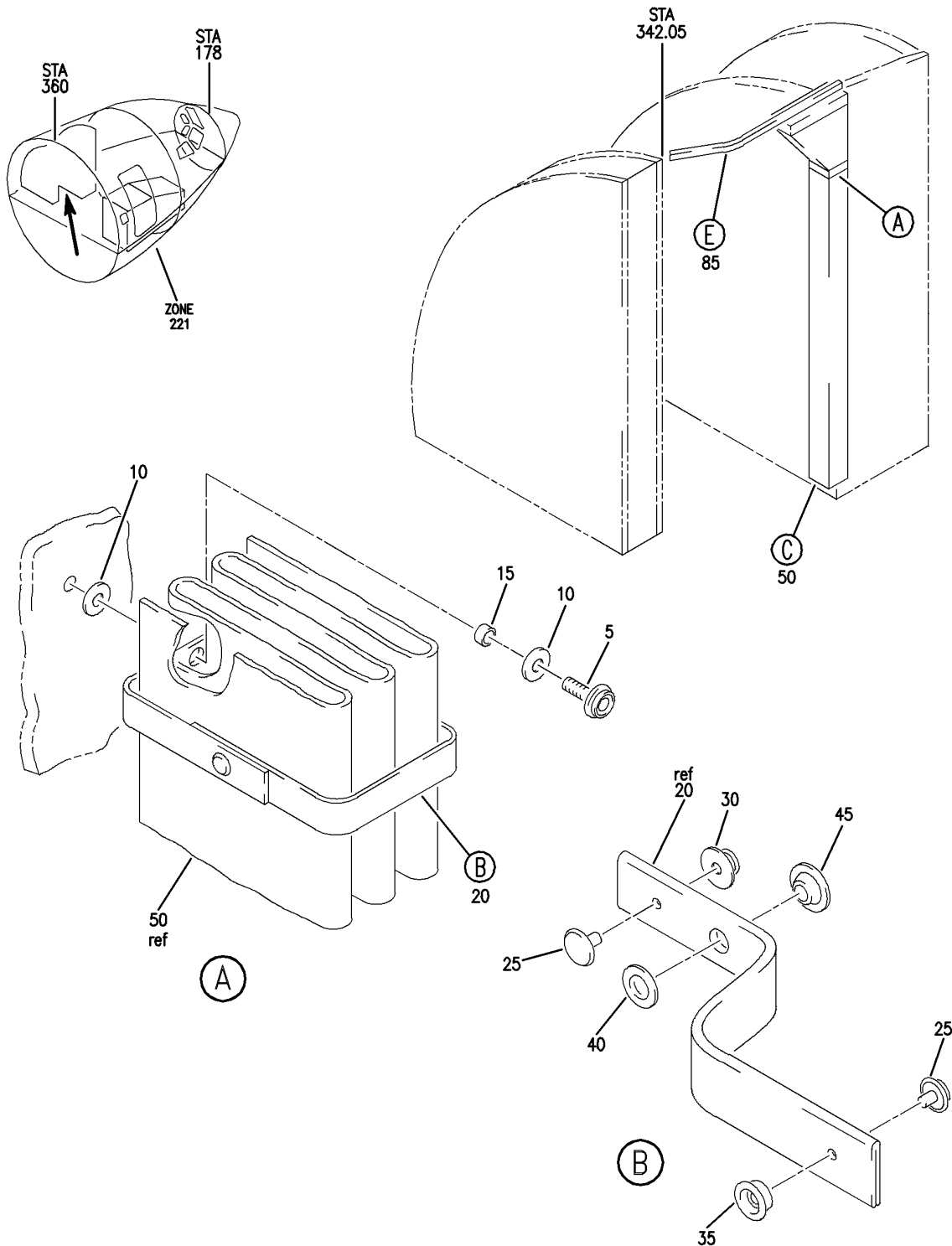
HAP

25-24-50-19

BOEING PROPRIETARY - Copyright © - Unpublished Work - See title page for details.

25-24-50
 FIG. 19
 PAGE 3
 OCT 15/08

BOEING
 737-600/700/800/900
 PARTS CATALOG (MAINTENANCE)



E 25245021B SHT 1 REV 057

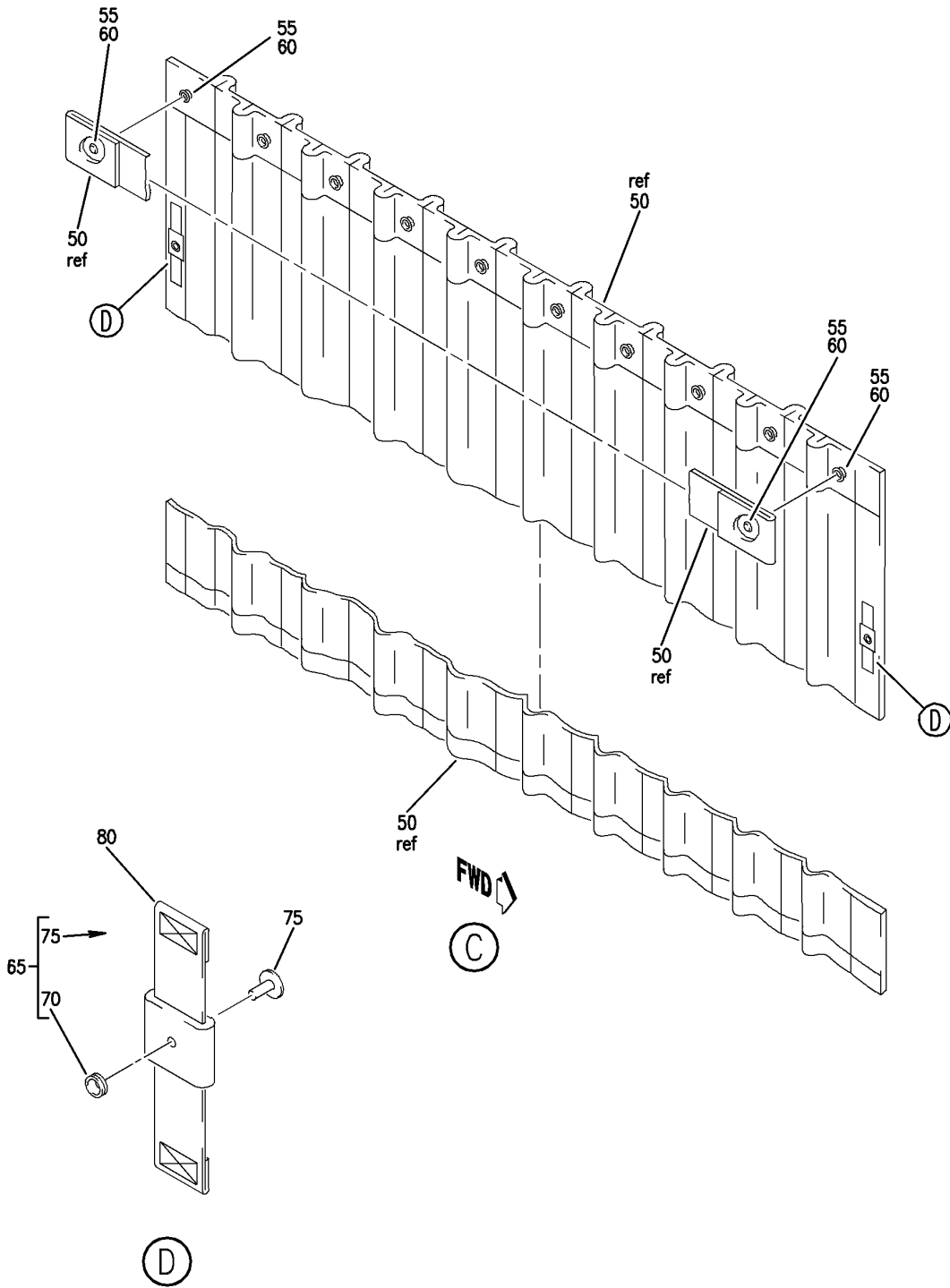
CURTAIN AND TRACK INSTL-FWD CLG MOUNTED
 FIGURE 21B (SHEET 1)

25-24-50-21B

HAP
 FEB 10/07

25-24-50-21B
 PAGE 0

BOEING
 737-600/700/800/900
 PARTS CATALOG (MAINTENANCE)



E 25245021B SHT 2 REV 057

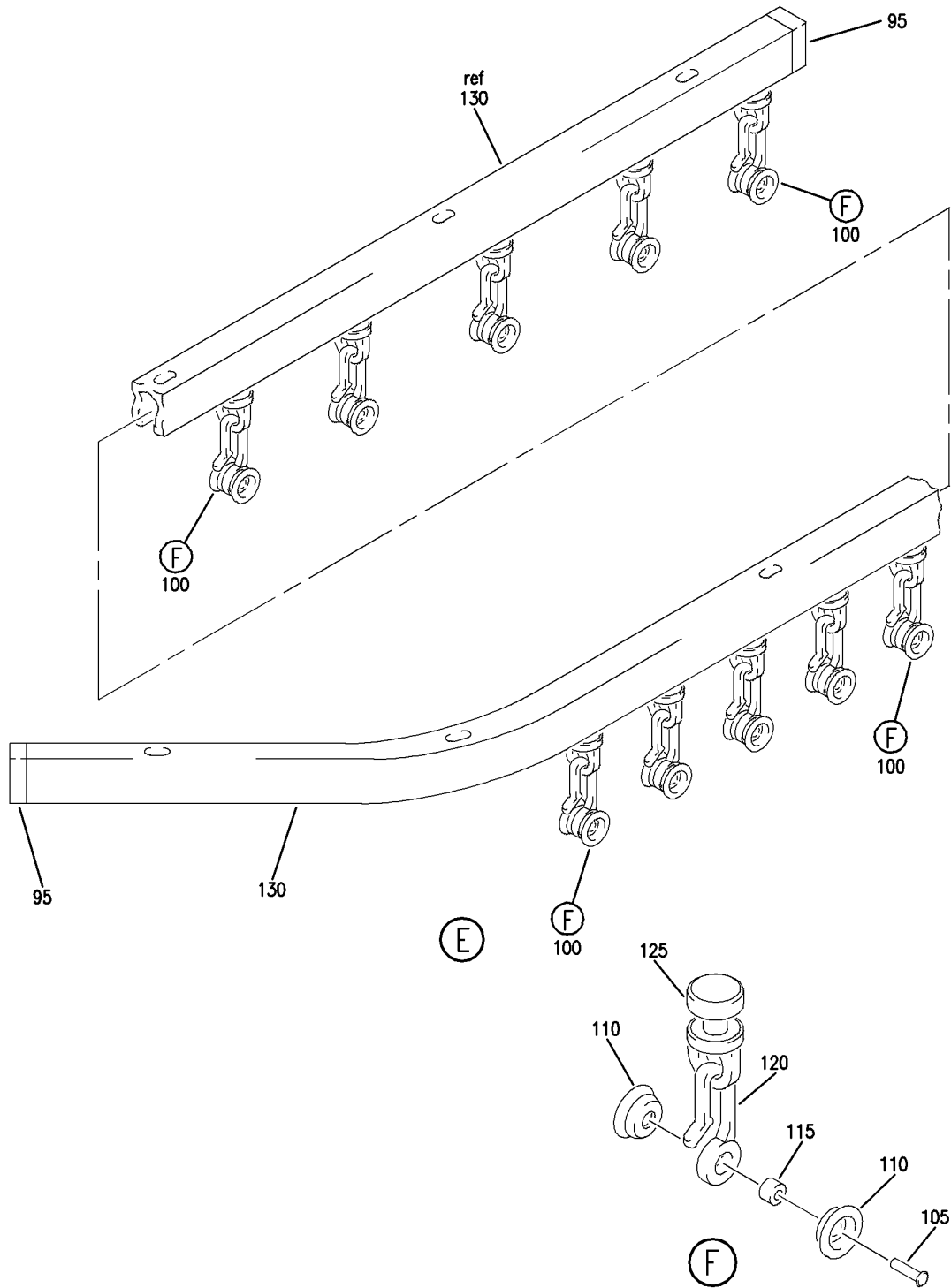
CURTAIN AND TRACK INSTL-FWD CLG MOUNTED
 FIGURE 21B (SHEET 2)

25-24-50-21B

HAP
 FEB 10/07

25-24-50-21B
 PAGE 0A

BOEING
 737-600/700/800/900
 PARTS CATALOG (MAINTENANCE)



E 25245021B SHT 3 REV 057

CURTAIN AND TRACK INSTL-FWD CLG MOUNTED
 FIGURE 21B (SHEET 3)

25-24-50-21B

HAP
 FEB 10/07

25-24-50-21B
 PAGE 0B

BOEING
737-600/700/800/900
PARTS CATALOG (MAINTENANCE)

FIG ITEM	PART NUMBER	1 2 3 4 5 6 7	NOMENCLATURE	EFFECT FROM TO	UNITS PER ASSY
21B			CURTAIN AND TRACK INSTL-FWD CLG MOUNTED	038038 042046 051052	
- 1	MODREF314094		CURTAIN AND TRACK INSTL-CLG MOUNTED MODULE NUMBER: 413A3602-38C REV A POSITION DATA: FWD	038038 042046 051052	1
5	MS27980-18N	.	SNAP	038038 042046 051052	1
10	BACW10P44AL	.	WASHER	038038 042046 051052	2
15	NAS43DD3-12FC	.	SPACER	038038 042046 051052	1
20	413A3611-1SP	.	TIEBACK ASSY	038038 042046 051052	1
25	MS27980-2N	..	EYELET	038038 042046 051052	2
30	MS27980-7N	..	STUD	038038 042046 051052	1
35	MS27980-6N	..	SOCKET	038038 042046 051052	1
40	MS20230WBP2	..	GROMMET	038038 042046 051052	1
45	MS20230GBP2	..	GROMMET	038038 042046 051052	1
50	413A3610-20SP	.	CURTAIN ASSY	038038 042046 051052	1
55	MS27981-4N	..	STUD	038038 042046 051052	AR
60	MS27981-5N	..	EYELET	038038 042046 051052	AR
65	413A3610-200SP	..	LOOP ASSY	038038 042046 051052	2

MISSING ITEM NUMBERS NOT APPLICABLE

- ITEM NOT ILLUSTRATED

HAP

25-24-50-21B

BOEING PROPRIETARY - Copyright © - Unpublished Work - See title page for details.

25-24-50
FIG. 21B
PAGE 1
FEB 15/09

BOEING
737-600/700/800/900
PARTS CATALOG (MAINTENANCE)

FIG ITEM	PART NUMBER	1 2 3 4 5 6 7	NOMENCLATURE	EFFECT FROM TO	UNITS PER ASSY
21B					
70	MS27980-6N	...	SOCKET- POSITION DATA: NEAR SIDE	038038 042046 051052	1
75	MS27980-2N	...	EYELET- POSITION DATA: FAR SIDE	038038 042046 051052	1
80	413A3610-100SP	..	STRAP ASSY	038038 042046 051052	2
85	413A3640-90	.	TRACK ASSY	038038 042046 051052	1
- 90	NAS8201A8	.	ATTACHING PARTS SCREW	038038 042046 051052	6
95	9682	-----*	..CAP- SUPPLIER CODE: VOHYRO	038038 042046 051052	2
100	413T3032-1065	..	SLIDER ASSY	038038 042046 051052	10
105	BACR15BB3AC	...	RIVET- SIZE DETERMINED ON INSTL.	038038 042046 051052	1
110	MS27981-3N	...	SOCKET	038038 042046 051052	2
115	NAS42DD3-8FC	...	SPACER	038038 042046 051052	1
120	6146	...	HOOK-NYLON SUPPLIER CODE: V1048B	038038 042046 051052	1
125	6143	...	GLIDER- SUPPLIER CODE: V1048B	038038 042046 051052	1
130	413A3640-175	..	TRACK	038038 042046 051052	1
- 135	SL6031-06SP2	.	INSERT-BONDED SUPPLIER CODE: V97393	038038 042046 051052	6

MISSING ITEM NUMBERS NOT APPLICABLE

- ITEM NOT ILLUSTRATED

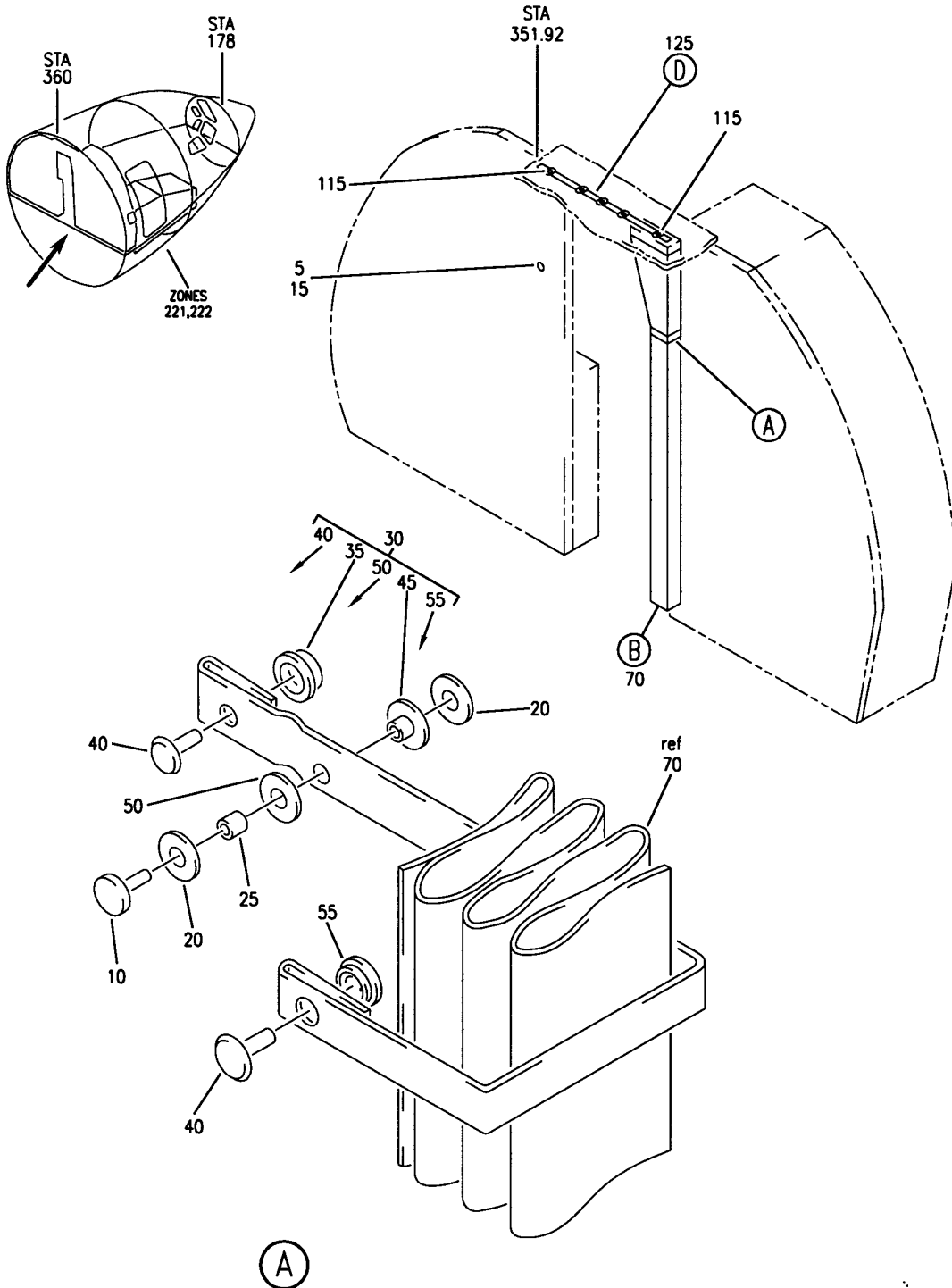
HAP

25-24-50-21B

BOEING PROPRIETARY - Copyright © - Unpublished Work - See title page for details.

25-24-50
FIG. 21B
PAGE 2
FEB 15/09

BOEING
 737-600/700/800/900
 PARTS CATALOG (MAINTENANCE)



E 25245028 SHT 1 REV 027

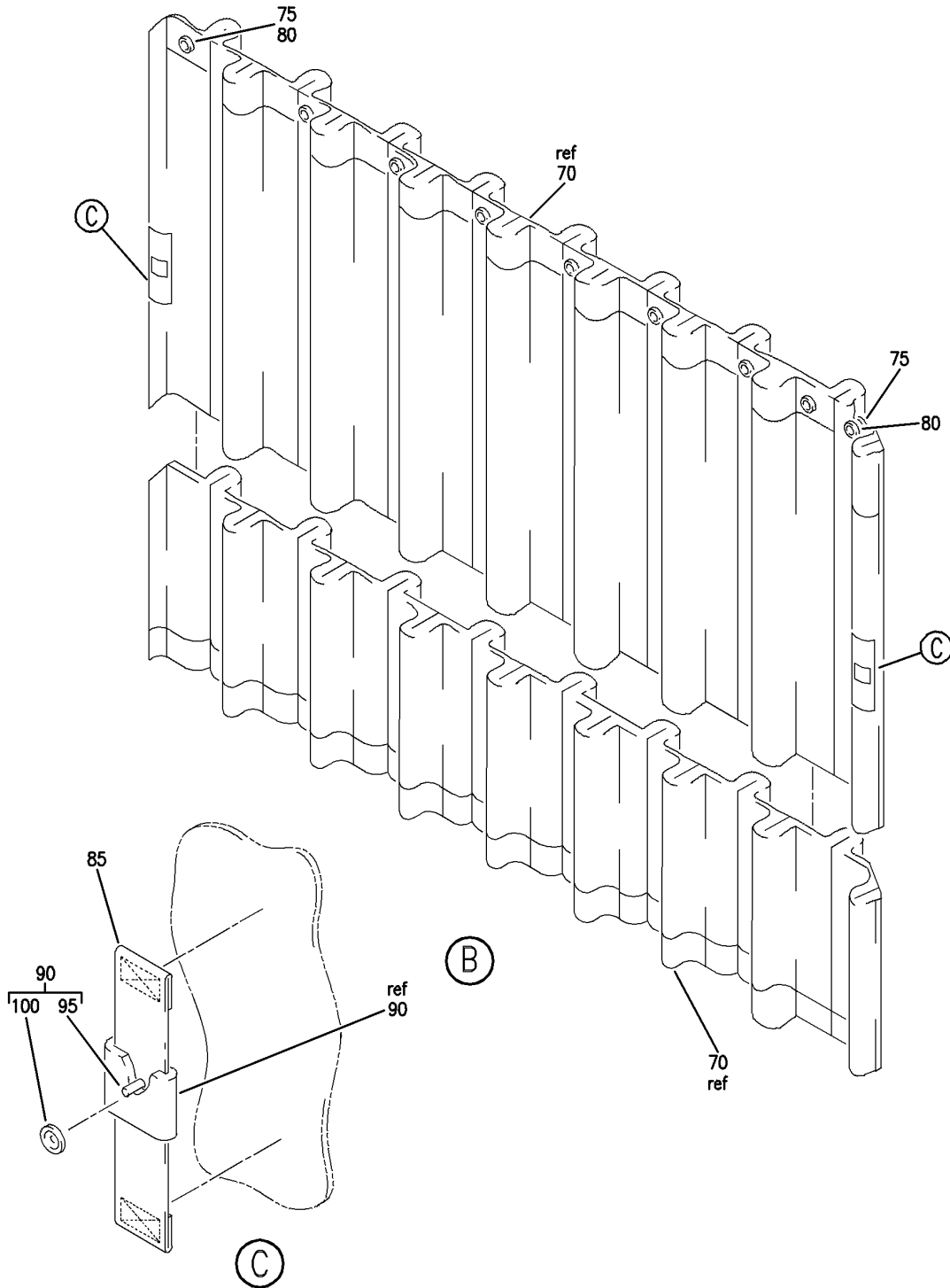
CURTAIN AND TRACK INSTL-FWD CLG MOUNTED
 FIGURE 28 (SHEET 1)

25-24-50-28

HAP
 OCT 15/08

25-24-50-28
 PAGE 0

BOEING
 737-600/700/800/900
 PARTS CATALOG (MAINTENANCE)



E 25245028 SHT 2 REV 065

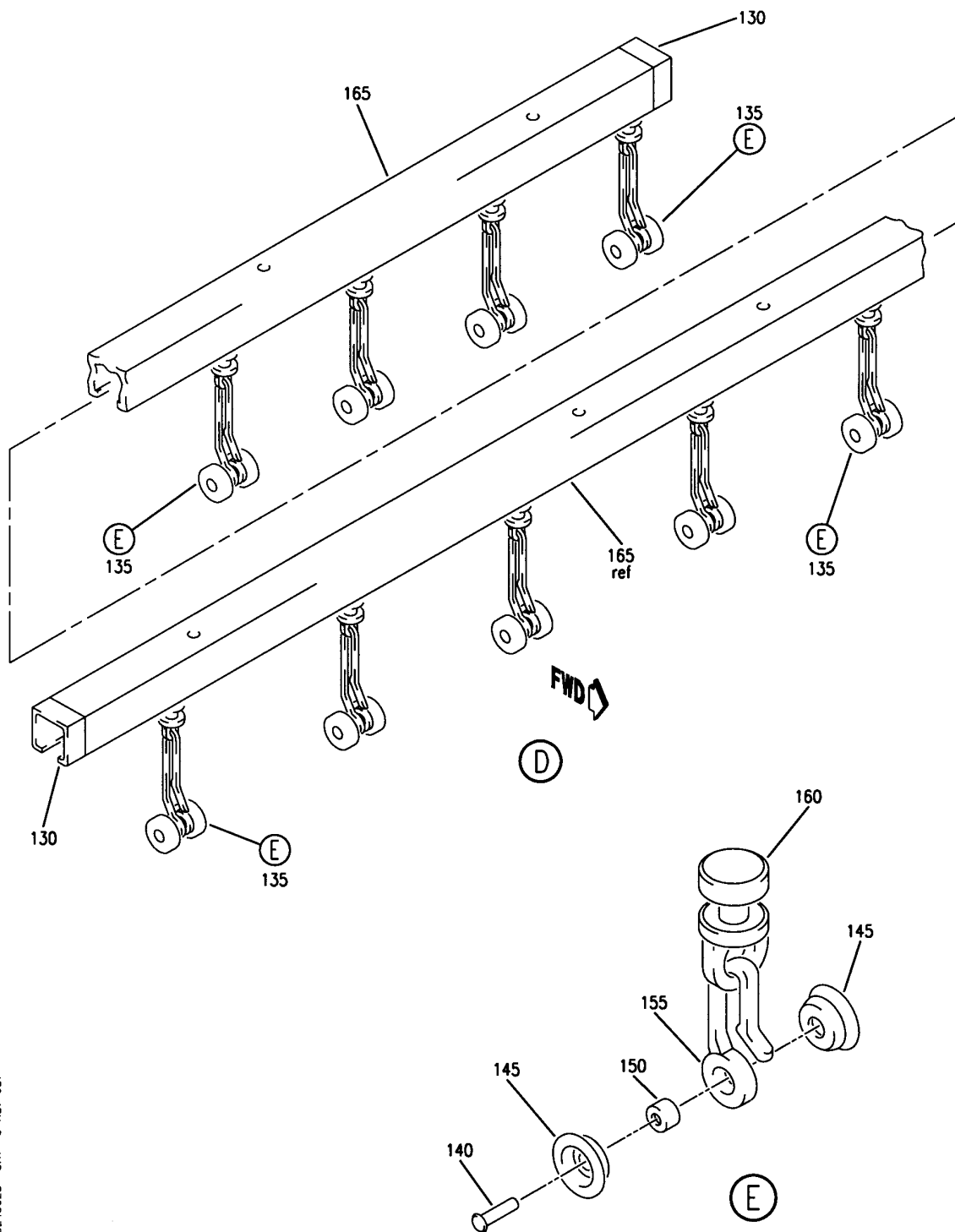
CURTAIN AND TRACK INSTL-FWD CLG MOUNTED
 FIGURE 28 (SHEET 2)

25-24-50-28

HAP
 OCT 15/08

25-24-50-28
 PAGE 0A

BOEING
 737-600/700/800/900
 PARTS CATALOG (MAINTENANCE)



E 25245028 SH1 3 REV 027

CURTAIN AND TRACK INSTL-FWD CLG MOUNTED
 FIGURE 28 (SHEET 3)

25-24-50-28

HAP
 OCT 15/08

25-24-50-28
 PAGE 0B

BOEING
737-600/700/800/900
PARTS CATALOG (MAINTENANCE)

FIG ITEM	PART NUMBER	1 2 3 4 5 6 7	NOMENCLATURE	EFFECT FROM TO	UNITS PER ASSY
28			CURTAIN AND TRACK INSTL-FWD CLG MOUNTED	201967	
- 1	413A3602-7B		CURTAIN AND TRACK INSTL-CLG MOUNTED POSITION DATA: FWD FOR NHA SEE: 25-24-00-15A	201967	RF
	5 MS27980-17N	.SNAP		201967	1
	10 MS27980-18N	.SNAP		201967	1
	15 66-22283-1	.WASHER		201967	1
	20 BACW10P44AL	.WASHER		201967	2
	25 NAS43DD3-12FC	.SPACER		201967	1
	30 413A3611-1BB	.TIEBACK ASSY		201967	1
	35 MS27980-7N	..STUD		201967	1
	40 MS27980-2N	..EYELET		201967	2
	45 MS20230GBP2	..GROMMET		201967	1
	50 MS20230WBP2	..GROMMET		201967	1
	55 MS27980-6N	..SOCKET		201967	1
	70 413A3610-22B	.CURTAIN ASSY		201967	1
	75 MS27981-5N	..EYELET		201967	9
	80 MS27981-4N	..STUD		201967	9
	85 413A3610-100BD	..STRAP ASSY		201967	2
	90 413A3610-200BD	..LOOP ASSY-		201967	2
	95 MS27980-2N	...EYELET		201967	1
	100 MS27980-6N	...SOCKET		201967	1
	115 NAS8201A8	.SCREW-		201967	5
- 120	SL6031-06SP2	.INSERT-		201967	5
		SUPPLIER CODE: V97393			
	125 413A3640-9	.TRACK ASSY		201967	1
	130 9682	..CAP-END		201967	2
		SUPPLIER CODE: VOHYRO			
	135 413T3032-1065	..SLIDER ASSY		201967	9
	140 BACR15BB3AC	...RIVET-		201967	1
		SIZE DETERMINED ON INSTL.			
	145 MS27981-3N	...SOCKET		201967	2
	150 NAS42DD3-8FC	...SPACER		201967	1
	155 6146	...HOOK-NYLON		201967	1
		SUPPLIER CODE: V1048B			
	160 6143	...GLIDER-		201967	1
		SUPPLIER CODE: V1048B			
	165 413A3640-108	..TRACK		201967	1

MISSING ITEM NUMBERS NOT APPLICABLE

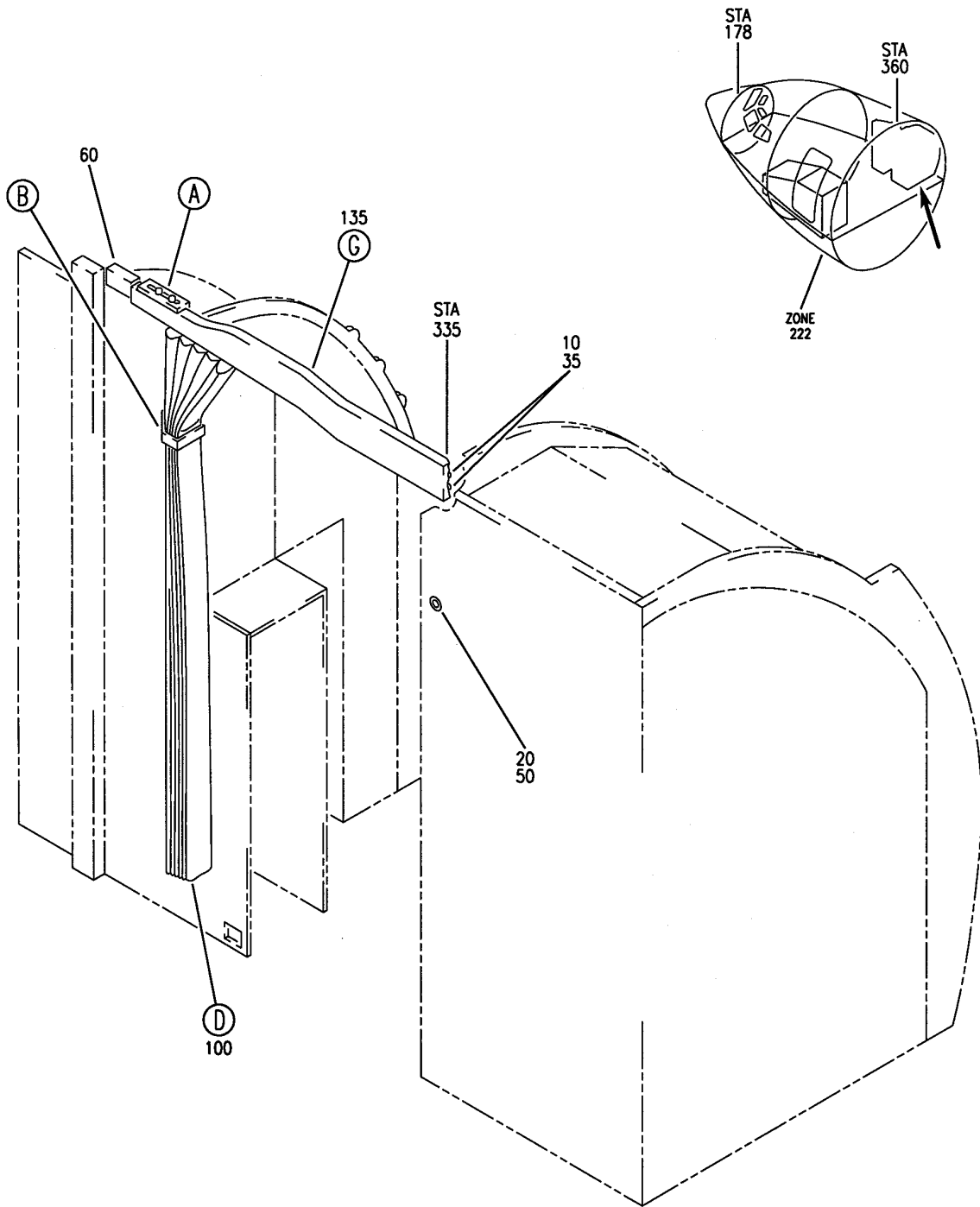
- ITEM NOT ILLUSTRATED

HAP

25-24-50-28

BOEING PROPRIETARY - Copyright © - Unpublished Work - See title page for details.

25-24-50
FIG. 28
PAGE 1
OCT 15/08



E 25245038 SH 1 REV 034

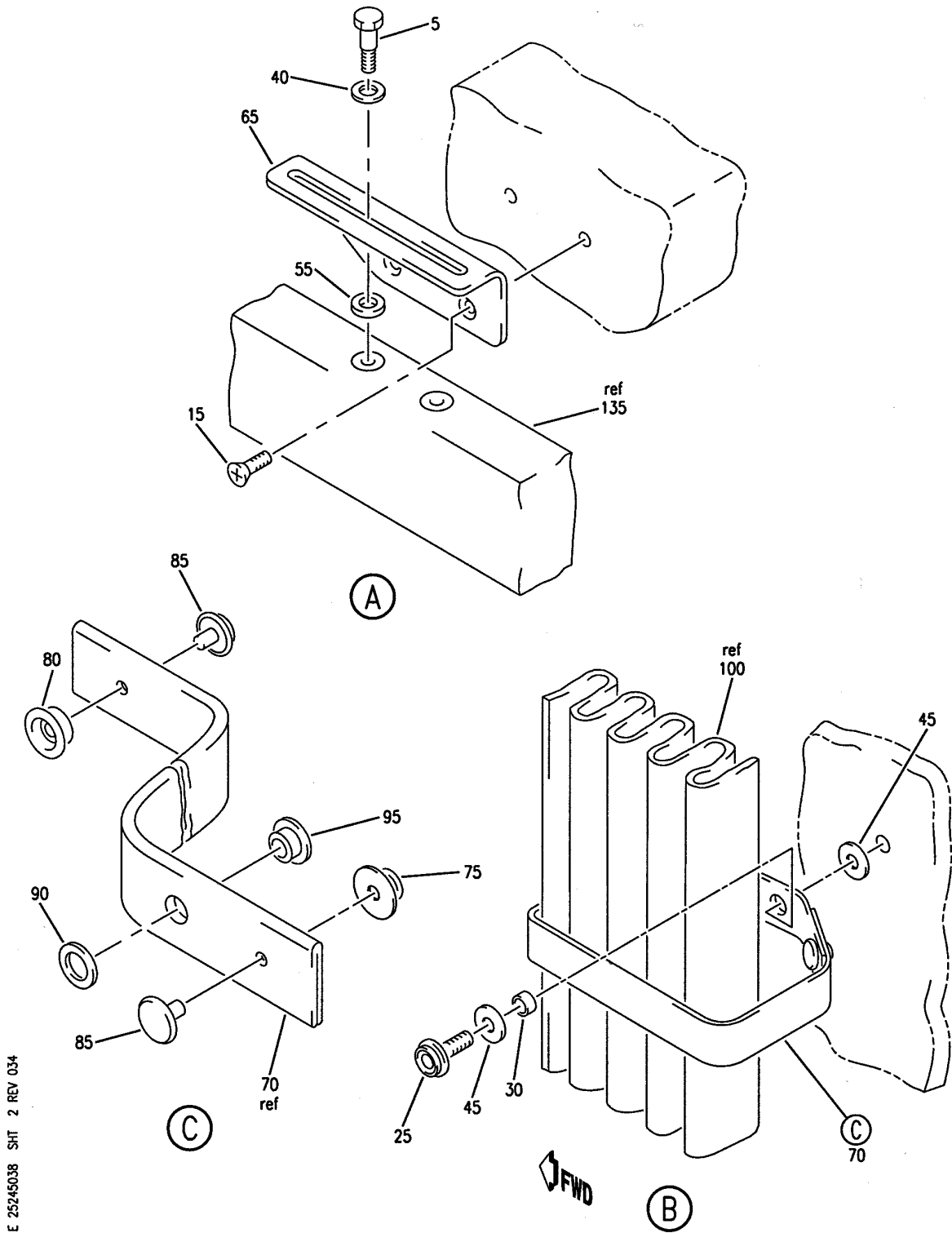
CURTAIN AND HEADER INSTL FWD GALLEY AREA
 FIGURE 38 (SHEET 1)

25-24-50-38

HAP
 OCT 10/06

25-24-50-38
 PAGE 0

BOEING
 737-600/700/800/900
 PARTS CATALOG (MAINTENANCE)



E 25245038 SH1 2 REV 034

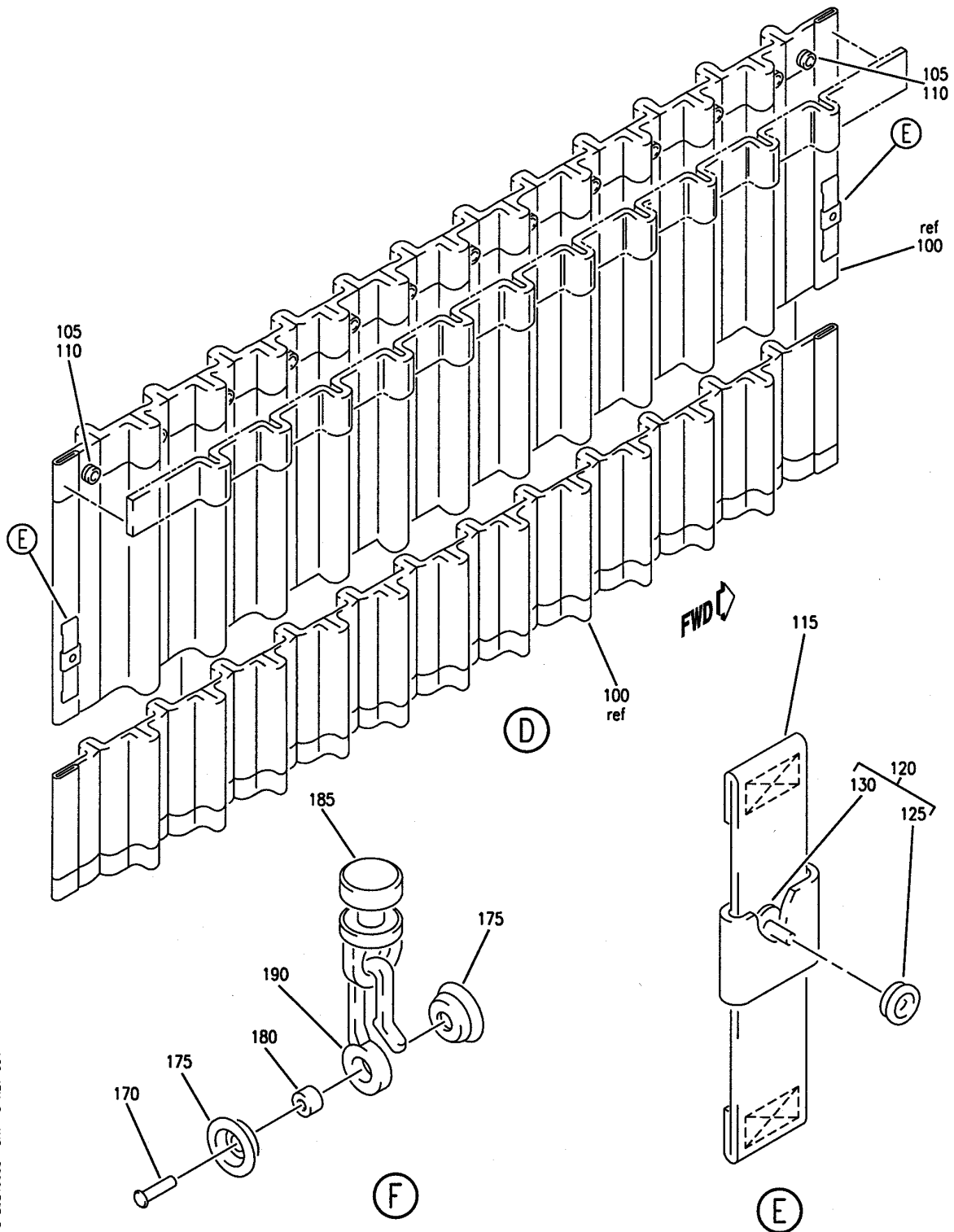
CURTAIN AND HEADER INSTL FWD GALLEY AREA
 FIGURE 38 (SHEET 2)

25-24-50-38

HAP
 OCT 10/06

25-24-50-38
 PAGE 0A

BOEING
 737-600/700/800/900
 PARTS CATALOG (MAINTENANCE)



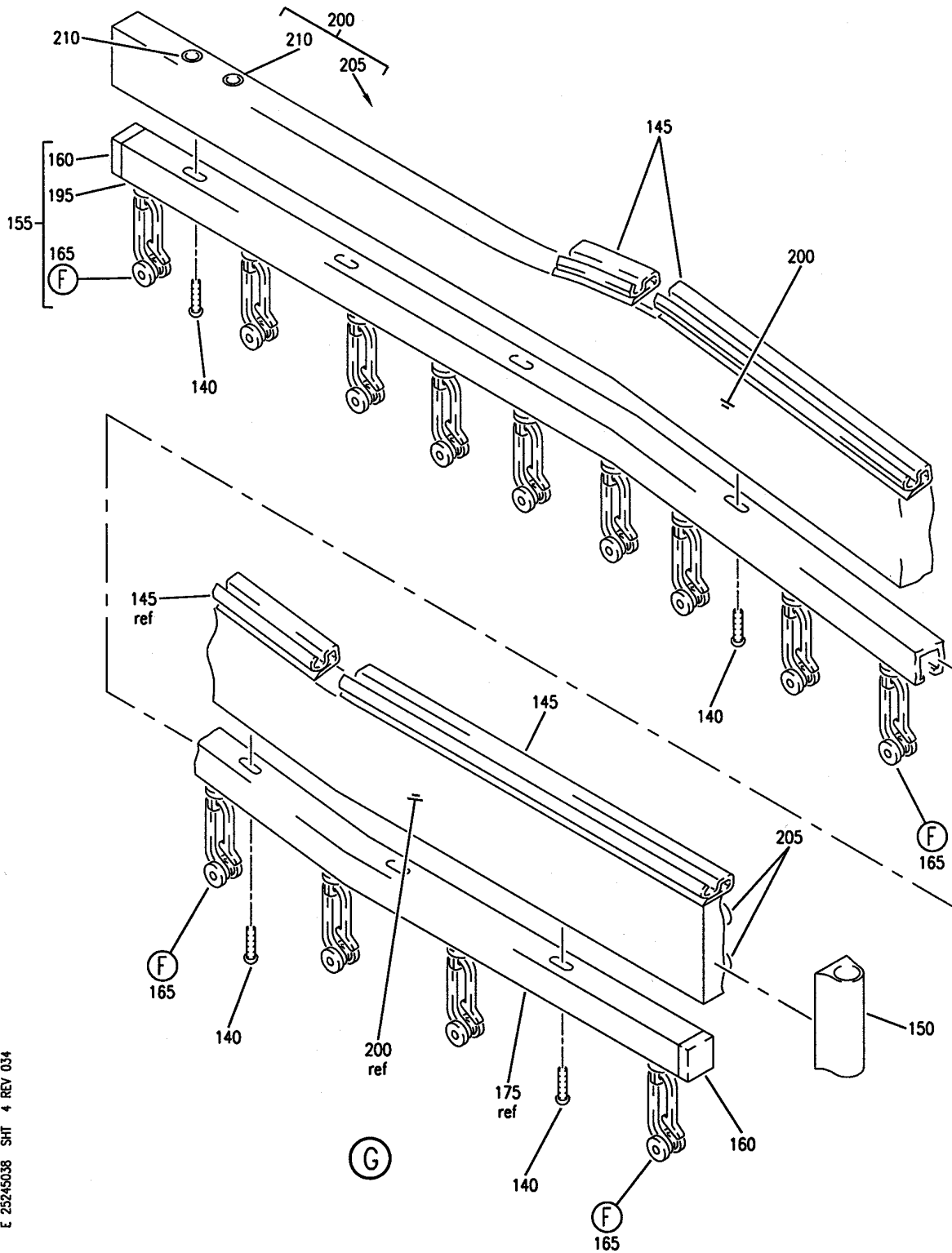
CURTAIN AND HEADER INSTL FWD GALLEY AREA
 FIGURE 38 (SHEET 3)

25-24-50-38

HAP
 OCT 10/06

25-24-50-38
 PAGE 0B


BOEING
 737-600/700/800/900
PARTS CATALOG (MAINTENANCE)



E 25245038 SHT 4 REV 034

CURTAIN AND HEADER INSTL FWD GALLEY AREA
 FIGURE 38 (SHEET 4)

25-24-50-38

HAP
 OCT 10/06

25-24-50-38
 PAGE 0C

BOEING
737-600/700/800/900
PARTS CATALOG (MAINTENANCE)

FIG ITEM	PART NUMBER	1 2 3 4 5 6 7	NOMENCLATURE	EFFECT FROM TO	UNITS PER ASSY
38			CURTAIN AND HEADER INSTL FWD GALLEY AREA	012037 039040	
- 1	413A3601-31C		CURTAIN AND HEADER INSTL- GALLEY AREA POSITION DATA: FWD FOR NHA SEE: 25-24-00-13B	012030	RF
- 2	MODREF276375		CURTAIN AND HEADER INSTL- GALLEY AREA MODULE NUMBER: 413A3601-31BJ REV A POSITION DATA: FWD	031037 039040	1
5	BACB30PW4-4		.BOLT	012036	2
10	BACS12FA3K6		.SCREW	012036	2
15	BACS12ER3K6		.SCREW	012036	2
20	MS27980-17N		.SNAP	012036	1
25	MS27980-18N		.SNAP	012036	1
30	NAS43DD3-12FC		.SPACER	012036	1
35	NAS1149D0332J		.WASHER	012036	2
40	NAS1149D0432K		.WASHER	012036	2
45	BACW10P44AL		.WASHER	012036	2
50	66-22283-1		.WASHER	012036	1
55	NAS1515H4		.WASHER	012036	2
60	413A3601-300		.SEAL	012036	1
65	413A3660-5B		.BRACKET-	012036	1
70	413A3611-1R		.TIEBACK ASSY	012036	1
75	MS27980-7N		..STUD	012036	1
80	MS27980-6N		..SOCKET	012036	1
85	MS27980-2N		..EYELET	012036	2
90	MS20230WBP2		..GROMMET	012036	1
95	MS20230GBP2		..GROMMET	012036	1
100	413A3610-6G		.CURTAIN ASSY	012036	1
105	MS27981-4N		..STUD	012037 039040	AR
110	MS27981-5N		..EYELET	012037 039040	AR
115	413A3610-100P		..STRAP ASSY	012036	2
120	413A3610-200P		..LOOP ASSY	012036	2
125	MS27980-6N		...SOCKET- POSITION DATA: NS	012036	1
130	MS27980-2N		...EYELET- POSITION DATA: NS	012036	1
135	413A3620-31G		.HEADER AND TRACK ASSY	012036	1
140	NAS8201A5		..SCREW	012036	7

MISSING ITEM NUMBERS NOT APPLICABLE

- ITEM NOT ILLUSTRATED

HAP

25-24-50-38

25-24-50
FIG. 38
PAGE 1
OCT 15/08

BOEING
737-600/700/800/900
PARTS CATALOG (MAINTENANCE)

FIG ITEM	PART NUMBER	1 2 3 4 5 6 7	NOMENCLATURE	EFFECT FROM TO	UNITS PER ASSY
38					
145	413A3620-330	..	SEAL-RTNR	012037 039040	AR
150	413A3620-310	..	SEAL	012037 039040	AR
155	413A3640-14	..	TRACK ASSY	012036	1
160	9682	...	CAP-END SUPPLIER CODE: VOHYRO	012036	2
165	413T3032-1065	...	SLIDER ASSY-	012036	13
170	BACR15BB3AC	RIVET- SIZE DETERMINED ON INSTL.	012037 039040	1
175	MS27981-3N	SOCKET	012037 039040	2
180	NAS42DD3-8FC	SPACER	012037 039040	1
185	6143	GLIDER-TRACK SUPPLIER CODE: V1048B	012037 039040	1
190	6146	HOOK-NYLON SUPPLIER CODE: V1048B	012037 039040	1
195	413A3640-101	...	TRACK-CURT.	012036	1
200	413A3621-23BP	..	PANEL ASSY	012036	1
205	SL2334-3A3	...	INSERT- SUPPLIER CODE: V97393	012036	2
210	SL2334-3A4	...	INSERT- SUPPLIER CODE: V97393	012036	2

MISSING ITEM NUMBERS NOT APPLICABLE

— ITEM NOT ILLUSTRATED

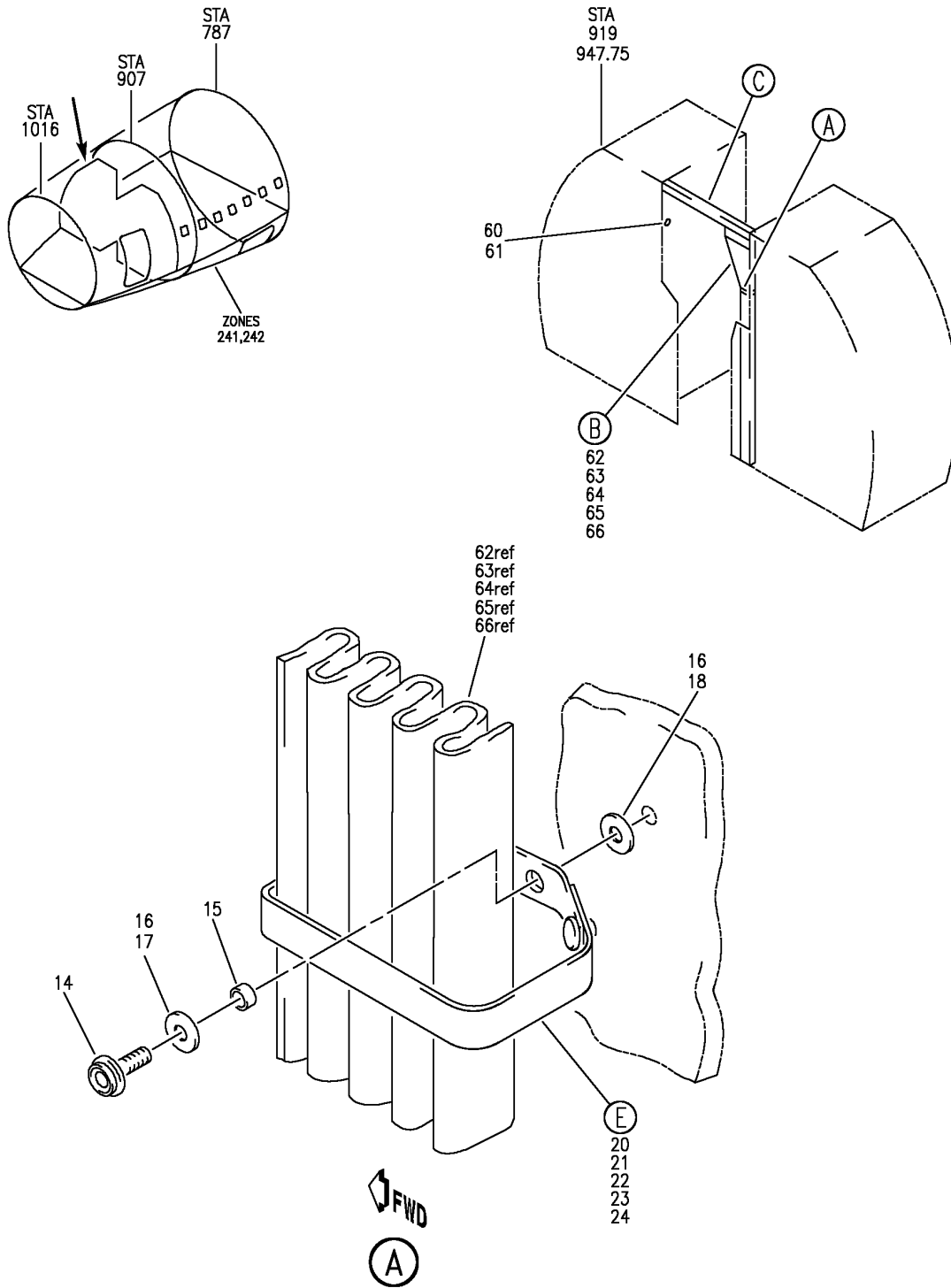
HAP

25-24-50-38

BOEING PROPRIETARY - Copyright © - Unpublished Work - See title page for details.

25-24-50
FIG. 38
PAGE 2
OCT 15/08

BOEING
 737-600/700/800/900
 PARTS CATALOG (MAINTENANCE)



E 25245040 SHT 1 REV 082

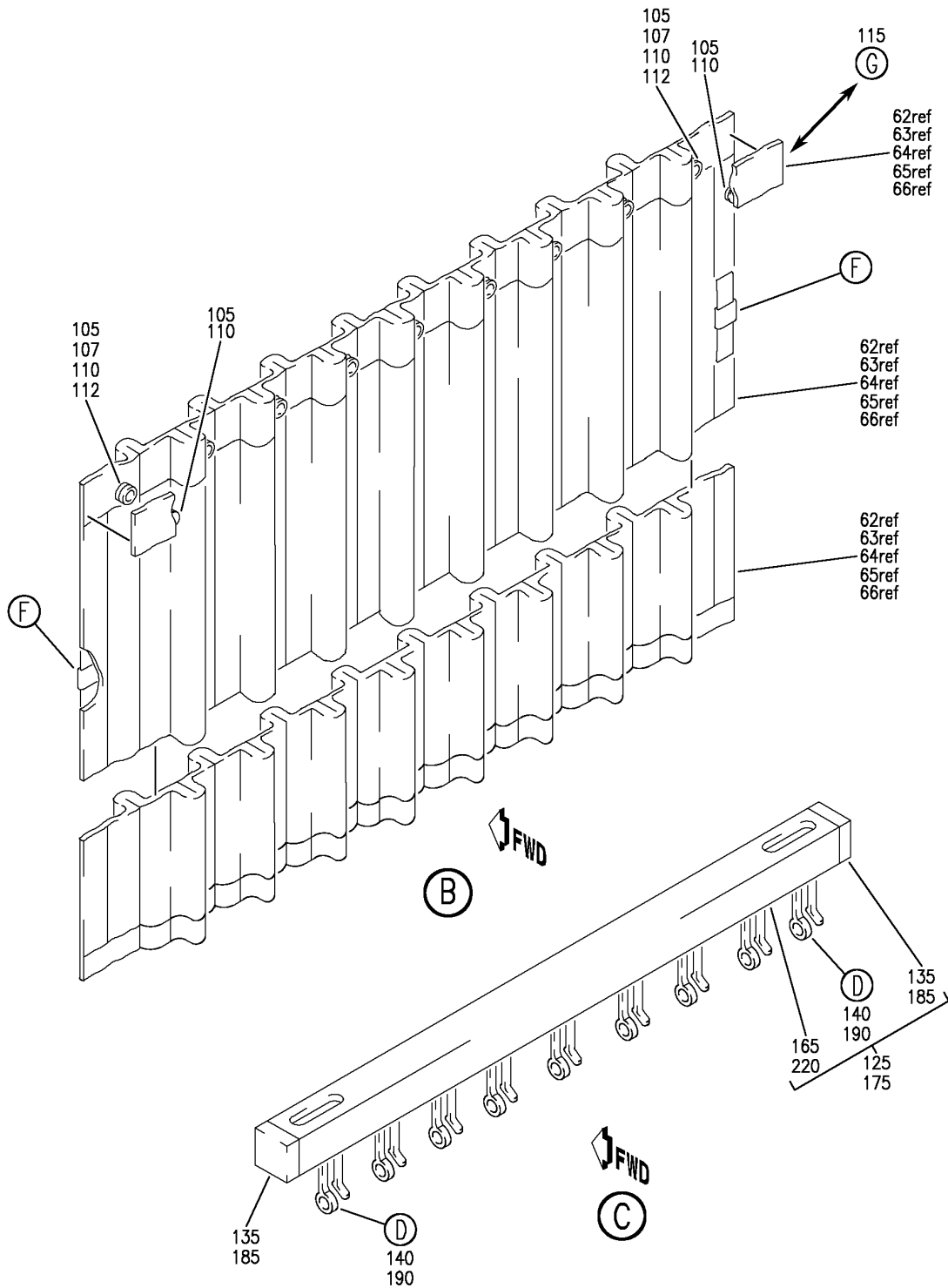
CURTAIN AND TRACK INSTL-AFT CLG MOUNTED
 FIGURE 40 (SHEET 1)

25-24-50-40

HAP
 OCT 10/06

25-24-50-40
 PAGE 0

BOEING
 737-600/700/800/900
 PARTS CATALOG (MAINTENANCE)



E 25245040 SHT 2 REV 075

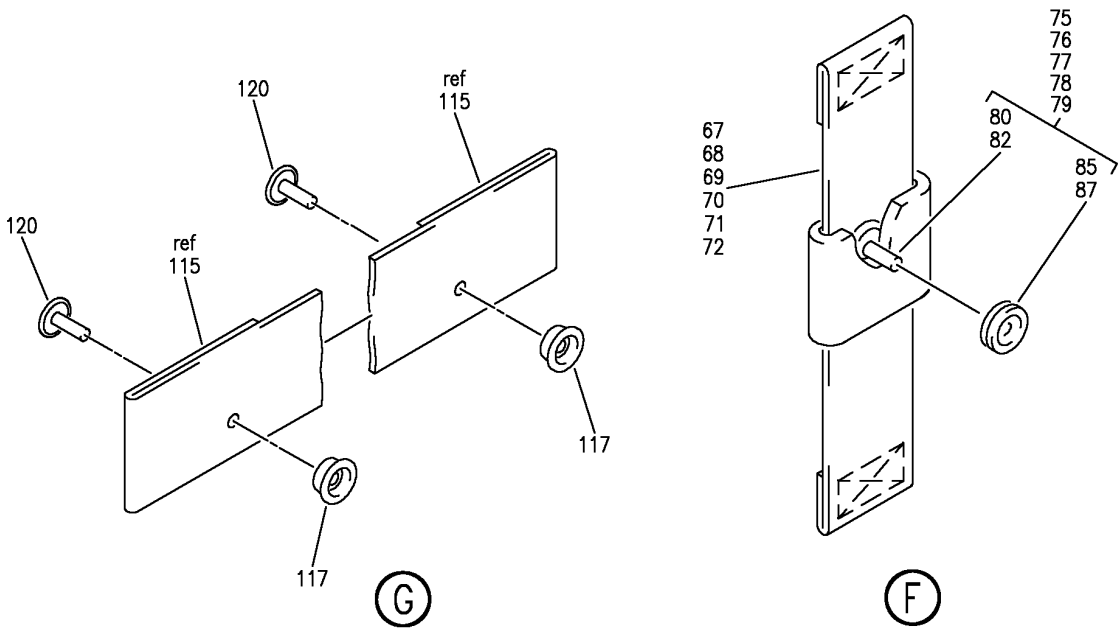
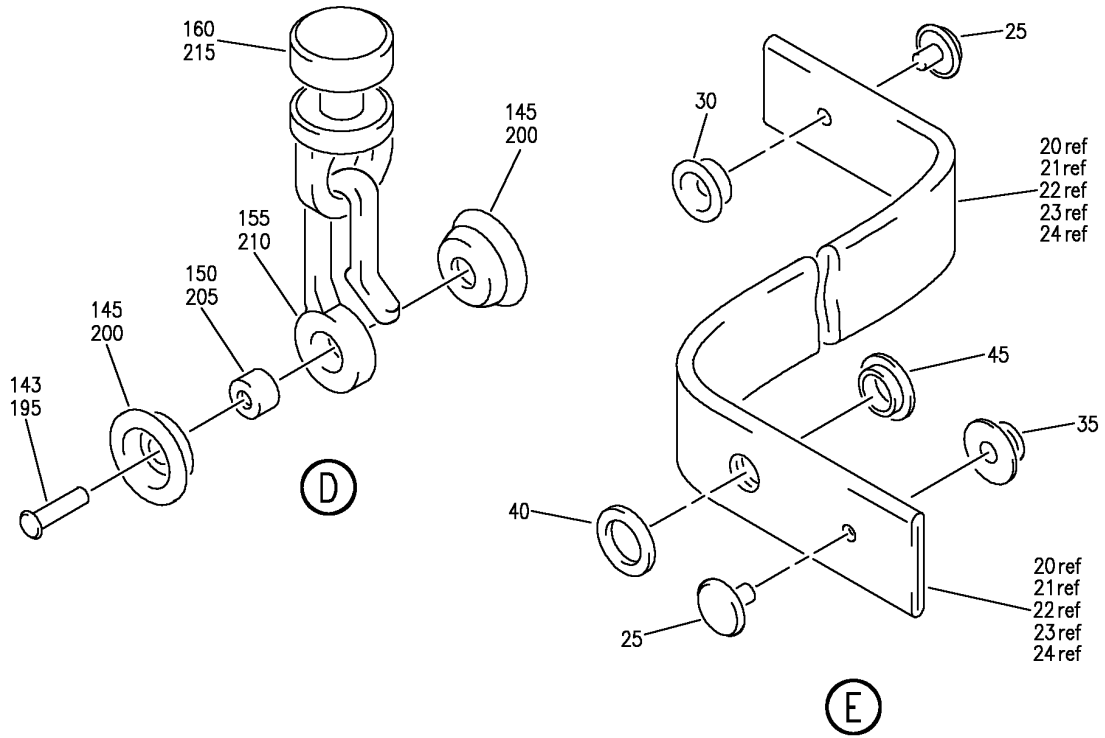
CURTAIN AND TRACK INSTL-AFT CLG MOUNTED
 FIGURE 40 (SHEET 2)

25-24-50-40

HAP
 OCT 10/06

25-24-50-40
 PAGE 0A


BOEING
 737-600/700/800/900
PARTS CATALOG (MAINTENANCE)



E 25245040 SHT 3 REV 086

CURTAIN AND TRACK INSTL-AFT CLG MOUNTED
FIGURE 40 (SHEET 3)

25-24-50-40

HAP
OCT 10/06

25-24-50-40
PAGE 0B

 **BOEING**
737-600/700/800/900
PARTS CATALOG (MAINTENANCE)

FIG ITEM	PART NUMBER	1 2 3 4 5 6 7	NOMENCLATURE	EFFECT FROM TO	UNITS PER ASSY
	40		CURTAIN AND TRACK INSTL-AFT CLG MOUNTED	001100 107967	
R R	- 1 413A3603-1T		CURTAIN AND TRACK INSTL-CLG MOUNTED POSITION DATA: AFT FOR NHA SEE: 25-24-00-13B	001030	RF
	- 2 413A3603-1W		CURTAIN AND TRACK INSTL-CLG MOUNTED POSITION DATA: AFT FOR NHA SEE: 25-24-00-15A	201967	RF
R R R R R R R R R R R	- 7 MODREF92273		CURTAIN AND TRACK INSTL-CLG MOUNTED MODULE NUMBER: 413A3603-1T REV A POSITION DATA: AFT POST RAPID REVISION: RR97237-26B	031100 107200	1
R R R R R R R R	14 MS27980-18N		.SNAP	001036 047053 107967	1
R R R R R R R R	15 NAS43DD3-12FC		.SPACER	001036 047053 107967	1
R R R R R R R R	17 BACW10P44AL		.WASHER	001100 107967	1
R R R R R R R R	18 BACW10P136AL		.WASHER	001100 107967	1
R R R R R R	20 413A3611-1R		.TIEBACK ASSY- POST RAPID REVISION: RR97237-26B	001100 107200	1
R R R R	21 413A3611-1BB		.TIEBACK ASSY	201967	1
R R R	25 MS27980-2N		..EYELET	001036 047053 107967	2
	30 MS27980-6N		..SOCKET	001036 201967	1
	35 MS27980-7N		..STUD	001036 201967	1
	40 MS20230WBP2		..GROMMET	001036 201967	1
	45 MS20230GBP2		..GROMMET	001036 201967	1
	60 MS27980-17N		.SNAP	001036 201967	1

MISSING ITEM NUMBERS NOT APPLICABLE

- ITEM NOT ILLUSTRATED

HAP

25-24-50-40

25-24-50
FIG. 40
PAGE 1
JUN 15/09

BOEING PROPRIETARY - Copyright © - Unpublished Work - See title page for details.

BOEING
737-600/700/800/900
PARTS CATALOG (MAINTENANCE)

FIG ITEM	PART NUMBER	1 2 3 4 5 6 7	NOMENCLATURE	EFFECT FROM TO	UNITS PER ASSY
40					
R	65	413A3610-3R	.CURTAIN ASSY-	001100	1
R			POST RAPID REVISION:	107200	
R			RR97237-26B		
	66	413A3610-3BH	.CURTAIN ASSY	201967	1
R	68	413A3610-100P	..STRAP ASSY	001100	2
R				107200	
	69	413A3610-100BD	..STRAP ASSY	201967	2
R	75	413A3610-200P	..LOOP ASSY	001100	2
R				107200	
	76	413A3610-200BD	..LOOP ASSY	201967	2
R	80	MS27980-2N	...EYELET	001100	1
R				107967	
R	85	MS27980-6N	...SOCKET	001100	1
R				107967	
R	105	MS27981-4N	..STUD	001100	AR
R				107967	
R	110	MS27981-5N	..EYELET	001100	AR
R				107967	
R	125	413A3640-1	.TRACK ASSY-	001100	1
R			POST RAPID REVISION:	107967	
R			RR97237-26B		
R			ATTACHING PARTS		
R	- 130	NAS8201A5	.SCREW	001100	4
R				107967	
			-----*-----		
R	135	9682	..CAP-END	001100	2
R			SUPPLIER CODE:	107967	
R			VOHYRO		
R	140	413T3032-1065	..SLIDER ASSY-	001100	9
R				107967	
R	143	BACR15BB3AC	...RIVET-	001100	1
R			SIZE DETERMINED ON INSTL.	107967	
R	145	MS27981-3N	...SOCKET	001100	2
R				107967	
R	150	NAS42DD3-8FC	...SPACER	001100	1
R				107967	
R	155	6146	...HOOK-	001100	1
R			SUPPLIER CODE:	107967	
R			V1048B		
R	160	6143	...GLIDER-	001100	1
R			SUPPLIER CODE:	107967	
R			V1048B		
R	165	413A3640-100	..TRACK	001100	1
R				107967	

MISSING ITEM NUMBERS NOT APPLICABLE

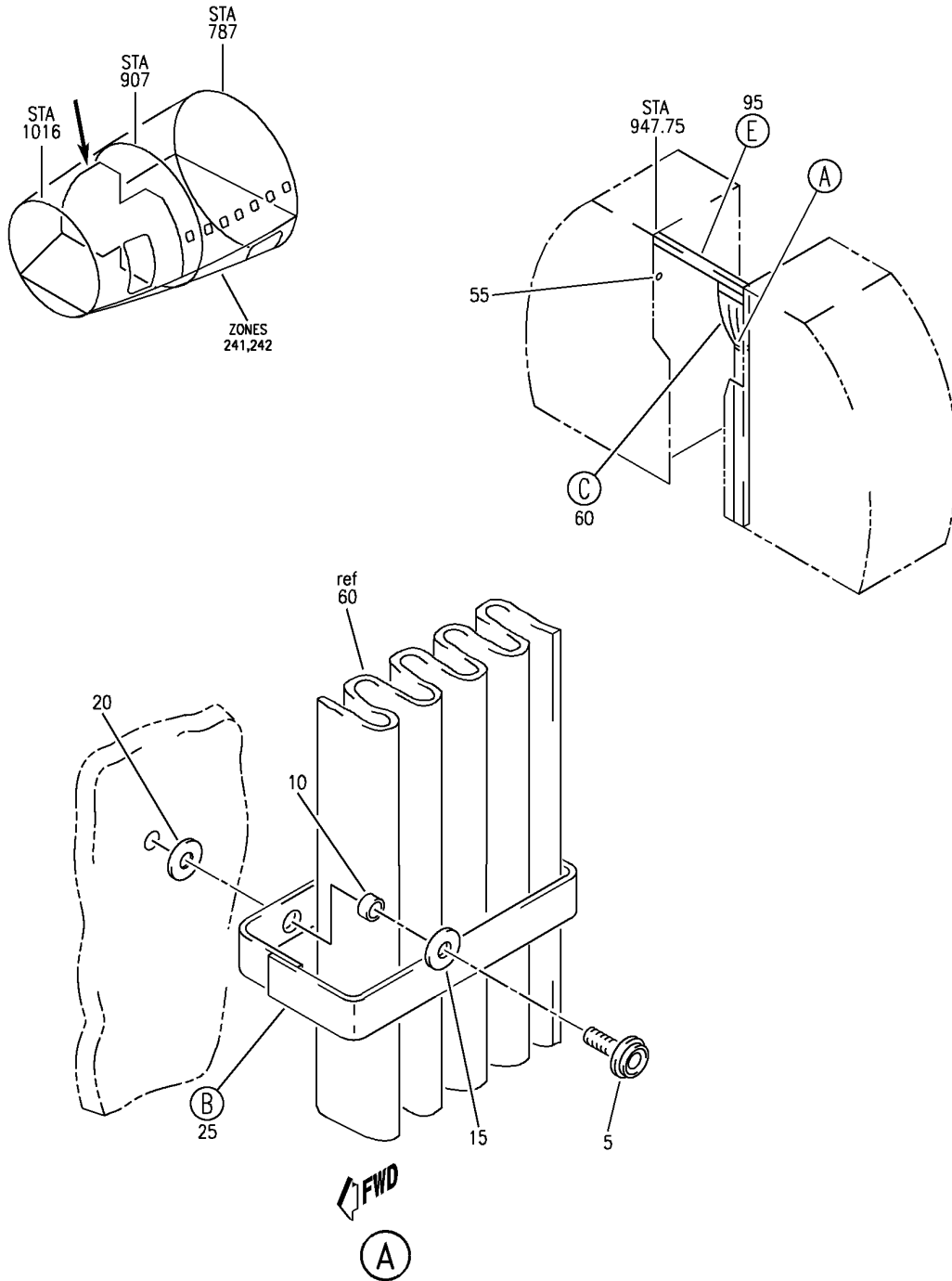
- ITEM NOT ILLUSTRATED

HAP

25-24-50-40

25-24-50
FIG. 40
PAGE 2
JUN 15/09

BOEING
 737-600/700/800/900
 PARTS CATALOG (MAINTENANCE)



E 2524-50-40F SHT 1 REV 127

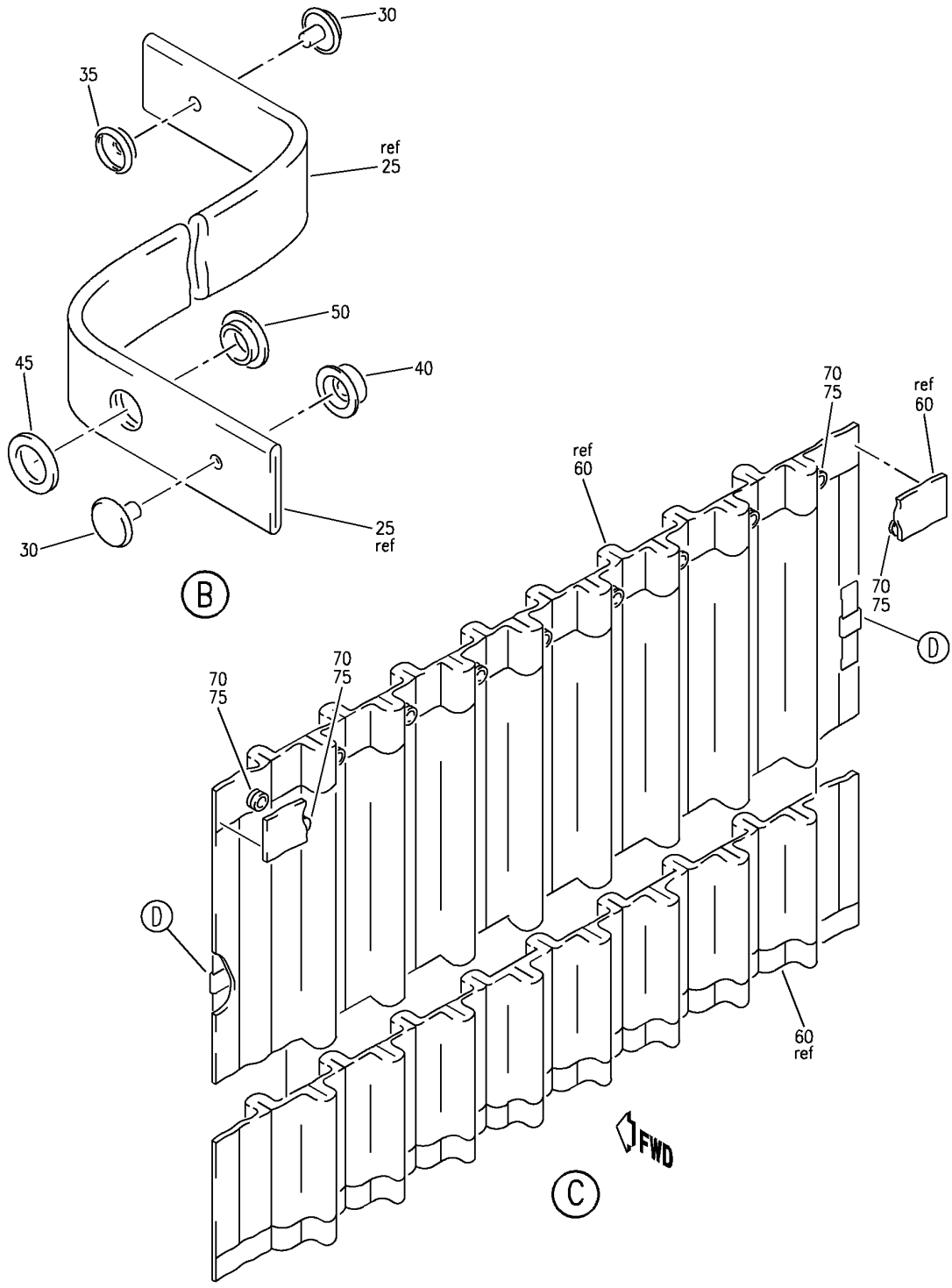
CURTAIN AND TRACK INSLT-AFT CLG MOUNTED
 FIGURE 40F (SHEET 1)

25-24-50-40F

HAP
 FEB 10/07

25-24-50-40F
 PAGE 0

BOEING
 737-600/700/800/900
 PARTS CATALOG (MAINTENANCE)



E 2524-50-40F SHT 2 REV 127

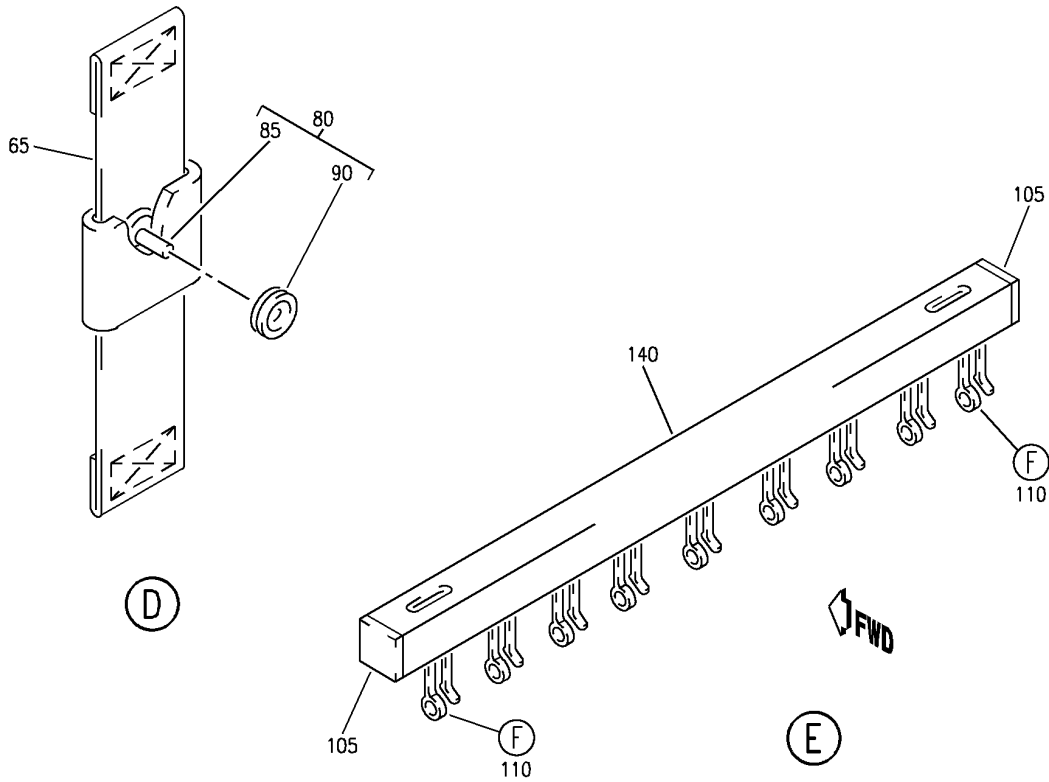
CURTAIN AND TRACK INSLT-AFT CLG MOUNTED
 FIGURE 40F (SHEET 2)

25-24-50-40F

HAP
 FEB 10/07

25-24-50-40F
 PAGE 0A

BOEING
 737-600/700/800/900
 PARTS CATALOG (MAINTENANCE)



E 2524-50-40F SHT 3 REV 127

CURTAIN AND TRACK INSLT-AFT CLG MOUNTED
 FIGURE 40F (SHEET 3)

25-24-50-40F

HAP
 FEB 10/07

25-24-50-40F
 PAGE 0B


BOEING
 737-600/700/800/900
PARTS CATALOG (MAINTENANCE)

FIG ITEM	PART NUMBER	1 2 3 4 5 6 7	NOMENCLATURE	EFFECT FROM TO	UNITS PER ASSY
R R R - R R R R R R R R R R R R R R R R R R R	40F		CURTAIN AND TRACK INSLT-AFT CLG MOUNTED	101106 968999	
	1	MODREF318945	CURTAIN AND TRACK INSTL-CLG MOUNTED MODULE NUMBER: 413A3603-1LM REV A POSITION DATA: AFT	101106 968999	1
	5	MS27980-18N	.SNAP	101106 968999	1
	10	NAS43DD3-12FC	.SPACER	101106 968999	1
	15	BACW10P44AL	.WASHER	101106 968999	1
	20	BACW10P136AL	.WASHER	101106 968999	1
	25	413A3611-1MN	.TIEBACK ASSY-	101106 968999	1
	30	MS27980-2N	..EYELET	101106 968999	2
	35	MS27980-6N	..SOCKET	101106 968999	1
	40	MS27980-7N	..STUD	101106 968999	1
	45	MS20230WBP2	..GROMMET	101106 968999	1
	50	MS20230GBP2	..GROMMET	101106 968999	1
	55	MS27980-17N	.SNAP	101106 968999	1
	60	413A3610-3LP	.CURTAIN ASSY-	101106 968999	1
	65	413A3610-100NB	..STRAP ASSY	101106 968999	2
	70	MS27981-5N	..EYELET	101106 968999	AR
	75	MS27981-4N	..STUD	101106 968999	AR
	80	413A3610-200NB	..LOOP ASSY	101106 968999	2
	85	MS27980-2N	...EYELET	101106 968999	1
	90	MS27980-6N	...SOCKET	101106 968999	1
95	413A3640-1	.TRACK ASSY-	101106 968999	1	

MISSING ITEM NUMBERS NOT APPLICABLE

- ITEM NOT ILLUSTRATED

HAP

25-24-50-40F

BOEING PROPRIETARY - Copyright © - Unpublished Work - See title page for details.

25-24-50
 FIG. 40F
 PAGE 1
 JUN 15/09

BOEING
737-600/700/800/900
PARTS CATALOG (MAINTENANCE)

FIG ITEM	PART NUMBER	1 2 3 4 5 6 7	NOMENCLATURE	EFFECT FROM TO	UNITS PER ASSY
	40F		ATTACHING PARTS		
R	- 100	NAS8201A5	.SCREW-	101106	4
R			OPTIONAL PART:	968999	
R			BACS12HJ06K5		
R	- 100	BACS12HJ06K5	.SCREW-	101106	4
R			OPTIONAL PART:	968999	
R			NAS8201A5		
			-----*-----		
R	105	9682	..CAP-END	101106	2
R			SUPPLIER CODE:	968999	
R			VOHYRO		
R	110	413T3032-1065	..SLIDER ASSY	101106	9
R				968999	
R	115	BACR15BB3AC	...RIVET	101106	1
R				968999	
R	120	MS27981-3N	...SOCKET	101106	2
R				968999	
R	125	NAS42DD3-8FC	...SPACER	101106	1
R				968999	
R	130	6146	...HOOK-	101106	1
R			SUPPLIER CODE:	968999	
R			V1048B		
R	135	6143	...GLIDER-	101106	1
R			SUPPLIER CODE:	968999	
R			V1048B		
R	140	413A3640-100	..TRACK	101106	1
R				968999	

MISSING ITEM NUMBERS NOT APPLICABLE

- ITEM NOT ILLUSTRATED

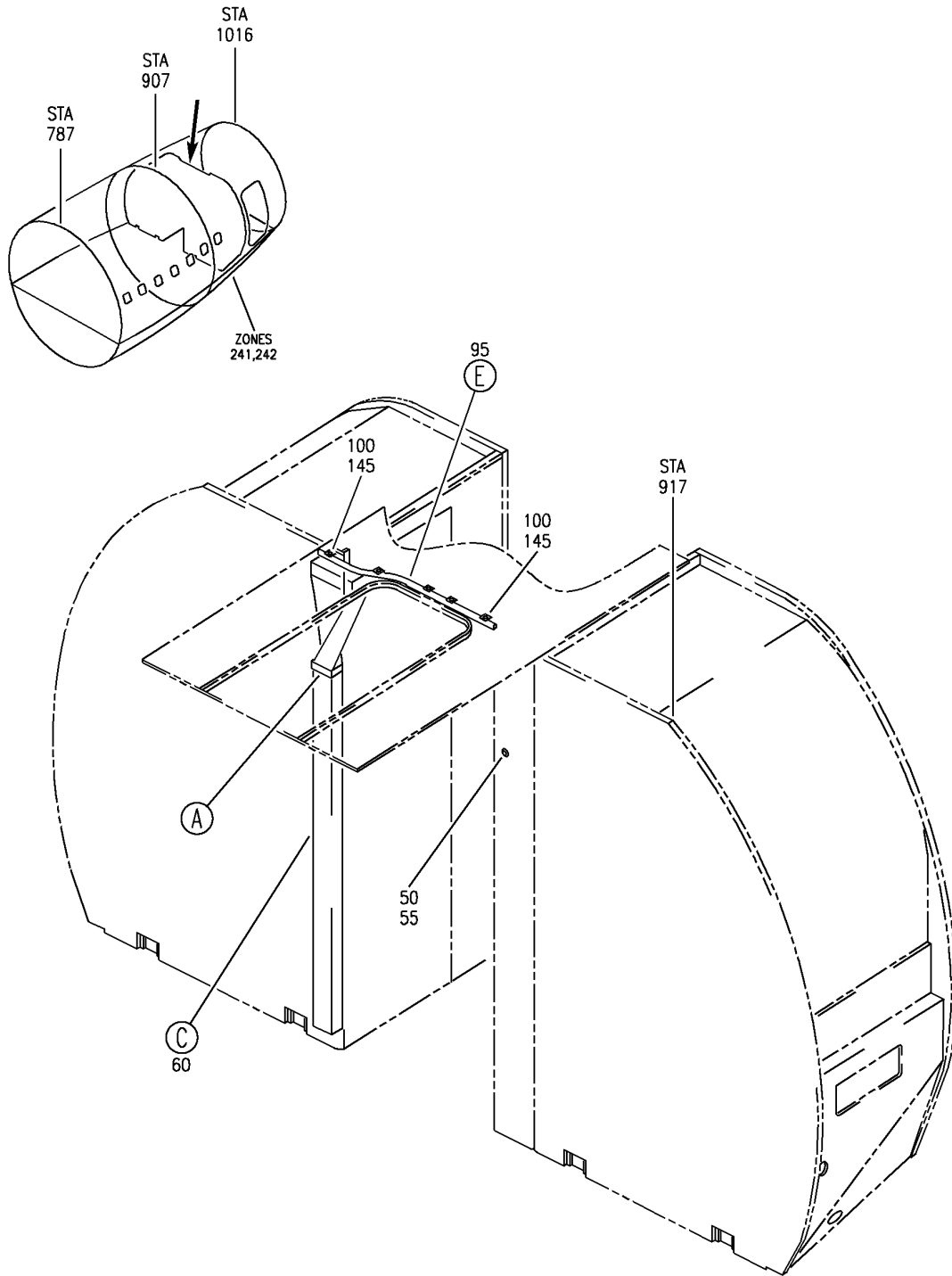
HAP

25-24-50-40F

BOEING PROPRIETARY - Copyright © - Unpublished Work - See title page for details.

25-24-50
FIG. 40F
PAGE 2
JUN 15/09

BOEING
737-600/700/800/900
PARTS CATALOG (MAINTENANCE)



E 2524-50-41B SHT 1 REV 125

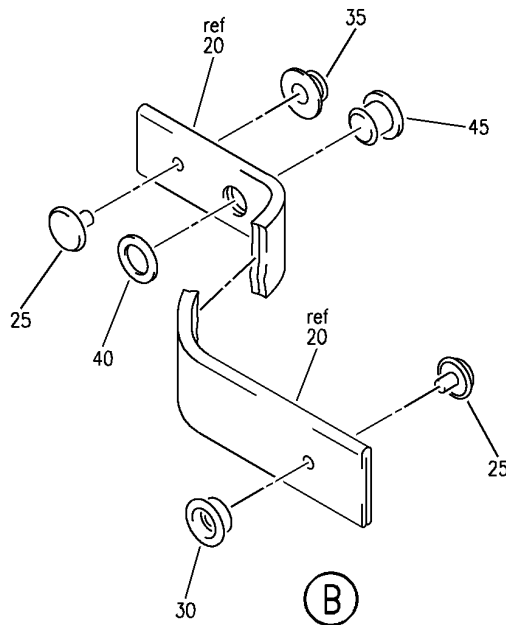
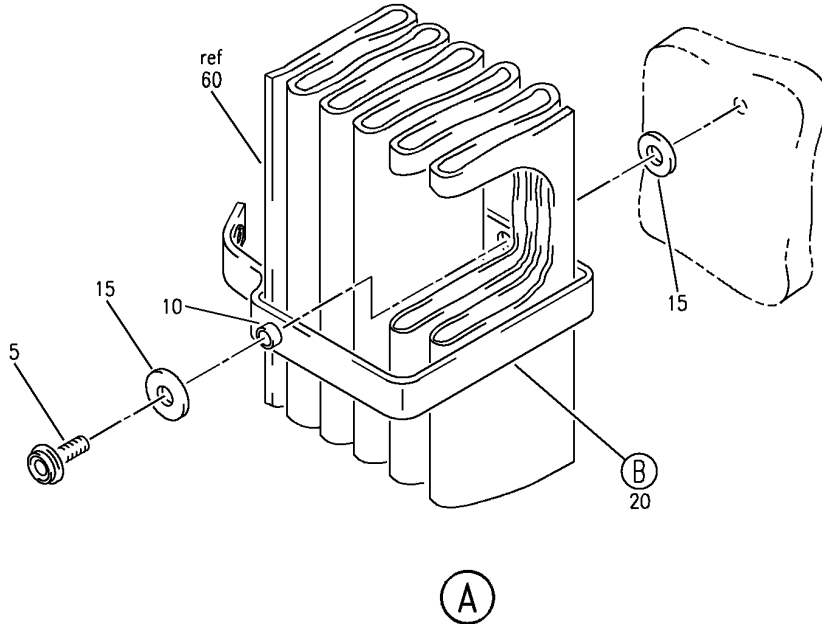
CURTAIN AND TRACK INSTL-AFT CLG MOUNTED
FIGURE 41B (SHEET 1)

25-24-50-41B

HAP
FEB 10/07

25-24-50-41B
PAGE 0

BOEING
 737-600/700/800/900
 PARTS CATALOG (MAINTENANCE)



E 25245041B SHT 2 REV 125

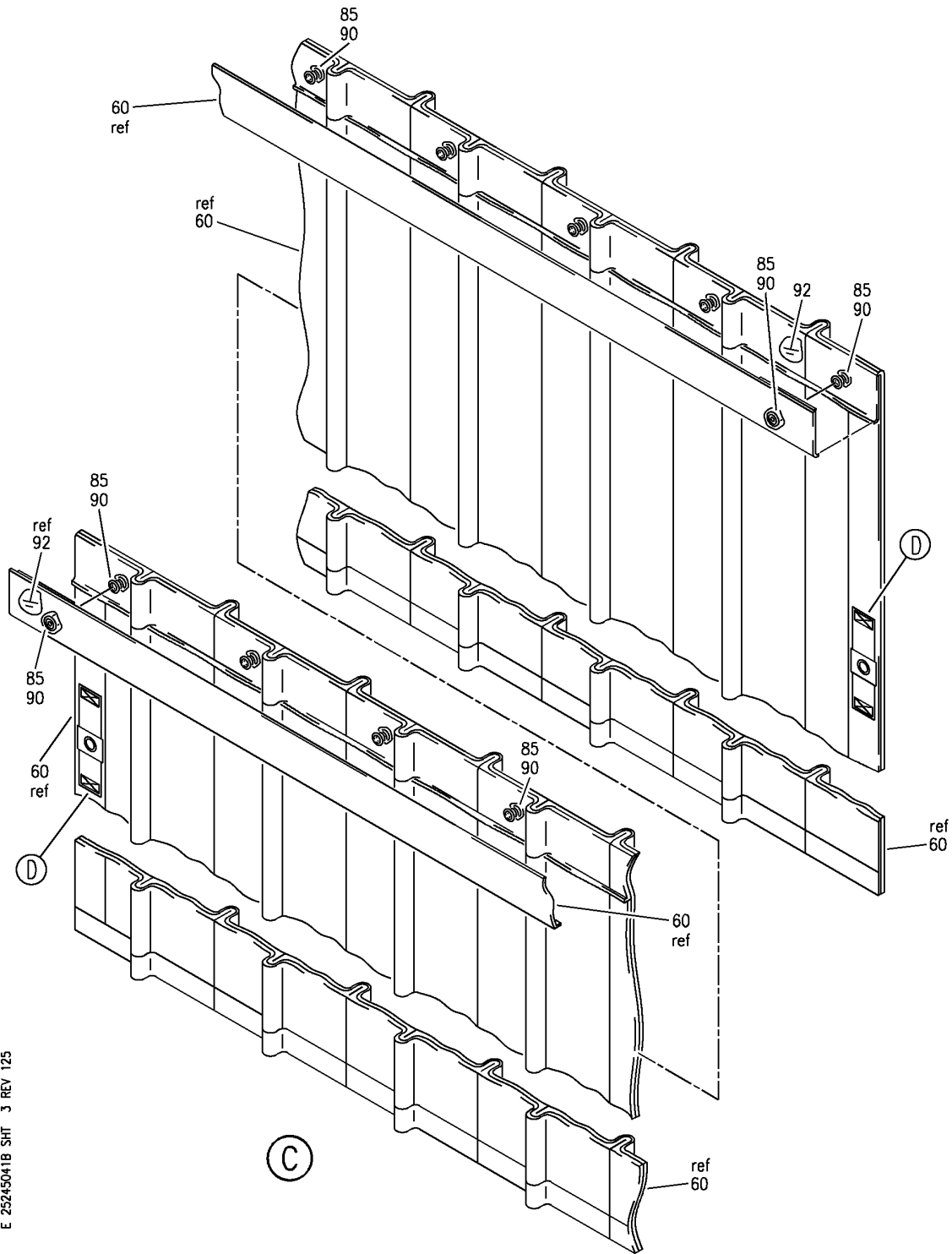
CURTAIN AND TRACK INSTL-AFT CLG MOUNTED
 FIGURE 41B (SHEET 2)

25-24-50-41B

HAP
 FEB 10/07

25-24-50-41B
 PAGE 0A

BOEING
737-600/700/800/900
PARTS CATALOG (MAINTENANCE)



E 25245041B SHT 3 REV 125

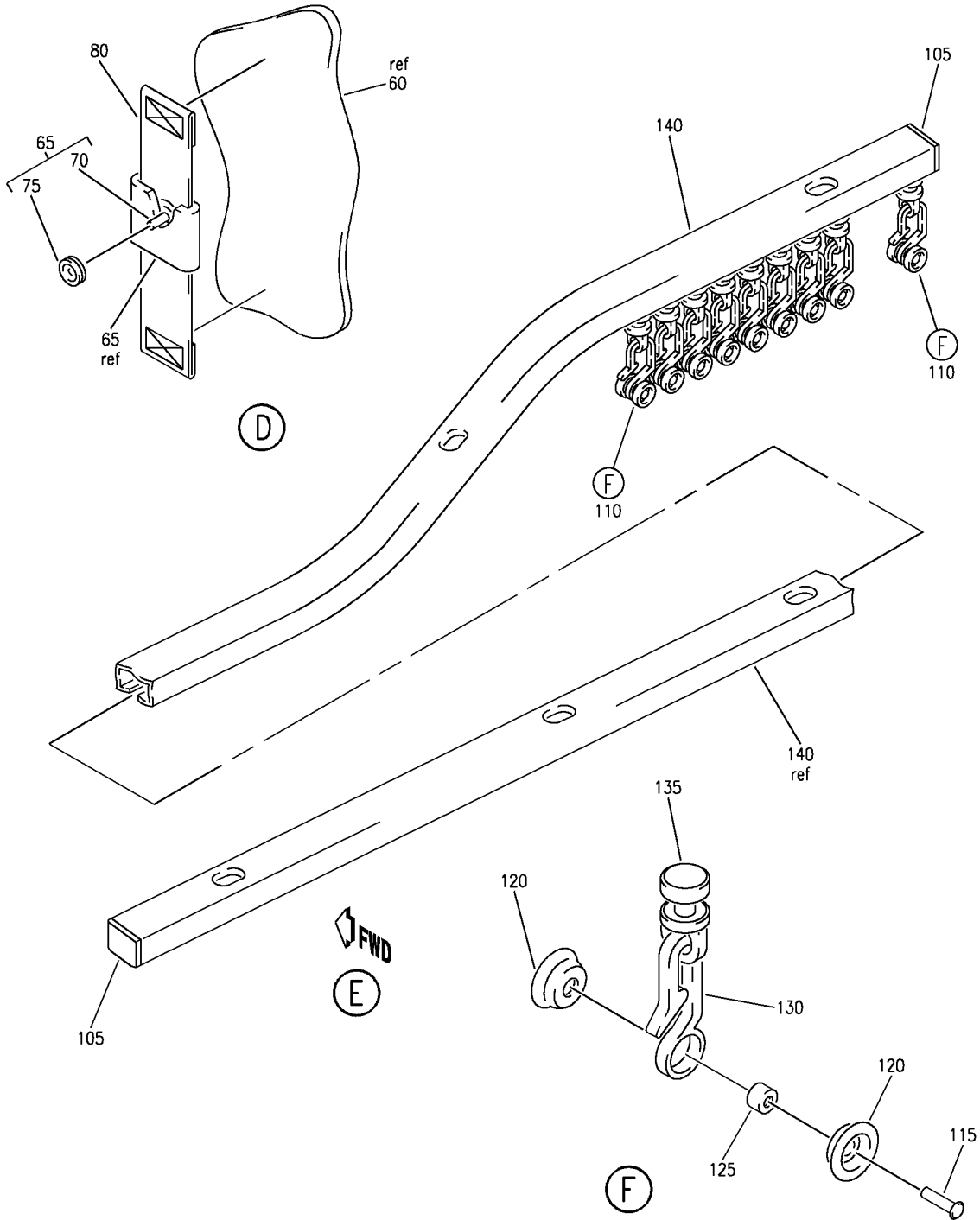
CURTAIN AND TRACK INSTL-AFT CLG MOUNTED
FIGURE 41B (SHEET 3)

25-24-50-41B

HAP
FEB 10/07

25-24-50-41B
PAGE 0B

BOEING
 737-600/700/800/900
 PARTS CATALOG (MAINTENANCE)



E 25245041B SHT 4 REV 125

CURTAIN AND TRACK INSTL-AFT CLG MOUNTED
 FIGURE 41B (SHEET 4)

25-24-50-41B

HAP
 FEB 10/07

25-24-50-41B
 PAGE 0C

BOEING
737-600/700/800/900
PARTS CATALOG (MAINTENANCE)

FIG ITEM	PART NUMBER	1 2 3 4 5 6 7	NOMENCLATURE	EFFECT FROM TO	UNITS PER ASSY
41B			CURTAIN AND TRACK INSTL-AFT CLG MOUNTED	038038 042046 051052	
- 1	MODREF314095		CURTAIN AND TRACK INSTL- CLG MOUNTED MODULE NUMBER: 413A3603-44B REV A POSITION DATA: AFT	038038 042046 051052	1
5	MS27980-18N	.	SNAP	038038 042046 051052	1
10	NAS43DD3-12FC	.	SPACER	038038 042046 051052	1
15	BACW10P44AL	.	WASHER	038038 042046 051052	2
20	413A3611-1R	.	TIEBACK ASSY	038038 042046 051052	1
25	MS27980-2N	..	EYELET	038038 042046 051052	2
30	MS27980-6N	..	SOCKET	038038 042046 051052	1
35	MS27980-7N	..	STUD	038038 042046 051052	1
40	MS20230WBP2	..	GROMMET	038038 042046 051052	1
45	MS20230GBP2	..	GROMMET	038038 042046 051052	1
50	MS27980-17N	.	SNAP	038038 042046 051052	1
55	66-22283-1	.	WASHER	038038 042046 051052	1
60	413A3610-59B	.	CURTAIN ASSY	038038 042046 051052	1
65	413A3610-200P	..	LOOP ASSY	038038 042046 051052	2

MISSING ITEM NUMBERS NOT APPLICABLE

- ITEM NOT ILLUSTRATED

HAP

25-24-50-41B

BOEING PROPRIETARY - Copyright © - Unpublished Work - See title page for details.

25-24-50
FIG. 41B
PAGE 1
FEB 15/09

BOEING
737-600/700/800/900
PARTS CATALOG (MAINTENANCE)

FIG ITEM	PART NUMBER	1 2 3 4 5 6 7	NOMENCLATURE	EFFECT FROM TO	UNITS PER ASSY
41B					
70	MS27980-2N	...	EYELET	038038 042046 051052	1
75	MS27980-6N	...	SOCKET	038038 042046 051052	1
80	413A3610-100P	..	STRAP ASSY	038038 042046 051052	2
85	MS27981-4N	..	STUD	038038 042046 051052	AR
90	MS27981-5N	..	EYELET	038038 042046 051052	AR
92	413A3610-111	..	STIFFENER	038038 042046 051052	AR
95	413A3640-205	.	TRACK ASSY	038038 042046 051052	1
			ATTACHING PARTS		
100	BACS12HJ06K8	.	SCREW	038038 042046 051052	5
			-----*-----		
105	9682	..	CAP-END SUPPLIER CODE: VOHYRO	038038 042046 051052	2
110	413T3032-1065	..	SLIDER ASSY	038038 042046 051052	9
115	MS20470A3	...	RIVET- SIZE DETERMINED ON INSTL.	038038 042046 051052	1
120	MS27981-3N	...	SOCKET	038038 042046 051052	2
125	NAS42DD3-8FC	...	SPACER	038038 042046 051052	1
130	6146	...	HOOK- SUPPLIER CODE: V1048B	038038 042046 051052	1
135	6143	...	GLIDER- SUPPLIER CODE: V1048B	038038 042046 051052	1

MISSING ITEM NUMBERS NOT APPLICABLE

— ITEM NOT ILLUSTRATED

HAP

25-24-50-41B

BOEING PROPRIETARY - Copyright © - Unpublished Work - See title page for details.

25-24-50
FIG. 41B
PAGE 2
FEB 15/09

BOEING
737-600/700/800/900
PARTS CATALOG (MAINTENANCE)

FIG ITEM	PART NUMBER	1 2 3 4 5 6 7	NOMENCLATURE	EFFECT FROM TO	UNITS PER ASSY
41B 140	413A3640-305	. .	TRACK	038038 042046 051052	1
145	SL6031-06SP2	. I	INSERT- SUPPLIER CODE: V97393	038038 042046 051052	5

MISSING ITEM NUMBERS NOT APPLICABLE

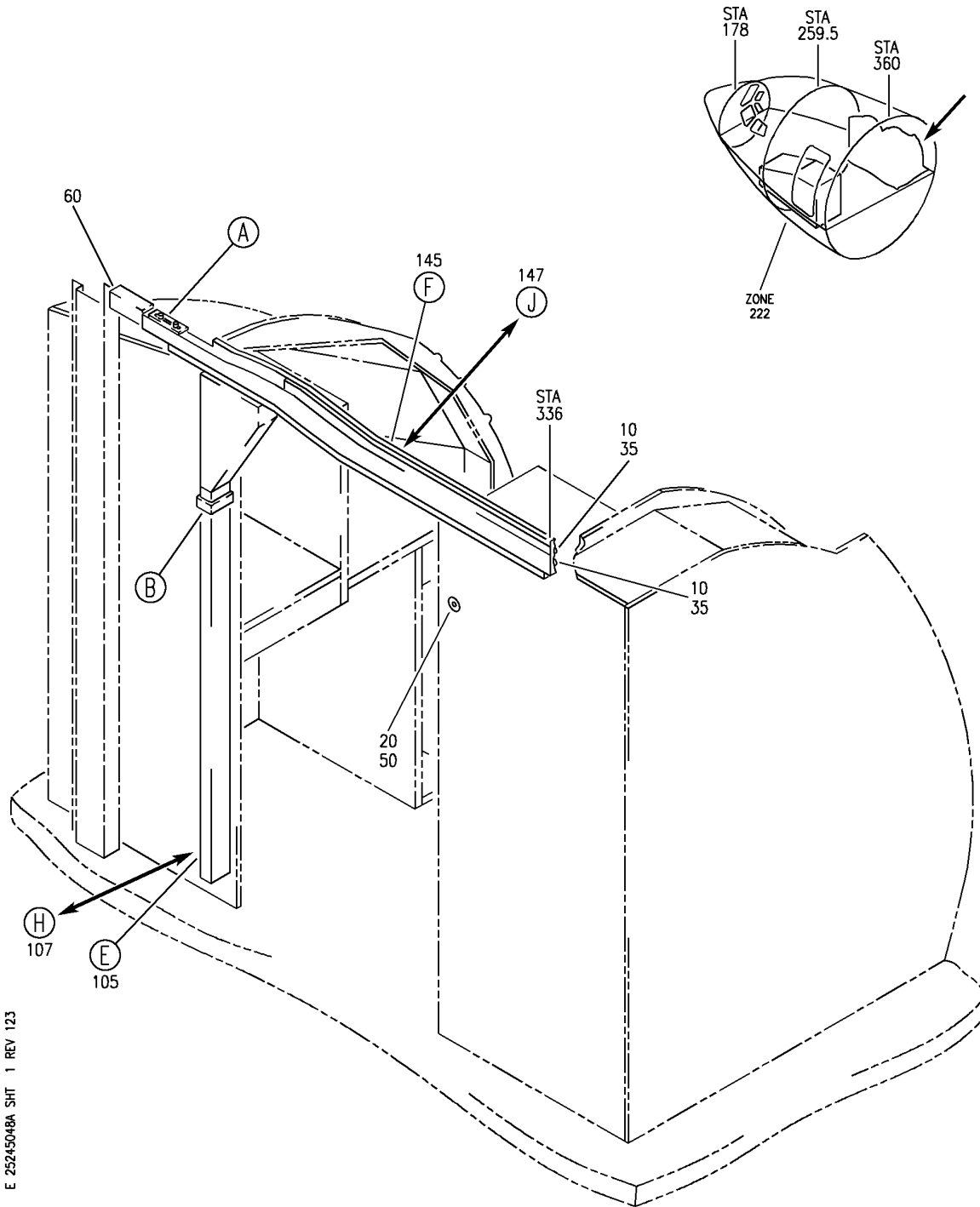
— ITEM NOT ILLUSTRATED

HAP

25-24-50-41B

BOEING PROPRIETARY - Copyright © - Unpublished Work - See title page for details.

25-24-50
FIG. 41B
PAGE 3
FEB 15/09



E 25245048A SHT 1 REV 123

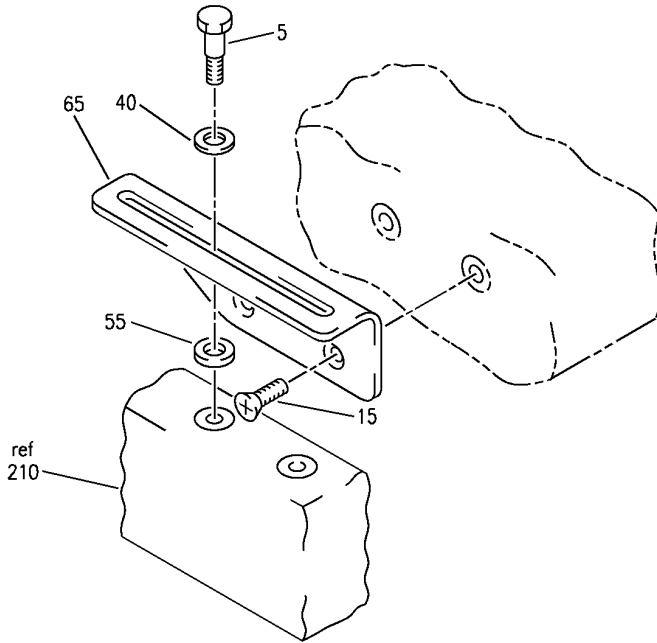
CURTAIN AND HEADER INSTL FWD GALLEY AREA
 FIGURE 48A (SHEET 1)

25-24-50-48A

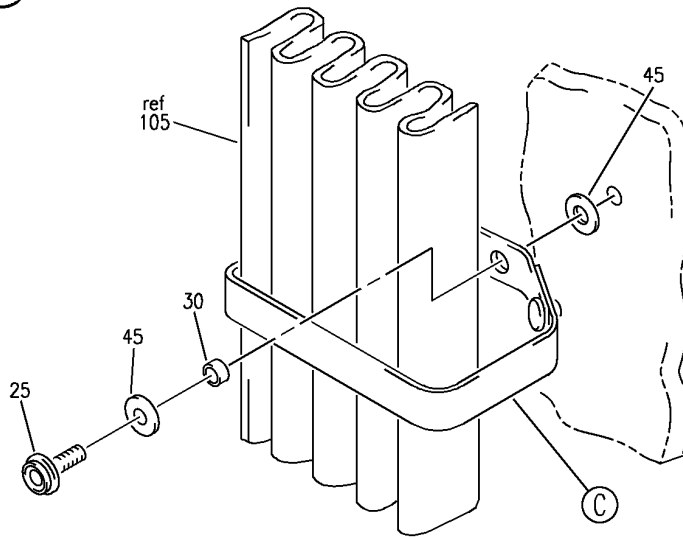
HAP
 FEB 15/09

25-24-50-48A
 PAGE 0

BOEING
737-600/700/800/900
PARTS CATALOG (MAINTENANCE)



(A)



(B)

E 25245048A SHT 2 REV 119

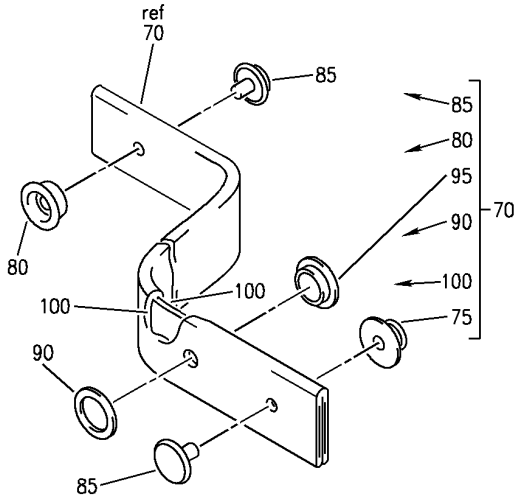
CURTAIN AND HEADER INSTL FWD GALLEY AREA
FIGURE 48A (SHEET 2)

25-24-50-48A

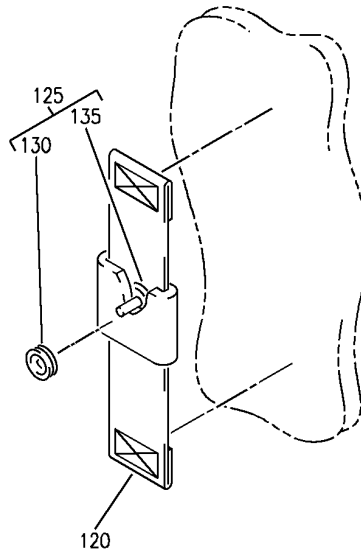
HAP
FEB 15/09

25-24-50-48A
PAGE 0A

BOEING
 737-600/700/800/900
 PARTS CATALOG (MAINTENANCE)



(C)



(D)

E 25245048A SHT 3 REV 119

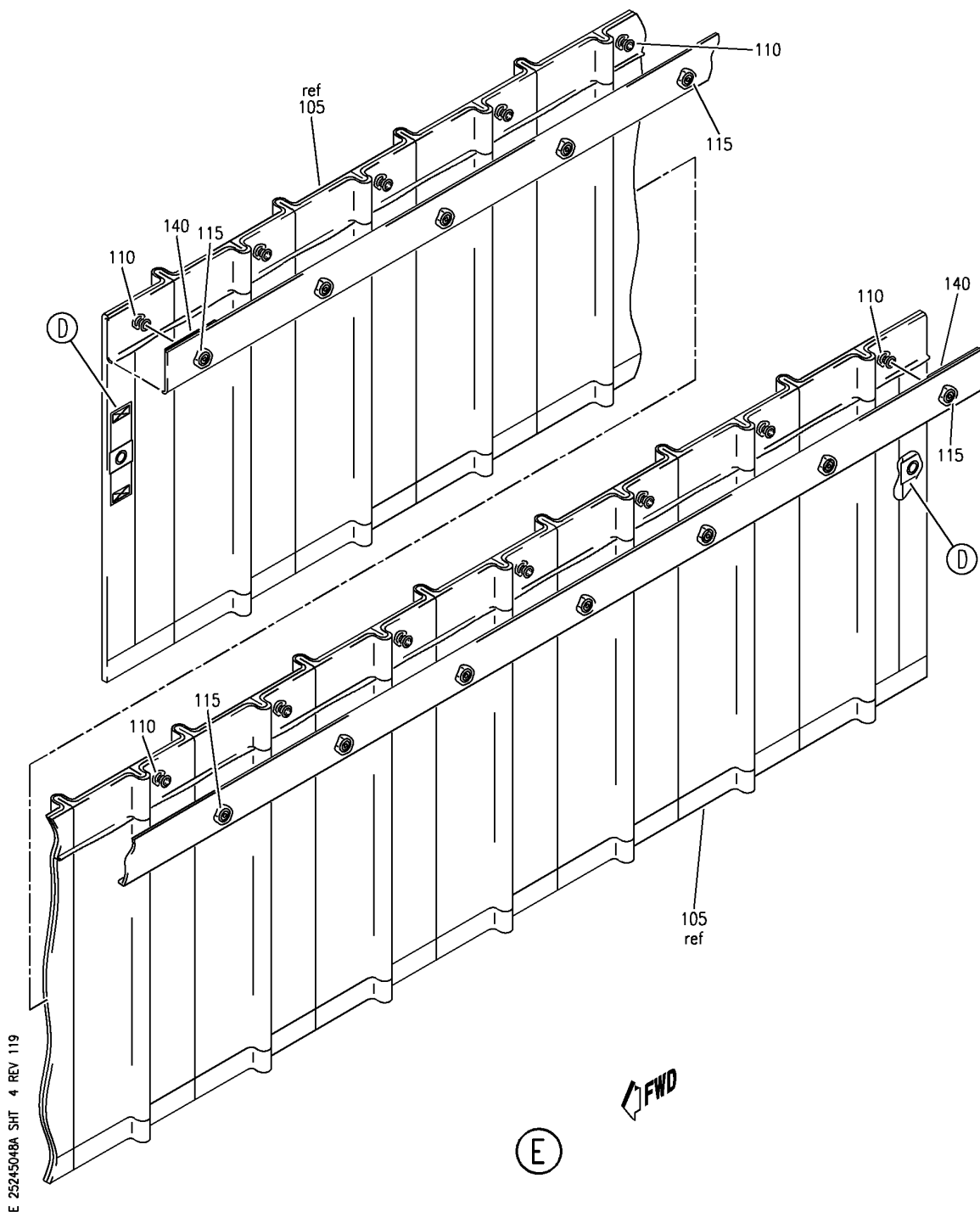
CURTAIN AND HEADER INSTL FWD GALLEY AREA
 FIGURE 48A (SHEET 3)

25-24-50-48A

HAP
 FEB 15/09

25-24-50-48A
 PAGE 0B

BOEING
737-600/700/800/900
PARTS CATALOG (MAINTENANCE)



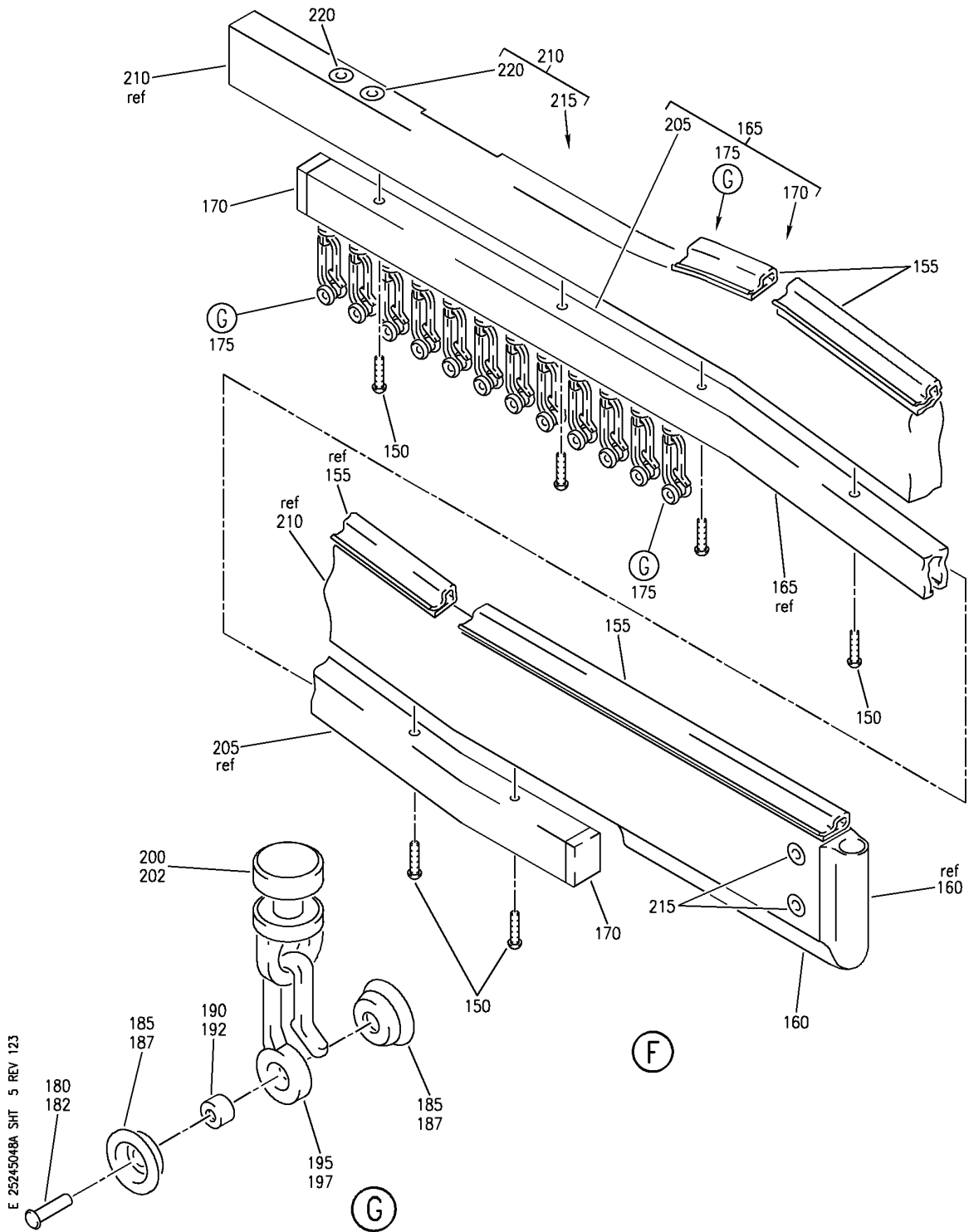
CURTAIN AND HEADER INSTL FWD GALLEY AREA
FIGURE 48A (SHEET 4)

25-24-50-48A

HAP
FEB 15/09

25-24-50-48A
PAGE 0C

BOEING
 737-600/700/800/900
 PARTS CATALOG (MAINTENANCE)



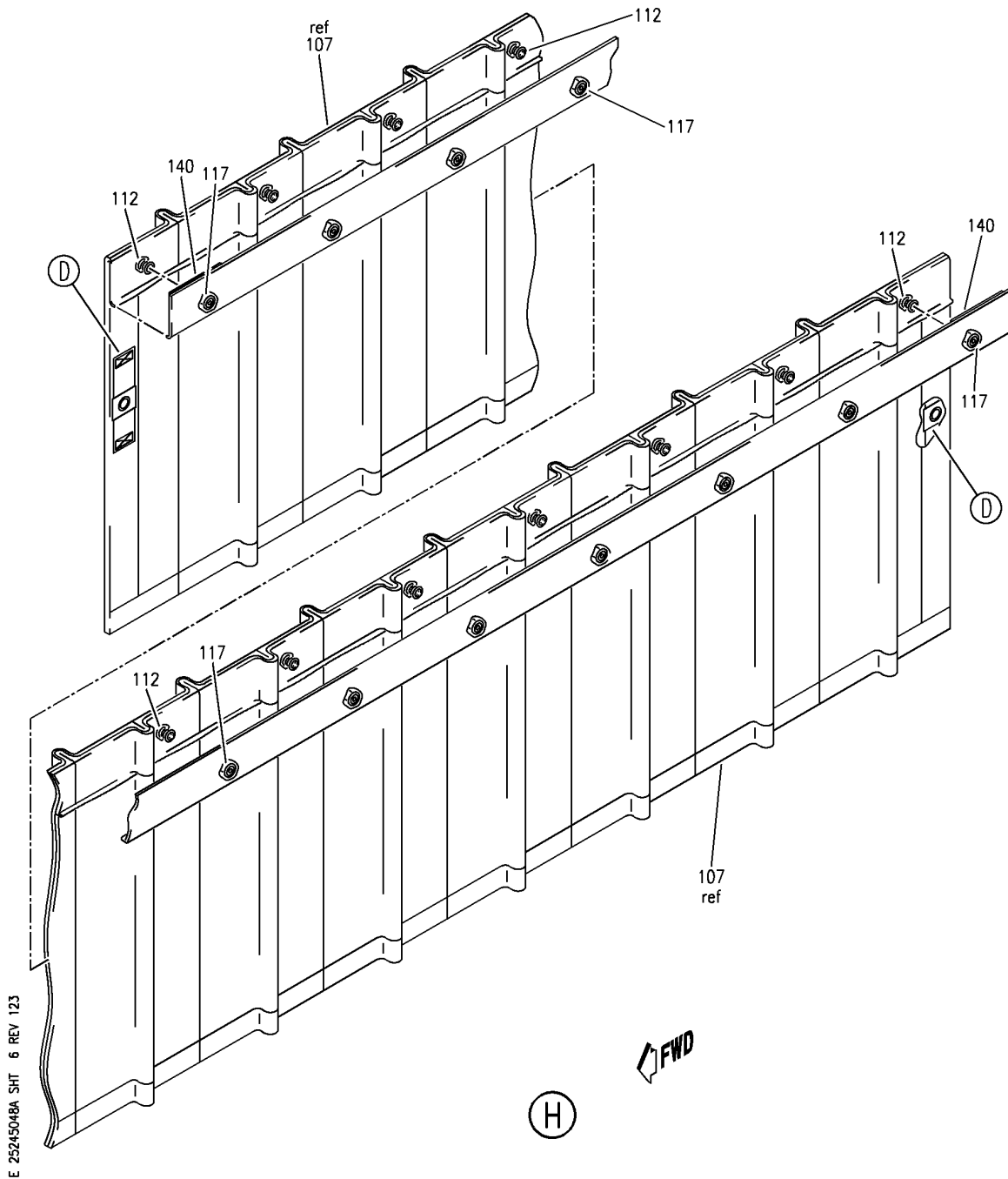
E 2524-50-48A SHT 5 REV 123

CURTAIN AND HEADER INSTL FWD GALLEY AREA
 FIGURE 48A (SHEET 5)

25-24-50-48A

HAP
 FEB 15/09

25-24-50-48A
 PAGE 0D



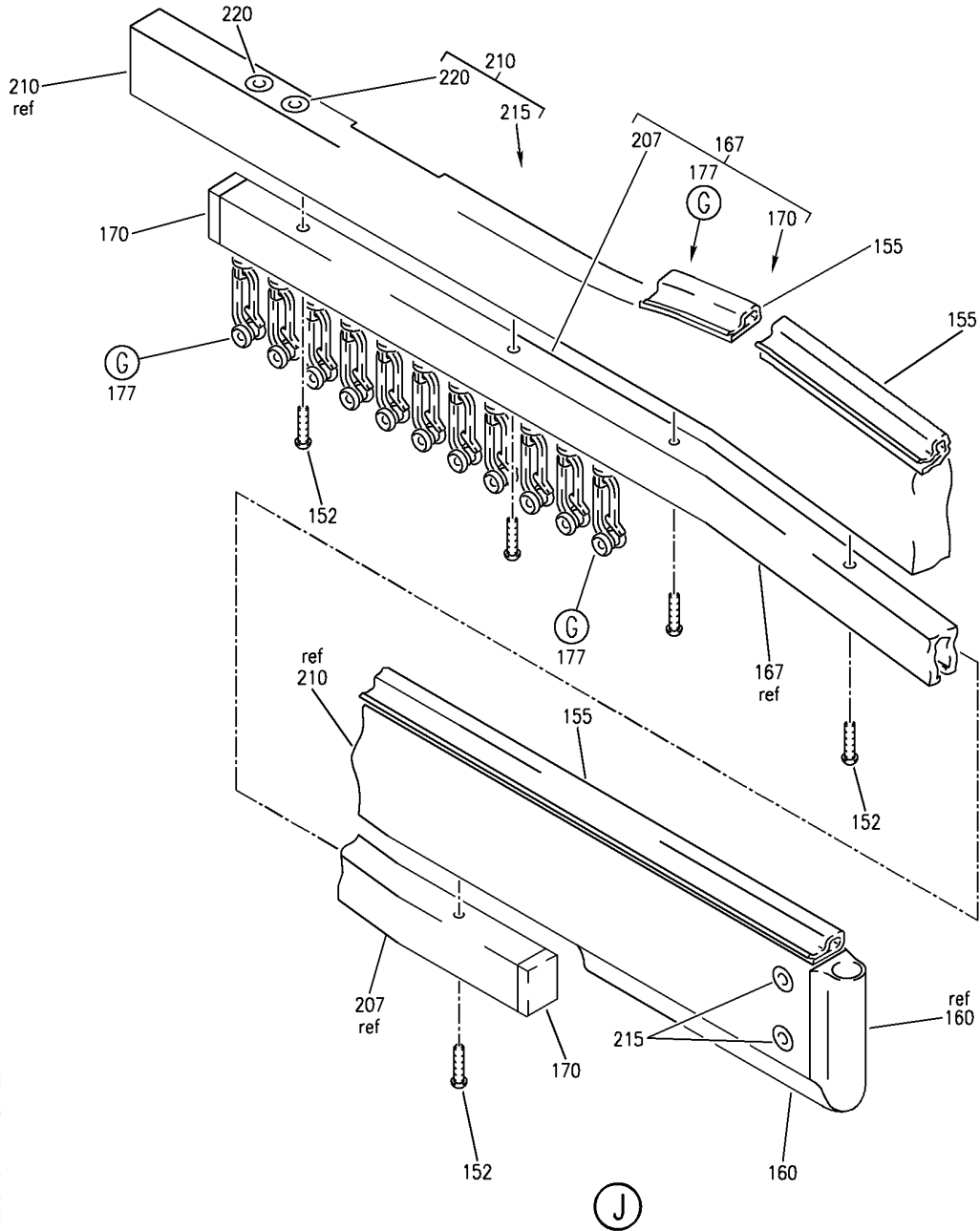
CURTAIN AND HEADER INSTL FWD GALLEY AREA
FIGURE 48A (SHEET 6)

25-24-50-48A

HAP
FEB 15/09

25-24-50-48A
PAGE 0E


BOEING
 737-600/700/800/900
PARTS CATALOG (MAINTENANCE)



E 25245048A SHT 7 REV 123

CURTAIN AND HEADER INSTL FWD GALLEY AREA
FIGURE 48A (SHEET 7)

25-24-50-48A

HAP
FEB 15/09

25-24-50-48A
PAGE OF

BOEING
737-600/700/800/900
PARTS CATALOG (MAINTENANCE)

FIG ITEM	PART NUMBER	1 2 3 4 5 6 7	NOMENCLATURE	EFFECT FROM TO	UNITS PER ASSY
48A			CURTAIN AND HEADER INSTL FWD GALLEY AREA	107200	
R -	1 MODREF415010		CURTAIN AND HEADER INSTL- GALLEY AREA MODULE NUMBER: 413A3601-35BM REV A POSITION DATA: FWD POST RAPID REVISION: RR97237-26B	107200	1
R	5 BACB30PW4-4	.	BOLT	107200	2
R	10 BACS12FA3K6	.	SCREW	107200	2
R	15 BACS12ER3K6	.	SCREW	107200	2
R	20 MS27980-17N	.	SNAP	107200	1
R	25 MS27980-18N	.	SNAP	107200	1
R	30 NAS43DD3-12FC	.	SPACER	107200	1
R	35 NAS1149D0332J	.	WASHER	107200	2
R	40 NAS1149D0432K	.	WASHER- OPTIONAL PART: NAS1149D0432J	107200	2
	40 NAS1149D0432J	.	WASHER- OPTIONAL PART: NAS1149D0432K	107200	2
	45 BACW10P44AL	.	WASHER	107200	2
	50 66-22283-1	.	WASHER	107200	1
	55 NAS1515H4	.	WASHER	107200	2
R	60 413A3601-300	.	SEAL- POST RAPID REVISION: RR97237-26B	107200	1
R	65 413A3660-5B	.	BRACKET- POST RAPID REVISION: RR97237-26B	107200	1
R	70 413A3611-1R	.	TIEBACK ASSY- POST RAPID REVISION: RR97237-26B	107200	1
R	75 MS27980-7N	..	STUD	107200	1
	80 MS27980-6N	..	SOCKET	107200	1
	85 MS27980-2N	..	EYELET	107200	2
	90 MS20230WBP2	..	GROMMET	107200	1
	95 MS20230GBP2	..	GROMMET	107200	1
	100 413A3611-5	..	STIFFENER	107200	AR
R	105 413A3610-1CT	.	CURTAIN ASSY- POST RAPID REVISION: RR97237-26B	107200	1
R	110 MS27981-4N	..	STUD	107200	AR
	115 MS27981-5N	..	EYELET	107200	AR
R	120 413A3610-100P	..	STRAP ASSY	107200	2
R	125 413A3610-200P	..	LOOP ASSY	107200	2
	130 MS27980-6N	...	SOCKET	107200	1

MISSING ITEM NUMBERS NOT APPLICABLE

- ITEM NOT ILLUSTRATED

HAP

25-24-50-48A

BOEING PROPRIETARY - Copyright © - Unpublished Work - See title page for details.

25-24-50
FIG. 48A
PAGE 1
JUN 15/09

BOEING
737-600/700/800/900
PARTS CATALOG (MAINTENANCE)

FIG ITEM	PART NUMBER	1 2 3 4 5 6 7	NOMENCLATURE	EFFECT FROM TO	UNITS PER ASSY
48A					
135	MS27980-2N	...	EYELET	107200	1
140	413A3610-111	..	STIFFENER	107200	AR
145	413A3620-23V	.HEADER AND TRACK ASSY- POST RAPID REVISION: RR97237-26B		107200	1
150	NAS8201A5	..	SCREW	107200	6
155	413A3620-330	..	SEAL	107200	AR
160	413A3620-310	..	SEAL	107200	AR
165	413A3640-10	..	TRACK ASSY	107200	1
170	9682	...	CAP-END SUPPLIER CODE: VOHYRO	107200	2
175	413T3032-1065	...	SLIDER ASSY	107200	12
180	BACR15BB3AC	RIVET- SIZE DETERMINED ON INSTL.	107200	1
185	MS27981-3N	SOCKET	107200	2
190	NAS42DD3-8FC	SPACER	107200	1
195	6146	HOOK-NYLON SUPPLIER CODE: V1048B	107200	1
200	6143	GLIDER-TRACK SUPPLIER CODE: V1048B	107200	1
205	413A3640-109	...	TRACK-CURT.	107200	1
210	413A3621-23DR	..	PANEL ASSY	107200	1
215	SL2334-3A3	...	INSERT- SUPPLIER CODE: V97393	107200	2
220	SL2334-3A4	...	INSERT- SUPPLIER CODE: V97393	107200	2

MISSING ITEM NUMBERS NOT APPLICABLE

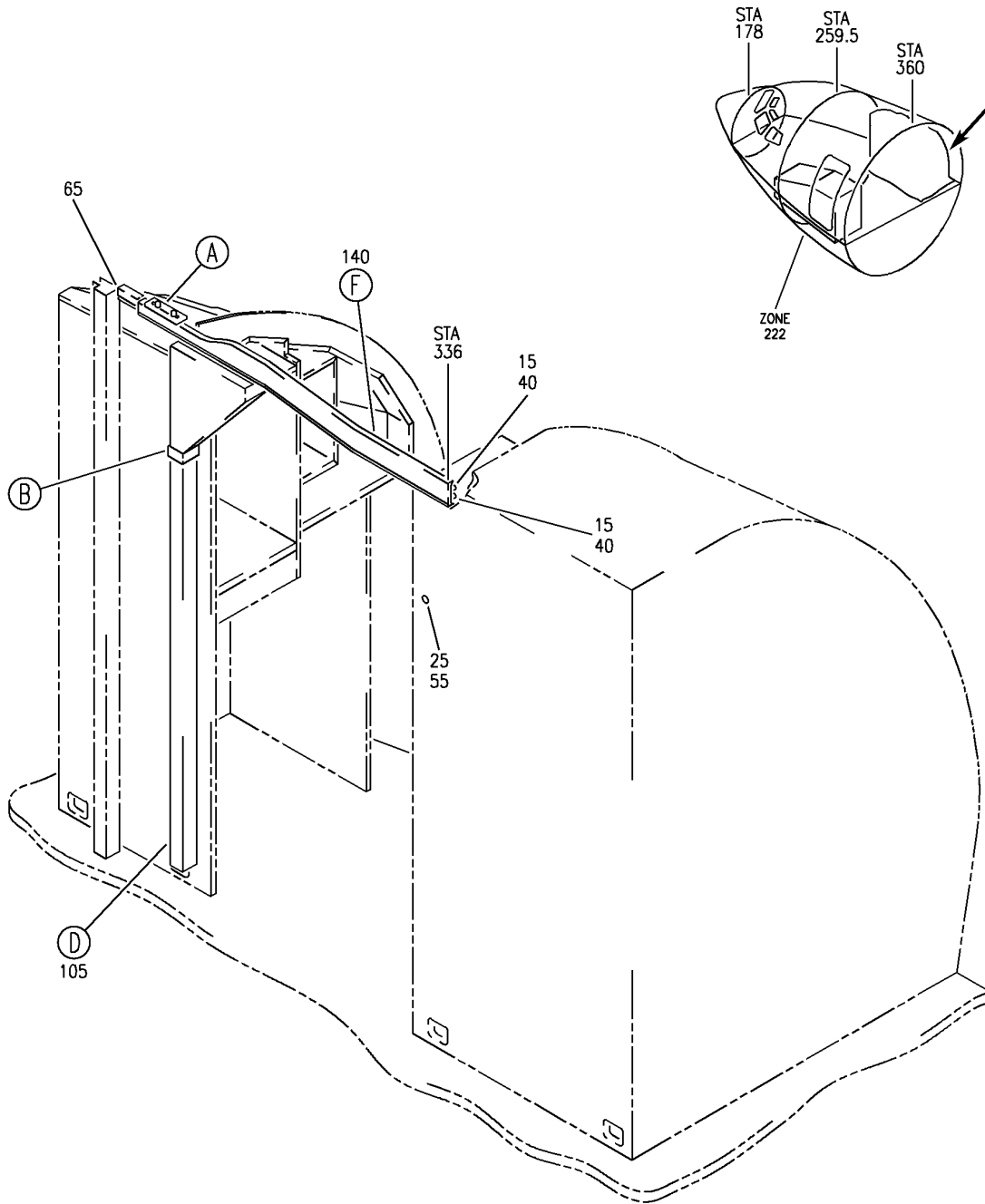
— ITEM NOT ILLUSTRATED

HAP

25-24-50-48A

BOEING PROPRIETARY - Copyright © - Unpublished Work - See title page for details.

25-24-50
FIG. 48A
PAGE 2
JUN 15/09



E 2524-50-48C SHT 1 REV 135

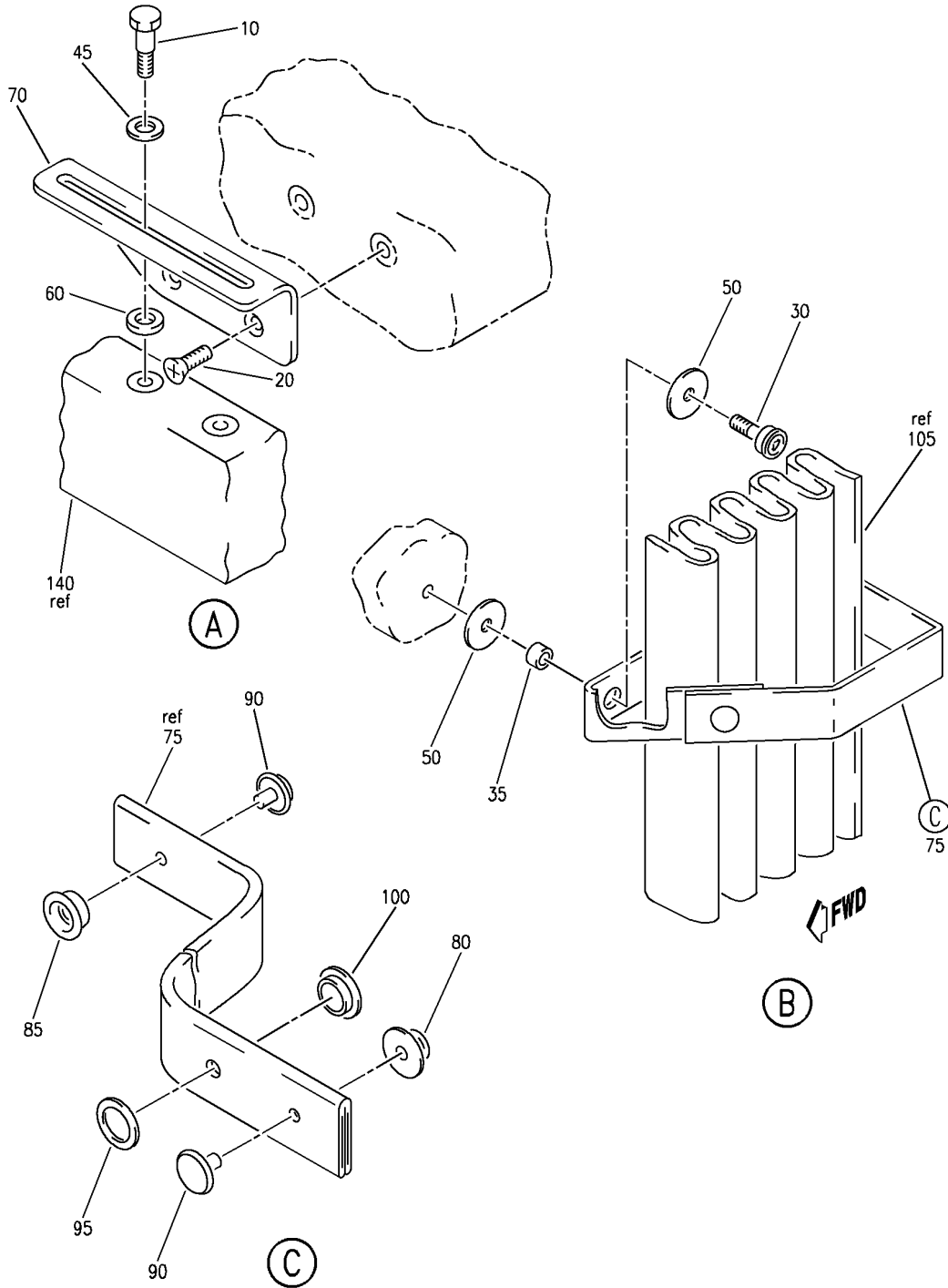
CURTAIN AND HEADER INSTL FWD GALLEY AREA
 FIGURE 48C (SHEET 1)

25-24-50-48C

HAP
 OCT 15/08

25-24-50-48C
 PAGE 0

BOEING
 737-600/700/800/900
 PARTS CATALOG (MAINTENANCE)



E 2524-50-48C SHT 2 REV 135

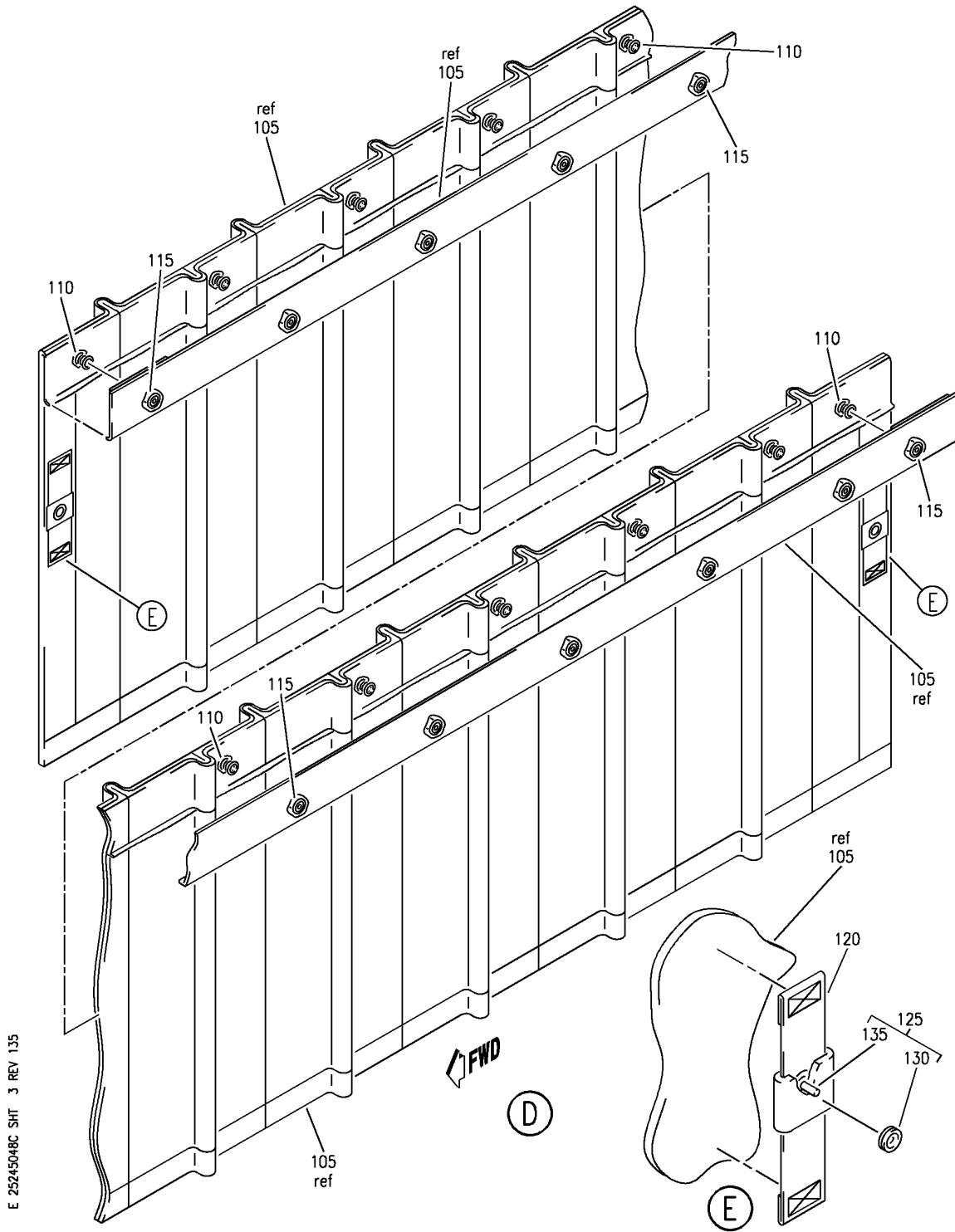
CURTAIN AND HEADER INSTL FWD GALLEY AREA
 FIGURE 48C (SHEET 2)

25-24-50-48C

HAP
 OCT 15/08

25-24-50-48C
 PAGE 0A

BOEING
 737-600/700/800/900
 PARTS CATALOG (MAINTENANCE)



E 2524-5048C SHT 3 REV 135

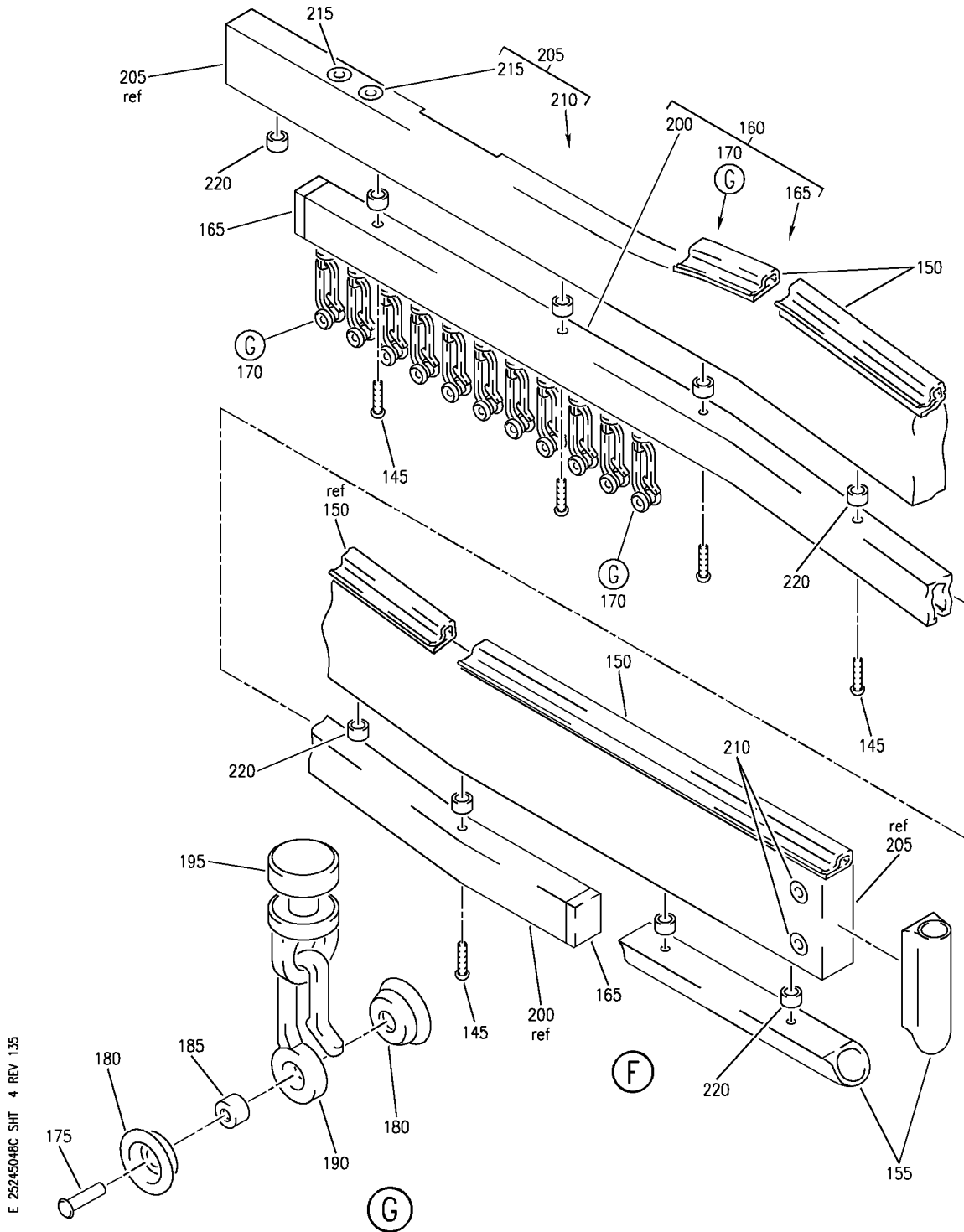
CURTAIN AND HEADER INSTL FWD GALLEY AREA
 FIGURE 48C (SHEET 3)

25-24-50-48C

HAP
 OCT 15/08

25-24-50-48C
 PAGE 0B


BOEING
 737-600/700/800/900
PARTS CATALOG (MAINTENANCE)



E 2524-50-48C SHT 4 REV 135

CURTAIN AND HEADER INSTL FWD GALLEY AREA
 FIGURE 48C (SHEET 4)

25-24-50-48C

HAP
OCT 15/08

25-24-50-48C
 PAGE 0C

BOEING
737-600/700/800/900
PARTS CATALOG (MAINTENANCE)

FIG ITEM	PART NUMBER	1 2 3 4 5 6 7	NOMENCLATURE	EFFECT FROM TO	UNITS PER ASSY
48C			CURTAIN AND HEADER INSTL FWD GALLEY AREA	048100	
- 1	MODREF352576		CURTAIN AND HEADER INSTL- GALLEY AREA MODULE NUMBER: 413A3601-55HD REV A POSITION DATA: FWD	048100	1
	10 BACB30PW4-4		.BOLT	048100	2
	15 BACS12FA3K6		.SCREW	048100	2
	20 BACS12ER3K6		.SCREW	048100	2
R	25 MS27980-17N		.SNAP-	048100	1
R	30 MS27980-18N		.SNAP-	048100	1
	35 NAS43DD3-12FC		.SPACER	048100	1
	40 NAS1149D0332J		.WASHER	048100	2
	45 NAS1149D0432J		.WASHER	048100	2
	50 BACW10P44AL		.WASHER	048100	2
	55 66-22283-1		.WASHER	048100	1
	60 NAS1515H4		.WASHER	048100	2
R	65 413A3601-300		.SEAL-	048100	AR
R	70 413A3660-5B		.BRACKET-	048100	1
	75 413A3611-1R		.TIEBACK ASSY	048100	1
	80 MS27980-7N		..STUD	048100	1
	85 MS27980-6N		..SOCKET	048100	1
	90 MS27980-2N		..EYELET	048100	2
	95 MS20230WBP2		..GROMMET	048100	1
	100 MS20230GBP2		..GROMMET	048100	1
	105 413A3610-17GD		.CURTAIN ASSY	048100	1
	110 MS27981-4N		..STUD	048100	AR
	115 MS27981-5N		..EYELET	048100	AR
	120 413A3610-100P		..STRAP ASSY	048100	2
	125 413A3610-200P		..LOOP ASSY	048100	2
	130 MS27980-6N		...SOCKET	048100	1
	135 MS27980-2N		...EYELET	048100	1
	140 413A3620-30DB		.HEADER AND TRACK ASSY	048100	1
	145 NAS8201A5		..SCREW-	048100	5
			OPTIONAL PART: BACS12HJ06K5		
	145 BACS12HJ06K5		..SCREW-	048100	5
			OPTIONAL PART: NAS8201A5		
	150 413A3620-330		..SEAL	048100	AR
	155 413A3620-310		..SEAL	048100	AR
	160 413A3640-20		..TRACK ASSY	048100	1
	165 9682		...CAP-END	048100	2
			SUPPLIER CODE: VOHYRO		
	170 413T3032-1065		...SLIDER ASSY	048100	11

MISSING ITEM NUMBERS NOT APPLICABLE

- ITEM NOT ILLUSTRATED

HAP

25-24-50-48C

BOEING PROPRIETARY - Copyright © - Unpublished Work - See title page for details.

25-24-50
FIG. 48C
PAGE 1
JUN 15/09

BOEING
737-600/700/800/900
PARTS CATALOG (MAINTENANCE)

FIG ITEM	PART NUMBER	1 2 3 4 5 6 7	NOMENCLATURE	EFFECT FROM TO	UNITS PER ASSY
48C					
175	BACR15BB3AC	RIVET- SIZE DETERMINED ON INSTL.	048100	1
180	MS27981-3N	SOCKET	048100	2
185	NAS42DD3-8FC	SPACER	048100	1
190	6146	HOOK-NYLON SUPPLIER CODE: V1048B	048100	1
195	6143	GLIDER-TRACK SUPPLIER CODE: V1048B	048100	1
200	413A3640-120	...	TRACK-CURT.	048100	1
205	413A3621-23DR	..	PANEL ASSY	048100	1
210	SL2334-3A3	...	INSERT- SUPPLIER CODE: V97393	048100	2
215	SL2334-3A4	...	INSERT- SUPPLIER CODE: V97393	048100	2
220	NAS1836-06-14	...	INSERT-	048100	9

MISSING ITEM NUMBERS NOT APPLICABLE

— ITEM NOT ILLUSTRATED

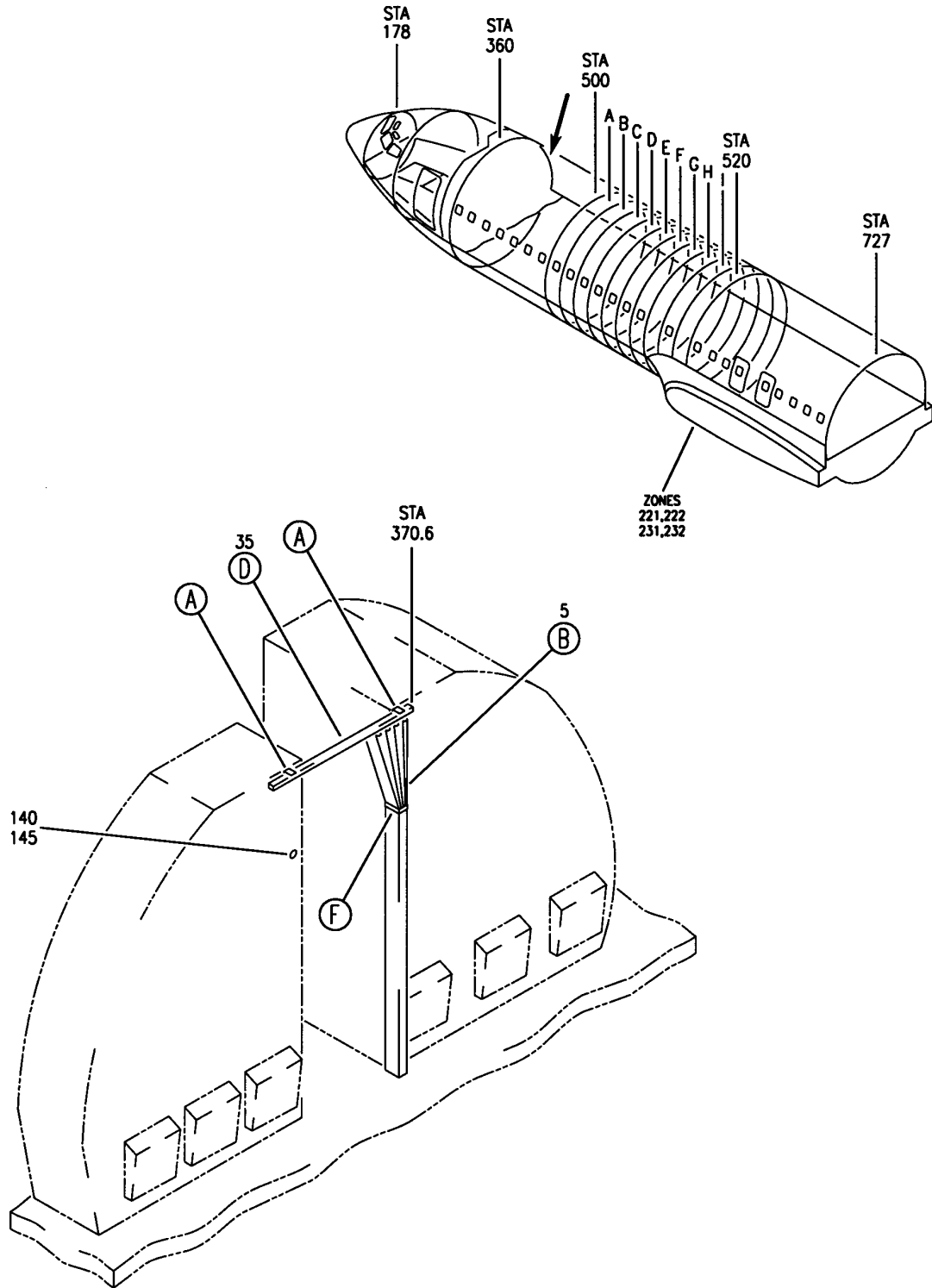
HAP

25-24-50-48C

BOEING PROPRIETARY - Copyright © - Unpublished Work - See title page for details.

25-24-50
FIG. 48C
PAGE 2
FEB 15/09

BOEING
 737-600/700/800/900
 PARTS CATALOG (MAINTENANCE)



E 25245060 SHT 1 REV 027

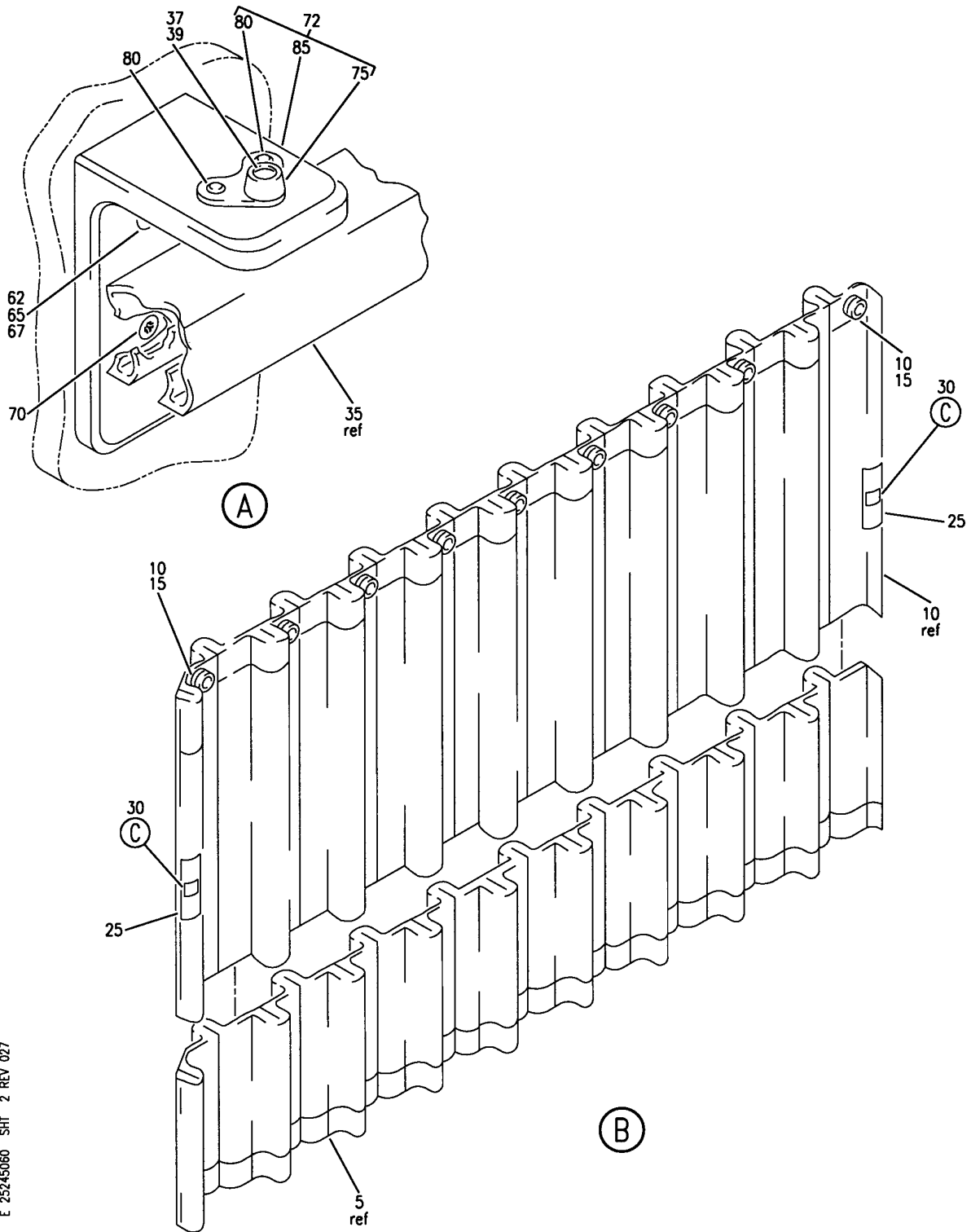
CURTAIN AND TRACK INSTL MONUMENT MOUNTED
 FIGURE 60 (SHEET 1)

25-24-50-60

HAP
 OCT 10/06

25-24-50-60
 PAGE 0

BOEING
 737-600/700/800/900
 PARTS CATALOG (MAINTENANCE)



E 25245060 SH1 2 REV 027

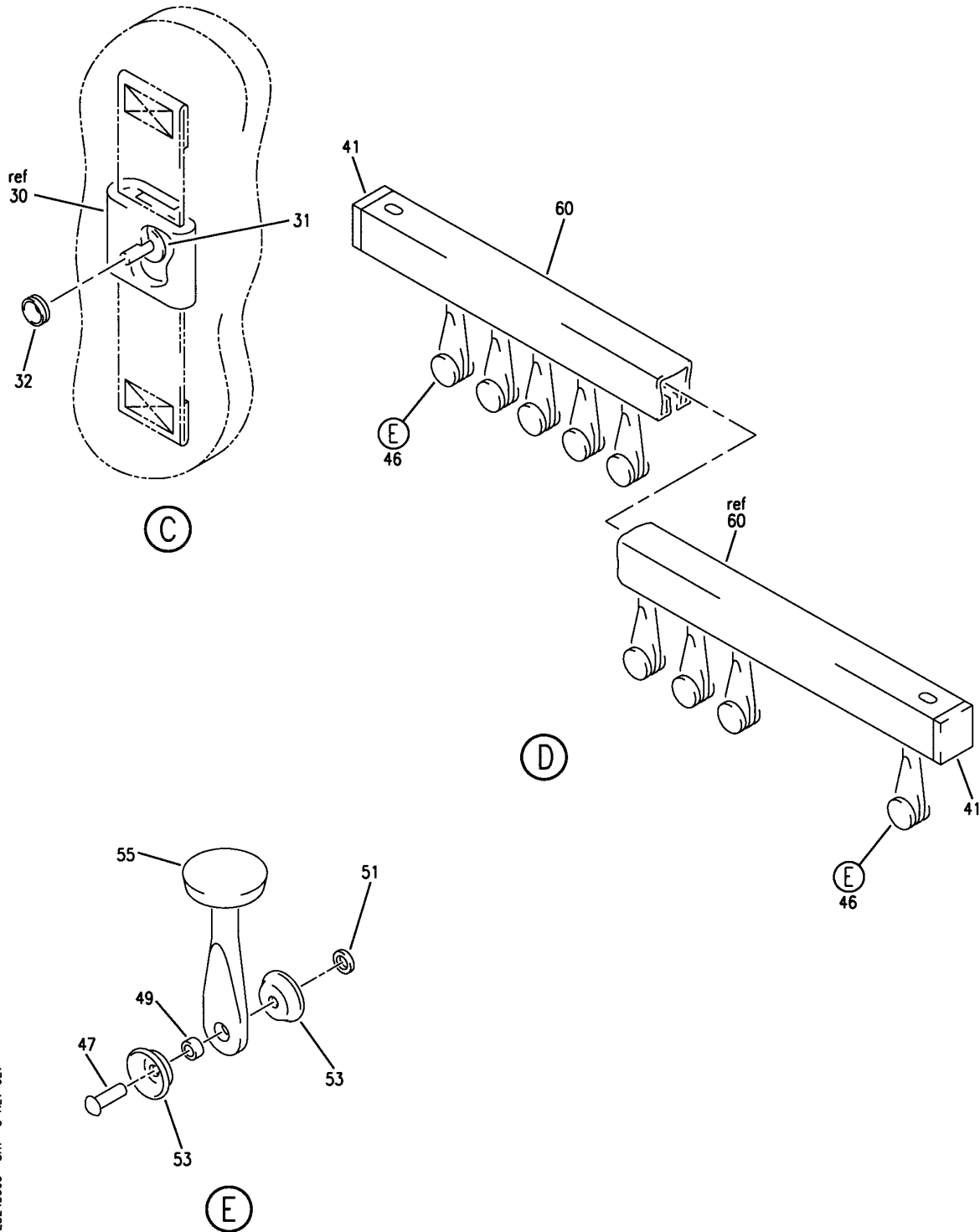
CURTAIN AND TRACK INSTL MONUMENT MOUNTED
 FIGURE 60 (SHEET 2)

25-24-50-60

HAP
 OCT 10/06

25-24-50-60
 PAGE 0A

BOEING
 737-600/700/800/900
 PARTS CATALOG (MAINTENANCE)



E 25245060 SH1 3 REV 027

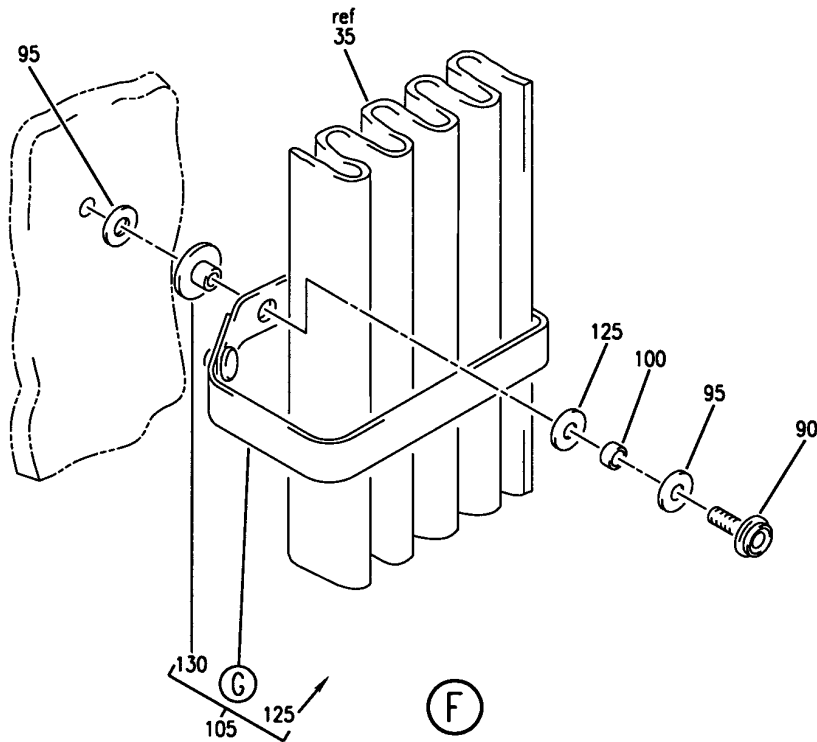
CURTAIN AND TRACK INSTL MONUMENT MOUNTED
 FIGURE 60 (SHEET 3)

25-24-50-60

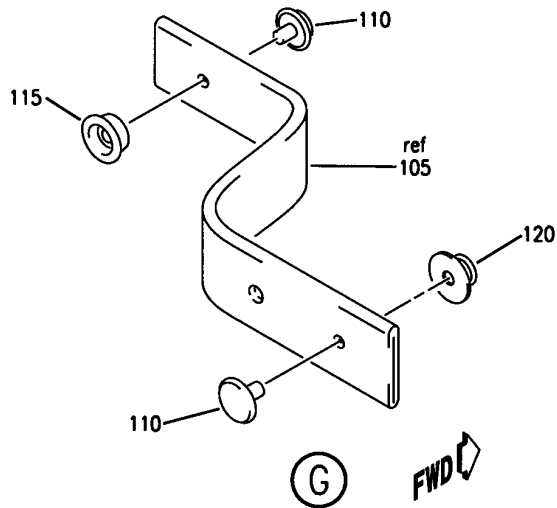
HAP
 OCT 10/06

25-24-50-60
 PAGE 0B

BOEING
 737-600/700/800/900
 PARTS CATALOG (MAINTENANCE)



(F)



E 25245060 SHT 4 REV 027

CURTAIN AND TRACK INSTL MONUMENT MOUNTED
 FIGURE 60 (SHEET 4)

25-24-50-60

HAP
 OCT 10/06

25-24-50-60
 PAGE 0C

BOEING
737-600/700/800/900
PARTS CATALOG (MAINTENANCE)

FIG ITEM	PART NUMBER	1 2 3 4 5 6 7	NOMENCLATURE	EFFECT FROM TO	UNITS PER ASSY
60			CURTAIN AND TRACK INSTL MONUMENT MOUNTED	001030	
- 1	413A3604-1A		CURTAIN AND TRACK INSTL- MONUMENT MOUNTED FOR NHA SEE: 25-24-00-13B	001027	RF
- 1	413A3604-14B		CURTAIN AND TRACK INSTL- MONUMENT MOUNTED FOR NHA SEE: 25-24-00-13B	028030	RF
5	413A3610-7C		.CURTAIN ASSY	001030	1
10	MS27981-4N		..STUD	001030	AR
15	MS27981-5N		..EYELET	001030	AR
25	413A3610-100P		..STRAP ASSY	001030	2
30	413A3610-200P		..LOOP ASSY	001030	2
31	MS27980-2N		...EYELET	001030	1
32	MS27980-6N		...SOCKET	001030	1
35	413A3650-1A		.TRACK ASSY- POST RAPID REVISION: RR97210-35B ATTACHING PARTS	001030	1
- 37	NAS8203A8		.SCREW-	001030	2
- 39	NAS1149D0316J		.WASHER -----*-----	001030	2
41	431W1246-4A		..CAP-END ATTACHING PARTS	001030	2
- 43	NAS603-12P		..SCREW -----*-----	001030	2
46	413T3032-1093		..SLIDER ASSY	001030	9
47	BACR15BB3AC		...RIVET- SIZE DETERMINED ON INSTL.	001030	1
49	NAS42DD3-8		...SPACER	001030	1
51	NAS1149CN332R		...WASHER	001030	1
53	MS27981-3N		...SOCKET	001030	2
55	413T3032-1094		...SLIDE- OPTIONAL PART: 413T3032-1165	001030	1
55	413T3032-1165		...SLIDE- OPTIONAL PART: 413T3032-1094	001030	1
60	413A3651-1A		..TRACK	001030	1
62	BACS12FA3K12		.SCREW-	001027	2
62	BACS12FA3K10		.SCREW-	028030	2
65	NAS42DD6A13FC		.SPACER	001030	2
67	NAS1515M3L		.WASHER	001030	2
70	BACB30LU3-6		.BOLT-	001027	2
70	BACB30LU3-4		.BOLT-	028030	2
72	413A3660-1A		.BRACKET ASSY-	001030	2

MISSING ITEM NUMBERS NOT APPLICABLE

- ITEM NOT ILLUSTRATED

HAP

25-24-50-60

25-24-50
FIG. 60
PAGE 1
OCT 10/07

BOEING
737-600/700/800/900
PARTS CATALOG (MAINTENANCE)

FIG ITEM	PART NUMBER	1 2 3 4 5 6 7	NOMENCLATURE	EFFECT FROM TO	UNITS PER ASSY
60					
75	BR3000C3D		..NUTPLATE SUPPLIER CODE: V52828 SPECIFICATION NUMBER: BACN10KF3CD OPTIONAL PART: K51598-3BAC V15653 NS202441-02 V80539 ATTACHING PARTS	001030	1
- 80	BACR15BA3AD6C		..RIVET -----*-----	001030	2
85	413A3660-2A		..BRACKET	001030	1
90	MS27980-18N		.SNAP	001030	1
95	BACW10P44AL		.WASHER	001030	2
100	NAS43DD3-12FC		.SPACER	001030	1
105	413A3611-1R		.TIEBACK ASSY	001030	1
110	MS27980-2N		..EYELET	001030	2
115	MS27980-6N		..SOCKET	001030	1
120	MS27980-7N		..STUD	001030	1
125	MS20230WBP2		..GROMMET	001030	1
130	MS20230GBP2		..GROMMET	001030	1
140	MS27980-17N		.SNAP	001030	1
145	66-22283-1		.WASHER	001030	1

MISSING ITEM NUMBERS NOT APPLICABLE

- ITEM NOT ILLUSTRATED

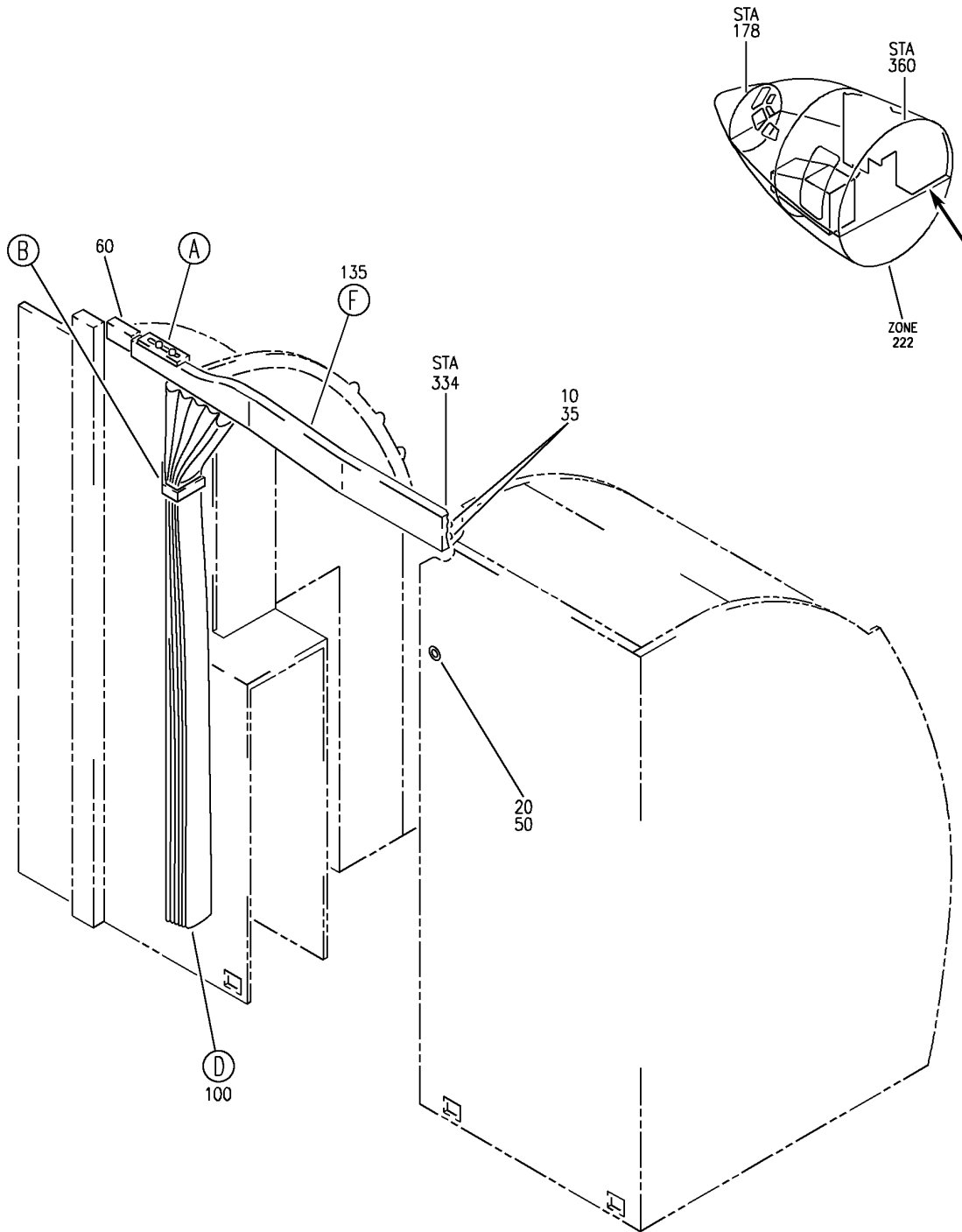
HAP

25-24-50-60

BOEING PROPRIETARY - Copyright © - Unpublished Work - See title page for details.

25-24-50
FIG. 60
PAGE 2
OCT 10/06

BOEING
737-600/700/800/900
PARTS CATALOG (MAINTENANCE)



E 2524-5092B SHT 1 REV 128

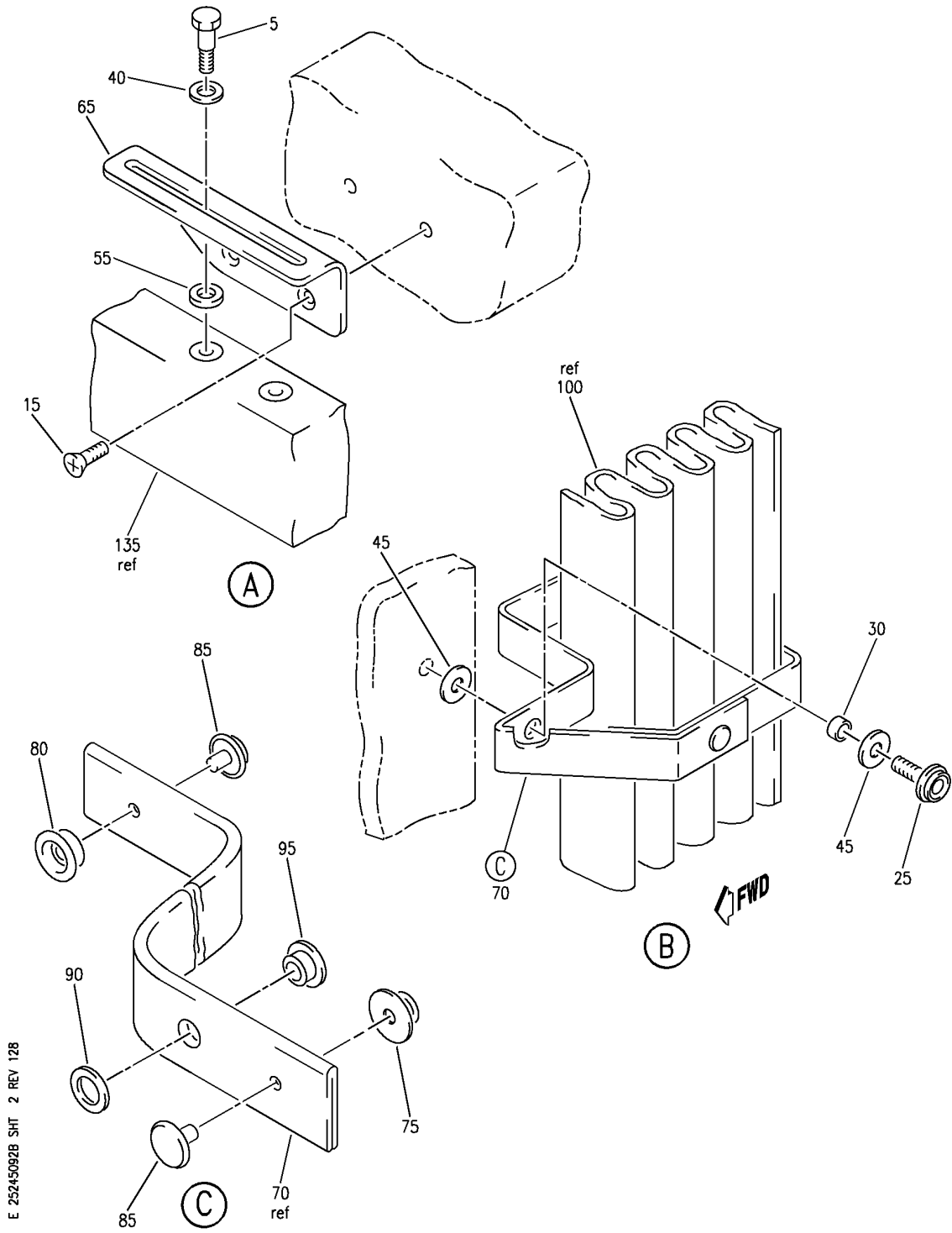
CURTAIN AND HEADER INSTL FWD GALLEY AREA
FIGURE 92B (SHEET 1)

25-24-50-92B

HAP
JUN 10/07

25-24-50-92B
PAGE 0

BOEING
 737-600/700/800/900
 PARTS CATALOG (MAINTENANCE)



E 2524-5092B SHT 2 REV 128

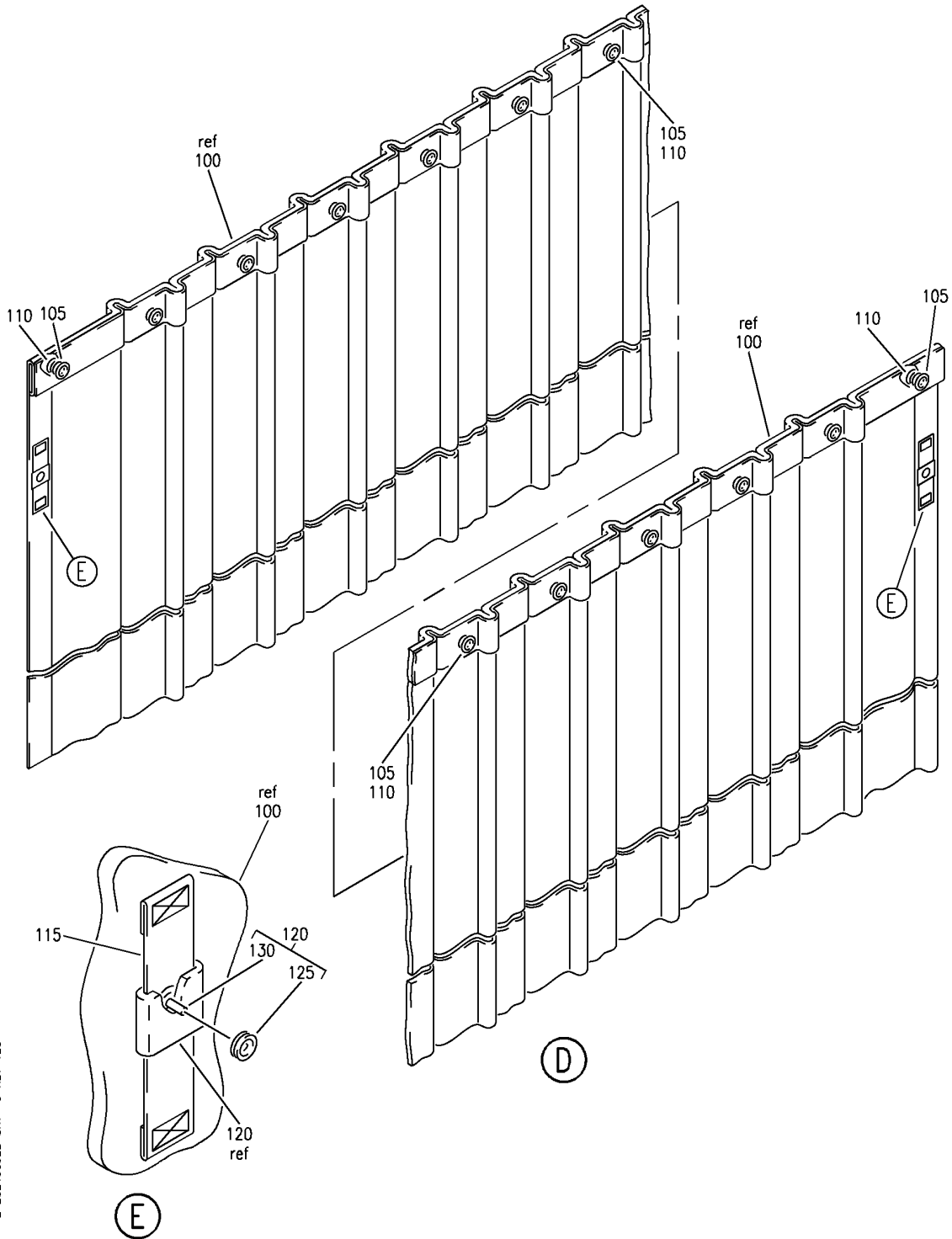
CURTAIN AND HEADER INSTL FWD GALLEY AREA
 FIGURE 92B (SHEET 2)

25-24-50-92B

HAP
 JUN 10/07

25-24-50-92B
 PAGE 0A

BOEING
 737-600/700/800/900
 PARTS CATALOG (MAINTENANCE)



E 2524-5092B SHT 3 REV 128

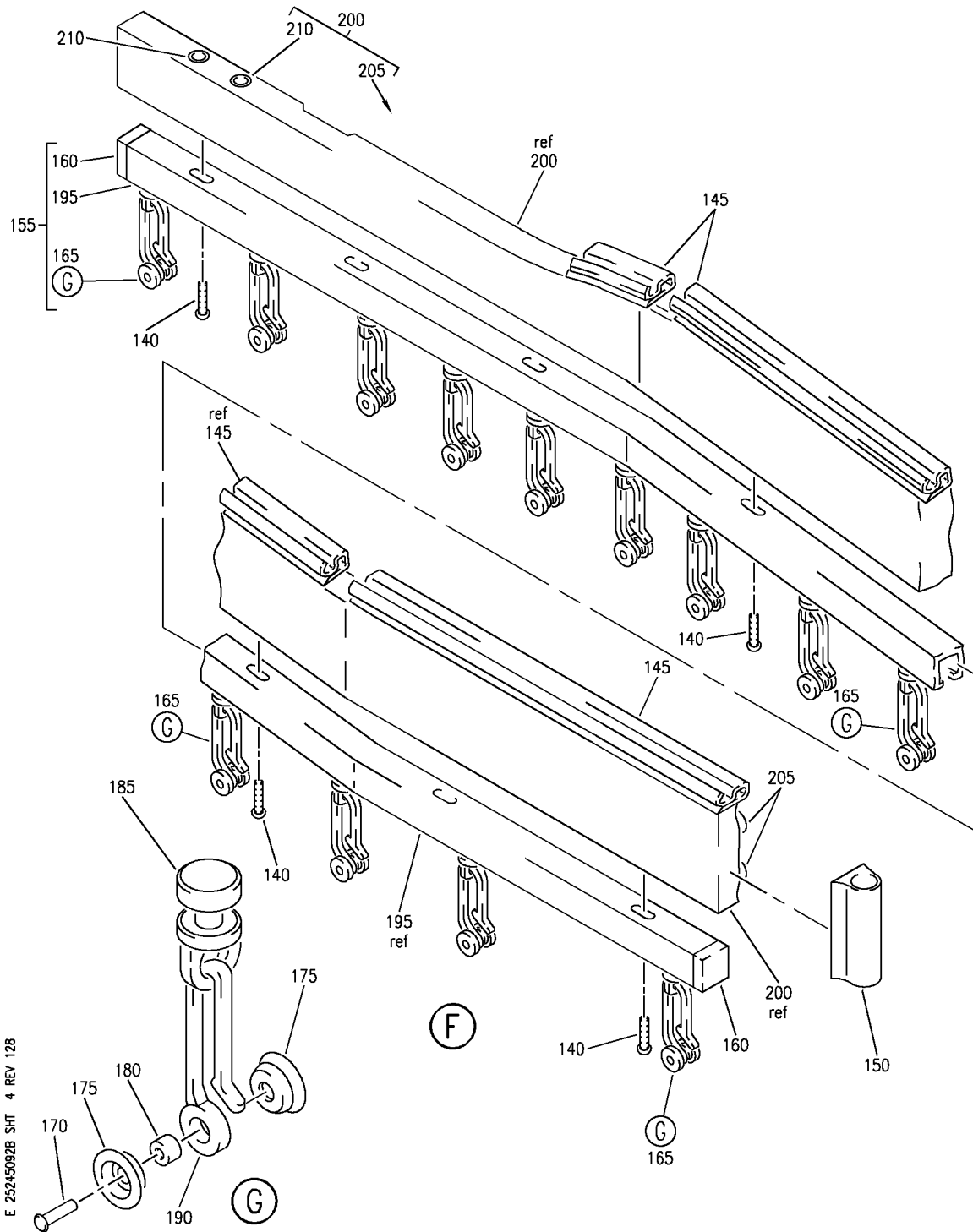
CURTAIN AND HEADER INSTL FWD GALLEY AREA
 FIGURE 92B (SHEET 3)

25-24-50-92B

HAP
 JUN 10/07

25-24-50-92B
 PAGE 0B


BOEING
 737-600/700/800/900
PARTS CATALOG (MAINTENANCE)



E 2524-5092B SHT 4 REV 128

CURTAIN AND HEADER INSTL FWD GALLEY AREA
 FIGURE 92B (SHEET 4)

25-24-50-92B

HAP
JUN 10/07

25-24-50-92B
 PAGE 0C

BOEING
737-600/700/800/900
PARTS CATALOG (MAINTENANCE)

FIG ITEM	PART NUMBER	1 2 3 4 5 6 7	NOMENCLATURE	EFFECT FROM TO	UNITS PER ASSY
92B			CURTAIN AND HEADER INSTL FWD GALLEY AREA	038038 041047	
- 1	MODREF317135		CURTAIN AND HEADER INSTL- GALLEY AREA MODULE NUMBER: 413A3601-67B REV A POSITION DATA: FWD	038038 041047	1
5	BACB30PW4-4	.BOLT		038038 041047	2
10	BACS12FA3K6	.SCREW		038038 041047	2
15	BACS12ER3K6	.SCREW		038038 041047	2
20	MS27980-17N	.SNAP		038038 041047	1
25	MS27980-18N	.SNAP		038038 041047	1
30	NAS43DD3-12FC	.SPACER		038038 041047	1
35	NAS1149D0332J	.WASHER		038038 041047	2
40	NAS1149D0432K	.WASHER		038038 041047	2
45	BACW10P44AL	.WASHER		038038 041047	2
50	66-22283-1	.WASHER		038038 041047	1
55	NAS1515H4	.WASHER		038038 041047	2
60	413A3601-300	.SEAL		038038 041047	1
65	413A3660-5B	.BRACKET		038038 041047	1
70	413A3611-1R	.TIEBACK ASSY		038038 041047	1
75	MS27980-7N	..STUD		038038 041047	1
80	MS27980-6N	..SOCKET		038038 041047	1
85	MS27980-2N	..EYELET		038038 041047	2
90	MS20230WBP2	..GROMMET		038038 041047	1
95	MS20230GBP2	..GROMMET		038038 041047	1
100	413A3610-6G	.CURTAIN ASSY		038038 041047	1

MISSING ITEM NUMBERS NOT APPLICABLE

- ITEM NOT ILLUSTRATED

HAP

25-24-50-92B

BOEING PROPRIETARY - Copyright © - Unpublished Work - See title page for details.

25-24-50
FIG. 92B
PAGE 1
OCT 15/08

BOEING
737-600/700/800/900
PARTS CATALOG (MAINTENANCE)

FIG ITEM	PART NUMBER	1 2 3 4 5 6 7	NOMENCLATURE	EFFECT FROM TO	UNITS PER ASSY
92B					
105	MS27981-4N	..	STUD	038038 041047	AR
110	MS27981-5N	..	EYELET	038038 041047	AR
115	413A3610-100P	..	STRAP ASSY	038038 041047	2
120	413A3610-200P	..	LOOP ASSY	038038 041047	2
125	MS27980-6N	...	SOCKET- POSITION DATA: NS	038038 041047	1
130	MS27980-2N	...	EYELET- POSITION DATA: FS	038038 041047	1
135	413A3620-47B	.	HEADER AND TRACK ASSY	038038 041047	1
140	NAS8201A5	..	SCREW	038038 041047	7
145	413A3620-330	..	SEAL-RTNR	038038 041047	AR
150	413A3620-310	..	SEAL	038038 041047	AR
155	413A3640-183	..	TRACK ASSY	038038 041047	1
160	9682	...	CAP-END SUPPLIER CODE: VOHYRO	038038 041047	2
165	413T3032-1065	...	SLIDER ASSY	038038 041047	13
170	BACR15BB3AC	RIVET- SIZE DETERMINED ON INSTL.	038038 041047	1
175	MS27981-3N	SOCKET	038038 041047	2
180	NAS42DD3-8FC	SPACER	038038 041047	1
185	6143	GLIDER-TRACK SUPPLIER CODE: V1048B	038038 041047	1
190	6146	HOOK-NYLON SUPPLIER CODE: V1048B	038038 041047	1
195	413A3640-184	...	TRACK-CURT.	038038 041047	1
200	413A3621-37B	..	PANEL ASSY	038038 041047	1
205	SL2334-3A3	...	INSERT- SUPPLIER CODE: V97393	038038 041047	2

MISSING ITEM NUMBERS NOT APPLICABLE

— ITEM NOT ILLUSTRATED

HAP

25-24-50-92B

BOEING PROPRIETARY - Copyright © - Unpublished Work - See title page for details.

25-24-50
FIG. 92B
PAGE 2
OCT 15/08


BOEING
 737-600/700/800/900
PARTS CATALOG (MAINTENANCE)

FIG ITEM	PART NUMBER	1 2 3 4 5 6 7 NOMENCLATURE	EFFECT FROM TO	UNITS PER ASSY
92B 210	SL2334-3A4	...INSERT- SUPPLIER CODE: V97393	038038 041047	2

MISSING ITEM NUMBERS NOT APPLICABLE

— ITEM NOT ILLUSTRATED

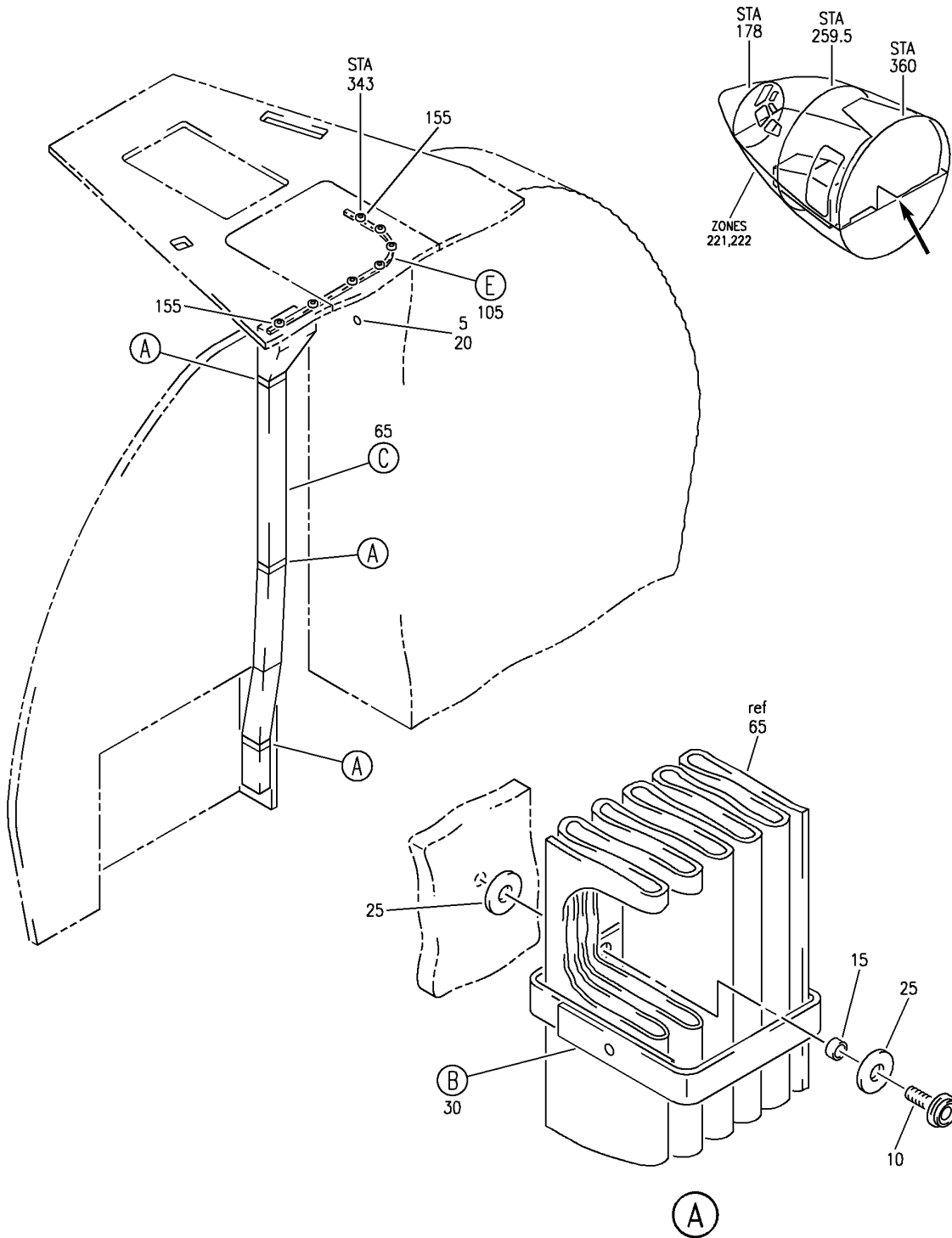
HAP

25-24-50-92B

BOEING PROPRIETARY - Copyright © - Unpublished Work - See title page for details.

25-24-50
 FIG. 92B
 PAGE 3
 OCT 15/08

BOEING
 737-600/700/800/900
 PARTS CATALOG (MAINTENANCE)



E 2524-5083 SHT 1 REV 116

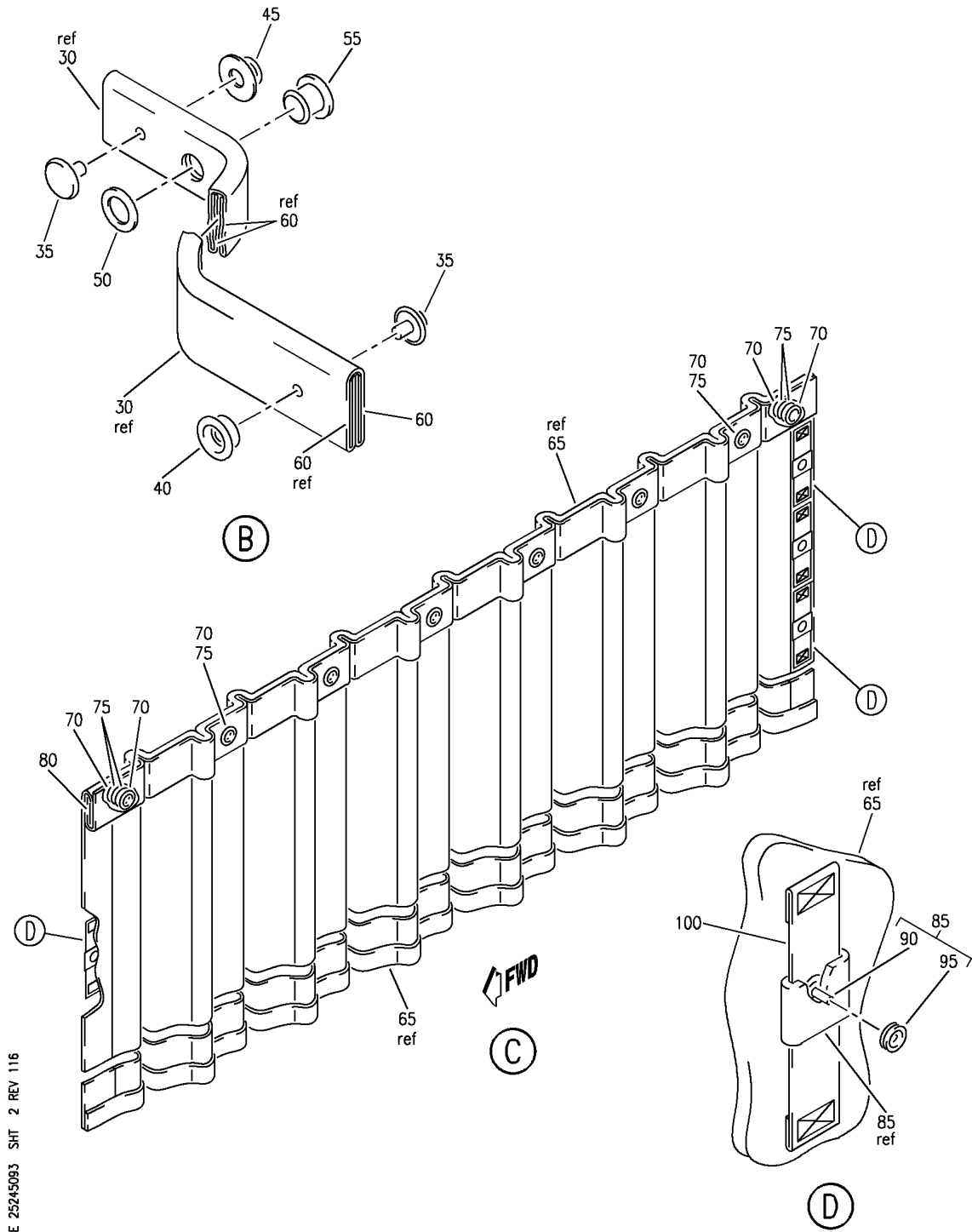
CURTAIN AND TRACK INSTL-FWD LH STOWED ON WINDSCREEN
 FIGURE 93 (SHEET 1)

25-24-50-93

HAP
 OCT 10/06

25-24-50-93
 PAGE 0

BOEING
 737-600/700/800/900
 PARTS CATALOG (MAINTENANCE)



E 2524-5083 SHT 2 REV 116

CURTAIN AND TRACK INSTL-FWD LH STOWED ON WINDSCREEN
 FIGURE 93 (SHEET 2)

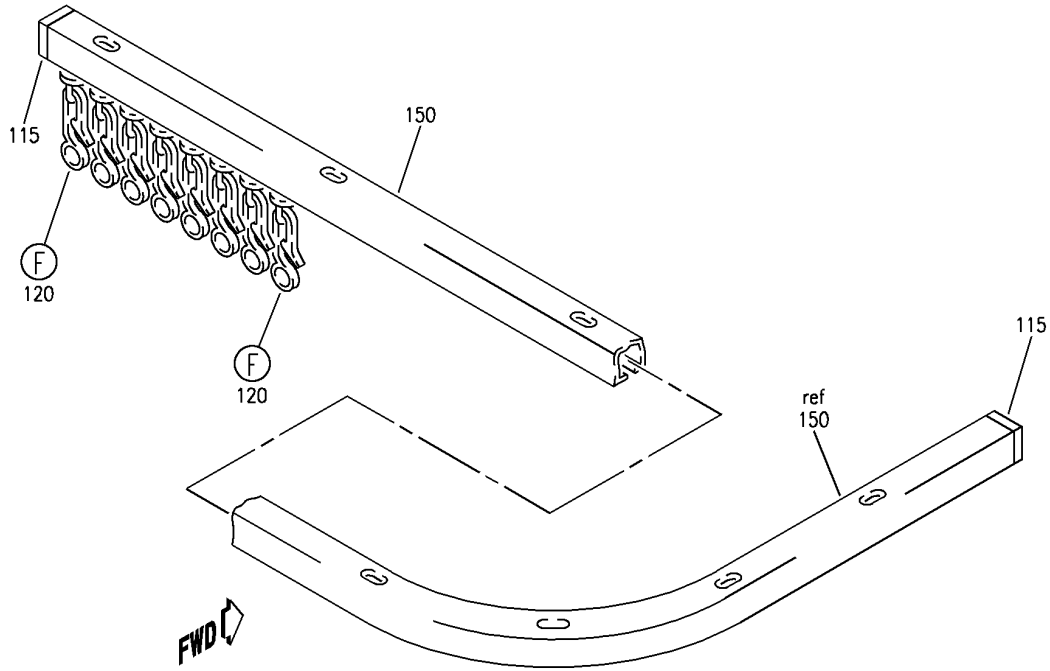
25-24-50-93

HAP
 OCT 10/06

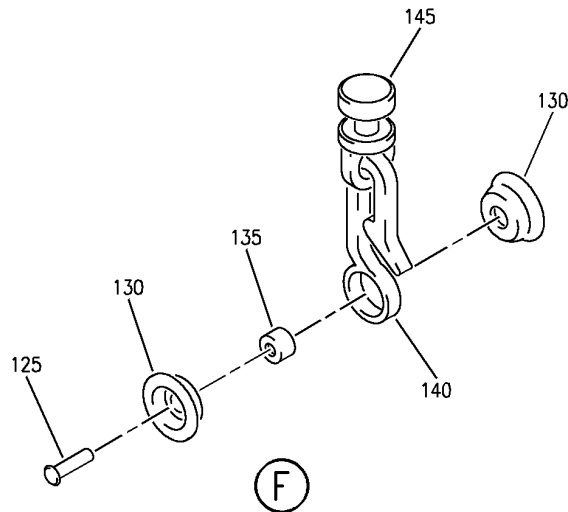
25-24-50-93
 PAGE 0A

BOEING PROPRIETARY - Copyright © - Unpublished Work - See title page for details.

BOEING
 737-600/700/800/900
 PARTS CATALOG (MAINTENANCE)



(E)



(F)

E 2524-5083 SHT 3 REV 116

CURTAIN AND TRACK INSTL-FWD LH STOWED ON WINDSCREEN
 FIGURE 93 (SHEET 3)

25-24-50-93

HAP
 OCT 10/06

25-24-50-93
 PAGE 0B

BOEING
737-600/700/800/900
PARTS CATALOG (MAINTENANCE)

FIG ITEM	PART NUMBER	1 2 3 4 5 6 7	NOMENCLATURE	EFFECT FROM TO	UNITS PER ASSY
93			CURTAIN AND TRACK INSTL-FWD LH STOWED ON WINDSCREEN	031037 039041 047047 054106 968999	
- 1	MODREF286078		CURTAIN AND TRACK INSTL- STOWED ON WINDSCREEN MODULE NUMBER: 413A3602-50B REV A POSITION DATA: FWD LH	031037 039041 047047 054100	1
- 2	MODREF327184		CURTAIN AND TRACK INSTL- CLG MOUNTED MODULE NUMBER: 413A3602-50C REV A POSITION DATA: FWD LH	101106 968999	1
5	MS27980-17N		.SNAP	031037 039041 047047 054101 968971	1
10	MS27980-18N		.SNAP	031037 039041 047047 054101 968971	3
15	NAS43DD3-12FC		.SPACER	031037 039041 047047 054101 968971	3
20	66-22283-1		.WASHER	031037 039041 047047 054101 968971	1
25	BACW10P44AL		.WASHER	031037 039041 047047 054101 968971	6
30	413A3611-1R		.TIEBACK ASSY	031037 039041 047047 054100 968999	3
30	413A3611-1MN		.TIEBACK ASSY	101106 968999	3

MISSING ITEM NUMBERS NOT APPLICABLE

- ITEM NOT ILLUSTRATED

HAP

25-24-50-93

25-24-50
FIG. 93
PAGE 1
FEB 15/09

BOEING
737-600/700/800/900
PARTS CATALOG (MAINTENANCE)

FIG ITEM	PART NUMBER	1 2 3 4 5 6 7	NOMENCLATURE	EFFECT FROM TO	UNITS PER ASSY
93					
35	MS27980-2N	..	EYELET	031037 039041 047047 054101 968971	2
40	MS27980-6N	..	SOCKET	031037 039041 047047 054101 968971	1
45	MS27980-7N	..	STUD	031037 039041 047047 054101 968971	1
50	MS20230WBP2	..	GROMMET	031037 039041 047047 054101 968971	1
55	MS20230GBP2	..	GROMMET	031037 039041 047047 054101 968971	1
60	413A3611-5	..	STIFFENER	031037 039041 047047 054101 968971	AR
65	413A3610-54B	.	CURTAIN ASSY	031037 039041 047047 054100	1
65	413A3610-54C	.	CURTAIN ASSY	101106 968999	1
70	MS27981-5N	..	EYELET	031037 039041 047047 054101 968971	AR
75	MS27981-4N	..	STUD	031037 039041 047047 054101 968971	AR

MISSING ITEM NUMBERS NOT APPLICABLE

— ITEM NOT ILLUSTRATED

HAP

25-24-50-93

BOEING PROPRIETARY - Copyright © - Unpublished Work - See title page for details.

25-24-50
FIG. 93
PAGE 2
FEB 15/09

BOEING
737-600/700/800/900
PARTS CATALOG (MAINTENANCE)

FIG ITEM	PART NUMBER	1 2 3 4 5 6 7	NOMENCLATURE	EFFECT FROM TO	UNITS PER ASSY
93					
80	413A3610-111	..	STIFFENER	031037 039041 047047 054101 968971	AR
85	413A3610-200P	..	LOOP ASSY	031037 039041 047047 054100	4
85	413A3610-200NB	..	LOOP ASSY	101106 968999	4
90	MS27980-2N	...	EYELET	031037 039041 047047 054101 968971	1
95	MS27980-6N	...	SOCKET	031037 039041 047047 054101 968971	1
100	413A3610-100P	..	STRAP ASSY	031037 039041 047047 054100	4
100	413A3610-100NB	..	STRAP ASSY	101106 968999	4
105	413A3640-96	.	TRACK ASSY	031037 039041 047047 054101 968971	1
- 110	BACS12HJ06K8		ATTACHING PARTS .SCREW	031037 039041 047047 054101 968971	7
115	9682	-----*	..CAP-END SUPPLIER CODE: VOHYRO	031037 039041 047047 054101 968971	2
120	413T3032-1065	..	SLIDER ASSY	031037 039041 047047 054101 968971	8

MISSING ITEM NUMBERS NOT APPLICABLE

- ITEM NOT ILLUSTRATED

HAP

25-24-50-93

BOEING PROPRIETARY - Copyright © - Unpublished Work - See title page for details.

25-24-50
FIG. 93
PAGE 3
FEB 15/09

 **BOEING**
737-600/700/800/900
PARTS CATALOG (MAINTENANCE)

FIG ITEM	PART NUMBER	1 2 3 4 5 6 7	NOMENCLATURE	EFFECT FROM TO	UNITS PER ASSY
93 125	BACR15BB3AC	...	RIVET- SIZE DETERMINED ON INSTL.	031037 039041 047047 054101 968971	1
130	MS27981-3N	...	SOCKET	031037 039041 047047 054101 968971	2
135	NAS42DD3-8FC	...	SPACER	031037 039041 047047 054101 968971	1
140	6146	...	HOOK-NYLON SUPPLIER CODE: V1048B	031037 039041 047047 054101 968971	1
145	6143	...	GLIDER- SUPPLIER CODE: V1048B	031037 039041 047047 054101 968971	1
150	413A3640-179	..	TRACK-CURTAIN	031037 039041 047047 054101 968971	1
155	SL6031-06SP2	.	INSERT- SUPPLIER CODE: V97393	031037 039041 047047 054101 968971	7

MISSING ITEM NUMBERS NOT APPLICABLE

— ITEM NOT ILLUSTRATED

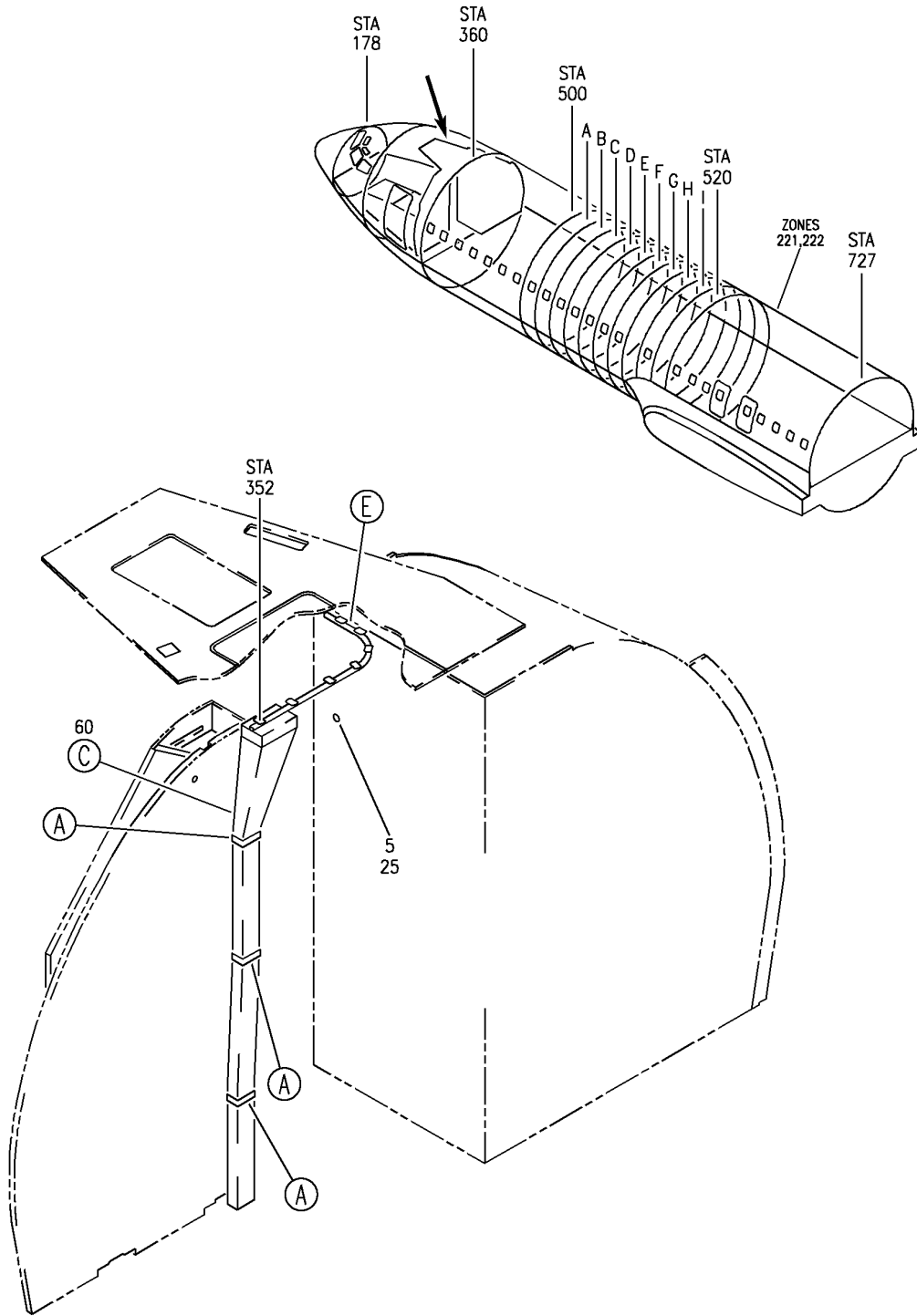
HAP

25-24-50-93

BOEING PROPRIETARY - Copyright © - Unpublished Work - See title page for details.

25-24-50
FIG. 93
PAGE 4
FEB 15/09

BOEING
 737-600/700/800/900
 PARTS CATALOG (MAINTENANCE)



E 2524-5083D SHT 1 REV 128

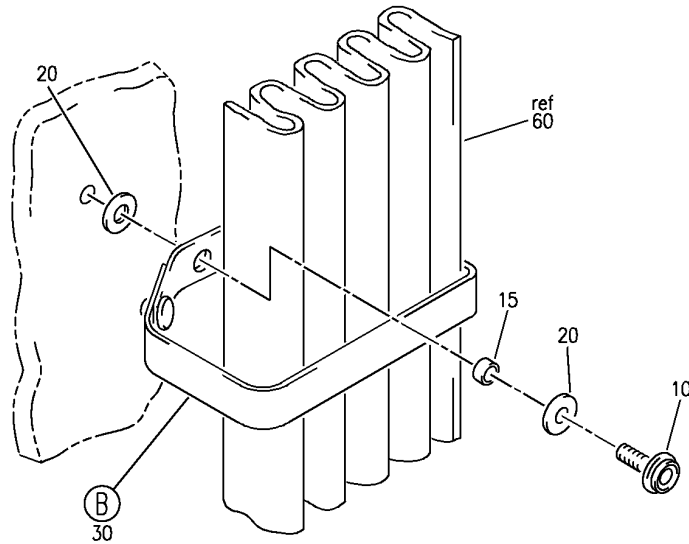
CURTAIN AND TRACK INSTL-FWD LH STOWED ON WINDSCREEN
 FIGURE 93D (SHEET 1)

25-24-50-93D

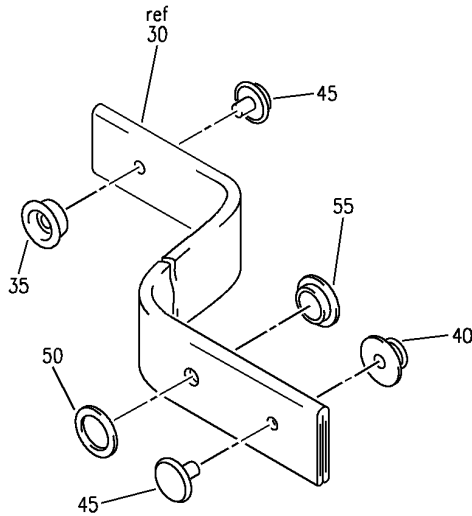
HAP
 JUN 10/07

25-24-50-93D
 PAGE 0

BOEING
737-600/700/800/900
PARTS CATALOG (MAINTENANCE)



(A)



(B)

E 2524-50-93D SHT 2 REV 128

CURTAIN AND TRACK INSTL-FWD LH STOWED ON WINDSCREEN
FIGURE 93D (SHEET 2)

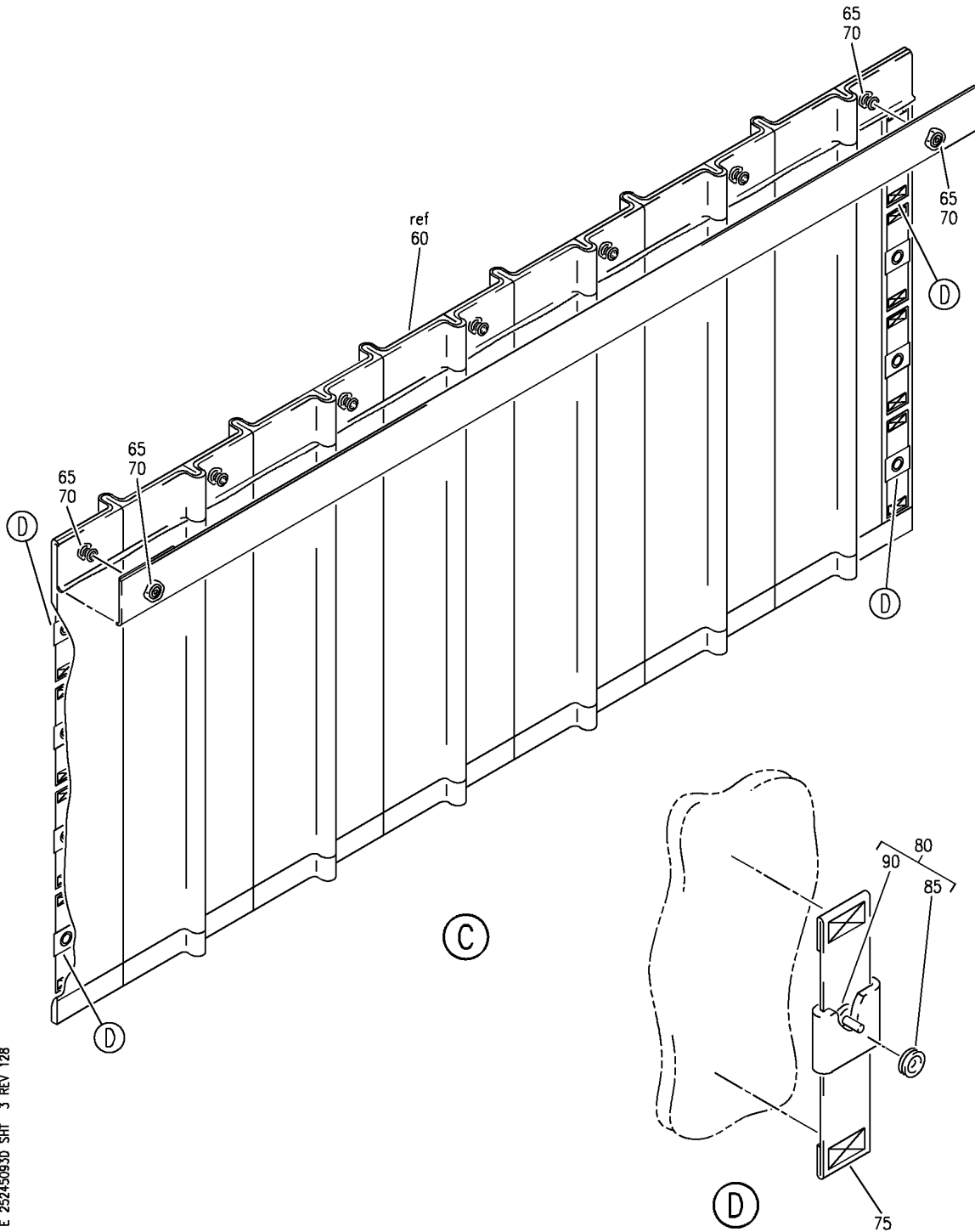
25-24-50-93D

HAP
JUN 10/07

25-24-50-93D
PAGE 0A

BOEING PROPRIETARY - Copyright © - Unpublished Work - See title page for details.

BOEING
737-600/700/800/900
PARTS CATALOG (MAINTENANCE)



E 2524-5093D SHT 3 REV 128

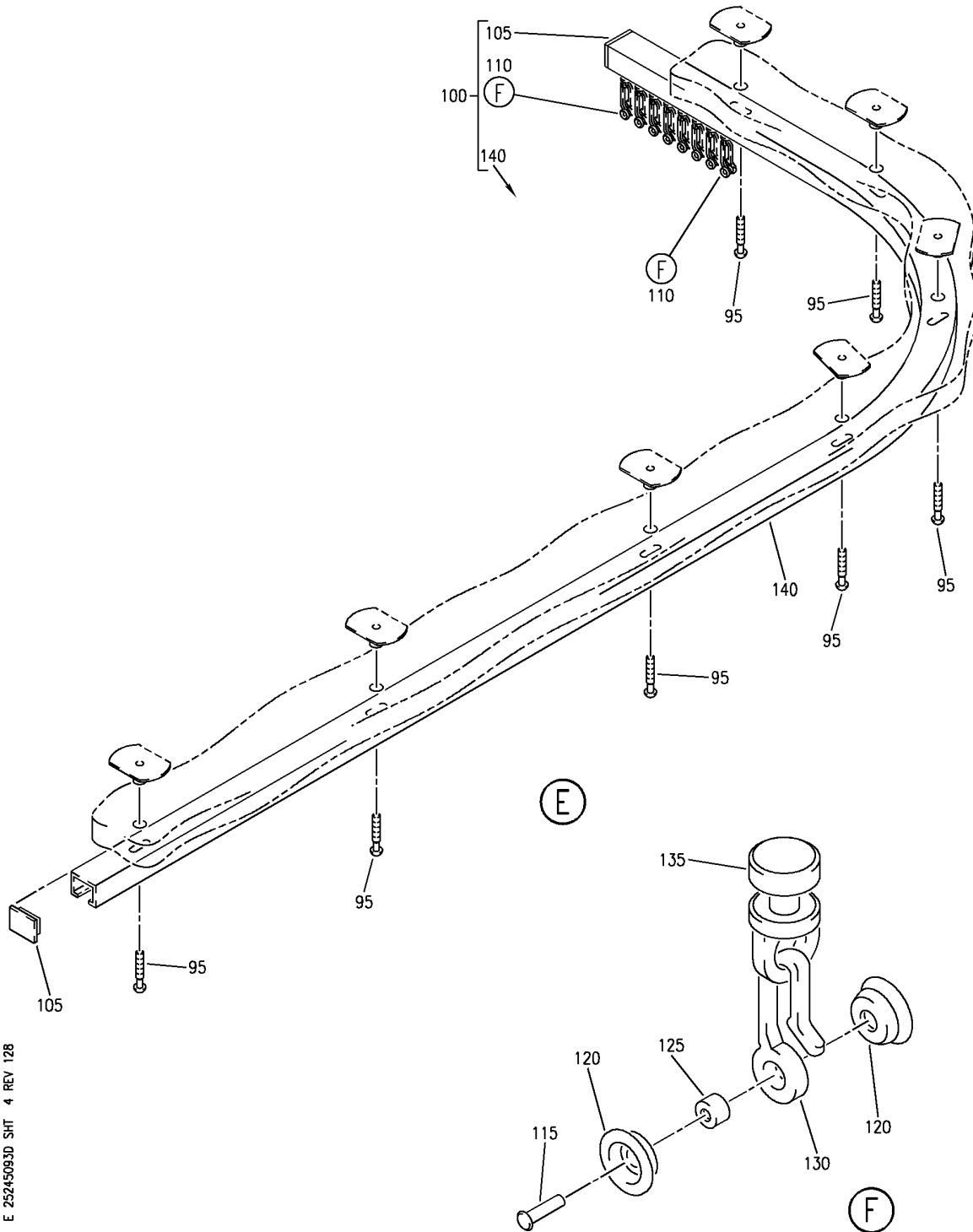
CURTAIN AND TRACK INSTL-FWD LH STOWED ON WINDSCREEN
FIGURE 93D (SHEET 3)

25-24-50-93D

HAP
JUN 10/07

25-24-50-93D
PAGE 0B

BOEING
 737-600/700/800/900
 PARTS CATALOG (MAINTENANCE)



E 2524-5083D SHT 4 REV 128

CURTAIN AND TRACK INSTL-FWD LH STOWED ON WINDSCREEN
 FIGURE 93D (SHEET 4)

25-24-50-93D

HAP
 JUN 10/07

25-24-50-93D
 PAGE 0C

BOEING
737-600/700/800/900
PARTS CATALOG (MAINTENANCE)

FIG ITEM	PART NUMBER	1 2 3 4 5 6 7	NOMENCLATURE	EFFECT FROM TO	UNITS PER ASSY
93D			CURTAIN AND TRACK INSTL- FWD LH STOWED ON WINDSCREEN	038038 042046 051052	
- 1	MODREF316205		CURTAIN AND TRACK INSTL- STOWED ON WINDSCREEN MODULE NUMBER: 413A3602-55B REV A POSITION DATA: FWD LH	038038 042046 051052	1
5	MS27980-17N	.	SNAP	038038 042046 051052	1
10	MS27980-18N	.	SNAP	038038 042046 051052	3
15	NAS43DD3-12FC	.	SPACER	038038 042046 051052	3
20	BACW10P44AL	.	WASHER	038038 042046 051052	6
25	66-22283-1	.	WASHER	038038 042046 051052	1
30	413A3611-1R	.	TIEBACK ASSY	038038 042046 051052	3
35	MS27980-7N	..	STUD	038038 042046 051052	1
40	MS27980-6N	..	SOCKET	038038 042046 051052	1
45	MS27980-2N	..	EYELET	038038 042046 051052	2
50	MS20230WBP2	..	GROMMET	038038 042046 051052	1
55	MS20230GBP2	..	GROMMET	038038 042046 051052	1
60	413A3610-61B	.	CURTAIN ASSY	038038 042046 051052	1
65	MS27981-4N	..	STUD	038038 042046 051052	AR

MISSING ITEM NUMBERS NOT APPLICABLE

- ITEM NOT ILLUSTRATED

HAP

25-24-50-93D

BOEING PROPRIETARY - Copyright © - Unpublished Work - See title page for details.

25-24-50
FIG. 93D
PAGE 1
FEB 15/09

BOEING
737-600/700/800/900
PARTS CATALOG (MAINTENANCE)

FIG ITEM	PART NUMBER	1 2 3 4 5 6 7	NOMENCLATURE	EFFECT FROM TO	UNITS PER ASSY
93D					
70	MS27981-5N	..	EYELET	038038 042046 051052	AR
75	413A3610-100P	..	STRAP ASSY	038038 042046 051052	8
80	413A3610-200P	..	LOOP ASSY	038038 042046 051052	8
85	MS27980-6N	...	SOCKET	038038 042046 051052	1
90	MS27980-2N	...	EYELET	038038 042046 051052	1
95	BACS12HJ06K8	.	SCREW	038038 042046 051052	7
100	413A3640-96	.	TRACK ASSY-CURTAIN	038038 042046 051052	1
105	9682	..	CAP- SUPPLIER CODE: VOHYRO	038038 042046 051052	2
110	413T3032-1065	..	SLIDER ASSY	038038 042046 051052	8
115	BACR15BB3AC	...	RIVET- SIZE DETERMINED ON INSTL.	038038 042046 051052	1
120	MS27981-3N	...	SOCKET	038038 042046 051052	2
125	NAS42DD3-8FC	...	SPACER	038038 042046 051052	1
130	6146	...	HOOK-NYLON SUPPLIER CODE: V1048B	038038 042046 051052	1
135	6143	...	GLIDER- SUPPLIER CODE: V1048B	038038 042046 051052	1
140	413A3640-179	..	TRACK	038038 042046 051052	1
- 145	SL6031-06SP2	.	INSERT- SUPPLIER CODE: V97393	038038 042046 051052	7

MISSING ITEM NUMBERS NOT APPLICABLE

- ITEM NOT ILLUSTRATED

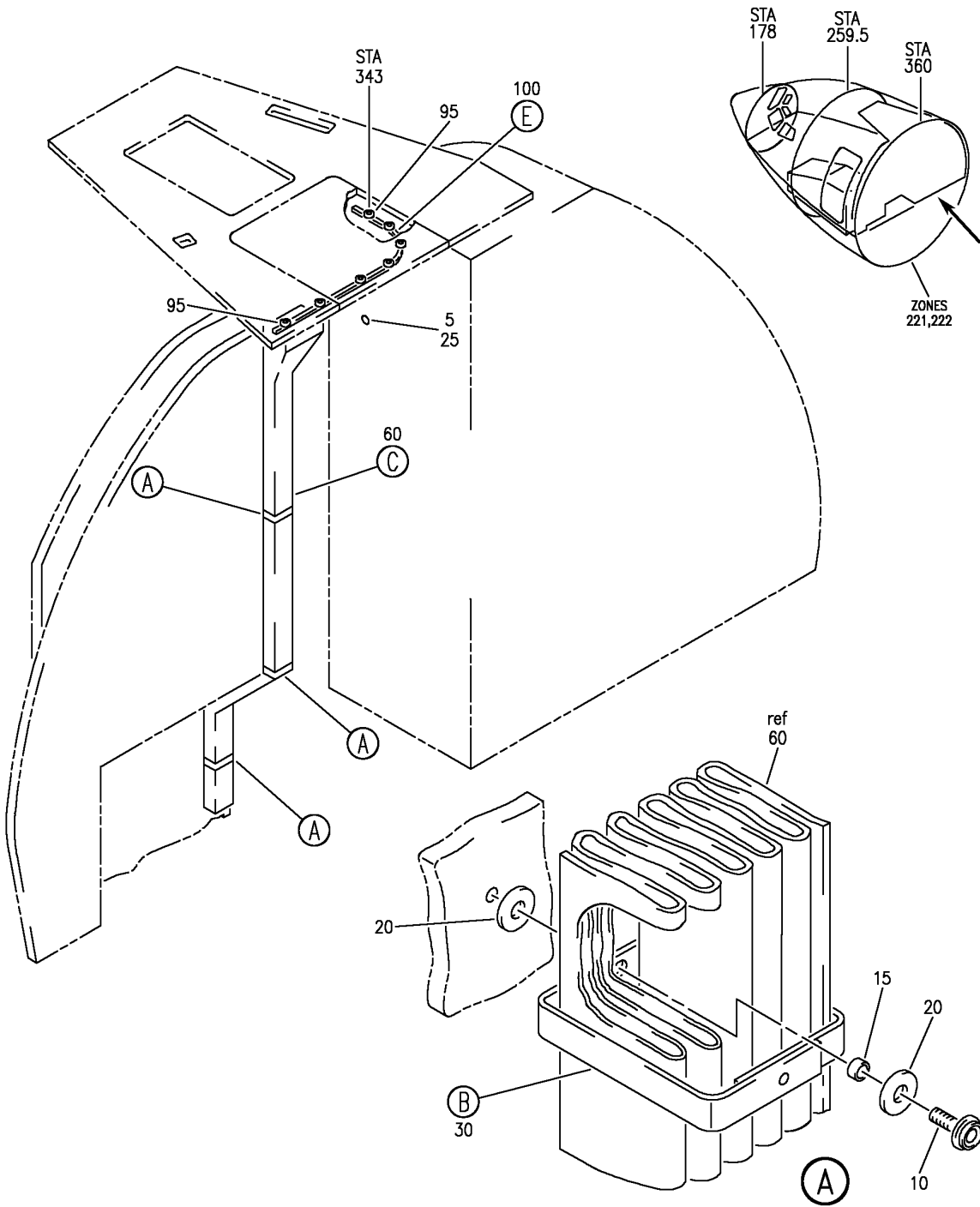
HAP

25-24-50-93D

BOEING PROPRIETARY - Copyright © - Unpublished Work - See title page for details.

25-24-50
FIG. 93D
PAGE 2
FEB 15/09

BOEING
 737-600/700/800/900
 PARTS CATALOG (MAINTENANCE)



E 25245093Q SHT 1 REV 150

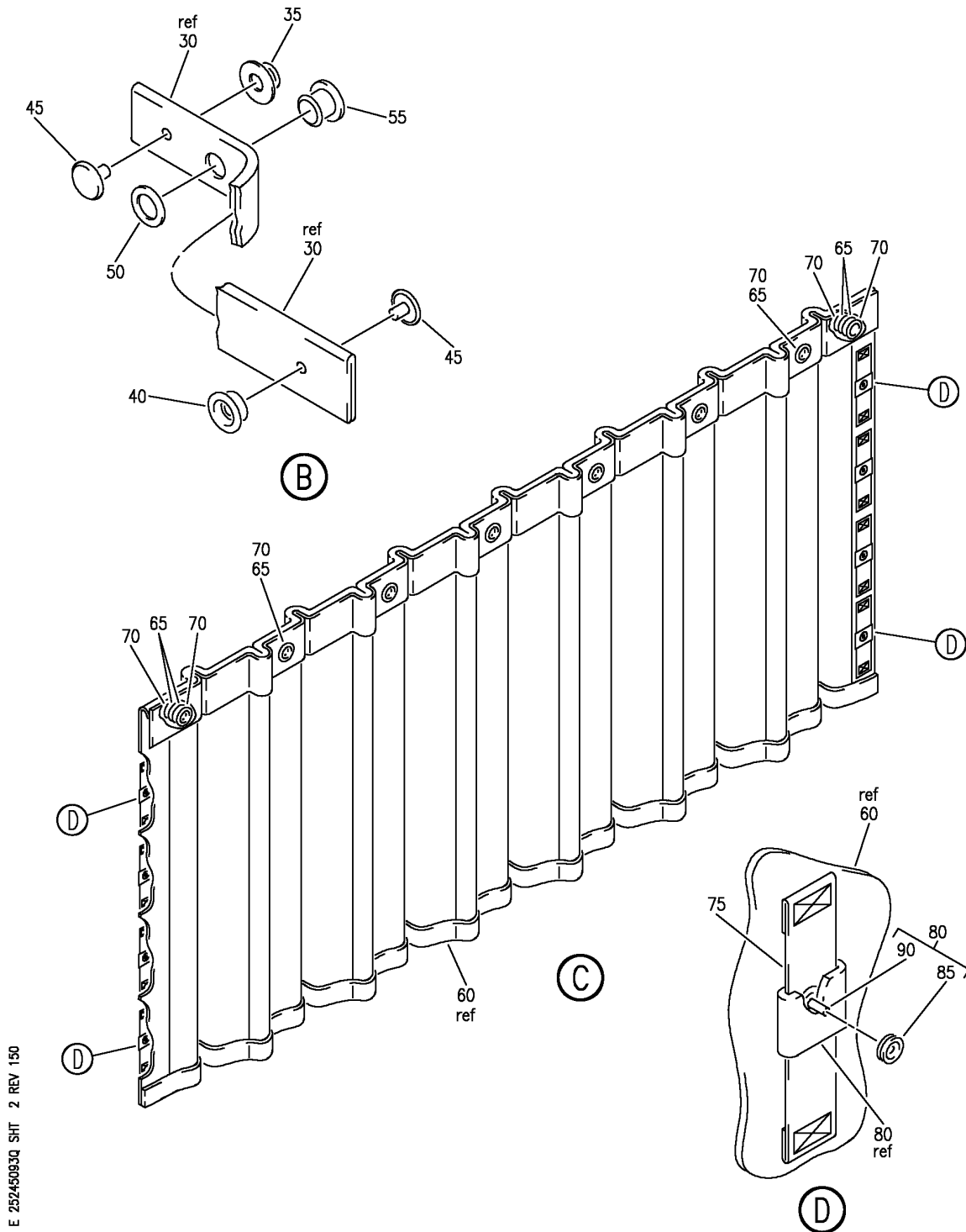
CURTAIN AND TRACK INSTL-FWD LH STOWED ON WINDSCREEN
 FIGURE 93Q (SHEET 1)

25-24-50-93Q

HAP
 FEB 15/09

25-24-50-93Q
 PAGE 0


BOEING
 737-600/700/800/900
PARTS CATALOG (MAINTENANCE)



E 25245093Q SHT 2 REV 150

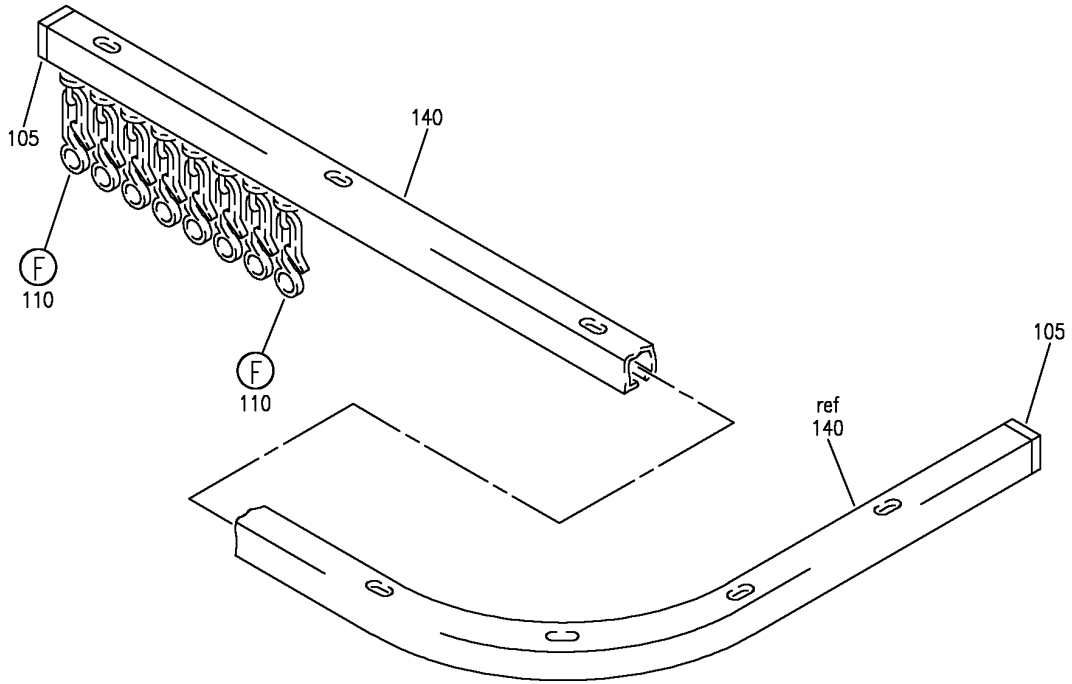
CURTAIN AND TRACK INSTL-FWD LH STOWED ON WINDSCREEN
 FIGURE 93Q (SHEET 2)

25-24-50-93Q

HAP
 FEB 15/09

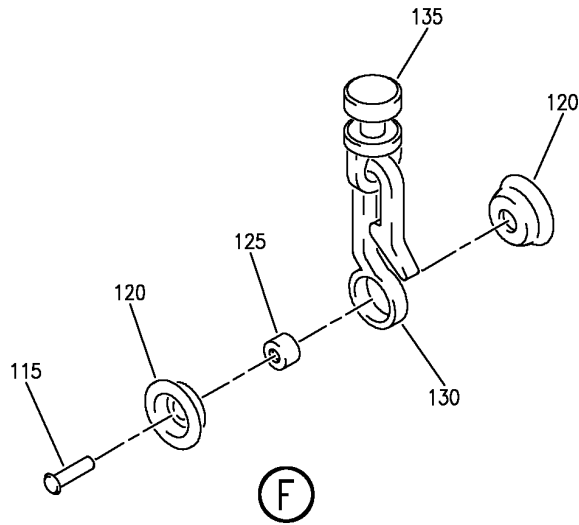
25-24-50-93Q
 PAGE 0A

BOEING
 737-600/700/800/900
 PARTS CATALOG (MAINTENANCE)



FWD

(E)



(F)

E 25245093Q SHT 3 REV 150

CURTAIN AND TRACK INSTL-FWD LH STOWED ON WINDSCREEN
 FIGURE 93Q (SHEET 3)

25-24-50-93Q

HAP
 FEB 15/09

25-24-50-93Q
 PAGE 0B

BOEING
737-600/700/800/900
PARTS CATALOG (MAINTENANCE)

FIG ITEM	PART NUMBER	1 2 3 4 5 6 7	NOMENCLATURE	EFFECT FROM TO	UNITS PER ASSY
93Q			CURTAIN AND TRACK INSTL- FWD LH STOWED ON WINDSCREEN	048050 053053 107200	
R -	1 MODREF399485		CURTAIN AND TRACK INSTL- STOWED ON WINDSCREEN MODULE NUMBER: 413A3602-65B REV B POSITION DATA: FWD LH	048050 053053 107200	1
R	5 MS27980-17N		.SNAP	048050 053053 107200	1
R	10 MS27980-18N		.SNAP	048050 053053 107200	3
R	15 NAS43DD3-12FC		.SPACER	048050 053053 107200	3
R	20 BACW10P44AL		.WASHER	048050 053053 107200	6
	25 66-22283-1		.WASHER	048050 053053 107200	1
R	30 413A3611-1R		.TIEBACK ASSY- POST RAPID REVISION: RR97237-26B	048050 053053 107200	3
R	35 MS27980-7N		..STUD	048050 053053 107200	1
	40 MS27980-6N		..SOCKET	048050 053053 107200	1
	45 MS27980-2N		..EYELET	048050 053053 107200	2
	50 MS20230WBP2		..GROMMET	048050 053053 107200	1
	55 MS20230GBP2		..GROMMET	048050 053053 107200	1
R	60 413A3610-84B		.CURTAIN ASSY- POST RAPID REVISION: RR97237-26B	048050 053053 107200	1
R	65 MS27981-4N		..STUD	048050 053053 107200	AR

MISSING ITEM NUMBERS NOT APPLICABLE

- ITEM NOT ILLUSTRATED

HAP

25-24-50-93Q

BOEING PROPRIETARY - Copyright © - Unpublished Work - See title page for details.

25-24-50
FIG. 93Q
PAGE 1
JUN 15/09

BOEING
737-600/700/800/900
PARTS CATALOG (MAINTENANCE)

FIG ITEM	PART NUMBER	1 2 3 4 5 6 7	NOMENCLATURE	EFFECT FROM TO	UNITS PER ASSY
93Q					
70	MS27981-5N	..	EYELET	048050 053053 107200	AR
75	413A3610-100P	..	STRAP ASSY	048050 053053 107200	8
80	413A3610-200P	..	LOOP ASSY	048050 053053 107200	8
85	MS27980-6N	...	SOCKET	048050 053053 107200	1
90	MS27980-2N	...	EYELET	048050 053053 107200	1
95	BACS12HJ06K8	.	SCREW	048050 053053 107200	7
100	413A3640-96	.	TRACK ASSY-CURTAIN POST RAPID REVISION: RR97237-26B	048050 053053 107200	1
105	9682	..	CAP- SUPPLIER CODE: VOHYRO	048050 053053 107200	2
110	413T3032-1065	..	SLIDER ASSY	048050 053053 107200	8
115	BACR15BB3AC	...	RIVET- SIZE DETERMINED ON INSTL.	048050 053053 107200	1
120	MS27981-3N	...	SOCKET	048050 053053 107200	2
125	NAS42DD3-8FC	...	SPACER	048050 053053 107200	1
130	6146	...	HOOK-NYLON SUPPLIER CODE: V1048B	048050 053053 107200	1
135	6143	...	GLIDER- SUPPLIER CODE: V1048B	048050 053053 107200	1
140	413A3640-179	..	TRACK	048050 053053 107200	1
- 145	SL6031-06SP2	.	INSERT- SUPPLIER CODE: V97393	048050 053053 107200	7

MISSING ITEM NUMBERS NOT APPLICABLE

- ITEM NOT ILLUSTRATED

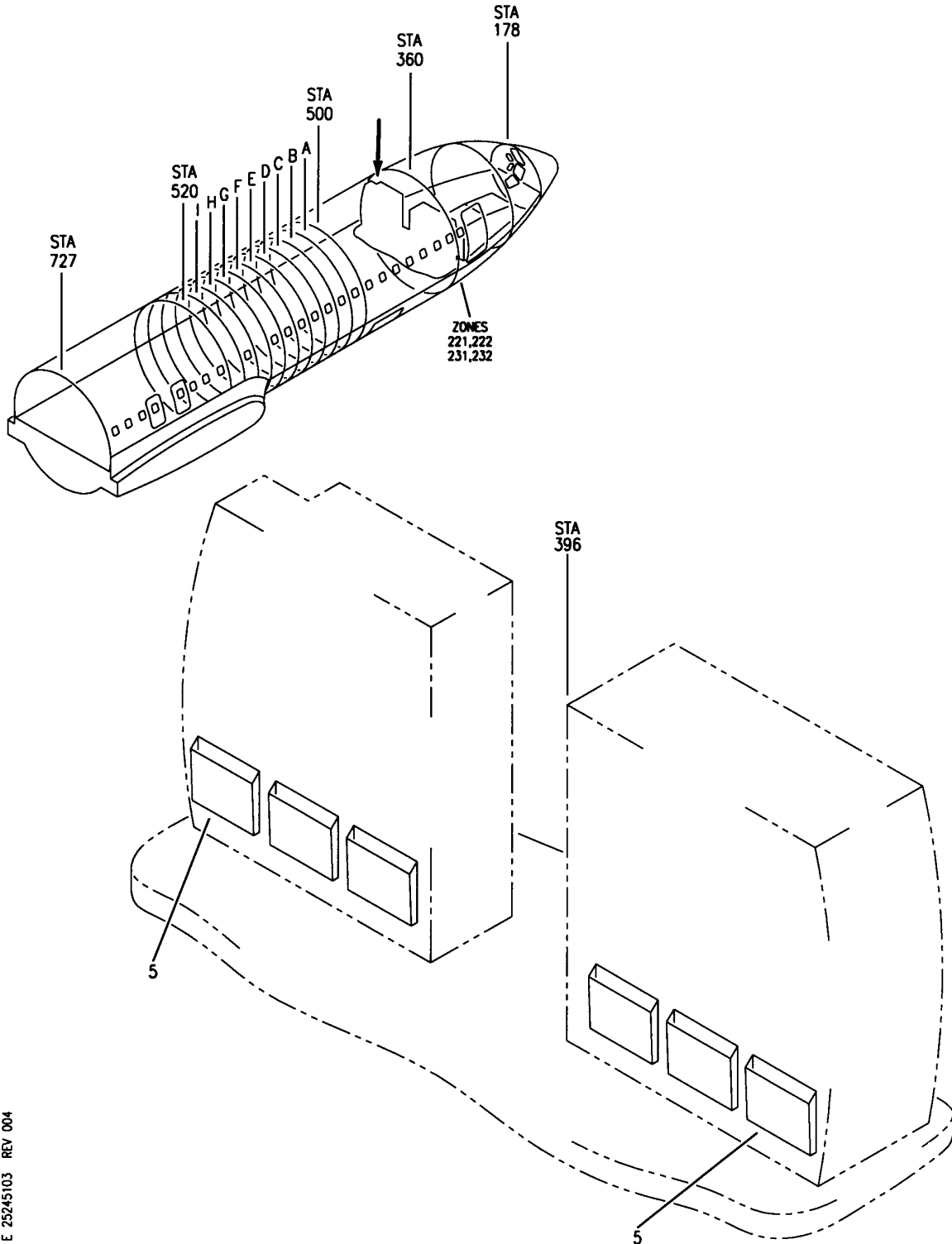
HAP

25-24-50-93Q

BOEING PROPRIETARY - Copyright © - Unpublished Work - See title page for details.

25-24-50
FIG. 93Q
PAGE 2
JUN 15/09

BOEING
737-600/700/800/900
PARTS CATALOG (MAINTENANCE)



E 25245103 REV 004

ITEM INSTL-MISC
FIGURE 3

25-24-51-03

HAP
OCT 10/06

25-24-51-03
PAGE 0


BOEING
 737-600/700/800/900
PARTS CATALOG (MAINTENANCE)

FIG ITEM	PART NUMBER	1 2 3 4 5 6 7	NOMENCLATURE	EFFECT FROM TO	UNITS PER ASSY
3					
- 1	413A3502-1		ITEM INSTL-MISC ITEM INSTL-MISC FOR NHA SEE: 25-24-00-13B	001030 001030	RF
5	5021-1A		.POCKET- SUPPLIER CODE: V31218 SPECIFICATION NUMBER: S435W111-1A	001030	6
- 10	BACS12FA3K6		ATTACHING PARTS .SCREW -----*-----	001030	24

MISSING ITEM NUMBERS NOT APPLICABLE

- ITEM NOT ILLUSTRATED

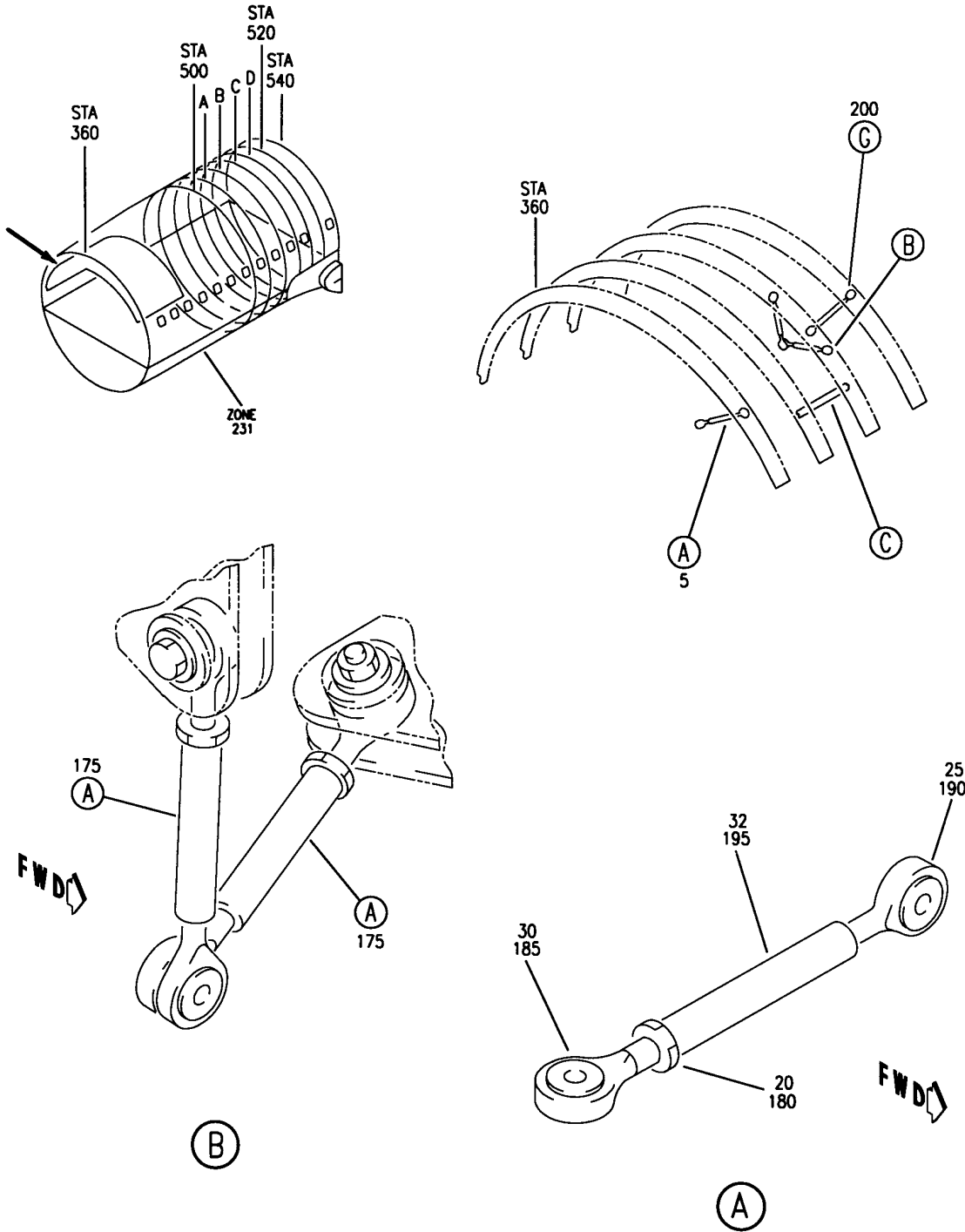
HAP

25-24-51-03

BOEING PROPRIETARY - Copyright © - Unpublished Work - See title page for details.

25-24-51
 FIG. 03
 PAGE 1
 OCT 10/06

BOEING
 737-600/700/800/900
 PARTS CATALOG (MAINTENANCE)



E 25245106 SHT 1 REV 019

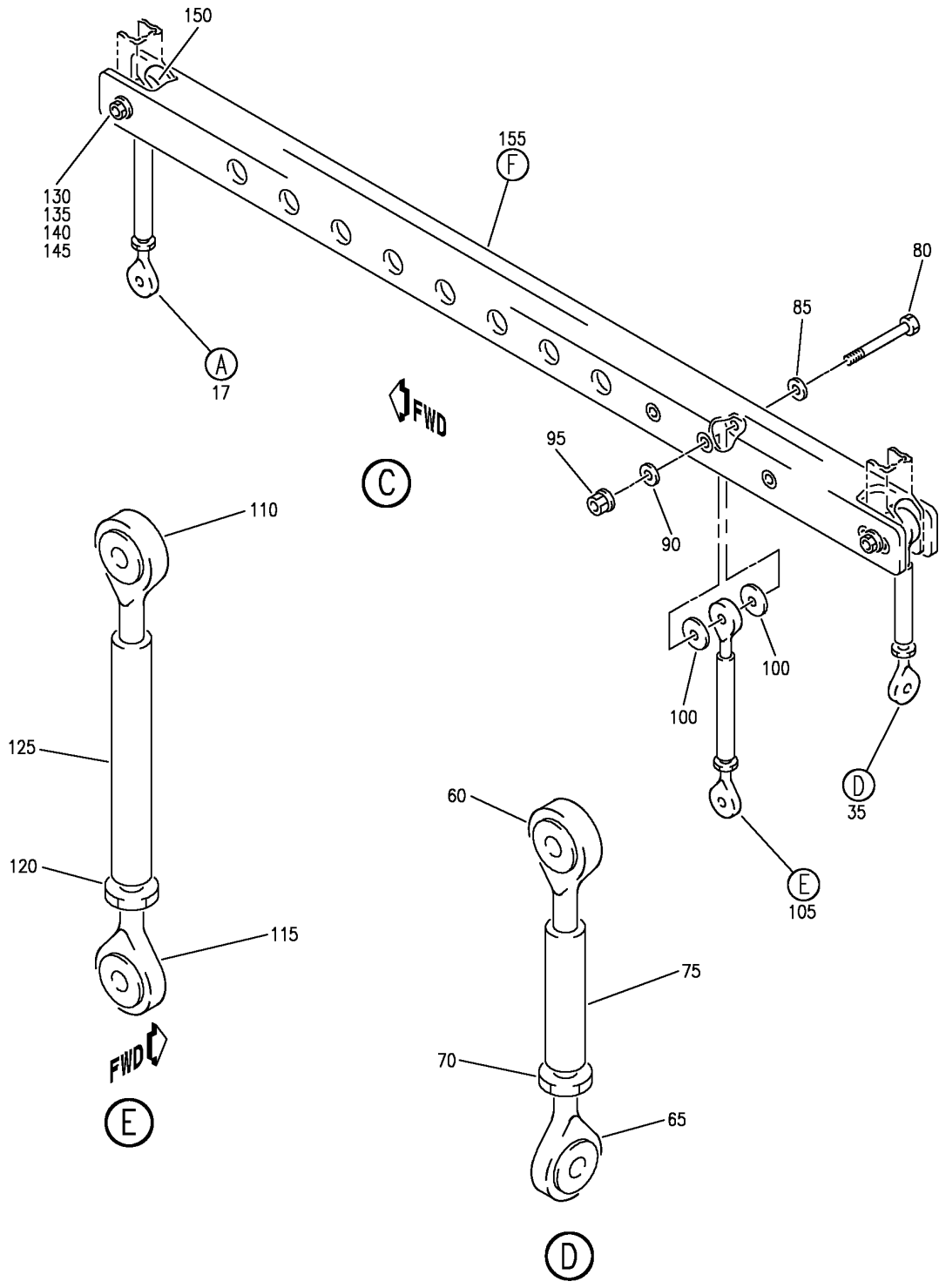
SUPPORT INSTL-OVHD STOWAGE BIN FWD LH
 FIGURE 6 (SHEET 1)

25-24-51-06

HAP
 OCT 10/06

25-24-51-06
 PAGE 0

BOEING
 737-600/700/800/900
 PARTS CATALOG (MAINTENANCE)



E 25245106 SHT 2 REV 081

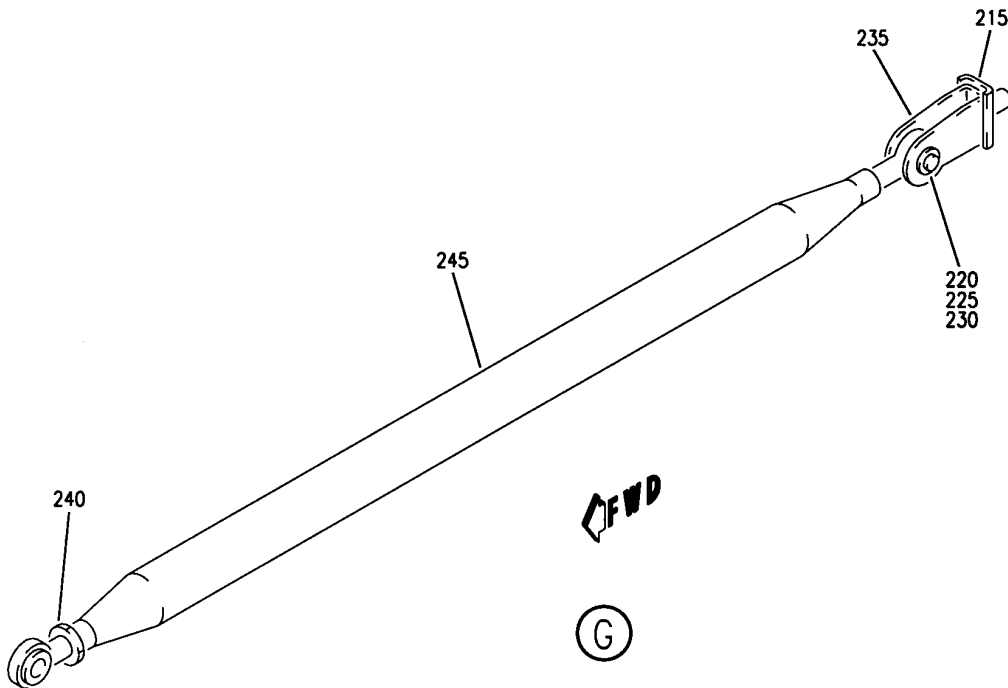
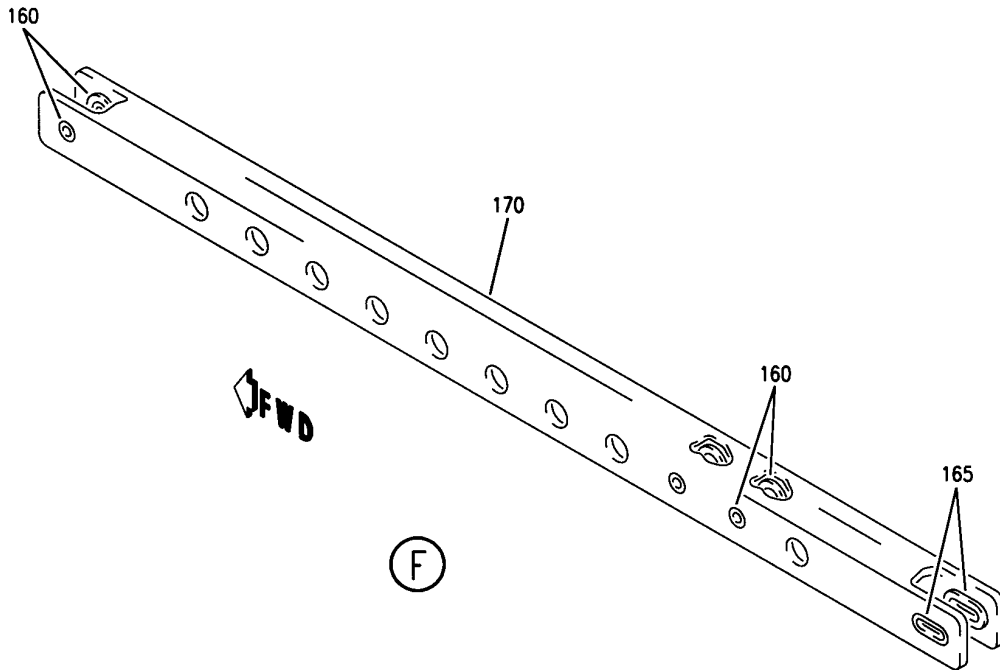
SUPPORT INSTL-OVHD STOWAGE BIN FWD LH
 FIGURE 6 (SHEET 2)

25-24-51-06

HAP
 OCT 10/06

25-24-51-06
 PAGE 0A

BOEING
 737-600/700/800/900
 PARTS CATALOG (MAINTENANCE)



E. 25245106 SHT 3 REV 026

SUPPORT INSTL-OVHD STOWAGE BIN FWD LH
 FIGURE 6 (SHEET 3)

25-24-51-06

HAP
 OCT 10/06

25-24-51-06
 PAGE 0B

BOEING
737-600/700/800/900
PARTS CATALOG (MAINTENANCE)

FIG ITEM	PART NUMBER	1 2 3 4 5 6 7	NOMENCLATURE	EFFECT FROM TO	UNITS PER ASSY
6			SUPPORT INSTL-OVHD STOWAGE BIN FWD LH	031999	
- 1	412A2100-104		SUPPORT INSTL-OVHD STOWAGE BIN POSITION DATA: FWD LH FOR NHA SEE: 25-24-00-15A	201967	RF
- 1	MODREF91536		SUPPORT INSTL-OVHD STOWAGE BIN MODULE NUMBER: 412A2100-114 REV A POSITION DATA: FWD LH	031035	1
- 1	MODREF290248		SUPPORT INSTL-OVHD STOWAGE BIN MODULE NUMBER: 412A2100-114 REV B POSITION DATA: FWD LH	036200 968999	1
5	65-80898-49		.TURNBUCKLE ASSY- ATTACHING PARTS	031999	1
- 10	BACB30NR4K8		.BOLT-	031999	1
- 15	BACW10BP4CD		.WASHER-	031999	1
			-----*-----		
20	AN316-4R		..NUT	031999	1
25	ACB4-3		..BEARING-ROD END SUPPLIER CODE: V56644 OPTIONAL PART: AHML4-104 V50294 ML44-9A V73134 1254-1L V34742 FML4-7 V76474	031999	1

MISSING ITEM NUMBERS NOT APPLICABLE

- ITEM NOT ILLUSTRATED

HAP

25-24-51-06

BOEING PROPRIETARY - Copyright © - Unpublished Work - See title page for details.

25-24-51
FIG. 06
PAGE 1
OCT 15/08

BOEING
737-600/700/800/900
PARTS CATALOG (MAINTENANCE)

FIG ITEM	PART NUMBER	1 2 3 4 5 6 7	NOMENCLATURE	EFFECT FROM TO	UNITS PER ASSY
6 25	AHML4-104		.. BEARING-ROD END SUPPLIER CODE: V50294 OPTIONAL PART: ACB4-3 V56644 ML44-9A V73134 1254-1L V34742 FML4-7 V76474	031999	1
25	FML4-7		.. BEARING-ROD END SUPPLIER CODE: V76474 OPTIONAL PART: ACB4-3 V56644 AHML4-104 V50294 ML44-9A V73134 1254-1L V34742	031999	1
25	ML44-9A		.. BEARING-ROD END SUPPLIER CODE: V73134 OPTIONAL PART: ACB4-3 V56644 AHML4-104 V50294 1254-1L V34742 FML4-7 V76474	031999	1
25	1254-1L		.. BEARING-ROD END SUPPLIER CODE: V34742 OPTIONAL PART: ACB4-3 V56644 AHML4-104 V50294 ML44-9A V73134 FML4-7 V76474	031999	1

MISSING ITEM NUMBERS NOT APPLICABLE

— ITEM NOT ILLUSTRATED

HAP

25-24-51-06

BOEING PROPRIETARY - Copyright © - Unpublished Work - See title page for details.

25-24-51
FIG. 06
PAGE 2
OCT 15/08

BOEING
737-600/700/800/900
PARTS CATALOG (MAINTENANCE)

FIG ITEM	PART NUMBER	1 2 3 4 5 6 7	NOMENCLATURE	EFFECT FROM TO	UNITS PER ASSY
6					
30	ACM4-3		.. BEARING-ROD END SUPPLIER CODE: V56644 OPTIONAL PART: AHM4-104 V50294 FM4-7 V02695 M44-9A V73134 1254-1 V34742	031999	1
30	AHM4-104		.. BEARING-ROD END SUPPLIER CODE: V50294 OPTIONAL PART: ACM4-3 V56644 FM4-7 V02695 M44-9A V73134 1254-1 V34742	031999	1
30	FM4-7		.. BEARING-ROD END SUPPLIER CODE: V02695 OPTIONAL PART: ACM4-3 V56644 AHM4-104 V50294 M44-9A V73134 1254-1 V34742	031999	1
30	M44-9A		.. BEARING-ROD END SUPPLIER CODE: V73134 OPTIONAL PART: ACM4-3 V56644 AHM4-104 V50294 FM4-7 V02695 1254-1 V34742	031999	1

MISSING ITEM NUMBERS NOT APPLICABLE

— ITEM NOT ILLUSTRATED

HAP

25-24-51-06

BOEING PROPRIETARY - Copyright © - Unpublished Work - See title page for details.

25-24-51
FIG. 06
PAGE 3
OCT 15/08

BOEING
737-600/700/800/900
PARTS CATALOG (MAINTENANCE)

FIG ITEM	PART NUMBER	1 2 3 4 5 6 7	NOMENCLATURE	EFFECT FROM TO	UNITS PER ASSY
6					
30	1254-1		.. BEARING-ROD END SUPPLIER CODE: V34742 OPTIONAL PART: ACM4-3 V56644 AHM4-104 V50294 FM4-7 V02695 M44-9A V73134	031999	1
32	65-81149-28		.. TUBE	031999	1
35	65-80898-24		. TURNBUCKLE ASSY- ATTACHING PARTS	031999	1
- 40	BACB30PW4C17		. BOLT- OPTIONAL PART: BACB30PW4-17	031999	1
- 40	BACB30PW4-17		. BOLT- OPTIONAL PART: BACB30PW4C17	031999	1
- 45	BACW10BN3SP		. WASHER	031999	1
- 50	BACW10BP4CD		. WASHER	031999	1
- 55	PLH53CD		. NUT SUPPLIER CODE: VF0224 SPECIFICATION NUMBER: BACN10YR3CD OPTIONAL PART: H52732-3CD V15653	031999	1
			-----*-----		
60	1254-3		.. BEARING-ROD END SUPPLIER CODE: V34742 OPTIONAL PART: ACM4-4 V56644 FM4-6 V02695 AHM4-103 V50294 M44-9 V73134	031999	1

MISSING ITEM NUMBERS NOT APPLICABLE

- ITEM NOT ILLUSTRATED

HAP

25-24-51-06

BOEING PROPRIETARY - Copyright © - Unpublished Work - See title page for details.

25-24-51
FIG. 06
PAGE 4
FEB 15/09

BOEING
737-600/700/800/900
PARTS CATALOG (MAINTENANCE)

FIG ITEM	PART NUMBER	1 2 3 4 5 6 7	NOMENCLATURE	EFFECT FROM TO	UNITS PER ASSY
6 60	ACM4-4		.. BEARING-ROD END SUPPLIER CODE: V56644 OPTIONAL PART: 1254-3 V34742 FM4-6 V02695 AHM4-103 V50294 M44-9 V73134	031999	1
60	FM4-6		.. BEARING-ROD END SUPPLIER CODE: V02695 OPTIONAL PART: 1254-3 V34742 ACM4-4 V56644 AHM4-103 V50294 M44-9 V73134	031999	1
60	AHM4-103		.. BEARING-ROD END SUPPLIER CODE: V50294 OPTIONAL PART: 1254-3 V34742 ACM4-4 V56644 FM4-6 V02695 M44-9 V73134	031999	1
60	M44-9		.. BEARING-ROD END SUPPLIER CODE: V73134 OPTIONAL PART: 1254-3 V34742 ACM4-4 V56644 FM4-6 V02695 AHM4-103 V50294	031999	1

MISSING ITEM NUMBERS NOT APPLICABLE

— ITEM NOT ILLUSTRATED

HAP

25-24-51-06

BOEING PROPRIETARY - Copyright © - Unpublished Work - See title page for details.

25-24-51
FIG. 06
PAGE 5
OCT 15/08

BOEING
737-600/700/800/900
PARTS CATALOG (MAINTENANCE)

FIG ITEM	PART NUMBER	1 2 3 4 5 6 7	NOMENCLATURE	EFFECT FROM TO	UNITS PER ASSY
6					
65	1254-3L		.. BEARING-ROD END SUPPLIER CODE: V34742 OPTIONAL PART: ACB4-4 V56644 FML4-6 V02695 AHML4-103 V50294 ML44-9 V73134	031999	1
65	ACB4-4		.. BEARING-ROD END SUPPLIER CODE: V56644 OPTIONAL PART: 1254-3L V34742 FML4-6 V02695 AHML4-103 V50294 ML44-9 V73134	031999	1
65	FML4-6		.. BEARING-ROD END SUPPLIER CODE: V02695 OPTIONAL PART: 1254-3L V34742 ACB4-4 V56644 AHML4-103 V50294 ML44-9 V73134	031999	1
65	AHML4-103		.. BEARING-ROD END SUPPLIER CODE: V50294 OPTIONAL PART: 1254-3L V34742 ACB4-4 V56644 FML4-6 V02695 ML44-9 V73134	031999	1

MISSING ITEM NUMBERS NOT APPLICABLE

— ITEM NOT ILLUSTRATED

HAP

25-24-51-06

BOEING PROPRIETARY - Copyright © - Unpublished Work - See title page for details.

25-24-51
FIG. 06
PAGE 6
OCT 15/08

BOEING
737-600/700/800/900
PARTS CATALOG (MAINTENANCE)

FIG ITEM	PART NUMBER	1 2 3 4 5 6 7	NOMENCLATURE	EFFECT FROM TO	UNITS PER ASSY
6					
65	ML44-9		.. BEARING-ROD END SUPPLIER CODE: V73134 OPTIONAL PART: 1254-3L V34742 ACB4-4 V56644 FML4-6 V02695 AHML4-103 V50294	031999	1
70	AN316-4L		.. NUT	031999	1
75	65-81149-25		.. TUBE	031999	1
80	BACB30PW4C17		. BOLT- OPTIONAL PART: BACB30PW4-17	031999	1
80	BACB30PW4-17		. BOLT- OPTIONAL PART: BACB30PW4C17	031999	1
85	BACW10BP4CD		. WASHER-	031999	1
90	BACW10BN3SP		. WASHER-	031999	1
95	PLH53CD		. NUT- SUPPLIER CODE: VF0224 SPECIFICATION NUMBER: BACN10YR3CD OPTIONAL PART: H52732-3CD V15653	031999	1
100	NAS1515B4H		. GROMMET-	031999	2
105	65-80898-50		. TURNBUCKLE ASSY-	031999	1
110	ACB4-3		.. BEARING-ROD END SUPPLIER CODE: V56644 OPTIONAL PART: AHML4-104 V50294 ML44-9A V73134 1254-1L V34742 FML4-7 V76474	031999	1

MISSING ITEM NUMBERS NOT APPLICABLE

- ITEM NOT ILLUSTRATED

HAP

25-24-51-06

BOEING PROPRIETARY - Copyright © - Unpublished Work - See title page for details.

25-24-51
FIG. 06
PAGE 7
FEB 15/09

BOEING
737-600/700/800/900
PARTS CATALOG (MAINTENANCE)

FIG ITEM	PART NUMBER	1 2 3 4 5 6 7	NOMENCLATURE	EFFECT FROM TO	UNITS PER ASSY
6 110	AHML4-104		.. BEARING-ROD END SUPPLIER CODE: V50294 OPTIONAL PART: ACB4-3 V56644 ML44-9A V73134 1254-1L V34742 FML4-7 V76474	031999	1
110	FML4-7		.. BEARING-ROD END SUPPLIER CODE: V76474 OPTIONAL PART: ACB4-3 V56644 AHML4-104 V50294 ML44-9A V73134 1254-1L V34742	031999	1
110	ML44-9A		.. BEARING-ROD END SUPPLIER CODE: V73134 OPTIONAL PART: ACB4-3 V56644 AHML4-104 V50294 1254-1L V34742 FML4-7 V76474	031999	1
110	1254-1L		.. BEARING-ROD END SUPPLIER CODE: V34742 OPTIONAL PART: ACB4-3 V56644 AHML4-104 V50294 ML44-9A V73134 FML4-7 V76474	031999	1

MISSING ITEM NUMBERS NOT APPLICABLE

— ITEM NOT ILLUSTRATED

HAP

25-24-51-06

BOEING PROPRIETARY - Copyright © - Unpublished Work - See title page for details.

25-24-51
FIG. 06
PAGE 8
OCT 15/08

BOEING
737-600/700/800/900
PARTS CATALOG (MAINTENANCE)

FIG ITEM	PART NUMBER	1 2 3 4 5 6 7	NOMENCLATURE	EFFECT FROM TO	UNITS PER ASSY
6 115	ACM4-3		.. BEARING-ROD END SUPPLIER CODE: V56644 OPTIONAL PART: AHM4-104 V50294 FM4-7 V02695 M44-9A V73134 1254-1 V34742	031999	1
115	AHM4-104		.. BEARING-ROD END SUPPLIER CODE: V50294 OPTIONAL PART: ACM4-3 V56644 FM4-7 V02695 M44-9A V73134 1254-1 V34742	031999	1
115	FM4-7		.. BEARING-ROD END SUPPLIER CODE: V02695 OPTIONAL PART: ACM4-3 V56644 AHM4-104 V50294 M44-9A V73134 1254-1 V34742	031999	1
115	M44-9A		.. BEARING-ROD END SUPPLIER CODE: V73134 OPTIONAL PART: ACM4-3 V56644 AHM4-104 V50294 FM4-7 V02695 1254-1 V34742	031999	1

MISSING ITEM NUMBERS NOT APPLICABLE

— ITEM NOT ILLUSTRATED

HAP

25-24-51-06

BOEING PROPRIETARY - Copyright © - Unpublished Work - See title page for details.

25-24-51
FIG. 06
PAGE 9
OCT 15/08

BOEING
737-600/700/800/900
PARTS CATALOG (MAINTENANCE)

FIG ITEM	PART NUMBER	1 2 3 4 5 6 7	NOMENCLATURE	EFFECT FROM TO	UNITS PER ASSY
6					
115	1254-1	..	BEARING-ROD END SUPPLIER CODE: V34742 OPTIONAL PART: ACM4-3 V56644 AHM4-104 V50294 FM4-7 V02695 M44-9A V73134	031999	1
120	AN316-4R	..	NUT	031999	1
125	65-81149-11	..	TUBE	031999	1
130	BACB30PW4C17	.BOLT-		031999	1
			OPTIONAL PART: BACB30PW4-17		
130	BACB30PW4-17	.BOLT-		031999	1
			OPTIONAL PART: BACB30PW4C17		
135	BACW10BP4CD	.WASHER-		031999	1
140	BACW10BN3SP	.WASHER-		031999	1
145	PLH53CD	.NUT-		031999	1
			SUPPLIER CODE: VF0224 SPECIFICATION NUMBER: BACN10YR3CD OPTIONAL PART: H52732-3CD V15653		
150	54-062	.GROMMET-		201967	1
			SUPPLIER CODE: V77969 SPECIFICATION NUMBER: BACG20C12 OPTIONAL PART: BACG20C12N		
150	BACG20C12N	.GROMMET-		031999	1
			OPTIONAL PART: BACG20C12		
155	412A2250-6	.CHANNEL ASSY-		031999	1
			POSITION DATA: LWR		
160	BACB28AT04B008C	..	BUSHING	031999	6
165	412A2250-15	..	BUSHING	031999	2
170	412A2250-12	..	CHANNEL	031999	1
175	65-80898-43	.TURNBUCKLE ASSY-		031999	2
			ATTACHING PARTS		
- 177	BACB30NR4K8	.BOLT		031999	2

MISSING ITEM NUMBERS NOT APPLICABLE

- ITEM NOT ILLUSTRATED

HAP

25-24-51-06

BOEING PROPRIETARY - Copyright © - Unpublished Work - See title page for details.

25-24-51
FIG. 06
PAGE 10
FEB 15/09

BOEING
737-600/700/800/900
PARTS CATALOG (MAINTENANCE)

FIG ITEM	PART NUMBER	1 2 3 4 5 6 7	NOMENCLATURE	EFFECT FROM TO	UNITS PER ASSY
6					
- 178	BACW10BP4CD	.	WASHER	031999	2
		-----*			
180	AN316-4R	..	NUT	031999	1
185	1486-5	..	ROD END ASSY-	031999	1
			SUPPLIER CODE: V34742		
190	1486-5L	..	ROD END ASSY-	031999	1
			SUPPLIER CODE: V34742		
195	65-81149-47	..	TUBE	031999	1
200	412N2030-72	.	DIAGONAL ASSY-	201967	1
200	412N2030-172	.	DIAGONAL ASSY	031035	1
200	412N2030-272	.	DIAGONAL ASSY	036200	1
			968999		
			ATTACHING PARTS		
- 205	NAS1149D0516J	.	WASHER	031999	1
- 210	BRH10C5D	.	NUT-	031999	1
			SUPPLIER CODE: V52828		
			SPECIFICATION NUMBER: BACN10JC5CD		
			OPTIONAL PART: T6C524JCD		
			V11815		
			102LH9075-5W		
			V72962		
			H51650-5BAC		
			V15653		
			BACN10YR5CD		
- 210	PLH55CD	.	NUT-	031999	1
			SUPPLIER CODE: VF0224		
			SPECIFICATION NUMBER: BACN10YR5CD		
			OPTIONAL PART: H52732-5CD		
			V15653		
			BACN10JC5CD		
			-----*		
215	412N2032-4	..	INSULATOR-	201967	1
			MANUFACTURED FROM: FIN F-6.10 COMPRESSION MOLDED PHENOLIC, GLASS FIBER FILLED PER BMS8-271A, TYPE 1		
			OPTIONAL PART: 412N2032-3		
			OPTIONAL PART: 412N2032-6		

MISSING ITEM NUMBERS NOT APPLICABLE

- ITEM NOT ILLUSTRATED

HAP

25-24-51-06

BOEING PROPRIETARY - Copyright © - Unpublished Work - See title page for details.

25-24-51
FIG. 06
PAGE 11
FEB 15/09

BOEING
737-600/700/800/900
PARTS CATALOG (MAINTENANCE)

FIG ITEM	PART NUMBER	1 2 3 4 5 6 7	NOMENCLATURE	EFFECT FROM TO	UNITS PER ASSY
6					
215	412N2032-6	..	INSULATOR- MANUFACTURED FROM: FIN F-25.01 COMPRESSION MOLDED PHENOLIC, GLASS FIBER FILLED PER BMS8-271A, TYPE 1. OPTIONAL PART: 412N2032-4	031999	1
220	BACP18BD3R17	..	PIN- OPTIONAL PART: MS20392-3C17	031999	1
220	MS20392-3C17	..	PIN- OPTIONAL PART: BACP18BD3R17	031999	1
225	MS24665-132	..	PIN- OPTIONAL PART: BACP18BC02A06P	031999	1
225	BACP18BC02A06P	..	PIN- OPTIONAL PART: MS24665-132	031999	1
230	NAS1149D0416J	..	WASHER- OPTIONAL PART: BACW10P273L	031035 201967	1
230	BACW10P273L	..	WASHER- OPTIONAL PART: NAS1149D0416J	031035 201967	1
230	BACW10P361LA	..	WASHER	036200 968999	1
235	412N2031-1	..	CLEVIS- MANUFACTURED FROM: 412N2031-2	031999	1
240	AN316-5R	..	NUT	031999	1
245	1482-31	..	ROD ASSY- SUPPLIER CODE: V34742 OPTIONAL PART: USC1327-1 V31293	031999	1
245	USC1327-1	..	ROD ASSY- SUPPLIER CODE: V31293 OPTIONAL PART: 1482-31 V34742	031200 968999	1

MISSING ITEM NUMBERS NOT APPLICABLE

— ITEM NOT ILLUSTRATED

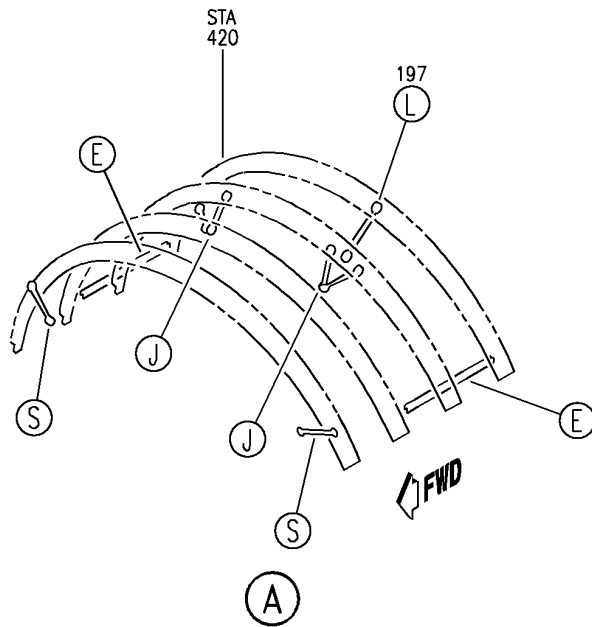
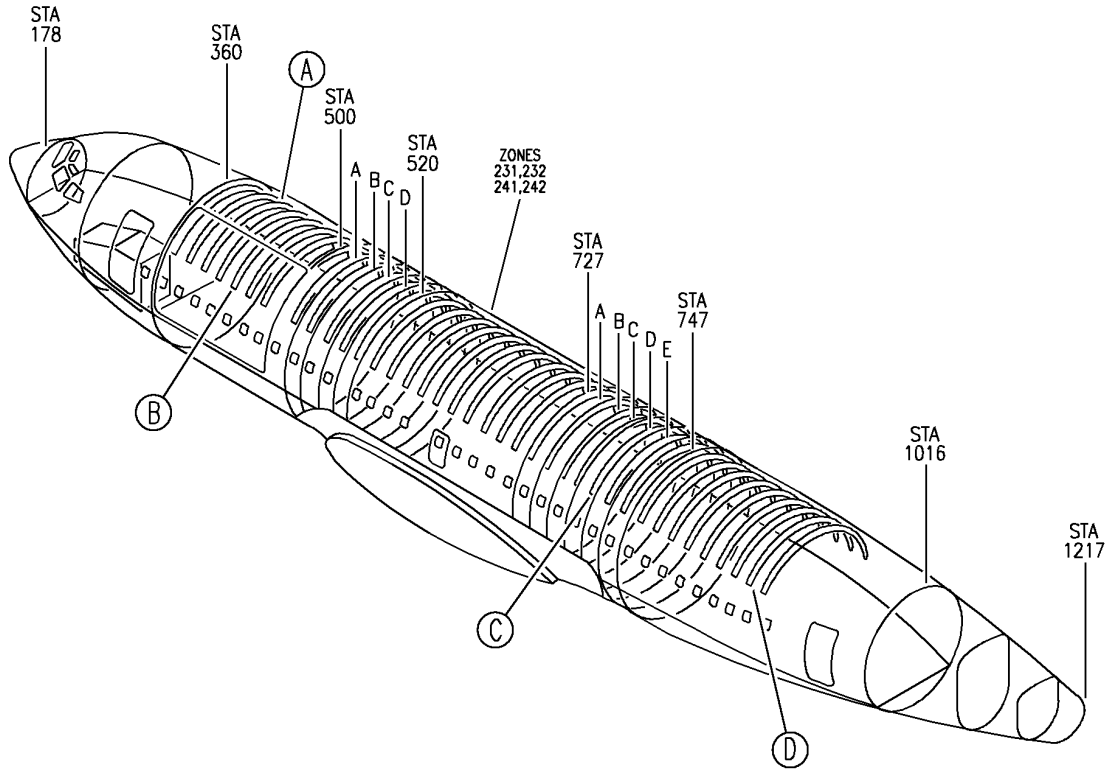
HAP

25-24-51-06

BOEING PROPRIETARY - Copyright © - Unpublished Work - See title page for details.

25-24-51
FIG. 06
PAGE 12
OCT 15/08

BOEING
 737-600/700/800/900
 PARTS CATALOG (MAINTENANCE)



E 25245107 SHT 1 REV 112

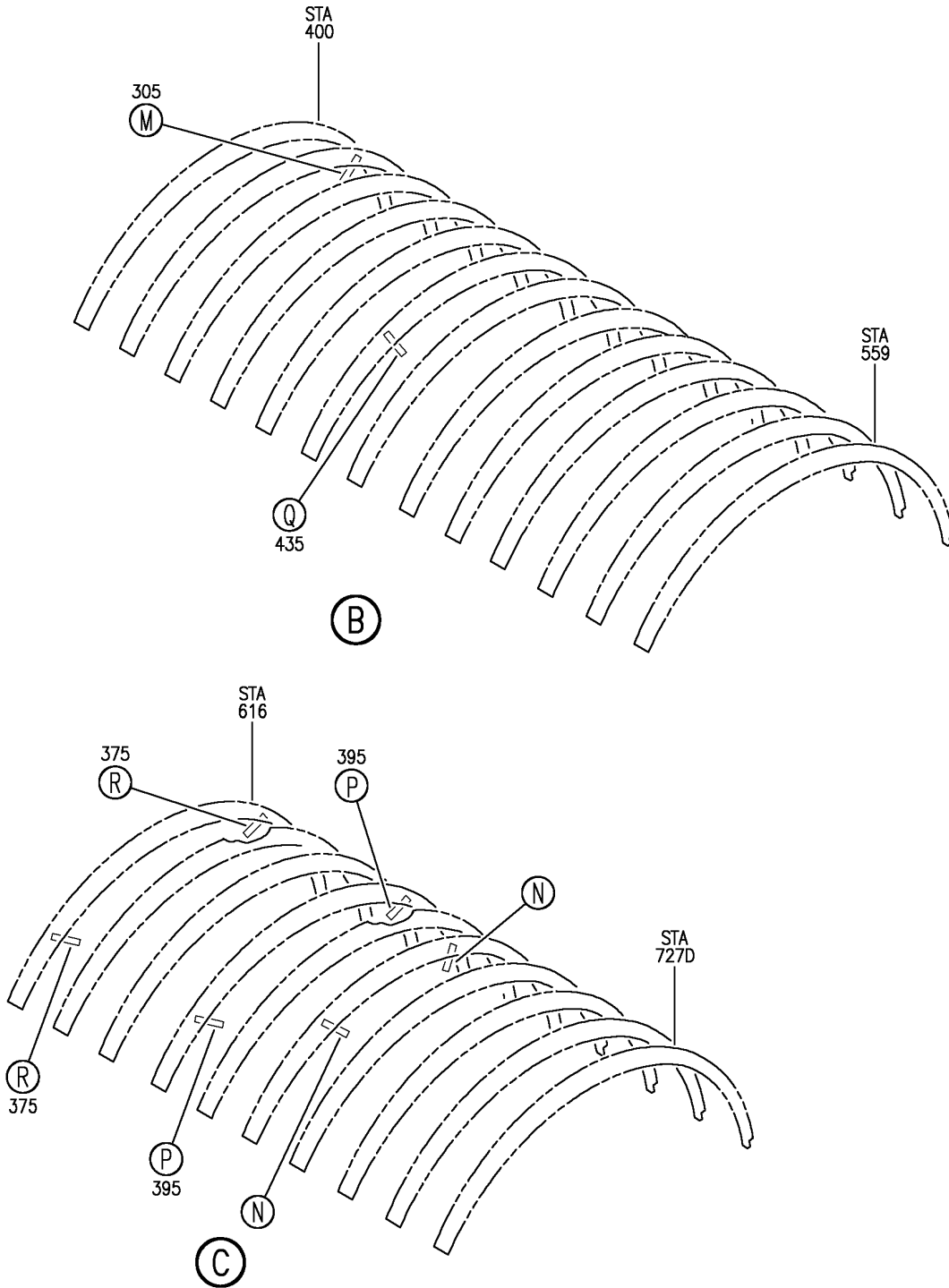
SUPPORT INSTL-FWD LH OVHD STOWAGE BIN
 FIGURE 7 (SHEET 1)

25-24-51-07

HAP
 OCT 10/06

25-24-51-07
 PAGE 0

BOEING
737-600/700/800/900
PARTS CATALOG (MAINTENANCE)



E 25245107 SH1 2 REV 074

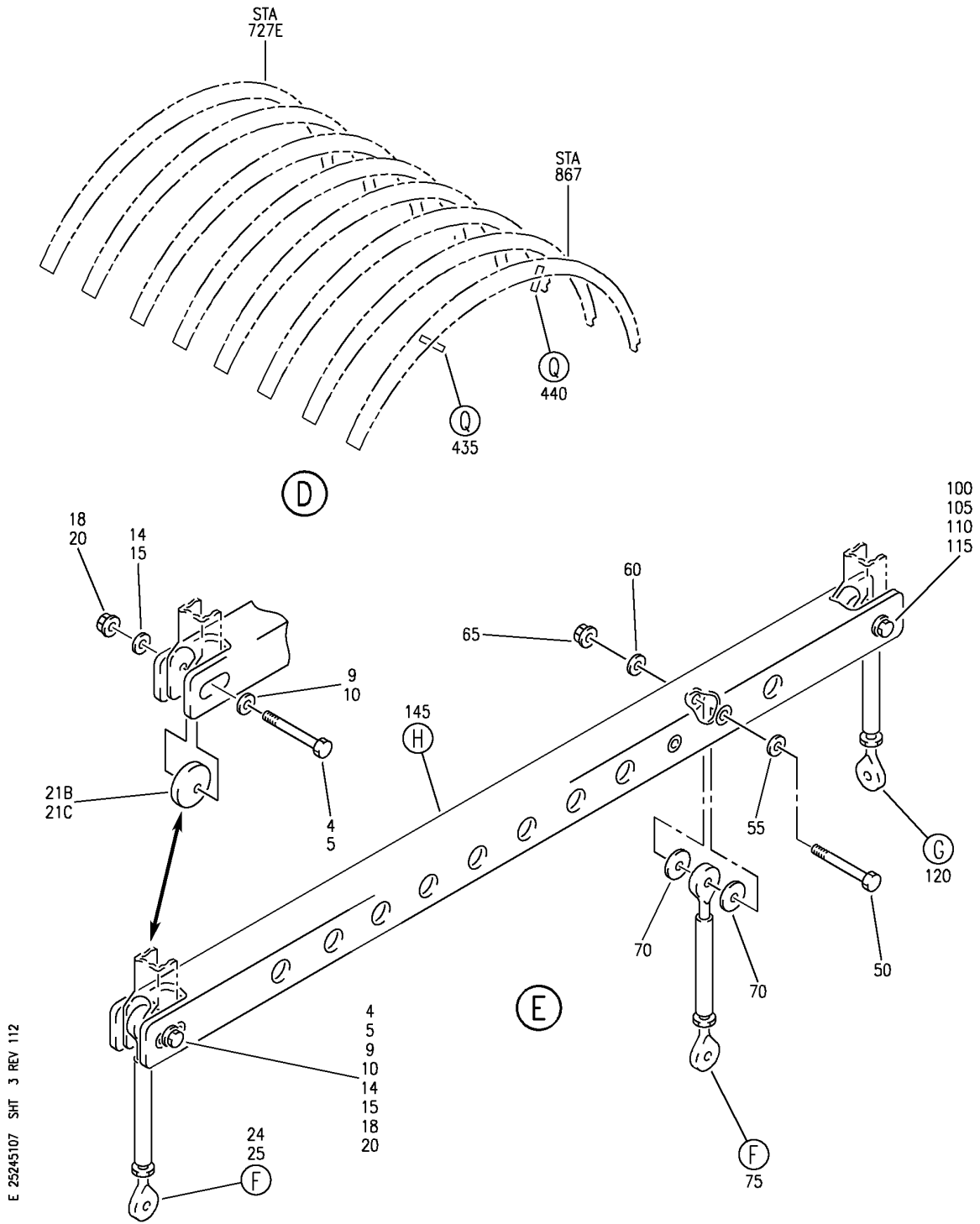
SUPPORT INSTL-FWD LH OVHD STOWAGE BIN
FIGURE 7 (SHEET 2)

25-24-51-07

HAP
OCT 10/06

25-24-51-07
PAGE 0A

BOEING
 737-600/700/800/900
 PARTS CATALOG (MAINTENANCE)



E 25245107 SHT 3 REV 112

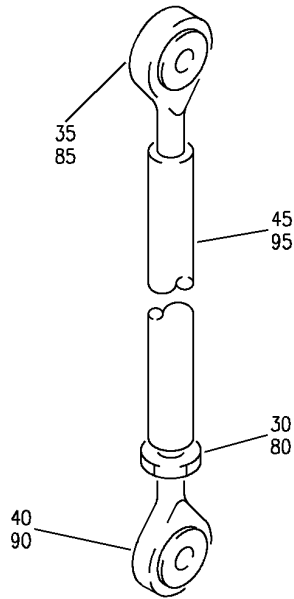
SUPPORT INSTL-FWD LH OVHD STOWAGE BIN
 FIGURE 7 (SHEET 3)

25-24-51-07

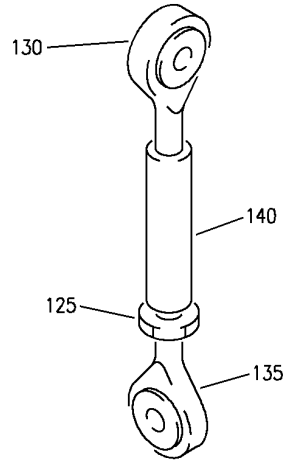
HAP
 OCT 10/06

25-24-51-07
 PAGE 0B

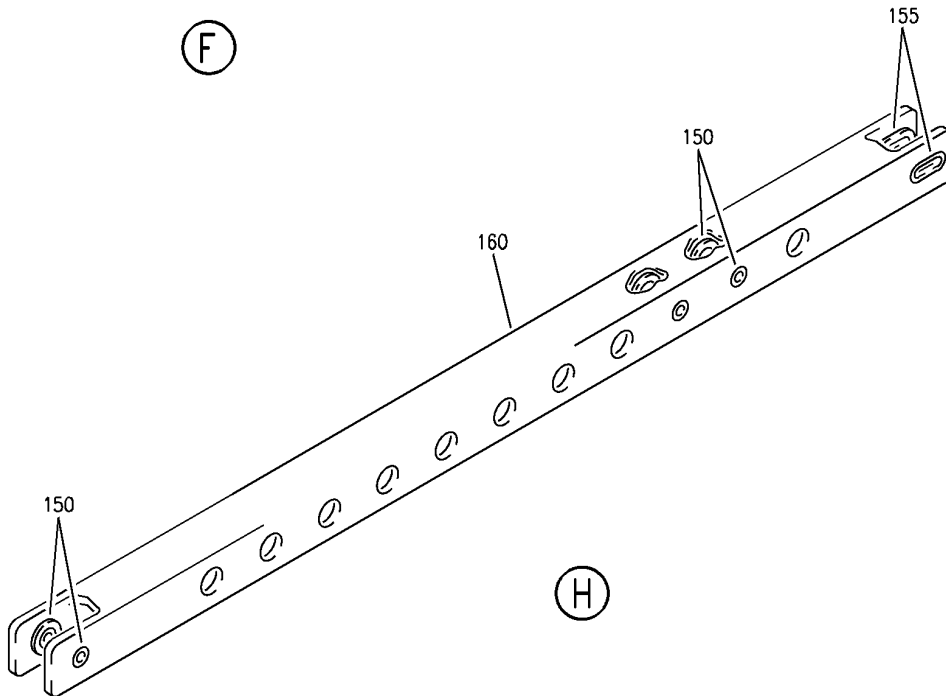
BOEING
 737-600/700/800/900
 PARTS CATALOG (MAINTENANCE)



(F)



(G)



(H)

E 25245107 SHT 4 REV 117

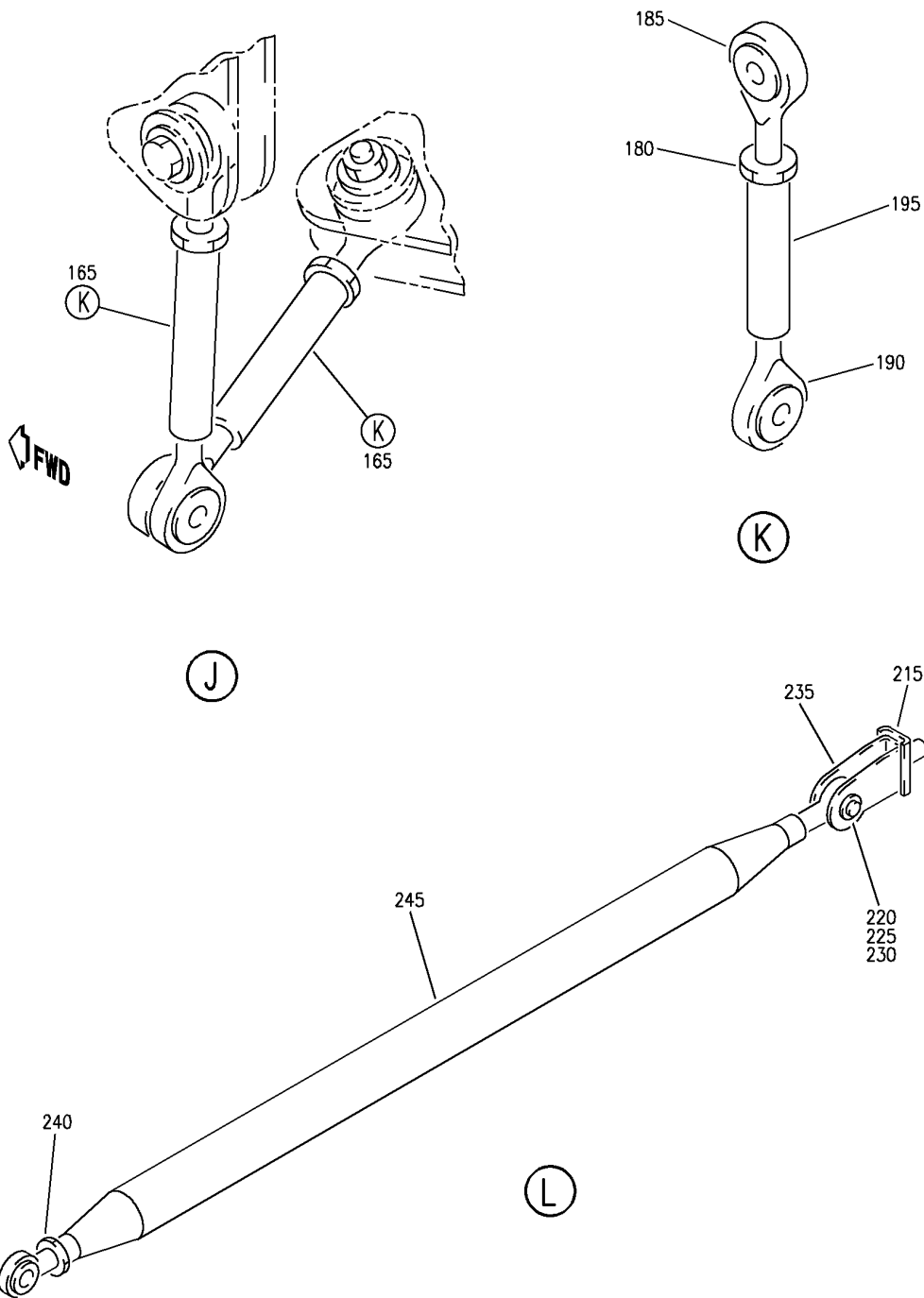
SUPPORT INSTL-FWD LH OVHD STOWAGE BIN
 FIGURE 7 (SHEET 4)

25-24-51-07

HAP
 OCT 10/06

25-24-51-07
 PAGE 0C

BOEING
 737-600/700/800/900
 PARTS CATALOG (MAINTENANCE)



E 25245107 SH1 5 REV 112

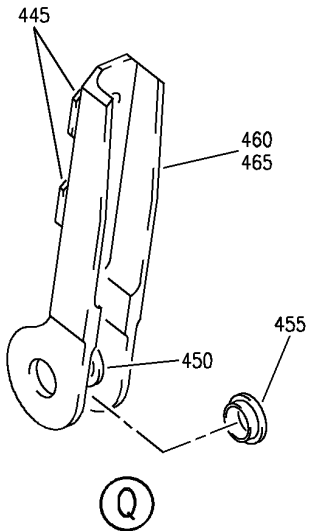
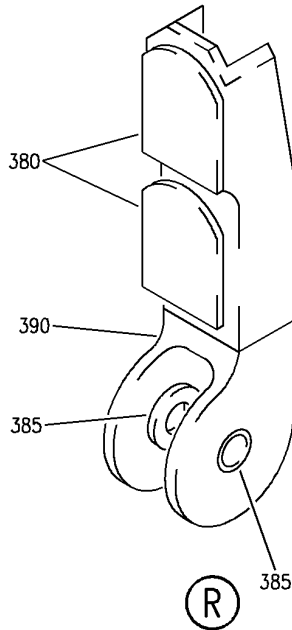
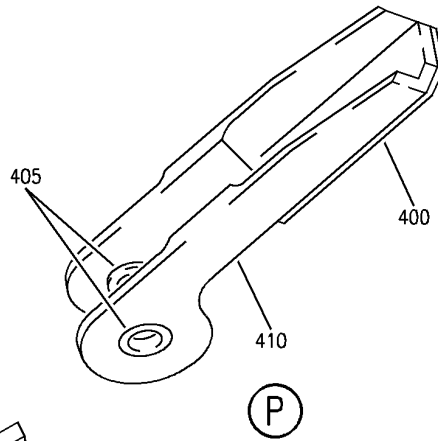
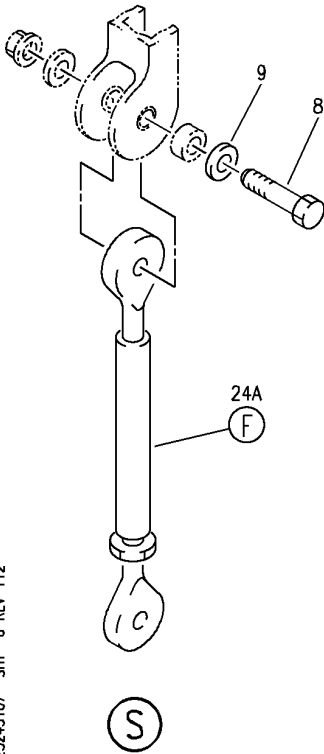
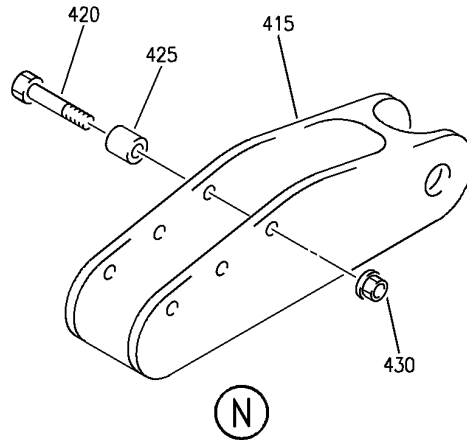
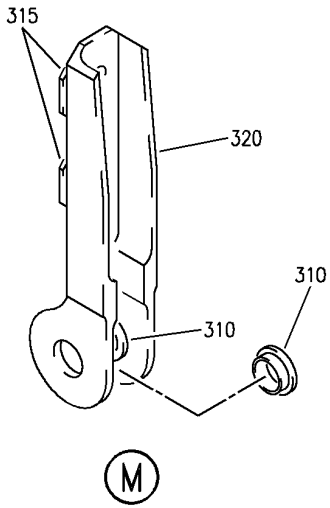
SUPPORT INSTL-FWD LH OVHD STOWAGE BIN
 FIGURE 7 (SHEET 5)

25-24-51-07

HAP
 OCT 10/06

25-24-51-07
 PAGE 0D

BOEING
 737-600/700/800/900
 PARTS CATALOG (MAINTENANCE)



E 25245107 SHT 6 REV 112

SUPPORT INSTL-FWD LH OVHD STOWAGE BIN
 FIGURE 7 (SHEET 6)

25-24-51-07

HAP
 OCT 10/06

25-24-51-07
 PAGE 0E

BOEING
737-600/700/800/900
PARTS CATALOG (MAINTENANCE)

FIG ITEM	PART NUMBER	1 2 3 4 5 6 7	NOMENCLATURE	EFFECT FROM TO	UNITS PER ASSY
7			SUPPORT INSTL-FWD LH OVHD STOWAGE BIN	001030	
- 1	412A2100-103		SUPPORT INSTL-OVHD STOWAGE BIN POSITION DATA: FWD LH FOR NHA SEE: 25-24-00-13A	001020	RF
- 1	412A2100-113		SUPPORT INSTL-OVHD STOWAGE BIN POSITION DATA: FWD LH FOR NHA SEE: 25-24-00-13A	021030	RF
4	BACB30PW4C17		.BOLT- POST SERVICE BULLETIN: 25-1542	001014 016017 019030	1
5	BACB30PW4C17		.BOLT- OPTIONAL PART: BACB30PW4-17 PRE SERVICE BULLETIN: 25-1542	001030	1
5	BACB30PW4-17		.BOLT- OPTIONAL PART: BACB30PW4C17 PRE SERVICE BULLETIN: 25-1542	001030	1
8	BACB30NR4K8		.BOLT- POST SERVICE BULLETIN: 25-1542	001014 016017 019030	1
9	BACW10BP4CD		.WASHER- POST SERVICE BULLETIN: 25-1542	001014 016017 019030	2
10	BACW10BP4CD		.WASHER- PRE SERVICE BULLETIN: 25-1542	001030	1
14	BACW10BN3SP		.WASHER- POST SERVICE BULLETIN: 25-1542	001014 016017 019030	1
15	BACW10BN3SP		.WASHER- PRE SERVICE BULLETIN: 25-1542	001030	1

MISSING ITEM NUMBERS NOT APPLICABLE

- ITEM NOT ILLUSTRATED

HAP

25-24-51-07

BOEING PROPRIETARY - Copyright © - Unpublished Work - See title page for details.

25-24-51
FIG. 07
PAGE 1
OCT 10/06

BOEING
737-600/700/800/900
PARTS CATALOG (MAINTENANCE)

FIG ITEM	PART NUMBER	1 2 3 4 5 6 7	NOMENCLATURE	EFFECT FROM TO	UNITS PER ASSY
7 18	PLH53CD		.NUT- SUPPLIER CODE: VF0224 SPECIFICATION NUMBER: BACN10YR3CD OPTIONAL PART: H52732-3CD V15653 POST SERVICE BULLETIN: 25-1542	001014 016017 019030	1
20	PLH53CD		.NUT- SUPPLIER CODE: VF0224 SPECIFICATION NUMBER: BACN10YR3CD OPTIONAL PART: H52732-3CD V15653 PRE SERVICE BULLETIN: 25-1542	001030	1
21B	BACG20C12N		.GROMMET- POST SERVICE BULLETIN: 25-1542	001014 016017 019030	1
24	65-80898-49		.TURNBUCKLE ASSY- POST SERVICE BULLETIN: 25-1541	001014 016017 019030	1
25	65-80898-49		.TURNBUCKLE ASSY- PRE SERVICE BULLETIN: 25-1542	001030	1
30	AN316-4R		..NUT	001030	1
35	ACB4-3		..BEARING-ROD END SUPPLIER CODE: V56644 OPTIONAL PART: 1254-1L V34742 AHML4-104 V50294 ML44-9A V73134 FML4-7 V76474	001030	1

MISSING ITEM NUMBERS NOT APPLICABLE

— ITEM NOT ILLUSTRATED

HAP

25-24-51-07

BOEING PROPRIETARY - Copyright © - Unpublished Work - See title page for details.

25-24-51
FIG. 07
PAGE 2
FEB 15/09

BOEING
737-600/700/800/900
PARTS CATALOG (MAINTENANCE)

FIG ITEM	PART NUMBER	1 2 3 4 5 6 7	NOMENCLATURE	EFFECT FROM TO	UNITS PER ASSY
7 35	AHML4-104		.. BEARING-ROD END SUPPLIER CODE: V50294 OPTIONAL PART: 1254-1L V34742 ACB4-3 V34742 ML44-9A V73134 FML4-7 V76474	001030	1
35	FML4-7		.. BEARING-ROD END SUPPLIER CODE: V76474 OPTIONAL PART: 1254-1L V34742 ACB4-3 V56644 AHML4-104 V50294 ML44-9A V73134	001030	1
35	ML44-9A		.. BEARING-ROD END SUPPLIER CODE: V73134 OPTIONAL PART: 1254-1L V34742 ACB4-3 V56644 AHML4-104 V50294	001030	1
35	1254-1L		.. BEARING-ROD END SUPPLIER CODE: V34742 OPTIONAL PART: ACB4-3 V56644 AHML4-104 V50294 ML44-9A V73134 FML4-7 V76474	001030	1

MISSING ITEM NUMBERS NOT APPLICABLE

— ITEM NOT ILLUSTRATED

HAP

25-24-51-07

BOEING PROPRIETARY - Copyright © - Unpublished Work - See title page for details.

25-24-51
FIG. 07
PAGE 3
FEB 10/07

BOEING
737-600/700/800/900
PARTS CATALOG (MAINTENANCE)

FIG ITEM	PART NUMBER	1 2 3 4 5 6 7	NOMENCLATURE	EFFECT FROM TO	UNITS PER ASSY
7 40	1254-1		.. BEARING-ROD END SUPPLIER CODE: V34742 OPTIONAL PART: ACM4-3 V56644 AHM4-104 V50294 FM4-7 V02695 M44-9A V73134	001030	1
40	ACM4-3		.. BEARING-ROD END SUPPLIER CODE: V56644 OPTIONAL PART: 1254-1 V34742 AHM4-104 V50294 FM4-7 V02695 M44-9A V73134	001030	1
40	AHM4-104		.. BEARING-ROD END SUPPLIER CODE: V50294 OPTIONAL PART: 1254-1 V34742 ACM4-3 V56644 FM4-7 V02695 M44-9A V73134	001030	1
40	FM4-7		.. BEARING-ROD END SUPPLIER CODE: V02695 OPTIONAL PART: 1254-1 V34742 ACM4-3 V56644 AHM4-104 V50294 M44-9A V73134	001030	1

MISSING ITEM NUMBERS NOT APPLICABLE

— ITEM NOT ILLUSTRATED

HAP

25-24-51-07

BOEING PROPRIETARY - Copyright © - Unpublished Work - See title page for details.

25-24-51
FIG. 07
PAGE 4
FEB 10/07

BOEING
737-600/700/800/900
PARTS CATALOG (MAINTENANCE)

FIG ITEM	PART NUMBER	1 2 3 4 5 6 7	NOMENCLATURE	EFFECT FROM TO	UNITS PER ASSY
7					
40	M44-9A		.. BEARING-ROD END SUPPLIER CODE: V73134 OPTIONAL PART: 1254-1 V34742 ACM4-3 V56644 AHM4-104 V50294 FM4-7 V02695	001030	1
45	65-81149-28		.. TUBE	001030	1
50	BACB30PW4C17		. BOLT- OPTIONAL PART: BACB30PW4-17	001030	1
50	BACB30PW4-17		. BOLT- OPTIONAL PART: BACB30PW4C17	001030	1
55	BACW10BP4CD		. WASHER	001030	1
60	BACW10BN3SP		. WASHER- POSITION DATA: LH SIDE	001030	1
65	PLH53CD		. NUT SUPPLIER CODE: VF0224 SPECIFICATION NUMBER: BACN10YR3CD OPTIONAL PART: H52732-3CD V15653	001030	1
70	NAS1515B4H		. GROMMET- POSITION DATA: LH SIDE	001030	2
75	65-80898-50		. TURNBUCKLE ASSY	001030	1
80	AN316-4R		.. NUT	001030	1
85	ACB4-3		.. BEARING-ROD END SUPPLIER CODE: V56644 OPTIONAL PART: 1254-1L V34742 AHML4-104 V50294 ML44-9A V73134 FML4-7 V76474	001030	1

MISSING ITEM NUMBERS NOT APPLICABLE

- ITEM NOT ILLUSTRATED

HAP

25-24-51-07

BOEING PROPRIETARY - Copyright © - Unpublished Work - See title page for details.

25-24-51
FIG. 07
PAGE 5
FEB 15/09

BOEING
737-600/700/800/900
PARTS CATALOG (MAINTENANCE)

FIG ITEM	PART NUMBER	1 2 3 4 5 6 7	NOMENCLATURE	EFFECT FROM TO	UNITS PER ASSY
7 85	AHML4-104		.. BEARING-ROD END SUPPLIER CODE: V50294 OPTIONAL PART: 1254-1L V34742 ACB4-3 V34742 ML44-9A V73134 FML4-7 V76474	001030	1
85	FML4-7		.. BEARING-ROD END SUPPLIER CODE: V76474 OPTIONAL PART: 1254-1L V34742 ACB4-3 V56644 AHML4-104 V50294 ML44-9A V73134	001030	1
85	ML44-9A		.. BEARING-ROD END SUPPLIER CODE: V73134 OPTIONAL PART: 1254-1L V34742 ACB4-3 V56644 AHML4-104 V50294 FML4-7 V76474	001030	1
85	1254-1L		.. BEARING-ROD END SUPPLIER CODE: V34742 OPTIONAL PART: ACB4-3 V56644 AHML4-104 V50294 ML44-9A V73134 FML4-7 V76474	001030	1

MISSING ITEM NUMBERS NOT APPLICABLE

— ITEM NOT ILLUSTRATED

HAP

25-24-51-07

BOEING PROPRIETARY - Copyright © - Unpublished Work - See title page for details.

25-24-51
FIG. 07
PAGE 6
FEB 10/07

BOEING
737-600/700/800/900
PARTS CATALOG (MAINTENANCE)

FIG ITEM	PART NUMBER	1 2 3 4 5 6 7	NOMENCLATURE	EFFECT FROM TO	UNITS PER ASSY
7 90	ACM4-3		.. BEARING-ROD END SUPPLIER CODE: V56644 OPTIONAL PART: 1254-1 V34742 AHM4-104 V50294 FM4-7 V02695 M44-9A V73134	001030	1
90	AHM4-104		.. BEARING-ROD END SUPPLIER CODE: V50294 OPTIONAL PART: 1254-1 V34742 ACM4-3 V56644 FM4-7 V02695 M44-9A V73134	001030	1
90	FM4-7		.. BEARING-ROD END SUPPLIER CODE: V02695 OPTIONAL PART: 1254-1 V34742 ACM4-3 V56644 AHM4-104 V50294 M44-9A V73134	001030	1
90	M44-9A		.. BEARING-ROD END SUPPLIER CODE: V73134 OPTIONAL PART: 1254-1 V34742 ACM4-3 V56644 AHM4-104 V50294 FM4-7 V02695	001030	1

MISSING ITEM NUMBERS NOT APPLICABLE

— ITEM NOT ILLUSTRATED

HAP

25-24-51-07

BOEING PROPRIETARY - Copyright © - Unpublished Work - See title page for details.

25-24-51
FIG. 07
PAGE 7
FEB 10/07

BOEING
737-600/700/800/900
PARTS CATALOG (MAINTENANCE)

FIG ITEM	PART NUMBER	1 2 3 4 5 6 7	NOMENCLATURE	EFFECT FROM TO	UNITS PER ASSY
7	90 1254-1		.. BEARING-ROD END SUPPLIER CODE: V34742 OPTIONAL PART: ACM4-3 V56644 AHM4-104 V50294 FM4-7 V02695 M44-9A V73134	001030	1
	95 65-81149-11		.. TUBE	001030	1
	100 BACB30PW4C17		. BOLT- OPTIONAL PART: BACB30PW4-17	001030	1
	100 BACB30PW4-17		. BOLT- OPTIONAL PART: BACB30PW4C17	001030	1
	105 BACW10BP4CD		. WASHER	001030	1
	110 BACW10BN3SP		. WASHER	001030	1
	115 PLH53CD		. NUT SUPPLIER CODE: VF0224 SPECIFICATION NUMBER: BACN10YR3CD OPTIONAL PART: H52732-3CD V15653	001030	1
	120 65-80898-24		. TURNBUCKLE ASSY	001030	1
	125 AN316-4L		.. NUT	001030	1
	130 1254-3		.. BEARING-ROD END SUPPLIER CODE: V34742 OPTIONAL PART: ACM4-4 V56644 AHM4-103 V50294 M44-9 V73134 FM4-6 V02695	001030	1

MISSING ITEM NUMBERS NOT APPLICABLE

— ITEM NOT ILLUSTRATED

HAP

25-24-51-07

BOEING PROPRIETARY - Copyright © - Unpublished Work - See title page for details.

25-24-51
FIG. 07
PAGE 8
FEB 15/09

BOEING
737-600/700/800/900
PARTS CATALOG (MAINTENANCE)

FIG ITEM	PART NUMBER	1 2 3 4 5 6 7	NOMENCLATURE	EFFECT FROM TO	UNITS PER ASSY
7 130	ACM4-4		.. BEARING-ROD END SUPPLIER CODE: V56644 OPTIONAL PART: 1254-3 V34742 AHM4-103 V50294 M44-9 V73134 FM4-6 V02695	001030	1
130	FM4-6		.. BEARING-ROD END SUPPLIER CODE: V02695 OPTIONAL PART: 1254-3 V34742 ACM4-4 V56644 AHM4-103 V50294 M44-9 V73134	001030	1
130	AHM4-103		.. BEARING-ROD END SUPPLIER CODE: V50294 OPTIONAL PART: 1254-3 V34742 ACM4-4 V56644 FM4-6 V02695 M44-9 V73134	001030	1
130	M44-9		.. BEARING-ROD END SUPPLIER CODE: V73134 OPTIONAL PART: 1254-3 V34742 ACM4-4 V56644 FM4-6 V02695 AHM4-103 V50294	001030	1

MISSING ITEM NUMBERS NOT APPLICABLE

— ITEM NOT ILLUSTRATED

HAP

25-24-51-07

BOEING PROPRIETARY - Copyright © - Unpublished Work - See title page for details.

25-24-51
FIG. 07
PAGE 9
FEB 10/07

BOEING
737-600/700/800/900
PARTS CATALOG (MAINTENANCE)

FIG ITEM	PART NUMBER	1 2 3 4 5 6 7	NOMENCLATURE	EFFECT FROM TO	UNITS PER ASSY
7 135	1254-3L		.. BEARING-ROD END SUPPLIER CODE: V34742 OPTIONAL PART: ACB4-4 V56644 AHML4-103 V50294 ML44-9 V73134 FML4-6 V02695	001030	1
135	ACB4-4		.. BEARING-ROD END SUPPLIER CODE: V56644 OPTIONAL PART: 1254-3L V34742 FML4-6 V02695 AHML4-103 V50294 ML44-9 V73134	001030	1
135	FML4-6		.. BEARING-ROD END SUPPLIER CODE: V02695 OPTIONAL PART: 1254-3L V34742 ACB4-4 V56644 AHML4-103 V50294 ML44-9 V73134	001030	1
135	AHML4-103		.. BEARING-ROD END SUPPLIER CODE: V50294 OPTIONAL PART: 1254-3L V34742 ACB4-4 V56644 FML4-6 V02695 ML44-9 V73134	001030	1

MISSING ITEM NUMBERS NOT APPLICABLE

— ITEM NOT ILLUSTRATED

HAP

25-24-51-07

BOEING PROPRIETARY - Copyright © - Unpublished Work - See title page for details.

25-24-51
FIG. 07
PAGE 10
FEB 10/07

BOEING
737-600/700/800/900
PARTS CATALOG (MAINTENANCE)

FIG ITEM	PART NUMBER	1 2 3 4 5 6 7	NOMENCLATURE	EFFECT FROM TO	UNITS PER ASSY
7					
135	ML44-9		.. BEARING-ROD END SUPPLIER CODE: V73134 OPTIONAL PART: 1254-3L V34742 ACB4-4 V56644 FML4-6 V02695 AHML4-103 V50294	001030	1
140	65-81149-25		.. TUBE	001030	1
145	412A2250-6		. CHANNEL ASSY- POSITION DATA: LWR	001030	1
150	BACB28AT04B008C		.. BUSHING	001030	6
155	412A2250-15		.. BUSHING-SLOT	001030	2
160	412A2250-12		.. CHANNEL	001030	1
165	65-80898-43		. TURNBUCKLE ASSY ATTACHING PARTS	001030	2
- 170	BACB30NR4K8		. BOLT	001030	2
- 175	BACW10BP4CD		. WASHER	001030	2
			-----*-----		
180	AN316-4R		.. NUT	001030	1
185	1486-5		.. ROD END ASSY- SUPPLIER CODE: V34742	001030	1
190	1486-5L		.. ROD END ASSY- SUPPLIER CODE: V34742	001030	1
195	65-81149-47		.. TUBE	001030	1
197	412N2030-172		. DIAGONAL ASSY	021030	1
197	412N2030-72		. DIAGONAL ASSY ATTACHING PARTS	001020	1
- 205	NAS1149D0516J		. WASHER- POSITION DATA: LH SIDE	001030	1

MISSING ITEM NUMBERS NOT APPLICABLE

- ITEM NOT ILLUSTRATED

HAP

25-24-51-07

BOEING PROPRIETARY - Copyright © - Unpublished Work - See title page for details.

25-24-51
FIG. 07
PAGE 11
JUN 15/08

BOEING
737-600/700/800/900
PARTS CATALOG (MAINTENANCE)

FIG ITEM	PART NUMBER	1 2 3 4 5 6 7	NOMENCLATURE	EFFECT FROM TO	UNITS PER ASSY
7 - 207	BRH10C5D	.NUT-	SUPPLIER CODE: V52828 SPECIFICATION NUMBER: BACN10JC5CD OPTIONAL PART: T6C524JCD V11815 102LH9075-5W V72962 H51650-5BAC V15653 BACN10YR5CD	021030	1
- 207	PLH55CD	.NUT-	SUPPLIER CODE: VF0224 SPECIFICATION NUMBER: BACN10YR5CD OPTIONAL PART: H52732-5CD V15653 BACN10JC5CD	001030	1
215	412N2032-4	..INSULATOR-	-----*----- MANUFACTURED FROM: FIN F-6.10 COMPRESSION MOLDED PHENOLIC, GLASS FIBER FILLED PER BMS8-271A, TYPE 1 OPTIONAL PART: 412N2032-3 OPTIONAL PART: 412N2032-6	001020	1
215	412N2032-6	..INSULATOR-	MANUFACTURED FROM: FIN F-25.01 COMPRESSION MOLDED PHENOLIC, GLASS FIBER FILLED PER BMS8-271A, TYPE 1. OPTIONAL PART: 412N2032-4	001030	1
220	BACP18BD3R17	..PIN-	OPTIONAL PART: MS20392-3C17	001030	1
220	MS20392-3C17	..PIN-	OPTIONAL PART: BACP18BD3R17	001030	1

MISSING ITEM NUMBERS NOT APPLICABLE

- ITEM NOT ILLUSTRATED

HAP

25-24-51-07

BOEING PROPRIETARY - Copyright © - Unpublished Work - See title page for details.

25-24-51
FIG. 07
PAGE 12
FEB 15/09

 **BOEING**
737-600/700/800/900
PARTS CATALOG (MAINTENANCE)

FIG ITEM	PART NUMBER	1 2 3 4 5 6 7	NOMENCLATURE	EFFECT FROM TO	UNITS PER ASSY
7					
225	MS24665-132	..	PIN- OPTIONAL PART: BACP18BC02A06P	001030	1
225	BACP18BC02A06P	..	PIN- OPTIONAL PART: MS24665-132	001030	1
230	NAS1149D0416J	..	WASHER- OPTIONAL PART: BACW10P273L	001030	1
230	BACW10P273L	..	WASHER- OPTIONAL PART: NAS1149D0416J	001030	1
235	412N2031-1	..	CLEVIS- MANUFACTURED FROM: 412N2031-2	001030	1
240	AN316-5R	..	NUT	001030	1
245	USC1327-1	..	ROD ASSY-TIE SUPPLIER CODE: V31293 OPTIONAL PART: 1482-31 V34742	021030	1
245	1482-31	..	ROD ASSY- SUPPLIER CODE: V34742 OPTIONAL PART: USC3127-1 V31293	001030	1

MISSING ITEM NUMBERS NOT APPLICABLE

— ITEM NOT ILLUSTRATED

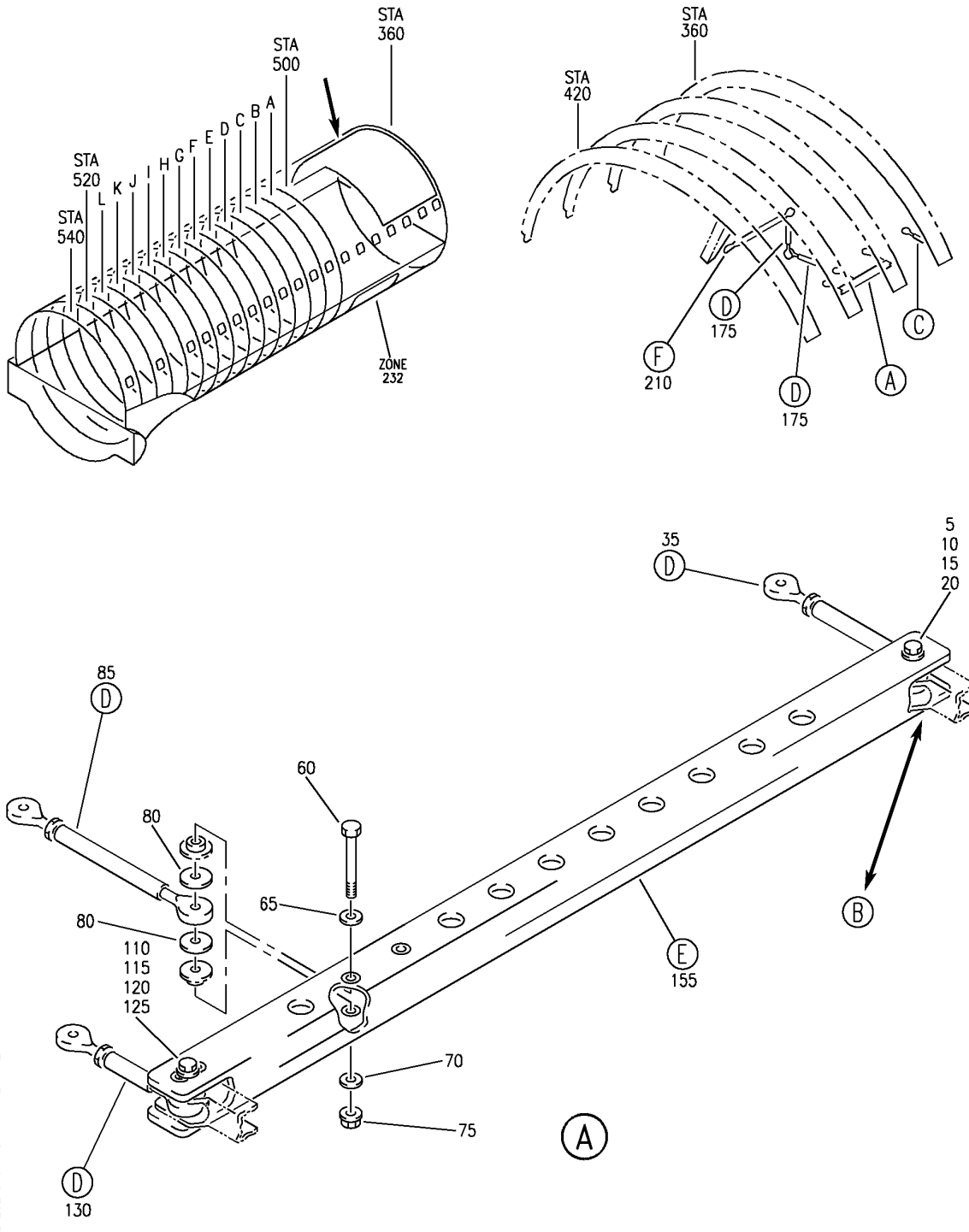
HAP

25-24-51-07

BOEING PROPRIETARY - Copyright © - Unpublished Work - See title page for details.

25-24-51
FIG. 07
PAGE 13
JUN 15/08

BOEING
 737-600/700/800/900
 PARTS CATALOG (MAINTENANCE)



E 25245107A SHT 1 REV 112

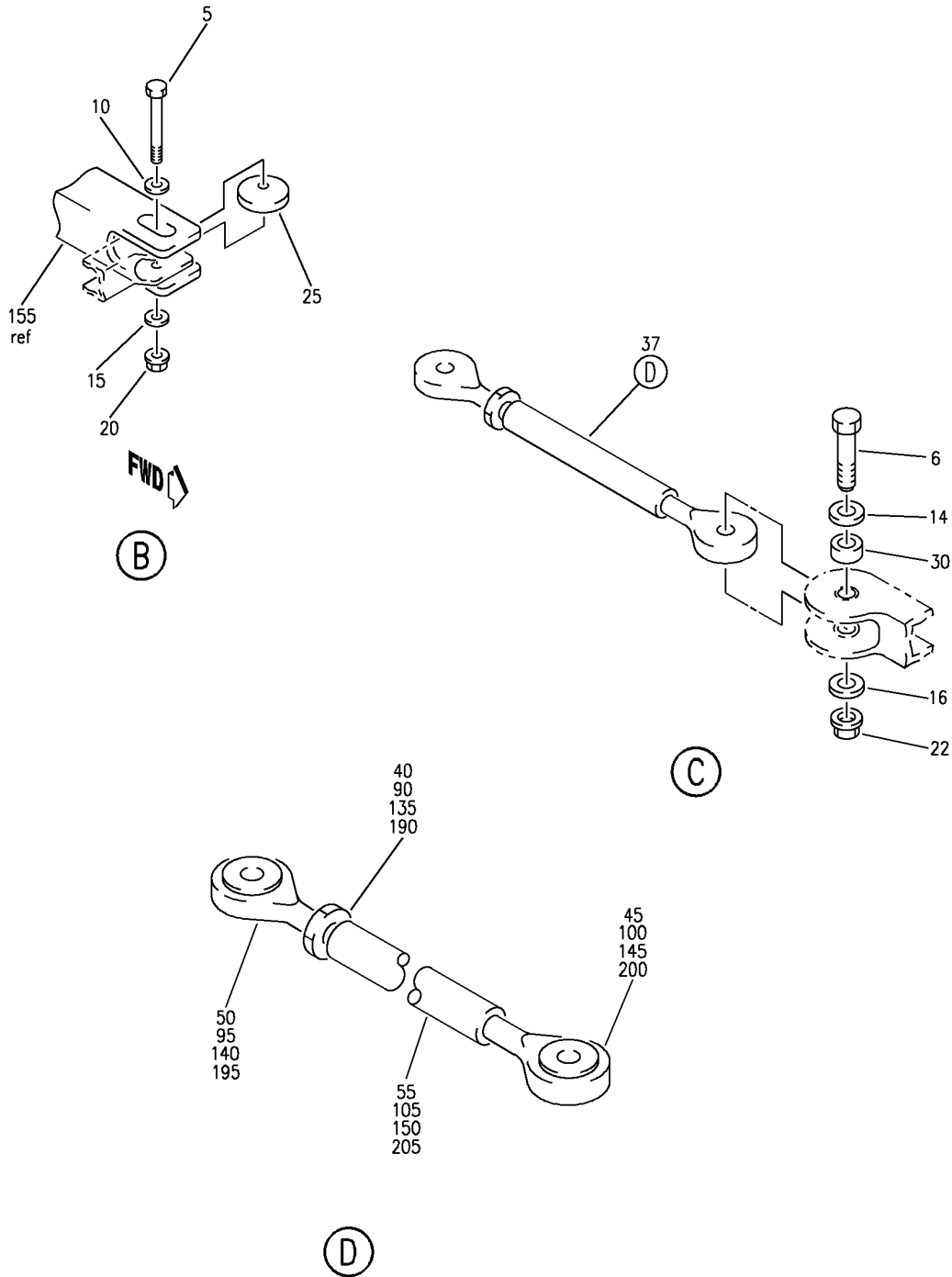
SUPPORT INSTL-FWD RH OVHD STOWAGE BIN
 FIGURE 7A (SHEET 1)

25-24-51-07A

HAP
 OCT 10/06

25-24-51-07A
 PAGE 0

BOEING
 737-600/700/800/900
 PARTS CATALOG (MAINTENANCE)



E 25245107A SHT 2 REV 112

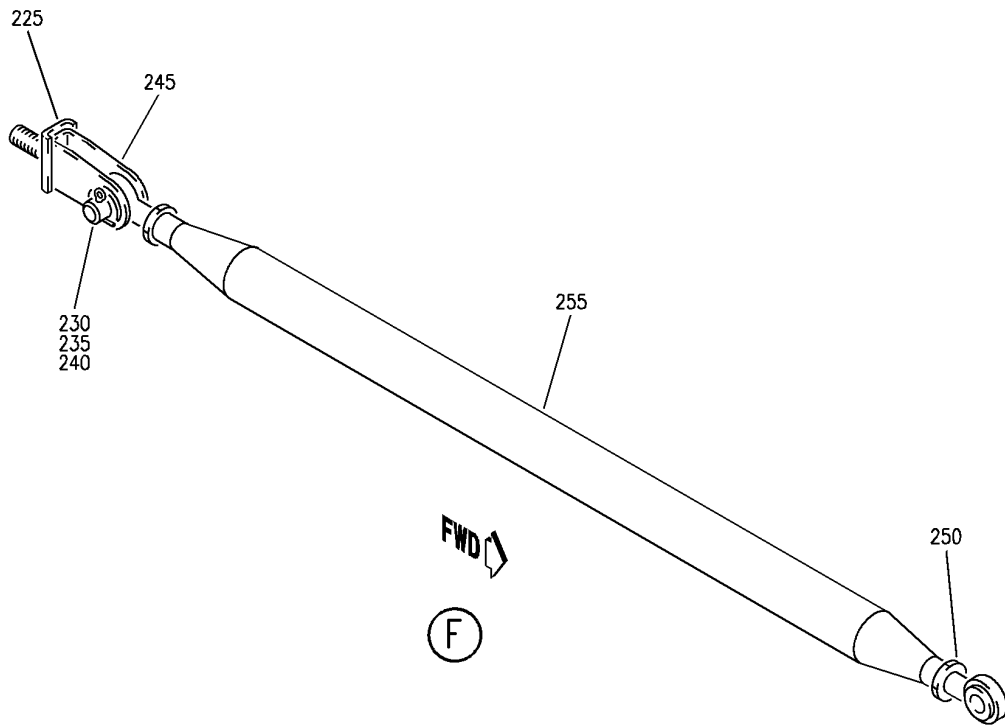
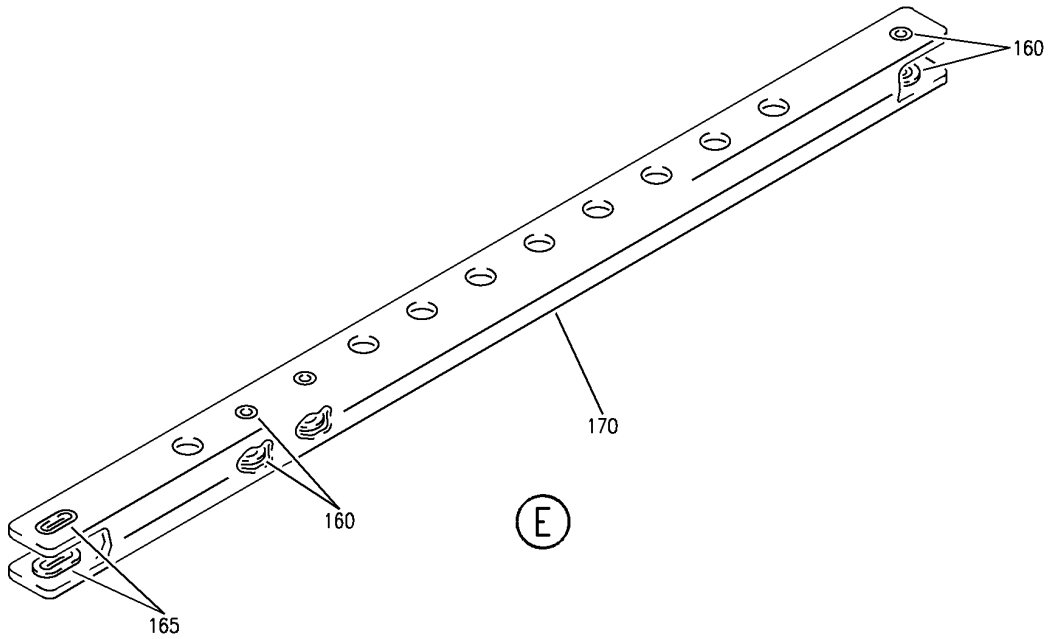
SUPPORT INSTL-FWD RH OVHD STOWAGE BIN
 FIGURE 7A (SHEET 2)

25-24-51-07A

HAP
 OCT 10/06

25-24-51-07A
 PAGE 0A

BOEING
 737-600/700/800/900
 PARTS CATALOG (MAINTENANCE)



E 25245107A SHT 3 REV 112

SUPPORT INSTL-FWD RH OVHD STOWAGE BIN
 FIGURE 7A (SHEET 3)

25-24-51-07A

HAP
 OCT 10/06

25-24-51-07A
 PAGE 0B

BOEING
737-600/700/800/900
PARTS CATALOG (MAINTENANCE)

FIG ITEM	PART NUMBER	1 2 3 4 5 6 7	NOMENCLATURE	EFFECT FROM TO	UNITS PER ASSY
7A			SUPPORT INSTL-FWD RH OVHD STOWAGE BIN	001100	
- 1	412A2100-203		SUPPORT INSTL-OVHD STOWAGE BIN POSITION DATA: FWD RH FOR NHA SEE: 25-24-00-13A	001020	RF
- 1	412A2100-213		SUPPORT INSTL-OVHD STOWAGE BIN POSITION DATA: FWD RH FOR NHA SEE: 25-24-00-13A	021030	RF
- 1	MODREF91543		SUPPORT INSTL-OVHD STOWAGE BIN MODULE NUMBER: 412A2100-213 REV A POSITION DATA: FWD RH	031035	1
- 1	MODREF290254		SUPPORT INSTL-OVHD STOWAGE BIN MODULE NUMBER: 412A2100-213 REV B POSITION DATA: FWD RH	036100	1
5	BACB30PW4C17		.BOLT- OPTIONAL PART: BACB30PW4-17	001100	1
5	BACB30PW4-17		.BOLT- OPTIONAL PART: BACB30PW4C17	001100	1
10	BACW10BP4CD		.WASHER	001100	1
15	BACW10BN3SP		.WASHER	001100	1
20	PLH53CD		.NUT SUPPLIER CODE: VF0224 SPECIFICATION NUMBER: BACN10YR3CD OPTIONAL PART: H52732-3CD V15653	001100	1
35	65-80898-49		.TURNBUCKLE ASSY	001100	1
40	AN316-4R		..NUT	001100	1

MISSING ITEM NUMBERS NOT APPLICABLE

- ITEM NOT ILLUSTRATED

HAP

25-24-51-07A

BOEING PROPRIETARY - Copyright © - Unpublished Work - See title page for details.

25-24-51
FIG. 07A
PAGE 1
FEB 15/09


BOEING
 737-600/700/800/900
PARTS CATALOG (MAINTENANCE)

FIG ITEM	PART NUMBER	1 2 3 4 5 6 7	NOMENCLATURE	EFFECT FROM TO	UNITS PER ASSY
7A 45	ACB4-3		.. BEARING-ROD END SUPPLIER CODE: V56644 OPTIONAL PART: 1254-1L V34742 AHML4-104 V50294 ML44-9A V73134 FML4-7 V76474	001100	1
45	1254-1L		.. BEARING-ROD END SUPPLIER CODE: V34742 OPTIONAL PART: AHML4-104 V50294 ML44-9A V73134 ACB4-3 V56644 FML4-7 V76474	001100	1
45	AHML4-104		.. BEARING-ROD END SUPPLIER CODE: V50294 OPTIONAL PART: ML44-9A V73134 ACB4-3 V56644 1254-1L V34742 FML4-7 V76474	001100	1
45	FML4-7		.. BEARING-ROD END SUPPLIER CODE: V76474 OPTIONAL PART: ACB4-3 V56644 AHML4-104 V50294 ML44-9A V73134 1254-1L V34742	001100	1

MISSING ITEM NUMBERS NOT APPLICABLE

— ITEM NOT ILLUSTRATED

HAP

25-24-51-07A

BOEING PROPRIETARY - Copyright © - Unpublished Work - See title page for details.

25-24-51
 FIG. 07A
 PAGE 2
 FEB 10/07

BOEING
737-600/700/800/900
PARTS CATALOG (MAINTENANCE)

FIG ITEM	PART NUMBER	1 2 3 4 5 6 7	NOMENCLATURE	EFFECT FROM TO	UNITS PER ASSY
7A 45	ML44-9A		.. BEARING-ROD END SUPPLIER CODE: V73134 OPTIONAL PART: ACB4-3 V56644 AHML4-104 V50294 1254-1L V34752 FML4-7 V76474	001100	1
50	ACM4-3		.. BEARING-ROD END SUPPLIER CODE: V56644 OPTIONAL PART: 1254-1 V34742 AHM4-104 V50294 FM4-7 V02695 M44-9A V73134	001100	1
50	1254-1		.. BEARING-ROD END SUPPLIER CODE: V34742 OPTIONAL PART: ACM4-3 V56644 AHM4-104 V50294 FM4-7 V02695 M44-9A V73134	001100	1
50	AHM4-104		.. BEARING-ROD END SUPPLIER CODE: V50294 OPTIONAL PART: ACM4-3 V56644 1254-1 V34742 FM4-7 V02695 M44-9A V73134	001100	1

MISSING ITEM NUMBERS NOT APPLICABLE

— ITEM NOT ILLUSTRATED

HAP

25-24-51-07A

BOEING PROPRIETARY - Copyright © - Unpublished Work - See title page for details.

25-24-51
FIG. 07A
PAGE 3
FEB 10/07

BOEING
737-600/700/800/900
PARTS CATALOG (MAINTENANCE)

FIG ITEM	PART NUMBER	1 2 3 4 5 6 7	NOMENCLATURE	EFFECT FROM TO	UNITS PER ASSY
7A 50	FM4-7		.. BEARING-ROD END SUPPLIER CODE: V02695 OPTIONAL PART: ACM4-3 V56644 1254-1 V34742 AHM4-104 V50294 M44-9A V73134	001100	1
50	M44-9A		.. BEARING-ROD END SUPPLIER CODE: V73134 OPTIONAL PART: ACM4-3 V56644 1254-1 V34742 AHM4-104 V50294 FM4-7 V02695	001100	1
55	65-81149-28		.. TUBE	001100	1
60	BACB30PW4C17		. BOLT- OPTIONAL PART: BACB30PW4-17	001100	1
60	BACB30PW4-17		. BOLT- OPTIONAL PART: BACB30PW4C17	001100	1
65	BACW10BP4CD		. WASHER	001100	1
70	BACW10BN3SP		. WASHER	001100	1
75	PLH53CD		. NUT SUPPLIER CODE: VF0224 SPECIFICATION NUMBER: BACN10YR3CD OPTIONAL PART: H52732-3CD V15653	001100	1
80	NAS1515B4H		. GROMMET	001100	2
85	65-80898-50		. TURNBUCKLE ASSY	001100	1
90	AN316-4R		.. NUT	001100	1

MISSING ITEM NUMBERS NOT APPLICABLE

— ITEM NOT ILLUSTRATED

HAP

25-24-51-07A

BOEING PROPRIETARY - Copyright © - Unpublished Work - See title page for details.

25-24-51
FIG. 07A
PAGE 4
FEB 15/09

BOEING
737-600/700/800/900
PARTS CATALOG (MAINTENANCE)

FIG ITEM	PART NUMBER	1 2 3 4 5 6 7	NOMENCLATURE	EFFECT FROM TO	UNITS PER ASSY
7A 95	1254-1L		.. BEARING-ROD END SUPPLIER CODE: V34742 OPTIONAL PART: ACB4-3 V56644 AHML4-104 V50294 ML44-9A V73134 FML4-7 V76474	001100	1
95	ACB4-3L		.. BEARING-ROD END SUPPLIER CODE: V56644 OPTIONAL PART: 1254-1L V34742 AHML4-104 V50294 ML44-9A V73134 FML4-7 V76474	001100	1
95	AHML4-104		.. BEARING-ROD END SUPPLIER CODE: V50294 OPTIONAL PART: 1254-1L V34742 ACB4-3 V56644 ML44-9A V73134 FML4-7 V76474	001100	1
95	FML4-7		.. BEARING-ROD END SUPPLIER CODE: V76474 OPTIONAL PART: 1254-1L V34742 ACB4-3 V56644 AHML4-104 V50294 ML44-9A V73134	001100	1

MISSING ITEM NUMBERS NOT APPLICABLE

— ITEM NOT ILLUSTRATED

HAP

25-24-51-07A

BOEING PROPRIETARY - Copyright © - Unpublished Work - See title page for details.

25-24-51
FIG. 07A
PAGE 5
FEB 10/07

BOEING
737-600/700/800/900
PARTS CATALOG (MAINTENANCE)

FIG ITEM	PART NUMBER	1 2 3 4 5 6 7	NOMENCLATURE	EFFECT FROM TO	UNITS PER ASSY
7A 95	ML44-9A		.. BEARING-ROD END SUPPLIER CODE: V73134 OPTIONAL PART: 1254-1L V34742 ACB4-3 V56644 AHML4-104 V50294 FML4-7 V76474	001100	1
100	1254-1		.. BEARING-ROD END SUPPLIER CODE: V34742 OPTIONAL PART: ACM4-3 V56644 AHM4-104 V50294 FM4-7 V02695 M44-9A V73134	001100	1
100	ACM4-3		.. BEARING-ROD END SUPPLIER CODE: V56644 OPTIONAL PART: 1254-1 V34742 AHM4-104 V50294 FM4-7 V02695 M44-9A V73134	001100	1
100	AHM4-104		.. BEARING-ROD END SUPPLIER CODE: V50294 OPTIONAL PART: 1254-1 V34742 ACM4-3 V56644 FM4-7 V02695 M44-9A V73134	001100	1

MISSING ITEM NUMBERS NOT APPLICABLE

— ITEM NOT ILLUSTRATED

HAP

25-24-51-07A

BOEING PROPRIETARY - Copyright © - Unpublished Work - See title page for details.

25-24-51
FIG. 07A
PAGE 6
FEB 10/07

BOEING
737-600/700/800/900
PARTS CATALOG (MAINTENANCE)

FIG ITEM	PART NUMBER	1 2 3 4 5 6 7	NOMENCLATURE	EFFECT FROM TO	UNITS PER ASSY
7A 100	FM4-7		.. BEARING-ROD END SUPPLIER CODE: V02695 OPTIONAL PART: 1254-1 V34742 ACM4-3 V56644 AHM4-104 V50294 M44-9A V73134	001100	1
100	M44-9A		.. BEARING-ROD END SUPPLIER CODE: V73134 OPTIONAL PART: 1254-1 V34742 ACM4-3 V56644 AHM4-104 V50294 FM4-7 V02695	001100	1
105	65-81149-11		.. TUBE	001100	1
110	BACB30PW4C17		. BOLT- OPTIONAL PART: BACB30PW4-17	001100	1
110	BACB30PW4-17		. BOLT- OPTIONAL PART: BACB30PW4C17	001100	1
115	BACW10BP4CD		. WASHER	001100	1
120	BACW10BN3SP		. WASHER	001100	1
125	PLH53CD		. NUT SUPPLIER CODE: VF0224 SPECIFICATION NUMBER: BACN10YR3CD OPTIONAL PART: H52732-3CD V15653	001100	1
130	65-80898-24		. TURNBUCKLE ASSY	001100	1
135	AN316-4L		.. NUT	001100	1

MISSING ITEM NUMBERS NOT APPLICABLE

— ITEM NOT ILLUSTRATED

HAP

25-24-51-07A

BOEING PROPRIETARY - Copyright © - Unpublished Work - See title page for details.

25-24-51
FIG. 07A
PAGE 7
FEB 15/09

BOEING
737-600/700/800/900
PARTS CATALOG (MAINTENANCE)

FIG ITEM	PART NUMBER	1 2 3 4 5 6 7	NOMENCLATURE	EFFECT FROM TO	UNITS PER ASSY
7A 140	1254-3		.. BEARING-ROD END SUPPLIER CODE: V34742 OPTIONAL PART: ACM4-4 V56644 AHM4-103 V50294 M44-9 V73134 FM4-6 V02695	001100	1
140	ACM4-4		.. BEARING-ROD END SUPPLIER CODE: V56644 OPTIONAL PART: 1254-3 V34742 AHM4-103 V50294 M44-9 V73134 FM4-6 V02695	001100	1
140	FM4-6		.. BEARING-ROD END SUPPLIER CODE: V02695 OPTIONAL PART: 1254-3 V34742 ACM4-4 V56644 AHM4-103 V50294 M44-9 V73134	001100	1
140	AHM4-103		.. BEARING-ROD END SUPPLIER CODE: V50294 OPTIONAL PART: 1254-3 V34742 ACM4-4 V56644 FM4-6 V02695 M44-9 V73134	001100	1

MISSING ITEM NUMBERS NOT APPLICABLE

— ITEM NOT ILLUSTRATED

HAP

25-24-51-07A

BOEING PROPRIETARY - Copyright © - Unpublished Work - See title page for details.

25-24-51
FIG. 07A
PAGE 8
FEB 10/07

BOEING
737-600/700/800/900
PARTS CATALOG (MAINTENANCE)

FIG ITEM	PART NUMBER	1 2 3 4 5 6 7	NOMENCLATURE	EFFECT FROM TO	UNITS PER ASSY
7A 140	M44-9		.. BEARING-ROD END SUPPLIER CODE: V73134 OPTIONAL PART: 1254-3 V34742 ACM4-4 V56644 FM4-6 V02695 AHM4-103 V50294	001100	1
145	1254-3L		.. BEARING-ROD END SUPPLIER CODE: V34742 OPTIONAL PART: ACB4-4 V56644 AHML4-103 V50294 ML44-9 V73134 FML4-6 V02695	001100	1
145	ACB4-4		.. BEARING-ROD END SUPPLIER CODE: V56644 OPTIONAL PART: 1254-3L V34742 FML4-6 V76474 AHML4-103 V50294 ML44-9 V73134	001100	1
145	FML4-6		.. BEARING-ROD END SUPPLIER CODE: V02695 OPTIONAL PART: 1254-3L V34742 ACB4-4 V56644 AHML4-103 V50294 ML44-9 V73134	001100	1

MISSING ITEM NUMBERS NOT APPLICABLE

— ITEM NOT ILLUSTRATED

HAP

25-24-51-07A

BOEING PROPRIETARY - Copyright © - Unpublished Work - See title page for details.

25-24-51
FIG. 07A
PAGE 9
FEB 10/07

BOEING
737-600/700/800/900
PARTS CATALOG (MAINTENANCE)

FIG ITEM	PART NUMBER	1 2 3 4 5 6 7	NOMENCLATURE	EFFECT FROM TO	UNITS PER ASSY
7A 145	AHML4-103	..	BEARING-ROD END SUPPLIER CODE: V50294 OPTIONAL PART: 1254-3L V34742 ACB4-4 V56644 FML4-6 V02695 ML44-9 V73134	001100	1
145	ML44-9	..	BEARING-ROD END SUPPLIER CODE: V73134 OPTIONAL PART: 1254-3L V34742 ACB4-4 V56644 FML4-6 V02695 AHML4-103 V50294	001100	1
150	65-81149-25	..	TUBE	001100	1
155	412A2250-6	.	CHANNEL ASSY	001100	1
160	BACB28AT04B008C	..	BUSHING	001100	6
165	412A2250-15	..	BUSHING-SLOT	001100	2
170	412A2250-12	..	CHANNEL	001100	1
175	65-80898-43	.	TURNBUCKLE ASSY ATTACHING PARTS	001100	2
- 180	BACB30NR4K8	.	BOLT	001100	2
- 185	BACW10BP4CD	.	WASHER	001100	2
			-----*-----		
190	AN316-4R	..	NUT	001100	1
195	1486-5	..	ROD END ASSY- SUPPLIER CODE: V34742	001100	1
200	1486-5L	..	ROD END ASSY- SUPPLIER CODE: V34742	001100	1
205	65-81149-47	..	TUBE	001100	1
210	412N2030-172	.	DIAGONAL ASSY	021035	1
210	412N2030-72	.	DIAGONAL ASSY	001020	1
210	412N2030-272	.	DIAGONAL ASSY ATTACHING PARTS	036100	1
- 215	NAS1149D0516J	.	WASHER	001100	1

MISSING ITEM NUMBERS NOT APPLICABLE

- ITEM NOT ILLUSTRATED

HAP

25-24-51-07A

BOEING PROPRIETARY - Copyright © - Unpublished Work - See title page for details.

25-24-51
FIG. 07A
PAGE 10
JUN 15/08

BOEING
737-600/700/800/900
PARTS CATALOG (MAINTENANCE)

FIG ITEM	PART NUMBER	1 2 3 4 5 6 7	NOMENCLATURE	EFFECT FROM TO	UNITS PER ASSY
7A - 220	BRH10C5D		.NUT- SUPPLIER CODE: V52828 SPECIFICATION NUMBER: BACN10JC5CD OPTIONAL PART: T6C524JCD V11815 102LH9075-5W V72962 H51650-5BAC V15653 BACN10YR5CD	001100	1
- 220	PLH55CD		.NUT- SUPPLIER CODE: VF0224 SPECIFICATION NUMBER: BACN10YR5CD OPTIONAL PART: H52732-5CD V15653 BACN10JC5CD	001100	1
225	412N2032-4		-----*----- ..INSULATOR- MANUFACTURED FROM: FIN F-6.10 COMPRESSION MOLDED PHENOLIC, GLASS FIBER FILLED PER BMS8-271A, TYPE 1 OPTIONAL PART: 412N2032-3 OPTIONAL PART: 412N2032-6	001020	1
225	412N2032-6		..INSULATOR- MANUFACTURED FROM: FIN F-25.01 COMPRESSION MOLDED PHENOLIC, GLASS FIBER FILLED PER BMS8-271A, TYPE 1. OPTIONAL PART: 412A2032-4	001100	1
230	BACP18BD3R17		..PIN- OPTIONAL PART: MS20392-3C17	001100	1
230	MS20392-3C17		..PIN- OPTIONAL PART: BACP18BD3R17	001100	1

MISSING ITEM NUMBERS NOT APPLICABLE

- ITEM NOT ILLUSTRATED

HAP

25-24-51-07A

BOEING PROPRIETARY - Copyright © - Unpublished Work - See title page for details.

25-24-51
FIG. 07A
PAGE 11
FEB 15/09

BOEING
737-600/700/800/900
PARTS CATALOG (MAINTENANCE)

FIG ITEM	PART NUMBER	1 2 3 4 5 6 7	NOMENCLATURE	EFFECT FROM TO	UNITS PER ASSY
7A					
235	MS24665-132	..	PIN- OPTIONAL PART: BACP18BC02A06P	001100	1
235	BACP18BC02A06P	..	PIN- OPTIONAL PART: MS24665-132	001100	1
240	NAS1149D0416J	..	WASHER- OPTIONAL PART: BACW10P273L	001035	1
240	BACW10P273L	..	WASHER- OPTIONAL PART: NAS1149D0416J	001035	1
240	BACW10P361LA	..	WASHER	036100	1
245	412N2031-1	..	CLEVIS- MANUFACTURED FROM: 412N2031-2	001100	1
250	AN316-5R	..	NUT	001100	1
255	1482-31	..	ROD ASSY- SUPPLIER CODE: V34742 OPTIONAL PART: USC1327-1 V31293	001100	1
255	USC1327-1	..	ROD ASSY-TIE SUPPLIER CODE: V31293 OPTIONAL PART: 1482-31 V34742	021100	1

MISSING ITEM NUMBERS NOT APPLICABLE

— ITEM NOT ILLUSTRATED

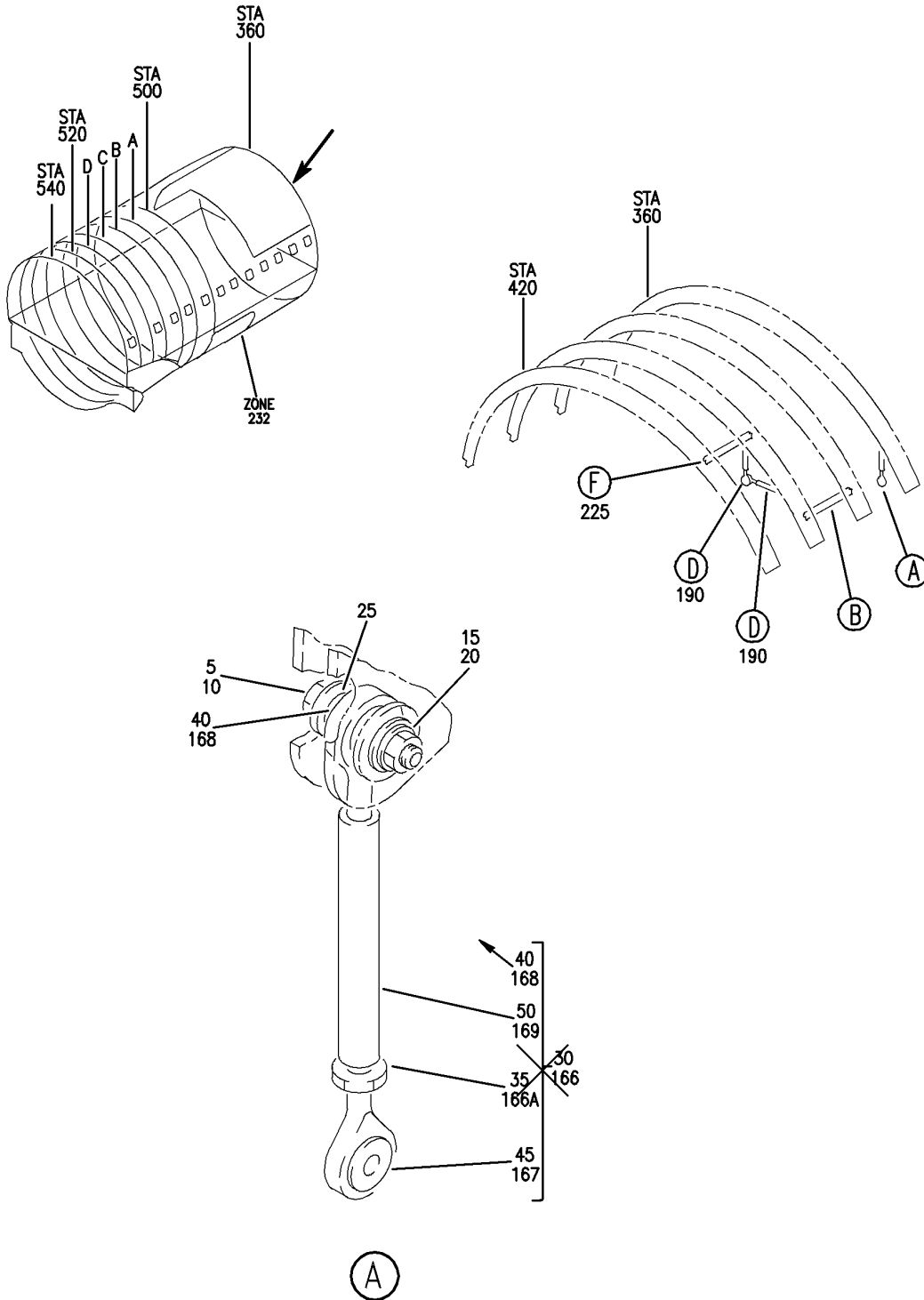
HAP

25-24-51-07A

BOEING PROPRIETARY - Copyright © - Unpublished Work - See title page for details.

25-24-51
FIG. 07A
PAGE 12
JUN 15/08

BOEING
 737-600/700/800/900
 PARTS CATALOG (MAINTENANCE)



E 25245108 SHT 1 REV 050

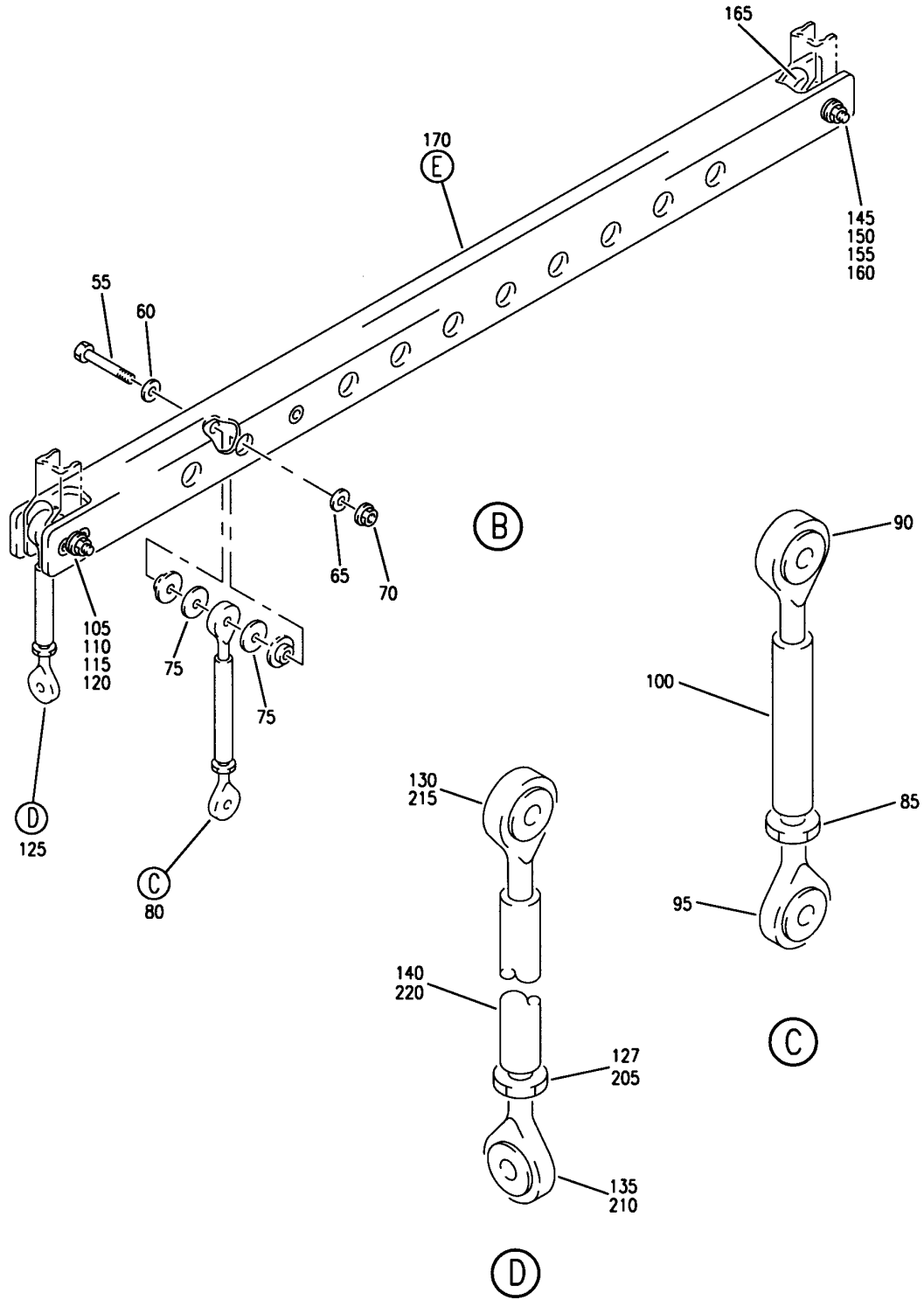
SUPPORT INSTL-OVHD STOWAGE BIN FWD RH
 FIGURE 8 (SHEET 1)

25-24-51-08

HAP
 FEB 10/07

25-24-51-08
 PAGE 0

BOEING
 737-600/700/800/900
 PARTS CATALOG (MAINTENANCE)



E 25245108 SHT 2 REV 019

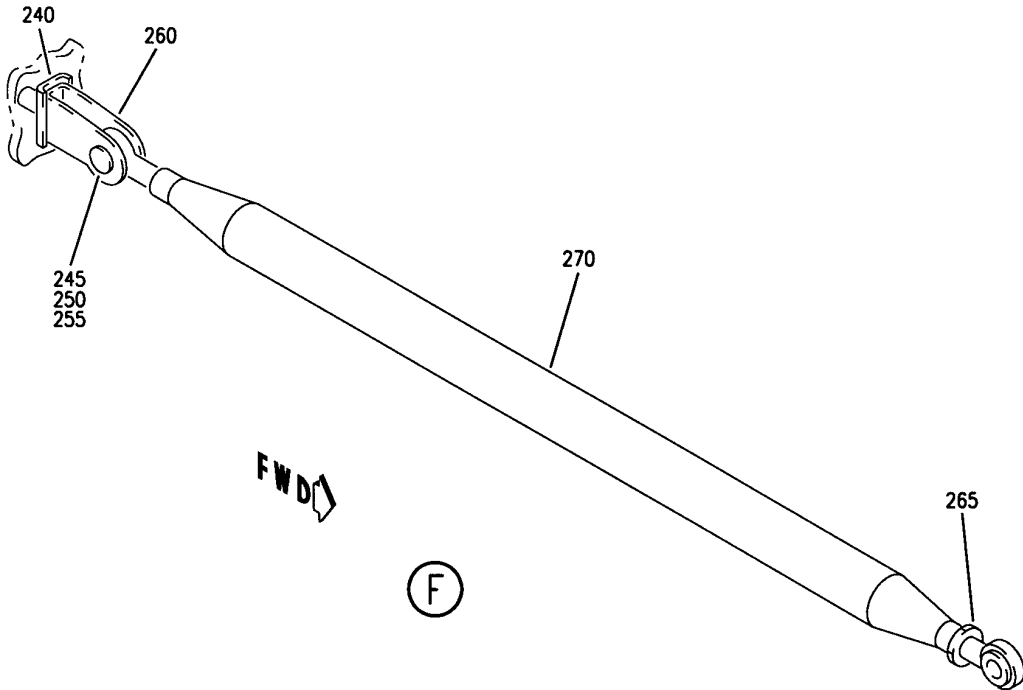
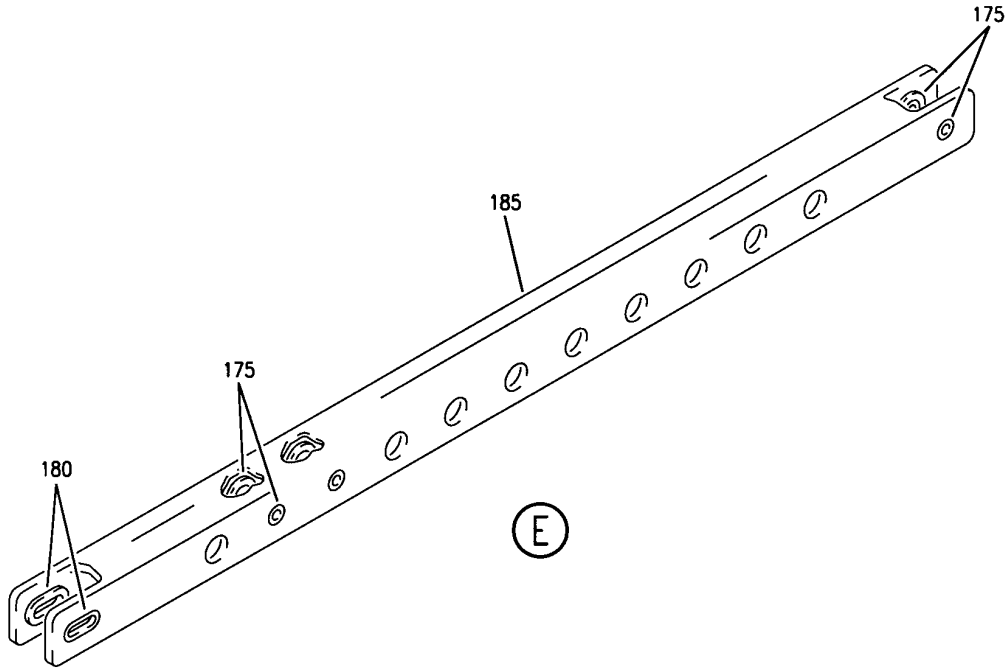
SUPPORT INSTL-OVHD STOWAGE BIN FWD RH
 FIGURE 8 (SHEET 2)

25-24-51-08

HAP
 FEB 10/07

25-24-51-08
 PAGE 0A

BOEING
 737-600/700/800/900
 PARTS CATALOG (MAINTENANCE)



E 25245108 SHT 3 REV 026

SUPPORT INSTL-OVHD STOWAGE BIN FWD RH
 FIGURE 8 (SHEET 3)

25-24-51-08

HAP
 FEB 10/07

25-24-51-08
 PAGE 0B

BOEING
737-600/700/800/900
PARTS CATALOG (MAINTENANCE)

FIG ITEM	PART NUMBER	1 2 3 4 5 6 7	NOMENCLATURE	EFFECT FROM TO	UNITS PER ASSY
8			SUPPORT INSTL-OVHD STOWAGE BIN FWD RH	101999	
- 1	412A2100-204		SUPPORT INSTL-OVHD STOWAGE BIN POSITION DATA: FWD RH FOR NHA SEE: 25-24-00-15A	201967	RF
- 1	MODREF290255		SUPPORT INSTL-OVHD STOWAGE BIN MODULE NUMBER: 412A2100-214 REV B POSITION DATA: FWD RH	101200 968999	1
5	BACB30NR4K12		.BOLT-	101999	1
10	BACW10BP4CD		.WASHER-	101999	1
15	BACW10BP4DP		.WASHER-	101999	1
20	PLH54CD		.NUT- SUPPLIER CODE: VF0224 SPECIFICATION NUMBER: BACN10YR4CD OPTIONAL PART: H52732-4CD V15653	101999	1
25	BACB28AK04-025		.BUSHING-	101999	1
30	65-80898-49		.TURNBUCKLE ASSY-	101999	1
35	AN316-4R		..NUT-	101999	1
40	ACB4-3		..BEARING-ROD END SUPPLIER CODE: V56644 OPTIONAL PART: 1254-1L V34742 AHML4-104 V50294 ML44-9A V73134 FML4-7 V76474	101999	1

MISSING ITEM NUMBERS NOT APPLICABLE

- ITEM NOT ILLUSTRATED

HAP

25-24-51-08

BOEING PROPRIETARY - Copyright © - Unpublished Work - See title page for details.

25-24-51
FIG. 08
PAGE 1
FEB 15/09

BOEING
737-600/700/800/900
PARTS CATALOG (MAINTENANCE)

FIG ITEM	PART NUMBER	1 2 3 4 5 6 7	NOMENCLATURE	EFFECT FROM TO	UNITS PER ASSY
8					
40	AHML4-104		.. BEARING-ROD END SUPPLIER CODE: V50294 OPTIONAL PART: 1254-1L V34742 ML44-9A V73134 ACB4-3 V34742 FML4-7 V76474	101999	1
40	FML4-7		.. BEARING-ROD END SUPPLIER CODE: V76474 OPTIONAL PART: 1254-1L V34742 ACB4-3 V56644 AHML4-104 V50294 ML44-9A V73134	101999	1
40	ML44-9A		.. BEARING-ROD END SUPPLIER CODE: V73134 OPTIONAL PART: 1254-1L V34742 ACB4-3 V56644 AHML4-104 V50294 FML4-7 V76474	101999	1
40	1254-1L		.. BEARING-ROD END SUPPLIER CODE: V34742 OPTIONAL PART: ACB4-3 V56644 AHML4-104 V50294 ML44-9A V73134 FML4-7 V76474	101999	1

MISSING ITEM NUMBERS NOT APPLICABLE

— ITEM NOT ILLUSTRATED

HAP

25-24-51-08

BOEING PROPRIETARY - Copyright © - Unpublished Work - See title page for details.

25-24-51
FIG. 08
PAGE 2
OCT 15/08

BOEING
737-600/700/800/900
PARTS CATALOG (MAINTENANCE)

FIG ITEM	PART NUMBER	1 2 3 4 5 6 7	NOMENCLATURE	EFFECT FROM TO	UNITS PER ASSY
8					
45	ACM4-3		.. BEARING-ROD END SUPPLIER CODE: V56644 OPTIONAL PART: 1254-1 V34742 AHM4-104 V50294 FM4-7 V02695 M44-9A V73134	101999	1
45	AHM4-104		.. BEARING-ROD END SUPPLIER CODE: V50294 OPTIONAL PART: 1254-1 V34742 ACB4-3 V34742 ML44-9A V73134 FM4-7 V02695	101999	1
45	FM4-7		.. BEARING-ROD END SUPPLIER CODE: V02695 OPTIONAL PART: 1254-1 V34742 ACB4-3 V56644 AHML4-104 V50294 ML44-9A V73134	101999	1
45	M44-9A		.. BEARING-ROD END SUPPLIER CODE: V73134 OPTIONAL PART: 1254-1 V34742 ACB4-3 V56644 AHML4-104 V50294 FM4-7 V02695	101999	1

MISSING ITEM NUMBERS NOT APPLICABLE

— ITEM NOT ILLUSTRATED

HAP

25-24-51-08

BOEING PROPRIETARY - Copyright © - Unpublished Work - See title page for details.

25-24-51
FIG. 08
PAGE 3
OCT 15/08

BOEING
737-600/700/800/900
PARTS CATALOG (MAINTENANCE)

FIG ITEM	PART NUMBER	1 2 3 4 5 6 7	NOMENCLATURE	EFFECT FROM TO	UNITS PER ASSY
8					
45	1254-1		.. BEARING-ROD END SUPPLIER CODE: V34742 OPTIONAL PART: ACM4-3 V56644 AHM4-104 V50294 FM4-7 V02695 M44-9A V73134	101999	1
50	65-81149-28		.. TUBE-	101999	1
55	BACB30PW4C17		. BOLT- OPTIONAL PART: BACB30PW4-17	101999	1
55	BACB30PW4-17		. BOLT- OPTIONAL PART: BACB30PW4C17	101999	1
60	BACW10BP4CD		. WASHER-	101999	1
65	BACW10BN3SP		. WASHER-	101999	1
70	PLH53CD		. NUT- SUPPLIER CODE: VF0224 SPECIFICATION NUMBER: BACN10YR3CD OPTIONAL PART: H52732-3CD V15653	101999	1
75	NAS1515B4H		. GROMMET-	101999	2
80	65-80898-50		. TURNBUCKLE ASSY-	101999	1
85	AN316-4R		.. NUT	101999	1
90	ACB4-3		.. BEARING-ROD END SUPPLIER CODE: V56644 OPTIONAL PART: 1254-1L V34742 AHML4-104 V50294 ML44-9A V73134 FML4-7 V76474	101999	1

MISSING ITEM NUMBERS NOT APPLICABLE

- ITEM NOT ILLUSTRATED

HAP

25-24-51-08

BOEING PROPRIETARY - Copyright © - Unpublished Work - See title page for details.

25-24-51
FIG. 08
PAGE 4
FEB 15/09

BOEING
737-600/700/800/900
PARTS CATALOG (MAINTENANCE)

FIG ITEM	PART NUMBER	1 2 3 4 5 6 7	NOMENCLATURE	EFFECT FROM TO	UNITS PER ASSY
8					
90	AHML4-104		.. BEARING-ROD END SUPPLIER CODE: V50294 OPTIONAL PART: 1254-1L V34742 ACB4-3 V56644 ML44-9A V73134 FML4-7 V76474	101999	1
90	FML4-7		.. BEARING-ROD END SUPPLIER CODE: V76474 OPTIONAL PART: 1254-1L V34742 ACB4-3 V56644 AHML4-104 V50294 ML44-9A V73134	101999	1
90	ML44-9A		.. BEARING-ROD END SUPPLIER CODE: V73134 OPTIONAL PART: 1254-1L V34742 ACB4-3 V56644 AHML4-104 V50294 FML4-7 V76474	101999	1
90	1254-1L		.. BEARING-ROD END SUPPLIER CODE: V34742 OPTIONAL PART: ACB4-3 V56644 AHML4-104 V50294 ML44-9A V73134 FML4-7 V76474	101999	1

MISSING ITEM NUMBERS NOT APPLICABLE

— ITEM NOT ILLUSTRATED

HAP

25-24-51-08

BOEING PROPRIETARY - Copyright © - Unpublished Work - See title page for details.

25-24-51
FIG. 08
PAGE 5
OCT 15/08

BOEING
737-600/700/800/900
PARTS CATALOG (MAINTENANCE)

FIG ITEM	PART NUMBER	1 2 3 4 5 6 7	NOMENCLATURE	EFFECT FROM TO	UNITS PER ASSY
8					
95	ACM4-3		.. BEARING-ROD END SUPPLIER CODE: V56644 OPTIONAL PART: 1254-1 V34742 AHM4-104 V50294 M44-9A V73134 FM4-7 V02695	101999	1
95	AHM4-104		.. BEARING-ROD END SUPPLIER CODE: V50294 OPTIONAL PART: 1254-1 V34742 ACM4-3 V56644 FM4-7 V02695 M44-9A V73134	101999	1
95	FM4-7		.. BEARING-ROD END SUPPLIER CODE: V02695 OPTIONAL PART: 1254-1 V34742 ACM4-3 V56644 AHM4-104 V50294 M44-9A V73134	101999	1
95	M44-9A		.. BEARING-ROD END SUPPLIER CODE: V73134 OPTIONAL PART: 1254-1 V34742 ACM4-3 V56644 FM4-7 V02695 AHM4-104 V50294	101999	1

MISSING ITEM NUMBERS NOT APPLICABLE

— ITEM NOT ILLUSTRATED

HAP

25-24-51-08

BOEING PROPRIETARY - Copyright © - Unpublished Work - See title page for details.

25-24-51
FIG. 08
PAGE 6
OCT 15/08

BOEING
737-600/700/800/900
PARTS CATALOG (MAINTENANCE)

FIG ITEM	PART NUMBER	1 2 3 4 5 6 7	NOMENCLATURE	EFFECT FROM TO	UNITS PER ASSY
8					
95	1254-1		.. BEARING-ROD END SUPPLIER CODE: V34742 OPTIONAL PART: ACM4-3 V56644 AHM4-104 V50294 FM4-7 V02695 M44-9A V73134	101999	1
100	65-81149-11		.. TUBE	101999	1
105	BACB30PW4C17		. BOLT- OPTIONAL PART: BACB30PW4-17	101999	1
105	BACB30PW4-17		. BOLT- OPTIONAL PART: BACB30PW4C17	101999	1
110	BACW10BP4CD		. WASHER-	101999	1
115	BACW10BN3SP		. WASHER-	101999	1
120	PLH53CD		. NUT- SUPPLIER CODE: VF0224 SPECIFICATION NUMBER: BACN10YR3CD OPTIONAL PART: H52732-3CD V15653	101999	1
125	65-80898-24		. TURNBUCKLE ASSY-	101999	1
127	AN316-4L		.. NUT	101999	1
130	1254-3		.. BEARING-ROD END SUPPLIER CODE: V34742 OPTIONAL PART: ACM4-4 V56644 AHM4-103 V50294 M44-9 V73134 FM4-6 V02695	101999	1

MISSING ITEM NUMBERS NOT APPLICABLE

- ITEM NOT ILLUSTRATED

HAP

25-24-51-08

BOEING PROPRIETARY - Copyright © - Unpublished Work - See title page for details.

25-24-51
FIG. 08
PAGE 7
FEB 15/09

BOEING
737-600/700/800/900
PARTS CATALOG (MAINTENANCE)

FIG ITEM	PART NUMBER	1 2 3 4 5 6 7	NOMENCLATURE	EFFECT FROM TO	UNITS PER ASSY
8 130	ACM4-4		.. BEARING-ROD END SUPPLIER CODE: V56644 OPTIONAL PART: 1254-3 V34742 AHM4-103 V50294 FM4-6 V02695 M44-9 V73134	101999	1
130	FM4-6		.. BEARING-ROD END SUPPLIER CODE: V02695 OPTIONAL PART: 1254-3 V34742 ACM4-4 V56644 AHM4-103 V50294 M44-9 V73134	101999	1
130	AHM4-103		.. BEARING-ROD END SUPPLIER CODE: V50294 OPTIONAL PART: 1254-3 V34742 ACM4-4 V56644 FM4-6 V02695 M44-9 V73134	101999	1
130	M44-9		.. BEARING-ROD END SUPPLIER CODE: V73134 OPTIONAL PART: 1254-3 V34742 ACM4-4 V56644 AHM4-103 V50294 FM4-6 V02695	101999	1

MISSING ITEM NUMBERS NOT APPLICABLE

— ITEM NOT ILLUSTRATED

HAP

25-24-51-08

BOEING PROPRIETARY - Copyright © - Unpublished Work - See title page for details.

25-24-51
FIG. 08
PAGE 8
OCT 15/08

BOEING
737-600/700/800/900
PARTS CATALOG (MAINTENANCE)

FIG ITEM	PART NUMBER	1 2 3 4 5 6 7	NOMENCLATURE	EFFECT FROM TO	UNITS PER ASSY
8 135	1254-3L		.. BEARING-ROD END SUPPLIER CODE: V34742 OPTIONAL PART: ACB4-4 V56644 AHML4-103 V50294 ML44-9 V73134 FML4-6 V02695	101999	1
135	ACB4-4		.. BEARING-ROD END SUPPLIER CODE: V56644 OPTIONAL PART: 1254-3L V34742 AHML4-103 V50294 FML4-6 V02695 ML44-9 V73134	101999	1
135	FML4-6		.. BEARING-ROD END SUPPLIER CODE: V02695 OPTIONAL PART: 1254-3L V34742 ACB4-4 V56644 AHML4-103 V50294 ML44-9 V73134	101999	1
135	AHML4-103		.. BEARING-ROD END SUPPLIER CODE: V50294 OPTIONAL PART: 1254-3L V34742 ACB4-4 V56644 FML4-6 V02695 ML44-9 V73134	101999	1

MISSING ITEM NUMBERS NOT APPLICABLE

— ITEM NOT ILLUSTRATED

HAP

25-24-51-08

BOEING PROPRIETARY - Copyright © - Unpublished Work - See title page for details.

25-24-51
FIG. 08
PAGE 9
OCT 15/08

 **BOEING**
737-600/700/800/900
PARTS CATALOG (MAINTENANCE)

FIG ITEM	PART NUMBER	1 2 3 4 5 6 7	NOMENCLATURE	EFFECT FROM TO	UNITS PER ASSY
8					
135	ML44-9	..	BEARING-ROD END SUPPLIER CODE: V73134 OPTIONAL PART: 1254-3L V34742 ACB4-4 V56644 AHML4-103 V50294 FML4-6 V02695	101999	1
140	65-81149-25	..	TUBE	101999	1
145	BACB30PW4C17	.BOLT-	OPTIONAL PART: BACB30PW4-17	101999	1
145	BACB30PW4-17	.BOLT-	OPTIONAL PART: BACB30PW4C17	101999	1
150	BACW10BP4CD	.WASHER-		101999	1
155	BACW10BN3SP	.WASHER-		101999	1
160	PLH53CD	.NUT-	SUPPLIER CODE: VF0224 SPECIFICATION NUMBER: BACN10YR3CD OPTIONAL PART: H52732-3CD V15653	101999	1
165	54-062	.GROMMET-	SUPPLIER CODE: V77969 SPECIFICATION NUMBER: BACG20C12 OPTIONAL PART: BACG20C12N	201967	1
165	BACG20C12N	.GROMMET-	OPTIONAL PART: BACG20C12	101999	1
170	412A2250-6	.CHANNEL ASSY-	POSITION DATA: LWR	101999	1
175	BACB28AT04B008C	..	BUSHING	101999	6
180	412A2250-15	..	BUSHING-SLOT	101999	2
185	412A2250-12	..	CHANNEL	101999	1
190	65-80898-43	.TURNBUCKLE ASSY-	ATTACHING PARTS	101999	2
- 195	BACB30NR4K8	.BOLT		101999	2

MISSING ITEM NUMBERS NOT APPLICABLE

- ITEM NOT ILLUSTRATED

HAP

25-24-51-08

BOEING PROPRIETARY - Copyright © - Unpublished Work - See title page for details.

25-24-51
FIG. 08
PAGE 10
FEB 15/09

BOEING
737-600/700/800/900
PARTS CATALOG (MAINTENANCE)

FIG ITEM	PART NUMBER	1 2 3 4 5 6 7	NOMENCLATURE	EFFECT FROM TO	UNITS PER ASSY
8					
- 200	BACW10BP4CD	.	WASHER	101999	2
		-----*			
205	AN316-4R	..	NUT	101999	1
210	1486-5	..	ROD END ASSY-	101999	1
			SUPPLIER CODE: V34742		
215	1486-5L	..	ROD END ASSY-	101999	1
			SUPPLIER CODE: V34742		
220	65-81149-47	..	TUBE	101999	1
225	412N2030-72	.	DIAGONAL ASSY-	201967	1
225	412N2030-272	.	DIAGONAL ASSY	101200	1
				968999	
			ATTACHING PARTS		
- 230	NAS1149D0516J	.	WASHER	101999	1
- 235	BRH10C5D	.	NUT-	101999	1
			SUPPLIER CODE: V52828		
			SPECIFICATION NUMBER: BACN10JC5CD		
			OPTIONAL PART: T6C524JCD		
			V11815		
			102LH9075-5W		
			V72962		
			H51650-5BAC		
			V15653		
			BACN10YR5CD		
- 235	PLH55CD	.	NUT-	101999	1
			SUPPLIER CODE: VF0224		
			SPECIFICATION NUMBER: BACN10YR5CD		
			OPTIONAL PART: H52732-5CD		
			V15653		
			BACN10JC5CD		
			-----*		
240	412N2032-4	..	INSULATOR-	101999	1
			MANUFACTURED FROM: FIN F-6.10 COMPRESSION MOLDED PHENOLIC, GLASS FIBER FILLED PER BMS8-271A, TYPE 1		
			OPTIONAL PART: 412N2032-3		
			OPTIONAL PART: 412N2032-6		

MISSING ITEM NUMBERS NOT APPLICABLE

- ITEM NOT ILLUSTRATED

HAP

25-24-51-08

BOEING PROPRIETARY - Copyright © - Unpublished Work - See title page for details.

25-24-51
FIG. 08
PAGE 11
FEB 15/09

BOEING
737-600/700/800/900
PARTS CATALOG (MAINTENANCE)

FIG ITEM	PART NUMBER	1 2 3 4 5 6 7	NOMENCLATURE	EFFECT FROM TO	UNITS PER ASSY
8					
240	412N2032-6	..	INSULATOR- MANUFACTURED FROM: FIN F-25.01 COMPRESSION MOLDED PHENOLIC, GLASS FIBER FILLED PER BMS8-271A, TYPE 1. OPTIONAL PART: 412N2032-4	101999	1
245	BACP18BD3R17	..	PIN- OPTIONAL PART: MS20392-3C17	101999	1
245	MS20392-3C17	..	PIN- OPTIONAL PART: BACP18BD3R17	101999	1
245	MS20392-3R17	..	PIN	201967	1
250	MS24665-132	..	PIN- OPTIONAL PART: BACP18BC02A06P	101999	1
250	BACP18BC0206P	..	PIN- OPTIONAL PART: MS24665-132	101999	1
255	NAS1149D0416J	..	WASHER- OPTIONAL PART: BACW10P273L	201967	1
255	BACW10P273L	..	WASHER- OPTIONAL PART: NAS1149D0416J	201967	1
255	BACW10P361LA	..	WASHER	101200 968999	1
260	412N2031-1	..	CLEVIS- MANUFACTURED FROM: 412N2031-2	101999	1
265	AN316-5R	..	NUT	101999	1
270	1482-31	..	ROD ASSY- SUPPLIER CODE: V34742 OPTIONAL PART: USC1327-1 V31293	101999	1
270	USC1327-1	..	ROD ASSY- SUPPLIER CODE: V31293 OPTIONAL PART: 1482-31 V34742	101200 968999	1

MISSING ITEM NUMBERS NOT APPLICABLE

— ITEM NOT ILLUSTRATED

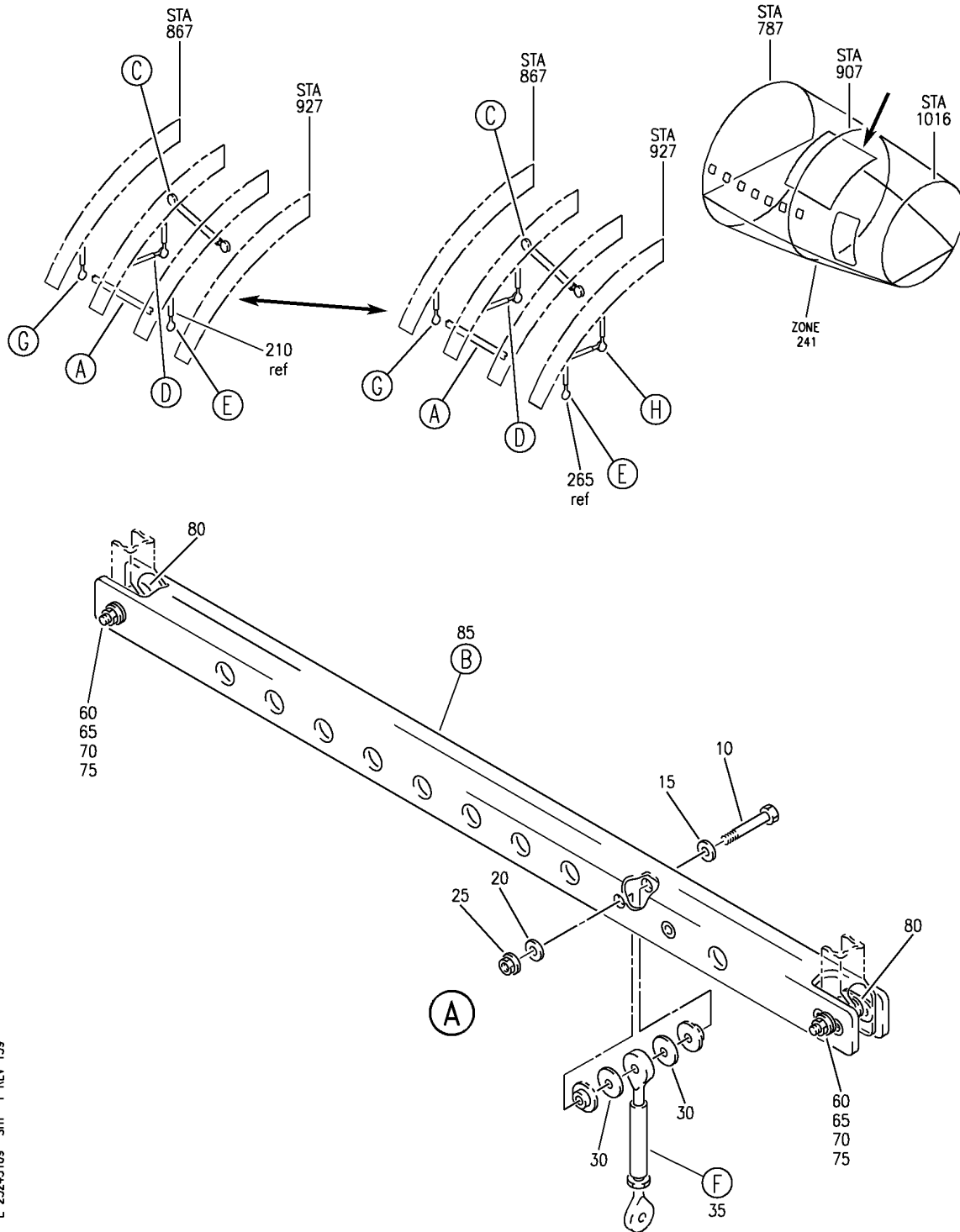
HAP

25-24-51-08

BOEING PROPRIETARY - Copyright © - Unpublished Work - See title page for details.

25-24-51
FIG. 08
PAGE 12
OCT 15/08

BOEING
 737-600/700/800/900
 PARTS CATALOG (MAINTENANCE)



E 25245109 SHT 1 REV 139

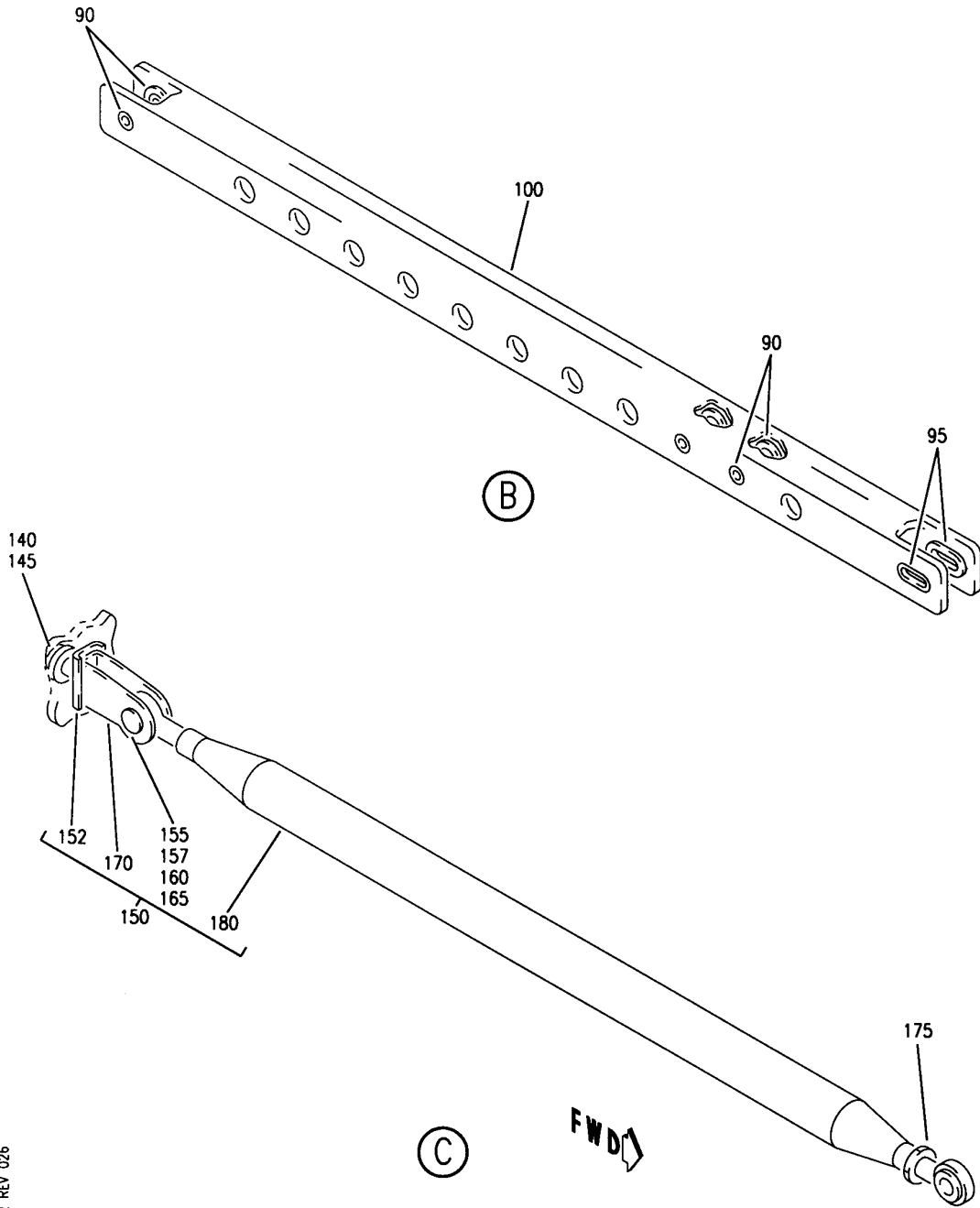
SUPPORT INSTL-OVHD STOWAGE BIN AFT LH
 FIGURE 9 (SHEET 1)

25-24-51-09

HAP
 FEB 15/08

25-24-51-09
 PAGE 0

BOEING
 737-600/700/800/900
 PARTS CATALOG (MAINTENANCE)



E 25245109 SHT 2 REV 026

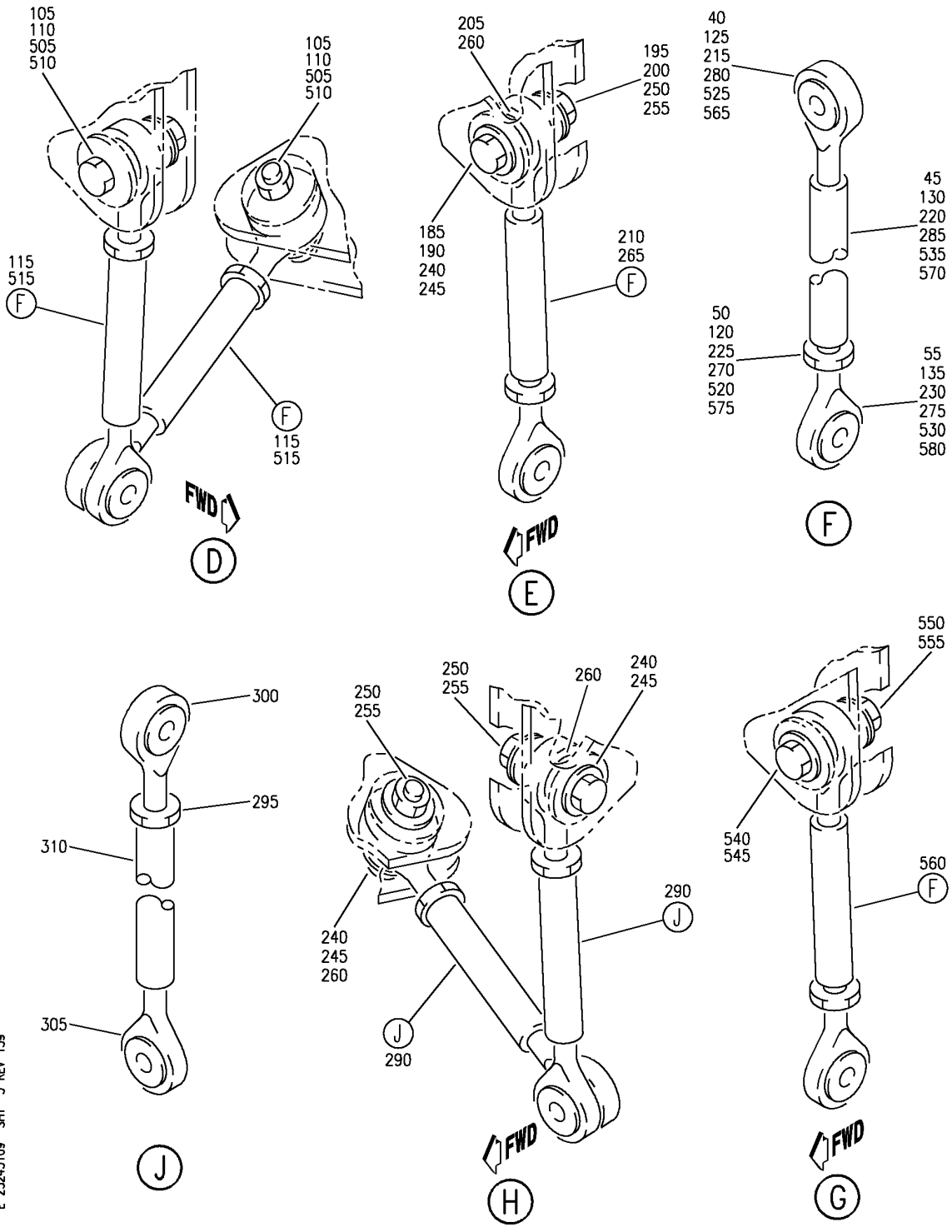
SUPPORT INSTL-OVHD STOWAGE BIN AFT LH
 FIGURE 9 (SHEET 2)

25-24-51-09

HAP
 OCT 10/06

25-24-51-09
 PAGE 0A

BOEING
 737-600/700/800/900
 PARTS CATALOG (MAINTENANCE)



E 25245109 SHT 3 REV 139

SUPPORT INSTL-OVHD STOWAGE BIN AFT LH
 FIGURE 9 (SHEET 3)

25-24-51-09

HAP
 FEB 15/08

25-24-51-09
 PAGE 0B

BOEING
737-600/700/800/900
PARTS CATALOG (MAINTENANCE)

FIG ITEM	PART NUMBER	1 2 3 4 5 6 7	NOMENCLATURE	EFFECT FROM TO	UNITS PER ASSY
9			SUPPORT INSTL-OVHD STOWAGE BIN AFT LH		
- 1	412A2100-301		SUPPORT INSTL-OVHD STOWAGE BIN POSITION DATA: AFT LH FOR NHA SEE: 25-24-00-13A 25-24-00-15A	001020 201967	RF
- 1	412A2100-311		SUPPORT INSTL-OVHD STOWAGE BIN POSITION DATA: AFT LH FOR NHA SEE: 25-24-00-13A	021030	RF
- 1	MODREF91553		SUPPORT INSTL-OVHD STOWAGE BIN MODULE NUMBER: 412A2100-311 REV A POSITION DATA: AFT LH	031035	1
- 1	MODREF290262		SUPPORT INSTL-OVHD STOWAGE BIN MODULE NUMBER: 412A2100-311 REV B POSITION DATA: AFT LH	036200 968999	1
10	BACB30PW4C17		.BOLT- OPTIONAL PART: BACB30PW4-17		1
10	BACB30PW4-17		.BOLT- OPTIONAL PART: BACB30PW4C17		1
R 15	BACW10BP4CD		.WASHER-		1
R 20	BACW10BN3SP		.WASHER-		1
R 25	PLH53CD		.NUT- SUPPLIER CODE: VF0224 SPECIFICATION NUMBER: BACN10YR3CD OPTIONAL PART: H52732-3CD V15653		1
R 30	NAS1515B4H		.GROMMET-		2
R 35	65-80898-24		.TURNBUCKLE ASSY-		1

MISSING ITEM NUMBERS NOT APPLICABLE

- ITEM NOT ILLUSTRATED

HAP

25-24-51-09

BOEING PROPRIETARY - Copyright © - Unpublished Work - See title page for details.

25-24-51
FIG. 09
PAGE 1
JUN 15/09

BOEING
737-600/700/800/900
PARTS CATALOG (MAINTENANCE)

FIG ITEM	PART NUMBER	1 2 3 4 5 6 7	NOMENCLATURE	EFFECT FROM TO	UNITS PER ASSY
9					
40	1254-3		.. BEARING-ROD END SUPPLIER CODE: V34742 OPTIONAL PART: ACM4-4 V56644 AHM4-103 V50294 M44-9 V73134 FM4-6 V02695		1
40	ACM4-4		.. BEARING-ROD END SUPPLIER CODE: V56644 OPTIONAL PART: 1254-3 V34742 AHM4-103 V50294 FM4-6 V02695 M44-9 V73134		1
40	FM4-6		.. BEARING-ROD END SUPPLIER CODE: V02695 OPTIONAL PART: 1254-3 V34742 ACM4-4 V56644 AHM4-103 V50294 M44-9 V73134		1
40	AHM4-103		.. BEARING-ROD END SUPPLIER CODE: V50294 OPTIONAL PART: 1254-3 V34742 ACM4-4 V56644 M44-9 V73134 FM4-6 V02695		1

MISSING ITEM NUMBERS NOT APPLICABLE

— ITEM NOT ILLUSTRATED

HAP

25-24-51-09

BOEING PROPRIETARY - Copyright © - Unpublished Work - See title page for details.

25-24-51
FIG. 09
PAGE 2
OCT 10/06

 **BOEING**
737-600/700/800/900
PARTS CATALOG (MAINTENANCE)

FIG ITEM	PART NUMBER	1 2 3 4 5 6 7	NOMENCLATURE	EFFECT FROM TO	UNITS PER ASSY
9					
40	M44-9		.. BEARING-ROD END SUPPLIER CODE: V73134 OPTIONAL PART: 1254-3 V34742 ACM4-4 V56644 AHM4-103 V50294 FM4-6 V02695		1
45	65-81149-25		.. TUBE		1
50	AN316-4L		.. NUT		1
55	1254-3L		.. BEARING-ROD END SUPPLIER CODE: V34742 OPTIONAL PART: ACB4-4 V56644 AHML4-103 V50294 ML44-9 V73134 FML4-6 V02695		1
55	ACB4-4		.. BEARING-ROD END SUPPLIER CODE: V56644 OPTIONAL PART: 1254-3L V34742 AHML4-103 V50294 FML4-6 V02695 ML44-9 V73134		1

MISSING ITEM NUMBERS NOT APPLICABLE

— ITEM NOT ILLUSTRATED

HAP

25-24-51-09

BOEING PROPRIETARY - Copyright © - Unpublished Work - See title page for details.

25-24-51
FIG. 09
PAGE 3
OCT 10/06

BOEING
737-600/700/800/900
PARTS CATALOG (MAINTENANCE)

FIG ITEM	PART NUMBER	1 2 3 4 5 6 7	NOMENCLATURE	EFFECT FROM TO	UNITS PER ASSY
9					
55	FML4-6		.. BEARING-ROD END SUPPLIER CODE: V02695 OPTIONAL PART: 1254-3L V34742 ACB4-4 V56644 AHML4-103 V50294 ML44-9 V73134		1
55	AHML4-103		.. BEARING-ROD END SUPPLIER CODE: V50294 OPTIONAL PART: 1254-3L V34742 ACB4-4 V56644 FML4-6 V02695 ML44-9 V73134		1
55	ML44-9		.. BEARING-ROD END SUPPLIER CODE: V73134 OPTIONAL PART: 1254-3L V34742 ACB4-4 V56644 AHML4-103 V50294 FML4-6 V02695		1
60	BACB30PW4C17		. BOLT- OPTIONAL PART: BACB30PW4-17		2
60	BACB30PW4-17		. BOLT- OPTIONAL PART: BACB30PW4C17		2
65	BACW10BP4CD		. WASHER-		2
70	BACW10BN3SP		. WASHER-		2

MISSING ITEM NUMBERS NOT APPLICABLE

— ITEM NOT ILLUSTRATED

HAP

25-24-51-09

BOEING PROPRIETARY - Copyright © - Unpublished Work - See title page for details.

25-24-51
FIG. 09
PAGE 4
JUN 15/09

BOEING
737-600/700/800/900
PARTS CATALOG (MAINTENANCE)

FIG ITEM	PART NUMBER	1 2 3 4 5 6 7	NOMENCLATURE	EFFECT FROM TO	UNITS PER ASSY
R R R R R R R	9				
	75	PLH53CD	.NUT- SUPPLIER CODE: VF0224 SPECIFICATION NUMBER: BACN10YR3CD OPTIONAL PART: H52732-3CD V15653		2
	80	54-062	.GROMMET- SUPPLIER CODE: V77969 SPECIFICATION NUMBER: BACG20C12 OPTIONAL PART: BACG20C12N	001020 201967	2
	80	BACG20C12N	.GROMMET- OPTIONAL PART: BACG20C12		2
	85	412A2250-6	.CHANNEL ASSY-LWR		1
	90	BACB28AT04B008C	..BUSHING		6
	95	412A2250-15	..BUSHING-SLOT		2
	100	412A2250-12	..CHANNEL		1
	105	BACB30NR4K8	.BOLT-		2
	110	BACW10BP4CD	.WASHER-		2
R R R	115	65-80898-43	.TURNBUCKLE ASSY-		2
	120	AN316-4R	..NUT		1
	125	1486-5	..ROD END ASSY- SUPPLIER CODE: V34742		1
	130	65-81149-47	..TUBE		1
	135	1486-5L	..ROD END ASSY- SUPPLIER CODE: V34742		1
R	140	NAS1149D0516J	.WASHER-		1
	145	BRH10C5D	.NUT- SUPPLIER CODE: V52828 SPECIFICATION NUMBER: BACN10JC5CD OPTIONAL PART: T6C524JCD V11815 102LH9075-5W V72962 H51650-5BAC V15653 BACN10YR5CD		1

MISSING ITEM NUMBERS NOT APPLICABLE

— ITEM NOT ILLUSTRATED

HAP

25-24-51-09

BOEING PROPRIETARY - Copyright © - Unpublished Work - See title page for details.

25-24-51
FIG. 09
PAGE 5
JUN 15/09

BOEING
737-600/700/800/900
PARTS CATALOG (MAINTENANCE)

FIG ITEM	PART NUMBER	1 2 3 4 5 6 7	NOMENCLATURE	EFFECT FROM TO	UNITS PER ASSY
9					
145	PLH55CD		.NUT- SUPPLIER CODE: VF0224 SPECIFICATION NUMBER: BACN10YR5CD OPTIONAL PART: H52732-5CD V15653 BACN10JC5CD		1
150	412N2030-57		.DIAGONAL ASSY	001020 201967	1
150	412N2030-157		.DIAGONAL ASSY	021035	1
150	412N2030-257		.DIAGONAL ASSY-	036200 968999	1
152	412N2032-4		..INSULATOR- MANUFACTURED FROM: FIN F-6.10 COMPRESSION MOLDED PHENOLIC, GLASS FIBER FILLED PER BMS8-271A, TYPE 1 OPTIONAL PART: 412N2032-3 OPTIONAL PART: 412N2032-6	001020 201967	1
152	412N2032-6		..INSULATOR- MANUFACTURED FROM: FIN F-25.01 COMPRESSION MOLDED PHENOLIC, GLASS FIBER FILLED PER BMS8-271A, TYPE 1. OPTIONAL PART: 412A2032-4		1
155	MS20392-3C17		..PIN- OPTIONAL PART: BACP18BD3R17		1
155	BACP18BD3R17		..PIN- OPTIONAL PART: MS20392-3C17		1
157	MS24665-132		..PIN- OPTIONAL PART: BACP18BC02A06P		1
157	BACP18BC02A06P		..PIN- OPTIONAL PART: MS24665-132		1
160	NAS1149D0416J		..WASHER- OPTIONAL PART: BACW10P273L	001035 201967	1

MISSING ITEM NUMBERS NOT APPLICABLE

— ITEM NOT ILLUSTRATED

HAP

25-24-51-09

BOEING PROPRIETARY - Copyright © - Unpublished Work - See title page for details.

25-24-51
FIG. 09
PAGE 6
JUN 15/09

 **BOEING**
737-600/700/800/900
PARTS CATALOG (MAINTENANCE)

FIG ITEM	PART NUMBER	1 2 3 4 5 6 7	NOMENCLATURE	EFFECT FROM TO	UNITS PER ASSY
9					
160	BACW10P273L	..	WASHER- OPTIONAL PART: NAS1149D0416J	001035 201967	1
160	BACW10P361LA	..	WASHER	036200 968999	1
170	412N2031-1	..	CLEVIS- MANUFACTURED FROM: 412N2031-2		1
175	AN316-5R	..	NUT		1
180	1293-17	..	ROD ASSY- SUPPLIER CODE: V34742 OPTIONAL PART: USC1325-21 V31293		1
180	USC1325-21	..	ROD ASSY- SUPPLIER CODE: V31293 OPTIONAL PART: 1293-17 V34742	021033 036200 968999	1
185	BACB30NR4K12	.	BOLT-		1
190	BACW10BP4CD	.	WASHER-		1
195	BACW10BP4DP	.	WASHER-		1
200	PLH54CD	.	NUT- SUPPLIER CODE: VF0224 SPECIFICATION NUMBER: BACN10YR4CD OPTIONAL PART: H52732-4CD V15653		1
205	BACB28AK04-025	.	BUSHING-		1
210	65-80898-24	.	TURNBUCKLE ASSY-		1
215	1254-3	..	BEARING-ROD END SUPPLIER CODE: V34742 OPTIONAL PART: ACM4-4 V56644 AHM4-103 V50294 M44-9 V73134 FM4-6 V02695		1

MISSING ITEM NUMBERS NOT APPLICABLE

— ITEM NOT ILLUSTRATED

HAP

25-24-51-09

BOEING PROPRIETARY - Copyright © - Unpublished Work - See title page for details.

25-24-51
FIG. 09
PAGE 7
FEB 15/09

BOEING
737-600/700/800/900
PARTS CATALOG (MAINTENANCE)

FIG ITEM	PART NUMBER	1 2 3 4 5 6 7	NOMENCLATURE	EFFECT FROM TO	UNITS PER ASSY
9 215	ACM4-4		.. BEARING-ROD END SUPPLIER CODE: V56644 OPTIONAL PART: 1254-3 V34742 FM4-6 V02695 AHM4-103 V50294 M44-9 V73134		1
215	FM4-6		.. BEARING-ROD END SUPPLIER CODE: V02695 OPTIONAL PART: 1254-3 V34742 ACM4-4 V56644 AHM4-103 V50294 M44-9 V73134		1
215	AHM4-103		.. BEARING-ROD END SUPPLIER CODE: V50294 OPTIONAL PART: 1254-3 V34742 ACM4-4 V56644 FM4-6 V02695 M44-9 V73134		1
215	M44-9		.. BEARING-ROD END SUPPLIER CODE: V73134 OPTIONAL PART: 1254-3 V34742 ACM4-4 V56644 FM4-6 V02695 AHM4-103 V50294		1
220	65-81149-25		.. TUBE		1

MISSING ITEM NUMBERS NOT APPLICABLE

— ITEM NOT ILLUSTRATED

HAP

25-24-51-09

BOEING PROPRIETARY - Copyright © - Unpublished Work - See title page for details.

25-24-51
FIG. 09
PAGE 8
FEB 10/07

BOEING
737-600/700/800/900
PARTS CATALOG (MAINTENANCE)

FIG ITEM	PART NUMBER	1 2 3 4 5 6 7	NOMENCLATURE	EFFECT FROM TO	UNITS PER ASSY
9					
225	AN316-4L		..NUT		1
230	1254-3L		..BEARING-ROD END SUPPLIER CODE: V34742 OPTIONAL PART: ACB4-4 V56644 AHML4-103 V50294 ML44-9 V73134 FML4-6 V02695		1
230	ACB4-4		..BEARING-ROD END SUPPLIER CODE: V56644 OPTIONAL PART: 1254-3L V34742 FML4-6 V02695 AHML4-103 V50294 ML44-9 V73134		1
230	FML4-6		..BEARING-ROD END SUPPLIER CODE: V02695 OPTIONAL PART: 1254-3L V34742 ACB4-4 V56644 AHML4-103 V50294 ML44-9 V73134		1
230	AHML4-103		..BEARING-ROD END SUPPLIER CODE: V50294 OPTIONAL PART: 1254-3L V34742 ACB4-4 V56644 FML4-6 V02695 ML44-9 V73134		1

MISSING ITEM NUMBERS NOT APPLICABLE

— ITEM NOT ILLUSTRATED

HAP

25-24-51-09

BOEING PROPRIETARY - Copyright © - Unpublished Work - See title page for details.

25-24-51
FIG. 09
PAGE 9
FEB 10/07


BOEING
 737-600/700/800/900
PARTS CATALOG (MAINTENANCE)

FIG ITEM	PART NUMBER	1 2 3 4 5 6 7 NOMENCLATURE	EFFECT FROM TO	UNITS PER ASSY
9 230	ML44-9	.. BEARING-ROD END SUPPLIER CODE: V73134 OPTIONAL PART: 1254-3L V34742 ACB4-4 V56644 FML4-6 V02695 AHML4-103 V50294		1

MISSING ITEM NUMBERS NOT APPLICABLE

— ITEM NOT ILLUSTRATED

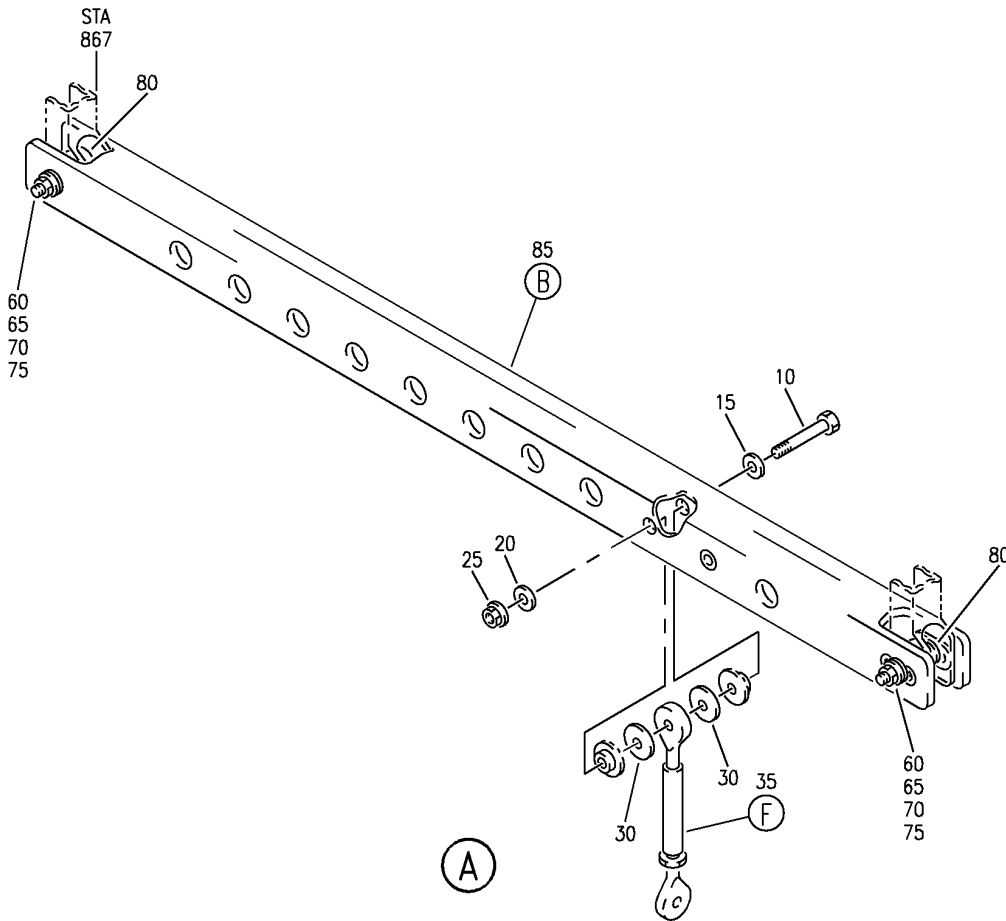
HAP

25-24-51-09

BOEING PROPRIETARY - Copyright © - Unpublished Work - See title page for details.

25-24-51
 FIG. 09
 PAGE 10
 OCT 10/06

BOEING
 737-600/700/800/900
 PARTS CATALOG (MAINTENANCE)



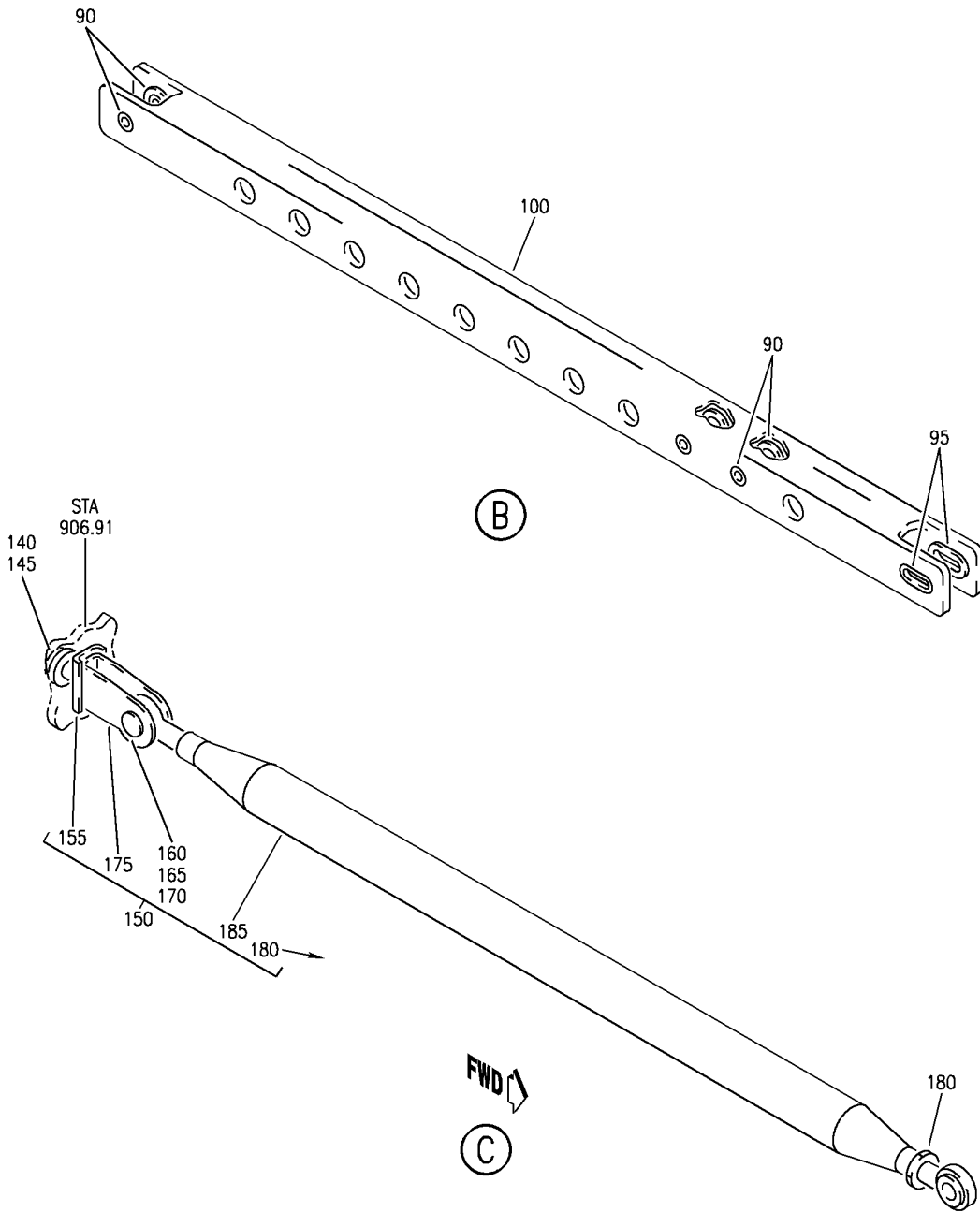
E 25245109A SHT 1 REV 111

SUPPORT INSTL-OVHD STOWAGE BIN AFT RH
 FIGURE 9A (SHEET 1)

25-24-51-09A

HAP
 OCT 10/06

25-24-51-09A
 PAGE 0



E 25245109A SHT 2 REV 111

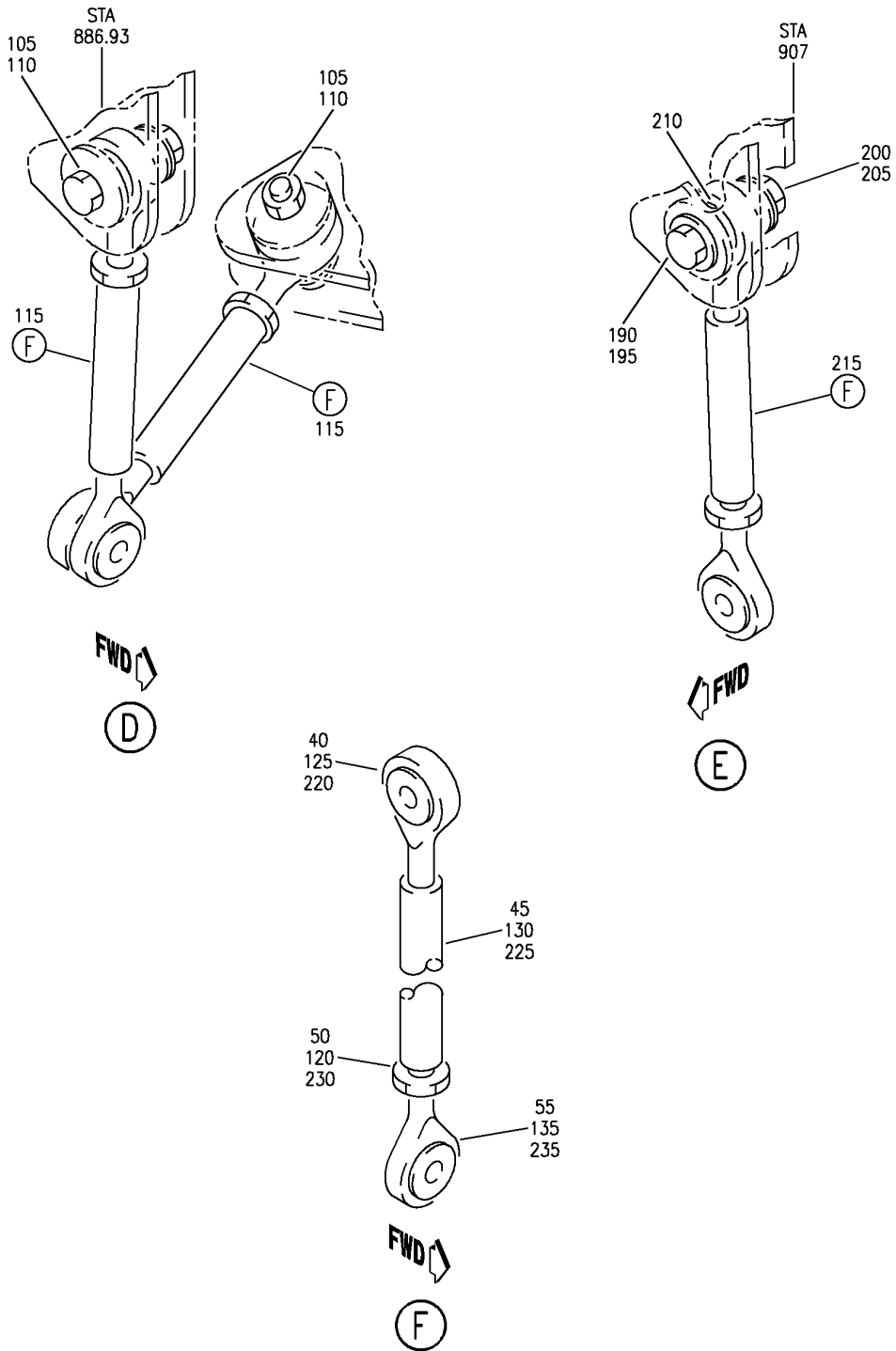
SUPPORT INSTL-OVHD STOWAGE BIN AFT RH
 FIGURE 9A (SHEET 2)

25-24-51-09A

HAP
 OCT 10/06

25-24-51-09A
 PAGE 0A

BOEING
 737-600/700/800/900
 PARTS CATALOG (MAINTENANCE)



E 25245109A SHT 3 REV 111

SUPPORT INSTL-OVHD STOWAGE BIN AFT RH
 FIGURE 9A (SHEET 3)

25-24-51-09A

HAP
 OCT 10/06

25-24-51-09A
 PAGE 0B

BOEING
737-600/700/800/900
PARTS CATALOG (MAINTENANCE)

FIG ITEM	PART NUMBER	1 2 3 4 5 6 7	NOMENCLATURE	EFFECT FROM TO	UNITS PER ASSY
9A			SUPPORT INSTL-OVHD STOWAGE BIN AFT RH		
- 1	412A2100-401		SUPPORT INSTL-OVHD STOWAGE BIN POSITION DATA: AFT RH FOR NHA SEE: 25-24-00-13A 25-24-00-15A	001020 201967	RF
- 1	412A2100-411		SUPPORT INSTL-OVHD STOWAGE BIN POSITION DATA: AFT RH FOR NHA SEE: 25-24-00-13A	021030	RF
- 1	MODREF91559		SUPPORT INSTL-OVHD STOWAGE BIN MODULE NUMBER: 412A2100-411 REV A POSITION DATA: AFT RH	031035	1
- 1	MODREF290265		SUPPORT INSTL-OVHD STOWAGE BIN MODULE NUMBER: 412A2100-411 REV B POSITION DATA: AFT RH	036200 968999	1
10	BACB30PW4C17		.BOLT- OPTIONAL PART: BACB30PW4-17		1
10	BACB30PW4-17		.BOLT- OPTIONAL PART: BACB30PW4C17		1
15	BACW10BP4CD		.WASHER		1
20	BACW10BN3SP		.WASHER		1
25	PLH53CD		.NUT SUPPLIER CODE: VF0224 SPECIFICATION NUMBER: BACN10YR3CD OPTIONAL PART: H52732-3CD V15653		1
30	NAS1515B4H		.GROMMET		2
35	65-80898-24		.TURNBUCKLE ASSY		1

MISSING ITEM NUMBERS NOT APPLICABLE

- ITEM NOT ILLUSTRATED

HAP

25-24-51-09A

BOEING PROPRIETARY - Copyright © - Unpublished Work - See title page for details.

25-24-51
FIG. 09A
PAGE 1
FEB 15/09

BOEING
737-600/700/800/900
PARTS CATALOG (MAINTENANCE)

FIG ITEM	PART NUMBER	1 2 3 4 5 6 7	NOMENCLATURE	EFFECT FROM TO	UNITS PER ASSY
9A 40	1254-3		.. BEARING-ROD END SUPPLIER CODE: V34742 OPTIONAL PART: ACM4-4 V56644 AHM4-103 V50294 M44-9 V73134 FM4-6 V02695		1
40	ACM4-4		.. BEARING-ROD END SUPPLIER CODE: V56644 OPTIONAL PART: 1254-3 V34742 AHM4-103 V50294 FM4-6 V02695 M44-9 V73134		1
40	FM4-6		.. BEARING-ROD END SUPPLIER CODE: V02695 OPTIONAL PART: 1254-3 V34742 ACM4-4 V56644 AHM4-103 V50294 M44-9 V73134		1
40	AHM4-103		.. BEARING-ROD END SUPPLIER CODE: V50294 OPTIONAL PART: 1254-3 V34742 ACM4-4 V56644 FM4-6 V02695 M44-9 V73134		1

MISSING ITEM NUMBERS NOT APPLICABLE

— ITEM NOT ILLUSTRATED

HAP

25-24-51-09A

BOEING PROPRIETARY - Copyright © - Unpublished Work - See title page for details.

25-24-51
FIG. 09A
PAGE 2
OCT 10/06

BOEING
737-600/700/800/900
PARTS CATALOG (MAINTENANCE)

FIG ITEM	PART NUMBER	1 2 3 4 5 6 7	NOMENCLATURE	EFFECT FROM TO	UNITS PER ASSY
9A 40	M44-9		.. BEARING-ROD END SUPPLIER CODE: V73134 OPTIONAL PART: 1254-3 V34742 ACM4-4 V56644 AHM4-103 V50294 FM4-6 V02695		1
45	65-81149-25		.. TUBE		1
50	AN316-4L		.. NUT		1
55	1254-3L		.. BEARING-ROD END SUPPLIER CODE: V34742 OPTIONAL PART: ACB4-4 V56644 AHML4-103 V50294 ML44-9 V73134 FML4-6 V02695		1
55	ACB4-4		.. BEARING-ROD END SUPPLIER CODE: V56644 OPTIONAL PART: 1254-3L V34742 AHML4-103 V50294 FML4-6 V02695 ML44-9 V73134		1

MISSING ITEM NUMBERS NOT APPLICABLE

— ITEM NOT ILLUSTRATED

HAP

25-24-51-09A

BOEING PROPRIETARY - Copyright © - Unpublished Work - See title page for details.

25-24-51
FIG. 09A
PAGE 3
OCT 10/06

BOEING
737-600/700/800/900
PARTS CATALOG (MAINTENANCE)

FIG ITEM	PART NUMBER	1 2 3 4 5 6 7	NOMENCLATURE	EFFECT FROM TO	UNITS PER ASSY
9A 55	FML4-6		.. BEARING-ROD END SUPPLIER CODE: V02695 OPTIONAL PART: 1254-3L V34742 ACB4-4 V56644 AHML4-103 V50294 ML44-9 V73134		1
55	AHML4-103		.. BEARING-ROD END SUPPLIER CODE: V50294 OPTIONAL PART: 1254-3L V34742 ACB4-4 V56644 FML4-6 V02695 ML44-9 V73134		1
55	ML44-9		.. BEARING-ROD END SUPPLIER CODE: V73134 OPTIONAL PART: 1254-3L V34742 ACB4-4 V56644 AHML4-103 V50294 FML4-6 V02695		1
60	BACB30PW4C17		. BOLT- OPTIONAL PART: BACB30PW4-17		2
60	BACB30PW4-17		. BOLT- OPTIONAL PART: BACB30PW4C17		2
65	BACW10BP4CD		. WASHER		2
70	BACW10BN3SP		. WASHER		2

MISSING ITEM NUMBERS NOT APPLICABLE

— ITEM NOT ILLUSTRATED

HAP

25-24-51-09A

BOEING PROPRIETARY - Copyright © - Unpublished Work - See title page for details.

25-24-51
FIG. 09A
PAGE 4
OCT 10/06

BOEING
737-600/700/800/900
PARTS CATALOG (MAINTENANCE)

FIG ITEM	PART NUMBER	1 2 3 4 5 6 7	NOMENCLATURE	EFFECT FROM TO	UNITS PER ASSY
9A					
75	PLH53CD	.NUT	SUPPLIER CODE: VF0224 SPECIFICATION NUMBER: BACN10YR3CD OPTIONAL PART: H52732-3CD V15653		2
80	54-062	.GROMMET-	SUPPLIER CODE: V77969 SPECIFICATION NUMBER: BACG20C12 OPTIONAL PART: BACG20C12N	001020 201967	2
80	BACG20C12N	.GROMMET-	OPTIONAL PART: BACG20C12		2
85	412A2250-6	.CHANNEL ASSY-LWR			1
90	BACB28AT04B008C	..BUSHING			6
95	412A2250-15	..BUSHING-SLOT			2
100	412A2250-12	..CHANNEL			1
105	BACB30NR4K8	.BOLT			2
110	BACW10BP4CD	.WASHER			2
115	65-80898-43	.TURNBUCKLE ASSY			2
120	AN316-4R	..NUT			1
125	1486-5	..ROD END ASSY-	SUPPLIER CODE: V34742		1
130	65-81149-47	..TUBE			1
135	1486-5L	..ROD END ASSY-	SUPPLIER CODE: V34742		1
140	NAS1149D0516J	.WASHER			1
145	BRH10C5D	.NUT-	SUPPLIER CODE: V52828 SPECIFICATION NUMBER: BACN10JC5CD OPTIONAL PART: T6C524JCD V11815 102LH9075-5W V72962 H51650-5BAC V15653 BACN10YR5CD		1

MISSING ITEM NUMBERS NOT APPLICABLE

— ITEM NOT ILLUSTRATED

HAP

25-24-51-09A

BOEING PROPRIETARY - Copyright © - Unpublished Work - See title page for details.

25-24-51
FIG. 09A
PAGE 5
FEB 15/09

BOEING
737-600/700/800/900
PARTS CATALOG (MAINTENANCE)

FIG ITEM	PART NUMBER	1 2 3 4 5 6 7	NOMENCLATURE	EFFECT FROM TO	UNITS PER ASSY
9A 145	PLH55CD	.	NUT- SUPPLIER CODE: VF0224 SPECIFICATION NUMBER: BACN10YR5CD OPTIONAL PART: H52732-5CD V15653 BACN10JC5CD		1
150	412N2030-57	.	DIAGONAL ASSY	001020 201967	1
150	412N2030-157	.	DIAGONAL ASSY	021035	1
150	412N2030-257	.	DIAGONAL ASSY	036200 968999	1
155	412N2032-4	..	INSULATOR- MANUFACTURED FROM: FIN F-6.10 COMPRESSION MOLDED PHENOLIC, GLASS FIBER FILLED PER BMS8-271A, TYPE 1 OPTIONAL PART: 412N2032-3 OPTIONAL PART: 412N2032-6	001020 201967	1
155	412N2032-6	..	INSULATOR- MANUFACTURED FROM: FIN F-25.01 COMPRESSION MOLDED PHENOLIC, GLASS FIBER FILLED PER BMS8-271A, TYPE 1. OPTIONAL PART: 412N2032-4		1
160	MS20392-3C17	..	PIN- OPTIONAL PART: BACP18BD3R17		1
160	BACP18BD3R17	..	PIN- OPTIONAL PART: MS20392-3C17		1
165	MS24665-132	..	PIN- OPTIONAL PART: BACP18BC02A06P		1
165	BACP18BC02A06P	..	PIN- OPTIONAL PART: MS24665-132		1
170	NAS1149D0416J	..	WASHER- OPTIONAL PART: BACW10P273L	001035 201967	1

MISSING ITEM NUMBERS NOT APPLICABLE

— ITEM NOT ILLUSTRATED

HAP

25-24-51-09A

BOEING PROPRIETARY - Copyright © - Unpublished Work - See title page for details.

25-24-51
FIG. 09A
PAGE 6
FEB 15/09

BOEING
737-600/700/800/900
PARTS CATALOG (MAINTENANCE)

FIG ITEM	PART NUMBER	1 2 3 4 5 6 7	NOMENCLATURE	EFFECT FROM TO	UNITS PER ASSY
9A					
170	BACW10P273L	..	WASHER- OPTIONAL PART: NAS1149D0416J	001035 201967	1
170	BACW10P361LA	..	WASHER	036200 968999	1
175	412N2031-1	..	CLEVIS- MANUFACTURED FROM: 412N2031-2		1
180	AN316-5R	..	NUT		1
185	1293-17	..	ROD ASSY- SUPPLIER CODE: V34742 OPTIONAL PART: USC1325-21 V31293		1
185	USC1325-21	..	ROD ASSY-TIE SUPPLIER CODE: V31293 OPTIONAL PART: 1293-17 V34742	021200 968999	1
190	BACB30NR4K12	.	BOLT		1
195	BACW10BP4CD	.	WASHER		1
200	BACW10BP4DP	.	WASHER		1
205	PLH54CD	.	NUT SUPPLIER CODE: VF0224 SPECIFICATION NUMBER: BACN10YR4CD OPTIONAL PART: H52732-4CD V15653		1
210	BACB28AK04-025	.	BUSHING		1
215	65-80898-24	.	TURNBUCKLE ASSY		1
220	1254-3	..	BEARING-ROD END SUPPLIER CODE: V34742 OPTIONAL PART: ACM4-4 V56644 AHM4-103 V50294 M44-9 V73134 FM4-6 V02695		1

MISSING ITEM NUMBERS NOT APPLICABLE

— ITEM NOT ILLUSTRATED

HAP

25-24-51-09A

BOEING PROPRIETARY - Copyright © - Unpublished Work - See title page for details.

25-24-51
FIG. 09A
PAGE 7
FEB 15/09

BOEING
737-600/700/800/900
PARTS CATALOG (MAINTENANCE)

FIG ITEM	PART NUMBER	1 2 3 4 5 6 7	NOMENCLATURE	EFFECT FROM TO	UNITS PER ASSY
9A 220	ACM4-4		.. BEARING-ROD END SUPPLIER CODE: V56644 OPTIONAL PART: 1254-3 V34742 FM4-6 V02695 AHM4-103 V50294 M44-9 V73134		1
220	FM4-6		.. BEARING-ROD END SUPPLIER CODE: V02695 OPTIONAL PART: 1254-3 V34742 ACM4-4 V56644 AHM4-103 V50294 M44-9 V73134		1
220	AHM4-103		.. BEARING-ROD END SUPPLIER CODE: V50294 OPTIONAL PART: 1254-3 V34742 ACM4-4 V56644 FM4-6 V02695 M44-9 V73134		1
220	M44-9		.. BEARING-ROD END SUPPLIER CODE: V73134 OPTIONAL PART: 1254-3 V34742 ACM4-4 V56644 FM4-6 V02695 AHM4-103 V50294		1
225	65-81149-25		.. TUBE		1

MISSING ITEM NUMBERS NOT APPLICABLE

— ITEM NOT ILLUSTRATED

HAP

25-24-51-09A

BOEING PROPRIETARY - Copyright © - Unpublished Work - See title page for details.

25-24-51
FIG. 09A
PAGE 8
FEB 10/07

BOEING
737-600/700/800/900
PARTS CATALOG (MAINTENANCE)

FIG ITEM	PART NUMBER	1 2 3 4 5 6 7	NOMENCLATURE	EFFECT FROM TO	UNITS PER ASSY
9A					
230	AN316-4L		..NUT		1
235	1254-3L		..BEARING-ROD END		1
			SUPPLIER CODE: V34742		
			OPTIONAL PART: ACB4-4		
			V56644		
			AHML4-103		
			V50294		
			ML44-9		
			V73134		
			FML4-6		
			V02695		
235	ACB4-4		..BEARING-ROD END		1
			SUPPLIER CODE: V56644		
			OPTIONAL PART: 1254-3L		
			V34742		
			FML4-6		
			V02695		
			AHML4-103		
			V50294		
			ML44-9		
			V73134		
235	FML4-6		..BEARING-ROD END		1
			SUPPLIER CODE: V02695		
			OPTIONAL PART: 1254-3L		
			V34742		
			ACB4-4		
			V56644		
			AHML4-103		
			V50294		
			ML44-9		
			V73134		
235	AHML4-103		..BEARING-ROD END		1
			SUPPLIER CODE: V50294		
			OPTIONAL PART: 1254-3L		
			V34742		
			ACB4-4		
			V56644		
			FML4-6		
			V02695		
			ML44-9		
			V73134		

MISSING ITEM NUMBERS NOT APPLICABLE

— ITEM NOT ILLUSTRATED

HAP

25-24-51-09A

BOEING PROPRIETARY - Copyright © - Unpublished Work - See title page for details.

25-24-51
FIG. 09A
PAGE 9
FEB 10/07


BOEING
 737-600/700/800/900
PARTS CATALOG (MAINTENANCE)

FIG ITEM	PART NUMBER	1 2 3 4 5 6 7 NOMENCLATURE	EFFECT FROM TO	UNITS PER ASSY
9A 235	ML44-9	.. BEARING-ROD END SUPPLIER CODE: V73134 OPTIONAL PART: 1254-3L V34742 ACB4-4 V56644 FML4-6 V02695 AHML4-103 V50294		1

MISSING ITEM NUMBERS NOT APPLICABLE

— ITEM NOT ILLUSTRATED

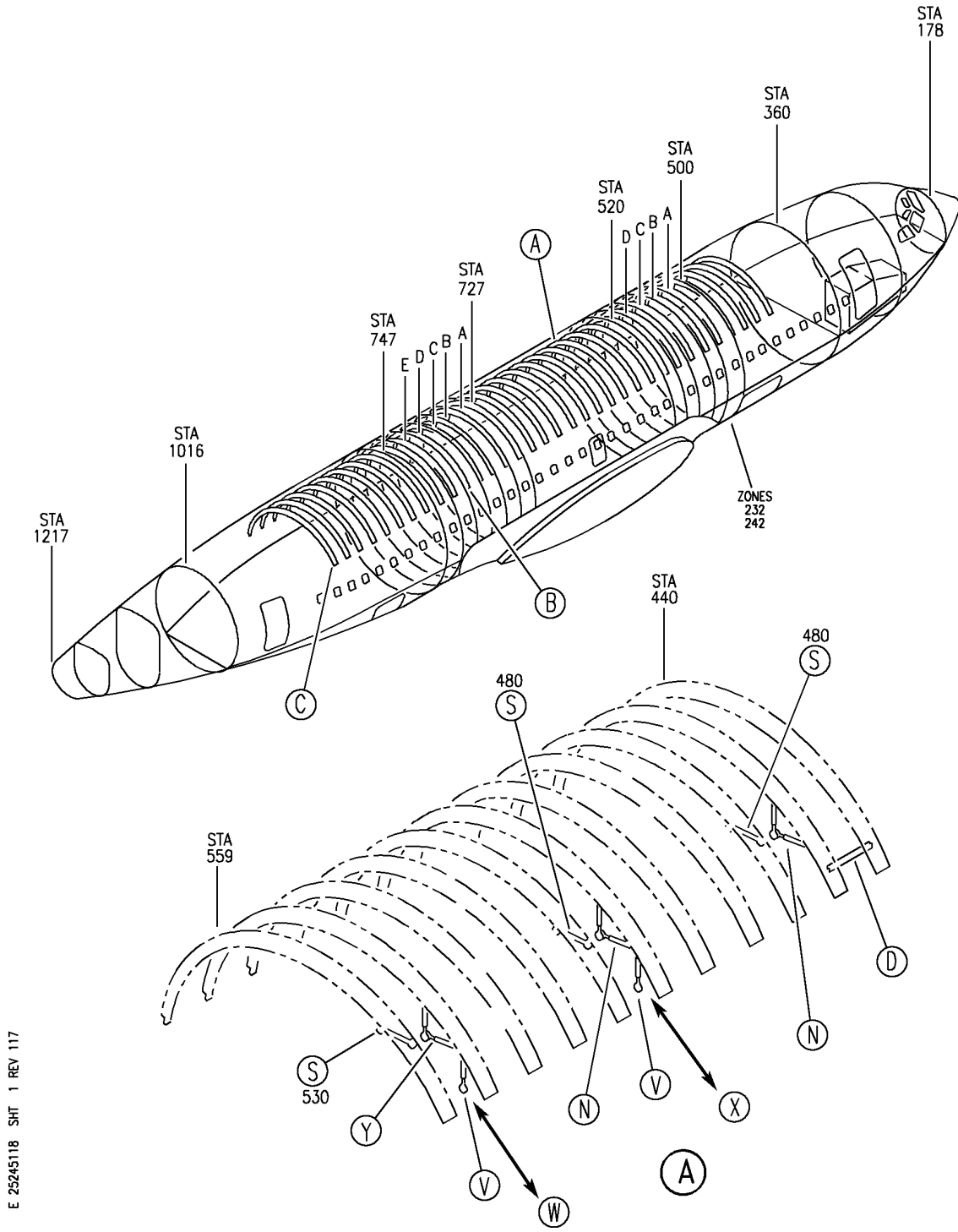
HAP

25-24-51-09A

BOEING PROPRIETARY - Copyright © - Unpublished Work - See title page for details.

25-24-51
 FIG. 09A
 PAGE 10
 OCT 10/06

BOEING
 737-600/700/800/900
 PARTS CATALOG (MAINTENANCE)



E 25245118 SHT 1 REV 117

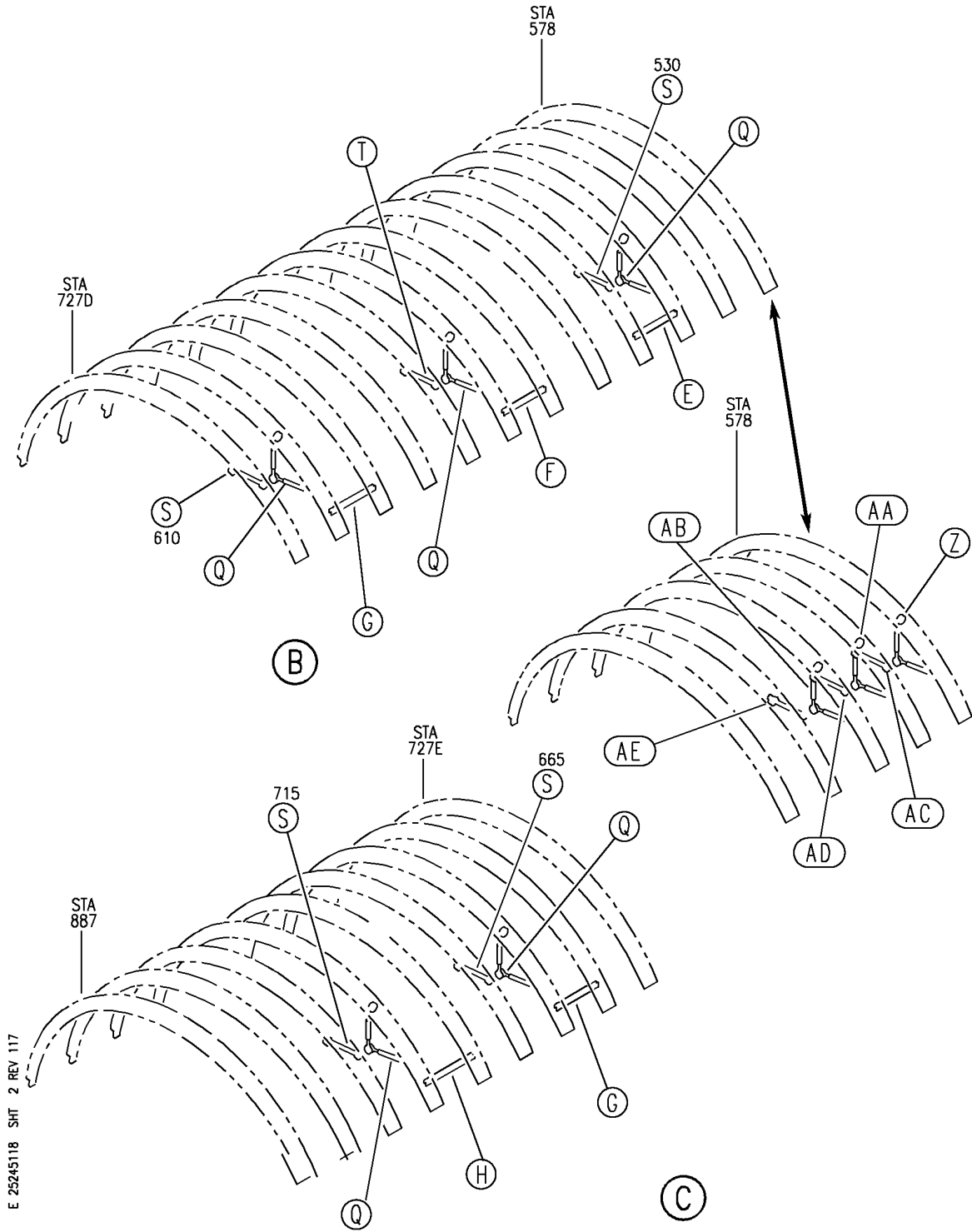
SUPPORT INSTL-RH OVHD STOWAGE BIN
 FIGURE 18 (SHEET 1)

25-24-51-18

HAP
 FEB 10/07

25-24-51-18
 PAGE 0

BOEING
737-600/700/800/900
PARTS CATALOG (MAINTENANCE)



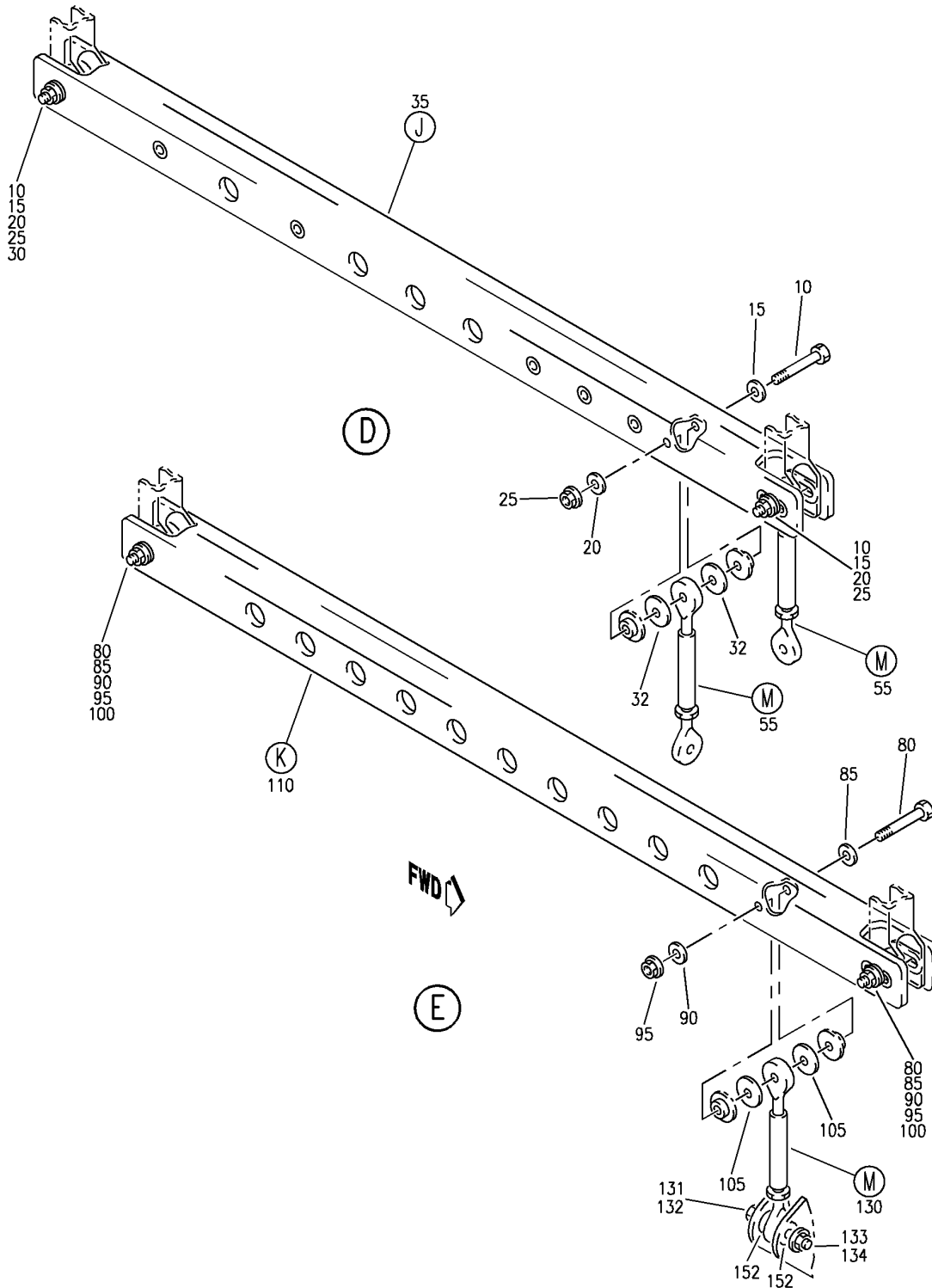
E 25245118 SHT 2 REV 117

SUPPORT INSTL-RH OVHD STOWAGE BIN
FIGURE 18 (SHEET 2)

25-24-51-18

HAP
FEB 10/07

25-24-51-18
PAGE 0A



E 25245118 SHT 3 REV 117

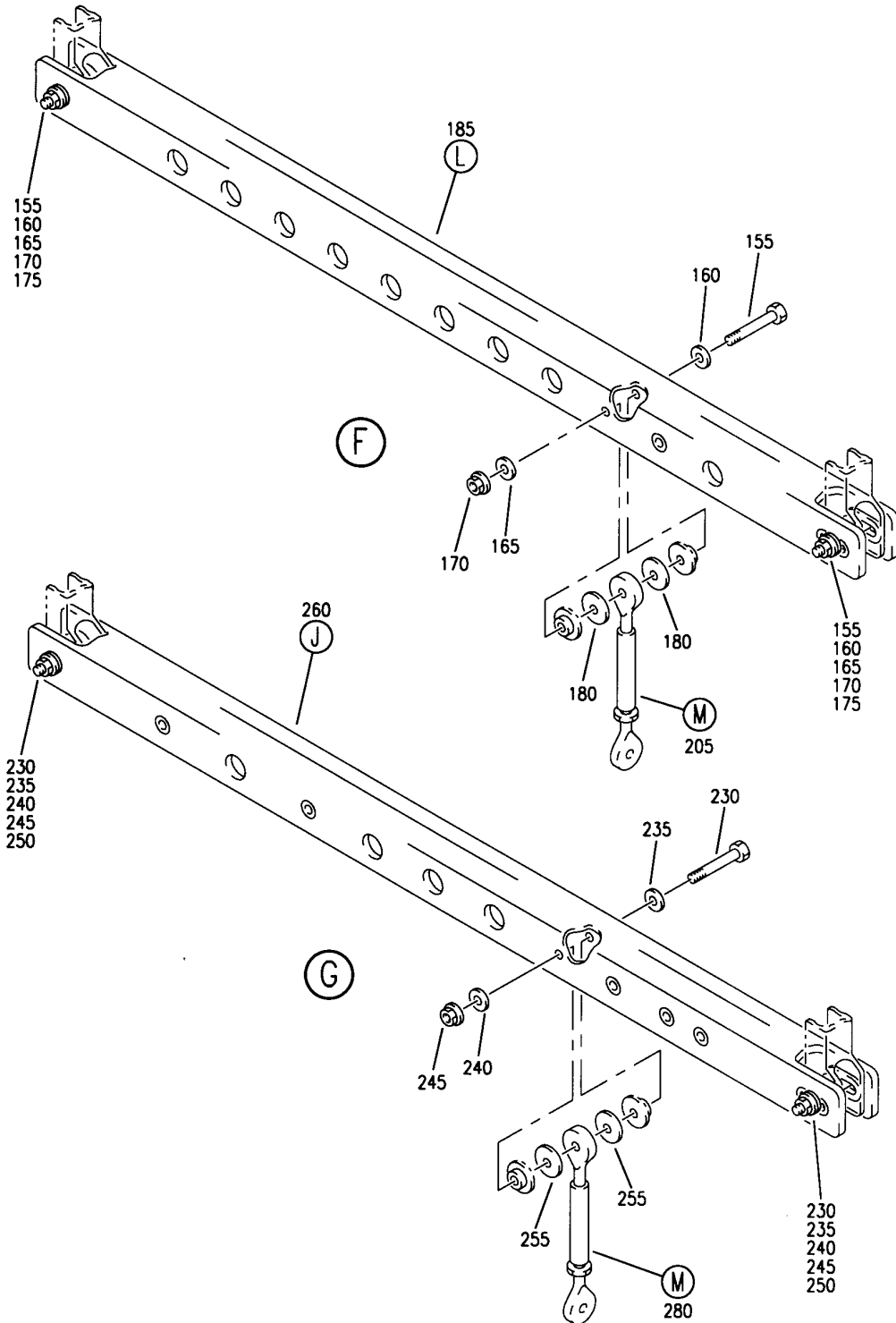
SUPPORT INSTL-RH OVHD STOWAGE BIN
 FIGURE 18 (SHEET 3)

25-24-51-18

HAP
 FEB 10/07

25-24-51-18
 PAGE 0B

BOEING
 737-600/700/800/900
 PARTS CATALOG (MAINTENANCE)



E 25245118 SHT 4 REV 019

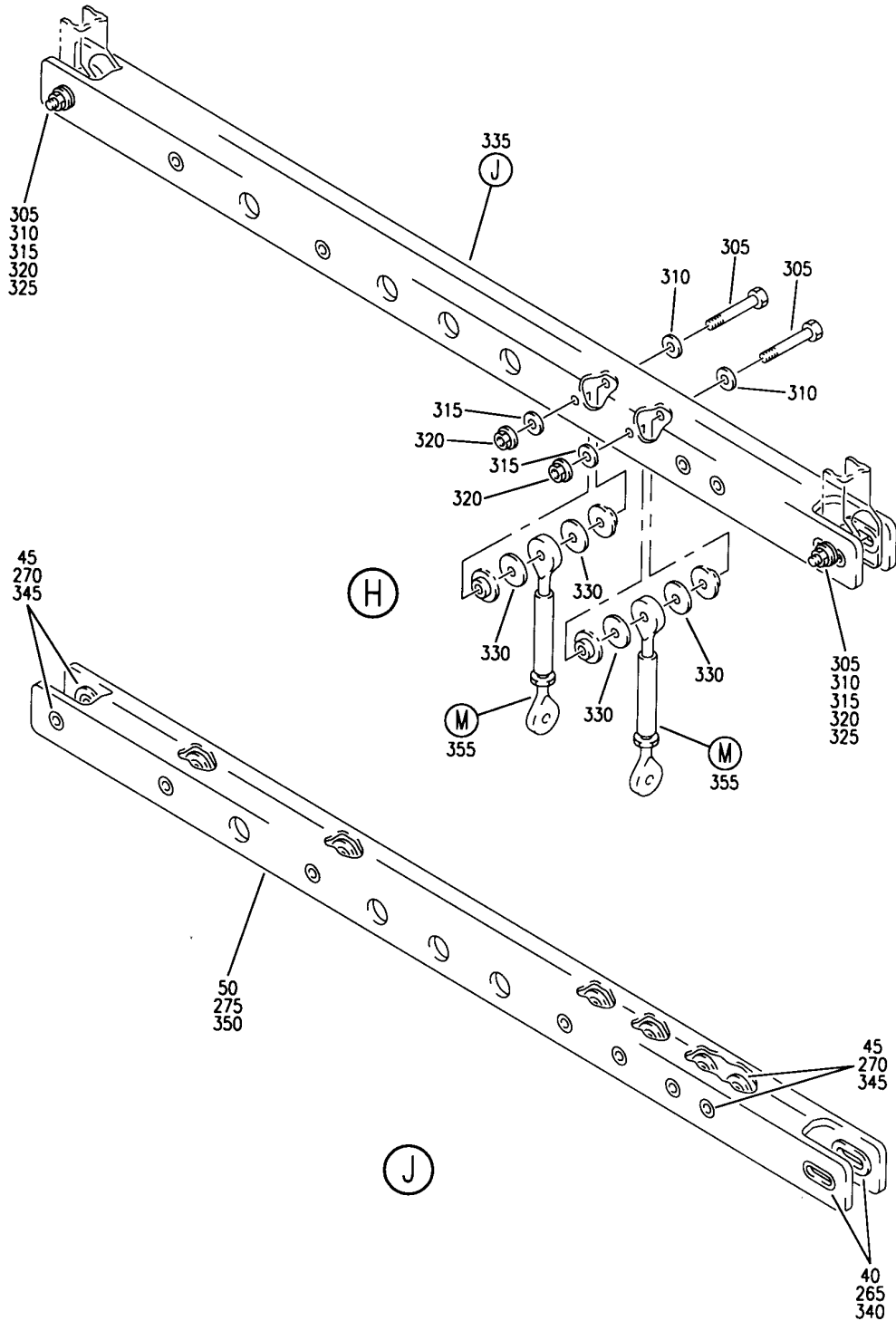
SUPPORT INSTL-RH OVHD STOWAGE BIN
 FIGURE 18 (SHEET 4)

25-24-51-18

HAP
 FEB 10/07

25-24-51-18
 PAGE 0C

BOEING
 737-600/700/800/900
 PARTS CATALOG (MAINTENANCE)



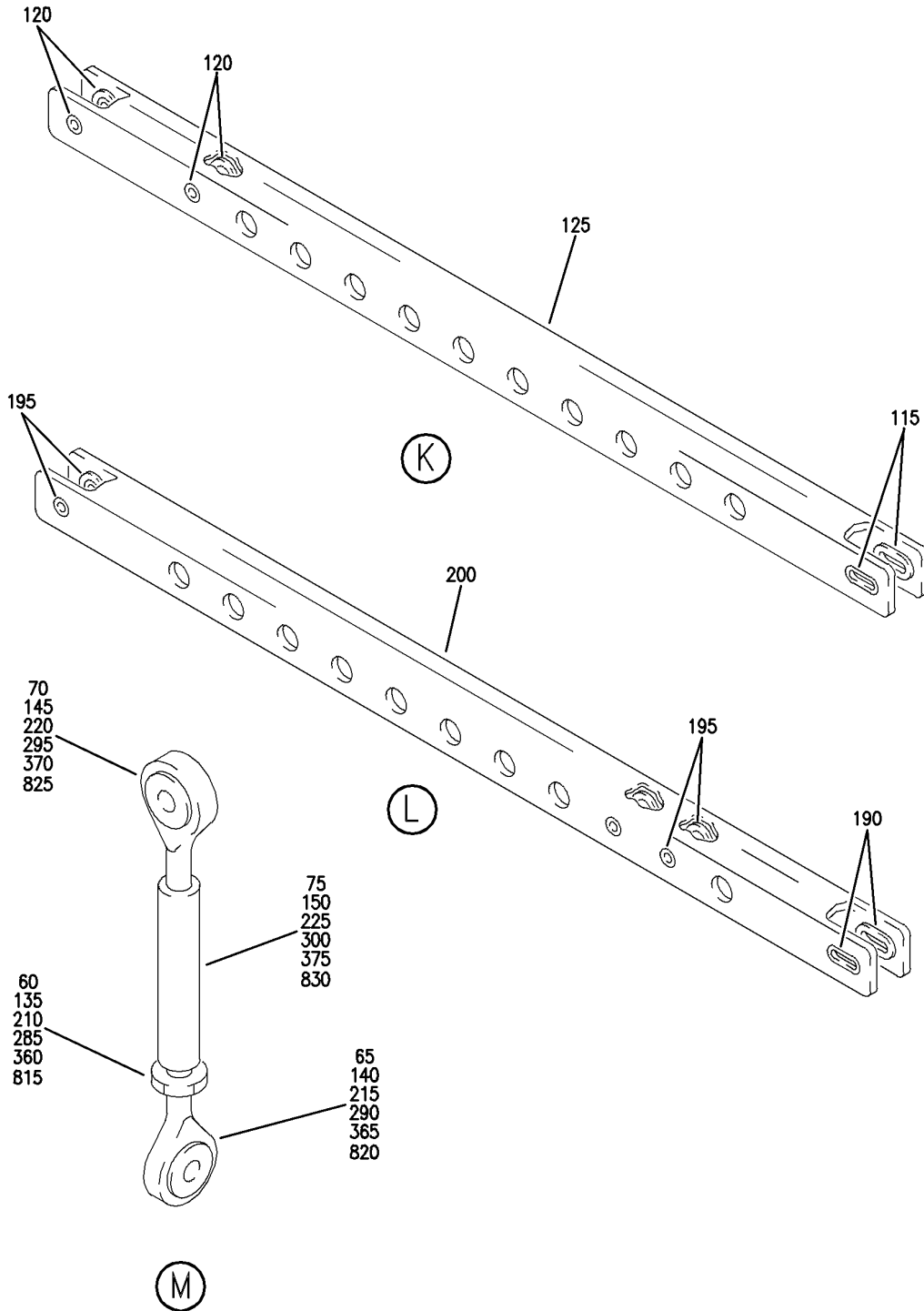
E 25245118 SHT 5 REV 019

SUPPORT INSTL-RH OVHD STOWAGE BIN
 FIGURE 18 (SHEET 5)

25-24-51-18

HAP
 FEB 10/07

25-24-51-18
 PAGE 0D



E 25245118 SHT 6 REV 052

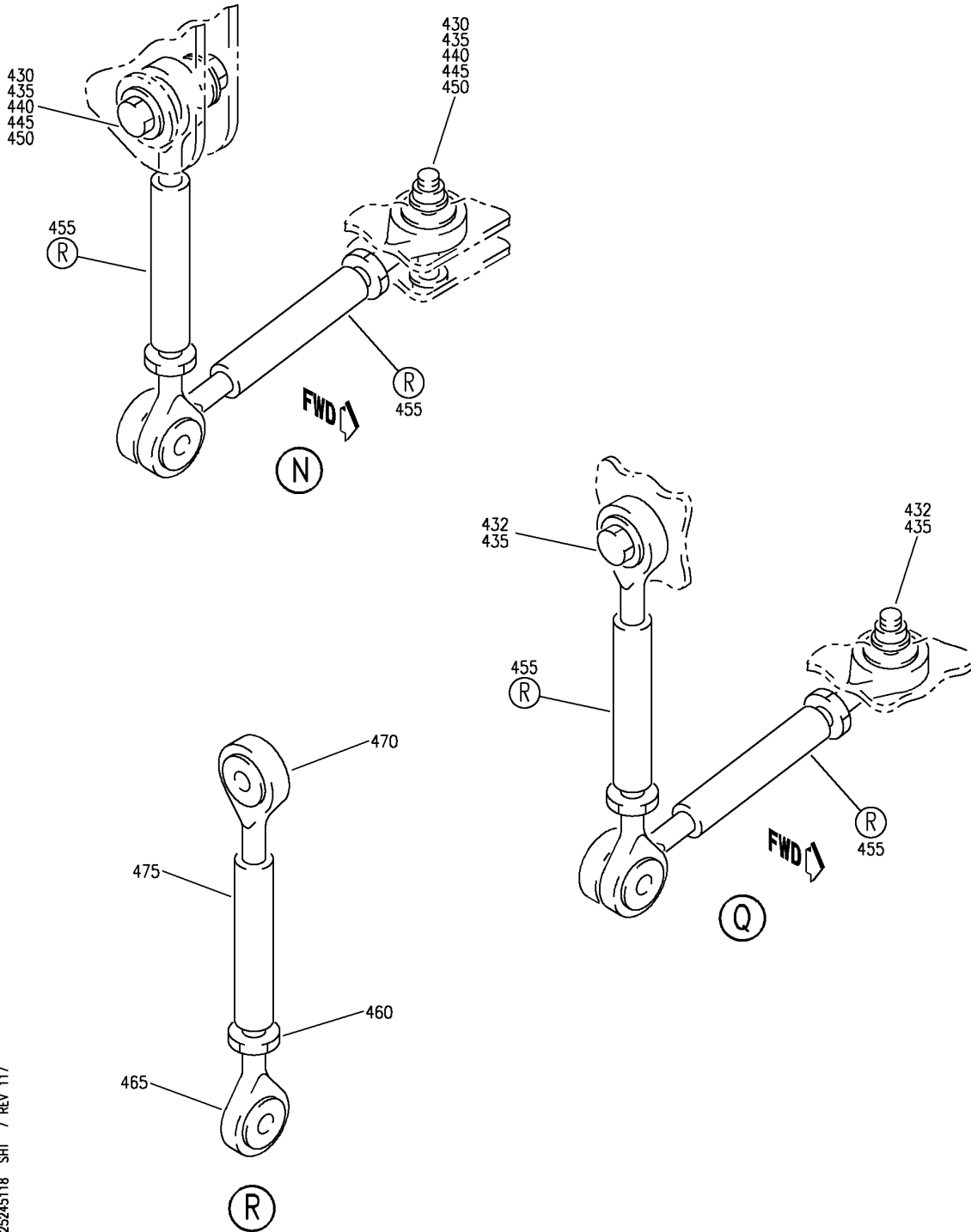
SUPPORT INSTL-RH OVHD STOWAGE BIN
 FIGURE 18 (SHEET 6)

25-24-51-18

HAP
 FEB 10/07

25-24-51-18
 PAGE 0E

BOEING
 737-600/700/800/900
 PARTS CATALOG (MAINTENANCE)



E 25245118 SHT 7 REV 117

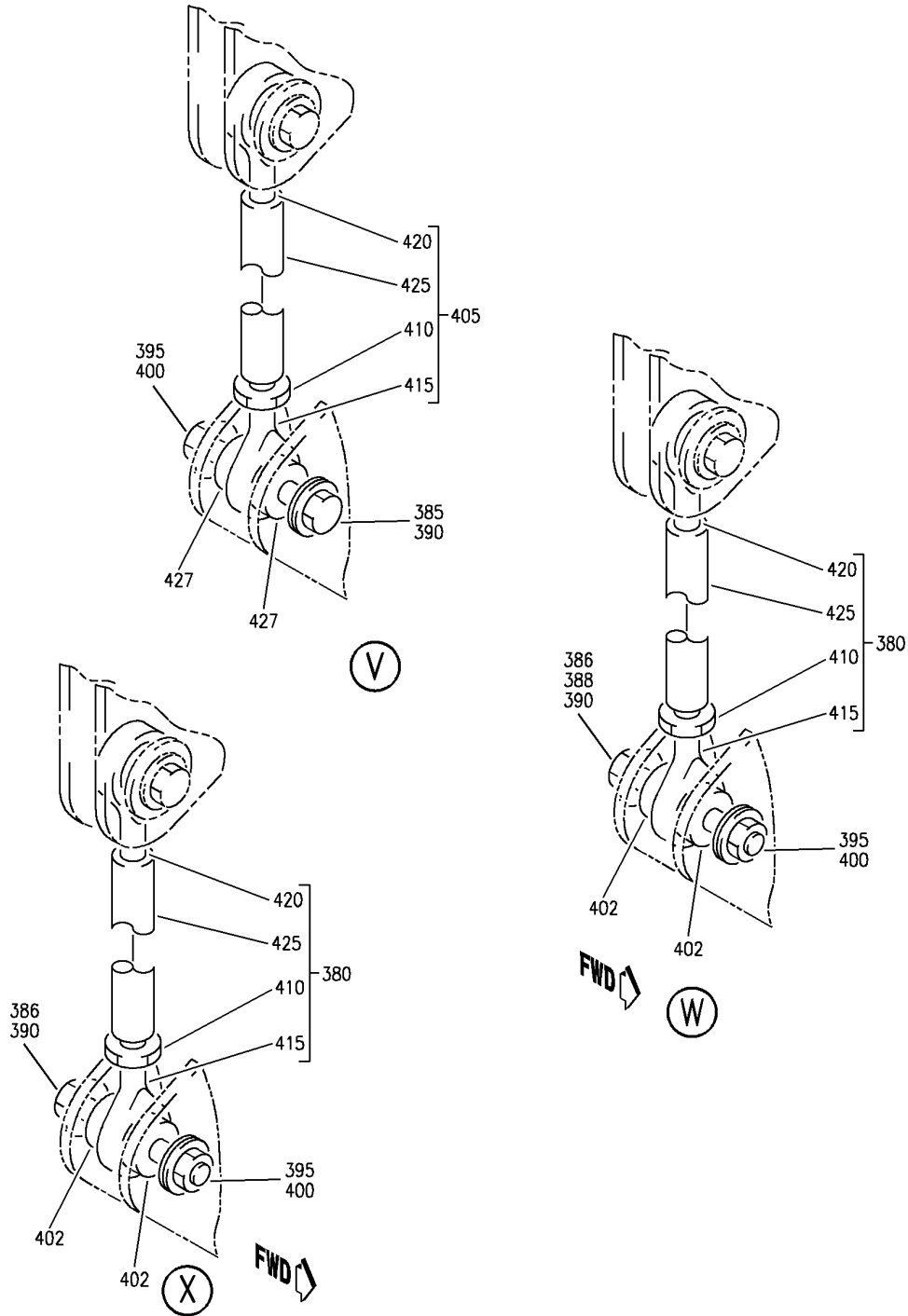
SUPPORT INSTL-RH OVHD STOWAGE BIN
 FIGURE 18 (SHEET 7)

25-24-51-18

HAP
 FEB 10/07

25-24-51-18
 PAGE OF

BOEING
 737-600/700/800/900
 PARTS CATALOG (MAINTENANCE)



E 25245118 SH 8 REV 117

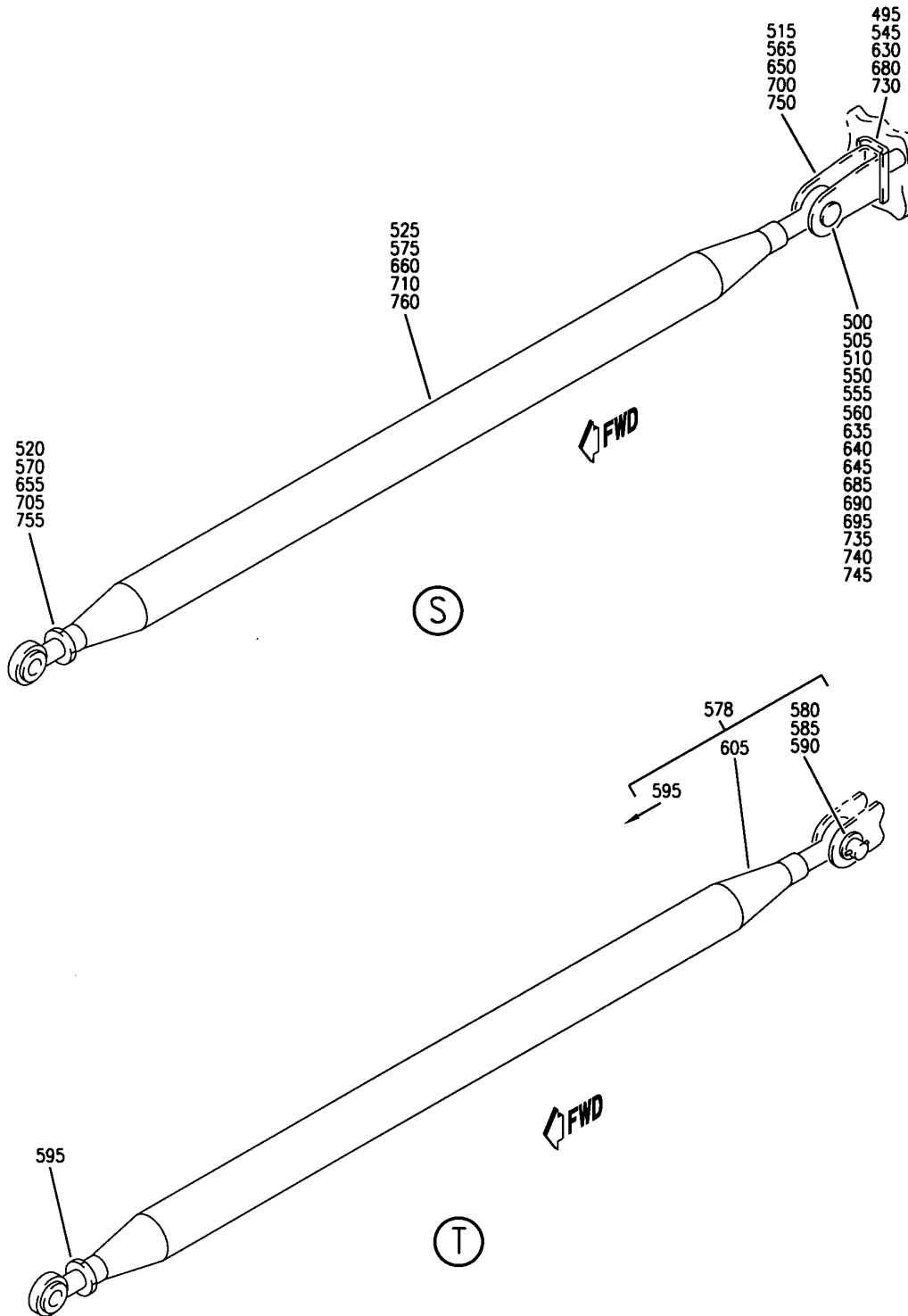
SUPPORT INSTL-RH OVHD STOWAGE BIN
 FIGURE 18 (SHEET 8)

25-24-51-18

HAP
 FEB 10/07

25-24-51-18
 PAGE 08

BOEING
 737-600/700/800/900
 PARTS CATALOG (MAINTENANCE)



E 25245118 SMT 9 REV 026

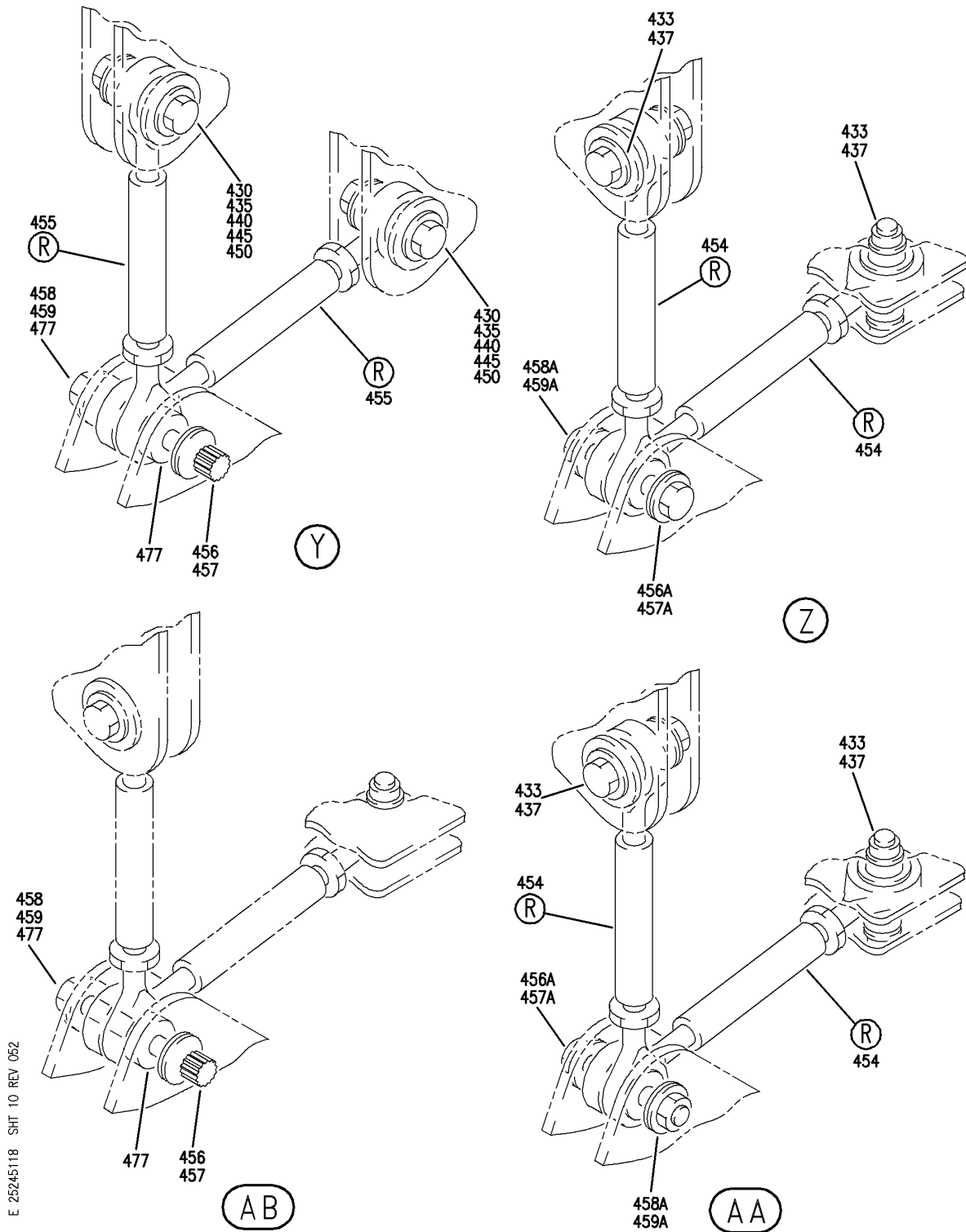
SUPPORT INSTL-RH OVHD STOWAGE BIN
 FIGURE 18 (SHEET 9)

25-24-51-18

HAP
 FEB 10/07

25-24-51-18
 PAGE 0H

BOEING
 737-600/700/800/900
 PARTS CATALOG (MAINTENANCE)



E 25245118 SHT 10 REV 062

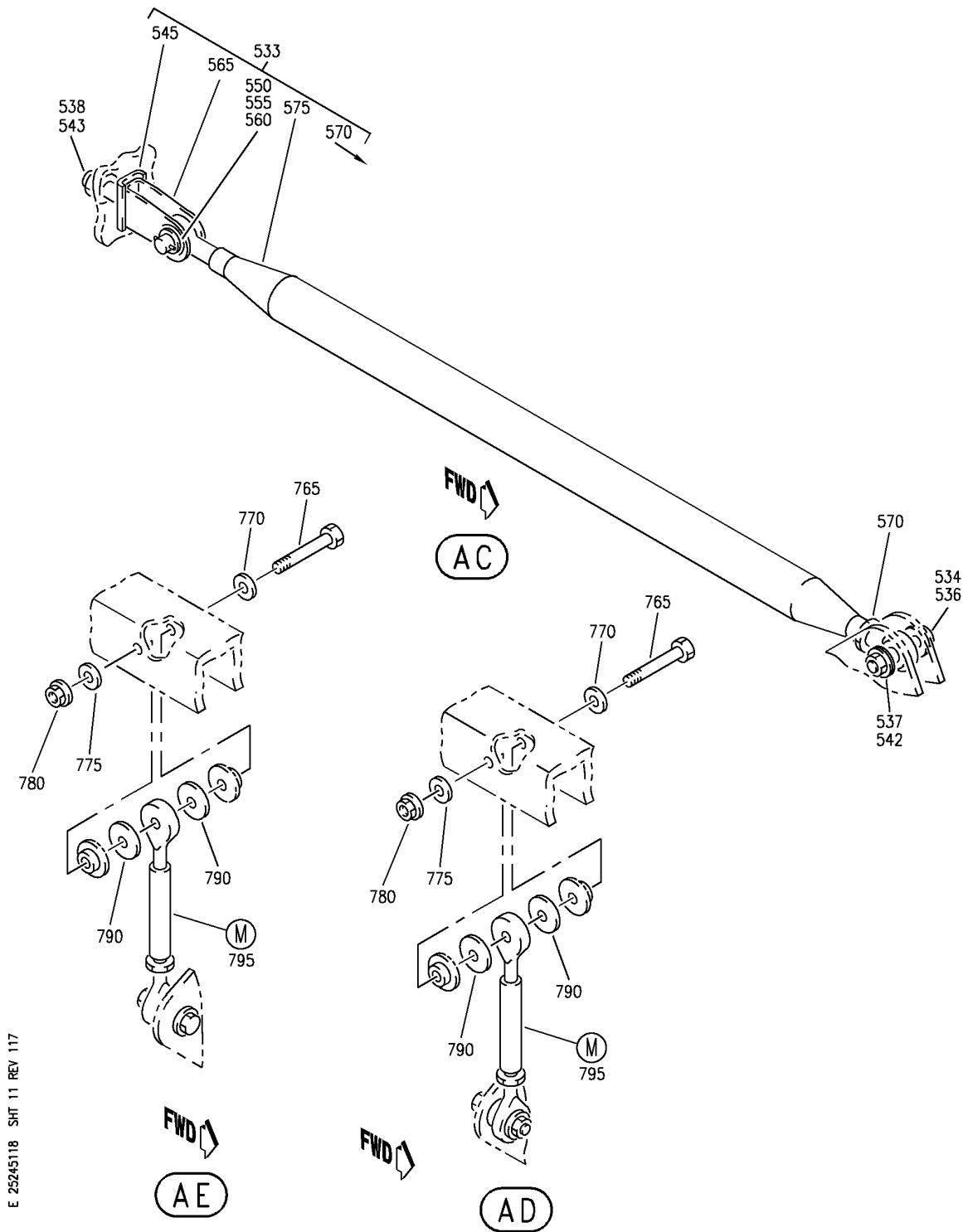
SUPPORT INSTL-RH OVHD STOWAGE BIN
 FIGURE 18 (SHEET 10)

25-24-51-18

HAP
 FEB 10/07

25-24-51-18
 PAGE 01

BOEING
 737-600/700/800/900
 PARTS CATALOG (MAINTENANCE)



E 25245118 SHT 11 REV 117

SUPPORT INSTL-RH OVHD STOWAGE BIN
 FIGURE 18 (SHEET 11)

25-24-51-18

HAP
 FEB 10/07

25-24-51-18
 PAGE 0J

BOEING
737-600/700/800/900
PARTS CATALOG (MAINTENANCE)

FIG ITEM	PART NUMBER	1 2 3 4 5 6 7	NOMENCLATURE	EFFECT FROM TO	UNITS PER ASSY
18			SUPPORT INSTL-RH OVHD STOWAGE BIN	101999	
- 5	412A2100-604		SUPPORT INSTL-OVHD STOWAGE BIN POSITION DATA: RH FOR NHA SEE: 25-24-00-13E	201967	RF
- 5	MODREF290273		SUPPORT INSTL-OVHD STOWAGE BIN MODULE NUMBER: 412A2100-614 REV B POSITION DATA: RH	101200 968999	1
10	BACB30PW4C17		.BOLT- OPTIONAL PART: BACB30PW4-17	101999	3
10	BACB30PW4-17		.BOLT- OPTIONAL PART: BACB30PW4C17	101999	3
15	BACW10BP4CD		.WASHER	101999	3
20	BACW10BN3SP		.WASHER	101999	3
25	PLH53CD		.NUT SUPPLIER CODE: VF0224 SPECIFICATION NUMBER: BACN10YR3CD OPTIONAL PART: H52732-3CD V15653	101999	3
30	54-062		.GROMMET- SUPPLIER CODE: V77969 SPECIFICATION NUMBER: BACG20C12 OPTIONAL PART: BACG20C12N	201967	1
30	BACG20C12N		.GROMMET- OPTIONAL PART: BACG20C12	101999	1
32	NAS1515B4H		.GROMMET	101999	2
35	412A2250-2		.CHANNEL ASSY- POSITION DATA: LWR STA 439.99 - STA 459.92	101999	1
40	412A2250-15		..BUSHING	101999	2
45	BACB28AT04B008C		..BUSHING	101999	14
50	412A2250-8		..CHANNEL	101999	1

MISSING ITEM NUMBERS NOT APPLICABLE

- ITEM NOT ILLUSTRATED

HAP

25-24-51-18

BOEING PROPRIETARY - Copyright © - Unpublished Work - See title page for details.

25-24-51
FIG. 18
PAGE 1
FEB 15/09

BOEING
737-600/700/800/900
PARTS CATALOG (MAINTENANCE)

FIG ITEM	PART NUMBER	1 2 3 4 5 6 7	NOMENCLATURE	EFFECT FROM TO	UNITS PER ASSY
18					
55	65-80898-7		.TURNBUCKLE ASSY- POSITION DATA: STA 456.75 - STA 459.92	101999	2
60	AN316-4L		..NUT	101999	1
65	ACB4-4		..BEARING-ROD END SUPPLIER CODE: V56644 OPTIONAL PART: AHML4-103 V50294 FML4-6 V02695 ML44-9 V73134 1254-3L V34742	101999	1
65	AHML4-103		..BEARING-ROD END SUPPLIER CODE: V50294 OPTIONAL PART: ACB4-4 V56644 FML4-6 V02695 ML44-9 V73134 1254-3L V34742	101999	1
65	FML4-6		..BEARING-ROD END SUPPLIER CODE: V02695 OPTIONAL PART: ACB4-4 V56644 AHML4-103 V50294 ML44-9 V73134 1254-3L V34742	101999	1

MISSING ITEM NUMBERS NOT APPLICABLE

— ITEM NOT ILLUSTRATED

HAP

25-24-51-18

BOEING PROPRIETARY - Copyright © - Unpublished Work - See title page for details.

25-24-51
FIG. 18
PAGE 2
OCT 15/08

BOEING
737-600/700/800/900
PARTS CATALOG (MAINTENANCE)

FIG ITEM	PART NUMBER	1 2 3 4 5 6 7	NOMENCLATURE	EFFECT FROM TO	UNITS PER ASSY
18 65	ML44-9		.. BEARING-ROD END SUPPLIER CODE: V73134 OPTIONAL PART: ACB4-4 V56644 AHML4-103 V50294 FML4-6 V02695 1254-3L V34742	101999	1
65	1254-3L		.. BEARING-ROD END SUPPLIER CODE: V34742 OPTIONAL PART: ACB4-4 V56644 AHML4-103 V50294 FML4-6 V02695 ML44-9 V73134	101999	1
70	ACM4-4		.. BEARING-ROD END SUPPLIER CODE: V56644 OPTIONAL PART: AHM4-103 V50294 FM4-6 V02695 M44-9 V73134 1254-3 V34742	101999	1
70	AHM4-103		.. BEARING-ROD END SUPPLIER CODE: V50294 OPTIONAL PART: ACM4-4 V56644 FM4-6 V02695 M44-9 V73134 1254-3 V34742	101999	1

MISSING ITEM NUMBERS NOT APPLICABLE

— ITEM NOT ILLUSTRATED

HAP

25-24-51-18

BOEING PROPRIETARY - Copyright © - Unpublished Work - See title page for details.

25-24-51
FIG. 18
PAGE 3
OCT 15/08

BOEING
737-600/700/800/900
PARTS CATALOG (MAINTENANCE)

FIG ITEM	PART NUMBER	1 2 3 4 5 6 7	NOMENCLATURE	EFFECT FROM TO	UNITS PER ASSY
18					
70	FM4-6		.. BEARING-ROD END SUPPLIER CODE: V02695 OPTIONAL PART: ACM4-4 V56644 AHM4-103 V50294 M44-9 V73134 1254-3 V34742	101999	1
70	M44-9		.. BEARING-ROD END SUPPLIER CODE: V73134 OPTIONAL PART: ACM4-4 V56644 AHM4-103 V50294 FM4-6 V02695 1254-3 V34742	101999	1
70	1254-3		.. BEARING-ROD END SUPPLIER CODE: V34742 OPTIONAL PART: ACM4-4 V56644 AHM4-103 V50294 FM4-6 V02695 M44-9 V73134	101999	1
75	65-81149-17		.. TUBE	101999	1
80	BACB30PW4C17		.BOLT- OPTIONAL PART: BACB30PW4-17	101999	3
80	BACB30PW4-17		.BOLT- OPTIONAL PART: BACB30PW4C17	101999	3
85	BACW10BP4CD		.WASHER	101999	3
90	BACW10BN3SP		.WASHER	101999	3

MISSING ITEM NUMBERS NOT APPLICABLE

— ITEM NOT ILLUSTRATED

HAP

25-24-51-18

BOEING PROPRIETARY - Copyright © - Unpublished Work - See title page for details.

25-24-51
FIG. 18
PAGE 4
OCT 15/08

BOEING
737-600/700/800/900
PARTS CATALOG (MAINTENANCE)

FIG ITEM	PART NUMBER	1 2 3 4 5 6 7	NOMENCLATURE	EFFECT FROM TO	UNITS PER ASSY
18					
95	PLH53CD	.	NUT SUPPLIER CODE: VF0224 SPECIFICATION NUMBER: BACN10YR3CD OPTIONAL PART: H52732-3CD V15653	101999	3
100	54-062	.	GROMMET- SUPPLIER CODE: V77969 SPECIFICATION NUMBER: BACG20C12 OPTIONAL PART: BACG20C12N	201967	2
100	BACG20C12N	.	GROMMET- OPTIONAL PART: BACG20C12	101999	2
105	NAS1515B4H	.	GROMMET	101999	2
110	412A2250-5	.	CHANNEL ASSY- POSITION DATA: LWR STA 616.12 - STA 638.97	101999	1
115	412A2250-15	..	BUSHING	101999	2
120	BACB28AT04B008C	..	BUSHING	101999	4
125	412A2250-11	..	CHANNEL	101999	1
130	65-80898-24	.	TURNBUCKLE ASSY- POSITION DATA: STA 620.00	101999	1
135	AN316-4L	..	NUT	101999	1
140	ACB4-4	..	BEARING-ROD END SUPPLIER CODE: V56644 OPTIONAL PART: AHML4-103 V50294 FML4-6 V02695 ML44-9 V73134 1254-3L V34742	101999	1

MISSING ITEM NUMBERS NOT APPLICABLE

- ITEM NOT ILLUSTRATED

HAP

25-24-51-18

BOEING PROPRIETARY - Copyright © - Unpublished Work - See title page for details.

25-24-51
FIG. 18
PAGE 5
FEB 15/09

BOEING
737-600/700/800/900
PARTS CATALOG (MAINTENANCE)

FIG ITEM	PART NUMBER	1 2 3 4 5 6 7	NOMENCLATURE	EFFECT FROM TO	UNITS PER ASSY
18 140	AHML4-103		.. BEARING-ROD END SUPPLIER CODE: V50294 OPTIONAL PART: ACB4-4 V56644 FML4-6 V02695 ML44-9 V73134 1254-3L V34742	101999	1
140	FML4-6		.. BEARING-ROD END SUPPLIER CODE: V02695 OPTIONAL PART: ACB4-4 V56644 AHML4-103 V50294 ML44-9 V73134 1254-3L V34742	101999	1
140	ML44-9		.. BEARING-ROD END SUPPLIER CODE: V73134 OPTIONAL PART: ACB4-4 V56644 AHML4-103 V50294 FML4-6 V02695 1254-3L V34742	101999	1
140	1254-3L		.. BEARING-ROD END SUPPLIER CODE: V34742 OPTIONAL PART: ACB4-4 V56644 AHML4-103 V50294 FML4-6 V02695 ML44-9 V73134	101999	1

MISSING ITEM NUMBERS NOT APPLICABLE

— ITEM NOT ILLUSTRATED

HAP

25-24-51-18

BOEING PROPRIETARY - Copyright © - Unpublished Work - See title page for details.

25-24-51
FIG. 18
PAGE 6
OCT 15/08

BOEING
737-600/700/800/900
PARTS CATALOG (MAINTENANCE)

FIG ITEM	PART NUMBER	1 2 3 4 5 6 7	NOMENCLATURE	EFFECT FROM TO	UNITS PER ASSY
18 145	ACM4-4		.. BEARING-ROD END SUPPLIER CODE: V56644 OPTIONAL PART: AHM4-103 V50294 FM4-6 V02695 M44-9 V73134 1254-3 V34742	101999	1
145	AHM4-103		.. BEARING-ROD END SUPPLIER CODE: V50294 OPTIONAL PART: ACM4-4 V56644 FM4-6 V02695 M44-9 V73134 1254-3 V34742	101999	1
145	FM4-6		.. BEARING-ROD END SUPPLIER CODE: V02695 OPTIONAL PART: ACM4-4 V56644 AHM4-103 V50294 M44-9 V73134 1254-3 V34742	101999	1
145	M44-9		.. BEARING-ROD END SUPPLIER CODE: V73134 OPTIONAL PART: ACM4-4 V56644 AHM4-103 V50294 FM4-6 V02695 1254-3 V34742	101999	1

MISSING ITEM NUMBERS NOT APPLICABLE

— ITEM NOT ILLUSTRATED

HAP

25-24-51-18

BOEING PROPRIETARY - Copyright © - Unpublished Work - See title page for details.

25-24-51
FIG. 18
PAGE 7
OCT 15/08

BOEING
737-600/700/800/900
PARTS CATALOG (MAINTENANCE)

FIG ITEM	PART NUMBER	1 2 3 4 5 6 7	NOMENCLATURE	EFFECT FROM TO	UNITS PER ASSY
18 145	1254-3	..	BEARING-ROD END SUPPLIER CODE: V34742 OPTIONAL PART: ACM4-4 V56644 AHM4-103 V50294 FM4-6 V02695 M44-9 V73134	101999	1
150	65-81149-25	..	TUBE	101999	1
155	BACB30PW4C17	.BOLT-	OPTIONAL PART: BACB30PW4-17	101999	3
155	BACB30PW4-17	.BOLT-	OPTIONAL PART: BACB30PW4C17	101999	3
160	BACW10BP4CD	.WASHER		101999	3
165	BACW10BN3SP	.WASHER		101999	3
170	PLH53CD	.NUT	SUPPLIER CODE: VF0224 SPECIFICATION NUMBER: BACN10YR3CD OPTIONAL PART: H52732-3CD V15653	101999	3
175	54-062	.GROMMET-	SUPPLIER CODE: V77969 SPECIFICATION NUMBER: BACG20C12 OPTIONAL PART: BACG20C12N	201967	2
175	BACG20C12N	.GROMMET-	OPTIONAL PART: BACG20C12	101999	2
180	NAS1515B4H	.GROMMET		101999	2
185	412A2250-3	.CHANNEL ASSY-	POSITION DATA: LWR STA 684.90 - STA 705.90	101999	1
190	412A2250-15	..	BUSHING	101999	2
195	BACB28AT04B008C	..	BUSHING	101999	6
200	412A2250-9	..	CHANNEL	101999	1

MISSING ITEM NUMBERS NOT APPLICABLE

- ITEM NOT ILLUSTRATED

HAP

25-24-51-18

BOEING PROPRIETARY - Copyright © - Unpublished Work - See title page for details.

25-24-51
FIG. 18
PAGE 8
FEB 15/09

BOEING
737-600/700/800/900
PARTS CATALOG (MAINTENANCE)

FIG ITEM	PART NUMBER	1 2 3 4 5 6 7	NOMENCLATURE	EFFECT FROM TO	UNITS PER ASSY
18 205	65-80898-24		.TURNBUCKLE ASSY- POSITION DATA: STA 700.00	101999	1
210	AN316-4L		..NUT	101999	1
215	ACB4-4		..BEARING-ROD END SUPPLIER CODE: V56644 OPTIONAL PART: AHML4-103 V50294 FML4-6 V02695 ML44-9 V73134 1254-3L V34742	101999	1
215	AHML4-103		..BEARING-ROD END SUPPLIER CODE: V50294 OPTIONAL PART: ACB4-4 V56644 FML4-6 V02695 ML44-9 V73134 1254-3L V34742	101999	1
215	FML4-6		..BEARING-ROD END SUPPLIER CODE: V02695 OPTIONAL PART: ACB4-4 V56644 AHML4-103 V50294 ML44-9 V73134 1254-3L V34742	101999	1

MISSING ITEM NUMBERS NOT APPLICABLE

— ITEM NOT ILLUSTRATED

HAP

25-24-51-18

BOEING PROPRIETARY - Copyright © - Unpublished Work - See title page for details.

25-24-51
FIG. 18
PAGE 9
OCT 15/08

BOEING
737-600/700/800/900
PARTS CATALOG (MAINTENANCE)

FIG ITEM	PART NUMBER	1 2 3 4 5 6 7	NOMENCLATURE	EFFECT FROM TO	UNITS PER ASSY
18 215	ML44-9		.. BEARING-ROD END SUPPLIER CODE: V73134 OPTIONAL PART: ACB4-4 V56644 AHML4-103 V50294 FML4-6 V02695 1254-3L V34742	101999	1
215	1254-3L		.. BEARING-ROD END SUPPLIER CODE: V34742 OPTIONAL PART: ACB4-4 V56644 AHML4-103 V50294 FML4-6 V02695 ML44-9 V73134	101999	1
220	ACM4-4		.. BEARING-ROD END SUPPLIER CODE: V56644 OPTIONAL PART: AHM4-103 V50294 FM4-6 V02695 M44-9 V73134 1254-3 V34742	101999	1
220	AHM4-103		.. BEARING-ROD END SUPPLIER CODE: V50294 OPTIONAL PART: ACM4-4 V56644 FM4-6 V02695 M44-9 V73134 1254-3 V34742	101999	1

MISSING ITEM NUMBERS NOT APPLICABLE

— ITEM NOT ILLUSTRATED

HAP

25-24-51-18

BOEING PROPRIETARY - Copyright © - Unpublished Work - See title page for details.

25-24-51
FIG. 18
PAGE 10
OCT 15/08

BOEING
737-600/700/800/900
PARTS CATALOG (MAINTENANCE)

FIG ITEM	PART NUMBER	1 2 3 4 5 6 7	NOMENCLATURE	EFFECT FROM TO	UNITS PER ASSY
18 220	FM4-6		.. BEARING-ROD END SUPPLIER CODE: V02695 OPTIONAL PART: ACM4-4 V56644 AHM4-103 V50294 M44-9 V73134 1254-3 V34742	101999	1
220	M44-9		.. BEARING-ROD END SUPPLIER CODE: V73134 OPTIONAL PART: ACM4-4 V56644 AHM4-103 V50294 FM4-6 V02695 1254-3 V34742	101999	1
220	1254-3		.. BEARING-ROD END SUPPLIER CODE: V34742 OPTIONAL PART: ACM4-4 V56644 AHM4-103 V50294 FM4-6 V02695 M44-9 V73134	101999	1
225	65-81149-25		.. TUBE	101999	1
230	BACB30PW4C17		.BOLT- OPTIONAL PART: BACB30PW4-17	101999	6
230	BACB30PW4-17		.BOLT- OPTIONAL PART: BACB30PW4C17	101999	6
235	BACW10BP4CD		.WASHER	101999	6
240	BACW10BN3SP		.WASHER	101999	6

MISSING ITEM NUMBERS NOT APPLICABLE

— ITEM NOT ILLUSTRATED

HAP

25-24-51-18

BOEING PROPRIETARY - Copyright © - Unpublished Work - See title page for details.

25-24-51
FIG. 18
PAGE 11
OCT 15/08

BOEING
737-600/700/800/900
PARTS CATALOG (MAINTENANCE)

FIG ITEM	PART NUMBER	1 2 3 4 5 6 7	NOMENCLATURE	EFFECT FROM TO	UNITS PER ASSY
18 245	PLH53CD	.	NUT SUPPLIER CODE: VF0224 SPECIFICATION NUMBER: BACN10YR3CD OPTIONAL PART: H52732-3CD V15653	101999	6
250	54-062	.	GROMMET- SUPPLIER CODE: V77969 SPECIFICATION NUMBER: BACG20C12 OPTIONAL PART: BACG20C12N	201967	4
250	BACG20C12N	.	GROMMET- OPTIONAL PART: BACG20C12	101999	4
255	NAS1515B4H	.	GROMMET	101999	4
260	412A2250-2	.	CHANNEL ASSY- POSITION DATA: STA 727A+19.92 - STA 727B+19.92 STA 746.92 - STA 766.92	101999	2
265	412A2250-15	..	BUSHING	101999	2
270	BACB28AT04B008C	..	BUSHING	101999	14
275	412A2250-8	..	CHANNEL	101999	1
280	65-80898-24	.	TURNBUCKLE ASSY- POSITION DATA: STA 727B+13.00 AND STA 760.00	101999	2
285	AN316-4L	..	NUT	101999	1
290	ACB4-4	..	BEARING-ROD END SUPPLIER CODE: V56644 OPTIONAL PART: AHML4-103 V50294 FML4-6 V02695 ML44-9 V73134 1254-3L V34742	101999	1

MISSING ITEM NUMBERS NOT APPLICABLE

— ITEM NOT ILLUSTRATED

HAP

25-24-51-18

BOEING PROPRIETARY - Copyright © - Unpublished Work - See title page for details.

25-24-51
FIG. 18
PAGE 12
FEB 15/09

BOEING
737-600/700/800/900
PARTS CATALOG (MAINTENANCE)

FIG ITEM	PART NUMBER	1 2 3 4 5 6 7	NOMENCLATURE	EFFECT FROM TO	UNITS PER ASSY
18 290	AHML4-103		.. BEARING-ROD END SUPPLIER CODE: V50294 OPTIONAL PART: ACB4-4 V56644 FML4-6 V02695 ML44-9 V73134 1254-3L V34742	101999	1
290	FML4-6		.. BEARING-ROD END SUPPLIER CODE: V02695 OPTIONAL PART: ACB4-4 V56644 AHML4-103 V50294 ML44-9 V73134 1254-3L V34742	101999	1
290	ML44-9		.. BEARING-ROD END SUPPLIER CODE: V73134 OPTIONAL PART: ACB4-4 V56644 AHML4-103 V50294 FML4-6 V02695 1254-3L V34742	101999	1
290	1254-3L		.. BEARING-ROD END SUPPLIER CODE: V34742 OPTIONAL PART: ACB4-4 V56644 AHML4-103 V50294 FML4-6 V02695 ML44-9 V73134	101999	1

MISSING ITEM NUMBERS NOT APPLICABLE

— ITEM NOT ILLUSTRATED

HAP

25-24-51-18

BOEING PROPRIETARY - Copyright © - Unpublished Work - See title page for details.

25-24-51
FIG. 18
PAGE 13
OCT 15/08

BOEING
737-600/700/800/900
PARTS CATALOG (MAINTENANCE)

FIG ITEM	PART NUMBER	1 2 3 4 5 6 7	NOMENCLATURE	EFFECT FROM TO	UNITS PER ASSY
18 295	ACM4-4		.. BEARING-ROD END SUPPLIER CODE: V56644 OPTIONAL PART: AHM4-103 V50294 FM4-6 V02695 M44-9 V73134 1254-3 V34742	101999	1
295	AHM4-103		.. BEARING-ROD END SUPPLIER CODE: V50294 OPTIONAL PART: ACM4-4 V56644 FM4-6 V02695 M44-9 V73134 1254-3 V34742	101999	1
295	FM4-6		.. BEARING-ROD END SUPPLIER CODE: V02695 OPTIONAL PART: ACM4-4 V56644 AHM4-103 V50294 M44-9 V73134 1254-3 V34742	101999	1
295	M44-9		.. BEARING-ROD END SUPPLIER CODE: V73134 OPTIONAL PART: ACM4-4 V56644 AHM4-103 V50294 FM4-6 V02695 1254-3 V34742	101999	1

MISSING ITEM NUMBERS NOT APPLICABLE

— ITEM NOT ILLUSTRATED

HAP

25-24-51-18

BOEING PROPRIETARY - Copyright © - Unpublished Work - See title page for details.

25-24-51
FIG. 18
PAGE 14
OCT 15/08

BOEING
737-600/700/800/900
PARTS CATALOG (MAINTENANCE)

FIG ITEM	PART NUMBER	1 2 3 4 5 6 7	NOMENCLATURE	EFFECT FROM TO	UNITS PER ASSY
18 295	1254-3		.. BEARING-COD END SUPPLIER CODE: V34742 OPTIONAL PART: ACM4-4 V56644 AHM4-103 V50294 FM4-6 V02695 M44-9 V73134	101999	1
300	65-81149-25		.. TUBE	101999	1
305	BACB30PW4C17		. BOLT- OPTIONAL PART: BACB30PW4-17	101999	4
305	BACB30PW4-17		. BOLT- OPTIONAL PART: BACB30PW4C17	101999	4
310	BACW10BP4CD		. WASHER	101999	4
315	BACW10BN3SP		. WASHER	101999	4
320	PLH53CD		. NUT SUPPLIER CODE: VF0224 SPECIFICATION NUMBER: BACN10YR3CD OPTIONAL PART: H52732-3CD V15653	101999	4
325	54-062		. GROMMET- SUPPLIER CODE: V77969 SPECIFICATION NUMBER: BACG20C12 OPTIONAL PART: BACG20C12N	201967	2
325	BACG20C12N		. GROMMET- OPTIONAL PART: BACG20C12	101999	2
330	NAS1515B4H		. GROMMET	101999	4
335	412A2250-2		. CHANNEL ASSY- POSITION DATA: LWR STA 806.92 - STA 826.92	101999	1
340	412A2250-15		.. BUSHING	101999	2
345	BACB28AT04B008C		.. BUSHING	101999	14
350	412A2250-8		.. CHANNEL	101999	1

MISSING ITEM NUMBERS NOT APPLICABLE

- ITEM NOT ILLUSTRATED

HAP

25-24-51-18

BOEING PROPRIETARY - Copyright © - Unpublished Work - See title page for details.

25-24-51
FIG. 18
PAGE 15
FEB 15/09

BOEING
737-600/700/800/900
PARTS CATALOG (MAINTENANCE)

FIG ITEM	PART NUMBER	1 2 3 4 5 6 7	NOMENCLATURE	EFFECT FROM TO	UNITS PER ASSY
18 355	65-80898-24		.TURNBUCKLE ASSY- POSITION DATA: STA 820.00 AND STA 821.39	101999	2
360 365	AN316-4L ACB4-4		..NUT ..BEARING-ROD END SUPPLIER CODE: V56644 OPTIONAL PART: AHML4-103 V50294 FML4-6 V02695 ML44-9 V73134 1254-3L V34742	101999 101999	1 1
365	AHML4-103		..BEARING-ROD END SUPPLIER CODE: V50294 OPTIONAL PART: ACB4-4 V56644 FML4-6 V02695 ML44-9 V73134 1254-3L V34742	101999	1
365	FML4-6		..BEARING-ROD END SUPPLIER CODE: V02695 OPTIONAL PART: ACB4-4 V56644 AHML4-103 V50294 ML44-9 V73134 1254-3L V34742	101999	1

MISSING ITEM NUMBERS NOT APPLICABLE

— ITEM NOT ILLUSTRATED

HAP

25-24-51-18

BOEING PROPRIETARY - Copyright © - Unpublished Work - See title page for details.

25-24-51
FIG. 18
PAGE 16
OCT 15/08

BOEING
737-600/700/800/900
PARTS CATALOG (MAINTENANCE)

FIG ITEM	PART NUMBER	1 2 3 4 5 6 7	NOMENCLATURE	EFFECT FROM TO	UNITS PER ASSY
18 365	ML44-9		.. BEARING-ROD END SUPPLIER CODE: V73134 OPTIONAL PART: ACB4-4 V56644 AHML4-103 V50294 FML4-6 V02695 1254-3L V34742	101999	1
365	1254-3L		.. BEARING-ROD END SUPPLIER CODE: V34742 OPTIONAL PART: ACB4-4 V56644 AHML4-103 V50294 FML4-6 V02695 ML44-9 V73134	101999	1
370	ACM4-4		.. BEARING-ROD END SUPPLIER CODE: V56644 OPTIONAL PART: AHM4-103 V50294 FM4-6 V02695 M44-9 V73134 1254-3 V34742	101999	1
370	AHM4-103		.. BEARING-ROD END SUPPLIER CODE: V50294 OPTIONAL PART: ACM4-4 V56644 FM4-6 V02695 M44-9 V73134 1254-3 V34742	101999	1

MISSING ITEM NUMBERS NOT APPLICABLE

— ITEM NOT ILLUSTRATED

HAP

25-24-51-18

BOEING PROPRIETARY - Copyright © - Unpublished Work - See title page for details.

25-24-51
FIG. 18
PAGE 17
OCT 15/08

BOEING
737-600/700/800/900
PARTS CATALOG (MAINTENANCE)

FIG ITEM	PART NUMBER	1 2 3 4 5 6 7	NOMENCLATURE	EFFECT FROM TO	UNITS PER ASSY
18 370	FM4-6		.. BEARING-ROD END SUPPLIER CODE: V02695 OPTIONAL PART: ACM4-4 V56644 AHM4-103 V50294 M44-9 V73134 1254-3 V34742	101999	1
370	M44-9		.. BEARING-ROD END SUPPLIER CODE: V73134 OPTIONAL PART: ACM4-4 V56644 AHM4-103 V50294 FM4-6 V02695 1254-3 V34742	101999	1
370	1254-3		.. BEARING-ROD END SUPPLIER CODE: V34742 OPTIONAL PART: ACM4-4 V56644 AHM4-103 V50294 FM4-6 V02695 M44-9 V37134	101999	1
375	65-81149-25		.. TUBE	101999	1
385	BACB30NR4K12		. BOLT	101999	2
390	BACW10BP4CD		. WASHER	101999	2
395	BACW10BP4DP		. WASHER	101999	2
400	PLH54CD		. NUT SUPPLIER CODE: VF0224 SPECIFICATION NUMBER: BACN10YR4CD OPTIONAL PART: H52732-4CD V15653	101999	2
402	BACB28AK04-025		. BUSHING-	101999	2

MISSING ITEM NUMBERS NOT APPLICABLE

- ITEM NOT ILLUSTRATED

HAP

25-24-51-18

BOEING PROPRIETARY - Copyright © - Unpublished Work - See title page for details.

25-24-51
FIG. 18
PAGE 18
FEB 15/09

BOEING
737-600/700/800/900
PARTS CATALOG (MAINTENANCE)

FIG ITEM	PART NUMBER	1 2 3 4 5 6 7	NOMENCLATURE	EFFECT FROM TO	UNITS PER ASSY
18 405	65-80898-24		.TURNBUCKLE ASSY- POSITION DATA: STA 500B AND STA 540.00	101999	2
410	AN316-4L		..NUT	101999	1
415	ACB4-4		..BEARING-ROD END SUPPLIER CODE: V56644 OPTIONAL PART: AHML4-103 V50294 FML4-6 V02695 ML44-9 V73134 1254-3L V34742	101999	1
415	AHML4-103		..BEARING-ROD END SUPPLIER CODE: V50294 OPTIONAL PART: ACB4-4 V56644 FML4-6 V02695 ML44-9 V73134 1254-3L V34742	101999	1
415	FML4-6		..BEARING-ROD END SUPPLIER CODE: V02695 OPTIONAL PART: ACB4-4 V56644 AHML4-103 V50294 ML44-9 V73134 1254-3L V34742	101999	1

MISSING ITEM NUMBERS NOT APPLICABLE

— ITEM NOT ILLUSTRATED

HAP

25-24-51-18

BOEING PROPRIETARY - Copyright © - Unpublished Work - See title page for details.

25-24-51
FIG. 18
PAGE 19
OCT 15/08

BOEING
737-600/700/800/900
PARTS CATALOG (MAINTENANCE)

FIG ITEM	PART NUMBER	1 2 3 4 5 6 7	NOMENCLATURE	EFFECT FROM TO	UNITS PER ASSY
18 415	ML44-9		.. BEARING-ROD END SUPPLIER CODE: V73134 OPTIONAL PART: ACB4-4 V56644 AHML4-103 V50294 FML4-6 V02695 1254-3L V34742	101999	1
415	1254-3L		.. BEARING-ROD END SUPPLIER CODE: V34742 OPTIONAL PART: ACB4-4 V56644 AHML4-103 V50294 FML4-6 V02695 ML44-9 V73134	101999	1
420	ACM4-4		.. BEARING-ROD END SUPPLIER CODE: V56644 OPTIONAL PART: AHM4-103 V50294 FM4-6 V02695 M44-9 V73134 1254-3 V34742	101999	1
420	AHM4-103		.. BEARING-ROD END SUPPLIER CODE: V50294 OPTIONAL PART: ACM4-4 V56644 FM4-6 V02695 M44-9 V73134 1254-3 V34742	101999	1

MISSING ITEM NUMBERS NOT APPLICABLE

— ITEM NOT ILLUSTRATED

HAP

25-24-51-18

BOEING PROPRIETARY - Copyright © - Unpublished Work - See title page for details.

25-24-51
FIG. 18
PAGE 20
OCT 15/08

BOEING
737-600/700/800/900
PARTS CATALOG (MAINTENANCE)

FIG ITEM	PART NUMBER	1 2 3 4 5 6 7	NOMENCLATURE	EFFECT FROM TO	UNITS PER ASSY
18 420	FM4-6		.. BEARING-ROD END SUPPLIER CODE: V02695 OPTIONAL PART: ACM4-4 V56644 AHM4-103 V50294 M44-9 V73134 1254-3 V34742	101999	1
420	M44-9		.. BEARING-ROD END SUPPLIER CODE: V73134 OPTIONAL PART: ACM4-4 V56644 AHM4-103 V50294 FM4-6 V02695 1254-3 V34742	101999	1
420	1254-3		.. BEARING-ROD END SUPPLIER CODE: V34742 OPTIONAL PART: ACM4-4 V56644 AHM4-103 V50294 FM4-6 V02695 M44-9 V73134	101999	1
425	65-81149-25		.. TUBE	101999	1
430	BACB30NR4K12		. BOLT	101999	6
432	BACB30NR4K8		. BOLT	101999	10
435	BACW10BP4CD		. WASHER	101999	16
440	BACW10BP4DP		. WASHER	101999	6
445	PLH54CD		. NUT SUPPLIER CODE: VF0224 SPECIFICATION NUMBER: BACN10YR4CD OPTIONAL PART: H52732-4CD V15653	101999	6

MISSING ITEM NUMBERS NOT APPLICABLE

— ITEM NOT ILLUSTRATED

HAP

25-24-51-18

BOEING PROPRIETARY - Copyright © - Unpublished Work - See title page for details.

25-24-51
FIG. 18
PAGE 21
FEB 15/09

BOEING
737-600/700/800/900
PARTS CATALOG (MAINTENANCE)

FIG ITEM	PART NUMBER	1 2 3 4 5 6 7	NOMENCLATURE	EFFECT FROM TO	UNITS PER ASSY
18					
450	BACB28AK04-025	.	BUSHING	101999	6
455	65-80898-43	.	TURNBUCKLE ASSY-	101999	16
			POSITION DATA:		
			STA 459.24 TO		
			STA 820.16		
460	AN316-4R	..	NUT	101999	1
465	1486-5	..	ROD END ASSY-	101999	1
			SUPPLIER CODE:		
			V34742		
470	1486-5L	..	ROD END ASSY-	101999	1
			SUPPLIER CODE:		
			V34742		
475	65-81149-47	..	TUBE	101999	1
480	412N2030-53	.	DIAGONAL ASSY-	201967	2
			POSITION DATA:		
			STA 479.82		
			STA 500B+19.82		
480	412N2030-253	.	DIAGONAL ASSY-	101200	2
			POSITION DATA:	968999	
			STA 479.82		
			STA 500B+19.82		
			ATTACHING PARTS		
- 485	NAS1149D0416J	.	WASHER	101999	2
- 490	BRH10C5D	.	NUT-	101999	2
			SUPPLIER CODE:		
			V52828		
			SPECIFICATION NUMBER:		
			BACN10JC5CD		
			OPTIONAL PART:		
			T6C524JCD		
			V11815		
			102LH9075-5W		
			V72962		
			H51650-5BAC		
			V15653		
			BACN10YR5CD		
- 490	PLH55CD	.	NUT-	101999	2
			SUPPLIER CODE:		
			VF0224		
			SPECIFICATION NUMBER:		
			BACN10YR5CD		
			OPTIONAL PART:		
			H52732-5CD		
			V15653		
			BACN10JC5CD		
			-----*-----		

MISSING ITEM NUMBERS NOT APPLICABLE

- ITEM NOT ILLUSTRATED

HAP

25-24-51-18

BOEING PROPRIETARY - Copyright © - Unpublished Work - See title page for details.

25-24-51
FIG. 18
PAGE 22
FEB 15/09

BOEING
737-600/700/800/900
PARTS CATALOG (MAINTENANCE)

FIG ITEM	PART NUMBER	1 2 3 4 5 6 7	NOMENCLATURE	EFFECT FROM TO	UNITS PER ASSY
18 495	412N2032-4		.. INSULATOR- MANUFACTURED FROM: FIN F-6.10 COMPRESSION MOLDED PHENOLIC, GLASS FIBER FILLED PER BMS8-271A, TYPE 1 OPTIONAL PART: 412N2032-3 OPTIONAL PART: 412N2032-6	201967	1
495	412N2032-6		.. INSULATOR- MANUFACTURED FROM: FIN F-25.01 COMPRESSION MOLDED PHENOLIC, GLASS FIBER FILLED PER BMS8-271A, TYPE 1. OPTIONAL PART: 412N2030-4	101999	1
500	MS20392-3C17		.. PIN- OPTIONAL PART: BACP18BD3R17	101999	1
500	BACP18BD3R17		.. PIN- OPTIONAL PART: MS20392-3C17	101999	1
505	MS24665-132		.. PIN- OPTIONAL PART: BACP18BC02A06P	101999	1
505	BACP18BC02A06P		.. PIN- OPTIONAL PART: MS24665-132	101999	1
510	NAS1149D0416J		.. WASHER- OPTIONAL PART: BACW10P273L	201967	1
510	BACW10P273L		.. WASHER	201967	1
510	BACW10P361LA		.. WASHER	101200	1
515	412N2031-1		.. CLEVIS- MANUFACTURED FROM: 412N2031-2	968999 101999	1
520	AN316-5R		.. NUT	101999	1
525	1293-23		.. ROD ASSY- SUPPLIER CODE: V34742 OPTIONAL PART: USC1325-13 V31293	101999	1

MISSING ITEM NUMBERS NOT APPLICABLE

— ITEM NOT ILLUSTRATED

HAP

25-24-51-18

BOEING PROPRIETARY - Copyright © - Unpublished Work - See title page for details.

25-24-51
FIG. 18
PAGE 23
OCT 15/08

BOEING
737-600/700/800/900
PARTS CATALOG (MAINTENANCE)

FIG ITEM	PART NUMBER	1 2 3 4 5 6 7	NOMENCLATURE	EFFECT FROM TO	UNITS PER ASSY
18 525	USC1325-13		.. ROD ASSY-TIE SUPPLIER CODE: V31293 OPTIONAL PART: 1293-23 V34742	101200 968999	1
530	412N2030-54		. DIAGONAL ASSY- POSITION DATA: STA 558.82 STA 638.89	201967	2
530	412N2030-254		. DIAGONAL ASSY- POSITION DATA: STA 558.82 STA 638.89	101200 968999	2
- 535	NAS1149D0416J		. WASHER	101999	2
- 540	BRH10C5D		. NUT- SUPPLIER CODE: V52828 SPECIFICATION NUMBER: BACN10JC5CD OPTIONAL PART: T6C524JCD V11815 102LH9075-5W V72962 H51650-5BAC V15653 BACN10YR5CD	101999	2
- 540	PLH55CD		. NUT- SUPPLIER CODE: VF0224 SPECIFICATION NUMBER: BACN10YR5CD OPTIONAL PART: H52732-5CD V15653 BACN10JC5CD	101999	2
545	412N2032-4		-----*----- .. INSULATOR- MANUFACTURED FROM: FIN F-6.10 COMPRESSION MOLDED PHENOLIC, GLASS FIBER FILLED PER BMS8-271A, TYPE 1 OPTIONAL PART: 412N2032-3 OPTIONAL PART: 412N2032-6	201967	1

MISSING ITEM NUMBERS NOT APPLICABLE

- ITEM NOT ILLUSTRATED

HAP

25-24-51-18

BOEING PROPRIETARY - Copyright © - Unpublished Work - See title page for details.

25-24-51
FIG. 18
PAGE 24
FEB 15/09

BOEING
737-600/700/800/900
PARTS CATALOG (MAINTENANCE)

FIG ITEM	PART NUMBER	1 2 3 4 5 6 7	NOMENCLATURE	EFFECT FROM TO	UNITS PER ASSY
18 545	412N2032-6	..	INSULATOR- MANUFACTURED FROM: FIN F-25.01 COMPRESSION MOLDED PHENOLIC, GLASS FIBER FILLED PER BMS8-271A, TYPE 1. OPTIONAL PART: 412N2030-4	101999	1
550	MS20392-3C17	..	PIN- OPTIONAL PART: BACP18BD3R17	101999	1
550	BACP18BD3R17	..	PIN- OPTIONAL PART: MS20392-3C17	101999	1
555	MS24665-132	..	PIN- OPTIONAL PART: BACP18BC02A06P	101999	1
555	BACP18BC02A06P	..	PIN- OPTIONAL PART: MS24665-132	101999	1
560	NAS1149D0416J	..	WASHER- OPTIONAL PART: BACW10P273L	201967	1
560	BACW10P273L	..	WASHER- OPTIONAL PART: NAS1149D0416J	201967	1
560	BACW10P361LA	..	WASHER	101200 968999	1
565	412N2031-1	..	CLEVIS- MANUFACTURED FROM: 412N2031-2	101999	1
570	AN316-5R	..	NUT	101999	1
575	1551-1	..	ROD ASSY- SUPPLIER CODE: V34742 OPTIONAL PART: USC1325-11 V31293	101999	1
575	USC1325-11	..	ROD ASSY-TIE SUPPLIER CODE: V31293 OPTIONAL PART: 1551-1 V34742	101200 968999	1
580	MS20392-3C17	.	PIN	201967	1
580	BACP18BD3C17	.	PIN	101200 968999	1
585	BACP18BC02C04P	.	PIN	101999	1
590	NAS1149D0416J	.	WASHER	101999	1

MISSING ITEM NUMBERS NOT APPLICABLE

— ITEM NOT ILLUSTRATED

HAP

25-24-51-18

25-24-51
FIG. 18
PAGE 25
OCT 15/08

BOEING
737-600/700/800/900
PARTS CATALOG (MAINTENANCE)

FIG ITEM	PART NUMBER	1 2 3 4 5 6 7	NOMENCLATURE	EFFECT FROM TO	UNITS PER ASSY
18 592	412N2030-55		.DIAGONAL ASSY- POSITION DATA: STA 723.36	101999	1
595 605	AN316-5R 1293-31		..NUT ..ROD ASSY- SUPPLIER CODE: V34742 OPTIONAL PART: USC1325-19 V31293	101999 101999	1 1
605	USC1325-19		..ROD ASSY-TIE SUPPLIER CODE: V31293 OPTIONAL PART: 1293-31 V34742	101999	1
610	412N2030-58		.DIAGONAL ASSY- POSITION DATA: STA 727C+19.82	201967	1
610	412N2030-258		.DIAGONAL ASSY- POSITION DATA: STA 727C+19.82 ATTACHING PARTS	101200 968999	1
- 615	NAS1149D0416J		.WASHER	101999	1
- 620	BRH10C5D		.NUT- SUPPLIER CODE: V52828 SPECIFICATION NUMBER: BACN10JC5CD OPTIONAL PART: T6C524JCD V11815 102LH9075-5W V72962 H51650-5BAC V15653 BACN10YR5CD	101999	1
- 620	PLH55CD		.NUT- SUPPLIER CODE: VF0224 SPECIFICATION NUMBER: BACN10YR5CD OPTIONAL PART: H52732-5CD V15653 BACN10JC5CD -----*-----	101999	1

MISSING ITEM NUMBERS NOT APPLICABLE

- ITEM NOT ILLUSTRATED

HAP

25-24-51-18

BOEING PROPRIETARY - Copyright © - Unpublished Work - See title page for details.

25-24-51
FIG. 18
PAGE 26
FEB 15/09

BOEING
737-600/700/800/900
PARTS CATALOG (MAINTENANCE)

FIG ITEM	PART NUMBER	1 2 3 4 5 6 7	NOMENCLATURE	EFFECT FROM TO	UNITS PER ASSY
18 630	412N2032-4		.. INSULATOR- MANUFACTURED FROM: FIN F-6.10 COMPRESSION MOLDED PHENOLIC, GLASS FIBER FILLED PER BMS8-271A, TYPE 1 OPTIONAL PART: 412N2032-3 OPTIONAL PART: 412N2032-6	201967	1
630	412N2032-6		.. INSULATOR- MANUFACTURED FROM: FIN F-25.01 COMPRESSION MOLDED PHENOLIC, GLASS FIBER FILLED PER BMS8-271A, TYPE 1. OPTIONAL PART: 412N2030-4	101999	1
635	MS20392-3C17		.. PIN- OPTIONAL PART: BACP18BD3R17	101999	1
635	BACP18BD3R17		.. PIN- OPTIONAL PART: MS20392-3C17	101999	1
640	MS24665-132		.. PIN- OPTIONAL PART: BACP18BC02A06P	101999	1
640	BACP18BC02A06P		.. PIN- OPTIONAL PART: MS20392-3C17	101999	1
645	NAS1149D0416J		.. WASHER- OPTIONAL PART: BACW10P273L	201967	1
645	BACW10P273L		.. WASHER- OPTIONAL PART: NAS1149D0416J	201967	1
645	BACW10P361LA		.. WASHER	101200 968999	1
650	412N2031-1		.. CLEVIS- MANUFACTURED FROM: 412N2031-2	101999	1
655	AN316-5R		.. NUT	101999	1
660	1550-1		.. ROD ASSY- SUPPLIER CODE: V34742 OPTIONAL PART: USC1325-39 V31293	101999	1

MISSING ITEM NUMBERS NOT APPLICABLE

— ITEM NOT ILLUSTRATED

HAP

25-24-51-18

BOEING PROPRIETARY - Copyright © - Unpublished Work - See title page for details.

25-24-51
FIG. 18
PAGE 27
OCT 15/08

BOEING
737-600/700/800/900
PARTS CATALOG (MAINTENANCE)

FIG ITEM	PART NUMBER	1 2 3 4 5 6 7	NOMENCLATURE	EFFECT FROM TO	UNITS PER ASSY
18 660	USC1325-39		.. ROD ASSY-TIE SUPPLIER CODE: V31293 OPTIONAL PART: 1550-1 V34742	101200 968999	1
665	412N2030-56		. DIAGONAL ASSY- POSITION DATA: STA 786.82	201967	1
665	412N2030-256		. DIAGONAL ASSY- POSITION DATA: STA 786.82	101200 968999	1
- 670	NAS1149D0416J		. WASHER	101999	1
- 675	BRH10C5D		. NUT- SUPPLIER CODE: V52828 SPECIFICATION NUMBER: BACN10JC5CD OPTIONAL PART: T6C524JCD V11815 102LH9075-5W V72962 H51650-5BAC V15653 BACN10YR5CD	101999	1
- 675	PLH55CD		. NUT- SUPPLIER CODE: VF0224 SPECIFICATION NUMBER: BACN10YR5CD OPTIONAL PART: H52732-5CD V15653 BACN10JC5CD	101999	1
680	412N2032-4		-----*----- .. INSULATOR- MANUFACTURED FROM: FIN F-6.10 COMPRESSION MOLDED PHENOLIC, GLASS FIBER FILLED PER BMS8-271A, TYPE 1 OPTIONAL PART: 412N2032-3 OPTIONAL PART: 412N2032-6	201967	1

MISSING ITEM NUMBERS NOT APPLICABLE

- ITEM NOT ILLUSTRATED

HAP

25-24-51-18

BOEING PROPRIETARY - Copyright © - Unpublished Work - See title page for details.

25-24-51
FIG. 18
PAGE 28
FEB 15/09

BOEING
737-600/700/800/900
PARTS CATALOG (MAINTENANCE)

FIG ITEM	PART NUMBER	1 2 3 4 5 6 7	NOMENCLATURE	EFFECT FROM TO	UNITS PER ASSY
18 680	412N2032-6		.. INSULATOR- MANUFACTURED FROM: FIN F-25.01 COMPRESSION MOLDED PHENOLIC, GLASS FIBER FILLED PER BMS8-271A, TYPE 1. OPTIONAL PART: 412N2032-4	101999	1
685	MS20392-3C17		.. PIN- OPTIONAL PART: BACP18BD3R17	101999	1
685	BACP18BD3R17		.. PIN- OPTIONAL PART: MS20392-3C17	101999	1
690	MS24665-132		.. PIN- OPTIONAL PART: BACP18BC02A06P	101999	1
690	BACP18BC02A06P		.. PIN- OPTIONAL PART: MS24665-132	101999	1
695	NAS1149D0416J		.. WASHER- OPTIONAL PART: BACW10P273L	201967	1
695	BACW10P273L		.. WASHER- OPTIONAL PART: NAS1149D0416J	201967	1
695	BACW10P361LA		.. WASHER	101200 968999	1
700	412N2031-1		.. CLEVIS- MANUFACTURED FROM: 412N2031-2	101999	1
705	AN316-5R		.. NUT	101999	1
710	1293-41		.. ROD ASSY- SUPPLIER CODE: V34742 OPTIONAL PART: USC1325-23 V31293	101999	1
710	USC1325-23		.. ROD ASSY-TIE SUPPLIER CODE: V31293 OPTIONAL PART: 1293-41 V34742	101999	1
715	412N2030-57		. DIAGONAL ASSY- POSITION DATA: STA 846.82	201967	1

MISSING ITEM NUMBERS NOT APPLICABLE

- ITEM NOT ILLUSTRATED

HAP

25-24-51-18

BOEING PROPRIETARY - Copyright © - Unpublished Work - See title page for details.

25-24-51
FIG. 18
PAGE 29
OCT 15/08

BOEING
737-600/700/800/900
PARTS CATALOG (MAINTENANCE)

FIG ITEM	PART NUMBER	1 2 3 4 5 6 7	NOMENCLATURE	EFFECT FROM TO	UNITS PER ASSY
18 715	412N2030-257		.DIAGONAL ASSY- POSITION DATA: STA 846.82 ATTACHING PARTS	101200 968999	1
- 720	NAS1149D0416J		.WASHER	101999	1
- 725	BRH10C5D		.NUT- SUPPLIER CODE: V52828 SPECIFICATION NUMBER: BACN10JC5CD OPTIONAL PART: T6C524JCD V11815 102LH9075-5W V72962 H51650-5BAC V15653 BACN10YR5CD	101999	1
- 725	PLH55CD		.NUT- SUPPLIER CODE: VF0224 SPECIFICATION NUMBER: BACN10YR5CD OPTIONAL PART: H52732-5CD V15653 BACN10JC5CD	101999	1
730	412N2032-4		-----*----- ..INSULATOR- MANUFACTURED FROM: FIN F-6.10 COMPRESSION MOLDED PHENOLIC, GLASS FIBER FILLED PER BMS8-271A, TYPE 1 OPTIONAL PART: 412N2032-3 OPTIONAL PART: 412N2032-6	201967	1
730	412N2032-6		..INSULATOR- MANUFACTURED FROM: FIN F-25.01 COMPRESSION MOLDED PHENOLIC, GLASS FIBER FILLED PER BMS8-271A, TYPE 1. OPTIONAL PART: 412N2030-4	101999	1
735	MS20392-3C17		..PIN- OPTIONAL PART: BACP18BD3R17	101999	1

MISSING ITEM NUMBERS NOT APPLICABLE

- ITEM NOT ILLUSTRATED

HAP

25-24-51-18

BOEING PROPRIETARY - Copyright © - Unpublished Work - See title page for details.

25-24-51
FIG. 18
PAGE 30
FEB 15/09

BOEING
737-600/700/800/900
PARTS CATALOG (MAINTENANCE)

FIG ITEM	PART NUMBER	1 2 3 4 5 6 7	NOMENCLATURE	EFFECT FROM TO	UNITS PER ASSY
18 735	BACP18BD3R17	..	PIN- OPTIONAL PART: MS20392-3C17	101999	1
740	MS24665-132	..	PIN- OPTIONAL PART: BACP18BC02A06P	101999	1
740	BACP18BC02A06P	..	PIN- OPTIONAL PART: MS24665-132	101999	1
745	NAS1149D0416J	..	WASHER- OPTIONAL PART: BACW10P273L	201967	1
745	BACW10P273L	..	WASHER- OPTIONAL PART: NAS1149D0416J	201967	1
745	BACW10P361LA	..	WASHER	101200 968999	1
750	412N2031-1	..	CLEVIS- MANUFACTURED FROM: 412N2031-2	101999	1
755	AN316-5R	..	NUT	101999	1
760	1293-17	..	ROD ASSY- SUPPLIER CODE: V34742 OPTIONAL PART: USC1325-21 V31293	101999	1
760	USC1325-21	..	ROD ASSY-TIE SUPPLIER CODE: V31293 OPTIONAL PART: 1293-17 V34742	101200 968999	1

MISSING ITEM NUMBERS NOT APPLICABLE

— ITEM NOT ILLUSTRATED

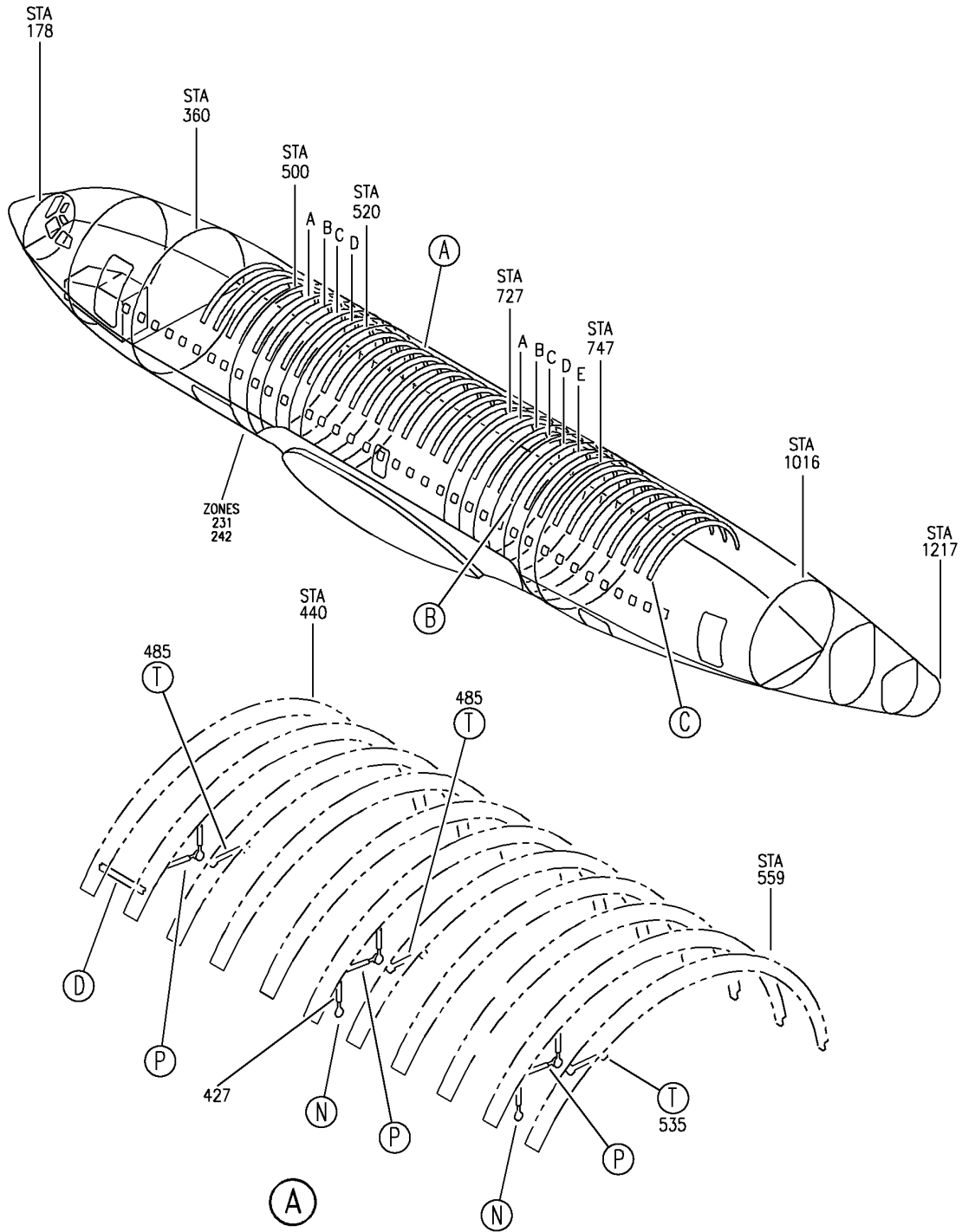
HAP

25-24-51-18

BOEING PROPRIETARY - Copyright © - Unpublished Work - See title page for details.

25-24-51
FIG. 18
PAGE 31
OCT 15/08

BOEING
 737-600/700/800/900
 PARTS CATALOG (MAINTENANCE)



E 25245118A SHT 1 REV 117

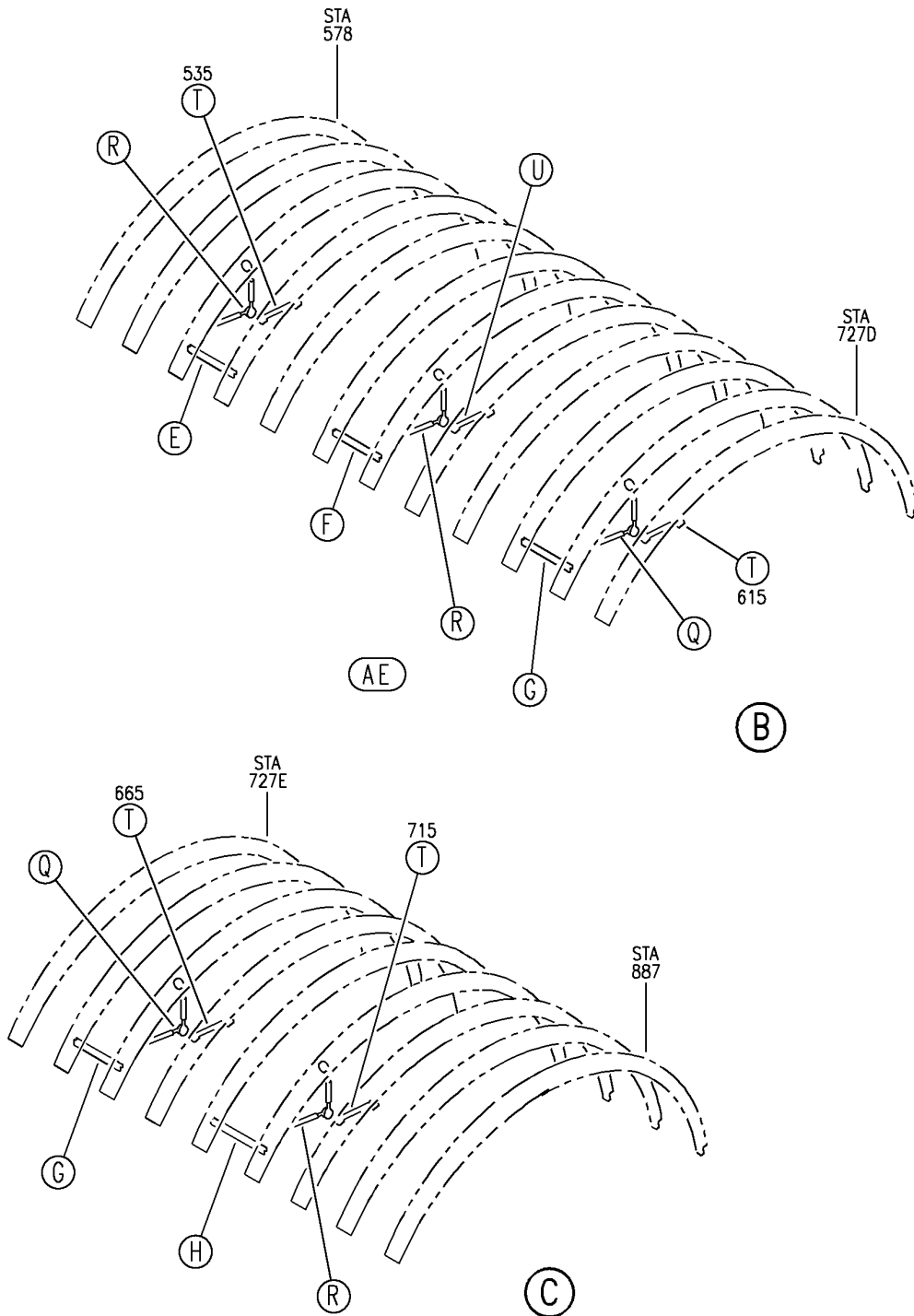
SUPPORT INSTL-LH OVHD STOWAGE BIN
 FIGURE 18A (SHEET 1)

25-24-51-18A

HAP
 FEB 10/07

25-24-51-18A
 PAGE 0

BOEING
737-600/700/800/900
PARTS CATALOG (MAINTENANCE)



E 25245118A SHT 2 REV 117

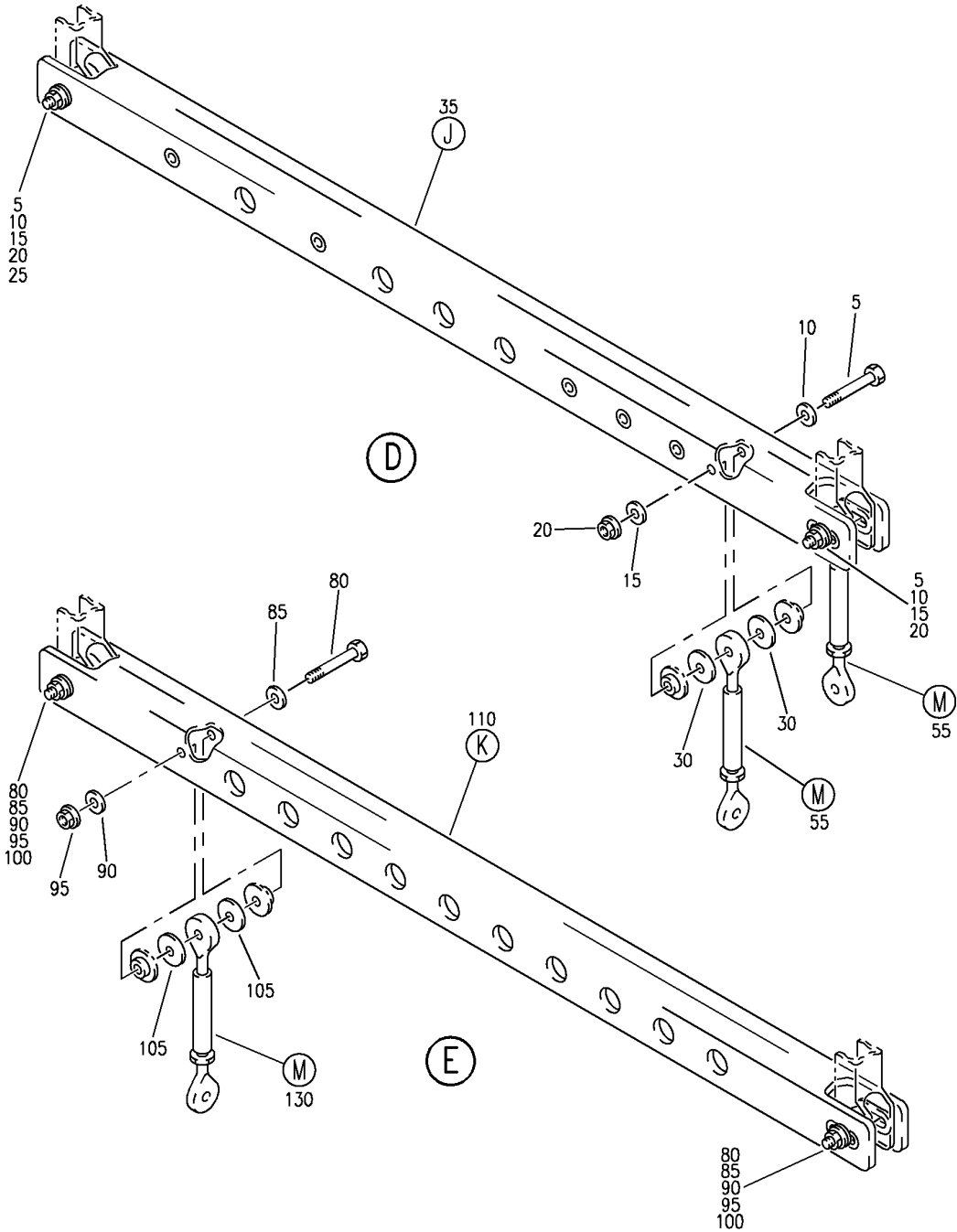
SUPPORT INSTL-LH OVHD STOWAGE BIN
FIGURE 18A (SHEET 2)

25-24-51-18A

HAP
FEB 10/07

25-24-51-18A
PAGE 0A

BOEING
 737-600/700/800/900
 PARTS CATALOG (MAINTENANCE)



E 25245118A SHT 3 REV 117

SUPPORT INSTL-LH OVHD STOWAGE BIN
 FIGURE 18A (SHEET 3)

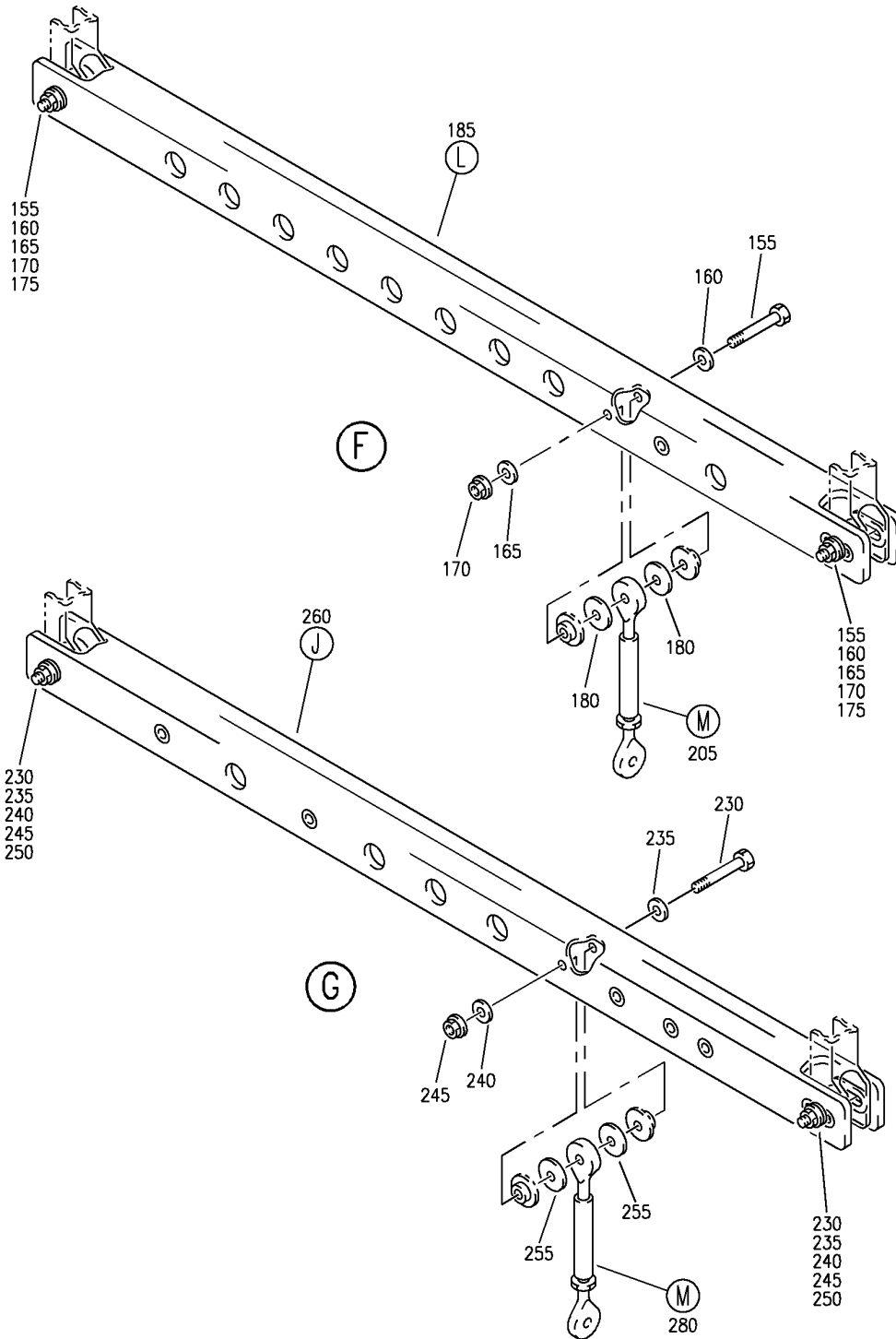
25-24-51-18A

HAP
 FEB 10/07

25-24-51-18A
 PAGE 0B

BOEING PROPRIETARY - Copyright © - Unpublished Work - See title page for details.

BOEING
 737-600/700/800/900
 PARTS CATALOG (MAINTENANCE)



E 25245118A SHT 4 REV 117

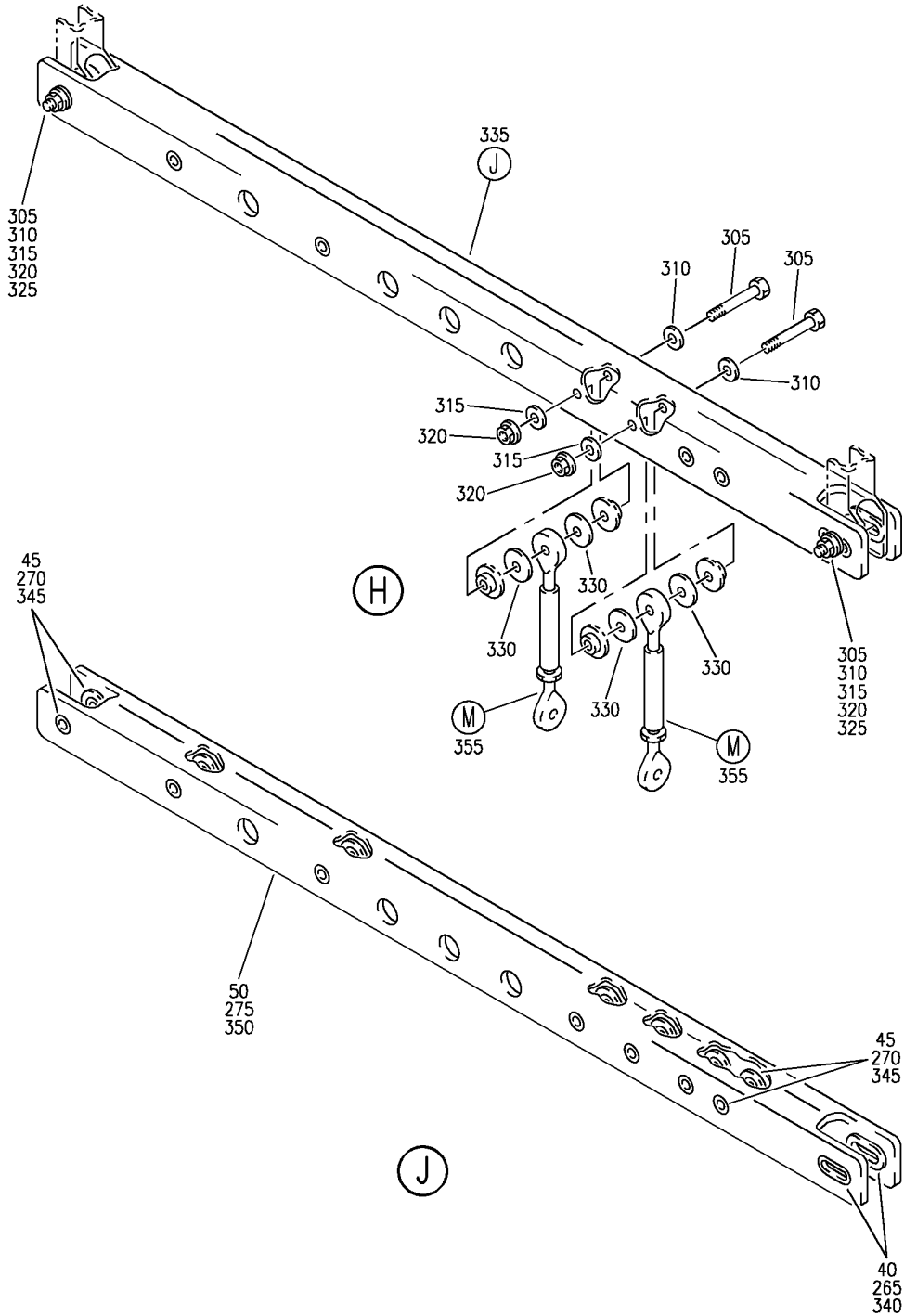
SUPPORT INSTL-LH OVHD STOWAGE BIN
 FIGURE 18A (SHEET 4)

25-24-51-18A

HAP
 FEB 10/07

25-24-51-18A
 PAGE 0C

BOEING
 737-600/700/800/900
 PARTS CATALOG (MAINTENANCE)



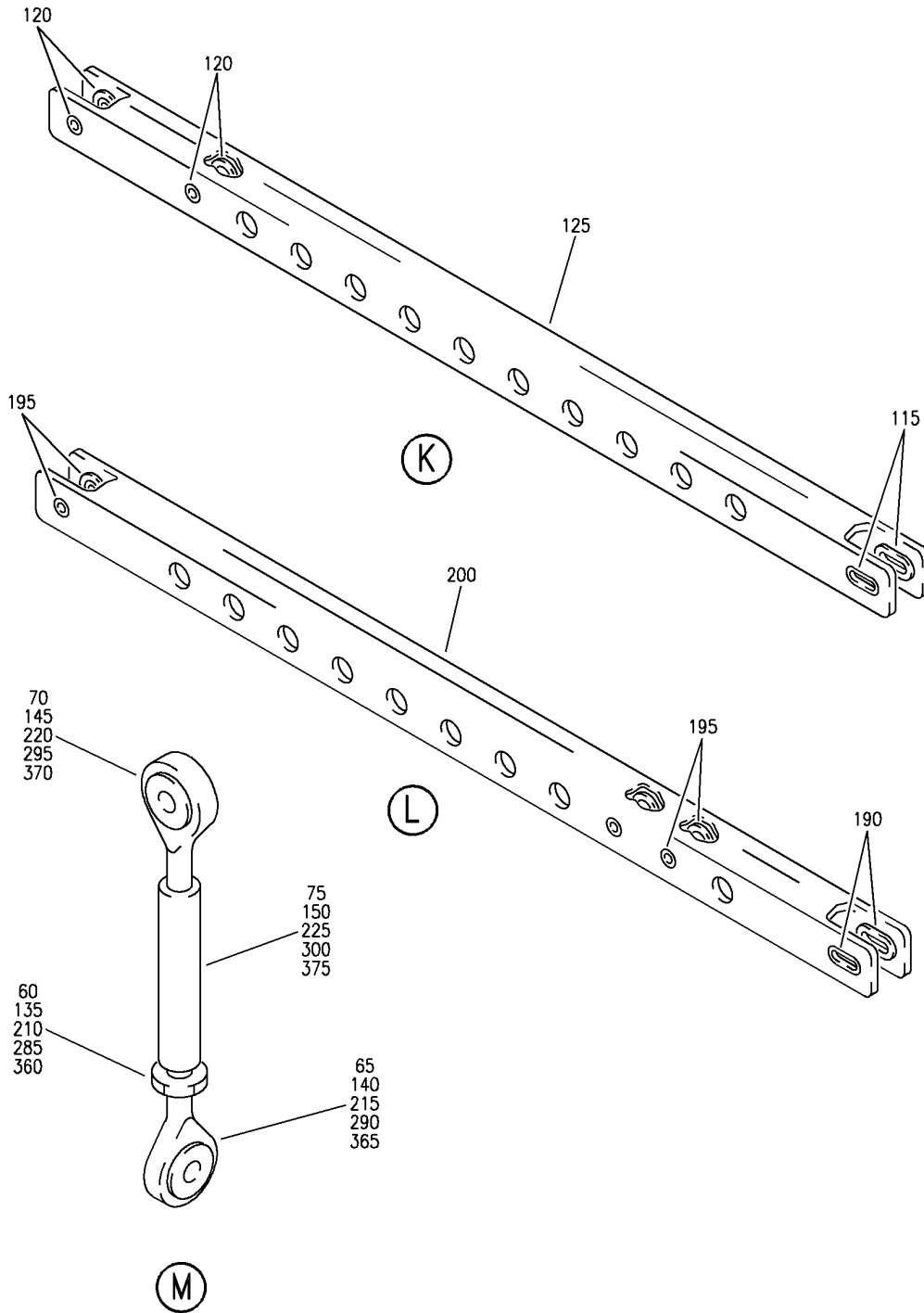
E 25245118A SHT 5 REV 117

SUPPORT INSTL-LH OVHD STOWAGE BIN
 FIGURE 18A (SHEET 5)

25-24-51-18A

HAP
 FEB 10/07

25-24-51-18A
 PAGE 0D



E 25245118A SHT 6 REV 117

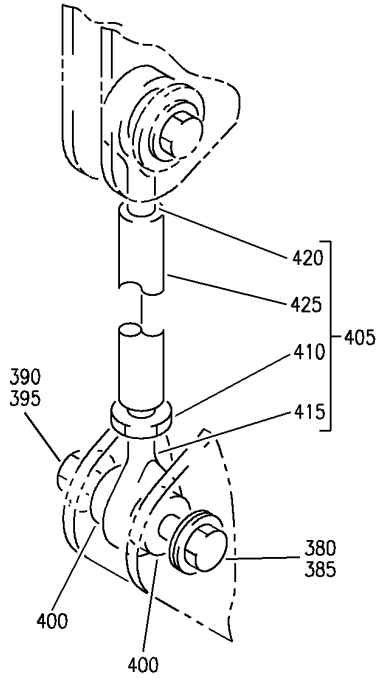
SUPPORT INSTL-LH OVHD STOWAGE BIN
 FIGURE 18A (SHEET 6)

25-24-51-18A

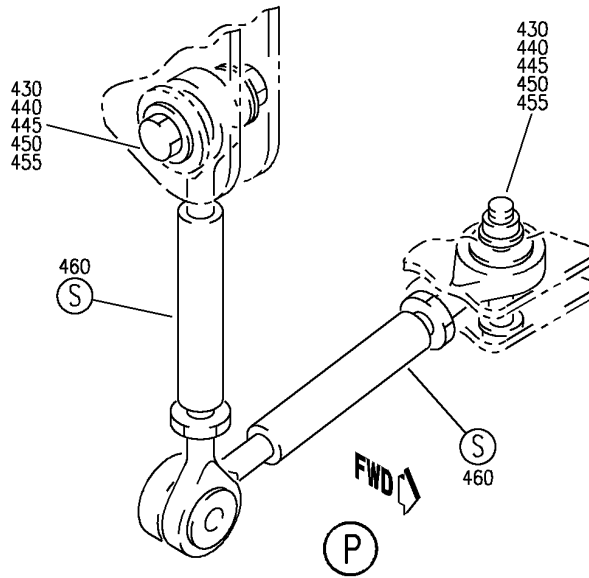
HAP
 FEB 10/07

25-24-51-18A
 PAGE 0E

BOEING
 737-600/700/800/900
 PARTS CATALOG (MAINTENANCE)



(N)



E 25245118A SHT 7 REV 117

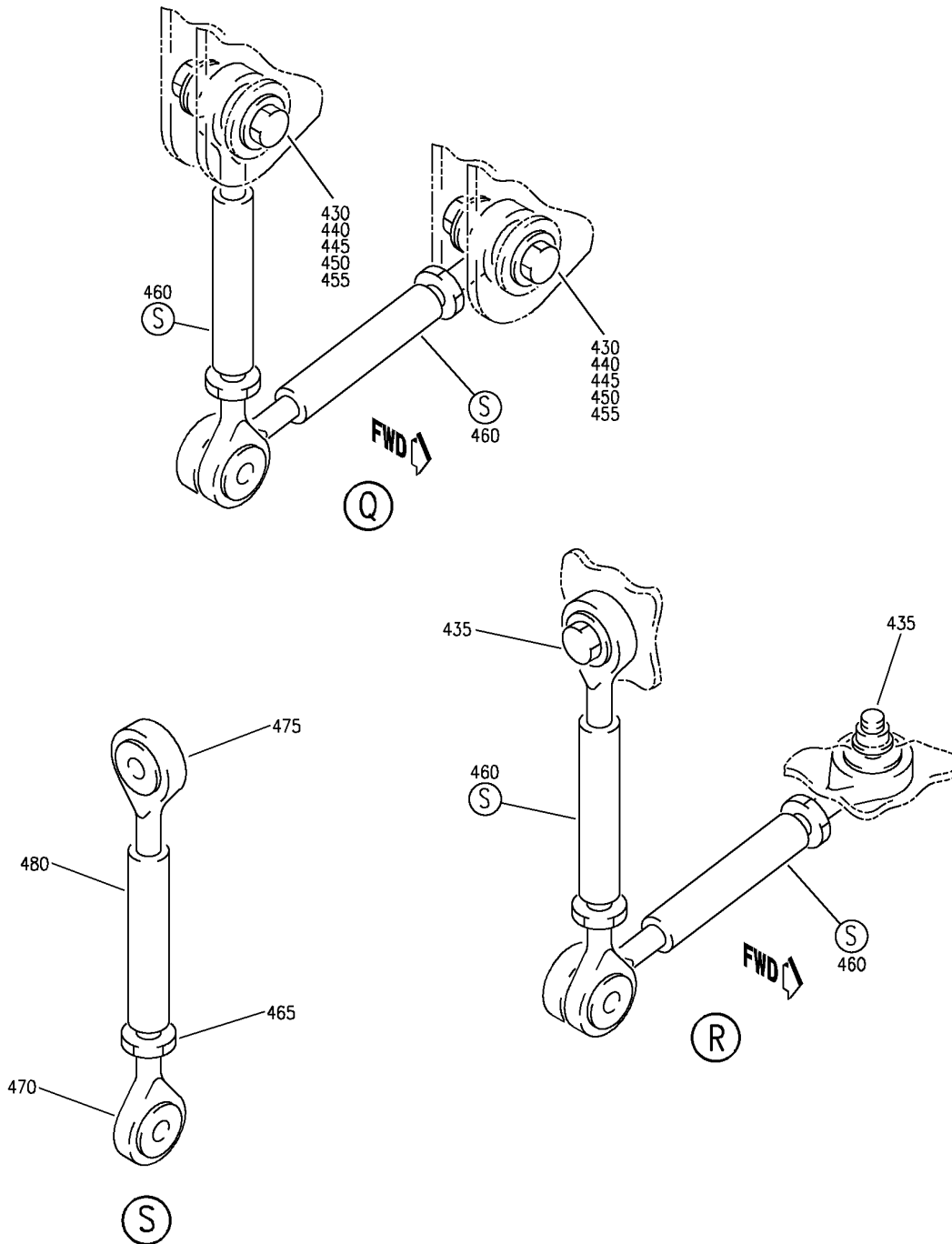
SUPPORT INSTL-LH OVHD STOWAGE BIN
 FIGURE 18A (SHEET 7)

25-24-51-18A

HAP
 FEB 10/07

25-24-51-18A
 PAGE OF

BOEING
 737-600/700/800/900
 PARTS CATALOG (MAINTENANCE)



E 25245118A SHT 8 REV 117

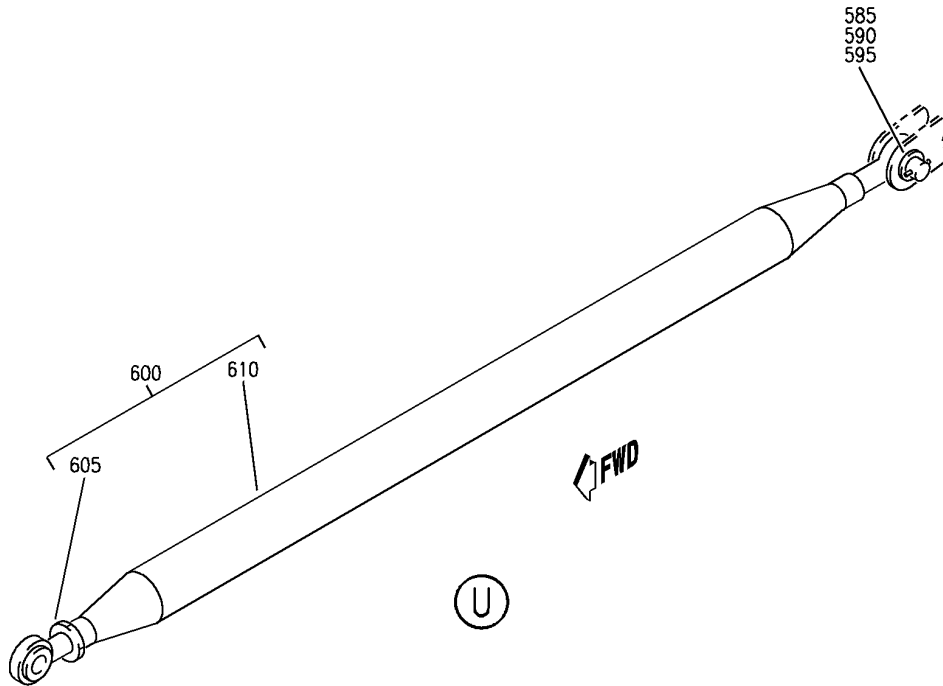
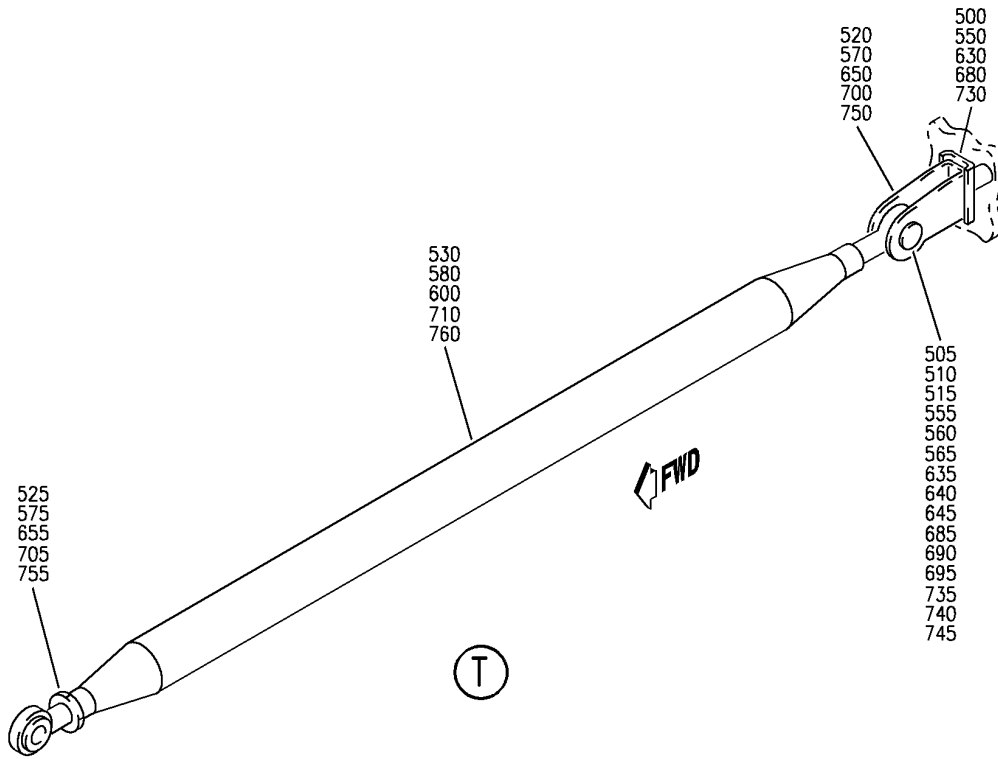
SUPPORT INSTL-LH OVHD STOWAGE BIN
 FIGURE 18A (SHEET 8)

25-24-51-18A

HAP
 FEB 10/07

25-24-51-18A
 PAGE 08

BOEING
 737-600/700/800/900
 PARTS CATALOG (MAINTENANCE)



E 25245118A SHT 9 REV 117

SUPPORT INSTL-LH OVHD STOWAGE BIN
 FIGURE 18A (SHEET 9)

25-24-51-18A

HAP
 FEB 10/07

25-24-51-18A
 PAGE 0H

BOEING
737-600/700/800/900
PARTS CATALOG (MAINTENANCE)

FIG ITEM	PART NUMBER	1 2 3 4 5 6 7	NOMENCLATURE	EFFECT FROM TO	UNITS PER ASSY
18A			SUPPORT INSTL-LH OVHD STOWAGE BIN	101999	
- 1	412A2100-603		SUPPORT INSTL-OVHD STOWAGE BIN POSITION DATA: LH FOR NHA SEE: 25-24-00-13E	201967	RF
- 1	MODREF290272		SUPPORT INSTL-OVHD STOWAGE BIN MODULE NUMBER: 412A2100-613 REV B POSITION DATA: LH	101200 968999	1
5	BACB30PW4C17		.BOLT- OPTIONAL PART: BACB30PW4-17	101999	3
5	BACB30PW4-17		.BOLT- OPTIONAL PART: BACB30PW4C17	101999	3
10	BACW10BP4CD		.WASHER	101999	3
15	BACW10BN3SP		.WASHER	101999	3
20	PLH53CD		.NUT SUPPLIER CODE: VF0224 SPECIFICATION NUMBER: BACN10YR3CD OPTIONAL PART: H52732-3CD V15653	101999	3
25	BACG20C12N		.GROMMET- OPTIONAL PART: BACG20C12	101999	1
25	54-062		.GROMMET- SUPPLIER CODE: V77969 SPECIFICATION NUMBER: BACG20C12 OPTIONAL PART: BACG20C12N	201967	1
30	NAS1515B4H		.GROMMET	101999	2
35	412A2250-2		.CHANNEL ASSY- POSITION DATA: LWR STA 439.99 - STA 459.92	101999	1
40	412A2250-15		..BUSHING	101999	2
45	BACB28AT04B008C		..BUSHING	101999	14
50	412A2250-8		..CHANNEL	101999	1

MISSING ITEM NUMBERS NOT APPLICABLE

- ITEM NOT ILLUSTRATED

HAP

25-24-51-18A

BOEING PROPRIETARY - Copyright © - Unpublished Work - See title page for details.

25-24-51
FIG. 18A
PAGE 1
FEB 15/09

BOEING
737-600/700/800/900
PARTS CATALOG (MAINTENANCE)

FIG ITEM	PART NUMBER	1 2 3 4 5 6 7	NOMENCLATURE	EFFECT FROM TO	UNITS PER ASSY
18A 55	65-80898-7		.TURNBUCKLE ASSY- POSITION DATA: STA 456.75 - STA 459.92	101999	2
60	AN316-4L		..NUT	101999	1
65	ACB4-4		..BEARING-ROD END SUPPLIER CODE: V56644 OPTIONAL PART: AHML4-103 V50294 FML4-6 V02695 ML44-9 V73134 1254-3L V34742	101999	1
65	AHML4-103		..BEARING-ROD END SUPPLIER CODE: V50294 OPTIONAL PART: ACB4-4 V56644 FML4-6 V02695 ML44-9 V73134 1254-3L V34742	101999	1
65	FML4-6		..BEARING-ROD END SUPPLIER CODE: V02695 OPTIONAL PART: ACB4-4 V56644 AHML4-103 V50294 ML44-9 V73134 1254-3L V34742	101999	1

MISSING ITEM NUMBERS NOT APPLICABLE

— ITEM NOT ILLUSTRATED

HAP

25-24-51-18A

BOEING PROPRIETARY - Copyright © - Unpublished Work - See title page for details.

25-24-51
FIG. 18A
PAGE 2
OCT 15/08

BOEING
737-600/700/800/900
PARTS CATALOG (MAINTENANCE)

FIG ITEM	PART NUMBER	1 2 3 4 5 6 7	NOMENCLATURE	EFFECT FROM TO	UNITS PER ASSY
18A 65	ML44-9		.. BEARING-ROD END SUPPLIER CODE: V73134 OPTIONAL PART: ACB4-4 V56644 AHML4-103 V50294 FML4-6 V02695 1254-3L V34742	101999	1
65	1254-3L		.. BEARING-ROD END SUPPLIER CODE: V34742 OPTIONAL PART: ACB4-4 V56644 AHML4-103 V50294 FML4-6 V02695 ML44-9 V73134	101999	1
70	ACM4-4		.. BEARING-ROD END SUPPLIER CODE: V56644 OPTIONAL PART: AHM4-103 V50294 FM4-6 V02695 M44-9 V73134 1254-3 V34742	101999	1
70	AHM4-103		.. BEARING-ROD END SUPPLIER CODE: V50294 OPTIONAL PART: ACM4-4 V56644 FM4-6 V02695 M44-9 V73134 1254-3 V34742	101999	1

MISSING ITEM NUMBERS NOT APPLICABLE

— ITEM NOT ILLUSTRATED

HAP

25-24-51-18A

BOEING PROPRIETARY - Copyright © - Unpublished Work - See title page for details.

25-24-51
FIG. 18A
PAGE 3
OCT 15/08

BOEING
737-600/700/800/900
PARTS CATALOG (MAINTENANCE)

FIG ITEM	PART NUMBER	1 2 3 4 5 6 7	NOMENCLATURE	EFFECT FROM TO	UNITS PER ASSY
18A 70	FM4-6		.. BEARING-ROD END SUPPLIER CODE: V02695 OPTIONAL PART: ACM4-4 V56644 AHM4-103 V50294 M44-9 V73134 1254-3 V34742	101999	1
70	M44-9		.. BEARING-ROD END SUPPLIER CODE: V73134 OPTIONAL PART: ACM4-4 V56644 AHM4-103 V50294 FM4-6 V02695 1254-3 V34742	101999	1
70	1254-3		.. BEARING-ROD END SUPPLIER CODE: V34742 OPTIONAL PART: ACM4-4 V56644 AHM4-103 V50294 FM4-6 V02695 M44-9 V73134	101999	1
75	65-81149-17		.. TUBE	101999	1
80	BACB30PW4C17		. BOLT- OPTIONAL PART: BACB30PW4-17	101999	3
80	BACB30PW4-17		. BOLT- OPTIONAL PART: BACB30PW4C17	101999	3
85	BACW10BP4CD		. WASHER	101999	3
90	BACW10BN3SP		. WASHER	101999	3

MISSING ITEM NUMBERS NOT APPLICABLE

- ITEM NOT ILLUSTRATED

HAP

25-24-51-18A

BOEING PROPRIETARY - Copyright © - Unpublished Work - See title page for details.

25-24-51
FIG. 18A
PAGE 4
OCT 15/08

BOEING
737-600/700/800/900
PARTS CATALOG (MAINTENANCE)

FIG ITEM	PART NUMBER	1 2 3 4 5 6 7	NOMENCLATURE	EFFECT FROM TO	UNITS PER ASSY
18A 95	PLH53CD	.	NUT SUPPLIER CODE: VF0224 SPECIFICATION NUMBER: BACN10YR3CD OPTIONAL PART: H52732-3CD V15653	101999	3
100	BACG20C12N	.	GROMMET- OPTIONAL PART: BACG20C12	101999	2
100	54-062	.	GROMMET- SUPPLIER CODE: V77969 SPECIFICATION NUMBER: BACG20C12 OPTIONAL PART: BACG20C12N	201967	2
105	NAS1515B4H	.	GROMMET	101999	2
110	412A2250-5	.	CHANNEL ASSY- POSITION DATA: LWR STA 616.12 - STA 638.97	101999	1
115	412A2250-15	..	BUSHING	101999	2
120	BACB28AT04B008C	..	BUSHING	101999	4
125	412A2250-11	..	CHANNEL	101999	1
130	65-80898-24	.	TURNBUCKLE ASSY- POSITION DATA: STA 620.00	101999	1
135	AN316-4L	..	NUT	101999	1
140	ACB4-4	..	BEARING-ROD END SUPPLIER CODE: V56644 OPTIONAL PART: AHML4-103 V50294 FML4-6 V02695 ML44-9 V73134 1254-3L V34742	101999	1

MISSING ITEM NUMBERS NOT APPLICABLE

- ITEM NOT ILLUSTRATED

HAP

25-24-51-18A

BOEING PROPRIETARY - Copyright © - Unpublished Work - See title page for details.

25-24-51
FIG. 18A
PAGE 5
FEB 15/09

BOEING
737-600/700/800/900
PARTS CATALOG (MAINTENANCE)

FIG ITEM	PART NUMBER	1 2 3 4 5 6 7	NOMENCLATURE	EFFECT FROM TO	UNITS PER ASSY
18A 140	AHML4-103		.. BEARING-ROD END SUPPLIER CODE: V50294 OPTIONAL PART: ACB4-4 V56644 FML4-6 V02695 ML44-9 V73134 1254-3L V34742	101999	1
140	FML4-6		.. BEARING-ROD END SUPPLIER CODE: V02695 OPTIONAL PART: ACB4-4 V56644 AHML4-103 V50294 ML44-9 V73134 1254-3L V34742	101999	1
140	ML44-9		.. BEARING-ROD END SUPPLIER CODE: V73134 OPTIONAL PART: ACB4-4 V56644 AHML4-103 V50294 FML4-6 V02695 1254-3L V34742	101999	1
140	1254-3L		.. BEARING-ROD END SUPPLIER CODE: V34742 OPTIONAL PART: ACB4-4 V56644 AHML4-103 V50294 FML4-6 V02695 ML44-9 V73134	101999	1

MISSING ITEM NUMBERS NOT APPLICABLE

— ITEM NOT ILLUSTRATED

HAP

25-24-51-18A

BOEING PROPRIETARY - Copyright © - Unpublished Work - See title page for details.

25-24-51
FIG. 18A
PAGE 6
OCT 15/08

BOEING
737-600/700/800/900
PARTS CATALOG (MAINTENANCE)

FIG ITEM	PART NUMBER	1 2 3 4 5 6 7	NOMENCLATURE	EFFECT FROM TO	UNITS PER ASSY
18A 145	ACM4-4		.. BEARING-ROD END SUPPLIER CODE: V56644 OPTIONAL PART: AHM4-103 V50294 FM4-6 V02695 M44-9 V73134 1254-3 V34742	101999	1
145	AHM4-103		.. BEARING-ROD END SUPPLIER CODE: V50294 OPTIONAL PART: ACM4-4 V56644 FM4-6 V02695 M44-9 V73134 1254-3 V34742	101999	1
145	FM4-6		.. BEARING-ROD END SUPPLIER CODE: V02695 OPTIONAL PART: ACM4-4 V56644 AHM4-103 V50294 M44-9 V73134 1254-3 V34742	101999	1
145	M44-9		.. BEARING-ROD END SUPPLIER CODE: V73134 OPTIONAL PART: ACM4-4 V56644 AHM4-103 V50294 FM4-6 V02695 1254-3 V34742	101999	1

MISSING ITEM NUMBERS NOT APPLICABLE

— ITEM NOT ILLUSTRATED

HAP

25-24-51-18A

BOEING PROPRIETARY - Copyright © - Unpublished Work - See title page for details.

25-24-51
FIG. 18A
PAGE 7
OCT 15/08

BOEING
737-600/700/800/900
PARTS CATALOG (MAINTENANCE)

FIG ITEM	PART NUMBER	1 2 3 4 5 6 7	NOMENCLATURE	EFFECT FROM TO	UNITS PER ASSY
18A 145	1254-3	..	BEARING-ROD END SUPPLIER CODE: V34742 OPTIONAL PART: ACM4-4 V56644 AHM4-103 V50294 FM4-6 V02695 M44-9 V73134	101999	1
150	65-81149-25	..	TUBE	101999	1
155	BACB30PW4C17	.BOLT-	OPTIONAL PART: BACB30PW4-17	101999	3
155	BACB30PW4-17	.BOLT-	OPTIONAL PART: BACB30PW4C17	101999	3
160	BACW10BP4CD	.WASHER		101999	3
165	BACW10BN3SP	.WASHER		101999	3
170	PLH53CD	.NUT	SUPPLIER CODE: VF0224 SPECIFICATION NUMBER: BACN10YR3CD OPTIONAL PART: H52732-3CD V15653	101999	3
175	BACG20C12N	.GROMMET-	OPTIONAL PART: BACG20C12	101999	2
175	54-062	.GROMMET-	SUPPLIER CODE: V77969 SPECIFICATION NUMBER: BACG20C12 OPTIONAL PART: BACG20C12N	201967	2
180	NAS1515B4H	.GROMMET		101999	2
185	412A2250-3	.CHANNEL ASSY-	POSITION DATA: LWR STA 684.90 - STA 705.90	101999	1
190	412A2250-15	..	BUSHING	101999	2
195	BACB28AT04B008C	..	BUSHING	101999	6
200	412A2250-9	..	CHANNEL	101999	1

MISSING ITEM NUMBERS NOT APPLICABLE

- ITEM NOT ILLUSTRATED

HAP

25-24-51-18A

BOEING PROPRIETARY - Copyright © - Unpublished Work - See title page for details.

25-24-51
FIG. 18A
PAGE 8
FEB 15/09

BOEING
737-600/700/800/900
PARTS CATALOG (MAINTENANCE)

FIG ITEM	PART NUMBER	1 2 3 4 5 6 7	NOMENCLATURE	EFFECT FROM TO	UNITS PER ASSY
18A 205	65-80898-24		.TURNBUCKLE ASSY- POSITION DATA: STA 700.00	101999	1
210	AN316-4L		..NUT	101999	1
215	ACB4-4		..BEARING-ROD END SUPPLIER CODE: V56644 OPTIONAL PART: AHML4-103 V50294 FML4-6 V02695 ML44-9 V73134 1254-3L V34742	101999	1
215	AHML4-103		..BEARING-ROD END SUPPLIER CODE: V50294 OPTIONAL PART: ACB4-4 V56644 FML4-6 V02695 ML44-9 V73134 1254-3L V34742	101999	1
215	FML4-6		..BEARING-ROD END SUPPLIER CODE: V02695 OPTIONAL PART: ACB4-4 V56644 AHML4-103 V50294 ML44-9 V73134 1254-3L V34742	101999	1

MISSING ITEM NUMBERS NOT APPLICABLE

— ITEM NOT ILLUSTRATED

HAP

25-24-51-18A

BOEING PROPRIETARY - Copyright © - Unpublished Work - See title page for details.

25-24-51
FIG. 18A
PAGE 9
OCT 15/08

BOEING
737-600/700/800/900
PARTS CATALOG (MAINTENANCE)

FIG ITEM	PART NUMBER	1 2 3 4 5 6 7	NOMENCLATURE	EFFECT FROM TO	UNITS PER ASSY
18A 215	ML44-9		.. BEARING-ROD END SUPPLIER CODE: V73134 OPTIONAL PART: ACB4-4 V56644 AHML4-103 V50294 FML4-6 V02695 1254-3L V34742	101999	1
215	1254-3L		.. BEARING-ROD END SUPPLIER CODE: V34742 OPTIONAL PART: ACB4-4 V56644 AHML4-103 V50294 FML4-6 V02695 ML44-9 V73134	101999	1
220	ACM4-4		.. BEARING-ROD END SUPPLIER CODE: V56644 OPTIONAL PART: AHM4-103 V50294 FM4-6 V02695 M44-9 V73134 1254-3 V34742	101999	1
220	AHM4-103		.. BEARING-ROD END SUPPLIER CODE: V50294 OPTIONAL PART: ACM4-4 V56644 FM4-6 V02695 M44-9 V73134 1254-3 V34742	101999	1

MISSING ITEM NUMBERS NOT APPLICABLE

— ITEM NOT ILLUSTRATED

HAP

25-24-51-18A

BOEING PROPRIETARY - Copyright © - Unpublished Work - See title page for details.

25-24-51
FIG. 18A
PAGE 10
OCT 15/08

BOEING
737-600/700/800/900
PARTS CATALOG (MAINTENANCE)

FIG ITEM	PART NUMBER	1 2 3 4 5 6 7	NOMENCLATURE	EFFECT FROM TO	UNITS PER ASSY
18A 220	FM4-6		.. BEARING-ROD END SUPPLIER CODE: V02695 OPTIONAL PART: ACM4-4 V56644 AHM4-103 V50294 M44-9 V73134 1254-3 V34742	101999	1
220	M44-9		.. BEARING-ROD END SUPPLIER CODE: V73134 OPTIONAL PART: ACM4-4 V56644 AHM4-103 V50294 FM4-6 V02695 1254-3 V34742	101999	1
220	1254-3		.. BEARING-ROD END SUPPLIER CODE: V34742 OPTIONAL PART: ACM4-4 V56644 AHM4-103 V50294 FM4-6 V02695 M44-9 V73134	101999	1
225	65-81149-25		.. TUBE	101999	1
230	BACB30PW4C17		.BOLT- OPTIONAL PART: BACB30PW4-17	101999	6
230	BACB30PW4-17		.BOLT- OPTIONAL PART: BACB30PW4C17	101999	6
235	BACW10BP4CD		.WASHER	101999	6
240	BACW10BN3SP		.WASHER	101999	6

MISSING ITEM NUMBERS NOT APPLICABLE

— ITEM NOT ILLUSTRATED

HAP

25-24-51-18A

BOEING PROPRIETARY - Copyright © - Unpublished Work - See title page for details.

25-24-51
FIG. 18A
PAGE 11
OCT 15/08

BOEING
737-600/700/800/900
PARTS CATALOG (MAINTENANCE)

FIG ITEM	PART NUMBER	1 2 3 4 5 6 7	NOMENCLATURE	EFFECT FROM TO	UNITS PER ASSY
18A 245	PLH53CD	.	NUT SUPPLIER CODE: VF0224 SPECIFICATION NUMBER: BACN10YR3CD OPTIONAL PART: H52732-3CD V15653	101999	6
250	BACG20C12N	.	GROMMET- OPTIONAL PART: BACG20C12	101999	4
250	54-062	.	GROMMET- SUPPLIER CODE: V77969 SPECIFICATION NUMBER: BACG20C12 OPTIONAL PART: BACG20C12N	201967	4
255	NAS1515B4H	.	GROMMET	101999	4
260	412A2250-2	.	CHANNEL ASSY- POSITION DATA: STA 727A+19.92 - STA 727B+19.92 STA 746.92 - STA 766.92	101999	2
265	412A2250-15	..	BUSHING	101999	2
270	BACB28AT04B008C	..	BUSHING	101999	14
275	412A2250-8	..	CHANNEL	101999	1
280	65-80898-24	.	TURNBUCKLE ASSY- POSITION DATA: STA 727B+13.00 AND STA 760.00	101999	2
285	AN316-4L	..	NUT	101999	1
290	ACB4-4	..	BEARING-ROD END SUPPLIER CODE: V56644 OPTIONAL PART: AHML4-103 V50294 FML4-6 V02695 ML44-9 V73134 1254-3L V34742	101999	1

MISSING ITEM NUMBERS NOT APPLICABLE

— ITEM NOT ILLUSTRATED

HAP

25-24-51-18A

BOEING PROPRIETARY - Copyright © - Unpublished Work - See title page for details.

25-24-51
FIG. 18A
PAGE 12
FEB 15/09

BOEING
737-600/700/800/900
PARTS CATALOG (MAINTENANCE)

FIG ITEM	PART NUMBER	1 2 3 4 5 6 7	NOMENCLATURE	EFFECT FROM TO	UNITS PER ASSY
18A 290	AHML4-103		.. BEARING-ROD END SUPPLIER CODE: V50294 OPTIONAL PART: ACB4-4 V56644 FML4-6 V02695 ML44-9 V73134 1254-3L V34742	101999	1
290	FML4-6		.. BEARING-ROD END SUPPLIER CODE: V02695 OPTIONAL PART: ACB4-4 V56644 AHML4-103 V50294 ML44-9 V73134 1254-3L V34742	101999	1
290	ML44-9		.. BEARING-ROD END SUPPLIER CODE: V73134 OPTIONAL PART: ACB4-4 V56644 AHML4-103 V50294 FML4-6 V02695 1254-3L V34742	101999	1
290	1254-3L		.. BEARING-ROD END SUPPLIER CODE: V34742 OPTIONAL PART: ACB4-4 V56644 AHML4-103 V50294 FML4-6 V02695 ML44-9 V73134	101999	1

MISSING ITEM NUMBERS NOT APPLICABLE

— ITEM NOT ILLUSTRATED

HAP

25-24-51-18A

BOEING PROPRIETARY - Copyright © - Unpublished Work - See title page for details.

25-24-51
FIG. 18A
PAGE 13
OCT 15/08

BOEING
737-600/700/800/900
PARTS CATALOG (MAINTENANCE)

FIG ITEM	PART NUMBER	1 2 3 4 5 6 7	NOMENCLATURE	EFFECT FROM TO	UNITS PER ASSY
18A 295	ACM4-4		.. BEARING-ROD END SUPPLIER CODE: V56644 OPTIONAL PART: AHM4-103 V50294 FM4-6 V02695 M44-9 V73134 1254-3 V34742	101999	1
295	AHM4-103		.. BEARING-ROD END SUPPLIER CODE: V50294 OPTIONAL PART: ACM4-4 V56644 FM4-6 V02695 M44-9 V73134 1254-3 V34742	101999	1
295	FM4-6		.. BEARING-ROD END SUPPLIER CODE: V02695 OPTIONAL PART: ACM4-4 V56644 AHM4-103 V50294 M44-9 V73134 1254-3 V34742	101999	1
295	M44-9		.. BEARING-ROD END SUPPLIER CODE: V73134 OPTIONAL PART: ACM4-4 V56644 AHM4-103 V50294 FM4-6 V02695 1254-3 V34742	101999	1

MISSING ITEM NUMBERS NOT APPLICABLE

— ITEM NOT ILLUSTRATED

HAP

25-24-51-18A

BOEING PROPRIETARY - Copyright © - Unpublished Work - See title page for details.

25-24-51
FIG. 18A
PAGE 14
OCT 15/08

BOEING
737-600/700/800/900
PARTS CATALOG (MAINTENANCE)

FIG ITEM	PART NUMBER	1 2 3 4 5 6 7	NOMENCLATURE	EFFECT FROM TO	UNITS PER ASSY
18A 295	1254-3	..	BEARING-COD END SUPPLIER CODE: V34742 OPTIONAL PART: ACM4-4 V56644 AHM4-103 V50294 FM4-6 V02695 M44-9 V73134	101999	1
300	65-81149-25	..	TUBE	101999	1
305	BACB30PW4C17	.BOLT-	OPTIONAL PART: BACB30PW4-17	101999	4
305	BACB30PW4-17	.BOLT-	OPTIONAL PART: BACB30PW4C17	101999	4
310	BACW10BP4CD	.WASHER		101999	4
315	BACW10BN3SP	.WASHER		101999	4
320	PLH53CD	.NUT	SUPPLIER CODE: VF0224 SPECIFICATION NUMBER: BACN10YR3CD OPTIONAL PART: H52732-3CD V15653	101999	4
325	BACG20C12N	.GROMMET-	OPTIONAL PART: BACG20C12	101999	2
325	54-062	.GROMMET-	SUPPLIER CODE: V77969 SPECIFICATION NUMBER: BACG20C12 OPTIONAL PART: BACG20C12N	201967	2
330	NAS1515B4H	.GROMMET		101999	4
335	412A2250-2	.CHANNEL ASSY-	POSITION DATA: LWR STA 806.92 - STA 826.92	101999	1
340	412A2250-15	..	BUSHING	101999	2
345	BACB28AT04B008C	..	BUSHING	101999	14
350	412A2250-8	..	CHANNEL	101999	1

MISSING ITEM NUMBERS NOT APPLICABLE

- ITEM NOT ILLUSTRATED

HAP

25-24-51-18A

BOEING PROPRIETARY - Copyright © - Unpublished Work - See title page for details.

25-24-51
FIG. 18A
PAGE 15
FEB 15/09

BOEING
737-600/700/800/900
PARTS CATALOG (MAINTENANCE)

FIG ITEM	PART NUMBER	1 2 3 4 5 6 7	NOMENCLATURE	EFFECT FROM TO	UNITS PER ASSY
18A 355	65-80898-24		.TURNBUCKLE ASSY- POSITION DATA: STA 820.00 AND STA 821.39	101999	2
360 365	AN316-4L ACB4-4		..NUT ..BEARING-ROD END SUPPLIER CODE: V56644 OPTIONAL PART: AHML4-103 V50294 FML4-6 V02695 ML44-9 V73134 1254-3L V34742	101999 101999	1 1
365	AHML4-103		..BEARING-ROD END SUPPLIER CODE: V50294 OPTIONAL PART: ACB4-4 V56644 FML4-6 V02695 ML44-9 V73134 1254-3L V34742	101999	1
365	FML4-6		..BEARING-ROD END SUPPLIER CODE: V02695 OPTIONAL PART: ACB4-4 V56644 AHML4-103 V50294 ML44-9 V73134 1254-3L V34742	101999	1

MISSING ITEM NUMBERS NOT APPLICABLE

— ITEM NOT ILLUSTRATED

HAP

25-24-51-18A

BOEING PROPRIETARY - Copyright © - Unpublished Work - See title page for details.

25-24-51
FIG. 18A
PAGE 16
OCT 15/08

BOEING
737-600/700/800/900
PARTS CATALOG (MAINTENANCE)

FIG ITEM	PART NUMBER	1 2 3 4 5 6 7	NOMENCLATURE	EFFECT FROM TO	UNITS PER ASSY
18A 365	ML44-9		.. BEARING-ROD END SUPPLIER CODE: V73134 OPTIONAL PART: ACB4-4 V56644 AHML4-103 V50294 FML4-6 V02695 1254-3L V34742	101999	1
365	1254-3L		.. BEARING-ROD END SUPPLIER CODE: V34742 OPTIONAL PART: ACB4-4 V56644 AHML4-103 V50294 FML4-6 V02695 ML44-9 V73134	101999	1
370	ACM4-4		.. BEARING-ROD END SUPPLIER CODE: V56644 OPTIONAL PART: AHM4-103 V50294 FM4-6 V02695 M44-9 V73134 1254-3 V34742	101999	1
370	AHM4-103		.. BEARING-ROD END SUPPLIER CODE: V50294 OPTIONAL PART: ACM4-4 V56644 FM4-6 V02695 M44-9 V73134 1254-3 V34742	101999	1

MISSING ITEM NUMBERS NOT APPLICABLE

— ITEM NOT ILLUSTRATED

HAP

25-24-51-18A

BOEING PROPRIETARY - Copyright © - Unpublished Work - See title page for details.

25-24-51
FIG. 18A
PAGE 17
OCT 15/08

BOEING
737-600/700/800/900
PARTS CATALOG (MAINTENANCE)

FIG ITEM	PART NUMBER	1 2 3 4 5 6 7	NOMENCLATURE	EFFECT FROM TO	UNITS PER ASSY
18A 370	FM4-6		.. BEARING-ROD END SUPPLIER CODE: V02695 OPTIONAL PART: ACM4-4 V56644 AHM4-103 V50294 M44-9 V73134 1254-3 V34742	101999	1
370	M44-9		.. BEARING-ROD END SUPPLIER CODE: V73134 OPTIONAL PART: ACM4-4 V56644 AHM4-103 V50294 FM4-6 V02695 1254-3 V34742	101999	1
370	1254-3		.. BEARING-ROD END SUPPLIER CODE: V34742 OPTIONAL PART: ACM4-4 V56644 AHM4-103 V50294 FM4-6 V02695 M44-9 V37134	101999	1
375	65-81149-25		.. TUBE	101999	1
380	BACB30NR4K12		. BOLT	101999	2
385	BACW10BP4CD		. WASHER	101999	2
390	BACW10BP4DP		. WASHER	101999	2
395	PLH54CD		. NUT SUPPLIER CODE: VF0224 SPECIFICATION NUMBER: BACN10YR4CD OPTIONAL PART: H52732-4CD V15653	101999	2
400	BACB28AK04-025		. BUSHING	101999	2

MISSING ITEM NUMBERS NOT APPLICABLE

— ITEM NOT ILLUSTRATED

HAP

25-24-51-18A

BOEING PROPRIETARY - Copyright © - Unpublished Work - See title page for details.

25-24-51
FIG. 18A
PAGE 18
FEB 15/09

BOEING
737-600/700/800/900
PARTS CATALOG (MAINTENANCE)

FIG ITEM	PART NUMBER	1 2 3 4 5 6 7	NOMENCLATURE	EFFECT FROM TO	UNITS PER ASSY
18A 405	65-80898-24		.TURNBUCKLE ASSY- POSITION DATA: STA 500B AND STA 540.00	101999	2
410	AN316-4L		..NUT	101999	1
415	ACB4-4		..BEARING-ROD END SUPPLIER CODE: V56644 OPTIONAL PART: AHML4-103 V50294 FML4-6 V02695 ML44-9 V73134 1254-3L V34742	101999	1
415	AHML4-103		..BEARING-ROD END SUPPLIER CODE: V50294 OPTIONAL PART: ACB4-4 V56644 FML4-6 V02695 ML44-9 V73134 1254-3L V34742	101999	1
415	FML4-6		..BEARING-ROD END SUPPLIER CODE: V02695 OPTIONAL PART: ACB4-4 V56644 AHML4-103 V50294 ML44-9 V73134 1254-3L V34742	101999	1

MISSING ITEM NUMBERS NOT APPLICABLE

— ITEM NOT ILLUSTRATED

HAP

25-24-51-18A

BOEING PROPRIETARY - Copyright © - Unpublished Work - See title page for details.

25-24-51
FIG. 18A
PAGE 19
OCT 15/08

BOEING
737-600/700/800/900
PARTS CATALOG (MAINTENANCE)

FIG ITEM	PART NUMBER	1 2 3 4 5 6 7	NOMENCLATURE	EFFECT FROM TO	UNITS PER ASSY
18A 415	ML44-9		.. BEARING-ROD END SUPPLIER CODE: V73134 OPTIONAL PART: ACB4-4 V56644 AHML4-103 V50294 FML4-6 V02695 1254-3L V34742	101999	1
415	1254-3L		.. BEARING-ROD END SUPPLIER CODE: V34742 OPTIONAL PART: ACB4-4 V56644 AHML4-103 V50294 FML4-6 V02695 ML44-9 V73134	101999	1
420	ACM4-4		.. BEARING-ROD END SUPPLIER CODE: V56644 OPTIONAL PART: AHM4-103 V50294 FM4-6 V02695 M44-9 V73134 1254-3 V34742	101999	1
420	AHM4-103		.. BEARING-ROD END SUPPLIER CODE: V50294 OPTIONAL PART: ACM4-4 V56644 FM4-6 V02695 M44-9 V73134 1254-3 V34742	101999	1

MISSING ITEM NUMBERS NOT APPLICABLE

— ITEM NOT ILLUSTRATED

HAP

25-24-51-18A

BOEING PROPRIETARY - Copyright © - Unpublished Work - See title page for details.

25-24-51
FIG. 18A
PAGE 20
OCT 15/08

BOEING
737-600/700/800/900
PARTS CATALOG (MAINTENANCE)

FIG ITEM	PART NUMBER	1 2 3 4 5 6 7	NOMENCLATURE	EFFECT FROM TO	UNITS PER ASSY
18A 420	FM4-6		.. BEARING-ROD END SUPPLIER CODE: V02695 OPTIONAL PART: ACM4-4 V56644 AHM4-103 V50294 M44-9 V73134 1254-3 V34742	101999	1
420	M44-9		.. BEARING-ROD END SUPPLIER CODE: V73134 OPTIONAL PART: ACM4-4 V56644 AHM4-103 V50294 FM4-6 V02695 1254-3 V34742	101999	1
420	1254-3		.. BEARING-ROD END SUPPLIER CODE: V34742 OPTIONAL PART: ACM4-4 V56644 AHM4-103 V50294 FM4-6 V02695 M44-9 V73134	101999	1
425	65-81149-25		.. TUBE	101999	1
430	BACB30NR4K12		. BOLT	101999	6
435	BACB30NR4K8		. BOLT	101999	10
440	BACW10BP4CD		. WASHER	101999	16
445	BACW10BP4DP		. WASHER	101999	6
450	PLH54CD		. NUT SUPPLIER CODE: VF0224 SPECIFICATION NUMBER: BACN10YR4CD OPTIONAL PART: H52732-4CD V15653	101999	6

MISSING ITEM NUMBERS NOT APPLICABLE

— ITEM NOT ILLUSTRATED

HAP

25-24-51-18A

BOEING PROPRIETARY - Copyright © - Unpublished Work - See title page for details.

25-24-51
FIG. 18A
PAGE 21
FEB 15/09

BOEING
737-600/700/800/900
PARTS CATALOG (MAINTENANCE)

FIG ITEM	PART NUMBER	1 2 3 4 5 6 7	NOMENCLATURE	EFFECT FROM TO	UNITS PER ASSY
18A					
455	BACB28AK04-025	.	BUSHING	101999	6
460	65-80898-43	.	TURNBUCKLE ASSY-	101999	16
			POSITION DATA:		
			STA 459.24 TO		
			STA 820.16		
465	AN316-4R	..	NUT	101999	1
470	1486-5	..	ROD END ASSY-	101999	1
			SUPPLIER CODE:		
			V34742		
475	1486-5L	..	ROD END ASSY-	101999	1
			SUPPLIER CODE:		
			V34742		
480	65-81149-47	..	TUBE	101999	1
485	412N2030-53	.	DIAGONAL ASSY-	201967	2
			POSITION DATA:		
			STA 479.82		
			STA 500B+19.82		
485	412N2030-153	.	DIAGONAL ASSY-	101101	2
			POSITION DATA:	968971	
			STA 479.82		
			STA 500B+19.82		
485	412N2030-253	.	DIAGONAL ASSY-	101200	2
			POSITION DATA:	968999	
			STA 479.82		
			STA 500B+19.82		
			ATTACHING PARTS		
- 490	NAS1149D0416J	.	WASHER	101999	2
- 495	PLH55CD	.	NUT-	101999	2
			SUPPLIER CODE:		
			VF0224		
			SPECIFICATION NUMBER:		
			BACN10YR5CD		
			OPTIONAL PART:		
			H52732-5CD		
			V15653		
			BACN10JC5CD		

MISSING ITEM NUMBERS NOT APPLICABLE

- ITEM NOT ILLUSTRATED

HAP

25-24-51-18A

BOEING PROPRIETARY - Copyright © - Unpublished Work - See title page for details.

25-24-51
FIG. 18A
PAGE 22
FEB 15/09

BOEING
737-600/700/800/900
PARTS CATALOG (MAINTENANCE)

FIG ITEM	PART NUMBER	1 2 3 4 5 6 7	NOMENCLATURE	EFFECT FROM TO	UNITS PER ASSY
18A - 495	BRH10C5D		.NUT- SUPPLIER CODE: V52828 SPECIFICATION NUMBER: BACN10JC5CD OPTIONAL PART: T6C524JCD V11815 102LH9075-5W V72962 H51650-5BAC V15653 BACN10YR5CD -----*-----	101999	2
500	412N2032-6		..INSULATOR- MANUFACTURED FROM: FIN F-25.01 COMPRESSION MOLDED PHENOLIC, GLASS FIBER FILLED PER BMS8-271A, TYPE 1. OPTIONAL PART: 412N2032-4	101999	1
500	412N2032-4		..INSULATOR- MANUFACTURED FROM: FIN F-6.10 COMPRESSION MOLDED PHENOLIC, GLASS FIBER FILLED PER BMS8-271A, TYPE 1 OPTIONAL PART: 412N2032-3 OPTIONAL PART: 412N2032-6	201967	1
505	BACP18BD3R17		..PIN- OPTIONAL PART: MS20392-3C17	101999	1
505	MS20392-3C17		..PIN- OPTIONAL PART: BACP18BD3R17	101999	1
510	BACP18BC02A06P		..PIN- OPTIONAL PART: MS24665-132	101999	1
510	MS24665-132		..PIN- OPTIONAL PART: BACP18BC02A06P	101999	1
515	BACW10P273L		..WASHER- OPTIONAL PART: NAS1149D0416J	201967	1

MISSING ITEM NUMBERS NOT APPLICABLE

- ITEM NOT ILLUSTRATED

HAP

25-24-51-18A

BOEING PROPRIETARY - Copyright © - Unpublished Work - See title page for details.

25-24-51
FIG. 18A
PAGE 23
OCT 15/08

BOEING
737-600/700/800/900
PARTS CATALOG (MAINTENANCE)

FIG ITEM	PART NUMBER	1 2 3 4 5 6 7	NOMENCLATURE	EFFECT FROM TO	UNITS PER ASSY
18A 515	NAS1149D0416J	..	WASHER- OPTIONAL PART: BACW10P273L	201967	1
515	BACW10P361LA	..	WASHER	101200 968999	1
520	412N2031-1	..	CLEVIS- MANUFACTURED FROM: 412N2031-2	101999	1
525	AN316-5R	..	NUT	101999	1
530	1293-23	..	ROD ASSY- SUPPLIER CODE: V34742 OPTIONAL PART: USC1325-13 V31293	101999	1
530	USC1325-13	..	ROD ASSY-TIE SUPPLIER CODE: V31293 OPTIONAL PART: 1293-23 V34742	101200 968999	1
535	412N2030-54	.DIAGONAL ASSY- POSITION DATA: STA 558.82 STA 638.89		201967	2
535	412N2030-154	.DIAGONAL ASSY- POSITION DATA: STA 558.82 STA 638.89		101101 968971	2
535	412N2030-254	.DIAGONAL ASSY- POSITION DATA: STA 558.82 STA 638.89		101200 968999	2
- 540	NAS1149D0416J	.ATTACHING PARTS WASHER		101999	2
- 545	PLH55CD	.NUT- SUPPLIER CODE: VF0224 SPECIFICATION NUMBER: BACN10YR5CD OPTIONAL PART: H52732-5CD V15653 BACN10JC5CD		101999	2

MISSING ITEM NUMBERS NOT APPLICABLE

- ITEM NOT ILLUSTRATED

HAP

25-24-51-18A

BOEING PROPRIETARY - Copyright © - Unpublished Work - See title page for details.

25-24-51
FIG. 18A
PAGE 24
FEB 15/09

BOEING
737-600/700/800/900
PARTS CATALOG (MAINTENANCE)

FIG ITEM	PART NUMBER	1 2 3 4 5 6 7	NOMENCLATURE	EFFECT FROM TO	UNITS PER ASSY
18A - 545	BRH10C5D	.	NUT- SUPPLIER CODE: V52828 SPECIFICATION NUMBER: BACN10JC5CD OPTIONAL PART: T6C524JCD V11815 102LH9075-5W V72962 H51650-5BAC V15653 BACN10YR5CD -----*-----	101999	2
550	412N2032-6	..	INSULATOR- MANUFACTURED FROM: FIN F-25.01 COMPRESSION MOLDED PHENOLIC, GLASS FIBER FILLED PER BMS8-271A, TYPE 1. OPTIONAL PART: 412N2032-4	101999	1
550	412N2032-4	..	INSULATOR- MANUFACTURED FROM: FIN F-6.10 COMPRESSION MOLDED PHENOLIC, GLASS FIBER FILLED PER BMS8-271A, TYPE 1 OPTIONAL PART: 412N2032-3 OPTIONAL PART: 412N2032-6	201967	1
555	BACP18BD3R17	..	PIN- OPTIONAL PART: MS20392-3C17	101999	1
555	MS20392-3C17	..	PIN- OPTIONAL PART: BACP18BD3R17	101999	1
560	BACP18BC02A06P	..	PIN- OPTIONAL PART: MS24665-132	101999	1
560	MS24665-132	..	PIN- OPTIONAL PART: BACP18BC02A06P	101999	1
565	BACW10P273L	..	WASHER- OPTIONAL PART: NAS1149D0416J	201967	1

MISSING ITEM NUMBERS NOT APPLICABLE

- ITEM NOT ILLUSTRATED

HAP

25-24-51-18A

BOEING PROPRIETARY - Copyright © - Unpublished Work - See title page for details.

25-24-51
FIG. 18A
PAGE 25
OCT 15/08

BOEING
737-600/700/800/900
PARTS CATALOG (MAINTENANCE)

FIG ITEM	PART NUMBER	1 2 3 4 5 6 7	NOMENCLATURE	EFFECT FROM TO	UNITS PER ASSY
18A 565	NAS1149D0416J	..	WASHER- OPTIONAL PART: BACW10P273L	201967	1
565	BACW10P361LA	..	WASHER	101200 968999	1
570	412N2031-1	..	CLEVIS- MANUFACTURED FROM: 412N2031-2	101999	1
575	AN316-5R	..	NUT	101999	1
580	1551-1	..	ROD ASSY- SUPPLIER CODE: V34742 OPTIONAL PART: USC1325-11 V31293	101999	1
580	USC1325-11	..	ROD ASSY-TIE SUPPLIER CODE: V31293 OPTIONAL PART: 1551-1 V34742	101200 968999	1
585	MS20392-3C17	.	PIN	201967	1
585	BACP18BD3C17	.	PIN	101200 968999	1
590	BACP18BC02C04P	.	PIN	101999	1
595	NAS1149D0416J	.	WASHER	101999	1
600	412N2030-55	.	DIAGONAL ASSY- POSITION DATA: STA 723.36	101999	1
605	AN316-5R	..	NUT	101999	1
610	1293-31	..	ROD ASSY- SUPPLIER CODE: V34742 OPTIONAL PART: USC1325-19 V31293	101999	1
610	USC1325-19	..	ROD ASSY-TIE SUPPLIER CODE: V31293 OPTIONAL PART: 1293-31 V34742	101999	1
615	412N2030-58	.	DIAGONAL ASSY- POSITION DATA: STA 727C+19.82	201967	1
615	412N2030-158	.	DIAGONAL ASSY- POSITION DATA: STA 727C+19.82	101101 968971	1

MISSING ITEM NUMBERS NOT APPLICABLE

- ITEM NOT ILLUSTRATED

HAP

25-24-51-18A

BOEING PROPRIETARY - Copyright © - Unpublished Work - See title page for details.

25-24-51
FIG. 18A
PAGE 26
OCT 15/08

BOEING
737-600/700/800/900
PARTS CATALOG (MAINTENANCE)

FIG ITEM	PART NUMBER	1 2 3 4 5 6 7	NOMENCLATURE	EFFECT FROM TO	UNITS PER ASSY
18A 615	412N2030-258		.DIAGONAL ASSY- POSITION DATA: STA 727C+19.82 ATTACHING PARTS	101200 968999	1
- 620	NAS1149D0416J		.WASHER	101999	1
- 625	PLH55CD		.NUT- SUPPLIER CODE: VF0224 SPECIFICATION NUMBER: BACN10YR5CD OPTIONAL PART: H52732-5CD V15653 BACN10JC5CD	101999	1
- 625	BRH10C5D		.NUT- SUPPLIER CODE: V52828 SPECIFICATION NUMBER: BACN10JC5CD OPTIONAL PART: T6C524JCD V11815 102LH9075-5W V72962 H51650-5BAC V15653 BACN10YR5CD	101999	1
630	412N2032-6		-----*----- ..INSULATOR- MANUFACTURED FROM: FIN F-25.01 COMPRESSION MOLDED PHENOLIC, GLASS FIBER FILLED PER BMS8-271A, TYPE 1. OPTIONAL PART: 412N2032-4	101999	1
630	412N2032-4		..INSULATOR- MANUFACTURED FROM: FIN F-6.10 COMPRESSION MOLDED PHENOLIC, GLASS FIBER FILLED PER BMS8-271A, TYPE 1 OPTIONAL PART: 412N2032-3 OPTIONAL PART: 412N2032-6	201967	1
635	BACP18BD3R17		..PIN- OPTIONAL PART: MS20392-3C17	101999	1

MISSING ITEM NUMBERS NOT APPLICABLE

- ITEM NOT ILLUSTRATED

HAP

25-24-51-18A

BOEING PROPRIETARY - Copyright © - Unpublished Work - See title page for details.

25-24-51
FIG. 18A
PAGE 27
FEB 15/09

BOEING
737-600/700/800/900
PARTS CATALOG (MAINTENANCE)

FIG ITEM	PART NUMBER	1 2 3 4 5 6 7	NOMENCLATURE	EFFECT FROM TO	UNITS PER ASSY
18A 635	MS20392-3C17	..	PIN- OPTIONAL PART: BACP18BD3R17	101999	1
640	BACP18BC02A06P	..	PIN- OPTIONAL PART: MS24665-132	101999	1
640	MS24665-132	..	PIN- OPTIONAL PART: BACP18BC02A06P	101999	1
645	BACW10P273L	..	WASHER- OPTIONAL PART: NAS1149D0416J	201967	1
645	NAS1149D0416J	..	WASHER- OPTIONAL PART: BACW10P273L	201967	1
645	BACW10P361LA	..	WASHER	101200 968999	1
650	412N2031-1	..	CLEVIS- MANUFACTURED FROM: 412N2031-2	101999	1
655	AN316-5R	..	NUT	101999	1
660	1550-1	..	ROD ASSY- SUPPLIER CODE: V34742 OPTIONAL PART: USC1325-39 V31293	101999	1
660	USC1325-39	..	ROD ASSY-TIE SUPPLIER CODE: V31293 OPTIONAL PART: 1550-1 V34742	101200 968999	1
665	412N2030-56	.DIAGONAL ASSY- POSITION DATA: STA 786.82		201967	1
665	412N2030-156	.DIAGONAL ASSY- POSITION DATA: STA 786.82		101101 968971	1
665	412N2030-256	.DIAGONAL ASSY- POSITION DATA: STA 786.82		101200 968999	1
- 670	NAS1149D0416J	.ATTACHING PARTS WASHER		101999	1

MISSING ITEM NUMBERS NOT APPLICABLE

- ITEM NOT ILLUSTRATED

HAP

25-24-51-18A

BOEING PROPRIETARY - Copyright © - Unpublished Work - See title page for details.

25-24-51
FIG. 18A
PAGE 28
OCT 15/08

BOEING
737-600/700/800/900
PARTS CATALOG (MAINTENANCE)

FIG ITEM	PART NUMBER	1 2 3 4 5 6 7	NOMENCLATURE	EFFECT FROM TO	UNITS PER ASSY
18A - 675	PLH55CD		.NUT- SUPPLIER CODE: VF0224 SPECIFICATION NUMBER: BACN10YR5CD OPTIONAL PART: H52732-5CD V15653 BACN10JC5CD	101999	1
- 675	BRH10C5D		.NUT- SUPPLIER CODE: V52828 SPECIFICATION NUMBER: BACN10JC5CD OPTIONAL PART: T6C524JCD V11815 102LH9075-5W V72962 H51650-5BAC V15653 BACN10YR5CD	101999	1
680	412N2032-6		-----*----- ..INSULATOR- MANUFACTURED FROM: FIN F-25.01 COMPRESSION MOLDED PHENOLIC, GLASS FIBER FILLED PER BMS8-271A, TYPE 1. OPTIONAL PART: 412N2032-4	101999	1
680	412N2032-4		..INSULATOR- MANUFACTURED FROM: FIN F-6.10 COMPRESSION MOLDED PHENOLIC, GLASS FIBER FILLED PER BMS8-271A, TYPE 1 OPTIONAL PART: 412N2032-3 OPTIONAL PART: 412N2032-6	201967	1
685	BACP18BD3R17		..PIN- OPTIONAL PART: MS20392-3C17	101999	1
685	MS20392-3C17		..PIN- OPTIONAL PART: BACP18BD3R17	101999	1

MISSING ITEM NUMBERS NOT APPLICABLE

- ITEM NOT ILLUSTRATED

HAP

25-24-51-18A

BOEING PROPRIETARY - Copyright © - Unpublished Work - See title page for details.

25-24-51
FIG. 18A
PAGE 29
FEB 15/09

BOEING
737-600/700/800/900
PARTS CATALOG (MAINTENANCE)

FIG ITEM	PART NUMBER	1 2 3 4 5 6 7	NOMENCLATURE	EFFECT FROM TO	UNITS PER ASSY
18A 690	BACP18BC02A06P	..	PIN- OPTIONAL PART: MS24665-132	101999	1
690	MS24665-132	..	PIN- OPTIONAL PART: BACP18BC02A06P	101999	1
695	BACW10P273L	..	WASHER- OPTIONAL PART: NAS1149D0416J	201967	1
695	NAS1149D0416J	..	WASHER- OPTIONAL PART: BACW10P273L	201967	1
695	BACW10P361LA	..	WASHER	101200 968999	1
700	412N2031-1	..	CLEVIS- MANUFACTURED FROM: 412N2031-2	101999	1
705	AN316-5R	..	NUT	101999	1
710	1293-41	..	ROD ASSY- SUPPLIER CODE: V34742 OPTIONAL PART: USC1325-23 V31293	101999	1
710	USC1325-23	..	ROD ASSY-TIE SUPPLIER CODE: V31293 OPTIONAL PART: 1293-41 V34742	101999	1
715	412N2030-57	.DIAGONAL ASSY- POSITION DATA: STA 846.82		201967	1
715	412N2030-157	.DIAGONAL ASSY- POSITION DATA: STA 846.82		101101 968971	1
715	412N2030-257	.DIAGONAL ASSY- POSITION DATA: STA 846.82		101200 968999	1
- 720	NAS1149D0416J	.ATTACHING PARTS WASHER		101999	1

MISSING ITEM NUMBERS NOT APPLICABLE

- ITEM NOT ILLUSTRATED

HAP

25-24-51-18A

BOEING PROPRIETARY - Copyright © - Unpublished Work - See title page for details.

25-24-51
FIG. 18A
PAGE 30
OCT 15/08

BOEING
737-600/700/800/900
PARTS CATALOG (MAINTENANCE)

FIG ITEM	PART NUMBER	1 2 3 4 5 6 7	NOMENCLATURE	EFFECT FROM TO	UNITS PER ASSY
18A - 725	PLH55CD		.NUT- SUPPLIER CODE: VF0224 SPECIFICATION NUMBER: BACN10YR5CD OPTIONAL PART: H52732-5CD V15653 BACN10JC5CD	101999	1
- 725	BRH10C5D		.NUT- SUPPLIER CODE: V52828 SPECIFICATION NUMBER: BACN10JC5CD OPTIONAL PART: T6C524JCD V11815 102LH9075-5W V72962 H51650-5BAC V15653 BACN10YR5CD	101999	1
730	412N2032-6		-----*----- ..INSULATOR- MANUFACTURED FROM: FIN F-25.01 COMPRESSION MOLDED PHENOLIC, GLASS FIBER FILLED PER BMS8-271A, TYPE 1. OPTIONAL PART: 412N2032-4	101999	1
730	412N2032-4		..INSULATOR- MANUFACTURED FROM: FIN F-6.10 COMPRESSION MOLDED PHENOLIC, GLASS FIBER FILLED PER BMS8-271A, TYPE 1 OPTIONAL PART: 412N2032-3 OPTIONAL PART: 412N2032-6	201967	1
735	BACP18BD3R17		..PIN- OPTIONAL PART: MS20392-3C17	101999	1
735	MS20392-3C17		..PIN- OPTIONAL PART: BACP18BD3R17	101999	1

MISSING ITEM NUMBERS NOT APPLICABLE

- ITEM NOT ILLUSTRATED

HAP

25-24-51-18A

BOEING PROPRIETARY - Copyright © - Unpublished Work - See title page for details.

25-24-51
FIG. 18A
PAGE 31
FEB 15/09

BOEING
737-600/700/800/900
PARTS CATALOG (MAINTENANCE)

FIG ITEM	PART NUMBER	1 2 3 4 5 6 7	NOMENCLATURE	EFFECT FROM TO	UNITS PER ASSY
18A 740	BACP18BC02A06P	..	PIN- OPTIONAL PART: MS24665-132	101999	1
740	MS24665-132	..	PIN- OPTIONAL PART: BACP18BC02A06P	101999	1
745	BACW10P273L	..	WASHER- OPTIONAL PART: NAS1149D0416J	201967	1
745	NAS1149D0416J	..	WASHER- OPTIONAL PART: BACW10P273L	201967	1
745	BACW10P361LA	..	WASHER	101200 968999	1
750	412N2031-1	..	CLEVIS- MANUFACTURED FROM: 412N2031-2	101999	1
755	AN316-5R	..	NUT	101999	1
760	1293-17	..	ROD ASSY- SUPPLIER CODE: V34742 OPTIONAL PART: USC1325-21 V31293	101999	1
760	USC1325-21	..	ROD ASSY-TIE SUPPLIER CODE: V31293 OPTIONAL PART: 1293-17 V34742	101200 968999	1

MISSING ITEM NUMBERS NOT APPLICABLE

— ITEM NOT ILLUSTRATED

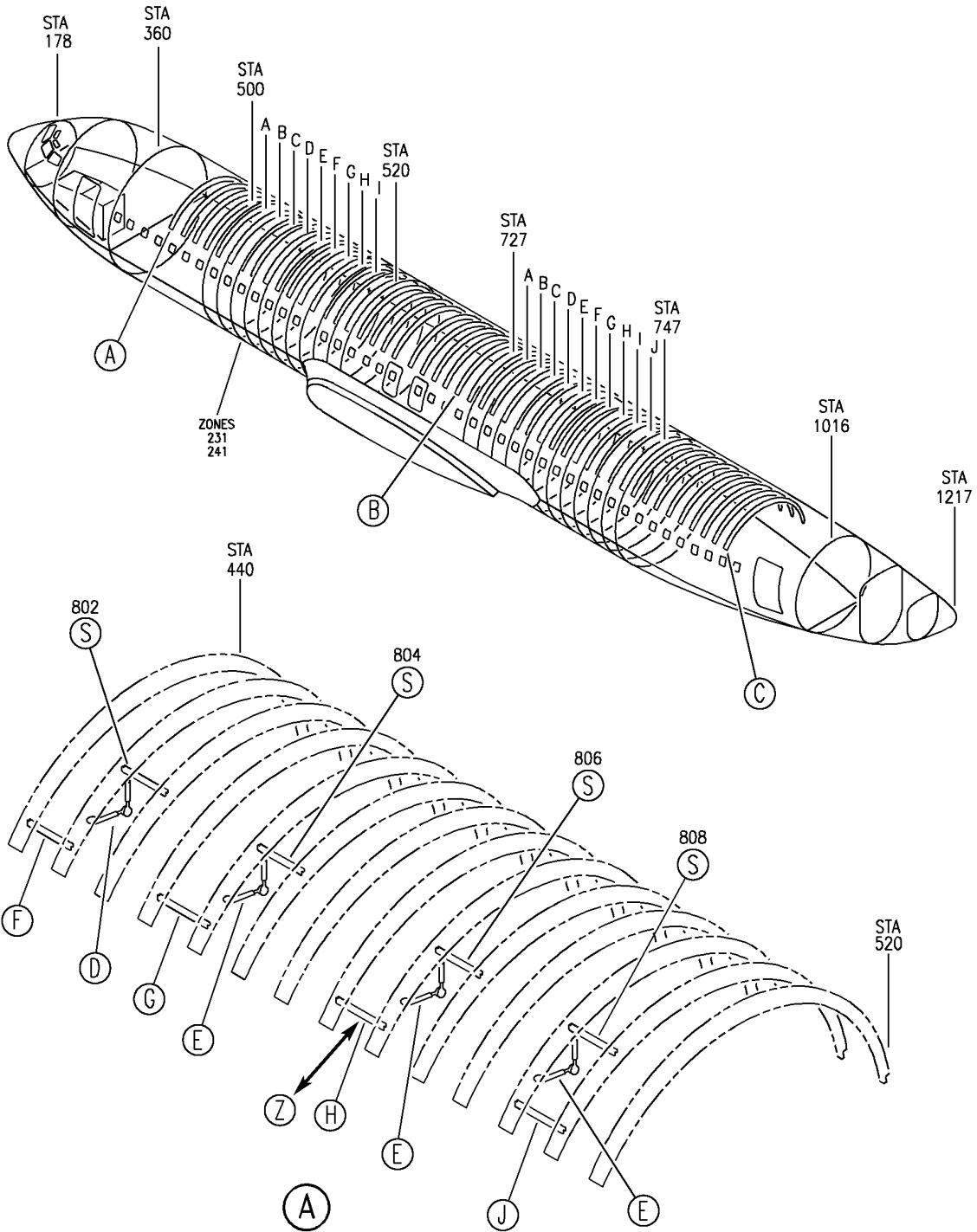
HAP

25-24-51-18A

BOEING PROPRIETARY - Copyright © - Unpublished Work - See title page for details.

25-24-51
FIG. 18A
PAGE 32
OCT 15/08

BOEING
 737-600/700/800/900
 PARTS CATALOG (MAINTENANCE)



E 25245119 SHT 1 REV 122

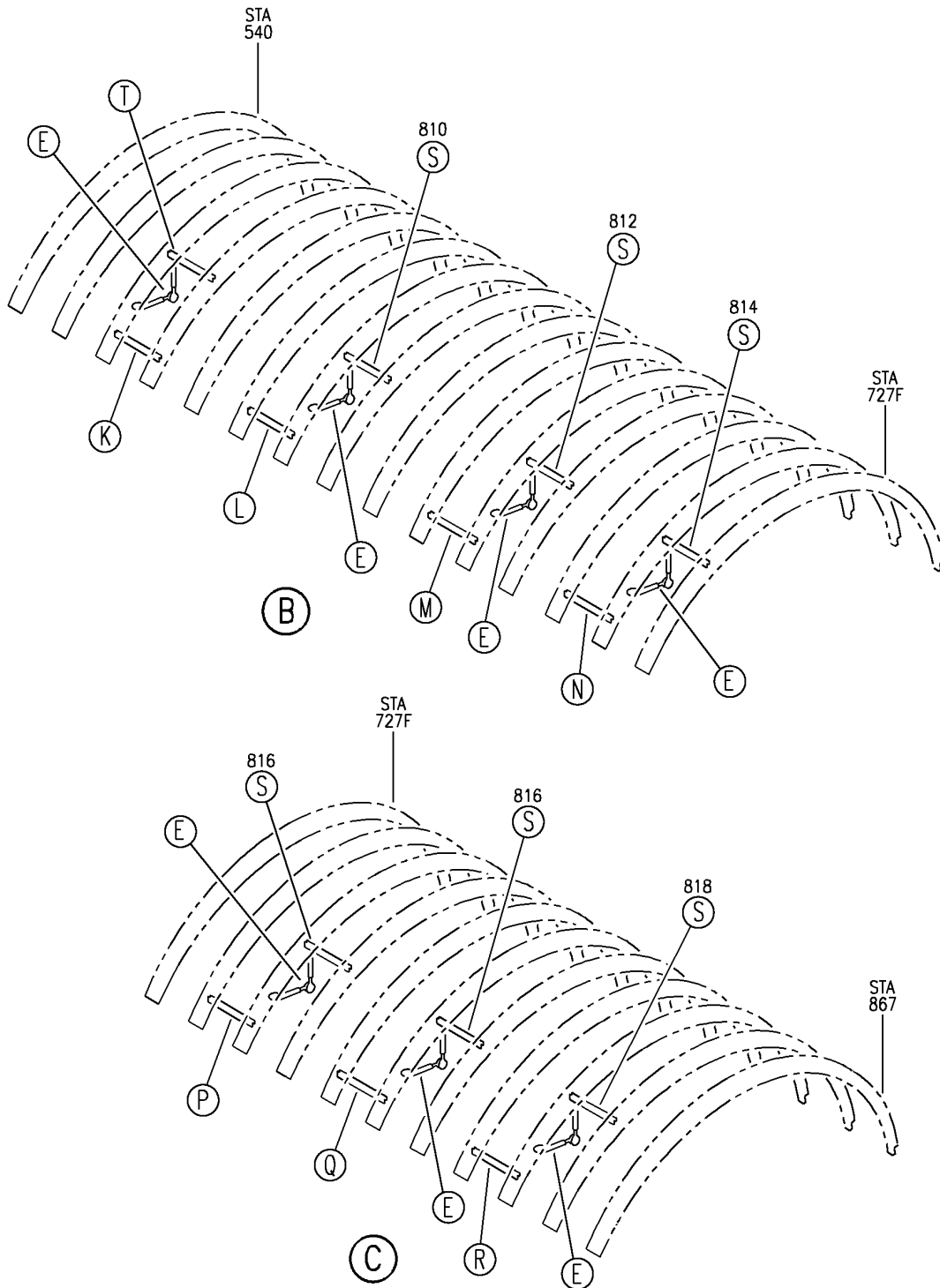
SUPPORT INSTL-OVHD STOWAGE BIN LH
 FIGURE 19 (SHEET 1)

25-24-51-19

HAP
 OCT 10/06

25-24-51-19
 PAGE 0

BOEING
 737-600/700/800/900
 PARTS CATALOG (MAINTENANCE)



E 25245119 SHT 2 REV 118

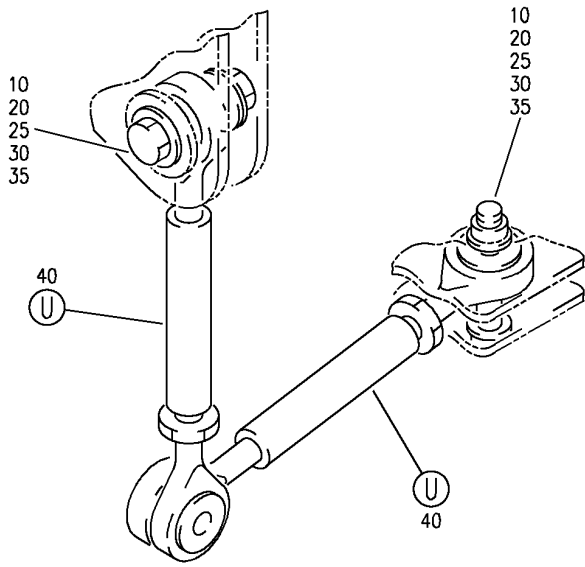
SUPPORT INSTL-OVHD STOWAGE BIN LH
 FIGURE 19 (SHEET 2)

25-24-51-19

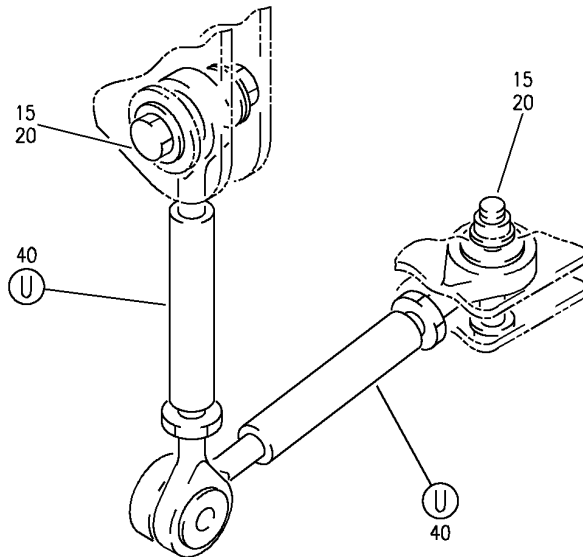
HAP
 OCT 10/06

25-24-51-19
 PAGE 0A

BOEING
 737-600/700/800/900
 PARTS CATALOG (MAINTENANCE)



FWD ↘
 (D)



FWD ↘
 (E)

E 25245119 SHT 3 REV 118

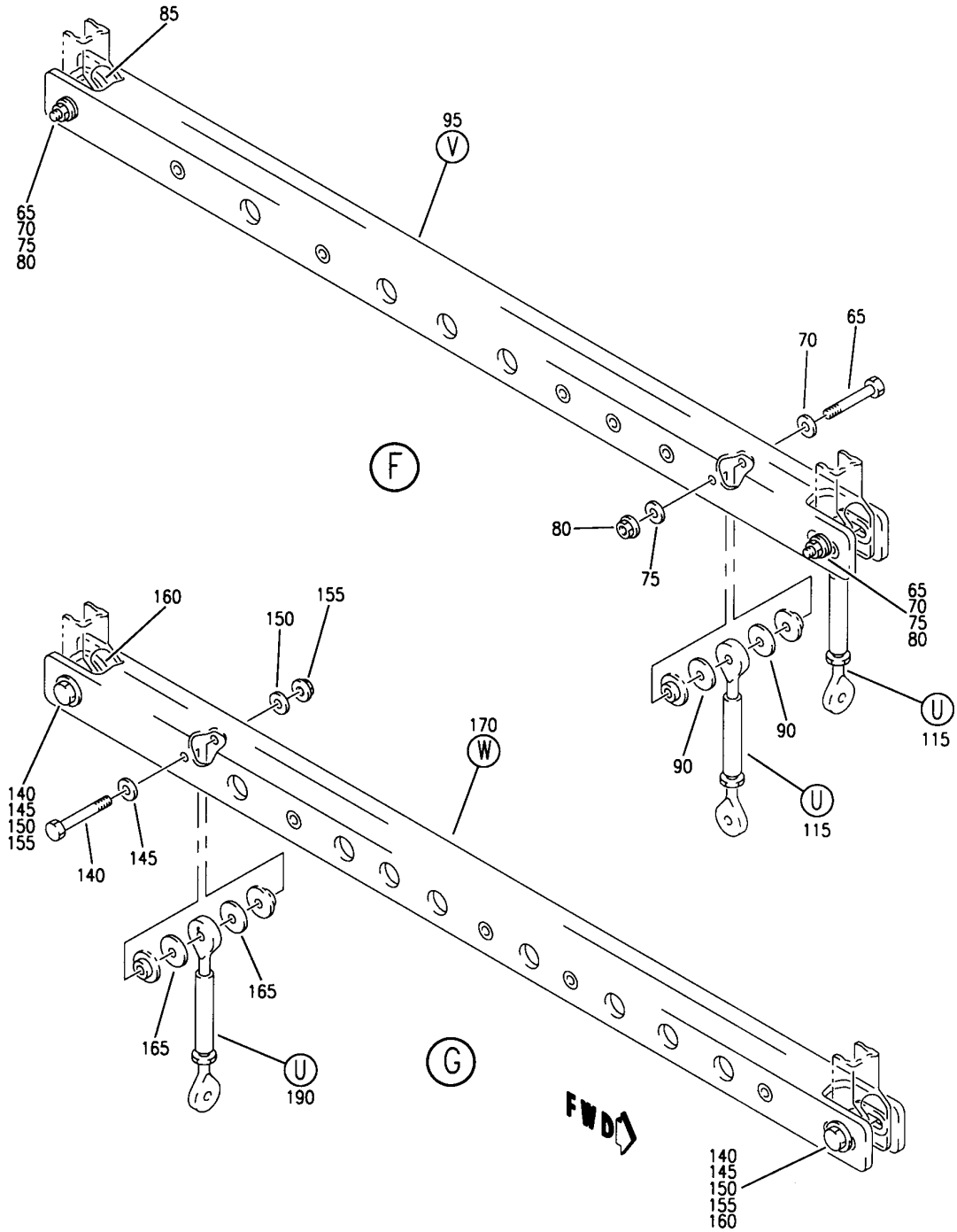
SUPPORT INSTL-OVHD STOWAGE BIN LH
 FIGURE 19 (SHEET 3)

25-24-51-19

HAP
 OCT 10/06

25-24-51-19
 PAGE 0B

BOEING
 737-600/700/800/900
 PARTS CATALOG (MAINTENANCE)



E. 25245119 SHT 4 REV 019

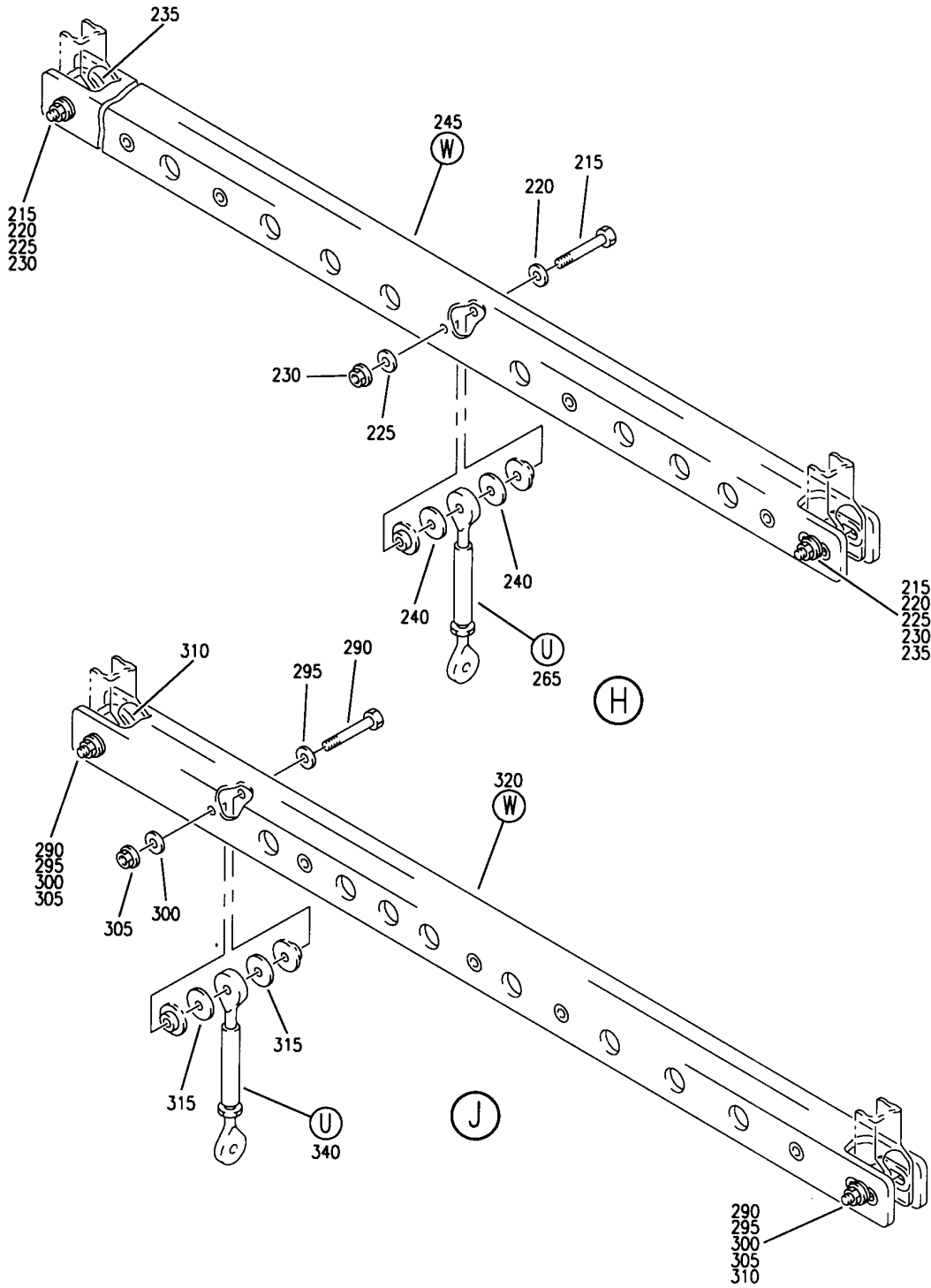
SUPPORT INSTL-OVHD STOWAGE BIN LH
 FIGURE 19 (SHEET 4)

25-24-51-19

HAP
 OCT 10/06

25-24-51-19
 PAGE 0C

BOEING
 737-600/700/800/900
 PARTS CATALOG (MAINTENANCE)



E 25245119 SH 5 REV 019

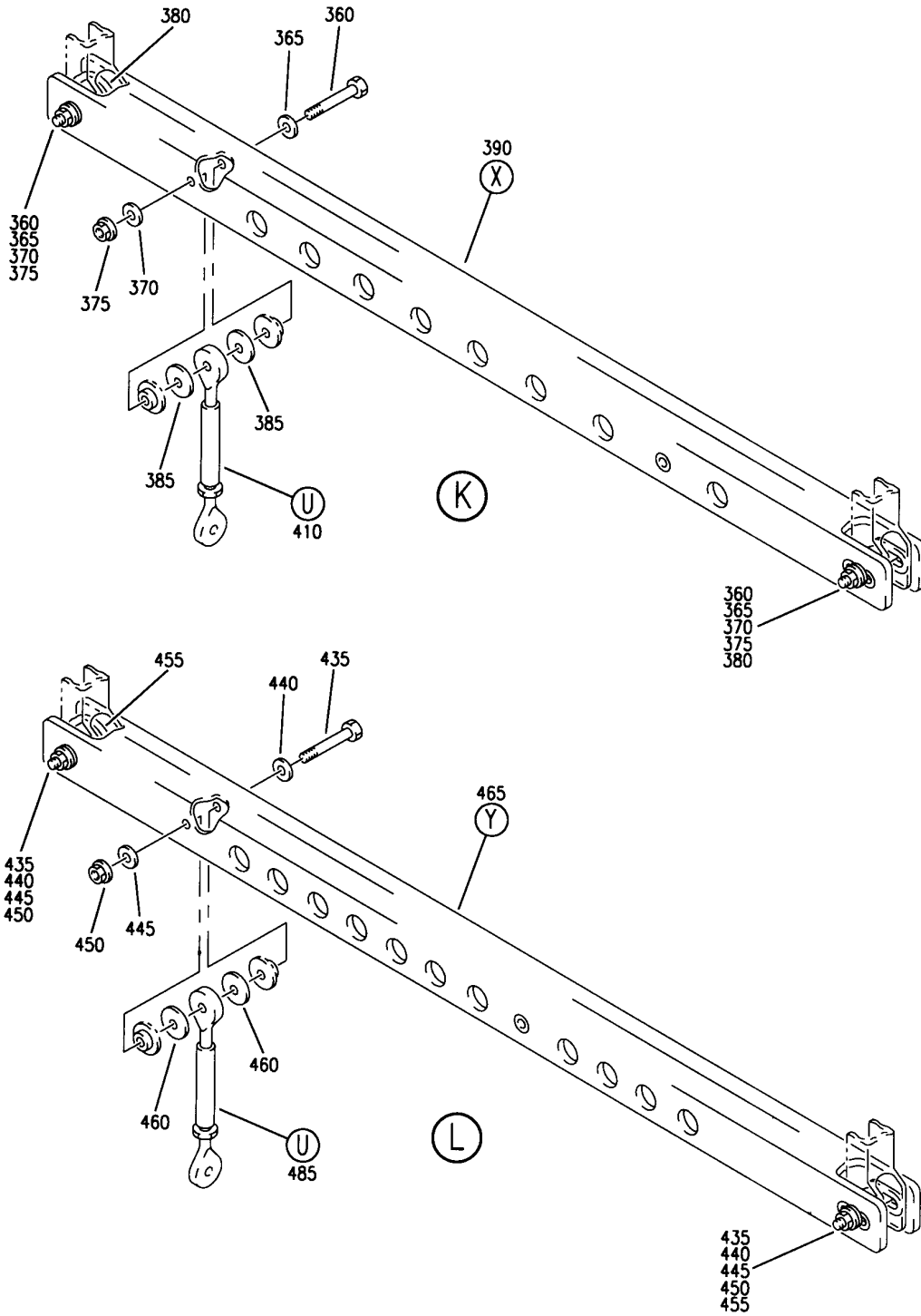
SUPPORT INSTL-OVHD STOWAGE BIN LH
 FIGURE 19 (SHEET 5)

25-24-51-19

HAP
 OCT 10/06

25-24-51-19
 PAGE 0D

BOEING
 737-600/700/800/900
 PARTS CATALOG (MAINTENANCE)



E 25245119 SH1 6 REV 019

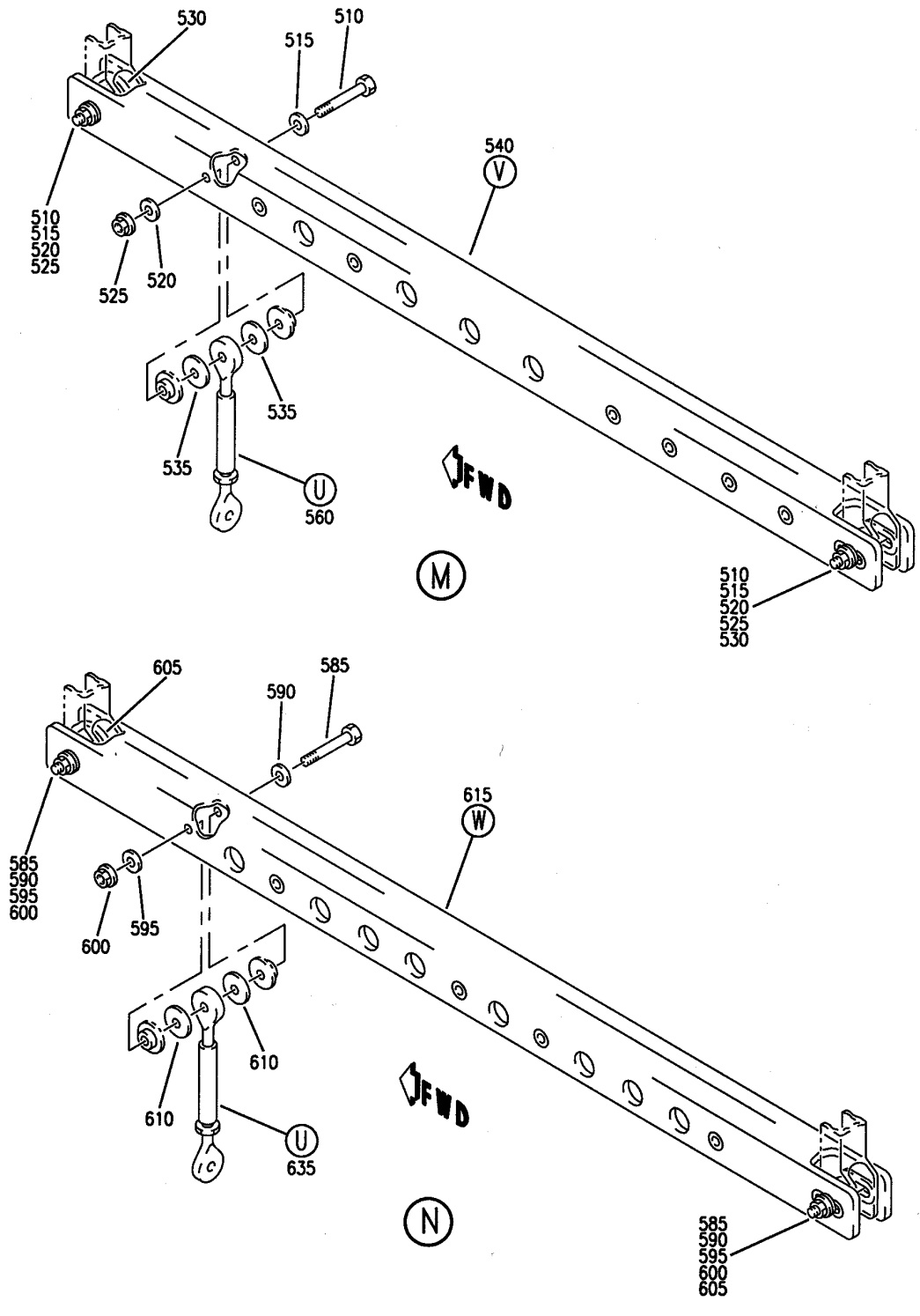
SUPPORT INSTL-OVHD STOWAGE BIN LH
 FIGURE 19 (SHEET 6)

25-24-51-19

HAP
 OCT 10/06

25-24-51-19
 PAGE 0E

BOEING
 737-600/700/800/900
 PARTS CATALOG (MAINTENANCE)



E 25245119 SHT 7 REV 043

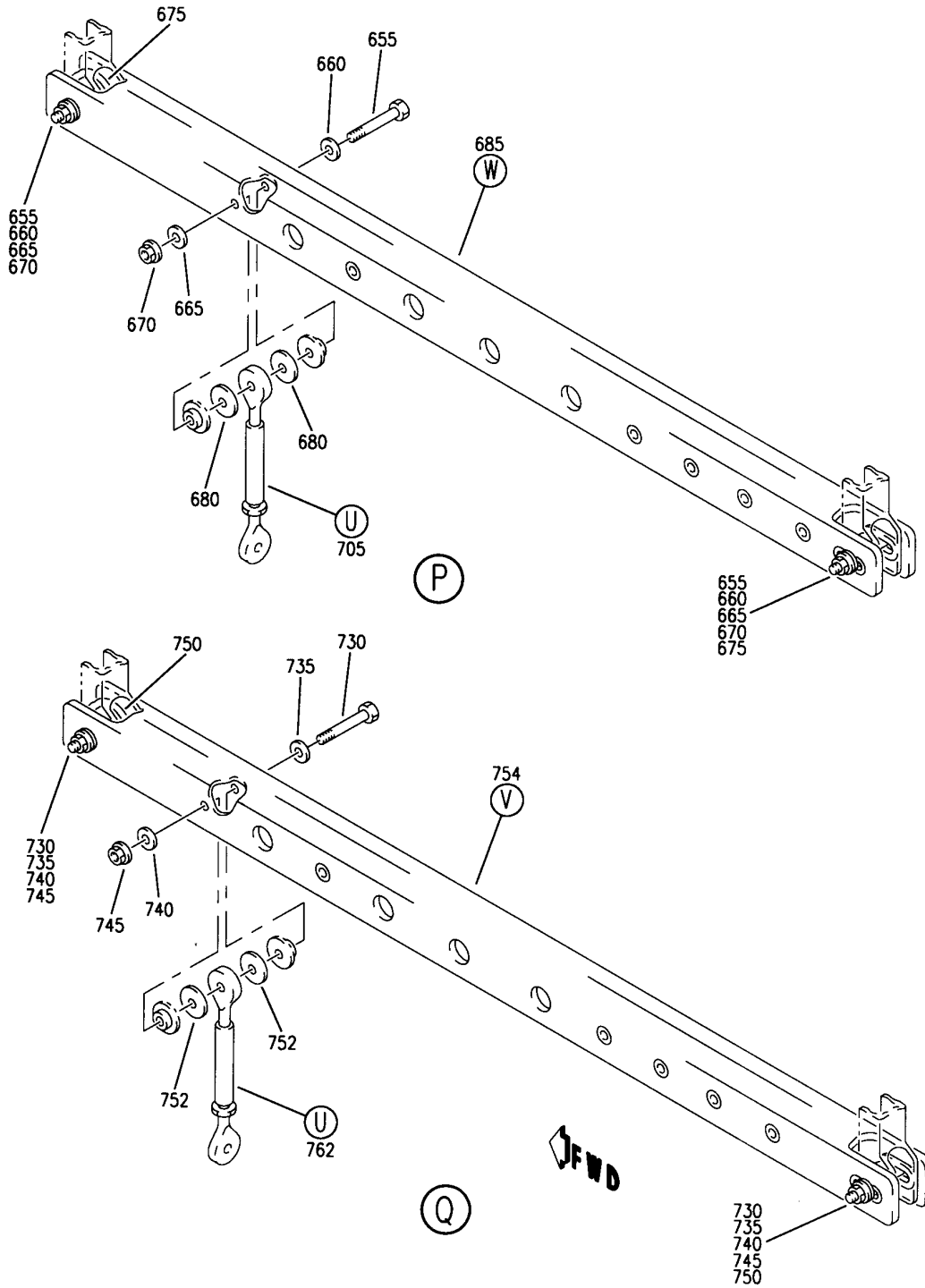
SUPPORT INSTL-OVHD STOWAGE BIN LH
 FIGURE 19 (SHEET 7)

25-24-51-19

HAP
 OCT 10/06

25-24-51-19
 PAGE OF

BOEING
 737-600/700/800/900
 PARTS CATALOG (MAINTENANCE)



E 25245119 SHT 8 REV 019

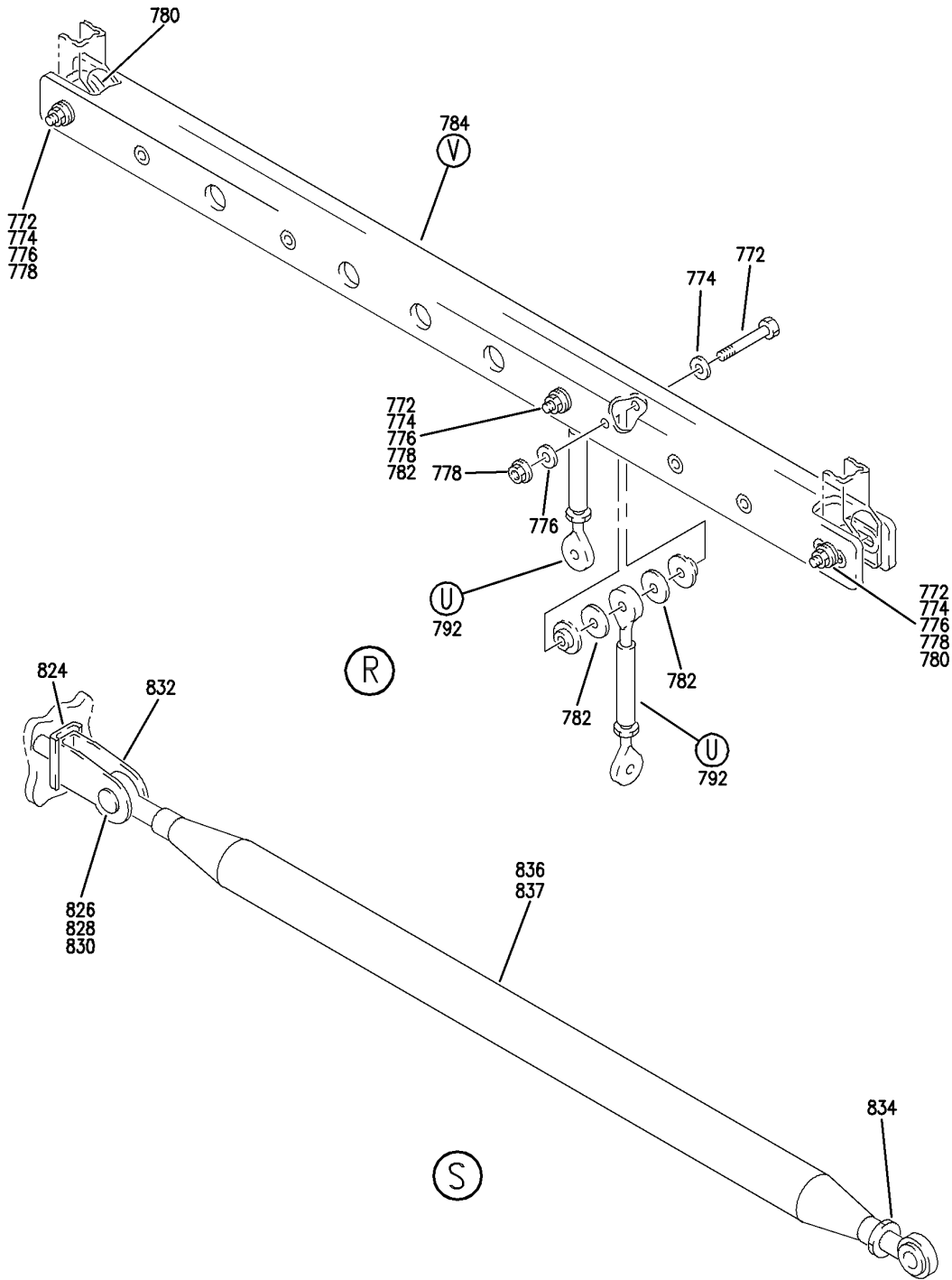
SUPPORT INSTL-OVHD STOWAGE BIN LH
 FIGURE 19 (SHEET 8)

25-24-51-19

HAP
 OCT 10/06

25-24-51-19
 PAGE 0G

BOEING
 737-600/700/800/900
 PARTS CATALOG (MAINTENANCE)



E 25245119 SHT 9 REV 056

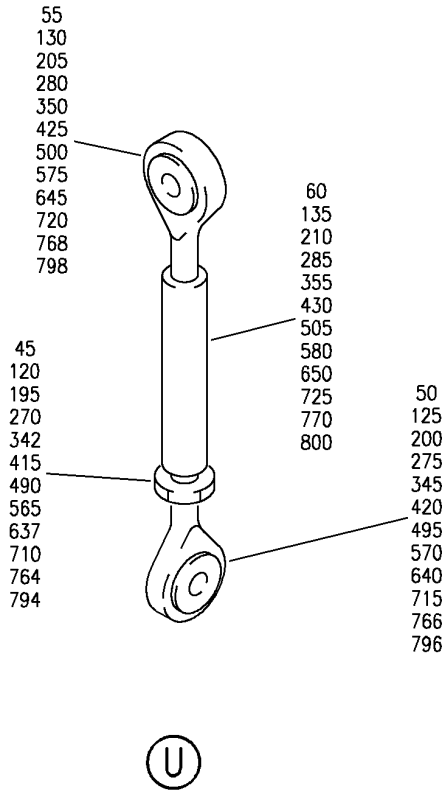
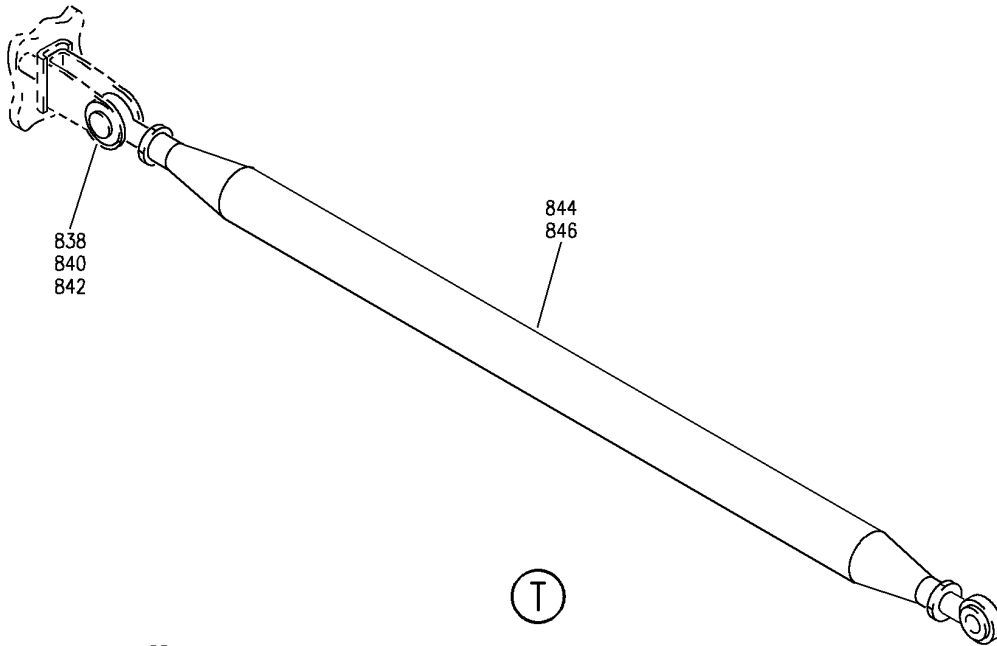
SUPPORT INSTL-OVHD STOWAGE BIN LH
 FIGURE 19 (SHEET 9)

25-24-51-19

HAP
 OCT 10/06

25-24-51-19
 PAGE 0H

BOEING
 737-600/700/800/900
 PARTS CATALOG (MAINTENANCE)



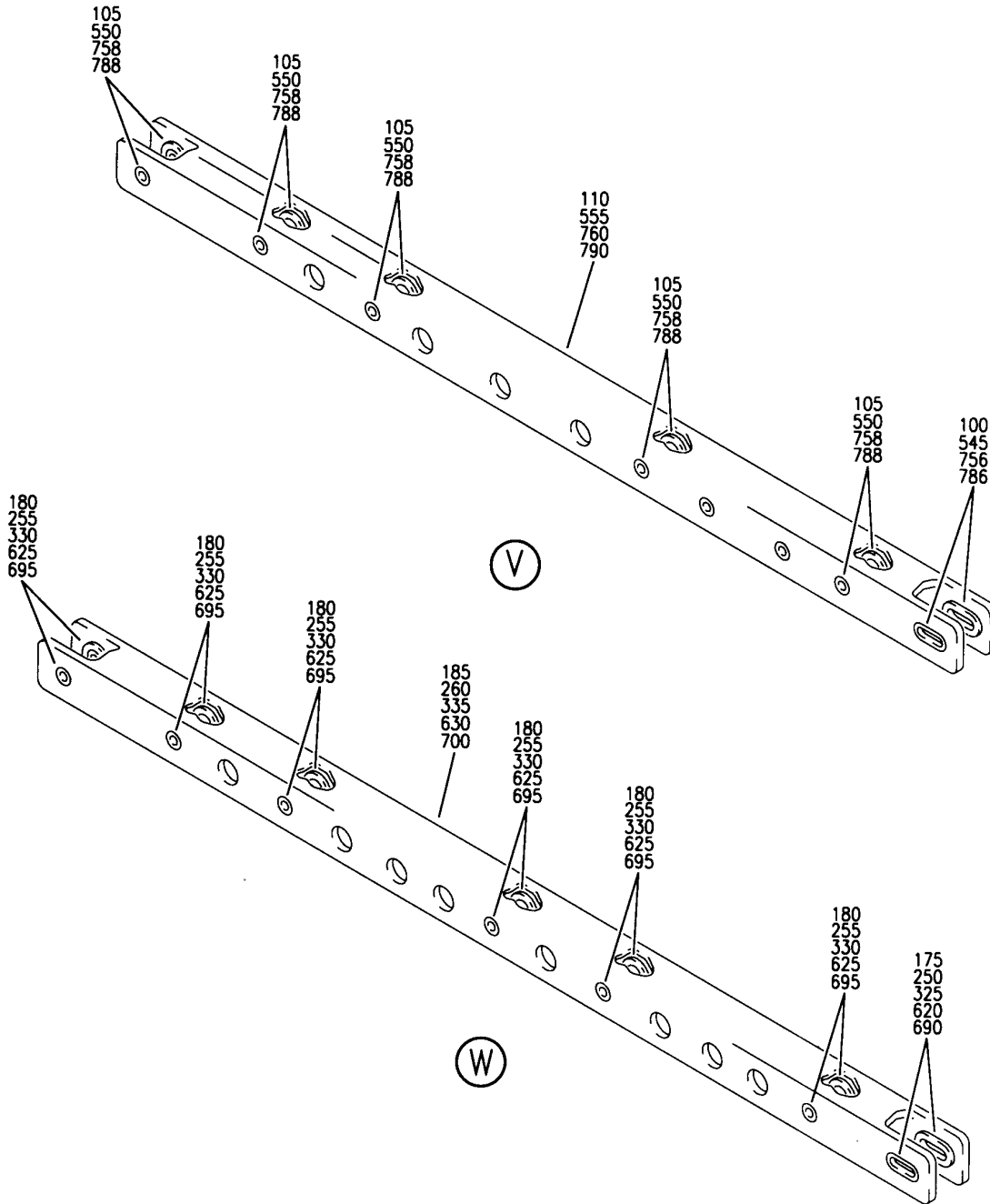
E 25245119 SHT 10 REV 118

SUPPORT INSTL-OVHD STOWAGE BIN LH
 FIGURE 19 (SHEET 10)

25-24-51-19

HAP
 OCT 10/06

25-24-51-19
 PAGE 01



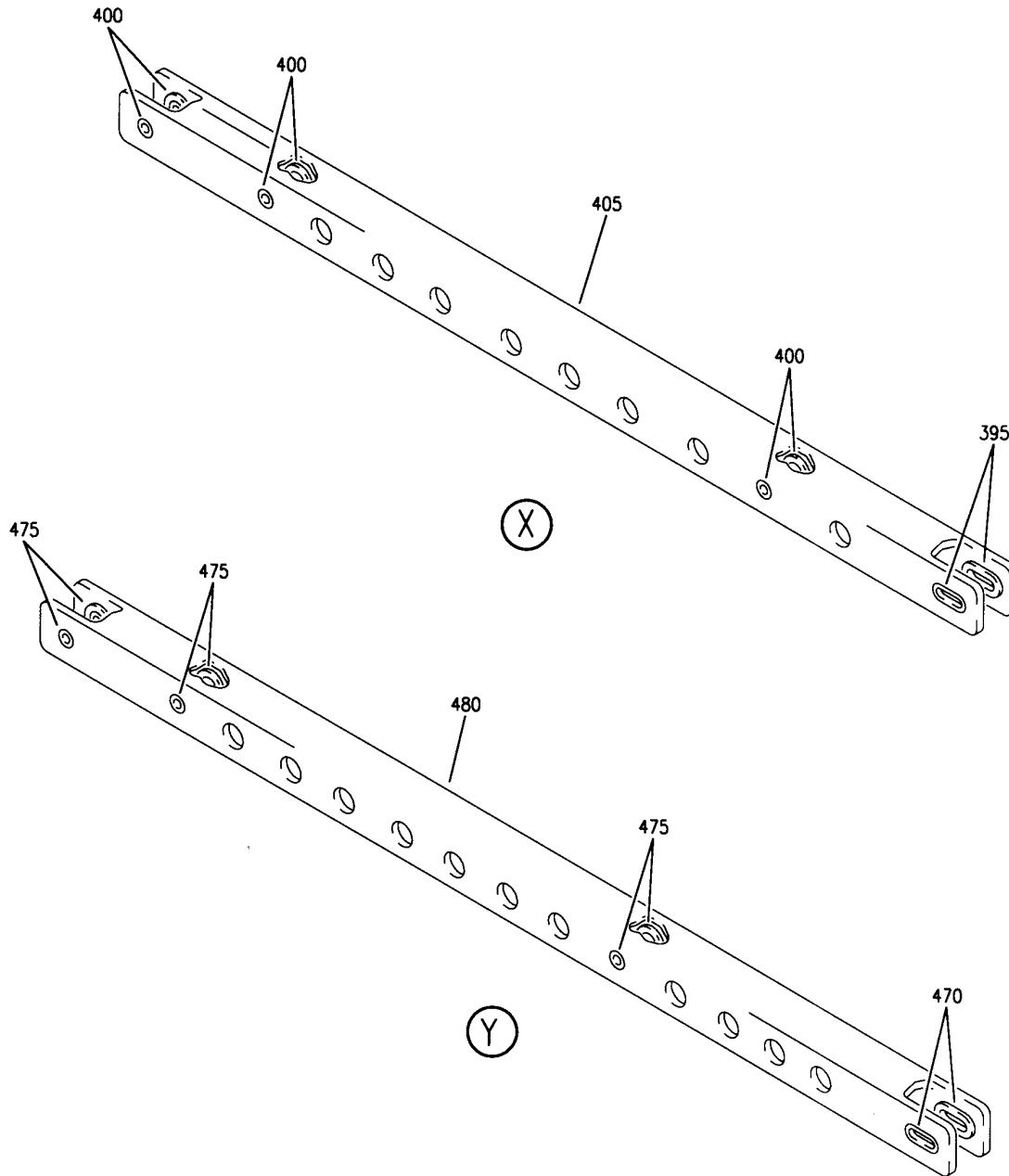
E 25245119 SHT 11 REV 019

SUPPORT INSTL-OVHD STOWAGE BIN LH
 FIGURE 19 (SHEET 11)

25-24-51-19

HAP
 OCT 10/06

25-24-51-19
 PAGE 0J



E 25245119 SH1 12 REV 019

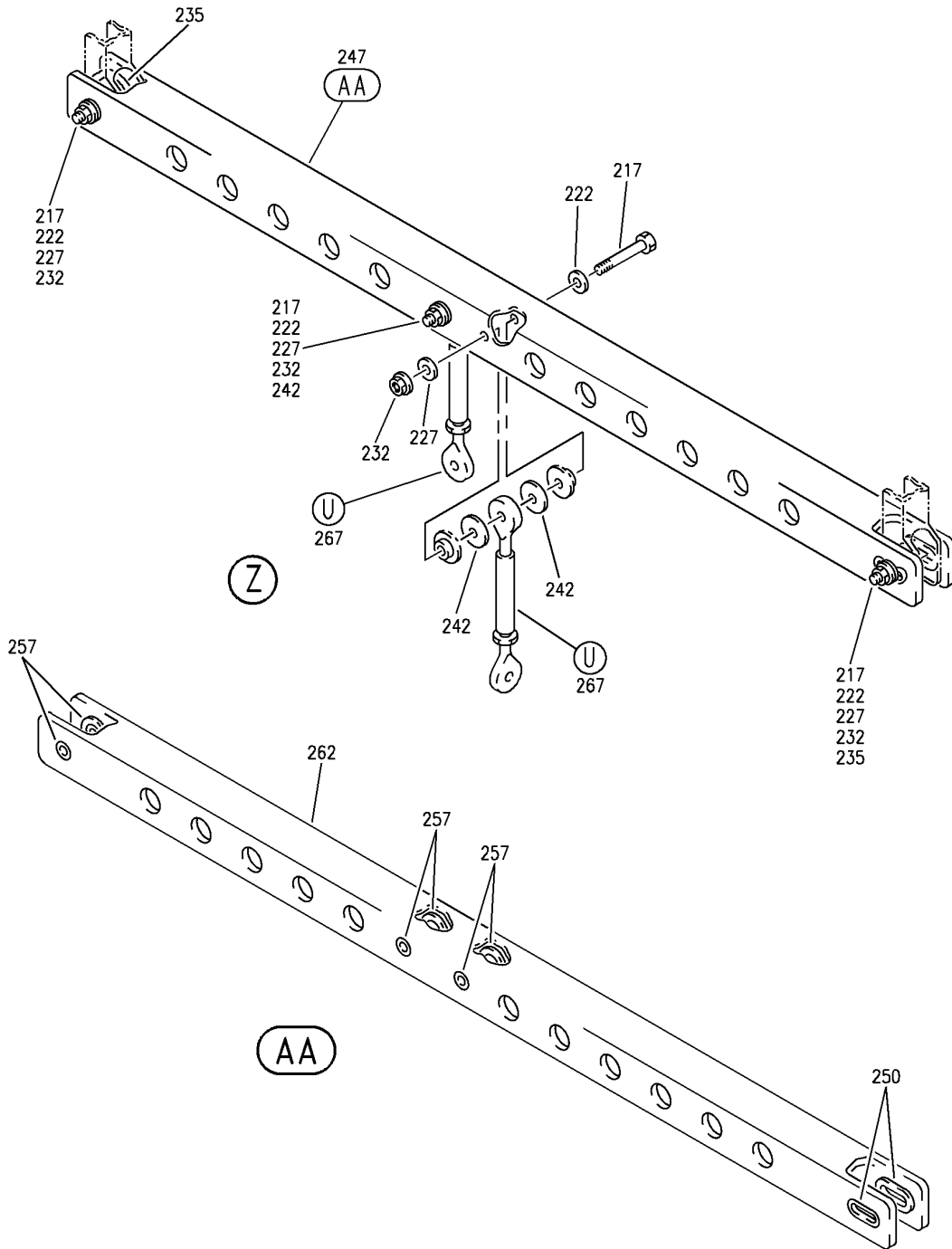
SUPPORT INSTL-OVHD STOWAGE BIN LH
 FIGURE 19 (SHEET 12)

25-24-51-19

HAP
 OCT 10/06

25-24-51-19
 PAGE 0K

BOEING
 737-600/700/800/900
 PARTS CATALOG (MAINTENANCE)



E 25245119 SH1 13 REV 122

SUPPORT INSTL-OVHD STOWAGE BIN LH
 FIGURE 19 (SHEET 13)

25-24-51-19

HAP
 OCT 10/06

25-24-51-19
 PAGE 0L

BOEING
737-600/700/800/900
PARTS CATALOG (MAINTENANCE)

FIG ITEM	PART NUMBER	1 2 3 4 5 6 7	NOMENCLATURE	EFFECT FROM TO	UNITS PER ASSY
19			SUPPORT INSTL-OVHD STOWAGE BIN LH	001100	
- 1	412A2100-605		SUPPORT INSTL-OVHD STOWAGE BIN POSITION DATA: LH FOR NHA SEE: 25-24-00-13F	001020	RF
- 1	412A2100-615		SUPPORT INSTL-OVHD STOWAGE BIN POSITION DATA: LH FOR NHA SEE: 25-24-00-13F	021030	RF
- 1	MODREF91568		SUPPORT INSTL-OVHD STOWAGE BIN MODULE NUMBER: 412A2100-615 REV A POSITION DATA: LH	031035	1
- 1	MODREF290274		SUPPORT INSTL-OVHD STOWAGE BIN MODULE NUMBER: 412A2100-615 REV B POSITION DATA: LH	036100	1
10	BACB30NR4K12		.BOLT	001100	2
15	BACB30NR4K8		.BOLT	001100	20
20	BACW10BP4CD		.WASHER	001100	22
25	BACW10BP4DP		.WASHER	001100	2
30	PLH54CD		.NUT	001100	2
			SUPPLIER CODE: VF0224 SPECIFICATION NUMBER: BACN10YR4CD OPTIONAL PART: H52732-4CD V15653		
35	BACB28AK04-025		.BUSHING	001100	2
40	65-80898-43		.TURNBUCKLE ASSY	001100	22
45	AN316-4R		..NUT	001100	1
50	1486-5		..ROD END ASSY- SUPPLIER CODE: V34742	001100	1
55	1486-5L		..ROD END ASSY- SUPPLIER CODE: V34742	001100	1
60	65-81149-47		..TUBE	001100	1

MISSING ITEM NUMBERS NOT APPLICABLE

- ITEM NOT ILLUSTRATED

HAP

25-24-51-19

25-24-51
FIG. 19
PAGE 1
FEB 15/09

BOEING
737-600/700/800/900
PARTS CATALOG (MAINTENANCE)

FIG ITEM	PART NUMBER	1 2 3 4 5 6 7	NOMENCLATURE	EFFECT FROM TO	UNITS PER ASSY
19					
65	BACB30PW4C17	.BOLT-	OPTIONAL PART: BACB30PW4-17	001100	3
65	BACB30PW4-17	.BOLT-	OPTIONAL PART: BACB30PW4C17	001100	3
70	BACW10BP4CD	.WASHER		001100	3
75	BACW10BN3SP	.WASHER		001100	3
80	PLH53CD	.NUT	SUPPLIER CODE: VF0224 SPECIFICATION NUMBER: BACN10YR3CD OPTIONAL PART: H52732-3CD V15653	001100	3
85	BACG20C12N	.GROMMET		001100	1
90	NAS1515B4H	.GROMMET		001100	2
95	412A2250-2	.CHANNEL ASSY-	POSITION DATA: LWR STA 439.92 - STA 459.92	001100	1
100	412A2250-15	..BUSHING		001100	2
105	BACB28AT04B008C	..BUSHING		001100	14
110	412A2250-8	..CHANNEL		001100	1
115	65-80898-7	.TURNBUCKLE ASSY-	POSITION DATA: STA 456.75 - STA 459.92	001100	2
120	AN316-4L	..NUT		001100	1
125	ACB4-4	..BEARING-ROD END	SUPPLIER CODE: V56644 OPTIONAL PART: 1254-3L V34742 AHML4-103 V50294 FML4-6 V02695 ML44-9 V73134	001100	1

MISSING ITEM NUMBERS NOT APPLICABLE

- ITEM NOT ILLUSTRATED

HAP

25-24-51-19

BOEING PROPRIETARY - Copyright © - Unpublished Work - See title page for details.

25-24-51
FIG. 19
PAGE 2
FEB 15/09

BOEING
737-600/700/800/900
PARTS CATALOG (MAINTENANCE)

FIG ITEM	PART NUMBER	1 2 3 4 5 6 7	NOMENCLATURE	EFFECT FROM TO	UNITS PER ASSY
19 125	AHML4-103		.. BEARING-ROD END SUPPLIER CODE: V50294 OPTIONAL PART: 1254-3L V34742 ACB4-4 V56644 FML4-6 V02695 ML44-9 V73134	001100	1
125	FML4-6		.. BEARING-ROD END SUPPLIER CODE: V02695 OPTIONAL PART: 1254-3L V34742 ACB4-4 V56644 AHML4-103 V50294 ML44-9 V73134	001100	1
125	ML44-9		.. BEARING-ROD END SUPPLIER CODE: V73134 OPTIONAL PART: 1254-3L V34742 ACB4-4 V56644 AHML4-103 V50294 FML4-6 V02695	001100	1
125	1254-3L		.. BEARING-ROD END SUPPLIER CODE: V34742 OPTIONAL PART: ACB4-4 V56644 AHML4-103 V50294 FML4-6 V02695 ML44-9 V73134	001100	1

MISSING ITEM NUMBERS NOT APPLICABLE

— ITEM NOT ILLUSTRATED

HAP

25-24-51-19

BOEING PROPRIETARY - Copyright © - Unpublished Work - See title page for details.

25-24-51
FIG. 19
PAGE 3
FEB 10/07

BOEING
737-600/700/800/900
PARTS CATALOG (MAINTENANCE)

FIG ITEM	PART NUMBER	1 2 3 4 5 6 7	NOMENCLATURE	EFFECT FROM TO	UNITS PER ASSY
19 130	ACM4-4		.. BEARING-ROD END SUPPLIER CODE: V56644 OPTIONAL PART: 1254-3 V34742 AHM4-103 V50294 FM4-6 V02695 M44-9 V73134	001100	1
130	AHM4-103		.. BEARING-ROD END SUPPLIER CODE: V50294 OPTIONAL PART: 1254-3 V34742 ACM4-4 V56644 FM4-6 V02695 M44-9 V73134	001100	1
130	FM4-6		.. BEARING-ROD END SUPPLIER CODE: V02695 OPTIONAL PART: 1254-3 V34742 ACM4-4 V56644 AHM4-103 V50294 M44-9 V73134	001100	1
130	M44-9		.. BEARING-ROD END SUPPLIER CODE: V73134 OPTIONAL PART: 1254-3 V34742 ACM4-4 V56644 AHM4-103 V50294 FM4-6 V02695	001100	1

MISSING ITEM NUMBERS NOT APPLICABLE

— ITEM NOT ILLUSTRATED

HAP

25-24-51-19

BOEING PROPRIETARY - Copyright © - Unpublished Work - See title page for details.

25-24-51
FIG. 19
PAGE 4
FEB 10/07

BOEING
737-600/700/800/900
PARTS CATALOG (MAINTENANCE)

FIG ITEM	PART NUMBER	1 2 3 4 5 6 7	NOMENCLATURE	EFFECT FROM TO	UNITS PER ASSY
19 130	1254-3		.. BEARING-ROD END SUPPLIER CODE: V34742 OPTIONAL PART: ACM4-4 V56644 AHM4-103 V50294 FM4-6 V02695 M44-9 V73134	001100	1
135	65-81149-17		.. TUBE	001100	1
140	BACB30PW4C17		. BOLT- OPTIONAL PART: BACB30PW4-17	001100	3
140	BACB30PW4-17		. BOLT- OPTIONAL PART: BACB30PW4C17	001100	3
145	BACW10BP4CD		. WASHER	001100	3
150	BACW10BN3SP		. WASHER	001100	3
155	PLH53CD		. NUT SUPPLIER CODE: VF0224 SPECIFICATION NUMBER: BACN10YR3CD OPTIONAL PART: H52732-3CD V15653	001100	3
160	BACG20C12N		. GROMMET	001100	2
165	NAS1515B4H		. GROMMET	001100	2
170	412A2250-4		. CHANNEL ASSY- POSITION DATA: LWR STA 499.92 TO STA 500+21.92	001100	1
175	412A2250-15		.. BUSHING	001100	2
180	BACB28AT04B008C		.. BUSHING	001100	12
185	412A2250-10		.. CHANNEL	001100	1
190	65-80898-24		. TURNBUCKLE ASSY- POSITION DATA: STA 500+20	001100	1
195	AN316-4L		.. NUT	001100	1

MISSING ITEM NUMBERS NOT APPLICABLE

- ITEM NOT ILLUSTRATED

HAP

25-24-51-19

BOEING PROPRIETARY - Copyright © - Unpublished Work - See title page for details.

25-24-51
FIG. 19
PAGE 5
FEB 15/09

BOEING
737-600/700/800/900
PARTS CATALOG (MAINTENANCE)

FIG ITEM	PART NUMBER	1 2 3 4 5 6 7	NOMENCLATURE	EFFECT FROM TO	UNITS PER ASSY
19 200	ACB4-4		.. BEARING-ROD END SUPPLIER CODE: V56644 OPTIONAL PART: 1254-3L V34742 AHML4-103 V50294 FML4-6 V02695 ML44-9 V73134	001100	1
200	AHML4-103		.. BEARING-ROD END SUPPLIER CODE: V50294 OPTIONAL PART: 1254-3L V34742 ACB4-4 V56644 FML4-6 V02695 ML44-9 V73134	001100	1
200	FML4-6		.. BEARING-ROD END SUPPLIER CODE: V02695 OPTIONAL PART: 1254-3L V34742 ACB4-4 V56644 AHML4-103 V50294 ML44-9 V73134	001100	1
200	ML44-9		.. BEARING-ROD END SUPPLIER CODE: V73134 OPTIONAL PART: 1254-3L V34742 ACB4-4 V56644 AHML4-103 V50294 FML4-6 V02695	001100	1

MISSING ITEM NUMBERS NOT APPLICABLE

— ITEM NOT ILLUSTRATED

HAP

25-24-51-19

BOEING PROPRIETARY - Copyright © - Unpublished Work - See title page for details.

25-24-51
FIG. 19
PAGE 6
FEB 10/07

BOEING
737-600/700/800/900
PARTS CATALOG (MAINTENANCE)

FIG ITEM	PART NUMBER	1 2 3 4 5 6 7	NOMENCLATURE	EFFECT FROM TO	UNITS PER ASSY
19 200	1254-3L		.. BEARING-ROD END SUPPLIER CODE: V34742 OPTIONAL PART: ACB4-4 V56644 AHML4-103 V50294 FML4-6 V02695 ML44-9 V73134	001100	1
205	ACM4-4		.. BEARING-ROD END SUPPLIER CODE: V56644 OPTIONAL PART: 1254-3 V34742 AHM4-103 V50294 FM4-6 V02695 M44-9 V73134	001100	1
205	AHM4-103		.. BEARING-ROD END SUPPLIER CODE: V50294 OPTIONAL PART: 1254-3 V34742 ACM4-4 V56644 FM4-6 V02695 M44-9 V73134	001100	1
205	FM4-6		.. BEARING-ROD END SUPPLIER CODE: V02695 OPTIONAL PART: 1254-3 V34742 ACM4-4 V56644 AHM4-103 V50294 M44-9 V73134	001100	1

MISSING ITEM NUMBERS NOT APPLICABLE

— ITEM NOT ILLUSTRATED

HAP

25-24-51-19

BOEING PROPRIETARY - Copyright © - Unpublished Work - See title page for details.

25-24-51
FIG. 19
PAGE 7
FEB 10/07

BOEING
737-600/700/800/900
PARTS CATALOG (MAINTENANCE)

FIG ITEM	PART NUMBER	1 2 3 4 5 6 7	NOMENCLATURE	EFFECT FROM TO	UNITS PER ASSY
19 205	M44-9		.. BEARING-ROD END SUPPLIER CODE: V73134 OPTIONAL PART: 1254-3 V34742 ACM4-4 V56644 AHM4-103 V50294 FM4-6 V02695	001100	1
205	1254-3		.. BEARING-ROD END SUPPLIER CODE: V34742 OPTIONAL PART: ACM4-4 V56644 AHM4-103 V50294 FM4-6 V02695 M44-9 V73134	001100	1
210	65-81149-25		.. TUBE	001100	1
215	BACB30PW4C17		. BOLT- OPTIONAL PART: BACB30PW4-17	001100	3
215	BACB30PW4-17		. BOLT- OPTIONAL PART: BACB30PW4C17	001100	3
220	BACW10BP4CD		. WASHER	001100	3
225	BACW10BN3SP		. WASHER	001100	3
230	PLH53CD		. NUT SUPPLIER CODE: VF0224 SPECIFICATION NUMBER: BACN10YR3CD OPTIONAL PART: H52732-3CD V15653	001100	3
235	BACG20C12N		. GROMMET	001100	2
240	NAS1515B4H		. GROMMET	001100	2
245	412A2250-4		. CHANNEL ASSY- POSITION DATA: LWR STA 500C+21.92 TO STA 500D+21.92	001100	1
250	412A2250-15		.. BUSHING	001100	2

MISSING ITEM NUMBERS NOT APPLICABLE

- ITEM NOT ILLUSTRATED

HAP

25-24-51-19

BOEING PROPRIETARY - Copyright © - Unpublished Work - See title page for details.

25-24-51
FIG. 19
PAGE 8
FEB 15/09

BOEING
737-600/700/800/900
PARTS CATALOG (MAINTENANCE)

FIG ITEM	PART NUMBER	1 2 3 4 5 6 7	NOMENCLATURE	EFFECT FROM TO	UNITS PER ASSY
19					
255	BACB28AT04B008C	..	BUSHING	001100	12
260	412A2250-10	..	CHANNEL	001100	1
265	65-80898-24	. .	TURNBUCKLE ASSY- POSITION DATA: STA 500D+12	001100	1
270	AN316-4L	..	NUT	001100	1
275	ACB4-4	..	BEARING-ROD END SUPPLIER CODE: V56644 OPTIONAL PART: 1254-3L V34742 AHML4-103 V50294 FML4-6 V02695 ML44-9 V73134	001100	1
275	AHML4-103	..	BEARING-ROD END SUPPLIER CODE: V50294 OPTIONAL PART: 1254-3L V34742 ACB4-4 V56644 FML4-6 V02695 ML44-9 V73134	001100	1
275	FML4-6	..	BEARING-ROD END SUPPLIER CODE: V02695 OPTIONAL PART: 1254-3L V34742 ACB4-4 V56644 AHML4-103 V50294 ML44-9 V73134	001100	1

MISSING ITEM NUMBERS NOT APPLICABLE

— ITEM NOT ILLUSTRATED

HAP

25-24-51-19

BOEING PROPRIETARY - Copyright © - Unpublished Work - See title page for details.

25-24-51
FIG. 19
PAGE 9
FEB 10/07

BOEING
737-600/700/800/900
PARTS CATALOG (MAINTENANCE)

FIG ITEM	PART NUMBER	1 2 3 4 5 6 7	NOMENCLATURE	EFFECT FROM TO	UNITS PER ASSY
19 275	ML44-9		.. BEARING-ROD END SUPPLIER CODE: V73134 OPTIONAL PART: 1254-3L V34742 ACB4-4 V56644 AHML4-103 V50294 FML4-6 V02695	001100	1
275	1254-3L		.. BEARING-ROD END SUPPLIER CODE: V34742 OPTIONAL PART: ACB4-4 V56644 AHML4-103 V50294 FML4-6 V02695 ML44-9 V73134	001100	1
280	ACM4-4		.. BEARING-ROD END SUPPLIER CODE: V56644 OPTIONAL PART: 1254-3 V34742 AHM4-103 V50294 FM4-6 V02695 M44-9 V73134	001100	1
280	AHM4-103		.. BEARING-ROD END SUPPLIER CODE: V50294 OPTIONAL PART: 1254-3 V34742 ACM4-4 V56644 FM4-6 V02695 M44-9 V73134	001100	1

MISSING ITEM NUMBERS NOT APPLICABLE

— ITEM NOT ILLUSTRATED

HAP

25-24-51-19

BOEING PROPRIETARY - Copyright © - Unpublished Work - See title page for details.

25-24-51
FIG. 19
PAGE 10
FEB 10/07

BOEING
737-600/700/800/900
PARTS CATALOG (MAINTENANCE)

FIG ITEM	PART NUMBER	1 2 3 4 5 6 7	NOMENCLATURE	EFFECT FROM TO	UNITS PER ASSY
19 280	FM4-6		.. BEARING-ROD END SUPPLIER CODE: V02695 OPTIONAL PART: 1254-3 V34742 ACM4-4 V56644 AHM4-103 V50294 M44-9 V73134	001100	1
280	M44-9		.. BEARING-ROD END SUPPLIER CODE: V73134 OPTIONAL PART: 1254-3 V34742 ACM4-4 V56644 AHM4-103 V50294 FM4-6 V02695	001100	1
280	1254-3		.. BEARING-ROD END SUPPLIER CODE: V34742 OPTIONAL PART: ACM4-4 V56644 AHM4-103 V50294 FM4-6 V02695 M44-9 V73134	001100	1
285	65-81149-25		.. TUBE	001100	1
290	BACB30PW4C17		.BOLT- OPTIONAL PART: BACB30PW4-17	001100	3
290	BACB30PW4-17		.BOLT- OPTIONAL PART: BACB30PW4C17	001100	3
295	BACW10BP4CD		.WASHER	001100	3
300	BACW10BN3SP		.WASHER	001100	3

MISSING ITEM NUMBERS NOT APPLICABLE

— ITEM NOT ILLUSTRATED

HAP

25-24-51-19

BOEING PROPRIETARY - Copyright © - Unpublished Work - See title page for details.

25-24-51
FIG. 19
PAGE 11
FEB 10/07

BOEING
737-600/700/800/900
PARTS CATALOG (MAINTENANCE)

FIG ITEM	PART NUMBER	1 2 3 4 5 6 7	NOMENCLATURE	EFFECT FROM TO	UNITS PER ASSY
19 305	PLH53CD	.NUT	SUPPLIER CODE: VF0224 SPECIFICATION NUMBER: BACN10YR3CD OPTIONAL PART: H52732-3CD V15653	001100	3
310	BACG20C12N	.GROMMET		001100	2
315	NAS1515B4H	.GROMMET		001100	2
320	412A2250-4	.CHANNEL ASSY- POSITION DATA: LWR STA 500G+21.92 TO STA 500H+21.92		001100	1
325	412A2250-15	..BUSHING		001100	2
330	BACB28AT04B008C	..BUSHING		001100	12
335	412A2250-10	..CHANNEL		001100	1
340	65-80898-24	.TURNBUCKLE ASSY- POSITION DATA: STA 500H+4		001100	1
342	AN316-4L	..NUT		001100	1
345	ACB4-4	..BEARING-ROD END SUPPLIER CODE: V56644 OPTIONAL PART: 1254-3L V34742 AHML4-103 V50294 FML4-6 V02695 ML44-9 V73134		001100	1
345	AHML4-103	..BEARING-ROD END SUPPLIER CODE: V50294 OPTIONAL PART: 1254-3L V34742 ACB4-4 V56644 FML4-6 V02695 ML44-9 V73134		001100	1

MISSING ITEM NUMBERS NOT APPLICABLE

— ITEM NOT ILLUSTRATED

HAP

25-24-51-19

BOEING PROPRIETARY - Copyright © - Unpublished Work - See title page for details.

25-24-51
FIG. 19
PAGE 12
FEB 15/09

BOEING
737-600/700/800/900
PARTS CATALOG (MAINTENANCE)

FIG ITEM	PART NUMBER	1 2 3 4 5 6 7	NOMENCLATURE	EFFECT FROM TO	UNITS PER ASSY
19 345	FML4-6		.. BEARING-ROD END SUPPLIER CODE: V02695 OPTIONAL PART: 1254-3L V34742 ACB4-4 V56644 AHML4-103 V50294 ML44-9 V73134	001100	1
345	ML44-9		.. BEARING-ROD END SUPPLIER CODE: V73134 OPTIONAL PART: 1254-3L V34742 ACB4-4 V56644 AHML4-103 V50294 FML4-6 V02695	001100	1
345	1254-3L		.. BEARING-ROD END SUPPLIER CODE: V34742 OPTIONAL PART: ACB4-4 V56644 AHML4-103 V50294 FML4-6 V02695 ML44-9 V73134	001100	1
350	ACM4-4		.. BEARING-ROD END SUPPLIER CODE: V56644 OPTIONAL PART: 1254-3 V34742 AHM4-103 V50294 FM4-6 V02695 M44-9 V73134	001100	1

MISSING ITEM NUMBERS NOT APPLICABLE

— ITEM NOT ILLUSTRATED

HAP

25-24-51-19

BOEING PROPRIETARY - Copyright © - Unpublished Work - See title page for details.

25-24-51
FIG. 19
PAGE 13
FEB 10/07

BOEING
737-600/700/800/900
PARTS CATALOG (MAINTENANCE)

FIG ITEM	PART NUMBER	1 2 3 4 5 6 7	NOMENCLATURE	EFFECT FROM TO	UNITS PER ASSY
19 350	AHM4-103		.. BEARING-ROD END SUPPLIER CODE: V50294 OPTIONAL PART: 1254-3 V34742 ACM4-4 V56644 FM4-6 V02695 M44-9 V73134	001100	1
350	FM4-6		.. BEARING-ROD END SUPPLIER CODE: V02695 OPTIONAL PART: 1254-3 V34742 ACM4-4 V56644 AHM4-103 V50294 M44-9 V73134	001100	1
350	M44-9		.. BEARING-ROD END SUPPLIER CODE: V73134 OPTIONAL PART: 1254-3 V34742 ACM4-4 V56644 AHM4-103 V50294 FM4-6 V02695	001100	1
350	1254-3		.. BEARING-ROD END SUPPLIER CODE: V34742 OPTIONAL PART: ACM4-4 V56644 AHM4-103 V50294 FM4-6 V02695 M44-9 V73134	001100	1
355	65-81149-25		.. TUBE	001100	1

MISSING ITEM NUMBERS NOT APPLICABLE

— ITEM NOT ILLUSTRATED

HAP

25-24-51-19

BOEING PROPRIETARY - Copyright © - Unpublished Work - See title page for details.

25-24-51
FIG. 19
PAGE 14
FEB 10/07

BOEING
737-600/700/800/900
PARTS CATALOG (MAINTENANCE)

FIG ITEM	PART NUMBER	1 2 3 4 5 6 7	NOMENCLATURE	EFFECT FROM TO	UNITS PER ASSY
19					
360	BACB30PW4C17	.BOLT-	OPTIONAL PART: BACB30PW4-17	001100	3
360	BACB30PW4-17	.BOLT-	OPTIONAL PART: BACB30PW4C17	001100	3
365	BACW10BP4CD	.WASHER		001100	3
370	BACW10BN3SP	.WASHER		001100	3
375	PLH53CD	.NUT	SUPPLIER CODE: VF0224 SPECIFICATION NUMBER: BACN10YR3CD OPTIONAL PART: H52732-3CD V15653	001100	3
380	BACG20C12N	.GROMMET		001100	2
385	NAS1515B4H	.GROMMET		001100	2
390	412A2250-1	.CHANNEL ASSY-	POSITION DATA: LWR STA 559.12 - STA 578.12	001100	1
395	412A2250-15	..BUSHING		001100	2
400	BACB28AT04B008C	..BUSHING		001100	6
405	412A2250-7	..CHANNEL		001100	1
410	65-80898-24	.TURNBUCKLE ASSY-	POSITION DATA: STA 562.00	001100	1
415	AN316-4L	..NUT		001100	1
420	ACB4-4	..BEARING-ROD END	SUPPLIER CODE: V56644 OPTIONAL PART: 1254-3L V34742 AHML4-103 V50294 FML4-6 V02695 ML44-9 V73134	001100	1

MISSING ITEM NUMBERS NOT APPLICABLE

- ITEM NOT ILLUSTRATED

HAP

25-24-51-19

BOEING PROPRIETARY - Copyright © - Unpublished Work - See title page for details.

25-24-51
FIG. 19
PAGE 15
FEB 15/09

BOEING
737-600/700/800/900
PARTS CATALOG (MAINTENANCE)

FIG ITEM	PART NUMBER	1 2 3 4 5 6 7	NOMENCLATURE	EFFECT FROM TO	UNITS PER ASSY
19 420	AHML4-103		.. BEARING-ROD END SUPPLIER CODE: V50294 OPTIONAL PART: 1254-3L V34742 ACB4-4 V56644 FML4-6 V02695 ML44-9 V73134	001100	1
420	FML4-6		.. BEARING-ROD END SUPPLIER CODE: V02695 OPTIONAL PART: 1254-3L V34742 ACB4-4 V56644 AHML4-103 V50294 ML44-9 V73134	001100	1
420	ML44-9		.. BEARING-ROD END SUPPLIER CODE: V73134 OPTIONAL PART: 1254-3L V34742 ACB4-4 V56644 AHML4-103 V50294 FML4-6 V02695	001100	1
420	1254-3L		.. BEARING-ROD END SUPPLIER CODE: V34742 OPTIONAL PART: ACB4-4 V56644 AHML4-103 V50294 FML4-6 V02695 ML44-9 V73134	001100	1

MISSING ITEM NUMBERS NOT APPLICABLE

— ITEM NOT ILLUSTRATED

HAP

25-24-51-19

BOEING PROPRIETARY - Copyright © - Unpublished Work - See title page for details.

25-24-51
FIG. 19
PAGE 16
FEB 10/07

BOEING
737-600/700/800/900
PARTS CATALOG (MAINTENANCE)

FIG ITEM	PART NUMBER	1 2 3 4 5 6 7	NOMENCLATURE	EFFECT FROM TO	UNITS PER ASSY
19 425	ACM4-4		.. BEARING-ROD END SUPPLIER CODE: V56644 OPTIONAL PART: 1254-3 V34742 AHM4-103 V50294 FM4-6 V02695 M44-9 V73134	001100	1
425	AHM4-103		.. BEARING-ROD END SUPPLIER CODE: V50294 OPTIONAL PART: 1254-3 V34742 ACM4-4 V56644 FM4-6 V02695 M44-9 V73134	001100	1
425	FM4-6		.. BEARING-ROD END SUPPLIER CODE: V02695 OPTIONAL PART: 1254-3 V34742 ACM4-103 V56644 AHM4-103 V50294 M44-9 V73134	001100	1
425	M44-9		.. BEARING-ROD END SUPPLIER CODE: V73134 OPTIONAL PART: 1254-3 V34742 ACM4-4 V56644 AHM4-103 V50294 FM4-6 V02695	001100	1

MISSING ITEM NUMBERS NOT APPLICABLE

— ITEM NOT ILLUSTRATED

HAP

25-24-51-19

BOEING PROPRIETARY - Copyright © - Unpublished Work - See title page for details.

25-24-51
FIG. 19
PAGE 17
FEB 10/07

BOEING
737-600/700/800/900
PARTS CATALOG (MAINTENANCE)

FIG ITEM	PART NUMBER	1 2 3 4 5 6 7	NOMENCLATURE	EFFECT FROM TO	UNITS PER ASSY
19 425	1254-3		.. BEARING-ROD END SUPPLIER CODE: V34742 OPTIONAL PART: ACM4-4 V56644 AHM4-103 V50294 FM4-6 V02695 M44-9 V73134	001100	1
430	65-81149-25		.. TUBE	001100	1
435	BACB30PW4C17		. BOLT- OPTIONAL PART: BACB30PW4-17	001100	3
435	BACB30PW4-17		. BOLT- OPTIONAL PART: BACB30PW4C17	001100	3
440	BACW10BP4CD		. WASHER	001100	3
445	BACW10BN3SP		. WASHER	001100	3
450	PLH53CD		. NUT SUPPLIER CODE: VF0224 SPECIFICATION NUMBER: BACN10YR3CD OPTIONAL PART: H52732-3CD V15653	001100	3
455	BACG20C12N		. GROMMET	001100	2
460	NAS1515B4H		. GROMMET	001100	2
465	412A2250-13		. CHANNEL ASSY- POSITION DATA: LWR STA 638.88 - STA 662.87	001100	1
470	412A2250-15		.. BUSHING	001100	2
475	BACB28AT04B008C		.. BUSHING	001100	6
480	412A2250-14		.. CHANNEL	001100	1
485	65-80898-24		. TURNBUCKLE ASSY- POSITION DATA: STA 700.00	001100	1
490	AN316-4L		.. NUT	001100	1

MISSING ITEM NUMBERS NOT APPLICABLE

- ITEM NOT ILLUSTRATED

HAP

25-24-51-19

BOEING PROPRIETARY - Copyright © - Unpublished Work - See title page for details.

25-24-51
FIG. 19
PAGE 18
FEB 15/09

BOEING
737-600/700/800/900
PARTS CATALOG (MAINTENANCE)

FIG ITEM	PART NUMBER	1 2 3 4 5 6 7	NOMENCLATURE	EFFECT FROM TO	UNITS PER ASSY
19 495	ACB4-4		.. BEARING-ROD END SUPPLIER CODE: V56644 OPTIONAL PART: 1254-3L V34742 AHML4-103 V50294 FML4-6 V02695 ML44-9 V73134	001100	1
495	AHML4-103		.. BEARING-ROD END SUPPLIER CODE: V50294 OPTIONAL PART: 1254-3L V34742 ACB4-4 V56644 FML4-6 V02695 ML44-9 V73134	001100	1
495	FML4-6		.. BEARING-ROD END SUPPLIER CODE: V02695 OPTIONAL PART: 1254-3L V34742 ACB4-4 V56644 AHML4-103 V50294 ML44-9 V73134	001100	1
495	ML44-9		.. BEARING-ROD END SUPPLIER CODE: V73134 OPTIONAL PART: 1254-3L V34742 ACB4-4 V56644 AHML4-103 V50294 FML4-6 V02695	001100	1

MISSING ITEM NUMBERS NOT APPLICABLE

— ITEM NOT ILLUSTRATED

HAP

25-24-51-19

BOEING PROPRIETARY - Copyright © - Unpublished Work - See title page for details.

25-24-51
FIG. 19
PAGE 19
FEB 10/07

BOEING
737-600/700/800/900
PARTS CATALOG (MAINTENANCE)

FIG ITEM	PART NUMBER	1 2 3 4 5 6 7	NOMENCLATURE	EFFECT FROM TO	UNITS PER ASSY
19 495	1254-3L		.. BEARING-ROD END SUPPLIER CODE: V34742 OPTIONAL PART: ACB4-4 V56644 AHML4-103 V50294 FML4-6 V02695 ML44-9 V73134	001100	1
500	ACM4-4		.. BEARING-ROD END SUPPLIER CODE: V56644 OPTIONAL PART: 1254-3 V34742 AHM4-103 V50294 FM4-6 V02695 M44-9 V73134	001100	1
500	AHM4-103		.. BEARING-ROD END SUPPLIER CODE: V50294 OPTIONAL PART: 1254-3 V34742 ACM4-4 V56644 FM4-6 V02695 M44-9 V73134	001100	1
500	FM4-6		.. BEARING-ROD END SUPPLIER CODE: V02695 OPTIONAL PART: 1254-3 V34742 ACM4-4 V56644 AHM4-103 V50294 M44-9 V73134	001100	1

MISSING ITEM NUMBERS NOT APPLICABLE

— ITEM NOT ILLUSTRATED

HAP

25-24-51-19

BOEING PROPRIETARY - Copyright © - Unpublished Work - See title page for details.

25-24-51
FIG. 19
PAGE 20
FEB 10/07

BOEING
737-600/700/800/900
PARTS CATALOG (MAINTENANCE)

FIG ITEM	PART NUMBER	1 2 3 4 5 6 7	NOMENCLATURE	EFFECT FROM TO	UNITS PER ASSY
19 500	M44-9		.. BEARING-ROD END SUPPLIER CODE: V73134 OPTIONAL PART: 1254-3 V34742 ACM4-4 V56644 AHM4-103 V50294 FM4-6 V02695	001100	1
500	1254-3		.. BEARING-ROD END SUPPLIER CODE: V34742 OPTIONAL PART: ACM4-4 V56644 AHM4-103 V50294 FM4-6 V02695 M44-9 V73134	001100	1
505	65-81149-25		.. TUBE	001100	1
510	BACB30PW4C17		. BOLT- OPTIONAL PART: BACB30PW4-17	001100	3
510	BACB30PW4-17		. BOLT- OPTIONAL PART: BACB30PW4C17	001100	3
515	BACW10BP4CD		. WASHER	001100	3
520	BACW10BN3SP		. WASHER	001100	3
525	PLH53CD		. NUT SUPPLIER CODE: VF0224 SPECIFICATION NUMBER: BACN10YR3CD OPTIONAL PART: H52732-3CD V15653	001100	3
530	BACG20C12N		. GROMMET	001100	2
535	NAS1515B4H		. GROMMET	001100	2
540	412A2250-2		. CHANNEL ASSY- POSITION DATA: LWR STA 706.06 - STA 726.06	001100	1
545	412A2250-15		.. BUSHING	001100	2
550	BACB28AT04B008C		.. BUSHING	001100	14

MISSING ITEM NUMBERS NOT APPLICABLE

— ITEM NOT ILLUSTRATED

HAP

25-24-51-19

BOEING PROPRIETARY - Copyright © - Unpublished Work - See title page for details.

25-24-51
FIG. 19
PAGE 21
FEB 15/09

BOEING
737-600/700/800/900
PARTS CATALOG (MAINTENANCE)

FIG ITEM	PART NUMBER	1 2 3 4 5 6 7	NOMENCLATURE	EFFECT FROM TO	UNITS PER ASSY
19					
555	412A2250-8		.. CHANNEL	001100	1
560	65-80898-24		. TURNBUCKLE ASSY- POSITION DATA: STA 722.00	001100	1
565	AN316-4L		.. NUT	001100	1
570	ACB4-4		.. BEARING-ROD END SUPPLIER CODE: V56644 OPTIONAL PART: 1254-3L V34742 AHML4-103 V50294 FML4-6 V02695 FML4-6 V02695 ML44-9 V73134	001100	1
570	AHML4-103		.. BEARING-ROD END SUPPLIER CODE: V50294 OPTIONAL PART: 1254-3L V34742 ACB4-4 V56644 FML4-6 V02695 ML44-9 V73134	001100	1
570	FML4-6		.. BEARING-ROD END SUPPLIER CODE: V02695 OPTIONAL PART: 1254-3L V34742 ACB4-4 V56644 AHML4-103 V50294 ML44-9 V73134	001100	1

MISSING ITEM NUMBERS NOT APPLICABLE

— ITEM NOT ILLUSTRATED

HAP

25-24-51-19

BOEING PROPRIETARY - Copyright © - Unpublished Work - See title page for details.

25-24-51
FIG. 19
PAGE 22
FEB 10/07

BOEING
737-600/700/800/900
PARTS CATALOG (MAINTENANCE)

FIG ITEM	PART NUMBER	1 2 3 4 5 6 7	NOMENCLATURE	EFFECT FROM TO	UNITS PER ASSY
19 570	ML44-9		.. BEARING-ROD END SUPPLIER CODE: V73134 OPTIONAL PART: 1254-3L V34742 ACB4-4 V56644 AHML4-103 V50294 FML4-6 V02695	001100	1
570	1254-3L		.. BEARING-ROD END SUPPLIER CODE: V34742 OPTIONAL PART: ACB4-4 V56644 AHML4-103 V50294 FML4-6 V02695 ML44-9 V73134	001100	1
575	ACM4-4		.. BEARING-ROD END SUPPLIER CODE: V56644 OPTIONAL PART: 1254-3 V34742 AHM4-103 V50294 FM4-6 V02695 M44-9 V73134	001100	1
575	AHM4-103		.. BEARING-ROD END SUPPLIER CODE: V50294 OPTIONAL PART: 1254-3 V34742 ACM4-4 V56644 FM4-6 V02695 M44-9 V73134	001100	1

MISSING ITEM NUMBERS NOT APPLICABLE

— ITEM NOT ILLUSTRATED

HAP

25-24-51-19

BOEING PROPRIETARY - Copyright © - Unpublished Work - See title page for details.

25-24-51
FIG. 19
PAGE 23
FEB 10/07

BOEING
737-600/700/800/900
PARTS CATALOG (MAINTENANCE)

FIG ITEM	PART NUMBER	1 2 3 4 5 6 7	NOMENCLATURE	EFFECT FROM TO	UNITS PER ASSY
19 575	FM4-6		.. BEARING-ROD END SUPPLIER CODE: V02695 OPTIONAL PART: 1254-3 V34742 ACM4-4 V56644 AHM4-103 V50294 M44-9 V73134	001100	1
575	M44-9		.. BEARING-ROD END SUPPLIER CODE: V73134 OPTIONAL PART: 1254-3 V34742 ACM4-4 V56644 AHM4-103 V50294 FM4-6 V02695	001100	1
575	1254-3		.. BEARING-ROD END SUPPLIER CODE: V34742 OPTIONAL PART: ACM4-4 V56644 AHM4-103 V50294 FM4-6 V02695 M44-9 V73134	001100	1
580	65-81149-25		.. TUBE	001100	1
585	BACB30PW4C17		. BOLT- OPTIONAL PART: BACB30PW4-17	001100	3
585	BACB30PW4-17		. BOLT- OPTIONAL PART: BACB30PW4C17	001100	3
590	BACW10BP4CD		. WASHER	001100	3
595	BACW10BN3SP		. WASHER	001100	3

MISSING ITEM NUMBERS NOT APPLICABLE

— ITEM NOT ILLUSTRATED

HAP

25-24-51-19

BOEING PROPRIETARY - Copyright © - Unpublished Work - See title page for details.

25-24-51
FIG. 19
PAGE 24
FEB 10/07

BOEING
737-600/700/800/900
PARTS CATALOG (MAINTENANCE)

FIG ITEM	PART NUMBER	1 2 3 4 5 6 7	NOMENCLATURE	EFFECT FROM TO	UNITS PER ASSY
19 600	PLH53CD	.	NUT SUPPLIER CODE: VF0224 SPECIFICATION NUMBER: BACN10YR3CD OPTIONAL PART: H52732-3CD V15653	001100	3
605	BACG20C12N	.	GROMMET	001100	2
610	NAS1515B4H	.	GROMMET	001100	2
615	412A2250-4	.	CHANNEL ASSY- POSITION DATA: LWR STA 727B+19.92 TO STA 727C+21.92	001100	1
620	412A2250-15	..	BUSHING	001100	2
625	BACB28AT04B008C	..	BUSHING	001100	12
630	412A2250-10	..	CHANNEL	001100	1
635	65-80898-24	.	TURNBUCKLE ASSY- POSITION DATA: STA 727C+15.00	001100	1
637	AN316-4L	..	NUT	001100	1
640	ACB4-4	..	BEARING-ROD END SUPPLIER CODE: V56644 OPTIONAL PART: 1254-3L V34742 AHML4-103 V50294 FML4-6 V02695 ML44-9 V73134	001100	1
640	AHML4-103	..	BEARING-ROD END SUPPLIER CODE: V50294 OPTIONAL PART: 1254-3L V34742 ACB4-4 V56644 FML4-6 V02695 ML44-9 V73134	001100	1

MISSING ITEM NUMBERS NOT APPLICABLE

— ITEM NOT ILLUSTRATED

HAP

25-24-51-19

BOEING PROPRIETARY - Copyright © - Unpublished Work - See title page for details.

25-24-51
FIG. 19
PAGE 25
FEB 15/09

BOEING
737-600/700/800/900
PARTS CATALOG (MAINTENANCE)

FIG ITEM	PART NUMBER	1 2 3 4 5 6 7	NOMENCLATURE	EFFECT FROM TO	UNITS PER ASSY
19 640	FML4-6		.. BEARING-ROD END SUPPLIER CODE: V02695 OPTIONAL PART: 1254-3L V34742 ACB4-4 V56644 AHML4-103 V50294 ML44-9 V73134	001100	1
640	ML44-9		.. BEARING-ROD END SUPPLIER CODE: V73134 OPTIONAL PART: 1254-3L V34742 ACB4-4 V56644 AHML4-103 V50294 FML4-6 V02695	001100	1
640	1254-3L		.. BEARING-ROD END SUPPLIER CODE: V34742 OPTIONAL PART: ACB4-4 V56644 AHML4-103 V50294 FML4-6 V02695 ML44-9 V73134	001100	1
645	ACM4-4		.. BEARING-ROD END SUPPLIER CODE: V56644 OPTIONAL PART: 1254-3 V34742 AHM4-103 V50294 FM4-6 V02695 M44-9 V73134	001100	1

MISSING ITEM NUMBERS NOT APPLICABLE

— ITEM NOT ILLUSTRATED

HAP

25-24-51-19

BOEING PROPRIETARY - Copyright © - Unpublished Work - See title page for details.

25-24-51
FIG. 19
PAGE 26
FEB 10/07

BOEING
737-600/700/800/900
PARTS CATALOG (MAINTENANCE)

FIG ITEM	PART NUMBER	1 2 3 4 5 6 7	NOMENCLATURE	EFFECT FROM TO	UNITS PER ASSY
19 645	FM4-6		.. BEARING-ROD END SUPPLIER CODE: V02695 OPTIONAL PART: 1254-3 V34742 ACM4-4 V56644 AHM4-103 V50294 M44-9 V73134	001100	1
645	M44-9		.. BEARING-ROD END SUPPLIER CODE: V73134 OPTIONAL PART: 1254-3 V34742 ACM4-4 V56644 AHM4-103 V50294 FM4-6 V02695	001100	1
645	1254-3		.. BEARING-ROD END SUPPLIER CODE: V34742 OPTIONAL PART: ACM4-4 V56644 AHM4-103 V50294 FM4-6 V02695 M44-9 V73134	001100	1
645	AHM4-103		.. BEARING-ROD END SUPPLIER CODE: V50294 OPTIONAL PART: 1254-3 V34742 ACM4-4 V56644 FM4-6 V02695 M44-9 V73134	001100	1
650	65-81149-25		.. TUBE	001100	1

MISSING ITEM NUMBERS NOT APPLICABLE

— ITEM NOT ILLUSTRATED

HAP

25-24-51-19

BOEING PROPRIETARY - Copyright © - Unpublished Work - See title page for details.

25-24-51
FIG. 19
PAGE 27
FEB 10/07

BOEING
737-600/700/800/900
PARTS CATALOG (MAINTENANCE)

FIG ITEM	PART NUMBER	1 2 3 4 5 6 7	NOMENCLATURE	EFFECT FROM TO	UNITS PER ASSY
19					
655	BACB30PW4C17	.BOLT-		001100	3
		OPTIONAL PART:			
		BACB30PW4-17			
655	BACB30PW4-17	.BOLT-		001100	3
		OPTIONAL PART:			
		BACB30PW4C17			
660	BACW10BP4CD	.WASHER		001100	3
665	BACW10BN3SP	.WASHER		001100	3
670	PLH53CD	.NUT		001100	3
		SUPPLIER CODE:			
		VF0224			
		SPECIFICATION NUMBER:			
		BACN10YR3CD			
		OPTIONAL PART:			
		H52732-3CD			
		V15653			
675	BACG20C12N	.GROMMET		001100	2
680	NAS1515B4H	.GROMMET		001100	2
685	412A2250-4	.CHANNEL ASSY-		001100	1
		POSITION DATA:			
		LWR			
		STA 727F+21.92 TO			
		STA 727G+21.92			
690	412A2250-15	..BUSHING		001100	2
695	BACB28AT04B008C	..BUSHING		001100	12
700	412A2250-10	..CHANNEL		001100	1
705	65-80898-24	.TURNBUCKLE ASSY-		001100	1
		POSITION DATA:			
		STA 727G+7			
710	AN316-4L	..NUT		001100	1
715	ACB4-4	..BEARING-ROD END		001100	1
		SUPPLIER CODE:			
		V56644			
		OPTIONAL PART:			
		1254-3L			
		V34742			
		AHML4-103			
		V50294			
		FML4-6			
		V02695			
		ML44-9			
		V73134			

MISSING ITEM NUMBERS NOT APPLICABLE

— ITEM NOT ILLUSTRATED

HAP

25-24-51-19

BOEING PROPRIETARY - Copyright © - Unpublished Work - See title page for details.

25-24-51
FIG. 19
PAGE 28
FEB 15/09

BOEING
737-600/700/800/900
PARTS CATALOG (MAINTENANCE)

FIG ITEM	PART NUMBER	1 2 3 4 5 6 7	NOMENCLATURE	EFFECT FROM TO	UNITS PER ASSY
19 715	AHML4-103		.. BEARING-ROD END SUPPLIER CODE: V50294 OPTIONAL PART: 1254-3L V34742 ACB4-4 V56644 FML4-6 V02695 ML44-9 V73134	001100	1
715	FML4-6		.. BEARING-ROD END SUPPLIER CODE: V02695 OPTIONAL PART: 1254-3L V34742 ACB4-4 V56644 AHML4-103 V50294 ML44-9 V73134	001100	1
715	ML44-9		.. BEARING-ROD END SUPPLIER CODE: V73134 OPTIONAL PART: 1254-3L V34742 ACB4-4 V56644 AHML4-103 V50294 FML4-6 V02695	001100	1
715	1254-3L		.. BEARING-ROD END SUPPLIER CODE: V34742 OPTIONAL PART: ACB4-4 V56644 AHML4-103 V50294 FML4-6 V02695 ML44-9 V73134	001100	1

MISSING ITEM NUMBERS NOT APPLICABLE

— ITEM NOT ILLUSTRATED

HAP

25-24-51-19

BOEING PROPRIETARY - Copyright © - Unpublished Work - See title page for details.

25-24-51
FIG. 19
PAGE 29
FEB 10/07

BOEING
737-600/700/800/900
PARTS CATALOG (MAINTENANCE)

FIG ITEM	PART NUMBER	1 2 3 4 5 6 7	NOMENCLATURE	EFFECT FROM TO	UNITS PER ASSY
19 720	ACM4-4		.. BEARING-ROD END SUPPLIER CODE: V56644 OPTIONAL PART: 1254-3 V34742 AHM4-103 V50294 FM4-6 V02695 M44-9 V73134	001100	1
720	AHM4-103		.. BEARING-ROD END SUPPLIER CODE: V50294 OPTIONAL PART: 1254-3 V34742 ACM4-4 V56644 FM4-6 V02695 M44-9 V73134	001100	1
720	FM4-6		.. BEARING-ROD END SUPPLIER CODE: V02695 OPTIONAL PART: 1254-3 V34742 ACM4-4 V56644 AHM4-103 V50294 M44-9 V73134	001100	1
720	M44-9		.. BEARING-ROD END SUPPLIER CODE: V73134 OPTIONAL PART: 1254-3 V34742 ACM4-4 V56644 AHM4-103 V50294 FM4-6 V02695	001100	1

MISSING ITEM NUMBERS NOT APPLICABLE

— ITEM NOT ILLUSTRATED

HAP

25-24-51-19

BOEING PROPRIETARY - Copyright © - Unpublished Work - See title page for details.

25-24-51
FIG. 19
PAGE 30
FEB 10/07

BOEING
737-600/700/800/900
PARTS CATALOG (MAINTENANCE)

FIG ITEM	PART NUMBER	1 2 3 4 5 6 7	NOMENCLATURE	EFFECT FROM TO	UNITS PER ASSY
19 720	1254-3		.. BEARING-ROD END SUPPLIER CODE: V34742 OPTIONAL PART: ACM4-4 V56644 AHM4-103 V50294 FM4-6 V02695 M44-9 V73134	001100	1
725	65-81149-25		.. TUBE	001100	1
730	BACB30PW4C17		. BOLT- OPTIONAL PART: BACB30PW4-17	001100	3
730	BACB30PW4-17		. BOLT- OPTIONAL PART: BACB30PW4C17	001100	3
735	BACW10BP4CD		. WASHER	001100	3
740	BACW10BN3SP		. WASHER	001100	3
745	PLH53CD		. NUT SUPPLIER CODE: VF0224 SPECIFICATION NUMBER: BACN10YR3CD OPTIONAL PART: H52732-3CD V15653	001100	3
750	BACG20C12N		. GROMMET	001100	2
752	NAS1515B4H		. GROMMET	001100	2
754	412A2250-2		. CHANNEL ASSY- POSITION DATA: LWR STA 727J+19.92 TO STA 766.92	001100	1
756	412A2250-15		.. BUSHING	001100	2
758	BACB28AT04B008C		.. BUSHING	001100	14
760	412A2250-8		.. CHANNEL	001100	1
762	65-80898-24		. TURNBUCKLE ASSY- POSITION DATA: STA 750	001100	1
764	AN316-4L		.. NUT	001100	1

MISSING ITEM NUMBERS NOT APPLICABLE

- ITEM NOT ILLUSTRATED

HAP

25-24-51-19

BOEING PROPRIETARY - Copyright © - Unpublished Work - See title page for details.

25-24-51
FIG. 19
PAGE 31
FEB 15/09

BOEING
737-600/700/800/900
PARTS CATALOG (MAINTENANCE)

FIG ITEM	PART NUMBER	1 2 3 4 5 6 7	NOMENCLATURE	EFFECT FROM TO	UNITS PER ASSY
19 766	ACB4-4		.. BEARING-ROD END SUPPLIER CODE: V56644 OPTIONAL PART: 1254-3L V34742 AHML4-103 V50294 FML4-6 V02695 ML44-9 V73134	001100	1
766	AHML4-103		.. BEARING-ROD END SUPPLIER CODE: V50294 OPTIONAL PART: 1254-3L V34742 ACB4-4 V56644 FML4-6 V02695 ML44-9 V73134	001100	1
766	FML4-6		.. BEARING-ROD END SUPPLIER CODE: V02695 OPTIONAL PART: 1254-3L V34742 ACB4-4 V56644 AHML4-103 V50294 ML44-9 V73134	001100	1
766	ML44-9		.. BEARING-ROD END SUPPLIER CODE: V73134 OPTIONAL PART: 1254-3L V34742 ACB4-4 V56644 AHML4-103 V50294 FML4-6 V02695	001100	1

MISSING ITEM NUMBERS NOT APPLICABLE

— ITEM NOT ILLUSTRATED

HAP

25-24-51-19

BOEING PROPRIETARY - Copyright © - Unpublished Work - See title page for details.

25-24-51
FIG. 19
PAGE 32
FEB 10/07

BOEING
737-600/700/800/900
PARTS CATALOG (MAINTENANCE)

FIG ITEM	PART NUMBER	1 2 3 4 5 6 7	NOMENCLATURE	EFFECT FROM TO	UNITS PER ASSY
19 766	1254-3L		.. BEARING-ROD END SUPPLIER CODE: V34742 OPTIONAL PART: ACB4-4 V56644 AHML4-103 V50294 FML4-6 V02695 ML44-9 V73134	001100	1
768	ACM4-4		.. BEARING-ROD END SUPPLIER CODE: V56644 OPTIONAL PART: 1254-3 V34742 AHM4-103 V50294 FM4-6 V02695 M44-9 V73134	001100	1
768	AHM4-103		.. BEARING-ROD END SUPPLIER CODE: V50294 OPTIONAL PART: 1254-3 V34742 ACM4-4 V56644 FM4-6 V02695 M44-9 V73134	001100	1
768	FM4-6		.. BEARING-ROD END SUPPLIER CODE: V02695 OPTIONAL PART: 1254-3 V34742 ACM4-4 V56644 AHM4-103 V50294 M44-9 V73134	001100	1

MISSING ITEM NUMBERS NOT APPLICABLE

— ITEM NOT ILLUSTRATED

HAP

25-24-51-19

BOEING PROPRIETARY - Copyright © - Unpublished Work - See title page for details.

25-24-51
FIG. 19
PAGE 33
FEB 10/07

BOEING
737-600/700/800/900
PARTS CATALOG (MAINTENANCE)

FIG ITEM	PART NUMBER	1 2 3 4 5 6 7	NOMENCLATURE	EFFECT FROM TO	UNITS PER ASSY
19 768	M44-9		.. BEARING-ROD END SUPPLIER CODE: V73134 OPTIONAL PART: 1254-3 V34742 ACM4-4 V56644 AHM4-103 V50294 FM4-6 V02695	001100	1
768	1254-3		.. BEARING-ROD END SUPPLIER CODE: V34742 OPTIONAL PART: ACM4-4 V56644 AHM4-103 V50294 FM4-6 V02695 M44-9 V73134	001100	1
770	65-81149-25		.. TUBE	001100	1
772	BACB30PW4C17		. BOLT- OPTIONAL PART: BACB30PW4-17	001100	4
772	BACB30PW4-17		. BOLT- OPTIONAL PART: BACB30PW4C17	001100	4
774	BACW10BP4CD		. WASHER	001100	4
776	BACW10BN3SP		. WASHER	001100	4
778	PLH53CD		. NUT SUPPLIER CODE: VF0224 SPECIFICATION NUMBER: BACN10YR3CD OPTIONAL PART: H52732-3CD V15653	001100	4
780	BACG20C12N		. GROMMET	001100	2
782	NAS1515B4H		. GROMMET	001100	4
784	412A2250-2		. CHANNEL ASSY- POSITION DATA: LWR STA 806.92 - STA 826.92	001100	1
786	412A2250-15		.. BUSHING	001100	2
788	BACB28AT04B008C		.. BUSHING	001100	14

MISSING ITEM NUMBERS NOT APPLICABLE

— ITEM NOT ILLUSTRATED

HAP

25-24-51-19

BOEING PROPRIETARY - Copyright © - Unpublished Work - See title page for details.

25-24-51
FIG. 19
PAGE 34
FEB 15/09

BOEING
737-600/700/800/900
PARTS CATALOG (MAINTENANCE)

FIG ITEM	PART NUMBER	1 2 3 4 5 6 7	NOMENCLATURE	EFFECT FROM TO	UNITS PER ASSY
19					
790	412A2250-8		.. CHANNEL	001100	1
792	65-80898-24		. TURNBUCKLE ASSY- POSITION DATA: STA 820.00 AND STA 821.40	001100	2
794	AN316-4L		.. NUT	001100	1
796	ACB4-4		.. BEARING-ROD END SUPPLIER CODE: V56644 OPTIONAL PART: 1254-3L V34742 AHML4-103 V50294 FML4-6 V02695 ML44-9 V73134	001100	1
796	AHML4-103		.. BEARING-ROD END SUPPLIER CODE: V50294 OPTIONAL PART: 1254-3L V34742 ACB4-4 V56644 FML4-6 V02695 ML44-9 V73134	001100	1
796	FML4-6		.. BEARING-ROD END SUPPLIER CODE: V02695 OPTIONAL PART: 1254-3L V34742 ACB4-4 V56644 AHML4-103 V50294 ML44-9 V73134	001100	1

MISSING ITEM NUMBERS NOT APPLICABLE

— ITEM NOT ILLUSTRATED

HAP

25-24-51-19

BOEING PROPRIETARY - Copyright © - Unpublished Work - See title page for details.

25-24-51
FIG. 19
PAGE 35
FEB 10/07

BOEING
737-600/700/800/900
PARTS CATALOG (MAINTENANCE)

FIG ITEM	PART NUMBER	1 2 3 4 5 6 7	NOMENCLATURE	EFFECT FROM TO	UNITS PER ASSY
19 796	ML44-9		.. BEARING-ROD END SUPPLIER CODE: V73134 OPTIONAL PART: 1254-3L V34742 ACB4-4 V56644 AHML4-103 V50294 FML4-6 V02695	001100	1
796	1254-3L		.. BEARING-ROD END SUPPLIER CODE: V34742 OPTIONAL PART: ACB4-4 V56644 AHML4-103 V50294 FML4-6 V02695 ML44-9 V73134	001100	1
798	ACM4-4		.. BEARING-ROD END SUPPLIER CODE: V56644 OPTIONAL PART: 1254-3 V34742 AHM4-103 V50294 FM4-6 V02695 M44-9 V73134	001100	1
798	AHM4-103		.. BEARING-ROD END SUPPLIER CODE: V50294 OPTIONAL PART: 1254-3 V34742 ACM4-4 V56644 FM4-6 V02695 M44-9 V73134	001100	1

MISSING ITEM NUMBERS NOT APPLICABLE

— ITEM NOT ILLUSTRATED

HAP

25-24-51-19

BOEING PROPRIETARY - Copyright © - Unpublished Work - See title page for details.

25-24-51
FIG. 19
PAGE 36
FEB 10/07

BOEING
737-600/700/800/900
PARTS CATALOG (MAINTENANCE)

FIG ITEM	PART NUMBER	1 2 3 4 5 6 7	NOMENCLATURE	EFFECT FROM TO	UNITS PER ASSY
19 798	FM4-6		.. BEARING-ROD END SUPPLIER CODE: V02695 OPTIONAL PART: 1254-3 V34742 ACM4-4 V56644 AHM4-103 V50294 M44-9 V73134	001100	1
798	M44-9		.. BEARING-ROD END SUPPLIER CODE: V73134 OPTIONAL PART: 1254-3 V34742 ACM4-4 V56644 AHM4-103 V50294 FM4-6 V02695	001100	1
798	1254-3		.. BEARING-ROD END SUPPLIER CODE: V34742 OPTIONAL PART: ACM4-4 V56644 AHM4-103 V50294 FM4-6 V02695 M44-9 V37134	001100	1
800	65-81149-25		.. TUBE	001100	1
802	412N2030-53		.DIAGONAL ASSY- POSITION DATA: STA 480	001020	1
802	412N2030-253		.DIAGONAL ASSY- POSITION DATA: STA 480	036100	1
802	412N2030-153		.DIAGONAL ASSY- POSITION DATA: STA 480	021035	1
804	412N2030-64		.DIAGONAL ASSY- POSITION DATA: STA 500B	001020	1

MISSING ITEM NUMBERS NOT APPLICABLE

— ITEM NOT ILLUSTRATED

HAP

25-24-51-19

BOEING PROPRIETARY - Copyright © - Unpublished Work - See title page for details.

25-24-51
FIG. 19
PAGE 37
FEB 10/07

BOEING
737-600/700/800/900
PARTS CATALOG (MAINTENANCE)

FIG ITEM	PART NUMBER	1 2 3 4 5 6 7	NOMENCLATURE	EFFECT FROM TO	UNITS PER ASSY
19					
804	412N2030-264		.DIAGONAL ASSY- POSITION DATA: STA 500B	036100	1
804	412N2030-164		.DIAGONAL ASSY- POSITION DATA: STA 500B	021035	1
806	412N2030-66		.DIAGONAL ASSY- POSITION DATA: STA 500F	001020	1
806	412N2030-266		.DIAGONAL ASSY- POSITION DATA: STA 500F	036100	1
806	412N2030-166		.DIAGONAL ASSY- POSITION DATA: STA 500F	021035	1
808	412N2030-59		.DIAGONAL ASSY- POSITION DATA: STA 500I	001020	1
808	412N2030-259		.DIAGONAL ASSY- POSITION DATA: STA 500I	036100	1
808	412N2030-159		.DIAGONAL ASSY- POSITION DATA: STA 500I	021035	1
810	412N2030-60		.DIAGONAL ASSY- POSITION DATA: STA 663.75	001020	1
810	412N2030-260		.DIAGONAL ASSY- POSITION DATA: STA 663.75	036100	1
810	412N2030-160		.DIAGONAL ASSY- POSITION DATA: STA 663.75	021035	1
812	412N2030-62		.DIAGONAL ASSY- POSITION DATA: STA 727A	001020	1
812	412N2030-262		.DIAGONAL ASSY- POSITION DATA: STA 727A	036100	1
812	412N2030-162		.DIAGONAL ASSY- POSITION DATA: STA 727A	021035	1
814	412N2030-65		.DIAGONAL ASSY- POSITION DATA: STA 727E	001020	1
814	412N2030-265		.DIAGONAL ASSY- POSITION DATA: STA 727E	036100	1

MISSING ITEM NUMBERS NOT APPLICABLE

— ITEM NOT ILLUSTRATED

HAP

25-24-51-19

BOEING PROPRIETARY - Copyright © - Unpublished Work - See title page for details.

25-24-51
FIG. 19
PAGE 38
FEB 10/07

BOEING
737-600/700/800/900
PARTS CATALOG (MAINTENANCE)

FIG ITEM	PART NUMBER	1 2 3 4 5 6 7	NOMENCLATURE	EFFECT FROM TO	UNITS PER ASSY
19					
814	412N2030-165		.DIAGONAL ASSY- POSITION DATA: STA 727E	021035	1
816	412N2030-63		.DIAGONAL ASSY- POSITION DATA: STA 727I AND STA 787	001020	2
816	412N2030-263		.DIAGONAL ASSY- POSITION DATA: STA 727I AND STA 787	036100	2
816	412N2030-163		.DIAGONAL ASSY- POSITION DATA: STA 727I AND STA 787	021035	2
818	412N2030-57		.DIAGONAL ASSY- POSITION DATA: STA 847	001020	1
818	412N2030-257		.DIAGONAL ASSY- POSITION DATA: STA 847	036100	1
818	412N2030-157		.DIAGONAL ASSY- POSITION DATA: STA 847	021035	1
- 820	NAS1149D0516J		.WASHER	001100	10
- 822	PLH55CD		.NUT	001100	10
			SUPPLIER CODE: VF0224		
			SPECIFICATION NUMBER: BACN10YR5CD		
			OPTIONAL PART: H52732-5CD		
			V15653		
			-----*-----		
824	412N2032-4		..INSULATOR- MANUFACTURED FROM: FIN F-6.10 COMPRESSION MOLDED PHENOLIC, GLASS FIBER FILLED PER BMS8-271A, TYPE 1	001020	1
			OPTIONAL PART: 412N2032-3		
			OPTIONAL PART: 412N2032-6		

MISSING ITEM NUMBERS NOT APPLICABLE

- ITEM NOT ILLUSTRATED

HAP

25-24-51-19

BOEING PROPRIETARY - Copyright © - Unpublished Work - See title page for details.

25-24-51
FIG. 19
PAGE 39
FEB 15/09

BOEING
737-600/700/800/900
PARTS CATALOG (MAINTENANCE)

FIG ITEM	PART NUMBER	1 2 3 4 5 6 7	NOMENCLATURE	EFFECT FROM TO	UNITS PER ASSY
19 824	412N2032-6		.. INSULATOR- MANUFACTURED FROM: FIN F-25.01 COMPRESSION MOLDED PHENOLIC, GLASS FIBER FILLED PER BMS8-271A, TYPE 1. OPTIONAL PART: 412N2032-4	001100	1
826	MS20392-3C17		.. PIN- OPTIONAL PART: BACP18BD3R17	001100	1
826	BACP18BD3R17		.. PIN- OPTIONAL PART: MS20392-3C17	001100	1
828	MS24665-132		.. PIN- OPTIONAL PART: BACP18BC02A06P	001100	1
828	BACP18BC02A06P		.. PIN- OPTIONAL PART: MS24665-132	001100	1
830	NAS1149D0416J		.. WASHER- OPTIONAL PART: BACW10P273L	001035	1
830	BACW10P273L		.. WASHER- OPTIONAL PART: NAS1149D0416J	001035	1
830	BACW10P361LA		.. WASHER	036100	1
832	412N2031-1		.. CLEVIS- MANUFACTURED FROM: 412N2031-2	001100	1
834	AN316-5R		.. NUT	001100	1
836	1293-23		.. ROD ASSY- SUPPLIER CODE: V34742 OPTIONAL PART: USC1325-13 V31293 USED ON: 412N2030-53 412N2030-153 412N2030-253	001100	1

MISSING ITEM NUMBERS NOT APPLICABLE

- ITEM NOT ILLUSTRATED

HAP

25-24-51-19

BOEING PROPRIETARY - Copyright © - Unpublished Work - See title page for details.

25-24-51
FIG. 19
PAGE 40
FEB 10/07

BOEING
737-600/700/800/900
PARTS CATALOG (MAINTENANCE)

FIG ITEM	PART NUMBER	1 2 3 4 5 6 7	NOMENCLATURE	EFFECT FROM TO	UNITS PER ASSY
19 836	1293-17		..ROD ASSY- SUPPLIER CODE: V34742 OPTIONAL PART: USC1325-21 V31293 USED ON: 412N2030-57 412N2030-157 412N2030-257	001100	1
836	1293-51		..ROD ASSY- SUPPLIER CODE: V34742 OPTIONAL PART: USC1325-9 V31293 USED ON: 412N2030-59 412N2030-159 412N2030-259	001100	1
836	1293-53		..ROD ASSY- SUPPLIER CODE: V34742 OPTIONAL PART: USC1325-37 V31293 USED ON: 412N2030-60 412N2030-160 412N2030-260	001100	1
836	1551-3		..ROD ASSY- SUPPLIER CODE: V34742 OPTIONAL PART: USC1325-1 V31293 USED ON: 412N2030-62 412N2030-162 412N2030-262	001100	1

MISSING ITEM NUMBERS NOT APPLICABLE

— ITEM NOT ILLUSTRATED

HAP

25-24-51-19

BOEING PROPRIETARY - Copyright © - Unpublished Work - See title page for details.

25-24-51
FIG. 19
PAGE 41
FEB 10/07

BOEING
737-600/700/800/900
PARTS CATALOG (MAINTENANCE)

FIG ITEM	PART NUMBER	1 2 3 4 5 6 7	NOMENCLATURE	EFFECT FROM TO	UNITS PER ASSY
19 836	1554-3		..ROD ASSY- SUPPLIER CODE: V34742 OPTIONAL PART: USC1325-35 V31293 USED ON: 412N2030-63 412N2030-163 412N2030-263	001100	1
836	1551-5		..ROD ASSY- SUPPLIER CODE: V34742 OPTIONAL PART: USC1325-25 V31293 USED ON: 412N2030-64 412N2030-164 412N2030-264	001100	1
836	1554-5		..ROD ASSY- SUPPLIER CODE: V34742 OPTIONAL PART: USC1325-41 V31293 USED ON: 412N2030-65 412N2030-165 412N2030-265	001100	1
836	1554-7		..ROD ASSY- SUPPLIER CODE: V34742 OPTIONAL PART: USC1325-27 V31293 USED ON: 412N2030-66 412N2030-166 412N2030-266	001100	1
836	USC1325-13		..ROD ASSY-TIE SUPPLIER CODE: V31293 OPTIONAL PART: 1293-23 V34742 USED ON: 412N2030-153 412N2030-253	021100	1

MISSING ITEM NUMBERS NOT APPLICABLE

— ITEM NOT ILLUSTRATED

HAP

25-24-51-19

BOEING PROPRIETARY - Copyright © - Unpublished Work - See title page for details.

25-24-51
FIG. 19
PAGE 42
JUN 15/08

BOEING
737-600/700/800/900
PARTS CATALOG (MAINTENANCE)

FIG ITEM	PART NUMBER	1 2 3 4 5 6 7	NOMENCLATURE	EFFECT FROM TO	UNITS PER ASSY
19 836	USC1325-21		.. ROD ASSY-TIE SUPPLIER CODE: V31293 OPTIONAL PART: 1293-17 V34742 USED ON: 412N2030-157 412N2030-257	021100	1
836	USC1325-9		.. ROD ASSY-TIE SUPPLIER CODE: V31293 OPTIONAL PART: 1293-51 V34742 USED ON: 412N2030-159 412N2030-259	021100	1
836	USC1325-37		.. ROD ASSY-TIE SUPPLIER CODE: V31293 OPTIONAL PART: 1293-53 V34742 USED ON: 412N2030-160 412N2030-260	021100	1
836	USC1325-1		.. ROD ASSY-TIE SUPPLIER CODE: V31293 OPTIONAL PART: 1551-3 V34742 USED ON: 412N2030-162 412N2030-262	021100	1
836	USC1325-41		.. ROD ASSY-TIE SUPPLIER CODE: V31293 OPTIONAL PART: 1554-5 V34742 USED ON: 412N2030-165 412N2030-265	021100	1

MISSING ITEM NUMBERS NOT APPLICABLE

— ITEM NOT ILLUSTRATED

HAP

25-24-51-19

BOEING PROPRIETARY - Copyright © - Unpublished Work - See title page for details.

25-24-51
FIG. 19
PAGE 43
FEB 10/07

BOEING
737-600/700/800/900
PARTS CATALOG (MAINTENANCE)

FIG ITEM	PART NUMBER	1 2 3 4 5 6 7	NOMENCLATURE	EFFECT FROM TO	UNITS PER ASSY
19 836	USC1325-35		..ROD ASSY-TIE SUPPLIER CODE: V31293 OPTIONAL PART: 1554-3 V34742 USED ON: 412N2030-163 412N2030-263	021100	1
836	USC1325-25		..ROD ASSY-TIE SUPPLIER CODE: V31293 OPTIONAL PART: 1551-5 V34742 USED ON: 412N2030-164 412N2030-264	021100	1
837	USC1325-27		..ROD ASSY-TIE SUPPLIER CODE: V31293 OPTIONAL PART: 1554-7 V34742 USED ON: 412N2030-166 412N2030-266	021100	1
838	MS20392-3C17		.PIN	001020	1
838	BACP18BD3C17		.PIN	021100	1
840	BACP18BC02C04P		.PIN	001100	1
842	NAS1149D0416J		.WASHER	001100	1
844	412N2030-61		.DIAGONAL ASSY- POSITION DATA: STA 601	001100	1
846	1554-1		..ROD ASSY- SUPPLIER CODE: V34742 OPTIONAL PART: USC1325-33 V31293	001100	1
846	USC1325-33		..ROD ASSY-TIE SUPPLIER CODE: V31293 OPTIONAL PART: 1554-1 V34742	001100	1

MISSING ITEM NUMBERS NOT APPLICABLE

— ITEM NOT ILLUSTRATED

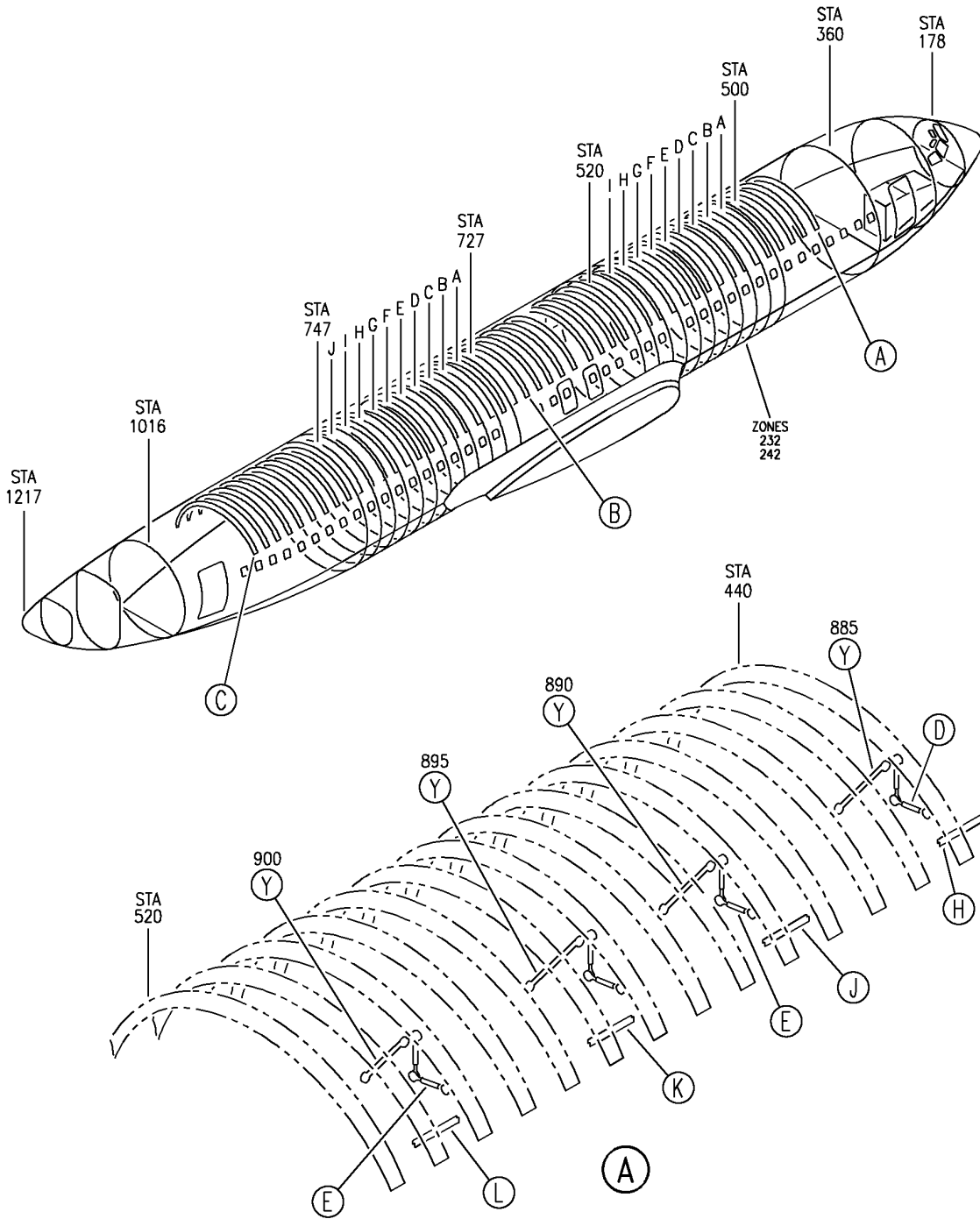
HAP

25-24-51-19

BOEING PROPRIETARY - Copyright © - Unpublished Work - See title page for details.

25-24-51
FIG. 19
PAGE 44
JUN 15/08

BOEING
 737-600/700/800/900
 PARTS CATALOG (MAINTENANCE)



E 25245119A SHT 1 REV 118

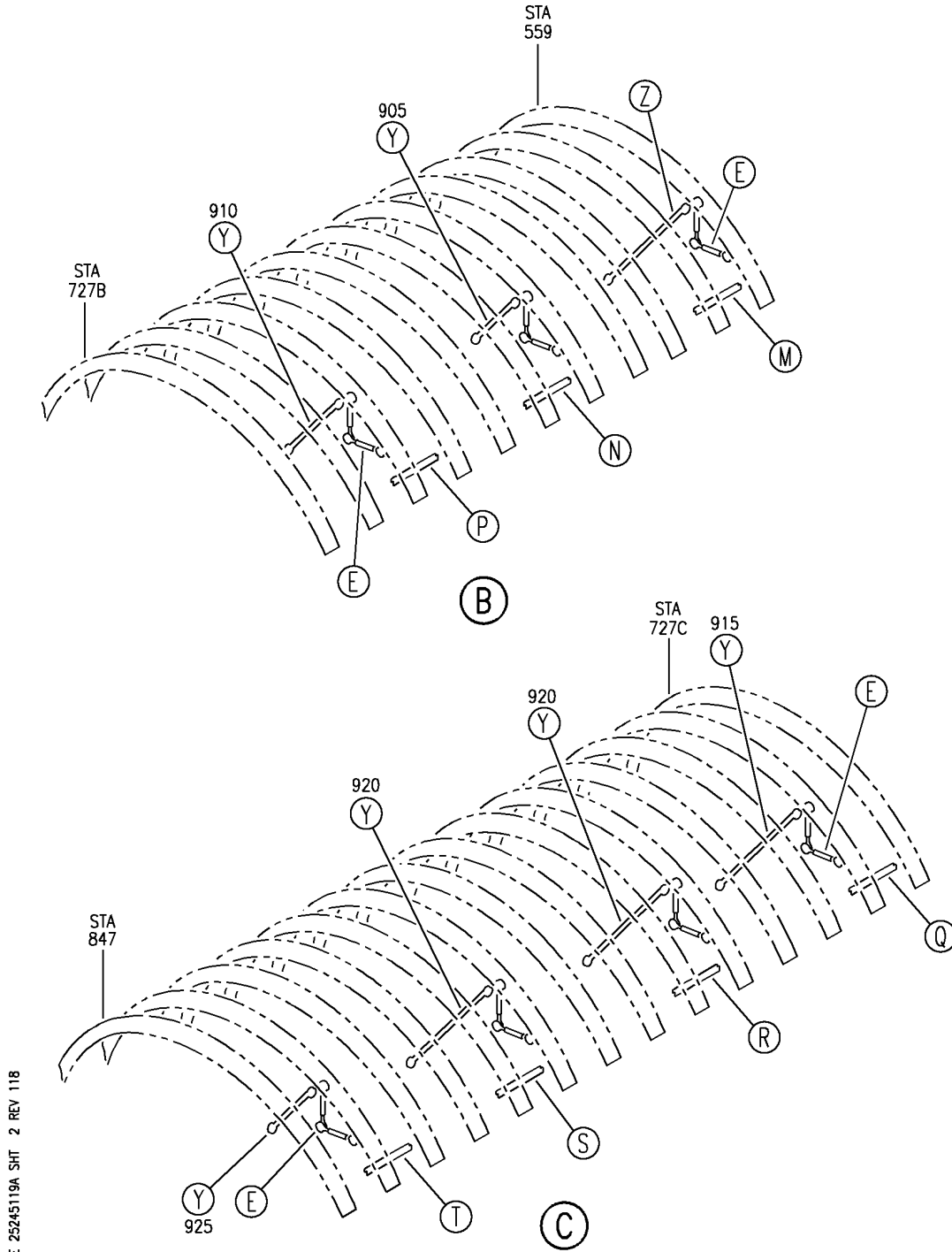
SUPPORT INSTL-OVHD STOWAGE BIN RH
 FIGURE 19A (SHEET 1)

25-24-51-19A

HAP
 OCT 10/06

25-24-51-19A
 PAGE 0

BOEING
 737-600/700/800/900
 PARTS CATALOG (MAINTENANCE)



E 25245119A SHT 2 REV 118

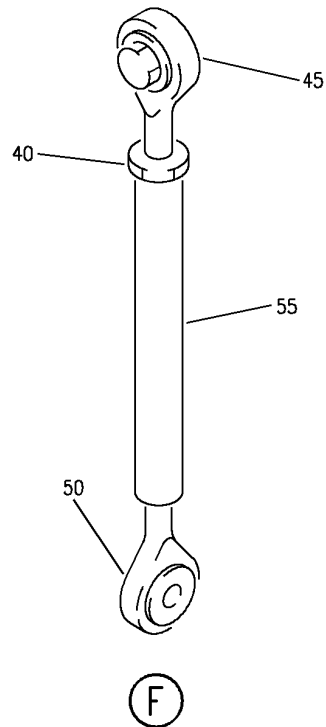
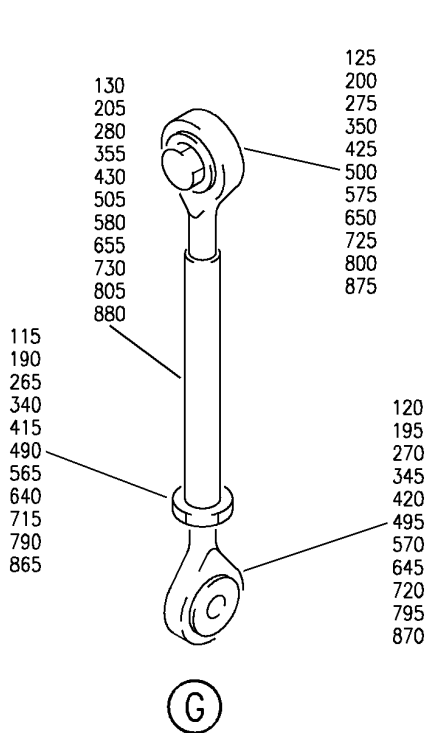
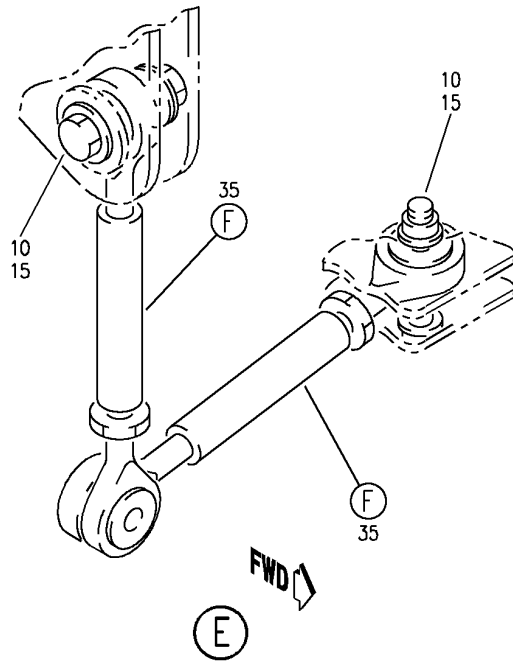
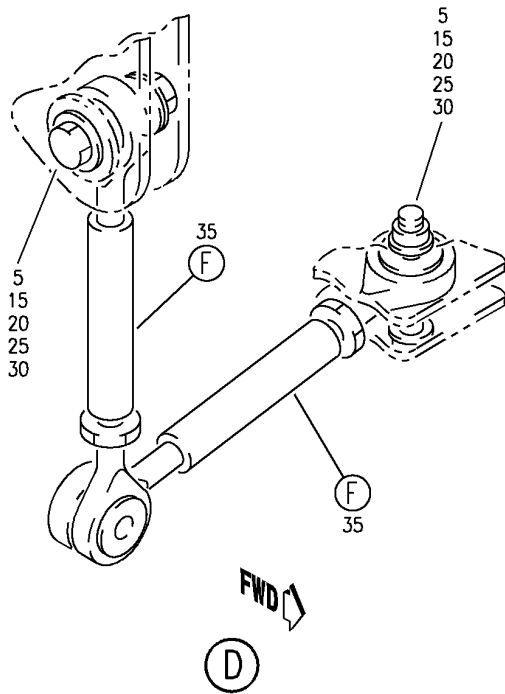
SUPPORT INSTL-OVHD STOWAGE BIN RH
 FIGURE 19A (SHEET 2)

25-24-51-19A

HAP
 OCT 10/06

25-24-51-19A
 PAGE 0A

BOEING
 737-600/700/800/900
 PARTS CATALOG (MAINTENANCE)



E 25245119A SHT 3 REV 118

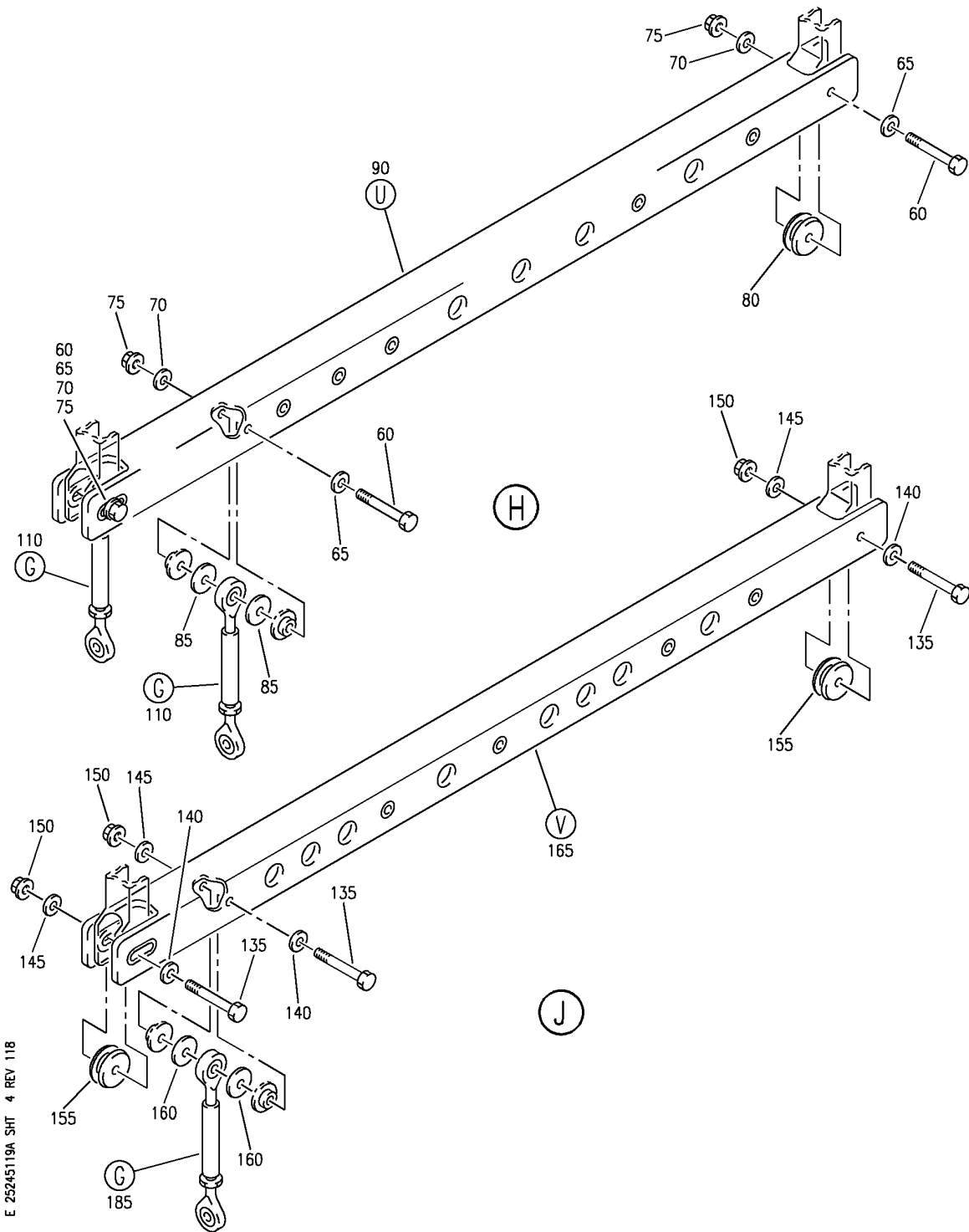
SUPPORT INSTL-OVHD STOWAGE BIN RH
 FIGURE 19A (SHEET 3)

25-24-51-19A

HAP
 OCT 10/06

25-24-51-19A
 PAGE 0B

BOEING
 737-600/700/800/900
 PARTS CATALOG (MAINTENANCE)



E 25245119A SHT 4 REV 118

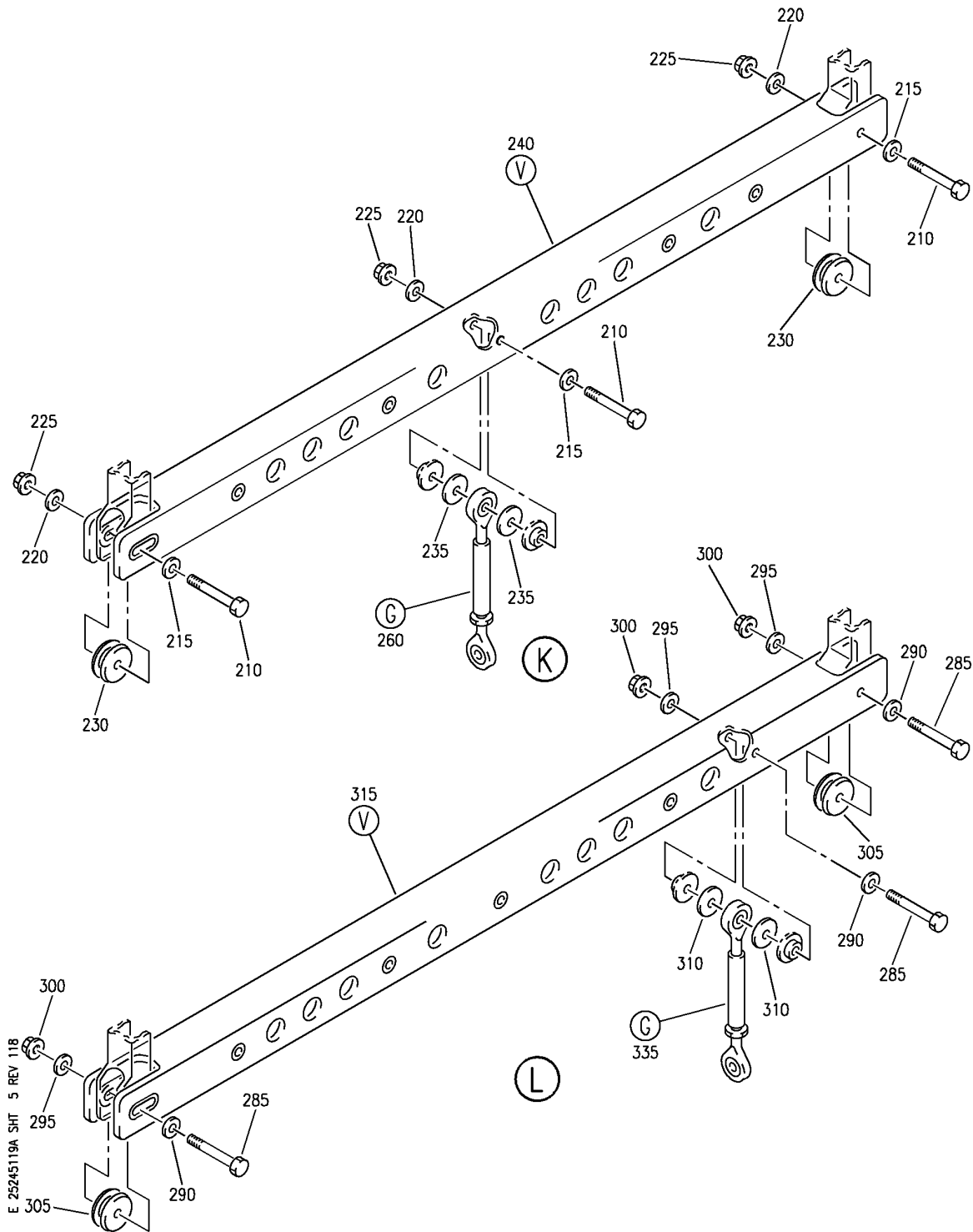
SUPPORT INSTL-OVHD STOWAGE BIN RH
 FIGURE 19A (SHEET 4)

25-24-51-19A

HAP
 OCT 10/06

25-24-51-19A
 PAGE 0C

BOEING
 737-600/700/800/900
 PARTS CATALOG (MAINTENANCE)



E 25245119A SHT 5 REV 118

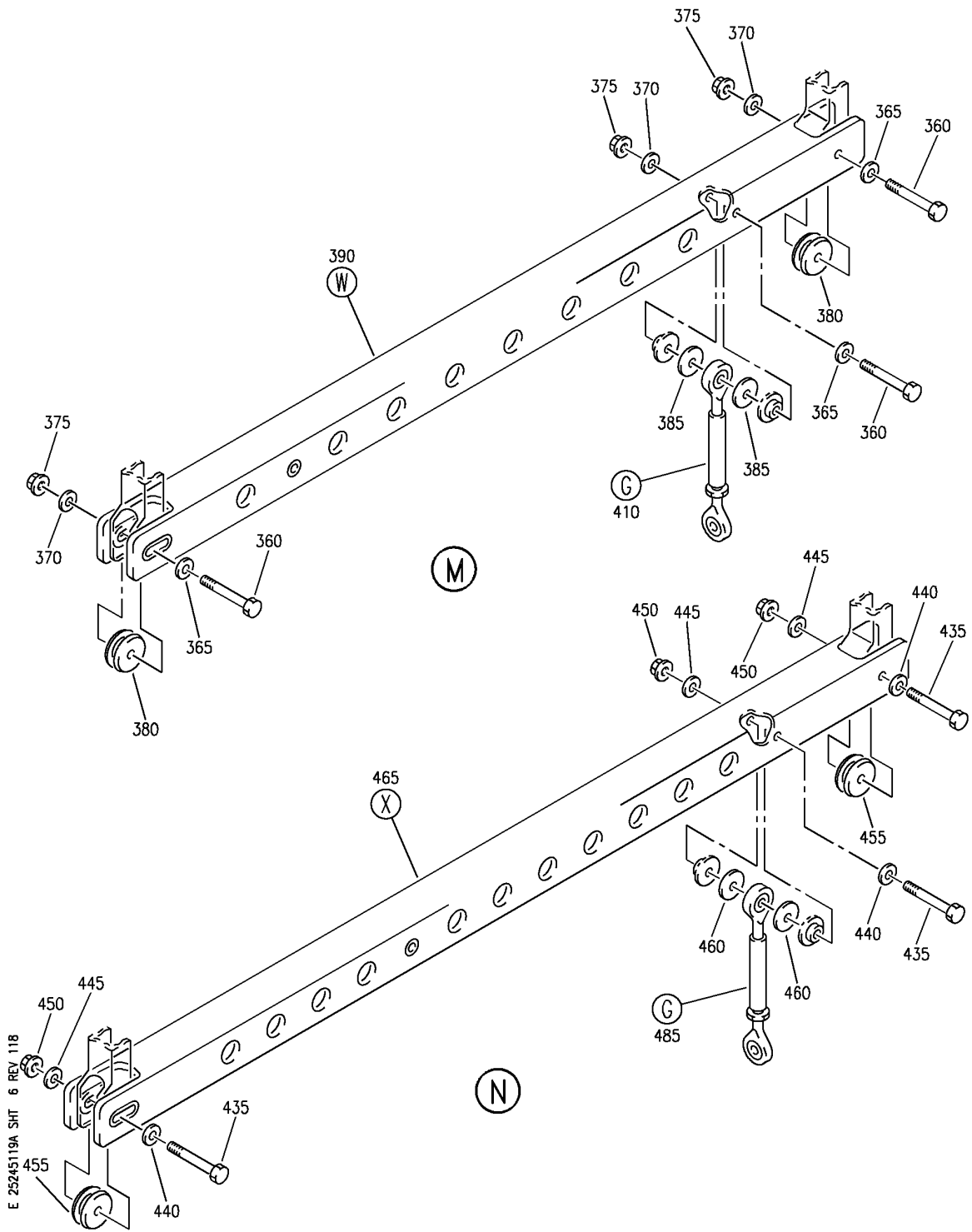
SUPPORT INSTL-OVHD STOWAGE BIN RH
 FIGURE 19A (SHEET 5)

25-24-51-19A

HAP
 OCT 10/06

25-24-51-19A
 PAGE 0D

BOEING
 737-600/700/800/900
 PARTS CATALOG (MAINTENANCE)



E 25245119A SHT 6 REV.118

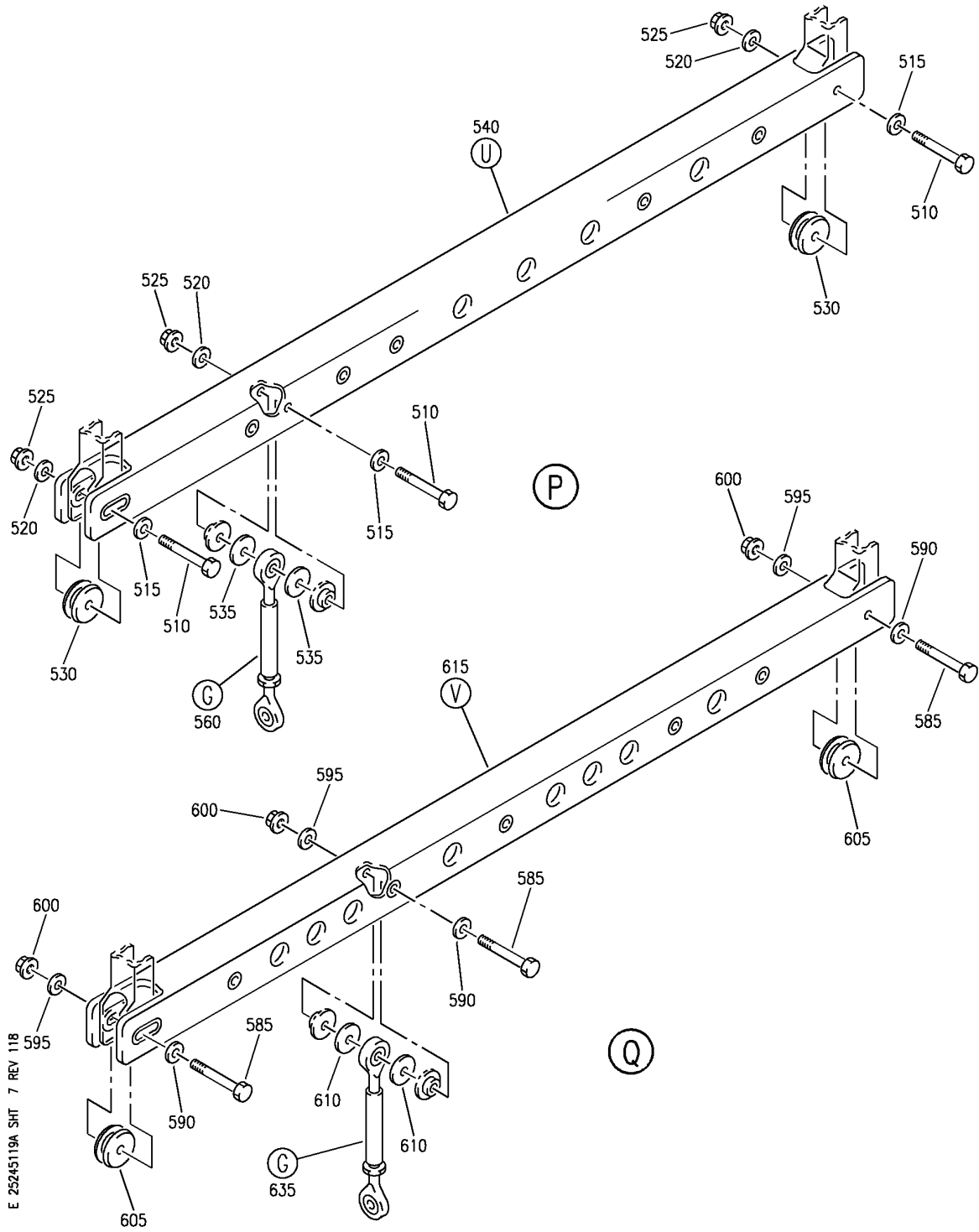
SUPPORT INSTL-OVHD STOWAGE BIN RH
 FIGURE 19A (SHEET 6)

25-24-51-19A

HAP
 OCT 10/06

25-24-51-19A
 PAGE 0E

BOEING
 737-600/700/800/900
 PARTS CATALOG (MAINTENANCE)



E 25245119A SHT 7 REV 118

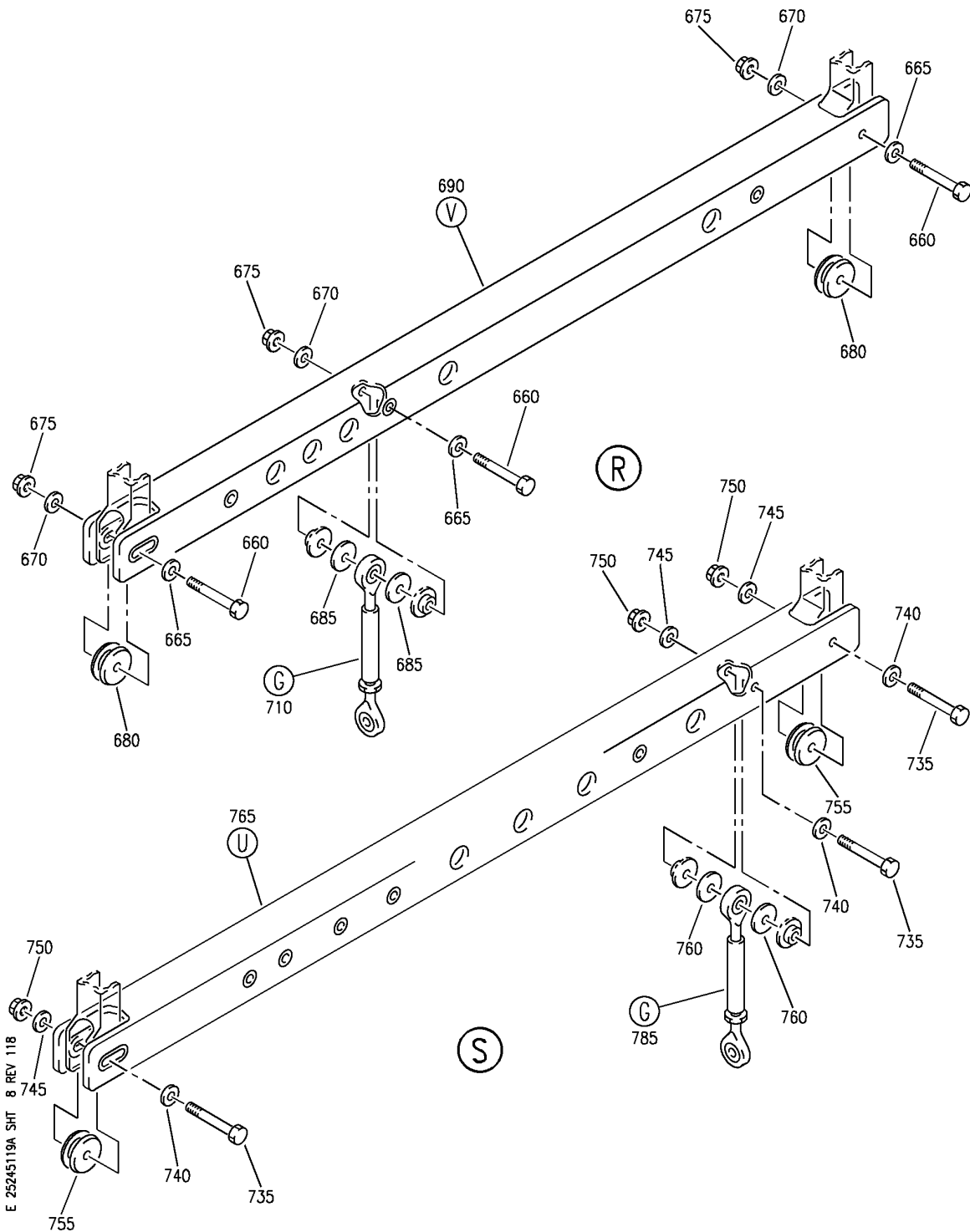
SUPPORT INSTL-OVHD STOWAGE BIN RH
 FIGURE 19A (SHEET 7)

25-24-51-19A

HAP
 OCT 10/06

25-24-51-19A
 PAGE OF

BOEING
 737-600/700/800/900
 PARTS CATALOG (MAINTENANCE)



E 25245119A SHT 8 REV 118

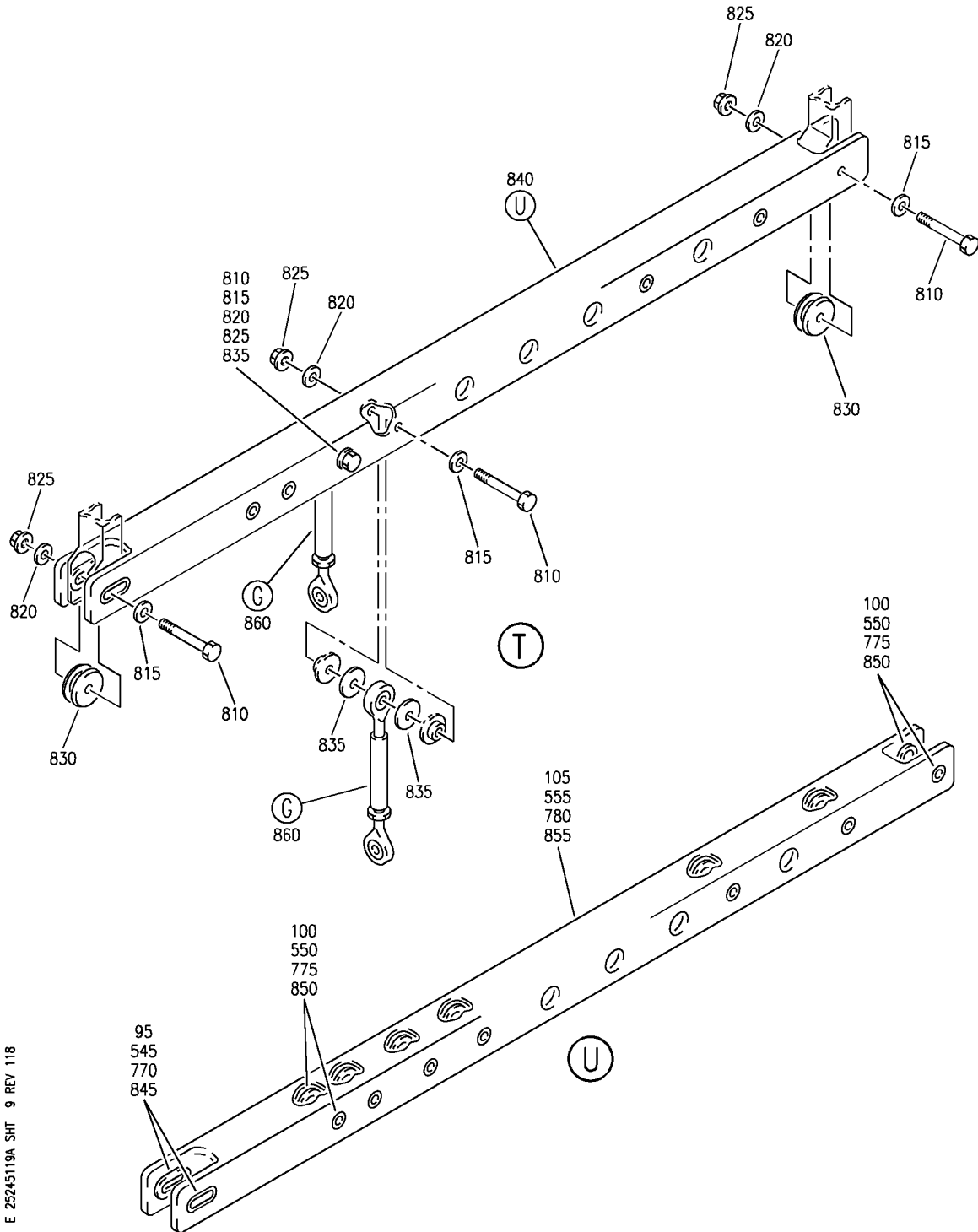
SUPPORT INSTL-OVHD STOWAGE BIN RH
 FIGURE 19A (SHEET 8)

25-24-51-19A

HAP
 OCT 10/06

25-24-51-19A
 PAGE 06

BOEING
 737-600/700/800/900
 PARTS CATALOG (MAINTENANCE)



E 25245119A SHT 9 REV 118

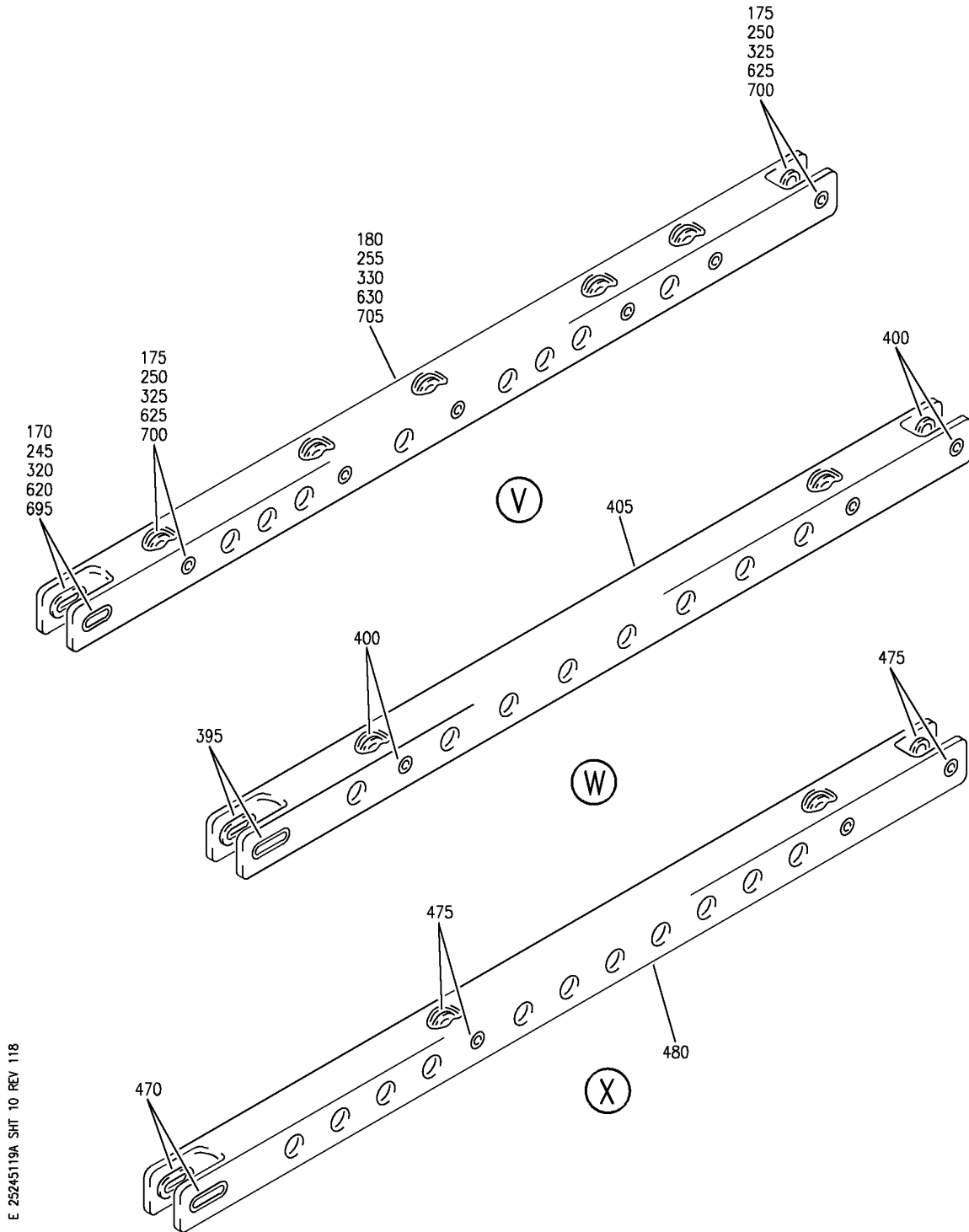
SUPPORT INSTL-OVHD STOWAGE BIN RH
 FIGURE 19A (SHEET 9)

25-24-51-19A

HAP
 OCT 10/06

25-24-51-19A
 PAGE 0H

BOEING
 737-600/700/800/900
 PARTS CATALOG (MAINTENANCE)



E 25245119A SHT 10 REV 118

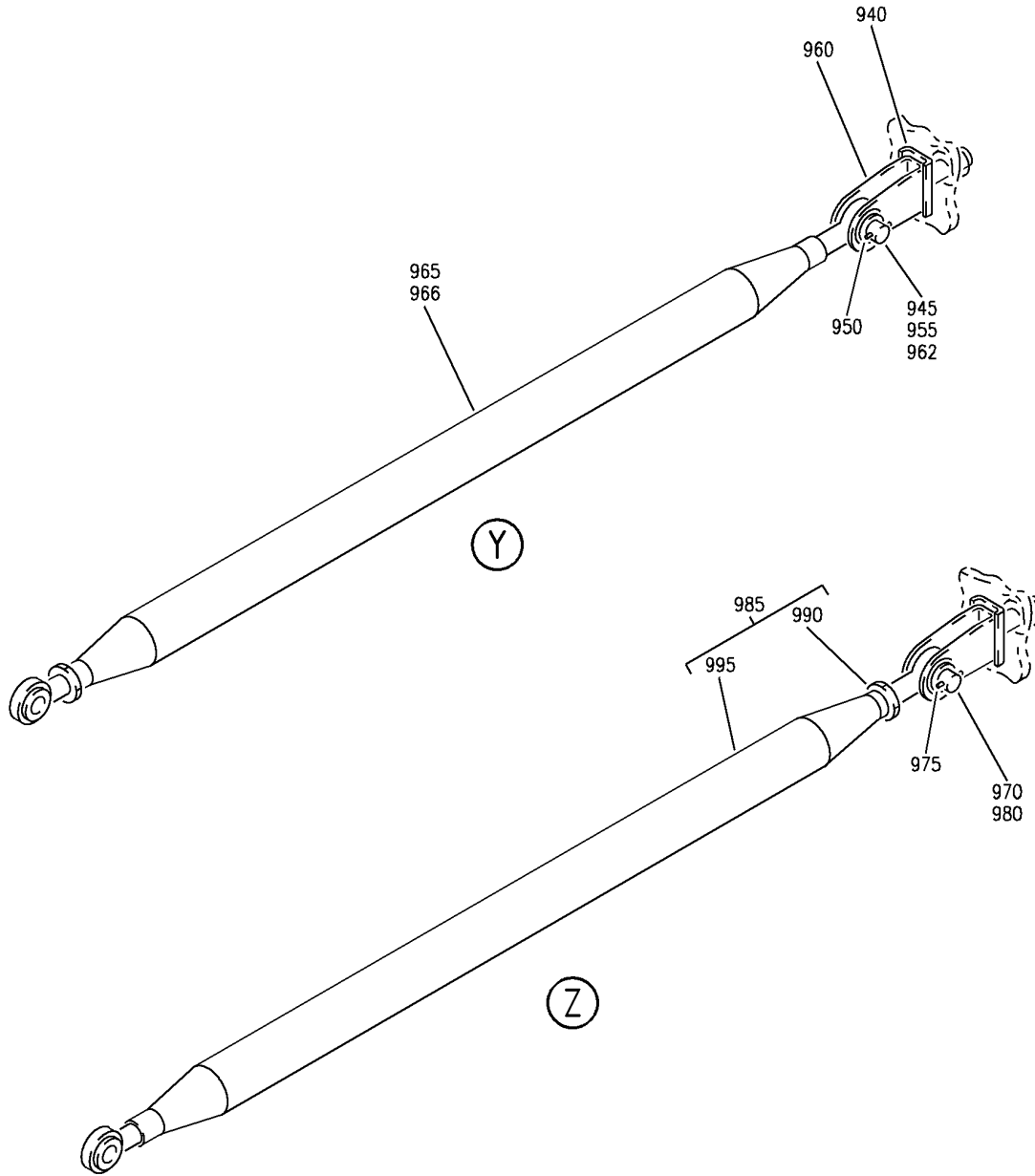
SUPPORT INSTL-OVHD STOWAGE BIN RH
 FIGURE 19A (SHEET 10)

25-24-51-19A

HAP
 OCT 10/06

25-24-51-19A
 PAGE 01

BOEING
737-600/700/800/900
PARTS CATALOG (MAINTENANCE)



E 25245119A SHT 11 REV 118

SUPPORT INSTL-OVHD STOWAGE BIN RH
FIGURE 19A (SHEET 11)

25-24-51-19A

HAP
OCT 10/06

25-24-51-19A
PAGE 0J

BOEING
737-600/700/800/900
PARTS CATALOG (MAINTENANCE)

FIG ITEM	PART NUMBER	1 2 3 4 5 6 7	NOMENCLATURE	EFFECT FROM TO	UNITS PER ASSY
19A			SUPPORT INSTL-OVHD	001100	
- 1	412A2100-616		STOWAGE BIN RH SUPPORT INSTL-OVHD STOWAGE BIN POSITION DATA: RH FOR NHA SEE: 25-24-00-13F	021030	RF
- 1	MODREF91569		SUPPORT INSTL-OVHD STOWAGE BIN MODULE NUMBER: 412A2100-616 REV A POSITION DATA: RH	031035	1
- 1	MODREF290275		SUPPORT INSTL-OVHD STOWAGE BIN MODULE NUMBER: 412A2100-616 REV B POSITION DATA: RH	036100	1
- 1	412A2100-606		SUPPORT INSTL-OVHD STOWAGE BIN POSITION DATA: RH FOR NHA SEE: 25-24-00-13F	001020	RF
5	BACB30NR4K12		.BOLT	001100	2
10	BACB30NR4K8		.BOLT	001100	20
15	BACW10BP4CD		.WASHER	001100	22
20	BACW10BP4DP		.WASHER	001100	2
25	PLH54CD		.NUT SUPPLIER CODE: VF0224 SPECIFICATION NUMBER: BACN10YR4CD OPTIONAL PART: H52732-4CD V15653	001100	2
30	BACB28AK04-025		.BUSHING	001100	2
35	65-80898-43		.TURNBUCKLE ASSY	001100	22
40	AN316-4R		..NUT	001100	1
45	1486-5		..ROD END ASSY- SUPPLIER CODE: V34742	001100	1
50	1486-5L		..ROD END ASSY- SUPPLIER CODE: V34742	001100	1
55	65-81149-47		..TUBE	001100	1

MISSING ITEM NUMBERS NOT APPLICABLE

- ITEM NOT ILLUSTRATED

HAP

25-24-51-19A

BOEING PROPRIETARY - Copyright © - Unpublished Work - See title page for details.

25-24-51
FIG. 19A
PAGE 1
FEB 15/09

BOEING
737-600/700/800/900
PARTS CATALOG (MAINTENANCE)

FIG ITEM	PART NUMBER	1 2 3 4 5 6 7	NOMENCLATURE	EFFECT FROM TO	UNITS PER ASSY
19A					
60	BACB30PW4C17	.BOLT-		001100	3
		OPTIONAL PART:			
		BACB30PW4-17			
60	BACB30PW4-17	.BOLT-		001100	3
		OPTIONAL PART:			
		BACB30PW4C17			
65	BACW10BP4CD	.WASHER		001100	3
70	BACW10BN3SP	.WASHER		001100	3
75	PLH53CD	.NUT		001100	3
		SUPPLIER CODE:			
		VF0224			
		SPECIFICATION NUMBER:			
		BACN10YR3CD			
		OPTIONAL PART:			
		H52732-3CD			
		V15653			
80	BACG20C12N	.GROMMET		001100	1
85	NAS1515B4H	.GROMMET		001100	2
90	412A2250-2	.CHANNEL ASSY-		001100	1
		POSITION DATA:			
		LWR			
		STA 439.92 - STA 459.92			
95	412A2250-15	..BUSHING		001100	2
100	BACB28AT04B008C	..BUSHING		001100	14
105	412A2250-8	..CHANNEL		001100	1
110	65-80898-7	.TURNBUCKLE ASSY-		001100	2
		POSITION DATA:			
		STA 456.75 - STA 459.92			
115	AN316-4L	..NUT		001100	1
120	ACB4-4	..BEARING-ROD END		001100	1
		SUPPLIER CODE:			
		V56644			
		OPTIONAL PART:			
		1254-3L			
		V34742			
		AHML4-103			
		V50294			
		FML4-6			
		V02695			
		ML44-9			
		V73134			

MISSING ITEM NUMBERS NOT APPLICABLE

- ITEM NOT ILLUSTRATED

HAP

25-24-51-19A

BOEING PROPRIETARY - Copyright © - Unpublished Work - See title page for details.

25-24-51
FIG. 19A
PAGE 2
FEB 15/09

BOEING
737-600/700/800/900
PARTS CATALOG (MAINTENANCE)

FIG ITEM	PART NUMBER	1 2 3 4 5 6 7	NOMENCLATURE	EFFECT FROM TO	UNITS PER ASSY
19A 120	AHML4-103		.. BEARING-ROD END SUPPLIER CODE: V50294 OPTIONAL PART: 1254-3L V34742 ACB4-4 V56644 FML4-6 V02695 ML44-9 V73134	001100	1
120	FML4-6		.. BEARING-ROD END SUPPLIER CODE: V02695 OPTIONAL PART: 1254-3L V34742 ACB4-4 V56644 AHML4-103 V50294 ML44-9 V73134	001100	1
120	ML44-9		.. BEARING-ROD END SUPPLIER CODE: V73134 OPTIONAL PART: 1254-3L V34742 ACB4-4 V56644 AHML4-103 V50294 FML4-6 V02695	001100	1
120	1254-3L		.. BEARING-ROD END SUPPLIER CODE: V34742 OPTIONAL PART: ACB4-4 V56644 AHML4-103 V50294 FML4-6 V02695 ML44-9 V73134	001100	1

MISSING ITEM NUMBERS NOT APPLICABLE

— ITEM NOT ILLUSTRATED

HAP

25-24-51-19A

BOEING PROPRIETARY - Copyright © - Unpublished Work - See title page for details.

25-24-51
FIG. 19A
PAGE 3
FEB 10/07

BOEING
737-600/700/800/900
PARTS CATALOG (MAINTENANCE)

FIG ITEM	PART NUMBER	1 2 3 4 5 6 7	NOMENCLATURE	EFFECT FROM TO	UNITS PER ASSY
19A 125	ACM4-4		.. BEARING-ROD END SUPPLIER CODE: V56644 OPTIONAL PART: 1254-3 V34742 AHM4-103 V50294 FM4-6 V02695 M44-9 V73134	001100	1
125	AHM4-103		.. BEARING-ROD END SUPPLIER CODE: V50294 OPTIONAL PART: 1254-3 V34742 ACM4-4 V56644 FM4-6 V02695 M44-9 V73134	001100	1
125	FM4-6		.. BEARING-ROD END SUPPLIER CODE: V02695 OPTIONAL PART: 1254-3 V34742 ACM4-4 V56644 AHM4-103 V50294 M44-9 V73134	001100	1
125	M44-9		.. BEARING-ROD END SUPPLIER CODE: V73134 OPTIONAL PART: 1254-3 V34742 ACM4-4 V56644 AHM4-103 V50294 FM4-6 V02695	001100	1

MISSING ITEM NUMBERS NOT APPLICABLE

— ITEM NOT ILLUSTRATED

HAP

25-24-51-19A

BOEING PROPRIETARY - Copyright © - Unpublished Work - See title page for details.

25-24-51
FIG. 19A
PAGE 4
FEB 10/07

BOEING
737-600/700/800/900
PARTS CATALOG (MAINTENANCE)

FIG ITEM	PART NUMBER	1 2 3 4 5 6 7	NOMENCLATURE	EFFECT FROM TO	UNITS PER ASSY
19A 125	1254-3		.. BEARING-ROD END SUPPLIER CODE: V34742 OPTIONAL PART: ACM4-4 V56644 AHM4-103 V50294 FM4-6 V02695 M44-9 V73134	001100	1
130	65-81149-17		.. TUBE	001100	1
135	BACB30PW4C17		. BOLT- OPTIONAL PART: BACB30PW4-17	001100	3
135	BACB30PW4-17		. BOLT- OPTIONAL PART: BACB30PW4C17	001100	3
140	BACW10BP4CD		. WASHER	001100	3
145	BACW10BN3SP		. WASHER	001100	3
150	PLH53CD		. NUT SUPPLIER CODE: VF0224 SPECIFICATION NUMBER: BACN10YR3CD OPTIONAL PART: H52732-3CD V15653	001100	3
155	BACG20C12N		. GROMMET	001100	2
160	NAS1515B4H		. GROMMET	001100	2
165	412A2250-4		. CHANNEL ASSY- POSITION DATA: LWR STA 499.92 TO STA 500+21.92	001100	1
170	412A2250-15		.. BUSHING	001100	2
175	BACB28AT04B008C		.. BUSHING	001100	12
180	412A2250-10		.. CHANNEL	001100	1
185	65-80898-24		. TURNBUCKLE ASSY- POSITION DATA: STA 500+20	001100	1
190	AN316-4L		.. NUT	001100	1

MISSING ITEM NUMBERS NOT APPLICABLE

- ITEM NOT ILLUSTRATED

HAP

25-24-51-19A

BOEING PROPRIETARY - Copyright © - Unpublished Work - See title page for details.

25-24-51
FIG. 19A
PAGE 5
FEB 15/09

BOEING
737-600/700/800/900
PARTS CATALOG (MAINTENANCE)

FIG ITEM	PART NUMBER	1 2 3 4 5 6 7	NOMENCLATURE	EFFECT FROM TO	UNITS PER ASSY
19A 195	ACB4-4		.. BEARING-ROD END SUPPLIER CODE: V56644 OPTIONAL PART: 1254-3L V34742 AHML4-103 V50294 FML4-6 V02695 ML44-9 V73134	001100	1
195	AHML4-103		.. BEARING-ROD END SUPPLIER CODE: V50294 OPTIONAL PART: 1254-3L V34742 ACB4-4 V56644 FML4-6 V02695 ML44-9 V73134	001100	1
195	FML4-6		.. BEARING-ROD END SUPPLIER CODE: V02695 OPTIONAL PART: 1254-3L V34742 ACB4-4 V56644 AHML4-103 V50294 ML44-9 V73134	001100	1
195	ML44-9		.. BEARING-ROD END SUPPLIER CODE: V73134 OPTIONAL PART: 1254-3L V34742 ACB4-4 V56644 AHML4-103 V50294 FML4-6 V02695	001100	1

MISSING ITEM NUMBERS NOT APPLICABLE

— ITEM NOT ILLUSTRATED

HAP

25-24-51-19A

BOEING PROPRIETARY - Copyright © - Unpublished Work - See title page for details.

25-24-51
FIG. 19A
PAGE 6
FEB 10/07

BOEING
737-600/700/800/900
PARTS CATALOG (MAINTENANCE)

FIG ITEM	PART NUMBER	1 2 3 4 5 6 7	NOMENCLATURE	EFFECT FROM TO	UNITS PER ASSY
19A 195	1254-3L		.. BEARING-ROD END SUPPLIER CODE: V34742 OPTIONAL PART: ACB4-4 V56644 AHML4-103 V50294 FML4-6 V02695 ML44-9 V73134	001100	1
200	ACM4-4		.. BEARING-ROD END SUPPLIER CODE: V56644 OPTIONAL PART: 1254-3 V34742 AHM4-103 V50294 FM4-6 V02695 M44-9 V73134	001100	1
200	AHM4-103		.. BEARING-ROD END SUPPLIER CODE: V50294 OPTIONAL PART: 1254-3 V34742 ACM4-4 V56644 FM4-6 V02695 M44-9 V73134	001100	1
200	FM4-6		.. BEARING-ROD END SUPPLIER CODE: V02695 OPTIONAL PART: 1254-3 V34742 ACM4-4 V56644 AHM4-103 V50294 M44-9 V73134	001100	1

MISSING ITEM NUMBERS NOT APPLICABLE

— ITEM NOT ILLUSTRATED

HAP

25-24-51-19A

BOEING PROPRIETARY - Copyright © - Unpublished Work - See title page for details.

25-24-51
FIG. 19A
PAGE 7
FEB 10/07

BOEING
737-600/700/800/900
PARTS CATALOG (MAINTENANCE)

FIG ITEM	PART NUMBER	1 2 3 4 5 6 7	NOMENCLATURE	EFFECT FROM TO	UNITS PER ASSY
19A 200	M44-9		.. BEARING-ROD END SUPPLIER CODE: V73134 OPTIONAL PART: 1254-3 V34742 ACM4-4 V56644 AHM4-103 V50294 FM4-6 V02695	001100	1
200	1254-3		.. BEARING-ROD END SUPPLIER CODE: V34742 OPTIONAL PART: ACM4-4 V56644 AHM4-103 V50294 FM4-6 V02695 M44-9 V73134	001100	1
205	65-81149-25		.. TUBE	001100	1
210	BACB30PW4C17		. BOLT- OPTIONAL PART: BACB30PW4-17	001100	3
210	BACB30PW4-17		. BOLT- OPTIONAL PART: BACB30PW4C17	001100	3
215	BACW10BP4CD		. WASHER	001100	3
220	BACW10BN3SP		. WASHER	001100	3
225	PLH53CD		. NUT SUPPLIER CODE: VF0224 SPECIFICATION NUMBER: BACN10YR3CD OPTIONAL PART: H52732-3CD V15653	001100	3
230	BACG20C12N		. GROMMET	001100	2
235	NAS1515B4H		. GROMMET	001100	2
240	412A2250-4		. CHANNEL ASSY- POSITION DATA: LWR STA 500C+21.92 TO STA 500D+21.92	001100	1
245	412A2250-15		.. BUSHING	001100	2

MISSING ITEM NUMBERS NOT APPLICABLE

- ITEM NOT ILLUSTRATED

HAP

25-24-51-19A

BOEING PROPRIETARY - Copyright © - Unpublished Work - See title page for details.

25-24-51
FIG. 19A
PAGE 8
FEB 15/09

BOEING
737-600/700/800/900
PARTS CATALOG (MAINTENANCE)

FIG ITEM	PART NUMBER	1 2 3 4 5 6 7	NOMENCLATURE	EFFECT FROM TO	UNITS PER ASSY
19A					
250	BACB28AT04B008C	..	BUSHING	001100	12
255	412A2250-10	..	CHANNEL	001100	1
260	65-80898-24	. .	TURNBUCKLE ASSY- POSITION DATA: STA 500D+12	001100	1
265	AN316-4L	..	NUT	001100	1
270	ACB4-4	..	BEARING-ROD END SUPPLIER CODE: V56644 OPTIONAL PART: 1254-3L V34742 AHML4-103 V50294 FML4-6 V02695 ML44-9 V73134	001100	1
270	AHML4-103	..	BEARING-ROD END SUPPLIER CODE: V50294 OPTIONAL PART: 1254-3L V34742 ACB4-4 V56644 FML4-6 V02695 ML44-9 V73134	001100	1
270	FML4-6	..	BEARING-ROD END SUPPLIER CODE: V02695 OPTIONAL PART: 1254-3L V34742 ACB4-4 V56644 AHML4-103 V50294 ML44-9 V73134	001100	1

MISSING ITEM NUMBERS NOT APPLICABLE

— ITEM NOT ILLUSTRATED

HAP

25-24-51-19A

BOEING PROPRIETARY - Copyright © - Unpublished Work - See title page for details.

25-24-51
FIG. 19A
PAGE 9
FEB 10/07

BOEING
737-600/700/800/900
PARTS CATALOG (MAINTENANCE)

FIG ITEM	PART NUMBER	1 2 3 4 5 6 7	NOMENCLATURE	EFFECT FROM TO	UNITS PER ASSY
19A 270	ML44-9		.. BEARING-ROD END SUPPLIER CODE: V73134 OPTIONAL PART: 1254-3L V34742 ACB4-4 V56644 AHML4-103 V50294 FML4-6 V02695	001100	1
270	1254-3L		.. BEARING-ROD END SUPPLIER CODE: V34742 OPTIONAL PART: ACB4-4 V56644 AHML4-103 V50294 FML4-6 V02695 ML44-9 V73134	001100	1
275	ACM4-4		.. BEARING-ROD END SUPPLIER CODE: V56644 OPTIONAL PART: 1254-3 V34742 AHM4-103 V50294 FM4-6 V02695 M44-9 V73134	001100	1
275	AHM4-103		.. BEARING-ROD END SUPPLIER CODE: V50294 OPTIONAL PART: 1254-3 V34742 ACM4-4 V56644 FM4-6 V02695 M44-9 V73134	001100	1

MISSING ITEM NUMBERS NOT APPLICABLE

— ITEM NOT ILLUSTRATED

HAP

25-24-51-19A

BOEING PROPRIETARY - Copyright © - Unpublished Work - See title page for details.

25-24-51
FIG. 19A
PAGE 10
FEB 10/07

BOEING
737-600/700/800/900
PARTS CATALOG (MAINTENANCE)

FIG ITEM	PART NUMBER	1 2 3 4 5 6 7	NOMENCLATURE	EFFECT FROM TO	UNITS PER ASSY
19A 275	FM4-6		.. BEARING-ROD END SUPPLIER CODE: V02695 OPTIONAL PART: 1254-3 V34742 ACM4-4 V56644 AHM4-103 V50294 M44-9 V73134	001100	1
275	M44-9		.. BEARING-ROD END SUPPLIER CODE: V73134 OPTIONAL PART: 1254-3 V34742 ACM4-4 V56644 AHM4-103 V50294 FM4-6 V02695	001100	1
275	1254-3		.. BEARING-ROD END SUPPLIER CODE: V34742 OPTIONAL PART: ACM4-4 V56644 AHM4-103 V50294 FM4-6 V02695 M44-9 V73134	001100	1
280	65-81149-25		.. TUBE	001100	1
285	BACB30PW4C17		.BOLT- OPTIONAL PART: BACB30PW4-17	001100	3
285	BACB30PW4-17		.BOLT- OPTIONAL PART: BACB30PW4C17	001100	3
290	BACW10BP4CD		.WASHER	001100	3
295	BACW10BN3SP		.WASHER	001100	3

MISSING ITEM NUMBERS NOT APPLICABLE

— ITEM NOT ILLUSTRATED

HAP

25-24-51-19A

BOEING PROPRIETARY - Copyright © - Unpublished Work - See title page for details.

25-24-51
FIG. 19A
PAGE 11
FEB 10/07

BOEING
737-600/700/800/900
PARTS CATALOG (MAINTENANCE)

FIG ITEM	PART NUMBER	1 2 3 4 5 6 7	NOMENCLATURE	EFFECT FROM TO	UNITS PER ASSY
19A 300	PLH53CD	.	NUT SUPPLIER CODE: VF0224 SPECIFICATION NUMBER: BACN10YR3CD OPTIONAL PART: H52732-3CD V15653	001100	3
305	BACG20C12N	.	GROMMET	001100	2
310	NAS1515B4H	.	GROMMET	001100	2
315	412A2250-4	.	CHANNEL ASSY- POSITION DATA: LWR STA 500G+21.92 TO STA 500H+21.92	001100	1
320	412A2250-15	..	BUSHING	001100	2
325	BACB28AT04B008C	..	BUSHING	001100	12
330	412A2250-10	..	CHANNEL	001100	1
335	65-80898-24	.	TURNBUCKLE ASSY- POSITION DATA: STA 500H+4	001100	1
340	AN316-4L	..	NUT	001100	1
345	ACB4-4	..	BEARING-ROD END SUPPLIER CODE: V56644 OPTIONAL PART: 1254-3L V34742 AHML4-103 V50294 FML4-6 V02695 ML44-9 V73134	001100	1
345	AHML4-103	..	BEARING-ROD END SUPPLIER CODE: V50294 OPTIONAL PART: 1254-3L V34742 ACB4-4 V56644 FML4-6 V02695 ML44-9 V73134	001100	1

MISSING ITEM NUMBERS NOT APPLICABLE

— ITEM NOT ILLUSTRATED

HAP

25-24-51-19A

BOEING PROPRIETARY - Copyright © - Unpublished Work - See title page for details.

25-24-51
FIG. 19A
PAGE 12
FEB 15/09

BOEING
737-600/700/800/900
PARTS CATALOG (MAINTENANCE)

FIG ITEM	PART NUMBER	1 2 3 4 5 6 7	NOMENCLATURE	EFFECT FROM TO	UNITS PER ASSY
19A 345	FML4-6		.. BEARING-ROD END SUPPLIER CODE: V02695 OPTIONAL PART: 1254-3L V34742 ACB4-4 V56644 AHML4-103 V50294 ML44-9 V73134	001100	1
345	ML44-9		.. BEARING-ROD END SUPPLIER CODE: V73134 OPTIONAL PART: 1254-3L V34742 ACB4-4 V56644 AHML4-103 V50294 FML4-6 V02695	001100	1
345	1254-3L		.. BEARING-ROD END SUPPLIER CODE: V34742 OPTIONAL PART: ACB4-4 V56644 AHML4-103 V50294 FML4-6 V02695 ML44-9 V73134	001100	1
350	ACM4-4		.. BEARING-ROD END SUPPLIER CODE: V56644 OPTIONAL PART: 1254-3 V34742 AHM4-103 V50294 FM4-6 V02695 M44-9 V73134	001100	1

MISSING ITEM NUMBERS NOT APPLICABLE

— ITEM NOT ILLUSTRATED

HAP

25-24-51-19A

BOEING PROPRIETARY - Copyright © - Unpublished Work - See title page for details.

25-24-51
FIG. 19A
PAGE 13
FEB 10/07

BOEING
737-600/700/800/900
PARTS CATALOG (MAINTENANCE)

FIG ITEM	PART NUMBER	1 2 3 4 5 6 7	NOMENCLATURE	EFFECT FROM TO	UNITS PER ASSY
19A 350	AHM4-103		.. BEARING-ROD END SUPPLIER CODE: V50294 OPTIONAL PART: 1254-3 V34742 ACM4-4 V56644 FM4-6 V02695 M44-9 V73134	001100	1
350	FM4-6		.. BEARING-ROD END SUPPLIER CODE: V02695 OPTIONAL PART: 1254-3 V34742 ACM4-4 V56644 AHM4-103 V50294 M44-9 V73134	001100	1
350	M44-9		.. BEARING-ROD END SUPPLIER CODE: V73134 OPTIONAL PART: 1254-3 V34742 ACM4-4 V56644 AHM4-103 V50294 FM4-6 V02695	001100	1
350	1254-3		.. BEARING-ROD END SUPPLIER CODE: V34742 OPTIONAL PART: ACM4-4 V56644 AHM4-103 V50294 FM4-6 V02695 M44-9 V73134	001100	1
355	65-81149-25		.. TUBE	001100	1

MISSING ITEM NUMBERS NOT APPLICABLE

- ITEM NOT ILLUSTRATED

HAP

25-24-51-19A

BOEING PROPRIETARY - Copyright © - Unpublished Work - See title page for details.

25-24-51
FIG. 19A
PAGE 14
FEB 10/07

BOEING
737-600/700/800/900
PARTS CATALOG (MAINTENANCE)

FIG ITEM	PART NUMBER	1 2 3 4 5 6 7	NOMENCLATURE	EFFECT FROM TO	UNITS PER ASSY
19A					
360	BACB30PW4C17	.BOLT-		001100	3
		OPTIONAL PART:			
		BACB30PW4-17			
360	BACB30PW4-17	.BOLT-		001100	3
		OPTIONAL PART:			
		BACB30PW4C17			
365	BACW10BP4CD	.WASHER		001100	3
370	BACW10BN3SP	.WASHER		001100	3
375	PLH53CD	.NUT		001100	3
		SUPPLIER CODE:			
		VF0224			
		SPECIFICATION NUMBER:			
		BACN10YR3CD			
		OPTIONAL PART:			
		H52732-3CD			
		V15653			
380	BACG20C12N	.GROMMET		001100	2
385	NAS1515B4H	.GROMMET		001100	2
390	412A2250-1	.CHANNEL ASSY-		001100	1
		POSITION DATA:			
		LWR			
		STA 559.12 - STA 578.12			
395	412A2250-15	..BUSHING		001100	2
400	BACB28AT04B008C	..BUSHING		001100	6
405	412A2250-7	..CHANNEL		001100	1
410	65-80898-24	.TURNBUCKLE ASSY-		001100	1
		POSITION DATA:			
		STA 562.00			
415	AN316-4L	..NUT		001100	1
420	ACB4-4	..BEARING-ROD END		001100	1
		SUPPLIER CODE:			
		V56644			
		OPTIONAL PART:			
		1254-3L			
		V34742			
		AHML4-103			
		V50294			
		FML4-6			
		V02695			
		ML44-9			
		V73134			

MISSING ITEM NUMBERS NOT APPLICABLE

- ITEM NOT ILLUSTRATED

HAP

25-24-51-19A

BOEING PROPRIETARY - Copyright © - Unpublished Work - See title page for details.

25-24-51
FIG. 19A
PAGE 15
FEB 15/09

BOEING
737-600/700/800/900
PARTS CATALOG (MAINTENANCE)

FIG ITEM	PART NUMBER	1 2 3 4 5 6 7	NOMENCLATURE	EFFECT FROM TO	UNITS PER ASSY
19A 420	AHML4-103		.. BEARING-ROD END SUPPLIER CODE: V50294 OPTIONAL PART: 1254-3L V34742 ACB4-4 V56644 FML4-6 V02695 ML44-9 V73134	001100	1
420	FML4-6		.. BEARING-ROD END SUPPLIER CODE: V02695 OPTIONAL PART: 1254-3L V34742 ACB4-4 V56644 AHML4-103 V50294 ML44-9 V73134	001100	1
420	ML44-9		.. BEARING-ROD END SUPPLIER CODE: V73134 OPTIONAL PART: 1254-3L V34742 ACB4-4 V56644 AHML4-103 V50294 FML4-6 V02695	001100	1
420	1254-3L		.. BEARING-ROD END SUPPLIER CODE: V34742 OPTIONAL PART: ACB4-4 V56644 AHML4-103 V50294 FML4-6 V02695 ML44-9 V73134	001100	1

MISSING ITEM NUMBERS NOT APPLICABLE

— ITEM NOT ILLUSTRATED

HAP

25-24-51-19A

BOEING PROPRIETARY - Copyright © - Unpublished Work - See title page for details.

25-24-51
FIG. 19A
PAGE 16
FEB 10/07

BOEING
737-600/700/800/900
PARTS CATALOG (MAINTENANCE)

FIG ITEM	PART NUMBER	1 2 3 4 5 6 7	NOMENCLATURE	EFFECT FROM TO	UNITS PER ASSY
19A 425	ACM4-4		.. BEARING-ROD END SUPPLIER CODE: V56644 OPTIONAL PART: 1254-3 V34742 AHM4-103 V50294 FM4-6 V02695 M44-9 V73134	001100	1
425	AHM4-103		.. BEARING-ROD END SUPPLIER CODE: V50294 OPTIONAL PART: 1254-3 V34742 ACM4-4 V56644 FM4-6 V02695 M44-9 V73134	001100	1
425	FM4-6		.. BEARING-ROD END SUPPLIER CODE: V02695 OPTIONAL PART: 1254-3 V34742 ACM4-4 V56644 AHM4-103 V50294 M44-9 V73134	001100	1
425	M44-9		.. BEARING-ROD END SUPPLIER CODE: V73134 OPTIONAL PART: 1254-3 V34742 ACM4-4 V56644 AHM4-103 V50294 FM4-6 V02695	001100	1

MISSING ITEM NUMBERS NOT APPLICABLE

— ITEM NOT ILLUSTRATED

HAP

25-24-51-19A

BOEING PROPRIETARY - Copyright © - Unpublished Work - See title page for details.

25-24-51
FIG. 19A
PAGE 17
FEB 10/07

BOEING
737-600/700/800/900
PARTS CATALOG (MAINTENANCE)

FIG ITEM	PART NUMBER	1 2 3 4 5 6 7	NOMENCLATURE	EFFECT FROM TO	UNITS PER ASSY
19A 425	1254-3		.. BEARING-ROD END SUPPLIER CODE: V34742 OPTIONAL PART: ACM4-4 V56644 AHM4-103 V50294 FM4-6 V02695 M44-9 V73134	001100	1
430	65-81149-25		.. TUBE	001100	1
435	BACB30PW4C17		. BOLT- OPTIONAL PART: BACB30PW4-17	001100	3
435	BACB30PW4-17		. BOLT- OPTIONAL PART: BACB30PW4C17	001100	3
440	BACW10BP4CD		. WASHER	001100	3
445	BACW10BN3SP		. WASHER	001100	3
450	PLH53CD		. NUT SUPPLIER CODE: VF0224 SPECIFICATION NUMBER: BACN10YR3CD OPTIONAL PART: H52732-3CD V15653	001100	3
455	BACG20C12N		. GROMMET	001100	2
460	NAS1515B4H		. GROMMET	001100	2
465	412A2250-13		. CHANNEL ASSY- POSITION DATA: LWR STA 638.88 - STA 662.87	001100	1
470	412A2250-15		.. BUSHING	001100	2
475	BACB28AT04B008C		.. BUSHING	001100	6
480	412A2250-14		.. CHANNEL	001100	1
485	65-80898-24		. TURNBUCKLE ASSY- POSITION DATA: STA 642.00	001100	1
490	AN316-4L		.. NUT	001100	1

MISSING ITEM NUMBERS NOT APPLICABLE

- ITEM NOT ILLUSTRATED

HAP

25-24-51-19A

BOEING PROPRIETARY - Copyright © - Unpublished Work - See title page for details.

25-24-51
FIG. 19A
PAGE 18
FEB 15/09

BOEING
737-600/700/800/900
PARTS CATALOG (MAINTENANCE)

FIG ITEM	PART NUMBER	1 2 3 4 5 6 7	NOMENCLATURE	EFFECT FROM TO	UNITS PER ASSY
19A 495	ACB4-4		.. BEARING-ROD END SUPPLIER CODE: V56644 OPTIONAL PART: 1254-3L V34742 AHML4-103 V50294 FML4-6 V02695 ML44-9 V73134	001100	1
495	AHML4-103		.. BEARING-ROD END SUPPLIER CODE: V50294 OPTIONAL PART: 1254-3L V34742 ACB4-4 V56644 FML4-6 V02695 ML44-9 V73134	001100	1
495	FML4-6		.. BEARING-ROD END SUPPLIER CODE: V02695 OPTIONAL PART: 1254-3L V34742 ACB4-4 V56644 AHML4-103 V50294 ML44-9 V73134	001100	1
495	ML44-9		.. BEARING-ROD END SUPPLIER CODE: V73134 OPTIONAL PART: 1254-3L V34742 ACB4-4 V56644 AHML4-103 V50294 FML4-6 V02695	001100	1

MISSING ITEM NUMBERS NOT APPLICABLE

— ITEM NOT ILLUSTRATED

HAP

25-24-51-19A

BOEING PROPRIETARY - Copyright © - Unpublished Work - See title page for details.

25-24-51
FIG. 19A
PAGE 19
FEB 10/07

BOEING
737-600/700/800/900
PARTS CATALOG (MAINTENANCE)

FIG ITEM	PART NUMBER	1 2 3 4 5 6 7	NOMENCLATURE	EFFECT FROM TO	UNITS PER ASSY
19A 495	1254-3L		.. BEARING-ROD END SUPPLIER CODE: V34742 OPTIONAL PART: ACB4-4 V56644 AHML4-103 V50294 FML4-6 V02695 ML44-9 V73134	001100	1
500	ACM4-4		.. BEARING-ROD END SUPPLIER CODE: V56644 OPTIONAL PART: 1254-3 V34742 AHM4-103 V50294 FM4-6 V02695 M44-9 V73134	001100	1
500	AHM4-103		.. BEARING-ROD END SUPPLIER CODE: V50294 OPTIONAL PART: 1254-3 V34742 ACM4-4 V56644 FM4-6 V02695 M44-9 V73134	001100	1
500	FM4-6		.. BEARING-ROD END SUPPLIER CODE: V02695 OPTIONAL PART: 1254-3 V34742 ACM4-4 V56644 AHM4-103 V50294 M44-9 V73134	001100	1

MISSING ITEM NUMBERS NOT APPLICABLE

— ITEM NOT ILLUSTRATED

HAP

25-24-51-19A

BOEING PROPRIETARY - Copyright © - Unpublished Work - See title page for details.

25-24-51
FIG. 19A
PAGE 20
FEB 10/07

BOEING
737-600/700/800/900
PARTS CATALOG (MAINTENANCE)

FIG ITEM	PART NUMBER	1 2 3 4 5 6 7	NOMENCLATURE	EFFECT FROM TO	UNITS PER ASSY
19A 500	M44-9		.. BEARING-ROD END SUPPLIER CODE: V73134 OPTIONAL PART: 1254-3 V34742 ACM4-4 V56644 AHM4-103 V50294 FM4-6 V02695	001100	1
500	1254-3		.. BEARING-ROD END SUPPLIER CODE: V34742 OPTIONAL PART: ACM4-4 V56644 AHM4-103 V50294 FM4-6 V02695 M44-9 V73134	001100	1
505	65-81149-25		.. TUBE	001100	1
510	BACB30PW4C17		. BOLT- OPTIONAL PART: BACB30PW4-17	001100	3
510	BACB30PW4-17		. BOLT- OPTIONAL PART: BACB30PW4C17	001100	3
515	BACW10BP4CD		. WASHER	001100	3
520	BACW10BN3SP		. WASHER	001100	3
525	PLH53CD		. NUT SUPPLIER CODE: VF0224 SPECIFICATION NUMBER: BACN10YR3CD OPTIONAL PART: H52732-3CD V15653	001100	3
530	BACG20C12N		. GROMMET	001100	2
535	NAS1515B4H		. GROMMET	001100	2
540	412A2250-2		. CHANNEL ASSY- POSITION DATA: LWR STA 706.06 - STA 726.06	001100	1
545	412A2250-15		.. BUSHING	001100	2
550	BACB28AT04B008C		.. BUSHING	001100	14

MISSING ITEM NUMBERS NOT APPLICABLE

- ITEM NOT ILLUSTRATED

HAP

25-24-51-19A

BOEING PROPRIETARY - Copyright © - Unpublished Work - See title page for details.

25-24-51
FIG. 19A
PAGE 21
FEB 15/09

BOEING
737-600/700/800/900
PARTS CATALOG (MAINTENANCE)

FIG ITEM	PART NUMBER	1 2 3 4 5 6 7	NOMENCLATURE	EFFECT FROM TO	UNITS PER ASSY
19A					
555	412A2250-8		.. CHANNEL	001100	1
560	65-80898-24		. TURNBUCKLE ASSY- POSITION DATA: STA 722.00	001100	1
565	AN316-4L		.. NUT	001100	1
570	ACB4-4		.. BEARING-ROD END SUPPLIER CODE: V56644 OPTIONAL PART: 1254-3L V34742 AHML4-103 V50294 FML4-6 V02695 ML44-9 V73134	001100	1
570	AHML4-103		.. BEARING-ROD END SUPPLIER CODE: V50294 OPTIONAL PART: 1254-3L V34742 ACB4-4 V56644 FML4-6 V02695 ML44-9 V73134	001100	1
570	FML4-6		.. BEARING-ROD END SUPPLIER CODE: V02695 OPTIONAL PART: 1254-3L V34742 ACB4-4 V56644 AHML4-103 V50294 ML44-9 V73134	001100	1

MISSING ITEM NUMBERS NOT APPLICABLE

— ITEM NOT ILLUSTRATED

HAP

25-24-51-19A

BOEING PROPRIETARY - Copyright © - Unpublished Work - See title page for details.

25-24-51
FIG. 19A
PAGE 22
FEB 10/07

BOEING
737-600/700/800/900
PARTS CATALOG (MAINTENANCE)

FIG ITEM	PART NUMBER	1 2 3 4 5 6 7	NOMENCLATURE	EFFECT FROM TO	UNITS PER ASSY
19A 570	ML44-9		.. BEARING-ROD END SUPPLIER CODE: V73134 OPTIONAL PART: 1254-3L V34742 ACB4-4 V56644 AHML4-103 V50294 FML4-6 V02695	001100	1
570	1254-3L		.. BEARING-ROD END SUPPLIER CODE: V34742 OPTIONAL PART: ACB4-4 V56644 AHML4-103 V50294 FML4-6 V02695 ML44-9 V73134	001100	1
575	ACM4-4		.. BEARING-ROD END SUPPLIER CODE: V56644 OPTIONAL PART: 1254-3 V34742 AHM4-103 V50294 FM4-6 V02695 M44-9 V73134	001100	1
575	AHM4-103		.. BEARING-ROD END SUPPLIER CODE: V50294 OPTIONAL PART: 1254-3 V34742 ACM4-4 V56644 FM4-6 V02695 M44-9 V73134	001100	1

MISSING ITEM NUMBERS NOT APPLICABLE

— ITEM NOT ILLUSTRATED

HAP

25-24-51-19A

BOEING PROPRIETARY - Copyright © - Unpublished Work - See title page for details.

25-24-51
FIG. 19A
PAGE 23
FEB 10/07

BOEING
737-600/700/800/900
PARTS CATALOG (MAINTENANCE)

FIG ITEM	PART NUMBER	1 2 3 4 5 6 7	NOMENCLATURE	EFFECT FROM TO	UNITS PER ASSY
19A 575	FM4-6		.. BEARING-ROD END SUPPLIER CODE: V02695 OPTIONAL PART: 1254-3 V34742 ACM4-4 V56644 AHM4-103 V50294 M44-9 V73134	001100	1
575	M44-9		.. BEARING-ROD END SUPPLIER CODE: V73134 OPTIONAL PART: 1254-3 V34742 ACM4-4 V56644 AHM4-103 V50294 FM4-6 V02695	001100	1
575	1254-3		.. BEARING-ROD END SUPPLIER CODE: V34742 OPTIONAL PART: ACM4-4 V56644 AHM4-103 V50294 FM4-6 V02695 M44-9 V73134	001100	1
580	65-81149-25		.. TUBE	001100	1
585	BACB30PW4C17		. BOLT- OPTIONAL PART: BACB30PW4-17	001100	3
585	BACB30PW4-17		. BOLT- OPTIONAL PART: BACB30PW4C17	001100	3
590	BACW10BP4CD		. WASHER	001100	3
595	BACW10BN3SP		. WASHER	001100	3

MISSING ITEM NUMBERS NOT APPLICABLE

— ITEM NOT ILLUSTRATED

HAP

25-24-51-19A

BOEING PROPRIETARY - Copyright © - Unpublished Work - See title page for details.

25-24-51
FIG. 19A
PAGE 24
FEB 10/07

BOEING
737-600/700/800/900
PARTS CATALOG (MAINTENANCE)

FIG ITEM	PART NUMBER	1 2 3 4 5 6 7	NOMENCLATURE	EFFECT FROM TO	UNITS PER ASSY
19A 600	PLH53CD	.	NUT SUPPLIER CODE: VF0224 SPECIFICATION NUMBER: BACN10YR3CD OPTIONAL PART: H52732-3CD V15653	001100	3
605	BACG20C12N	.	GROMMET	001100	2
610	NAS1515B4H	.	GROMMET	001100	2
615	412A2250-4	.	CHANNEL ASSY- POSITION DATA: LWR STA 727B+19.92 TO STA 727C+21.92	001100	1
620	412A2250-15	..	BUSHING	001100	2
625	BACB28AT04B008C	..	BUSHING	001100	12
630	412A2250-10	..	CHANNEL	001100	1
635	65-80898-24	.	TURNBUCKLE ASSY- POSITION DATA: STA 727C+15.00	001100	1
640	AN316-4L	..	NUT	001100	1
645	ACB4-4	..	BEARING-ROD END SUPPLIER CODE: V56644 OPTIONAL PART: 1254-3L V34742 AHML4-103 V50294 FML4-6 V02695 ML44-9 V73134	001100	1
645	AHML4-103	..	BEARING-ROD END SUPPLIER CODE: V50294 OPTIONAL PART: 1254-3L V34742 ACB4-4 V56644 FML4-6 V02695 ML44-9 V73134	001100	1

MISSING ITEM NUMBERS NOT APPLICABLE

— ITEM NOT ILLUSTRATED

HAP

25-24-51-19A

BOEING PROPRIETARY - Copyright © - Unpublished Work - See title page for details.

25-24-51
FIG. 19A
PAGE 25
FEB 15/09

BOEING
737-600/700/800/900
PARTS CATALOG (MAINTENANCE)

FIG ITEM	PART NUMBER	1 2 3 4 5 6 7	NOMENCLATURE	EFFECT FROM TO	UNITS PER ASSY
19A 645	FML4-6		.. BEARING-ROD END SUPPLIER CODE: V02695 OPTIONAL PART: 1254-3L V34742 ACB4-4 V56644 AHML4-103 V50294 ML44-9 V73134	001100	1
645	ML44-9		.. BEARING-ROD END SUPPLIER CODE: V73134 OPTIONAL PART: 1254-3L V34742 ACB4-4 V56644 AHML4-103 V50294 FML4-6 V02695	001100	1
645	1254-3L		.. BEARING-ROD END SUPPLIER CODE: V34742 OPTIONAL PART: ACB4-4 V56644 AHML4-103 V50294 FML4-6 V02695 ML44-9 V73134	001100	1
650	ACM4-4		.. BEARING-ROD END SUPPLIER CODE: V56644 OPTIONAL PART: 1254-3 V34742 AHM4-103 V50294 FM4-6 V02695 M44-9 V73134	001100	1

MISSING ITEM NUMBERS NOT APPLICABLE

— ITEM NOT ILLUSTRATED

HAP

25-24-51-19A

BOEING PROPRIETARY - Copyright © - Unpublished Work - See title page for details.

25-24-51
FIG. 19A
PAGE 26
FEB 10/07

BOEING
737-600/700/800/900
PARTS CATALOG (MAINTENANCE)

FIG ITEM	PART NUMBER	1 2 3 4 5 6 7	NOMENCLATURE	EFFECT FROM TO	UNITS PER ASSY
19A 650	AHM4-103		.. BEARING-ROD END SUPPLIER CODE: V50294 OPTIONAL PART: 1254-3 V34742 ACM4-4 V56644 FM4-6 V02695 M44-9 V73134	001100	1
650	FM4-6		.. BEARING-ROD END SUPPLIER CODE: V02695 OPTIONAL PART: 1254-3 V34742 ACM4-4 V56644 AHM4-103 V50294 M44-9 V73134	001100	1
650	M44-9		.. BEARING-ROD END SUPPLIER CODE: V73134 OPTIONAL PART: 1254-3 V34742 ACM4-4 V56644 AHM4-103 V50294 FM4-6 V02695	001100	1
650	1254-3		.. BEARING-ROD END SUPPLIER CODE: V34742 OPTIONAL PART: ACM4-4 V56644 AHM4-103 V50294 FM4-6 V02695 M44-9 V73134	001100	1
655	65-81149-25		.. TUBE	001100	1

MISSING ITEM NUMBERS NOT APPLICABLE

— ITEM NOT ILLUSTRATED

HAP

25-24-51-19A

BOEING PROPRIETARY - Copyright © - Unpublished Work - See title page for details.

25-24-51
FIG. 19A
PAGE 27
FEB 10/07

BOEING
737-600/700/800/900
PARTS CATALOG (MAINTENANCE)

FIG ITEM	PART NUMBER	1 2 3 4 5 6 7	NOMENCLATURE	EFFECT FROM TO	UNITS PER ASSY
19A 660	BACB30PW4C17	.BOLT-		001100	3
		OPTIONAL PART:			
		BACB30PW4-17			
660	BACB30PW4-17	.BOLT-		001100	3
		OPTIONAL PART:			
		BACB30PW4C17			
665	BACW10BP4CD	.WASHER		001100	3
670	BACW10BN3SP	.WASHER		001100	3
675	PLH53CD	.NUT		001100	3
		SUPPLIER CODE:			
		VF0224			
		SPECIFICATION NUMBER:			
		BACN10YR3CD			
		OPTIONAL PART:			
		H52732-3CD			
		V15653			
680	BACG20C12N	.GROMMET		001100	2
685	NAS1515B4H	.GROMMET		001100	2
690	412A2250-4	.CHANNEL ASSY-		001100	1
		POSITION DATA:			
		LWR			
		STA 727F+21.92 TO			
		STA 727G+21.92			
695	412A2250-15	..BUSHING		001100	2
700	BACB28AT04B008C	..BUSHING		001100	12
705	412A2250-10	..CHANNEL		001100	1
710	65-80898-24	.TURNBUCKLE ASSY-		001100	1
		POSITION DATA:			
		STA 727G+7			
715	AN316-4L	..NUT		001100	1
720	ACB4-4	..BEARING-ROD END		001100	1
		SUPPLIER CODE:			
		V56644			
		OPTIONAL PART:			
		1254-3L			
		V34742			
		AHML4-103			
		V50294			
		FML4-6			
		V02695			
		ML44-9			
		V73134			

MISSING ITEM NUMBERS NOT APPLICABLE

- ITEM NOT ILLUSTRATED

HAP

25-24-51-19A

BOEING PROPRIETARY - Copyright © - Unpublished Work - See title page for details.

25-24-51
FIG. 19A
PAGE 28
FEB 15/09

BOEING
737-600/700/800/900
PARTS CATALOG (MAINTENANCE)

FIG ITEM	PART NUMBER	1 2 3 4 5 6 7	NOMENCLATURE	EFFECT FROM TO	UNITS PER ASSY
19A 720	AHML4-103		.. BEARING-ROD END SUPPLIER CODE: V50294 OPTIONAL PART: 1254-3L V34742 ACB4-4 V56644 FML4-6 V02695 ML44-9 V73134	001100	1
720	FML4-6		.. BEARING-ROD END SUPPLIER CODE: V02695 OPTIONAL PART: 1254-3L V34742 ACB4-4 V56644 AHML4-103 V50294 ML44-9 V73134	001100	1
720	ML44-9		.. BEARING-ROD END SUPPLIER CODE: V73134 OPTIONAL PART: 1254-3L V34742 ACB4-4 V56644 AHML4-103 V50294 FML4-6 V02695	001100	1
720	1254-3L		.. BEARING-ROD END SUPPLIER CODE: V34742 OPTIONAL PART: ACB4-4 V56644 AHML4-103 V50294 FML4-6 V02695 ML44-9 V73134	001100	1

MISSING ITEM NUMBERS NOT APPLICABLE

— ITEM NOT ILLUSTRATED

HAP

25-24-51-19A

BOEING PROPRIETARY - Copyright © - Unpublished Work - See title page for details.

25-24-51
FIG. 19A
PAGE 29
FEB 10/07

BOEING
737-600/700/800/900
PARTS CATALOG (MAINTENANCE)

FIG ITEM	PART NUMBER	1 2 3 4 5 6 7	NOMENCLATURE	EFFECT FROM TO	UNITS PER ASSY
19A 725	ACM4-4		.. BEARING-ROD END SUPPLIER CODE: V56644 OPTIONAL PART: 1254-3 V34742 AHM4-103 V50294 FM4-6 V02695 M44-9 V73134	001100	1
725	AHM4-103		.. BEARING-ROD END SUPPLIER CODE: V50294 OPTIONAL PART: 1254-3 V34742 ACM4-4 V56644 FM4-6 V02695 M44-9 V73134	001100	1
725	FM4-6		.. BEARING-ROD END SUPPLIER CODE: V02695 OPTIONAL PART: 1254-3 V34742 ACM4-4 V56644 AHM4-103 V50294 M44-9 V73134	001100	1
725	M44-9		.. BEARING-ROD END SUPPLIER CODE: V73134 OPTIONAL PART: 1254-3 V34742 ACM4-4 V56644 AHM4-103 V50294 FM4-6 V02695	001100	1

MISSING ITEM NUMBERS NOT APPLICABLE

— ITEM NOT ILLUSTRATED

HAP

25-24-51-19A

BOEING PROPRIETARY - Copyright © - Unpublished Work - See title page for details.

25-24-51
FIG. 19A
PAGE 30
FEB 10/07

BOEING
737-600/700/800/900
PARTS CATALOG (MAINTENANCE)

FIG ITEM	PART NUMBER	1 2 3 4 5 6 7	NOMENCLATURE	EFFECT FROM TO	UNITS PER ASSY
19A 725	1254-3		.. BEARING-ROD END SUPPLIER CODE: V34742 OPTIONAL PART: ACM4-4 V56644 AHM4-103 V50294 FM4-6 V02695 M44-9 V73134	001100	1
730	65-81149-25		.. TUBE	001100	1
735	BACB30PW4C17		. BOLT- OPTIONAL PART: BACB30PW4-17	001100	3
735	BACB30PW4-17		. BOLT- OPTIONAL PART: BACB30PW4C17	001100	3
740	BACW10BP4CD		. WASHER	001100	3
745	BACW10BN3SP		. WASHER	001100	3
750	PLH53CD		. NUT SUPPLIER CODE: VF0224 SPECIFICATION NUMBER: BACN10YR3CD OPTIONAL PART: H52732-3CD V15653	001100	3
755	BACG20C12N		. GROMMET	001100	2
760	NAS1515B4H		. GROMMET	001100	2
765	412A2250-2		. CHANNEL ASSY- POSITION DATA: LWR STA 727J+19.92 TO STA 766.92	001100	1
770	412A2250-15		.. BUSHING	001100	2
775	BACB28AT04B008C		.. BUSHING	001100	14
780	412A2250-8		.. CHANNEL	001100	1
785	65-80898-24		. TURNBUCKLE ASSY- POSITION DATA: STA 750	001100	1
790	AN316-4L		.. NUT	001100	1

MISSING ITEM NUMBERS NOT APPLICABLE

— ITEM NOT ILLUSTRATED

HAP

25-24-51-19A

BOEING PROPRIETARY - Copyright © - Unpublished Work - See title page for details.

25-24-51
FIG. 19A
PAGE 31
FEB 15/09

BOEING
737-600/700/800/900
PARTS CATALOG (MAINTENANCE)

FIG ITEM	PART NUMBER	1 2 3 4 5 6 7	NOMENCLATURE	EFFECT FROM TO	UNITS PER ASSY
19A 795	ACB4-4		.. BEARING-ROD END SUPPLIER CODE: V56644 OPTIONAL PART: 1254-3L V34742 AHML4-103 V50294 FML4-6 V02695 ML44-9 V73134	001100	1
795	AHML4-103		.. BEARING-ROD END SUPPLIER CODE: V50294 OPTIONAL PART: 1254-3L V34742 ACB4-4 V56644 FML4-6 V02695 ML44-9 V73134	001100	1
795	FML4-6		.. BEARING-ROD END SUPPLIER CODE: V02695 OPTIONAL PART: 1254-3L V34742 ACB4-4 V56644 AHML4-103 V50294 ML44-9 V73134	001100	1
795	ML44-9		.. BEARING-ROD END SUPPLIER CODE: V73134 OPTIONAL PART: 1254-3L V34742 ACB4-4 V56644 AHML4-103 V50294 FML4-6 V02695	001100	1

MISSING ITEM NUMBERS NOT APPLICABLE

— ITEM NOT ILLUSTRATED

HAP

25-24-51-19A

BOEING PROPRIETARY - Copyright © - Unpublished Work - See title page for details.

25-24-51
FIG. 19A
PAGE 32
FEB 10/07

BOEING
737-600/700/800/900
PARTS CATALOG (MAINTENANCE)

FIG ITEM	PART NUMBER	1 2 3 4 5 6 7	NOMENCLATURE	EFFECT FROM TO	UNITS PER ASSY
19A 795	1254-3L		.. BEARING-ROD END SUPPLIER CODE: V34742 OPTIONAL PART: ACB4-4 V56644 AHML4-103 V50294 FML4-6 V02695 ML44-9 V73134	001100	1
800	ACM4-4		.. BEARING-ROD END SUPPLIER CODE: V56644 OPTIONAL PART: 1254-3 V34742 AHM4-103 V50294 FM4-6 V02695 M44-9 V73134	001100	1
800	AHM4-103		.. BEARING-ROD END SUPPLIER CODE: V50294 OPTIONAL PART: 1254-3 V34742 ACM4-4 V56644 FM4-6 V02695 M44-9 V73134	001100	1
800	FM4-6		.. BEARING-ROD END SUPPLIER CODE: V02695 OPTIONAL PART: 1254-3 V34742 ACM4-4 V56644 AHM4-103 V50294 M44-9 V73134	001100	1

MISSING ITEM NUMBERS NOT APPLICABLE

— ITEM NOT ILLUSTRATED

HAP

25-24-51-19A

BOEING PROPRIETARY - Copyright © - Unpublished Work - See title page for details.

25-24-51
FIG. 19A
PAGE 33
FEB 10/07

BOEING
737-600/700/800/900
PARTS CATALOG (MAINTENANCE)

FIG ITEM	PART NUMBER	1 2 3 4 5 6 7	NOMENCLATURE	EFFECT FROM TO	UNITS PER ASSY
19A 800	M44-9		.. BEARING-ROD END SUPPLIER CODE: V73134 OPTIONAL PART: 1254-3 V34742 ACM4-4 V56644 AHM4-103 V50294 FM4-6 V02695	001100	1
800	1254-3		.. BEARING-ROD END SUPPLIER CODE: V34742 OPTIONAL PART: ACM4-4 V56644 AHM4-103 V50294 FM4-6 V02695 M44-9 V73134	001100	1
805	65-81149-25		.. TUBE	001100	1
810	BACB30PW4C17		. BOLT- OPTIONAL PART: BACB30PW4-17	001100	4
810	BACB30PW4-17		. BOLT- OPTIONAL PART: BACB30PW4C17	001100	4
815	BACW10BP4CD		. WASHER	001100	4
820	BACW10BN3SP		. WASHER	001100	4
825	PLH53CD		. NUT SUPPLIER CODE: VF0224 SPECIFICATION NUMBER: BACN10YR3CD OPTIONAL PART: H52732-3CD V15653	001100	4
830	BACG20C12N		. GROMMET	001100	2
835	NAS1515B4H		. GROMMET	001100	4
840	412A2250-2		. CHANNEL ASSY- POSITION DATA: LWR STA 806.92 - STA 826.92	001100	1
845	412A2250-15		.. BUSHING	001100	2
850	BACB28AT04B008C		.. BUSHING	001100	14

MISSING ITEM NUMBERS NOT APPLICABLE

— ITEM NOT ILLUSTRATED

HAP

25-24-51-19A

BOEING PROPRIETARY - Copyright © - Unpublished Work - See title page for details.

25-24-51
FIG. 19A
PAGE 34
FEB 15/09

BOEING
737-600/700/800/900
PARTS CATALOG (MAINTENANCE)

FIG ITEM	PART NUMBER	1 2 3 4 5 6 7	NOMENCLATURE	EFFECT FROM TO	UNITS PER ASSY
19A					
855	412A2250-8		.. CHANNEL	001100	1
860	65-80898-24		. TURNBUCKLE ASSY- POSITION DATA: STA 820.00 AND STA 821.40	001100	2
865	AN316-4L		.. NUT	001100	1
870	ACB4-4		.. BEARING-ROD END SUPPLIER CODE: V56644 OPTIONAL PART: 1254-3L V34742 AHML4-103 V50294 FML4-6 V02695 ML44-9 V73134	001100	1
870	AHML4-103		.. BEARING-ROD END SUPPLIER CODE: V50294 OPTIONAL PART: 1254-3L V34742 ACB4-4 V56644 FML4-6 V02695 ML44-9 V73134	001100	1
870	FML4-6		.. BEARING-ROD END SUPPLIER CODE: V02695 OPTIONAL PART: 1254-3L V34742 ACB4-4 V56644 AHML4-103 V50294 ML44-9 V73134	001100	1

MISSING ITEM NUMBERS NOT APPLICABLE

— ITEM NOT ILLUSTRATED

HAP

25-24-51-19A

BOEING PROPRIETARY - Copyright © - Unpublished Work - See title page for details.

25-24-51
FIG. 19A
PAGE 35
FEB 10/07

BOEING
737-600/700/800/900
PARTS CATALOG (MAINTENANCE)

FIG ITEM	PART NUMBER	1 2 3 4 5 6 7	NOMENCLATURE	EFFECT FROM TO	UNITS PER ASSY
19A 870	ML44-9		.. BEARING-ROD END SUPPLIER CODE: V73134 OPTIONAL PART: 1254-3L V34742 ACB4-4 V56644 AHML4-103 V50294 FML4-6 V02695	001100	1
870	1254-3L		.. BEARING-ROD END SUPPLIER CODE: V34742 OPTIONAL PART: ACB4-4 V56644 AHML4-103 V50294 FML4-6 V02695 ML44-9 V73134	001100	1
875	ACM4-4		.. BEARING-ROD END SUPPLIER CODE: V56644 OPTIONAL PART: 1254-3 V34742 AHM4-103 V50294 FM4-6 V02695 M44-9 V73134	001100	1
875	AHM4-103		.. BEARING-ROD END SUPPLIER CODE: V50294 OPTIONAL PART: 1254-3 V34742 ACM4-4 V56644 FM4-6 V02695 M44-9 V73134	001100	1

MISSING ITEM NUMBERS NOT APPLICABLE

— ITEM NOT ILLUSTRATED

HAP

25-24-51-19A

BOEING PROPRIETARY - Copyright © - Unpublished Work - See title page for details.

25-24-51
FIG. 19A
PAGE 36
FEB 10/07

BOEING
737-600/700/800/900
PARTS CATALOG (MAINTENANCE)

FIG ITEM	PART NUMBER	1 2 3 4 5 6 7	NOMENCLATURE	EFFECT FROM TO	UNITS PER ASSY
19A 875	FM4-6		.. BEARING-ROD END SUPPLIER CODE: V02695 OPTIONAL PART: 1254-3 V34742 ACM4-4 V56644 AHM4-103 V50294 M44-9 V73134	001100	1
875	M44-9		.. BEARING-ROD END SUPPLIER CODE: V73134 OPTIONAL PART: 1254-3 V34742 ACM4-4 V56644 AHM4-103 V50294 FM4-6 V02695	001100	1
875	1254-3		.. BEARING-ROD END SUPPLIER CODE: V34742 OPTIONAL PART: ACM4-4 V56644 AHM4-103 V50294 FM4-6 V02695 M44-9 V73134	001100	1
880	65-81149-25		.. TUBE	001100	1
885	412N2030-53		. DIAGONAL ASSY- POSITION DATA: STA 480	001020	1
885	412N2030-153		. DIAGONAL ASSY- POSITION DATA: STA 480	021035 037038	1
885	412N2030-253		. DIAGONAL ASSY- POSITION DATA: STA 480	036100	1
890	412N2030-64		. DIAGONAL ASSY- POSITION DATA: STA 500B	001020	1

MISSING ITEM NUMBERS NOT APPLICABLE

— ITEM NOT ILLUSTRATED

HAP

25-24-51-19A

BOEING PROPRIETARY - Copyright © - Unpublished Work - See title page for details.

25-24-51
FIG. 19A
PAGE 37
OCT 10/07

BOEING
737-600/700/800/900
PARTS CATALOG (MAINTENANCE)

FIG ITEM	PART NUMBER	1 2 3 4 5 6 7	NOMENCLATURE	EFFECT FROM TO	UNITS PER ASSY
19A					
890	412N2030-164		.DIAGONAL ASSY- POSITION DATA: STA 500B	021035 037038	1
890	412N2030-264		.DIAGONAL ASSY- POSITION DATA: STA 500B	036100	1
895	412N2030-66		.DIAGONAL ASSY- POSITION DATA: STA 500F	001020	1
895	412N2030-166		.DIAGONAL ASSY- POSITION DATA: STA 500F	021035 037038	1
895	412N2030-266		.DIAGONAL ASSY- POSITION DATA: STA 500F	036100	1
900	412N2030-59		.DIAGONAL ASSY- POSITION DATA: STA 500I	001020	1
900	412N2030-159		.DIAGONAL ASSY- POSITION DATA: STA 500I	021035 037038	1
900	412N2030-259		.DIAGONAL ASSY- POSITION DATA: STA 500I	036100	1
905	412N2030-60		.DIAGONAL ASSY- POSITION DATA: STA 663.75	001020	1
905	412N2030-160		.DIAGONAL ASSY- POSITION DATA: STA 663.75	021035 037038	1
905	412N2030-260		.DIAGONAL ASSY- POSITION DATA: STA 663.75	036100	1
910	412N2030-62		.DIAGONAL ASSY- POSITION DATA: STA 727A	001020	1
910	412N2030-162		.DIAGONAL ASSY- POSITION DATA: STA 727A	021035 037038	1
910	412N2030-262		.DIAGONAL ASSY- POSITION DATA: STA 727A	036100	1
915	412N2030-65		.DIAGONAL ASSY- POSITION DATA: STA 727E	001020	1
915	412N2030-165		.DIAGONAL ASSY- POSITION DATA: STA 727E	021035 037038	1

MISSING ITEM NUMBERS NOT APPLICABLE

— ITEM NOT ILLUSTRATED

HAP

25-24-51-19A

BOEING PROPRIETARY - Copyright © - Unpublished Work - See title page for details.

25-24-51
FIG. 19A
PAGE 38
OCT 10/07

BOEING
737-600/700/800/900
PARTS CATALOG (MAINTENANCE)

FIG ITEM	PART NUMBER	1 2 3 4 5 6 7	NOMENCLATURE	EFFECT FROM TO	UNITS PER ASSY
19A 915	412N2030-265		.DIAGONAL ASSY- POSITION DATA: STA 727E	036100	1
920	412N2030-63		.DIAGONAL ASSY- POSITION DATA: STA 727I AND STA 787	001020	2
920	412N2030-163		.DIAGONAL ASSY- POSITION DATA: STA 727I AND STA 787	021035 037038	2
920	412N2030-263		.DIAGONAL ASSY- POSITION DATA: STA 727I AND STA 787	036100	2
925	412N2030-57		.DIAGONAL ASSY- POSITION DATA: STA 847	001020	1
925	412N2030-157		.DIAGONAL ASSY- POSITION DATA: STA 847	021035 037038	1
925	412N2030-257		.DIAGONAL ASSY- POSITION DATA: STA 847	036100	1
- 930	NAS1149D0516J		.WASHER	001100	10
- 935	PLH55CD		.NUT SUPPLIER CODE: VF0224 SPECIFICATION NUMBER: BACN10YR5CD OPTIONAL PART: H52732-5CD V15653	001100	10
940	412N2032-6		-----*----- ..INSULATOR- MANUFACTURED FROM: FIN F-25.01 COMPRESSION MOLDED PHENOLIC, GLASS FIBER FILLED PER BMS8-271A, TYPE 1. OPTIONAL PART: 412N2032-4	001100	1

MISSING ITEM NUMBERS NOT APPLICABLE

- ITEM NOT ILLUSTRATED

HAP

25-24-51-19A

BOEING PROPRIETARY - Copyright © - Unpublished Work - See title page for details.

25-24-51
FIG. 19A
PAGE 39
FEB 15/09

BOEING
737-600/700/800/900
PARTS CATALOG (MAINTENANCE)

FIG ITEM	PART NUMBER	1 2 3 4 5 6 7	NOMENCLATURE	EFFECT FROM TO	UNITS PER ASSY
19A 940	412N2032-4		.. INSULATOR- MANUFACTURED FROM: FIN F-6.10 COMPRESSION MOLDED PHENOLIC, GLASS FIBER FILLED PER BMS8-271A, TYPE 1 OPTIONAL PART: 412N2032-3 OPTIONAL PART: 412N2032-6	001020	1
945	BACP18BD3R17		.. PIN- OPTIONAL PART: MS20392-3C17	001100	1
945	MS20392-3C17		.. PIN- OPTIONAL PART: BACP18BD3R17	001100	1
950	BACP18BC02A06P		.. PIN- OPTIONAL PART: MS24665-132	001100	1
950	MS24665-132		.. PIN- OPTIONAL PART: BACP18BC02A06P	001100	1
955	BACW10P273L		.. WASHER- OPTIONAL PART: NAS1149D0416J	001035 037038	1
955	NAS1149D0416J		.. WASHER- OPTIONAL PART: BACW10P273L	001035 037038	1
955	BACW10P361LA		.. WASHER	036100	1
960	412N2031-1		.. CLEVIS- MANUFACTURED FROM: 412N2031-2	001100	1
962	AN316-5R		.. NUT	001100	1
965	1293-23		.. ROD ASSY- SUPPLIER CODE: V34742 OPTIONAL PART: USC1325-13 V31293 USED ON: 412N2030-53 412N2030-153 412N2030-253	001100	1

MISSING ITEM NUMBERS NOT APPLICABLE

- ITEM NOT ILLUSTRATED

HAP

25-24-51-19A

BOEING PROPRIETARY - Copyright © - Unpublished Work - See title page for details.

25-24-51
FIG. 19A
PAGE 40
OCT 10/07

 **BOEING**
737-600/700/800/900
PARTS CATALOG (MAINTENANCE)

FIG ITEM	PART NUMBER	1 2 3 4 5 6 7	NOMENCLATURE	EFFECT FROM TO	UNITS PER ASSY
19A 965	USC1325-13		.. ROD ASSY-TIE SUPPLIER CODE: V31293 OPTIONAL PART: 1293-23 V34742 USED ON: 412N2030-153 412N2030-253	021100	1
965	1551-5		.. ROD ASSY- SUPPLIER CODE: V34742 OPTIONAL PART: USC1325-25 V31293 USED ON: 412N2030-64 412N2030-164 412N2030-264	001100	1
965	USC1325-25		.. ROD ASSY-TIE SUPPLIER CODE: V31293 OPTIONAL PART: 1551-5 V34742 USED ON: 412N2030-164 412N2030-264	021100	1
965	1554-7		.. ROD ASSY- SUPPLIER CODE: V34742 OPTIONAL PART: USC1325-27 V31293 USED ON: 412N2030-66 412N2030-166 412N2030-266	001100	1
965	USC1325-27		.. ROD ASSY-TIE SUPPLIER CODE: V31293 OPTIONAL PART: 1554-7 V34742 USED ON: 412N2030-166 412N2030-266	021100	1

MISSING ITEM NUMBERS NOT APPLICABLE

— ITEM NOT ILLUSTRATED

HAP

25-24-51-19A

BOEING PROPRIETARY - Copyright © - Unpublished Work - See title page for details.

25-24-51
FIG. 19A
PAGE 41
FEB 10/07

BOEING
737-600/700/800/900
PARTS CATALOG (MAINTENANCE)

FIG ITEM	PART NUMBER	1 2 3 4 5 6 7	NOMENCLATURE	EFFECT FROM TO	UNITS PER ASSY
19A 965	1293-51		..ROD ASSY- SUPPLIER CODE: V34742 OPTIONAL PART: USC1325-9 V31293 USED ON: 412N2030-59 412N2030-159 412N2030-259	001100	1
965	USC1325-9		..ROD ASSY-TIE SUPPLIER CODE: V31293 OPTIONAL PART: 1293-51 V34742 USED ON: 412N2030-159 412N2030-259	021100	1
965	1293-53		..ROD ASSY- SUPPLIER CODE: V34742 OPTIONAL PART: USC25-37 V31293 USED ON: 412N2030-60 412N2030-160 412N2030-260	001100	1
965	USC1325-37		..ROD ASSY-TIE SUPPLIER CODE: V31293 OPTIONAL PART: 1293-53 V34742 USED ON: 412N2030-160 412N2030-260	021100	1
965	1551-3		..ROD ASSY- SUPPLIER CODE: V34742 OPTIONAL PART: USC1325-1 V31293 USED ON: 412N2030-62 412N2030-162 412N2030-262	001100	1

MISSING ITEM NUMBERS NOT APPLICABLE

— ITEM NOT ILLUSTRATED

HAP

25-24-51-19A

BOEING PROPRIETARY - Copyright © - Unpublished Work - See title page for details.

25-24-51
FIG. 19A
PAGE 42
JUN 15/08

BOEING
737-600/700/800/900
PARTS CATALOG (MAINTENANCE)

FIG ITEM	PART NUMBER	1 2 3 4 5 6 7	NOMENCLATURE	EFFECT FROM TO	UNITS PER ASSY
19A 965	USC1325-1		..ROD ASSY-TIE SUPPLIER CODE: V31293 OPTIONAL PART: 1551-3 V34742 USED ON: 412N2030-162 412N2030-262	021100	1
965	1554-5		..ROD ASSY- SUPPLIER CODE: V34742 OPTIONAL PART: USC1325-41 V31293 USED ON: 412N2030-65 412N2030-165 412N2030-265	001100	1
965	USC1325-41		..ROD ASSY-TIE SUPPLIER CODE: V31293 OPTIONAL PART: 1554-5 V34742 USED ON: 412N2030-165 412N2030-265	021100	1
965	1554-3		..ROD ASSY- SUPPLIER CODE: V34742 OPTIONAL PART: USC1325-35 V31293 USED ON: 412N2030-63 412N2030-163 412N2030-263	001052 054100	1
965	USC1325-35		..ROD ASSY-TIE SUPPLIER CODE: V31293 OPTIONAL PART: 1554-3 V34742 USED ON: 412N2030-163 412N2030-263	021052 054100	1

MISSING ITEM NUMBERS NOT APPLICABLE

— ITEM NOT ILLUSTRATED

HAP

25-24-51-19A

BOEING PROPRIETARY - Copyright © - Unpublished Work - See title page for details.

25-24-51
FIG. 19A
PAGE 43
FEB 15/09

BOEING
737-600/700/800/900
PARTS CATALOG (MAINTENANCE)

FIG ITEM	PART NUMBER	1 2 3 4 5 6 7	NOMENCLATURE	EFFECT FROM TO	UNITS PER ASSY
19A 965	1293-17		..ROD ASSY- SUPPLIER CODE: V34742 OPTIONAL PART: USC1325-21 V31293 USED ON: 412N2030-57 412N2030-157 412N2030-257	001100	1
966	USC1325-21		..ROD ASSY-TIE SUPPLIER CODE: V31293 OPTIONAL PART: 1293-17 V34742 USED ON: 412N2030-157 412N2030-257	021100	1
970	MS20392-3C17		.PIN	001020	1
970	BACP18BD3C17		.PIN	021100	1
975	BACP18BC02C04P		.PIN	001100	1
980	NAS1149D0416J		.WASHER	001100	1
985	412N2030-61		.DIAGONAL ASSY- POSITION DATA: STA 601	001100	1
990	AN316-5R		..NUT	001100	1
995	1554-1		..ROD ASSY- SUPPLIER CODE: V34742 OPTIONAL PART: USC1325-33 V31293	001100	1
995	USC1325-33		..ROD ASSY-TIE SUPPLIER CODE: V31293 OPTIONAL PART: 1554-1 V34742	001100	1

MISSING ITEM NUMBERS NOT APPLICABLE

— ITEM NOT ILLUSTRATED

HAP

25-24-51-19A

BOEING PROPRIETARY - Copyright © - Unpublished Work - See title page for details.

25-24-51
FIG. 19A
PAGE 44
FEB 10/07

NON-ILLUSTRATED FIGURE

THE ITEMS REFLECTED IN THIS FIGURE ARE INTENTIONALLY
NON-ILLUSTRATED. THEY ARE REFERENCED TO EITHER A
NEXT HIGHER OR NEXT LOWER ASSEMBLY/INSTALLATION FIGURE.

E 25245141A REV 122

HOLDER INSTL-DISKETTE
FIGURE 41A

25-24-51-41A

HAP
OCT 10/06

25-24-51-41A
PAGE 0

BOEING
737-600/700/800/900
PARTS CATALOG (MAINTENANCE)

FIG ITEM	PART NUMBER	1 2 3 4 5 6 7	NOMENCLATURE	EFFECT FROM TO	UNITS PER ASSY
41A			HOLDER INSTL-DISKETTE	031200 968999	
- 1	MODREF182956		HOLDER INSTL-DISKETTE MODULE NUMBER: 200A0100-4 REV C	031036	1
- 1	MODREF324759		HOLDER INSTL-DISKETTE MODULE NUMBER: 200A0100-4 REV G	037200 968999	1
- 5	200A0102-1		.BINDER ASSY-MEDIA	031036	1
- 5	200A0102-2		.BINDER ASSY-MEDIA	037200 968999	1
- 10	BAC27DCC2839		..DECAL- PLACARD CONTENT: 1 OF 1	031200 968999	1
- 15	BAC27EEL27011		..MARKER	031200 968999	1
- 20	BAC27DEX7018		..DECAL- PLACARD CONTENT: 200A0102-1	031036	1
- 25	BAC27DEX7217		..DECAL- PLACARD CONTENT: 200A0102-2	037200 968999	1
- 30	BAC27EEL27012		..MARKER	031200 968999	2
- 35	BAC27WEX912		..DECAL- PLACARD CONTENT: RESERVED	031036	35
- 40	BAC27WEX912		..DECAL- PLACARD CONTENT: RESERVED	037200 968999	50
- 45	BCC007		..PAGE-DISKETTE STORAGE SUPPLIER CODE: V1083B	031200 968999	5
- 50	BCC008		..PAGE-CD-ROM STORAGE SUPPLIER CODE: V1083B	037200 968999	3
- 55	CPAM737XA		..BINDER-DISKETTE SUPPLIER CODE: V51770	031200 968999	1

MISSING ITEM NUMBERS NOT APPLICABLE

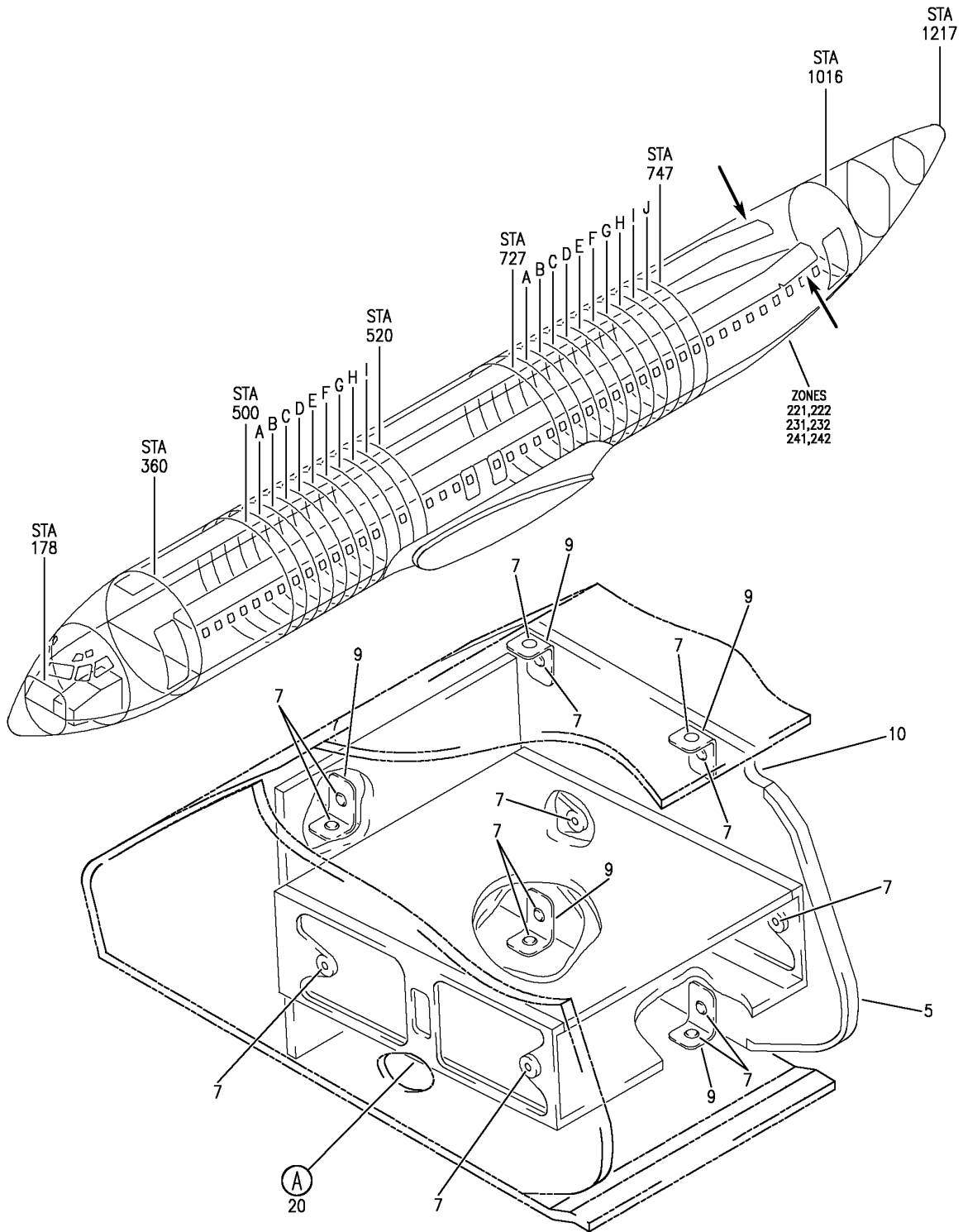
- ITEM NOT ILLUSTRATED

HAP

25-24-51-41A

BOEING PROPRIETARY - Copyright © - Unpublished Work - See title page for details.

25-24-51
FIG. 41A
PAGE 1
OCT 15/08



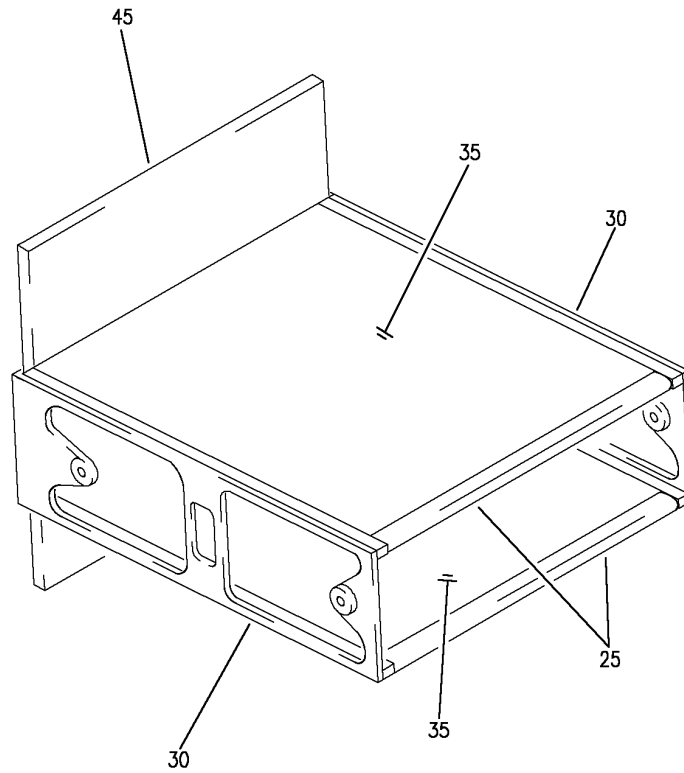
E 25245161C SHT 1 REV 075

RACK ASSY-MAGAZINE STOWAGE COMPT
 FIGURE 61C (SHEET 1)

25-24-51-61C

HAP
 OCT 15/08

25-24-51-61C
 PAGE 0



(A)

E 25245161C SHT 2 REV 072

RACK ASSY-MAGAZINE STOWAGE COMPT
FIGURE 61C (SHEET 2)

25-24-51-61C

HAP
OCT 15/08

25-24-51-61C
PAGE 0A

BOEING
737-600/700/800/900
PARTS CATALOG (MAINTENANCE)

FIG ITEM	PART NUMBER	1 2 3 4 5 6 7	NOMENCLATURE	EFFECT FROM TO	UNITS PER ASSY
61C			RACK ASSY-MAGAZINE STOWAGE COMPT	201967	
- 1	412A1910-24SP		RACK ASSY-MAGAZINE STOWAGE COMPT FOR NHA SEE: 25-24-30-37	201967	RF
5	412A1250-91SP		.TRIM-EDGE	201967	1
7	BACS12FA3K5		.SCREW	201967	14
9	412A1220-61SP		.CLIP-	201967	5
10	412A1213-42SP		.PANEL ASSY-DIVIDER	201967	1
- 15	SL2334-3A1		..INSERT- SUPPLIER CODE: V97393	201967	11
20	412A1910-1SP		.RACK ASSY-MAG	201967	1
25	412A1450-17SP		..TRIM-	201967	2
30	412N1212-4SP		..SUPPORT-SHELF	201967	2
35	412A1213-20SP		..SHELF ASSY-	201967	2
45	412A1213-67B		..PANEL ASSY-BACK OPTIONAL PART: 412A1213-30SP	201967	1
45	412A1213-30SP		..PANEL ASSY-BACK OPTIONAL PART: 412A1213-67B	201967	1

MISSING ITEM NUMBERS NOT APPLICABLE

- ITEM NOT ILLUSTRATED

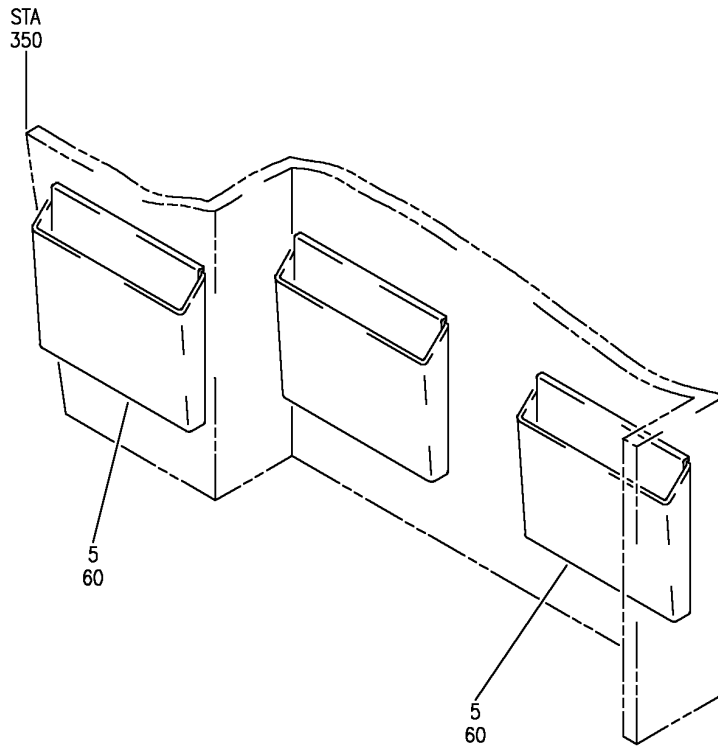
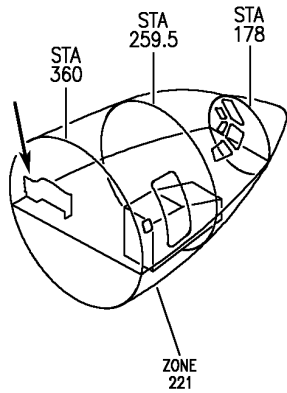
HAP

25-24-51-61C

BOEING PROPRIETARY - Copyright © - Unpublished Work - See title page for details.

25-24-51
FIG. 61C
PAGE 1
OCT 15/08

BOEING
737-600/700/800/900
PARTS CATALOG (MAINTENANCE)



E 25245162A REV 148

POCKET INSTL-LITERATURE MISC EQUIPMENT FWD MONUMENT
FIGURE 62A

25-24-51-62A

HAP
FEB 15/09

25-24-51-62A
PAGE 0

BOEING PROPRIETARY - Copyright © - Unpublished Work - See title page for details.

BOEING
737-600/700/800/900
PARTS CATALOG (MAINTENANCE)

FIG ITEM	PART NUMBER	1 2 3 4 5 6 7	NOMENCLATURE	EFFECT FROM TO	UNITS PER ASSY
62A			POCKET INSTL-LITERATURE MISC EQUIPMENT FWD MONUMENT	031037 039041 047050 053200 968999	
- 1	MODREF274134		POCKET INSTL-LITERATURE MISC EQUIPMENT MODULE NUMBER: 413A3540-202B REV A POSITION DATA: LH STA 344.00 AND STA 350.00	031037 039041 047047 054100	1
- 1	MODREF312490		POCKET INSTL-LITERATURE MISC EQUIPMENT MODULE NUMBER: 413A3540-202C REV A POSITION DATA: LH STA 344.00 AND STA 350.00	101106 968999	1
5	5021-5D		.POCKET ASSY- SUPPLIER CODE: V31218 SPECIFICATION NUMBER: S435W111-5D	031037 039041 047047 054100	3
5	5021-5BJ		.POCKET ASSY- SUPPLIER CODE: V31218 SPECIFICATION NUMBER: S435W111-5BJ	101106 968999	3
- 10	BACS12FA3K6		ATTACHING PARTS .SCREW	031037 039041 047047 054106 968999	12
- 50	MODREF394399		-----*----- POCKET INSTL-3 LITERATURE MISC EQUIPMENT MODULE NUMBER: 413A3540-295B REV A POSITION DATA: STA 343.40 AND STA 350.00 LH MONUMENT	048050 053053 107200	1
60	5021-5D		.POCKET ASSY- SUPPLIER CODE: V31218 SPECIFICATION NUMBER: S435W111-5D	048050 053053 107200	3

MISSING ITEM NUMBERS NOT APPLICABLE

- ITEM NOT ILLUSTRATED

HAP

25-24-51-62A

BOEING PROPRIETARY - Copyright © - Unpublished Work - See title page for details.

25-24-51
FIG. 62A
PAGE 1
FEB 15/09


BOEING
 737-600/700/800/900
PARTS CATALOG (MAINTENANCE)

FIG ITEM	PART NUMBER	1 2 3 4 5 6 7 NOMENCLATURE	EFFECT FROM TO	UNITS PER ASSY
62A - 70	BACS12FA3K6	ATTACHING PARTS .SCREW -----*-----	048050 053053 107200	12

MISSING ITEM NUMBERS NOT APPLICABLE

- ITEM NOT ILLUSTRATED

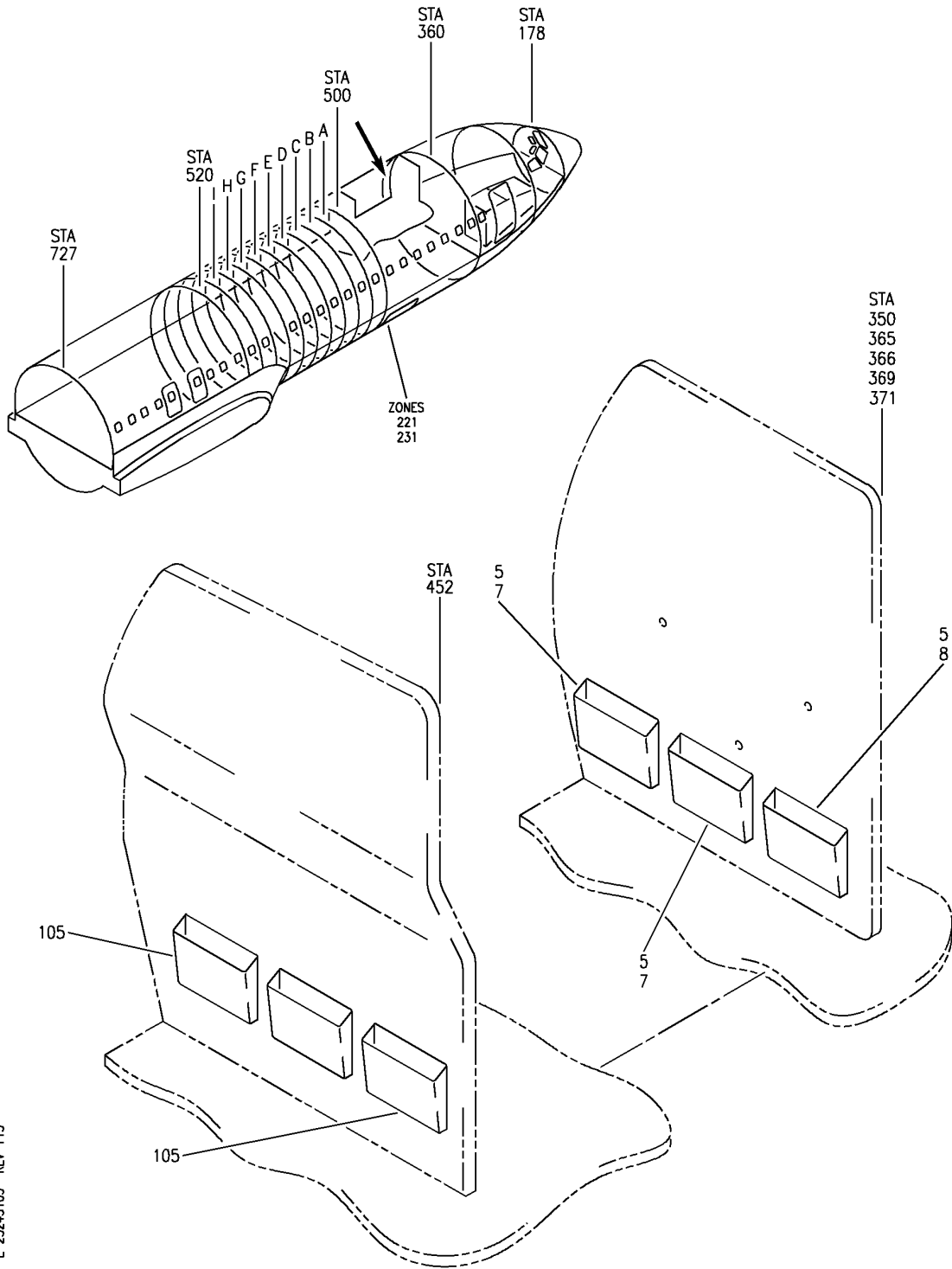
HAP

25-24-51-62A

BOEING PROPRIETARY - Copyright © - Unpublished Work - See title page for details.

25-24-51
 FIG. 62A
 PAGE 2
 FEB 15/09

BOEING
 737-600/700/800/900
 PARTS CATALOG (MAINTENANCE)



E 25245163 REV 113

POCKET INSTL-LITERATURE FWD LH MONUMENT
 FIGURE 63

25-24-51-63

HAP
 JUN 10/07

25-24-51-63
 PAGE 0

BOEING
737-600/700/800/900
PARTS CATALOG (MAINTENANCE)

FIG ITEM	PART NUMBER	1 2 3 4 5 6 7	NOMENCLATURE	EFFECT FROM TO	UNITS PER ASSY
63			POCKET INSTL-LITERATURE FWD LH MONUMENT	038038 042046 051052	
- 1	MODREF322900		POCKET INSTL-LITERATURE MISC EQPT MONUMENT MODULE NUMBER: 413A3540-17C REV B POSITION DATA: STA 350.00 LBL 20.75 FWD LH	038038 042046 051052	1
5	5021-5D		.POCKET ASSY- SUPPLIER CODE: V31218 SPECIFICATION NUMBER: S435W111-5D	038038 042046 051052	3
- 10	BACS12FA3K6		ATTACHING PARTS .SCREW -----*-----	038038 042046 051052	12

MISSING ITEM NUMBERS NOT APPLICABLE

- ITEM NOT ILLUSTRATED

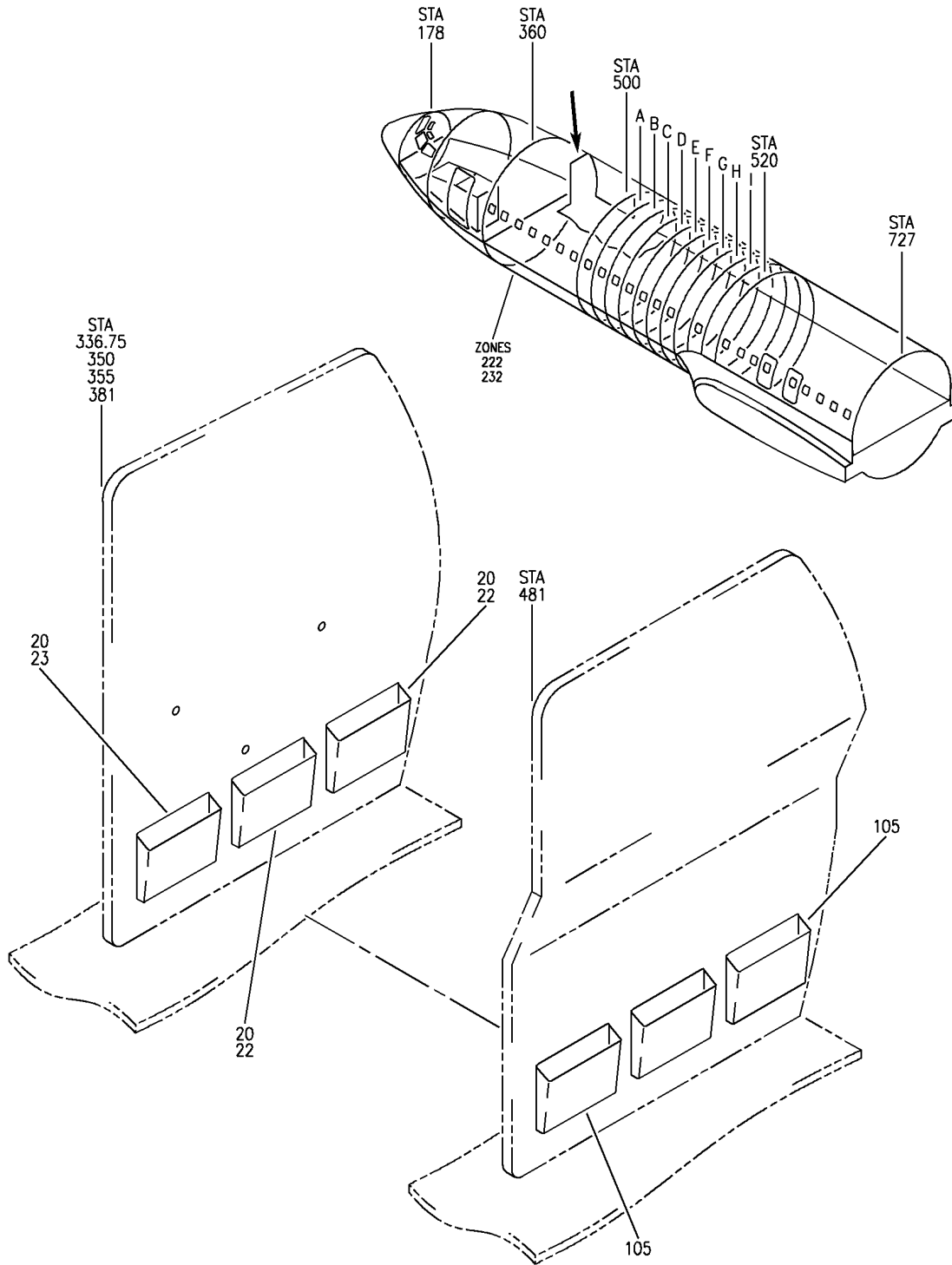
HAP

25-24-51-63

BOEING PROPRIETARY - Copyright © - Unpublished Work - See title page for details.

25-24-51
FIG. 63
PAGE 1
FEB 15/09

BOEING
 737-600/700/800/900
 PARTS CATALOG (MAINTENANCE)



E 25245164 REV 113

POCKET INSTL-LITERATURE MISC EQPT FWD MONUMENT
 FIGURE 64

25-24-51-64

HAP
 OCT 10/06

25-24-51-64
 PAGE 0

BOEING
737-600/700/800/900
PARTS CATALOG (MAINTENANCE)

FIG ITEM	PART NUMBER	1 2 3 4 5 6 7	NOMENCLATURE	EFFECT FROM TO	UNITS PER ASSY
64			POCKET INSTL-LITERATURE MISC EQPT FWD MONUMENT	031100 107200	
- 1	MODREF91945		POCKET INSTL-LITERATURE MISC EQPT MONUMENT MODULE NUMBER: 413A3540-155B REV A POSITION DATA: STA 369.00, RBL 14.00 FWD RH	031046	1
- 2	MODREF322984		POCKET INSTL-3 LITERATURE MISC EQPT MONUMENT MODULE NUMBER: 413A3540-54B REV C POSITION DATA: STA 365.00, RBL 14.00 WL 222.0	048100	1
- 2	MODREF386491		POCKET INSTL-LITERATURE MISC EQPT MONUMENT MODULE NUMBER: 413A3540-155B REV B POSITION DATA: STA 369.00, RBL 14.00 FWD	047047	1
- 6	MODREF322999		POCKET INSTL-3 LITERATURE MISC EQPT MONUMENT MODULE NUMBER: 413A3540-64B REV B POSITION DATA: STA 350.00, RBL 14.00 WL 222.0	107200	1
20	5021-5D		.POCKET ASSY- SUPPLIER CODE: V31218 SPECIFICATION NUMBER: S435W111-5D	031100 107200	3
- 25	BACS12FA3K6		ATTACHING PARTS .SCREW- -----*-----	031100 107200	12

MISSING ITEM NUMBERS NOT APPLICABLE

- ITEM NOT ILLUSTRATED

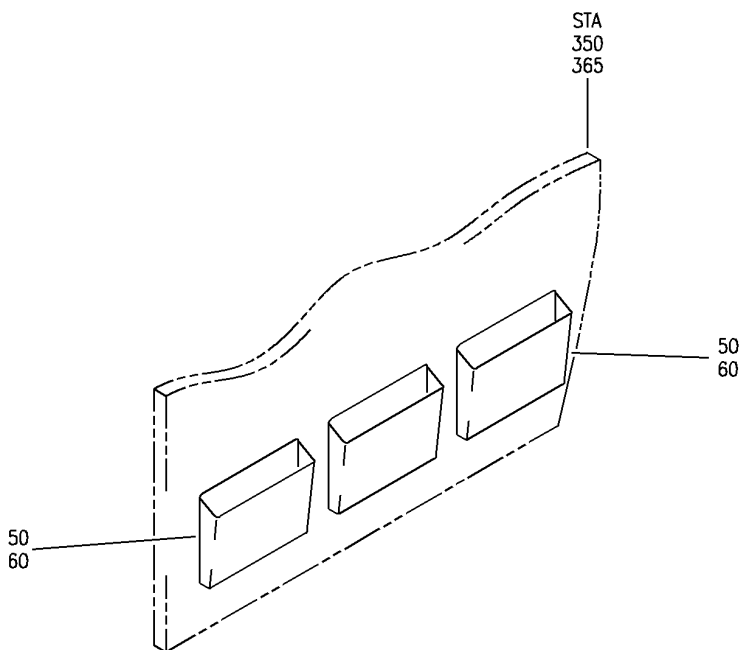
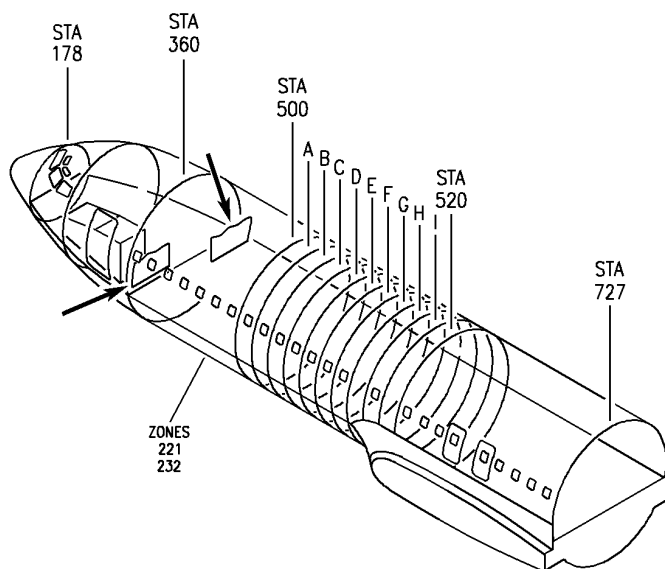
HAP

25-24-51-64

BOEING PROPRIETARY - Copyright © - Unpublished Work - See title page for details.

25-24-51
FIG. 64
PAGE 1
FEB 15/09

BOEING
 737-600/700/800/900
 PARTS CATALOG (MAINTENANCE)



E 25245166B REV 12B

POCKET INSTL-3 LITERATURE RH MONUMENT
 FIGURE 66B

25-24-51-66B

HAP
 JUN 10/07

25-24-51-66B
 PAGE 0

BOEING
737-600/700/800/900
PARTS CATALOG (MAINTENANCE)

FIG ITEM	PART NUMBER	1 2 3 4 5 6 7	NOMENCLATURE	EFFECT FROM TO	UNITS PER ASSY
66B			POCKET INSTL-3 LITERATURE RH MONUMENT	101106 968999	
- 5	MODREF323002		POCKET INSTL-3 LITERATURE MODULE NUMBER: 413A3540-64G REV B POSITION DATA: STA 350.00 LBL 14.0 WL 222.0 RH MONUMENT	101106 968999	1
60	5021-5BJ		.POCKET ASSY- SUPPLIER CODE: V31218 SPECIFICATION NUMBER: S435W111-5BJ	101106 968999	3
- 65	BACS12FA3K6		ATTACHING PARTS .SCREW -----*-----	101106 968999	12

MISSING ITEM NUMBERS NOT APPLICABLE

- ITEM NOT ILLUSTRATED

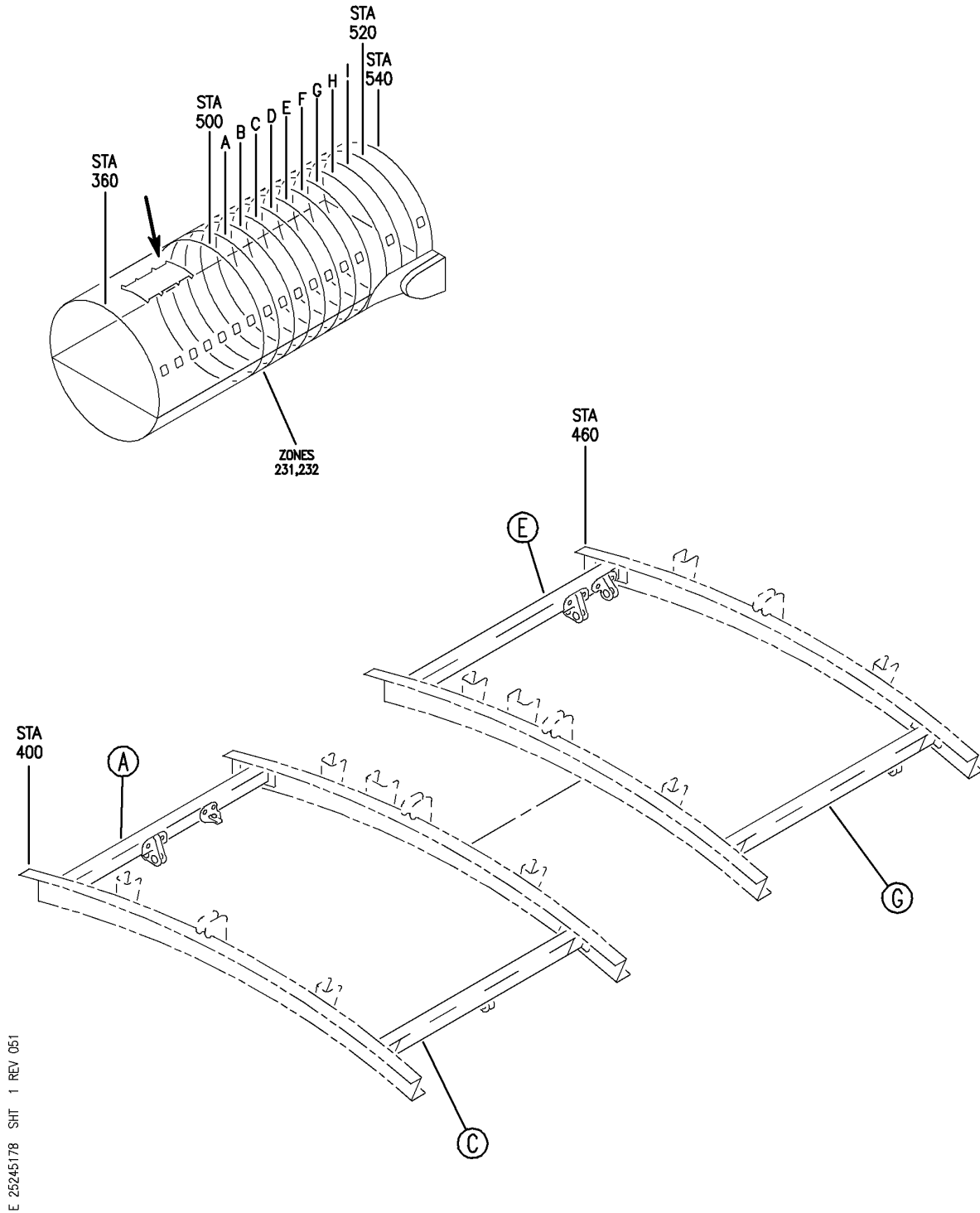
HAP

25-24-51-66B

BOEING PROPRIETARY - Copyright © - Unpublished Work - See title page for details.

25-24-51
FIG. 66B
PAGE 1
OCT 15/08

BOEING
 737-600/700/800/900
 PARTS CATALOG (MAINTENANCE)



E 25245178 SHT 1 REV 051

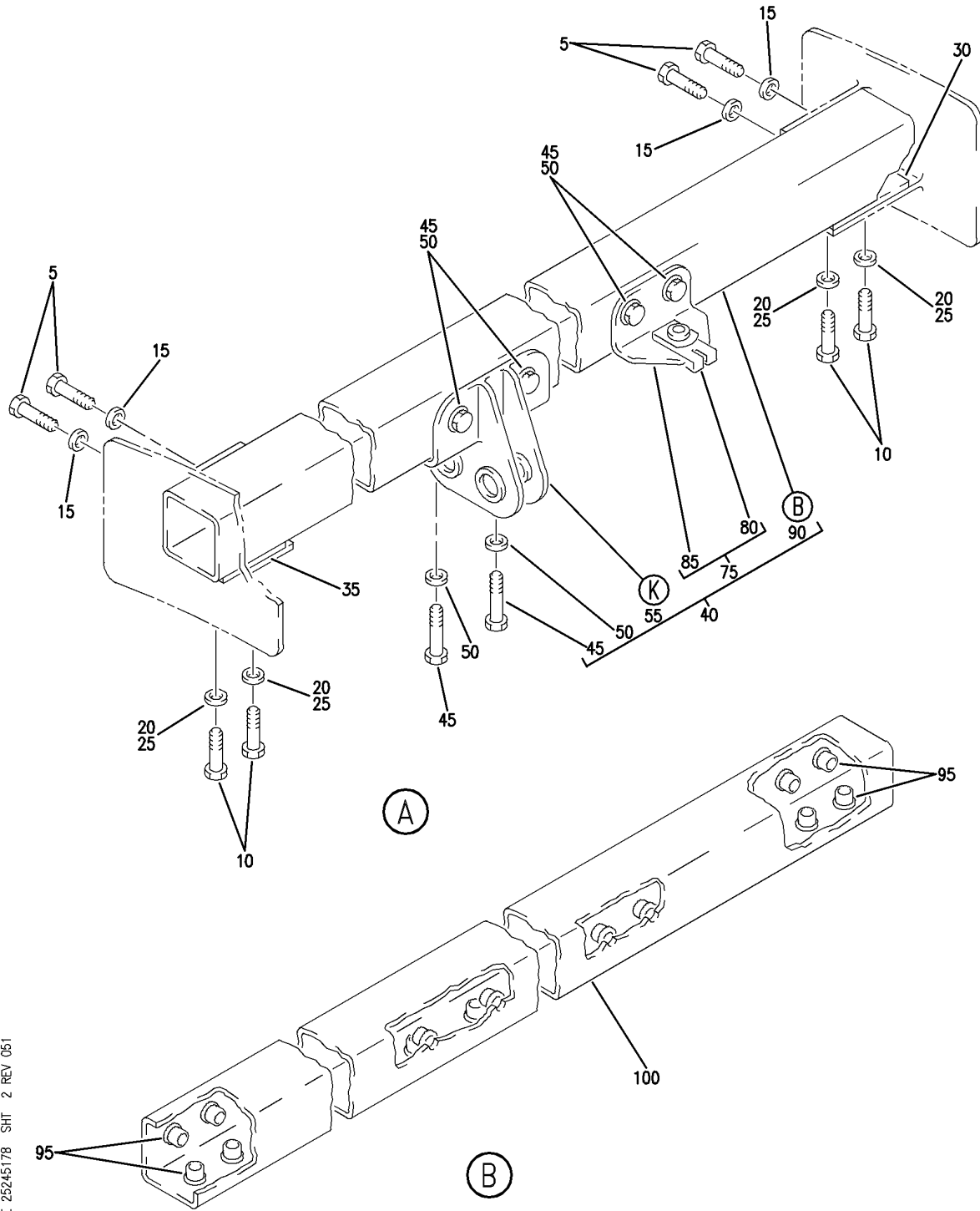
INTERCOSTAL INSTL-FWD CTR OVHD STOWAGE
 FIGURE 78 (SHEET 1)

25-24-51-78

HAP
 OCT 10/06

25-24-51-78
 PAGE 0

BOEING
 737-600/700/800/900
 PARTS CATALOG (MAINTENANCE)



E 25245178 SHT 2 REV 051

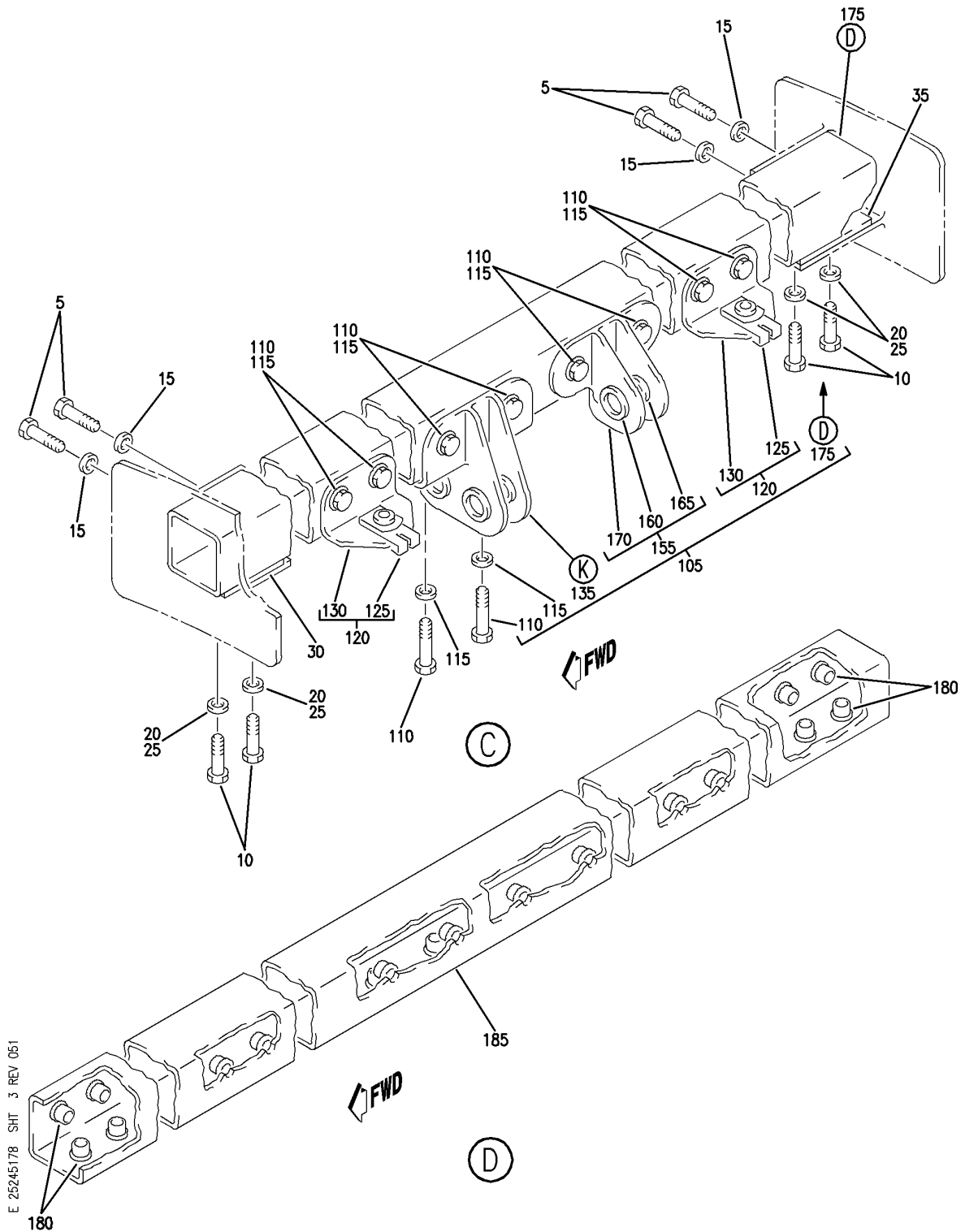
INTERCOSTAL INSTL-FWD CTR OVHD STOWAGE
 FIGURE 78 (SHEET 2)

25-24-51-78

HAP
 OCT 10/06

25-24-51-78
 PAGE 0A

BOEING
 737-600/700/800/900
 PARTS CATALOG (MAINTENANCE)



E 25245178 SHT 3 REV 051

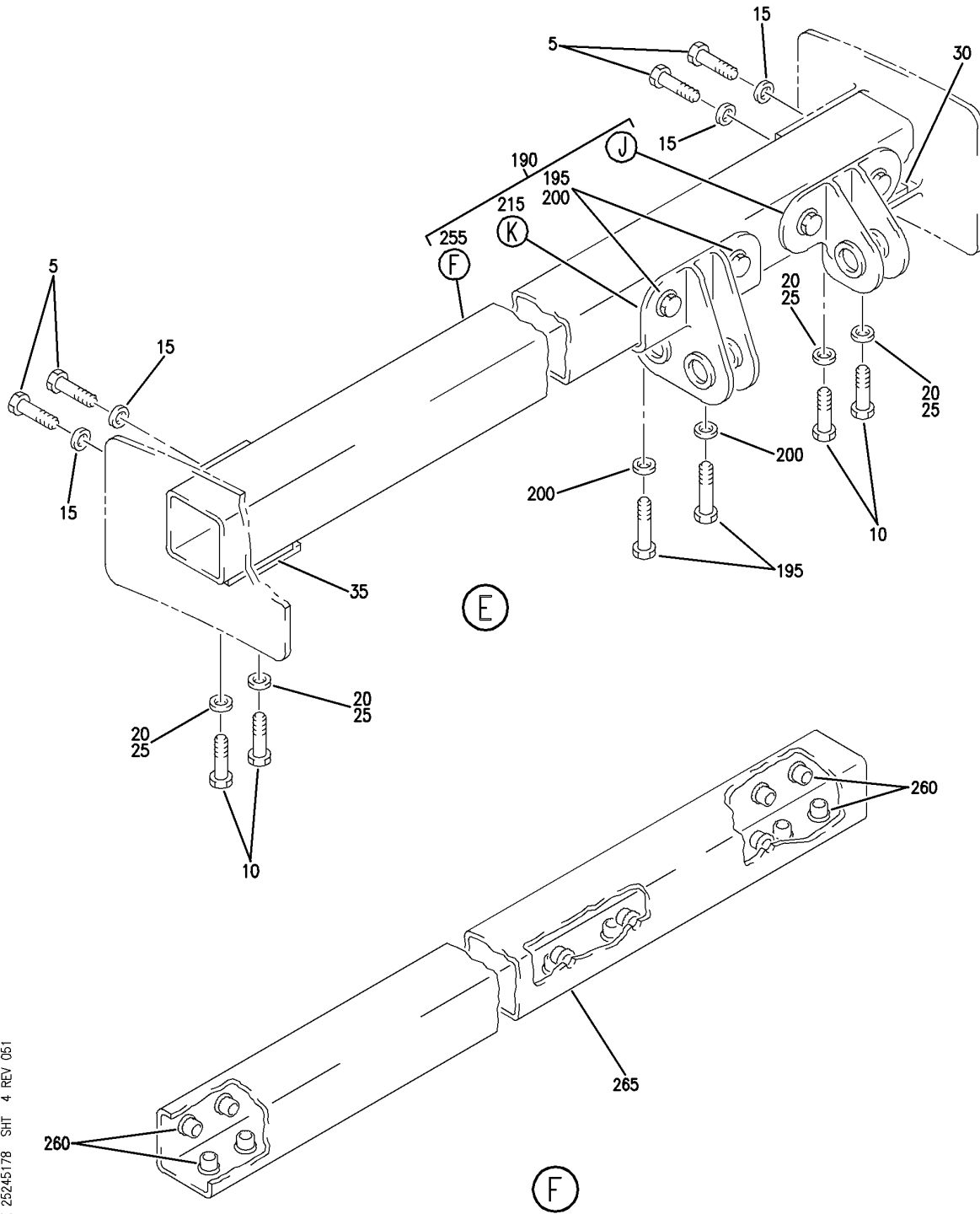
INTERCOSTAL INSTL-FWD CTR OVHD STOWAGE
 FIGURE 78 (SHEET 3)

25-24-51-78

HAP
 OCT 10/06

25-24-51-78
 PAGE 0B

BOEING
 737-600/700/800/900
 PARTS CATALOG (MAINTENANCE)



E 25245178 SH1 4 REV 051

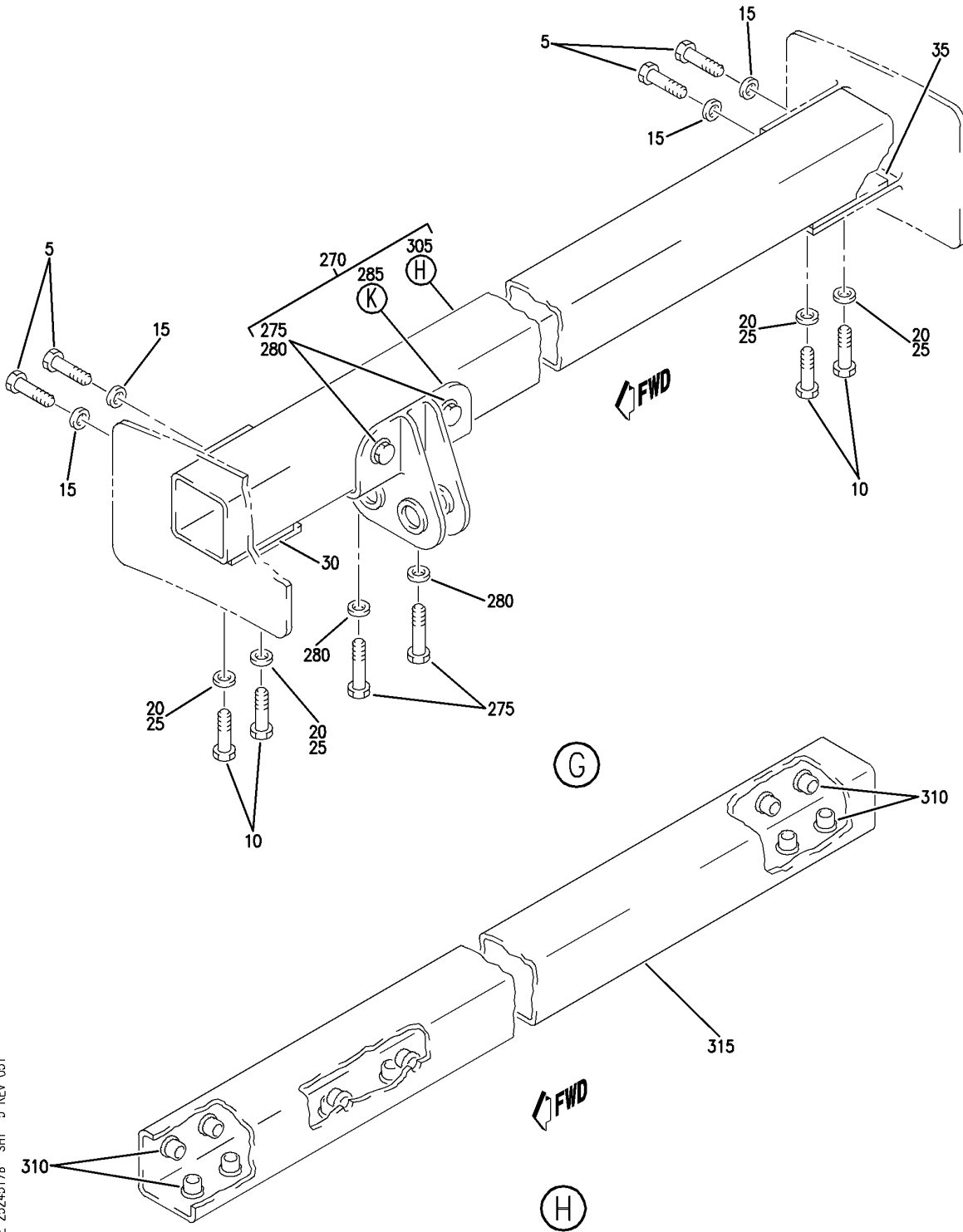
INTERCOSTAL INSTL-FWD CTR OVHD STOWAGE
 FIGURE 78 (SHEET 4)

25-24-51-78

HAP
 OCT 10/06

25-24-51-78
 PAGE 0C

BOEING
 737-600/700/800/900
 PARTS CATALOG (MAINTENANCE)



E 25245178 SH1 5 REV 051

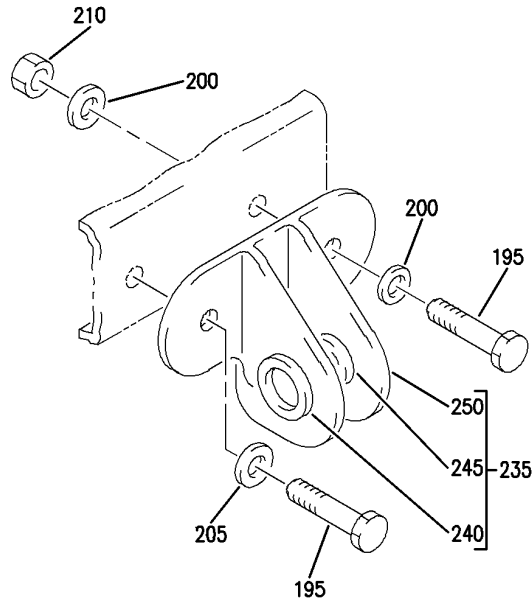
INTERCOSTAL INSTL-FWD CTR OVHD STOWAGE
 FIGURE 78 (SHEET 5)

25-24-51-78

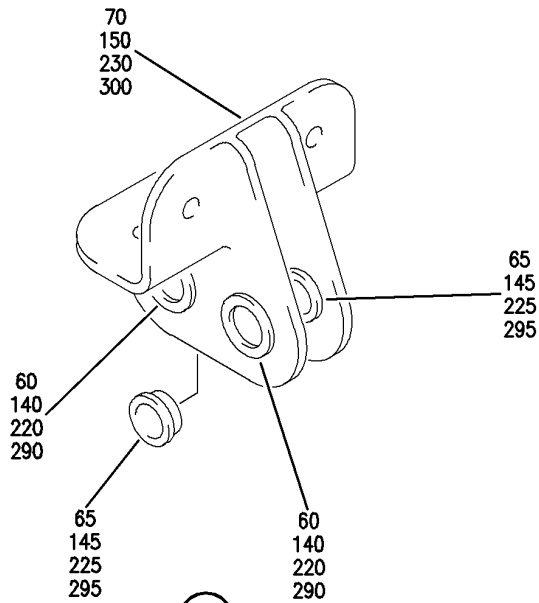
HAP
 OCT 10/06

25-24-51-78
 PAGE 0D

BOEING
 737-600/700/800/900
 PARTS CATALOG (MAINTENANCE)



(J)



(K)

E 25245178 SH1 6 REV 051

INTERCOSTAL INSTL-FWD CTR OVHD STOWAGE
 FIGURE 78 (SHEET 6)

25-24-51-78

HAP
 OCT 10/06

25-24-51-78
 PAGE 0E

BOEING
737-600/700/800/900
PARTS CATALOG (MAINTENANCE)

FIG ITEM	PART NUMBER	1 2 3 4 5 6 7	NOMENCLATURE	EFFECT FROM TO	UNITS PER ASSY
78			INTERCOSTAL INSTL-FWD CTR OVHD STOWAGE	001200 968999	
- 1	412A4500-100		INTERCOSTAL INSTL-OVHD STOWAGE POSITION DATA: FWD CTR FOR NHA SEE: 25-24-00-13A	001030	RF
- 1	MODREF91698		INTERCOSTAL INSTL-OVHD STOWAGE MODULE NUMBER: 412A4500-100 REV A POSITION DATA: FWD CTR	031200 968999	1
5	BACB30NM3K3		.BOLT-	001200 968999	16
10	BACB30NM3K5		.BOLT-	001200 968999	16
15	BACW10BP3DP		.WASHER-	001200 968999	16
20	K29646-3		.WASHER- SUPPLIER CODE: V15653 SPECIFICATION NUMBER: BACW10CA3CV OPTIONAL PART: 70188-3 V56878 922007-3 V60119 942007-3 V60119	001200 968999	16
25	K29913-3		.WASHER- SUPPLIER CODE: V15653 SPECIFICATION NUMBER: BACW10CA3CC OPTIONAL PART: 70191-3 V56878 922008-3 V60119 942008-3 V60119	001200 968999	16
30	412A4160-31		.FILLER-TAPERED	001200 968999	4
35	412A4160-32		.FILLER-TAPERED	001200 968999	4

MISSING ITEM NUMBERS NOT APPLICABLE

- ITEM NOT ILLUSTRATED

HAP

25-24-51-78

BOEING PROPRIETARY - Copyright © - Unpublished Work - See title page for details.

25-24-51
FIG. 78
PAGE 1
OCT 15/08

BOEING
737-600/700/800/900
PARTS CATALOG (MAINTENANCE)

FIG ITEM	PART NUMBER	1 2 3 4 5 6 7	NOMENCLATURE	EFFECT FROM TO	UNITS PER ASSY
78					
40	412A4210-2	.	INTERCOSTAL ASSY- POSITION DATA: FWD	001200 968999	1
45	BACB30NM3K3	..	BOLT	001200 968999	6
50	NAS1149E0363P	..	WASHER	001200 968999	6
55	412A4160-27	..	FITTING ASSY	001200 968999	1
60	BACB28AT06B008C	...	BUSHING	001200 968999	2
65	BACB28AP04P008	...	BUSHING	001200 968999	2
70	412A4160-28	...	FITTING	001200 968999	1
75	412A4161-1	..	BRACKET ASSY	001200 968999	1
80	BRC600-8-3GP	...	CLIPNUT SUPPLIER CODE: V52828 SPECIFICATION NUMBER: BACN10YD1G OPTIONAL PART: 130120G V60119	001200 968999	1
85	412A4161-2	...	BRACKET	001200 968999	1
90	412A4211-2	..	INTERCOSTAL ASSY	001200 968999	1
95	BACS13CJ3CD080P	...	INSERT	001200 968999	14
100	412A4211-102	...	INTERCOSTAL	001200 968999	1
105	412A4210-1	.	INTERCOSTAL ASSY-	001200 968999	1
110	BACB30NM3K3	..	BOLT	001200 968999	10
115	NAS1149E0363P	..	WASHER	001200 968999	10
120	412A4161-1	..	BRACKET ASSY	001200 968999	2
125	BRC600-8-3GP	...	CLIPNUT SUPPLIER CODE: V52828 SPECIFICATION NUMBER: BACN10YD1G OPTIONAL PART: 130120G V60119	001200 968999	1

MISSING ITEM NUMBERS NOT APPLICABLE

— ITEM NOT ILLUSTRATED

HAP

25-24-51-78

25-24-51
FIG. 78
PAGE 2
OCT 15/08

BOEING
737-600/700/800/900
PARTS CATALOG (MAINTENANCE)

FIG ITEM	PART NUMBER	1 2 3 4 5 6 7	NOMENCLATURE	EFFECT FROM TO	UNITS PER ASSY
78					
130	412A4161-2	...	BRACKET	001200 968999	1
135	412A4160-27	..	FITTING ASSY	001200 968999	1
140	BACB28AT06B008C	...	BUSHING	001200 968999	2
145	BACB28AP04P008	...	BUSHING	001200 968999	2
150	412A4160-28	...	FITTING	001200 968999	1
155	412A4160-29	..	FITTING ASSY	001200 968999	1
160	BACB28AT06B008C	...	BUSHING	001200 968999	1
165	BACB28AP04P008	...	BUSHING	001200 968999	1
170	412A4160-30	...	FITTING	001200 968999	1
175	412A4211-1	..	INTERCOSTAL ASSY	001200 968999	1
180	BACS13CJ3CD080P	...	INSERT	001200 968999	18
185	412A4211-101	...	INTERCOSTAL	001200 968999	1
190	412A4210-4	.	INTERCOSTAL ASSY- POSITION DATA: FWD	001200 968999	1
195	BACB30NM3K3	..	BOLT	001200 968999	6
200	NAS1149E0363P	..	WASHER	001200 968999	6
205	NAS1149E0363P	..	WASHER- POSITION DATA: UNDER BOLT HEAD	001200 968999	1
210	PLH53CD	..	NUT SUPPLIER CODE: VFO224 SPECIFICATION NUMBER: BACN10YR3CD OPTIONAL PART: H52732-3CD V15653	001200 968999	1
215	412A4160-27	..	FITTING ASSY	001200 968999	1
220	BACB28AT06B008C	...	BUSHING	001200 968999	2
225	BACB28AP04P008	...	BUSHING	001200 968999	2

MISSING ITEM NUMBERS NOT APPLICABLE

— ITEM NOT ILLUSTRATED

HAP

25-24-51-78

25-24-51
FIG. 78
PAGE 3
FEB 15/09

BOEING
737-600/700/800/900
PARTS CATALOG (MAINTENANCE)

FIG ITEM	PART NUMBER	1 2 3 4 5 6 7	NOMENCLATURE	EFFECT FROM TO	UNITS PER ASSY
78					
230	412A4160-28	...	FITTING	001200 968999	1
235	412A4160-29	..	FITTING ASSY	001200 968999	1
240	BACB28AT06B008C	...	BUSHING	001200 968999	1
245	BACB28AP04P008	...	BUSHING	001200 968999	1
250	412A4160-30	...	FITTING	001200 968999	1
255	412A4211-4	..	INTERCOSTAL ASSY	001200 968999	1
260	BACS13CJ3CD080P	...	INSERT	001200 968999	13
265	412A4211-104	...	INTERCOSTAL	001200 968999	1
270	412A4210-3	.	INTERCOSTAL ASSY-	001200 968999	1
275	BACB30NM3K3	..	BOLT	001200 968999	4
280	NAS1149E0363P	..	WASHER	001200 968999	4
285	412A4160-27	..	FITTING ASSY	001200 968999	1
290	BACB28AT06B008C	...	BUSHING	001200 968999	2
295	BACB28AP04P008	...	BUSHING	001200 968999	2
300	412A4160-28	...	FITTING	001200 968999	1
305	412A4211-3	..	INTERCOSTAL ASSY	001200 968999	1
310	BACS13CJ3CD080P	...	INSERT	001200 968999	12
315	412A4211-103	...	INTERCOSTAL	001200 968999	1

MISSING ITEM NUMBERS NOT APPLICABLE

— ITEM NOT ILLUSTRATED

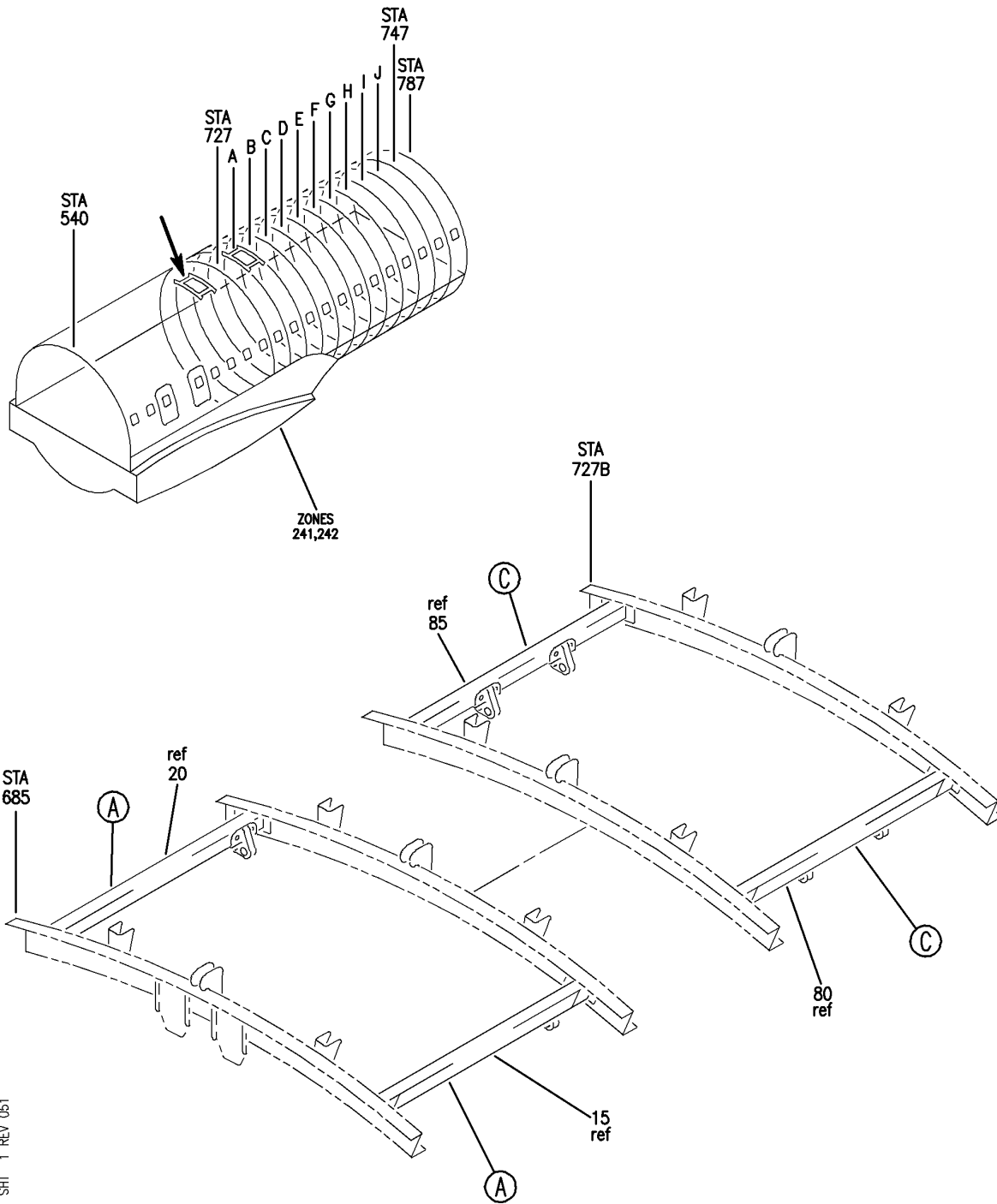
HAP

25-24-51-78

BOEING PROPRIETARY - Copyright © - Unpublished Work - See title page for details.

25-24-51
FIG. 78
PAGE 4
OCT 15/08

BOEING
 737-600/700/800/900
 PARTS CATALOG (MAINTENANCE)



E 25245179 SHT 1 REV 051

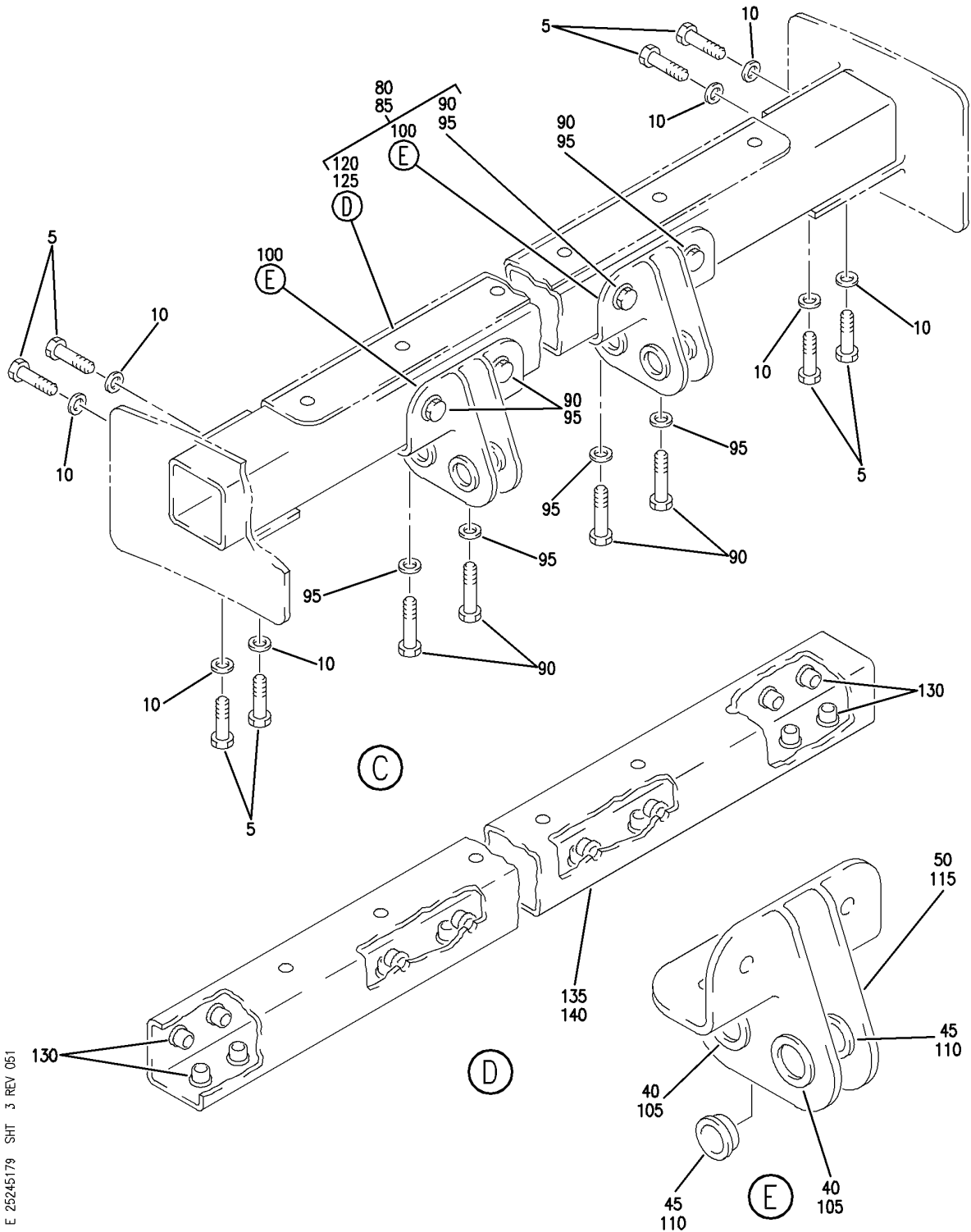
INTERCOSTAL INSTL-MID CTR OVHD STOWAGE
 FIGURE 79 (SHEET 1)

25-24-51-79

HAP
 OCT 10/06

25-24-51-79
 PAGE 0

BOEING
 737-600/700/800/900
 PARTS CATALOG (MAINTENANCE)



E 25245179 SHT 3 REV 051

INTERCOSTAL INSTL-MID CTR OVHD STOWAGE
 FIGURE 79 (SHEET 3)

25-24-51-79

HAP
 OCT 10/06

25-24-51-79
 PAGE 0B

BOEING
737-600/700/800/900
PARTS CATALOG (MAINTENANCE)

FIG ITEM	PART NUMBER	1 2 3 4 5 6 7	NOMENCLATURE	EFFECT FROM TO	UNITS PER ASSY
79			INTERCOSTAL INSTL-MID CTR OVHD STOWAGE	001200 968999	
- 1	412A4500-200		INTERCOSTAL INSTL-OVHD STOWAGE POSITION DATA: MID CTR FOR NHA SEE: 25-24-00-13A	001030	RF
- 1	MODREF91699		INTERCOSTAL INSTL-OVHD STOWAGE MODULE NUMBER: 412A4500-200 REV A POSITION DATA: MID CTR	031200 968999	1
5	BACB30NM3K3		.BOLT-	001200 968999	32
10	BACW10BP3DP		.WASHER-	001200 968999	32
15	412A4210-5		.INTERCOSTAL ASSY-	001200 968999	1
20	412A4210-6		.INTERCOSTAL ASSY-	001200 968999	1
25	BACB30NM3K3		..BOLT	001200 968999	4
30	NAS1149E0363P		..WASHER	001200 968999	4
35	412A4160-27		..FITTING ASSY	001200 968999	1
40	BACB28AP04P008		...BUSHING	001200 968999	2
45	BACB28AT06B008C		...BUSHING	001200 968999	2
50	412A4160-28		...FITTING	001200 968999	1
55	412A4211-5		..INTERCOSTAL ASSY- USED ON: 412A4210-5	001200 968999	1
60	412A4211-6		..INTERCOSTAL ASSY- USED ON: 412A4210-6	001200 968999	1
65	BACS13CJ3CD080P		...INSERT	001200 968999	12
70	412A4211-105		...INTERCOSTAL- USED ON: 412A4211-5	001200 968999	1
75	412A4211-106		...INTERCOSTAL- USED ON: 412A4211-6	001200 968999	1

MISSING ITEM NUMBERS NOT APPLICABLE

- ITEM NOT ILLUSTRATED

HAP

25-24-51-79

25-24-51
FIG. 79
PAGE 1
OCT 15/08

BOEING
737-600/700/800/900
PARTS CATALOG (MAINTENANCE)

FIG ITEM	PART NUMBER	1 2 3 4 5 6 7	NOMENCLATURE	EFFECT FROM TO	UNITS PER ASSY
79					
80	412A4210-7	.	INTERCOSTAL ASSY-	001200 968999	1
85	412A4210-8	.	INTERCOSTAL ASSY-	001200 968999	1
90	BACB30NM3K3	..	BOLT	001200 968999	8
95	NAS1149E0363P	..	WASHER	001200 968999	8
100	412A4160-27	..	FITTING ASSY	001200 968999	2
105	BACB28AP04P008	...	BUSHING	001200 968999	2
110	BACB28AT06B008C	...	BUSHING	001200 968999	2
115	412A4160-28	...	FITTING	001200 968999	1
120	412A4211-7	..	INTERCOSTAL ASSY- USED ON: 412A4210-7	001200 968999	1
125	412A4211-8	..	INTERCOSTAL ASSY- USED ON: 412A4210-8	001200 968999	1
130	BACS13CJ3CD080P	...	INSERT	001200 968999	16
135	412A4211-107	...	INTERCOSTAL- USED ON: 412A4211-7	001200 968999	1
140	412A4211-108	...	INTERCOSTAL- USED ON: 412A4211-8	001200 968999	1

MISSING ITEM NUMBERS NOT APPLICABLE

— ITEM NOT ILLUSTRATED

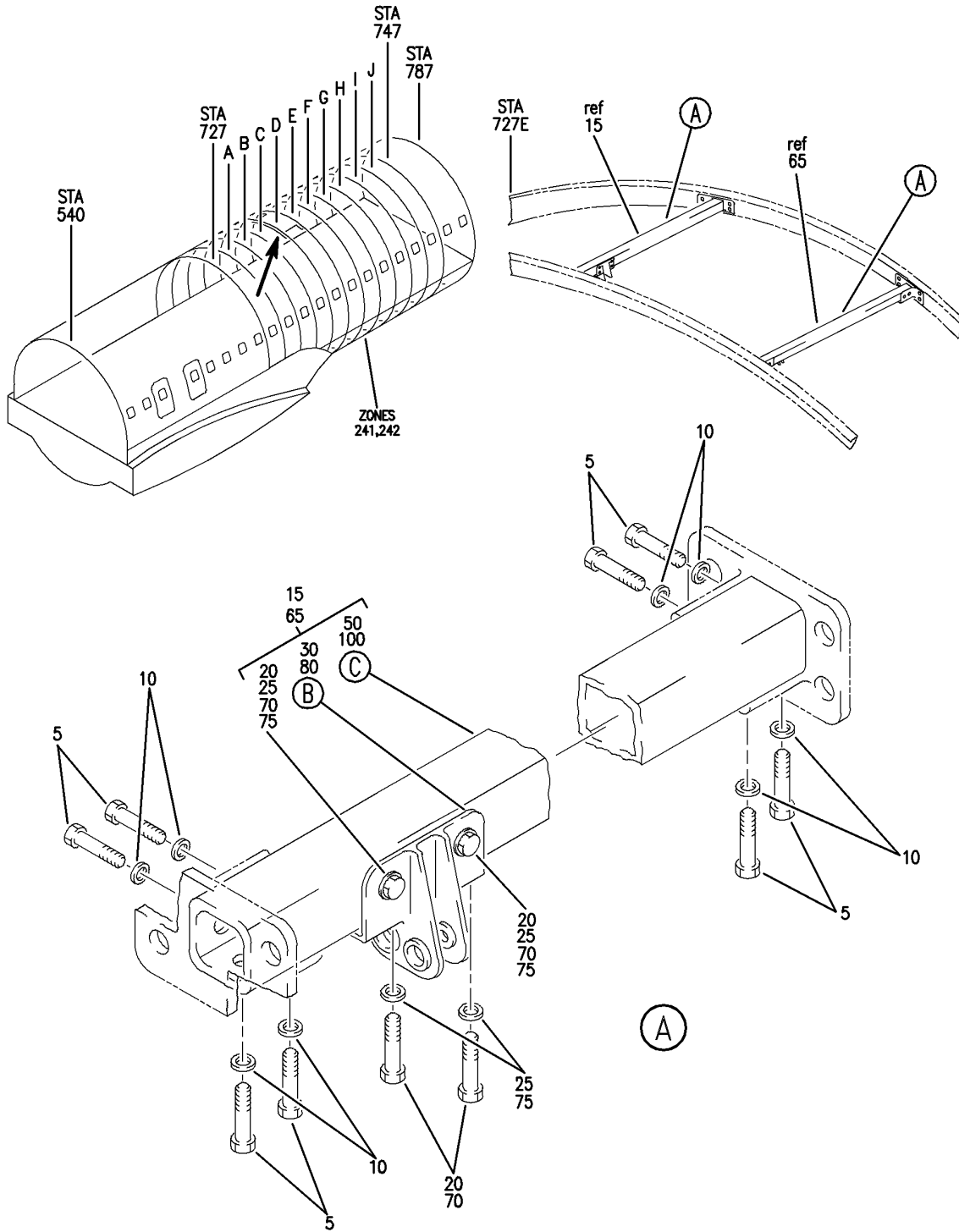
HAP

25-24-51-79

BOEING PROPRIETARY - Copyright © - Unpublished Work - See title page for details.

25-24-51
FIG. 79
PAGE 2
OCT 15/08

BOEING
 737-600/700/800/900
 PARTS CATALOG (MAINTENANCE)



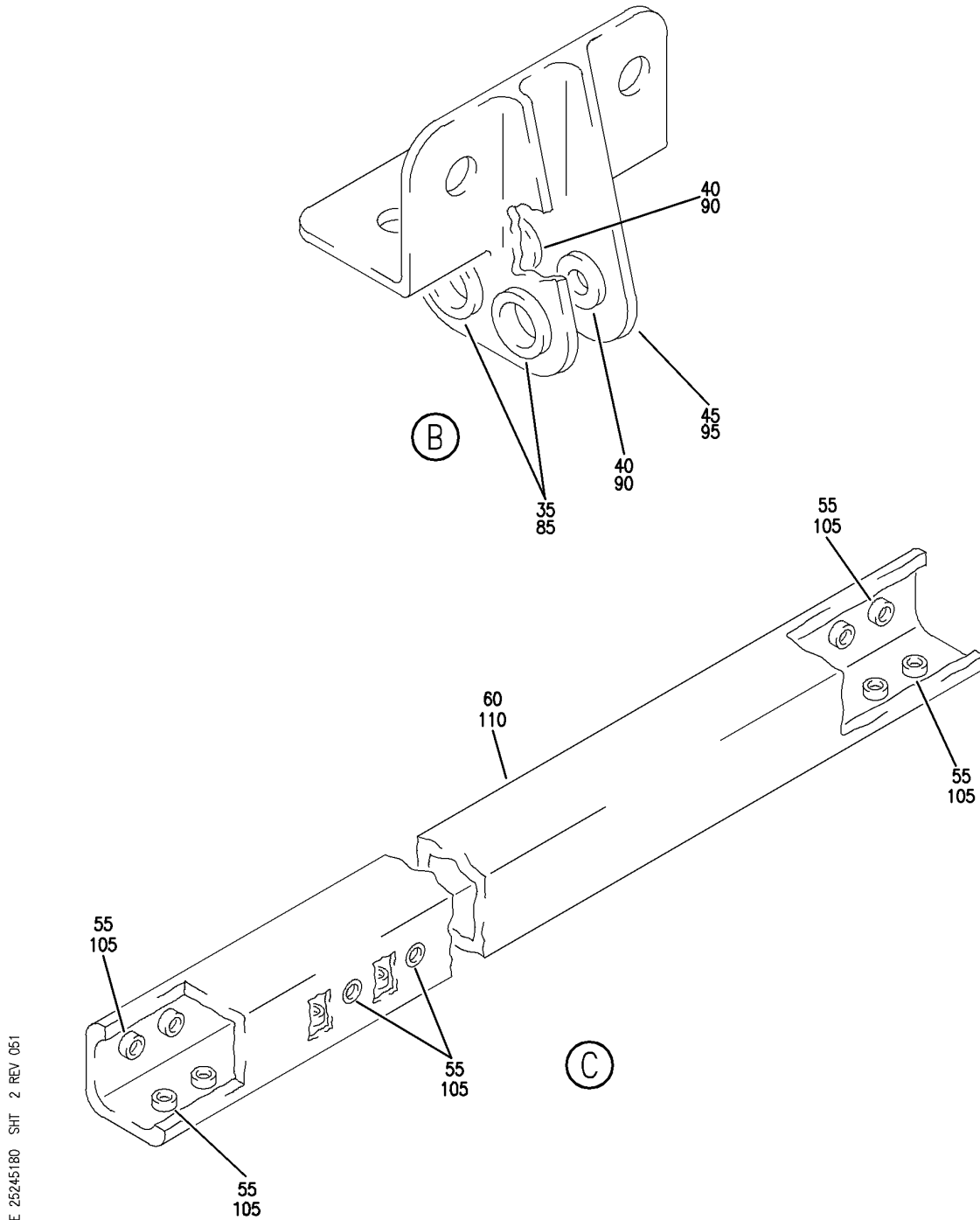
E 25245180 SHT 1 REV 051

INTERCOSTAL INSTL-MID CTR OVHD STOWAGE
 FIGURE 80 (SHEET 1)

25-24-51-80

HAP
 OCT 10/06

25-24-51-80
 PAGE 0



E 25245180 SHT 2 REV 051

INTERCOSTAL INSTL-MID CTR OVHD STOWAGE
 FIGURE 80 (SHEET 2)

25-24-51-80

HAP
 OCT 10/06

25-24-51-80
 PAGE 0A

BOEING
737-600/700/800/900
PARTS CATALOG (MAINTENANCE)

FIG ITEM	PART NUMBER	1 2 3 4 5 6 7	NOMENCLATURE	EFFECT FROM TO	UNITS PER ASSY
80			INTERCOSTAL INSTL-MID CTR OVHD STOWAGE	001100	
- 1	412A4500-250		INTERCOSTAL INSTL-OVHD STOWAGE POSITION DATA: MID CTR FOR NHA SEE: 25-24-00-13A	001030	RF
- 1	MODREF91700		INTERCOSTAL INSTL-OVHD STOWAGE MODULE NUMBER: 412A4500-250 REV A POSITION DATA: MID CTR	031100	1
5	BACB30NM3K3		.BOLT-	001100	16
10	BACW10BP3DP		.WASHER-	001100	16
15	412A4210-10		.INTERCOSTAL ASSY-	001100	1
20	BACB30NM3K3		..BOLT	001100	4
25	NAS1149E0363P		..WASHER	001100	4
30	412A4160-27		..FITTING ASSY	001100	1
35	BACB28AT06B008C		...BUSHING	001100	2
40	BACB28AP04P008		...BUSHING	001100	2
45	412A4160-28		...FITTING	001100	1
50	412A4211-10		..INTERCOSTAL ASSY	001100	1
55	BACS13CJ3CD080P		...INSERT	001100	12
60	412A4211-110		...INTERCOSTAL	001100	1
65	412A4210-9		.INTERCOSTAL ASSY-	001100	1
70	BACB30NM3K3		..BOLT	001100	4
75	NAS1149E0363P		..WASHER	001100	4
80	412A4160-27		..FITTING ASSY	001100	1
85	BACB28AT06B008C		...BUSHING	001100	2
90	BACB28AP04P008		...BUSHING	001100	2
95	412A4160-28		...FITTING	001100	1
100	412A4211-9		..INTERCOSTAL ASSY	001100	1
105	BACS13CJ3CD080P		...INSERT	001100	12
110	412A4211-109		...INTERCOSTAL	001100	1

MISSING ITEM NUMBERS NOT APPLICABLE

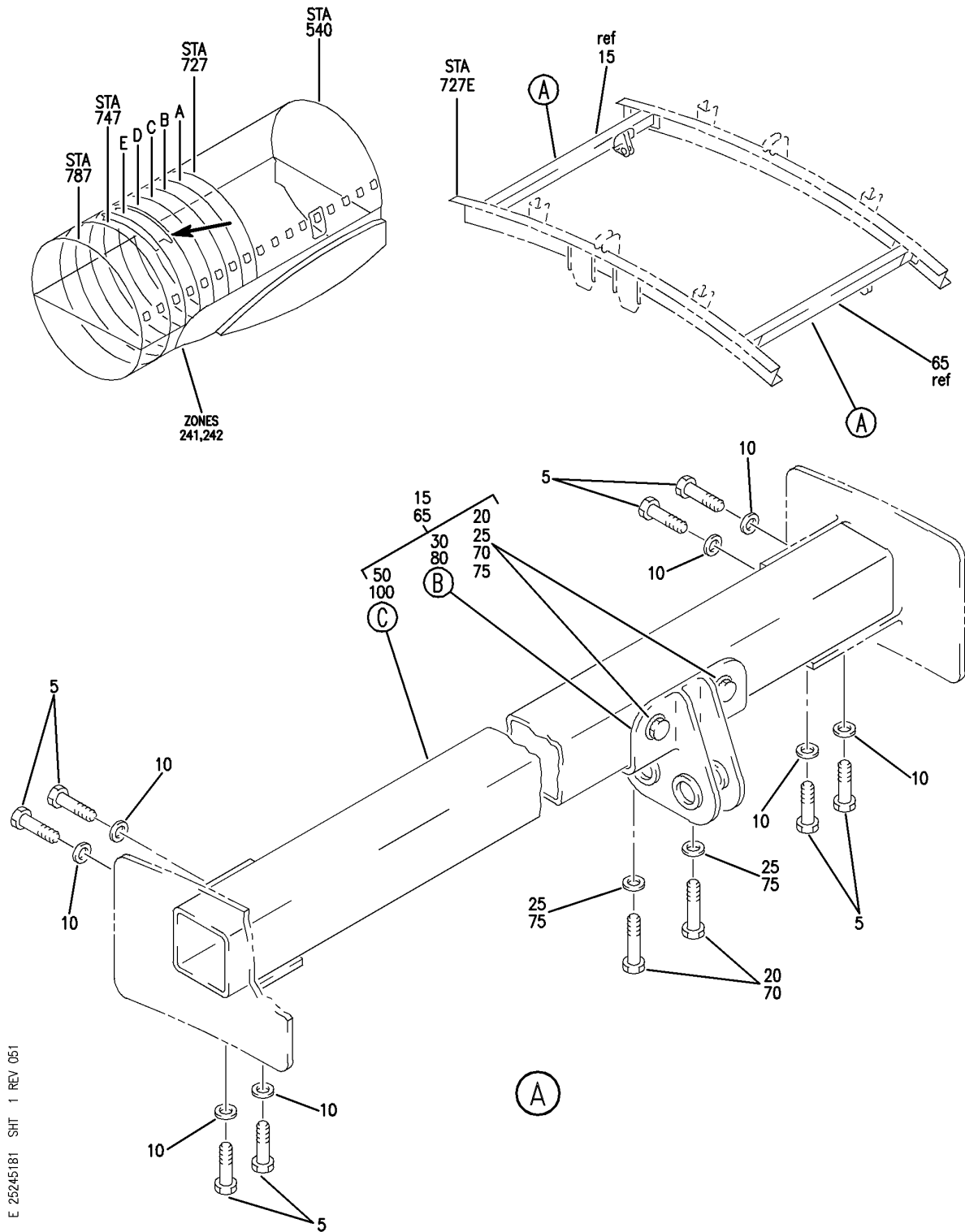
- ITEM NOT ILLUSTRATED

HAP

25-24-51-80

25-24-51
FIG. 80
PAGE 1
FEB 10/07

BOEING
 737-600/700/800/900
 PARTS CATALOG (MAINTENANCE)



E 25245181 SHT 1 REV 051

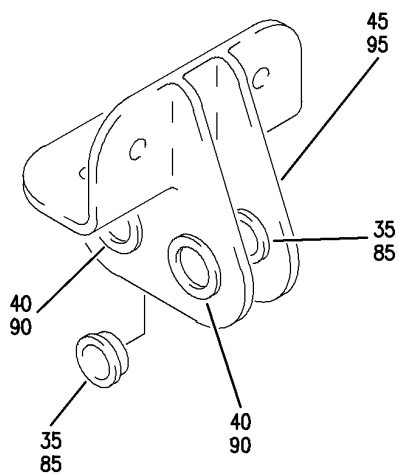
INTERCOSTAL INSTL-MID CTR OVHD STOWAGE
 FIGURE 81 (SHEET 1)

25-24-51-81

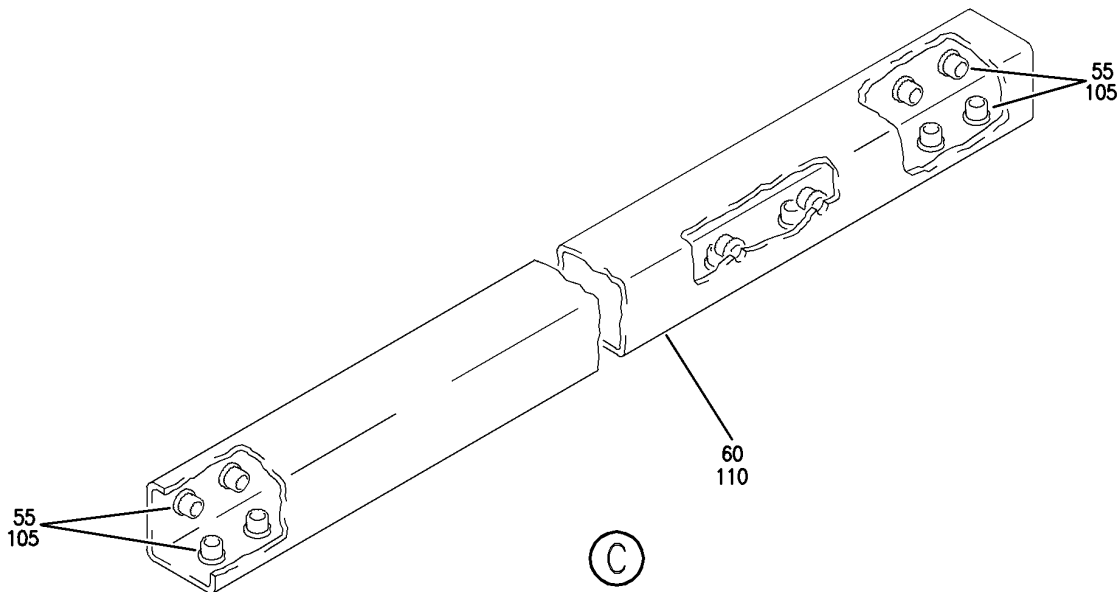
HAP
 FEB 10/07

25-24-51-81
 PAGE 0

BOEING
 737-600/700/800/900
 PARTS CATALOG (MAINTENANCE)



(B)



(C)

E 25245181 SHT 2 REV 051

INTERCOSTAL INSTL-MID CTR OVHD STOWAGE
 FIGURE 81 (SHEET 2)

25-24-51-81

HAP
 FEB 10/07

25-24-51-81
 PAGE 0A

BOEING
737-600/700/800/900
PARTS CATALOG (MAINTENANCE)

FIG ITEM	PART NUMBER	1 2 3 4 5 6 7	NOMENCLATURE	EFFECT FROM TO	UNITS PER ASSY
81			INTERCOSTAL INSTL-MID CTR OVHD STOWAGE	101200 968999	
- 1	MODREF91701		INTERCOSTAL INSTL-OVHD STOWAGE MODULE NUMBER: 412A4500-260 REV A POSITION DATA: MID CTR	101200 968999	1
5	BACB30NM3K3		.BOLT-	101200 968999	16
10	BACW10BP3DP		.WASHER-	101200 968999	16
15	412A4210-15		.INTERCOSTAL ASSY-	101200 968999	1
20	BACB30NM3K3		..BOLT	101200 968999	4
25	NAS1149E0363P		..WASHER	101200 968999	4
30	412A4160-27		..FITTING ASSY	101200 968999	1
35	BACB28AP04P008		...BUSHING	101200 968999	2
40	BACB28AT06B008C		...BUSHING	101200 968999	2
45	412A4160-28		...FITTING	101200 968999	1
50	412A4211-13		..INTERCOSTAL ASSY	101200 968999	1
55	BACS13CJ3CD080P		...INSERT	101200 968999	12
60	412A4211-113		...INTERCOSTAL	101200 968999	1
65	412A4210-16		.INTERCOSTAL ASSY-	101200 968999	1
70	BACB30NM3K3		..BOLT	101200 968999	4
75	NAS1149E0363P		..WASHER	101200 968999	4
80	412A4160-27		..FITTING ASSY	101200 968999	1
85	BACB28AP04P008		...BUSHING	101200 968999	2
90	BACB28AT06B008C		...BUSHING	101200 968999	2
95	412A4160-28		...FITTING	101200 968999	1
100	412A4211-14		..INTERCOSTAL ASSY	101200 968999	1

MISSING ITEM NUMBERS NOT APPLICABLE

- ITEM NOT ILLUSTRATED

HAP

25-24-51-81

25-24-51
FIG. 81
PAGE 1
OCT 15/08


BOEING
 737-600/700/800/900
PARTS CATALOG (MAINTENANCE)

FIG ITEM	PART NUMBER	1 2 3 4 5 6 7	NOMENCLATURE	EFFECT FROM TO	UNITS PER ASSY
81					
105	BACS13CJ3CD080P	...	INSERT	101200 968999	12
110	412A4211-114	...	INTERCOSTAL	101200 968999	1
MISSING ITEM NUMBERS NOT APPLICABLE					

— ITEM NOT ILLUSTRATED

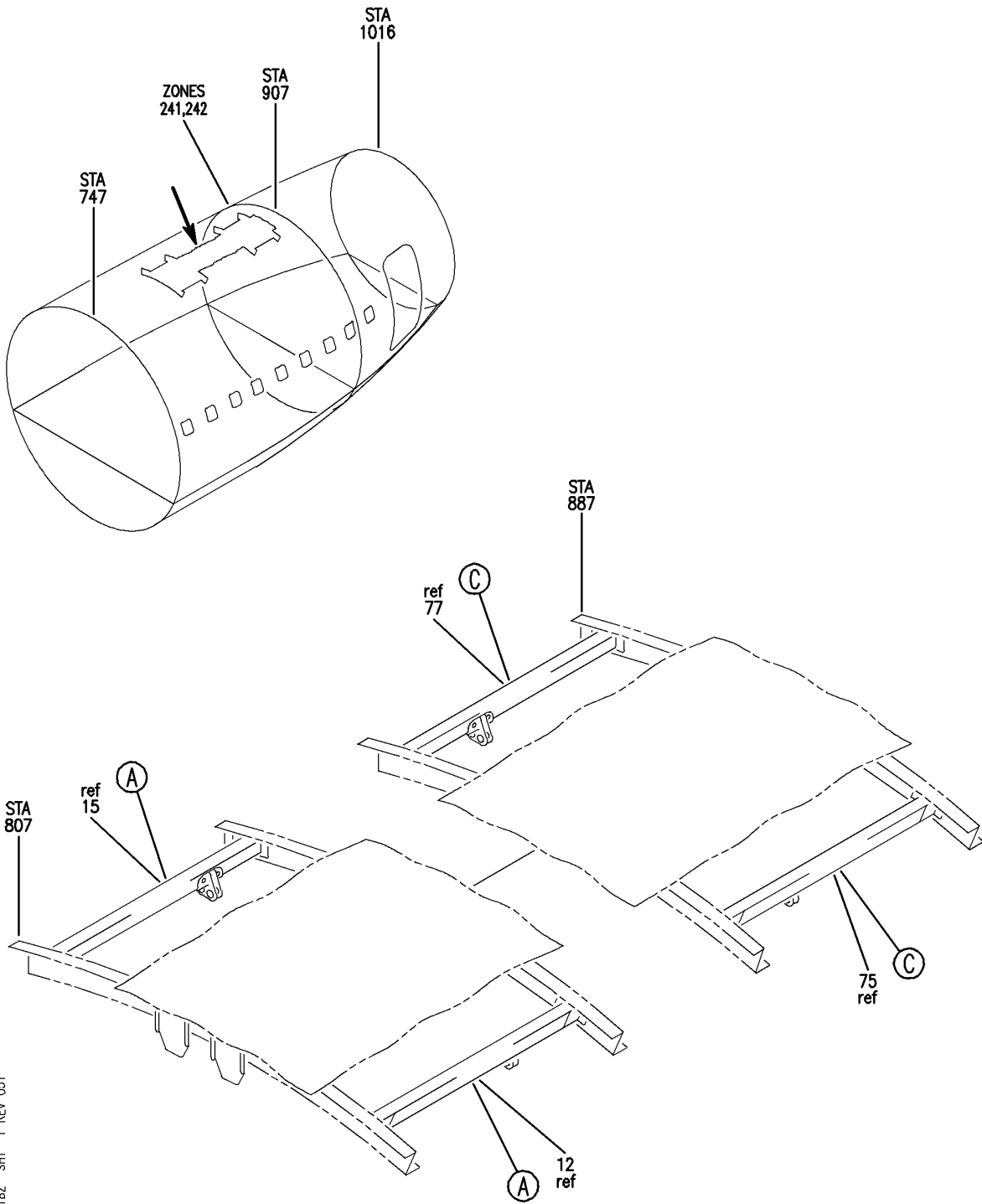
HAP

25-24-51-81

BOEING PROPRIETARY - Copyright © - Unpublished Work - See title page for details.

25-24-51
 FIG. 81
 PAGE 2
 OCT 15/08

BOEING
 737-600/700/800/900
 PARTS CATALOG (MAINTENANCE)



E 25245182 SHT 1 REV 051

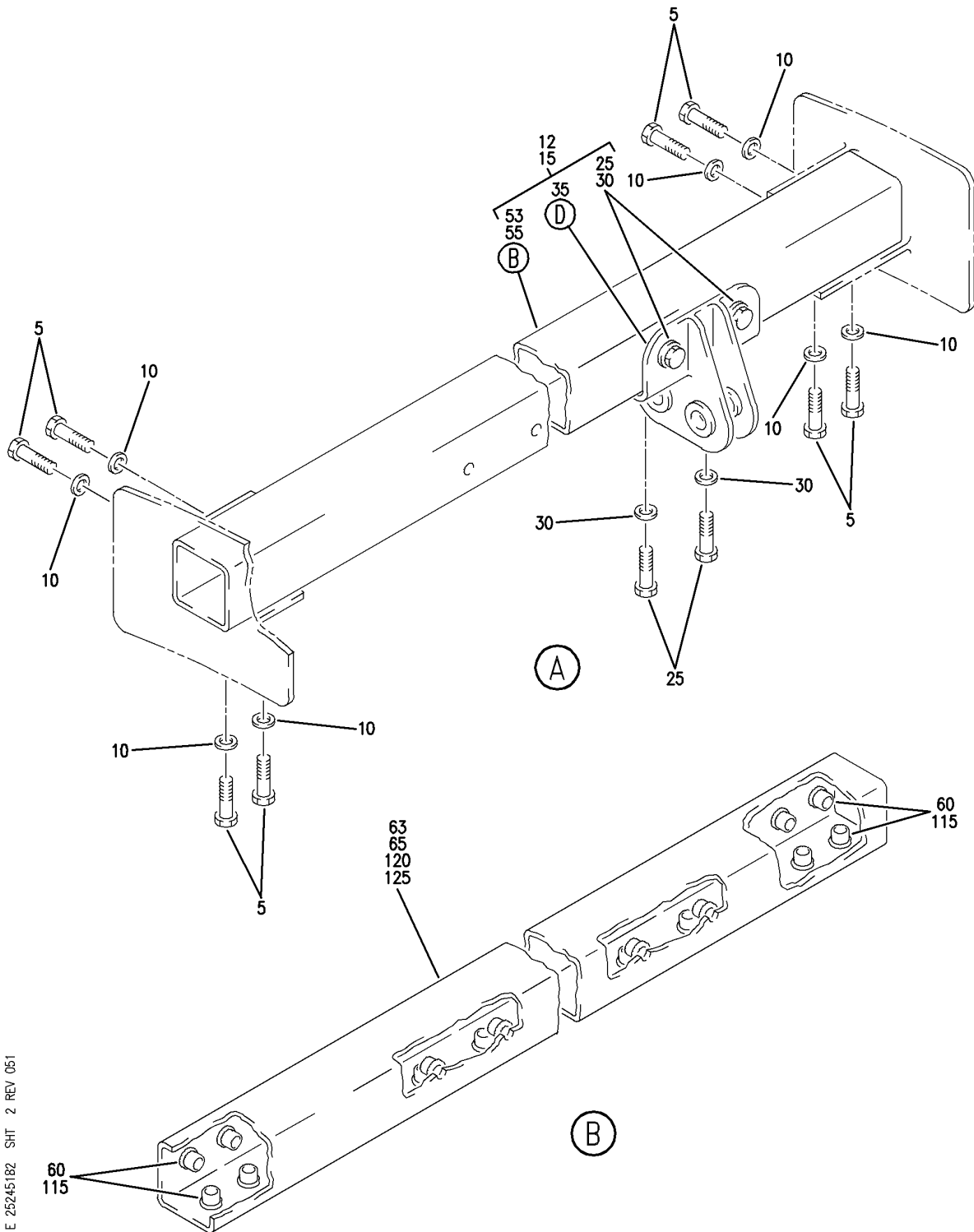
INTERCOSTAL INSTL-OVHD STOWAGE
 FIGURE 82 (SHEET 1)

25-24-51-82

HAP
 OCT 10/06

25-24-51-82
 PAGE 0

BOEING
 737-600/700/800/900
 PARTS CATALOG (MAINTENANCE)



E 25245182 SHT 2 REV 051

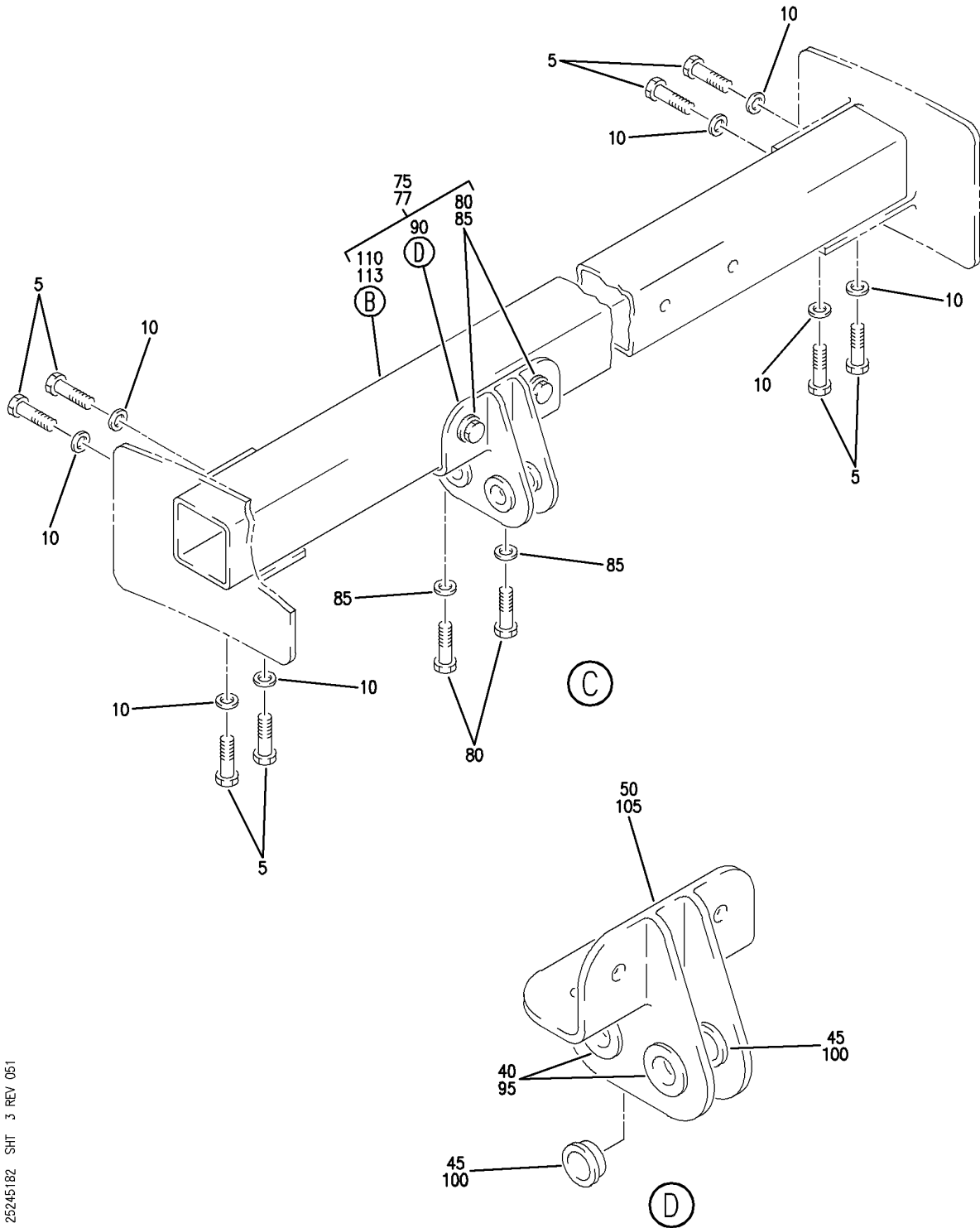
INTERCOSTAL INSTL-OVHD STOWAGE
 FIGURE 82 (SHEET 2)

25-24-51-82

HAP
 OCT 10/06

25-24-51-82
 PAGE 0A

BOEING
 737-600/700/800/900
 PARTS CATALOG (MAINTENANCE)



E 25245182 SHT 3 REV 051

INTERCOSTAL INSTL-OVHD STOWAGE
 FIGURE 82 (SHEET 3)

25-24-51-82

HAP
 OCT 10/06

25-24-51-82
 PAGE 0B

BOEING
737-600/700/800/900
PARTS CATALOG (MAINTENANCE)

FIG ITEM	PART NUMBER	1 2 3 4 5 6 7	NOMENCLATURE	EFFECT FROM TO	UNITS PER ASSY
82			INTERCOSTAL INSTL-OVHD STOWAGE	001100	
- 1	412A4500-300		INTERCOSTAL INSTL-OVHD STOWAGE POSITION DATA: AFT CTR FOR NHA SEE: 25-24-00-13A	001030	RF
- 1	MODREF91703		INTERCOSTAL INSTL-OVHD STOWAGE MODULE NUMBER: 412A4500-300 REV A POSITION DATA: AFT CTR	031100	1
5	BACB30NM3K3		.BOLT	001100	32
10	BACW10BP3DP		.WASHER	001100	32
12	412A4210-11		.INTERCOSTAL ASSY	001100	1
15	412A4210-12		.INTERCOSTAL ASSY	001100	1
25	BACB30NM3K3		..BOLT	001100	4
30	NAS1149E0363P		..WASHER	001100	4
35	412A4160-27		..FITTING ASSY	001100	1
40	BACB28AT06B008C		...BUSHING	001100	2
45	BACB28AP04P008		...BUSHING	001100	2
50	412A4160-28		...FITTING	001100	1
53	412A4211-11		..INTERCOSTAL ASSY- USED ON: 412A4210-11	001100	1
55	412A4211-12		..INTERCOSTAL ASSY- USED ON: 412A4210-12	001100	1
60	BACS13CJ3CD080P		...INSERT	001100	16
63	412A4211-111		...INTERCOSTAL- USED ON: 412A4211-11	001100	1
65	412A4211-112		...INTERCOSTAL- USED ON: 412A4211-12	001100	1
75	412A4210-13		.INTERCOSTAL ASSY	001100	1
77	412A4210-14		.INTERCOSTAL ASSY	001100	1
80	BACB30NM3K3		..BOLT	001100	4
85	NAS1149E0363P		..WASHER	001100	4
90	412A4160-27		..FITTING ASSY	001100	1
95	BACB28AT06B008C		...BUSHING	001100	2
100	BACB28AP04P008		...BUSHING	001100	2
105	412A4160-28		...FITTING	001100	1
110	412A4211-11		..INTERCOSTAL ASSY- USED ON: 412A4210-13	001100	1

MISSING ITEM NUMBERS NOT APPLICABLE

- ITEM NOT ILLUSTRATED

HAP

25-24-51-82

25-24-51
FIG. 82
PAGE 1
FEB 10/07

BOEING
737-600/700/800/900
PARTS CATALOG (MAINTENANCE)

FIG ITEM	PART NUMBER	1 2 3 4 5 6 7	NOMENCLATURE	EFFECT FROM TO	UNITS PER ASSY
82					
113	412A4211-12	..	INTERCOSTAL ASSY- USED ON: 412A4210-14	001100	1
115	BACS13CJ3CD080P	...	INSERT	001100	16
120	412A4211-111	...	INTERCOSTAL- USED ON: 412A4211-11	001100	1
125	412A4211-112	...	INTERCOSTAL- USED ON: 412A4211-12	001100	1

MISSING ITEM NUMBERS NOT APPLICABLE

— ITEM NOT ILLUSTRATED

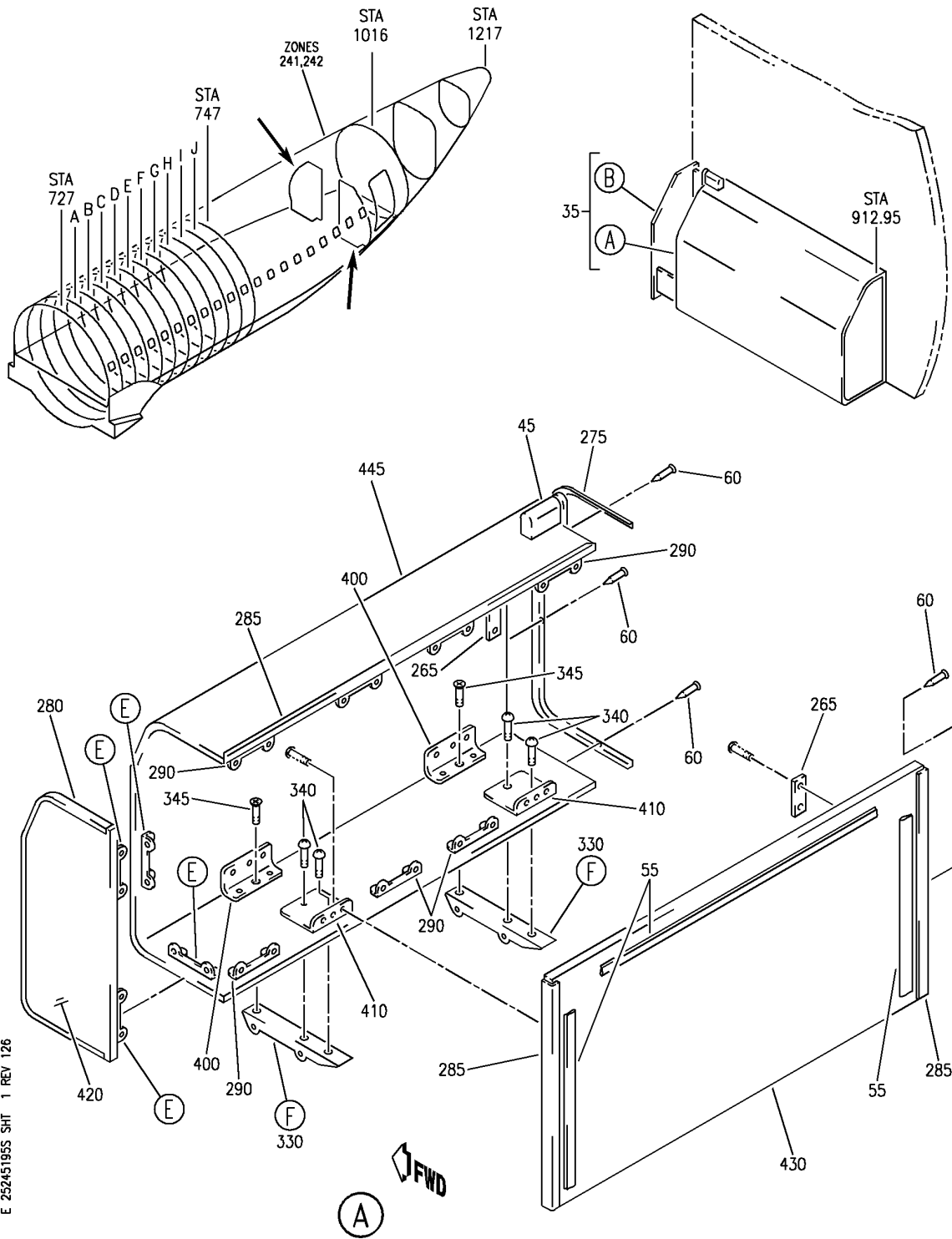
HAP

25-24-51-82

BOEING PROPRIETARY - Copyright © - Unpublished Work - See title page for details.

25-24-51
FIG. 82
PAGE 2
FEB 10/07


BOEING
 737-600/700/800/900
PARTS CATALOG (MAINTENANCE)



E 25245195S SHT 1 REV 126

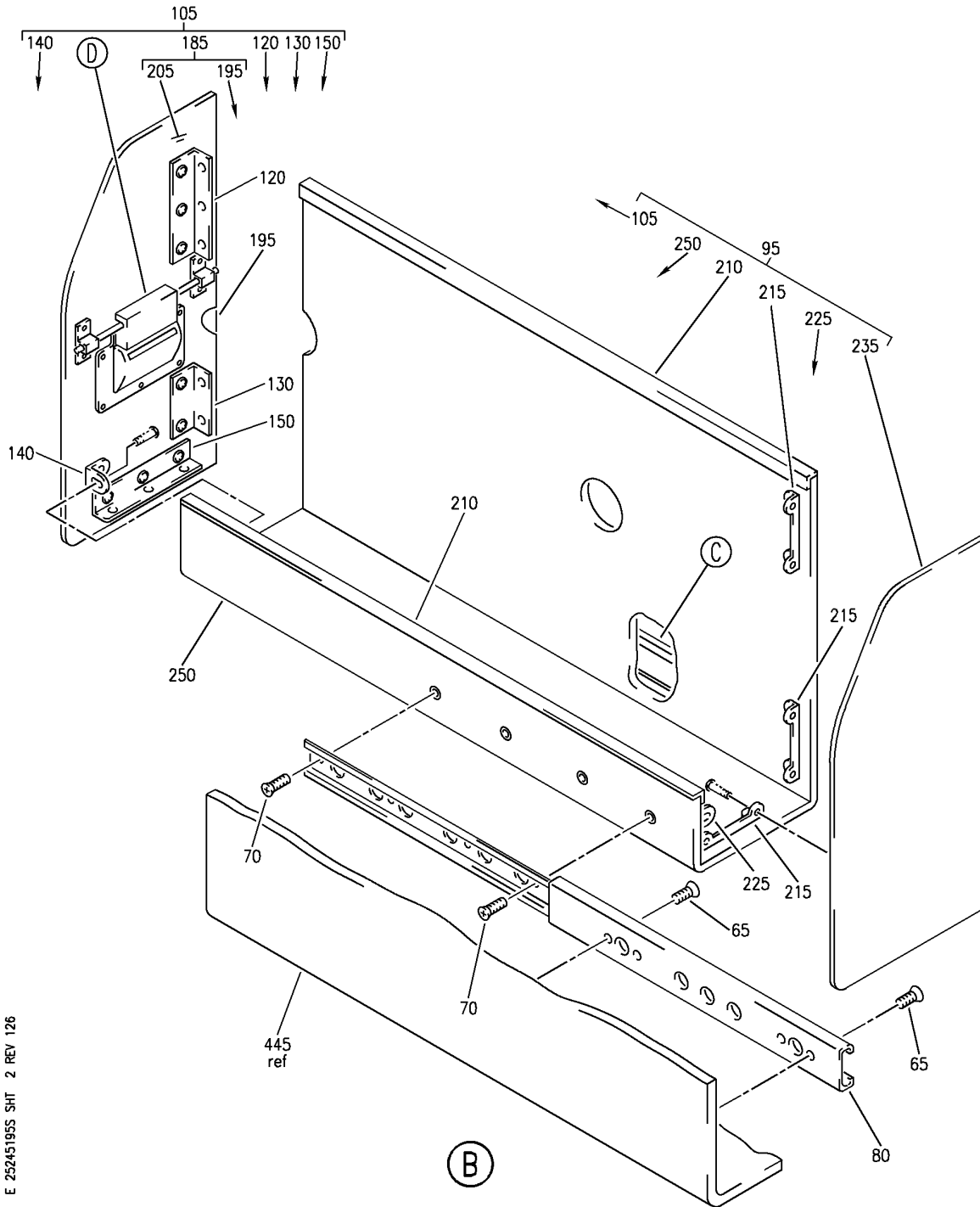
STOWAGE INSTL-FLOOR MOUNTED
FIGURE 95S (SHEET 1)

25-24-51-95S

HAP
FEB 10/07

25-24-51-95S
PAGE 0

BOEING
 737-600/700/800/900
 PARTS CATALOG (MAINTENANCE)



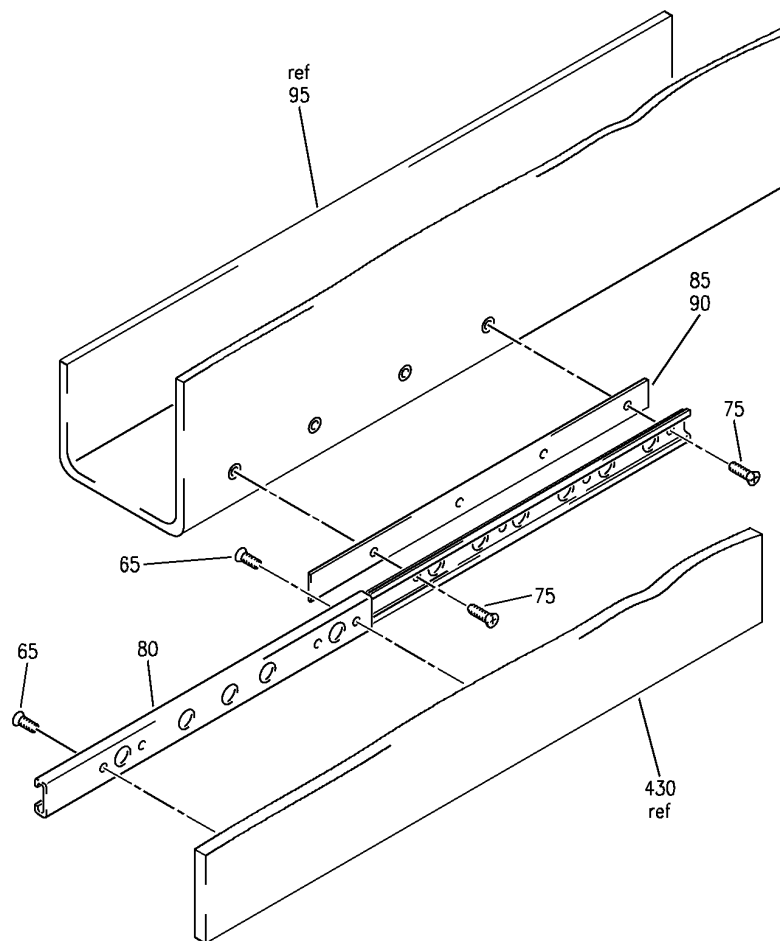
E 25245195S SHT 2 REV 126

STOWAGE INSTL-FLOOR MOUNTED
 FIGURE 95S (SHEET 2)

25-24-51-95S

HAP
 FEB 10/07

25-24-51-95S
 PAGE 0A



E 25245195S SHT 3 REV 126

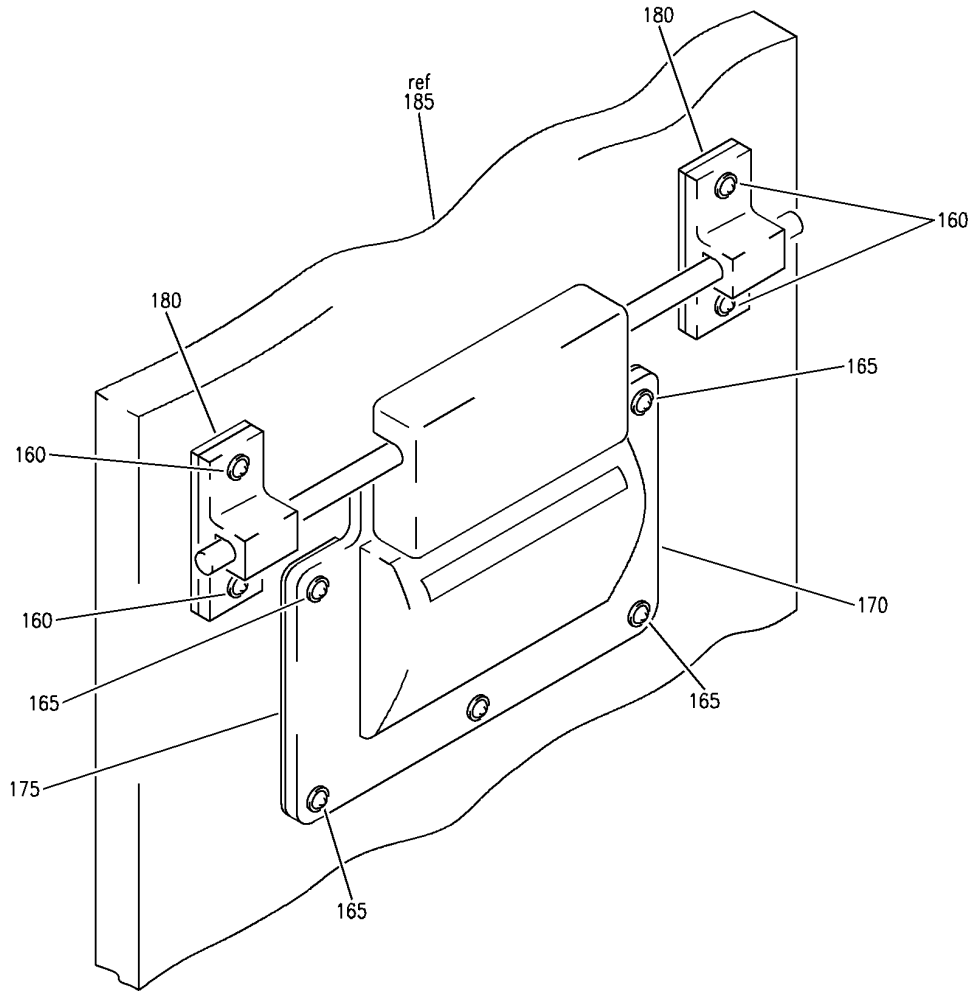
STOWAGE INSTL-FLOOR MOUNTED
 FIGURE 95S (SHEET 3)

25-24-51-95S

HAP
 FEB 10/07

25-24-51-95S
 PAGE 0B

BOEING
737-600/700/800/900
PARTS CATALOG (MAINTENANCE)



(D)

E 25245195S SHT 4 REV 126

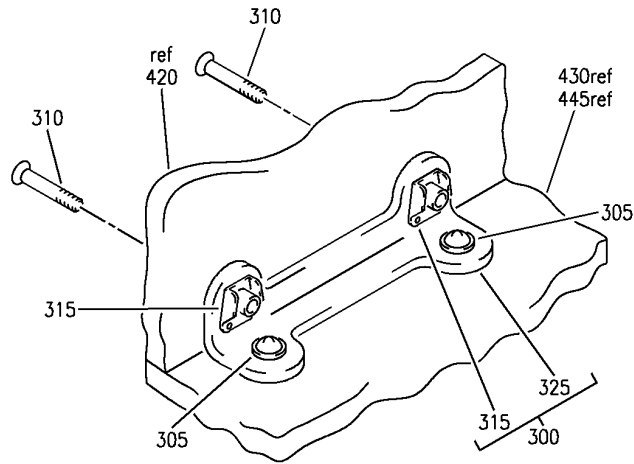
STOWAGE INSTL-FLOOR MOUNTED
FIGURE 95S (SHEET 4)

25-24-51-95S

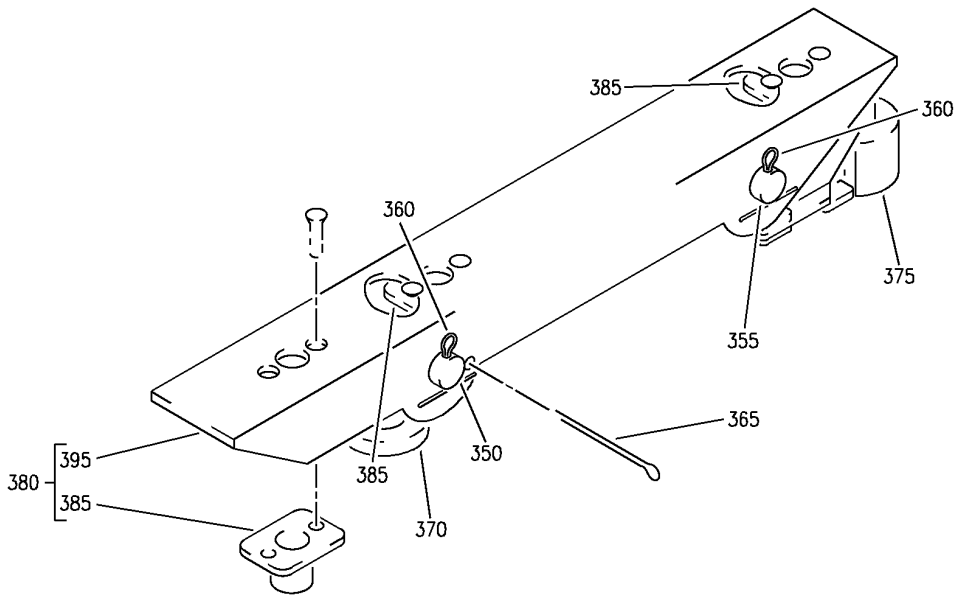
HAP
FEB 10/07

25-24-51-95S
PAGE 0C

BOEING
 737-600/700/800/900
 PARTS CATALOG (MAINTENANCE)



(E)



FWD

(F)

E 25245195S SHT 5 REV 126

STOWAGE INSTL-FLOOR MOUNTED
 FIGURE 95S (SHEET 5)

25-24-51-95S

HAP
 FEB 10/07

25-24-51-95S
 PAGE 0D

BOEING
737-600/700/800/900
PARTS CATALOG (MAINTENANCE)

FIG ITEM	PART NUMBER	1 2 3 4 5 6 7	NOMENCLATURE	EFFECT FROM TO	UNITS PER ASSY
95S			STOWAGE INSTL-FLOOR MOUNTED	038038 042046 051052	
- 1	MODREF313569		STOWAGE INSTL-FLOOR MOUNTED MODULE NUMBER: 413A2300-71C REV A POSITION DATA: STA 912.95 LBL 24.75 WL 208.33	038038 042046 051052	1
- 5	MODREF313570		STOWAGE INSTL-FLOOR MOUNTED MODULE NUMBER: 413A2300-72C REV A POSITION DATA: STA 912.95 RBL 24.75 WL 208.33	038038 042046 051052	1
- 10	BACF3T01D80-12		. FILLER-TAPERED	038038 042046 051052	AR
- 15	BACF3T01E80-12		. FILLER-TAPERED	038038 042046 051052	AR
- 20	BACF3T01F80-12		. FILLER-TAPERED	038038 042046 051052	AR
- 25	BACF3T01G80-12		. FILLER-TAPERED	038038 042046 051052	AR
- 30	BACF3T01H80-12		. FILLER-TAPERED	038038 042046 051052	AR
35	416N2629-41C		. STOWAGE ASSY- POSITION DATA: LH	038038 042046 051052	1
- 40	416N2629-42C		. STOWAGE ASSY- POSITION DATA: RH	038038 042046 051052	1
45	SAM440-1		.. LATCH- SUPPLIER CODE: V31845	038038 042046 051052	1
- 50	BACS12FA3K11		ATTACHING PARTS .. SCREW	038038 042046 051052	2
55	415U9010-71		-----*----- .. EXTRUSION	038038 042046 051052	AR

MISSING ITEM NUMBERS NOT APPLICABLE

- ITEM NOT ILLUSTRATED

HAP

25-24-51-95S

BOEING PROPRIETARY - Copyright © - Unpublished Work - See title page for details.

25-24-51
FIG. 95S
PAGE 1
FEB 15/09

BOEING
737-600/700/800/900
PARTS CATALOG (MAINTENANCE)

FIG ITEM	PART NUMBER	1 2 3 4 5 6 7	NOMENCLATURE	EFFECT FROM TO	UNITS PER ASSY
95S 60	N2088	..	PLUG SUPPLIER CODE: V75345 SPECIFICATION NUMBER: BACP20BA1 OPTIONAL PART: SZ7105 V95272 4841 V84914	038038 042046 051052	4
65	BACS12ER3K5	..	SCREW	038038 042046 051052	8
70	BACS12ER3K8	..	SCREW	038038 042046 051052	4
75	BACS12ER3K9	..	SCREW	038038 042046 051052	4
80	311638	..	SLIDE- SUPPLIER CODE: V05236	038038 042046 051052	2
85	413U2806-55A	..	SPACER- OPTIONAL PART: 436W5500-58	038038 042046 051052	AR
90	436W5500-58	..	SHIM- OPTIONAL PART: 413U2806-55A	038038 042046 051052	AR
95	416N2602-3V	..	DRAWER ASSY-FLOOR POSITION DATA: LH SIDE	038038 042046 051052	1
- 100	416N2602-4V	..	DRAWER ASSY-FLOOR POSITION DATA: RH SIDE	038038 042046 051052	1
105	416N2602-1V	...	FACE ASSY-DRAWER POSITION DATA: LH SIDE	038038 042046 051052	1
- 110	416N2602-2V	...	FACE ASSY-DRAWER POSITION DATA: RH SIDE	038038 042046 051052	1
- 115	BACS12FA3K4	...	SCREW ATTACHING PARTS	038038 042046 051052	9
120	413U2810-55A	*----- BRACKET	038038 042046 051052	1

MISSING ITEM NUMBERS NOT APPLICABLE

- ITEM NOT ILLUSTRATED

HAP

25-24-51-95S

BOEING PROPRIETARY - Copyright © - Unpublished Work - See title page for details.

25-24-51
FIG. 95S
PAGE 2
FEB 15/09

BOEING
737-600/700/800/900
PARTS CATALOG (MAINTENANCE)

FIG ITEM	PART NUMBER	1 2 3 4 5 6 7	NOMENCLATURE	EFFECT FROM TO	UNITS PER ASSY
95S			ATTACHING PARTS		
- 125	BACS12FA3K4	SCREW	038038 042046 051052	3
			-----*-----		
130	413U2810-53A	BRACKET	038038 042046 051052	1
			ATTACHING PARTS		
- 135	BACS12FA3K4	SCREW	038038 042046 051052	2
			-----*-----		
140	413U2160-189A	BRACKET	038038 042046 051052	1
			ATTACHING PARTS		
- 145	BACS12FA3K4	SCREW	038038 042046 051052	1
			-----*-----		
150	413U2810-60A	BRACKET	038038 042046 051052	1
			ATTACHING PARTS		
- 155	BACS12FA3K4	SCREW	038038 042046 051052	3
			-----*-----		
160	BACS12FA3K8	SCREW	038038 042046 051052	4
165	BACS12FA3K5	SCREW	038038 042046 051052	5
170	A39019-1A	LATCH- SUPPLIER CODE: V52607	038038 042046 051052	1
175	413U2806-6	SHIM	038038 042046 051052	1
180	1476-1	SHIM- SUPPLIER CODE: V52607	038038 042046 051052	2
185	413U2804-13BM	FACEPLATE ASSY- POSITION DATA: LH SIDE	038038 042046 051052	1

MISSING ITEM NUMBERS NOT APPLICABLE

- ITEM NOT ILLUSTRATED

HAP

25-24-51-95S

BOEING PROPRIETARY - Copyright © - Unpublished Work - See title page for details.

25-24-51
FIG. 95S
PAGE 3
FEB 15/09

BOEING
737-600/700/800/900
PARTS CATALOG (MAINTENANCE)

FIG ITEM	PART NUMBER	1 2 3 4 5 6 7	NOMENCLATURE	EFFECT FROM TO	UNITS PER ASSY
95S					
- 190	413U2804-14BM	FACEPLATE ASSY- POSITION DATA: RH SIDE	038038 042046 051052	1
195	413U2804-15R	FACEPLATE- POSITION DATA: LH SIDE	038038 042046 051052	1
- 200	413U2804-16BB	FACEPLATE- POSITION DATA: RH SIDE	038038 042046 051052	1
205	413U2804-17T	PLATE-BACKING	038038 042046 051052	1
- 207	6041-3BR225	...	INSERT- SUPPLIER CODE: V01556	038038 042046 051052	21
210	413U3165-63	...	TRIM	038038 042046 051052	AR
215	413T3167-1B	...	ANGLE	038038 042046 051052	3
- 220	BACS12FA3K4	...	ATTACHING PARTS SCREW	038038 042046 051052	12
225	413U2160-189A*.....	BRACKET	038038 042046 051052	1
- 230	BACS12FA3K4	...	ATTACHING PARTS SCREW	038038 042046 051052	2
235	416N2601-9C*.....	PANEL ASSY- POSITION DATA: LH SIDE	038038 042046 051052	1
- 240	416N2601-10C	PANEL ASSY- POSITION DATA: RH SIDE	038038 042046 051052	1
- 245	SL618-3A	INSERT- SUPPLIER CODE: V97393	038038 042046 051052	8
250	416N2601-7A	PANEL ASSY- POSITION DATA: LH SIDE	038038 042046 051052	1
- 255	416N2601-8A	PANEL ASSY- POSITION DATA: RH SIDE	038038 042046 051052	1

MISSING ITEM NUMBERS NOT APPLICABLE

- ITEM NOT ILLUSTRATED

HAP

25-24-51-95S

25-24-51
FIG. 95S
PAGE 4
FEB 15/09

BOEING
737-600/700/800/900
PARTS CATALOG (MAINTENANCE)

FIG ITEM	PART NUMBER	1 2 3 4 5 6 7	NOMENCLATURE	EFFECT FROM TO	UNITS PER ASSY
95S					
- 260	SL618-3A	INSERT- SUPPLIER CODE: V97393	038038 042046 051052	24
265	413U2160-162	..	PLATE-STRIKE	038038 042046 051052	2
			ATTACHING PARTS		
- 270	BACS12FA3K4	..	SCREW	038038 042046 051052	4
			-----*-----		
275	413T2092-76	..	TRIM	038038 042046 051052	1
280	413T2092-75	..	TRIM	038038 042046 051052	1
285	413U3165-63	..	TRIM	038038 042046 051052	AR
290	413T3167-1B	..	ANGLE	038038 042046 051052	7
			ATTACHING PARTS		
- 295	BACS12FA3K4	..	SCREW	038038 042046 051052	28
			-----*-----		
300	413T3167-6B	..	ANGLE ASSY	038038 042046 051052	4
			ATTACHING PARTS		
305	BACS12FA3K4	..	SCREW	038038 042046 051052	8
310	BACS12ER3K11	..	SCREW	038038 042046 051052	8
			-----*-----		
315	F29779-3	...	NUTPLATE SUPPLIER CODE: V15653 SPECIFICATION NUMBER: BACN10KH3 OPTIONAL PART: NS103225-02 V80539 RMF9209M3 V72962	038038 042046 051052	2

MISSING ITEM NUMBERS NOT APPLICABLE

- ITEM NOT ILLUSTRATED

HAP

25-24-51-95S

BOEING PROPRIETARY - Copyright © - Unpublished Work - See title page for details.

25-24-51
FIG. 95S
PAGE 5
FEB 15/09

BOEING
737-600/700/800/900
PARTS CATALOG (MAINTENANCE)

FIG ITEM	PART NUMBER	1 2 3 4 5 6 7	NOMENCLATURE	EFFECT FROM TO	UNITS PER ASSY
95S			ATTACHING PARTS		
- 320	BACR15BA3AD	...	RIVET- SIZE DETERMINED ON INSTL.	038038 042046 051052	4
			-----*-----		
325	413T3167-1B	...	ANGLE	038038 042046 051052	1
330	413T2154-16	..	MOUNTING ASSY-TRACK POSITION DATA: LH SIDE	038038 042046 051052	2
- 335	413T2154-5	..	MOUNTING ASSY-TRACK POSITION DATA: RH SIDE	038038 042046 051052	2
340	BACB30NT4K7	..	BOLT	038038 042046 051052	4
345	BACB30NN4K8	..	BOLT	038038 042046 051052	2
			-----*-----		
350	MS20392-3C37	...	PIN	038038 042046 051052	1
355	MS20392-4C37	...	PIN	038038 042046 051052	1
360	MS24665-134	...	PIN	038038 042046 051052	2
365	MS24665-374	...	PIN	038038 042046 051052	1
370	65B51290-1	...	FITTING-TRACK	038038 042046 051052	1
375	43995-10	...	FITTING ASSY- SUPPLIER CODE: V31272	038038 042046 051052	1
380	413U2810-153	...	CHANNEL ASSY	038038 042046 051052	1

MISSING ITEM NUMBERS NOT APPLICABLE

- ITEM NOT ILLUSTRATED

HAP

25-24-51-95S

BOEING PROPRIETARY - Copyright © - Unpublished Work - See title page for details.

25-24-51
FIG. 95S
PAGE 6
FEB 15/09

BOEING
737-600/700/800/900
PARTS CATALOG (MAINTENANCE)

FIG ITEM	PART NUMBER	1 2 3 4 5 6 7	NOMENCLATURE	EFFECT FROM TO	UNITS PER ASSY
95S 385	MF53049-4	NUTPLATE SUPPLIER CODE: V15653 SPECIFICATION NUMBER: BACN10JN4 OPTIONAL PART: BRFM20A4 V52828 MF1000-4BAC V15653 NS103218-048 V80539 RMF9201M4 V72962 VN252A048 V92215 T8124S4S V11815 ATTACHING PARTS	038038 042046 051052	3
- 390	BACR15BA3AD	RIVET- SIZE DETERMINED ON INSTL.	038038 042046 051052	6
			-----*-----		
395	413U2810-154	CHANNEL	038038 042046 051052	1
400	413U2160-136A	..	BRACKET	038038 042046 051052	2
			ATTACHING PARTS		
- 405	BACS12FA3K5	..	SCREW	038038 042046 051052	10
			-----*-----		
410	413U2160-122B	..	BRACKET	038038 042046 051052	2
			ATTACHING PARTS		
- 415	BACS12FA3K4	..	SCREW	038038 042046 051052	6
			-----*-----		
420	413U2600-133BM	..	PANEL ASSY-END POSITION DATA: LH SIDE	038038 042046 051052	1
- 425	413U2600-134BM	..	PANEL ASSY-END POSITION DATA: RH SIDE	038038 042046 051052	1

MISSING ITEM NUMBERS NOT APPLICABLE

- ITEM NOT ILLUSTRATED

HAP

25-24-51-95S

BOEING PROPRIETARY - Copyright © - Unpublished Work - See title page for details.

25-24-51
FIG. 95S
PAGE 7
FEB 15/09

BOEING
737-600/700/800/900
PARTS CATALOG (MAINTENANCE)

FIG ITEM	PART NUMBER	1 2 3 4 5 6 7	NOMENCLATURE	EFFECT FROM TO	UNITS PER ASSY
95S 430	416N2601-3B		..PANEL ASSY-BACK POSITION DATA: LH SIDE	038038 042046 051052	1
- 435	416N2601-4B		..PANEL ASSY-BACK POSITION DATA: RH SIDE	038038 042046 051052	1
- 440	SL618-3A		...INSERT- SUPPLIER CODE: V97393	038038 042046 051052	30
445	416N2601-49H		..PANEL ASSY-FORMED POSITION DATA: LH SIDE	038038 042046 051052	1
- 450	416N2601-50H		..PANEL ASSY-BACK POSITION DATA: RH SIDE	038038 042046 051052	1
- 455	SL618-3A		...INSERT- SUPPLIER CODE: V97393	038038 042046 051052	46

MISSING ITEM NUMBERS NOT APPLICABLE

- ITEM NOT ILLUSTRATED

HAP

25-24-51-95S

BOEING PROPRIETARY - Copyright © - Unpublished Work - See title page for details.

25-24-51
FIG. 95S
PAGE 8
FEB 15/09