

CABIN ATTENDANTS STATIONS

HAP
OCT 10/06

25-25-00
SECTION TITLE
PAGE 1

NON-ILLUSTRATED FIGURE

THE ITEMS REFLECTED IN THIS FIGURE ARE INTENTIONALLY
NON-ILLUSTRATED. THEY ARE REFERENCED TO EITHER A
NEXT HIGHER OR NEXT LOWER ASSEMBLY/INSTALLATION FIGURE.

E 25250001A REV 051

FUNCTIONAL COLLECTOR CUSTOMER UNIQUE (ATTENDANT SEATS ONLY)
FIGURE 1A

25-25-00-01A

HAP
OCT 15/08

25-25-00-01A
PAGE 0

BOEING
737-600/700/800/900
PARTS CATALOG (MAINTENANCE)

FIG ITEM	PART NUMBER	1 2 3 4 5 6 7	NOMENCLATURE	EFFECT FROM TO	UNITS PER ASSY
1 A			FUNCTIONAL COLLECTOR CUSTOMER UNIQUE (ATTENDANT SEATS ONLY)	201967	
- 2	400A9101-2610		FUNCTIONAL COLLECTOR- CUSTOMER UNIQUE (ATTENDANT SEATS ONLY)	201967	RF
- 205	414A2000-58		FOR NHA/OTHER SYS DET SEE: 25-00-00-02B .SEAT INSTL-ATTENDANT FUNCTIONAL REFERENCE: PLACARDS AND MARKINGS FOR DETAILS SEE 11-32-03-07 EQUIPMENT/FURNISHINGS FOR DETAILS SEE 25-25-12-09	201967	1

MISSING ITEM NUMBERS NOT APPLICABLE

- ITEM NOT ILLUSTRATED

HAP

25-25-00-01A

BOEING PROPRIETARY - Copyright © - Unpublished Work - See title page for details.

25-25-00
FIG. 01A
PAGE 1
OCT 15/08

NON-ILLUSTRATED FIGURE

THE ITEMS REFLECTED IN THIS FIGURE ARE INTENTIONALLY
NON-ILLUSTRATED. THEY ARE REFERENCED TO EITHER A
NEXT HIGHER OR NEXT LOWER ASSEMBLY/INSTALLATION FIGURE.

E 25250001B REV 051

FUNCTIONAL COLLECTOR-CUSTOMER UNIQUE (ATTENDANT SEATS ONLY)
FIGURE 1B

25-25-00-01B

HAP
OCT 10/06

25-25-00-01B
PAGE 0

BOEING
737-600/700/800/900
PARTS CATALOG (MAINTENANCE)

FIG ITEM	PART NUMBER	1 2 3 4 5 6 7	NOMENCLATURE	EFFECT FROM TO	UNITS PER ASSY
1B			FUNCTIONAL COLLECTOR- CUSTOMER UNIQUE (ATTENDANT SEATS ONLY)	001030	
- 1	400A9101-3001		FUNCTIONAL COLLECTOR- CUSTOMER UNIQUE (ATTENDANT SEATS ONLY) FOR NHA/OTHER SYS DET SEE: 25-00-00-02C	001017 019019	RF
- 10	400A0028-3001		FUNCTIONAL COLLECTOR- CUSTOMER UNIQUE (ATTENDANT SEATS ONLY) FOR NHA/OTHER SYS DET SEE: 25-00-00-02C	018018 020030	RF
- 50	414A2000-3		.SEAT INSTL-ATTENDANT FUNCTIONAL REFERENCE: PLACARDS AND MARKINGS FOR DETAILS SEE 11-32-03-07 EQUIPMENT/FURNISHINGS FOR DETAILS SEE 25-25-12-03	001007	1
- 50	414A2000-40		.SEAT INSTL-ATTENDANT FUNCTIONAL REFERENCE: PLACARDS AND MARKINGS FOR DETAILS SEE 11-32-03-07 EQUIPMENT/FURNISHINGS FOR DETAILS SEE 25-25-12-03	008030	1

MISSING ITEM NUMBERS NOT APPLICABLE

- ITEM NOT ILLUSTRATED

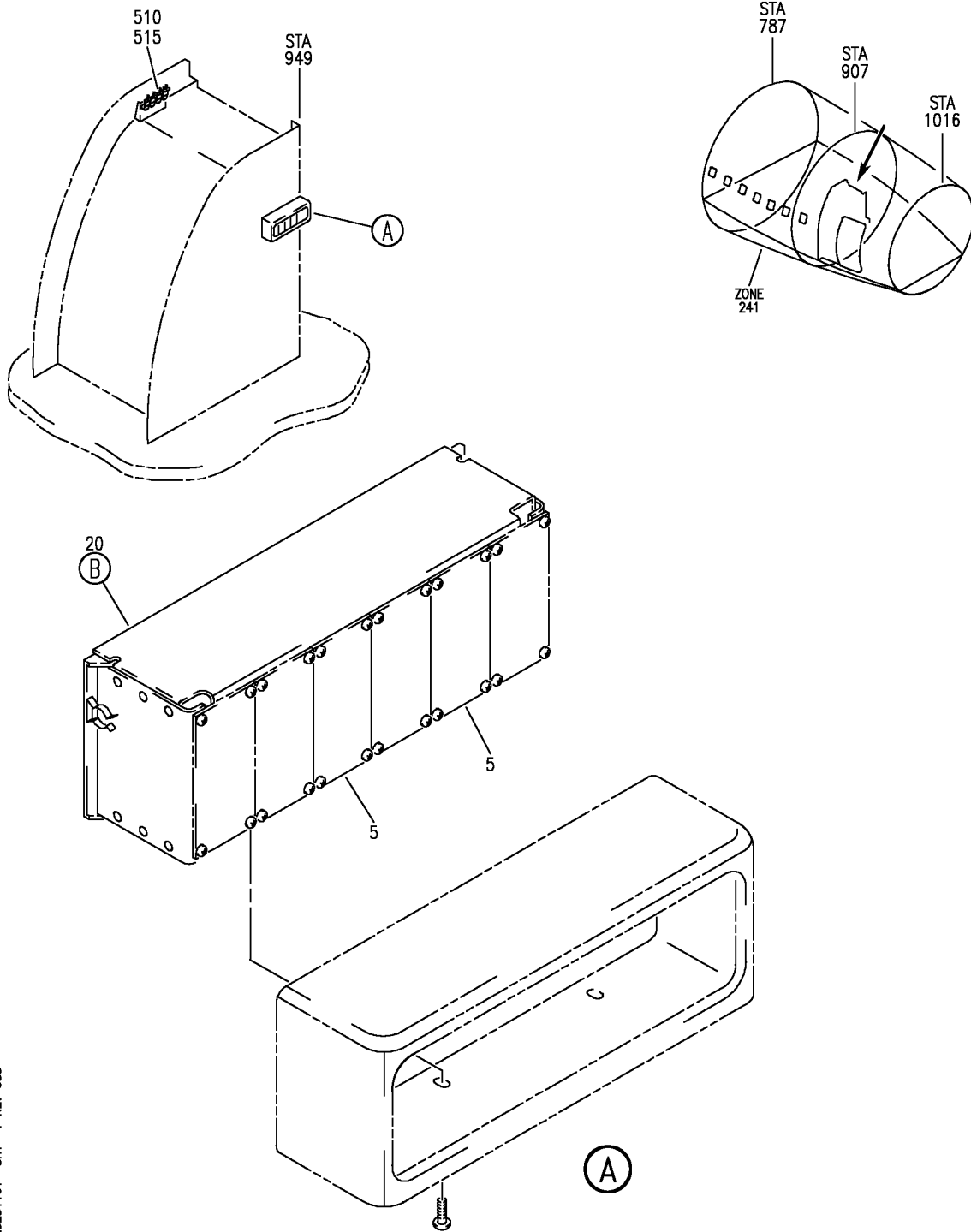
HAP

25-25-00-01B

BOEING PROPRIETARY - Copyright © - Unpublished Work - See title page for details.

25-25-00
FIG. 01B
PAGE 1
OCT 10/06

BOEING
 737-600/700/800/900
 PARTS CATALOG (MAINTENANCE)



E 25251101 SHT 1 REV 088

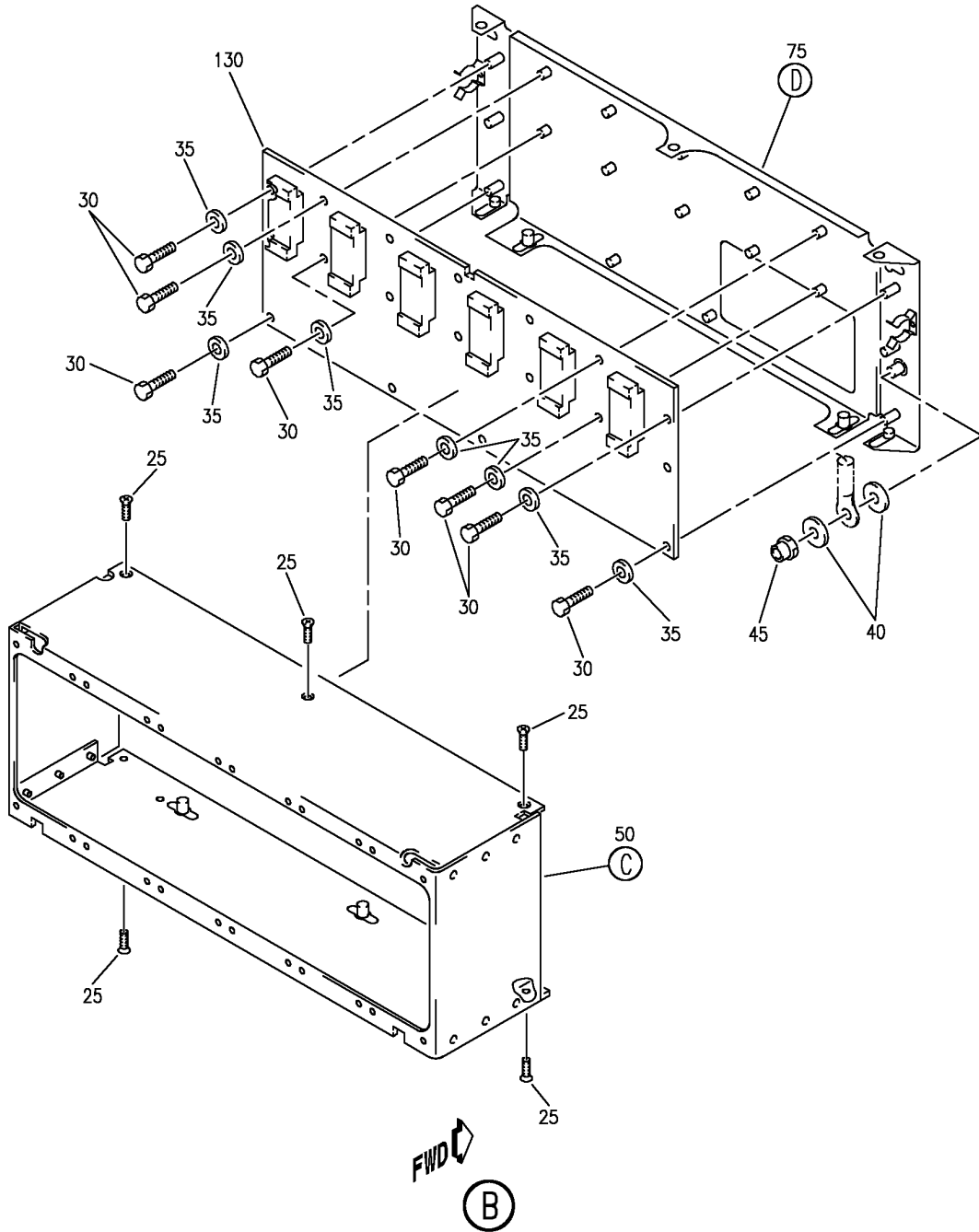
PANEL ASSY-LAV D ATTENDANT (EQUIPMENT/FURNISHINGS ONLY)
 FIGURE 1 (SHEET 1)

25-25-11-01

HAP
 OCT 10/06

25-25-11-01
 PAGE 0

BOEING
 737-600/700/800/900
 PARTS CATALOG (MAINTENANCE)



E 25251101 SHT 2 REV 088

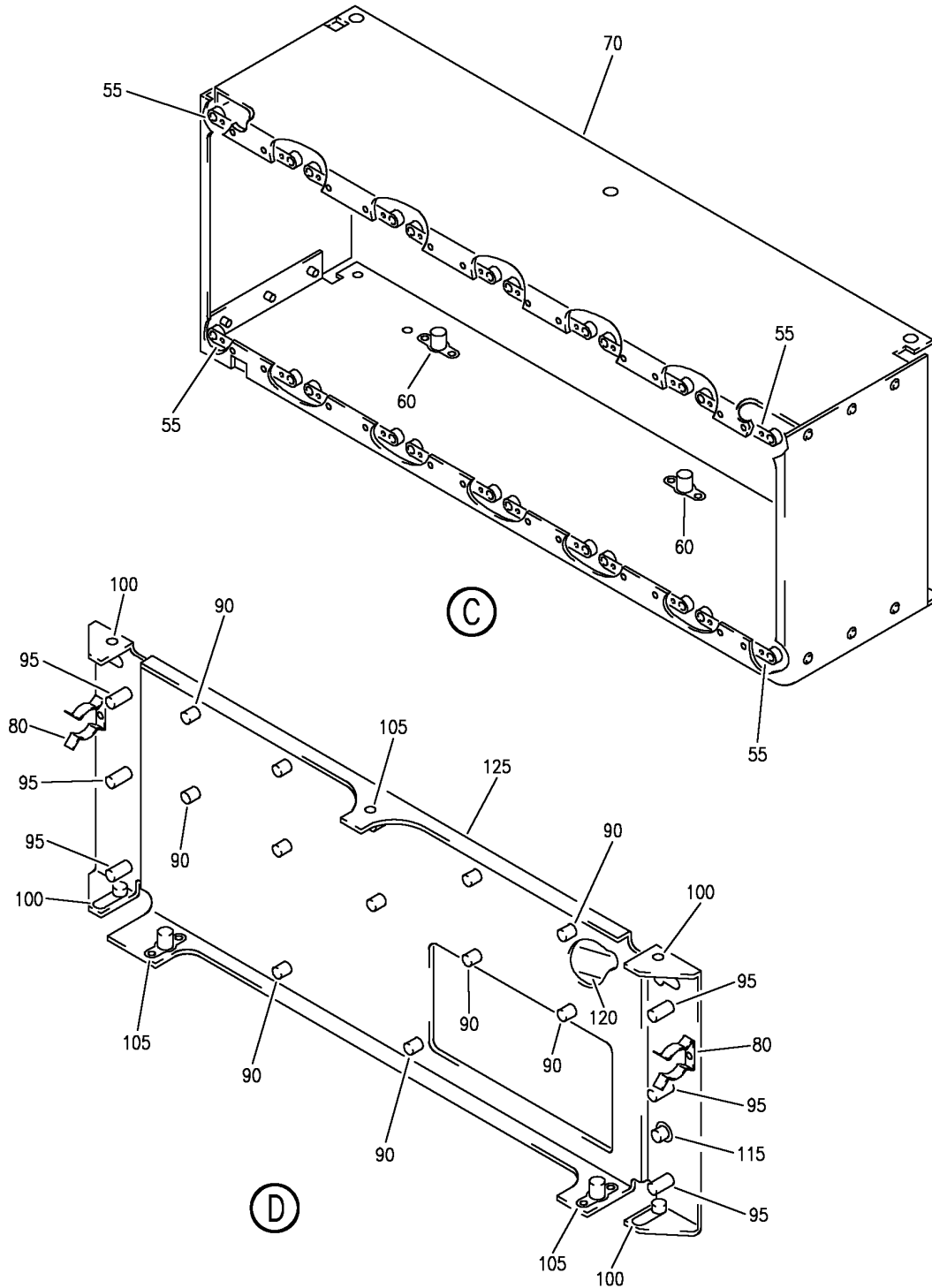
PANEL ASSY-LAV D ATTENDANT (EQUIPMENT/FURNISHINGS ONLY)
 FIGURE 1 (SHEET 2)

25-25-11-01

HAP
 OCT 10/06

25-25-11-01
 PAGE 0A

BOEING
 737-600/700/800/900
 PARTS CATALOG (MAINTENANCE)



E 25251101 SHT 3 REV 088

PANEL ASSY-LAV D ATTENDANT (EQUIPMENT/FURNISHINGS ONLY)
 FIGURE 1 (SHEET 3)

25-25-11-01

HAP
 OCT 10/06

25-25-11-01
 PAGE 08

BOEING
737-600/700/800/900
PARTS CATALOG (MAINTENANCE)

FIG ITEM	PART NUMBER	1 2 3 4 5 6 7	NOMENCLATURE	EFFECT FROM TO	UNITS PER ASSY
1			PANEL ASSY-LAV D ATTENDANT (EQUIPMENT/FURNISHINGS ONLY)	031200 968999	
- 1	417A6110-58B		PANEL ASSY-LAV D ATTENDANT (EQUIPMENT/FURNISHINGS ONLY) SUPPLIER CODE: V89954 FOR NHA/OTHER SYS DET SEE: 31-15-21-03A	101106 968999	RF
- 1	417A6110-58C		PANEL ASSY-LAV D ATTENDANT (EQUIPMENT/FURNISHINGS ONLY) SUPPLIER CODE: V89954 FOR NHA/OTHER SYS DET SEE: 31-15-21-03A	031100 107200	RF
5	285A1700-1		.MODULE ASSY- SUPPLIER CODE: V89954	031200 968999	3
- 10	NAS8201A8		ATTACHING PARTS .SCREW	031200 968999	12
- 15	NAS620C6		.WASHER	031200 968999	12
20	417A6110-102		-----*----- .PANEL ASSY- SUPPLIER CODE: V89954	031200 968999	1
25	BACS12ER06K6		..SCREW	031200 968999	5
30	NAS8201A8		..SCREW	031200 968999	18
35	NAS620C6		..WASHER	031200 968999	18
40	NAS1149D0316J		..WASHER	031200 968999	2
45	MS21042L3		..NUT	031200 968999	1
50	417A6130-3		..CHASSIS ASSY-SHELL SUPPLIER CODE: V89954	031200 968999	1
55	BACN10JP06BCD		...NUTPLATE	031200 968999	24

MISSING ITEM NUMBERS NOT APPLICABLE

- ITEM NOT ILLUSTRATED

HAP

25-25-11-01

BOEING PROPRIETARY - Copyright © - Unpublished Work - See title page for details.

25-25-11
FIG. 01
PAGE 1
OCT 15/08

BOEING
737-600/700/800/900
PARTS CATALOG (MAINTENANCE)

FIG ITEM	PART NUMBER	1 2 3 4 5 6 7	NOMENCLATURE	EFFECT FROM TO	UNITS PER ASSY
1	60 NS103227H02		...NUTPLATE SUPPLIER CODE: V80539 SPECIFICATION NUMBER: BACN10KA3BS OPTIONAL PART: T8099S1032SK1 V11815 ATTACHING PARTS	031200 968999	2
- 65	BACR15BA3D		...RIVET- SIZE DETERMINED ON INSTL. -----*-----	031200 968999	52
70	417A6130-4		...CHASSIS- SUPPLIER CODE: V89954	031200 968999	1
75	417A6130-1		..CHASSIS ASSY-BACKPLATE SUPPLIER CODE: V89954	031200 968999	1
80	NAS1464-066-02C		...CLIP ATTACHING PARTS	031200 968999	2
- 85	BACR15BA3D		...RIVET- SIZE DETERMINED ON INSTL. -----*-----	031200 968999	2
90	SOS632-10		...STANDOFF- SUPPLIER CODE: V46384	031200 968999	12
95	SOS632-16		...STANDOFF- SUPPLIER CODE: V46384	031200 968999	6
100	BACN10JP06BCD		...NUTPLATE	031200 968999	4
105	NS103227H62		...NUTPLATE SUPPLIER CODE: V80539 SPECIFICATION NUMBER: BACN10KA06BS OPTIONAL PART: T8099S632SK1 V11815 ATTACHING PARTS	031200 968999	3
- 110	BACR15BA3D		...RIVET- SIZE DETERMINED ON INSTL. -----*-----	031200 968999	14
115	FHS032-6		...STUD-GND SUPPLIER CODE: V46384	031200 968999	1

MISSING ITEM NUMBERS NOT APPLICABLE

- ITEM NOT ILLUSTRATED

HAP

25-25-11-01

BOEING PROPRIETARY - Copyright © - Unpublished Work - See title page for details.

25-25-11
FIG. 01
PAGE 2
OCT 15/08

BOEING
737-600/700/800/900
PARTS CATALOG (MAINTENANCE)

FIG ITEM	PART NUMBER	1 2 3 4 5 6 7	NOMENCLATURE	EFFECT FROM TO	UNITS PER ASSY
1					
120	417A6130-5	...	SEAL- SUPPLIER CODE: V89954	031200 968999	1
125	417A6130-2	...	CHASSIS- SUPPLIER CODE: V89954	031200 968999	1
130	285A1780-10	..	WIRE ASSY-PRINTED IHC BACKPLANE SUPPLIER CODE: V89954 COMPONENT MAINT MANUAL REF: 23-42-10 USED ON: 417A6110-102	031200 968999	1
- 500	286A3311-041		WIRE BUNDLE ASSY-	031047 054100	RF
- 501	286A3311-206		WIRE BUNDLE ASSY	101106 968999	RF
510	BACC45FT22-55S	.	CONNECTOR- ELECTRICAL EQUIP NUMBER: D10021 WIRING DIAGRAM REF: 234212	031047 054106 968999	1
515	S3642-22	.	CLAMP- SUPPLIER CODE: V07418 SPECIFICATION NUMBER: BACC10JC22 OPTIONAL PART: 457EA005C22 V06324 GTR21-22CD V06324 ELECTRICAL EQUIP NUMBER: D10021T WIRING DIAGRAM REF: 234212	031047 054106 968999	1

MISSING ITEM NUMBERS NOT APPLICABLE

- ITEM NOT ILLUSTRATED

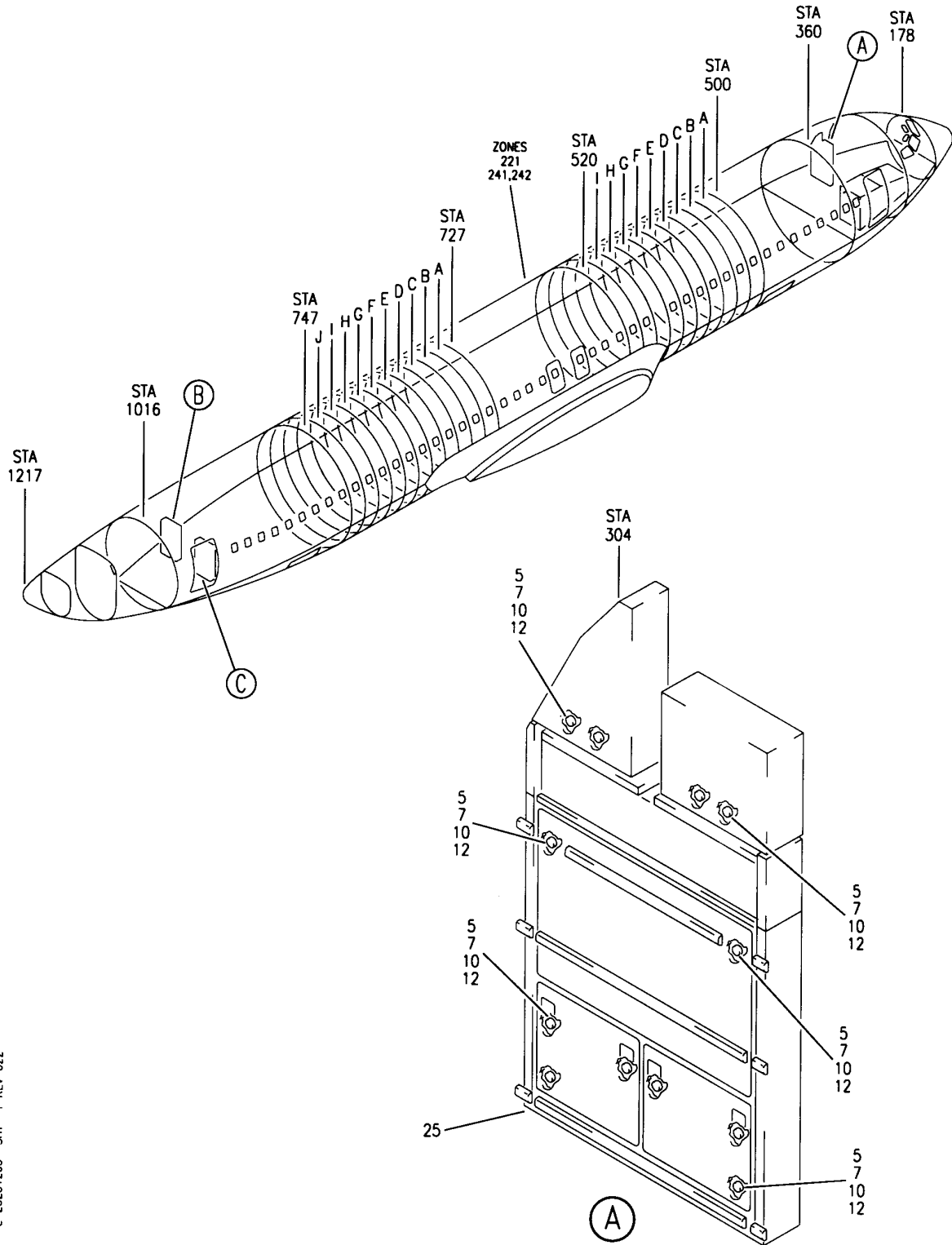
HAP

25-25-11-01

BOEING PROPRIETARY - Copyright © - Unpublished Work - See title page for details.

25-25-11
FIG. 01
PAGE 3
FEB 15/09

BOEING
 737-600/700/800/900
 PARTS CATALOG (MAINTENANCE)



E 25251203 SHT 1 REV 022

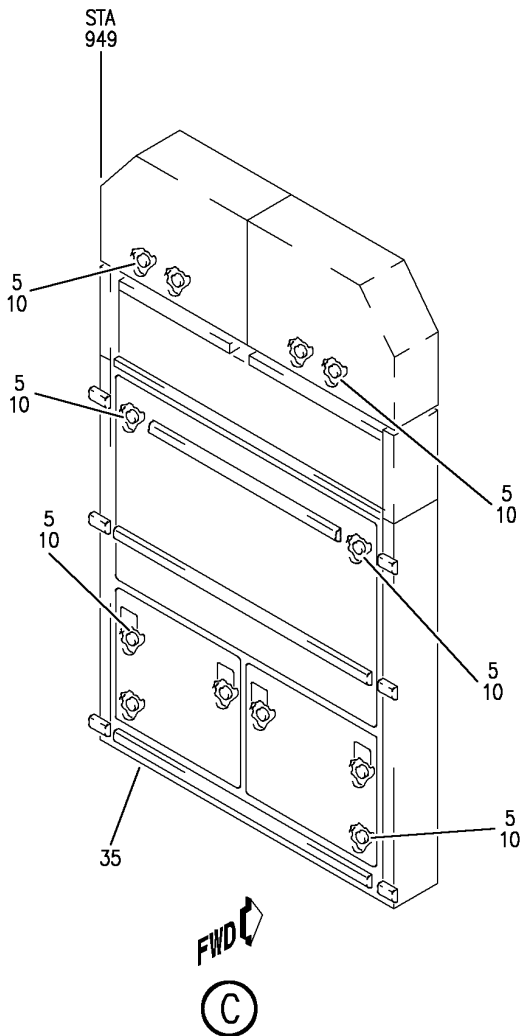
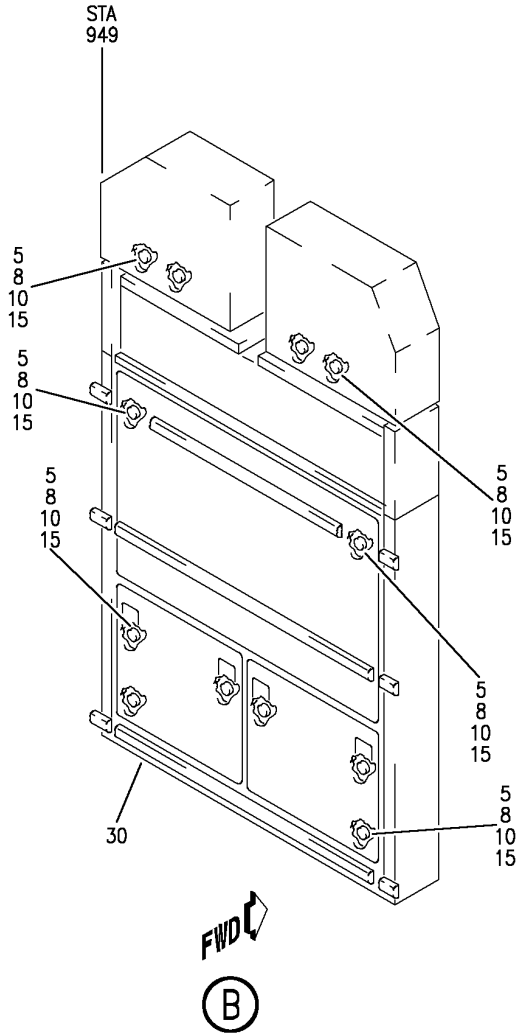
SEAT INSTL-ATTENDANT (EQUIPMENT/FURNISHINGS ONLY)
 FIGURE 3 (SHEET 1)

25-25-12-03

HAP
 OCT 10/06

25-25-12-03
 PAGE 0

BOEING
 737-600/700/800/900
 PARTS CATALOG (MAINTENANCE)



E 25251203 SH1 2 REV 075

SEAT INSTL-ATTENDANT (EQUIPMENT/FURNISHINGS ONLY)
 FIGURE 3 (SHEET 2)

25-25-12-03

HAP
 OCT 10/06

25-25-12-03
 PAGE 0A

BOEING
737-600/700/800/900
PARTS CATALOG (MAINTENANCE)

FIG ITEM	PART NUMBER	1 2 3 4 5 6 7	NOMENCLATURE	EFFECT FROM TO	UNITS PER ASSY
3			SEAT INSTL-ATTENDANT (EQUIPMENT/FURNISHINGS ONLY)	001030	
- 1	414A2000-3		SEAT INSTL-ATTENDANT (EQUIPMENT/FURNISHINGS ONLY) FOR NHA/OTHER SYS DET SEE: 25-25-00-01B	001007	RF
- 1	414A2000-40		SEAT INSTL-ATTENDANT (EQUIPMENT/FURNISHINGS ONLY) FOR NHA/OTHER SYS DET SEE: 25-25-00-01B	008030	RF
5	NAS6604-5		.BOLT- MISCELLANEOUS DATA: NO MATERIAL SUBSTITUTIONS ALLOWED	001030	36
10	NAS1149D0463J		.WASHER- MISCELLANEOUS DATA: NO MATERIAL SUBSTITUTIONS ALLOWED	001030	36
25	2110-324CW		.SEAT ASSY-NARROW DBL WALL MOUNTED SUPPLIER CODE: V31218 SPECIFICATION NUMBER: BCREF15329 COMPONENT MAINT MANUAL REF: 25-23-37 FOR DETAILS SEE: 25-25-12-51Q	001030	1
30	2110-325CW		.SEAT ASSY-NARROW DBL WALL MOUNTED SUPPLIER CODE: V31218 SPECIFICATION NUMBER: BCREF15317 COMPONENT MAINT MANUAL REF: 25-23-37 FOR DETAILS SEE: 25-25-12-51Q	001030	1

MISSING ITEM NUMBERS NOT APPLICABLE

- ITEM NOT ILLUSTRATED

HAP

25-25-12-03

BOEING PROPRIETARY - Copyright © - Unpublished Work - See title page for details.

25-25-12
FIG. 03
PAGE 1
OCT 10/06


BOEING
 737-600/700/800/900
PARTS CATALOG (MAINTENANCE)

FIG ITEM	PART NUMBER	1 2 3 4 5 6 7 NOMENCLATURE	EFFECT FROM TO	UNITS PER ASSY
3 35	2110-326CW	.SEAT ASSY-NARROW DBL WALL MOUNTED SUPPLIER CODE: V31218 SPECIFICATION NUMBER: BCREP15305 COMPONENT MAINT MANUAL REF: 25-23-37 FOR DETAILS SEE: 25-25-12-51Q	001030	1

MISSING ITEM NUMBERS NOT APPLICABLE

— ITEM NOT ILLUSTRATED

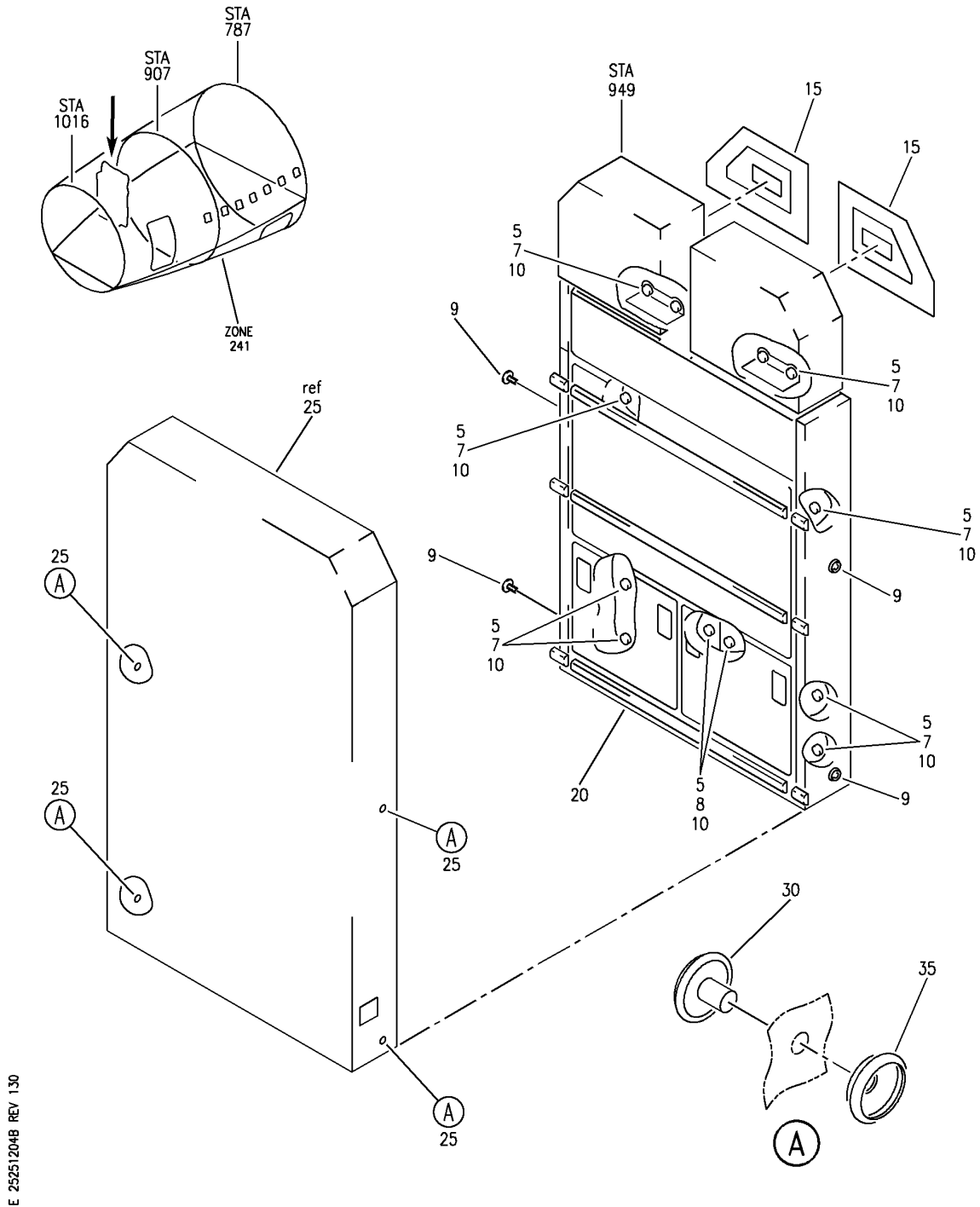
HAP

25-25-12-03

BOEING PROPRIETARY - Copyright © - Unpublished Work - See title page for details.

25-25-12
 FIG. 03
 PAGE 2
 OCT 10/06

BOEING
 737-600/700/800/900
 PARTS CATALOG (MAINTENANCE)



E 25251204B REV 130

SEAT INSTL-ATTENDANT (EQUIPMENT/FURNISHINGS ONLY)
 FIGURE 4B

25-25-12-04B

HAP
 JUN 10/07

25-25-12-04B
 PAGE 0

BOEING
737-600/700/800/900
PARTS CATALOG (MAINTENANCE)

FIG ITEM	PART NUMBER	1 2 3 4 5 6 7	NOMENCLATURE	EFFECT FROM TO	UNITS PER ASSY
R R R	4B		SEAT INSTL-ATTENDANT (EQUIPMENT/FURNISHINGS ONLY)	101106 968999	
	- 1	MODREF323614	SEAT INSTL-ATTENDANT LAV D DBL WALL-MOUNTED SEAT, AFT FACING (EQUIPMENT/ FURNISHINGS ONLY) MODULE NUMBER: 414A2900-216 REV A FOR OTHER SYS DETAILS SEE: 11-32-03-11B	101105 968999	1
	- 2	MODREF386768	SEAT INSTL-ATTENDANT LAV D DBL WALL-MOUNTED SEAT AFT FACING (EQUIPMENT/ FURNISHINGS ONLY) MODULE NUMBER: 414A2900-216 REV B FOR OTHER SYS DETAILS SEE: 11-32-03-11B	106106	1
R R R R	5	BACB30LM4-4	.BOLT	101106 968999	12
	10	NAS1149D0463J	.WASHER	101106 968999	12
	15	414A2000-1004	.TAPE-VELCRO	101106 968999	AR
	20	2110-325PB	.SEAT ASSY-ATTENDANT DBL WALL-MOUNTED JAR-OPS SEAT ON LAV D AFT FACING SUPPLIER CODE: V31218 POSITION DATA: STA. 949.00, LBL 13.50, WL 219.10 COMPONENT MAINT MANUAL REF: 25-20-09 FOR DETAILS SEE: 25-25-12-73B	101106 968999	1

MISSING ITEM NUMBERS NOT APPLICABLE

- ITEM NOT ILLUSTRATED

HAP

25-25-12-04B

BOEING PROPRIETARY - Copyright © - Unpublished Work - See title page for details.

25-25-12
FIG. 04B
PAGE 1
JUN 15/09

BOEING
737-600/700/800/900
PARTS CATALOG (MAINTENANCE)

FIG ITEM	PART NUMBER	1 2 3 4 5 6 7 NOMENCLATURE	EFFECT FROM TO	UNITS PER ASSY
4B 21	2110-125PB	.SEAT ASSY-ATTENDANT DBL WALL-MOUNTED JAR-OPS SEAT ON LAV D AFT FACING SUPPLIER CODE: V31218 POSITION DATA: STA. 949.00, LBL 13.50, WL 219.10 SPECIFICATION NUMBER: BCRE66200 COMPONENT MAINT MANUAL REF: 25-20-09 FOR DETAILS SEE: 25-25-12-73B	101106 968999	1

MISSING ITEM NUMBERS NOT APPLICABLE

— ITEM NOT ILLUSTRATED

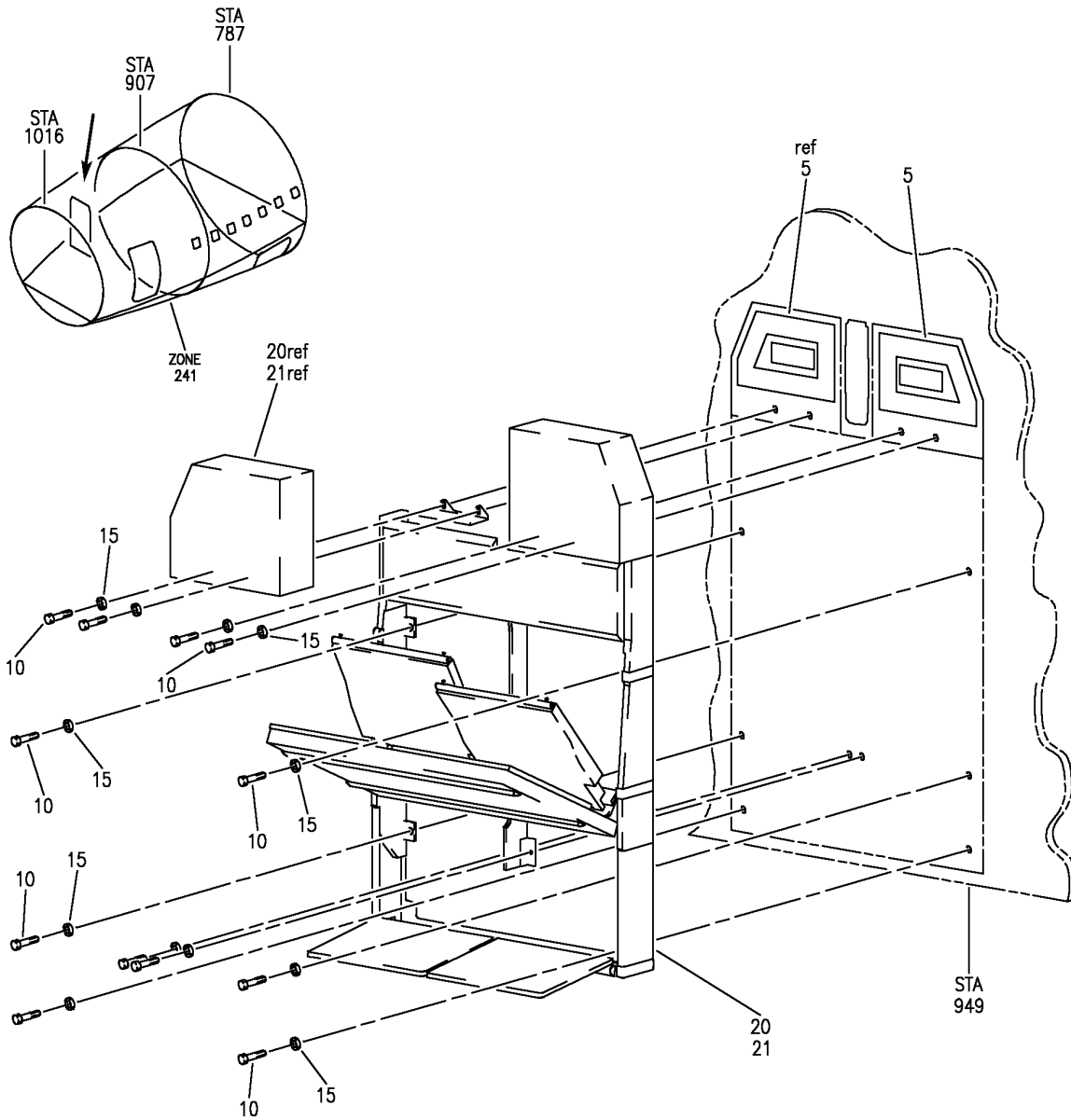
HAP

25-25-12-04B

BOEING PROPRIETARY - Copyright © - Unpublished Work - See title page for details.

25-25-12
FIG. 04B
PAGE 2
FEB 15/09

BOEING
 737-600/700/800/900
 PARTS CATALOG (MAINTENANCE)



E 25251204C REV 145

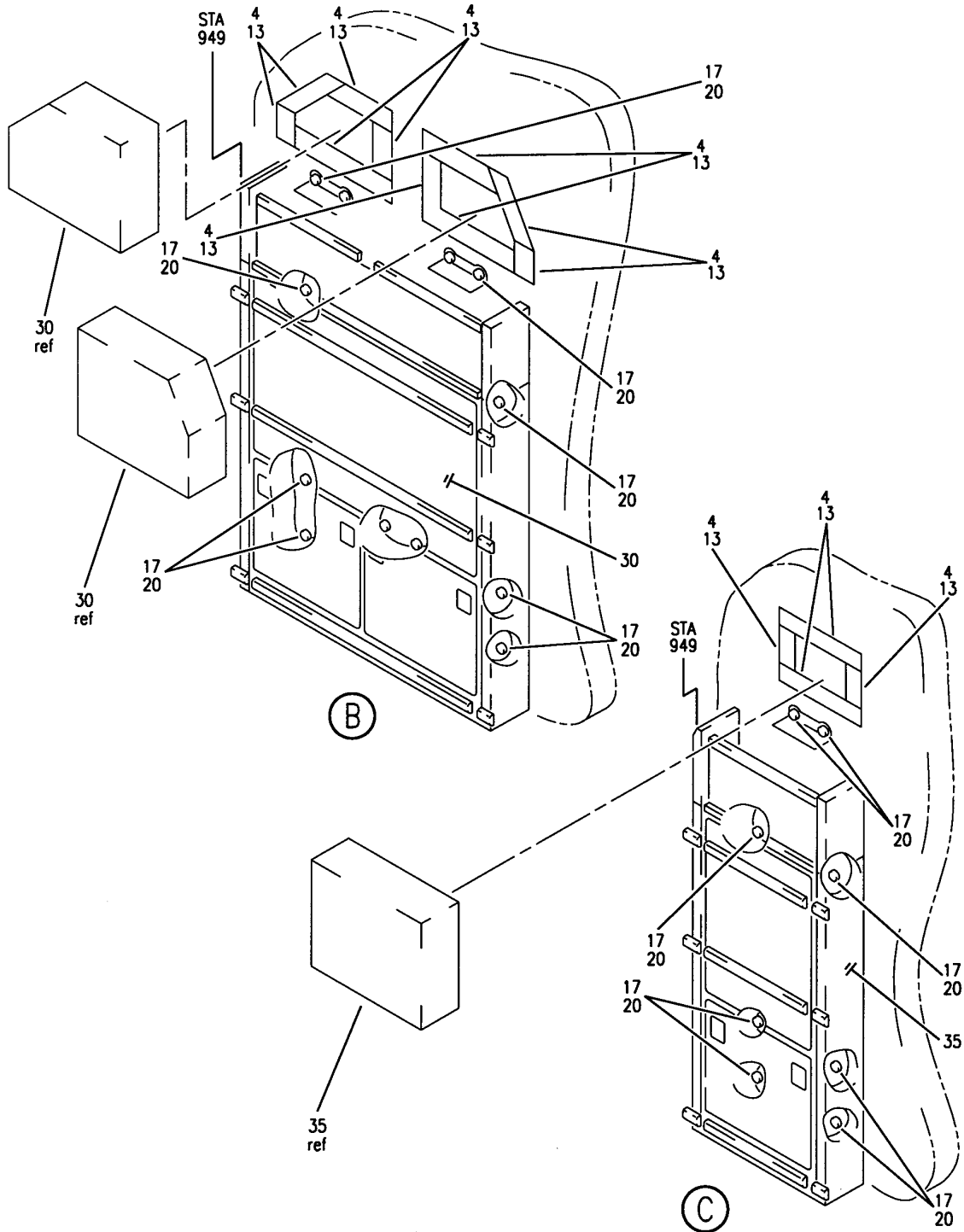
SEAT INSTL-ATTENDANT (EQUIPMENT/FURNISHINGS ONLY)
 FIGURE 4C

25-25-12-04C

HAP
 OCT 15/08

25-25-12-04C
 PAGE 0

BOEING
 737-600/700/800/900
 PARTS CATALOG (MAINTENANCE)



E 25251209 SH1 2 REV 029

SEAT INSTL-ATTENDANT (EQUIPMENT/FURNISHINGS ONLY)
 FIGURE 9 (SHEET 2)

25-25-12-09

HAP
 OCT 15/08

25-25-12-09
 PAGE 0A

BOEING
737-600/700/800/900
PARTS CATALOG (MAINTENANCE)

FIG ITEM	PART NUMBER	1 2 3 4 5 6 7	NOMENCLATURE	EFFECT FROM TO	UNITS PER ASSY
9			SEAT INSTL-ATTENDANT (EQUIPMENT/FURNISHINGS ONLY)	201967	
- 1	414A2000-58		SEAT INSTL-ATTENDANT (EQUIPMENT/FURNISHINGS ONLY) FOR NHA/OTHER SYS DET SEE: 25-25-00-01A	201967	RF
9	414A2000-1003		.TAPE-VELCRO	201967	AR
13	414A2000-1004		.TAPE-VELCRO	201967	AR
17	NAS6604-5		.BOLT- MISCELLANEOUS DATA: NO MATERIAL SUBSTITUTIONS ALLOWED	201967	32
20	NAS1149D0463J		.WASHER- MISCELLANEOUS DATA: NO MATERIAL SUBSTITUTIONS ALLOWED	201967	32
25	2110-324EV		.SEAT ASSY-ATTENDANT NARROW DBL WALL-MOUNTED SUPPLIER CODE: V31218 SPECIFICATION NUMBER: BCREF15334 COMPONENT MAINT MANUAL REF: 25-24-04 FOR DETAILS SEE: 25-25-12-51P	201967	1
25	2110-124EV		.SEAT ASSY-ATTENDANT NARROW DBL WALL-MOUNTED SUPPLIER CODE: V31218 SPECIFICATION NUMBER: BCREF66184	201967	1
30	2110-325EV		.SEAT ASSY-ATTENDANT NARROW DBL WALL-MOUNTED SUPPLIER CODE: V31218 SPECIFICATION NUMBER: BCREF15322 COMPONENT MAINT MANUAL REF: 25-24-04 FOR DETAILS SEE: 25-25-12-51P	201967	1

MISSING ITEM NUMBERS NOT APPLICABLE

- ITEM NOT ILLUSTRATED

HAP

25-25-12-09

BOEING PROPRIETARY - Copyright © - Unpublished Work - See title page for details.

25-25-12
FIG. 09
PAGE 1
FEB 15/09


BOEING
 737-600/700/800/900
PARTS CATALOG (MAINTENANCE)

FIG ITEM	PART NUMBER	1 2 3 4 5 6 7 NOMENCLATURE	EFFECT FROM TO	UNITS PER ASSY
9 40	2110-328EV	.SEAT ASSY-ATTENDANT NARROW DBL WALL-MOUNTED SUPPLIER CODE: V31218 SPECIFICATION NUMBER: BCREP15301 COMPONENT MAINT MANUAL REF: 25-24-04 FOR DETAILS SEE: 25-25-12-51P	201967	1

MISSING ITEM NUMBERS NOT APPLICABLE

— ITEM NOT ILLUSTRATED

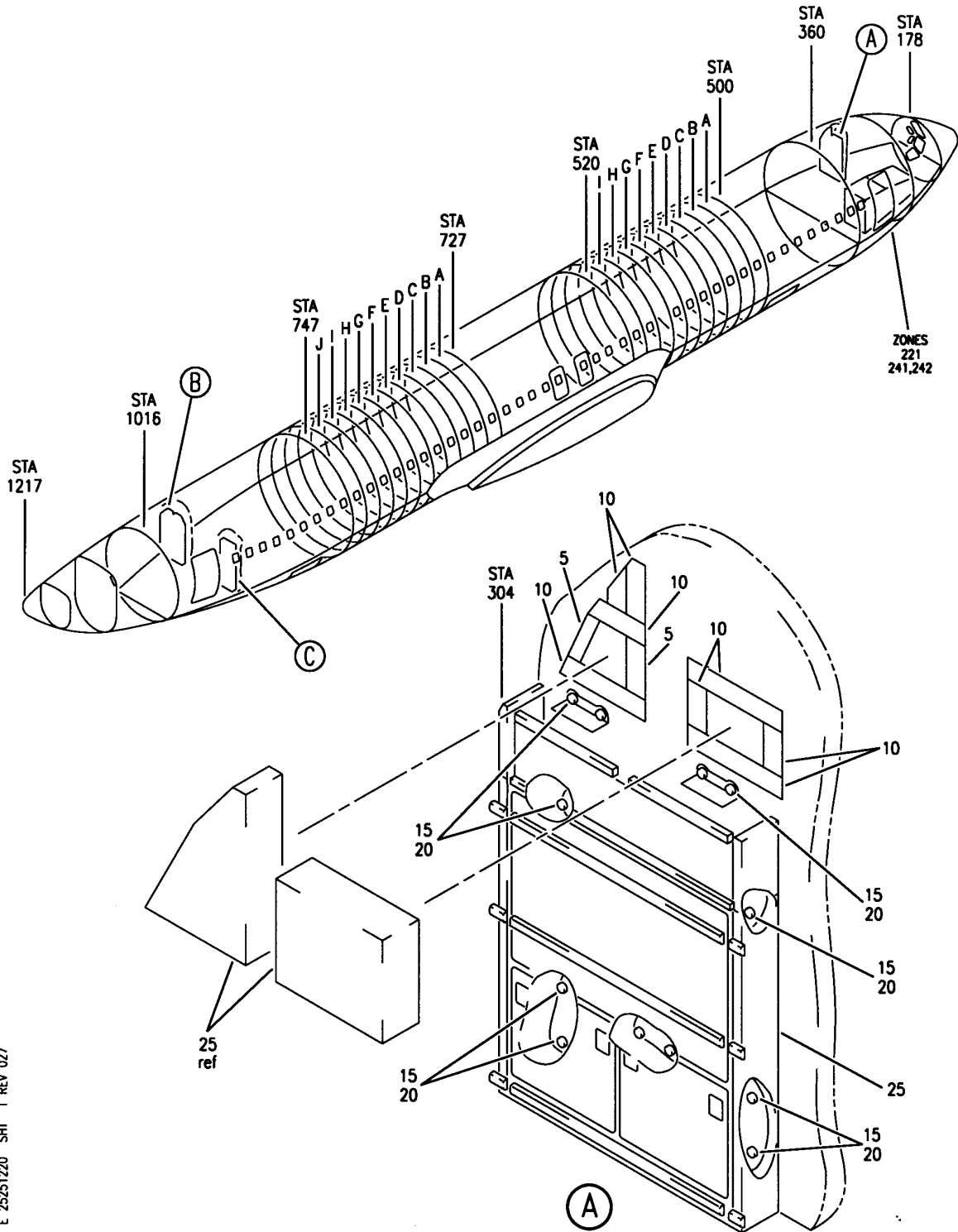
HAP

25-25-12-09

BOEING PROPRIETARY - Copyright © - Unpublished Work - See title page for details.

25-25-12
 FIG. 09
 PAGE 2
 OCT 15/08

BOEING
 737-600/700/800/900
 PARTS CATALOG (MAINTENANCE)



E 25251220 SHT 1 REV 027

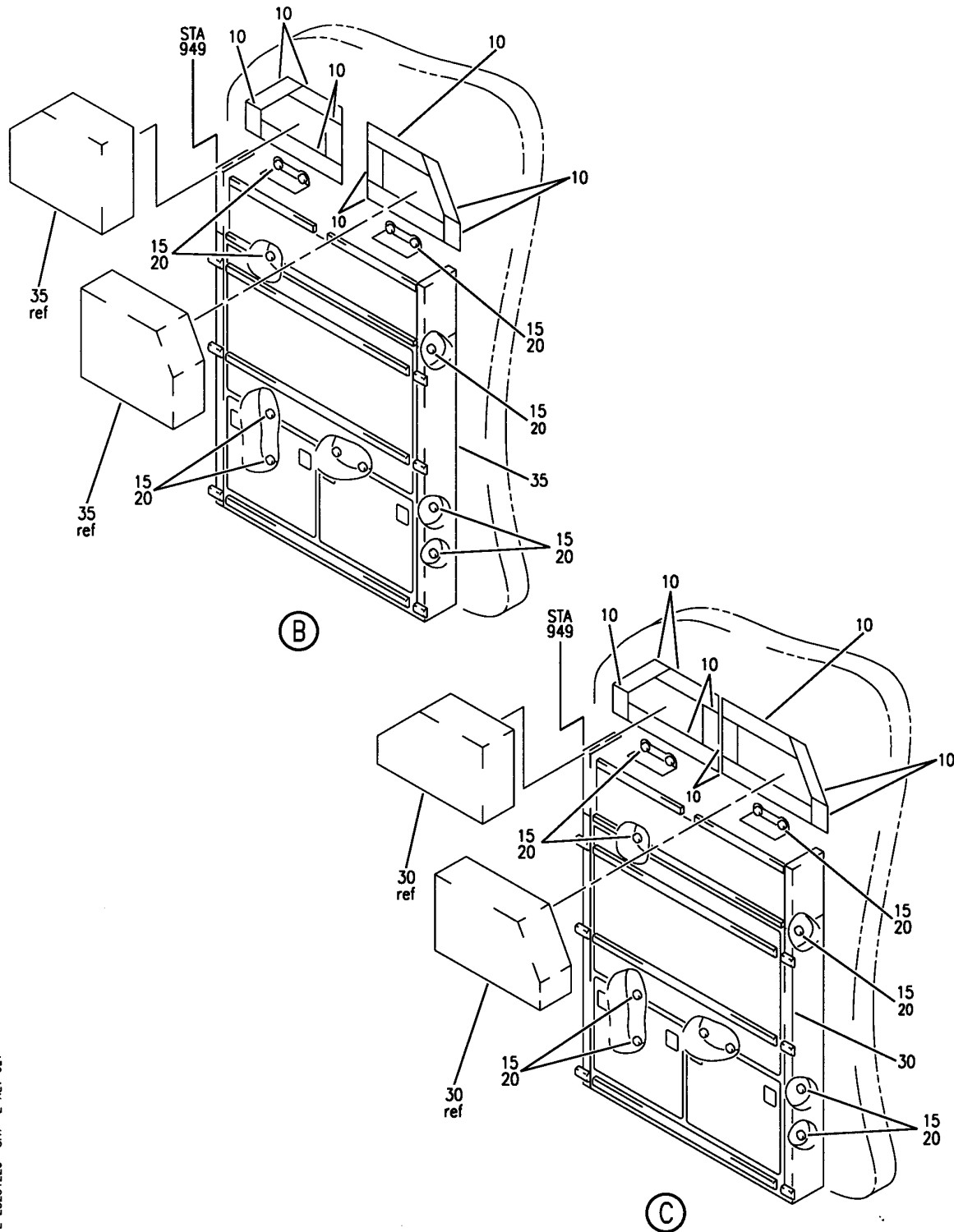
SEAT INSTL- ATTENDANT (EQUIPMENT/FURNISHINGS ONLY)
 FIGURE 20 (SHEET 1)

25-25-12-20

HAP
 FEB 10/07

25-25-12-20
 PAGE 0

BOEING
 737-600/700/800/900
 PARTS CATALOG (MAINTENANCE)



E 25251220 SHT 2 REV 027

SEAT INSTL- ATTENDANT (EQUIPMENT/FURNISHINGS ONLY)
 FIGURE 20 (SHEET 2)

25-25-12-20

HAP
 FEB 10/07

25-25-12-20
 PAGE 0A

BOEING
737-600/700/800/900
PARTS CATALOG (MAINTENANCE)

FIG ITEM	PART NUMBER	1 2 3 4 5 6 7	NOMENCLATURE	EFFECT FROM TO	UNITS PER ASSY
20			SEAT INSTL- ATTENDANT (EQUIPMENT/FURNISHINGS ONLY)	038038 042046 051052	
- 1	MODREF198981		SEAT INSTL-ATTENDANT (JPL) JET AIRWAYS (INDIA) PVT. LTD./(RYR) RYANAIR LTD. (EQUIPMENT/FURNISHINGS ONLY) MODULE NUMBER: 414A2000-70 REV C FOR OTHER SYS DETAILS SEE: 11-32-03-12	038038 042046	1
- 1	MODREF387132		SEAT INSTL-ATTENDANT (JPL) JET AIRWAYS (INDIA) PVT. LTD./(RYR) RYANAIR LTD. (EQUIPMENT/FURNISHINGS ONLY) MODULE NUMBER: 414A2000-70 REV D FOR OTHER SYS DETAILS SEE: 11-32-03-12	051052	1
5	414A2000-1003		.TAPE-VELCRO	038038 042046 051052	AR
10	414A2000-1004		.TAPE-VELCRO	038038 042046 051052	AR
15	NAS6604-5		.BOLT- MISCELLANEOUS DATA: NO MATERIAL SUBSTITUTIONS ALLOWED	038038 042046	36
15	BACB30LM4-5		.BOLT-	038038 042046	36
15	BACB30LM4-4		.BOLT	051052	36
20	NAS1149D0463J		.WASHER- MISCELLANEOUS DATA: NO MATERIAL SUBSTITUTIONS ALLOWED	038038 042046 051052	36
25	2110-324GC		.SEAT ASSY-NARROW DBL WALL MOUNTED SUPPLIER CODE: V31218 SPECIFICATION NUMBER: BCREF15336 COMPONENT MAINT MANUAL REF: 25-24-37 FOR DETAILS SEE: 25-25-12-98D	038038 042046 051052	1

MISSING ITEM NUMBERS NOT APPLICABLE

- ITEM NOT ILLUSTRATED

HAP

25-25-12-20

BOEING PROPRIETARY - Copyright © - Unpublished Work - See title page for details.

25-25-12
FIG. 20
PAGE 1
FEB 15/09

BOEING
737-600/700/800/900
PARTS CATALOG (MAINTENANCE)

FIG ITEM	PART NUMBER	1 2 3 4 5 6 7	NOMENCLATURE	EFFECT FROM TO	UNITS PER ASSY
R R R R R R R R	20 25	2110-124GC	.SEAT ASSY-NARROW DBL WALL MOUNTED SUPPLIER CODE: V31218 SPECIFICATION NUMBER: BCREF66185 COMPONENT MAINT MANUAL REF: 25-24-37 FOR DETAILS SEE: 25-25-12-98D	038038 042046 051052	1
	30	2110-326GC	.SEAT ASSY-NARROW DBL WALL MOUNTED SUPPLIER CODE: V31218 SPECIFICATION NUMBER: BCREF15311 COMPONENT MAINT MANUAL REF: 25-24-37 OPTIONAL PART: 2110-126GC V31218 FOR DETAILS SEE: 25-25-12-98K	038038 042046 051052	1
	30	2110-126GC	.SEAT ASSY-NARROW DBL WALL MOUNTED SUPPLIER CODE: V31218 OPTIONAL PART: 2110-326GC V31218	051052	1
	35	2110-325GC	.SEAT ASSY-NARROW DBL WALL MOUNTED SUPPLIER CODE: V31218 SPECIFICATION NUMBER: BCREF15324 COMPONENT MAINT MANUAL REF: 25-24-37 FOR DETAILS SEE: 25-25-12-98G	038038 042046 051052	1

MISSING ITEM NUMBERS NOT APPLICABLE

— ITEM NOT ILLUSTRATED

HAP

25-25-12-20

BOEING PROPRIETARY - Copyright © - Unpublished Work - See title page for details.

25-25-12
FIG. 20
PAGE 2
JUN 15/09


BOEING
 737-600/700/800/900
PARTS CATALOG (MAINTENANCE)

FIG ITEM	PART NUMBER	1 2 3 4 5 6 7	NOMENCLATURE	EFFECT FROM TO	UNITS PER ASSY
R R R R R R R R R R	20 35 2110-125GC		.SEAT ASSY-NARROW DBL WALL MOUNTED SUPPLIER CODE: V31218 SPECIFICATION NUMBER: BCRE66194 COMPONENT MAINT MANUAL REF: 25-24-37 FOR DETAILS SEE: 25-25-12-98G	038038 042046 051052	1

MISSING ITEM NUMBERS NOT APPLICABLE

— ITEM NOT ILLUSTRATED

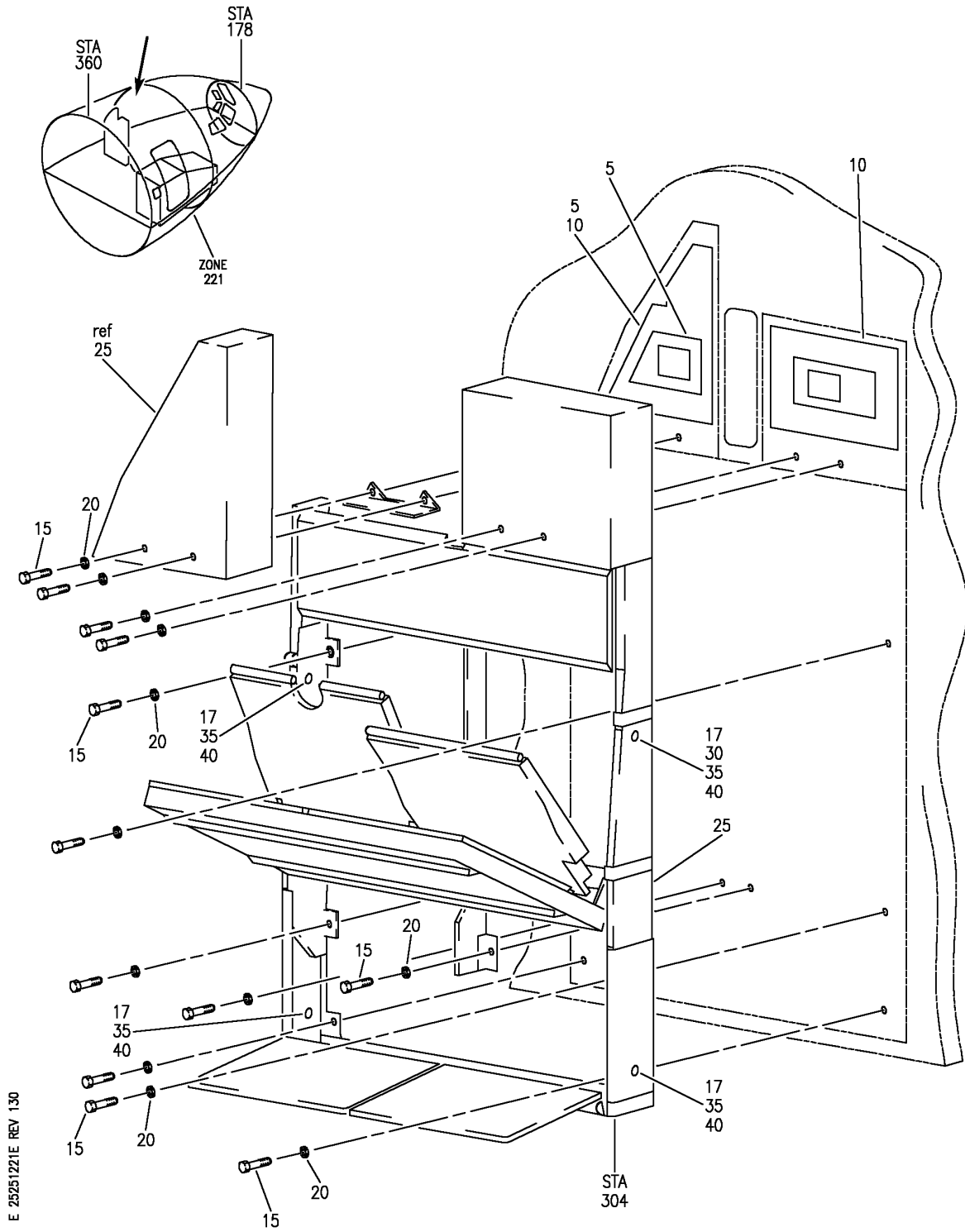
HAP

25-25-12-20

BOEING PROPRIETARY - Copyright © - Unpublished Work - See title page for details.

25-25-12
 FIG. 20
 PAGE 3
 JUN 15/09

BOEING
 737-600/700/800/900
 PARTS CATALOG (MAINTENANCE)



E 25251221E REV 130

SEAT INSTL-ATTENDANT (EQUIPMENT/FURNISHINGS ONLY)
 FIGURE 21E

25-25-12-21E

HAP
 JUN 10/07

25-25-12-21E
 PAGE 0

BOEING
737-600/700/800/900
PARTS CATALOG (MAINTENANCE)

FIG ITEM	PART NUMBER	1 2 3 4 5 6 7	NOMENCLATURE	EFFECT FROM TO	UNITS PER ASSY
21E			SEAT INSTL-ATTENDANT (EQUIPMENT/FURNISHINGS ONLY)	101105 968999	
- 1	MODREF323613		SEAT INSTL-ATTENDANT LAV A DBL WALL-MOUNTED JAR-OPS SEAT AFT FACING (EQUIPMENT/FURNISHINGS ONLY) MODULE NUMBER: 414A2900-215 REV A FOR OTHER SYS DETAILS SEE: 11-32-03-47D	101105 968999	1
5	414A2000-1003		.TAPE-VELCRO	101105 968999	AR
10	414A2000-1004		.TAPE-VELCRO	101105 968999	AR
15	BACB30LM4-4		.BOLT	101105 968999	12
20	NAS1149D0463J		.WASHER	101105 968999	12
25	2110-324PB		.SEAT ASSY-ATTENDANT DBL WALL- MOUNTED JAR-OPS SEAT ON LAV A AFT FACING SUPPLIER CODE: V31218 POSITION DATA: STA 304.00, LBL 12.50, WL 219.10 SPECIFICATION NUMBER: BCREF66126 COMPONENT MAINT MANUAL REF: 25-20-09 FOR DETAILS SEE: 25-25-12-85U	101105 968999	1
26	2110-124PB		.SEAT ASSY-ATTENDANT DBL WALL- MOUNTED JAR-OPS SEAT ON LAV A AFT FACING SUPPLIER CODE: V31218 POSITION DATA: STA 304.00, LBL 12.50, WL 219.10 SPECIFICATION NUMBER: BCREF66192 COMPONENT MAINT MANUAL REF: 25-20-09 FOR DETAILS SEE: 25-25-12-85U	101105 968999	1

MISSING ITEM NUMBERS NOT APPLICABLE

- ITEM NOT ILLUSTRATED

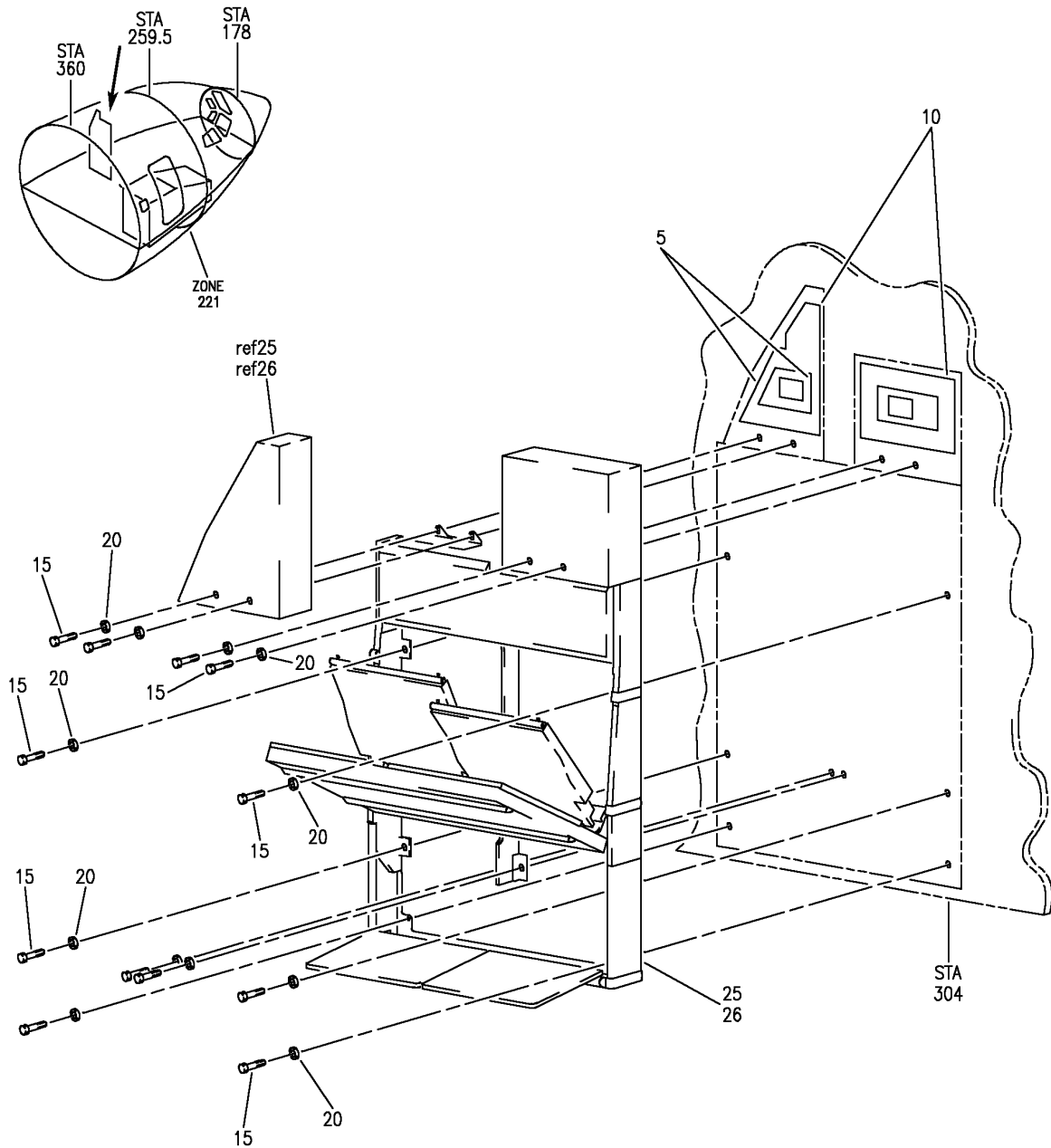
HAP

25-25-12-21E

BOEING PROPRIETARY - Copyright © - Unpublished Work - See title page for details.

25-25-12
FIG. 21E
PAGE 1
FEB 15/09

BOEING
 737-600/700/800/900
 PARTS CATALOG (MAINTENANCE)



E 25251221H REV 145

SEAT INSTL-ATTENDANT (EQUIPMENT/FURNISHINGS ONLY)
 FIGURE 21H

25-25-12-21H

HAP
 OCT 15/08

25-25-12-21H
 PAGE 0

BOEING
737-600/700/800/900
PARTS CATALOG (MAINTENANCE)

FIG ITEM	PART NUMBER	1 2 3 4 5 6 7	NOMENCLATURE	EFFECT FROM TO	UNITS PER ASSY
21H			SEAT INSTL-ATTENDANT (EQUIPMENT/FURNISHINGS ONLY)	047050 053053 106200	
- 1	MODREF386792		SEAT INSTL-ATTENDANT DBL WALL-MOUNTED ON LAV A AFT FACING (EQUIPMENT/ FURNISHINGS ONLY) MODULE NUMBER: 414A2900-49 REV C FOR OTHER SYS DETAILS SEE: 11-32-03-47E	047050 053053 107200	1
- 1	MODREF386767		SEAT INSTL-ATTENDANT DBL WALL-MOUNTED ON LAV A AFT FACING (EQUIPMENT/ FURNISHINGS ONLY) MODULE NUMBER: 414A2900-215 REV B FOR OTHER SYS DETAILS SEE: 11-32-03-47E	106106	1
5	414A2000-1003		.TAPE-VELCRO	047050 053053 106200	AR
10	414A2000-1004		.TAPE-VELCRO	047050 053053 106200	AR
15	BACB30LM4-4		.BOLT	047050 053053 106200	12
20	NAS1149D0463J		.WASHER	047050 053053 106200	12
25	2110-124GC		.SEAT ASSY- SUPPLIER CODE: V31218 POSITION DATA: STA 304.00, LBL 12.50, WL 219.10 SPECIFICATION NUMBER: BCREF66185 COMPONENT MAINT MANUAL REF: 25-24-37 FOR DETAILS SEE: 25-25-12-98D	047050 053053 107200	1

R
R
R
R
R
R
R
R
R
R

MISSING ITEM NUMBERS NOT APPLICABLE

- ITEM NOT ILLUSTRATED

HAP

25-25-12-21H

BOEING PROPRIETARY - Copyright © - Unpublished Work - See title page for details.

25-25-12
FIG. 21H
PAGE 1
JUN 15/09

BOEING
737-600/700/800/900
PARTS CATALOG (MAINTENANCE)

FIG ITEM	PART NUMBER	1 2 3 4 5 6 7	NOMENCLATURE	EFFECT FROM TO	UNITS PER ASSY
21H 25	2110-324GC		.SEAT ASSY- SUPPLIER CODE: V31218 POSITION DATA: STA 304.00, LBL 125.50, WL 219.10 SPECIFICATION NUMBER: BCREF15336 COMPONENT MAINT MANUAL REF: 25-24-37 FOR DETAILS SEE: 25-25-12-98D	047050 053053 107200	1
26	2110-124PB		.SEAT ASSY- SUPPLIER CODE: V31218 POSITION DATA: STA 304.00, LBL 12.50, WL 219.10 SPECIFICATION NUMBER: BCREF66192 COMPONENT MAINT MANUAL REF: 25-20-09 FOR DETAILS SEE: 25-25-12-85U	106106	1
26	2110-324PB		.SEAT ASSY- SUPPLIER CODE: V31218 POSITION DATA: STA 304.00, LBL 12.50, WL 219.10 COMPONENT MAINT MANUAL REF: 25-20-09 FOR DETAILS SEE: 25-25-12-85U	106106	1

MISSING ITEM NUMBERS NOT APPLICABLE

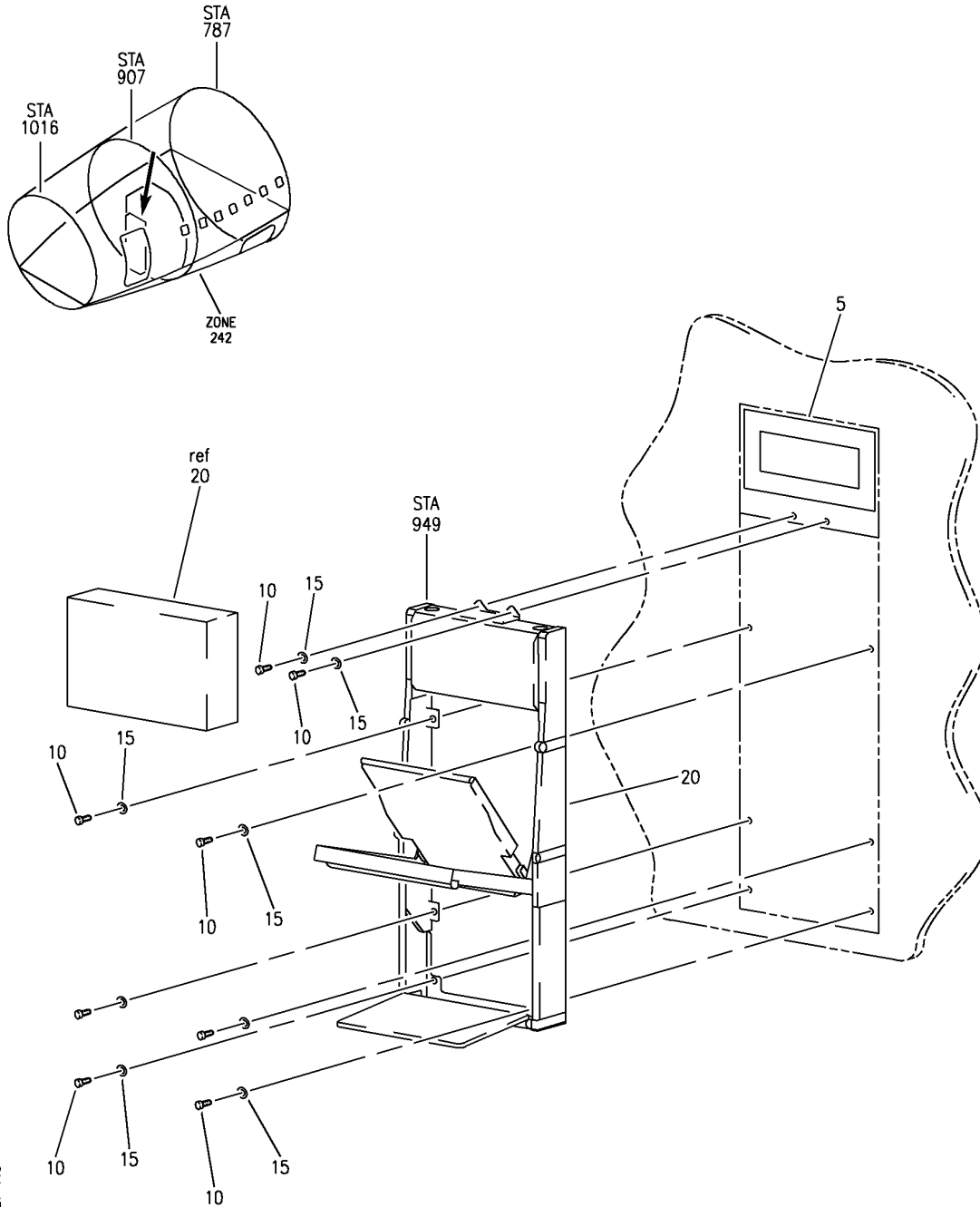
— ITEM NOT ILLUSTRATED

HAP

25-25-12-21H

BOEING PROPRIETARY - Copyright © - Unpublished Work - See title page for details.

25-25-12
FIG. 21H
PAGE 2
FEB 15/09



E 25251231A REV 113

SEAT INSTL-ATTENDANT SINGLE WALL-MOUNTED JAR-OPS AFT FACING
 FIGURE 31A

25-25-12-31A

HAP
 FEB 15/08

25-25-12-31A
 PAGE 0

BOEING
737-600/700/800/900
PARTS CATALOG (MAINTENANCE)

FIG ITEM	PART NUMBER	1 2 3 4 5 6 7	NOMENCLATURE	EFFECT FROM TO	UNITS PER ASSY
31A			SEAT INSTL-ATTENDANT SINGLE WALL-MOUNTED JAR-OPS AFT FACING	031037 039041 047050 053100	
- 1	MODREF275350		SEAT INSTL-ATTENDANT LAV E SINGLE WALL-MOUNTED JAR-OPS SEAT, AFT FACING MODULE NUMBER: 414A2900-180 REV A	031037 039041 054100	1
- 1	MODREF386749		SEAT INSTL-ATTENDANT LAV E SINGLE WALL-MOUNTED JAR-OPS SEAT, AFT FACING MODULE NUMBER: 414A2900-180 REV B	047050 053053	1
5	414A2000-1004		.TAPE-VELCRO	031037 039041 047050 053100	AR
10	BACB30LM4-4		.BOLT	031037 039041 047050 053100	8
15	NAS1149D0463J		.WASHER	031037 039041 047050 053100	8
20	2112-319GC		.SEAT ASSY-ATTENDANT SINGLE WALL-MOUNTED JAR-OPS SEAT ON LAV E AFT FACING SUPPLIER CODE: V31218 POSITION DATA: STA 949.00, RBL 38.00, WL 219.10 COMPONENT MAINT MANUAL REF: 25-28-80 FOR DETAILS SEE: 25-25-12-31B	031037 039041 047050 053100	1

MISSING ITEM NUMBERS NOT APPLICABLE

- ITEM NOT ILLUSTRATED

HAP

25-25-12-31A

BOEING PROPRIETARY - Copyright © - Unpublished Work - See title page for details.

25-25-12
FIG. 31A
PAGE 1
JUN 15/09

BOEING
737-600/700/800/900
PARTS CATALOG (MAINTENANCE)

FIG ITEM	PART NUMBER	1 2 3 4 5 6 7	NOMENCLATURE	EFFECT FROM TO	UNITS PER ASSY
31A 20	2112-119GC		.SEAT ASSY- SUPPLIER CODE: V31218 POSITION DATA: STA 949.00, RBL 38.00, WL 219.10 SPECIFICATION NUMBER: BCREF66232 COMPONENT MAINT MANUAL REF: 25-28-80 FOR DETAILS SEE: 25-25-12-31B	031037 039041 047050 053100	1

R
R
R
R
R
R
R
R
R
R

MISSING ITEM NUMBERS NOT APPLICABLE

- ITEM NOT ILLUSTRATED

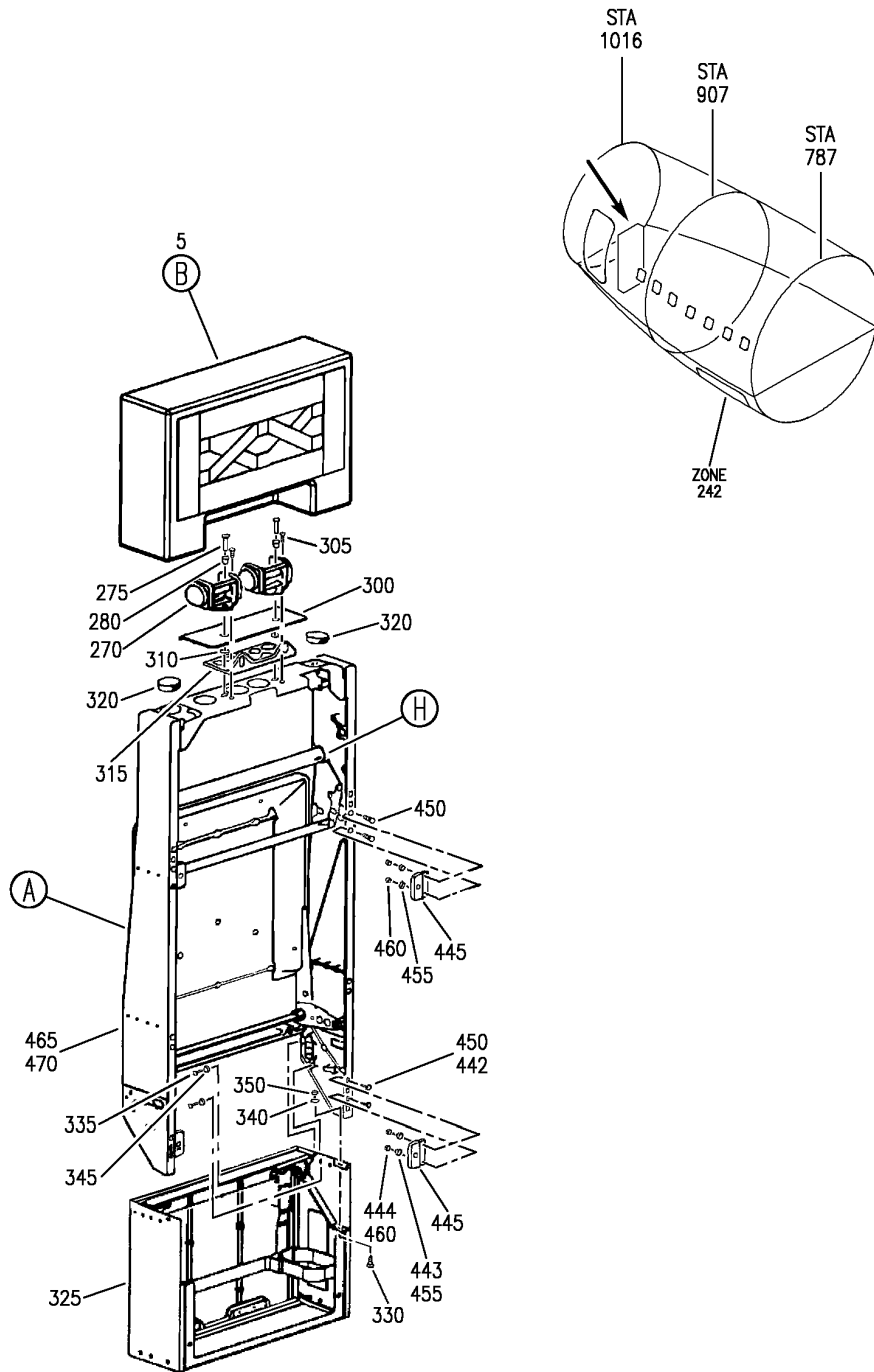
HAP

25-25-12-31A

BOEING PROPRIETARY - Copyright © - Unpublished Work - See title page for details.

25-25-12
FIG. 31A
PAGE 2
JUN 15/09

BOEING
 737-600/700/800/900
 PARTS CATALOG (MAINTENANCE)



E 25251231B SHT 1 REV 155

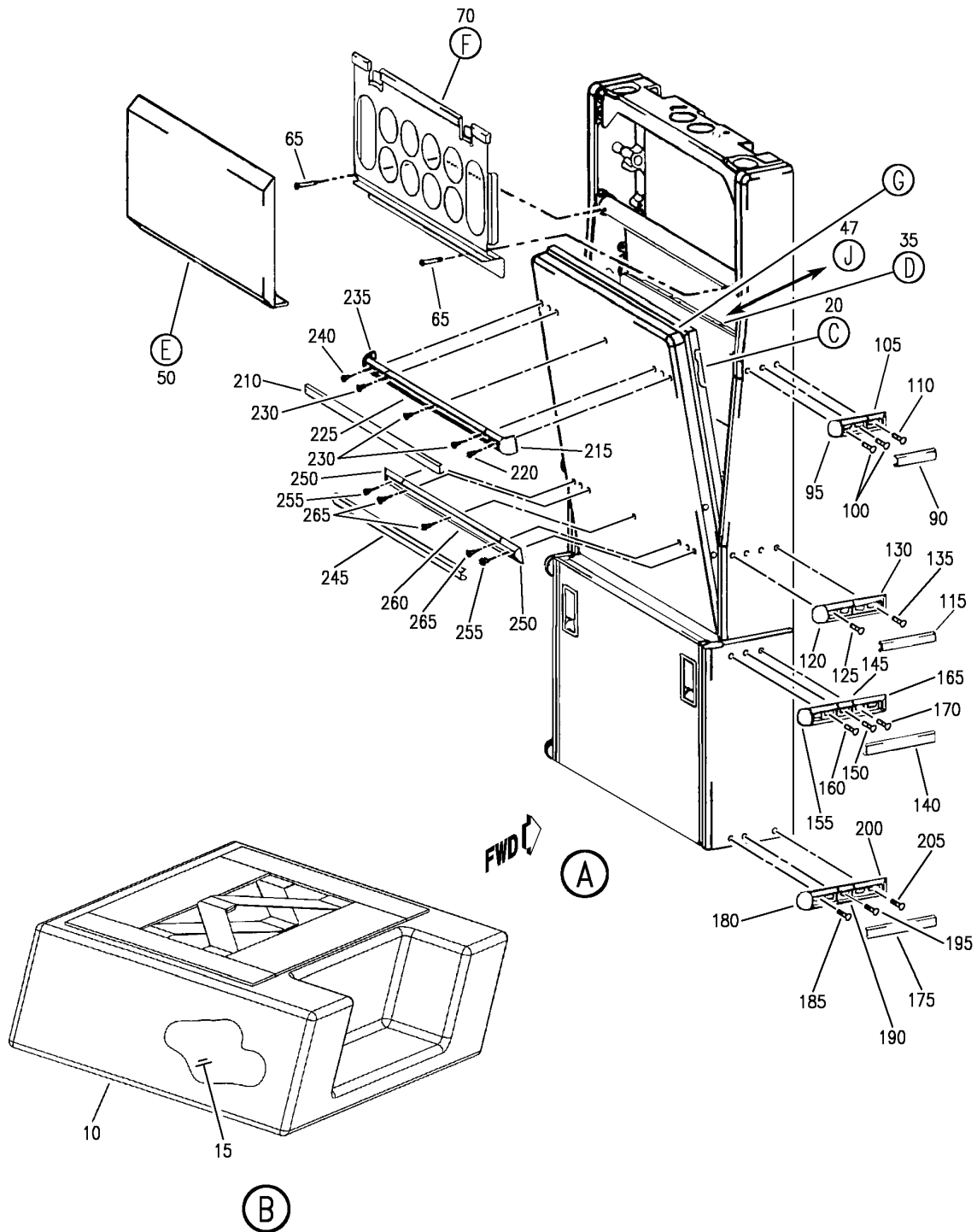
SEAT ASSY-ATTENDANT SINGLE WALL- MOUNTED JAR-OPS AFT FACING
 FIGURE 31B (SHEET 1)

25-25-12-31B

HAP
 JUN 15/09

25-25-12-31B
 PAGE 0

BOEING
 737-600/700/800/900
 PARTS CATALOG (MAINTENANCE)



E 25251231B SHT 2 REV 155

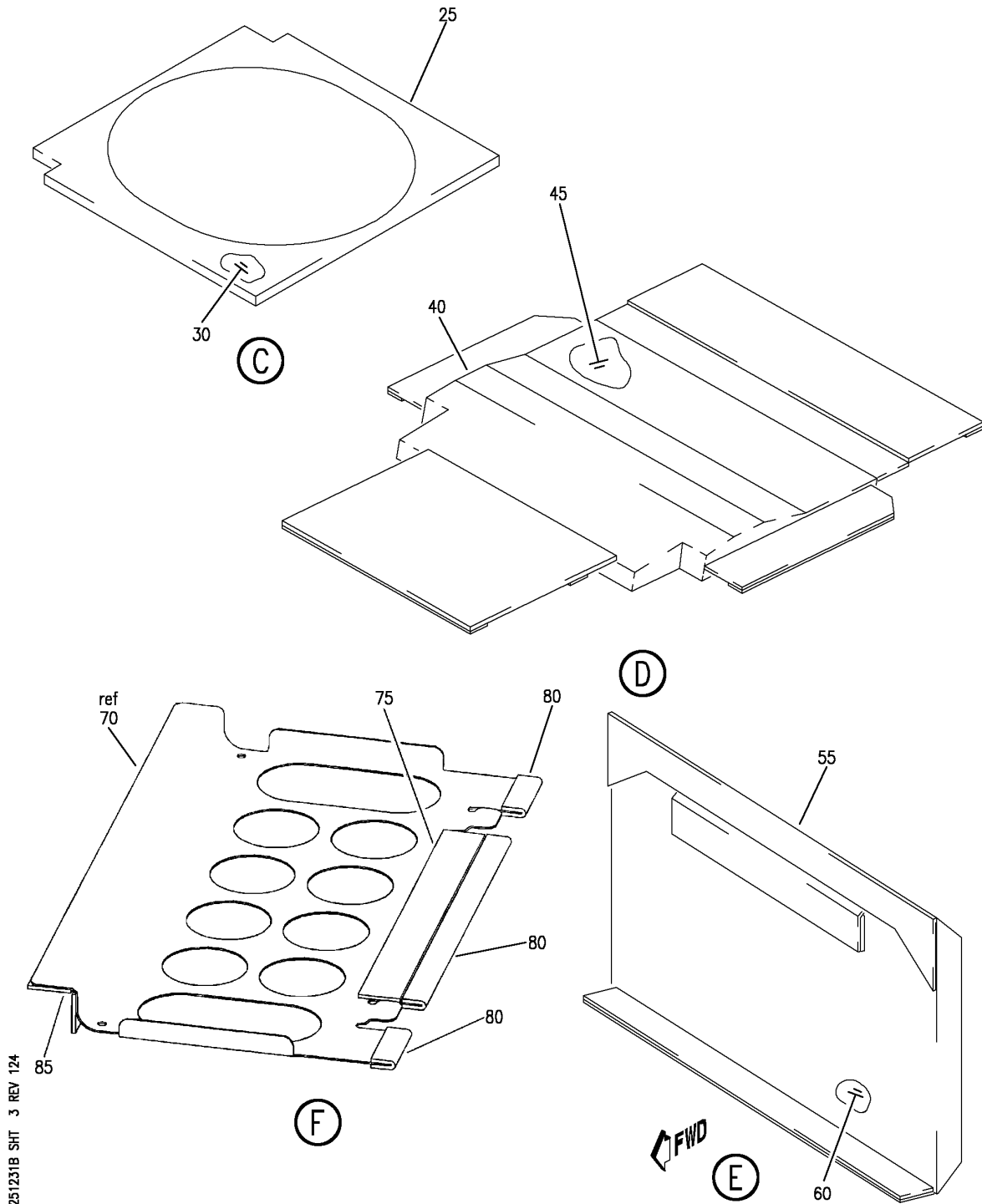
SEAT ASSY-ATTENDANT SINGLE WALL- MOUNTED JAR-OPS AFT FACING
 FIGURE 31B (SHEET 2)

25-25-12-31B

HAP
 JUN 15/09

25-25-12-31B
 PAGE 0A

BOEING
 737-600/700/800/900
 PARTS CATALOG (MAINTENANCE)



E 25251231B SHT 3 REV 124

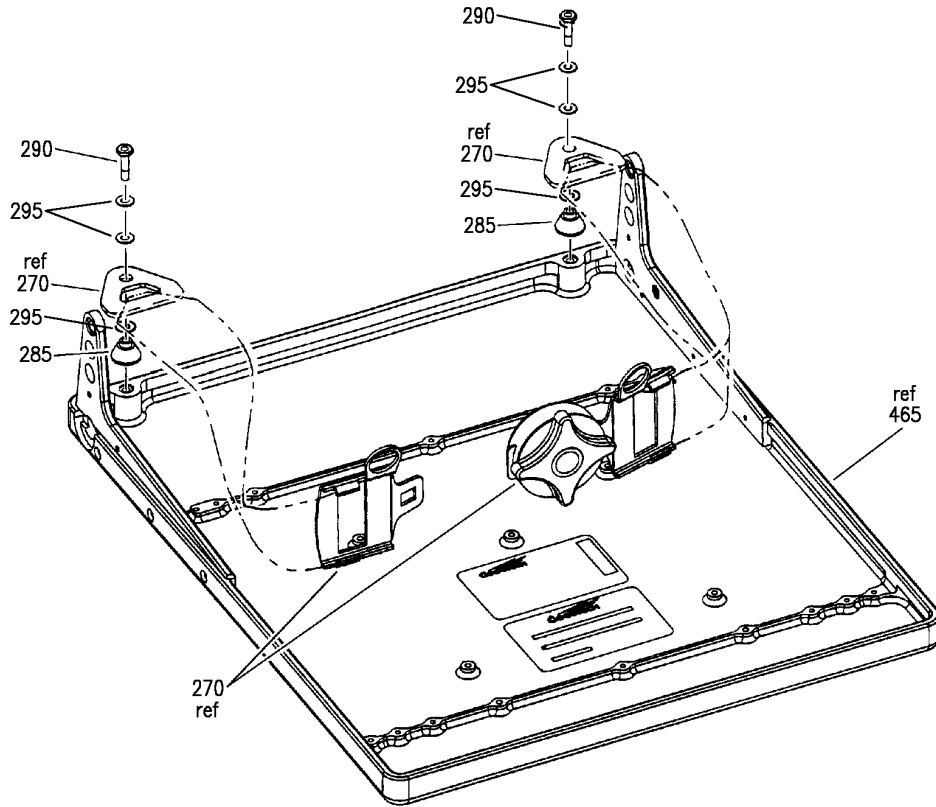
SEAT ASSY-ATTENDANT SINGLE WALL- MOUNTED JAR-OPS AFT FACING
 FIGURE 31B (SHEET 3)

25-25-12-31B

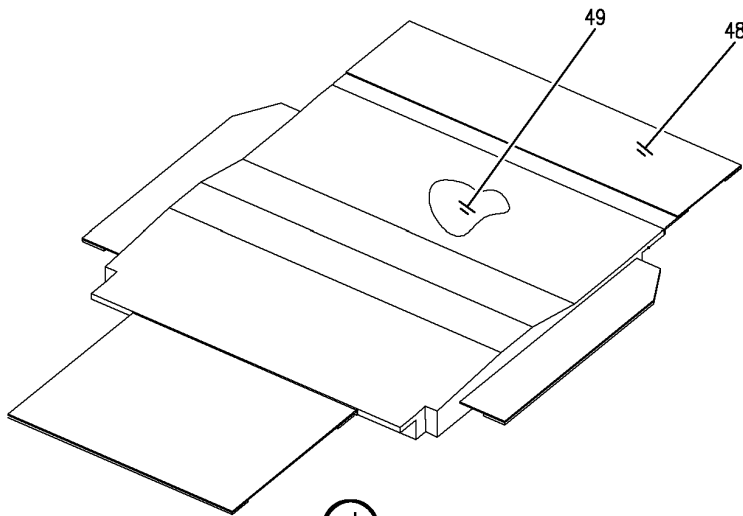
HAP
 FEB 15/08

25-25-12-31B
 PAGE 0B

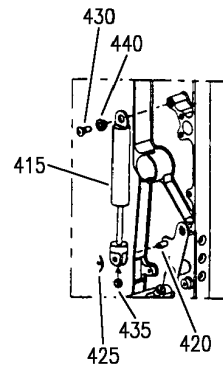
BOEING
 737-600/700/800/900
 PARTS CATALOG (MAINTENANCE)



(G)



(J)



(H)

E 25251231B SHT 4 REV 155

SEAT ASSY-ATTENDANT SINGLE WALL- MOUNTED JAR-OPS AFT FACING
 FIGURE 31B (SHEET 4)

25-25-12-31B

HAP
 JUN 15/09

25-25-12-31B
 PAGE 0C

BOEING
737-600/700/800/900
PARTS CATALOG (MAINTENANCE)

FIG ITEM	PART NUMBER	1 2 3 4 5 6 7	NOMENCLATURE	EFFECT FROM TO	UNITS PER ASSY
31B					
55	2D7006-13D	..	COVER-BACK SUPPLIER CODE: V31218 POSITION DATA: UPR	031037 039041 047050 053100	1
60	2D7007-3	..	CUSHION-BACK SUPPLIER CODE: V31218 POSITION DATA: UPR	031037 039041 047050 053100	1
65	NAS623-2-16	.S	SCREW	031037 039041 047050 053100	2
70	2D1049-1APA	.P	PAN ASSY-BACK SUPPLIER CODE: V31218 POSITION DATA: UPR	031037 039041 047050 053100	1
R	75	..	HOOK-ADHESIVE VELCRO GRAY SUPPLIER CODE: V5J466 CONFIG CHG DATA FROM A CMM: REPLD BY SJ3526BLK1ADH	031037 039041 047050 053100	AR
R	75	..	HOOK-ADHESIVE VELCRO BLACK SUPPLIER CODE: V5J466 CONFIG CHG DATA FROM A CMM: REPLS SJ3526GRY1ADH	031037 039041 047050 053100	AR
R	80	..	LOOP-ADHESIVE VELCRO GRAY SUPPLIER CODE: V5J466 CONFIG CHG DATA FROM A CMM: REPLD BY SJ3527BLK1ADH	031037 039041 047050 053100	AR
R	80	..	LOOP-ADHESIVE VELCRO BLACK SUPPLIER CODE: V5J466 CONFIG CHG DATA FROM A CMM: REPLS SJ3527GRY1ADH	031037 039041 047050 053100	AR
R	85	..	HOOK-ADHESIVE VELCRO GRAY SUPPLIER CODE: V5J466 CONFIG CHG DATA FROM A CMM: REPLD BY SJ3526BLK2ADH	031037 039041 047050 053100	AR

MISSING ITEM NUMBERS NOT APPLICABLE

— ITEM NOT ILLUSTRATED

HAP

25-25-12-31B

BOEING PROPRIETARY - Copyright © - Unpublished Work - See title page for details.

25-25-12
FIG. 31B
PAGE 3
JUN 15/09

BOEING
737-600/700/800/900
PARTS CATALOG (MAINTENANCE)

FIG ITEM	PART NUMBER	1 2 3 4 5 6 7	NOMENCLATURE	EFFECT FROM TO	UNITS PER ASSY
R R R R R R R R R R	31B 85	SJ3526BLK2ADH	..HOOK-ADHESIVE VELCRO BLACK SUPPLIER CODE: V5J466 CONFIG CHG DATA FROM A CMM: REPLS SJ3526GRY2ADH	031037 039041 047050 053100	AR
	90	S21012-25APA	.COVER-RUBSTRIP SUPPLIER CODE: V31218 USED ON: 2112-319GC	031037 039041 047050 053100	2
	90	S21012-83APA	.COVER-RUBSTRIP SUPPLIER CODE: V31218 USED ON: 2112-119GC	031037 039041 047050 053100	2
	95	A70027-1APA	.CAP-END ALUM RUBSTRIP SUPPLIER CODE: V31218 USED ON: 2112-319GC	031037 039041 047050 053100	2
	95	A70027-17APA	.CAP-END ALUM RUBSTRIP SUPPLIER CODE: V31218 USED ON: 2112-119GC	031037 039041 047050 053100	2
	100	AN525-832R6	ATTACHING PARTS .SCREW	031037 039041 047050 053100	4
	105	A70027-7APA	-----*----- .CAP-END ALUM RUBSTRIP SUPPLIER CODE: V31218	031037 039041 047050 053100	2
	110	AN525-832R6	ATTACHING PARTS .SCREW	031037 039041 047050 053100	2
	115	S21012-11APA	-----*----- .COVER-RUBSTRIP SUPPLIER CODE: V31218	031037 039041 047050 053100	2
	MISSING ITEM NUMBERS NOT APPLICABLE				

— ITEM NOT ILLUSTRATED

HAP

25-25-12-31B

BOEING PROPRIETARY - Copyright © - Unpublished Work - See title page for details.

25-25-12
FIG. 31B
PAGE 4
JUN 15/09

BOEING
737-600/700/800/900
PARTS CATALOG (MAINTENANCE)

FIG ITEM	PART NUMBER	1 2 3 4 5 6 7	NOMENCLATURE	EFFECT FROM TO	UNITS PER ASSY
31B 120	A70027-1APA		.CAP-END ALUM RUBSTRIP SUPPLIER CODE: V31218	031037 039041 047050 053100	2
125	AN525-832R6		ATTACHING PARTS .SCREW	031037 039041 047050 053100	4
130	A70027-3APA		-----*----- .CAP-END ALUM RUBSTRIP SUPPLIER CODE: V31218	031037 039041 047050 053100	2
135	AN525-832R6		ATTACHING PARTS .SCREW	031037 039041 047050 053100	4
140	S21012-69APA		-----*----- .COVER-RUBSTRIP SUPPLIER CODE: V31218	031037 039041 047050 053100	2
145	A21011-33APA		.CHANNEL-RUBSTRIP ALUM SUPPLIER CODE: V31218	031037 039041 047050 053100	2
150	AN525-832R6		ATTACHING PARTS .SCREW	031037 039041 047050 053100	2
155	A70027-5APA		-----*----- .CAP-END ALUM RUBSTRIP SUPPLIER CODE: V31218	031037 039041 047050 053100	2
160	AN525-832R6		ATTACHING PARTS .SCREW	031037 039041 047050 053100	2
165	A70027-3APA		-----*----- .CAP-END ALUM RUBSTRIP SUPPLIER CODE: V31218	031037 039041 047050 053100	2

MISSING ITEM NUMBERS NOT APPLICABLE

— ITEM NOT ILLUSTRATED

HAP

25-25-12-31B

BOEING PROPRIETARY - Copyright © - Unpublished Work - See title page for details.

25-25-12
FIG. 31B
PAGE 5
JUN 15/09

BOEING
737-600/700/800/900
PARTS CATALOG (MAINTENANCE)

FIG ITEM	PART NUMBER	1 2 3 4 5 6 7	NOMENCLATURE	EFFECT FROM TO	UNITS PER ASSY
31B			ATTACHING PARTS		
170	AN525-832R6		.SCREW	031037 039041 047050 053100	2
			-----*-----		
175	S21012-69APA		.COVER-RUBSTRIP SUPPLIER CODE: V31218	031037 039041 047050 053100	2
180	A70027-5APA		.CAP-END ALUM RUBSTRIP SUPPLIER CODE: V31218	031037 039041 047050 053100	2
			ATTACHING PARTS		
185	AN525-832R6		.SCREW	031037 039041 047050 053100	2
			-----*-----		
190	A21011-33APA		.CHANNEL-RUBSTRIP ALUM SUPPLIER CODE: V31218	031037 039041 047050 053100	2
			ATTACHING PARTS		
195	AN525-832R6		.SCREW	031037 039041 047050 053100	2
			-----*-----		
200	A70027-3APA		.CAP-END ALUM RUBSTRIP SUPPLIER CODE: V31218	031037 039041 047050 053100	2
			ATTACHING PARTS		
205	AN525-832R6		.SCREW	031037 039041 047050 053100	2
			-----*-----		
210	S21012-29APA		.COVER-RUBSTRIP SUPPLIER CODE: V31218	031037 039041 047050 053100	1
215	A70027-1APA		.CAP-END ALUM RUBSTRIP SUPPLIER CODE: V31218	031037 039041 047050 053100	1

MISSING ITEM NUMBERS NOT APPLICABLE

— ITEM NOT ILLUSTRATED

HAP

25-25-12-31B

25-25-12
FIG. 31B
PAGE 6
JUN 15/09

BOEING PROPRIETARY - Copyright © - Unpublished Work - See title page for details.

BOEING
737-600/700/800/900
PARTS CATALOG (MAINTENANCE)

FIG ITEM	PART NUMBER	1 2 3 4 5 6 7	NOMENCLATURE	EFFECT FROM TO	UNITS PER ASSY
31B			ATTACHING PARTS		
220	AN525-832R6		.SCREW	031037 039041 047050 053100	2
225	A21011-23APA		-----*----- .CHANNEL-RUBSTRIP ALUM SUPPLIER CODE: V31218	031037 039041 047050 053100	1
230	AN525-832R6		ATTACHING PARTS .SCREW	031037 039041 047050 053100	3
235	A70027-1APA		-----*----- .CAP-END ALUM RUBSTRIP SUPPLIER CODE: V31218	031037 039041 047050 053100	1
240	AN525-832R6		ATTACHING PARTS .SCREW	031037 039041 047050 053100	2
245	S21012-31APA		-----*----- .COVER-RUBSTRIP SUPPLIER CODE: V31218	031037 039041 047050 053100	1
250	A70027-3APA		.CAP-END ALUM RUBSTRIP SUPPLIER CODE: V31218	031037 039041 047050 053100	2
255	AN525-832R6		ATTACHING PARTS .SCREW	031037 039041 047050 053100	4
260	A21011-25APA		-----*----- .CHANNEL-RUBSTRIP ALUM SUPPLIER CODE: V31218	031037 039041 047050 053100	1

MISSING ITEM NUMBERS NOT APPLICABLE

— ITEM NOT ILLUSTRATED

HAP

25-25-12-31B

BOEING PROPRIETARY - Copyright © - Unpublished Work - See title page for details.

25-25-12
FIG. 31B
PAGE 7
JUN 15/09

BOEING
737-600/700/800/900
PARTS CATALOG (MAINTENANCE)

FIG ITEM	PART NUMBER	1 2 3 4 5 6 7	NOMENCLATURE	EFFECT FROM TO	UNITS PER ASSY
31B			ATTACHING PARTS		
265	AN525-832R6		.SCREW	031037 039041 047050 053100	3
270	2100002-01-278		-----*----- .RESTRAINT-SYS SUPPLIER CODE: V45402 COMPONENT MAINT MANUAL REF: 25-11-53	031037 039041 047050 053100	1
275	NAS6203-10		ATTACHING PARTS .BOLT	031037 039041 047050 053100	2
280	NAS77-3-033		-----*----- .BUSHING	031037 039041 047050 053100	2
285	2D2017-1		.FITTING-LAP BELT SUPPLIER CODE: V31218	031037 039041 047050 053100	2
290	NAS6203-10		ATTACHING PARTS .BOLT- CONFIG CHG DATA FROM A CMM: REPLS NAS6203-8	031037 039041 047050 053100	2
290	NAS6203-8		.BOLT- CONFIG CHG DATA FROM A CMM: REPLD BY NAS6203-10	031037 039041 047050 053100	2
295	NAS1149F0332P		.WASHER	031037 039041 047050 053100	4
300	2D1067-1		-----*----- .GUIDE-WEB WEAR SUPPLIER CODE: V31218	031037 039041 047050 053100	1
305	NAS623-2-3		ATTACHING PARTS .SCREW- CONFIG CHG DATA FROM A CMM: REPLD BY NAS623-2-4	031037 039041 047050 053100	2

MISSING ITEM NUMBERS NOT APPLICABLE

R
R
R
R

— ITEM NOT ILLUSTRATED

HAP

25-25-12-31B

BOEING PROPRIETARY - Copyright © - Unpublished Work - See title page for details.

25-25-12
FIG. 31B
PAGE 8
JUN 15/09

BOEING
737-600/700/800/900
PARTS CATALOG (MAINTENANCE)

FIG ITEM	PART NUMBER	1 2 3 4 5 6 7	NOMENCLATURE	EFFECT FROM TO	UNITS PER ASSY
R R R R	31B 305	NAS623-2-4	.SCREW- CONFIG CHG DATA FROM A CMM: REPLS NAS623-2-3	031037 039041 047050 053100	2
	310	NAS1149F0563P	.WASHER	031037 039041 047050 053100	2
	315	2D1037-1	-----*----- .BRACKET-INERTIA REEL SUPPLIER CODE: V31218	031037 039041 047050 053100	1
	320	2753	.PLUG-DOME SUPPLIER CODE: V28520	031037 039041 047050 053100	2
	325	2112-47APA	.BOX ASSY-STOWAGE SUPPLIER CODE: V31218 FOR DETAILS SEE: 25-25-12-31C ATTACHING PARTS	031037 039041 047050 053100	1
	330	NAS6203-3	.BOLT	031037 039041 047050 053100	2
	335	NAS623-2-1	.SCREW	031037 039041 047050 053100	4
	340	NAS1149F0332P	.WASHER	031037 039041 047050 053100	2
	345	NAS1149FN832P	.WASHER	031037 039041 047050 053100	4
	350	MS21042-3	.NUT	031037 039041 047050 053100	2
	415	SP20523	-----*----- .DAMPENER-SPR SUPPLIER CODE: V24403	031037 039041 047050 053100	1

MISSING ITEM NUMBERS NOT APPLICABLE

— ITEM NOT ILLUSTRATED

HAP

25-25-12-31B

BOEING PROPRIETARY - Copyright © - Unpublished Work - See title page for details.

25-25-12
FIG. 31B
PAGE 9
JUN 15/09

 **BOEING**
737-600/700/800/900
PARTS CATALOG (MAINTENANCE)

FIG ITEM	PART NUMBER	1 2 3 4 5 6 7	NOMENCLATURE	EFFECT FROM TO	UNITS PER ASSY
31B			ATTACHING PARTS		
420	MS20392-2C13		.PIN	031037 039041 047050 053100	1
425	MS24665-132		.PIN	031037 039041 047050 053100	1
430	NAS623-3-3		.SCREW	031037 039041 047050 053100	1
435	NAS43DD3-8		.SPACER	031037 039041 047050 053100	1
440	NAS77-3-016		-----*----- .BUSHING	031037 039041 047050 053100	1
442	NAS1203-4		.BOLT	031037 039041 047050 053100	2
443	NAS1149F0332P		.WASHER	031037 039041 047050 053100	2
444	MS21042-3		.NUT	031037 039041 047050 053100	2
445	2D1040-3		.BRACKET-MTG SUPPLIER CODE: V31218	031037 039041 047050 053100	3
450	NAS1203-4		ATTACHING PARTS .BOLT	031037 039041 047050 053100	6
455	NAS1149F0332P		.WASHER	031037 039041 047050 053100	6

MISSING ITEM NUMBERS NOT APPLICABLE

— ITEM NOT ILLUSTRATED

HAP

25-25-12-31B

BOEING PROPRIETARY - Copyright © - Unpublished Work - See title page for details.

25-25-12
FIG. 31B
PAGE 10
JUN 15/09

BOEING
737-600/700/800/900
PARTS CATALOG (MAINTENANCE)

FIG ITEM	PART NUMBER	1 2 3 4 5 6 7	NOMENCLATURE	EFFECT FROM TO	UNITS PER ASSY	
R R R R	31B 460	MS21042-3	.NUT	031037 039041 047050 053100	6	
	R R R R R R R R R R	465	2112-0APA	-----*----- .CORE ASSY- SUPPLIER CODE: V31218 USED ON: 2112-319GC FOR DETAILS SEE: 25-25-12-31H	031037 039041 047050 053100	1
		470	2112-1APA	.CORE ASSY- SUPPLIER CODE: V31218 USED ON: 2112-119GC FOR DETAILS SEE: 25-25-12-31L	031037 039041 047050 053100	1

MISSING ITEM NUMBERS NOT APPLICABLE

— ITEM NOT ILLUSTRATED

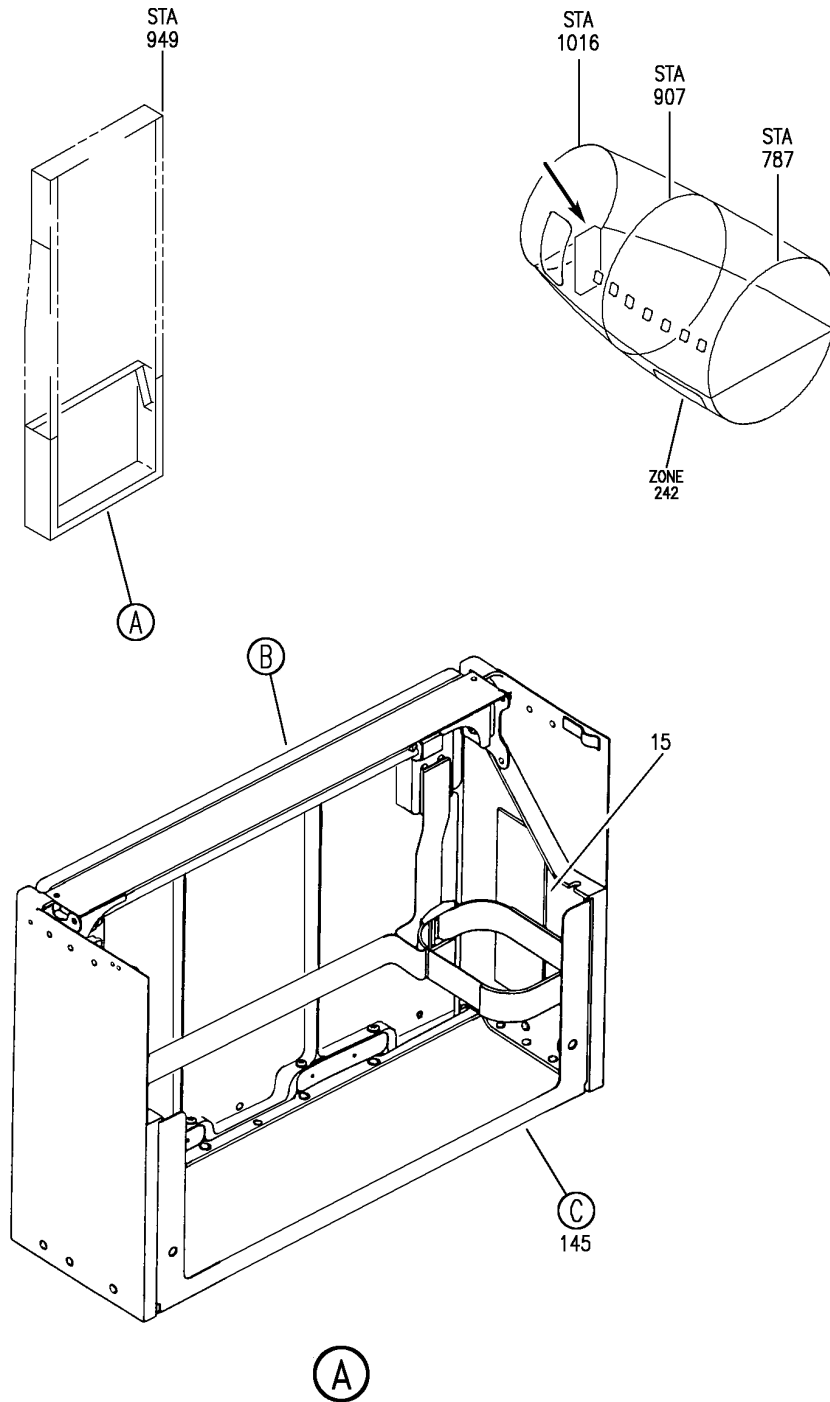
HAP

25-25-12-31B

BOEING PROPRIETARY - Copyright © - Unpublished Work - See title page for details.

25-25-12
FIG. 31B
PAGE 11
JUN 15/09

BOEING
 737-600/700/800/900
 PARTS CATALOG (MAINTENANCE)



E 25251231C SHT 1 REV 124

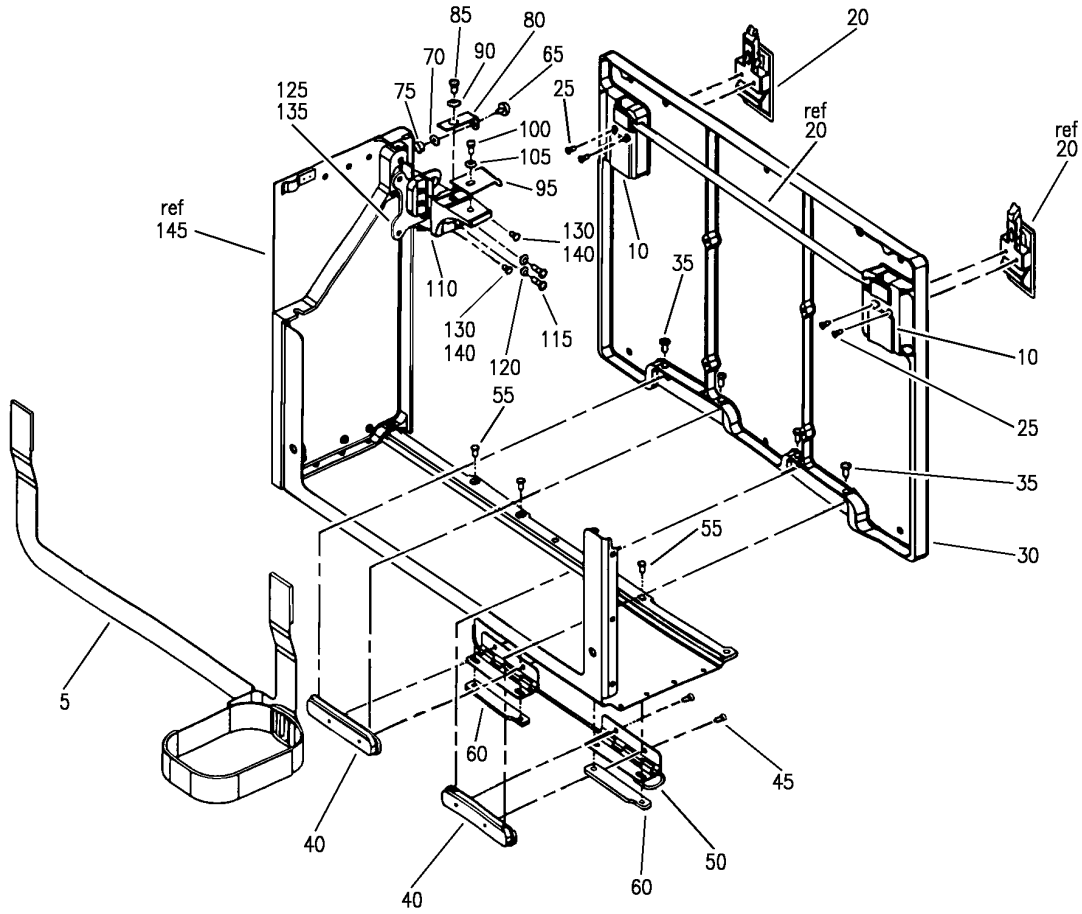
BOX ASSY-ATTENDANT STOWAGE SINGLE WALL- MOUNTED JAR-OPS SEAT AFT FACING
 FIGURE 31C (SHEET 1)

25-25-12-31C

HAP
 FEB 15/08

25-25-12-31C
 PAGE 0

BOEING
 737-600/700/800/900
 PARTS CATALOG (MAINTENANCE)



FWD

(B)

E 25251231C SHT 2 REV 124

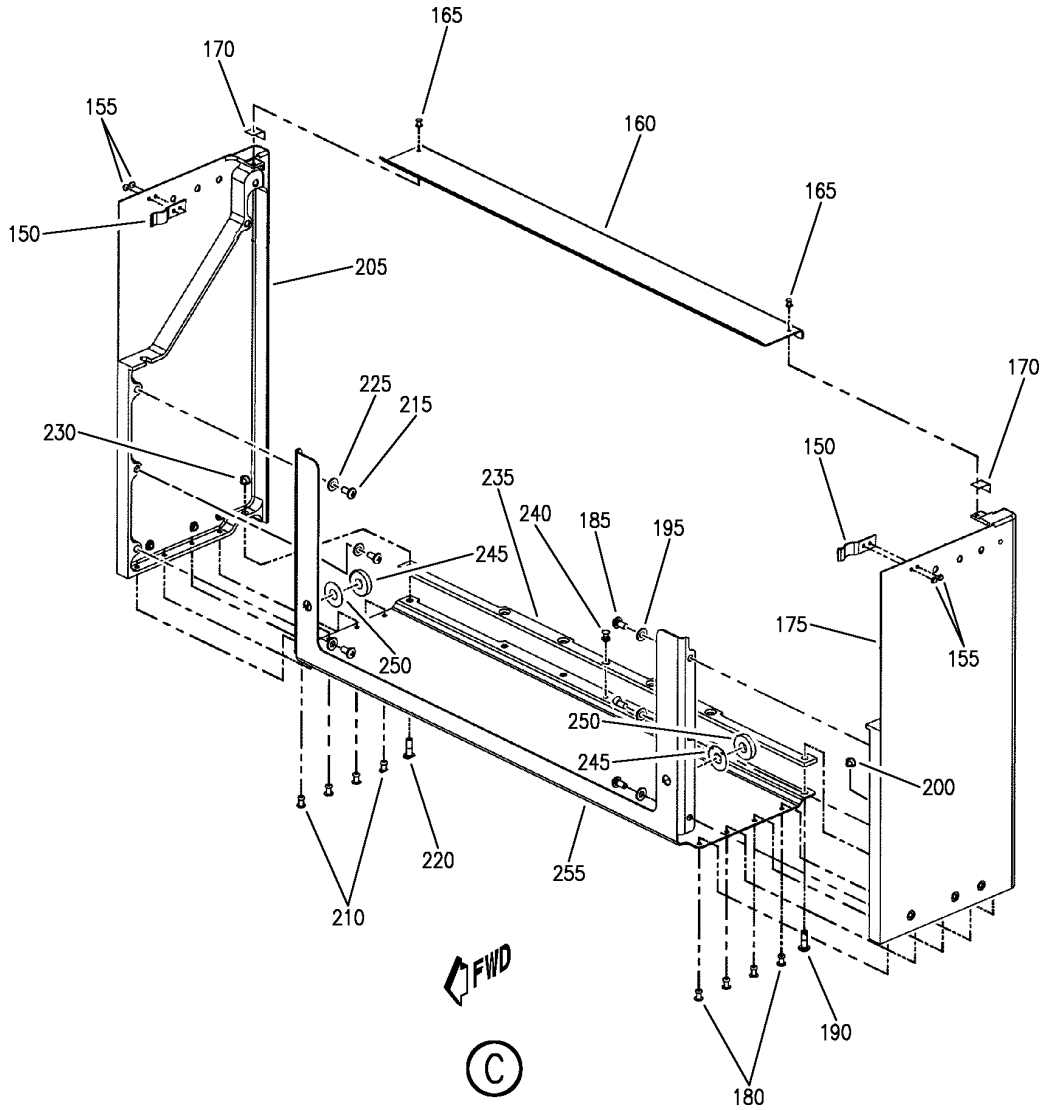
BOX ASSY-ATTENDANT STOWAGE SINGLE WALL- MOUNTED JAR-OPS SEAT AFT FACING
 FIGURE 31C (SHEET 2)

25-25-12-31C

HAP
 FEB 15/08

25-25-12-31C
 PAGE 0A

BOEING
 737-600/700/800/900
 PARTS CATALOG (MAINTENANCE)



E 25251231C SHT 3 REV 124

BOX ASSY-ATTENDANT STOWAGE SINGLE WALL- MOUNTED JAR-OPS SEAT AFT FACING
 FIGURE 31C (SHEET 3)

25-25-12-31C

HAP
 FEB 15/08

25-25-12-31C
 PAGE 0B

BOEING
737-600/700/800/900
PARTS CATALOG (MAINTENANCE)

FIG ITEM	PART NUMBER	1 2 3 4 5 6 7	NOMENCLATURE	EFFECT FROM TO	UNITS PER ASSY
31C			BOX ASSY-ATTENDANT STOWAGE SINGLE WALL- MOUNTED JAR-OPS SEAT AFT FACING	031037 039041 047050 053100	
- 1	2112-47APA		BOX ASSY-ATTENDANT LAV E STOWAGE SINGLE WALL MOUNTED JAR-OPS SEAT AFT FACING SUPPLIER CODE: V31218 FOR NHA SEE: 25-25-12-31B	031037 039041 047050 053100	RF
5	2D8007-3		.STRAP-STOWAGE BOX SUPPLIER CODE: V31218	031037 039041 047050 053100	1
R R R R R R R R R R R R R	10	SJ3526GRY1ADH	.HOOK-ADH VELCRO GRAY SUPPLIER CODE: V5J466 CONFIG CHG DATA FROM A CMM: REPLD BY SJ3526BLK1ADH	031037 039041 047050 053100	AR
R R R R R R R R R R R R R	10	SJ3526BLK1ADH	.HOOK-ADH VELCRO BLACK SUPPLIER CODE: V5J466 CONFIG CHG DATA FROM A CMM: REPLS SJ3526GRY1ADH	031037 039041 047050 053100	AR
R R R R R R R R R R R R R	15	SJ3526GRY2ADH	.HOOK-ADH VELCRO GRAY SUPPLIER CODE: V5J466 CONFIG CHG DATA FROM A CMM: REPLD BY SJ3526BLK2ADH	031037 039041 047050 053100	AR
R R R R R R R R R R R R R	15	SJ3526BLK2ADH	.HOOK-ADH VELCRO BLACK SUPPLIER CODE: V5J466 CONFIG CHG DATA FROM A CMM: REPLS SJ3526GRY2ADH	031037 039041 047050 053100	AR
	20	SAM222-19	.LATCH-DUAL SUPPLIER CODE: V31845	031037 039041 047050 053100	1
	25	NAS514P632-5P	ATTACHING PARTS .SCREW -----*-----	031037 039041 047050 053100	4

MISSING ITEM NUMBERS NOT APPLICABLE

- ITEM NOT ILLUSTRATED

HAP

25-25-12-31C

BOEING PROPRIETARY - Copyright © - Unpublished Work - See title page for details.

25-25-12
FIG. 31C
PAGE 1
JUN 15/09

BOEING
737-600/700/800/900
PARTS CATALOG (MAINTENANCE)

FIG ITEM	PART NUMBER	1 2 3 4 5 6 7	NOMENCLATURE	EFFECT FROM TO	UNITS PER ASSY
31C 30	2D1021-29APA		.DOOR-STOWAGE BOX SUPPLIER CODE: V31218	031037 039041 047050 053100	1
35	NAS602-6P		ATTACHING PARTS .SCREW	031037 039041 047050 053100	4
40	2D1061-1APA		-----*----- .COVER-HINGE STOWAGE BOX SUPPLIER CODE: V31218	031037 039041 047050 053100	2
45	NAS514P632-5P		ATTACHING PARTS .SCREW	031037 039041 047050 053100	4
50	2D1025-1		-----*----- .HINGE-STOWAGE BOX SUPPLIER CODE: V31218	031037 039041 047050 053100	1
55	NAS1202-1		ATTACHING PARTS .SCREW	031037 039041 047050 053100	4
60	2D1141-1		-----*----- .PLATE-THREADED DOOR HINGE SUPPLIER CODE: V31218	031037 039041 047050 053100	2
65	827S		.SCREW-BUMPER SUPPLIER CODE: V8J913	031037 039041 047050 053100	2
70	NAS1149FN616P		.WASHER	031037 039041 047050 053100	2
75	MS21083N06		.NUT	031037 039041 047050 053100	2

MISSING ITEM NUMBERS NOT APPLICABLE

— ITEM NOT ILLUSTRATED

HAP

25-25-12-31C

BOEING PROPRIETARY - Copyright © - Unpublished Work - See title page for details.

25-25-12
FIG. 31C
PAGE 2
JUN 15/09

BOEING
737-600/700/800/900
PARTS CATALOG (MAINTENANCE)

FIG ITEM	PART NUMBER	1 2 3 4 5 6 7	NOMENCLATURE	EFFECT FROM TO	UNITS PER ASSY
31C 80	2D1022-1		.BRACKET-DOOR BUMPER SUPPLIER CODE: V31218	031037 039041 047050 053100	2
85	NAS1096-2-5		ATTACHING PARTS .SCREW	031037 039041 047050 053100	2
90	NAS1149FN832P		.WASHER	031037 039041 047050 053100	2
95	2D1023-1		-----*----- .BRACKET-DOOR STRIKER SUPPLIER CODE: V31218	031037 039041 047050 053100	2
100	NAS1096-2-5		ATTACHING PARTS .SCREW	031037 039041 047050 053100	2
105	NAS1149FN832P		.WASHER	031037 039041 047050 053100	2
110	2D1068-1		-----*----- .BASE-STRIKER BUMPER SUPPLIER CODE: V31218	031037 039041 047050 053100	2
115	NAS623-2-4		ATTACHING PARTS .SCREW	031037 039041 047050 053100	4
120	NAS1149FN832P		.WASHER	031037 039041 047050 053100	4
125	2D1094-1		-----*----- .PLATE-MTG STOWAGE BOX SUPPLIER CODE: V31218	031037 039041 047050 053100	1

MISSING ITEM NUMBERS NOT APPLICABLE

— ITEM NOT ILLUSTRATED

HAP

25-25-12-31C

BOEING PROPRIETARY - Copyright © - Unpublished Work - See title page for details.

25-25-12
FIG. 31C
PAGE 3
JUN 15/09

BOEING
737-600/700/800/900
PARTS CATALOG (MAINTENANCE)

FIG ITEM	PART NUMBER	1 2 3 4 5 6 7	NOMENCLATURE	EFFECT FROM TO	UNITS PER ASSY
31C					
130	NAS514P832-5P		ATTACHING PARTS .SCREW	031037 039041 047050 053100	2
135	2D1094-2		-----*----- .PLATE-MTG STOWAGE BOX SUPPLIER CODE: V31218	031037 039041 047050 053100	1
140	NAS514P832-5P		ATTACHING PARTS .SCREW	031037 039041 047050 053100	2
145	2D1065-7APA		-----*----- .BOX SUB ASSY-STOWAGE BOX SUPPLIER CODE: V31218	031037 039041 047050 053100	1
150	2D1032-1		..CLIP-STOWAGE BOX SUPPLIER CODE: V31218	031037 039041 047050 053100	2
155	NAS1097AD3-4		ATTACHING PARTS ..RIVET	031037 039041 047050 053100	4
160	2D1064-7		-----*----- ..FILLER-STOWAGE BOX SUPPLIER CODE: V31218	031037 039041 047050 053100	1
165	MS20426AD35		ATTACHING PARTS ..RIVET	031037 039041 047050 053100	2
170	9245-0500		-----*----- ..TAPE-ACRYLIC EPOXY SUPPLIER CODE: V5J466	031037 039041 047050 053100	AR
175	2D1092-8APA		..PANEL-STOWAGE BOX SUPPLIER CODE: V31218 POSITION DATA: SIDE	031037 039041 047050 053100	1

MISSING ITEM NUMBERS NOT APPLICABLE

— ITEM NOT ILLUSTRATED

HAP

25-25-12-31C

BOEING PROPRIETARY - Copyright © - Unpublished Work - See title page for details.

25-25-12
FIG. 31C
PAGE 4
JUN 15/09

BOEING
737-600/700/800/900
PARTS CATALOG (MAINTENANCE)

FIG ITEM	PART NUMBER	1 2 3 4 5 6 7	NOMENCLATURE	EFFECT FROM TO	UNITS PER ASSY
31C			ATTACHING PARTS		
180	SD43BS		..RIVET-SOLID UNIV HEAD SUPPLIER CODE: V6R744	031037 039041 047050 053100	4
185	NAS623-2-1		..SCREW	031037 039041 047050 053100	3
190	NAS623-2-4		..SCREW	031037 039041 047050 053100	1
195	NAS1149FN832P		..WASHER	031037 039041 047050 053100	3
200	MS21042-08		..NUT	031037 039041 047050 053100	1
205	2D1092-7APA		-----*----- ..PANEL-STOWAGE BOX SUPPLIER CODE: V31218 POSITION DATA: SIDE ATTACHING PARTS	031037 039041 047050 053100	1
210	SD43BS		..RIVET-SOLID UNIV HEAD SUPPLIER CODE: V6R744	031037 039041 047050 053100	4
215	NAS623-2-1		..SCREW	031037 039041 047050 053100	3
220	NAS623-2-4		..SCREW	031037 039041 047050 053100	1
225	NAS1149FN832P		..WASHER	031037 039041 047050 053100	3
230	MS21042-08		..NUT	031037 039041 047050 053100	1
			-----*-----		

MISSING ITEM NUMBERS NOT APPLICABLE

— ITEM NOT ILLUSTRATED

HAP

25-25-12-31C

BOEING PROPRIETARY - Copyright © - Unpublished Work - See title page for details.

25-25-12
FIG. 31C
PAGE 5
JUN 15/09

BOEING
737-600/700/800/900
PARTS CATALOG (MAINTENANCE)

FIG ITEM	PART NUMBER	1 2 3 4 5 6 7	NOMENCLATURE	EFFECT FROM TO	UNITS PER ASSY
31C 235	2D1140-5		.. STIFFENER-DOOR HINGE SUPPLIER CODE: V31218	031037 039041 047050 053100	1
240	MS20601AD4W3		ATTACHING PARTS .. RIVET	031037 039041 047050 053100	1
245	2D1086-1		-----*----- .. PAD-MTG STOWAGE BOX SUPPLIER CODE: V31218	031037 039041 047050 053100	2
250	9245-0500		.. TAPE-ACRYLIC EPOXY SUPPLIER CODE: V5J466	031037 039041 047050 053100	AR
255	2D1033-27		.. PAN-FLOOR STOWAGE BOX SUPPLIER CODE: V31218	031037 039041 047050 053100	1

MISSING ITEM NUMBERS NOT APPLICABLE

— ITEM NOT ILLUSTRATED

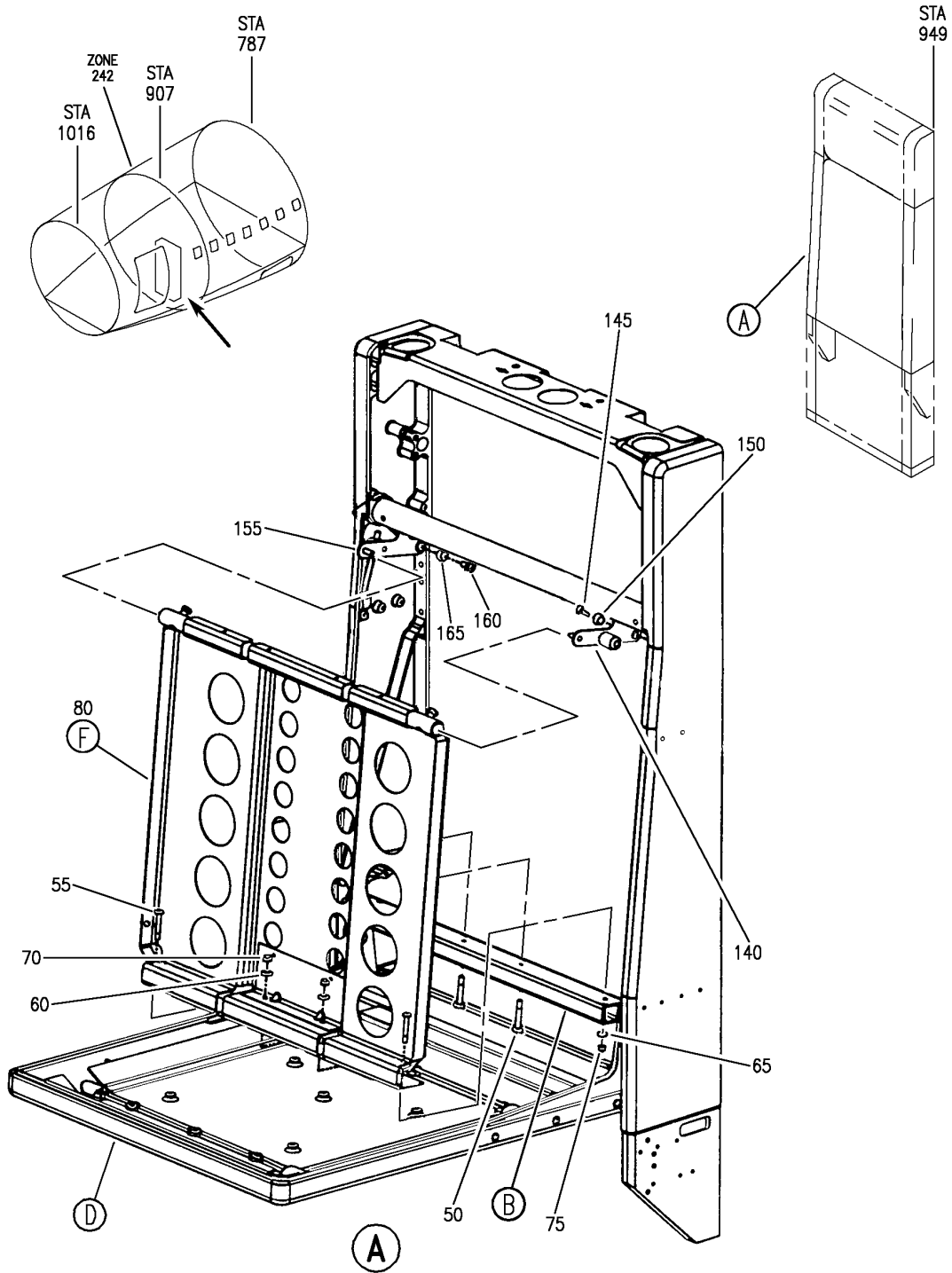
HAP

25-25-12-31C

BOEING PROPRIETARY - Copyright © - Unpublished Work - See title page for details.

25-25-12
FIG. 31C
PAGE 6
JUN 15/09

BOEING
 737-600/700/800/900
 PARTS CATALOG (MAINTENANCE)



E 25251231H SHT 1 REV 124

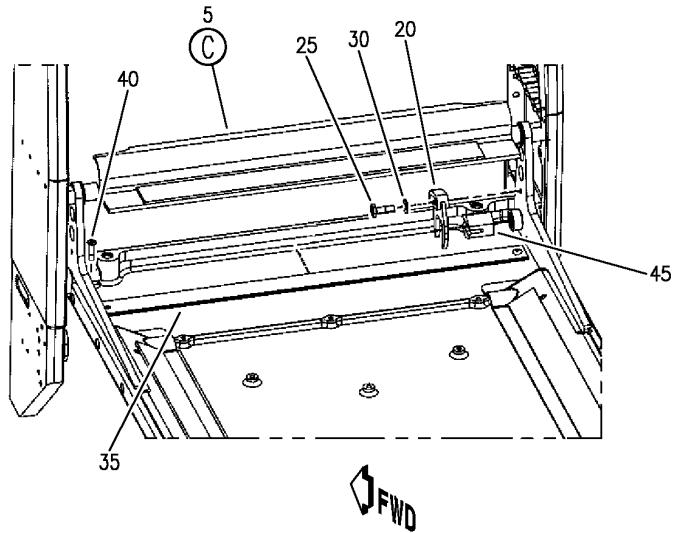
CORE ASSY-ATTENDANT SEAT SINGLE WALL-MOUNTED JAR JAR-OPS AFT FACING
 FIGURE 31H (SHEET 1)

25-25-12-31H

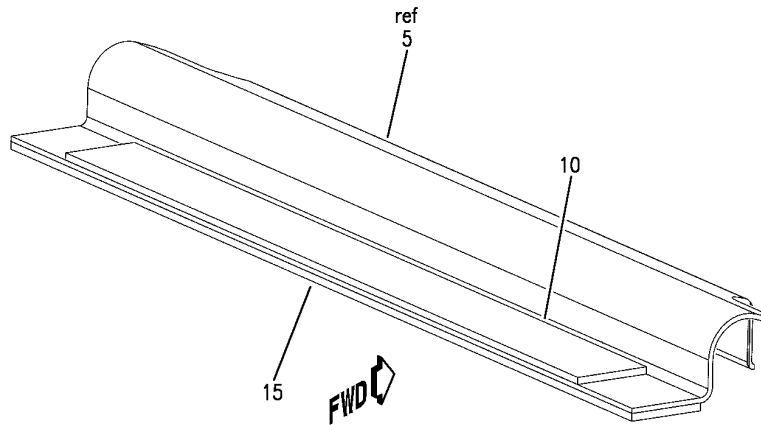
HAP
 FEB 15/08

25-25-12-31H
 PAGE 0

BOEING
 737-600/700/800/900
 PARTS CATALOG (MAINTENANCE)



(B)



(C)

E 25251231H SHT 2 REV 124

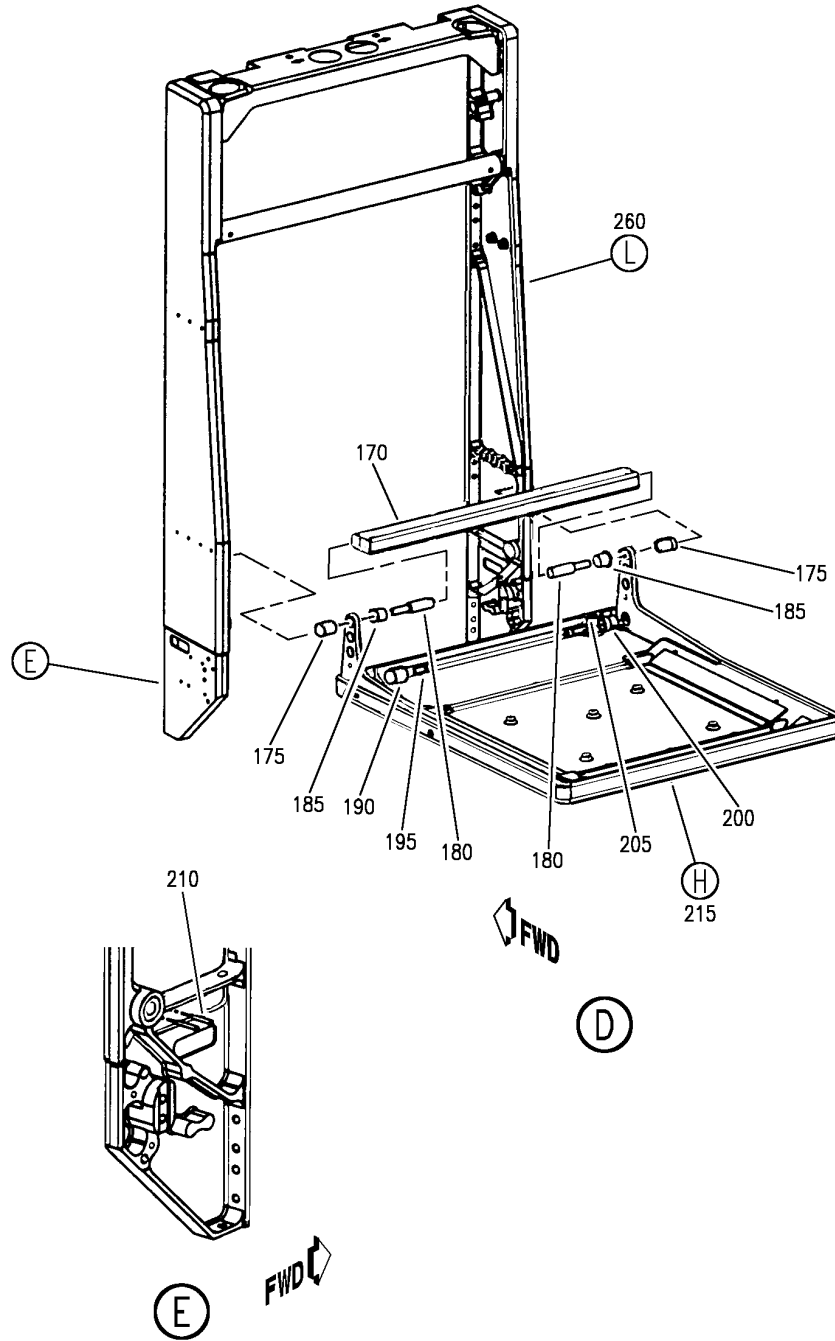
CORE ASSY-ATTENDANT SEAT SINGLE WALL-MOUNTED JAR JAR-OPS AFT FACING
 FIGURE 31H (SHEET 2)

25-25-12-31H

HAP
 FEB 15/08

25-25-12-31H
 PAGE 0A

BOEING
 737-600/700/800/900
 PARTS CATALOG (MAINTENANCE)



E 25251231H SHT 3 REV 124

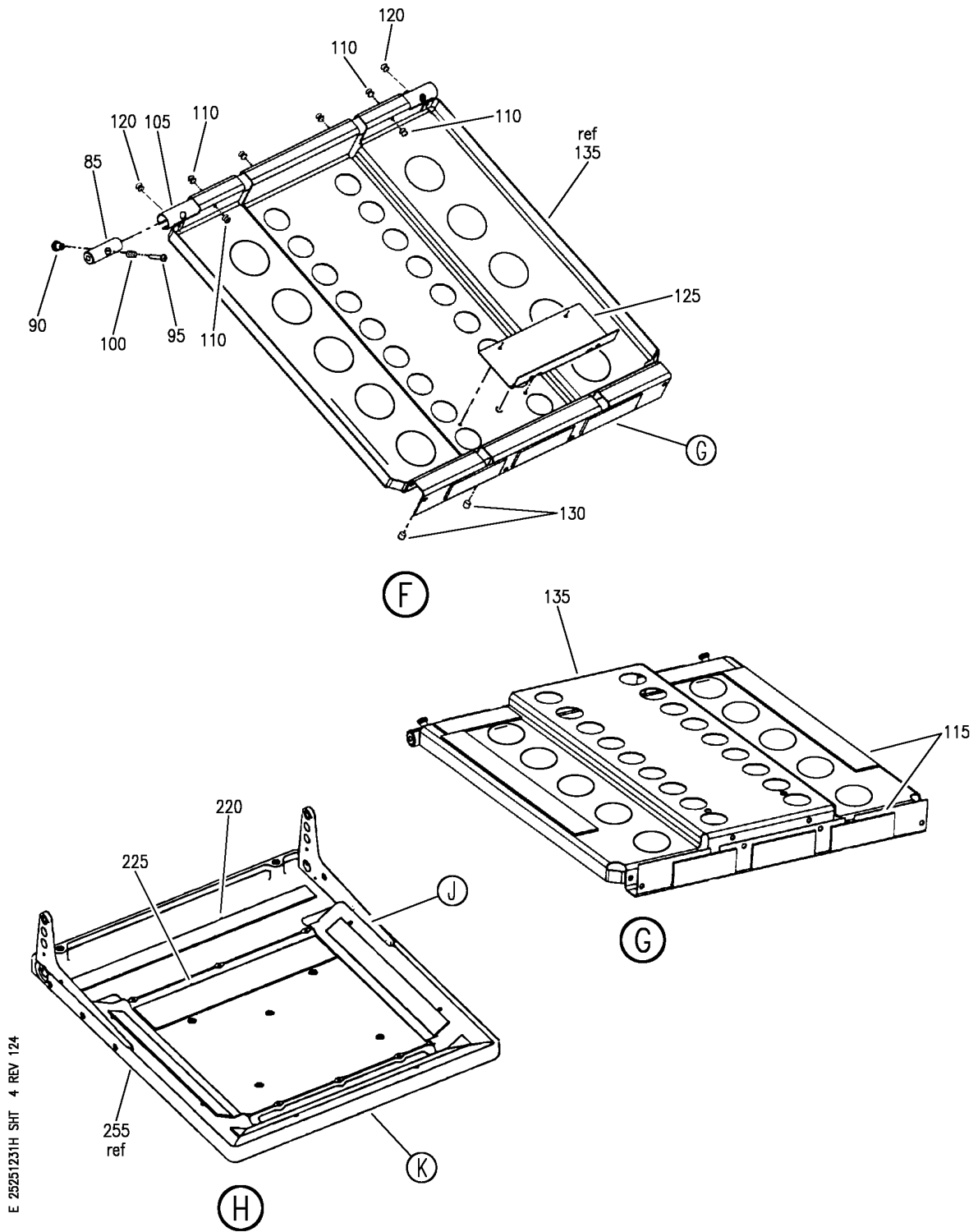
CORE ASSY-ATTENDANT SEAT SINGLE WALL-MOUNTED JAR JAR-OPS AFT FACING
 FIGURE 31H (SHEET 3)

25-25-12-31H

HAP
 FEB 15/08

25-25-12-31H
 PAGE 0B

BOEING
 737-600/700/800/900
 PARTS CATALOG (MAINTENANCE)



E 25251231H SHT 4 REV 124

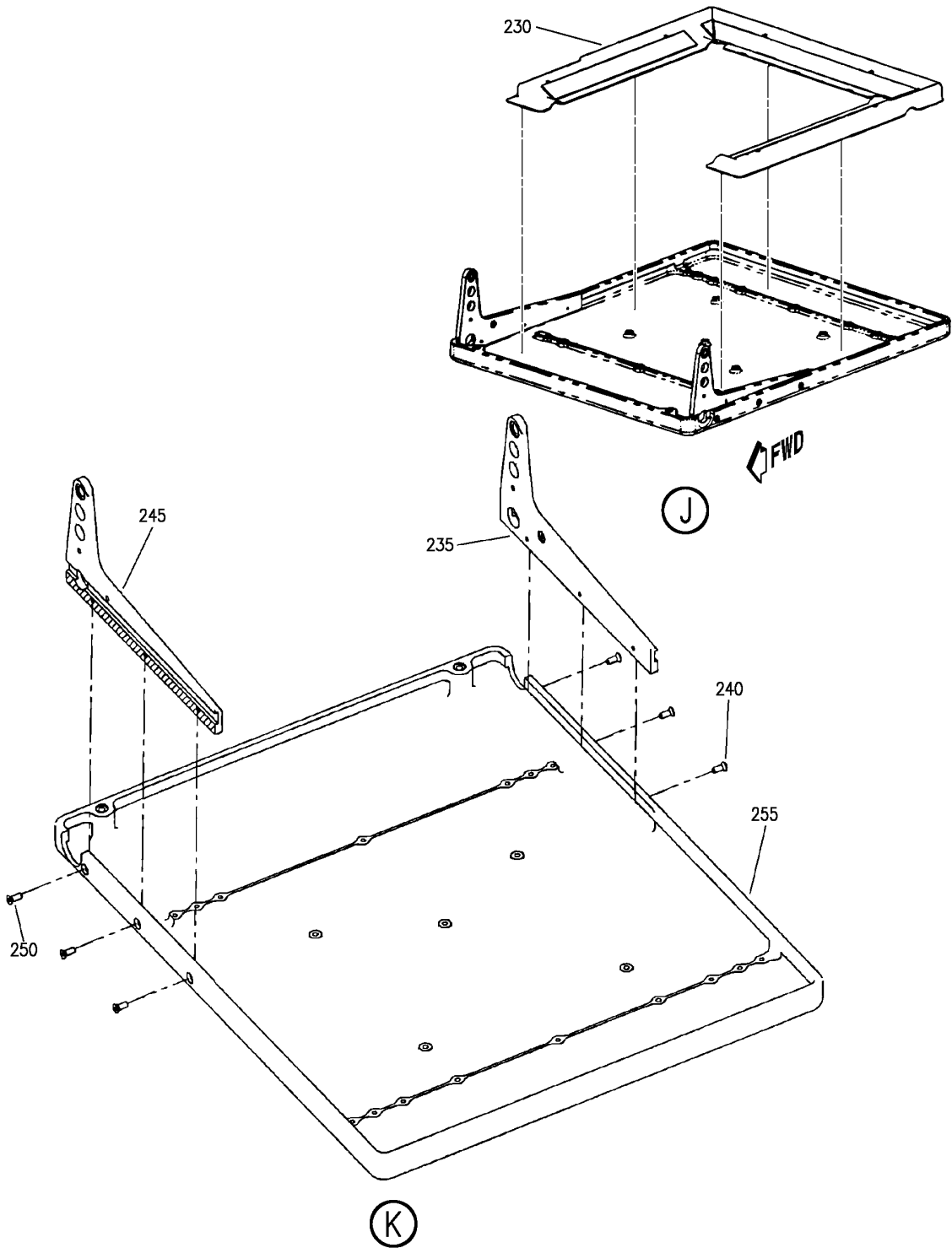
CORE ASSY-ATTENDANT SEAT SINGLE WALL-MOUNTED JAR JAR-OPS AFT FACING
 FIGURE 31H (SHEET 4)

25-25-12-31H

HAP
 FEB 15/08

25-25-12-31H
 PAGE 0C

BOEING
 737-600/700/800/900
 PARTS CATALOG (MAINTENANCE)



E 25251231H SHT 5 REV 124

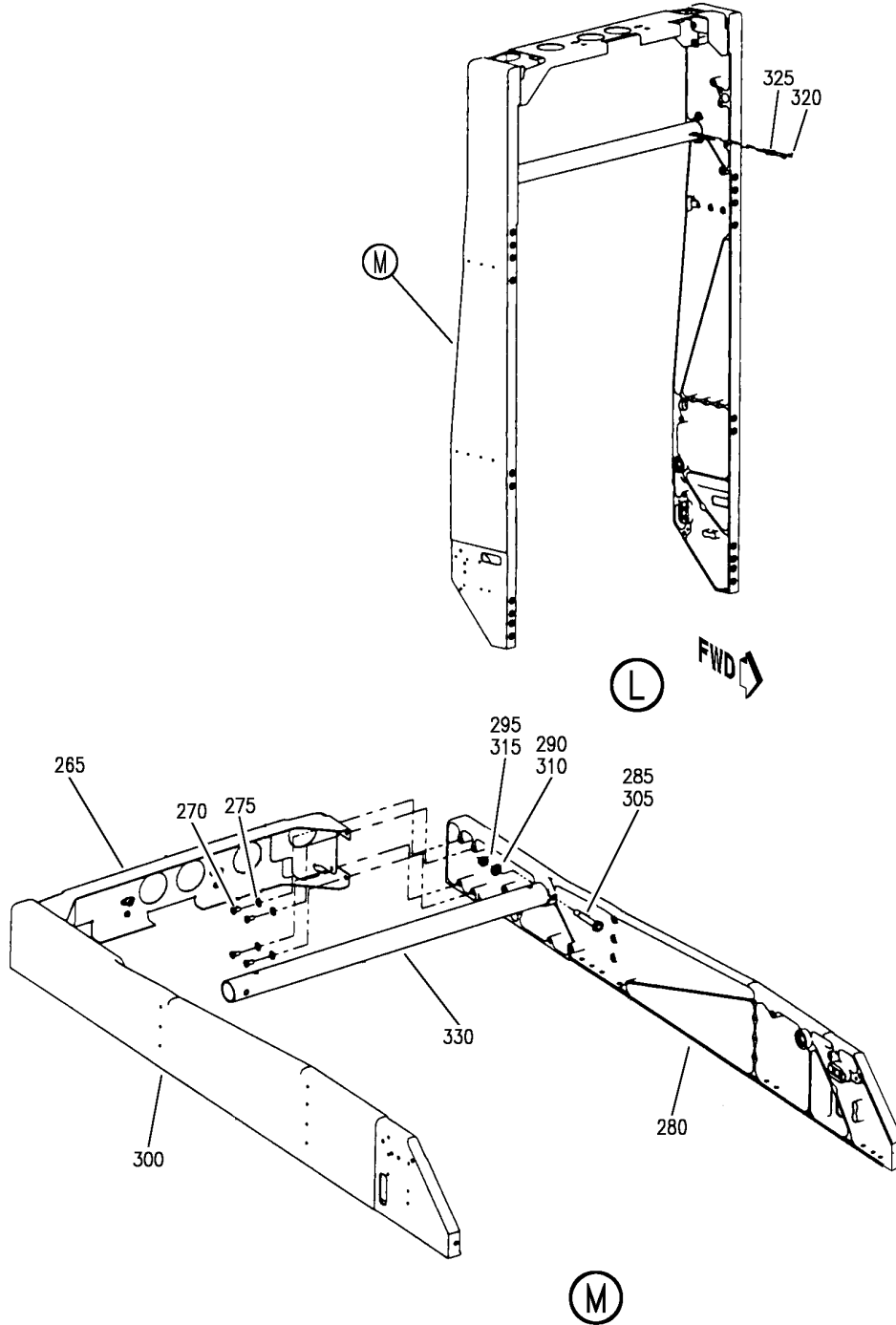
CORE ASSY-ATTENDANT SEAT SINGLE WALL-MOUNTED JAR JAR-OPS AFT FACING
 FIGURE 31H (SHEET 5)

25-25-12-31H

HAP
 FEB 15/08

25-25-12-31H
 PAGE 0D

BOEING
 737-600/700/800/900
 PARTS CATALOG (MAINTENANCE)



E 25251231H SHT 6 REV 124

CORE ASSY-ATTENDANT SEAT SINGLE WALL-MOUNTED JAR JAR-OPS AFT FACING
 FIGURE 31H (SHEET 6)

25-25-12-31H

HAP
 FEB 15/08

25-25-12-31H
 PAGE 0E

BOEING
737-600/700/800/900
PARTS CATALOG (MAINTENANCE)

FIG ITEM	PART NUMBER	1 2 3 4 5 6 7	NOMENCLATURE	EFFECT FROM TO	UNITS PER ASSY
31H			CORE ASSY-ATTENDANT SEAT SINGLE WALL-MOUNTED JAR JAR-OPS AFT FACING	031037 039041 047050 053100	
- 1	2112-0APA		CORE ASSY-ATTENDANT LAV E SINGLE WALL-MOUNTED JAR-OPS SEAT AFT FACING SUPPLIER CODE: V31218 FOR NHA SEE: 25-25-12-31B	031037 039041 047050 053100	RF
5	2D2027-7		.COVER ASSY-TORSION SPR SUPPLIER CODE: V31218	031037 039041 047050 053100	1
R	10	SJ3526GRY1ADH	..HOOK-ADHESIVE VELCRO GRAY SUPPLIER CODE: V5J466 CONFIG CHG DATA FROM A CMM: REPLD BY SJ3526BLK1ADH	031037 039041 047050 053100	AR
R	10	SJ3526BLK1ADH	..HOOK-ADHESIVE VELCRO BLACK SUPPLIER CODE: V5J466 CONFIG CHG DATA FROM A CMM: REPLS SJ3526GRY1ADH	031037 039041 047050 053100	AR
R	15	SJ3527GRY1ADH	..LOOP-ADHESIVE VELCRO GRAY SUPPLIER CODE: V5J466 CONFIG CHG DATA FROM A CMM: REPLD BY SJ3527BLK1ADH	031037 039041 047050 053100	AR
R	15	SJ3527BLK1ADH	..LOOP-ADHESIVE VELCRO BLACK SUPPLIER CODE: V5J466 CONFIG CHG DATA FROM A CMM: REPLS SJ3527GRY1ADH	031037 039041 047050 053100	AR
R	20	2D2022-3	.LOCK-TORSION SPR SUPPLIER CODE: V31218	031037 039041 047050 053100	1
R	25	NAS6203-5	ATTACHING PARTS .BOLT	031037 039041 047050 053100	1

MISSING ITEM NUMBERS NOT APPLICABLE

- ITEM NOT ILLUSTRATED

HAP

25-25-12-31H

BOEING PROPRIETARY - Copyright © - Unpublished Work - See title page for details.

25-25-12
FIG. 31H
PAGE 1
JUN 15/09

BOEING
737-600/700/800/900
PARTS CATALOG (MAINTENANCE)

FIG ITEM	PART NUMBER	1 2 3 4 5 6 7	NOMENCLATURE	EFFECT FROM TO	UNITS PER ASSY
31H 30	NAS1149F0332P	.	WASHER	031037 039041 047050 053100	1
35	2D2023-3	-----*-----	.SPRING-TORSION FLAT SUPPLIER CODE: V31218	031037 039041 047050 053100	1
40	NAS1202-7		ATTACHING PARTS .BOLT	031037 039041 047050 053100	1
45	2D2019-5	-----*-----	.ANCHOR-SPR SUPPLIER CODE: V31218	031037 039041 047050 053100	1
50	NAS6203-13	.	BOLT	031037 039041 047050 053100	2
55	NAS623-2-14	.	SCREW	031037 039041 047050 053100	2
60	NAS1149F0363P	.	WASHER	031037 039041 047050 053100	2
65	AN960-8	.	WASHER	031037 039041 047050 053100	2
70	MS21042-3	.	NUT	031037 039041 047050 053100	2
75	22K1-82	.	NUT-CAP METAL SUPPLIER CODE: V72962	031037 039041 047050 053100	2
80	2112-23APA	.	BACK ASSY- SUPPLIER CODE: V31218 POSITION DATA: LWR	031037 039041 047050 053100	1

MISSING ITEM NUMBERS NOT APPLICABLE

— ITEM NOT ILLUSTRATED

HAP

25-25-12-31H

BOEING PROPRIETARY - Copyright © - Unpublished Work - See title page for details.

25-25-12
FIG. 31H
PAGE 2
JUN 15/09

BOEING
737-600/700/800/900
PARTS CATALOG (MAINTENANCE)

FIG ITEM	PART NUMBER	1 2 3 4 5 6 7	NOMENCLATURE	EFFECT FROM TO	UNITS PER ASSY
31H 85	2D3017-1	..	PIVOT-BACK SUPPLIER CODE: V31218 POSITION DATA: UPR LWR	031037 039041 047050 053100	2
90	2D3015-1	..	KNOB-RELEASE SUPPLIER CODE: V31218	031037 039041 047050 053100	2
95	NAS601-12P	..	ATTACHING PARTS SCREW	031037 039041 047050 053100	2
100	C0240-020-0880M	..	-----*----- SPRING- SUPPLIER CODE: V77535	031037 039041 047050 053100	2
105	2D3018-9	..	TUBE- SUPPLIER CODE: V31218	031037 039041 047050 053100	2
110	AD42BS	..	ATTACHING PARTS RIVET-BLIND UNIV HEAD SUPPLIER CODE: V6R744	031037 039041 047050 053100	6
115	SJ3526GRY1ADH	..	-----*----- HOOK-ADH VELCRO GRAY SUPPLIER CODE: V5J466 CONFIG CHG DATA FROM A CMM: REPLD BY SJ3526BLK1ADH	031037 039041 047050 053100	AR
115	SJ3526BLK1ADH	..	HOOK-ADHESIVE VELCRO BLACK SUPPLIER CODE: V5J466 CONFIG CHG DATA FROM A CMM: REPLS SJ3526GRY1ADH	031037 039041 047050 053100	AR
120	AD42BS	..	ATTACHING PARTS RIVET-BLIND UNIV HEAD SUPPLIER CODE: V6R744 -----*-----	031037 039041 047050 053100	2

MISSING ITEM NUMBERS NOT APPLICABLE

— ITEM NOT ILLUSTRATED

HAP

25-25-12-31H

BOEING PROPRIETARY - Copyright © - Unpublished Work - See title page for details.

25-25-12
FIG. 31H
PAGE 3
JUN 15/09

BOEING
737-600/700/800/900
PARTS CATALOG (MAINTENANCE)

FIG ITEM	PART NUMBER	1 2 3 4 5 6 7	NOMENCLATURE	EFFECT FROM TO	UNITS PER ASSY
31H 125	2D3046-3		.. BRACE- SUPPLIER CODE: V31218	031037 039041 047050 053100	1
130	AD42BS		ATTACHING PARTS .. RIVET-BLIND UNIV HEAD SUPPLIER CODE: V6R744	031037 039041 047050 053100	2
135	2D3022-7		-----*----- .. PAN-BACK SUPPLIER CODE: V31218 POSITION DATA: LWR	031037 039041 047050 053100	1
140	2D3013-1		. LINK-BACK SUPPLIER CODE: V31218 POSITION DATA: UPR	031037 039041 047050 053100	1
145	NAS623-3-3		ATTACHING PARTS . SCREW	031037 039041 047050 053100	1
150	NAS77-3-016		-----*----- . BUSHING	031037 039041 047050 053100	1
155	2D3013-2		. LINK-BACK SUPPLIER CODE: V31218 POSITION DATA: UPR	031037 039041 047050 053100	1
160	NAS623-3-3		ATTACHING PARTS . SCREW	031037 039041 047050 053100	1
165	NAS77-3-016		-----*----- . BUSHING	031037 039041 047050 053100	1

MISSING ITEM NUMBERS NOT APPLICABLE

— ITEM NOT ILLUSTRATED

HAP

25-25-12-31H

BOEING PROPRIETARY - Copyright © - Unpublished Work - See title page for details.

25-25-12
FIG. 31H
PAGE 4
JUN 15/09

BOEING
737-600/700/800/900
PARTS CATALOG (MAINTENANCE)

FIG ITEM	PART NUMBER	1 2 3 4 5 6 7	NOMENCLATURE	EFFECT FROM TO	UNITS PER ASSY
31H 170	2D3012-3APA		.ATTACH-BACK SUPPLIER CODE: V31218 POSITION DATA: LWR	031037 039041 047050 053100	1
175	2D2015-1		.STOP-SEAT PAN SUPPLIER CODE: V31218	031037 039041 047050 053100	2
180	2D2013-3		.PIVOT-BACK SUPPLIER CODE: V31218 POSITION DATA: LWR	031037 039041 047050 053100	2
185	8L5-1-2F		.NYLINER-FLANGED SUPPLIER CODE: V96881	031037 039041 047050 053100	2
190	2D2018-1		.BUSHING-ANCHOR SEAT PAN SUPPLIER CODE: V31218	031037 039041 047050 053100	1
195	MS21262-37		ATTACHING PARTS .SCREW	031037 039041 047050 053100	1
200	2D2020-7		-----*----- .BUSHING-SEAT PAN SUPPLIER CODE: V31218	031037 039041 047050 053100	1
205	MS21262-50		ATTACHING PARTS .SCREW	031037 039041 047050 053100	1
210	MS16555-21		-----*----- .PIN-DOWEL	031037 039041 047050 053100	2
215	2112-20APA		.PAN ASSY-SEAT SUPPLIER CODE: V31218	031037 039041 047050 053100	1

MISSING ITEM NUMBERS NOT APPLICABLE

— ITEM NOT ILLUSTRATED

HAP

25-25-12-31H

BOEING PROPRIETARY - Copyright © - Unpublished Work - See title page for details.

25-25-12
FIG. 31H
PAGE 5
JUN 15/09

BOEING
737-600/700/800/900
PARTS CATALOG (MAINTENANCE)

FIG ITEM	PART NUMBER	1 2 3 4 5 6 7	NOMENCLATURE	EFFECT FROM TO	UNITS PER ASSY	
R R R R R R R R R R R R R R	31H 220		..HOOK-ADHESIVE VELCRO GRAY SUPPLIER CODE: V5J466 CONFIG CHG DATA FROM A CMM: REPLD BY SJ3526BLK1ADH	031037 039041 047050 053100	AR	
	220		..HOOK-ADHESIVE VELCRO BLACK SUPPLIER CODE: V5J466 CONFIG CHG DATA FROM A CMM: REPLS SJ3526GRY1ADH	031037 039041 047050 053100	AR	
	225		..HOOK-ADHESIVE VELCRO GRAY SUPPLIER CODE: V5J466 CONFIG CHG DATA FROM A CMM: REPLD BY SJ3526BLK2ADH	031037 039041 047050 053100	AR	
	225		..HOOK-ADHESIVE VELCRO BLACK SUPPLIER CODE: V5J466 CONFIG CHG DATA FROM A CMM: REPLS SJ3526GRY2ADH	031037 039041 047050 053100	AR	
	230		..FILLER-SEAT PAN SUPPLIER CODE: V31218	031037 039041 047050 053100	1	
	235		..LEVER-SEAT PAN SUPPLIER CODE: V31218 POSITION DATA: OUTBD ATTACHING PARTS	031037 039041 047050 053100	1	
	240		..SCREW	031037 039041 047050 053100	3	
	245		-----*----- ..LEVER-SEAT PAN SUPPLIER CODE: V31218 POSITION DATA: OUTBD ATTACHING PARTS	031037 039041 047050 053100	1	
	250		..SCREW -----*-----	031037 039041 047050 053100	3	
	MISSING ITEM NUMBERS NOT APPLICABLE					

— ITEM NOT ILLUSTRATED

HAP

25-25-12-31H

BOEING PROPRIETARY - Copyright © - Unpublished Work - See title page for details.

25-25-12
FIG. 31H
PAGE 6
JUN 15/09

BOEING
737-600/700/800/900
PARTS CATALOG (MAINTENANCE)

FIG ITEM	PART NUMBER	1 2 3 4 5 6 7	NOMENCLATURE	EFFECT FROM TO	UNITS PER ASSY
31H 255	2D2024-1APA	..	PAN-SEAT SUPPLIER CODE: V31218	031037 039041 047050 053100	1
260	2112-10APA	.BASE	ASSY-SINGLE SUPPLIER CODE: V31218	031037 039041 047050 053100	1
265	2D1096-1APA	..	CROSS-WELDMENT SUPPLIER CODE: V31218 POSITION DATA: TOP ATTACHING PARTS	031037 039041 047050 053100	1
270	NAS623-2-1	..	SCREW	031037 039041 047050 053100	8
275	NAS1149FN832P	..	WASHER	031037 039041 047050 053100	8
280	2D1024-1APA	..	PANEL- SUPPLIER CODE: V31218 POSITION DATA: SIDE ATTACHING PARTS	031037 039041 047050 053100	1
285	NAS6204-19	..	BOLT	031037 039041 047050 053100	1
290	NAS1149F0463P	..	WASHER	031037 039041 047050 053100	1
295	MS21042-4	..	NUT	031037 039041 047050 053100	1
300	2D1024-2APA	..	PANEL- SUPPLIER CODE: V31218 POSITION DATA: SIDE	031037 039041 047050 053100	1

MISSING ITEM NUMBERS NOT APPLICABLE

— ITEM NOT ILLUSTRATED

HAP

25-25-12-31H

BOEING PROPRIETARY - Copyright © - Unpublished Work - See title page for details.

25-25-12
FIG. 31H
PAGE 7
JUN 15/09

BOEING
737-600/700/800/900
PARTS CATALOG (MAINTENANCE)

FIG ITEM	PART NUMBER	1 2 3 4 5 6 7	NOMENCLATURE	EFFECT FROM TO	UNITS PER ASSY
31H			ATTACHING PARTS		
305	NAS6204-19		..BOLT	031037 039041 047050 053100	1
310	NAS1149F0463P		..WASHER	031037 039041 047050 053100	1
315	MS21042-4		..NUT	031037 039041 047050 053100	1
320	SD32BS		-----*----- ..RIVET-POP SUPPLIER CODE: V6R744	031037 039041 047050 053100	4
325	MS21069L08		..NUTPLATE	031037 039041 047050 053100	2
330	2D1046-1APA		..TUBE-CROSS BACK SUPPLIER CODE: V31218 POSITION DATA: UPR	031037 039041 047050 053100	1

MISSING ITEM NUMBERS NOT APPLICABLE

— ITEM NOT ILLUSTRATED

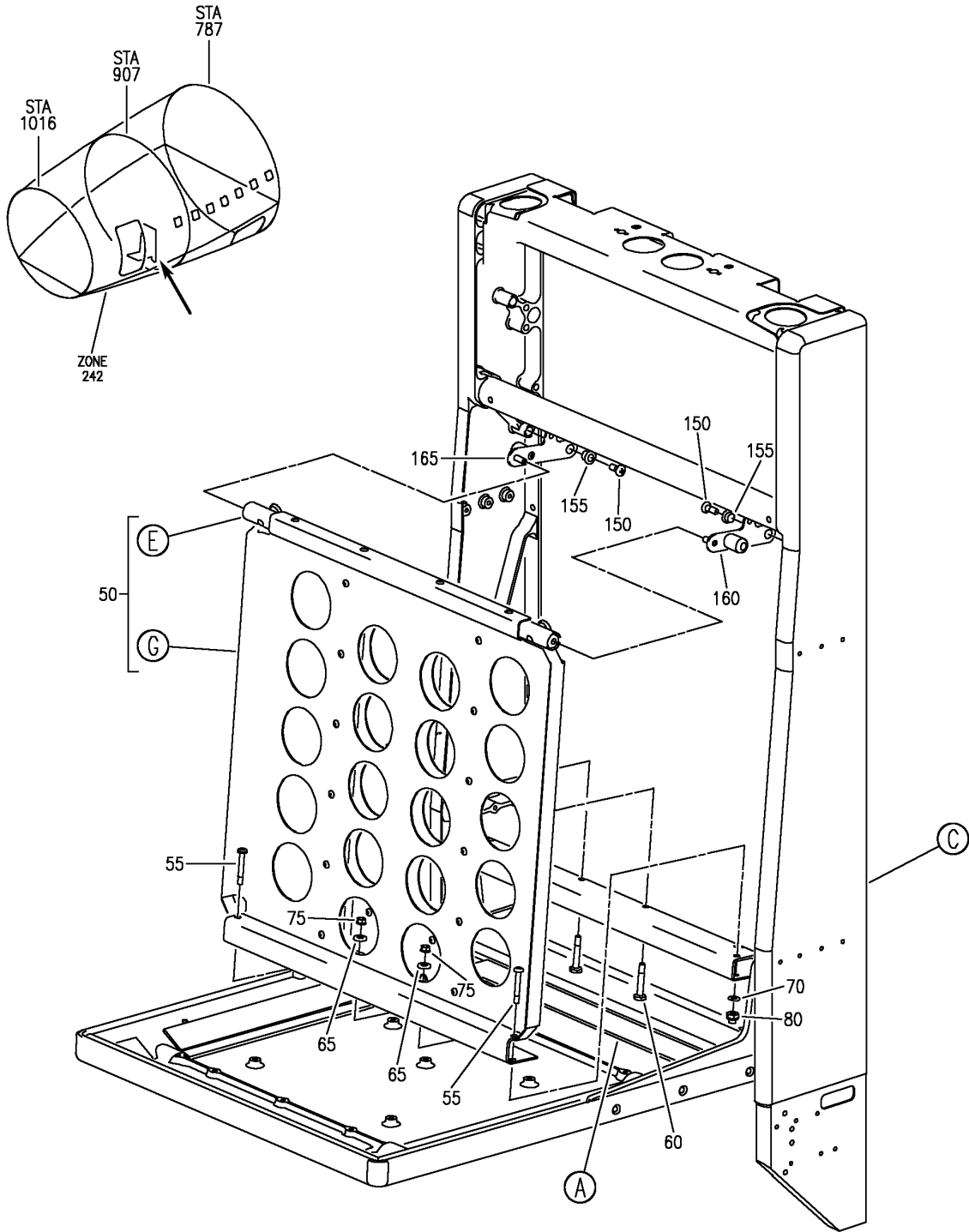
HAP

25-25-12-31H

BOEING PROPRIETARY - Copyright © - Unpublished Work - See title page for details.

25-25-12
FIG. 31H
PAGE 8
JUN 15/09

BOEING
 737-600/700/800/900
 PARTS CATALOG (MAINTENANCE)



E 25251231L SHT 1 REV 155

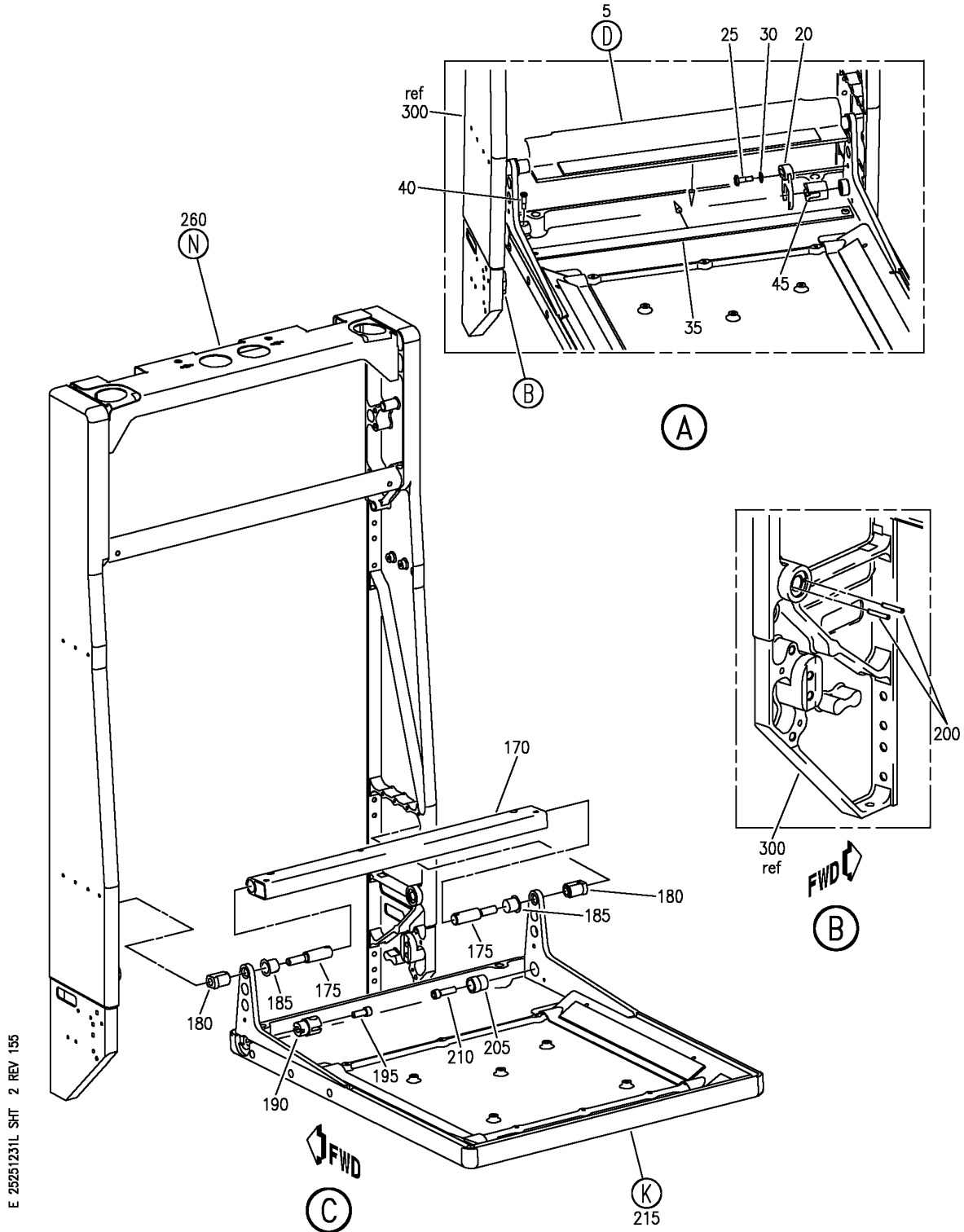
CORE ASSY-SEAT
 FIGURE 31L (SHEET 1)

25-25-12-31L

HAP
 JUN 15/09

25-25-12-31L
 PAGE 0

BOEING
 737-600/700/800/900
 PARTS CATALOG (MAINTENANCE)



E 25251231L SHT 2 REV 155

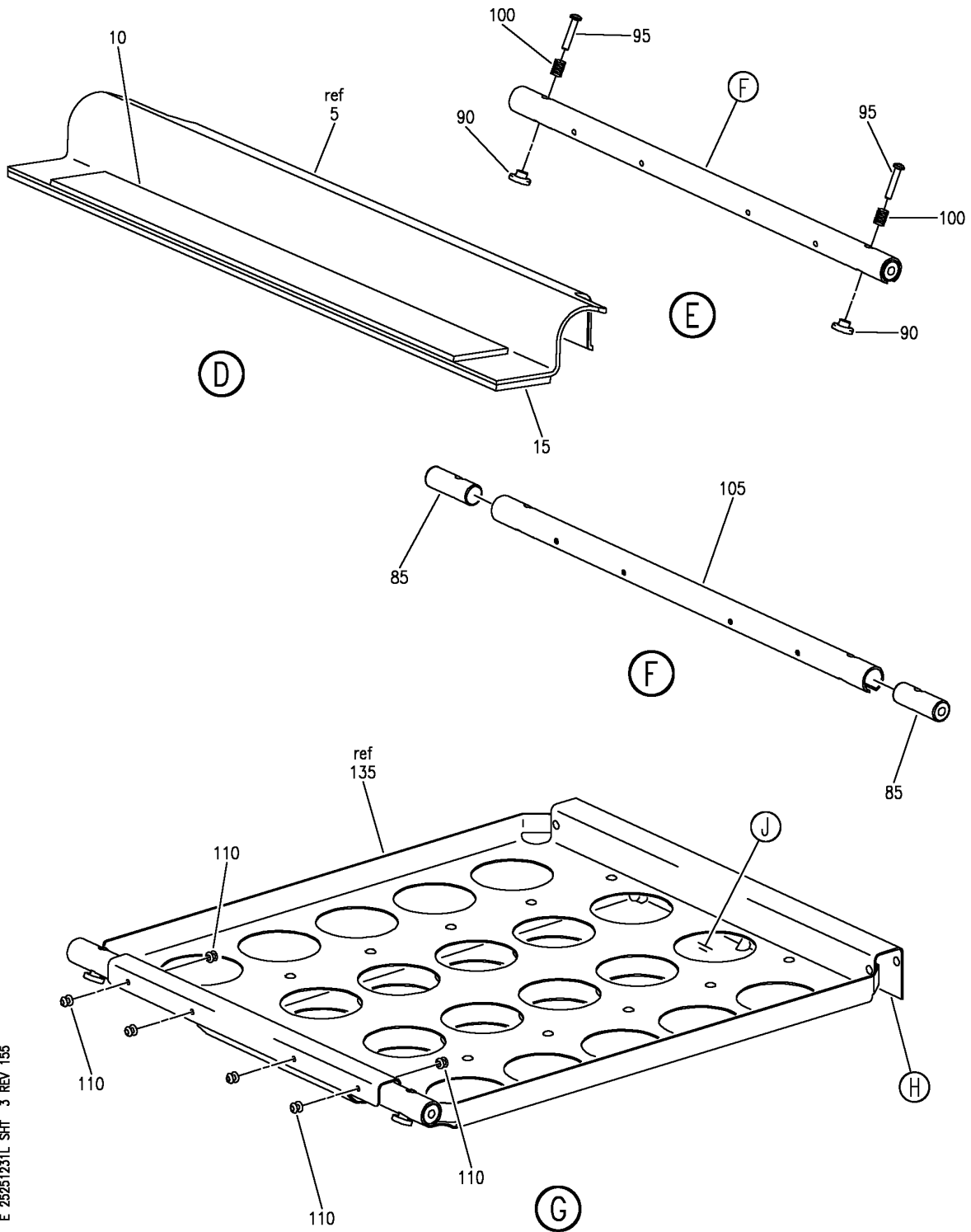
CORE ASSY-SEAT
 FIGURE 31L (SHEET 2)

25-25-12-31L

HAP
 JUN 15/09

25-25-12-31L
 PAGE 0A

BOEING
 737-600/700/800/900
 PARTS CATALOG (MAINTENANCE)



E 25251231L SHT 3 REV 155

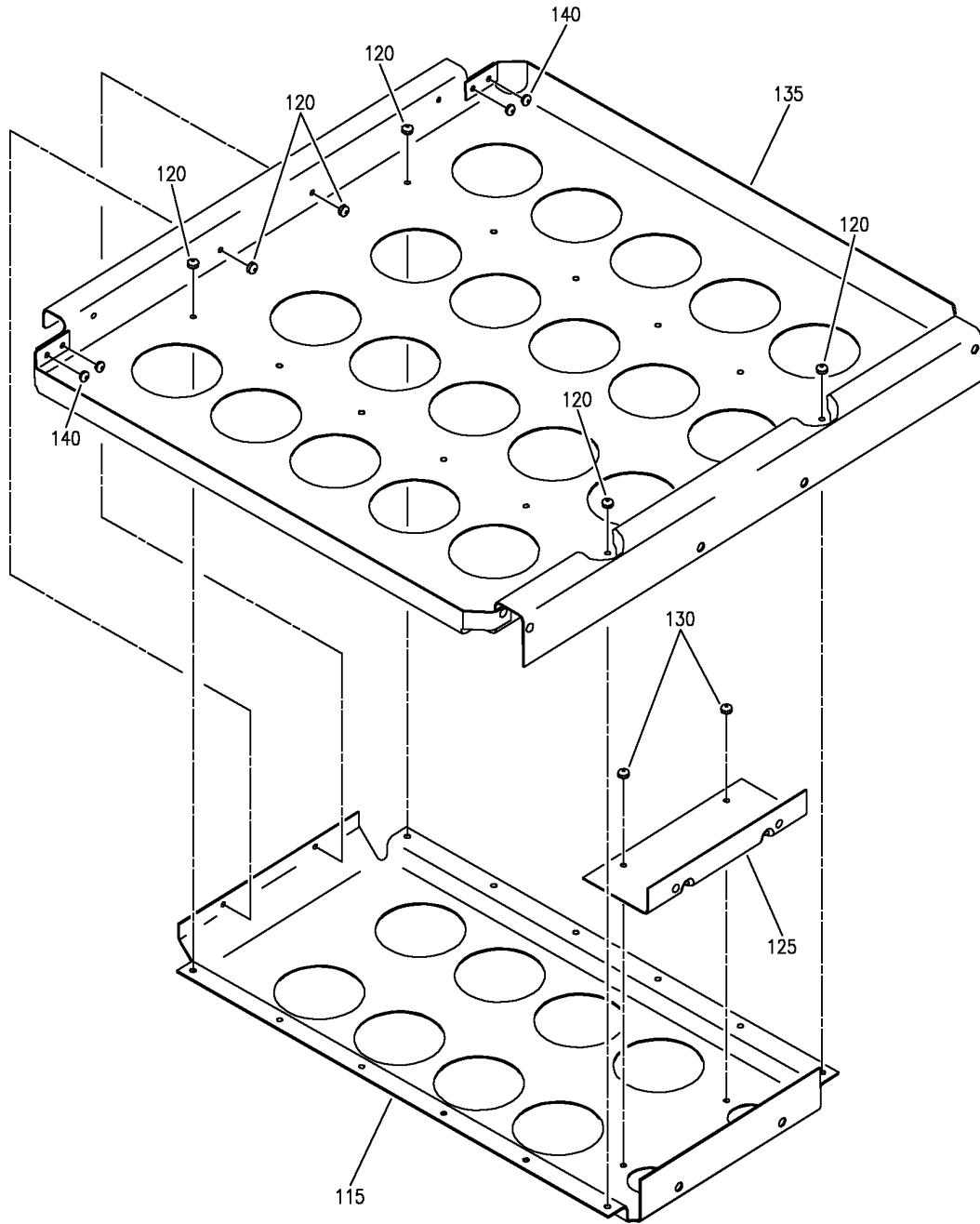
CORE ASSY-SEAT
 FIGURE 31L (SHEET 3)

25-25-12-31L

HAP
 JUN 15/09

25-25-12-31L
 PAGE 0B

BOEING
737-600/700/800/900
PARTS CATALOG (MAINTENANCE)



E 25251231L_SHT 4_REV 135

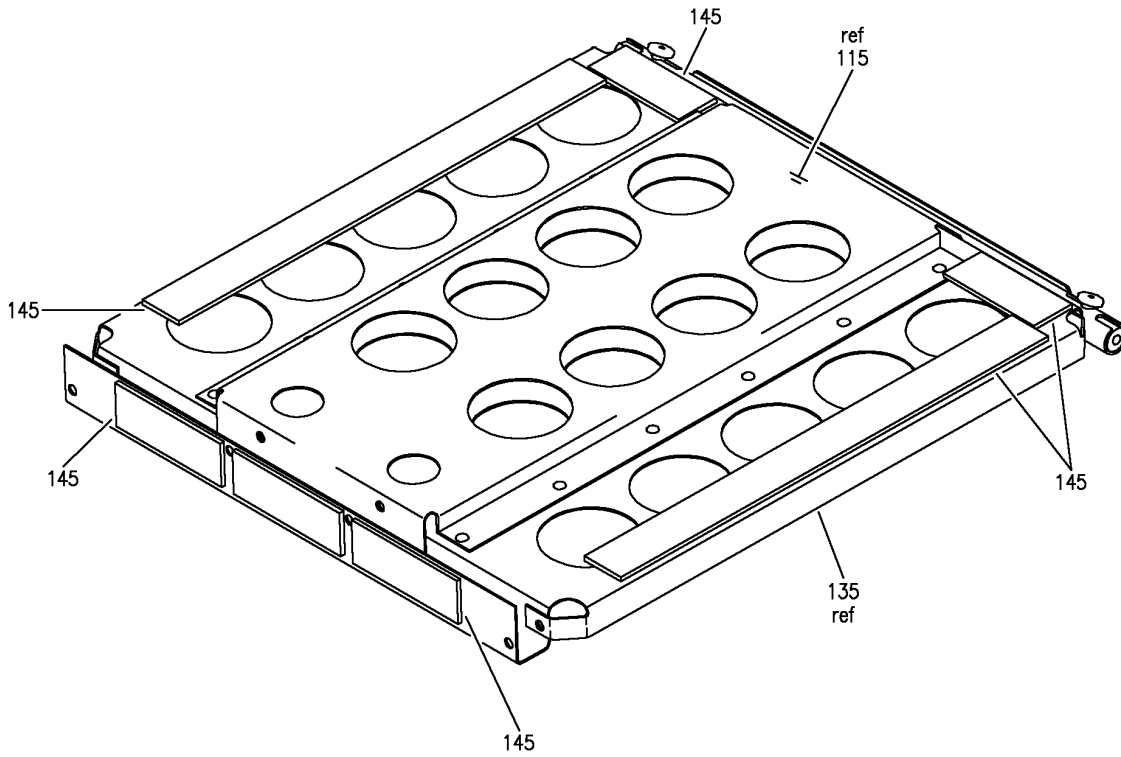


CORE ASSY-SEAT
FIGURE 31L (SHEET 4)

25-25-12-31L

HAP
JUN 15/09

25-25-12-31L
PAGE 0C



(J)

E 25251231L SHT 5 REV 155

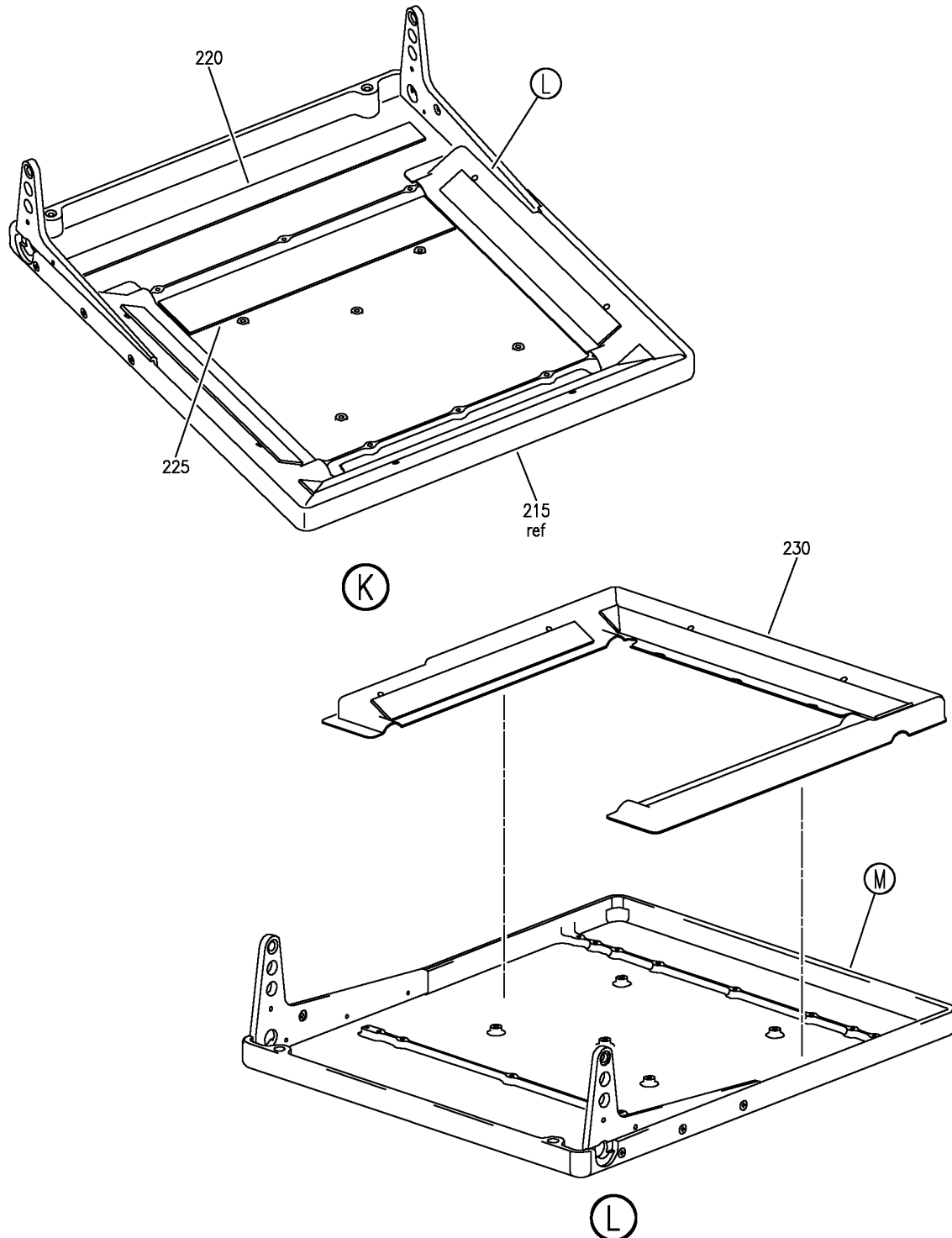
CORE ASSY-SEAT
FIGURE 31L (SHEET 5)

25-25-12-31L

HAP
JUN 15/09

25-25-12-31L
PAGE 0D

BOEING
737-600/700/800/900
PARTS CATALOG (MAINTENANCE)



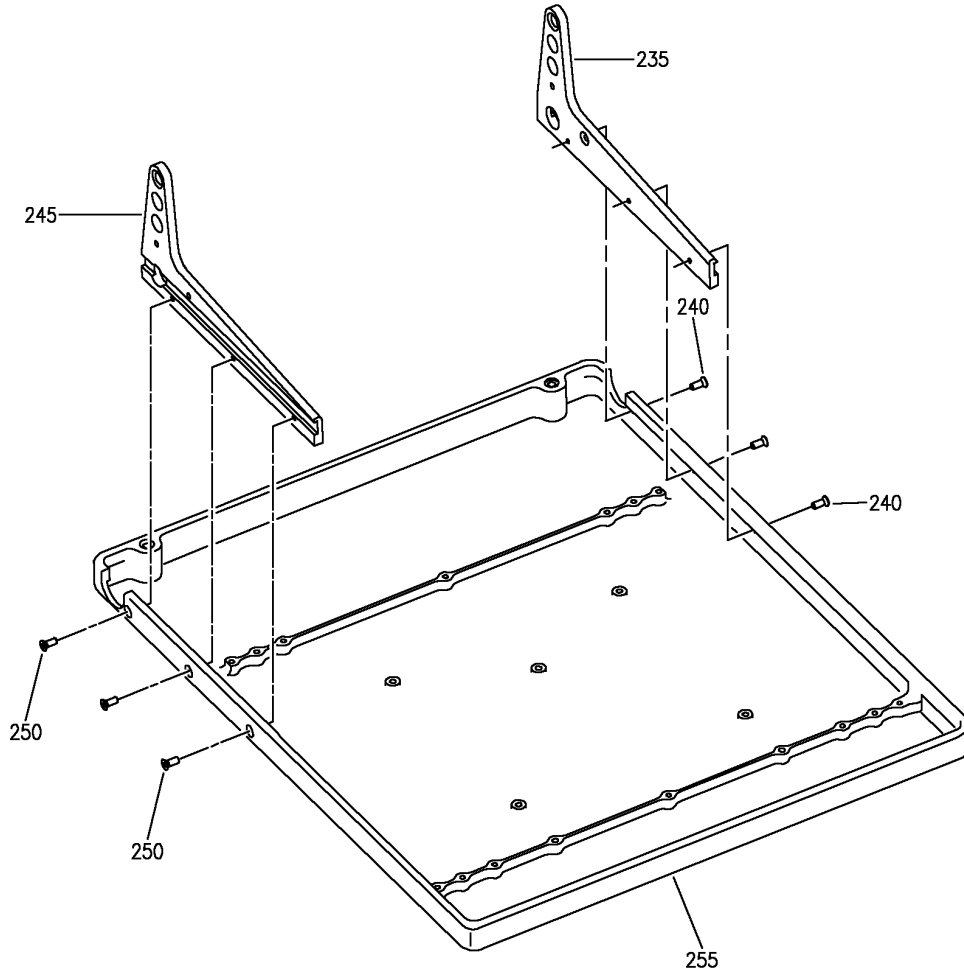
E 25251231L SHT 6 REV 155

CORE ASSY-SEAT
FIGURE 31L (SHEET 6)

25-25-12-31L

HAP
JUN 15/09

25-25-12-31L
PAGE 0E



E 25251231L SHT 7 REV 155

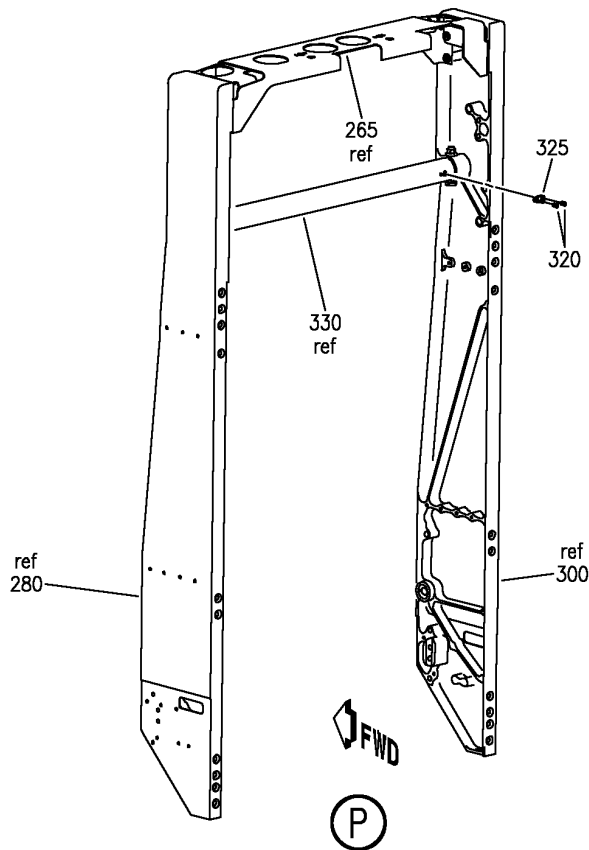
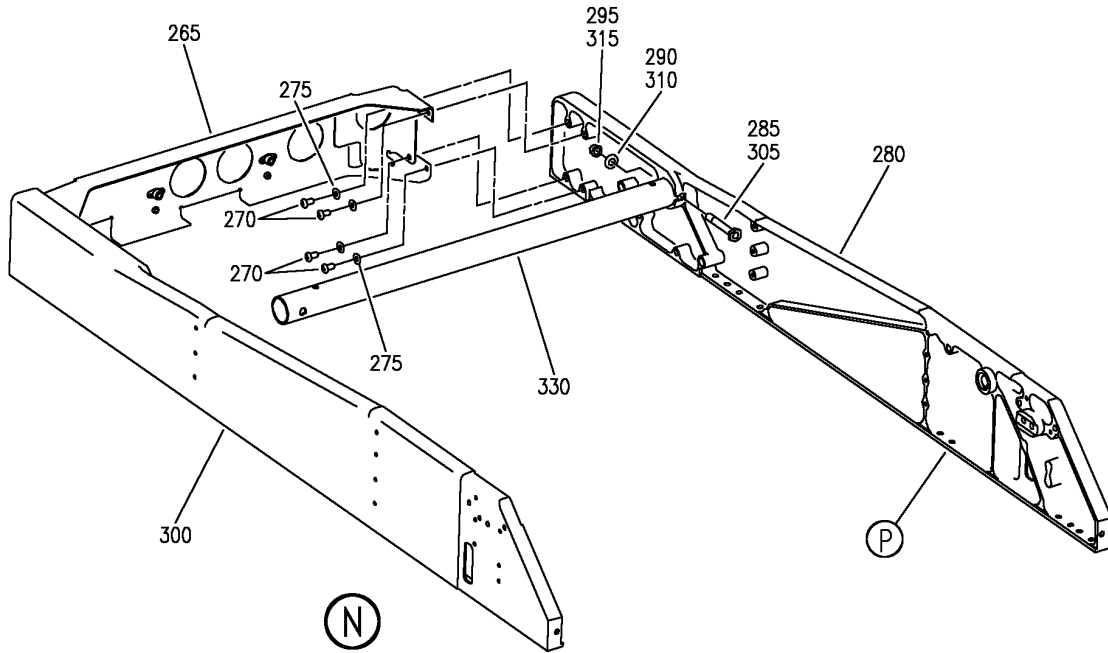
CORE ASSY-SEAT
FIGURE 31L (SHEET 7)

25-25-12-31L

HAP
JUN 15/09

25-25-12-31L
PAGE OF

BOEING
737-600/700/800/900
PARTS CATALOG (MAINTENANCE)



E 25251231L SHT 8 REV 155

CORE ASSY-SEAT
 FIGURE 31L (SHEET 8)

25-25-12-31L

HAP
 JUN 15/09

25-25-12-31L
 PAGE 08

BOEING
737-600/700/800/900
PARTS CATALOG (MAINTENANCE)

FIG ITEM	PART NUMBER	1 2 3 4 5 6 7	NOMENCLATURE	EFFECT FROM TO	UNITS PER ASSY
R R R R R R R R R R R R R R	31L		CORE ASSY-SEAT	031037 039041 047050 053100	
	- 1	2112-1APA	CORE ASSY-SEAT SUPPLIER CODE: V31218 FOR NHA SEE: 25-25-12-31B	031037 039041 047050 053100	RF
	5	2D2027-7	.COVER ASSY-TORSION SPR SUPPLIER CODE: V31218	031037 039041 047050 053100	1
	10	SJ3526GRY1ADH	..HOOK-ADHESIVE VELCRO GRAY SUPPLIER CODE: V5J466 CONFIG CHG DATA FROM A CMM: REPLD BY SJ3526BLK1ADH	031037 039041 047050 053100	AR
	10	SJ3526BLK1ADH	..HOOK-ADHESIVE VELCRO BLACK SUPPLIER CODE: V5J466 CONFIG CHG DATA FROM A CMM: REPLS SJ3526GRY1ADH	031037 039041 047050 053100	AR
	15	SJ3527GRY1ADH	..LOOP-ADHESIVE VELCRO GRAY SUPPLIER CODE: V5J466 CONFIG CHG DATA FROM A CMM: REPLD BY SJ3527BLK1ADH	031037 039041 047050 053100	AR
	15	SJ3527BLK1ADH	..LOOP-ADHESIVE VELCRO BLACK SUPPLIER CODE: V5J466 CONFIG CHG DATA FROM A CMM: REPLS SJ3527GRY1ADH	031037 039041 047050 053100	AR
	20	2D2022-3	.LOCK-TORSION SPR SUPPLIER CODE: V31218	031037 039041 047050 053100	1
	25	NAS6203-5	ATTACHING PARTS .BOLT	031037 039041 047050 053100	1
	30	NAS1149F0332P	.WASHER	031037 039041 047050 053100	1
			-----*-----		

MISSING ITEM NUMBERS NOT APPLICABLE

- ITEM NOT ILLUSTRATED

HAP

25-25-12-31L

BOEING PROPRIETARY - Copyright © - Unpublished Work - See title page for details.

25-25-12
FIG. 31L
PAGE 1
JUN 15/09

BOEING
737-600/700/800/900
PARTS CATALOG (MAINTENANCE)

FIG ITEM	PART NUMBER	1 2 3 4 5 6 7	NOMENCLATURE	EFFECT FROM TO	UNITS PER ASSY
R R R R	31L 35	2D2023-3	.SPRING-TORSION FLAT SUPPLIER CODE: V31218	031037 039041 047050 053100	1
	R R R R	40	NAS1202-7 .BOLT	031037 039041 047050 053100	1
R R R R R R R	45	2D2019-5	-----*----- .ANCHOR-SPR SUPPLIER CODE: V31218	031037 039041 047050 053100	1
R R R R R R R	50	2112-25APA	.BACK ASSY-BACK SUPPLIER CODE: V31218 POSITION DATA: LWR ATTACHING PARTS	031037 039041 047050 053100	1
R R R R R R R	55	NAS623-2-14	.SCREW	031037 039041 047050 053100	2
R R R R R R R	60	NAS6203-13	.BOLT	031037 039041 047050 053100	2
R R R R R R R	65	NAS1149F0363P	.WASHER	031037 039041 047050 053100	2
R R R R R R R	70	AN960-8	.WASHER	031037 039041 047050 053100	2
R R R R R R R	75	MS21042-3	.NUT	031037 039041 047050 053100	2
R R R R R R R	80	22K1-82	.NUT-CAP METAL SUPPLIER CODE: V72962 -----*-----	031037 039041 047050 053100	2

MISSING ITEM NUMBERS NOT APPLICABLE

— ITEM NOT ILLUSTRATED

HAP

25-25-12-31L

BOEING PROPRIETARY - Copyright © - Unpublished Work - See title page for details.

25-25-12
FIG. 31L
PAGE 2
JUN 15/09

BOEING
737-600/700/800/900
PARTS CATALOG (MAINTENANCE)

FIG ITEM	PART NUMBER	1 2 3 4 5 6 7	NOMENCLATURE	EFFECT FROM TO	UNITS PER ASSY
R R R R R R R	31L 85	2D3017-3	.. PIVOT-BACK SUPPLIER CODE: V31218 POSITION DATA: UPR LWR	031037 039041 047050 053100	2
	90	2D3015-3	.. KNOB-RELEASE SUPPLIER CODE: V31218	031037 039041 047050 053100	2
R R R R	95	NAS601-12P	ATTACHING PARTS .. SCREW	031037 039041 047050 053100	2
	100	C0240-020-0880M	-----*----- .. SPRING- SUPPLIER CODE: V77535	031037 039041 047050 053100	2
R R R R	105	2D3018-13	.. TUBE- SUPPLIER CODE: V31218	031037 039041 047050 053100	1
	110	MS20600M4W2	ATTACHING PARTS .. RIVET	031037 039041 047050 053100	6
R R R R	115	2D3022-15	-----*----- .. GUSSET- SUPPLIER CODE: V31218	031037 039041 047050 053100	1
	120	MS20470AD44	ATTACHING PARTS .. RIVET	031037 039041 047050 053100	14
R R R R	125	2D3046-3	-----*----- .. BRACE- SUPPLIER CODE: V31218	031037 039041 047050 053100	1
	130	MS20470AD44	ATTACHING PARTS .. RIVET- SUPPLIER CODE: V07707	031037 039041 047050 053100	2

MISSING ITEM NUMBERS NOT APPLICABLE

— ITEM NOT ILLUSTRATED

HAP

25-25-12-31L

25-25-12
FIG. 31L
PAGE 3
JUN 15/09

BOEING
737-600/700/800/900
PARTS CATALOG (MAINTENANCE)

FIG ITEM	PART NUMBER	1 2 3 4 5 6 7	NOMENCLATURE	EFFECT FROM TO	UNITS PER ASSY
R R R R R R R R R R R R	31L		ATTACHING PARTS		
	270	NAS623-2-1	.. SCREW	031037 039041 047050 053100	8
	275	NAS1149FN832P	.. WASHER	031037 039041 047050 053100	8
	280	2D1024-1APA	-----*----- .. PANEL- SUPPLIER CODE: V31218 POSITION DATA: SIDE ATTACHING PARTS	031037 039041 047050 053100	1
	285	NAS6204-19	.. BOLT	031037 039041 047050 053100	1
	290	NAS1149F0463P	.. WASHER	031037 039041 047050 053100	1
	295	MS21042-4	.. NUT	031037 039041 047050 053100	1
	300	2D1024-2APA	-----*----- .. PANEL- SUPPLIER CODE: V31218 POSITION DATA: SIDE ATTACHING PARTS	031037 039041 047050 053100	1
	305	NAS6204-19	.. BOLT	031037 039041 047050 053100	1
	310	NAS1149F0463P	.. WASHER	031037 039041 047050 053100	1
	315	MS21042-4	.. NUT	031037 039041 047050 053100	1
			-----*-----		

MISSING ITEM NUMBERS NOT APPLICABLE

— ITEM NOT ILLUSTRATED

HAP

25-25-12-31L

BOEING PROPRIETARY - Copyright © - Unpublished Work - See title page for details.

25-25-12
FIG. 31L
PAGE 7
JUN 15/09

BOEING
737-600/700/800/900
PARTS CATALOG (MAINTENANCE)

FIG ITEM	PART NUMBER	1 2 3 4 5 6 7	NOMENCLATURE	EFFECT FROM TO	UNITS PER ASSY
R R R R R R R R R R R R	31L 320	SD32BS	..RIVET-POP SUPPLIER CODE: V6R744	031037 039041 047050 053100	4
	325	MS21069L08	..NUTPLATE	031037 039041 047050 053100	2
	330	2D1046-1APA	..TUBE-CROSS BACK SUPPLIER CODE: V31218 POSITION DATA: UPR	031037 039041 047050 053100	1
	MISSING ITEM NUMBERS NOT APPLICABLE				

— ITEM NOT ILLUSTRATED

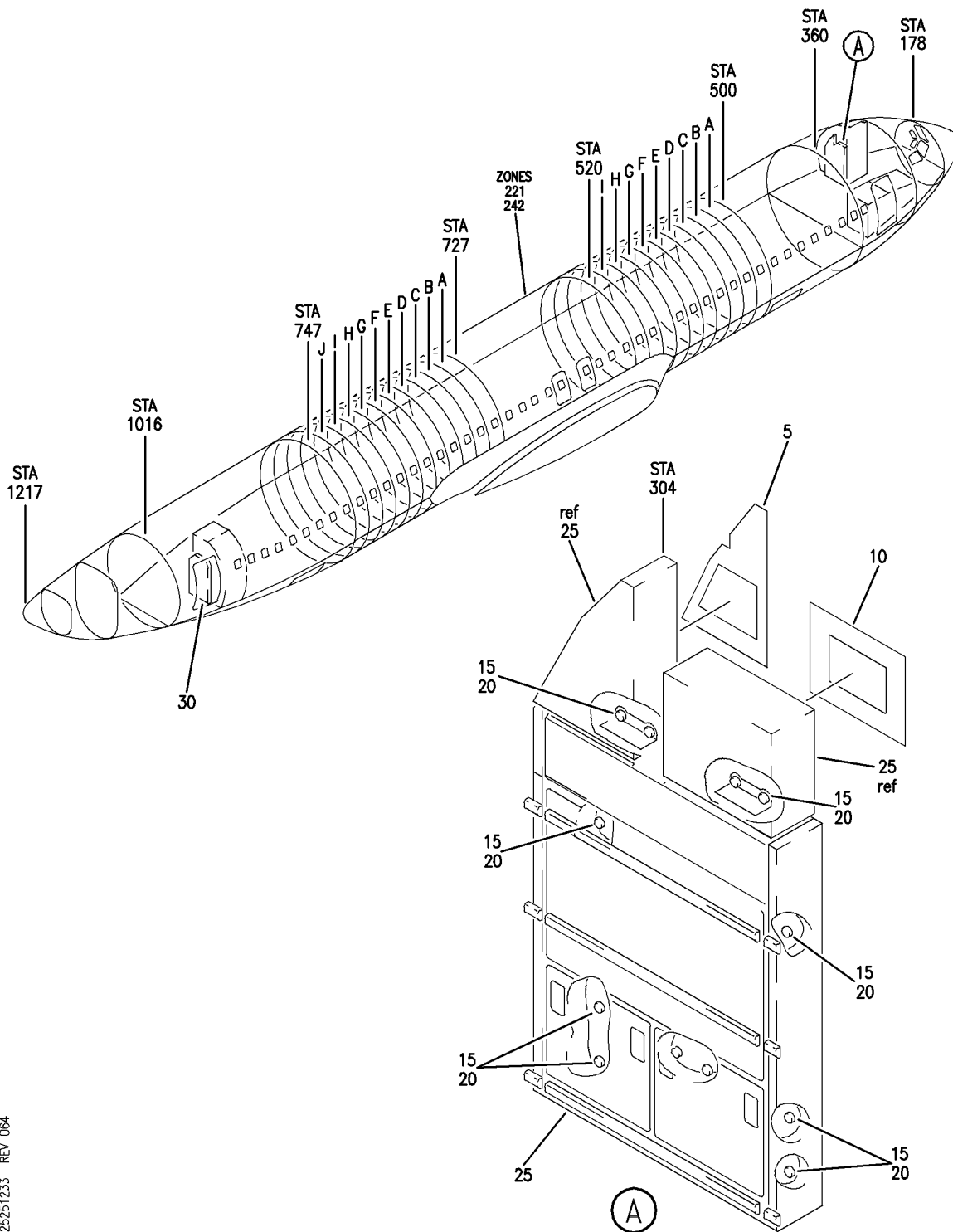
HAP

25-25-12-31L

BOEING PROPRIETARY - Copyright © - Unpublished Work - See title page for details.

25-25-12
FIG. 31L
PAGE 8
JUN 15/09

BOEING
 737-600/700/800/900
 PARTS CATALOG (MAINTENANCE)



E 25251233 REV 064

SEAT INSTL-ATTENDANT (EQUIPMENT/FURNISHINGS ONLY)
 FIGURE 33

25-25-12-33

HAP
 OCT 10/06

25-25-12-33
 PAGE 0

BOEING
737-600/700/800/900
PARTS CATALOG (MAINTENANCE)

FIG ITEM	PART NUMBER	1 2 3 4 5 6 7	NOMENCLATURE	EFFECT FROM TO	UNITS PER ASSY
33			SEAT INSTL-ATTENDANT (EQUIPMENT/FURNISHINGS ONLY)	031037 039041 047050 054100 107200	
- 2	MODREF223763		SEAT INSTL-ATTENDANT (EQUIPMENT/FURNISHINGS ONLY) MODULE NUMBER: 414A2900-49 REV B FOR OTHER SYS DETAILS SEE: 11-32-03-71	031037 039041 054100	1
5	414A2000-1003		.TAPE-VELCRO	031037 039041 054100	AR
10	414A2000-1004		.TAPE-VELCRO	031037 039041 054100	AR
15	BACB30LM4-5		.BOLT-	031037 039041 047050 054100 107200	12
15	BACB30LM4-4		.BOLT-	031037 039041 047050 054100 107200	12
20	NAS1149D0463J		.WASHER	031036 041041 047050 054100 107200	12
25	2110-324GC		.SEAT ASSY-ATTENDANT NARROW DBL WALL-MOUNTED SUPPLIER CODE: V31218 SPECIFICATION NUMBER: BCREF15336 COMPONENT MAINT MANUAL REF: 25-24-37 FOR DETAILS SEE: 25-25-12-98D	031037 039041 054100	1

MISSING ITEM NUMBERS NOT APPLICABLE

- ITEM NOT ILLUSTRATED

HAP

25-25-12-33

BOEING PROPRIETARY - Copyright © - Unpublished Work - See title page for details.

25-25-12
FIG. 33
PAGE 1
JUN 15/09

BOEING
737-600/700/800/900
PARTS CATALOG (MAINTENANCE)

FIG ITEM	PART NUMBER	1 2 3 4 5 6 7	NOMENCLATURE	EFFECT FROM TO	UNITS PER ASSY
33 25	2110-124GC		. SEAT ASSY-ATTENDANT NARROW DBL WALL-MOUNTED SUPPLIER CODE: V31218 SPECIFICATION NUMBER: BCREF66185 COMPONENT MAINT MANUAL REF: 25-24-37 FOR DETAILS SEE: 25-25-12-98D	031037 039041 054100	1

R
R
R
R
R
R
R
R
R

MISSING ITEM NUMBERS NOT APPLICABLE

- ITEM NOT ILLUSTRATED

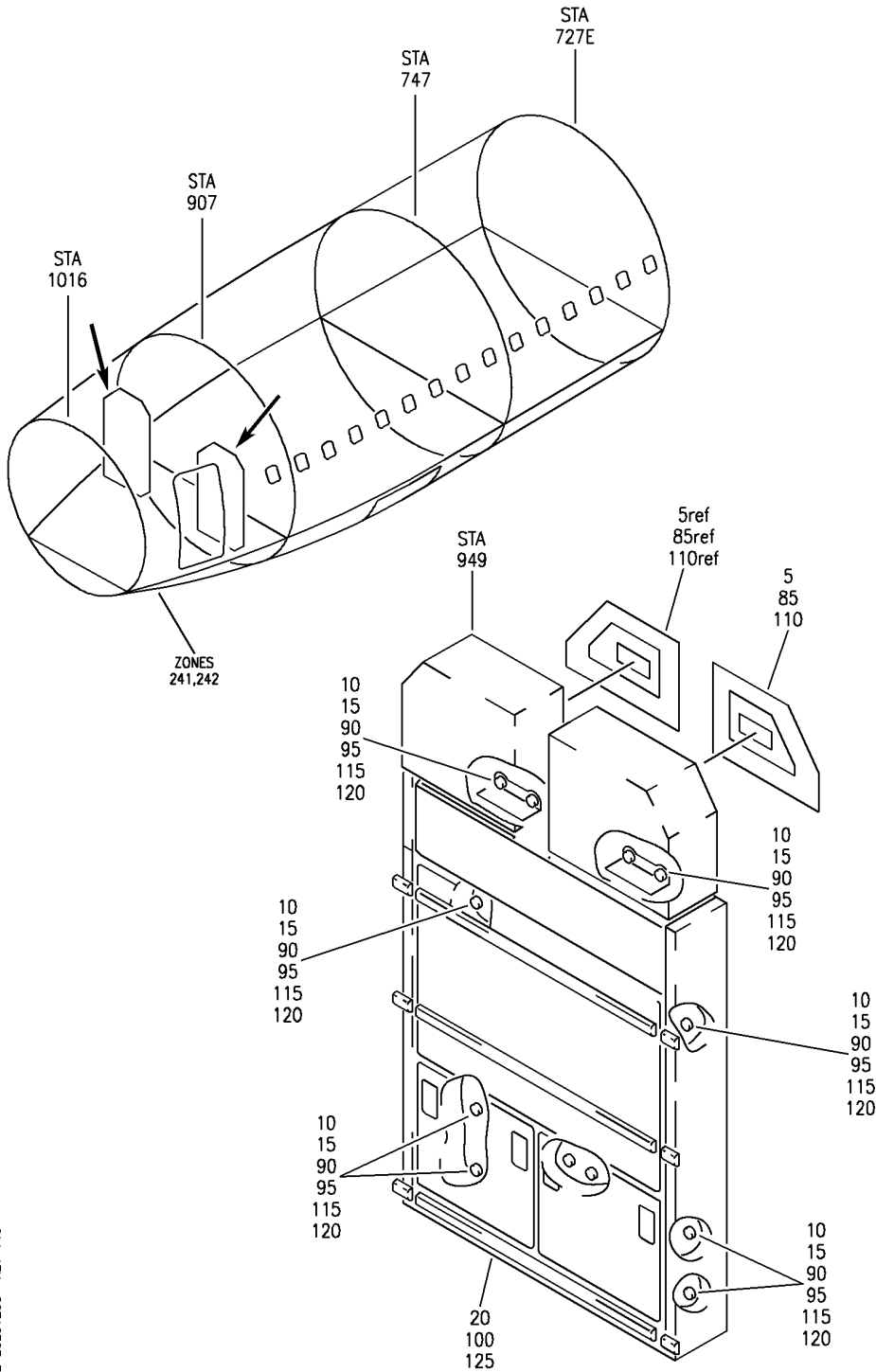
HAP

25-25-12-33

BOEING PROPRIETARY - Copyright © - Unpublished Work - See title page for details.

25-25-12
FIG. 33
PAGE 2
JUN 15/09

BOEING
737-600/700/800/900
PARTS CATALOG (MAINTENANCE)



E 25251238 REV 119

SEAT INSTL-ATTENDANT (EQUIPMENT/FURNISHINGS ONLY) 737-800
 FIGURE 38

25-25-12-38

HAP
 OCT 10/06

25-25-12-38
 PAGE 0

BOEING
737-600/700/800/900
PARTS CATALOG (MAINTENANCE)

FIG ITEM	PART NUMBER	1 2 3 4 5 6 7	NOMENCLATURE	EFFECT FROM TO	UNITS PER ASSY
38			SEAT INSTL-ATTENDANT (EQUIPMENT/FURNISHINGS ONLY) 737-800	031037 039041 054100	
- 75	MODREF223764		SEAT INSTL-ATTENDANT LAV D DBL WALL- MOUNTED AFT FACING (EQUIPMENT/FURNISHINGS ONLY) MODULE NUMBER: 414A2900-50 REV B FOR OTHER SYS DETAILS SEE: 11-32-03-71	031037 039041 054100	1
87	414A2000-1004		.TAPE-VELCRO	031037 039041 054100	AR
93	BACB30LM4-4		.BOLT-	031037 039041 054100	12
97	NAS1149D0463J		.WASHER	031037 039041 054100	12
100	2110-325GC		.SEAT ASSY-ATTENDANT DBL WALL- MOUNTED SEAT ON LAV D AFT FACING SUPPLIER CODE: V31218 POSITION DATA: STA 949.00, LBL 13.50, WL 219.10 SPECIFICATION NUMBER: BCREF15324 COMPONENT MAINT MANUAL REF: 25-24-37 USED ON: MODREF92655 MODREF223764 FOR DETAILS SEE: 25-25-12-98G	031037 039041 054100	1

MISSING ITEM NUMBERS NOT APPLICABLE

- ITEM NOT ILLUSTRATED

HAP

25-25-12-38

BOEING PROPRIETARY - Copyright © - Unpublished Work - See title page for details.

25-25-12
FIG. 38
PAGE 1
JUN 15/09

BOEING
737-600/700/800/900
PARTS CATALOG (MAINTENANCE)

FIG ITEM	PART NUMBER	1 2 3 4 5 6 7	NOMENCLATURE	EFFECT FROM TO	UNITS PER ASSY
38 100	2110-125GC		.SEAT ASSY-ATTENDANT DBL WALL- MOUNTED SEAT ON LAV D AFT FACING SUPPLIER CODE: V31218 POSITION DATA: STA 949.00, LBL 13.50, WL 219.10 SPECIFICATION NUMBER: BCREF66194 COMPONENT MAINT MANUAL REF: 25-24-37 FOR DETAILS SEE: 25-25-12-98G	031037 039041 054100	1

R
R
R
R
R
R
R
R
R
R
R
R

MISSING ITEM NUMBERS NOT APPLICABLE

- ITEM NOT ILLUSTRATED

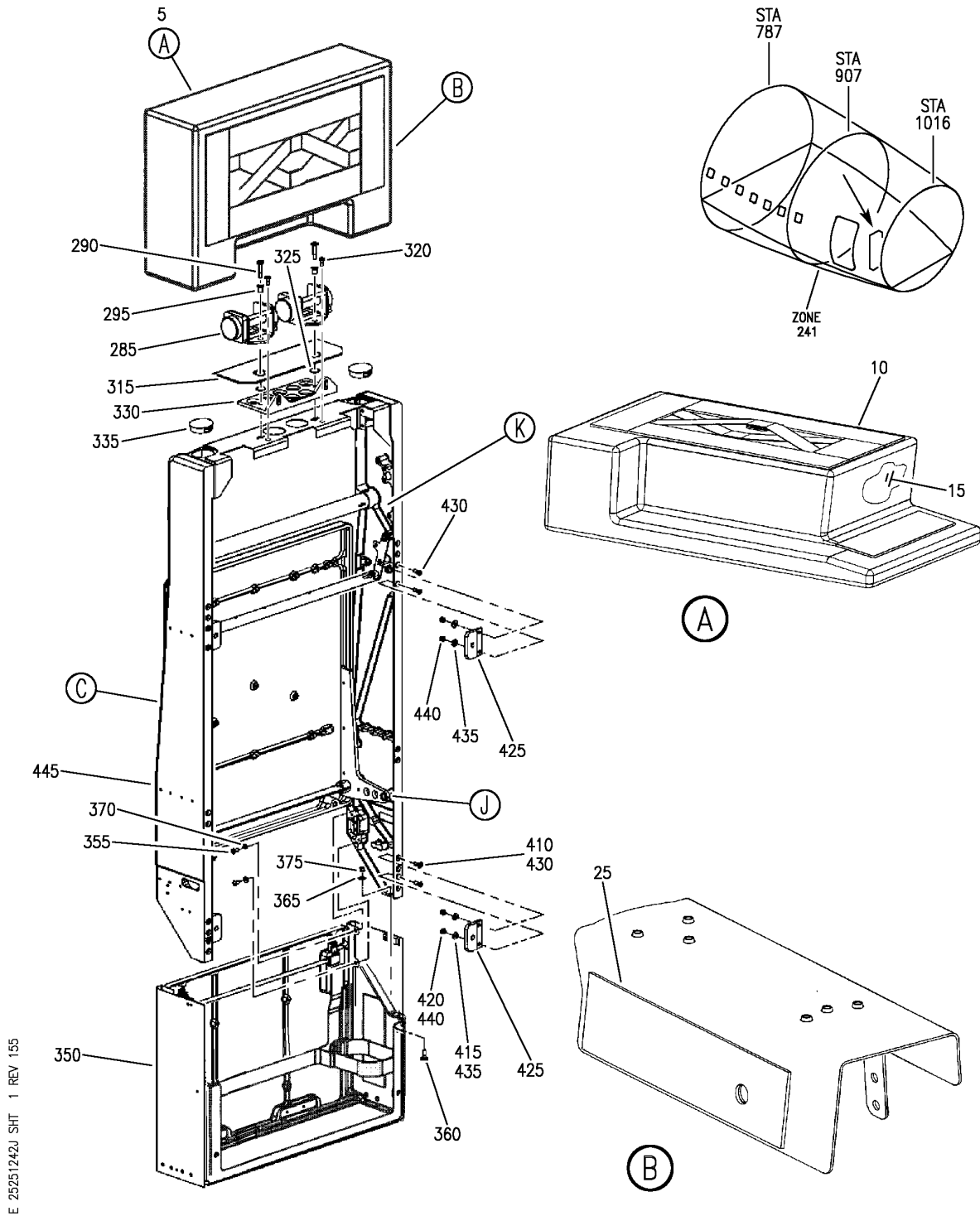
HAP

25-25-12-38

BOEING PROPRIETARY - Copyright © - Unpublished Work - See title page for details.

25-25-12
FIG. 38
PAGE 2
JUN 15/09

BOEING
 737-600/700/800/900
 PARTS CATALOG (MAINTENANCE)



E 25251242J SHT 1 REV 155

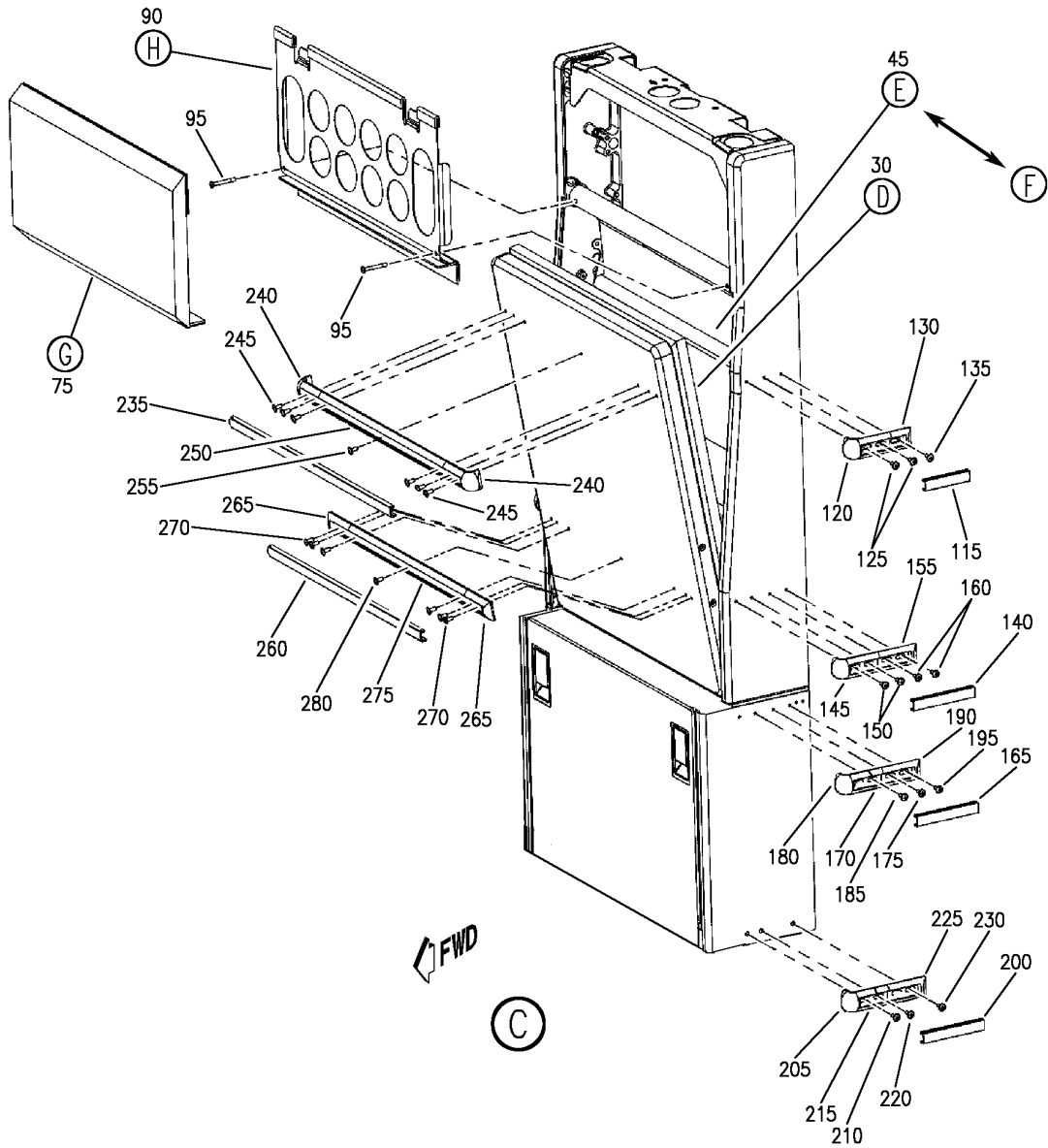
SEAT ASSY-ATTENDANT
 FIGURE 42J (SHEET 1)

25-25-12-42J

HAP
 JUN 15/09

25-25-12-42J
 PAGE 0

BOEING
 737-600/700/800/900
 PARTS CATALOG (MAINTENANCE)



E 25251242J SHT 2 REV 155

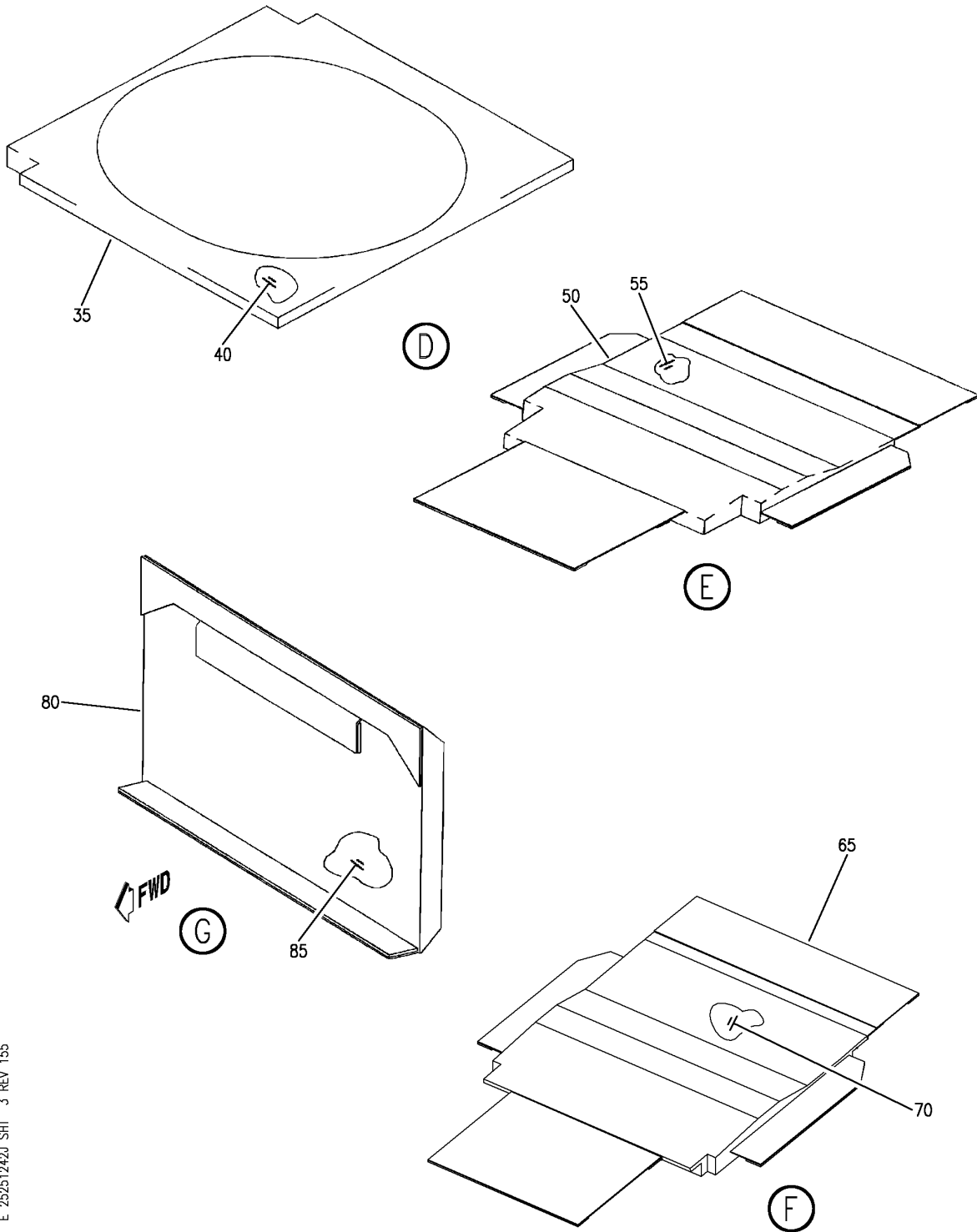
SEAT ASSY-ATTENDANT
 FIGURE 42J (SHEET 2)

25-25-12-42J

HAP
 JUN 15/09

25-25-12-42J
 PAGE 0A

BOEING
 737-600/700/800/900
 PARTS CATALOG (MAINTENANCE)



E 25251242J SHT 3 REV 155

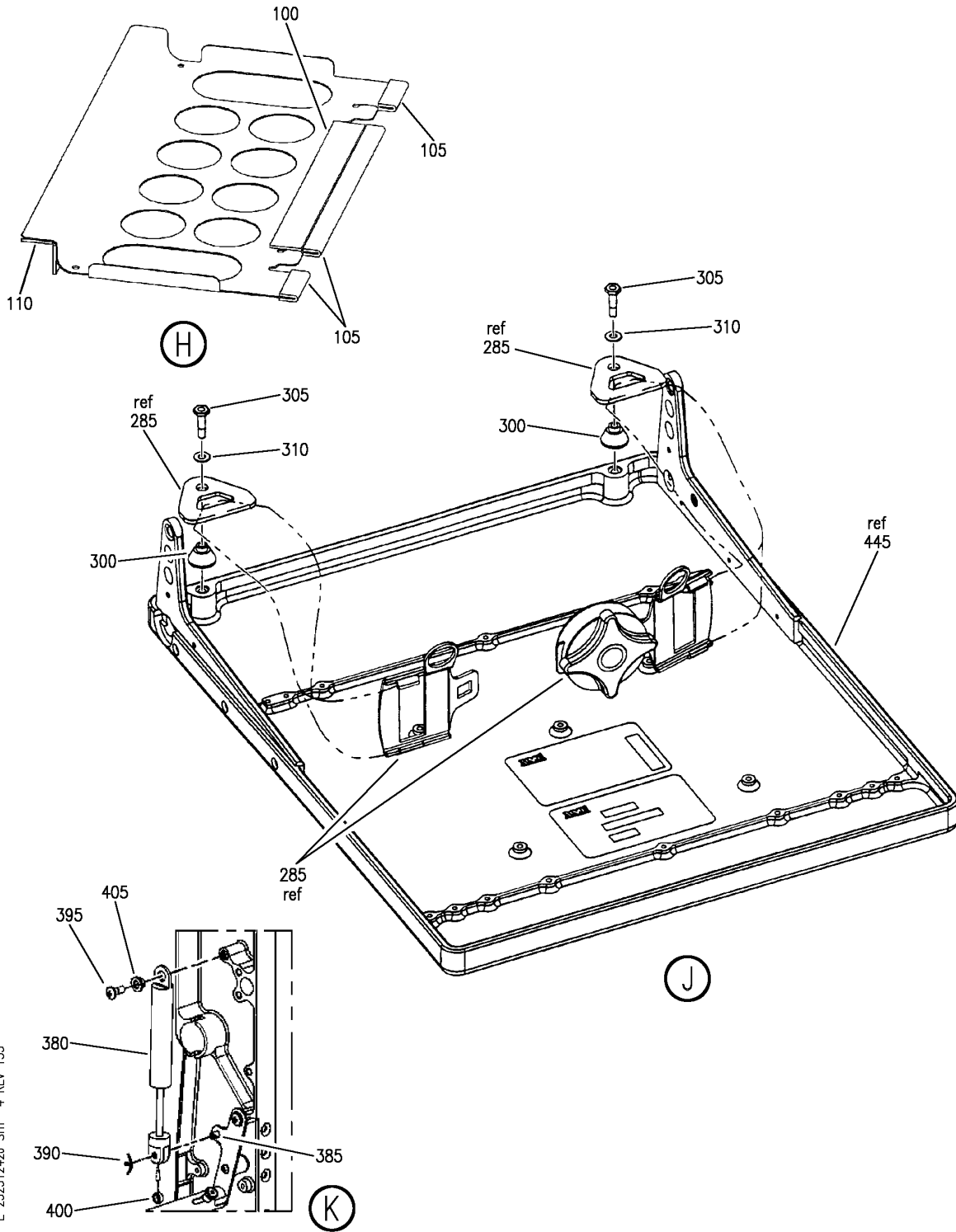
SEAT ASSY-ATTENDANT
 FIGURE 42J (SHEET 3)

25-25-12-42J

HAP
 JUN 15/09

25-25-12-42J
 PAGE 0B

BOEING
 737-600/700/800/900
 PARTS CATALOG (MAINTENANCE)



E 25251242J SHT 4 REV 155

SEAT ASSY-ATTENDANT
 FIGURE 42J (SHEET 4)

25-25-12-42J

HAP
 JUN 15/09

25-25-12-42J
 PAGE 0C

BOEING
737-600/700/800/900
PARTS CATALOG (MAINTENANCE)

FIG ITEM	PART NUMBER	1 2 3 4 5 6 7	NOMENCLATURE	EFFECT FROM TO	UNITS PER ASSY	
R R R R R R R R R R R R	42J					
	- 1	2112-318GC		SEAT ASSY-ATTENDANT SEAT ASSY-ATTENDANT SUPPLIER CODE: V31218 POSITION DATA: STA 949.00, RBL 38.00, WL 219.10 SPECIFICATION NUMBER: BCREF66238 COMPONENT MAINT MANUAL REF: 25-28-80 FOR NHA SEE: 25-25-12-50	107200 107200	RF
	- 1	2112-118GC		SEAT ASSY-ATTENDANT SUPPLIER CODE: V31218 POSITION DATA: STA 949.00, RBL 38.00, WL 219.10 SPECIFICATION NUMBER: BCREF66230 COMPONENT MAINT MANUAL REF: 25-28-80 FOR NHA SEE: 25-25-12-50	107200	RF
	5	2D7028-2D		.CUSHION AND COVER ASSY- HEADREST SUPPLIER CODE: V31218	107200	1
	10	2D7028-12D		..COVER-HEADREST SUPPLIER CODE: V31218	107200	1
	15	2D7028-22		..CUSHION-FIREBLOCKED SUPPLIER CODE: V31218	107200	1
	- 20	2D7026-4APA		.PLATE ASSY-MTG SUPPLIER CODE: V31218	107200	1
	25	SJ3526GRY2ADH		..HOOK-ADHESIVE VELCRO GRAY SUPPLIER CODE: V5J466 CONFIG CHG DATA FROM A CMM: REPLD BY SJ3526BLK2ADH	107200	AR

MISSING ITEM NUMBERS NOT APPLICABLE

- ITEM NOT ILLUSTRATED

HAP

25-25-12-42J

BOEING PROPRIETARY - Copyright © - Unpublished Work - See title page for details.

25-25-12
FIG. 42J
PAGE 1
JUN 15/09


BOEING
 737-600/700/800/900
PARTS CATALOG (MAINTENANCE)

FIG ITEM	PART NUMBER	1 2 3 4 5 6 7	NOMENCLATURE	EFFECT FROM TO	UNITS PER ASSY
42J					
R	25		..HOOK-ADHESIVE VELCRO BLACK SUPPLIER CODE: V5J466 CONFIG CHG DATA FROM A CMM: REPLS SJ3526GRY2ADH	107200	AR
R					
R					
R					
R					
R	30		.CUSHION AND COVER ASSY- SUPPLIER CODE: V31218	107200	1
R					
R	35		..COVER-SEAT PAN SUPPLIER CODE: V31218	107200	1
R					
R	40		..CUSHION-SEAT PAN SUPPLIER CODE: V31218	107200	1
R					
R	45		.CUSHION AND COVER ASSY- BACK SUPPLIER CODE: V31218 POSITION DATA: LWR USED ON: 2112-318GC	107200	1
R					
R					
R					
R	50		..COVER- SUPPLIER CODE: V31218	107200	1
R					
R	55		..CUSHION- SUPPLIER CODE: V31218	107200	1
R					
R	- 60		.CUSHION AND COVER ASSY- BACK SUPPLIER CODE: V31218 POSITION DATA: LWR USED ON: 2112-118GC	107200	1
R					
R					
R					
R	65		..COVER- SUPPLIER CODE: V31218	107200	1
R					
R	70		..CUSHION- SUPPLIER CODE: V31218	107200	1
R					
R	75		.CUSHION AND COVER ASSY- BACK SUPPLIER CODE: V31218 POSITION DATA: UPR	107200	1
R					
R					
R					

MISSING ITEM NUMBERS NOT APPLICABLE

- ITEM NOT ILLUSTRATED

HAP

25-25-12-42J

BOEING PROPRIETARY - Copyright © - Unpublished Work - See title page for details.

25-25-12
 FIG. 42J
 PAGE 2
 JUN 15/09

BOEING
737-600/700/800/900
PARTS CATALOG (MAINTENANCE)

FIG ITEM	PART NUMBER	1 2 3 4 5 6 7	NOMENCLATURE	EFFECT FROM TO	UNITS PER ASSY
42J					
R	80	2D7006-13D	..COVER- SUPPLIER CODE: V31218	107200	1
R	85	2D7007-3	..CUSHION- SUPPLIER CODE: V31218	107200	1
R	90	2D1049-1APA	.PAN ASSY-BACK SUPPLIER CODE: V31218 POSITION DATA: UPR ATTACHING PARTS	107200	1
R	95	NAS623-2-16	.SCREW -----*-----	107200	2
R	100	SJ3526GRY1ADH	..HOOK-ADHESIVE VELCRO GRAY SUPPLIER CODE: V5J466 CONFIG CHG DATA FROM A CMM: REPLD BY SJ3526BLK1ADH	107200	AR
R	100	SJ3526BLK1ADH	..HOOK-ADHESIVE VELCRO BLACK SUPPLIER CODE: V5J466 CONFIG CHG DATA FROM A CMM: REPLS SJ3526GRY1ADH	107200	AR
R	105	SJ3527GRY1ADH	..LOOP-ADHESIVE VELCRO GRAY SUPPLIER CODE: V5J466 CONFIG CHG DATA FROM A CMM: REPLD BY SJ3527BLK1ADH	107200	AR
R	105	SJ3527BLK1ADH	..LOOP-ADHESIVE VELCRO BLACK SUPPLIER CODE: V5J466 CONFIG CHG DATA FROM A CMM: REPLS SJ3527GRY1ADH	107200	AR
R	110	SJ3526GRY2ADH	..HOOK-ADHESIVE VELCRO GRAY SUPPLIER CODE: V5J466 CONFIG CHG DATA FROM A CMM: REPLD BY SJ3526BLK2ADH	107200	AR

MISSING ITEM NUMBERS NOT APPLICABLE

- ITEM NOT ILLUSTRATED

HAP

25-25-12-42J

BOEING PROPRIETARY - Copyright © - Unpublished Work - See title page for details.

25-25-12
FIG. 42J
PAGE 3
JUN 15/09

BOEING
737-600/700/800/900
PARTS CATALOG (MAINTENANCE)

FIG ITEM	PART NUMBER	1 2 3 4 5 6 7	NOMENCLATURE	EFFECT FROM TO	UNITS PER ASSY
	42J				
R	160	AN525-832R6	.ATTACHING PARTS .SCREW -----*-----	107200	4
R	165	S21012-69APA	.COVER-RUBSTRIP SUPPLIER CODE: V31218	107200	2
R	170	A21011-33APA	.CHANNEL-RUBSTRIP ALUM SUPPLIER CODE: V31218	107200	2
R	175	AN525-832R6	.ATTACHING PARTS .SCREW -----*-----	107200	2
R	180	A70027-5APA	.CAP-END ALUM RUBSTRIP SUPPLIER CODE: V31218	107200	2
R	185	AN525-832R6	.ATTACHING PARTS .SCREW -----*-----	107200	2
R	190	A70027-3APA	.CAP-END ALUM RUBSTRIP SUPPLIER CODE: V31218	107200	2
R	195	AN525-832R6	.ATTACHING PARTS .SCREW -----*-----	107200	2
R	200	S21012-69APA	.COVER-RUBSTRIP SUPPLIER CODE: V31218	107200	2
R	205	A70027-5APA	.CAP-END ALUM RUBSTRIP SUPPLIER CODE: V31218	107200	2
R	210	AN525-832R6	.ATTACHING PARTS .SCREW -----*-----	107200	2
R	215	A21011-33APA	.CHANNEL-RUBSTRIP ALUM SUPPLIER CODE: V31218	107200	2
R	220	AN525-832R6	.ATTACHING PARTS .SCREW -----*-----	107200	2
R	225	A70027-3APA	.CAP-END ALUM RUBSTRIP SUPPLIER CODE: V31218	107200	2
R	230	AN525-832R6	.ATTACHING PARTS .SCREW -----*-----	107200	2
R	235	S21012-29APA	.COVER-RUBSTRIP SUPPLIER CODE: V31218	107200	1

MISSING ITEM NUMBERS NOT APPLICABLE

— ITEM NOT ILLUSTRATED

HAP

25-25-12-42J

BOEING PROPRIETARY - Copyright © - Unpublished Work - See title page for details.

25-25-12
FIG. 42J
PAGE 5
JUN 15/09

BOEING
737-600/700/800/900
PARTS CATALOG (MAINTENANCE)

FIG ITEM	PART NUMBER	1 2 3 4 5 6 7	NOMENCLATURE	EFFECT FROM TO	UNITS PER ASSY
R R R	42J 240	A70027-1APA	.CAP-END ALUM RUBSTRIP SUPPLIER CODE: V31218 ATTACHING PARTS	107200	2
R	245	AN525-832R6	.SCREW -----*-----	107200	4
R R R	250	A21011-23APA	.CHANNEL-RUBSTRIP ALUM SUPPLIER CODE: V31218 ATTACHING PARTS	107200	1
R	255	AN525-832R6	.SCREW -----*-----	107200	3
R R R R	260	S21012-31APA	.COVER-RUBSTRIP SUPPLIER CODE: V31218	107200	1
R R R	265	A70027-3APA	.CAP-END ALUM RUBSTRIP SUPPLIER CODE: V31218 ATTACHING PARTS	107200	2
R	270	AN525-832R6	.SCREW -----*-----	107200	4
R R R	275	A21011-25APA	.CHANNEL-RUBSTRIP ALUM SUPPLIER CODE: V31218 ATTACHING PARTS	107200	1
R	280	AN525-832R6	.SCREW -----*-----	107200	3
R R R R R	285	2100002-01-278	.RESTRAINT-SYS SUPPLIER CODE: V45402 COMPONENT MAINT MANUAL REF: 25-11-53 ATTACHING PARTS	107200	2
R	290	NAS6203-10	.BOLT -----*-----	107200	2
R R R R	295 300	NAS77-3-033 2D2017-1	.BUSHING .FITTING-LAP BELT SUPPLIER CODE: V31218 ATTACHING PARTS	107200 107200	2 2
R R R R	305	NAS6203-8	.BOLT- CONFIG CHG DATA FROM A CMM: REPLD BY NAS6203-10	107200	2
R R R	305	NAS6203-10	.BOLT- CONFIG CHG DATA FROM A CMM: REPLS NAS6203-8	107200	2
R	310	NAS1149F0332P	.WASHER -----*-----	107200	2

MISSING ITEM NUMBERS NOT APPLICABLE

— ITEM NOT ILLUSTRATED

HAP

25-25-12-42J

25-25-12
FIG. 42J
PAGE 6
JUN 15/09

BOEING
737-600/700/800/900
PARTS CATALOG (MAINTENANCE)

FIG ITEM	PART NUMBER	1 2 3 4 5 6 7	NOMENCLATURE	EFFECT FROM TO	UNITS PER ASSY
R R R	42J 315	2D1067-1	.GUIDE-WEB WEAR SUPPLIER CODE: V31218 ATTACHING PARTS	107200	1
R R R	320	NAS623-2-3	.SCREW- CONFIG CHG DATA FROM A CMM: REPLD BY NAS623-2-4	107200	2
R R R	320	NAS623-2-4	.SCREW- CONFIG CHG DATA FROM A CMM: REPLS NAS623-2-3	107200	2
R	325	NAS1149F0563P	.WASHER -----*-----	107200	2
R R R	330	2D1037-1	.BRACKET-INTERIA REEL SUPPLIER CODE: V31218	107200	1
R R R	335	2753	.PLUG-DOME SUPPLIER CODE: V28520	107200	1
R R R	- 340	2D1041-1	.FUNNEL-PHONE CORD SUPPLIER CODE: V31218	107200	1
R R R	- 345	MS16624-2137	.RING	107200	1
R R R	350	2112-47APA	.BOX ASSY-STOWAGE SUPPLIER CODE: V31218 FOR DETAILS SEE: 25-25-12-42K ATTACHING PARTS	107200	1
R	355	NAS623-2-1	.SCREW	107200	4
R	360	NAS6203-3	.BOLT	107200	2
R	365	NAS1149F0332P	.WASHER	107200	2
R	370	NAS1149FN832P	.WASHER	107200	4
R	375	MS21042-3	.NUT -----*-----	107200	2
R R R	380	SP20523	.DAMPENER-SPR SUPPLIER CODE: V24403 ATTACHING PARTS	107200	1
R	385	MS20392-1C13	.PIN	107200	1
R	390	MS24665-132	.PIN	107200	1
R	395	NAS623-3-3	.SCREW	107200	1
R	400	NAS43DD3-8	.SPACER -----*-----	107200	1
R	405	NAS77-3-016	.BUSHING	107200	1
R	410	NAS1203-4	.BOLT	107200	2
R	415	NAS1149F0332P	.WASHER	107200	2
R	420	MS21042-3	.NUT	107200	2

MISSING ITEM NUMBERS NOT APPLICABLE

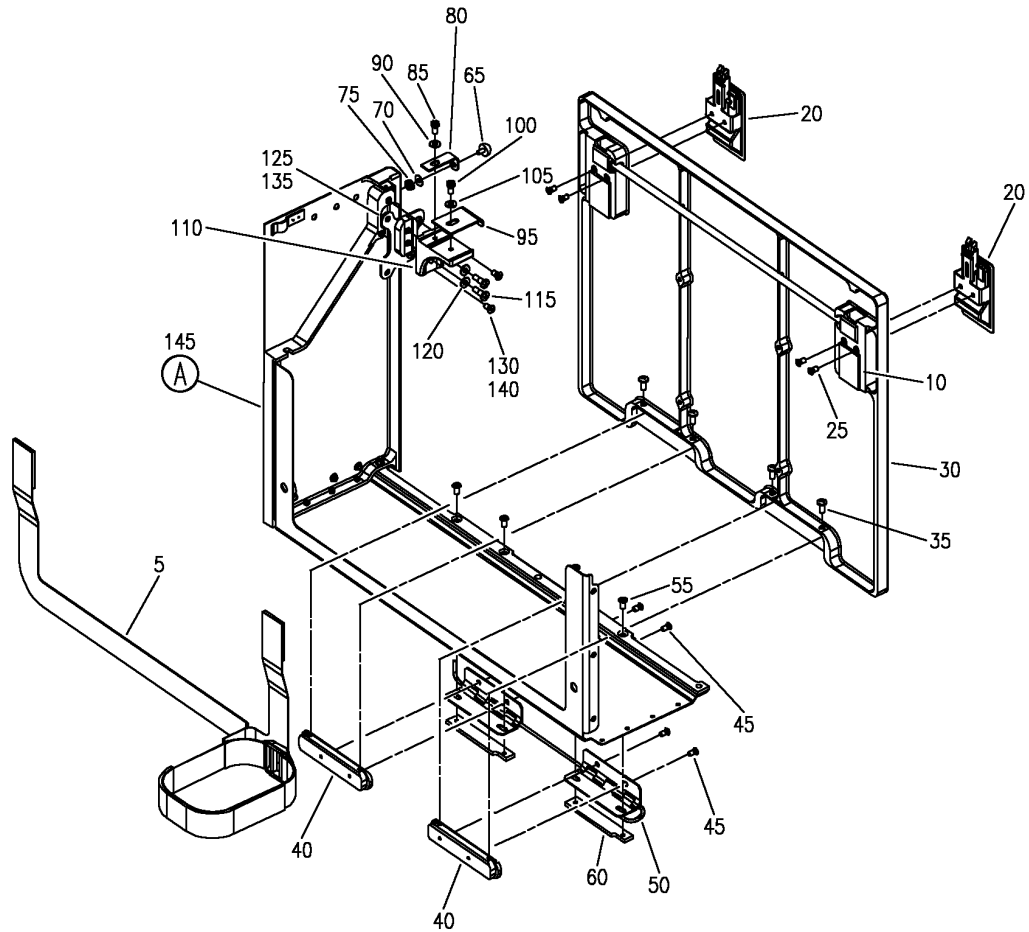
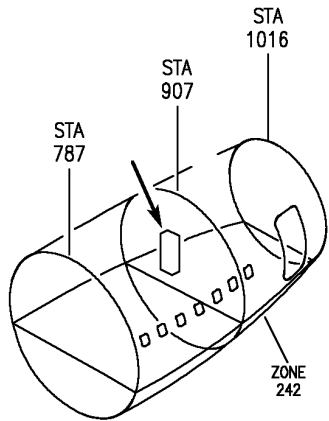
- ITEM NOT ILLUSTRATED

HAP

25-25-12-42J

25-25-12
FIG. 42J
PAGE 7
JUN 15/09

BOEING
 737-600/700/800/900
 PARTS CATALOG (MAINTENANCE)



E 25251242K SHT 1 REV 155

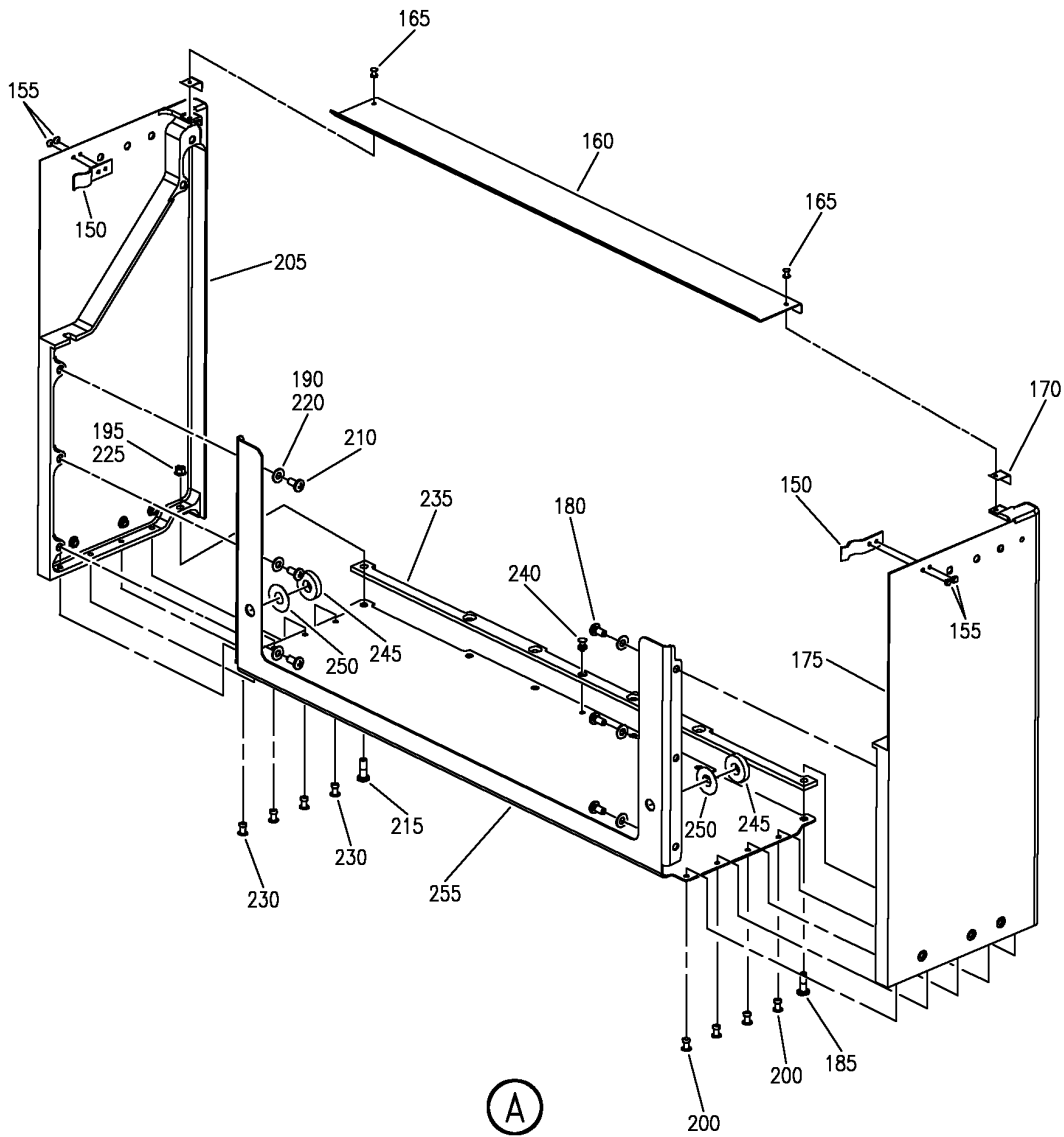
BOX ASSY-STOWAGE, SEAT
 FIGURE 42K (SHEET 1)

25-25-12-42K

HAP
 JUN 15/09

25-25-12-42K
 PAGE 0

BOEING
737-600/700/800/900
PARTS CATALOG (MAINTENANCE)



E 25251242K SHT 2 REV 155

BOX ASSY-STOWAGE, SEAT
FIGURE 42K (SHEET 2)

25-25-12-42K

HAP
JUN 15/09

25-25-12-42K
PAGE 0A

BOEING
737-600/700/800/900
PARTS CATALOG (MAINTENANCE)

FIG ITEM	PART NUMBER	1 2 3 4 5 6 7	NOMENCLATURE	EFFECT FROM TO	UNITS PER ASSY	
R R R R R R R R R R R R R R	42K					
	- 1	2112-47APA		BOX ASSY-STOWAGE, SEAT BOX ASSY-STOWAGE, SEAT SUPPLIER CODE: V31218 FOR NHA SEE: 25-25-12-42J	107200 107200	RF
	5	2D8007-3		.STRAP- SUPPLIER CODE: V31218	107200	1
	10	SJ3526GRY1ADH		.HOOK-ADHESIVE VELCRO GRAY SUPPLIER CODE: V5J466 CONFIG CHG DATA FROM A CMM: REPLD BY SJ3526BLK1ADH	107200	AR
	10	SJ3526BLK1ADH		.HOOK-ADHESIVE VELCRO BLACK SUPPLIER CODE: V5J466 CONFIG CHG DATA FROM A CMM: REPLD BY SJ3526BLK1ADH	107200	AR
	15	SJ3526GRY2ADH		.HOOK-ADHESIVE VELCRO GRAY SUPPLIER CODE: V5J466 CONFIG CHG DATA FROM A CMM: REPLS SJ3526GRY1ADH	107200	AR
	15	SJ3526BLK2ADH		.HOOK-ADHESIVE VELCRO BLACK SUPPLIER CODE: V5J466 CONFIG CHG DATA FROM A CMM: REPLD BY SJ3526BLK2ADH	107200	AR
	20	SAM222-19		.LATCH-DUAL SUPPLIER CODE: V31845	107200	1
	25	NAS514P632-5P		ATTACHING PARTS .SCREW -----*-----	107200	4
	30	2D1021-29APA		.DOOR- SUPPLIER CODE: V31218	107200	1
	35	NAS602-6P		ATTACHING PARTS .SCREW -----*-----	107200	4
	40	2D1061-1APA		.COVER-HINGE SUPPLIER CODE: V31218	107200	2

MISSING ITEM NUMBERS NOT APPLICABLE

- ITEM NOT ILLUSTRATED

HAP

25-25-12-42K

BOEING PROPRIETARY - Copyright © - Unpublished Work - See title page for details.

25-25-12
FIG. 42K
PAGE 1
JUN 15/09

BOEING
737-600/700/800/900
PARTS CATALOG (MAINTENANCE)

FIG ITEM	PART NUMBER	1 2 3 4 5 6 7	NOMENCLATURE	EFFECT FROM TO	UNITS PER ASSY
	42K				
R	45	NAS514P632-5P	.ATTACHING PARTS .SCREW -----*-----	107200	4
R	50	2D1025-1	.HINGE- SUPPLIER CODE: V31218	107200	1
R	55	NAS1202-1	.ATTACHING PARTS .SCREW -----*-----	107200	4
R	60	2D1141-1	.PLATE-THREADED DOOR HINGE SUPPLIER CODE: V31218	107200	2
R	65	827S	.SCREW-BUMPER SUPPLIER CODE: V8J913	107200	2
R	70	NAS1149FN616P	.WASHER	107200	2
R	75	MS21083N06	.NUT	107200	2
R	80	2D1022-1	.BRACKET-DOOR BUMPER SUPPLIER CODE: V31218	107200	2
R	85	NAS1096-2-5	.ATTACHING PARTS .SCREW	107200	2
R	90	NAS1149FN832P	.WASHER -----*-----	107200	2
R	95	2D1023-1	.BRACKET-DOOR STRIKER SUPPLIER CODE: V31218	107200	2
R	100	NAS1096-2-5	.ATTACHING PARTS .SCREW	107200	2
R	105	NAS1149FN832P	.WASHER -----*-----	107200	2
R	110	2D1068-1	.BASE-STRIKER BUMPER SUPPLIER CODE: V31218	107200	2
R	115	NAS623-2-4	.ATTACHING PARTS .SCREW	107200	4
R	120	NAS1149FN832P	.WASHER -----*-----	107200	4
R	125	2D1094-1	.PLATE-MTG SUPPLIER CODE: V31218	107200	1
R	130	NAS514P832-5P	.ATTACHING PARTS .SCREW -----*-----	107200	2
R	135	2D1094-2	.PLATE-MTG SUPPLIER CODE: V31218	107200	1

MISSING ITEM NUMBERS NOT APPLICABLE

— ITEM NOT ILLUSTRATED

HAP

25-25-12-42K

BOEING PROPRIETARY - Copyright © - Unpublished Work - See title page for details.

25-25-12
FIG. 42K
PAGE 2
JUN 15/09

BOEING
737-600/700/800/900
PARTS CATALOG (MAINTENANCE)

FIG ITEM	PART NUMBER	1 2 3 4 5 6 7	NOMENCLATURE	EFFECT FROM TO	UNITS PER ASSY
	42K		ATTACHING PARTS		
R	140	NAS514P832-5P	.SCREW -----*-----	107200	2
R	145	2D1065-7APA	.BOX SUB ASSY-STOWAGE BOX SUPPLIER CODE: V31218	107200	1
R	150	2D1032-1	..CLIP- SUPPLIER CODE: V31218	107200	2
R	155	NAS1097AD3-4	ATTACHING PARTS ..RIVET -----*-----	107200	4
R	160	2D1064-7	..FILLER- SUPPLIER CODE: V31218	107200	1
R	165	MS20426AD35	ATTACHING PARTS ..RIVET -----*-----	107200	2
R	170	9245-0500	..TAPE-ACRYLIC EPOXY SUPPLIER CODE: V5J466	107200	AR
R	175	2D1092-8APA	..PANEL- SUPPLIER CODE: V31218 POSITION DATA: SIDE ATTACHING PARTS	107200	1
R	180	NAS623-2-1	..SCREW	107200	3
R	185	NAS623-2-4	..SCREW	107200	1
R	190	NAS1149FN832P	..WASHER	107200	3
R	195	MS21042-08	..NUT	107200	1
R	200	SD43BS	..RIVET-POP SUPPLIER CODE: V6R744 -----*-----	107200	4
R	205	2D1092-7APA	..PANEL- SUPPLIER CODE: V31218 POSITION DATA: SIDE ATTACHING PARTS	107200	1
R	210	NAS623-2-1	..SCREW	107200	3
R	215	NAS623-2-4	..SCREW	107200	1
R	220	NAS1149FN832P	..WASHER	107200	3
R	225	MS21042-08	..NUT	107200	1
R	230	SD43BS	..RIVET-POP SUPPLIER CODE: V6R744 -----*-----	107200	4

MISSING ITEM NUMBERS NOT APPLICABLE

— ITEM NOT ILLUSTRATED

HAP

25-25-12-42K

25-25-12
FIG. 42K
PAGE 3
JUN 15/09

BOEING
737-600/700/800/900
PARTS CATALOG (MAINTENANCE)

FIG ITEM	PART NUMBER	1 2 3 4 5 6 7	NOMENCLATURE	EFFECT FROM TO	UNITS PER ASSY
R R R R R R R R R	42K 235	2D1140-5	.. STIFFENER-DOOR HINGE SUPPLIER CODE: V31218 ATTACHING PARTS	107200	1
	240	MS20601AD4W3	.. RIVET -----*-----	107200	1
	245	2D1086-1	.. PAD-MTG SUPPLIER CODE: V31218	107200	2
	250	9245-0500	.. TAPE-ACRYLIC EPOXY SUPPLIER CODE: V5J466	107200	AR
	255	2D1033-27	.. PAN-FLOOR SUPPLIER CODE: V31218	107200	1

MISSING ITEM NUMBERS NOT APPLICABLE

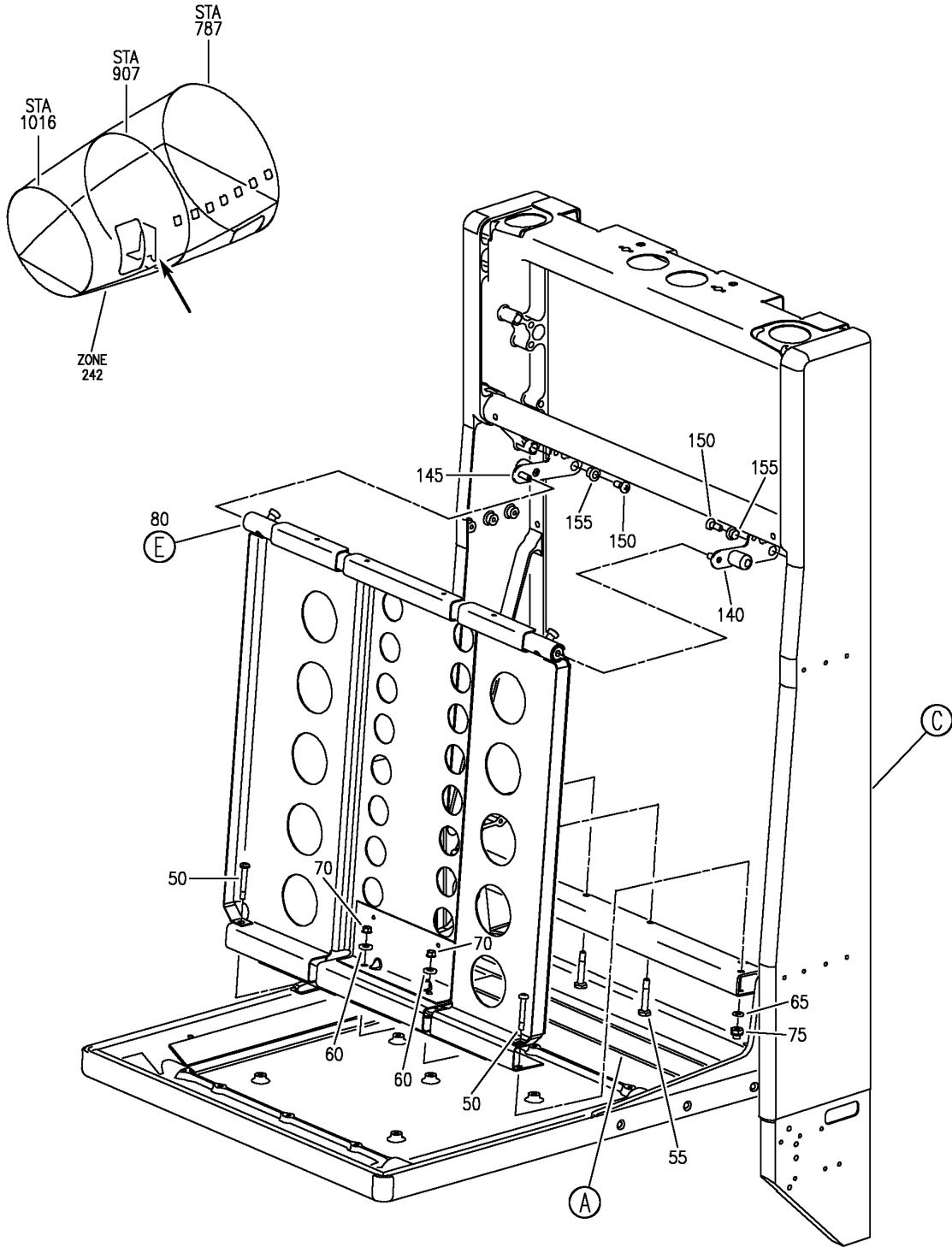
— ITEM NOT ILLUSTRATED

HAP

25-25-12-42K

25-25-12
FIG. 42K
PAGE 4
JUN 15/09

BOEING
 737-600/700/800/900
 PARTS CATALOG (MAINTENANCE)



E 25251242L SHT 1 REV 155

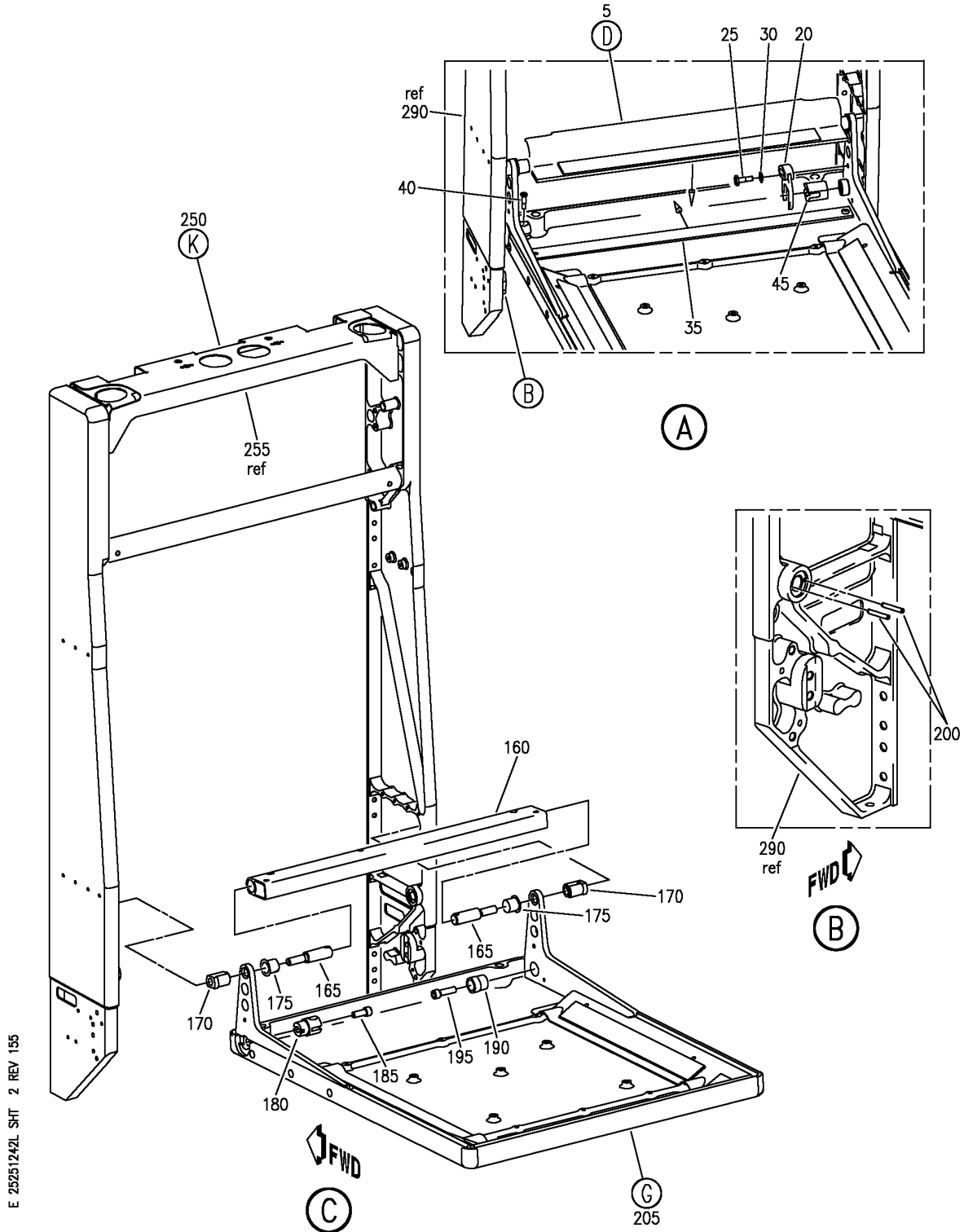
CORE ASSY-SEAT
 FIGURE 42L (SHEET 1)

25-25-12-42L

HAP
 JUN 15/09

25-25-12-42L
 PAGE 0

BOEING
 737-600/700/800/900
 PARTS CATALOG (MAINTENANCE)



E 25251242L SHT 2 REV 135

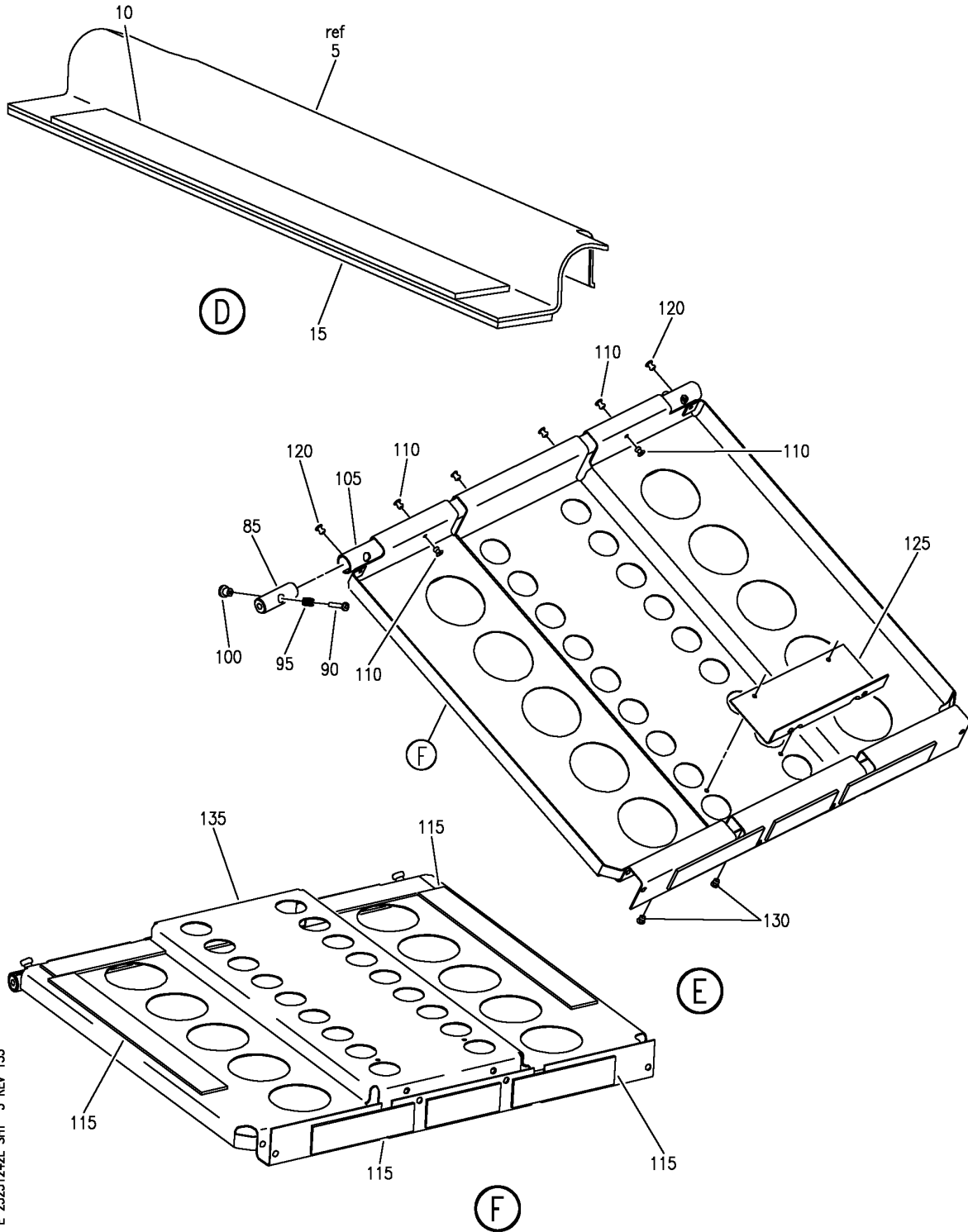
CORE ASSY-SEAT
 FIGURE 42L (SHEET 2)

25-25-12-42L

HAP
 JUN 15/09

25-25-12-42L
 PAGE 0A

BOEING
 737-600/700/800/900
 PARTS CATALOG (MAINTENANCE)



E 25251242L SHT. 3 REV 135

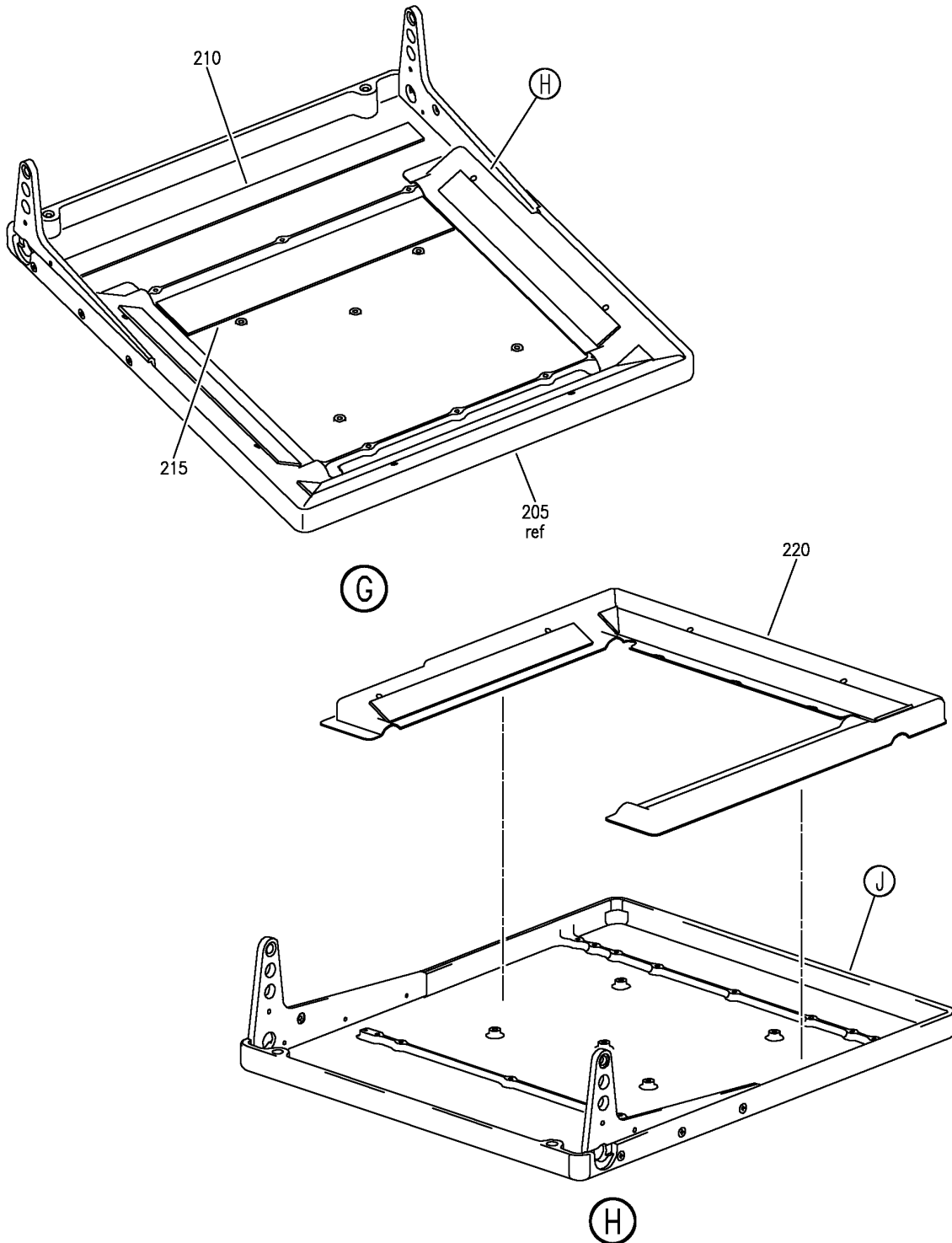
CORE ASSY-SEAT
 FIGURE 42L (SHEET 3)

25-25-12-42L

HAP
 JUN 15/09

25-25-12-42L
 PAGE 0B

BOEING
737-600/700/800/900
PARTS CATALOG (MAINTENANCE)



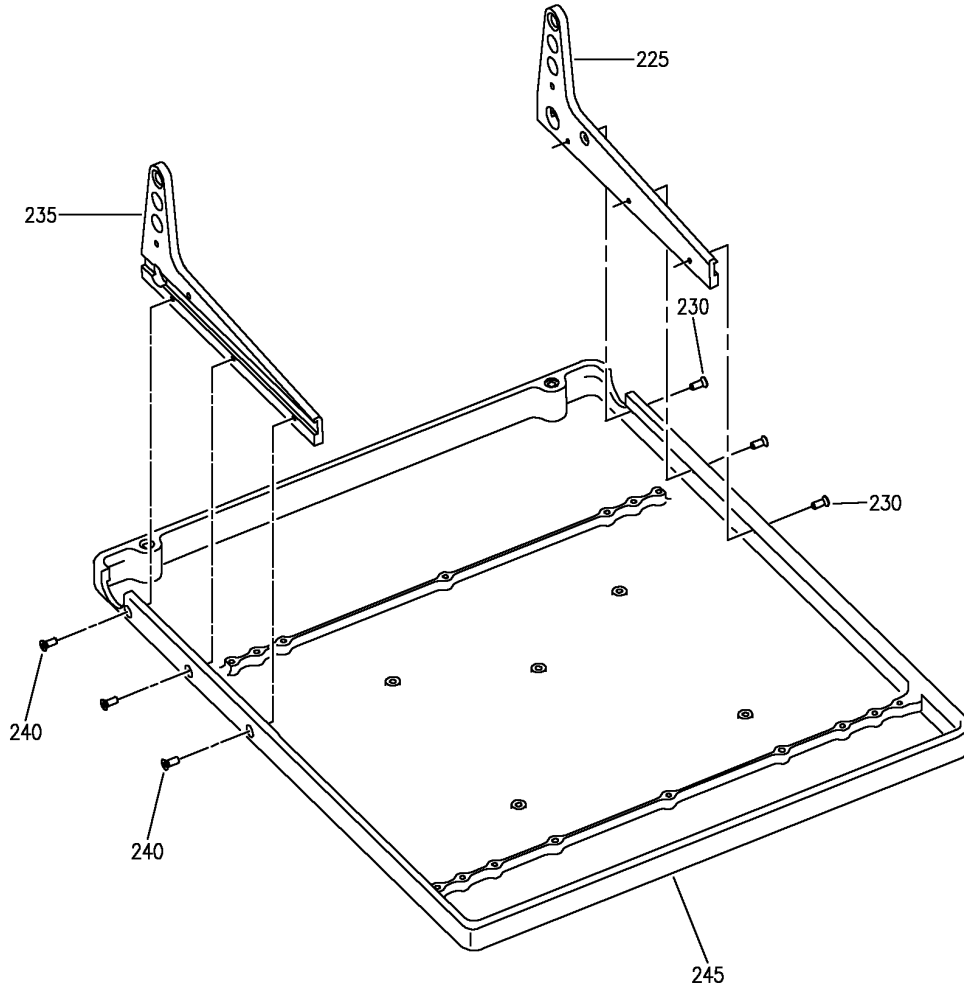
E 25251242L SHT 4 REV 155

CORE ASSY-SEAT
FIGURE 42L (SHEET 4)

25-25-12-42L

HAP
JUN 15/09

25-25-12-42L
PAGE 0C



J

E 25251242L SHT 5 REV 155

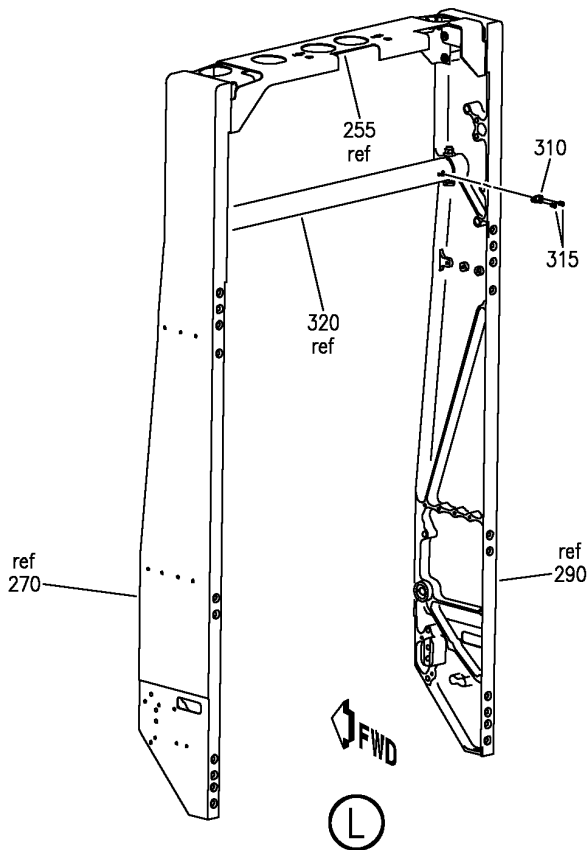
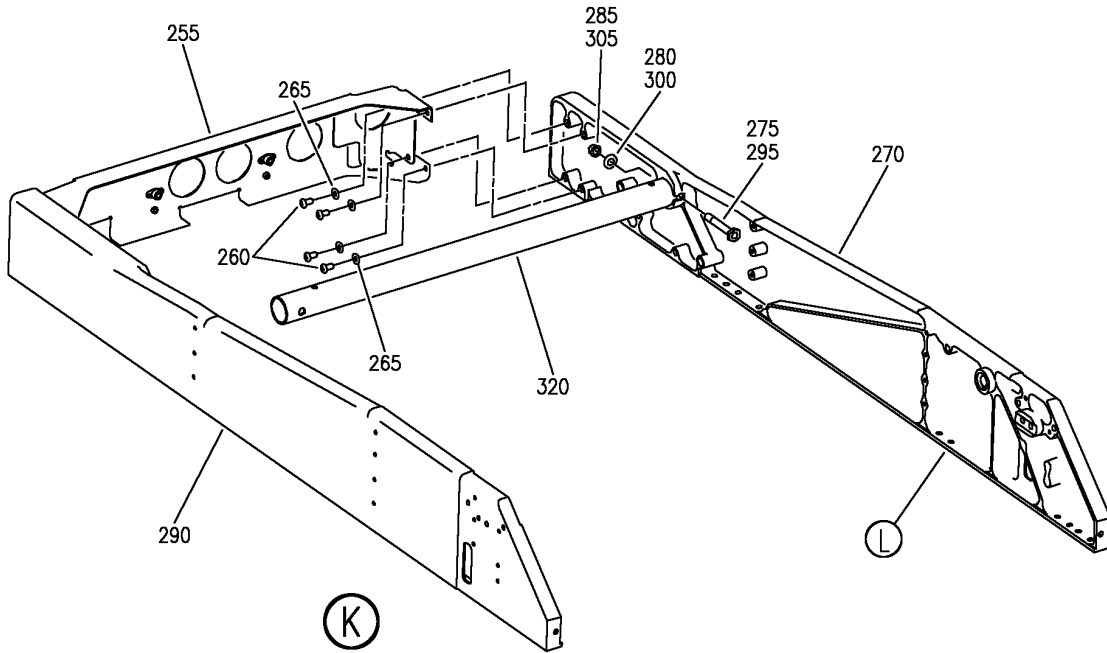
CORE ASSY-SEAT
FIGURE 42L (SHEET 5)

25-25-12-42L

HAP
JUN 15/09

25-25-12-42L
PAGE 0D

BOEING
 737-600/700/800/900
 PARTS CATALOG (MAINTENANCE)



E 25251242L SHT 6 REV 155

CORE ASSY-SEAT
 FIGURE 42L (SHEET 6)

25-25-12-42L

HAP
 JUN 15/09

25-25-12-42L
 PAGE 0E

BOEING
737-600/700/800/900
PARTS CATALOG (MAINTENANCE)

FIG ITEM	PART NUMBER	1 2 3 4 5 6 7	NOMENCLATURE	EFFECT FROM TO	UNITS PER ASSY
42L					
R			CORE ASSY-SEAT	107200	
R	- 1	2112-0APA	CORE ASSY-SEAT	107200	RF
R			SUPPLIER CODE:		
R			V31218		
R			FOR NHA SEE:		
R			25-25-12-42J		
R	5	2D2027-7	.COVER ASSY-TORSION SPR	107200	1
R			SUPPLIER CODE:		
R			V31218		
R	10	SJ3526GRY1ADH	..HOOK-ADHESIVE VELCRO	107200	AR
R			GRAY		
R			SUPPLIER CODE:		
R			V5J466		
R			CONFIG CHG DATA FROM A CMM:		
R			REPLD BY SJ3526BLK1ADH		
R	10	SJ3526BLK1ADH	..HOOK-ADHESIVE VELCRO	107200	AR
R			BLACK		
R			SUPPLIER CODE:		
R			V5J466		
R			CONFIG CHG DATA FROM A CMM:		
R			REPLS SJ3526GRY1ADH		
R	15	SJ3527GRY1ADH	..LOOP-ADHESIVE VELCRO	107200	AR
R			GRAY		
R			SUPPLIER CODE:		
R			V5J466		
R			CONFIG CHG DATA FROM A CMM:		
R			REPLD BY SJ3527BLK1ADH		
R	15	SJ3527BLK1ADH	..LOOP-ADHESIVE VELCRO	107200	AR
R			BLACK		
R			SUPPLIER CODE:		
R			V5J466		
R			CONFIG CHG DATA FROM A CMM:		
R			REPLS SJ3527GRY1ADH		
R	20	2D2022-3	.LOCK-TORSION SPR	107200	1
R			SUPPLIER CODE:		
R			V31218		
R			ATTACHING PARTS		
R	25	NAS6203-5	.BOLT	107200	1
R	30	NAS1149F0332P	.WASHER	107200	1
R			-----*-----		
R	35	2D2023-3	.SPRING-TORSION FLAT	107200	1
R			SUPPLIER CODE:		
R			V31218		
R			ATTACHING PARTS		
R	40	NAS1202-7	.BOLT	107200	1
R			-----*-----		
R	45	2D2019-5	.ANCHOR-SPR	107200	1
R			SUPPLIER CODE:		
R			V31218		

MISSING ITEM NUMBERS NOT APPLICABLE

- ITEM NOT ILLUSTRATED

HAP

25-25-12-42L

BOEING PROPRIETARY - Copyright © - Unpublished Work - See title page for details.

25-25-12
FIG. 42L
PAGE 1
JUN 15/09

BOEING
737-600/700/800/900
PARTS CATALOG (MAINTENANCE)

FIG ITEM	PART NUMBER	1 2 3 4 5 6 7	NOMENCLATURE	EFFECT FROM TO	UNITS PER ASSY
42L					
R 50	NAS623-2-14	.SCREW		107200	2
R 55	NAS6203-13	.BOLT		107200	2
R 60	NAS1149F0363P	.WASHER		107200	2
R 65	AN960-8	.WASHER		107200	2
R 70	MS21042-3	.NUT		107200	2
R 75	22K1-82	.NUT-CAP, METAL		107200	2
R		SUPPLIER CODE:			
R		V72692			
R 80	2112-23APA	.BACK ASSY-		107200	1
R		SUPPLIER CODE:			
R		V31218			
R		POSITION DATA:			
R		LWR			
R 85	2D3017-1	..PIVOT-		107200	2
R		SUPPLIER CODE:			
R		V31218			
R		POSITION DATA:			
R		UPR LWR			
R 90	NAS601-12P	..SCREW		107200	2
R 95	C0240-020-0880M	..SPRING-		107200	2
R		SUPPLIER CODE:			
R		V77535			
R 100	2D3015-1	..KNOB-RELEASE		107200	2
R		SUPPLIER CODE:			
R		V31218			
R 105	2D3018-9	..TUBE-		107200	1
R		SUPPLIER CODE:			
R		V31218			
R		ATTACHING PARTS			
R 110	AD42BS	..RIVET-BLIND UNIV HEAD		107200	6
R		SUPPLIER CODE:			
R		V6R744			
R		-----*-----			
R 115	SJ3526GRY1ADH	..HOOK-ADH VELCRO GRAY		107200	AR
R		SUPPLIER CODE:			
R		V5J466			
R		CONFIG CHG DATA FROM A CMM:			
R		REPLD BY SJ3526BLK1ADH			
R 115	SJ3526BLK1ADH	..HOOK-ADH VELCRO BLACK		107200	AR
R		SUPPLIER CODE:			
R		V5J466			
R		CONFIG CHG DATA FROM A CMM:			
R		REPLS SJ3526GRY1ADH			
R		ATTACHING PARTS			
R 120	AD42BS	..RIVET-BLIND UNIV HEAD		107200	2
R		SUPPLIER CODE:			
R		V6R744			
R		-----*-----			

MISSING ITEM NUMBERS NOT APPLICABLE

— ITEM NOT ILLUSTRATED

HAP

25-25-12-42L

BOEING PROPRIETARY - Copyright © - Unpublished Work - See title page for details.

25-25-12
FIG. 42L
PAGE 2
JUN 15/09

BOEING
737-600/700/800/900
PARTS CATALOG (MAINTENANCE)

FIG ITEM	PART NUMBER	1 2 3 4 5 6 7	NOMENCLATURE	EFFECT FROM TO	UNITS PER ASSY
R R R R R	42L 235 2D2011-2APA		.. LEVER- SUPPLIER CODE: V31218 POSITION DATA: OUTBD ATTACHING PARTS	107200	1
R	240 MS24694S3		.. SCREW -----*-----	107200	3
R R R R	245 2D2024-1APA		.. PAN- SUPPLIER CODE: V31218	107200	1
R R R R	250 2112-10APA		.BASE ASSY-SINGLE SUPPLIER CODE: V31218	107200	1
R R R R R	255 2D1096-1APA		.. CROSS-WELDMENT SUPPLIER CODE: V31218 POSITION DATA: TOP ATTACHING PARTS	107200	1
R R	260 NAS623-2-1		.. SCREW	107200	8
R	265 NAS1149FN832P		.. WASHER -----*-----	107200	8
R R R R R	270 2D1024-1APA		.. PANEL- SUPPLIER CODE: V31218 POSITION DATA: SIDE ATTACHING PARTS	107200	1
R	275 NAS6204-19		.. BOLT	107200	1
R	280 NAS1149F0463P		.. WASHER	107200	1
R	285 MS21042-4		.. NUT -----*-----	107200	1
R R R R R	290 2D1024-2APA		.. PANEL- SUPPLIER CODE: V31218 POSITION DATA: SIDE ATTACHING PARTS	107200	1
R	295 NAS6204-19		.. BOLT	107200	1
R	300 NAS1149F0463P		.. WASHER	107200	1
R	305 MS21042-4		.. NUT -----*-----	107200	1
R R R R	310 MS21069L08		.. NUTPLATE	107200	2
	315 SD32BS		.. RIVET-POP SUPPLIER CODE: V6R744	107200	4

MISSING ITEM NUMBERS NOT APPLICABLE

— ITEM NOT ILLUSTRATED

HAP

25-25-12-42L

BOEING PROPRIETARY - Copyright © - Unpublished Work - See title page for details.

25-25-12
FIG. 42L
PAGE 5
JUN 15/09


BOEING
 737-600/700/800/900
PARTS CATALOG (MAINTENANCE)

FIG ITEM	PART NUMBER	1 2 3 4 5 6 7	NOMENCLATURE	EFFECT FROM TO	UNITS PER ASSY
42L 320	2D1046-1APA		..TUBE-CROSS BACK SUPPLIER CODE: V31218 POSITION DATA: UPR	107200	1

R
R
R
R
R

MISSING ITEM NUMBERS NOT APPLICABLE

- ITEM NOT ILLUSTRATED

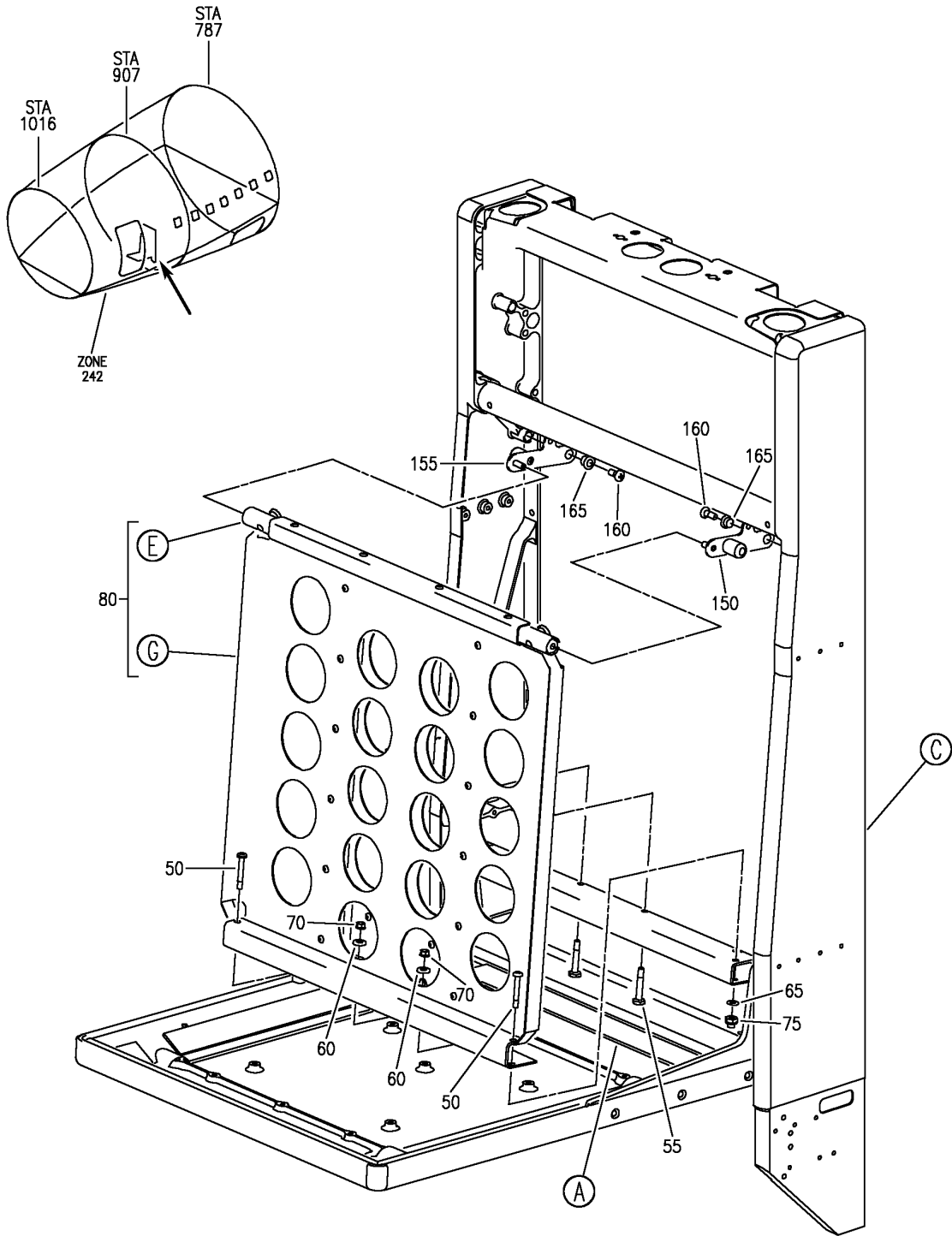
HAP

25-25-12-42L

BOEING PROPRIETARY - Copyright © - Unpublished Work - See title page for details.

25-25-12
 FIG. 42L
 PAGE 6
 JUN 15/09

BOEING
 737-600/700/800/900
 PARTS CATALOG (MAINTENANCE)



E 25251242M SHT 1 REV 155

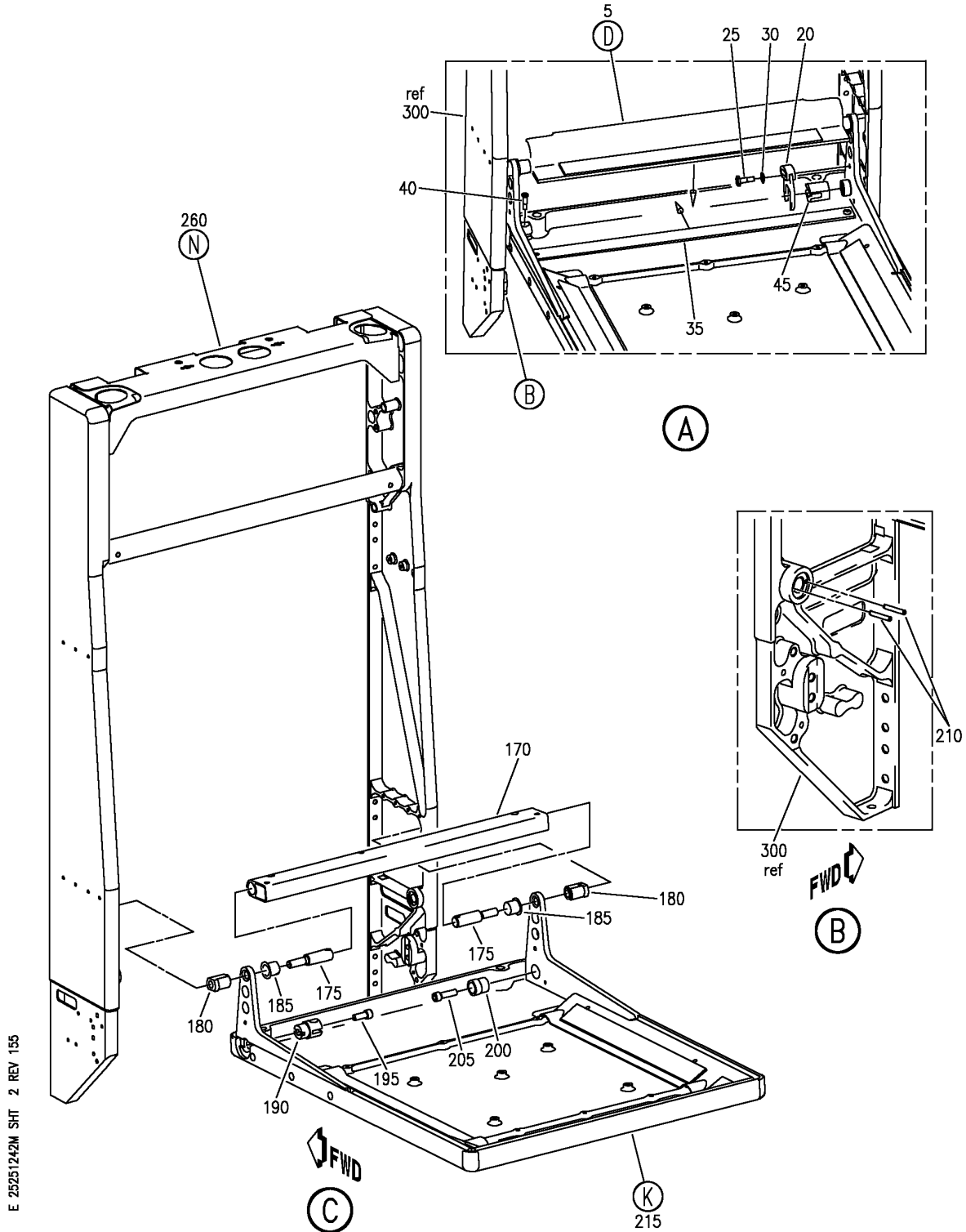
CORE ASSY-SEAT
 FIGURE 42M (SHEET 1)

25-25-12-42M

HAP
 JUN 15/09

25-25-12-42M
 PAGE 0

BOEING
 737-600/700/800/900
 PARTS CATALOG (MAINTENANCE)



E 25251242M SHT 2 REV 155

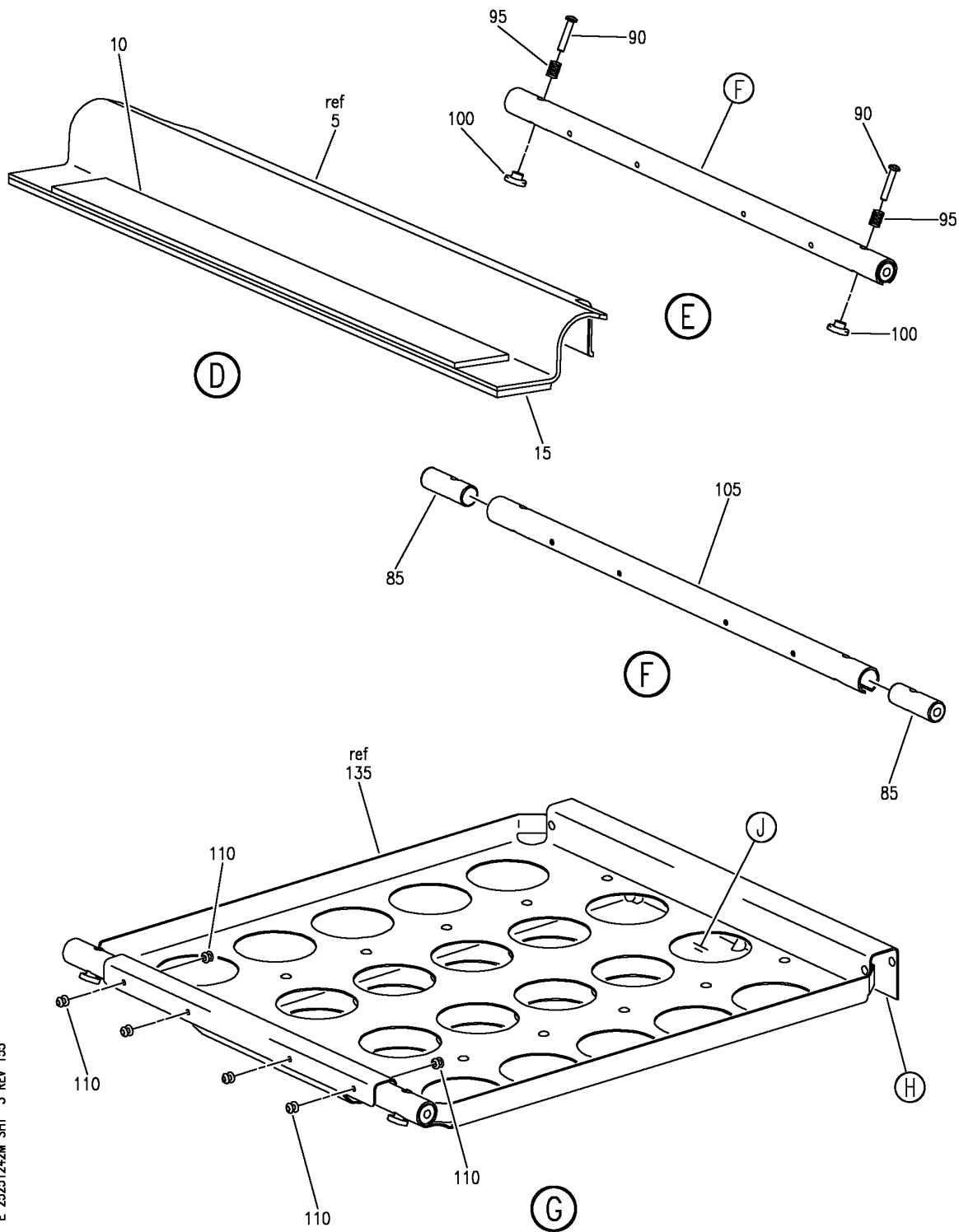
CORE ASSY-SEAT
 FIGURE 42M (SHEET 2)

25-25-12-42M

HAP
 JUN 15/09

25-25-12-42M
 PAGE 0A

BOEING
 737-600/700/800/900
 PARTS CATALOG (MAINTENANCE)



E 25251242M SHT 3 REV 155

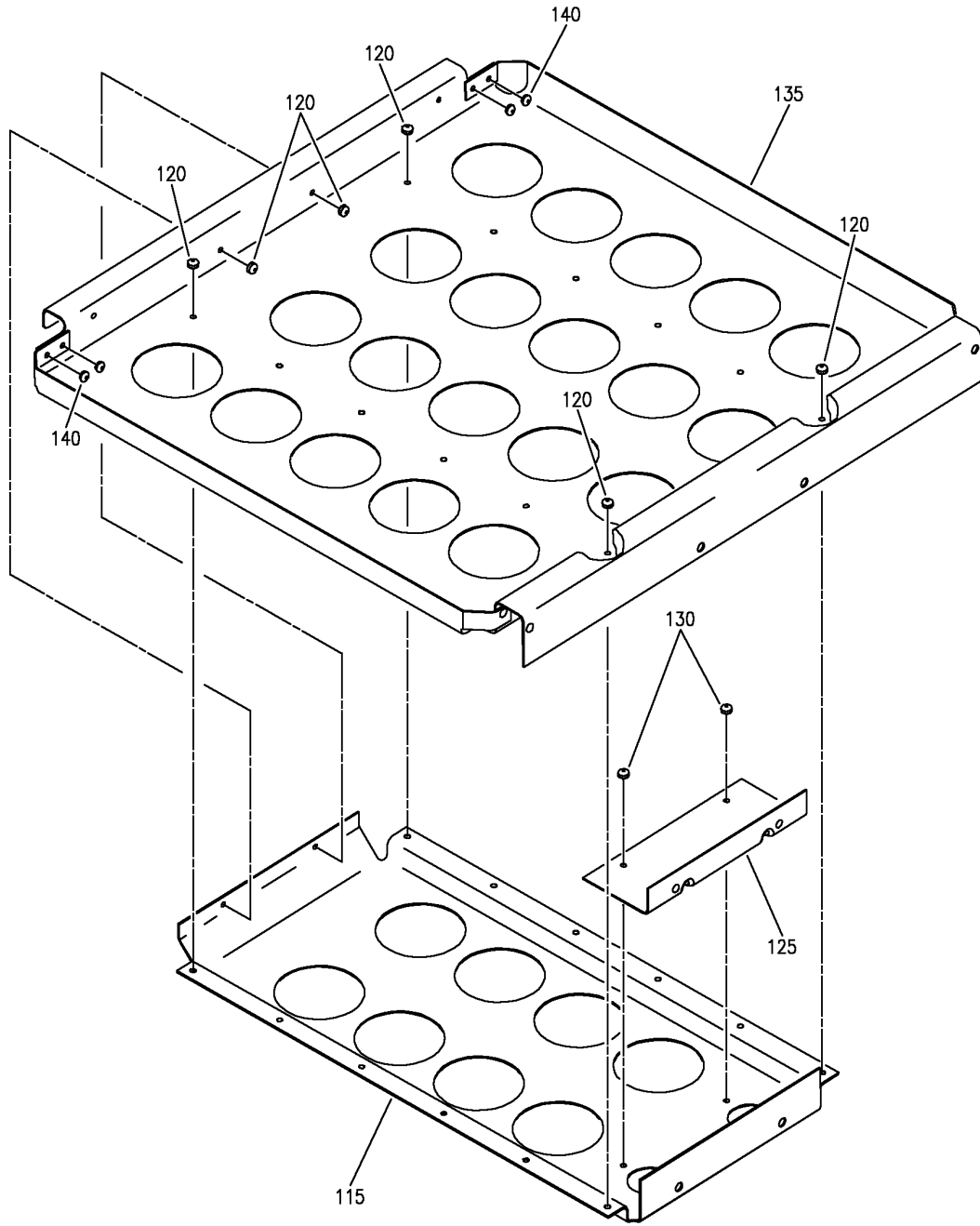
CORE ASSY-SEAT
 FIGURE 42M (SHEET 3)

25-25-12-42M

HAP
 JUN 15/09

25-25-12-42M
 PAGE 0B

BOEING
737-600/700/800/900
PARTS CATALOG (MAINTENANCE)



E 25251242M SHT 4 REV 155

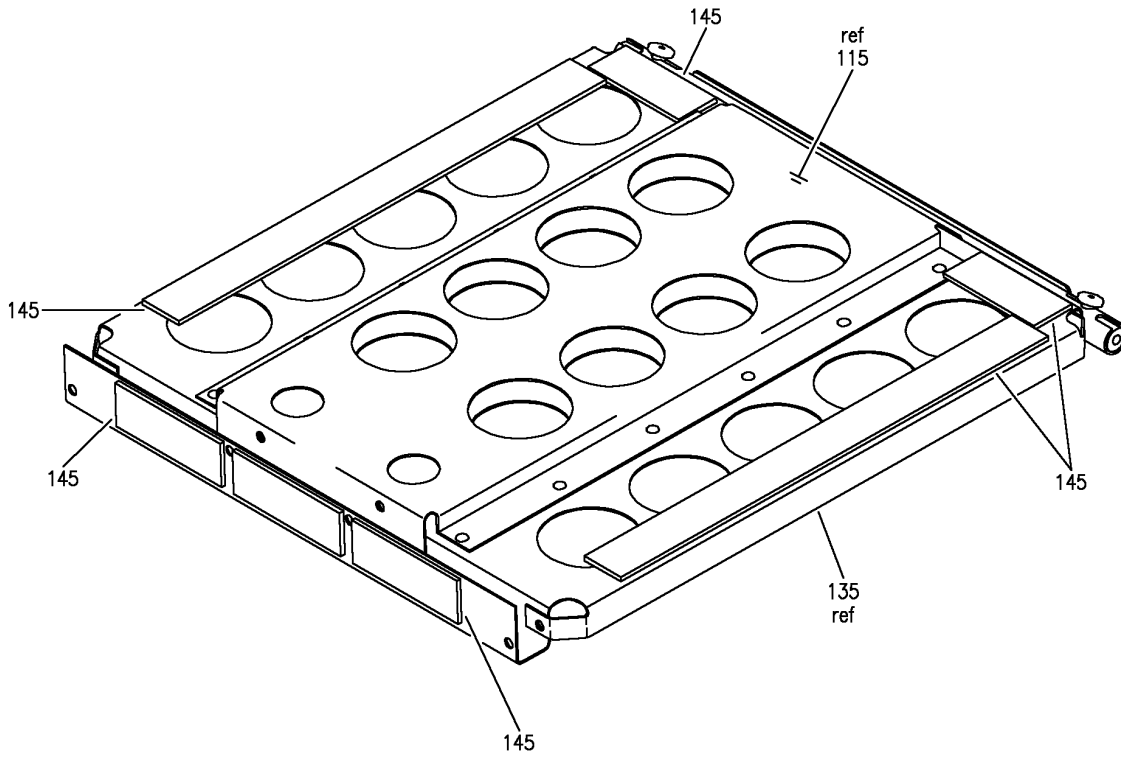


CORE ASSY-SEAT
FIGURE 42M (SHEET 4)

25-25-12-42M

HAP
JUN 15/09

25-25-12-42M
PAGE 0C



ⓐ

E 25251242M SHT 5 REV 155

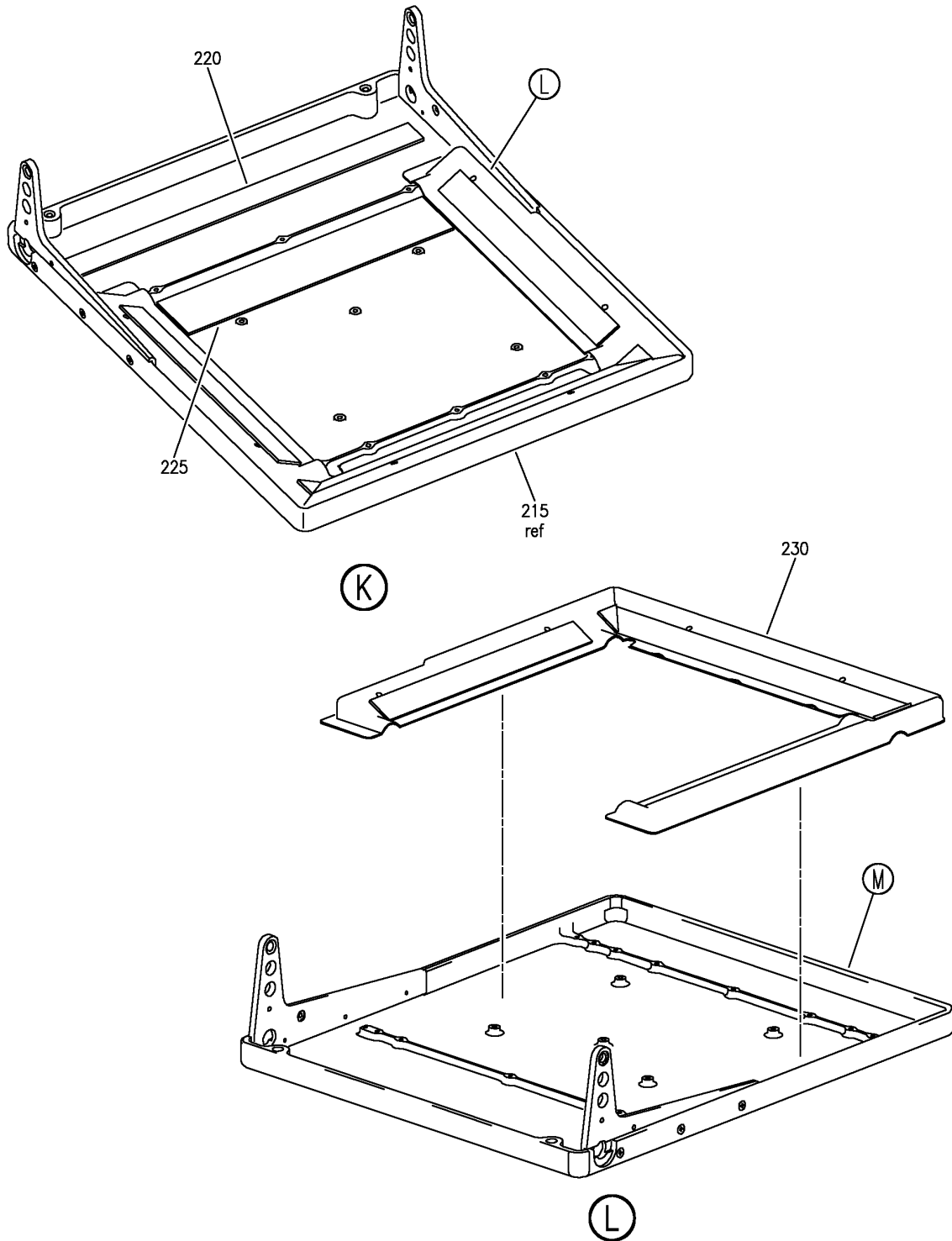
CORE ASSY-SEAT
FIGURE 42M (SHEET 5)

25-25-12-42M

HAP
JUN 15/09

25-25-12-42M
PAGE 0D

BOEING
737-600/700/800/900
PARTS CATALOG (MAINTENANCE)



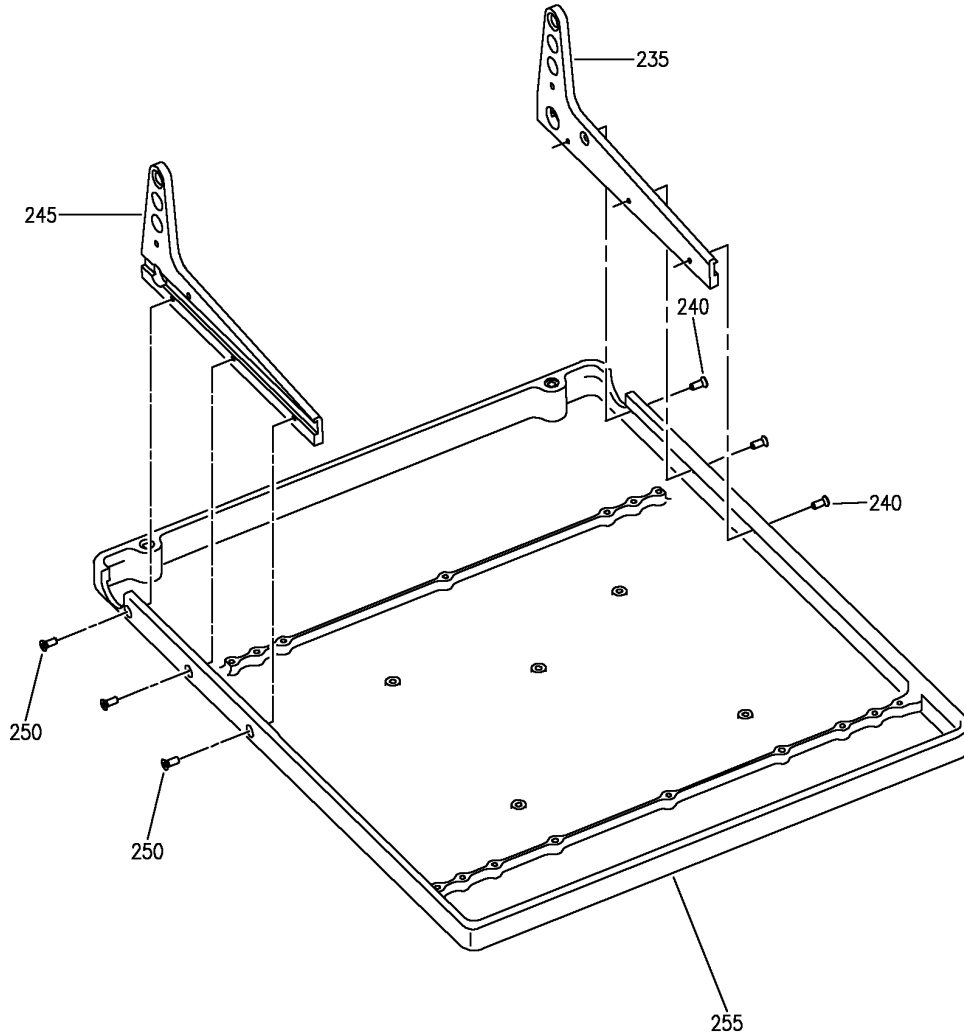
E 25251242M SHT 6 REV 155

CORE ASSY-SEAT
FIGURE 42M (SHEET 6)

25-25-12-42M

HAP
JUN 15/09

25-25-12-42M
PAGE 0E



FWD

(M)

E 25251242M SH7 7 REV 155

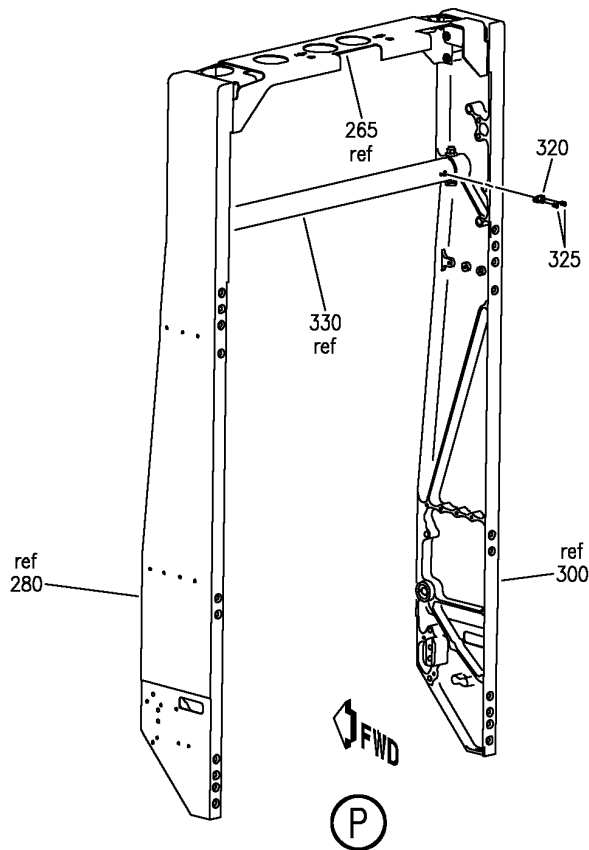
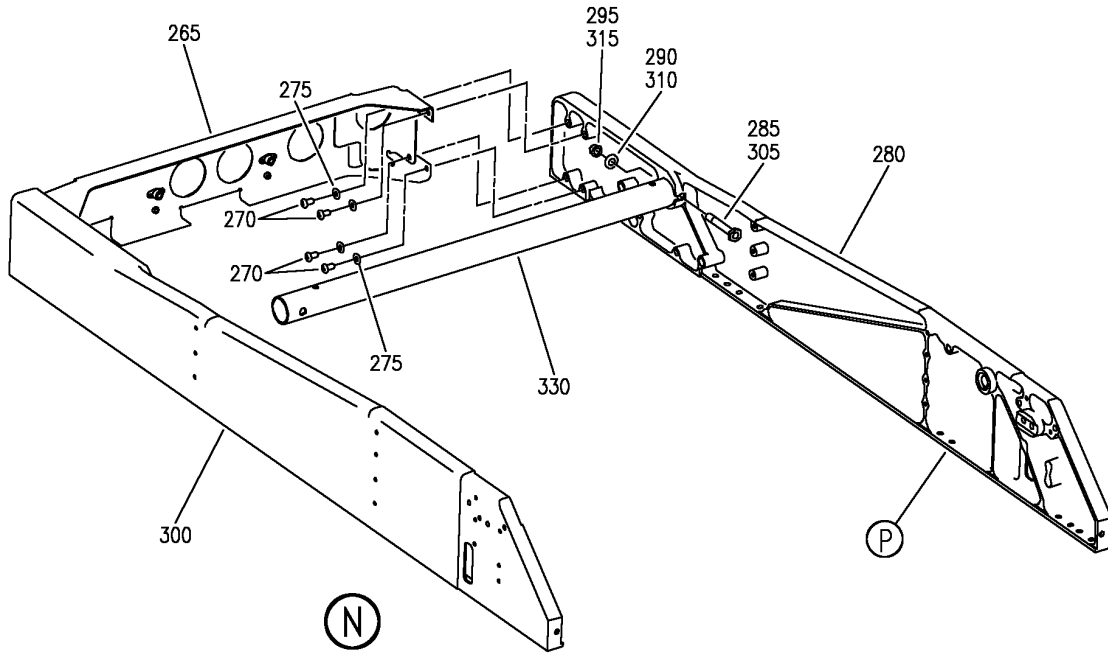
CORE ASSY-SEAT
FIGURE 42M (SHEET 7)

25-25-12-42M

HAP
JUN 15/09

25-25-12-42M
PAGE OF

BOEING
737-600/700/800/900
PARTS CATALOG (MAINTENANCE)



E 25251242M SHT 8 REV 155

CORE ASSY-SEAT
 FIGURE 42M (SHEET 8)

25-25-12-42M

HAP
 JUN 15/09

25-25-12-42M
 PAGE 08

BOEING
737-600/700/800/900
PARTS CATALOG (MAINTENANCE)

FIG ITEM	PART NUMBER	1 2 3 4 5 6 7	NOMENCLATURE	EFFECT FROM TO	UNITS PER ASSY
42M					
R			CORE ASSY-SEAT	107200	
R	- 1	2112-1APA	CORE ASSY-SEAT	107200	RF
R			SUPPLIER CODE:		
R			V31218		
R			FOR NHA SEE:		
R			25-25-12-42J		
R	5	2D2027-7	.COVER ASSY-TORSION SPR	107200	1
R			SUPPLIER CODE:		
R			V31218		
R	10	SJ3526GRY1ADH	..HOOK-ADHESIVE VELCRO	107200	AR
R			GRAY		
R			SUPPLIER CODE:		
R			V5J466		
R			CONFIG CHG DATA FROM A CMM:		
R			REPLD BY SJ3526BLK1ADH		
R	10	SJ3526BLK1ADH	..HOOK-ADHESIVE VELCRO	107200	AR
R			BLACK		
R			SUPPLIER CODE:		
R			V5J466		
R			CONFIG CHG DATA FROM A CMM:		
R			REPLS SJ3526GRY1ADH		
R	15	SJ3527GRY1ADH	..LOOP-ADHESIVE VELCRO	107200	AR
R			GRAY		
R			SUPPLIER CODE:		
R			V5J466		
R			CONFIG CHG DATA FROM A CMM:		
R			REPLD BY SJ3527BLK1ADH		
R	15	SJ3527BLK1ADH	..LOOP-ADHESIVE VELCRO	107200	AR
R			BLACK		
R			SUPPLIER CODE:		
R			V5J466		
R			CONFIG CHG DATA FROM A CMM:		
R			REPLS SJ3527GRY1ADH		
R	20	2D2022-3	.LOCK-TORSION SPR	107200	1
R			SUPPLIER CODE:		
R			V31218		
R			ATTACHING PARTS		
R	25	NAS6203-5	.BOLT	107200	1
R	30	NAS1149F0332P	.WASHER	107200	1
R			-----*-----		
R	35	2D2023-3	.SPRING-TORSION FLAT	107200	1
R			SUPPLIER CODE:		
R			V31218		
R			ATTACHING PARTS		
R	40	NAS1202-7	.BOLT	107200	1
R			-----*-----		
R	45	2D2019-5	.ANCHOR-SPR	107200	1
R			SUPPLIER CODE:		
R			V31218		

MISSING ITEM NUMBERS NOT APPLICABLE

- ITEM NOT ILLUSTRATED

HAP

25-25-12-42M

25-25-12
FIG. 42M
PAGE 1
JUN 15/09

BOEING
737-600/700/800/900
PARTS CATALOG (MAINTENANCE)

FIG ITEM	PART NUMBER	1 2 3 4 5 6 7	NOMENCLATURE	EFFECT FROM TO	UNITS PER ASSY
	42M				
R	50		.SCREW	107200	2
R	55		.BOLT	107200	2
R	60		.WASHER	107200	2
R	65		.WASHER	107200	2
R	70		.NUT	107200	2
R	75		.NUT-CAP, METAL	107200	2
R			SUPPLIER CODE: V72692		
R	80		.BACK ASSY-	107200	1
R			SUPPLIER CODE: V31218		
R			POSITION DATA: LWR		
R	85		..PIVOT-	107200	2
R			SUPPLIER CODE: V31218		
R			POSITION DATA: UPR LWR		
R	90		..SCREW	107200	2
R	95		..SPRING-	107200	2
R			SUPPLIER CODE: V77535		
R	100		..KNOB-RELEASE	107200	2
R			SUPPLIER CODE: V31218		
R	105		..TUBE-	107200	1
R			SUPPLIER CODE: V31218		
R			POSITION DATA: UPR LWR		
R			ATTACHING PARTS		
R	110		..RIVET	107200	6
R			-----*-----		
R	115		..GUSSET-	107200	1
R			SUPPLIER CODE: V31218		
R			POSITION DATA: LWR		
R			ATTACHING PARTS		
R	120		..RIVET	107200	14
R			-----*-----		
R	125		..BRACE-	107200	1
R			SUPPLIER CODE: V31218		
R			ATTACHING PARTS		
R	130		..RIVET	107200	2
			-----*-----		

MISSING ITEM NUMBERS NOT APPLICABLE

— ITEM NOT ILLUSTRATED

HAP

25-25-12-42M

BOEING PROPRIETARY - Copyright © - Unpublished Work - See title page for details.

25-25-12
FIG. 42M
PAGE 2
JUN 15/09

BOEING
737-600/700/800/900
PARTS CATALOG (MAINTENANCE)

FIG ITEM	PART NUMBER	1 2 3 4 5 6 7	NOMENCLATURE	EFFECT FROM TO	UNITS PER ASSY
R R R R R	42M 135 2D3022-11		.. PAN- SUPPLIER CODE: V31218 POSITION DATA: LWR ATTACHING PARTS	107200	1
R	140 MS20426AD44		.. RIVET -----*-----	107200	4
R R R R R	145 SJ3526BLK1ADH		.. HOOK-ADHESIVE VELCRO BLACK SUPPLIER CODE: V5J466	107200	AR
R R R R R	150 2D3013-51		. LINK-BACK SUPPLIER CODE: V31218 POSITION DATA: UPR	107200	1
R R R R R	155 2D3013-52		. LINK-BACK SUPPLIER CODE: V31218 POSITION DATA: UPR ATTACHING PARTS	107200	1
R	160 NAS623-3-3		. SCREW -----*-----	107200	2
R R R R R	165 NAS77-3-016		. BUSHING	107200	2
R R R R R	170 2D3012-3APA		. ATTACH-BACK SUPPLIER CODE: V31218 POSITION DATA: LWR	107200	1
R R R R R	175 2D2013-3		. PIVOT-BACK SUPPLIER CODE: V31218 POSITION DATA: LWR	107200	2
R R R R R	180 2D2015-1		. STOP-SEAT PAN SUPPLIER CODE: V31218	107200	2
R R R R R	185 8L5-1-2F		. NYLINER-FLANGED SUPPLIER CODE: V96881	107200	2
R R R R R	190 2D2018-1		. BUSHING-ANCHOR PAN SUPPLIER CODE: V31218	107200	1
R R R R R	195 MS21262-37		. SCREW	107200	1
R R R	200 2D2020-7		. BUSHING-PAN SUPPLIER CODE: V31218	107200	1

MISSING ITEM NUMBERS NOT APPLICABLE

— ITEM NOT ILLUSTRATED

HAP

25-25-12-42M

BOEING PROPRIETARY - Copyright © - Unpublished Work - See title page for details.

25-25-12
FIG. 42M
PAGE 3
JUN 15/09

BOEING
737-600/700/800/900
PARTS CATALOG (MAINTENANCE)

FIG ITEM	PART NUMBER	1 2 3 4 5 6 7	NOMENCLATURE	EFFECT FROM TO	UNITS PER ASSY
42M			ATTACHING PARTS		
R 205	MS21262-50		.SCREW -----*-----	107200	1
R 210	MS16555-21		.PIN	107200	2
R 215	2112-20APA		.PAN ASSY- SUPPLIER CODE: V31218	107200	1
R 220	SJ3526GRY1ADH		..HOOK-ADHESIVE VELCRO GRAY SUPPLIER CODE: V5J466 CONFIG CHG DATA FROM A CMM: REPLD BY SJ3526BLK1ADH	107200	AR
R 220	SJ3526BLK1ADH		..HOOK-ADHESIVE VELCRO BLACK SUPPLIER CODE: V5J466 CONFIG CHG DATA FROM A CMM: REPLD BY SJ3526BLK2ADH	107200	AR
R 225	SJ3526GRY2ADH		..HOOK-ADHESIVE VELCRO GRAY SUPPLIER CODE: V5J466 CONFIG CHG DATA FROM A CMM: REPLS SJ3526GRY1ADH	107200	AR
R 225	SJ3526BLK2ADH		..HOOK-ADHESIVE VELCRO BLACK SUPPLIER CODE: V5J466 CONFIG CHG DATA FROM A CMM: REPLS SJ3526GRY2ADH	107200	AR
R 230	2D2025-13		..FILLER- SUPPLIER CODE: V31218	107200	1
R 235	2D2011-1APA		..LEVER- SUPPLIER CODE: V31218 POSITION DATA: OUTBD	107200	1
R 240	MS24694S3		ATTACHING PARTS ..SCREW -----*-----	107200	3
R 245	2D2011-2APA		..LEVER- SUPPLIER CODE: V31218 POSITION DATA: OUTBD	107200	1

MISSING ITEM NUMBERS NOT APPLICABLE

— ITEM NOT ILLUSTRATED

HAP

25-25-12-42M

BOEING PROPRIETARY - Copyright © - Unpublished Work - See title page for details.

25-25-12
FIG. 42M
PAGE 4
JUN 15/09

BOEING
737-600/700/800/900
PARTS CATALOG (MAINTENANCE)

FIG ITEM	PART NUMBER	1 2 3 4 5 6 7	NOMENCLATURE	EFFECT FROM TO	UNITS PER ASSY
	42M		ATTACHING PARTS		
R	250	MS24694S3	.. SCREW -----*-----	107200	3
R	255	2D2024-1APA	.. PAN- SUPPLIER CODE: V31218	107200	1
R	260	2112-10APA	.BASE ASSY-SINGLE SUPPLIER CODE: V31218	107200	1
R	265	2D1096-1APA	.. CROSS-WELDMENT SUPPLIER CODE: V31218 POSITION DATA: TOP	107200	1
R	270	NAS623-2-1	ATTACHING PARTS .. SCREW	107200	8
R	275	NAS1149FN832P	.. WASHER -----*-----	107200	8
R	280	2D1024-1APA	.. PANEL- SUPPLIER CODE: V31218 POSITION DATA: SIDE	107200	1
R	285	NAS6204-19	ATTACHING PARTS .. BOLT	107200	1
R	290	NAS1149F0463P	.. WASHER	107200	1
R	295	MS21042-4	.. NUT -----*-----	107200	1
R	300	2D1024-2APA	.. PANEL- SUPPLIER CODE: V31218 POSITION DATA: SIDE	107200	1
R	305	NAS6204-19	ATTACHING PARTS .. BOLT	107200	1
R	310	NAS1149F0463P	.. WASHER	107200	1
R	315	MS21042-4	.. NUT -----*-----	107200	1
R	320	MS21069L08	.. NUTPLATE	107200	2
R	325	SD32BS	.. RIVET-POP SUPPLIER CODE: V6R744	107200	4
R	330	2D1046-1APA	.. TUBE-CROSS BACK SUPPLIER CODE: V31218 POSITION DATA: UPR	107200	1

MISSING ITEM NUMBERS NOT APPLICABLE

— ITEM NOT ILLUSTRATED

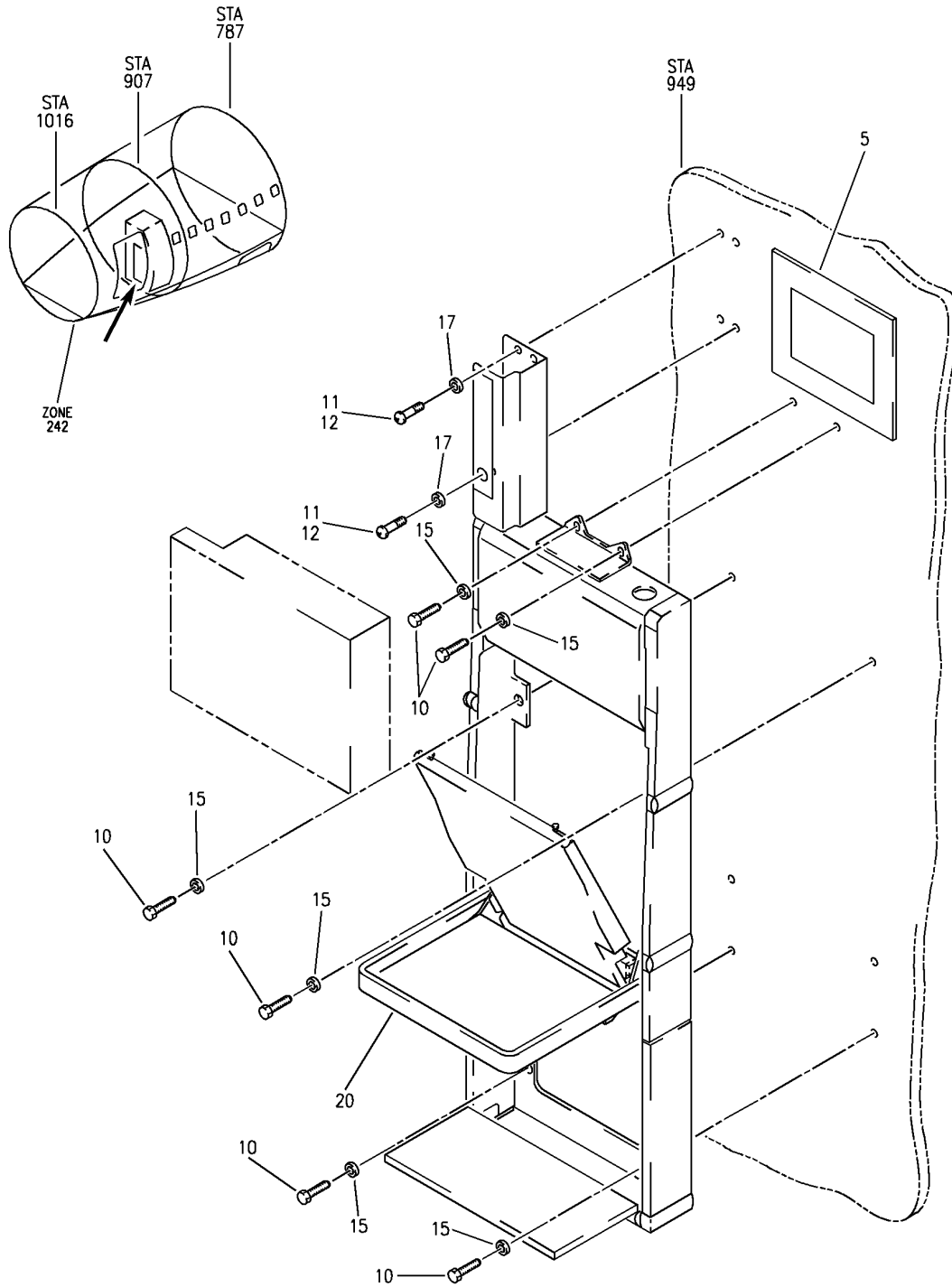
HAP

25-25-12-42M

BOEING PROPRIETARY - Copyright © - Unpublished Work - See title page for details.

25-25-12
FIG. 42M
PAGE 5
JUN 15/09

BOEING
737-600/700/800/900
PARTS CATALOG (MAINTENANCE)



E 25251250 REV 108

SEAT INSTL-ATTENDANT 737-700 ONLY
FIGURE 50

25-25-12-50

HAP
JUN 10/07

25-25-12-50
PAGE 0

BOEING
737-600/700/800/900
PARTS CATALOG (MAINTENANCE)

FIG ITEM	PART NUMBER	1 2 3 4 5 6 7	NOMENCLATURE	EFFECT FROM TO	UNITS PER ASSY
50			SEAT INSTL-ATTENDANT 737-700 ONLY	101200 968999	
- 1	MODREF323615		SEAT INSTL-ATTENDANT LAV E SINGLE WALL-MOUNTED JAR-OPS SEAT AFT FACING MODULE NUMBER: 414A2900-217 REV A	101105 968999	1
- 1	MODREF395709		SEAT INSTL-ATTENDANT LAV E SINGLE WALL-MOUNTED JAR-OPS SEAT AFT FACING MODULE NUMBER: 414A2900-238 REV A	107200	1
- 3	MODREF386769		SEAT INSTL-ATTENDANT LAV E SINGLE WALL-MOUNTED JAR-OPS SEAT AFT FACING MODULE NUMBER: 414A2900-217 REV B	106106	1
5	414A2000-1004		.TAPE-VELCRO	101200 968999	AR
10	BACB30LM4-4		.BOLT-	101200 968999	8
11	BACB30LK3-3		.BOLT	101200 968999	4
15	NAS1149D0463J		.WASHER	101200 968999	8
17	NAS1149F0332P		.WASHER	101200 968999	4
20	2112-118GC		.SEAT ASSY-ATTENDANT SUPPLIER CODE: V31218 POSITION DATA: STA 949.00, RBL 38.00, WL 219.10 SPECIFICATION NUMBER: BCREF66230 COMPONENT MAINT MANUAL REF: 25-28-80 OPTIONAL PART: 2112-318GC V31218 FOR DETAILS SEE: 25-25-12-42J	107200	1

R
R
R
R
R
R
R
R
R
R
R
R
R
R
R

MISSING ITEM NUMBERS NOT APPLICABLE

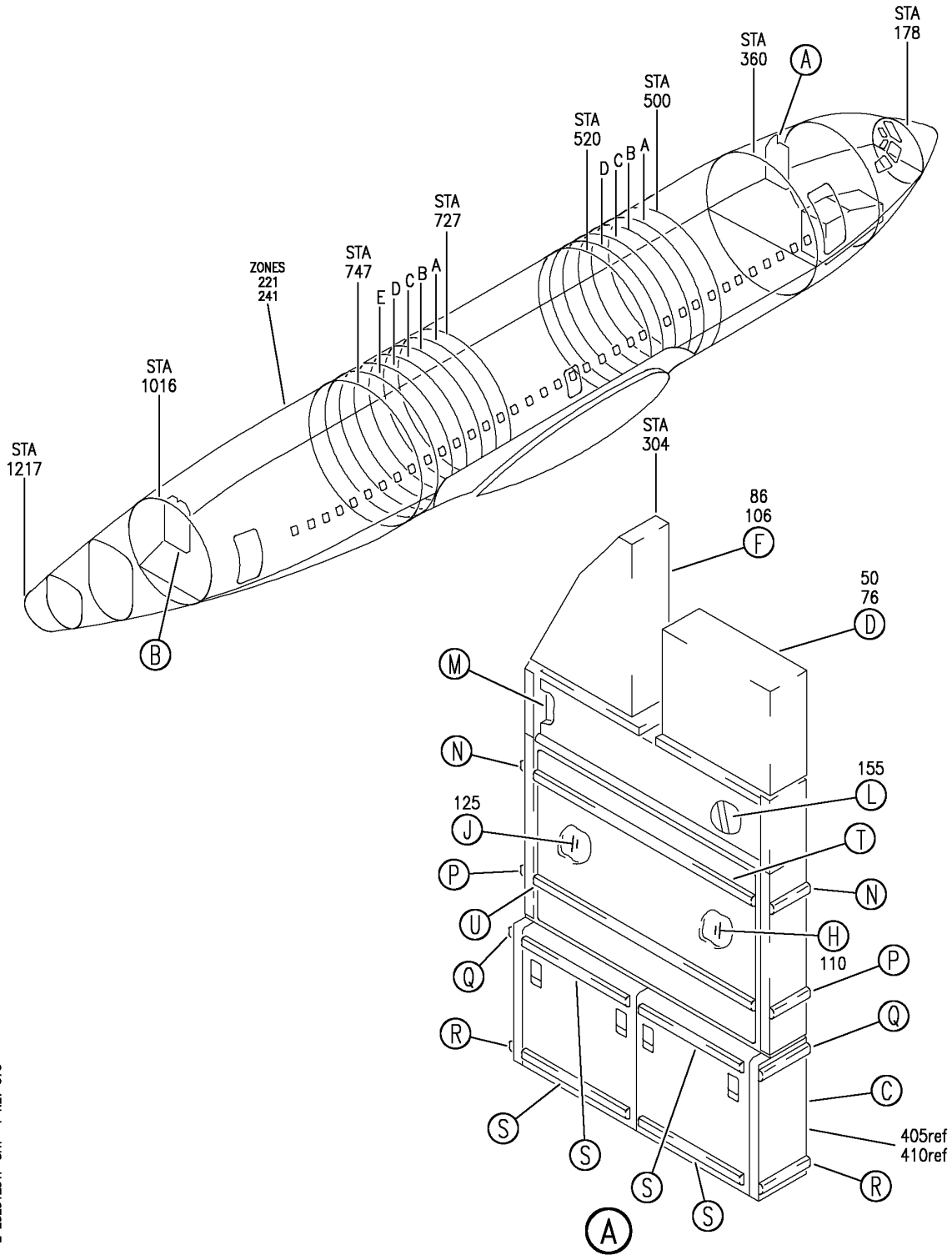
- ITEM NOT ILLUSTRATED

HAP

25-25-12-50

25-25-12
FIG. 50
PAGE 1
JUN 15/09

BOEING
 737-600/700/800/900
 PARTS CATALOG (MAINTENANCE)



E 25251251P SHT 1 REV 070

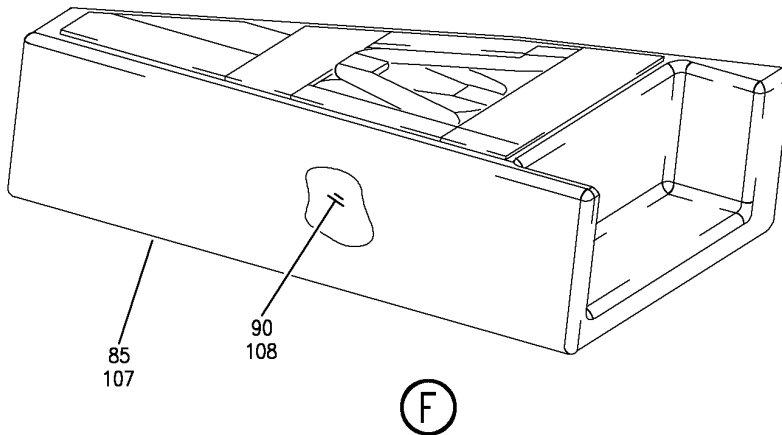
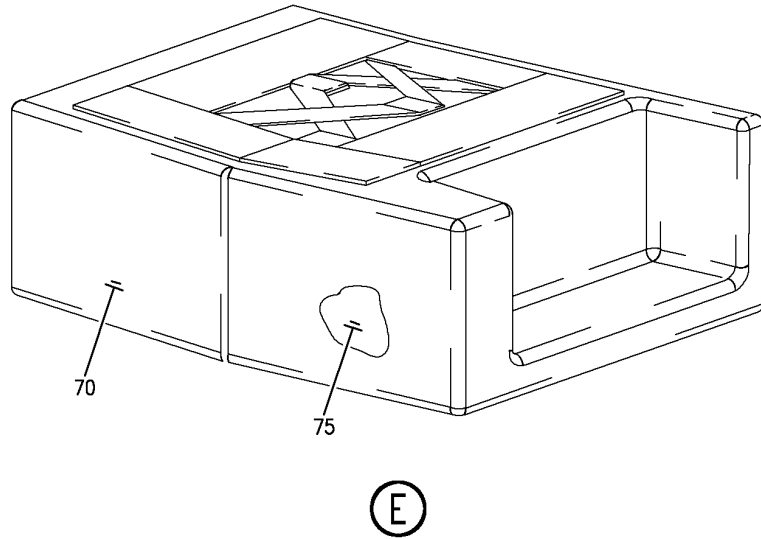
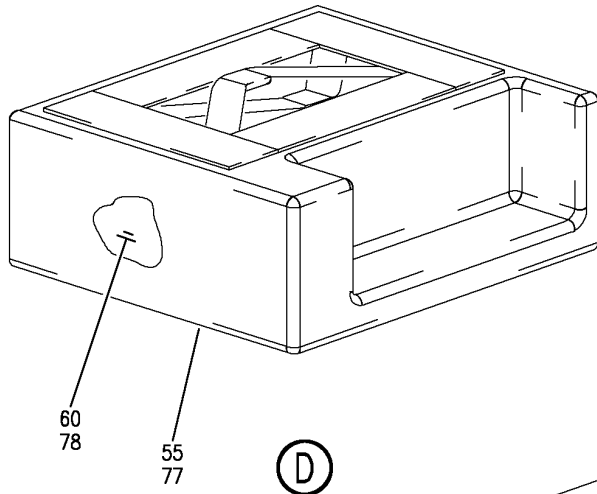
SEAT ASSY-ATTENDANT NARROW DBL WALL-MOUNTED
 FIGURE 51P (SHEET 1)

25-25-12-51P

HAP
 OCT 15/08

25-25-12-51P
 PAGE 0

BOEING
737-600/700/800/900
PARTS CATALOG (MAINTENANCE)



E 25251251P SHT 3 REV 070

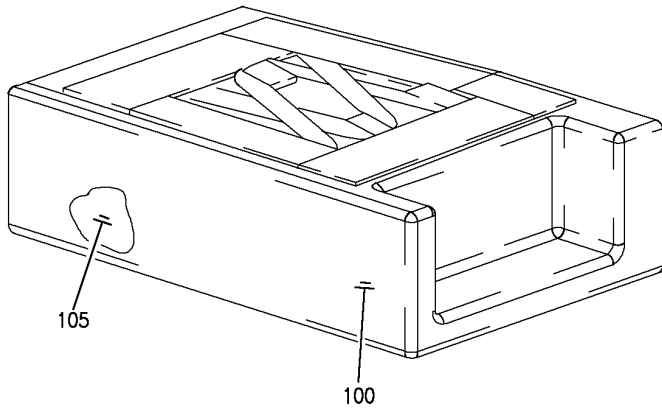
SEAT ASSY-ATTENDANT NARROW DBL WALL-MOUNTED
FIGURE 51P (SHEET 3)

25-25-12-51P

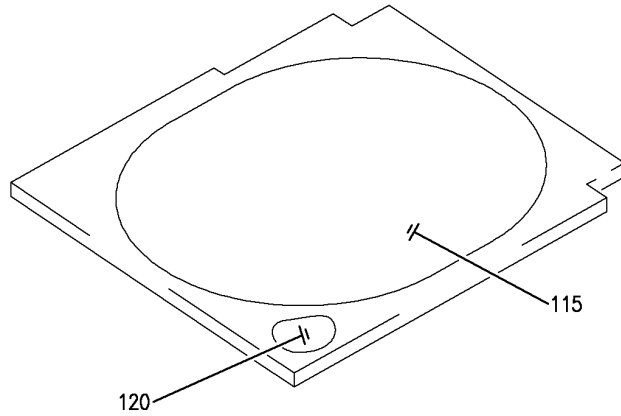
HAP
OCT 15/08

25-25-12-51P
PAGE 0B

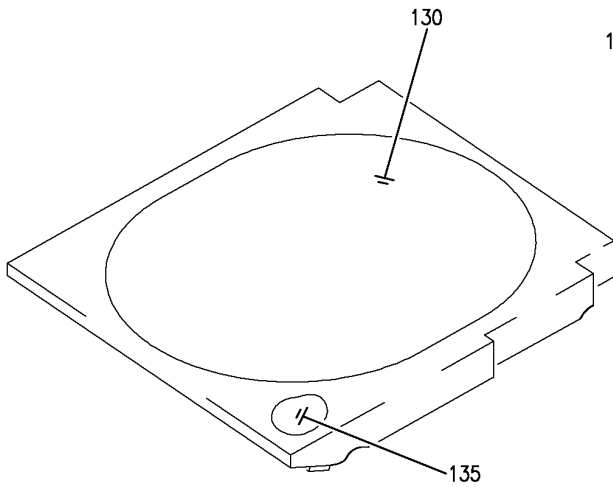
BOEING
737-600/700/800/900
PARTS CATALOG (MAINTENANCE)



(G)



(H)



(J)

E 25251251P SHT 4 REV 065

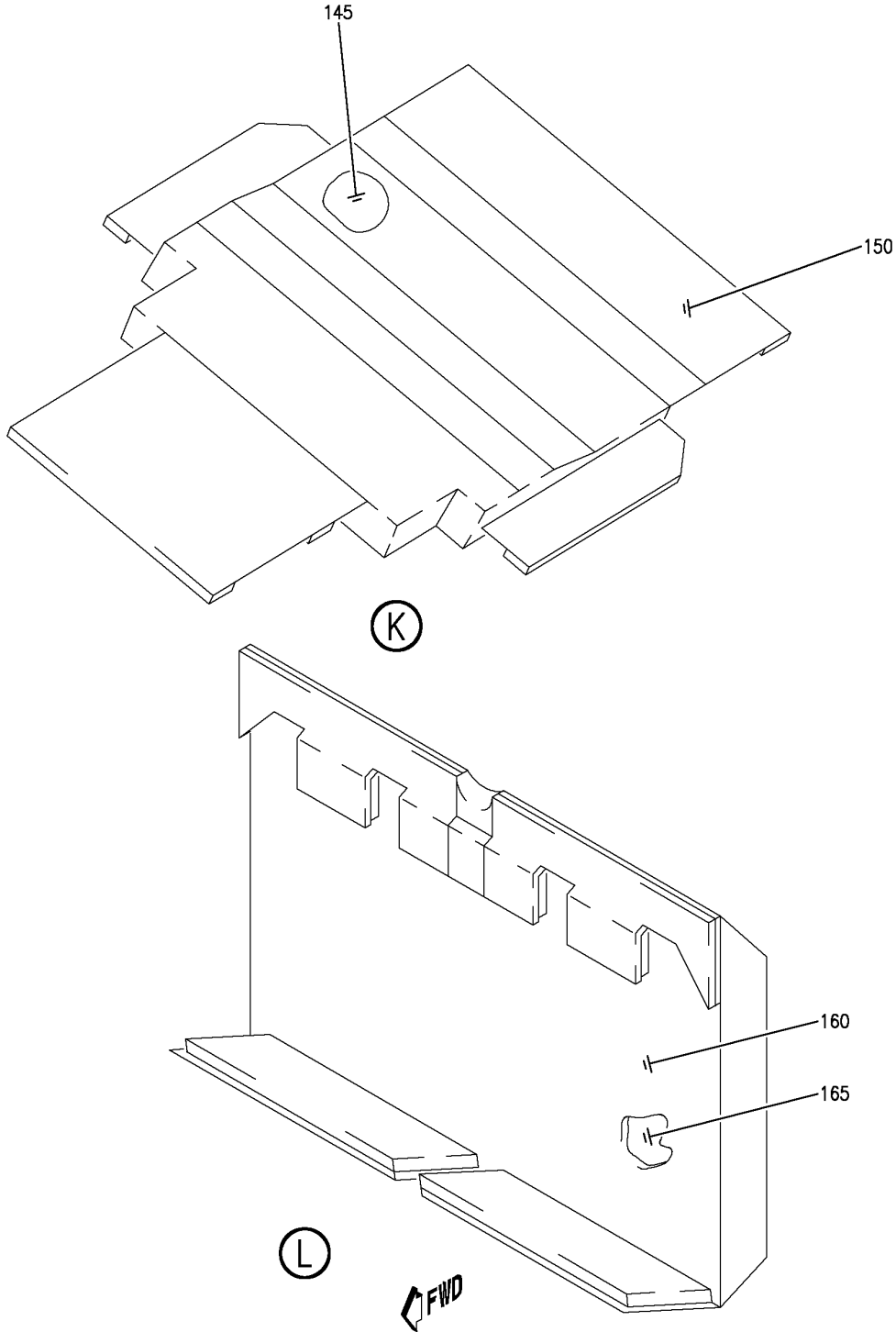
SEAT ASSY-ATTENDANT NARROW DBL WALL-MOUNTED
FIGURE 51P (SHEET 4)

25-25-12-51P

HAP
OCT 15/08

25-25-12-51P
PAGE 0C

BOEING
737-600/700/800/900
PARTS CATALOG (MAINTENANCE)



E 25251251P SHT 5 REV 065

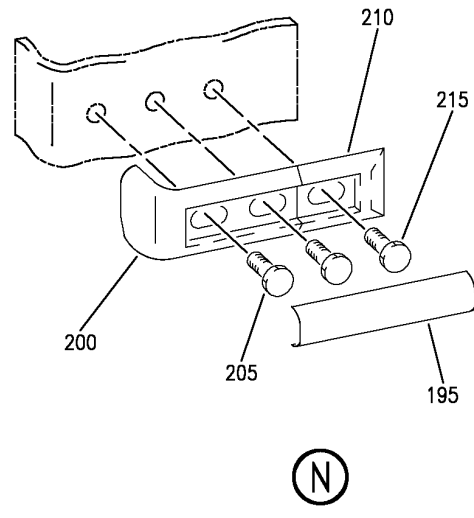
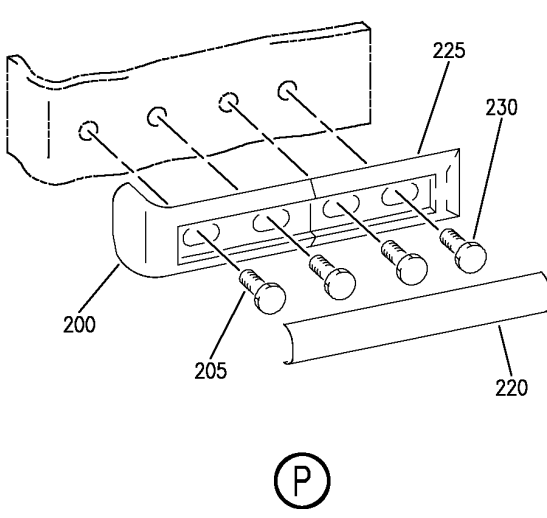
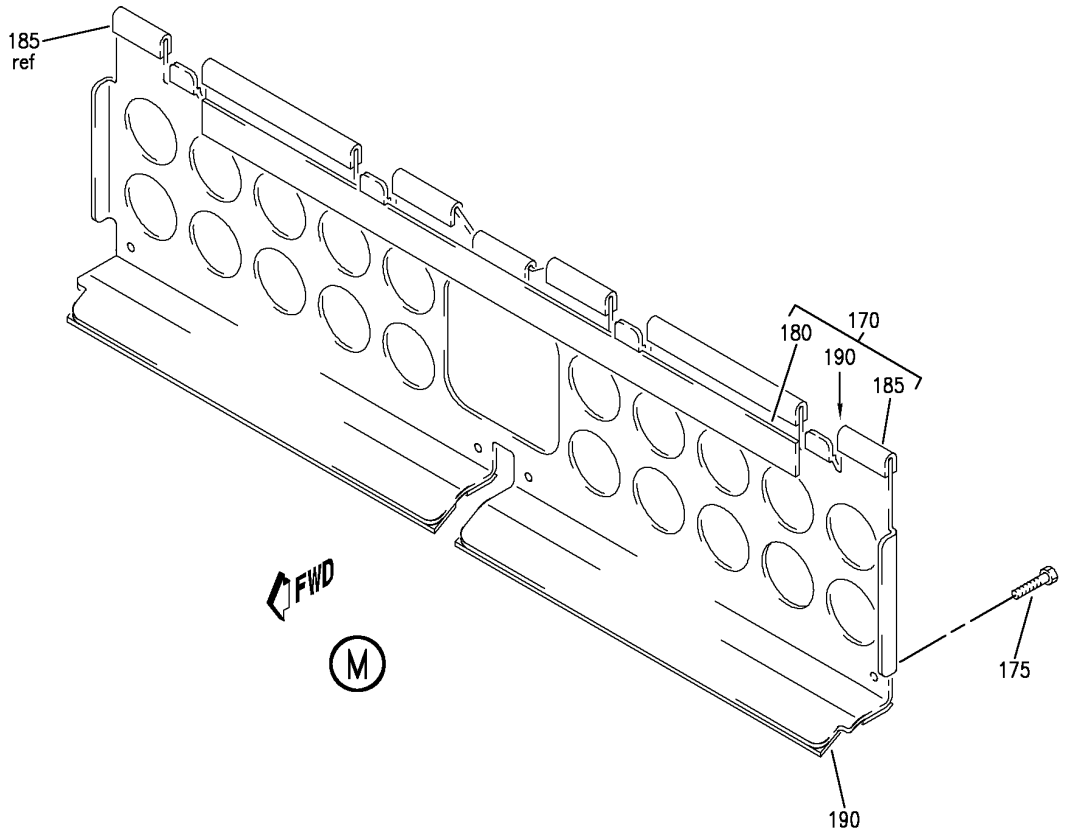
SEAT ASSY-ATTENDANT NARROW DBL WALL-MOUNTED
FIGURE 51P (SHEET 5)

25-25-12-51P

HAP
OCT 15/08

25-25-12-51P
PAGE 0D

BOEING
 737-600/700/800/900
 PARTS CATALOG (MAINTENANCE)



E 25251251P SHT 6 REV 065

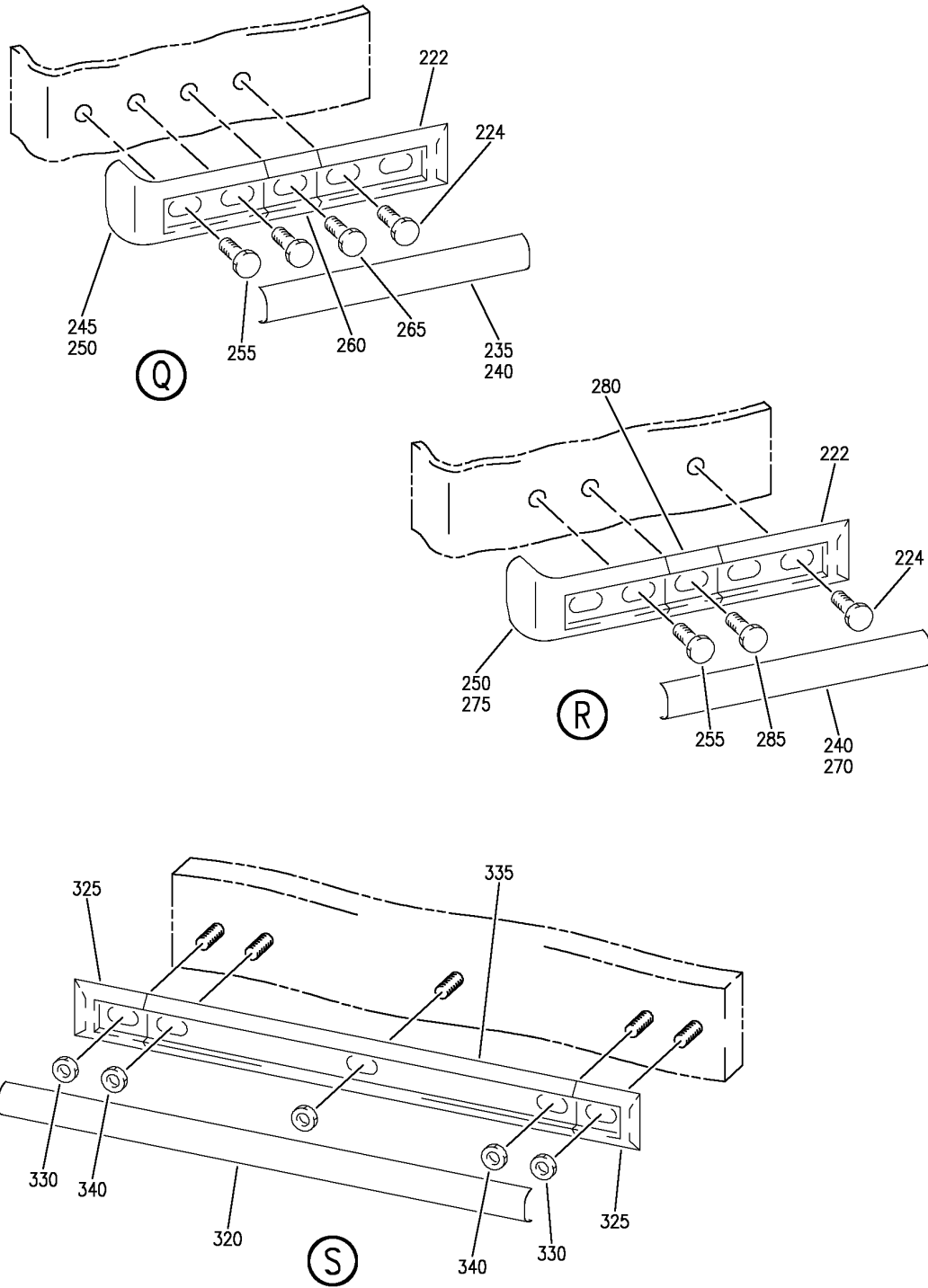
SEAT ASSY-ATTENDANT NARROW DBL WALL-MOUNTED
 FIGURE 51P (SHEET 6)

25-25-12-51P

HAP
 OCT 15/08

25-25-12-51P
 PAGE 0E

BOEING
 737-600/700/800/900
 PARTS CATALOG (MAINTENANCE)



E 25251251P SHT 7 REV 081

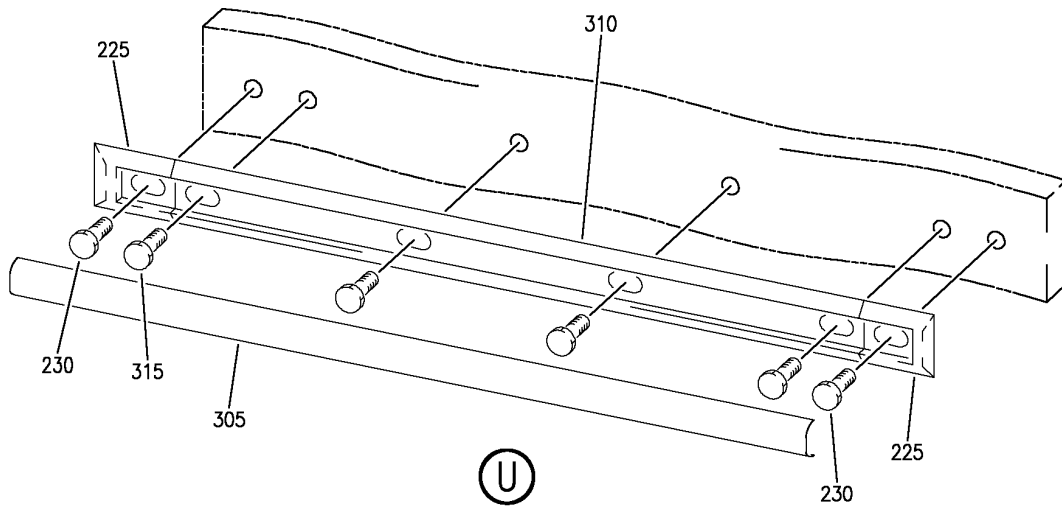
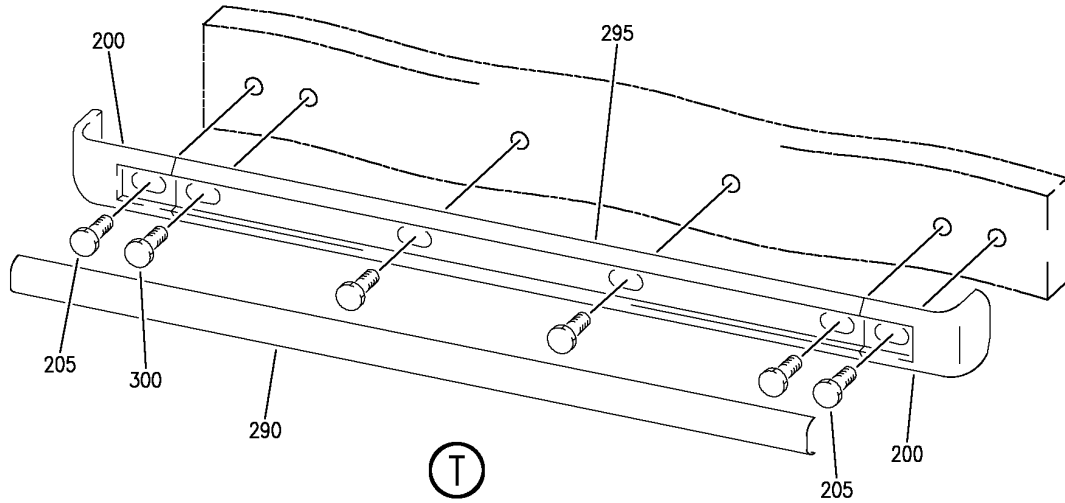
SEAT ASSY-ATTENDANT NARROW DBL WALL-MOUNTED
 FIGURE 51P (SHEET 7)

25-25-12-51P

HAP
 OCT 15/08

25-25-12-51P
 PAGE OF

BOEING
 737-600/700/800/900
 PARTS CATALOG (MAINTENANCE)



E 25251251P SHT 8 REV 065

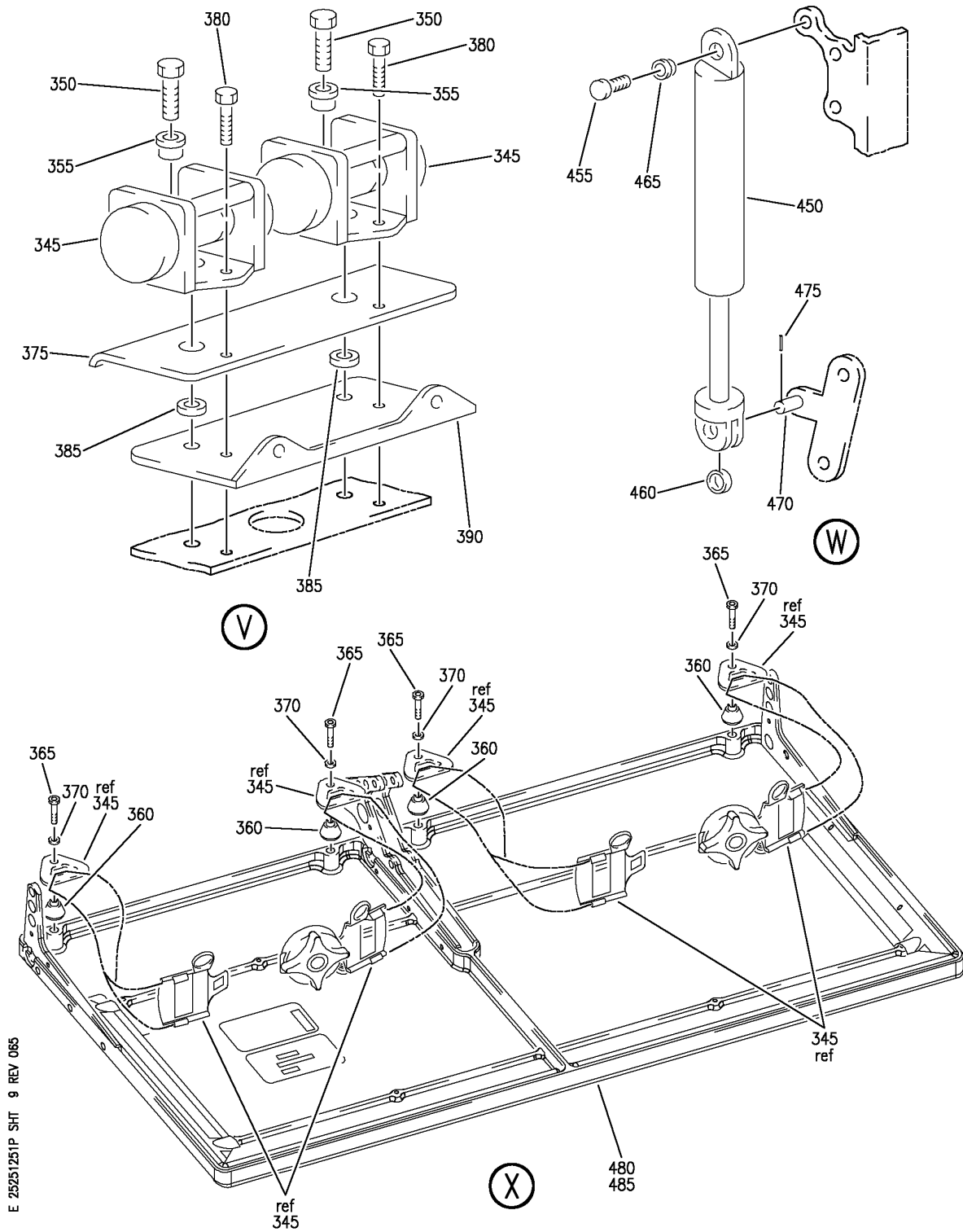
SEAT ASSY-ATTENDANT NARROW DBL WALL-MOUNTED
 FIGURE 51P (SHEET 8)

25-25-12-51P

HAP
 OCT 15/08

25-25-12-51P
 PAGE 08

BOEING
 737-600/700/800/900
 PARTS CATALOG (MAINTENANCE)



E 25251251P SHT 9 REV 065

SEAT ASSY-ATTENDANT NARROW DBL WALL-MOUNTED
 FIGURE 51P (SHEET 9)

25-25-12-51P

HAP
 OCT 15/08

25-25-12-51P
 PAGE 0H

BOEING
737-600/700/800/900
PARTS CATALOG (MAINTENANCE)

FIG ITEM	PART NUMBER	1 2 3 4 5 6 7	NOMENCLATURE	EFFECT FROM TO	UNITS PER ASSY
51P			SEAT ASSY-ATTENDANT NARROW DBL WALL-MOUNTED	201967	
- 5	2110-324EV		SEAT ASSY-ATTENDANT NARROW DBL WALL-MOUNTED SUPPLIER CODE: V31218 SPECIFICATION NUMBER: BCREF15334 COMPONENT MAINT MANUAL REF: 25-24-04 FOR NHA SEE: 25-25-12-09	201967	RF
- 10	2110-325EV		SEAT ASSY-ATTENDANT NARROW DBL WALL-MOUNTED SUPPLIER CODE: V31218 SPECIFICATION NUMBER: BCREF15322 COMPONENT MAINT MANUAL REF: 25-24-04 FOR NHA SEE: 25-25-12-09	201967	RF
- 15	2110-328EV		SEAT ASSY-ATTENDANT NARROW DBL WALL-MOUNTED SUPPLIER CODE: V31218 SPECIFICATION NUMBER: BCREF15301 COMPONENT MAINT MANUAL REF: 25-24-04 FOR NHA SEE: 25-25-12-09	201967	RF
50	2D7002-1AQE		. CUSHION AND COVER ASSY- SUPPLIER CODE: V31218 USED ON: 2110-301EV 2110-318EV 2110-324EV	201967	1
55	2D7002-11AQE		.. COVER-HEADREST SUPPLIER CODE: V31218	201967	1
60	2D7002-21		.. CUSHION-FIREBLOCK SUPPLIER CODE: V31218	201967	1

MISSING ITEM NUMBERS NOT APPLICABLE

- ITEM NOT ILLUSTRATED

HAP

25-25-12-51P

BOEING PROPRIETARY - Copyright © - Unpublished Work - See title page for details.

25-25-12
FIG. 51P
PAGE 1
OCT 15/08

BOEING
737-600/700/800/900
PARTS CATALOG (MAINTENANCE)

FIG ITEM	PART NUMBER	1 2 3 4 5 6 7	NOMENCLATURE	EFFECT FROM TO	UNITS PER ASSY
51P 65	2D7017-3AQE	.	CUSHION AND COVER ASSY- SUPPLIER CODE: V31218 USED ON: 2110-325EV 2110-328EV	201967	1
70	2D7017-13AQE	..	COVER-HEADREST SUPPLIER CODE: V31218	201967	1
75	2D7017-23	..	CUSHION-FIREBLOCK SUPPLIER CODE: V31218	201967	1
80	2D7000-1AQE	.	CUSHION AND COVER ASSY- SUPPLIER CODE: V31218 USED ON: 2110-301EV 2110-318EV 2110-324EV	201967	1
85	2D7000-11AQE	..	COVER-HEADREST SUPPLIER CODE: V31218	201967	1
90	2D7000-21	..	CUSHION-FIREBLOCK SUPPLIER CODE: V31218	201967	1
95	2D7017-4AQE	.	CUSHION AND COVER ASSY- SUPPLIER CODE: V31218 USED ON: 2110-325EV 2110-328EV	201967	1
100	2D7017-14AQE	..	COVER-HEADREST SUPPLIER CODE: V31218	201967	1
105	2D7017-24	..	CUSHION-FIREBLOCK SUPPLIER CODE: V31218	201967	1
110	2D7008-1AQE	.	CUSHION AND COVER ASSY- SUPPLIER CODE: V31218 USED ON: 2110-301EV 2110-302EV 2110-305EV 2110-324EV 2110-325EV 2110-328EV	201967	1

MISSING ITEM NUMBERS NOT APPLICABLE

- ITEM NOT ILLUSTRATED

HAP

25-25-12-51P

BOEING PROPRIETARY - Copyright © - Unpublished Work - See title page for details.

25-25-12
FIG. 51P
PAGE 2
OCT 15/08

BOEING
737-600/700/800/900
PARTS CATALOG (MAINTENANCE)

FIG ITEM	PART NUMBER	1 2 3 4 5 6 7	NOMENCLATURE	EFFECT FROM TO	UNITS PER ASSY
51P 115	2D7008-11AQE		..COVER-SEAT PAN SUPPLIER CODE: V31218	201967	1
120	2D7009-1		..CUSHION-SEAT PAN SUPPLIER CODE: V31218	201967	1
125	2D7008-2AQE		.CUSHION AND COVER ASSY- SUPPLIER CODE: V31218 USED ON: 2110-301EV 2110-302EV 2110-305EV 2110-324EV 2110-325EV 2110-328EV	201967	1
130	2D7008-12AQE		..COVER-SEAT PAN SUPPLIER CODE: V31218	201967	1
135	2D7009-2		..CUSHION-SEAT PAN SUPPLIER CODE: V31218	201967	1
140	2D7004-31AQE		.CUSHION AND COVER ASSY- SUPPLIER CODE: V31218 USED ON: 2110-301EV 2110-302EV 2110-305EV 2110-324EV 2110-325EV 2110-328EV	201967	2
145	2D7004-41AQE		..COVER- SUPPLIER CODE: V31218 POSITION DATA: LWR BACK	201967	1
150	2D7005-11		..CUSHION- SUPPLIER CODE: V31218 POSITION DATA: LWR BACK	201967	1

MISSING ITEM NUMBERS NOT APPLICABLE

— ITEM NOT ILLUSTRATED

HAP

25-25-12-51P

BOEING PROPRIETARY - Copyright © - Unpublished Work - See title page for details.

25-25-12
FIG. 51P
PAGE 3
OCT 15/08

BOEING
737-600/700/800/900
PARTS CATALOG (MAINTENANCE)

FIG ITEM	PART NUMBER	1 2 3 4 5 6 7	NOMENCLATURE	EFFECT FROM TO	UNITS PER ASSY
51P 155	2D7006-1AQE		.CUSHION AND COVER ASSY- SUPPLIER CODE: V31218 USED ON: 2110-301EV 2110-302EV 2110-305EV 2110-324EV 2110-325EV 2110-328EV	201967	1
160	2D7006-11AQE		..COVER- SUPPLIER CODE: V31218 POSITION DATA: UPR BACK	201967	1
165	2D7007-1		..CUSHION- SUPPLIER CODE: V31218 POSITION DATA: UPR BACK	201967	1
170	2D1042-1AMJ		.PAN ASSY- SUPPLIER CODE: V31218 POSITION DATA: UPR BACK USED ON: 2110-301EV 2110-302EV 2110-305EV 2110-324EV 2110-325EV 2110-328EV	201967	1
175	NAS623-2-16		ATTACHING PARTS .SCREW	201967	4
180	SJ3526GRY1ADH		-----*----- ..HOOK-ADH VELCRO GRAY SUPPLIER CODE: V5J466	201967	AR
185	SJ3527GRY1ADH		..LOOP-ADH VELCRO GRAY SUPPLIER CODE: V5J466	201967	AR
190	SJ3526GRY2ADH		..HOOK-ADH VELCRO GRAY SUPPLIER CODE: V5J466	201967	AR

MISSING ITEM NUMBERS NOT APPLICABLE

— ITEM NOT ILLUSTRATED

HAP

25-25-12-51P

BOEING PROPRIETARY - Copyright © - Unpublished Work - See title page for details.

25-25-12
FIG. 51P
PAGE 4
OCT 15/08

BOEING
737-600/700/800/900
PARTS CATALOG (MAINTENANCE)

FIG ITEM	PART NUMBER	1 2 3 4 5 6 7	NOMENCLATURE	EFFECT FROM TO	UNITS PER ASSY
51P 195	S21012-25AMJ		.COVER-RUB STRIP SUPPLIER CODE: V31218 USED ON: 2110-301EV 2110-302EV 2110-305EV 2110-324EV 2110-325EV 2110-328EV	201967	2
200	S70027-1AMJ		.CAP-END RUB STRIP SUPPLIER CODE: V31218 USED ON: 2110-301EV 2110-302EV 2110-305EV 2110-324EV 2110-325EV 2110-328EV	201967	6
205	AN525-832R6		ATTACHING PARTS .SCREW	201967	10
210	S70027-7AMJ		-----*----- .CAP-END RUB STRIP SUPPLIER CODE: V31218 USED ON: 2110-301EV 2110-302EV 2110-305EV 2110-324EV 2110-325EV 2110-328EV	201967	2
215	AN525-832R6		ATTACHING PARTS .SCREW	201967	2
220	S21012-11AMJ		-----*----- .COVER-RUB STRIP SUPPLIER CODE: V31218 USED ON: 2110-301EV 2110-302EV 2110-305EV 2110-324EV 2110-325EV 2110-328EV	201967	2

MISSING ITEM NUMBERS NOT APPLICABLE

— ITEM NOT ILLUSTRATED

HAP

25-25-12-51P

BOEING PROPRIETARY - Copyright © - Unpublished Work - See title page for details.

25-25-12
FIG. 51P
PAGE 5
OCT 15/08

BOEING
737-600/700/800/900
PARTS CATALOG (MAINTENANCE)

FIG ITEM	PART NUMBER	1 2 3 4 5 6 7	NOMENCLATURE	EFFECT FROM TO	UNITS PER ASSY
51P 222	S70027-3AMJ		.CAP-END RUB STRIP SUPPLIER CODE: V31218 USED ON: 2110-324EV 2110-325EV 2110-328EV ATTACHING PARTS	201967	4
224	AN525-832R6		.SCREW -----*-----	201967	4
225	S70027-3AMJ		.CAP-END RUB STRIP SUPPLIER CODE: V31218 USED ON: 2110-301EV 2110-302EV 2110-305EV 2110-324EV 2110-325EV 2110-328EV ATTACHING PARTS	201967	4
230	AN525-832R6		.SCREW -----*-----	201967	6
235	S21012-11AMJ		.COVER-RUB STRIP SUPPLIER CODE: V31218 USED ON: 2110-324EV 2110-325EV 2110-328EV	201967	2
245	S70027-3AMJ		.CAP-END RUB STRIP SUPPLIER CODE: V31218 USED ON: 2110-324EV 2110-325EV 2110-328EV ATTACHING PARTS	201967	2
R - 246	AN525-832R6		.SCREW -----*-----	201967	4
270	S21012-69AMJ		.COVER-RUB STRIP SUPPLIER CODE: V31218 USED ON: 2110-324EV 2110-325EV 2110-328EV	201967	2

MISSING ITEM NUMBERS NOT APPLICABLE

— ITEM NOT ILLUSTRATED

HAP

25-25-12-51P

BOEING PROPRIETARY - Copyright © - Unpublished Work - See title page for details.

25-25-12
FIG. 51P
PAGE 6
JUN 15/09

BOEING
737-600/700/800/900
PARTS CATALOG (MAINTENANCE)

FIG ITEM	PART NUMBER	1 2 3 4 5 6 7	NOMENCLATURE	EFFECT FROM TO	UNITS PER ASSY
51P 275	S70027-5AMJ		.CAP-END RUB STRIP SUPPLIER CODE: V31218 USED ON: 2110-324EV 2110-325EV 2110-328EV ATTACHING PARTS	201967	2
R - 277	AN525-832R6		.SCREW -----*-----	201967	2
280	S21011-33AMJ		.CHANNEL-RUB STRIP SUPPLIER CODE: V31218 USED ON: 2110-324EV 2110-325EV 2110-328EV ATTACHING PARTS	201967	2
285	AN525-832R6		.SCREW -----*-----	201967	2
290	S21012-37AMJ		.COVER-RUB STRIP SUPPLIER CODE: V31218 USED ON: 2110-301EV 2110-302EV 2110-305EV 2110-324EV 2110-325EV 2110-328EV	201967	1
295	S21011-31AMJ		.CHANNEL-RUB STRIP SUPPLIER CODE: V31218 USED ON: 2110-301EV 2110-302EV 2110-305EV 2110-324EV 2110-325EV 2110-328EV ATTACHING PARTS	201967	1
300	AN525-832R6		.SCREW -----*-----	201967	4

MISSING ITEM NUMBERS NOT APPLICABLE

- ITEM NOT ILLUSTRATED

HAP

25-25-12-51P

BOEING PROPRIETARY - Copyright © - Unpublished Work - See title page for details.

25-25-12
FIG. 51P
PAGE 7
JUN 15/09

BOEING
737-600/700/800/900
PARTS CATALOG (MAINTENANCE)

FIG ITEM	PART NUMBER	1 2 3 4 5 6 7	NOMENCLATURE	EFFECT FROM TO	UNITS PER ASSY
51P 305	S21012-27AMJ		.COVER-RUB STRIP SUPPLIER CODE: V31218 USED ON: 2110-301EV 2110-302EV 2110-305EV 2110-324EV 2110-325EV 2110-328EV	201967	1
310	S21011-21AMJ		.CHANNEL-RUB STRIP SUPPLIER CODE: V31218 USED ON: 2110-301EV 2110-302EV 2110-305EV 2110-324EV 2110-325EV 2110-328EV	201967	1
315	AN525-832R6		ATTACHING PARTS .SCREW	201967	4
345	2100002-01-276		-----*----- .RESTRAINT-SYS SUPPLIER CODE: V45402 COMPONENT MAINT MANUAL REF: 25-11-53 USED ON: 2110-301EV 2110-302EV 2110-305EV 2110-324EV 2110-325EV 2110-328EV	201967	2
350	NAS6203-10		ATTACHING PARTS .BOLT	201967	4
355	NAS77-3-033		-----*----- .BUSHING	201967	4
360	2D2017-1		.FITTING-LAP BELT SUPPLIER CODE: V31218 USED ON: 2110-301EV 2110-302EV 2110-305EV 2110-324EV 2110-325EV 2110-328EV	201967	4

MISSING ITEM NUMBERS NOT APPLICABLE

— ITEM NOT ILLUSTRATED

HAP

25-25-12-51P

BOEING PROPRIETARY - Copyright © - Unpublished Work - See title page for details.

25-25-12
FIG. 51P
PAGE 8
OCT 15/08

BOEING
737-600/700/800/900
PARTS CATALOG (MAINTENANCE)

FIG ITEM	PART NUMBER	1 2 3 4 5 6 7	NOMENCLATURE	EFFECT FROM TO	UNITS PER ASSY
51P			ATTACHING PARTS		
365	NAS6203-8		.BOLT	201967	4
370	NAS1149F0332J		.WASHER	201967	4
			-----*-----		
375	2D1067-1		.GUIDE-WEB WEAR	201967	2
			SUPPLIER CODE: V31218		
			USED ON: 2110-301EV 2110-302EV 2110-305EV 2110-324EV 2110-325EV 2110-328EV		
			ATTACHING PARTS		
380	NAS623-2-3		.SCREW	201967	4
385	NAS1149F0563P		.WASHER	201967	4
			-----*-----		
390	2D1037-1		.BRACKET-INERTIA REEL	201967	2
			SUPPLIER CODE: V31218		
			USED ON: 2110-301EV 2110-302EV 2110-305EV 2110-324EV 2110-325EV 2110-328EV		
395	2D1041-1		.FUNNEL-PHONE CORD	201967	1
			SUPPLIER CODE: V31218		
			USED ON: 2110-324EV 2110-325EV 2110-328EV		
400	MS16624-2137		.RING	201967	1
405	2110-35AMJ		.BOX ASSY-STOWAGE	201967	1
			SUPPLIER CODE: V31218		
			USED ON: 2110-324EV		
			FOR DETAILS SEE: 25-25-12-52J		

MISSING ITEM NUMBERS NOT APPLICABLE

— ITEM NOT ILLUSTRATED

HAP

25-25-12-51P

BOEING PROPRIETARY - Copyright © - Unpublished Work - See title page for details.

25-25-12
FIG. 51P
PAGE 9
OCT 15/08

BOEING
737-600/700/800/900
PARTS CATALOG (MAINTENANCE)

FIG ITEM	PART NUMBER	1 2 3 4 5 6 7	NOMENCLATURE	EFFECT FROM TO	UNITS PER ASSY
51P 407	2110-37AMJ		.BOX ASSY-STOWAGE SUPPLIER CODE: V31218 USED ON: 2110-325EV FOR DETAILS SEE: 25-25-12-52J	201967	1
410	2110-38AMJ		.BOX ASSY-STOWAGE SUPPLIER CODE: V31218 USED ON: 2110-328EV FOR DETAILS SEE: 25-25-12-52J	201967	1
415	NAS6203-3		.BOLT	201967	2
420	NAS623-2-1		.SCREW	201967	4
425	NAS623-2-7		.SCREW	201967	2
430	NAS1149F0332J		.WASHER	201967	2
432	NAS1149FN832P		.WASHER	201967	4
435	NAS1149FN832P		.WASHER	201967	2
440	MS21042-3		.NUT	201967	2
445	MS21042-08		.NUT	201967	2
			-----*-----		
450	SP20523		.DAMPENER-SPR SUPPLIER CODE: V24403 USED ON: 2110-301EV 2110-302EV 2110-305EV 2110-324EV 2110-325EV 2110-328EV ATTACHING PARTS	201967	1
455	NAS623-3-3		.SCREW	201967	1
460	NAS43DD3-8		.SPACER	201967	1
			-----*-----		
465	NAS77-3-016		.BUSHING	201967	1
470	MS20392-2C13		.PIN	201967	1
475	MS24665-132		.PIN	201967	1
480	2110-3AMJ		.CORE ASSY-SEAT SUPPLIER CODE: V31218 USED ON: 2110-318EV 2110-324EV FOR DETAILS SEE: 25-25-12-53F	201967	1

MISSING ITEM NUMBERS NOT APPLICABLE

— ITEM NOT ILLUSTRATED

HAP

25-25-12-51P

BOEING PROPRIETARY - Copyright © - Unpublished Work - See title page for details.

25-25-12
FIG. 51P
PAGE 10
OCT 15/08


BOEING
 737-600/700/800/900
PARTS CATALOG (MAINTENANCE)

FIG ITEM	PART NUMBER	1 2 3 4 5 6 7 NOMENCLATURE	EFFECT FROM TO	UNITS PER ASSY
51P 485	2110-2AMJ	.CORE ASSY-SEAT SUPPLIER CODE: V31218 USED ON: 2110-325EV 2110-328EV FOR DETAILS SEE: 25-25-12-53F	201967	1

MISSING ITEM NUMBERS NOT APPLICABLE

— ITEM NOT ILLUSTRATED

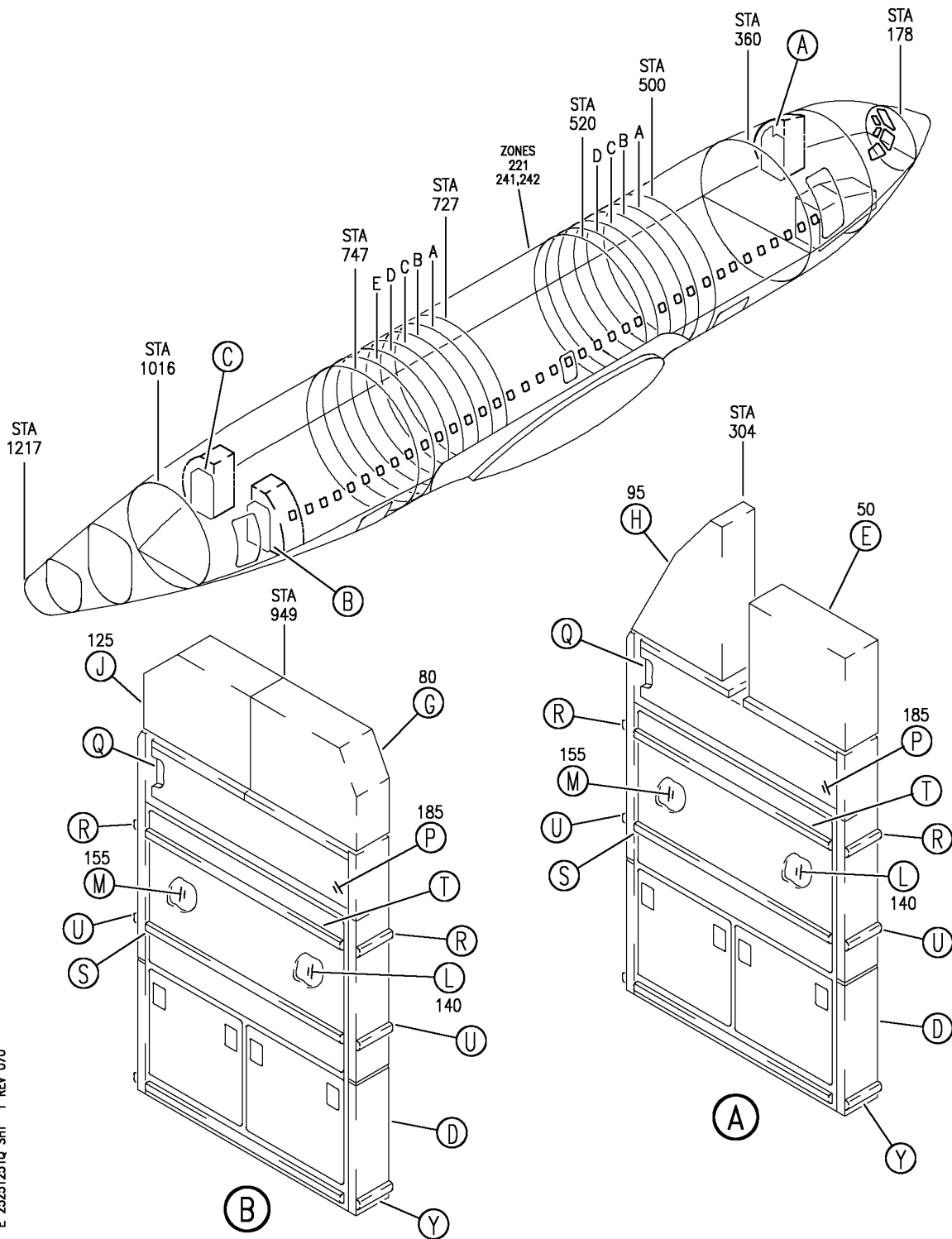
HAP

25-25-12-51P

BOEING PROPRIETARY - Copyright © - Unpublished Work - See title page for details.

25-25-12
 FIG. 51P
 PAGE 11
 OCT 15/08

BOEING
 737-600/700/800/900
 PARTS CATALOG (MAINTENANCE)



E 25251251Q SHT 1 REV 070

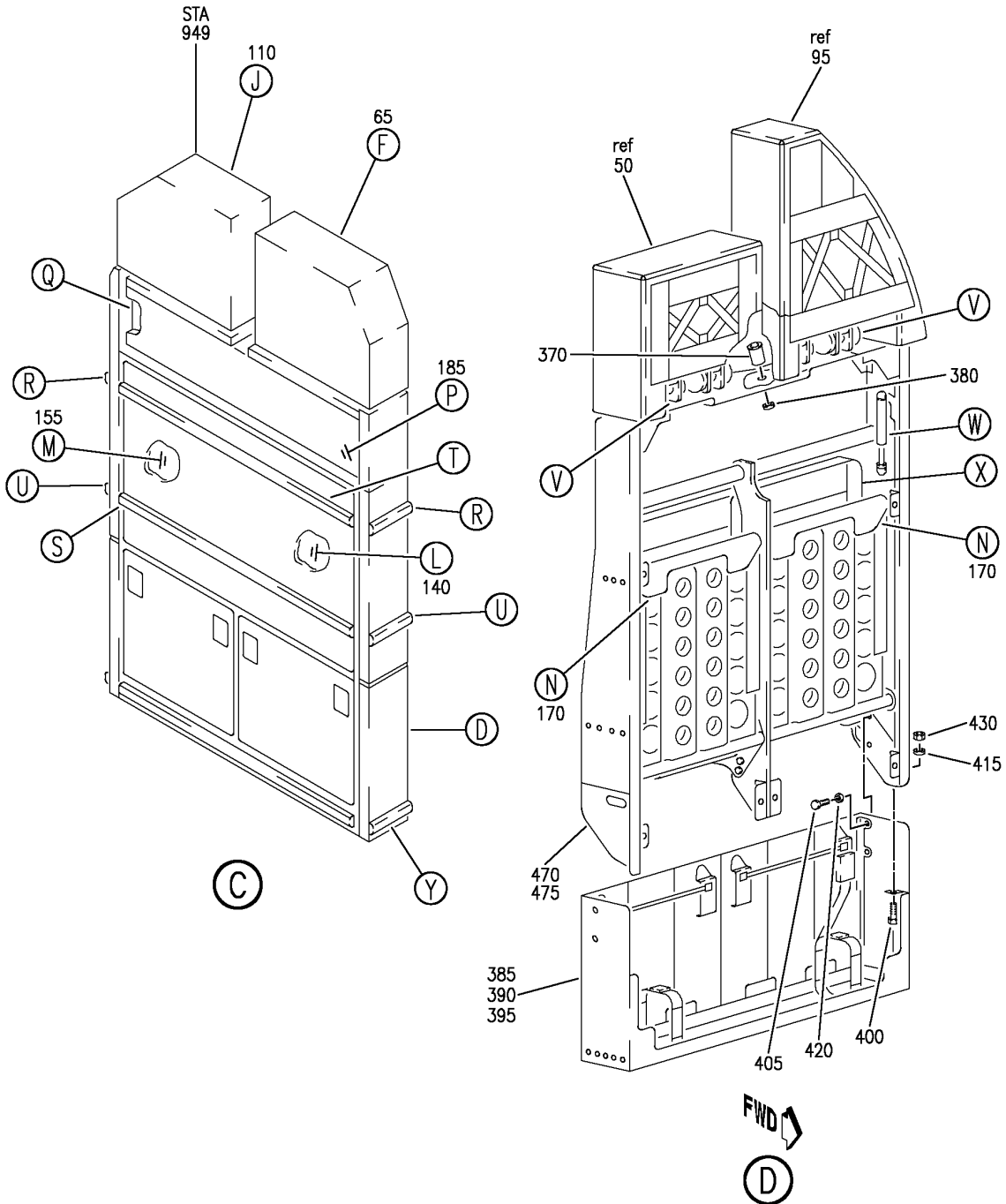
SEAT ASSY-ATTENDANT NARROW DBL WALL-MOUNTED
 FIGURE 51Q (SHEET 1)

25-25-12-51Q

HAP
 OCT 10/06

25-25-12-51Q
 PAGE 0

BOEING
 737-600/700/800/900
 PARTS CATALOG (MAINTENANCE)



E 25251251Q SHT 2 REV 070

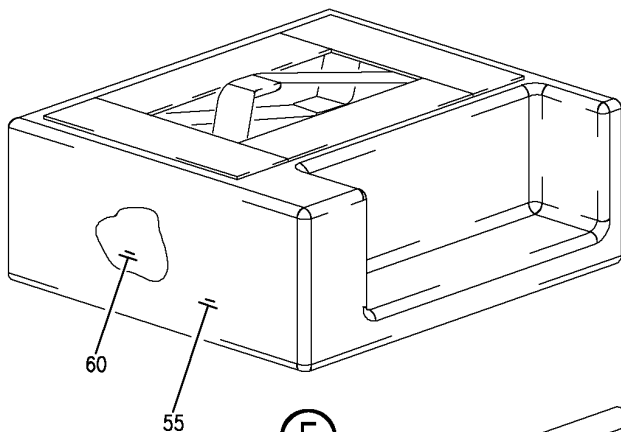
SEAT ASSY-ATTENDANT NARROW DBL WALL-MOUNTED
 FIGURE 51Q (SHEET 2)

25-25-12-51Q

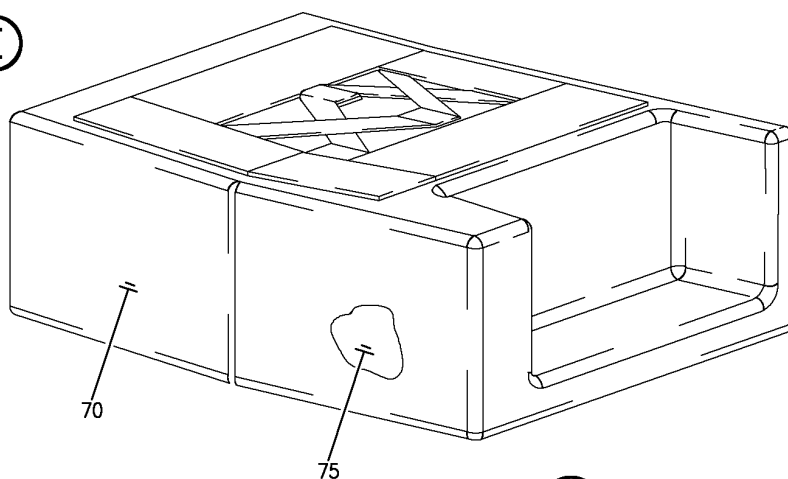
HAP
 OCT 10/06

25-25-12-51Q
 PAGE 0A

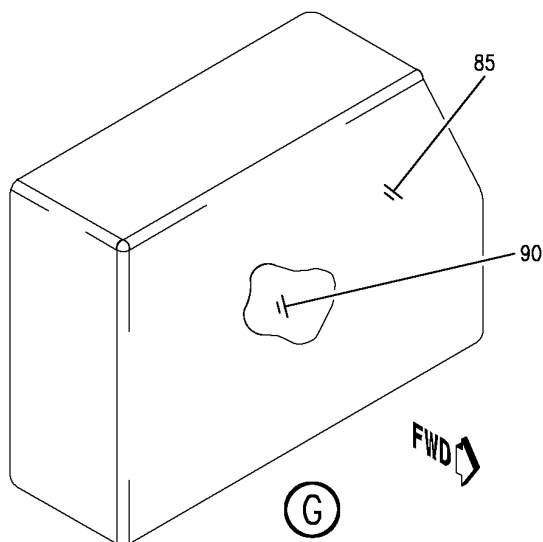
BOEING
 737-600/700/800/900
 PARTS CATALOG (MAINTENANCE)



(E)



(F)



(G)

E 25251251Q SHT 3 REV 065

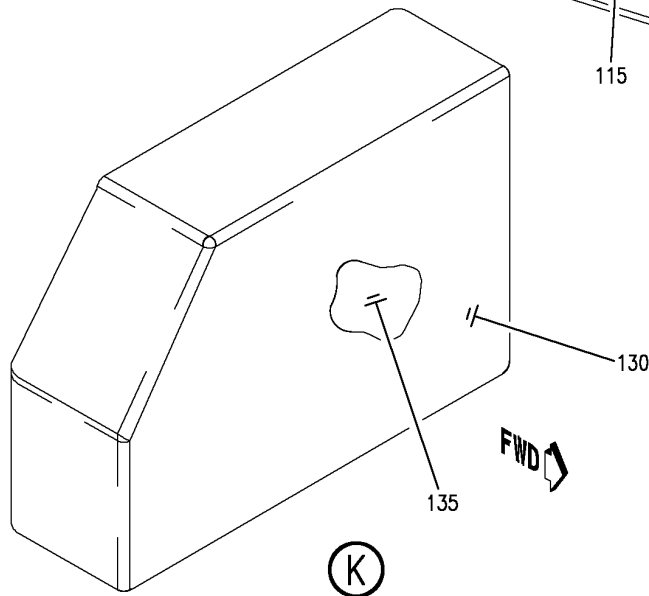
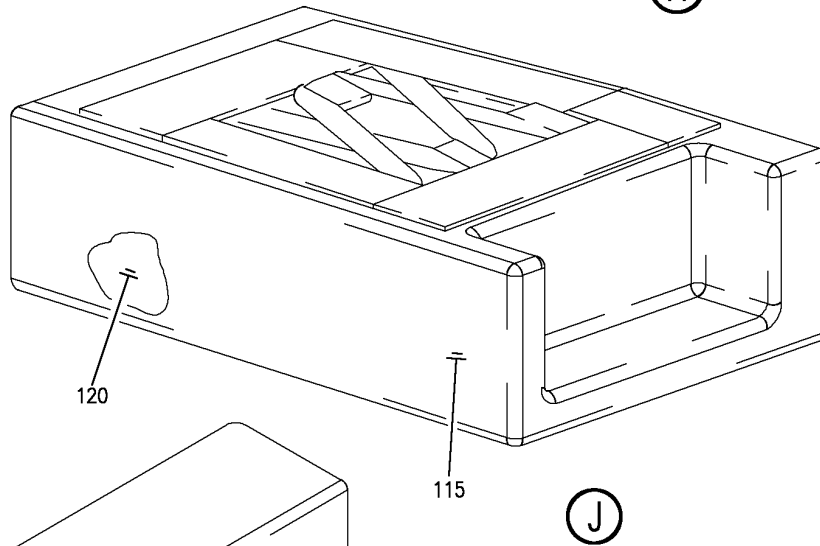
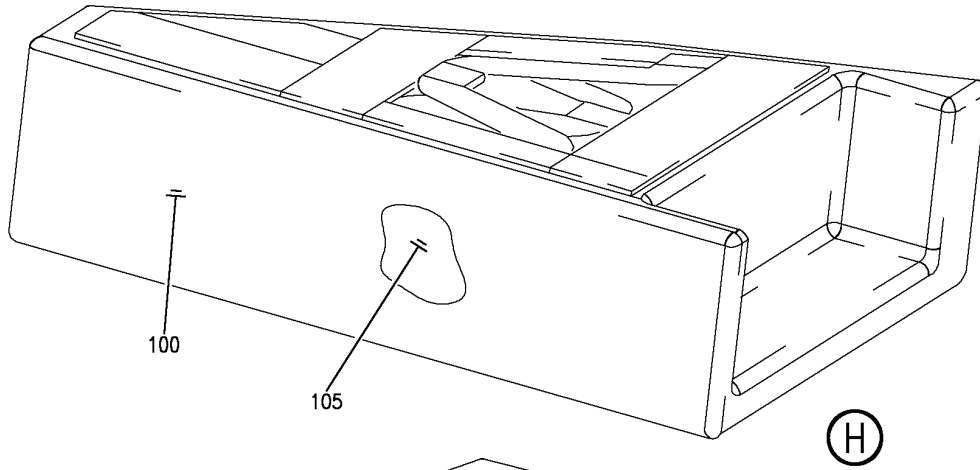
SEAT ASSY-ATTENDANT NARROW DBL WALL-MOUNTED
 FIGURE 51Q (SHEET 3)

25-25-12-51Q

HAP
 OCT 10/06

25-25-12-51Q
 PAGE 0B

BOEING
 737-600/700/800/900
 PARTS CATALOG (MAINTENANCE)



E 25251251Q SHT 4 REV 065

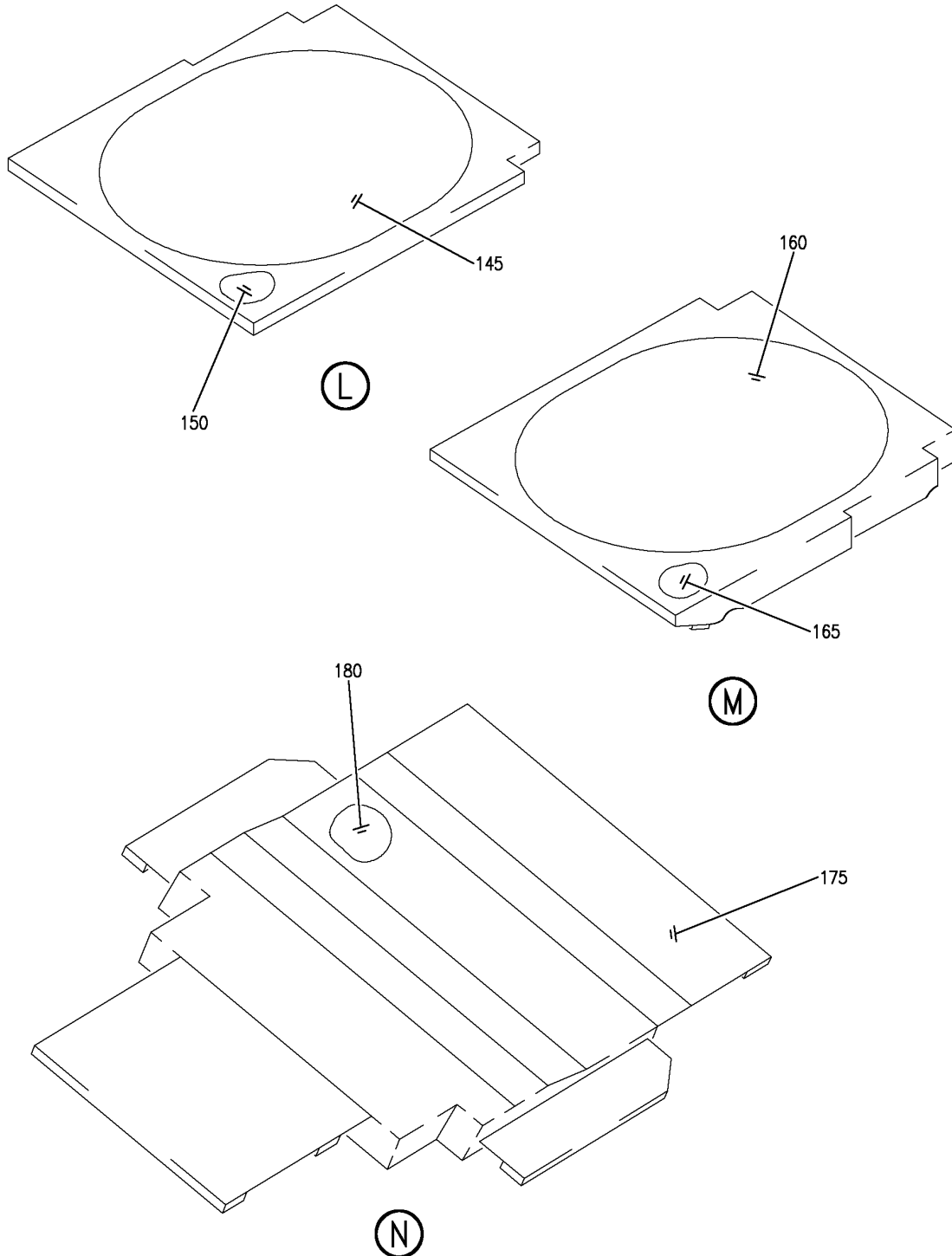
SEAT ASSY-ATTENDANT NARROW DBL WALL-MOUNTED
 FIGURE 51Q (SHEET 4)

25-25-12-51Q

HAP
 OCT 10/06

25-25-12-51Q
 PAGE 0C

BOEING
737-600/700/800/900
PARTS CATALOG (MAINTENANCE)



E 25251251Q SHT 5 REV 065

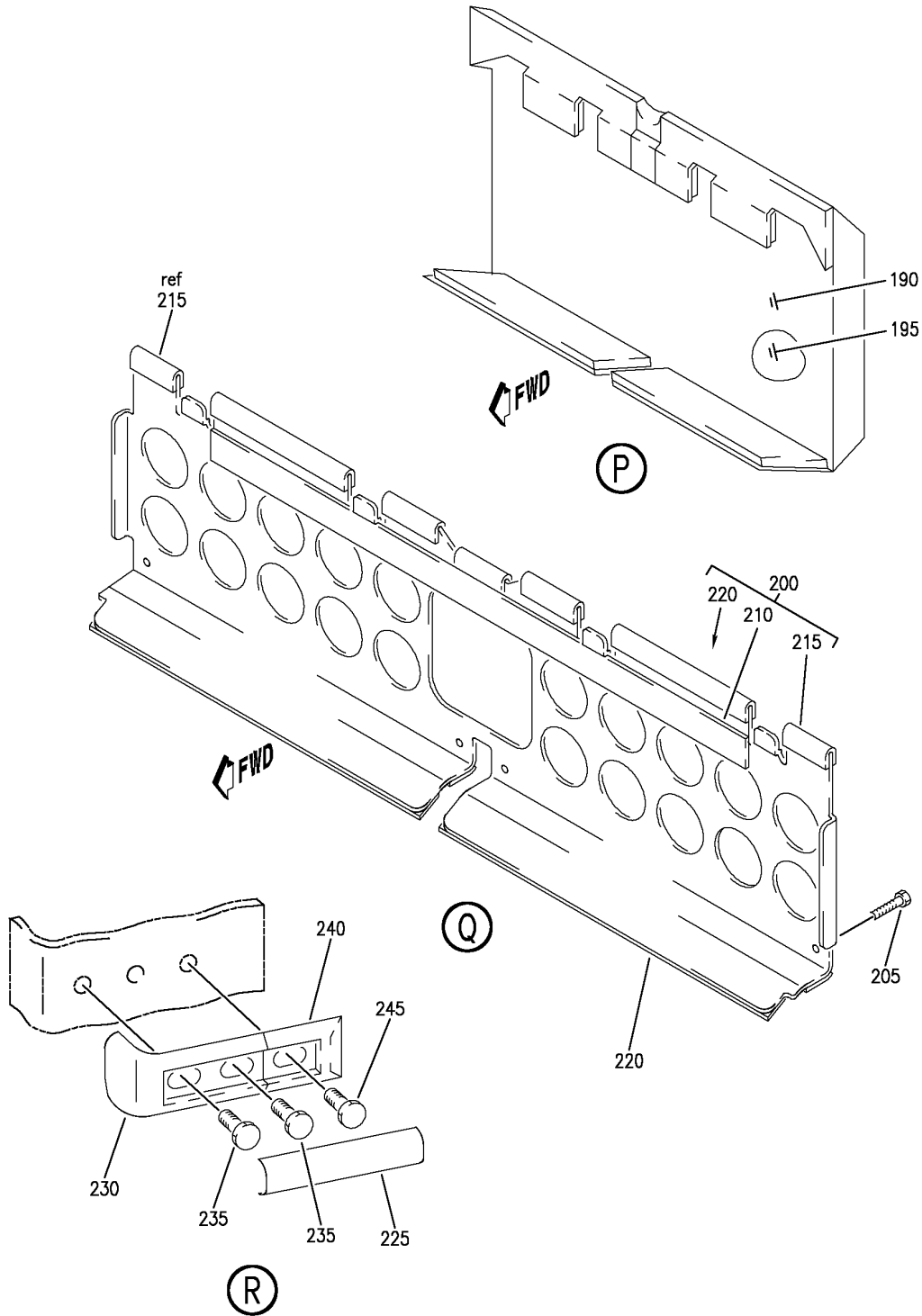
SEAT ASSY-ATTENDANT NARROW DBL WALL-MOUNTED
FIGURE 51Q (SHEET 5)

25-25-12-51Q

HAP
OCT 10/06

25-25-12-51Q
PAGE 0D

BOEING
 737-600/700/800/900
 PARTS CATALOG (MAINTENANCE)



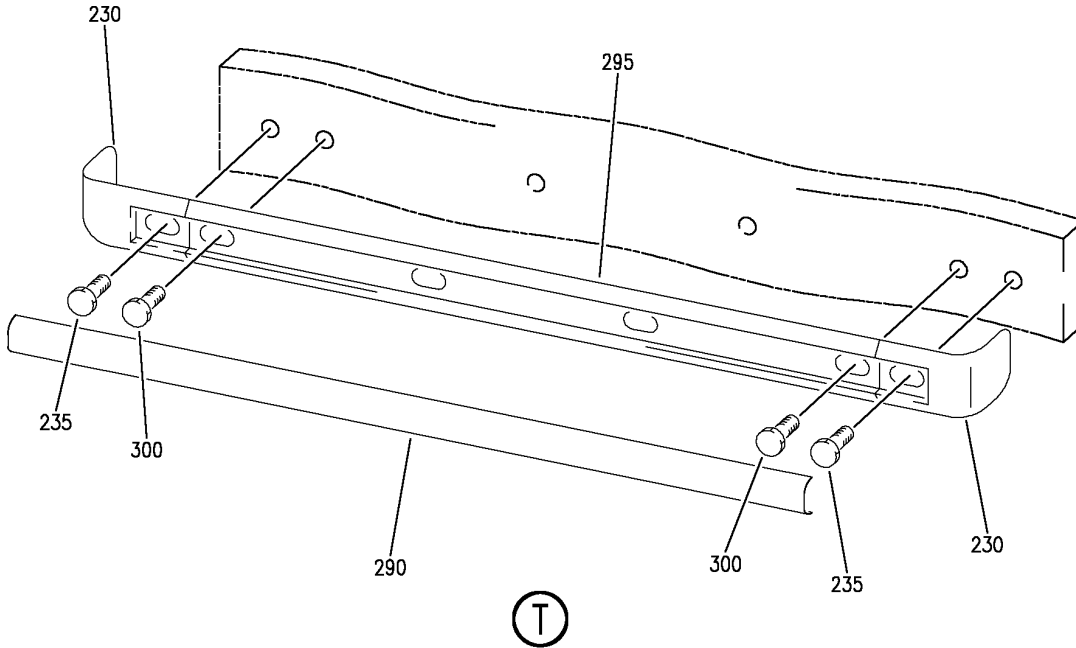
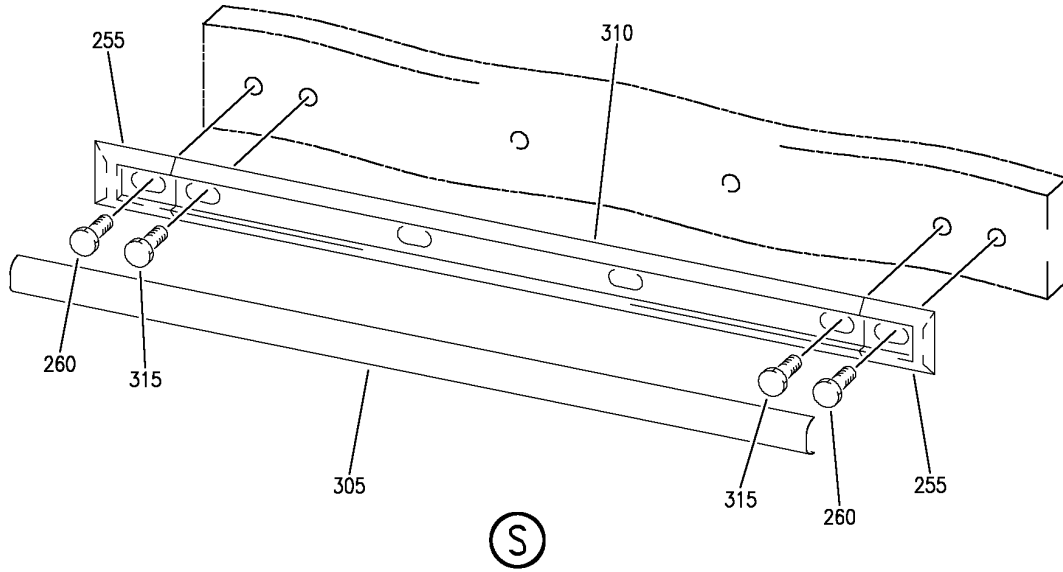
E 25251251Q SHT 6 REV 065

SEAT ASSY-ATTENDANT NARROW DBL WALL-MOUNTED
 FIGURE 51Q (SHEET 6)

25-25-12-51Q

HAP
 OCT 10/06

25-25-12-51Q
 PAGE 0E



E 25251251Q SHT 7 REV 065

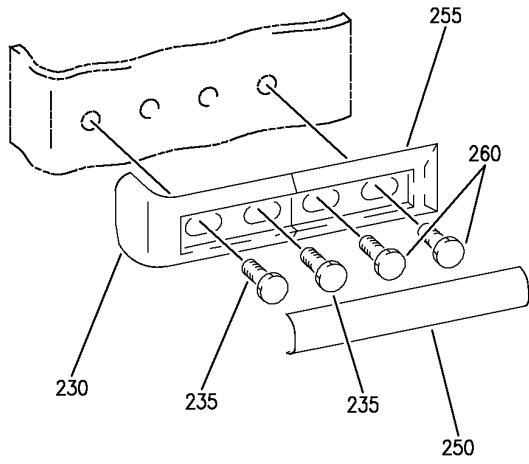
SEAT ASSY-ATTENDANT NARROW DBL WALL-MOUNTED
 FIGURE 51Q (SHEET 7)

25-25-12-51Q

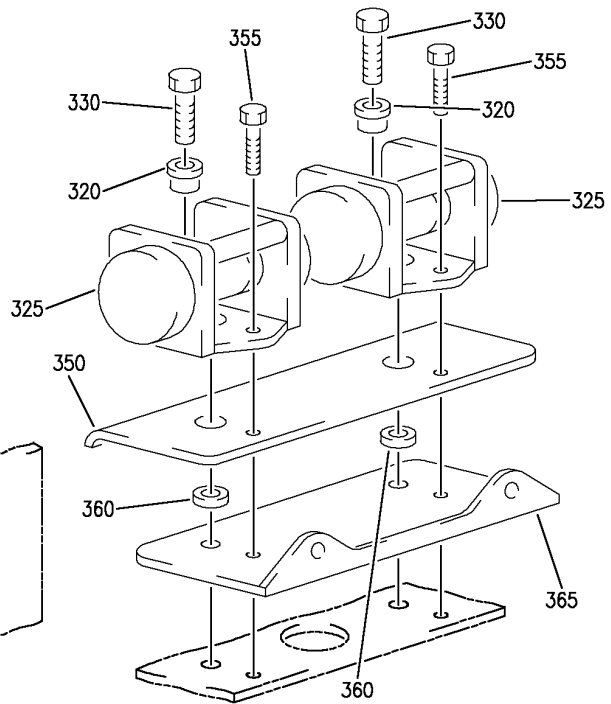
HAP
 OCT 10/06

25-25-12-51Q
 PAGE OF

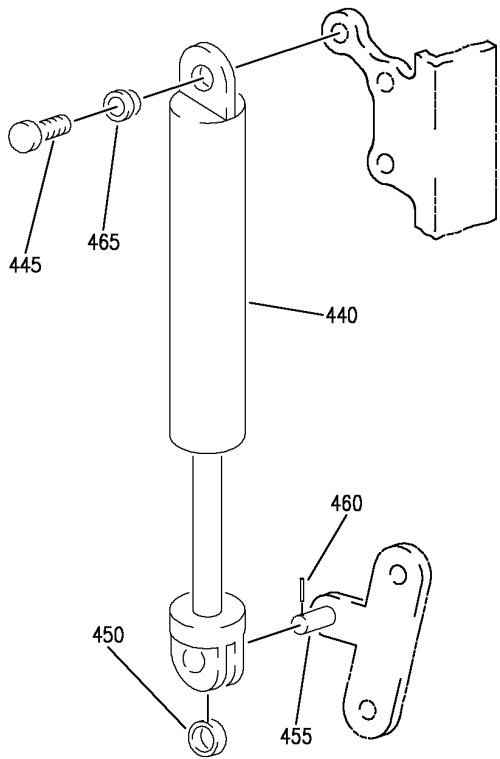
BOEING
 737-600/700/800/900
 PARTS CATALOG (MAINTENANCE)



U



V



W

E 25251251Q SHT 8 REV 065

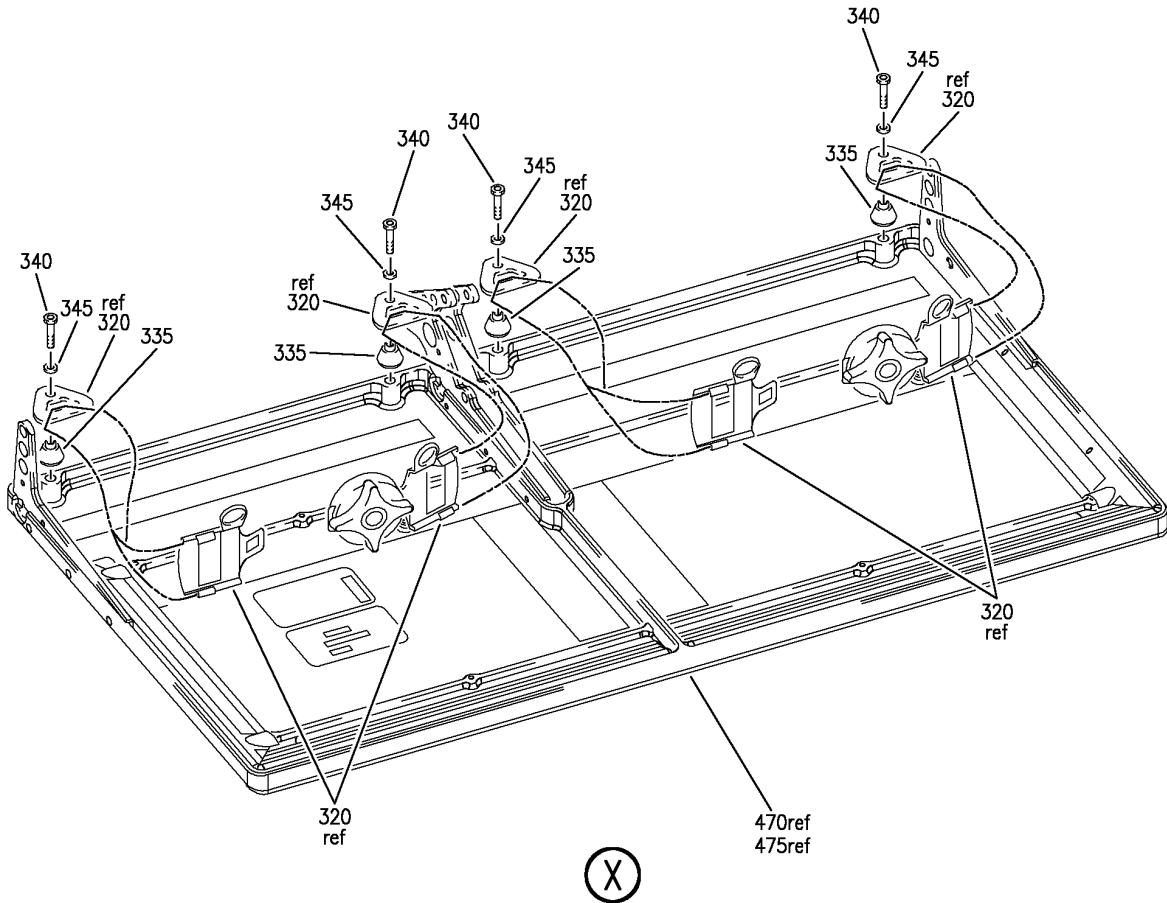
SEAT ASSY-ATTENDANT NARROW DBL WALL-MOUNTED
 FIGURE 51Q (SHEET 8)

25-25-12-51Q

HAP
 OCT 10/06

25-25-12-51Q
 PAGE 0G

BOEING
 737-600/700/800/900
 PARTS CATALOG (MAINTENANCE)



E 25251251Q SHT 9 REV 065

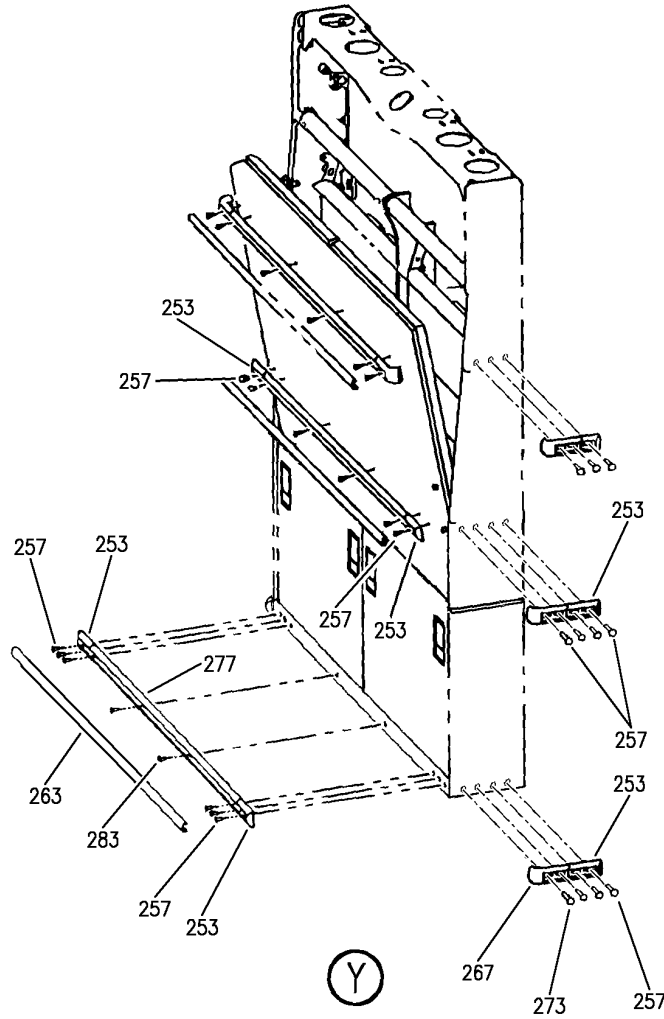
SEAT ASSY-ATTENDANT NARROW DBL WALL-MOUNTED
 FIGURE 51Q (SHEET 9)

25-25-12-51Q

HAP
 OCT 10/06

25-25-12-51Q
 PAGE 0H

BOEING
737-600/700/800/900
PARTS CATALOG (MAINTENANCE)



E 25251251Q SHT 10 REV 070

SEAT ASSY-ATTENDANT NARROW DBL WALL-MOUNTED
FIGURE 51Q (SHEET 10)

25-25-12-51Q

HAP
OCT 10/06

25-25-12-51Q
PAGE 01

BOEING
737-600/700/800/900
PARTS CATALOG (MAINTENANCE)

FIG ITEM	PART NUMBER	1 2 3 4 5 6 7	NOMENCLATURE	EFFECT FROM TO	UNITS PER ASSY
51Q					
- 1	2110-324CW		SEAT ASSY-ATTENDANT NARROW DBL WALL-MOUNTED	001030	
			SEAT ASSY-ATTENDANT NARROW DBL WALL MOUNTED SUPPLIER CODE: V31218 SPECIFICATION NUMBER: BCREF15329 COMPONENT MAINT MANUAL REF: 25-23-37 FOR NHA SEE: 25-25-12-03	001030	RF
- 3	2110-325CW		SEAT ASSY-ATTENDANT NARROW DBL WALL MOUNTED	001030	RF
			SUPPLIER CODE: V31218 SPECIFICATION NUMBER: BCREF15317 COMPONENT MAINT MANUAL REF: 25-23-37 FOR NHA SEE: 25-25-12-03		
- 5	2110-326CW		SEAT ASSY-ATTENDANT NARROW DBL WALL MOUNTED	001030	RF
			SUPPLIER CODE: V31218 SPECIFICATION NUMBER: BCREF15305 COMPONENT MAINT MANUAL REF: 25-23-37 FOR NHA SEE: 25-25-12-03		
50	2D7002-1A		. CUSHION AND COVER ASSY-	001030	1
			SUPPLIER CODE: V31218 USED ON: 2110-324CW		
55	2D7002-11A		.. COVER-HEADREST	001030	1
			SUPPLIER CODE: V31218		
60	2D7002-21		.. CUSHION-FIREBLOCK	001030	1
			SUPPLIER CODE: V31218		

MISSING ITEM NUMBERS NOT APPLICABLE

- ITEM NOT ILLUSTRATED

HAP

25-25-12-51Q

BOEING PROPRIETARY - Copyright © - Unpublished Work - See title page for details.

25-25-12
FIG. 51Q
PAGE 1
JUN 15/09


BOEING
 737-600/700/800/900
PARTS CATALOG (MAINTENANCE)

FIG ITEM	PART NUMBER	1 2 3 4 5 6 7	NOMENCLATURE	EFFECT FROM TO	UNITS PER ASSY	
R R R R R R R R R R R R	51Q 65	2D7017-3A	.CUSHION AND COVER ASSY- SUPPLIER CODE: V31218 USED ON: 2110-325CW 2110-328CW 2110-302CW	001030	1	
	70	2D7017-13A	..COVER-HEADREST SUPPLIER CODE: V31218	001030	1	
	75	2D7017-23	..CUSHION-FIREBLOCK SUPPLIER CODE: V31218	001030	1	
	80	2D7017-1A	.CUSHION AND COVER ASSY- SUPPLIER CODE: V31218 USED ON: 2110-326CW	001030	1	
	85	2D7017-11A	..COVER-HEADREST SUPPLIER CODE: V31218	001030	1	
	90	2D7017-21	..CUSHION-FIREBLOCK SUPPLIER CODE: V31218	001030	1	
	95	2D7000-1A	.CUSHION AND COVER ASSY- SUPPLIER CODE: V31218 USED ON: 2110-324CW	001030	1	
	100	2D7000-11A	..COVER-HEADREST SUPPLIER CODE: V31218	001030	1	
	105	2D7000-21	..CUSHION-FIREBLOCK SUPPLIER CODE: V31218	001030	1	
	R R R R R R R R R R	110	2D7017-4A	.CUSHION AND COVER ASSY- SUPPLIER CODE: V31218 USED ON: 2110-325CW 2110-328CW 2110-302CW	001030	1
		115	2D7017-14A	..COVER-HEADREST SUPPLIER CODE: V31218	001030	1
		120	2D7017-24	..CUSHION-FIREBLOCK SUPPLIER CODE: V31218	001030	1

MISSING ITEM NUMBERS NOT APPLICABLE

— ITEM NOT ILLUSTRATED

HAP

25-25-12-51Q

BOEING PROPRIETARY - Copyright © - Unpublished Work - See title page for details.

25-25-12
 FIG. 51Q
 PAGE 2
 JUN 15/09

BOEING
737-600/700/800/900
PARTS CATALOG (MAINTENANCE)

FIG ITEM	PART NUMBER	1 2 3 4 5 6 7	NOMENCLATURE	EFFECT FROM TO	UNITS PER ASSY
51Q 125	2D7017-2A		.CUSHION AND COVER ASSY- SUPPLIER CODE: V31218 USED ON: 2110-326CW	001030	1
130	2D7017-12A		..COVER-HEADREST SUPPLIER CODE: V31218	001030	1
135	2D7017-22		..CUSHION-FIREBLOCK SUPPLIER CODE: V31218	001030	1
140	2D7008-1A		.CUSHION AND COVER ASSY- SUPPLIER CODE: V31218	001030	1
145	2D7008-11A		..COVER-SEAT PAN SUPPLIER CODE: V31218	001030	1
150	2D7009-1		..CUSHION-SEAT PAN SUPPLIER CODE: V31218	001030	1
155	2D7008-2A		.CUSHION AND COVER ASSY- SUPPLIER CODE: V31218	001030	1
160	2D7008-12A		..COVER-SEAT PAN SUPPLIER CODE: V31218	001030	1
165	2D7009-2		..CUSHION-SEAT PAN SUPPLIER CODE: V31218	001030	1
170	2D7004-31A		.CUSHION AND COVER ASSY- SUPPLIER CODE: V31218	001030	2
175	2D7004-41A		..COVER-BACK SUPPLIER CODE: V31218 POSITION DATA: LWR	001030	2
180	2D7005-11		..CUSHION-BACK SUPPLIER CODE: V31218 POSITION DATA: LWR	001030	2
185	2D7006-1A		.CUSHION AND COVER ASSY- SUPPLIER CODE: V31218	001030	1

MISSING ITEM NUMBERS NOT APPLICABLE

— ITEM NOT ILLUSTRATED

HAP

25-25-12-51Q

BOEING PROPRIETARY - Copyright © - Unpublished Work - See title page for details.

25-25-12
FIG. 51Q
PAGE 3
JUN 15/09

BOEING
737-600/700/800/900
PARTS CATALOG (MAINTENANCE)

FIG ITEM	PART NUMBER	1 2 3 4 5 6 7	NOMENCLATURE	EFFECT FROM TO	UNITS PER ASSY
51Q 190	2D7006-11A		..COVER-BACK SUPPLIER CODE: V31218 POSITION DATA: UPR	001030	1
195	2D7007-1		..CUSHION-BACK SUPPLIER CODE: V31218 POSITION DATA: UPR	001030	1
200	2D1042-1AMJ		.PAN ASSY-BACK SUPPLIER CODE: V31218 POSITION DATA: UPR	001030	1
205	NAS623-2-16		.SCREW ATTACHING PARTS	001030	4
210	SJ3526GRY1ADH		..HOOK-ADH VELCRO GRAY SUPPLIER CODE: V5J466	001030	AR
215	SJ3527GRY1ADH		..LOOP-ADH VELCRO GRAY SUPPLIER CODE: V5J466	001030	AR
220	SJ3526GRY2ADH		..HOOK-ADH VELCRO GRAY SUPPLIER CODE: V5J466	001030	AR
225	S21012-25AMJ		.COVER-RUBSTRIP SUPPLIER CODE: V31218	001030	2
230	S70027-1AMJ		.CAP-RUBSTRIP SUPPLIER CODE: V31218	001030	6
235	AN525-832R6		.SCREW ATTACHING PARTS	001030	10
240	S70027-7AMJ		.CAP-END RUBSTRIP SUPPLIER CODE: V31218	001030	2
245	AN525-832R6		.SCREW ATTACHING PARTS	001030	2
250	S21012-11AMJ		.COVER-RUBSTRIP SUPPLIER CODE: V31218	001030	4
255	S70027-3AMJ		.CAP-END RUBSTRIP SUPPLIER CODE: V31218	001030	10

MISSING ITEM NUMBERS NOT APPLICABLE

— ITEM NOT ILLUSTRATED

HAP

25-25-12-51Q

BOEING PROPRIETARY - Copyright © - Unpublished Work - See title page for details.

25-25-12
FIG. 51Q
PAGE 4
JUN 15/09

BOEING
737-600/700/800/900
PARTS CATALOG (MAINTENANCE)

FIG ITEM	PART NUMBER	1 2 3 4 5 6 7	NOMENCLATURE	EFFECT FROM TO	UNITS PER ASSY
51Q			ATTACHING PARTS		
260	AN525-832R6		.SCREW	001030	14
			-----*-----		
- 265	S21012-69AMJ		.COVER-RUBSTRIP	001030	2
			SUPPLIER CODE: V31218		
- 270	S70027-5AMJ		.CAP-RUBSTRIP	001030	2
			SUPPLIER CODE: V31218		
			ATTACHING PARTS		
- 275	AN525-832R6		.SCREW	001030	2
			-----*-----		
- 280	S21011-33AMJ		.CHANNEL-RUBSTRIP	001030	2
			SUPPLIER CODE: V31218		
			ATTACHING PARTS		
- 285	AN525-832R6		.SCREW	001030	2
			-----*-----		
290	S21012-37AMJ		.COVER-RUBSTRIP	001030	1
			SUPPLIER CODE: V31218		
295	S21011-31AMJ		.CHANNEL-RUBSTRIP	001030	1
			SUPPLIER CODE: V31218		
			ATTACHING PARTS		
300	AN525-832R6		.SCREW	001030	4
			-----*-----		
305	S21012-27AMJ		.COVER-RUBSTRIP	001030	1
			SUPPLIER CODE: V31218		
310	S21011-21AMJ		.CHANNEL-RUBSTRIP	001030	1
			SUPPLIER CODE: V31218		
			ATTACHING PARTS		
315	AN525-832R6		.SCREW	001030	4
			-----*-----		
320	NAS77-3-033		.BUSHING	001030	4
325	2100002-01-227		.RESTRAINT-SYS	001030	2
			SUPPLIER CODE: V45402		
			ATTACHING PARTS		
330	NAS6203-10		.BOLT	001030	4
			-----*-----		
335	2D2017-1		.FITTING-LAP BELT	001030	4
			SUPPLIER CODE: V31218		
			ATTACHING PARTS		
340	NAS6203-8		.BOLT	001030	4

MISSING ITEM NUMBERS NOT APPLICABLE

- ITEM NOT ILLUSTRATED

HAP

25-25-12-51Q

BOEING PROPRIETARY - Copyright © - Unpublished Work - See title page for details.

25-25-12
FIG. 51Q
PAGE 5
JUN 15/09

BOEING
737-600/700/800/900
PARTS CATALOG (MAINTENANCE)

FIG ITEM	PART NUMBER	1 2 3 4 5 6 7	NOMENCLATURE	EFFECT FROM TO	UNITS PER ASSY
51Q					
345	AN960-10L		.WASHER -----*-----	001030	4
350	2D1067-1		.GUIDE-WEB WEAR SUPPLIER CODE: V31218 ATTACHING PARTS	001030	2
355	NAS623-2-3		.SCREW	001030	4
360	AN960-516		.WASHER -----*-----	001030	4
365	2D1037-1		.BRACKET-INERTIA REEL SUPPLIER CODE: V31218	001030	2
370	2D1041-1		.FUNNEL-PHONE CORD SUPPLIER CODE: V31218 USED ON: 2110-324CW 2110-325CW 2110-328CW	001030	1
375	2753		.PLUG-DOME SUPPLIER CODE: V28520 USED ON: 2110-326CW	001030	1
380	MS16624-2137		.RING- USED ON: 2110-324CW 2110-325CW 2110-328CW	001030	1
385	2110-35AMJ		.BOX ASSY-STOWAGE SUPPLIER CODE: V31218 USED ON: 2110-324CW FOR DETAILS SEE: 25-25-12-52K	001030	1
390	2110-37AMJ		.BOX ASSY-STOWAGE SUPPLIER CODE: V31218 USED ON: 2110-325CW FOR DETAILS SEE: 25-25-12-52K	001030	1

MISSING ITEM NUMBERS NOT APPLICABLE

— ITEM NOT ILLUSTRATED

HAP

25-25-12-51Q

BOEING PROPRIETARY - Copyright © - Unpublished Work - See title page for details.

25-25-12
FIG. 51Q
PAGE 6
JUN 15/09

BOEING
737-600/700/800/900
PARTS CATALOG (MAINTENANCE)

FIG ITEM	PART NUMBER	1 2 3 4 5 6 7	NOMENCLATURE	EFFECT FROM TO	UNITS PER ASSY
51Q 395	2110-38AMJ		.BOX ASSY-STOWAGE SUPPLIER CODE: V31218 USED ON: 2110-326CW 2110-328CW FOR DETAILS SEE: 25-25-12-52K ATTACHING PARTS	001030	1
400	NAS6203-3		.BOLT	001030	2
405	NAS623-2-1		.SCREW	001030	4
- 410	NAS623-2-7		.SCREW	001030	2
415	AN960-10L		.WASHER	001030	2
420	AN960-8		.WASHER	001030	4
- 425	AN960-8		.WASHER	001030	2
430	MS21042-3		.NUT	001030	2
- 435	MS21042-08		.NUT	001030	2
			-----*-----		
440	2D3014-1		.DAMPENER-HYDR SUPPLIER CODE: V24403 CONFIG CHG DATA FROM A CMM: SUPSD BY SP20523	001030	1
440	SP20523		.DAMPENER-SPR SUPPLIER CODE: V24403 CONFIG CHG DATA FROM A CMM: SUPERSEDES 2D3014-1 ATTACHING PARTS	001030	1
445	NAS623-3-3		.SCREW	001030	1
450	NAS43DD3-8		.SPACER	001030	1
455	MS20392-2C13		.PIN	001030	1
460	MS24665-132		.PIN	001030	1
			-----*-----		
465	NAS77-3-016		.BUSHING	001030	1
470	2110-3AMJ		.CORE ASSY- SUPPLIER CODE: V31218 USED ON: 2110-324CW FOR DETAILS SEE: 25-25-12-53G	001030	1

MISSING ITEM NUMBERS NOT APPLICABLE

- ITEM NOT ILLUSTRATED

HAP

25-25-12-51Q

BOEING PROPRIETARY - Copyright © - Unpublished Work - See title page for details.

25-25-12
FIG. 51Q
PAGE 7
JUN 15/09


BOEING
 737-600/700/800/900
PARTS CATALOG (MAINTENANCE)

FIG ITEM	PART NUMBER	1 2 3 4 5 6 7 NOMENCLATURE	EFFECT FROM TO	UNITS PER ASSY
51Q 475	2110-2AMJ	.CORE ASSY- SUPPLIER CODE: V31218 USED ON: 2110-325CW 2110-326CW 2110-328CW FOR DETAILS SEE: 25-25-12-53G	001030	1

MISSING ITEM NUMBERS NOT APPLICABLE

— ITEM NOT ILLUSTRATED

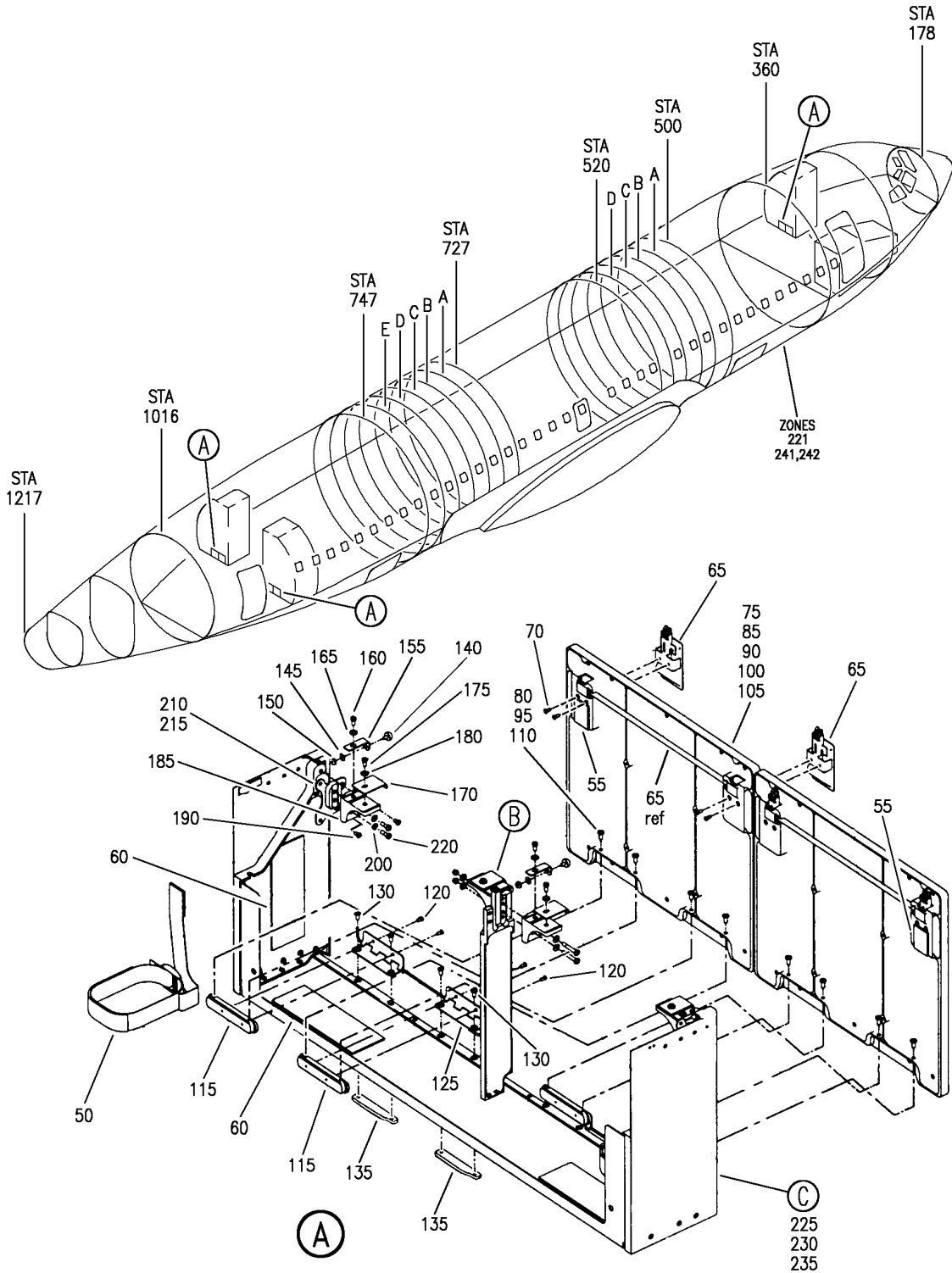
HAP

25-25-12-51Q

BOEING PROPRIETARY - Copyright © - Unpublished Work - See title page for details.

25-25-12
 FIG. 51Q
 PAGE 8
 JUN 15/09

BOEING
 737-600/700/800/900
 PARTS CATALOG (MAINTENANCE)



E 25251252J SHT 1 REV 065

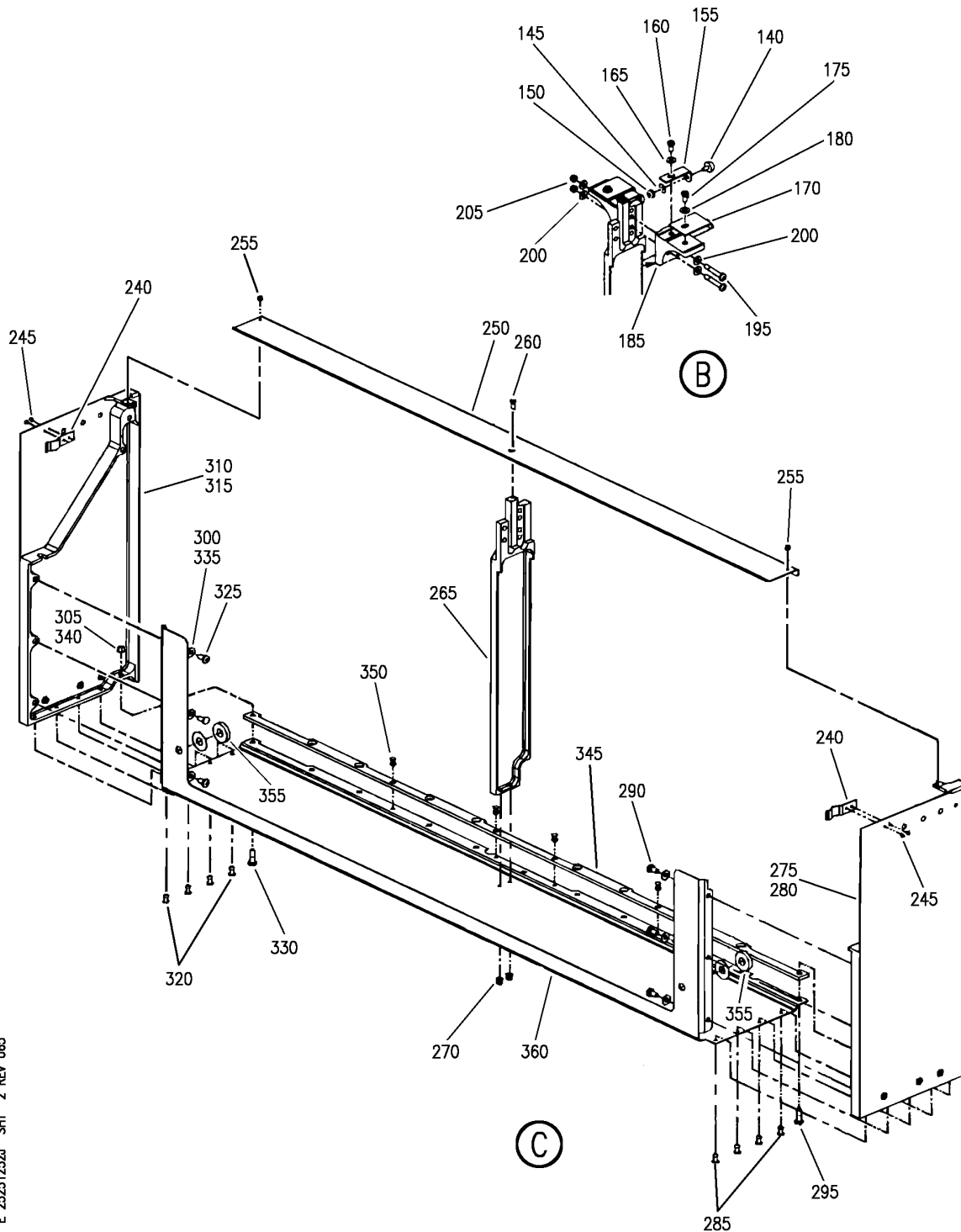
BOX ASSY-STOWAGE ATTENDANT SEAT NARROW DBL
 FIGURE 52J (SHEET 1)

25-25-12-52J

HAP
 OCT 15/08

25-25-12-52J
 PAGE 0

BOEING
 737-600/700/800/900
 PARTS CATALOG (MAINTENANCE)



E 25251252J SHT 2 REV 065

BOX ASSY-STOWAGE ATTENDANT SEAT NARROW DBL
 FIGURE 52J (SHEET 2)

25-25-12-52J

HAP
 OCT 15/08

25-25-12-52J
 PAGE 0A

BOEING
737-600/700/800/900
PARTS CATALOG (MAINTENANCE)

FIG ITEM	PART NUMBER	1 2 3 4 5 6 7	NOMENCLATURE	EFFECT FROM TO	UNITS PER ASSY
52J			BOX ASSY-STOWAGE ATTENDANT SEAT NARROW DBL	201967	
- 1	2110-35AMJ		BOX ASSY-STOWAGE ATTENDANT SEAT NARROW DBL SUPPLIER CODE: V31218 FOR NHA SEE: 25-25-12-51P	201967	RF
- 3	2110-37AMJ		BOX ASSY-STOWAGE ATTENDANT SEAT NARROW DBL SUPPLIER CODE: V31218 FOR NHA SEE: 25-25-12-51P	201967	RF
- 5	2110-38AMJ		BOX ASSY-STOWAGE ATTENDANT SEAT NARROW DBL SUPPLIER CODE: V31218 FOR NHA SEE: 25-25-12-51P	201967	RF
50	2D8007-1		.STRAP-LIFE VEST SUPPLIER CODE: V31218	201967	2
55	SJ3526GRY1ADH		.HOOK-ADH VELCRO GRAY SUPPLIER CODE: V5J466	201967	AR
60	SJ3526GRY2ADH		.HOOK-ADH VELCRO GRAY SUPPLIER CODE: V5J466	201967	AR
65	SAM222-18		.LATCH-DUAL SUPPLIER CODE: V31845	201967	2
70	NAS514P632-5P		ATTACHING PARTS .SCREW -----*-----	201967	8
75	2D1021-21AMJ		.DOOR-STOWAGE BOX SUPPLIER CODE: V31218 USED ON: 2110-35AMJ	201967	2
80	NAS602-6P		ATTACHING PARTS .SCREW -----*-----	201967	8
85	2D1021-23AMJ		.DOOR-STOWAGE BOX SUPPLIER CODE: V31218 USED ON: 2110-37AMJ	201967	1

MISSING ITEM NUMBERS NOT APPLICABLE

- ITEM NOT ILLUSTRATED

HAP

25-25-12-52J

BOEING PROPRIETARY - Copyright © - Unpublished Work - See title page for details.

25-25-12
FIG. 52J
PAGE 1
OCT 15/08

BOEING
737-600/700/800/900
PARTS CATALOG (MAINTENANCE)

FIG ITEM	PART NUMBER	1 2 3 4 5 6 7	NOMENCLATURE	EFFECT FROM TO	UNITS PER ASSY
52J 90	2D1021-21AMJ		.DOOR-STOWAGE BOX SUPPLIER CODE: V31218 USED ON: 2110-37AMJ ATTACHING PARTS	201967	1
95	NAS602-6P		.SCREW -----*-----	201967	8
100	2D1021-21AMJ		.DOOR-STOWAGE BOX SUPPLIER CODE: V31218 USED ON: 2110-38AMJ ATTACHING PARTS	201967	1
105	2D1021-24AMJ		.DOOR-STOWAGE BOX SUPPLIER CODE: V31218 USED ON: 2110-38AMJ ATTACHING PARTS	201967	1
110	NAS602-6P		.SCREW -----*-----	201967	8
115	2D1061-1AMJ		.COVER-HINGE STOWAGE BOX SUPPLIER CODE: V31218 ATTACHING PARTS	201967	4
120	NAS514P632-5P		.SCREW -----*-----	201967	8
125	2D1025-1		.HINGE-STOWAGE BOX SUPPLIER CODE: V31218 ATTACHING PARTS	201967	2
130	NAS1202-1		.SCREW -----*-----	201967	8
135	2D1141-1		.PLATE-THREADED DOOR HINGE SUPPLIER CODE: V31218	201967	4
140	827S		.SCREW-BUMPER SUPPLIER CODE: V8J913	201967	4
145	NAS1149FN616P		.WASHER	201967	4
150	MS21083N06		.NUT	201967	4
155	2D1022-1		.BRACKET-DOOR BUMPER SUPPLIER CODE: V31218 ATTACHING PARTS	201967	4
160	NAS1096-2-5		.SCREW	201967	4
165	NAS1149FN832P		.WASHER -----*-----	201967	4

MISSING ITEM NUMBERS NOT APPLICABLE

— ITEM NOT ILLUSTRATED

HAP

25-25-12-52J

BOEING PROPRIETARY - Copyright © - Unpublished Work - See title page for details.

25-25-12
FIG. 52J
PAGE 2
OCT 15/08

BOEING
737-600/700/800/900
PARTS CATALOG (MAINTENANCE)

FIG ITEM	PART NUMBER	1 2 3 4 5 6 7	NOMENCLATURE	EFFECT FROM TO	UNITS PER ASSY
52J 170	2D1023-1		.BRACKET-DOOR STRIKER SUPPLIER CODE: V31218 ATTACHING PARTS	201967	4
175	NAS1096-2-5		.SCREW	201967	4
180	NAS1149FN832P		.WASHER	201967	4
			-----*-----		
185	2D1068-1		.BASE-STRIKER BUMPER SUPPLIER CODE: V31218 ATTACHING PARTS	201967	4
190	NAS623-2-4		.SCREW	201967	4
195	NAS623-2-12		.SCREW	201967	2
200	NAS1149FN832P		.WASHER	201967	8
205	MS21042-08		.NUT	201967	2
			-----*-----		
210	2D1094-1		.PLATE-MTG STOW BOX SUPPLIER CODE: V31218	201967	1
215	2D1094-2		.PLATE-MTG STOW BOX SUPPLIER CODE: V31218 ATTACHING PARTS	201967	1
220	NAS514P832-5P		.SCREW	201967	4
			-----*-----		
225	2D1065-3AMJ		.BOX SUB ASSY-STOWAGE SUPPLIER CODE: V31218 USED ON: 2110-31AMJ 2110-35AMJ	201967	1
230	2D1065-11AMJ		.BOX SUB ASSY-STOWAGE SUPPLIER CODE: V31218 USED ON: 2110-37AMJ	201967	1
235	2D1065-12AMJ		.BOX SUB ASSY-STOWAGE SUPPLIER CODE: V31218 USED ON: 2110-38AMJ	201967	1
240	2D1032-1		..CLIP-STOWAGE BOX SUPPLIER CODE: V31218 ATTACHING PARTS	201967	2
245	NAS1097AD3-4		..RIVET	201967	4
			-----*-----		

MISSING ITEM NUMBERS NOT APPLICABLE

— ITEM NOT ILLUSTRATED

HAP

25-25-12-52J

BOEING PROPRIETARY - Copyright © - Unpublished Work - See title page for details.

25-25-12
FIG. 52J
PAGE 3
OCT 15/08

BOEING
737-600/700/800/900
PARTS CATALOG (MAINTENANCE)

FIG ITEM	PART NUMBER	1 2 3 4 5 6 7	NOMENCLATURE	EFFECT FROM TO	UNITS PER ASSY
52J 250	2D1064-3		.. FILLER-STOWAGE BOX SUPPLIER CODE: V31218 ATTACHING PARTS	201967	1
255	MS20426AD34		.. RIVET	201967	2
260	NAS514P632-5P		.. SCREW	201967	1
			-----*-----		
265	2D1142-1		.. ADAPTER-BASE STRIKER SUPPLIER CODE: V31218 ATTACHING PARTS	201967	1
270	MS20600AD4W2		.. RIVET	201967	2
			-----*-----		
275	2D1092-12		.. PANEL-STOWAGE BOX SUPPLIER CODE: V31218 POSITION DATA: SIDE USED ON: 2D1065-11AMJ	201967	1
280	2D1092-8		.. PANEL-STOWAGE BOX SUPPLIER CODE: V31218 POSITION DATA: SIDE USED ON: 2D1065-3AMJ 2D1065-12AMJ ATTACHING PARTS	201967	1
285	SD43BS		.. RIVET-SOLID UNIV HEA SUPPLIER CODE: V07707	201967	4
290	NAS623-2-1		.. SCREW	201967	3
295	NAS623-2-4		.. SCREW	201967	1
300	NAS1149FN832P		.. WASHER	201967	3
305	MS21042-08		.. NUT	201967	1
			-----*-----		
310	2D1092-7		.. PANEL-STOWAGE BOX SUPPLIER CODE: V31218 POSITION DATA: SIDE USED ON: 2D1065-11AMJ 2D1065-3AMJ	201967	1

MISSING ITEM NUMBERS NOT APPLICABLE

— ITEM NOT ILLUSTRATED

HAP

25-25-12-52J

BOEING PROPRIETARY - Copyright © - Unpublished Work - See title page for details.

25-25-12
FIG. 52J
PAGE 4
OCT 15/08

BOEING
737-600/700/800/900
PARTS CATALOG (MAINTENANCE)

FIG ITEM	PART NUMBER	1 2 3 4 5 6 7	NOMENCLATURE	EFFECT FROM TO	UNITS PER ASSY
52J 315	2D1092-11		.. PANEL-STOWAGE BOX SUPPLIER CODE: V31218 POSITION DATA: SIDE USED ON: 2D1065-12AMJ ATTACHING PARTS	201967	1
320	SD43BS		.. RIVET-SOLID UNIV HEA SUPPLIER CODE: V07707	201967	4
325	NAS623-2-1		.. SCREW	201967	3
330	NAS623-2-4		.. SCREW	201967	1
335	NAS1149FN832P		.. WASHER	201967	3
340	MS21042-08		.. NUT	201967	1
			-----*-----		
345	2D1140-1		.. STIFFENER-DOOR HINGE SUPPLIER CODE: V31218 ATTACHING PARTS	201967	1
350	MS20601AD4W3		.. RIVET	201967	4
			-----*-----		
355	2D1086-1		.. PAD-MTG STOWAGE BOX SUPPLIER CODE: V31218	201967	2
360	2D1033-23		.. PAN-FLOOR STOWAGE BOX SUPPLIER CODE: V31218	201967	1

MISSING ITEM NUMBERS NOT APPLICABLE

— ITEM NOT ILLUSTRATED

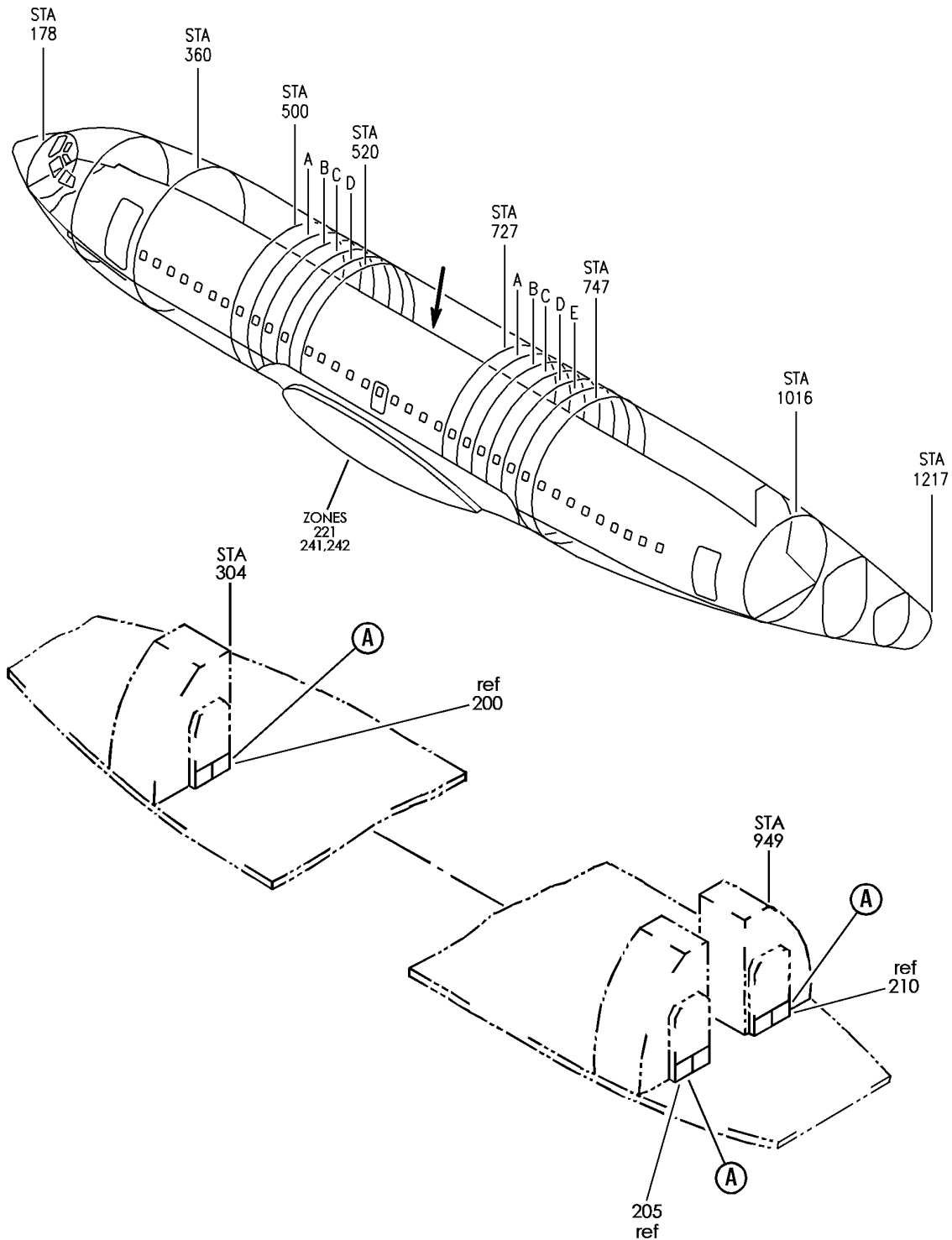
HAP

25-25-12-52J

BOEING PROPRIETARY - Copyright © - Unpublished Work - See title page for details.

25-25-12
FIG. 52J
PAGE 5
OCT 15/08

BOEING
 737-600/700/800/900
 PARTS CATALOG (MAINTENANCE)



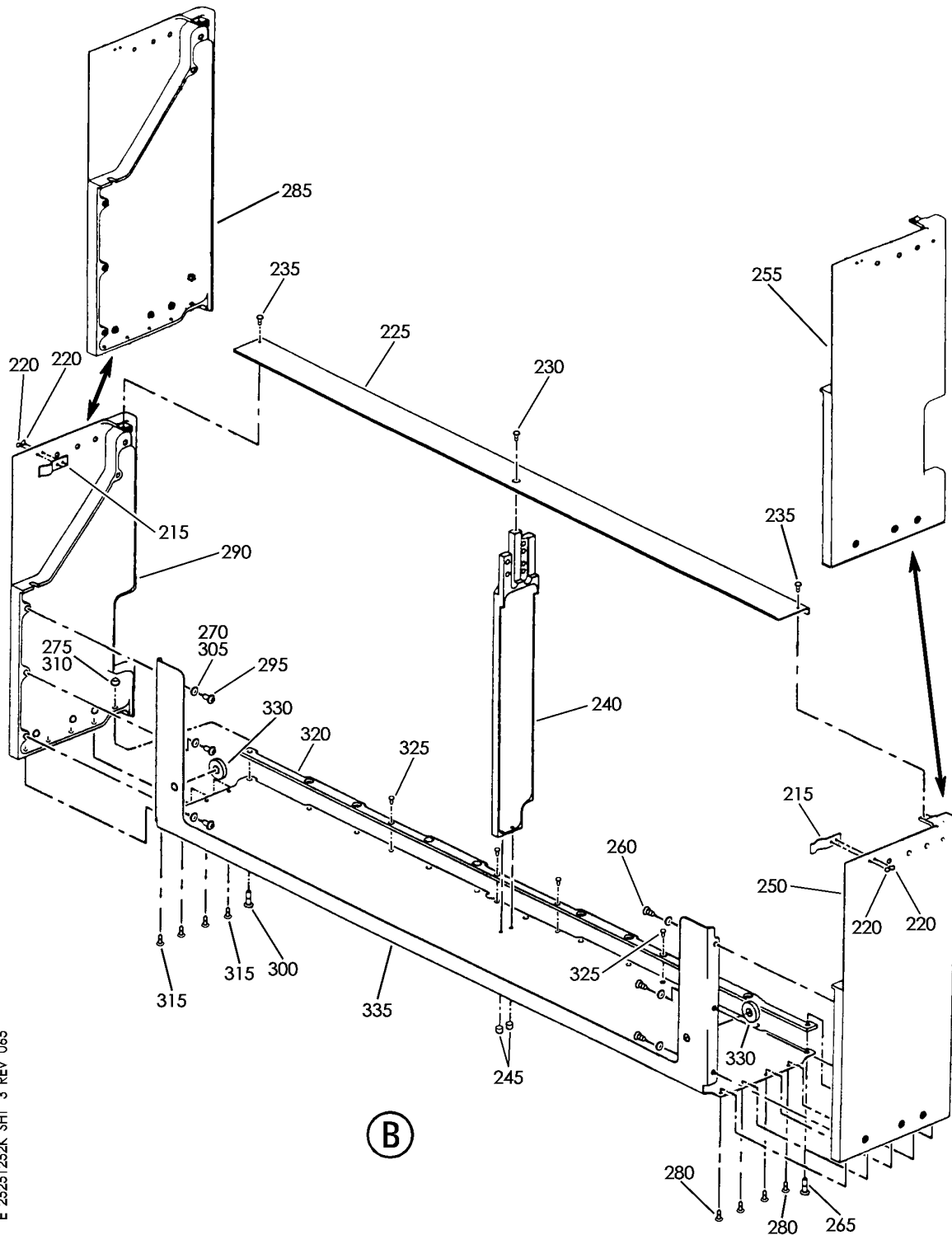
E 25251252K SHT 1 REV 065

BOX ASSY-STOWAGE ATTENDANT SEAT NARROW DBL
 FIGURE 52K (SHEET 1)

25-25-12-52K

HAP
 OCT 10/06

25-25-12-52K
 PAGE 0



E 25251252K SHT 3 REV 065

BOX ASSY-STOWAGE ATTENDANT SEAT NARROW DBL
 FIGURE 52K (SHEET 3)

25-25-12-52K

HAP
 OCT 10/06

25-25-12-52K
 PAGE 0B

BOEING
737-600/700/800/900
PARTS CATALOG (MAINTENANCE)

FIG ITEM	PART NUMBER	1 2 3 4 5 6 7	NOMENCLATURE	EFFECT FROM TO	UNITS PER ASSY
52K			BOX ASSY-STOWAGE ATTENDANT SEAT NARROW DBL	001030	
- 1	2110-35AMJ		BOX ASSY-STOWAGE ATTENDANT SEAT NARROW DBL SUPPLIER CODE: V31218 FOR NHA SEE: 25-25-12-51Q	001030	RF
- 3	2110-37AMJ		BOX ASSY-STOWAGE ATTENDANT SEAT NARROW DBL SUPPLIER CODE: V31218 FOR NHA SEE: 25-25-12-51Q	001030	RF
- 5	2110-38AMJ		BOX ASSY-STOWAGE ATTENDANT SEAT NARROW DBL SUPPLIER CODE: V31218 FOR NHA SEE: 25-25-12-51Q	001030	RF
50	2D8007-1		.STRAP-LIFE VEST SUPPLIER CODE: V31218	001030	2
55	SJ3526GRY1ADH		.HOOK-ADH VELCRO GRAY SUPPLIER CODE: V5J466	001030	AR
60	SJ3526GRY2ADH		.HOOK-ADH VELCRO GRAY SUPPLIER CODE: V5J466	001030	AR
65	SAM222-18		.LATCH-DUAL SUPPLIER CODE: V31845	001030	2
70	NAS514P632-5P		ATTACHING PARTS .SCREW -----*-----	001030	8
75	2D1021-21AMJ		.DOOR- SUPPLIER CODE: V31218 USED ON: 2110-35AMJ	001030	2
76	2D1021-21AMJ		.DOOR- SUPPLIER CODE: V31218 POSITION DATA: LH SIDE USED ON: 2110-37AMJ	001030	1

MISSING ITEM NUMBERS NOT APPLICABLE

- ITEM NOT ILLUSTRATED

HAP

25-25-12-52K

BOEING PROPRIETARY - Copyright © - Unpublished Work - See title page for details.

25-25-12
FIG. 52K
PAGE 1
OCT 10/06

BOEING
737-600/700/800/900
PARTS CATALOG (MAINTENANCE)

FIG ITEM	PART NUMBER	1 2 3 4 5 6 7	NOMENCLATURE	EFFECT FROM TO	UNITS PER ASSY
52K 77	2D1021-24AMJ	.DOOR-	SUPPLIER CODE: V31218 POSITION DATA: LH SIDE USED ON: 2110-38AMJ	001030	1
78	2D1021-23AMJ	.DOOR-	SUPPLIER CODE: V31218 POSITION DATA: RH SIDE USED ON: 2110-37AMJ	001030	1
79	2D1021-21AMJ	.DOOR-	SUPPLIER CODE: V31218 POSITION DATA: RH SIDE USED ON: 2110-38AMJ	001030	1
80	NAS602-6P	.SCREW	ATTACHING PARTS	001030	8
85	2D1061-1AMJ	.COVER-HINGE	-----*----- SUPPLIER CODE: V31218 ATTACHING PARTS	001030	4
90	NAS514P632-5P	.SCREW	-----*-----	001030	8
95	2D1025-1	.HINGE-	SUPPLIER CODE: V31218 ATTACHING PARTS	001030	2
100	NAS1202-1	.SCREW	-----*-----	001030	8
105	2D1141-1	.PLATE-THREADED DOOR HINGE	SUPPLIER CODE: V31218	001030	4
110	827S	.SCREW-BUMPER	SUPPLIER CODE: V8J913	001030	4
115	AN960-6L	.WASHER		001030	4
120	MS21083N06	.NUT		001030	4
125	2D1022-1	.BRACKET-DOOR BUMPER	SUPPLIER CODE: V31218 ATTACHING PARTS	001030	4
130	NAS1096-2-5	.SCREW		001030	4

MISSING ITEM NUMBERS NOT APPLICABLE

— ITEM NOT ILLUSTRATED

HAP

25-25-12-52K

BOEING PROPRIETARY - Copyright © - Unpublished Work - See title page for details.

25-25-12
FIG. 52K
PAGE 2
OCT 10/06

BOEING
737-600/700/800/900
PARTS CATALOG (MAINTENANCE)

FIG ITEM	PART NUMBER	1 2 3 4 5 6 7	NOMENCLATURE	EFFECT FROM TO	UNITS PER ASSY
52K 135	AN960-8		.WASHER -----*-----	001030	4
140	2D1023-1		.BRACKET-DOOR STRIKER SUPPLIER CODE: V31218 ATTACHING PARTS	001030	4
145	NAS1096-2-5		.SCREW	001030	4
150	AN960-8		.WASHER -----*-----	001030	4
155	2D1068-1		.BASE-STRIKER BUMPER SUPPLIER CODE: V31218	001030	4
160	NAS623-2-4		.SCREW	001030	4
165	NAS623-2-12		.SCREW	001030	2
170	AN960-8		.WASHER	001030	8
175	MS21042-08		.NUT	001030	2
180	2D1094-1		.PLATE-MTG SUPPLIER CODE: V31218	001030	1
185	2D1094-2		.PLATE-MTG SUPPLIER CODE: V31218	001030	1
190	NAS514P832-5P		.SCREW	001030	4
200	2D1065-3AMJ		.BOX SUB ASSY- SUPPLIER CODE: V31218 USED ON: 2110-35AMJ	001030	1
205	2D1065-11AMJ		.BOX SUB ASSY- SUPPLIER CODE: V31218 USED ON: 2110-37AMJ	001030	1
210	2D1065-12AMJ		.BOX SUB ASSY- SUPPLIER CODE: V31218 USED ON: 2110-38AMJ	001030	1
215	2D1032-1		..CLIP- SUPPLIER CODE: V31218 ATTACHING PARTS	001030	2
220	NAS1097AD3-4		..RIVET -----*-----	001030	4
225	2D1064-3		..FILLER- SUPPLIER CODE: V31218 ATTACHING PARTS	001030	1
230	NAS514P632-5P		..SCREW	001030	1

MISSING ITEM NUMBERS NOT APPLICABLE

— ITEM NOT ILLUSTRATED

HAP

25-25-12-52K

BOEING PROPRIETARY - Copyright © - Unpublished Work - See title page for details.

25-25-12
FIG. 52K
PAGE 3
OCT 10/06

BOEING
737-600/700/800/900
PARTS CATALOG (MAINTENANCE)

FIG ITEM	PART NUMBER	1 2 3 4 5 6 7	NOMENCLATURE	EFFECT FROM TO	UNITS PER ASSY
52K 235	MS20426AD34	..	RIVET -----*-----	001030	2
240	2D1142-1	..	ADAPTER-BASE STRIKER SUPPLIER CODE: V31218 ATTACHING PARTS	001030	1
245	MS20600AD4W2	..	RIVET -----*-----	001030	2
250	2D1092-8	..	PANEL- SUPPLIER CODE: V31218 POSITION DATA: SIDE USED ON: 2D1065-3AMJ 2D1065-12AMJ	001030	1
255	2D1092-12	..	PANEL- SUPPLIER CODE: V31218 POSITION DATA: SIDE USED ON: 2D1065-11AMJ ATTACHING PARTS	001030	1
260	NAS623-2-1	..	SCREW	001030	3
265	NAS623-2-4	..	SCREW	001030	1
270	AN960-8	..	WASHER	001030	3
275	MS21042-08	..	NUT	001030	1
280	SD43BS	..	RIVET-SOLID UNIV HEA SUPPLIER CODE: V07707 -----*-----	001030	4
285	2D1092-7	..	PANEL- SUPPLIER CODE: V31218 POSITION DATA: SIDE USED ON: 2D1065-3AMJ 2D1065-11AMJ	001030	1
290	2D1092-11	..	PANEL- SUPPLIER CODE: V31218 USED ON: 2D1065-12AMJ ATTACHING PARTS	001030	1
295	NAS623-2-1	..	SCREW	001030	3
300	NAS623-2-4	..	SCREW	001030	1
305	AN960-8	..	WASHER	001030	3

MISSING ITEM NUMBERS NOT APPLICABLE

— ITEM NOT ILLUSTRATED

HAP

25-25-12-52K

BOEING PROPRIETARY - Copyright © - Unpublished Work - See title page for details.

25-25-12
FIG. 52K
PAGE 4
OCT 10/06

BOEING
737-600/700/800/900
PARTS CATALOG (MAINTENANCE)

FIG ITEM	PART NUMBER	1 2 3 4 5 6 7	NOMENCLATURE	EFFECT FROM TO	UNITS PER ASSY
52K					
310	MS21042-08	..	NUT	001030	1
315	SD43BS	..	RIVET-SOLID UNIV HEA SUPPLIER CODE: V07707 -----*-----	001030	4
320	2D1140-1	..	STIFFENER-DOOR HINGE SUPPLIER CODE: V31218 ATTACHING PARTS	001030	1
325	MS20601AD4W3	..	RIVET -----*-----	001030	4
330	2D1086-1AMJ	..	PAD-MTG SUPPLIER CODE: V31218	001030	2
335	2D1033-23	..	PAN-FLOOR SUPPLIER CODE: V31218	001030	1

MISSING ITEM NUMBERS NOT APPLICABLE

— ITEM NOT ILLUSTRATED

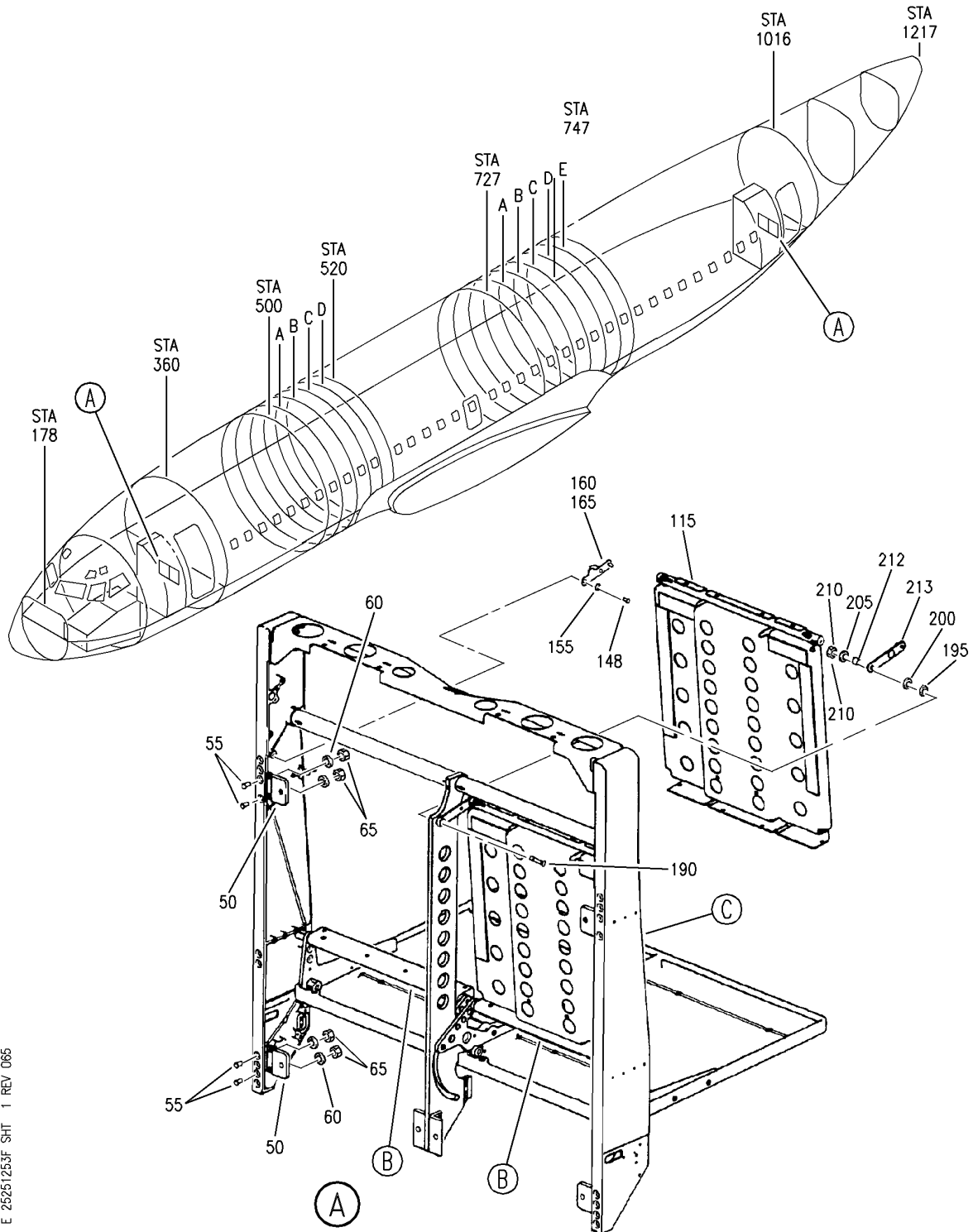
HAP

25-25-12-52K

BOEING PROPRIETARY - Copyright © - Unpublished Work - See title page for details.

25-25-12
FIG. 52K
PAGE 5
OCT 10/06

BOEING
 737-600/700/800/900
 PARTS CATALOG (MAINTENANCE)



E 25251253F SHT 1 REV 065

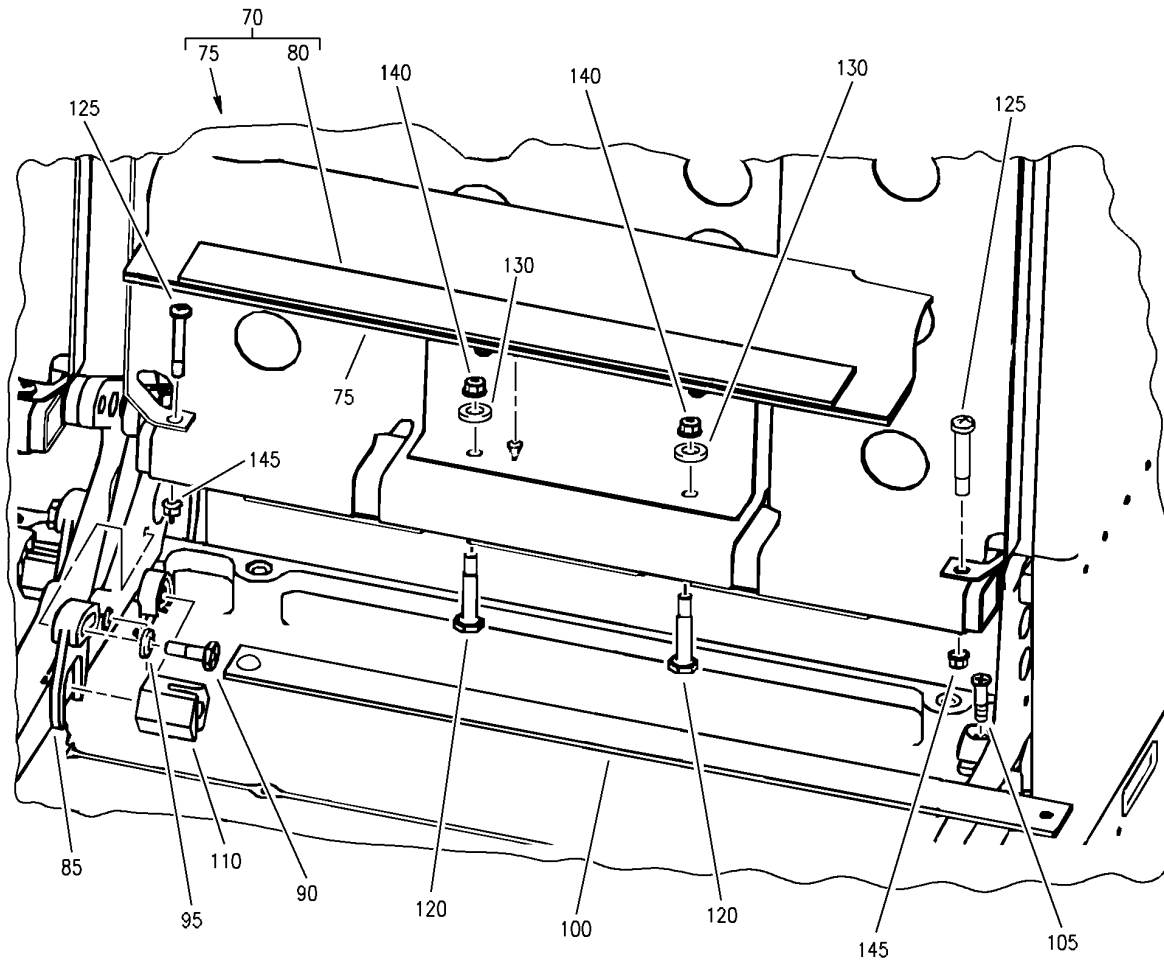
CORE ASSY-SEAT ATTENDANT
 FIGURE 53F (SHEET 1)

25-25-12-53F

HAP
 OCT 15/08

25-25-12-53F
 PAGE 0

BOEING
 737-600/700/800/900
 PARTS CATALOG (MAINTENANCE)



E 25251253F SH1 2 REV 065

(B)

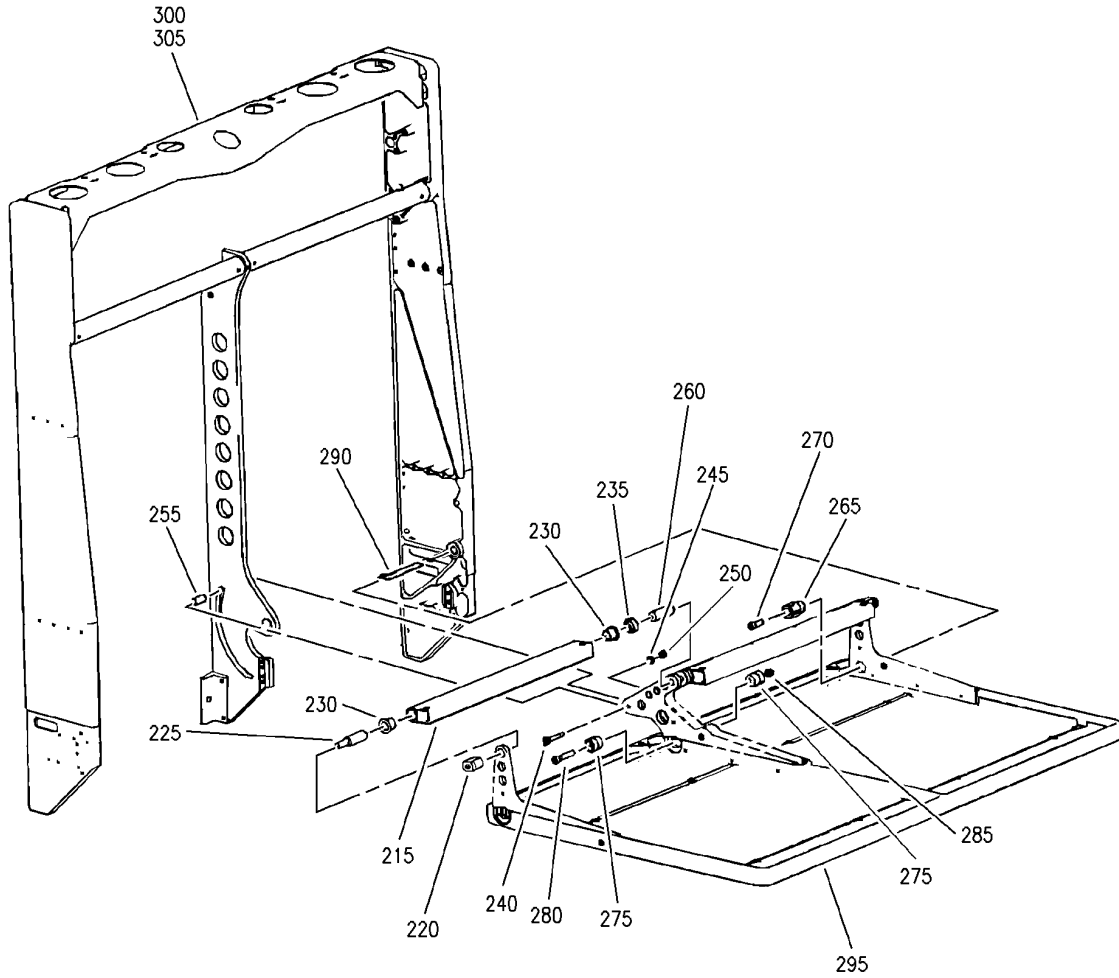
CORE ASSY-SEAT ATTENDANT
 FIGURE 53F (SHEET 2)

25-25-12-53F

HAP
 OCT 15/08

25-25-12-53F
 PAGE 0A

BOEING
737-600/700/800/900
PARTS CATALOG (MAINTENANCE)



©

E 25251253F SHT 3 REV 065

CORE ASSY-SEAT ATTENDANT
FIGURE 53F (SHEET 3)

25-25-12-53F

HAP
OCT 15/08

25-25-12-53F
PAGE 0B

BOEING
737-600/700/800/900
PARTS CATALOG (MAINTENANCE)

FIG ITEM	PART NUMBER	1 2 3 4 5 6 7	NOMENCLATURE	EFFECT FROM TO	UNITS PER ASSY
53F					
- 1	2110-2AMJ		CORE ASSY-SEAT ATTENDANT CORE ASSY-SEAT ATTENDANT SUPPLIER CODE: V31218 FOR NHA SEE: 25-25-12-51P	201967 201967	RF
- 5	2110-3AMJ		CORE ASSY-SEAT ATTENDANT SUPPLIER CODE: V31218 FOR NHA SEE: 25-25-12-51P	201967	RF
50	2D1040-1		.BRACKET-MTG SUPPLIER CODE: V31218 ATTACHING PARTS	201967	4
55	NAS1203-4		.BOLT	201967	8
60	NAS1149F0332J		.WASHER	201967	8
65	MS21042-3		.NUT	201967	8
			-----*-----		
70	2D2027-5		.COVER ASSY-TORSION SPR SUPPLIER CODE: V31218	201967	2
75	SJ3526GRY1ADH		..HOOK-ADH VELCRO GRAY SUPPLIER CODE: V5J466	201967	AR
80	SJ3527GRY1ADH		..LOOP-ADH VELCRO GRAY SUPPLIER CODE: V5J466	201967	AR
85	2D2022-3		.LOCK-TORSION SPR SUPPLIER CODE: V31218 ATTACHING PARTS	201967	2
90	NAS6203-5		.BOLT	201967	2
95	NAS1149F0332J		.WASHER	201967	2
			-----*-----		
100	2D2023-7		.SPRING-TORSION FLAT SUPPLIER CODE: V31218 ATTACHING PARTS	201967	2
105	NAS1202-7		.BOLT	201967	2
			-----*-----		
110	2D2019-5		.ANCHOR-SPR SUPPLIER CODE: V31218	201967	2

MISSING ITEM NUMBERS NOT APPLICABLE

- ITEM NOT ILLUSTRATED

HAP

25-25-12-53F

BOEING PROPRIETARY - Copyright © - Unpublished Work - See title page for details.

25-25-12
FIG. 53F
PAGE 1
OCT 15/08

BOEING
737-600/700/800/900
PARTS CATALOG (MAINTENANCE)

FIG ITEM	PART NUMBER	1 2 3 4 5 6 7	NOMENCLATURE	EFFECT FROM TO	UNITS PER ASSY
53 F 115	2110-23AMJ		.BACK ASSY- SUPPLIER CODE: V31218 POSITION DATA: LWR CONFIG CHG DATA FROM A CMM: SUPERSEDES 2110-21AMJ COMPONENT MAINT MANUAL REF: 25-25-23 FOR DETAILS SEE: 25-25-12-54C ATTACHING PARTS	201967	2
120	NAS6203-13		.BOLT	201967	4
125	NAS623-2-13		.SCREW- CONFIG CHG DATA FROM A CMM: SUPERSEDES NAS623-213	201967	4
130	NAS1149F0363P		.WASHER	201967	4
140	MS21042-3		.NUT	201967	4
145	MS21042-08		.NUT	201967	4
			-----*-----		
148	NAS623-3-3		.SCREW	201967	2
155	NAS77-3-016		.BUSHING	201967	2
160	2D3013-1		.LINK- SUPPLIER CODE: V31218 POSITION DATA: UPR BACK	201967	1
165	2D3013-2		.LINK- SUPPLIER CODE: V31218 POSITION DATA: UPR BACK	201967	1
190	NAS623-3-13		.SCREW	201967	1
195	NAS1149F0563P		.WASHER	201967	2
200	NAS1149F0532P		.WASHER	201967	2
205	NAS1149F0363P		.WASHER	201967	1
210	MS21042-3		.NUT	201967	1
212	NAS77-3-025		.BUSHING	201967	2
213	2D3013-3		.LINK- SUPPLIER CODE: V31218 POSITION DATA: UPR BACK	201967	2
215	2D3012-1AMJ		.ATTACH- SUPPLIER CODE: V31218 POSITION DATA: LWR BACK	201967	2

MISSING ITEM NUMBERS NOT APPLICABLE

— ITEM NOT ILLUSTRATED

HAP

25-25-12-53F

BOEING PROPRIETARY - Copyright © - Unpublished Work - See title page for details.

25-25-12
FIG. 53F
PAGE 2
OCT 15/08

BOEING
737-600/700/800/900
PARTS CATALOG (MAINTENANCE)

FIG ITEM	PART NUMBER	1 2 3 4 5 6 7	NOMENCLATURE	EFFECT FROM TO	UNITS PER ASSY
53 F					
220	2D2015-1	.	STOP-SEAT PAN SUPPLIER CODE: V31218	201967	2
225	2D2013-3	.	PIVOT- SUPPLIER CODE: V31218 POSITION DATA: LWR BACK	201967	2
230	8L5-1-2F	.	NYLINER-FLANGED SUPPLIER CODE: V96881 CONFIG CHG DATA FROM A CMM: SUPERSEDES 8L8FK	201967	4
235	2D2016-1	.	BUSHING-PIVOT SUPPLIER CODE: V31218	201967	2
240	NAS6203-15	.	BOLT	201967	1
245	NAS1149F0363P	.	WASHER	201967	1
250	MS21042-3	.	NUT	201967	1
255	NAS75-3-024	.	BUSHING	201967	1
260	2D2013-1	.	PIVOT- SUPPLIER CODE: V31218 POSITION DATA: LWR BACK	201967	2
265	2D2018-1	.	BUSHING-ANCHOR SEAT PAN SUPPLIER CODE: V31218	201967	2
270	MS21262-37	.	SCREW	201967	2
275	2D2020-5	.	BUSHING-SEAT PAN SUPPLIER CODE: V31218	201967	2
280	MS21262-64	.	SCREW	201967	1
285	MS21042-4	.	NUT	201967	1
290	MS16555-21	.	PIN	201967	4
295	2110-22AMJ	.	PAN ASSY- SUPPLIER CODE: V31218 CONFIG CHG DATA FROM A CMM: SUPERSEDES 2110-20AMJ FOR DETAILS SEE: 25-25-12-55D	201967	1
300	2110-10AMJ	.	BASE ASSY-NARROW DBL SUPPLIER CODE: V31218 USED ON: 2110-2AMJ FOR DETAILS SEE: 25-25-12-56A	201967	1

MISSING ITEM NUMBERS NOT APPLICABLE

— ITEM NOT ILLUSTRATED

HAP

25-25-12-53F

BOEING PROPRIETARY - Copyright © - Unpublished Work - See title page for details.

25-25-12
FIG. 53F
PAGE 3
OCT 15/08


BOEING
 737-600/700/800/900
PARTS CATALOG (MAINTENANCE)

FIG ITEM	PART NUMBER	1 2 3 4 5 6 7 NOMENCLATURE	EFFECT FROM TO	UNITS PER ASSY
53 F 305	2110-11AMJ	.BASE ASSY-NARROW DBL SUPPLIER CODE: V31218 USED ON: 2110-3AMJ FOR DETAILS SEE: 25-25-12-56A	201967	1

MISSING ITEM NUMBERS NOT APPLICABLE

— ITEM NOT ILLUSTRATED

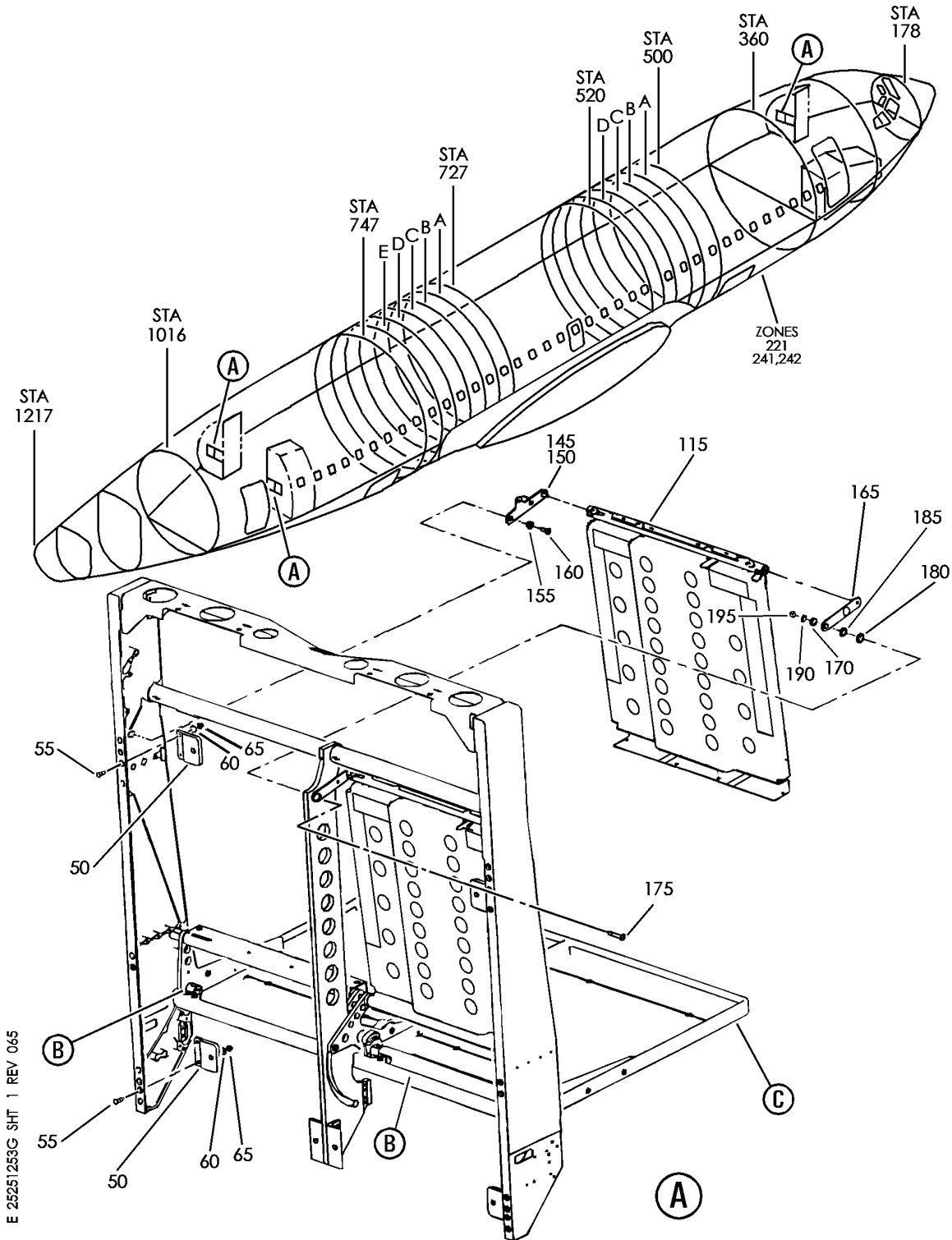
HAP

25-25-12-53F

BOEING PROPRIETARY - Copyright © - Unpublished Work - See title page for details.

25-25-12
 FIG. 53F
 PAGE 4
 OCT 15/08

BOEING
 737-600/700/800/900
 PARTS CATALOG (MAINTENANCE)



E 25251253G SHT 1 REV 065

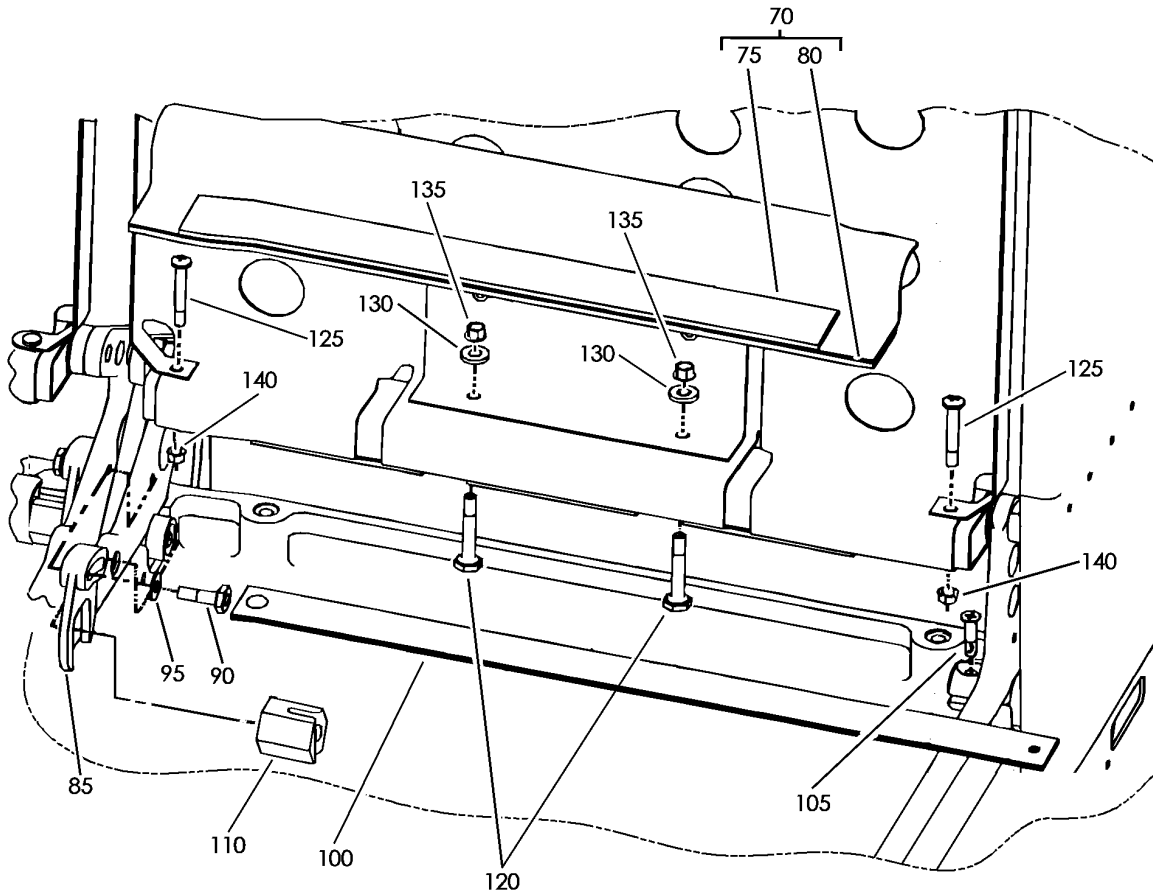
CORE ASSY-SEAT ATTENDANT
 FIGURE 53G (SHEET 1)

25-25-12-53G

HAP
 OCT 10/06

25-25-12-53G
 PAGE 0

BOEING
 737-600/700/800/900
 PARTS CATALOG (MAINTENANCE)



E 25251253G SHT 2 REV 065

FWD

(B)

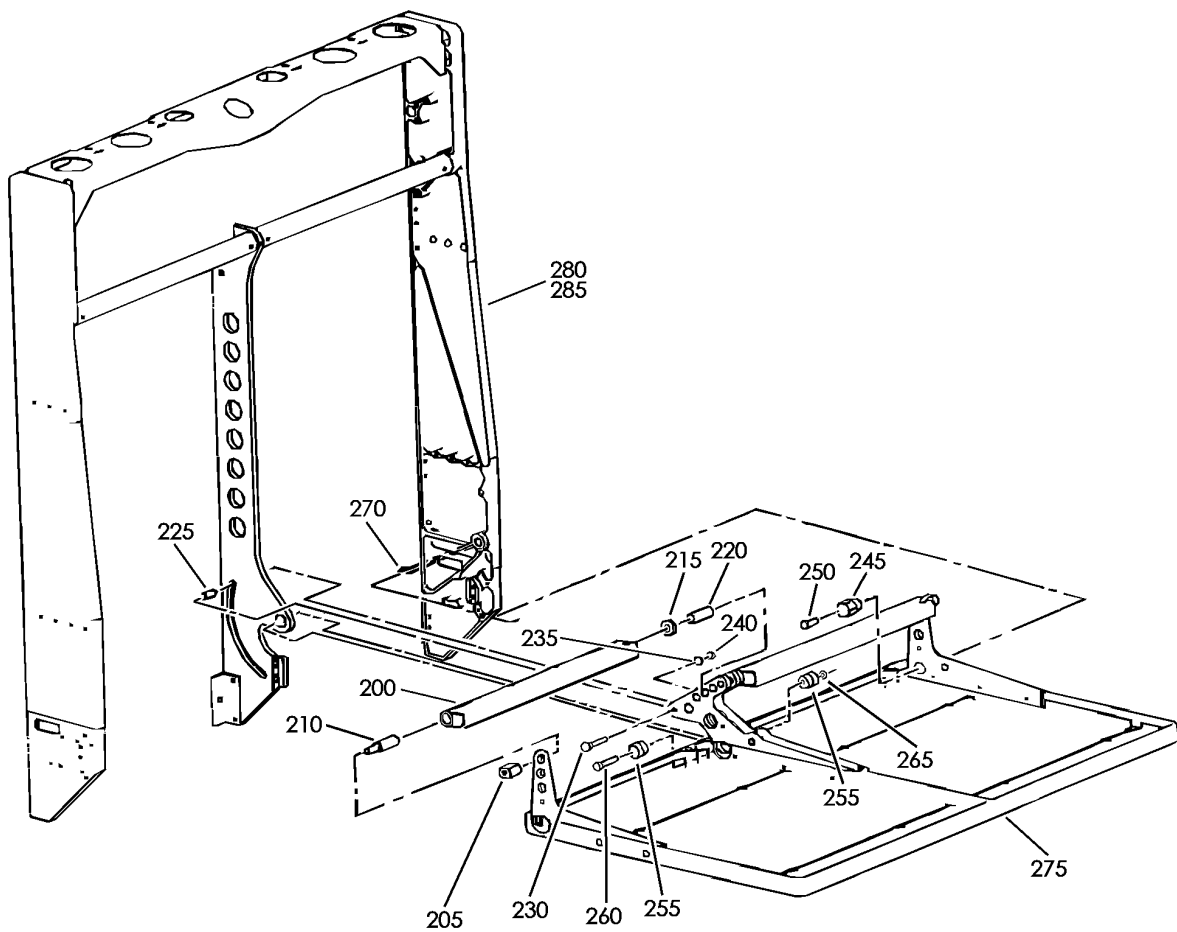
CORE ASSY-SEAT ATTENDANT
 FIGURE 53G (SHEET 2)

25-25-12-53G

HAP
 OCT 10/06

25-25-12-53G
 PAGE 0A

BOEING
737-600/700/800/900
PARTS CATALOG (MAINTENANCE)



FWD
C

E 25251253G SH1 3 REV 065

CORE ASSY-SEAT ATTENDANT
FIGURE 53G (SHEET 3)

25-25-12-53G

HAP
OCT 10/06

25-25-12-53G
PAGE 0B

BOEING
737-600/700/800/900
PARTS CATALOG (MAINTENANCE)

FIG ITEM	PART NUMBER	1 2 3 4 5 6 7	NOMENCLATURE	EFFECT FROM TO	UNITS PER ASSY
53G					
- 1	2110-2AMJ		CORE ASSY-SEAT ATTENDANT CORE ASSY-SEAT ATTENDANT SUPPLIER CODE: V31218 FOR NHA SEE: 25-25-12-51Q	001030 001030	RF
- 5	2110-3AMJ		CORE ASSY-SEAT ATTENDANT SUPPLIER CODE: V31218 FOR NHA SEE: 25-25-12-51Q	001030	RF
50	2D1040-1		.BRACKET-MTG SUPPLIER CODE: V31218 ATTACHING PARTS	001030	4
55	NAS1203-4		.BOLT	001030	8
60	AN960-10L		.WASHER	001030	8
65	MS21042-3		.NUT	001030	8
			-----*-----		
70	2D2027-1		.COVER ASSY-TORSION SPR SUPPLIER CODE: V31218	001030	2
75	SJ3526GRY1ADH		..HOOK-ADH VELCRO GRAY SUPPLIER CODE: V5J466	001030	AR
80	SJ3527GRY1ADH		..LOOP-ADH VELCRO GRAY SUPPLIER CODE: V5J466	001030	AR
85	2D2022-3		.LOCK-TORSION SPR SUPPLIER CODE: V31218 ATTACHING PARTS	001030	2
90	NAS6203-5		.BOLT	001030	2
95	AN960-10L		.WASHER	001030	2
			-----*-----		
100	2D2023-7		.SPRING-TORSION FLAT SUPPLIER CODE: V31218 ATTACHING PARTS	001030	2
105	NAS1202-7		.BOLT	001030	2
			-----*-----		
110	2D2019-5		.ANCHOR-SPR SUPPLIER CODE: V31218	001030	2

MISSING ITEM NUMBERS NOT APPLICABLE

- ITEM NOT ILLUSTRATED

HAP

25-25-12-53G

BOEING PROPRIETARY - Copyright © - Unpublished Work - See title page for details.

25-25-12
FIG. 53G
PAGE 1
OCT 15/08

BOEING
737-600/700/800/900
PARTS CATALOG (MAINTENANCE)

FIG ITEM	PART NUMBER	1 2 3 4 5 6 7	NOMENCLATURE	EFFECT FROM TO	UNITS PER ASSY
53G 115	2110-23AMJ		.BACK ASSY- SUPPLIER CODE: V31218 POSITION DATA: LWR COMPONENT MAINT MANUAL REF: 25-25-23 FOR DETAILS SEE: 25-25-12-54D ATTACHING PARTS	001030	2
120	NAS6203-13		.BOLT	001030	4
125	NAS623-2-13		.SCREW	001030	4
130	AN960-10		.WASHER	001030	4
135	MS21042-3		.NUT	001030	4
140	MS21042-08		.NUT	001030	4
			-----*-----		
145	2D3013-1		.LINK-BACK SUPPLIER CODE: V31218 POSITION DATA: UPR	001030	1
150	2D3013-2		.LINK-BACK SUPPLIER CODE: V31218 POSITION DATA: UPR	001030	1
155	NAS77-3-016		.BUSHING ATTACHING PARTS	001030	2
160	NAS623-3-3		.SCREW	001030	2
			-----*-----		
165	2D3013-3		.LINK-BACK SUPPLIER CODE: V31218 POSITION DATA: UPR	001030	2
170	NAS77-3-025		.BUSHING ATTACHING PARTS	001030	2
175	NAS623-3-13		.SCREW	001030	1
180	AN960-516		.WASHER	001030	2
185	AN960-516L		.WASHER	001030	2
190	AN960-10		.WASHER	001030	1
195	MS21042-3		.NUT	001030	1
			-----*-----		
200	2D3012-1AMJ		.ATTACH-BACK SUPPLIER CODE: V31218 POSITION DATA: LWR	001030	2

MISSING ITEM NUMBERS NOT APPLICABLE

— ITEM NOT ILLUSTRATED

HAP

25-25-12-53G

BOEING PROPRIETARY - Copyright © - Unpublished Work - See title page for details.

25-25-12
FIG. 53G
PAGE 2
OCT 15/08

BOEING
737-600/700/800/900
PARTS CATALOG (MAINTENANCE)

FIG ITEM	PART NUMBER	1 2 3 4 5 6 7	NOMENCLATURE	EFFECT FROM TO	UNITS PER ASSY
53G 205	2D2015-1		.STOP-PAN SUPPLIER CODE: V31218	001030	2
210	2D2013-3		.PIVOT-BACK SUPPLIER CODE: V31218	001030	2
215	2D2016-1		.BUSHING-PIVOT SUPPLIER CODE: V31218	001030	2
220	2D2013-1		.PIVOT-BACK SUPPLIER CODE: V31218	001030	2
225	NAS75-3-024		.BUSHING ATTACHING PARTS	001030	1
230	NAS6203-15		.BOLT	001030	1
235	AN960-10		.WASHER	001030	1
240	MS21042-3		.NUT	001030	1
245	2D2018-1		-----*----- .BUSHING-ANCHOR PAN SUPPLIER CODE: V31218 ATTACHING PARTS	001030	2
250	MS21262-37		.SCREW	001030	2
255	2D2020-5		-----*----- .BUSHING-PAN SUPPLIER CODE: V31218 ATTACHING PARTS	001030	2
260	MS21262-64		.SCREW	001030	1
265	MS21042-4		.NUT	001030	1
270	MS16555-21		-----*----- .PIN	001030	4
275	2110-22AMJ		.PAN ASSY- SUPPLIER CODE: V31218 FOR DETAILS SEE: 25-25-12-55D	001030	1
280	2110-10AMJ		.BASE ASSY-NARROW DBL SUPPLIER CODE: V31218 USED ON: 2110-2AMJ FOR DETAILS SEE: 25-25-12-56A	001030	1

MISSING ITEM NUMBERS NOT APPLICABLE

— ITEM NOT ILLUSTRATED

HAP

25-25-12-53G

BOEING PROPRIETARY - Copyright © - Unpublished Work - See title page for details.

25-25-12
FIG. 53G
PAGE 3
OCT 15/08


BOEING
 737-600/700/800/900
PARTS CATALOG (MAINTENANCE)

FIG ITEM	PART NUMBER	1 2 3 4 5 6 7 NOMENCLATURE	EFFECT FROM TO	UNITS PER ASSY
53G 285	2110-11AMJ	.BASE ASSY-NARROW DBL SUPPLIER CODE: V31218 USED ON: 2110-3AMJ FOR DETAILS SEE: 25-25-12-56A	001030	1

MISSING ITEM NUMBERS NOT APPLICABLE

— ITEM NOT ILLUSTRATED

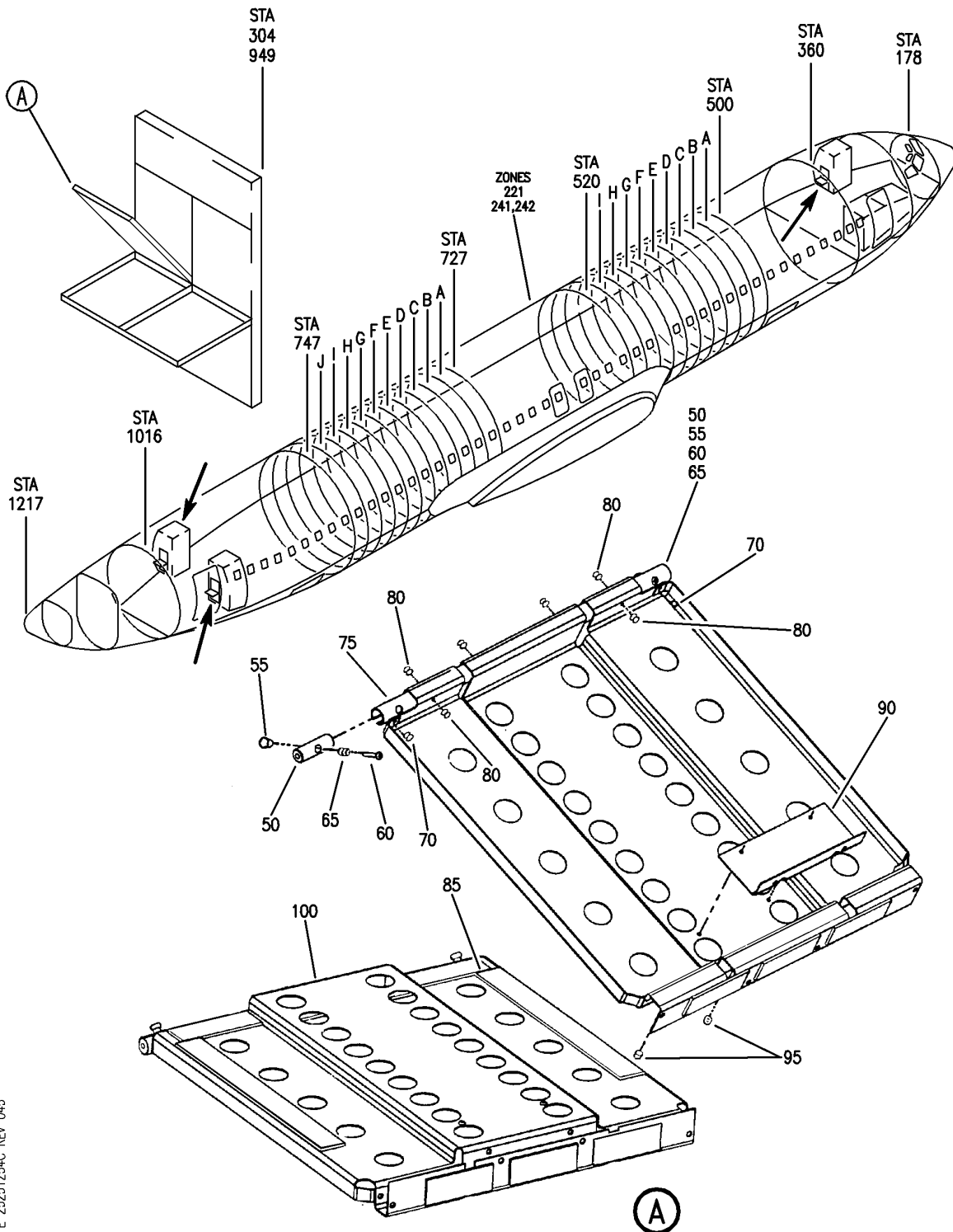
HAP

25-25-12-53G

BOEING PROPRIETARY - Copyright © - Unpublished Work - See title page for details.

25-25-12
 FIG. 53G
 PAGE 4
 OCT 15/08

BOEING
 737-600/700/800/900
 PARTS CATALOG (MAINTENANCE)



E 25251254C REV 045

BACK ASSY-LOWER
 FIGURE 54C

25-25-12-54C

HAP
 OCT 15/08

25-25-12-54C
 PAGE 0

BOEING
737-600/700/800/900
PARTS CATALOG (MAINTENANCE)

FIG ITEM	PART NUMBER	1 2 3 4 5 6 7	NOMENCLATURE	EFFECT FROM TO	UNITS PER ASSY
54C					
- 1	2110-23AMJ		BACK ASSY-LOWER BACK ASSY- SUPPLIER CODE: V31218 POSITION DATA: LWR CONFIG CHG DATA FROM A CMM: REPLS 2110-21AMJ COMPONENT MAINT MANUAL REF: 25-25-23 FOR NHA SEE: 25-25-12-53F	201967 201967	RF
50	2D3017-1		.PIVOT- SUPPLIER CODE: V31218 POSITION DATA: UPR LWR BACK	201967	2
55	2D3015-1		.KNOB-RELEASE SUPPLIER CODE: V31218	201967	2
60	NAS601-12P		ATTACHING PARTS .SCREW	201967	2
65	C0240-020-0880M		-----*----- .SPRING- SUPPLIER CODE: V77535	201967	2
70	AD42BS		.RIVET- SUPPLIER CODE: V07707	201967	2
75	2D3018-11		.TUBE- SUPPLIER CODE: V31218 POSITION DATA: UPR LWR BACK ATTACHING PARTS	201967	1
80	AD42BS		.RIVET- SUPPLIER CODE: V07707	201967	6
85	SJ3526GRY1ADH		-----*----- .HOOK-ADH VELCRO GRAY SUPPLIER CODE: V5J466	201967	AR
90	2D3046-3		.BRACE- SUPPLIER CODE: V31218	201967	1

MISSING ITEM NUMBERS NOT APPLICABLE

- ITEM NOT ILLUSTRATED

HAP

25-25-12-54C

BOEING PROPRIETARY - Copyright © - Unpublished Work - See title page for details.

25-25-12
FIG. 54C
PAGE 1
OCT 15/08


BOEING
 737-600/700/800/900
PARTS CATALOG (MAINTENANCE)

FIG ITEM	PART NUMBER	1 2 3 4 5 6 7	NOMENCLATURE	EFFECT FROM TO	UNITS PER ASSY
54C			ATTACHING PARTS		
95	AD42BS		.RIVET-	201967	2
			SUPPLIER CODE: V07707		
			-----*-----		
100	2D3022-9		.PAN-	201967	1
			SUPPLIER CODE: V31218		
			POSITION DATA: LWR BACK		

MISSING ITEM NUMBERS NOT APPLICABLE

— ITEM NOT ILLUSTRATED

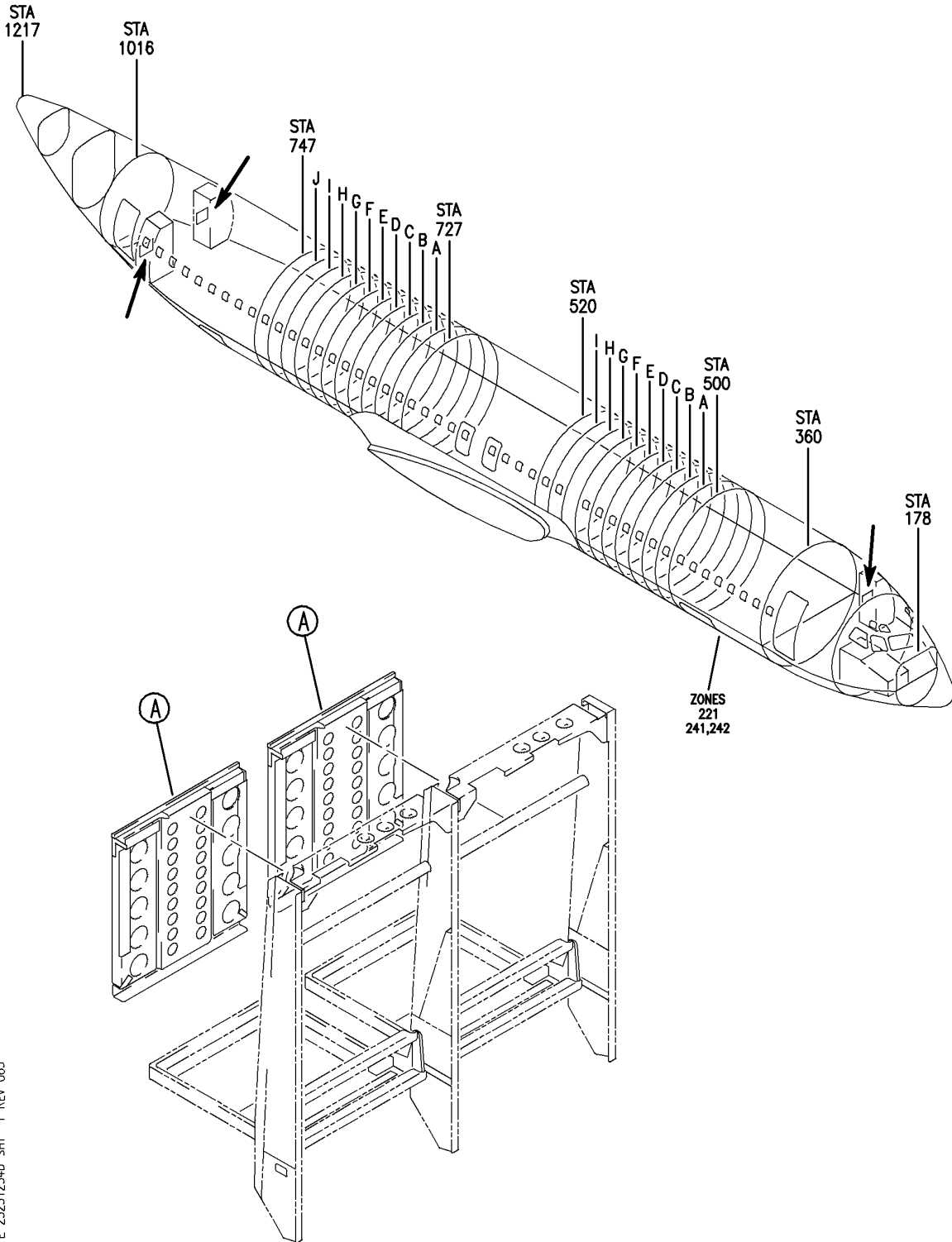
HAP

25-25-12-54C

BOEING PROPRIETARY - Copyright © - Unpublished Work - See title page for details.

25-25-12
 FIG. 54C
 PAGE 2
 OCT 15/08

BOEING
 737-600/700/800/900
 PARTS CATALOG (MAINTENANCE)



E 25251254D SHT 1 REV 065

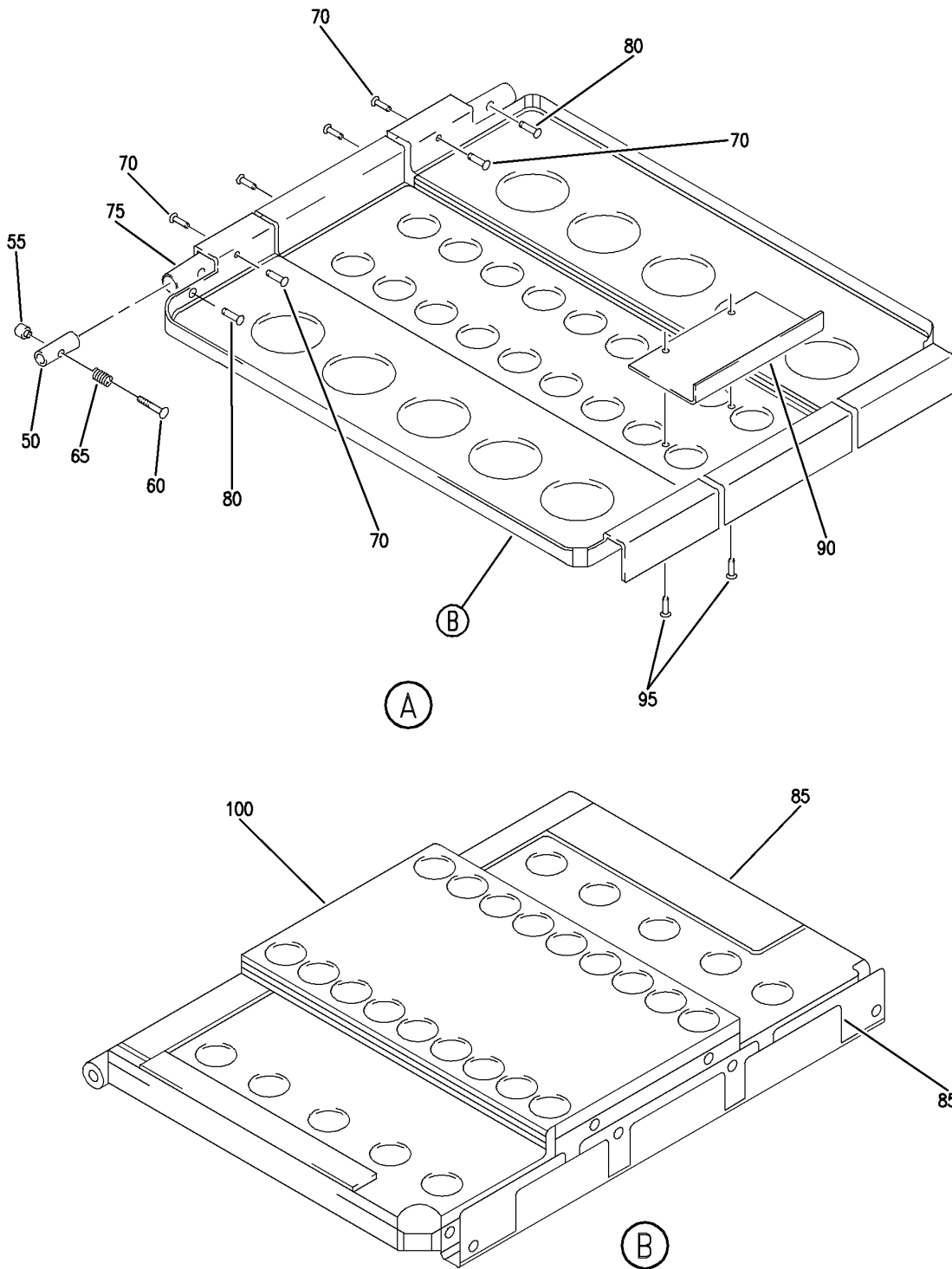
BACK ASSY-LWR
 FIGURE 54D (SHEET 1)

25-25-12-54D

HAP
 OCT 10/06

25-25-12-54D
 PAGE 0

BOEING
 737-600/700/800/900
 PARTS CATALOG (MAINTENANCE)



E 25251254D SHT 2 REV 065

BACK ASSY-LWR
 FIGURE 54D (SHEET 2)

25-25-12-54D

HAP
 OCT 10/06

25-25-12-54D
 PAGE 0A

BOEING
737-600/700/800/900
PARTS CATALOG (MAINTENANCE)

FIG ITEM	PART NUMBER	1 2 3 4 5 6 7	NOMENCLATURE	EFFECT FROM TO	UNITS PER ASSY
54D					
- 1	2110-23AMJ		BACK ASSY-LWR BACK ASSY- SUPPLIER CODE: V31218 POSITION DATA: LWR COMPONENT MAINT MANUAL REF: 25-25-23 FOR NHA SEE: 25-25-12-53G	001030 001030	RF
50	2D3017-1		.PIVOT- SUPPLIER CODE: V31218 POSITION DATA: UPR LWR	001030	2
55	2D3015-1		.KNOB-RELEASE SUPPLIER CODE: V31218	001030	2
60	NAS601-12P		ATTACHING PARTS .SCREW	001030	2
65	C0240-020-0880M		-----*----- .SPRING- SUPPLIER CODE: V77535	001030	2
70	AD42BS		.RIVET-BLIND UNIV HEAD SUPPLIER CODE: V07707	001030	6
75	2D3018-11		.TUBE- SUPPLIER CODE: V31218 POSITION DATA: UPR LWR ATTACHING PARTS	001030	1
80	AD42BS		.RIVET-BLIND UNIV HEAD SUPPLIER CODE: V07707	001030	2
85	SJ3526GRY1ADH		-----*----- .HOOK-ADHESIVE VELCRO GRAY SUPPLIER CODE: V5J466	001030	AR
90	2D3046-3		.BRACE- SUPPLIER CODE: V31218 ATTACHING PARTS	001030	1
95	AD42BS		.RIVET-BLIND UNIV HEAD SUPPLIER CODE: V07707 -----*-----	001030	2

MISSING ITEM NUMBERS NOT APPLICABLE

- ITEM NOT ILLUSTRATED

HAP

25-25-12-54D

BOEING PROPRIETARY - Copyright © - Unpublished Work - See title page for details.

25-25-12
FIG. 54D
PAGE 1
FEB 15/09


BOEING
 737-600/700/800/900
PARTS CATALOG (MAINTENANCE)

FIG ITEM	PART NUMBER	1 2 3 4 5 6 7 NOMENCLATURE	EFFECT FROM TO	UNITS PER ASSY
54D 100	2D3022-9	.PAN- SUPPLIER CODE: V31218	001030	1

MISSING ITEM NUMBERS NOT APPLICABLE

— ITEM NOT ILLUSTRATED

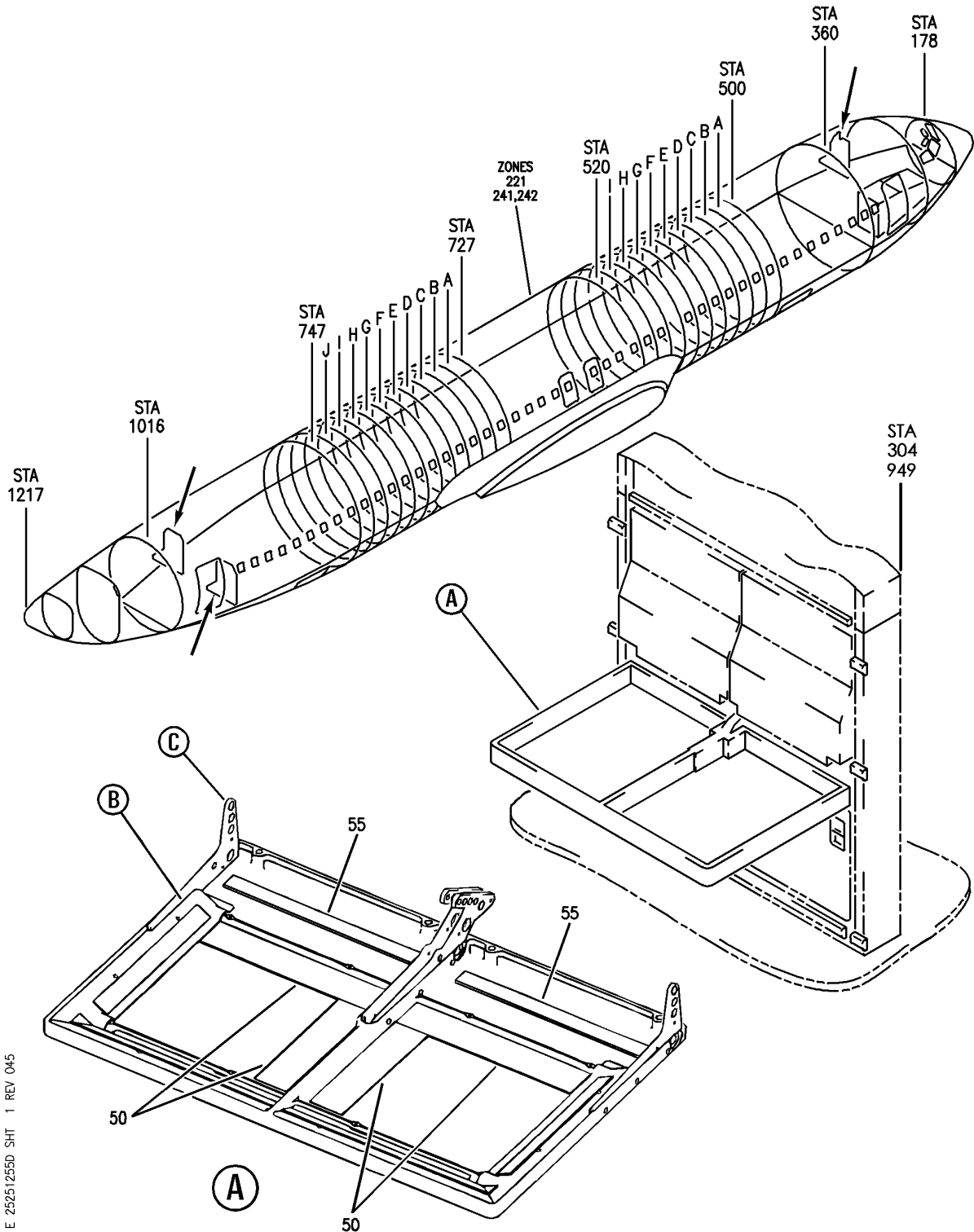
HAP

25-25-12-54D

BOEING PROPRIETARY - Copyright © - Unpublished Work - See title page for details.

25-25-12
 FIG. 54D
 PAGE 2
 FEB 15/09

BOEING
 737-600/700/800/900
 PARTS CATALOG (MAINTENANCE)



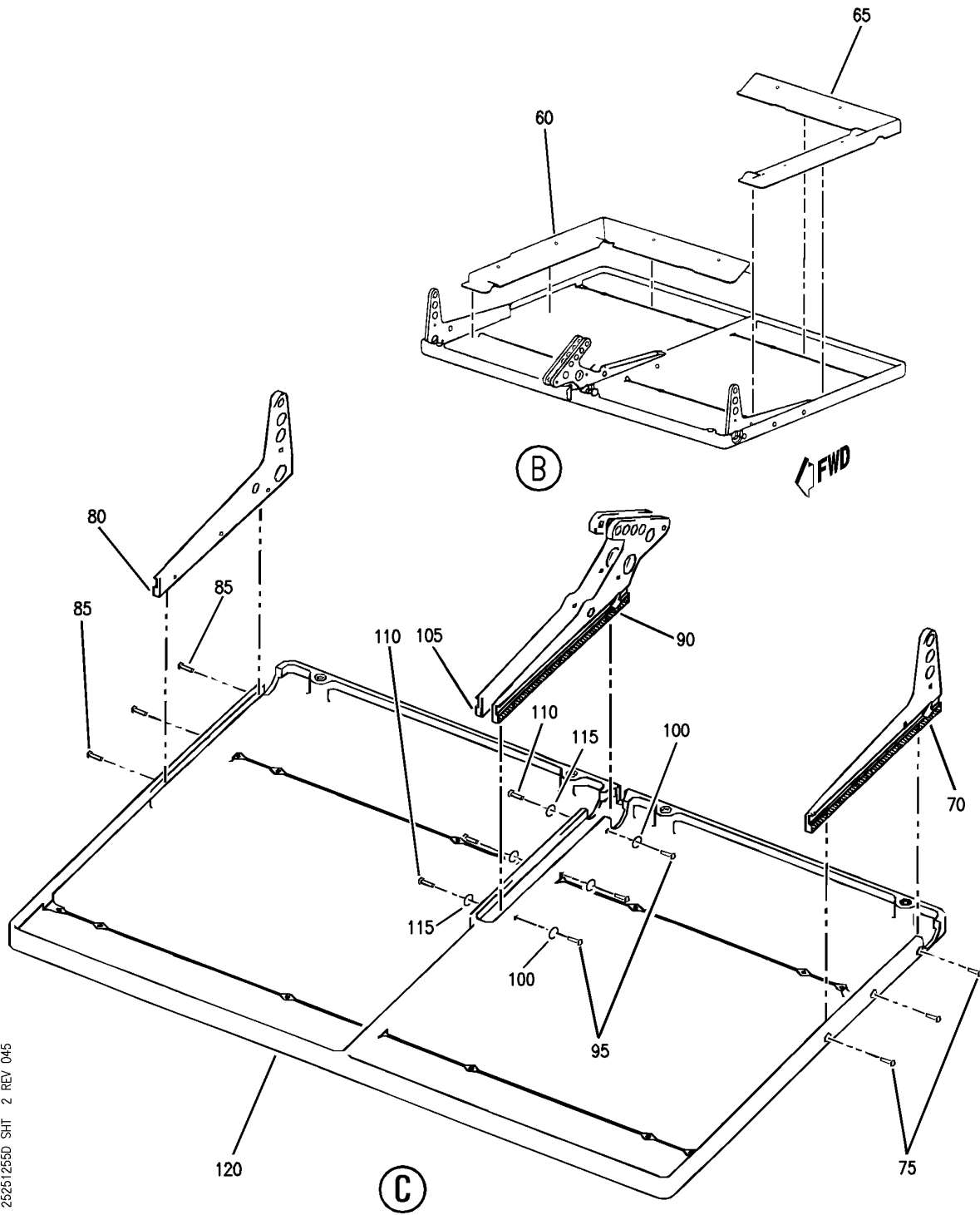
E 25251255D SHT 1 REV 045

PAN ASSY-SEAT
 FIGURE 55D (SHEET 1)

25-25-12-55D

HAP
 OCT 10/06

25-25-12-55D
 PAGE 0



E 25251255D SHT 2 REV 045

PAN ASSY-SEAT
 FIGURE 55D (SHEET 2)

25-25-12-55D

HAP
 OCT 10/06

25-25-12-55D
 PAGE 0A

BOEING
737-600/700/800/900
PARTS CATALOG (MAINTENANCE)

FIG ITEM	PART NUMBER	1 2 3 4 5 6 7	NOMENCLATURE	EFFECT FROM TO	UNITS PER ASSY
55D			PAN ASSY-SEAT	001030 201967	
- 1	2110-22AMJ		PAN ASSY-SEAT SUPPLIER CODE: V31218 CONFIG CHG DATA FROM A CMM: REPLD BY 2110-20AMJ COMPONENT MAINT MANUAL REF: 25-24-04 FOR NHA SEE: 25-25-12-53F 25-25-12-53G	001030 201967	RF
50	SJ3526GRY2ADH		.HOOK-ADH VELCRO GRAY SUPPLIER CODE: V5J466	001030 201967	AR
55	SJ3526GRY1ADH		.HOOK-ADH VELCRO GRAY SUPPLIER CODE: V5J466	001030 201967	AR
60	2D2025-11		.FILLER-SEAT PAN SUPPLIER CODE: V31218	001030 201967	1
65	2D2025-12		.FILLER-SEAT PAN SUPPLIER CODE: V31218	001030 201967	1
70	2D2011-1AMJ		.LEVER-SEAT SUPPLIER CODE: V31218 POSITION DATA: OUTBD ATTACHING PARTS	001030 201967	1
75	MS24694S3		.SCREW	001030 201967	3
80	2D2011-2AMJ		-----*----- .LEVER-SEAT PAN SUPPLIER CODE: V31218 POSITION DATA: OUTBD ATTACHING PARTS	001030 201967	1
85	MS24694S3		.SCREW	001030 201967	3
90	2D2012-11AMJ		-----*----- .LEVER-SEAT PAN SUPPLIER CODE: V31218 POSITION DATA: INBD	001030 201967	1

MISSING ITEM NUMBERS NOT APPLICABLE

- ITEM NOT ILLUSTRATED

HAP

25-25-12-55D

BOEING PROPRIETARY - Copyright © - Unpublished Work - See title page for details.

25-25-12
FIG. 55D
PAGE 1
OCT 15/08

BOEING
737-600/700/800/900
PARTS CATALOG (MAINTENANCE)

FIG ITEM	PART NUMBER	1 2 3 4 5 6 7	NOMENCLATURE	EFFECT FROM TO	UNITS PER ASSY
55D			ATTACHING PARTS		
95	NAS1096-2-6		.SCREW	001030 201967	3
100	NAS1149FN832P		.WASHER	001030 201967	3
			-----*-----		
105	2D2012-9AMJ		.LEVER-SEAT PAN SUPPLIER CODE: V31218 POSITION DATA: INBD	001030 201967	1
			ATTACHING PARTS		
110	NAS1096-2-6		.SCREW	001030 201967	3
115	NAS1149FN832P		.WASHER	001030 201967	3
			-----*-----		
120	2D2021-7AMJ		.PAN-SEAT SUPPLIER CODE: V31218	001030 201967	1

MISSING ITEM NUMBERS NOT APPLICABLE

— ITEM NOT ILLUSTRATED

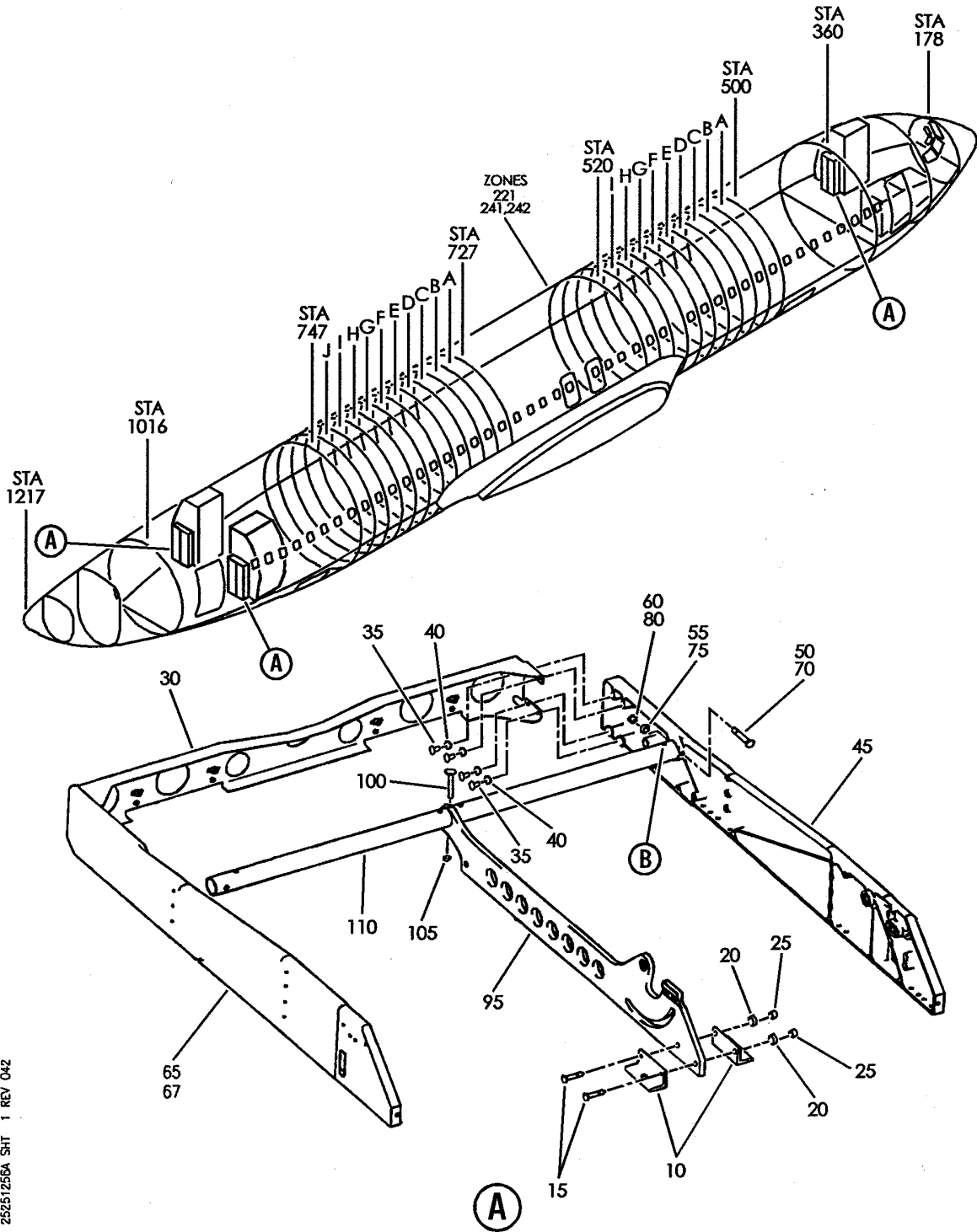
HAP

25-25-12-55D

BOEING PROPRIETARY - Copyright © - Unpublished Work - See title page for details.

25-25-12
FIG. 55D
PAGE 2
OCT 15/08

BOEING
 737-600/700/800/900
 PARTS CATALOG (MAINTENANCE)



E 25251256A SHT 1 REV 042

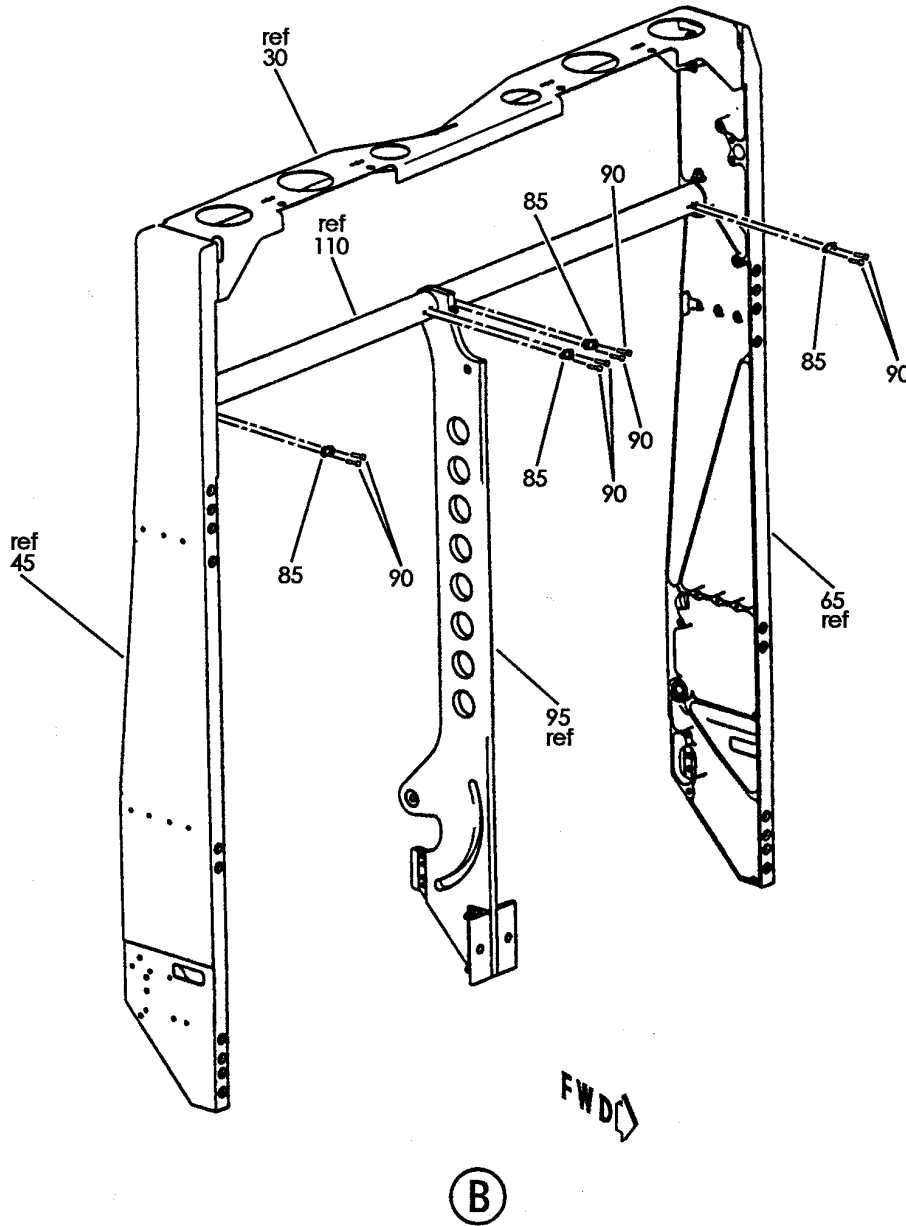
BASE ASSY-SEAT ATTENDANT NARROW DBL 737-700 & 800
 FIGURE 56A (SHEET 1)

25-25-12-56A

HAP
 OCT 10/06

25-25-12-56A
 PAGE 0

BOEING
 737-600/700/800/900
 PARTS CATALOG (MAINTENANCE)



E 25251256A SHT 2 REV 040

BASE ASSY-SEAT ATTENDANT NARROW DBL 737-700 & 800
 FIGURE 56A (SHEET 2)

25-25-12-56A

HAP
 OCT 10/06

25-25-12-56A
 PAGE 0A

BOEING
737-600/700/800/900
PARTS CATALOG (MAINTENANCE)

FIG ITEM	PART NUMBER	1 2 3 4 5 6 7	NOMENCLATURE	EFFECT FROM TO	UNITS PER ASSY
56A			BASE ASSY-SEAT ATTENDANT NARROW DBL 737-700 & 800	001030 201967	
- 1	2110-11AMJ		BASE ASSY-SEAT ATTENDANT NARROW DBL SUPPLIER CODE: V31218 FOR NHA SEE: 25-25-12-53F 25-25-12-53G	001030 201967	RF
- 5	2110-10AMJ		BASE ASSY-SEAT ATTENDANT NARROW DBL SUPPLIER CODE: V31218 FOR NHA SEE: 25-25-12-53F 25-25-12-53G	001030 201967	RF
10	2D1062-1AMJ		.BRACKET-SPRT SUPPLIER CODE: V31218 POSITION DATA: CTR ATTACHING PARTS	001030 201967	2
15	NAS6203-11		.BOLT	001030 201967	2
20	AN960-10		.WASHER- CONFIG CHG DATA FROM A CMM: REPLD BY NAS1149F0363P	001030 201967	2
20	NAS1149F0363P		.WASHER- CONFIG CHG DATA FROM A CMM: REPLS AN960-10	001030 201967	2
25	MS21042-3		.NUT	001030 201967	2
30	2D1038-1AMJ		-----*----- .MEMBER-CROSS SUPPLIER CODE: V31218 POSITION DATA: TOP ATTACHING PARTS	001030 201967	1
35	NAS623-2-1		.SCREW	001030 201967	8
40	AN960-8		.WASHER- CONFIG CHG DATA FROM A CMM: REPLD BY NAS1149FN832P	001030 201967	8
40	NAS1149FN832P		.WASHER- CONFIG CHG DATA FROM A CMM: REPLS AN960-8 -----*-----	001030 201967	8

MISSING ITEM NUMBERS NOT APPLICABLE

- ITEM NOT ILLUSTRATED

HAP

25-25-12-56A

BOEING PROPRIETARY - Copyright © - Unpublished Work - See title page for details.

25-25-12
FIG. 56A
PAGE 1
FEB 15/09

BOEING
737-600/700/800/900
PARTS CATALOG (MAINTENANCE)

FIG ITEM	PART NUMBER	1 2 3 4 5 6 7	NOMENCLATURE	EFFECT FROM TO	UNITS PER ASSY
56A 45	2D1024-1AMJ		.PANEL- SUPPLIER CODE: V31218 POSITION DATA: SIDE ATTACHING PARTS	001030 201967	1
50	NAS6204-19		.BOLT	001030 201967	1
55	AN960-416		.WASHER- CONFIG CHG DATA FROM A CMM: REPLD BY NAS1149F0463P	001030 201967	1
55	NAS1149F0463P		.WASHER- CONFIG CHG DATA FROM A CMM: REPLS AN960-416	001030 201967	1
60	MS21042-4		.NUT	001030 201967	1
65	2D1024-2AMJ		-----*----- .PANEL- SUPPLIER CODE: V31218 POSITION DATA: SIDE USED ON: 2110-10AMJ	001030 201967	1
67	2D1024-4AMJ		.PANEL- SUPPLIER CODE: V31218 POSITION DATA: SIDE USED ON: 2110-11AMJ ATTACHING PARTS	001030 201967	1
70	NAS6204-19		.BOLT	001030 201967	1
75	AN960-416		.WASHER- CONFIG CHG DATA FROM A CMM: REPLD BY NAS1149F0463P	001030 201967	1
75	NAS1149F0463P		.WASHER- CONFIG CHG DATA FROM A CMM: REPLS AN960-416	001030 201967	1
80	MS21042-4		.NUT	001030 201967	1
85	MS21069L08		-----*----- .NUTPLATE	001030 201967	4

MISSING ITEM NUMBERS NOT APPLICABLE

— ITEM NOT ILLUSTRATED

HAP

25-25-12-56A

BOEING PROPRIETARY - Copyright © - Unpublished Work - See title page for details.

25-25-12
FIG. 56A
PAGE 2
FEB 15/09

BOEING
737-600/700/800/900
PARTS CATALOG (MAINTENANCE)

FIG ITEM	PART NUMBER	1 2 3 4 5 6 7	NOMENCLATURE	EFFECT FROM TO	UNITS PER ASSY
56A			ATTACHING PARTS		
90	SD32BS		.RIVET-POP SUPPLIER CODE: V07707	001030 201967	8
			-----*-----		
95	2D1036-1AMJ		.SUPPORT- SUPPLIER CODE: V31218 POSITION DATA: CTR	001030 201967	1
			ATTACHING PARTS		
100	NAS623-2-26		.SCREW	001030 201967	1
105	MS21042-08		.NUT	001030 201967	1
			-----*-----		
110	2D1039-1AMJ		.TUBE-CROSS SUPPLIER CODE: V31218 POSITION DATA: UPR BACK	001030 201967	1

MISSING ITEM NUMBERS NOT APPLICABLE

— ITEM NOT ILLUSTRATED

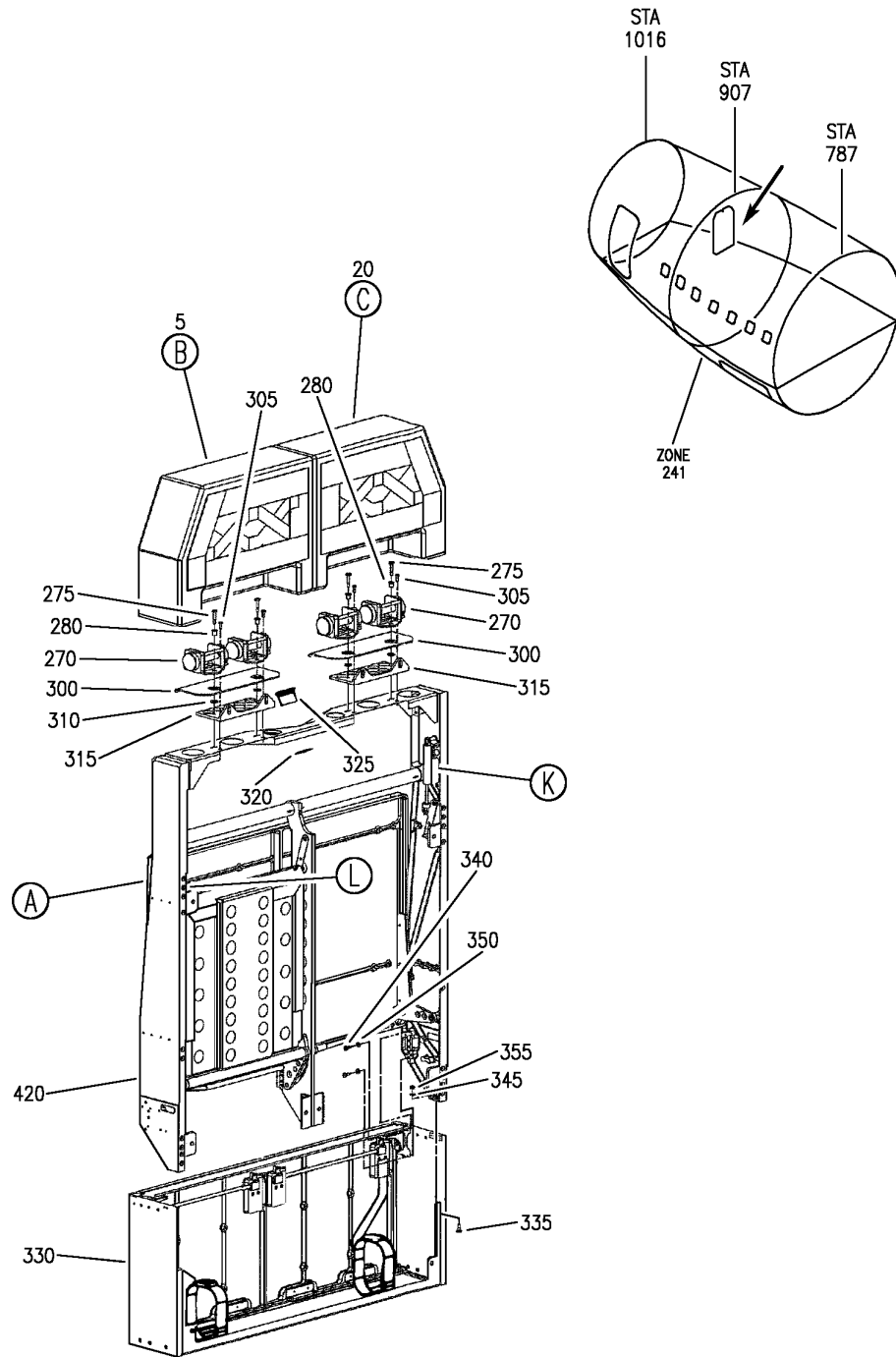
HAP

25-25-12-56A

BOEING PROPRIETARY - Copyright © - Unpublished Work - See title page for details.

25-25-12
FIG. 56A
PAGE 3
FEB 15/09

BOEING
 737-600/700/800/900
 PARTS CATALOG (MAINTENANCE)



E 25251273B SH1 1 REV 132

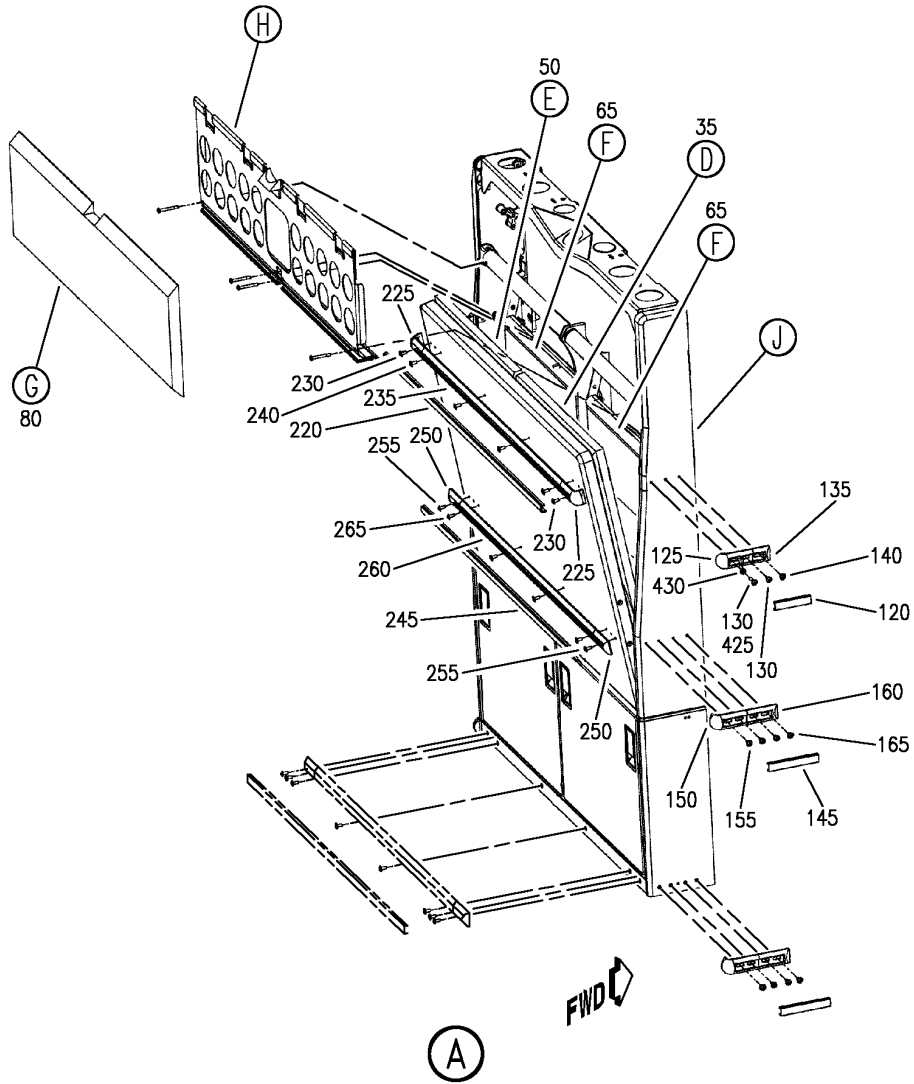
SEAT ASSY-ATTENDANT DBL WALL-MOUNTED JAR-OPS AFT FACING
 FIGURE 73B

25-25-12-73B

HAP
 OCT 10/07

25-25-12-73B
 PAGE 0

BOEING
 737-600/700/800/900
 PARTS CATALOG (MAINTENANCE)



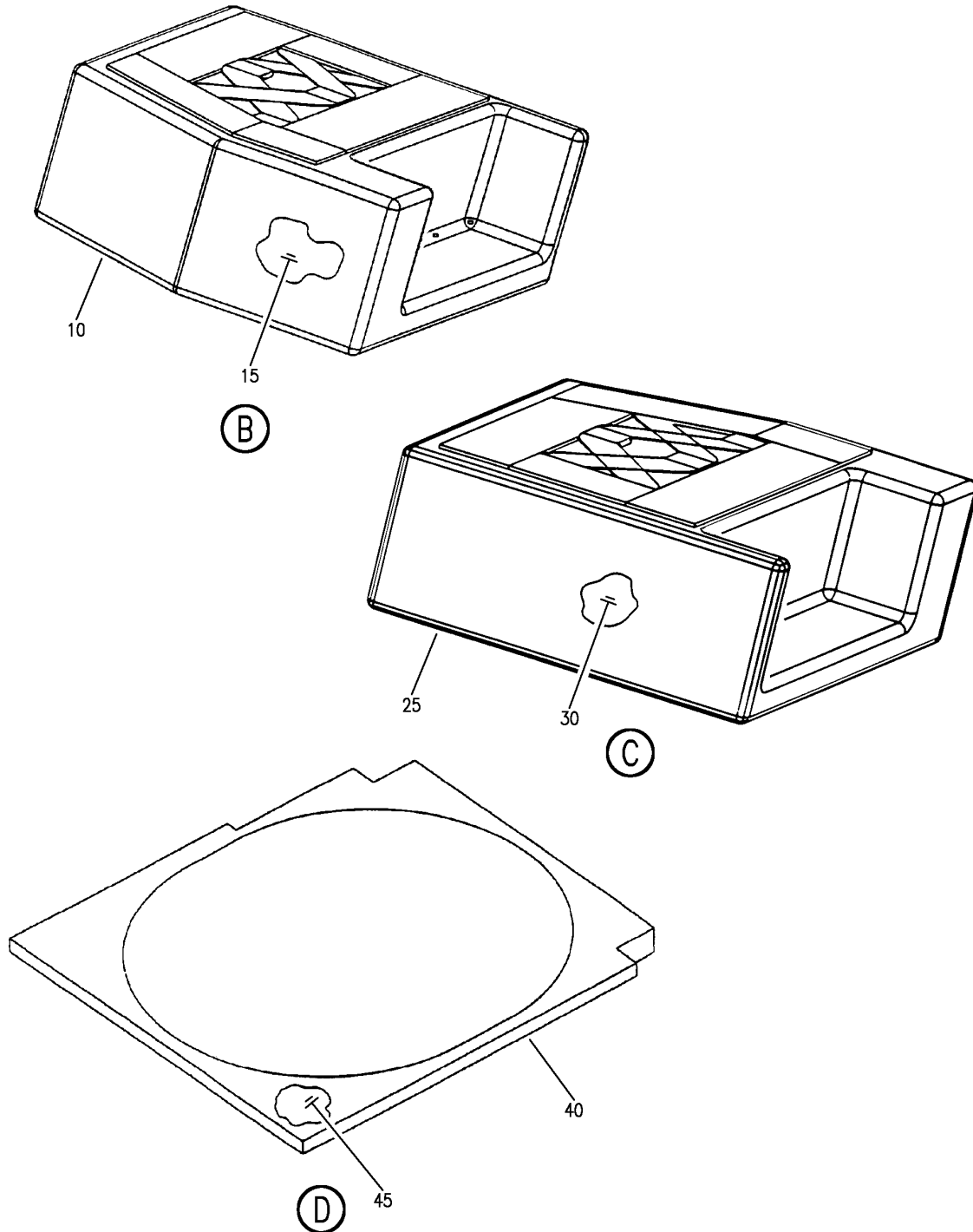
E 25251273B SHT 2 REV 132

SEAT ASSY-ATTENDANT DBL WALL-MOUNTED JAR-OPS AFT FACING
 FIGURE 73B

25-25-12-73B

HAP
 OCT 10/07

25-25-12-73B
 PAGE 0A



E 25251273B SH1 3 REV 132

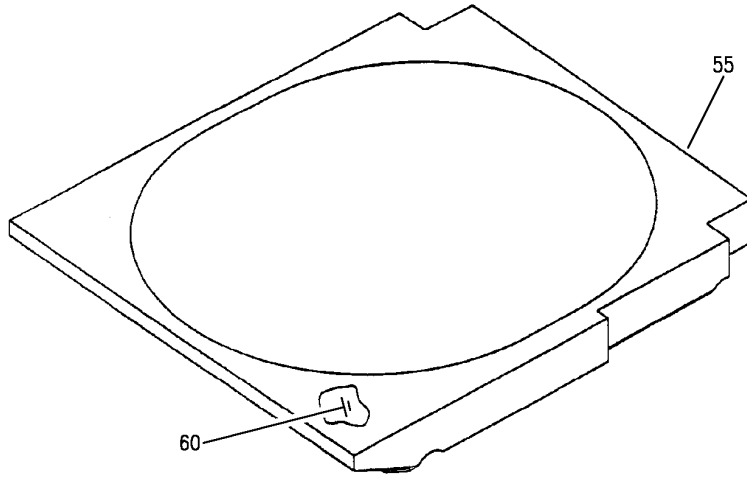
SEAT ASSY-ATTENDANT DBL WALL-MOUNTED JAR-OPS AFT FACING
FIGURE 73B

25-25-12-73B

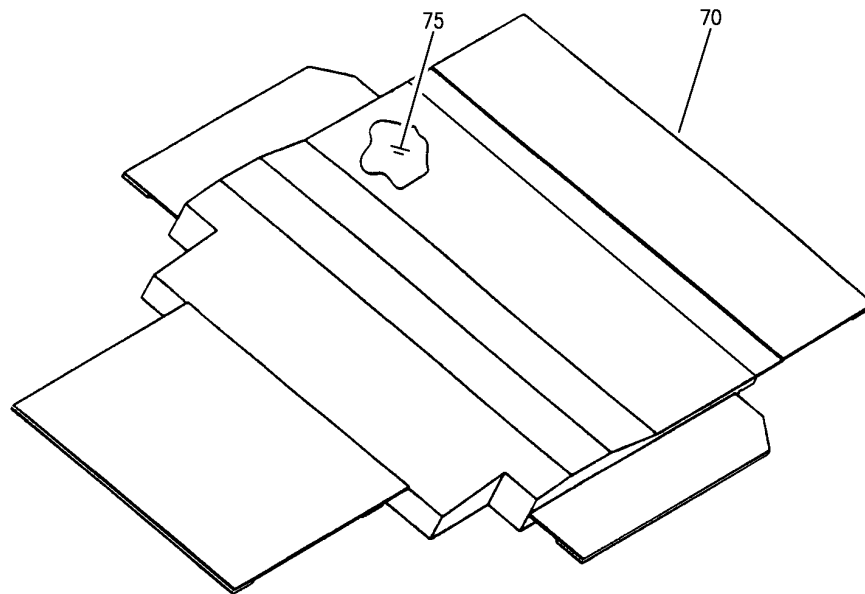
HAP
OCT 10/07

25-25-12-73B
PAGE 0B

BOEING
737-600/700/800/900
PARTS CATALOG (MAINTENANCE)



(E)



(F)

E 25251273B SH1 4 REV 132

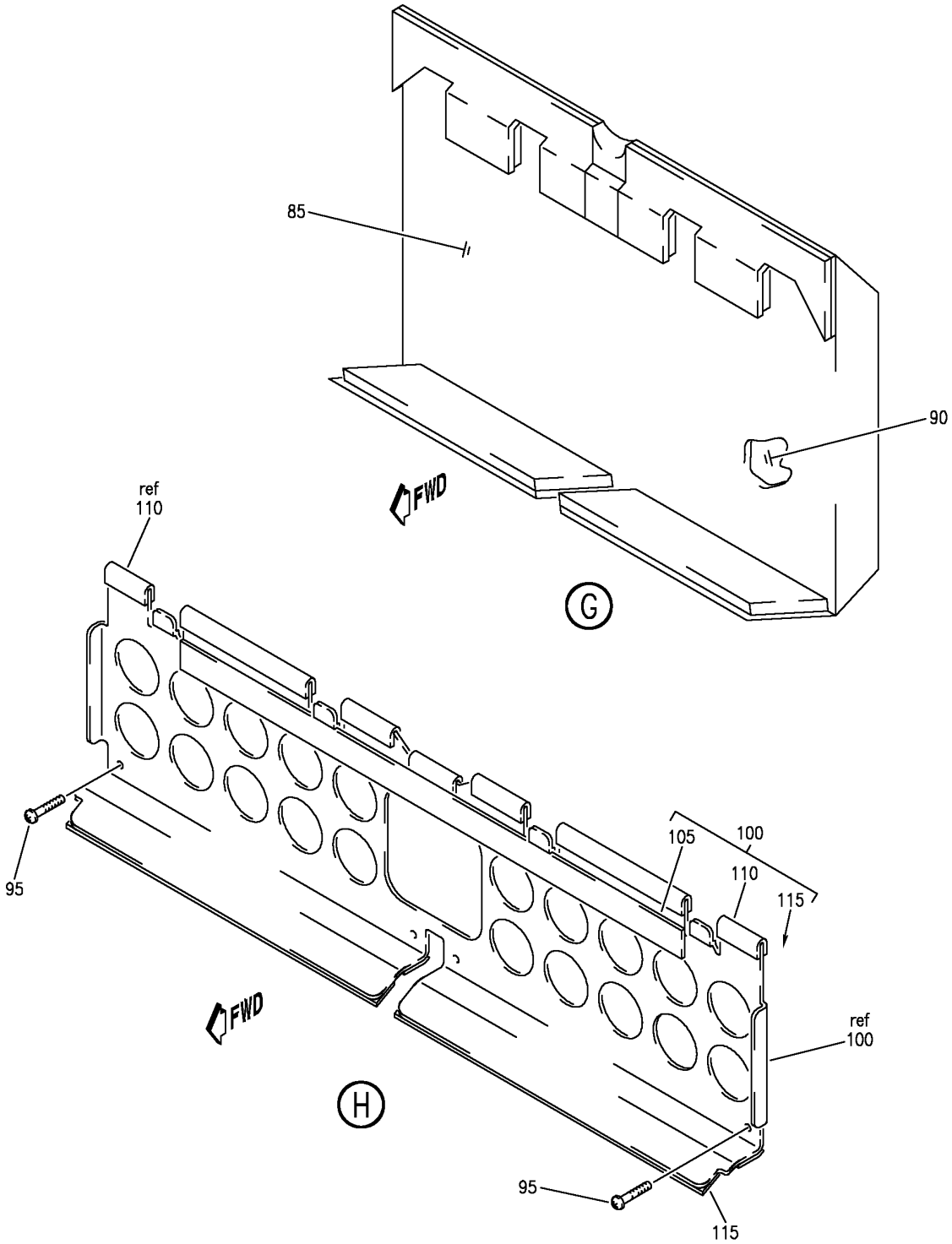
SEAT ASSY-ATTENDANT DBL WALL-MOUNTED JAR-OPS AFT FACING
FIGURE 73B

25-25-12-73B

HAP
OCT 10/07

25-25-12-73B
PAGE 0C

BOEING
 737-600/700/800/900
 PARTS CATALOG (MAINTENANCE)



E 25251273B SHT 5 REV 132

SEAT ASSY-ATTENDANT DBL WALL-MOUNTED JAR-OPS AFT FACING
 FIGURE 73B

25-25-12-73B

HAP
 OCT 10/07

25-25-12-73B
 PAGE 0D

BOEING
737-600/700/800/900
PARTS CATALOG (MAINTENANCE)

FIG ITEM	PART NUMBER	1 2 3 4 5 6 7	NOMENCLATURE	EFFECT FROM TO	UNITS PER ASSY
73B			SEAT ASSY-ATTENDANT DBL WALL-MOUNTED JAR-OPS AFT FACING	101106 968999	
- 1	2110-325PB		SEAT ASSY-ATTENDANT LAV D DBL WALL-MOUNTED JAR-OPS AFT FACING SUPPLIER CODE: V31218 POSITION DATA: STA 949.00, LBL 13.50, WL 219.10 COMPONENT MAINT MANUAL REF: 25-20-09 FOR NHA SEE: 25-25-12-04B	101106 968999	RF
- 1	2110-125PB		SEAT ASSY-ATTENDANT LAV D DBL WALL-MOUNTED JAR-OPS AFT FACING SUPPLIER CODE: V31218 POSITION DATA: STA 949.00, LBL 13.50, WL 219.10 SPECIFICATION NUMBER: BCREF66200 FOR NHA SEE: 25-25-12-04B	101106 968999	RF
5	2D7017-3AMD		.CUSHION AND COVER ASSY- HEADREST SUPPLIER CODE: V31218	101106 968999	1
10	2D7017-13AMD		..COVER-HEADREST SUPPLIER CODE: V31218	101106 968999	1
15	2D7017-23		..CUSHION-FIREBLOCK SUPPLIER CODE: V31218	101106 968999	1
20	2D7017-4AMD		.CUSHION AND COVER ASSY- HEADREST SUPPLIER CODE: V31218	101106 968999	1
25	2D7017-14AMD		..COVER-HEADREST SUPPLIER CODE: V31218	101106 968999	1
30	2D7017-24		..CUSHION-FIREBLOCK SUPPLIER CODE: V31218	101106 968999	1

MISSING ITEM NUMBERS NOT APPLICABLE

- ITEM NOT ILLUSTRATED

HAP

25-25-12-73B

BOEING PROPRIETARY - Copyright © - Unpublished Work - See title page for details.

25-25-12
FIG. 73B
PAGE 1
FEB 15/09

BOEING
737-600/700/800/900
PARTS CATALOG (MAINTENANCE)

FIG ITEM	PART NUMBER	1 2 3 4 5 6 7	NOMENCLATURE	EFFECT FROM TO	UNITS PER ASSY
73B 35	2D7008-1AMD	.	CUSHION AND COVER ASSY- SEATPAN SUPPLIER CODE: V31218	101106 968999	1
40	2D7008-11AMD	..	COVER-SEAT PAN SUPPLIER CODE: V31218	101106 968999	1
45	2D7009-1	..	CUSHION-SEAT PAN SUPPLIER CODE: V31218	101106 968999	1
50	2D7008-2AMD	.	CUSHION AND COVER ASSY- SEATPAN SUPPLIER CODE: V31218	101106 968999	1
55	2D7008-12AMD	..	COVER-SEAT PAN SUPPLIER CODE: V31218	101106 968999	1
60	2D7009-2	..	CUSHION-SEAT PAN SUPPLIER CODE: V31218	101106 968999	1
65	2D7004-31AMD	.	CUSHION AND COVER ASSY- SUPPLIER CODE: V31218 POSITION DATA: LWR USED ON: 2110-325PB	101106 968999	2
65	2D7004-51AMD	.	COVER ASSY- SUPPLIER CODE: V31218 POSITION DATA: LWR USED ON: 2110-125PB	101106 968999	2
70	2D7004-41AMD	..	COVER-BACK SUPPLIER CODE: V31218 POSITION DATA: LWR USED ON: 2D7004-31AMD	101106 968999	1
70	2D7004-61AMD	..	COVER-BACK SUPPLIER CODE: V31218 POSITION DATA: LWR USED ON: 2D7004-51AMD	101106 968999	1

MISSING ITEM NUMBERS NOT APPLICABLE

— ITEM NOT ILLUSTRATED

HAP

25-25-12-73B

BOEING PROPRIETARY - Copyright © - Unpublished Work - See title page for details.

25-25-12
FIG. 73B
PAGE 2
FEB 15/09

BOEING
737-600/700/800/900
PARTS CATALOG (MAINTENANCE)

FIG ITEM	PART NUMBER	1 2 3 4 5 6 7	NOMENCLATURE	EFFECT FROM TO	UNITS PER ASSY
73B 75	2D7005-11	..	CUSHION-BACK SUPPLIER CODE: V31218 POSITION DATA: LWR USED ON: 2D7004-31AMD	101106 968999	1
75	2D7005-7	..	CUSHION-BACK SUPPLIER CODE: V31218 POSITION DATA: LWR USED ON: 2D7004-51AMD	101106 968999	1
80	2D7006-1AMD	.	CUSHION AND COVER ASSY- SUPPLIER CODE: V31218	101106 968999	1
85	2D7006-11AMD	..	COVER-BACK SUPPLIER CODE: V31218 POSITION DATA: UPR	101106 968999	1
90	2D7007-1	..	CUSHION-BACK SUPPLIER CODE: V31218 POSITION DATA: UPR	101106 968999	1
95	NAS623-2-16	.	SCREW	101106 968999	4
100	2D1042-1AMJ	.	PAN ASSY-BACK SUPPLIER CODE: V31218 POSITION DATA: UPR	101106 968999	1
105	SJ3526GRY1ADH	..	HOOK-ADH VELCRO GRAY SUPPLIER CODE: V5J466 CONFIG CHG DATA FROM A CMM: REPLD BY SJ3526BLK1ADH	101106 968999	AR
105	SJ3526BLK1ADH	..	HOOK-ADH VELCRO BLACK SUPPLIER CODE: V5J466 CONFIG CHG DATA FROM A CMM: REPLS SJ3526GRY1ADH	101106 968999	AR
110	SJ3527GRY1ADH	..	LOOP-ADH VELCRO GRAY SUPPLIER CODE: V5J466 CONFIG CHG DATA FROM A CMM: REPLD BY SJ3526BLK1ADH	101106 968999	AR

MISSING ITEM NUMBERS NOT APPLICABLE

— ITEM NOT ILLUSTRATED

HAP

25-25-12-73B

BOEING PROPRIETARY - Copyright © - Unpublished Work - See title page for details.

25-25-12
FIG. 73B
PAGE 3
FEB 15/09

BOEING
737-600/700/800/900
PARTS CATALOG (MAINTENANCE)

FIG ITEM	PART NUMBER	1 2 3 4 5 6 7	NOMENCLATURE	EFFECT FROM TO	UNITS PER ASSY
73B 110	SJ3527BLK1ADH	..	LOOP-ADH VELCRO BLACK SUPPLIER CODE: V5J466 CONFIG CHG DATA FROM A CMM: REPLS SJ3526GRY1ADH	101106 968999	AR
115	SJ3526GRY2ADH	..	HOOK-ADH VELCRO GRAY SUPPLIER CODE: V5J466 CONFIG CHG DATA FROM A CMM: REPLD BY SJ3526BLK1ADH	101106 968999	AR
115	SJ3526BLK2ADH	..	HOOK-ADH VELCRO BLACK SUPPLIER CODE: V5J466 CONFIG CHG DATA FROM A CMM: REPLS SJ3526GRY1ADH	101106 968999	AR
120	S21012-25AMJ	.COVER-	RUBSTRIP SUPPLIER CODE: V31218 USED ON: 2110-325PB	101106 968999	2
120	S21012-83MJ	.COVER-	RUBSTRIP SUPPLIER CODE: V31218 USED ON: 2110-125PB	101106 968999	2
125	A70027-1AMJ	.CAP-END	ALUM RUBSTRIP SUPPLIER CODE: V31218 USED ON: 2110-325PB	101106 968999	2
125	A70027-17AMJ	.CAP-END	ALUM RUBSTRIP SUPPLIER CODE: V31218 USED ON: 2110-125PB	101106 968999	2
130	AN525-832R6	.SCREW	ATTACHING PARTS	101106 968999	3
135	A70027-7AMJ	.CAP-END	* ALUM RUBSTRIP SUPPLIER CODE: V31218 ATTACHING PARTS	101106 968999	2
140	AN525-832R6	.SCREW	ATTACHING PARTS	101106 968999	2
145	S21012-11AMJ	.COVER-	* RUBSTRIP SUPPLIER CODE: V31218	101106 968999	2

MISSING ITEM NUMBERS NOT APPLICABLE

— ITEM NOT ILLUSTRATED

HAP

25-25-12-73B

BOEING PROPRIETARY - Copyright © - Unpublished Work - See title page for details.

25-25-12
FIG. 73B
PAGE 4
FEB 15/09

BOEING
737-600/700/800/900
PARTS CATALOG (MAINTENANCE)

FIG ITEM	PART NUMBER	1 2 3 4 5 6 7	NOMENCLATURE	EFFECT FROM TO	UNITS PER ASSY
73B 150	A70027-1AMJ		.CAP-END ALUM RUBSTRIP SUPPLIER CODE: V31218 ATTACHING PARTS	101106 968999	2
155	AN525-832R6		.SCREW	101106 968999	4
-----*-----					
160	A70027-3AMJ		.CAP-END ALUM RUBSTRIP SUPPLIER CODE: V31218 ATTACHING PARTS	101106 968999	2
165	AN525-832R6		.SCREW	101106 968999	4
-----*-----					
- 170	S21012-11AMJ		.COVER-RUBSTRIP SUPPLIER CODE: V31218	101106 968999	2
- 175	A70027-3AMJ		.CAP-END ALUM RUBSTRIP SUPPLIER CODE: V31218 ATTACHING PARTS	101106 968999	4
- 180	AN525-832R6		.SCREW	101106 968999	4
-----*-----					
- 185	S21012-69AMJ		.COVER-RUBSTRIP SUPPLIER CODE: V31218	101106 968999	2
- 190	A70027-5AMJ		.CAP-END ALUM RUBSTRIP SUPPLIER CODE: V31218 ATTACHING PARTS	101106 968999	2
- 195	AN525-832R6		.SCREW	101106 968999	2
-----*-----					
- 200	A21011-33AMJ		.CHANNEL-RUBSTRIP ALUM SUPPLIER CODE: V31218 ATTACHING PARTS	101106 968999	2
- 205	AN525-832R6		.SCREW	101106 968999	2
-----*-----					
- 210	A70027-3AMJ		.CAP-END ALUM RUBSTRIP SUPPLIER CODE: V31218 ATTACHING PARTS	101106 968999	2
- 215	AN525-832R6		.SCREW	101106 968999	2
-----*-----					

MISSING ITEM NUMBERS NOT APPLICABLE

- ITEM NOT ILLUSTRATED

HAP

25-25-12-73B

BOEING PROPRIETARY - Copyright © - Unpublished Work - See title page for details.

25-25-12
FIG. 73B
PAGE 5
FEB 15/09

BOEING
737-600/700/800/900
PARTS CATALOG (MAINTENANCE)

FIG ITEM	PART NUMBER	1 2 3 4 5 6 7	NOMENCLATURE	EFFECT FROM TO	UNITS PER ASSY
73B 220	S21012-37AMJ		.COVER-RUBSTRIP SUPPLIER CODE: V31218	101106 968999	1
225	A70027-1AMJ		.CAP-END ALUM RUBSTRIP SUPPLIER CODE: V31218	101106 968999	2
230	AN525-832R6		ATTACHING PARTS .SCREW	101106 968999	2
235	A21011-31AMJ		-----*----- .CHANNEL-RUBSTRIP ALUM SUPPLIER CODE: V31218	101106 968999	1
240	AN525-832R6		ATTACHING PARTS .SCREW	101106 968999	4
245	S21012-27AMJ		-----*----- .COVER-RUBSTRIP SUPPLIER CODE: V31218	101106 968999	1
250	A70027-3AMJ		.CAP-END ALUM RUBSTRIP SUPPLIER CODE: V31218	101106 968999	2
255	AN525-832R6		ATTACHING PARTS .SCREW	101106 968999	2
260	A21011-21AMJ		-----*----- .CHANNEL-RUBSTRIP ALUM SUPPLIER CODE: V31218	101106 968999	1
265	AN525-832R6		ATTACHING PARTS .SCREW	101106 968999	4
270	2100002-01-276		-----*----- .RESTRAINT-SYS SUPPLIER CODE: V45402 COMPONENT MAINT MANUAL REF: 25-11-53	101106 968999	4
275	NAS6203-10		ATTACHING PARTS .BOLT	101106 968999	4
280	NAS77-3-033		-----*----- .BUSHING	101106 968999	4
285	2D2017-1		.FITTING-LAP BELT SUPPLIER CODE: V31218	101106 968999	4

MISSING ITEM NUMBERS NOT APPLICABLE

— ITEM NOT ILLUSTRATED

HAP

25-25-12-73B

BOEING PROPRIETARY - Copyright © - Unpublished Work - See title page for details.

25-25-12
FIG. 73B
PAGE 6
FEB 15/09

BOEING
737-600/700/800/900
PARTS CATALOG (MAINTENANCE)

FIG ITEM	PART NUMBER	1 2 3 4 5 6 7	NOMENCLATURE	EFFECT FROM TO	UNITS PER ASSY
73B			ATTACHING PARTS		
290	NAS6203-8		.BOLT	101106 968999	4
295	NAS1149F0332P		.WASHER	101106 968999	4
			-----*-----		
300	2D1067-1		.GUIDE-WEB WEAR SUPPLIER CODE: V31218	101106 968999	2
			ATTACHING PARTS		
305	NAS623-2-3		.SCREW	101106 968999	4
310	NAS1149F0563P		.WASHER	101106 968999	4
			-----*-----		
315	2D1037-1		.BRACKET-INERTIA REEL SUPPLIER CODE: V31218	101106 968999	2
320	MS16624-2137		.RING-SNAP	101106 968999	1
325	2D1041-1		.FUNNEL-PHONE CORD SUPPLIER CODE: V31218	101106 968999	1
330	2110-37AMJ		.BOX ASSY-STOWAGE NARROW DBL SUPPLIER CODE: V31218 FOR DETAILS SEE: 25-25-12-85Y	101106 968999	1
			ATTACHING PARTS		
335	NAS6203-3		.BOLT	101106 968999	2
340	NAS623-2-1		.SCREW	101106 968999	4
- 342	NAS623-2-7		.SCREW	101106 968999	2
345	NAS1149F0332P		.WASHER	101106 968999	2
350	NAS1149FN832P		.WASHER	101106 968999	4
- 352	NAS1149FN832P		.WASHER	101106 968999	4
355	MS21042-3		.NUT	101106 968999	2
- 357	MS21042-08		.NUT	101106 968999	2
			-----*-----		

MISSING ITEM NUMBERS NOT APPLICABLE

- ITEM NOT ILLUSTRATED

HAP

25-25-12-73B

BOEING PROPRIETARY - Copyright © - Unpublished Work - See title page for details.

25-25-12
FIG. 73B
PAGE 7
FEB 15/09

BOEING
737-600/700/800/900
PARTS CATALOG (MAINTENANCE)

FIG ITEM	PART NUMBER	1 2 3 4 5 6 7	NOMENCLATURE	EFFECT FROM TO	UNITS PER ASSY
73B 360	SP20523		.DAMPENER-SPR SUPPLIER CODE: V24403 ATTACHING PARTS	101106 968999	1
365	MS20392-2C13		.PIN	101106 968999	1
370	MS24665-132		.PIN	101106 968999	2
375	MS20392-1C17		.PIN	101106 968999	1
380	NAS623-3-3		.SCREW	101106 968999	1
385	NAS43DD3-8		.SPACER	101106 968999	1
390	NAS77-3-016		-----*----- .BUSHING	101106 968999	1
395	2D3041-1		.BRACKET-GUIDE SPR SUPPLIER CODE: V31218	101106 968999	1
400	5555-18SPP		.CLIP- SUPPLIER CODE: V96881	101106 968999	1
405	2D3021-9		.LINK-RUB BUTTON SUPPLIER CODE: V31218 USED ON: 2110-325PB	101106 968999	1
405	2D3021-15		.LINK-RUB BUTTON SUPPLIER CODE: V31218 USED ON: 2110-125PB	101106 968999	1
410	C0300-032-2500M		.SPRING- SUPPLIER CODE: V77535	101106 968999	1
415	2D3042-1		.GUIDE-GUIDE SPR SUPPLIER CODE: V31218	101106 968999	1
420	2110-2AMJ		.CORE ASSY-SEAT SUPPLIER CODE: V31218 USED ON: 2110-325PB FOR DETAILS SEE: 25-25-12-85Z	101106 968999	1

MISSING ITEM NUMBERS NOT APPLICABLE

— ITEM NOT ILLUSTRATED

HAP

25-25-12-73B

BOEING PROPRIETARY - Copyright © - Unpublished Work - See title page for details.

25-25-12
FIG. 73B
PAGE 8
FEB 15/09

BOEING
737-600/700/800/900
PARTS CATALOG (MAINTENANCE)

FIG ITEM	PART NUMBER	1 2 3 4 5 6 7	NOMENCLATURE	EFFECT FROM TO	UNITS PER ASSY
73B 420	2110-6AMJ		.CORE ASSY-SEAT SUPPLIER CODE: V31218 USED ON: 2110-125PB FOR DETAILS SEE: 25-25-12-86T ATTACHING PARTS	101106 968999	1
425	NAS1096-2-11		.SCREW- USED WITH: 2110-2AMJ	101106 968999	1
- 427	NAS602-6PP		.SCREW- USED WITH: 2110-6AMJ	101106 968999	1
430	NAS1149FN832P		.WASHER	101106 968999	1
435	MS21042-08		.NUT- USED WITH: 2110-2AMJ -----*-----	101106 968999	1

MISSING ITEM NUMBERS NOT APPLICABLE

- ITEM NOT ILLUSTRATED

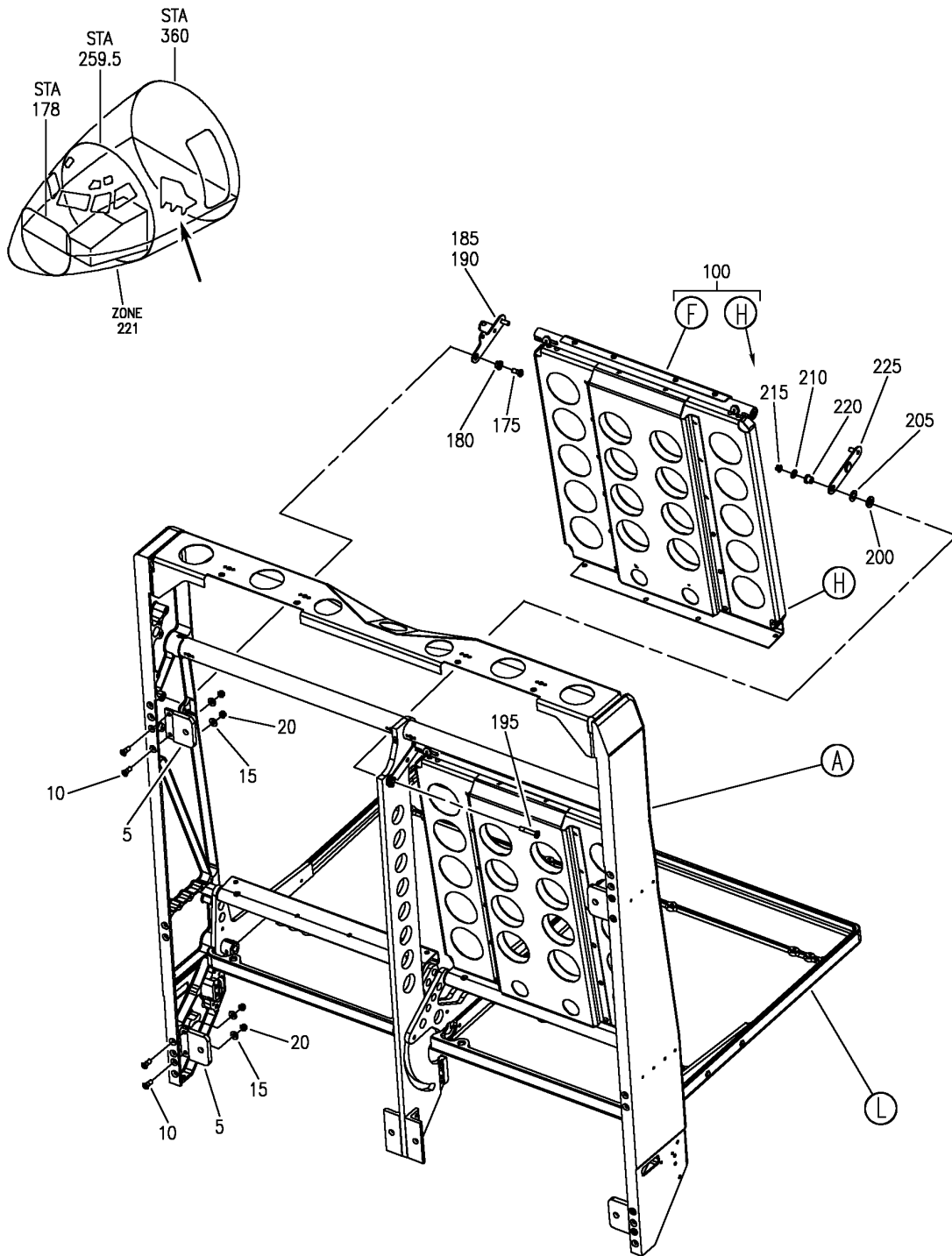
HAP

25-25-12-73B

BOEING PROPRIETARY - Copyright © - Unpublished Work - See title page for details.

25-25-12
FIG. 73B
PAGE 9
FEB 15/09

BOEING
 737-600/700/800/900
 PARTS CATALOG (MAINTENANCE)



E 25251278F SHT 1 REV 155

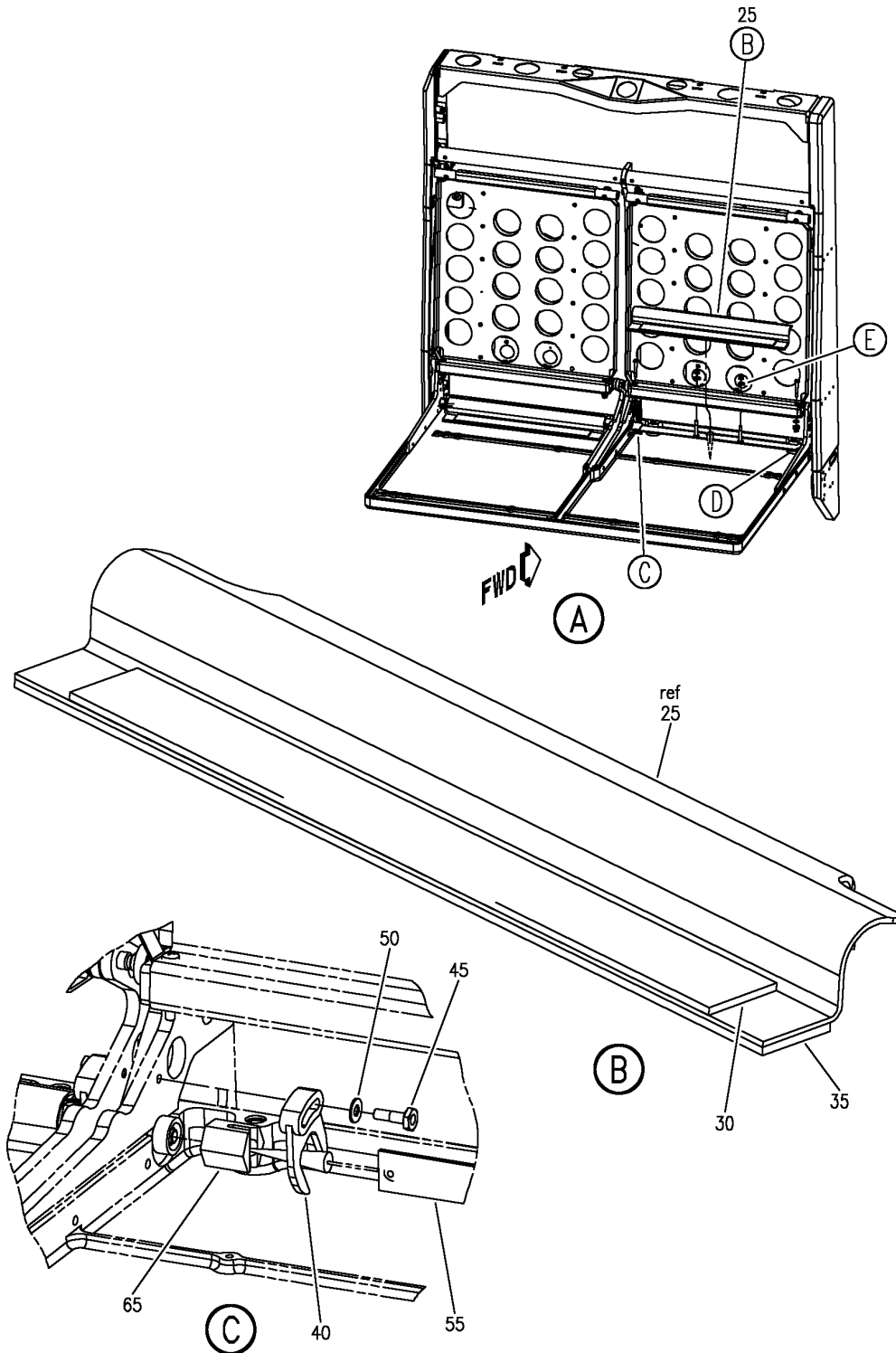
CORE ASSY-ATTENDANT SEAT
 FIGURE 78F (SHEET 1)

25-25-12-78F

HAP
 JUN 15/09

25-25-12-78F
 PAGE 0

BOEING
 737-600/700/800/900
 PARTS CATALOG (MAINTENANCE)



E 25251278F SHT 2 REV 155

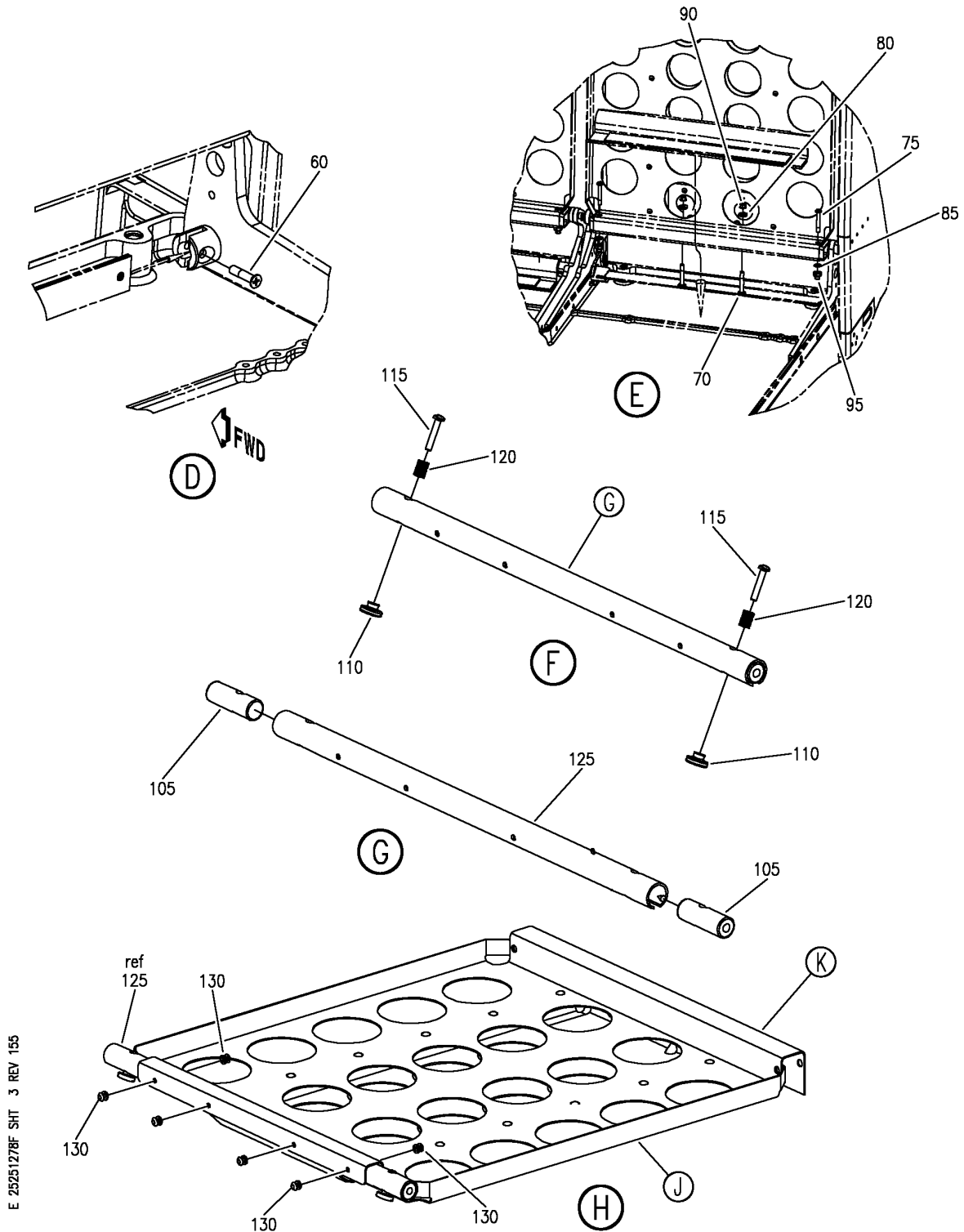
CORE ASSY-ATTENDANT SEAT
 FIGURE 78F (SHEET 2)

25-25-12-78F

HAP
 JUN 15/09

25-25-12-78F
 PAGE 0A

BOEING
 737-600/700/800/900
 PARTS CATALOG (MAINTENANCE)



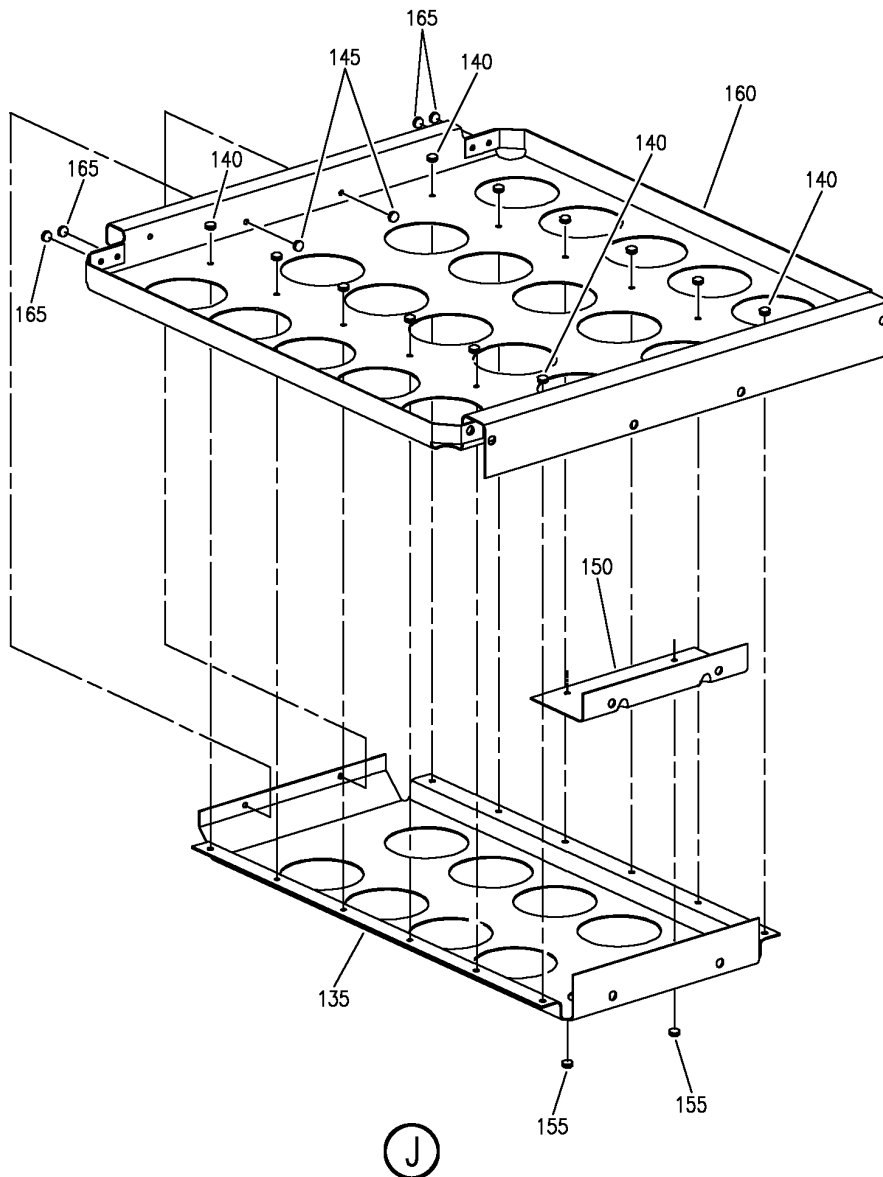
E 25251278F SHT. 3 REV 155

CORE ASSY-ATTENDANT SEAT
 FIGURE 78F (SHEET 3)

25-25-12-78F

HAP
 JUN 15/09

25-25-12-78F
 PAGE 0B



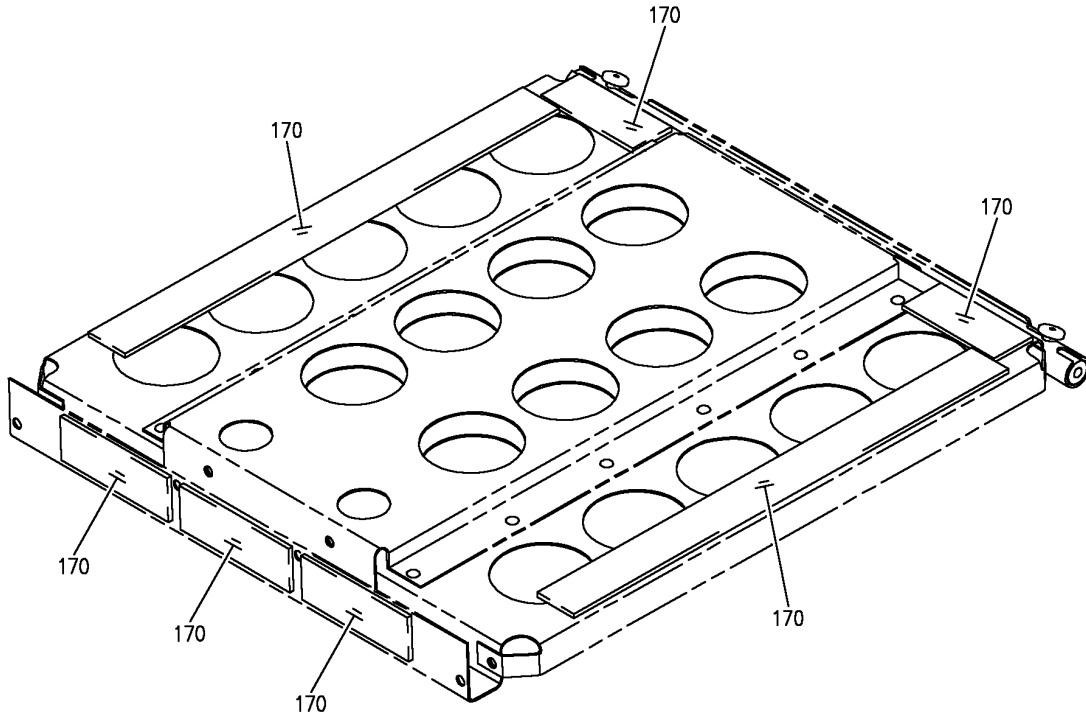
E 25251278F SHT 4 REV 155

CORE ASSY-ATTENDANT SEAT
 FIGURE 78F (SHEET 4)

25-25-12-78F

HAP
 JUN 15/09

25-25-12-78F
 PAGE 0C



(K)

E 25251278F SHT 5 REV 155

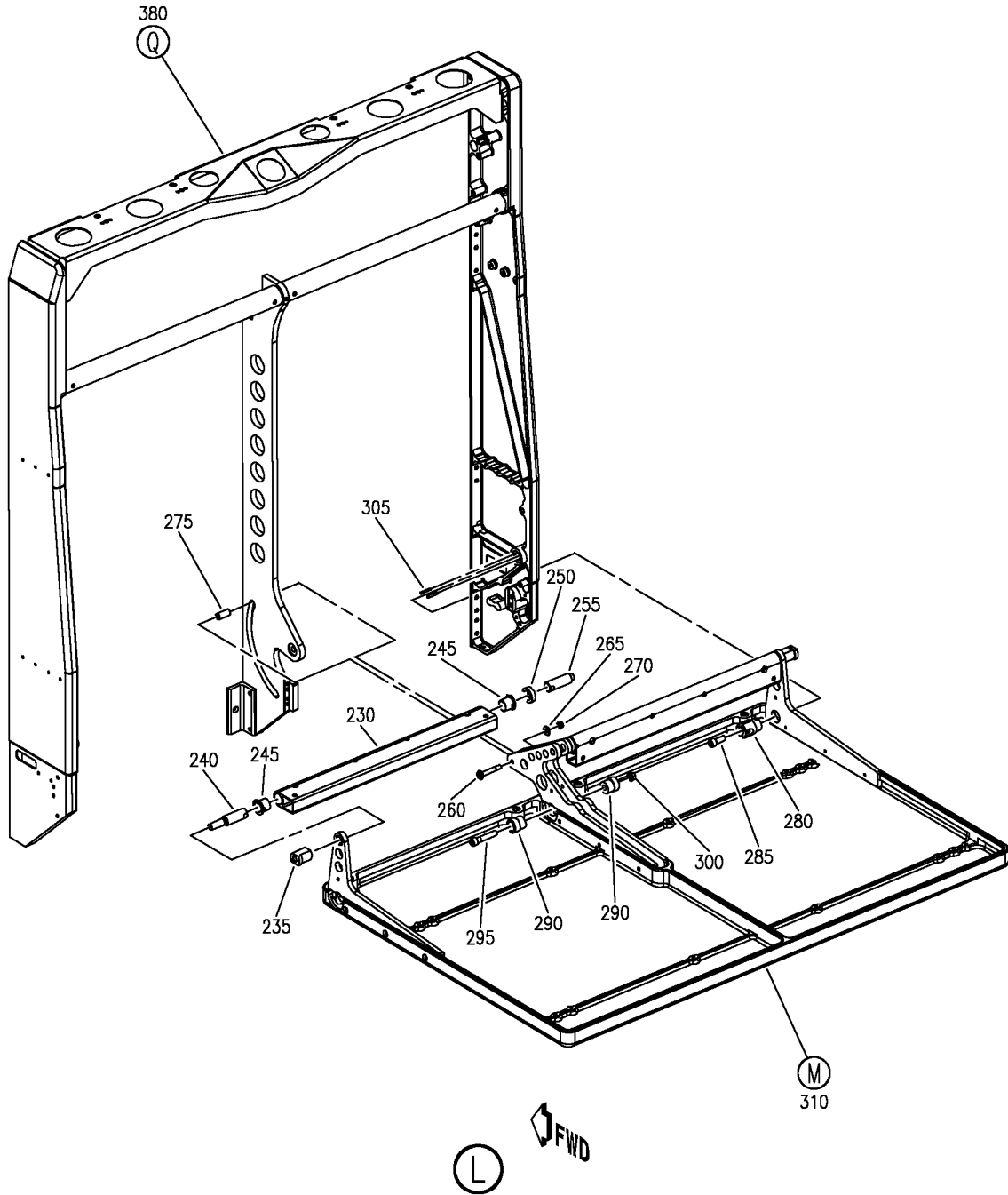
CORE ASSY-ATTENDANT SEAT
FIGURE 78F (SHEET 5)

25-25-12-78F

HAP
JUN 15/09

25-25-12-78F
PAGE 0D

BOEING
 737-600/700/800/900
 PARTS CATALOG (MAINTENANCE)



E 25251278F SHT 6 REV 155

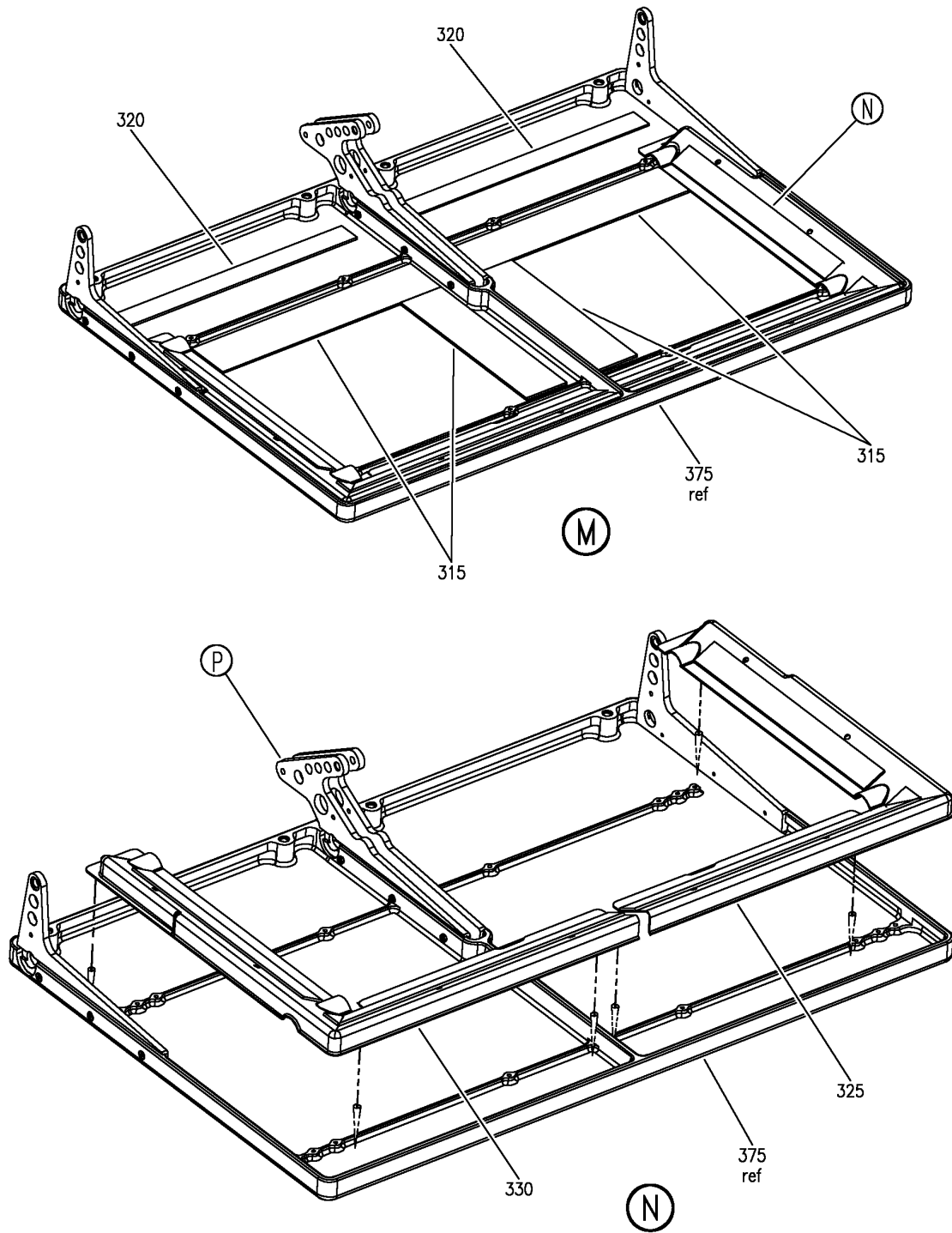
CORE ASSY-ATTENDANT SEAT
 FIGURE 78F (SHEET 6)

25-25-12-78F

HAP
 JUN 15/09

25-25-12-78F
 PAGE 0E

BOEING
 737-600/700/800/900
 PARTS CATALOG (MAINTENANCE)



E 25251278F SHT 7 REV 155

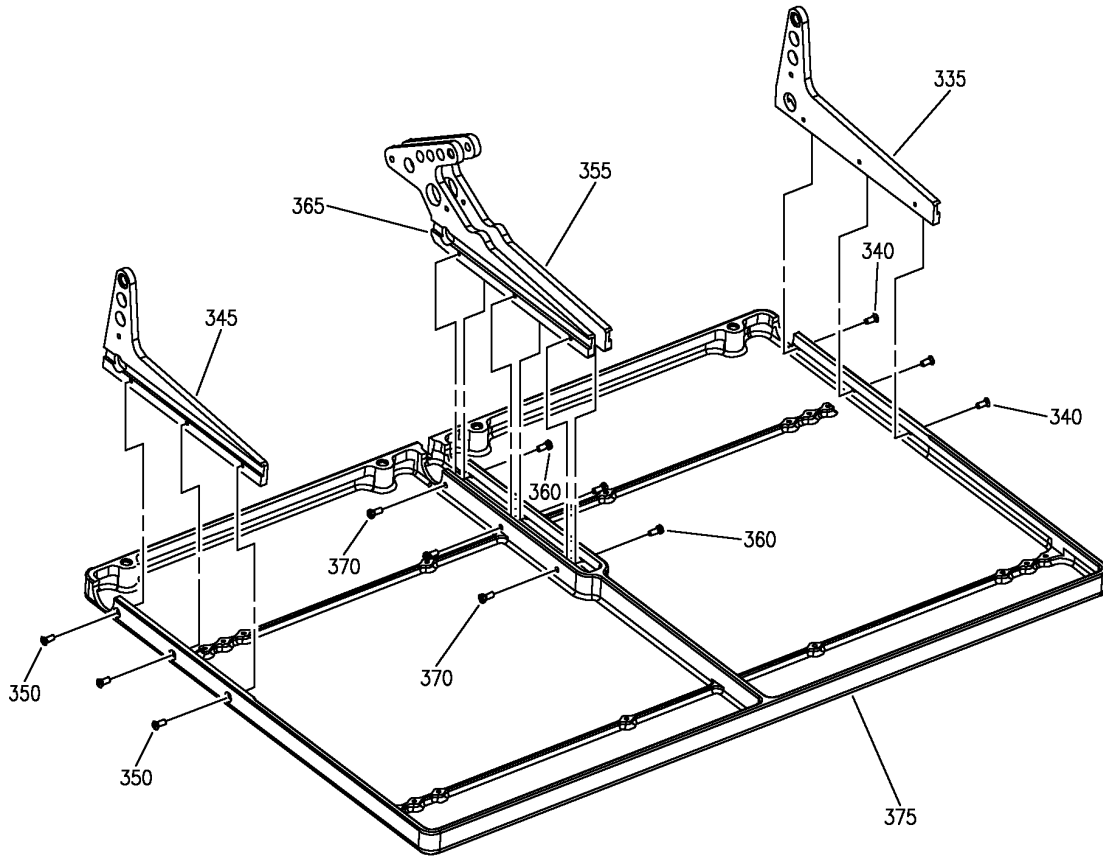
CORE ASSY-ATTENDANT SEAT
 FIGURE 78F (SHEET 7)

25-25-12-78F

HAP
 JUN 15/09

25-25-12-78F
 PAGE OF

BOEING
737-600/700/800/900
PARTS CATALOG (MAINTENANCE)



(P)

E 25251278F SHT 8 REV 155

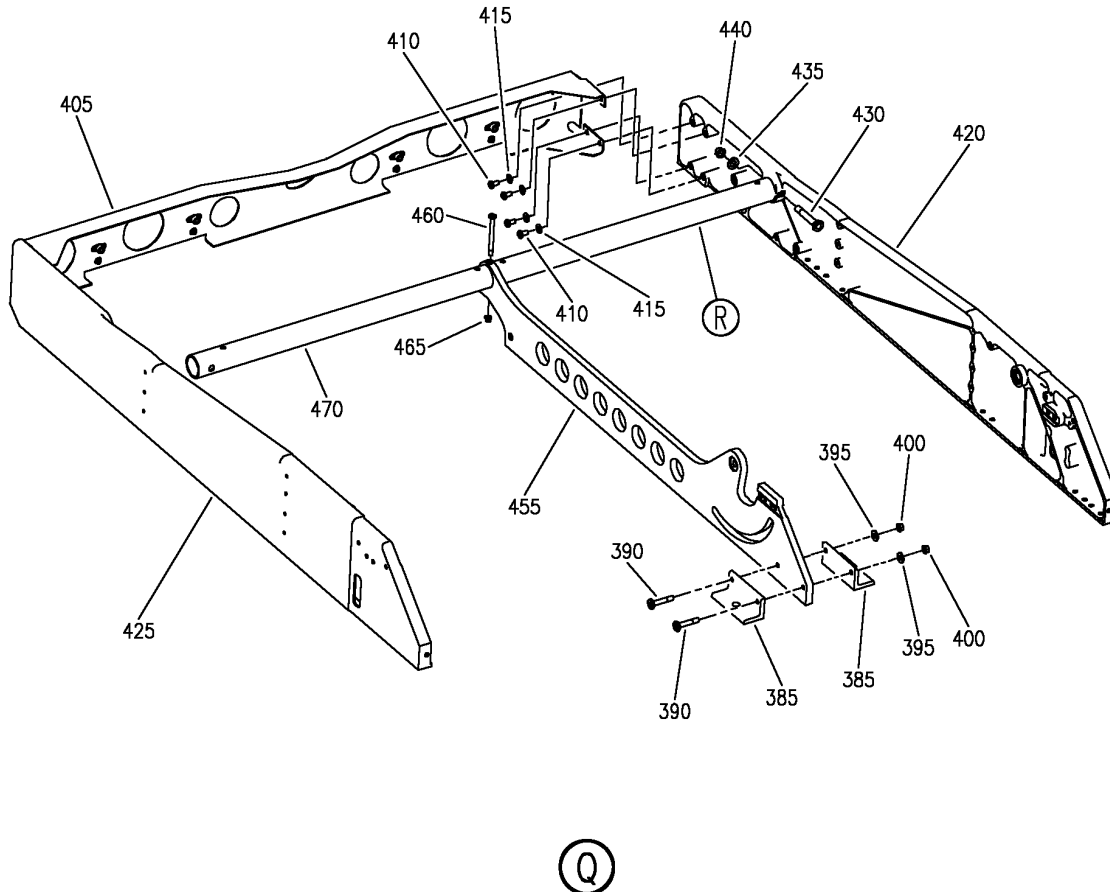
CORE ASSY-ATTENDANT SEAT
FIGURE 78F (SHEET 8)

25-25-12-78F

HAP
JUN 15/09

25-25-12-78F
PAGE 0G

BOEING
 737-600/700/800/900
 PARTS CATALOG (MAINTENANCE)



E 25251278F SHT 9 REV 155

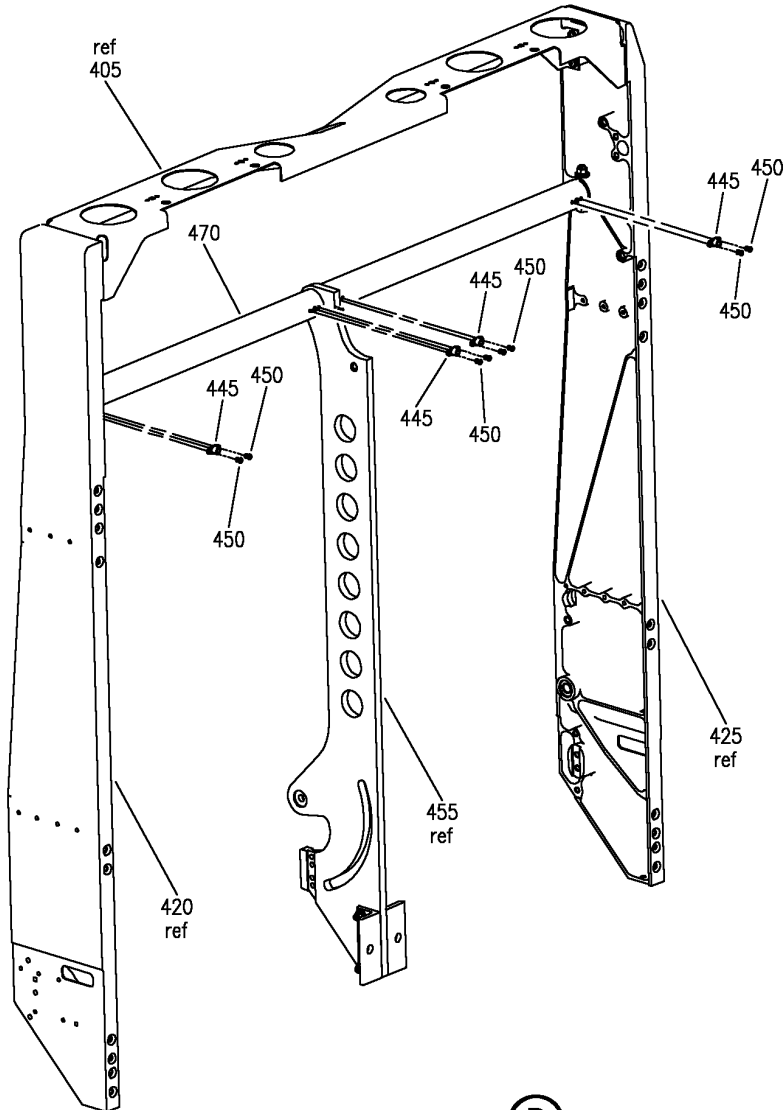
CORE ASSY-ATTENDANT SEAT
 FIGURE 78F (SHEET 9)

25-25-12-78F

HAP
 JUN 15/09

25-25-12-78F
 PAGE 0H

BOEING
737-600/700/800/900
PARTS CATALOG (MAINTENANCE)



E 25251278F SHT 10 REV 155

CORE ASSY-ATTENDANT SEAT
FIGURE 78F (SHEET 10)

25-25-12-78F

HAP
JUN 15/09

25-25-12-78F
PAGE 01

BOEING
737-600/700/800/900
PARTS CATALOG (MAINTENANCE)

FIG ITEM	PART NUMBER	1 2 3 4 5 6 7	NOMENCLATURE	EFFECT FROM TO	UNITS PER ASSY
R	78F		CORE ASSY-ATTENDANT SEAT	031100	
R				107200	
R	- 1	2110-7APA	CORE ASSY-ATTENDANT SEAT	031100	RF
R			SUPPLIER CODE:	107200	
R			V31218		
R			FOR NHA SEE:		
R			25-25-12-98D		
R	5	2D1040-1	.BRACKET-MTG	031100	4
R			SUPPLIER CODE:	107200	
R			V31218		
R			ATTACHING PARTS		
R	10	NAS1203-4	.BOLT	031100	8
R				107200	
R	15	NAS1149F0332P	.WASHER	031100	8
R				107200	
R	20	MS21042-3	.NUT	031100	8
R				107200	
R	25	2D2027-5	-----*----- .COVER ASSY-TORSION SPR	031100	2
R			SUPPLIER CODE:	107200	
R			V31218		
R	30	SJ3526GRY1ADH	..HOOK-ADHESIVE VELCRO GRAY	031100	AR
R			SUPPLIER CODE:	107200	
R			V5J466		
R			CONFIG CHG DATA FROM A CMM:		
R			REPLD BY SJ3526BLK1ADH		
R	30	SJ3526BLK1ADH	..HOOK-ADHESIVE VELCRO	031100	AR
R			BLACK	107200	
R			SUPPLIER CODE:		
R			V5J466		
R			CONFIG CHG DATA FROM A CMM:		
R			REPLS SJ3526GRY1ADH		
R	35	SJ3527GRY1ADH	..LOOP-ADHESIVE VELCRO GRAY	031100	AR
R			SUPPLIER CODE:	107200	
R			V5J466		
R			CONFIG CHG DATA FROM A CMM:		
R			REPLD BY SJ3527BLK1ADH		
R	35	SJ3527BLK1ADH	..LOOP-ADHESIVE VELCRO	031100	AR
R			BLACK	107200	
R			SUPPLIER CODE:		
R			V5J466		
R			CONFIG CHG DATA FROM A CMM:		
R			REPLS SJ3527GRY1ADH		
R	40	2D2022-3	.LOCK-TORSION SPR	031100	2
R			SUPPLIER CODE:	107200	
R			V31218		
R			ATTACHING PARTS		
R	45	NAS6203-5	.BOLT	031100	2
R				107200	

MISSING ITEM NUMBERS NOT APPLICABLE

- ITEM NOT ILLUSTRATED

HAP

25-25-12-78F

25-25-12
FIG. 78F
PAGE 1
JUN 15/09


BOEING
 737-600/700/800/900
PARTS CATALOG (MAINTENANCE)

FIG ITEM	PART NUMBER	1 2 3 4 5 6 7	NOMENCLATURE	EFFECT FROM TO	UNITS PER ASSY
R R	78F 50		.WASHER	031100 107200	2
			-----*-----		
R R R	55	2D2023-7	.SPRING-TORSION FLAT SUPPLIER CODE: V31218	031100 107200	2
			ATTACHING PARTS		
R R	60	NAS1202-7	.BOLT	031100 107200	2
			-----*-----		
R R R	65	2D2019-5	.ANCHOR-SPR SUPPLIER CODE: V31218	031100 107200	2
R R R	70	NAS6203-13	.BOLT	031100 107200	4
R R R	75	NAS623-2-14	.SCREW	031100 107200	4
R R R	80	NAS1149F0363P	.WASHER	031100 107200	4
R R R	85	AN960-8	.WASHER	031100 107200	4
R R R	90	MS21042-3	.NUT	031100 107200	4
R R R	95	22K1-82	.NUT- SUPPLIER CODE: V72962	031100 107200	4
R R R	100	2110-25APA	.BACK ASSY- SUPPLIER CODE: V31218	031100 107200	2
			POSITION DATA: LWR		
R R R	105	2D3017-3	..PIVOT- SUPPLIER CODE: V31218	031100 107200	2
			POSITION DATA: UPR LWR		
R R R	110	2D3015-3	..KNOB-RELEASE SUPPLIER CODE: V31218	031100 107200	2
			ATTACHING PARTS		
R R	115	NAS601-12P	..SCREW	031100 107200	2
			-----*-----		
R R R	120	C0240-020-0880M	..SPRING- SUPPLIER CODE: V77535	031100 107200	2

MISSING ITEM NUMBERS NOT APPLICABLE

- ITEM NOT ILLUSTRATED

25-25-12-78F

25-25-12
 FIG. 78F
 PAGE 2
 JUN 15/09

HAP

BOEING PROPRIETARY - Copyright © - Unpublished Work - See title page for details.

BOEING
737-600/700/800/900
PARTS CATALOG (MAINTENANCE)

FIG ITEM	PART NUMBER	1 2 3 4 5 6 7	NOMENCLATURE	EFFECT FROM TO	UNITS PER ASSY
R R R R R	78F 125 2D3018-15		..TUBE- SUPPLIER CODE: V31218 POSITION DATA: UPR LWR ATTACHING PARTS	031100 107200	1
R R	130 MS20600M4W2		..RIVET	031100 107200	6
R R R	135 2D3022-15		-----*----- ..GUSSET- SUPPLIER CODE: V31218 ATTACHING PARTS	031100 107200	1
R R R R	140 MS20470AD44		..RIVET- SUPPLIER CODE: V31218	031100 107200	12
R R R R	145 MS20470AD44		..RIVET- SUPPLIER CODE: V31218	031100 107200	2
R R R	150 2D3046-3		-----*----- ..BRACE- SUPPLIER CODE: V31218 ATTACHING PARTS	031100 107200	1
R R R	155 MS20470AD44		..RIVET- SUPPLIER CODE: V07707	031100 107200	2
R R R	160 2D3022-13		-----*----- ..PAN- SUPPLIER CODE: V31218 ATTACHING PARTS	031100 107200	1
R R R	165 MS20426AD44		..RIVET- SUPPLIER CODE: V31218	031100 107200	4
R R R R R R R	170 SJ3526BLK1ADH		..HOOK-ADHESIVE VELCRO BLACK SUPPLIER CODE: V5J466	031100 107200	AR
R R R R	175 NAS623-3-3		.SCREW	031100 107200	2
R R R R	180 NAS77-3-016		.BUSHING	031100 107200	2
R R R R R	185 2D3013-55		.LINK-BACK SUPPLIER CODE: V31218 POSITION DATA: UPR LH	031100 107200	1

MISSING ITEM NUMBERS NOT APPLICABLE

— ITEM NOT ILLUSTRATED

HAP

25-25-12-78F

BOEING PROPRIETARY - Copyright © - Unpublished Work - See title page for details.

25-25-12
FIG. 78F
PAGE 3
JUN 15/09

BOEING
737-600/700/800/900
PARTS CATALOG (MAINTENANCE)

FIG ITEM	PART NUMBER	1 2 3 4 5 6 7	NOMENCLATURE	EFFECT FROM TO	UNITS PER ASSY
R	78F				
R	190	2D3013-52	.LINK-BACK SUPPLIER CODE: V31218 POSITION DATA: UPR RH	031100 107200	1
R	195	NAS623-3-13	.SCREW	031100 107200	1
R	200	NAS1149F0563P	.WASHER	031100 107200	2
R	205	NAS1149F0532P	.WASHER	031100 107200	2
R	210	NAS1149F0332P	.WASHER	031100 107200	1
R	215	MS21042-3	.NUT	031100 107200	1
R	220	NAS77-3-025	.BUSHING	031100 107200	2
R	225	2D3013-47	.LINK-BACK SUPPLIER CODE: V31218 POSITION DATA: UPR	031100 107200	2
R	230	2D3012-1APA	.ATTACH-BACK SUPPLIER CODE: V31218 POSITION DATA: LWR	031100 107200	2
R	235	2D2015-1	.STOP-PAN SUPPLIER CODE: V31218	031100 107200	2
R	240	2D2013-3	.PIVOT-BACK SUPPLIER CODE: V31218 POSITION DATA: LWR	031100 107200	2
R	245	8L5-1-2F	.NYLINER-FLANGED SUPPLIER CODE: V96881	031100 107200	4
R	250	2D2016-1	.BUSHING-PIVOT SUPPLIER CODE: V31218	031100 107200	2
R	255	2D2013-1	.PIVOT-BACK SUPPLIER CODE: V31218 POSITION DATA: LWR	031100 107200	2
R	260	NAS6203-15	.BOLT	031100 107200	1

MISSING ITEM NUMBERS NOT APPLICABLE

- ITEM NOT ILLUSTRATED

HAP

25-25-12-78F

BOEING PROPRIETARY - Copyright © - Unpublished Work - See title page for details.

25-25-12
FIG. 78F
PAGE 4
JUN 15/09

BOEING
737-600/700/800/900
PARTS CATALOG (MAINTENANCE)

FIG ITEM	PART NUMBER	1 2 3 4 5 6 7	NOMENCLATURE	EFFECT FROM TO	UNITS PER ASSY
R	78F				
R	265	NAS1149F0363P	.WASHER	031100 107200	1
R	270	MS21042-3	.NUT	031100 107200	1
R	275	NAS75-3-024	.BUSHING	031100 107200	1
R	280	2D2018-1	.BUSHING-ANCHOR PAN SUPPLIER CODE: V31218 ATTACHING PARTS	031100 107200	2
R	285	MS21262-37	.SCREW	031100 107200	2
R	290	2D2020-5	-----*----- .BUSHING-PAN SUPPLIER CODE: V31218 ATTACHING PARTS	031100 107200	2
R	295	MS21262-64	.SCREW	031100 107200	1
R	300	MS21042-4	.NUT	031100 107200	1
R	305	MS16555-21	-----*----- .PIN	031100 107200	4
R	310	2110-24APA	.PAN ASSY- SUPPLIER CODE: V31218	031100 107200	1
R	315	SJ3526GRY2ADH	..HOOK-ADHESIVE VELCRO GRAY SUPPLIER CODE: V5J466 CONFIG CHG DATA FROM A CMM: REPLD BY SJ3526BLK2ADH	031100 107200	AR
R	315	SJ3526BLK2ADH	..HOOK-ADHESIVE VELCRO BLACK SUPPLIER CODE: V5J466 CONFIG CHG DATA FROM A CMM: REPLS SJ3526GRY2ADH	031100 107200	AR
R	320	SJ3526GRY1ADH	..HOOK-ADHESIVE VELCRO GRAY SUPPLIER CODE: V5J466 CONFIG CHG DATA FROM A CMM: REPLD BY SJ3526BLK1ADH	031100 107200	AR
R	320	SJ3526BLK1ADH	..HOOK-ADHESIVE VELCRO BLACK SUPPLIER CODE: V5J466 CONFIG CHG DATA FROM A CMM: REPLS SJ3526GRY1ADH	031100 107200	AR

MISSING ITEM NUMBERS NOT APPLICABLE

— ITEM NOT ILLUSTRATED

HAP

25-25-12-78F

BOEING PROPRIETARY - Copyright © - Unpublished Work - See title page for details.

25-25-12
FIG. 78F
PAGE 5
JUN 15/09


BOEING
 737-600/700/800/900
 PARTS CATALOG (MAINTENANCE)

FIG ITEM	PART NUMBER	1 2 3 4 5 6 7	NOMENCLATURE	EFFECT FROM TO	UNITS PER ASSY
R R R R R R R R R R R R R	78F 325	2D2025-1	.. FILLER- SUPPLIER CODE: V31218 CONFIG CHG DATA FROM A CMM: SUPSD BY 2D2025-1	031100 107200	1
	325	2D2025-11	.. FILLER- SUPPLIER CODE: V31218 CONFIG CHG DATA FROM A CMM: SUPERSEDES 2D2025-1	031100 107200	1
	330	2D2025-2	.. FILLER- SUPPLIER CODE: V31218 CONFIG CHG DATA FROM A CMM: SUPSD BY 2D2025-12	031100 107200	1
	330	2D2025-12	.. FILLER- SUPPLIER CODE: V31218 CONFIG CHG DATA FROM A CMM: SUPERSEDES 2D2025-2	031100 107200	1
	335	2D2011-1APA	.. LEVER- SUPPLIER CODE: V31218 POSITION DATA: OUTBD ATTACHING PARTS	031100 107200	1
	340	MS24694S3	.. SCREW	031100 107200	3
	345	2D2011-2APA	.. LEVER- SUPPLIER CODE: V31218 POSITION DATA: OUTBD ATTACHING PARTS	031100 107200	1
	350	MS24694S3	.. SCREW	031100 107200	3
	355	2D2012-3APA	.. LEVER- SUPPLIER CODE: V31218 POSITION DATA: INBD ATTACHING PARTS	031100 107200	1
	360	NAS1096-2-6	.. SCREW	031100 107200	3

MISSING ITEM NUMBERS NOT APPLICABLE

— ITEM NOT ILLUSTRATED

HAP

25-25-12-78F

25-25-12
 FIG. 78F
 PAGE 6
 JUN 15/09

BOEING
737-600/700/800/900
PARTS CATALOG (MAINTENANCE)

FIG ITEM	PART NUMBER	1 2 3 4 5 6 7	NOMENCLATURE	EFFECT FROM TO	UNITS PER ASSY
R R R R R	78F 365 2D2012-1APA		.. LEVER- SUPPLIER CODE: V31218 POSITION DATA: INBD ATTACHING PARTS	031100 107200	1
R R	370 NAS1096-2-6		.. SCREW	031100 107200	3
R R R R R	375 2D2021-1APA		.. PAN- SUPPLIER CODE: V31218	031100 107200	1
R R R R R	380 2110-11APA		.BASE ASSY-NARROW DBL SUPPLIER CODE: V31218	031100 107200	1
R R R R R	385 2D1062-1APA		.. BRACKET-SPRT SUPPLIER CODE: V31218 POSITION DATA: CTR ATTACHING PARTS	031100 107200	2
R R R R R	390 NAS6203-11		.. BOLT	031100 107200	2
R R R R R	395 AN960-10		.. WASHER- CONFIG CHG DATA FROM A CMM: REPLD BY NAS1149F0363P	031100 107200	2
R R R R R	395 NAS1149F0363P		.. WASHER- CONFIG CHG DATA FROM A CMM: REPLS AN960-10	031100 107200	2
R R R R R	400 MS21042-3		.. NUT	031100 107200	2
R R R	405 2D1038-1APA		.. MEMBER-CROSS TOP SUPPLIER CODE: V31218 ATTACHING PARTS	031100 107200	1
R R R R R	410 NAS623-2-1		.. SCREW	031100 107200	8
R R R R R	415 AN960-8		.. WASHER- CONFIG CHG DATA FROM A CMM: REPLD BY NAS1149FN832P	031100 107200	8
R R R R R	415 NAS1149FN832P		.. WASHER- CONFIG CHG DATA FROM A CMM: REPLS AN960-8	031100 107200	8
R R R	420 2D1024-1APA		.. PANEL-SIDE SUPPLIER CODE: V31218	031100 107200	1

MISSING ITEM NUMBERS NOT APPLICABLE

— ITEM NOT ILLUSTRATED

HAP

25-25-12-78F

BOEING PROPRIETARY - Copyright © - Unpublished Work - See title page for details.

25-25-12
FIG. 78F
PAGE 7
JUN 15/09

BOEING
737-600/700/800/900
PARTS CATALOG (MAINTENANCE)

FIG ITEM	PART NUMBER	1 2 3 4 5 6 7	NOMENCLATURE	EFFECT FROM TO	UNITS PER ASSY
R R R	78F 425	2D1024-4APA	.. PANEL-SIDE SUPPLIER CODE: V31218 ATTACHING PARTS	031100 107200	1
R R R	430	NAS6204-19	.. BOLT	031100 107200	2
R R R	435	AN960-416	.. WASHER- CONFIG CHG DATA FROM A CMM: REPLD BY NAS1149F0463P	031100 107200	2
R R R	435	NAS1149F0463P	.. WASHER- CONFIG CHG DATA FROM A CMM: REPLS AN960-416	031100 107200	2
R R R	440	MS21042-4	.. NUT	031100 107200	2
R R	445	MS21069L08	-----*----- .. NUTPLATE ATTACHING PARTS	031100 107200	4
R R R	450	SD32BS	.. RIVET- SUPPLIER CODE: V07707 -----*-----	031100 107200	8
R R R R	455	2D1036-1APA	.. SUPPORT- SUPPLIER CODE: V31218 POSITION DATA: CTR ATTACHING PARTS	031100 107200	1
R R R	460	NAS623-2-26	.. SCREW	031100 107200	1
R R	465	MS21042-08	.. NUT	031100 107200	1
R R R R	470	2D1039-1APA	-----*----- .. TUBE-CROSS BACK SUPPLIER CODE: V31218 POSITION DATA: UPR	031100 107200	1

MISSING ITEM NUMBERS NOT APPLICABLE

— ITEM NOT ILLUSTRATED

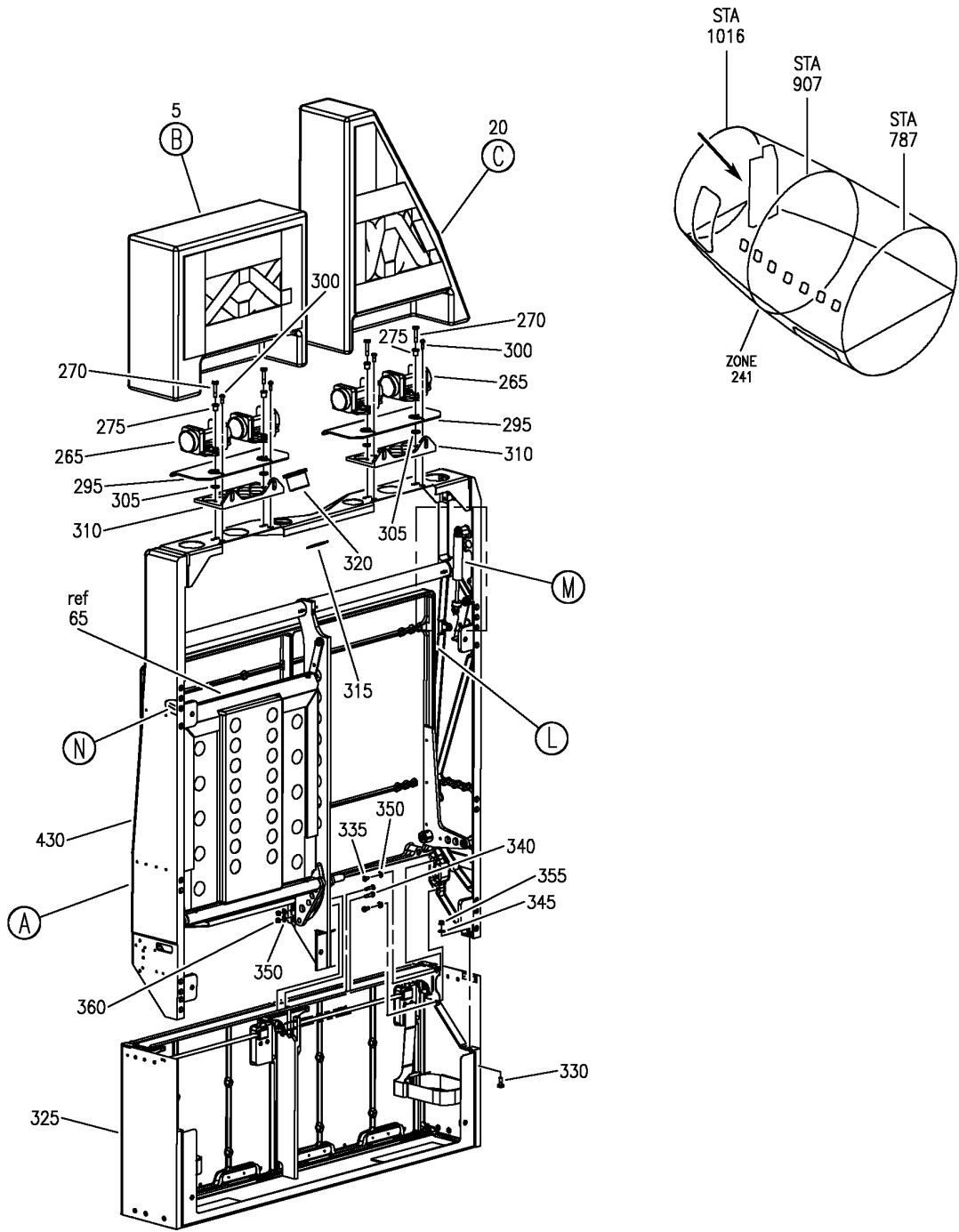
HAP

25-25-12-78F

BOEING PROPRIETARY - Copyright © - Unpublished Work - See title page for details.

25-25-12
FIG. 78F
PAGE 8
JUN 15/09

BOEING
 737-600/700/800/900
 PARTS CATALOG (MAINTENANCE)



E 25251278G SHT 1 REV 155

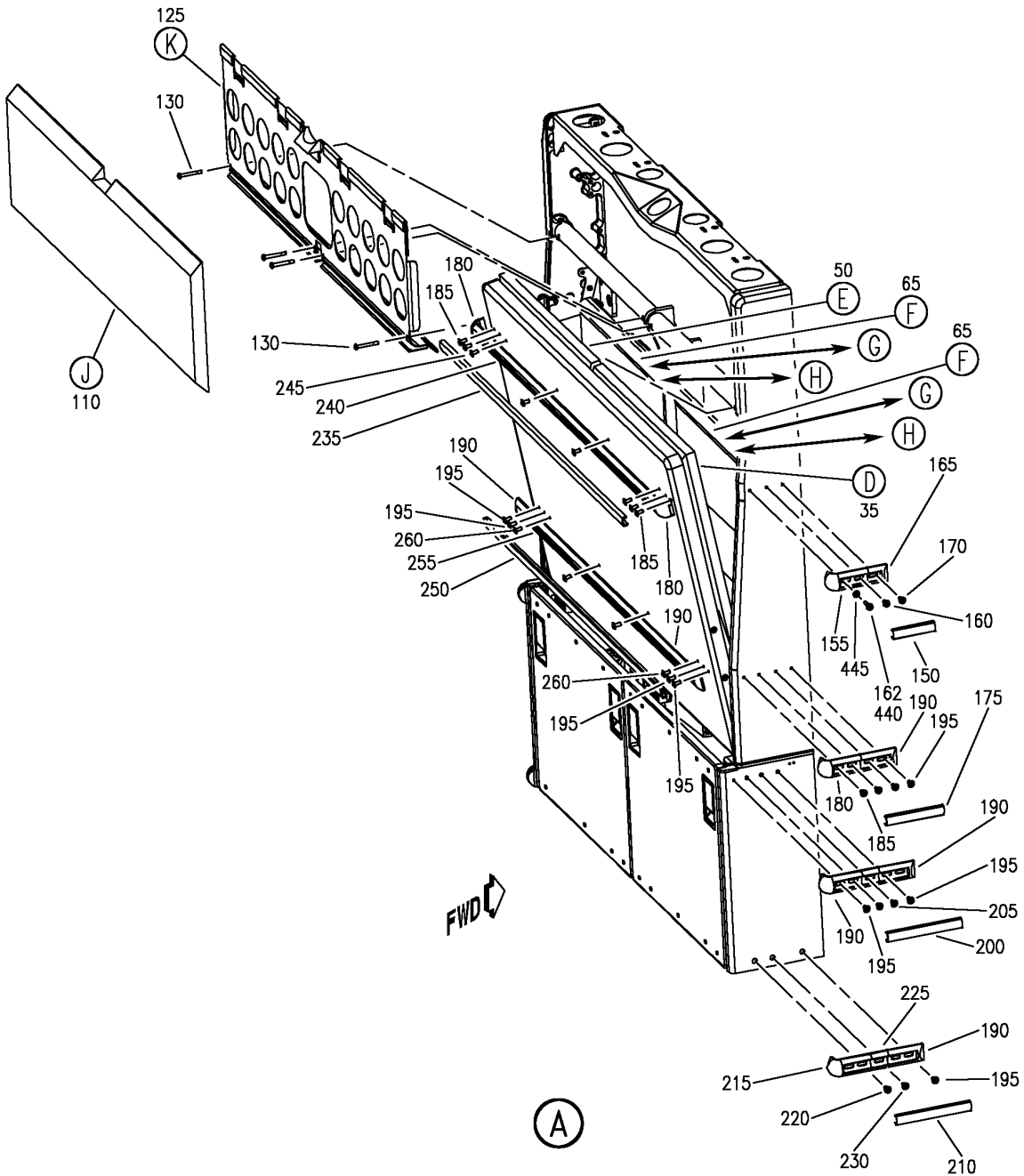
SEAT ASSY-ATTENDANT DBL WALL MOUNTED
 FIGURE 78G (SHEET 1)

25-25-12-78G

HAP
 JUN 15/09

25-25-12-78G
 PAGE 0

BOEING
 737-600/700/800/900
 PARTS CATALOG (MAINTENANCE)



E 25251278G SHT 2 REV 155

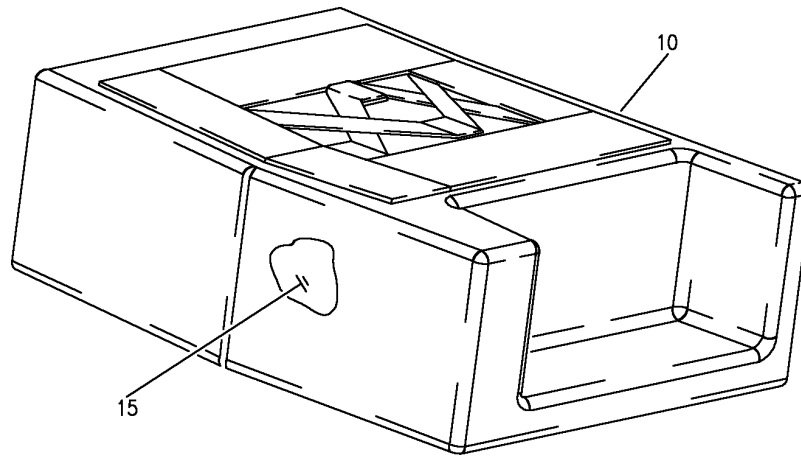
SEAT ASSY-ATTENDANT DBL WALL MOUNTED
 FIGURE 78G (SHEET 2)

25-25-12-78G

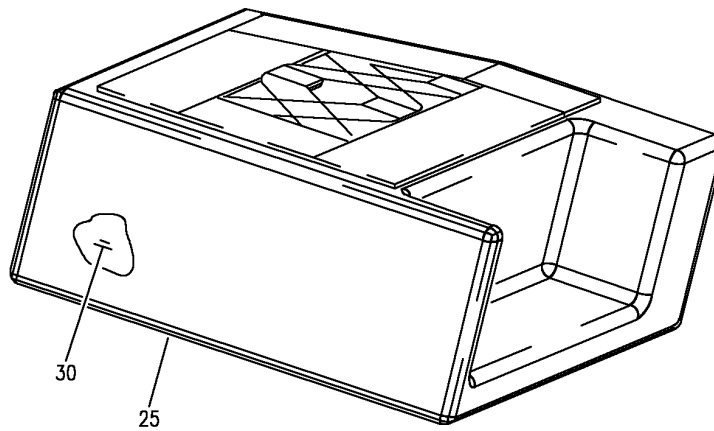
HAP
 JUN 15/09

25-25-12-78G
 PAGE 0A

BOEING
737-600/700/800/900
PARTS CATALOG (MAINTENANCE)



(B)



(C)

E 25251278G SHT 3 REV 155

SEAT ASSY-ATTENDANT DBL WALL MOUNTED
FIGURE 78G (SHEET 3)

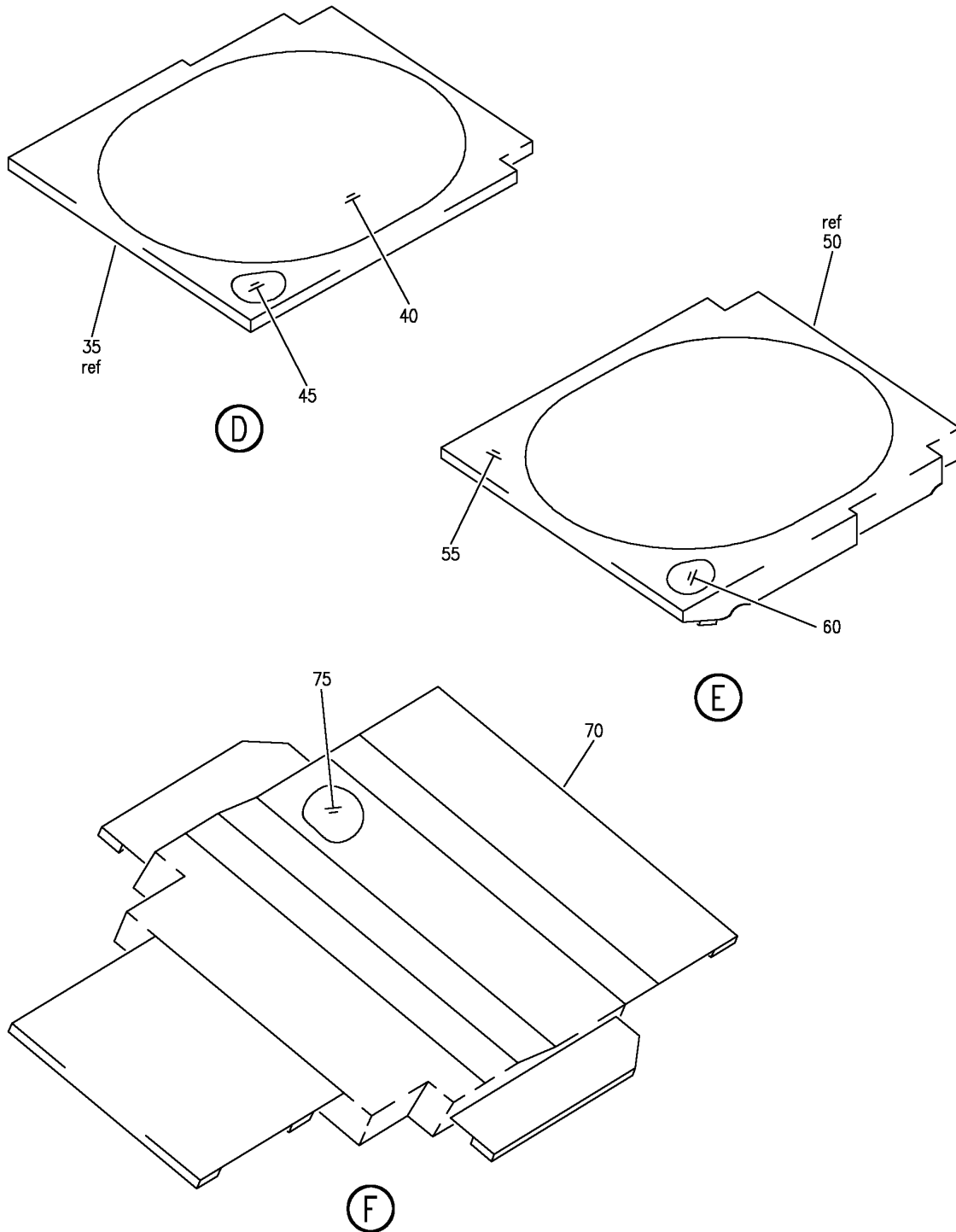
25-25-12-78G

HAP
JUN 15/09

25-25-12-78G
PAGE 0B

BOEING PROPRIETARY - Copyright © - Unpublished Work - See title page for details.

BOEING
 737-600/700/800/900
 PARTS CATALOG (MAINTENANCE)



E 25251278G SHT 4 REV 155

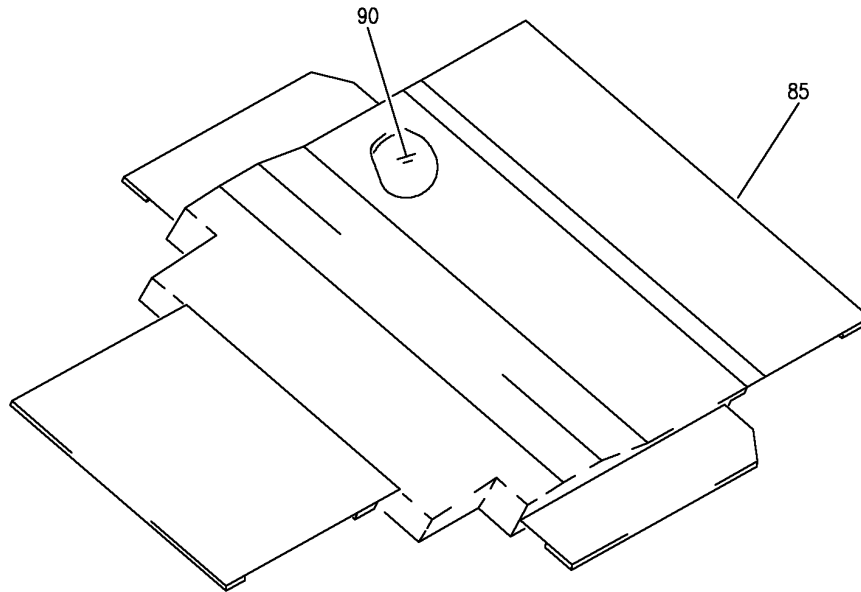
SEAT ASSY-ATTENDANT DBL WALL MOUNTED
 FIGURE 78G (SHEET 4)

25-25-12-78G

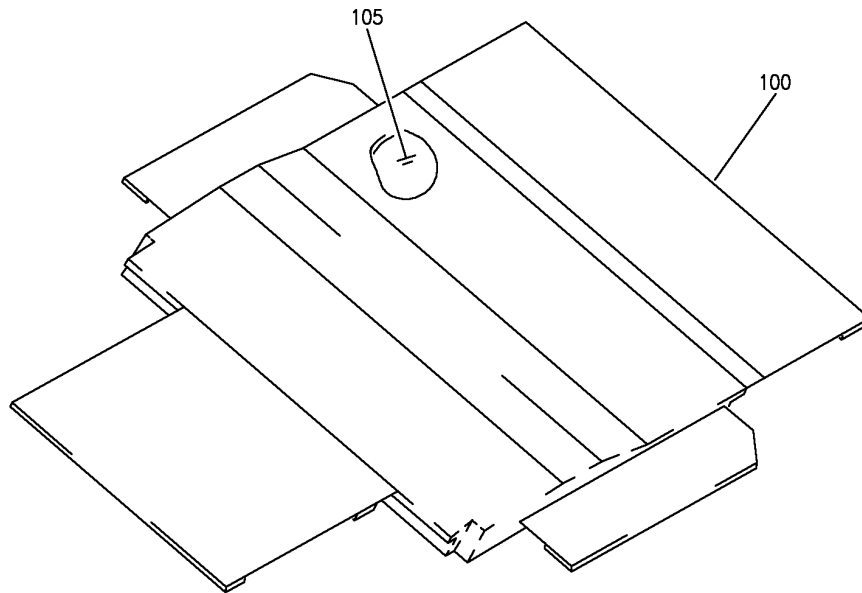
HAP
 JUN 15/09

25-25-12-78G
 PAGE 0C

BOEING
737-600/700/800/900
PARTS CATALOG (MAINTENANCE)



(G)



(H)

E 25251278G SHT 5 REV 155

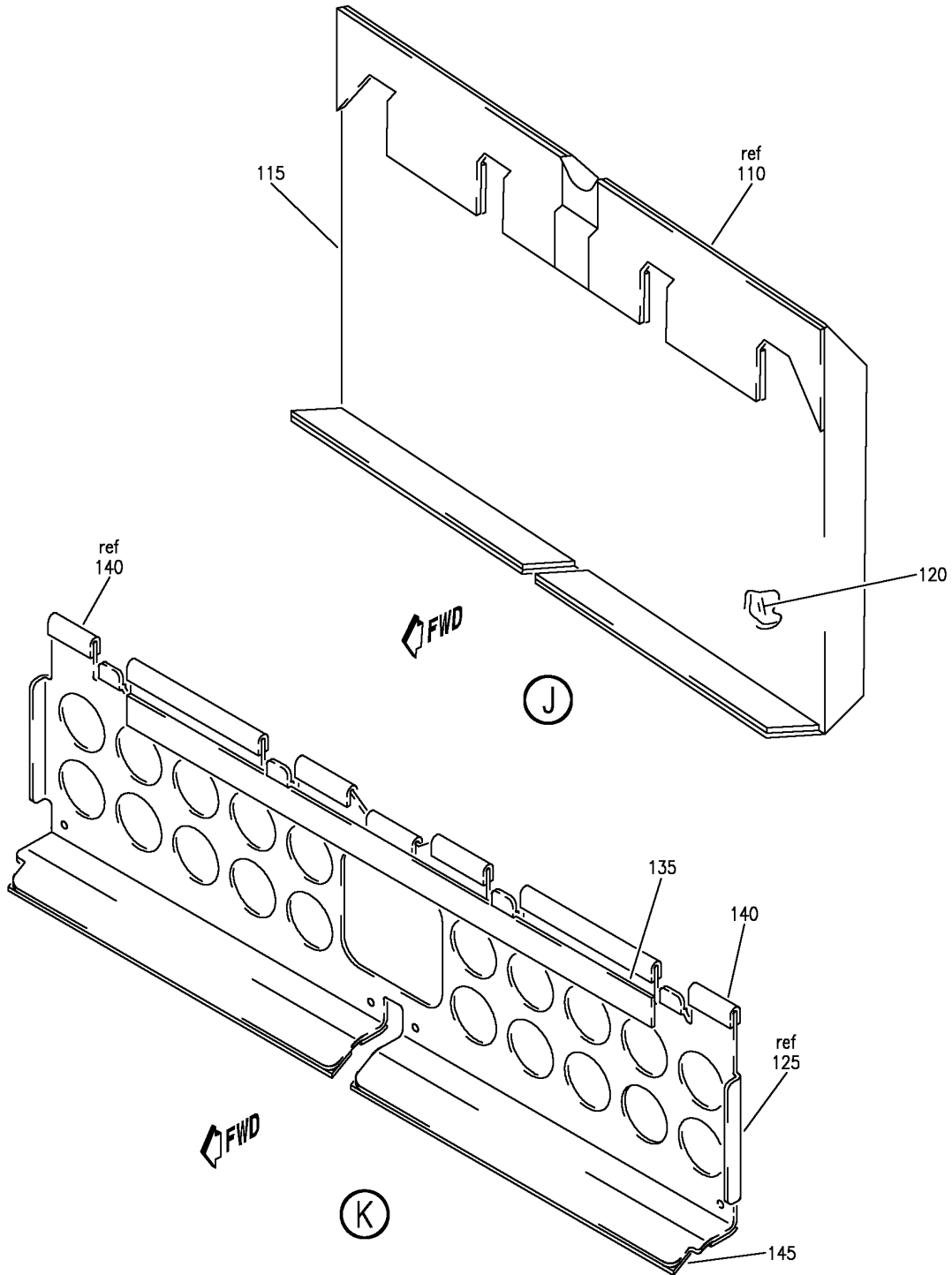
SEAT ASSY-ATTENDANT DBL WALL MOUNTED
FIGURE 78G (SHEET 5)

25-25-12-78G

HAP
JUN 15/09

25-25-12-78G
PAGE 0D

BOEING
737-600/700/800/900
PARTS CATALOG (MAINTENANCE)



E 25251278G SHT 6 REV 155

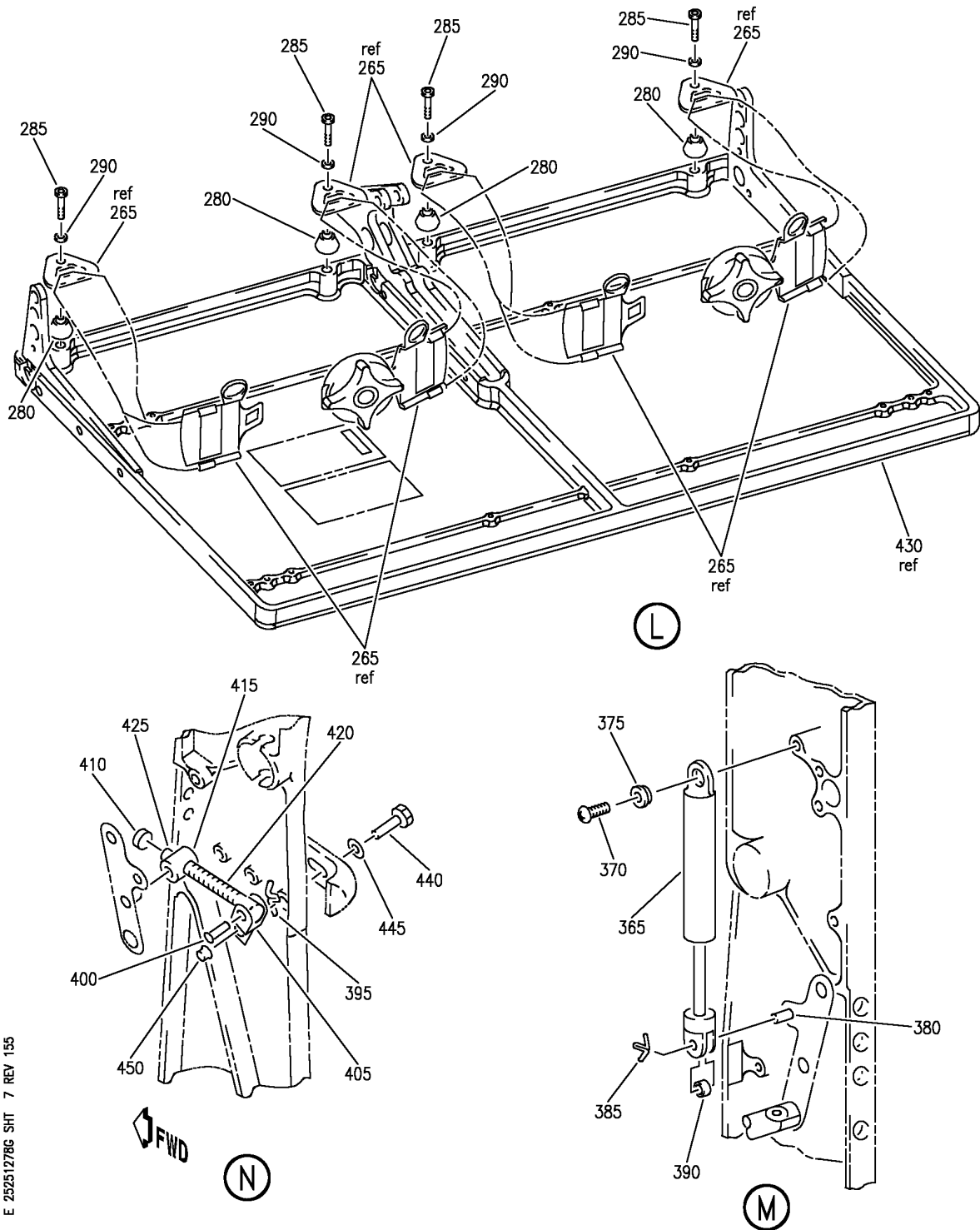
SEAT ASSY-ATTENDANT DBL WALL MOUNTED
FIGURE 78G (SHEET 6)

25-25-12-78G

HAP
JUN 15/09

25-25-12-78G
PAGE 0E

BOEING
 737-600/700/800/900
 PARTS CATALOG (MAINTENANCE)



E 25251278G SHT 7 REV 155

SEAT ASSY-ATTENDANT DBL WALL MOUNTED
 FIGURE 78G (SHEET 7)

25-25-12-78G

HAP
 JUN 15/09

25-25-12-78G
 PAGE OF

BOEING
737-600/700/800/900
PARTS CATALOG (MAINTENANCE)

FIG ITEM	PART NUMBER	1 2 3 4 5 6 7	NOMENCLATURE	EFFECT FROM TO	UNITS PER ASSY	
R R R R R R R R R R R R R R	78G		SEAT ASSY-ATTENDANT DBL WALL MOUNTED	047050 053053 107200		
	- 1	2110-325GC	SEAT ASSY-ATTENDANT DBL WALL MOUNTED SUPPLIER CODE: V31218 POSITION DATA: STA. 949.00, LBL 13.50, WL 219.10 SPECIFICATION NUMBER: BCREF15324 COMPONENT MAINT MANUAL REF: 25-24-37 FOR NHA SEE: 25-25-12-04C	047050 053053 107200	RF	
	- 1	2110-125GC	SEAT ASSY-ATTENDANT DBL WALL MOUNTED SUPPLIER CODE: V31218 POSITION DATA: STA. 949.00, LBL 13.50, WL 219.10 SPECIFICATION NUMBER: BCREF66194 COMPONENT MAINT MANUAL REF: 25-24-37 FOR NHA SEE: 25-25-12-04C	047050 053053 107200	RF	
	5	2D7017-3D	.CUSHION AND COVER ASSY- HEADREST SUPPLIER CODE: V31218	047050 053053 107200	1	
	10	2D7017-13D	..COVER- SUPPLIER CODE: V31218	047050 053053 107200	1	
	15	2D7017-23	..CUSHION-FIREBLOCK SUPPLIER CODE: V31218	047050 053053 107200	1	
	20	2D7017-4D	.CUSHION AND COVER ASSY- HEADREST SUPPLIER CODE: V31218	047050 053053 107200	1	
	25	2D7017-14D	..COVER- SUPPLIER CODE: V31218	047050 053053 107200	1	
	30	2D7017-24	..CUSHION-FIREBLOCK SUPPLIER CODE: V31218	047050 053053 107200	1	
	MISSING ITEM NUMBERS NOT APPLICABLE					

- ITEM NOT ILLUSTRATED

HAP

25-25-12-78G

BOEING PROPRIETARY - Copyright © - Unpublished Work - See title page for details.

25-25-12
FIG. 78G
PAGE 1
JUN 15/09

BOEING
737-600/700/800/900
PARTS CATALOG (MAINTENANCE)

FIG ITEM	PART NUMBER	1 2 3 4 5 6 7	NOMENCLATURE	EFFECT FROM TO	UNITS PER ASSY
78G					
R	35	2D7008-1D	.CUSHION AND COVER ASSY- SUPPLIER CODE: V31218	047050 053053 107200	1
R	40	2D7008-11D	..COVER-PAN SUPPLIER CODE: V31218	047050 053053 107200	1
R	45	2D7009-1	..CUSHION-PAN SUPPLIER CODE: V31218	047050 053053 107200	1
R	50	2D7008-2D	.CUSHION AND COVER ASSY- SUPPLIER CODE: V31218	047050 053053 107200	1
R	55	2D7008-12D	..COVER-PAN SUPPLIER CODE: V31218	047050 053053 107200	1
R	60	2D7009-2	..CUSHION-PAN SUPPLIER CODE: V31218	047050 053053 107200	1
R	65	2D7004-1D	.CUSHION AND COVER ASSY- SUPPLIER CODE: V31218 CONFIG CHG DATA FROM A CMM: REPLD BY 2D7004-31D USED ON: 2110-325GC	047050 053053 107200	2
R	70	2D7004-11D	..COVER- SUPPLIER CODE: V31218	047050 053053 107200	1
R	75	2D7005-1	..CUSHION- SUPPLIER CODE: V31218	047050 053053 107200	1
R	80	2D7004-31D	.CUSHION AND COVER ASSY- BACK SUPPLIER CODE: V31218 POSITION DATA: LWR CONFIG CHG DATA FROM A CMM: REPLS 2D7004-1D USED ON: 2110-325GC	047050 053053 107200	2
R	85	2D7004-41D	..COVER- SUPPLIER CODE: V31218	047050 053053 107200	1
R	90	2D7005-11	..CUSHION- SUPPLIER CODE: V31218	047050 053053 107200	1

MISSING ITEM NUMBERS NOT APPLICABLE

- ITEM NOT ILLUSTRATED

HAP

25-25-12-78G

BOEING PROPRIETARY - Copyright © - Unpublished Work - See title page for details.

25-25-12
FIG. 78G
PAGE 2
JUN 15/09

BOEING
737-600/700/800/900
PARTS CATALOG (MAINTENANCE)

FIG ITEM	PART NUMBER	1 2 3 4 5 6 7	NOMENCLATURE	EFFECT FROM TO	UNITS PER ASSY	
R R R R R R R R R R R R R R	78G 140		..LOOP-ADHESIVE VELCRO GRAY SUPPLIER CODE: V5J466 CONFIG CHG DATA FROM A CMM: REPLD BY SJ3527BLK1ADH	047050 053053 107200	AR	
	140		..LOOP-ADHESIVE VELCRO BLACK SUPPLIER CODE: V5J466 CONFIG CHG DATA FROM A CMM: REPLS SJ3527GRY1ADH	047050 053053 107200	AR	
	145		..HOOK-ADHESIVE VELCRO GRAY SUPPLIER CODE: V5J466 CONFIG CHG DATA FROM A CMM: REPLD BY SJ3526BLK2ADH	047050 053053 107200	AR	
	145		..HOOK-ADHESIVE VELCRO BLACK SUPPLIER CODE: V5J466 CONFIG CHG DATA FROM A CMM: REPLS SJ3526GRY2ADH	047050 053053 107200	AR	
	150		.COVER-RUBSTRIP SUPPLIER CODE: V31218 USED ON: 2110-325GC	047050 053053 107200	2	
	150		.COVER-RUBSTRIP SUPPLIER CODE: V31218 USED ON: 2110-125GC	047050 053053 107200	2	
	155		.CAP-END CORNER RUBSTRIP SUPPLIER CODE: V31218 CONFIG CHG DATA FROM A CMM: REPLD BY A70027-1APA USED ON: 2110-325GC	047050 053053 107200	2	
	155		.CAP-END ALUMINUM RUBSTRIP SUPPLIER CODE: V31218 CONFIG CHG DATA FROM A CMM: REPLS S70027-1APA USED ON: 2110-325GC	047050 053053 107200	2	
	MISSING ITEM NUMBERS NOT APPLICABLE					

- ITEM NOT ILLUSTRATED

HAP

25-25-12-78G

BOEING PROPRIETARY - Copyright © - Unpublished Work - See title page for details.

25-25-12
FIG. 78G
PAGE 4
JUN 15/09

BOEING
737-600/700/800/900
PARTS CATALOG (MAINTENANCE)

FIG ITEM	PART NUMBER	1 2 3 4 5 6 7	NOMENCLATURE	EFFECT FROM TO	UNITS PER ASSY
R R R R R	78G 155	A70027-17APA	.CAP-END ALUMINUM RUBSTRIP SUPPLIER CODE: V31218 USED ON: 2110-125GC ATTACHING PARTS	047050 053053 107200	2
R R R R R	160	AN525-832R6	.SCREW	047050 053053 107200	2
R R R R R	162	AN525-832R6	.SCREW- USED WITH: A70027-1APA S70027-1APA -----*-----	047050 053053 107200	1
R R R R R	165	S70027-7APA	.CAP-END RUBSTRIP SUPPLIER CODE: V31218 CONFIG CHG DATA FROM A CMM: REPLD BY A70027-7APA	047050 053053 107200	2
R R R R R	165	A70027-7APA	.CAP-END ALUMINUM RUBSTRIP SUPPLIER CODE: V31218 CONFIG CHG DATA FROM A CMM: REPLS S70027-7APA ATTACHING PARTS	047050 053053 107200	2
R R R	170	AN525-832R6	.SCREW -----*-----	047050 053053 107200	2
R R R R R	175	S21012-11APA	.COVER-RUBSTRIP SUPPLIER CODE: V31218	047050 053053 107200	2
R R R R R	180	S70027-1APA	.CAP-END CORNER RUBSTRIP SUPPLIER CODE: V31218 CONFIG CHG DATA FROM A CMM: REPLD BY A70027-1APA	047050 053053 107200	4
R R R R R	180	A70027-1APA	.CAP-END ALUMINUM RUBSTRIP SUPPLIER CODE: V31218 CONFIG CHG DATA FROM A CMM: REPLS S70027-1APA ATTACHING PARTS	047050 053053 107200	4
R R R	185	AN525-832R6	.SCREW -----*-----	047050 053053 107200	8

MISSING ITEM NUMBERS NOT APPLICABLE

— ITEM NOT ILLUSTRATED

HAP

25-25-12-78G

BOEING PROPRIETARY - Copyright © - Unpublished Work - See title page for details.

25-25-12
FIG. 78G
PAGE 5
JUN 15/09

BOEING
737-600/700/800/900
PARTS CATALOG (MAINTENANCE)

FIG ITEM	PART NUMBER	1 2 3 4 5 6 7	NOMENCLATURE	EFFECT FROM TO	UNITS PER ASSY
R R R R R R R R	78G 190	S70027-3APA	.CAP-END FLAT RUBSTRIP SUPPLIER CODE: V31218 CONFIG CHG DATA FROM A CMM: REPLD BY A70027-3APA	047050 053053 107200	10
	190	A70027-3APA	.CAP-END ALUMINUM RUBSTRIP SUPPLIER CODE: V31218 CONFIG CHG DATA FROM A CMM: REPLS S70027-3APA	047050 053053 107200	10
R R R	195	AN525-832R6	.SCREW -----*-----	047050 053053 107200	16
R R R R R R R R	200	S21012-11APA	.COVER-RUBSTRIP SUPPLIER CODE: V31218	047050 053053 107200	2
R R R R R R R R	205	AN525-832R6	.SCREW	047050 053053 107200	2
R R R R R R R R	210	S21012-69APA	.COVER-RUBSTRIP SUPPLIER CODE: V31218	047050 053053 107200	2
R R R R R R R R	215	S70027-5APA	.CAP-END RUBSTRIP SUPPLIER CODE: V31218 CONFIG CHG DATA FROM A CMM: REPLD BY A70027-5APA	047050 053053 107200	2
R R R R R R R R	215	A70027-5APA	.CAP-END ALUMINUM RUBSTRIP SUPPLIER CODE: V31218 CONFIG CHG DATA FROM A CMM: REPLS S70027-5APA	047050 053053 107200	2
R R R	220	AN525-832R6	.SCREW -----*-----	047050 053053 107200	2
R R R R R R R R	225	S21011-33APA	.CHANNEL-RUBSTRIP SUPPLIER CODE: V31218 CONFIG CHG DATA FROM A CMM: REPLD BY A21011-33APA	047050 053053 107200	2
R R R R R R R R	225	A21011-33APA	.CHANNEL-RUBSTRIP ALUMINUM SUPPLIER CODE: V31218 CONFIG CHG DATA FROM A CMM: REPLS S21011-33APA	047050 053053 107200	2

MISSING ITEM NUMBERS NOT APPLICABLE

— ITEM NOT ILLUSTRATED

HAP

25-25-12-78G

25-25-12
FIG. 78G
PAGE 6
JUN 15/09

BOEING
737-600/700/800/900
PARTS CATALOG (MAINTENANCE)

FIG ITEM	PART NUMBER	1 2 3 4 5 6 7	NOMENCLATURE	EFFECT FROM TO	UNITS PER ASSY
78G			ATTACHING PARTS		
R	230	AN525-832R6	.SCREW	047050	2
R				053053	
R				107200	
R			-----*-----		
R	235	S21012-37APA	.COVER-RUBSTRIP	047050	1
R			SUPPLIER CODE:	053053	
R			V31218	107200	
R	240	S21011-31APA	.CHANNEL-RUBSTRIP	047050	1
R			SUPPLIER CODE:	053053	
R			V31218	107200	
R			CONFIG CHG DATA FROM A CMM:		
R			REPLD BY A21011-31APA		
R	240	A21011-31APA	.CHANNEL-RUBSTRIP ALUMINUM	047050	1
R			SUPPLIER CODE:	053053	
R			V31218	107200	
R			CONFIG CHG DATA FROM A CMM:		
R			REPLS S21011-31APA		
R			ATTACHING PARTS		
R	245	AN525-832R6	.SCREW	047050	4
R				053053	
R				107200	
R			-----*-----		
R	250	S21012-27APA	.COVER-RUBSTRIP	047050	1
R			SUPPLIER CODE:	053053	
R			V31218	107200	
R	255	S21011-21APA	.CHANNEL-RUBSTRIP	047050	1
R			SUPPLIER CODE:	053053	
R			V31218	107200	
R			CONFIG CHG DATA FROM A CMM:		
R			REPLD BY A21011-21APA		
R	255	A21011-21APA	.CHANNEL-RUBSTRIP ALUMINUM	047050	1
R			SUPPLIER CODE:	053053	
R			V31218	107200	
R			CONFIG CHG DATA FROM A CMM:		
R			REPLS S21011-21APA		
R			ATTACHING PARTS		
R	260	AN525-832R6	.SCREW	047050	4
R				053053	
R				107200	
R			-----*-----		
R	265	2100002-01-278	.RESTRAINT-SYS	047050	4
R			SUPPLIER CODE:	053053	
R			V45402	107200	
R			COMPONENT MAINT MANUAL REF:		
R			25-11-53		

MISSING ITEM NUMBERS NOT APPLICABLE

— ITEM NOT ILLUSTRATED

HAP

25-25-12-78G

25-25-12
FIG. 78G
PAGE 7
JUN 15/09

BOEING
737-600/700/800/900
PARTS CATALOG (MAINTENANCE)

FIG ITEM	PART NUMBER	1 2 3 4 5 6 7	NOMENCLATURE	EFFECT FROM TO	UNITS PER ASSY
	78G				
R	270	NAS6203-10	.ATTACHING PARTS .BOLT	047050 053053 107200	4
R			-----*-----		
R	275	NAS77-3-033	.BUSHING	047050 053053 107200	4
R					
R	280	2D2017-1	.FITTING-LAP BELT SUPPLIER CODE: V31218	047050 053053 107200	4
R					
R	285	NAS6203-8	.ATTACHING PARTS .BOLT-	047050 053053 107200	4
R			CONFIG CHG DATA FROM A CMM: REPLD BY NAS6203-10		
R	285	NAS6203-10	.BOLT-	047050 053053 107200	4
R			CONFIG CHG DATA FROM A CMM: REPLS NAS6203-8		
R	290	AN960-10L	.WASHER-	047050 053053 107200	4
R			CONFIG CHG DATA FROM A CMM: REPLD BY NAS1149F0332P		
R	290	NAS1149F0332P	.WASHER-	047050 053053 107200	4
R			CONFIG CHG DATA FROM A CMM: REPLS AN960-10L		
R			-----*-----		
R	295	2D1067-1	.GUIDE-WEB WEAR SUPPLIER CODE: V31218	047050 053053 107200	2
R					
R	300	NAS623-2-3	.ATTACHING PARTS .SCREW-	047050 053053 107200	4
R			CONFIG CHG DATA FROM A CMM: REPLD BY NAS623-2-4		
R	300	NAS623-2-4	.SCREW-	047050 053053 107200	4
R			CONFIG CHG DATA FROM A CMM: REPLS NAS623-2-3		
R	305	AN960-516	.WASHER-	047050 053053 107200	4
R			CONFIG CHG DATA FROM A CMM: REPLD BY NAS1149F0563P		
R	305	NAS1149F0563P	.WASHER-	047050 053053 107200	4
R			CONFIG CHG DATA FROM A CMM: REPLS AN960-516		
R			-----*-----		
R	310	2D1037-1	.BRACKET-INERTIA REEL SUPPLIER CODE: V31218	047050 053053 107200	2
R					
R	315	MS16624-2137	.RING	047050 053053 107200	1

MISSING ITEM NUMBERS NOT APPLICABLE

— ITEM NOT ILLUSTRATED

HAP

25-25-12-78G

BOEING PROPRIETARY - Copyright © - Unpublished Work - See title page for details.

25-25-12
FIG. 78G
PAGE 8
JUN 15/09

BOEING
737-600/700/800/900
PARTS CATALOG (MAINTENANCE)

FIG ITEM	PART NUMBER	1 2 3 4 5 6 7	NOMENCLATURE	EFFECT FROM TO	UNITS PER ASSY
R R	78G 380	MS20392-2C13	.PIN	047050 053053 107200	1
	385	MS24665-132	.PIN	047050 053053 107200	1
	390	NAS43DD3-8	.SPACER	047050 053053 107200	1
	395	MS24665-132	.PIN	047050 053053 107200	1
	400	MS20392-1C17	.PIN	047050 053053 107200	1
	405	NAS43DD3-8	.SPACER-	047050	1
			CONFIG CHG DATA FROM A CMM:	053053	
			REPLD BY 2D3041-1	107200	
	405	2D3041-1	.BRACKET-GUIDE SPR	047050	1
			SUPPLIER CODE:	053053	
			V31218	107200	
			CONFIG CHG DATA FROM A CMM:		
			REPLS NAS43DD3-8		
	410	5555-18SPP	.CLIP-	047050	1
			SUPPLIER CODE:	053053	
			V96881	107200	
	415	2D3021-9	.LINK-RUB BUTTON	047050	1
			SUPPLIER CODE:	053053	
			V31218	107200	
			USED ON:		
		2110-325GC			
415	2D3021-15	.LINK-RUB BUTTON	047050	1	
		SUPPLIER CODE:	053053		
		V31218	107200		
		USED ON:			
		2110-125GC			
420	C0300-032-2500M	.SPRING-	047050	1	
		SUPPLIER CODE:	053053		
		V77535	107200		
425	2D3042-1	.GUIDE-SPR	047050	1	
		SUPPLIER CODE:	053053		
		V31218	107200		
430	2110-2APA	.CORE ASSY-	047050	1	
		SUPPLIER CODE:	053053		
		V31218	107200		
		USED ON:			
		2110-325GC			
		FOR DETAILS SEE:			
		25-25-12-78J			

MISSING ITEM NUMBERS NOT APPLICABLE

— ITEM NOT ILLUSTRATED

HAP

25-25-12-78G

25-25-12
FIG. 78G
PAGE 10
JUN 15/09

BOEING
737-600/700/800/900
PARTS CATALOG (MAINTENANCE)

FIG ITEM	PART NUMBER	1 2 3 4 5 6 7	NOMENCLATURE	EFFECT FROM TO	UNITS PER ASSY
R R R R R R R R R R R R R	78G 430	2110-6APA	.CORE ASSY- SUPPLIER CODE: V31218 USED ON: 2110-125GC FOR DETAILS SEE: 25-25-12-78K ATTACHING PARTS	047050 053053 107200	1
	- 435	NAS602-6P	.SCREW- USED WITH: 2110-6APA	047050 053053 107200	1
	440	NAS1096-2-11	.SCREW- USED WITH: 2110-2APA	047050 053053 107200	1
	445	NAS1149FN832P	.WASHER	047050 053053 107200	1
	450	MS21042-08	.NUT- USED WITH: 2110-2APA -----*-----	047050 053053 107200	1

MISSING ITEM NUMBERS NOT APPLICABLE

- ITEM NOT ILLUSTRATED

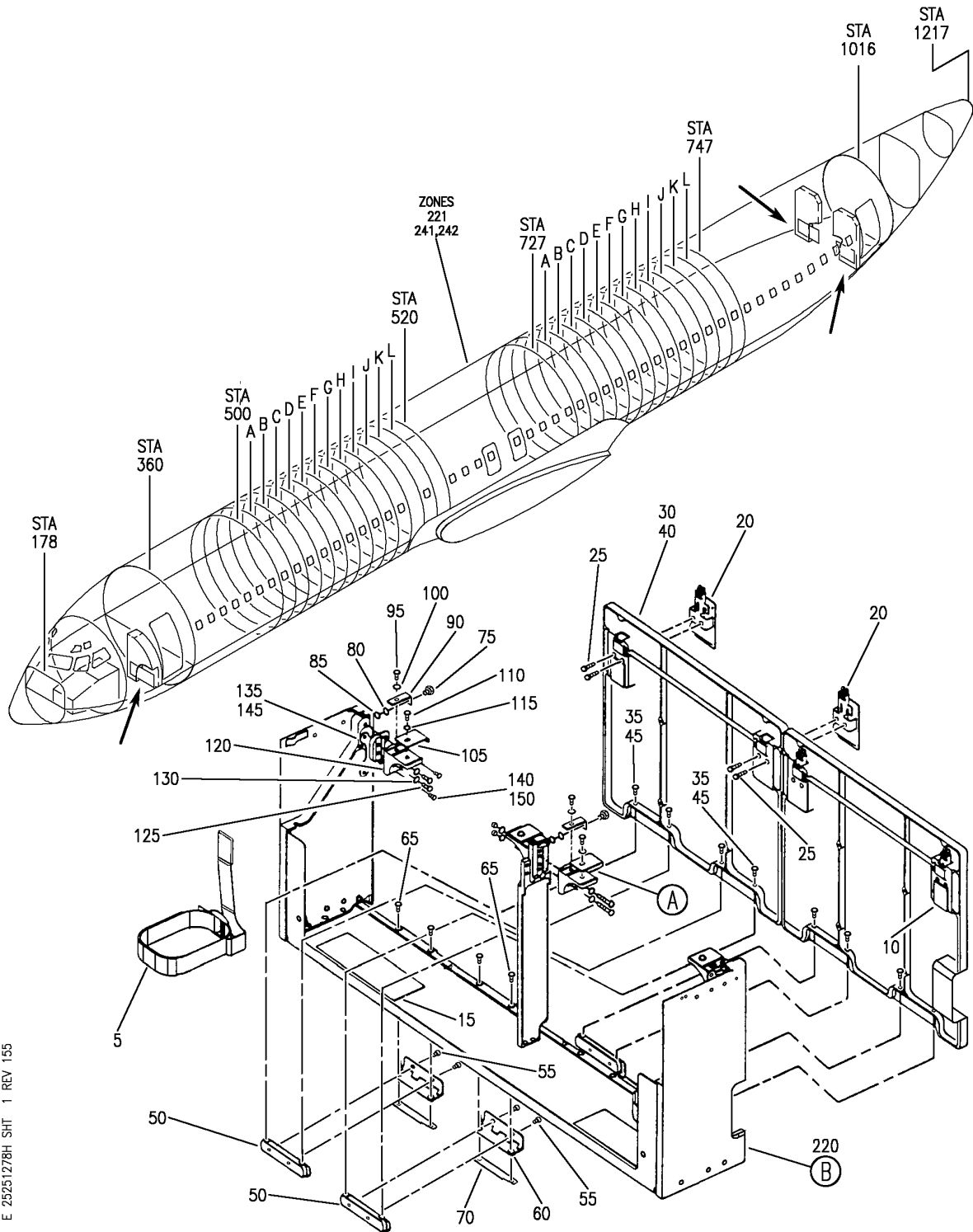
HAP

25-25-12-78G

BOEING PROPRIETARY - Copyright © - Unpublished Work - See title page for details.

25-25-12
 FIG. 78G
 PAGE 11
 JUN 15/09

BOEING
737-600/700/800/900
PARTS CATALOG (MAINTENANCE)



E 25251278H SHT 1 REV 155

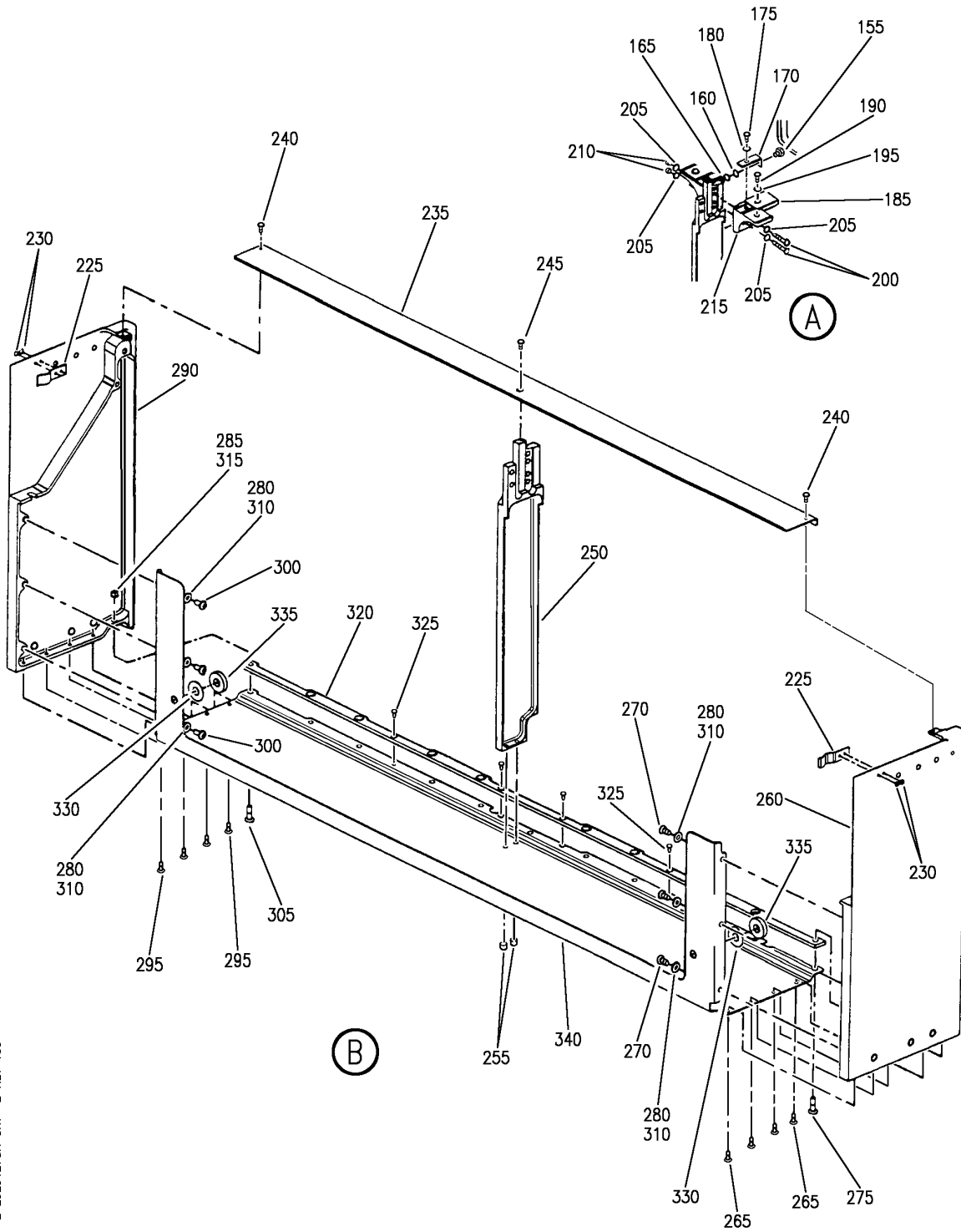
BOX ASSY-STORAGE
 FIGURE 78H (SHEET 1)

25-25-12-78H

HAP
 JUN 15/09

25-25-12-78H
 PAGE 0

BOEING
 737-600/700/800/900
 PARTS CATALOG (MAINTENANCE)



E 25251278H SHT 2 REV 155

BOX ASSY-STOWAGE
 FIGURE 78H (SHEET 2)

25-25-12-78H

HAP
 JUN 15/09

25-25-12-78H
 PAGE 0A

BOEING
737-600/700/800/900
PARTS CATALOG (MAINTENANCE)

FIG ITEM	PART NUMBER	1 2 3 4 5 6 7	NOMENCLATURE	EFFECT FROM TO	UNITS PER ASSY
78H			BOX ASSY-STOWAGE	047050 053053 107200	
- 1	2110-37APA		BOX ASSY-STOWAGE SUPPLIER CODE: V31218 FOR NHA SEE: 25-25-12-78G	047050 053053 107200	RF
5	2D8007-1		.STRAP-LIFE VEST SUPPLIER CODE: V31218	047050 053053 107200	2
10	SJ3526GRY1ADH		.HOOK-ADHESIVE VELCRO GRAY SUPPLIER CODE: V5J466 CONFIG CHG DATA FROM A CMM: REPLD BY SJ3526BLK1ADH	047050 053053 107200	AR
10	SJ3526BLK1ADH		.HOOK-ADHESIVE VELCRO BLACK SUPPLIER CODE: V5J466 CONFIG CHG DATA FROM A CMM: REPLD BY SJ3526GRY1ADH	047050 053053 107200	AR
15	SJ3526GRY2ADH		.HOOK-ADHESIVE VELCRO GRAY SUPPLIER CODE: V5J466 CONFIG CHG DATA FROM A CMM: REPLS SJ3526BLK2ADH	047050 053053 107200	AR
15	SJ3526BLK2ADH		.HOOK-ADHESIVE VELCRO BLACK SUPPLIER CODE: V5J466 CONFIG CHG DATA FROM A CMM: REPLS SJ3526GRY2ADH	047050 053053 107200	AR
20	SAM222-19		.LATCH-DUAL SUPPLIER CODE: V31845 CONFIG CHG DATA FROM A CMM: REPLD BY SAM222-18	047050 053053 107200	2
20	SAM222-18		.LATCH-DUAL SUPPLIER CODE: V31845 CONFIG CHG DATA FROM A CMM: REPLS SAM222-19	047050 053053 107200	2
25	NAS514P632-5P		ATTACHING PARTS .SCREW -----*-----	047050 053053 107200	8

MISSING ITEM NUMBERS NOT APPLICABLE

- ITEM NOT ILLUSTRATED

HAP

25-25-12-78H

BOEING PROPRIETARY - Copyright © - Unpublished Work - See title page for details.

25-25-12
FIG. 78H
PAGE 1
JUN 15/09

BOEING
737-600/700/800/900
PARTS CATALOG (MAINTENANCE)

FIG ITEM	PART NUMBER	1 2 3 4 5 6 7	NOMENCLATURE	EFFECT FROM TO	UNITS PER ASSY
R R R	78H 30	2D1021-23APA	.DOOR- SUPPLIER CODE: V31218 ATTACHING PARTS	047050 053053 107200	1
	R R R	35	NAS602-6P .SCREW	047050 053053 107200	4
R R R		40	2D1021-21APA .DOOR- SUPPLIER CODE: V31218 ATTACHING PARTS	047050 053053 107200	1
	R R R	45	NAS602-6P .SCREW	047050 053053 107200	4
R R R		50	2D1061-1APA .COVER-HINGE SUPPLIER CODE: V31218 ATTACHING PARTS	047050 053053 107200	4
	R R R	55	NAS514P632-5P .SCREW	047050 053053 107200	8
R R R		60	2D1025-1 .HINGE- SUPPLIER CODE: V31218 ATTACHING PARTS	047050 053053 107200	2
	R R R	65	NAS1202-1 .SCREW	047050 053053 107200	8
R R R R R		70	2D1141-1 .PLATE-THREADED DOOR HINGE SUPPLIER CODE: V31218	047050 053053 107200	4
	R R R R R	75	827S .SCREW-BUMPER SUPPLIER CODE: V8J913	047050 053053 107200	2
R R R R R		80	AN960-6L .WASHER- CONFIG CHG DATA FROM A CMM: REPLD BY NAS1149FN616P	047050 053053 107200	2
	R R R R R	80	NAS1149FN616P .WASHER- CONFIG CHG DATA FROM A CMM: REPLS AN960-6L	047050 053053 107200	2
R R R		85	MS21083N06 .NUT	047050 053053 107200	2

MISSING ITEM NUMBERS NOT APPLICABLE

— ITEM NOT ILLUSTRATED

HAP

25-25-12-78H

BOEING PROPRIETARY - Copyright © - Unpublished Work - See title page for details.

25-25-12
FIG. 78H
PAGE 2
JUN 15/09

BOEING
737-600/700/800/900
PARTS CATALOG (MAINTENANCE)

FIG ITEM	PART NUMBER	1 2 3 4 5 6 7	NOMENCLATURE	EFFECT FROM TO	UNITS PER ASSY
R R R	78H 90	2D1022-1	.BRACKET-DOOR BUMPER SUPPLIER CODE: V31218 ATTACHING PARTS	047050 053053 107200	2
R R R	95	NAS1096-2-5	.SCREW	047050 053053 107200	2
R R R	100	AN960-8	.WASHER- CONFIG CHG DATA FROM A CMM: REPLD BY NAS1149FN832P	047050 053053 107200	2
R R R	100	NAS1149FN832P	.WASHER- CONFIG CHG DATA FROM A CMM: REPLS AN960-8 -----*-----	047050 053053 107200	2
R R R	105	2D1023-1	.BRACKET-DOOR STRIKER SUPPLIER CODE: V31218 ATTACHING PARTS	047050 053053 107200	2
R R R	110	NAS1096-2-5	.SCREW	047050 053053 107200	2
R R R	115	AN960-8	.WASHER- CONFIG CHG DATA FROM A CMM: REPLD BY NAS1149FN832P	047050 053053 107200	2
R R R	115	NAS1149FN832P	.WASHER- CONFIG CHG DATA FROM A CMM: REPLS AN960-8 -----*-----	047050 053053 107200	2
R R R	120	2D1068-1	.BASE-STRIKER BUMPER SUPPLIER CODE: V31218 ATTACHING PARTS	047050 053053 107200	2
R R R	125	NAS623-2-4	.SCREW	047050 053053 107200	4
R R R	130	AN960-8	.WASHER- CONFIG CHG DATA FROM A CMM: REPLD BY NAS1149FN832P	047050 053053 107200	4
R R R	130	NAS1149FN832P	.WASHER- CONFIG CHG DATA FROM A CMM: REPLS AN960-8 -----*-----	047050 053053 107200	4
R R R	135	2D1094-1	.PLATE-MTG SUPPLIER CODE: V31218	047050 053053 107200	1

MISSING ITEM NUMBERS NOT APPLICABLE

— ITEM NOT ILLUSTRATED

HAP

25-25-12-78H

25-25-12
FIG. 78H
PAGE 3
JUN 15/09

BOEING
737-600/700/800/900
PARTS CATALOG (MAINTENANCE)

FIG ITEM	PART NUMBER	1 2 3 4 5 6 7	NOMENCLATURE	EFFECT FROM TO	UNITS PER ASSY
	78H				
R	140		ATTACHING PARTS .SCREW	047050 053053 107200	2
R			-----*-----		
R	145		.PLATE-MTG SUPPLIER CODE: V31218	047050 053053 107200	1
R			ATTACHING PARTS		
R	150		NAS514P832-5P .SCREW	047050 053053 107200	2
R			-----*-----		
R	155		827S .SCREW-BUMPER SUPPLIER CODE: V8J913	047050 053053 107200	2
R	160		AN960-6L .WASHER- CONFIG CHG DATA FROM A CMM: REPLD BY NAS1149FN616P	047050 053053 107200	2
R	160		NAS1149FN616P .WASHER- CONFIG CHG DATA FROM A CMM: REPLS AN960-6L	047050 053053 107200	2
R	165		MS21083N06 .NUT	047050 053053 107200	2
R	170		2D1022-1 .BRACKET-DOOR BUMPER SUPPLIER CODE: V31218	047050 053053 107200	2
R			ATTACHING PARTS		
R	175		NAS1096-2-5 .SCREW	047050 053053 107200	2
R	180		AN960-8 .WASHER- CONFIG CHG DATA FROM A CMM: REPLD BY NAS1149FN832P	047050 053053 107200	2
R	180		NAS1149FN832P .WASHER- CONFIG CHG DATA FROM A CMM: REPLS AN960-8	047050 053053 107200	2
R			-----*-----		
R	185		2D1023-1 .BRACKET-DOOR STRIKER SUPPLIER CODE: V31218	047050 053053 107200	2
R			ATTACHING PARTS		
R	190		NAS1096-2-5 .SCREW	047050 053053 107200	2
R	195		AN960-8 .WASHER- CONFIG CHG DATA FROM A CMM: REPLD BY NAS1149FN832P	047050 053053 107200	2

MISSING ITEM NUMBERS NOT APPLICABLE

— ITEM NOT ILLUSTRATED

HAP

25-25-12-78H

BOEING PROPRIETARY - Copyright © - Unpublished Work - See title page for details.

25-25-12
FIG. 78H
PAGE 4
JUN 15/09

BOEING
737-600/700/800/900
PARTS CATALOG (MAINTENANCE)

FIG ITEM	PART NUMBER	1 2 3 4 5 6 7	NOMENCLATURE	EFFECT FROM TO	UNITS PER ASSY
R R R	78H 195	NAS1149FN832P	.WASHER- CONFIG CHG DATA FROM A CMM: REPLS AN960-8 -----*-----	047050 053053 107200	2
R R R	200	NAS623-2-12	.SCREW	047050 053053 107200	2
R R R	205	AN960-8	.WASHER- CONFIG CHG DATA FROM A CMM: REPLD BY NAS1149FN832P	047050 053053 107200	4
R R R	205	NAS1149FN832P	.WASHER- CONFIG CHG DATA FROM A CMM: REPLS AN960-8	047050 053053 107200	4
R R R	210	MS21042-08	.NUT	047050 053053 107200	2
R R R	215	2D1068-1	.BASE-STRIKER BUMPER SUPPLIER CODE: V31218	047050 053053 107200	2
R R R	220	2D1065-11APA	.BOX SUB ASSY- SUPPLIER CODE: V31218	047050 053053 107200	1
R R R	225	2D1032-1	..CLIP- SUPPLIER CODE: V31218 ATTACHING PARTS	047050 053053 107200	2
R R R	230	NAS1097AD3-4	..RIVET -----*-----	047050 053053 107200	4
R R R	235	2D1064-3	..FILLER- SUPPLIER CODE: V31218 ATTACHING PARTS	047050 053053 107200	1
R R R	240	MS20426AD34	..RIVET	047050 053053 107200	2
R R R	245	NAS514P632-5P	..SCREW -----*-----	047050 053053 107200	1
R R R	250	2D1142-1	..ADAPTER-BASE STRIKER SUPPLIER CODE: V31218 ATTACHING PARTS	047050 053053 107200	1
R R R	255	MS20600AD4W2	..RIVET -----*-----	047050 053053 107200	2

MISSING ITEM NUMBERS NOT APPLICABLE

— ITEM NOT ILLUSTRATED

HAP

25-25-12-78H

25-25-12
FIG. 78H
PAGE 5
JUN 15/09


BOEING
737-600/700/800/900
PARTS CATALOG (MAINTENANCE)

FIG ITEM	PART NUMBER	1 2 3 4 5 6 7	NOMENCLATURE	EFFECT FROM TO	UNITS PER ASSY
R R R R R R R	78H 260 2D1092-12		.. PANEL-SIDE SUPPLIER CODE: V31218 CONFIG CHG DATA FROM A CMM: REPLD BY 2D1092-12APA	047050 053053 107200	1
R R R R	260 2D1092-12APA		.. PANEL-SIDE SUPPLIER CODE: V31218 CONFIG CHG DATA FROM A CMM: REPLS 2D1092-12 ATTACHING PARTS	047050 053053 107200	1
R R R	265 MS20600AD4W3		.. RIVET- CONFIG CHG DATA FROM A CMM: REPLD BY SD43BS	047050 053053 107200	4
R R R R	265 SD43BS		.. RIVET-POP SUPPLIER CODE: V6R744 CONFIG CHG DATA FROM A CMM: REPLS MS20600AD4W3	047050 053053 107200	4
R R R	270 NAS623-2-1		.. SCREW	047050 053053 107200	3
R R R	275 NAS623-2-4		.. SCREW	047050 053053 107200	1
R R R	280 AN960-8		.. WASHER- CONFIG CHG DATA FROM A CMM: REPLD BY NAS1149FN832P	047050 053053 107200	3
R R R	280 NAS1149FN832P		.. WASHER- CONFIG CHG DATA FROM A CMM: REPLS AN960-8	047050 053053 107200	3
R R R	285 MS21042-08		.. NUT	047050 053053 107200	1
R R R R R	290 2D1092-7		-----*----- .. PANEL-SIDE SUPPLIER CODE: V31218 CONFIG CHG DATA FROM A CMM: REPLD BY 2D1092-7APA	047050 053053 107200	1
R R R R	290 2D1092-7APA		.. PANEL-SIDE SUPPLIER CODE: V31218 CONFIG CHG DATA FROM A CMM: REPLS 2D1092-7 ATTACHING PARTS	047050 053053 107200	1
R R R	295 MS20600AD4W3		.. RIVET- CONFIG CHG DATA FROM A CMM: REPLD BY SD43BS	047050 053053 107200	4

MISSING ITEM NUMBERS NOT APPLICABLE

- ITEM NOT ILLUSTRATED

HAP

25-25-12-78H

BOEING PROPRIETARY - Copyright © - Unpublished Work - See title page for details.

25-25-12
 FIG. 78H
 PAGE 6
 JUN 15/09

BOEING
737-600/700/800/900
PARTS CATALOG (MAINTENANCE)

FIG ITEM	PART NUMBER	1 2 3 4 5 6 7	NOMENCLATURE	EFFECT FROM TO	UNITS PER ASSY
R R R R R R R R	78H 340		.. PAN-FLOOR SUPPLIER CODE: V31218 CONFIG CHG DATA FROM A CMM: REPLD BY 2D1033-23APA	047050 053053 107200	1
	340	2D1033-23APA	.. PAN-FLOOR SUPPLIER CODE: V31218 CONFIG CHG DATA FROM A CMM: REPLS 2D1033-23	047050 053053 107200	1

MISSING ITEM NUMBERS NOT APPLICABLE

— ITEM NOT ILLUSTRATED

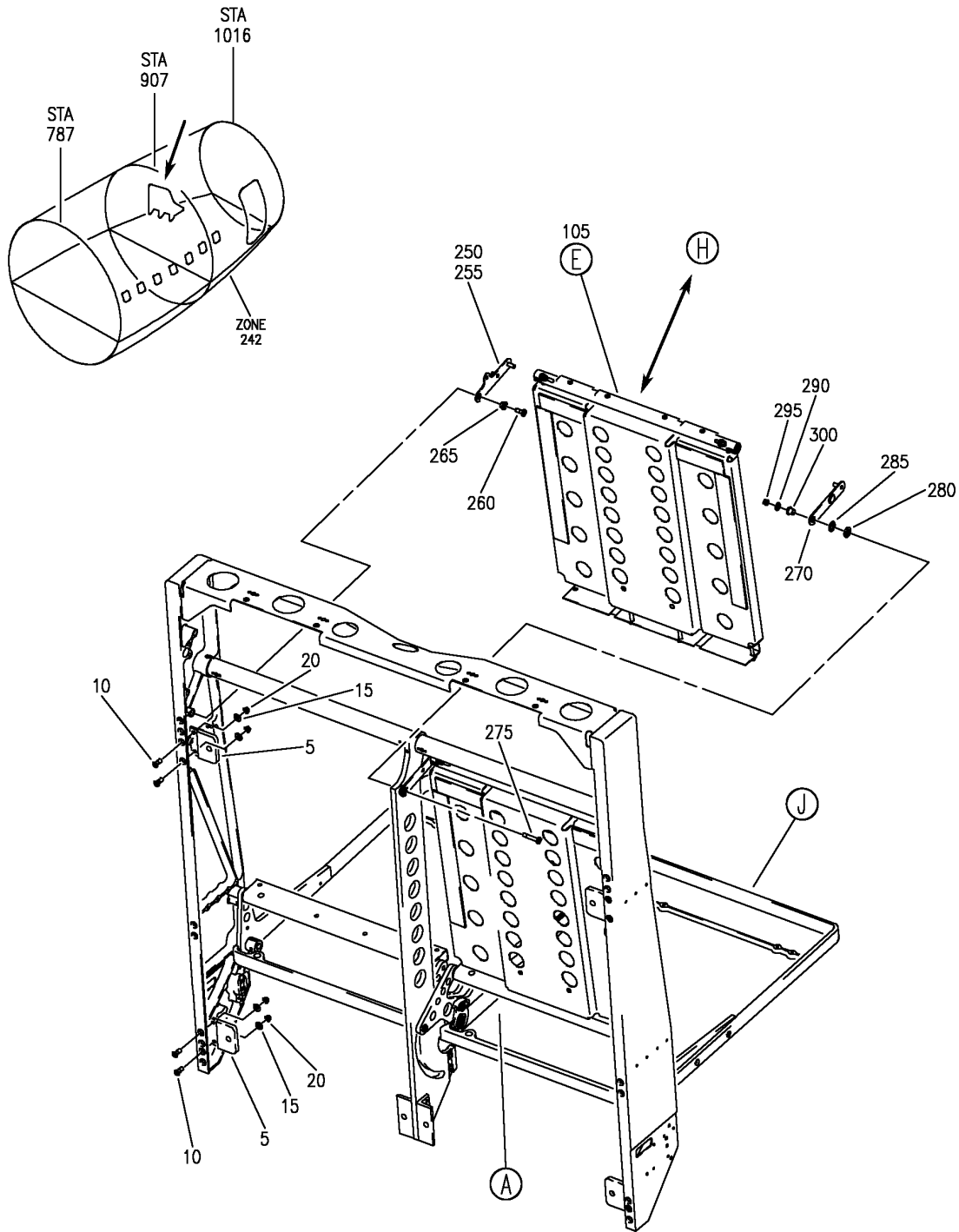
HAP

25-25-12-78H

BOEING PROPRIETARY - Copyright © - Unpublished Work - See title page for details.

25-25-12
FIG. 78H
PAGE 8
JUN 15/09

BOEING
 737-600/700/800/900
 PARTS CATALOG (MAINTENANCE)



E 25251278J SH1 1 REV 155

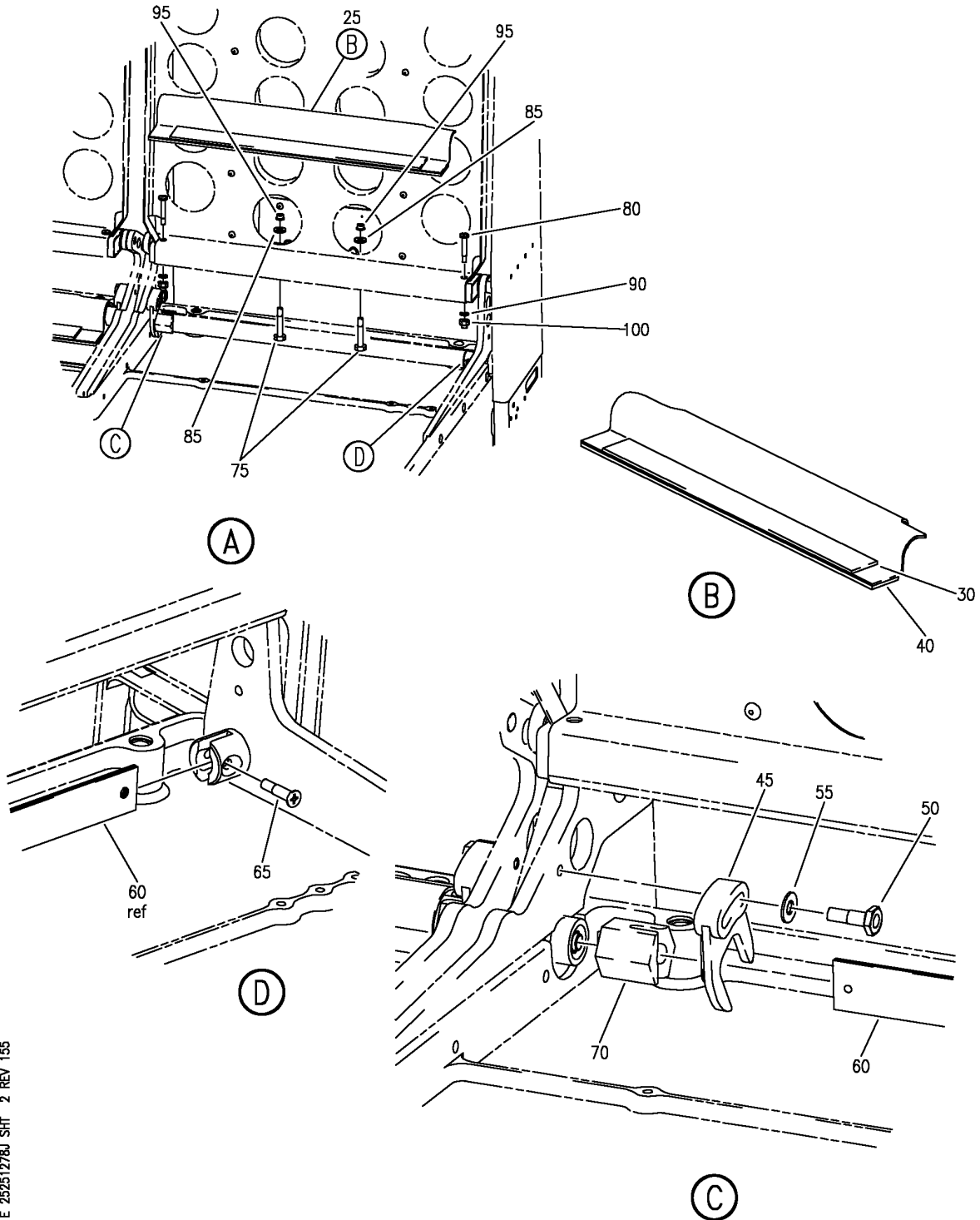
CORE ASSY-ATTENDANT SEAT DBL WALL MOUNTED
 FIGURE 78J (SHEET 1)

25-25-12-78J

HAP
 JUN 15/09

25-25-12-78J
 PAGE 0

BOEING
 737-600/700/800/900
 PARTS CATALOG (MAINTENANCE)



E 25251278J SHT 2 REV 155

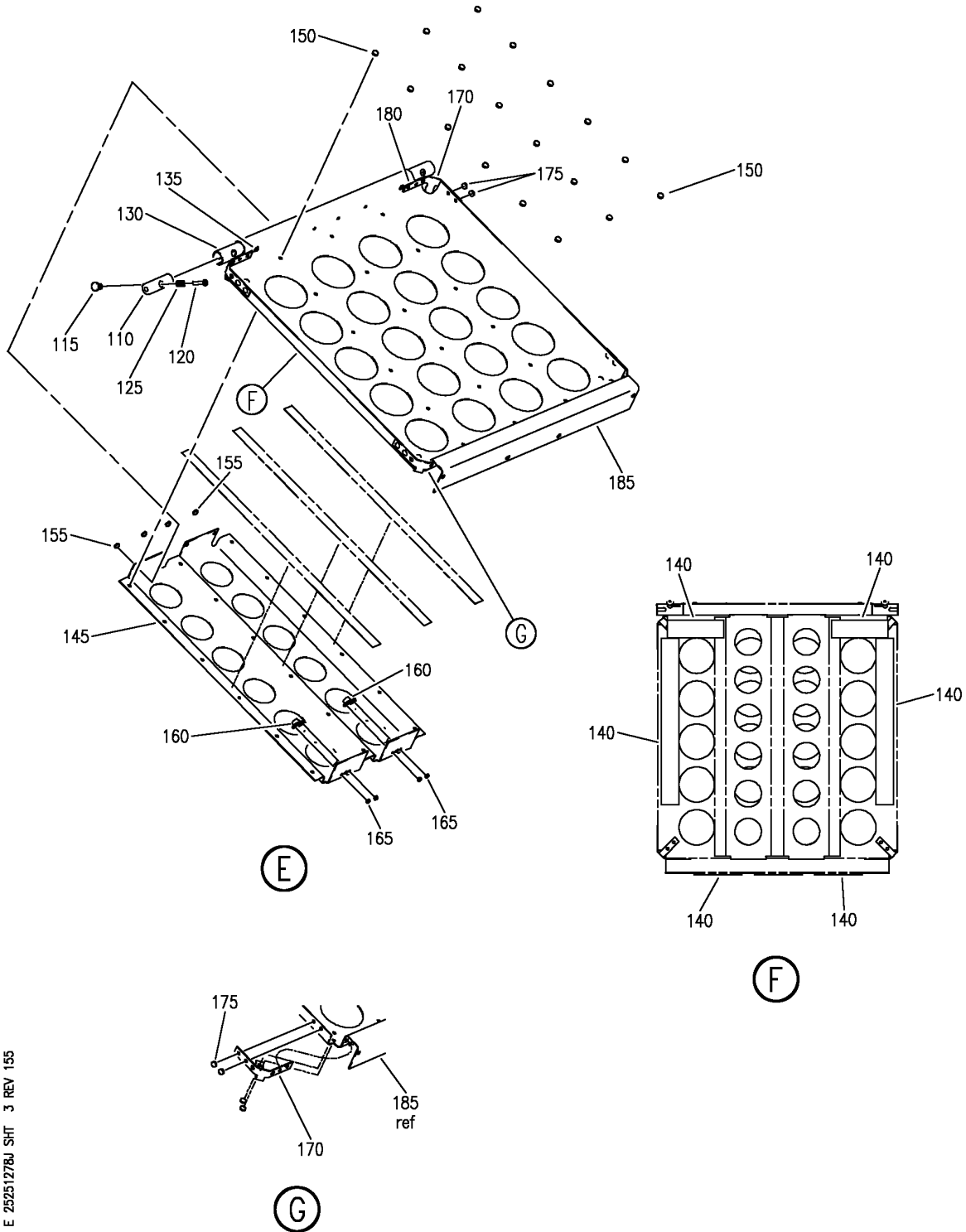
CORE ASSY-ATTENDANT SEAT DBL WALL MOUNTED
 FIGURE 78J (SHEET 2)

25-25-12-78J

HAP
 JUN 15/09

25-25-12-78J
 PAGE 0A

BOEING
737-600/700/800/900
PARTS CATALOG (MAINTENANCE)



E 25251278J SHT 3 REV 155

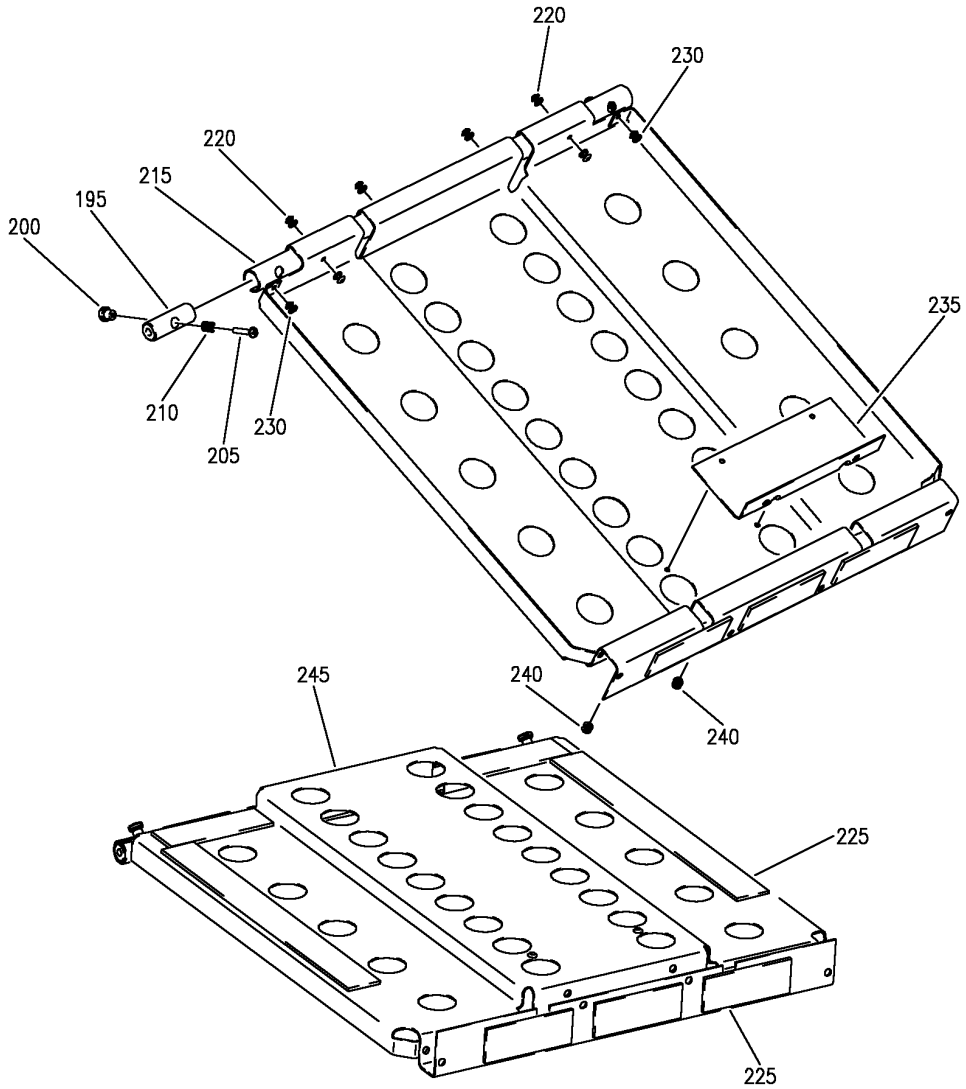
CORE ASSY-ATTENDANT SEAT DBL WALL MOUNTED
 FIGURE 78J (SHEET 3)

25-25-12-78J

HAP
 JUN 15/09

25-25-12-78J
 PAGE 0B

BOEING
 737-600/700/800/900
 PARTS CATALOG (MAINTENANCE)



(H)

E 25251278J SHT 4 REV 155

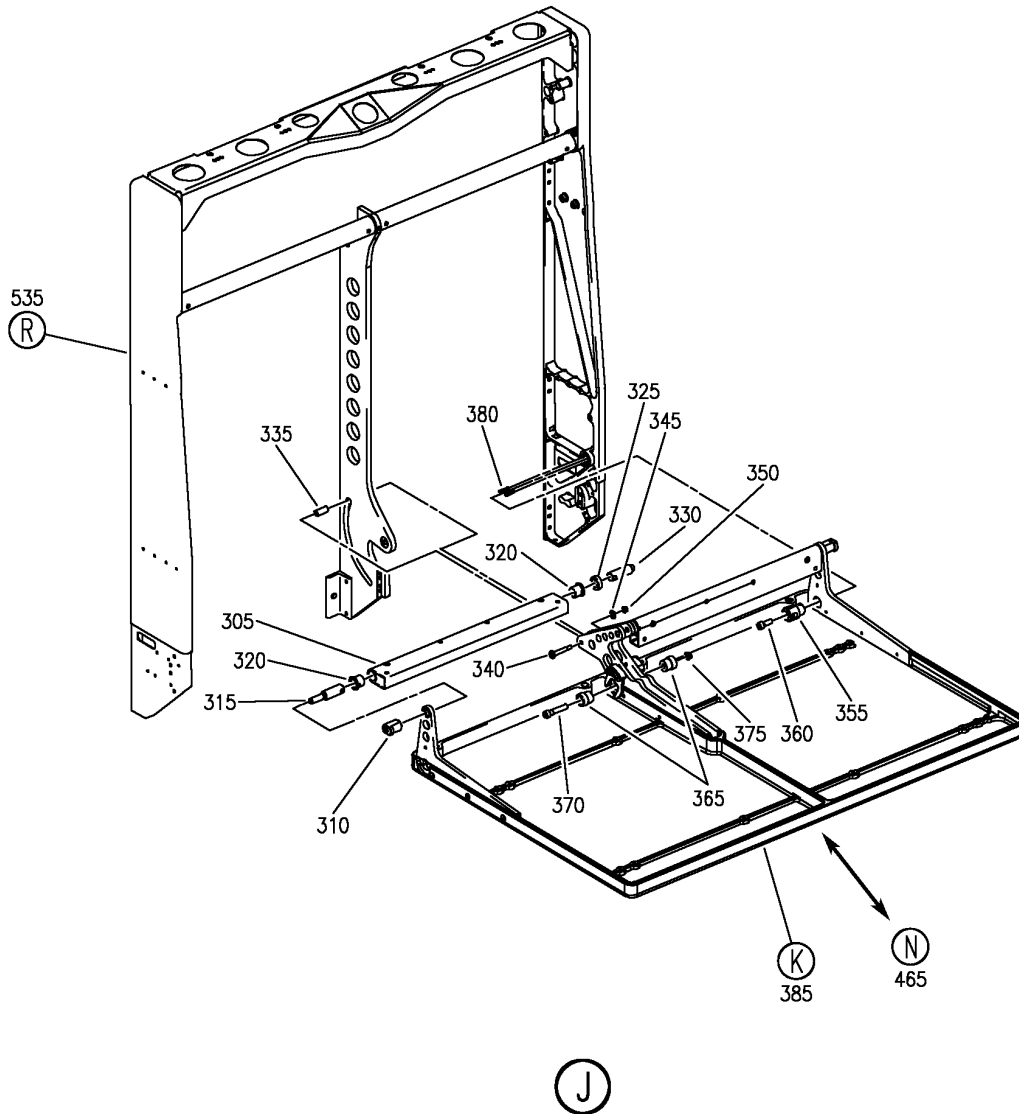
CORE ASSY-ATTENDANT SEAT DBL WALL MOUNTED
 FIGURE 78J (SHEET 4)

25-25-12-78J

HAP
 JUN 15/09

25-25-12-78J
 PAGE 0C

BOEING
 737-600/700/800/900
 PARTS CATALOG (MAINTENANCE)



E 25251278J SHT 5 REV 155

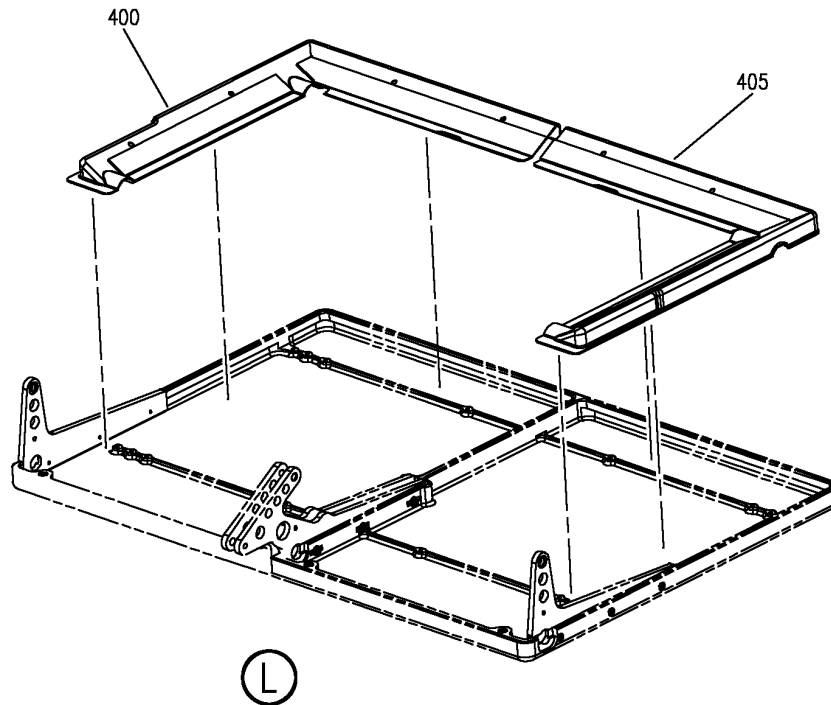
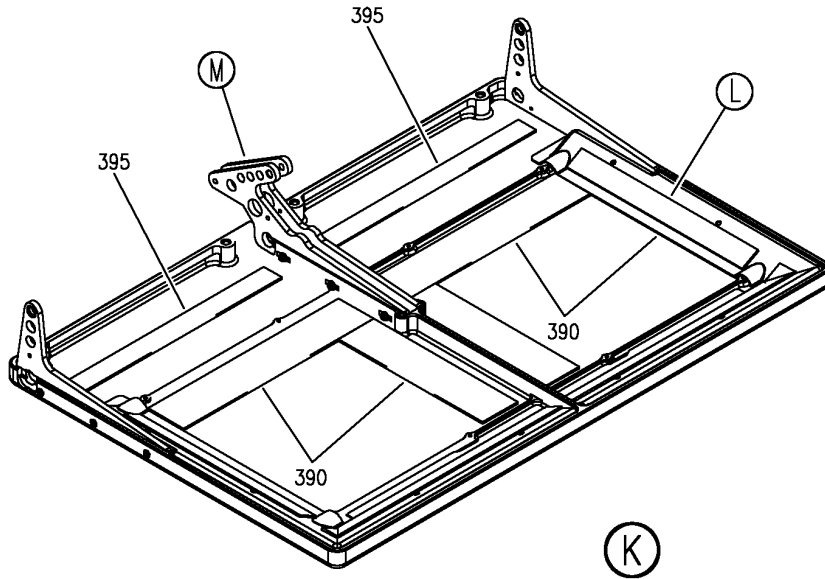
CORE ASSY-ATTENDANT SEAT DBL WALL MOUNTED
 FIGURE 78J (SHEET 5)

25-25-12-78J

HAP
 JUN 15/09

25-25-12-78J
 PAGE 0D

BOEING
737-600/700/800/900
PARTS CATALOG (MAINTENANCE)



E 25251278J SHT 6 REV 155

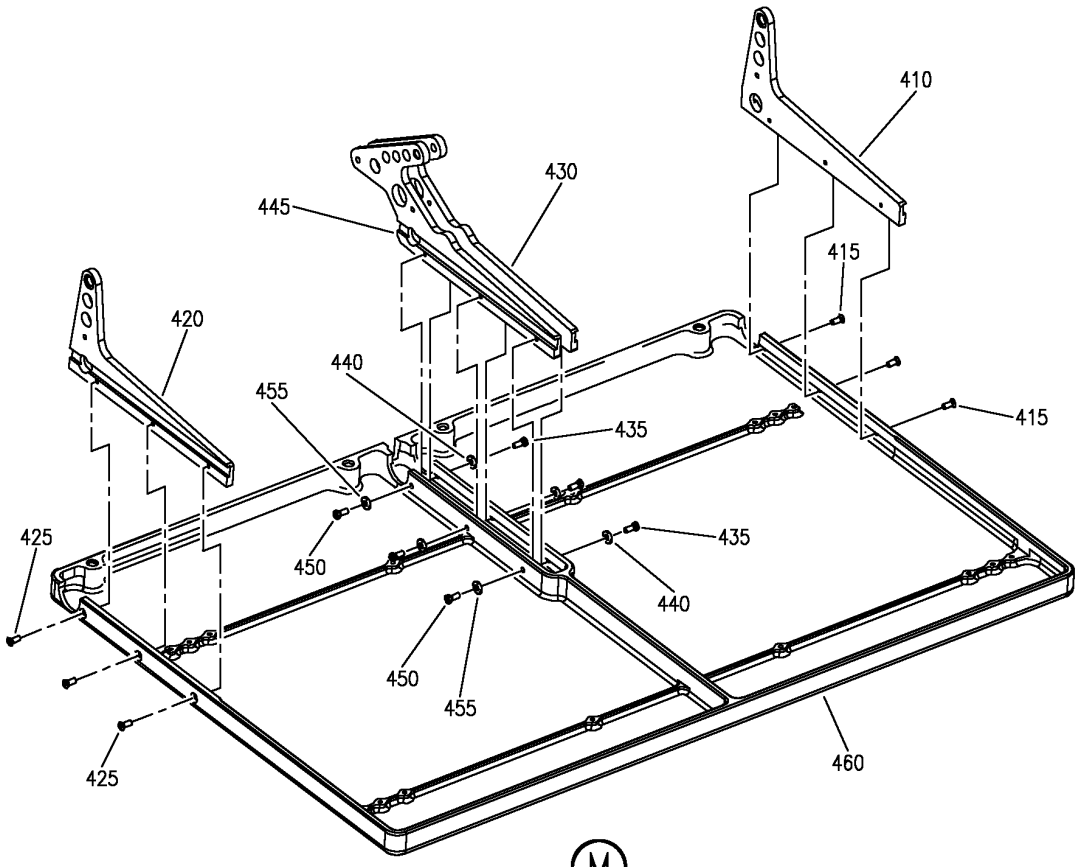
CORE ASSY-ATTENDANT SEAT DBL WALL MOUNTED
FIGURE 78J (SHEET 6)

25-25-12-78J

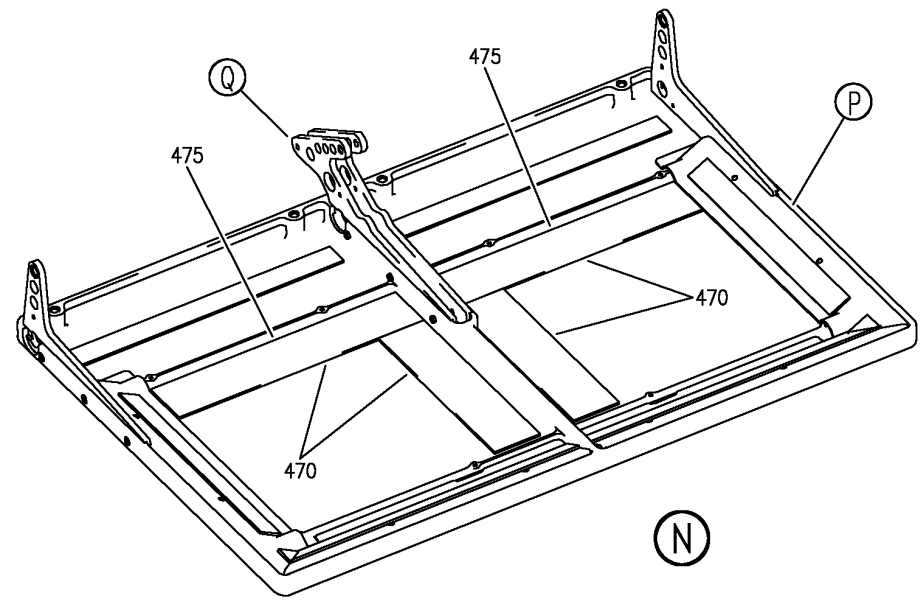
HAP
JUN 15/09

25-25-12-78J
PAGE 0E

BOEING
 737-600/700/800/900
 PARTS CATALOG (MAINTENANCE)



(M)



(N)

E 25251278J SHT 7 REV 155

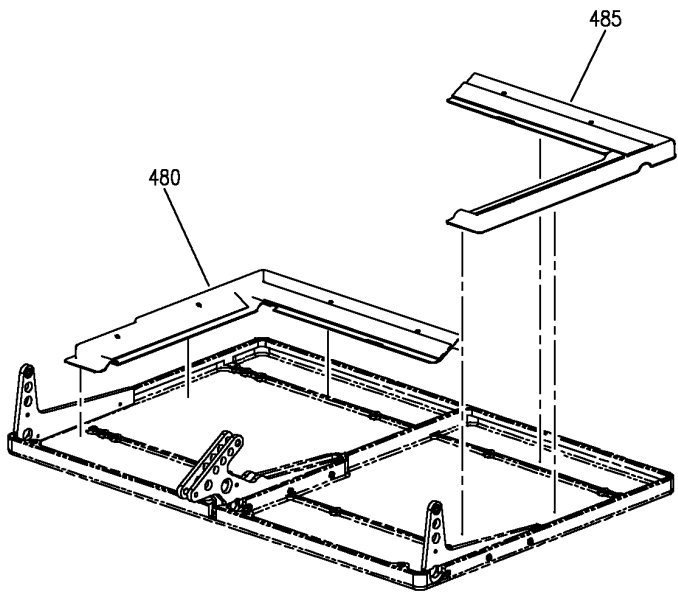
CORE ASSY-ATTENDANT SEAT DBL WALL MOUNTED
 FIGURE 78J (SHEET 7)

25-25-12-78J

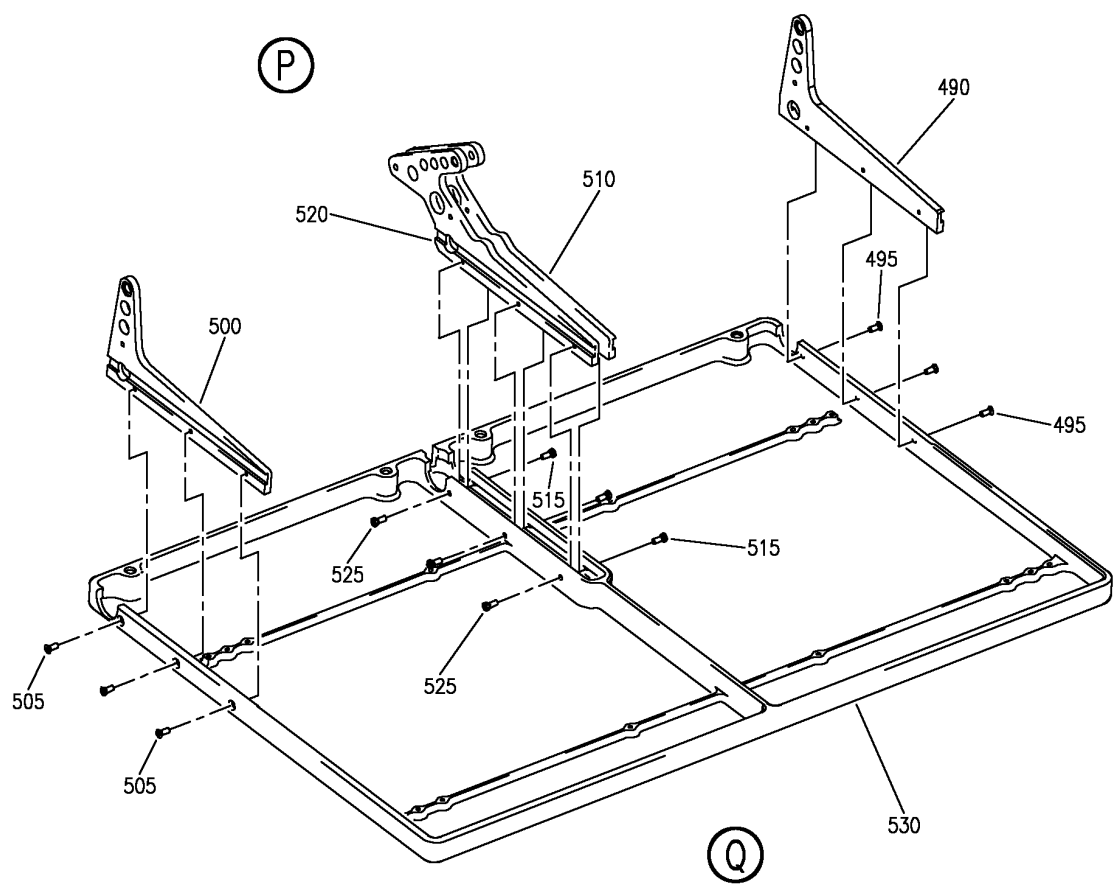
HAP
 JUN 15/09

25-25-12-78J
 PAGE OF

BOEING
 737-600/700/800/900
 PARTS CATALOG (MAINTENANCE)



(P)



(Q)

E 25251278J SHT 8 REV 155

CORE ASSY-ATTENDANT SEAT DBL WALL MOUNTED
 FIGURE 78J (SHEET 8)

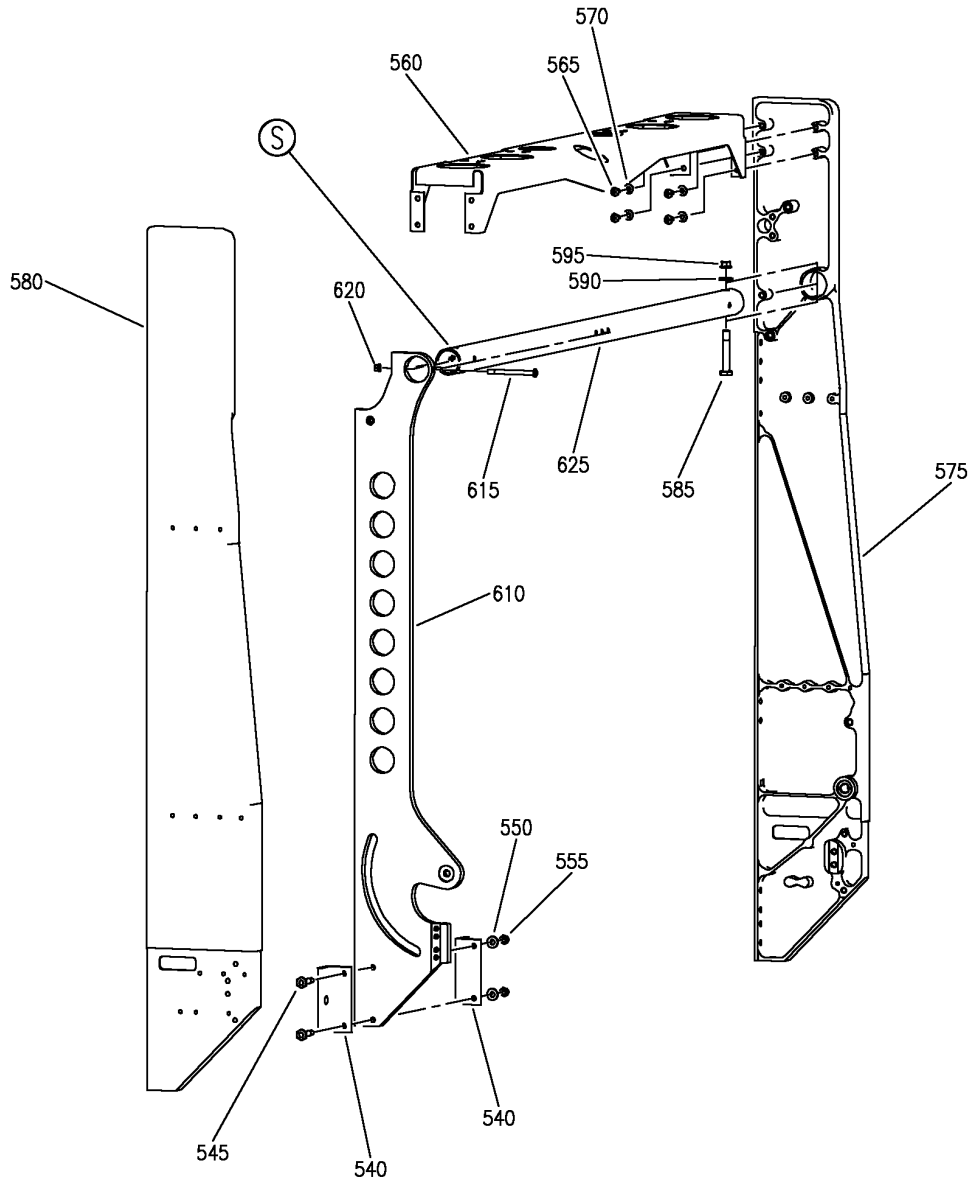
25-25-12-78J

HAP
 JUN 15/09

25-25-12-78J
 PAGE 0G

BOEING PROPRIETARY - Copyright © - Unpublished Work - See title page for details.

BOEING
737-600/700/800/900
PARTS CATALOG (MAINTENANCE)



E 25251278J SHT 9 REV 155

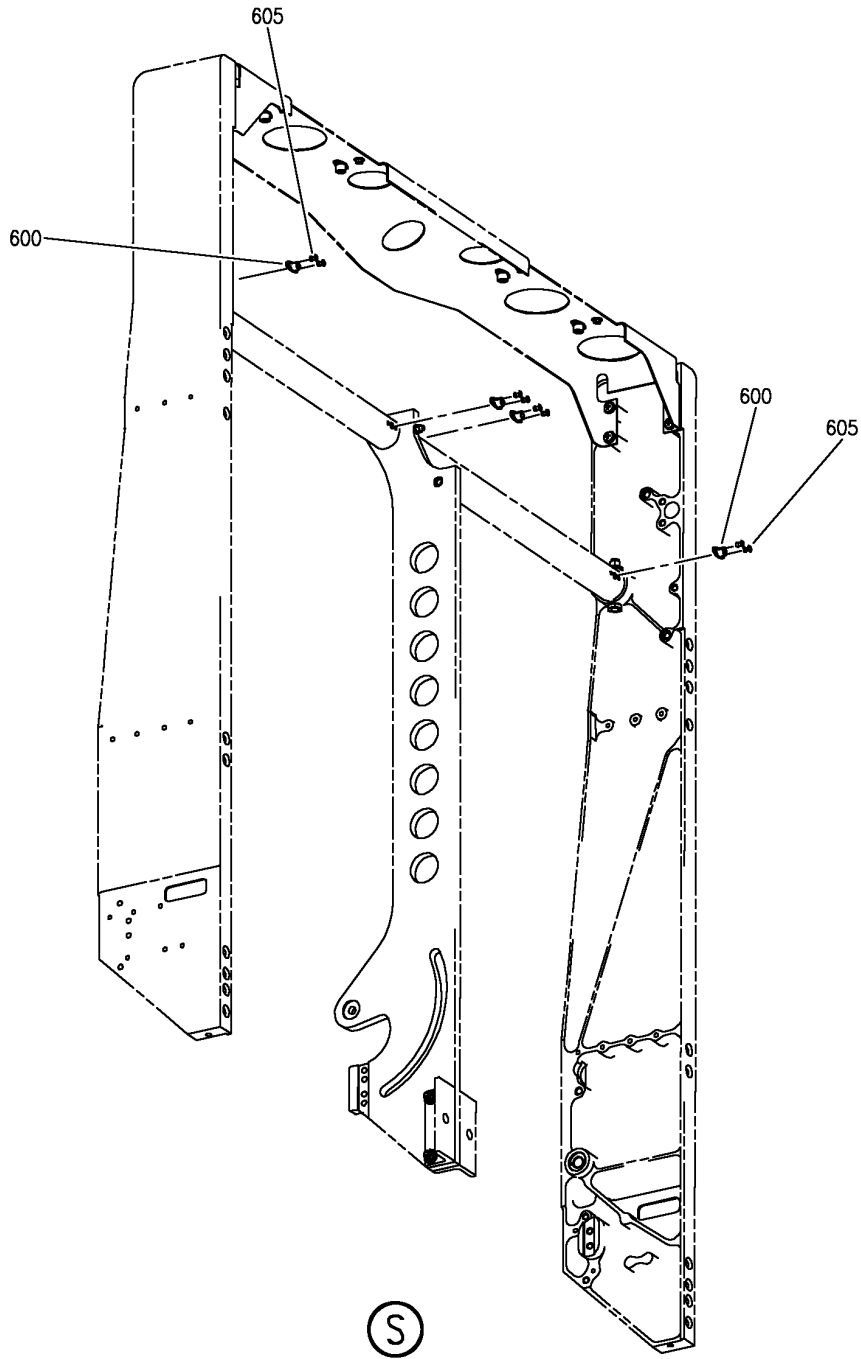
CORE ASSY-ATTENDANT SEAT DBL WALL MOUNTED
FIGURE 78J (SHEET 9)

25-25-12-78J

HAP
JUN 15/09

25-25-12-78J
PAGE 0H

BOEING
737-600/700/800/900
PARTS CATALOG (MAINTENANCE)



E 25251278J SHT 10 REV 155

CORE ASSY-ATTENDANT SEAT DBL WALL MOUNTED
FIGURE 78J (SHEET 10)

25-25-12-78J

HAP
JUN 15/09

25-25-12-78J
PAGE 01

BOEING
737-600/700/800/900
PARTS CATALOG (MAINTENANCE)

FIG ITEM	PART NUMBER	1 2 3 4 5 6 7	NOMENCLATURE	EFFECT FROM TO	UNITS PER ASSY
78J			CORE ASSY-ATTENDANT SEAT DBL WALL MOUNTED	047050 053053 107200	
- 1	2110-2APA		CORE ASSY-ATTENDANT SEAT DBL WALL MOUNTED SUPPLIER CODE: V31218 FOR NHA SEE: 25-25-12-78G	047050 053053 107200	RF
5	2D1040-1		.BRACKET-MTG SUPPLIER CODE: V31218	047050 053053 107200	4
10	NAS1203-4		ATTACHING PARTS .BOLT	047050 053053 107200	8
15	AN960-10L		.WASHER- CONFIG CHG DATA FROM A CMM: REPLD BY NAS1149F0332P	047050 053053 107200	8
15	NAS1149F0332P		.WASHER- CONFIG CHG DATA FROM A CMM: REPLS AN960-10L	047050 053053 107200	8
20	MS21042-3		.NUT	047050 053053 107200	8
			-----*-----		
25	2D2027-1		.COVER ASSY- SUPPLIER CODE: V31218 CONFIG CHG DATA FROM A CMM: REPLD BY 2D2027-5	047050 053053 107200	2
25	2D2027-5		.COVER ASSY-TORSION SPR SUPPLIER CODE: V31218 CONFIG CHG DATA FROM A CMM: REPLS 2D2027-1	047050 053053 107200	2
30	SJ3526GRY1ADH		..HOOK-ADHESIVE VELCRO GRAY SUPPLIER CODE: V5J466 CONFIG CHG DATA FROM A CMM: REPLD BY SJ3526BLK1ADH	047050 053053 107200	AR
30	SJ3526BLK1ADH		..HOOK-ADHESIVE VELCRO BLACK SUPPLIER CODE: V5J466 CONFIG CHG DATA FROM A CMM: REPLS SJ3526GRY1ADH	047050 053053 107200	AR

MISSING ITEM NUMBERS NOT APPLICABLE

- ITEM NOT ILLUSTRATED

HAP

25-25-12-78J

BOEING PROPRIETARY - Copyright © - Unpublished Work - See title page for details.

25-25-12
FIG. 78J
PAGE 1
JUN 15/09

BOEING
737-600/700/800/900
PARTS CATALOG (MAINTENANCE)

FIG ITEM	PART NUMBER	1 2 3 4 5 6 7	NOMENCLATURE	EFFECT FROM TO	UNITS PER ASSY
78J					
R	40	SJ3527GRY1ADH	..LOOP-ADHESIVE VELCRO GRAY	047050	AR
R			SUPPLIER CODE:	053053	
R			V5J466	107200	
R			CONFIG CHG DATA FROM A CMM:		
R			REPLD BY SJ3527BLK1ADH		
R	40	SJ3527BLK1ADH	..LOOP-ADHESIVE VELCRO	047050	AR
R			BLACK	053053	
R			SUPPLIER CODE:	107200	
R			V5J466		
R			CONFIG CHG DATA FROM A CMM:		
R			REPLS SJ3527GRY1ADH		
R	45	2D2022-3	.LOCK-TORSION SPR	047050	2
R			SUPPLIER CODE:	053053	
R			V31218	107200	
R			ATTACHING PARTS		
R	50	NAS6203-5	.BOLT	047050	2
R				053053	
R				107200	
R	55	AN960-10L	.WASHER-	047050	2
R			CONFIG CHG DATA FROM A CMM:	053053	
R			REPLD BY NAS1149F0332P	107200	
R	55	NAS1149F0332P	.WASHER-	047050	2
R			CONFIG CHG DATA FROM A CMM:	053053	
R			REPLS AN960-10L	107200	
R			-----*-----		
R	60	2D2023-7	.SPRING-TORSION FLAT	047050	2
R			SUPPLIER CODE:	053053	
R			V31218	107200	
R			ATTACHING PARTS		
R	65	NAS1202-7	.BOLT	047050	2
R				053053	
R				107200	
R			-----*-----		
R	70	2D2019-5	.ANCHOR-SPR	047050	2
R			SUPPLIER CODE:	053053	
R			V31218	107200	
R	75	NAS6203-13	.BOLT	047050	4
R				053053	
R				107200	
R	80	NAS623-213	.SCREW-	047050	4
R			CONFIG CHG DATA FROM A CMM:	053053	
R			REPLD BY NAS623-2-13	107200	
R	80	NAS623-2-13	.SCREW-	047050	4
R			CONFIG CHG DATA FROM A CMM:	053053	
R			REPLS NAS623-213	107200	
R			REPLD BY NAS623-2-14		
R	80	NAS623-2-14	.SCREW-	047050	4
R			CONFIG CHG DATA FROM A CMM:	053053	
R			REPLS NAS623-2-13	107200	

MISSING ITEM NUMBERS NOT APPLICABLE

— ITEM NOT ILLUSTRATED

HAP

25-25-12-78J

BOEING PROPRIETARY - Copyright © - Unpublished Work - See title page for details.

25-25-12
FIG. 78J
PAGE 2
JUN 15/09

BOEING
737-600/700/800/900
PARTS CATALOG (MAINTENANCE)

FIG ITEM	PART NUMBER	1 2 3 4 5 6 7	NOMENCLATURE	EFFECT FROM TO	UNITS PER ASSY
R R R	78J 85 AN960-10		.WASHER- CONFIG CHG DATA FROM A CMM: REPLD BY NAS1149F0363P ATTACHING PARTS	047050 053053 107200	4
R R R	85 NAS1149F0363P		.WASHER- CONFIG CHG DATA FROM A CMM: REPLS AN960-10	047050 053053 107200	4
R R R R R	90 AN960-8		.WASHER- CONFIG CHG DATA FROM A CMM: REPLS NAS43DD3-44	047050 053053 107200	4
R R R R R	95 MS21042-3		.NUT	047050 053053 107200	4
R R R R R	100 MS21042-08		.NUT- CONFIG CHG DATA FROM A CMM: REPLD BY 22K1-82	047050 053053 107200	4
R R R R R	100 22K1-82		.NUT-CAP METAL SUPPLIER CODE: V72962 CONFIG CHG DATA FROM A CMM: REPLS MS21042-08	047050 053053 107200	4
R R R R R R R	105 2110-21APA		.BACK ASSY- SUPPLIER CODE: V31218 POSITION DATA: LWR CONFIG CHG DATA FROM A CMM: REPLD BY 2110-23APA	047050 053053 107200	2
R R R R R	110 2D3017-1		..PIVOT- SUPPLIER CODE: V31218 POSITION DATA: UPR	047050 053053 107200	2
R R R	115 2D3015-1		..KNOB-RELEASE SUPPLIER CODE: V31218 ATTACHING PARTS	047050 053053 107200	2
R R R	120 NAS601-12P		..SCREW	047050 053053 107200	2
R R R	125 C0240-020-0880M		..SPRING- SUPPLIER CODE: V77535	047050 053053 107200	2

MISSING ITEM NUMBERS NOT APPLICABLE

— ITEM NOT ILLUSTRATED

HAP

25-25-12-78J

BOEING PROPRIETARY - Copyright © - Unpublished Work - See title page for details.

25-25-12
FIG. 78J
PAGE 3
JUN 15/09

BOEING
737-600/700/800/900
PARTS CATALOG (MAINTENANCE)

FIG ITEM	PART NUMBER	1 2 3 4 5 6 7	NOMENCLATURE	EFFECT FROM TO	UNITS PER ASSY
R R R R R	78J 130	2D3018-1APA	..TUBE- SUPPLIER CODE: V31218 POSITION DATA: UPR ATTACHING PARTS	047050 053053 107200	1
R R R	135	MS20600AD4W2	..RIVET	047050 053053 107200	4
R R R R R R R R R	140	SJ3526GRY1ADH	-----*----- ..HOOK-ADHESIVE VELCRO GRAY SUPPLIER CODE: V5J466 CONFIG CHG DATA FROM A CMM: REPLD BY SJ3526BLK1ADH	047050 053053 107200	AR
R R R R R R R R R	140	SJ3526BLK1ADH	..HOOK-ADHESIVE VELCRO BLACK SUPPLIER CODE: V5J466 CONFIG CHG DATA FROM A CMM: REPLS SJ3526GRY1ADH	047050 053053 107200	AR
R R R R	145	2D3022-1APA	..GUSSET- SUPPLIER CODE: V31218 ATTACHING PARTS	047050 053053 107200	1
R R R R R R	150	MS20470AD44	..RIVET	047050 053053 107200	18
R R R R	155	MS20426AD44	..RIVET	047050 053053 107200	4
R R R	160	MS21069L3	-----*----- ..NUTPLATE	047050 053053 107200	2
R R R	165	MS20426AD33	ATTACHING PARTS ..RIVET	047050 053053 107200	4
R R R	170	2D3023-1APA	-----*----- ..BRACKET-CORNER SUPPLIER CODE: V31218 ATTACHING PARTS	047050 053053 107200	4
R R R	175	MS20470AD44	..RIVET	047050 053053 107200	16

MISSING ITEM NUMBERS NOT APPLICABLE

— ITEM NOT ILLUSTRATED

HAP

25-25-12-78J

BOEING PROPRIETARY - Copyright © - Unpublished Work - See title page for details.

25-25-12
FIG. 78J
PAGE 4
JUN 15/09

BOEING
737-600/700/800/900
PARTS CATALOG (MAINTENANCE)

FIG ITEM	PART NUMBER	1 2 3 4 5 6 7	NOMENCLATURE	EFFECT FROM TO	UNITS PER ASSY
R R R R R	78J 270 2D3013-3		.LINK-BACK SUPPLIER CODE: V31218 POSITION DATA: UPR ATTACHING PARTS	047050 053053 107200	2
R R R	275 NAS623-3-13		.SCREW	047050 053053 107200	1
R R R	280 AN960-516		.WASHER- CONFIG CHG DATA FROM A CMM: REPLD BY NAS1149F0563P	047050 053053 107200	2
R R R	280 NAS1149F0563P		.WASHER- CONFIG CHG DATA FROM A CMM: REPLS AN960-516	047050 053053 107200	2
R R R	285 AN960-516L		.WASHER- CONFIG CHG DATA FROM A CMM: REPLD BY NAS1149F0532P	047050 053053 107200	2
R R R	285 NAS1149F0532P		.WASHER- CONFIG CHG DATA FROM A CMM: REPLS AN960-516L	047050 053053 107200	2
R R R	290 AN960-10		.WASHER- CONFIG CHG DATA FROM A CMM: REPLD BY NAS1149F0363P	047050 053053 107200	1
R R R	290 NAS1149F0363P		.WASHER- CONFIG CHG DATA FROM A CMM: REPLS AN960-10 REPLD BY NAS1149F0332P	047050 053053 107200	1
R R R	290 NAS1149F0332P		.WASHER- CONFIG CHG DATA FROM A CMM: REPLS NAS1149F0363P	047050 053053 107200	1
R R R	295 MS21042-3		.NUT -----*-----	047050 053053 107200	1
R R R	300 NAS77-3-025		.BUSHING	047050 053053 107200	2
R R R	305 2D3012-1APA		.ATTACH-BACK SUPPLIER CODE: V31218 POSITION DATA: LWR	047050 053053 107200	2
R R R	310 2D2015-1		.STOP-PAN SUPPLIER CODE: V31218	047050 053053 107200	2

MISSING ITEM NUMBERS NOT APPLICABLE

— ITEM NOT ILLUSTRATED

HAP

25-25-12-78J

BOEING PROPRIETARY - Copyright © - Unpublished Work - See title page for details.

25-25-12
FIG. 78J
PAGE 7
JUN 15/09

BOEING
737-600/700/800/900
PARTS CATALOG (MAINTENANCE)

FIG ITEM	PART NUMBER	1 2 3 4 5 6 7	NOMENCLATURE	EFFECT FROM TO	UNITS PER ASSY
78J			ATTACHING PARTS		
R	370	MS21262-64	.SCREW	047050	1
R				053053	
R				107200	
R	375	MS21042-4	.NUT	047050	1
R				053053	
R				107200	
R	380	MS16555-21	.PIN	047050	4
R				053053	
R				107200	
R	385	2110-22APA	.PAN ASSY- SUPPLIER CODE: V31218	047050	1
R			CONFIG CHG DATA FROM A CMM: SUPSD BY 2110-20APA	053053	
R				107200	
R	390	SJ3526GRY2ADH	..HOOK-ADHESIVE VELCRO GRAY SUPPLIER CODE: V5J466	047050	AR
R			CONFIG CHG DATA FROM A CMM: REPLD BY SJ3526BLK2ADH	053053	
R				107200	
R	390	SJ3526BLK2ADH	..HOOK-ADHESIVE VELCRO BLACK SUPPLIER CODE: V5J466	047050	AR
R			CONFIG CHG DATA FROM A CMM: REPLS SJ3526GRY2ADH	053053	
R				107200	
R	395	SJ3526GRY1ADH	..HOOK-ADHESIVE VELCRO GRAY SUPPLIER CODE: V5J466	047050	AR
R			CONFIG CHG DATA FROM A CMM: REPLD BY SJ3526BLK1ADH	053053	
R				107200	
R	395	SJ3526BLK1ADH	..HOOK-ADHESIVE VELCRO BLACK SUPPLIER CODE: V5J466	047050	AR
R			CONFIG CHG DATA FROM A CMM: REPLS SJ3526GRY1ADH	053053	
R				107200	
R	400	2D2025-1	..FILLER- SUPPLIER CODE: V31218	047050	1
R			CONFIG CHG DATA FROM A CMM: REPLD BY 2D2025-11	053053	
R				107200	
R	400	2D2025-11	..FILLER- SUPPLIER CODE: V31218	047050	1
R			CONFIG CHG DATA FROM A CMM: REPLS 2D2025-1	053053	
R				107200	

MISSING ITEM NUMBERS NOT APPLICABLE

— ITEM NOT ILLUSTRATED

HAP

25-25-12-78J

25-25-12
FIG. 78J
PAGE 9
JUN 15/09

BOEING
737-600/700/800/900
PARTS CATALOG (MAINTENANCE)

FIG ITEM	PART NUMBER	1 2 3 4 5 6 7	NOMENCLATURE	EFFECT FROM TO	UNITS PER ASSY
78J			ATTACHING PARTS		
R	450		..SCREW	047050	3
R				053053	
R				107200	
R	455		..WASHER-	047050	3
R			CONFIG CHG DATA FROM A CMM:	053053	
R			REPLD BY NAS1149FN832P	107200	
R	455		..WASHER-	047050	3
R			CONFIG CHG DATA FROM A CMM:	053053	
R			REPLS AN960-8	107200	
			-----*-----		
R	460		..PAN-	047050	1
R			SUPPLIER CODE:	053053	
R			V31218	107200	
R	465		.PAN ASSY-	047050	1
R			SUPPLIER CODE:	053053	
R			V31218	107200	
R			CONFIG CHG DATA FROM A CMM:		
R			SUPERSEDES 2110-22APA		
R			SUPSD BY 2110-24APA		
R	465		.PAN ASSY-	047050	1
R			SUPPLIER CODE:	053053	
R			V31218	107200	
R			CONFIG CHG DATA FROM A CMM:		
R			SUPERSEDES 2110-20APA		
R	470		..HOOK-ADHESIVE VELCRO GRAY	047050	AR
R			SUPPLIER CODE:	053053	
R			V5J466	107200	
R			CONFIG CHG DATA FROM A CMM:		
R			REPLD BY SJ3526BLK2ADH		
R	470		..HOOK-ADHESIVE VELCRO	047050	AR
R			BLACK	053053	
R			SUPPLIER CODE:	107200	
R			V5J466		
R			CONFIG CHG DATA FROM A CMM:		
R			REPLS SJ3526GRY2ADH		
R	475		..HOOK-ADHESIVE VELCRO GRAY	047050	AR
R			SUPPLIER CODE:	053053	
R			V5J466	107200	
R			CONFIG CHG DATA FROM A CMM:		
R			REPLD BY SJ3526BLK1ADH		
R	475		..HOOK-ADHESIVE VELCRO	047050	AR
R			BLACK	053053	
R			SUPPLIER CODE:	107200	
R			V5J466		
R			CONFIG CHG DATA FROM A CMM:		
R			REPLS SJ3526GRY1ADH		

MISSING ITEM NUMBERS NOT APPLICABLE

— ITEM NOT ILLUSTRATED

HAP

25-25-12-78J

25-25-12
FIG. 78J
PAGE 11
JUN 15/09

BOEING
737-600/700/800/900
PARTS CATALOG (MAINTENANCE)

FIG ITEM	PART NUMBER	1 2 3 4 5 6 7	NOMENCLATURE	EFFECT FROM TO	UNITS PER ASSY
78J			ATTACHING PARTS		
R	515	NAS1096-2-6	.. SCREW	047050	3
R				053053	
R				107200	
R			-----*-----		
R	520	2D2012-1APA	.. LEVER-	047050	1
R			SUPPLIER CODE:	053053	
R			V31218	107200	
R			POSITION DATA:		
R			INBD		
R			ATTACHING PARTS		
R	525	NAS1096-2-6	.. SCREW	047050	3
R				053053	
R				107200	
R			-----*-----		
R	530	2D2021-1APA	.. PAN-	047050	1
R			SUPPLIER CODE:	053053	
R			V31218	107200	
R	535	2110-10APA	.BASE ASSY-NARROW	047050	1
R			SUPPLIER CODE:	053053	
R			V31218	107200	
R	540	2D1062-1APA	.. BRACKET-SPRT	047050	2
R			SUPPLIER CODE:	053053	
R			V31218	107200	
R			POSITION DATA:		
R			CTR		
R			ATTACHING PARTS		
R	545	NAS6203-11	.. BOLT	047050	2
R				053053	
R				107200	
R	550	AN960-10	.. WASHER-	047050	2
R			CONFIG CHG DATA FROM A CMM:	053053	
R			REPLD BY NAS1149F0363P	107200	
R	550	NAS1149F0363P	.. WASHER-	047050	2
R			CONFIG CHG DATA FROM A CMM:	053053	
R			REPLS AN960-10	107200	
R			-----*-----		
R	555	MS21042-3	.. NUT	047050	2
R				053053	
R				107200	
R	560	2D1038-1APA	.. MEMBER-CROSS TOP	047050	1
R			SUPPLIER CODE:	053053	
R			V31218	107200	
R			ATTACHING PARTS		
R	565	NAS623-2-1	.. SCREW	047050	8
R				053053	
R				107200	

MISSING ITEM NUMBERS NOT APPLICABLE

— ITEM NOT ILLUSTRATED

HAP

25-25-12-78J

25-25-12
FIG. 78J
PAGE 13
JUN 15/09


BOEING
 737-600/700/800/900
PARTS CATALOG (MAINTENANCE)

FIG ITEM	PART NUMBER	1 2 3 4 5 6 7	NOMENCLATURE	EFFECT FROM TO	UNITS PER ASSY
R	78J				
R	570	AN960-8	.. WASHER-	047050	8
R			CONFIG CHG DATA FROM A CMM:	053053	
R			REPLD BY NAS1149FN832P	107200	
R	570	NAS1149FN832P	.. WASHER-	047050	8
R			CONFIG CHG DATA FROM A CMM:	053053	
R			REPLS AN960-8	107200	
			-----*-----		
R	575	2D1024-1APA	.. PANEL-SIDE	047050	1
R			SUPPLIER CODE:	053053	
R			V31218	107200	
R	580	2D1024-2APA	.. PANEL-SIDE	047050	1
R			SUPPLIER CODE:	053053	
R			V31218	107200	
			ATTACHING PARTS		
R	585	NAS6204-19	.. BOLT	047050	2
R				053053	
R				107200	
R	590	AN960-416	.. WASHER-	047050	2
R			CONFIG CHG DATA FROM A CMM:	053053	
R			REPLD BY NAS1149F0463P	107200	
R	590	NAS1149F0463P	.. WASHER-	047050	2
R			CONFIG CHG DATA FROM A CMM:	053053	
R			REPLS AN960-416	107200	
R	595	MS21042-4	.. NUT	047050	2
R				053053	
R				107200	
			-----*-----		
R	600	MS21069L08	.. NUTPLATE	047050	4
R				053053	
R				107200	
R	605	SD32BS	.. RIVET-POP	047050	8
R			SUPPLIER CODE:	053053	
R			V6R744	107200	
R	610	2D1036-1APA	.. SUPPORT-	047050	1
R			SUPPLIER CODE:	053053	
R			V31218	107200	
R			POSITION DATA:		
R			CTR		
			ATTACHING PARTS		
R	615	NAS623-2-26	.. SCREW	047050	1
R				053053	
R				107200	
R	620	MS21042-08	.. NUT	047050	1
R				053053	
R				107200	
			-----*-----		

MISSING ITEM NUMBERS NOT APPLICABLE

— ITEM NOT ILLUSTRATED

HAP

25-25-12-78J

BOEING PROPRIETARY - Copyright © - Unpublished Work - See title page for details.

25-25-12
 FIG. 78J
 PAGE 14
 JUN 15/09


BOEING
 737-600/700/800/900
PARTS CATALOG (MAINTENANCE)

FIG ITEM	PART NUMBER	1 2 3 4 5 6 7	NOMENCLATURE	EFFECT FROM TO	UNITS PER ASSY
R R R R R	78J 625 2D1039-1APA		..TUBE-CROSS BACK SUPPLIER CODE: V31218 POSITION DATA: UPR	047050 053053 107200	1

MISSING ITEM NUMBERS NOT APPLICABLE

— ITEM NOT ILLUSTRATED

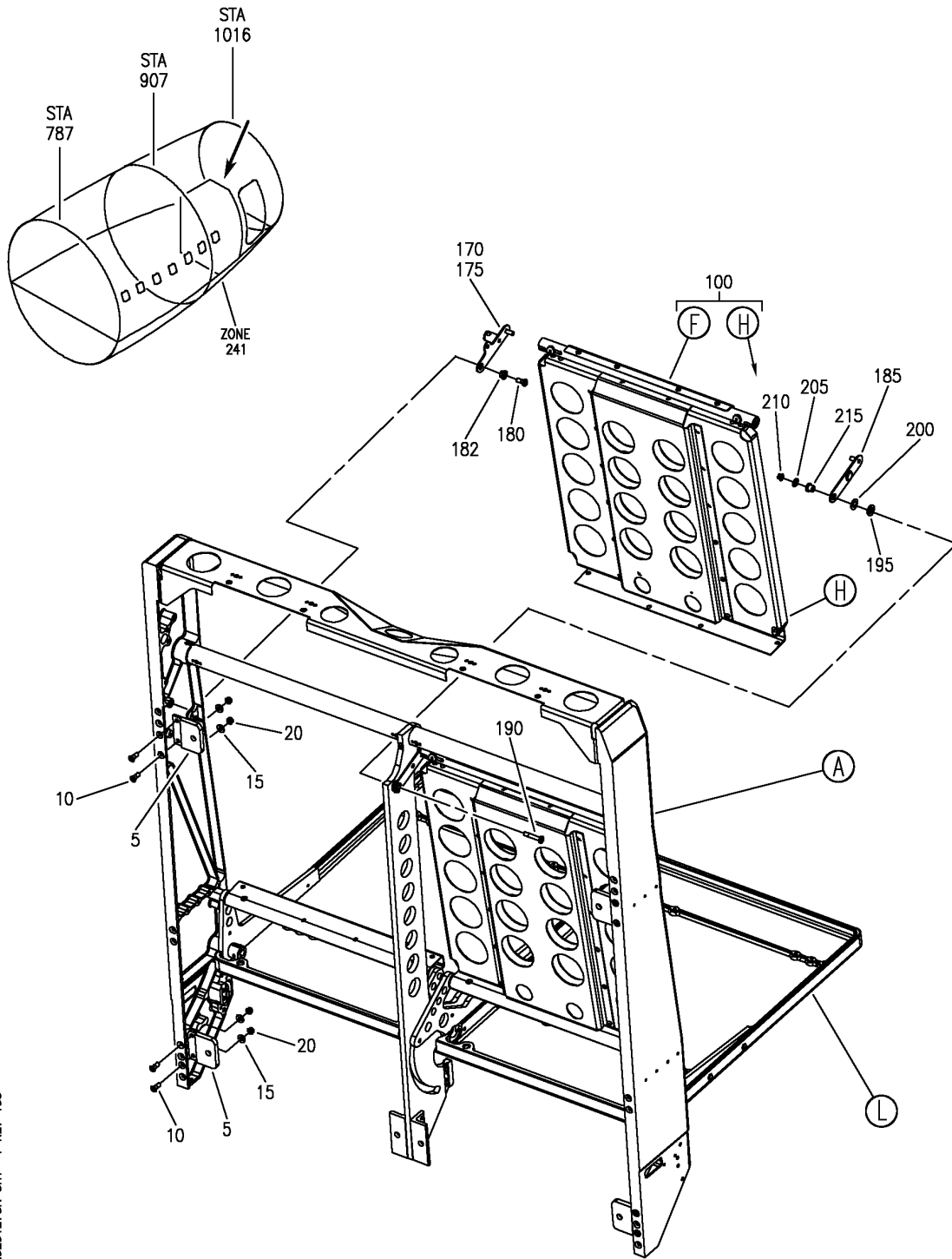
HAP

25-25-12-78J

BOEING PROPRIETARY - Copyright © - Unpublished Work - See title page for details.

25-25-12
 FIG. 78J
 PAGE 15
 JUN 15/09

BOEING
 737-600/700/800/900
 PARTS CATALOG (MAINTENANCE)



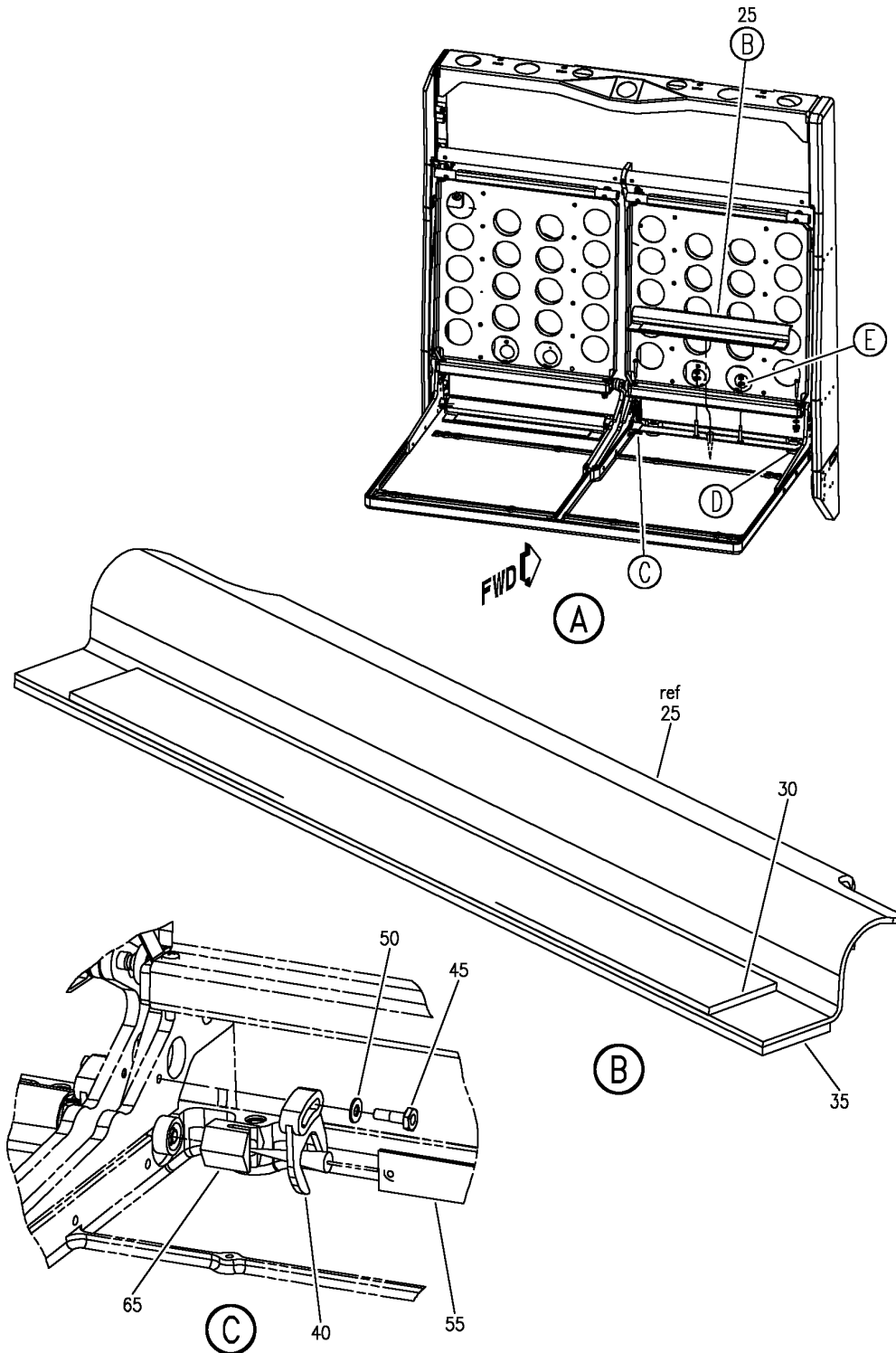
E 25251278K SHT 1 REV 155

CORE ASSY-ATTENDANT SEAT DBL WALL-MOUNTED
 FIGURE 78K (SHEET 1)

25-25-12-78K

HAP
 JUN 15/09

25-25-12-78K
 PAGE 0



E 25251278K SHT 2 REV 155

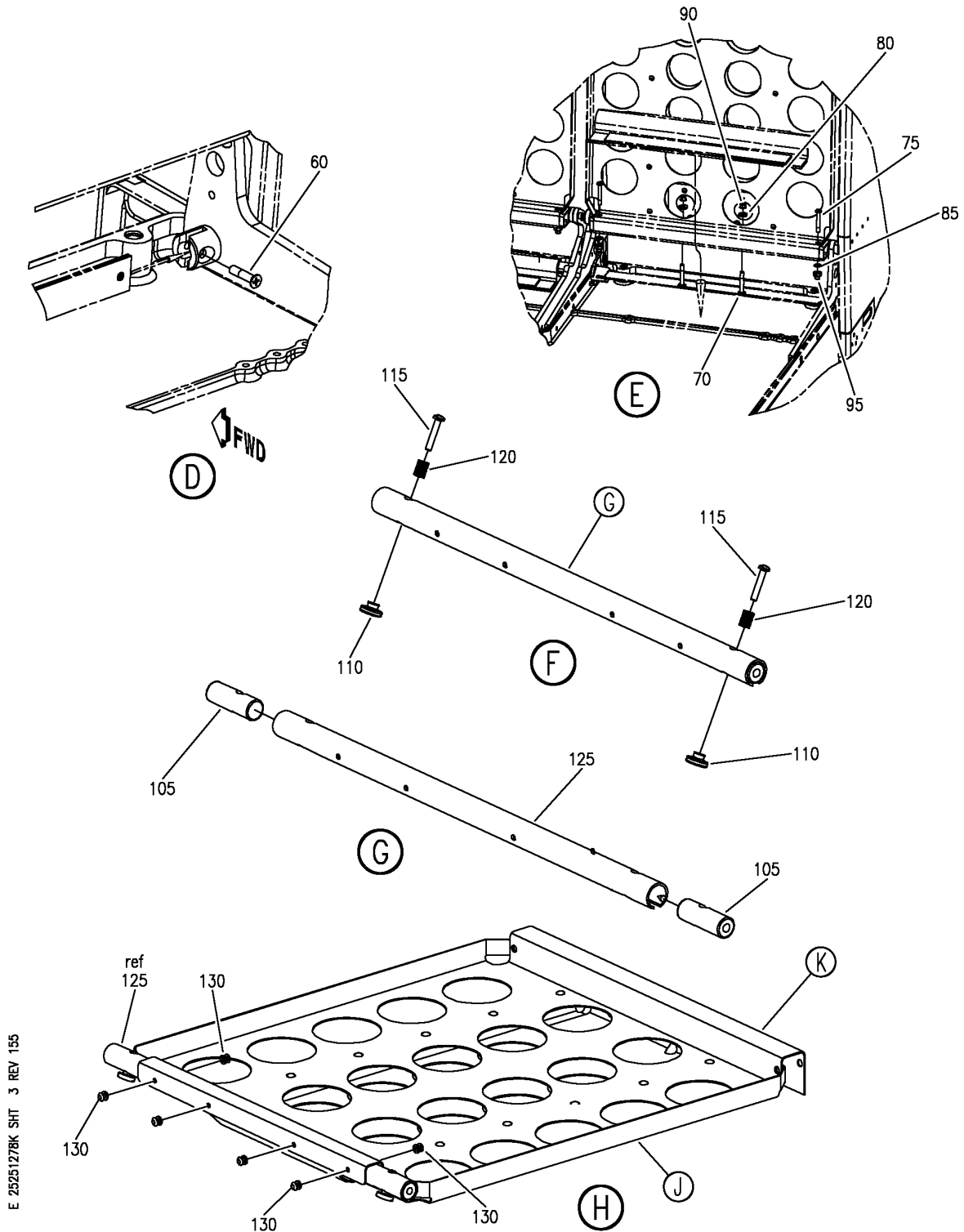
CORE ASSY-ATTENDANT SEAT DBL WALL-MOUNTED
 FIGURE 78K (SHEET 2)

25-25-12-78K

HAP
 JUN 15/09

25-25-12-78K
 PAGE 0A

BOEING
 737-600/700/800/900
 PARTS CATALOG (MAINTENANCE)



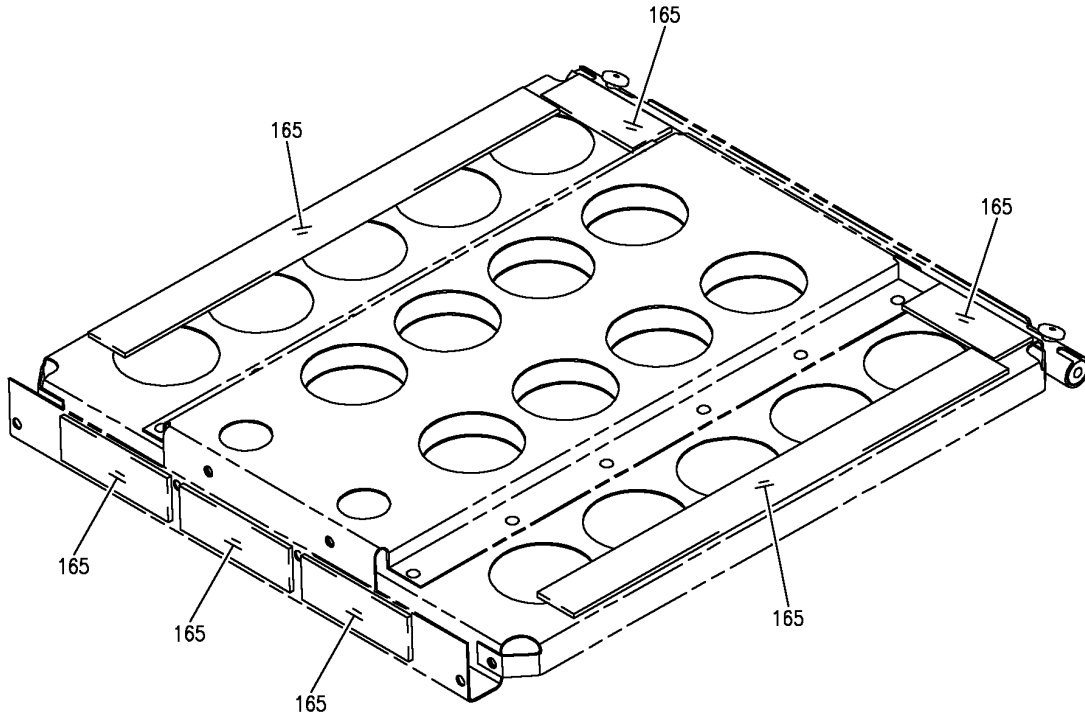
E 25251278K SHT 3 REV 155

CORE ASSY-ATTENDANT SEAT DBL WALL-MOUNTED
 FIGURE 78K (SHEET 3)

25-25-12-78K

HAP
 JUN 15/09

25-25-12-78K
 PAGE 0B



(K)

E 25251278K SHT 5 REV 155

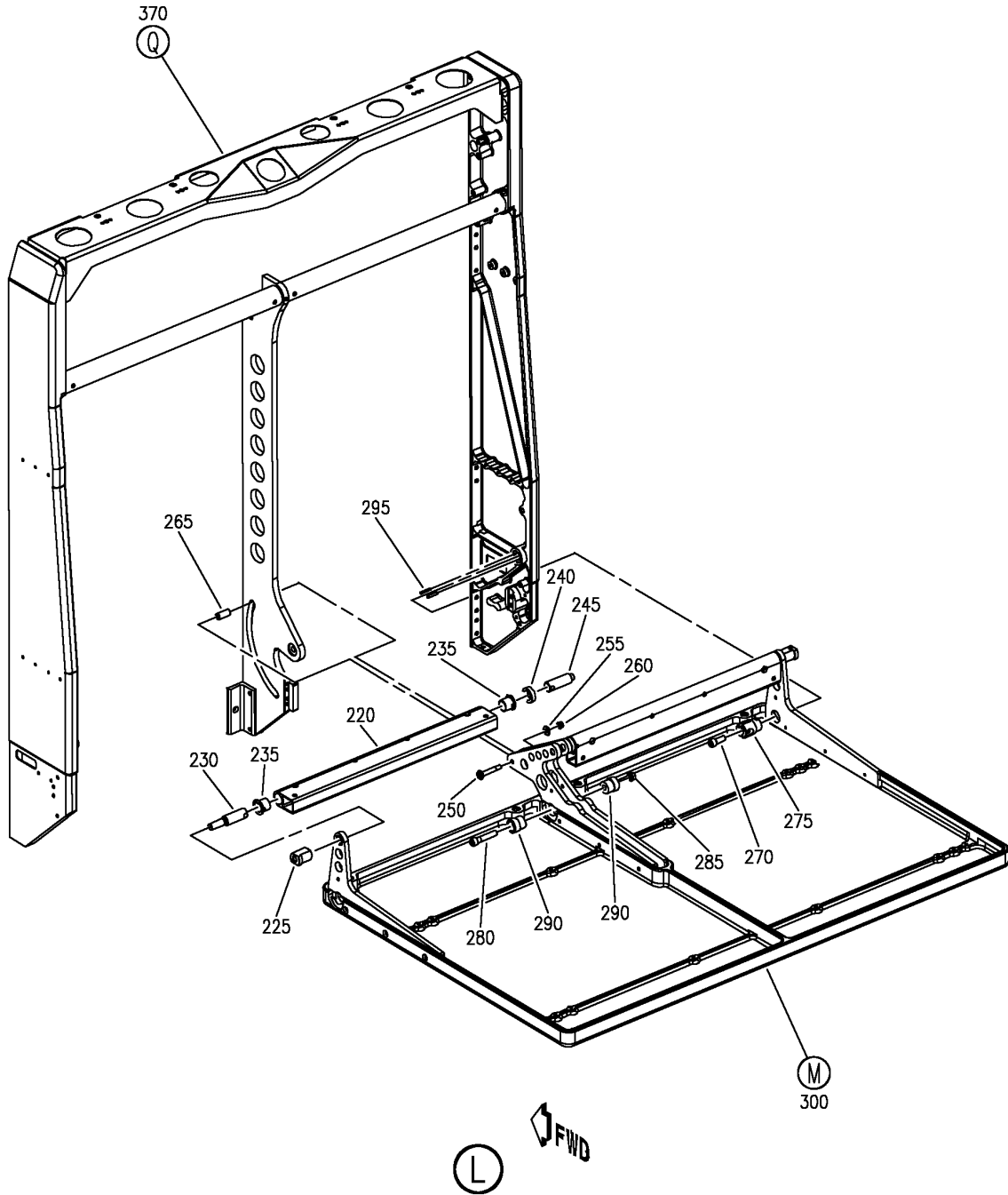
CORE ASSY-ATTENDANT SEAT DBL WALL-MOUNTED
FIGURE 78K (SHEET 5)

25-25-12-78K

HAP
JUN 15/09

25-25-12-78K
PAGE 0D

BOEING
 737-600/700/800/900
 PARTS CATALOG (MAINTENANCE)



E 25251278K SHT 6 REV 155

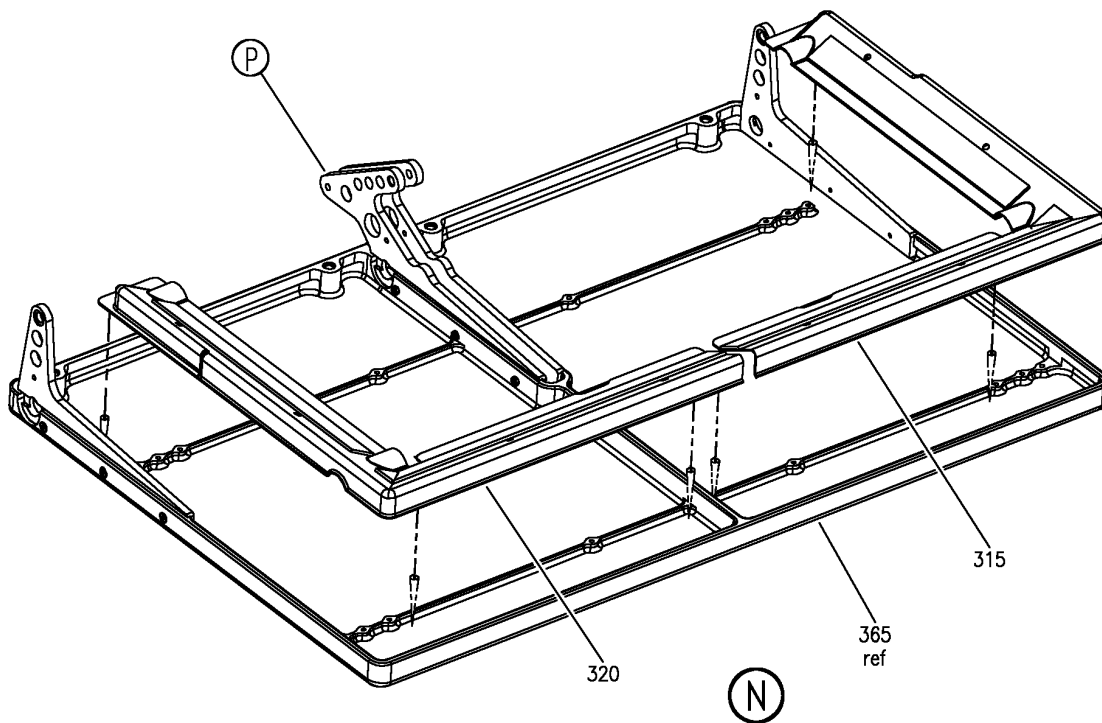
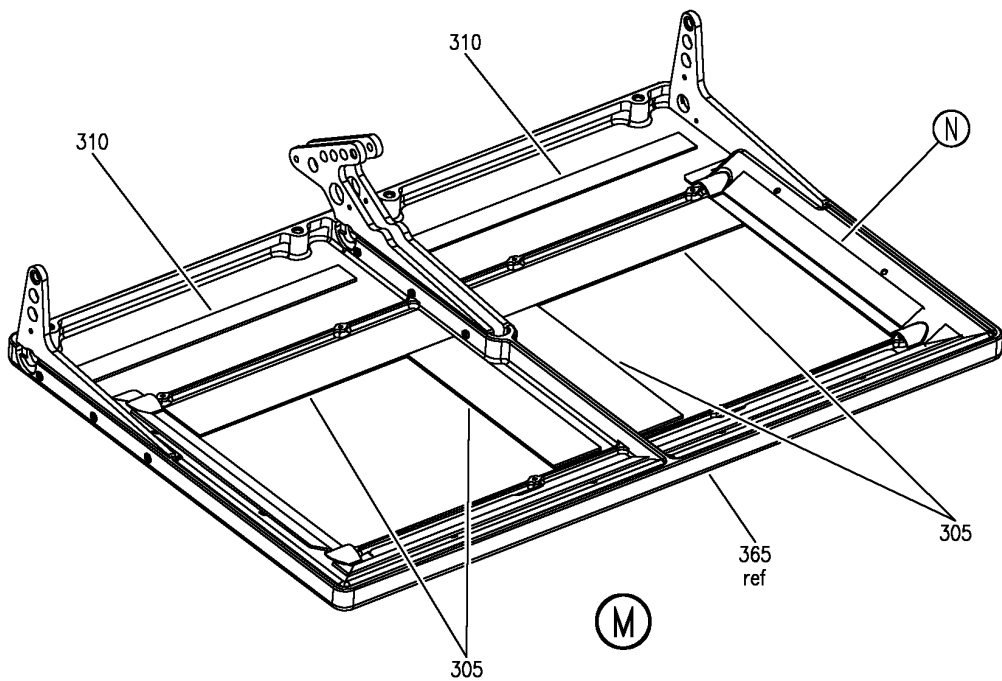
CORE ASSY-ATTENDANT SEAT DBL WALL-MOUNTED
 FIGURE 78K (SHEET 6)

25-25-12-78K

HAP
 JUN 15/09

25-25-12-78K
 PAGE 0E

BOEING
 737-600/700/800/900
 PARTS CATALOG (MAINTENANCE)



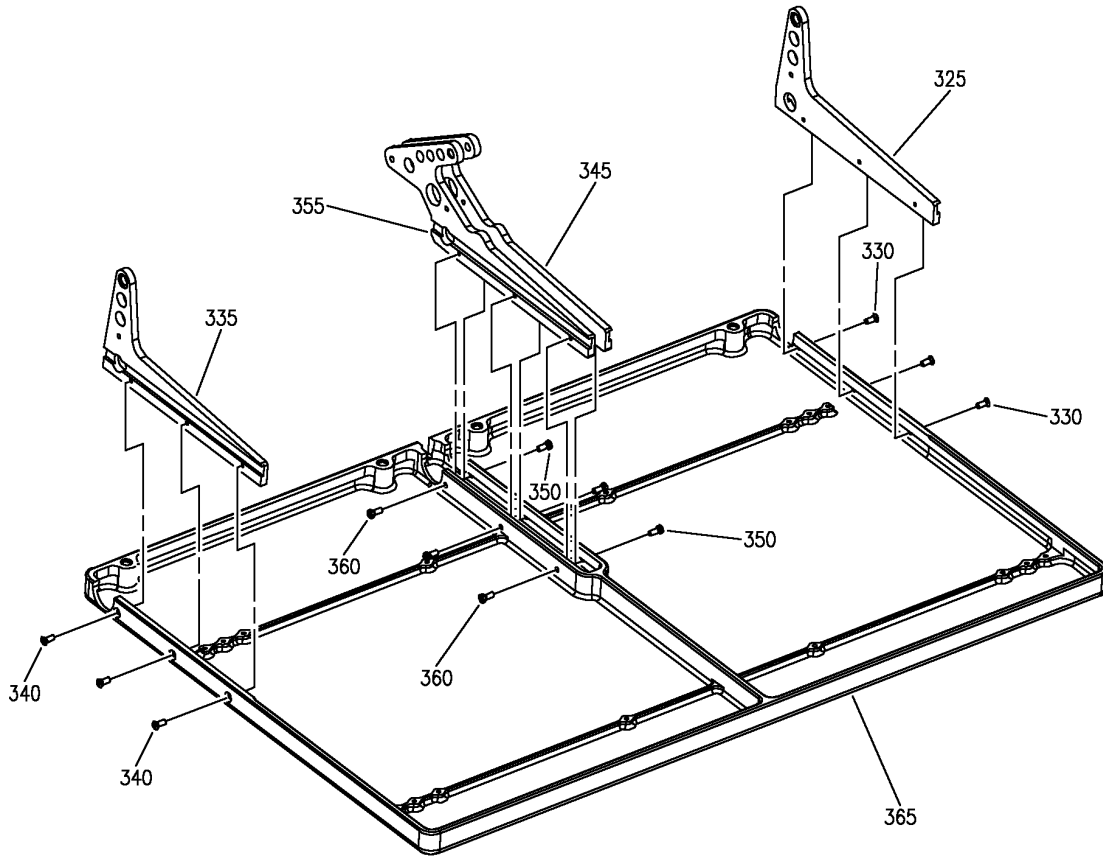
E 25251278K SHT 7 REV 155

CORE ASSY-ATTENDANT SEAT DBL WALL-MOUNTED
 FIGURE 78K (SHEET 7)

25-25-12-78K

HAP
 JUN 15/09

25-25-12-78K
 PAGE OF



(P)

E 25251278K SHT 8 REV 155

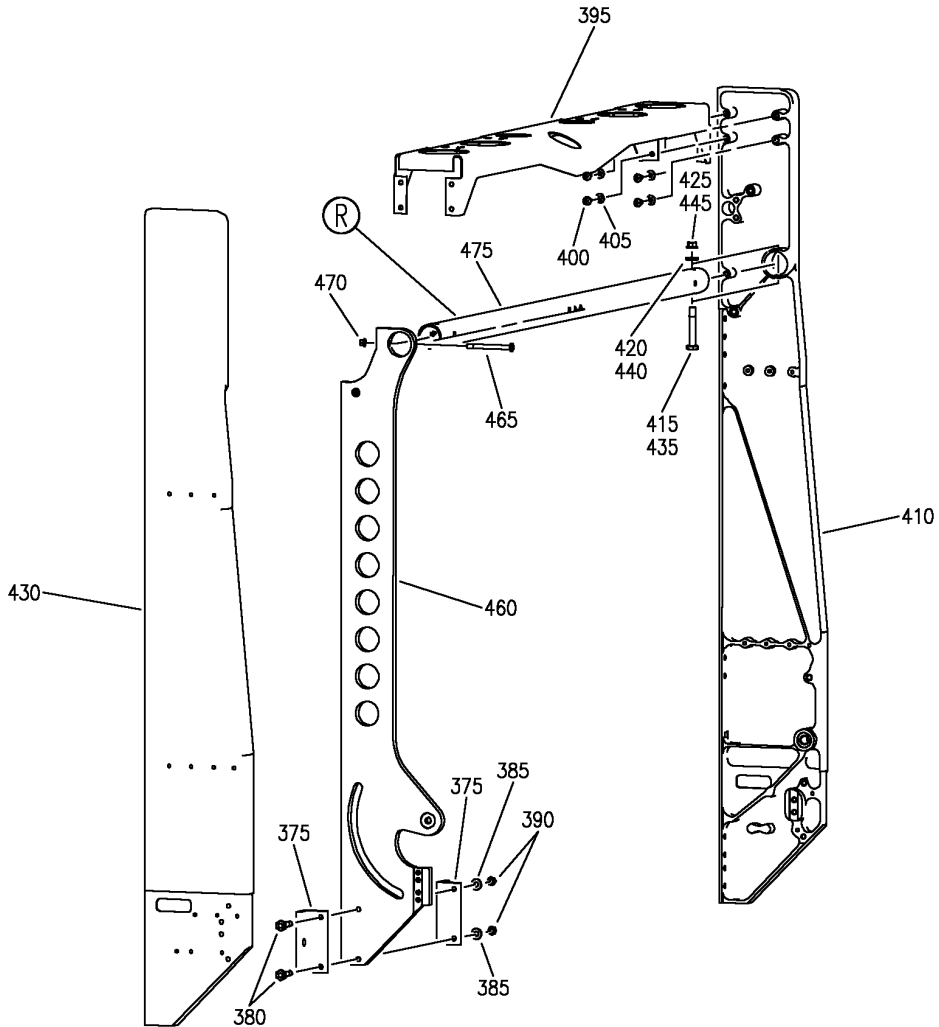
CORE ASSY-ATTENDANT SEAT DBL WALL-MOUNTED
FIGURE 78K (SHEET 8)

25-25-12-78K

HAP
JUN 15/09

25-25-12-78K
PAGE 0G

BOEING
 737-600/700/800/900
 PARTS CATALOG (MAINTENANCE)



E 25251278K SHT 9 REV 155

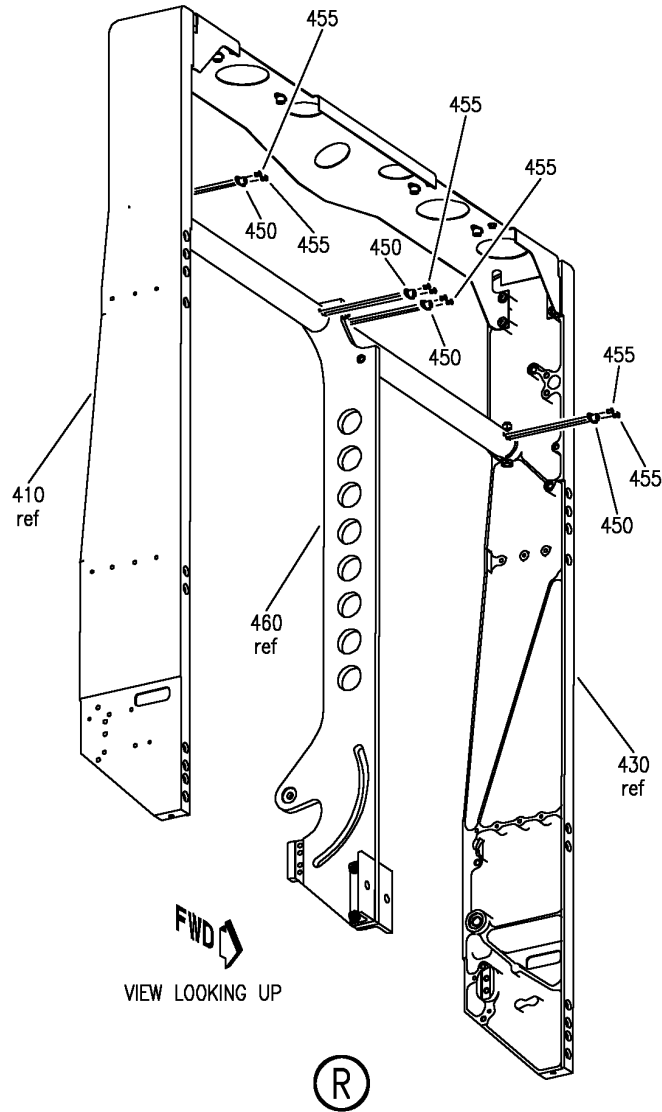
CORE ASSY-ATTENDANT SEAT DBL WALL-MOUNTED
 FIGURE 78K (SHEET 9)

25-25-12-78K

HAP
 JUN 15/09

25-25-12-78K
 PAGE 0H

BOEING
737-600/700/800/900
PARTS CATALOG (MAINTENANCE)



E 25251278K SHT 10 REV 155

CORE ASSY-ATTENDANT SEAT DBL WALL-MOUNTED
FIGURE 78K (SHEET 10)

25-25-12-78K

HAP
JUN 15/09

25-25-12-78K
PAGE 01

BOEING
737-600/700/800/900
PARTS CATALOG (MAINTENANCE)

FIG ITEM	PART NUMBER	1 2 3 4 5 6 7	NOMENCLATURE	EFFECT FROM TO	UNITS PER ASSY
R R R R R R R R R R R R R R R	78K		CORE ASSY-ATTENDANT SEAT DBL WALL-MOUNTED	047050 053053 107200	
	- 1	2110-6APA	CORE ASSY-ATTENDANT SEAT DBL WALL-MOUNTED SUPPLIER CODE: V31218 FOR NHA SEE: 25-25-12-78G	047050 053053 107200	RF
	5	2D1040-1	.BRACKET-MTG SUPPLIER CODE: V31218	047050 053053 107200	4
	10	NAS1203-4	ATTACHING PARTS .BOLT	047050 053053 107200	8
	15	NAS1149F0332P	.WASHER	047050 053053 107200	8
	20	MS21042-3	.NUT	047050 053053 107200	8
	25	2D2027-5	-----*----- .COVER ASSY-TORSION SPR SUPPLIER CODE: V31218	047050 053053 107200	2
	30	SJ3526GRY1ADH	..HOOK-ADHESIVE VELCRO GRAY SUPPLIER CODE: V5J466 CONFIG CHG DATA FROM A CMM: REPLD BY SJ3526BLK1ADH	047050 053053 107200	AR
	30	SJ3526BLK1ADH	..HOOK-ADHESIVE VELCRO BLACK SUPPLIER CODE: V5J466 CONFIG CHG DATA FROM A CMM: REPLS SJ3526GRY1ADH	047050 053053 107200	AR
	35	SJ3527GRY1ADH	..LOOP-ADHESIVE VELCRO GRAY SUPPLIER CODE: V5J466 CONFIG CHG DATA FROM A CMM: REPLD BY SJ3527BLK1ADH	047050 053053 107200	AR
	35	SJ3527BLK1ADH	..LOOP-ADHESIVE VELCRO BLACK SUPPLIER CODE: V5J466 CONFIG CHG DATA FROM A CMM: REPLS SJ3527GRY1ADH	047050 053053 107200	AR

MISSING ITEM NUMBERS NOT APPLICABLE

- ITEM NOT ILLUSTRATED

HAP

25-25-12-78K

25-25-12
FIG. 78K
PAGE 1
JUN 15/09

BOEING
737-600/700/800/900
PARTS CATALOG (MAINTENANCE)

FIG ITEM	PART NUMBER	1 2 3 4 5 6 7	NOMENCLATURE	EFFECT FROM TO	UNITS PER ASSY
R R R R R R R	78K 105 2D3017-3		.. PIVOT- SUPPLIER CODE: V31218 POSITION DATA: UPR	047050 053053 107200	2
R R R	110 2D3015-3		.. KNOB-RELEASE SUPPLIER CODE: V31218 ATTACHING PARTS	047050 053053 107200	2
R R R	115 NAS601-12P		.. SCREW	047050 053053 107200	2
R R R R R	120 C0240-020-0880M		-----*----- .. SPRING- SUPPLIER CODE: V77535	047050 053053 107200	2
R R R R R	125 2D3018-15		.. TUBE- SUPPLIER CODE: V31218 POSITION DATA: UPR ATTACHING PARTS	047050 053053 107200	1
R R R	130 MS20600M4W2		.. RIVET	047050 053053 107200	6
R R R	135 2D3022-15		-----*----- .. GUSSET- SUPPLIER CODE: V31218 ATTACHING PARTS	047050 053053 107200	1
R R R	140 MS20470AD44		.. RIVET	047050 053053 107200	14
R R R	145 2D3046-3		-----*----- .. BRACE- SUPPLIER CODE: V31218 ATTACHING PARTS	047050 053053 107200	1
R R R	150 MS20470AD44		.. RIVET	047050 053053 107200	2
R R R	155 2D3022-13		-----*----- .. PAN- SUPPLIER CODE: V31218	047050 053053 107200	1

MISSING ITEM NUMBERS NOT APPLICABLE

— ITEM NOT ILLUSTRATED

HAP

25-25-12-78K

BOEING PROPRIETARY - Copyright © - Unpublished Work - See title page for details.

25-25-12
FIG. 78K
PAGE 3
JUN 15/09

BOEING
737-600/700/800/900
PARTS CATALOG (MAINTENANCE)

FIG ITEM	PART NUMBER	1 2 3 4 5 6 7	NOMENCLATURE	EFFECT FROM TO	UNITS PER ASSY
78K			ATTACHING PARTS		
R	160	MS20426AD44	. . RIVET	047050	4
R				053053	
R				107200	
R			-----*-----		
R	165	SJ3526BLK1ADH	. . HOOK-ADHESIVE VELCRO	047050	AR
R			BLACK	053053	
R			SUPPLIER CODE:	107200	
R			V5J466		
R	170	2D3013-55	. LINK-BACK	047050	1
R			SUPPLIER CODE:	053053	
R			V31218	107200	
R			POSITION DATA:		
R			UPR		
R	175	2D3013-52	. LINK-BACK	047050	1
R			SUPPLIER CODE:	053053	
R			V31218	107200	
R			POSITION DATA:		
R			UPR		
R			ATTACHING PARTS		
R	180	NAS623-3-3	. SCREW	047050	2
R				053053	
R				107200	
R			-----*-----		
R	182	NAS77-3-016	. BUSHING	047050	2
R				053053	
R				107200	
R	185	2D3013-47	. LINK-BACK	047050	2
R			SUPPLIER CODE:	053053	
R			V31218	107200	
R			POSITION DATA:		
R			UPR		
R			ATTACHING PARTS		
R	190	NAS623-3-13	. SCREW	047050	1
R				053053	
R				107200	
R	195	NAS1149F0563P	. WASHER	047050	2
R				053053	
R				107200	
R	200	NAS1149F0532P	. WASHER	047050	2
R				053053	
R				107200	
R	205	NAS1149F0332P	. WASHER	047050	1
R				053053	
R				107200	
R	210	MS21042-3	. NUT	047050	1
R				053053	
R				107200	
			-----*-----		

MISSING ITEM NUMBERS NOT APPLICABLE

— ITEM NOT ILLUSTRATED

HAP

25-25-12-78K

BOEING PROPRIETARY - Copyright © - Unpublished Work - See title page for details.

25-25-12
FIG. 78K
PAGE 4
JUN 15/09

BOEING
737-600/700/800/900
PARTS CATALOG (MAINTENANCE)

FIG ITEM	PART NUMBER	1 2 3 4 5 6 7	NOMENCLATURE	EFFECT FROM TO	UNITS PER ASSY
R R	78K 215	NAS77-3-025	.BUSHING	047050 053053 107200	2
	220	2D3012-1APA	.ATTACH-BACK SUPPLIER CODE: V31218 POSITION DATA: LWR	047050 053053 107200	2
	225	2D2015-1	.STOP-PAN SUPPLIER CODE: V31218	047050 053053 107200	2
	230	2D2013-3	.PIVOT-BACK SUPPLIER CODE: V31218 POSITION DATA: LWR	047050 053053 107200	2
	235	8L5-1-2F	.NYLINER-FLANGED SUPPLIER CODE: V96881	047050 053053 107200	4
	240	2D2016-1	.BUSHING-PIVOT SUPPLIER CODE: V31218	047050 053053 107200	2
	245	2D2013-1	.PIVOT-BACK SUPPLIER CODE: V31218 POSITION DATA: LWR	047050 053053 107200	2
	250	NAS6203-15	.BOLT	047050 053053 107200	1
	255	NAS1149F0363P	.WASHER	047050 053053 107200	1
	260	MS21042-3	.NUT	047050 053053 107200	1
	265	NAS75-3-024	.BUSHING	047050 053053 107200	1
	270	MS21262-37	.SCREW	047050 053053 107200	2
	275	2D2018-1	.BUSHING-ANCHOR PAN SUPPLIER CODE: V31218	047050 053053 107200	2
	280	MS21262-64	.SCREW	047050 053053 107200	1

MISSING ITEM NUMBERS NOT APPLICABLE

— ITEM NOT ILLUSTRATED

HAP

25-25-12-78K

BOEING PROPRIETARY - Copyright © - Unpublished Work - See title page for details.

25-25-12
FIG. 78K
PAGE 5
JUN 15/09

BOEING
737-600/700/800/900
PARTS CATALOG (MAINTENANCE)

FIG ITEM	PART NUMBER	1 2 3 4 5 6 7	NOMENCLATURE	EFFECT FROM TO	UNITS PER ASSY
R R R R R R R R R R R R R R R R	78K 285	MS21042-4	.NUT	047050 053053 107200	1
	290	2D2020-5	.BUSHING-PAN SUPPLIER CODE: V31218	047050 053053 107200	2
	295	MS16555-21	.PIN	047050 053053 107200	4
	300	2110-24APA	.PAN ASSY- SUPPLIER CODE: V31218	047050 053053 107200	1
	305	SJ3526GRY2ADH	..HOOK-ADHESIVE VELCRO GRAY SUPPLIER CODE: V5J466 CONFIG CHG DATA FROM A CMM: REPLD BY SJ3526BLK2ADH	047050 053053 107200	AR
	305	SJ3526BLK2ADH	..HOOK-ADHESIVE VELCRO BLACK SUPPLIER CODE: V5J466 CONFIG CHG DATA FROM A CMM: REPLS SJ3526GRY2ADH	047050 053053 107200	AR
	310	SJ3526GRY1ADH	..HOOK-ADHESIVE VELCRO GRAY SUPPLIER CODE: V5J466 CONFIG CHG DATA FROM A CMM: REPLD BY SJ3526BLK1ADH	047050 053053 107200	AR
	310	SJ3526BLK1ADH	..HOOK-ADHESIVE VELCRO BLACK SUPPLIER CODE: V5J466 CONFIG CHG DATA FROM A CMM: REPLS SJ3526GRY1ADH	047050 053053 107200	AR
	315	2D2025-1	..FILLER- SUPPLIER CODE: V31218 CONFIG CHG DATA FROM A CMM: SUPSD BY 2D2025-11	047050 053053 107200	1
	315	2D2025-11	..FILLER- SUPPLIER CODE: V31218 CONFIG CHG DATA FROM A CMM: SUPERSEDES 2D2025-1	047050 053053 107200	1
	320	2D2025-2	..FILLER- SUPPLIER CODE: V31218 CONFIG CHG DATA FROM A CMM: SUPSD BY 2D2025-12	047050 053053 107200	1

MISSING ITEM NUMBERS NOT APPLICABLE

— ITEM NOT ILLUSTRATED

HAP

25-25-12-78K

25-25-12
FIG. 78K
PAGE 6
JUN 15/09

BOEING
737-600/700/800/900
PARTS CATALOG (MAINTENANCE)

FIG ITEM	PART NUMBER	1 2 3 4 5 6 7	NOMENCLATURE	EFFECT FROM TO	UNITS PER ASSY
R R R	78K 425 MS21042-4		.. NUT	047050 053053 107200	1
R R R	430 2D1024-4APA		-----*----- .. PANEL-SIDE SUPPLIER CODE: V31218 ATTACHING PARTS	047050 053053 107200	1
R R R	435 NAS6204-19		.. BOLT	047050 053053 107200	1
R R R	440 AN960-416		.. WASHER-	047050	1
R R R	440 NAS1149F0463P		CONFIG CHG DATA FROM A CMM: REPLD BY NAS1149F0463P .. WASHER-	053053 107200	1
R R R	445 MS21042-4		.. NUT	047050 053053 107200	1
R R R	450 MS21069L08		-----*----- .. NUTPLATE	047050 053053 107200	4
R R R	455 SD32BS		ATTACHING PARTS .. RIVET-POP SUPPLIER CODE: V6R744	047050 053053 107200	8
R R R	460 2D1036-1APA		-----*----- .. SUPPORT-	047050	1
R R R	465 NAS623-2-26		SUPPLIER CODE: V31218 POSITION DATA: CTR ATTACHING PARTS .. SCREW	053053 107200	1
R R R	470 MS21042-08		.. NUT	047050 053053 107200	1
R R R	475 2D1039-1APA		-----*----- .. TUBE-CROSS BACK SUPPLIER CODE: V31218 POSITION DATA: UPR	047050 053053 107200	1

MISSING ITEM NUMBERS NOT APPLICABLE

— ITEM NOT ILLUSTRATED

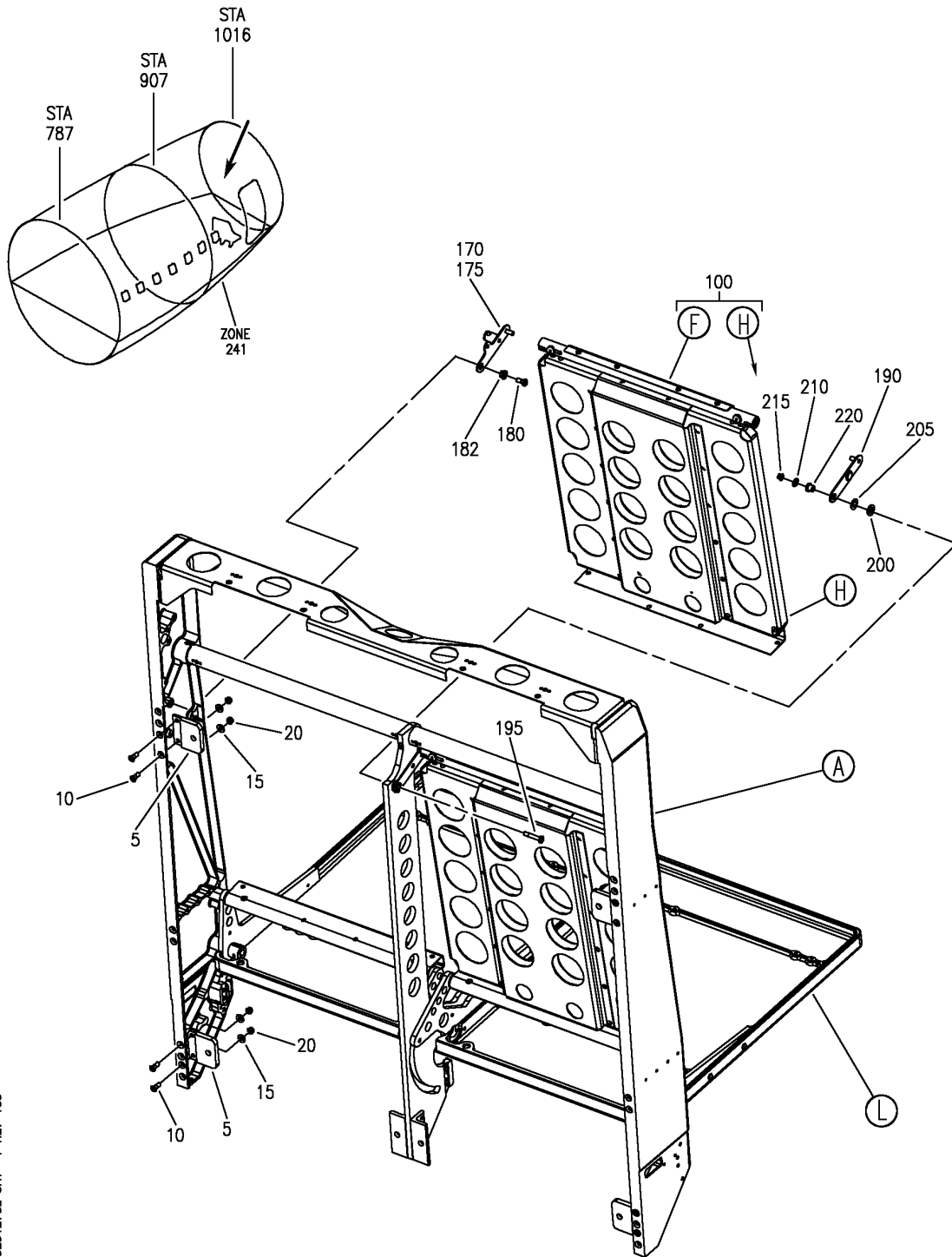
HAP

25-25-12-78K

BOEING PROPRIETARY - Copyright © - Unpublished Work - See title page for details.

25-25-12
FIG. 78K
PAGE 9
JUN 15/09

BOEING
 737-600/700/800/900
 PARTS CATALOG (MAINTENANCE)



E 25251278L SHT 1 REV 155

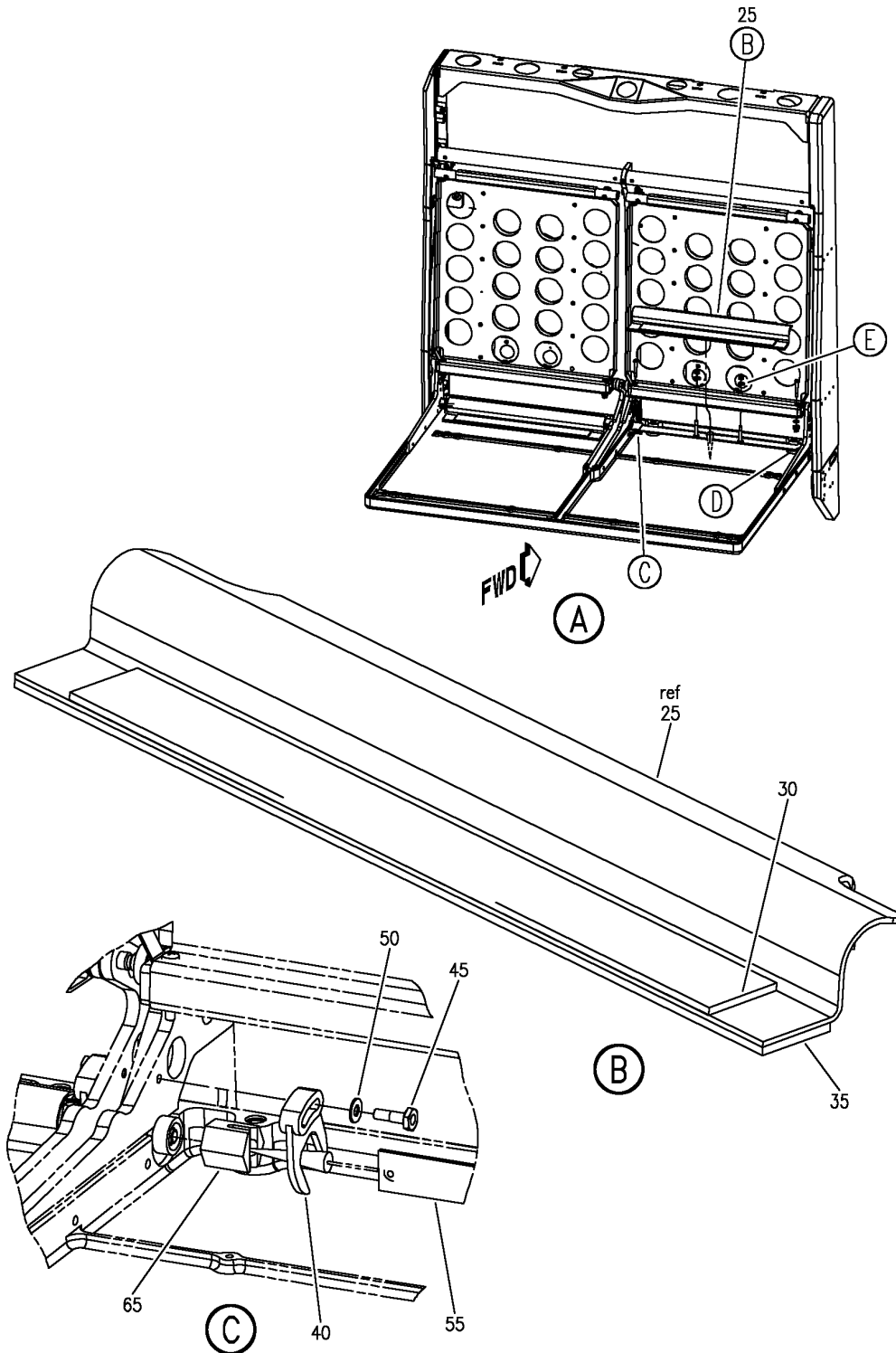
CORE ASSY-ATTENDANT SEAT DBL WALL-MOUNTED
 FIGURE 78L (SHEET 1)

25-25-12-78L

HAP
 JUN 15/09

25-25-12-78L
 PAGE 0

BOEING
 737-600/700/800/900
 PARTS CATALOG (MAINTENANCE)



E 25251278L SHT 2 REV 155

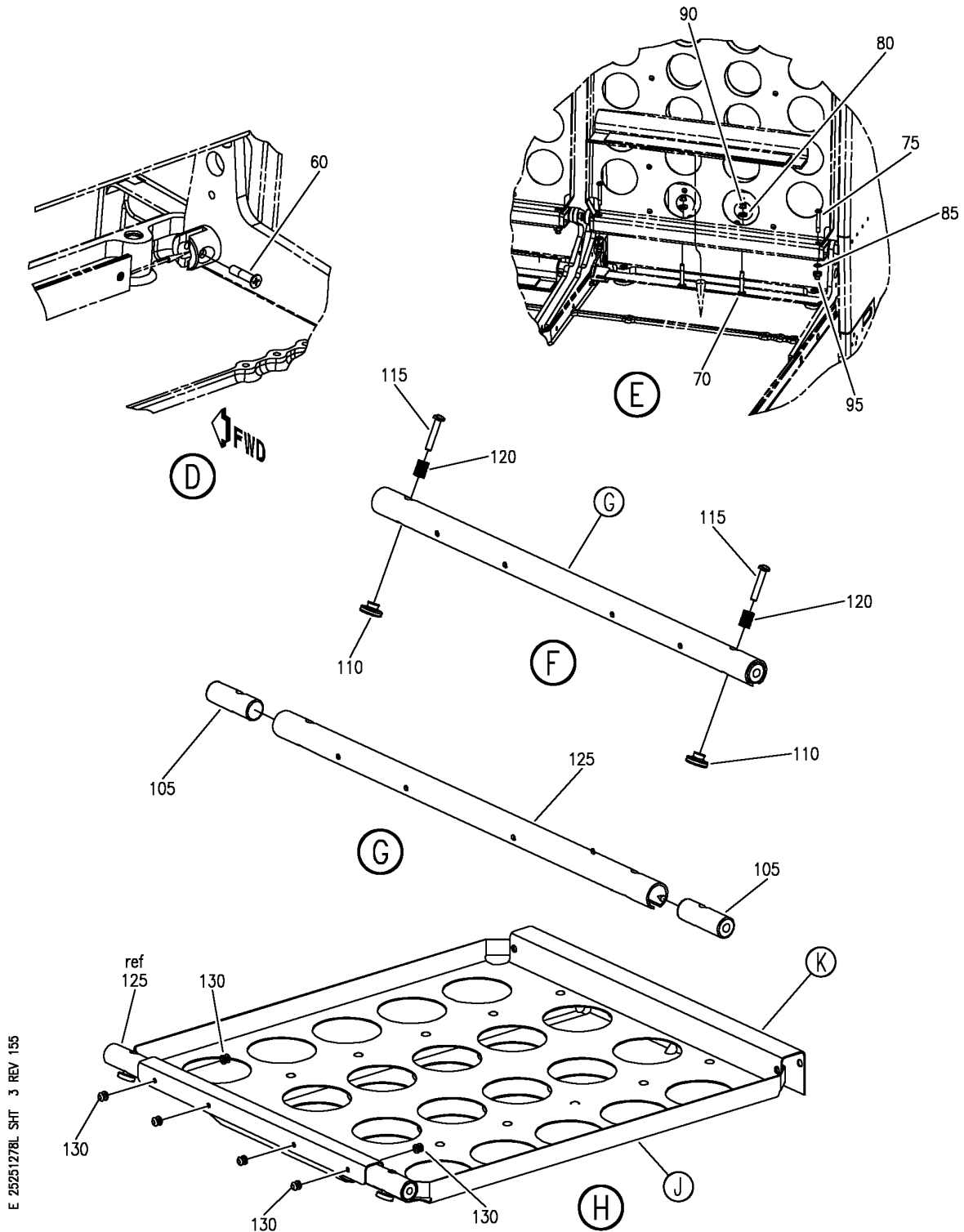
CORE ASSY-ATTENDANT SEAT DBL WALL-MOUNTED
 FIGURE 78L (SHEET 2)

25-25-12-78L

HAP
 JUN 15/09

25-25-12-78L
 PAGE 0A

BOEING
 737-600/700/800/900
 PARTS CATALOG (MAINTENANCE)



E 25251278L SHT. 3 REV 155

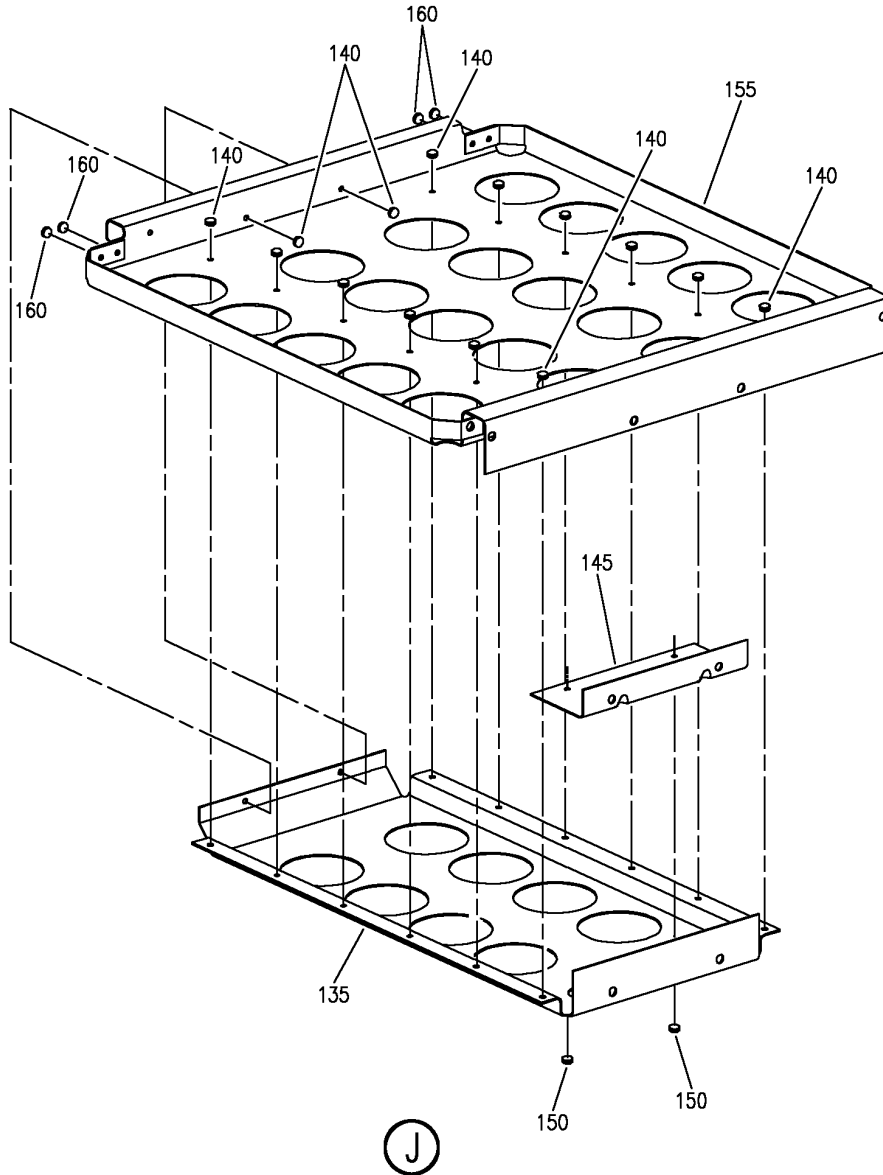
CORE ASSY-ATTENDANT SEAT DBL WALL-MOUNTED
 FIGURE 78L (SHEET 3)

25-25-12-78L

HAP
 JUN 15/09

25-25-12-78L
 PAGE 0B

BOEING
737-600/700/800/900
PARTS CATALOG (MAINTENANCE)



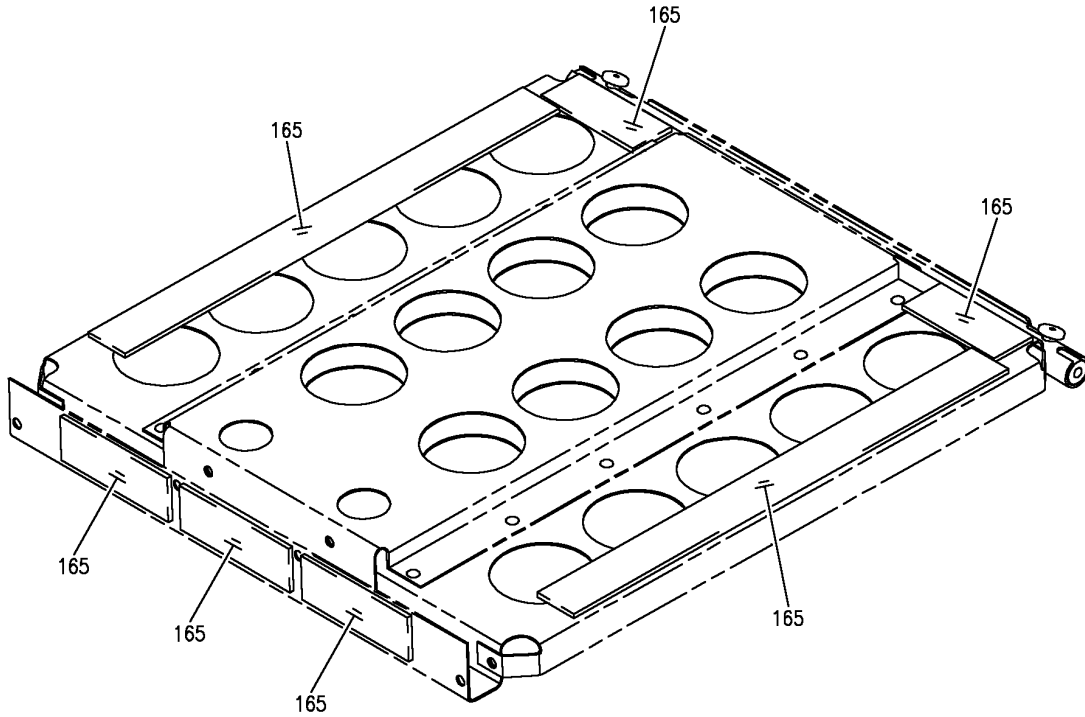
E 25251278L SHT 4 REV 155

CORE ASSY-ATTENDANT SEAT DBL WALL-MOUNTED
FIGURE 78L (SHEET 4)

25-25-12-78L

HAP
JUN 15/09

25-25-12-78L
PAGE 0C



(K)

E 25251278L SHT 5 REV 155

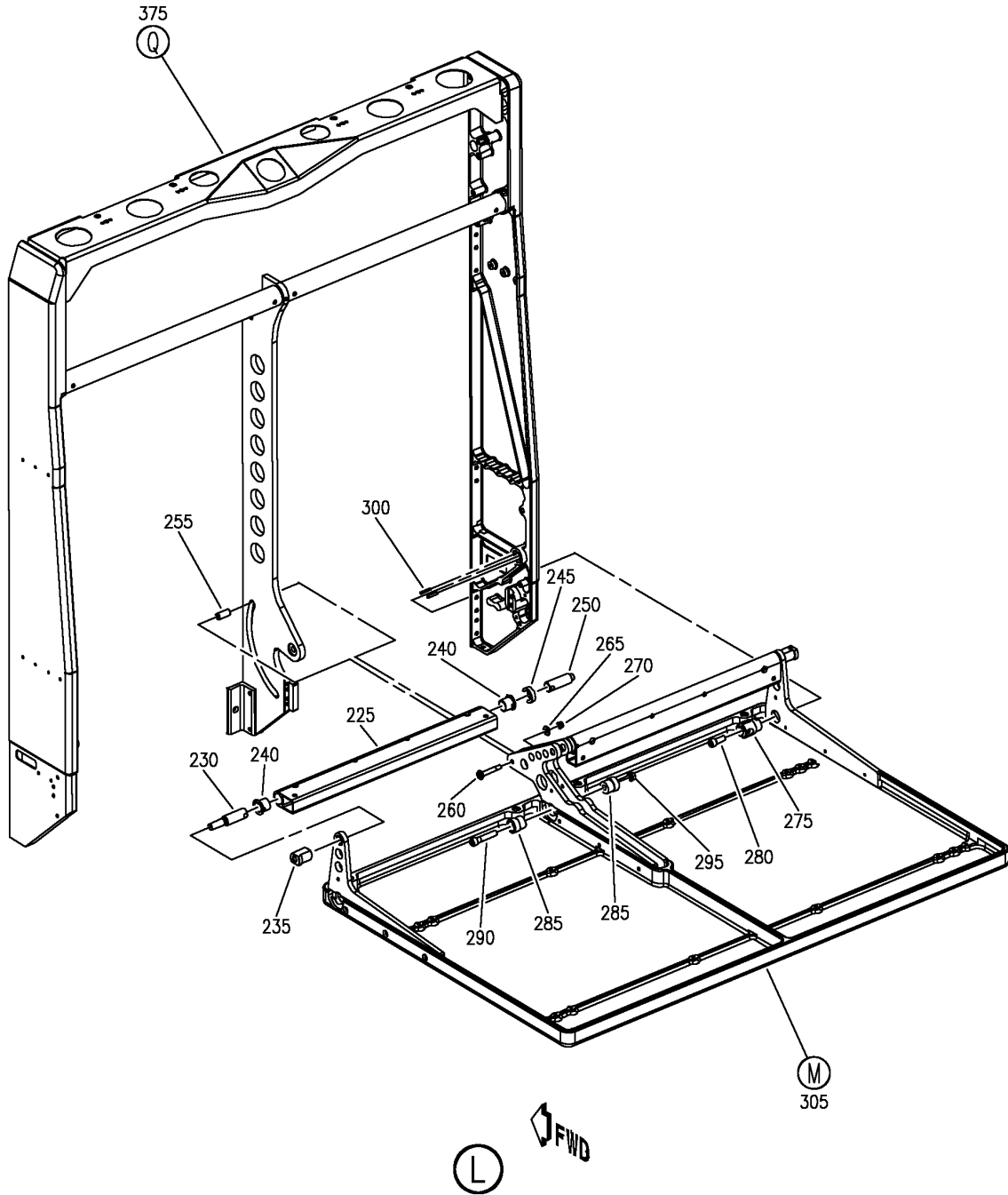
CORE ASSY-ATTENDANT SEAT DBL WALL-MOUNTED
FIGURE 78L (SHEET 5)

25-25-12-78L

HAP
JUN 15/09

25-25-12-78L
PAGE 0D

BOEING
 737-600/700/800/900
 PARTS CATALOG (MAINTENANCE)



E 25251278L SHT 6 REV 155

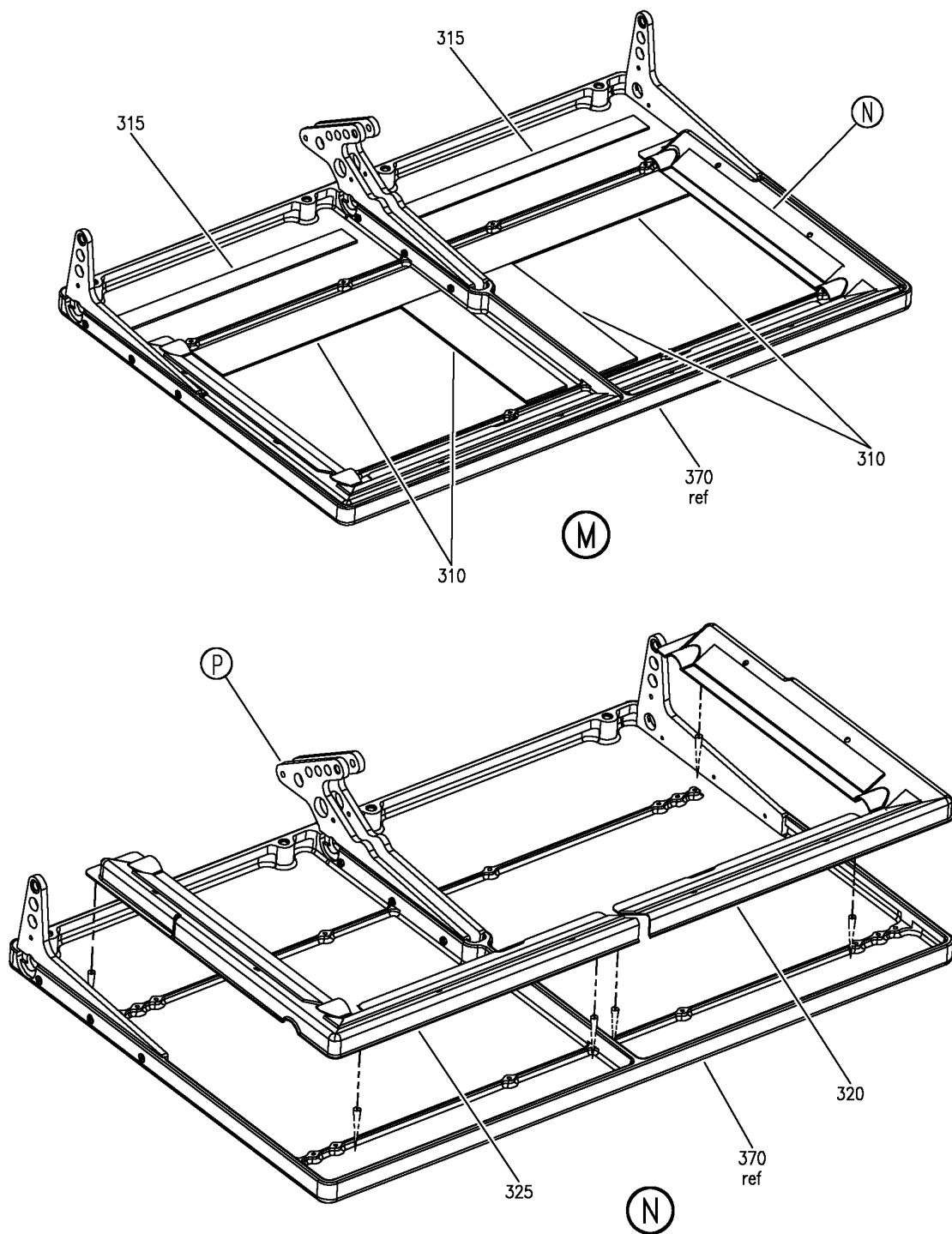
CORE ASSY-ATTENDANT SEAT DBL WALL-MOUNTED
 FIGURE 78L (SHEET 6)

25-25-12-78L

HAP
 JUN 15/09

25-25-12-78L
 PAGE 0E

BOEING
 737-600/700/800/900
 PARTS CATALOG (MAINTENANCE)



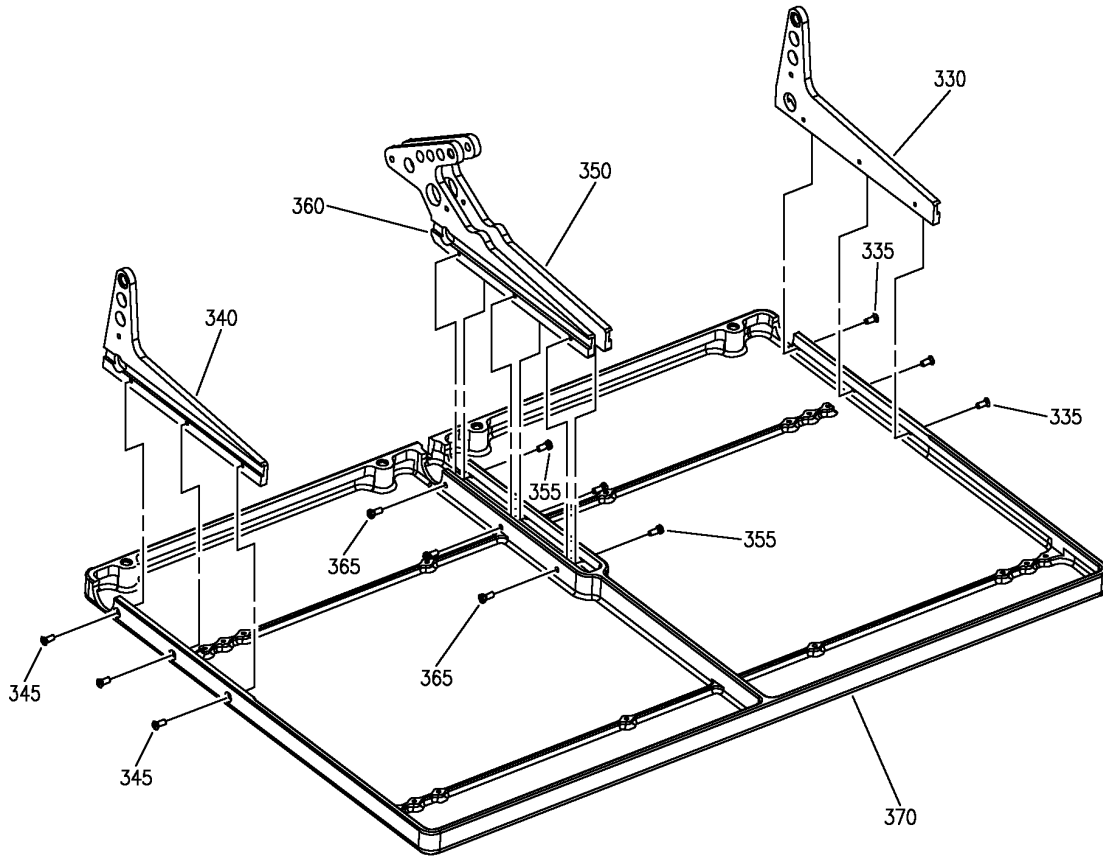
E 25251278L SHT 7 REV 155

CORE ASSY-ATTENDANT SEAT DBL WALL-MOUNTED
 FIGURE 78L (SHEET 7)

25-25-12-78L

HAP
 JUN 15/09

25-25-12-78L
 PAGE OF



(P)

E 25251278L SHT 8 REV 155

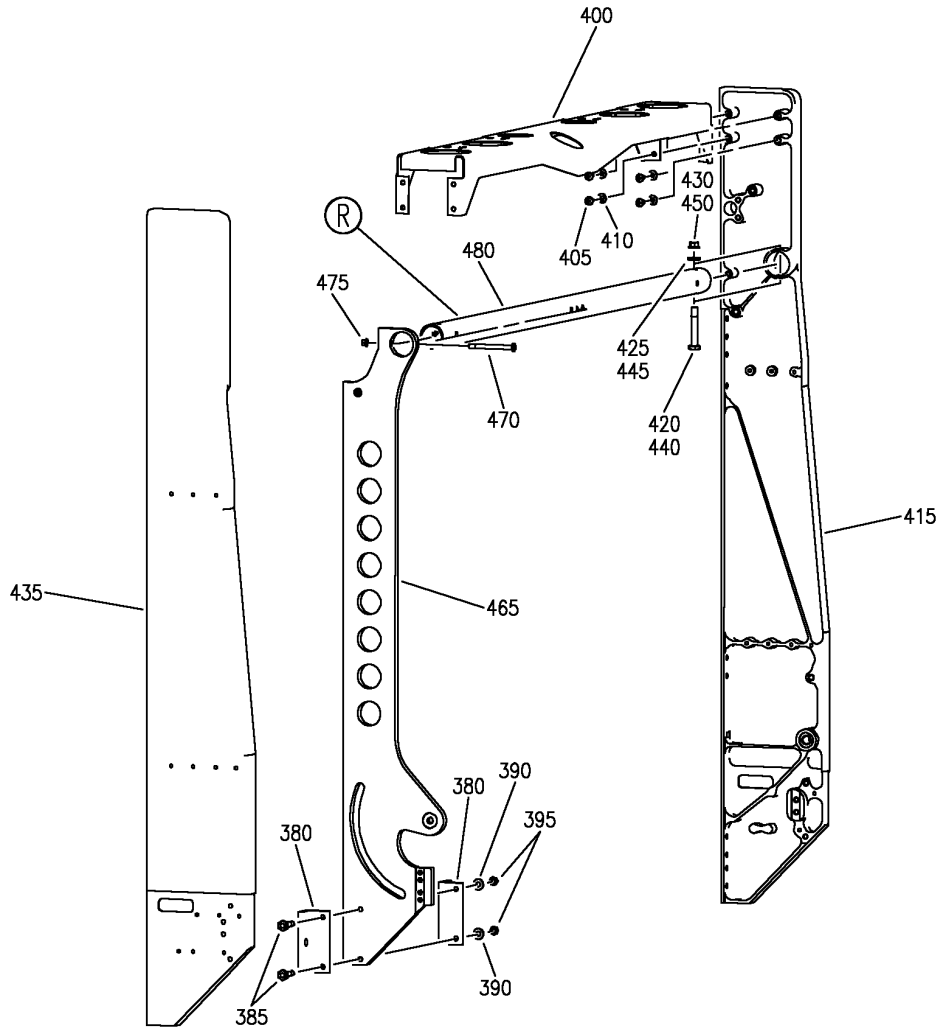
CORE ASSY-ATTENDANT SEAT DBL WALL-MOUNTED
FIGURE 78L (SHEET 8)

25-25-12-78L

HAP
JUN 15/09

25-25-12-78L
PAGE 08

BOEING
737-600/700/800/900
PARTS CATALOG (MAINTENANCE)



E 25251278L SHT 9 REV 155

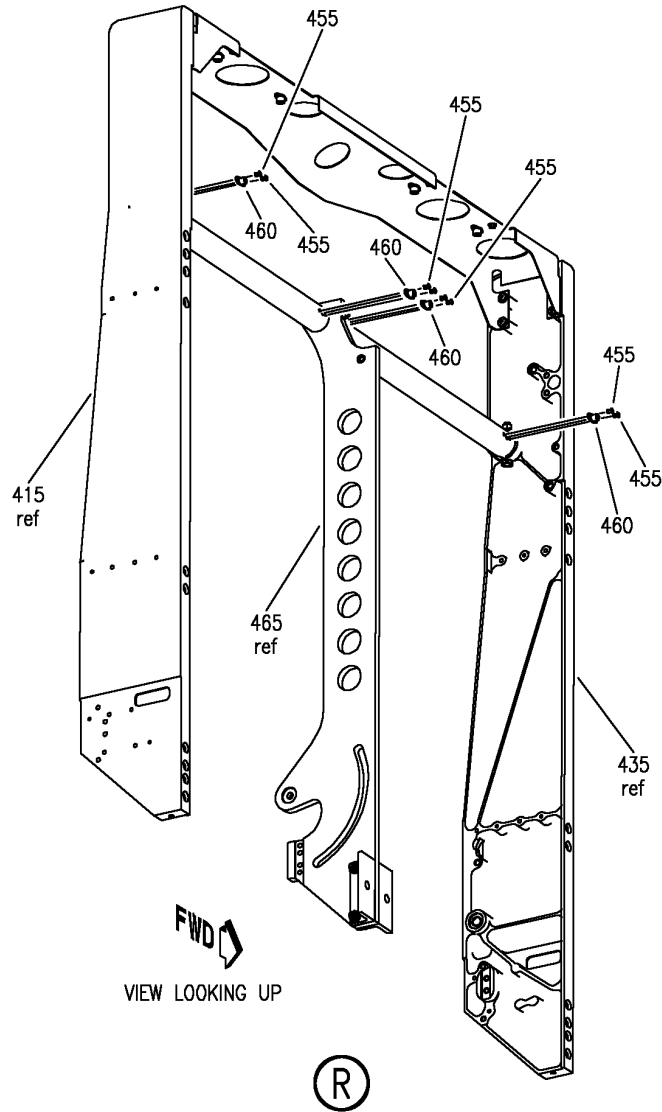
CORE ASSY-ATTENDANT SEAT DBL WALL-MOUNTED
FIGURE 78L (SHEET 9)

25-25-12-78L

HAP
JUN 15/09

25-25-12-78L
PAGE 0H

BOEING
737-600/700/800/900
PARTS CATALOG (MAINTENANCE)



E 25251278L SHT 10 REV 155

CORE ASSY-ATTENDANT SEAT DBL WALL-MOUNTED
FIGURE 78L (SHEET 10)

25-25-12-78L

HAP
JUN 15/09

25-25-12-78L
PAGE 01

BOEING
737-600/700/800/900
PARTS CATALOG (MAINTENANCE)

FIG ITEM	PART NUMBER	1 2 3 4 5 6 7	NOMENCLATURE	EFFECT FROM TO	UNITS PER ASSY
R R R R R R R R R R R R R R R	78L		CORE ASSY-ATTENDANT SEAT DBL WALL-MOUNTED	031046 051052 054100	
	- 1	2110-6APA	CORE ASSY-ATTENDANT DBL WALL-MOUNTED SEAT SUPPLIER CODE: V31218 FOR NHA SEE: 25-25-12-98G	031046 051052 054100	RF
	5	2D1040-1	.BRACKET-MTG SUPPLIER CODE: V31218	031046 051052 054100	4
	10	NAS1203-4	ATTACHING PARTS .BOLT	031046 051052 054100	8
	15	NAS1149F0332P	.WASHER	031046 051052 054100	8
	20	MS21042-3	.NUT	031046 051052 054100	8
	25	2D2027-5	-----*----- .COVER ASSY-TORSION SPR SUPPLIER CODE: V31218	031046 051052 054100	2
	30	SJ3526GRY1ADH	..HOOK-ADHESIVE VELCRO GRAY SUPPLIER CODE: V5J466 CONFIG CHG DATA FROM A CMM: REPLD BY SJ3526BLK1ADH	031046 051052 054100	AR
	30	SJ3526BLK1ADH	..HOOK-ADHESIVE VELCRO BLACK SUPPLIER CODE: V5J466 CONFIG CHG DATA FROM A CMM: REPLS SJ3526GRY1ADH	031046 051052 054100	AR
	35	SJ3527GRY1ADH	..LOOP-ADHESIVE VELCRO GRAY SUPPLIER CODE: V5J466 CONFIG CHG DATA FROM A CMM: REPLD BY SJ3527BLK1ADH	031046 051052 054100	AR
	35	SJ3527BLK1ADH	..LOOP-ADHESIVE VELCRO BLACK SUPPLIER CODE: V5J466 CONFIG CHG DATA FROM A CMM: REPLS SJ3527GRY1ADH	031046 051052 054100	AR

MISSING ITEM NUMBERS NOT APPLICABLE

- ITEM NOT ILLUSTRATED

HAP

25-25-12-78L

BOEING PROPRIETARY - Copyright © - Unpublished Work - See title page for details.

25-25-12
FIG. 78L
PAGE 1
JUN 15/09

BOEING
737-600/700/800/900
PARTS CATALOG (MAINTENANCE)

FIG ITEM	PART NUMBER	1 2 3 4 5 6 7	NOMENCLATURE	EFFECT FROM TO	UNITS PER ASSY
R R R R R R R R	78L 105 2D3017-3		.. PIVOT- SUPPLIER CODE: V31218 POSITION DATA: UPR LWR	031046 051052 054100	2
R R	110 2D3015-3		.. KNOB-RELEASE SUPPLIER CODE: V31218 ATTACHING PARTS	031046 051052 054100	2
R R R	115 NAS601-12P		.. SCREW	031046 051052 054100	2
R R R R R R	120 C0240-020-0880M		-----*----- .. SPRING- SUPPLIER CODE: V77535	031046 051052 054100	2
R R R R R	125 2D3018-15		.. TUBE- SUPPLIER CODE: V31218 POSITION DATA: UPR LWR ATTACHING PARTS	031046 051052 054100	1
R R R	130 MS20600M4W2		.. RIVET	031046 051052 054100	6
R R R R R	135 2D3022-15		-----*----- .. GUSSET- SUPPLIER CODE: V31218 POSITION DATA: LWR ATTACHING PARTS	031046 051052 054100	1
R R R	140 MS20470AD44		.. RIVET	031046 051052 054100	14
R R R	145 2D3046-3		-----*----- .. BRACE- SUPPLIER CODE: V31218 ATTACHING PARTS	031046 051052 054100	1
R R R	150 MS20470AD44		.. RIVET	031046 051052 054100	2
R R R R R	155 2D3022-13		-----*----- .. PAN- SUPPLIER CODE: V31218 POSITION DATA: LWR	031046 051052 054100	1

MISSING ITEM NUMBERS NOT APPLICABLE

— ITEM NOT ILLUSTRATED

HAP

25-25-12-78L

BOEING PROPRIETARY - Copyright © - Unpublished Work - See title page for details.

25-25-12
FIG. 78L
PAGE 3
JUN 15/09

BOEING
737-600/700/800/900
PARTS CATALOG (MAINTENANCE)

FIG ITEM	PART NUMBER	1 2 3 4 5 6 7	NOMENCLATURE	EFFECT FROM TO	UNITS PER ASSY
78L			ATTACHING PARTS		
R	160	MS20426AD44	. . RIVET	031046	4
R				051052	
R				054100	
R			-----*-----		
R	165	SJ3526BLK1ADH	. . HOOK-ADHESIVE VELCRO	031046	AR
R			BLACK	051052	
R			SUPPLIER CODE:	054100	
R			V5J466		
R	170	2D3013-55	. LINK-BACK	031046	1
R			SUPPLIER CODE:	051052	
R			V31218	054100	
R			POSITION DATA:		
R			UPR		
R	175	2D3013-52	. LINK-BACK	031046	1
R			SUPPLIER CODE:	051052	
R			V31218	054100	
R			POSITION DATA:		
R			UPR		
R			ATTACHING PARTS		
R	180	NAS623-3-3	. SCREW	031046	2
R				051052	
R				054100	
R			-----*-----		
R	185	NAS77-3-016	. BUSHING	031046	2
R				051052	
R				054100	
R	190	2D3013-47	. LINK-BACK	031046	2
R			SUPPLIER CODE:	051052	
R			V31218	054100	
R			POSITION DATA:		
R			UPR		
R			ATTACHING PARTS		
R	195	NAS623-3-13	. SCREW	031046	1
R				051052	
R				054100	
R	200	NAS1149F0563P	. WASHER	031046	2
R				051052	
R				054100	
R	205	NAS1149F0532P	. WASHER	031046	2
R				051052	
R				054100	
R	210	NAS1149F0332P	. WASHER	031046	1
R				051052	
R				054100	
R	215	MS21042-3	. NUT	031046	1
R				051052	
R				054100	
			-----*-----		

MISSING ITEM NUMBERS NOT APPLICABLE

— ITEM NOT ILLUSTRATED

HAP

25-25-12-78L

BOEING PROPRIETARY - Copyright © - Unpublished Work - See title page for details.

25-25-12
FIG. 78L
PAGE 4
JUN 15/09

BOEING
737-600/700/800/900
PARTS CATALOG (MAINTENANCE)

FIG ITEM	PART NUMBER	1 2 3 4 5 6 7	NOMENCLATURE	EFFECT FROM TO	UNITS PER ASSY
R R R	78L 285 2D2020-5		.BUSHING-PAN SUPPLIER CODE: V31218 ATTACHING PARTS	031046 051052 054100	2
R R R	290 MS21262-64		.SCREW	031046 051052 054100	1
R R R	295 MS21042-4		.NUT	031046 051052 054100	1
R R R	300 MS16555-21		-----*----- .PIN	031046 051052 054100	4
R R R	305 2110-24APA		.PAN ASSY- SUPPLIER CODE: V31218	031046 051052 054100	1
R R R	310 SJ3526GRY2ADH		..HOOK-ADHESIVE VELCRO GRAY SUPPLIER CODE: V5J466 CONFIG CHG DATA FROM A CMM: REPLD BY SJ3526BLK2ADH	031046 051052 054100	AR
R R R	310 SJ3526BLK2ADH		..HOOK-ADHESIVE VELCRO BLACK SUPPLIER CODE: V5J466 CONFIG CHG DATA FROM A CMM: REPLS SJ3526GRY2ADH	031046 051052 054100	AR
R R R	315 SJ3526GRY1ADH		..HOOK-ADHESIVE VELCRO GRAY SUPPLIER CODE: V5J466 CONFIG CHG DATA FROM A CMM: REPLD BY SJ3526BLK1ADH	031046 051052 054100	AR
R R R	315 SJ3526BLK1ADH		..HOOK-ADHESIVE VELCRO BLACK SUPPLIER CODE: V5J466 CONFIG CHG DATA FROM A CMM: REPLS SJ3526GRY1ADH	031046 051052 054100	AR
R R R	320 2D2025-1		..FILLER- SUPPLIER CODE: V31218 CONFIG CHG DATA FROM A CMM: SUPSD BY 2D2025-11	031046 051052 054100	1
R R R	320 2D2025-11		..FILLER- SUPPLIER CODE: V31218 CONFIG CHG DATA FROM A CMM: SUPERSEDES 2D2025-1	031046 051052 054100	1

MISSING ITEM NUMBERS NOT APPLICABLE

— ITEM NOT ILLUSTRATED

HAP

25-25-12-78L

BOEING PROPRIETARY - Copyright © - Unpublished Work - See title page for details.

25-25-12
FIG. 78L
PAGE 6
JUN 15/09

BOEING
737-600/700/800/900
PARTS CATALOG (MAINTENANCE)

FIG ITEM	PART NUMBER	1 2 3 4 5 6 7	NOMENCLATURE	EFFECT FROM TO	UNITS PER ASSY
	78L		ATTACHING PARTS		
R	365	NAS1096-2-6	.. SCREW	031046 051052 054100	3
R			-----*-----		
R	370	2D2021-1APA	.. PAN-	031046	1
R			SUPPLIER CODE:	051052	
R			V31218	054100	
R	375	2110-10APA	.BASE ASSY-NARROW DBL	031046	1
R			SUPPLIER CODE:	051052	
R			V31218	054100	
R	380	2D1062-1APA	.. BRACKET-SPRT	031046	2
R			SUPPLIER CODE:	051052	
R			V31218	054100	
R			POSITION DATA:		
R			CTR		
R			ATTACHING PARTS		
R	385	NAS6203-11	.. BOLT	031046	2
R				051052	
R				054100	
R	390	AN960-10	.. WASHER-	031046	2
R			CONFIG CHG DATA FROM A CMM:	051052	
R			REPLD BY NAS1149F0363P	054100	
R	390	NAS1149F0363P	.. WASHER-	031046	2
R			CONFIG CHG DATA FROM A CMM:	051052	
R			REPLS AN960-10	054100	
R	395	MS21042-3	.. NUT	031046	2
R				051052	
R				054100	
R			-----*-----		
R	400	2D1038-1APA	.. MEMBER-CROSS TOP	031046	1
R			SUPPLIER CODE:	051052	
R			V31218	054100	
R			ATTACHING PARTS		
R	405	NAS623-2-1	.. SCREW	031046	8
R				051052	
R				054100	
R	410	AN960-8	.. WASHER-	031046	8
R			CONFIG CHG DATA FROM A CMM:	051052	
R			REPLD BY NAS1149FN832P	054100	
R	410	NAS1149FN832P	.. WASHER-	031046	8
R			CONFIG CHG DATA FROM A CMM:	051052	
R			REPLS AN960-8	054100	
R			-----*-----		
R	415	2D1024-1APA	.. PANEL-	031046	1
R			SUPPLIER CODE:	051052	
R			V31218	054100	
R			POSITION DATA:		
R			SIDE		

MISSING ITEM NUMBERS NOT APPLICABLE

— ITEM NOT ILLUSTRATED

HAP

25-25-12-78L

BOEING PROPRIETARY - Copyright © - Unpublished Work - See title page for details.

25-25-12
FIG. 78L
PAGE 8
JUN 15/09

BOEING
737-600/700/800/900
PARTS CATALOG (MAINTENANCE)

FIG ITEM	PART NUMBER	1 2 3 4 5 6 7	NOMENCLATURE	EFFECT FROM TO	UNITS PER ASSY
78L			ATTACHING PARTS		
R	420	NAS6204-19	..BOLT	031046	1
R				051052	
R				054100	
R	425	AN960-416	..WASHER-	031046	1
R			CONFIG CHG DATA FROM A CMM:	051052	
R			REPLD BY NAS1149F0463P	054100	
R	425	NAS1149F0463P	..WASHER-	031046	1
R			CONFIG CHG DATA FROM A CMM:	051052	
R			REPLS AN960-416	054100	
R	430	MS21042-4	..NUT	031046	1
R				051052	
R				054100	
R	435	2D1024-2APA	-----*----- ..PANEL-SIDE	031046	1
R			SUPPLIER CODE:	051052	
R			V31218	054100	
R			ATTACHING PARTS		
R	440	NAS6204-19	..BOLT	031046	1
R				051052	
R				054100	
R	445	AN960-416	..WASHER-	031046	1
R			CONFIG CHG DATA FROM A CMM:	051052	
R			REPLD BY NAS1149F0463P	054100	
R	445	NAS1149F0463P	..WASHER-	031046	1
R			CONFIG CHG DATA FROM A CMM:	051052	
R			REPLS AN960-416	054100	
R	450	MS21042-4	..NUT	031046	1
R				051052	
R				054100	
R	455	SD32BS	-----*----- ..RIVET-POP	031046	8
R			SUPPLIER CODE:	051052	
R			V6R744	054100	
R	460	MS21069L08	..NUTPLATE	031046	4
R				051052	
R				054100	
R	465	2D1036-1APA	..SUPPORT-	031046	1
R			SUPPLIER CODE:	051052	
R			V31218	054100	
R			POSITION DATA:		
R			CTR		
R			ATTACHING PARTS		
R	470	NAS623-2-26	..SCREW	031046	1
R				051052	
R				054100	

MISSING ITEM NUMBERS NOT APPLICABLE

— ITEM NOT ILLUSTRATED

HAP

25-25-12-78L

BOEING PROPRIETARY - Copyright © - Unpublished Work - See title page for details.

25-25-12
FIG. 78L
PAGE 9
JUN 15/09

BOEING
737-600/700/800/900
PARTS CATALOG (MAINTENANCE)

FIG ITEM	PART NUMBER	1 2 3 4 5 6 7	NOMENCLATURE	EFFECT FROM TO	UNITS PER ASSY
R R R	78L 475		.. NUT	031046 051052 054100	1
			-----*-----		
	480	2D1039-1APA	.. TUBE-CROSS BACK SUPPLIER CODE: V31218 POSITION DATA: UPR	031046 051052 054100	1

MISSING ITEM NUMBERS NOT APPLICABLE

— ITEM NOT ILLUSTRATED

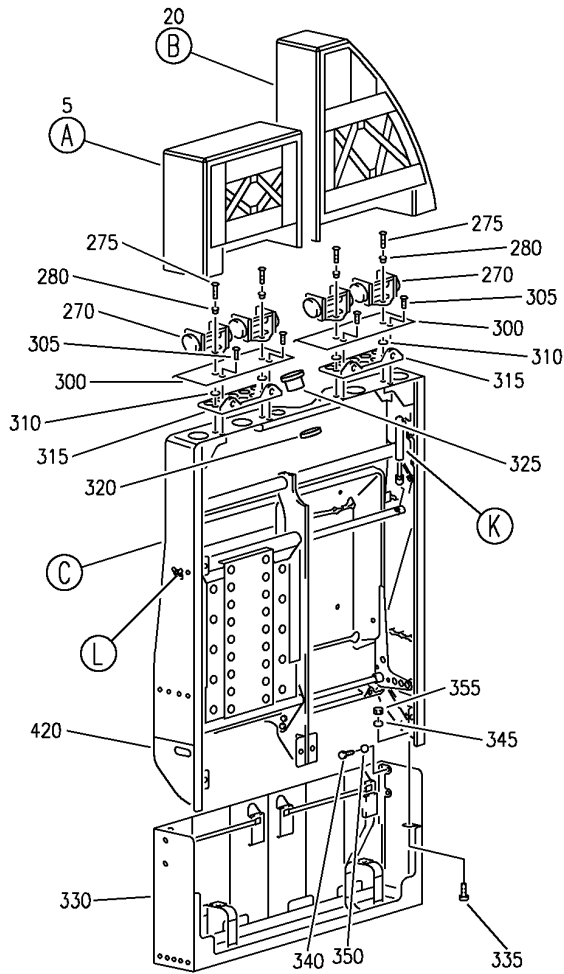
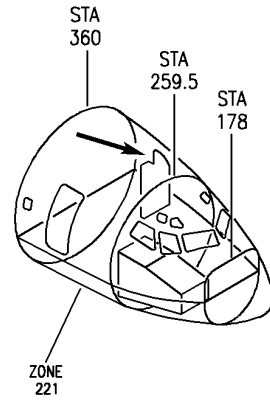
HAP

25-25-12-78L

BOEING PROPRIETARY - Copyright © - Unpublished Work - See title page for details.

25-25-12
FIG. 78L
PAGE 10
JUN 15/09

BOEING
 737-600/700/800/900
 PARTS CATALOG (MAINTENANCE)



E 25251285U SHT 1 REV 132

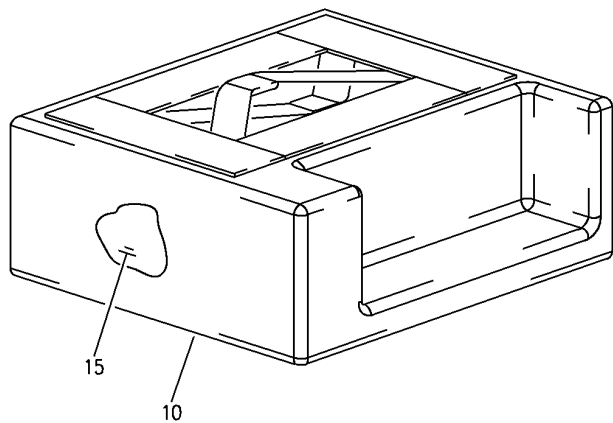
SEAT ASSY-ATTENDANT DBL WALL-MOUNTED JAR-OPS AFT FACING
 FIGURE 85U (SHEET 1)

25-25-12-85U

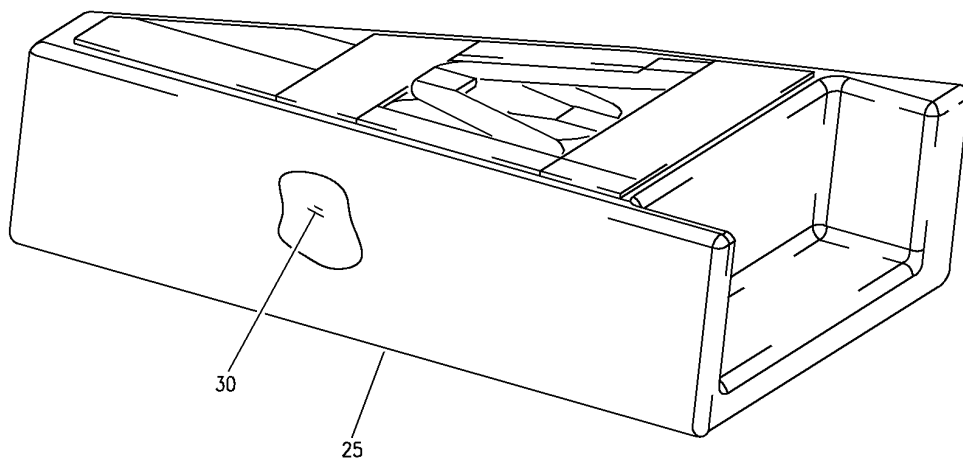
HAP
 OCT 10/07

25-25-12-85U
 PAGE 0

BOEING
737-600/700/800/900
PARTS CATALOG (MAINTENANCE)



(A)



(B)

E 25251285U SHT 2 REV 132

SEAT ASSY-ATTENDANT DBL WALL-MOUNTED JAR-OPS AFT FACING
FIGURE 85U (SHEET 2)

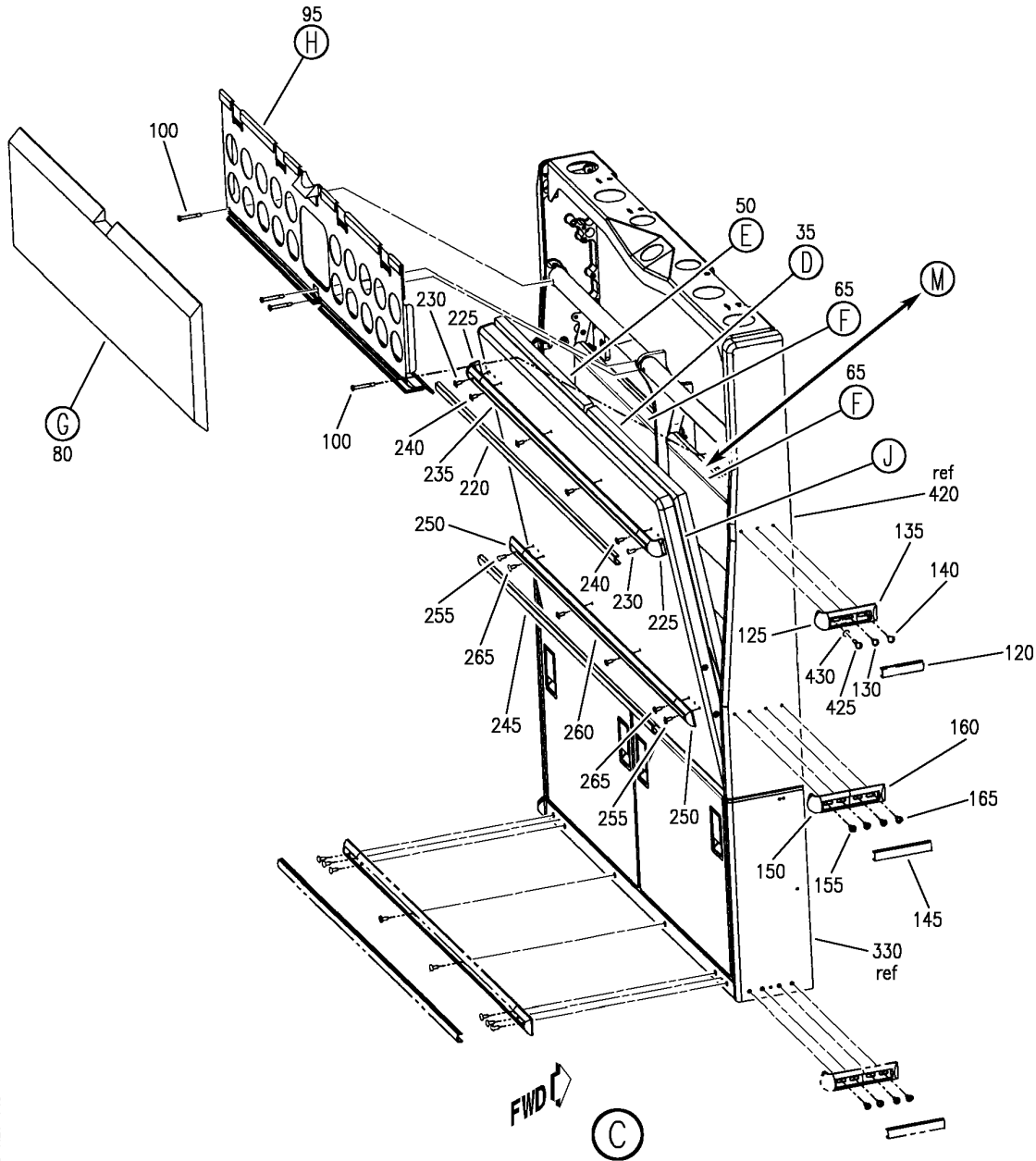
25-25-12-85U

HAP
OCT 10/07

25-25-12-85U
PAGE 0A

BOEING PROPRIETARY - Copyright © - Unpublished Work - See title page for details.

BOEING
 737-600/700/800/900
 PARTS CATALOG (MAINTENANCE)



E 25251285U SH1 3 REV 149

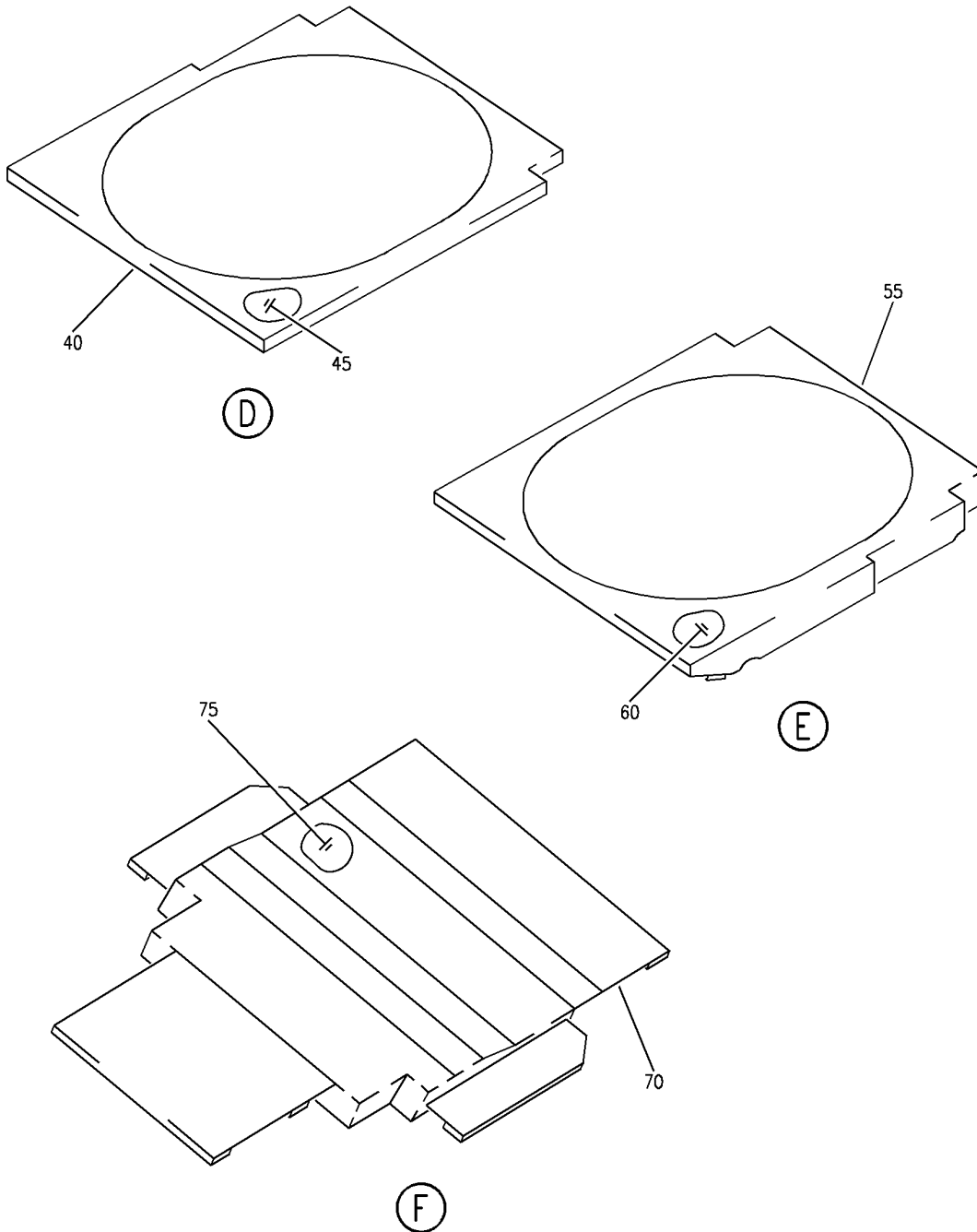
SEAT ASSY-ATTENDANT DBL WALL-MOUNTED JAR-OPS AFT FACING
 FIGURE 85U (SHEET 3)

25-25-12-85U

HAP
 FEB 15/09

25-25-12-85U
 PAGE 0B

BOEING
737-600/700/800/900
PARTS CATALOG (MAINTENANCE)



E 25251285U SHT 4 REV 132

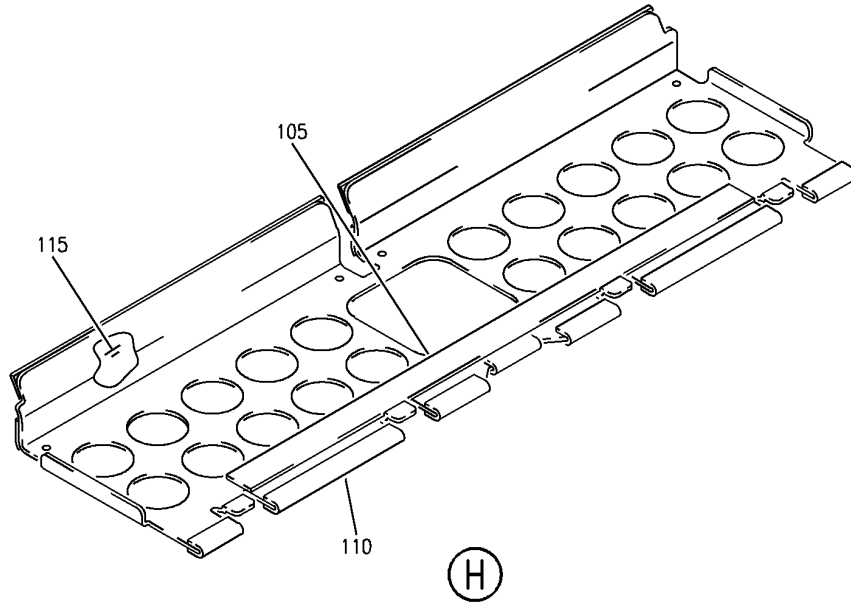
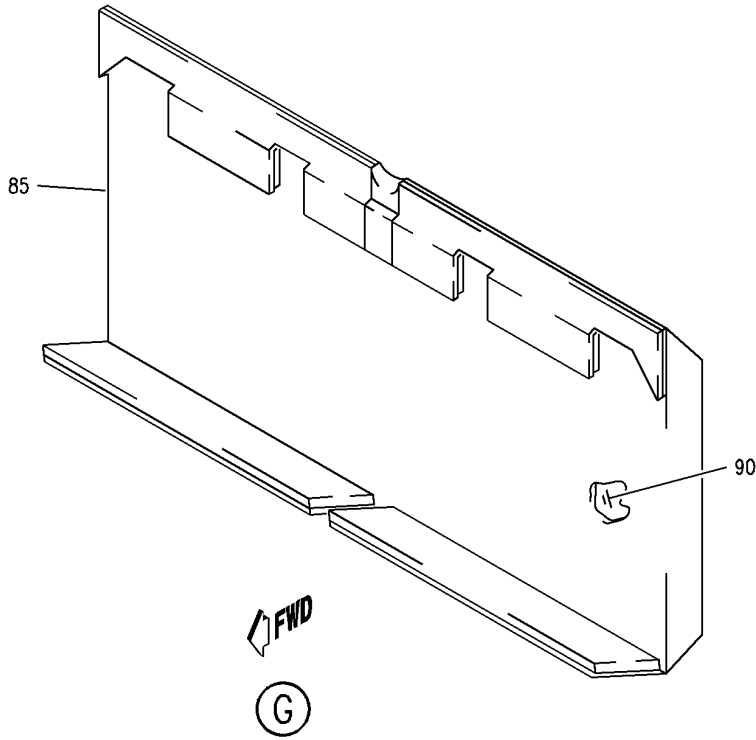
SEAT ASSY-ATTENDANT DBL WALL-MOUNTED JAR-OPS AFT FACING
FIGURE 85U (SHEET 4)

25-25-12-85U

HAP
OCT 10/07

25-25-12-85U
PAGE 0C

BOEING PROPRIETARY - Copyright © - Unpublished Work - See title page for details.



E 25251285U SHT 5 REV 132

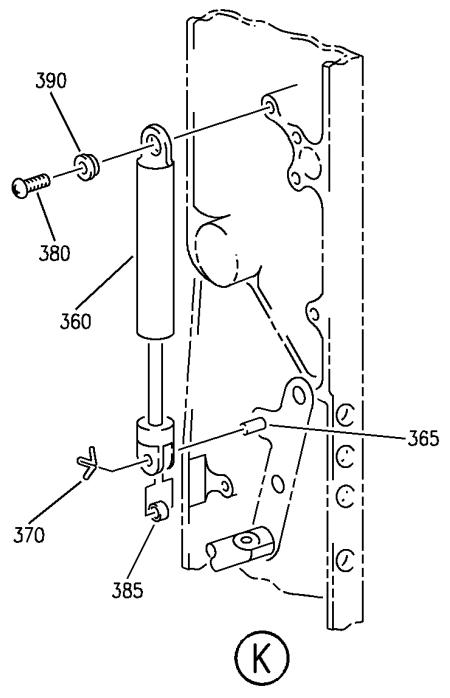
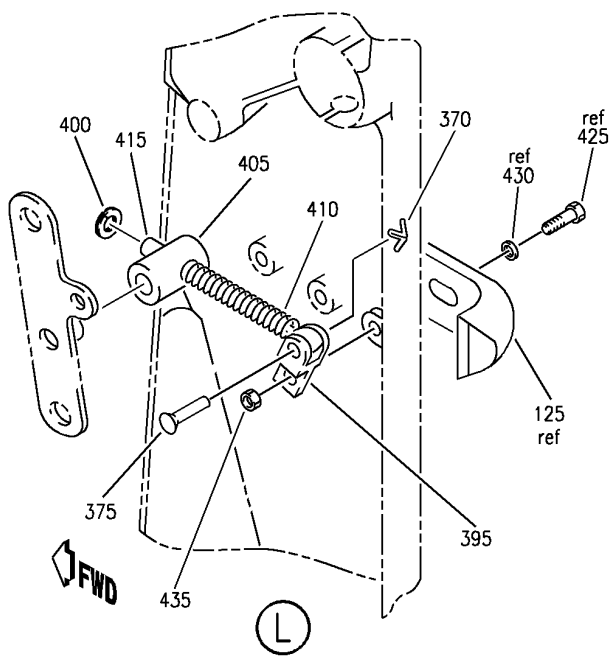
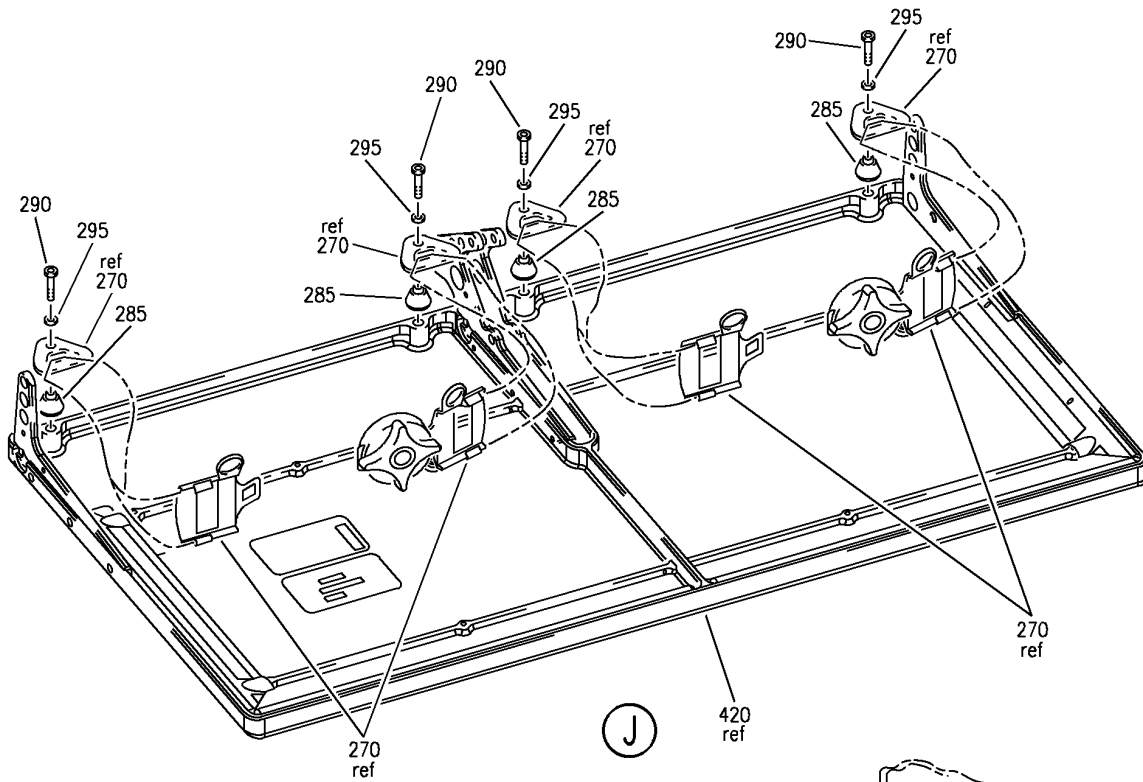
SEAT ASSY-ATTENDANT DBL WALL-MOUNTED JAR-OPS AFT FACING
FIGURE 85U (SHEET 5)

25-25-12-85U

HAP
OCT 10/07

25-25-12-85U
PAGE 0D

BOEING
 737-600/700/800/900
 PARTS CATALOG (MAINTENANCE)



E 25251285U SHT 6 REV 132

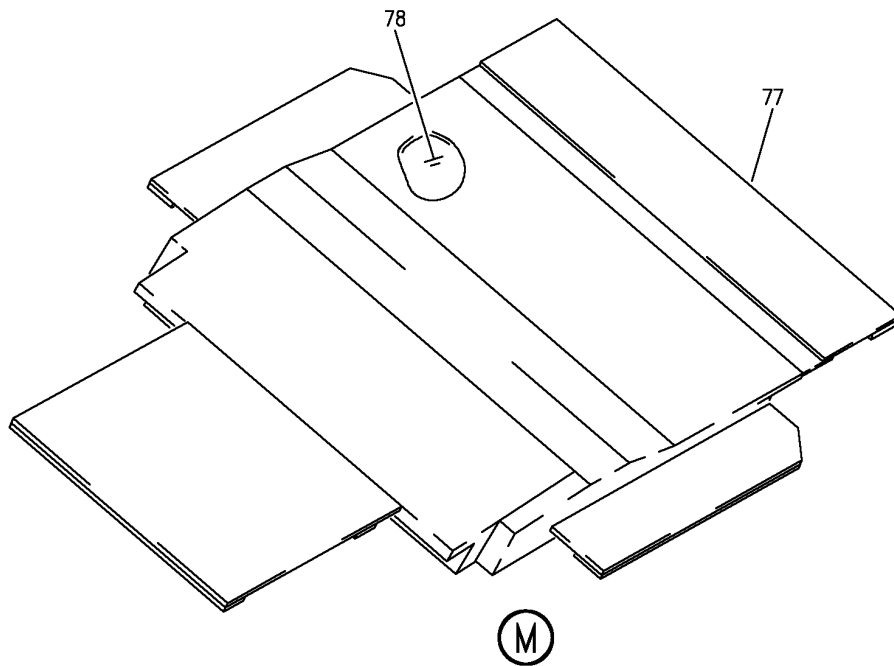
SEAT ASSY-ATTENDANT DBL WALL-MOUNTED JAR-OPS AFT FACING
 FIGURE 85U (SHEET 6)

25-25-12-85U

HAP
 OCT 10/07

25-25-12-85U
 PAGE 0E

BOEING
737-600/700/800/900
PARTS CATALOG (MAINTENANCE)



E 25251285U SH7 7 REV 149

SEAT ASSY-ATTENDANT DBL WALL-MOUNTED JAR-OPS AFT FACING
FIGURE 85U (SHEET 7)

25-25-12-85U

HAP
FEB 15/09

25-25-12-85U
PAGE OF

BOEING
737-600/700/800/900
PARTS CATALOG (MAINTENANCE)

FIG ITEM	PART NUMBER	1 2 3 4 5 6 7	NOMENCLATURE	EFFECT FROM TO	UNITS PER ASSY
85U			SEAT ASSY-ATTENDANT DBL WALL-MOUNTED JAR-OPS AFT FACING	101106 968999	
- 1	2110-324PB		SEAT ASSY-ATTENDANT LAV A DBL WALL-MOUNTED JAR-OPS AFT FACING SUPPLIER CODE: V31218 POSITION DATA: STA 304.00, LBL 12.50, WL 219.10 SPECIFICATION NUMBER: BCREF66216 COMPONENT MAINT MANUAL REF: 25-20-09 FOR NHA SEE: 25-25-12-21E 25-25-12-21H	101106 968999	RF
- 1	2110-124PB		SEAT ASSY-ATTENDANT LAV A DBL WALL-MOUNTED JAR-OPS AFT FACING SUPPLIER CODE: V31218 POSITION DATA: STA 304.00, LBL 12.50, WL 219.10 SPECIFICATION NUMBER: BCREF66192 COMPONENT MAINT MANUAL REF: 25-20-09 FOR NHA SEE: 25-25-12-21E 25-25-12-21H	101106 968999	RF
	5 2D7002-1AMD		.CUSHION AND COVER ASSY- HEADREST SUPPLIER CODE: V31218	101106 968999	1
	10 2D7002-11AMD		..COVER-HEADREST SUPPLIER CODE: V31218	101106 968999	1
	15 2D7002-21		..CUSHION-FIREBLOCK SUPPLIER CODE: V31218	101106 968999	1
	20 2D7000-1AMD		.CUSHION AND COVER ASSY- HEADREST SUPPLIER CODE: V31218	101106 968999	1

MISSING ITEM NUMBERS NOT APPLICABLE

- ITEM NOT ILLUSTRATED

HAP

25-25-12-85U

BOEING PROPRIETARY - Copyright © - Unpublished Work - See title page for details.

25-25-12
FIG. 85U
PAGE 1
FEB 15/09

BOEING
737-600/700/800/900
PARTS CATALOG (MAINTENANCE)

FIG ITEM	PART NUMBER	1 2 3 4 5 6 7	NOMENCLATURE	EFFECT FROM TO	UNITS PER ASSY
85U					
25	2D7000-11AMD	..	COVER-HEADREST SUPPLIER CODE: V31218	101106 968999	1
30	2D7000-21	..	CUSHION-FIREBLOCK SUPPLIER CODE: V31218	101106 968999	1
35	2D7008-1AMD	.C	CUSHION AND COVER ASSY- SEATPAN SUPPLIER CODE: V31218	101106 968999	1
40	2D7008-11AMD	..	COVER-SEAT PAN SUPPLIER CODE: V31218	101106 968999	1
45	2D7009-1	..	CUSHION-SEAT PAN SUPPLIER CODE: V31218	101106 968999	1
50	2D7008-2AMD	.C	CUSHION AND COVER ASSY- SEATPAN SUPPLIER CODE: V31218	101106 968999	1
55	2D7008-12AMD	..	COVER-SEAT PAN SUPPLIER CODE: V31218	101106 968999	1
60	2D7009-2	..	CUSHION-SEAT PAN SUPPLIER CODE: V31218	101106 968999	1
65	2D7004-31AMD	.C	CUSHION AND COVER ASSY- SUPPLIER CODE: V31218 POSITION DATA: LWR	101106 968999	2
70	2D7004-41AMD	..	COVER-BACK SUPPLIER CODE: V31218 POSITION DATA: LWR	101106 968999	1
75	2D7005-11	..	CUSHION-BACK SUPPLIER CODE: V31218 POSITION DATA: LWR	101106 968999	1
- 76	2D7004-51AMD	.C	COVER ASSY-CUSHION, BACK SUPPLIER CODE: V31218 POSITION DATA: LWR USED ON: 2110-124PB	101106 968999	2

MISSING ITEM NUMBERS NOT APPLICABLE

- ITEM NOT ILLUSTRATED

HAP

25-25-12-85U

BOEING PROPRIETARY - Copyright © - Unpublished Work - See title page for details.

25-25-12
FIG. 85U
PAGE 2
FEB 15/09

BOEING
737-600/700/800/900
PARTS CATALOG (MAINTENANCE)

FIG ITEM	PART NUMBER	1 2 3 4 5 6 7	NOMENCLATURE	EFFECT FROM TO	UNITS PER ASSY
85U 77	2D7004-61AMD	..	COVER- SUPPLIER CODE: V31218	101106 968999	1
78	2D7005-7	..	CUSHION- SUPPLIER CODE: V31218	101106 968999	1
80	2D7006-1AMD	.CUSHION AND COVER ASSY- SUPPLIER CODE: V31218		101106 968999	1
85	2D7006-11AMD	..	COVER-BACK SUPPLIER CODE: V31218 POSITION DATA: UPR	101106 968999	1
90	2D7007-1	..	CUSHION-BACK SUPPLIER CODE: V31218 POSITION DATA: UPR	101106 968999	1
95	2D1042-1AMJ	.PAN ASSY-BACK SUPPLIER CODE: V31218 POSITION DATA: UPR		101106 968999	1
100	NAS623-2-16	.SCREW- -----*-----		101106 968999	4
105	SJ3526GRY1ADH	..	HOOK-ADH VELCRO GRAY SUPPLIER CODE: V5J466 CONFIG CHG DATA FROM A CMM: REPLD BY SJ3526BLK1ADH	101106 968999	AR
105	SJ3526BLK1ADH	..	HOOK-ADH VELCRO BLACK SUPPLIER CODE: V5J466 CONFIG CHG DATA FROM A CMM: REPLS SJ3526GRY1ADH	101106 968999	AR
110	SJ3527GRY1ADH	..	LOOP-ADH VELCRO GRAY SUPPLIER CODE: V5J466 CONFIG CHG DATA FROM A CMM: REPLD BY SJ3527BLK1ADH	101106 968999	AR
110	SJ3527BLK1ADH	..	LOOP-ADH VELCRO BLACK SUPPLIER CODE: V5J466 CONFIG CHG DATA FROM A CMM: REPLS SJ3527GRY1ADH	101106 968999	AR

MISSING ITEM NUMBERS NOT APPLICABLE

— ITEM NOT ILLUSTRATED

HAP

25-25-12-85U

BOEING PROPRIETARY - Copyright © - Unpublished Work - See title page for details.

25-25-12
FIG. 85U
PAGE 3
FEB 15/09

BOEING
737-600/700/800/900
PARTS CATALOG (MAINTENANCE)

FIG ITEM	PART NUMBER	1 2 3 4 5 6 7	NOMENCLATURE	EFFECT FROM TO	UNITS PER ASSY
85U 115	SJ3526GRY2ADH	..	HOOK-ADH VELCRO GRAY SUPPLIER CODE: V5J466 CONFIG CHG DATA FROM A CMM: REPLD BY SJ3526BLK2ADH	101106 968999	AR
115	SJ3526BLK2ADH	..	HOOK-ADH VELCRO BLACK SUPPLIER CODE: V5J466 CONFIG CHG DATA FROM A CMM: REPLS SJ3526GRY2ADH	101106 968999	AR
120	S21012-25AMJ	.COVER-RUBSTRIP SUPPLIER CODE: V31218 USED ON: 2110-324PB		101106 968999	2
- 122	S21012-83AMJ	.COVER-RUBSTRIP SUPPLIER CODE: V31218 USED ON: 2110-124PB		101106 968999	2
125	A70027-1AMJ	.CAP-END ALUM RUBSTRIP SUPPLIER CODE: V31218 USED ON: 2110-324PB		101106 968999	2
- 127	A70027-17AMJ	.CAP-END ALUM RUBSTRIP SUPPLIER CODE: V31218 USED ON: 2110-124PB		101106 968999	2
- 129	AN525-832R6	ATTACHING PARTS .SCREW-RH USED WITH: A70027-1AMJ		101106 968999	1
130	AN525-832R6	.SCREW- USED WITH: A70027-1AMJ A70027-17AMJ		101106 968999	2
135	A70027-7AMJ	-----*----- .CAP-END ALUM RUBSTRIP SUPPLIER CODE: V31218 ATTACHING PARTS		101106 968999	2
140	AN525-832R6	.SCREW -----*-----		101106 968999	2
145	S21012-11AMJ	.COVER-RUBSTRIP SUPPLIER CODE: V31218		101106 968999	2

MISSING ITEM NUMBERS NOT APPLICABLE

- ITEM NOT ILLUSTRATED

HAP

25-25-12-85U

BOEING PROPRIETARY - Copyright © - Unpublished Work - See title page for details.

25-25-12
FIG. 85U
PAGE 4
FEB 15/09

BOEING
737-600/700/800/900
PARTS CATALOG (MAINTENANCE)

FIG ITEM	PART NUMBER	1 2 3 4 5 6 7	NOMENCLATURE	EFFECT FROM TO	UNITS PER ASSY
85U 150	A70027-1AMJ		.CAP-END ALUM RUBSTRIP SUPPLIER CODE: V31218 ATTACHING PARTS	101106 968999	2
155	AN525-832R6		.SCREW	101106 968999	4
-----*-----					
160	A70027-3AMJ		.CAP-END ALUM RUBSTRIP SUPPLIER CODE: V31218 ATTACHING PARTS	101106 968999	2
165	AN525-832R6		.SCREW	101106 968999	4
-----*-----					
- 170	S21012-11AMJ		.COVER-RUBSTRIP SUPPLIER CODE: V31218	101106 968999	2
- 175	A70027-3AMJ		.CAP-END ALUM RUBSTRIP SUPPLIER CODE: V31218 ATTACHING PARTS	101106 968999	4
- 180	AN525-832R6		.SCREW	101106 968999	4
-----*-----					
- 182	AN525-832R6		.SCREW	101106 968999	2
- 185	S21012-69AMJ		.COVER-RUBSTRIP SUPPLIER CODE: V31218	101106 968999	2
- 190	A70027-5AMJ		.CAP-END ALUM RUBSTRIP SUPPLIER CODE: V31218 ATTACHING PARTS	101106 968999	2
- 195	AN525-832R6		.SCREW	101106 968999	2
-----*-----					
- 200	A21011-33AMJ		.CHANNEL-RUBSTRIP ALUM SUPPLIER CODE: V31218 ATTACHING PARTS	101106 968999	2
- 205	AN525-832R6		.SCREW	101106 968999	2
-----*-----					
- 210	A70027-3AMJ		.CAP-END ALUM RUBSTRIP SUPPLIER CODE: V31218	101106 968999	2

MISSING ITEM NUMBERS NOT APPLICABLE

- ITEM NOT ILLUSTRATED

HAP

25-25-12-85U

BOEING PROPRIETARY - Copyright © - Unpublished Work - See title page for details.

25-25-12
FIG. 85U
PAGE 5
FEB 15/09

BOEING
737-600/700/800/900
PARTS CATALOG (MAINTENANCE)

FIG ITEM	PART NUMBER	1 2 3 4 5 6 7	NOMENCLATURE	EFFECT FROM TO	UNITS PER ASSY
85U			ATTACHING PARTS		
- 215	AN525-832R6		.SCREW	101106 968999	2
			-----*-----		
220	S21012-37AMJ		.COVER-RUBSTRIP SUPPLIER CODE: V31218	101106 968999	1
225	A70027-1AMJ		.CAP-END ALUM RUBSTRIP SUPPLIER CODE: V31218	101106 968999	2
			ATTACHING PARTS		
230	AN525-832R6		.SCREW	101106 968999	2
			-----*-----		
235	A21011-31AMJ		.CHANNEL-RUBSTRIP ALUM SUPPLIER CODE: V31218	101106 968999	1
			ATTACHING PARTS		
240	AN525-832R6		.SCREW	101106 968999	4
			-----*-----		
245	S21012-27AMJ		.COVER-RUBSTRIP SUPPLIER CODE: V31218	101106 968999	1
250	A70027-3AMJ		.CAP-END ALUM RUBSTRIP SUPPLIER CODE: V31218	101106 968999	2
			ATTACHING PARTS		
255	AN525-832R6		.SCREW	101106 968999	2
			-----*-----		
260	A21011-21AMJ		.CHANNEL-RUBSTRIP ALUM SUPPLIER CODE: V31218	101106 968999	1
			ATTACHING PARTS		
265	AN525-832R6		.SCREW	101106 968999	4
			-----*-----		
270	2100002-01-276		.RESTRAINT-SYS SUPPLIER CODE: V45402 COMPONENT MAINT MANUAL REF: 25-11-53	101106 968999	4
			ATTACHING PARTS		
275	NAS6203-10		.BOLT	101106 968999	4
			-----*-----		
280	NAS77-3-033		.BUSHING	101106 968999	4

MISSING ITEM NUMBERS NOT APPLICABLE

- ITEM NOT ILLUSTRATED

HAP

25-25-12-85U

BOEING PROPRIETARY - Copyright © - Unpublished Work - See title page for details.

25-25-12
FIG. 85U
PAGE 6
FEB 15/09

BOEING
737-600/700/800/900
PARTS CATALOG (MAINTENANCE)

FIG ITEM	PART NUMBER	1 2 3 4 5 6 7	NOMENCLATURE	EFFECT FROM TO	UNITS PER ASSY
85U 285	2D2017-1		.FITTING-LAP BELT SUPPLIER CODE: V31218 ATTACHING PARTS	101106 968999	4
290	NAS6203-8		.BOLT- CONFIG CHG DATA FROM A CMM: REPLD BY NAS6203-10	101106 968999	4
290	NAS6203-10		.BOLT- CONFIG CHG DATA FROM A CMM: REPLS NAS6203-8	101106 968999	4
295	NAS1149F0332P		.WASHER -----*-----	101106 968999	4
300	2D1067-1		.GUIDE-WEB WEAR SUPPLIER CODE: V31218 ATTACHING PARTS	101106 968999	2
305	NAS623-2-3		.SCREW- CONFIG CHG DATA FROM A CMM: REPLD BY NAS623-2-4	101106 968999	4
305	NAS623-2-4		.SCREW- CONFIG CHG DATA FROM A CMM: REPLS NAS623-2-3	101106 968999	4
310	NAS1149F0563P		.WASHER -----*-----	101106 968999	4
315	2D1037-1		.BRACKET-INERTIA REEL SUPPLIER CODE: V31218	101106 968999	2
320	MS16624-2137		.RING-SNAP	101106 968999	1
325	2D1041-1		.FUNNEL-PHONE CORD SUPPLIER CODE: V31218	101106 968999	1
330	2110-35AMJ		.BOX ASSY-STOWAGE NARROW DBL SUPPLIER CODE: V31218 FOR DETAILS SEE: 25-25-12-85W ATTACHING PARTS	101106 968999	1
335	NAS6203-3		.BOLT	101106 968999	2
340	NAS623-2-1		.SCREW	101106 968999	4
345	NAS1149F0332P		.WASHER	101106 968999	2
350	NAS1149FN832P		.WASHER	101106 968999	4

MISSING ITEM NUMBERS NOT APPLICABLE

— ITEM NOT ILLUSTRATED

HAP

25-25-12-85U

BOEING PROPRIETARY - Copyright © - Unpublished Work - See title page for details.

25-25-12
FIG. 85U
PAGE 7
FEB 15/09

BOEING
737-600/700/800/900
PARTS CATALOG (MAINTENANCE)

FIG ITEM	PART NUMBER	1 2 3 4 5 6 7	NOMENCLATURE	EFFECT FROM TO	UNITS PER ASSY
85U					
- 351	NAS623-2-7	.	SCREW	101106 968999	2
- 352	NAS1149FN832P	.	WASHER	101106 968999	2
- 353	MS21042-08	.	NUT	101106 968999	2
355	MS21042-3	.	NUT	101106 968999	2
			-----*-----		
360	SP20523	.	DAMPENER-SPR SUPPLIER CODE: V24403 ATTACHING PARTS	101106 968999	1
365	MS20392-2C13	.	PIN	101106 968999	1
370	MS24665-132	.	PIN	101106 968999	2
375	MS20392-1C17	.	PIN	101106 968999	1
380	NAS623-3-3	.	SCREW	101106 968999	1
385	NAS43DD3-8	.	SPACER	101106 968999	1
			-----*-----		
390	NAS77-3-016	.	BUSHING	101106 968999	1
395	2D3041-1	.	BRACKET-GUIDE SPR SUPPLIER CODE: V31218	101106 968999	1
400	5555-18SPP	.	CLIP- SUPPLIER CODE: V96881	101106 968999	1
405	2D3021-9	.	LINK-RUB BUTTON SUPPLIER CODE: V31218 USED ON: 2110-324PB	101106 968999	1
- 407	2D3021-15	.	LINK-RUB BUTTON SUPPLIER CODE: V31218 USED ON: 2110-124PB	101106 968999	1
410	C0300-032-2500M	.	SPRING- SUPPLIER CODE: V77535	101106 968999	1
415	2D3042-1	.	GUIDE-GUIDE SPR SUPPLIER CODE: V31218	101106 968999	1

MISSING ITEM NUMBERS NOT APPLICABLE

- ITEM NOT ILLUSTRATED

HAP

25-25-12-85U

BOEING PROPRIETARY - Copyright © - Unpublished Work - See title page for details.

25-25-12
FIG. 85U
PAGE 8
FEB 15/09

BOEING
737-600/700/800/900
PARTS CATALOG (MAINTENANCE)

FIG ITEM	PART NUMBER	1 2 3 4 5 6 7	NOMENCLATURE	EFFECT FROM TO	UNITS PER ASSY
85U 420	2110-3AMJ		.CORE ASSY-SEAT SUPPLIER CODE: V31218 USED ON: 2110-324PB FOR DETAILS SEE: 25-25-12-85X	101106 968999	1
- 422	2110-7AMJ		.CORE ASSY-SEAT SUPPLIER CODE: V31218 USED ON: 2110-124PB FOR DETAILS SEE: 25-25-12-86Y ATTACHING PARTS	101106 968999	1
425	NAS1096-2-11		.SCREW-LH	101106 968999	1
430	NAS1149FN832P		.WASHER	101106 968999	1
435	MS21042-08		.NUT	101106 968999	1
- 437	NAS602-6P		.SCREW- USED ON: 2110-124PB -----*-----	101106 968999	1

MISSING ITEM NUMBERS NOT APPLICABLE

- ITEM NOT ILLUSTRATED

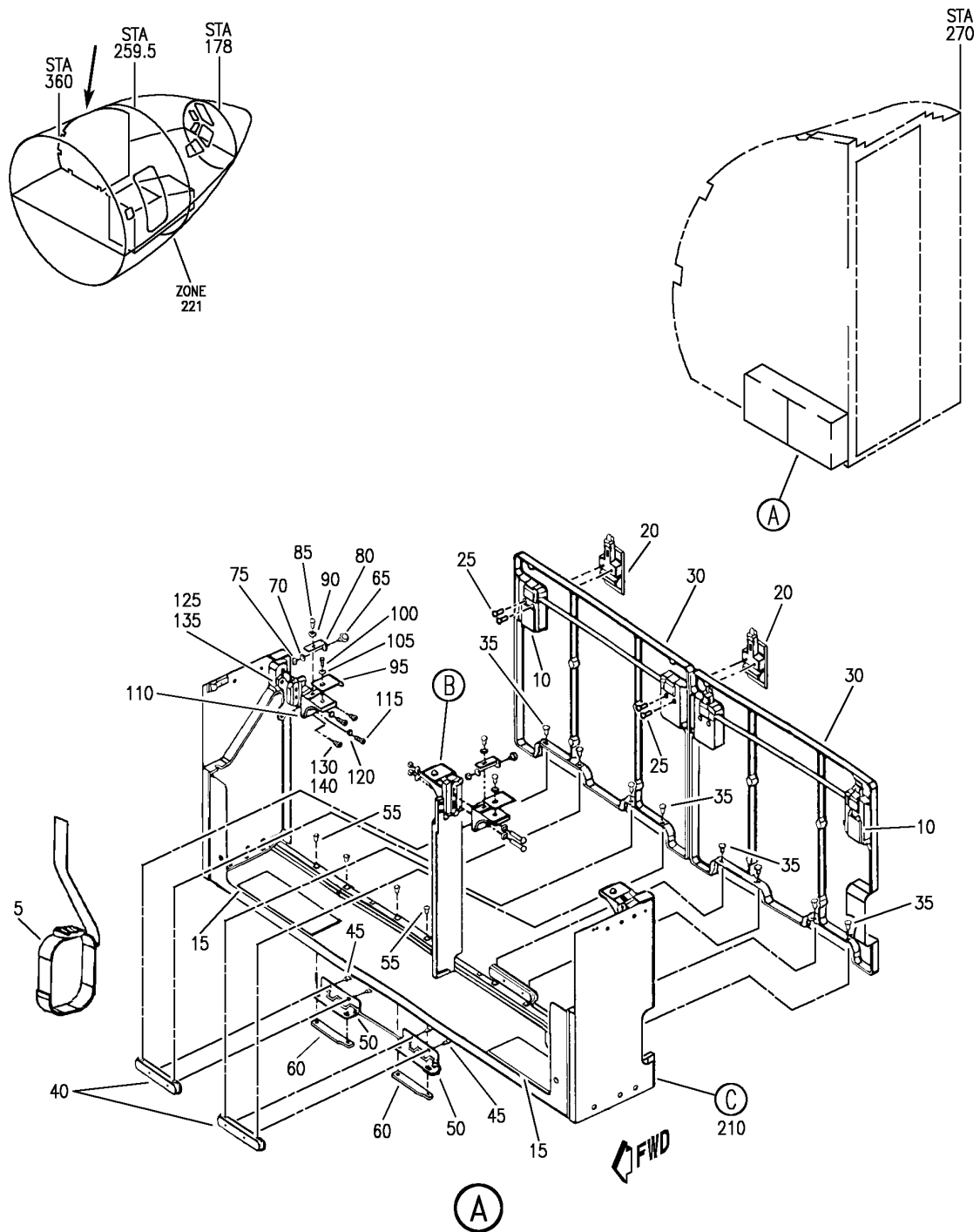
HAP

25-25-12-85U

BOEING PROPRIETARY - Copyright © - Unpublished Work - See title page for details.

25-25-12
FIG. 85U
PAGE 9
FEB 15/09

BOEING
 737-600/700/800/900
 PARTS CATALOG (MAINTENANCE)



E 25251285W SHT 1 REV 132

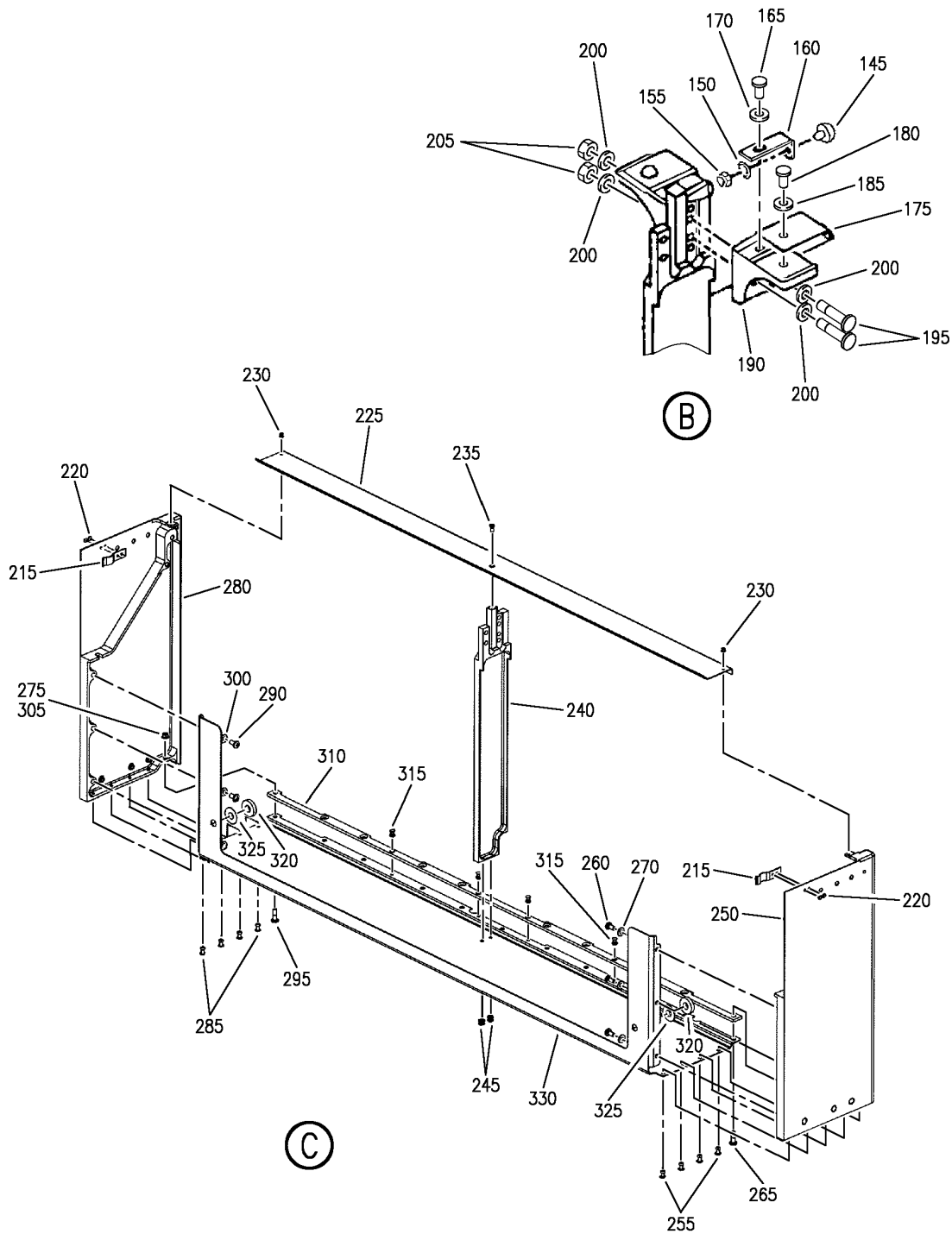
BOX ASSY-ATTENDANT STOWAGE NARROW DBL WALL- MOUNTED JAR-OPS SEAT AFT FACING
 FIGURE 85W (SHEET 1)

25-25-12-85W

HAP
 OCT 10/07

25-25-12-85W
 PAGE 0

BOEING
 737-600/700/800/900
 PARTS CATALOG (MAINTENANCE)



E 25251285W SHT 2 REV 132

BOX ASSY-ATTENDANT STOWAGE NARROW DBL WALL- MOUNTED JAR-OPS SEAT AFT FACING
 FIGURE 85W (SHEET 2)

HAP
 OCT 10/07

25-25-12-85W

25-25-12-85W
 PAGE 0A

BOEING
737-600/700/800/900
PARTS CATALOG (MAINTENANCE)

FIG ITEM	PART NUMBER	1 2 3 4 5 6 7	NOMENCLATURE	EFFECT FROM TO	UNITS PER ASSY
85W			BOX ASSY-ATTENDANT STOWAGE NARROW DBL WALL- MOUNTED JAR-OPS SEAT AFT FACING	101200 968999	
- 1	2110-35AMJ		BOX ASSY-ATTENDANT LAV A STOWAGE NARROW DBL WALL MOUNTED JAR-OPS SEAT AFT FACING SUPPLIER CODE: V31218 FOR NHA SEE: 25-25-12-85U	101200 968999	RF
5	2D8007-1		.STRAP-LIFE VEST SUPPLIER CODE: V31218	101200 968999	2
10	SJ3526GRY1ADH		.HOOK-ADH VELCRO GRAY SUPPLIER CODE: V5J466 CONFIG CHG DATA FROM A CMM: REPLD BY SJ3526BLK1ADH	101200 968999	AR
10	SJ3526BLK1ADH		.HOOK-ADH VELCRO BLACK SUPPLIER CODE: V5J466 CONFIG CHG DATA FROM A CMM: REPLS SJ3526GRY1ADH	101200 968999	AR
15	SJ3526GRY2ADH		.HOOK-ADH VELCRO GRAY SUPPLIER CODE: V5J466 CONFIG CHG DATA FROM A CMM: REPLD BY SJ3526BLK2ADH	101200 968999	AR
15	SJ3526BLK2ADH		.HOOK-ADH VELCRO BLACK SUPPLIER CODE: V5J466 CONFIG CHG DATA FROM A CMM: REPLS SJ3526GRY2ADH	101200 968999	AR
20	SAM222-18		.LATCH-DUAL SUPPLIER CODE: V31845	101200 968999	2
25	NAS514P632-5P		ATTACHING PARTS .SCREW	101200 968999	8
30	2D1021-21AMJ		-----*----- .DOOR-STOWAGE BOX SUPPLIER CODE: V31218	101200 968999	2
35	NAS602-6P		ATTACHING PARTS .SCREW -----*-----	101200 968999	8

MISSING ITEM NUMBERS NOT APPLICABLE

- ITEM NOT ILLUSTRATED

HAP

25-25-12-85W

BOEING PROPRIETARY - Copyright © - Unpublished Work - See title page for details.

25-25-12
FIG. 85W
PAGE 1
OCT 15/08

BOEING
737-600/700/800/900
PARTS CATALOG (MAINTENANCE)

FIG ITEM	PART NUMBER	1 2 3 4 5 6 7	NOMENCLATURE	EFFECT FROM TO	UNITS PER ASSY
85W 40	2D1061-1AMJ		.COVER-HINGE STOWAGE BOX SUPPLIER CODE: V31218 ATTACHING PARTS	101200 968999	4
45	NAS514P632-5P		.SCREW	101200 968999	8
50	2D1025-1		.HINGE-STOWAGE BOX SUPPLIER CODE: V31218 ATTACHING PARTS	101200 968999	4
55	NAS1202-1		.SCREW	101200 968999	8
60	2D1141-1		.PLATE-THREADED DOOR HINGE SUPPLIER CODE: V31218	101200 968999	4
65	827S		.SCREW-BUMPER SUPPLIER CODE: V8J913	101200 968999	2
70	NAS1149FN616P		.WASHER	101200 968999	2
75	MS21083N06		.NUT	101200 968999	2
80	2D1022-1		.BRACKET-DOOR BUMPER SUPPLIER CODE: V31218 ATTACHING PARTS	101200 968999	2
85	NAS1096-2-5		.SCREW	101200 968999	2
90	NAS1149FN832P		.WASHER	101200 968999	2
95	2D1023-1		.BRACKET-DOOR STRIKER SUPPLIER CODE: V31218 ATTACHING PARTS	101200 968999	2
100	NAS1096-2-5		.SCREW	101200 968999	2
105	NAS1149FN832P		.WASHER	101200 968999	2
110	2D1068-1		.BASE-STRIKER BUMPER SUPPLIER CODE: V31218 ATTACHING PARTS	101200 968999	2
115	NAS623-2-4		.SCREW	101200 968999	4

MISSING ITEM NUMBERS NOT APPLICABLE

— ITEM NOT ILLUSTRATED

HAP

25-25-12-85W

BOEING PROPRIETARY - Copyright © - Unpublished Work - See title page for details.

25-25-12
FIG. 85W
PAGE 2
OCT 15/08

BOEING
737-600/700/800/900
PARTS CATALOG (MAINTENANCE)

FIG ITEM	PART NUMBER	1 2 3 4 5 6 7	NOMENCLATURE	EFFECT FROM TO	UNITS PER ASSY
85W 120	NAS1149FN832P	.	WASHER	101200 968999	4
125	2D1094-1	-----*-----	.PLATE-MTG STOWAGE BOX SUPPLIER CODE: V31218 ATTACHING PARTS	101200 968999	1
130	NAS514P832-5P	.	SCREW	101200 968999	2
135	2D1094-2	-----*-----	.PLATE-MTG STOWAGE BOX SUPPLIER CODE: V31218 ATTACHING PARTS	101200 968999	1
140	NAS514P832-5P	.	SCREW	101200 968999	2
145	827S	-----*-----	.SCREW-BUMPER SUPPLIER CODE: V8J913	101200 968999	2
150	NAS1149FN616P	.	WASHER	101200 968999	2
155	MS21083N06	.	NUT	101200 968999	2
160	2D1022-1	.	BRACKET-DOOR BUMPER SUPPLIER CODE: V31218 ATTACHING PARTS	101200 968999	2
165	NAS1096-2-5	.	SCREW	101200 968999	2
170	NAS1149FN832P	.	WASHER	101200 968999	2
175	2D1023-1	-----*-----	.BRACKET-DOOR STRIKER SUPPLIER CODE: V31218 ATTACHING PARTS	101200 968999	2
180	NAS1096-2-5	.	SCREW	101200 968999	2
185	NAS1149FN832P	.	WASHER	101200 968999	2
190	2D1068-1	-----*-----	.BASE-STRIKER BUMPER SUPPLIER CODE: V31218 ATTACHING PARTS	101200 968999	2
195	NAS623-2-12	.	SCREW	101200 968999	2

MISSING ITEM NUMBERS NOT APPLICABLE

— ITEM NOT ILLUSTRATED

HAP

25-25-12-85W

BOEING PROPRIETARY - Copyright © - Unpublished Work - See title page for details.

25-25-12
FIG. 85W
PAGE 3
OCT 15/08

BOEING
737-600/700/800/900
PARTS CATALOG (MAINTENANCE)

FIG ITEM	PART NUMBER	1 2 3 4 5 6 7	NOMENCLATURE	EFFECT FROM TO	UNITS PER ASSY
85W					
200	NAS1149FN832P	.	WASHER	101200 968999	4
205	MS21042-08	.	NUT	101200 968999	2
			-----*-----		
210	2D1065-3AMJ	.	BOX SUB ASSY-STOWAGE SUPPLIER CODE: V31218	101200 968999	1
215	2D1032-1	..	CLIP-STOWAGE BOX SUPPLIER CODE: V31218	101200 968999	2
			ATTACHING PARTS		
220	NAS1097AD3-4	..	RIVET	101200 968999	4
			-----*-----		
225	2D1064-3	..	FILLER-STOWAGE BOX SUPPLIER CODE: V31218	101200 968999	1
			ATTACHING PARTS		
230	MS20426AD34	..	RIVET	101200 968999	2
235	NAS514P632-5P	..	SCREW	101200 968999	1
			-----*-----		
240	2D1142-1	..	ADAPTER-BASE STRIKER SUPPLIER CODE: V31218	101200 968999	1
			ATTACHING PARTS		
245	MS20600AD4W2	..	RIVET	101200 968999	2
			-----*-----		
250	2D1092-8AMJ	..	PANEL-STOWAGE BOX SUPPLIER CODE: V31218	101200 968999	1
			POSITION DATA: SIDE		
			ATTACHING PARTS		
255	SD43BS	..	RIVET-SOLID UNIV HEAD SUPPLIER CODE: V6R744	101200 968999	4
260	NAS623-2-1	..	SCREW	101200 968999	3
265	NAS623-2-4	..	SCREW	101200 968999	1
270	NAS1149FN832P	..	WASHER	101200 968999	3
275	MS21042-08	..	NUT	101200 968999	1
			-----*-----		

MISSING ITEM NUMBERS NOT APPLICABLE

— ITEM NOT ILLUSTRATED

HAP

25-25-12-85W

BOEING PROPRIETARY - Copyright © - Unpublished Work - See title page for details.

25-25-12
FIG. 85W
PAGE 4
OCT 15/08

BOEING
737-600/700/800/900
PARTS CATALOG (MAINTENANCE)

FIG ITEM	PART NUMBER	1 2 3 4 5 6 7	NOMENCLATURE	EFFECT FROM TO	UNITS PER ASSY
85W 280	2D1092-7AMJ		.. PANEL-STOWAGE BOX SUPPLIER CODE: V31218 POSITION DATA: SIDE ATTACHING PARTS	101200 968999	1
285	SD43BS		.. RIVET-SOLID UNIV HEAD SUPPLIER CODE: V6R744	101200 968999	4
290	NAS623-2-1		.. SCREW	101200 968999	3
295	NAS623-2-4		.. SCREW	101200 968999	1
300	NAS1149FN832P		.. WASHER	101200 968999	3
305	MS21042-08		.. NUT	101200 968999	1
310	2D1140-1AMJ		-----*----- .. STIFFENER-DOOR HINGE SUPPLIER CODE: V31218 ATTACHING PARTS	101200 968999	1
315	MS20601AD4W3		.. RIVET	101200 968999	4
320	2D1086-1		-----*----- .. PAD-MTG STOWAGE BOX SUPPLIER CODE: V31218	101200 968999	2
325	9245-0500		.. TAPE-ACRYLIC/EPOXY SUPPLIER CODE: V5J466	101200 968999	AR
330	2D1033-23AMJ		.. PAN-FLOOR STOWAGE BOX SUPPLIER CODE: V31218	101200 968999	1

MISSING ITEM NUMBERS NOT APPLICABLE

— ITEM NOT ILLUSTRATED

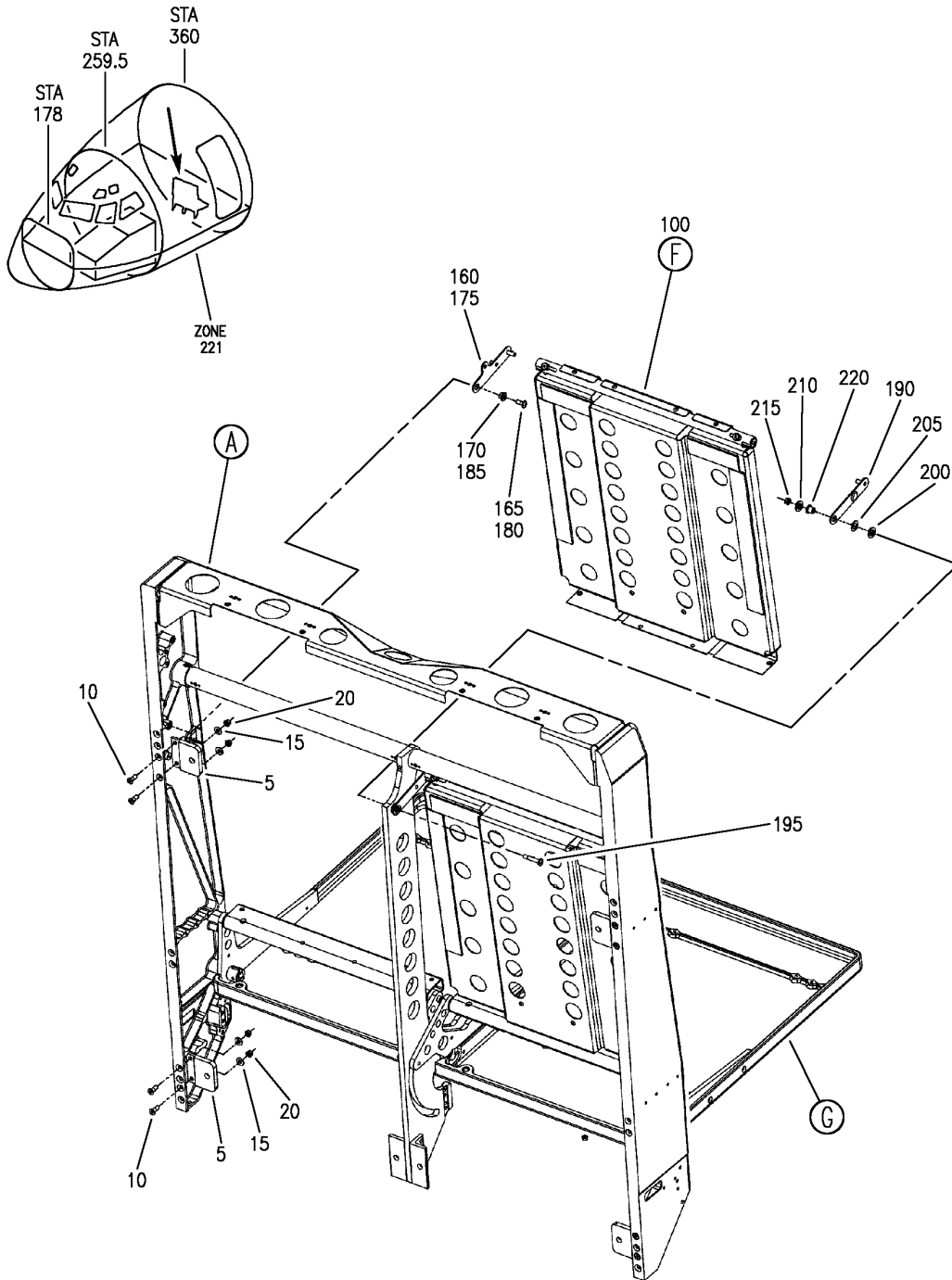
HAP

25-25-12-85W

BOEING PROPRIETARY - Copyright © - Unpublished Work - See title page for details.

25-25-12
FIG. 85W
PAGE 5
OCT 15/08

BOEING
 737-600/700/800/900
 PARTS CATALOG (MAINTENANCE)



E 25251285X SHT 1 REV 132

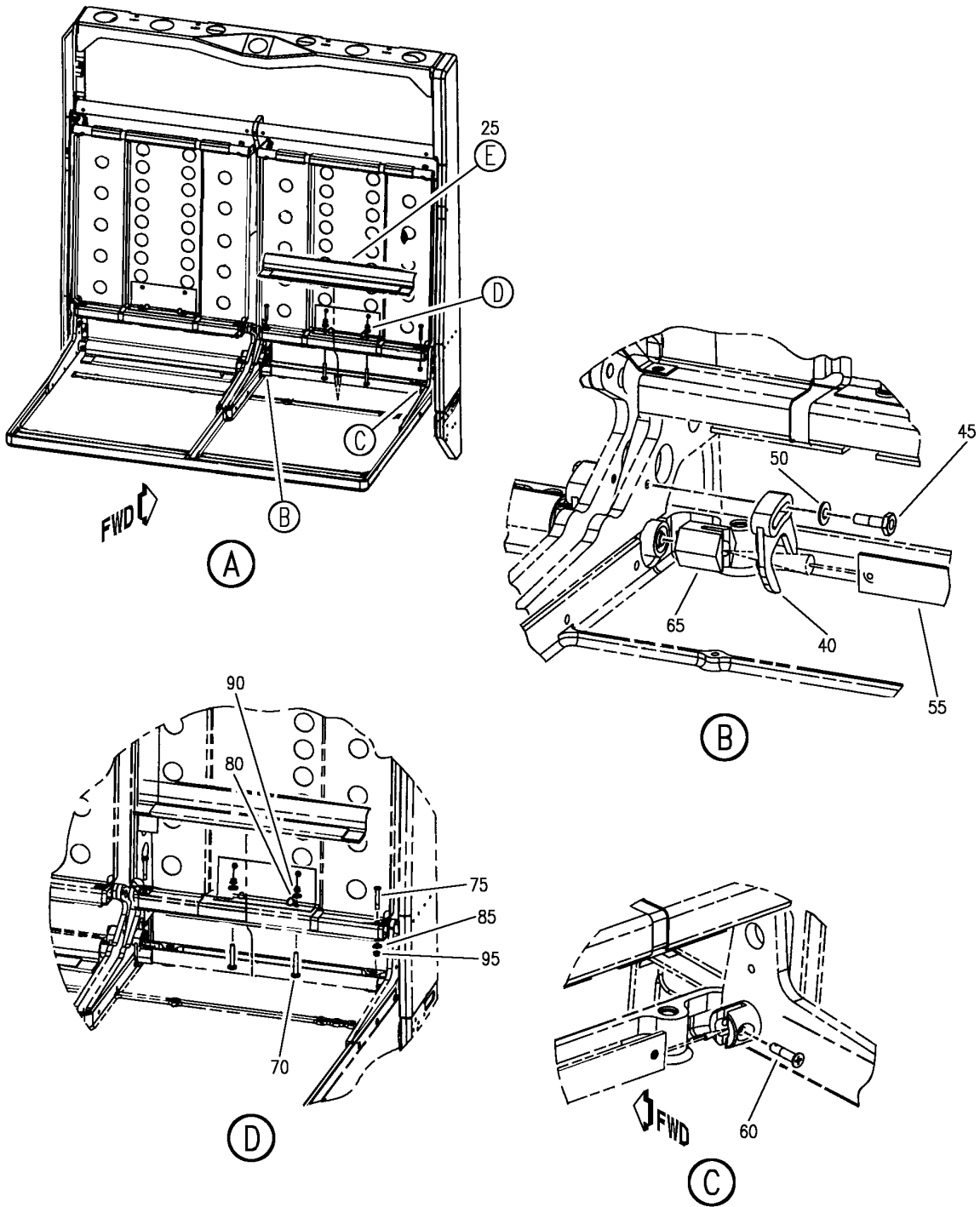
CORE ASSY-ATTENDANT SEAT DBL WALL- MOUNTED JAR-OPS AFT FACING
 FIGURE 85X (SHEET 1)

25-25-12-85X

HAP
 OCT 10/07

25-25-12-85X
 PAGE 0

BOEING
 737-600/700/800/900
 PARTS CATALOG (MAINTENANCE)



E 25251285X SHT 2 REV 132

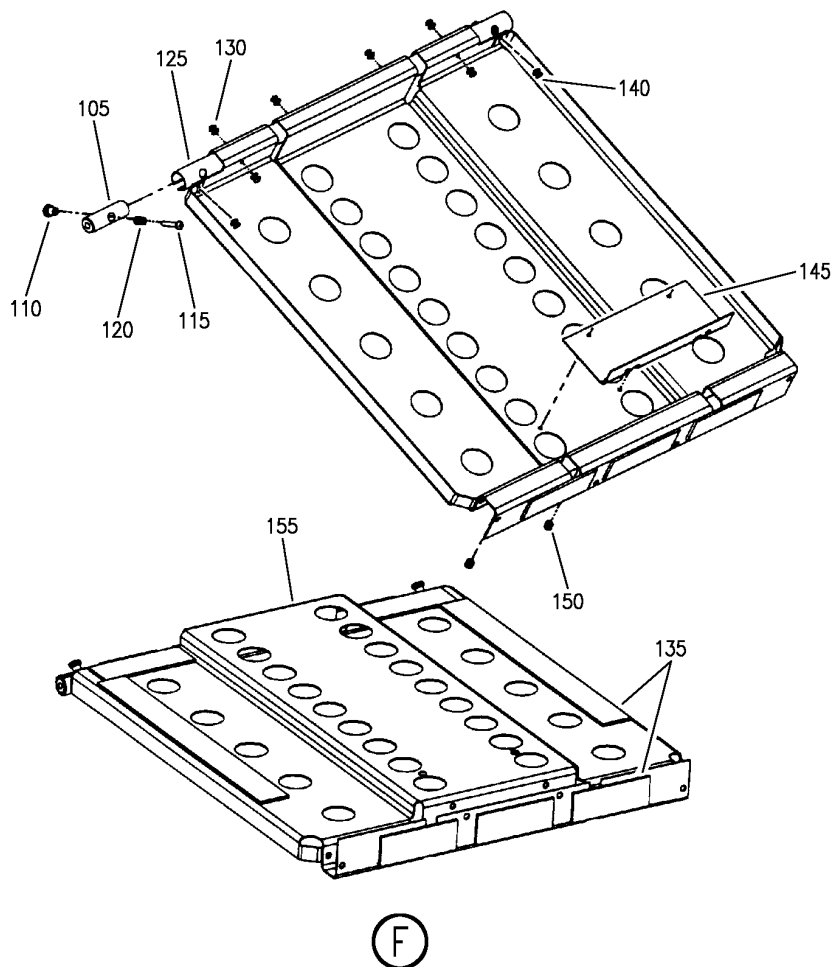
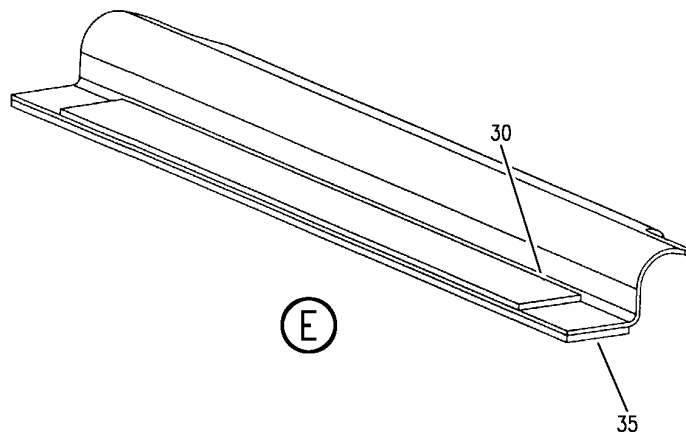
CORE ASSY-ATTENDANT SEAT DBL WALL- MOUNTED JAR-OPS AFT FACING
 FIGURE 85X (SHEET 2)

25-25-12-85X

HAP
 OCT 10/07

25-25-12-85X
 PAGE 0A

BOEING
 737-600/700/800/900
 PARTS CATALOG (MAINTENANCE)



E 25251285X SHT 3 REV 132

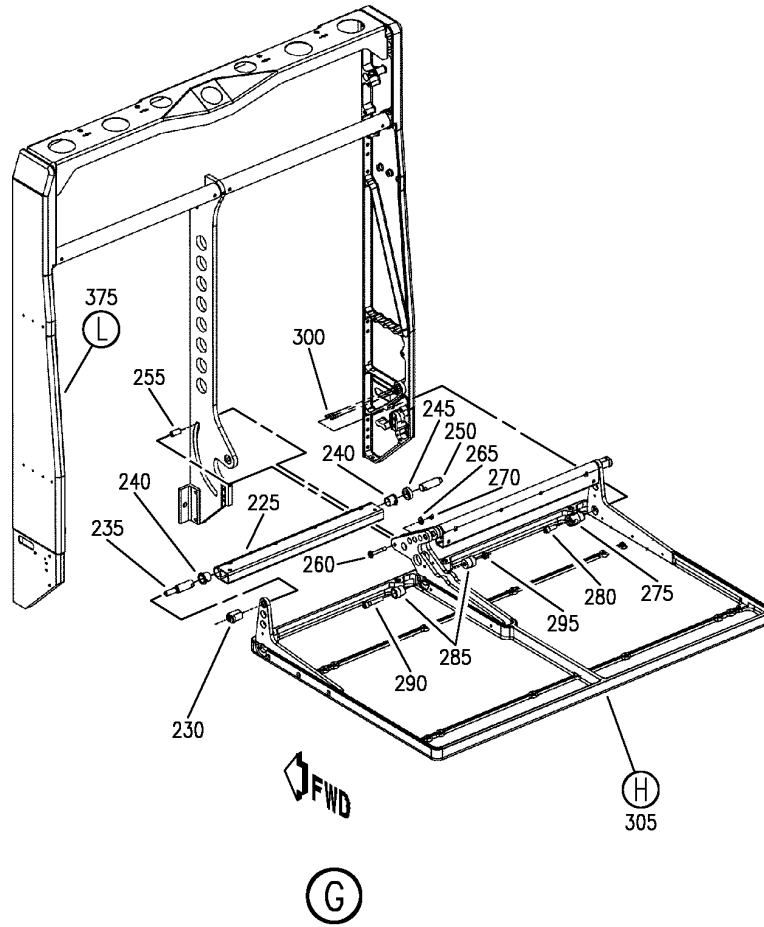
CORE ASSY-ATTENDANT SEAT DBL WALL- MOUNTED JAR-OPS AFT FACING
 FIGURE 85X (SHEET 3)

25-25-12-85X

HAP
 OCT 10/07

25-25-12-85X
 PAGE 0B

BOEING
 737-600/700/800/900
 PARTS CATALOG (MAINTENANCE)



E 25251285X SH1 4 REV 132

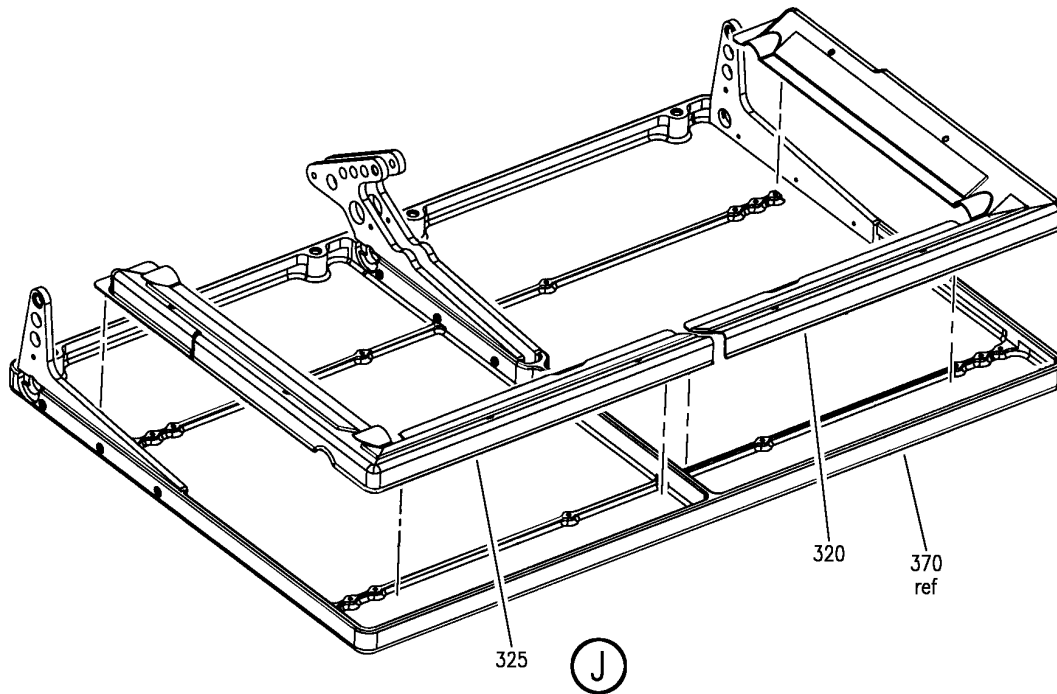
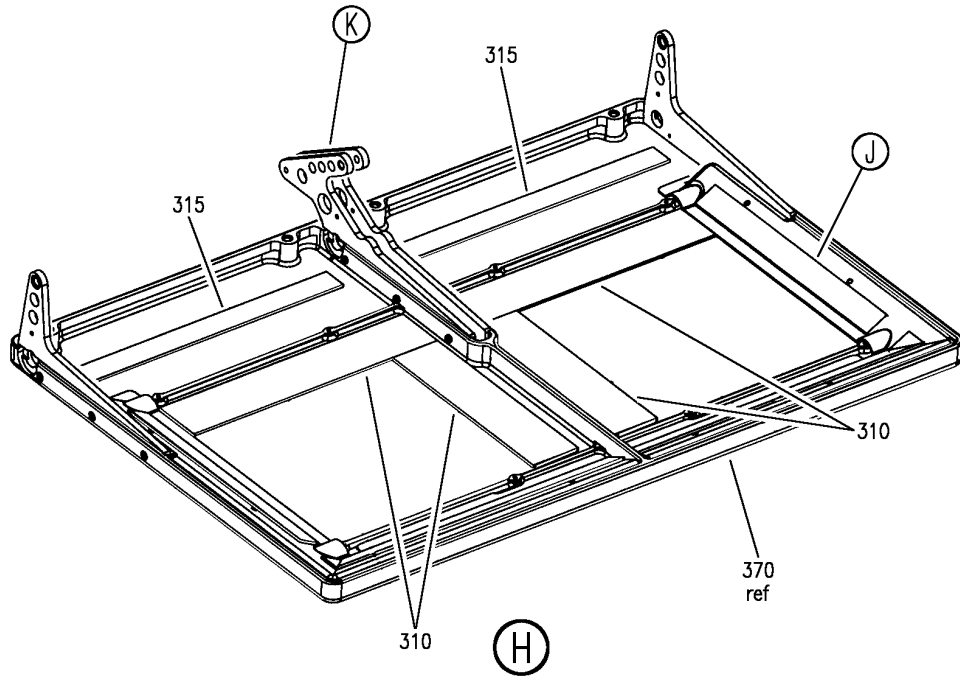
CORE ASSY-ATTENDANT SEAT DBL WALL- MOUNTED JAR-OPS AFT FACING
 FIGURE 85X (SHEET 4)

25-25-12-85X

HAP
 OCT 10/07

25-25-12-85X
 PAGE 0C

BOEING
 737-600/700/800/900
 PARTS CATALOG (MAINTENANCE)



E 25251285X SHT 5 REV 132

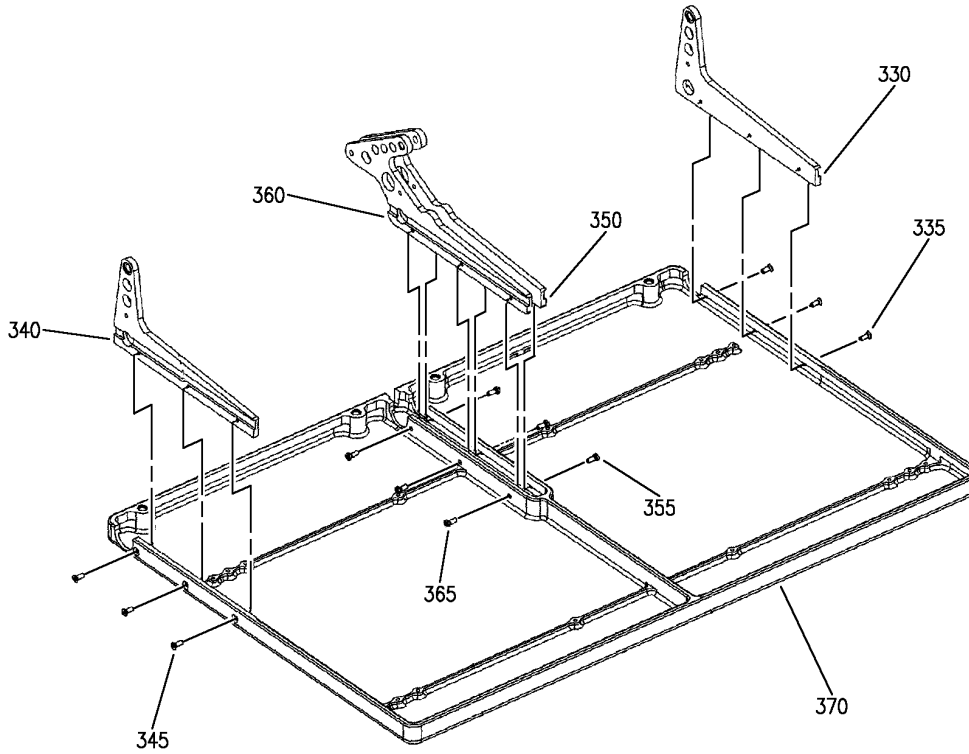
CORE ASSY-ATTENDANT SEAT DBL WALL- MOUNTED JAR-OPS AFT FACING
 FIGURE 85X (SHEET 5)

25-25-12-85X

HAP
 OCT 10/07

25-25-12-85X
 PAGE 0D

BOEING
737-600/700/800/900
PARTS CATALOG (MAINTENANCE)



(K)

E 25251285X SHT 6 REV 132

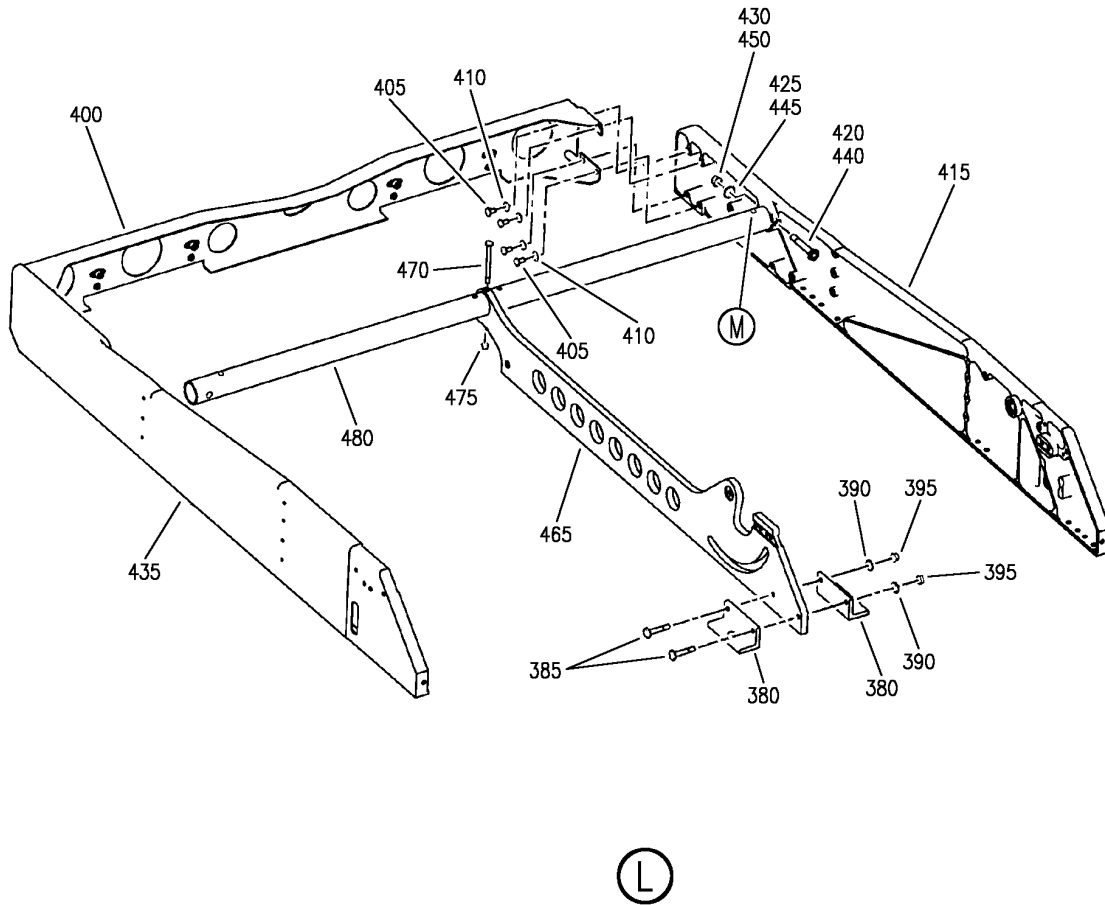
CORE ASSY-ATTENDANT SEAT DBL WALL- MOUNTED JAR-OPS AFT FACING
FIGURE 85X (SHEET 6)

25-25-12-85X

HAP
OCT 10/07

25-25-12-85X
PAGE 0E

BOEING
 737-600/700/800/900
 PARTS CATALOG (MAINTENANCE)



E 25251285X SHT 7 REV 132

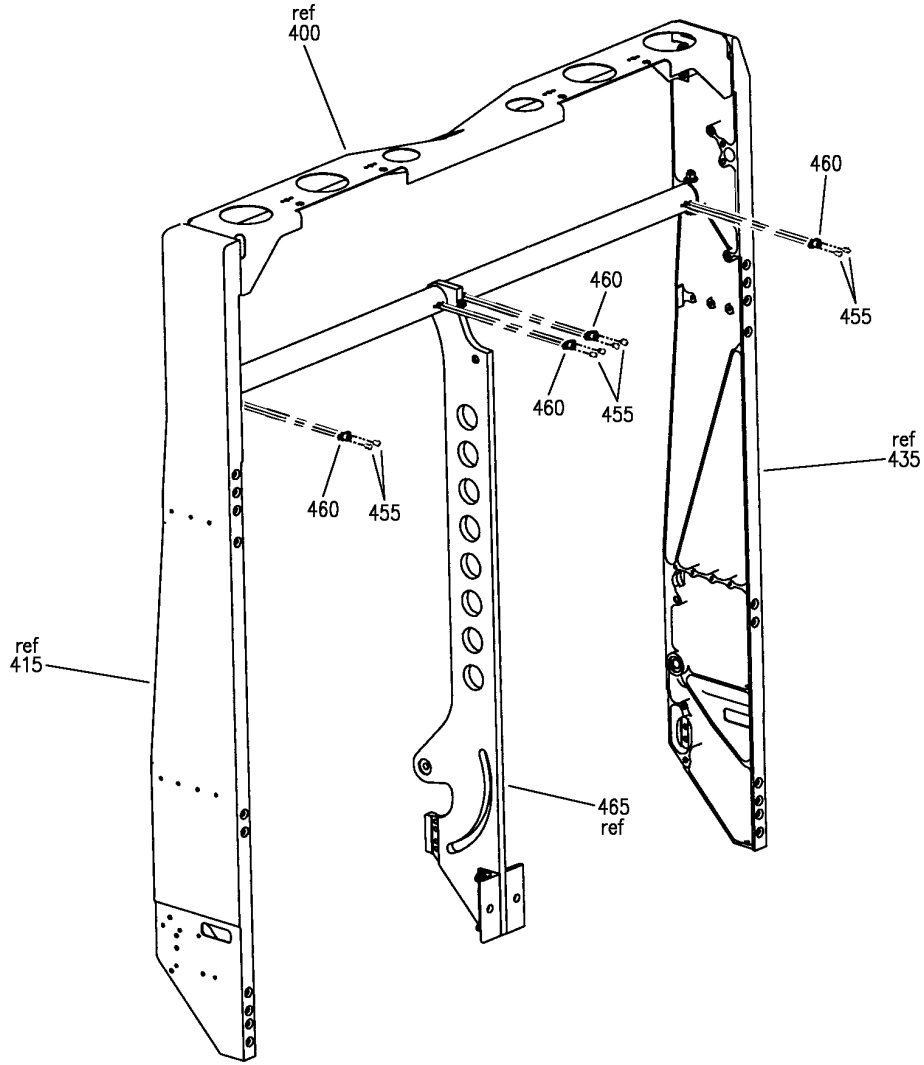
CORE ASSY-ATTENDANT SEAT DBL WALL- MOUNTED JAR-OPS AFT FACING
 FIGURE 85X (SHEET 7)

25-25-12-85X

HAP
 OCT 10/07

25-25-12-85X
 PAGE OF

BOEING
737-600/700/800/900
PARTS CATALOG (MAINTENANCE)



(M)

E 25251285X SHT 8 REV 132

CORE ASSY-ATTENDANT SEAT DBL WALL- MOUNTED JAR-OPS AFT FACING
FIGURE 85X (SHEET 8)

25-25-12-85X

HAP
OCT 10/07

25-25-12-85X
PAGE 0G

BOEING
737-600/700/800/900
PARTS CATALOG (MAINTENANCE)

FIG ITEM	PART NUMBER	1 2 3 4 5 6 7	NOMENCLATURE	EFFECT FROM TO	UNITS PER ASSY
85X			CORE ASSY-ATTENDANT SEAT DBL WALL- MOUNTED JAR-OPS AFT FACING	101106 968999	
- 1	2110-3AMJ		CORE ASSY-ATTENDANT LAV A DBL WALL- MOUNTED JAR-OPS SEAT AFT FACING SUPPLIER CODE: V31218 FOR NHA SEE: 25-25-12-85U	101106 968999	RF
5	2D1040-1		.BRACKET-MTG SUPPLIER CODE: V31218	101106 968999	4
10	NAS1203-4		ATTACHING PARTS .BOLT	101106 968999	8
15	NAS1149F0332P		.WASHER	101106 968999	8
20	MS21042-3		.NUT	101106 968999	8
25	2D2027-5		-----*----- .COVER ASSY-TORSION SPR SUPPLIER CODE: V31218	101106 968999	2
30	SJ3526GRY1ADH		..HOOK-ADH VELCRO GRAY SUPPLIER CODE: V5J466 CONFIG CHG DATA FROM A CMM: REPLD BY SJ3526BLK1ADH	101106 968999	AR
30	SJ3526BLK1ADH		..HOOK-ADH VELCRO BLACK SUPPLIER CODE: V5J466 CONFIG CHG DATA FROM A CMM: REPLS SJ3526GRY1ADH	101106 968999	AR
35	SJ3527GRY1ADH		..LOOP-ADH VELCRO GRAY SUPPLIER CODE: V5J466 CONFIG CHG DATA FROM A CMM: REPLD BY SJ3527BLK1ADH	101106 968999	AR
35	SJ3527BLK1ADH		..LOOP-ADH VELCRO BLACK SUPPLIER CODE: V5J466 CONFIG CHG DATA FROM A CMM: REPLD BY SJ3527GRY1ADH	101106 968999	AR
40	2D2022-3		.LOCK-TORSION SPR SUPPLIER CODE: V31218	101106 968999	2

MISSING ITEM NUMBERS NOT APPLICABLE

- ITEM NOT ILLUSTRATED

HAP

25-25-12-85X

BOEING PROPRIETARY - Copyright © - Unpublished Work - See title page for details.

25-25-12
FIG. 85X
PAGE 1
FEB 15/09

BOEING
737-600/700/800/900
PARTS CATALOG (MAINTENANCE)

FIG ITEM	PART NUMBER	1 2 3 4 5 6 7	NOMENCLATURE	EFFECT FROM TO	UNITS PER ASSY
85X			ATTACHING PARTS		
45	NAS6203-5		.BOLT	101106 968999	2
50	NAS1149F0332P		.WASHER	101106 968999	2
			-----*-----		
55	2D2023-7		.SPRING-TORSION FLAT SUPPLIER CODE: V31218	101106 968999	2
			ATTACHING PARTS		
60	NAS1202-7		.BOLT	101106 968999	2
			-----*-----		
65	2D2019-5		.ANCHOR-SPR SUPPLIER CODE: V31218	101106 968999	2
70	NAS6203-13		.BOLT	101106 968999	4
75	NAS623-2-13		.SCREW- CONFIG CHG DATA FROM A CMM: REPLD BY NAS623-2-14	101106 968999	4
75	NAS623-2-14		.SCREW- CONFIG CHG DATA FROM A CMM: REPLS NAS623-2-13	101106 968999	4
80	NAS1149F0363P		.WASHER	101106 968999	4
85	AN960-8		.WASHER	101106 968999	4
90	MS21042-3		.NUT	101106 968999	4
95	MS21042-08		.NUT- CONFIG CHG DATA FROM A CMM: REPLD BY 22K1-82	101106 968999	4
95	22K1-82		.NUT- SUPPLIER CODE: V72962 CONFIG CHG DATA FROM A CMM: REPLS MS21042-08	101106 968999	4
100	2110-23AMJ		.BACK ASSY- SUPPLIER CODE: V31218 POSITION DATA: LWR	101106 968999	2
105	2D3017-1		..PIVOT-BACK SUPPLIER CODE: V31218 POSITION DATA: UPR LWR	101106 968999	2

MISSING ITEM NUMBERS NOT APPLICABLE

— ITEM NOT ILLUSTRATED

HAP

25-25-12-85X

BOEING PROPRIETARY - Copyright © - Unpublished Work - See title page for details.

25-25-12
FIG. 85X
PAGE 2
FEB 15/09

BOEING
737-600/700/800/900
PARTS CATALOG (MAINTENANCE)

FIG ITEM	PART NUMBER	1 2 3 4 5 6 7	NOMENCLATURE	EFFECT FROM TO	UNITS PER ASSY
85X 110	2D3015-1	..	KNOB-RELEASE SUPPLIER CODE: V31218 ATTACHING PARTS	101106 968999	2
115	NAS601-12P	..	SCREW	101106 968999	2
120	C0240-020-0880M	..	SPRING- SUPPLIER CODE: V77535	101106 968999	2
125	2D3018-11	..	TUBE-BACK SUPPLIER CODE: V31218 POSITION DATA: UPR LWR ATTACHING PARTS	101106 968999	1
130	AD42BS	..	RIVET- SUPPLIER CODE: V6R744	101106 968999	6
135	SJ3526GRY1ADH	..	HOOK-ADH VELCRO GRAY SUPPLIER CODE: V5J466 CONFIG CHG DATA FROM A CMM: REPLD BY SJ3526BLK1ADH	101106 968999	AR
135	SJ3526BLK1ADH	..	HOOK-ADH VELCRO BLACK SUPPLIER CODE: V5J466 CONFIG CHG DATA FROM A CMM: REPLD BY SJ3526GRY1ADH ATTACHING PARTS	101106 968999	AR
140	AD42BS	..	RIVET- SUPPLIER CODE: V6R744	101106 968999	2
145	2D3046-3	..	BRACE- SUPPLIER CODE: V31218 ATTACHING PARTS	101106 968999	1
150	AD42BS	..	RIVET- SUPPLIER CODE: V6R744	101106 968999	2
155	2D3022-9	..	PAN-BACK SUPPLIER CODE: V31218 POSITION DATA: LWR	101106 968999	1

MISSING ITEM NUMBERS NOT APPLICABLE

— ITEM NOT ILLUSTRATED

HAP

25-25-12-85X

BOEING PROPRIETARY - Copyright © - Unpublished Work - See title page for details.

25-25-12
FIG. 85X
PAGE 3
FEB 15/09

BOEING
737-600/700/800/900
PARTS CATALOG (MAINTENANCE)

FIG ITEM	PART NUMBER	1 2 3 4 5 6 7	NOMENCLATURE	EFFECT FROM TO	UNITS PER ASSY
85X 160	2D3013-11		.LINK-BACK SUPPLIER CODE: V31218 POSITION DATA: UPR ATTACHING PARTS	101106 968999	1
165	NAS623-3-3		.SCREW	101106 968999	1
170	NAS77-3-016		-----*----- .BUSHING	101106 968999	1
175	2D3013-2		.LINK-BACK SUPPLIER CODE: V31218 POSITION DATA: UPR ATTACHING PARTS	101106 968999	1
180	NAS623-3-3		.SCREW	101106 968999	1
185	NAS77-3-016		-----*----- .BUSHING	101106 968999	1
190	2D3013-3		.LINK-BACK SUPPLIER CODE: V31218 POSITION DATA: UPR ATTACHING PARTS	101106 968999	2
195	NAS623-3-13		.SCREW	101106 968999	1
200	NAS1149F0563P		.WASHER	101106 968999	2
205	NAS1149F0532P		.WASHER	101106 968999	2
210	NAS1149F0332P		.WASHER	101106 968999	1
215	MS21042-3		.NUT	101106 968999	1
220	NAS77-3-025		-----*----- .BUSHING	101106 968999	2
225	2D3012-1AMJ		.ATTACH-BACK SUPPLIER CODE: V31218 POSITION DATA: LWR	101106 968999	2
230	2D2015-1		.STOP-SEAT PAN SUPPLIER CODE: V31218	101106 968999	2

MISSING ITEM NUMBERS NOT APPLICABLE

— ITEM NOT ILLUSTRATED

HAP

25-25-12-85X

BOEING PROPRIETARY - Copyright © - Unpublished Work - See title page for details.

25-25-12
FIG. 85X
PAGE 4
FEB 15/09

BOEING
737-600/700/800/900
PARTS CATALOG (MAINTENANCE)

FIG ITEM	PART NUMBER	1 2 3 4 5 6 7	NOMENCLATURE	EFFECT FROM TO	UNITS PER ASSY
85X 235	2D2013-3		.PIVOT-BACK SUPPLIER CODE: V31218 POSITION DATA: LWR	101106 968999	2
240	8L5-1-2F		.NYLINER-FLANGED SUPPLIER CODE: V96881	101106 968999	4
245	2D2016-1		.BUSHING-PIVOT SUPPLIER CODE: V31218	101106 968999	2
250	2D2013-1		.PIVOT-BACK SUPPLIER CODE: V31218 POSITION DATA: LWR	101106 968999	2
255	NAS75-3-024		.BUSHING	101106 968999	1
260	NAS6203-15		ATTACHING PARTS .BOLT	101106 968999	1
265	NAS1149F0363P		.WASHER	101106 968999	1
270	MS21042-3		.NUT	101106 968999	1
275	2D2018-1		-----*----- .BUSHING-ANCHOR SEAT PAN SUPPLIER CODE: V31218 ATTACHING PARTS	101106 968999	2
280	MS21262-37		.SCREW	101106 968999	2
285	2D2020-5		-----*----- .BUSHING-SEAT PAN SUPPLIER CODE: V31218 ATTACHING PARTS	101106 968999	2
290	MS21262-64		.SCREW	101106 968999	1
295	MS21042-4		.NUT	101106 968999	1
300	MS16555-21		-----*----- .PIN	101106 968999	4
305	2110-24AMJ		.PAN ASSY-SEAT SUPPLIER CODE: V31218	101106 968999	1

MISSING ITEM NUMBERS NOT APPLICABLE

— ITEM NOT ILLUSTRATED

HAP

25-25-12-85X

BOEING PROPRIETARY - Copyright © - Unpublished Work - See title page for details.

25-25-12
FIG. 85X
PAGE 5
FEB 15/09

BOEING
737-600/700/800/900
PARTS CATALOG (MAINTENANCE)

FIG ITEM	PART NUMBER	1 2 3 4 5 6 7	NOMENCLATURE	EFFECT FROM TO	UNITS PER ASSY
85X 310	SJ3526GRY2ADH	..	HOOK-ADH VELCRO GRAY SUPPLIER CODE: V5J466 CONFIG CHG DATA FROM A CMM: REPLD BY SJ3526BLK1ADH	101106 968999	AR
310	SJ3526BLK2ADH	..	HOOK-ADH VELCRO BLACK SUPPLIER CODE: V5J466 CONFIG CHG DATA FROM A CMM: REPLS SJ3526GRY1ADH	101106 968999	AR
315	SJ3526GRY1ADH	..	HOOK-ADH VELCRO GRAY SUPPLIER CODE: V5J466 CONFIG CHG DATA FROM A CMM: REPLD BY SJ3526BLK1ADH	101106 968999	AR
315	SJ3526BLK1ADH	..	HOOK-ADH VELCRO BLACK SUPPLIER CODE: V5J466 CONFIG CHG DATA FROM A CMM: REPLS SJ3526GRY1ADH	101106 968999	AR
320	2D2025-11	..	FILLER-SEAT PAN SUPPLIER CODE: V31218	101106 968999	1
325	2D2025-12	..	FILLER-SEAT PAN SUPPLIER CODE: V31218	101106 968999	1
330	2D2011-1AMJ	..	LEVER-SEAT PAN SUPPLIER CODE: V31218 POSITION DATA: OUTBD ATTACHING PARTS	101106 968999	1
335	MS24694S3	..	SCREW	101106 968999	3
340	2D2011-2AMJ	..	LEVER-SEAT PAN SUPPLIER CODE: V31218 POSITION DATA: OUTBD ATTACHING PARTS	101106 968999	1
345	MS24694S3	..	SCREW	101106 968999	3
350	2D2012-3AMJ	..	LEVER-SEAT PAN SUPPLIER CODE: V31218 POSITION DATA: INBD	101106 968999	1

MISSING ITEM NUMBERS NOT APPLICABLE

— ITEM NOT ILLUSTRATED

HAP

25-25-12-85X

BOEING PROPRIETARY - Copyright © - Unpublished Work - See title page for details.

25-25-12
FIG. 85X
PAGE 6
FEB 15/09

BOEING
737-600/700/800/900
PARTS CATALOG (MAINTENANCE)

FIG ITEM	PART NUMBER	1 2 3 4 5 6 7	NOMENCLATURE	EFFECT FROM TO	UNITS PER ASSY
85X			ATTACHING PARTS		
355	NAS1096-2-6	..	SCREW	101106 968999	3
360	2D2012-1AMJ	..	LEVER-SEAT PAN SUPPLIER CODE: V31218 POSITION DATA: INBD ATTACHING PARTS	101106 968999	1
365	NAS1096-2-6	..	SCREW	101106 968999	3
370	2D2021-1AMJ	..	PAN-SEAT SUPPLIER CODE: V31218	101106 968999	1
375	2110-11AMJ	.BASE	ASSY-NARROW DBL SUPPLIER CODE: V31218	101106 968999	1
380	2D1062-1AMJ	..	BRACKET-SPRT CTR SUPPLIER CODE: V31218 ATTACHING PARTS	101106 968999	2
385	NAS6203-11	..	BOLT	101106 968999	2
390	NAS1149F0363P	..	WASHER	101106 968999	2
395	MS21042-3	..	NUT	101106 968999	2
400	2D1038-1AMJ	..	MEMBER-CROSS SUPPLIER CODE: V31218 ATTACHING PARTS	101106 968999	1
405	NAS623-2-1	..	SCREW	101106 968999	8
410	NAS1149FN832P	..	WASHER	101106 968999	8
415	2D1024-1AMJ	..	PANEL- SUPPLIER CODE: V31218 POSITION DATA: SIDE ATTACHING PARTS	101106 968999	1
420	NAS6204-19	..	BOLT	101106 968999	1
425	NAS1149F0463P	..	WASHER	101106 968999	1

MISSING ITEM NUMBERS NOT APPLICABLE

— ITEM NOT ILLUSTRATED

HAP

25-25-12-85X

BOEING PROPRIETARY - Copyright © - Unpublished Work - See title page for details.

25-25-12
FIG. 85X
PAGE 7
FEB 15/09

BOEING
737-600/700/800/900
PARTS CATALOG (MAINTENANCE)

FIG ITEM	PART NUMBER	1 2 3 4 5 6 7	NOMENCLATURE	EFFECT FROM TO	UNITS PER ASSY
85X 430	MS21042-4	..	NUT	101106 968999	1
435	2D1024-4AMJ	..	PANEL- SUPPLIER CODE: V31218 POSITION DATA: SIDE ATTACHING PARTS	101106 968999	1
440	NAS6204-19	..	BOLT	101106 968999	1
445	NAS1149F0463P	..	WASHER	101106 968999	1
450	MS21042-4	..	NUT	101106 968999	1
455	SD32BS	..	RIVET-POP SUPPLIER CODE: V6R744	101106 968999	8
460	MS21069L08	..	NUTPLATE	101106 968999	4
465	2D1036-1AMJ	..	SUPPORT-CTR SUPPLIER CODE: V31218 ATTACHING PARTS	101106 968999	1
470	NAS623-2-26	..	SCREW	101106 968999	1
475	MS21042-08	..	NUT	101106 968999	1
480	2D1039-1AMJ	..	TUBE-CROSS BACK SUPPLIER CODE: V31218 POSITION DATA: UPR	101106 968999	1

MISSING ITEM NUMBERS NOT APPLICABLE

— ITEM NOT ILLUSTRATED

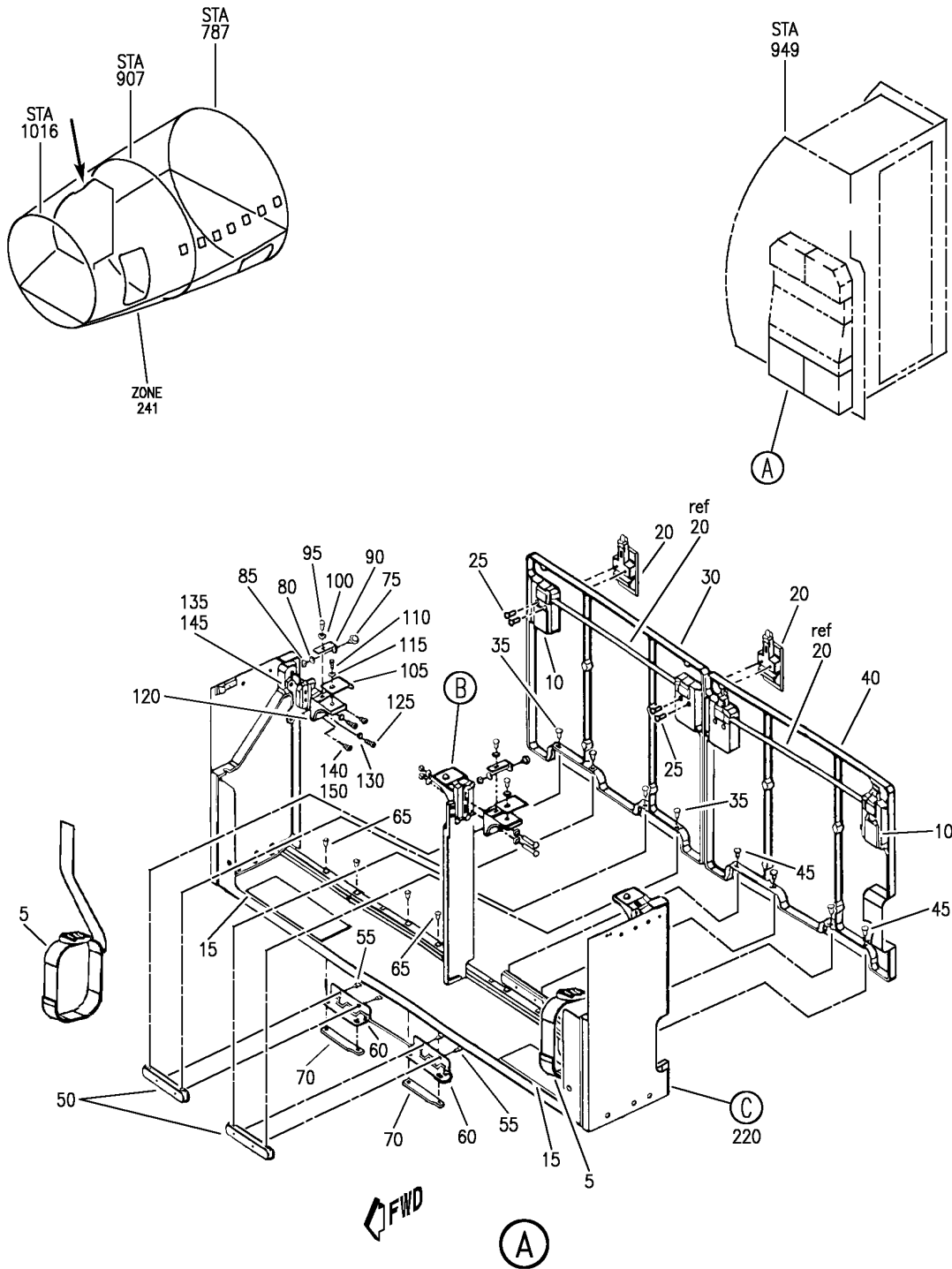
HAP

25-25-12-85X

BOEING PROPRIETARY - Copyright © - Unpublished Work - See title page for details.

25-25-12
FIG. 85X
PAGE 8
FEB 15/09

BOEING
737-600/700/800/900
PARTS CATALOG (MAINTENANCE)



E 25251285Y SHT 1 REV 132

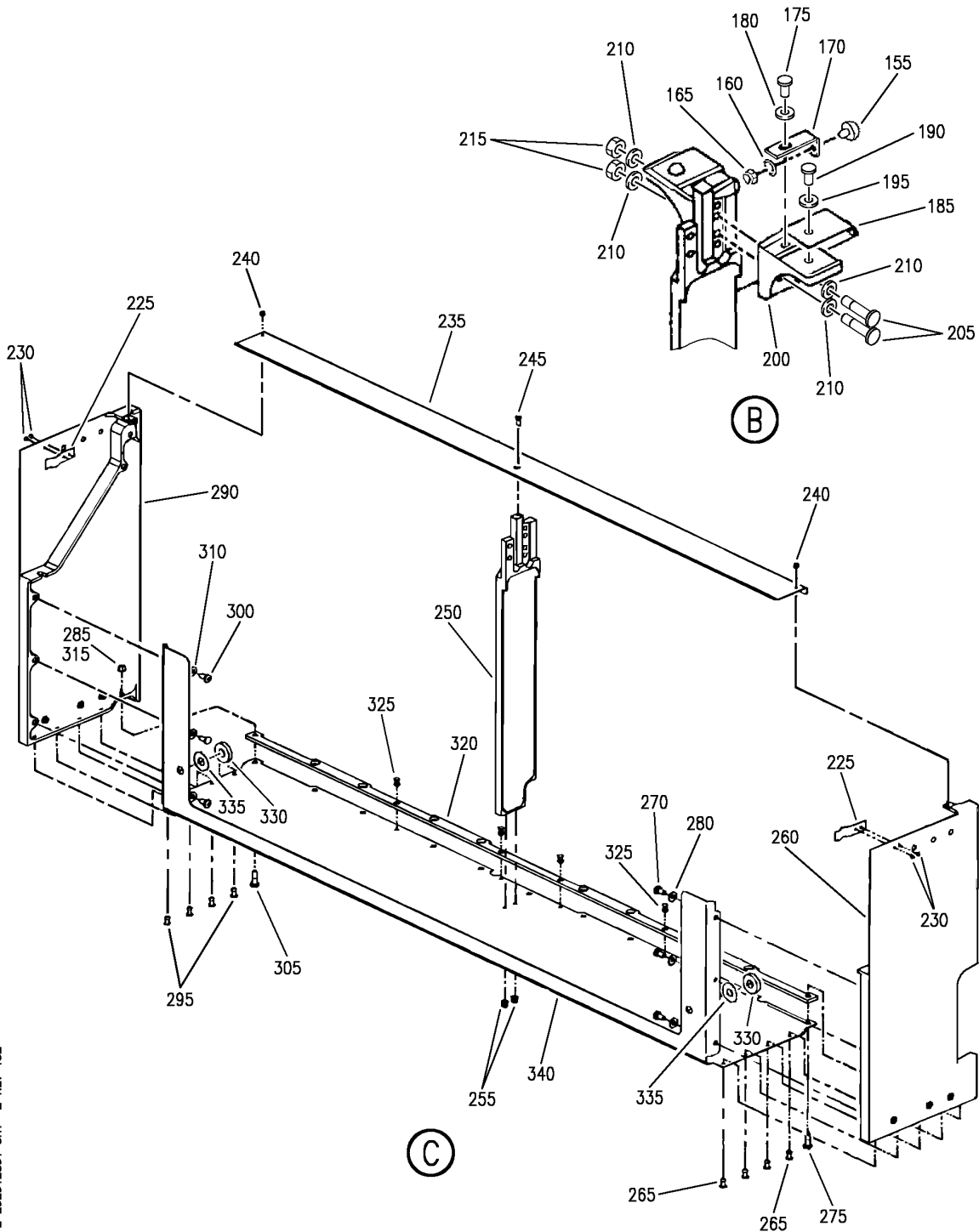
BOX ASSY-ATTENDANT STOWAGE NARROW DBL WALL- MOUNTED JAR-OPS SEAT AFT FACING
FIGURE 85Y (SHEET 1)

25-25-12-85Y

HAP
OCT 10/07

25-25-12-85Y
PAGE 0

BOEING
 737-600/700/800/900
 PARTS CATALOG (MAINTENANCE)



E 25251285Y SHT 2 REV 132

BOX ASSY-ATTENDANT STOWAGE NARROW DBL WALL- MOUNTED JAR-OPS SEAT AFT FACING
 FIGURE 85Y (SHEET 2)

25-25-12-85Y

HAP
 OCT 10/07

25-25-12-85Y
 PAGE 0A

BOEING
737-600/700/800/900
PARTS CATALOG (MAINTENANCE)

FIG ITEM	PART NUMBER	1 2 3 4 5 6 7	NOMENCLATURE	EFFECT FROM TO	UNITS PER ASSY
85Y			BOX ASSY-ATTENDANT STOWAGE NARROW DBL WALL- MOUNTED JAR-OPS SEAT AFT FACING	101106 968999	
- 1	2110-37AMJ		BOX ASSY-ATTENDANT LAV D STOWAGE NARROW DBL WALL MOUNTED JAR-OPS SEAT AFT FACING SUPPLIER CODE: V31218 FOR NHA SEE: 25-25-12-73B	101106 968999	RF
5	2D8007-1		.STRAP-LIFE VEST SUPPLIER CODE: V31218	101106 968999	2
10	SJ3526GRY1ADH		.HOOK-ADH VELCRO GRAY SUPPLIER CODE: V5J466 CONFIG CHG DATA FROM A CMM: REPLD BY SJ3526BLK1ADH	101106 968999	AR
10	SJ3526BLK1ADH		.HOOK-ADH VELCRO BLACK SUPPLIER CODE: V5J466 CONFIG CHG DATA FROM A CMM: REPLS SJ3526GRY1ADH	101106 968999	AR
15	SJ3526GRY2ADH		.HOOK-ADH VELCRO GRAY SUPPLIER CODE: V5J466 CONFIG CHG DATA FROM A CMM: REPLD BY SJ3526BLK2ADH	101106 968999	AR
15	SJ3526BLK2ADH		.HOOK-ADH VELCRO BLACK SUPPLIER CODE: V5J466 CONFIG CHG DATA FROM A CMM: REPLS SJ3526GRY2ADH	101106 968999	AR
20	SAM222-18		.LATCH-DUAL SUPPLIER CODE: V31845	101106 968999	2
25	NAS514P632-5P		ATTACHING PARTS .SCREW	101106 968999	8
30	2D1021-23AMJ		-----*----- .DOOR-STOWAGE BOX SUPPLIER CODE: V31218	101106 968999	1
35	NAS602-6P		ATTACHING PARTS .SCREW -----*-----	101106 968999	4

MISSING ITEM NUMBERS NOT APPLICABLE

- ITEM NOT ILLUSTRATED

HAP

25-25-12-85Y

BOEING PROPRIETARY - Copyright © - Unpublished Work - See title page for details.

25-25-12
FIG. 85Y
PAGE 1
FEB 15/09

BOEING
737-600/700/800/900
PARTS CATALOG (MAINTENANCE)

FIG ITEM	PART NUMBER	1 2 3 4 5 6 7	NOMENCLATURE	EFFECT FROM TO	UNITS PER ASSY
85Y					
40	2D1021-21AMJ		.DOOR-STOWAGE BOX SUPPLIER CODE: V31218 ATTACHING PARTS	101106 968999	1
45	NAS602-6P		.SCREW	101106 968999	4
			-----*-----		
50	2D1061-1AMJ		.COVER-HINGE STOWAGE BOX SUPPLIER CODE: V31218 ATTACHING PARTS	101106 968999	4
55	NAS514P632-5P		.SCREW	101106 968999	8
			-----*-----		
60	2D1025-1		.HINGE-STOWAGE BOX SUPPLIER CODE: V31218 ATTACHING PARTS	101106 968999	4
65	NAS1202-1		.SCREW	101106 968999	8
			-----*-----		
70	2D1141-1		.PLATE-THREADED DOOR HINGE SUPPLIER CODE: V31218	101106 968999	4
75	827S		.SCREW-BUMPER SUPPLIER CODE: V8J913	101106 968999	2
80	NAS1149FN616P		.WASHER	101106 968999	2
85	MS21083N06		.NUT	101106 968999	2
90	2D1022-1		.BRACKET-DOOR BUMPER SUPPLIER CODE: V31218 ATTACHING PARTS	101106 968999	2
95	NAS1096-2-5		.SCREW	101106 968999	2
100	NAS1149FN832P		.WASHER	101106 968999	2
			-----*-----		
105	2D1023-1		.BRACKET-DOOR STRIKER SUPPLIER CODE: V31218 ATTACHING PARTS	101106 968999	2
110	NAS1096-2-5		.SCREW	101106 968999	2
115	NAS1149FN832P		.WASHER	101106 968999	2
			-----*-----		

MISSING ITEM NUMBERS NOT APPLICABLE

— ITEM NOT ILLUSTRATED

HAP

25-25-12-85Y

BOEING PROPRIETARY - Copyright © - Unpublished Work - See title page for details.

25-25-12
FIG. 85Y
PAGE 2
FEB 15/09

BOEING
737-600/700/800/900
PARTS CATALOG (MAINTENANCE)

FIG ITEM	PART NUMBER	1 2 3 4 5 6 7	NOMENCLATURE	EFFECT FROM TO	UNITS PER ASSY
85Y 120	2D1068-1		.BASE-STRIKER BUMPER SUPPLIER CODE: V31218 ATTACHING PARTS	101106 968999	2
125	NAS623-2-4		.SCREW	101106 968999	4
130	NAS1149FN832P		.WASHER	101106 968999	4
135	2D1094-1		-----*----- .PLATE-MTG STOWAGE BOX SUPPLIER CODE: V31218 ATTACHING PARTS	101106 968999	1
140	NAS514P832-5P		.SCREW	101106 968999	2
145	2D1094-2		-----*----- .PLATE-MTG STOWAGE BOX SUPPLIER CODE: V31218 ATTACHING PARTS	101106 968999	1
150	NAS514P832-5P		.SCREW	101106 968999	2
155	827S		-----*----- .SCREW-BUMPER SUPPLIER CODE: V8J913	101106 968999	2
160	NAS1149FN616P		.WASHER	101106 968999	2
165	MS21083N06		.NUT	101106 968999	2
170	2D1022-1		.BRACKET-DOOR BUMPER SUPPLIER CODE: V31218 ATTACHING PARTS	101106 968999	2
175	NAS1096-2-5		.SCREW	101106 968999	2
180	NAS1149FN832P		.WASHER	101106 968999	2
185	2D1023-1		-----*----- .BRACKET-DOOR STRIKER SUPPLIER CODE: V31218 ATTACHING PARTS	101106 968999	2
190	NAS1096-2-5		.SCREW	101106 968999	2
195	NAS1149FN832P		.WASHER	101106 968999	2
			-----*-----		

MISSING ITEM NUMBERS NOT APPLICABLE

— ITEM NOT ILLUSTRATED

HAP

25-25-12-85Y

25-25-12
FIG. 85Y
PAGE 3
FEB 15/09

BOEING
737-600/700/800/900
PARTS CATALOG (MAINTENANCE)

FIG ITEM	PART NUMBER	1 2 3 4 5 6 7	NOMENCLATURE	EFFECT FROM TO	UNITS PER ASSY
85Y 200	2D1068-1		.BASE-STRIKER BUMPER SUPPLIER CODE: V31218 ATTACHING PARTS	101106 968999	2
205	NAS623-2-12		.SCREW	101106 968999	2
210	NAS1149FN832P		.WASHER	101106 968999	4
215	MS21042-08		.NUT	101106 968999	2
220	2D1065-11AMJ		-----*----- .BOX SUB ASSY-STOWAGE SUPPLIER CODE: V31218	101106 968999	1
225	2D1032-1		..CLIP-STOWAGE BOX SUPPLIER CODE: V31218 ATTACHING PARTS	101106 968999	2
230	NAS1097AD3-4		..RIVET	101106 968999	4
235	2D1064-3		-----*----- ..FILLER-STOWAGE BOX SUPPLIER CODE: V31218 ATTACHING PARTS	101106 968999	1
240	MS20426AD34		..RIVET	101106 968999	2
245	NAS514P632-5P		..SCREW	101106 968999	1
250	2D1142-1		-----*----- ..ADAPTER-BASE STRIKER SUPPLIER CODE: V31218 ATTACHING PARTS	101106 968999	1
255	MS20600AD4W2		..RIVET	101106 968999	2
260	2D1092-12AMJ		-----*----- ..PANEL-STOWAGE BOX SUPPLIER CODE: V31218 POSITION DATA: SIDE ATTACHING PARTS	101106 968999	1
265	SD43BS		..RIVET-SOLID UNIV HEAD SUPPLIER CODE: V6R744	101106 968999	4
270	NAS623-2-1		..SCREW	101106 968999	3

MISSING ITEM NUMBERS NOT APPLICABLE

— ITEM NOT ILLUSTRATED

HAP

25-25-12-85Y

BOEING PROPRIETARY - Copyright © - Unpublished Work - See title page for details.

25-25-12
FIG. 85Y
PAGE 4
FEB 15/09

BOEING
737-600/700/800/900
PARTS CATALOG (MAINTENANCE)

FIG ITEM	PART NUMBER	1 2 3 4 5 6 7	NOMENCLATURE	EFFECT FROM TO	UNITS PER ASSY
85Y					
275	NAS623-2-4	..	SCREW	101106 968999	1
280	NAS1149FN832P	..	WASHER	101106 968999	3
285	MS21042-08	..	NUT	101106 968999	1
290	2D1092-7AMJ	..	PANEL-STOWAGE BOX SUPPLIER CODE: V31218 POSITION DATA: SIDE ATTACHING PARTS	101106 968999	1
295	SD43BS	..	RIVET-SOLID UNIV HEAD SUPPLIER CODE: V6R744	101106 968999	4
300	NAS623-2-1	..	SCREW	101106 968999	3
305	NAS623-2-4	..	SCREW	101106 968999	1
310	NAS1149FN832P	..	WASHER	101106 968999	3
315	MS21042-08	..	NUT	101106 968999	1
320	2D1140-1AMJ	..	STIFFENER-DOOR HINGE SUPPLIER CODE: V31218 ATTACHING PARTS	101106 968999	1
325	MS20601AD4W3	..	RIVET	101106 968999	4
330	2D1086-1	..	PAD-MTG STOWAGE BOX SUPPLIER CODE: V31218	101106 968999	2
335	9245-0500	..	TAPE-ACRYLIC/EPOXY SUPPLIER CODE: V5J466	101106 968999	AR
340	2D1033-23AMJ	..	PAN-FLOOR STOWAGE BOX SUPPLIER CODE: V31218	101106 968999	1

MISSING ITEM NUMBERS NOT APPLICABLE

— ITEM NOT ILLUSTRATED

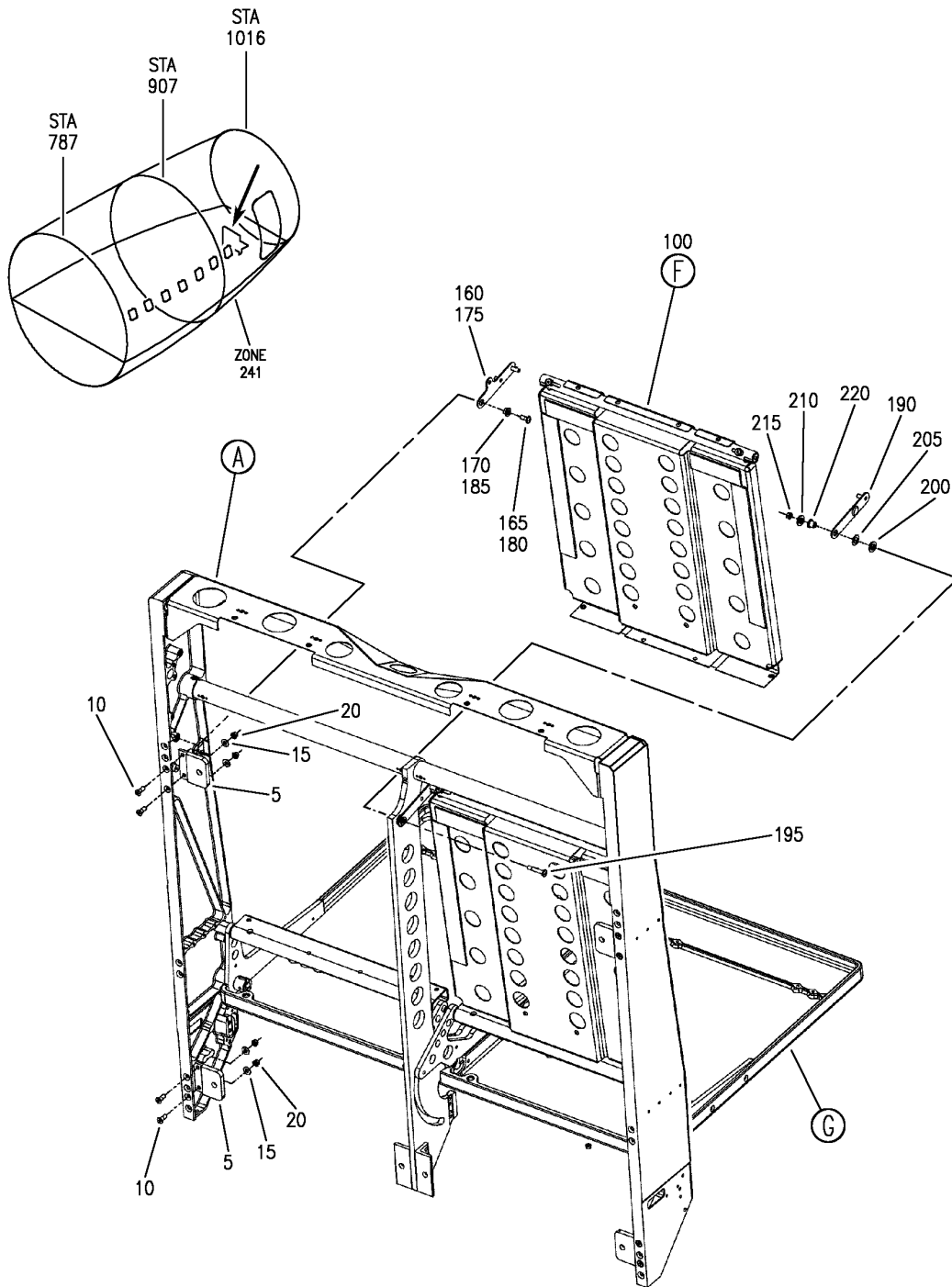
HAP

25-25-12-85Y

BOEING PROPRIETARY - Copyright © - Unpublished Work - See title page for details.

25-25-12
FIG. 85Y
PAGE 5
FEB 15/09

BOEING
 737-600/700/800/900
 PARTS CATALOG (MAINTENANCE)



E 25251285Z SHT 1 REV 132

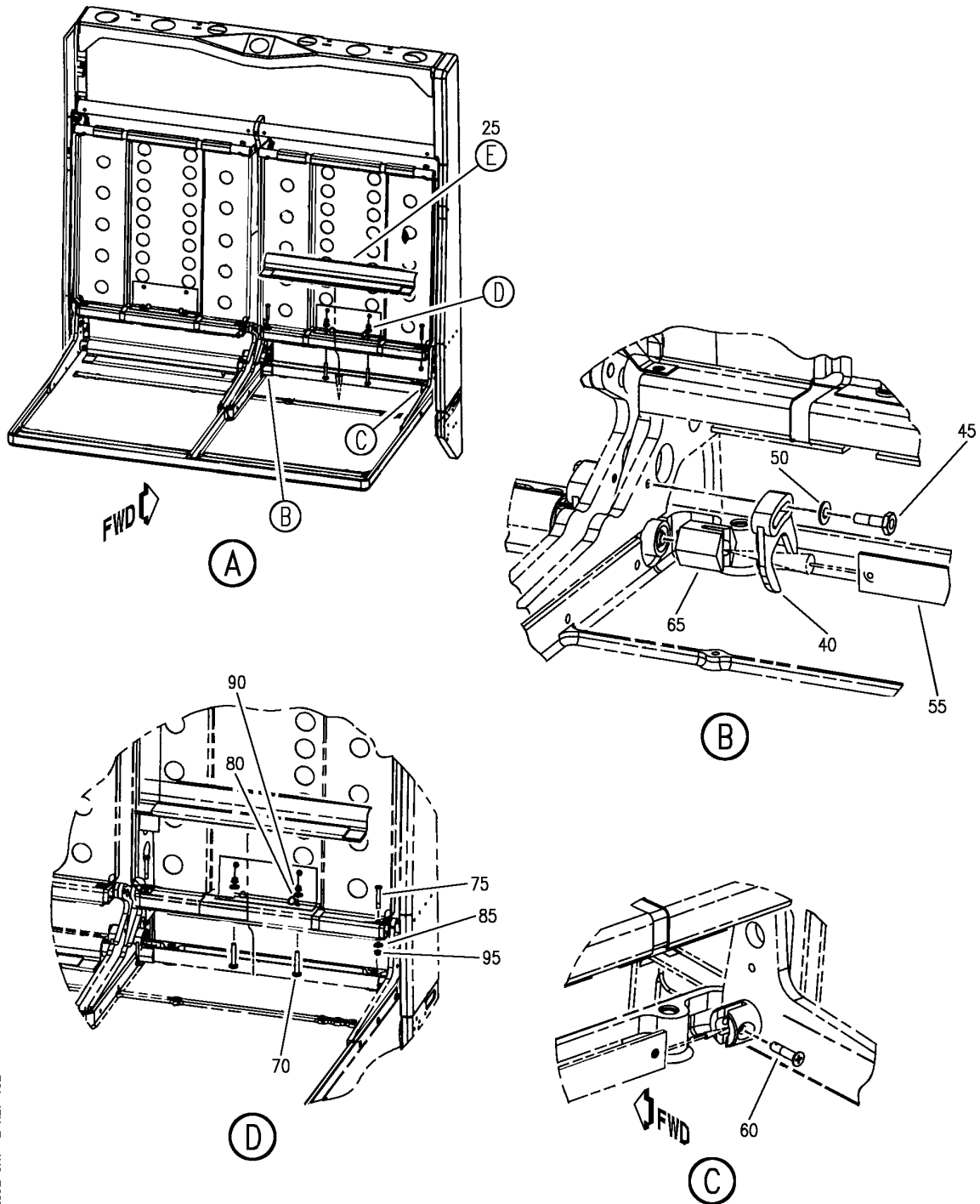
CORE ASSY-ATTENDANT SEAT DBL WALL- MOUNTED JAR-OPS AFT FACING
 FIGURE 85Z (SHEET 1)

25-25-12-85Z

HAP
 OCT 10/07

25-25-12-85Z
 PAGE 0

BOEING
 737-600/700/800/900
 PARTS CATALOG (MAINTENANCE)



E 25251285Z SHT 2 REV 132

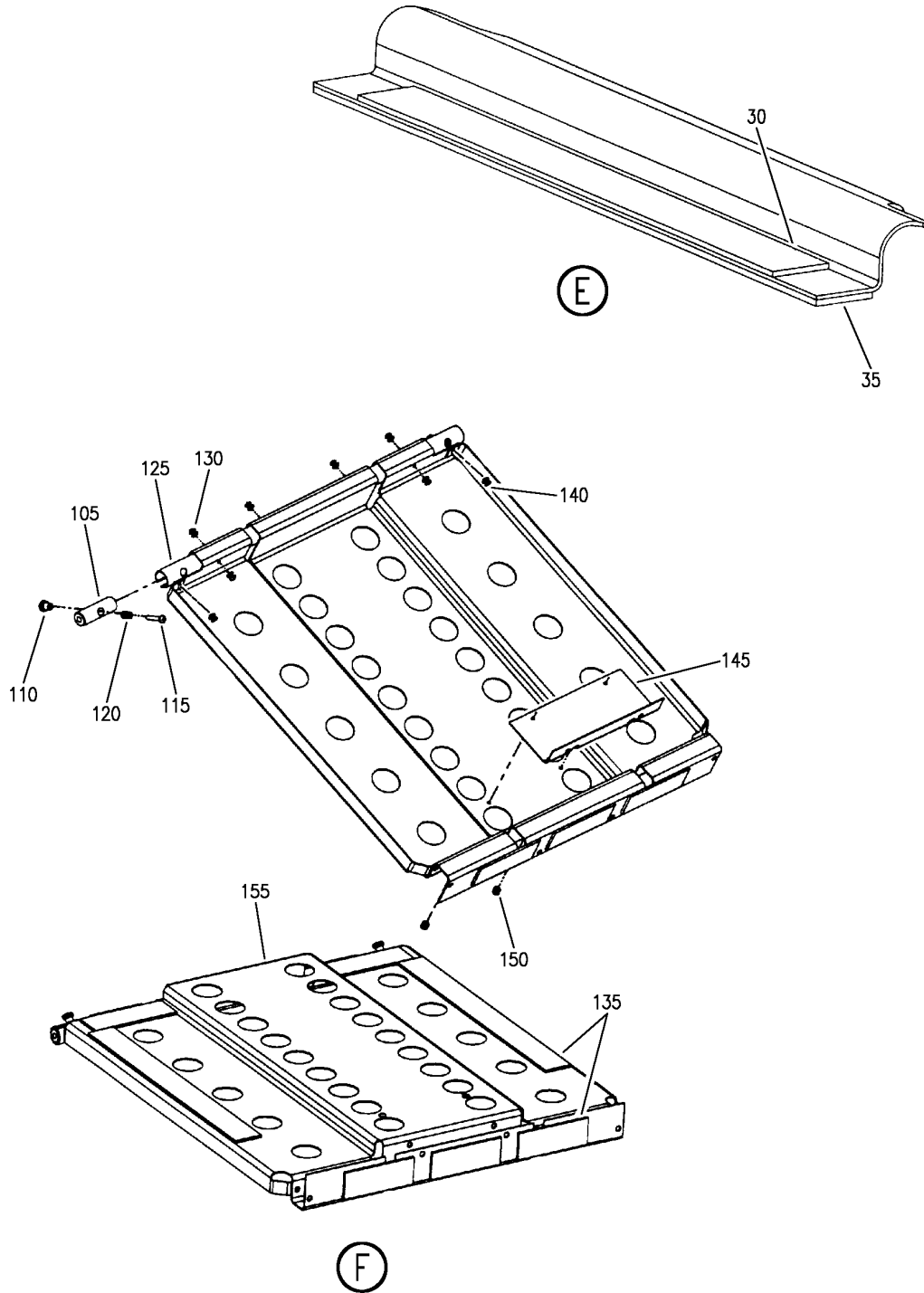
CORE ASSY-ATTENDANT SEAT DBL WALL- MOUNTED JAR-OPS AFT FACING
 FIGURE 85Z (SHEET 2)

25-25-12-85Z

HAP
 OCT 10/07

25-25-12-85Z
 PAGE 0A

BOEING
737-600/700/800/900
PARTS CATALOG (MAINTENANCE)



E 25251285Z SHT 3 REV 132

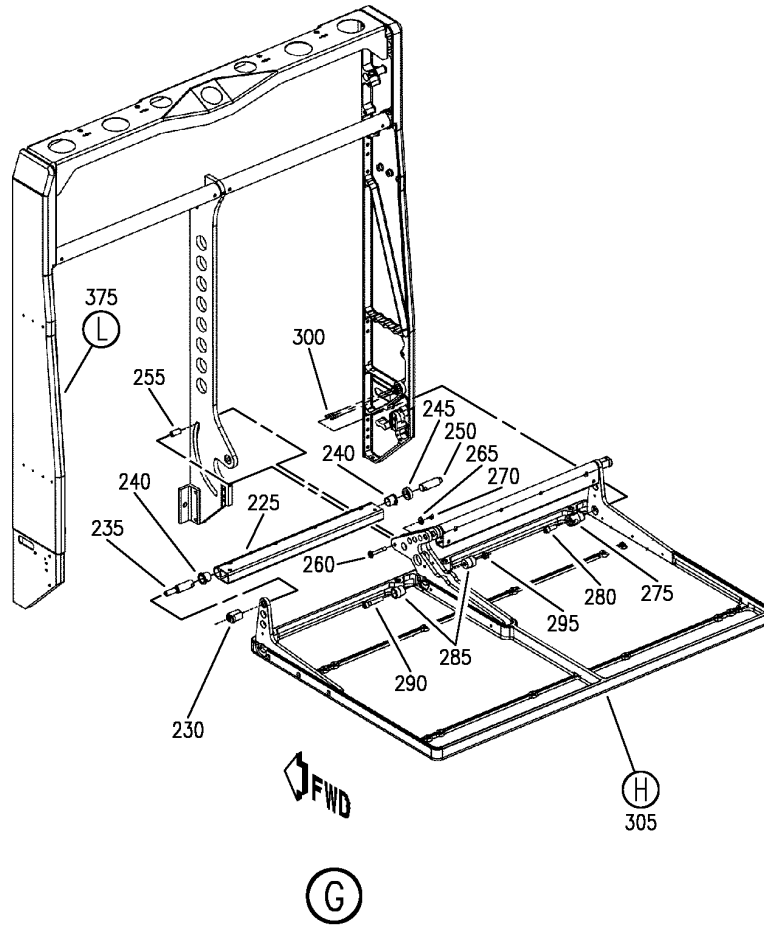
CORE ASSY-ATTENDANT SEAT DBL WALL- MOUNTED JAR-OPS AFT FACING
FIGURE 85Z (SHEET 3)

25-25-12-85Z

HAP
OCT 10/07

25-25-12-85Z
PAGE 0B

BOEING
 737-600/700/800/900
 PARTS CATALOG (MAINTENANCE)



E 25251285Z SH1 4 REV 132

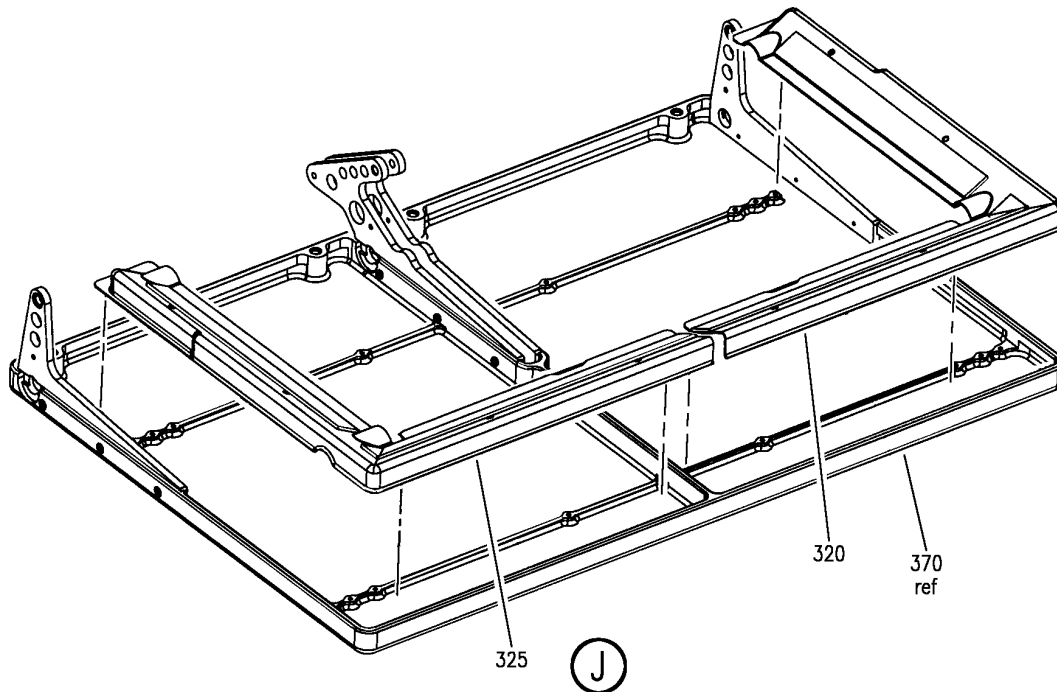
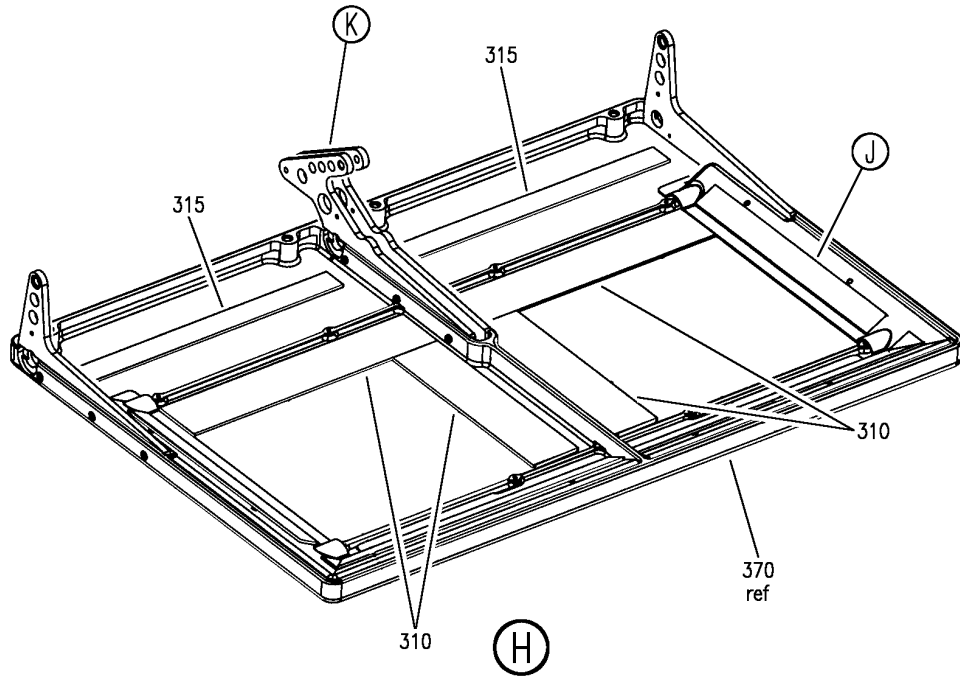
CORE ASSY-ATTENDANT SEAT DBL WALL- MOUNTED JAR-OPS AFT FACING
 FIGURE 85Z (SHEET 4)

25-25-12-85Z

HAP
 OCT 10/07

25-25-12-85Z
 PAGE 0C

BOEING
 737-600/700/800/900
 PARTS CATALOG (MAINTENANCE)



E 25251285Z SHT 5 REV 13Z

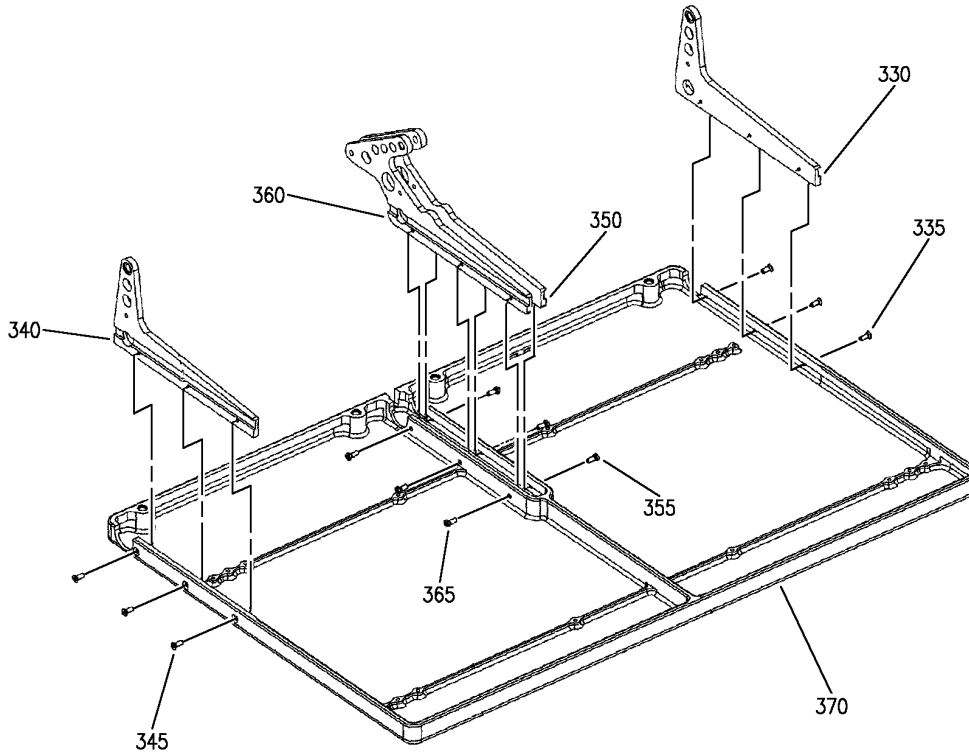
CORE ASSY-ATTENDANT SEAT DBL WALL- MOUNTED JAR-OPS AFT FACING
 FIGURE 85Z (SHEET 5)

25-25-12-85Z

HAP
 OCT 10/07

25-25-12-85Z
 PAGE 0D

BOEING
737-600/700/800/900
PARTS CATALOG (MAINTENANCE)



(K)

E 25251285Z SH1 6 REV 132

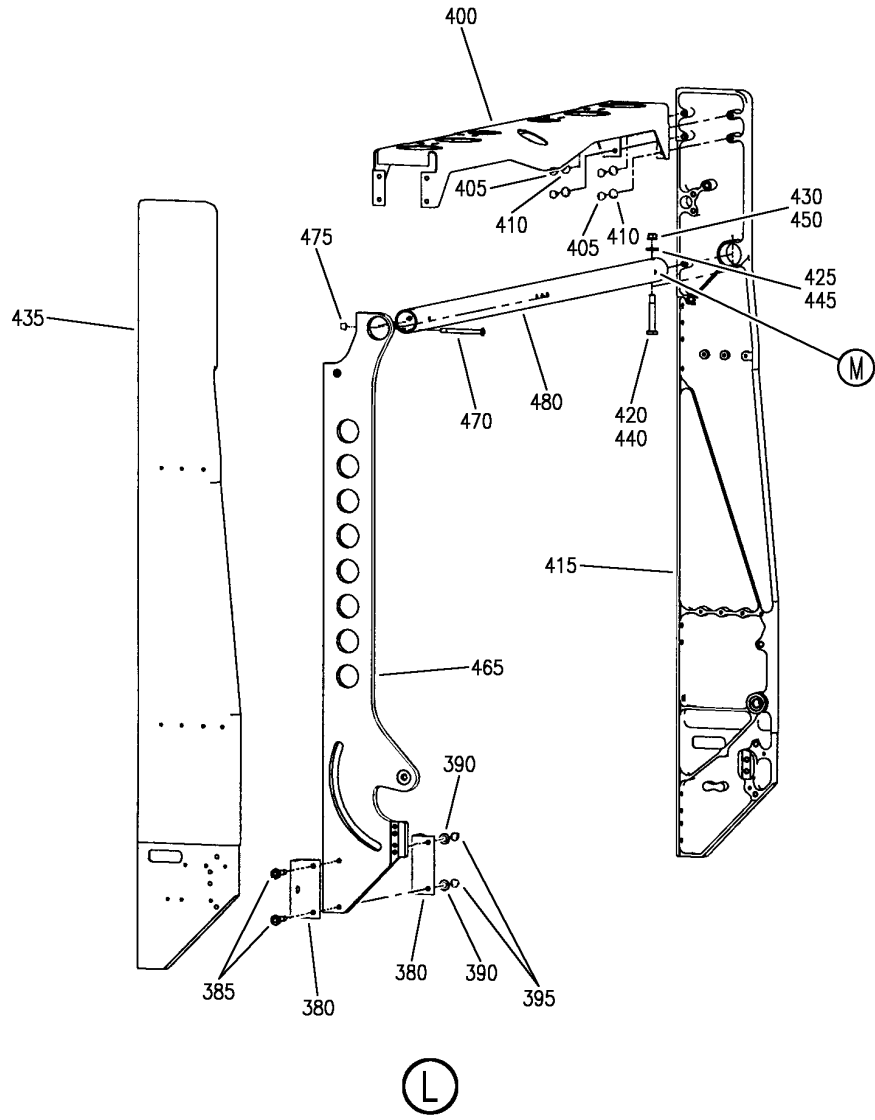
CORE ASSY-ATTENDANT SEAT DBL WALL- MOUNTED JAR-OPS AFT FACING
FIGURE 85Z (SHEET 6)

25-25-12-85Z

HAP
OCT 10/07

25-25-12-85Z
PAGE 0E

BOEING
 737-600/700/800/900
 PARTS CATALOG (MAINTENANCE)



E 25251285Z SH1 7 REV 132

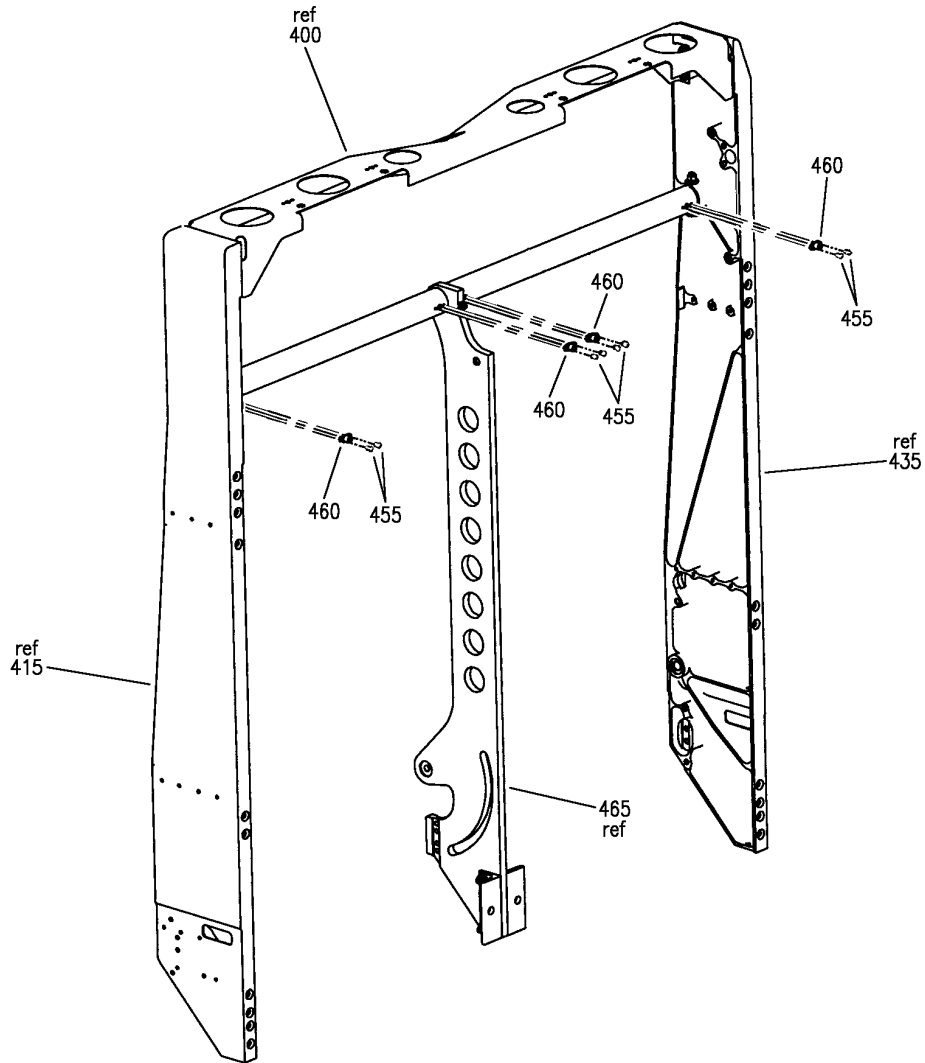
CORE ASSY-ATTENDANT SEAT DBL WALL- MOUNTED JAR-OPS AFT FACING
 FIGURE 85Z (SHEET 7)

25-25-12-85Z

HAP
 OCT 10/07

25-25-12-85Z
 PAGE OF

BOEING
737-600/700/800/900
PARTS CATALOG (MAINTENANCE)



(M)

E 25251285Z SH 8 REV 132

CORE ASSY-ATTENDANT SEAT DBL WALL- MOUNTED JAR-OPS AFT FACING
FIGURE 85Z (SHEET 8)

25-25-12-85Z

HAP
OCT 10/07

25-25-12-85Z
PAGE 0G

BOEING
737-600/700/800/900
PARTS CATALOG (MAINTENANCE)

FIG ITEM	PART NUMBER	1 2 3 4 5 6 7	NOMENCLATURE	EFFECT FROM TO	UNITS PER ASSY
85Z			CORE ASSY-ATTENDANT SEAT DBL WALL- MOUNTED JAR-OPS AFT FACING	101200 968999	
- 1	2110-2AMJ		CORE ASSY-ATTENDANT LAV D DBL WALL- MOUNTED JAR-OPS SEAT AFT FACING SUPPLIER CODE: V31218 FOR NHA SEE: 25-25-12-73B	101200 968999	RF
5	2D1040-1		.BRACKET-MTG SUPPLIER CODE: V31218	101200 968999	4
10	NAS1203-4		ATTACHING PARTS .BOLT	101200 968999	8
15	NAS1149F0332P		.WASHER	101200 968999	8
20	MS21042-3		.NUT	101200 968999	8
25	2D2027-5		-----*----- .COVER ASSY-TORSION SPR SUPPLIER CODE: V31218	101200 968999	2
30	SJ3526GRY1ADH		..HOOK-ADH VELCRO GRAY SUPPLIER CODE: V5J466 CONFIG CHG DATA FROM A CMM: REPLD BY SJ3526BLK1ADH	101200 968999	AR
30	SJ3526BLK1ADH		..HOOK-ADH VELCRO BLK SUPPLIER CODE: V5J466 CONFIG CHG DATA FROM A CMM: REPLS SJ3526GRY1ADH	101200 968999	AR
35	SJ3527GRY1ADH		..LOOP-ADH VELCRO GRAY SUPPLIER CODE: V5J466 CONFIG CHG DATA FROM A CMM: REPLD BY SJ3527BLK1ADH	101200 968999	AR
35	SJ3527BLK1ADH		..LOOP-ADH VELCRO BLACK SUPPLIER CODE: V5J466 CONFIG CHG DATA FROM A CMM: REPLS SJ3527GRY1ADH	101200 968999	AR
40	2D2022-3		.LOCK-TORSION SPR SUPPLIER CODE: V31218	101200 968999	2

MISSING ITEM NUMBERS NOT APPLICABLE

- ITEM NOT ILLUSTRATED

HAP

25-25-12-85Z

BOEING PROPRIETARY - Copyright © - Unpublished Work - See title page for details.

25-25-12
FIG. 85Z
PAGE 1
OCT 15/08

BOEING
737-600/700/800/900
PARTS CATALOG (MAINTENANCE)

FIG ITEM	PART NUMBER	1 2 3 4 5 6 7	NOMENCLATURE	EFFECT FROM TO	UNITS PER ASSY
85Z			ATTACHING PARTS		
45	NAS6203-5		.BOLT	101200 968999	2
50	NAS1149F0332P		.WASHER	101200 968999	2
			-----*-----		
55	2D2023-7		.SPRING-TORSION FLAT SUPPLIER CODE: V31218	101200 968999	2
			ATTACHING PARTS		
60	NAS1202-7		.BOLT	101200 968999	2
			-----*-----		
65	2D2019-5		.ANCHOR-SPR SUPPLIER CODE: V31218	101200 968999	2
70	NAS6203-13		.BOLT	101200 968999	4
75	NAS623-2-13		.SCREW- CONFIG CHG DATA FROM A CMM: REPLD BY NAS623-2-14	101200 968999	4
75	NAS623-2-14		.SCREW- CONFIG CHG DATA FROM A CMM: REPLS NAS623-2-13	101200 968999	4
80	NAS1149F0363P		.WASHER	101200 968999	4
85	AN960-8		.WASHER	101200 968999	4
90	MS21042-3		.NUT	101200 968999	4
95	MS21042-08		.NUT- CONFIG CHG DATA FROM A CMM: REPLD BY 22K1-82	101200 968999	4
95	22K1-82		.NUT-CAP METAL SUPPLIER CODE: V72962 CONFIG CHG DATA FROM A CMM: REPLS MS21042-08	101200 968999	4
100	2110-23AMJ		.BACK ASSY- SUPPLIER CODE: V31218 POSITION DATA: LWR	101200 968999	2
105	2D3017-1		..PIVOT-BACK SUPPLIER CODE: V31218 POSITION DATA: UPR LWR	101200 968999	2

MISSING ITEM NUMBERS NOT APPLICABLE

— ITEM NOT ILLUSTRATED

HAP

25-25-12-85Z

BOEING PROPRIETARY - Copyright © - Unpublished Work - See title page for details.

25-25-12
FIG. 85Z
PAGE 2
OCT 15/08

BOEING
737-600/700/800/900
PARTS CATALOG (MAINTENANCE)

FIG ITEM	PART NUMBER	1 2 3 4 5 6 7	NOMENCLATURE	EFFECT FROM TO	UNITS PER ASSY
85Z 110	2D3015-1 KNOB-RELEASE SUPPLIER CODE: V31218 ATTACHING PARTS	101200 968999	2
115	NAS601-12P SCREW	101200 968999	2
120	C0240-020-0880M	..	-----*----- .. SPRING- SUPPLIER CODE: V77535	101200 968999	2
125	2D3018-11 TUBE-BACK SUPPLIER CODE: V31218 POSITION DATA: UPR LWR ATTACHING PARTS	101200 968999	1
130	AD42BS RIVET- SUPPLIER CODE: V6R744 -----*-----	101200 968999	6
135	SJ3526GRY1ADH HOOK-ADH VELCRO GRAY SUPPLIER CODE: V5J466 CONFIG CHG DATA FROM A CMM: REPLD BY SJ3526BLK1ADH	101200 968999	AR
135	SJ3526BLK1ADH HOOK-ADH VELCRO BLACK SUPPLIER CODE: V5J466 CONFIG CHG DATA FROM A CMM: REPLS SJ3526GRY1ADH ATTACHING PARTS	101200 968999	AR
140	AD42BS RIVET- SUPPLIER CODE: V6R744 -----*-----	101200 968999	2
145	2D3046-3 BRACE- SUPPLIER CODE: V31218 ATTACHING PARTS	101200 968999	1
150	AD42BS RIVET- SUPPLIER CODE: V6R744 -----*-----	101200 968999	2
155	2D3022-9 PAN-BACK SUPPLIER CODE: V31218 POSITION DATA: LWR	101200 968999	1

MISSING ITEM NUMBERS NOT APPLICABLE

— ITEM NOT ILLUSTRATED

HAP

25-25-12-85Z

BOEING PROPRIETARY - Copyright © - Unpublished Work - See title page for details.

25-25-12
FIG. 85Z
PAGE 3
OCT 15/08

BOEING
737-600/700/800/900
PARTS CATALOG (MAINTENANCE)

FIG ITEM	PART NUMBER	1 2 3 4 5 6 7	NOMENCLATURE	EFFECT FROM TO	UNITS PER ASSY
85Z 160	2D3013-11		.LINK-BACK SUPPLIER CODE: V31218 POSITION DATA: UPR ATTACHING PARTS	101200 968999	1
165	NAS623-3-3		.SCREW	101200 968999	1
170	NAS77-3-016		-----*----- .BUSHING	101200 968999	1
175	2D3013-2		.LINK-BACK SUPPLIER CODE: V31218 POSITION DATA: UPR ATTACHING PARTS	101200 968999	1
180	NAS623-3-3		.SCREW	101200 968999	1
185	NAS77-3-016		-----*----- .BUSHING	101200 968999	1
190	2D3013-3		.LINK-BACK SUPPLIER CODE: V31218 POSITION DATA: UPR ATTACHING PARTS	101200 968999	2
195	NAS623-3-13		.SCREW	101200 968999	1
200	NAS1149F0563P		.WASHER	101200 968999	2
205	NAS1149F0532P		.WASHER	101200 968999	2
210	NAS1149F0332P		.WASHER	101200 968999	1
215	MS21042-3		.NUT	101200 968999	1
220	NAS77-3-025		-----*----- .BUSHING	101200 968999	2
225	2D3012-1AMJ		.ATTACH-BACK SUPPLIER CODE: V31218 POSITION DATA: LWR	101200 968999	2
230	2D2015-1		.STOP-SEAT PAN SUPPLIER CODE: V31218	101200 968999	2

MISSING ITEM NUMBERS NOT APPLICABLE

— ITEM NOT ILLUSTRATED

HAP

25-25-12-85Z

BOEING PROPRIETARY - Copyright © - Unpublished Work - See title page for details.

25-25-12
FIG. 85Z
PAGE 4
OCT 15/08

BOEING
737-600/700/800/900
PARTS CATALOG (MAINTENANCE)

FIG ITEM	PART NUMBER	1 2 3 4 5 6 7	NOMENCLATURE	EFFECT FROM TO	UNITS PER ASSY
85Z 235	2D2013-3		.PIVOT-BACK SUPPLIER CODE: V31218 POSITION DATA: LWR	101200 968999	2
240	8L5-1-2F		.NYLINER-FLANGED SUPPLIER CODE: V96881	101200 968999	4
245	2D2016-1		.BUSHING-PIVOT SUPPLIER CODE: V31218	101200 968999	2
250	2D2013-1		.PIVOT-BACK SUPPLIER CODE: V31218 POSITION DATA: LWR	101200 968999	2
255	NAS75-3-024		.BUSHING	101200 968999	1
260	NAS6203-15		ATTACHING PARTS .BOLT	101200 968999	1
265	NAS1149F0363P		.WASHER	101200 968999	1
270	MS21042-3		.NUT	101200 968999	1
275	2D2018-1		-----*----- .BUSHING-ANCHOR SEAT PAN SUPPLIER CODE: V31218 ATTACHING PARTS	101200 968999	2
280	MS21262-37		.SCREW	101200 968999	2
285	2D2020-5		-----*----- .BUSHING-SEAT PAN SUPPLIER CODE: V31218 ATTACHING PARTS	101200 968999	2
290	MS21262-64		.SCREW	101200 968999	1
295	MS21042-4		.NUT	101200 968999	1
300	MS16555-21		-----*----- .PIN	101200 968999	4
305	2110-24AMJ		.PAN ASSY-SEAT SUPPLIER CODE: V31218	101200 968999	1

MISSING ITEM NUMBERS NOT APPLICABLE

— ITEM NOT ILLUSTRATED

HAP

25-25-12-85Z

BOEING PROPRIETARY - Copyright © - Unpublished Work - See title page for details.

25-25-12
FIG. 85Z
PAGE 5
OCT 15/08

BOEING
737-600/700/800/900
PARTS CATALOG (MAINTENANCE)

FIG ITEM	PART NUMBER	1 2 3 4 5 6 7	NOMENCLATURE	EFFECT FROM TO	UNITS PER ASSY
85Z 310	SJ3526GRY2ADH	..	HOOK-ADH VELCRO GRAY SUPPLIER CODE: V5J466 CONFIG CHG DATA FROM A CMM: REPLD BY SJ3526BLK2ADH	101200 968999	AR
310	SJ3526BLK2ADH	..	HOOK-ADH VELCRO BLACK SUPPLIER CODE: V5J466 CONFIG CHG DATA FROM A CMM: REPLS SJ3526GRY2ADH	101200 968999	AR
315	SJ3526GRY1ADH	..	HOOK-ADH VELCRO GRAY SUPPLIER CODE: V5J466 CONFIG CHG DATA FROM A CMM: REPLD BY SJ3526BLK1ADH	101200 968999	AR
315	SJ3526BLK1ADH	..	HOOK-ADH VELCRO BLACK SUPPLIER CODE: V5J466 CONFIG CHG DATA FROM A CMM: REPLS SJ3526GRY1ADH	101200 968999	AR
320	2D2025-11	..	FILLER-SEAT PAN SUPPLIER CODE: V31218	101200 968999	1
325	2D2025-12	..	FILLER-SEAT PAN SUPPLIER CODE: V31218	101200 968999	1
330	2D2011-1AMJ	..	LEVER-SEAT PAN SUPPLIER CODE: V31218 POSITION DATA: OUTBD ATTACHING PARTS	101200 968999	1
335	MS24694S3	..	SCREW	101200 968999	3
340	2D2011-2AMJ	..	LEVER-SEAT PAN SUPPLIER CODE: V31218 POSITION DATA: OUTBD ATTACHING PARTS	101200 968999	1
345	MS24694S3	..	SCREW	101200 968999	3
350	2D2012-3AMJ	..	LEVER-SEAT PAN SUPPLIER CODE: V31218 POSITION DATA: INBD	101200 968999	1

MISSING ITEM NUMBERS NOT APPLICABLE

— ITEM NOT ILLUSTRATED

HAP

25-25-12-85Z

BOEING PROPRIETARY - Copyright © - Unpublished Work - See title page for details.

25-25-12
FIG. 85Z
PAGE 6
OCT 15/08

BOEING
737-600/700/800/900
PARTS CATALOG (MAINTENANCE)

FIG ITEM	PART NUMBER	1 2 3 4 5 6 7	NOMENCLATURE	EFFECT FROM TO	UNITS PER ASSY
85Z			ATTACHING PARTS		
355	NAS1096-2-6	..	SCREW	101200 968999	3
			-----*-----		
360	2D2012-1AMJ	..	LEVER-SEAT PAN SUPPLIER CODE: V31218 POSITION DATA: INBD	101200 968999	1
			ATTACHING PARTS		
365	NAS1096-2-6	..	SCREW	101200 968999	3
			-----*-----		
370	2D2021-1AMJ	..	PAN-SEAT SUPPLIER CODE: V31218	101200 968999	1
375	2110-10AMJ	.BASE	ASSY-NARROW DBL SUPPLIER CODE: V31218	101200 968999	1
380	2D1062-1AMJ	..	BRACKET-SPRT SUPPLIER CODE: V31218 POSITION DATA: CTR	101200 968999	2
			ATTACHING PARTS		
385	NAS6203-11	..	BOLT	101200 968999	2
390	NAS1149F0363P	..	WASHER	101200 968999	2
395	MS21042-3	..	NUT	101200 968999	2
			-----*-----		
400	2D1038-1AMJ	..	MEMBER-CROSS SUPPLIER CODE: V31218 POSITION DATA: TOP	101200 968999	1
			ATTACHING PARTS		
405	NAS623-2-1	..	SCREW	101200 968999	8
410	NAS1149FN832P	..	WASHER	101200 968999	8
			-----*-----		
415	2D1024-1AMJ	..	PANEL- SUPPLIER CODE: V31218 POSITION DATA: SIDE	101200 968999	1

MISSING ITEM NUMBERS NOT APPLICABLE

— ITEM NOT ILLUSTRATED

HAP

25-25-12-85Z

BOEING PROPRIETARY - Copyright © - Unpublished Work - See title page for details.

25-25-12
FIG. 85Z
PAGE 7
OCT 15/08

BOEING
737-600/700/800/900
PARTS CATALOG (MAINTENANCE)

FIG ITEM	PART NUMBER	1 2 3 4 5 6 7	NOMENCLATURE	EFFECT FROM TO	UNITS PER ASSY
85Z			ATTACHING PARTS		
420	NAS6204-19	..	BOLT	101200 968999	1
425	NAS1149F0463P	..	WASHER	101200 968999	1
430	MS21042-4	..	NUT	101200 968999	1
			-----*-----		
435	2D1024-2AMJ	..	PANEL- SUPPLIER CODE: V31218 POSITION DATA: SIDE ATTACHING PARTS	101200 968999	1
440	NAS6204-19	..	BOLT	101200 968999	1
445	NAS1149F0463P	..	WASHER	101200 968999	1
450	MS21042-4	..	NUT	101200 968999	1
			-----*-----		
455	SD32BS	..	RIVET-POP SUPPLIER CODE: V6R744	101200 968999	8
460	MS21069L08	..	NUTPLATE	101200 968999	4
465	2D1036-1AMJ	..	SUPPORT- SUPPLIER CODE: V31218 POSITION DATA: CTR ATTACHING PARTS	101200 968999	1
470	NAS623-2-26	..	SCREW	101200 968999	1
475	MS21042-08	..	NUT	101200 968999	1
			-----*-----		
480	2D1039-1AMJ	..	TUBE-CROSS BACK SUPPLIER CODE: V31218 POSITION DATA: UPR	101200 968999	1

MISSING ITEM NUMBERS NOT APPLICABLE

— ITEM NOT ILLUSTRATED

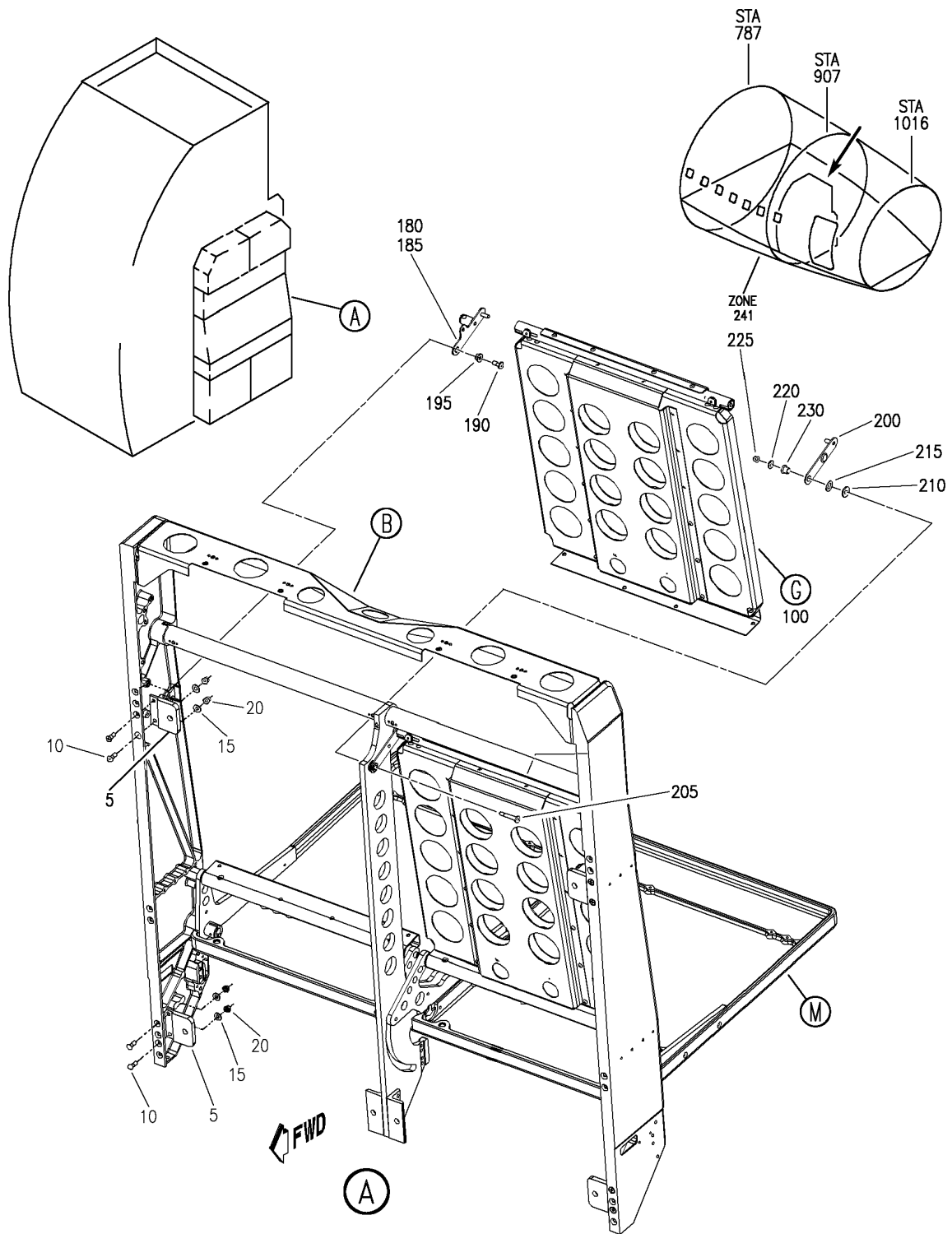
HAP

25-25-12-85Z

BOEING PROPRIETARY - Copyright © - Unpublished Work - See title page for details.

25-25-12
FIG. 85Z
PAGE 8
OCT 15/08

BOEING
 737-600/700/800/900
 PARTS CATALOG (MAINTENANCE)



E 25251286T SH1 1 REV 148

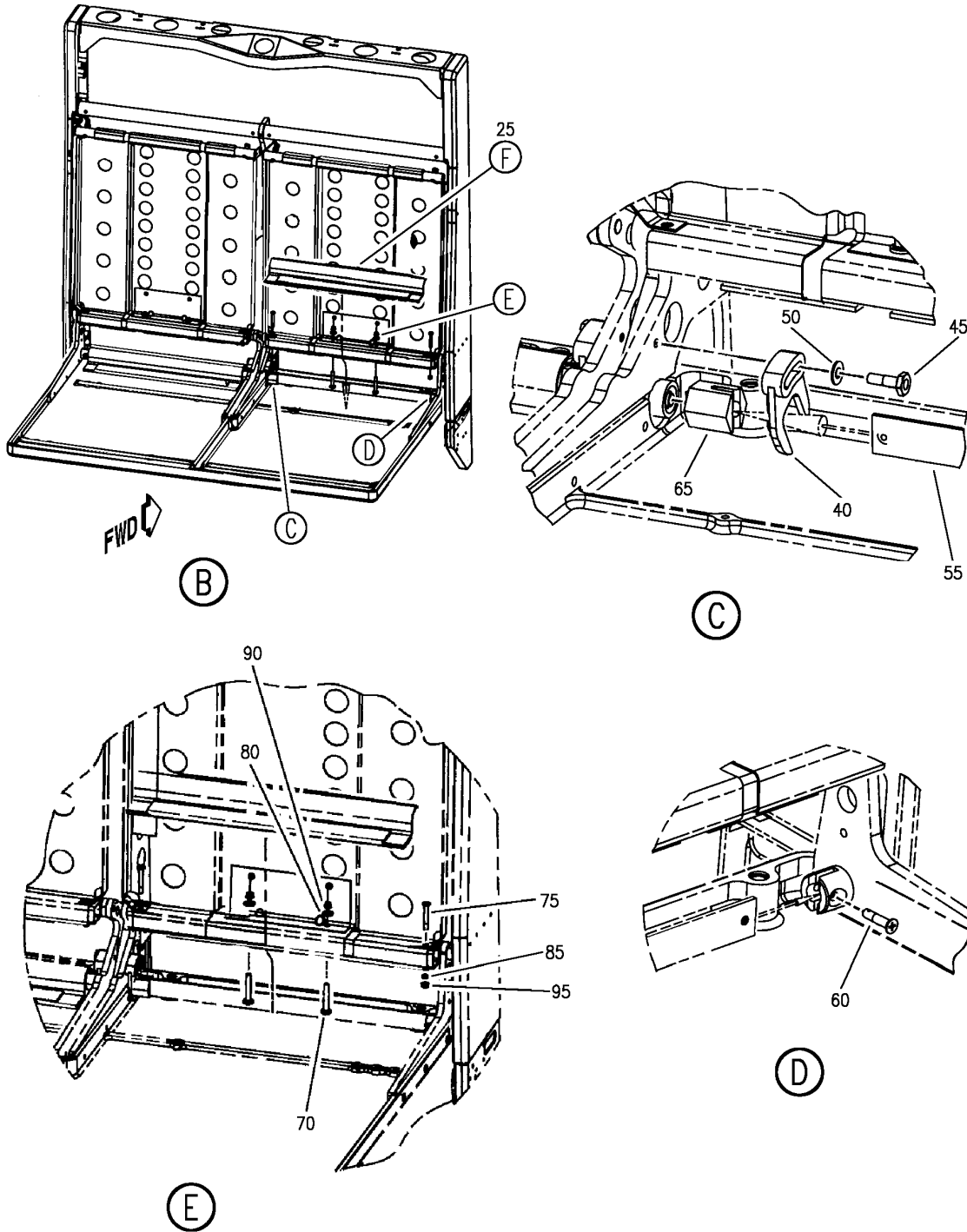
CORE ASSY-ATTENDANT SEAT DBL WALL-MOUNTED JAR-OPS AFT FACING
 FIGURE 86T (SHEET 1)

25-25-12-86T

HAP
 FEB 15/09

25-25-12-86T
 PAGE 0

BOEING
 737-600/700/800/900
 PARTS CATALOG (MAINTENANCE)



E 25251286T SHT 2 REV 148

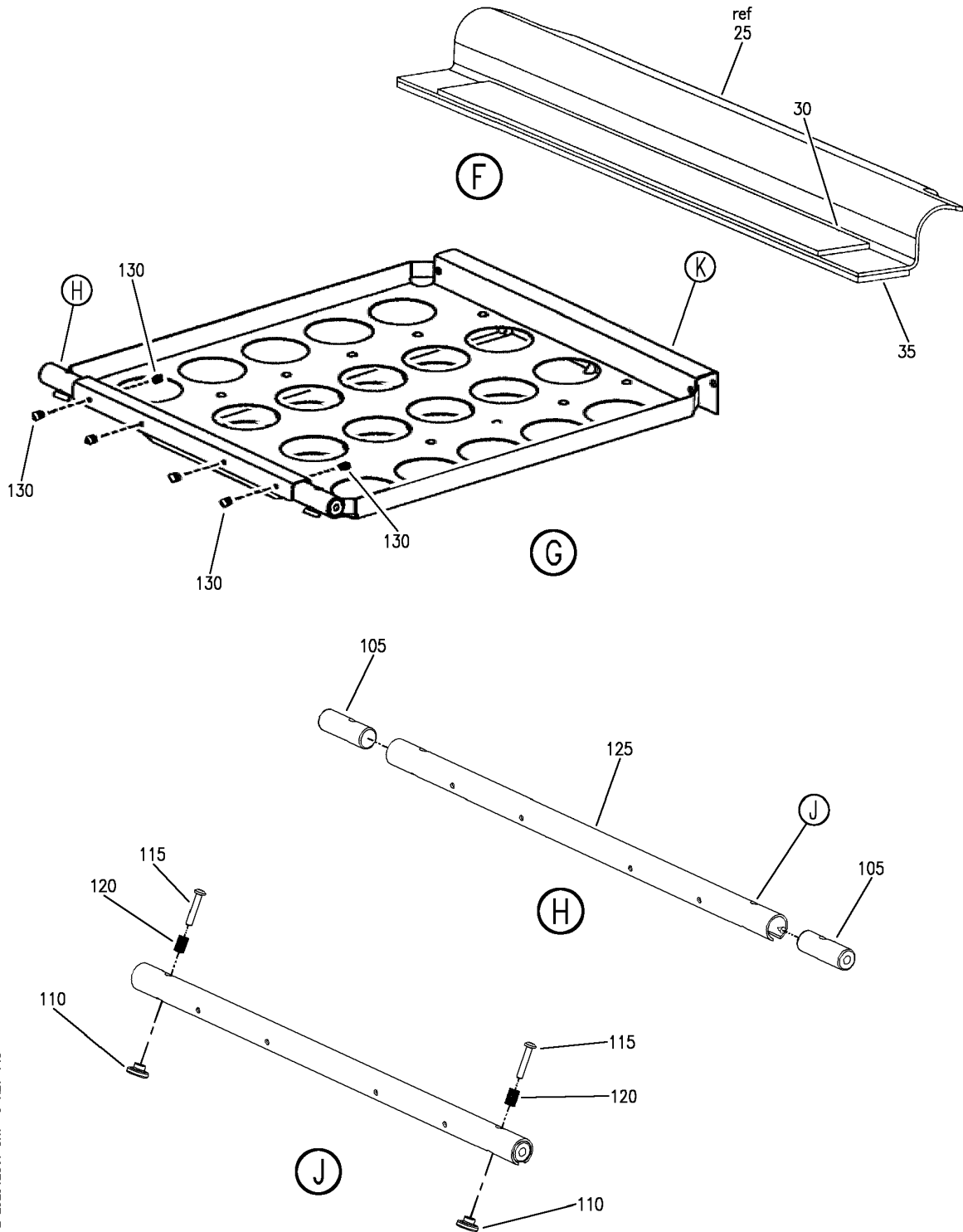
CORE ASSY-ATTENDANT SEAT DBL WALL-MOUNTED JAR-OPS AFT FACING
 FIGURE 86T (SHEET 2)

25-25-12-86T

HAP
 FEB 15/09

25-25-12-86T
 PAGE 0A

BOEING
 737-600/700/800/900
 PARTS CATALOG (MAINTENANCE)



E 25251286T SH1 3 REV 148

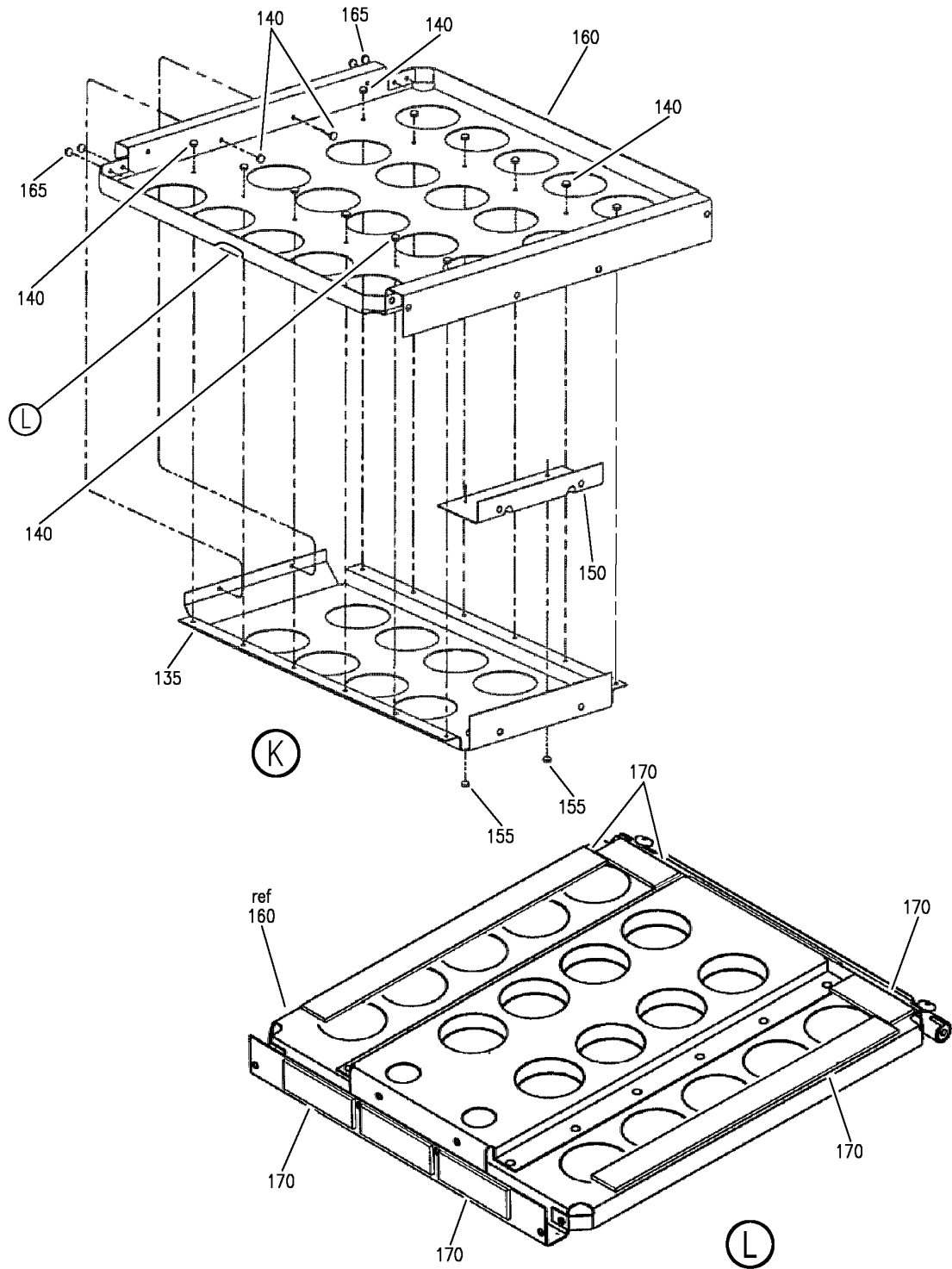
CORE ASSY-ATTENDANT SEAT DBL WALL-MOUNTED JAR-OPS AFT FACING
 FIGURE 86T (SHEET 3)

25-25-12-86T

HAP
 FEB 15/09

25-25-12-86T
 PAGE 0B

BOEING
 737-600/700/800/900
 PARTS CATALOG (MAINTENANCE)



E 25251286T SHT 4 REV 148

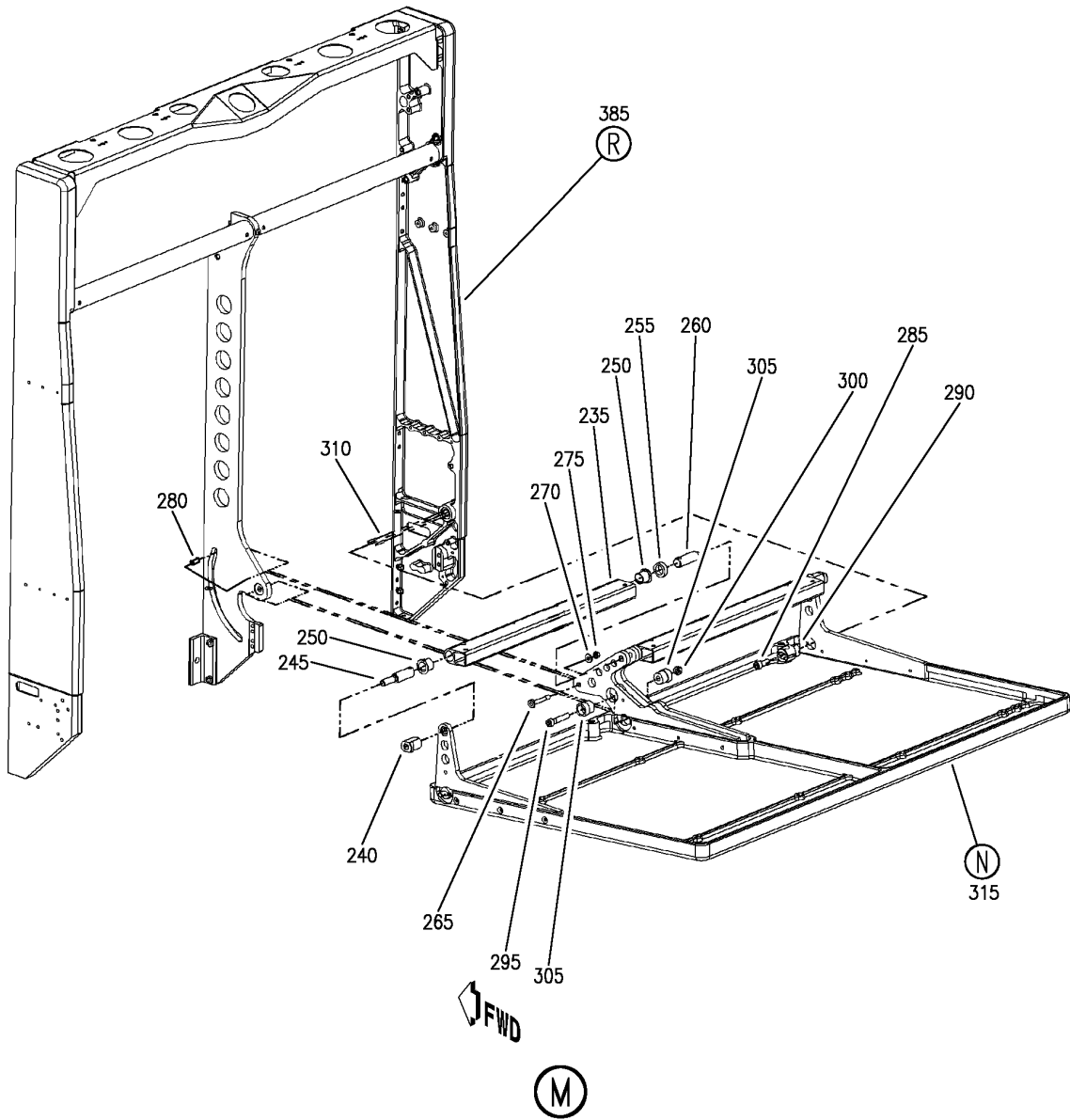
CORE ASSY-ATTENDANT SEAT DBL WALL-MOUNTED JAR-OPS AFT FACING
 FIGURE 86T (SHEET 4)

25-25-12-86T

HAP
 FEB 15/09

25-25-12-86T
 PAGE 0C

BOEING
 737-600/700/800/900
 PARTS CATALOG (MAINTENANCE)



E 25251286T SH1 5 REV 148

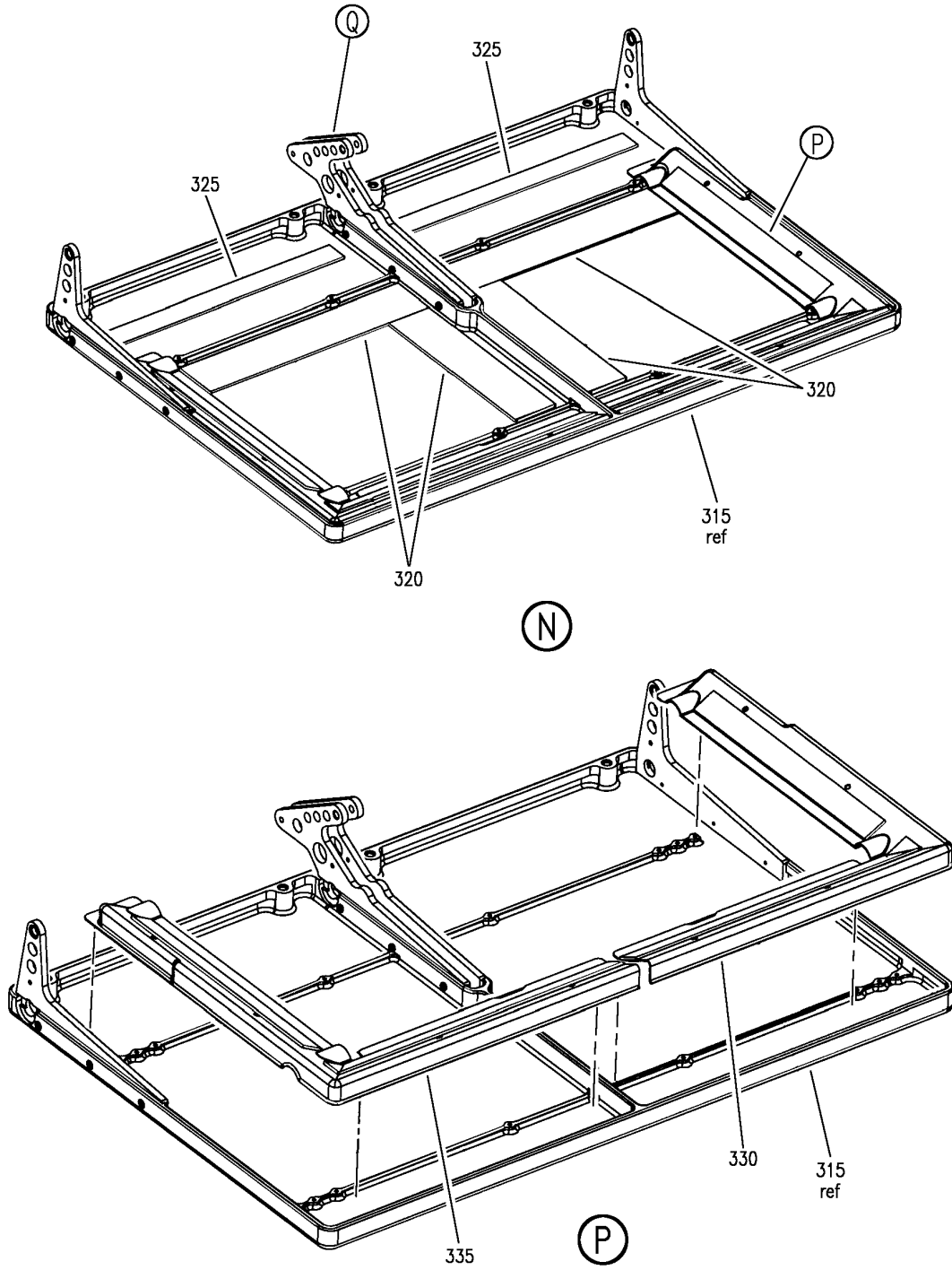
CORE ASSY-ATTENDANT SEAT DBL WALL-MOUNTED JAR-OPS AFT FACING
 FIGURE 86T (SHEET 5)

25-25-12-86T

HAP
 FEB 15/09

25-25-12-86T
 PAGE 0D

BOEING
 737-600/700/800/900
 PARTS CATALOG (MAINTENANCE)



E 25251286T SH1 6 REV 148

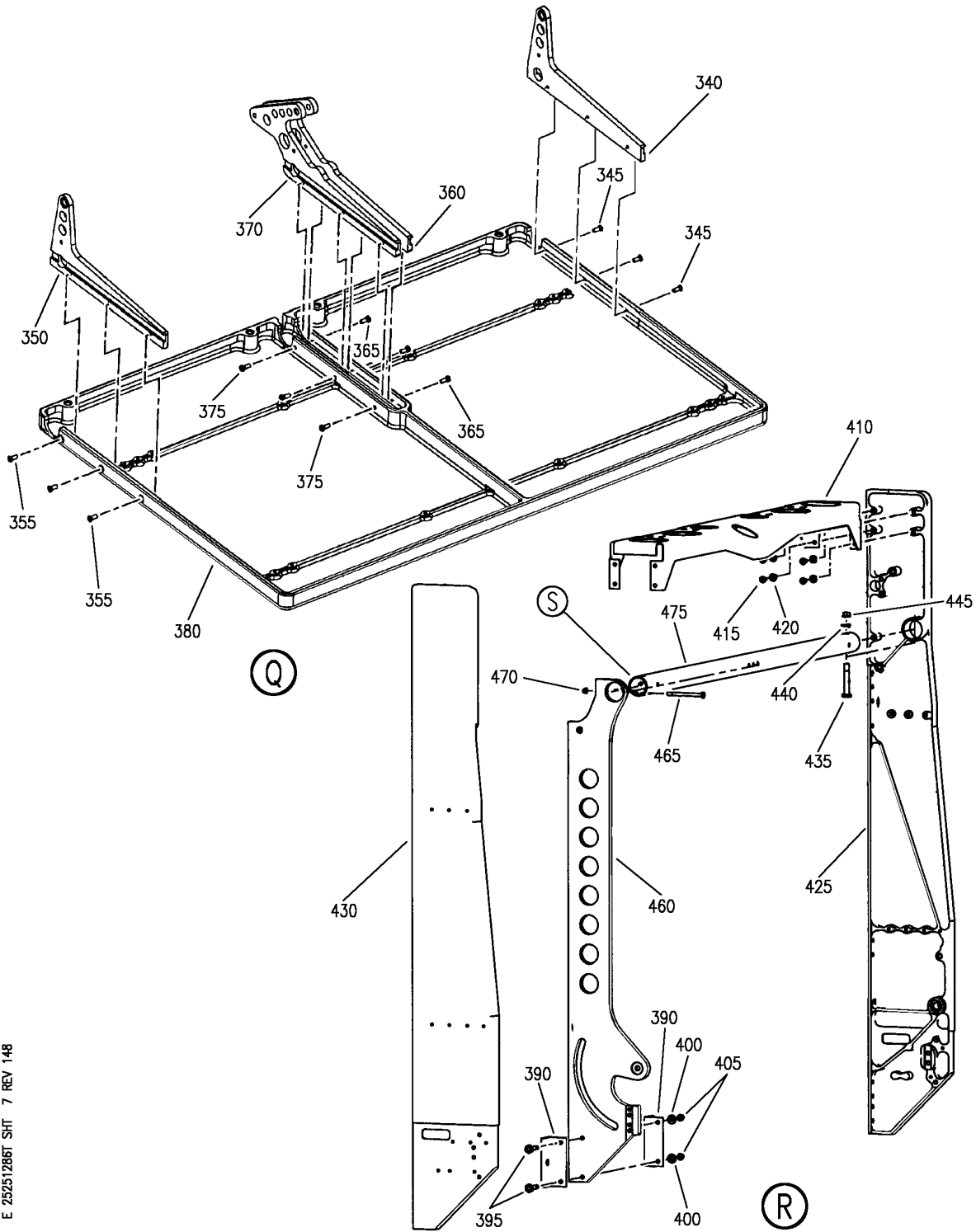
CORE ASSY-ATTENDANT SEAT DBL WALL-MOUNTED JAR-OPS AFT FACING
 FIGURE 86T (SHEET 6)

25-25-12-86T

HAP
 FEB 15/09

25-25-12-86T
 PAGE 0E

BOEING
 737-600/700/800/900
 PARTS CATALOG (MAINTENANCE)



E 25251286T SH7 7 REV 148

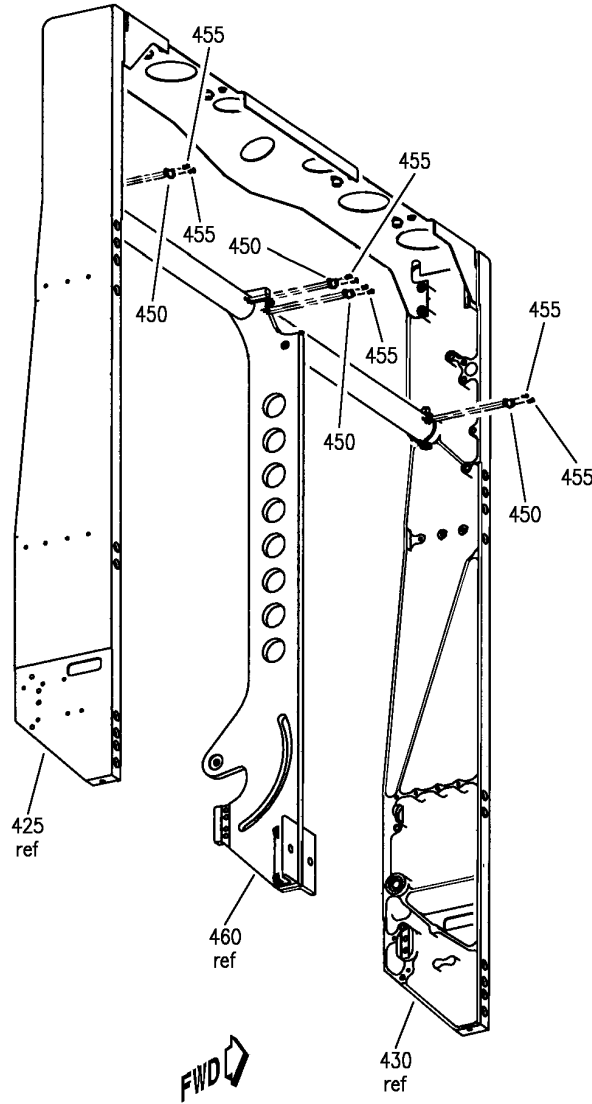
CORE ASSY-ATTENDANT SEAT DBL WALL-MOUNTED JAR-OPS AFT FACING
 FIGURE 86T (SHEET 7)

25-25-12-86T

HAP
 FEB 15/09

25-25-12-86T
 PAGE OF

BOEING
 737-600/700/800/900
 PARTS CATALOG (MAINTENANCE)



VIEW LOOKING UP



E 25251286T SH 8 REV 148

CORE ASSY-ATTENDANT SEAT DBL WALL-MOUNTED JAR-OPS AFT FACING
 FIGURE 86T (SHEET 8)

25-25-12-86T

HAP
 FEB 15/09

25-25-12-86T
 PAGE 0G

BOEING
737-600/700/800/900
PARTS CATALOG (MAINTENANCE)

FIG ITEM	PART NUMBER	1 2 3 4 5 6 7	NOMENCLATURE	EFFECT FROM TO	UNITS PER ASSY
86T			CORE ASSY-ATTENDANT SEAT DBL WALL-MOUNTED JAR-OPS AFT FACING	101106 968999	
- 1	2110-6AMJ		CORE ASSY-ATTENDANT LAV D DBL WALL-MOUNTED SEAT AFT FACING SUPPLIER CODE: V31218 FOR NHA SEE: 25-25-12-73B	101106 968999	RF
5	2D1040-1		.BRACKET-MTG SUPPLIER CODE: V31218	101106 968999	4
10	NAS1203-4		ATTACHING PARTS .BOLT	101106 968999	8
15	NAS1149F0332P		.WASHER	101106 968999	8
20	MS21042-3		.NUT	101106 968999	8
25	2D2027-5		-----*----- .COVER ASSY-TORSION SPR SUPPLIER CODE: V31218	101106 968999	2
30	SJ3526GRY1ADH		..HOOK-ADHESIVE VELCRO GRAY SUPPLIER CODE: V5J466 CONFIG CHG DATA FROM A CMM: REPLD BY SJ3526BLK1ADH	101106 968999	AR
30	SJ3526BLK1ADH		..HOOK-ADHESIVE VELCRO BLACK SUPPLIER CODE: V5J466 CONFIG CHG DATA FROM A CMM: REPLS SJ3526GRY1ADH	101106 968999	AR
35	SJ3527GRY1ADH		..LOOP-ADHESIVE VELCRO GRAY SUPPLIER CODE: V5J466 CONFIG CHG DATA FROM A CMM: REPLD BY SJ3527BLK1ADH	101106 968999	AR
35	SJ3527BLK1ADH		..LOOP-ADHESIVE VELCRO BLACK SUPPLIER CODE: V5J466 CONFIG CHG DATA FROM A CMM: REPLS SJ3527GRY1ADH	101106 968999	AR
40	2D2022-3		.LOCK-TORSION SPR SUPPLIER CODE: V31218	101106 968999	2

MISSING ITEM NUMBERS NOT APPLICABLE

- ITEM NOT ILLUSTRATED

HAP

25-25-12-86T

BOEING PROPRIETARY - Copyright © - Unpublished Work - See title page for details.

25-25-12
FIG. 86T
PAGE 1
FEB 15/09

BOEING
737-600/700/800/900
PARTS CATALOG (MAINTENANCE)

FIG ITEM	PART NUMBER	1 2 3 4 5 6 7	NOMENCLATURE	EFFECT FROM TO	UNITS PER ASSY
86T			ATTACHING PARTS		
45	NAS6203-5		.BOLT	101106 968999	2
50	NAS1149F0332P		.WASHER	101106 968999	2
			-----*-----		
55	2D2023-7		.SPRING-TORSION FLAT SUPPLIER CODE: V31218	101106 968999	2
			ATTACHING PARTS		
60	NAS1202-7		.BOLT	101106 968999	2
			-----*-----		
65	2D2019-5		.ANCHOR-SPR SUPPLIER CODE: V31218	101106 968999	2
70	NAS6203-13		.BOLT	101106 968999	4
75	NAS623-2-14		.SCREW	101106 968999	4
80	NAS1149F0363P		.WASHER	101106 968999	4
85	AN960-8		.WASHER	101106 968999	4
90	MS21042-3		.NUT	101106 968999	4
95	22K1-82		.NUT-CAP METAL SUPPLIER CODE: V72962	101106 968999	4
100	2110-25AMJ		.BACK ASSY- SUPPLIER CODE: V31218 POSITION DATA: LWR	101106 968999	2
105	2D3017-3		..PIVOT- SUPPLIER CODE: V31218 POSITION DATA: UPR	101106 968999	2
110	2D3015-3		..KNOB-RELEASE SUPPLIER CODE: V31218	101106 968999	2
			ATTACHING PARTS		
115	NAS601-12P		..SCREW	101106 968999	2
			-----*-----		
120	C0240-020-0880M		..SPRING- SUPPLIER CODE: V77535	101106 968999	2

MISSING ITEM NUMBERS NOT APPLICABLE

— ITEM NOT ILLUSTRATED

HAP

25-25-12-86T

BOEING PROPRIETARY - Copyright © - Unpublished Work - See title page for details.

25-25-12
FIG. 86T
PAGE 2
FEB 15/09

BOEING
737-600/700/800/900
PARTS CATALOG (MAINTENANCE)

FIG ITEM	PART NUMBER	1 2 3 4 5 6 7	NOMENCLATURE	EFFECT FROM TO	UNITS PER ASSY
86T 125	2D3018-15		..TUBE- SUPPLIER CODE: V31218 POSITION DATA: UPR ATTACHING PARTS	101106 968999	1
130	MS20600M4W2		..RIVET	101106 968999	6
135	2D3022-15		-----*----- ..GUSSET- SUPPLIER CODE: V31218 ATTACHING PARTS	101106 968999	1
140	MS20470AD44		..RIVET	101106 968999	14
150	2D3046-3		-----*----- ..BRACE- SUPPLIER CODE: V31218 ATTACHING PARTS	101106 968999	1
155	MS20470AD44		..RIVET	101106 968999	2
160	2D3022-13		-----*----- ..PAN- SUPPLIER CODE: V31218 ATTACHING PARTS	101106 968999	1
165	MS20426AD44		..RIVET	101106 968999	4
170	SJ3526BLK1ADH		-----*----- ..HOOK-ADHESIVE VELCRO BLACK SUPPLIER CODE: V5J466	101106 968999	AR
180	2D3013-55		.LINK-BACK SUPPLIER CODE: V31218 POSITION DATA: UPR LH	101106 968999	1
185	2D3013-52		.LINK-BACK SUPPLIER CODE: V31218 POSITION DATA: UPR RH ATTACHING PARTS	101106 968999	1
190	NAS623-3-3		.SCREW	101106 968999	2
			-----*-----		

MISSING ITEM NUMBERS NOT APPLICABLE

— ITEM NOT ILLUSTRATED

HAP

25-25-12-86T

BOEING PROPRIETARY - Copyright © - Unpublished Work - See title page for details.

25-25-12
FIG. 86T
PAGE 3
FEB 15/09

BOEING
737-600/700/800/900
PARTS CATALOG (MAINTENANCE)

FIG ITEM	PART NUMBER	1 2 3 4 5 6 7	NOMENCLATURE	EFFECT FROM TO	UNITS PER ASSY
86T 195	NAS77-3-016	.	BUSHING	101106 968999	2
200	2D3013-47	.	LINK-BACK SUPPLIER CODE: V31218 POSITION DATA: UPR	101106 968999	2
205	NAS623-3-13	.	SCREW	101106 968999	2
210	NAS1149F0563P	.	WASHER	101106 968999	2
215	NAS1149F0532P	.	WASHER	101106 968999	2
220	NAS1149F0332P	.	WASHER	101106 968999	2
225	MS21042-3	.	NUT	101106 968999	2
230	NAS77-3-025	.	BUSHING	101106 968999	2
235	2D3012-1AMJ	.	ATTACH-BACK SUPPLIER CODE: V31218 POSITION DATA: LWR	101106 968999	2
240	2D2015-1	.	STOP-SEAT PAN SUPPLIER CODE: V31218	101106 968999	2
245	2D2013-3	.	PIVOT-BACK SUPPLIER CODE: V31218 POSITION DATA: LWR	101106 968999	2
250	8L5-1-2F	.	NYLINER-FLANGED SUPPLIER CODE: V96881	101106 968999	4
255	2D2016-1	.	BUSHING-PIVOT SUPPLIER CODE: V31218	101106 968999	2
260	2D2013-1	.	PIVOT-BACK SUPPLIER CODE: V31218 POSITION DATA: LWR	101106 968999	2
265	NAS6203-15	.	BOLT	101106 968999	1
270	NAS1149F0363P	.	WASHER	101106 968999	1
275	MS21042-3	.	NUT	101106 968999	1

MISSING ITEM NUMBERS NOT APPLICABLE

— ITEM NOT ILLUSTRATED

HAP

25-25-12-86T

BOEING PROPRIETARY - Copyright © - Unpublished Work - See title page for details.

25-25-12
FIG. 86T
PAGE 4
FEB 15/09

BOEING
737-600/700/800/900
PARTS CATALOG (MAINTENANCE)

FIG ITEM	PART NUMBER	1 2 3 4 5 6 7	NOMENCLATURE	EFFECT FROM TO	UNITS PER ASSY
86T					
280	NAS75-3-024	.	BUSHING	101106 968999	1
285	MS21262-37	.	SCREW	101106 968999	2
290	2D2018-1	.	BUSHING-ANCHOR SEAT PAN SUPPLIER CODE: V31218	101106 968999	2
295	MS21262-64	.	SCREW	101106 968999	1
300	MS21042-4	.	NUT	101106 968999	1
305	2D2020-5	.	BUSHING-SEAT PAN SUPPLIER CODE: V31218	101106 968999	2
310	MS16555-21	.	PIN	101106 968999	4
315	2110-24AMJ	.	PAN ASSY-SEAT SUPPLIER CODE: V31218	101106 968999	1
320	SJ3526GRY2ADH	..	HOOK-ADHESIVE VELCRO GRAY SUPPLIER CODE: V5J466 CONFIG CHG DATA FROM A CMM: REPLD BY SJ3526BLK2ADH	101106 968999	AR
320	SJ3526BLK2ADH	..	HOOK-ADHESIVE VELCRO BLACK SUPPLIER CODE: V5J466 CONFIG CHG DATA FROM A CMM: REPLS SJ3526GRY2ADH	101106 968999	AR
325	SJ3526GRY1ADH	..	HOOK-ADHESIVE VELCRO GRAY SUPPLIER CODE: V5J466 CONFIG CHG DATA FROM A CMM: REPLD BY SJ3526BLK1ADH	101106 968999	AR
325	SJ3526BLK1ADH	..	HOOK-ADHESIVE VELCRO BLACK SUPPLIER CODE: V5J466 CONFIG CHG DATA FROM A CMM: REPLS SJ3526GRY1ADH	101106 968999	AR
330	2D2025-11	..	FILLER- SUPPLIER CODE: V31218	101106 968999	1
335	2D2025-12	..	FILLER- SUPPLIER CODE: V31218	101106 968999	1

MISSING ITEM NUMBERS NOT APPLICABLE

— ITEM NOT ILLUSTRATED

HAP

25-25-12-86T

BOEING PROPRIETARY - Copyright © - Unpublished Work - See title page for details.

25-25-12
FIG. 86T
PAGE 5
FEB 15/09

BOEING
737-600/700/800/900
PARTS CATALOG (MAINTENANCE)

FIG ITEM	PART NUMBER	1 2 3 4 5 6 7	NOMENCLATURE	EFFECT FROM TO	UNITS PER ASSY
86T 340	2D2011-1AMJ	..	LEVER- SUPPLIER CODE: V31218 POSITION DATA: OUTBD ATTACHING PARTS	101106 968999	1
345	MS24694S3	..	SCREW	101106 968999	3
350	2D2011-2AMJ	..	LEVER- SUPPLIER CODE: V31218 POSITION DATA: OUTBD ATTACHING PARTS	101106 968999	1
355	MS24694S3	..	SCREW	101106 968999	3
360	2D2012-3AMJ	..	LEVER- SUPPLIER CODE: V31218 POSITION DATA: INBD ATTACHING PARTS	101106 968999	1
365	NAS1096-2-6	..	SCREW	101106 968999	3
370	2D2012-1AMJ	..	LEVER- SUPPLIER CODE: V31218 POSITION DATA: INBD ATTACHING PARTS	101106 968999	1
375	NAS1096-2-6	..	SCREW	101106 968999	3
380	2D2021-1AMJ	..	PAN- SUPPLIER CODE: V31218	101106 968999	1
385	2110-10AMJ	.BASE ASSY-NARROW DBL	SUPPLIER CODE: V31218	101106 968999	1
390	2D1062-1AMJ	..	BRACKET-SPRT SUPPLIER CODE: V31218 POSITION DATA: CTR	101106 968999	2

MISSING ITEM NUMBERS NOT APPLICABLE

— ITEM NOT ILLUSTRATED

HAP

25-25-12-86T

BOEING PROPRIETARY - Copyright © - Unpublished Work - See title page for details.

25-25-12
FIG. 86T
PAGE 6
FEB 15/09

BOEING
737-600/700/800/900
PARTS CATALOG (MAINTENANCE)

FIG ITEM	PART NUMBER	1 2 3 4 5 6 7	NOMENCLATURE	EFFECT FROM TO	UNITS PER ASSY
86T			ATTACHING PARTS		
395	NAS6203-11	..	BOLT	101106 968999	2
400	NAS1149F0363P	..	WASHER	101106 968999	2
405	MS21042-3	..	NUT	101106 968999	2
410	2D1038-1AMJ	..	MEMBER-CROSS SUPPLIER CODE: V31218 POSITION DATA: TOP ATTACHING PARTS	101106 968999	1
415	NAS623-2-1	..	SCREW	101106 968999	8
420	NAS1149FN832P	..	WASHER	101106 968999	8
425	2D1024-1AMJ	..	PANEL- SUPPLIER CODE: V31218 POSITION DATA: SIDE	101106 968999	1
430	2D1024-2AMJ	..	PANEL- SUPPLIER CODE: V31218 POSITION DATA: SIDE ATTACHING PARTS	101106 968999	1
435	NAS6204-19	..	BOLT	101106 968999	2
440	NAS1149F0463P	..	WASHER	101106 968999	2
445	MS21042-4	..	NUT	101106 968999	2
450	MS21069L08	..	NUTPLATE	101106 968999	4
455	SD32BS	..	RIVET-POP SUPPLIER CODE: V07707	101106 968999	8
460	2D1036-1AMJ	..	SUPPORT- SUPPLIER CODE: V31218 POSITION DATA: CTR	101106 968999	1

MISSING ITEM NUMBERS NOT APPLICABLE

— ITEM NOT ILLUSTRATED

HAP

25-25-12-86T

BOEING PROPRIETARY - Copyright © - Unpublished Work - See title page for details.

25-25-12
FIG. 86T
PAGE 7
FEB 15/09


BOEING
 737-600/700/800/900
PARTS CATALOG (MAINTENANCE)

FIG ITEM	PART NUMBER	1 2 3 4 5 6 7	NOMENCLATURE	EFFECT FROM TO	UNITS PER ASSY
86T			ATTACHING PARTS		
465	NAS623-2-26		.. SCREW	101106 968999	1
470	MS21042-08		.. NUT	101106 968999	1
475	2D1039-1AMJ		-----*----- .. TUBE-CROSS BACK SUPPLIER CODE: V31218 POSITION DATA: UPR	101106 968999	1

MISSING ITEM NUMBERS NOT APPLICABLE

— ITEM NOT ILLUSTRATED

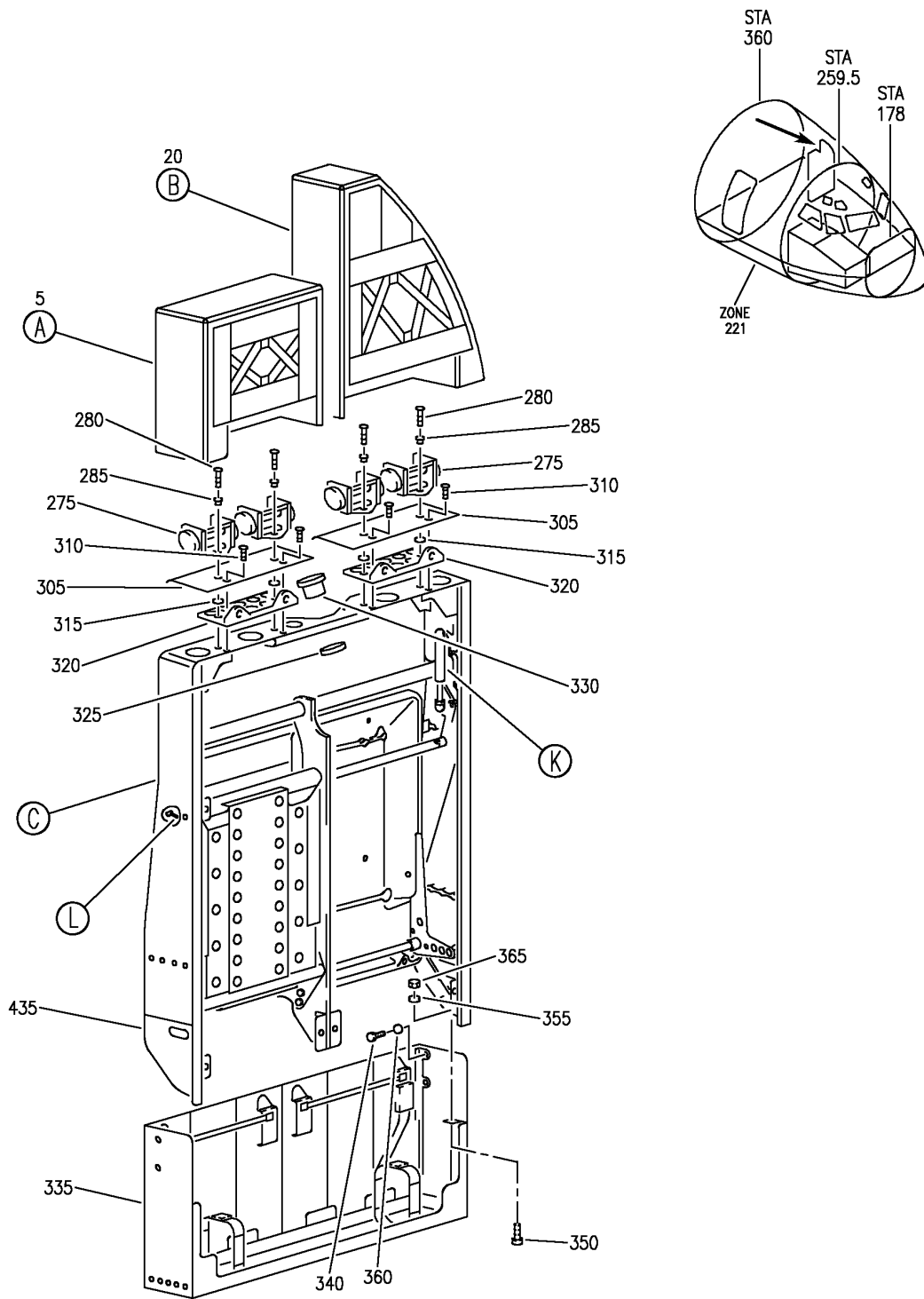
HAP

25-25-12-86T

BOEING PROPRIETARY - Copyright © - Unpublished Work - See title page for details.

25-25-12
 FIG. 86T
 PAGE 8
 FEB 15/09

BOEING
 737-600/700/800/900
 PARTS CATALOG (MAINTENANCE)



E 25251286U SHT 1 REV 148

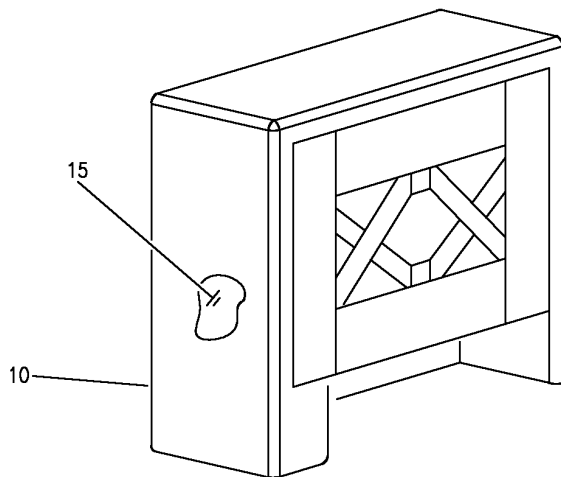
SEAT ASSY-ATTENDANT DBL WALL-MOUNTED JAR-OPS AFT FACING
 FIGURE 86U (SHEET 1)

25-25-12-86U

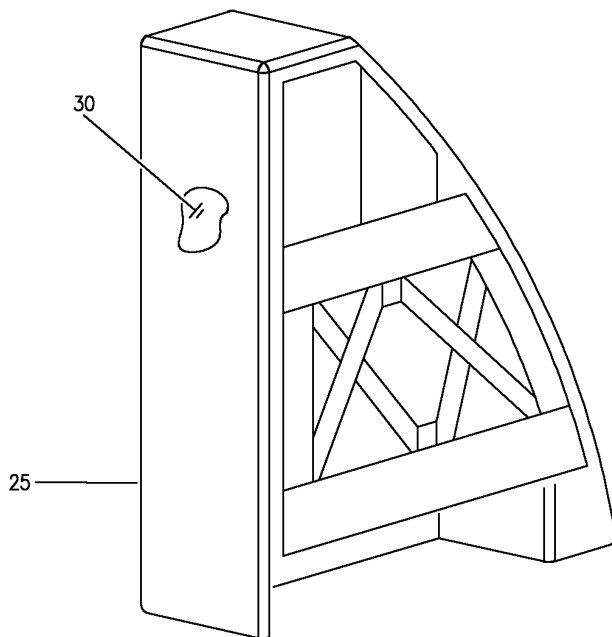
HAP
 JUN 15/09

25-25-12-86U
 PAGE 0

BOEING
737-600/700/800/900
PARTS CATALOG (MAINTENANCE)



(A)



(B)

E 25251286U SHT 2 REV 148

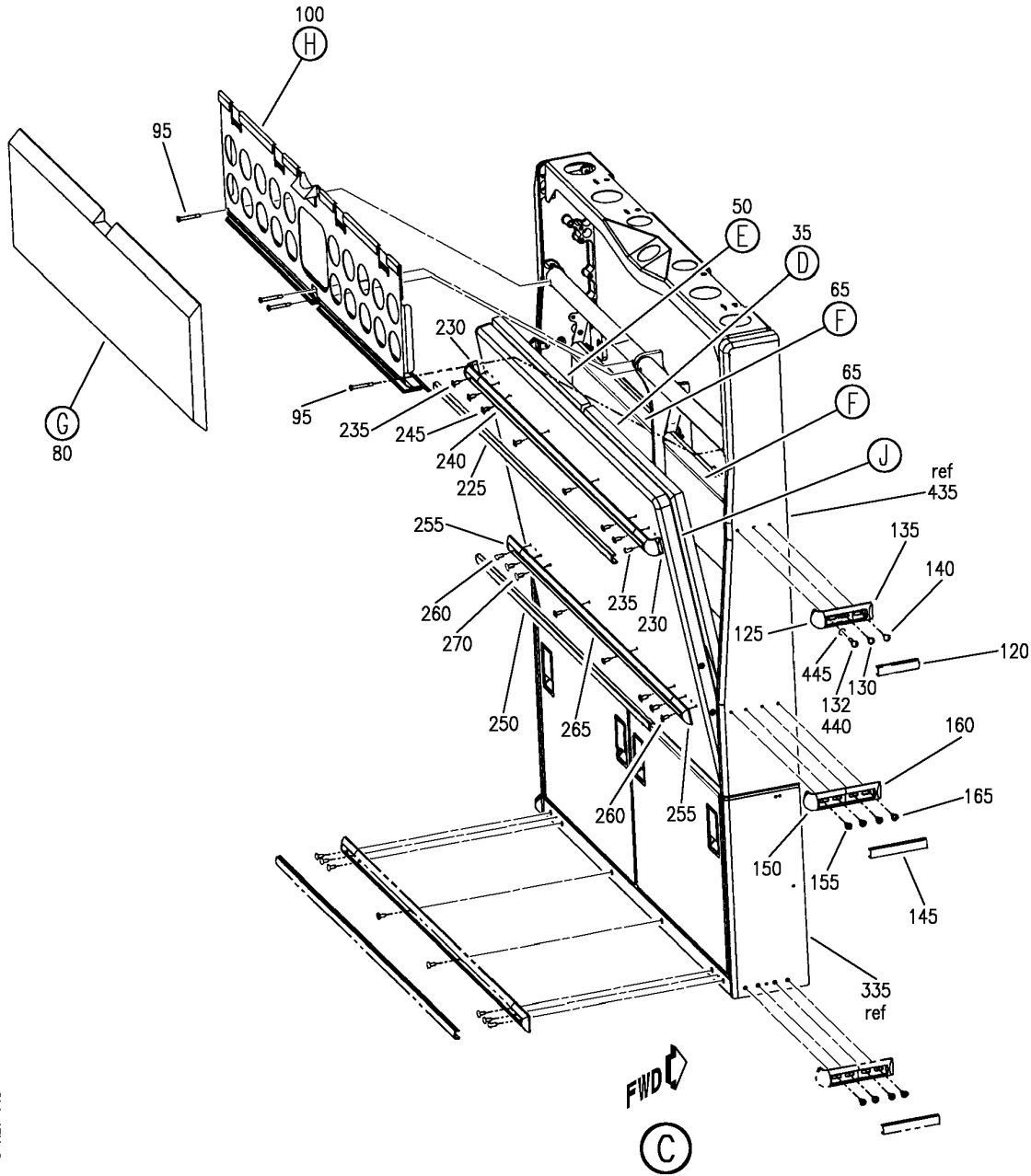
SEAT ASSY-ATTENDANT DBL WALL-MOUNTED JAR-OPS AFT FACING
FIGURE 86U (SHEET 2)

25-25-12-86U

HAP
JUN 15/09

25-25-12-86U
PAGE 0A

BOEING
 737-600/700/800/900
 PARTS CATALOG (MAINTENANCE)



E 25251286U SH1 3 REV 148

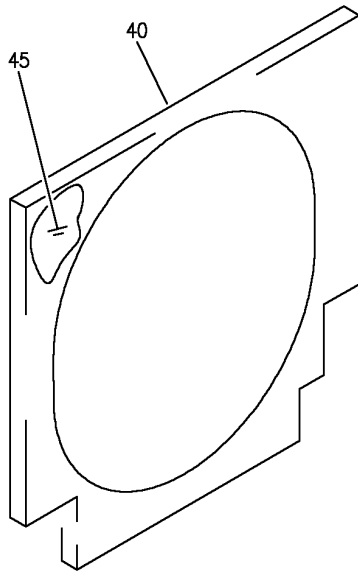
SEAT ASSY-ATTENDANT DBL WALL-MOUNTED JAR-OPS AFT FACING
 FIGURE 86U (SHEET 3)

25-25-12-86U

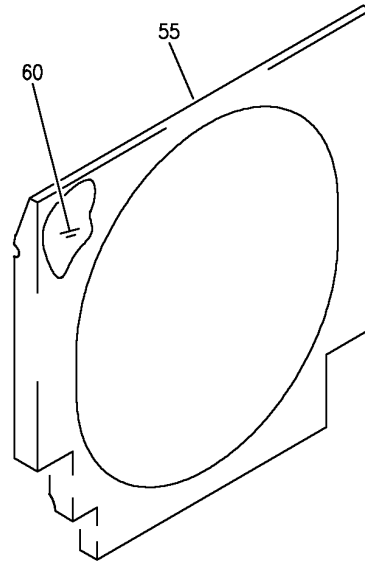
HAP
 JUN 15/09

25-25-12-86U
 PAGE 0B

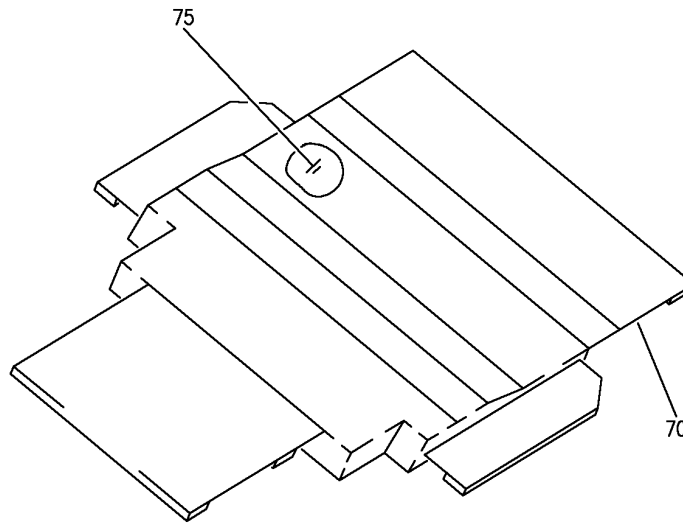
BOEING
737-600/700/800/900
PARTS CATALOG (MAINTENANCE)



(D)



(E)



(F)

E 25251286U SHT 4 REV 148

SEAT ASSY-ATTENDANT DBL WALL-MOUNTED JAR-OPS AFT FACING
FIGURE 86U (SHEET 4)

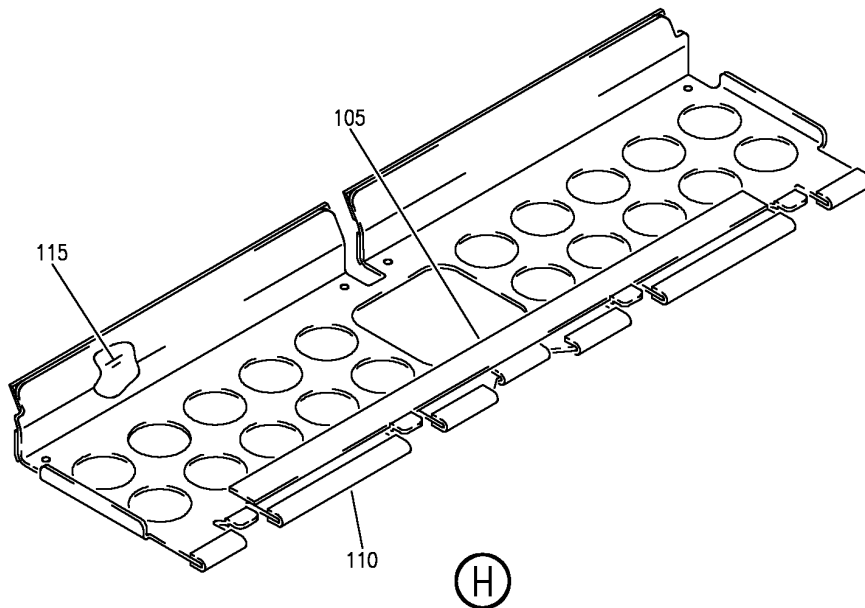
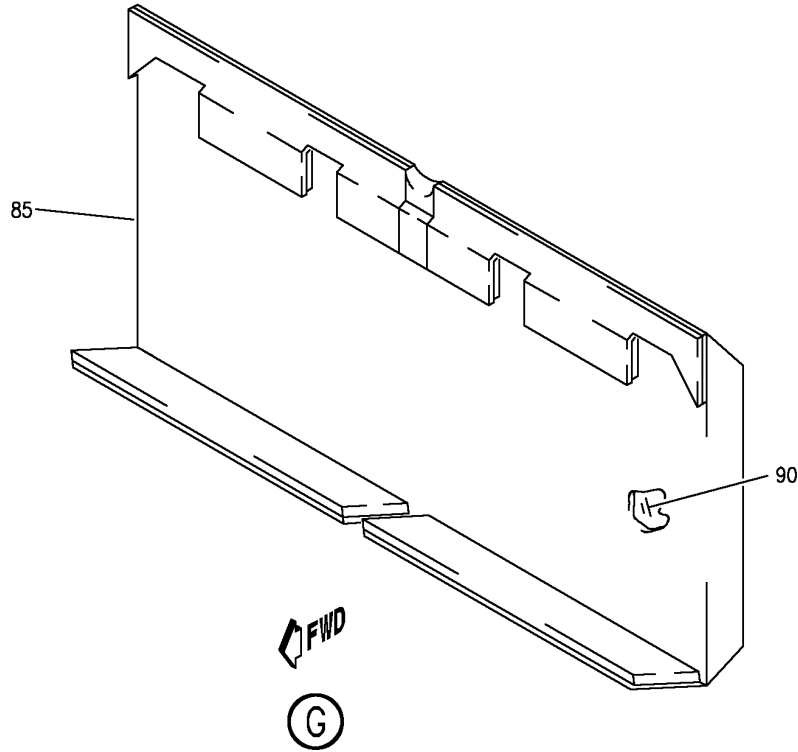
25-25-12-86U

HAP
JUN 15/09

25-25-12-86U
PAGE 0C

BOEING PROPRIETARY - Copyright © - Unpublished Work - See title page for details.

BOEING
737-600/700/800/900
PARTS CATALOG (MAINTENANCE)



E 25251286U SHT 5 REV 148

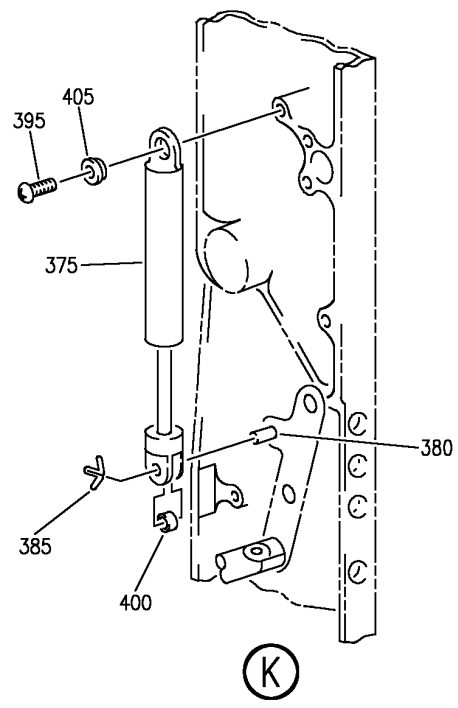
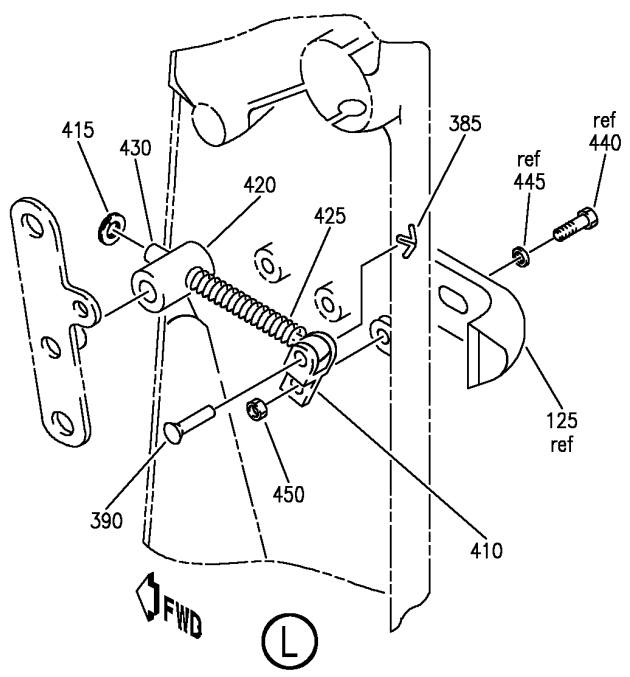
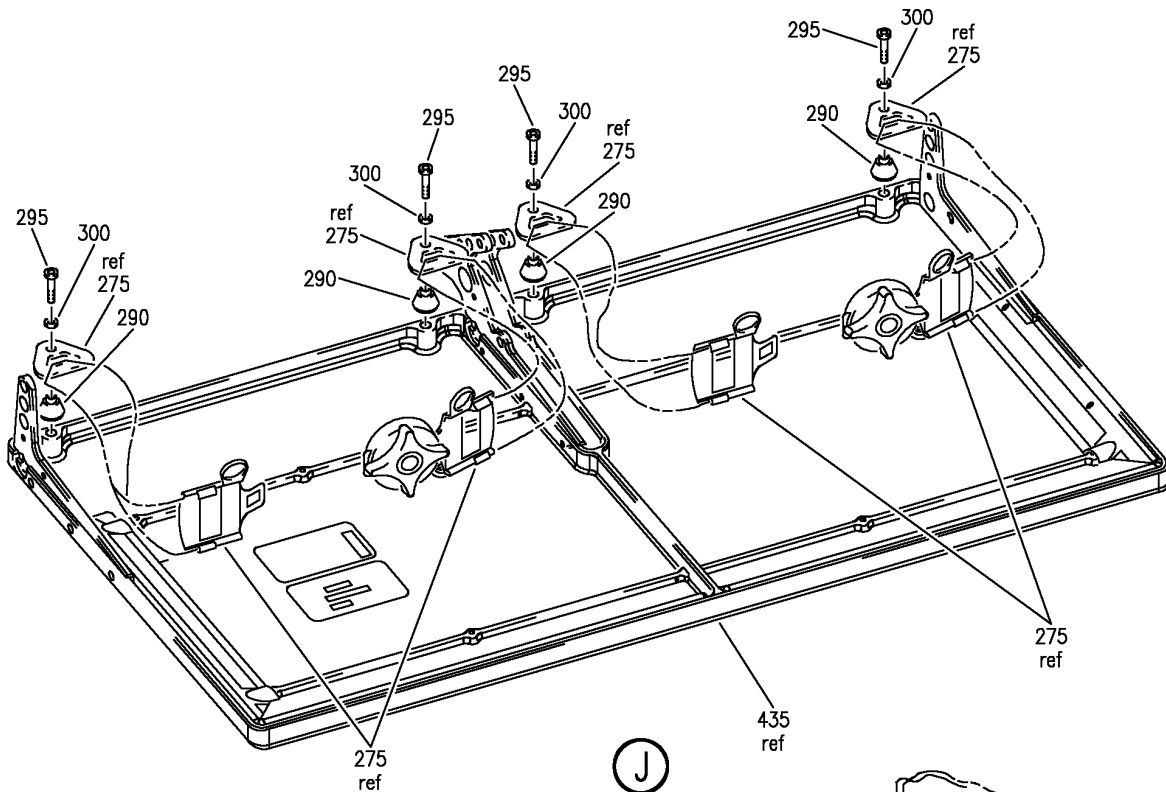
SEAT ASSY-ATTENDANT DBL WALL-MOUNTED JAR-OPS AFT FACING
FIGURE 86U (SHEET 5)

25-25-12-86U

HAP
JUN 15/09

25-25-12-86U
PAGE 0D

BOEING
 737-600/700/800/900
 PARTS CATALOG (MAINTENANCE)



E 25251286U SHT 6 REV 148

SEAT ASSY-ATTENDANT DBL WALL-MOUNTED JAR-OPS AFT FACING
 FIGURE 86U (SHEET 6)

25-25-12-86U

HAP
 JUN 15/09

25-25-12-86U
 PAGE 0E


BOEING
 737-600/700/800/900
PARTS CATALOG (MAINTENANCE)

FIG ITEM	PART NUMBER	1 2 3 4 5 6 7	NOMENCLATURE	EFFECT FROM TO	UNITS PER ASSY
R R R R R R R R R R R	86U		SEAT ASSY-ATTENDANT DBL WALL-MOUNTED JAR-OPS AFT FACING	106106	
	120	S21012-83AMJ	.COVER-RUBSTRIP SUPPLIER CODE: V31218 USED ON: 2110-124PB ATTACHING PARTS	106106	2
	132	AN525-832R6	.SCREW- USED WITH: A70027-1AMJ	106106	1
	- 362	NAS1149FN832P	.WASHER -----*-----	106106	2

MISSING ITEM NUMBERS NOT APPLICABLE

- ITEM NOT ILLUSTRATED

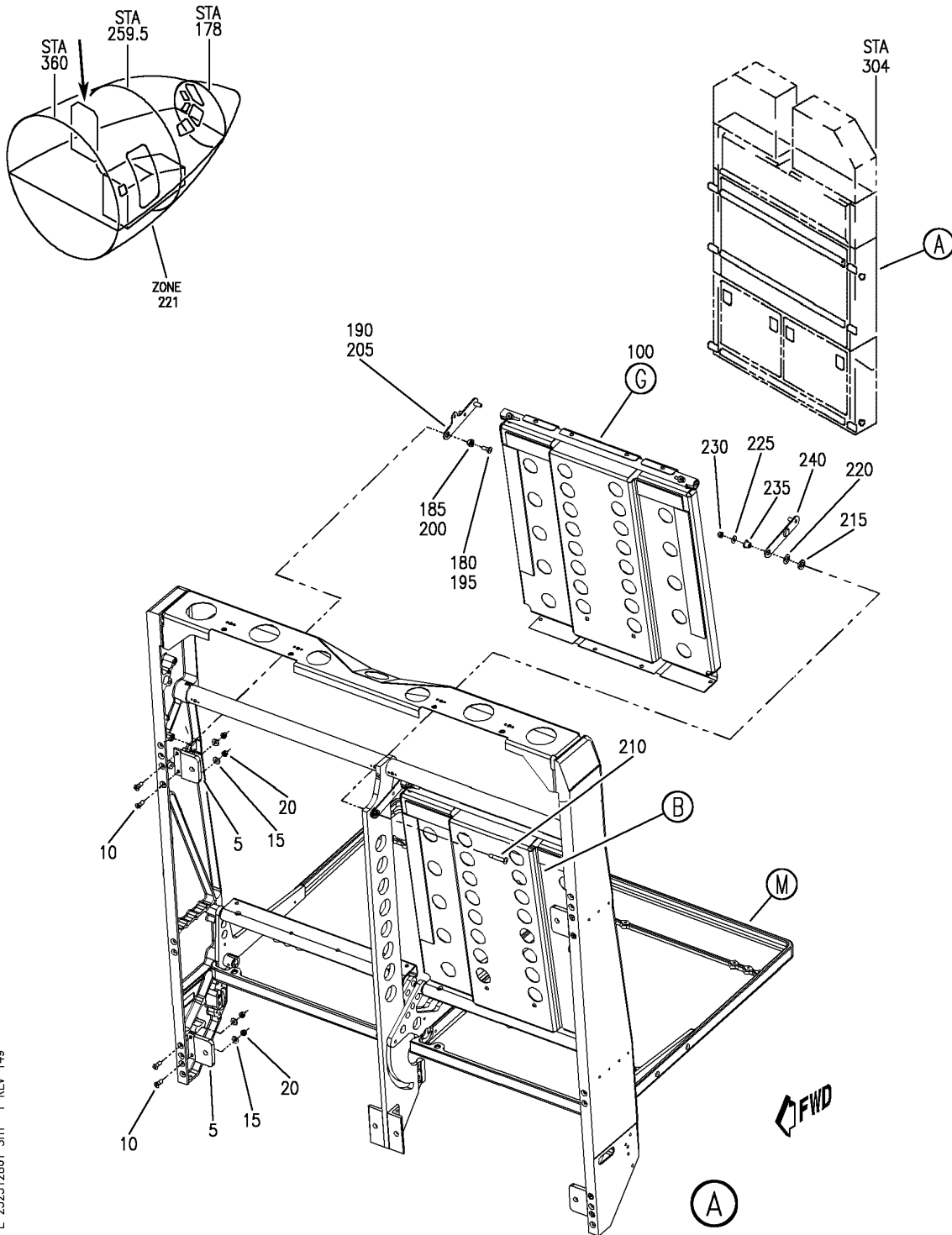
HAP

25-25-12-86U

BOEING PROPRIETARY - Copyright © - Unpublished Work - See title page for details.

25-25-12
 FIG. 86U
 PAGE 1
 JUN 15/09

BOEING
 737-600/700/800/900
 PARTS CATALOG (MAINTENANCE)



E 25251286Y SHT 1 REV 149

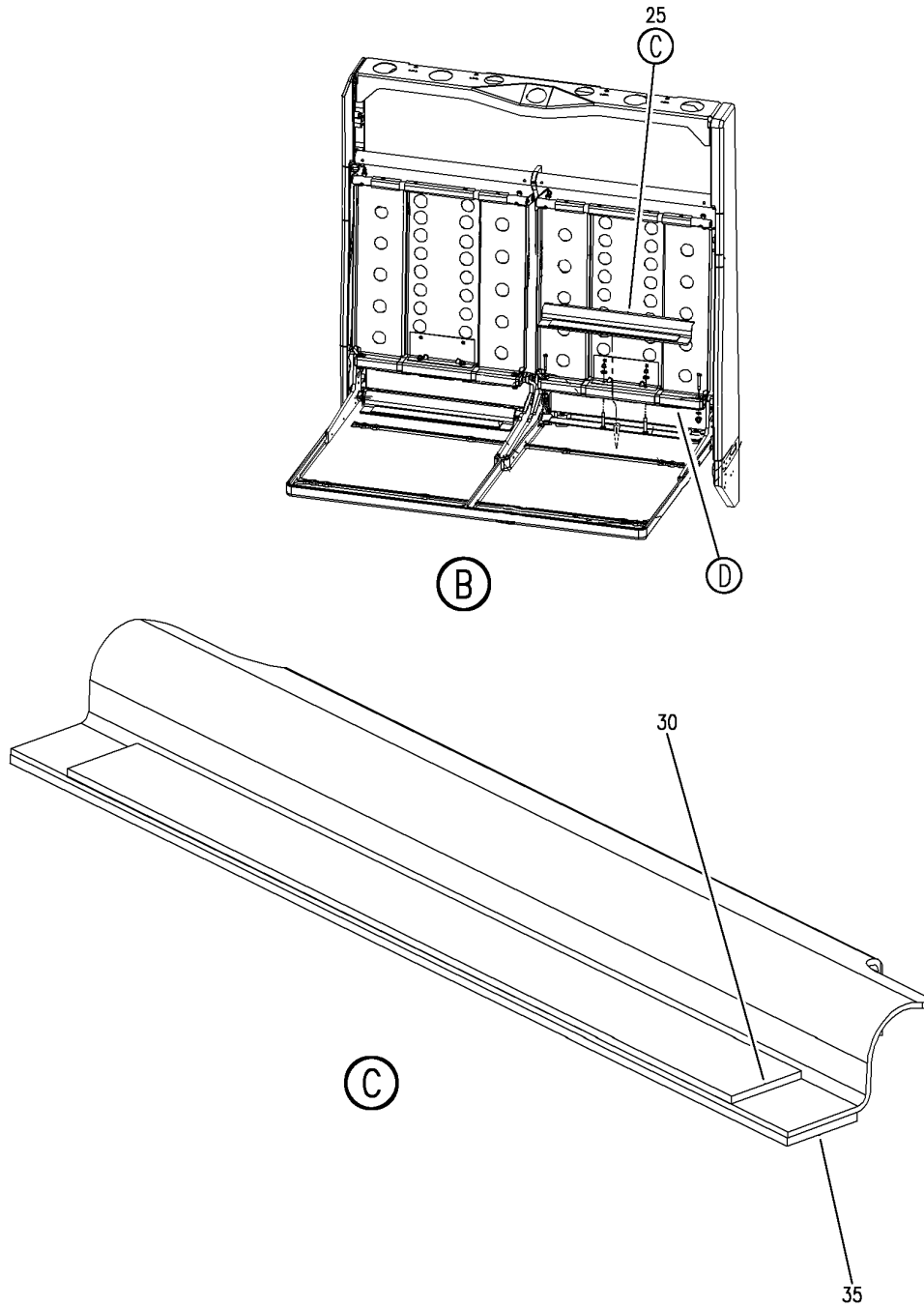
CORE ASSY-ATTENDANT SEAT DBL WALL- MOUNTED JAR OPS AFT FACING
 FIGURE 86Y

25-25-12-86Y

HAP
 FEB 15/09

25-25-12-86Y
 PAGE 0

BOEING
737-600/700/800/900
PARTS CATALOG (MAINTENANCE)



E 25251286Y SHT 2 REV 149

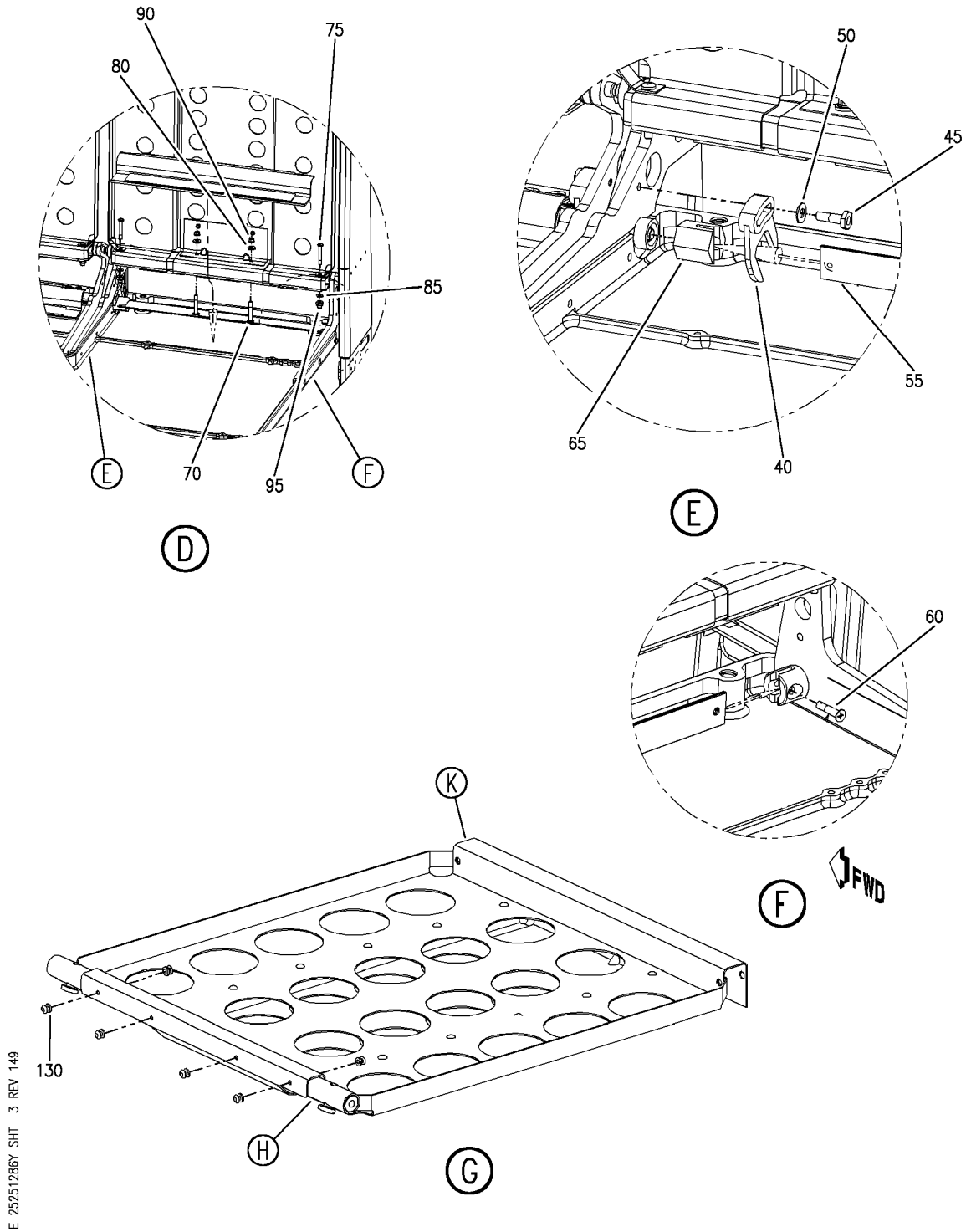
CORE ASSY-ATTENDANT SEAT DBL WALL- MOUNTED JAR OPS AFT FACING
FIGURE 86Y

25-25-12-86Y

HAP
FEB 15/09

25-25-12-86Y
PAGE 0A

BOEING
 737-600/700/800/900
 PARTS CATALOG (MAINTENANCE)



E 25251286Y SHT 3 REV 149

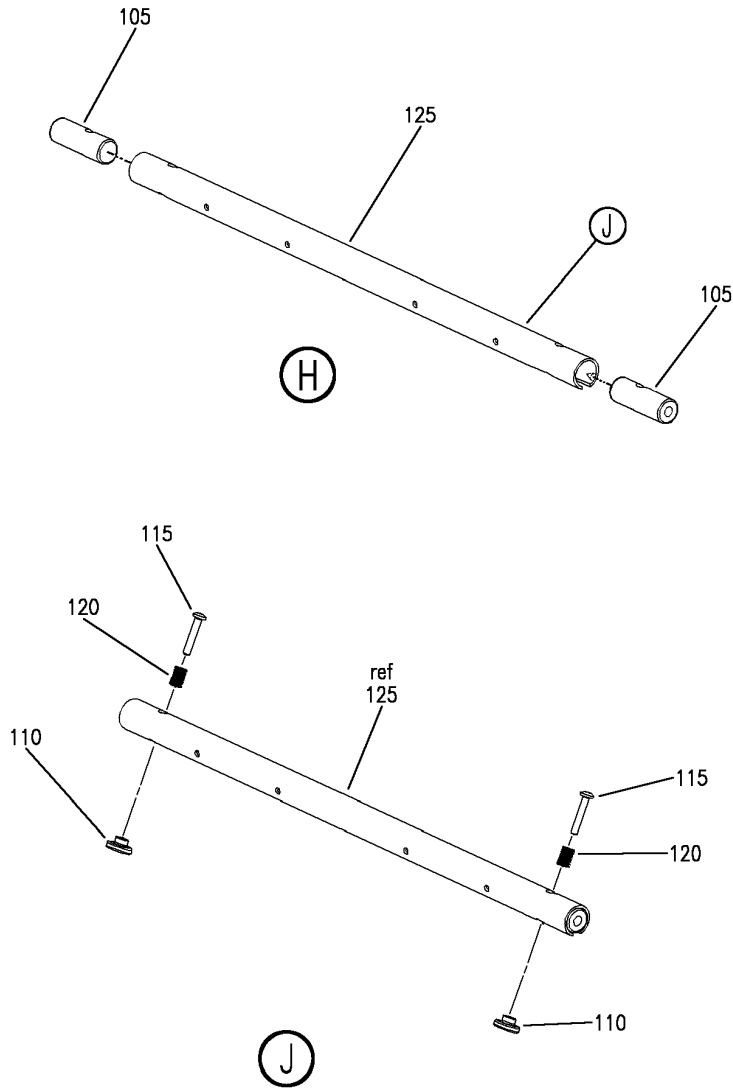
CORE ASSY-ATTENDANT SEAT DBL WALL- MOUNTED JAR OPS AFT FACING
 FIGURE 86Y

HAP
 FEB 15/09

25-25-12-86Y

25-25-12-86Y
 PAGE 0B

BOEING
737-600/700/800/900
PARTS CATALOG (MAINTENANCE)



E 25251286Y SHT 4 REV 149

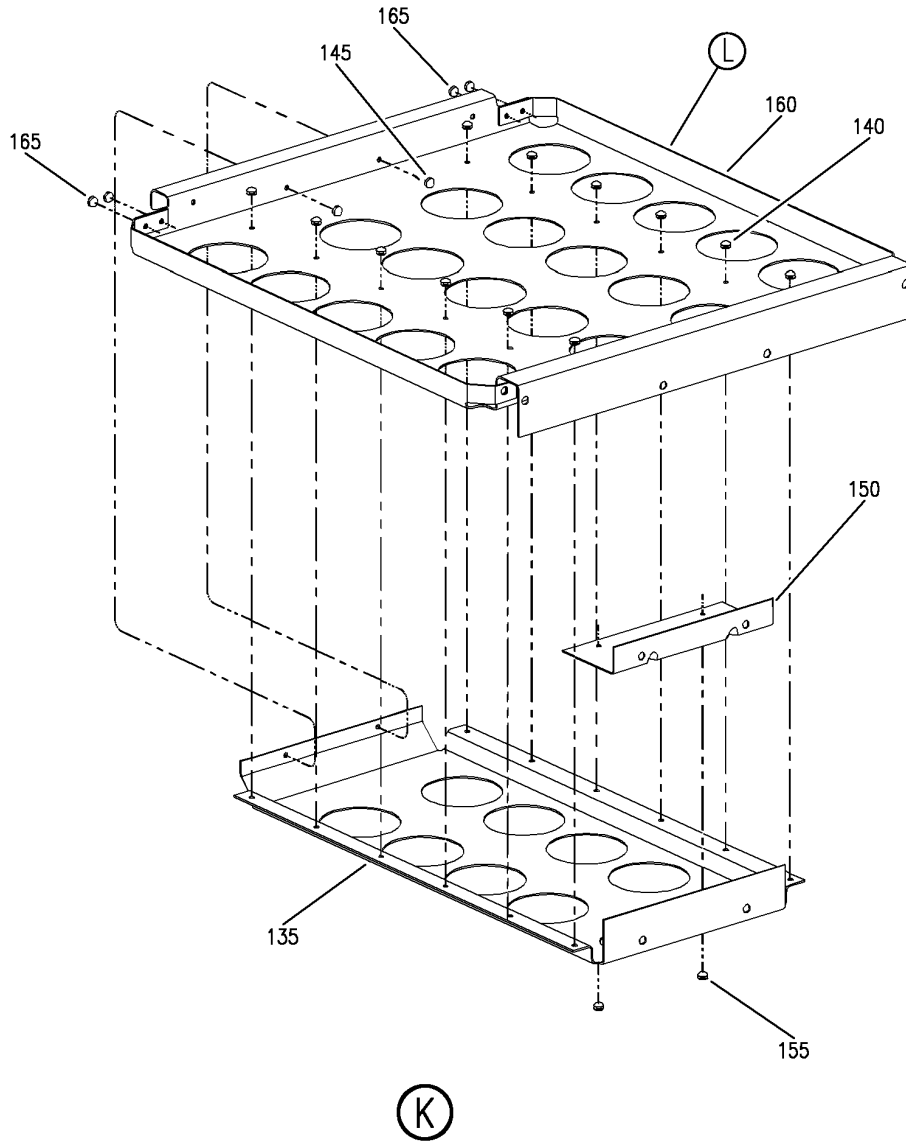
CORE ASSY-ATTENDANT SEAT DBL WALL- MOUNTED JAR OPS AFT FACING
FIGURE 86Y

HAP
FEB 15/09

25-25-12-86Y

25-25-12-86Y
PAGE 0C

BOEING
737-600/700/800/900
PARTS CATALOG (MAINTENANCE)



E 25251286Y SHT 5 REV 149

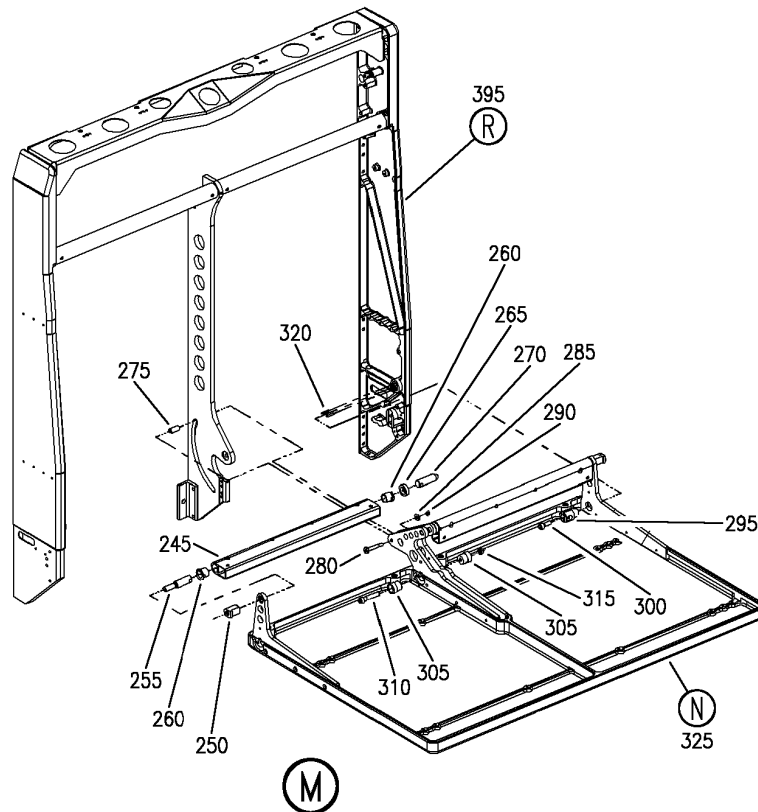
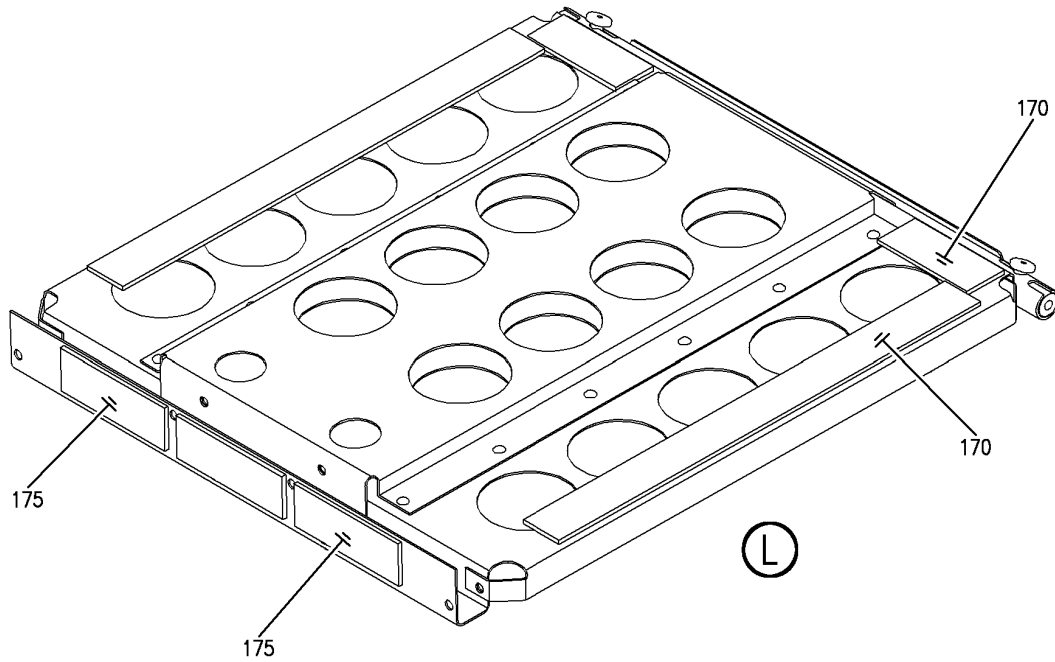
CORE ASSY-ATTENDANT SEAT DBL WALL- MOUNTED JAR OPS AFT FACING
FIGURE 86Y

25-25-12-86Y

HAP
FEB 15/09

25-25-12-86Y
PAGE 0D

BOEING
 737-600/700/800/900
 PARTS CATALOG (MAINTENANCE)



E 25251286Y SH1 6 REV 149

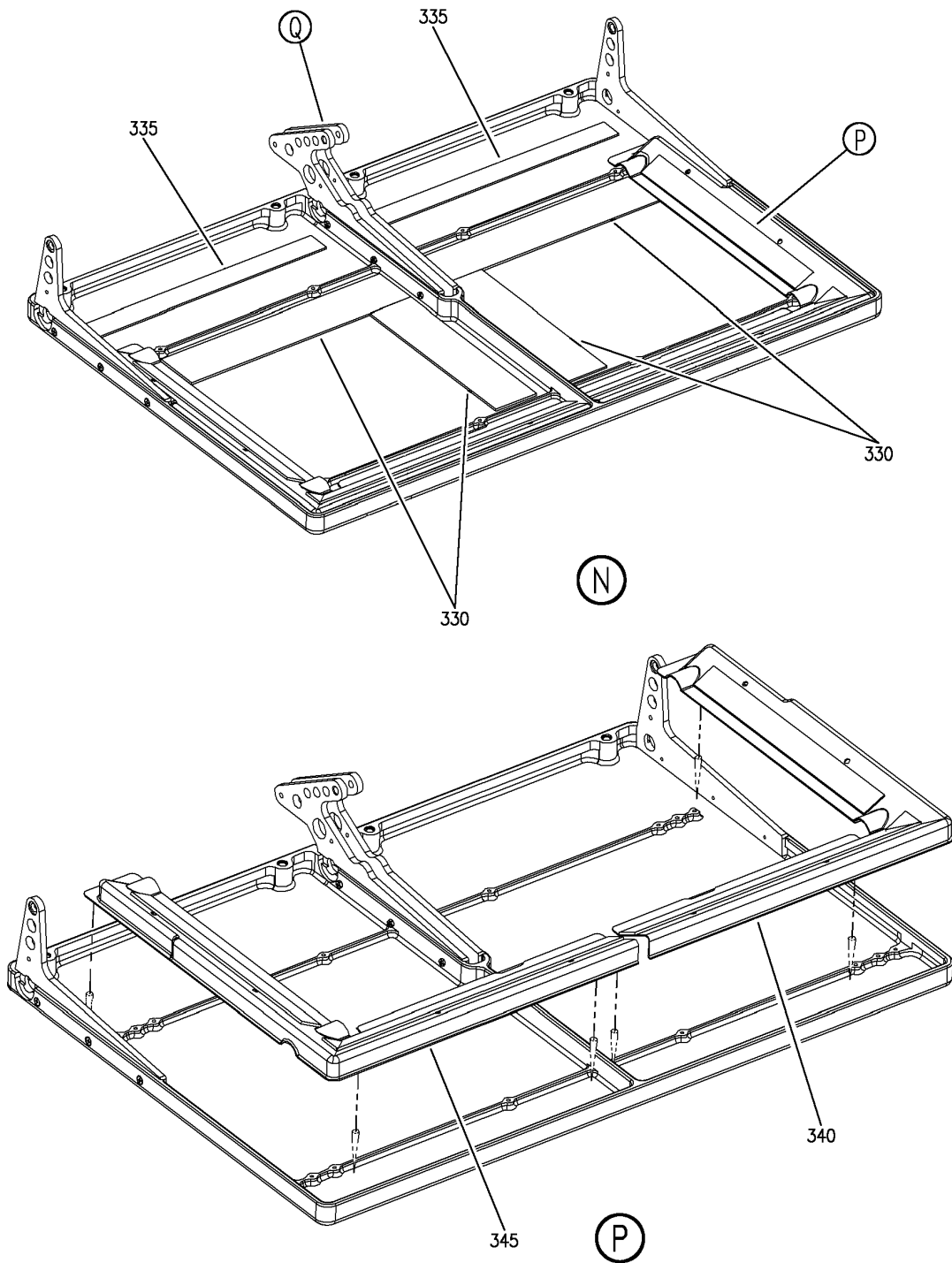
CORE ASSY-ATTENDANT SEAT DBL WALL- MOUNTED JAR OPS AFT FACING
 FIGURE 86Y

25-25-12-86Y

HAP
 FEB 15/09

25-25-12-86Y
 PAGE 0E

BOEING
 737-600/700/800/900
 PARTS CATALOG (MAINTENANCE)



E 25251286Y SHT 7 REV 149

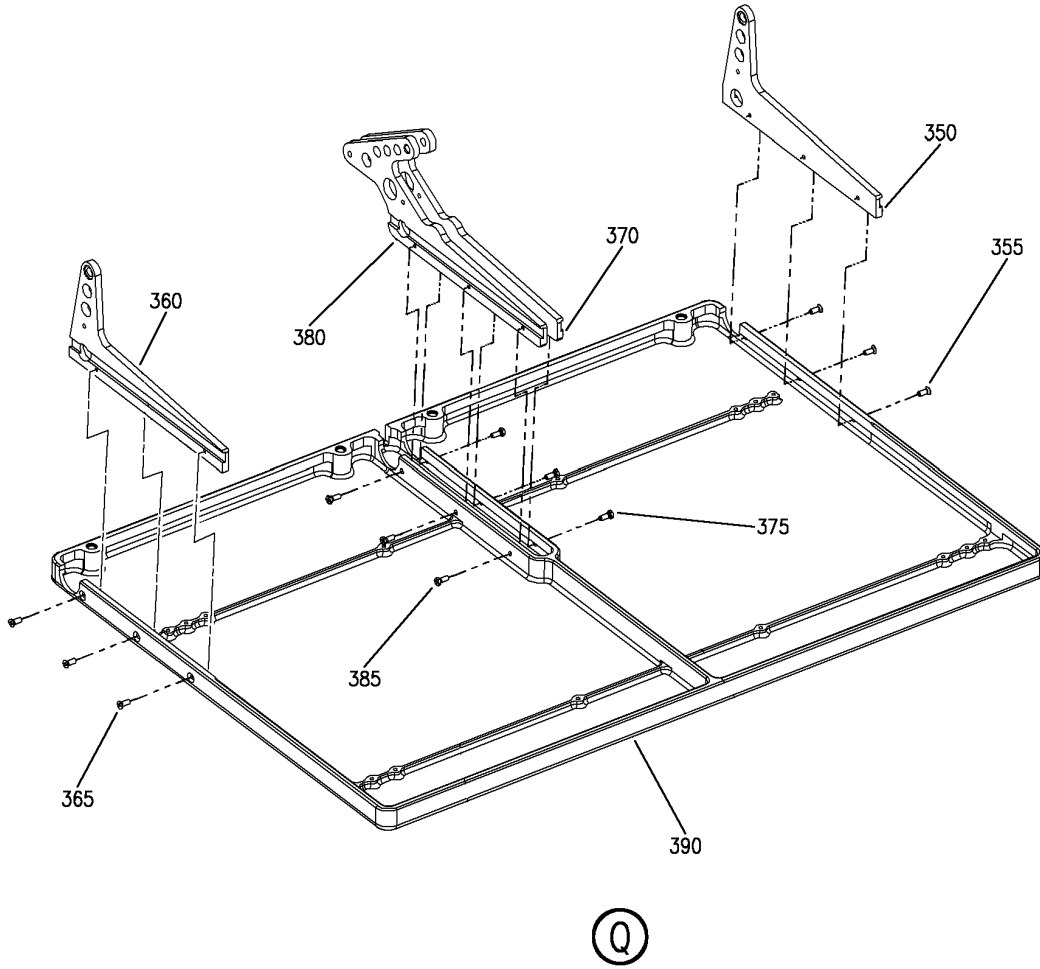
CORE ASSY-ATTENDANT SEAT DBL WALL- MOUNTED JAR OPS AFT FACING
 FIGURE 86Y

25-25-12-86Y

HAP
 FEB 15/09

25-25-12-86Y
 PAGE OF

BOEING
737-600/700/800/900
PARTS CATALOG (MAINTENANCE)



E 25251286Y SH1 8 REV 149

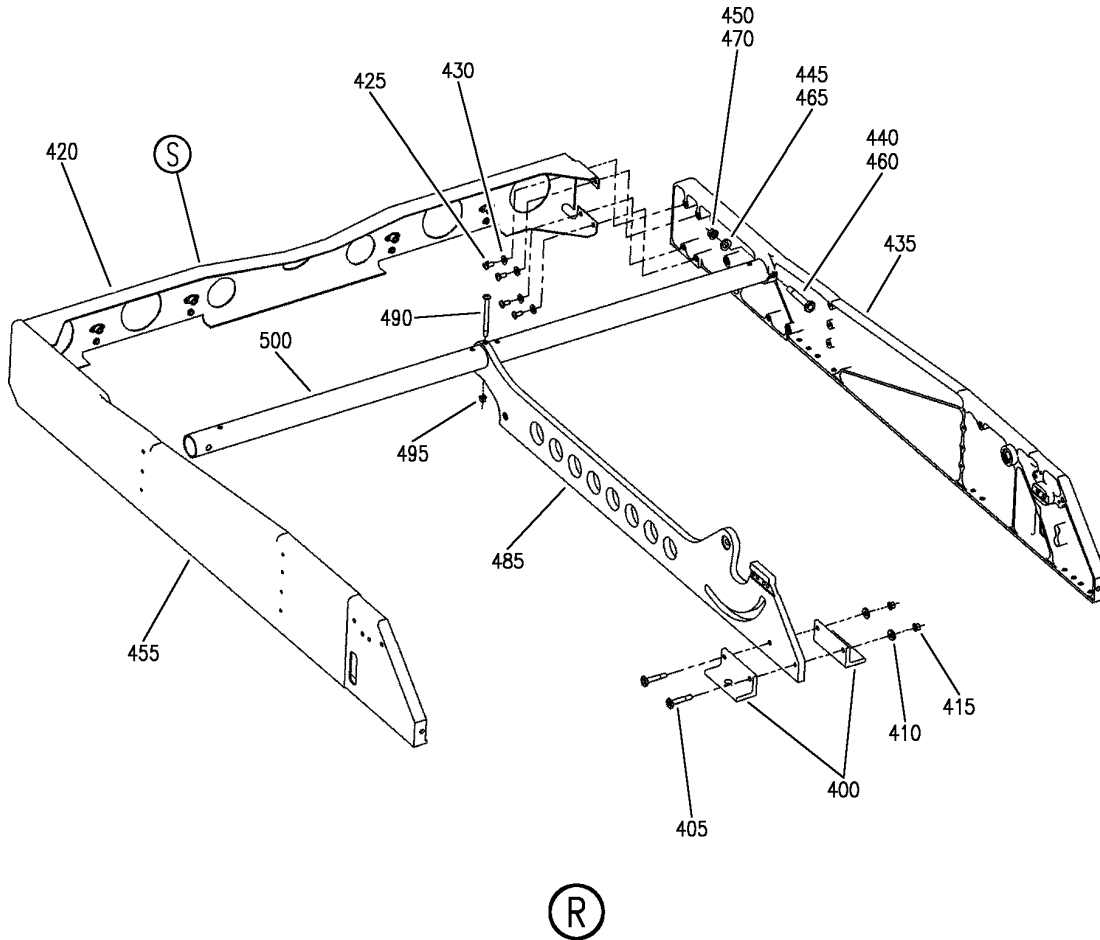
CORE ASSY-ATTENDANT SEAT DBL WALL- MOUNTED JAR OPS AFT FACING
FIGURE 86Y

25-25-12-86Y

HAP
FEB 15/09

25-25-12-86Y
PAGE 0G

BOEING
 737-600/700/800/900
 PARTS CATALOG (MAINTENANCE)



E 25251286Y SHT 9 REV 149

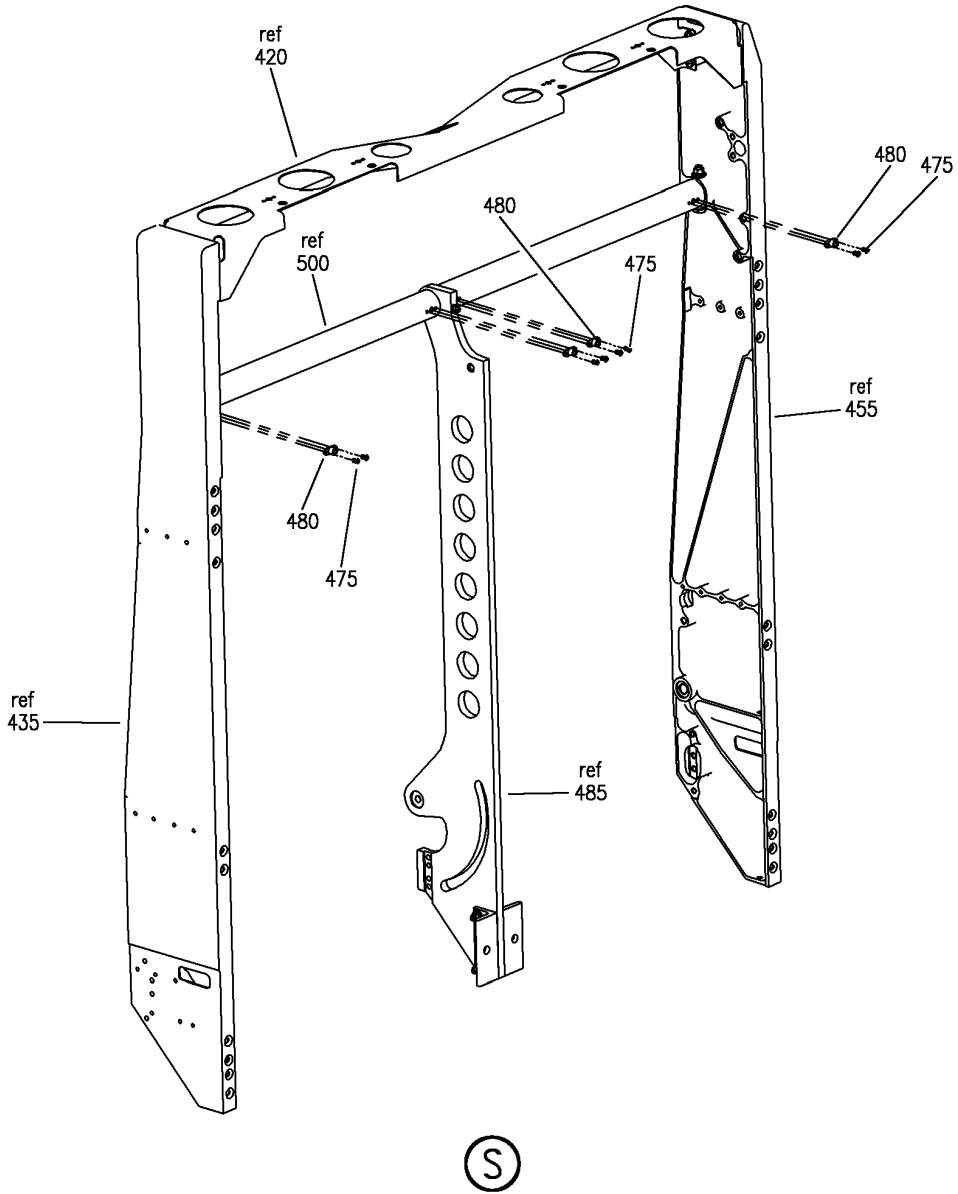
CORE ASSY-ATTENDANT SEAT DBL WALL- MOUNTED JAR OPS AFT FACING
 FIGURE 86Y

25-25-12-86Y

HAP
 FEB 15/09

25-25-12-86Y
 PAGE 0H

BOEING
737-600/700/800/900
PARTS CATALOG (MAINTENANCE)



E 25251286Y SH1 10 REV 149

CORE ASSY-ATTENDANT SEAT DBL WALL- MOUNTED JAR OPS AFT FACING
FIGURE 86Y

HAP
FEB 15/09

25-25-12-86Y

25-25-12-86Y
PAGE 01

BOEING
737-600/700/800/900
PARTS CATALOG (MAINTENANCE)

FIG ITEM	PART NUMBER	1 2 3 4 5 6 7	NOMENCLATURE	EFFECT FROM TO	UNITS PER ASSY
86Y			CORE ASSY-ATTENDANT SEAT DBL WALL- MOUNTED JAR OPS AFT FACING	101200 968999	
- 1	2110-7AMJ		CORE ASSY-ATTENDANT LAV A DBL WALL-MOUNTED SEAT AFT FACING SUPPLIER CODE: V31218 FOR NHA SEE: 25-25-12-85U	101200 968999	RF
5	2D1040-1		.BRACKET-MTG SUPPLIER CODE: V31218	101200 968999	4
10	NAS1203-4		ATTACHING PARTS .BOLT	101200 968999	8
15	NAS1149F0332P		.WASHER	101200 968999	8
20	MS21042-3		.NUT	101200 968999	8
25	2D2027-5		-----*----- .COVER ASSY-TORSION SPR SUPPLIER CODE: V31218	101200 968999	2
30	SJ3526GRY1ADH		..HOOK-ADH VELCRO GRAY SUPPLIER CODE: V5J466 CONFIG CHG DATA FROM A CMM: REPLD BY SJ3526BLK1ADH	101200 968999	AR
30	SJ3526BLK1ADH		..HOOK-ADH VELCRO BLACK SUPPLIER CODE: V5J466 CONFIG CHG DATA FROM A CMM: REPLS SJ3526GRY1ADH	101200 968999	AR
35	SJ3527GRY1ADH		..LOOP-ADH VELCRO GRAY SUPPLIER CODE: V5J466 CONFIG CHG DATA FROM A CMM: REPLD BY SJ3527BLK1ADH	101200 968999	AR
35	SJ3527BLK1ADH		..LOOP-ADH VELCRO BLACK SUPPLIER CODE: V5J466 CONFIG CHG DATA FROM A CMM: REPLS SJ3527GRY1ADH	101200 968999	AR
40	2D2022-3		.LOCK-TORSION SPR SUPPLIER CODE: V31218	101200 968999	2

MISSING ITEM NUMBERS NOT APPLICABLE

- ITEM NOT ILLUSTRATED

HAP

25-25-12-86Y

BOEING PROPRIETARY - Copyright © - Unpublished Work - See title page for details.

25-25-12
FIG. 86Y
PAGE 1
FEB 15/09

BOEING
737-600/700/800/900
PARTS CATALOG (MAINTENANCE)

FIG ITEM	PART NUMBER	1 2 3 4 5 6 7	NOMENCLATURE	EFFECT FROM TO	UNITS PER ASSY
86Y			ATTACHING PARTS		
45	NAS6203-5		.BOLT	101200 968999	2
50	NAS1149F0332P		.WASHER	101200 968999	2
			-----*-----		
55	2D2023-7		.SPRING-TORSION FLAT SUPPLIER CODE: V31218	101200 968999	2
			ATTACHING PARTS		
60	NAS1202-7		.BOLT	101200 968999	2
			-----*-----		
65	2D2019-5		.ANCHOR-SPR SUPPLIER CODE: V31218	101200 968999	2
70	NAS6203-13		.BOLT	101200 968999	4
75	NAS623-2-14		.SCREW	101200 968999	4
80	NAS1149F0363P		.WASHER	101200 968999	4
85	AN960-8		.WASHER	101200 968999	4
90	MS21042-3		.NUT	101200 968999	4
95	22K1-82		.NUT- SUPPLIER CODE: V72962	101200 968999	4
100	2110-25AMJ		.BACK ASSY- SUPPLIER CODE: V31218 POSITION DATA: LWR	101200 968999	2
105	2D3017-3		..PIVOT- SUPPLIER CODE: V31218 POSITION DATA: UPR LWR	101200 968999	2
110	2D3015-3		..KNOB-RELEASE SUPPLIER CODE: V31218	101200 968999	2
			ATTACHING PARTS		
115	NAS601-12P		..SCREW	101200 968999	2
			-----*-----		
120	C0240-020-0880M		..SPRING- SUPPLIER CODE: V77535	101200 968999	2

MISSING ITEM NUMBERS NOT APPLICABLE

— ITEM NOT ILLUSTRATED

HAP

25-25-12-86Y

BOEING PROPRIETARY - Copyright © - Unpublished Work - See title page for details.

25-25-12
FIG. 86Y
PAGE 2
FEB 15/09

BOEING
737-600/700/800/900
PARTS CATALOG (MAINTENANCE)

FIG ITEM	PART NUMBER	1 2 3 4 5 6 7	NOMENCLATURE	EFFECT FROM TO	UNITS PER ASSY
86Y 125	2D3018-15	..	TUBE- SUPPLIER CODE: V31218 POSITION DATA: UPR LWR ATTACHING PARTS	101200 968999	1
130	MS20600M4W2	..	RIVET	101200 968999	6
135	2D3022-15	..	GUSSET- SUPPLIER CODE: V31218 ATTACHING PARTS	101200 968999	1
140	MS20470AD44	..	RIVET	101200 968999	12
145	MS20470AD44	..	RIVET	101200 968999	2
150	2D3046-3	..	BRACE- SUPPLIER CODE: V31218 ATTACHING PARTS	101200 968999	1
155	MS20470AD44	..	RIVET	101200 968999	2
160	2D3022-13	..	PAN- SUPPLIER CODE: V31218 ATTACHING PARTS	101200 968999	1
165	MS20426AD44	..	RIVET- SUPPLIER CODE: V31218	101200 968999	4
170	SJ3526BLK1ADH	..	HOOK-ADH VELCRO BLACK SUPPLIER CODE: V5J466	101200 968999	AR
175	SJ3526BLK1ADH	..	HOOK-ADH VELCRO BLACK SUPPLIER CODE: V5J466	101200 968999	AR
180	NAS623-3-3	.	SCREW	101200 968999	1
185	NAS77-3-016	.	BUSHING	101200 968999	1
190	2D3013-55	.	LINK-BACK SUPPLIER CODE: V31218 POSITION DATA: UPR	101200 968999	1

MISSING ITEM NUMBERS NOT APPLICABLE

— ITEM NOT ILLUSTRATED

HAP

25-25-12-86Y

25-25-12
FIG. 86Y
PAGE 3
FEB 15/09

BOEING PROPRIETARY - Copyright © - Unpublished Work - See title page for details.

BOEING
737-600/700/800/900
PARTS CATALOG (MAINTENANCE)

FIG ITEM	PART NUMBER	1 2 3 4 5 6 7	NOMENCLATURE	EFFECT FROM TO	UNITS PER ASSY
86Y					
195	NAS623-3-3	.	SCREW	101200 968999	1
200	NAS77-3-016	.	BUSHING	101200 968999	1
205	2D3013-52	.	LINK-BACK SUPPLIER CODE: V31218 POSITION DATA: UPR	101200 968999	1
210	NAS623-3-13	.	SCREW	101200 968999	1
215	NAS1149F0563P	.	WASHER	101200 968999	2
220	NAS1149F0532P	.	WASHER	101200 968999	2
225	NAS1149F0332P	.	WASHER	101200 968999	1
230	MS21042-3	.	NUT	101200 968999	1
235	NAS77-3-025	.	BUSHING	101200 968999	2
240	2D3013-47	.	LINK-BACK SUPPLIER CODE: V31218 POSITION DATA: UPR	101200 968999	2
245	2D3012-1AMJ	.	ATTACH-BACK SUPPLIER CODE: V31218 POSITION DATA: LWR	101200 968999	2
250	2D2015-1	.	STOP-PAN SUPPLIER CODE: V31218	101200 968999	2
255	2D2013-3	.	PIVOT-BACK SUPPLIER CODE: V31218 POSITION DATA: LWR	101200 968999	2
260	8L5-1-2F	.	NYLINER-FLANGED SUPPLIER CODE: V96881	101200 968999	4
265	2D2016-1	.	BUSHING-PIVOT SUPPLIER CODE: V31218	101200 968999	2

MISSING ITEM NUMBERS NOT APPLICABLE

— ITEM NOT ILLUSTRATED

HAP

25-25-12-86Y

BOEING PROPRIETARY - Copyright © - Unpublished Work - See title page for details.

25-25-12
FIG. 86Y
PAGE 4
FEB 15/09

BOEING
737-600/700/800/900
PARTS CATALOG (MAINTENANCE)

FIG ITEM	PART NUMBER	1 2 3 4 5 6 7	NOMENCLATURE	EFFECT FROM TO	UNITS PER ASSY
86Y 270	2D2013-1		.PIVOT-BACK SUPPLIER CODE: V31218 POSITION DATA: LWR	101200 968999	2
275	NAS75-3-024		.BUSHING	101200 968999	1
280	NAS6203-15		ATTACHING PARTS .BOLT	101200 968999	1
285	NAS1149F0363P		.WASHER	101200 968999	1
290	MS21042-3		.NUT	101200 968999	1
295	2D2018-1		-----*----- .BUSHING-ANCHOR PAN SUPPLIER CODE: V31218 ATTACHING PARTS	101200 968999	2
300	MS21262-37		.SCREW	101200 968999	2
305	2D2020-5		-----*----- .BUSHING-PAN SUPPLIER CODE: V31218 ATTACHING PARTS	101200 968999	2
310	MS21262-64		.SCREW	101200 968999	1
315	MS21042-4		.NUT	101200 968999	1
320	MS16555-21		-----*----- .PIN	101200 968999	4
325	2110-24AMJ		.PAN ASSY- SUPPLIER CODE: V31218	101200 968999	1
330	SJ3526GRY2ADH		..HOOK-ADH VELCRO GRAY SUPPLIER CODE: V5J466 CONFIG CHG DATA FROM A CMM: REPLD BY SJ3526BLK2ADH	101200 968999	AR
330	SJ3526BLK2ADH		..HOOK-ADH VELCRO BLACK SUPPLIER CODE: V5J466 CONFIG CHG DATA FROM A CMM: REPLS SJ3526GRY2ADH	101200 968999	AR

MISSING ITEM NUMBERS NOT APPLICABLE

— ITEM NOT ILLUSTRATED

HAP

25-25-12-86Y

BOEING PROPRIETARY - Copyright © - Unpublished Work - See title page for details.

25-25-12
FIG. 86Y
PAGE 5
FEB 15/09

BOEING
737-600/700/800/900
PARTS CATALOG (MAINTENANCE)

FIG ITEM	PART NUMBER	1 2 3 4 5 6 7	NOMENCLATURE	EFFECT FROM TO	UNITS PER ASSY
86Y 335	SJ3526GRY1ADH	..	HOOK-ADH VELCRO GRAY SUPPLIER CODE: V5J466 CONFIG CHG DATA FROM A CMM: REPLD BY SJ3526BLK1ADH	101200 968999	AR
335	SJ3526BLK1ADH	..	HOOK-ADH VELCRO BLACK SUPPLIER CODE: V5J466 CONFIG CHG DATA FROM A CMM: REPLS SJ3526GRY1ADH	101200 968999	AR
340	2D2025-11	..	FILLER- SUPPLIER CODE: V31218	101200 968999	1
345	2D2025-12	..	FILLER- SUPPLIER CODE: V31218	101200 968999	1
350	2D2011-1AMJ	..	LEVER- SUPPLIER CODE: V31218 POSITION DATA: OUTBD ATTACHING PARTS	101200 968999	1
355	MS24694S3	..	SCREW	101200 968999	3
360	2D2011-2AMJ	..	LEVER- SUPPLIER CODE: V31218 POSITION DATA: OUTBD ATTACHING PARTS	101200 968999	1
365	MS24694S3	..	SCREW	101200 968999	3
370	2D2012-3AMJ	..	LEVER- SUPPLIER CODE: V31218 POSITION DATA: INBD ATTACHING PARTS	101200 968999	1
375	NAS1096-2-6	..	SCREW	101200 968999	3
380	2D2012-1AMJ	..	LEVER- SUPPLIER CODE: V31218 POSITION DATA: INBD	101200 968999	1

MISSING ITEM NUMBERS NOT APPLICABLE

— ITEM NOT ILLUSTRATED

HAP

25-25-12-86Y

BOEING PROPRIETARY - Copyright © - Unpublished Work - See title page for details.

25-25-12
FIG. 86Y
PAGE 6
FEB 15/09

BOEING
737-600/700/800/900
PARTS CATALOG (MAINTENANCE)

FIG ITEM	PART NUMBER	1 2 3 4 5 6 7	NOMENCLATURE	EFFECT FROM TO	UNITS PER ASSY
86Y			ATTACHING PARTS		
385	NAS1096-2-6	..	SCREW	101200 968999	3
			-----*-----		
390	2D2021-1AMJ	..	PAN-	101200 968999	1
			SUPPLIER CODE: V31218		
395	2110-11AMJ	.BASE	ASSY-NARROW	101200 968999	1
			SUPPLIER CODE: V31218		
400	2D1062-1AMJ	..	BRACKET-SPRT	101200 968999	2
			SUPPLIER CODE: V31218		
			POSITION DATA: CTR		
			ATTACHING PARTS		
405	NAS6203-11	..	BOLT	101200 968999	2
410	NAS1149F0363P	..	WASHER	101200 968999	2
415	MS21042-3	..	NUT	101200 968999	2
			-----*-----		
420	2D1038-1AMJ	..	MEMBER-CROSS TOP	101200 968999	1
			SUPPLIER CODE: V31218		
			ATTACHING PARTS		
425	NAS623-2-1	..	SCREW	101200 968999	8
430	NAS1149FN832P	..	WASHER	101200 968999	8
			-----*-----		
435	2D1024-1AMJ	..	PANEL-SIDE	101200 968999	1
			SUPPLIER CODE: V31218		
			ATTACHING PARTS		
440	NAS6204-19	..	BOLT	101200 968999	1
445	NAS1149F0463P	..	WASHER	101200 968999	1
450	MS21042-4	..	NUT	101200 968999	1
			-----*-----		
455	2D1024-4AMJ	..	PANEL-SIDE	101200 968999	1
			SUPPLIER CODE: V31218		
			ATTACHING PARTS		
460	NAS6204-19	..	BOLT	101200 968999	1

MISSING ITEM NUMBERS NOT APPLICABLE

— ITEM NOT ILLUSTRATED

HAP

25-25-12-86Y

25-25-12
FIG. 86Y
PAGE 7
FEB 15/09

BOEING
737-600/700/800/900
PARTS CATALOG (MAINTENANCE)

FIG ITEM	PART NUMBER	1 2 3 4 5 6 7	NOMENCLATURE	EFFECT FROM TO	UNITS PER ASSY
86Y					
465	NAS1149F0463P	..	WASHER	101200 968999	1
470	MS21042-4	..	NUT	101200 968999	1
			-----*-----		
475	SD32BS	..	RIVET-POP SUPPLIER CODE: V6R744	101200 968999	8
480	MS21069L08	..	NUTPLATE	101200 968999	4
485	2D1036-1AMJ	..	SUPPORT- SUPPLIER CODE: V31218 POSITION DATA: CTR ATTACHING PARTS	101200 968999	1
490	NAS623-2-26	..	SCREW	101200 968999	1
495	MS21042-08	..	NUT	101200 968999	1
			-----*-----		
500	2D1039-1AMJ	..	TUBE-CROSS BACK SUPPLIER CODE: V31218 POSITION DATA: UPR	101200 968999	1

MISSING ITEM NUMBERS NOT APPLICABLE

— ITEM NOT ILLUSTRATED

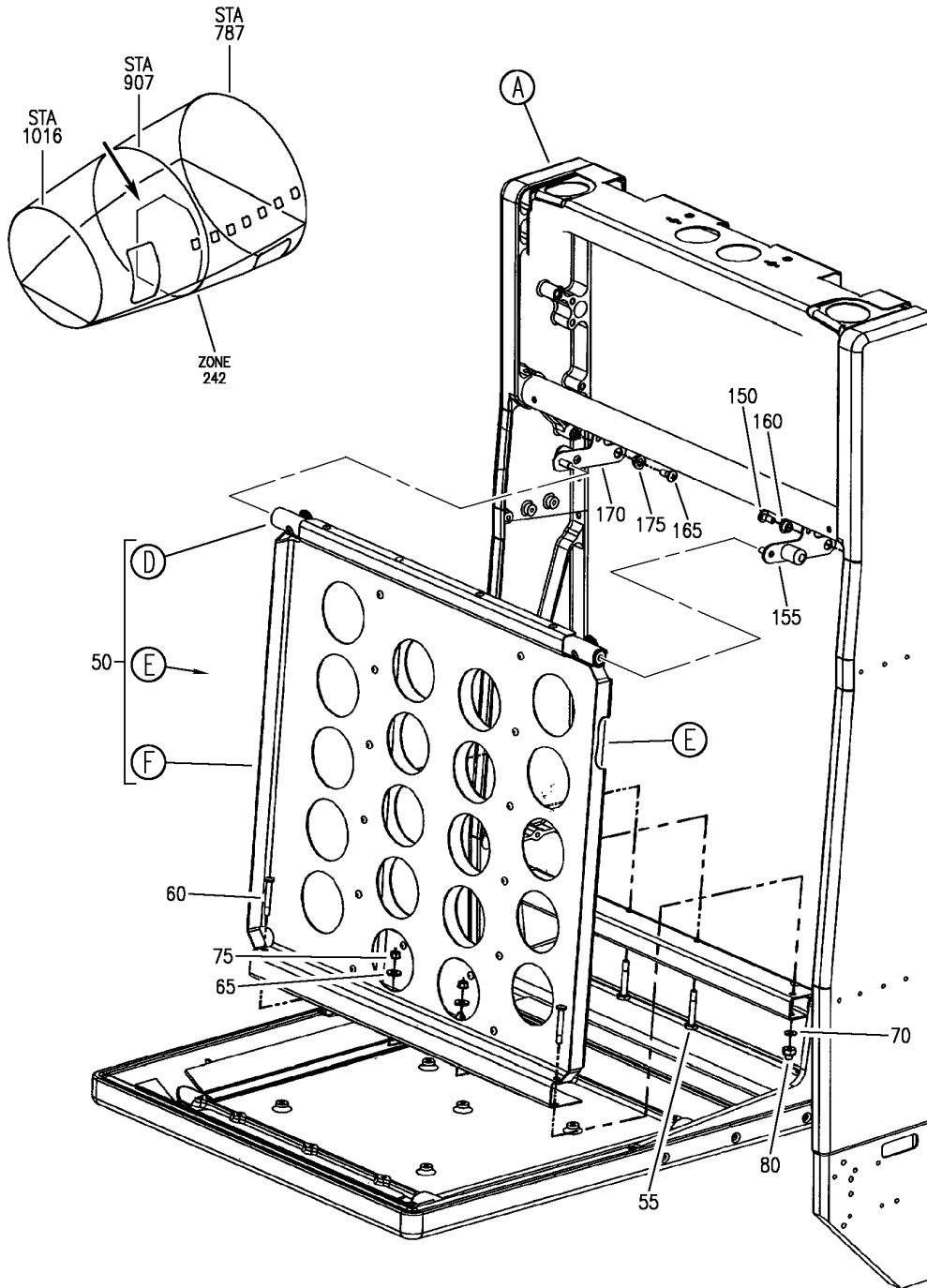
HAP

25-25-12-86Y

BOEING PROPRIETARY - Copyright © - Unpublished Work - See title page for details.

25-25-12
FIG. 86Y
PAGE 8
FEB 15/09

BOEING
 737-600/700/800/900
 PARTS CATALOG (MAINTENANCE)



E 25251297D SHT 1 REV 153

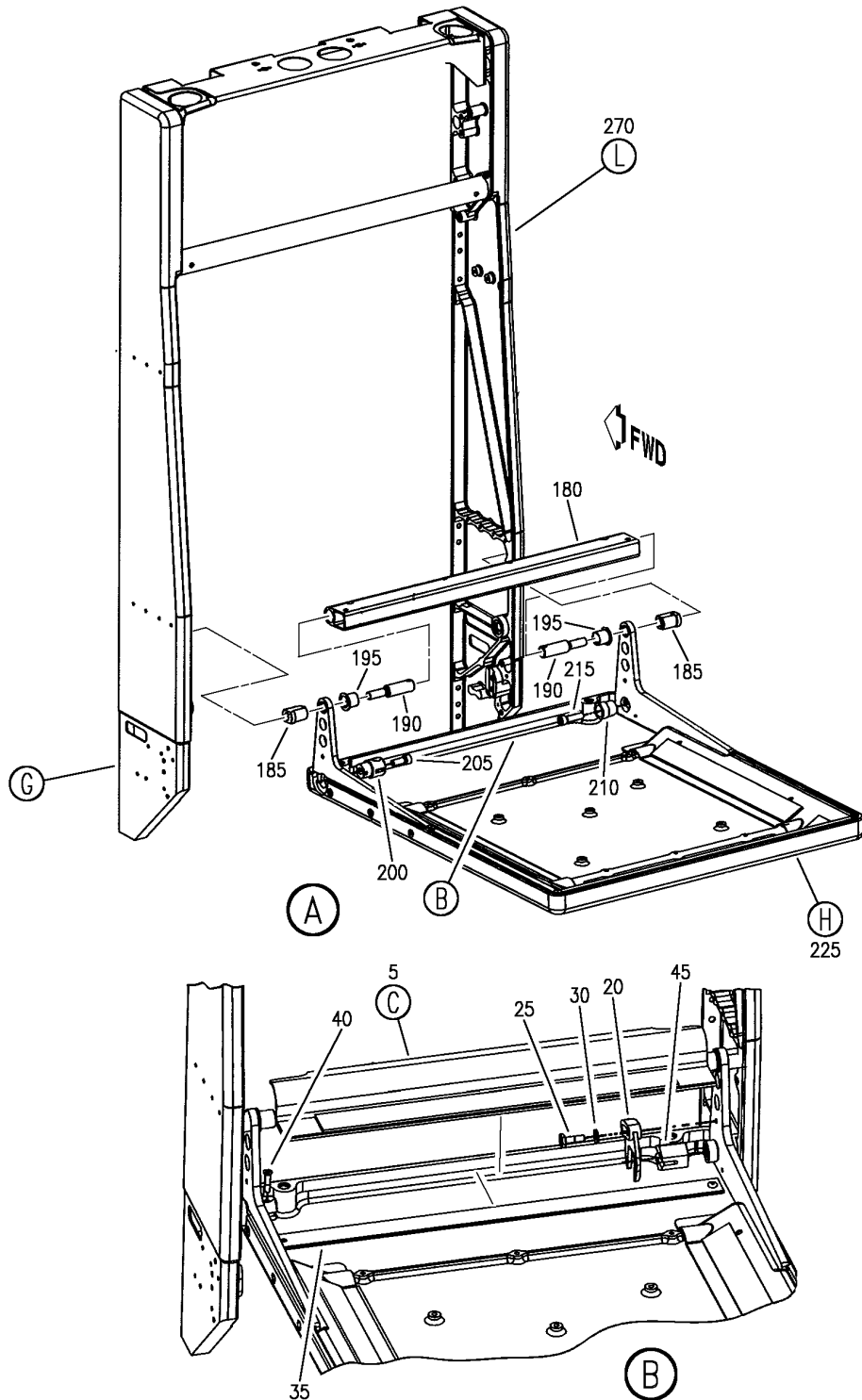
CORE ASSY-ATTENDANT SINGLE WALL-MOUNTED JAR-OPS SEAT AFT FACING LAV E ONLY
 FIGURE 97D (SHEET 1)

HAP
 JUN 15/09

25-25-12-97D

25-25-12-97D
 PAGE 0

BOEING
 737-600/700/800/900
 PARTS CATALOG (MAINTENANCE)



E 25251297D SH1 2 REV 153

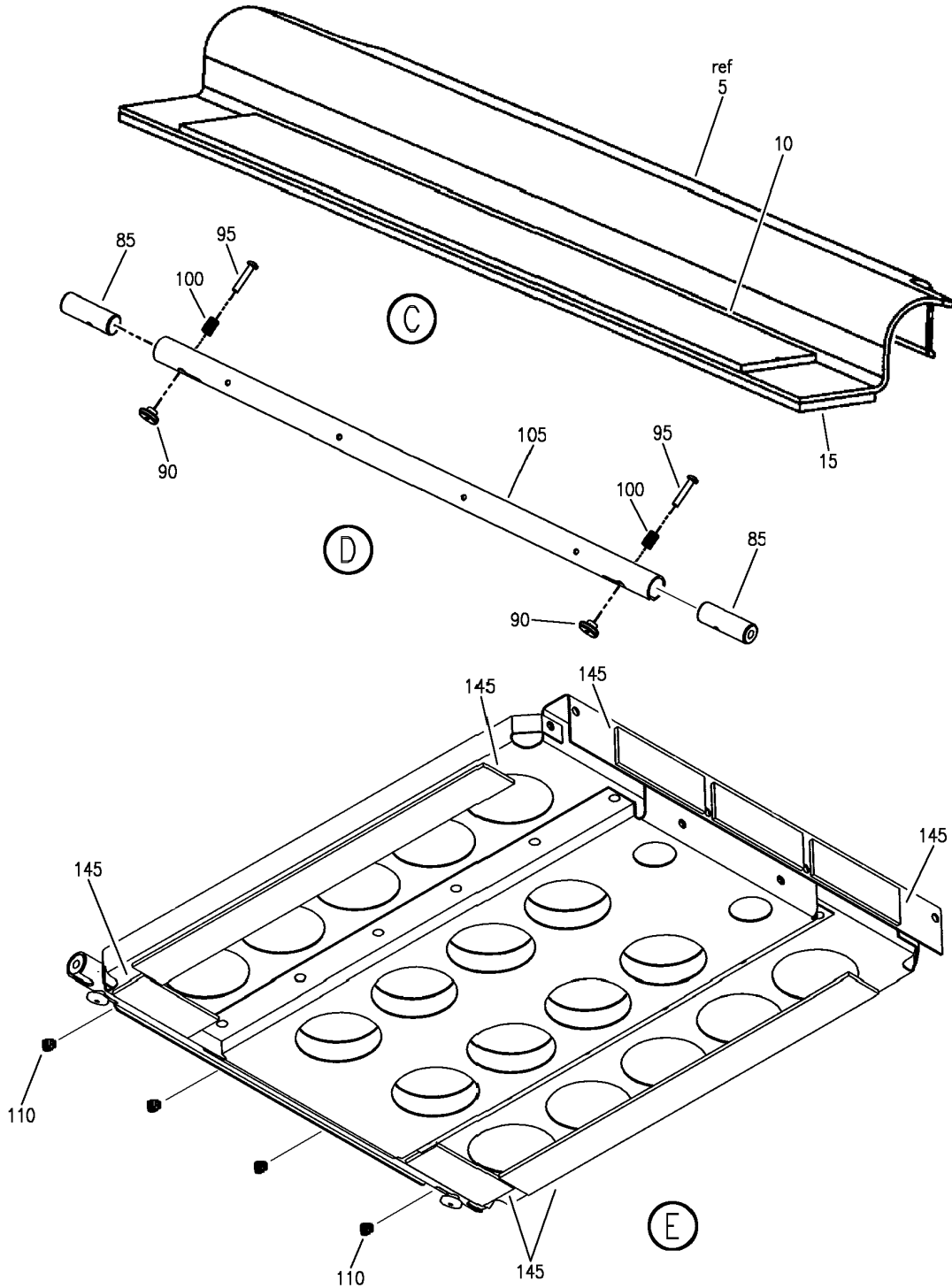
CORE ASSY-ATTENDANT SINGLE WALL-MOUNTED JAR-OPS SEAT AFT FACING LAV E ONLY
 FIGURE 97D (SHEET 2)

HAP
 JUN 15/09

25-25-12-97D

25-25-12-97D
 PAGE 0A

BOEING
737-600/700/800/900
PARTS CATALOG (MAINTENANCE)



E 25251297D SHT 3 REV 153

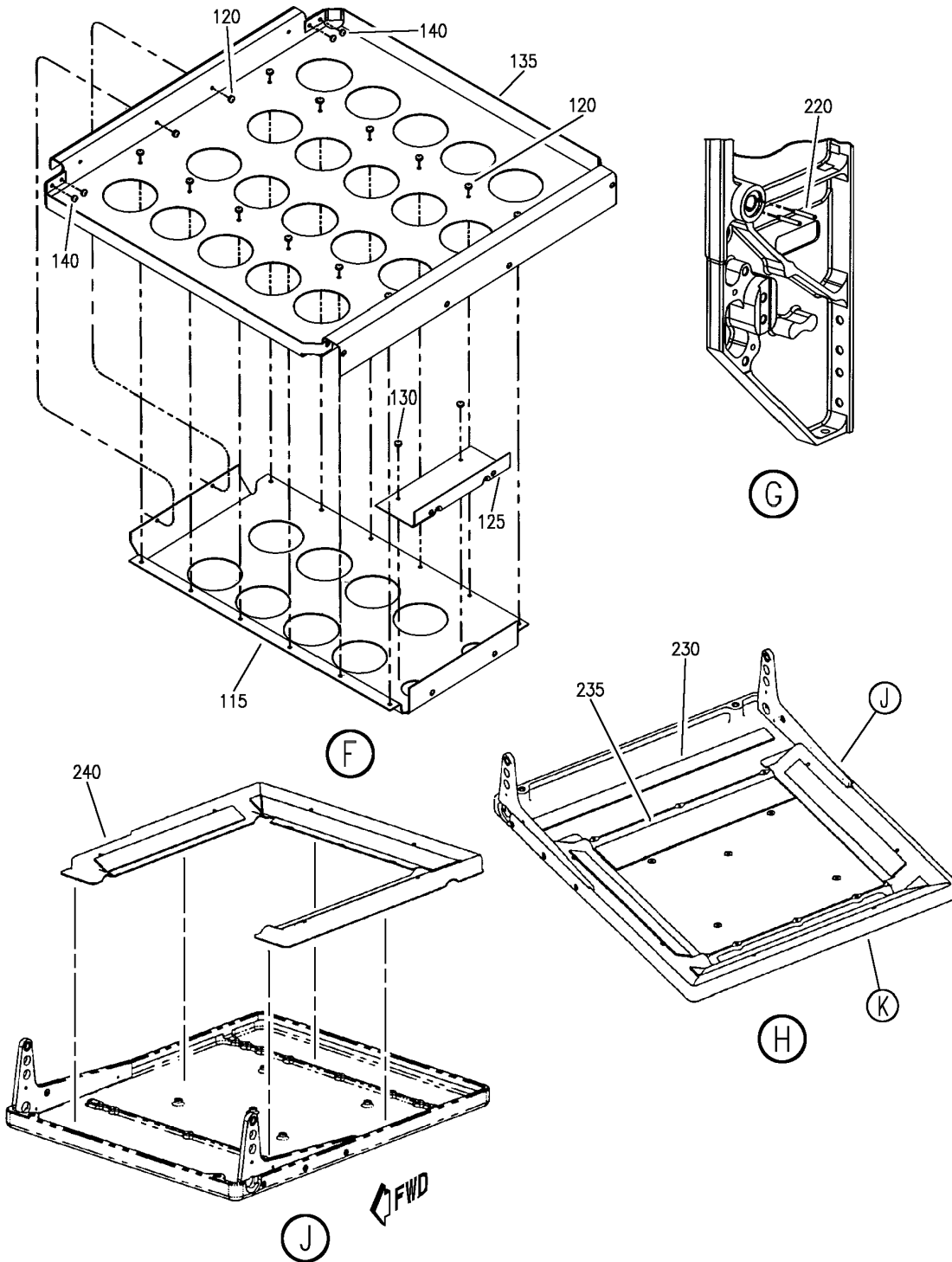
CORE ASSY-ATTENDANT SINGLE WALL-MOUNTED JAR-OPS SEAT AFT FACING LAV E ONLY
FIGURE 97D (SHEET 3)

HAP
JUN 15/09

25-25-12-97D

25-25-12-97D
PAGE 0B

BOEING
 737-600/700/800/900
 PARTS CATALOG (MAINTENANCE)



E 25251297D SHT 4 REV 153

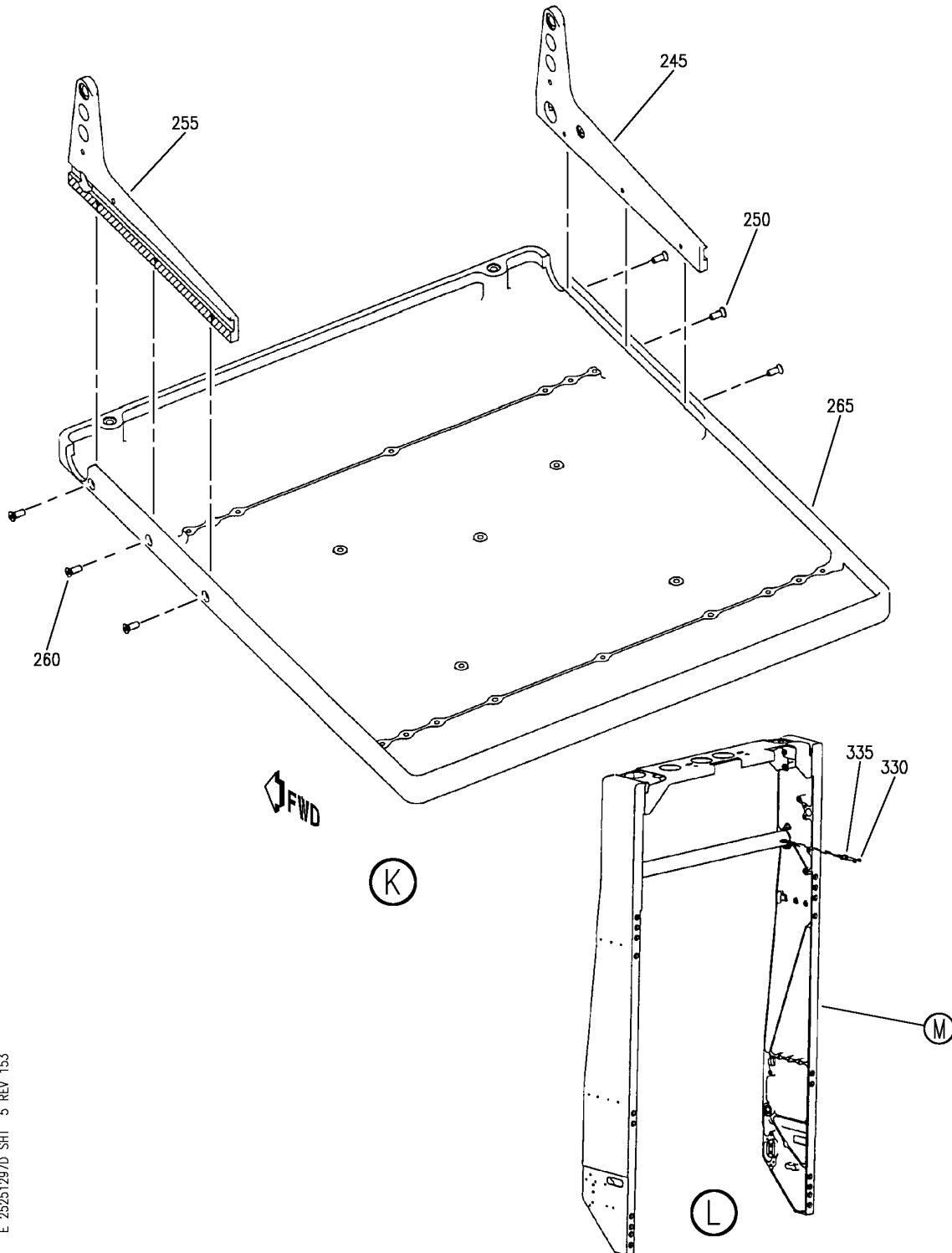
CORE ASSY-ATTENDANT SINGLE WALL-MOUNTED JAR-OPS SEAT AFT FACING LAV E ONLY
 FIGURE 97D (SHEET 4)

HAP
 JUN 15/09

25-25-12-97D

25-25-12-97D
 PAGE 0C

BOEING
 737-600/700/800/900
 PARTS CATALOG (MAINTENANCE)



E 25251297D SHT 5 REV 153

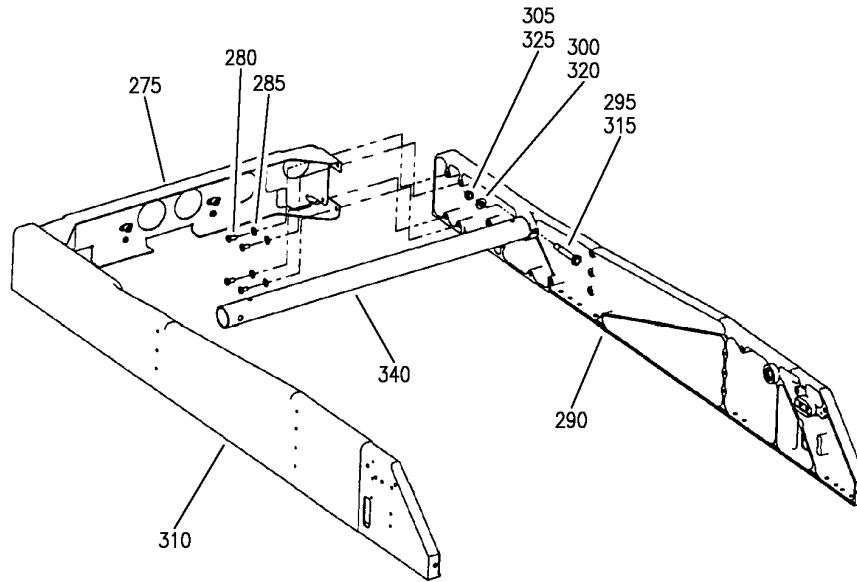
CORE ASSY-ATTENDANT SINGLE WALL-MOUNTED JAR-OPS SEAT AFT FACING LAV E ONLY
 FIGURE 97D (SHEET 5)

HAP
 JUN 15/09

25-25-12-97D

25-25-12-97D
 PAGE 0D

BOEING
737-600/700/800/900
PARTS CATALOG (MAINTENANCE)



E 25251297D SHT 6 REV 153

CORE ASSY-ATTENDANT SINGLE WALL-MOUNTED JAR-OPS SEAT AFT FACING LAV E ONLY
FIGURE 97D (SHEET 6)

HAP
JUN 15/09

25-25-12-97D

25-25-12-97D
PAGE 0E

BOEING
737-600/700/800/900
PARTS CATALOG (MAINTENANCE)

FIG ITEM	PART NUMBER	1 2 3 4 5 6 7	NOMENCLATURE	EFFECT FROM TO	UNITS PER ASSY
R R R R R R R R R R R R R R	97D		CORE ASSY-ATTENDANT SINGLE WALL-MOUNTED JAR-OPS SEAT AFT FACING LAV E ONLY	101106 968999	
	- 1	2112-1AMJ	CORE ASSY-ATTENDANT LAV E SINGLE WALL- MOUNTED JAR-OPS SEAT AFT FACING SUPPLIER CODE: V31218 FOR NHA SEE: 25-25-12-99T	101106 968999	RF
	5	2D2027-7	.COVER ASSY-TORSION SPR SUPPLIER CODE: V31218	101106 968999	1
	10	SJ3526GRY1ADH	..HOOK-ADH VELCRO GRAY SUPPLIER CODE: V5J466 CONFIG CHG DATA FROM A CMM: REPLD BY SJ3526BLK1ADH	101106 968999	AR
	10	SJ3526BLK1ADH	..HOOK-ADH VELCRO BLACK SUPPLIER CODE: V5J466 CONFIG CHG DATA FROM A CMM: REPLD BY SJ3526GRY1ADH	101106 968999	AR
	15	SJ3527GRY1ADH	..LOOP-ADH VELCRO GRAY SUPPLIER CODE: V5J466 CONFIG CHG DATA FROM A CMM: REPLD BY SJ3527BLK1ADH	101106 968999	AR
	15	SJ3527BLK1ADH	..LOOP-ADH VELCRO BLACK SUPPLIER CODE: V5J466 CONFIG CHG DATA FROM A CMM: REPLSE SJ3527GRY1ADH	101106 968999	AR
	20	2D2022-3	.LOCK-TORSION SPR SUPPLIER CODE: V31218	101106 968999	1
	25	NAS6203-5	ATTACHING PARTS .BOLT	101106 968999	1
	30	NAS1149F0332P	.WASHER	101106 968999	1
	35	2D2023-3	-----*----- .SPRING-TORSION FLAT SUPPLIER CODE: V31218	101106 968999	1

MISSING ITEM NUMBERS NOT APPLICABLE

- ITEM NOT ILLUSTRATED

HAP

25-25-12-97D

BOEING PROPRIETARY - Copyright © - Unpublished Work - See title page for details.

25-25-12
FIG. 97D
PAGE 1
JUN 15/09

BOEING
737-600/700/800/900
PARTS CATALOG (MAINTENANCE)

FIG ITEM	PART NUMBER	1 2 3 4 5 6 7	NOMENCLATURE	EFFECT FROM TO	UNITS PER ASSY
97D			ATTACHING PARTS		
R R	40	NAS1202-7	.BOLT	101106 968999	1
R R R R R R	45	2D2019-5	.ANCHOR-SPR SUPPLIER CODE: V31218	101106 968999	1
R R R R R	50	2112-25AMJ	.BACK ASSY- SUPPLIER CODE: V31218 POSITION DATA: LWR	101106 968999	1
R R R	55	NAS6203-13	.BOLT	101106 968999	2
R R	60	NAS623-2-14	.SCREW	101106 968999	2
R R R R R R R R R R	65	NAS1149F0363P	.WASHER	101106 968999	2
R R R R R R R R R R	70	AN960-8	.WASHER	101106 968999	2
R R R R R R R R R R	75	MS21042-3	.NUT	101106 968999	2
R R R R R R R R R R	80	22K1-82	.NUT-CAP METAL SUPPLIER CODE: V72962	101106 968999	2
R R R R R R R R R R	85	2D3017-3	..PIVOT- SUPPLIER CODE: V31218 POSITION DATA: UPR LWR	101106 968999	2
R R R R R R R R R R	90	2D3015-3	..KNOB-RELEASE SUPPLIER CODE: V31218	101106 968999	2
R R	95	NAS601-12P	..SCREW	101106 968999	2
R R R R R R R R R R	100	C0240-020-0880M	..SPRING- SUPPLIER CODE: V31218	101106 968999	2
R R R R R R R R R R	105	2D3018-13	..TUBE- SUPPLIER CODE: V31218 POSITION DATA: UPR LWR	101106 968999	1

MISSING ITEM NUMBERS NOT APPLICABLE

— ITEM NOT ILLUSTRATED

HAP

25-25-12-97D

BOEING PROPRIETARY - Copyright © - Unpublished Work - See title page for details.

25-25-12
FIG. 97D
PAGE 2
JUN 15/09

BOEING
737-600/700/800/900
PARTS CATALOG (MAINTENANCE)

FIG ITEM	PART NUMBER	1 2 3 4 5 6 7	NOMENCLATURE	EFFECT FROM TO	UNITS PER ASSY
97D			ATTACHING PARTS		
R R	110 MS20600M4W2		..RIVET	101106 968999	6
R R R	115 2D3022-15		-----*----- ..GUSSET- SUPPLIER CODE: V31218	101106 968999	1
R R	120 MS20470AD44		ATTACHING PARTS ..RIVET	101106 968999	14
R R R	125 2D3046-3		-----*----- ..BRACE- SUPPLIER CODE: V31218	101106 968999	1
R R R	130 MS20470AD44		ATTACHING PARTS ..RIVET- SUPPLIER CODE: V07707	101106 968999	2
R R R R	135 2D3022-11		-----*----- ..PAN- SUPPLIER CODE: V31218 POSITION DATA: LWR	101106 968999	1
R R R	140 MS20426AD44		ATTACHING PARTS ..RIVET- SUPPLIER CODE: V31218	101106 968999	4
R R R R R	145 SJ3526BLK1ADH		-----*----- ..HOOK-ADHESIVE VELCRO BLACK SUPPLIER CODE: V5J466	101106 968999	AR
R R R	150 NAS623-3-3		.SCREW	101106 968999	1
R R R R R	155 2D3013-51		.LINK-BACK SUPPLIER CODE: V31218 POSITION DATA: UPR	101106 968999	1
R R R	160 NAS77-3-016		.BUSHING	101106 968999	1
R R R	165 NAS623-3-3		.SCREW	101106 968999	1
R R R R	170 2D3013-52		.LINK-BACK SUPPLIER CODE: V31218 POSITION DATA: UPR	101106 968999	1

MISSING ITEM NUMBERS NOT APPLICABLE

— ITEM NOT ILLUSTRATED

HAP

25-25-12-97D

25-25-12
FIG. 97D
PAGE 3
JUN 15/09

BOEING
737-600/700/800/900
PARTS CATALOG (MAINTENANCE)

FIG ITEM	PART NUMBER	1 2 3 4 5 6 7	NOMENCLATURE	EFFECT FROM TO	UNITS PER ASSY
R	97D				
R	175	NAS77-3-016	.BUSHING	101106 968999	1
R	180	2D3012-3AMJ	.ATTACH-BACK SUPPLIER CODE: V31218 POSITION DATA: LWR	101106 968999	1
R	185	2D2015-1	.STOP-SEAT PAN SUPPLIER CODE: V31218	101106 968999	2
R	190	2D2013-3	.PIVOT-BACK SUPPLIER CODE: V31218 POSITION DATA: LWR	101106 968999	2
R	195	8L5-1-2F	.NYLINER-FLANGED SUPPLIER CODE: V96881	101106 968999	2
R	200	2D2018-1	.BUSHING-ANCHOR SEAT PAN SUPPLIER CODE: V31218	101106 968999	1
R	205	MS21262-37	ATTACHING PARTS .SCREW	101106 968999	1
R	210	2D2020-7	-----*----- .BUSHING-SEAT PAN SUPPLIER CODE: V31218 ATTACHING PARTS	101106 968999	1
R	215	MS21262-50	.SCREW	101106 968999	1
R	220	MS16555-21	-----*----- .PIN-DOWEL	101106 968999	2
R	225	2112-20AMJ	.PAN ASSY-SEAT SUPPLIER CODE: V31218	101106 968999	1
R	230	SJ3526GRY1ADH	..HOOK-ADH VELCRO BLACK SUPPLIER CODE: V5J466 CONFIG CHG DATA FROM A CMM: REPLS SJ3526BLK1ADH	101106 968999	AR
R	230	SJ3526BLK1ADH	..HOOK-ADH VELCRO BLACK SUPPLIER CODE: V5J466 CONFIG CHG DATA FROM A CMM: REPLS SJ3526GRY1ADH	101106 968999	AR

MISSING ITEM NUMBERS NOT APPLICABLE

— ITEM NOT ILLUSTRATED

HAP

25-25-12-97D

BOEING PROPRIETARY - Copyright © - Unpublished Work - See title page for details.

25-25-12
FIG. 97D
PAGE 4
JUN 15/09

BOEING
737-600/700/800/900
PARTS CATALOG (MAINTENANCE)

FIG ITEM	PART NUMBER	1 2 3 4 5 6 7	NOMENCLATURE	EFFECT FROM TO	UNITS PER ASSY
R R R R R R R R R R R R R R R R	97D 290	2D1024-1AMJ	.. PANEL- SUPPLIER CODE: V31218 POSITION DATA: SIDE ATTACHING PARTS	101106 968999	1
	295	NAS6204-19	.. BOLT	101106 968999	1
	300	NAS1149F0463P	.. WASHER	101106 968999	1
	305	MS21042-4	.. NUT	101106 968999	1
	310	2D1024-2AMJ	-----*----- .. PANEL- SUPPLIER CODE: V31218 POSITION DATA: SIDE ATTACHING PARTS	101106 968999	1
	315	NAS6204-19	.. BOLT	101106 968999	1
	320	NAS1149F0463P	.. WASHER	101106 968999	1
	325	MS21042-4	.. NUT	101106 968999	1
	330	SD32BS	-----*----- .. RIVET-POP SUPPLIER CODE: V6R744	101106 968999	4
	335	MS21069L08	.. NUTPLATE	101106 968999	2
	340	2D1046-1AMJ	.. TUBE-CROSS BACK SUPPLIER CODE: V31218 POSITION DATA: UPR	101106 968999	1

MISSING ITEM NUMBERS NOT APPLICABLE

— ITEM NOT ILLUSTRATED

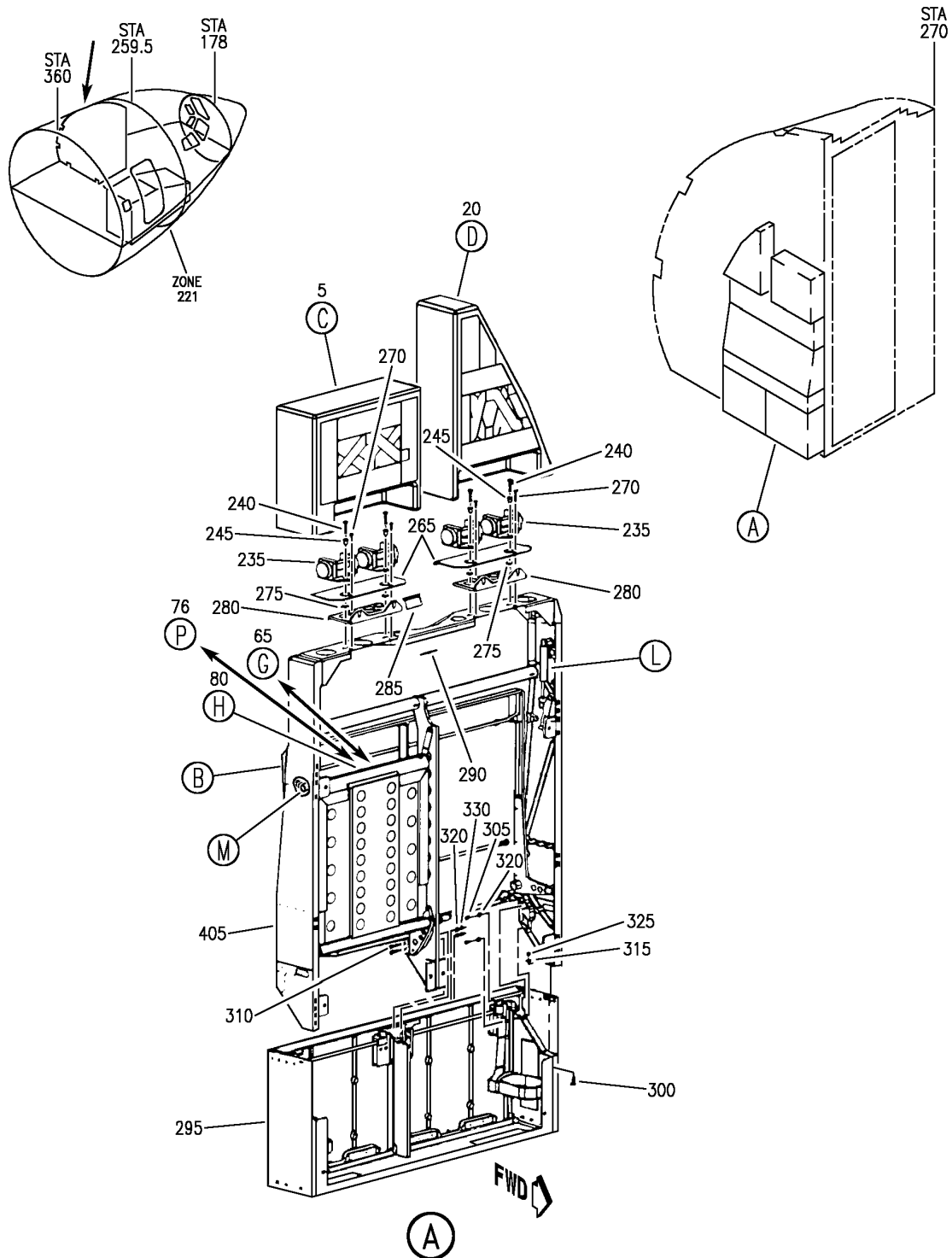
HAP

25-25-12-97D

BOEING PROPRIETARY - Copyright © - Unpublished Work - See title page for details.

25-25-12
FIG. 97D
PAGE 6
JUN 15/09

BOEING
 737-600/700/800/900
 PARTS CATALOG (MAINTENANCE)



E 25251298D SHT 1 REV 155

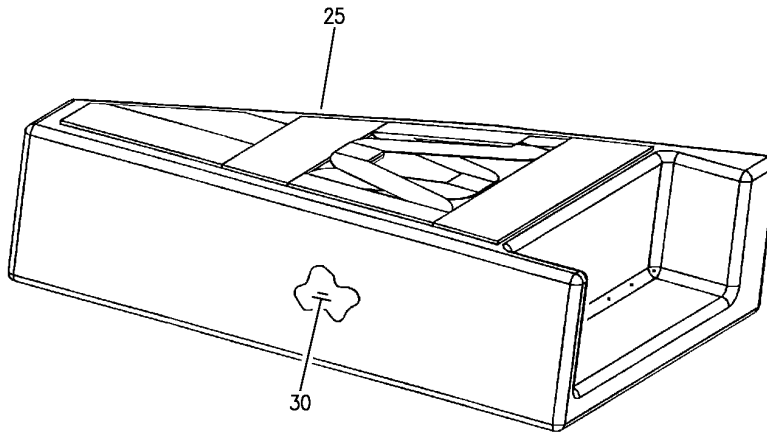
SEAT ASSY-ATTENDANT NARROW DBL WALL MOUNTED
 FIGURE 98D (SHEET 1)

25-25-12-98D

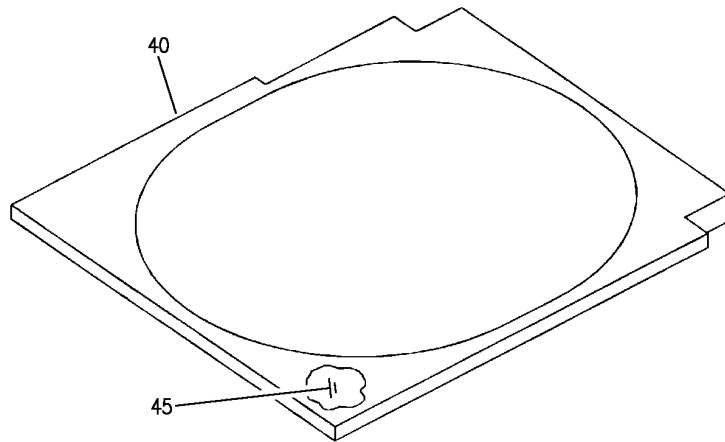
HAP
 JUN 15/09

25-25-12-98D
 PAGE 0

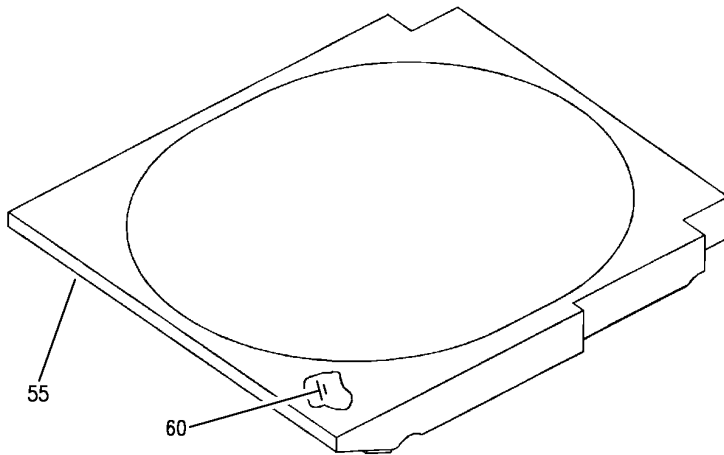
BOEING
737-600/700/800/900
PARTS CATALOG (MAINTENANCE)



(D)



(E)



(F)

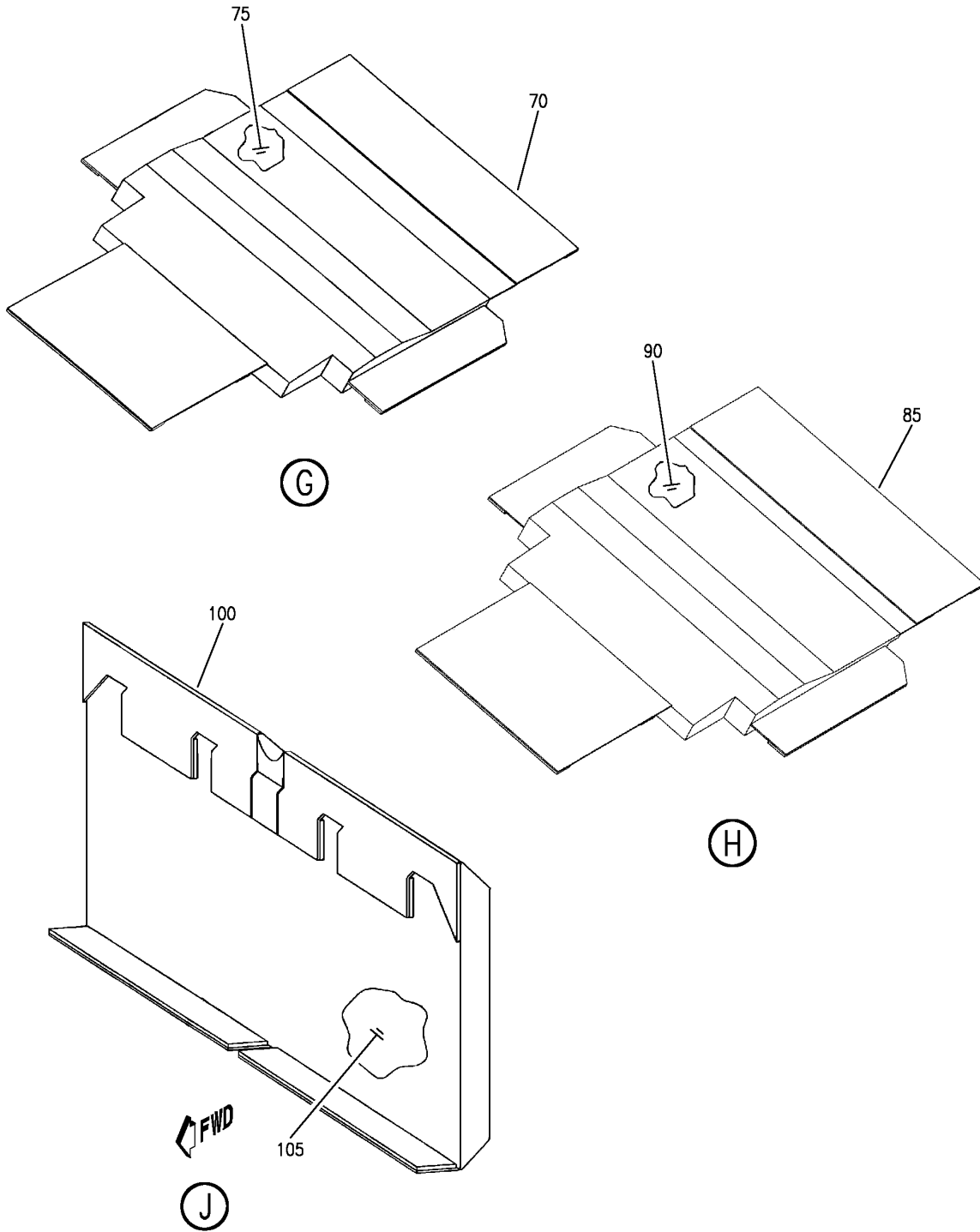
E 25251298D SHT 3 REV 111

SEAT ASSY-ATTENDANT NARROW DBL WALL MOUNTED
FIGURE 98D (SHEET 3)

25-25-12-98D

HAP
OCT 10/06

25-25-12-98D
PAGE 0B



E 25251298D SHT 4 REV 111

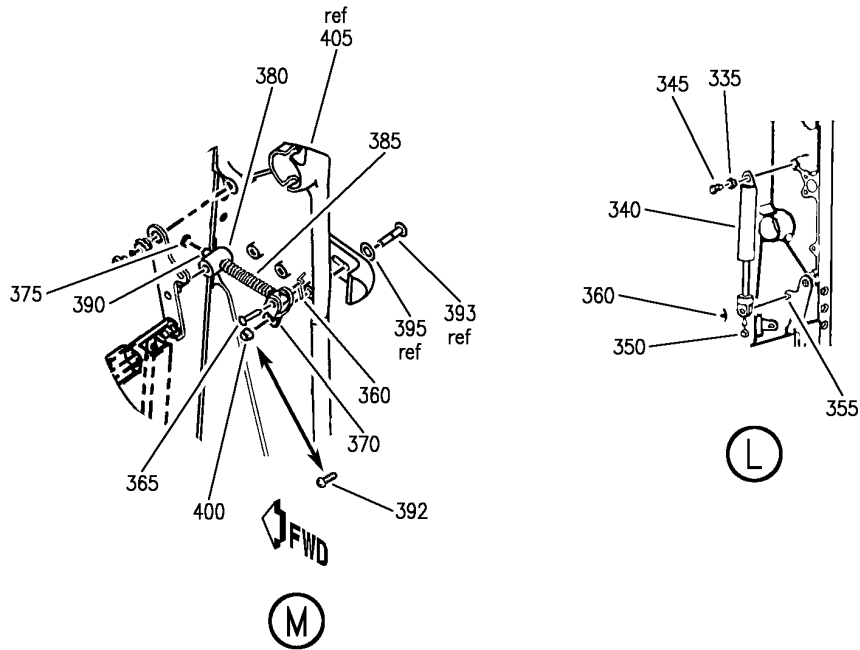
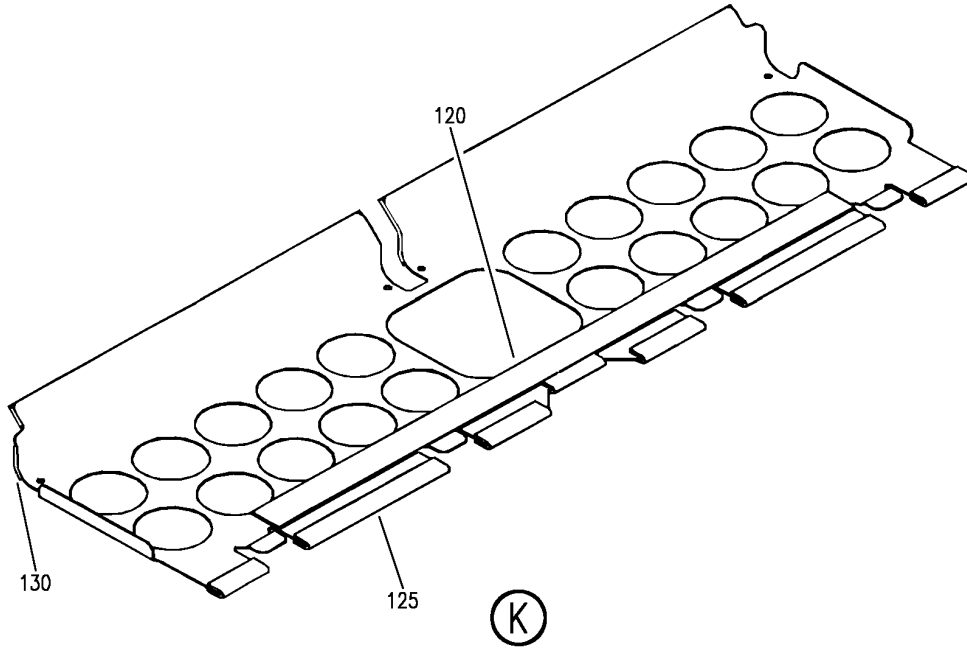
SEAT ASSY-ATTENDANT NARROW DBL WALL MOUNTED
 FIGURE 98D (SHEET 4)

25-25-12-98D

HAP
 OCT 10/06

25-25-12-98D
 PAGE 0C

BOEING
 737-600/700/800/900
 PARTS CATALOG (MAINTENANCE)



E 25251298D SHT 5 REV 155

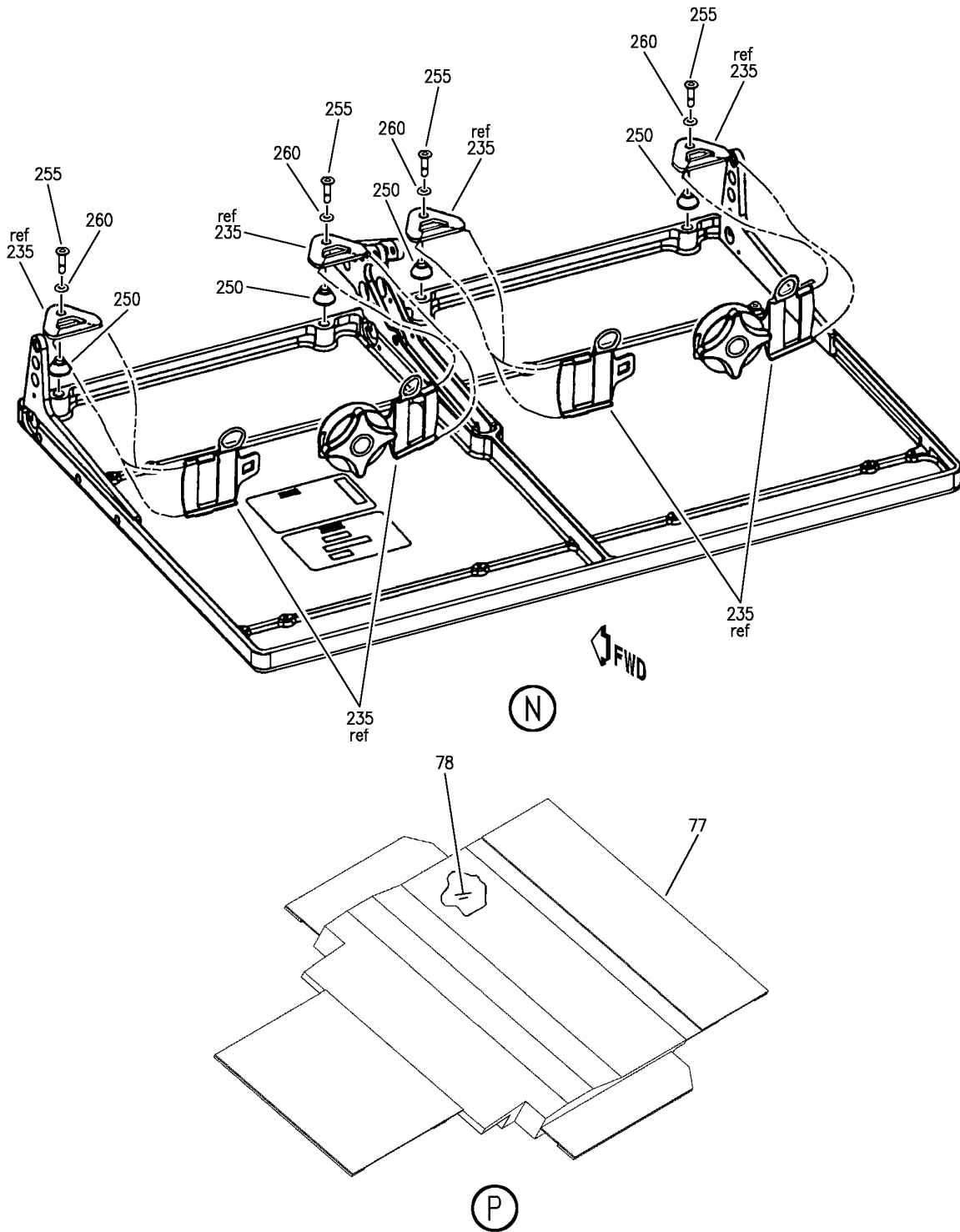
SEAT ASSY-ATTENDANT NARROW DBL WALL MOUNTED
 FIGURE 98D (SHEET 5)

25-25-12-98D

HAP
 JUN 15/09

25-25-12-98D
 PAGE 0D

BOEING
 737-600/700/800/900
 PARTS CATALOG (MAINTENANCE)



E 25251298D SHT 6 REV 155

SEAT ASSY-ATTENDANT NARROW DBL WALL MOUNTED
 FIGURE 98D (SHEET 6)

25-25-12-98D

HAP
 JUN 15/09

25-25-12-98D
 PAGE 0E

BOEING
737-600/700/800/900
PARTS CATALOG (MAINTENANCE)

FIG ITEM	PART NUMBER	1 2 3 4 5 6 7	NOMENCLATURE	EFFECT FROM TO	UNITS PER ASSY
98D					
R	30	2D7000-21	..CUSHION-FIREBLOCK SUPPLIER CODE: V31218	031100 107200	1
R	35	2D7008-1D	.CUSHION AND COVER ASSY- SUPPLIER CODE: V31218	031100 107200	1
R	40	2D7008-11D	..COVER-PAN SUPPLIER CODE: V31218	031100 107200	1
R	45	2D7009-1	..CUSHION-PAN SUPPLIER CODE: V31218	031100 107200	1
R	50	2D7008-2D	.CUSHION AND COVER ASSY- SUPPLIER CODE: V31218	031100 107200	1
R	55	2D7008-12D	..COVER-PAN SUPPLIER CODE: V31218	031100 107200	1
R	60	2D7009-2	..CUSHION-PAN SUPPLIER CODE: V31218	031100 107200	1
R	65	2D7004-1D	.CUSHION AND COVER ASSY- SUPPLIER CODE: V31218 CONFIG CHG DATA FROM A CMM: REPLD BY 2D7004-31D USED ON: 2110-324GC	031100 107200	2
R	70	2D7004-11D	..COVER- SUPPLIER CODE: V31218	031100 107200	1
R	75	2D7005-1	..CUSHION- SUPPLIER CODE: V31218	031100 107200	1
R	76	2D7004-51D	.CUSHION AND COVER ASSY- SUPPLIER CODE: V31218 USED ON: 2110-124GC	031100 107200	2
R	77	2D7004-61D	..COVER-BACK LWR SUPPLIER CODE: V31218	031100 107200	1
R	78	2D7005-7	..CUSHION-BACK LWR SUPPLIER CODE: V31218	031100 107200	1

MISSING ITEM NUMBERS NOT APPLICABLE

- ITEM NOT ILLUSTRATED

HAP

25-25-12-98D

BOEING PROPRIETARY - Copyright © - Unpublished Work - See title page for details.

25-25-12
FIG. 98D
PAGE 2
JUN 15/09

BOEING
737-600/700/800/900
PARTS CATALOG (MAINTENANCE)

FIG ITEM	PART NUMBER	1 2 3 4 5 6 7	NOMENCLATURE	EFFECT FROM TO	UNITS PER ASSY
98D					
R	80	2D7004-31D	.CUSHION AND COVER ASSY- SUPPLIER CODE: V31218 CONFIG CHG DATA FROM A CMM: REPLS 2D7004-1D USED ON: 2110-324GC	031100 107200	2
R	85	2D7004-41D	..COVER-BACK LWR SUPPLIER CODE: V31218	031100 107200	1
R	90	2D7005-11	..CUSHION-BACK LWR SUPPLIER CODE: V31218	031100 107200	1
R	95	2D7006-1D	.CUSHION AND COVER ASSY- SUPPLIER CODE: V31218	031100 107200	1
R	100	2D7006-11D	..COVER-BACK SUPPLIER CODE: V31218 POSITION DATA: UPR	031100 107200	1
R	105	2D7007-1	..CUSHION-BACK SUPPLIER CODE: V31218 POSITION DATA: UPR	031100 107200	1
R	110	2D1042-1APA	.PAN ASSY-BACK SUPPLIER CODE: V31218 POSITION DATA: UPR ATTACHING PARTS	031100 107200	1
R	115	NAS623-2-16	.SCREW	031100 107200	4
R	120	SJ3526GRY1ADH	-----*----- ..HOOK-ADH VELCRO GRAY SUPPLIER CODE: V5J466 CONFIG CHG DATA FROM A CMM: REPLD BY SJ3526BLK1ADH	031100 107200	AR
R	120	SJ3526BLK1ADH	..HOOK-ADH VELCRO GRAY SUPPLIER CODE: V5J466 CONFIG CHG DATA FROM A CMM: REPLS SJ3526BRY1ADH	031100 107200	1

MISSING ITEM NUMBERS NOT APPLICABLE

— ITEM NOT ILLUSTRATED

HAP

25-25-12-98D

BOEING PROPRIETARY - Copyright © - Unpublished Work - See title page for details.

25-25-12
FIG. 98D
PAGE 3
JUN 15/09

BOEING
737-600/700/800/900
PARTS CATALOG (MAINTENANCE)

FIG ITEM	PART NUMBER	1 2 3 4 5 6 7	NOMENCLATURE	EFFECT FROM TO	UNITS PER ASSY
R R R R R R R R R R R R R R R	98D 147	S70027-1APA	.CAP-CORNER RUB STRIP SUPPLIER CODE: V31218 CONFIG CHG DATA FROM A CMM: REPLD BY A70027-1APA USED ON: 2110-324GC	031100 107200	2
	147	A70027-1APA	.CAP-CORNER RUB STRIP SUPPLIER CODE: V31218 CONFIG CHG DATA FROM A CMM: REPLS S70027-1APA USED ON: 2110-324GC	031100 107200	2
	147	A70027-17APA	.CAP-END ALUM RUBSTRIP SUPPLIER CODE: V31218 USED ON: 2110-124GC ATTACHING PARTS	031100 107200	2
	148	AN525-832R6	.SCREW -----*-----	031100 107200	2
	150	AN525-832R6	.SCREW	031100 107200	1
	155	S70027-7APA	.CAP-RUBSTRIP SUPPLIER CODE: V31218 CONFIG CHG DATA FROM A CMM: REPLD BY A70027-7APA	031100 107200	2
	155	A70027-7APA	.CAP-RUBSTRIP SUPPLIER CODE: V31218 CONFIG CHG DATA FROM A CMM: REPLS S70027-7APA ATTACHING PARTS	031100 107200	2
	160	AN525-832R6	.SCREW -----*-----	031100 107200	2
	165	S21012-11APA	.COVER-RUBSTRIP SUPPLIER CODE: V31218	031100 107200	4
	170	S70027-3APA	.CAP-FLAT RUBSTRIP SUPPLIER CODE: V31218 CONFIG CHG DATA FROM A CMM: REPLD BY A70027-3APA	031100 107200	10

MISSING ITEM NUMBERS NOT APPLICABLE

— ITEM NOT ILLUSTRATED

HAP

25-25-12-98D

BOEING PROPRIETARY - Copyright © - Unpublished Work - See title page for details.

25-25-12
FIG. 98D
PAGE 5
JUN 15/09

BOEING
737-600/700/800/900
PARTS CATALOG (MAINTENANCE)

FIG ITEM	PART NUMBER	1 2 3 4 5 6 7	NOMENCLATURE	EFFECT FROM TO	UNITS PER ASSY
98D					
R R R R R	170 A70027-3APA		.CAP-FLAT RUBSTRIP SUPPLIER CODE: V31218 CONFIG CHG DATA FROM A CMM: REPLS S70027-3APA ATTACHING PARTS	031100 107200	10
R R	175 AN525-832R6		.SCREW -----*-----	031100 107200	16
R R R R R	177 AN525-832R6		.SCREW	031100 107200	2
R R R R R	180 S21012-69APA		.COVER-RUBSTRIP SUPPLIER CODE: V31218	031100 107200	2
R R R R R	185 S70027-5APA		.CAP-END RUBSTRIP SUPPLIER CODE: V31218 CONFIG CHG DATA FROM A CMM:	031100 107200	2
R R R R R	185 A70027-5APA		REPLD BY A70027-5APA .CAP-END RUBSTRIP SUPPLIER CODE: V31218 CONFIG CHG DATA FROM A CMM: REPLS S70027-5APA ATTACHING PARTS	031100 107200	2
R R	190 AN525-832R6		.SCREW -----*-----	031100 107200	2
R R R R R	195 S21011-33APA		.CHANNEL-RUBSTRIP SUPPLIER CODE: V31218 CONFIG CHG DATA FROM A CMM: REPLD BY A21011-33APA	031100 107200	2
R R R R R	195 A21011-33APA		.CHANNEL-RUBSTRIP SUPPLIER CODE: V31218 CONFIG CHG DATA FROM A CMM: REPLS S21011-33APA ATTACHING PARTS	031100 107200	2
R R	200 AN525-832R6		.SCREW -----*-----	031100 107200	2
R R R	205 S21012-37APA		.COVER-RUBSTRIP SUPPLIER CODE: V31218	031100 107200	1

MISSING ITEM NUMBERS NOT APPLICABLE

— ITEM NOT ILLUSTRATED

HAP

25-25-12-98D

BOEING PROPRIETARY - Copyright © - Unpublished Work - See title page for details.

25-25-12
FIG. 98D
PAGE 6
JUN 15/09

BOEING
737-600/700/800/900
PARTS CATALOG (MAINTENANCE)

FIG ITEM	PART NUMBER	1 2 3 4 5 6 7	NOMENCLATURE	EFFECT FROM TO	UNITS PER ASSY
R R R R R R R	98D 255 NAS6203-10		.BOLT- CONFIG CHG DATA FROM A CMM: REPLS NAS6203-8	031100 107200	4
R R R R R R	260 AN960-10L		.WASHER- CONFIG CHG DATA FROM A CMM: REPLD BY NAS1149F0332P	031100 107200	4
R R R R	260 NAS1149F0332P		.WASHER- CONFIG CHG DATA FROM A CMM: REPLS AN960-10L	031100 107200	4
R R R	265 2D1067-1		-----*----- .GUIDE-WEB WEAR SUPPLIER CODE: V31218 ATTACHING PARTS	031100 107200	2
R R R R	270 NAS623-2-3		.SCREW- CONFIG CHG DATA FROM A CMM: REPLD BY NAS623-2-4	031100 107200	4
R R R R	270 NAS623-2-4		.SCREW- CONFIG CHG DATA FROM A CMM: REPLS NAS623-2-3	031100 107200	4
R R R R	275 AN960-516		.WASHER- CONFIG CHG DATA FROM A CMM: REPLD BY NAS1149F0563P	031100 107200	4
R R R R	275 NAS1149F0563P		.WASHER- CONFIG CHG DATA FROM A CMM: REPLS AN960-516	031100 107200	4
R R R R	280 2D1037-1		-----*----- .BRACKET-INERTIA REEL SUPPLIER CODE: V31218	031100 107200	2
R R R R	285 2D1041-1		.FUNNEL-PHONE CORD SUPPLIER CODE: V31218	031100 107200	1
R R R R	290 MS16624-2137		.RING	031100 107200	1
R R R R	295 2110-35APA		.BOX ASSY-STOWAGE SUPPLIER CODE: V31218 FOR DETAILS SEE: 25-25-12-98E ATTACHING PARTS	031100 107200	1
R R R R	300 NAS6203-3		.BOLT	031100 107200	2
R R R R	305 NAS623-2-1		.SCREW	031100 107200	4
R R R	310 NAS623-2-7		.SCREW	031100 107200	2

MISSING ITEM NUMBERS NOT APPLICABLE

— ITEM NOT ILLUSTRATED

HAP

25-25-12-98D

BOEING PROPRIETARY - Copyright © - Unpublished Work - See title page for details.

25-25-12
FIG. 98D
PAGE 8
JUN 15/09

BOEING
737-600/700/800/900
PARTS CATALOG (MAINTENANCE)

FIG ITEM	PART NUMBER	1 2 3 4 5 6 7	NOMENCLATURE	EFFECT FROM TO	UNITS PER ASSY
R	98D				
R	315	AN960-10L	.WASHER- CONFIG CHG DATA FROM A CMM: REPLD BY NAS1149F0332P	031100 107200	2
R	315	NAS1149F0332P	.WASHER- CONFIG CHG DATA FROM A CMM: REPLS AN960-10L	031100 107200	2
R	320	AN960-8	.WASHER- CONFIG CHG DATA FROM A CMM: REPLD BY NAS1149FN832P	031100 107200	6
R	320	NAS1149FN832P	.WASHER- CONFIG CHG DATA FROM A CMM: REPLS AN960-8	031100 107200	6
R	325	MS21042-3	.NUT	031100 107200	2
R	330	MS21042-08	.NUT	031100 107200	2
R	335	NAS77-3-016	-----*----- .BUSHING	031100 107200	1
R	340	SP20523	.DAMPENER-SPR SUPPLIER CODE: V24403 ATTACHING PARTS	031100 107200	1
R	345	NAS623-3-3	.SCREW	031100 107200	1
R	350	NAS43DD3-8	.SPACER	031100 107200	1
R	355	MS20392-2C13	.PIN	031100 107200	1
R	360	MS24665-132	.PIN	031100 107200	2
R	365	MS20392-1C17	.PIN	031100 107200	1
R	370	2D3041-1	-----*----- .BRACKET-GUIDE SPR SUPPLIER CODE: V31218	031100 107200	1
R	375	5555-18SPP	.CLIP- SUPPLIER CODE: V96881	031100 107200	1
R	380	2D3021-9	.LINK-RUB BUTTON SUPPLIER CODE: V31218 USED ON: 2110-324GC	031100 107200	1

MISSING ITEM NUMBERS NOT APPLICABLE

— ITEM NOT ILLUSTRATED

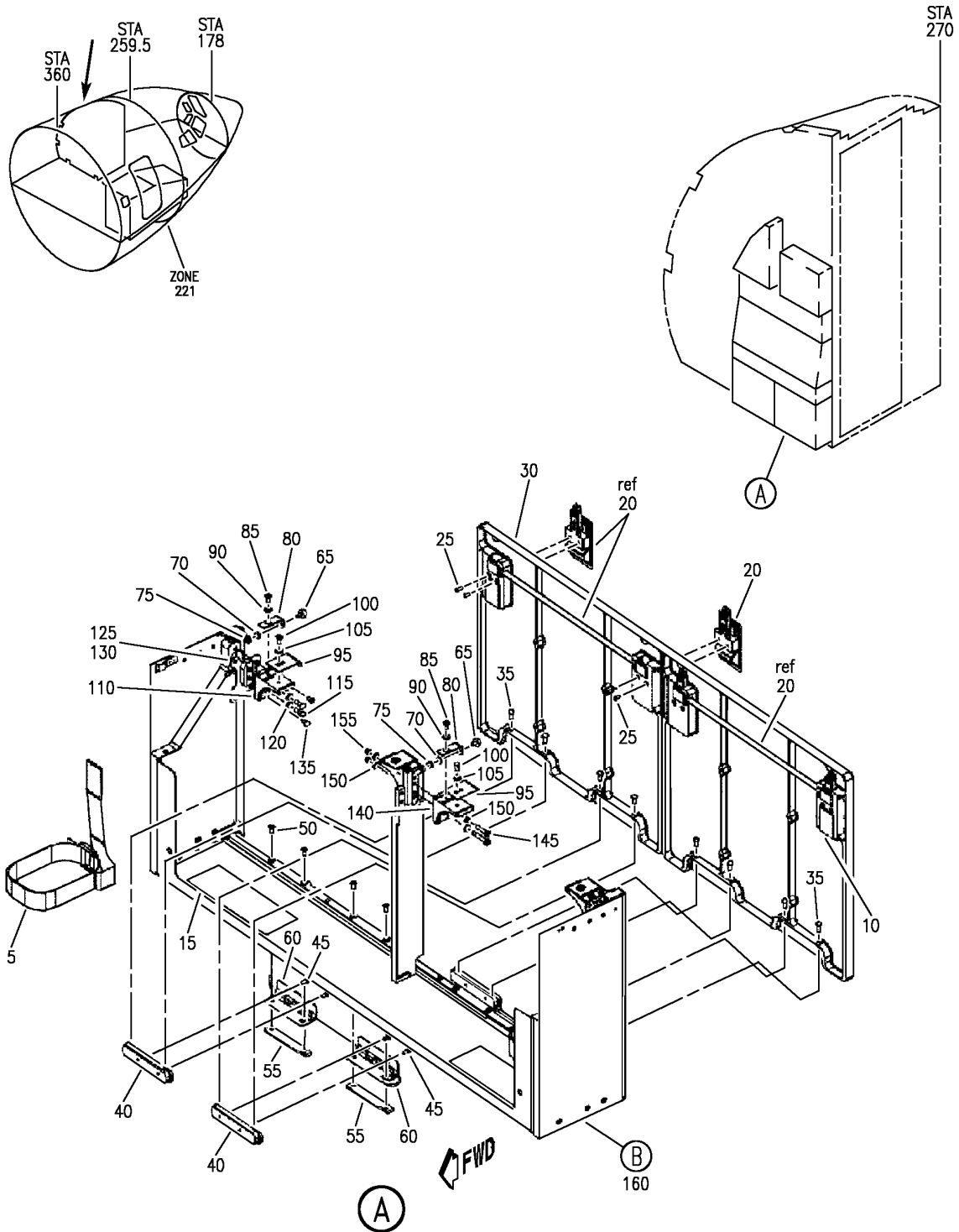
HAP

25-25-12-98D

BOEING PROPRIETARY - Copyright © - Unpublished Work - See title page for details.

25-25-12
FIG. 98D
PAGE 9
JUN 15/09

BOEING
 737-600/700/800/900
 PARTS CATALOG (MAINTENANCE)



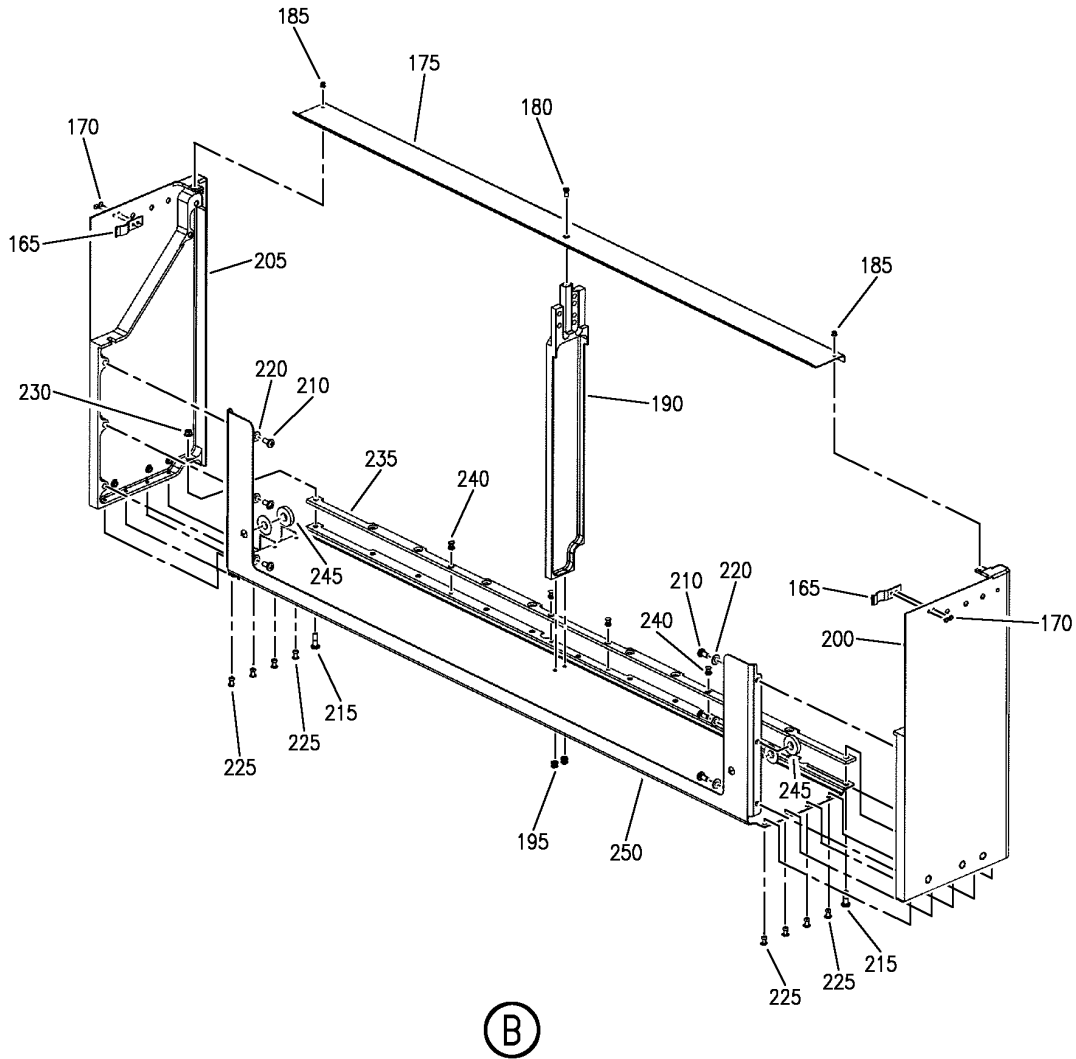
E 25251298E SHT 1 REV 111

BOX ASSY-STOWAGE ATTENDANT SEAT
 FIGURE 98E (SHEET 1)

25-25-12-98E

HAP
 OCT 10/06

25-25-12-98E
 PAGE 0



E 25251298E SHT 2 REV 111

BOX ASSY-STOWAGE ATTENDANT SEAT
 FIGURE 98E (SHEET 2)

25-25-12-98E

HAP
 OCT 10/06

25-25-12-98E
 PAGE 0A

BOEING
737-600/700/800/900
PARTS CATALOG (MAINTENANCE)

FIG ITEM	PART NUMBER	1 2 3 4 5 6 7	NOMENCLATURE	EFFECT FROM TO	UNITS PER ASSY
98E			ATTACHING PARTS		
R R	35 NAS602-6P		.SCREW	031100 107200	8
R R R	40 2D1061-1APA		-----*----- .COVER-HINGE SUPPLIER CODE: V31218	031100 107200	4
R R	45 NAS514P632-5P		ATTACHING PARTS .SCREW	031100 107200	8
R R R	50 NAS1202-1		-----*----- .SCREW	031100 107200	8
R R R R	55 2D1141-1		.PLATE-THREADED DOOR HINGE SUPPLIER CODE: V31218	031100 107200	4
R R R R	60 2D1025-1		.HINGE- SUPPLIER CODE: V31218	031100 107200	2
R R R R	65 827S		.SCREW-BUMPER SUPPLIER CODE: V8J913	031100 107200	4
R R R R	70 AN960-6L		.WASHER- CONFIG CHG DATA FROM A CMM: REPLD BY NAS1149FN616P	031100 107200	4
R R R R	70 NAS1149FN616P		.WASHER- CONFIG CHG DATA FROM A CMM: REPLS AN960-6L	031100 107200	4
R R R R	75 MS21083N06		.NUT	031100 107200	4
R R R R	80 2D1022-1		.BRACKET-DOOR BUMPER SUPPLIER CODE: V31218	031100 107200	4
R R R R	85 NAS1096-2-5		ATTACHING PARTS .SCREW	031100 107200	4
R R R R	90 AN960-8		.WASHER- CONFIG CHG DATA FROM A CMM: REPLD BY NAS1149FN832P	031100 107200	4
R R R R	90 NAS1149FN832P		.WASHER- CONFIG CHG DATA FROM A CMM: REPLS AN960-8	031100 107200	4
R R R	95 2D1023-1		-----*----- .BRACKET-DOOR STRIKER SUPPLIER CODE: V31218	031100 107200	4
R R	100 NAS1096-2-5		ATTACHING PARTS .SCREW	031100 107200	4

MISSING ITEM NUMBERS NOT APPLICABLE

— ITEM NOT ILLUSTRATED

HAP

25-25-12-98E

BOEING PROPRIETARY - Copyright © - Unpublished Work - See title page for details.

25-25-12
FIG. 98E
PAGE 2
JUN 15/09

BOEING
737-600/700/800/900
PARTS CATALOG (MAINTENANCE)

FIG ITEM	PART NUMBER	1 2 3 4 5 6 7	NOMENCLATURE	EFFECT FROM TO	UNITS PER ASSY
R R R R R R	98E 105 AN960-8		.WASHER- CONFIG CHG DATA FROM A CMM: REPLD BY NAS1149FN832P	031100 107200	4
R R R R	105 NAS1149FN832P		.WASHER- CONFIG CHG DATA FROM A CMM: REPLS AN960-8 -----*-----	031100 107200	4
R R R	110 2D1068-1		.BASE-STRIKER/BUMPER SUPPLIER CODE: V31218 ATTACHING PARTS	031100 107200	2
R R R	115 NAS623-2-4		.SCREW	031100 107200	4
R R R R R	120 AN960-8		.WASHER- CONFIG CHG DATA FROM A CMM: REPLD BY NAS1149FN832P	031100 107200	4
R R R R	120 NAS1149FN832P		.WASHER- CONFIG CHG DATA FROM A CMM: REPLS AN960-8 -----*-----	031100 107200	4
R R R R	125 2D1094-1		.PLATE-MTG SUPPLIER CODE: V31218	031100 107200	1
R R R R	130 2D1094-2		.PLATE-MTG SUPPLIER CODE: V31218 ATTACHING PARTS	031100 107200	1
R R	135 NAS514P832-5P		.SCREW	031100 107200	4
R R R	140 2D1068-1		.BASE-STRIKER/BUMPER SUPPLIER CODE: V31218 ATTACHING PARTS	031100 107200	2
R R R	145 NAS623-2-12		.SCREW	031100 107200	2
R R R R R	150 AN960-8		.WASHER- CONFIG CHG DATA FROM A CMM: REPLD BY NAS1149FN832P	031100 107200	4
R R R R	150 NAS1149FN832P		.WASHER- CONFIG CHG DATA FROM A CMM: REPLS AN960-8	031100 107200	4
R R R	155 MS21042-08		.NUT	031100 107200	2
R R R	160 2D1065-3APA		.BOX SUB ASSY- SUPPLIER CODE: V31218	031100 107200	1

MISSING ITEM NUMBERS NOT APPLICABLE

— ITEM NOT ILLUSTRATED

HAP

25-25-12-98E

BOEING PROPRIETARY - Copyright © - Unpublished Work - See title page for details.

25-25-12
FIG. 98E
PAGE 3
JUN 15/09

BOEING
737-600/700/800/900
PARTS CATALOG (MAINTENANCE)

FIG ITEM	PART NUMBER	1 2 3 4 5 6 7	NOMENCLATURE	EFFECT FROM TO	UNITS PER ASSY
R R R	98E 165	2D1032-1	..CLIP- SUPPLIER CODE: V31218 ATTACHING PARTS	031100 107200	2
R R	170	NAS1097AD3-4	..RIVET	031100 107200	4
R R R	175	2D1064-3	-----*----- ..FILLER- SUPPLIER CODE: V31218 ATTACHING PARTS	031100 107200	1
R R R	180	NAS514P632-5P	..SCREW	031100 107200	1
R R	185	MS20426AD34	..RIVET	031100 107200	2
R R R	190	2D1142-1	-----*----- ..ADAPTER-BASE STRIKER SUPPLIER CODE: V31218 ATTACHING PARTS	031100 107200	1
R R	195	MS20600AD4W2	..RIVET	031100 107200	2
R R R R R	200	2D1092-8	-----*----- ..PANEL-SIDE SUPPLIER CODE: V31218 CONFIG CHG DATA FROM A CMM: REPLD BY 2D1092-8APA	031100 107200	1
R R R R R	200	2D1092-8APA	..PANEL-SIDE SUPPLIER CODE: V31218 CONFIG CHG DATA FROM A CMM: REPLS 2D1092-8	031100 107200	1
R R R R R	205	2D1092-7	..PANEL-SIDE SUPPLIER CODE: V31218 CONFIG CHG DATA FROM A CMM: REPLD BY 2D1092-7APA	031100 107200	1
R R R	205	2D1092-7APA	..PANEL-SIDE SUPPLIER CODE: V31218 CONFIG CHG DATA FROM A CMM: REPLS 2D1092-7 ATTACHING PARTS	031100 107200	1
R R R	210	NAS623-2-1	..SCREW	031100 107200	6
R R	215	NAS623-2-4	..SCREW	031100 107200	2

MISSING ITEM NUMBERS NOT APPLICABLE

— ITEM NOT ILLUSTRATED

HAP

25-25-12-98E

BOEING PROPRIETARY - Copyright © - Unpublished Work - See title page for details.

25-25-12
FIG. 98E
PAGE 4
JUN 15/09


BOEING
 737-600/700/800/900
PARTS CATALOG (MAINTENANCE)

FIG ITEM	PART NUMBER	1 2 3 4 5 6 7	NOMENCLATURE	EFFECT FROM TO	UNITS PER ASSY
R R R R R	98E 250 2D1033-23APA		.. PAN-FLOOR SUPPLIER CODE: V31218 CONFIG CHG DATA FROM A CMM: REPLS 2D1033-23	031100 107200	1

MISSING ITEM NUMBERS NOT APPLICABLE

— ITEM NOT ILLUSTRATED

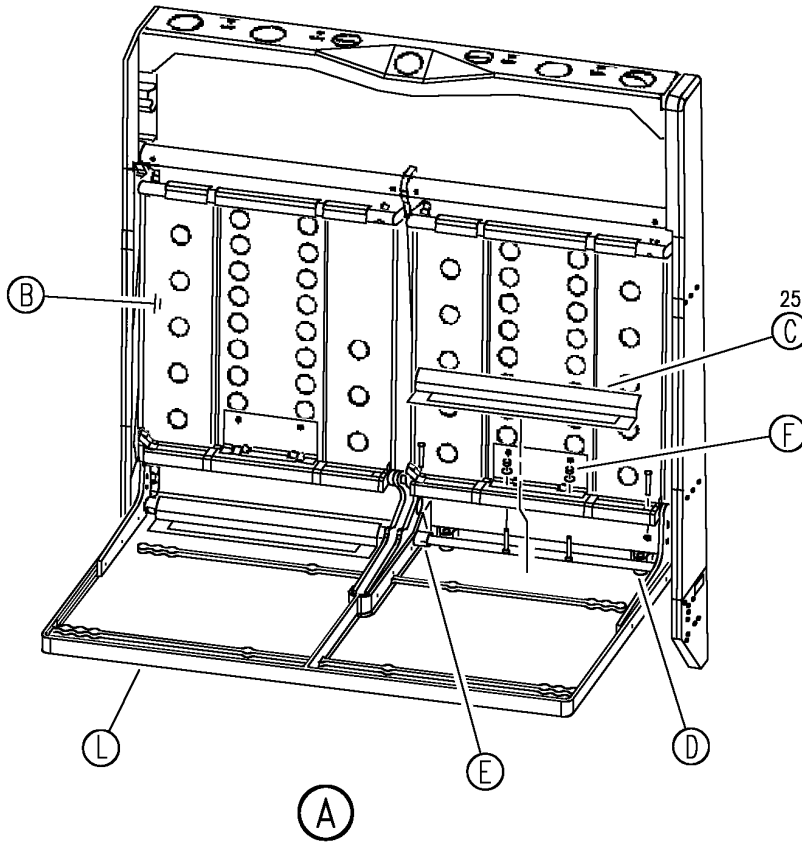
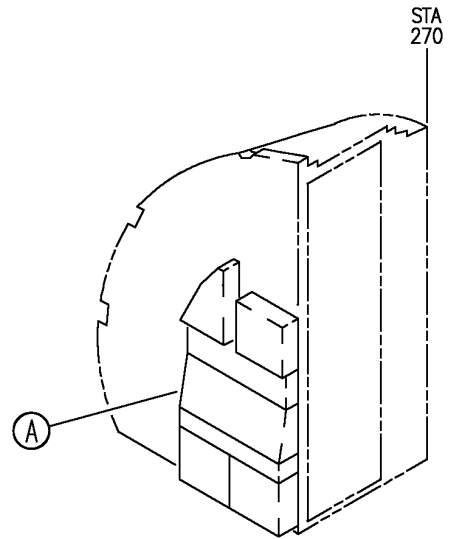
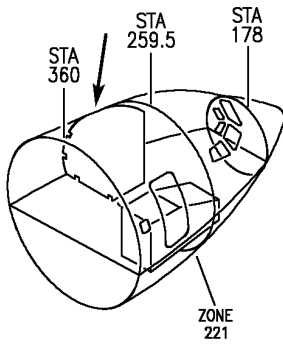
HAP

25-25-12-98E

BOEING PROPRIETARY - Copyright © - Unpublished Work - See title page for details.

25-25-12
 FIG. 98E
 PAGE 6
 JUN 15/09

BOEING
 737-600/700/800/900
 PARTS CATALOG (MAINTENANCE)



E 25251298F SHT 1 REV 111

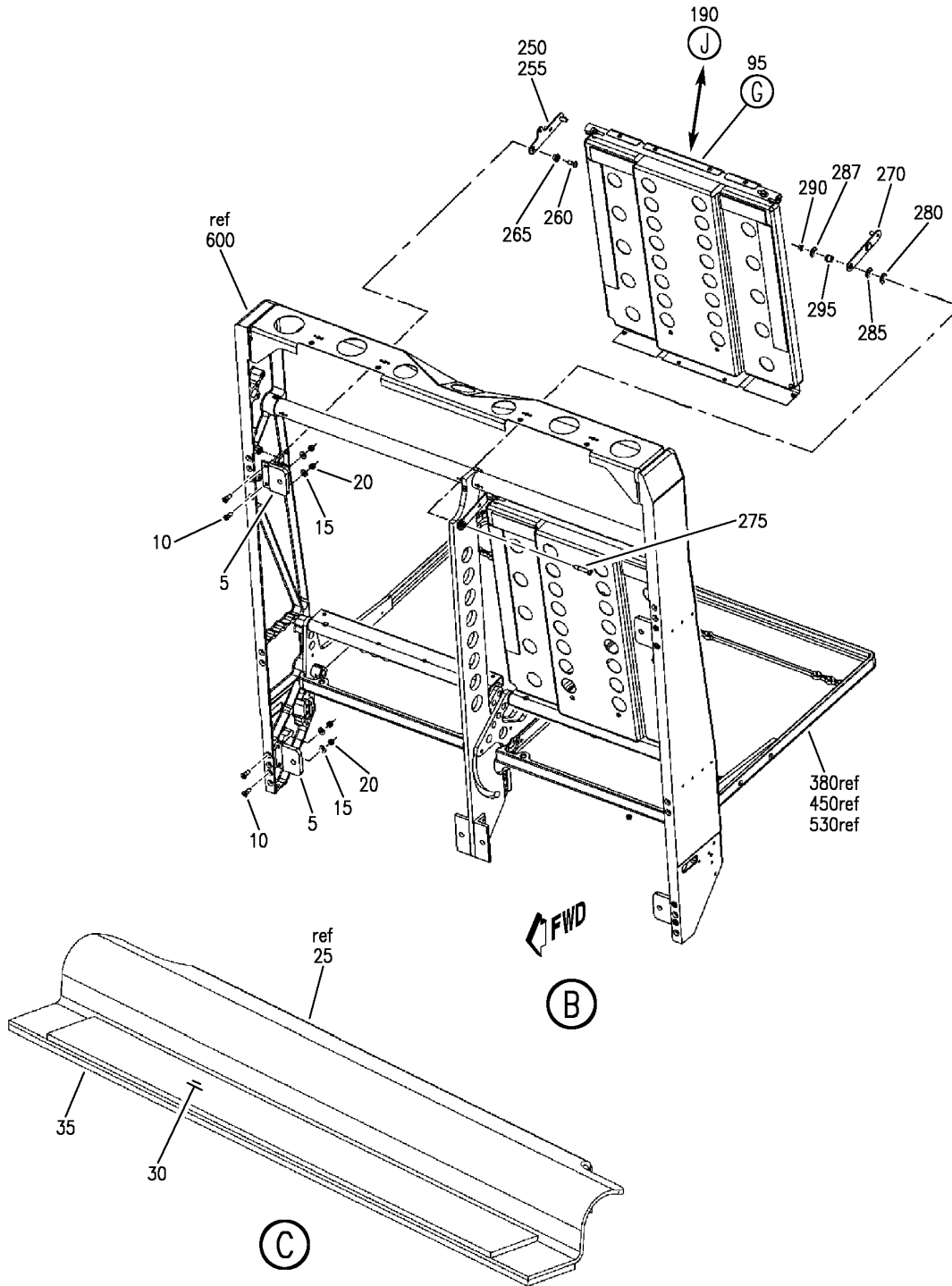
CORE ASSY-ATTENDANT SEAT
 FIGURE 98F (SHEET 1)

25-25-12-98F

HAP
 OCT 10/06

25-25-12-98F
 PAGE 0

BOEING
 737-600/700/800/900
 PARTS CATALOG (MAINTENANCE)



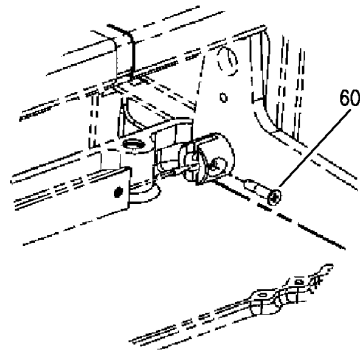
E 25251298F SHT 2 REV 155

CORE ASSY-ATTENDANT SEAT
 FIGURE 98F (SHEET 2)

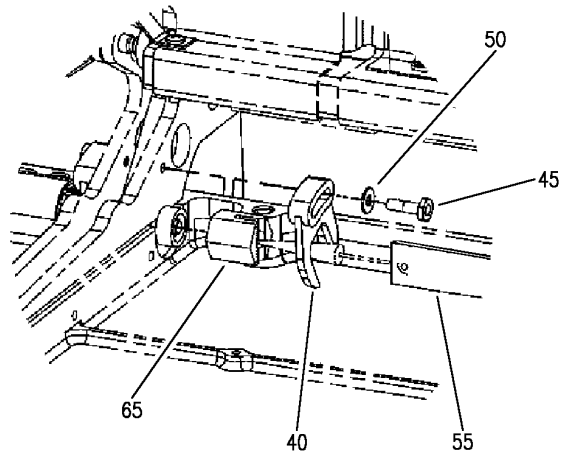
25-25-12-98F

HAP
 JUN 15/09

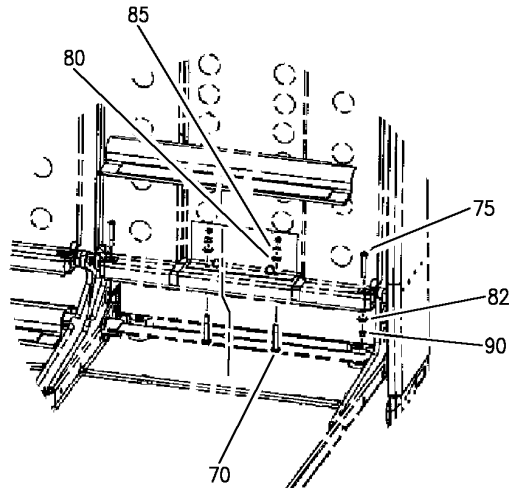
25-25-12-98F
 PAGE 0A



(D)



(E)



(F)

E 25251298F SHT 3 REV 155

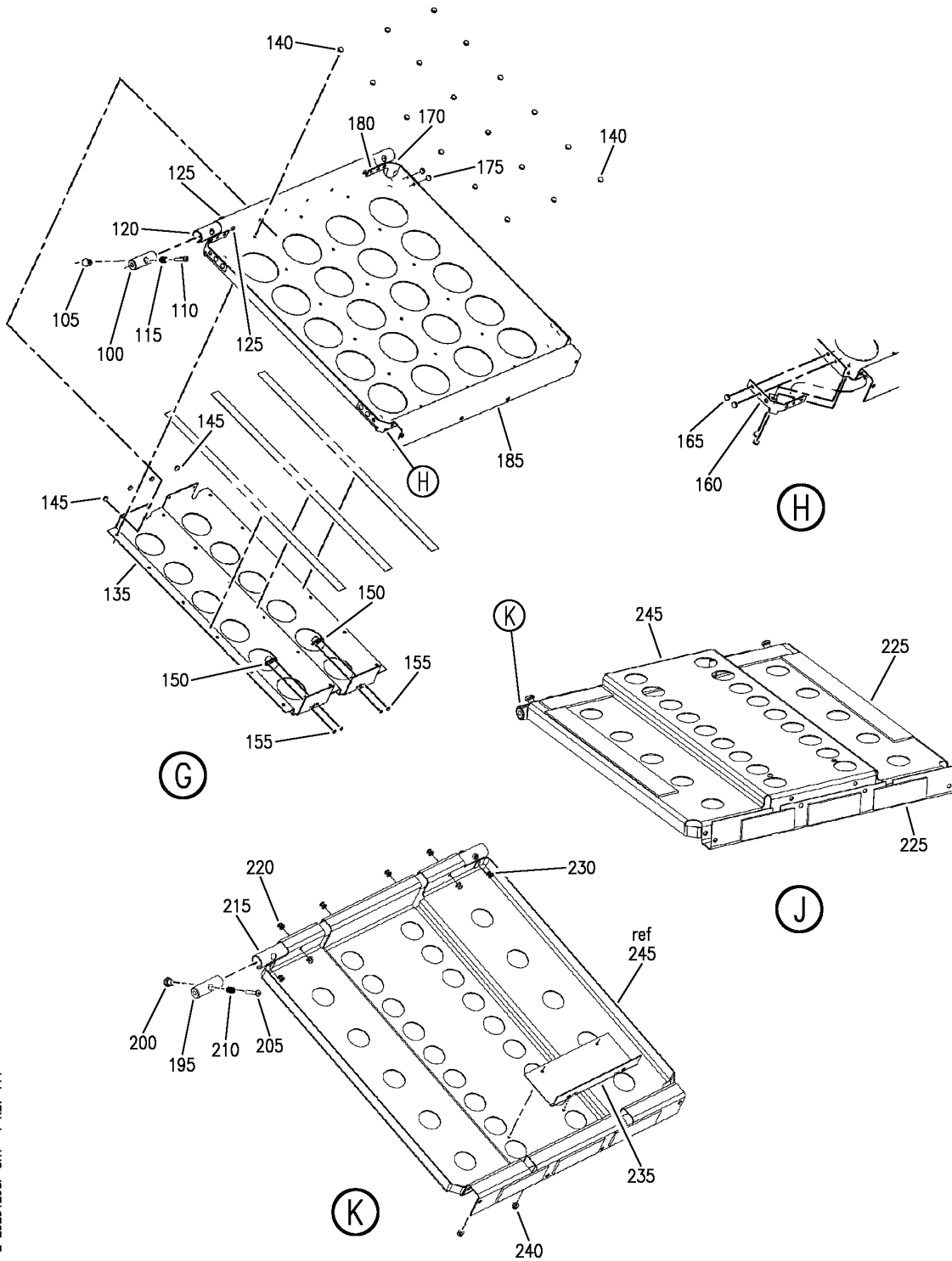
CORE ASSY-ATTENDANT SEAT
 FIGURE 98F (SHEET 3)

25-25-12-98F

HAP
 JUN 15/09

25-25-12-98F
 PAGE 0B

BOEING
 737-600/700/800/900
 PARTS CATALOG (MAINTENANCE)



E 25251298F SHT 4 REV 111

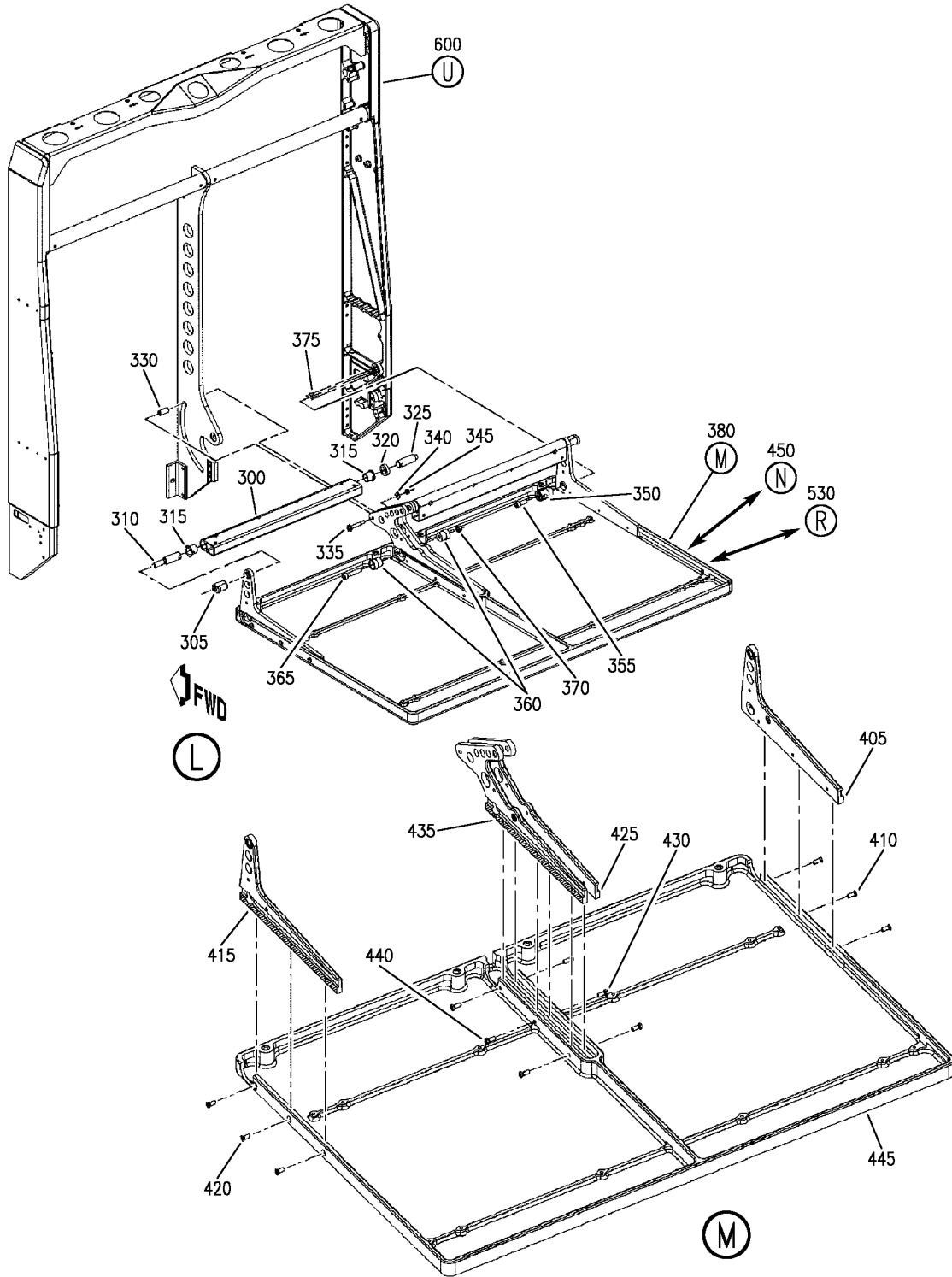
CORE ASSY-ATTENDANT SEAT
 FIGURE 98F (SHEET 4)

25-25-12-98F

HAP
 OCT 10/06

25-25-12-98F
 PAGE 0C

BOEING
 737-600/700/800/900
 PARTS CATALOG (MAINTENANCE)



E 25251298F SHT 5 REV 111

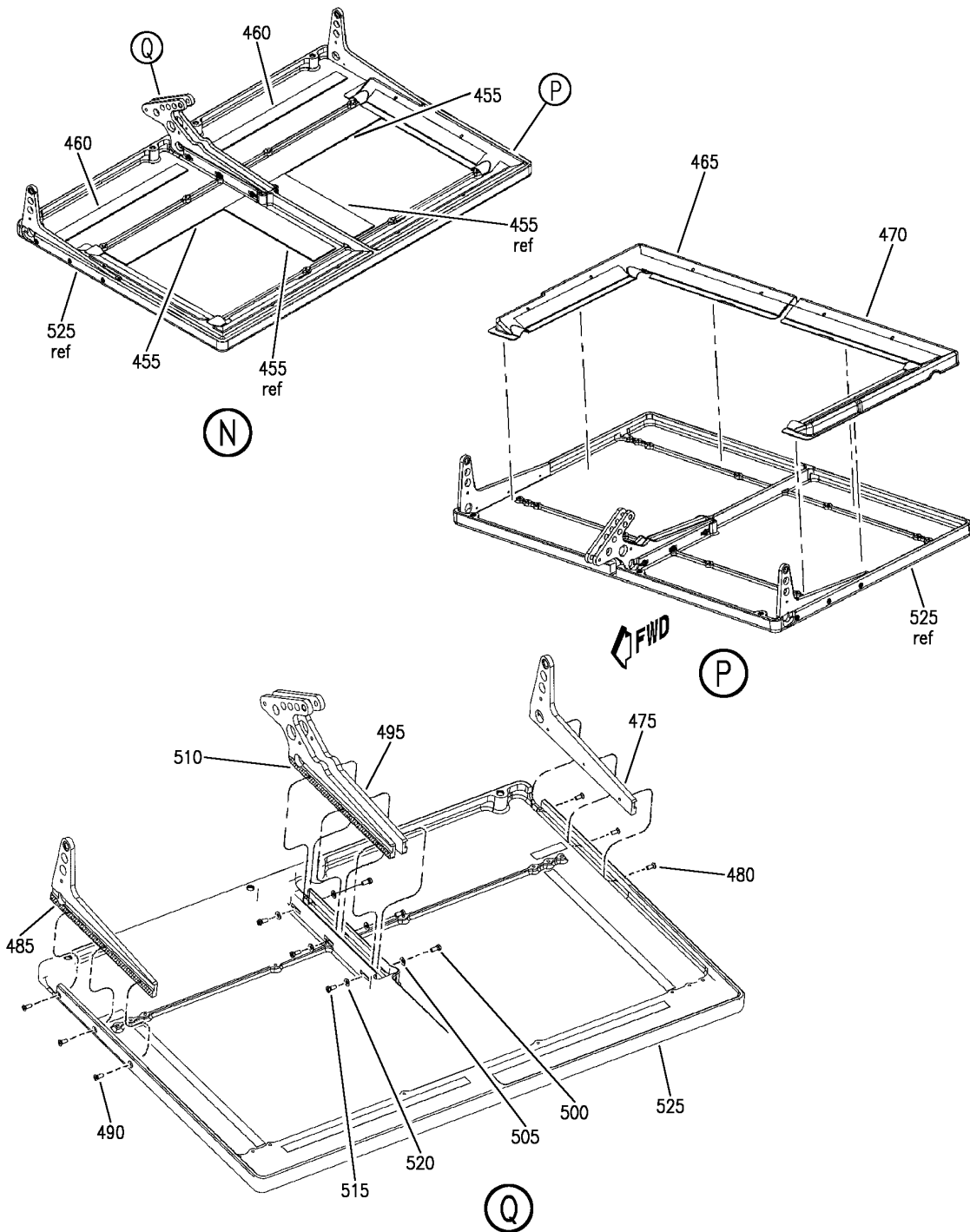
CORE ASSY-ATTENDANT SEAT
 FIGURE 98F (SHEET 5)

25-25-12-98F

HAP
 OCT 10/06

25-25-12-98F
 PAGE 0D

BOEING
 737-600/700/800/900
 PARTS CATALOG (MAINTENANCE)



E 25251298F SHT 6 REV 111

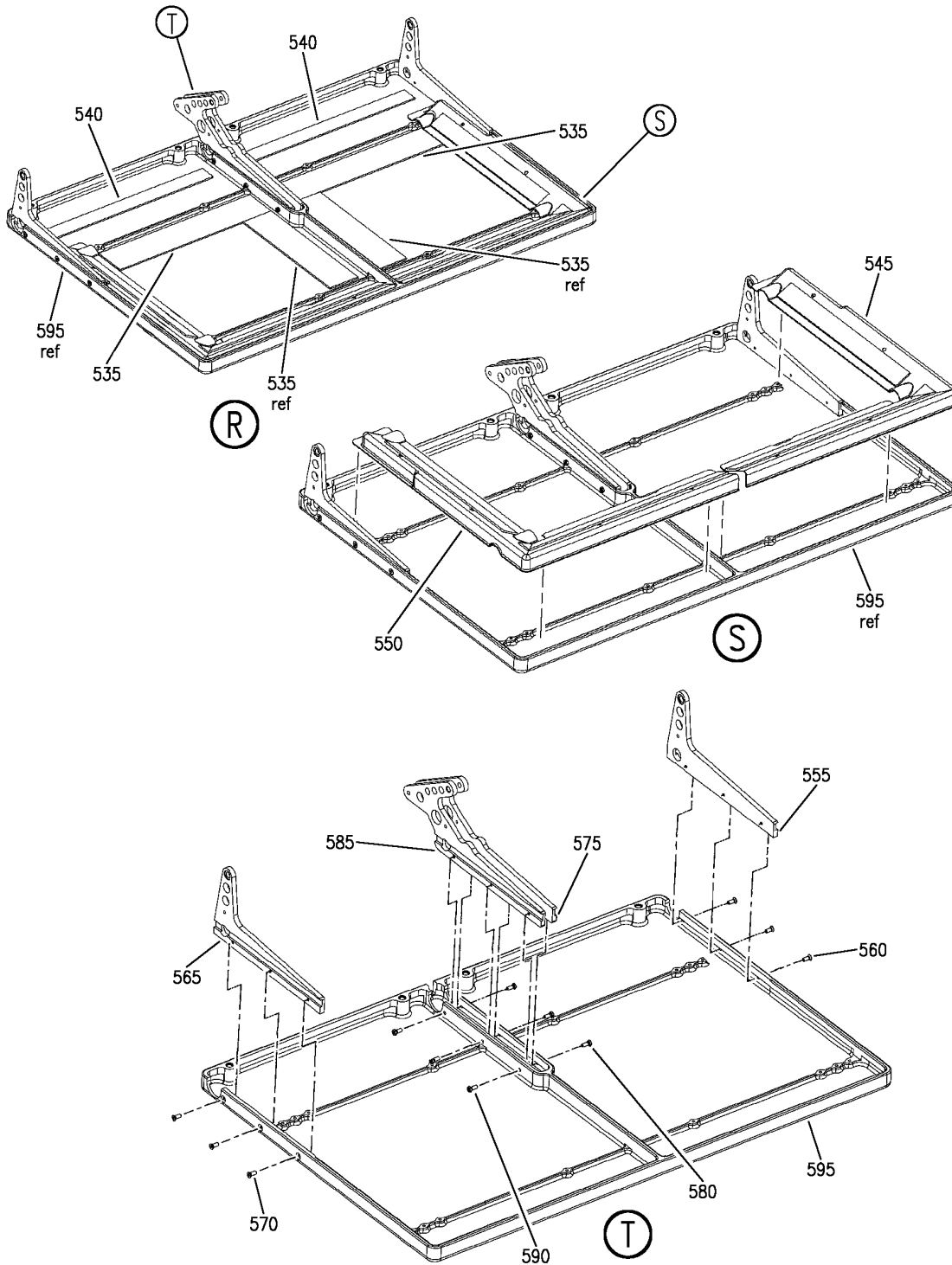
CORE ASSY-ATTENDANT SEAT
 FIGURE 98F (SHEET 6)

25-25-12-98F

HAP
 OCT 10/06

25-25-12-98F
 PAGE 0E

BOEING
 737-600/700/800/900
 PARTS CATALOG (MAINTENANCE)



E 25251298F SHT 7 REV 111

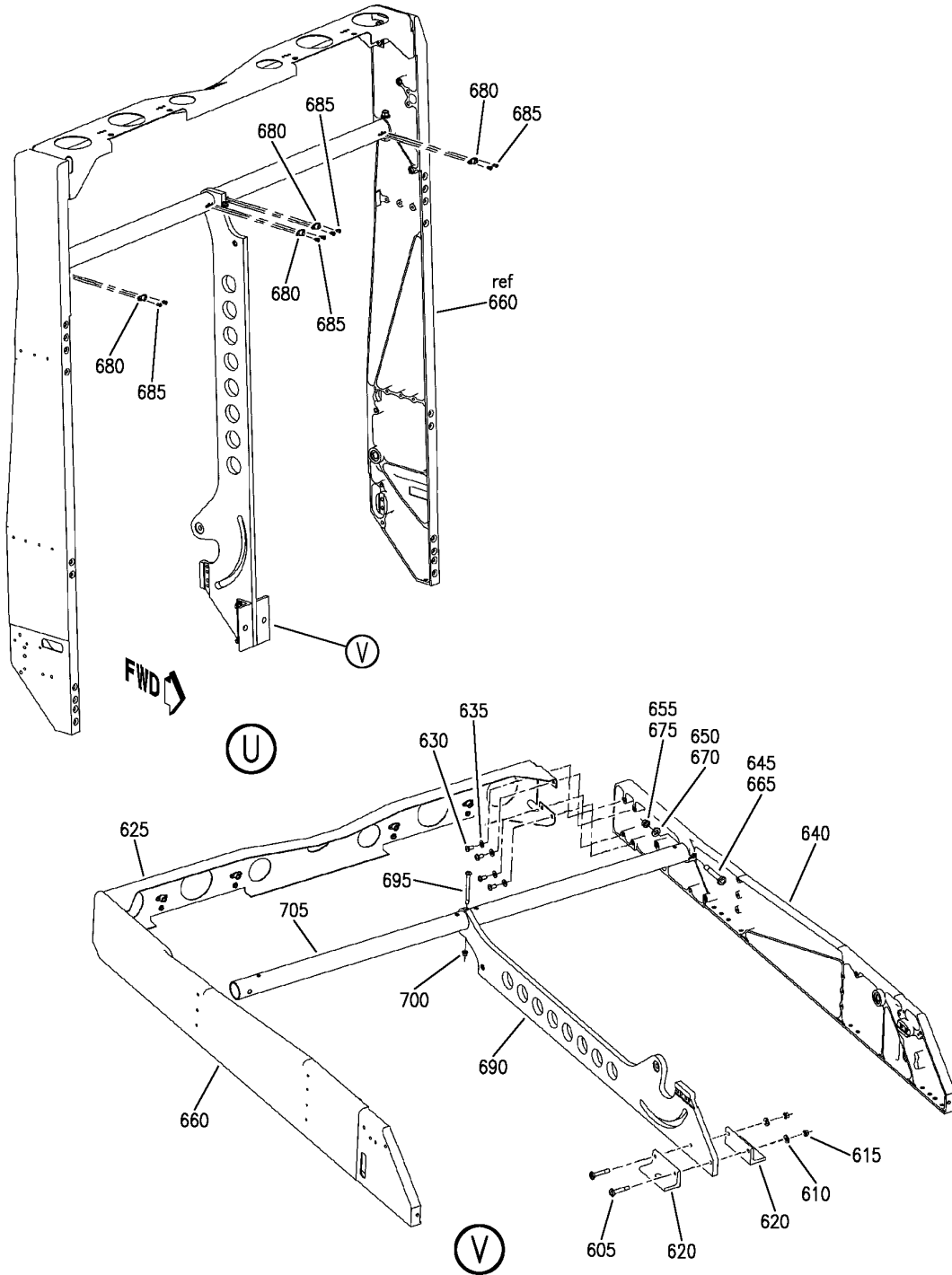
CORE ASSY-ATTENDANT SEAT
 FIGURE 98F (SHEET 7)

25-25-12-98F

HAP
 OCT 10/06

25-25-12-98F
 PAGE OF

BOEING
 737-600/700/800/900
 PARTS CATALOG (MAINTENANCE)



E 25251298F SHT 8 REV 111

CORE ASSY-ATTENDANT SEAT
 FIGURE 98F (SHEET 8)

25-25-12-98F

HAP
 OCT 10/06

25-25-12-98F
 PAGE 08

BOEING
737-600/700/800/900
PARTS CATALOG (MAINTENANCE)

FIG ITEM	PART NUMBER	1 2 3 4 5 6 7	NOMENCLATURE	EFFECT FROM TO	UNITS PER ASSY
98F			CORE ASSY-ATTENDANT SEAT	031100 107200	
R					
R					
R	1	2110-3APA	CORE ASSY-ATTENDANT SEAT	031100	RF
R			SUPPLIER CODE:	107200	
R			V31218		
R			FOR NHA SEE:		
R			25-25-12-98D		
R	5	2D1040-1	.BRACKET-MTG	031100	4
R			SUPPLIER CODE:	107200	
R			V31218		
R			ATTACHING PARTS		
R	10	NAS1203-4	.BOLT	031100	8
R				107200	
R	15	AN960-10L	.WASHER-	031100	8
R			CONFIG CHG DATA FROM A CMM:	107200	
R			REPLD BY NAS1149F0332P		
R	15	NAS1149F0332P	.WASHER-	031100	8
R			CONFIG CHG DATA FROM A CMM:	107200	
R			REPLS AN960-10L		
R	20	MS21042-3	.NUT	031100	8
R				107200	
R			-----*-----		
R	25	2D2027-1	.COVER ASSY-TORSION SPR	031100	2
R			SUPPLIER CODE:	107200	
R			V31218		
R			CONFIG CHG DATA FROM A CMM:		
R			REPLD BY 2D2027-5		
R	25	2D2027-5	.COVER ASSY-TORSION SPR	031100	2
R			SUPPLIER CODE:	107200	
R			V31218		
R			CONFIG CHG DATA FROM A CMM:		
R			REPLS 2D2027-1		
R	30	SJ3526GRY1ADH	..HOOK-ADH VELCRO GRAY	031100	AR
R			SUPPLIER CODE:	107200	
R			V5J466		
R			CONFIG CHG DATA FROM A CMM:		
R			REPLD BY SJ3526BLK1ADH		
R	30	SJ3526BLK1ADH	..HOOK-ADH VELCRO GRAY	031100	AR
R			SUPPLIER CODE:	107200	
R			V5J466		
R			CONFIG CHG DATA FROM A CMM:		
R			REPLS SJ3526GRY1ADH		
R	35	SJ3527GRY1ADH	..LOOP-ADH VELCRO GRAY	031100	AR
R			SUPPLIER CODE:	107200	
R			V5J466		
R			CONFIG CHG DATA FROM A CMM:		
R			REPLD BY SJ3527BLK1ADH		

MISSING ITEM NUMBERS NOT APPLICABLE

— ITEM NOT ILLUSTRATED

HAP

25-25-12-98F

BOEING PROPRIETARY - Copyright © - Unpublished Work - See title page for details.

25-25-12
FIG. 98F
PAGE 1
JUN 15/09

BOEING
737-600/700/800/900
PARTS CATALOG (MAINTENANCE)

FIG ITEM	PART NUMBER	1 2 3 4 5 6 7	NOMENCLATURE	EFFECT FROM TO	UNITS PER ASSY
R	98F				
R	85	MS21042-3	.NUT	031100 107200	4
R	90	MS21042-08	.NUT- CONFIG CHG DATA FROM A CMM: REPLD BY 22K1-82	031100 107200	4
R	90	22K1-82	.NUT- SUPPLIER CODE: V72962 CONFIG CHG DATA FROM A CMM: REPLS MS21042-08	031100 107200	4
R	95	2110-21APA	.BACK ASSY-LWR SUPPLIER CODE: V31218 CONFIG CHG DATA FROM A CMM: REPLD BY 2110-23APA	031100 107200	2
R	100	2D3017-1	..PIVOT-UPR SUPPLIER CODE: V31218	031100 107200	2
R	105	2D3015-1	..KNOB-RELEASE SUPPLIER CODE: V31218 ATTACHING PARTS	031100 107200	2
R	110	NAS601-12P	..SCREW	031100 107200	2
R	115	C0240-020-0880M	..SPRING- SUPPLIER CODE: V77535	031100 107200	2
R	120	2D3018-1APA	..TUBE-BACK SUPPLIER CODE: V31218 ATTACHING PARTS	031100 107200	1
R	125	MS20600AD4W2	..RIVET	031100 107200	4
R	- 130	SJ3526GRY1ADH	..HOOK-ADH VELCRO GRAY SUPPLIER CODE: V5J466 CONFIG CHG DATA FROM A CMM: REPLD BY SJ3526BLK1ADH	031100 107200	AR
R	- 130	SJ3526BLK1ADH	..HOOK-ADH VELCRO GRAY SUPPLIER CODE: V5J466 CONFIG CHG DATA FROM A CMM: REPLS SJ3526GRY1ADH	031100 107200	AR
R	135	2D3022-1APA	..GUSSET- SUPPLIER CODE: V31218	031100 107200	1

MISSING ITEM NUMBERS NOT APPLICABLE

- ITEM NOT ILLUSTRATED

HAP

25-25-12-98F

BOEING PROPRIETARY - Copyright © - Unpublished Work - See title page for details.

25-25-12
FIG. 98F
PAGE 3
JUN 15/09

BOEING
737-600/700/800/900
PARTS CATALOG (MAINTENANCE)

FIG ITEM	PART NUMBER	1 2 3 4 5 6 7	NOMENCLATURE	EFFECT FROM TO	UNITS PER ASSY
	98 F		ATTACHING PARTS		
R	140	MS20470AD44	.. RIVET	031100	18
R				107200	
R	145	MS20426AD44	.. RIVET	031100	4
R				107200	
			-----*-----		
R	150	MS21069L3	.. NUTPLATE	031100	2
R				107200	
			ATTACHING PARTS		
R	155	MS20426AD33	.. RIVET	031100	4
R				107200	
			-----*-----		
R	160	2D3023-1APA	.. BRACKET-CORNER	031100	2
R			SUPPLIER CODE:	107200	
R			V31218		
			ATTACHING PARTS		
R	165	MS20470AD44	.. RIVET	031100	8
R				107200	
			-----*-----		
R	170	2D3023-1APA	.. BRACKET-CORNER	031100	2
R			SUPPLIER CODE:	107200	
R			V31218		
			ATTACHING PARTS		
R	175	MS20470AD44	.. RIVET	031100	8
R				107200	
R	180	MS20426AD44	.. RIVET	031100	4
R				107200	
			-----*-----		
R	185	2D3016-1APA	.. PAN-	031100	1
R			SUPPLIER CODE:	107200	
R			V31218		
R	190	2110-23APA	.BACK ASSY-LWR	031100	2
R			SUPPLIER CODE:	107200	
R			V31218		
R			CONFIG CHG DATA FROM A CMM:		
R			REPLS 2110-21APA		
R	195	2D3017-1	.. PIVOT-UPR	031100	2
R			SUPPLIER CODE:	107200	
R			V31218		
R	200	2D3015-1	.. KNOB-RELEASE	031100	2
R			SUPPLIER CODE:	107200	
R			V31218		
			ATTACHING PARTS		
R	205	NAS601-12P	.. SCREW	031100	2
R				107200	
			-----*-----		
R	210	C0240-020-0880M	.. SPRING-	031100	2
R			SUPPLIER CODE:	107200	
R			V77535		

MISSING ITEM NUMBERS NOT APPLICABLE

— ITEM NOT ILLUSTRATED

HAP

25-25-12-98F

BOEING PROPRIETARY - Copyright © - Unpublished Work - See title page for details.

25-25-12
FIG. 98F
PAGE 4
JUN 15/09

BOEING
737-600/700/800/900
PARTS CATALOG (MAINTENANCE)

FIG ITEM	PART NUMBER	1 2 3 4 5 6 7	NOMENCLATURE	EFFECT FROM TO	UNITS PER ASSY
R R R	98F 215	2D3018-11	..TUBE-UPR SUPPLIER CODE: V31218 ATTACHING PARTS	031100 107200	1
R R R	220	AD42BS	..RIVET- SUPPLIER CODE: V07707 -----*-----	031100 107200	6
R R R R R R	225	SJ3526GRY1ADH	..HOOK-ADH VELCRO GRAY SUPPLIER CODE: V5J466 CONFIG CHG DATA FROM A CMM: REPLD BY SJ3526BLK1ADH	031100 107200	AR
R R R R R	225	SJ3526BLK1ADH	..HOOK-ADH VELCRO GRAY SUPPLIER CODE: V5J466 CONFIG CHG DATA FROM A CMM: REPLS SJ3526GRY1ADH ATTACHING PARTS	031100 107200	AR
R R R	230	AD42BS	..RIVET- SUPPLIER CODE: V6R744 -----*-----	031100 107200	2
R R R	235	2D3046-3	..BRACE- SUPPLIER CODE: V31218 ATTACHING PARTS	031100 107200	1
R R R	240	AD42BS	..RIVET- SUPPLIER CODE: V6R744 -----*-----	031100 107200	2
R R R R R	245	2D3022-9	..PAN- SUPPLIER CODE: V31218 POSITION DATA: LWR BACK	031100 107200	1
R R R R R	250	2D3013-1	.LINK-UPR BACK SUPPLIER CODE: V31218 CONFIG CHG DATA FROM A CMM: REPLD BY 2D3013-11	031100 107200	1
R R R R R	250	2D3013-11	.LINK-UPR BACK SUPPLIER CODE: V31218 CONFIG CHG DATA FROM A CMM: REPLS 2D3013-1	031100 107200	1
R R R	255	2D3013-2	.LINK-UPR BACK SUPPLIER CODE: V31218	031100 107200	1

MISSING ITEM NUMBERS NOT APPLICABLE

— ITEM NOT ILLUSTRATED

HAP

25-25-12-98F

BOEING PROPRIETARY - Copyright © - Unpublished Work - See title page for details.

25-25-12
FIG. 98F
PAGE 5
JUN 15/09

BOEING
737-600/700/800/900
PARTS CATALOG (MAINTENANCE)

FIG ITEM	PART NUMBER	1 2 3 4 5 6 7	NOMENCLATURE	EFFECT FROM TO	UNITS PER ASSY
98 F			ATTACHING PARTS		
R R	260	NAS623-3-3	.SCREW	031100 107200	2
			-----*-----		
R R R	265	NAS77-3-016	.BUSHING	031100 107200	2
R R R	270	2D3013-3	.LINK-UPR BACK SUPPLIER CODE: V31218	031100 107200	2
R R R	275	NAS623-3-13	ATTACHING PARTS .SCREW	031100 107200	1
R R R	280	AN960-516	.WASHER- CONFIG CHG DATA FROM A CMM: REPLD BY NAS1149F0563P	031100 107200	2
R R R	280	NAS1149F0563P	.WASHER- CONFIG CHG DATA FROM A CMM: REPLS AN960-516	031100 107200	2
R R R	285	AN960-516L	.WASHER- CONFIG CHG DATA FROM A CMM: REPLD BY NAS1149F0532P	031100 107200	2
R R R	285	NAS1149F0532P	.WASHER- CONFIG CHG DATA FROM A CMM: REPLS AN960-516L	031100 107200	2
			-----*-----		
R R R	287	AN960-10	.WASHER- CONFIG CHG DATA FROM A CMM: REPLD BY NAS1149F0363P	031100 107200	1
R R R	287	NAS1149F0363P	.WASHER- CONFIG CHG DATA FROM A CMM: REPLS AN960-10 REPLD BY NAS1149F0332P	031100 107200	1
R R R	287	NAS1149F0332P	.WASHER- CONFIG CHG DATA FROM A CMM: REPLS NAS1149F0363P	031100 107200	1
R R	290	MS21042-3	ATTACHING PARTS .NUT	031100 107200	1
			-----*-----		
R R R	295	NAS77-3-025	.BUSHING	031100 107200	2
R R R	300	2D3012-1APA	.ATTACH-LWR BACK SUPPLIER CODE: V31218	031100 107200	2
R R R	305	2D2015-1	.STOP-SEAT PAN SUPPLIER CODE: V31218	031100 107200	2

MISSING ITEM NUMBERS NOT APPLICABLE

— ITEM NOT ILLUSTRATED

HAP

25-25-12-98F

BOEING PROPRIETARY - Copyright © - Unpublished Work - See title page for details.

25-25-12
FIG. 98F
PAGE 6
JUN 15/09

BOEING
737-600/700/800/900
PARTS CATALOG (MAINTENANCE)

FIG ITEM	PART NUMBER	1 2 3 4 5 6 7	NOMENCLATURE	EFFECT FROM TO	UNITS PER ASSY
R	98F				
R	310	2D2013-3	.PIVOT-LWR BACK SUPPLIER CODE: V31218	031100 107200	2
R	315	8L8FK	.BUSHING-FLANGED SUPPLIER CODE: V96881	031100 107200	4
R	315	8L5-1-2F	.NYLINER-FLANGED SUPPLIER CODE: V96881 CONFIG CHG DATA FROM A CMM: REPLD BY 8L5-1-2F	031100 107200	4
R	320	2D2016-1	.BUSHING-PIVOT SUPPLIER CODE: V31218	031100 107200	2
R	325	2D2013-1	.PIVOT-LWR BACK SUPPLIER CODE: V31218	031100 107200	2
R	330	NAS75-3-024	.BUSHING	031100 107200	1
R	335	NAS6203-15	ATTACHING PARTS .BOLT	031100 107200	1
R	340	AN960-10	.WASHER- CONFIG CHG DATA FROM A CMM: REPLD BY NAS1149F0363P	031100 107200	1
R	340	NAS1149F0363P	.WASHER- CONFIG CHG DATA FROM A CMM: REPLS AN960-10	031100 107200	1
R	345	MS21042-3	.NUT	031100 107200	1
R	350	2D2018-1	-----*----- .BUSHING-ANCHOR SEAT PAN SUPPLIER CODE: V31218	031100 107200	2
R	355	MS21262-37	ATTACHING PARTS .SCREW	031100 107200	2
R	360	2D2020-5	-----*----- .BUSHING-SEAT PAN SUPPLIER CODE: V31218	031100 107200	2
R	365	MS21262-64	ATTACHING PARTS .SCREW	031100 107200	1
R	370	MS21042-4	.NUT	031100 107200	1
			-----*-----		

MISSING ITEM NUMBERS NOT APPLICABLE

— ITEM NOT ILLUSTRATED

HAP

25-25-12-98F

BOEING PROPRIETARY - Copyright © - Unpublished Work - See title page for details.

25-25-12
FIG. 98F
PAGE 7
JUN 15/09


BOEING
 737-600/700/800/900
PARTS CATALOG (MAINTENANCE)

FIG ITEM	PART NUMBER	1 2 3 4 5 6 7	NOMENCLATURE	EFFECT FROM TO	UNITS PER ASSY
R	98F				
R	375	MS16555-21	.PIN	031100 107200	4
R	380	2110-20APA	.PAN ASSY- SUPPLIER CODE: V31218 CONFIG CHG DATA FROM A CMM: SUPERSEDES 2110-22APA SUPSD BY 2110-24APA	031100 107200	1
R	- 385	SJ3526GRY2ADH	..HOOK-ADHESIVE VELCRO GRAY SUPPLIER CODE: V5J466 CONFIG CHG DATA FROM A CMM: REPLD BY SJ3526BLK2ADH	031100 107200	AR
R	- 385	SJ3526BLK2ADH	..HOOK-ADHESIVE VELCRO GRAY SUPPLIER CODE: V5J466 CONFIG CHG DATA FROM A CMM: REPLS SJ3526GRY2ADH	031100 107200	AR
R	- 390	SJ3526GRY1ADH	..HOOK-ADHESIVE VELCRO GRAY SUPPLIER CODE: V5J466 CONFIG CHG DATA FROM A CMM: REPLD BY SJ356BLK1ADH	031100 107200	AR
R	- 390	SJ3526BLK1ADH	..HOOK-ADHESIVE VELCRO GRAY SUPPLIER CODE: V5J466 CONFIG CHG DATA FROM A CMM: REPLS SJ356GRY1ADH	031100 107200	AR
R	- 395	2D2025-1	..FILLER- SUPPLIER CODE: V31218 CONFIG CHG DATA FROM A CMM: SUPSD BY 2D2025-11	031100 107200	1
R	- 395	2D2025-11	..FILLER- SUPPLIER CODE: V31218 CONFIG CHG DATA FROM A CMM: SUPERSEDES 2D2025-1	031100 107200	1
R	- 400	2D2025-2	..FILLER- SUPPLIER CODE: V31218 CONFIG CHG DATA FROM A CMM: SUPSD BY 2D2025-12	031100 107200	1

MISSING ITEM NUMBERS NOT APPLICABLE

- ITEM NOT ILLUSTRATED

HAP

25-25-12-98F

BOEING PROPRIETARY - Copyright © - Unpublished Work - See title page for details.

25-25-12
 FIG. 98F
 PAGE 8
 JUN 15/09

BOEING
737-600/700/800/900
PARTS CATALOG (MAINTENANCE)

FIG ITEM	PART NUMBER	1 2 3 4 5 6 7	NOMENCLATURE	EFFECT FROM TO	UNITS PER ASSY
98F			ATTACHING PARTS		
R R	490 MS24694S3		.. SCREW	031100 107200	3
R R R	495 2D2012-11APA		.. LEVER- SUPPLIER CODE: V31218	031100 107200	1
R R R	500 NAS1096-2-6		.. SCREW	031100 107200	3
R R R R	505 AN960-8		.. WASHER- CONFIG CHG DATA FROM A CMM: REPLD BY NAS1149FN832P	031100 107200	3
R R R R	505 NAS1149FN832P		.. WASHER- CONFIG CHG DATA FROM A CMM: REPLS AN960-8	031100 107200	3
R R R	510 2D2012-9APA		.. LEVER- SUPPLIER CODE: V31218	031100 107200	1
R R R R	515 NAS1096-2-6		.. SCREW	031100 107200	3
R R R R	520 AN960-8		.. WASHER- CONFIG CHG DATA FROM A CMM: REPLD BY NAS1149FN832P	031100 107200	3
R R R R	520 NAS1149FN832P		.. WASHER- CONFIG CHG DATA FROM A CMM: REPLS AN960-8	031100 107200	3
R R R R	525 2D2021-7APA		.. PAN- SUPPLIER CODE: V31218	031100 107200	1
R R R R R	530 2110-24APA		.PAN ASSY- SUPPLIER CODE: V31218	031100 107200	1
R R R R R R	535 SJ3526GRY2ADH		.. HOOK-ADHESIVE VELCRO GRAY SUPPLIER CODE: V5J466 CONFIG CHG DATA FROM A CMM: REPLD BY SJ3526BLK2ADH	031100 107200	AR

MISSING ITEM NUMBERS NOT APPLICABLE

— ITEM NOT ILLUSTRATED

HAP

25-25-12-98F

BOEING PROPRIETARY - Copyright © - Unpublished Work - See title page for details.

25-25-12
FIG. 98F
PAGE 11
JUN 15/09

BOEING
737-600/700/800/900
PARTS CATALOG (MAINTENANCE)

FIG ITEM	PART NUMBER	1 2 3 4 5 6 7	NOMENCLATURE	EFFECT FROM TO	UNITS PER ASSY
R R R R R R R R R R R R R	98F 535		..HOOK-ADHESIVE VELCRO GRAY SUPPLIER CODE: V5J466 CONFIG CHG DATA FROM A CMM: REPLS SJ3526GRY2ADH	031100 107200	AR
	540	SJ3526GRY1ADH	..HOOK-ADHESIVE VELCRO GRAY SUPPLIER CODE: V5J466 CONFIG CHG DATA FROM A CMM: REPLD BY SJ3526BLK1ADH	031100 107200	AR
	540	SJ3526BLK1ADH	..HOOK-ADHESIVE VELCRO GRAY SUPPLIER CODE: V5J466 CONFIG CHG DATA FROM A CMM: REPLS SJ3526GRY1ADH	031100 107200	AR
	545	2D2025-11	..FILLER- SUPPLIER CODE: V31218 CONFIG CHG DATA FROM A CMM: SUPERSEDES 2D2025-1	031100 107200	1
	545	2D2025-1	..FILLER- SUPPLIER CODE: V31218 CONFIG CHG DATA FROM A CMM: SUPSD BY 2D2025-11	031100 107200	1
	550	2D2025-12	..FILLER- SUPPLIER CODE: V31218 CONFIG CHG DATA FROM A CMM: SUPERSEDES 2D2025-2	031100 107200	1
	550	2D2025-2	..FILLER- SUPPLIER CODE: V31218 CONFIG CHG DATA FROM A CMM: SUPSD BY 2D2025-12	031100 107200	1
	555	2D2011-1APA	..LEVER-OUTBD SUPPLIER CODE: V31218 ATTACHING PARTS	031100 107200	1
	560	MS24694S3	..SCREW -----*-----	031100 107200	3
	565	2D2011-2APA	..LEVER-OUTBD SUPPLIER CODE: V31218	031100 107200	1

MISSING ITEM NUMBERS NOT APPLICABLE

— ITEM NOT ILLUSTRATED

HAP

25-25-12-98F

25-25-12
FIG. 98F
PAGE 12
JUN 15/09

BOEING
737-600/700/800/900
PARTS CATALOG (MAINTENANCE)

FIG ITEM	PART NUMBER	1 2 3 4 5 6 7	NOMENCLATURE	EFFECT FROM TO	UNITS PER ASSY
98F			ATTACHING PARTS		
R	570	MS24694S3	.. SCREW	031100 107200	3
R			-----*-----		
R	575	2D2012-3APA	.. LEVER-INBD	031100	1
R			SUPPLIER CODE:	107200	
R			V31218		
R			ATTACHING PARTS		
R	580	NAS1096-2-6	.. SCREW	031100	3
R			-----*-----		
R	585	2D2012-1APA	.. LEVER-INBD	031100	1
R			SUPPLIER CODE:	107200	
R			V31218		
R			ATTACHING PARTS		
R	590	NAS1096-2-6	.. SCREW	031100	3
R			-----*-----		
R	595	2D2021-1APA	.. PAN-	031100	1
R			SUPPLIER CODE:	107200	
R			V31218		
R	600	2110-11APA	.BASE ASSY-SEAT ATTENDANT	031100	1
R			NARROW DBL	107200	
R			SUPPLIER CODE:		
R			V31218		
R			COMPONENT MAINT MANUAL REF:		
R			25-23-57		
R	605	NAS6203-11	.. BOLT	031100	2
R				107200	
R	610	AN960-10	.. WASHER-	031100	2
R			CONFIG CHG DATA FROM A CMM:	107200	
R			REPLD BY NAS1149F0363P		
R	610	NAS1149F0363P	.. WASHER-	031100	2
R			CONFIG CHG DATA FROM A CMM:	107200	
R			REPLS AN960-10		
R	615	MS21042-3	.. NUT	031100	2
R				107200	
R	620	2D1062-1APA	.. BRACKET-SPRT	031100	2
R			SUPPLIER CODE:	107200	
R			V31218		
R			POSITION DATA:		
R			CTR		
R	625	2D1038-1APA	.. MEMBER-CROSS TOP	031100	1
R			SUPPLIER CODE:	107200	
R			V31218		
R			ATTACHING PARTS		
R	630	NAS623-2-1	.. SCREW	031100	8
R				107200	

MISSING ITEM NUMBERS NOT APPLICABLE

— ITEM NOT ILLUSTRATED

HAP

25-25-12-98F

BOEING PROPRIETARY - Copyright © - Unpublished Work - See title page for details.

25-25-12
FIG. 98F
PAGE 13
JUN 15/09


BOEING
737-600/700/800/900
PARTS CATALOG (MAINTENANCE)

FIG ITEM	PART NUMBER	1 2 3 4 5 6 7	NOMENCLATURE	EFFECT FROM TO	UNITS PER ASSY
R R R R R	98F 635 AN960-8		.. WASHER- CONFIG CHG DATA FROM A CMM: REPLD BY NAS1149FN832P	031100 107200	8
R R R	635 NAS1149FN832P		.. WASHER- CONFIG CHG DATA FROM A CMM: REPLS AN960-8	031100 107200	8
R R R	640 2D1024-1APA		-----*----- .. PANEL-SIDE SUPPLIER CODE: V31218 ATTACHING PARTS	031100 107200	1
R R R	645 NAS6204-19		.. BOLT	031100 107200	1
R R R	650 AN960-416		.. WASHER- CONFIG CHG DATA FROM A CMM: REPLD BY NAS1149F0463P	031100 107200	1
R R R	650 NAS1149F0463P		.. WASHER- CONFIG CHG DATA FROM A CMM: REPLS AN960-416	031100 107200	1
R R R	655 MS21042-4		.. NUT	031100 107200	1
R R R	660 2D1024-4APA		-----*----- .. PANEL-SIDE SUPPLIER CODE: V31218 ATTACHING PARTS	031100 107200	1
R R R	665 NAS6204-19		.. BOLT	031100 107200	1
R R R	670 AN960-416		.. WASHER- CONFIG CHG DATA FROM A CMM: REPLD BY NAS1149F0463P	031100 107200	1
R R R	670 NAS1149F0463P		.. WASHER- CONFIG CHG DATA FROM A CMM: REPLS AN960-416	031100 107200	1
R R R	675 MS21042-4		.. NUT	031100 107200	1
R R	680 MS21069L08		-----*----- .. NUTPLATE	031100 107200	4
R R R	685 SD32BS		ATTACHING PARTS .. RIVET-POP SUPPLIER CODE: V6R744	031100 107200	8
R R R	690 2D1036-1APA		-----*----- .. SUPPORT-CTR SUPPLIER CODE: V31218	031100 107200	1

MISSING ITEM NUMBERS NOT APPLICABLE

— ITEM NOT ILLUSTRATED

HAP

25-25-12-98F

BOEING PROPRIETARY - Copyright © - Unpublished Work - See title page for details.

25-25-12
 FIG. 98F
 PAGE 14
 JUN 15/09


BOEING
 737-600/700/800/900
PARTS CATALOG (MAINTENANCE)

FIG ITEM	PART NUMBER	1 2 3 4 5 6 7	NOMENCLATURE	EFFECT FROM TO	UNITS PER ASSY
98 F			ATTACHING PARTS		
R	695	NAS623-2-26	.. SCREW	031100 107200	1
R	700	MS21042-08	.. NUT	031100 107200	1
R	705	2D1039-1APA	-----*----- .. TUBE-CROSS UPR BACK SUPPLIER CODE: V31218	031100 107200	1
R					
R					
R					

MISSING ITEM NUMBERS NOT APPLICABLE

— ITEM NOT ILLUSTRATED

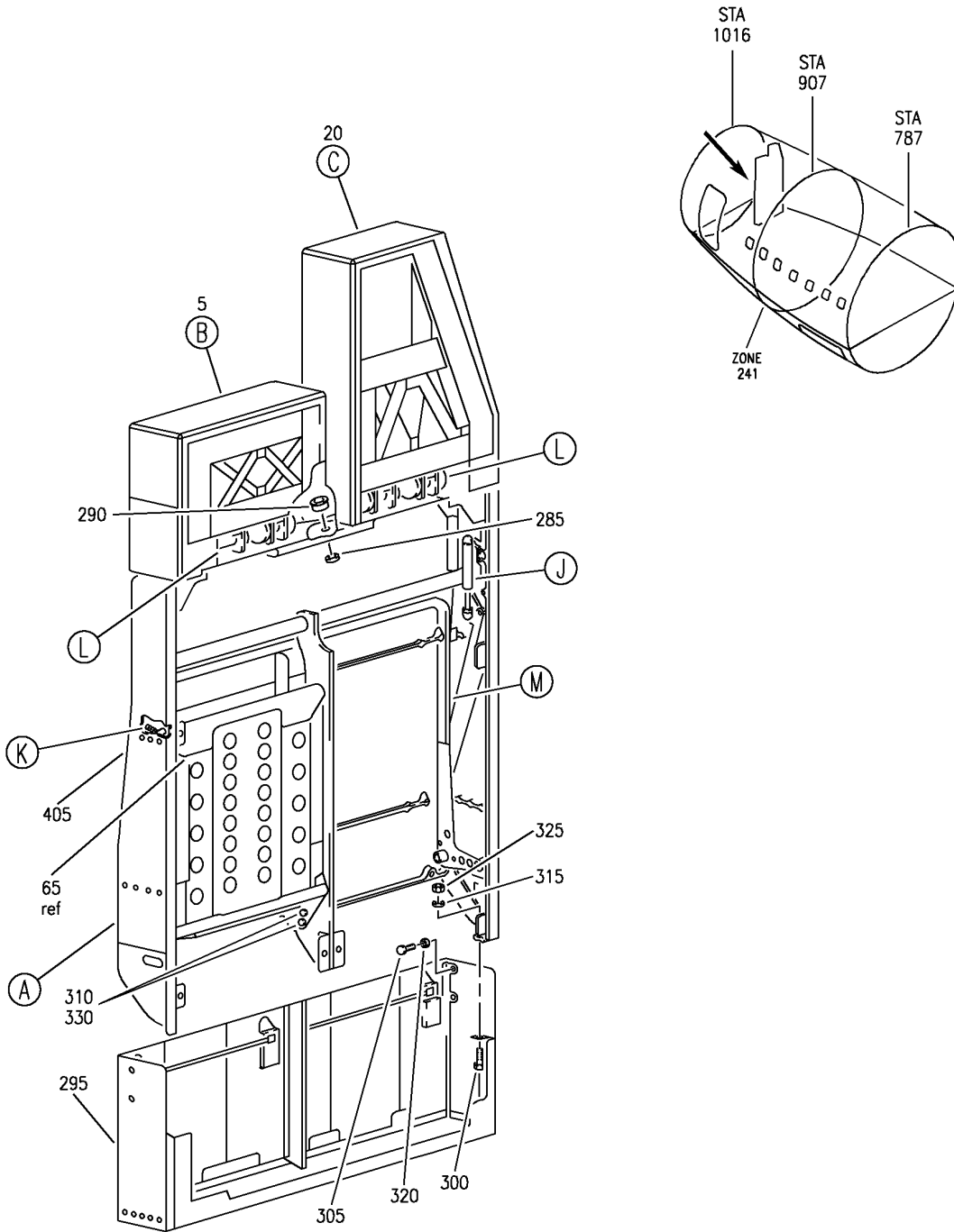
HAP

25-25-12-98F

BOEING PROPRIETARY - Copyright © - Unpublished Work - See title page for details.

25-25-12
 FIG. 98F
 PAGE 15
 JUN 15/09

BOEING
 737-600/700/800/900
 PARTS CATALOG (MAINTENANCE)



E 25251298G SHT 1 REV 111

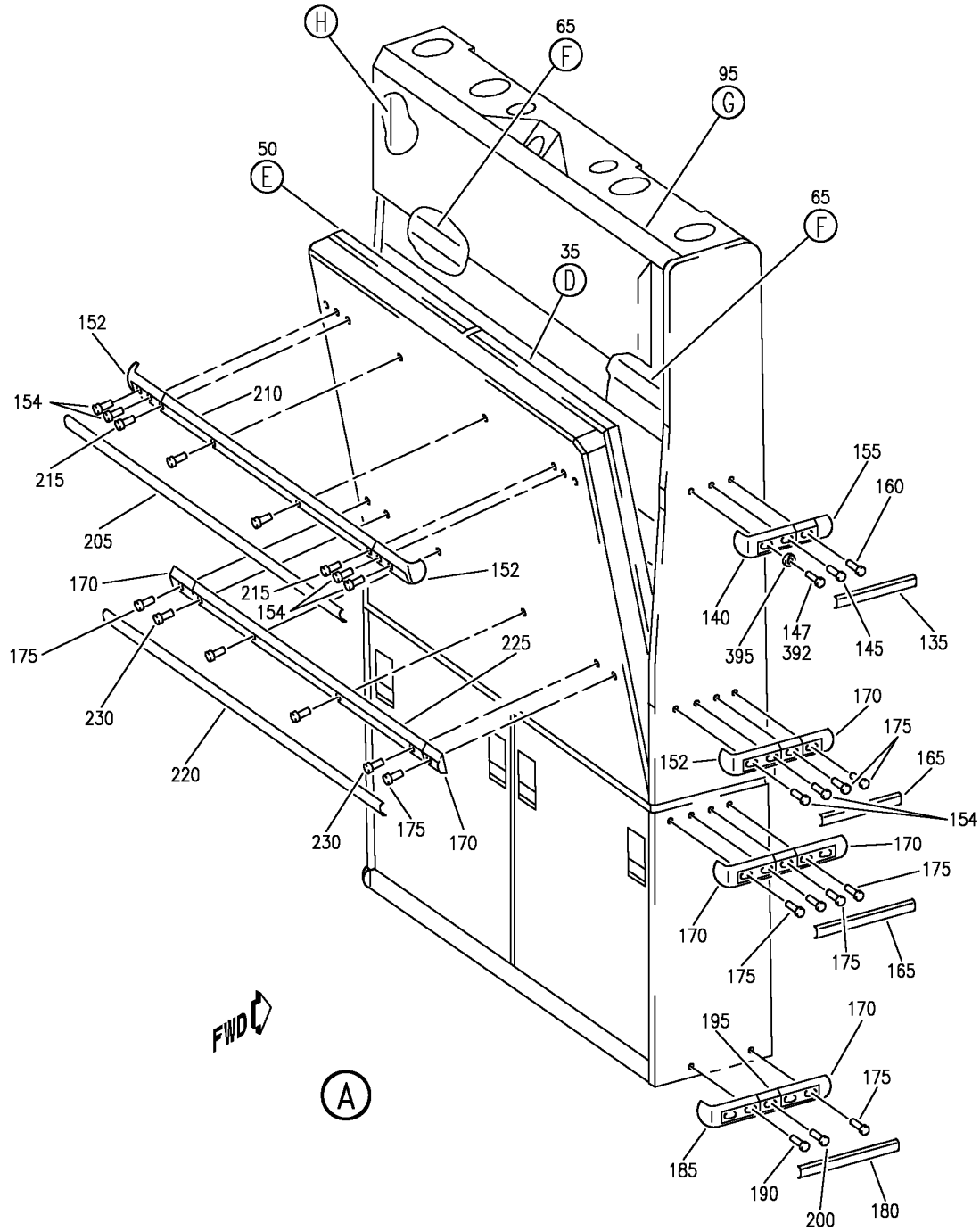
SEAT ASSY-ATTENDANT NARROW DBL WALL MOUNTED
 FIGURE 98G (SHEET 1)

25-25-12-98G

HAP
 FEB 10/07

25-25-12-98G
 PAGE 0

BOEING
 737-600/700/800/900
 PARTS CATALOG (MAINTENANCE)



E 25251298G SHT 2 REV 155

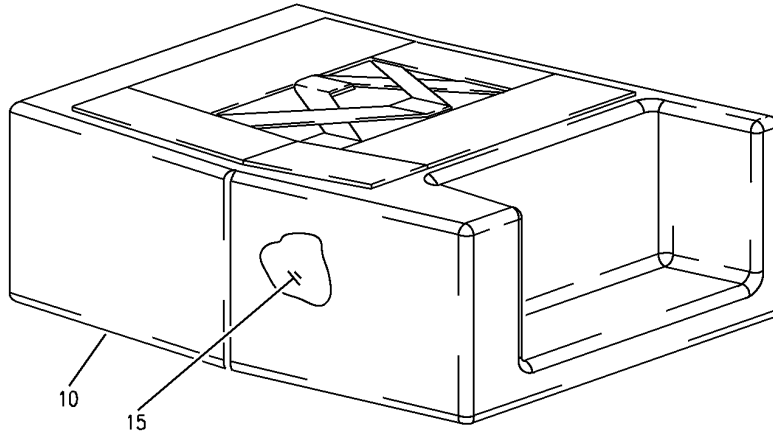
SEAT ASSY-ATTENDANT NARROW DBL WALL MOUNTED
 FIGURE 98G (SHEET 2)

25-25-12-98G

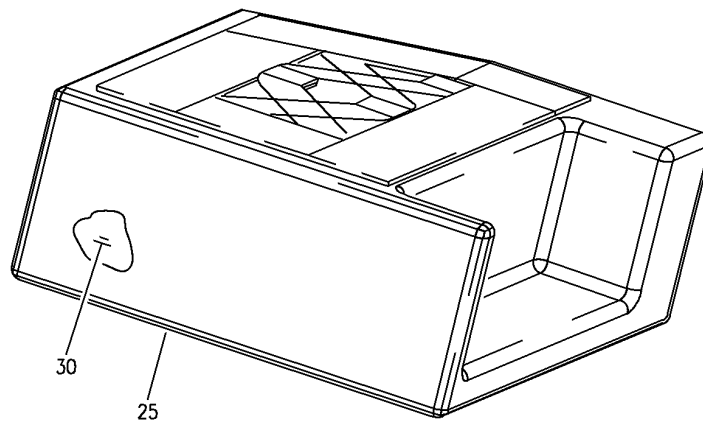
HAP
 JUN 15/09

25-25-12-98G
 PAGE 0A

BOEING
737-600/700/800/900
PARTS CATALOG (MAINTENANCE)



(B)



(C)

E 25251298G SHT 3 REV 111

SEAT ASSY-ATTENDANT NARROW DBL WALL MOUNTED
FIGURE 98G (SHEET 3)

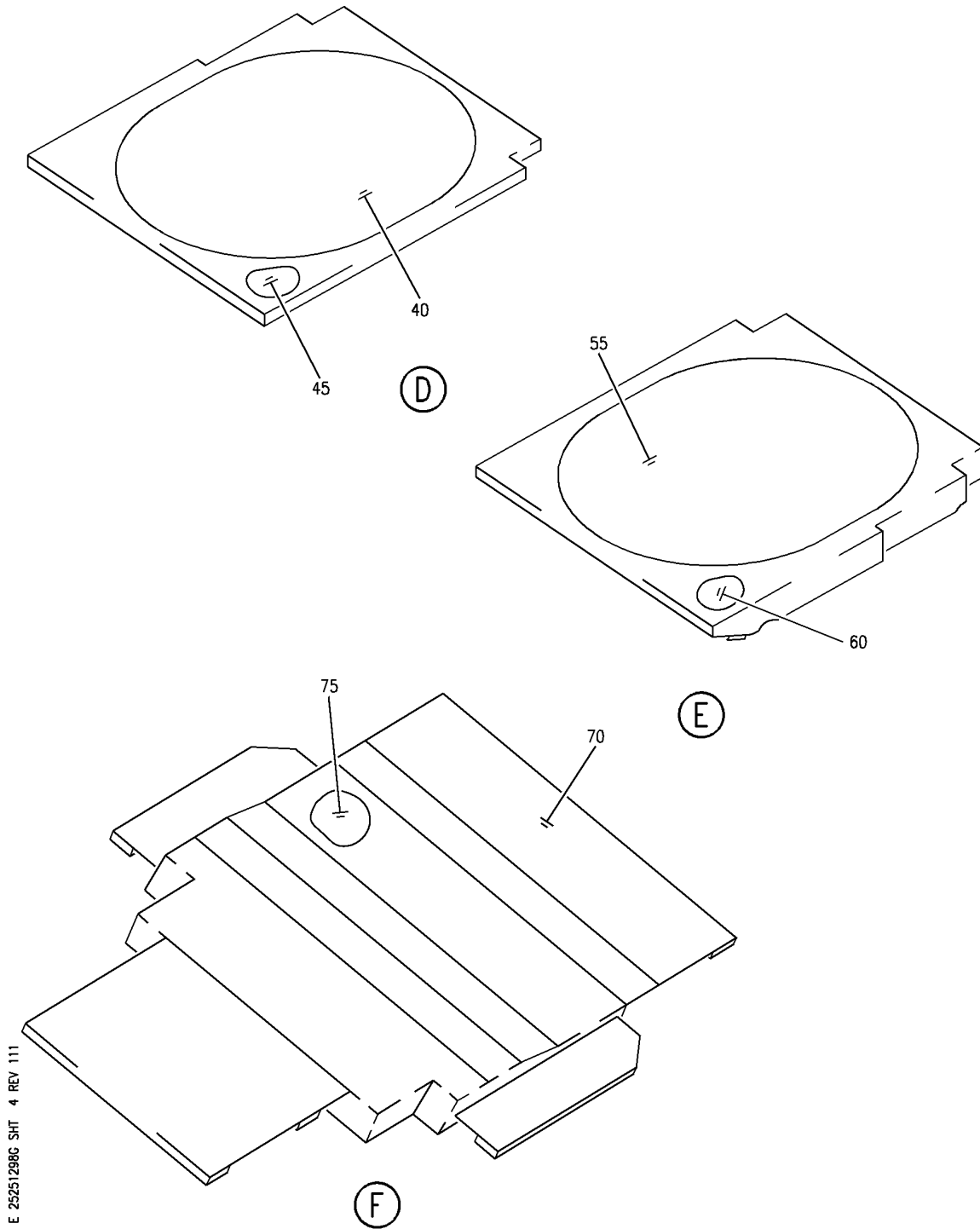
25-25-12-98G

HAP
FEB 10/07

25-25-12-98G
PAGE 08

BOEING PROPRIETARY - Copyright © - Unpublished Work - See title page for details.

BOEING
737-600/700/800/900
PARTS CATALOG (MAINTENANCE)



E 25251298G SHT 4 REV 111

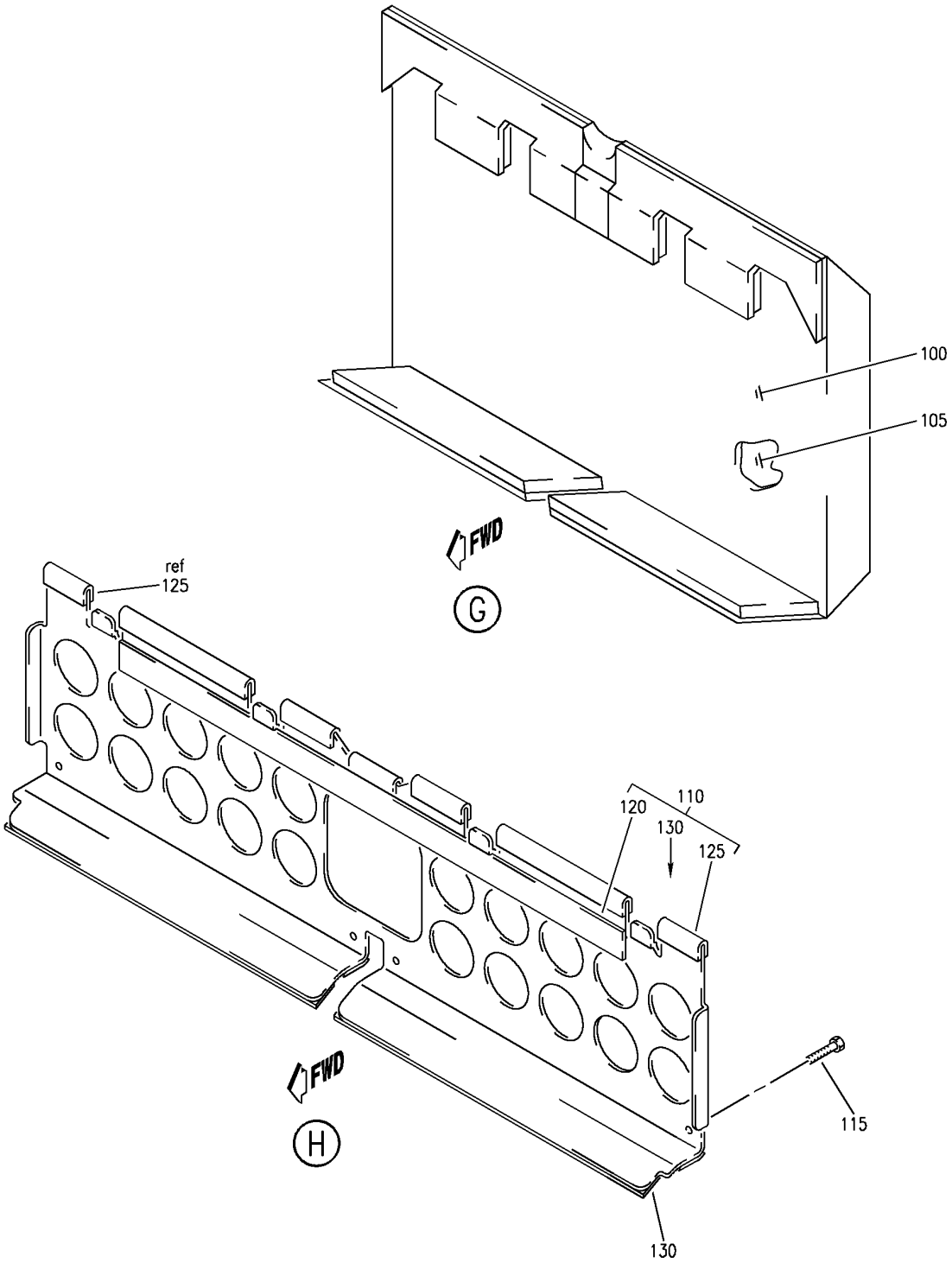
SEAT ASSY-ATTENDANT NARROW DBL WALL MOUNTED
FIGURE 98G (SHEET 4)

25-25-12-98G

HAP
FEB 10/07

25-25-12-98G
PAGE 0C

BOEING
 737-600/700/800/900
 PARTS CATALOG (MAINTENANCE)



E 25251298G SHT 5 REV 111

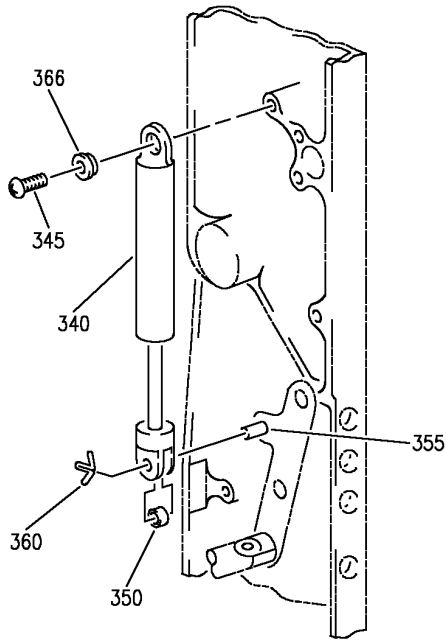
SEAT ASSY-ATTENDANT NARROW DBL WALL MOUNTED
 FIGURE 98G (SHEET 5)

25-25-12-98G

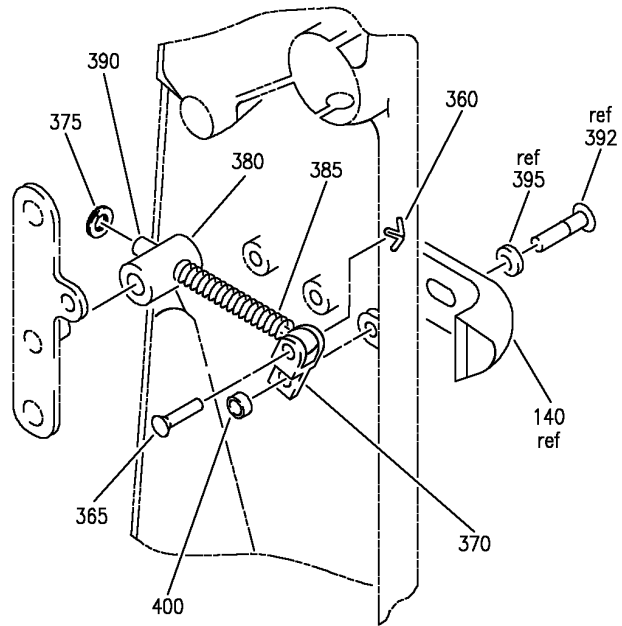
HAP
 FEB 10/07

25-25-12-98G
 PAGE 0D

BOEING
 737-600/700/800/900
 PARTS CATALOG (MAINTENANCE)



(J)



FWD

(K)

E 25251298G SHT 6 REV 155

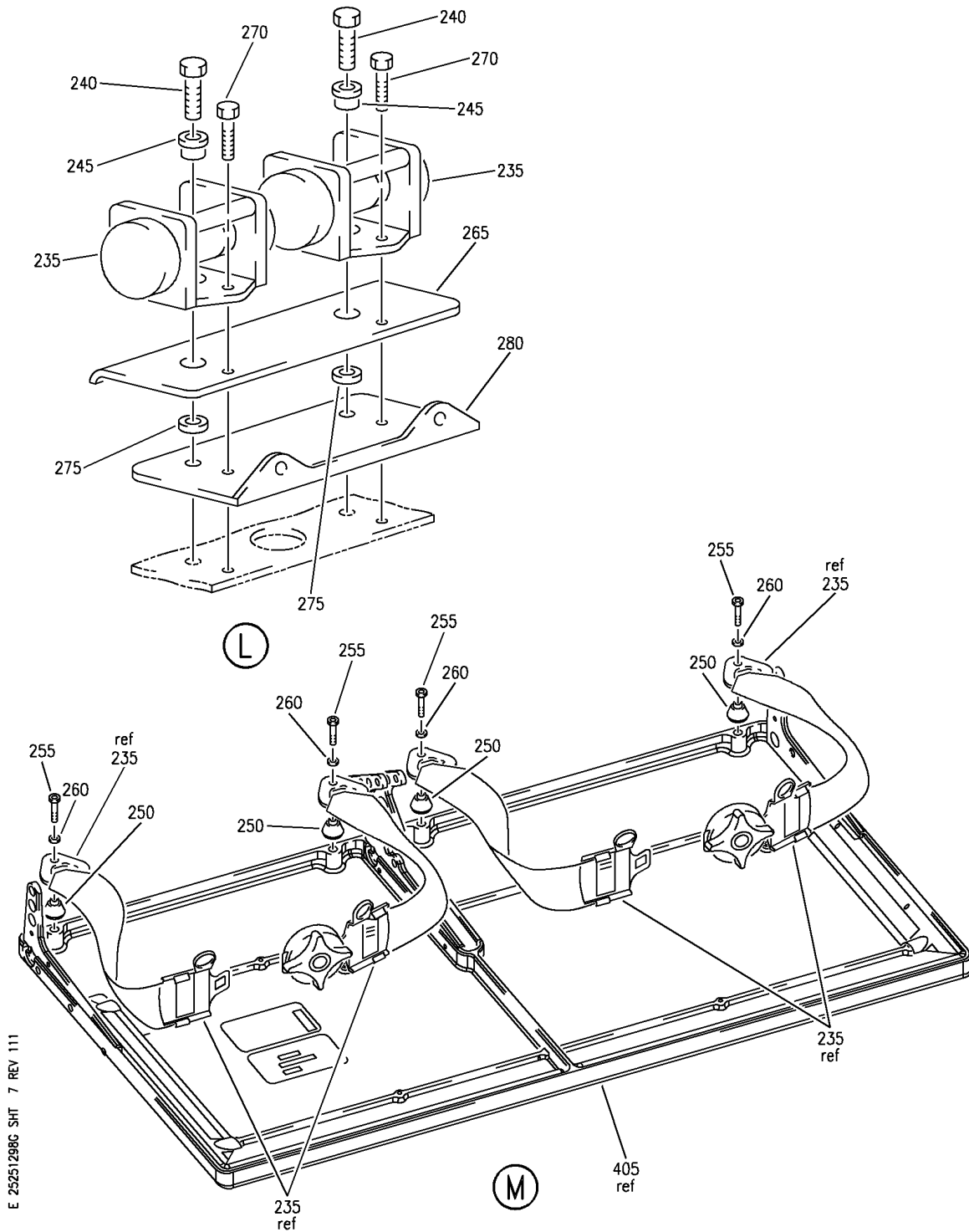
SEAT ASSY-ATTENDANT NARROW DBL WALL MOUNTED
 FIGURE 98G (SHEET 6)

25-25-12-98G

HAP
 JUN 15/09

25-25-12-98G
 PAGE 0E

BOEING
 737-600/700/800/900
 PARTS CATALOG (MAINTENANCE)



SEAT ASSY-ATTENDANT NARROW DBL WALL MOUNTED
 FIGURE 98G (SHEET 7)

25-25-12-98G

HAP
 FEB 10/07

25-25-12-98G
 PAGE OF

BOEING
737-600/700/800/900
PARTS CATALOG (MAINTENANCE)

FIG ITEM	PART NUMBER	1 2 3 4 5 6 7	NOMENCLATURE	EFFECT FROM TO	UNITS PER ASSY	
R R R R R R R R R R R R R R	98G		SEAT ASSY-ATTENDANT NARROW DBL WALL MOUNTED	031046 051052 054100		
	- 1	2110-325GC	SEAT ASSY-ATTENDANT NARROW DBL WALL MOUNTED SUPPLIER CODE: V31218 POSITION DATA: STA. 949.00, LBL 13.5, WL 219.10 SPECIFICATION NUMBER: BCREF15324 COMPONENT MAINT MANUAL REF: 25-24-37 FOR NHA SEE: 25-25-12-20 25-25-12-38	031046 051052 054100	RF	
	- 1	2110-125GC	SEAT ASSY-ATTENDANT NARROW DBL WALL MOUNTED SUPPLIER CODE: V31218 POSITION DATA: STA. 949.00, LBL 13.50, WL 219.10 SPECIFICATION NUMBER: BCREF66194 COMPONENT MAINT MANUAL REF: 25-24-37 FOR NHA SEE: 25-25-12-20 25-25-12-38	031046 051052 054100	RF	
	5	2D7017-3D	.CUSHION AND COVER ASSY- SUPPLIER CODE: V31218	031046 051052 054100	1	
	10	2D7017-13D	..COVER-HEADREST SUPPLIER CODE: V31218	031046 051052 054100	1	
	15	2D7017-23	..CUSHION-FIREBLOCK SUPPLIER CODE: V31218	031046 051052 054100	1	
	20	2D7017-4D	.CUSHION AND COVER ASSY- SUPPLIER CODE: V31218	031046 051052 054100	1	
	25	2D7017-14D	..COVER-HEADREST SUPPLIER CODE: V31218	031046 051052 054100	1	
	30	2D7017-24	..CUSHION-FIREBLOCK SUPPLIER CODE: V31218	031046 051052 054100	1	
	MISSING ITEM NUMBERS NOT APPLICABLE					

- ITEM NOT ILLUSTRATED

HAP

25-25-12-98G

BOEING PROPRIETARY - Copyright © - Unpublished Work - See title page for details.

25-25-12
FIG. 98G
PAGE 1
JUN 15/09

BOEING
737-600/700/800/900
PARTS CATALOG (MAINTENANCE)

FIG ITEM	PART NUMBER	1 2 3 4 5 6 7	NOMENCLATURE	EFFECT FROM TO	UNITS PER ASSY
R R R R R R R R R R R R R R	98G 35	2D7008-1D	.CUSHION AND COVER ASSY- SUPPLIER CODE: V31218	031046 051052 054100	1
	40	2D7008-11D	..COVER-PAN SUPPLIER CODE: V31218	031046 051052 054100	1
	45	2D7009-1	..CUSHION-PAN SUPPLIER CODE: V31218	031046 051052 054100	1
	50	2D7008-2D	.CUSHION AND COVER ASSY- SUPPLIER CODE: V31218	031046 051052 054100	1
	55	2D7008-12D	..COVER-PAN SUPPLIER CODE: V31218	031046 051052 054100	1
	60	2D7009-2	..CUSHION-PAN SUPPLIER CODE: V31218	031046 051052 054100	1
	65	2D7004-1D	.CUSHION AND COVER ASSY- SUPPLIER CODE: V31218 CONFIG CHG DATA FROM A CMM: REPLD BY 2D7004-31D USED ON: 2110-325GC	031046 051052 054100	2
	65	2D7004-31D	.CUSHION AND COVER ASSY- SUPPLIER CODE: V31218 CONFIG CHG DATA FROM A CMM: REPLS 2D7004-1D USED ON: 2110-325GC	031046 051052 054100	2
	65	2D7004-51D	.CUSHION AND COVER ASSY- SUPPLIER CODE: V31218 USED ON: 2110-125GC	031046 051052 054100	2
	70	2D7004-11D	..COVER- SUPPLIER CODE: V31218 USED ON: 2D7004-1D	031046 051052 054100	1
	70	2D7004-41D	..COVER-BACK SUPPLIER CODE: V31218 POSITION DATA: LWR USED ON: 2D7004-31D	031046 051052 054100	1

MISSING ITEM NUMBERS NOT APPLICABLE

— ITEM NOT ILLUSTRATED

HAP

25-25-12-98G

BOEING PROPRIETARY - Copyright © - Unpublished Work - See title page for details.

25-25-12
FIG. 98G
PAGE 2
JUN 15/09

BOEING
737-600/700/800/900
PARTS CATALOG (MAINTENANCE)

FIG ITEM	PART NUMBER	1 2 3 4 5 6 7	NOMENCLATURE	EFFECT FROM TO	UNITS PER ASSY
98G			ATTACHING PARTS		
R	115	NAS623-2-16	.SCREW	031046	4
R				051052	
R				054100	
R	120	SJ3526GRY1ADH	-----*----- ..HOOK-ADH VELCRO GRAY	031046	AR
R			SUPPLIER CODE:	051052	
R			V5J466	054100	
R			CONFIG CHG DATA FROM A CMM:		
R			REPLD BY SJ3526BLK1ADH		
R	120	SJ3526BLK1ADH	..HOOK-ADH VELCRO BLACK	031046	AR
R			SUPPLIER CODE:	051052	
R			V5J466	054100	
R			CONFIG CHG DATA FROM A CMM:		
R			REPLS SJ3526GRY1ADH		
R	125	SJ3527GRY1ADH	..LOOP-ADH VELCRO GRAY	031046	AR
R			SUPPLIER CODE:	051052	
R			V5J466	054100	
R			CONFIG CHG DATA FROM A CMM:		
R			REPLD BY SJ3527BLK1ADH		
R	125	SJ3527BLK1ADH	..LOOP-ADH VELCRO BLACK	031046	AR
R			SUPPLIER CODE:	051052	
R			V5J466	054100	
R			CONFIG CHG DATA FROM A CMM:		
R			REPLS SJ3527GRY1ADH		
R	130	SJ3526GRY2ADH	..HOOK-ADH VELCRO GRAY	031046	AR
R			SUPPLIER CODE:	051052	
R			V5J466	054100	
R			CONFIG CHG DATA FROM A CMM:		
R			REPLD BY SJ3526BLK2ADH		
R	130	SJ3526BLK2ADH	..HOOK-ADH VELCRO BLACK	031046	AR
R			SUPPLIER CODE:	051052	
R			V5J466	054100	
R			CONFIG CHG DATA FROM A CMM:		
R			REPLS SJ3526GRY2ADH		
R	135	S21012-25APA	.COVER-RUBSTRIP	031046	2
R			SUPPLIER CODE:	051052	
R			V31218	054100	
R			USED ON:		
R			2110-325GC		
R	135	S21012-83APA	.COVER-RUBSTRIP	031046	2
R			SUPPLIER CODE:	051052	
R			V31218	054100	
R			USED ON:		
R			2110-125GC		

MISSING ITEM NUMBERS NOT APPLICABLE

— ITEM NOT ILLUSTRATED

HAP

25-25-12-98G

BOEING PROPRIETARY - Copyright © - Unpublished Work - See title page for details.

25-25-12
FIG. 98G
PAGE 4
JUN 15/09

BOEING
737-600/700/800/900
PARTS CATALOG (MAINTENANCE)

FIG ITEM	PART NUMBER	1 2 3 4 5 6 7	NOMENCLATURE	EFFECT FROM TO	UNITS PER ASSY
R R R R R	98G 155 A70027-7APA		.CAP-RUBSTRIP SUPPLIER CODE: V31218 CONFIG CHG DATA FROM A CMM: REPLS S70027-7APA ATTACHING PARTS	031046 051052 054100	2
R R R	160 AN525-832R6		.SCREW	031046 051052 054100	2
R R R R R	165 S21012-11APA		-----*----- .COVER-RUBSTRIP SUPPLIER CODE: V31218	031046 051052 054100	4
R R R R R	170 S70027-3APA		.CAP-FLAT RUBSTRIP SUPPLIER CODE: V31218 CONFIG CHG DATA FROM A CMM: REPLD BY A70027-3APA	031046 051052 054100	10
R R R R R	170 A70027-3APA		.CAP-FLAT RUBSTRIP SUPPLIER CODE: V31218 CONFIG CHG DATA FROM A CMM: REPLS S70027-3APA ATTACHING PARTS	031046 051052 054100	10
R R R	175 AN525-832R6		.SCREW	031046 051052 054100	16
R R R R R	180 S21012-69APA		-----*----- .COVER-RUBSTRIP SUPPLIER CODE: V31218	031046 051052 054100	2
R R R R R	185 S70027-5APA		.CAP-END RUBSTRIP SUPPLIER CODE: V31218 CONFIG CHG DATA FROM A CMM: REPLD BY A70027-5APA	031046 051052 054100	2
R R R R R	185 A70027-5APA		.CAP-END RUBSTRIP SUPPLIER CODE: V31218 CONFIG CHG DATA FROM A CMM: REPLS S70027-5APA ATTACHING PARTS	031046 051052 054100	2
R R R	190 AN525-832R6		.SCREW	031046 051052 054100	2
			-----*-----		

MISSING ITEM NUMBERS NOT APPLICABLE

— ITEM NOT ILLUSTRATED

HAP

25-25-12-98G

BOEING PROPRIETARY - Copyright © - Unpublished Work - See title page for details.

25-25-12
FIG. 98G
PAGE 6
JUN 15/09

BOEING
737-600/700/800/900
PARTS CATALOG (MAINTENANCE)

FIG ITEM	PART NUMBER	1 2 3 4 5 6 7	NOMENCLATURE	EFFECT FROM TO	UNITS PER ASSY
98G			ATTACHING PARTS		
R	230	AN525-832R6	.SCREW	031046	4
R				051052	
R				054100	
R	235	2100002-01-278	.RESTRAINT-SYS	031046	4
R			SUPPLIER CODE:	051052	
R			V45402	054100	
R			COMPONENT MAINT MANUAL REF:		
R			25-11-53		
R	240	NAS6203-10	ATTACHING PARTS		
R			.BOLT	031046	4
R				051052	
R				054100	
R	245	NAS77-3-033	.BUSHING	031046	4
R				051052	
R				054100	
R	250	2D2017-1	.FITTING-LAP BELT	031046	4
R			SUPPLIER CODE:	051052	
R			V31218	054100	
R			ATTACHING PARTS		
R	255	NAS6203-8	.BOLT-	031046	4
R			CONFIG CHG DATA FROM A CMM:	051052	
R			REPLD BY NAS6203-10	054100	
R	255	NAS6203-10	.BOLT-	031046	4
R			CONFIG CHG DATA FROM A CMM:	051052	
R			REPLS NAS6203-8	054100	
R	260	AN960-10	.WASHER-	031046	4
R			CONFIG CHG DATA FROM A CMM:	051052	
R			REPLD BY NAS1149F0332P	054100	
R	260	NAS1149F0332P	.WASHER-	031046	4
R			CONFIG CHG DATA FROM A CMM:	051052	
R			REPLS AN960-10L	054100	
R	265	2D1067-1	.GUIDE-WEB WEAR	031046	2
R			SUPPLIER CODE:	051052	
R			V31218	054100	
R			ATTACHING PARTS		
R	270	NAS623-2-3	.SCREW-	031046	4
R			CONFIG CHG DATA FROM A CMM:	051052	
R			REPLD BY NAS623-2-4	054100	
R	270	NAS623-2-4	.SCREW-	031046	4
R			CONFIG CHG DATA FROM A CMM:	051052	
R			REPLS NAS623-2-3	054100	
R	275	AN960-516	.WASHER-	031046	4
R			CONFIG CHG DATA FROM A CMM:	051052	
R			REPLD BY NAS1149F0563P	054100	

MISSING ITEM NUMBERS NOT APPLICABLE

— ITEM NOT ILLUSTRATED

HAP

25-25-12-98G

BOEING PROPRIETARY - Copyright © - Unpublished Work - See title page for details.

25-25-12
FIG. 98G
PAGE 8
JUN 15/09

 **BOEING**
737-600/700/800/900
PARTS CATALOG (MAINTENANCE)

FIG ITEM	PART NUMBER	1 2 3 4 5 6 7	NOMENCLATURE	EFFECT FROM TO	UNITS PER ASSY
R R R 98G 275	NAS1149F0563P		.WASHER- CONFIG CHG DATA FROM A CMM: REPLS AN960-516 -----*-----	031046 051052 054100	4
R R R 280	2D1037-1		.BRACKET-INERTIA REEL SUPPLIER CODE: V31218	031046 051052 054100	2
R R R 285	MS16624-2137		.RING	031046 051052 054100	1
R R R 290	2D1041-1		.FUNNEL-PHONE CORD SUPPLIER CODE: V31218	031046 051052 054100	1
R R R 295	2110-37APA		.BOX ASSY-STOWAGE SUPPLIER CODE: V31218 FOR DETAILS SEE: 25-25-12-98H ATTACHING PARTS	031046 051052 054100	1
R R R 300	NAS6203-3		.BOLT	031046 051052 054100	2
R R R 305	NAS623-2-1		.SCREW	031046 051052 054100	4
R R R 310	NAS623-2-7		.SCREW	031046 051052 054100	2
R R R 315	AN960-10L		.WASHER- CONFIG CHG DATA FROM A CMM: REPLD BY NAS1149F0332P	031046 051052 054100	2
R R R 315	NAS1149F0332P		.WASHER- CONFIG CHG DATA FROM A CMM: REPLS AN960-10L	031046 051052 054100	2
R R R 320	AN960-8		.WASHER- CONFIG CHG DATA FROM A CMM: REPLD BY NAS1149FN832P	031046 051052 054100	6
R R R 320	NAS1149FN832P		.WASHER- CONFIG CHG DATA FROM A CMM: REPLS AN960-8	031046 051052 054100	6
R R R 325	MS21042-3		.NUT	031046 051052 054100	2
R R R 330	MS21042-08		.NUT -----*-----	031046 051052 054100	2

MISSING ITEM NUMBERS NOT APPLICABLE

— ITEM NOT ILLUSTRATED

HAP

25-25-12-98G

25-25-12
FIG. 98G
PAGE 9
JUN 15/09

BOEING
737-600/700/800/900
PARTS CATALOG (MAINTENANCE)

FIG ITEM	PART NUMBER	1 2 3 4 5 6 7	NOMENCLATURE	EFFECT FROM TO	UNITS PER ASSY
R R R	98G 340		.DAMPENER-SPR SUPPLIER CODE: V24403 ATTACHING PARTS	031046 051052 054100	1
R R R	345	NAS623-3-3	.SCREW	031046 051052 054100	1
R R R	350	NAS43DD3-8	.SPACER	031046 051052 054100	1
R R R	355	MS20392-2C13	.PIN	031046 051052 054100	1
R R R	360	MS24665-132	.PIN	031046 051052 054100	2
R R R	365	MS20392-1C17	.PIN	031046 051052 054100	1
R R R	366	NAS77-3-016	-----*----- .BUSHING-	031046 051052 054100	1
R R R	- 368	NAS43DD3-8	.SPACER- CONFIG CHG DATA FROM A CMM: REPLD BY 2D3041-1	031046 051052 054100	1
R R R	370	2D3041-1	.BRACKET-GUIDE SPR SUPPLIER CODE: V31218 CONFIG CHG DATA FROM A CMM: REPLS NAS43DD3-8	031046 051052 054100	1
R R R	375	5555-18SPP	.CLIP- SUPPLIER CODE: V31218	031046 051052 054100	1
R R R	380	2D3021-9	.LINK-RUB BUTTON SUPPLIER CODE: V31218 USED ON: 2110-325GC	031046 051052 054100	1
R R R	380	2D3021-15	.LINK-RUB BUTTON SUPPLIER CODE: V31218 USED ON: 2110-125GC	031046 051052 054100	1
R R R	385	C0300-032-2500M	.SPRING- SUPPLIER CODE: V31218	031046 051052 054100	1

MISSING ITEM NUMBERS NOT APPLICABLE

- ITEM NOT ILLUSTRATED

HAP

25-25-12-98G

BOEING PROPRIETARY - Copyright © - Unpublished Work - See title page for details.

25-25-12
FIG. 98G
PAGE 10
JUN 15/09

BOEING
737-600/700/800/900
PARTS CATALOG (MAINTENANCE)

FIG ITEM	PART NUMBER	1 2 3 4 5 6 7	NOMENCLATURE	EFFECT FROM TO	UNITS PER ASSY
R R R R R R R R R R R R R R	98G 390	2D3042-1	.GUIDE-SPR SUPPLIER CODE: V31218	031046 051052 054100	1
	392	NAS1096-2-11	.SCREW- USED ON: 2110-325GC	031046 051052 054100	1
	- 393	NAS602-6P	.SCREW- USED ON: 2110-125GC	031046 051052 054100	1
	395	NAS1149FN832P	.WASHER	031046 051052 054100	1
	400	MS21042-08	.NUT	031046 051052 054100	1
	405	2110-2APA	.CORE ASSY- SUPPLIER CODE: V31218 USED ON: 2110-325GC FOR DETAILS SEE: 25-25-12-98J	031046 051052 054100	1
	405	2110-6APA	.CORE ASSY- SUPPLIER CODE: V31218 USED ON: 2110-125GC FOR DETAILS SEE: 25-25-12-78L	031046 051052 054100	1

MISSING ITEM NUMBERS NOT APPLICABLE

- ITEM NOT ILLUSTRATED

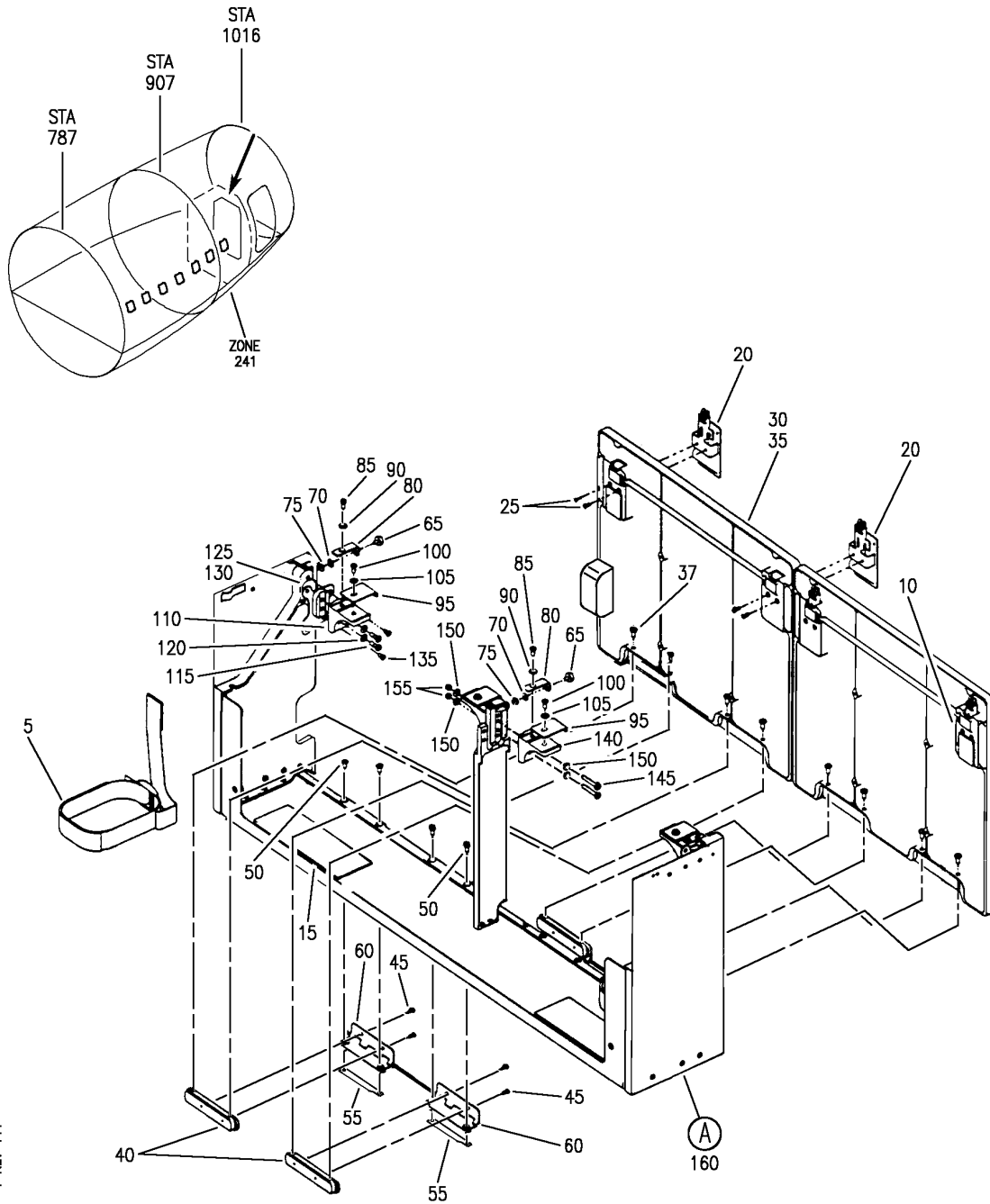
HAP

25-25-12-98G

BOEING PROPRIETARY - Copyright © - Unpublished Work - See title page for details.

25-25-12
FIG. 98G
PAGE 11
JUN 15/09

BOEING
 737-600/700/800/900
 PARTS CATALOG (MAINTENANCE)



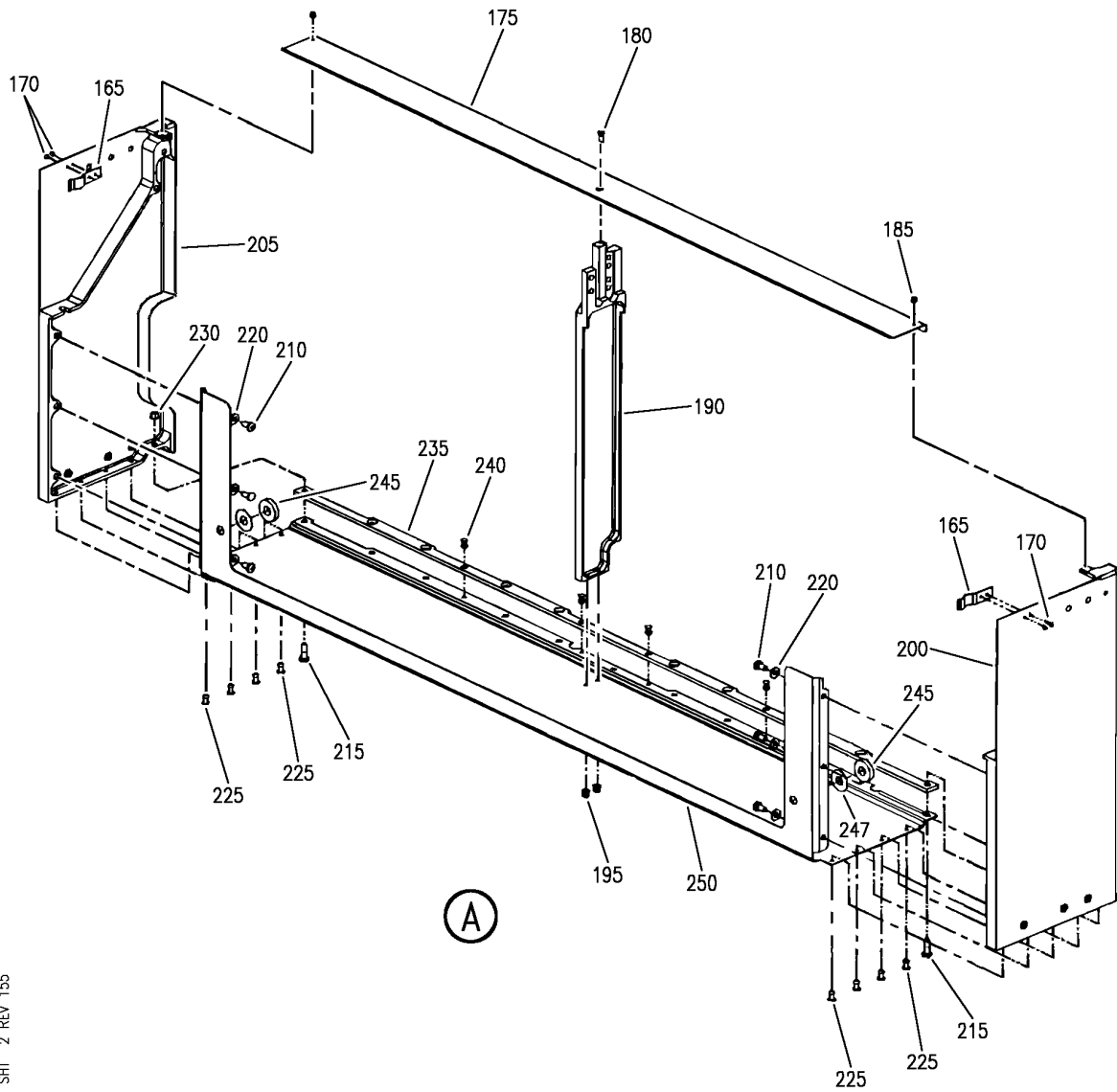
E 25251298H SHT 1 REV 111

BOX ASSY-ATTENDANT SEAT NARROW DBL WALL MOUNTED
 FIGURE 98H (SHEET 1)

25-25-12-98H

HAP
 FEB 10/07

25-25-12-98H
 PAGE 0



E 25251298H SHT 2 REV 155

BOX ASSY-ATTENDANT SEAT NARROW DBL WALL MOUNTED
 FIGURE 98H (SHEET 2)

25-25-12-98H

HAP
 JUN 15/09

25-25-12-98H
 PAGE 0A

BOEING
737-600/700/800/900
PARTS CATALOG (MAINTENANCE)

FIG ITEM	PART NUMBER	1 2 3 4 5 6 7	NOMENCLATURE	EFFECT FROM TO	UNITS PER ASSY	
R R R R R R R R R R R R R	98H		BOX ASSY-ATTENDANT SEAT NARROW DBL WALL MOUNTED	031046 051052 054100		
	- 1	2110-37APA	BOX ASSY-ATTENDANT SEAT NARROW DBL WALL MOUNTED SUPPLIER CODE: V31218 FOR NHA SEE: 25-25-12-98G	031046 051052 054100	RF	
	5	2D8007-1	.STRAP-LIFE VEST SUPPLIER CODE: V31218	031046 051052 054100	2	
	10	SJ3526GRY1ADH	.HOOK-ADH VELCRO GRAY SUPPLIER CODE: V5J466 CONFIG CHG DATA FROM A CMM: REPLD BY SJ3526BLK1ADH	031046 051052 054100	AR	
	10	SJ3526BLK1ADH	..HOOK-ADH VELCRO BLACK SUPPLIER CODE: V5J466 CONFIG CHG DATA FROM A CMM: REPLS SJ3526GRY1ADH	031046 051052 054100	AR	
	15	SJ3526GRY2ADH	.HOOK-ADH VELCRO GRAY SUPPLIER CODE: V5J466 CONFIG CHG DATA FROM A CMM: REPLD BY SJ3526BLK2ADH	031046 051052 054100	AR	
	15	SJ3526BLK2ADH	..HOOK-ADH VELCRO BLACK SUPPLIER CODE: V5J466 CONFIG CHG DATA FROM A CMM: REPLS SJ3526GRY2ADH	031046 051052 054100	AR	
	20	SAM222-19	.LATCH-DUAL SUPPLIER CODE: V31845 CONFIG CHG DATA FROM A CMM: REPLD BY SAM222-18	031046 051052 054100	2	
	20	SAM222-18	.LATCH-DUAL SUPPLIER CODE: V31845 CONFIG CHG DATA FROM A CMM: REPLS SAM222-19	031046 051052 054100	2	
	25	NAS514P632-5P	ATTACHING PARTS .SCREW	031046 051052 054100	8	
			-----*-----			

MISSING ITEM NUMBERS NOT APPLICABLE

- ITEM NOT ILLUSTRATED

HAP

25-25-12-98H

BOEING PROPRIETARY - Copyright © - Unpublished Work - See title page for details.

25-25-12
FIG. 98H
PAGE 1
JUN 15/09

BOEING
737-600/700/800/900
PARTS CATALOG (MAINTENANCE)

FIG ITEM	PART NUMBER	1 2 3 4 5 6 7	NOMENCLATURE	EFFECT FROM TO	UNITS PER ASSY
98H					
R	30	2D1021-23APA	.DOOR-	031046	1
R			SUPPLIER CODE:	051052	
R			V31218	054100	
R	35	2D1021-21APA	.DOOR-	031046	1
R			SUPPLIER CODE:	051052	
R			V31218	054100	
R			ATTACHING PARTS		
R	37	NAS602-6P	.SCREW	031046	8
R				051052	
R				054100	
R	40	2D1061-1APA	.COVER-HINGE	031046	4
R			SUPPLIER CODE:	051052	
R			V31218	054100	
R			ATTACHING PARTS		
R	45	NAS514P632-5P	.SCREW	031046	8
R				051052	
R				054100	
R	50	NAS1202-1	.SCREW	031046	8
R				051052	
R				054100	
R	55	2D1141-1	.PLATE-THREADED DOOR HINGE	031046	4
R			SUPPLIER CODE:	051052	
R			V31218	054100	
R	60	2D1025-1	.HINGE-	031046	4
R			SUPPLIER CODE:	051052	
R			V31218	054100	
R	65	827S	.SCREW-BUMPER	031046	4
R			SUPPLIER CODE:	051052	
R			V8J913	054100	
R	70	AN960-6L	.WASHER-	031046	4
R			CONFIG CHG DATA FROM A CMM:	051052	
R			REPLD BY NAS1149FN616P	054100	
R	70	NAS1149FN616P	.WASHER-	031046	4
R			CONFIG CHG DATA FROM A CMM:	051052	
R			REPLS AN960-6L	054100	
R	75	MS21083N06	.NUT	031046	4
R				051052	
R				054100	
R	80	2D1022-1	.BRACKET-DOOR BUMPER	031046	4
R			SUPPLIER CODE:	051052	
R			V31218	054100	
R			ATTACHING PARTS		
R	85	NAS1096-2-5	.SCREW	031046	4
R				051052	
R				054100	

MISSING ITEM NUMBERS NOT APPLICABLE

— ITEM NOT ILLUSTRATED

HAP

25-25-12-98H

BOEING PROPRIETARY - Copyright © - Unpublished Work - See title page for details.

25-25-12
FIG. 98H
PAGE 2
JUN 15/09

BOEING
737-600/700/800/900
PARTS CATALOG (MAINTENANCE)

FIG ITEM	PART NUMBER	1 2 3 4 5 6 7	NOMENCLATURE	EFFECT FROM TO	UNITS PER ASSY
R	98H				
R	90	AN960-8	.WASHER-	031046	4
R			CONFIG CHG DATA FROM A CMM:	051052	
R			REPLD BY NAS1149FN832P	054100	
R	90	NAS1149FN832P	.WASHER-	031046	4
R			CONFIG CHG DATA FROM A CMM:	051052	
R			REPLS AN960-8	054100	
			-----*-----		
R	95	2D1023-1	.BRACKET-DOOR STRIKER	031046	4
R			SUPPLIER CODE:	051052	
R			V31218	054100	
			ATTACHING PARTS		
R	100	NAS1096-2-5	.SCREW	031046	4
R				051052	
R				054100	
R	105	AN960-8	.WASHER-	031046	4
R			CONFIG CHG DATA FROM A CMM:	051052	
R			REPLD BY NAS1149FN832P	054100	
R	105	NAS1149FN832P	.WASHER-	031046	4
R			CONFIG CHG DATA FROM A CMM:	051052	
R			REPLS AN960-8	054100	
			-----*-----		
R	110	2D1068-1	.BASE-STRIKER/BUMPER	031046	2
R			SUPPLIER CODE:	051052	
R			V31218	054100	
			ATTACHING PARTS		
R	115	NAS623-2-4	.SCREW	031046	4
R				051052	
R				054100	
R	120	AN960-8	.WASHER-	031046	4
R			CONFIG CHG DATA FROM A CMM:	051052	
R			REPLD BY NAS1149FN832P	054100	
R	120	NAS1149FN832P	.WASHER-	031046	4
R			CONFIG CHG DATA FROM A CMM:	051052	
R			REPLS AN960-8	054100	
			-----*-----		
R	125	2D1094-1	.PLATE-MTG	031046	1
R			SUPPLIER CODE:	051052	
R			V31218	054100	
R	130	2D1094-2	.PLATE-MTG	031046	1
R			SUPPLIER CODE:	051052	
R			V31218	054100	
			ATTACHING PARTS		
R	135	NAS514P832-5P	.SCREW	031046	4
R				051052	
R				054100	
			-----*-----		
R	140	2D1068-1	.BASE-STRIKER/BUMPER	031046	2
R			SUPPLIER CODE:	051052	
R			V31218	054100	

MISSING ITEM NUMBERS NOT APPLICABLE

— ITEM NOT ILLUSTRATED

HAP

25-25-12-98H

BOEING PROPRIETARY - Copyright © - Unpublished Work - See title page for details.

25-25-12
FIG. 98H
PAGE 3
JUN 15/09

BOEING
737-600/700/800/900
PARTS CATALOG (MAINTENANCE)

FIG ITEM	PART NUMBER	1 2 3 4 5 6 7	NOMENCLATURE	EFFECT FROM TO	UNITS PER ASSY
	98H		ATTACHING PARTS		
R	145	NAS623-2-12	.SCREW	031046	2
R				051052	
R				054100	
R	150	AN960-8	.WASHER-	031046	4
R			CONFIG CHG DATA FROM A CMM:	051052	
R			REPLD BY NAS1149FN832P	054100	
R	150	NAS1149FN832P	.WASHER-	031046	4
R			CONFIG CHG DATA FROM A CMM:	051052	
R			REPLS AN960-8	054100	
R	155	MS21042-08	.NUT	031046	2
R				051052	
R				054100	
R	160	2D1065-11APA	.BOX SUB ASSY-	031046	1
R			SUPPLIER CODE:	051052	
R			V31218	054100	
R	165	2D1032-1	..CLIP-	031046	2
R			SUPPLIER CODE:	051052	
R			V31218	054100	
R	170	NAS1097AD3-4	ATTACHING PARTS		
R			..RIVET	031046	4
R				051052	
R				054100	
R	175	2D1064-3	..FILLER-	031046	1
R			SUPPLIER CODE:	051052	
R			V31218	054100	
R	180	NAS514P632-5P	ATTACHING PARTS		
R			..SCREW	031046	1
R				051052	
R				054100	
R	185	MS20426AD34	..RIVET	031046	2
R				051052	
R				054100	
R	190	2D1142-1	..ADAPTER-BASE STRIKER	031046	1
R			SUPPLIER CODE:	051052	
R			V31218	054100	
R	195	MS20600AD4W2	ATTACHING PARTS		
R			..RIVET	031046	2
R				051052	
R				054100	
R	200	2D1092-12	..PANEL-SIDE	031046	1
R			SUPPLIER CODE:	051052	
R			V31218	054100	
R			CONFIG CHG DATA FROM A CMM:		
R			REPLD BY 2D1092-12APA		

MISSING ITEM NUMBERS NOT APPLICABLE

— ITEM NOT ILLUSTRATED

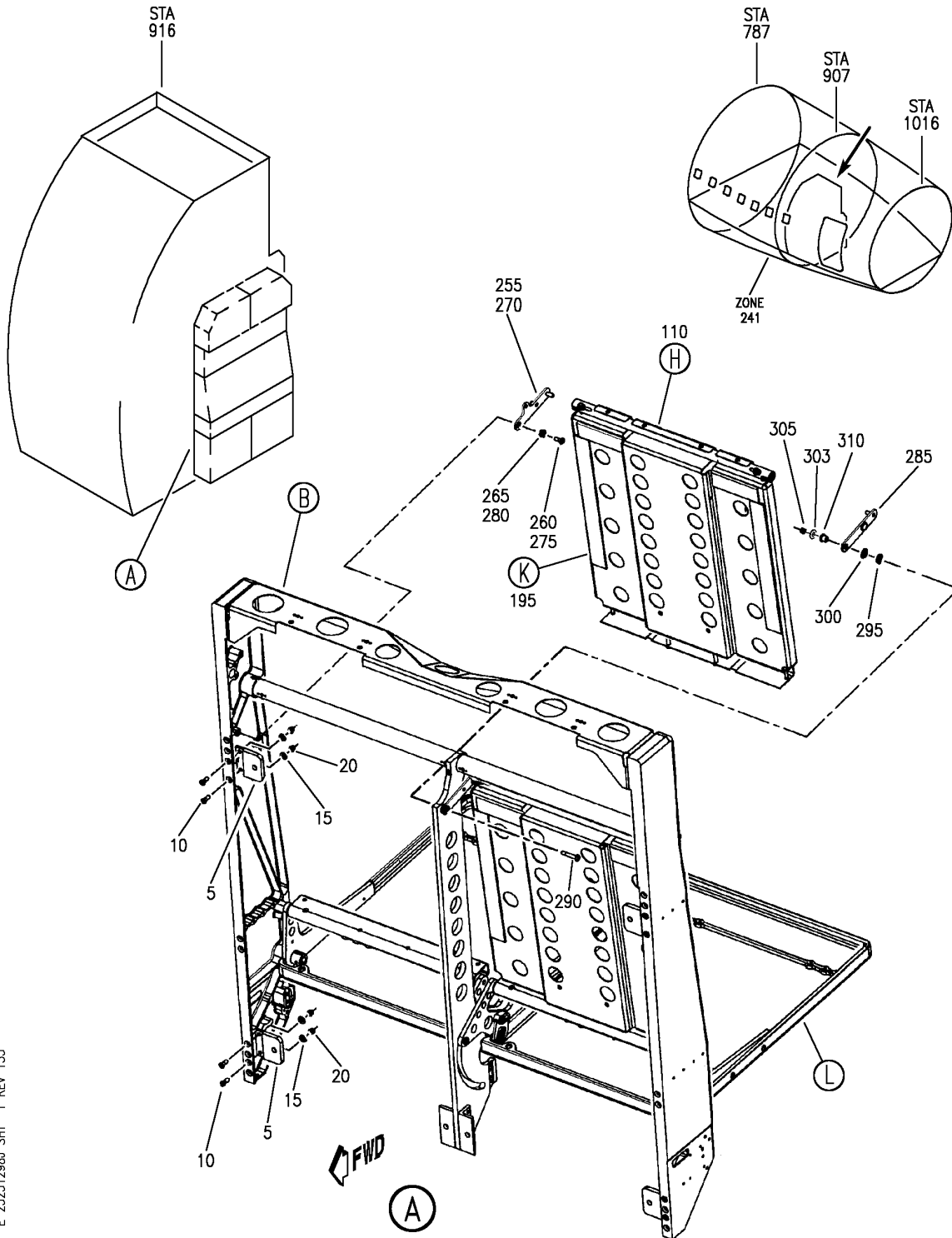
HAP

25-25-12-98H

BOEING PROPRIETARY - Copyright © - Unpublished Work - See title page for details.

25-25-12
FIG. 98H
PAGE 4
JUN 15/09

BOEING
 737-600/700/800/900
 PARTS CATALOG (MAINTENANCE)



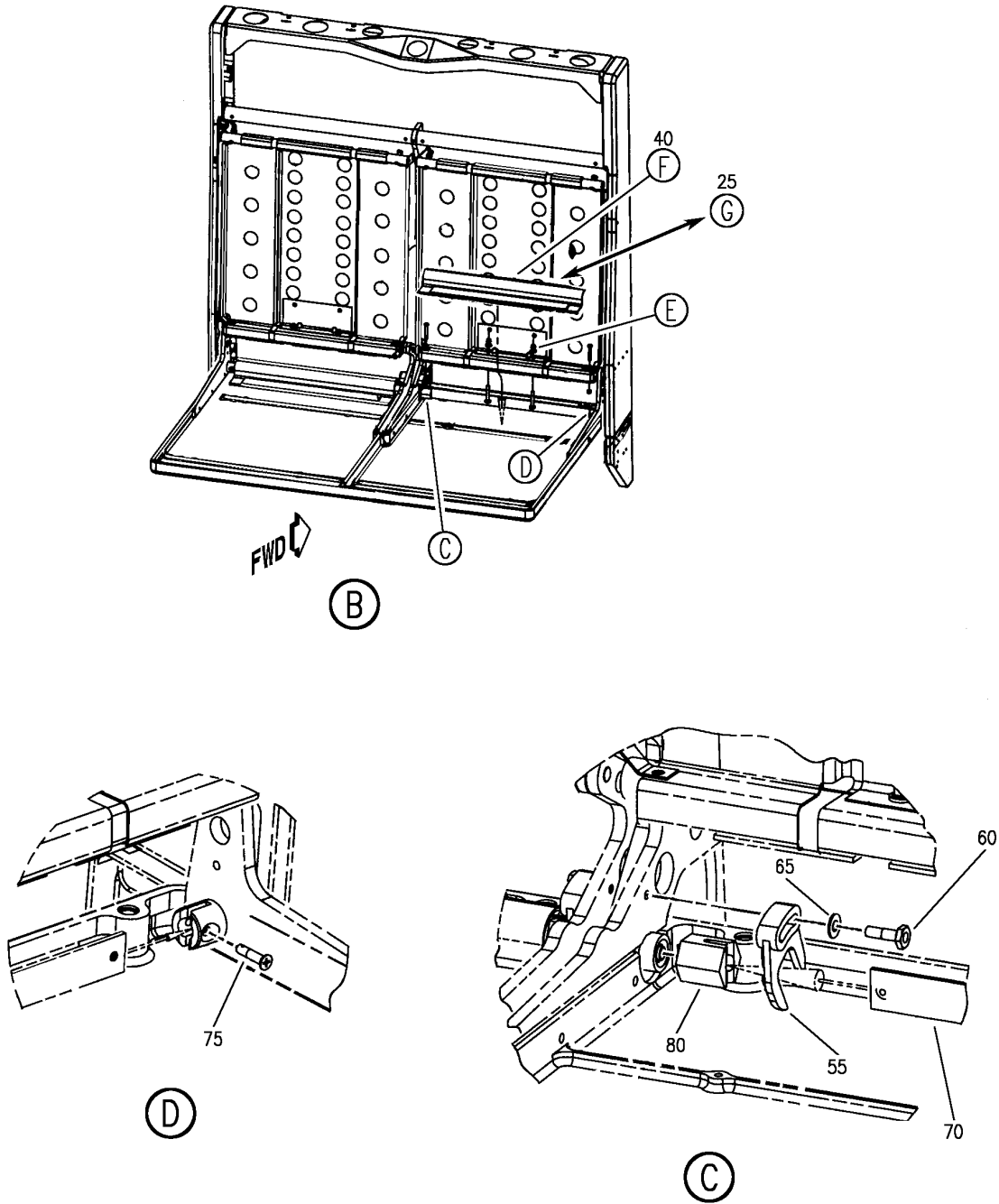
CORE ASSY-ATTENDANT SEAT NARROW DBL WALL MOUNTED
 FIGURE 98J (SHEET 1)

25-25-12-98J

HAP
 JUN 15/09

25-25-12-98J
 PAGE 0

BOEING
 737-600/700/800/900
 PARTS CATALOG (MAINTENANCE)



E 25251298J SHT 2 REV 111

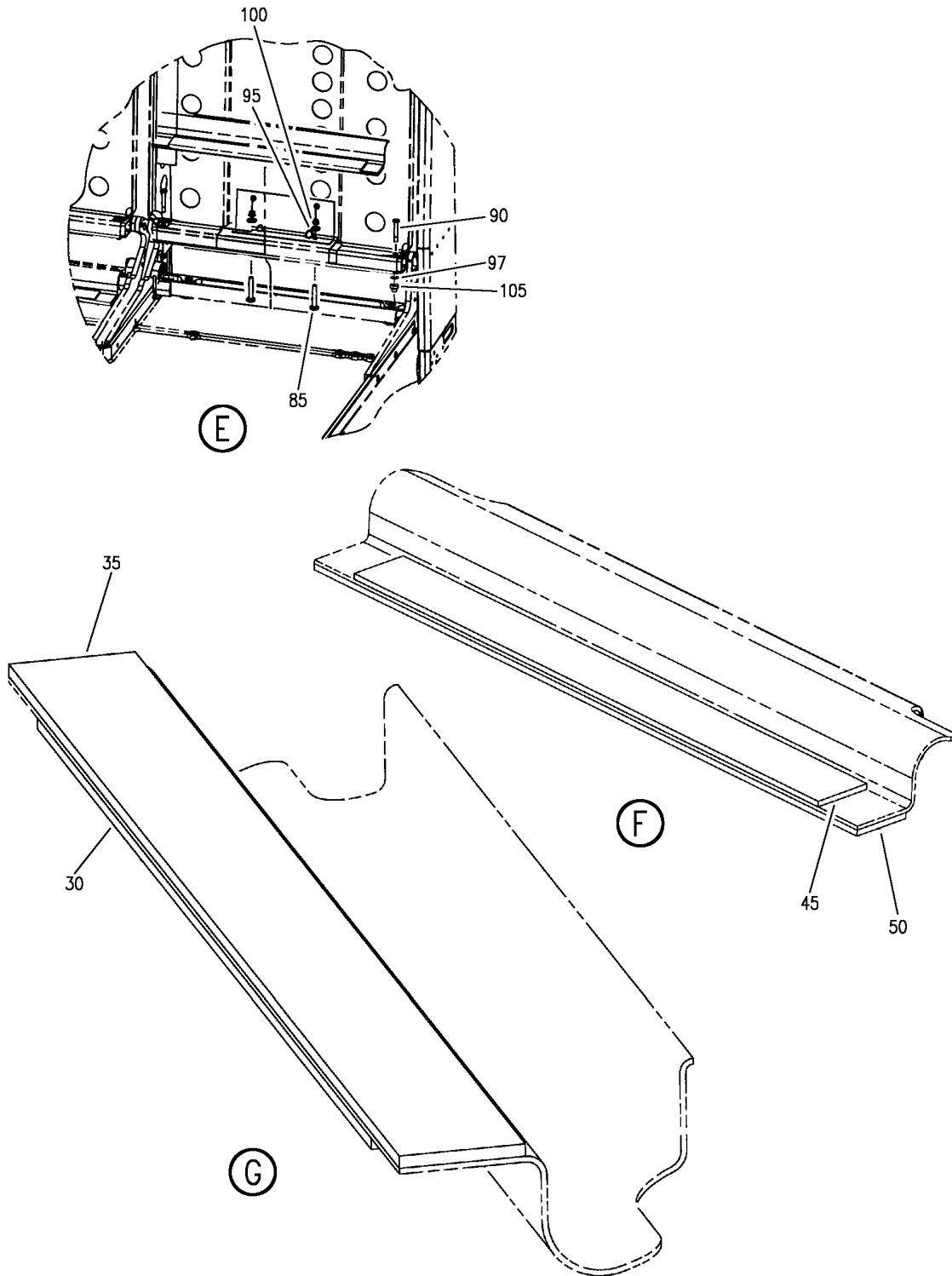
CORE ASSY-ATTENDANT SEAT NARROW DBL WALL MOUNTED
 FIGURE 98J (SHEET 2)

25-25-12-98J

HAP
 FEB 10/07

25-25-12-98J
 PAGE 0A

BOEING
 737-600/700/800/900
 PARTS CATALOG (MAINTENANCE)



E 25251298J SH1 3 REV 155

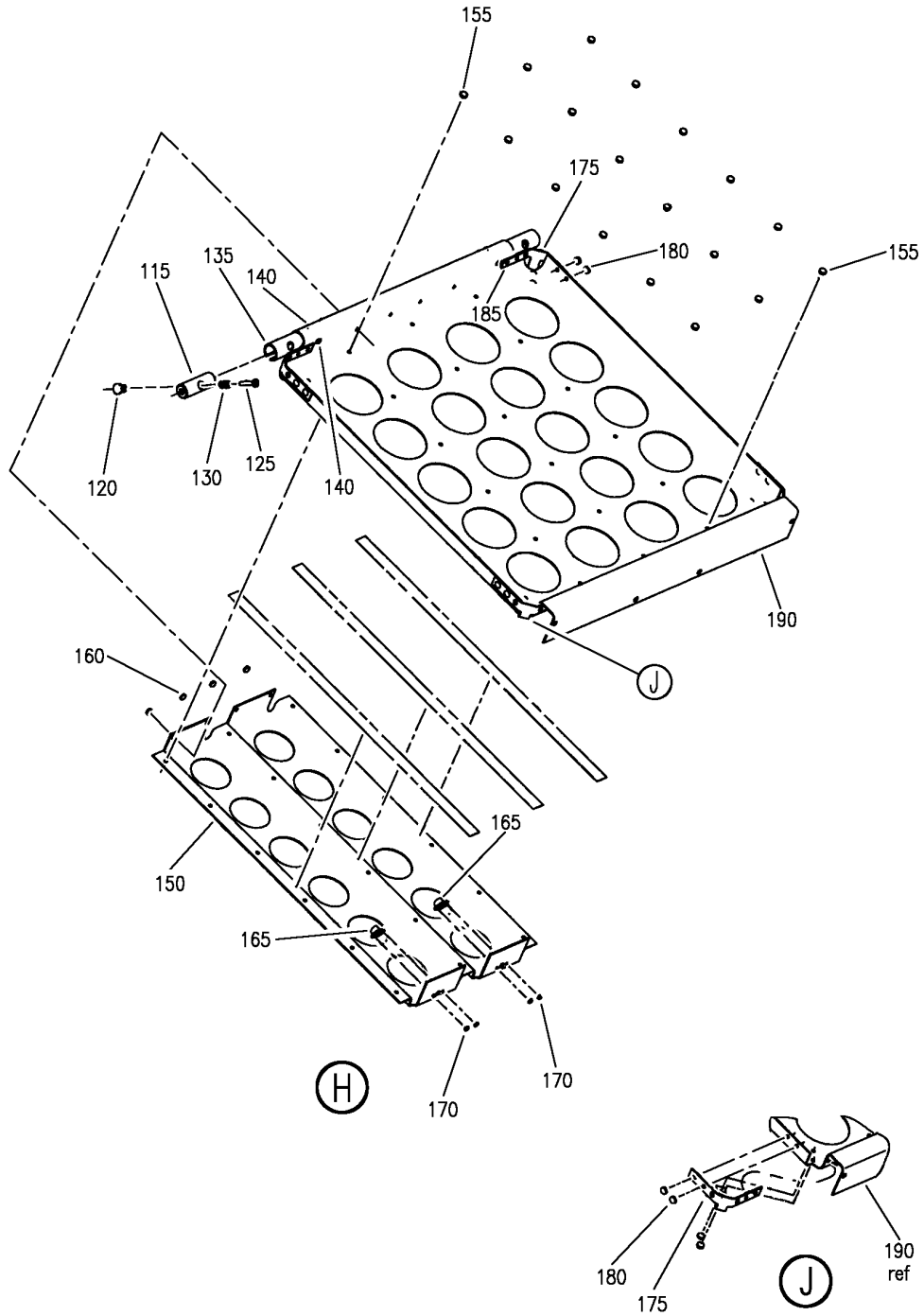
CORE ASSY-ATTENDANT SEAT NARROW DBL WALL MOUNTED
 FIGURE 98J (SHEET 3)

25-25-12-98J

HAP
 JUN 15/09

25-25-12-98J
 PAGE 0B

BOEING
 737-600/700/800/900
 PARTS CATALOG (MAINTENANCE)



E 25251298J SHT 4 REV 111

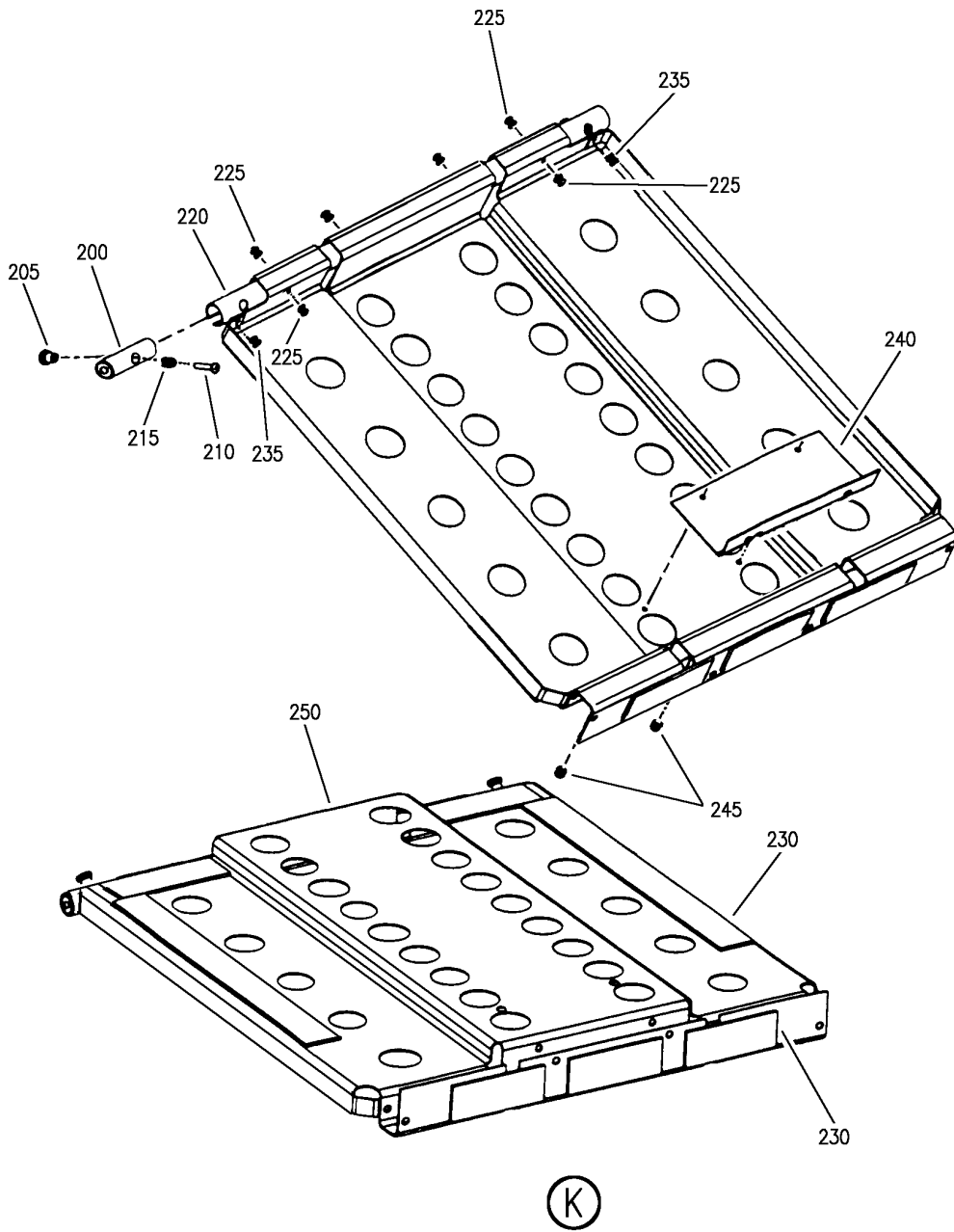
CORE ASSY-ATTENDANT SEAT NARROW DBL WALL MOUNTED
 FIGURE 98J (SHEET 4)

25-25-12-98J

HAP
 FEB 10/07

25-25-12-98J
 PAGE 0C

BOEING
 737-600/700/800/900
 PARTS CATALOG (MAINTENANCE)



E 25251298J SHT 5 REV 111

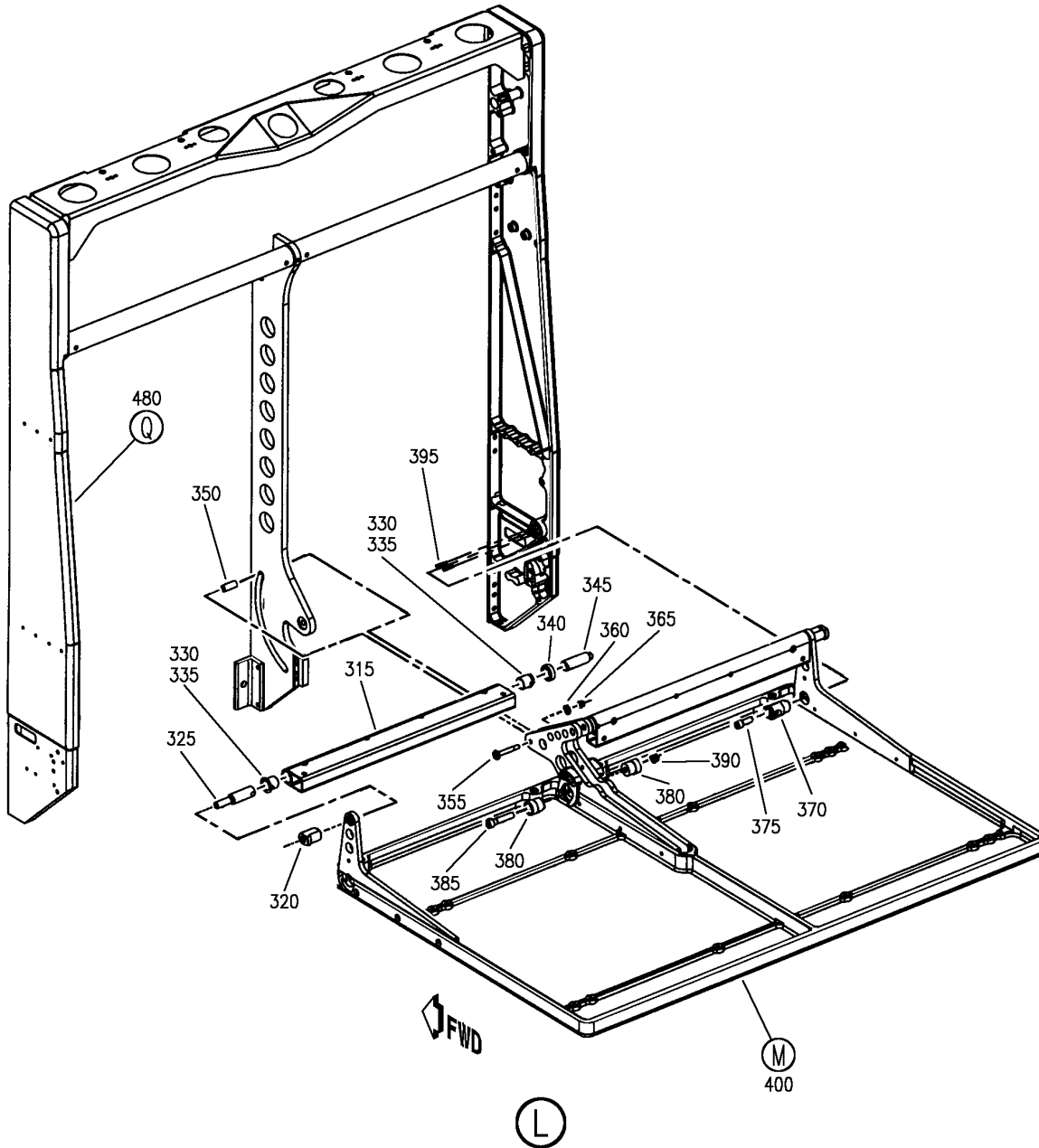
CORE ASSY-ATTENDANT SEAT NARROW DBL WALL MOUNTED
 FIGURE 98J (SHEET 5)

25-25-12-98J

HAP
 FEB 10/07

25-25-12-98J
 PAGE 0D

BOEING
 737-600/700/800/900
 PARTS CATALOG (MAINTENANCE)



E 25251298J SHT 6 REV 111

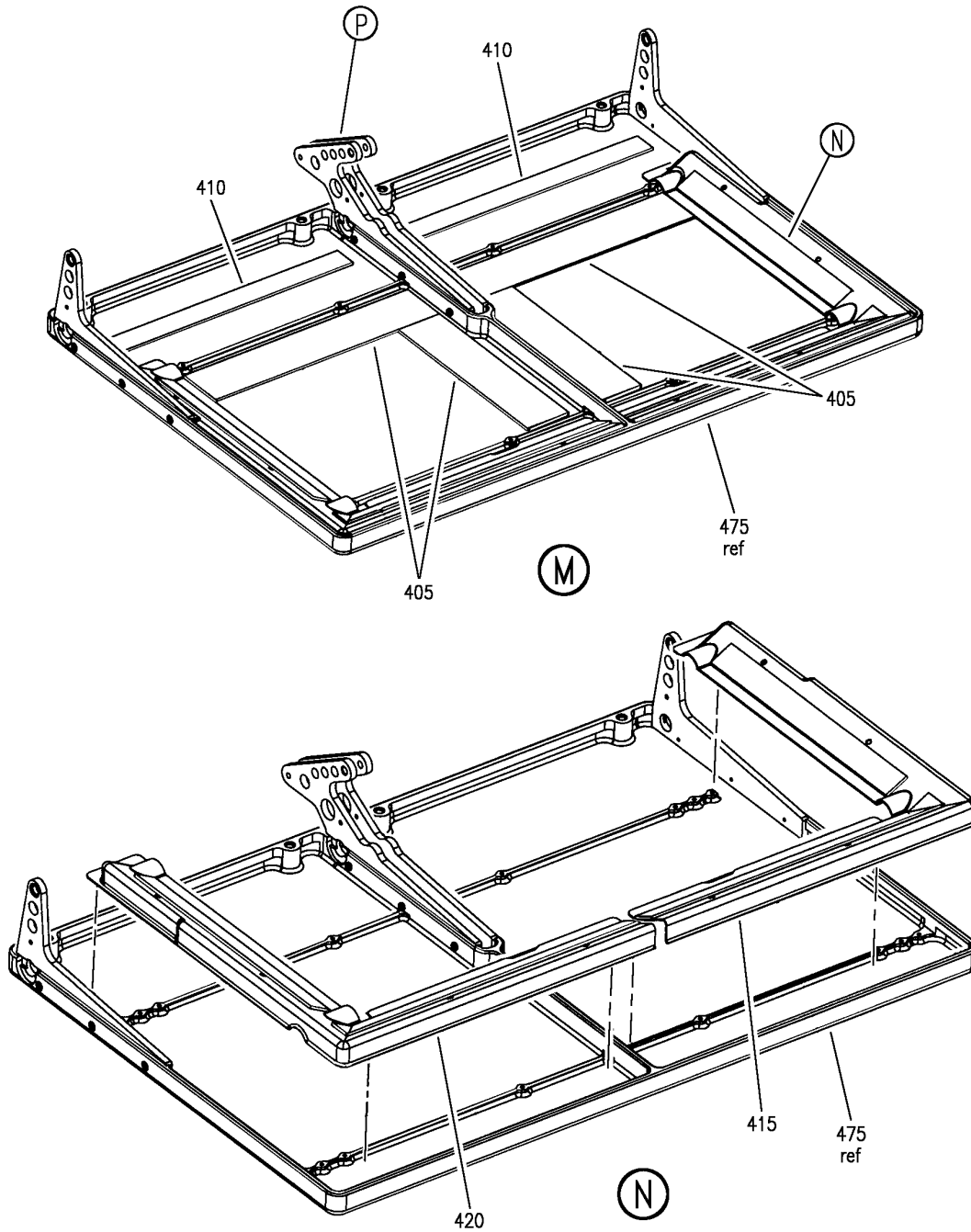
CORE ASSY-ATTENDANT SEAT NARROW DBL WALL MOUNTED
 FIGURE 98J (SHEET 6)

25-25-12-98J

HAP
 FEB 10/07

25-25-12-98J
 PAGE 0E

BOEING
 737-600/700/800/900
 PARTS CATALOG (MAINTENANCE)



E 25251298J SHT 7 REV 111

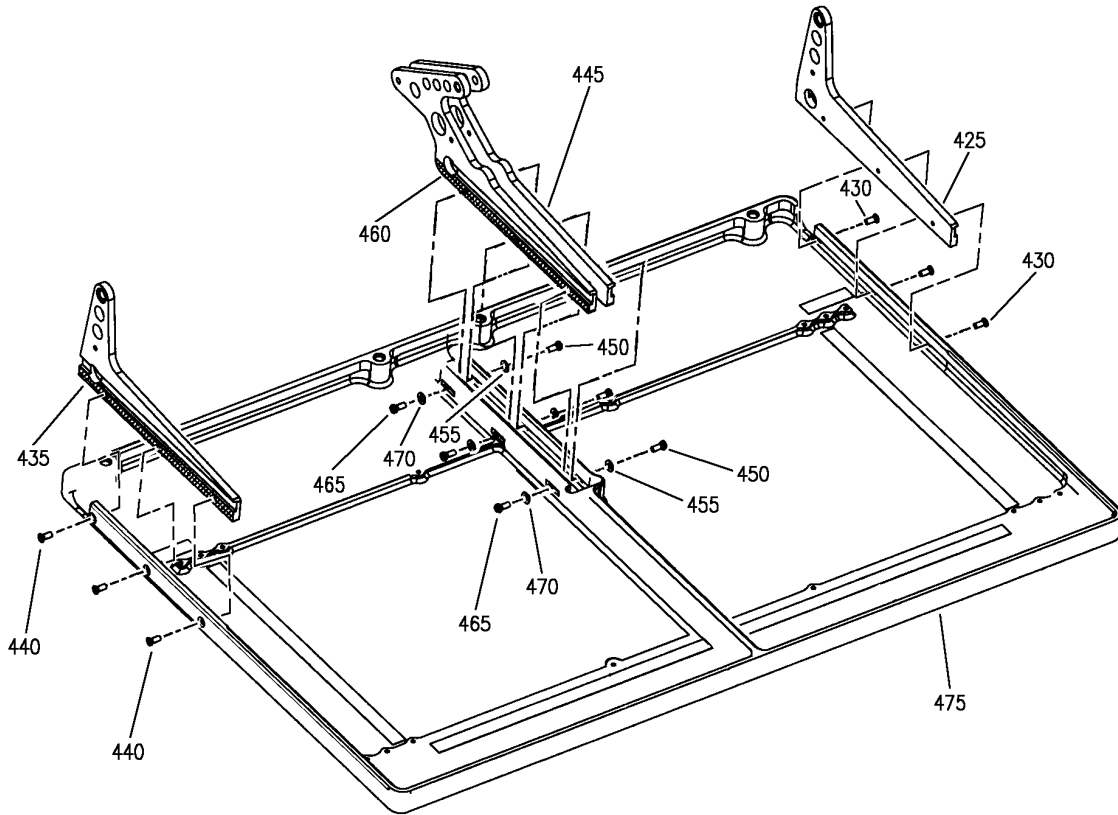
CORE ASSY-ATTENDANT SEAT NARROW DBL WALL MOUNTED
 FIGURE 98J (SHEET 7)

25-25-12-98J

HAP
 FEB 10/07

25-25-12-98J
 PAGE OF

BOEING
737-600/700/800/900
PARTS CATALOG (MAINTENANCE)



(P)

E 25251298J SHT 8 REV 111

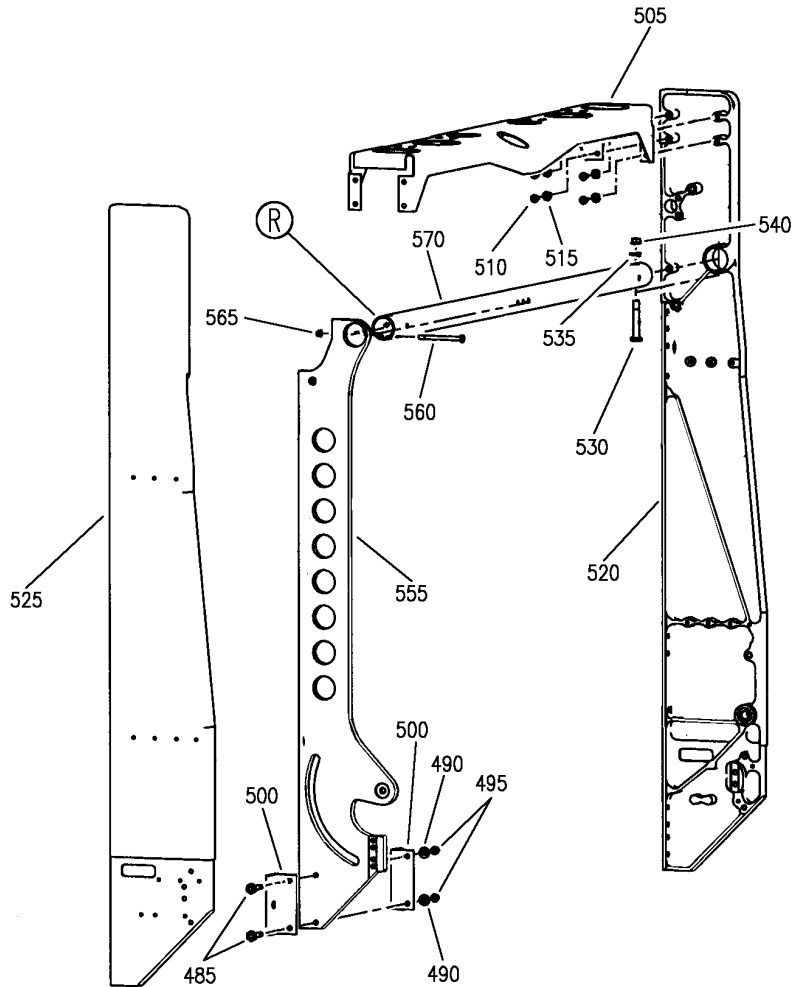
CORE ASSY-ATTENDANT SEAT NARROW DBL WALL MOUNTED
FIGURE 98J (SHEET 8)

25-25-12-98J

HAP
FEB 10/07

25-25-12-98J
PAGE 08

BOEING
737-600/700/800/900
PARTS CATALOG (MAINTENANCE)



E 25251298J SHT 9 REV 111

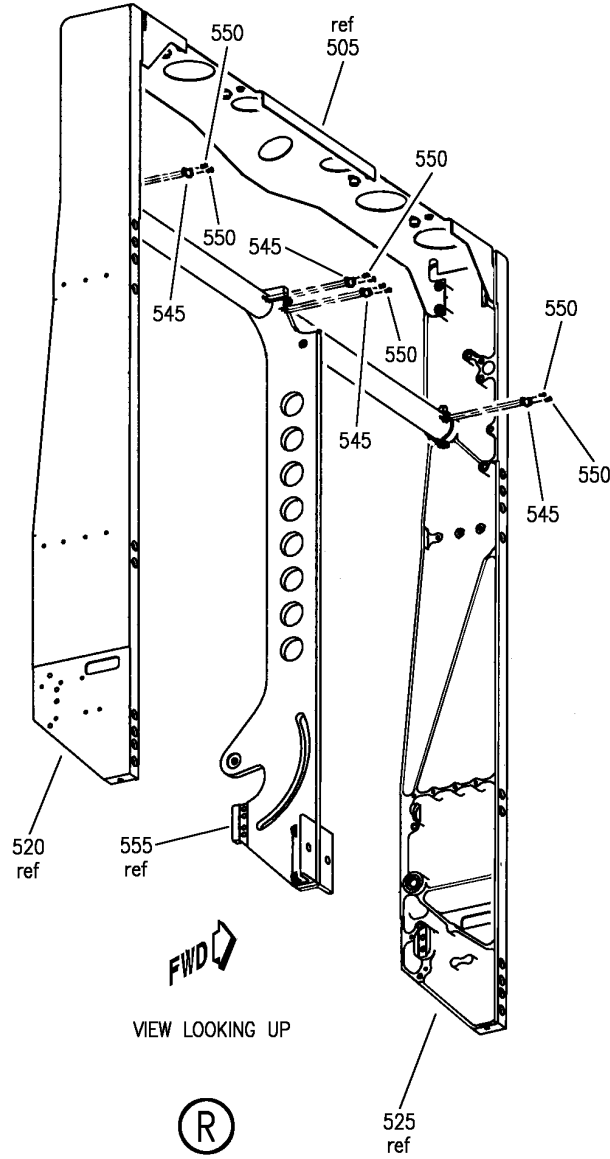
CORE ASSY-ATTENDANT SEAT NARROW DBL WALL MOUNTED
FIGURE 98J (SHEET 9)

25-25-12-98J

HAP
FEB 10/07

25-25-12-98J
PAGE 0H

BOEING
 737-600/700/800/900
 PARTS CATALOG (MAINTENANCE)



E 25251298J SHT 10 REV 111

CORE ASSY-ATTENDANT SEAT NARROW DBL WALL MOUNTED
 FIGURE 98J (SHEET 10)

25-25-12-98J

HAP
 FEB 10/07

25-25-12-98J
 PAGE 01

BOEING
737-600/700/800/900
PARTS CATALOG (MAINTENANCE)

FIG ITEM	PART NUMBER	1 2 3 4 5 6 7	NOMENCLATURE	EFFECT FROM TO	UNITS PER ASSY
R R R R R R R R R R R R R R R	98J		CORE ASSY-ATTENDANT SEAT NARROW DBL WALL MOUNTED	031046 051052 054100	
	- 1	2110-2APA	CORE ASSY-ATTENDANT SEAT NARROW DBL WALL MOUNTED SUPPLIER CODE: V31218 FOR NHA SEE: 25-25-12-98G	031046 051052 054100	RF
	5	2D1040-1	.BRACKET-MTG SUPPLIER CODE: V31218 ATTACHING PARTS	031046 051052 054100	4
	10	NAS1203-4	.BOLT	031046 051052 054100	8
	15	AN960-10L	.WASHER- CONFIG CHG DATA FROM A CMM: REPLD BY NAS1149F0332P	031046 051052 054100	8
	15	NAS1149F0332P	.WASHER- CONFIG CHG DATA FROM A CMM: REPLS AN960-10L	031046 051052 054100	8
	20	MS21042-3	.NUT	031046 051052 054100	8
	25	2D2027-1	-----*----- .COVER ASSY- SUPPLIER CODE: V31218 CONFIG CHG DATA FROM A CMM: REPLD BY 2D2027-5	031046 051052 054100	2
	30	SJ3526GRY1ADH	..HOOK-ADH VELCRO GRAY SUPPLIER CODE: V5J466 CONFIG CHG DATA FROM A CMM: REPLD BY SJ3526BLK1ADH	031046 051052 054100	AR
	30	SJ3526BLK1ADH	..HOOK-ADH VELCRO BLACK SUPPLIER CODE: V5J466 CONFIG CHG DATA FROM A CMM: REPLS SJ3526GRY1ADH	031046 051052 054100	AR
	35	SJ3527GRY1ADH	..LOOP-ADH VELCRO GRAY SUPPLIER CODE: V5J466 CONFIG CHG DATA FROM A CMM: REPLD BY SJ3527BLK1ADH	031046 051052 054100	AR

MISSING ITEM NUMBERS NOT APPLICABLE

- ITEM NOT ILLUSTRATED

HAP

25-25-12-98J

BOEING PROPRIETARY - Copyright © - Unpublished Work - See title page for details.

25-25-12
FIG. 98J
PAGE 1
JUN 15/09

BOEING
737-600/700/800/900
PARTS CATALOG (MAINTENANCE)

FIG ITEM	PART NUMBER	1 2 3 4 5 6 7	NOMENCLATURE	EFFECT FROM TO	UNITS PER ASSY
98J					
R	35		.. LOOP-ADH VELCRO BLACK	031046	AR
R			SUPPLIER CODE:	051052	
R			V5J466	054100	
R			CONFIG CHG DATA FROM A CMM:		
R			REPLS SJ3527GRY1ADH		
R	40		. COVER ASSY-TORSION SPR	031046	2
R			SUPPLIER CODE:	051052	
R			V31218	054100	
R			CONFIG CHG DATA FROM A CMM:		
R			REPLS 2D2027-1		
R	45		.. HOOK-ADH VELCRO GRAY	031046	AR
R			SUPPLIER CODE:	051052	
R			V5J466	054100	
R			CONFIG CHG DATA FROM A CMM:		
R			REPLD BY SJ3526BLK1ADH		
R	45		.. HOOK-ADH VELCRO BLACK	031046	AR
R			SUPPLIER CODE:	051052	
R			V5J466	054100	
R			CONFIG CHG DATA FROM A CMM:		
R			REPLS SJ3526GRY1ADH		
R	50		.. LOOP-ADH VELCRO GRAY	031046	AR
R			SUPPLIER CODE:	051052	
R			V5J466	054100	
R			CONFIG CHG DATA FROM A CMM:		
R			REPLD BY SJ3527BLK1ADH		
R	50		.. LOOP-ADH VELCRO BLACK	031046	AR
R			SUPPLIER CODE:	051052	
R			V5J466	054100	
R			CONFIG CHG DATA FROM A CMM:		
R			REPLS SJ3527GRY1ADH		
R	55		. LOCK-TORSION SPR	031046	2
R			SUPPLIER CODE:	051052	
R			V31218	054100	
R			ATTACHING PARTS		
R	60		. BOLT	031046	2
R				051052	
R				054100	
R	65		. WASHER-	031046	2
R			CONFIG CHG DATA FROM A CMM:	051052	
R			REPLD BY NAS1149F0332P	054100	
R	65		. WASHER-	031046	2
R			CONFIG CHG DATA FROM A CMM:	051052	
R			REPLS AN960-10L	054100	
R			-----*-----		
R	70		. SPRING-TORSION FLAT	031046	2
R			SUPPLIER CODE:	051052	
R			V31218	054100	

MISSING ITEM NUMBERS NOT APPLICABLE

— ITEM NOT ILLUSTRATED

HAP

25-25-12-98J

BOEING PROPRIETARY - Copyright © - Unpublished Work - See title page for details.

25-25-12
FIG. 98J
PAGE 2
JUN 15/09

BOEING
737-600/700/800/900
PARTS CATALOG (MAINTENANCE)

FIG ITEM	PART NUMBER	1 2 3 4 5 6 7	NOMENCLATURE	EFFECT FROM TO	UNITS PER ASSY
98J			ATTACHING PARTS		
R	75	NAS1202-7	.BOLT	031046	2
R				051052	
R				054100	
R	80	2D2019-5	.ANCHOR-SPR	031046	2
R			SUPPLIER CODE:	051052	
R			V31218	054100	
R	85	NAS6203-13	.BOLT	031046	4
R				051052	
R				054100	
R	90	NAS623-213	.SCREW-	031046	4
R			CONFIG CHG DATA FROM A CMM:	051052	
R			REPLD BY NAS623-2-13	054100	
R	90	NAS623-2-13	.SCREW-	031046	4
R			CONFIG CHG DATA FROM A CMM:	051052	
R			REPLS NAS623-213	054100	
R			REPLD BY NAS623-2-14		
R	90	NAS623-2-14	.SCREW-	031046	4
R			CONFIG CHG DATA FROM A CMM:	051052	
R			REPLS NAS623-2-13	054100	
R	95	AN960-10	.WASHER-	031046	4
R			CONFIG CHG DATA FROM A CMM:	051052	
R			REPLD BY NAS1149F0363P	054100	
R			ATTACHING PARTS		
R	95	NAS1149F0363P	.WASHER-	031046	4
R			CONFIG CHG DATA FROM A CMM:	051052	
R			REPLS AN960-10	054100	
R			-----*-----		
R	97	AN960-8	.WASHER	031046	4
R				051052	
R				054100	
R	100	MS21042-3	.NUT	031046	4
R				051052	
R				054100	
R	105	MS21042-08	.NUT-	031046	4
R			CONFIG CHG DATA FROM A CMM:	051052	
R			REPLD BY 22K1-82	054100	
R	105	22K1-82	.NUT-CAP METAL	031046	4
R			SUPPLIER CODE:	051052	
R			V72962	054100	
R			CONFIG CHG DATA FROM A CMM:		
R			REPLS MS21042-08		

MISSING ITEM NUMBERS NOT APPLICABLE

— ITEM NOT ILLUSTRATED

HAP

25-25-12-98J

BOEING PROPRIETARY - Copyright © - Unpublished Work - See title page for details.

25-25-12
FIG. 98J
PAGE 3
JUN 15/09

BOEING
737-600/700/800/900
PARTS CATALOG (MAINTENANCE)

FIG ITEM	PART NUMBER	1 2 3 4 5 6 7	NOMENCLATURE	EFFECT FROM TO	UNITS PER ASSY
98J			ATTACHING PARTS		
R	155	MS20470AD44	..RIVET	031046	18
R				051052	
R				054100	
R	160	MS20426AD44	..RIVET	031046	4
R				051052	
R				054100	
R	165	MS21069L3	-----*----- ..NUTPLATE	031046	2
R				051052	
R				054100	
R	170	MS20426AD33	ATTACHING PARTS ..RIVET	031046	4
R				051052	
R				054100	
R	175	2D3023-1APA	-----*----- ..BRACKET-CORNER SUPPLIER CODE: V31218	031046	4
R				051052	
R				054100	
R	180	MS20470AD44	ATTACHING PARTS ..RIVET	031046	16
R				051052	
R				054100	
R	185	MS20426AD44	..RIVET	031046	4
R				051052	
R				054100	
R	190	2D3016-1APA	-----*----- ..PAN- SUPPLIER CODE: V31218	031046	1
R				051052	
R				054100	
R	195	2110-23APA	.BACK ASSY- SUPPLIER CODE: V31218	031046	2
R				051052	
R				054100	
R			POSITION DATA: LWR		
R			CONFIG CHG DATA FROM A CMM: REPLS 2110-21APA		
R	200	2D3017-1	..PIVOT- SUPPLIER CODE: V31218	031046	2
R				051052	
R				054100	
R			POSITION DATA: UPR		
R	205	2D3015-1	..KNOB-RELEASE SUPPLIER CODE: V31218	031046	2
R				051052	
R				054100	

MISSING ITEM NUMBERS NOT APPLICABLE

— ITEM NOT ILLUSTRATED

HAP

25-25-12-98J

BOEING PROPRIETARY - Copyright © - Unpublished Work - See title page for details.

25-25-12
FIG. 98J
PAGE 5
JUN 15/09

BOEING
737-600/700/800/900
PARTS CATALOG (MAINTENANCE)

FIG ITEM	PART NUMBER	1 2 3 4 5 6 7	NOMENCLATURE	EFFECT FROM TO	UNITS PER ASSY
98J			ATTACHING PARTS		
R	210		.. SCREW	031046	2
R				051052	
R				054100	
R			-----*-----		
R	215		.. SPRING-	031046	2
R			SUPPLIER CODE:	051052	
R			V77535	054100	
R	220		.. TUBE-	031046	1
R			SUPPLIER CODE:	051052	
R			V31218	054100	
R			POSITION DATA:		
R			UPR		
R			ATTACHING PARTS		
R	225		.. RIVET-BLIND UNIV HEAD	031046	6
R			SUPPLIER CODE:	051052	
R			V6R744	054100	
R			-----*-----		
R	230		.. HOOK-ADH VELCRO GRAY	031046	AR
R			SUPPLIER CODE:	051052	
R			V5J466	054100	
R			CONFIG CHG DATA FROM A CMM:		
R			REPLD BY SJ3526BLK1ADH		
R	230		.. HOOK-ADH VELCRO BLACK	031046	AR
R			SUPPLIER CODE:	051052	
R			V5J466	054100	
R			CONFIG CHG DATA FROM A CMM:		
R			REPLS SJ3526GRY1ADH		
R			ATTACHING PARTS		
R	235		.. RIVET-BLIND UNIV HEAD	031046	2
R			SUPPLIER CODE:	051052	
R			V6R744	054100	
R			-----*-----		
R	240		.. BRACE-	031046	1
R			SUPPLIER CODE:	051052	
R			V31218	054100	
R			ATTACHING PARTS		
R	245		.. RIVET-BLIND UNIV HEAD	031046	2
R			SUPPLIER CODE:	051052	
R			V6R744	054100	
R			-----*-----		
R	250		.. PAN-	031046	1
R			SUPPLIER CODE:	051052	
R			V31218	054100	

MISSING ITEM NUMBERS NOT APPLICABLE

— ITEM NOT ILLUSTRATED

HAP

25-25-12-98J

BOEING PROPRIETARY - Copyright © - Unpublished Work - See title page for details.

25-25-12
FIG. 98J
PAGE 6
JUN 15/09

BOEING
737-600/700/800/900
PARTS CATALOG (MAINTENANCE)

FIG ITEM	PART NUMBER	1 2 3 4 5 6 7	NOMENCLATURE	EFFECT FROM TO	UNITS PER ASSY
R	98J				
R	295	NAS1149F0563P	.WASHER-	031046	2
R			CONFIG CHG DATA FROM A CMM:	051052	
R			REPLS AN960-516	054100	
R	300	AN960-516L	.WASHER-	031046	2
R			CONFIG CHG DATA FROM A CMM:	051052	
R			REPLD BY NAS1149F0532P	054100	
R	300	NAS1149F0532P	.WASHER-	031046	2
R			CONFIG CHG DATA FROM A CMM:	051052	
R			REPLS AN960-516L	054100	
R	303	AN960-10	.WASHER-	031046	1
R			CONFIG CHG DATA FROM A CMM:	051052	
R			REPLD BY NAS1149F0363P	054100	
R	303	NAS1149F0363P	.WASHER-	031046	1
R			CONFIG CHG DATA FROM A CMM:	051052	
R			REPLS AN960-10	054100	
R			REPLD BY NAS1149F0332P		
R	303	NAS1149F0332P	.WASHER-	031046	1
R			CONFIG CHG DATA FROM A CMM:	051052	
R			REPLS NAS1149F0363P	054100	
R	305	MS21042-3	.NUT	031046	1
R				051052	
R				054100	
R			-----*-----		
R	310	NAS77-3-025	.BUSHING	031046	2
R				051052	
R				054100	
R	315	2D3012-1APA	.ATTACH-BACK	031046	2
R			SUPPLIER CODE:	051052	
R			V31218	054100	
R			POSITION DATA:		
R			LWR		
R	320	2D2015-1	.STOP-PAN	031046	2
R			SUPPLIER CODE:	051052	
R			V31218	054100	
R	325	2D2013-3	.PIVOT-BACK	031046	2
R			SUPPLIER CODE:	051052	
R			V31218	054100	
R			POSITION DATA:		
R			LWR		
R	330	8L8FK	.BUSHING-FLANGED	031046	4
R			SUPPLIER CODE:	051052	
R			V96881	054100	
R			CONFIG CHG DATA FROM A CMM:		
R			REPLD BY 8L5-1-2F		
R	335	8L5-1-2F	.NYLINER-FLANGED	031046	4
R			SUPPLIER CODE:	051052	
R			V96881	054100	
R			CONFIG CHG DATA FROM A CMM:		
R			REPLS 8L8FK		

MISSING ITEM NUMBERS NOT APPLICABLE

— ITEM NOT ILLUSTRATED

HAP

25-25-12-98J

BOEING PROPRIETARY - Copyright © - Unpublished Work - See title page for details.

25-25-12
FIG. 98J
PAGE 8
JUN 15/09

 **BOEING**
737-600/700/800/900
PARTS CATALOG (MAINTENANCE)

FIG ITEM	PART NUMBER	1 2 3 4 5 6 7	NOMENCLATURE	EFFECT FROM TO	UNITS PER ASSY
98J					
R	340	2D2016-1	.BUSHING-PIVOT	031046	2
R			SUPPLIER CODE:	051052	
R			V31218	054100	
R	345	2D2013-1	.PIVOT-BACK	031046	2
R			SUPPLIER CODE:	051052	
R			V31218	054100	
R			POSITION DATA:		
R			LWR		
R	350	NAS75-3-024	.BUSHING	031046	1
R				051052	
R				054100	
R	355	NAS6203-15	ATTACHING PARTS		
R			.BOLT	031046	1
R				051052	
R				054100	
R	360	AN960-10	.WASHER-	031046	1
R			CONFIG CHG DATA FROM A CMM:	051052	
R			REPLD BY NAS1149F0363P	054100	
R	360	NAS1149F0363P	.WASHER-	031046	1
R			CONFIG CHG DATA FROM A CMM:	051052	
R			REPLS AN960-10	054100	
R	365	MS21042-3	.NUT	031046	1
R				051052	
R				054100	
R	370	2D2018-1	-----*-----		
R			.BUSHING-ANCHOR PAN	031046	2
R			SUPPLIER CODE:	051052	
R			V31218	054100	
R	375	MS21262-37	.SCREW	031046	2
R				051052	
R				054100	
R	380	2D2020-5	.BUSHING-PAN	031046	2
R			SUPPLIER CODE:	051052	
R			V31218	054100	
R			ATTACHING PARTS		
R	385	MS21262-64	.SCREW	031046	1
R				051052	
R				054100	
R	390	MS21042-4	.NUT	031046	1
R				051052	
R				054100	
R	395	MS16555-21	-----*-----		
R			.PIN	031046	4
R				051052	
R				054100	

MISSING ITEM NUMBERS NOT APPLICABLE

— ITEM NOT ILLUSTRATED

HAP

25-25-12-98J

BOEING PROPRIETARY - Copyright © - Unpublished Work - See title page for details.

25-25-12
FIG. 98J
PAGE 9
JUN 15/09

BOEING
737-600/700/800/900
PARTS CATALOG (MAINTENANCE)

FIG ITEM	PART NUMBER	1 2 3 4 5 6 7	NOMENCLATURE	EFFECT FROM TO	UNITS PER ASSY
R R R R R R R R R R R R R R	98J 400	2110-22APA	.PAN ASSY- SUPPLIER CODE: V31218 CONFIG CHG DATA FROM A CMM: SUPSD BY 2110-20APA	031046 051052 054100	1
	400	2110-20APA	.PAN ASSY- SUPPLIER CODE: V31218 CONFIG CHG DATA FROM A CMM: SUPERSEDES 2110-22APA SUPSD BY 2110-24APA	031046 051052 054100	1
	400	2110-24APA	.PAN ASSY- SUPPLIER CODE: V31218 CONFIG CHG DATA FROM A CMM: SUPERSEDES 2110-20APA REPLD BY SJ3526BLK2ADH	031046 051052 054100	1
	405	SJ3526GRY2ADH	..HOOK-ADH VELCRO GRAY SUPPLIER CODE: V5J466 CONFIG CHG DATA FROM A CMM: REPLD BY SJ3526BLK2ADH	031046 051052 054100	AR
	405	SJ3526BLK2ADH	..HOOK-ADH VELCRO BLACK SUPPLIER CODE: V5J466 CONFIG CHG DATA FROM A CMM: REPLS SJ3526GRY2ADH	031046 051052 054100	AR
	410	SJ3526GRY1ADH	..HOOK-ADH VELCRO GRAY SUPPLIER CODE: V5J466 CONFIG CHG DATA FROM A CMM: REPLD BY SJ3526BLK1ADH	031046 051052 054100	AR
	410	SJ3526BLK1ADH	..HOOK-ADH VELCRO BLACK SUPPLIER CODE: V5J466 CONFIG CHG DATA FROM A CMM: REPLS SJ3526GRY1ADH	031046 051052 054100	AR
	415	2D2025-1	..FILLER- SUPPLIER CODE: V31218 CONFIG CHG DATA FROM A CMM: REPLD BY 2D2025-11 USED ON: 2110-22APA	031046 051052 054100	1

MISSING ITEM NUMBERS NOT APPLICABLE

— ITEM NOT ILLUSTRATED

HAP

25-25-12-98J

BOEING PROPRIETARY - Copyright © - Unpublished Work - See title page for details.

25-25-12
FIG. 98J
PAGE 10
JUN 15/09

BOEING
737-600/700/800/900
PARTS CATALOG (MAINTENANCE)

FIG ITEM	PART NUMBER	1 2 3 4 5 6 7	NOMENCLATURE	EFFECT FROM TO	UNITS PER ASSY
R R	98J 415	2D2025-11	.. FILLER- SUPPLIER CODE: V31218 CONFIG CHG DATA FROM A CMM: REPLS 2D2025-1 USED ON: 2110-22APA	031046 051052 054100	1
	415	2D2025-1	.. FILLER- SUPPLIER CODE: V31218 CONFIG CHG DATA FROM A CMM: SUPSD BY 2D2025-11 USED ON: 2110-20APA 2110-24APA	031046 051052 054100	1
	415	2D2025-11	.. FILLER- SUPPLIER CODE: V31218 CONFIG CHG DATA FROM A CMM: SUPERSEDES 2D2025-1 USED ON: 2110-20APA 2110-24APA	031046 051052 054100	1
	420	2D2025-2	.. FILLER- SUPPLIER CODE: V31218 CONFIG CHG DATA FROM A CMM: REPLD BY 2D2025-12 USED ON: 2110-22APA	031046 051052 054100	1
	420	2D2025-12	.. FILLER- SUPPLIER CODE: V31218 CONFIG CHG DATA FROM A CMM: REPLS 2D2025-2 USED ON: 2110-22APA	031046 051052 054100	1
	420	2D2025-2	.. FILLER- SUPPLIER CODE: V31218 CONFIG CHG DATA FROM A CMM: SUPSD BY 2D2025-12 USED ON: 2110-20APA 2110-24APA	031046 051052 054100	1

MISSING ITEM NUMBERS NOT APPLICABLE

- ITEM NOT ILLUSTRATED

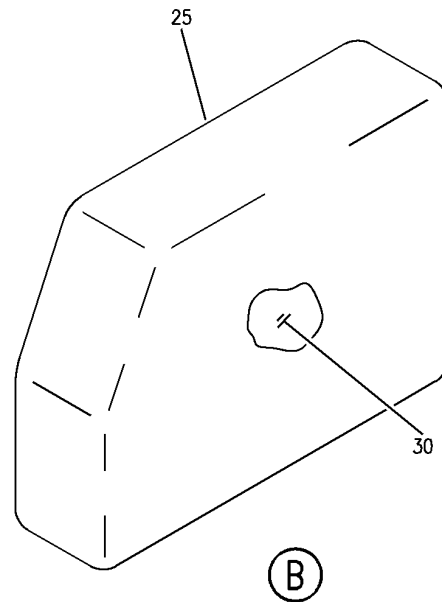
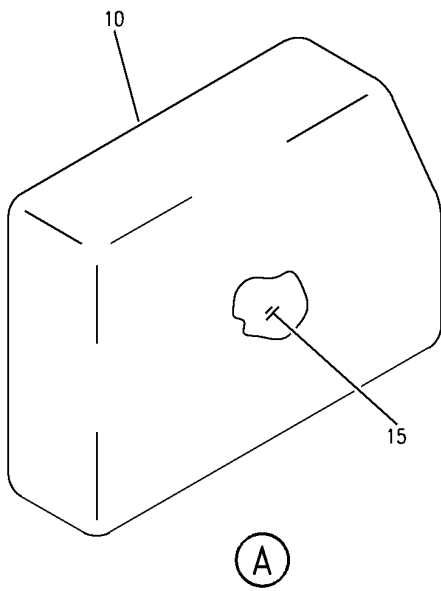
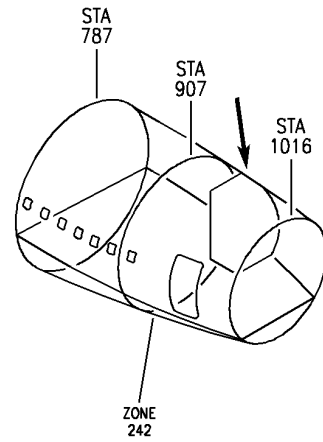
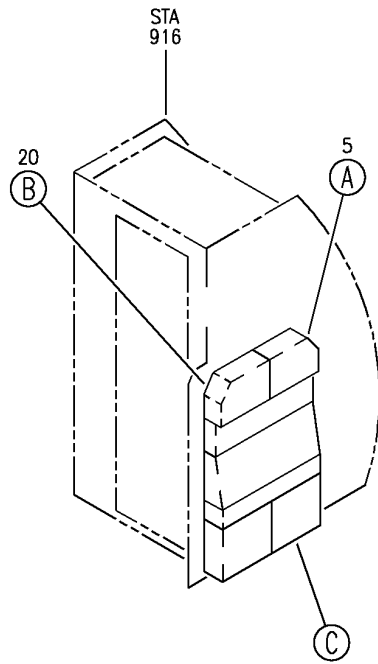
HAP

25-25-12-98J

BOEING PROPRIETARY - Copyright © - Unpublished Work - See title page for details.

25-25-12
FIG. 98J
PAGE 11
JUN 15/09

BOEING
 737-600/700/800/900
 PARTS CATALOG (MAINTENANCE)



E 25251298K SHT 1 REV 111

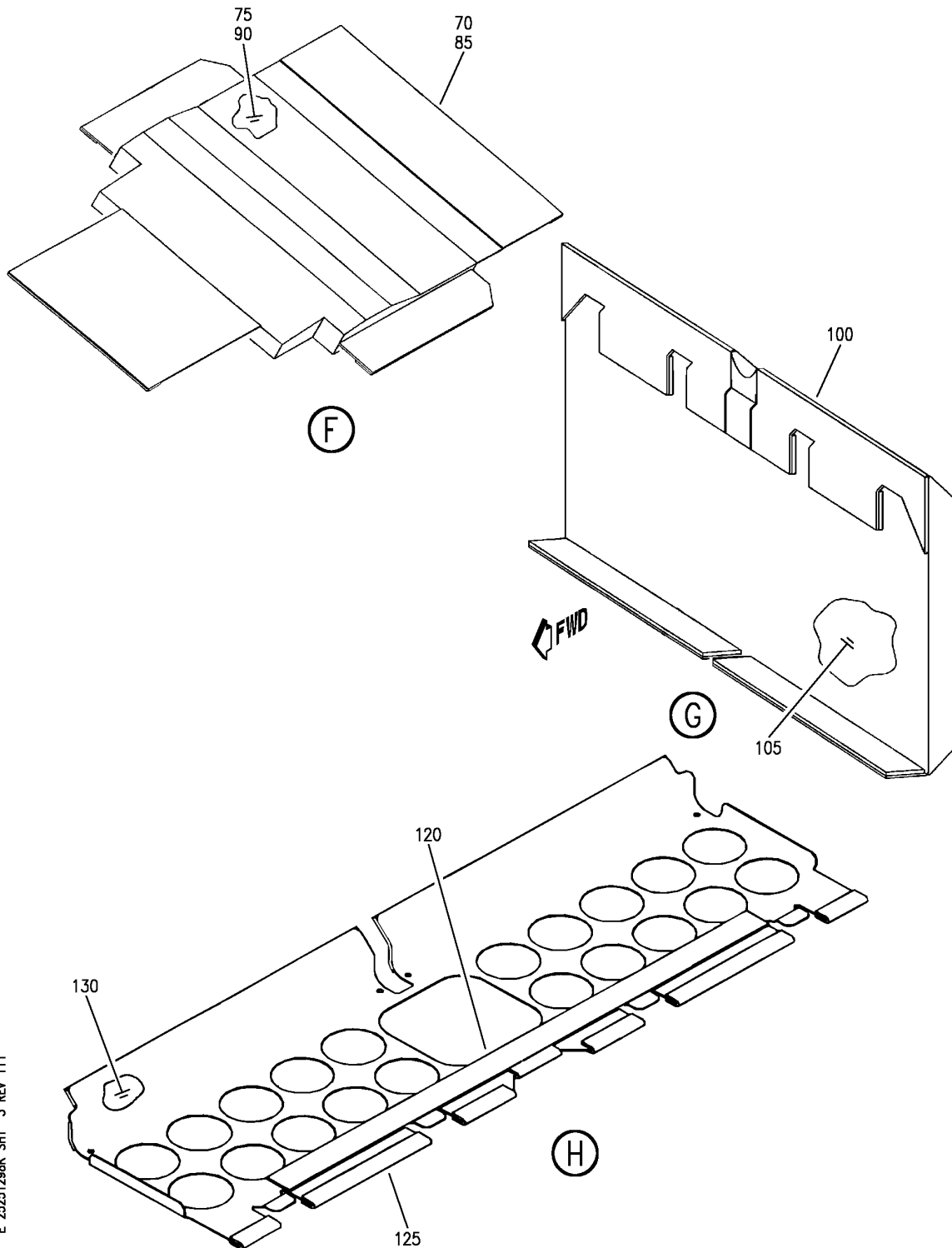
SEAT ASSY-ATTENDANT NARROW DBL WALL MOUNTED
 FIGURE 98K (SHEET 1)

25-25-12-98K

HAP
 FEB 10/07

25-25-12-98K
 PAGE 0

BOEING
 737-600/700/800/900
 PARTS CATALOG (MAINTENANCE)



E 25251298K SHT 3 REV 111

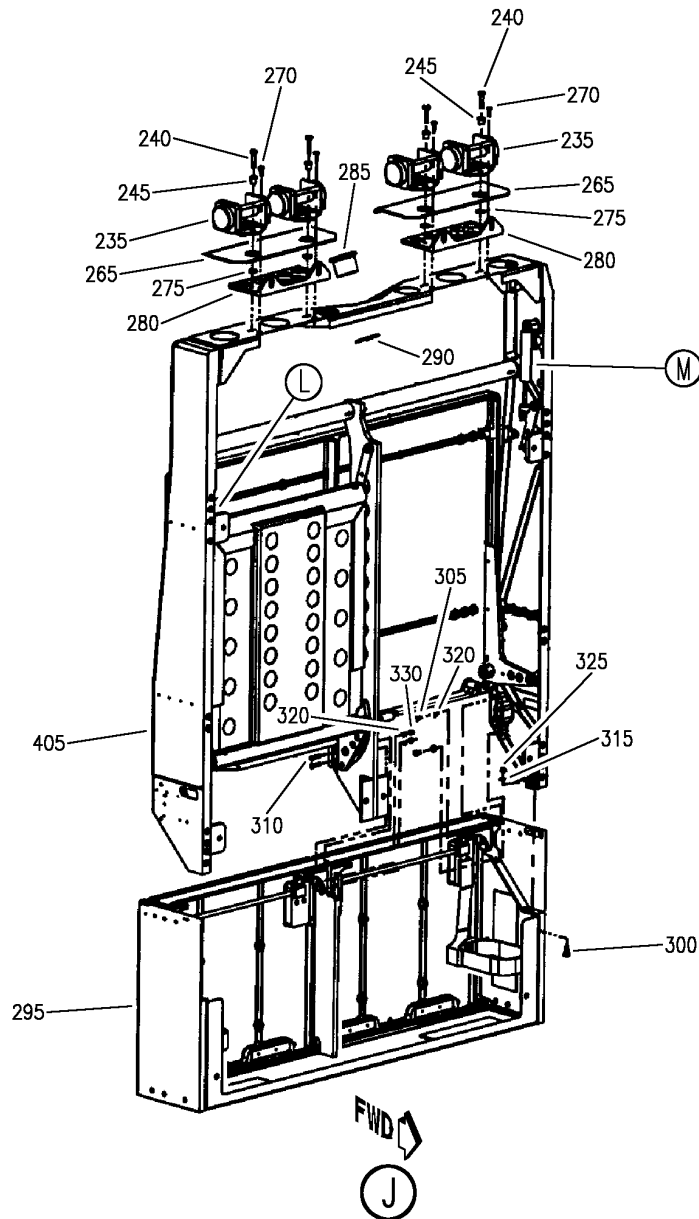
SEAT ASSY-ATTENDANT NARROW DBL WALL MOUNTED
 FIGURE 98K (SHEET 3)

25-25-12-98K

HAP
 FEB 10/07

25-25-12-98K
 PAGE 0B

BOEING
 737-600/700/800/900
 PARTS CATALOG (MAINTENANCE)



E 25251298K SHT 4 REV 111

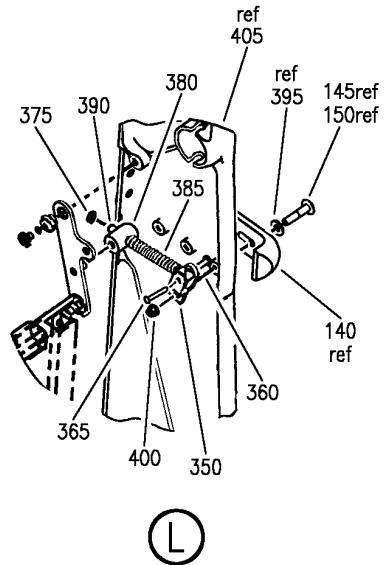
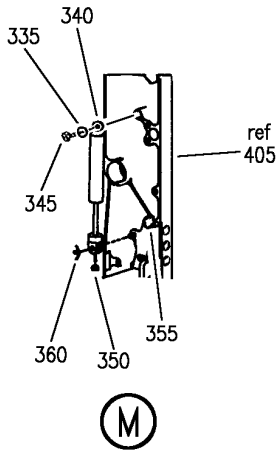
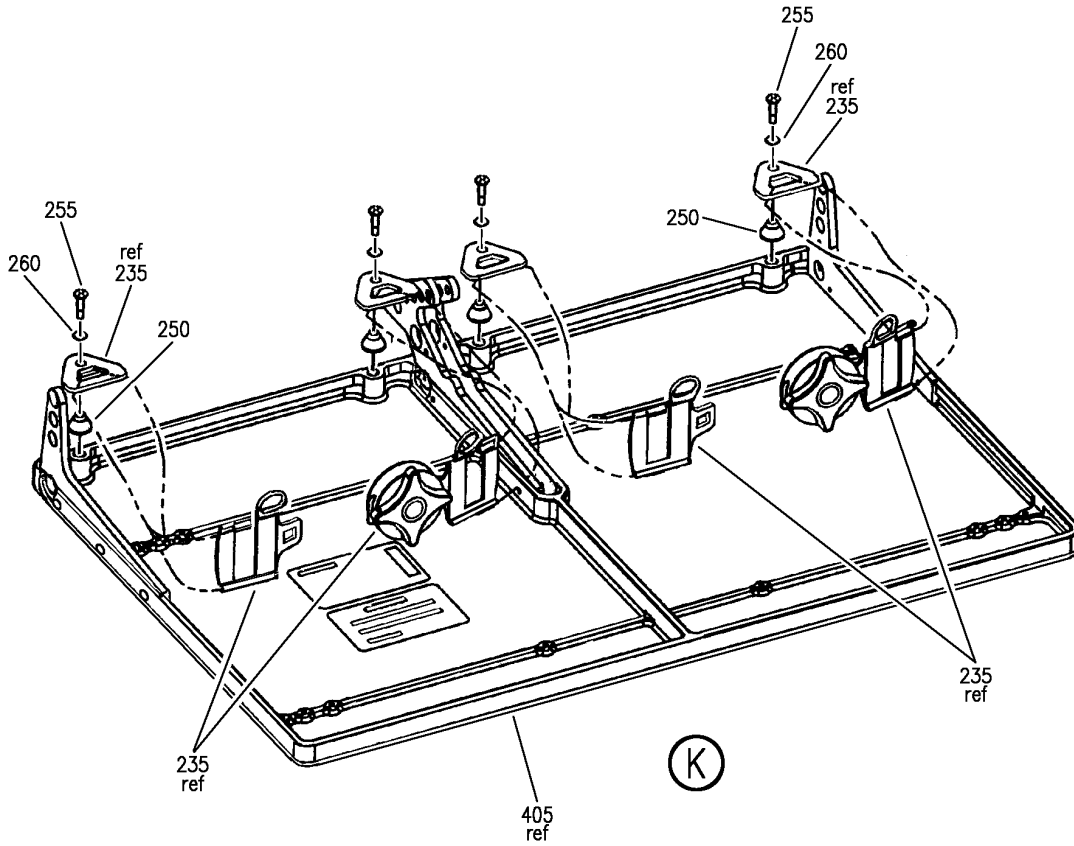
SEAT ASSY-ATTENDANT NARROW DBL WALL MOUNTED
 FIGURE 98K (SHEET 4)

25-25-12-98K

HAP
 FEB 10/07

25-25-12-98K
 PAGE 0C

BOEING
 737-600/700/800/900
 PARTS CATALOG (MAINTENANCE)



E 25251298K SHT 5 REV 111

SEAT ASSY-ATTENDANT NARROW DBL WALL MOUNTED
 FIGURE 98K (SHEET 5)

25-25-12-98K

HAP
 FEB 10/07

25-25-12-98K
 PAGE 0D

BOEING
737-600/700/800/900
PARTS CATALOG (MAINTENANCE)

FIG ITEM	PART NUMBER	1 2 3 4 5 6 7	NOMENCLATURE	EFFECT FROM TO	UNITS PER ASSY
98K			SEAT ASSY-ATTENDANT NARROW DBL WALL MOUNTED	038038 042046 051052	
- 1	2110-326GC		SEAT ASSY-ATTENDANT NARROW DBL WALL MOUNTED SUPPLIER CODE: V31218 SPECIFICATION NUMBER: BCREF15311 COMPONENT MAINT MANUAL REF: 25-24-37 FOR NHA SEE: 25-25-12-20	038038 042046 051052	RF
5	2D7017-1D		.CUSHION AND COVER ASSY- SUPPLIER CODE: V31218 USED ON: 2110-326GC	038038 042046 051052	1
10	2D7017-11D		..COVER-HEADREST SUPPLIER CODE: V31218	038038 042046 051052	1
15	2D7017-21		..CUSHION-FIREBLOCK SUPPLIER CODE: V31218	038038 042046 051052	1
20	2D7017-2D		.CUSHION AND COVER ASSY- SUPPLIER CODE: V31218	038038 042046 051052	1
25	2D7017-12D		..COVER-HEADREST SUPPLIER CODE: V31218	038038 042046 051052	1
30	2D7017-22		..CUSHION-HEADREST SUPPLIER CODE: V31218	038038 042046 051052	1
35	2D7008-1D		.CUSHION AND COVER ASSY- SUPPLIER CODE: V31218	038038 042046 051052	1
40	2D7008-11D		..COVER-PAN SUPPLIER CODE: V31218	038038 042046 051052	1
45	2D7009-1		..CUSHION-PAN SUPPLIER CODE: V31218	038038 042046 051052	1
50	2D7008-2D		.CUSHION AND COVER ASSY- SUPPLIER CODE: V31218	038038 042046 051052	1
55	2D7008-12D		..COVER-PAN SUPPLIER CODE: V31218	038038 042046 051052	1

MISSING ITEM NUMBERS NOT APPLICABLE

- ITEM NOT ILLUSTRATED

HAP

25-25-12-98K

BOEING PROPRIETARY - Copyright © - Unpublished Work - See title page for details.

25-25-12
FIG. 98K
PAGE 1
FEB 15/09

BOEING
737-600/700/800/900
PARTS CATALOG (MAINTENANCE)

FIG ITEM	PART NUMBER	1 2 3 4 5 6 7	NOMENCLATURE	EFFECT FROM TO	UNITS PER ASSY
98K					
60	2D7009-2	..	CUSHION-PAN SUPPLIER CODE: V31218	038038 042046 051052	1
65	2D7004-1D	.C	CUSHION AND COVER ASSY- SUPPLIER CODE: V31218 CONFIG CHG DATA FROM A CMM: REPLD BY 2D7004-31D	038038 042046 051052	2
70	2D7004-11D	..	COVER- SUPPLIER CODE: V31218	038038 042046 051052	1
75	2D7005-1	..	CUSHION- SUPPLIER CODE: V31218	038038 042046 051052	1
80	2D7004-31D	.C	CUSHION AND COVER ASSY- SUPPLIER CODE: V31218 CONFIG CHG DATA FROM A CMM: REPLS 2D7004-1D	038038 042046 051052	2
85	2D7004-41D	..	COVER-BACK LWR SUPPLIER CODE: V31218	038038 042046 051052	1
90	2D7005-11	..	CUSHION-BACK LWR SUPPLIER CODE: V31218	038038 042046 051052	1
95	2D7006-1D	.C	CUSHION AND COVER ASSY- SUPPLIER CODE: V31218	038038 042046 051052	1
100	2D7006-11D	..	COVER-BACK UPR SUPPLIER CODE: V31218	038038 042046 051052	1
105	2D7007-1	..	CUSHION-BACK UPR SUPPLIER CODE: V31218	038038 042046 051052	1
110	2D1042-1APA	.P	PAN ASSY-BACK UPR SUPPLIER CODE: V31218	038038 042046 051052	1
115	NAS623-2-16	.S	SCREW ATTACHING PARTS	038038 042046 051052	4
120	SJ3526GRY1ADH	..	HOOK-ADH VELCRO GRAY SUPPLIER CODE: V5J466	038038 042046 051052	AR

MISSING ITEM NUMBERS NOT APPLICABLE

— ITEM NOT ILLUSTRATED

HAP

25-25-12-98K

BOEING PROPRIETARY - Copyright © - Unpublished Work - See title page for details.

25-25-12
FIG. 98K
PAGE 2
FEB 15/09

BOEING
737-600/700/800/900
PARTS CATALOG (MAINTENANCE)

FIG ITEM	PART NUMBER	1 2 3 4 5 6 7	NOMENCLATURE	EFFECT FROM TO	UNITS PER ASSY
98K 125	SJ3527GRY1ADH	..	LOOP-ADH VELCRO GRAY SUPPLIER CODE: V5J466	038038 042046 051052	AR
130	SJ3526GRY2ADH	..	HOOK-ADH VELCRO GRAY SUPPLIER CODE: V5J466	038038 042046 051052	AR
135	S21012-25APA	.	COVER-RUBSTRIP SUPPLIER CODE: V31218	038038 042046 051052	2
140	S70027-1APA	.	CAP-CORNER RUB STRIP SUPPLIER CODE: V31218	038038 042046 051052	6
140	A70027-1APA	.	CAP-CORNER RUB STRIP SUPPLIER CODE: V31218 CONFIG CHG DATA FROM A CMM: REPLD BY A70027-1APA	038038 042046 051052	6
145	AN525-832R6	.	SCREW ATTACHING PARTS	038038 042046 051052	10
150	NAS1096-2-11	.	SCREW	038038 042046 051052	1
155	S70027-7APA	-----*-----	CAP-RUBSTRIP SUPPLIER CODE: V31218 CONFIG CHG DATA FROM A CMM: REPLD BY A70027-7APA	038038 042046 051052	2
155	A70027-7APA	.	CAP-RUBSTRIP SUPPLIER CODE: V31218 CONFIG CHG DATA FROM A CMM: REPLS S70027-7APA	038038 042046 051052	2
160	AN525-832R6	.	SCREW ATTACHING PARTS	038038 042046 051052	2
165	S21012-11APA	-----*-----	COVER-RUBSTRIP SUPPLIER CODE: V31218	038038 042046 051052	4

MISSING ITEM NUMBERS NOT APPLICABLE

— ITEM NOT ILLUSTRATED

HAP

25-25-12-98K

BOEING PROPRIETARY - Copyright © - Unpublished Work - See title page for details.

25-25-12
FIG. 98K
PAGE 3
FEB 15/09

BOEING
737-600/700/800/900
PARTS CATALOG (MAINTENANCE)

FIG ITEM	PART NUMBER	1 2 3 4 5 6 7	NOMENCLATURE	EFFECT FROM TO	UNITS PER ASSY
98K 170	S70027-3APA	.	CAP-FLAT RUBSTRIP SUPPLIER CODE: V31218 CONFIG CHG DATA FROM A CMM: REPLD BY A70027-3APA	038038 042046 051052	10
170	A70027-3APA	.	CAP-FLAT RUBSTRIP SUPPLIER CODE: V31218 CONFIG CHG DATA FROM A CMM: REPLS S70027-3APA	038038 042046 051052	10
175	AN525-832R6	.	SCREW -----*-----	038038 042046 051052	16
180	S21012-69APA	.	COVER-RUBSTRIP SUPPLIER CODE: V31218	038038 042046 051052	2
185	S70027-5APA	.	CAP-END RUBSTRIP SUPPLIER CODE: V31218 CONFIG CHG DATA FROM A CMM: REPLD BY A70027-5APA	038038 042046 051052	2
185	A70027-5APA	.	CAP-END RUBSTRIP SUPPLIER CODE: V31218 CONFIG CHG DATA FROM A CMM: REPLS S70027-5APA	038038 042046 051052	2
190	AN525-832R6	.	SCREW -----*-----	038038 042046 051052	2
195	S21011-33APA	.	CHANNEL-RUBSTRIP SUPPLIER CODE: V31218 CONFIG CHG DATA FROM A CMM: REPLD BY A21011-33APA	038038 042046 051052	2
195	A21011-33APA	.	CHANNEL-RUBSTRIP SUPPLIER CODE: V31218 CONFIG CHG DATA FROM A CMM: REPLS S21011-33APA	038038 042046 051052	2
200	AN525-832R6	.	SCREW -----*-----	038038 042046 051052	2

MISSING ITEM NUMBERS NOT APPLICABLE

— ITEM NOT ILLUSTRATED

HAP

25-25-12-98K

BOEING PROPRIETARY - Copyright © - Unpublished Work - See title page for details.

25-25-12
FIG. 98K
PAGE 4
FEB 15/09

BOEING
737-600/700/800/900
PARTS CATALOG (MAINTENANCE)

FIG ITEM	PART NUMBER	1 2 3 4 5 6 7	NOMENCLATURE	EFFECT FROM TO	UNITS PER ASSY
98K 205	S21012-37APA	.	COVER-RUBSTRIP SUPPLIER CODE: V31218	038038 042046 051052	1
210	S21011-31APA	.	CHANNEL-RUBSTRIP SUPPLIER CODE: V31218 CONFIG CHG DATA FROM A CMM: REPLD BY A21011-31APA	038038 042046 051052	1
210	A21011-31APA	.	CHANNEL-RUBSTRIP SUPPLIER CODE: V31218 CONFIG CHG DATA FROM A CMM: REPLS S21011-31APA	038038 042046 051052	1
215	AN525-832R6	.	SCREW -----*-----	038038 042046 051052	4
220	S21012-27APA	.	COVER-RUBSTRIP SUPPLIER CODE: V31218	038038 042046 051052	1
225	S21011-21APA	.	CHANNEL-RUBSTRIP SUPPLIER CODE: V31218 CONFIG CHG DATA FROM A CMM: REPLD BY A21011-21APA	038038 042046 051052	1
225	A21011-21APA	.	CHANNEL-RUBSTRIP SUPPLIER CODE: V31218 CONFIG CHG DATA FROM A CMM: REPLS S21011-21APA	038038 042046 051052	1
230	AN525-832R6	.	SCREW -----*-----	038038 042046 051052	4
235	2100002-01-278	.	RESTRAINT-SYS SUPPLIER CODE: V45402 COMPONENT MAINT MANUAL REF: 25-11-53 ATTACHING PARTS	038038 042046 051052	2
240	NAS6203-10	.	BOLT -----*-----	038038 042046 051052	4
245	NAS77-3-033	.	BUSHING	038038 042046 051052	4

MISSING ITEM NUMBERS NOT APPLICABLE

— ITEM NOT ILLUSTRATED

HAP

25-25-12-98K

BOEING PROPRIETARY - Copyright © - Unpublished Work - See title page for details.

25-25-12
FIG. 98K
PAGE 5
FEB 15/09

BOEING
737-600/700/800/900
PARTS CATALOG (MAINTENANCE)

FIG ITEM	PART NUMBER	1 2 3 4 5 6 7	NOMENCLATURE	EFFECT FROM TO	UNITS PER ASSY
98K 250	2D2017-1		.FITTING-LAP BELT SUPPLIER CODE: V31218 ATTACHING PARTS	038038 042046 051052	4
255	NAS6203-8		.BOLT	038038 042046 051052	4
260	NAS1149F0332P		.WASHER- CONFIG CHG DATA FROM A CMM: REPLS AN960-10L	038038 042046 051052	4
260	AN960-10L		.WASHER- CONFIG CHG DATA FROM A CMM: REPLD BY NAS1149F0332P	038038 042046 051052	4
			-----*-----		
265	2D1067-1		.GUIDE-WEB WEAR SUPPLIER CODE: V31218 ATTACHING PARTS	038038 042046 051052	2
270	NAS623-2-3		.SCREW	038038 042046 051052	4
275	AN960-516		.WASHER- CONFIG CHG DATA FROM A CMM: REPLD BY NAS1149F0563P	038038 042046 051052	4
275	NAS1149F0563P		.WASHER- CONFIG CHG DATA FROM A CMM: REPLS AN960-516	038038 042046 051052	4
			-----*-----		
280	2D1037-1		.BRACKET-INERTIA REEL SUPPLIER CODE: V31218	038038 042046 051052	2
285	2753		.PLUG-PHONE CORD SUPPLIER CODE: V28520	038038 042046 051052	1
290	MS16624-2137		.RING	038038 042046 051052	1
295	2110-38APA		.BOX ASSY-STOWAGE SUPPLIER CODE: V31218 FOR DETAILS SEE: 25-25-12-98L ATTACHING PARTS	038038 042046 051052	1
300	NAS6203-3		.BOLT	038038 042046 051052	2
305	NAS623-2-1		.SCREW	038038 042046 051052	4

MISSING ITEM NUMBERS NOT APPLICABLE

— ITEM NOT ILLUSTRATED

HAP

25-25-12-98K

BOEING PROPRIETARY - Copyright © - Unpublished Work - See title page for details.

25-25-12
FIG. 98K
PAGE 6
FEB 15/09

BOEING
737-600/700/800/900
PARTS CATALOG (MAINTENANCE)

FIG ITEM	PART NUMBER	1 2 3 4 5 6 7	NOMENCLATURE	EFFECT FROM TO	UNITS PER ASSY
98K 310	NAS623-2-7	.	SCREW	038038 042046 051052	2
315	AN960-10L	.	WASHER- CONFIG CHG DATA FROM A CMM: REPLD BY NAS1149F0332P	038038 042046 051052	2
315	NAS1149F0332P	.	WASHER- CONFIG CHG DATA FROM A CMM: REPLS AN960-10L	038038 042046 051052	2
320	AN960-8	.	WASHER- CONFIG CHG DATA FROM A CMM: REPLD BY NAS1149FN832P	038038 042046 051052	6
320	NAS1149FN832P	.	WASHER- CONFIG CHG DATA FROM A CMM: REPLS AN960-8	038038 042046 051052	6
325	MS21042-3	.	NUT	038038 042046 051052	2
330	MS21042-08	.	NUT	038038 042046 051052	2
335	NAS77-3-016	-----*-----	BUSHING	038038 042046 051052	1
340	SP20523	.	DAMPENER-SPR SUPPLIER CODE: V24403 ATTACHING PARTS	038038 042046 051052	1
345	NAS623-3-3	.	SCREW	038038 042046 051052	1
350	NAS43DD3-8	.	SPACER	038038 042046 051052	2
355	MS20392-2C13	.	PIN	038038 042046 051052	1
360	MS24665-132	.	PIN	038038 042046 051052	2
365	MS20392-1C17	.	PIN	038038 042046 051052	1
- 370	2D3041-1	-----*-----	BRACKET-GUIDE SPR SUPPLIER CODE: V31218	038038 042046 051052	1

MISSING ITEM NUMBERS NOT APPLICABLE

- ITEM NOT ILLUSTRATED

HAP

25-25-12-98K

BOEING PROPRIETARY - Copyright © - Unpublished Work - See title page for details.

25-25-12
FIG. 98K
PAGE 7
FEB 15/09

 **BOEING**
737-600/700/800/900
PARTS CATALOG (MAINTENANCE)

FIG ITEM	PART NUMBER	1 2 3 4 5 6 7	NOMENCLATURE	EFFECT FROM TO	UNITS PER ASSY
98K 375	5555-18SPP		.CLIP- SUPPLIER CODE: V31218	038038 042046 051052	1
380	2D3021-9		.LINK-RUB BUTTON SUPPLIER CODE: V31218	038038 042046 051052	1
385	C0300-032-2500M		.SPRING- SUPPLIER CODE: V31218	038038 042046 051052	1
390	2D3042-1		.GUIDE-SPR SUPPLIER CODE: V31218	038038 042046 051052	1
395	NAS1149FN832P		.WASHER	038038 042046 051052	1
400	MS21042-08		.NUT	038038 042046 051052	1
405	2110-2APA		.CORE ASSY- SUPPLIER CODE: V31218 FOR DETAILS SEE: 25-25-12-98M	038038 042046 051052	1

MISSING ITEM NUMBERS NOT APPLICABLE

— ITEM NOT ILLUSTRATED

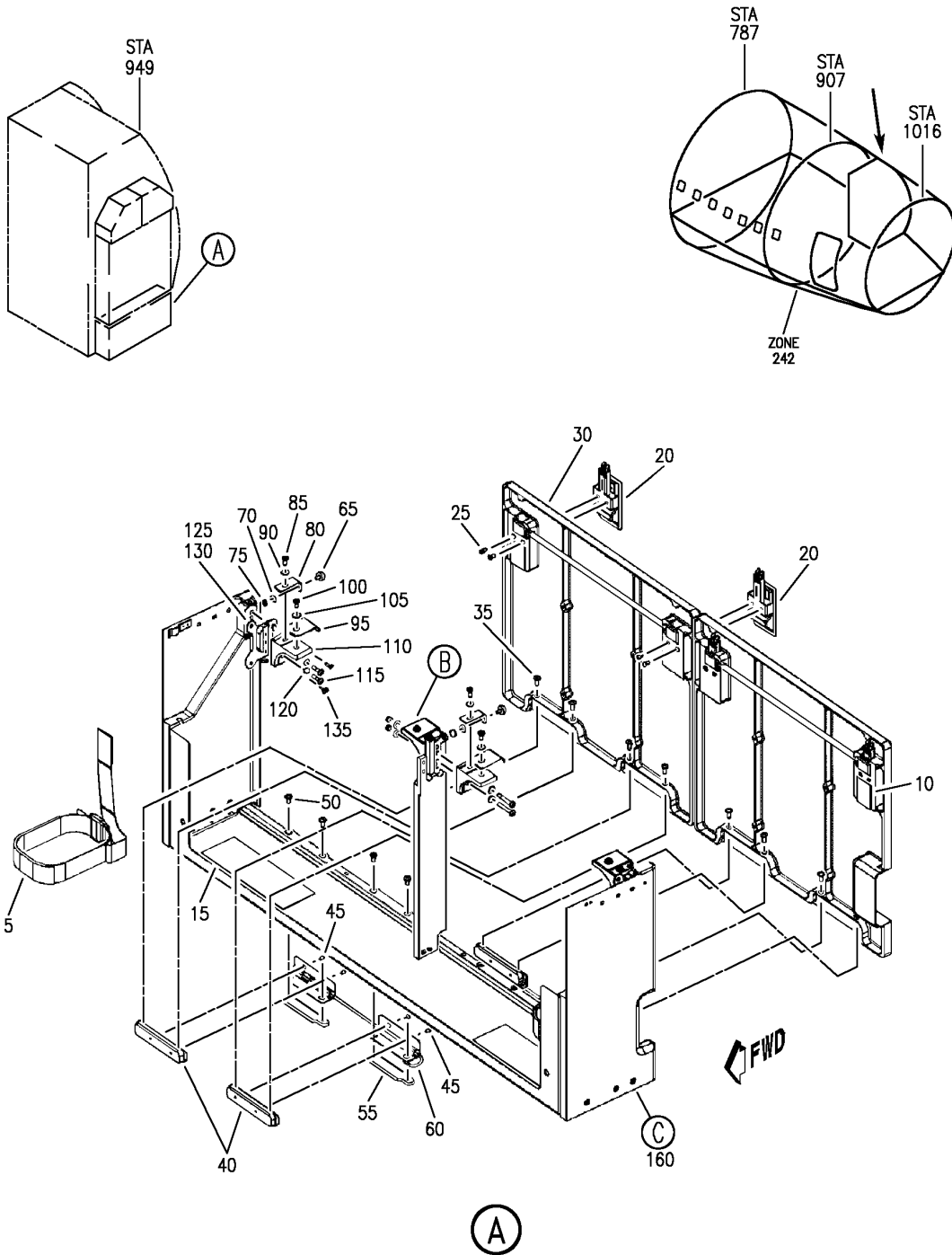
HAP

25-25-12-98K

BOEING PROPRIETARY - Copyright © - Unpublished Work - See title page for details.

25-25-12
FIG. 98K
PAGE 8
FEB 15/09

BOEING
 737-600/700/800/900
 PARTS CATALOG (MAINTENANCE)



E 25251298L SHT 1 REV 111

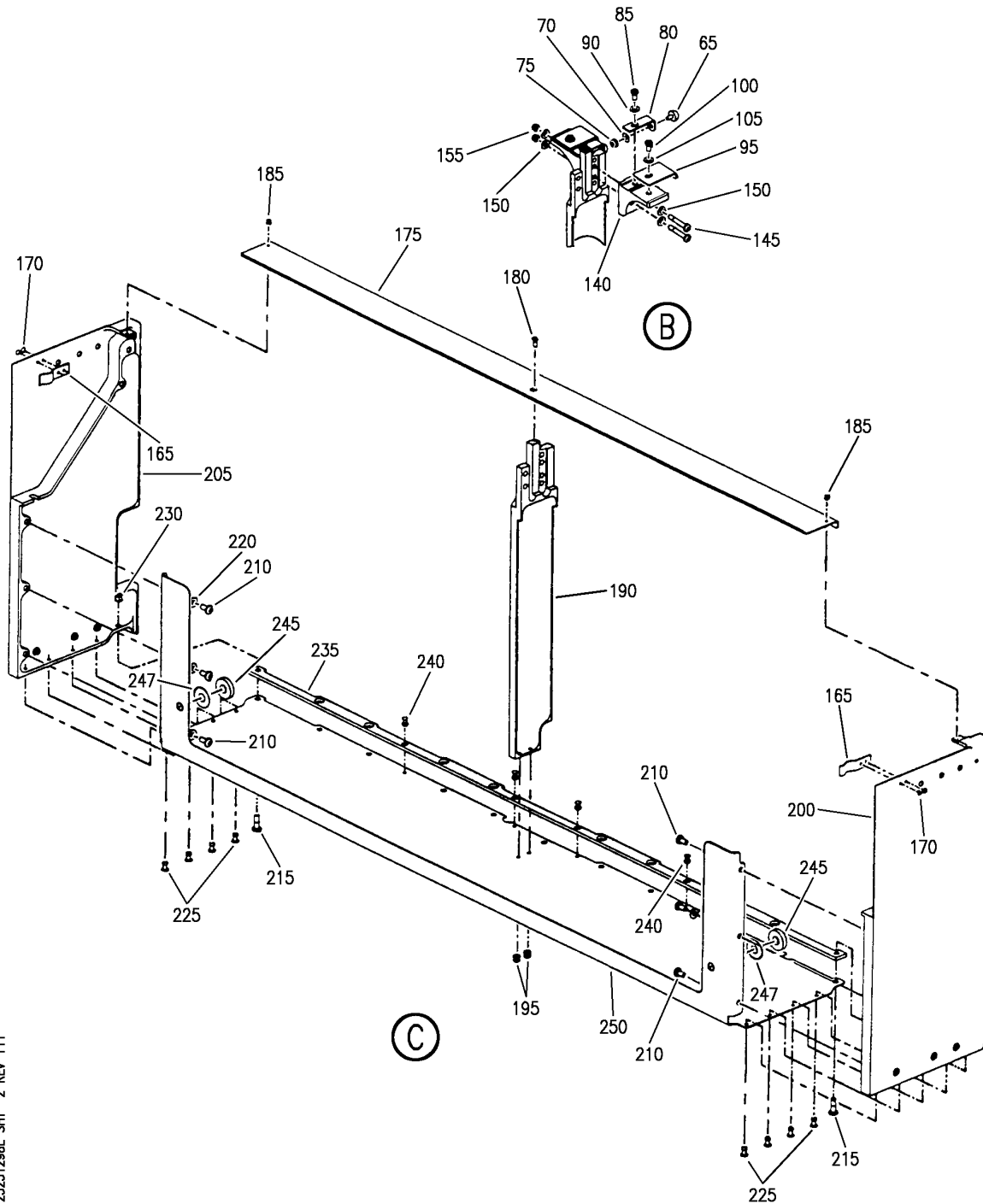
BOX ASSY-ATTENDANT SEAT NARROW DBL WALL MOUNTED
 FIGURE 98L (SHEET 1)

25-25-12-98L

HAP
 FEB 10/07

25-25-12-98L
 PAGE 0

BOEING
 737-600/700/800/900
 PARTS CATALOG (MAINTENANCE)



E 25251298L SHT 2 REV 111

BOX ASSY-ATTENDANT SEAT NARROW DBL WALL MOUNTED
 FIGURE 98L (SHEET 2)

25-25-12-98L

HAP
 FEB 10/07

25-25-12-98L
 PAGE 0A

BOEING
737-600/700/800/900
PARTS CATALOG (MAINTENANCE)

FIG ITEM	PART NUMBER	1 2 3 4 5 6 7	NOMENCLATURE	EFFECT FROM TO	UNITS PER ASSY
98L			BOX ASSY-ATTENDANT SEAT NARROW DBL WALL MOUNTED	038038 042046 051052	
- 1	2110-38APA		BOX ASSY-ATTENDANT SEAT NARROW DBL WALL MOUNTED SUPPLIER CODE: V31218 FOR NHA SEE: 25-25-12-98K	038038 042046 051052	RF
5	2D8007-1		.STRAP-LIFE VEST SUPPLIER CODE: V31218	038038 042046 051052	2
10	SJ3526GRY1ADH		.HOOK-ADH VELCRO GRAY SUPPLIER CODE: V5J466	038038 042046 051052	AR
15	SJ3526GRY2ADH		.HOOK-ADH VELCRO GRAY SUPPLIER CODE: V5J466	038038 042046 051052	AR
20	SAM222-19		.LATCH-DUAL SUPPLIER CODE: V31845 CONFIG CHG DATA FROM A CMM: REPLD BY SAM222-18	038038 042046 051052	2
20	SAM222-18		.LATCH-DUAL SUPPLIER CODE: V31845 CONFIG CHG DATA FROM A CMM: REPLS SAM222-19	038038 042046 051052	2
25	NAS514P632-5P		ATTACHING PARTS .SCREW	038038 042046 051052	8
30	2D1021-21APA		-----*----- .DOOR- SUPPLIER CODE: V31218 ATTACHING PARTS	038038 042046 051052	2
35	NAS602-6P		.SCREW	038038 042046 051052	8
40	2D1061-1APA		-----*----- .COVER-HINGE SUPPLIER CODE: V31218 ATTACHING PARTS	038038 042046 051052	4
45	NAS514P632-5P		.SCREW	038038 042046 051052	8
			-----*-----		

MISSING ITEM NUMBERS NOT APPLICABLE

- ITEM NOT ILLUSTRATED

HAP

25-25-12-98L

BOEING PROPRIETARY - Copyright © - Unpublished Work - See title page for details.

25-25-12
FIG. 98L
PAGE 1
FEB 15/09

BOEING
737-600/700/800/900
PARTS CATALOG (MAINTENANCE)

FIG ITEM	PART NUMBER	1 2 3 4 5 6 7	NOMENCLATURE	EFFECT FROM TO	UNITS PER ASSY
98L					
50	NAS1202-1	.	SCREW	038038 042046 051052	8
55	2D1141-1	.	PLATE-THREADED DOOR HINGE SUPPLIER CODE: V31218	038038 042046 051052	4
60	2D1025-1	.	HINGE- SUPPLIER CODE: V31218	038038 042046 051052	2
65	827S	.	SCREW-BUMPER SUPPLIER CODE: V8J913	038038 042046 051052	4
70	AN960-6L	.	WASHER- CONFIG CHG DATA FROM A CMM: REPLD BY NAS1149FN616P	038038 042046 051052	4
70	NAS1149FN616P	.	WASHER- CONFIG CHG DATA FROM A CMM: REPLS AN960-6L	038038 042046 051052	4
75	MS21083N06	.	NUT	038038 042046 051052	4
80	2D1022-1	.	BRACKET-DOOR BUMPER SUPPLIER CODE: V31218 ATTACHING PARTS	038038 042046 051052	4
85	NAS1096-2-5	.	SCREW	038038 042046 051052	4
90	AN960-8	.	WASHER- CONFIG CHG DATA FROM A CMM: REPLD BY NAS1149FN832P	038038 042046 051052	4
90	NAS1149FN832P	.	WASHER- CONFIG CHG DATA FROM A CMM: REPLS AN960-8	038038 042046 051052	4
			-----*-----		
95	2D1023-1	.	BRACKET-DOOR STRIKER SUPPLIER CODE: V31218 ATTACHING PARTS	038038 042046 051052	4
100	NAS1096-2-5	.	SCREW	038038 042046 051052	4
105	AN960-8	.	WASHER- CONFIG CHG DATA FROM A CMM: REPLD BY NAS1149FN832P	038038 042046 051052	4
105	NAS1149FN832P	.	WASHER- CONFIG CHG DATA FROM A CMM: REPLS AN960-8	038038 042046 051052	4
			-----*-----		

MISSING ITEM NUMBERS NOT APPLICABLE

— ITEM NOT ILLUSTRATED

HAP

25-25-12-98L

BOEING PROPRIETARY - Copyright © - Unpublished Work - See title page for details.

25-25-12
FIG. 98L
PAGE 2
FEB 15/09

BOEING
737-600/700/800/900
PARTS CATALOG (MAINTENANCE)

FIG ITEM	PART NUMBER	1 2 3 4 5 6 7	NOMENCLATURE	EFFECT FROM TO	UNITS PER ASSY
98L 110	2D1068-1		.BASE-STRIKER/BUMPER SUPPLIER CODE: V31218 ATTACHING PARTS	038038 042046 051052	2
115	NAS623-2-4		.SCREW	038038 042046 051052	4
120	AN960-8		.WASHER- CONFIG CHG DATA FROM A CMM: REPLD BY NAS1149FN832P	038038 042046 051052	4
120	NAS1149FN832P		.WASHER- CONFIG CHG DATA FROM A CMM: REPLS AN960-8	038038 042046 051052	4
125	2D1094-1		-----*----- .PLATE-MTG SUPPLIER CODE: V31218	038038 042046 051052	1
130	2D1094-2		.PLATE-MTG SUPPLIER CODE: V31218 ATTACHING PARTS	038038 042046 051052	1
135	NAS514P832-5P		.SCREW	038038 042046 051052	4
140	2D1068-1		-----*----- .BASE-STRIKER/BUMPER SUPPLIER CODE: V31218 ATTACHING PARTS	038038 042046 051052	2
145	NAS623-2-12		.SCREW	038038 042046 051052	2
150	AN960-8		.WASHER- CONFIG CHG DATA FROM A CMM: REPLD BY NAS1149FN832P	038038 042046 051052	4
150	NAS1149FN832P		.WASHER- CONFIG CHG DATA FROM A CMM: REPLS AN960-8	038038 042046 051052	4
155	MS21042-08		.NUT	038038 042046 051052	2
160	2D1065-12APA		-----*----- .BOX SUB ASSY- SUPPLIER CODE: V31218	038038 042046 051052	1
165	2D1032-1		..CLIP- SUPPLIER CODE: V31218	038038 042046 051052	2

MISSING ITEM NUMBERS NOT APPLICABLE

— ITEM NOT ILLUSTRATED

HAP

25-25-12-98L

BOEING PROPRIETARY - Copyright © - Unpublished Work - See title page for details.

25-25-12
FIG. 98L
PAGE 3
FEB 15/09

BOEING
737-600/700/800/900
PARTS CATALOG (MAINTENANCE)

FIG ITEM	PART NUMBER	1 2 3 4 5 6 7	NOMENCLATURE	EFFECT FROM TO	UNITS PER ASSY
98L			ATTACHING PARTS		
170	NAS1097AD3-4		..RIVET	038038 042046 051052	4
			-----*-----		
175	2D1064-3		.. FILLER- SUPPLIER CODE: V31218	038038 042046 051052	1
			ATTACHING PARTS		
180	NAS514P632-5P		..SCREW	038038 042046 051052	1
			-----*-----		
185	MS20426AD34		..RIVET	038038 042046 051052	2
			-----*-----		
190	2D1142-1		..ADAPTER-BASE STRIKER SUPPLIER CODE: V31218	038038 042046 051052	1
			ATTACHING PARTS		
195	MS20600AD4W2		..RIVET	038038 042046 051052	2
			-----*-----		
200	2D1092-8		..PANEL-SIDE SUPPLIER CODE: V31218	038038 042046 051052	1
			CONFIG CHG DATA FROM A CMM: REPLD BY 2D1092-8APA		
200	2D1092-8APA		..PANEL-SIDE SUPPLIER CODE: V31218	038038 042046 051052	1
			CONFIG CHG DATA FROM A CMM: REPLS 2D1092-8		
205	2D1092-11		..PANEL-SIDE SUPPLIER CODE: V31218	038038 042046 051052	1
			CONFIG CHG DATA FROM A CMM: REPLD BY 2D1092-11APA		
205	2D1092-11APA		..PANEL-SIDE SUPPLIER CODE: V31218	038038 042046 051052	1
			CONFIG CHG DATA FROM A CMM: REPLS 2D1092-11		
			ATTACHING PARTS		
210	NAS623-2-1		..SCREW	038038 042046 051052	6

MISSING ITEM NUMBERS NOT APPLICABLE

— ITEM NOT ILLUSTRATED

HAP

25-25-12-98L

BOEING PROPRIETARY - Copyright © - Unpublished Work - See title page for details.

25-25-12
FIG. 98L
PAGE 4
FEB 15/09

BOEING
737-600/700/800/900
PARTS CATALOG (MAINTENANCE)

FIG ITEM	PART NUMBER	1 2 3 4 5 6 7	NOMENCLATURE	EFFECT FROM TO	UNITS PER ASSY
98L 215	NAS623-2-4	..	SCREW	038038 042046 051052	2
220	AN960-8	..	WASHER- CONFIG CHG DATA FROM A CMM: REPLD BY NAS1149FN832P	038038 042046 051052	6
220	NAS1149FN832P	..	WASHER- CONFIG CHG DATA FROM A CMM: REPLS AN960-8	038038 042046 051052	6
225	MS20600AD4W3	..	RIVET- CONFIG CHG DATA FROM A CMM: REPLD BY SD43BS	038038 042046 051052	8
225	SD43BS	..	RIVET- SUPPLIER CODE: V07707 CONFIG CHG DATA FROM A CMM: REPLS MS20600AD4W3	038038 042046 051052	8
230	MS21042-08	..	NUT	038038 042046 051052	2
235	2D1140-1	..	STIFFENER-DOOR HINGE SUPPLIER CODE: V31218 CONFIG CHG DATA FROM A CMM: REPLD BY 2D1140-1APA	038038 042046 051052	1
235	2D1140-1APA	..	STIFFENER-DOOR HINGE SUPPLIER CODE: V31218 CONFIG CHG DATA FROM A CMM: REPLS 2D1140-1	038038 042046 051052	1
240	MS20601AD4W3	..	RIVET ATTACHING PARTS	038038 042046 051052	4
245	2D1086-1APA	..	PAD-MTG SUPPLIER CODE: V31218 CONFIG CHG DATA FROM A CMM: REPLD BY 2D1086-1	038038 042046 051052	2
245	2D1086-1	..	PAD-MTG SUPPLIER CODE: V31218 CONFIG CHG DATA FROM A CMM: REPLS 2D1086-1APA	038038 042046 051052	2
247	9245-0500	..	TAPE-ACRYLIC/EPOXY SUPPLIER CODE: V5J466	038038 042046 051052	AR

MISSING ITEM NUMBERS NOT APPLICABLE

— ITEM NOT ILLUSTRATED

HAP

25-25-12-98L

BOEING PROPRIETARY - Copyright © - Unpublished Work - See title page for details.

25-25-12
FIG. 98L
PAGE 5
FEB 15/09


BOEING
 737-600/700/800/900
PARTS CATALOG (MAINTENANCE)

FIG ITEM	PART NUMBER	1 2 3 4 5 6 7	NOMENCLATURE	EFFECT FROM TO	UNITS PER ASSY
98L 250	2D1033-23		..PAN-FLOOR SUPPLIER CODE: V31218 CONFIG CHG DATA FROM A CMM: REPLD BY 2D1033-23APA	038038 042046 051052	1
250	2D1033-23APA		..PAN-FLOOR SUPPLIER CODE: V31218 CONFIG CHG DATA FROM A CMM: REPLS 2D1033-23	038038 042046 051052	1

MISSING ITEM NUMBERS NOT APPLICABLE

— ITEM NOT ILLUSTRATED

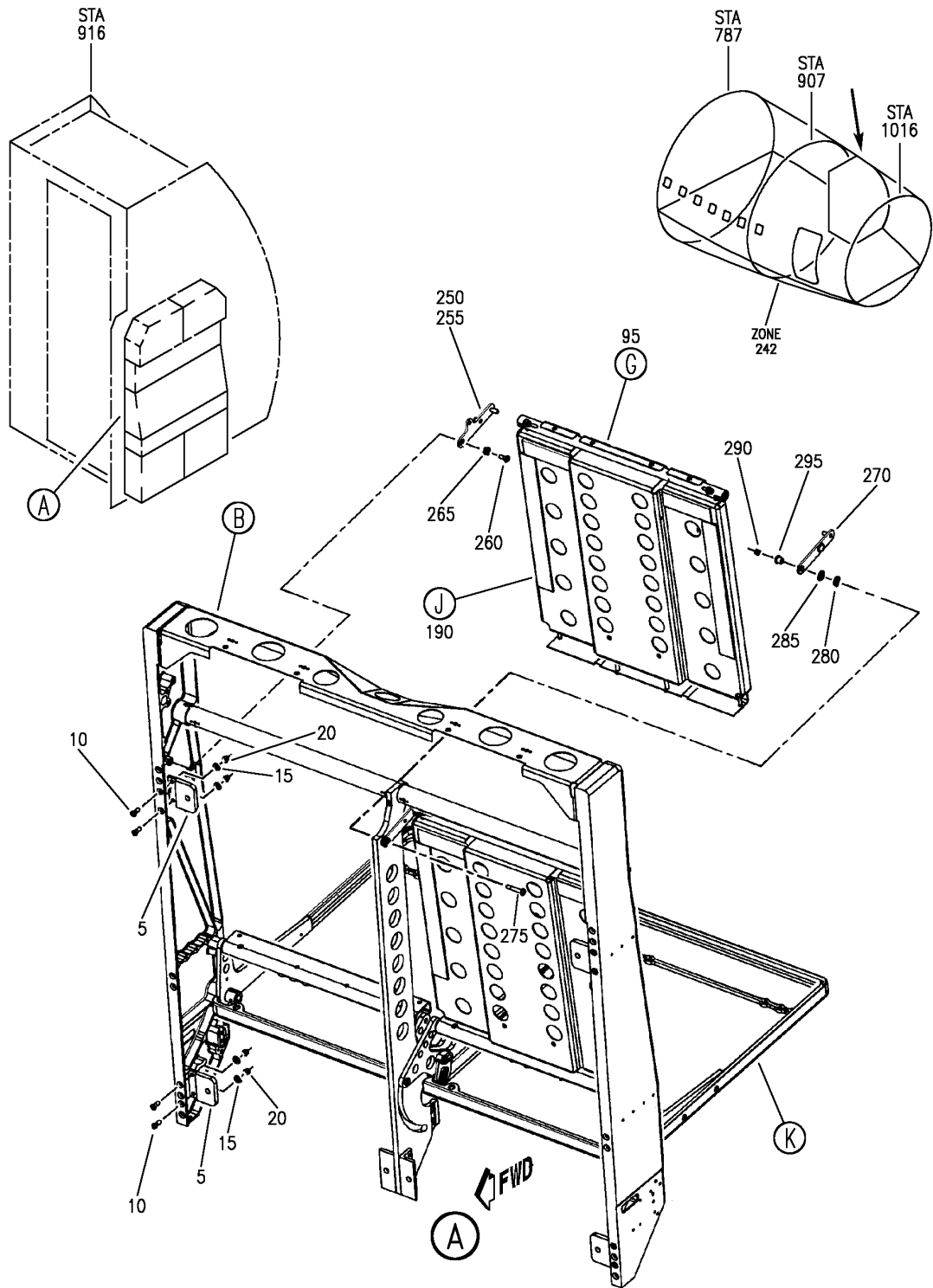
HAP

25-25-12-98L

BOEING PROPRIETARY - Copyright © - Unpublished Work - See title page for details.

25-25-12
 FIG. 98L
 PAGE 6
 FEB 15/09

BOEING
 737-600/700/800/900
 PARTS CATALOG (MAINTENANCE)



E 25251298M SHT 1 REV 117

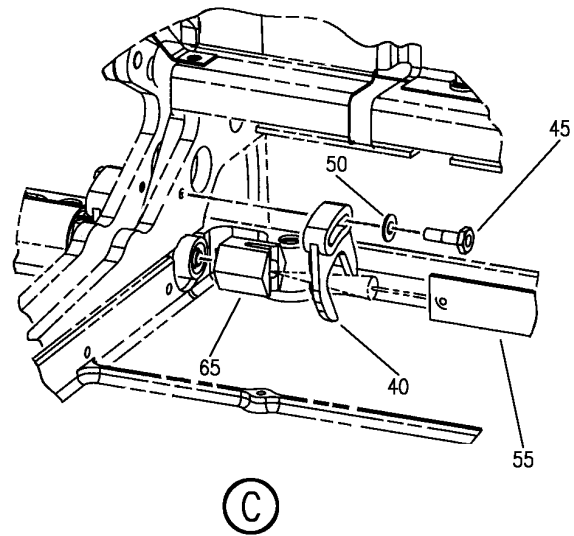
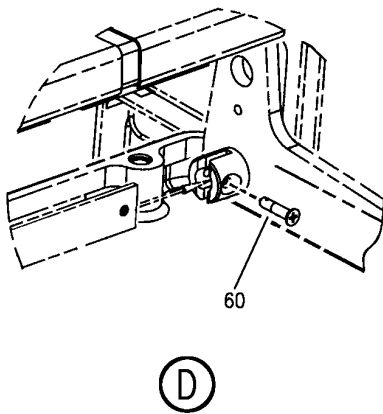
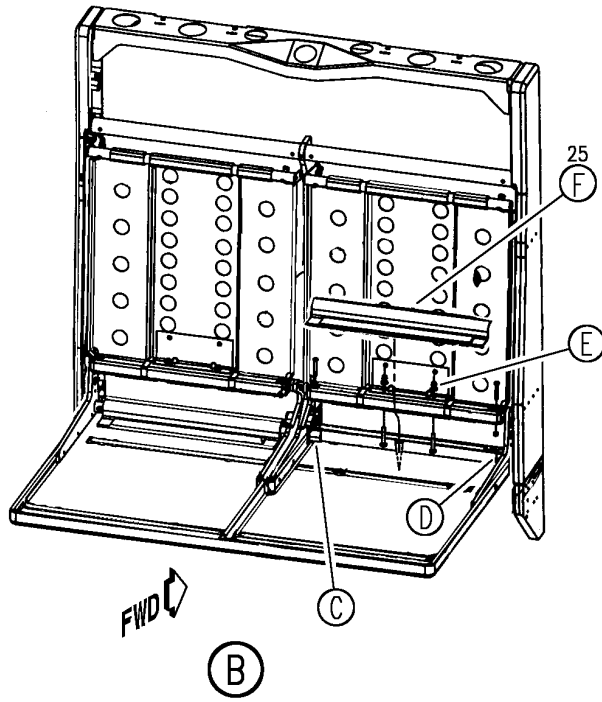
CORE ASSY-ATTENDANT SEAT NARROW DBL WALL MOUNTED
 FIGURE 98M (SHEET 1)

25-25-12-98M

HAP
 FEB 10/07

25-25-12-98M
 PAGE 0

BOEING
 737-600/700/800/900
 PARTS CATALOG (MAINTENANCE)



E 25251298M SHT 2 REV 111

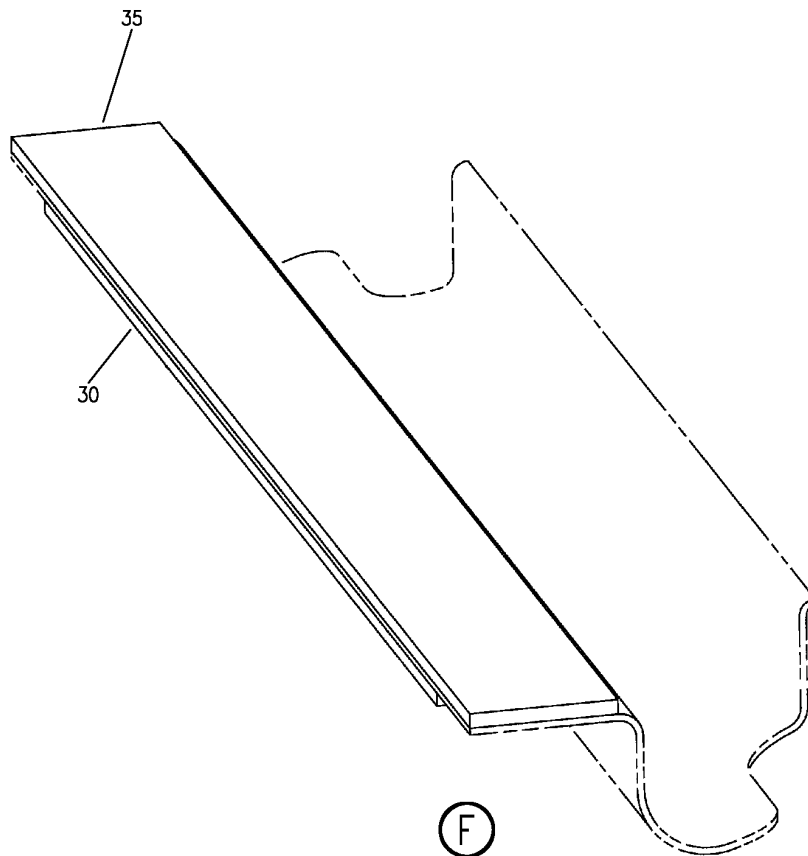
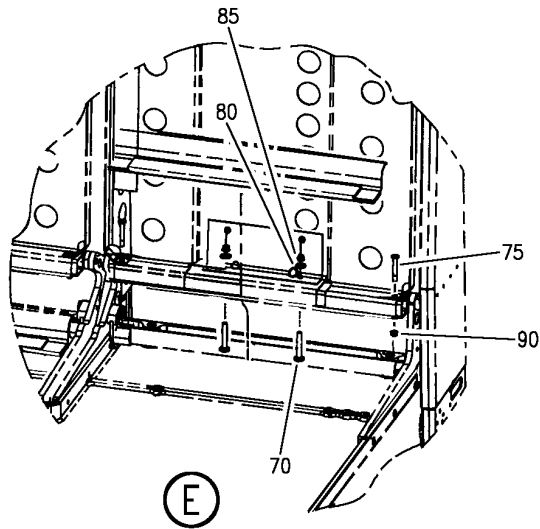
CORE ASSY-ATTENDANT SEAT NARROW DBL WALL MOUNTED
 FIGURE 98M (SHEET 2)

25-25-12-98M

HAP
 FEB 10/07

25-25-12-98M
 PAGE 0A

BOEING
737-600/700/800/900
PARTS CATALOG (MAINTENANCE)



E 25251298M SHT. 3 REV 111

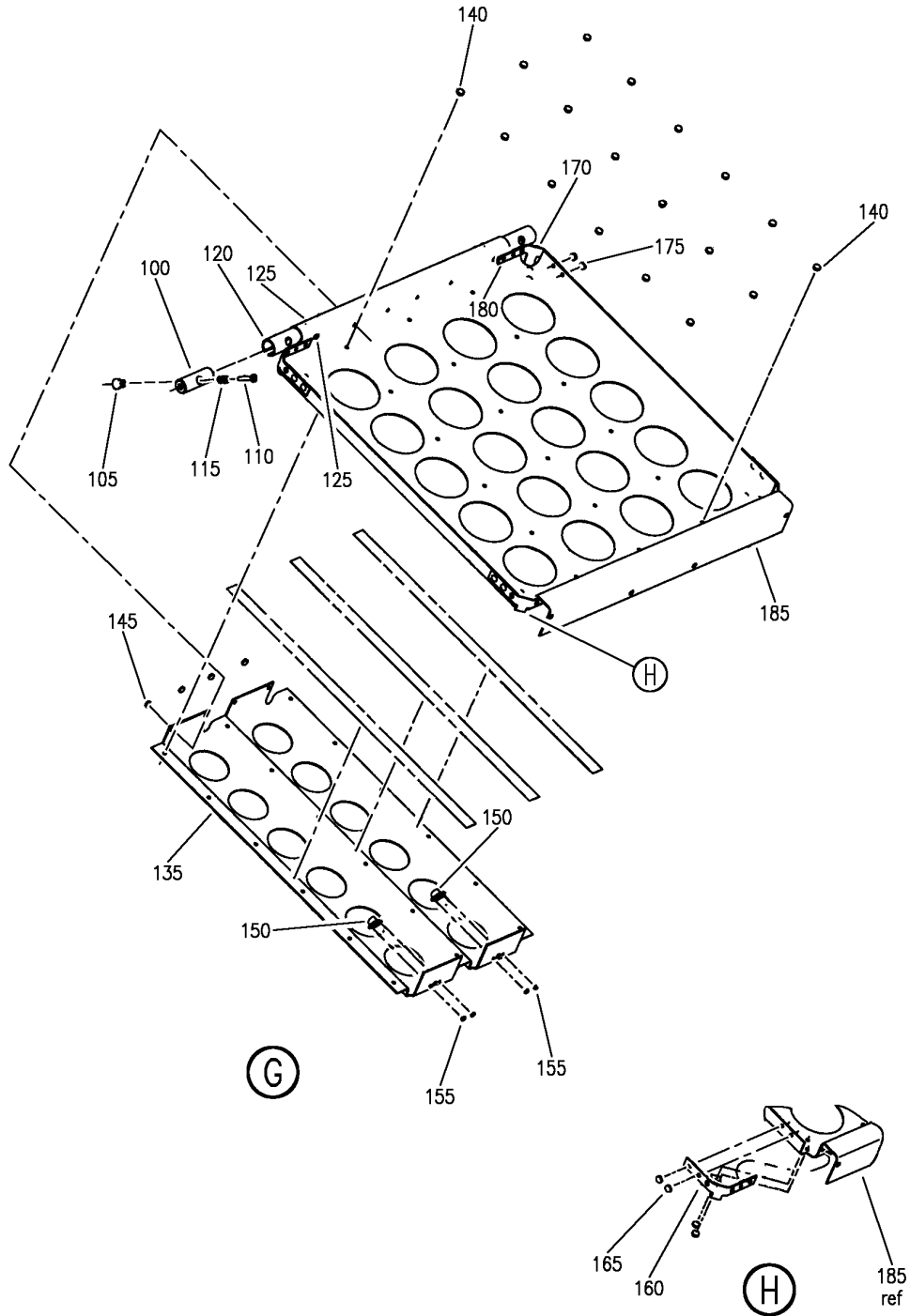
CORE ASSY-ATTENDANT SEAT NARROW DBL WALL MOUNTED
FIGURE 98M (SHEET 3)

25-25-12-98M

HAP
FEB 10/07

25-25-12-98M
PAGE 0B

BOEING
 737-600/700/800/900
 PARTS CATALOG (MAINTENANCE)



E 25251298M SHT 4 REV 111

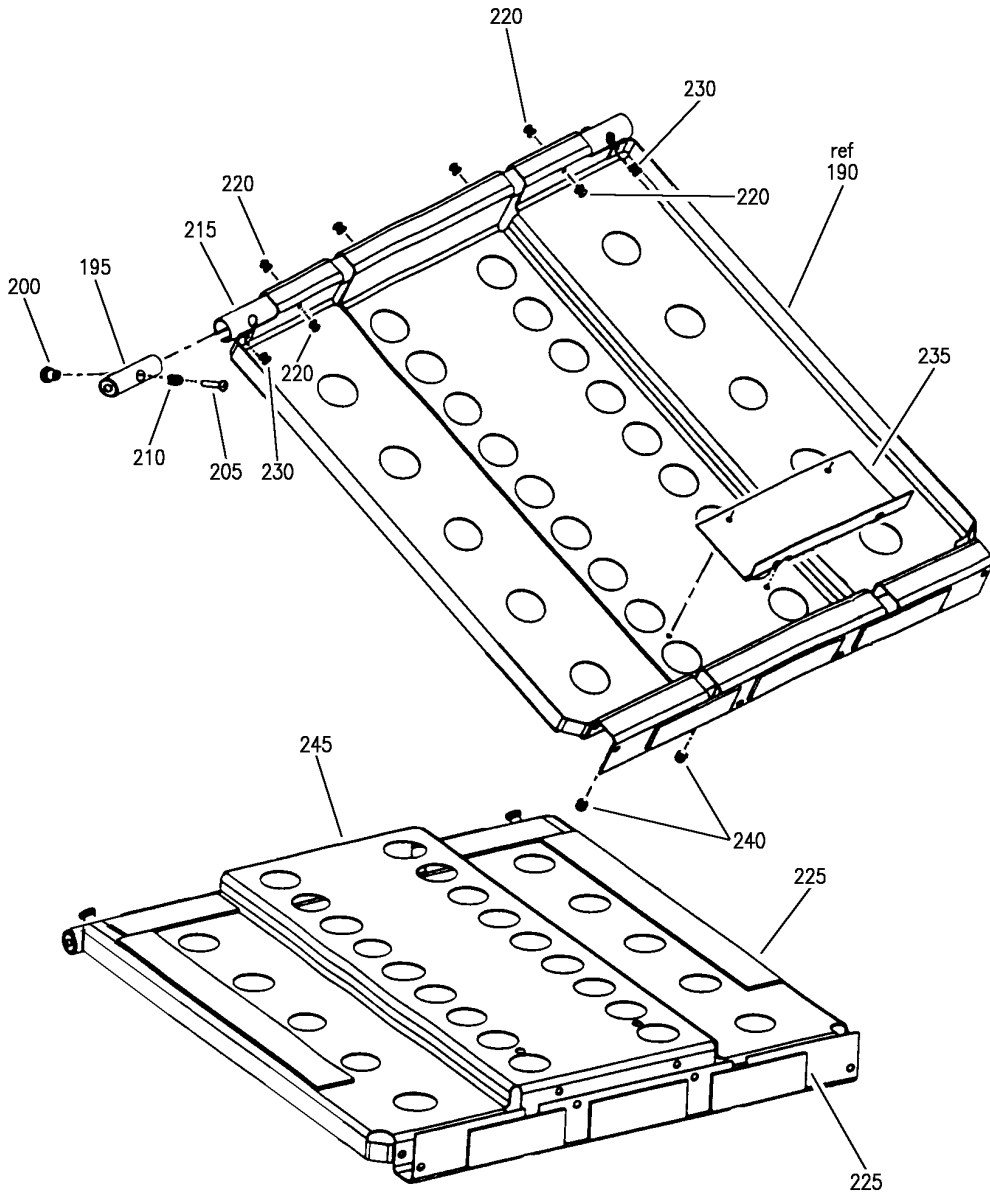
CORE ASSY-ATTENDANT SEAT NARROW DBL WALL MOUNTED
 FIGURE 98M (SHEET 4)

25-25-12-98M

HAP
 FEB 10/07

25-25-12-98M
 PAGE 0C

BOEING
 737-600/700/800/900
 PARTS CATALOG (MAINTENANCE)



E 25251298M SHT 5 REV 111

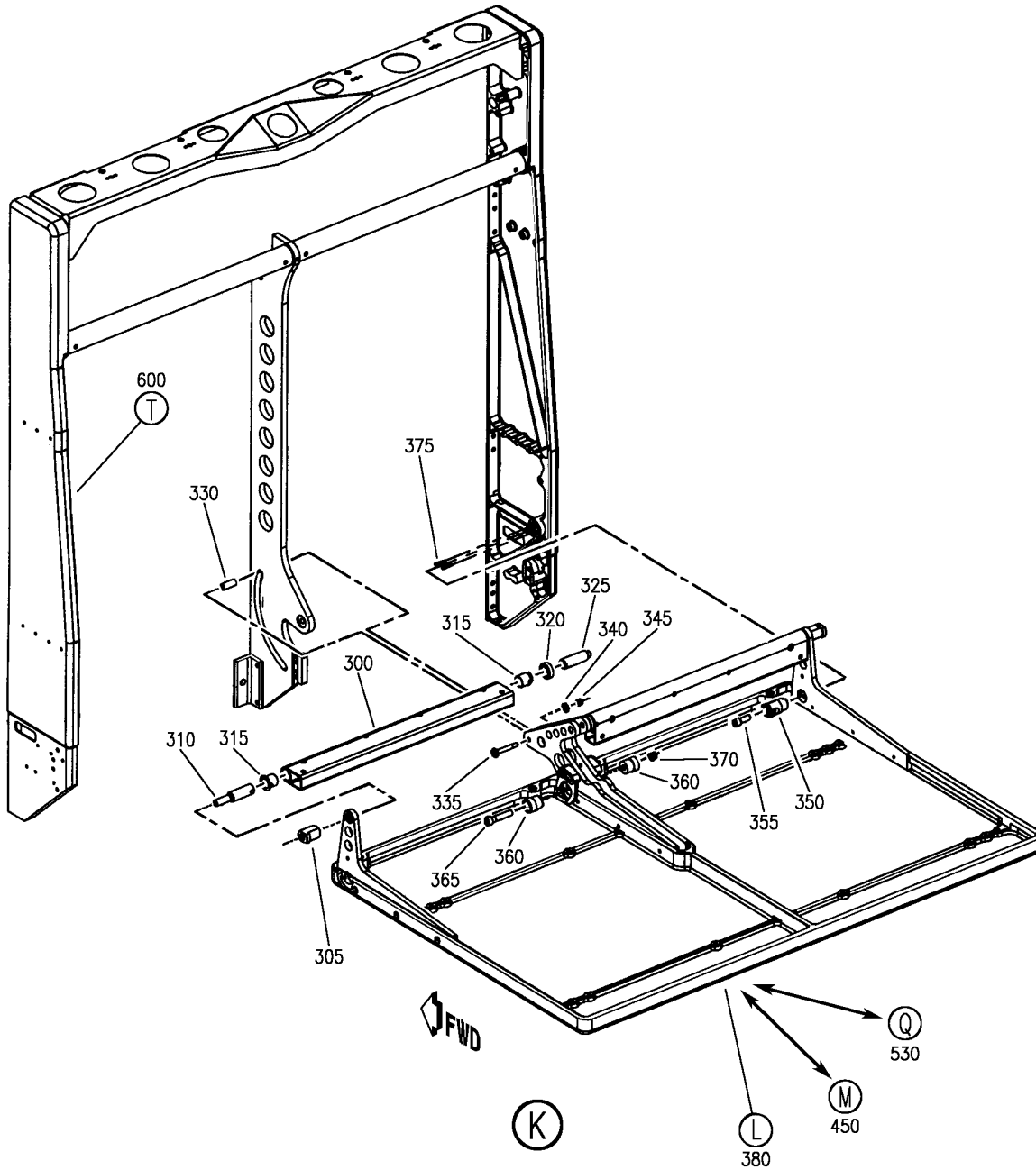
CORE ASSY-ATTENDANT SEAT NARROW DBL WALL MOUNTED
 FIGURE 98M (SHEET 5)

25-25-12-98M

HAP
 FEB 10/07

25-25-12-98M
 PAGE 0D

BOEING
 737-600/700/800/900
 PARTS CATALOG (MAINTENANCE)



E 25251298M SHT 6 REV 111

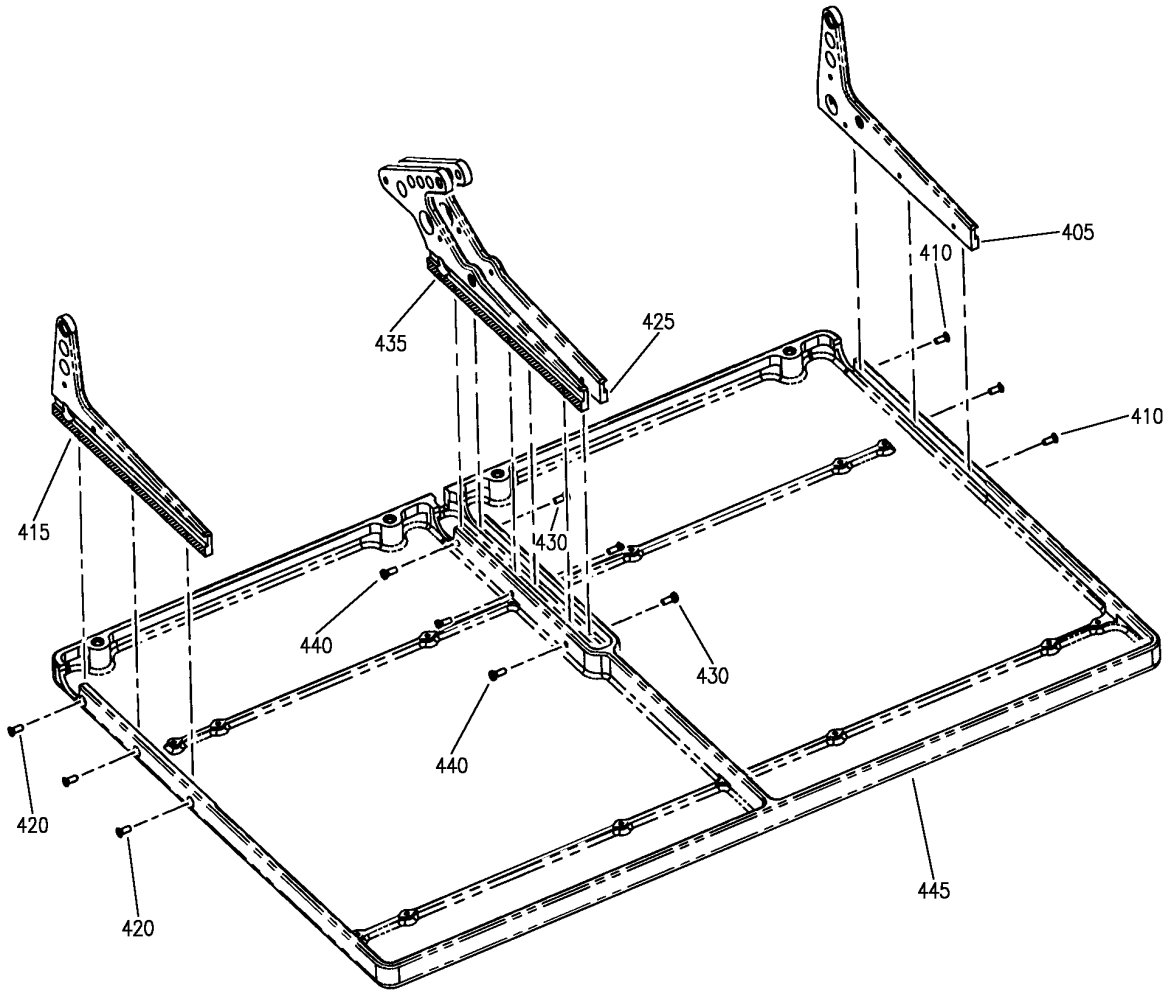
CORE ASSY-ATTENDANT SEAT NARROW DBL WALL MOUNTED
 FIGURE 98M (SHEET 6)

25-25-12-98M

HAP
 FEB 10/07

25-25-12-98M
 PAGE 0E

BOEING
737-600/700/800/900
PARTS CATALOG (MAINTENANCE)



E 25251298M SHT 7 REV 111

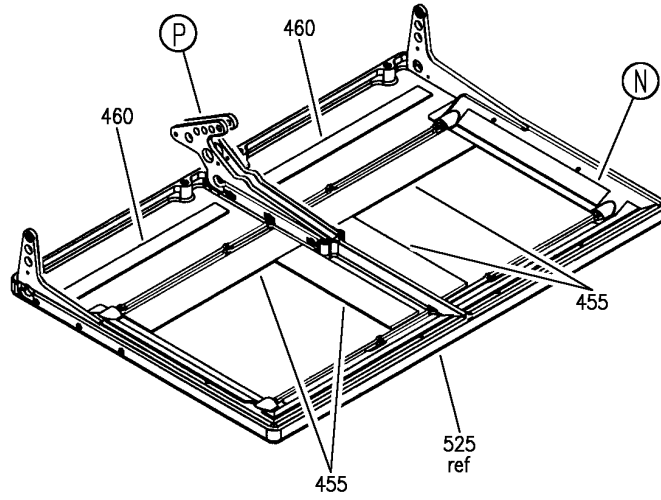
CORE ASSY-ATTENDANT SEAT NARROW DBL WALL MOUNTED
FIGURE 98M (SHEET 7)

25-25-12-98M

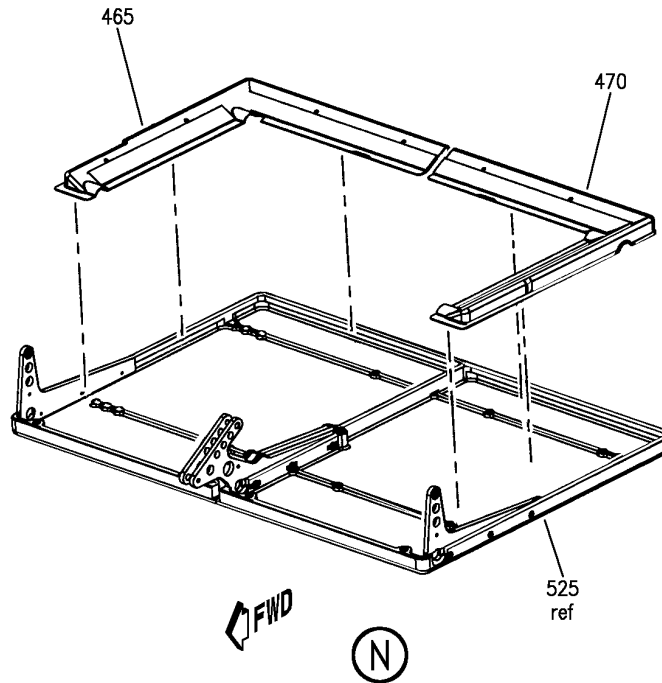
HAP
FEB 10/07

25-25-12-98M
PAGE OF

BOEING
 737-600/700/800/900
 PARTS CATALOG (MAINTENANCE)



(M)



E 25251298M SHT 8 REV 111

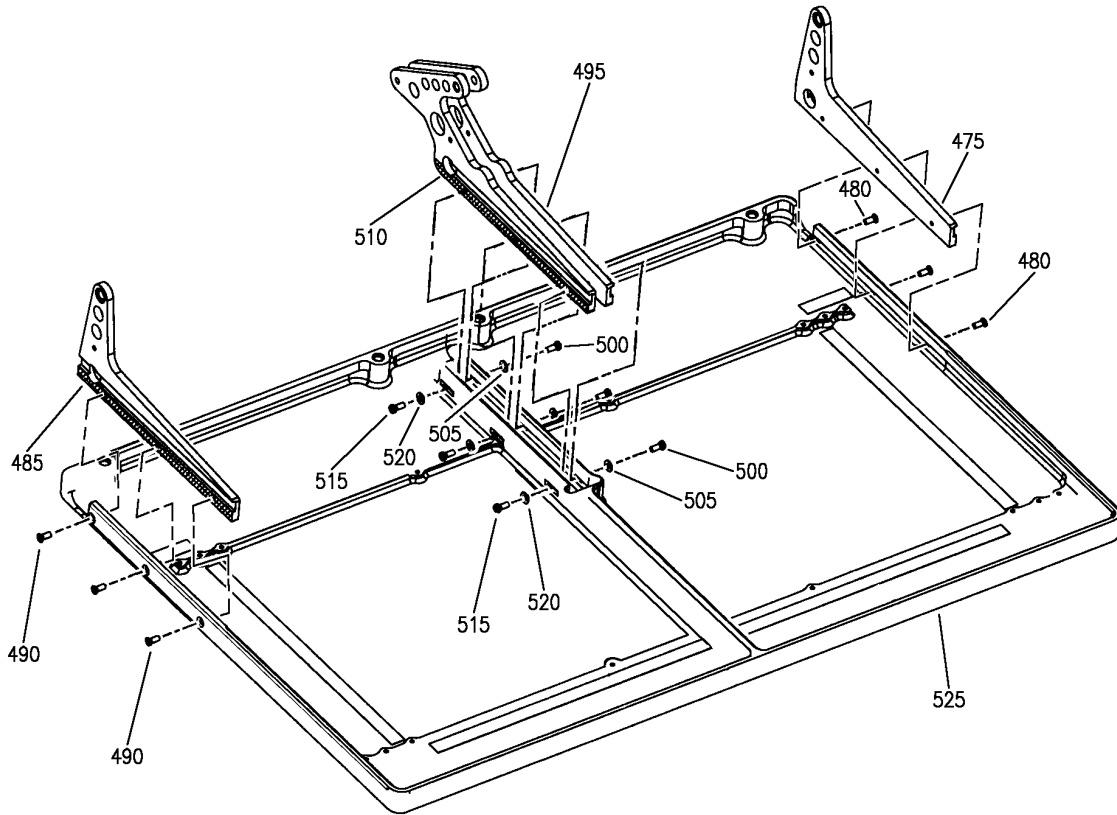
CORE ASSY-ATTENDANT SEAT NARROW DBL WALL MOUNTED
 FIGURE 98M (SHEET 8)

25-25-12-98M

HAP
 FEB 10/07

25-25-12-98M
 PAGE 08

BOEING
737-600/700/800/900
PARTS CATALOG (MAINTENANCE)



(P)

E 25251298M SHT 9 REV 111

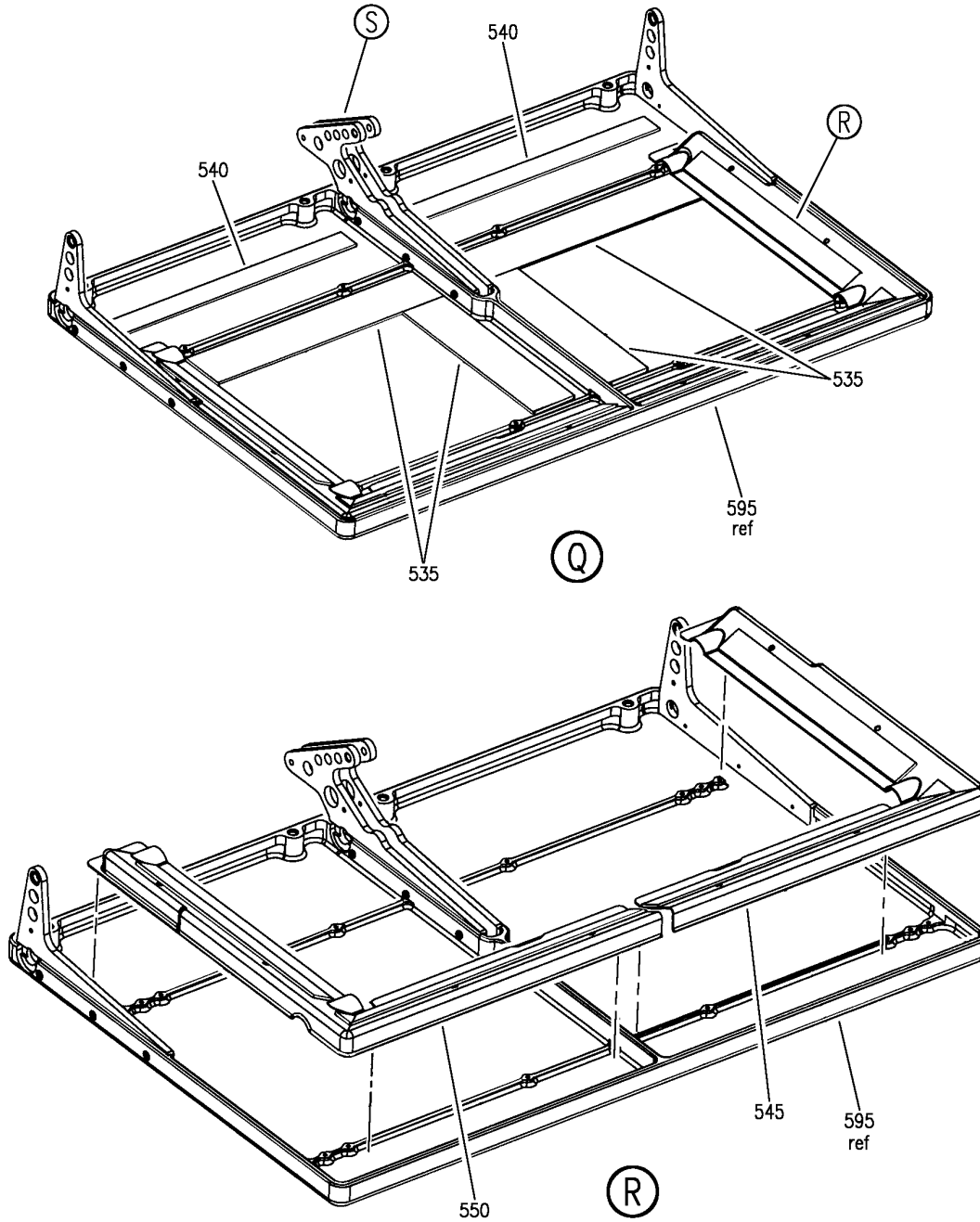
CORE ASSY-ATTENDANT SEAT NARROW DBL WALL MOUNTED
FIGURE 98M (SHEET 9)

25-25-12-98M

HAP
FEB 10/07

25-25-12-98M
PAGE 0H

BOEING
 737-600/700/800/900
 PARTS CATALOG (MAINTENANCE)



E 25251298M SHT 10 REV 111

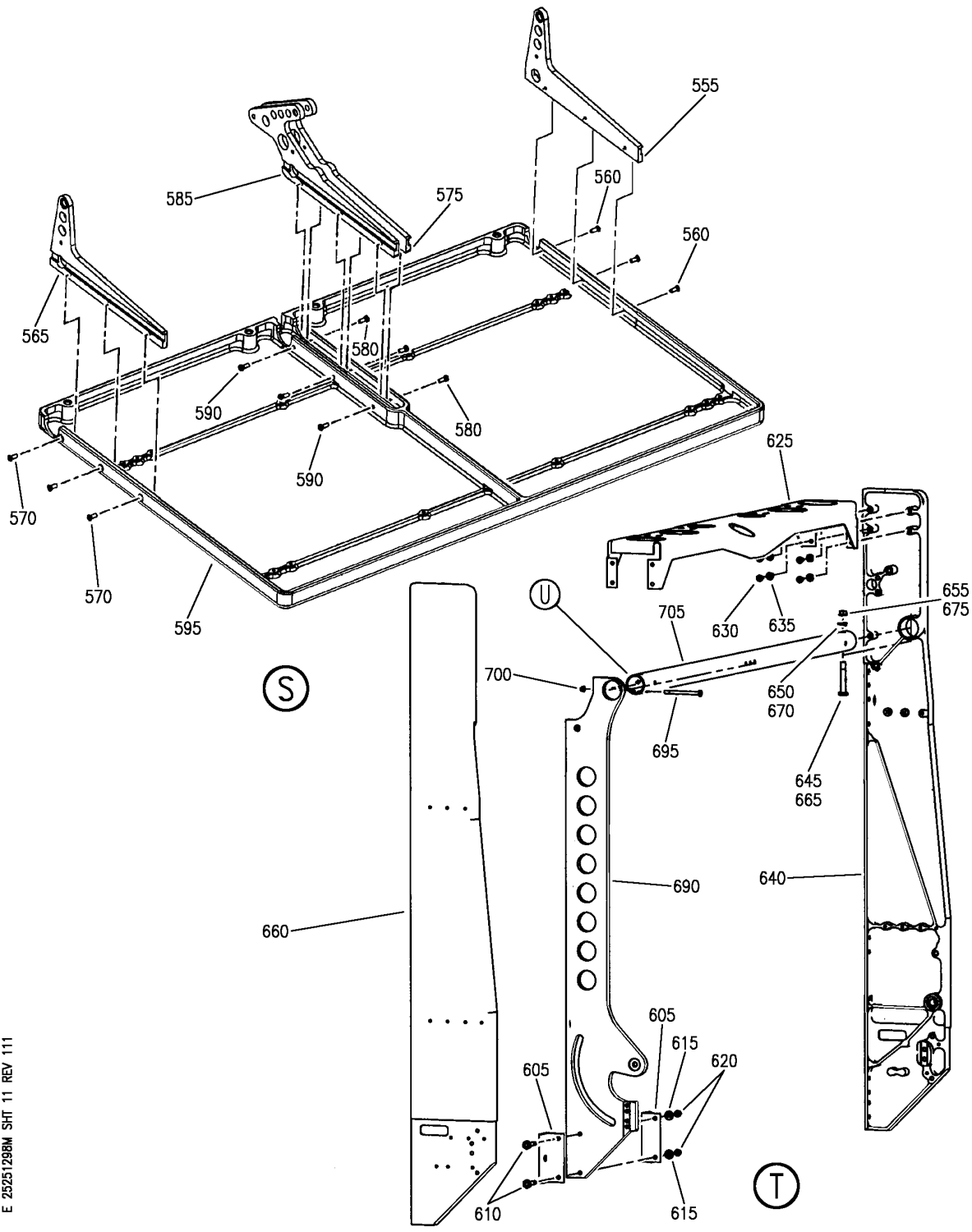
CORE ASSY-ATTENDANT SEAT NARROW DBL WALL MOUNTED
 FIGURE 98M (SHEET 10)

25-25-12-98M

HAP
 FEB 10/07

25-25-12-98M
 PAGE 01

BOEING
 737-600/700/800/900
 PARTS CATALOG (MAINTENANCE)



E 25251298M SHT 11 REV 111

CORE ASSY-ATTENDANT SEAT NARROW DBL WALL MOUNTED
 FIGURE 98M (SHEET 11)

25-25-12-98M

HAP
 FEB 10/07

25-25-12-98M
 PAGE 0J

BOEING
737-600/700/800/900
PARTS CATALOG (MAINTENANCE)

FIG ITEM	PART NUMBER	1 2 3 4 5 6 7	NOMENCLATURE	EFFECT FROM TO	UNITS PER ASSY
98M			CORE ASSY-ATTENDANT SEAT NARROW DBL WALL MOUNTED	038038 042046 051052	
- 1	2110-2APA		CORE ASSY-ATTENDANT SEAT NARROW DBL WALL MOUNTED SUPPLIER CODE: V31218 FOR NHA SEE: 25-25-12-98K	038038 042046 051052	RF
5	2D1040-1		.BRACKET-MTG SUPPLIER CODE: V31218	038038 042046 051052	4
10	NAS1203-4		ATTACHING PARTS .BOLT	038038 042046 051052	8
15	AN960-10L		.WASHER- CONFIG CHG DATA FROM A CMM: REPLD BY NAS1149F0332P	038038 042046 051052	8
15	NAS1149F0332P		.WASHER- CONFIG CHG DATA FROM A CMM: REPLS AN960-10L	038038 042046 051052	8
20	MS21042-3		.NUT	038038 042046 051052	8
25	2D2027-1		-----*----- .COVER ASSY- SUPPLIER CODE: V31218 CONFIG CHG DATA FROM A CMM: REPLD BY 2D2027-5	038038 042046 051052	2
25	2D2027-5		.COVER ASSY-TORSION SPR SUPPLIER CODE: V31218 CONFIG CHG DATA FROM A CMM: REPLS 2D2027-1	038038 042046 051052	2
30	SJ3526GRY1ADH		..HOOK-ADH VELCRO GRAY SUPPLIER CODE: V5J466	038038 042046 051052	AR
35	SJ3527GRY1ADH		..LOOP-ADH VELCRO GRAY SUPPLIER CODE: V5J466	038038 042046 051052	AR
40	2D2022-3		.LOCK-TORSION SPR SUPPLIER CODE: V31218	038038 042046 051052	2
45	NAS6203-5		ATTACHING PARTS .BOLT	038038 042046 051052	2

MISSING ITEM NUMBERS NOT APPLICABLE

- ITEM NOT ILLUSTRATED

HAP

25-25-12-98M

BOEING PROPRIETARY - Copyright © - Unpublished Work - See title page for details.

25-25-12
FIG. 98M
PAGE 1
FEB 15/09

BOEING
737-600/700/800/900
PARTS CATALOG (MAINTENANCE)

FIG ITEM	PART NUMBER	1 2 3 4 5 6 7	NOMENCLATURE	EFFECT FROM TO	UNITS PER ASSY
98M					
50	AN960-10L		.WASHER- CONFIG CHG DATA FROM A CMM: REPLD BY NAS1149F0332P	038038 042046 051052	2
50	NAS1149F0332P		.WASHER- CONFIG CHG DATA FROM A CMM: REPLS AN960-10L	038038 042046 051052	2
			-----*-----		
55	2D2023-7		.SPRING-TORSION FLAT SUPPLIER CODE: V31218	038038 042046 051052	2
			ATTACHING PARTS		
60	NAS1202-7		.BOLT	038038 042046 051052	2
			-----*-----		
65	2D2019-5		.ANCHOR-SPR SUPPLIER CODE: V31218	038038 042046 051052	2
70	NAS6203-13		.BOLT	038038 042046 051052	4
75	NAS623-213		.SCREW- CONFIG CHG DATA FROM A CMM: REPLD BY NAS623-2-13	038038 042046 051052	4
75	NAS623-2-13		.SCREW- CONFIG CHG DATA FROM A CMM: REPLS NAS623-213	038038 042046 051052	4
80	AN960-10		.WASHER- CONFIG CHG DATA FROM A CMM: REPLD BY NAS1149F0363P	038038 042046 051052	4
80	NAS1149F0363P		.WASHER- CONFIG CHG DATA FROM A CMM: REPLS AN960-10	038038 042046 051052	4
85	MS21042-3		.NUT	038038 042046 051052	4
90	MS21042-08		.NUT	038038 042046 051052	4
95	2110-21APA		.BACK ASSY-LWR SUPPLIER CODE: V31218	038038 042046 051052	2
			CONFIG CHG DATA FROM A CMM: REPLD BY 2110-23APA		
100	2D3017-1		..PIVOT-UPR SUPPLIER CODE: V31218	038038 042046 051052	2

MISSING ITEM NUMBERS NOT APPLICABLE

— ITEM NOT ILLUSTRATED

HAP

25-25-12-98M

BOEING PROPRIETARY - Copyright © - Unpublished Work - See title page for details.

25-25-12
FIG. 98M
PAGE 2
FEB 15/09

BOEING
737-600/700/800/900
PARTS CATALOG (MAINTENANCE)

FIG ITEM	PART NUMBER	1 2 3 4 5 6 7	NOMENCLATURE	EFFECT FROM TO	UNITS PER ASSY
98M 105	2D3015-1 KNOB-RELEASE SUPPLIER CODE: V31218 ATTACHING PARTS	038038 042046 051052	2
110	NAS601-12P SCREW	038038 042046 051052	2
115	C0240-020-0880M	..	-----*----- .. SPRING- SUPPLIER CODE: V77535	038038 042046 051052	2
120	2D3018-1APA TUBE-BACK SUPPLIER CODE: V31218 ATTACHING PARTS	038038 042046 051052	1
125	MS20600AD4W2 RIVET	038038 042046 051052	4
- 130	SJ3526GRY1ADH HOOK-ADH VELCRO GRAY SUPPLIER CODE: V5J466	038038 042046 051052	AR
135	2D3022-1APA GUSSET- LOWER BACK SUPPLIER CODE: V31218 ATTACHING PARTS	038038 042046 051052	1
140	MS20470AD44 RIVET	038038 042046 051052	18
145	MS20426AD44 RIVET	038038 042046 051052	4
150	MS21069L3	..	-----*----- .. NUTPLATE	038038 042046 051052	2
155	MS20426AD33	..	ATTACHING PARTS .. RIVET	038038 042046 051052	4
160	2D3023-1APA	..	-----*----- .. BRACKET-CORNER SUPPLIER CODE: V31218	038038 042046 051052	2

MISSING ITEM NUMBERS NOT APPLICABLE

- ITEM NOT ILLUSTRATED

HAP

25-25-12-98M

BOEING PROPRIETARY - Copyright © - Unpublished Work - See title page for details.

25-25-12
FIG. 98M
PAGE 3
FEB 15/09

BOEING
737-600/700/800/900
PARTS CATALOG (MAINTENANCE)

FIG ITEM	PART NUMBER	1 2 3 4 5 6 7	NOMENCLATURE	EFFECT FROM TO	UNITS PER ASSY
98M			ATTACHING PARTS		
165	MS20470AD44		.. RIVET	038038 042046 051052	8
			-----*-----		
170	2D3023-1APA		.. BRACKET-CORNER SUPPLIER CODE: V31218	038038 042046 051052	2
			ATTACHING PARTS		
175	MS20470AD44		.. RIVET	038038 042046 051052	8
			-----*-----		
180	MS20426AD44		.. RIVET	038038 042046 051052	4
			-----*-----		
185	2D3016-1APA		.. PAN- SUPPLIER CODE: V31218	038038 042046 051052	1
			ATTACHING PARTS		
190	2110-23APA		.BACK ASSY-LWR SUPPLIER CODE: V31218	038038 042046 051052	2
			CONFIG CHG DATA FROM A CMM: REPLS 2110-21APA		
			-----*-----		
195	2D3017-1		.. PIVOT-UPR SUPPLIER CODE: V31218	038038 042046 051052	2
			ATTACHING PARTS		
200	2D3015-1		.. KNOB-RELEASE SUPPLIER CODE: V31218	038038 042046 051052	2
			ATTACHING PARTS		
205	NAS601-12P		.. SCREW	038038 042046 051052	2
			-----*-----		
210	C0240-020-0880M		.. SPRING- SUPPLIER CODE: V77535	038038 042046 051052	2
			ATTACHING PARTS		
215	2D3018-11		.. TUBE-UPR SUPPLIER CODE: V31218	038038 042046 051052	1
			ATTACHING PARTS		
220	AD42BS		.. RIVET- SUPPLIER CODE: V07707	038038 042046 051052	6
			-----*-----		
225	SJ3526GRY1ADH		.. HOOK-ADH VELCRO GRAY SUPPLIER CODE: V5J466	038038 042046 051052	AR

MISSING ITEM NUMBERS NOT APPLICABLE

— ITEM NOT ILLUSTRATED

HAP

25-25-12-98M

BOEING PROPRIETARY - Copyright © - Unpublished Work - See title page for details.

25-25-12
FIG. 98M
PAGE 4
FEB 15/09

BOEING
737-600/700/800/900
PARTS CATALOG (MAINTENANCE)

FIG ITEM	PART NUMBER	1 2 3 4 5 6 7	NOMENCLATURE	EFFECT FROM TO	UNITS PER ASSY
98M			ATTACHING PARTS		
230	AD42BS		..RIVET- SUPPLIER CODE: V07707 -----*-----	038038 042046 051052	2
235	2D3046-3		..BRACE- SUPPLIER CODE: V31218 ATTACHING PARTS	038038 042046 051052	1
240	AD42BS		..RIVET- SUPPLIER CODE: V07707 -----*-----	038038 042046 051052	2
245	2D3022-9		..PAN- SUPPLIER CODE: V31218 POSITION DATA: LWR BACK	038038 042046 051052	1
250	2D3013-1		.LINK- UPR BACK SUPPLIER CODE: V31218 CONFIG CHG DATA FROM A CMM: REPLD BY 2D3013-11	038038 042046 051052	1
250	2D3013-11		.LINK- UPR BACK SUPPLIER CODE: V31218 CONFIG CHG DATA FROM A CMM: REPLS 2D3013-1	038038 042046 051052	1
255	2D3013-2		.LINK- UPR BACK SUPPLIER CODE: V31218 ATTACHING PARTS	038038 042046 051052	1
260	NAS623-3-3		.SCREW -----*-----	038038 042046 051052	2
265	NAS77-3-016		.BUSHING	038038 042046 051052	2
270	2D3013-3		.LINK-UPR BACK SUPPLIER CODE: V31218 ATTACHING PARTS	038038 042046 051052	2
275	NAS623-3-13		.SCREW	038038 042046 051052	1

MISSING ITEM NUMBERS NOT APPLICABLE

— ITEM NOT ILLUSTRATED

HAP

25-25-12-98M

BOEING PROPRIETARY - Copyright © - Unpublished Work - See title page for details.

25-25-12
FIG. 98M
PAGE 5
FEB 15/09

BOEING
737-600/700/800/900
PARTS CATALOG (MAINTENANCE)

FIG ITEM	PART NUMBER	1 2 3 4 5 6 7	NOMENCLATURE	EFFECT FROM TO	UNITS PER ASSY
98M 280	AN960-516		.WASHER- CONFIG CHG DATA FROM A CMM: REPLD BY NAS1149F0563P	038038 042046 051052	2
280	NAS1149F0563P		.WASHER- CONFIG CHG DATA FROM A CMM: REPLS AN960-516	038038 042046 051052	2
285	AN960-516L		.WASHER- CONFIG CHG DATA FROM A CMM: REPLD BY NAS1149F0532P	038038 042046 051052	2
285	NAS1149F0532P		.WASHER- CONFIG CHG DATA FROM A CMM: REPLS AN960-516L	038038 042046 051052	2
290	MS21042-3		.NUT	038038 042046 051052	1
			-----*-----		
295	NAS77-3-025		.BUSHING	038038 042046 051052	2
300	2D3012-1APA		.ATTACH- LWR BACK SUPPLIER CODE: V31218	038038 042046 051052	2
305	2D2015-1		.STOP-SEAT PAN SUPPLIER CODE: V31218	038038 042046 051052	2
310	2D2013-3		.PIVOT-LWR BACK SUPPLIER CODE: V31218	038038 042046 051052	2
315	8L8FK		.BUSHING-FLANGED SUPPLIER CODE: V96881 CONFIG CHG DATA FROM A CMM: REPLD BY 8L5-1-2F	038038 042046 051052	4
315	8L5-1-2F		.NYLINER-FLANGED SUPPLIER CODE: V96881 CONFIG CHG DATA FROM A CMM: REPLS 8L8FK	038038 042046 051052	4
320	2D2016-1		.BUSHING-PIVOT SUPPLIER CODE: V31218	038038 042046 051052	2
325	2D2013-1		.PIVOT-LWR BACK SUPPLIER CODE: V31218	038038 042046 051052	2
330	NAS75-3-024		.BUSHING	038038 042046 051052	1

MISSING ITEM NUMBERS NOT APPLICABLE

— ITEM NOT ILLUSTRATED

HAP

25-25-12-98M

BOEING PROPRIETARY - Copyright © - Unpublished Work - See title page for details.

25-25-12
FIG. 98M
PAGE 6
FEB 15/09

BOEING
737-600/700/800/900
PARTS CATALOG (MAINTENANCE)

FIG ITEM	PART NUMBER	1 2 3 4 5 6 7	NOMENCLATURE	EFFECT FROM TO	UNITS PER ASSY
98M			ATTACHING PARTS		
335	NAS6203-15		.BOLT	038038 042046 051052	1
340	AN960-10		.WASHER-	038038	1
			CONFIG CHG DATA FROM A CMM:	042046	
			REPLD BY NAS1149F0363P	051052	
340	NAS1149F0363P		.WASHER-	038038	1
			CONFIG CHG DATA FROM A CMM:	042046	
			REPLS AN960-10	051052	
345	MS21042-3		.NUT	038038 042046 051052	1
			-----*-----		
350	2D2018-1		.BUSHING-ANCHOR SEAT PAN	038038	2
			SUPPLIER CODE:	042046	
			V31218	051052	
			ATTACHING PARTS		
355	MS21262-37		.SCREW	038038 042046 051052	2
			-----*-----		
360	2D2020-5		.BUSHING-SEAT PAN	038038	2
			SUPPLIER CODE:	042046	
			V31218	051052	
			ATTACHING PARTS		
365	MS21262-64		.SCREW	038038 042046 051052	1
370	MS21042-4		.NUT	038038 042046 051052	1
			-----*-----		
375	MS16555-21		.PIN	038038 042046 051052	4
380	2110-20APA		.PAN ASSY-	038038	1
			SUPPLIER CODE:	042046	
			V31218	051052	
			CONFIG CHG DATA FROM A CMM:		
			REPLD BY 2110-22APA		
			REPLD BY 2110-24APA		
- 385	SJ3526GRY2ADH		..HOOK-ADHESIVE VELCRO	038038	AR
			GRAY	042046	
			SUPPLIER CODE:	051052	
			V5J466		

MISSING ITEM NUMBERS NOT APPLICABLE

- ITEM NOT ILLUSTRATED

HAP

25-25-12-98M

BOEING PROPRIETARY - Copyright © - Unpublished Work - See title page for details.

25-25-12
FIG. 98M
PAGE 7
FEB 15/09

BOEING
737-600/700/800/900
PARTS CATALOG (MAINTENANCE)

FIG ITEM	PART NUMBER	1 2 3 4 5 6 7	NOMENCLATURE	EFFECT FROM TO	UNITS PER ASSY
98M - 390	SJ3526GRY1ADH	..	HOOK-ADHESIVE VELCRO GRAY SUPPLIER CODE: V5J466	038038 042046 051052	AR
- 395	2D2025-1	..	FILLER- SUPPLIER CODE: V31218 CONFIG CHG DATA FROM A CMM: REPLD BY 2D2025-11	038038 042046 051052	1
- 395	2D2025-11	..	FILLER- SUPPLIER CODE: V31218 CONFIG CHG DATA FROM A CMM: REPLS 2D2025-1	038038 042046 051052	1
- 400	2D2025-2	..	FILLER- SUPPLIER CODE: V31218 CONFIG CHG DATA FROM A CMM: REPLD BY 2D2025-12	038038 042046 051052	1
- 400	2D2025-12	..	FILLER- SUPPLIER CODE: V31218 CONFIG CHG DATA FROM A CMM: REPLS 2D2025-2	038038 042046 051052	1
405	2D2011-1APA	..	LEVER-OUTBD SUPPLIER CODE: V31218 ATTACHING PARTS	038038 042046 051052	1
410	MS24694S3	..	SCREW	038038 042046 051052	3
415	2D2011-2APA	..	LEVER-OUTBD SUPPLIER CODE: V31218 ATTACHING PARTS	038038 042046 051052	1
420	MS24694S3	..	SCREW	038038 042046 051052	3
425	2D2012-3APA	..	LEVER-INBD SUPPLIER CODE: V31218 ATTACHING PARTS	038038 042046 051052	1
430	NAS1096-2-6	..	SCREW	038038 042046 051052	3

MISSING ITEM NUMBERS NOT APPLICABLE

- ITEM NOT ILLUSTRATED

HAP

25-25-12-98M

BOEING PROPRIETARY - Copyright © - Unpublished Work - See title page for details.

25-25-12
FIG. 98M
PAGE 8
FEB 15/09

BOEING
737-600/700/800/900
PARTS CATALOG (MAINTENANCE)

FIG ITEM	PART NUMBER	1 2 3 4 5 6 7	NOMENCLATURE	EFFECT FROM TO	UNITS PER ASSY
98M 435	2D2012-1APA	..	LEVER-INBD SUPPLIER CODE: V31218	038038 042046 051052	1
440	NAS1096-2-6	..	SCREW -----*-----	038038 042046 051052	3
445	2D2021-1APA	..	PAN- SUPPLIER CODE: V31218	038038 042046 051052	1
450	2110-22APA	.PAN	ASSY- SUPPLIER CODE: V31218	038038 042046 051052	1
455	SJ3526GRY2ADH	..	HOOK-ADHESIVE VELCRO GRAY SUPPLIER CODE: V5J466	038038 042046 051052	AR
460	SJ3526GRY1ADH	..	HOOK-ADHESIVE VELCRO GRAY SUPPLIER CODE: V5J466	038038 042046 051052	AR
465	2D2025-1	..	FILLER- SUPPLIER CODE: V31218	038038 042046 051052	1
465	2D2025-11	..	FILLER- SUPPLIER CODE: V31218	038038 042046 051052	1
470	2D2025-2	..	FILLER- SUPPLIER CODE: V31218	038038 042046 051052	1
470	2D2025-12	..	FILLER- SUPPLIER CODE: V31218	038038 042046 051052	1
475	2D2011-1APA	..	LEVER-OUTBD SUPPLIER CODE: V31218	038038 042046 051052	1

MISSING ITEM NUMBERS NOT APPLICABLE

— ITEM NOT ILLUSTRATED

HAP

25-25-12-98M

BOEING PROPRIETARY - Copyright © - Unpublished Work - See title page for details.

25-25-12
FIG. 98M
PAGE 9
FEB 15/09

BOEING
737-600/700/800/900
PARTS CATALOG (MAINTENANCE)

FIG ITEM	PART NUMBER	1 2 3 4 5 6 7	NOMENCLATURE	EFFECT FROM TO	UNITS PER ASSY
98M			ATTACHING PARTS		
480	MS24694S3		.. SCREW	038038 042046 051052	3
			-----*-----		
485	2D2011-2APA		.. LEVER-OUTBD SUPPLIER CODE: V31218	038038 042046 051052	1
490	MS24694S3		ATTACHING PARTS .. SCREW	038038 042046 051052	3
			-----*-----		
495	2D2012-11APA		.. LEVER- SUPPLIER CODE: V31218	038038 042046 051052	1
500	NAS1096-2-6		ATTACHING PARTS .. SCREW	038038 042046 051052	3
505	AN960-8		.. WASHER- CONFIG CHG DATA FROM A CMM: REPLD BY NAS1149FN832P	038038 042046 051052	3
505	NAS1149FN832P		.. WASHER- CONFIG CHG DATA FROM A CMM: REPLS AN960-8	038038 042046 051052	3
			-----*-----		
510	2D2012-9APA		.. LEVER- SUPPLIER CODE: V31218	038038 042046 051052	1
515	NAS1096-2-6		ATTACHING PARTS .. SCREW	038038 042046 051052	3
520	AN960-8		.. WASHER- CONFIG CHG DATA FROM A CMM: REPLD BY NAS1149FN832P	038038 042046 051052	3
520	NAS1149FN832P		.. WASHER- CONFIG CHG DATA FROM A CMM: REPLS AN960-8	038038 042046 051052	3
			-----*-----		
525	2D2021-7APA		.. PAN- SUPPLIER CODE: V31218	038038 042046 051052	1
530	2110-24APA		.PAN ASSY- SUPPLIER CODE: V31218 CONFIG CHG DATA FROM A CMM: REPLS 2110-20APA	038038 042046 051052	1

MISSING ITEM NUMBERS NOT APPLICABLE

— ITEM NOT ILLUSTRATED

HAP

25-25-12-98M

BOEING PROPRIETARY - Copyright © - Unpublished Work - See title page for details.

25-25-12
FIG. 98M
PAGE 10
FEB 15/09

BOEING
737-600/700/800/900
PARTS CATALOG (MAINTENANCE)

FIG ITEM	PART NUMBER	1 2 3 4 5 6 7	NOMENCLATURE	EFFECT FROM TO	UNITS PER ASSY
98M 535	SJ3526GRY2ADH	..	HOOK-ADHESIVE VELCRO GRAY SUPPLIER CODE: V5J466	038038 042046 051052	AR
540	SJ3526GRY1ADH	..	HOOK-ADHESIVE VELCRO GRAY SUPPLIER CODE: V5J466	038038 042046 051052	AR
545	2D2025-11	..	FILLER- SUPPLIER CODE: V31218	038038 042046 051052	1
550	2D2025-12	..	FILLER- SUPPLIER CODE: V31218	038038 042046 051052	1
555	2D2011-1APA	..	LEVER-OUTBD SUPPLIER CODE: V31218 ATTACHING PARTS	038038 042046 051052	1
560	MS24694S3	..	SCREW	038038 042046 051052	3
565	2D2011-2APA	..	LEVER-OUTBD SUPPLIER CODE: V31218 ATTACHING PARTS	038038 042046 051052	1
570	MS24694S3	..	SCREW	038038 042046 051052	3
575	2D2012-3APA	..	LEVER-INBD SUPPLIER CODE: V31218 ATTACHING PARTS	038038 042046 051052	1
580	NAS1096-2-6	..	SCREW	038038 042046 051052	3
585	2D2012-1APA	..	LEVER-INBD SUPPLIER CODE: V31218 ATTACHING PARTS	038038 042046 051052	1
590	NAS1096-2-6	..	SCREW	038038 042046 051052	3
595	2D2021-1APA	..	PAN- SUPPLIER CODE: V31218	038038 042046 051052	1

MISSING ITEM NUMBERS NOT APPLICABLE

— ITEM NOT ILLUSTRATED

HAP

25-25-12-98M

BOEING PROPRIETARY - Copyright © - Unpublished Work - See title page for details.

25-25-12
FIG. 98M
PAGE 11
FEB 15/09

BOEING
737-600/700/800/900
PARTS CATALOG (MAINTENANCE)

FIG ITEM	PART NUMBER	1 2 3 4 5 6 7	NOMENCLATURE	EFFECT FROM TO	UNITS PER ASSY
98M 600	2110-10APA		.BASE ASSY-SEAT ATTENDANT NARROW DBL SUPPLIER CODE: V31218 COMPONENT MAINT MANUAL REF: 25-23-57	038038 042046 051052	1
605	2D1062-1APA		..BRACKET-SPRT SUPPLIER CODE: V31218 POSITION DATA: CTR ATTACHING PARTS	038038 042046 051052	2
610	NAS6203-11		..BOLT	038038 042046 051052	2
615	AN960-10		..WASHER- CONFIG CHG DATA FROM A CMM: REPLD BY NAS1149F0363P	038038 042046 051052	2
615	NAS1149F0363P		..WASHER- CONFIG CHG DATA FROM A CMM: REPLS AN960-10	038038 042046 051052	2
620	MS21042-3		..NUT	038038 042046 051052	2
625	2D1038-1APA		-----*----- ..MEMBER-CROSS TOP SUPPLIER CODE: V31218 ATTACHING PARTS	038038 042046 051052	1
630	NAS623-2-1		..SCREW	038038 042046 051052	8
635	AN960-8		..WASHER- CONFIG CHG DATA FROM A CMM: REPLD BY NAS1149FN832P	038038 042046 051052	8
635	NAS1149FN832P		..WASHER- CONFIG CHG DATA FROM A CMM: REPLS AN960-8	038038 042046 051052	8
640	2D1024-1APA		-----*----- ..PANEL-SIDE SUPPLIER CODE: V31218 ATTACHING PARTS	038038 042046 051052	1
645	NAS6204-19		..BOLT	038038 042046 051052	1
650	AN960-416		..WASHER- CONFIG CHG DATA FROM A CMM: REPLD BY NAS1149F0463P	038038 042046 051052	1

MISSING ITEM NUMBERS NOT APPLICABLE

— ITEM NOT ILLUSTRATED

HAP

25-25-12-98M

BOEING PROPRIETARY - Copyright © - Unpublished Work - See title page for details.

25-25-12
FIG. 98M
PAGE 12
FEB 15/09

BOEING
737-600/700/800/900
PARTS CATALOG (MAINTENANCE)

FIG ITEM	PART NUMBER	1 2 3 4 5 6 7	NOMENCLATURE	EFFECT FROM TO	UNITS PER ASSY
98M 650	NAS1149F0463P	..	WASHER- CONFIG CHG DATA FROM A CMM: REPLS AN960-416	038038 042046 051052	1
655	MS21042-4	..	NUT	038038 042046 051052	1
660	2D1024-2APA	..	PANEL-SIDE SUPPLIER CODE: V31218 ATTACHING PARTS	038038 042046 051052	1
665	NAS6204-19	..	BOLT	038038 042046 051052	1
670	AN960-416	..	WASHER- CONFIG CHG DATA FROM A CMM: REPLD BY NAS1149F0463P	038038 042046 051052	1
670	NAS1149F0463P	..	WASHER- CONFIG CHG DATA FROM A CMM: REPLS AN960-416	038038 042046 051052	1
675	MS21042-4	..	NUT	038038 042046 051052	1
680	MS21069L08	..	NUTPLATE	038038 042046 051052	4
685	SD32BS	..	RIVET-POP SUPPLIER CODE: V07707	038038 042046 051052	8
690	2D1036-1APA	..	SUPPORT-CTR SUPPLIER CODE: V31218 ATTACHING PARTS	038038 042046 051052	1
695	NAS623-2-26	..	SCREW	038038 042046 051052	1
700	MS21042-08	..	NUT	038038 042046 051052	1
705	2D1039-1APA	..	TUBE-CROSS UPR BACK SUPPLIER CODE: V31218	038038 042046 051052	1

MISSING ITEM NUMBERS NOT APPLICABLE

— ITEM NOT ILLUSTRATED

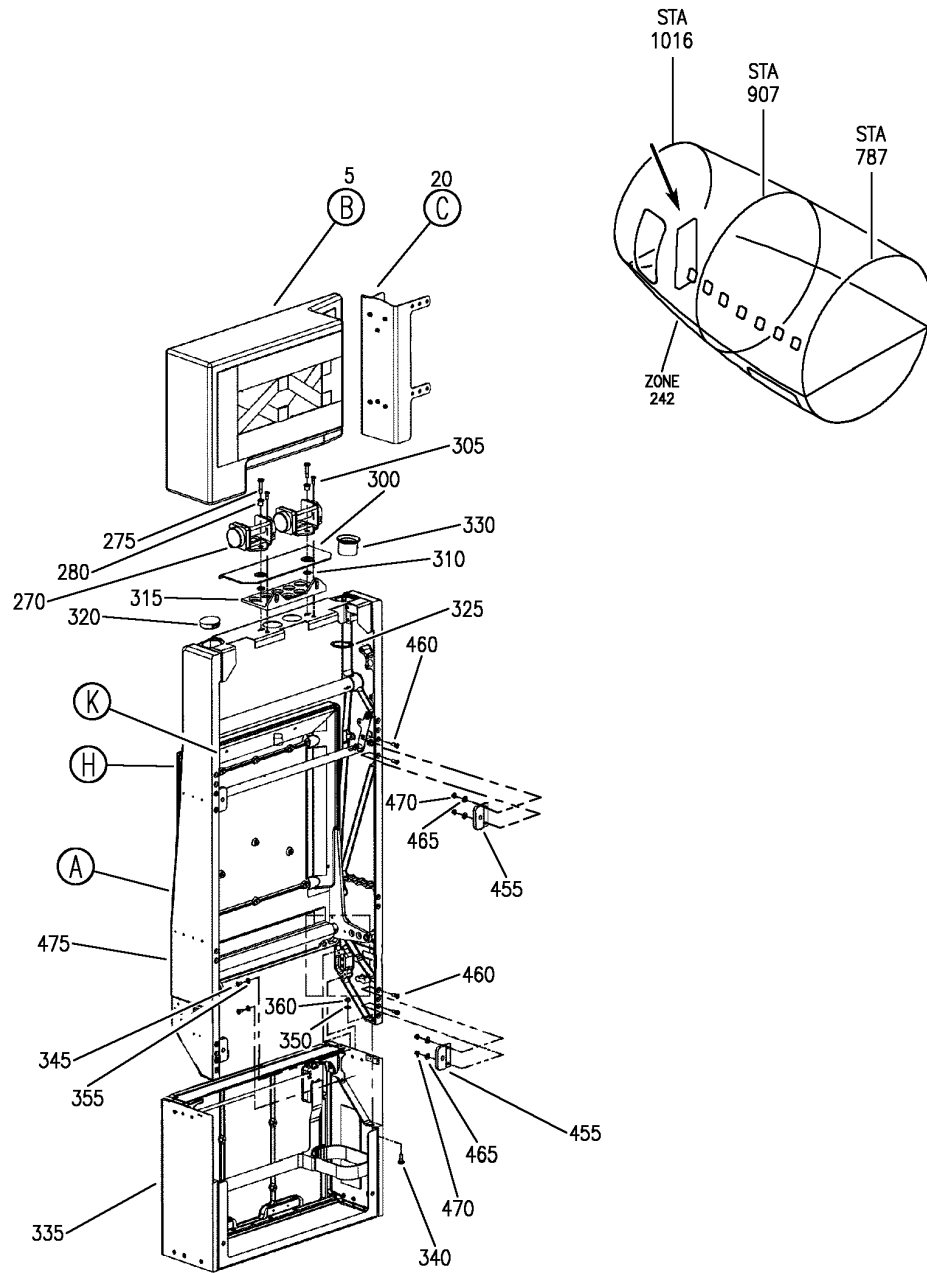
HAP

25-25-12-98M

BOEING PROPRIETARY - Copyright © - Unpublished Work - See title page for details.

25-25-12
FIG. 98M
PAGE 13
FEB 15/09

BOEING
 737-600/700/800/900
 PARTS CATALOG (MAINTENANCE)



E 25251299T SH1 1 REV 153

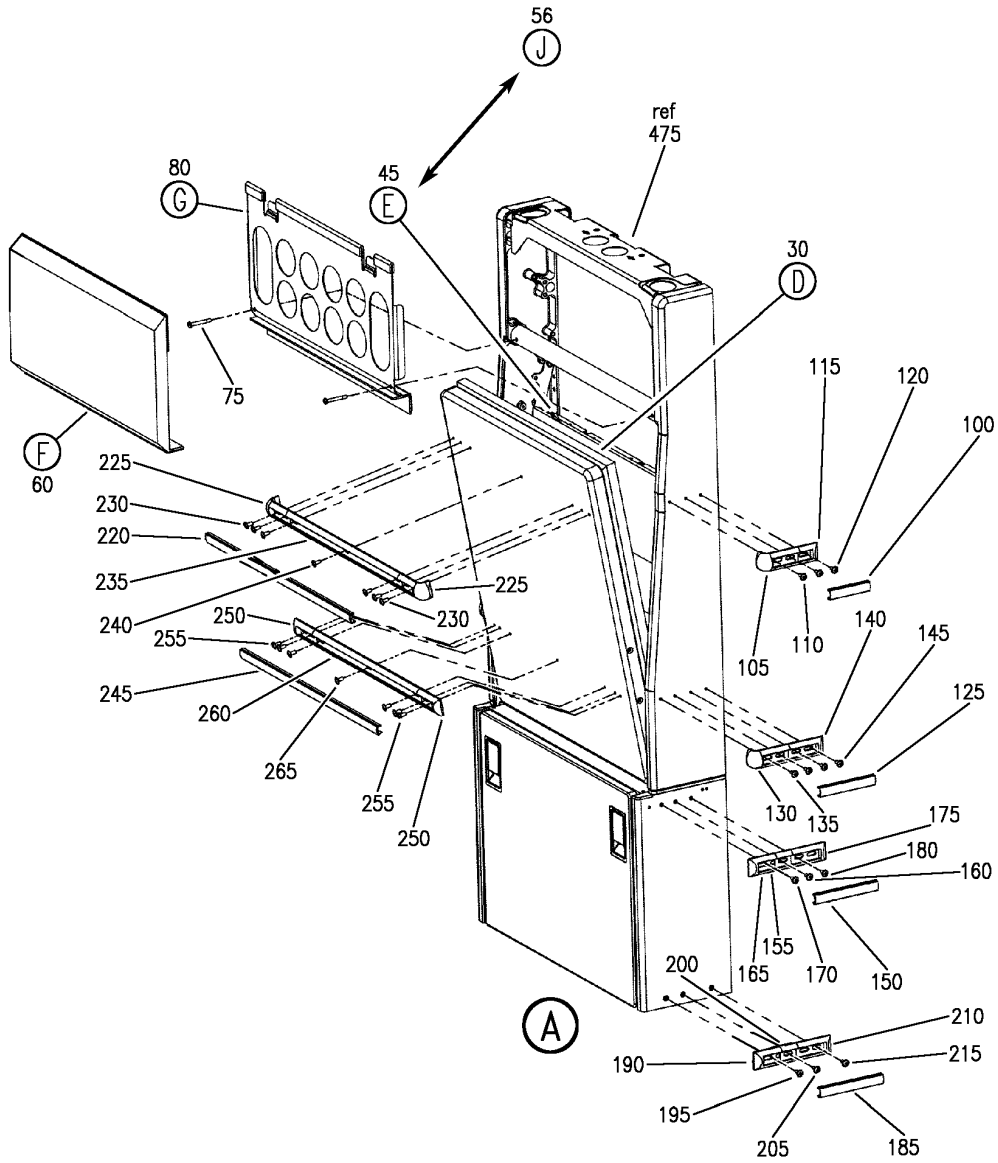
SEAT ASSY-ATTENDANT SINGLE WALL-MOUNTED JAR-OPS AFT FACING
 FIGURE 99T (SHEET 1)

25-25-12-99T

HAP
 JUN 15/09

25-25-12-99T
 PAGE 0

BOEING
 737-600/700/800/900
 PARTS CATALOG (MAINTENANCE)



E 25251299T SH1 2 REV 153

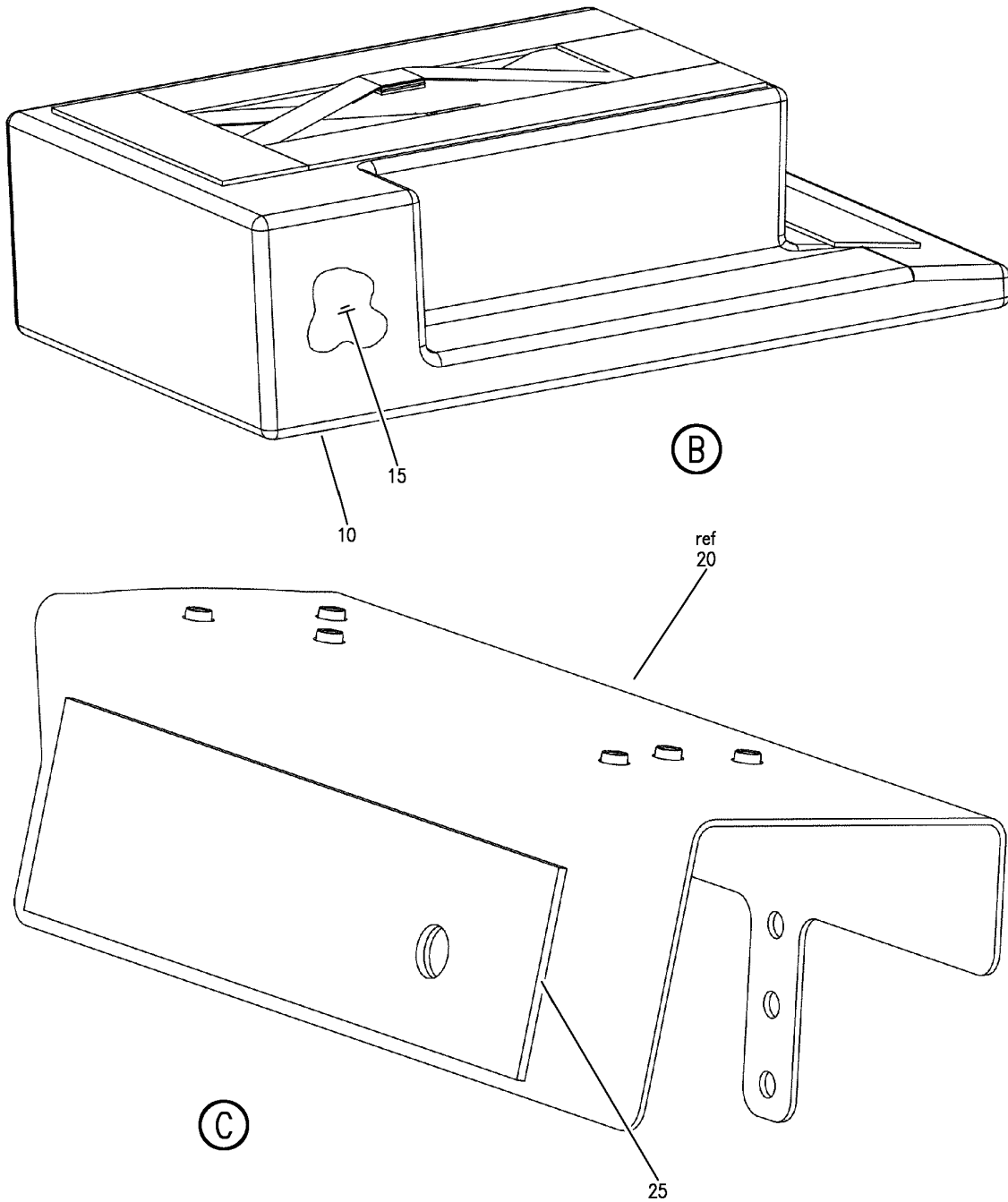
SEAT ASSY-ATTENDANT SINGLE WALL-MOUNTED JAR-OPS AFT FACING
 FIGURE 99T (SHEET 2)

25-25-12-99T

HAP
 JUN 15/09

25-25-12-99T
 PAGE 0A

BOEING
737-600/700/800/900
PARTS CATALOG (MAINTENANCE)



E 25251299T SH1 3 REV 130

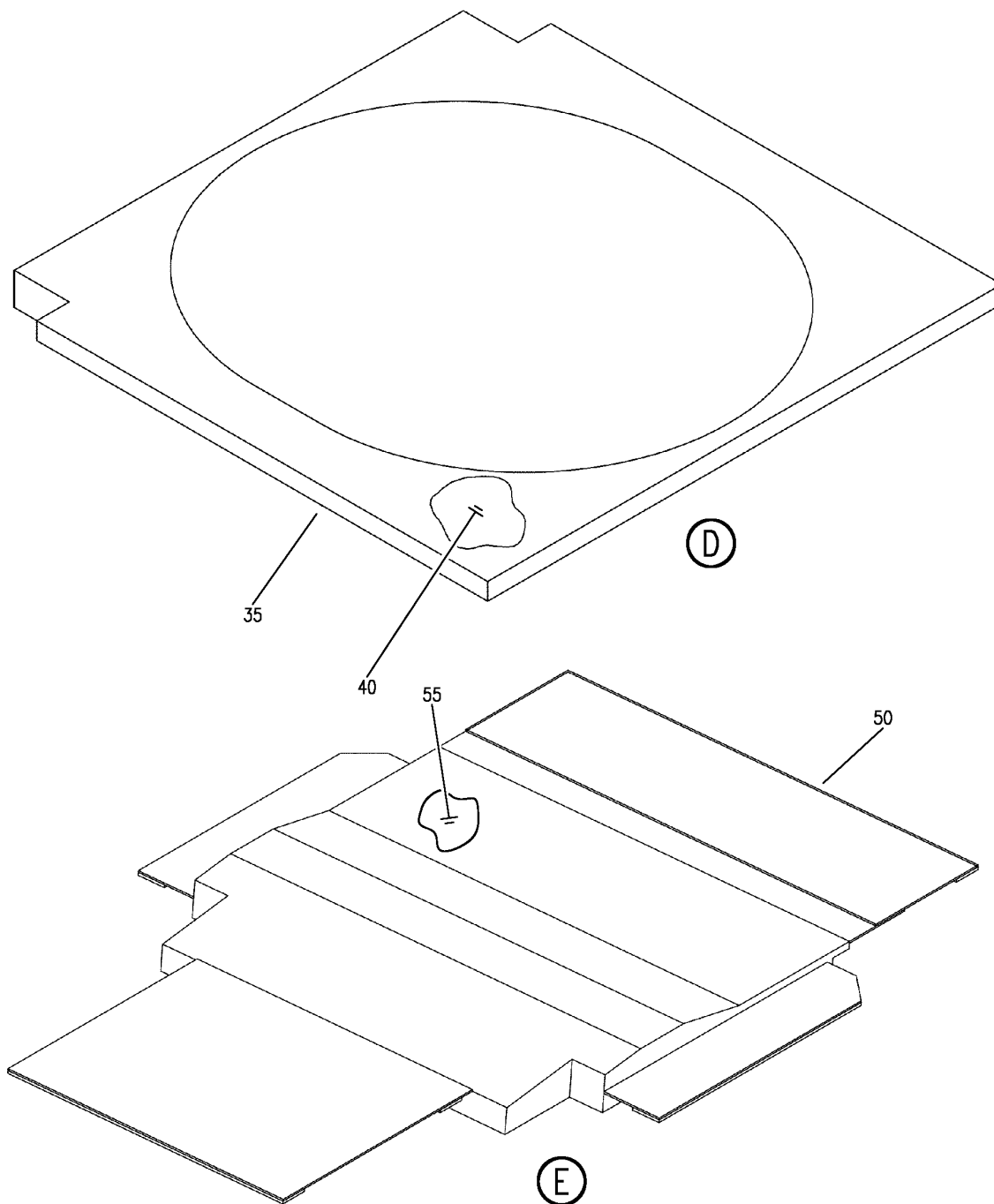
SEAT ASSY-ATTENDANT SINGLE WALL-MOUNTED JAR-OPS AFT FACING
FIGURE 99T (SHEET 3)

25-25-12-99T

HAP
JUN 10/07

25-25-12-99T
PAGE 0B

BOEING
737-600/700/800/900
PARTS CATALOG (MAINTENANCE)



E 25251299T SHT 4 REV 130

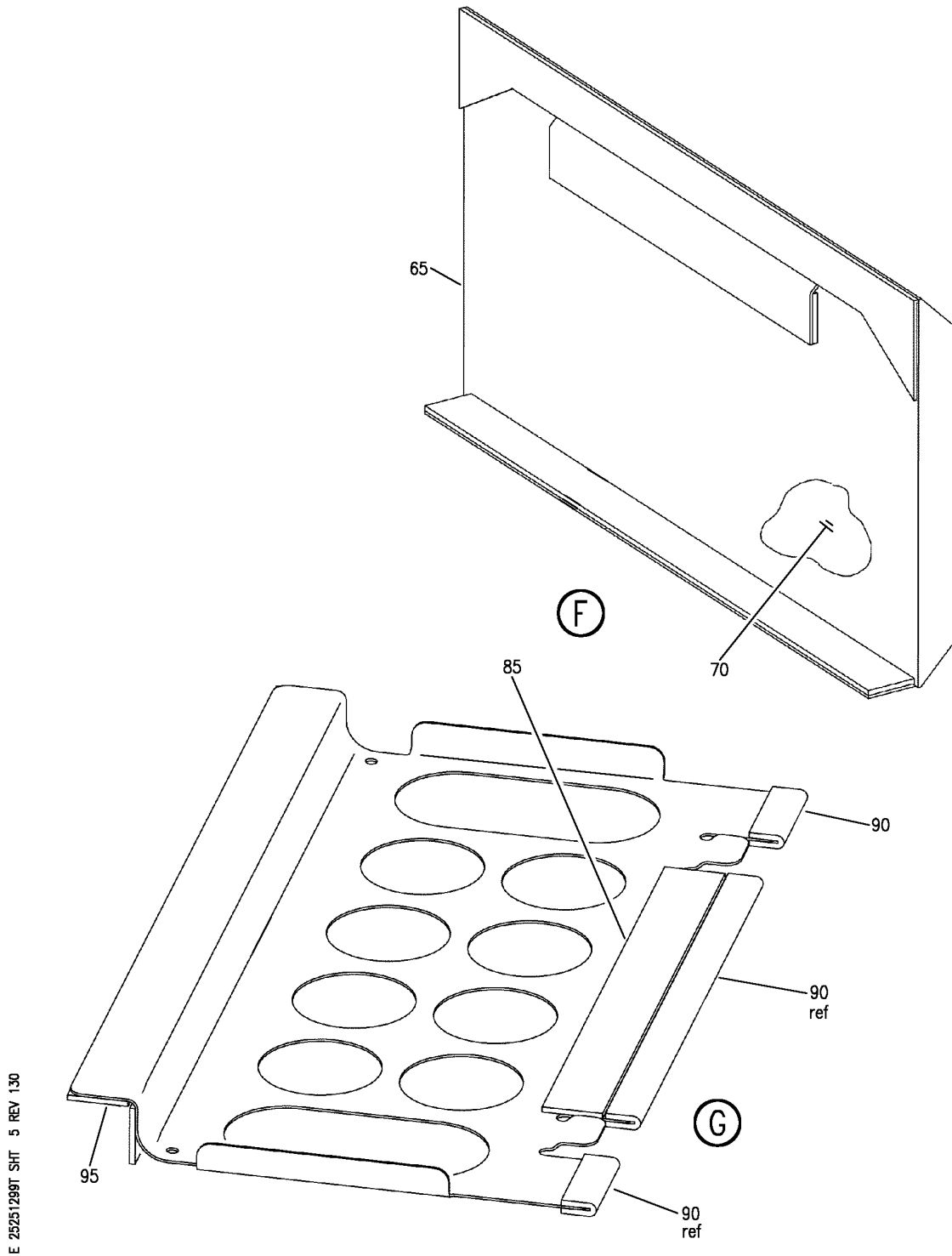
SEAT ASSY-ATTENDANT SINGLE WALL-MOUNTED JAR-OPS AFT FACING
FIGURE 99T (SHEET 4)

25-25-12-99T

HAP
JUN 10/07

25-25-12-99T
PAGE 0C

BOEING
737-600/700/800/900
PARTS CATALOG (MAINTENANCE)



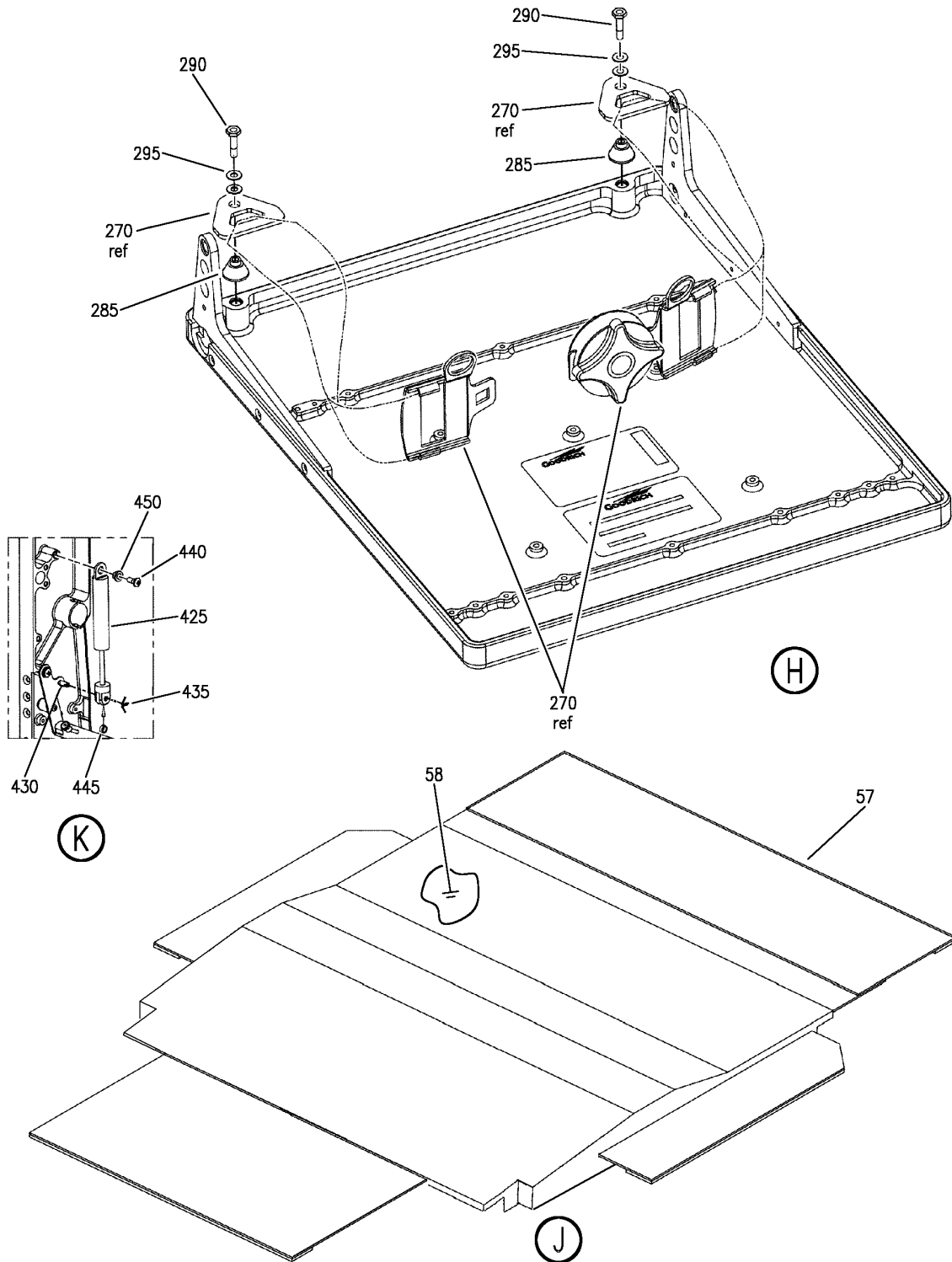
SEAT ASSY-ATTENDANT SINGLE WALL-MOUNTED JAR-OPS AFT FACING
FIGURE 99T (SHEET 5)

25-25-12-99T

HAP
JUN 10/07

25-25-12-99T
PAGE 0D

BOEING
 737-600/700/800/900
 PARTS CATALOG (MAINTENANCE)



E 25251299T SH1 6 REV 153

SEAT ASSY-ATTENDANT SINGLE WALL-MOUNTED JAR-OPS AFT FACING
 FIGURE 99T (SHEET 6)

25-25-12-99T

HAP
 JUN 15/09

25-25-12-99T
 PAGE 0E

BOEING
737-600/700/800/900
PARTS CATALOG (MAINTENANCE)

FIG ITEM	PART NUMBER	1 2 3 4 5 6 7	NOMENCLATURE	EFFECT FROM TO	UNITS PER ASSY
99T					
R	25		..HOOK-ADHESIVE VELCRO BLACK SUPPLIER CODE: V31218 CONFIG CHG DATA FROM A CMM: REPLS SJ3526GRY2ADH	101106 968999	AR
R					
R					
R					
R	30		.CUSHION AND COVER ASSY- SEAT PAN SUPPLIER CODE: V31218	101106 968999	1
R					
R					
R	35		..COVER- SUPPLIER CODE: V31218	101106 968999	1
R					
R					
R	40		..CUSHION- SUPPLIER CODE: V31218	101106 968999	1
R					
R					
R	45		.CUSHION AND COVER ASSY- BACK SUPPLIER CODE: V31218 POSITION DATA: LWR USED ON: 2112-318PB	101106 968999	1
R					
R					
R	50		..COVER- SUPPLIER CODE: V31218	101106 968999	1
R					
R					
R	55		..CUSHION- SUPPLIER CODE: V31218	101106 968999	1
R					
R					
R	56		.CUSHION AND COVER ASSY- BACK SUPPLIER CODE: V31218 POSITION DATA: LWR USED ON: 2112-118PB	101106 968999	1
R					
R					
R	57		..COVER- SUPPLIER CODE: V31218	101106 968999	1
R					
R					
R	58		..CUSHION- SUPPLIER CODE: V31218	101106 968999	1
R					
R					

MISSING ITEM NUMBERS NOT APPLICABLE

— ITEM NOT ILLUSTRATED

HAP

25-25-12-99T

BOEING PROPRIETARY - Copyright © - Unpublished Work - See title page for details.

25-25-12
FIG. 99T
PAGE 2
JUN 15/09

BOEING
737-600/700/800/900
PARTS CATALOG (MAINTENANCE)

FIG ITEM	PART NUMBER	1 2 3 4 5 6 7	NOMENCLATURE	EFFECT FROM TO	UNITS PER ASSY
R R R R R R R R R R R R R R	99T 60	2D7006-3AMD	.CUSHION AND COVER ASSY- BACK SUPPLIER CODE: V31218 POSITION DATA: UPR	101106 968999	1
	65	2D7006-13AMD	..COVER- SUPPLIER CODE: V31218	101106 968999	1
	70	2D7007-3	..CUSHION- SUPPLIER CODE: V31218	101106 968999	1
	75	NAS623-2-16	.SCREW	101106 968999	2
	80	2D1049-1AMJ	.PAN ASSY-BACK SUPPLIER CODE: V31218 POSITION DATA: UPR	101106 968999	1
	85	SJ3526GRY1ADH	..HOOK-ADHESIVE VELCRO GRAY SUPPLIER CODE: V5J466 CONFIG CHG DATA FROM A CMM: REPLD BY SJ3526BLK1ADH	101106 968999	AR
	85	SJ3526BLK1ADH	..HOOK-ADHESIVE VELCRO BLACK SUPPLIER CODE: V5J466 CONFIG CHG DATA FROM A CMM: REPLS SJ3526GRY1ADH	101106 968999	AR
	90	SJ3527GRY1ADH	..LOOP-ADHESIVE VELCRO GRAY SUPPLIER CODE: V5J466 CONFIG CHG DATA FROM A CMM: REPLD BY SJ3527BLK1ADH	101106 968999	AR
	90	SJ3527BLK1ADH	..LOOP-ADHESIVE VELCRO BLACK SUPPLIER CODE: V5J466 CONFIG CHG DATA FROM A CMM: REPLS SJ3527GRY1ADH	101106 968999	AR
	95	SJ3526GRY2ADH	..HOOK-ADHESIVE VELCRO GRAY SUPPLIER CODE: V5J466 CONFIG CHG DATA FROM A CMM: REPLD BY SJ3526BLK2ADH	101106 968999	AR

MISSING ITEM NUMBERS NOT APPLICABLE

— ITEM NOT ILLUSTRATED

HAP

25-25-12-99T

BOEING PROPRIETARY - Copyright © - Unpublished Work - See title page for details.

25-25-12
FIG. 99T
PAGE 3
JUN 15/09

BOEING
737-600/700/800/900
PARTS CATALOG (MAINTENANCE)

FIG ITEM	PART NUMBER	1 2 3 4 5 6 7	NOMENCLATURE	EFFECT FROM TO	UNITS PER ASSY
99T					
R R R	140 A70027-3AMJ		.CAP-END ALUM RUBSTRIP SUPPLIER CODE: V31218 ATTACHING PARTS	101106 968999	2
R R	145 AN525-832R6		.SCREW	101106 968999	4
			-----*-----		
R R R	150 S21012-69AMJ		.COVER-RUBSTRIP SUPPLIER CODE: V31218	101106 968999	2
R R R	155 A21011-33AMJ		.CHANNEL-RUBSTRIP ALUM SUPPLIER CODE: V31218 ATTACHING PARTS	101106 968999	2
R R	160 AN525-832R6		.SCREW	101106 968999	2
			-----*-----		
R R R	165 A70027-5AMJ		.CAP-END ALUM RUBSTRIP SUPPLIER CODE: V31218 ATTACHING PARTS	101106 968999	2
R R	170 AN525-832R6		.SCREW	101106 968999	2
			-----*-----		
R R R	175 A70027-3AMJ		.CAP-END ALUM RUBSTRIP SUPPLIER CODE: V31218 ATTACHING PARTS	101106 968999	2
R R	180 AN525-832R6		.SCREW	101106 968999	2
			-----*-----		
R R R	185 S21012-69AMJ		.COVER-RUBSTRIP SUPPLIER CODE: V31218	101106 968999	2
R R R	190 A70027-5AMJ		.CAP-END ALUM RUBSTRIP SUPPLIER CODE: V31218 ATTACHING PARTS	101106 968999	2
R R	195 AN525-832R6		.SCREW	101106 968999	2
			-----*-----		
R R R	200 A21011-33AMJ		.CHANNEL-RUBSTRIP ALUM SUPPLIER CODE: V31218 ATTACHING PARTS	101106 968999	2
R R	205 AN525-832R6		.SCREW	101106 968999	2
			-----*-----		

MISSING ITEM NUMBERS NOT APPLICABLE

— ITEM NOT ILLUSTRATED

HAP

25-25-12-99T

25-25-12
FIG. 99T
PAGE 5
JUN 15/09

BOEING
737-600/700/800/900
PARTS CATALOG (MAINTENANCE)

FIG ITEM	PART NUMBER	1 2 3 4 5 6 7	NOMENCLATURE	EFFECT FROM TO	UNITS PER ASSY
99T					
R R R	210	A70027-3AMJ	.CAP-END ALUM RUBSTRIP SUPPLIER CODE: V31218 ATTACHING PARTS	101106 968999	2
R R	215	AN525-832R6	.SCREW	101106 968999	2
R R R R R	220	S21012-29AMJ	.COVER-RUBSTRIP SUPPLIER CODE: V31218	101106 968999	1
R R R	225	A70027-1AMJ	.CAP-END ALUM RUBSTRIP SUPPLIER CODE: V31218 ATTACHING PARTS	101106 968999	2
R R	230	AN525-832R6	.SCREW	101106 968999	4
R R R	235	A21011-23AMJ	.CHANNEL-RUBSTRIP ALUM SUPPLIER CODE: V31218 ATTACHING PARTS	101106 968999	1
R R	240	AN525-832R6	.SCREW	101106 968999	3
R R R R R	245	S21012-31AMJ	.COVER-RUBSTRIP SUPPLIER CODE: V31218	101106 968999	1
R R R	250	A70027-3AMJ	.CAP-END ALUM RUBSTRIP SUPPLIER CODE: V31218 ATTACHING PARTS	101106 968999	2
R R	255	AN525-832R6	.SCREW	101106 968999	4
R R R	260	A21011-25AMJ	.CHANNEL-RUBSTRIP ALUM SUPPLIER CODE: V31218 ATTACHING PARTS	101106 968999	1
R R	265	AN525-832R6	.SCREW	101106 968999	3
R R R R R	270	2100002-01-276	.RESTRAINT-SYS SUPPLIER CODE: V45402 COMPONENT MAINT MANUAL REF: 25-11-53	101106 968999	2

MISSING ITEM NUMBERS NOT APPLICABLE

— ITEM NOT ILLUSTRATED

HAP

25-25-12-99T

BOEING PROPRIETARY - Copyright © - Unpublished Work - See title page for details.

25-25-12
FIG. 99T
PAGE 6
JUN 15/09

BOEING
737-600/700/800/900
PARTS CATALOG (MAINTENANCE)

FIG ITEM	PART NUMBER	1 2 3 4 5 6 7	NOMENCLATURE	EFFECT FROM TO	UNITS PER ASSY
99T			ATTACHING PARTS		
R R	275 NAS6203-10		.BOLT	101106 968999	2
R R R R	280 NAS77-3-033		.BUSHING	101106 968999	2
R R R	285 2D2017-1		.FITTING-LAP BELT SUPPLIER CODE: V31218	101106 968999	2
R R R	290 NAS6203-10		ATTACHING PARTS .BOLT	101106 968999	2
R R	295 NAS1149F0332P		.WASHER	101106 968999	2
R R R	300 2D1067-1		.GUIDE-WEB WEAR SUPPLIER CODE: V31218	101106 968999	1
R R R	305 NAS623-2-3		.SCREW- CONFIG CHG DATA FROM A CMM: REPLD BY NAS623-2-4	101106 968999	2
R R R	305 NAS623-2-4		.SCREW- CONFIG CHG DATA FROM A CMM: REPLS NAS623-2-3	101106 968999	2
R R	310 NAS1149F0563P		.WASHER	101106 968999	2
R R R	315 2D1037-1		.BRACKET-INERTIA REEL SUPPLIER CODE: V31218	101106 968999	1
R R R	320 2753		.PLUG-DOME SUPPLIER CODE: V28520	101106 968999	1
R R R	325 MS16624-2137		.RING	101106 968999	1
R R R	330 2D1041-1		.FUNNEL-PHONE CORD SUPPLIER CODE: V31218	101106 968999	1
R R R	335 2112-47AMJ		.BOX ASSY-STOWAGE SUPPLIER CODE: V31218 FOR DETAILS SEE: 25-25-12-99U	101106 968999	1
R R R	340 NAS6203-3		ATTACHING PARTS .BOLT	101106 968999	2
R	345 NAS623-2-1		.SCREW	101106 968999	4

MISSING ITEM NUMBERS NOT APPLICABLE

— ITEM NOT ILLUSTRATED

HAP

25-25-12-99T

BOEING PROPRIETARY - Copyright © - Unpublished Work - See title page for details.

25-25-12
FIG. 99T
PAGE 7
JUN 15/09

BOEING
737-600/700/800/900
PARTS CATALOG (MAINTENANCE)

FIG ITEM	PART NUMBER	1 2 3 4 5 6 7	NOMENCLATURE	EFFECT FROM TO	UNITS PER ASSY
99T					
R	350	NAS1149F0332P	.WASHER	101106	2
R				968999	
R	355	NAS1149FN832P	.WASHER	101106	4
R				968999	
R	360	MS21042-3	.NUT	101106	2
R				968999	
			-----*-----		
R	425	SP20523	.DAMPENER-SPR	101106	1
R			SUPPLIER CODE:	968999	
R			V24403		
			ATTACHING PARTS		
R	430	MS20392-1C13	.PIN	101106	1
R				968999	
R	435	MS24665-132	.PIN	101106	1
R				968999	
R	440	NAS623-3-3	.SCREW	101106	1
R				968999	
R	445	NAS43DD3-8	.SPACER	101106	1
R				968999	
			-----*-----		
R	450	NAS77-3-016	.BUSHING	101106	1
R				968999	
R	455	2D1040-3	.BRACKET-MTG	101106	4
R			SUPPLIER CODE:	968999	
R			V31218		
			ATTACHING PARTS		
R	460	NAS1203-4	.BOLT	101106	8
R				968999	
R	465	NAS1149F0332P	.WASHER	101106	8
R				968999	
R	470	MS21042-3	.NUT	101106	8
R				968999	
			-----*-----		
R	475	2112-0AMJ	.CORE ASSY-	101106	1
R			SUPPLIER CODE:	968999	
R			V31218		
R			USED ON:		
R			2112-318PB		
R			FOR DETAILS SEE:		
R			25-25-12-99W		
R	475	2112-1AMJ	.CORE ASSY-	101106	1
R			SUPPLIER CODE:	968999	
R			V31218		
R			USED ON:		
R			2112-118PB		
R			FOR DETAILS SEE:		
R			25-25-12-97D		

MISSING ITEM NUMBERS NOT APPLICABLE

— ITEM NOT ILLUSTRATED

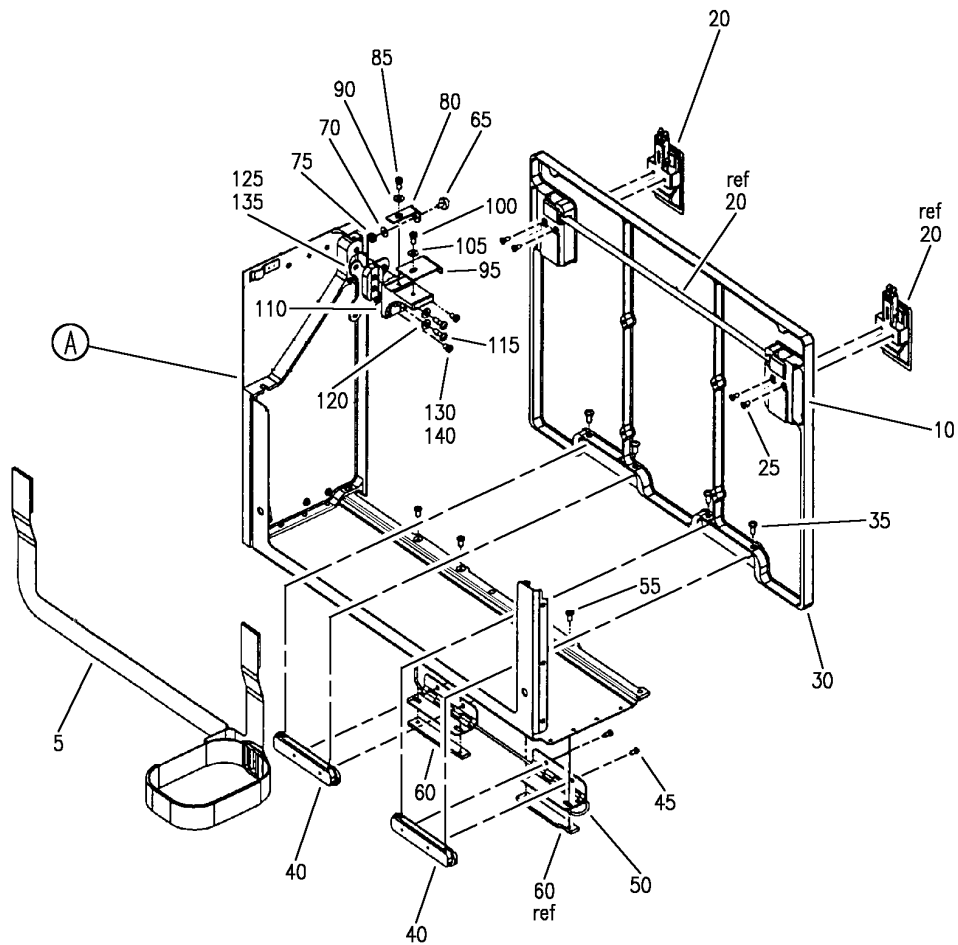
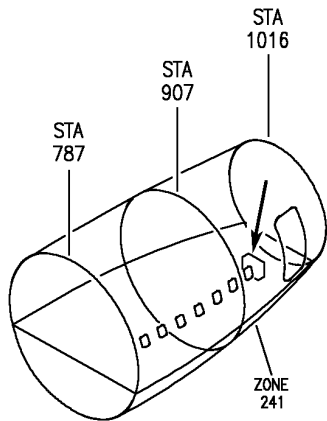
HAP

25-25-12-99T

BOEING PROPRIETARY - Copyright © - Unpublished Work - See title page for details.

25-25-12
FIG. 99T
PAGE 8
JUN 15/09

BOEING
 737-600/700/800/900
 PARTS CATALOG (MAINTENANCE)



E 25251299U SHT 1 REV 130

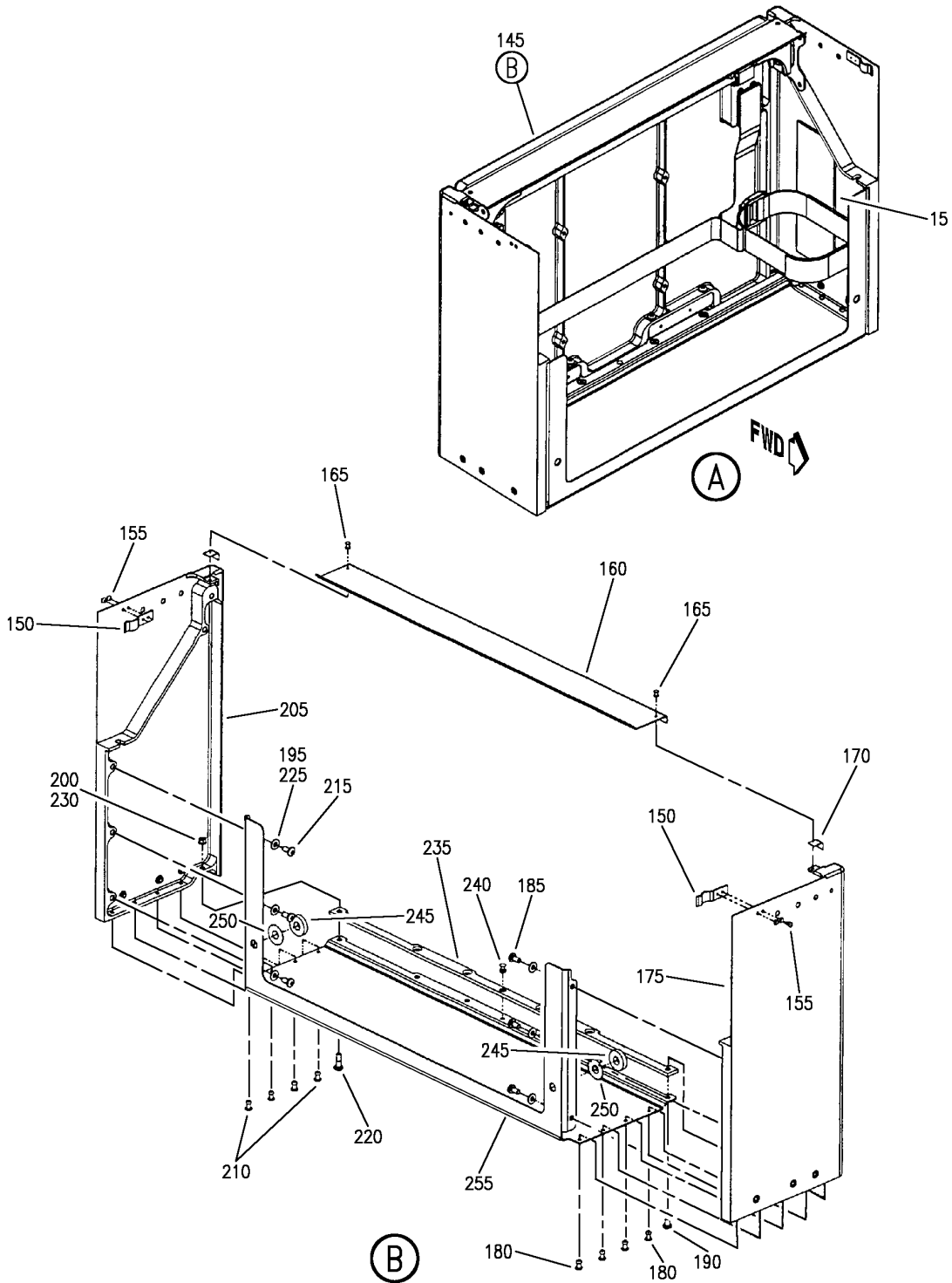
BOX ASSY-STOWAGE ATTENDANT SINGLE WALL-MOUNTED JAR-OPS SEAT AFT FACING
 FIGURE 99U (SHEET 1)

HAP
 JUN 10/07

25-25-12-99U

25-25-12-99U
 PAGE 0

BOEING
 737-600/700/800/900
 PARTS CATALOG (MAINTENANCE)



E 25251299U SHT 2 REV 130

BOX ASSY-STOWAGE ATTENDANT SINGLE WALL-MOUNTED JAR-OPS SEAT AFT FACING
 FIGURE 99U (SHEET 2)

25-25-12-99U

HAP
 JUN 10/07

25-25-12-99U
 PAGE 0A

BOEING
737-600/700/800/900
PARTS CATALOG (MAINTENANCE)

FIG ITEM	PART NUMBER	1 2 3 4 5 6 7	NOMENCLATURE	EFFECT FROM TO	UNITS PER ASSY
R R R R R R R R R R R R R R	99U		BOX ASSY-STOWAGE ATTENDANT SINGLE WALL-MOUNTED JAR-OPS SEAT AFT FACING	101106 968999	
	- 1	2112-47AMJ	BOX ASSY-STOWAGE LAV E ATTENDANT SINGLE WALL MOUNTED JAR-OPS SEAT AFT FACING SUPPLIER CODE: V31218 FOR NHA SEE: 25-25-12-99T	101106 968999	RF
	5	2D8007-3	.STRAP- SUPPLIER CODE: V31218	101106 968999	1
	10	SJ3526GRY1ADH	.HOOK-ADH VELCRO GRAY SUPPLIER CODE: V5J466 CONFIG CHG DATA FROM A CMM: REPLD BY SJ3526BLK1ADH	101106 968999	AR
	10	SJ3526BLK1ADH	.HOOK-ADH VELCRO BLACK SUPPLIER CODE: V5J466 CONFIG CHG DATA FROM A CMM: REPLS SJ3526GRY1ADH	101106 968999	AR
	15	SJ3526GRY2ADH	.HOOK-ADH VELCRO GRAY SUPPLIER CODE: V5J466 CONFIG CHG DATA FROM A CMM: REPLD BY SJ3526BLK2ADH	101106 968999	AR
	15	SJ3526BLK2ADH	.HOOK-ADH VELCRO BLACK SUPPLIER CODE: V5J466 CONFIG CHG DATA FROM A CMM: REPLS SJ3526GRY2ADH	101106 968999	AR
	20	SAM222-19	.LATCH-DUAL SUPPLIER CODE: V31845	101106 968999	1
	25	NAS514P632-5P	ATTACHING PARTS .SCREW	101106 968999	4
	30	2D1021-29AMJ	-----*----- .DOOR- SUPPLIER CODE: V31218	101106 968999	1
	35	NAS602-6P	ATTACHING PARTS .SCREW -----*-----	101106 968999	4

MISSING ITEM NUMBERS NOT APPLICABLE

- ITEM NOT ILLUSTRATED

HAP

25-25-12-99U

BOEING PROPRIETARY - Copyright © - Unpublished Work - See title page for details.

25-25-12
FIG. 99U
PAGE 1
JUN 15/09

BOEING
737-600/700/800/900
PARTS CATALOG (MAINTENANCE)

FIG ITEM	PART NUMBER	1 2 3 4 5 6 7	NOMENCLATURE	EFFECT FROM TO	UNITS PER ASSY
99U					
R R R	40	2D1061-1AMJ	.COVER-HINGE SUPPLIER CODE: V31218 ATTACHING PARTS	101106 968999	2
R R	45	NAS514P632-5P	.SCREW -----*-----	101106 968999	4
R R R	50	2D1025-1	.HINGE- SUPPLIER CODE: V31218 ATTACHING PARTS	101106 968999	1
R R	55	NAS1202-1	.SCREW -----*-----	101106 968999	4
R R R R	60	2D1141-1	.PLATE-THREADED DOOR HINGE SUPPLIER CODE: V31218	101106 968999	1
R R R R	65	827S	.SCREW-BUMPER SUPPLIER CODE: V8J913	101106 968999	2
R R R R	70	NAS1149FN616P	.WASHER	101106 968999	2
R R R R	75	MS21083N06	.NUT	101106 968999	2
R R R	80	2D1022-1	.BRACKET-DOOR BUMPER SUPPLIER CODE: V31218 ATTACHING PARTS	101106 968999	2
R R	85	NAS1096-2-5	.SCREW -----*-----	101106 968999	2
R R R	90	NAS1149FN832P	.WASHER	101106 968999	2
R R R	95	2D1023-1	.BRACKET-DOOR STRIKER SUPPLIER CODE: V31218 ATTACHING PARTS	101106 968999	2
R R R	100	NAS1096-2-5	.SCREW	101106 968999	2
R R	105	NAS1149FN832P	.WASHER -----*-----	101106 968999	2
R R R	110	2D1068-1	.BASE-STRIKER BUMPER SUPPLIER CODE: V31218 ATTACHING PARTS	101106 968999	2
R R	115	NAS623-2-4	.SCREW	101106 968999	4

MISSING ITEM NUMBERS NOT APPLICABLE

— ITEM NOT ILLUSTRATED

HAP

25-25-12-99U

BOEING PROPRIETARY - Copyright © - Unpublished Work - See title page for details.

25-25-12
FIG. 99U
PAGE 2
JUN 15/09

BOEING
737-600/700/800/900
PARTS CATALOG (MAINTENANCE)

FIG ITEM	PART NUMBER	1 2 3 4 5 6 7	NOMENCLATURE	EFFECT FROM TO	UNITS PER ASSY
R R	99U 120		.WASHER	101106 968999	4
R R R	125		-----*----- .PLATE-MTG SUPPLIER CODE: V31218 ATTACHING PARTS	101106 968999	1
R R	130		.SCREW	101106 968999	2
R R R	135		-----*----- .PLATE-MTG SUPPLIER CODE: V31218 ATTACHING PARTS	101106 968999	1
R R	140		.SCREW	101106 968999	2
R R R R	145		-----*----- .BOX SUB ASSY- SUPPLIER CODE: V31218 ATTACHING PARTS	101106 968999	1
R R R	150		..CLIP- SUPPLIER CODE: V31218 ATTACHING PARTS	101106 968999	2
R R	155		..RIVET	101106 968999	4
R R R	160		-----*----- ..FILLER- SUPPLIER CODE: V31218 ATTACHING PARTS	101106 968999	1
R R	165		..RIVET	101106 968999	2
R R R R	170		-----*----- ..TAPE-ACRYLIC EPOXY SUPPLIER CODE: V5J466	101106 968999	AR
R R R R R	175		..PANEL- SUPPLIER CODE: V31218 POSITION DATA: SIDE ATTACHING PARTS	101106 968999	1
R R R	180		..RIVET-SOLID UNIV HEAD SUPPLIER CODE: V6R744	101106 968999	4
R R R	185		..SCREW	101106 968999	3

MISSING ITEM NUMBERS NOT APPLICABLE

— ITEM NOT ILLUSTRATED

HAP

25-25-12-99U

BOEING PROPRIETARY - Copyright © - Unpublished Work - See title page for details.

25-25-12
FIG. 99U
PAGE 3
JUN 15/09

BOEING
737-600/700/800/900
PARTS CATALOG (MAINTENANCE)

FIG ITEM	PART NUMBER	1 2 3 4 5 6 7	NOMENCLATURE	EFFECT FROM TO	UNITS PER ASSY
R R R R R R	99U 190		.. SCREW	101106 968999	1
R R R R R	195		.. WASHER	101106 968999	3
R R R R	200		.. NUT	101106 968999	1
R R R R R	205		-----*----- .. PANEL- SUPPLIER CODE: V31218 POSITION DATA: SIDE ATTACHING PARTS	101106 968999	1
R R R R R	210		.. RIVET-SOLID UNIV HEAD SUPPLIER CODE: V6R744	101106 968999	4
R R R R R	215		.. SCREW	101106 968999	3
R R R R R	220		.. SCREW	101106 968999	1
R R R R R	225		.. WASHER	101106 968999	3
R R R R	230		.. NUT	101106 968999	1
R R R	235		-----*----- .. STIFFENER-DOOR HINGE SUPPLIER CODE: V31218 ATTACHING PARTS	101106 968999	1
R R	240		.. RIVET	101106 968999	1
R R R R R R	245		-----*----- .. PAD-MTG SUPPLIER CODE: V31218	101106 968999	2
R R R R R	250		.. TAPE-ACRYLIC EPOXY SUPPLIER CODE: V5J466	101106 968999	AR
R R R	255		.. PAN-FLOOR SUPPLIER CODE: V31218	101106 968999	1

MISSING ITEM NUMBERS NOT APPLICABLE

— ITEM NOT ILLUSTRATED

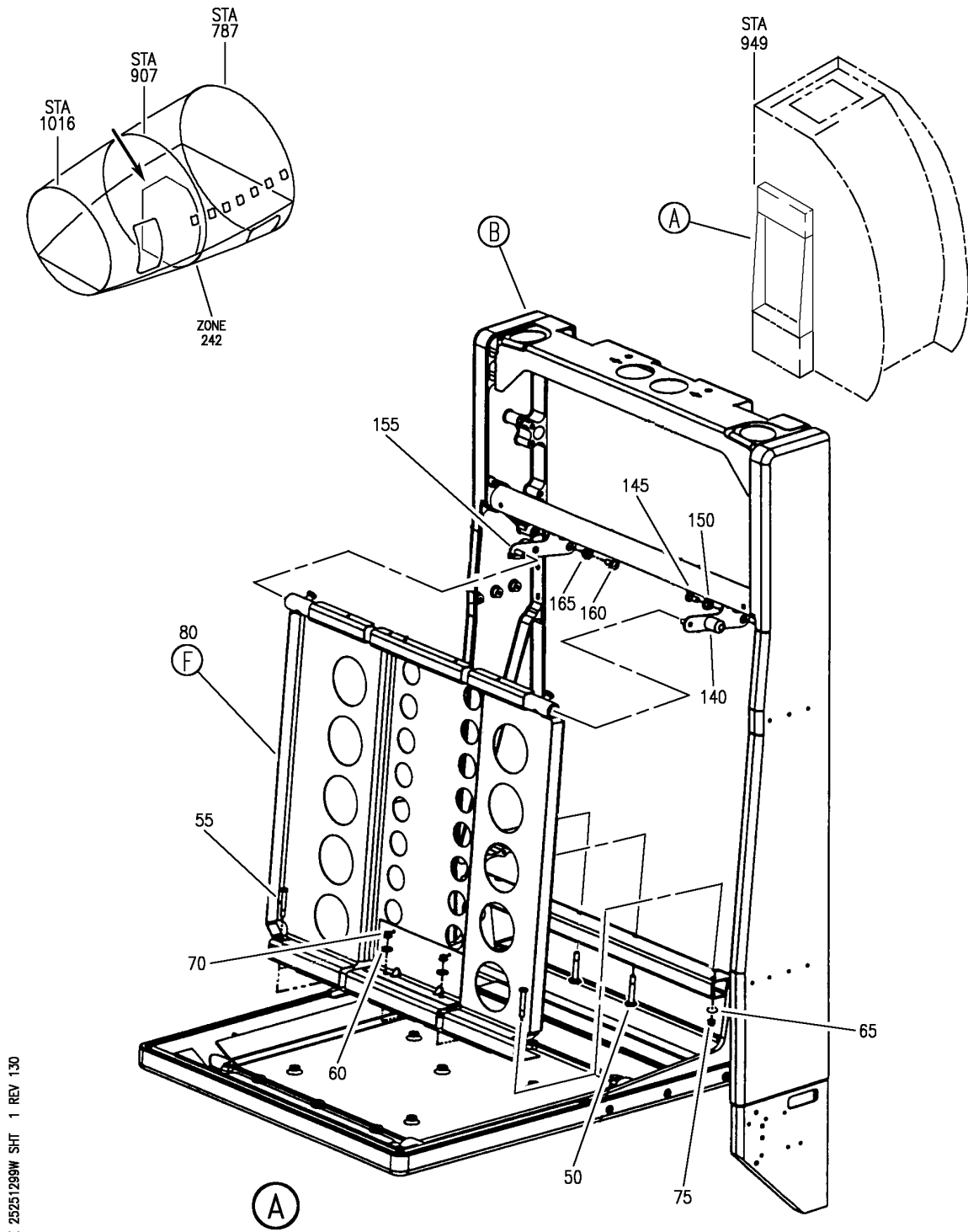
HAP

25-25-12-99U

BOEING PROPRIETARY - Copyright © - Unpublished Work - See title page for details.

25-25-12
FIG. 99U
PAGE 4
JUN 15/09

BOEING
 737-600/700/800/900
 PARTS CATALOG (MAINTENANCE)



E 25251299W SHT 1 REV 130

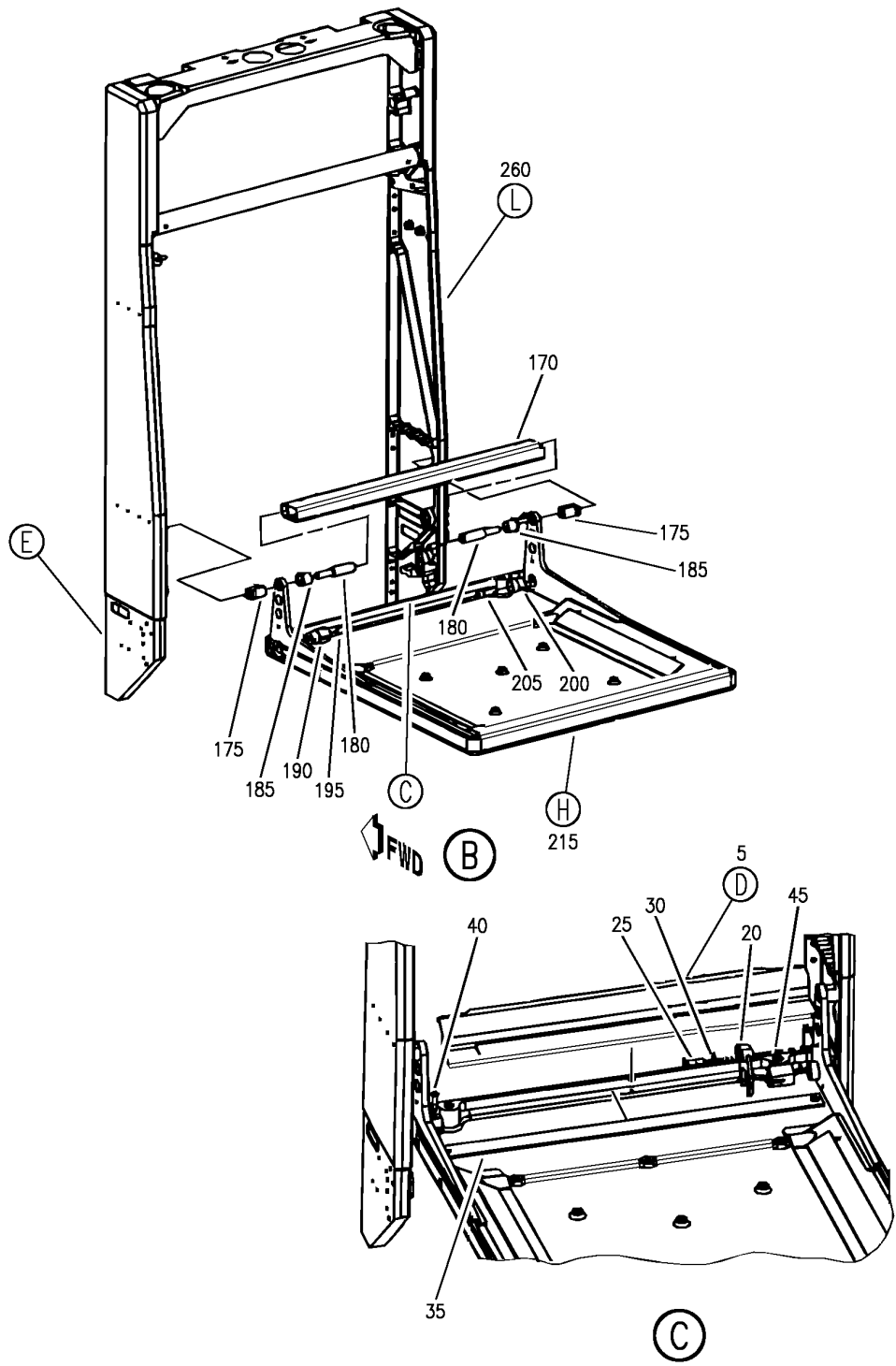
CORE ASSY-ATTENDANT SINGLE WALL- MOUNTED JAR-OPS SEAT AFT FACING
 FIGURE 99W (SHEET 1)

25-25-12-99W

HAP
 JUN 10/07

25-25-12-99W
 PAGE 0

BOEING
 737-600/700/800/900
 PARTS CATALOG (MAINTENANCE)



E 25251299W SHT 2 REV 130

CORE ASSY-ATTENDANT SINGLE WALL- MOUNTED JAR-OPS SEAT AFT FACING
 FIGURE 99W (SHEET 2)

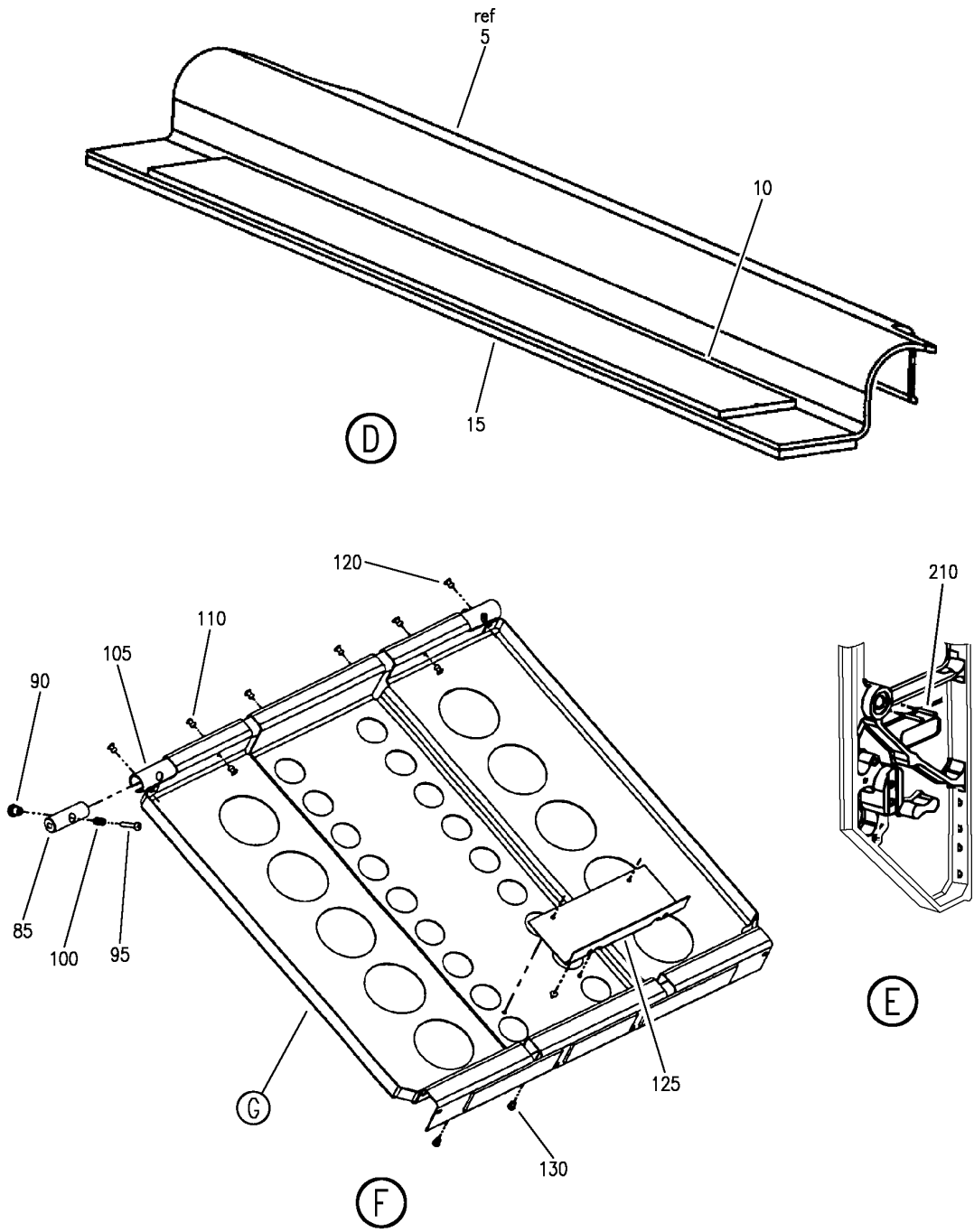
25-25-12-99W

HAP
 JUN 10/07

25-25-12-99W
 PAGE 0A

BOEING PROPRIETARY - Copyright © - Unpublished Work - See title page for details.

BOEING
 737-600/700/800/900
 PARTS CATALOG (MAINTENANCE)



E 25251299W SHT 3 REV 130

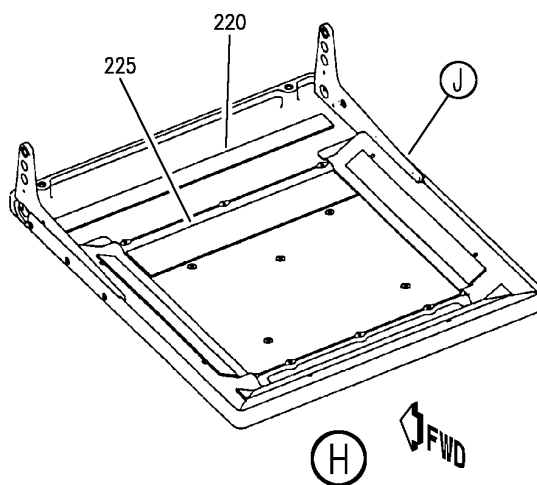
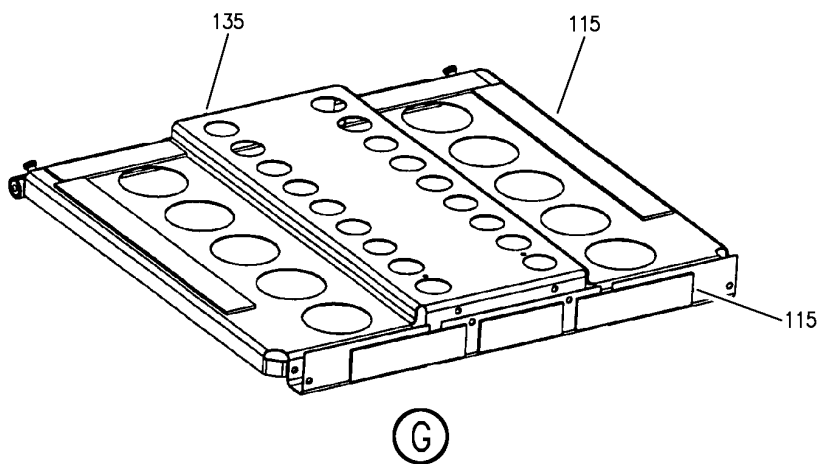
CORE ASSY-ATTENDANT SINGLE WALL- MOUNTED JAR-OPS SEAT AFT FACING
 FIGURE 99W (SHEET 3)

25-25-12-99W

HAP
 JUN 10/07

25-25-12-99W
 PAGE 0B

BOEING
 737-600/700/800/900
 PARTS CATALOG (MAINTENANCE)



E 25251299W SHT 4 REV 130

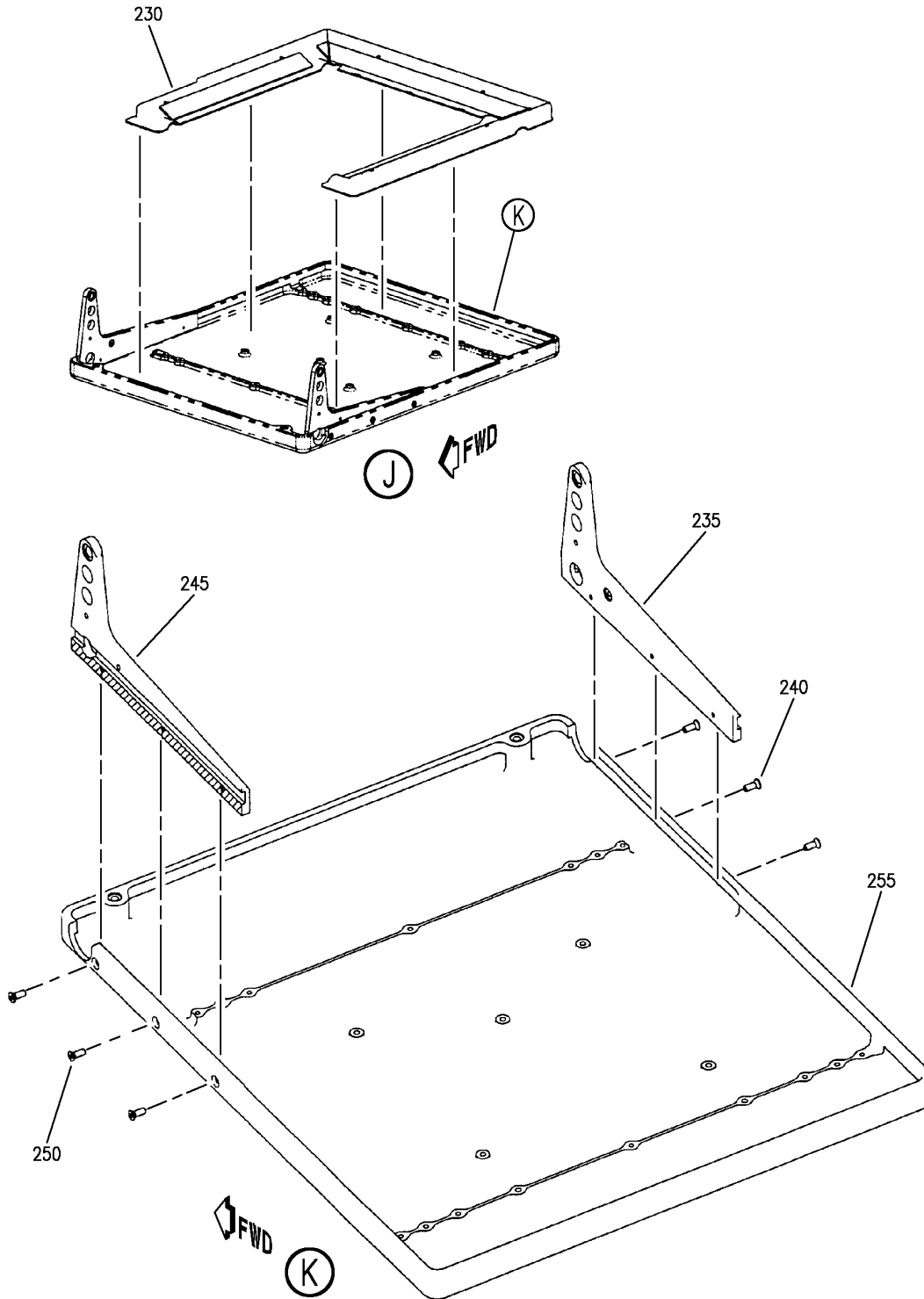
CORE ASSY-ATTENDANT SINGLE WALL- MOUNTED JAR-OPS SEAT AFT FACING
 FIGURE 99W (SHEET 4)

25-25-12-99W

HAP
 JUN 10/07

25-25-12-99W
 PAGE 0C

BOEING
737-600/700/800/900
PARTS CATALOG (MAINTENANCE)



E 25251299W SHT 5 REV 130

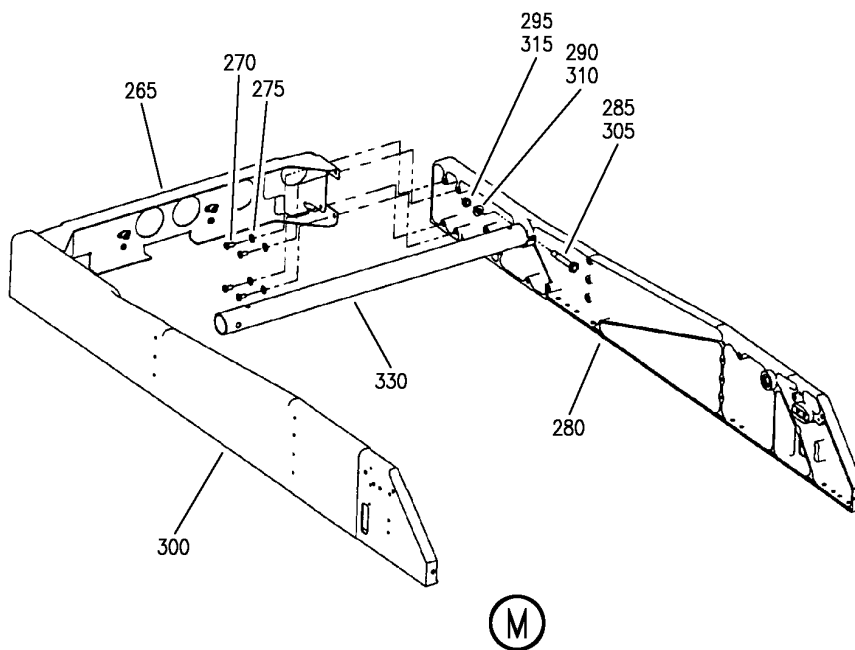
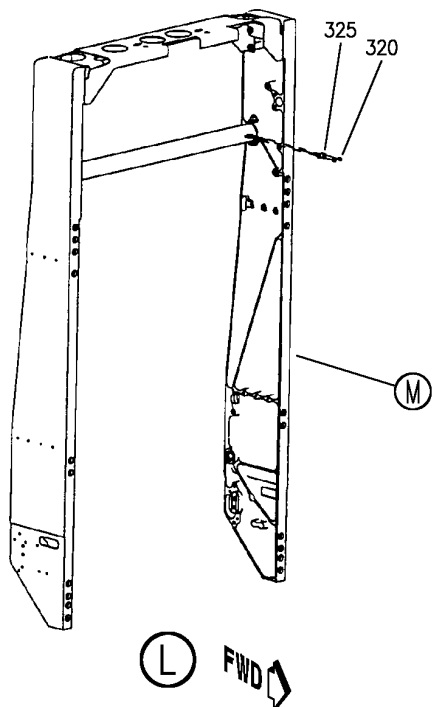
CORE ASSY-ATTENDANT SINGLE WALL- MOUNTED JAR-OPS SEAT AFT FACING
FIGURE 99W (SHEET 5)

HAP
JUN 10/07

25-25-12-99W

25-25-12-99W
PAGE 0D

BOEING
 737-600/700/800/900
 PARTS CATALOG (MAINTENANCE)



E 25251299W SHT 6 REV 130

CORE ASSY-ATTENDANT SINGLE WALL- MOUNTED JAR-OPS SEAT AFT FACING
 FIGURE 99W (SHEET 6)

25-25-12-99W

HAP
 JUN 10/07

25-25-12-99W
 PAGE 0E

BOEING
737-600/700/800/900
PARTS CATALOG (MAINTENANCE)

FIG ITEM	PART NUMBER	1 2 3 4 5 6 7	NOMENCLATURE	EFFECT FROM TO	UNITS PER ASSY
R R R R R R R R R R R R R R R	99W		CORE ASSY-ATTENDANT SINGLE WALL- MOUNTED JAR-OPS SEAT AFT FACING	101106 968999	
	- 1	2112-0AMJ	CORE ASSY-ATTENDANT LAV E SINGLE WALL- MOUNTED JAR-OPS SEAT AFT FACING SUPPLIER CODE: V31218 FOR NHA SEE: 25-25-12-99T	101106 968999	RF
	5	2D2027-7	.COVER ASSY-TORSION SPR SUPPLIER CODE: V31218	101106 968999	1
	10	SJ3526GRY1ADH	..HOOK-ADH VELCRO GRAY SUPPLIER CODE: V5J466	101106 968999	AR
	15	SJ3527GRY1ADH	..LOOP-ADH VELCRO GRAY SUPPLIER CODE: V5J466	101106 968999	AR
	20	2D2022-3	.LOCK-TORSION SPR SUPPLIER CODE: V31218	101106 968999	1
	25	NAS6203-5	ATTACHING PARTS .BOLT	101106 968999	1
	30	NAS1149F0332P	.WASHER	101106 968999	1
	35	2D2023-3	-----*----- .SPRING-TORSION FLAT SUPPLIER CODE: V31218	101106 968999	1
	40	NAS1202-7	ATTACHING PARTS .BOLT	101106 968999	1
	45	2D2019-5	-----*----- .ANCHOR-SPR SUPPLIER CODE: V31218	101106 968999	1
	50	NAS6203-13	.BOLT	101106 968999	2
	55	NAS623-2-14	.SCREW	101106 968999	2
	60	NAS1149F0363P	.WASHER	101106 968999	2
	65	AN960-8	.WASHER	101106 968999	2
70	MS21042-3	.NUT	101106 968999	2	

MISSING ITEM NUMBERS NOT APPLICABLE

- ITEM NOT ILLUSTRATED

HAP

25-25-12-99W

BOEING PROPRIETARY - Copyright © - Unpublished Work - See title page for details.

25-25-12
FIG. 99W
PAGE 1
JUN 15/09

BOEING
737-600/700/800/900
PARTS CATALOG (MAINTENANCE)

FIG ITEM	PART NUMBER	1 2 3 4 5 6 7	NOMENCLATURE	EFFECT FROM TO	UNITS PER ASSY
99W					
R	75	22K1-82	.NUT-	101106	2
R			SUPPLIER CODE:	968999	
R			V72962		
R	80	2112-23AMJ	.BACK ASSY-	101106	1
R			SUPPLIER CODE:	968999	
R			V31218		
R			POSITION DATA:		
R			LWR		
R	85	2D3017-1	..PIVOT-BACK	101106	2
R			SUPPLIER CODE:	968999	
R			V31218		
R			POSITION DATA:		
R			UPR LWR		
R	90	2D3015-1	..KNOB-RELEASE	101106	2
R			SUPPLIER CODE:	968999	
R			V31218		
R			ATTACHING PARTS		
R	95	NAS601-12P	..SCREW	101106	2
R				968999	
R			-----*-----		
R	100	C0240-020-0880M	..SPRING-	101106	2
R			SUPPLIER CODE:	968999	
R			V31218		
R	105	2D3018-9	..TUBE-	101106	2
R			SUPPLIER CODE:	968999	
R			V31218		
R			ATTACHING PARTS		
R	110	AD42BS	..RIVET-BLIND UNIV HEAD	101106	6
R			SUPPLIER CODE:	968999	
R			V6R744		
R			-----*-----		
R	115	SJ3526GRY1ADH	..HOOK-ADH VELCRO GRAY	101106	AR
R			SUPPLIER CODE:	968999	
R			V5J466		
R			CONFIG CHG DATA FROM A CMM:		
R			REPLD BY SJ3526BLK1ADH		
R	115	SJ3526BLK1ADH	..HOOK-ADH VELCRO BLACK	101106	AR
R			SUPPLIER CODE:	968999	
R			V5J466		
R			CONFIG CHG DATA FROM A CMM:		
R			REPLS SJ3526GRY1ADH		
R			ATTACHING PARTS		
R	120	AD42BS	..RIVET-BLIND UNIV HEAD	101106	2
R			SUPPLIER CODE:	968999	
R			V6R744		
R			-----*-----		
R	125	2D3046-3	..BRACE-	101106	1
R			SUPPLIER CODE:	968999	
R			V31218		

MISSING ITEM NUMBERS NOT APPLICABLE

— ITEM NOT ILLUSTRATED

HAP

25-25-12-99W

BOEING PROPRIETARY - Copyright © - Unpublished Work - See title page for details.

25-25-12
FIG. 99W
PAGE 2
JUN 15/09

BOEING
737-600/700/800/900
PARTS CATALOG (MAINTENANCE)

FIG ITEM	PART NUMBER	1 2 3 4 5 6 7	NOMENCLATURE	EFFECT FROM TO	UNITS PER ASSY
99W			ATTACHING PARTS		
R	130	AD42BS	..RIVET-BLIND UNIV HEAD	101106	2
R			SUPPLIER CODE:	968999	
R			V6R744		
			-----*-----		
R	135	2D3022-7	..PAN-BACK	101106	1
R			SUPPLIER CODE:	968999	
R			V31218		
R			POSITION DATA:		
R			LWR		
R	140	2D3013-1	.LINK-BACK	101106	1
R			SUPPLIER CODE:	968999	
R			V31218		
R			POSITION DATA:		
R			UPR		
R			ATTACHING PARTS		
R	145	NAS623-3-3	.SCREW	101106	1
R				968999	
			-----*-----		
R	150	NAS77-3-016	.BUSHING	101106	1
R				968999	
R	155	2D3013-2	.LINK-BACK	101106	1
R			SUPPLIER CODE:	968999	
R			V31218		
R			POSITION DATA:		
R			UPR		
R			ATTACHING PARTS		
R	160	NAS623-3-3	.SCREW	101106	1
R				968999	
			-----*-----		
R	165	NAS77-3-016	.BUSHING	101106	1
R				968999	
R	170	2D3012-3AMJ	.ATTACH-BACK	101106	1
R			SUPPLIER CODE:	968999	
R			V31218		
R			POSITION DATA:		
R			LWR		
R	175	2D2015-1	.STOP-SEAT PAN	101106	2
R			SUPPLIER CODE:	968999	
R			V31218		
R	180	2D2013-3	.PIVOT-BACK	101106	2
R			SUPPLIER CODE:	968999	
R			V31218		
R			POSITION DATA:		
R			LWR		
R	185	8L5-1-2F	.NYLINER-FLANGED	101106	2
R			SUPPLIER CODE:	968999	
R			V96881		

MISSING ITEM NUMBERS NOT APPLICABLE

— ITEM NOT ILLUSTRATED

HAP

25-25-12-99W

BOEING PROPRIETARY - Copyright © - Unpublished Work - See title page for details.

25-25-12
FIG. 99W
PAGE 3
JUN 15/09

BOEING
737-600/700/800/900
PARTS CATALOG (MAINTENANCE)

FIG ITEM	PART NUMBER	1 2 3 4 5 6 7	NOMENCLATURE	EFFECT FROM TO	UNITS PER ASSY
99W			ATTACHING PARTS		
R R	240	MS24694S3	.. SCREW	101106 968999	3
R R R R R	245	2D2011-2AMJ	-----*----- .. LEVER-SEAT PAN SUPPLIER CODE: V31218 POSITION DATA: OUTBD ATTACHING PARTS	101106 968999	1
R R	250	MS24694S3	.. SCREW	101106 968999	3
R R R R R	255	2D2024-1AMJ	-----*----- .. PAN-SEAT SUPPLIER CODE: V31218	101106 968999	1
R R R R R	260	2112-10AMJ	.BASE ASSY-SINGLE SUPPLIER CODE: V31218	101106 968999	1
R R R R R	265	2D1096-1AMJ	.. WELDMENT- SUPPLIER CODE: V31218 POSITION DATA: TOP ATTACHING PARTS	101106 968999	1
R R R R	270	NAS623-2-1	.. SCREW	101106 968999	8
R R R	275	NAS1149FN832P	.. WASHER	101106 968999	8
R R R R R	280	2D1024-1AMJ	-----*----- .. PANEL- SUPPLIER CODE: V31218 POSITION DATA: SIDE ATTACHING PARTS	101106 968999	1
R R R R R	285	NAS6204-19	.. BOLT	101106 968999	1
R R R R R	290	NAS1149F0463P	.. WASHER	101106 968999	1
R R R	295	MS21042-4	.. NUT	101106 968999	1
R R R R R	300	2D1024-2AMJ	-----*----- .. PANEL- SUPPLIER CODE: V31218 POSITION DATA: SIDE	101106 968999	1

MISSING ITEM NUMBERS NOT APPLICABLE

— ITEM NOT ILLUSTRATED

HAP

25-25-12-99W

BOEING PROPRIETARY - Copyright © - Unpublished Work - See title page for details.

25-25-12
FIG. 99W
PAGE 5
JUN 15/09


BOEING
 737-600/700/800/900
PARTS CATALOG (MAINTENANCE)

FIG ITEM	PART NUMBER	1 2 3 4 5 6 7	NOMENCLATURE	EFFECT FROM TO	UNITS PER ASSY
99W			ATTACHING PARTS		
R	305		..BOLT	101106 968999	1
R	310		..WASHER	101106 968999	1
R	315		..NUT	101106 968999	1
R			-----*-----		
R	320		..RIVET-POP	101106	4
R			SUPPLIER CODE:	968999	
R			V6R744		
R	325		..NUTPLATE	101106	2
R				968999	
R	330		..TUBE-BACK CROSS	101106	1
R			SUPPLIER CODE:	968999	
R			V31218		
R			POSITION DATA:		
R			UPR		

MISSING ITEM NUMBERS NOT APPLICABLE

— ITEM NOT ILLUSTRATED

HAP

25-25-12-99W

BOEING PROPRIETARY - Copyright © - Unpublished Work - See title page for details.

25-25-12
 FIG. 99W
 PAGE 6
 JUN 15/09