

PASSENGER CABIN FLOOR COVERING

HAP
OCT 10/06

25-27-00
SECTION TITLE
PAGE 1

NON-ILLUSTRATED FIGURE

THE ITEMS REFLECTED IN THIS FIGURE ARE INTENTIONALLY
NON-ILLUSTRATED. THEY ARE REFERENCED TO EITHER A
NEXT HIGHER OR NEXT LOWER ASSEMBLY/INSTALLATION FIGURE.

E 25270003A REV 051

FUNCTIONAL COLLECTOR CUSTOMER UNIQUE (PASSENGER CABIN FLOOR COVERING ONLY)
FIGURE 3A

25-27-00-03A

HAP
OCT 15/08

25-27-00-03A
PAGE 0

BOEING
737-600/700/800/900
PARTS CATALOG (MAINTENANCE)

FIG ITEM	PART NUMBER	1 2 3 4 5 6 7	NOMENCLATURE	EFFECT FROM TO	UNITS PER ASSY
3A			FUNCTIONAL COLLECTOR CUSTOMER UNIQUE (PASSENGER CABIN FLOOR COVERING ONLY)	201967	
- 2	400A9101-2610		FUNCTIONAL COLLECTOR- CUSTOMER UNIQUE (PASSENGER CABIN FLOOR COVERING ONLY)	201967	RF
- 315	414A3040-704SP		FOR NHA/OTHER SYS DET SEE: 25-00-00-02B .CARPET INSTL-PASS. CAB. CONST SECT. FOR DETAILS SEE: 25-27-15-42	201967	1
- 425	414A3050-115SP		.CARPET INSTL-PASS. CAB. POSITION DATA: SECT. 41 FWD FOR DETAILS SEE: 25-27-15-44	201967	1
- 430	414A3050-612SP		.CARPET INSTL-PASS. CAB. POSITION DATA: SECT. 47 AFT FOR DETAILS SEE: 25-27-15-44	201967	1
- 590	414A3500-140SP		.MAT INSTL-GALLEY AND ENTRYWAY POSITION DATA: FWD FOR DETAILS SEE: 25-27-21-05E	201967	1
- 700	414A3500-141		.THRESHOLD INSTL-FLIGHT DECK STEP FOR DETAILS SEE: 25-27-21-22	201967	1
- 715	414A3500-607SP		.MAT INSTL-GALLEY AND ENTRYWAY POSITION DATA: AFT FOR DETAILS SEE: 25-27-21-03	201967	1
- 805	414A3600-104		.WATERSEAL INSTL-GALLEY AND ENTRYWAY POSITION DATA: FWD FOR DETAILS SEE: 25-27-51-01	201967	1

MISSING ITEM NUMBERS NOT APPLICABLE

- ITEM NOT ILLUSTRATED

HAP

25-27-00-03A

BOEING PROPRIETARY - Copyright © - Unpublished Work - See title page for details.

25-27-00
FIG. 03A
PAGE 1
OCT 15/08

NON-ILLUSTRATED FIGURE

THE ITEMS REFLECTED IN THIS FIGURE ARE INTENTIONALLY
NON-ILLUSTRATED. THEY ARE REFERENCED TO EITHER A
NEXT HIGHER OR NEXT LOWER ASSEMBLY/INSTALLATION FIGURE.

E 25270003B REV 051

FUNCTIONAL COLLECTOR-CUSTOMER UNIQUE (PASSENGER CABIN FLOOR COVERINGS ONLY)
FIGURE 3B

25-27-00-03B

HAP
OCT 10/06

25-27-00-03B
PAGE 0

BOEING
737-600/700/800/900
PARTS CATALOG (MAINTENANCE)

FIG ITEM	PART NUMBER	1 2 3 4 5 6 7	NOMENCLATURE	EFFECT FROM TO	UNITS PER ASSY
R R R R R R R R R R	3B		FUNCTIONAL COLLECTOR- CUSTOMER UNIQUE (PASSENGER CABIN FLOOR COVERINGS ONLY)	001030	
	- 1	400A9101-3001	FUNCTIONAL COLLECTOR- CUSTOMER UNIQUE (PASSENGER CABIN FLOOR COVERINGS ONLY) FOR NHA/OTHER SYS DET SEE: 25-00-00-02C	001017 019019	RF
	- 15	400A0028-3001	FUNCTIONAL COLLECTOR- CUSTOMER UNIQUE (PASSENGER CABIN FLOOR COVERINGS ONLY) FOR NHA/OTHER SYS DET SEE: 25-00-00-02C	018018 020030	RF
	- 175	414A3408-108SP	.CARPET INSTL-PASS. CAB. FOR DETAILS SEE: 25-27-15-15	006007	1
	- 175	414A3408-117SP	.CARPET INSTL-PASS. CAB. FOR DETAILS SEE: 25-27-15-15	001005	1
	- 250	414A3500-101SP	.MAT INSTL-GALLEY AND ENTRYWAY POSITION DATA: FWD FOR DETAILS SEE: 25-27-21-05U	001007	1
	- 460	414A3500-603SP	.MAT INSTL-GALLEY AND ENTRYWAY POSITION DATA: AFT FOR DETAILS SEE: 25-27-21-03	001007	1
	- 625	414A3040-814BD	.CARPET INSTL-PASS. CAB. BOEING STD PROXIMITY LIGHTS WITH AUDIO CONST SECT. (INBD TRACKS) FOR DETAILS SEE: 25-27-15-57A	008030	1
	- 710	414A3050-141BD	.CARPET INSTL-PASS. CAB. BOEING STD PROXIMITY LIGHTS WITH AUDIO (INBD TRACKS) POSITION DATA: SECT. 41 FOR DETAILS SEE: 25-27-15-36A	008030	1
	MISSING ITEM NUMBERS NOT APPLICABLE				

- ITEM NOT ILLUSTRATED

HAP

25-27-00-03B

BOEING PROPRIETARY - Copyright © - Unpublished Work - See title page for details.

25-27-00
FIG. 03B
PAGE 1
JUN 15/09

BOEING
737-600/700/800/900
PARTS CATALOG (MAINTENANCE)

FIG ITEM	PART NUMBER	1 2 3 4 5 6 7	NOMENCLATURE	EFFECT FROM TO	UNITS PER ASSY	
R R R R R R R	3B - 815	414A3050-633BD	.CARPET INSTL-PASS. CAB. BOEING STD PROXIMITY LIGHTS WITH AUDIO (INBD TRACKS) POSITION DATA: SECT. 47 FOR DETAILS SEE: 25-27-15-36A	008030	1	
	- 880	414A3600-101	.WATERSEAL INSTL-CAB. POSITION DATA: FWD FOR DETAILS SEE: 25-27-51-01	001017 019019	1	
	- 895	414A1110-3	.CABLE AND RACEWAY INSTL- FOR DETAILS SEE: 25-27-31-07	001011	1	
	R R R	- 895	414A1110-73	.CABLE AND RACEWAY INSTL- FOR DETAILS SEE: 25-27-31-54	012013 015027	1
	- 897	414A1110-117	.CABLE AND RACEWAY INSTL- FOR DETAILS SEE: 25-27-31-76	014014	1	
	- 920	414A1120-4E	.COVER INSTL-SEAT TRACK FOR DETAILS SEE: 25-27-00-08	001011	1	

MISSING ITEM NUMBERS NOT APPLICABLE

- ITEM NOT ILLUSTRATED

HAP

25-27-00-03B

BOEING PROPRIETARY - Copyright © - Unpublished Work - See title page for details.

25-27-00
FIG. 03B
PAGE 2
JUN 15/09

NON-ILLUSTRATED FIGURE

THE ITEMS REFLECTED IN THIS FIGURE ARE INTENTIONALLY
NON-ILLUSTRATED. THEY ARE REFERENCED TO EITHER A
NEXT HIGHER OR NEXT LOWER ASSEMBLY/INSTALLATION FIGURE.

E 25270004A REV 053

FUNCTIONAL COLLECTOR-MINOR MODEL BASIC AND STABLE (PASSENGER CABIN FLOOR COVERING ONLY)
FIGURE 4A

HAP
OCT 15/08

25-27-00-04A

25-27-00-04A
PAGE 0

BOEING
737-600/700/800/900
PARTS CATALOG (MAINTENANCE)

FIG ITEM	PART NUMBER	1 2 3 4 5 6 7	NOMENCLATURE	EFFECT FROM TO	UNITS PER ASSY
4 A			FUNCTIONAL COLLECTOR-MINOR MODEL BASIC AND STABLE (PASSENGER CABIN FLOOR COVERING ONLY)	201967	
- 1	400A9101-700		FUNCTIONAL COLLECTOR-MINOR MODEL BASIC AND STABLE FOR NHA/OTHER SYS DET SEE: 25-00-00-06D	201967	RF
- 40	414A3800-5		.PLATE INSTL-DOORWAY RTNR POSITION DATA: AFT RH FOR DETAILS SEE: 25-27-21-21	201967	1
- 45	414A3800-6		.PLATE INSTL-DOORWAY RTNR POSITION DATA: AFT LH FOR DETAILS SEE: 25-27-21-21	201967	1

MISSING ITEM NUMBERS NOT APPLICABLE

- ITEM NOT ILLUSTRATED

HAP

25-27-00-04A

BOEING PROPRIETARY - Copyright © - Unpublished Work - See title page for details.

25-27-00
FIG. 04A
PAGE 1
OCT 15/08

NON-ILLUSTRATED FIGURE

THE ITEMS REFLECTED IN THIS FIGURE ARE INTENTIONALLY
NON-ILLUSTRATED. THEY ARE REFERENCED TO EITHER A
NEXT HIGHER OR NEXT LOWER ASSEMBLY/INSTALLATION FIGURE.

E 25270004B REV 053

FUNCTIONAL COLLECTOR-MINOR MODEL BASIC AND STABLE (PASSENGER CABIN FLOOR COVERING ONLY)
FIGURE 4B

HAP
OCT 10/06

25-27-00-04B

25-27-00-04B
PAGE 0

BOEING
737-600/700/800/900
PARTS CATALOG (MAINTENANCE)

FIG ITEM	PART NUMBER	1 2 3 4 5 6 7	NOMENCLATURE	EFFECT FROM TO	UNITS PER ASSY
4B			FUNCTIONAL COLLECTOR-MINOR MODEL BASIC AND STABLE (PASSENGER CABIN FLOOR COVERING ONLY)	001030	
- 1	400A9101-800		FUNCTIONAL COLLECTOR-MINOR MODEL BASIC AND STABLE FOR NHA/OTHER SYS DET SEE: 25-00-00-06B	001017 019019	RF
- 10	400A0000-800		FUNCTIONAL COLLECTOR-MINOR MODEL BASIC AND STABLE FOR NHA/OTHER SYS DET SEE: 25-00-00-06B	018018 020030	RF
- 30	414A3800-6		.PLATE INSTL-DOORWAY RTNR POSITION DATA: AFT LH FOR DETAILS SEE: 25-27-21-21	001030	1
- 35	414A3800-5		.PLATE INSTL-DOORWAY RTNR POSITION DATA: AFT RH FOR DETAILS SEE: 25-27-21-21	001030	1
- 40	414A3535-1014		.THRESHOLD INSTL-FLIGHT DECK STEP FOR DETAILS SEE: 25-27-21-22	030030	1

MISSING ITEM NUMBERS NOT APPLICABLE

- ITEM NOT ILLUSTRATED

HAP

25-27-00-04B

BOEING PROPRIETARY - Copyright © - Unpublished Work - See title page for details.

25-27-00
FIG. 04B
PAGE 1
OCT 10/06

NON-ILLUSTRATED FIGURE

THE ITEMS REFLECTED IN THIS FIGURE ARE INTENTIONALLY
NON-ILLUSTRATED. THEY ARE REFERENCED TO EITHER A
NEXT HIGHER OR NEXT LOWER ASSEMBLY/INSTALLATION FIGURE.

E 25270004D REV 053

FUNCTIONAL COLLECTOR-MAJOR MODEL BASIC AND STABLE (PASSENGER CABIN FLOOR COVERING ONLY)
FIGURE 4D

HAP
OCT 10/06

25-27-00-04D

25-27-00-04D
PAGE 0

BOEING
737-600/700/800/900
PARTS CATALOG (MAINTENANCE)

FIG ITEM	PART NUMBER	1 2 3 4 5 6 7	NOMENCLATURE	EFFECT FROM TO	UNITS PER ASSY
4D			FUNCTIONAL COLLECTOR-MAJOR MODEL BASIC AND STABLE (PASSENGER CABIN FLOOR COVERING ONLY)	001030 201967	
- 1	400A9101-678		FUNCTIONAL COLLECTOR-MAJOR MODEL BASIC AND STABLE FOR NHA/OTHER SYS DET SEE: 25-00-00-01	001017 019019 201967	RF
- 5	400A0000-678		FUNCTIONAL COLLECTOR-MAJOR MODEL BASIC AND STABLE FOR NHA/OTHER SYS DET SEE: 25-00-00-01	018018 020030	RF
- 20	414A3800-1		.PLATE INSTL-DOORWAY RTNR POSITION DATA: FWD RH FOR DETAILS SEE: 25-27-21-21	001001 006007	1
- 20	414A3800-7		.PLATE INSTL-DOORWAY RTNR POSITION DATA: FWD RH FOR DETAILS SEE: 25-27-21-21	002005 008030 201967	1
- 25	414A3800-2		.PLATE INSTL-DOORWAY RTNR POSITION DATA: FWD LH FOR DETAILS SEE: 25-27-21-21	001030 201967	1
- 30	414A3700-1		.PAD INSTL-DOORWAY POSITION DATA: FWD RH FOR DETAILS SEE: 25-27-21-70	001030 201967	1
- 35	414A3700-2		.PAD INSTL-DOORWAY POSITION DATA: FWD LH FOR DETAILS SEE: 25-27-21-70	001030 201967	1
- 40	414A3700-3		.PAD INSTL-DOORWAY POSITION DATA: AFT RH FOR DETAILS SEE: 25-27-21-71	001030 201967	1
- 45	414A3700-4		.PAD INSTL-DOORWAY POSITION DATA: AFT LH FOR DETAILS SEE: 25-27-21-71	001030 201967	1

MISSING ITEM NUMBERS NOT APPLICABLE

- ITEM NOT ILLUSTRATED

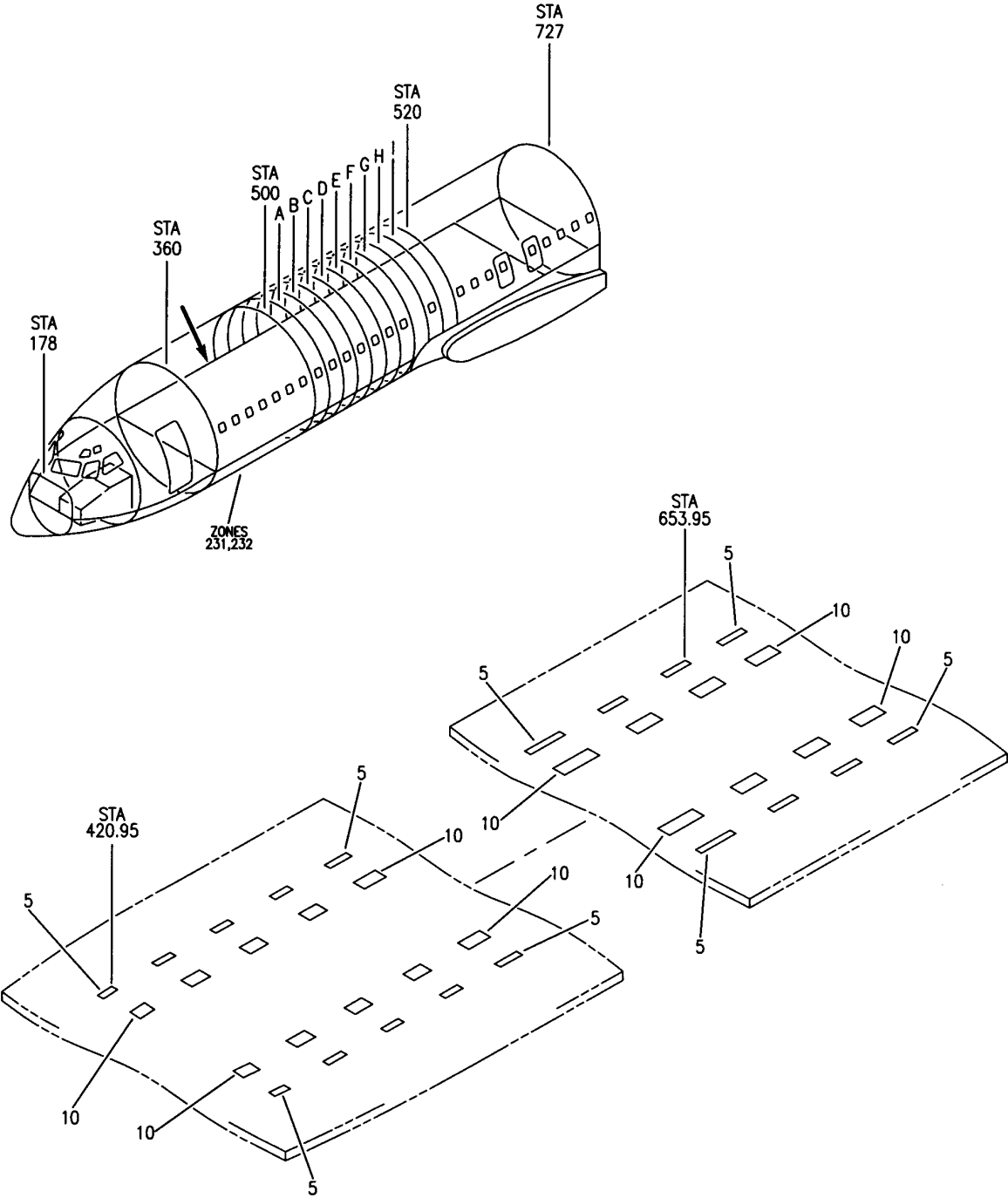
HAP

25-27-00-04D

BOEING PROPRIETARY - Copyright © - Unpublished Work - See title page for details.

25-27-00
FIG. 04D
PAGE 1
OCT 15/08

BOEING
 737-600/700/800/900
 PARTS CATALOG (MAINTENANCE)



E 25270008 REV 010

COVER INSTL-SEAT TRACK
 FIGURE 8

25-27-00-08

HAP
 OCT 10/06

25-27-00-08
 PAGE 0

BOEING
737-600/700/800/900
PARTS CATALOG (MAINTENANCE)

FIG ITEM	PART NUMBER	1 2 3 4 5 6 7	NOMENCLATURE	EFFECT FROM TO	UNITS PER ASSY
8					
- 1	414A1120-4E		COVER INSTL-SEAT TRACK COVER INSTL-SEAT TRACK FOR NHA SEE: 25-27-00-03B	001011 001011	RF
5	65C37062-9B		.COVER-	001011	7
10	65C37062-50A		.COVER-	001011	7

MISSING ITEM NUMBERS NOT APPLICABLE

- ITEM NOT ILLUSTRATED

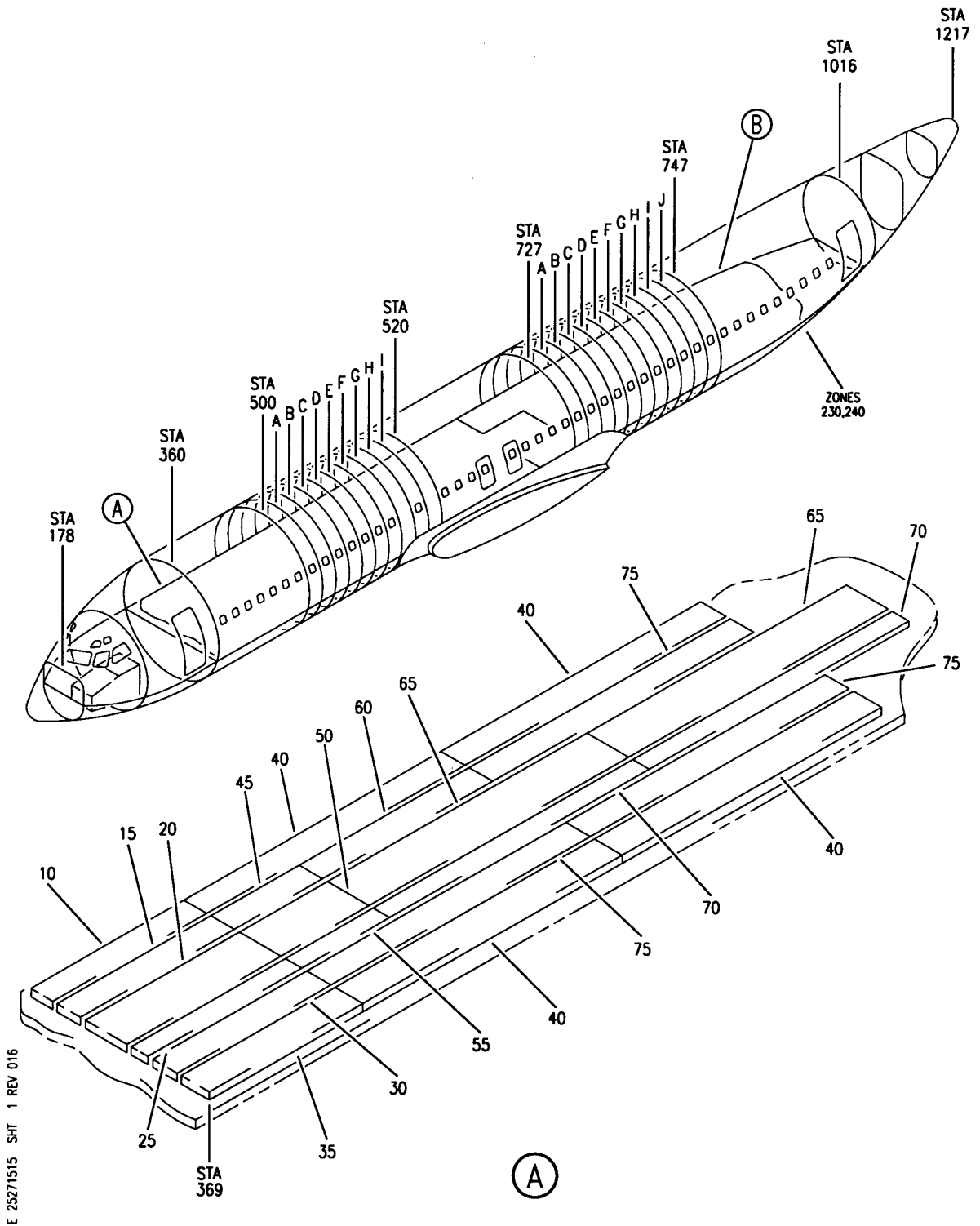
HAP

25-27-00-08

BOEING PROPRIETARY - Copyright © - Unpublished Work - See title page for details.

25-27-00
FIG. 08
PAGE 1
OCT 10/06

BOEING
 737-600/700/800/900
 PARTS CATALOG (MAINTENANCE)



E 25271515 SH1 1 REV 016

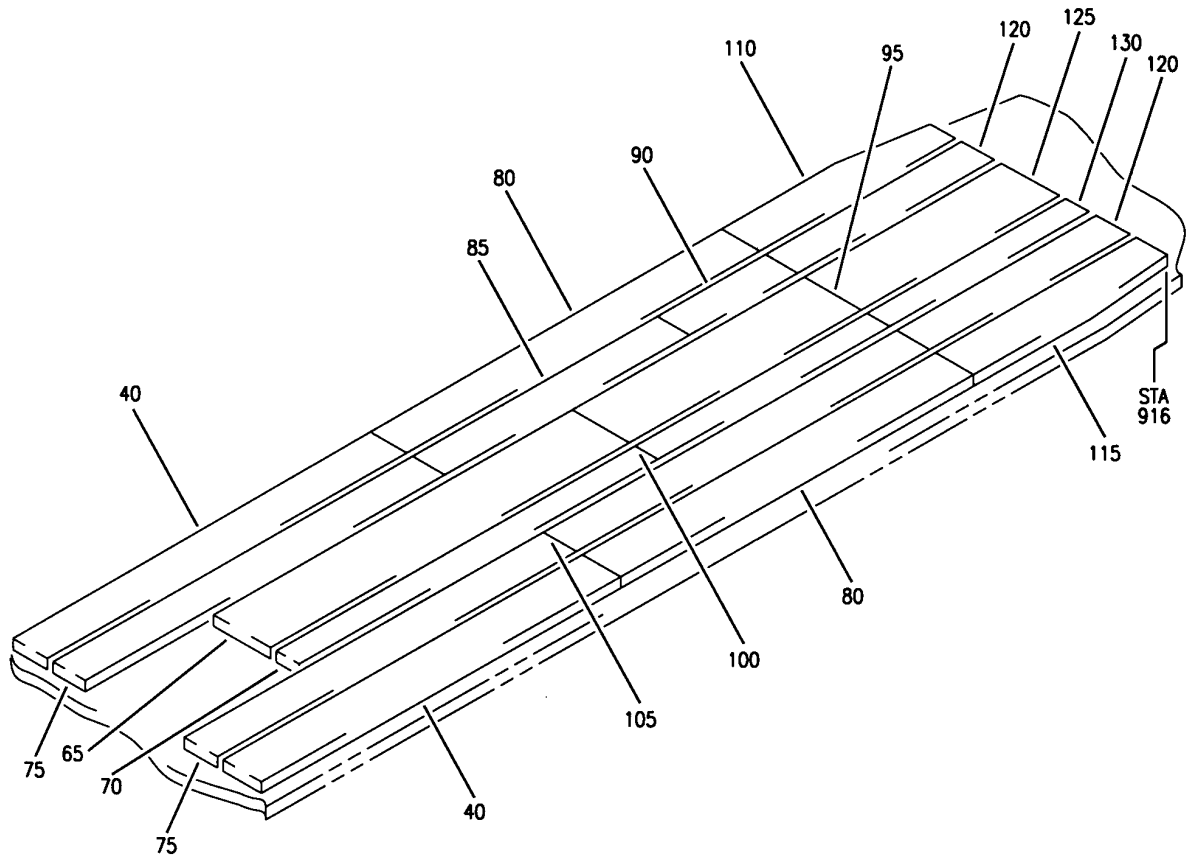
CARPET INSTL-PASS. CAB.
 FIGURE 15 (SHEET 1)

25-27-15-15

HAP
 OCT 10/06

25-27-15-15
 PAGE 0

BOEING
 737-600/700/800/900
 PARTS CATALOG (MAINTENANCE)



(B)

E 25271515 SHT 2 REV 016

CARPET INSTL-PASS. CAB.
 FIGURE 15 (SHEET 2)

25-27-15-15

HAP
 OCT 10/06

25-27-15-15
 PAGE 0A

BOEING
737-600/700/800/900
PARTS CATALOG (MAINTENANCE)

FIG ITEM	PART NUMBER	1 2 3 4 5 6 7	NOMENCLATURE	EFFECT FROM TO	UNITS PER ASSY
15			CARPET INSTL-PASS. CAB.	001007	
- 1	414A3408-108SP		CARPET INSTL-PASS. CAB. FOR NHA SEE: 25-27-00-03B	006007	RF
- 1	414A3408-117SP		CARPET INSTL-PASS. CAB. FOR NHA SEE: 25-27-00-03B	001005	RF
- 5	414A3408-1008SP		.CARPET ASSY	006007	1
- 5	414A3408-1017SP		.CARPET ASSY	001005	1
10	414A3408-4040SP		..CARPET	001007	1
15	414A3408-4041SP		..CARPET	001007	1
20	414A3408-4042SP		..CARPET	001007	1
25	414A3408-4043SP		..CARPET	006007	1
25	414A3408-4083SP		..CARPET	001005	1
30	414A3408-4044SP		..CARPET	001007	1
35	414A3408-4045SP		..CARPET	001007	1
40	414A3408-3000SP		..CARPET	001007	6
45	414A3408-3004SP		..CARPET	001007	1
50	414A3408-3005SP		..CARPET	001007	1
55	414A3408-3006SP		..CARPET	001007	1
60	414A3408-3007SP		..CARPET	001007	1
65	414A3408-3002SP		..CARPET	001007	3
70	414A3408-3003SP		..CARPET	001007	3
75	414A3408-3001SP		..CARPET	001007	5
80	414A3408-3008SP		..CARPET	001007	2
85	414A3408-3009SP		..CARPET	001007	1
90	414A3408-3010SP		..CARPET	001007	1
95	414A3408-3011SP		..CARPET	001007	1
100	414A3408-3012SP		..CARPET	001007	1
105	414A3408-3013SP		..CARPET	001007	1
110	414A3408-6023SP		..CARPET	001007	1
115	414A3408-6027SP		..CARPET	001007	1
120	414A3408-6024SP		..CARPET	001007	2
125	414A3408-6025SP		..CARPET	001007	1
130	414A3408-6026SP		..CARPET	001007	1

MISSING ITEM NUMBERS NOT APPLICABLE

- ITEM NOT ILLUSTRATED

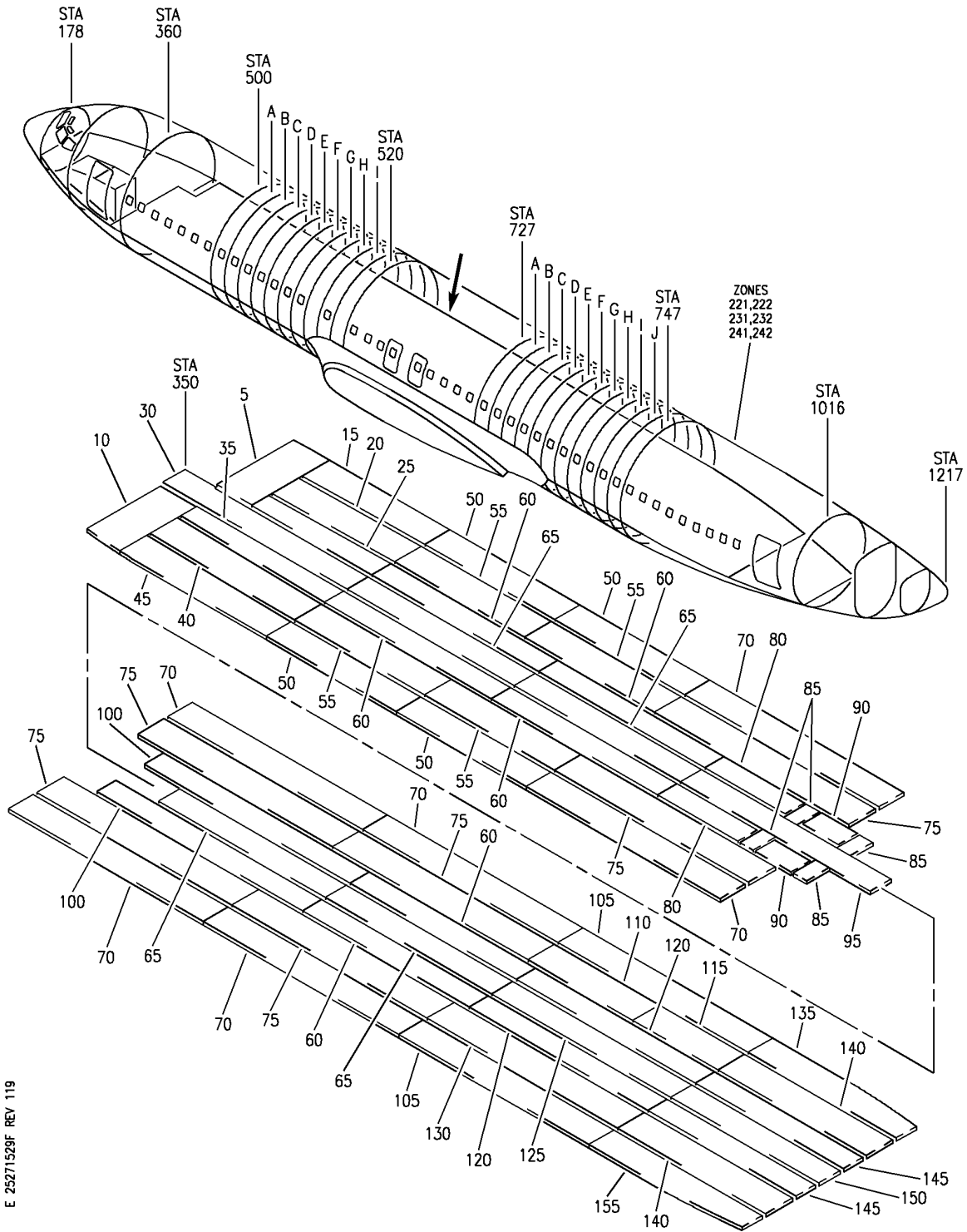
HAP

25-27-15-15

BOEING PROPRIETARY - Copyright © - Unpublished Work - See title page for details.

25-27-15
FIG. 15
PAGE 1
OCT 10/06

BOEING
 737-600/700/800/900
 PARTS CATALOG (MAINTENANCE)



E 25271529F REV 119

CARPET INSTL-PASS. CAB. PHOTOLUM LIGHTS, WITH AUDIO
 FIGURE 29F

25-27-15-29F

HAP
 OCT 10/06

25-27-15-29F
 PAGE 0

 **BOEING**
737-600/700/800/900
PARTS CATALOG (MAINTENANCE)

FIG ITEM	PART NUMBER	1 2 3 4 5 6 7	NOMENCLATURE	EFFECT FROM TO	UNITS PER ASSY
29F			CARPET INSTL-PASS. CAB. PHOTOLUM LIGHTS, WITH AUDIO	036047	
- 1	MODREF297337		CARPET INSTL-PASS. CAB. PHOTOLUM LIGHTS, WITH AUDIO	036036	1
- 1	MODREF303101		MODULE NUMBER: 414A3408-304BBG REV B CARPET INSTL-PASS. CAB. PHOTOLUM LIGHTS, WITH AUDIO	037037 039041 047047	1
- 1	MODREF314096		MODULE NUMBER: 414A3408-304BBG REV C CARPET INSTL-PASS. CAB. PHOTOLUM LIGHTS, WITH AUDIO	038038 042046	1
5	BCREF50987		. CARPET- OVERLENGTH PART NUMBER: 414A3408-324BBG REV A	036047	1
10	BCREF50985		. CARPET- OVERLENGTH PART NUMBER: 414A3408-4880BBG	036037 039041 047047	1
10	BCREF55845		. CARPET- OVERLENGTH PART NUMBER: 414A3408-4869BBG	038038 042046	1
15	BCREF50982		. CARPET- OVERLENGTH PART NUMBER: 414A3408-4811BBG	036047	1
20	BCREF52168		. CARPET- OVERLENGTH PART NUMBER: 414A3408-4514BBG	036047	1
25	BCREF52170		. CARPET- OVERLENGTH PART NUMBER: 414A3408-4724BBG	036047	1
30	BCREF50986		. CARPET- OVERLENGTH PART NUMBER: 414A3408-4920BBG	036047	1
35	BCREF52169		. CARPET- OVERLENGTH PART NUMBER: 414A3408-4879BBG	036047	1
40	BCREF52167		. CARPET- OVERLENGTH PART NUMBER: 414A3408-4919BBG	036036	1
40	BCREF52288		. CARPET- OVERLENGTH PART NUMBER: 414A3408-4723BBG	037047	1
			. CARPET- OVERLENGTH PART NUMBER: 414A3408-4865BBG		

MISSING ITEM NUMBERS NOT APPLICABLE

- ITEM NOT ILLUSTRATED

HAP

25-27-15-29F

BOEING PROPRIETARY - Copyright © - Unpublished Work - See title page for details.

25-27-15
FIG. 29F
PAGE 1
FEB 15/09

 **BOEING**
737-600/700/800/900
PARTS CATALOG (MAINTENANCE)

FIG ITEM	PART NUMBER	1 2 3 4 5 6 7	NOMENCLATURE	EFFECT FROM TO	UNITS PER ASSY
29F					
45	BCREF50980	.	CARPET- OVERLENGTH PART NUMBER: 414A3408-4433BBG	036047	1
50	BCREF50963	.	CARPET- OVERLENGTH PART NUMBER: 414A3408-3403BBG	036047	4
55	BCREF52156	.	CARPET- OVERLENGTH PART NUMBER: 414A3408-3439BBG	036047	4
60	BCREF52161	.	CARPET- OVERLENGTH PART NUMBER: 414A3408-3661BBG	036047	6
65	BCREF50966	.	CARPET- OVERLENGTH PART NUMBER: 414A3408-3444BBG	036047	4
70	BCREF50964	.	CARPET- OVERLENGTH PART NUMBER: 414A3408-3408BBG	036047	6
75	BCREF52157	.	CARPET- OVERLENGTH PART NUMBER: 414A3408-3440BBG	036047	6
80	BCREF52162	.	CARPET- OVERLENGTH PART NUMBER: 414A3408-3662BBG	036047	2
85	BCREF52163	.	CARPET- OVERLENGTH PART NUMBER: 414A3408-3663BBG	036047	4
90	BCREF52164	.	CARPET- OVERLENGTH PART NUMBER: 414A3408-3664BBG	036047	2
95	BCREF50978	.	CARPET- OVERLENGTH PART NUMBER: 414A3408-3461BBG	036047	1
100	BCREF52165	.	CARPET- OVERLENGTH PART NUMBER: 414A3408-3665BBG	036047	2
105	BCREF50965	.	CARPET- OVERLENGTH PART NUMBER: 414A3408-3416BBG	036047	2
110	BCREF52159	.	CARPET- OVERLENGTH PART NUMBER: 414A3408-3441BBG	036047	1
115	BCREF52160	.	CARPET- OVERLENGTH PART NUMBER: 414A3408-3442BBG	036047	1
120	BCREF52166	.	CARPET- OVERLENGTH PART NUMBER: 414A3408-3666BBG	036047	2

MISSING ITEM NUMBERS NOT APPLICABLE

— ITEM NOT ILLUSTRATED

HAP

25-27-15-29F

BOEING PROPRIETARY - Copyright © - Unpublished Work - See title page for details.

25-27-15
FIG. 29F
PAGE 2
FEB 15/09

 **BOEING**
737-600/700/800/900
PARTS CATALOG (MAINTENANCE)

FIG ITEM	PART NUMBER	1 2 3 4 5 6 7	NOMENCLATURE	EFFECT FROM TO	UNITS PER ASSY
29 F 125	BCREF50971	.	CARPET- OVERLENGTH PART NUMBER: 414A3408-3453BBG	036047	1
130	BCREF52176	.	CARPET- OVERLENGTH PART NUMBER: 414A3408-3443BBG	036047	1
135	BCREF50989	.	CARPET- OVERLENGTH PART NUMBER: 414A3408-6404BBG	036047	1
140	BCREF52171	.	CARPET- OVERLENGTH PART NUMBER: 414A3408-6415BBG	036047	2
145	BCREF52172	.	CARPET- OVERLENGTH PART NUMBER: 414A3408-6530BBG	036047	2
150	BCREF50991	.	CARPET- OVERLENGTH PART NUMBER: 414A3408-6416BBG	036047	1
155	BCREF50990	.	CARPET- OVERLENGTH PART NUMBER: 414A3408-6405BBG	036047	1

MISSING ITEM NUMBERS NOT APPLICABLE

— ITEM NOT ILLUSTRATED

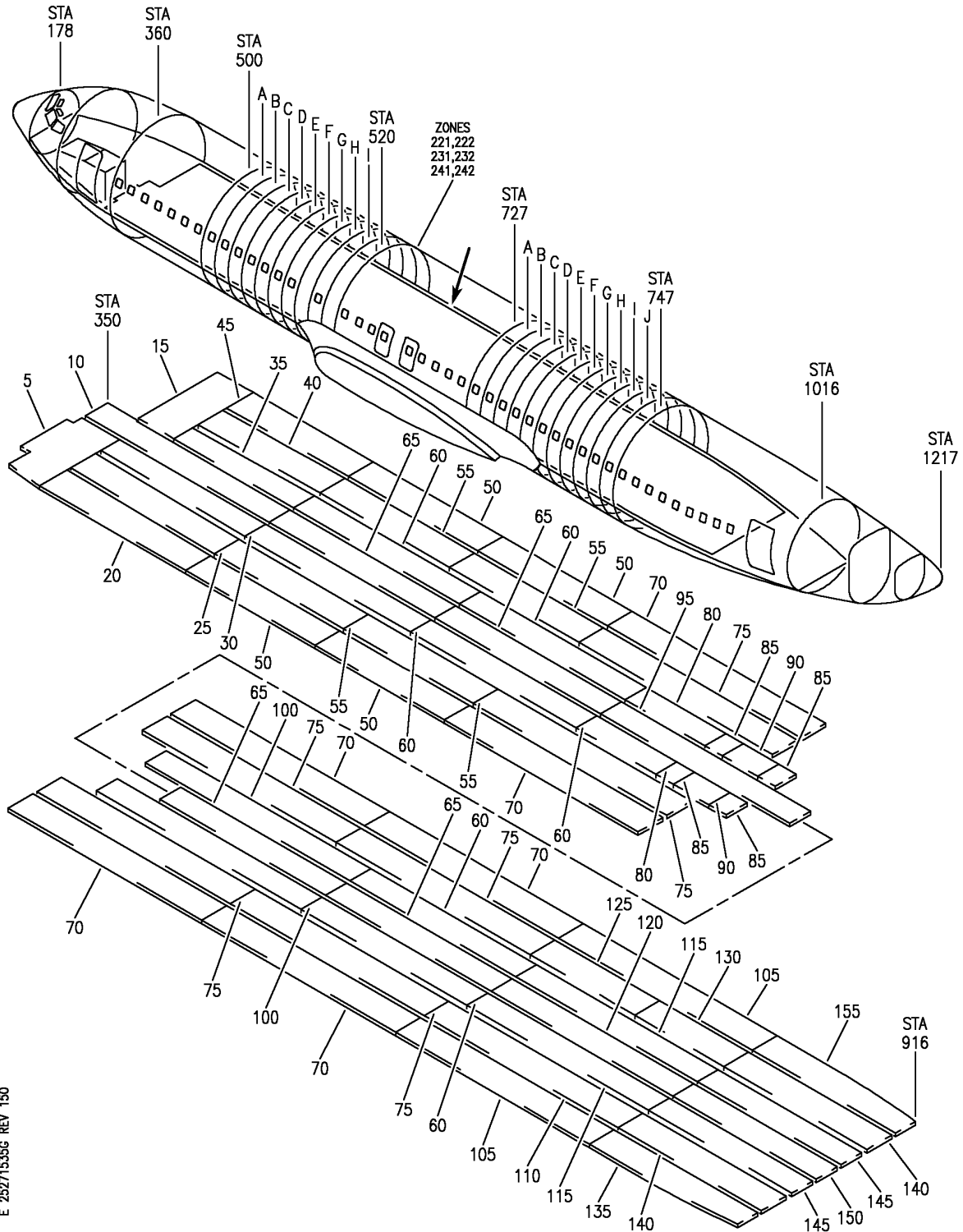
HAP

25-27-15-29F

BOEING PROPRIETARY - Copyright © - Unpublished Work - See title page for details.

25-27-15
FIG. 29F
PAGE 3
FEB 15/09


BOEING
 737-600/700/800/900
PARTS CATALOG (MAINTENANCE)



E 25271535G REV 150

CARPET INSTL-PASS. CAB. PHOTOLUM LIGHTS WITH AUDIO
 FIGURE 35G

25-27-15-35G

HAP
FEB 15/09

25-27-15-35G
PAGE 0

 **BOEING**
737-600/700/800/900
PARTS CATALOG (MAINTENANCE)

FIG ITEM	PART NUMBER	1 2 3 4 5 6 7	NOMENCLATURE	EFFECT FROM TO	UNITS PER ASSY
35G			CARPET INSTL-PASS. CAB. PHOTOLUM LIGHTS WITH AUDIO	051052	
- 1	MODREF403633		CARPET INSTL-PASS. CAB. PHOTOLUM LIGHTS WITH AUDIO	051052	1
5	BCREF65735		MODULE NUMBER: 414A3408-369BJD REV A . CARPET-	051052	1
10	BCREF65733		OVERLENGTH PART NUMBER: 414A3408-4811BJD . CARPET-	051052	1
15	BCREF65818		OVERLENGTH PART NUMBER: 414A3408-4705BJD . CARPET-	051052	1
20	BCREF65730		OVERLENGTH PART NUMBER: 414A3408-4672BJD . CARPET-	051052	1
25	BCREF65736		OVERLENGTH PART NUMBER: 414A3408-4433BJD . CARPET-	051052	1
30	BCREF65737		OVERLENGTH PART NUMBER: 414A3408-4865BJD . CARPET-	051052	1
35	BCREF65738		OVERLENGTH PART NUMBER: 414A3408-4919BJD . CARPET-	051052	1
40	BCREF65734		OVERLENGTH PART NUMBER: 414A3408-4920BJD . CARPET-	051052	1
45	BCREF65731		OVERLENGTH PART NUMBER: 414A3408-4724BJD . CARPET-	051052	1
50	BCREF65713		OVERLENGTH PART NUMBER: 414A3408-4514BJD . CARPET-	051052	4
55	BCREF65716		OVERLENGTH PART NUMBER: 414A3408-3403BJD . CARPET-	051052	4
60	BCREF65724		OVERLENGTH PART NUMBER: 414A3408-3439BJD . CARPET-	051052	6
65	BCREF65721		OVERLENGTH PART NUMBER: 414A3408-3661BJD . CARPET-	051052	4
			OVERLENGTH PART NUMBER: 414A3408-3444BJD		

MISSING ITEM NUMBERS NOT APPLICABLE

- ITEM NOT ILLUSTRATED

HAP

25-27-15-35G

25-27-15
FIG. 35G
PAGE 1
FEB 15/09

BOEING PROPRIETARY - Copyright © - Unpublished Work - See title page for details.

 **BOEING**
737-600/700/800/900
PARTS CATALOG (MAINTENANCE)

FIG ITEM	PART NUMBER	1 2 3 4 5 6 7	NOMENCLATURE	EFFECT FROM TO	UNITS PER ASSY
35G					
70	BCREF65714	.	CARPET- OVERLENGTH PART NUMBER: 414A3408-3408BJD	051052	6
75	BCREF65717	.	CARPET- OVERLENGTH PART NUMBER: 414A3408-3440BJD	051052	6
80	BCREF65725	.	CARPET- OVERLENGTH PART NUMBER: 414A3408-3662BJD	051052	2
85	BCREF65726	.	CARPET- OVERLENGTH PART NUMBER: 414A3408-3663BJD	051052	4
90	BCREF65727	.	CARPET- OVERLENGTH PART NUMBER: 414A3408-3664BJD	051052	2
95	BCREF65723	.	CARPET- OVERLENGTH PART NUMBER: 414A3408-3461BJD	051052	1
100	BCREF65728	.	CARPET- OVERLENGTH PART NUMBER: 414A3408-3665BJD	051052	2
105	BCREF65715	.	CARPET- OVERLENGTH PART NUMBER: 414A3408-3416BJD	051052	2
110	BCREF65720	.	CARPET- OVERLENGTH PART NUMBER: 414A3408-3443BJD	051052	1
115	BCREF65729	.	CARPET- OVERLENGTH PART NUMBER: 414A3408-3666BJD	051052	2
120	BCREF65722	.	CARPET- OVERLENGTH PART NUMBER: 414A3408-3453BJD	051052	1
125	BCREF65718	.	CARPET- OVERLENGTH PART NUMBER: 414A3408-3441BJD	051052	1
130	BCREF65719	.	CARPET- OVERLENGTH PART NUMBER: 414A3408-3442BJD	051052	1
135	BCREF65740	.	CARPET- OVERLENGTH PART NUMBER: 414A3408-6405BJD	051052	1
140	BCREF65741	.	CARPET- OVERLENGTH PART NUMBER: 414A3408-6415BJD	051052	2
145	BCREF65743	.	CARPET- OVERLENGTH PART NUMBER: 414A3408-6530BJD	051052	2

MISSING ITEM NUMBERS NOT APPLICABLE

— ITEM NOT ILLUSTRATED

HAP

25-27-15-35G

BOEING PROPRIETARY - Copyright © - Unpublished Work - See title page for details.

25-27-15
FIG. 35G
PAGE 2
FEB 15/09


BOEING
 737-600/700/800/900
PARTS CATALOG (MAINTENANCE)

FIG ITEM	PART NUMBER	1 2 3 4 5 6 7	NOMENCLATURE	EFFECT FROM TO	UNITS PER ASSY
35G 150	BCREF65742		. CARPET- OVERLENGTH PART NUMBER: 414A3408-6416BJD	051052	1
155	BCREF65739		. CARPET- OVERLENGTH PART NUMBER: 414A3408-6404BJD	051052	1

MISSING ITEM NUMBERS NOT APPLICABLE

— ITEM NOT ILLUSTRATED

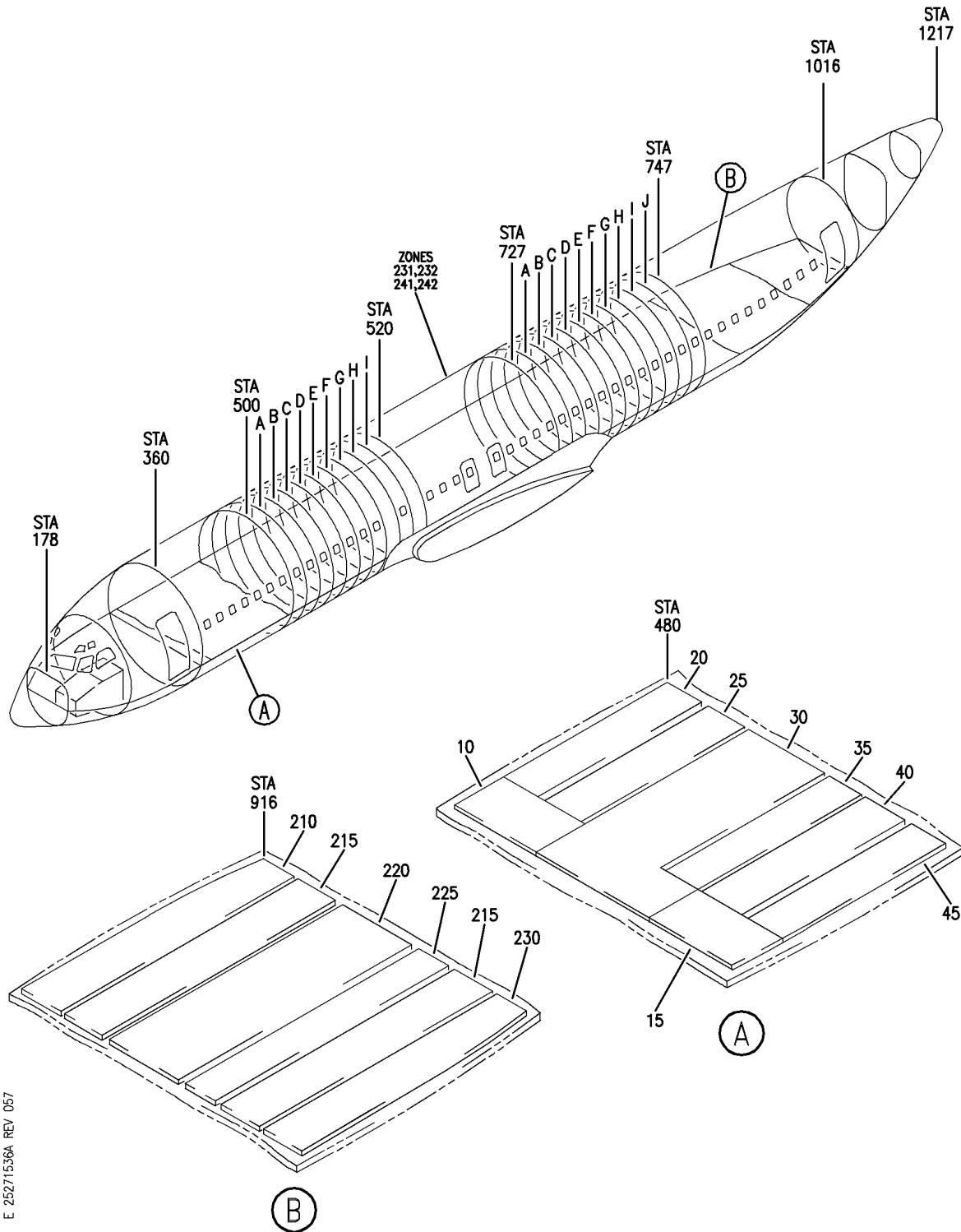
HAP

25-27-15-35G

BOEING PROPRIETARY - Copyright © - Unpublished Work - See title page for details.

25-27-15
 FIG. 35G
 PAGE 3
 FEB 15/09

BOEING
 737-600/700/800/900
 PARTS CATALOG (MAINTENANCE)



E 25271536A REV 057

CARPET INSTL-SECT. 41 AND 47 PASS. CAB.
 FIGURE 36A

25-27-15-36A

HAP
 OCT 10/06

25-27-15-36A
 PAGE 0

BOEING
737-600/700/800/900
PARTS CATALOG (MAINTENANCE)

FIG ITEM	PART NUMBER	1 2 3 4 5 6 7	NOMENCLATURE	EFFECT FROM TO	UNITS PER ASSY
36A			CARPET INSTL-SECT. 41 AND 47 PASS. CAB.	008030	
- 1	414A3050-141BD		CARPET INSTL-PASS. CAB. BOEING PROXIMITY LIGHTS WITH AUDIO (INBD TRACKS) POSITION DATA: SECT. 41 FOR NHA SEE: 25-27-00-03B	008030	RF
- 5	414A3050-1141BD		.CARPET ASSY-	008030	1
10	414A3050-2254BD		..CARPET-	008030	1
15	414A3050-2256BD		..CARPET-	008030	1
20	414A3050-2144BD		..CARPET-	008030	1
25	414A3050-2145BD		..CARPET-	008030	1
30	414A3050-2285BD		..CARPET-	008030	1
35	414A3050-2147BD		..CARPET-	008030	1
40	414A3050-2148BD		..CARPET-	008030	1
45	414A3050-2149BD		..CARPET-	008030	1
- 200	414A3050-633BD		CARPET INSTL-PASS. CAB. BOEING STD PROXIMITY LIGHTS WITH AUDIO (INBD TRACKS) POSITION DATA: SECT. 47 FOR NHA SEE: 25-27-00-03B	008030	RF
- 205	414A3050-1633BD		.CARPET ASSY-	008030	1
210	414A3050-6064BD		..CARPET-	008030	1
215	414A3050-6012BD		..CARPET-	008030	2
220	414A3050-6067BD		..CARPET-	008030	1
225	414A3050-6068BD		..CARPET-	008030	1
230	414A3050-6066BD		..CARPET-	008030	1

MISSING ITEM NUMBERS NOT APPLICABLE

- ITEM NOT ILLUSTRATED

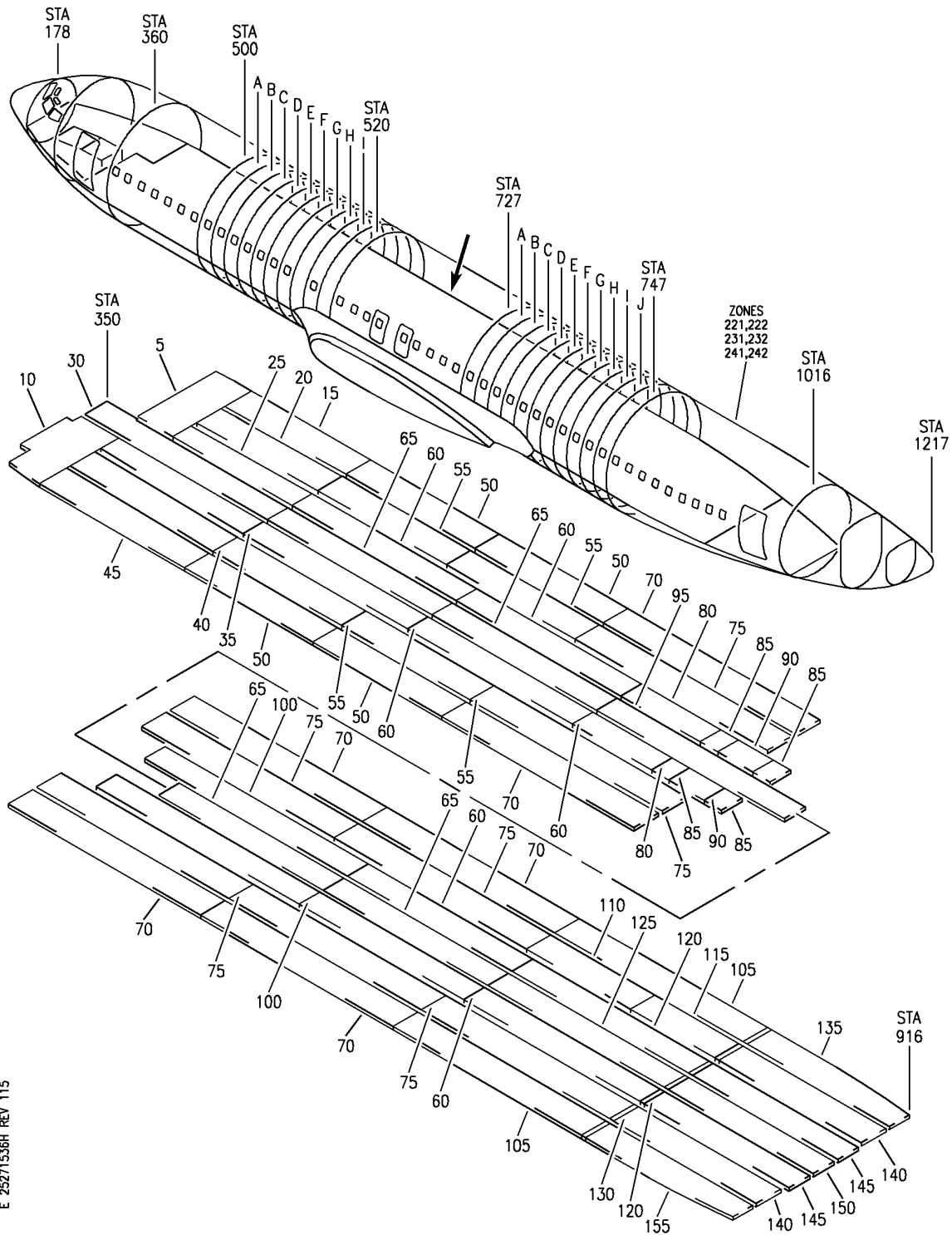
HAP

25-27-15-36A

BOEING PROPRIETARY - Copyright © - Unpublished Work - See title page for details.

25-27-15
FIG. 36A
PAGE 1
OCT 10/06


BOEING
737-600/700/800/900
PARTS CATALOG (MAINTENANCE)



E 25271536H REV 115

CARPET INSTL-PASS. CAB. PHOTOLUM LIGHTS, WITH AUDIO
 FIGURE 36H

25-27-15-36H

HAP
OCT 10/06

25-27-15-36H
 PAGE 0

BOEING
737-600/700/800/900
PARTS CATALOG (MAINTENANCE)

FIG ITEM	PART NUMBER	1 2 3 4 5 6 7	NOMENCLATURE	EFFECT FROM TO	UNITS PER ASSY
36H			CARPET INSTL-PASS. CAB. PHOTOLUM LIGHTS, WITH AUDIO	031035	
- 1	MODREF278356		CARPET INSTL-PASS. CAB. PHOTOLUM LIGHTS, WITH AUDIO	031035	1
5	BCREF50987		MODULE NUMBER: 414A3408-291BBG REV A . CARPET-	031035	1
10	BCREF50985		OVERLENGTH PART NUMBER: 414A3408-4880BBG . CARPET-	031035	1
15	BCREF50982		OVERLENGTH PART NUMBER: 414A3408-4869BBG . CARPET-	031035	1
20	BCREF50981		OVERLENGTH PART NUMBER: 414A3408-4514BBG . CARPET-	031035	1
25	BCREF50983		OVERLENGTH PART NUMBER: 414A3408-4510BBG . CARPET-	031035	1
30	BCREF50986		OVERLENGTH PART NUMBER: 414A3408-4626BBG . CARPET-	031035	1
35	BCREF50984		OVERLENGTH PART NUMBER: 414A3408-4879BBG . CARPET-	031035	1
40	BCREF50988		OVERLENGTH PART NUMBER: 414A3408-4812BBG . CARPET-	031035	1
45	BCREF50980		OVERLENGTH PART NUMBER: 414A3408-4881BBG . CARPET-	031035	1
50	BCREF50963		OVERLENGTH PART NUMBER: 414A3408-4433BBG . CARPET-	031035	4
55	BCREF50973		OVERLENGTH PART NUMBER: 414A3408-3403BBG . CARPET-	031035	4
60	BCREF50967		OVERLENGTH PART NUMBER: 414A3408-3455BBG . CARPET-	031035	6
65	BCREF50966		OVERLENGTH PART NUMBER: 414A3408-3445BBG . CARPET-	031035	4
			OVERLENGTH PART NUMBER: 414A3408-3444BBG		

MISSING ITEM NUMBERS NOT APPLICABLE

- ITEM NOT ILLUSTRATED

HAP

25-27-15-36H

BOEING PROPRIETARY - Copyright © - Unpublished Work - See title page for details.

25-27-15
FIG. 36H
PAGE 1
OCT 10/06

 **BOEING**
737-600/700/800/900
PARTS CATALOG (MAINTENANCE)

FIG ITEM	PART NUMBER	1 2 3 4 5 6 7	NOMENCLATURE	EFFECT FROM TO	UNITS PER ASSY
36H					
70	BCREF50964	.	CARPET- OVERLENGTH PART NUMBER: 414A3408-3408BBG	031035	6
75	BCREF50974	.	CARPET- OVERLENGTH PART NUMBER: 414A3408-3456BBG	031035	6
80	BCREF50968	.	CARPET- OVERLENGTH PART NUMBER: 414A3408-3446BBG	031035	2
85	BCREF50969	.	CARPET- OVERLENGTH PART NUMBER: 414A3408-3447BBG	031035	4
90	BCREF50970	.	CARPET- OVERLENGTH PART NUMBER: 414A3408-3449BBG	031035	2
95	BCREF50978	.	CARPET- OVERLENGTH PART NUMBER: 414A3408-3461BBG	031035	1
100	BCREF50979	.	CARPET- OVERLENGTH PART NUMBER: 414A3408-3462BBG	031035	2
105	BCREF50965	.	CARPET- OVERLENGTH PART NUMBER: 414A3408-3416BBG	031035	2
110	BCREF50976	.	CARPET- OVERLENGTH PART NUMBER: 414A3408-3458BBG	031035	1
115	BCREF50977	.	CARPET- OVERLENGTH PART NUMBER: 414A3408-3459BBG	031035	1
120	BCREF50972	.	CARPET- OVERLENGTH PART NUMBER: 414A3408-3454BBG	031035	2
125	BCREF50971	.	CARPET- OVERLENGTH PART NUMBER: 414A3408-3453BBG	031035	1
130	BCREF50975	.	CARPET- OVERLENGTH PART NUMBER: 414A3408-3457BBG	031035	1
135	BCREF50989	.	CARPET- OVERLENGTH PART NUMBER: 414A3408-6404BBG	031035	1
140	BCREF50993	.	CARPET- OVERLENGTH PART NUMBER: 414A3408-6419BBG	031035	2
145	BCREF50992	.	CARPET- OVERLENGTH PART NUMBER: 414A3408-6417BBG	031035	2

MISSING ITEM NUMBERS NOT APPLICABLE

— ITEM NOT ILLUSTRATED

HAP

25-27-15-36H

BOEING PROPRIETARY - Copyright © - Unpublished Work - See title page for details.

25-27-15
FIG. 36H
PAGE 2
OCT 10/06


BOEING
 737-600/700/800/900
PARTS CATALOG (MAINTENANCE)

FIG ITEM	PART NUMBER	1 2 3 4 5 6 7	NOMENCLATURE	EFFECT FROM TO	UNITS PER ASSY
36H 150	BCREF50991	.	CARPET- OVERLENGTH PART NUMBER: 414A3408-6416BBG	031035	1
155	BCREF50990	.	CARPET- OVERLENGTH PART NUMBER: 414A3408-6405BBG	031035	1

MISSING ITEM NUMBERS NOT APPLICABLE

— ITEM NOT ILLUSTRATED

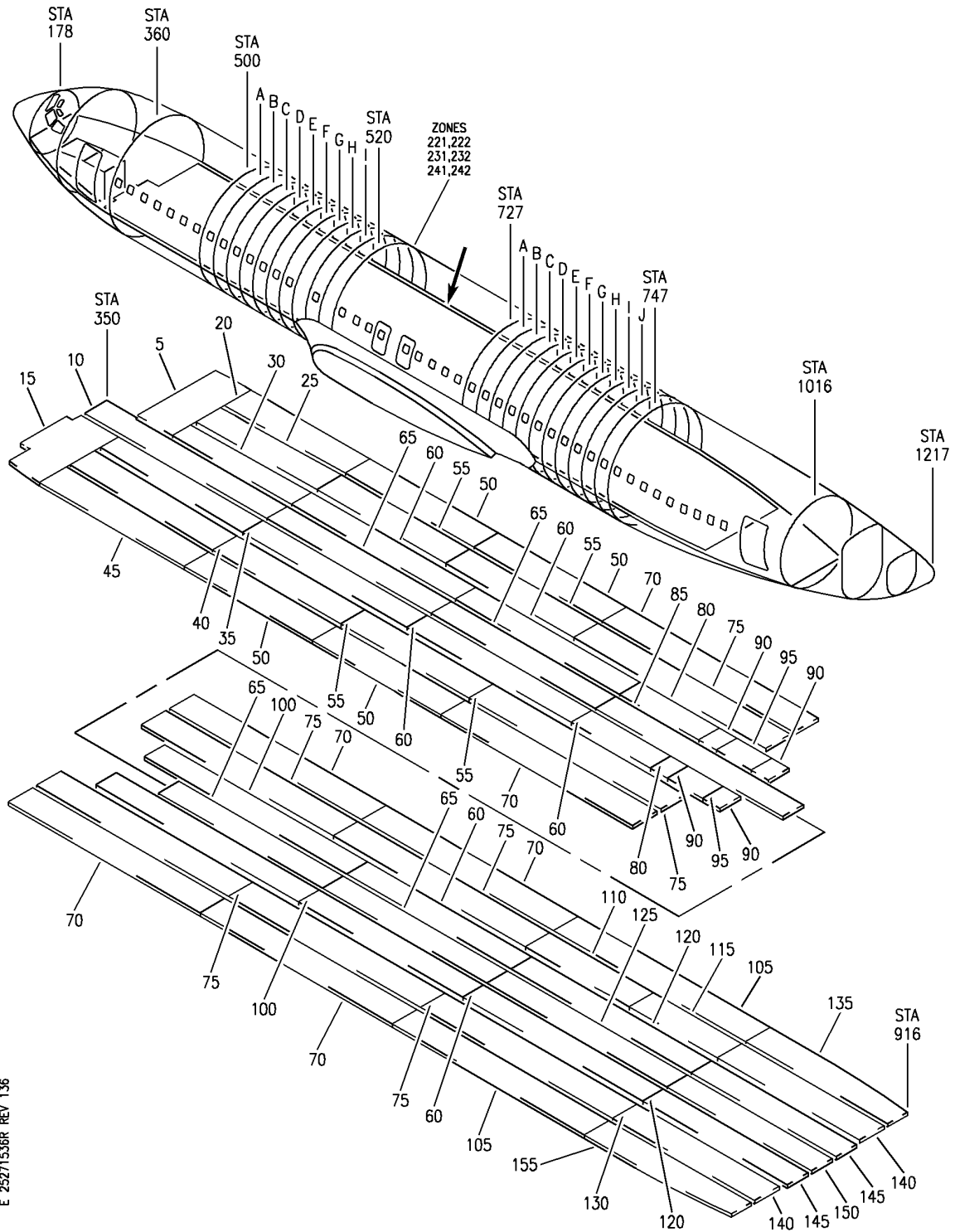
HAP

25-27-15-36H

BOEING PROPRIETARY - Copyright © - Unpublished Work - See title page for details.

25-27-15
 FIG. 36H
 PAGE 3
 OCT 10/06

BOEING
737-600/700/800/900
PARTS CATALOG (MAINTENANCE)



E 25271536R REV 136

CARPET INSTL-PHOTOLUM LIGHTS WITH AUDIO PASS. CAB.
 FIGURE 36R

25-27-15-36R

HAP
 OCT 15/08

25-27-15-36R
 PAGE 0

 **BOEING**
737-600/700/800/900
PARTS CATALOG (MAINTENANCE)

FIG ITEM	PART NUMBER	1 2 3 4 5 6 7	NOMENCLATURE	EFFECT FROM TO	UNITS PER ASSY
36R			CARPET INSTL-PHOTOLUM LIGHTS WITH AUDIO PASS. CAB.	054100	
- 1	MODREF353221		CARPET INSTL-PHOTOLUM LIGHTS WITH AUDIO PASS. CAB. MODULE NUMBER: 414A3408-346BBG REV A	054100	1
5	BCREF60509		.CARPET- OVERLENGTH PART NUMBER: 414A3408-4672BBG	054100	1
10	BCREF60510		.CARPET- OVERLENGTH PART NUMBER: 414A3408-4705BBG	054100	1
15	BCREF50985		.CARPET- OVERLENGTH PART NUMBER: 414A3408-4869BBG	054100	1
20	BCREF50982		.CARPET- OVERLENGTH PART NUMBER: 414A3408-4514BBG	054100	1
25	BCREF52168		.CARPET- OVERLENGTH PART NUMBER: 414A3408-4724BBG	054100	1
30	BCREF52170		.CARPET- OVERLENGTH PART NUMBER: 414A3408-4920BBG	054100	1
35	BCREF52169		.CARPET- OVERLENGTH PART NUMBER: 414A3408-4919BBG	054100	1
40	BCREF52288		.CARPET- OVERLENGTH PART NUMBER: 414A3408-4865BBG	054100	1
45	BCREF50980		.CARPET- OVERLENGTH PART NUMBER: 414A3408-4433BBG	054100	1
50	BCREF50963		.CARPET- OVERLENGTH PART NUMBER: 414A3408-3403BBG	054100	4
55	BCREF52156		.CARPET- OVERLENGTH PART NUMBER: 414A3408-3439BBG	054100	4
60	BCREF52161		.CARPET- OVERLENGTH PART NUMBER: 414A3408-3661BBG	054100	6
65	BCREF50966		.CARPET- OVERLENGTH PART NUMBER: 414A3408-3444BBG	054100	4

MISSING ITEM NUMBERS NOT APPLICABLE

- ITEM NOT ILLUSTRATED

HAP

25-27-15-36R

BOEING PROPRIETARY - Copyright © - Unpublished Work - See title page for details.

25-27-15
FIG. 36R
PAGE 1
FEB 15/09

 **BOEING**
737-600/700/800/900
PARTS CATALOG (MAINTENANCE)

FIG ITEM	PART NUMBER	1 2 3 4 5 6 7	NOMENCLATURE	EFFECT FROM TO	UNITS PER ASSY
36R					
70	BCREF50964	.	CARPET- OVERLENGTH PART NUMBER: 414A3408-3408BBG	054100	6
75	BCREF52157	.	CARPET- OVERLENGTH PART NUMBER: 414A3408-3440BBG	054100	6
80	BCREF52162	.	CARPET- OVERLENGTH PART NUMBER: 414A3408-3662BBG	054100	2
85	BCREF50978	.	CARPET- OVERLENGTH PART NUMBER: 414A3408-3461BBG	054100	1
90	BCREF52163	.	CARPET- OVERLENGTH PART NUMBER: 414A3408-3663BBG	054100	4
95	BCREF52164	.	CARPET- OVERLENGTH PART NUMBER: 414A3408-3664BBG	054100	2
100	BCREF52165	.	CARPET- OVERLENGTH PART NUMBER: 414A3408-3665BBG	054100	2
105	BCREF50965	.	CARPET- OVERLENGTH PART NUMBER: 414A3408-3416BBG	054100	2
110	BCREF52159	.	CARPET- OVERLENGTH PART NUMBER: 414A3408-3441BBG	054100	1
115	BCREF52160	.	CARPET- OVERLENGTH PART NUMBER: 414A3408-3442BBG	054100	1
120	BCREF52166	.	CARPET- OVERLENGTH PART NUMBER: 414A3408-3666BBG	054100	2
125	BCREF50971	.	CARPET- OVERLENGTH PART NUMBER: 414A3408-3453BBG	054100	1
130	BCREF52176	.	CARPET- OVERLENGTH PART NUMBER: 414A3408-3443BBG	054100	1
135	BCREF50989	.	CARPET- OVERLENGTH PART NUMBER: 414A3408-6404BBG	054100	1
140	BCREF52171	.	CARPET- OVERLENGTH PART NUMBER: 414A3408-6415BBG	054100	2
145	BCREF52172	.	CARPET- OVERLENGTH PART NUMBER: 414A3408-6530BBG	054100	2

MISSING ITEM NUMBERS NOT APPLICABLE

— ITEM NOT ILLUSTRATED

HAP

25-27-15-36R

BOEING PROPRIETARY - Copyright © - Unpublished Work - See title page for details.

25-27-15
FIG. 36R
PAGE 2
FEB 15/09

BOEING
737-600/700/800/900
PARTS CATALOG (MAINTENANCE)

FIG ITEM	PART NUMBER	1 2 3 4 5 6 7	NOMENCLATURE	EFFECT FROM TO	UNITS PER ASSY
36R 150	BCREF50991	.	CARPET- OVERLENGTH PART NUMBER: 414A3408-6416BBG	054100	1
155	BCREF50990	.	CARPET- OVERLENGTH PART NUMBER: 414A3408-6405BBG	054100	1

MISSING ITEM NUMBERS NOT APPLICABLE

— ITEM NOT ILLUSTRATED

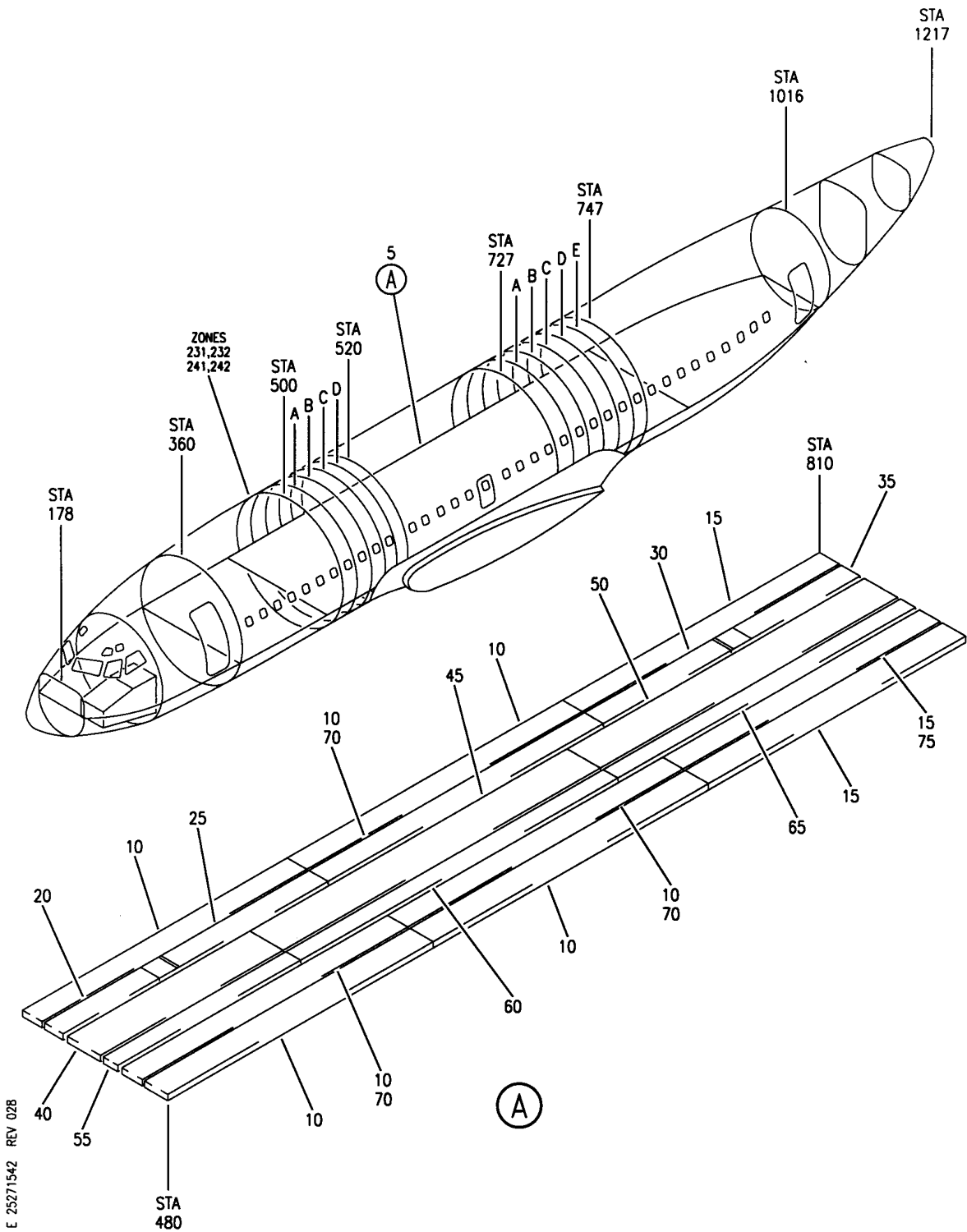
HAP

25-27-15-36R

BOEING PROPRIETARY - Copyright © - Unpublished Work - See title page for details.

25-27-15
FIG. 36R
PAGE 3
FEB 15/09

BOEING
 737-600/700/800/900
 PARTS CATALOG (MAINTENANCE)



E 25271542 REV 02B

CARPET INSTL-PASS.CAB. CONSTANT SECT.
 FIGURE 42

25-27-15-42

HAP
 OCT 15/08

25-27-15-42
 PAGE 0

BOEING
737-600/700/800/900
PARTS CATALOG (MAINTENANCE)

FIG ITEM	PART NUMBER	1 2 3 4 5 6 7	NOMENCLATURE	EFFECT FROM TO	UNITS PER ASSY
42			CARPET INSTL-PASS. CAB. CONSTANT SECT.	201967	
- 1	414A3040-704SP		CARPET INSTL-PASS. CAB. CONSTANT SECT. FOR NHA SEE: 25-27-00-03A	201967	RF
5	414A3040-1704SP		.CARPET ASSY	201967	1
10	414A3040-3015SP		..CARPET	201967	4
15	414A3040-3020SP		..CARPET	201967	2
20	414A3040-3072SP		..CARPET	201967	1
25	414A3040-3073SP		..CARPET	201967	1
30	414A3040-3077SP		..CARPET	201967	1
35	414A3040-3078SP		..CARPET	201967	1
40	414A3040-3021SP		..CARPET	201967	1
45	414A3040-3023SP		..CARPET	201967	1
50	414A3040-3025SP		..CARPET	201967	1
55	414A3040-3022SP		..CARPET	201967	1
60	414A3040-3024SP		..CARPET	201967	1
65	414A3040-3026SP		..CARPET	201967	1
70	414A3040-3075SP		..CARPET	201967	3
75	414A3040-3080SP		..CARPET	201967	1

MISSING ITEM NUMBERS NOT APPLICABLE

- ITEM NOT ILLUSTRATED

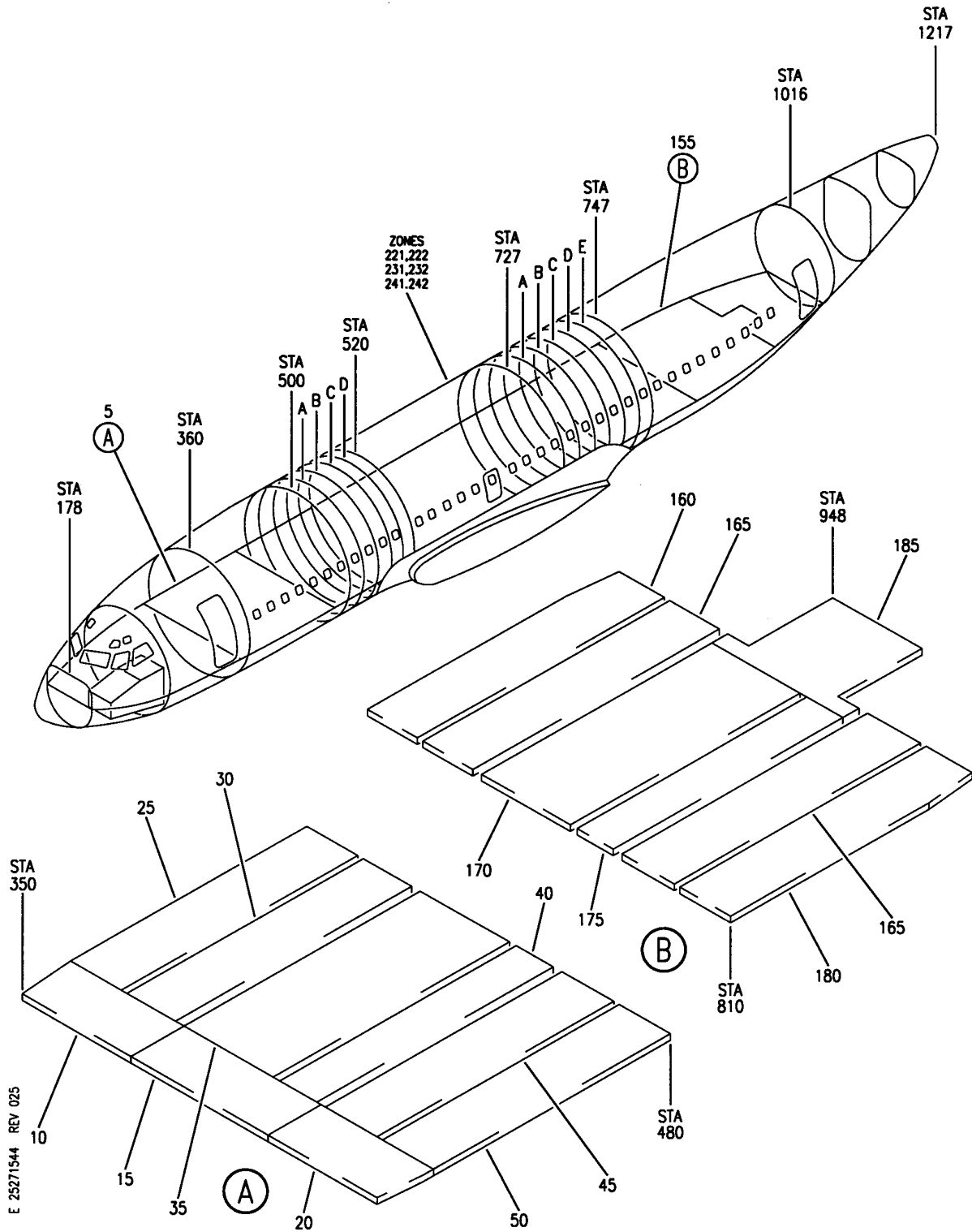
HAP

25-27-15-42

BOEING PROPRIETARY - Copyright © - Unpublished Work - See title page for details.

25-27-15
FIG. 42
PAGE 1
OCT 15/08

BOEING
 737-600/700/800/900
 PARTS CATALOG (MAINTENANCE)



E 25271544 REV 025

CARPET INSTL - PASS. CAB SECT. 41 & 47
 FIGURE 44

25-27-15-44

HAP
 OCT 15/08

25-27-15-44
 PAGE 0

BOEING
737-600/700/800/900
PARTS CATALOG (MAINTENANCE)

FIG ITEM	PART NUMBER	1 2 3 4 5 6 7	NOMENCLATURE	EFFECT FROM TO	UNITS PER ASSY
44			CARPET INSTL - PASS. CAB SECT. 41 & 47	201967	
- 1	414A3050-115SP		CARPET INSTL-PASS. CAB POSITION DATA: SECT. 41, FWD FOR NHA SEE: 25-27-00-03A	201967	RF
5	414A3050-1115SP		.CARPET ASSY	201967	1
10	414A3050-2116SP		..CARPET	201967	1
15	414A3050-2066SP		..CARPET	201967	1
20	414A3050-2117SP		..CARPET	201967	1
25	414A3050-2111SP		..CARPET	201967	1
30	414A3050-2181SP		..CARPET-	201967	1
35	414A3050-2115SP		..CARPET	201967	1
40	414A3050-2071SP		..CARPET	201967	1
45	414A3050-2182SP		..CARPET-	201967	1
50	414A3050-2114SP		..CARPET	201967	1
- 150	414A3050-612SP		CARPET INSTL-PASS. CAB. POSITION DATA: SECT. 47, AFT FOR NHA SEE: 25-27-00-03A	201967	RF
155	414A3050-1612SP		.CARPET ASSY	201967	1
160	414A3050-6064SP		..CARPET-	201967	1
165	414A3050-6027SP		..CARPET-	201967	2
170	414A3050-6013SP		..CARPET	201967	1
175	414A3050-6014SP		..CARPET	201967	1
180	414A3050-6066SP		..CARPET-	201967	1
185	414A3050-6016SP		..CARPET	201967	1

MISSING ITEM NUMBERS NOT APPLICABLE

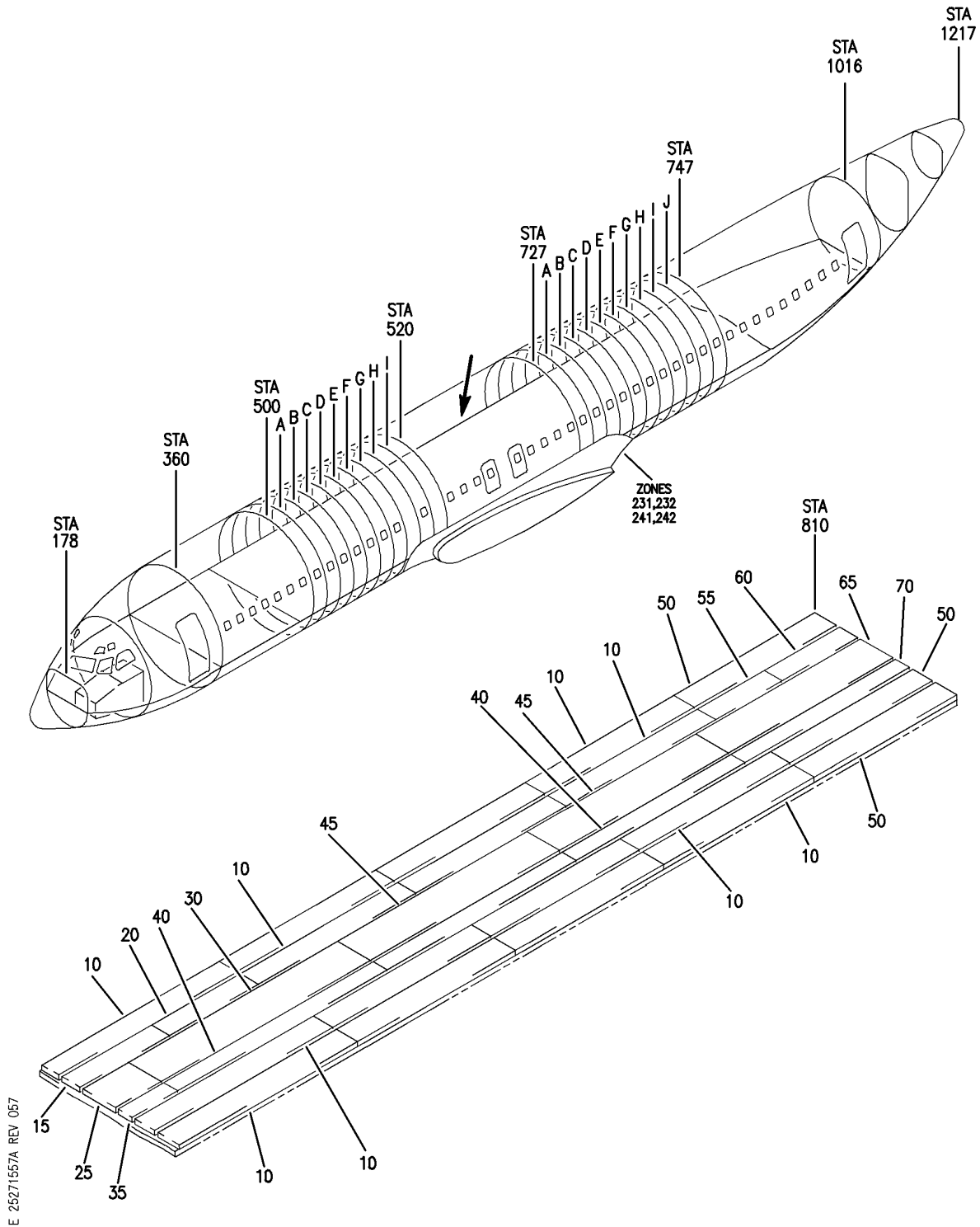
- ITEM NOT ILLUSTRATED

HAP

25-27-15-44

25-27-15
FIG. 44
PAGE 1
OCT 15/08

BOEING
 737-600/700/800/900
 PARTS CATALOG (MAINTENANCE)



CARPET INSTL-PASS. CAB. BOEING STD PROXIMITY LIGHTS WITH AUDIO (INBD TRACKS)
 FIGURE 57A

HAP
 OCT 10/06

25-27-15-57A

25-27-15-57A
 PAGE 0

BOEING
737-600/700/800/900
PARTS CATALOG (MAINTENANCE)

FIG ITEM	PART NUMBER	1 2 3 4 5 6 7	NOMENCLATURE	EFFECT FROM TO	UNITS PER ASSY
57A			CARPET INSTL-PASS. CAB. BOEING STD PROXIMITY LIGHTS WITH AUDIO (INBD TRACKS)	008030	
- 1	414A3040-814BD		CARPET INSTL-PASS. CAB. BOEING STD PROXIMITY LIGHTS WITH AUDIO (INBD TRACKS) FOR NHA SEE: 25-27-00-03B	008030	RF
- 5	414A3040-1814SP		.CARPET ASSY	008030	1
10	414A3040-3000SP		..CARPET	008030	15
15	414A3040-3001SP		..CARPET	008030	1
20	414A3040-3002SP		..CARPET	008030	1
25	414A3040-3086SP		..CARPET	008030	1
30	414A3040-3087SP		..CARPET	008030	1
35	414A3040-3084SP		..CARPET	008030	1
40	414A3040-3085SP		..CARPET	008030	3
45	414A3040-3045SP		..CARPET	008030	2
50	414A3040-3007SP		..CARPET	008030	3
55	414A3040-3005SP		..CARPET	008030	1
60	414A3040-3006SP		..CARPET	008030	1
65	414A3040-3046SP		..CARPET	008030	1
70	414A3040-3091SP		..CARPET	008030	1

MISSING ITEM NUMBERS NOT APPLICABLE

- ITEM NOT ILLUSTRATED

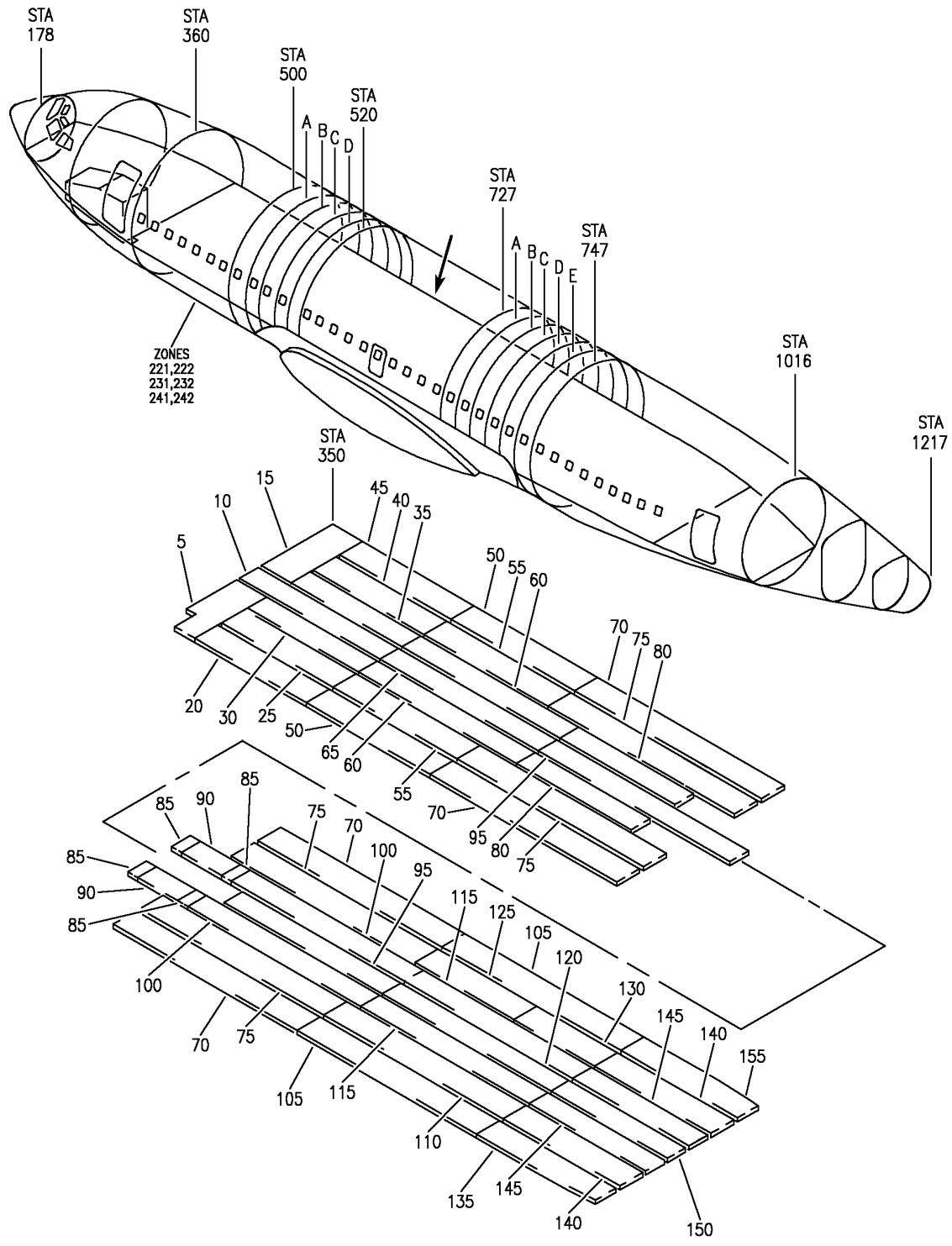
HAP

25-27-15-57A

BOEING PROPRIETARY - Copyright © - Unpublished Work - See title page for details.

25-27-15
FIG. 57A
PAGE 1
FEB 10/07

BOEING
737-600/700/800/900
PARTS CATALOG (MAINTENANCE)



E 25271577B REV 148

CARPET INSTL-PASS. CAB.
 FIGURE 77B

25-27-15-77B

HAP
 FEB 15/09

25-27-15-77B
 PAGE 0

 **BOEING**
737-600/700/800/900
PARTS CATALOG (MAINTENANCE)

FIG ITEM	PART NUMBER	1 2 3 4 5 6 7	NOMENCLATURE	EFFECT FROM TO	UNITS PER ASSY
77B					
- 1	MODREF400890		CARPET INSTL-PASS. CAB. CARPET INSTL-PASS. CAB. MODULE NUMBER: 414A3407-282BJD REV A	107200 107200	1
5	BCREF65077		. CARPET- OVERLENGTH PART NUMBER: 414A3407-4777BJD	107200	1
10	BCREF65076		. CARPET- OVERLENGTH PART NUMBER: 414A3407-4776BJD	107200	1
15	BCREF65078		. CARPET- OVERLENGTH PART NUMBER: 414A3407-4778BJD	107200	1
20	BCREF65073		. CARPET- OVERLENGTH PART NUMBER: 414A3407-4509BJD	107200	1
25	BCREF65071		. CARPET- OVERLENGTH PART NUMBER: 414A3407-4379BJD	107200	1
30	BCREF65075		. CARPET- OVERLENGTH PART NUMBER: 414A3407-4716BJD	107200	1
35	BCREF65074		. CARPET- OVERLENGTH PART NUMBER: 414A3407-4715BJD	107200	1
40	BCREF65070		. CARPET- OVERLENGTH PART NUMBER: 414A3407-4378BJD	107200	1
45	BCREF65072		. CARPET- OVERLENGTH PART NUMBER: 414A3407-4508BJD	107200	1
50	BCREF65054		. CARPET- OVERLENGTH PART NUMBER: 414A3407-3353BJD	107200	2
55	BCREF65053		. CARPET- OVERLENGTH PART NUMBER: 414A3407-3352BJD	107200	2
60	BCREF65064		. CARPET- OVERLENGTH PART NUMBER: 414A3407-3755BJD	107200	2
65	BCREF65061		. CARPET- OVERLENGTH PART NUMBER: 414A3407-3750BJD	107200	1
70	BCREF65056		. CARPET- OVERLENGTH PART NUMBER: 414A3407-3357BJD	107200	4
75	BCREF65055		. CARPET- OVERLENGTH PART NUMBER: 414A3407-3356BJD	107200	4

MISSING ITEM NUMBERS NOT APPLICABLE

- ITEM NOT ILLUSTRATED

HAP

25-27-15-77B

BOEING PROPRIETARY - Copyright © - Unpublished Work - See title page for details.

25-27-15
FIG. 77B
PAGE 1
FEB 15/09

 **BOEING**
737-600/700/800/900
PARTS CATALOG (MAINTENANCE)

FIG ITEM	PART NUMBER	1 2 3 4 5 6 7	NOMENCLATURE	EFFECT FROM TO	UNITS PER ASSY
77B					
80	BCREF65065	.	CARPET- OVERLENGTH PART NUMBER: 414A3407-3756BJD	107200	2
85	BCREF65069	.	CARPET- OVERLENGTH PART NUMBER: 414A3407-3762BJD	107200	4
90	BCREF65066	.	CARPET- OVERLENGTH PART NUMBER: 414A3407-3757BJD	107200	2
95	BCREF65062	.	CARPET- OVERLENGTH PART NUMBER: 414A3407-3751BJD	107200	2
100	BCREF65067	.	CARPET- OVERLENGTH PART NUMBER: 414A3407-3760BJD	107200	2
105	BCREF65060	.	CARPET- OVERLENGTH PART NUMBER: 414A3407-3363BJD	107200	2
110	BCREF65058	.	CARPET- OVERLENGTH PART NUMBER: 414A3407-3361BJD	107200	1
115	BCREF65068	.	CARPET- OVERLENGTH PART NUMBER: 414A3407-3761BJD	107200	2
120	BCREF65063	.	CARPET- OVERLENGTH PART NUMBER: 414A3407-3753BJD	107200	1
125	BCREF65057	.	CARPET- OVERLENGTH PART NUMBER: 414A3407-3360BJD	107200	1
130	BCREF65059	.	CARPET- OVERLENGTH PART NUMBER: 414A3407-3362BJD	107200	1
135	BCREF65080	.	CARPET- OVERLENGTH PART NUMBER: 414A3407-6353BJD	107200	1
140	BCREF65079	.	CARPET- OVERLENGTH PART NUMBER: 414A3407-6352BJD	107200	2
145	BCREF65083	.	CARPET- OVERLENGTH PART NUMBER: 414A3407-6446BJD	107200	2
150	BCREF65082	.	CARPET- OVERLENGTH PART NUMBER: 414A3407-6382BJD	107200	1
155	BCREF65081	.	CARPET- OVERLENGTH PART NUMBER: 414A3407-6354BJD	107200	1

MISSING ITEM NUMBERS NOT APPLICABLE

— ITEM NOT ILLUSTRATED

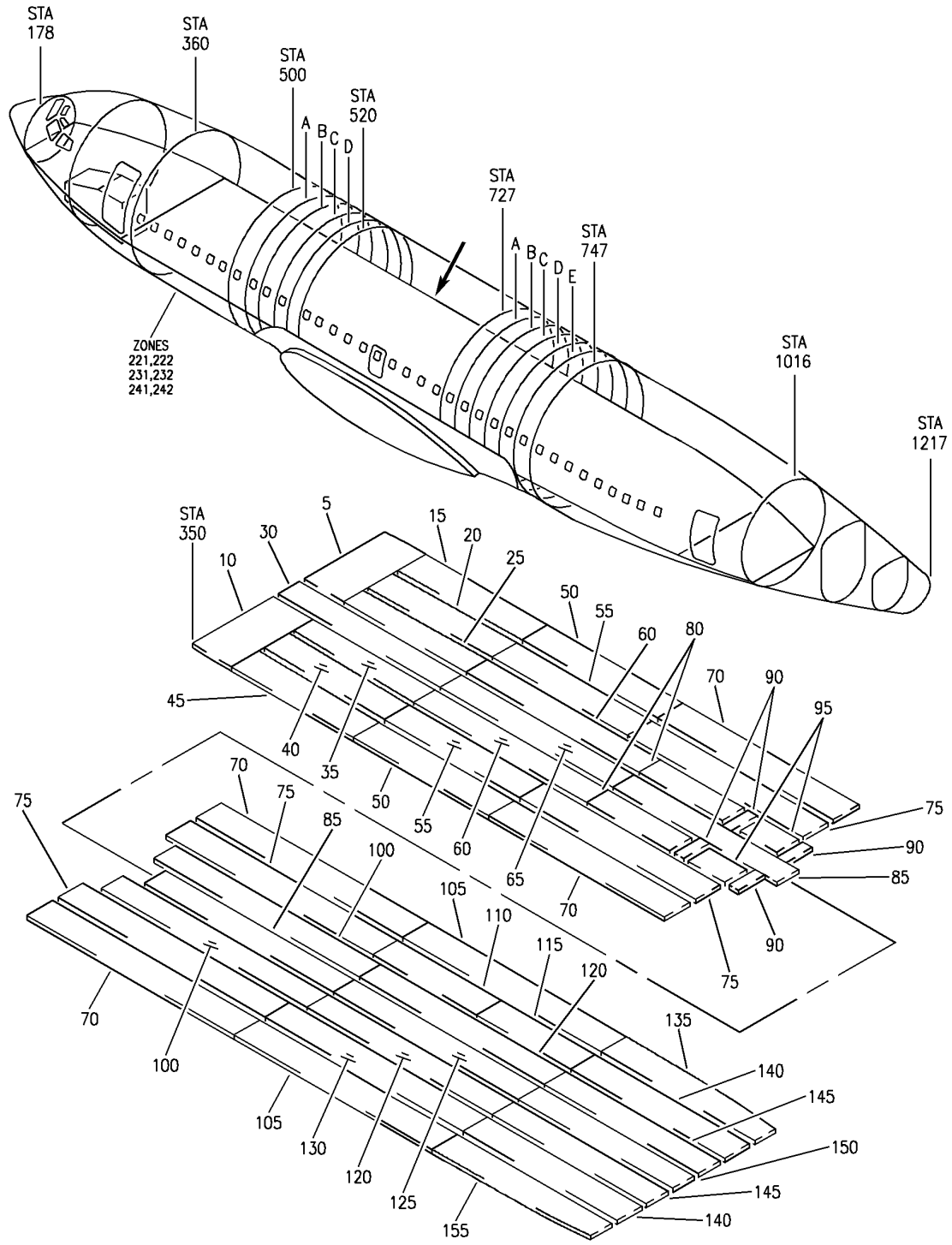
HAP

25-27-15-77B

25-27-15
FIG. 77B
PAGE 2
FEB 15/09

BOEING PROPRIETARY - Copyright © - Unpublished Work - See title page for details.

BOEING
737-600/700/800/900
PARTS CATALOG (MAINTENANCE)



E 25271583M REV 128

CARPET INSTL-PHOTOLUM PROXIMITY LIGHTS WITH AUDIO PASS. CAB.
 FIGURE 83M

25-27-15-83M

HAP
 JUN 10/07

25-27-15-83M
 PAGE 0

BOEING
737-600/700/800/900
PARTS CATALOG (MAINTENANCE)

FIG ITEM	PART NUMBER	1 2 3 4 5 6 7	NOMENCLATURE	EFFECT FROM TO	UNITS PER ASSY
83M			CARPET INSTL-PHOTOLUM PROXIMITY LIGHTS WITH AUDIO PASS. CAB.	101106 968999	
- 1	MODREF318863		CARPET INSTL-PHOTOLUM PROXIMITY LIGHTS WITH AUDIO PASS. CAB.	101106 968999	1
	5 BCREf56287		MODULE NUMBER: 414A3407-271BCN REV A . CARPET-	101106 968999	1
	10 BCREf56291		OVERLENGTH PART NUMBER: 414A3407-4506BCN . CARPET-	101106 968999	1
	15 BCREf56288		OVERLENGTH PART NUMBER: 414A3407-4714BCN . CARPET-	101106 968999	1
	20 BCREf56285		OVERLENGTH PART NUMBER: 414A3407-4508BCN . CARPET-	101106 968999	1
	25 BCREf56292		OVERLENGTH PART NUMBER: 414A3407-4378BCN . CARPET-	101106 968999	1
	30 BCREf56290		OVERLENGTH PART NUMBER: 414A3407-4715BCN . CARPET-	101106 968999	1
	35 BCREf56293		OVERLENGTH PART NUMBER: 414A3407-4621BCN . CARPET-	101106 968999	1
	40 BCREf56286		OVERLENGTH PART NUMBER: 414A3407-4716BCN . CARPET-	101106 968999	1
	45 BCREf56289		OVERLENGTH PART NUMBER: 414A3407-4379BCN . CARPET-	101106 968999	1
	50 BCREf56270		OVERLENGTH PART NUMBER: 414A3407-4509BCN . CARPET-	101106 968999	2
	55 BCREf56269		OVERLENGTH PART NUMBER: 414A3407-3353BCN . CARPET-	101106 968999	2
	60 BCREf56279		OVERLENGTH PART NUMBER: 414A3407-3352BCN . CARPET-	101106 968999	2
	65 BCREf56276		OVERLENGTH PART NUMBER: 414A3407-3755BCN . CARPET-	101106 968999	1
			OVERLENGTH PART NUMBER: 414A3407-3750BCN		

MISSING ITEM NUMBERS NOT APPLICABLE

- ITEM NOT ILLUSTRATED

HAP

25-27-15-83M

25-27-15
FIG. 83M
PAGE 1
OCT 15/08

 **BOEING**
737-600/700/800/900
PARTS CATALOG (MAINTENANCE)

FIG ITEM	PART NUMBER	1 2 3 4 5 6 7	NOMENCLATURE	EFFECT FROM TO	UNITS PER ASSY
83M					
70	BCREF56350	.	CARPET- OVERLENGTH PART NUMBER: 414A3407-3357BCN	101106 968999	4
75	BCREF56271	.	CARPET- OVERLENGTH PART NUMBER: 414A3407-3356BCN	101106 968999	4
80	BCREF56280	.	CARPET- OVERLENGTH PART NUMBER: 414A3407-3756BCN	101106 968999	2
85	BCREF56277	.	CARPET- OVERLENGTH PART NUMBER: 414A3407-3751BCN	101106 968999	2
90	BCREF56284	.	CARPET- OVERLENGTH PART NUMBER: 414A3407-3762BCN	101106 968999	4
95	BCREF56281	.	CARPET- OVERLENGTH PART NUMBER: 414A3407-3757BCN	101106 968999	2
100	BCREF56282	.	CARPET- OVERLENGTH PART NUMBER: 414A3407-3760BCN	101106 968999	2
105	BCREF56275	.	CARPET- OVERLENGTH PART NUMBER: 414A3407-3363BCN	101106 968999	2
110	BCREF56272	.	CARPET- OVERLENGTH PART NUMBER: 414A3407-3360BCN	101106 968999	1
115	BCREF56274	.	CARPET- OVERLENGTH PART NUMBER: 414A3407-3362BCN	101106 968999	1
120	BCREF56283	.	CARPET- OVERLENGTH PART NUMBER: 414A3407-3761BCN	101106 968999	2
125	BCREF56278	.	CARPET- OVERLENGTH PART NUMBER: 414A3407-3753BCN	101106 968999	1
130	BCREF56273	.	CARPET- OVERLENGTH PART NUMBER: 414A3407-3361BCN	101106 968999	1
135	BCREF56296	.	CARPET- OVERLENGTH PART NUMBER: 414A3407-6354BCN	101106 968999	1
140	BCREF56294	.	CARPET- OVERLENGTH PART NUMBER: 414A3407-6352BCN	101106 968999	2
145	BCREF56298	.	CARPET- OVERLENGTH PART NUMBER: 414A3407-6446BCN	101106 968999	2

MISSING ITEM NUMBERS NOT APPLICABLE

— ITEM NOT ILLUSTRATED

HAP

25-27-15-83M

BOEING PROPRIETARY - Copyright © - Unpublished Work - See title page for details.

25-27-15
FIG. 83M
PAGE 2
OCT 15/08


BOEING
 737-600/700/800/900
PARTS CATALOG (MAINTENANCE)

FIG ITEM	PART NUMBER	1 2 3 4 5 6 7	NOMENCLATURE	EFFECT FROM TO	UNITS PER ASSY
83M 150	BCREF56297	.	CARPET- OVERLENGTH PART NUMBER: 414A3407-6382BCN	101106 968999	1
155	BCREF56295	.	CARPET- OVERLENGTH PART NUMBER: 414A3407-6353BCN	101106 968999	1

MISSING ITEM NUMBERS NOT APPLICABLE

— ITEM NOT ILLUSTRATED

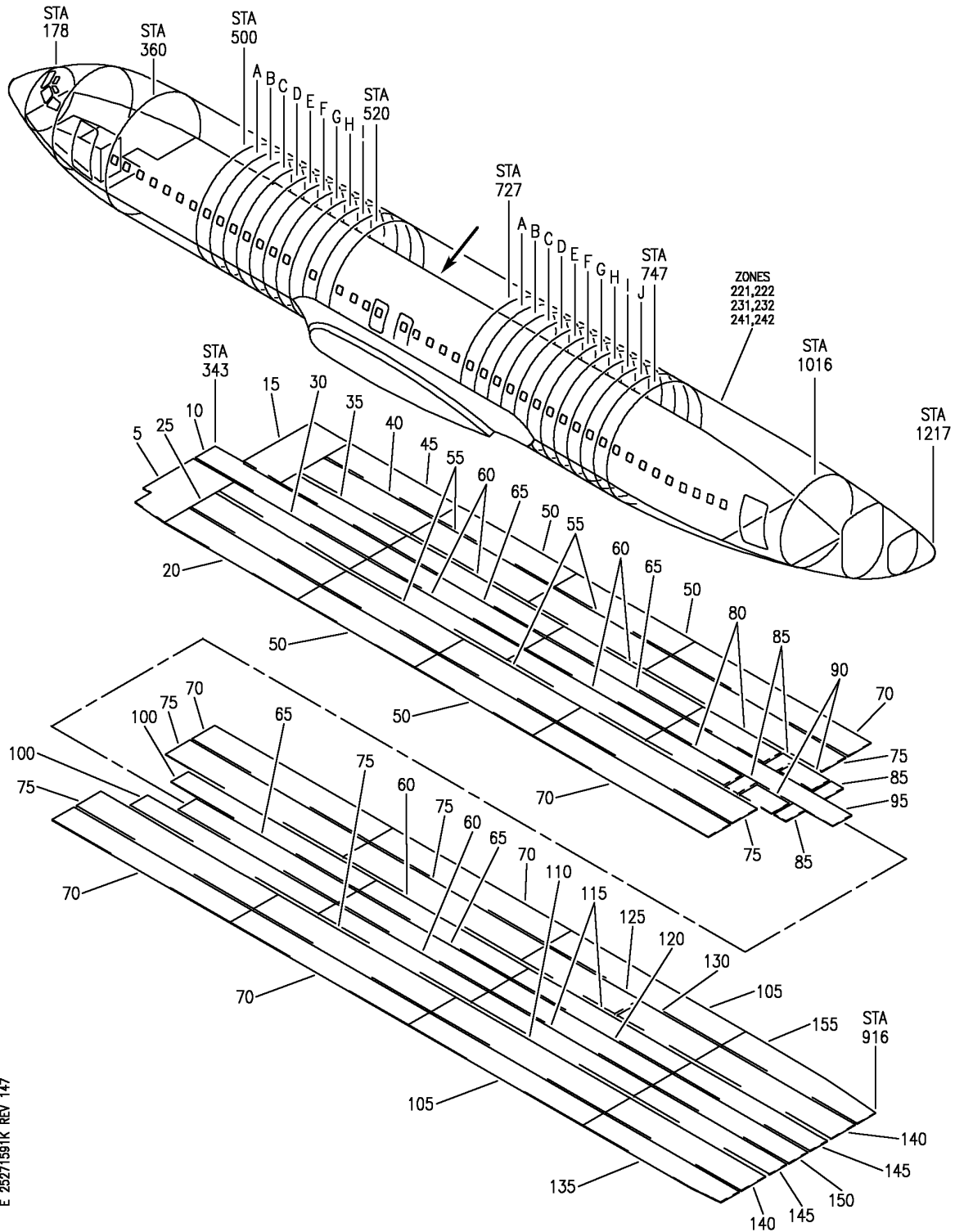
HAP

25-27-15-83M

BOEING PROPRIETARY - Copyright © - Unpublished Work - See title page for details.

25-27-15
 FIG. 83M
 PAGE 3
 OCT 15/08


BOEING
 737-600/700/800/900
 PARTS CATALOG (MAINTENANCE)



E 25271591K REV 147

CARPET INSTL-PASS. CAB.
 FIGURE 91K

25-27-15-91K

HAP
OCT 15/08

25-27-15-91K
PAGE 0

BOEING
737-600/700/800/900
PARTS CATALOG (MAINTENANCE)

FIG ITEM	PART NUMBER	1 2 3 4 5 6 7	NOMENCLATURE	EFFECT FROM TO	UNITS PER ASSY
91K			CARPET INSTL-PASS. CAB.	048050	
- 1	MODREF393898		CARPET INSTL-PASS. CAB. MODULE NUMBER: 414A3408-364BBG REV A	053053 048050 053053	1
5	BCREF64205		.CARPET- OVERLENGTH PART NUMBER: 414A3408-7085BBG	048050 053053	1
10	BCREF64204		.CARPET- OVERLENGTH PART NUMBER: 414A3408-4673BBG	048050 053053	1
15	BCREF60509		.CARPET- OVERLENGTH PART NUMBER: 414A3408-4672BBG	048050 053053	1
20	BCREF50980		.CARPET- OVERLENGTH PART NUMBER: 414A3408-4433BBG	048050 053053	1
25	BCREF52288		.CARPET- OVERLENGTH PART NUMBER: 414A3408-4865BBG	048050 053053	1
30	BCREF52169		.CARPET- OVERLENGTH PART NUMBER: 414A3408-4919BBG	048050 053053	1
35	BCREF52170		.CARPET- OVERLENGTH PART NUMBER: 414A3408-4920BBG	048050 053053	1
40	BCREF52168		.CARPET- OVERLENGTH PART NUMBER: 414A3408-4724BBG	048050 053053	1
45	BCREF50982		.CARPET- OVERLENGTH PART NUMBER: 414A3408-4514BBG	048050 053053	1
50	BCREF50963		.CARPET- OVERLENGTH PART NUMBER: 414A3408-3403BBG	048050 053053	4
55	BCREF52156		.CARPET- OVERLENGTH PART NUMBER: 414A3408-3439BBG	048050 053053	4
60	BCREF52161		.CARPET- OVERLENGTH PART NUMBER: 414A3408-3661BBG	048050 053053	6
65	BCREF50966		.CARPET- OVERLENGTH PART NUMBER: 414A3408-3444BBG	048050 053053	4
70	BCREF50964		.CARPET- OVERLENGTH PART NUMBER: 414A3408-3408BBG	048050 053053	6

MISSING ITEM NUMBERS NOT APPLICABLE

- ITEM NOT ILLUSTRATED

HAP

25-27-15-91K

BOEING PROPRIETARY - Copyright © - Unpublished Work - See title page for details.

25-27-15
FIG. 91K
PAGE 1
FEB 15/09

 **BOEING**
737-600/700/800/900
PARTS CATALOG (MAINTENANCE)

FIG ITEM	PART NUMBER	1 2 3 4 5 6 7	NOMENCLATURE	EFFECT FROM TO	UNITS PER ASSY
91K					
75	BCREF52157	.	CARPET- OVERLENGTH PART NUMBER: 414A3408-3440BBG	048050 053053	6
80	BCREF52162	.	CARPET- OVERLENGTH PART NUMBER: 414A3408-3662BBG	048050 053053	2
85	BCREF52163	.	CARPET- OVERLENGTH PART NUMBER: 414A3408-3663BBG	048050 053053	4
90	BCREF52164	.	CARPET- OVERLENGTH PART NUMBER: 414A3408-3664BBG	048050 053053	2
95	BCREF50978	.	CARPET- OVERLENGTH PART NUMBER: 414A3408-3461BBG	048050 053053	1
100	BCREF52165	.	CARPET- OVERLENGTH PART NUMBER: 414A3408-3665BBG	048050 053053	2
105	BCREF50965	.	CARPET- OVERLENGTH PART NUMBER: 414A3408-3416BBG	048050 053053	2
110	BCREF52176	.	CARPET- OVERLENGTH PART NUMBER: 414A3408-3443BBG	048050 053053	1
115	BCREF52166	.	CARPET- OVERLENGTH PART NUMBER: 414A3408-3666BBG	048050 053053	2
120	BCREF50971	.	CARPET- OVERLENGTH PART NUMBER: 414A3408-3453BBG	048050 053053	1
125	BCREF52159	.	CARPET- OVERLENGTH PART NUMBER: 414A3408-3441BBG	048050 053053	1
130	BCREF52160	.	CARPET- OVERLENGTH PART NUMBER: 414A3408-3442BBG	048050 053053	1
135	BCREF50990	.	CARPET- OVERLENGTH PART NUMBER: 414A3408-6405BBG	048050 053053	1
140	BCREF52171	.	CARPET- OVERLENGTH PART NUMBER: 414A3408-6415BBG	048050 053053	2
145	BCREF52172	.	CARPET- OVERLENGTH PART NUMBER: 414A3408-6530BBG	048050 053053	2
150	BCREF50991	.	CARPET- OVERLENGTH PART NUMBER: 414A3408-6416BBG	048050 053053	1

MISSING ITEM NUMBERS NOT APPLICABLE

— ITEM NOT ILLUSTRATED

HAP

25-27-15-91K

25-27-15
FIG. 91K
PAGE 2
FEB 15/09

BOEING PROPRIETARY - Copyright © - Unpublished Work - See title page for details.


BOEING
 737-600/700/800/900
PARTS CATALOG (MAINTENANCE)

FIG ITEM	PART NUMBER	1 2 3 4 5 6 7 NOMENCLATURE	EFFECT FROM TO	UNITS PER ASSY
91K 155	BCREF50989	. CARPET- OVERLENGTH PART NUMBER: 414A3408-6404BBG	048050 053053	1

MISSING ITEM NUMBERS NOT APPLICABLE

— ITEM NOT ILLUSTRATED

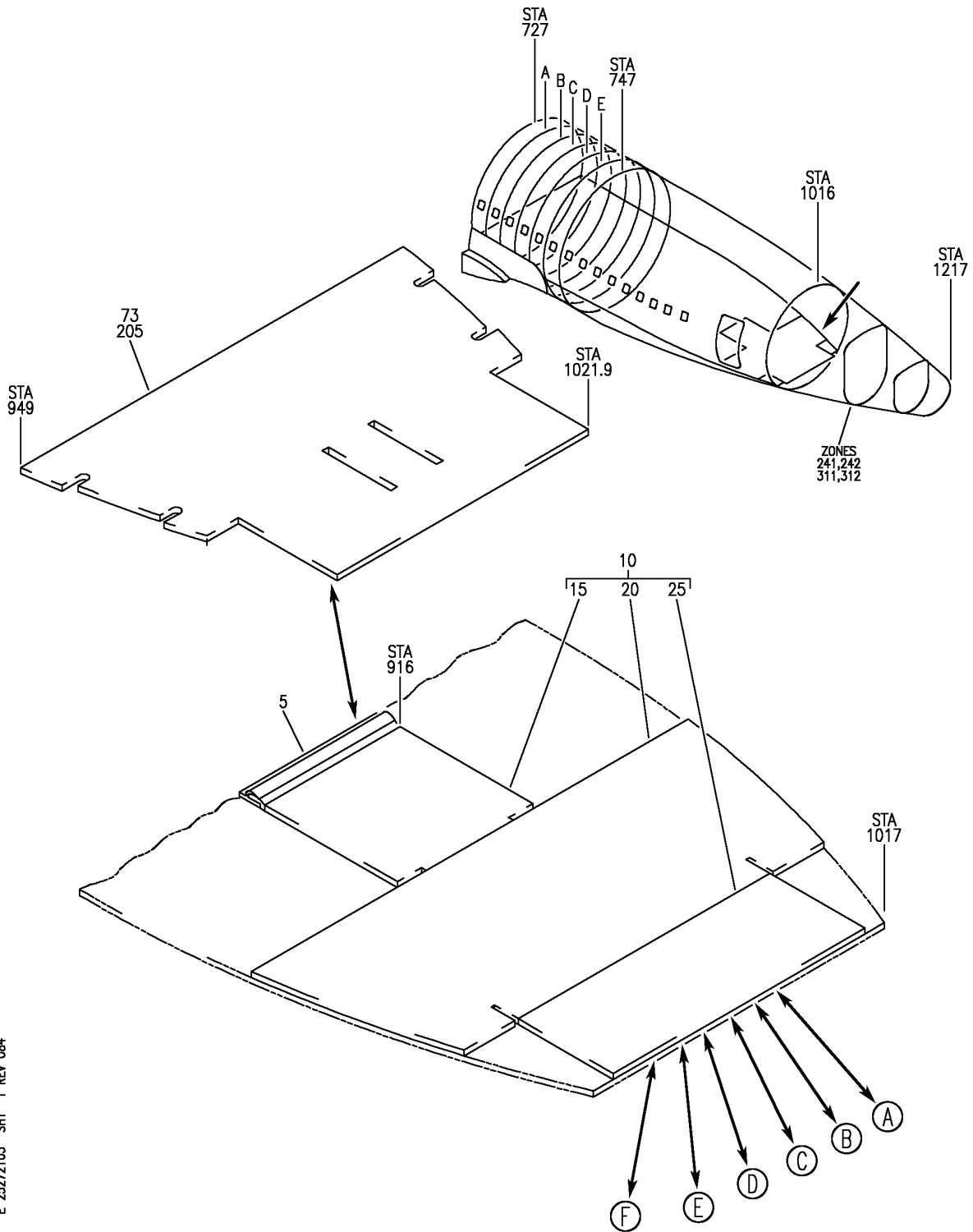
HAP

25-27-15-91K

BOEING PROPRIETARY - Copyright © - Unpublished Work - See title page for details.

25-27-15
 FIG. 91K
 PAGE 3
 FEB 15/09

BOEING
 737-600/700/800/900
 PARTS CATALOG (MAINTENANCE)



E 25272103 SHT 1 REV 084

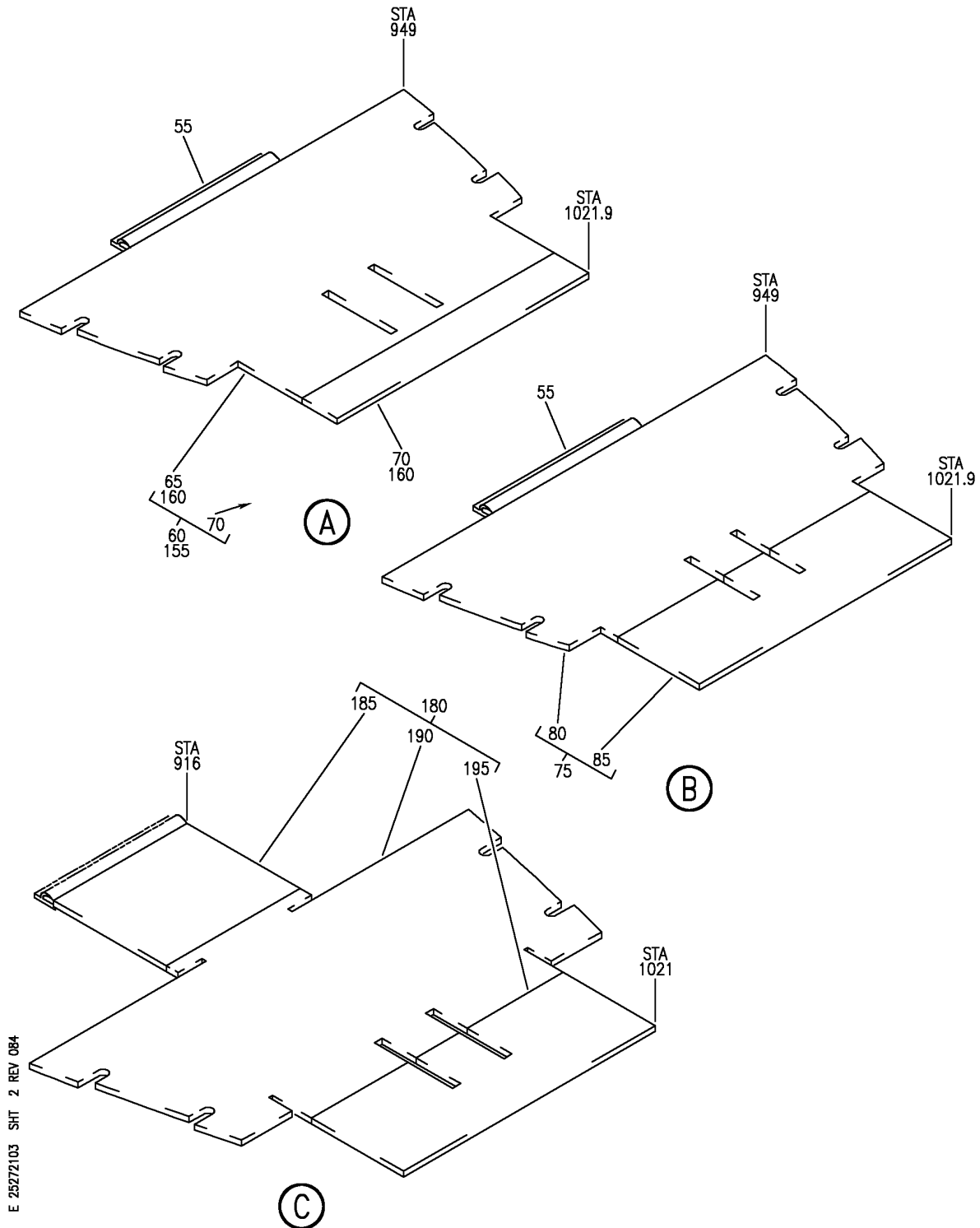
MAT INSTL-AFT GALLEY AND ENTRYWAY
 FIGURE 3 (SHEET 1)

25-27-21-03

HAP
 OCT 10/06

25-27-21-03
 PAGE 0

BOEING
 737-600/700/800/900
 PARTS CATALOG (MAINTENANCE)



E 25272103 SHT 2 REV 084

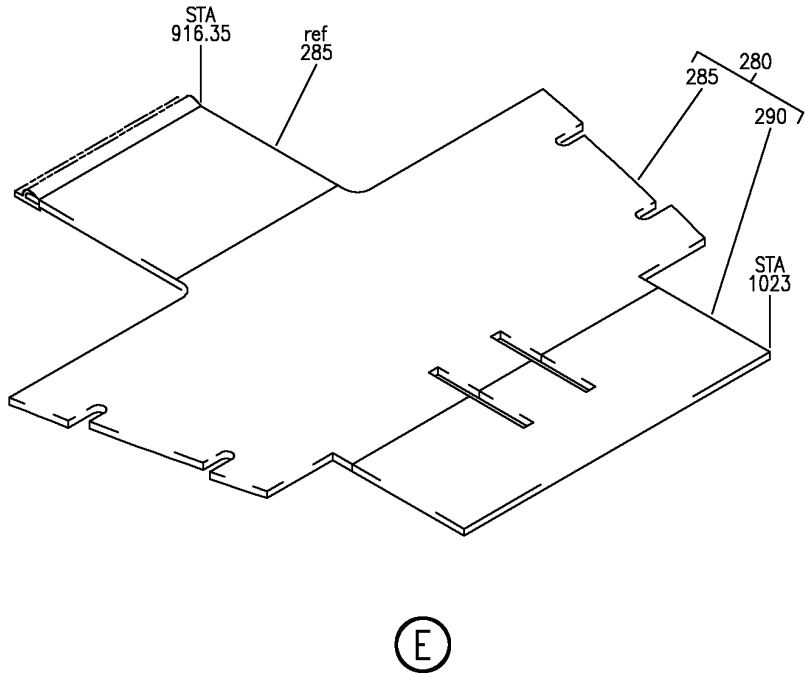
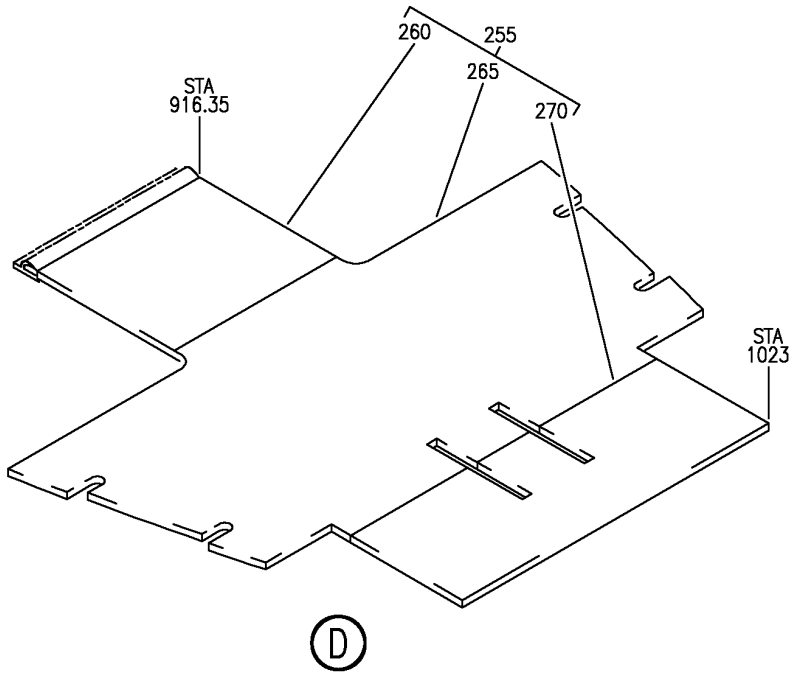
MAT INSTL-AFT GALLEY AND ENTRYWAY
 FIGURE 3 (SHEET 2)

25-27-21-03

HAP
 OCT 10/06

25-27-21-03
 PAGE 0A

BOEING
737-600/700/800/900
PARTS CATALOG (MAINTENANCE)



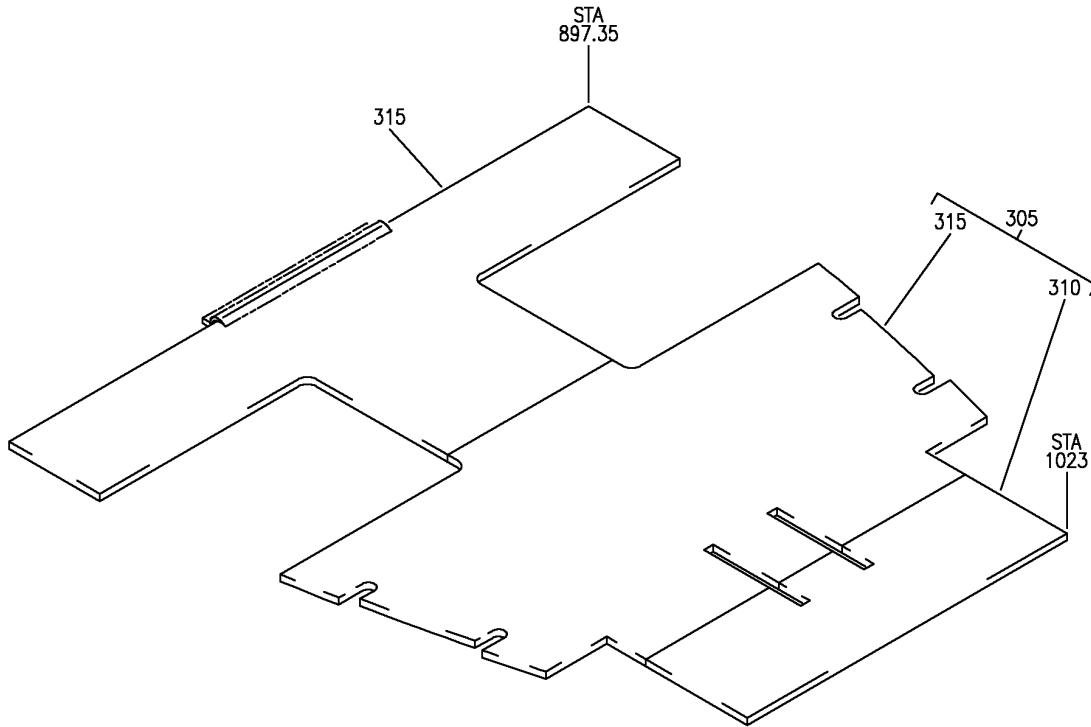
E 25272103 SHT 3 REV 084

MAT INSTL-AFT GALLEY AND ENTRYWAY
FIGURE 3 (SHEET 3)

25-27-21-03

HAP
OCT 10/06

25-27-21-03
PAGE 0B



(F)

E 25272103 SH1 4 REV 084

MAT INSTL-AFT GALLEY AND ENTRYWAY
FIGURE 3 (SHEET 4)

25-27-21-03

HAP
OCT 10/06

25-27-21-03
PAGE 0C

BOEING
737-600/700/800/900
PARTS CATALOG (MAINTENANCE)

FIG ITEM	PART NUMBER	1 2 3 4 5 6 7	NOMENCLATURE	EFFECT FROM TO	UNITS PER ASSY
3			MAT INSTL-AFT GALLEY AND ENTRYWAY	001007 201967	
- 1	414A3500-603SP		MAT INSTL-GALLEY AND ENTRYWAY POSITION DATA: AFT FOR NHA SEE: 25-27-00-03B	001007	RF
5	414A3530-6SP		.THRESHOLD	001007	1
10	414A3510-2SP		.MAT ASSY	001007	1
15	414A3520-5SP		..MAT	001007	1
20	414A3520-6SP		..MAT	001007	1
25	414A3520-7SP		..MAT	001007	1
- 50	414A3500-607SP		MAT INSTL-GALLEY AND ENTRYWAY POSITION DATA: AFT FOR NHA SEE: 25-27-00-03A	201967	RF
55	414U3075-17SP		.THRESHOLD	201967	1
75	414A3510-7SP		.MAT ASSY-	201967	1
80	414A3520-16SP		..MAT-	201967	1
85	414A3520-17SP		..MAT-	201967	1

MISSING ITEM NUMBERS NOT APPLICABLE

- ITEM NOT ILLUSTRATED

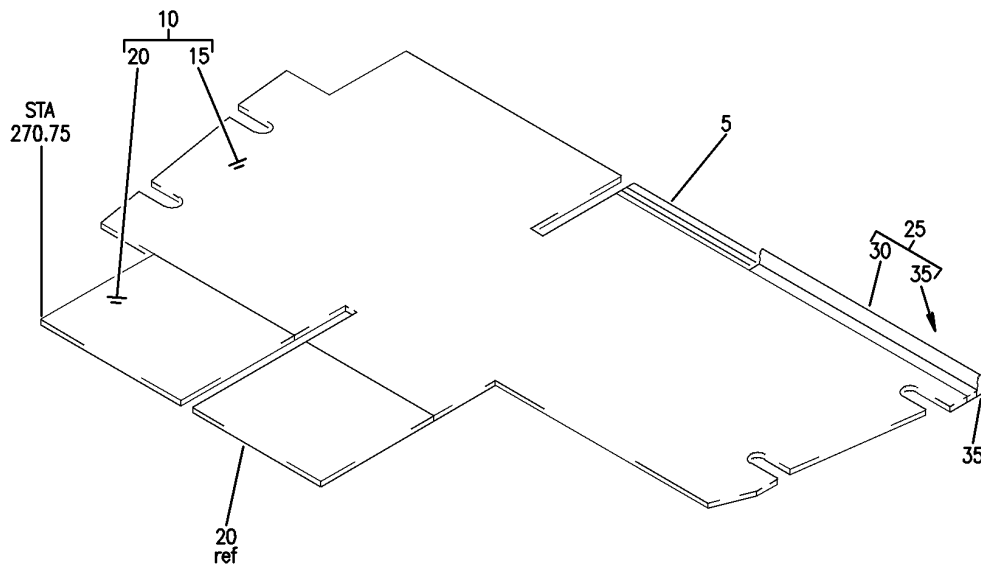
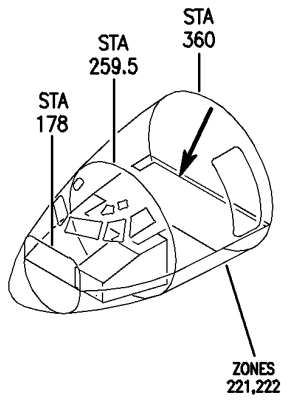
HAP

25-27-21-03

BOEING PROPRIETARY - Copyright © - Unpublished Work - See title page for details.

25-27-21
FIG. 03
PAGE 1
OCT 15/08

BOEING
737-600/700/800/900
PARTS CATALOG (MAINTENANCE)



E 25272105E REV 057

MAT INSTL-GALLEY AND ENTRYWAY
FIGURE 5E

25-27-21-05E

HAP
OCT 15/08

25-27-21-05E
PAGE 0

BOEING
737-600/700/800/900
PARTS CATALOG (MAINTENANCE)

FIG ITEM	PART NUMBER	1 2 3 4 5 6 7	NOMENCLATURE	EFFECT FROM TO	UNITS PER ASSY
5E			MAT INSTL-GALLEY AND ENTRYWAY	201967	
- 1	414A3500-140SP		MAT INSTL-GALLEY AND ENTRYWAY POSITION DATA: FWD FOR NHA SEE: 25-27-00-03A	201967	RF
5	414U3075-17SP		.THRESHOLD	201967	1
10	414A3510-94CR		.MAT ASSY-	201967	1
15	414A3510-92CR		..MAT-	201967	1
20	414A3510-93CR		..MAT-	201967	1
25	414A3530-101SP		.SPLASHGUARD ASSY	201967	1
30	414A3530-2SP		..SPLASHGUARD	201967	1
35	414A3530-1		..FILLER	201967	1

MISSING ITEM NUMBERS NOT APPLICABLE

- ITEM NOT ILLUSTRATED

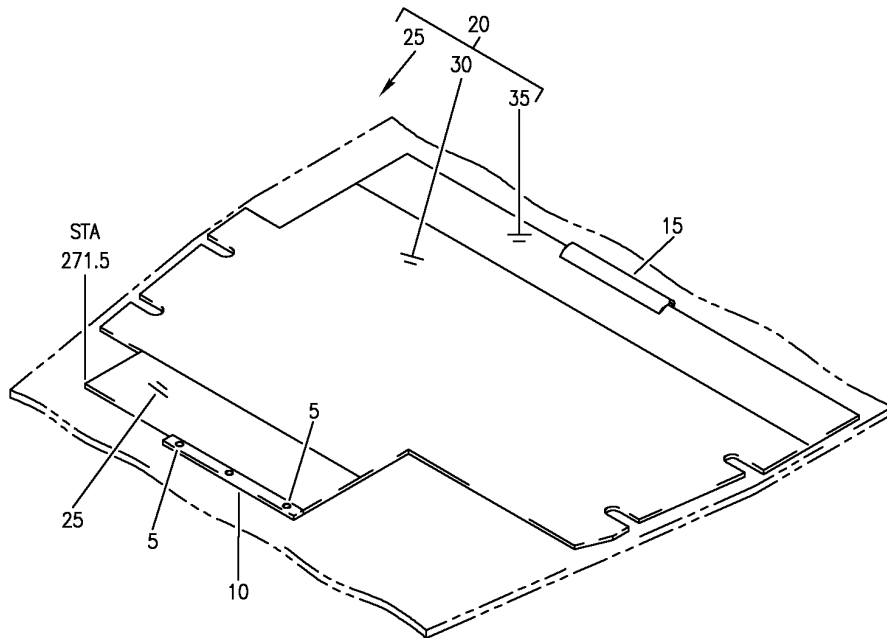
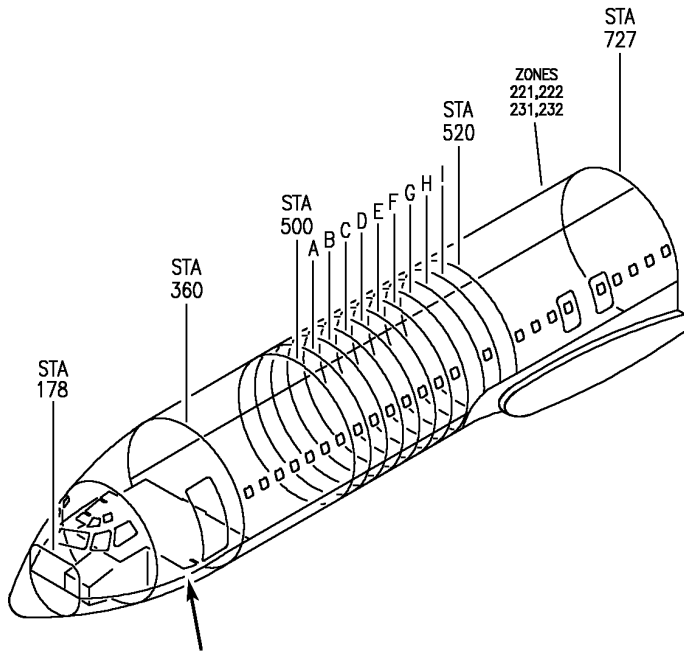
HAP

25-27-21-05E

BOEING PROPRIETARY - Copyright © - Unpublished Work - See title page for details.

25-27-21
FIG. 05E
PAGE 1
OCT 15/08

BOEING
 737-600/700/800/900
 PARTS CATALOG (MAINTENANCE)



E 25272105U REV 150

MAT INSTL-FWD GALLEY AND ENTRYWAY
 FIGURE 5U

25-27-21-05U

HAP
 FEB 15/09

25-27-21-05U
 PAGE 0

BOEING
737-600/700/800/900
PARTS CATALOG (MAINTENANCE)

FIG ITEM	PART NUMBER	1 2 3 4 5 6 7	NOMENCLATURE	EFFECT FROM TO	UNITS PER ASSY
5U			MAT INSTL-FWD GALLEY AND ENTRYWAY	001007 018018 020030	
- 1	414A3500-101SP		MAT INSTL-GALLEY AND ENTRYWAY POSITION DATA: FWD FOR NHA SEE: 25-27-00-03B	001007	RF
- 1	414A3500-181SP		MAT INSTL-GALLEY AND ENTRYWAY POSITION DATA: FWD	018018 020030	RF
5	BACB30LU3-12		.BOLT	001007 018018 020030	3
10	69-57960-1		.RETAINER-FLIGHT DECK STEP	001007 018018 020030	1
15	414U3075-17SP		.THRESHOLD	001007 018018 020030	1
20	414A3510-48SP		.MAT ASSY	001007 018018 020030	1
25	414A3510-49SP		..MAT	001007 018018 020030	1
30	414A3510-62SP		..MAT	001007 018018 020030	1
35	414A3510-63SP		..MAT	001007 018018 020030	1

MISSING ITEM NUMBERS NOT APPLICABLE

- ITEM NOT ILLUSTRATED

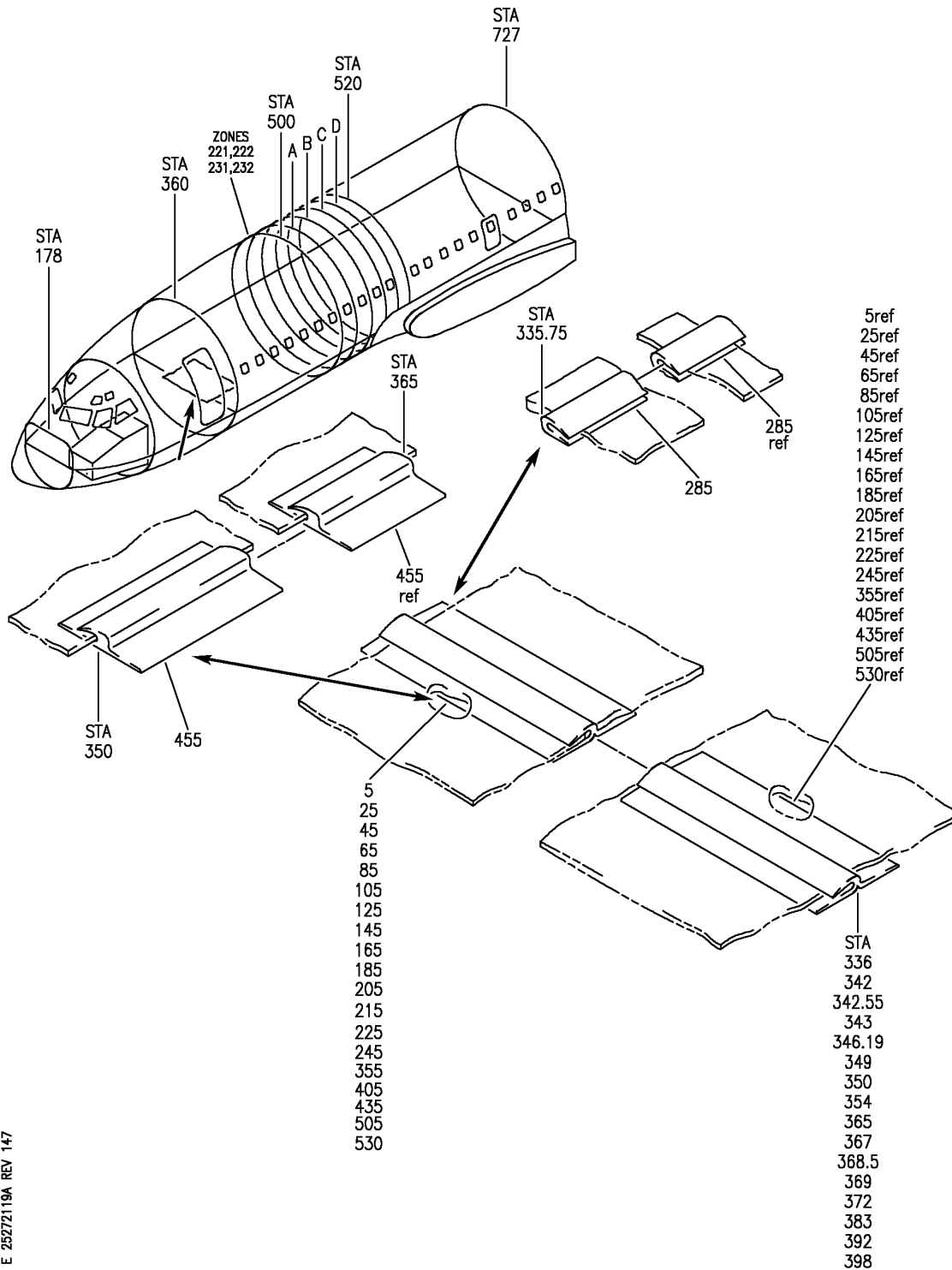
HAP

25-27-21-05U

BOEING PROPRIETARY - Copyright © - Unpublished Work - See title page for details.

25-27-21
FIG. 05U
PAGE 1
OCT 15/08

BOEING
737-600/700/800/900
PARTS CATALOG (MAINTENANCE)



E 25272119A REV 147

THRESHOLD INSTL-FWD GALLEY ENTRYWAY MAT TO CARPET TRANSITION
FIGURE 19A

25-27-21-19A

HAP
OCT 15/08

25-27-21-19A
PAGE 0

BOEING
737-600/700/800/900
PARTS CATALOG (MAINTENANCE)

FIG ITEM	PART NUMBER	1 2 3 4 5 6 7	NOMENCLATURE	EFFECT FROM TO	UNITS PER ASSY
19A			THRESHOLD INSTL-FWD GALLEY ENTRYWAY MAT TO CARPET TRANSITION	046046 048053 101200 968999	
- 2	MODREF93004		THRESHOLD INSTL-ENTRYWAY GALLEY MAT TO CARPET TRANSITION MODULE NUMBER: 414A3535-102G REV A POSITION DATA: STA 350.00 LBL 16.75 RBL 12.00, FWD	046046 051052	1
- 3	MODREF316751		THRESHOLD INSTL-ENTRYWAY GALLEY MAT TO CARPET TRANSITION MODULE NUMBER: 414A3535-175P REV A POSITION DATA: STA 350 LBL 15 RBL 10 FWD	101106 968999	1
5	443W3075-17G		.THRESHOLD-	046046 051052	1
5	443W3075-17P		.THRESHOLD	101106 968999	1
- 180	MODREF199843		THRESHOLD INSTL-ENTRYWAY GALLEY MAT TO CARPET TRANSITION MODULE NUMBER: 414A3535-133G REV A POSITION DATA: STA 343.00 LBL 16.75 RBL 10.00, FWD	048050 053053 107200	1
185	443W3075-17SP		.THRESHOLD	048050 053053 107200	1

MISSING ITEM NUMBERS NOT APPLICABLE

- ITEM NOT ILLUSTRATED

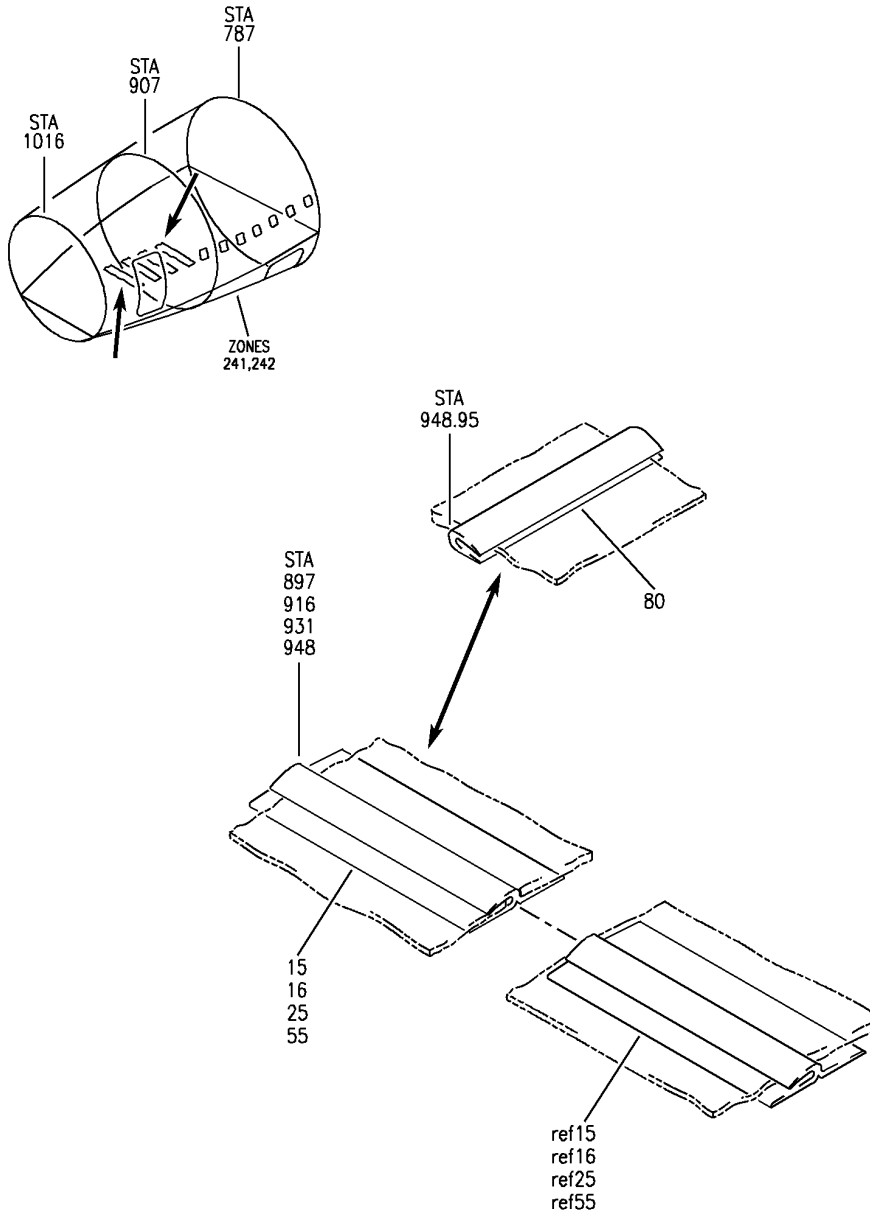
HAP

25-27-21-19A

BOEING PROPRIETARY - Copyright © - Unpublished Work - See title page for details.

25-27-21
FIG. 19A
PAGE 1
FEB 15/09

BOEING
 737-600/700/800/900
 PARTS CATALOG (MAINTENANCE)



E 25272119C REV 115

THRESHOLD INSTL-AFT GALLEY ENTRYWAY MAT TO CARPET TRANSITION
 FIGURE 19C

25-27-21-19C

HAP
 FEB 15/08

25-27-21-19C
 PAGE 0

BOEING
737-600/700/800/900
PARTS CATALOG (MAINTENANCE)

FIG ITEM	PART NUMBER	1 2 3 4 5 6 7	NOMENCLATURE	EFFECT FROM TO	UNITS PER ASSY
19C			THRESHOLD INSTL-AFT GALLEY ENTRYWAY MAT TO CARPET TRANSITION	031200 968999	
15	443W3075-17G		.THRESHOLD	044045	1
- 20	MODREF93087		THRESHOLD INSTL-GALLEY ENTRYWAY MAT TO CARPET TRANSITION	031036	1
			MODULE NUMBER: 414A3535-602G REV A POSITION DATA: STA 916.00 LBL 17.00 RBL 17.00 AFT		
- 21	MODREF299102		THRESHOLD INSTL-GALLEY ENTRYWAY MAT TO CARPET TRANSITION	037100 107200	1
			MODULE NUMBER: 414A3535-634G REV A POSITION DATA: STA 916.00 LBL 17.00 RBL 17.00 AFT		
- 21	MODREF316752		THRESHOLD INSTL-GALLEY ENTRYWAY MAT TO CARPET TRANSITION	101106 968999	1
			MODULE NUMBER: 414A3535-634P REV A POSITION DATA: STA 916 LBL 17 RBL 10.38 FWD		
25	443W3075-17G		.THRESHOLD	031100 107200	1
25	443W3075-17P		.THRESHOLD	101106 968999	1

MISSING ITEM NUMBERS NOT APPLICABLE

- ITEM NOT ILLUSTRATED

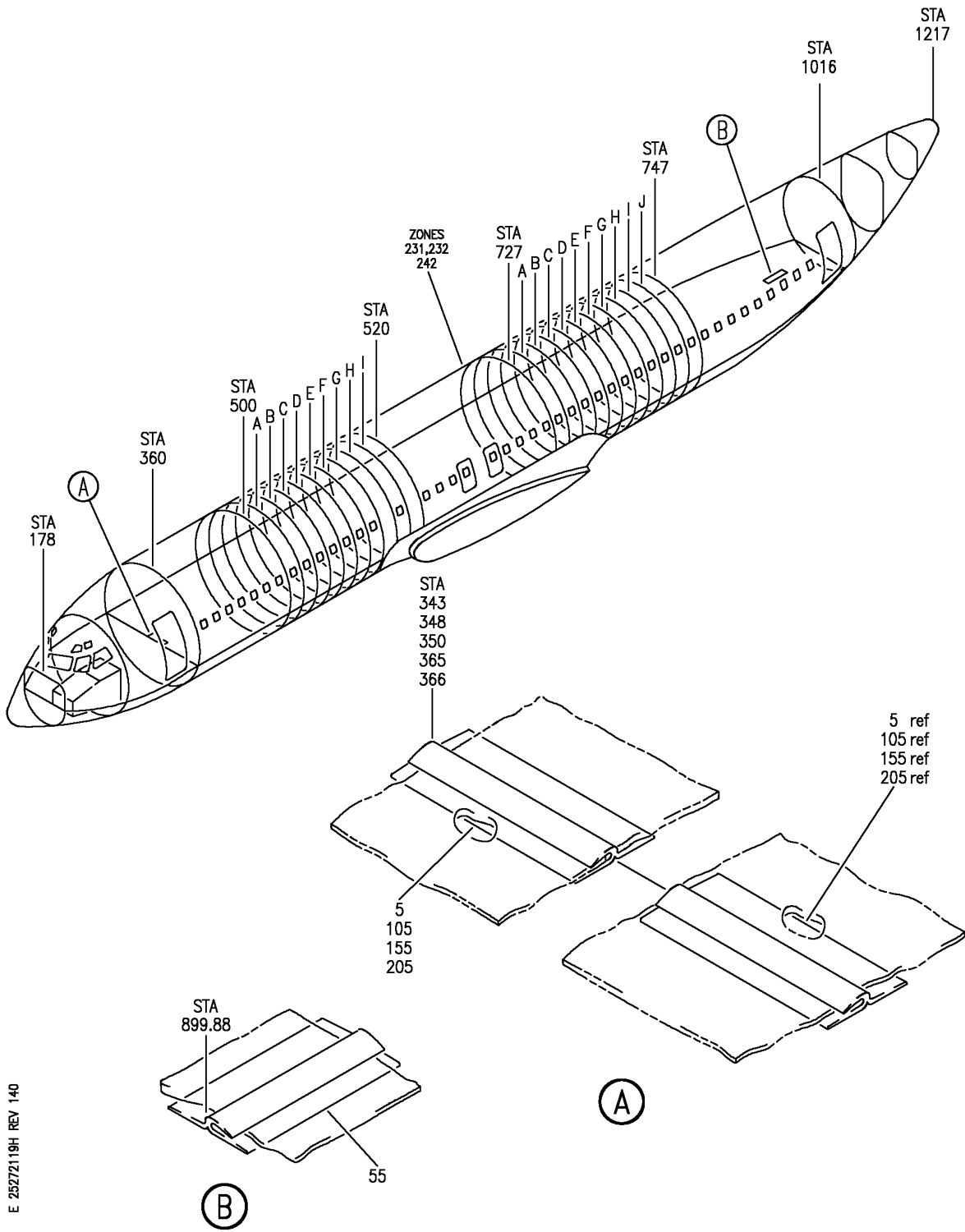
HAP

25-27-21-19C

BOEING PROPRIETARY - Copyright © - Unpublished Work - See title page for details.

25-27-21
FIG. 19C
PAGE 1
FEB 15/09

BOEING
 737-600/700/800/900
 PARTS CATALOG (MAINTENANCE)



E 25272119H REV 140

THRESHOLD INSTL-FWD AND AFT GALLEY AND ENTRYWAY
 FIGURE 19H

25-27-21-19H

HAP
 JUN 15/08

25-27-21-19H
 PAGE 0

BOEING
737-600/700/800/900
PARTS CATALOG (MAINTENANCE)

FIG ITEM	PART NUMBER	1 2 3 4 5 6 7	NOMENCLATURE	EFFECT FROM TO	UNITS PER ASSY
19H			THRESHOLD INSTL-FWD AND AFT GALLEY AND ENTRYWAY	031045 047047 054100	
- 150	MODREF274933		THRESHOLD INSTL-GALLEY MODULE NUMBER: 414A3535-175G REV A POSITION DATA: STA 350.00 LBL 15.00 RBL 10.00	031045 047047 054100	1
155	443W3075-17G		.THRESHOLD	031045 047047 054100	1

MISSING ITEM NUMBERS NOT APPLICABLE

- ITEM NOT ILLUSTRATED

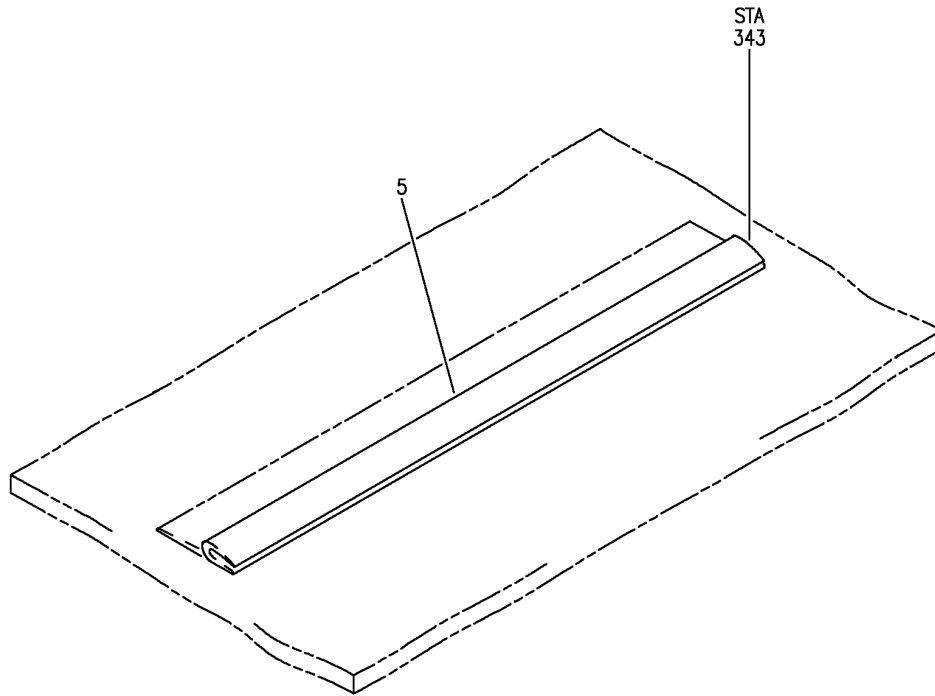
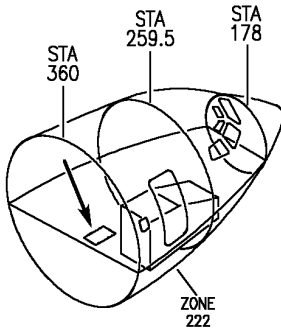
HAP

25-27-21-19H

BOEING PROPRIETARY - Copyright © - Unpublished Work - See title page for details.

25-27-21
FIG. 19H
PAGE 1
FEB 15/09

BOEING
737-600/700/800/900
PARTS CATALOG (MAINTENANCE)



E 25272119Y REV 148

THRESHOLD INSTL
FIGURE 19Y

25-27-21-19Y

HAP
FEB 15/09

25-27-21-19Y
PAGE 0

BOEING
737-600/700/800/900
PARTS CATALOG (MAINTENANCE)

FIG ITEM	PART NUMBER	1 2 3 4 5 6 7	NOMENCLATURE	EFFECT FROM TO	UNITS PER ASSY
19Y					
- 1	MODREF400437		THRESHOLD INSTL THRESHOLD INSTL-	107200 107200	1
			MODULE NUMBER: 414A3535-189G REV A POSITION DATA: STA 343 TO STA 350 RBL 9.00		
5	443W3075-42G		.THRESHOLD	107200	1

MISSING ITEM NUMBERS NOT APPLICABLE

- ITEM NOT ILLUSTRATED

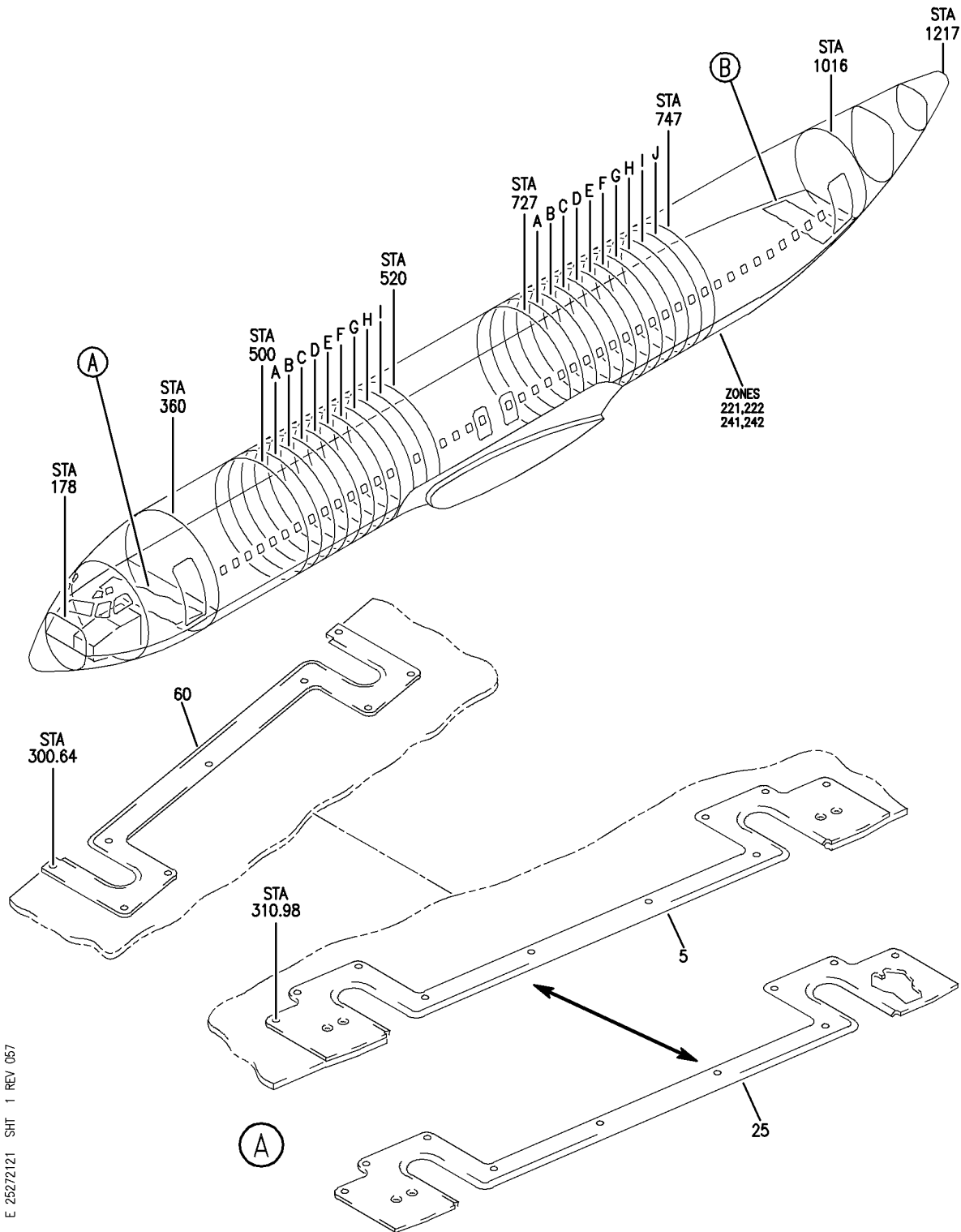
HAP

25-27-21-19Y

BOEING PROPRIETARY - Copyright © - Unpublished Work - See title page for details.

25-27-21
FIG. 19Y
PAGE 1
FEB 15/09

BOEING
 737-600/700/800/900
 PARTS CATALOG (MAINTENANCE)



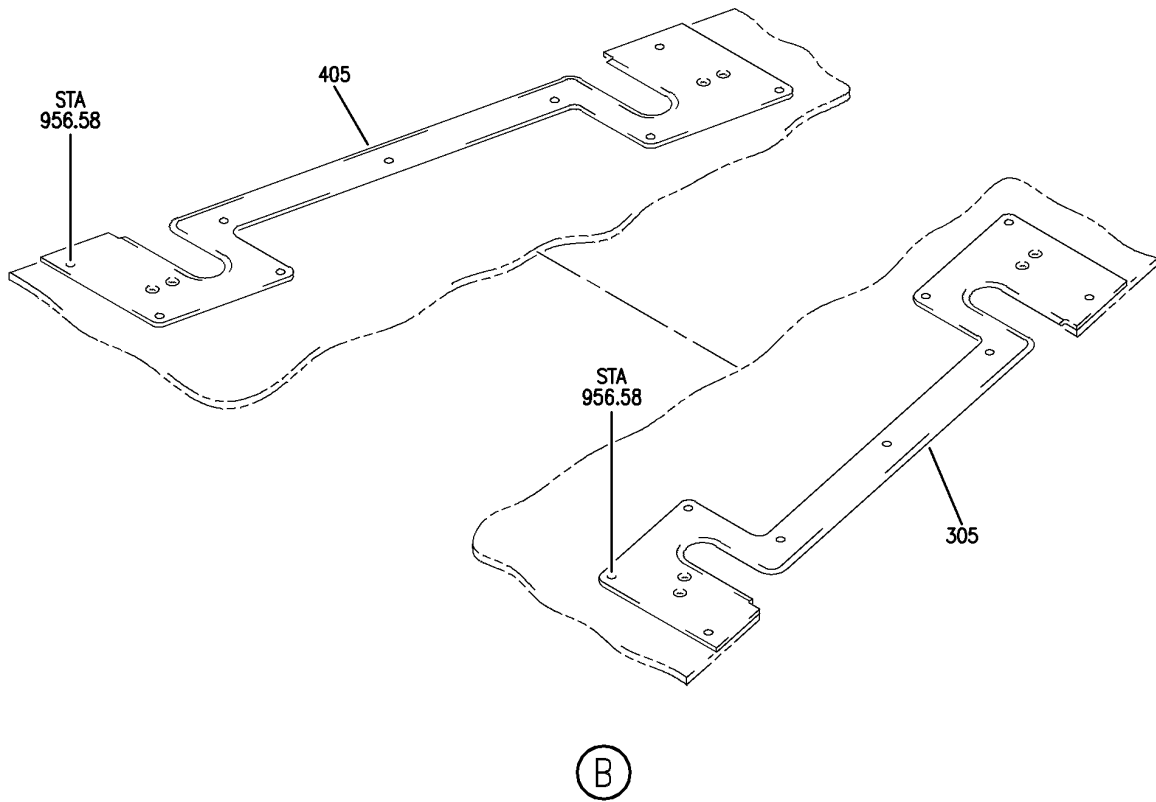
E 25272121 SHT 1 REV 057

PLATE INSTL-DOORWAY RTNR
 FIGURE 21 (SHEET 1)

25-27-21-21

HAP
 OCT 10/06

25-27-21-21
 PAGE 0



E 25272121 SHT 2 REV 057

PLATE INSTL-DOORWAY RTNR
FIGURE 21 (SHEET 2)

25-27-21-21

HAP
OCT 10/06

25-27-21-21
PAGE 0A

BOEING
737-600/700/800/900
PARTS CATALOG (MAINTENANCE)

FIG ITEM	PART NUMBER	1 2 3 4 5 6 7	NOMENCLATURE	EFFECT FROM TO	UNITS PER ASSY
21					
- 1	414A3800-2		PLATE INSTL-DOORWAY RTNR PLATE INSTL-DOORWAY RTNR POSITION DATA: FWD LH FOR NHA SEE: 25-27-00-04D	001030 048053 107967	RF
- 1	MODREF170423		PLATE INSTL-DOORWAY RTNR MODULE NUMBER: 414A3800-2 REV B POSITION DATA: FWD LH	031200 968999	1
5	414A3810-2		.PLATE		1
- 10	MS24693C270		.SCREW		10
- 50	414A3800-1		PLATE INSTL-DOORWAY RTNR POSITION DATA: FWD RH FOR NHA SEE: 25-27-00-04D	001001 006007	RF
- 50	414A3800-7		PLATE INSTL-DOORWAY RTNR POSITION DATA: FWD RH FOR NHA SEE: 25-27-00-04D	002005 008030 048053 107967	RF
- 50	MODREF93194		PLATE INSTL-DOORWAY RTNR MODULE NUMBER: 414A3800-7 REV A POSITION DATA: FWD RH	031200 968999	1
60	414A3810-1		.PLATE	001001 006007	1
60	414A3810-5		.PLATE	002005 008999	1
- 65	MS24693C270		ATTACHING PARTS .SCREW		9
- 300	414A3800-6		PLATE INSTL-DOORWAY RTNR POSITION DATA: AFT LH FOR NHA SEE: 25-27-00-04A 25-27-00-04B	001030 048053 107967	RF
- 300	MODREF93193		PLATE INSTL-DOORWAY RTNR MODULE NUMBER: 414A3800-6 REV A POSITION DATA: AFT LH	031200 968999	1
305	414A3810-4		.PLATE-		1

MISSING ITEM NUMBERS NOT APPLICABLE

- ITEM NOT ILLUSTRATED

HAP

25-27-21-21

25-27-21
FIG. 21
PAGE 1
FEB 15/09

BOEING
737-600/700/800/900
PARTS CATALOG (MAINTENANCE)

FIG ITEM	PART NUMBER	1 2 3 4 5 6 7	NOMENCLATURE	EFFECT FROM TO	UNITS PER ASSY
21			ATTACHING PARTS		
- 310	MS24693C270		.SCREW		9
			-----*-----		
- 400	414A3800-5		PLATE INSTL-DOORWAY RTNR	001030	RF
			POSITION DATA:	048053	
			AFT RH	107967	
			FOR NHA SEE:		
			25-27-00-04A		
			25-27-00-04B		
- 400	MODREF93192		PLATE INSTL-DOORWAY RTNR	031200	1
			MODULE NUMBER:	968999	
			414A3800-5 REV A		
			POSITION DATA:		
			AFT RH		
405	414A3810-3		.PLATE		1
			ATTACHING PARTS		
- 410	MS24693C270		.SCREW		9
			-----*-----		

MISSING ITEM NUMBERS NOT APPLICABLE

- ITEM NOT ILLUSTRATED

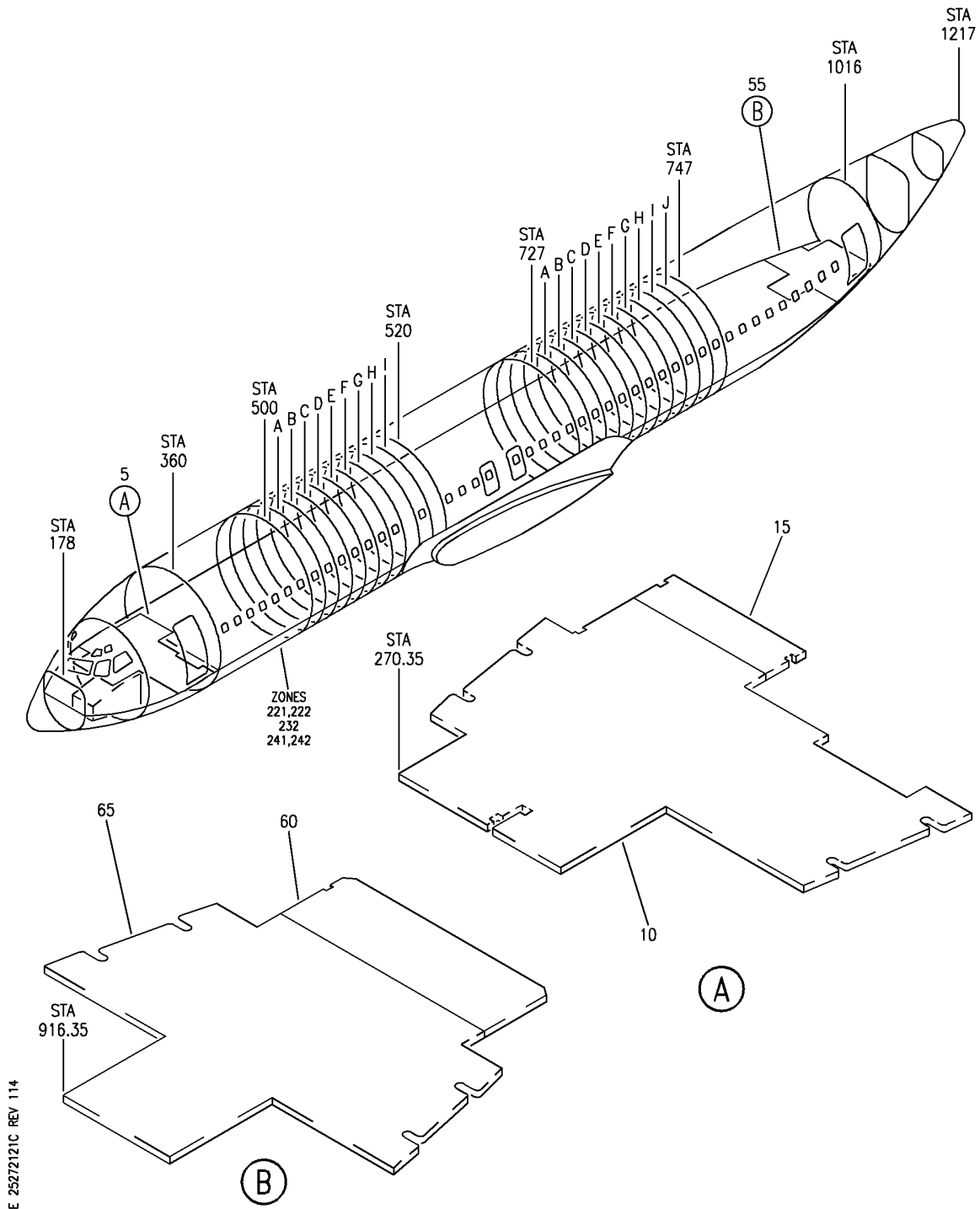
HAP

25-27-21-21

BOEING PROPRIETARY - Copyright © - Unpublished Work - See title page for details.

25-27-21
FIG. 21
PAGE 2
FEB 15/09

BOEING
 737-600/700/800/900
 PARTS CATALOG (MAINTENANCE)



E 25272121C REV 114

MAT INSTL-GALLEY AND ENTRYWAY
 FIGURE 21C

25-27-21-21C

HAP
 OCT 10/06

25-27-21-21C
 PAGE 0

BOEING
737-600/700/800/900
PARTS CATALOG (MAINTENANCE)

FIG ITEM	PART NUMBER	1 2 3 4 5 6 7	NOMENCLATURE	EFFECT FROM TO	UNITS PER ASSY
21C					
- 1	MODREF278260		MAT INSTL-GALLEY AND ENTRYWAY	031200 968999	1
- 1	MODREF314654		MAT INSTL-GALLEY AND ENTRYWAY MODULE NUMBER: 414A3540-1068HT REV A	031036	1
- 1	MODREF318373		MAT INSTL-GALLEY AND ENTRYWAY MODULE NUMBER: 414A3540-1135HT REV A	038038 041047	1
- 1	MODREF318373		MAT INSTL-GALLEY AND ENTRYWAY MODULE NUMBER: 414A3540-1146HT REV A	037037 039040	1
5	414A3510-336HT		.MAT ASSY	031047	1
10	414A3520-84HT		..MAT	031047	1
15	414A3520-85HT		..MAT	031047	1
- 50	MODREF278261		MAT INSTL-GALLEY AND ENTRYWAY MODULE NUMBER: 414A3540-6022HT REV A	031046 054103 968971	1
- 50	MODREF367535		MAT INSTL-GALLEY AND ENTRYWAY MODULE NUMBER: 414A3540-6093HT REV A	047053 104200 972999	1
55	414A3510-336HT		.MAT ASSY	031200 968999	1
60	414A3520-84HT		..MAT	031200 968999	1
65	414A3520-85HT		..MAT	031200 968999	1

MISSING ITEM NUMBERS NOT APPLICABLE

- ITEM NOT ILLUSTRATED

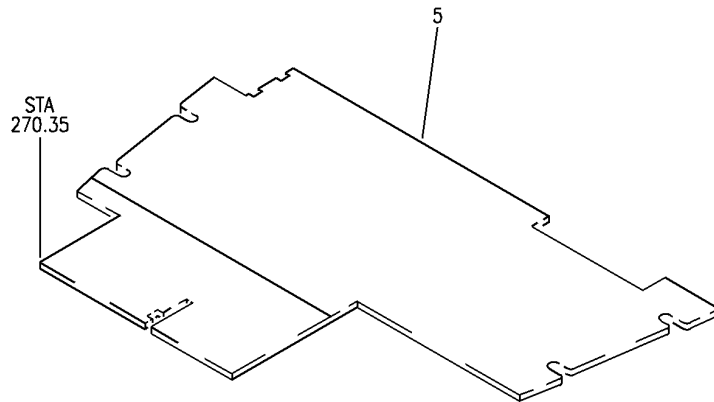
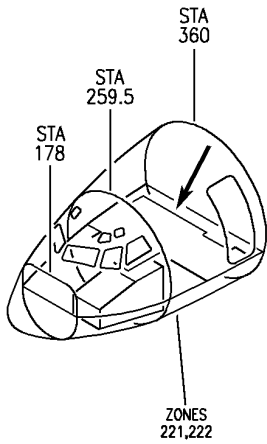
HAP

25-27-21-21C

BOEING PROPRIETARY - Copyright © - Unpublished Work - See title page for details.

25-27-21
FIG. 21C
PAGE 1
FEB 15/09

BOEING
737-600/700/800/900
PARTS CATALOG (MAINTENANCE)



E 25272121D REV 128

MAT INSTL-FWD GALLEY AND ENTRYWAY
FIGURE 21D

25-27-21-21D

HAP
JUN 10/07

25-27-21-21D
PAGE 0

BOEING
737-600/700/800/900
PARTS CATALOG (MAINTENANCE)

FIG ITEM	PART NUMBER	1 2 3 4 5 6 7	NOMENCLATURE	EFFECT FROM TO	UNITS PER ASSY
21D					
- 1	MODREF319030		MAT INSTL-FWD GALLEY AND ENTRYWAY	101106 968999	1
- 1	MODREF342628		MAT INSTL-GALLEY AND ENTRYWAY MODULE NUMBER: 414A3540-1144HT REV A POSITION DATA: FWD	101101 968969	1
5	414A3520-85HT		MAT INSTL-GALLEY AND ENTRYWAY MODULE NUMBER: 414A3540-1155HT REV A POSITION DATA: FWD .MAT	102106 970999	1
				101106 968999	1

MISSING ITEM NUMBERS NOT APPLICABLE

- ITEM NOT ILLUSTRATED

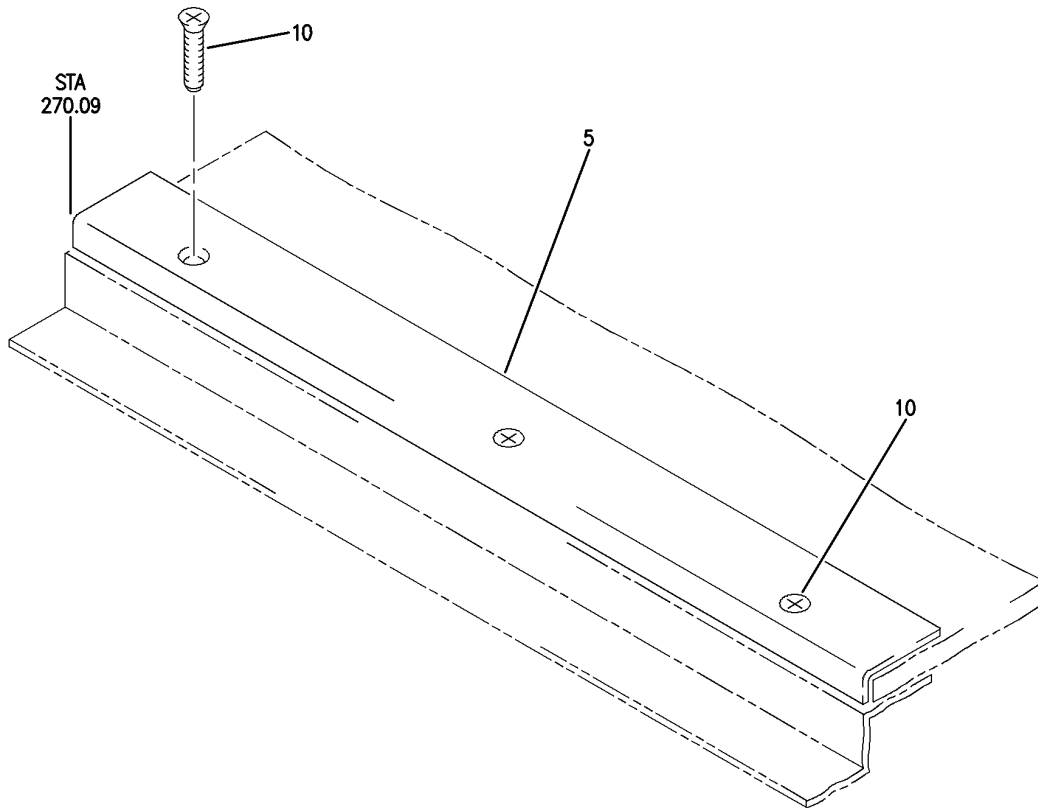
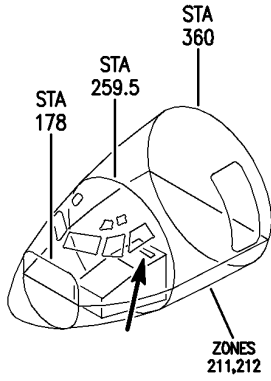
HAP

25-27-21-21D

BOEING PROPRIETARY - Copyright © - Unpublished Work - See title page for details.

25-27-21
FIG. 21D
PAGE 1
OCT 15/08

BOEING
737-600/700/800/900
PARTS CATALOG (MAINTENANCE)



E 25272122 REV 057

THRESHOLD INSTL-FLIGHT DECK STEP
FIGURE 22

25-27-21-22

HAP
OCT 10/06

25-27-21-22
PAGE 0

BOEING
737-600/700/800/900
PARTS CATALOG (MAINTENANCE)

FIG ITEM	PART NUMBER	1 2 3 4 5 6 7	NOMENCLATURE	EFFECT FROM TO	UNITS PER ASSY
22			THRESHOLD INSTL-FLIGHT DECK STEP	030999	
- 1	414A3500-141		THRESHOLD INSTL-FLIGHT DECK STEP FOR NHA SEE: 25-27-00-03A	201967	RF
- 1	414A3535-1014		THRESHOLD INSTL-FLIGHT DECK STEP FOR NHA SEE: 25-27-00-04B	030030	RF
- 1	MODREF92992		THRESHOLD INSTL-FLIGHT DECK STEP MODULE NUMBER: 414A3535-1014 REV A	031200 968999	1
R R R	5	69-57960-1	.RETAINER	201967	1
	5	414A3530-111	.RETAINER	030200 968999	1
	10	BACS12GX3H18	.BOLT- OPTIONAL PART: BACS12GX3H20 BACB30LU3-12	030999	3
	10	BACS12GX3H20	.BOLT- OPTIONAL PART: BACS12GX3H18 BACB30LU3-12	030999	3
	10	BACB30LU3-12	.BOLT- OPTIONAL PART: BACS12GX3H18 BACS12GX3H20	030999	3

MISSING ITEM NUMBERS NOT APPLICABLE

- ITEM NOT ILLUSTRATED

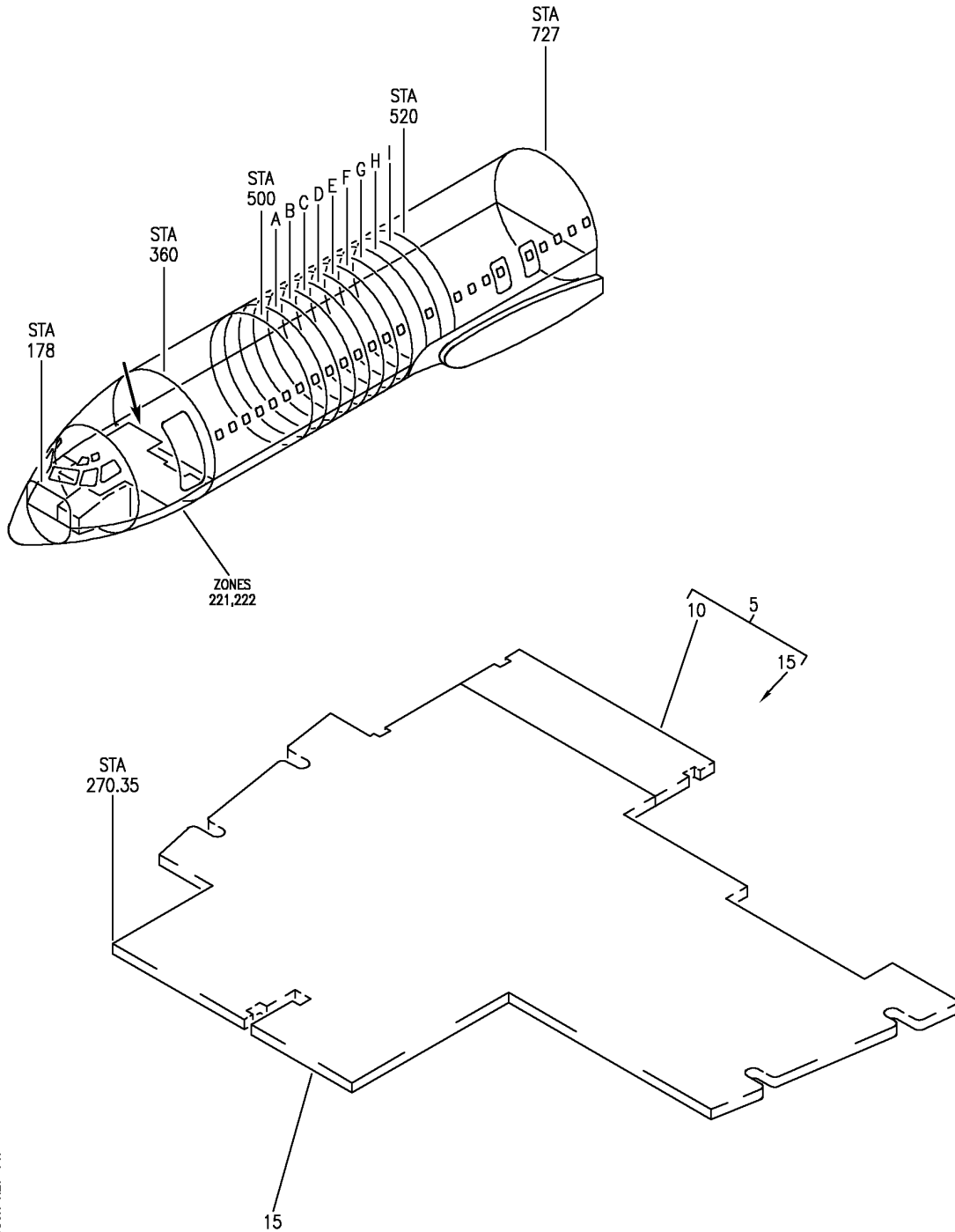
HAP

25-27-21-22

BOEING PROPRIETARY - Copyright © - Unpublished Work - See title page for details.

25-27-21
FIG. 22
PAGE 1
JUN 15/09

BOEING
737-600/700/800/900
PARTS CATALOG (MAINTENANCE)



E 25272130X REV 147

MAT INSTL
FIGURE 30X

25-27-21-30X

HAP
OCT 15/08

25-27-21-30X
PAGE 0

BOEING
737-600/700/800/900
PARTS CATALOG (MAINTENANCE)

FIG ITEM	PART NUMBER	1 2 3 4 5 6 7	NOMENCLATURE	EFFECT FROM TO	UNITS PER ASSY
30X			MAT INSTL	048050 053053	
- 1	MODREF393899		MAT INSTL- MODULE NUMBER: 414A3540-1186HT REV A	048050 053053	1
5	414A3510-336HT		.MAT ASSY	048050 053053	1
10	414A3520-85HT		..MAT	048050 053053	1
15	414A3520-84HT		..MAT	048050 053053	1

MISSING ITEM NUMBERS NOT APPLICABLE

- ITEM NOT ILLUSTRATED

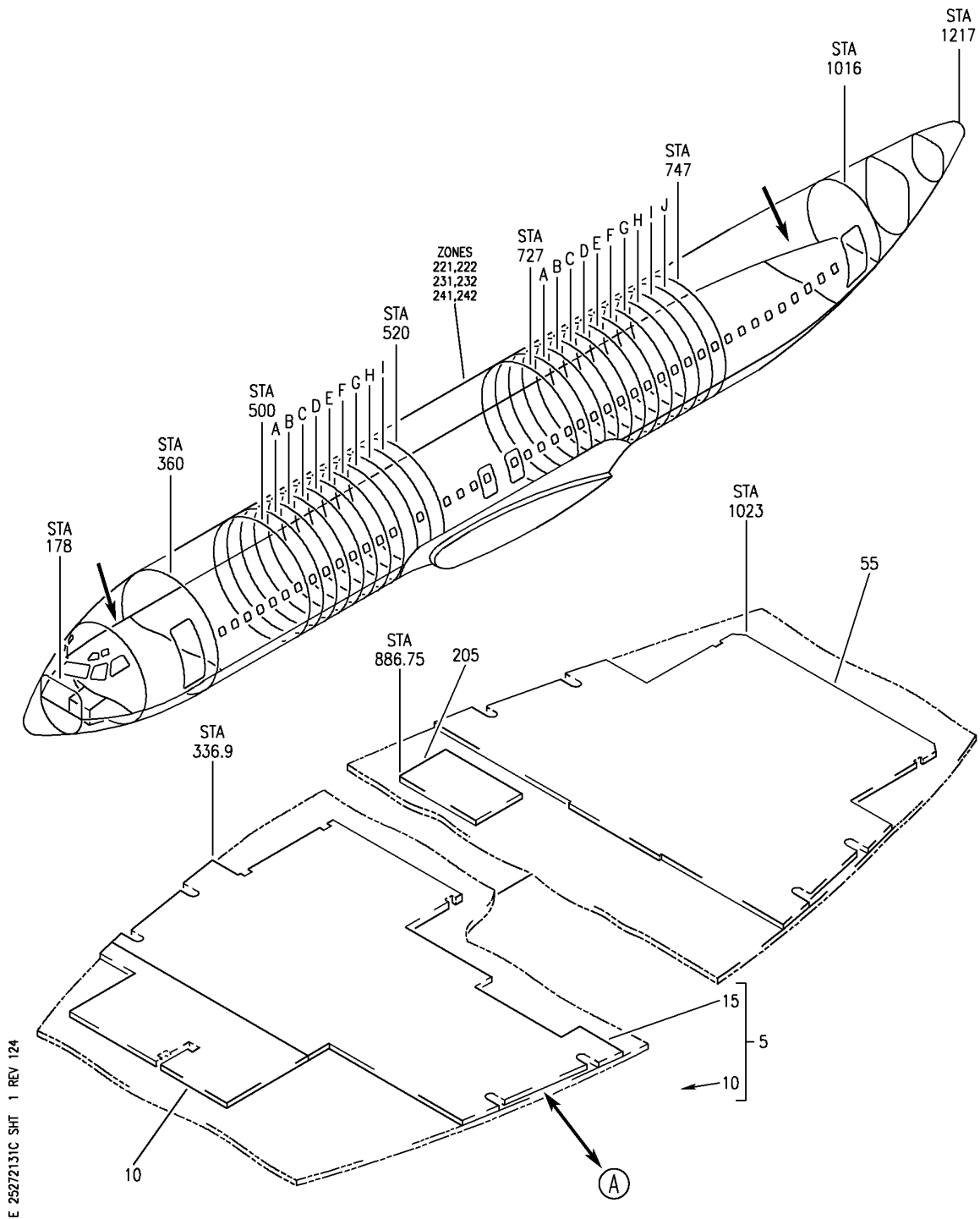
HAP

25-27-21-30X

BOEING PROPRIETARY - Copyright © - Unpublished Work - See title page for details.

25-27-21
FIG. 30X
PAGE 1
FEB 15/09

BOEING
 737-600/700/800/900
 PARTS CATALOG (MAINTENANCE)



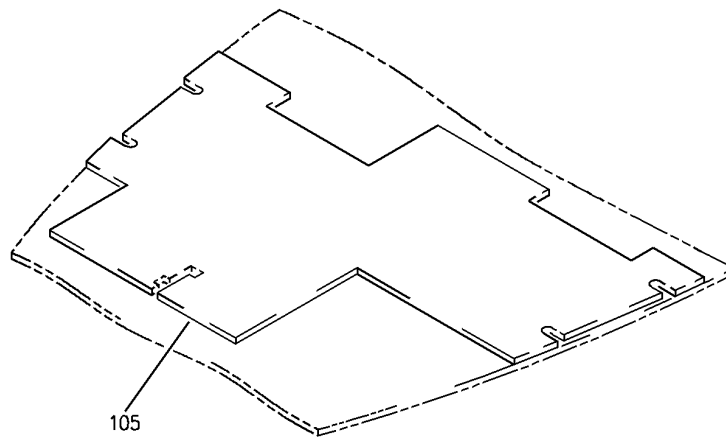
E 25272131C SHT 1 REV 124

MAT INSTL-GALLEY AND ENTRYWAY
 FIGURE 31C (SHEET 1)

25-27-21-31C

HAP
 OCT 15/08

25-27-21-31C
 PAGE 0



(A)

E 25272131C SHT 2 REV 115

MAT INSTL-GALLEY AND ENTRYWAY
FIGURE 31C (SHEET 2)

25-27-21-31C

HAP
OCT 15/08

25-27-21-31C
PAGE 0A

BOEING
737-600/700/800/900
PARTS CATALOG (MAINTENANCE)

FIG ITEM	PART NUMBER	1 2 3 4 5 6 7	NOMENCLATURE	EFFECT FROM TO	UNITS PER ASSY
31C			MAT INSTL-GALLEY AND ENTRYWAY	051052 054100	
- 1	MODREF353226		MAT INSTL-GALLEY AND ENTRYWAY	051052 054100	1
			MODULE NUMBER: 414A3540-1134HT REV A		
5	414A3510-336HT		.MAT ASSY	051052 054100	1
10	414A3520-84HT		..MAT	051052 054100	1
15	414A3520-85HT		..MAT	051052 054100	1

MISSING ITEM NUMBERS NOT APPLICABLE

- ITEM NOT ILLUSTRATED

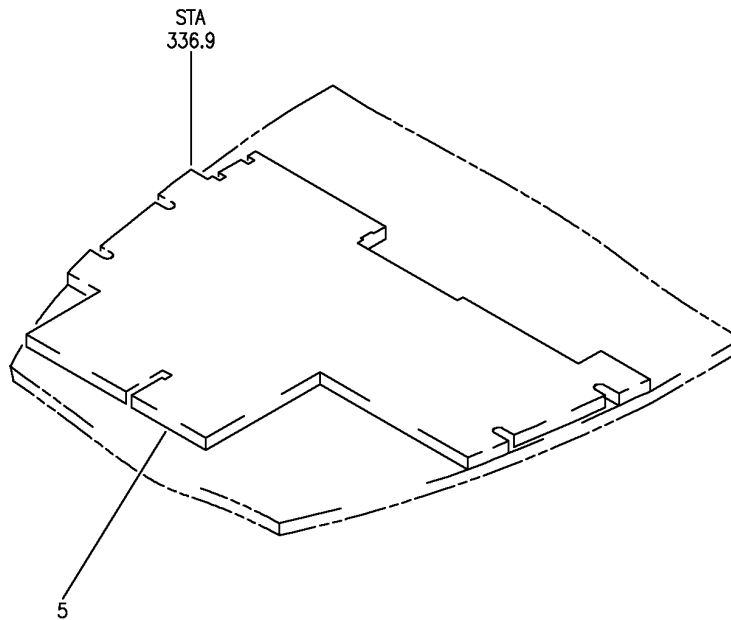
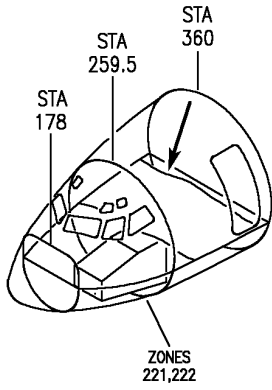
HAP

25-27-21-31C

BOEING PROPRIETARY - Copyright © - Unpublished Work - See title page for details.

25-27-21
FIG. 31C
PAGE 1
FEB 15/09

BOEING
737-600/700/800/900
PARTS CATALOG (MAINTENANCE)



E 25272131P REV 148

MAT INSTL
FIGURE 31P

HAP
FEB 15/09

25-27-21-31P

25-27-21-31P
PAGE 0


BOEING
 737-600/700/800/900
PARTS CATALOG (MAINTENANCE)

FIG ITEM	PART NUMBER	1 2 3 4 5 6 7	NOMENCLATURE	EFFECT FROM TO	UNITS PER ASSY
31P					
- 1	MODREF400875		MAT INSTL MAT INSTL- MODULE NUMBER: 414A3540-1190HT REV A	107200 107200	1
5	414A3520-85HT		.MAT	107200	1

MISSING ITEM NUMBERS NOT APPLICABLE

- ITEM NOT ILLUSTRATED

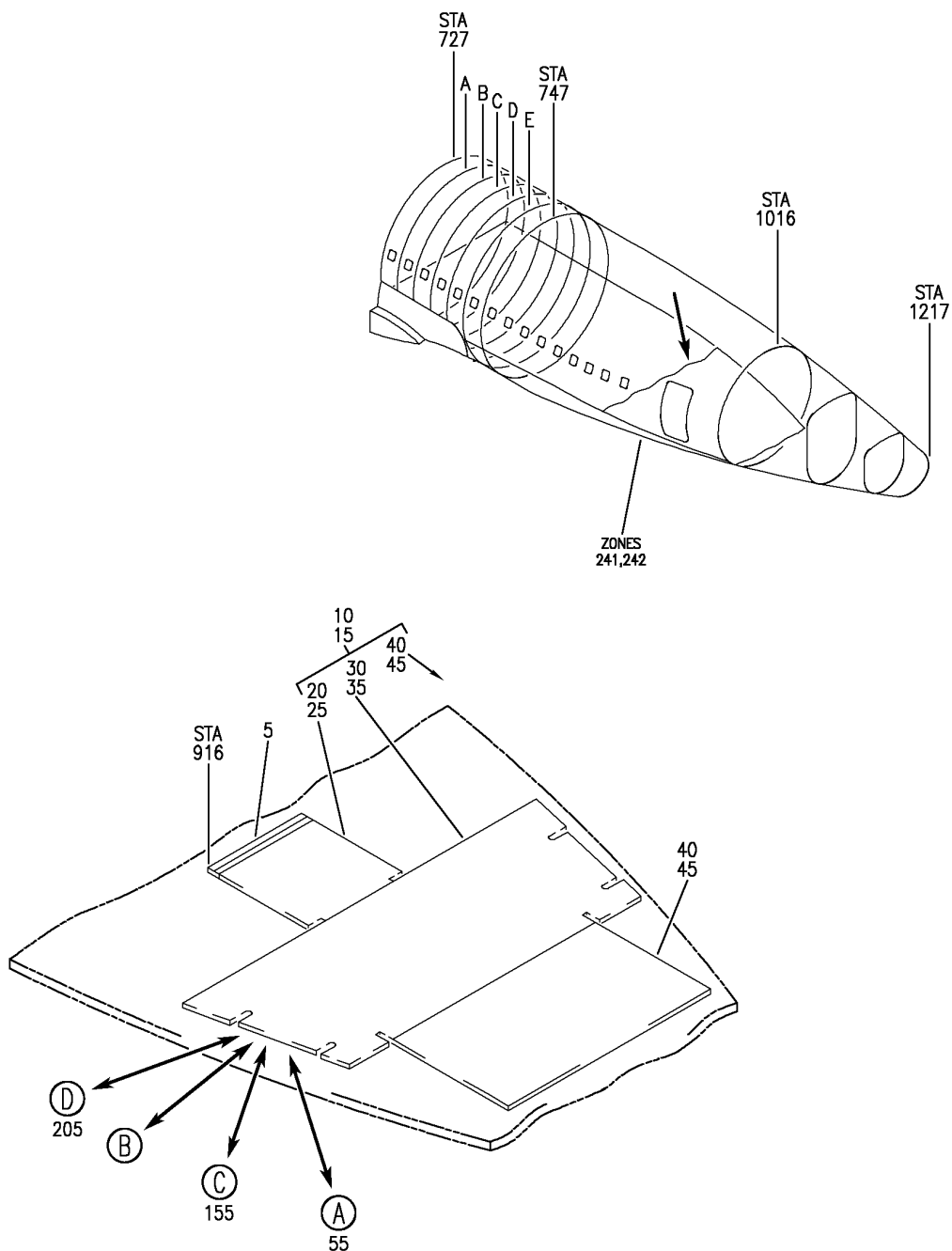
HAP

25-27-21-31P

BOEING PROPRIETARY - Copyright © - Unpublished Work - See title page for details.

25-27-21
 FIG. 31P
 PAGE 1
 FEB 15/09

BOEING
 737-600/700/800/900
 PARTS CATALOG (MAINTENANCE)



E 25272141 SH1 1 REV 078

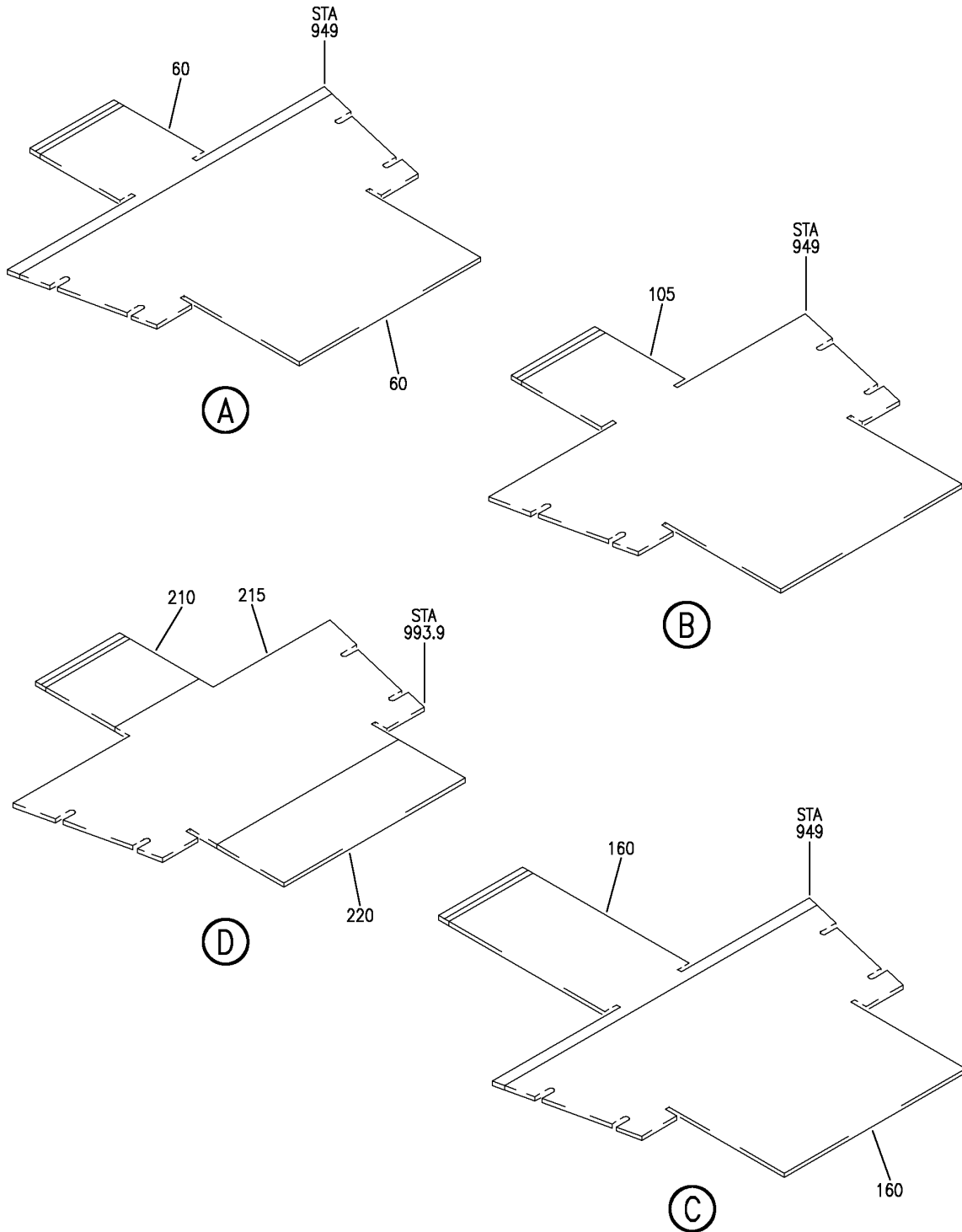
MAT INSTL-AFT GALLEY AND ENTRYWAY
 FIGURE 41 (SHEET 1)

25-27-21-41

HAP
 OCT 10/06

25-27-21-41
 PAGE 0

BOEING
737-600/700/800/900
PARTS CATALOG (MAINTENANCE)



E 25272141 SH1 2 REV 079

MAT INSTL-AFT GALLEY AND ENTRYWAY
FIGURE 41 (SHEET 2)

25-27-21-41

HAP
OCT 10/06

25-27-21-41
PAGE 0A

BOEING
737-600/700/800/900
PARTS CATALOG (MAINTENANCE)

FIG ITEM	PART NUMBER	1 2 3 4 5 6 7	NOMENCLATURE	EFFECT FROM TO	UNITS PER ASSY
41			MAT INSTL-AFT GALLEY AND ENTRYWAY	018018 020030	
- 1	414A3500-638SP		MAT INSTL-GALLEY AND ENTRYWAY	018018 020030	RF
			POSITION DATA: AFT		
5	414A3530-6SP		.THRESHOLD	018018 020030	1
15	414A3510-257SP		.MAT ASSY	018018 020030	1
25	414A3520-5SP		..MAT	018018 020030	1
35	414A3520-16SP		..MAT	018018 020030	1
45	414A3520-7SP		..MAT	018018 020030	1

MISSING ITEM NUMBERS NOT APPLICABLE

- ITEM NOT ILLUSTRATED

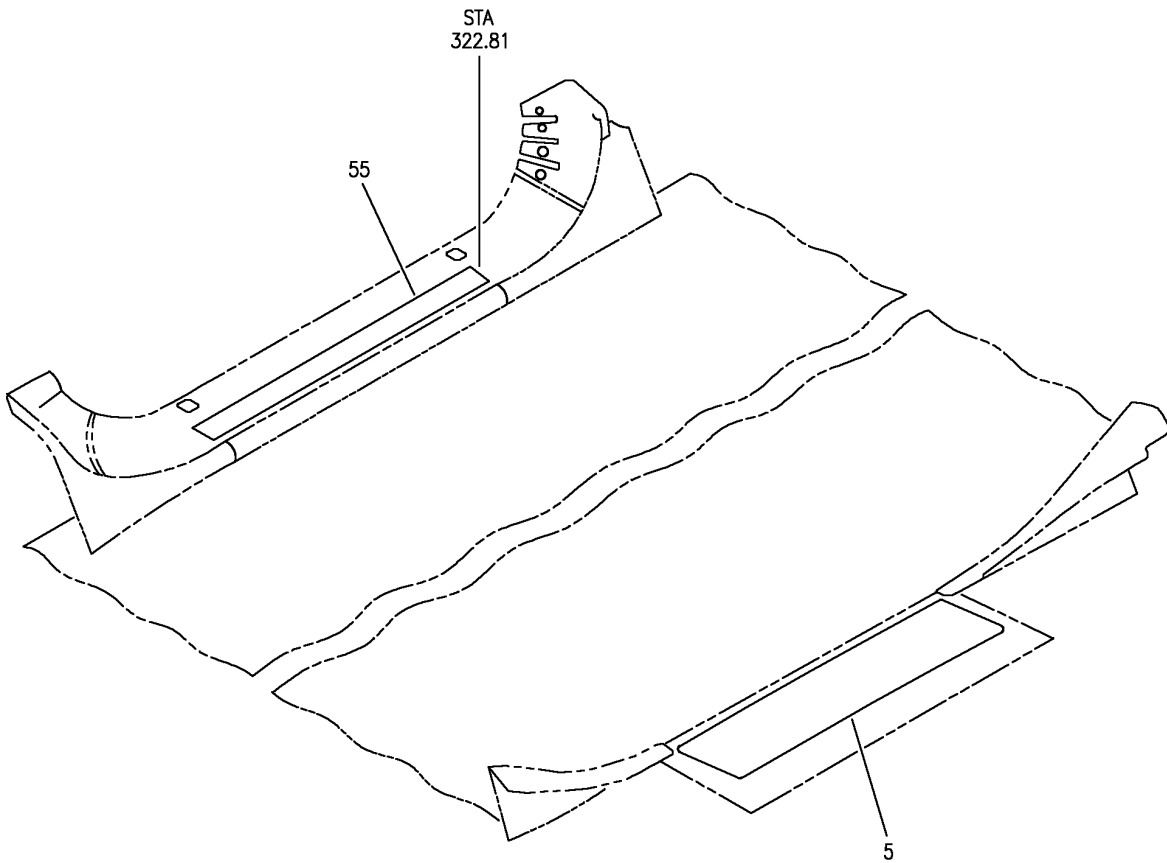
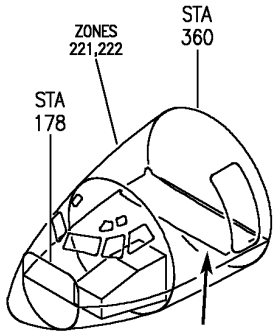
HAP

25-27-21-41

BOEING PROPRIETARY - Copyright © - Unpublished Work - See title page for details.

25-27-21
FIG. 41
PAGE 1
OCT 15/08

BOEING
737-600/700/800/900
PARTS CATALOG (MAINTENANCE)



E 25272170 REV 098

PAD INSTL-FWD DOORWAY
FIGURE 70

25-27-21-70

HAP
OCT 10/06

25-27-21-70
PAGE 0

BOEING
737-600/700/800/900
PARTS CATALOG (MAINTENANCE)

FIG ITEM	PART NUMBER	1 2 3 4 5 6 7	NOMENCLATURE	EFFECT FROM TO	UNITS PER ASSY
70					
- 1	414A3700-2		PAD INSTL-FWD DOORWAY PAD INSTL-DOORWAY POSITION DATA: FWD LH FOR NHA SEE: 25-27-00-04D	001030 201967	RF
- 1	MODREF93183		PAD INSTL-DOORWAY MODULE NUMBER: 414A3700-2 REV A POSITION DATA: FWD LH	031200 968999	1
5	414A3530-5		.PAD-NON-SLIP		1
- 50	414A3700-1		PAD INSTL-DOORWAY POSITION DATA: FWD RH FOR NHA SEE: 25-27-00-04D	001030 201967	RF
- 50	MODREF93182		PAD INSTL-DOORWAY MODULE NUMBER: 414A3700-1 REV A POSITION DATA: FWD RH	031200 968999	1
55	65-69063-16		.PAD-NON-SLIP		1

MISSING ITEM NUMBERS NOT APPLICABLE

- ITEM NOT ILLUSTRATED

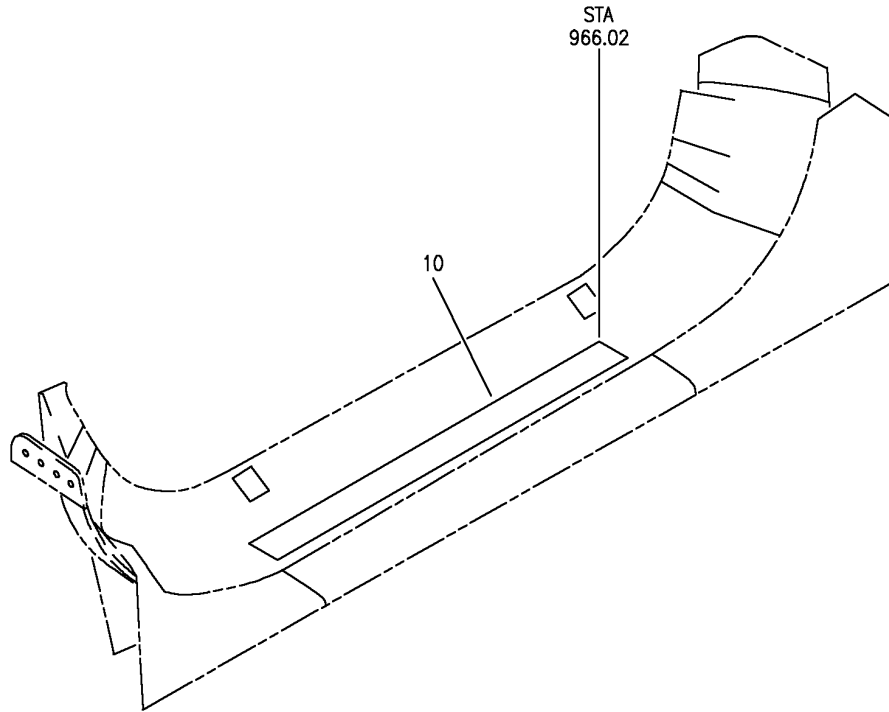
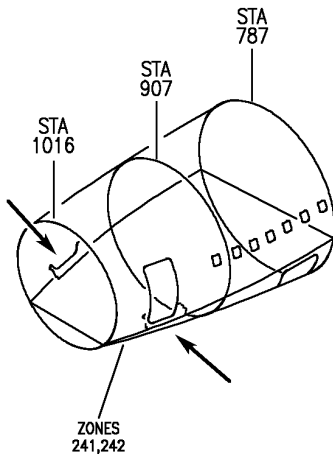
HAP

25-27-21-70

BOEING PROPRIETARY - Copyright © - Unpublished Work - See title page for details.

25-27-21
FIG. 70
PAGE 1
OCT 15/08

BOEING
737-600/700/800/900
PARTS CATALOG (MAINTENANCE)



E 25272171 REV 098

PAD INSTL-AFT DOORWAY
FIGURE 71

25-27-21-71

HAP
OCT 10/06

25-27-21-71
PAGE 0

BOEING
737-600/700/800/900
PARTS CATALOG (MAINTENANCE)

FIG ITEM	PART NUMBER	1 2 3 4 5 6 7	NOMENCLATURE	EFFECT FROM TO	UNITS PER ASSY
71					
- 1	414A3700-4		PAD INSTL-AFT DOORWAY PAD INSTL-DOORWAY POSITION DATA: AFT LH FOR NHA SEE: 25-27-00-04D	001030 201967	RF
- 1	MODREF93185		PAD INSTL-DOORWAY MODULE NUMBER: 414A3700-4 REV A POSITION DATA: AFT LH	031200 968999	1
- 5	414A3700-3		PAD INSTL-DOORWAY POSITION DATA: AFT RH FOR NHA SEE: 25-27-00-04D	001030 201967	RF
- 5	MODREF93184		PAD INSTL-DOORWAY MODULE NUMBER: 414A3700-3 REV A POSITION DATA: AFT RH	031200 968999	1
10	65-69063-20		.PAD		1

MISSING ITEM NUMBERS NOT APPLICABLE

- ITEM NOT ILLUSTRATED

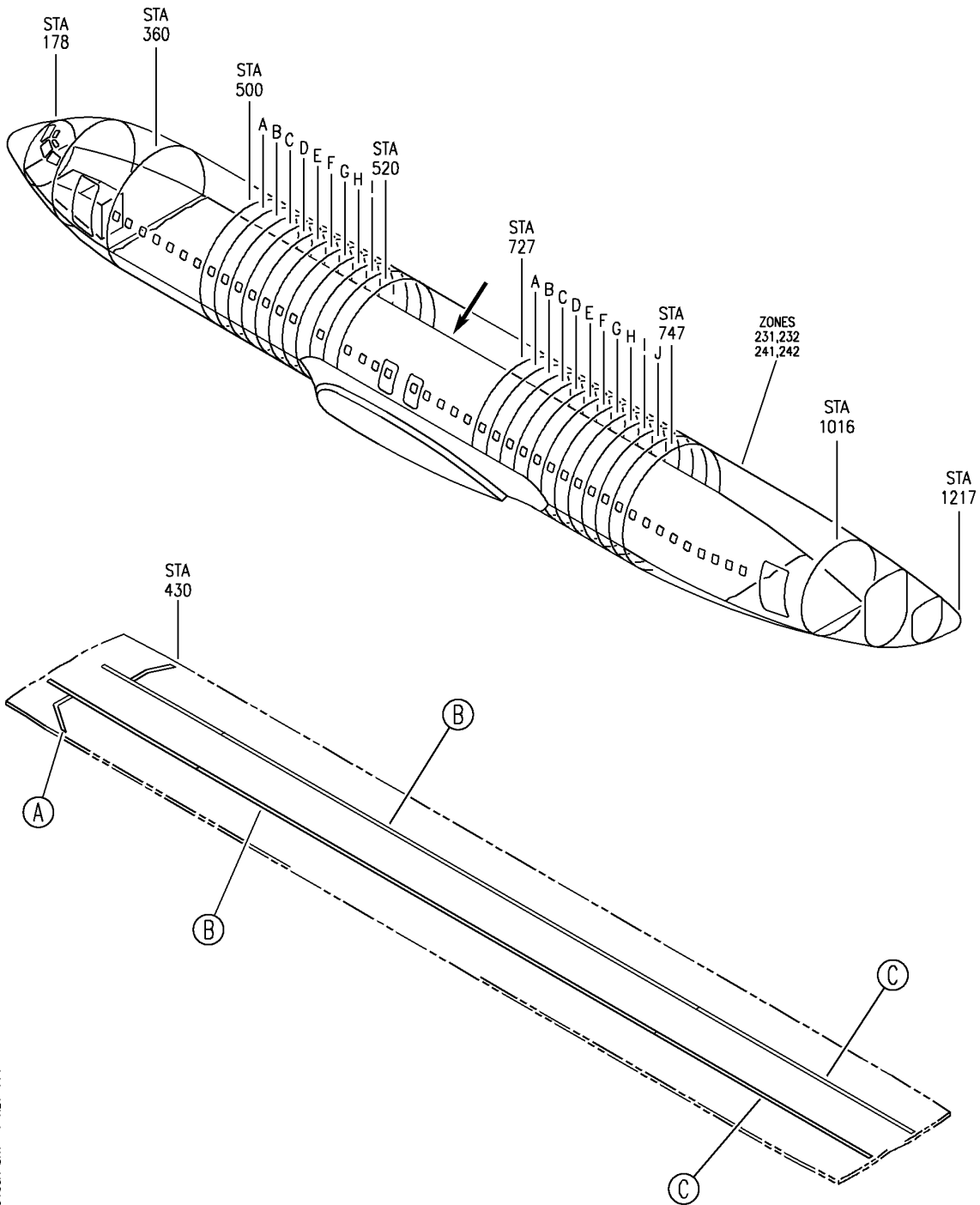
HAP

25-27-21-71

BOEING PROPRIETARY - Copyright © - Unpublished Work - See title page for details.

25-27-21
FIG. 71
PAGE 1
OCT 15/08

BOEING
 737-600/700/800/900
 PARTS CATALOG (MAINTENANCE)



E 25273105A SHT 1 REV 114

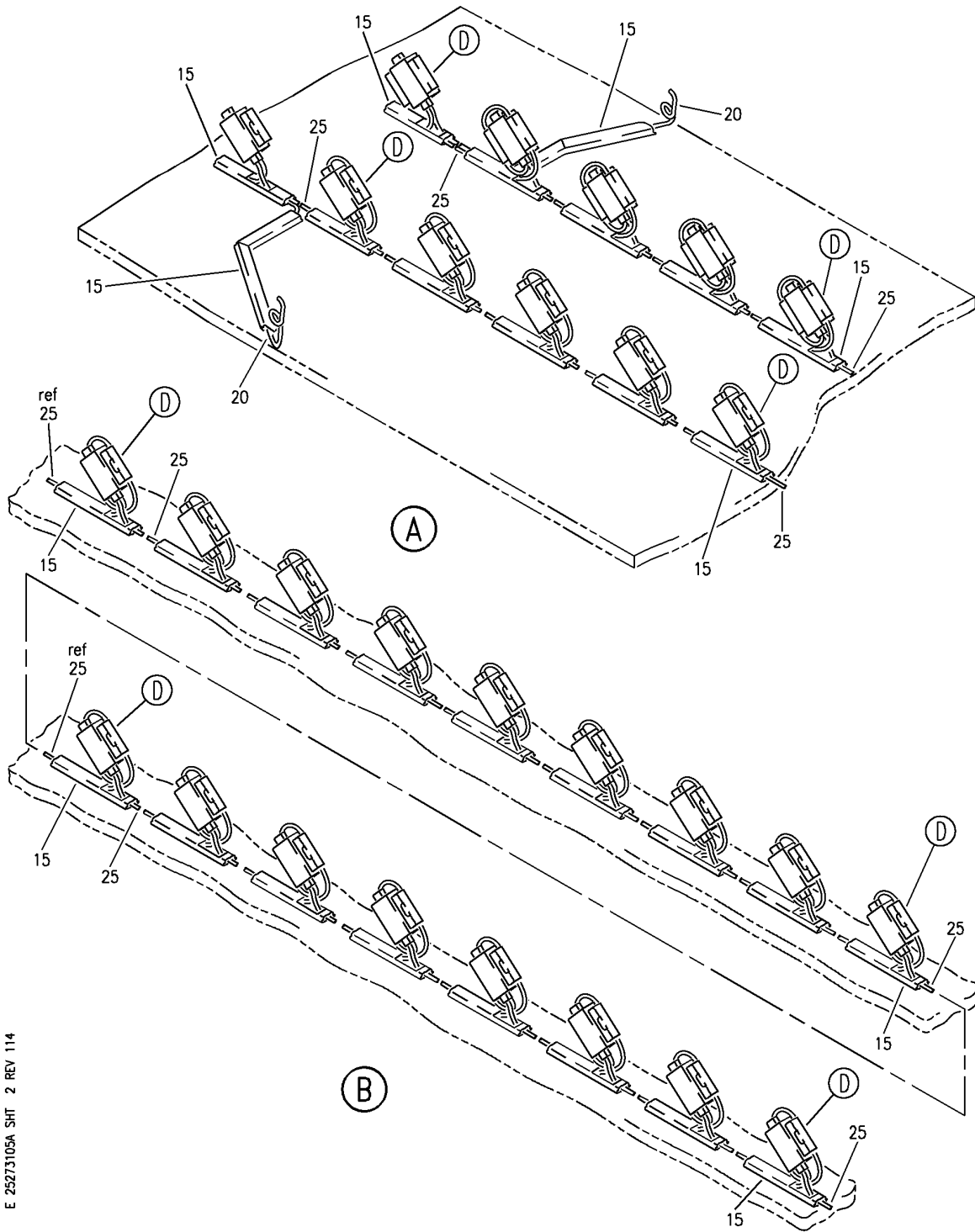
CABLE AND RACEWAY INSTL
 FIGURE 5A (SHEET 1)

25-27-31-05A

HAP
 OCT 10/06

25-27-31-05A
 PAGE 0

BOEING
737-600/700/800/900
PARTS CATALOG (MAINTENANCE)



E 25273105A SHT 2 REV 114

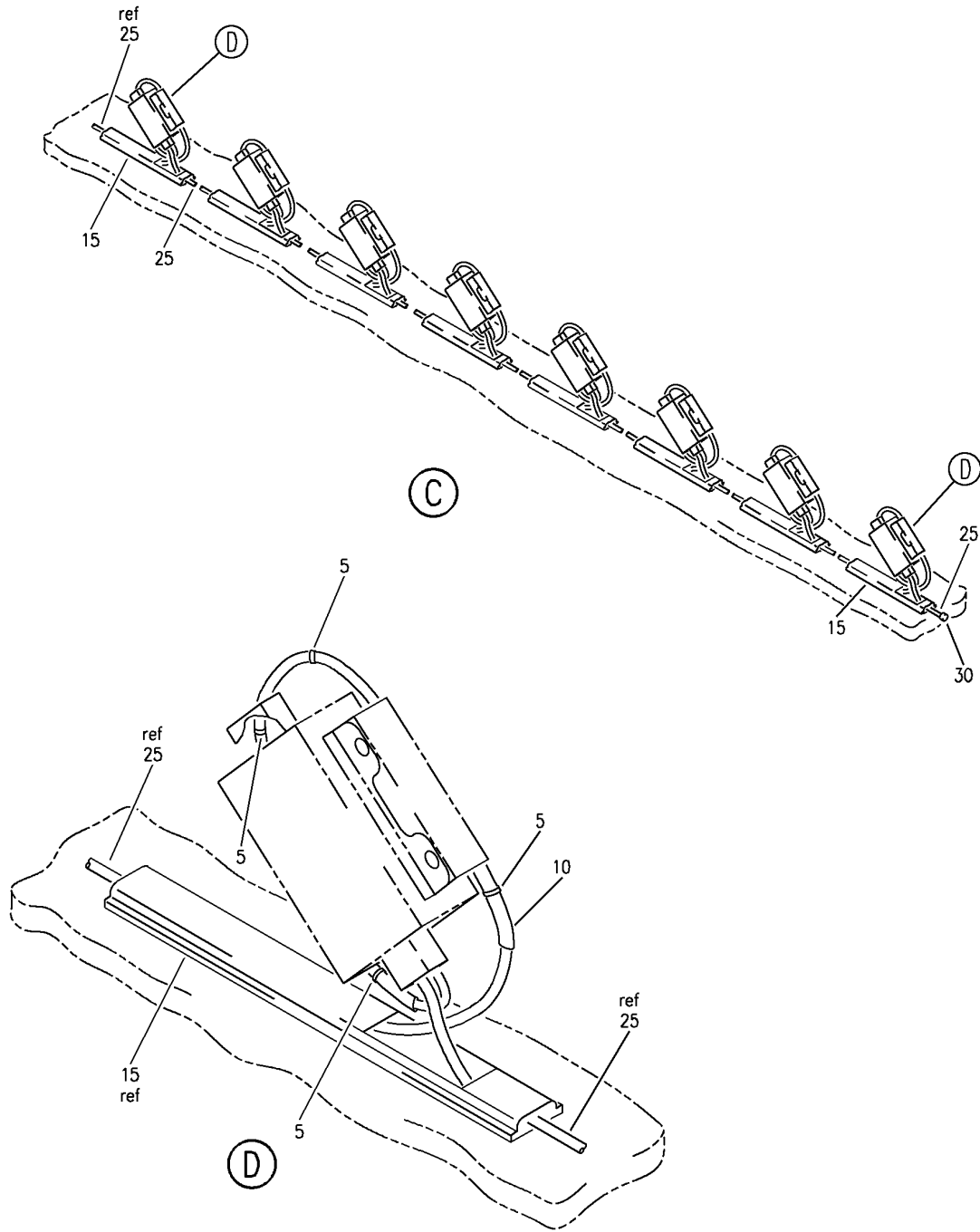
CABLE AND RACEWAY INSTL
FIGURE 5A (SHEET 2)

25-27-31-05A

HAP
OCT 10/06

25-27-31-05A
PAGE 0A

BOEING
737-600/700/800/900
PARTS CATALOG (MAINTENANCE)



E 25273105A SHT 3 REV 114

CABLE AND RACEWAY INSTL
FIGURE 5A (SHEET 3)

25-27-31-05A

HAP
OCT 10/06

25-27-31-05A
PAGE 0B

BOEING
737-600/700/800/900
PARTS CATALOG (MAINTENANCE)

FIG ITEM	PART NUMBER	1 2 3 4 5 6 7	NOMENCLATURE	EFFECT FROM TO	UNITS PER ASSY
5A			CABLE AND RACEWAY INSTL	031037 039040 048048	
- 1	MODREF277078		CABLE AND RACEWAY INSTL- MODULE NUMBER: 414A1110-315 REV A	031037 039040 048048	1
5	BACS38K4A		.STRAP	031037 039040 048048	AR
10	413T3101-1		.TUBE- OPTIONAL PART: TFE2X V18632	031037 039040 048048	AR
10	TFE2X		.SLEEVING- SUPPLIER CODE: V18632 OPTIONAL PART: 413T3101-1	031037 039040 048048	AR
15	65C37062-51		.RACEWAY	031037 039040 048048	17
20	1306483-006		.CABLE ASSY-SIDEWALL DISC. SEAT ELECTRONICS BOX SUPPLIER CODE: V3Y989	031037 039040 048048	2
25	704-3489-002		.CABLE ASSY-SEAT ELECTRONICS BOX TO SEAT ELECTRONICS BOX SUPPLIER CODE: V3Y989	031037 039040 048048	61
30	700-2324-001		.PLUG-TERMINATOR SEAT ELECTRONICS BOX SUPPLIER CODE: V3Y989	031037 039040 048048	2

MISSING ITEM NUMBERS NOT APPLICABLE

- ITEM NOT ILLUSTRATED

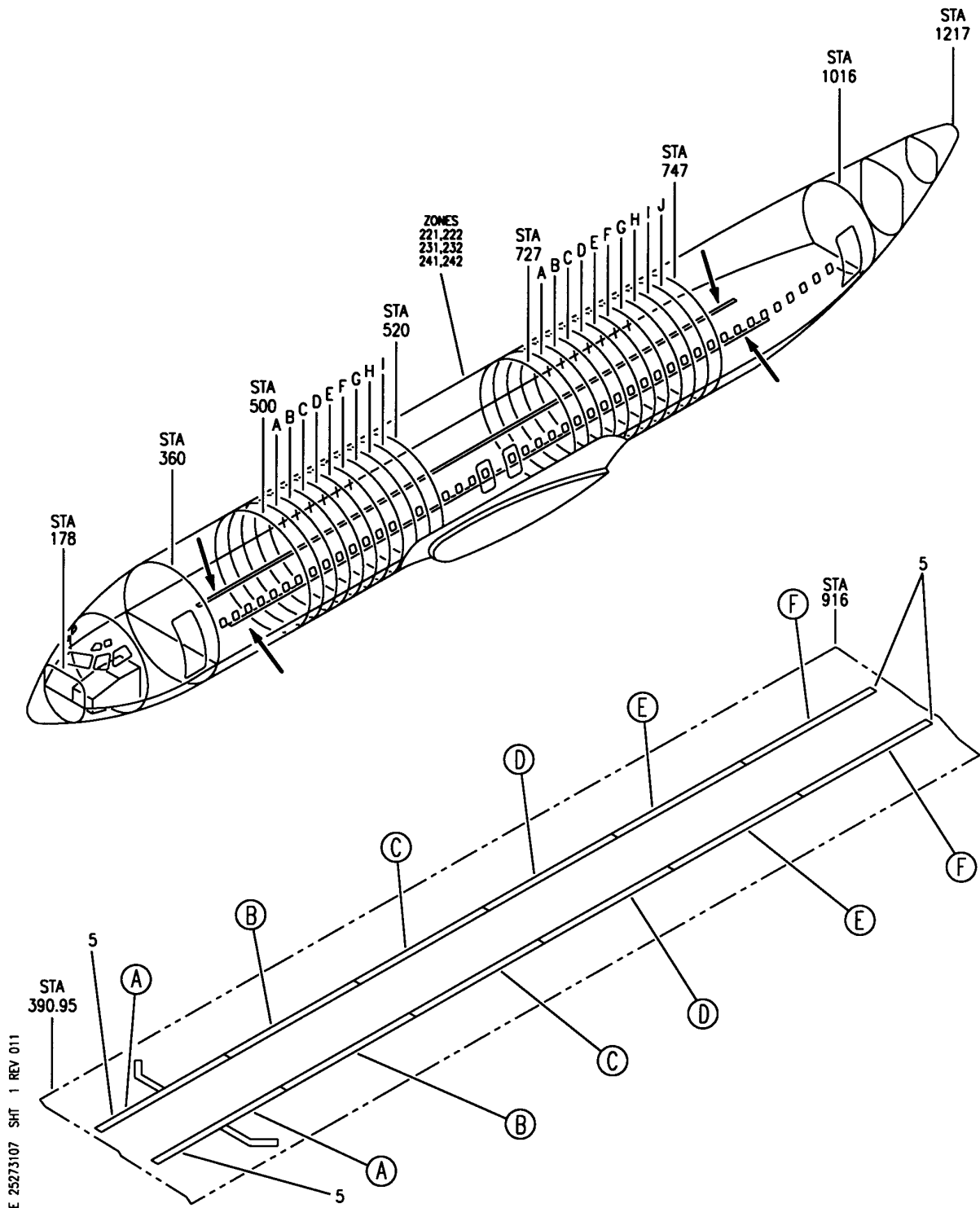
HAP

25-27-31-05A

BOEING PROPRIETARY - Copyright © - Unpublished Work - See title page for details.

25-27-31
FIG. 05A
PAGE 1
JUN 15/08

BOEING
 737-600/700/800/900
 PARTS CATALOG (MAINTENANCE)



E 25273107 SH1 1 REV 011

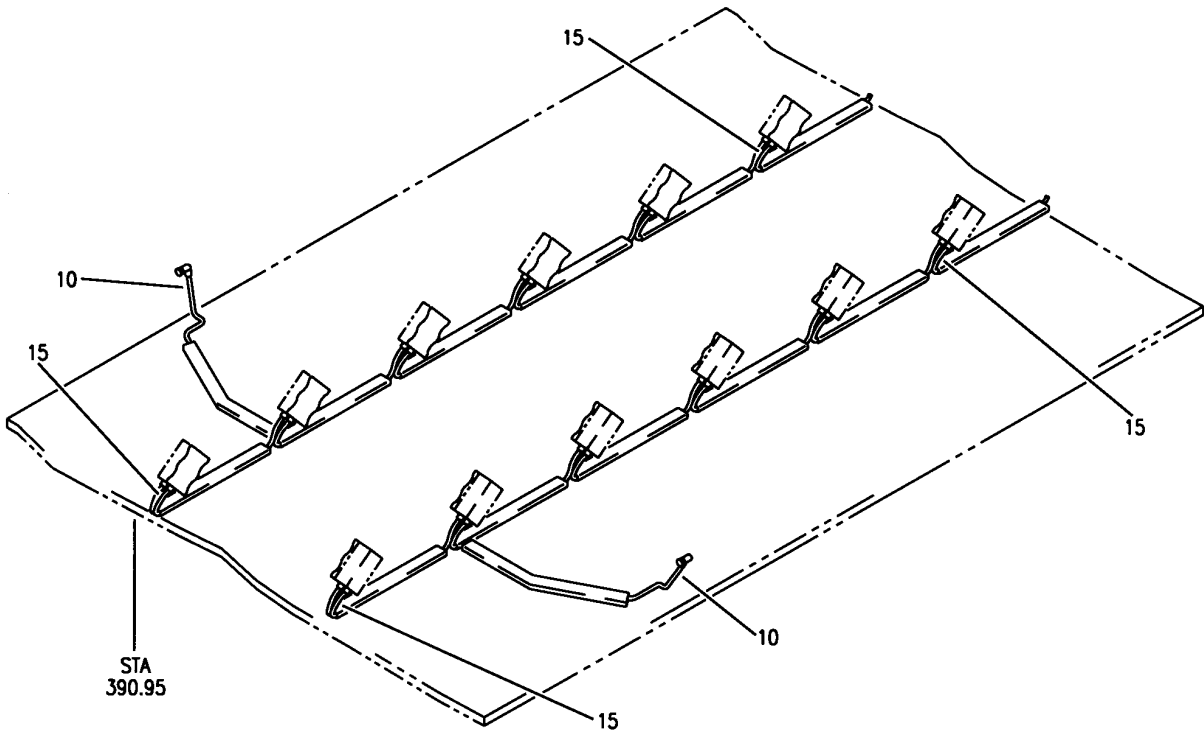
CABLE AND RACEWAY INSTL 737-800 (HAP)
 FIGURE 7 (SHEET 1)

25-27-31-07

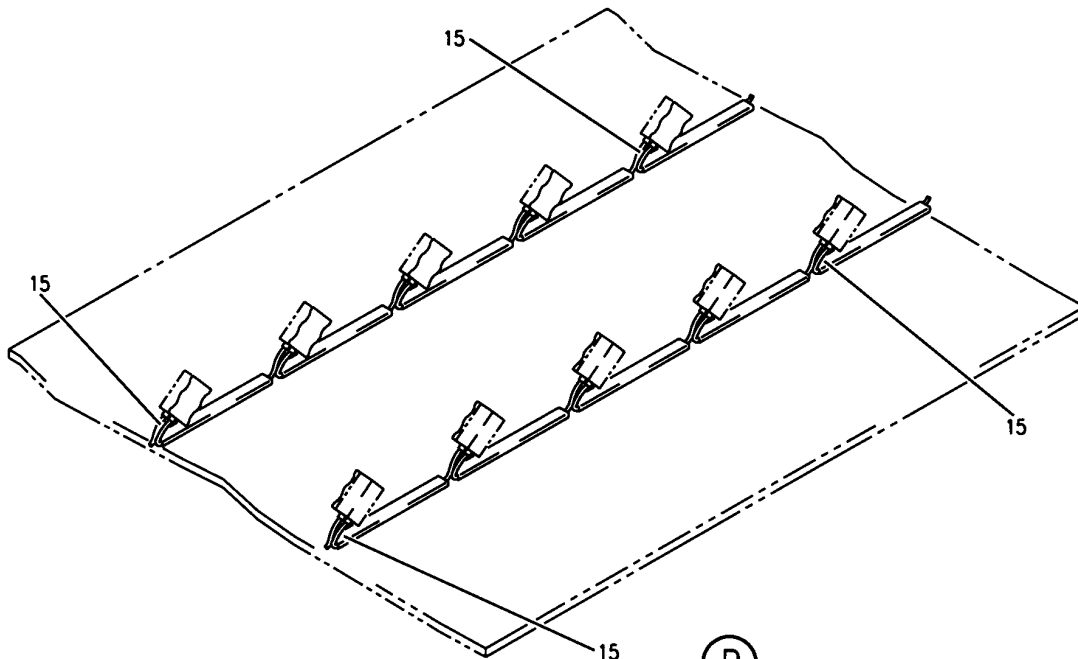
HAP
 OCT 10/06

25-27-31-07
 PAGE 0

BOEING
737-600/700/800/900
PARTS CATALOG (MAINTENANCE)



(A)



(B)

E 25273107 SHT 2 REV 011

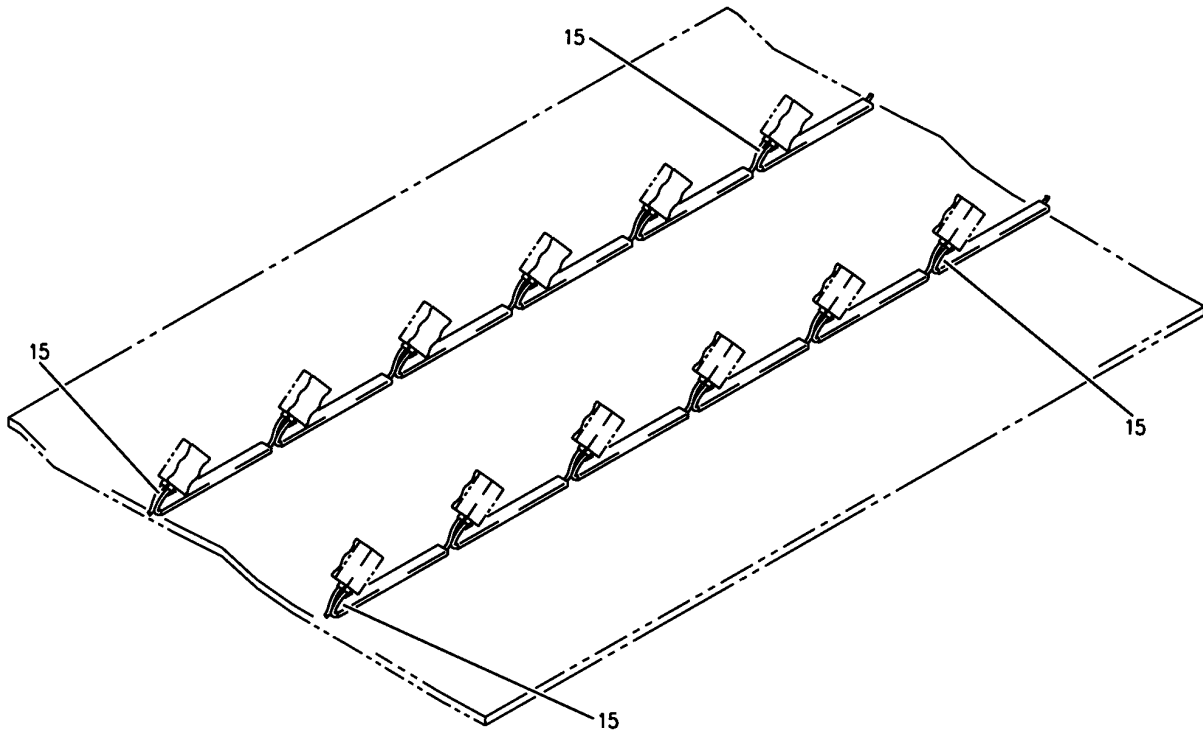
CABLE AND RACEWAY INSTL 737-800 (HAP)
FIGURE 7 (SHEET 2)

25-27-31-07

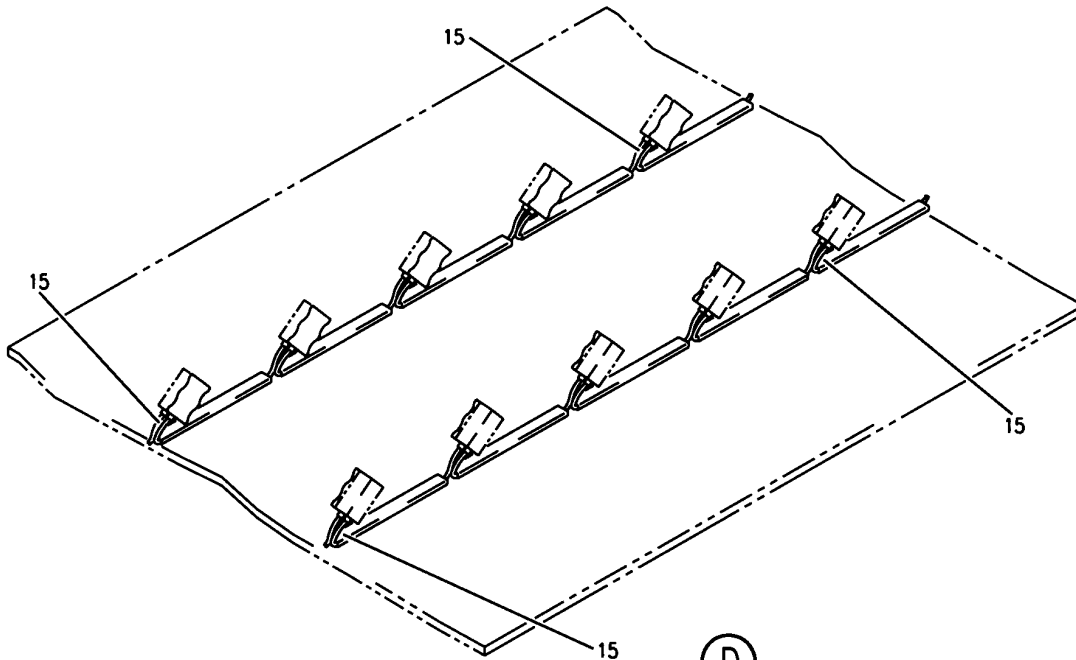
HAP
OCT 10/06

25-27-31-07
PAGE 0A

BOEING
737-600/700/800/900
PARTS CATALOG (MAINTENANCE)



(C)



(D)

E 25273107 SHIT 3 REV 011

CABLE AND RACEWAY INSTL 737-800 (HAP)
FIGURE 7 (SHEET 3)

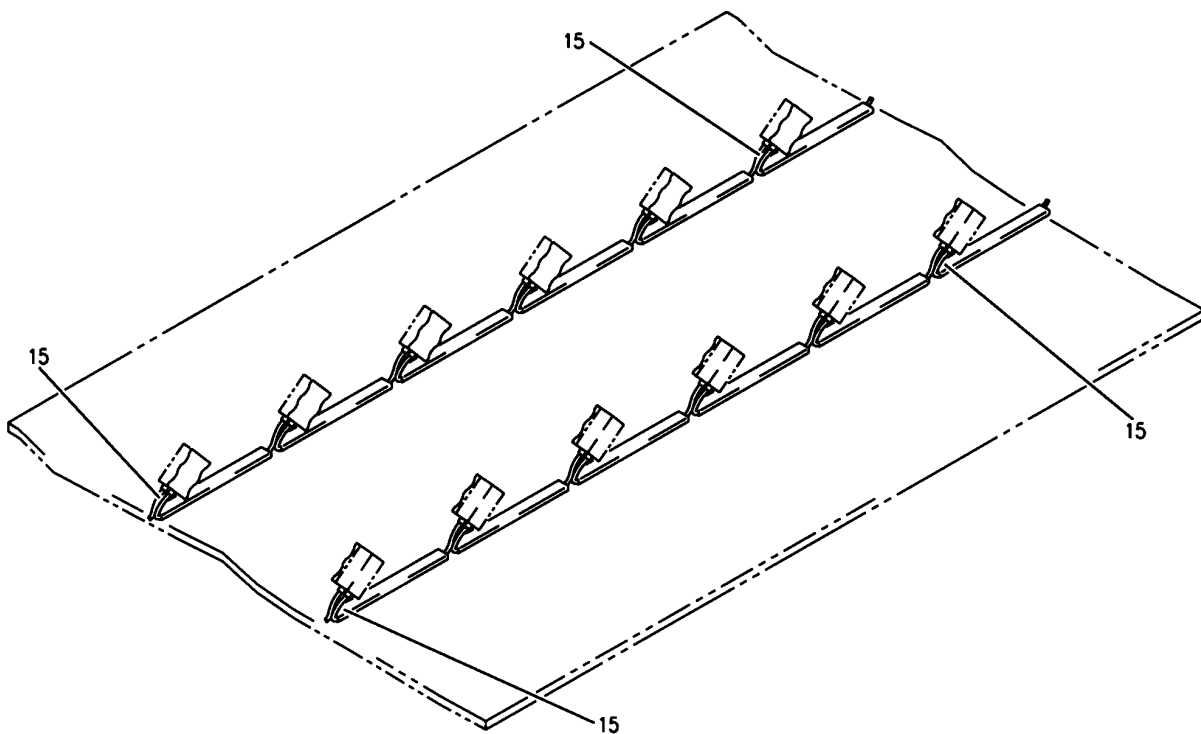
25-27-31-07

HAP
OCT 10/06

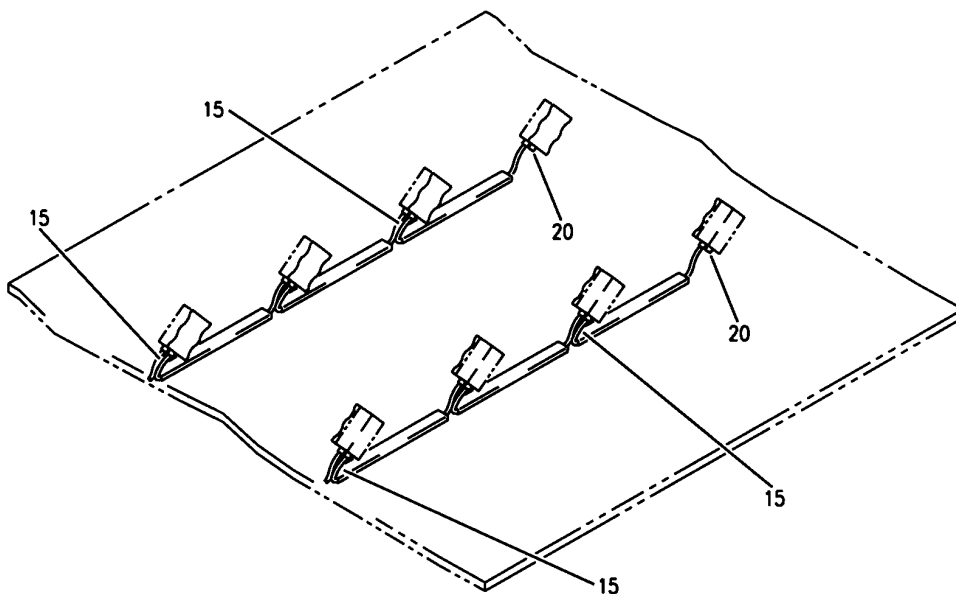
25-27-31-07
PAGE 0B

BOEING PROPRIETARY - Copyright © - Unpublished Work - See title page for details.

BOEING
737-600/700/800/900
PARTS CATALOG (MAINTENANCE)



(E)



(F)

E 25273107 SH1 4 REV 011

CABLE AND RACEWAY INSTL 737-800 (HAP)
FIGURE 7 (SHEET 4)

25-27-31-07

HAP
OCT 10/06

25-27-31-07
PAGE 0C

 **BOEING**
737-600/700/800/900
PARTS CATALOG (MAINTENANCE)

FIG ITEM	PART NUMBER	1 2 3 4 5 6 7	NOMENCLATURE	EFFECT FROM TO	UNITS PER ASSY
7			CABLE AND RACEWAY INSTL 737-800 (HAP)	001011	
- 1	414A1110-3		CABLE AND RACEWAY INSTL- 737-800 (HAP) FOR NHA SEE: 25-27-00-03B	001011	RF
5	65C37062-51		.RACEWAY	001011	18
10	704-3088-001		.CABLE-SEAT/SIDEWALL SUPPLIER CODE: V3Y989	001011	2
15	704-3068-001		.CABLE-SEAT/SEAT SUPPLIER CODE: V3Y989	001011	60
20	700-2214-001		.PLUG-TERMINATION SUPPLIER CODE: V3Y989	001011	2

MISSING ITEM NUMBERS NOT APPLICABLE

- ITEM NOT ILLUSTRATED

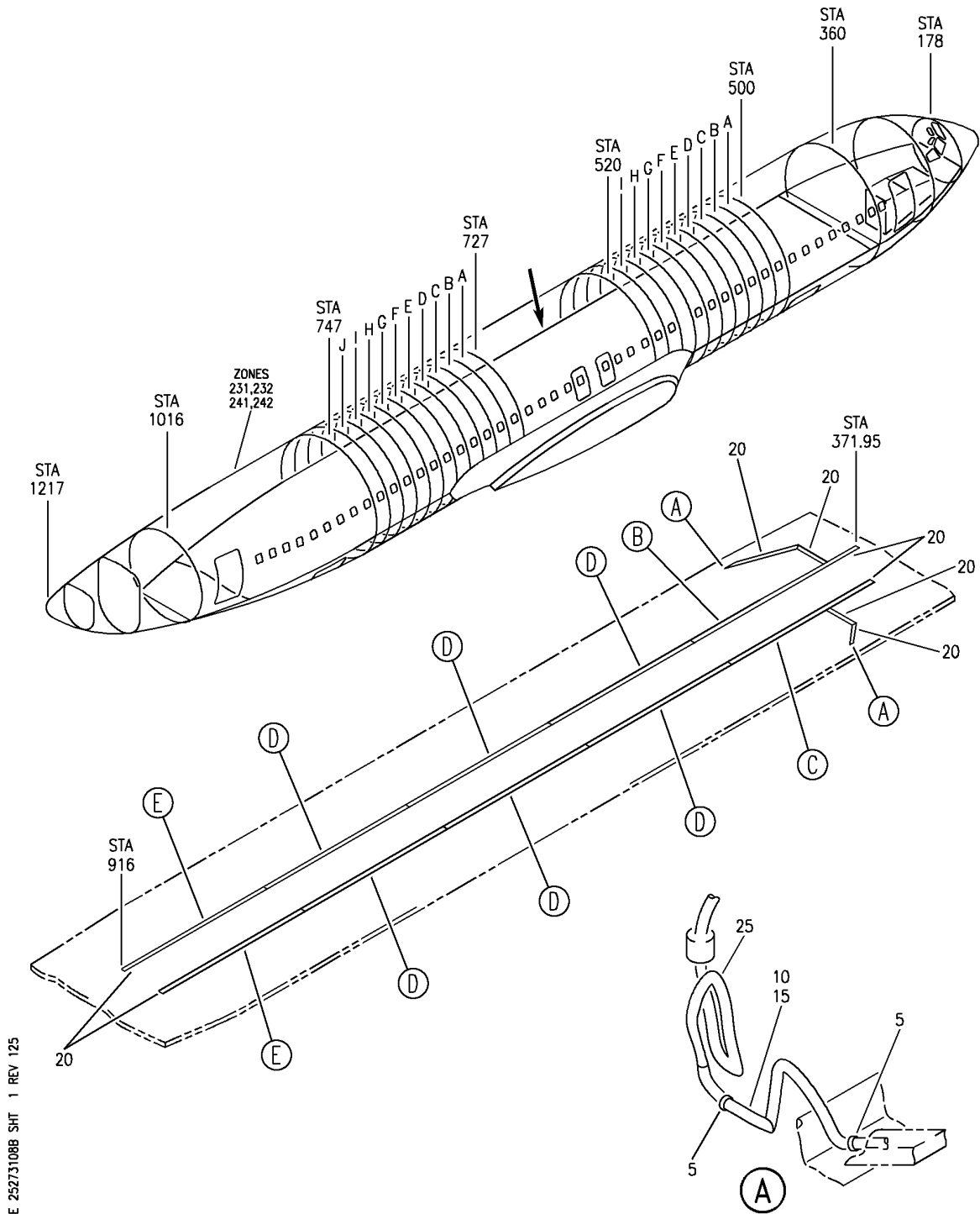
HAP

25-27-31-07

BOEING PROPRIETARY - Copyright © - Unpublished Work - See title page for details.

25-27-31
FIG. 07
PAGE 1
OCT 10/06

BOEING
 737-600/700/800/900
 PARTS CATALOG (MAINTENANCE)



E 25273108B SHT 1 REV 125

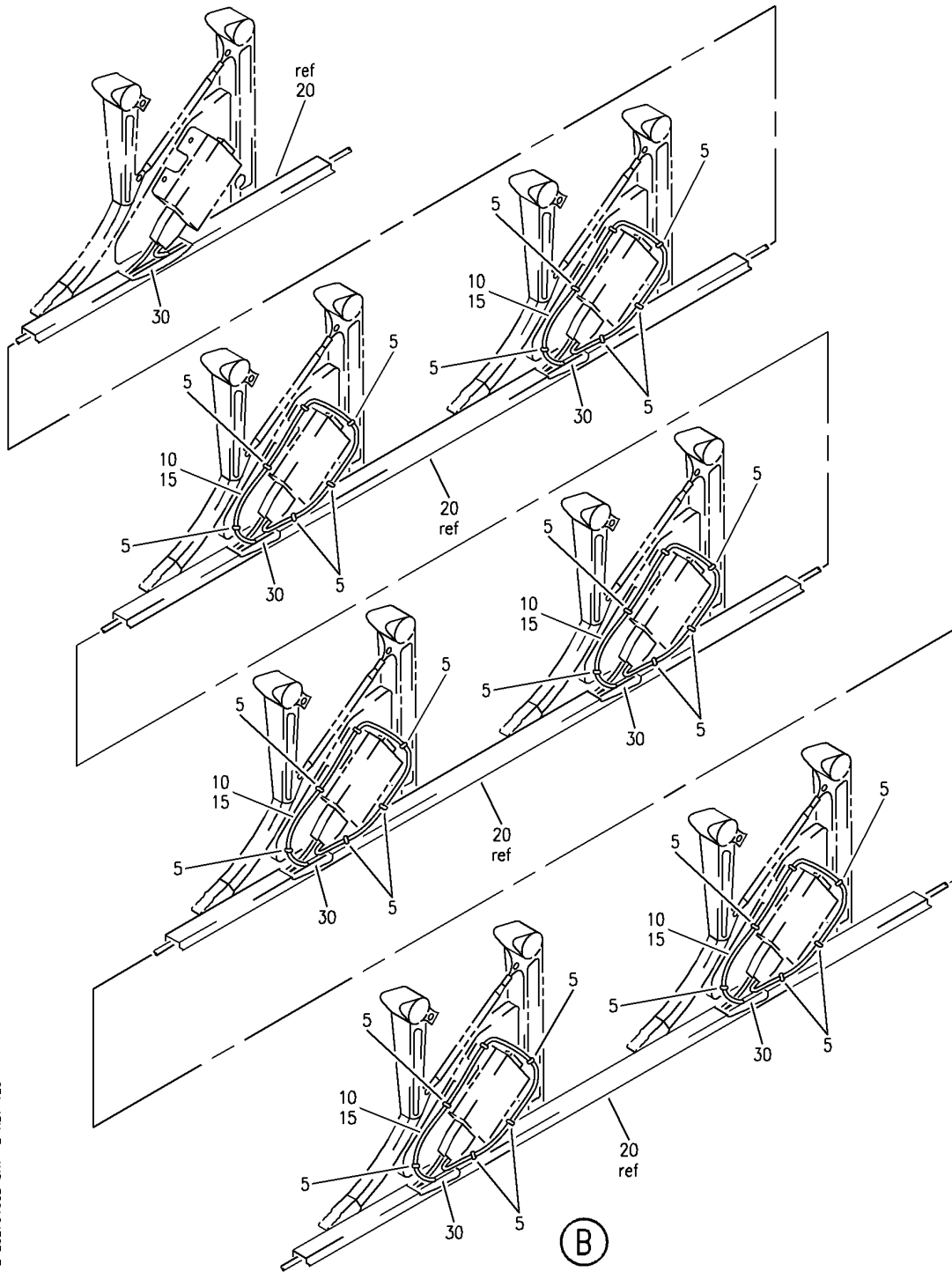
CABLE AND RACEWAY INSTL
 FIGURE 8B (SHEET 1)

25-27-31-08B

HAP
 FEB 10/07

25-27-31-08B
 PAGE 0

BOEING
737-600/700/800/900
PARTS CATALOG (MAINTENANCE)



E 25273108B SHT 2 REV 125

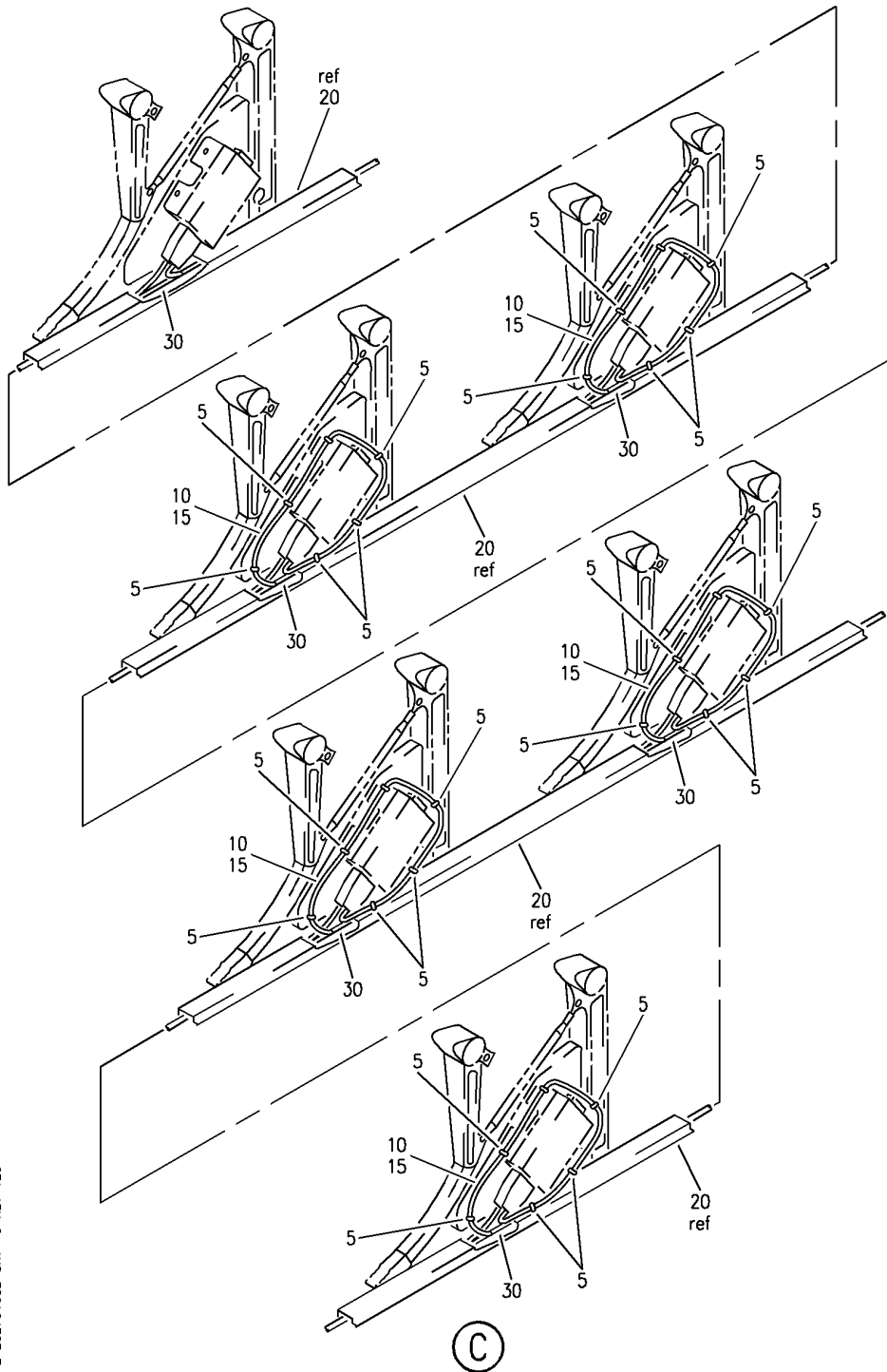
CABLE AND RACEWAY INSTL
FIGURE 8B (SHEET 2)

25-27-31-08B

HAP
FEB 10/07

25-27-31-08B
PAGE 0A

BOEING
737-600/700/800/900
PARTS CATALOG (MAINTENANCE)



E 25273108B SHT 3 REV 125

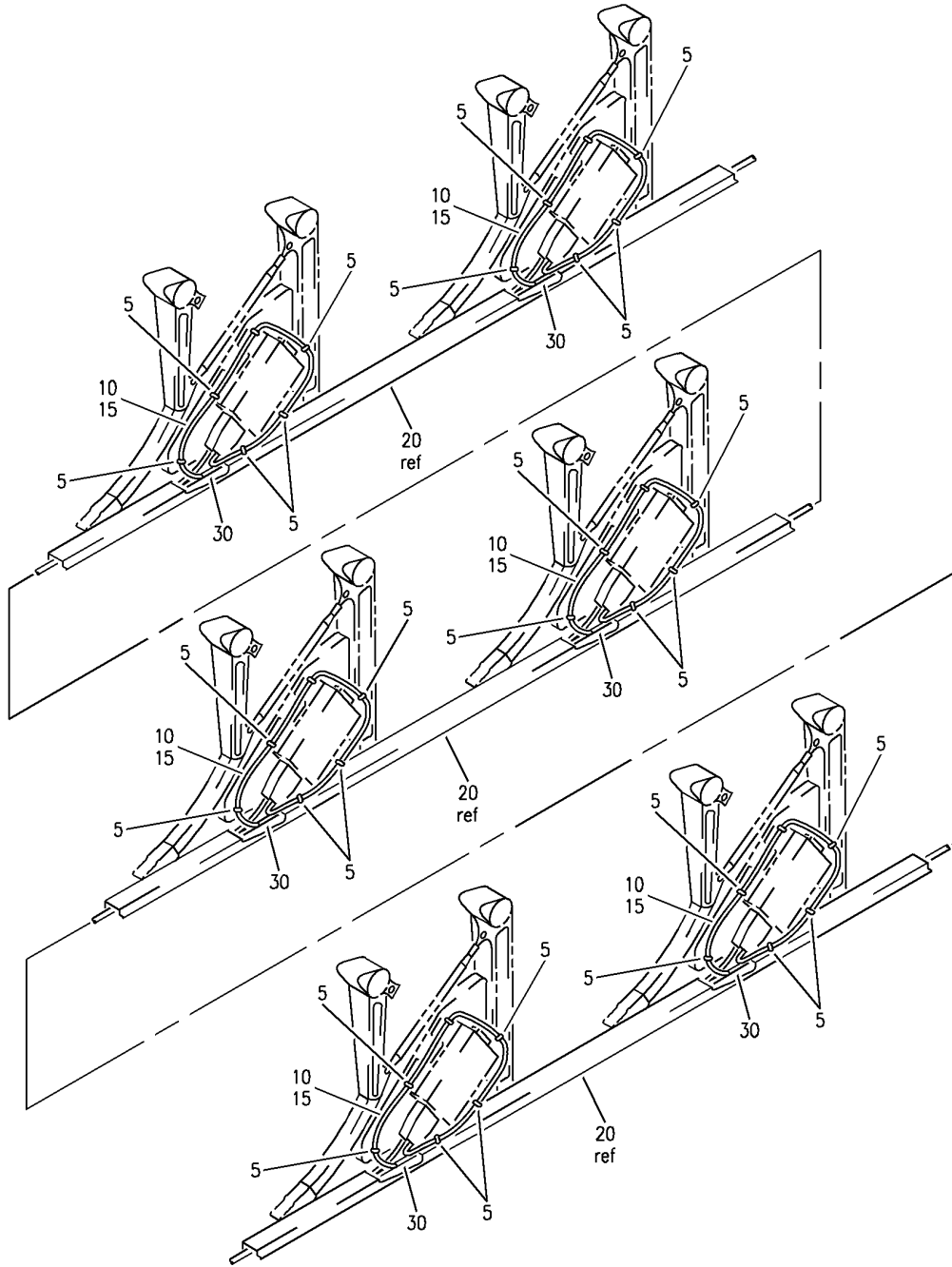
CABLE AND RACEWAY INSTL
FIGURE 8B (SHEET 3)

HAP
FEB 10/07

25-27-31-08B

25-27-31-08B
PAGE 0B

BOEING
737-600/700/800/900
PARTS CATALOG (MAINTENANCE)



E 25273108B SHT 4 REV 125

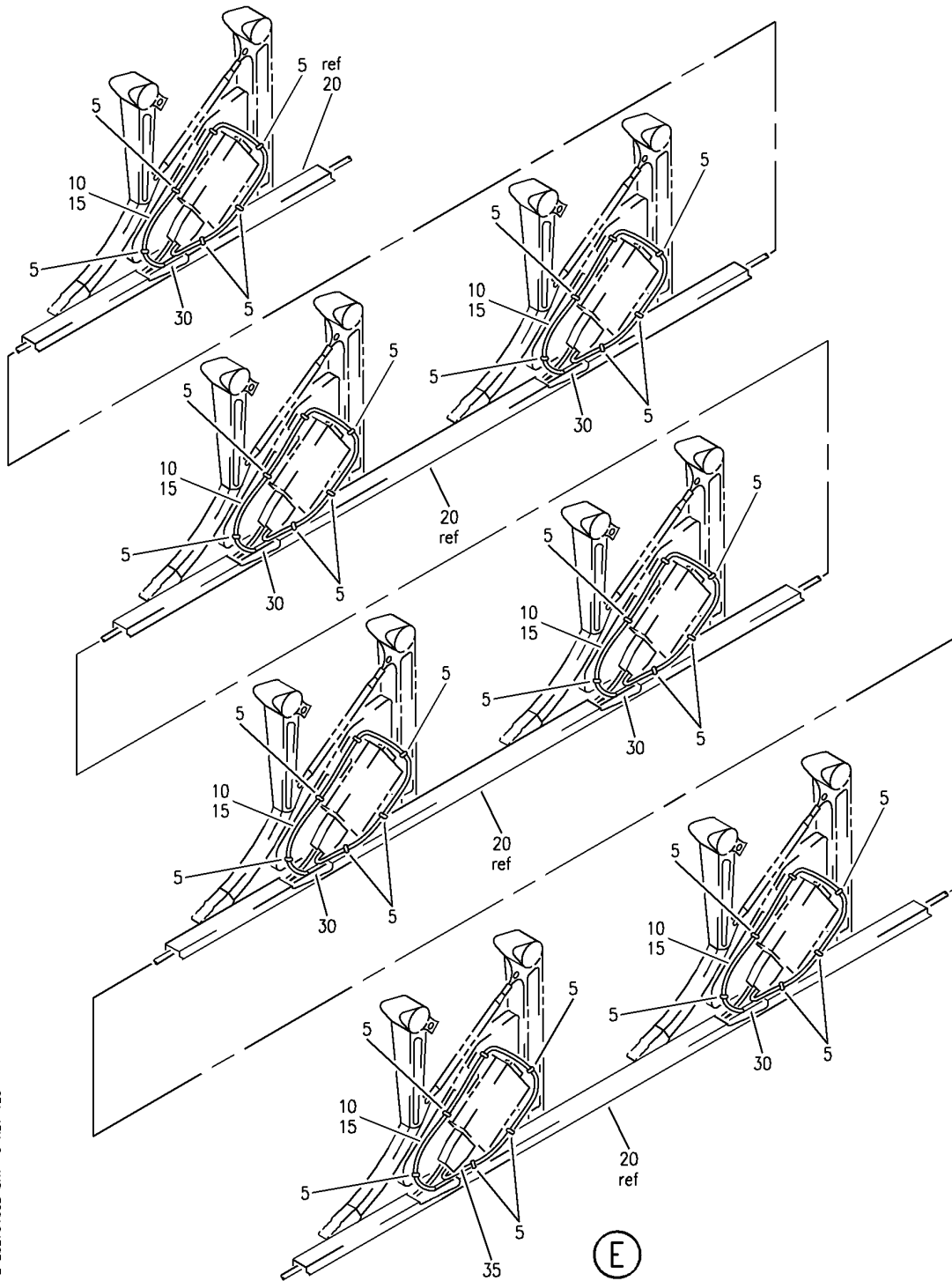
CABLE AND RACEWAY INSTL
FIGURE 8B (SHEET 4)

25-27-31-08B

HAP
FEB 10/07

25-27-31-08B
PAGE 0C

BOEING
 737-600/700/800/900
 PARTS CATALOG (MAINTENANCE)



E 25273108B SHT 5 REV 125

CABLE AND RACEWAY INSTL
 FIGURE 8B (SHEET 5)

25-27-31-08B

HAP
 FEB 10/07

25-27-31-08B
 PAGE 0D

BOEING
737-600/700/800/900
PARTS CATALOG (MAINTENANCE)

FIG ITEM	PART NUMBER	1 2 3 4 5 6 7	NOMENCLATURE	EFFECT FROM TO	UNITS PER ASSY
8B			CABLE AND RACEWAY INSTL	038038 041047 049100	
- 1	MODREF314969		CABLE AND RACEWAY INSTL- MODULE NUMBER: 414A1110-341 REV A	038038 042043	1
- 1	MODREF333980		CABLE AND RACEWAY INSTL- MODULE NUMBER: 414A1110-341 REV B	041041 044047 049100	1
5	BACS38K4A		.STRAP	038038 041047 049100	AR
10	413T3101-1		.TUBE- OPTIONAL PART: TFE2X V18632	038038 041047 049100	AR
15	TFE2X		.SLEEVING- SUPPLIER CODE: V18632 OPTIONAL PART: 413T3101-1	038038 041047 049100	AR
20	65C37062-51		.RACEWAY	038038 041047 049100	17
25	1306483-006		.CABLE ASSY-SIDEWALL DISC. SEAT ELECTRONICS BOX SUPPLIER CODE: V3Y989	038038 041047 049100	2
30	704-3489-002		.CABLE ASSY-SEAT ELECTRONICS BOX TO SEAT ELECTRONICS BOX SUPPLIER CODE: V3Y989	038038 041047 049100	61
35	700-2324-001		.PLUG-TERMINATION SUPPLIER CODE: V3Y989	038038 041047 049100	2

MISSING ITEM NUMBERS NOT APPLICABLE

- ITEM NOT ILLUSTRATED

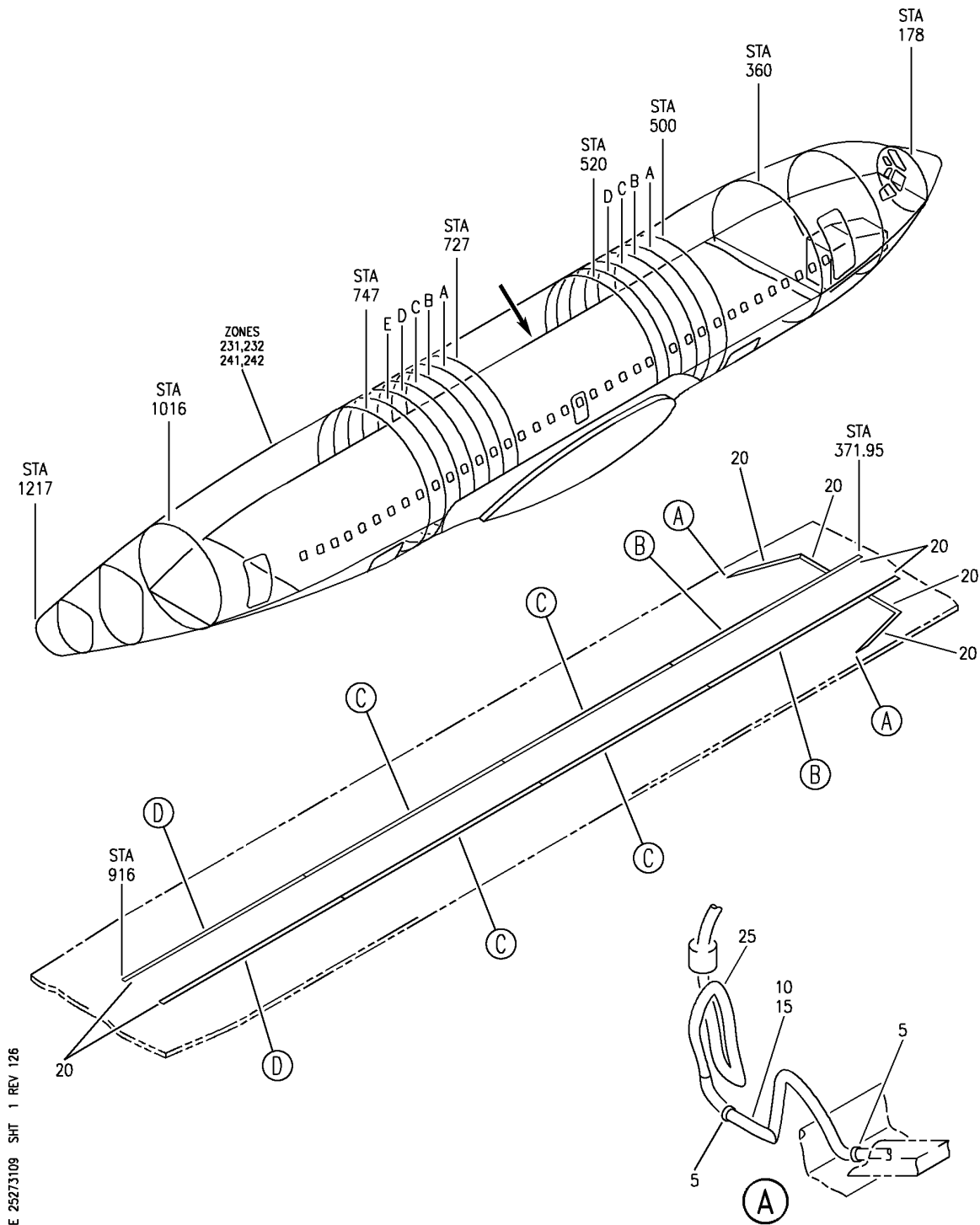
HAP

25-27-31-08B

BOEING PROPRIETARY - Copyright © - Unpublished Work - See title page for details.

25-27-31
FIG. 08B
PAGE 1
JUN 15/08

BOEING
737-600/700/800/900
PARTS CATALOG (MAINTENANCE)



E 25273109 SHT 1 REV 126

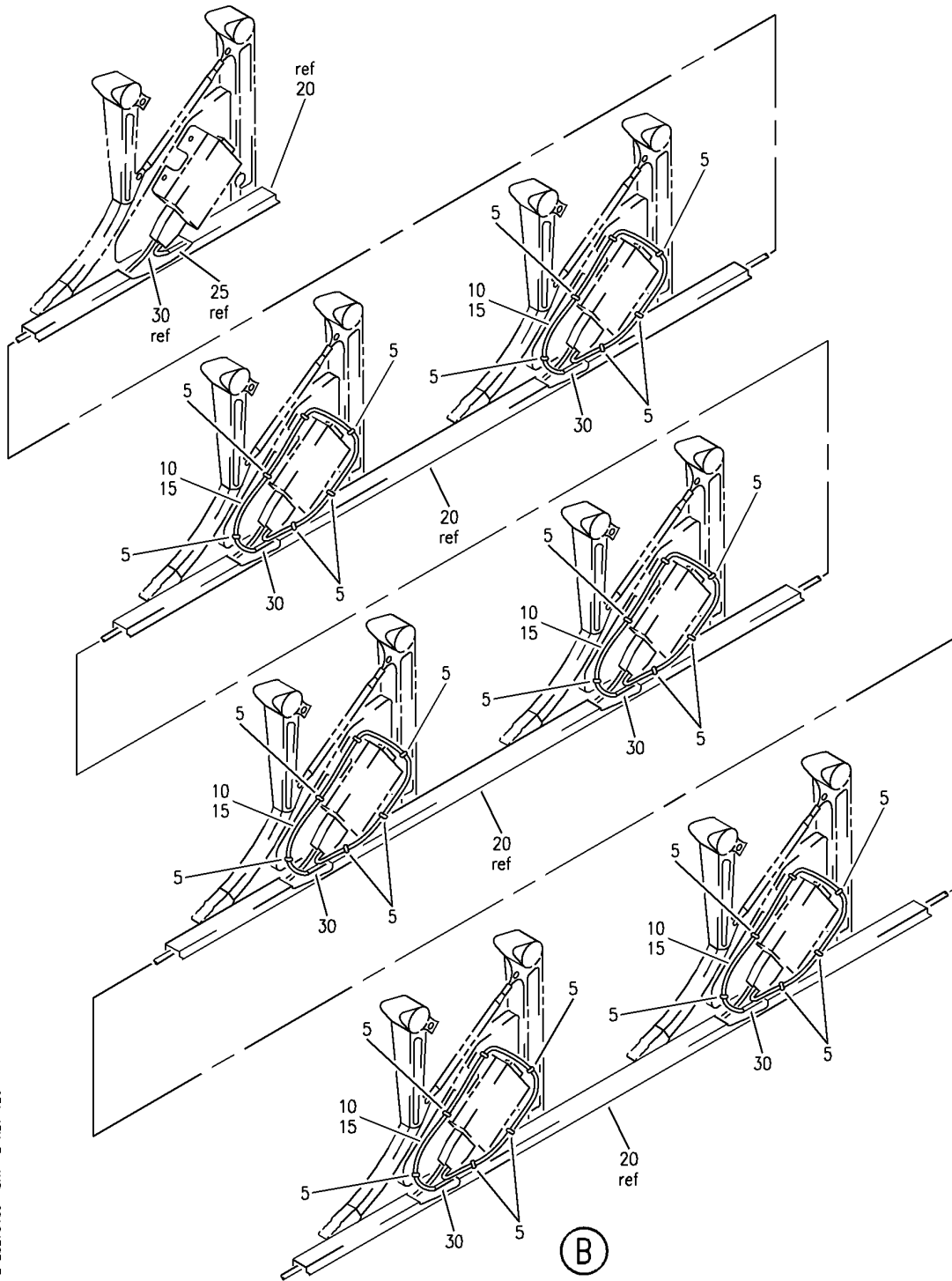
CABLE AND RACEWAY INSTL
 FIGURE 9 (SHEET 1)

25-27-31-09

HAP
 FEB 10/07

25-27-31-09
 PAGE 0

BOEING
737-600/700/800/900
PARTS CATALOG (MAINTENANCE)



E 25273109 SHT 2 REV 126

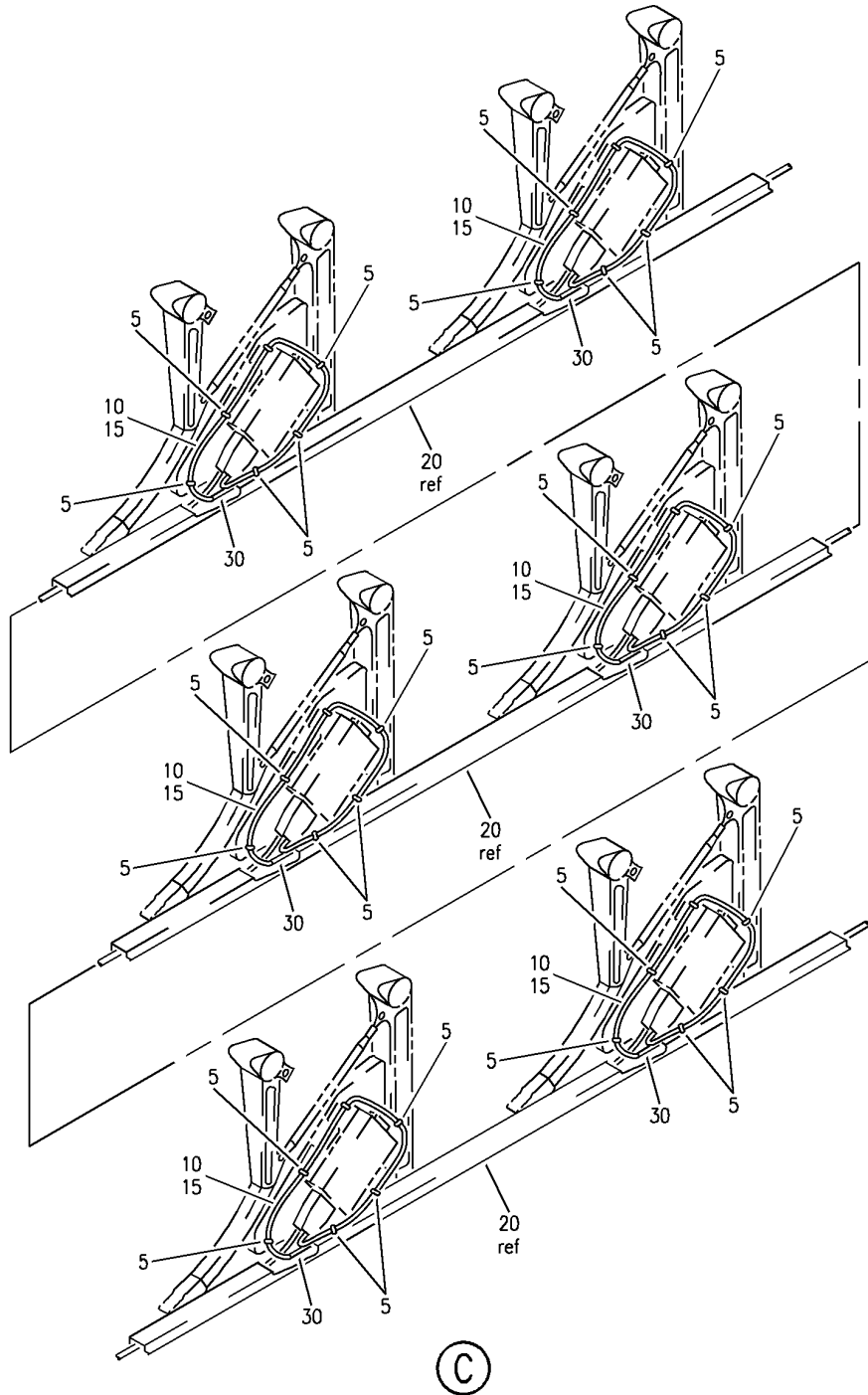
CABLE AND RACEWAY INSTL
FIGURE 9 (SHEET 2)

25-27-31-09

HAP
FEB 10/07

25-27-31-09
PAGE 0A

BOEING
737-600/700/800/900
PARTS CATALOG (MAINTENANCE)



E 25273109 SHT 3 REV 126

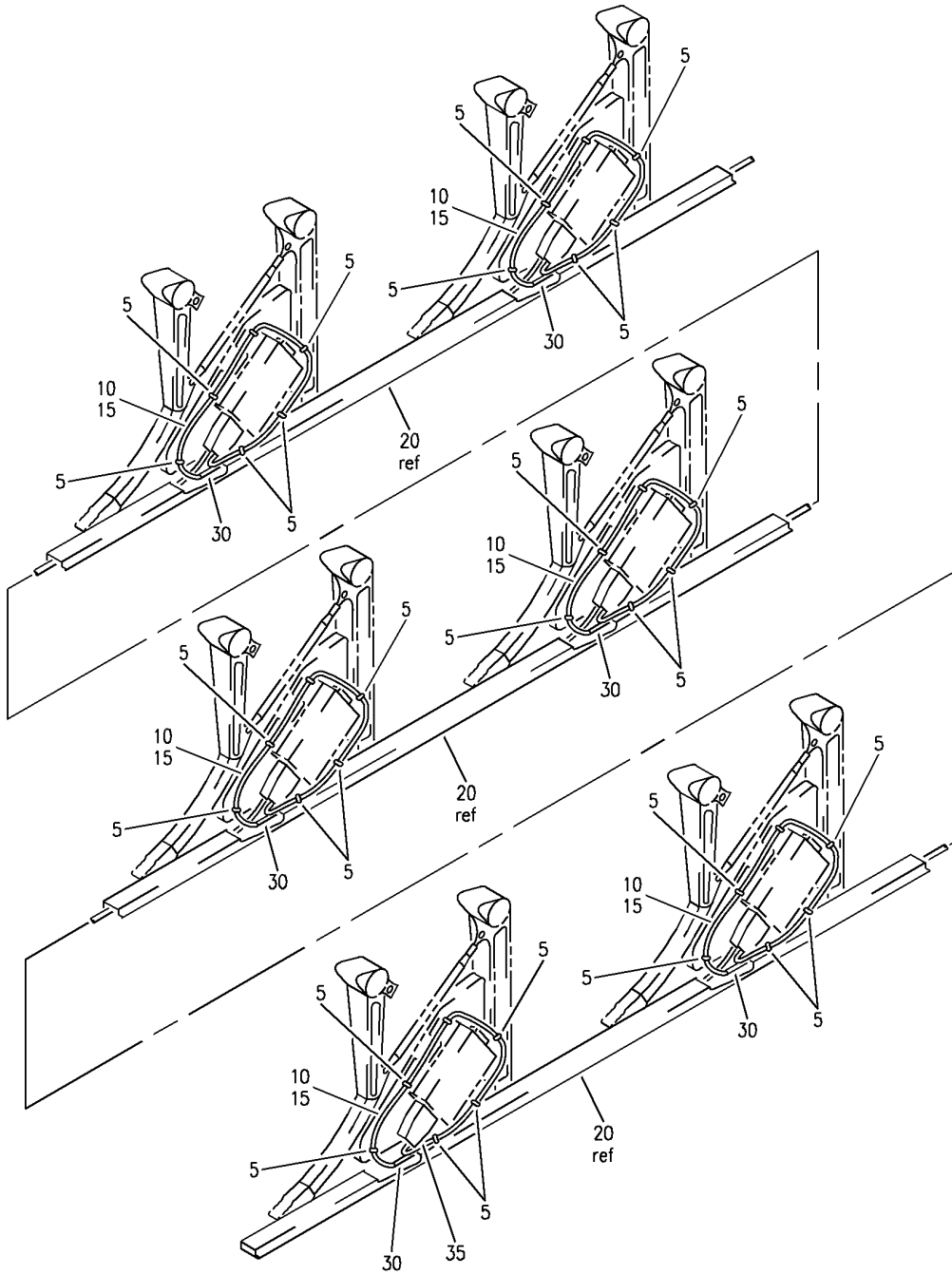
CABLE AND RACEWAY INSTL
FIGURE 9 (SHEET 3)

25-27-31-09

HAP
FEB 10/07

25-27-31-09
PAGE 0B

BOEING
737-600/700/800/900
PARTS CATALOG (MAINTENANCE)



E 25273109 SHT 4 REV 126

(D)

CABLE AND RACEWAY INSTL
FIGURE 9 (SHEET 4)

25-27-31-09

HAP
FEB 10/07

25-27-31-09
PAGE 0C

BOEING
737-600/700/800/900
PARTS CATALOG (MAINTENANCE)

FIG ITEM	PART NUMBER	1 2 3 4 5 6 7	NOMENCLATURE	EFFECT FROM TO	UNITS PER ASSY
9			CABLE AND RACEWAY INSTL	101200 968999	
- 1	MODREF317826		CABLE AND RACEWAY INSTL- MODULE NUMBER: 414A1110-347 REV A	101200 968999	1
5	BACS38K4A		.STRAP	101200 968999	AR
10	413T3101-1		.TUBE- OPTIONAL PART: TFE2X V18632	101200 968999	AR
15	TFE2X		.SLEEVING- SUPPLIER CODE: V18632 OPTIONAL PART: 413T3101-1	101200 968999	AR
20	65C37062-51		.RACEWAY	101200 968999	17
25	1306483-006		.CABLE ASSY-SIDEWALL DISC. SEAT ELECTRONICS BOX SUPPLIER CODE: V3Y989	101200 968999	2
30	704-3489-002		.CABLE ASSY-SEAT ELECTRONICS BOX TO SEAT ELECTRONICS BOX SUPPLIER CODE: V3Y989	101200 968999	48
35	700-2324-001		.PLUG-TERMINATOR, SEAT ELECTRONICS BOX SUPPLIER CODE: V3Y989	101200 968999	2

MISSING ITEM NUMBERS NOT APPLICABLE

- ITEM NOT ILLUSTRATED

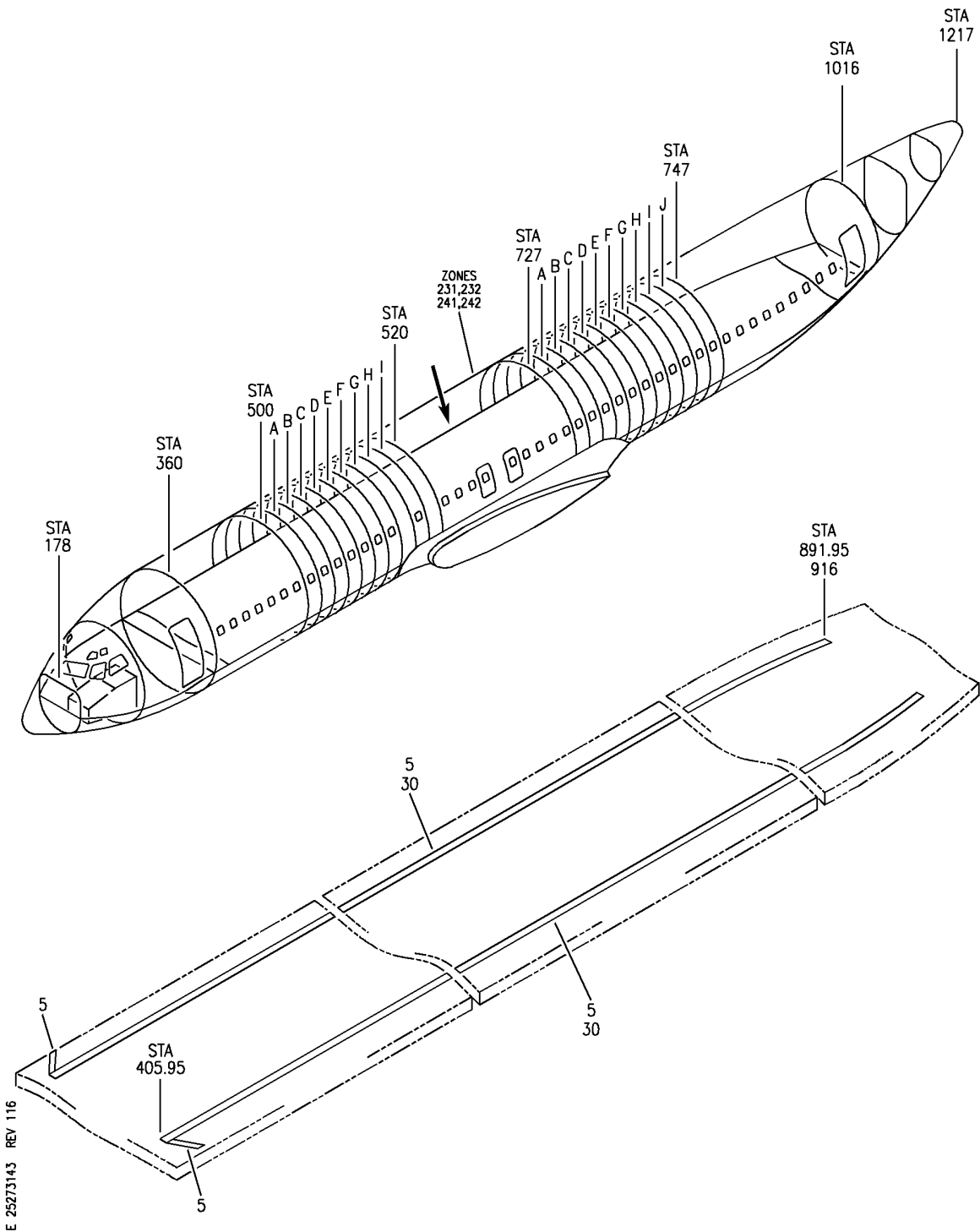
HAP

25-27-31-09

BOEING PROPRIETARY - Copyright © - Unpublished Work - See title page for details.

25-27-31
FIG. 09
PAGE 1
OCT 15/08

BOEING
737-600/700/800/900
PARTS CATALOG (MAINTENANCE)



CABLE AND RACEWAY INSTL 737-800
FIGURE 43

25-27-31-43

HAP
OCT 10/06

25-27-31-43
PAGE 0

BOEING
737-600/700/800/900
PARTS CATALOG (MAINTENANCE)

FIG ITEM	PART NUMBER	1 2 3 4 5 6 7	NOMENCLATURE	EFFECT FROM TO	UNITS PER ASSY
43			CABLE AND RACEWAY INSTL 737-800	036036	
- 25	MODREF283249		CABLE AND RACEWAY INSTL- MODULE NUMBER: 414A1110-323 REV A	036036	1
30	65C37062-51		.RACEWAY	036036	17

MISSING ITEM NUMBERS NOT APPLICABLE

- ITEM NOT ILLUSTRATED

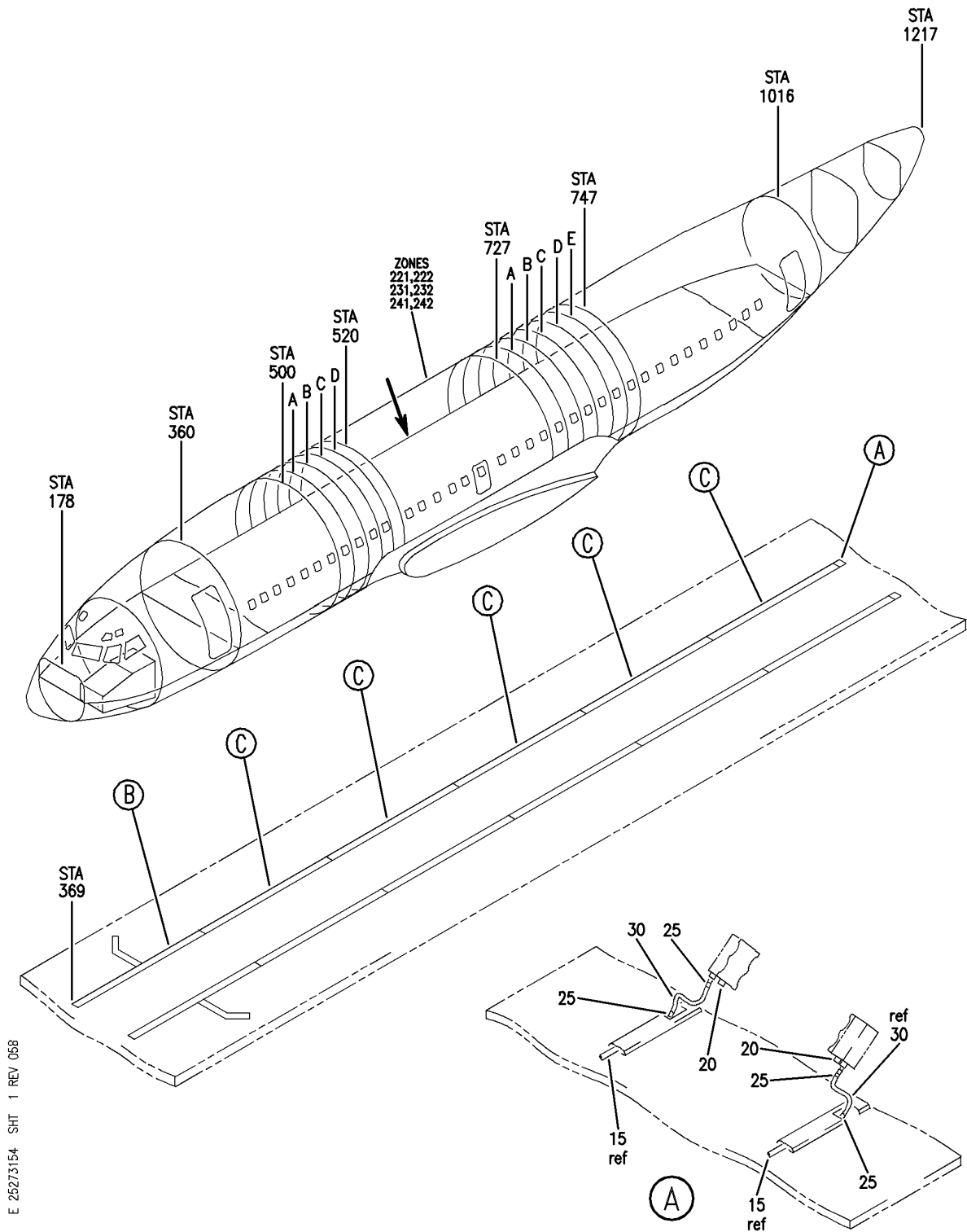
HAP

25-27-31-43

BOEING PROPRIETARY - Copyright © - Unpublished Work - See title page for details.

25-27-31
FIG. 43
PAGE 1
OCT 10/06

BOEING
 737-600/700/800/900
 PARTS CATALOG (MAINTENANCE)



E 25273154 SHT 1 REV 068

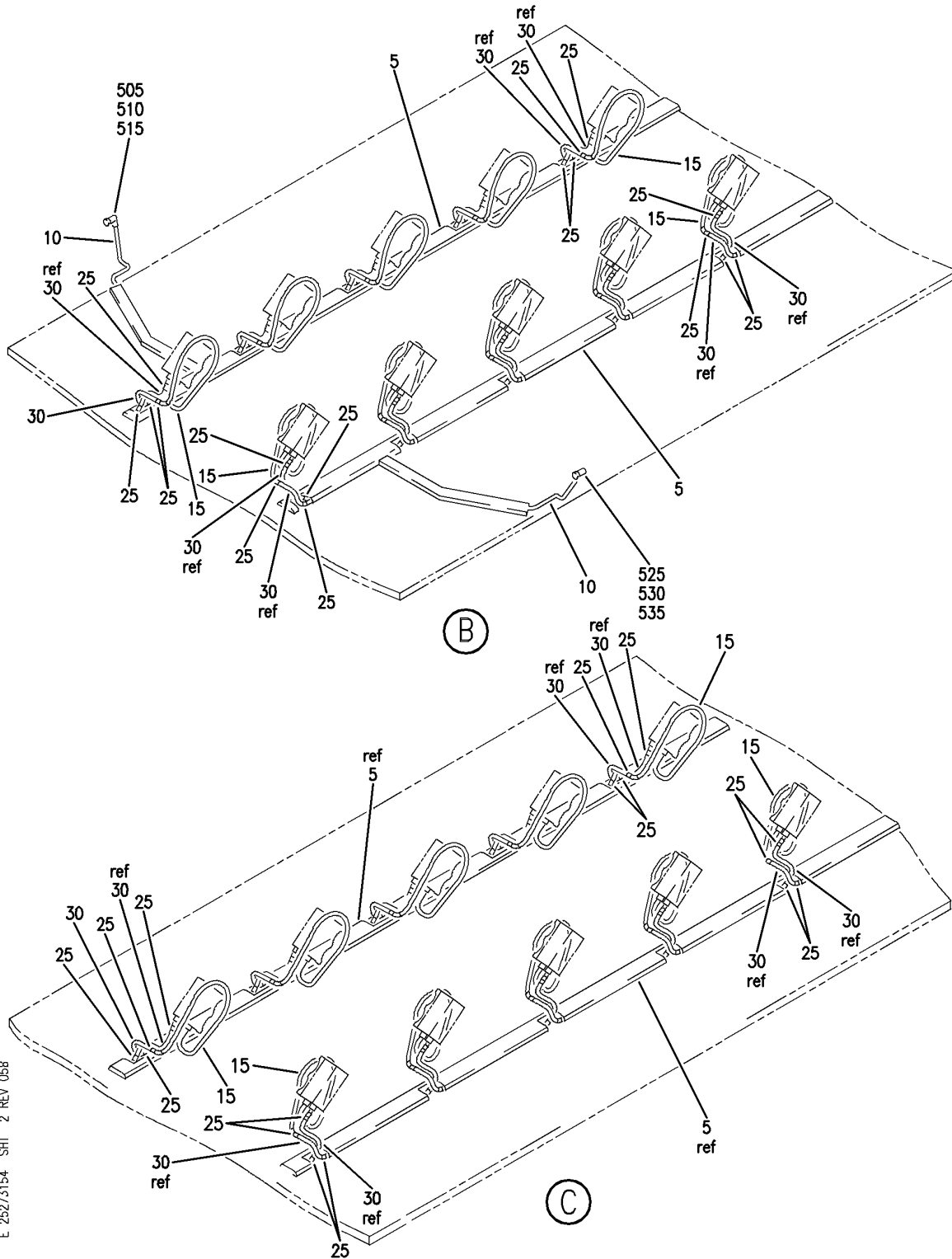
CABLE AND RACEWAY INSTL 737-700 (HAP) AND WIRE BUNDLE ASSYS
 FIGURE 54 (SHEET 1)

25-27-31-54

HAP
 OCT 10/06

25-27-31-54
 PAGE 0

BOEING
 737-600/700/800/900
 PARTS CATALOG (MAINTENANCE)



E 25273154 SH1 2 REV 068

CABLE AND RACEWAY INSTL 737-700 (HAP) AND WIRE BUNDLE ASSYS
 FIGURE 54 (SHEET 2)

25-27-31-54

HAP
 OCT 10/06

25-27-31-54
 PAGE 0A

BOEING
737-600/700/800/900
PARTS CATALOG (MAINTENANCE)

FIG ITEM	PART NUMBER	1 2 3 4 5 6 7	NOMENCLATURE	EFFECT FROM TO	UNITS PER ASSY
54			CABLE AND RACEWAY INSTL 737-700 (HAP) AND WIRE BUNDLE ASSYS	012013 015030	
- 1	414A1110-73		CABLE AND RACEWAY INSTL- (HAP) FOR NHA SEE: 25-27-00-03B	012013 015027	RF
- 1	414A1110-179		CABLE AND RACEWAY INSTL- HAP	028030	RF
5	65C37062-51		.RACEWAY	012013 015030	4
10	704-3088-001		.CABLE-SEAT TO SIDEWALL SUPPLIER CODE: V3Y989 POSITION DATA: (1) LH, (1) RH	012013 015030	2
15	704-3068-001		.CABLE-SEAT TO SEAT SUPPLIER CODE: V3Y989 POSITION DATA: (30) RH, (30) LH	012013 015030	60
20	700-2214-001		.PLUG-TERMINATION SUPPLIER CODE: V3Y989 POSITION DATA: (1) RH, (1) LH	012013 015030	2
25	BACS38K4A		.STRAP	028030	244
30	413T3101-1		.TUBE	028030	7
- 500	286A3313-001		WIRE BUNDLE ASSY	012013 015025	RF
- 500	286A3313-002		WIRE BUNDLE ASSY	026030	RF
505	M24308-2-281F		.RECEPTACLE- ELECTRICAL EQUIP NUMBER: D43015 WIRING DIAGRAM REF: 231911 OPTIONAL PART: M24308-2-1F V96906	012013 015030	1
505	M24308-2-1F		.RECEPTACLE- ELECTRICAL EQUIP NUMBER: D43015 WIRING DIAGRAM REF: 231911 OPTIONAL PART: M24308-2-281F	012013 015030	1

MISSING ITEM NUMBERS NOT APPLICABLE

- ITEM NOT ILLUSTRATED

HAP

25-27-31-54

BOEING PROPRIETARY - Copyright © - Unpublished Work - See title page for details.

25-27-31
FIG. 54
PAGE 1
OCT 15/08

BOEING
737-600/700/800/900
PARTS CATALOG (MAINTENANCE)

FIG ITEM	PART NUMBER	1 2 3 4 5 6 7	NOMENCLATURE	EFFECT FROM TO	UNITS PER ASSY
54 510	DE44994		.CLAMP- SUPPLIER CODE: V71468 ELECTRICAL EQUIP NUMBER: D43015T WIRING DIAGRAM REF: 231911	012013 015030	1
515	D110277		.LATCH ASSY-SPRING SUPPLIER CODE: V71468 ELECTRICAL EQUIP NUMBER: D43015U WIRING DIAGRAM REF: 231911	012013 015030	1
- 520	286A3315-001		WIRE BUNDLE ASSY	012013 015025	RF
- 520 525	286A3315-002 M24308-2-281F		WIRE BUNDLE ASSY .RECEPTACLE- ELECTRICAL EQUIP NUMBER: D43019 WIRING DIAGRAM REF: 231911 OPTIONAL PART: M24308-2-1F V96906	026030 012013 015030	RF 1
525	M24308-2-1F		.RECEPTACLE- ELECTRICAL EQUIP NUMBER: D43019 WIRING DIAGRAM REF: 231911 OPTIONAL PART: M24308-2-281F	012013 015030	1
530	DE44994		.CLAMP- SUPPLIER CODE: V71468 ELECTRICAL EQUIP NUMBER: D43019T WIRING DIAGRAM REF: 231911	012013 015030	1
535	D110277		.LATCH ASSY-SPRING SUPPLIER CODE: V71468 ELECTRICAL EQUIP NUMBER: D43019U WIRING DIAGRAM REF: 231911	012013 015030	1

MISSING ITEM NUMBERS NOT APPLICABLE

- ITEM NOT ILLUSTRATED

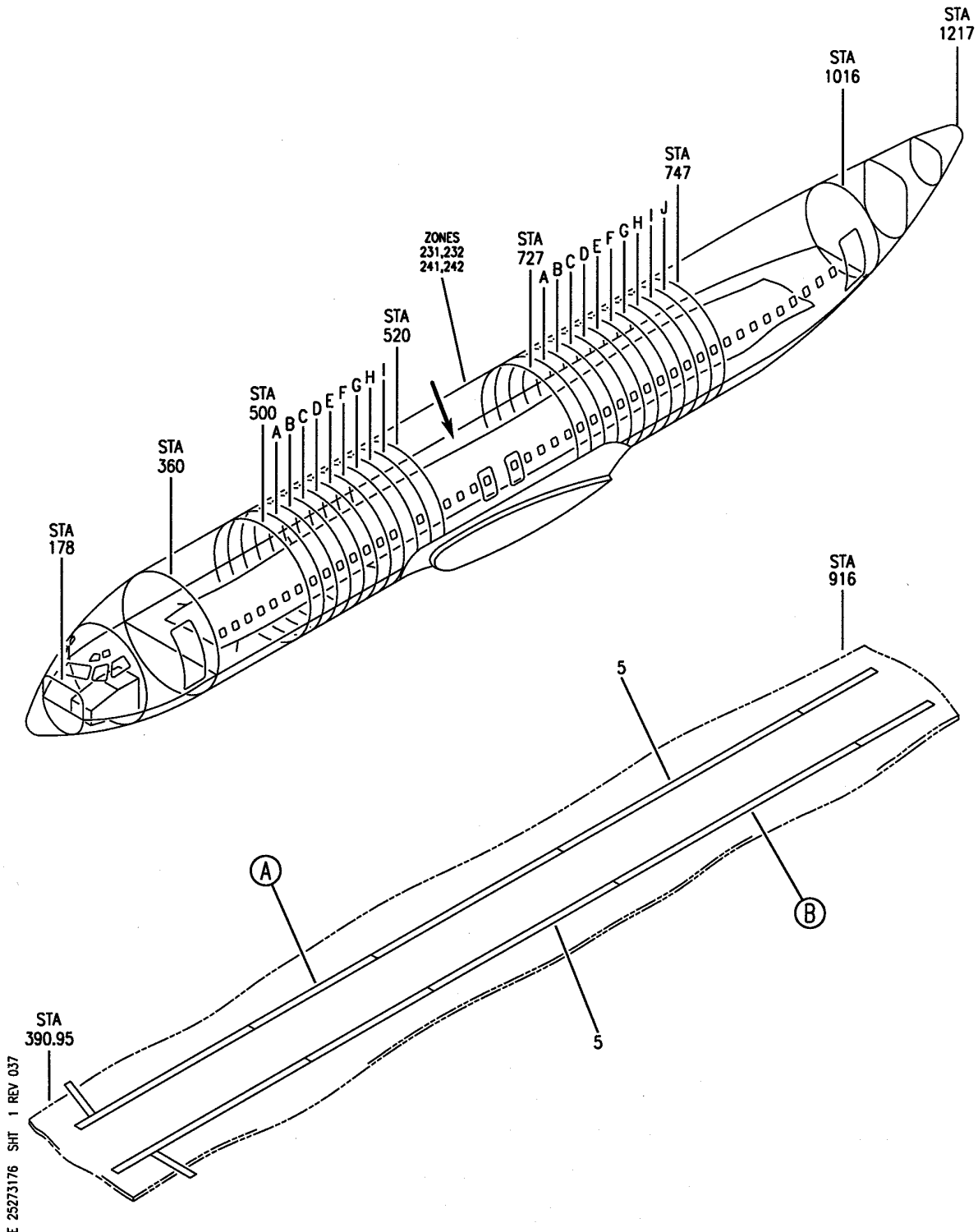
HAP

25-27-31-54

BOEING PROPRIETARY - Copyright © - Unpublished Work - See title page for details.

25-27-31
FIG. 54
PAGE 2
FEB 10/07

BOEING
 737-600/700/800/900
 PARTS CATALOG (MAINTENANCE)



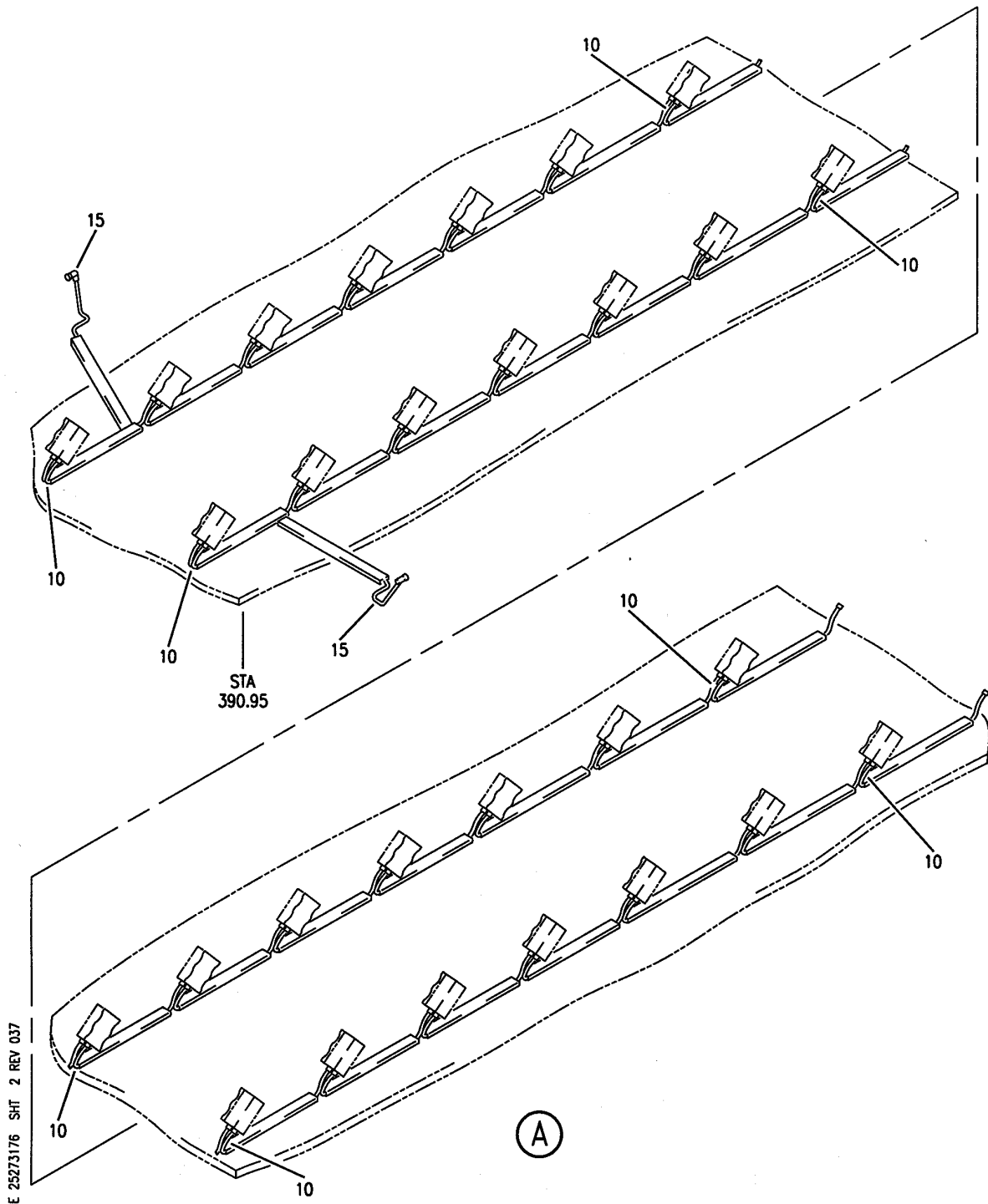
CABLE AND RACEWAY INSTL (HAP) 737-800
 FIGURE 76 (SHEET 1)

25-27-31-76

HAP
 OCT 10/06

25-27-31-76
 PAGE 0

BOEING
737-600/700/800/900
PARTS CATALOG (MAINTENANCE)



E 25273176 SH1 2 REV 037

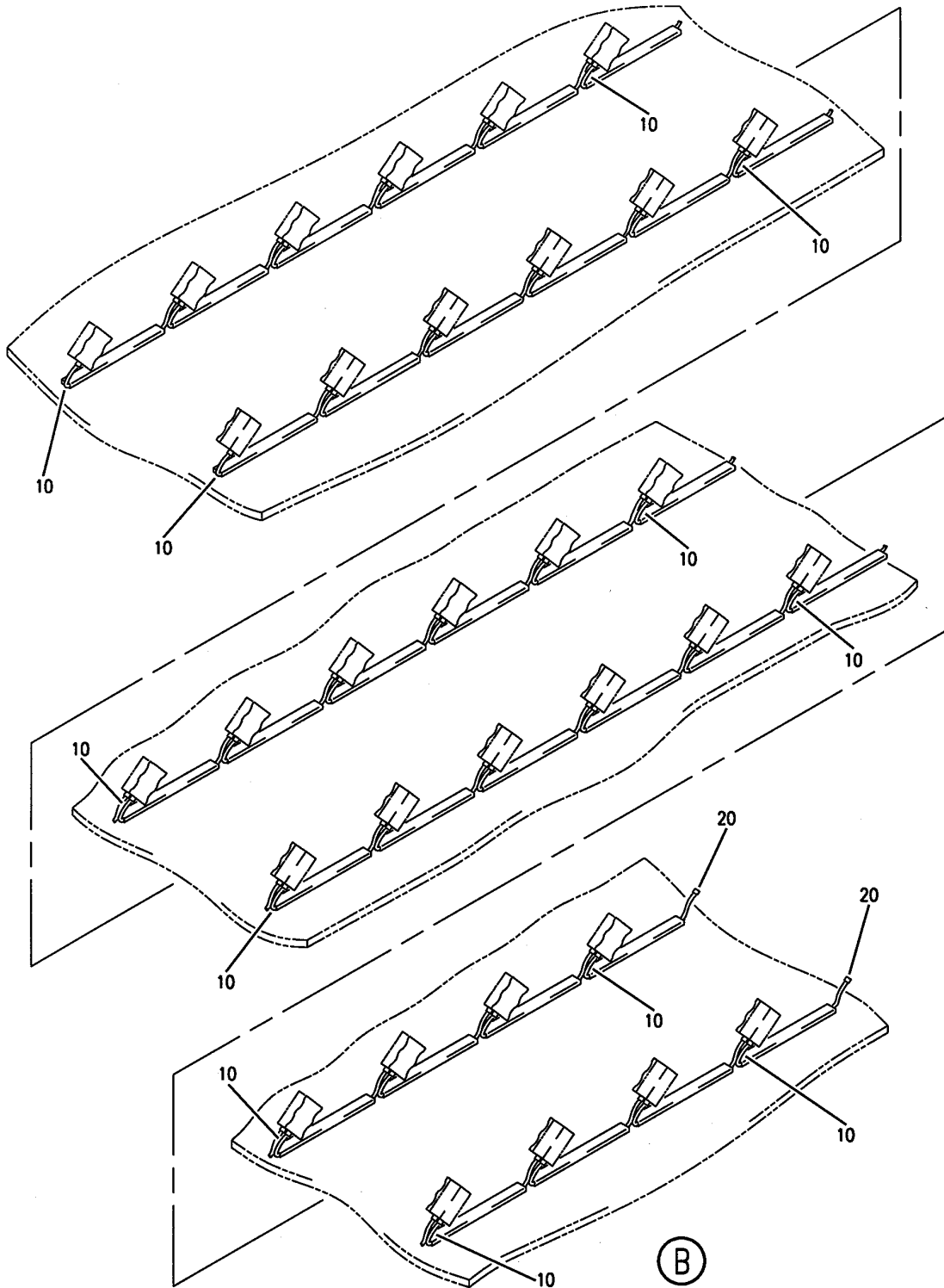
CABLE AND RACEWAY INSTL (HAP) 737-800
FIGURE 76 (SHEET 2)

25-27-31-76

HAP
OCT 10/06

25-27-31-76
PAGE 0A

BOEING
737-600/700/800/900
PARTS CATALOG (MAINTENANCE)



E 25273176 SH1 3 REV 037

CABLE AND RACEWAY INSTL (HAP) 737-800
FIGURE 76 (SHEET 3)

25-27-31-76

HAP
OCT 10/06

25-27-31-76
PAGE 0B

 **BOEING**
737-600/700/800/900
PARTS CATALOG (MAINTENANCE)

FIG ITEM	PART NUMBER	1 2 3 4 5 6 7	NOMENCLATURE	EFFECT FROM TO	UNITS PER ASSY
76			CABLE AND RACEWAY INSTL (HAP) 737-800	014014	
- 1	414A1110-117		CABLE AND RACEWAY INSTL- (HAP) FOR NHA SEE: 25-27-00-03B	014014	RF
5	65C37062-51		.RACEWAY	014014	4
10	704-3068-001		.CABLE-SEAT TO SEAT (CUSTOMER FURNISHED) SUPPLIER CODE: V3Y989 POSITION DATA: 30 LH, 30 RH	014014	60
15	704-3088-001		.CABLE-SEAT TO SIDEWALL (CUSTOMER FURNISHED) SUPPLIER CODE: V3Y989 POSITION DATA: 1 LH, 1 RH	014014	2
20	700-2214-001		.PLUG-TERMINATION (CUSTOMER FURNISHED) SUPPLIER CODE: V3Y989 POSITION DATA: 1 LH, 1 RH	014014	2

MISSING ITEM NUMBERS NOT APPLICABLE

- ITEM NOT ILLUSTRATED

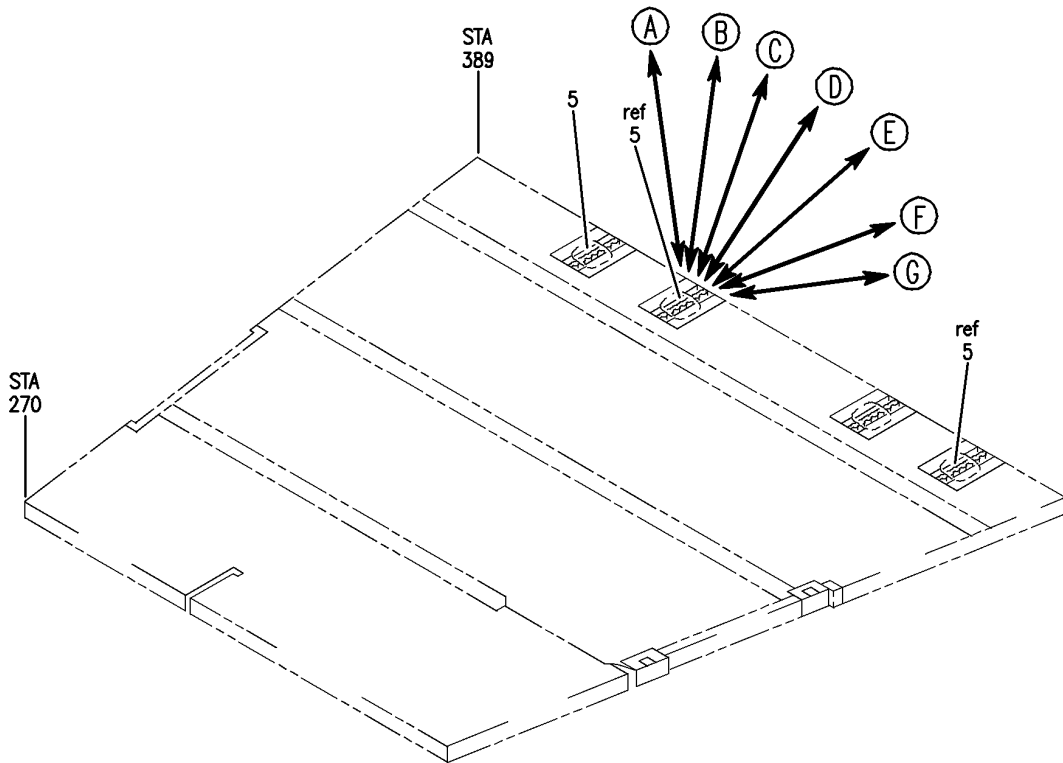
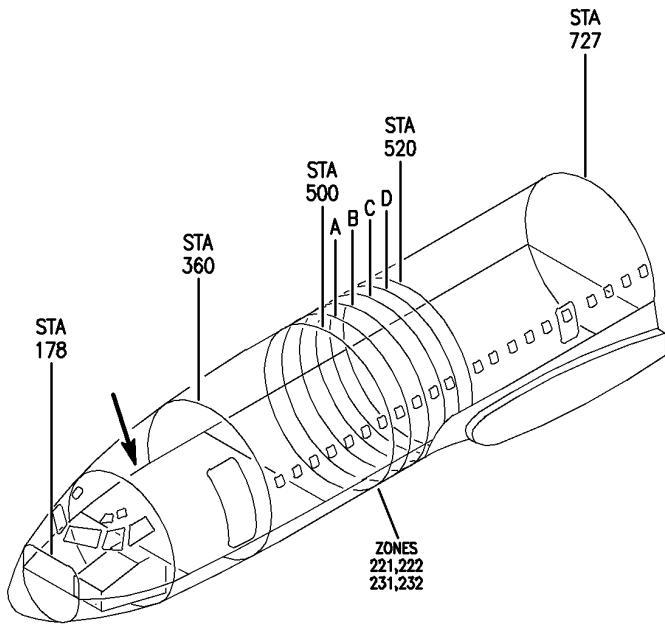
HAP

25-27-31-76

BOEING PROPRIETARY - Copyright © - Unpublished Work - See title page for details.

25-27-31
FIG. 76
PAGE 1
OCT 10/06

BOEING
 737-600/700/800/900
 PARTS CATALOG (MAINTENANCE)



E 25275101 SHT 1 REV 057

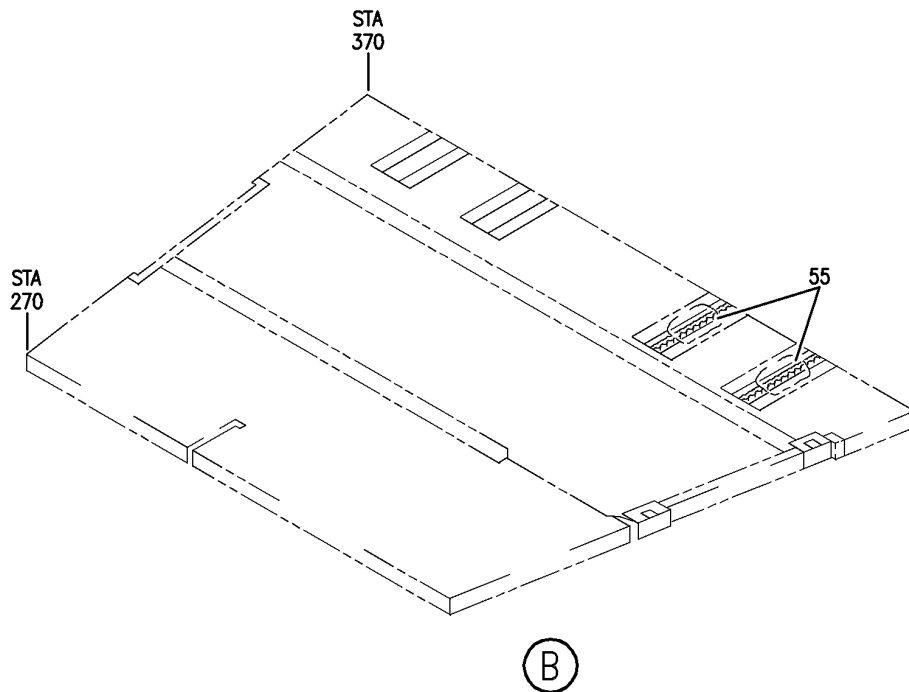
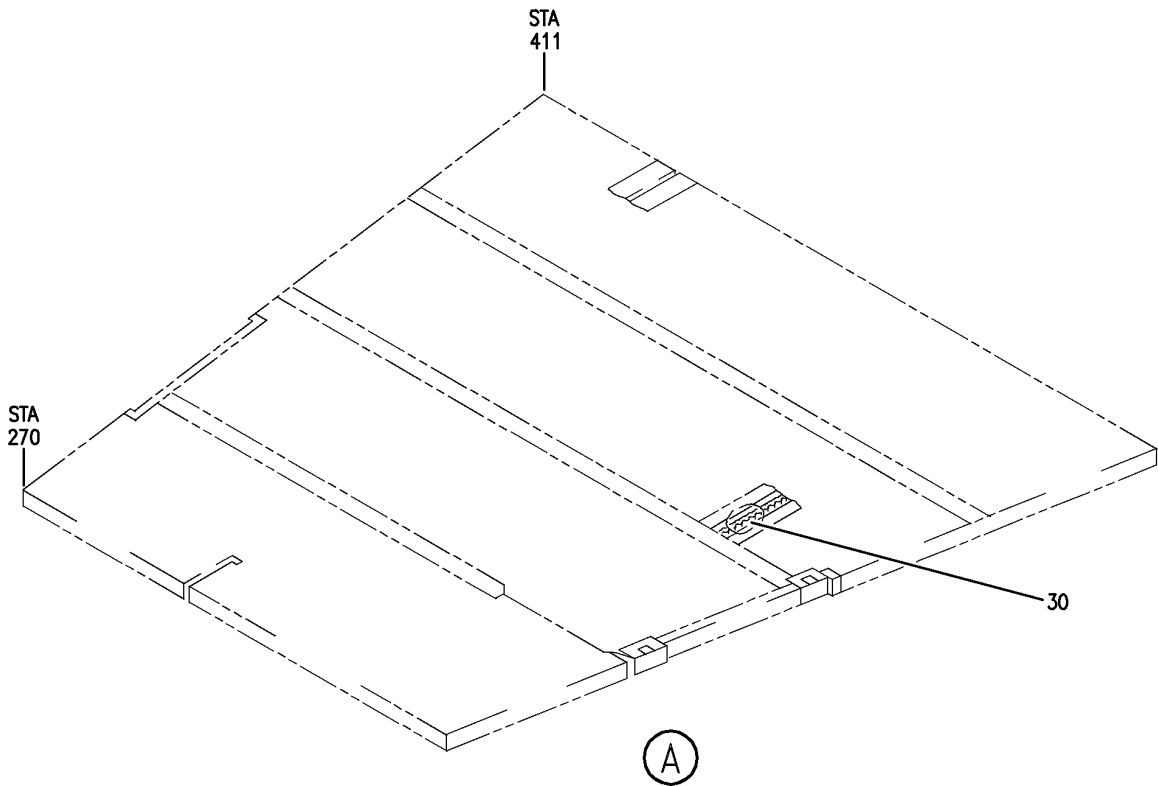
WATERSEAL INSTL-FWD PASS. CAB.
 FIGURE 1 (SHEET 1)

25-27-51-01

HAP
 OCT 10/06

25-27-51-01
 PAGE 0

BOEING
737-600/700/800/900
PARTS CATALOG (MAINTENANCE)



E 25275101 SHT 2 REV 057

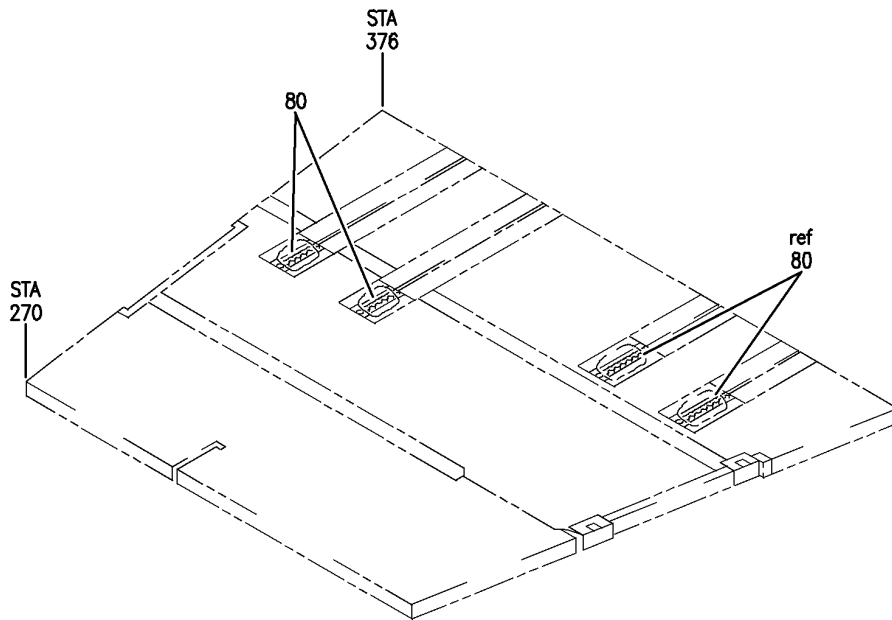
WATERSEAL INSTL-FWD PASS. CAB.
FIGURE 1 (SHEET 2)

25-27-51-01

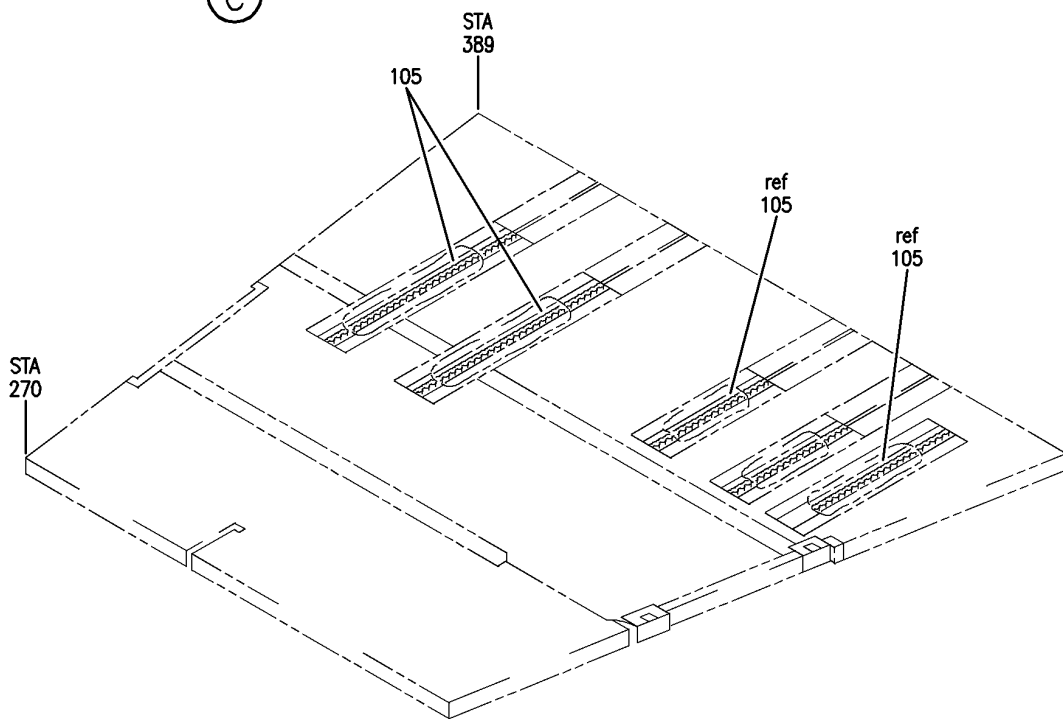
HAP
OCT 10/06

25-27-51-01
PAGE 0A

BOEING
737-600/700/800/900
PARTS CATALOG (MAINTENANCE)



(C)



(D)

E 25275101 SHT 3 REV 057

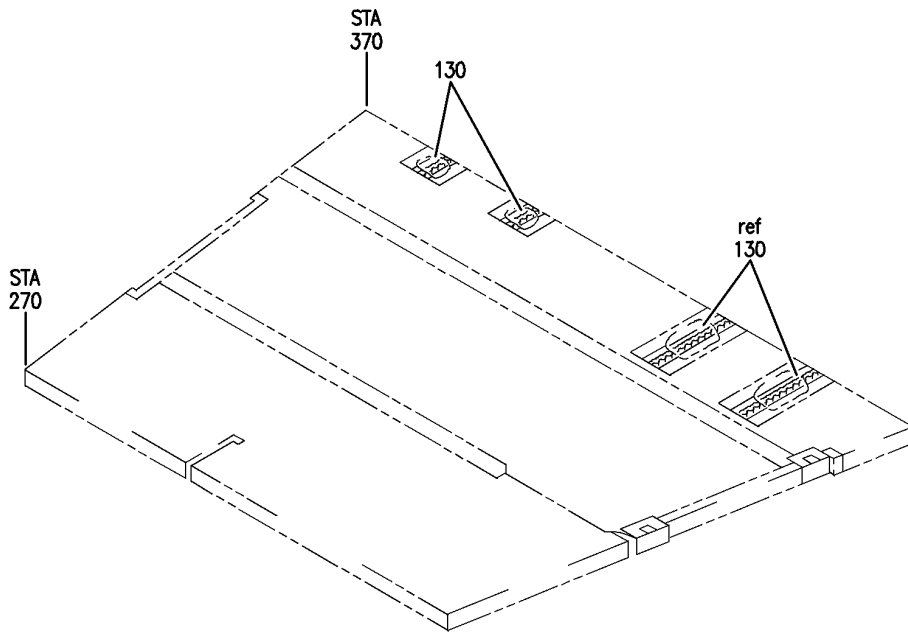
WATERSEAL INSTL-FWD PASS. CAB.
FIGURE 1 (SHEET 3)

25-27-51-01

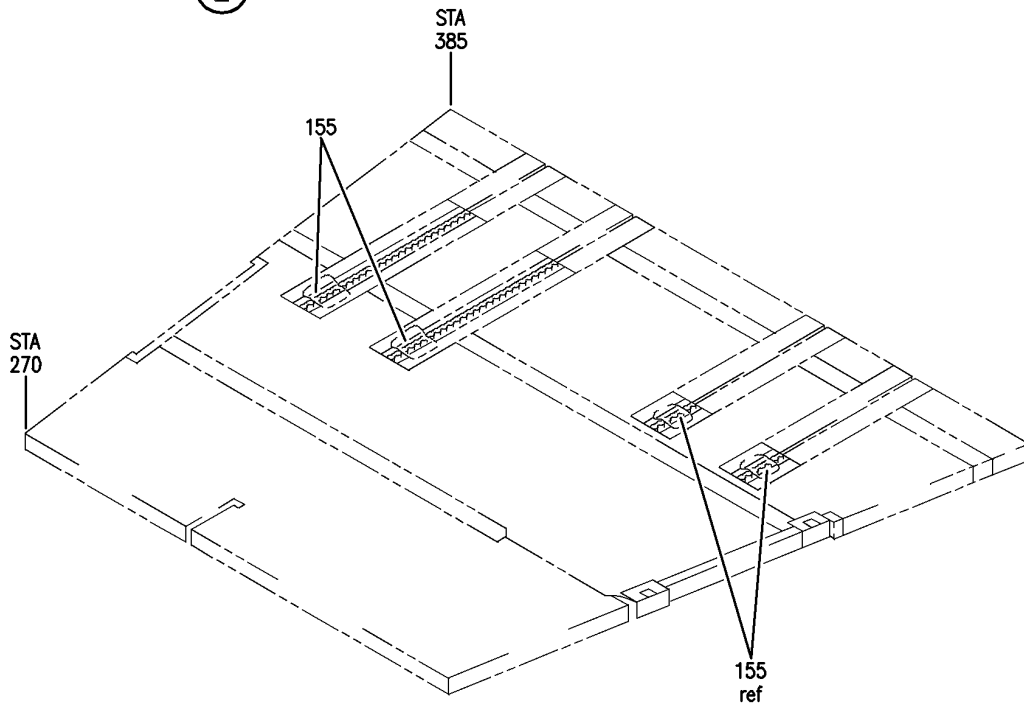
HAP
OCT 10/06

25-27-51-01
PAGE 0B

BOEING
737-600/700/800/900
PARTS CATALOG (MAINTENANCE)



(E)



(F)

E 25275101 SHT 4 REV 057

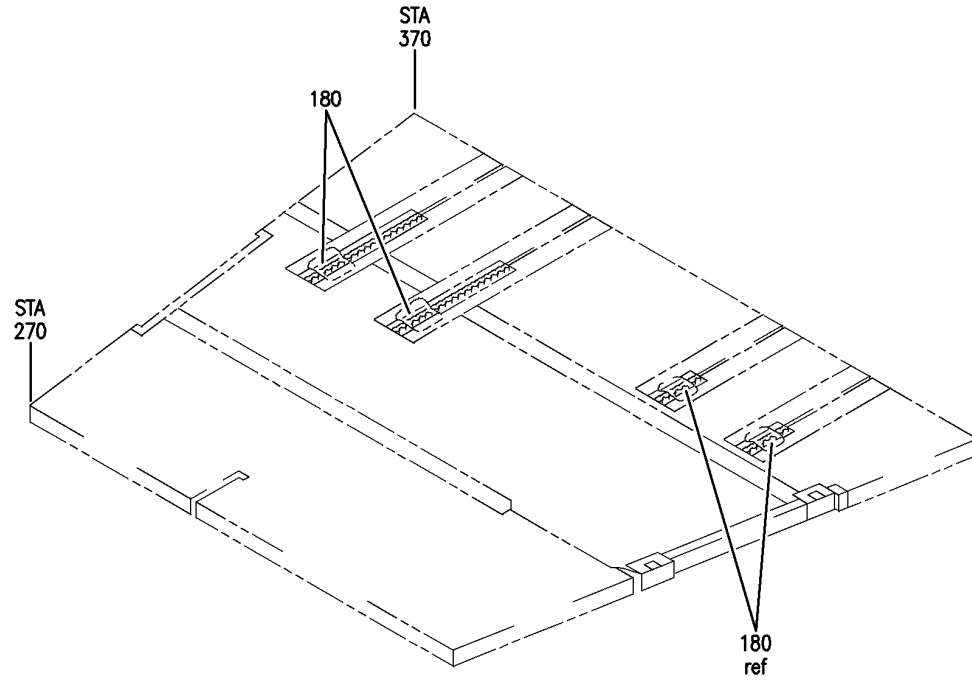
WATERSEAL INSTL-FWD PASS. CAB.
FIGURE 1 (SHEET 4)

25-27-51-01

HAP
OCT 10/06

25-27-51-01
PAGE 0C

BOEING
737-600/700/800/900
PARTS CATALOG (MAINTENANCE)



(G)

E 25275101 SHT 5 REV 057

WATERSEAL INSTL-FWD PASS. CAB.
FIGURE 1 (SHEET 5)

25-27-51-01

HAP
OCT 10/06

25-27-51-01
PAGE 0D

 **BOEING**
737-600/700/800/900
PARTS CATALOG (MAINTENANCE)

FIG ITEM	PART NUMBER	1 2 3 4 5 6 7	NOMENCLATURE	EFFECT FROM TO	UNITS PER ASSY
1			WATERSEAL INSTL-FWD PASS. CAB.	001017 019019 201967	
- 100	414A3600-101		WATERSEAL INSTL-PASS. CAB. POSITION DATA: FWD FOR NHA SEE: 25-27-00-03B	001017 019019	RF
105	414A3530-3		. FILLER-SEAT TRACK OPTIONAL PART: 414A3250-1	001017 019019	AR
105	414A3250-1		. FILLER-SEAT TRACK OPTIONAL PART: 414A3530-3	001017 019019	AR
- 175	414A3600-104		WATERSEAL INSTL-PASS. CAB. GALLEY AND ENTRYWAY POSITION DATA: FWD FOR NHA SEE: 25-27-00-03A	201967	RF
180	414A3530-3		. FILLER-SEAT TRACK OPTIONAL PART: 414A3250-1	201967	AR
180	414A3250-1		. FILLER-SEAT TRACK OPTIONAL PART: 414A3530-3	201967	AR

MISSING ITEM NUMBERS NOT APPLICABLE

- ITEM NOT ILLUSTRATED

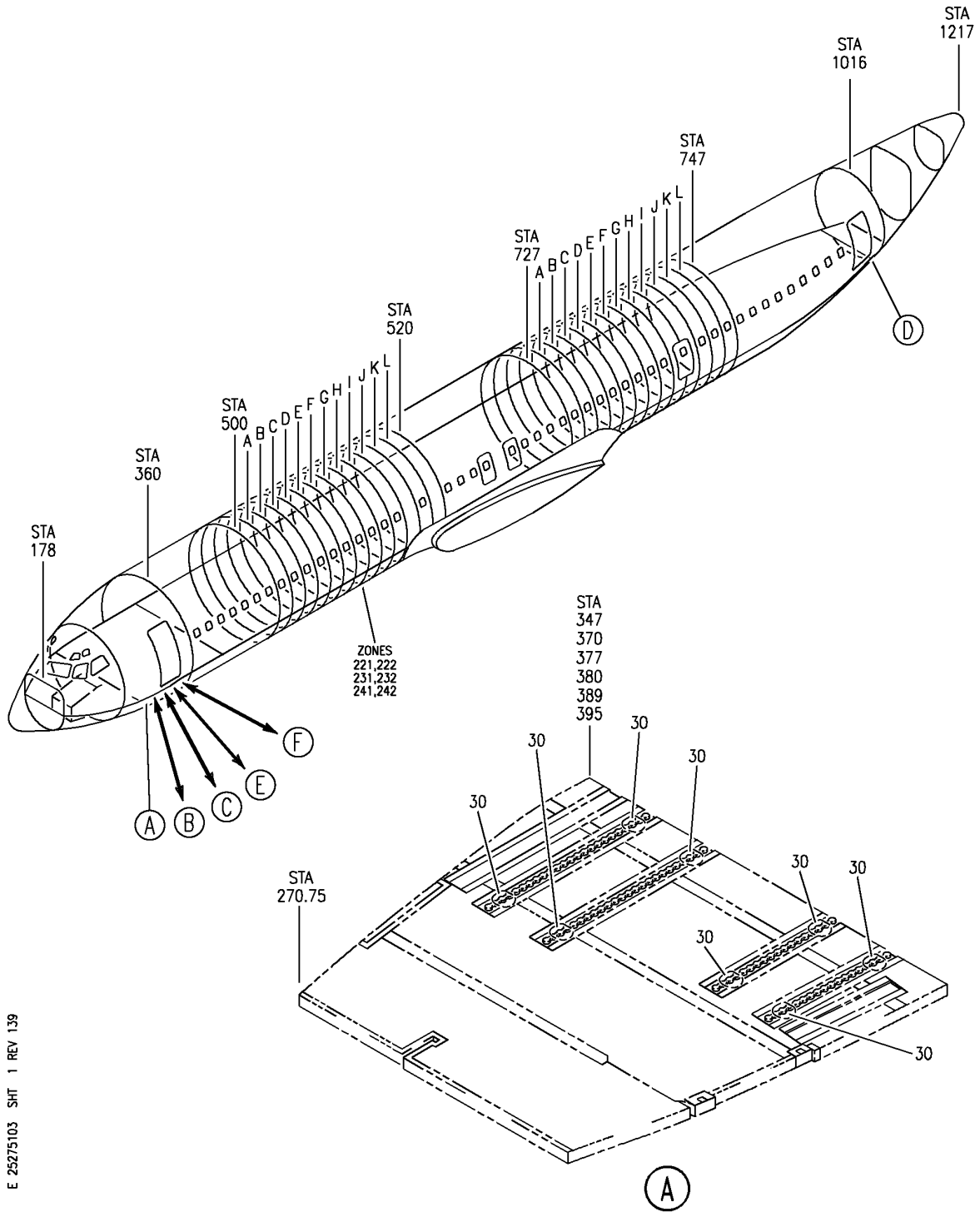
HAP

25-27-51-01

BOEING PROPRIETARY - Copyright © - Unpublished Work - See title page for details.

25-27-51
FIG. 01
PAGE 1
FEB 15/09

BOEING
 737-600/700/800/900
 PARTS CATALOG (MAINTENANCE)



E 25275103 SHT 1 REV 139

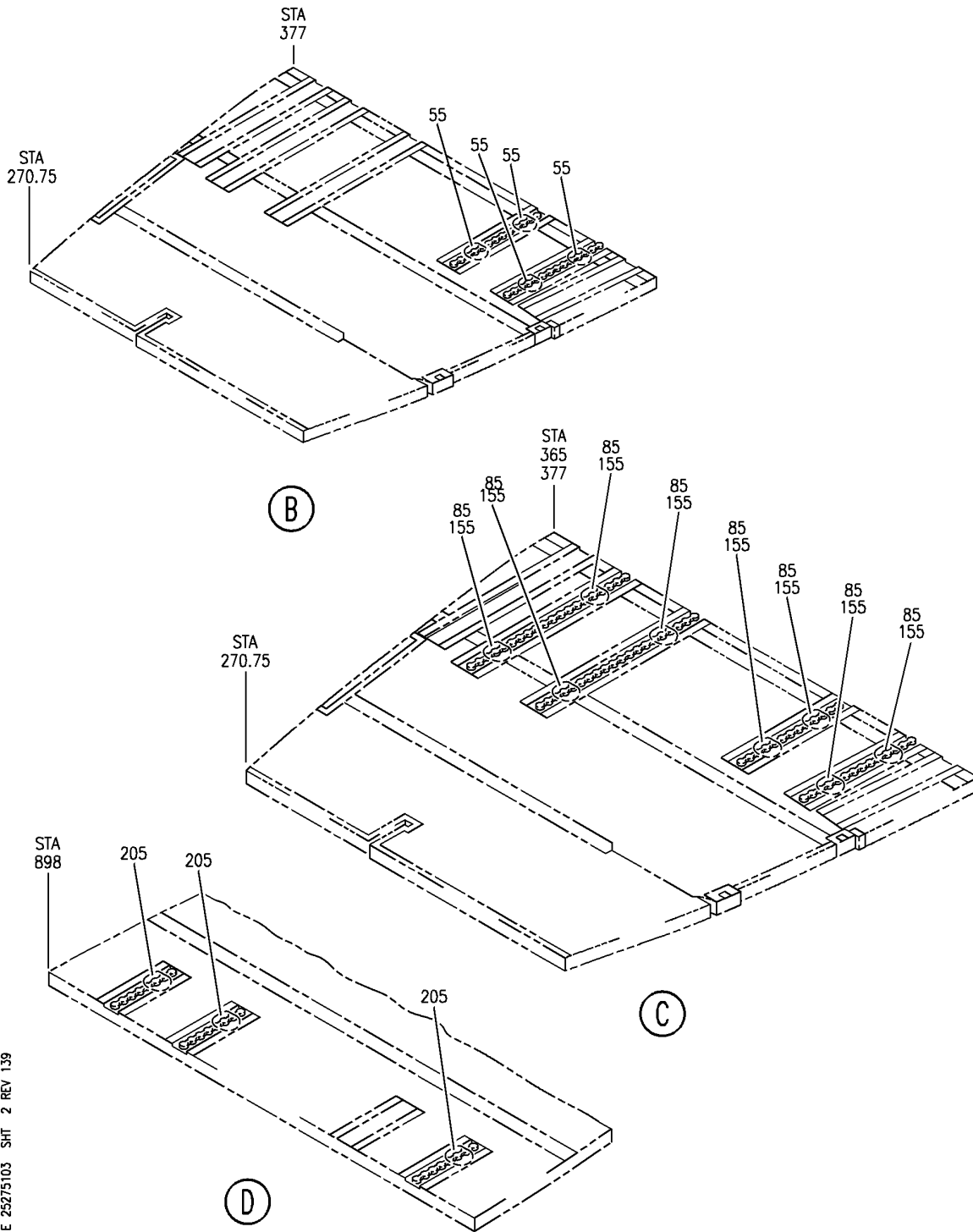
WATERSEAL INSTL-PASS. CAB.
 FIGURE 3 (SHEET 1)

25-27-51-03

HAP
 FEB 15/08

25-27-51-03
 PAGE 0

BOEING
 737-600/700/800/900
 PARTS CATALOG (MAINTENANCE)



E 25275103 SHT 2 REV 139

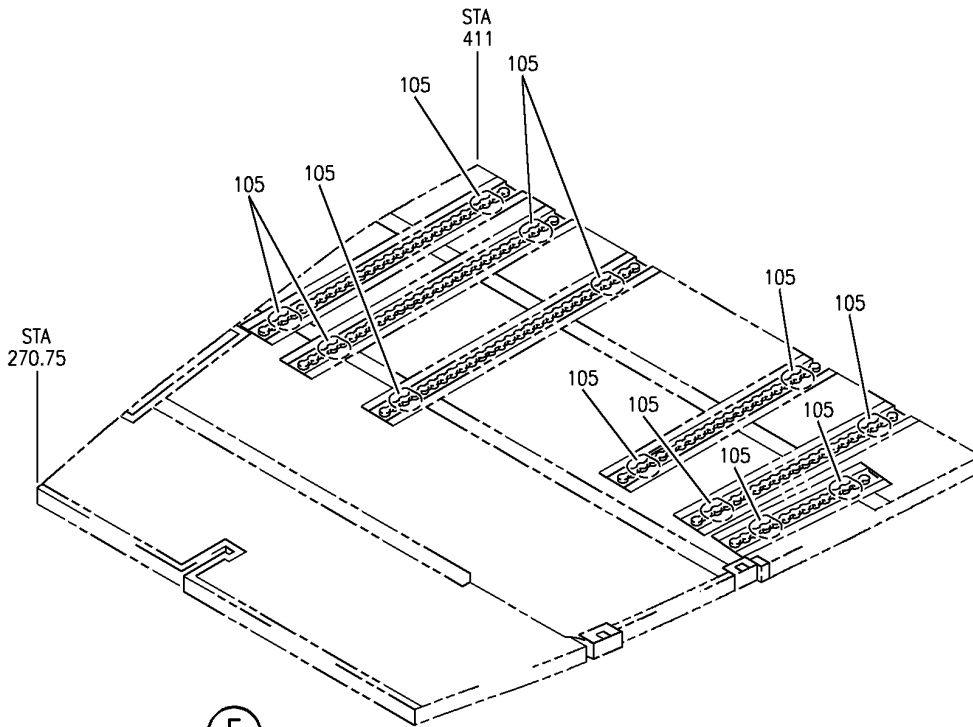
WATERSEAL INSTL-PASS. CAB.
 FIGURE 3 (SHEET 2)

25-27-51-03

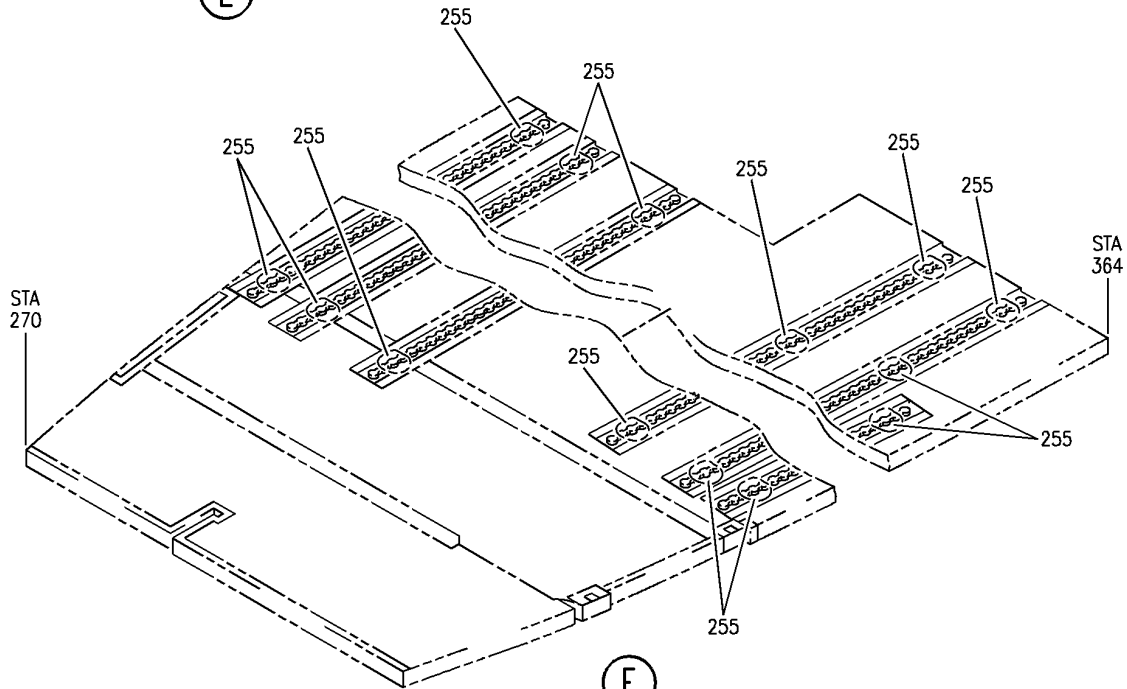
HAP
 FEB 15/08

25-27-51-03
 PAGE 0A

BOEING
 737-600/700/800/900
 PARTS CATALOG (MAINTENANCE)



(E)



(F)

E 25275103 SHT 3 REV 139

WATERSEAL INSTL-PASS. CAB.
 FIGURE 3 (SHEET 3)

25-27-51-03

HAP
 FEB 15/08

25-27-51-03
 PAGE 0B

BOEING
737-600/700/800/900
PARTS CATALOG (MAINTENANCE)

FIG ITEM	PART NUMBER	1 2 3 4 5 6 7	NOMENCLATURE	EFFECT FROM TO	UNITS PER ASSY
3			WATERSEAL INSTL-PASS. CAB.	031047 051106 968999	
- 75	MODREF93155		WATERSEAL INSTL-PASS. CAB. MODULE NUMBER: 414A3600-137 REV A POSITION DATA: STA 377.00 FWD	031047 051100	1
85	414A3530-3		. FILLER-SEAT TRACK OPTIONAL PART: 414N3250-1	031047 051100	AR
85	414N3250-1		. FILLER-SEAT TRACK OPTIONAL PART: 414A3530-3	031047 051100	AR
- 150	MODREF93148		WATERSEAL INSTL-PASS. CAB. MODULE NUMBER: 414A3600-130 REV A POSITION DATA: STA 365.00 FWD	101106 968999	1
155	414A3530-3		. FILLER-SEAT TRACK OPTIONAL PART: 414N3250-1	101106 968999	AR
155	414N3250-1		. FILLER-SEAT TRACK OPTIONAL PART: 414A3530-3	101106 968999	AR

MISSING ITEM NUMBERS NOT APPLICABLE

- ITEM NOT ILLUSTRATED

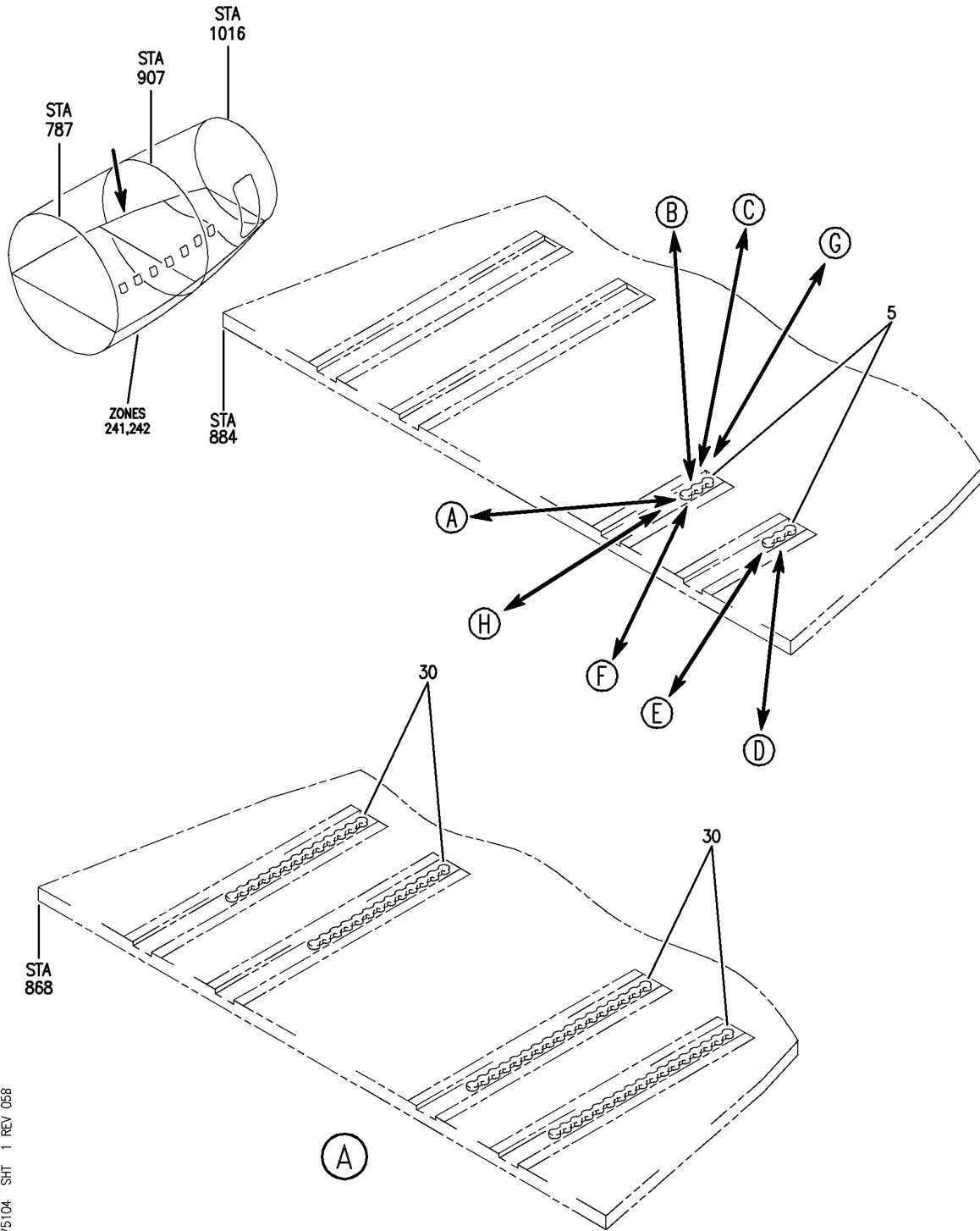
HAP

25-27-51-03

BOEING PROPRIETARY - Copyright © - Unpublished Work - See title page for details.

25-27-51
FIG. 03
PAGE 1
FEB 15/09

BOEING
 737-600/700/800/900
 PARTS CATALOG (MAINTENANCE)



E 25275104 SHT 1 REV 058

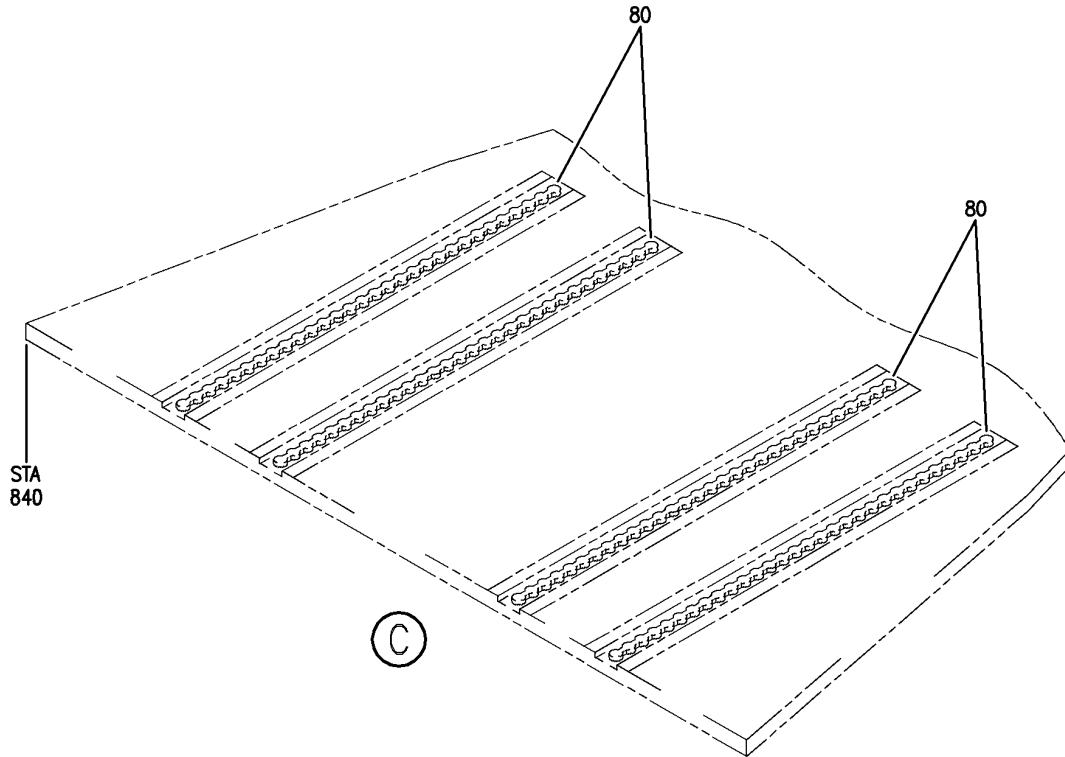
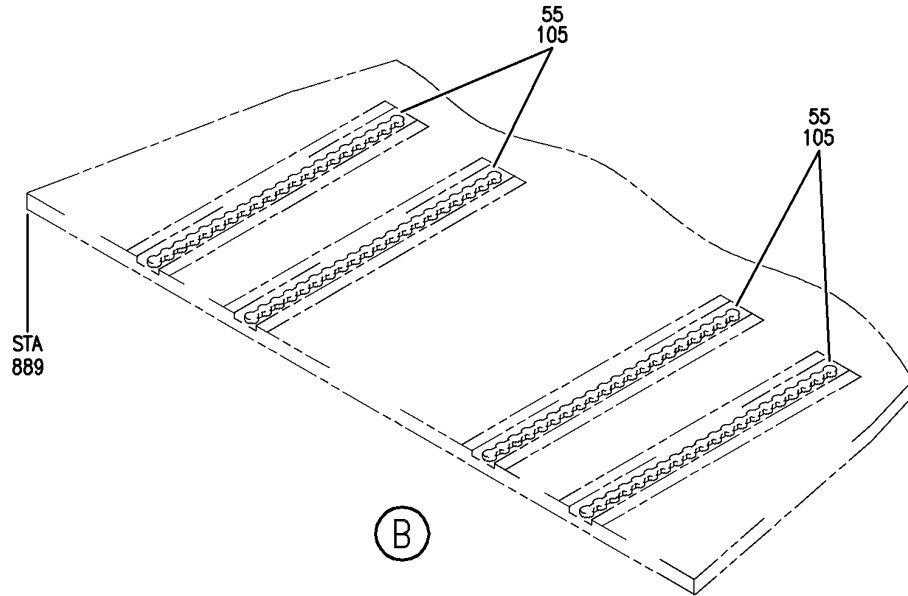
WATERSEAL INSTL-AFT PASS. CAB.
 FIGURE 4 (SHEET 1)

25-27-51-04

HAP
 OCT 10/06

25-27-51-04
 PAGE 0

BOEING
737-600/700/800/900
PARTS CATALOG (MAINTENANCE)



E 25275104 SHT 2 REV 057

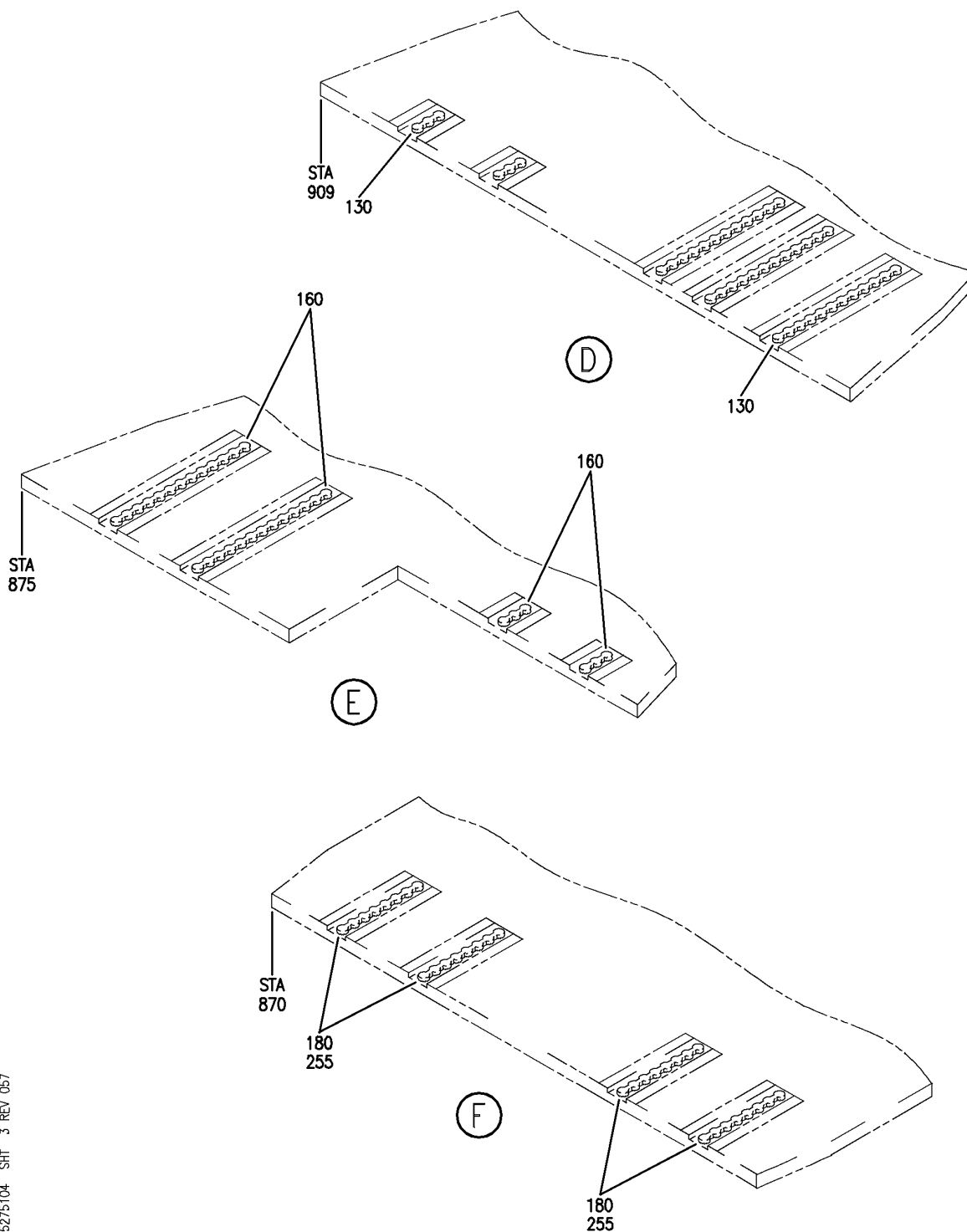
WATERSEAL INSTL-AFT PASS. CAB.
FIGURE 4 (SHEET 2)

25-27-51-04

HAP
OCT 10/06

25-27-51-04
PAGE 0A

BOEING
 737-600/700/800/900
 PARTS CATALOG (MAINTENANCE)



E 25275104 SHT 3 REV 057

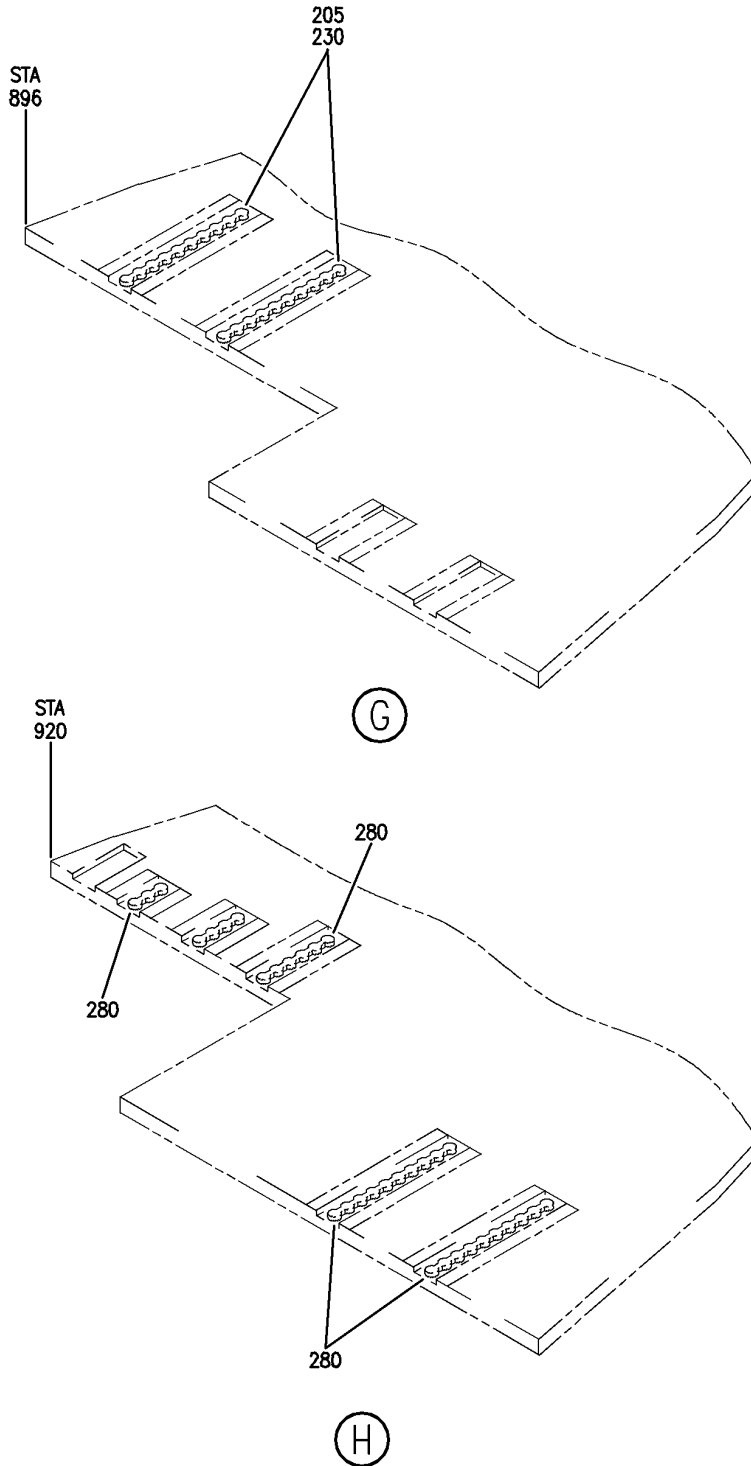
WATERSEAL INSTL-AFT PASS. CAB.
 FIGURE 4 (SHEET 3)

25-27-51-04

HAP
 OCT 10/06

25-27-51-04
 PAGE 0B

BOEING
737-600/700/800/900
PARTS CATALOG (MAINTENANCE)



E 25275104 SHT 4 REV 058

WATERSEAL INSTL-AFT PASS. CAB.
FIGURE 4 (SHEET 4)

25-27-51-04

HAP
OCT 10/06

25-27-51-04
PAGE 0C

BOEING
737-600/700/800/900
PARTS CATALOG (MAINTENANCE)

FIG ITEM	PART NUMBER	1 2 3 4 5 6 7	NOMENCLATURE	EFFECT FROM TO	UNITS PER ASSY
4			WATERSEAL INSTL-AFT PASS. CAB.	031200 968999	
- 175	MODREF306095		WATERSEAL INSTL-PASS. CAB. GALLEY AND ENTRYWAY MODULE NUMBER: 414A3600-643 REV A POSITION DATA: STA 870.00 AFT	038038 041047 049200 968999	1
180	414A3530-3		. FILLER-SEAT TRACK OPTIONAL PART: 414N3250-1	038038 041047 049200 968999	AR
180	414N3250-1		. FILLER-SEAT TRACK OPTIONAL PART: 414A3530-3	038038 041047 049200 968999	AR
- 250	MODREF93177		WATERSEAL INSTL-PASS. CAB. GALLEY AND ENTRYWAY MODULE NUMBER: 414A3600-635 REV A POSITION DATA: AFT	031037 039040 048048	1
255	414A3530-3		. FILLER-SEAT TRACK OPTIONAL PART: 414N3250-1	031037 039040 048048	AR
255	414N3250-1		. FILLER-SEAT TRACK OPTIONAL PART: 414A3530-3	031037 039040 048048	AR

MISSING ITEM NUMBERS NOT APPLICABLE

- ITEM NOT ILLUSTRATED

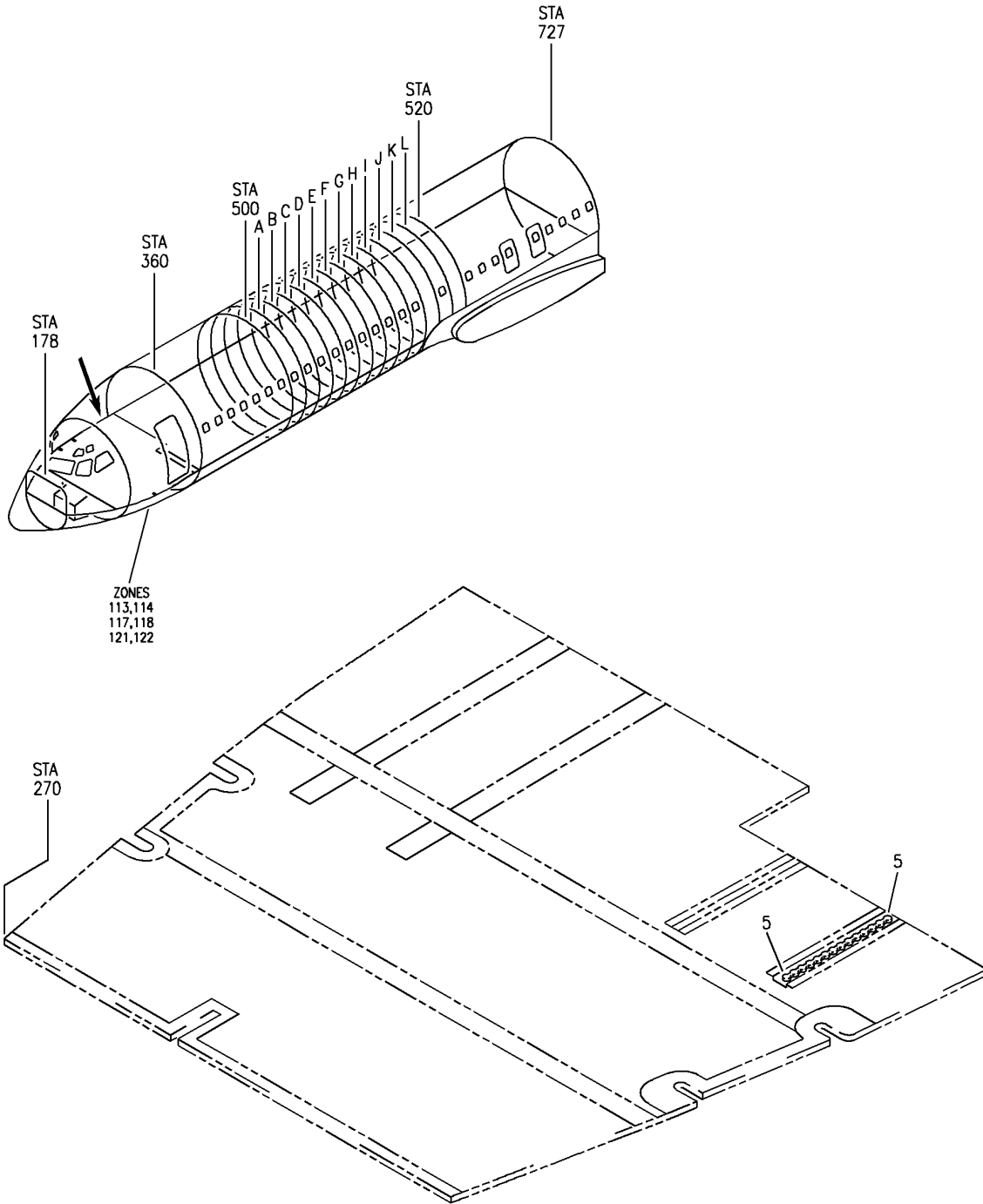
HAP

25-27-51-04

BOEING PROPRIETARY - Copyright © - Unpublished Work - See title page for details.

25-27-51
FIG. 04
PAGE 1
OCT 15/08

BOEING
 737-600/700/800/900
 PARTS CATALOG (MAINTENANCE)



E 25275104B REV 135

WATERSEAL INSTL-PASS. CAB.
 FIGURE 4B

25-27-51-04B

HAP
 OCT 15/08

25-27-51-04B
 PAGE 0

BOEING
737-600/700/800/900
PARTS CATALOG (MAINTENANCE)

FIG ITEM	PART NUMBER	1 2 3 4 5 6 7	NOMENCLATURE	EFFECT FROM TO	UNITS PER ASSY
4B			WATERSEAL INSTL-PASS. CAB.	048050 107200	
- 1	MODREF349328		WATERSEAL INSTL-PASS. CAB. MODULE NUMBER: 414A3600-142 REV A POSITION DATA: FWD	107200	1
- 1	MODREF350149		WATERSEAL INSTL-PASS. CAB. MODULE NUMBER: 414A3600-143 REV A POSITION DATA: FWD	048050	1
5	414A3530-3		.FILLER-SEAT TRACK	048050 107200	AR

MISSING ITEM NUMBERS NOT APPLICABLE

- ITEM NOT ILLUSTRATED

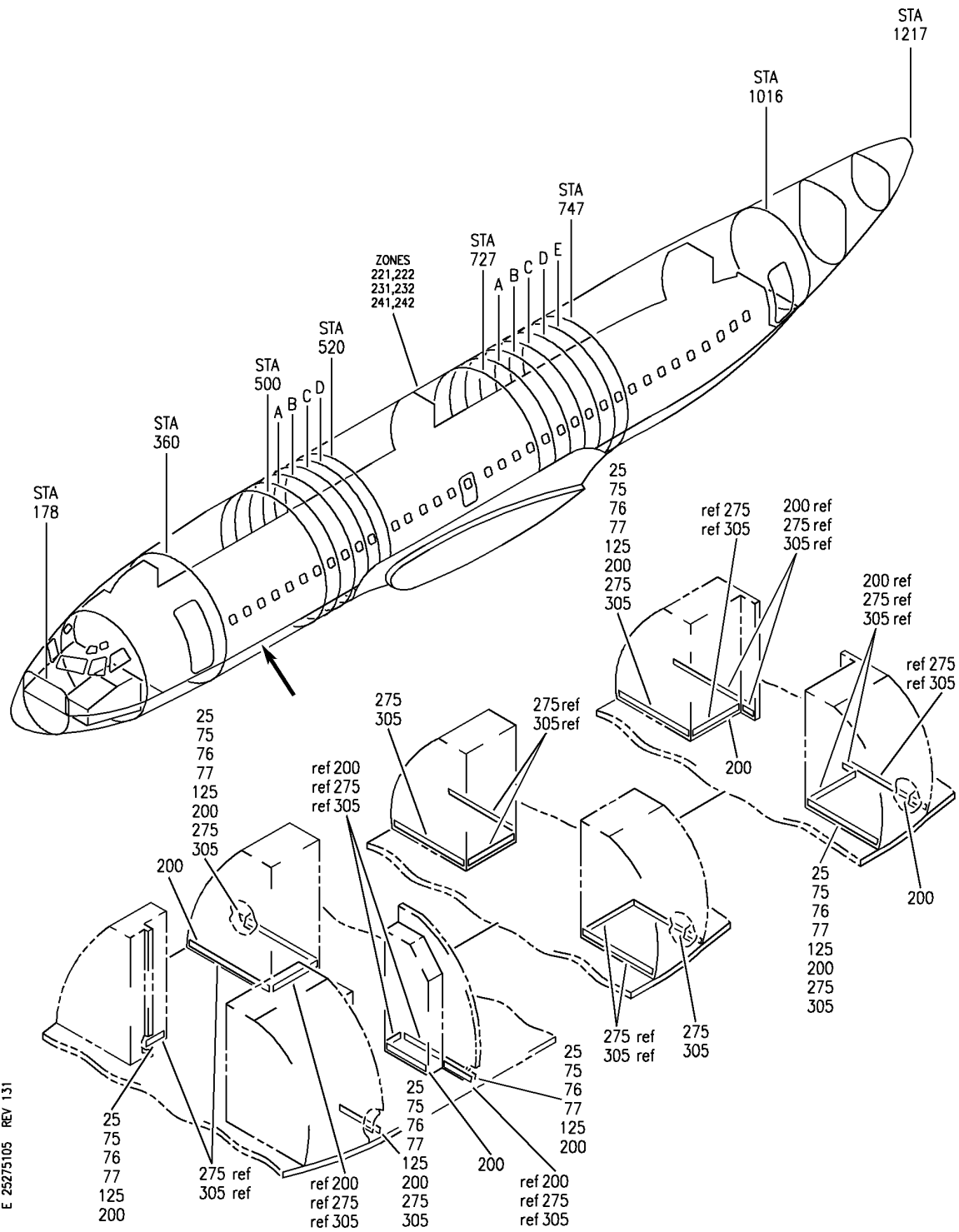
HAP

25-27-51-04B

BOEING PROPRIETARY - Copyright © - Unpublished Work - See title page for details.

25-27-51
FIG. 04B
PAGE 1
OCT 15/08

BOEING
 737-600/700/800/900
 PARTS CATALOG (MAINTENANCE)



E 25275105 REV 131

INSERT INSTL-KICKSTRIP
 FIGURE 5

25-27-51-05

HAP
 JUN 10/07

25-27-51-05
 PAGE 0

BOEING
737-600/700/800/900
PARTS CATALOG (MAINTENANCE)

FIG ITEM	PART NUMBER	1 2 3 4 5 6 7	NOMENCLATURE	EFFECT FROM TO	UNITS PER ASSY
5			INSERT INSTL-KICKSTRIP	101106 968999	
- 300	MODREF318742		INSERT INSTL-KICKSTRIP MODULE NUMBER: 414A3450-1WR REV A	101106 968999	1
305	443W7000-7WR		.KICKSTRIP	101106 968999	AR

MISSING ITEM NUMBERS NOT APPLICABLE

- ITEM NOT ILLUSTRATED

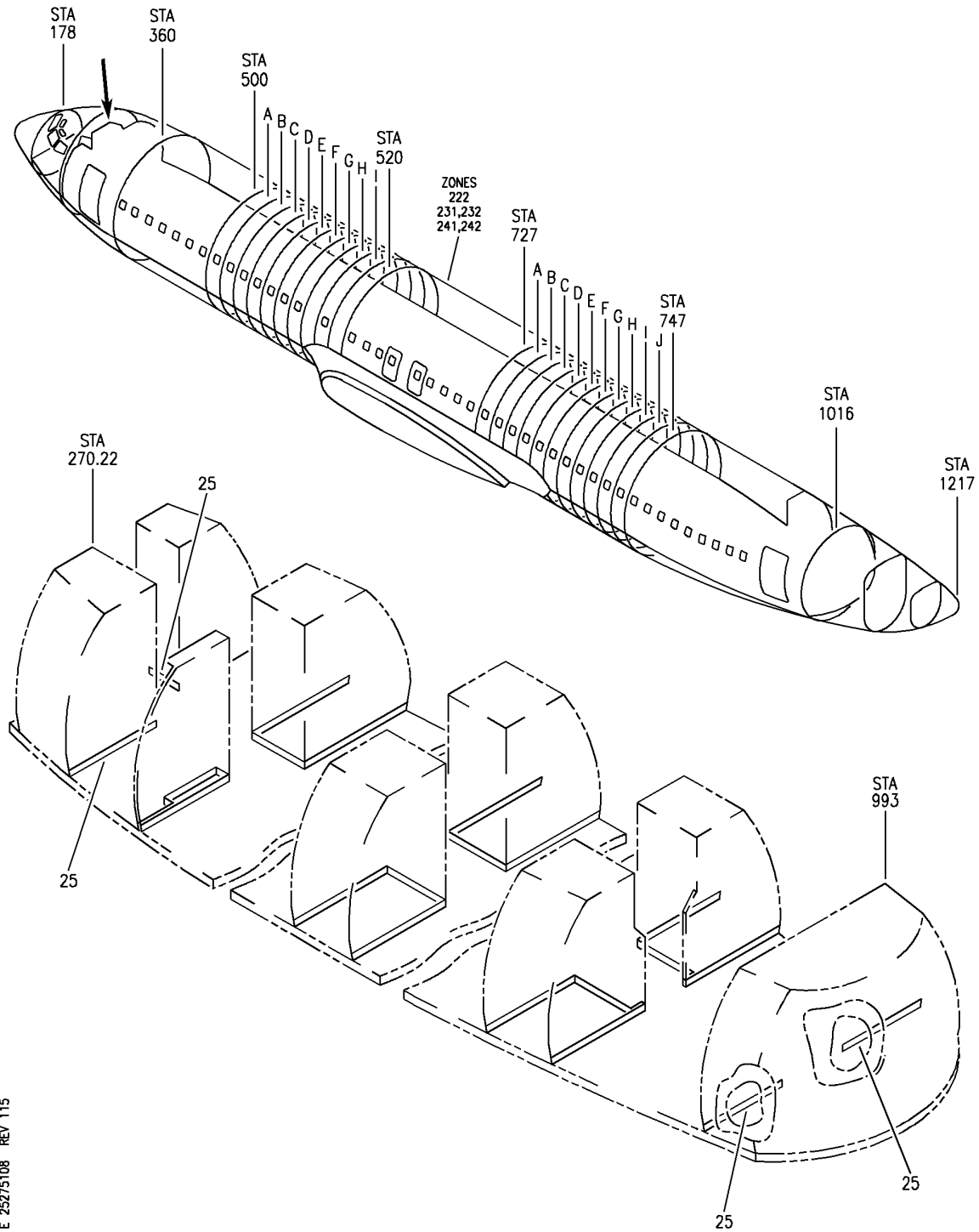
HAP

25-27-51-05

BOEING PROPRIETARY - Copyright © - Unpublished Work - See title page for details.

25-27-51
FIG. 05
PAGE 1
OCT 15/08

BOEING
 737-600/700/800/900
 PARTS CATALOG (MAINTENANCE)



E 25275108 REV 115

INSERT INSTL-KICKSTRIP
 FIGURE 8

25-27-51-08

HAP
 OCT 10/06

25-27-51-08
 PAGE 0

BOEING
737-600/700/800/900
PARTS CATALOG (MAINTENANCE)

FIG ITEM	PART NUMBER	1 2 3 4 5 6 7	NOMENCLATURE	EFFECT FROM TO	UNITS PER ASSY
8			INSERT INSTL-KICKSTRIP	031100 107200	
- 1	MODREF276819		INSERT INSTL-KICKSTRIP MODULE NUMBER: 414A3450-1TW REV A	031100 107200	1
25	443W7000-7TW		.KICKSTRIP	031100 107200	6

MISSING ITEM NUMBERS NOT APPLICABLE

- ITEM NOT ILLUSTRATED

HAP

25-27-51-08

BOEING PROPRIETARY - Copyright © - Unpublished Work - See title page for details.

25-27-51
FIG. 08
PAGE 1
OCT 15/08