

PASSENGER AND CABIN ATTENDANT ACCOMMODATIONS

HAP
OCT 10/06

25-29-00
SECTION TITLE
PAGE 1

NON-ILLUSTRATED FIGURE

THE ITEMS REFLECTED IN THIS FIGURE ARE INTENTIONALLY
NON-ILLUSTRATED. THEY ARE REFERENCED TO EITHER A
NEXT HIGHER OR NEXT LOWER ASSEMBLY/INSTALLATION FIGURE.

E 25290001B REV 052

FUNCTIONAL COLLECTOR CUSTOMER UNIQUE (PASSENGER AND CABIN ATTENDANT ACCOMMODATIONS ONLY)
FIGURE 1B

HAP
OCT 10/06

25-29-00-01B

25-29-00-01B
PAGE 0

BOEING
737-600/700/800/900
PARTS CATALOG (MAINTENANCE)

FIG ITEM	PART NUMBER	1 2 3 4 5 6 7	NOMENCLATURE	EFFECT FROM TO	UNITS PER ASSY
1B			FUNCTIONAL COLLECTOR CUSTOMER UNIQUE (PASSENGER AND CABIN ATTENDANT ACCOMMODATIONS ONLY)	012030	
- 1	400A9101-3001		FUNCTIONAL COLLECTOR- CUSTOMER UNIQUE (PASSENGER AND CABIN ATTENDANT ACCOMMODATIONS ONLY) FOR NHA/OTHER SYS DET SEE: 25-00-00-02C	012017 019019	RF
- 10	400A0028-3001		FUNCTIONAL COLLECTOR- CUSTOMER UNIQUE (PASSENGER AND CABIN ATTENDANT ACCOMMODATIONS ONLY) FOR NHA/OTHER SYS DET SEE: 25-00-00-02C	018018 020030	RF
- 50	411A2600-2		.EQUIPMENT INSTL- CRO15I SVCE OUTLET POSITION DATA: FWD AND AFT RH DOORWAY FUNCTIONAL REFERENCE: EQUIPMENT/FURNISHINGS FOR DETAILS SEE 25-29-59-03 PLACARDS AND MARKINGS FOR DETAILS SEE 11-32-01-60	012027	1
- 50	411A2600-6		.EQUIPMENT INSTL- CRO15I SVCE OUTLET POSITION DATA: FWD AND AFT RH DOORWAY FUNCTIONAL REFERENCE: EQUIPMENT/FURNISHINGS FOR DETAILS SEE 25-29-59-03 PLACARDS AND MARKINGS FOR DETAILS SEE 11-32-01-60	028030	1

MISSING ITEM NUMBERS NOT APPLICABLE

- ITEM NOT ILLUSTRATED

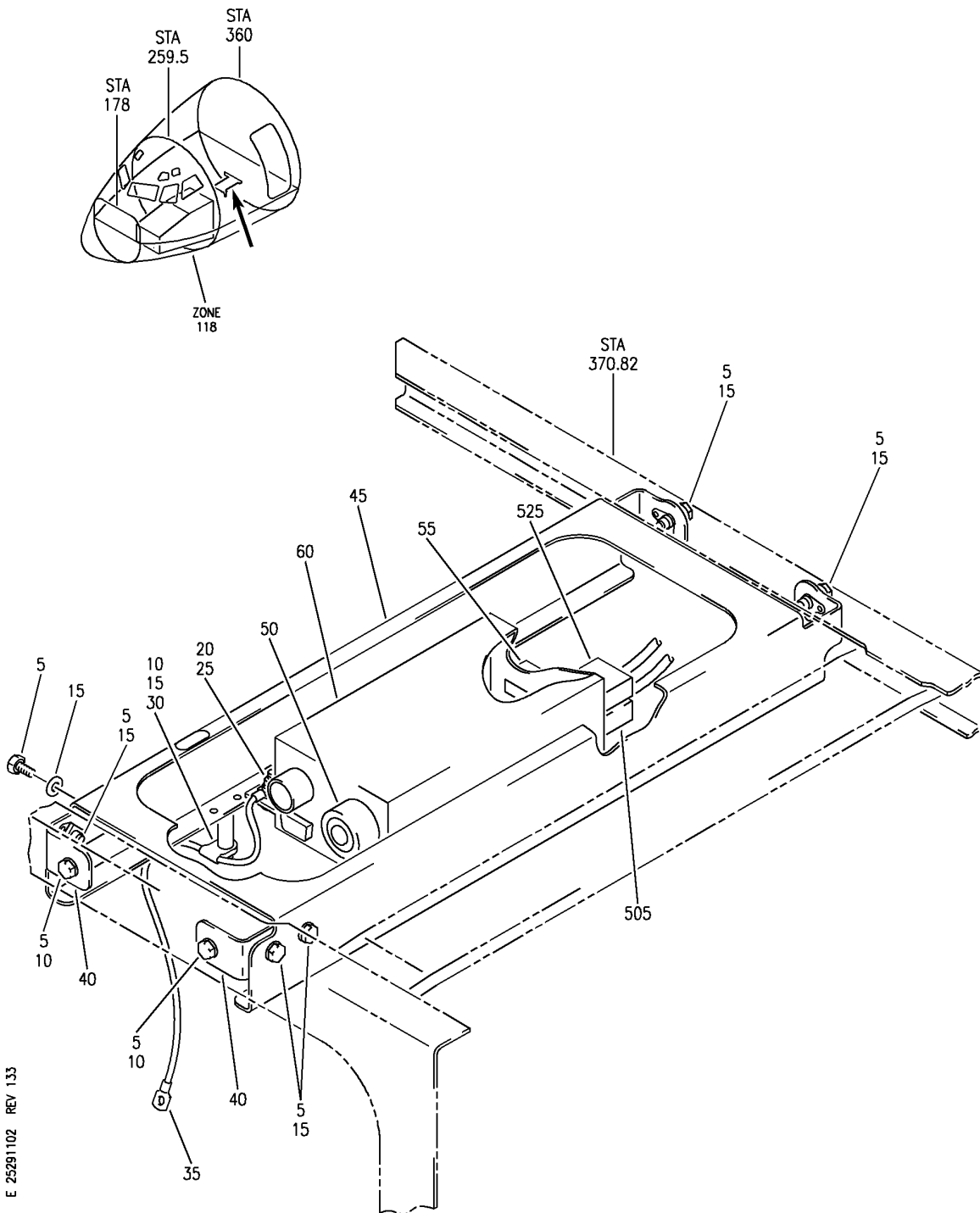
HAP

25-29-00-01B

BOEING PROPRIETARY - Copyright © - Unpublished Work - See title page for details.

25-29-00
FIG. 01B
PAGE 1
OCT 10/06

BOEING
737-600/700/800/900
PARTS CATALOG (MAINTENANCE)



E 25291102 REV 133

POWER SUPPLY INSTL
FIGURE 2

25-29-11-02

HAP
OCT 10/07

25-29-11-02
PAGE 0

BOEING
737-600/700/800/900
PARTS CATALOG (MAINTENANCE)

FIG ITEM	PART NUMBER	1 2 3 4 5 6 7	NOMENCLATURE	EFFECT FROM TO	UNITS PER ASSY
2			POWER SUPPLY INSTL	038038 042046 051053	
- 1	MODREF310521		POWER SUPPLY INSTL- MODULE NUMBER: 284A0212-2 REV C	038038 042043	1
- 1	MODREF341569		POWER SUPPLY INSTL- MODULE NUMBER: 284A0212-2 REV D	044046 051053	1
5	BACB30NM3K2		.BOLT	038038 042046 051053	8
10	BACs12HN3-8		.SCREW	038038 042046 051053	1
15	NAS1149D0332J		.WASHER	038038 042046 051053	9
20	NAS1149D0316H		.WASHER	038038 042046 051053	1
25	PLH53CD		.NUT SUPPLIER CODE: VF0224 SPECIFICATION NUMBER: BACN10YR3CD OPTIONAL PART: H52732-3CD V15653	038038 042046 051053	1
30	BACC10DK2		.CLAMP	038038 042046 051053	1
35	740A20-12		.JUMPER SUPPLIER CODE: V91812 SPECIFICATION NUMBER: BACJ40A20-12 OPTIONAL PART: TJEJ40A20-12 V33483 RBEJ20-12 V1GK47	038038 042046 051053	1
40	284A3212-3		.BRACKET ASSY	038038 042046 051053	2
45	284A3212-1		.BRACKET ASSY	038038 042043	1
45	284A3212-5		.BRACKET ASSY	044046 051053	1

MISSING ITEM NUMBERS NOT APPLICABLE

- ITEM NOT ILLUSTRATED

HAP

25-29-11-02

25-29-11
FIG. 02
PAGE 1
FEB 15/09

BOEING
737-600/700/800/900
PARTS CATALOG (MAINTENANCE)

FIG ITEM	PART NUMBER	1 2 3 4 5 6 7	NOMENCLATURE	EFFECT FROM TO	UNITS PER ASSY
2					
50	M83723-60-214AN	.	CAP- ELECTRICAL EQUIP NUMBER: M02593	038038 042046 051053	1
55	1068808-1	.	PLUG-TERMINATION (OUTLET) SUPPLIER CODE: V21562 ELECTRICAL EQUIP NUMBER: M02623	038038 042046 051053	1
60	1191-8	.	AC ISPS-DUAL OUTPUT SUPPLIER CODE: V3E2Y8 FUNCTIONAL DESCRIPTION: CONVERTS 115VAC 360-800HZ TO 110VAC 60HZ. ELECTRICAL EQUIP NUMBER: M02566 COMPONENT MAINT MANUAL REF: 25-21-01	038038 042046 051053	1
- 500	286A6182-004		WIRE BUNDLE ASSY	038038	RF
- 500	286A6182-005		WIRE BUNDLE ASSY	042045	RF
505	M24308-4-11F	.	PLUG- SUPPLIER CODE: V81349 ELECTRICAL EQUIP NUMBER: D14006 WIRING DIAGRAM REF: 252911	038038 042045	1
- 510	286A5158-308		WIRE BUNDLE ASSY	038038 042045	RF
- 515	BACC45FT14-7S	.	CONNECTOR- ELECTRICAL EQUIP NUMBER: D14212 WIRING DIAGRAM REF: 252911	038038 042045	1
- 520	286A5182-005		WIRE BUNDLE ASSY	038038	RF
- 520	286A5182-006		WIRE BUNDLE ASSY	042045	RF
525	M24308-4-11F	.	PLUG- SUPPLIER CODE: V81349 ELECTRICAL EQUIP NUMBER: D14008 WIRING DIAGRAM REF: 252911	038038 042045	1

MISSING ITEM NUMBERS NOT APPLICABLE

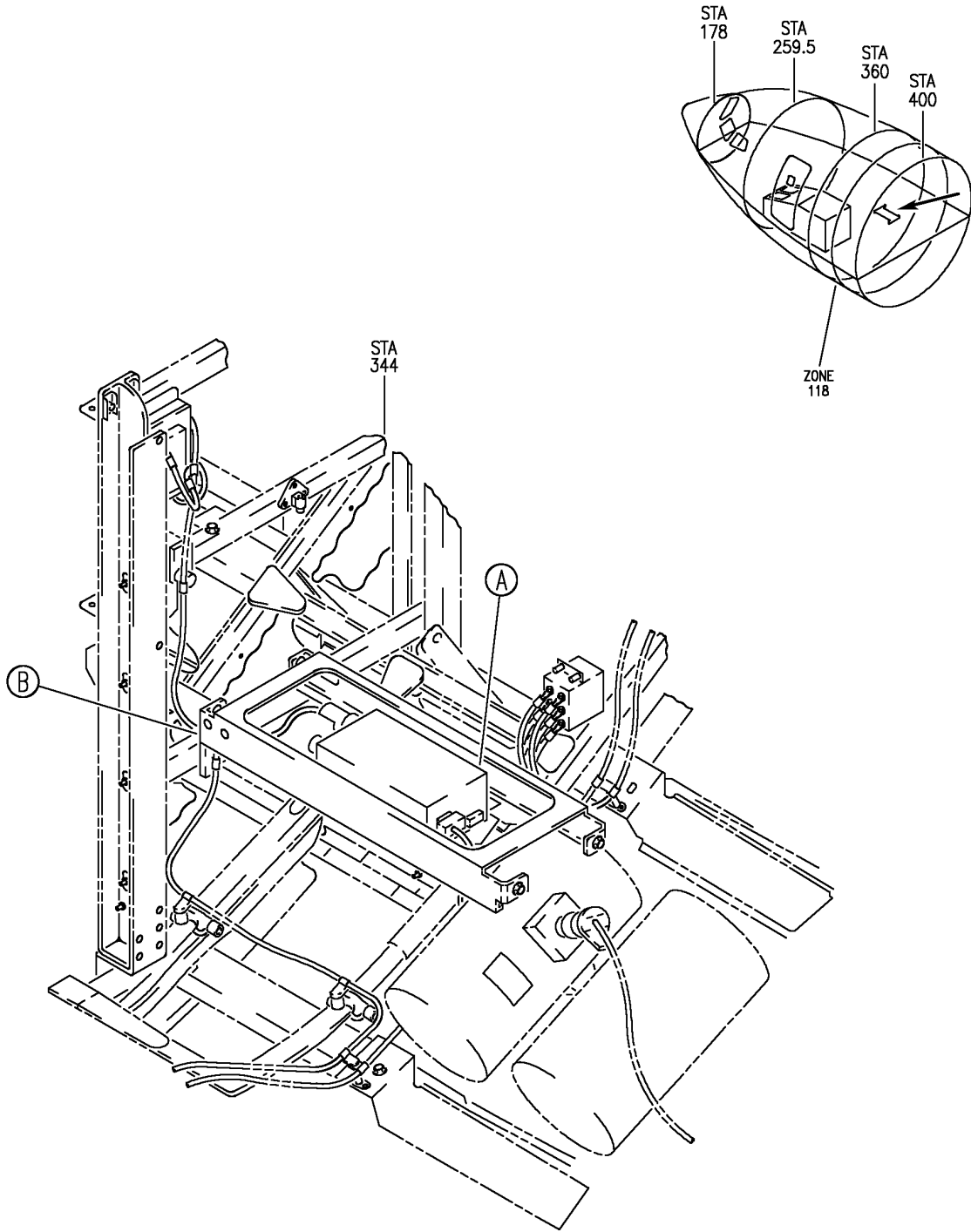
- ITEM NOT ILLUSTRATED

HAP

25-29-11-02

25-29-11
FIG. 02
PAGE 2
FEB 15/09

BOEING
737-600/700/800/900
PARTS CATALOG (MAINTENANCE)



E 25291103 SHT 1 REV 146

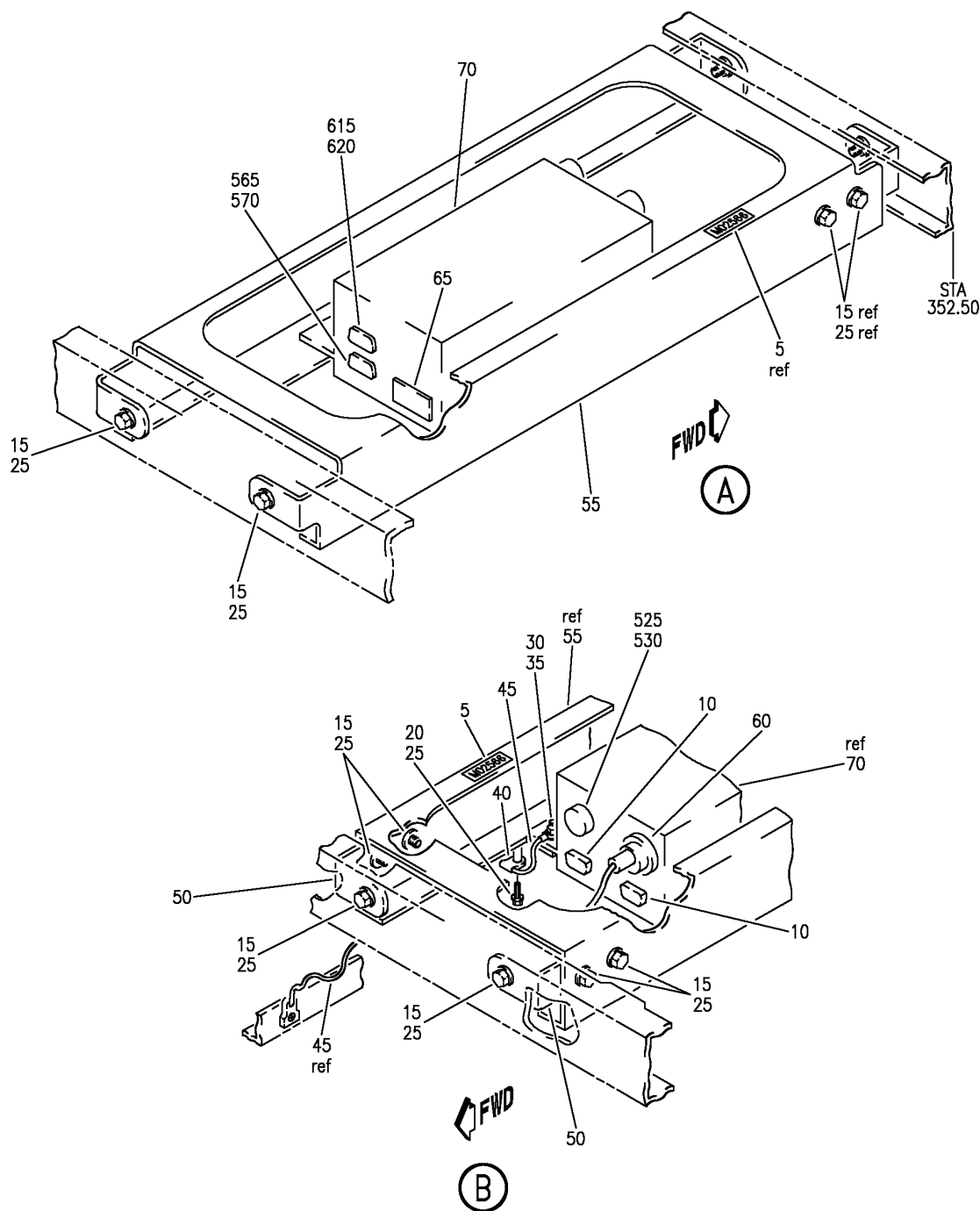
POWER SUPPLY INSTL-KIT
FIGURE 3 (SHEET 1)

25-29-11-03

HAP
OCT 15/08

25-29-11-03
PAGE 0

BOEING
737-600/700/800/900
PARTS CATALOG (MAINTENANCE)



E 25291103 SHT 2 REV 146

POWER SUPPLY INSTL-KIT
FIGURE 3 (SHEET 2)

25-29-11-03

HAP
OCT 15/08

25-29-11-03
PAGE 0A

BOEING
737-600/700/800/900
PARTS CATALOG (MAINTENANCE)

FIG ITEM	PART NUMBER	1 2 3 4 5 6 7	NOMENCLATURE	EFFECT FROM TO	UNITS PER ASSY
3			POWER SUPPLY INSTL-KIT	037037 039040	
- 1	824A4931-2		POWER SUPPLY INSTL-KIT POST SERVICE BULLETIN: 24-1180	037037 039040	1
5	BAC27DEL1492		.MARKER- PLACARD CONTENT: M2566	037037 039040	1
10	SE91D12AF8		.COVER-CONN. SUPPLIER CODE: V1UL05	037037 039040	2
15	BACB30NM3K2		.BOLT	037037 039040	8
20	BACS12HN3-8		.SCREW- OPTIONAL PART: NAS1801-3-8	037037 039040	1
20	NAS1801-3-8		.SCREW- OPTIONAL PART: BACS12HN3-8	037037 039040	1
25	NAS1149D0332J		.WASHER	037037 039040	9
30	NAS1149D0316H		.WASHER	037037 039040	1
35	PLH53CD		.NUT SUPPLIER CODE: VF0224 SPECIFICATION NUMBER: BACN10YR3CD OPTIONAL PART: H52732-3CD V15653	037037 039040	1
40	BACC10DK2		.CLAMP	037037 039040	1
45	740A20-12		.JUMPER SUPPLIER CODE: V91812 SPECIFICATION NUMBER: BACJ40A20-12 OPTIONAL PART: TJEJ40A20-12 V33483 RBEJ20-12 V1GK47	037037 039040	1
50	284A3212-3		.BRACKET ASSY	037037 039040	2
55	284A3212-5		.BRACKET ASSY	037037 039040	1

MISSING ITEM NUMBERS NOT APPLICABLE

- ITEM NOT ILLUSTRATED

HAP

25-29-11-03

BOEING PROPRIETARY - Copyright © - Unpublished Work - See title page for details.

25-29-11
FIG. 03
PAGE 1
FEB 15/09

BOEING
737-600/700/800/900
PARTS CATALOG (MAINTENANCE)

FIG ITEM	PART NUMBER	1 2 3 4 5 6 7	NOMENCLATURE	EFFECT FROM TO	UNITS PER ASSY
3					
60	M83723-60-214AN	.CAP-	ELECTRICAL EQUIP NUMBER: M02593	037037 039040	1
65	1068808-1	.PLUG-TERMINATION (OUTLET)	SUPPLIER CODE: V21562 ELECTRICAL EQUIP NUMBER: M02623	037037 039040	1
70	1191-8	.AC ISPS-DUAL OUTPUT	SUPPLIER CODE: V3E2Y8 FUNCTIONAL DESCRIPTION: CONVERTS 115VAC 360-800HZ TO 110VAC 60HZ. ELECTRICAL EQUIP NUMBER: M02566 COMPONENT MAINT MANUAL REF: 25-21-01	037037 039040	1
- 500	286A5158-816	WIRE BUNDLE ASSY		037037 039040	RF
- 515	826A5158-00301	.ID TAPE-WIRE BUNDLE	PLACARD CONTENT: 286A5158-816 POST SERVICE BULLETIN: 24-1180	037037 039040	1
- 520	826A5158-00302	.ID TAPE-CONN.	PLACARD CONTENT: D14212 M/W M02566 (J2) ISPC (EE BAY) POST SERVICE BULLETIN: 24-1180	037037 039040	1
525	BACC45FT14-7S	.CONNECTOR-	ELECTRICAL EQUIP NUMBER: D14212 POST SERVICE BULLETIN: 24-1180	037037 039040	1
530	BACC10GH14	.BACKSHELL-	POST SERVICE BULLETIN: 24-1180	037037 039040	1
- 535	S280W555-918	.PIN-CONTACT	POST SERVICE BULLETIN: 24-1180	037037 039040	4
- 550	286A6182-0AA	WIRE BUNDLE ASSY-	POST SERVICE BULLETIN: 24-1180	037037 039040	RF

MISSING ITEM NUMBERS NOT APPLICABLE

- ITEM NOT ILLUSTRATED

HAP

25-29-11-03

25-29-11
FIG. 03
PAGE 2
FEB 15/09

BOEING
737-600/700/800/900
PARTS CATALOG (MAINTENANCE)

FIG ITEM	PART NUMBER	1 2 3 4 5 6 7	NOMENCLATURE	EFFECT FROM TO	UNITS PER ASSY
3					
- 555	826A6182-00101	.ID	TAPE-WIRE BUNDLE PLACARD CONTENT: 286A6182-OAA POST SERVICE BULLETIN: 24-1180	037037 039040	1
- 560	826A6182-00102	.ID	TAPE-CONN. PLACARD CONTENT: D14006 M/W M02566 (J6) ISPC (EE BAY) POST SERVICE BULLETIN: 24-1180	037037 039040	1
565	M24308-4-11F	.PLUG-	SUPPLIER CODE: V81349 ELECTRICAL EQUIP NUMBER: D14006 POST SERVICE BULLETIN: 24-1180	037037 039040	1
570	557T386NF131	.CLAMP-	SUPPLIER CODE: V77171 POST SERVICE BULLETIN: 24-1180	037037 039040	1
- 575	DE51224-1	.LOCK-	SUPPLIER CODE: VORY29 POST SERVICE BULLETIN: 24-1180	037037 039040	2
- 600	286A5182-OAA	WIRE BUNDLE ASSY-	POST SERVICE BULLETIN: 24-1180	037037 039040	RF
- 605	826A5182-00101	.ID	TAPE-WIRE BUNDLE PLACARD CONTENT: 286A5182-OAA POST SERVICE BULLETIN: 24-1180	037037 039040	1
- 610	826A5182-00102	.ID	TAPE-CONN. PLACARD CONTENT: D14008 M/W M02566 (J7) ISPC (EE BAY) POST SERVICE BULLETIN: 24-1180	037037 039040	1
615	M24308-4-11F	.PLUG-	SUPPLIER CODE: V81349 ELECTRICAL EQUIP NUMBER: D14008 POST SERVICE BULLETIN: 24-1180	037037 039040	1

MISSING ITEM NUMBERS NOT APPLICABLE

- ITEM NOT ILLUSTRATED

HAP

25-29-11-03

25-29-11
FIG. 03
PAGE 3
FEB 15/09


BOEING
 737-600/700/800/900
PARTS CATALOG (MAINTENANCE)

FIG ITEM	PART NUMBER	1 2 3 4 5 6 7	NOMENCLATURE	EFFECT FROM TO	UNITS PER ASSY
3 620	557T386NF131		.CLAMP- SUPPLIER CODE: V77171 POST SERVICE BULLETIN: 24-1180	037037 039040	1
- 625	DE51224-1		.LOCK- SUPPLIER CODE: VORY29 POST SERVICE BULLETIN: 24-1180	037037 039040	2

MISSING ITEM NUMBERS NOT APPLICABLE

- ITEM NOT ILLUSTRATED

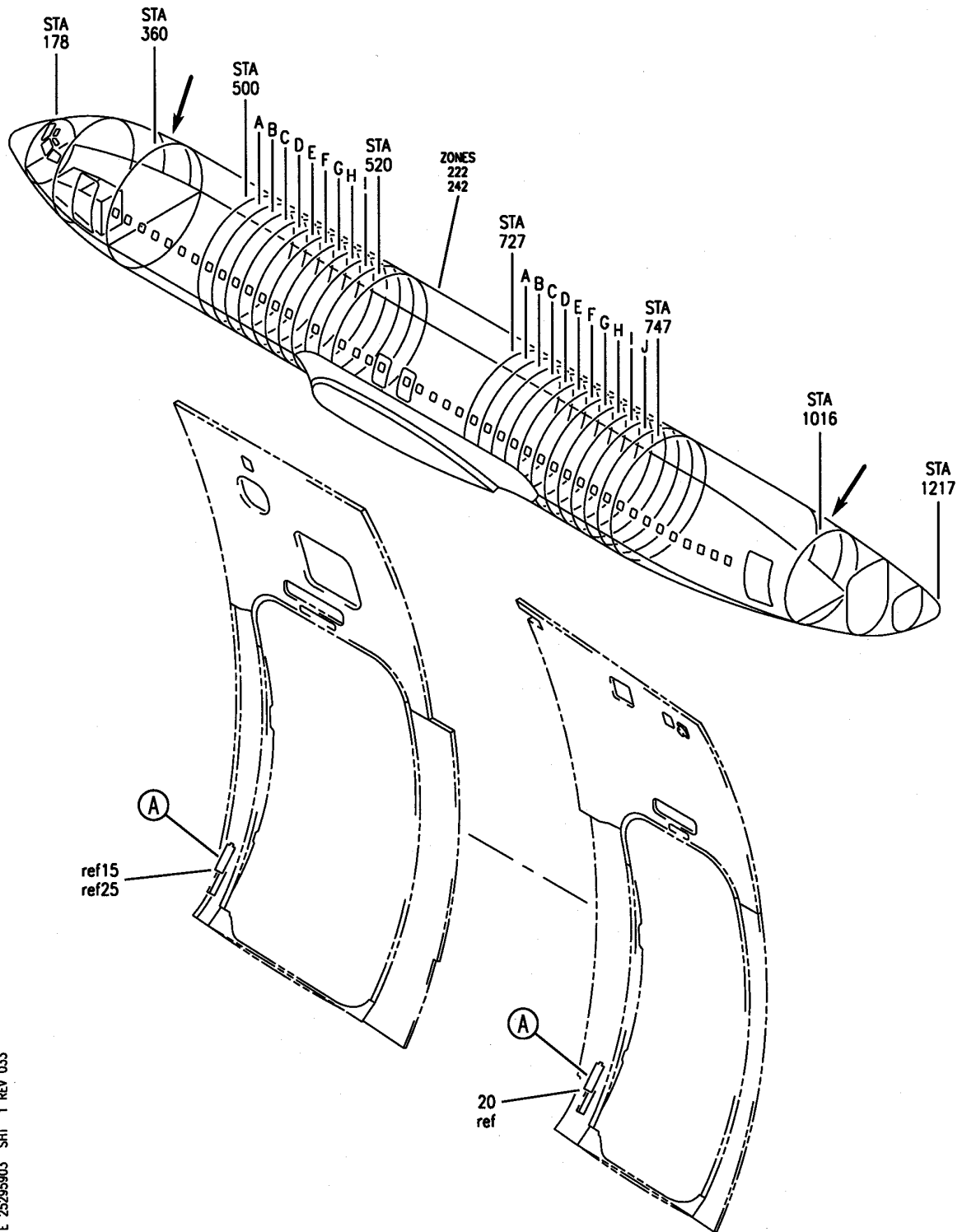
HAP

25-29-11-03

BOEING PROPRIETARY - Copyright © - Unpublished Work - See title page for details.

25-29-11
 FIG. 03
 PAGE 4
 FEB 15/09

BOEING
 737-600/700/800/900
 PARTS CATALOG (MAINTENANCE)



E 25295903 SH1 1 REV 033

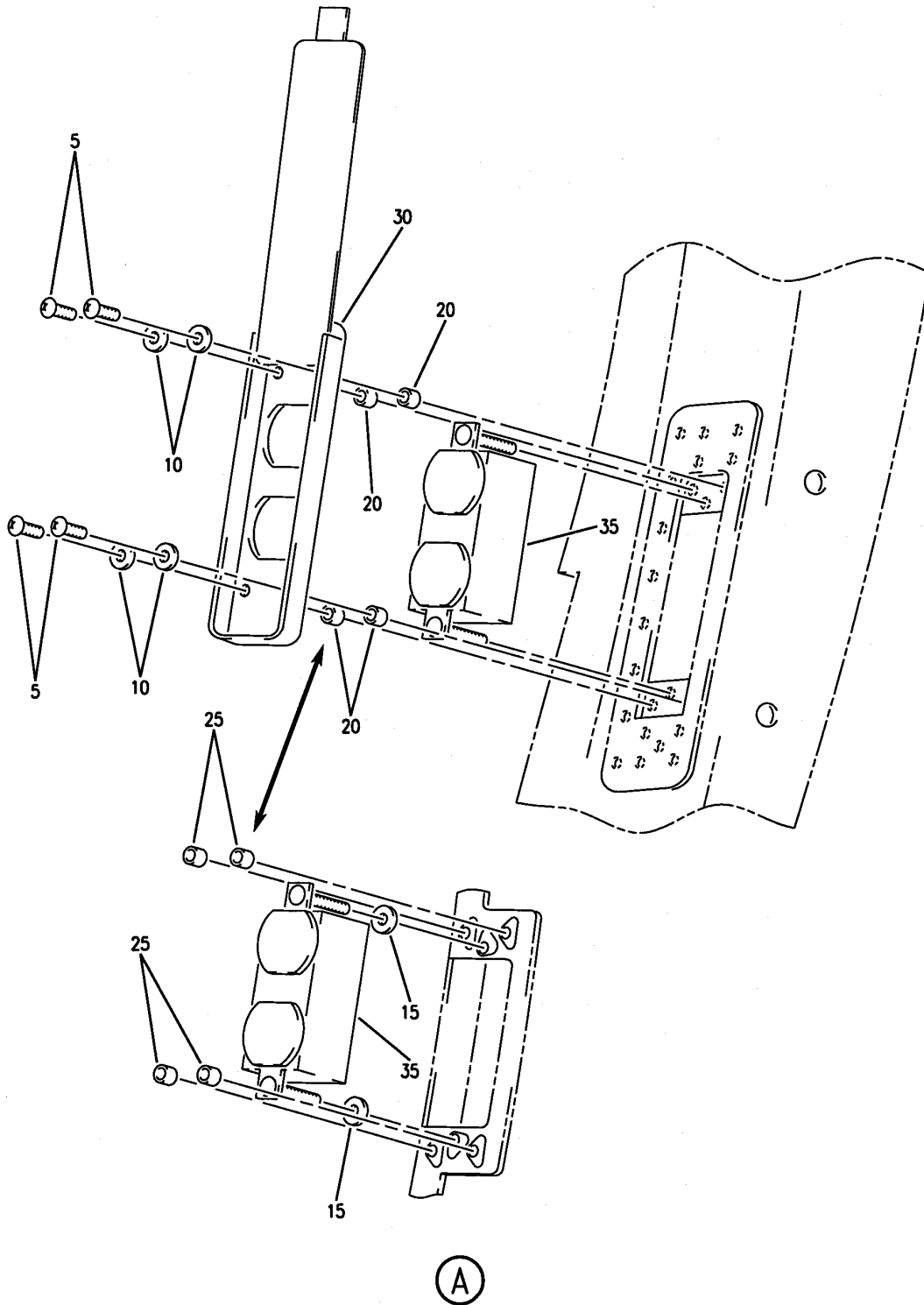
EQUIPMENT INSTL-FWD AND AFT RH DOORWAY MISC (EQUIPMENT/FURNISHINGS ONLY)
 FIGURE 3 (SHEET 1)

25-29-59-03

HAP
 OCT 10/06

25-29-59-03
 PAGE 0

BOEING
 737-600/700/800/900
 PARTS CATALOG (MAINTENANCE)



E 25295903 SHT 2 REV 033

EQUIPMENT INSTL-FWD AND AFT RH DOORWAY MISC (EQUIPMENT/FURNISHINGS ONLY)
 FIGURE 3 (SHEET 2)

25-29-59-03

HAP
 OCT 10/06

25-29-59-03
 PAGE 0A

BOEING
737-600/700/800/900
PARTS CATALOG (MAINTENANCE)

FIG ITEM	PART NUMBER	1 2 3 4 5 6 7	NOMENCLATURE	EFFECT FROM TO	UNITS PER ASSY
3			EQUIPMENT INSTL-FWD AND AFT RH DOORWAY MISC (EQUIPMENT/FURNISHINGS ONLY)	012200 968999	
- 1	411A2600-2		EQUIPMENT INSTL-MISC (EQUIPMENT/FURNISHINGS ONLY) POSITION DATA: FWD AND AFT RH DOORWAY FOR NHA/OTHER SYS DET SEE: 25-29-00-01B	012027	RF
- 1	411A2600-6		EQUIPMENT INSTL-MISC (EQUIPMENT/FURNISHINGS ONLY) POSITION DATA: FWD AND AFT RH DOORWAY FOR NHA/OTHER SYS DET SEE: 25-29-00-01B	028030	RF
- 1	MODREF90196		EQUIPMENT INSTL-MISC (EQUIPMENT/FURNISHINGS ONLY) MODULE NUMBER: 411A2600-6 REV A POSITION DATA: FWD AND AFT RH DOORWAY FOR OTHER SYS DETAILS SEE: 11-32-01-60	031036	1
- 1	MODREF305332		EQUIPMENT INSTL-MISC (EQUIPMENT/FURNISHINGS ONLY) MODULE NUMBER: 411A2600-6 REV B POSITION DATA: FWD AND AFT RH DOORWAY FOR OTHER SYS DETAILS SEE: 11-32-01-60	037038 968969	1
- 1	MODREF333816		EQUIPMENT INSTL-MISC (EQUIPMENT/FURNISHINGS ONLY) MODULE NUMBER: 411A2600-6 REV C POSITION DATA: FWD AND AFT RH DOORWAY FOR OTHER SYS DETAILS SEE: 11-32-01-60	039200 970999	1
5	NAS8201A9		.SCREW	012200 968999	8
10	BACW10P182AL		.WASHER	012200 968999	8

MISSING ITEM NUMBERS NOT APPLICABLE

- ITEM NOT ILLUSTRATED

HAP

25-29-59-03

BOEING PROPRIETARY - Copyright © - Unpublished Work - See title page for details.

25-29-59
FIG. 03
PAGE 1
OCT 15/08

BOEING
737-600/700/800/900
PARTS CATALOG (MAINTENANCE)

FIG ITEM	PART NUMBER	1 2 3 4 5 6 7	NOMENCLATURE	EFFECT FROM TO	UNITS PER ASSY
3					
15	BACW10P75AL		.WASHER- POSITION DATA: FWD RH DOORWAY	012200 968999	2
20	NAS43HT1-8		.SPACER- POSITION DATA: AFT RH DOORWAY	012200 968999	4
25	NAS1057T1-018		.SPACER- POSITION DATA: FWD RH DOORWAY	012200 968999	4
30	SAM214-15		.HOUSING- SUPPLIER CODE: V31845 QUALIFIED I/W DATA: P/N SAM214-22 TOGETHER WITH PLACARD, P/N BAC29PPS49021 REPLACES, ONE-WAY P/N SAM214-15 AND P/N BAC29PPS31666	012027	2
30	SAM214-22		.HOUSING- SUPPLIER CODE: V31845 QUALIFIED I/W DATA: P/N SAM214-22 TOGETHER WITH PLACARD, P/N BAC29PPS49021 REPLACES, ONE-WAY P/N SAM214-15 AND P/N BAC29PPS31666	028200 968999	2
35	CR015I		.OUTLET- SUPPLIER CODE: V74545 OPTIONAL PART: CR020I V74545	012200 968999	2
35	CR020I		.OUTLET- SUPPLIER CODE: V74545 OPTIONAL PART: CR015I V74545	039200 970999	2

MISSING ITEM NUMBERS NOT APPLICABLE

— ITEM NOT ILLUSTRATED

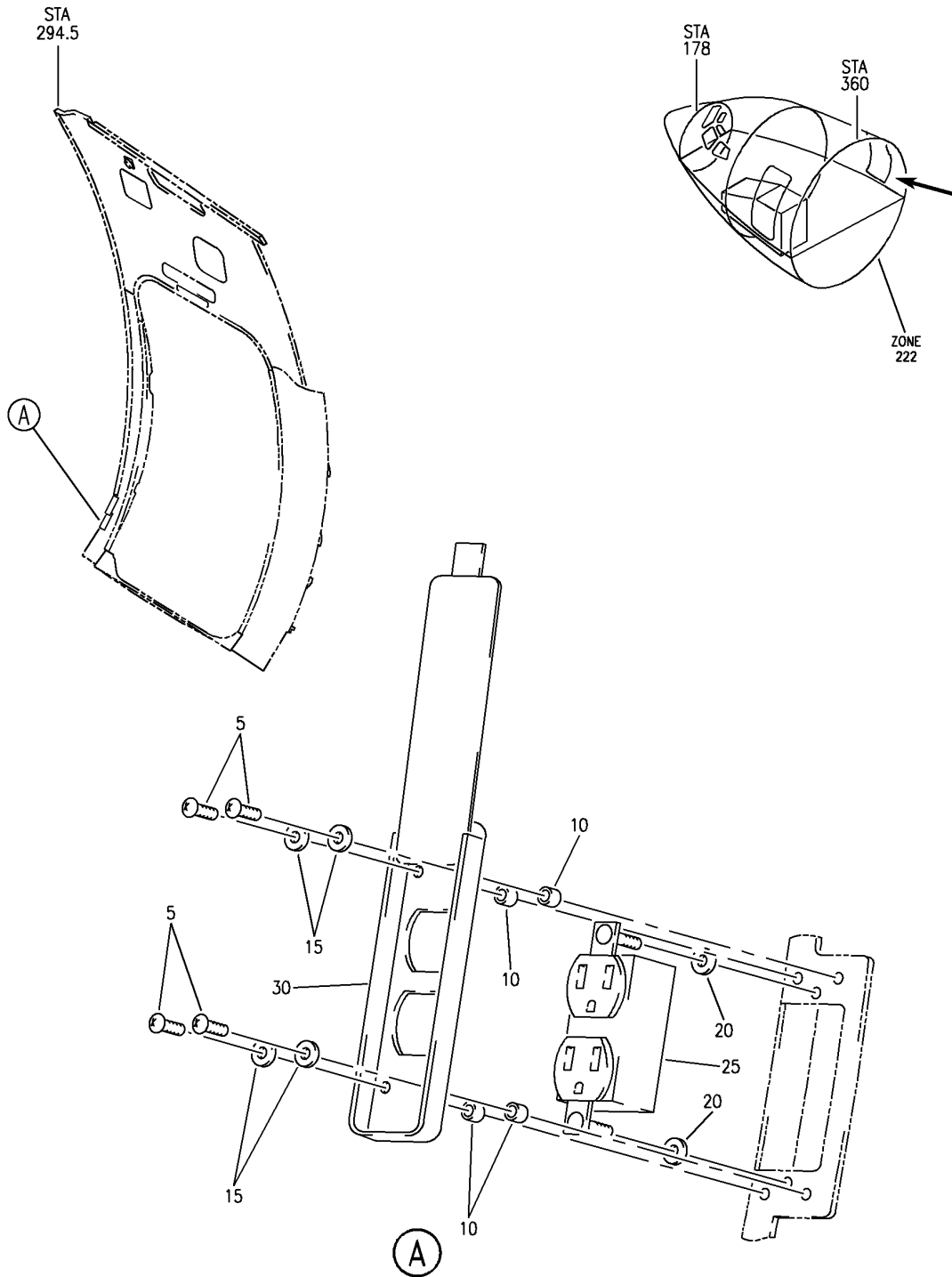
HAP

25-29-59-03

BOEING PROPRIETARY - Copyright © - Unpublished Work - See title page for details.

25-29-59
FIG. 03
PAGE 2
OCT 15/08

BOEING
 737-600/700/800/900
 PARTS CATALOG (MAINTENANCE)



E 25295913 REV 125

LINING INSTL-FWD RH DOORWAY (PASSENGER AND CABIN ATTENDANT ACCOMMODATIONS ONLY)
 FIGURE 13

25-29-59-13

HAP
 FEB 10/07

25-29-59-13
 PAGE 0

BOEING
737-600/700/800/900
PARTS CATALOG (MAINTENANCE)

FIG ITEM	PART NUMBER	1 2 3 4 5 6 7	NOMENCLATURE	EFFECT FROM TO	UNITS PER ASSY
13			LINING INSTL-FWD RH DOORWAY (PASSENGER AND CABIN ATTENDANT ACCOMMODATIONS ONLY)	001011 201967	
- 1	411A2202-5SP		LINING INSTL-DOORWAY (PASSENGER AND CABIN ATTENDANT ACCOMMODATIONS ONLY) POSITION DATA: FWD RH FOR NHA/OTHER SYS DET SEE: 25-21-00-01D	001001 006007	RF
- 1	411A2202-10SP		LINING INSTL-DOORWAY (PASSENGER AND CABIN ATTENDANT ACCOMMODATIONS ONLY) POSITION DATA: FWD RH FOR NHA/OTHER SYS DET SEE: 25-21-00-01A 25-21-00-01D	002005 008011 201967	RF
5	NAS8201A9		.SCREW	001011 201967	4
10	NAS1057T1-018		.SPACER	001011 201967	4
15	BACW10P182AL		.WASHER	001011 201967	4
20	BACW10P75AL		.WASHER	001011 201967	2
25	CRO20I		.OUTLET- SUPPLIER CODE: V74545	001011 201967	1
30	SAM214-15		.HOUSING- SUPPLIER CODE: V31845	001011 201967	1

MISSING ITEM NUMBERS NOT APPLICABLE

- ITEM NOT ILLUSTRATED

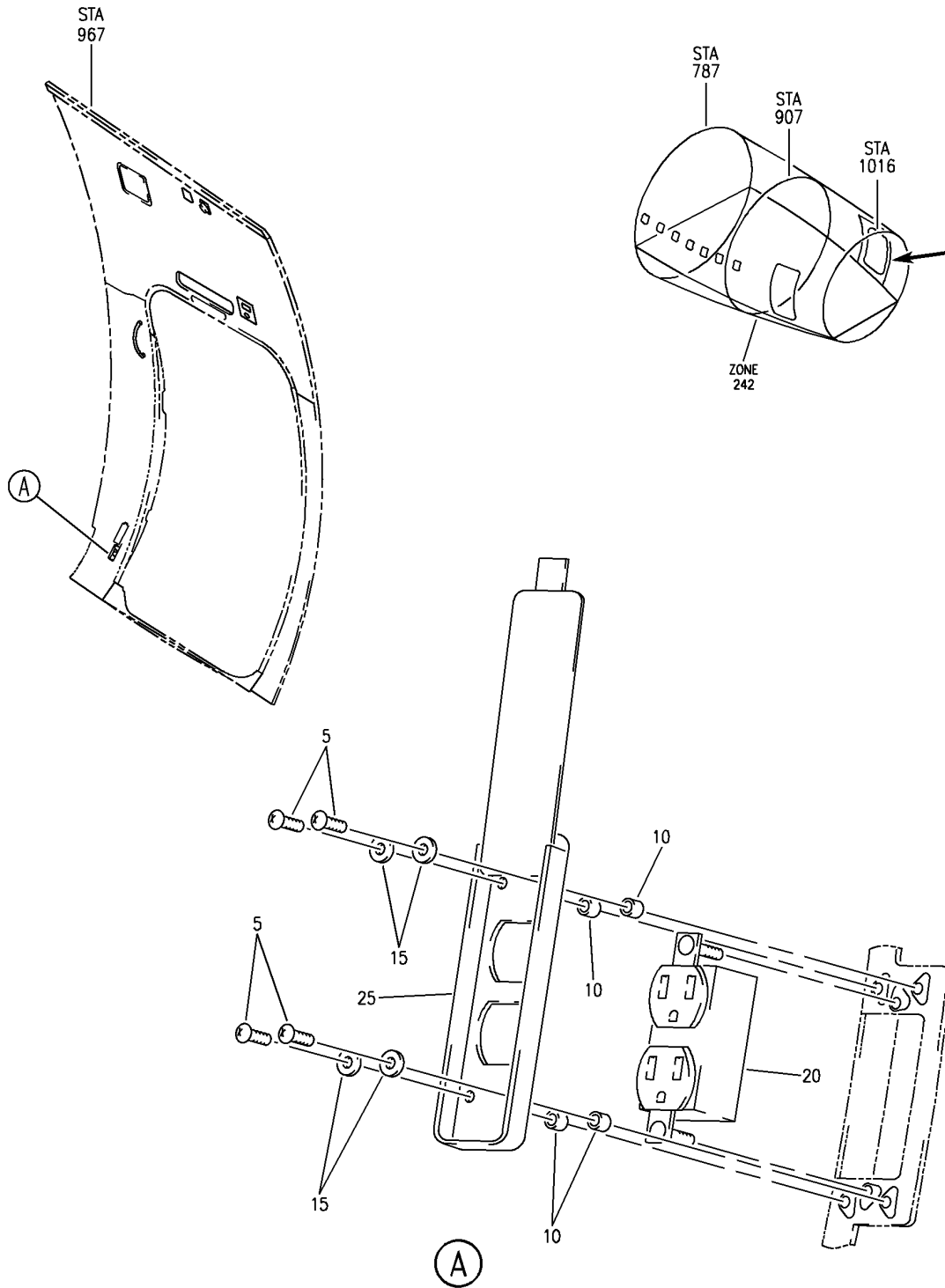
HAP

25-29-59-13

BOEING PROPRIETARY - Copyright © - Unpublished Work - See title page for details.

25-29-59
FIG. 13
PAGE 1
OCT 15/08

BOEING
737-600/700/800/900
PARTS CATALOG (MAINTENANCE)



E 252959-32 REV 124

LINING INSTL-AFT RH DOORWAY (ELECTRICAL POWER ONLY)
FIGURE 32

25-29-59-32

HAP
FEB 10/07

25-29-59-32
PAGE 0

BOEING
737-600/700/800/900
PARTS CATALOG (MAINTENANCE)

FIG ITEM	PART NUMBER	1 2 3 4 5 6 7	NOMENCLATURE	EFFECT FROM TO	UNITS PER ASSY
32			LINING INSTL-AFT RH DOORWAY (ELECTRICAL POWER ONLY)	001011 201967	
- 1	411A2204-4SP		LINING INSTL-DOORWAY (ELECTRICAL POWER ONLY) POSITION DATA: AFT RH FOR NHA/OTHER SYS DET SEE: 25-21-00-01A 25-21-00-01D	001011 201967	RF
	5 NAS8201A9		.SCREW	001011 201967	4
	10 NAS43HT1-8		.SPACER- OPTIONAL PART: NAS1057T1-012	001011 201967	4
	10 NAS1057T1-012		.SPACER- OPTIONAL PART: NAS43HT1-8	001011 201967	4
	15 BACW10P182AL		.WASHER	001011 201967	4
	20 CRO20I		.OUTLET- SUPPLIER CODE: V74545	001011 201967	1
	25 SAM214-15		.HOUSING- SUPPLIER CODE: V31845	001011 201967	1

MISSING ITEM NUMBERS NOT APPLICABLE

- ITEM NOT ILLUSTRATED

HAP

25-29-59-32

BOEING PROPRIETARY - Copyright © - Unpublished Work - See title page for details.

25-29-59
FIG. 32
PAGE 1
OCT 15/08