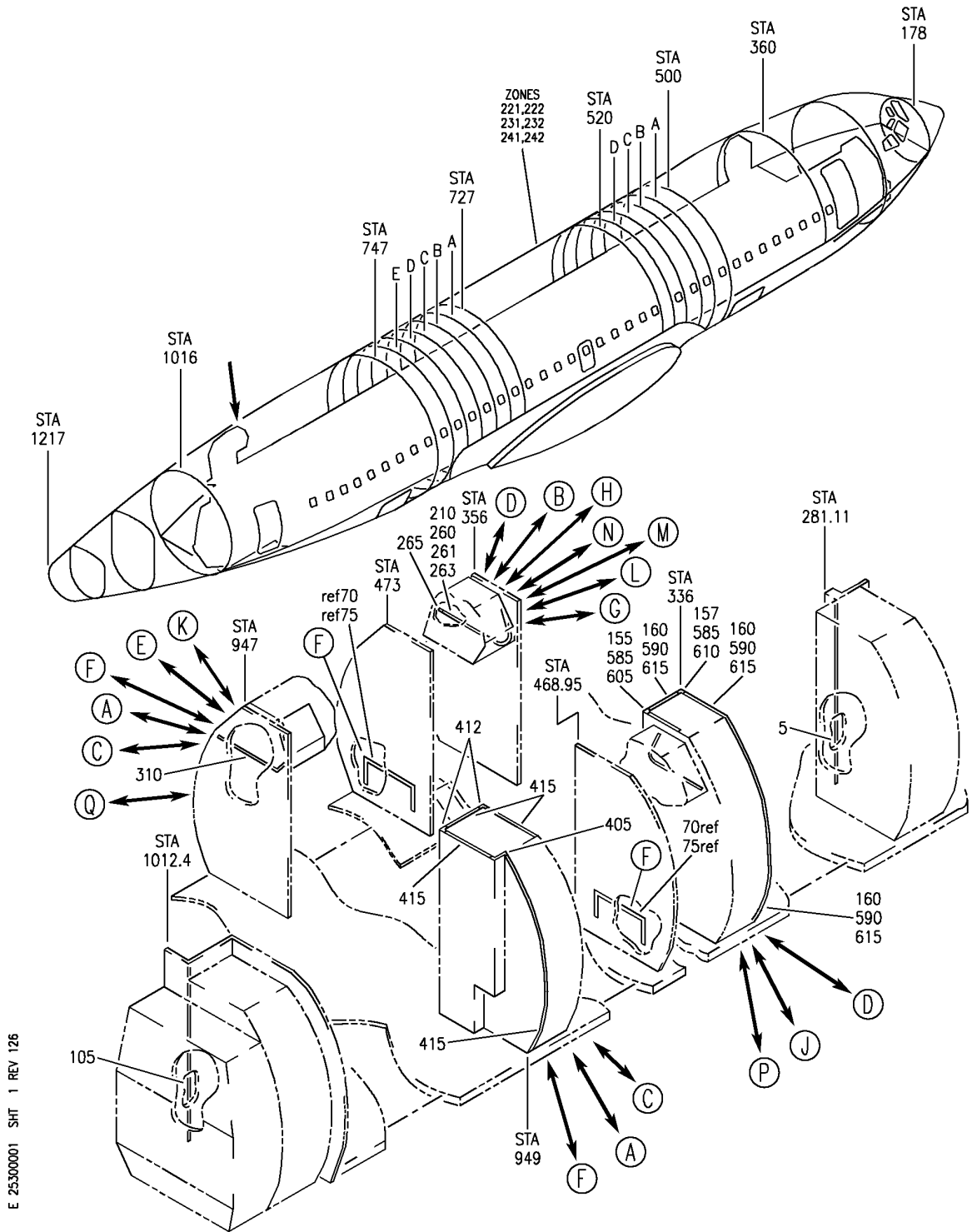


## BUFFET/GALLEY

HAP  
OCT 10/06

25-30-00  
SECTION TITLE  
PAGE 1

**BOEING**  
 737-600/700/800/900  
 PARTS CATALOG (MAINTENANCE)



E 25300001 SHT 1 REV 126

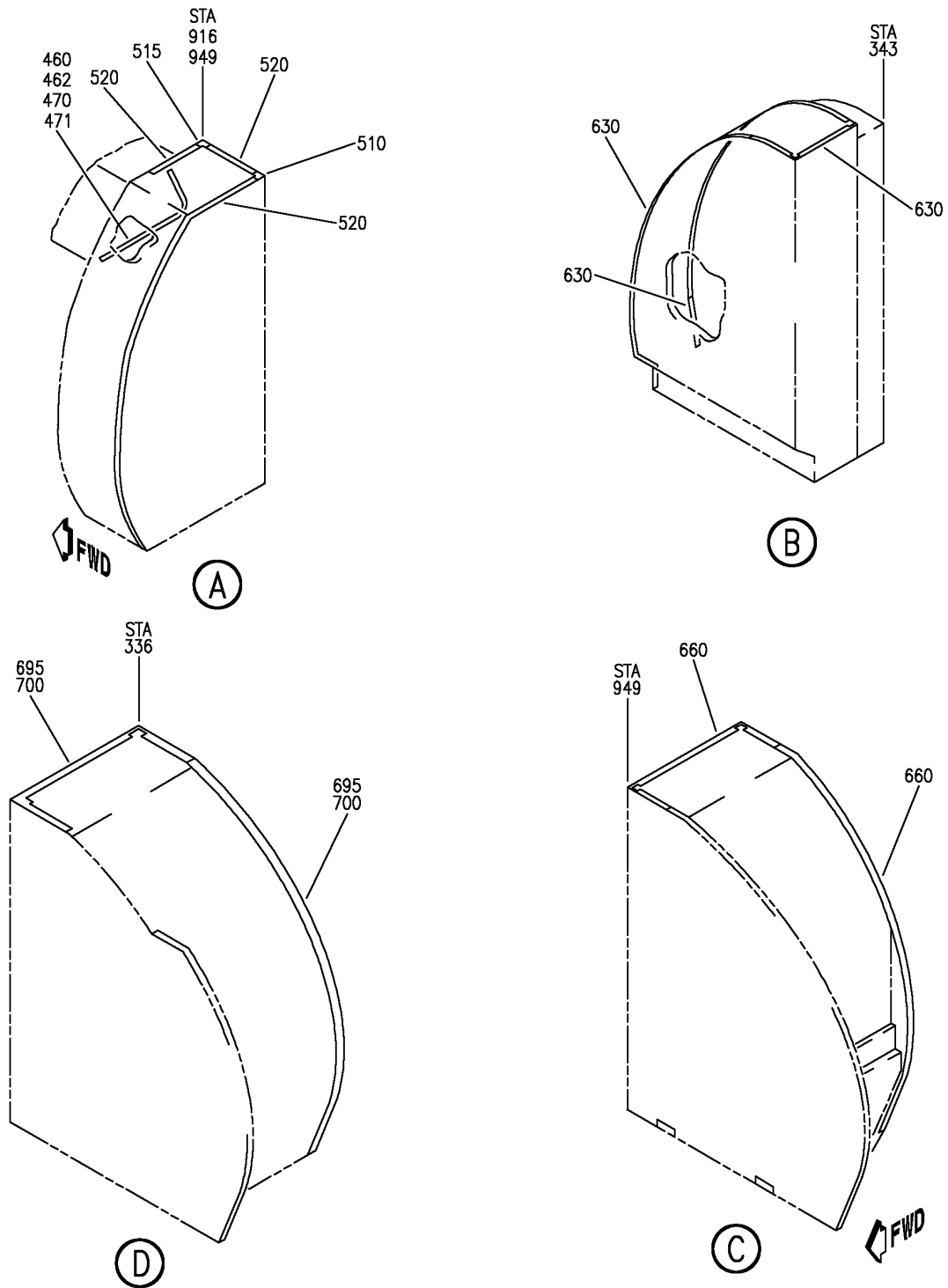
SEAL INSTL  
 FIGURE 1 (SHEET 1)

**25-30-00-01**

HAP  
 FEB 10/07

25-30-00-01  
 PAGE 0

**BOEING**  
 737-600/700/800/900  
 PARTS CATALOG (MAINTENANCE)



E 25300001 SHT 2 REV 155

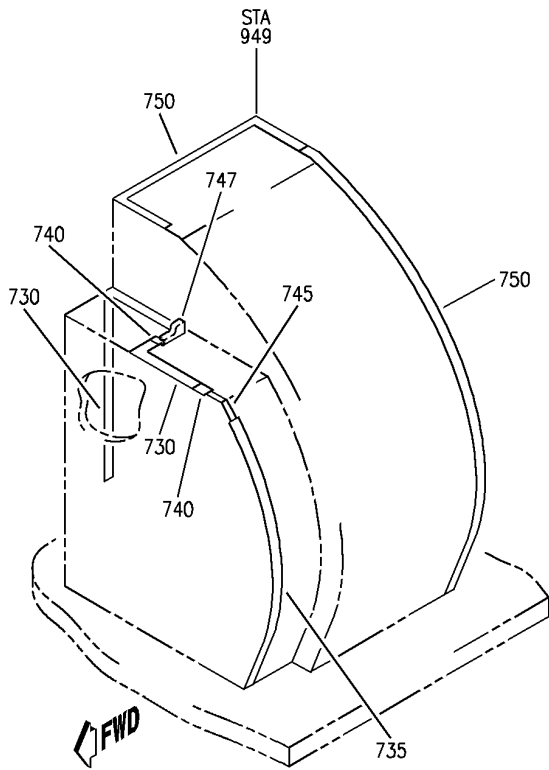
SEAL INSTL  
 FIGURE 1 (SHEET 2)

**25-30-00-01**

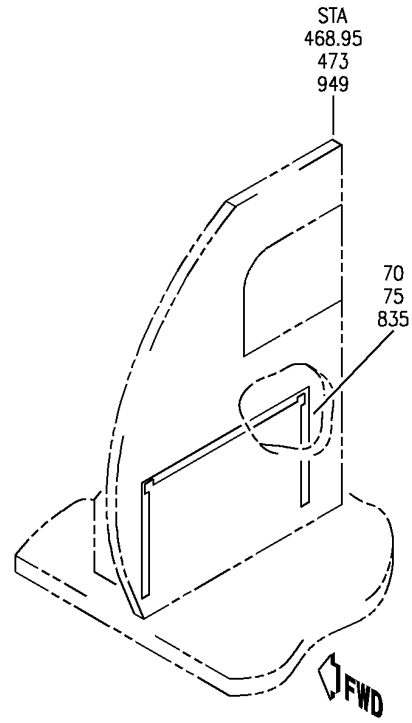
HAP  
 JUN 15/09

25-30-00-01  
 PAGE 0A

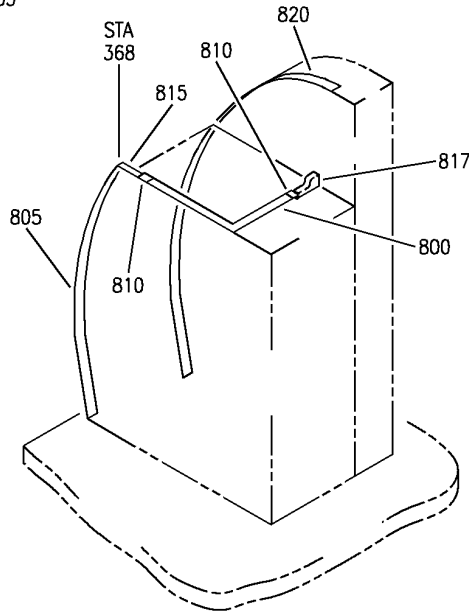
**BOEING**  
 737-600/700/800/900  
 PARTS CATALOG (MAINTENANCE)



(E)



(F)



(G)

E 25300001 SHT 3 REV 124

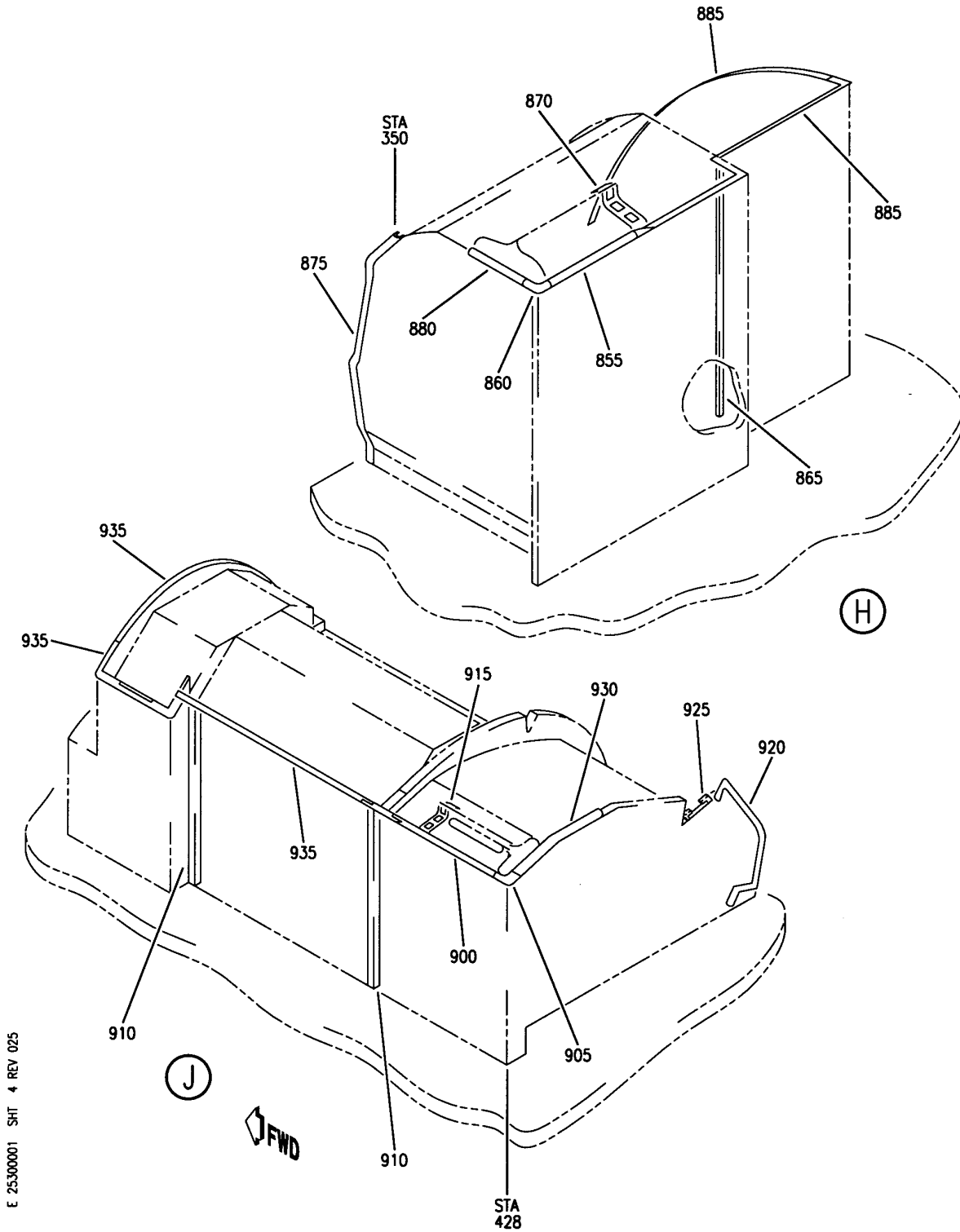
SEAL INSTL  
 FIGURE 1 (SHEET 3)

**25-30-00-01**

HAP  
 FEB 10/07

25-30-00-01  
 PAGE 0B

**BOEING**  
 737-600/700/800/900  
 PARTS CATALOG (MAINTENANCE)



E 25300001 SHT 4 REV 025

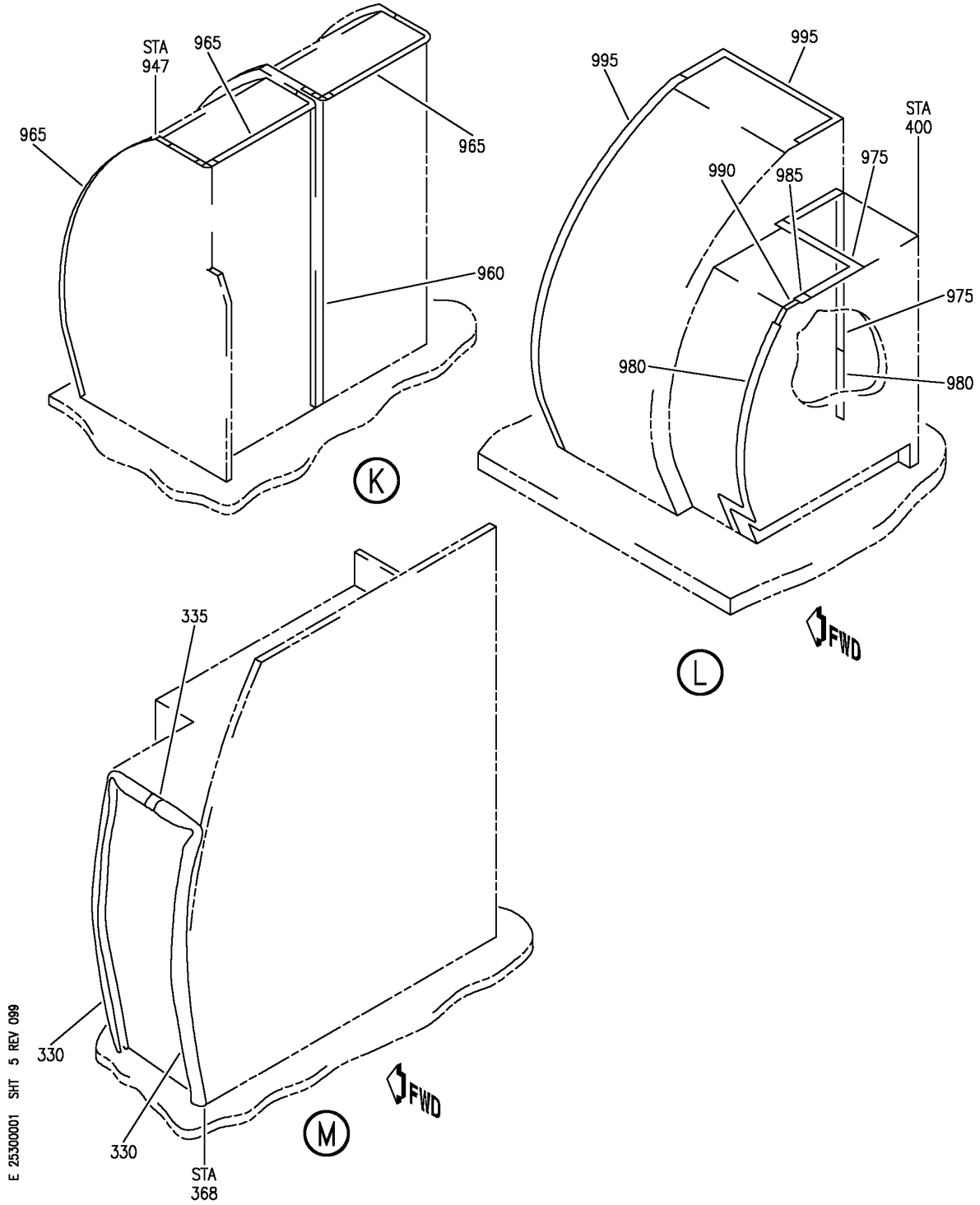
SEAL INSTL  
 FIGURE 1 (SHEET 4)

**25-30-00-01**

HAP  
 OCT 10/06

25-30-00-01  
 PAGE 0C

**BOEING**  
 737-600/700/800/900  
 PARTS CATALOG (MAINTENANCE)



E 25300001 SHT 5 REV 099

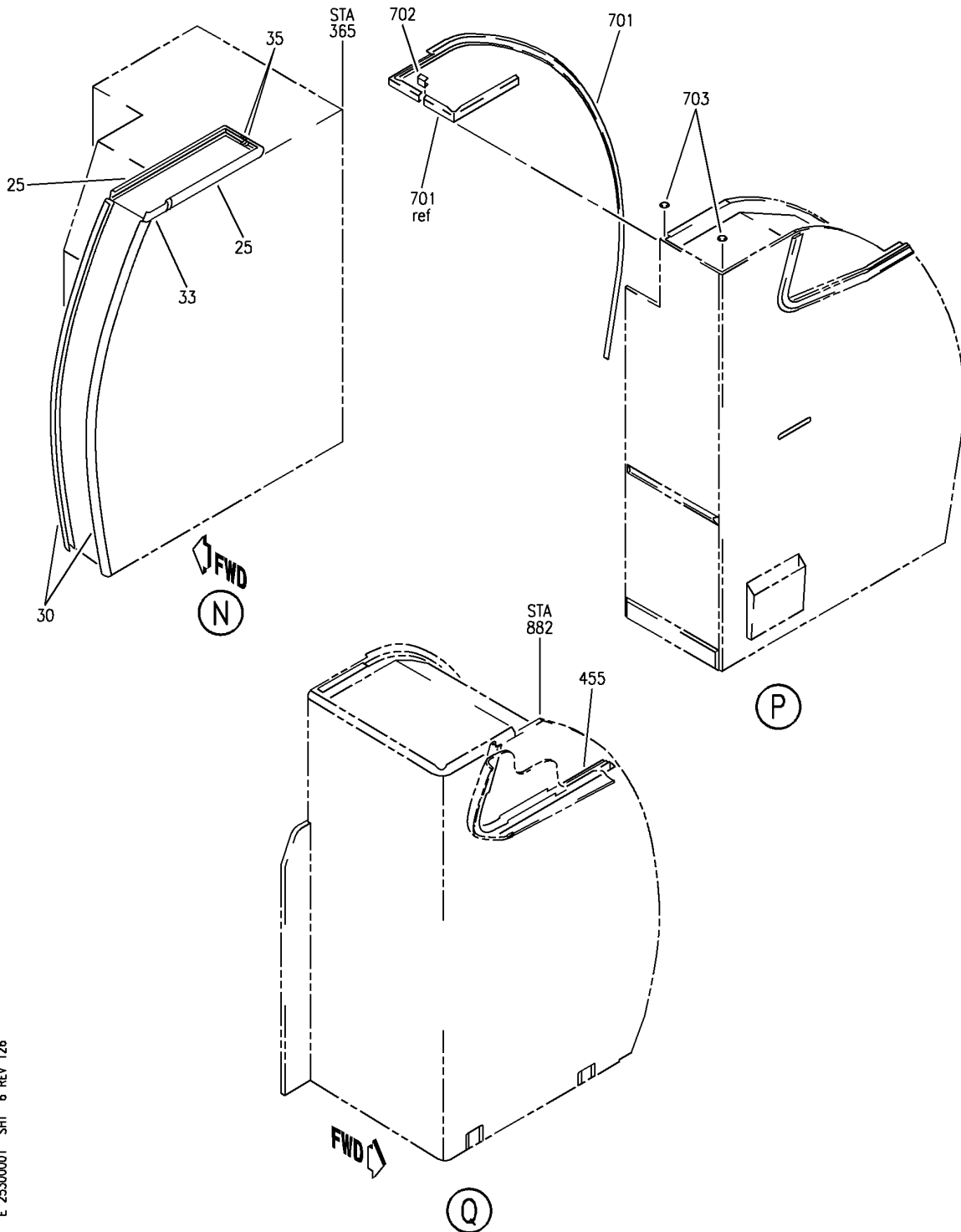
SEAL INSTL  
 FIGURE 1 (SHEET 5)

**25-30-00-01**

HAP  
 OCT 10/06

25-30-00-01  
 PAGE 00

**BOEING**  
 737-600/700/800/900  
 PARTS CATALOG (MAINTENANCE)



E 25300001 SHT 6 REV 126

SEAL INSTL  
 FIGURE 1 (SHEET 6)

**25-30-00-01**

HAP  
 FEB 10/07

25-30-00-01  
 PAGE 0E

**BOEING**  
737-600/700/800/900  
PARTS CATALOG (MAINTENANCE)

| FIG ITEM | PART NUMBER  | 1 2 3 4 5 6 7 | NOMENCLATURE  | EFFECT FROM TO   | UNITS PER ASSY |
|----------|--------------|---------------|---|------------------|----------------|
| 1        |              |               | SEAL INSTL  | 001028<br>201967 |                |
| - 1      | 403A3100-1A  |               | SEAL INSTL-DOOR POST<br>FOR NHA SEE:<br>25-20-00-03B  | 001007           | RF             |
| 5        | 415U9010-16A |               | .EXTRUSION-   | 001007           | AR             |
| - 250    | 403A3100-9A  |               | SEAL INSTL-BHD TO STOWBIN<br>POSITION DATA:<br>FWD LH<br>FOR NHA SEE:<br>25-20-00-03A<br>25-20-00-03B       | 001007<br>201967 | RF             |
| - 255    | 403A3100-10A |               | SEAL INSTL-BHD TO STOWBIN<br>POSITION DATA:<br>FWD RH<br>FOR NHA SEE:<br>25-20-00-03A<br>25-20-00-03B       | 001007<br>201967 | RF             |
| 260      | 403A3110-3A  |               | .SEAL ASSY-<br>OPTIONAL PART:<br>403A3110-1A<br>403A3110-2A<br>403A3110-4A                                  | 001007<br>201967 | 1              |
| 260      | 403A3110-1A  |               | .SEAL ASSY-<br>STOWBIN ENDCAP TO<br>MONUMENT<br>OPTIONAL PART:<br>403A3110-2A<br>403A3110-3A<br>403A3110-4A | 001007<br>201967 | 1              |
| 260      | 403A3110-2A  |               | .SEAL ASSY-<br>STOWBIN ENDCAP TO<br>MONUMENT<br>OPTIONAL PART:<br>403A3110-1A<br>403A3110-3A<br>403A3110-4A | 001007<br>201967 | 1              |
| 260      | 403A3110-4A  |               | .SEAL ASSY-<br>STOWBIN ENDCAP TO<br>MONUMENT<br>OPTIONAL PART:<br>403A3110-1A<br>403A3110-2A<br>403A3110-3A | 001007<br>201967 | 1              |

MISSING ITEM NUMBERS NOT APPLICABLE

- ITEM NOT ILLUSTRATED

HAP

# 25-30-00-01

BOEING PROPRIETARY - Copyright © - Unpublished Work - See title page for details.

25-30-00  
FIG. 01  
PAGE 1  
OCT 15/08



**BOEING**  
737-600/700/800/900  
PARTS CATALOG (MAINTENANCE)

| FIG ITEM   | PART NUMBER  | 1 2 3 4 5 6 7 | NOMENCLATURE  | EFFECT FROM TO   | UNITS PER ASSY |
|------------|--------------|---------------|---|------------------|----------------|
| 1<br>- 450 | 403A3100-11A |               | SEAL INSTL-STOWBIN ENDCAP TO MONUMENT<br>POSITION DATA:<br>AFT LH<br>FOR NHA SEE:<br>25-20-00-03A<br>25-20-00-03B   | 001028<br>201967 | RF             |
| 460        | 403A3110-4A  |               | .SEAL ASSY-STOWBIN ENDCAP TO MONUMENT<br>POSITION DATA:<br>STA 916, AFT LH<br>OPTIONAL PART:<br>403A3110-1A<br>403A3110-2A<br>403A3110-3A<br>403A3110-65B | 001028<br>201967 | 1              |
| 460        | 403A3110-1A  |               | .SEAL ASSY-STOWBIN ENDCAP TO MONUMENT<br>POSITION DATA:<br>STA 916, AFT LH<br>OPTIONAL PART:<br>403A3110-2A<br>403A3110-3A<br>403A3110-4A<br>403A3110-65B | 001028<br>201967 | 1              |
| 460        | 403A3110-2A  |               | .SEAL ASSY-STOWBIN ENDCAP TO MONUMENT<br>POSITION DATA:<br>STA 916, AFT LH<br>OPTIONAL PART:<br>403A3110-1A<br>403A3110-3A<br>403A3110-4A<br>403A3110-65B | 001028<br>201967 | 1              |
| 460        | 403A3110-3A  |               | .SEAL ASSY-STOWBIN ENDCAP TO MONUMENT<br>POSITION DATA:<br>STA 916, AFT LH<br>OPTIONAL PART:<br>403A3110-1A<br>403A3110-2A<br>403A3110-4A<br>403A3110-65B | 001028<br>201967 | 1              |

MISSING ITEM NUMBERS NOT APPLICABLE

- ITEM NOT ILLUSTRATED

HAP

# 25-30-00-01

BOEING PROPRIETARY - Copyright © - Unpublished Work - See title page for details.

25-30-00  
FIG. 01  
PAGE 2  
OCT 15/08

**BOEING**  
737-600/700/800/900  
PARTS CATALOG (MAINTENANCE)

| FIG ITEM | PART NUMBER  | 1 2 3 4 5 6 7 | NOMENCLATURE   | EFFECT FROM TO   | UNITS PER ASSY |
|----------|--------------|---------------|--|------------------|----------------|
| 1<br>460 | 403A3110-65B |               | .SEAL-<br>STOWBIN ENDCAP TO<br>MONUMENT<br>POSITION DATA:<br>STA 916, AFT LH<br>OPTIONAL PART:<br>403A3110-1A<br>403A3110-2A<br>403A3110-3A<br>403A3110-4A | 001028<br>201967 | 1              |
| - 465    | 403A3100-12A |               | SEAL INSTL-STOWBIN ENDCAP<br>TO MONUMENT<br>POSITION DATA:<br>AFT RH<br>FOR NHA SEE:<br>25-20-00-03A<br>25-20-00-03B                                       | 001028<br>201967 | RF             |
| 470      | 403A3110-4A  |               | .SEAL ASSY-<br>STOWBIN ENDCAP TO<br>MONUMENT<br>POSITION DATA:<br>AFT LH<br>OPTIONAL PART:<br>403A3110-1A<br>403A3110-2A<br>403A3110-3A<br>403A3110-65B    | 001028<br>201967 | 1              |
| 470      | 403A3110-1A  |               | .SEAL ASSY-<br>STOWBIN ENDCAP TO<br>MONUMENT<br>OPTIONAL PART:<br>403A3110-2A<br>403A3110-3A<br>403A3110-4A<br>403A3110-65B                                | 001028<br>201967 | 1              |
| 470      | 403A3110-2A  |               | .SEAL ASSY-<br>STOWBIN ENDCAP TO<br>MONUMENT<br>OPTIONAL PART:<br>403A3110-1A<br>403A3110-3A<br>403A3110-4A<br>403A3110-65B                                | 001028<br>201967 | 1              |

MISSING ITEM NUMBERS NOT APPLICABLE

- ITEM NOT ILLUSTRATED

HAP

# 25-30-00-01

BOEING PROPRIETARY - Copyright © - Unpublished Work - See title page for details.

25-30-00  
FIG. 01  
PAGE 3  
OCT 15/08

**BOEING**  
737-600/700/800/900  
PARTS CATALOG (MAINTENANCE)

| FIG<br>ITEM | PART NUMBER  | 1 2 3 4 5 6 7 | NOMENCLATURE  | EFFECT<br>FROM TO | UNITS<br>PER<br>ASSY |
|-------------|--------------|---------------|---|-------------------|----------------------|
| 1<br>470    | 403A3110-3A  |               | .SEAL ASSY-<br>STOWBIN ENDCAP TO<br>MONUMENT<br>POSITION DATA:<br>AFT LH<br>OPTIONAL PART:<br>403A3110-1A<br>403A3110-2A<br>403A3110-4A<br>403A3110-65B | 001028<br>201967  | 1                    |
| 470         | 403A3110-65B |               | .SEAL-<br>STOWBIN ENDCAP TO<br>MONUMENT<br>POSITION DATA:<br>AFT LH<br>OPTIONAL PART:<br>403A3110-1A<br>403A3110-2A<br>403A3110-3A<br>403A3110-4A       | 001028<br>201967  | 1                    |
| - 650       | 403A3100-27B |               | SEAL INSTL-<br>POSITION DATA:<br>AFT LH<br>FOR NHA SEE:<br>25-20-00-03B   | 001007            | RF                   |
| - 655       | 403A3100-28B |               | SEAL INSTL-<br>POSITION DATA:<br>AFT RH<br>FOR NHA SEE:<br>25-20-00-03B   | 001007            | RF                   |
| 660         | 415U9010-17B |               | .EXTRUSION-   | 001007            | 2                    |
| - 690       | 403A3100-30B |               | SEAL INSTL-<br>POSITION DATA:<br>FWD RH<br>FOR NHA SEE:<br>25-20-00-03B   | 001007            | RF                   |
| 700         | 415U9010-17B |               | .EXTRUSION-<br>PRE SERVICE BULLETIN:<br>25-1542   | 001007            | 2                    |

MISSING ITEM NUMBERS NOT APPLICABLE

- ITEM NOT ILLUSTRATED

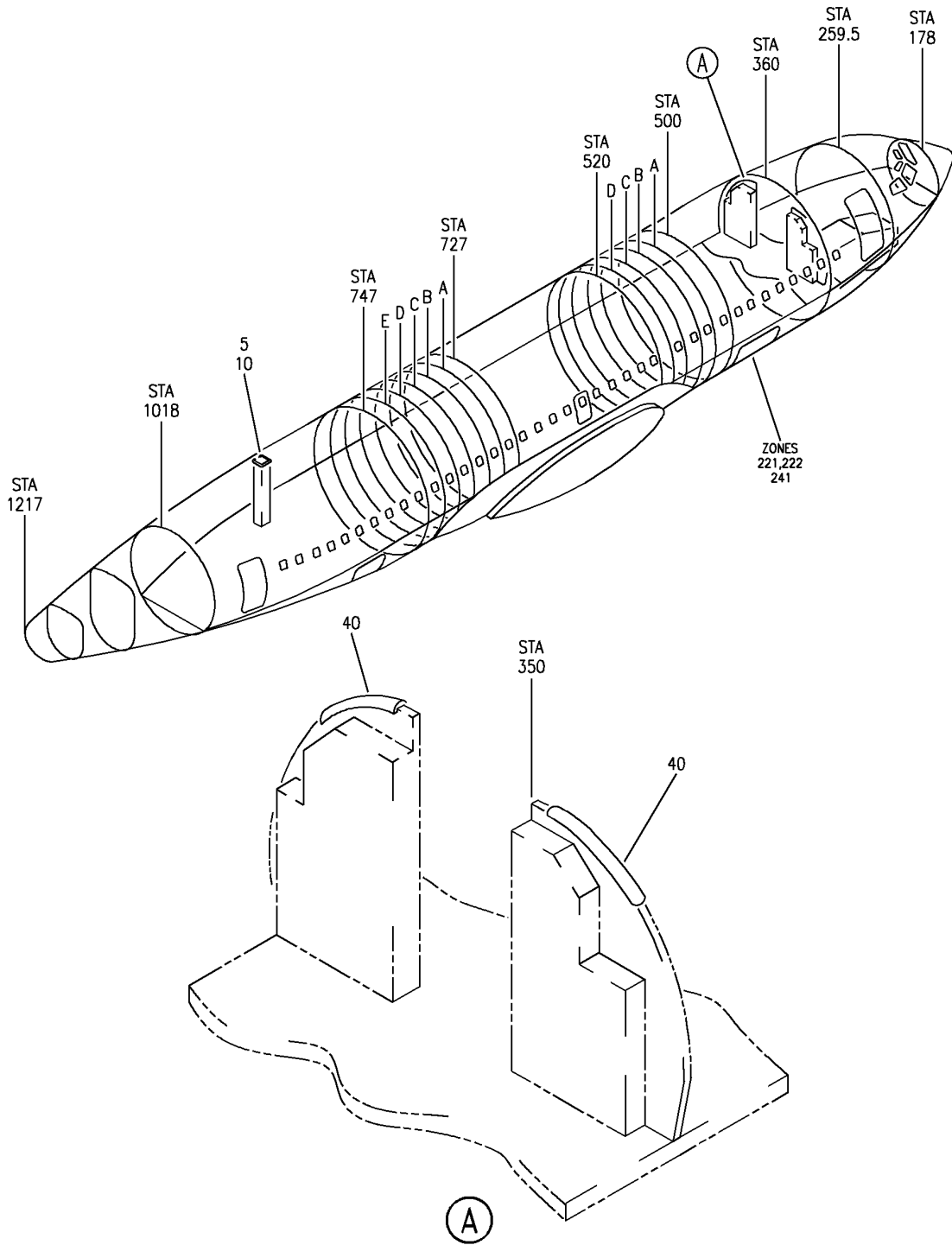
HAP

# 25-30-00-01

BOEING PROPRIETARY - Copyright © - Unpublished Work - See title page for details.

25-30-00  
FIG. 01  
PAGE 4  
OCT 15/08

**BOEING**  
 737-600/700/800/900  
 PARTS CATALOG (MAINTENANCE)



E 25300001A REV 126

SEAL INSTL  
 FIGURE 1A

**25-30-00-01A**

HAP  
 FEB 10/07

25-30-00-01A  
 PAGE 0

**BOEING**  
737-600/700/800/900  
PARTS CATALOG (MAINTENANCE)

| FIG ITEM | PART NUMBER    | 1 2 3 4 5 6 7 | NOMENCLATURE  | EFFECT FROM TO   | UNITS PER ASSY |
|----------|----------------|---------------|---|------------------|----------------|
| 1 A      |                |               | SEAL INSTL  | 001200<br>968999 |                |
| - 1      | 403A3100-35B   |               | SEAL INSTL-CLOSEOUT<br>MONUMENT<br>POSITION DATA:<br>AFT,LH<br>FOR NHA SEE:<br>25-20-00-03B   | 001030           | RF             |
| - 1      | MODREF271483   |               | SEAL INSTL-CLOSEOUT<br>MONUMENT<br>MODULE NUMBER:<br>403A3100-35B REV B   | 031200<br>968999 | 1              |
| 5        | 415U9000-1101C |               | .SEAL ASSY-CORNER   | 001030           | 1              |
| 5        | 403A3110-150B  |               | .SEAL ASSY-DBL CORNER<br>SWEPT FACE 9.78 IN.<br>SMALL<br>OPTIONAL PART:<br>403A3110-152B  | 031200<br>968999 | 1              |
| 5        | 403A3110-152B  |               | .SEAL ASSY-DBL CORNER<br>STRAIGHT FACE 9.84 IN.<br>SMALL<br>OPTIONAL PART:<br>403A3110-150B   | 031200<br>968999 | 1              |
| 10       | 415U9010-100   |               | ..EXTRUSION-<br>MISCELLANEOUS DATA:<br>PART IS MOST LIKELY<br>REQUIRED BY CUSTOMER TO<br>BE CUT TO FIT SPECIFIC<br>NHA USAGE. THERE IS<br>LIKELY TO BE<br>CONSIDERABLE EXCESS<br>REMAINING AFTER INITIAL<br>USAGE. THIS REMAINING<br>LENGTH COULD REDUCE<br>CUSTOMERS' SPARES QTY<br>NEEDS. | 031200<br>968999 | AR             |
| 10       | 415U9010-70    |               | ..EXTRUSION-  | 031200<br>968999 | AR             |

MISSING ITEM NUMBERS NOT APPLICABLE

- ITEM NOT ILLUSTRATED

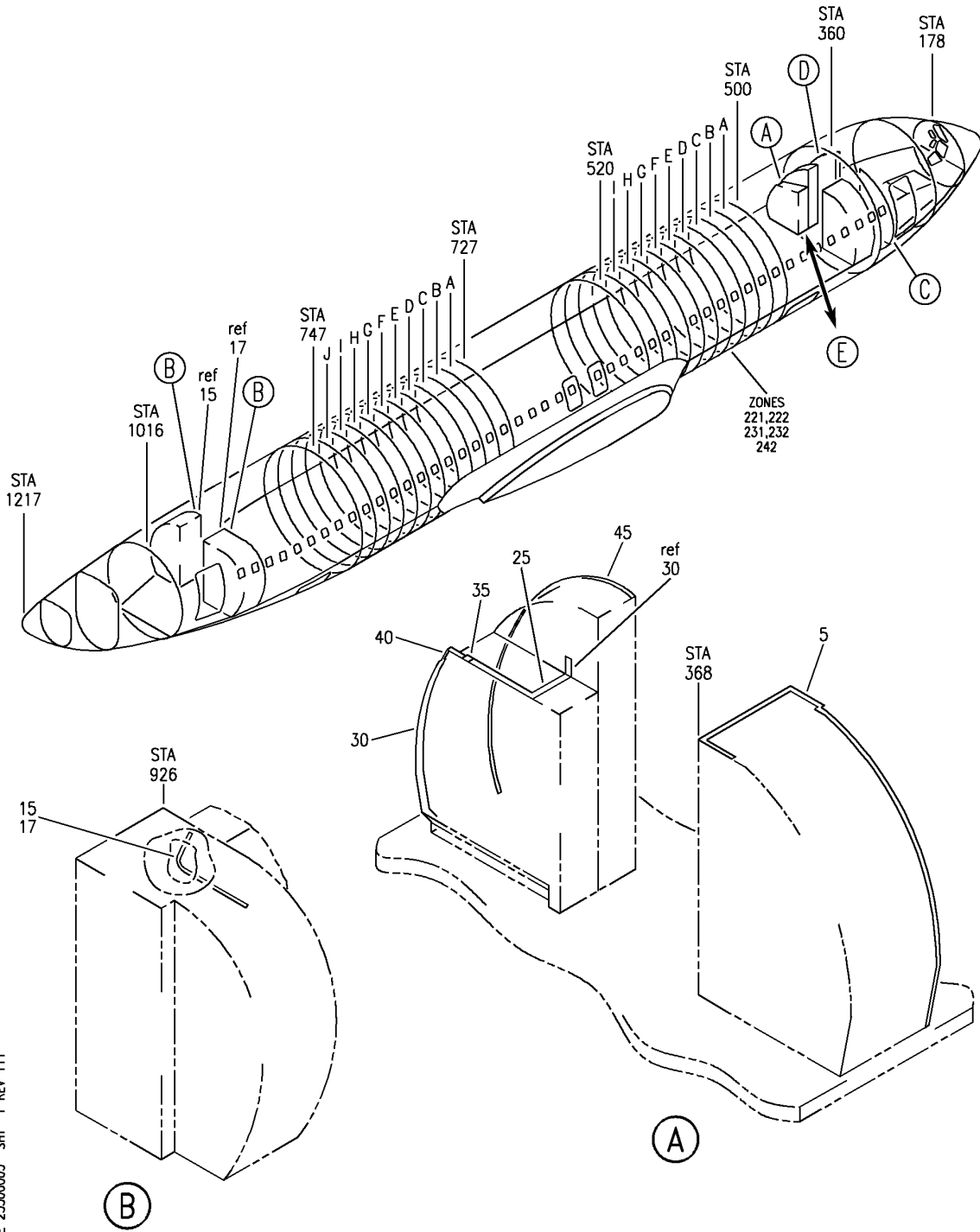
HAP

# 25-30-00-01A

BOEING PROPRIETARY - Copyright © - Unpublished Work - See title page for details.

25-30-00  
FIG. 01A  
PAGE 1  
FEB 15/09

**BOEING**  
 737-600/700/800/900  
 PARTS CATALOG (MAINTENANCE)



E 25300003 SH1 1 REV 111

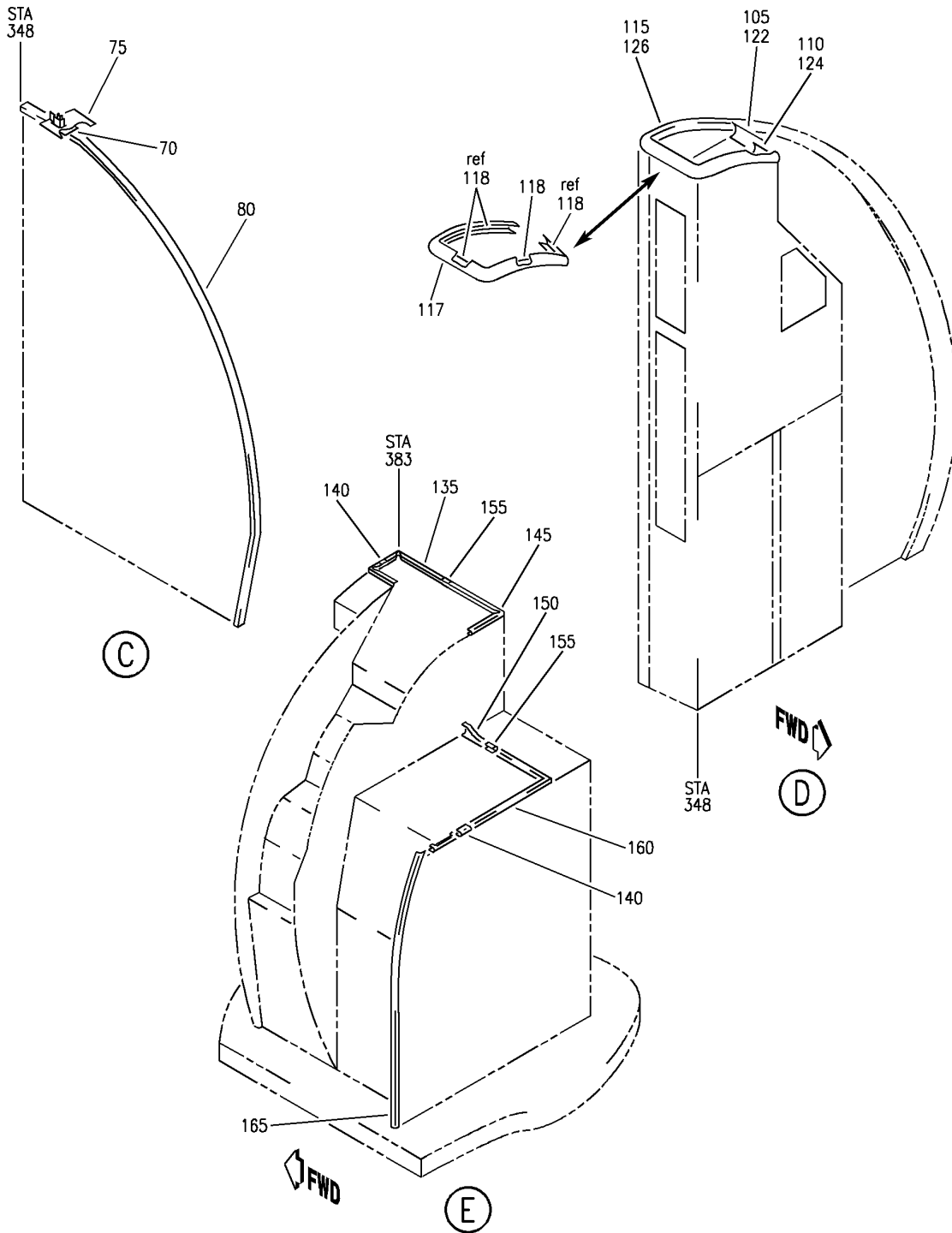
SEAL INSTL CLOSEOUT MONUMENT  
 FIGURE 3 (SHEET 1)

**25-30-00-03**

HAP  
 OCT 10/06

25-30-00-03  
 PAGE 0

**BOEING**  
 737-600/700/800/900  
 PARTS CATALOG (MAINTENANCE)



E 25300003 SHT 2 REV 126

SEAL INSTL CLOSEOUT MONUMENT  
 FIGURE 3 (SHEET 2)

**25-30-00-03**

HAP  
 FEB 10/07

25-30-00-03  
 PAGE 0A

**BOEING**  
737-600/700/800/900  
PARTS CATALOG (MAINTENANCE)

| FIG ITEM                             | PART NUMBER   | 1 2 3 4 5 6 7 | NOMENCLATURE   | EFFECT FROM TO                                 | UNITS PER ASSY |
|--------------------------------------|---------------|---------------|--|--|----------------|
| 3                                    |               |               | SEAL INSTL<br>CLOSEOUT MONUMENT  | 001030<br>038038<br>042046<br>048053<br>107200 |                |
| - 9                                  | 403A3100-51B  |               | SEAL INSTL-STOWBIN ENDCAP<br>SEAL TO SIDEWALL<br>MONUMENT<br>POSITION DATA:<br>STA 926, AFT LH<br>FOR NHA SEE:<br>25-20-00-03B | 001030   | RF             |
| - 10                                 | 403A3100-52B  |               | SEAL INSTL-CLOSEOUT<br>MONUMENT<br>POSITION DATA:<br>STA 926 AFT RH<br>FOR NHA SEE:<br>25-20-00-03B                            | 001030   | RF             |
| 15                                   | 403A3210-22SP |               | .SEAL ASSY-<br>POSITION DATA:<br>LH SIDE<br>OPTIONAL PART:<br>415U9000-1105C   | 001030   | AR             |
| 17                                   | 403A3210-21SP |               | .SEAL ASSY-<br>POSITION DATA:<br>RH SIDE<br>OPTIONAL PART:<br>415U9000-1105C   | 001030   | AR             |
| - 100                                | MODREF263692  |               | SEAL INSTL-WINDSCREEN<br>STOWAGE<br>MODULE NUMBER:<br>403A3100-67B REV D<br>POSITION DATA:<br>FWD LH                           | 038038<br>042046<br>048053<br>107200           | 1              |
| R<br>R<br>R<br>R<br>R<br>R<br>R<br>R | 117           | 415U9000-161B | .SEAL ASSY-CORNER<br>OPTIONAL PART:<br>415U9000-261B   | 038038<br>042046<br>048053<br>107200           | 1              |
|                                      | 117           | 415U9000-261B | .SEAL ASSY-CORNER<br>OPTIONAL PART:<br>415U9000-161B   | 038038<br>042046<br>048053<br>107200           | 1              |

MISSING ITEM NUMBERS NOT APPLICABLE

- ITEM NOT ILLUSTRATED

HAP

# 25-30-00-03

BOEING PROPRIETARY - Copyright © - Unpublished Work - See title page for details.

25-30-00  
FIG. 03  
PAGE 1  
JUN 15/09



**BOEING**  
737-600/700/800/900  
PARTS CATALOG (MAINTENANCE)

| FIG<br>ITEM | PART NUMBER  | 1 2 3 4 5 6 7 | NOMENCLATURE  | EFFECT<br>FROM TO                    | UNITS<br>PER<br>ASSY |
|-------------|--------------|---------------|---|--------------------------------------|----------------------|
| 3<br>118    | 415U9010-100 |               | .. EXTRUSION-<br>MISCELLANEOUS DATA:<br>PART IS MOST LIKELY<br>REQUIRED BY CUSTOMER TO<br>BE CUT TO FIT SPECIFIC<br>NHA USAGE. THERE IS<br>LIKELY TO BE<br>CONSIDERABLE EXCESS<br>REMAINING AFTER INITIAL<br>USAGE. THIS REMAINING<br>LENGTH COULD REDUCE<br>CUSTOMERS' SPARES QTY<br>NEEDS.<br>OPTIONAL PART:<br>415U9010-70 | 038038<br>042046<br>048053<br>107200 | AR                   |
| 118         | 415U9010-70  |               | .. EXTRUSION-<br>OPTIONAL PART:<br>415U9010-100   | 038038<br>042046<br>048053<br>107200 | AR                   |

MISSING ITEM NUMBERS NOT APPLICABLE

— ITEM NOT ILLUSTRATED

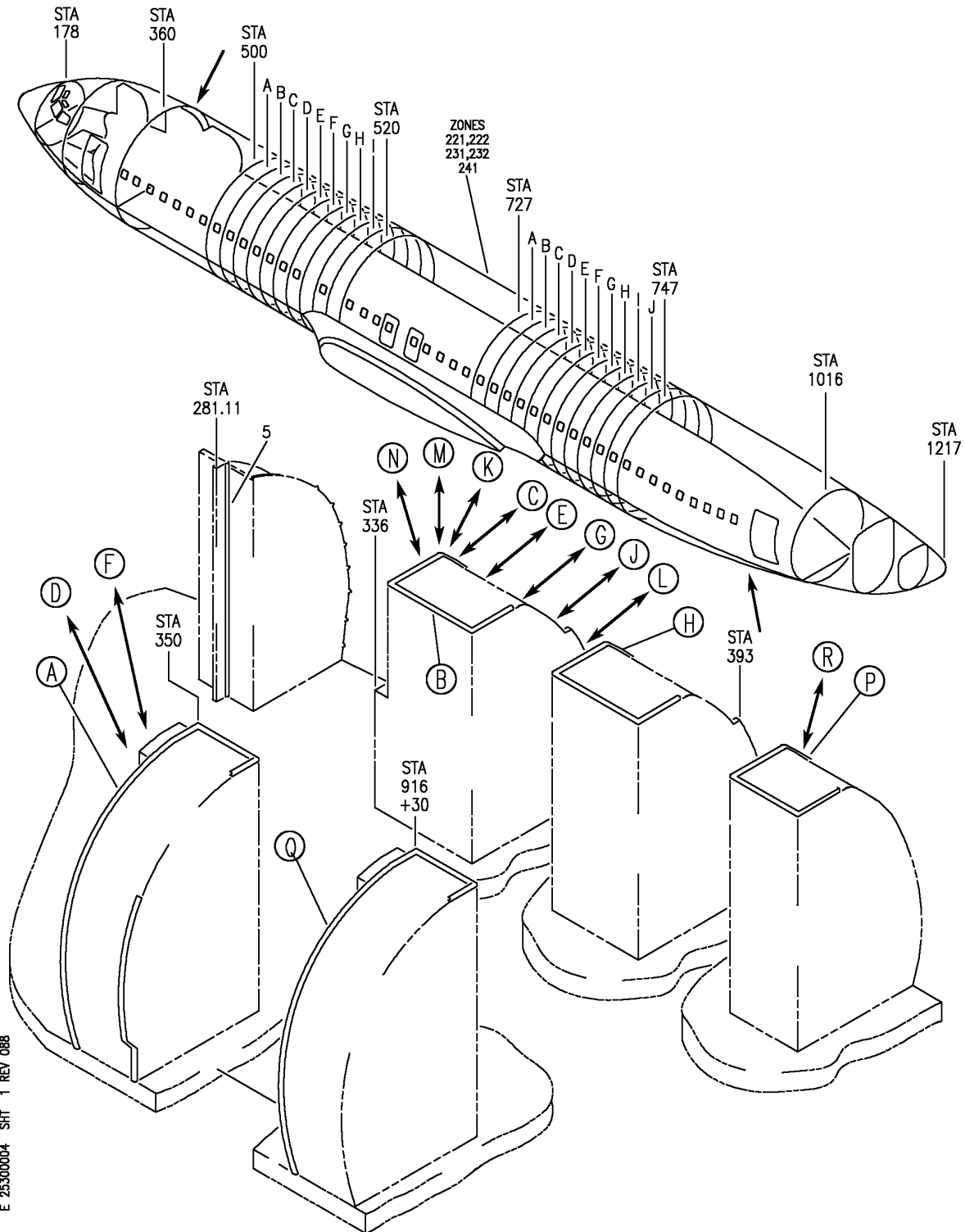
HAP

**25-30-00-03**

BOEING PROPRIETARY - Copyright © - Unpublished Work - See title page for details.

25-30-00  
FIG. 03  
PAGE 2  
FEB 15/09

**BOEING**  
 737-600/700/800/900  
 PARTS CATALOG (MAINTENANCE)



E 25300004 SHT 1 REV 088

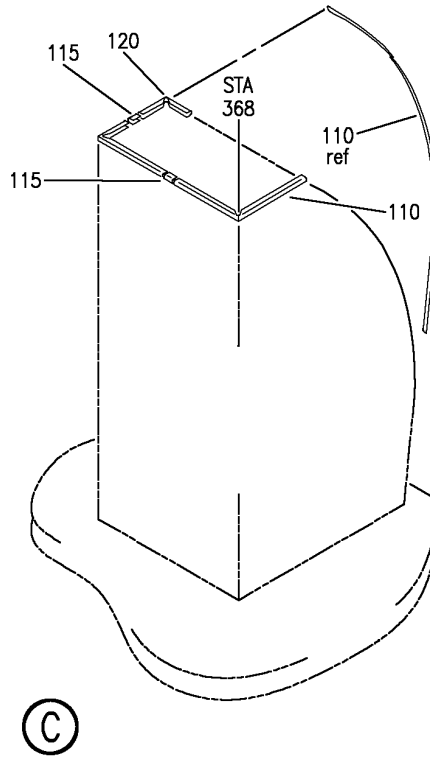
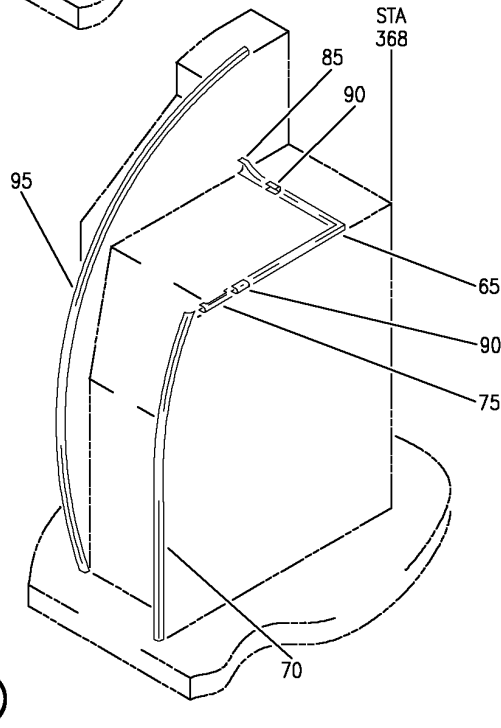
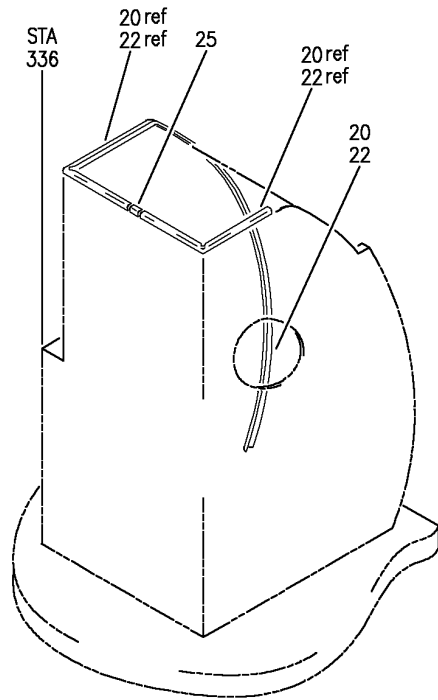
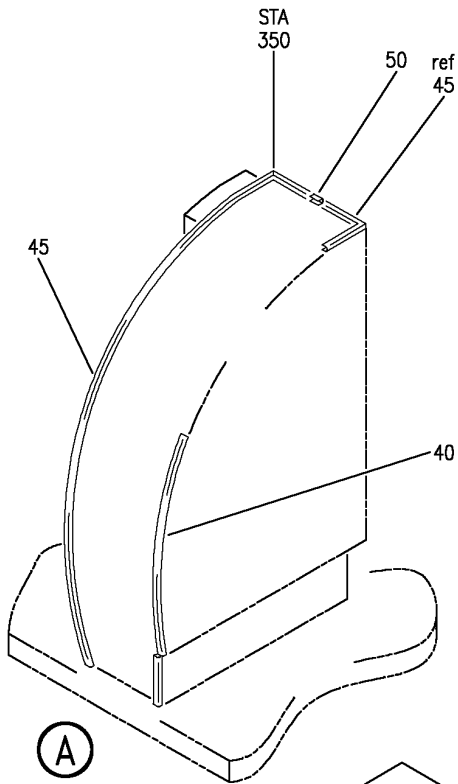
SEAL INSTL AND FLYAWAY  
 FIGURE 4 (SHEET 1)

**25-30-00-04**

HAP  
 OCT 10/06

25-30-00-04  
 PAGE 0

**BOEING**  
 737-600/700/800/900  
 PARTS CATALOG (MAINTENANCE)



E 25300004 SHT 2 REV 070

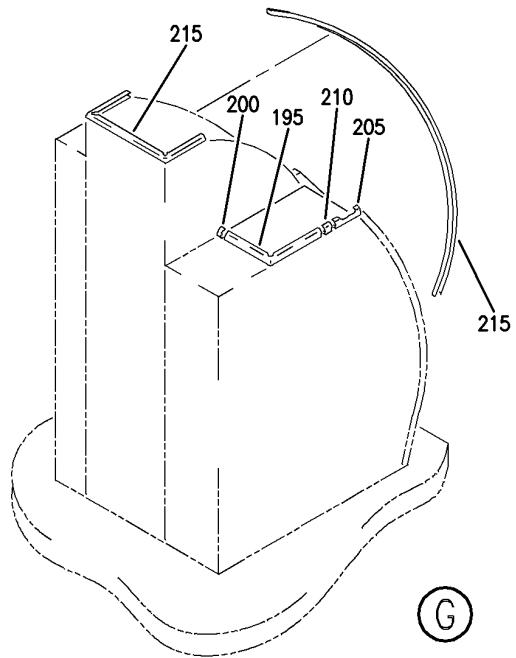
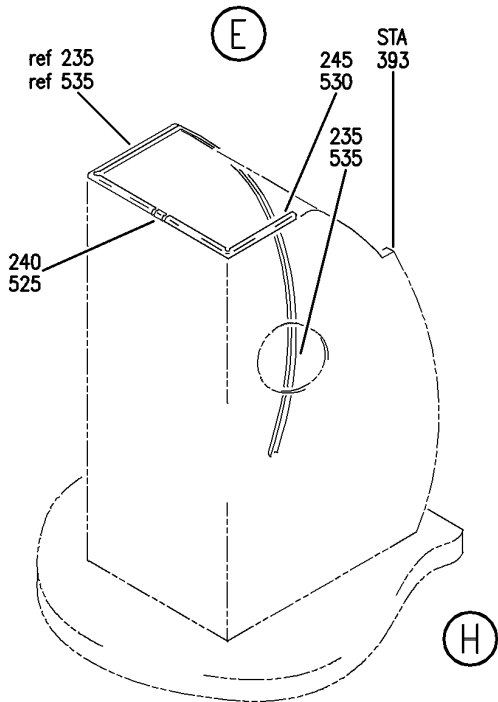
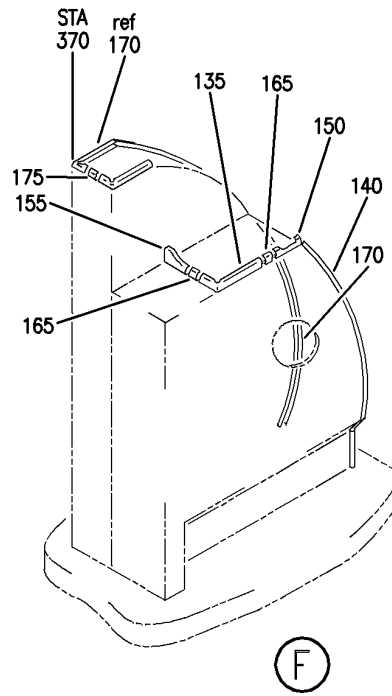
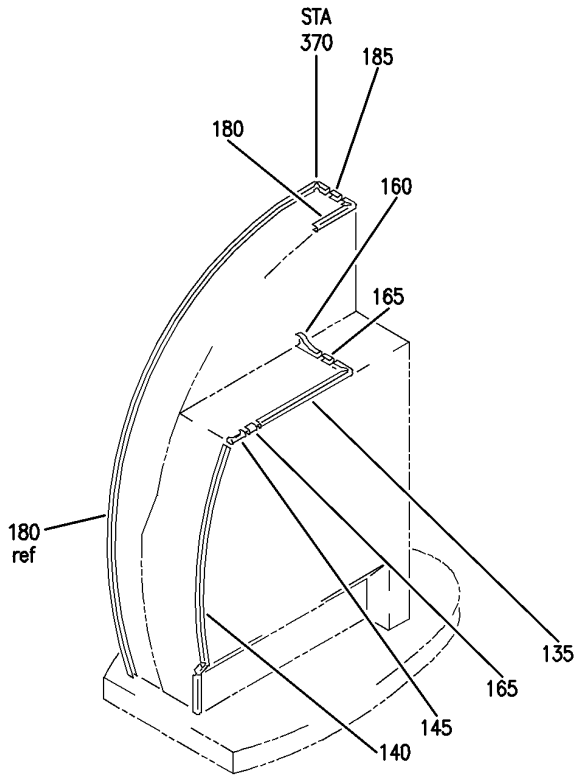
SEAL INSTL AND FLYAWAY  
 FIGURE 4 (SHEET 2)

**25-30-00-04**

HAP  
 OCT 10/06

25-30-00-04  
 PAGE 0A

**BOEING**  
 737-600/700/800/900  
 PARTS CATALOG (MAINTENANCE)



E 25300004 SHT 3 REV 047

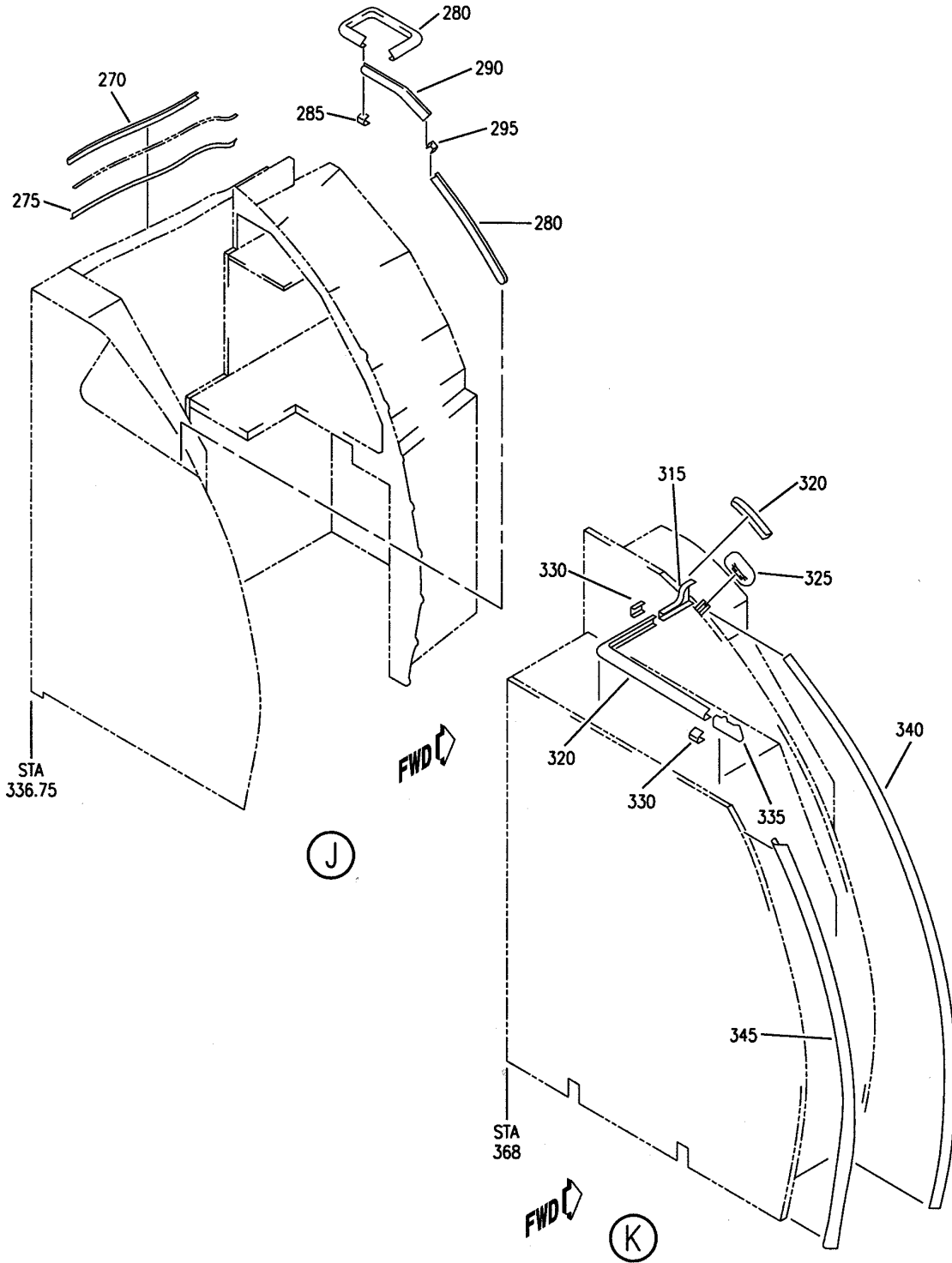
SEAL INSTL AND FLYAWAY  
 FIGURE 4 (SHEET 3)

**25-30-00-04**

HAP  
 OCT 10/06

25-30-00-04  
 PAGE 0B

**BOEING**  
 737-600/700/800/900  
 PARTS CATALOG (MAINTENANCE)



E. 25300004 SH. 4 REV. 036

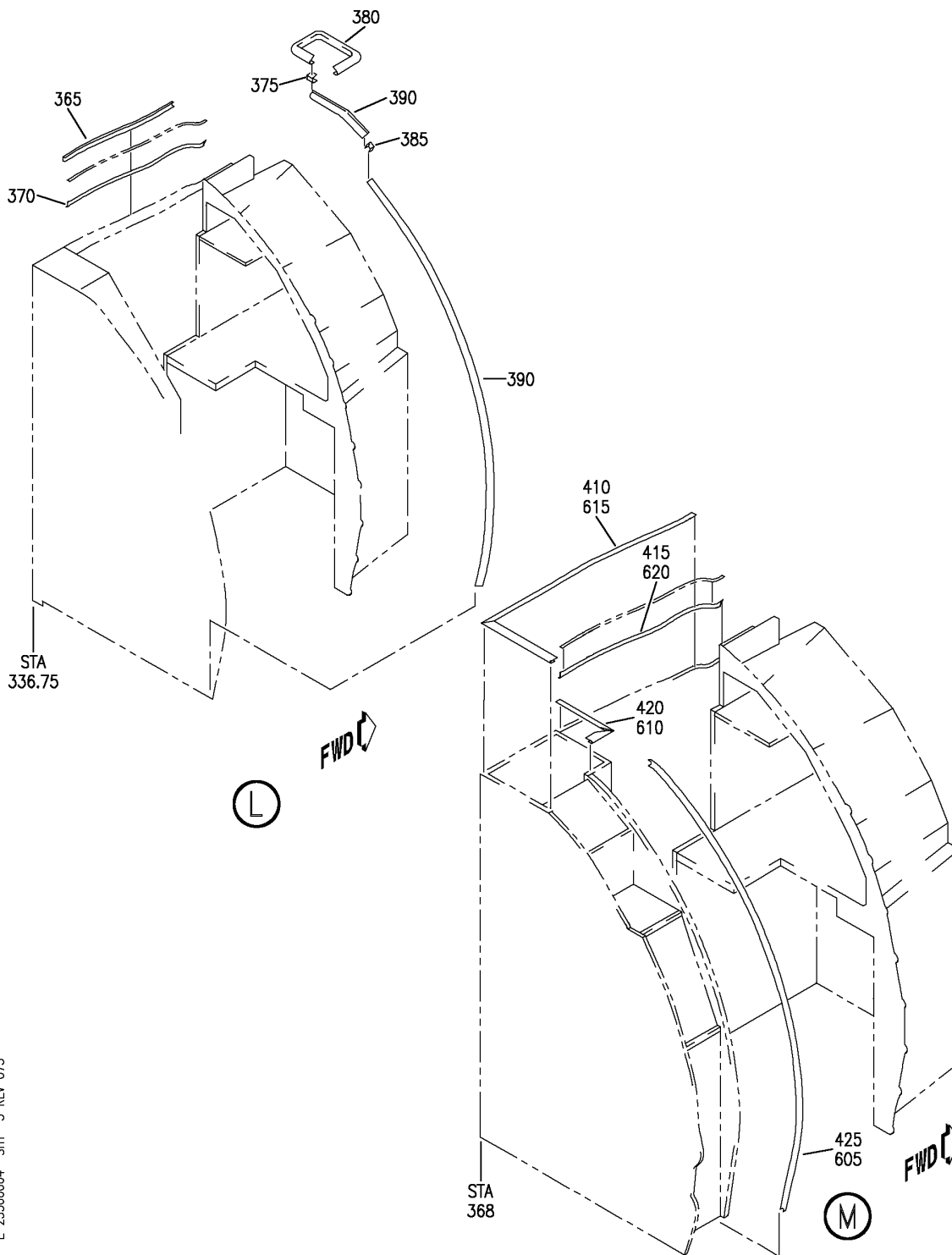
SEAL INSTL AND FLYAWAY  
 FIGURE 4 (SHEET 4)

**25-30-00-04**

HAP  
 OCT 10/06

25-30-00-04  
 PAGE 0C

**BOEING**  
 737-600/700/800/900  
 PARTS CATALOG (MAINTENANCE)



E 25300004 SHT 5 REV 073

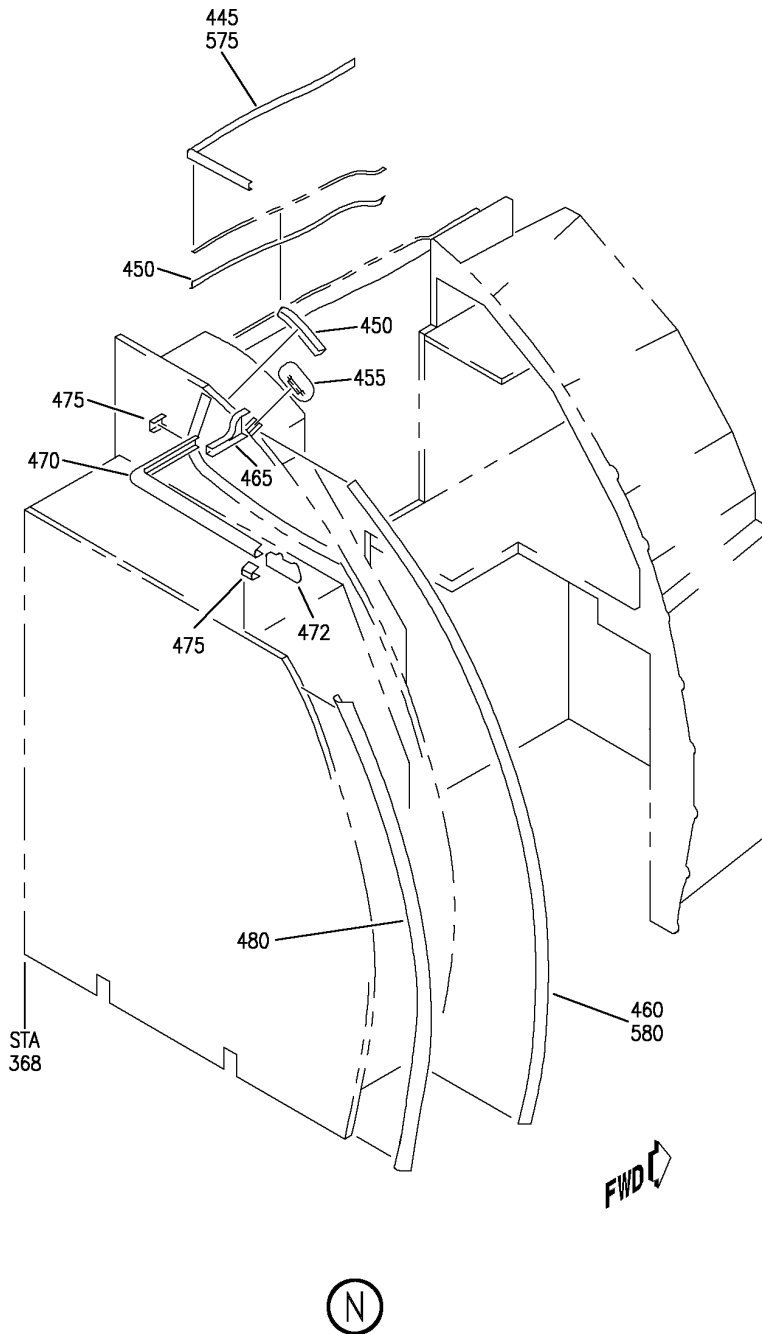
SEAL INSTL AND FLYAWAY  
 FIGURE 4 (SHEET 5)

**25-30-00-04**

HAP  
 OCT 10/06

25-30-00-04  
 PAGE 0D

**BOEING**  
737-600/700/800/900  
PARTS CATALOG (MAINTENANCE)



E 25300004 SH1 6 REV 073

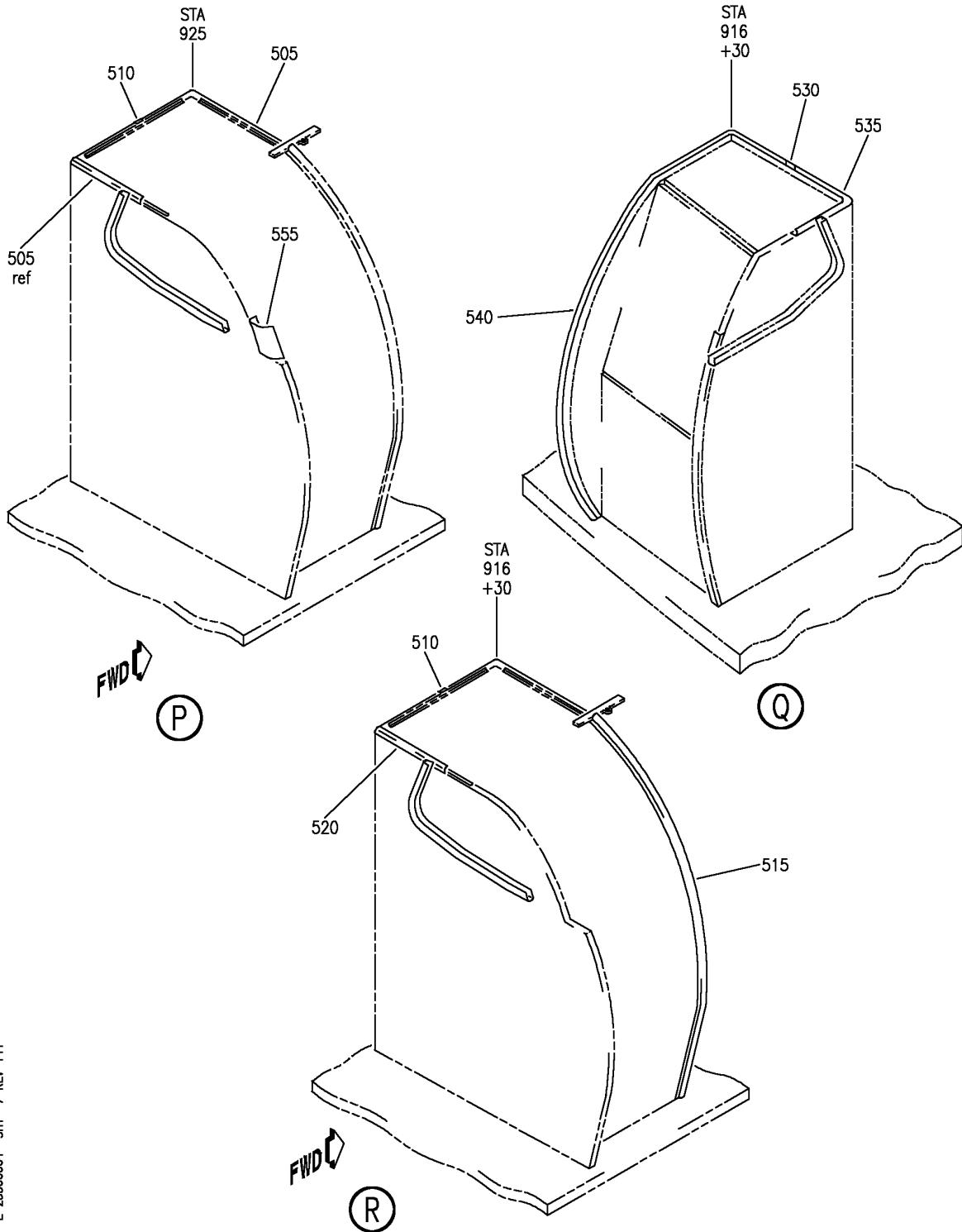
SEAL INSTL AND FLYAWAY  
FIGURE 4 (SHEET 6)

**25-30-00-04**

HAP  
OCT 10/06

25-30-00-04  
PAGE 0E

**BOEING**  
 737-600/700/800/900  
 PARTS CATALOG (MAINTENANCE)



E 25300004 SH7 7 REV 141

SEAL INSTL AND FLYAWAY  
 FIGURE 4 (SHEET 7)

**25-30-00-04**

HAP  
 JUN 15/08

25-30-00-04  
 PAGE OF



**BOEING**  
737-600/700/800/900  
PARTS CATALOG (MAINTENANCE)

| FIG ITEM | PART NUMBER   | 1 2 3 4 5 6 7 | NOMENCLATURE   | EFFECT FROM TO   | UNITS PER ASSY |
|----------|---------------|---------------|--|------------------|----------------|
| 4        |               |               | SEAL INSTL AND FLYAWAY   | 008999           |                |
| - 1      | 403A3100-100B |               | SEAL INSTL-<br>FLIGHT DECK DOOR POST<br>FOR NHA SEE:<br>25-20-00-03A<br>25-20-00-03B         | 008030<br>201967 | RF             |
| - 1      | MODREF89429   |               | SEAL INSTL-<br>FLIGHT DECK DOOR POST<br>MODULE NUMBER:<br>403A3100-100B REV A                | 031200<br>968999 | 1              |
| 5        | 415U9010-18B  |               | .EXTRUSION-<br>CO-EXTRUDED SEAL FOR .75<br>GAPS X 120.00 STRAIGHT<br>LENGTH                  | 008999           | 1              |
| - 15     | 403A3100-102B |               | SEAL INSTL-<br>MONUMENT<br>POSITION DATA:<br>FWD RH<br>FOR NHA SEE:<br>25-20-00-03B          | 008011           | RF             |
| 20       | 415U9010-19B  |               | .EXTRUSION-<br>LH CO-EXTRUDED SEAL FOR<br>.75 GAPS WITH 2 CORNER                             | 008011           | 1              |
| 25       | 415U9010-21B  |               | .EXTRUSION-<br>CO-EXTRUDED COUPLER FOR<br>.75 GAPS<br>OPTIONAL PART:<br>415U9010-77B         | 008011           | 1              |
| 25       | 415U9010-77B  |               | .EXTRUSION-<br>OPTIONAL PART:<br>415U9010-21B  | 008011           | 1              |
| - 105    | 403A3100-132B |               | SEAL INSTL-<br>MONUMENT WITH JOG<br>POSITION DATA:<br>FWD RH<br>FOR NHA SEE:<br>25-20-00-03A | 201967           | RF             |
| 110      | 415U9010-19B  |               | .EXTRUSION-<br>LH CO-EXTRUDED SEAL FOR<br>.75 GAPS WITH 2 CORNER                             | 201967           | 1              |
| 115      | 415U9010-21B  |               | .EXTRUSION-<br>LH CO-EXTRUDED SEAL FOR<br>.75 GAPS<br>OPTIONAL PART:<br>415U9010-77B         | 201967           | 2              |
| 115      | 415U9010-77B  |               | .EXTRUSION-<br>OPTIONAL PART:<br>415U9010-21B  | 201967           | 2              |

MISSING ITEM NUMBERS NOT APPLICABLE

- ITEM NOT ILLUSTRATED

HAP

# 25-30-00-04

BOEING PROPRIETARY - Copyright © - Unpublished Work - See title page for details.

25-30-00  
FIG. 04  
PAGE 1  
OCT 15/08


**BOEING**  
 737-600/700/800/900  
**PARTS CATALOG (MAINTENANCE)**

| FIG<br>ITEM | PART NUMBER  | 1 2 3 4 5 6 7 NOMENCLATURE                                      | EFFECT<br>FROM TO | UNITS<br>PER<br>ASSY |
|-------------|--------------|---|-------------------|----------------------|
| 4<br>120    | 415U9010-22B | .EXTRUSION-<br>CORNER EXTRUDED SEAL FOR<br>.75 GAPS X 30.0 LEGS | 201967            | 1                    |

MISSING ITEM NUMBERS NOT APPLICABLE

— ITEM NOT ILLUSTRATED

HAP

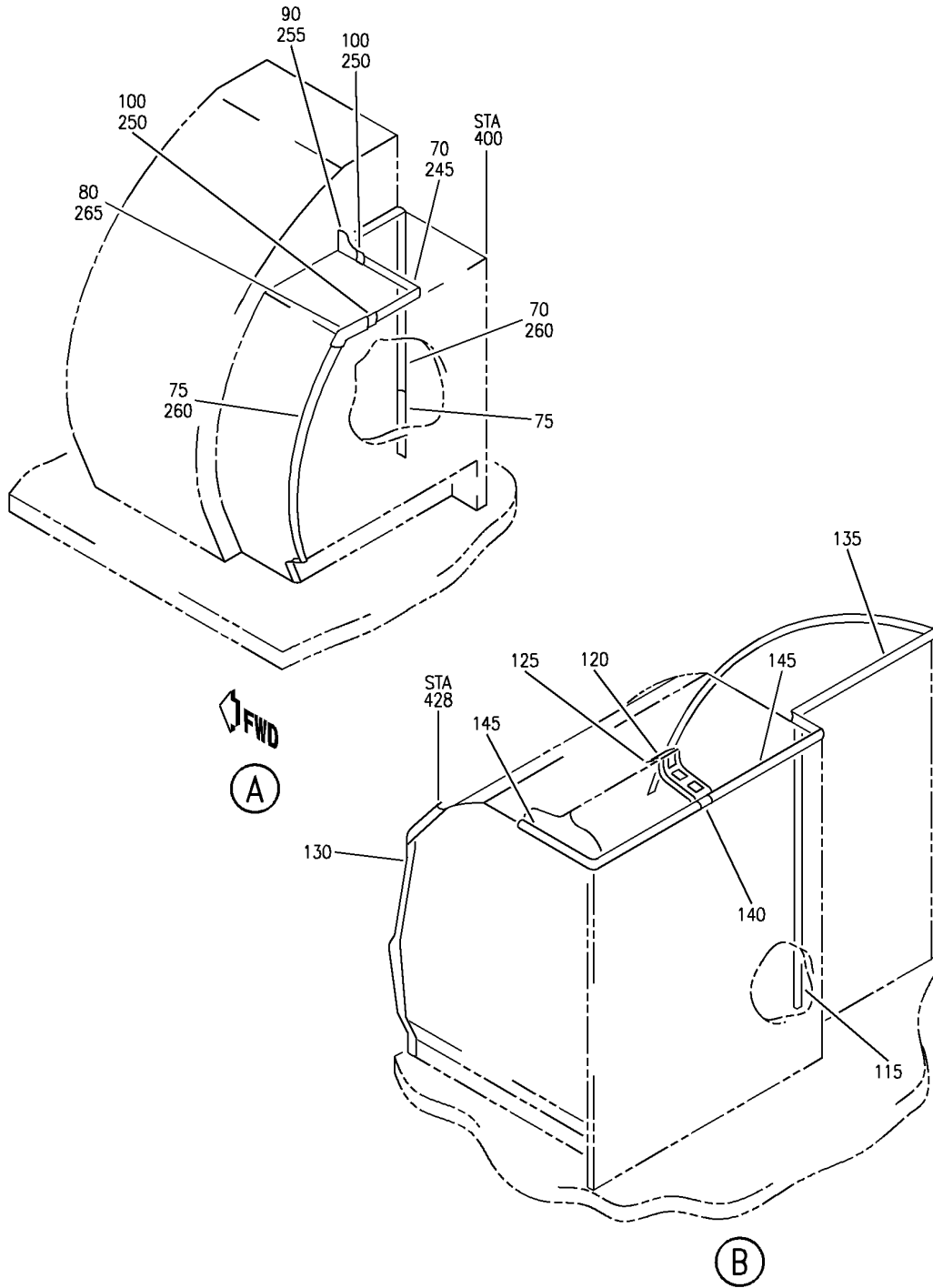
# 25-30-00-04

BOEING PROPRIETARY - Copyright © - Unpublished Work - See title page for details.

25-30-00  
 FIG. 04  
 PAGE 2  
 OCT 15/08



**BOEING**  
 737-600/700/800/900  
 PARTS CATALOG (MAINTENANCE)



E 25300005 SH1 2 REV 112

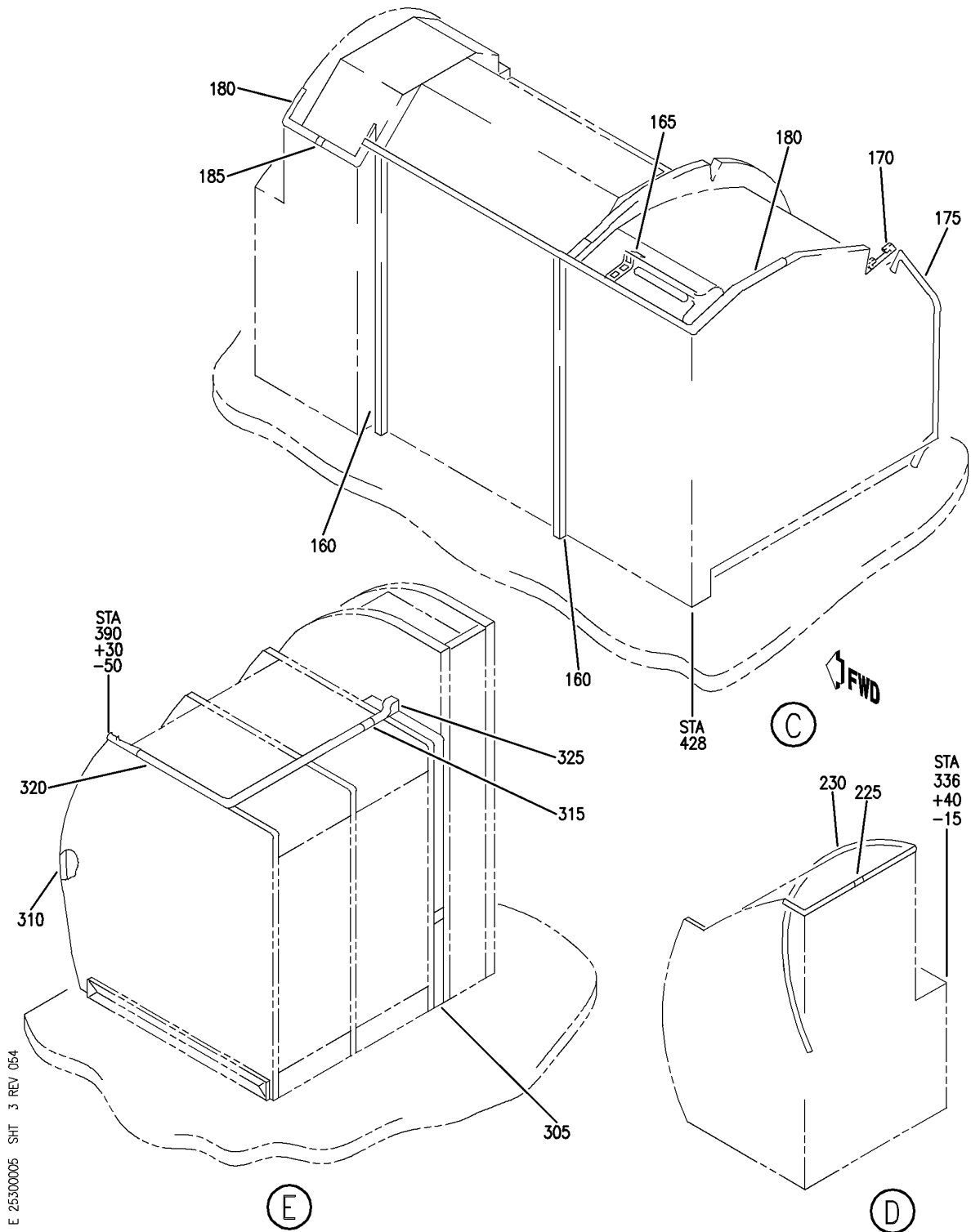
SEAL INSTL  
 FIGURE 5 (SHEET 2)

**25-30-00-05**

HAP  
 OCT 10/06

25-30-00-05  
 PAGE 0A

**BOEING**  
 737-600/700/800/900  
 PARTS CATALOG (MAINTENANCE)



SEAL INSTL  
 FIGURE 5 (SHEET 3)

**25-30-00-05**

HAP  
 OCT 10/06

25-30-00-05  
 PAGE 0B

 **BOEING**  
737-600/700/800/900  
**PARTS CATALOG (MAINTENANCE)**

| FIG<br>ITEM | PART NUMBER   | 1 2 3 4 5 6 7 | NOMENCLATURE   | EFFECT<br>FROM TO | UNITS<br>PER<br>ASSY |
|-------------|---------------|---------------|--|-------------------|----------------------|
| 5           |               |               | SEAL INSTL   | 008030            |                      |
| - 220       | 403A3100-101B |               | SEAL INSTL-MONUMENT<br>POSITION DATA:<br>FWD, LH<br>FOR NHA SEE:<br>25-20-00-03B                                   | 008030            | RF                   |
| 225         | 415U9010-21B  |               | .EXTRUSION-<br>CO-EXTRUDED COUPLER FOR<br>.75 GAPS<br>OPTIONAL PART:<br>415U9010-77B                               | 008030            | 1                    |
| 225         | 415U9010-77B  |               | .EXTRUSION-<br>OPTIONAL PART:<br>415U9010-21B  | 008030            | 1                    |
| 230         | 415U9010-20B  |               | .EXTRUSION-<br>RH CO-EXTRUDED SEAL<br>FOR .75 GAPS WITH 2<br>CORNER (MONUMENT)<br>PRE SERVICE BULLETIN:<br>25-1542 | 008030            | 2                    |

MISSING ITEM NUMBERS NOT APPLICABLE

- ITEM NOT ILLUSTRATED

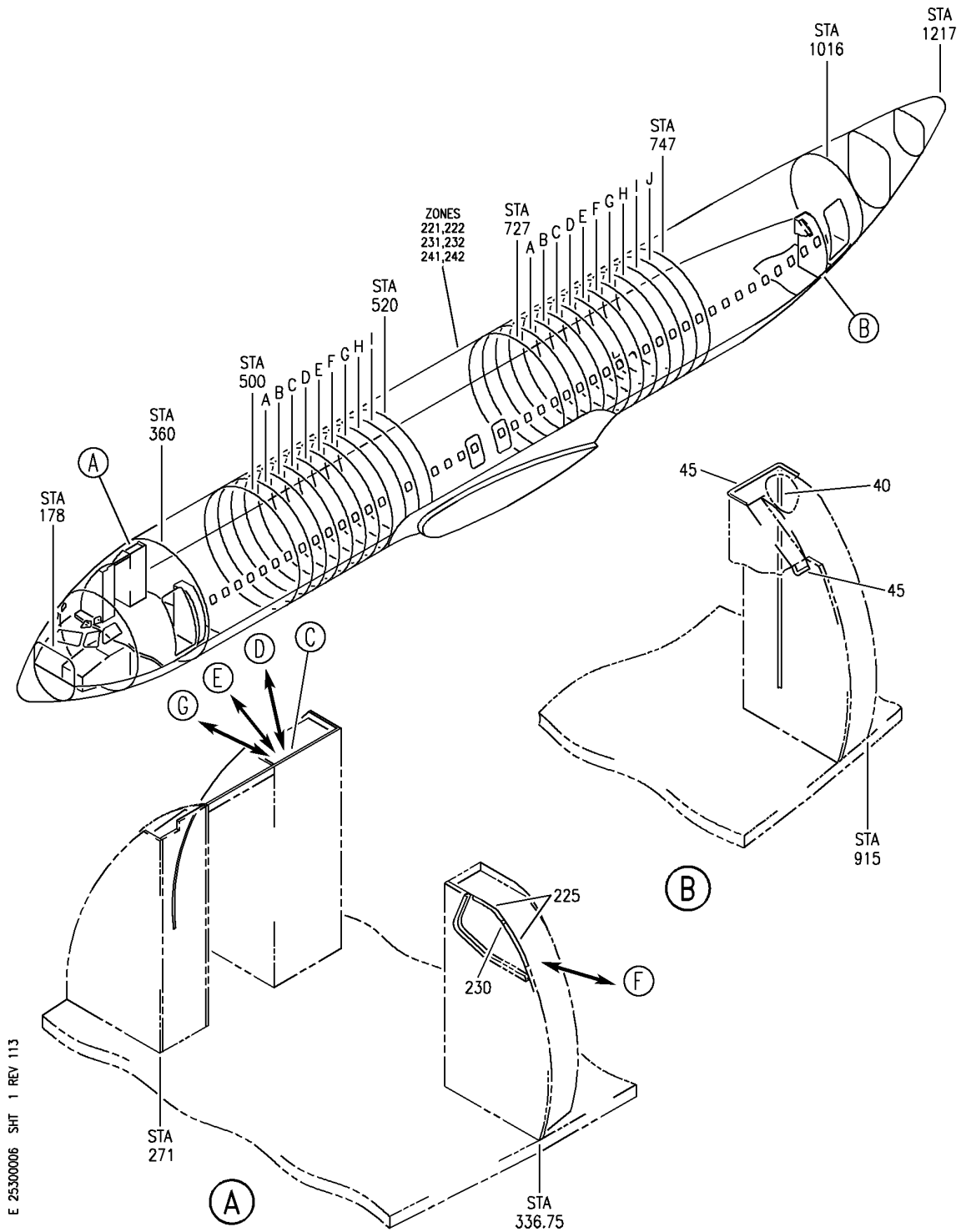
HAP

# 25-30-00-05

BOEING PROPRIETARY - Copyright © - Unpublished Work - See title page for details.

25-30-00  
FIG. 05  
PAGE 1  
OCT 10/06

**BOEING**  
 737-600/700/800/900  
 PARTS CATALOG (MAINTENANCE)



E 25300006 SHT 1 REV 113

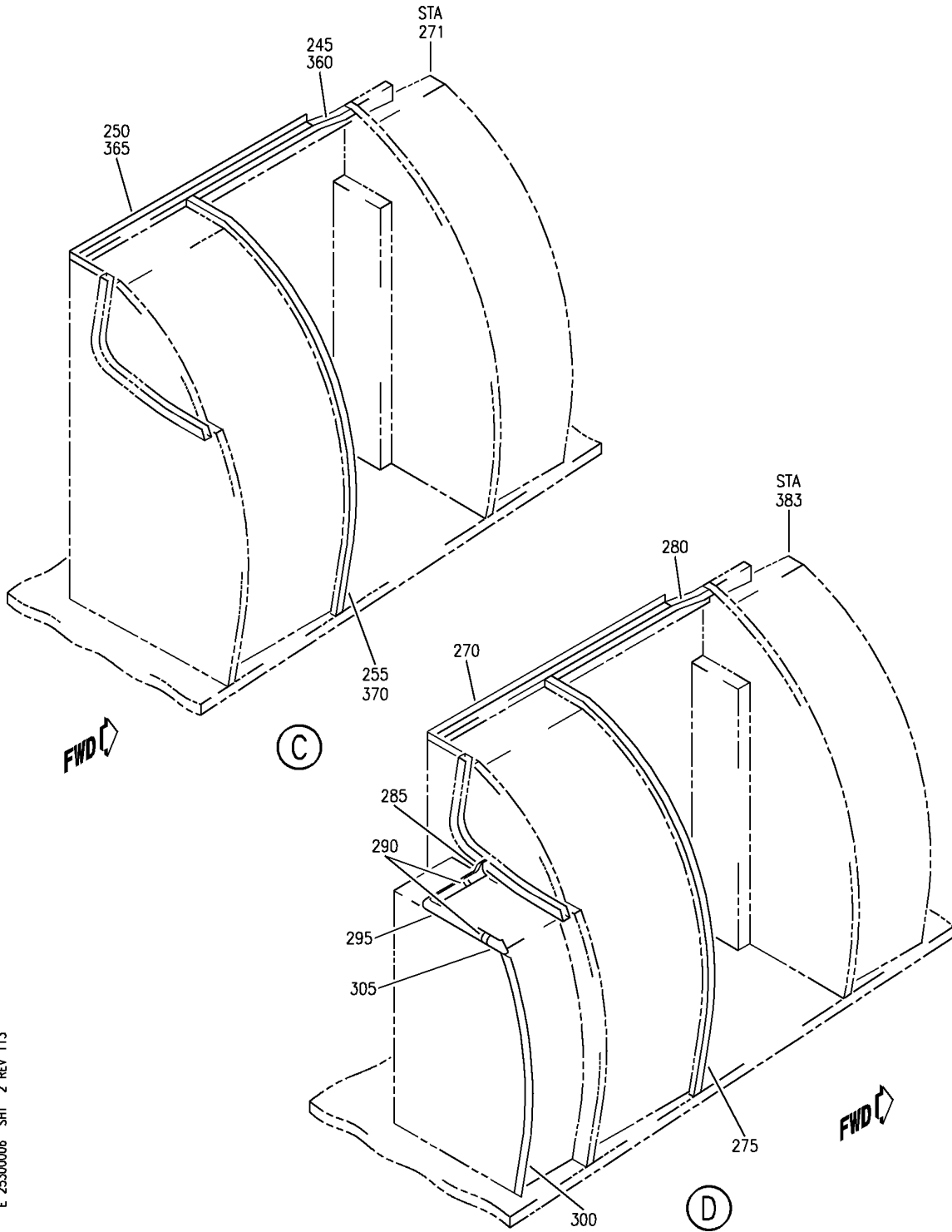
SEAL INSTL  
 FIGURE 6 (SHEET 1)

**25-30-00-06**

HAP  
 OCT 10/06

25-30-00-06  
 PAGE 0

**BOEING**  
 737-600/700/800/900  
 PARTS CATALOG (MAINTENANCE)



E 25300006 SH 2 REV 113

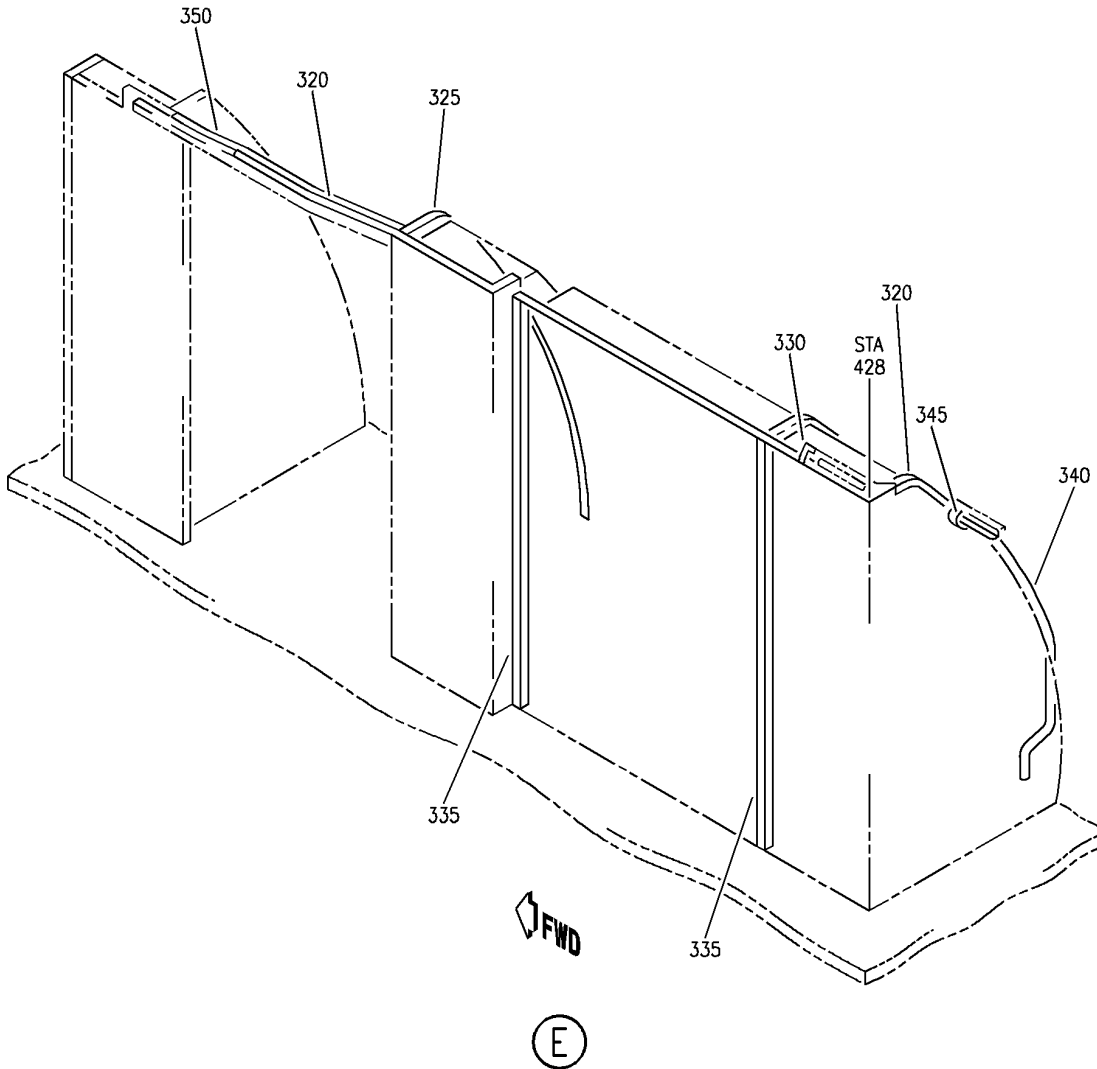
SEAL INSTL  
 FIGURE 6 (SHEET 2)

**25-30-00-06**

HAP  
 OCT 10/06

25-30-00-06  
 PAGE 0A





E 25300006 SH1 3 REV 113

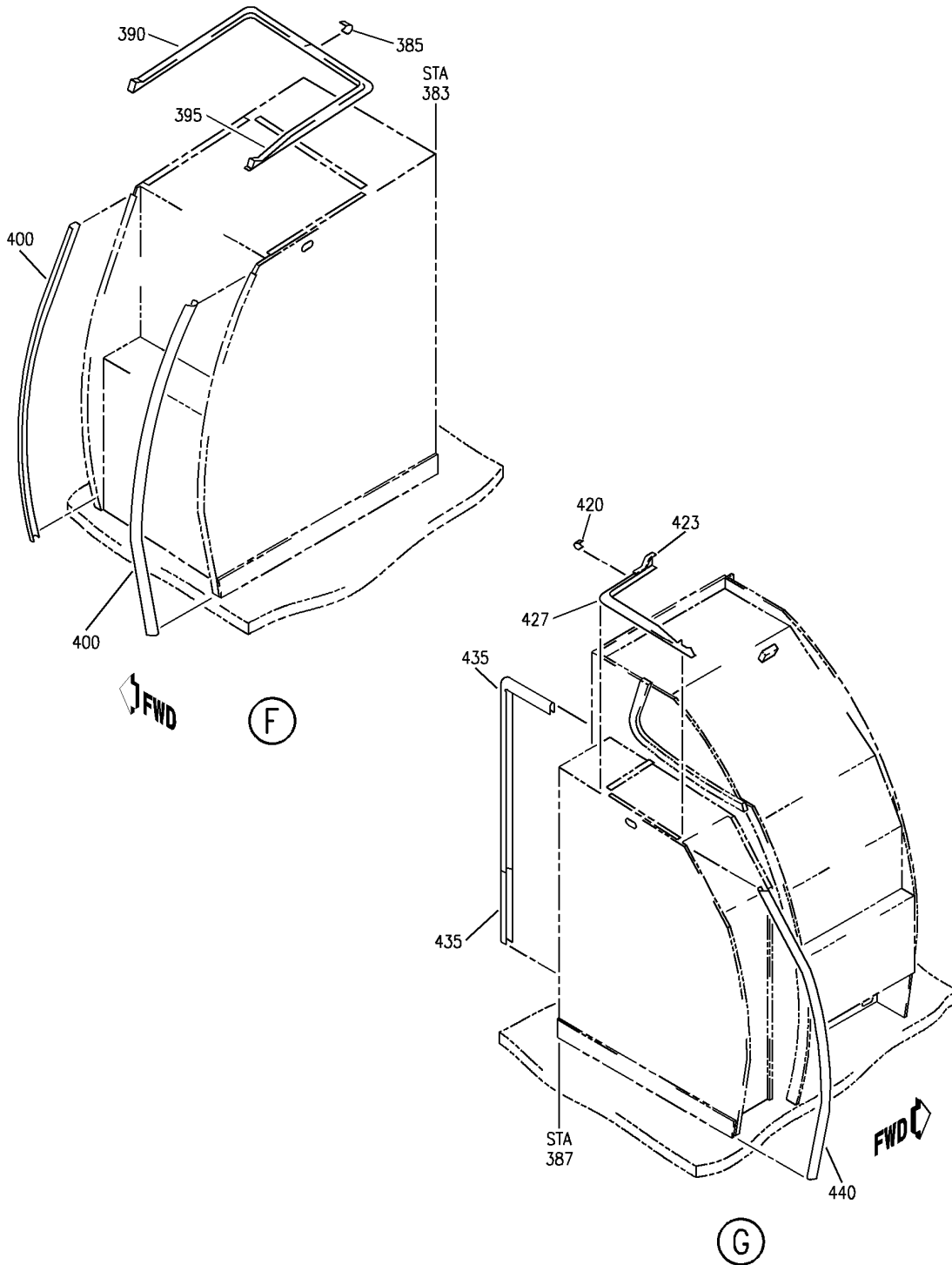
SEAL INSTL  
FIGURE 6 (SHEET 3)

**25-30-00-06**

HAP  
OCT 10/06

25-30-00-06  
PAGE 0B

**BOEING**  
 737-600/700/800/900  
 PARTS CATALOG (MAINTENANCE)



E 25300006 SH 4 REV 113

SEAL INSTL  
 FIGURE 6 (SHEET 4)

**25-30-00-06**

HAP  
 OCT 10/06

25-30-00-06  
 PAGE 0C


**BOEING**  
 737-600/700/800/900  
**PARTS CATALOG (MAINTENANCE)**

| FIG<br>ITEM | PART NUMBER   | 1 2 3 4 5 6 7 | NOMENCLATURE  | EFFECT<br>FROM TO | UNITS<br>PER<br>ASSY |
|-------------|---------------|---------------|---|-------------------|----------------------|
| 6           |               |               |   |                   |                      |
| - 240       | 403A3100-158B |               | SEAL INSTL<br>SEAL INSTL-<br>MONUMENT W/ CURTAIN<br>HEADER<br>POSITION DATA:<br>STA 271, FWD RH<br>FOR NHA SEE:<br>25-20-00-03B | 012030<br>012013  | RF                   |
| 245         | 65C35726-136  |               | .SEAL ASSY-   | 012013            | 1                    |
| 250         | 415U9010-23B  |               | .EXTRUSION-<br>CO-EXTRUDED SEAL FOR<br>0.75 GAPS W/ 1 CORNER  | 012013            | 1                    |
| 255         | 415U9010-25B  |               | .EXTRUSION-<br>CO-EXTRUDED CURVED SEAL<br>FOR 0.75 GAPS   | 012013            | 1                    |
| - 355       | 403A3100-210B |               | SEAL INSTL-MONUMENT WITH<br>CURT. HEADER<br>POSITION DATA:<br>FWD RH<br>FOR NHA SEE:<br>25-20-00-03B                            | 014030            | RF                   |
| 360         | 65C35726-136  |               | .SEAL ASSY  | 014030            | 1                    |
| 365         | 415U9010-23B  |               | .EXTRUSION-<br>CO- EXTRUDED SEAL FOR<br>.75 GAPS X 120.00<br>STRAIGHT LENGTH  | 014030            | 1                    |
| 370         | 415U9010-18B  |               | .EXTRUSION-<br>CO-EXTRUDED SEAL FOR<br>.75 GAPS X 120.00<br>STRAIGHT LENGTH   | 014030            | 1                    |

MISSING ITEM NUMBERS NOT APPLICABLE

- ITEM NOT ILLUSTRATED

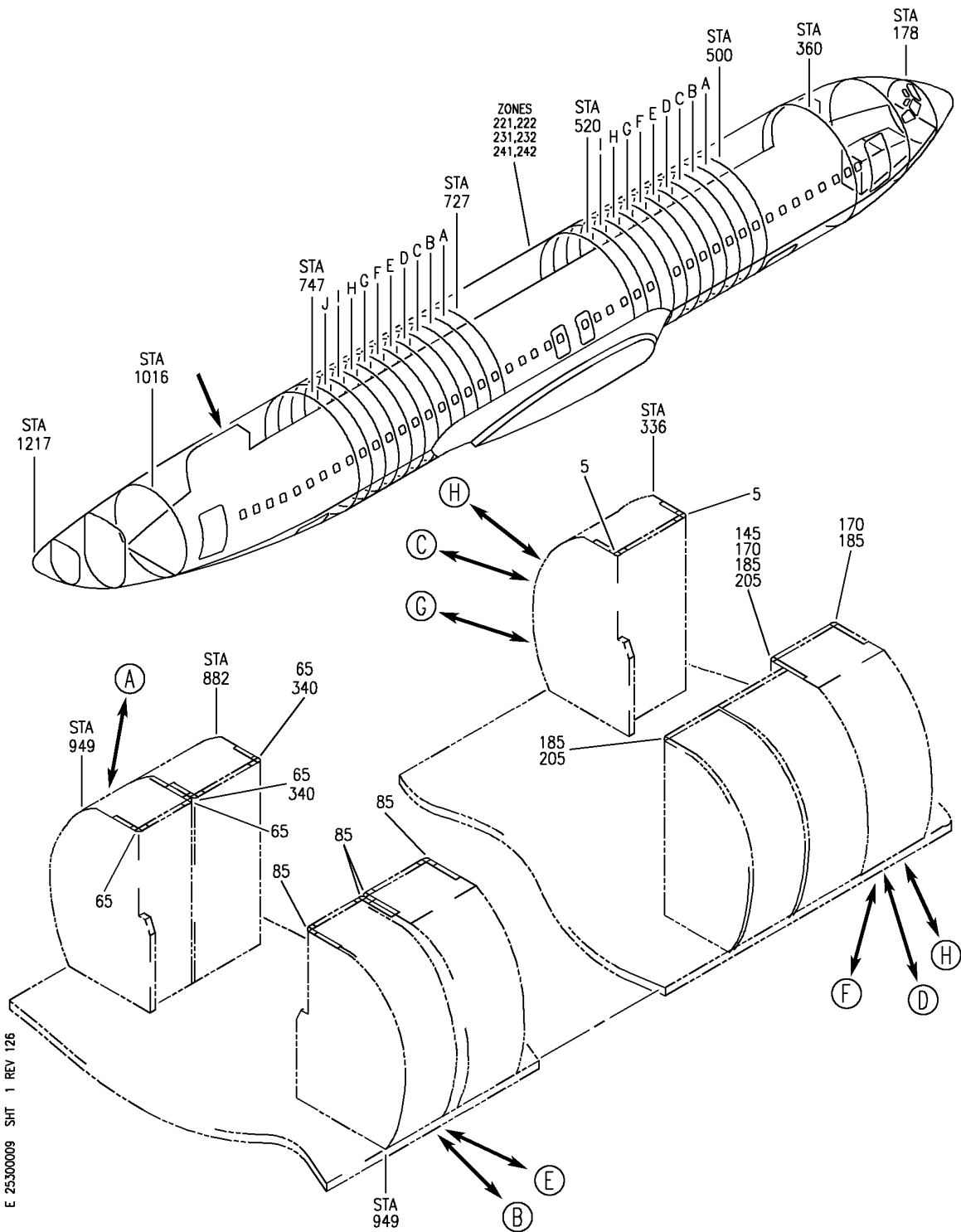
HAP

# 25-30-00-06

BOEING PROPRIETARY - Copyright © - Unpublished Work - See title page for details.

25-30-00  
 FIG. 06  
 PAGE 1  
 OCT 10/06

**BOEING**  
 737-600/700/800/900  
 PARTS CATALOG (MAINTENANCE)



E 25300009 SHT 1 REV 126

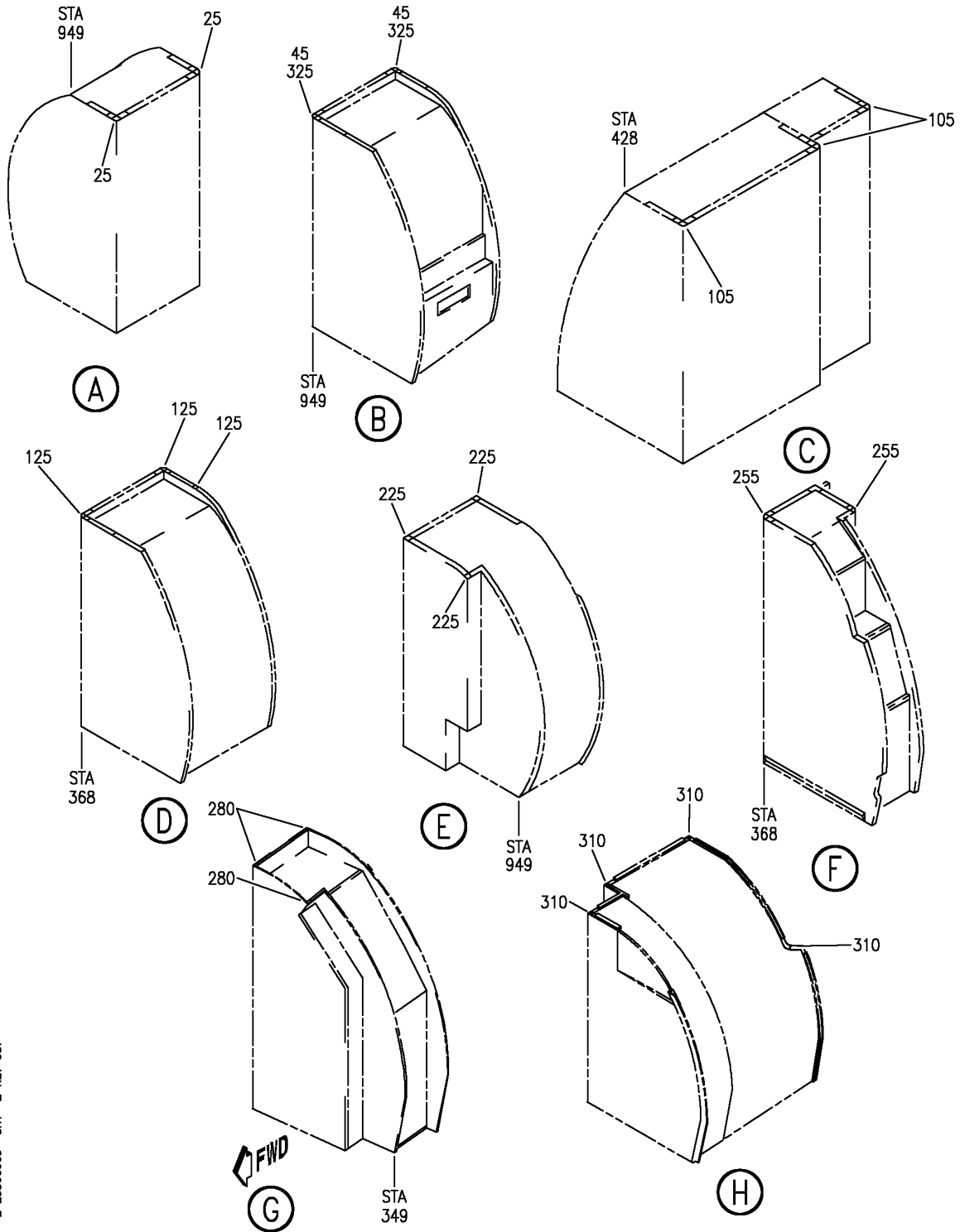
BLOCK INSTL-RTNR  
 FIGURE 9 (SHEET 1)

**25-30-00-09**

HAP  
 FEB 10/07

25-30-00-09  
 PAGE 0

**BOEING**  
 737-600/700/800/900  
 PARTS CATALOG (MAINTENANCE)



E 25300009 SHT 2 REV 087

BLOCK INSTL-RTNR  
 FIGURE 9 (SHEET 2)

**25-30-00-09**

HAP  
 OCT 10/06

25-30-00-09  
 PAGE 0A

**BOEING**  
737-600/700/800/900  
PARTS CATALOG (MAINTENANCE)

| FIG ITEM | PART NUMBER | 1 2 3 4 5 6 7 | NOMENCLATURE   | EFFECT FROM TO   | UNITS PER ASSY |
|----------|-------------|---------------|--|------------------|----------------|
| 9        |             |               |  |                  |                |
| - 1      | 403A3300-1  |               | BLOCK INSTL-RTNR<br>BLOCK INSTL-RTNR<br>MONUMENT<br>POSITION DATA:<br>FWD LH<br>FOR NHA SEE:<br>25-20-00-03B     | 008999<br>008030 | RF             |
| 5        | 403A3130-1  |               | .RETAINER-   | 008030           | 2              |
| - 20     | 403A3300-3  |               | BLOCK INSTL-RTNR<br>MONUMENT<br>POSITION DATA:<br>AFT, LH<br>FOR NHA SEE:<br>25-20-00-03A<br>25-20-00-03B        | 008030<br>201967 | RF             |
| 25       | 403A3130-1  |               | .RETAINER  | 008030<br>201967 | 2              |
| - 40     | 403A3300-4  |               | BLOCK INSTL-RTNR<br>MONUMENT<br>POSITION DATA:<br>AFT, RH<br>FOR NHA SEE:<br>25-20-00-03A<br>25-20-00-03B        | 008030<br>201967 | RF             |
| 45       | 403A3130-1  |               | .RETAINER  | 008030<br>201967 | 2              |
| - 123    | 403A3300-14 |               | BLOCK INSTL-RTNR<br>MONUMENT WITH 3 CORNERS<br>POSITION DATA:<br>FWD RH<br>FOR NHA SEE:<br>25-20-00-03A          | 201967           | 1              |
| 125      | 403A3130-1  |               | .RETAINER  | 201967           | 3              |
| - 140    | 403A3300-20 |               | BLOCK INSTL-RTNR<br>MONUMENT W/ CURT. HEADER<br>POSITION DATA:<br>FWD, RH<br>FOR NHA SEE:<br>25-20-00-03B        | 012030           | RF             |
| - 140    | MODREF89565 |               | BLOCK INSTL-RTNR<br>MONUMENT W/ CURT. HEADER<br>MODULE NUMBER:<br>403A3300-20 REV A<br>POSITION DATA:<br>FWD, RH | 031200<br>968999 | 1              |
| 145      | 403A3130-1  |               | .RETAINER-   | 012200<br>968999 | 1              |

MISSING ITEM NUMBERS NOT APPLICABLE

- ITEM NOT ILLUSTRATED

HAP

# 25-30-00-09

BOEING PROPRIETARY - Copyright © - Unpublished Work - See title page for details.

25-30-00  
FIG. 09  
PAGE 1  
OCT 15/08


**BOEING**  
 737-600/700/800/900  
**PARTS CATALOG (MAINTENANCE)**

| FIG<br>ITEM | PART NUMBER | 1 2 3 4 5 6 7 | NOMENCLATURE   | EFFECT<br>FROM TO | UNITS<br>PER<br>ASSY |
|-------------|-------------|---------------|--|-------------------|----------------------|
| 9<br>- 165  | 403A3300-2  |               | BLOCK INSTL-RTNR<br>MONUMENT<br>POSITION DATA:<br>FWD RH<br>FOR NHA SEE:<br>25-20-00-03B | 008011            | RF                   |
| 170         | 403A3130-1  |               | .RETAINER-FOUR CORNER SNAP<br>APART  | 008011            | 2                    |

MISSING ITEM NUMBERS NOT APPLICABLE

- ITEM NOT ILLUSTRATED

HAP

# 25-30-00-09

BOEING PROPRIETARY - Copyright © - Unpublished Work - See title page for details.

25-30-00  
 FIG. 09  
 PAGE 2  
 OCT 15/08

NON-ILLUSTRATED FIGURE

THE ITEMS REFLECTED IN THIS FIGURE ARE INTENTIONALLY  
NON-ILLUSTRATED. THEY ARE REFERENCED TO EITHER A  
NEXT HIGHER OR NEXT LOWER ASSEMBLY/INSTALLATION FIGURE.

FUNCTIONAL COLLECTOR CUSTOMER UNIQUE (BUFFET AND GALLEY ONLY)  
FIGURE 10A

**25-30-00-10A**

HAP  
OCT 15/08

25-30-00-10A  
PAGE 0



 **BOEING**  
737-600/700/800/900  
**PARTS CATALOG (MAINTENANCE)**

| FIG<br>ITEM | PART NUMBER   | 1 2 3 4 5 6 7 | NOMENCLATURE   | EFFECT<br>FROM TO | UNITS<br>PER<br>ASSY |
|-------------|---------------|---------------|--|-------------------|----------------------|
| 10A         |               |               | FUNCTIONAL COLLECTOR<br>CUSTOMER UNIQUE<br>(BUFFET AND GALLEY ONLY)  | 201967            |                      |
| - 60        | 400A9101-2610 |               | FUNCTIONAL COLLECTOR-<br>CUSTOMER UNIQUE<br>(BUFFET AND GALLEY ONLY)<br>FOR NHA/OTHER SYS DET SEE:<br>25-00-00-02B | 201967            | RF                   |
| - 370       | 415A1200-2    |               | .BRACKET INSTL-GALLEY NO.2<br>FOR DETAILS SEE:<br>25-31-53-02  | 201967            | 1                    |
| - 370       | 415A1200-4    |               | .BRACKET INSTL-GALLEY<br>NO. 4/4B<br>FOR DETAILS SEE:<br>25-31-63-01   | 201967            | 1                    |
| - 385       | 415A1300-43   |               | .ROD INSTL-TIE<br>GALLEY NO. 4B<br>POSITION DATA:<br>LH UPR<br>FOR DETAILS SEE:<br>25-31-63-03                     | 201967            | 1                    |
| - 392       | 415A1300-41   |               | .ROD INSTL-TIE<br>GALLEY NO.4/4B<br>POSITION DATA:<br>RH UPR<br>FOR DETAILS SEE:<br>25-31-63-03                    | 201967            | 1                    |
| - 745       | 413A3517-1B   |               | .ITEM INSTL-MISC<br>FOR DETAILS SEE:<br>25-30-51-04  | 201967            | 1                    |

MISSING ITEM NUMBERS NOT APPLICABLE

- ITEM NOT ILLUSTRATED

HAP

# 25-30-00-10A

BOEING PROPRIETARY - Copyright © - Unpublished Work - See title page for details.

25-30-00  
FIG. 10A  
PAGE 1  
OCT 15/08

 **BOEING**  
737-600/700/800/900  
PARTS CATALOG (MAINTENANCE)

NON-ILLUSTRATED FIGURE

THE ITEMS REFLECTED IN THIS FIGURE ARE INTENTIONALLY  
NON-ILLUSTRATED. THEY ARE REFERENCED TO EITHER A  
NEXT HIGHER OR NEXT LOWER ASSEMBLY/INSTALLATION FIGURE.

FUNCTIONAL COLLECTOR CUSTOMER UNIQUE (GALLEY ONLY)  
FIGURE 10B

**25-30-00-10B**

HAP  
OCT 10/06

25-30-00-10B  
PAGE 0

 **BOEING**  
737-600/700/800/900  
PARTS CATALOG (MAINTENANCE)

| FIG ITEM | PART NUMBER   | 1 2 3 4 5 6 7 | NOMENCLATURE  | EFFECT FROM TO   | UNITS PER ASSY |
|----------|---------------|---------------|---|------------------|----------------|
| 10B      |               |               | FUNCTIONAL COLLECTOR<br>CUSTOMER UNIQUE<br>(GALLEY ONLY)  | 001030           |                |
| - 1      | 400A9101-3001 |               | FUNCTIONAL COLLECTOR-<br>CUSTOMER UNIQUE (GALLEY<br>ONLY)<br>FOR NHA/OTHER SYS DET SEE:<br>25-00-00-02C | 001017<br>019019 | RF             |
| - 10     | 400A0028-3001 |               | FUNCTIONAL COLLECTOR-<br>CUSTOMER UNIQUE (GALLEY<br>ONLY)<br>FOR NHA/OTHER SYS DET SEE:<br>25-00-00-02C | 018018<br>020030 | RF             |
| - 100    | 415A1101-2    |               | .GALLEY INSTL-NO. 1<br>FOR DETAILS SEE:<br>25-31-11-03  | 001011           | 1              |
| - 110    | 415A1102-1    |               | .SUPPLY INSTL-GALLEY NO. 2<br>WATER<br>FOR DETAILS SEE:<br>38-11-00-02                                  | 001001<br>006007 | 1              |
| - 110    | 415A1102-2    |               | .GALLEY INSTL-NO. 2<br>FOR DETAILS SEE:<br>25-31-21-02  | 001007           | 1              |
| - 112    | 415A1102-37B  |               | .GALLEY INSTL-NO. 2<br>FOR DETAILS SEE:<br>25-31-21-02  | 008011           | 1              |
| - 130    | 415A1104-2    |               | .GALLEY INSTL-NO. 4B<br>FOR DETAILS SEE:<br>25-31-41-03   | 001011           | 1              |
| - 160    | 415A1107-2    |               | .GALLEY INSTL-NO. 7<br>PRE SERVICE BULLETIN:<br>25-1542<br>FOR DETAILS SEE:<br>25-31-71-01              | 001007           | 1              |
| - 160    | 415A1107-14B  |               | .GALLEY INSTL-NO. 7<br>PRE SERVICE BULLETIN:<br>25-1542<br>FOR DETAILS SEE:<br>25-31-71-01              | 008011           | 1              |
| - 197    | 415A1110-201  |               | .INSERT INSTL-GALLEY NO. 1<br>CB<br>FOR DETAILS SEE:<br>25-31-11-43                                     | 018018<br>020030 | 1              |
| - 198    | 415A1110-202  |               | .INSERT INSTL-GALLEY NO.2<br>CB<br>FOR DETAILS SEE:<br>25-31-21-48                                      | 018018<br>020030 | 1              |
| - 199    | 415A1110-204  |               | .INSERT INSTL-GALLEY NO. 4<br>CB  | 018018<br>020030 | 1              |

MISSING ITEM NUMBERS NOT APPLICABLE

- ITEM NOT ILLUSTRATED

HAP

# 25-30-00-10B

BOEING PROPRIETARY - Copyright © - Unpublished Work - See title page for details.

25-30-00  
FIG. 10B  
PAGE 1  
OCT 10/06

**BOEING**  
737-600/700/800/900  
PARTS CATALOG (MAINTENANCE)

| FIG ITEM     | PART NUMBER  | 1 2 3 4 5 6 7 | NOMENCLATURE  | EFFECT FROM TO   | UNITS PER ASSY |
|--------------|--------------|---------------|---|------------------|----------------|
| 10B<br>- 199 | 415A1110-207 |               | .INSERT INSTL-GALLEY NO.7<br>CB<br>FOR DETAILS SEE:<br>25-31-71-23  | 018018<br>020027 | 1              |
| - 212        | 415A1111-47  |               | .GALLEY INSTL-NO. 1<br>HAPAG LOYD 737-8K5<br>MODEL AIRPLANES<br>FOR DETAILS SEE:<br>25-31-11-43                                     | 012017<br>019019 | 1              |
| - 212        | 415A1111-119 |               | .GALLEY INSTL-NO. 1<br>HAPAG LOYD<br>FOR DETAILS SEE:<br>25-31-11-43  | 018018<br>020030 | 1              |
| - 224        | 415A1112-74  |               | .GALLEY INSTL-NO. 2<br>HAPAG LOYD 737-8K5<br>MODEL AIRPLANES<br>FOR DETAILS SEE:<br>25-31-21-48                                     | 012030           | 1              |
| - 242        | 415A1114-47  |               | .GALLEY INSTL-NO. 4B<br>HAPAG LOYD 737-8K5<br>MODEL AIRPLANES<br>FOR DETAILS SEE:<br>25-31-41-37                                    | 012030           | 1              |
| - 271        | 415A1117-32  |               | .GALLEY INSTL-NO. 7<br>HAPAG LOYD 737-8K5<br>MODEL AIRPLANES<br>PRE SERVICE BULLETIN:<br>25-1542<br>FOR DETAILS SEE:<br>25-31-71-23 | 012030           | 1              |
| - 290        | 415A1140-3   |               | .HEAT INSTL-AREA G4B<br>POSITION DATA:<br>LH<br>FOR DETAILS SEE:<br>25-31-63-02B  | 012030           | 1              |
| - 305        | 415A1140-1   |               | .HEAT INSTL-AREA G1<br>FOR DETAILS SEE:<br>25-31-53-07  | 012030           | 1              |
| - 315        | 415A1140-4   |               | .HEAT INSTL-AREA G4<br>POSITION DATA:<br>RH<br>FOR DETAILS SEE:<br>25-31-63-02B   | 012030           | 1              |
| - 332        | 415A1160-19D |               | .INSERT INSTL-KICKSTRIP<br>GALLEY<br>FOR DETAILS SEE:<br>25-31-21-48<br>25-31-71-23   | 012030           | 1              |

MISSING ITEM NUMBERS NOT APPLICABLE

- ITEM NOT ILLUSTRATED

HAP

# 25-30-00-10B

BOEING PROPRIETARY - Copyright © - Unpublished Work - See title page for details.

25-30-00  
FIG. 10B  
PAGE 2  
OCT 15/08

**BOEING**  
737-600/700/800/900  
PARTS CATALOG (MAINTENANCE)

| FIG<br>ITEM | PART NUMBER | 1 2 3 4 5 6 7 | NOMENCLATURE  | EFFECT<br>FROM TO | UNITS<br>PER<br>ASSY |
|-------------|-------------|---------------|---|-------------------|----------------------|
| 10B         |             |               |   |                   |                      |
| - 340       | 415A1170-1  |               | .HOLDER INSTL-GALLEY NO. 1<br>USPHS CERTIFICATE<br>FOR DETAILS SEE:<br>25-31-53-04                | 012030            | 1                    |
| - 350       | 415A1200-2  |               | .BRACKET INSTL-GALLEY NO.2<br>FOR DETAILS SEE:<br>25-31-53-02                                     | 001030            | 1                    |
| - 355       | 415A1200-4  |               | .BRACKET INSTL-GALLEY<br>4/4B<br>FOR DETAILS SEE:<br>25-31-63-01                                  | 001030            | 1                    |
| - 372       | 415A1210-1  |               | .STRAP INSTL-GND G1<br>AIRPLANE INTERFACE<br>FOR DETAILS SEE:<br>25-31-53-10A                     | 012030            | 1                    |
| - 374       | 415A1210-2  |               | .STRAP INSTL-GND G2<br>AIRPLANE INTERFACE<br>FOR DETAILS SEE:<br>25-31-53-09                      | 012030            | 1                    |
| - 378       | 415A1210-4  |               | .STRAP INSTL-GND G4B<br>AIRPLANE INTERFACE<br>FOR DETAILS SEE:<br>25-31-63-04A                    | 012030            | 1                    |
| - 383       | 415A1210-11 |               | .STRAP INSTL-GND G1<br>GALLEY INTERFACE<br>FOR DETAILS SEE:<br>25-31-53-10A                       | 012030            | 1                    |
| - 384       | 415A1210-12 |               | .STRAP INSTL-GND G2<br>GALLEY INTERFACE<br>FOR DETAILS SEE:<br>25-31-53-09                        | 012030            | 1                    |
| - 386       | 415A1210-14 |               | .STRAP INSTL-GND G4B<br>GALLEY INTERFACE<br>FOR DETAILS SEE:<br>25-31-63-04A                      | 012030            | 1                    |
| - 388       | 415A1210-7  |               | .STRAP INSTL-GND G7<br>AIRPLANE INTERFACE<br>FOR DETAILS SEE:<br>25-31-53-06                      | 012030            | 1                    |
| - 389       | 415A1210-17 |               | .STRAP INSTL-GND G7<br>GALLEY INTERFACE<br>FOR DETAILS SEE:<br>25-31-53-06                        | 012030            | 1                    |
| - 392       | 415A1300-41 |               | .ROD INSTL-TIE<br>GALLEY NO.4/4B<br>POSITION DATA:<br>RH UPPER<br>FOR DETAILS SEE:<br>25-31-63-03 | 001030            | 1                    |

MISSING ITEM NUMBERS NOT APPLICABLE

- ITEM NOT ILLUSTRATED

HAP

# 25-30-00-10B

BOEING PROPRIETARY - Copyright © - Unpublished Work - See title page for details.

25-30-00  
FIG. 10B  
PAGE 3  
OCT 15/08

**BOEING**  
737-600/700/800/900  
PARTS CATALOG (MAINTENANCE)

| FIG<br>ITEM  | PART NUMBER     | 1 2 3 4 5 6 7 | NOMENCLATURE  | EFFECT<br>FROM TO | UNITS<br>PER<br>ASSY |
|--------------|-----------------|---------------|---|-------------------|----------------------|
| 10B<br>- 394 | 415A1300-71     |               | .ROD INSTL-TIE GALLEY NO. 7<br>FOR DETAILS SEE:<br>25-31-71-11                                  | 018018<br>020030  | 1                    |
| - 396        | 415A1300-11     |               | .ROD INSTL-TIE GALLEY NO. 1<br>FOR DETAILS SEE:<br>25-31-53-05A                                 | 018018<br>020030  | 1                    |
| - 397        | 415A1300-21     |               | .ROD INSTL-TIE GALLEY NO. 2<br>FOR DETAILS SEE:<br>25-31-53-13C                                 | 018018<br>020030  | 1                    |
| - 410        | 415A1300-42     |               | .ROD INSTL-TIE GALLEY<br>NO. 4B<br>POSITION DATA:<br>RH LWR<br>FOR DETAILS SEE:<br>25-31-63-03A | 018018<br>020030  | 1                    |
| - 415        | 415A1300-43     |               | .ROD INSTL-TIE GALLEY<br>NO.4B<br>POSITION DATA:<br>LH UPR<br>FOR DETAILS SEE:<br>25-31-63-03   | 001030            | 1                    |
| - 420        | 415A1300-44     |               | .ROD INSTL-TIE GALLEY<br>NO. 4B<br>POSITION DATA:<br>LH LWR<br>FOR DETAILS SEE:<br>25-31-63-03A | 018018<br>020030  | 1                    |
| - 501        | 415A1110-300111 |               | .INSERT INSTL-GALLEY NO.1<br>FOR DETAILS SEE:<br>25-31-11-43                                    | 012030            | 1                    |
| - 511        | 415A1110-300121 |               | .INSERT INSTL-GALLEY NO. 2<br>HAP<br>FOR DETAILS SEE:<br>25-31-21-48                            | 012030            | 1                    |
| - 530        | 415A1110-300142 |               | .INSERT INSTL-GALLEY NO. 4B<br>HAP<br>FOR DETAILS SEE:<br>25-31-41-37                           | 012020            | 1                    |
| - 532        | 415A1110-300143 |               | .INSERT INSTL-GALLEY NO. 4B<br>HAP<br>FOR DETAILS SEE:<br>25-31-41-37                           | 021030            | 1                    |
| - 580        | 415A1110-300171 |               | .INSERT INSTL-GALLEY NO.7<br>HAP<br>FOR DETAILS SEE:<br>25-31-71-23                             | 012030            | 1                    |

MISSING ITEM NUMBERS NOT APPLICABLE

- ITEM NOT ILLUSTRATED

HAP

# 25-30-00-10B

BOEING PROPRIETARY - Copyright © - Unpublished Work - See title page for details.

25-30-00  
FIG. 10B  
PAGE 4  
JUN 10/07

NON-ILLUSTRATED FIGURE

THE ITEMS REFLECTED IN THIS FIGURE ARE INTENTIONALLY  
NON-ILLUSTRATED. THEY ARE REFERENCED TO EITHER A  
NEXT HIGHER OR NEXT LOWER ASSEMBLY/INSTALLATION FIGURE.

FUNCTIONAL COLLECTOR OPTION FEATURE (GALLEY ONLY)  
FIGURE 10C

**25-30-00-10C**

HAP  
OCT 10/06

25-30-00-10C  
PAGE 0

**BOEING**  
737-600/700/800/900  
PARTS CATALOG (MAINTENANCE)

| FIG ITEM | PART NUMBER   | 1 2 3 4 5 6 7 | NOMENCLATURE   | EFFECT FROM TO             | UNITS PER ASSY |
|----------|---------------|---------------|--|----------------------------|----------------|
| 10C      |               |               | FUNCTIONAL COLLECTOR<br>OPTION FEATURE<br>(GALLEY ONLY)  | 001017<br>019019<br>201967 |                |
| - 30     | 400A9101-6286 |               | FUNCTIONAL COLLECTOR-OPT<br>FEATURE FOR 2530CG3V23<br>FOR NHA SEE:<br>25-00-00-05  | 201967                     | RF             |
| - 45     | 400A9101-6289 |               | FUNCTIONAL COLLECTOR-OPT<br>FEATURE FOR 2530CG3V26<br>FOR NHA SEE:<br>25-00-00-05  | 001017<br>019019           | RF             |
| - 150    | 415A1300-21   |               | .ROD INSTL-TIE<br>GALLEY NO. 2<br>FOR DETAILS SEE:<br>25-31-53-13C   | 001017<br>019019<br>201967 | 1              |
| - 205    | 400A9101-6292 |               | FUNCTIONAL COLLECTOR-OPT<br>FEATURE FOR 2530CG3V31<br>FOR NHA SEE:<br>25-00-00-05  | 001017<br>019019<br>201967 | RF             |
| - 395    | 415A1300-42   |               | .ROD INSTL-TIE<br>GALLEY NO. 4<br>POSITION DATA:<br>RH LWR<br>USED ON:<br>400A9101-6291<br>400A9101-6292<br>FOR DETAILS SEE:<br>25-31-63-03A | 001017<br>019019<br>201967 | 1              |
| - 405    | 415A1300-44   |               | .ROD INSTL-TIE<br>GALLEY NO. 4<br>POSITION DATA:<br>LH LWR<br>USED ON:<br>400A9101-6291<br>400A9101-6292<br>FOR DETAILS SEE:<br>25-31-63-03A | 001017<br>019019<br>201967 | 1              |
| - 450    | 400A9101-6284 |               | FUNCTIONAL COLLECTOR-OPT<br>FEATURE FOR 2530CG3V22<br>FOR NHA SEE:<br>25-00-00-05  | 001017<br>019019           | RF             |
| - 455    | 400A9101-6285 |               | FUNCTIONAL COLLECTOR-OPT<br>FEATURE FOR 2530CG3V20<br>FOR NHA SEE:<br>25-00-00-05  | 201967                     | RF             |
| - 480    | 415A1300-11   |               | .ROD INSTL-TIE<br>GALLEY NO. 1<br>FOR DETAILS SEE:<br>25-31-53-05A   | 001017<br>019019<br>201967 | 1              |

MISSING ITEM NUMBERS NOT APPLICABLE

- ITEM NOT ILLUSTRATED

HAP

# 25-30-00-10C

BOEING PROPRIETARY - Copyright © - Unpublished Work - See title page for details.

25-30-00  
FIG. 10C  
PAGE 1  
OCT 15/08




**BOEING**  
 737-600/700/800/900  
**PARTS CATALOG (MAINTENANCE)**

| FIG<br>ITEM  | PART NUMBER   | 1 2 3 4 5 6 7 | NOMENCLATURE  | EFFECT<br>FROM TO | UNITS<br>PER<br>ASSY |
|--------------|---------------|---------------|---|-------------------|----------------------|
| 10C<br>- 550 | 400A9101-6327 |               | FUNCTIONAL COLLECTOR-OPT<br>FEATURE FOR 2530CG3V37<br>FOR NHA SEE:<br>25-00-00-05 | 001017<br>019019  | RF                   |
| - 580        | 415A1300-71   |               | .ROD INSTL-TIE<br>GALLEY NO. 7<br>FOR DETAILS SEE:<br>25-31-71-11                 | 001017<br>019019  | 1                    |

MISSING ITEM NUMBERS NOT APPLICABLE

- ITEM NOT ILLUSTRATED

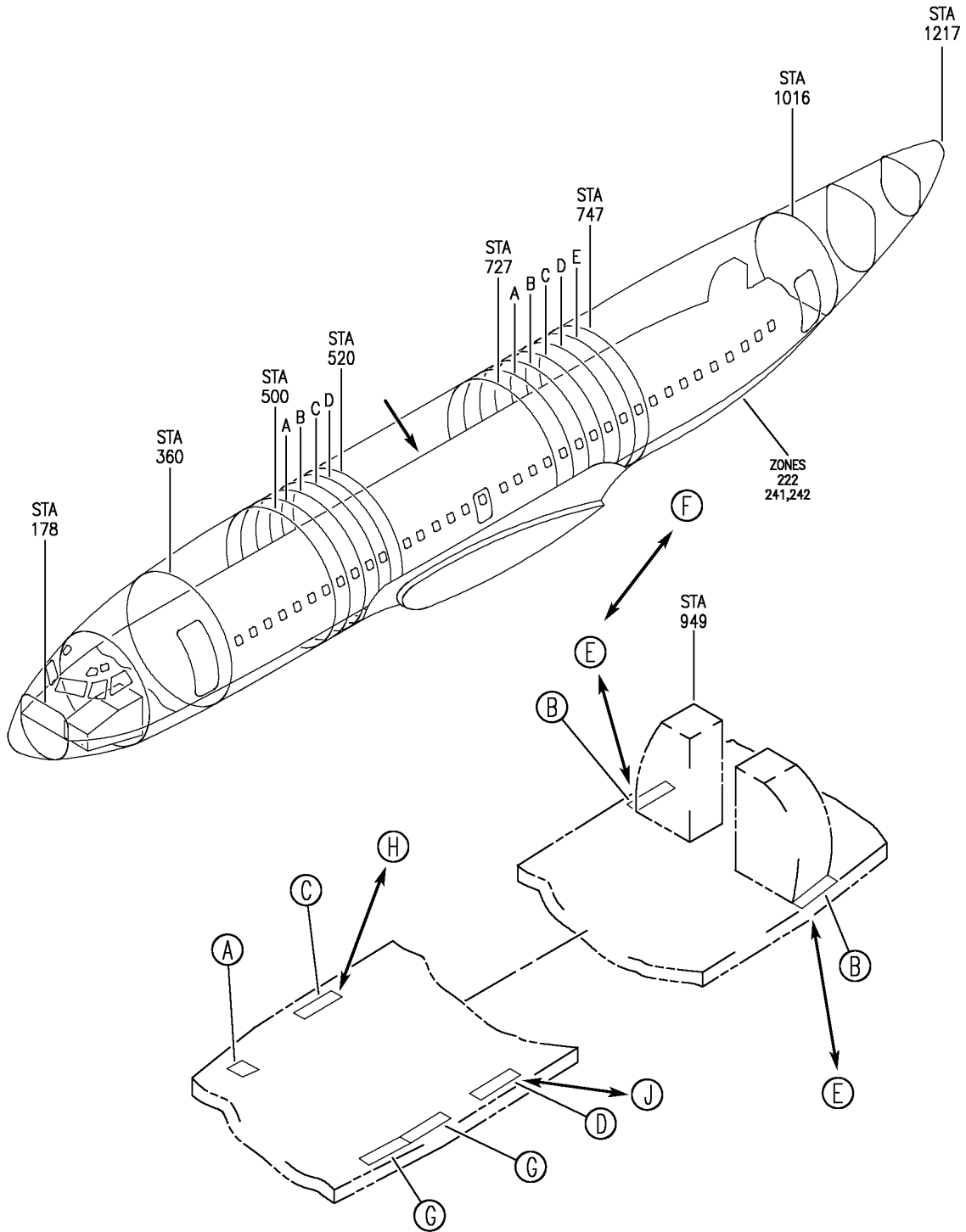
HAP

# 25-30-00-10C

BOEING PROPRIETARY - Copyright © - Unpublished Work - See title page for details.

25-30-00  
 FIG. 10C  
 PAGE 2  
 OCT 15/08

**BOEING**  
 737-600/700/800/900  
 PARTS CATALOG (MAINTENANCE)



E 25300012 SHT 1 REV 076

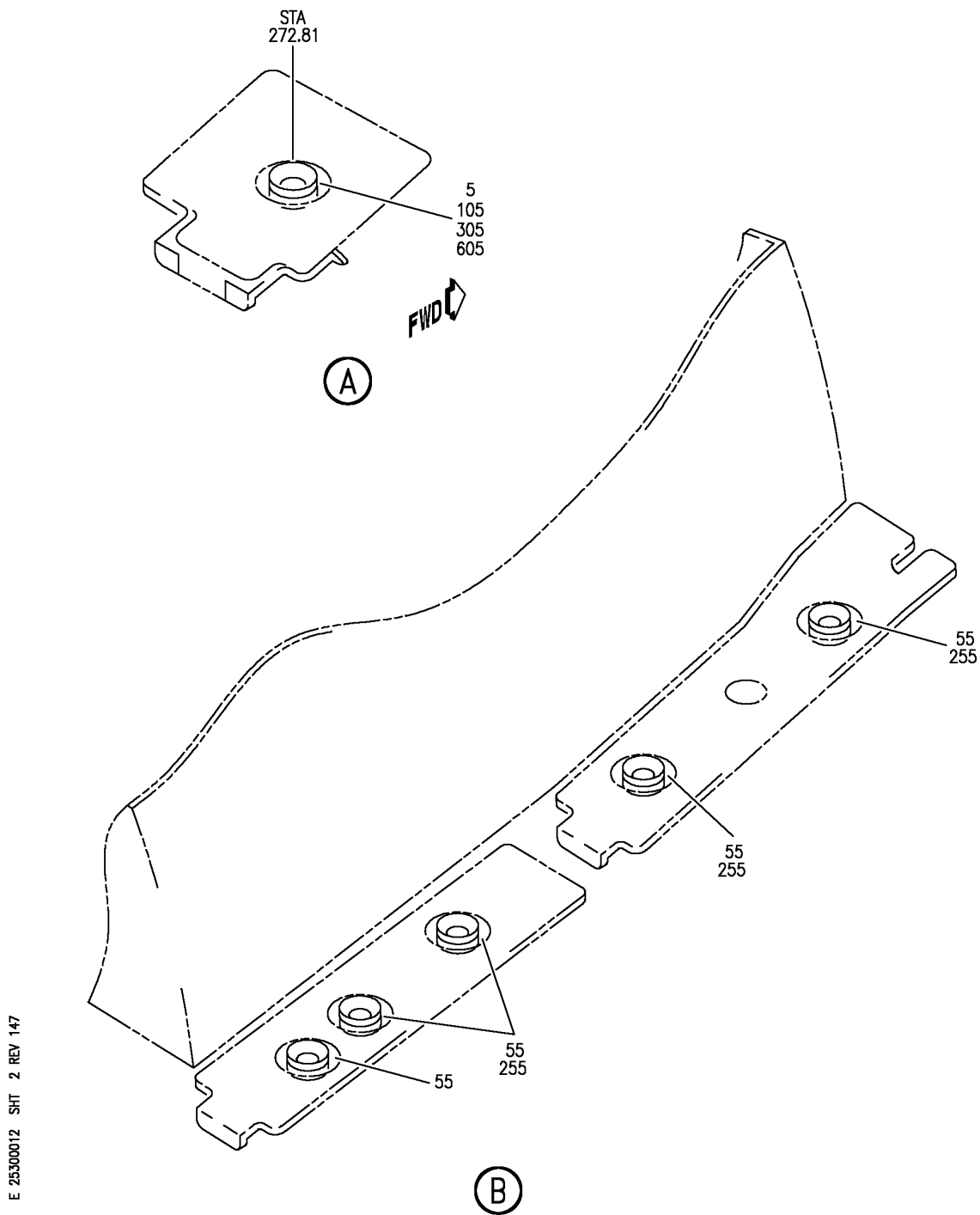
SEAL INSTL-AIR  
 FIGURE 12 (SHEET 1)

**25-30-00-12**

HAP  
 OCT 10/06

25-30-00-12  
 PAGE 0

**BOEING**  
737-600/700/800/900  
PARTS CATALOG (MAINTENANCE)



E 25300012 SHT 2 REV 147

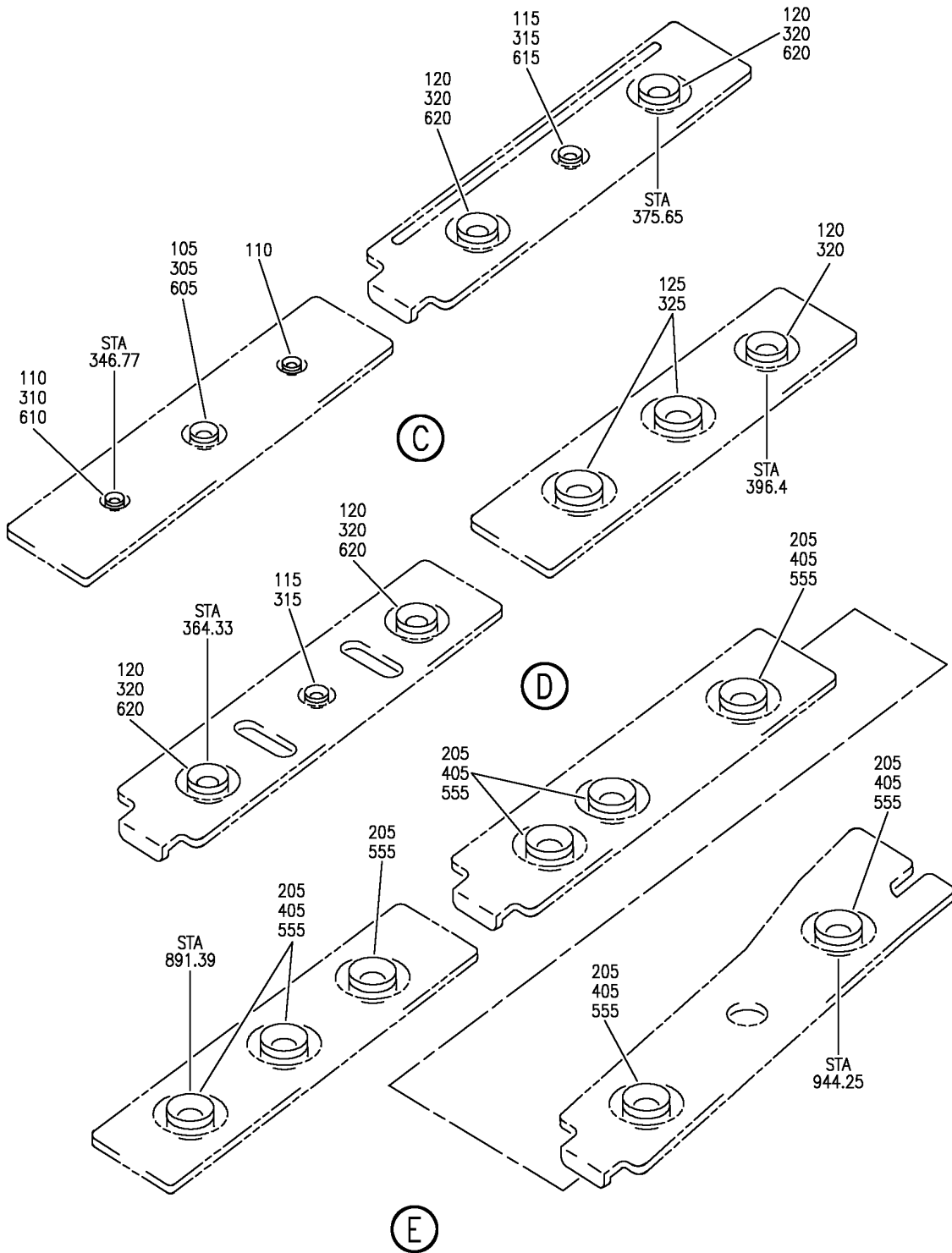
SEAL INSTL-AIR  
FIGURE 12 (SHEET 2)

**25-30-00-12**

HAP  
OCT 15/08

25-30-00-12  
PAGE 0A

**BOEING**  
 737-600/700/800/900  
 PARTS CATALOG (MAINTENANCE)



E 25300012 SHT 3 REV 147

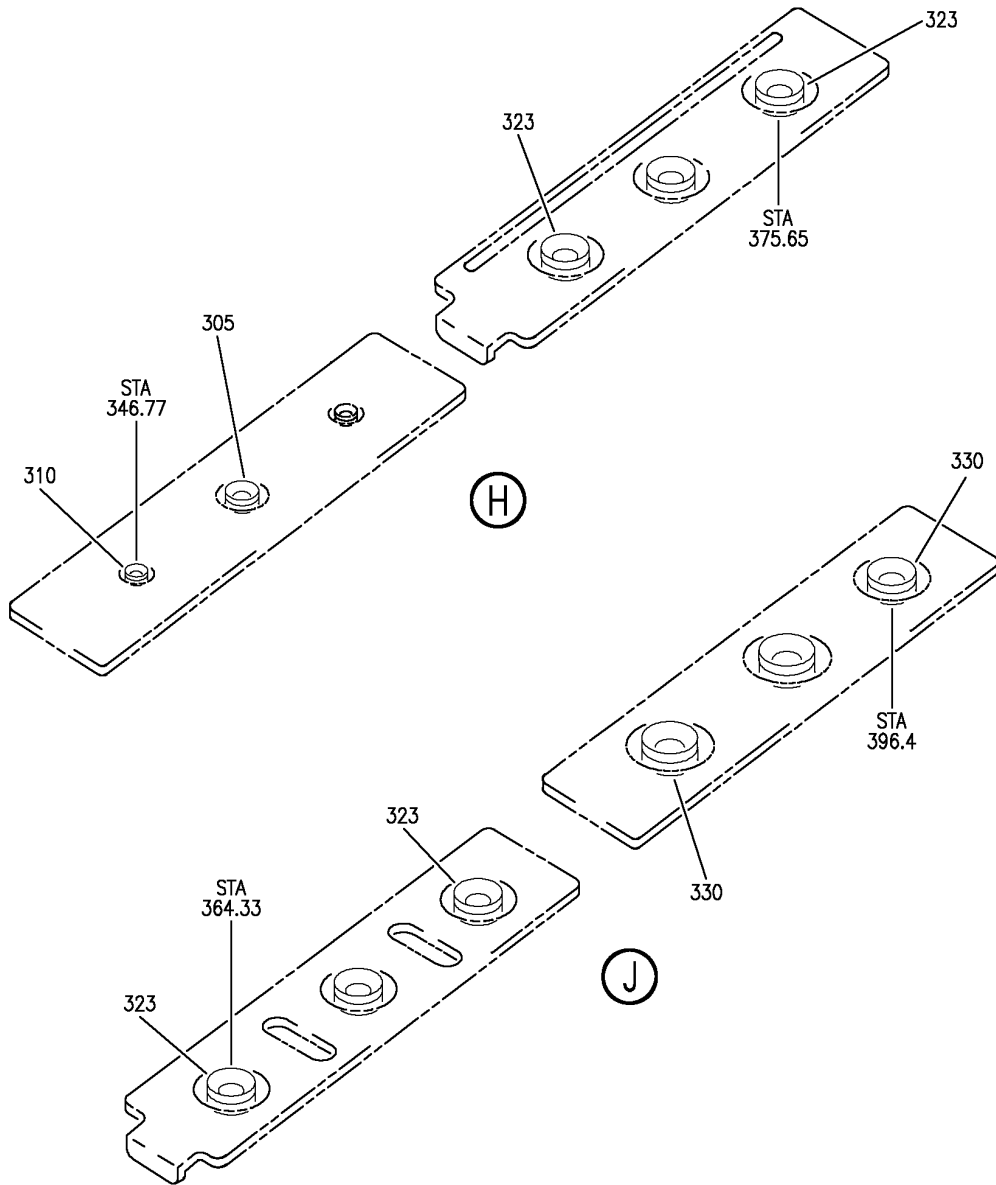
SEAL INSTL-AIR  
 FIGURE 12 (SHEET 3)

**25-30-00-12**

HAP  
 OCT 15/08

25-30-00-12  
 PAGE 0B





E 25300012 SH1 5 REV 076

SEAL INSTL-AIR  
FIGURE 12 (SHEET 5)

**25-30-00-12**

HAP  
OCT 10/06

25-30-00-12  
PAGE 0D

**BOEING**  
737-600/700/800/900  
PARTS CATALOG (MAINTENANCE)

| FIG ITEM | PART NUMBER  | 1 2 3 4 5 6 7 | NOMENCLATURE   | EFFECT FROM TO   | UNITS PER ASSY |
|----------|--------------|---------------|--|------------------|----------------|
| 12       |              |               | SEAL INSTL-AIR   | 030200<br>968999 |                |
| - 300    | 415A1180-7   |               | SEAL INSTL-AIR PASS. CAB.<br>POSITION DATA:<br>FWD<br>FOR NHA SEE:<br>25-30-00-15D       | 030030           | RF             |
| - 300    | MODREF95179  |               | SEAL INSTL-AIR PASS. CAB.<br>MODULE NUMBER:<br>415A1180-7 REV A<br>POSITION DATA:<br>FWD | 031200<br>968999 | 1              |
| 305      | 415A1181-1   |               | .SEAL ASSY-AIR   | 030200<br>968999 | 2              |
| 310      | 415A1181-2   |               | .SEAL ASSY-AIR   | 030200<br>968999 | 1              |
| 315      | 415A1181-3   |               | .SEAL ASSY-AIR   | 030200<br>968999 | 2              |
| 320      | 415A1181-4   |               | .SEAL ASSY-AIR   | 030200<br>968999 | 5              |
| 325      | 415A1181-5   |               | .SEAL ASSY-AIR   | 030200<br>968999 | 2              |
| - 400    | 415A1180-8   |               | SEAL INSTL-AIR PASS. CAB.<br>POSITION DATA:<br>AFT<br>FOR NHA SEE:<br>25-30-00-15D       | 030030           | RF             |
| - 400    | MODREF95180  |               | SEAL INSTL-AIR PASS. CAB.<br>MODULE NUMBER:<br>415A1180-8 REV A<br>POSITION DATA:<br>AFT | 031100           | 1              |
| 405      | 415A1181-2   |               | .SEAL ASSY-AIR   | 030100           | 15             |
| - 550    | MODREF135212 |               | SEAL INSTL-AIR, PASS. CAB<br>MODULE NUMBER:<br>415A1180-11 REV A                         | 101200<br>968999 | 1              |
| 555      | 415A1181-2   |               | .SEAL ASSY-AIR   | 101200<br>968999 | 16             |

MISSING ITEM NUMBERS NOT APPLICABLE

- ITEM NOT ILLUSTRATED

HAP

# 25-30-00-12

BOEING PROPRIETARY - Copyright © - Unpublished Work - See title page for details.

25-30-00  
FIG. 12  
PAGE 1  
OCT 15/08

NON-ILLUSTRATED FIGURE

THE ITEMS REFLECTED IN THIS FIGURE ARE INTENTIONALLY  
NON-ILLUSTRATED. THEY ARE REFERENCED TO EITHER A  
NEXT HIGHER OR NEXT LOWER ASSEMBLY/INSTALLATION FIGURE.

E 25300015D REV 067

FUNCTIONAL COLLECTOR-MINOR MODEL BASIC AND STABLE (GALLEY ONLY)  
FIGURE 15D

**25-30-00-15D**

HAP  
OCT 10/06

25-30-00-15D  
PAGE 0



**BOEING**  
737-600/700/800/900  
PARTS CATALOG (MAINTENANCE)

| FIG<br>ITEM | PART NUMBER  | 1 2 3 4 5 6 7 | NOMENCLATURE  | EFFECT<br>FROM TO | UNITS<br>PER<br>ASSY |
|-------------|--------------|---------------|---|-------------------|----------------------|
| 15D         |              |               | FUNCTIONAL COLLECTOR-MINOR<br>MODEL BASIC AND STABLE<br>(GALLEY ONLY)   | 030030            |                      |
| - 1         | 400A0000-800 |               | FUNCTIONAL COLLECTOR-MINOR<br>MODEL BASIC AND STABLE<br>(GALLEY ONLY)   | 030030            | RF                   |
| - 10        | 415A1180-7   |               | FOR NHA/OTHER SYS DET SEE:<br>25-00-00-06B<br>.SEAL INSTL-AIR<br>PASS. CAB.<br>POSITION DATA:<br>FWD<br>FOR DETAILS SEE:<br>25-30-00-12 | 030030            | 1                    |
| - 15        | 415A1180-8   |               | .SEAL INSTL-AIR<br>PASS. CAB.<br>POSITION DATA:<br>AFT<br>FOR DETAILS SEE:<br>25-30-00-12   | 030030            | 1                    |

MISSING ITEM NUMBERS NOT APPLICABLE

- ITEM NOT ILLUSTRATED

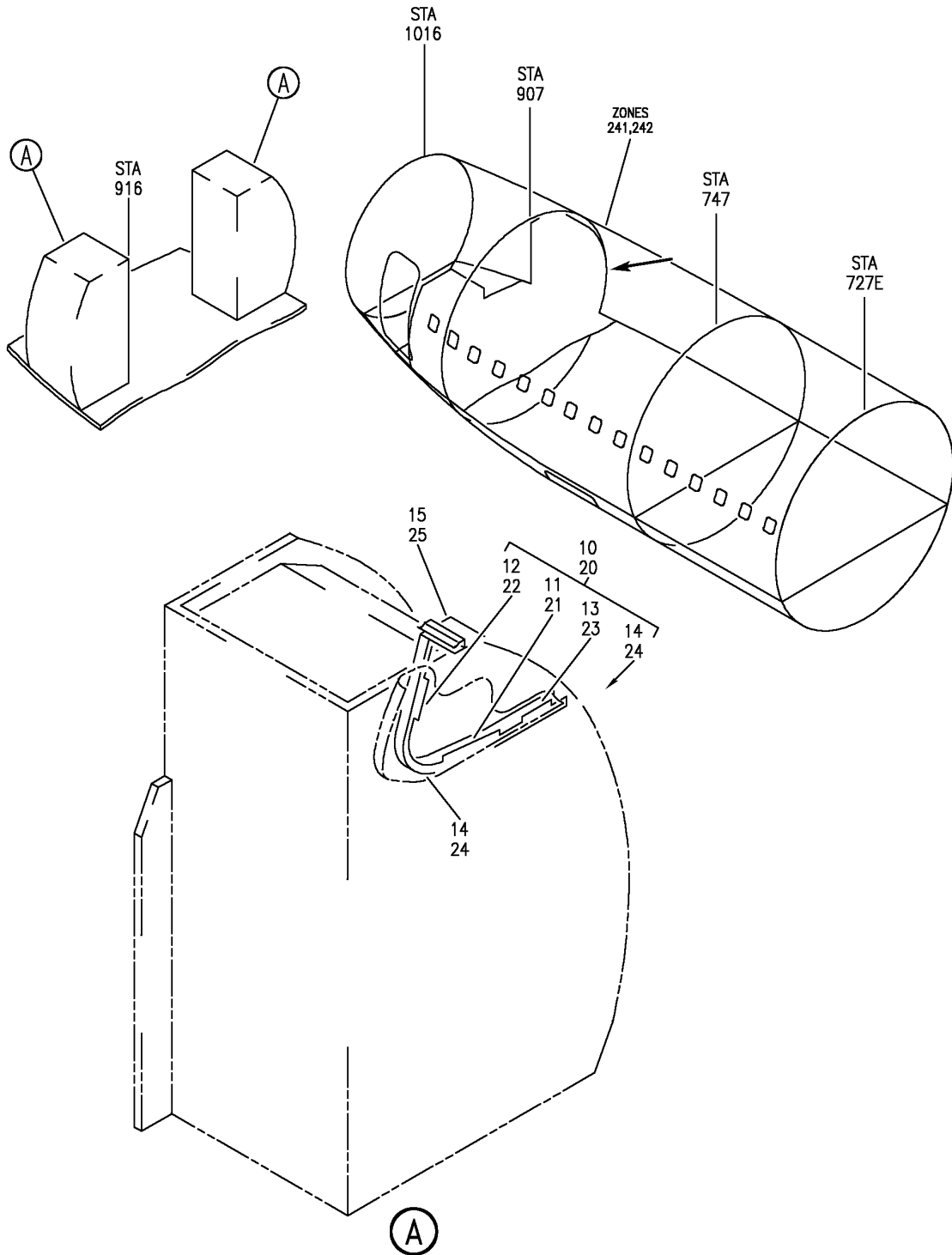
HAP

# 25-30-00-15D

BOEING PROPRIETARY - Copyright © - Unpublished Work - See title page for details.

25-30-00  
FIG. 15D  
PAGE 1  
OCT 10/06

**BOEING**  
 737-600/700/800/900  
 PARTS CATALOG (MAINTENANCE)



E 25300018 REV 147

SEAL INSTL-STOWBIN ENDCAP TO MONUMENT  
 FIGURE 18

**25-30-00-18**

HAP  
 OCT 15/08

25-30-00-18  
 PAGE 0





 **BOEING**  
737-600/700/800/900  
**PARTS CATALOG (MAINTENANCE)**

| FIG<br>ITEM | PART NUMBER   | 1 2 3 4 5 6 7 | NOMENCLATURE   | EFFECT<br>FROM TO | UNITS<br>PER<br>ASSY |
|-------------|---------------|---------------|--|-------------------|----------------------|
| 18          |               |               |  |                   |                      |
| 12          | 415U9010-236B | ..            | EXTRUSION-<br>POSITION DATA:<br>LH SIDE                    | 048053<br>107200  | 1                    |
| 13          | 415U9010-237B | ..            | EXTRUSION-<br>POSITION DATA:<br>LH SIDE                    | 048053<br>107200  | 1                    |
| 14          | 403A3110-117B | ..            | SEAL-<br>POSITION DATA:<br>LH<br>USED ON:<br>403A3110-176B | 048053<br>107200  | 1                    |
| 14          | 403A3110-112B | ..            | SEAL-<br>POSITION DATA:<br>LH<br>USED ON:<br>403A3110-172B | 048053<br>107200  | 1                    |
| 14          | 403A3110-115B | ..            | SEAL-<br>POSITION DATA:<br>LH<br>USED ON:<br>403A3110-174B | 048053<br>107200  | 1                    |
| 14          | 403A3110-119B | ..            | SEAL-<br>POSITION DATA:<br>LH<br>USED ON:<br>403A3110-178B | 048053<br>107200  | 1                    |
| 15          | 415U9010-35B  | .             | EXTRUSION-<br>POSITION DATA:<br>LH SIDE                    | 048053<br>107200  | AR                   |

MISSING ITEM NUMBERS NOT APPLICABLE

— ITEM NOT ILLUSTRATED

HAP

# 25-30-00-18

BOEING PROPRIETARY - Copyright © - Unpublished Work - See title page for details.

25-30-00  
FIG. 18  
PAGE 3  
JUN 15/09

**BOEING**  
737-600/700/800/900  
PARTS CATALOG (MAINTENANCE)

| FIG<br>ITEM  | PART NUMBER | 1 2 3 4 5 6 7 | NOMENCLATURE   | EFFECT<br>FROM TO | UNITS<br>PER<br>ASSY |
|--|-------------|---------------|--|-------------------|----------------------|
| R<br>R<br>R<br>R<br>R<br>R<br>R<br>R<br>R<br>R<br>R<br>R<br>R<br>R<br>R<br>R<br>R<br>R<br>R<br>R<br>R<br>R | 18<br>20    | 403A3110-175B | .SEAL ASSY-1.5 INCH GAPS<br>POSITION DATA:<br>RH SIDE<br>QUALIFIED I/W DATA:<br>403A3110-175B CAN<br>REPLACE BUT NOT BE<br>REPLACED BY<br>403A3110-118B PROVIDED<br>THE 401A3110-118B IS<br>USED ON THE FWD LEFT AND<br>AFT RIGHT HAND SIDE OF<br>THE AIRPLANE. IF MID<br>CABIN LAV EXISTS, THE<br>403A3110-175B REPLACES<br>THE 403A3110-118B ON THE<br>AFT SIDE OF THE LAV(IF<br>LAV IS ON THE LEFT HAND<br>SIDE) OR THE FWD SIDE OF<br>THE LAV(IF LAV IS ON THE<br>RIGHT HAND SIDE).<br>OPTIONAL PART:<br>403A3110-171B<br>403A3110-173B<br>403A3110-177B | 048053<br>107200  | 1                    |
|  | 20          | 403A3110-171B | .SEAL ASSY-0.5 INCH GAPS<br>POSITION DATA:<br>RH SIDE<br>OPTIONAL PART:<br>403A3110-175B   | 048053<br>107200  | 1                    |

MISSING ITEM NUMBERS NOT APPLICABLE

— ITEM NOT ILLUSTRATED

HAP

# 25-30-00-18

BOEING PROPRIETARY - Copyright © - Unpublished Work - See title page for details.

25-30-00  
FIG. 18  
PAGE 4  
JUN 15/09



**BOEING**  
737-600/700/800/900  
PARTS CATALOG (MAINTENANCE)

| FIG<br>ITEM | PART NUMBER | 1 2 3 4 5 6 7 | NOMENCLATURE                              | EFFECT<br>FROM TO | UNITS<br>PER<br>ASSY |
|-------------|-------------|---------------|---|-------------------|----------------------|
| 18          |             |               |   |                   |                      |
| R           | 22          | 415U9010-236B | ..EXTRUSION-<br>POSITION DATA:<br>RH SIDE | 048053<br>107200  | 1                    |
| R           | 23          | 415U9010-237B | ..EXTRUSION-<br>POSITION DATA:<br>RH SIDE | 048053<br>107200  | 1                    |
| R           | 24          | 403A3110-117B | ..SEAL-<br>USED ON:<br>403A3110-175B      | 048053<br>107200  | 1                    |
| R           | 24          | 403A3110-111B | ..SEAL-<br>USED ON:<br>403A3110-171B      | 048053<br>107200  | 1                    |
| R           | 24          | 403A3110-115B | ..SEAL-<br>USED ON:<br>403A3110-173B      | 048053<br>107200  | 1                    |
| R           | 24          | 403A3110-119B | ..SEAL-<br>USED ON:<br>403A3110-177B      | 048053<br>107200  | 1                    |
| R           | 25          | 415U9010-35B  | .EXTRUSION-<br>POSITION DATA:<br>RH SIDE  | 048053<br>107200  | AR                   |

MISSING ITEM NUMBERS NOT APPLICABLE

— ITEM NOT ILLUSTRATED

HAP

# 25-30-00-18

BOEING PROPRIETARY - Copyright © - Unpublished Work - See title page for details.

25-30-00  
FIG. 18  
PAGE 6  
JUN 15/09



NON-ILLUSTRATED FIGURE

THE ITEMS REFLECTED IN THIS FIGURE ARE INTENTIONALLY  
NON-ILLUSTRATED. THEY ARE REFERENCED TO EITHER A  
NEXT HIGHER OR NEXT LOWER ASSEMBLY/INSTALLATION FIGURE.

FUNCTIONAL COLLECTOR OPTIONAL FEATURE  
FIGURE 26C

**25-30-00-26C**

HAP  
OCT 10/06

25-30-00-26C  
PAGE 0

**BOEING**  
737-600/700/800/900  
PARTS CATALOG (MAINTENANCE)

| FIG ITEM | PART NUMBER   | 1 2 3 4 5 6 7 | NOMENCLATURE   | EFFECT FROM TO   | UNITS PER ASSY |
|----------|---------------|---------------|--|------------------|----------------|
| 26C      |               |               | FUNCTIONAL COLLECTOR<br>OPTIONAL FEATURE   | 001030<br>201967 |                |
| - 20     | 400A9201-6286 |               | FUNCTIONAL COLLECTOR-<br>OPTIONAL FEATURE<br>COLLECTOR FOR 2530CG3V23<br>FOR NHA SEE:<br>25-00-00-08A                              | 201967           | RF             |
| - 25     | 400A9201-6327 |               | FUNCTIONAL COLLECTOR-<br>OPTIONAL FEATURE<br>COLLECTOR FOR 2530CG3V37<br>FOR NHA SEE:<br>25-00-00-08A                              | 001030           | RF             |
| - 150    | 415A1400-21   |               | .FITTING INSTL-(G2)<br>GALLEY NO. 2<br>ATTACHMENT CLEVIS<br>POSITION DATA:<br>STA. 355.01 UPR<br>FOR DETAILS SEE:<br>25-31-53-08   | 001030<br>201967 | 1              |
| - 152    | 415A1400-71   |               | .FITTING INSTL-(G7)<br>GALLEY NO. 7<br>ATTACHMENT CLEVIS<br>POSITION DATA:<br>STA. 362.74, UPR<br>FOR DETAILS SEE:<br>25-31-53-08A | 001030           | 1              |

MISSING ITEM NUMBERS NOT APPLICABLE

- ITEM NOT ILLUSTRATED

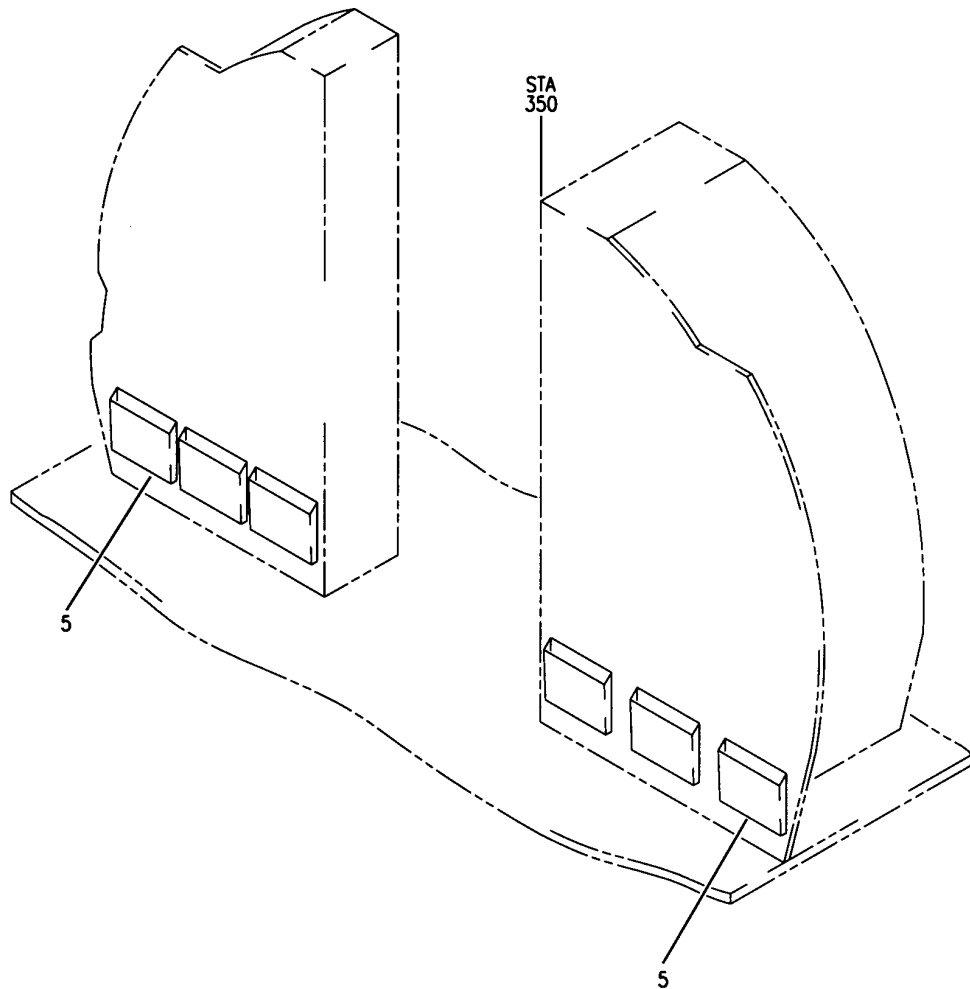
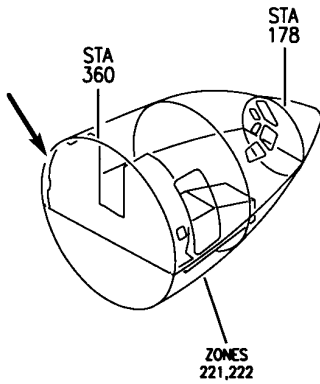
HAP

# 25-30-00-26C

BOEING PROPRIETARY - Copyright © - Unpublished Work - See title page for details.

25-30-00  
FIG. 26C  
PAGE 1  
OCT 15/08

**BOEING**  
737-600/700/800/900  
PARTS CATALOG (MAINTENANCE)



E 25305104 REV 021

ITEM INSTL-MISC  
FIGURE 4

**25-30-51-04**

HAP  
OCT 15/08

25-30-51-04  
PAGE 0

**BOEING**  
737-600/700/800/900  
PARTS CATALOG (MAINTENANCE)

| FIG<br>ITEM | PART NUMBER | 1 2 3 4 5 6 7 | NOMENCLATURE  | EFFECT<br>FROM TO | UNITS<br>PER<br>ASSY |
|-------------|-------------|---------------|---|-------------------|----------------------|
| 4           |             |               |   |                   |                      |
| 1           | 413A3517-1B |               | ITEM INSTL-MISC<br>ITEM INSTL-MISC  | 201967<br>201967  | RF                   |
| 5           | 5021-5A     |               | FOR NHA SEE:<br>25-30-00-10A<br>.POCKET ASSY-<br>SUPPLIER CODE:<br>V31218<br>SPECIFICATION NUMBER:<br>S435W111-5A | 201967            | 6                    |
| - 10        | BACS12FA3K6 |               | ATTACHING PARTS<br>.SCREW<br>-----*-----  | 201967            | 24                   |

MISSING ITEM NUMBERS NOT APPLICABLE

- ITEM NOT ILLUSTRATED

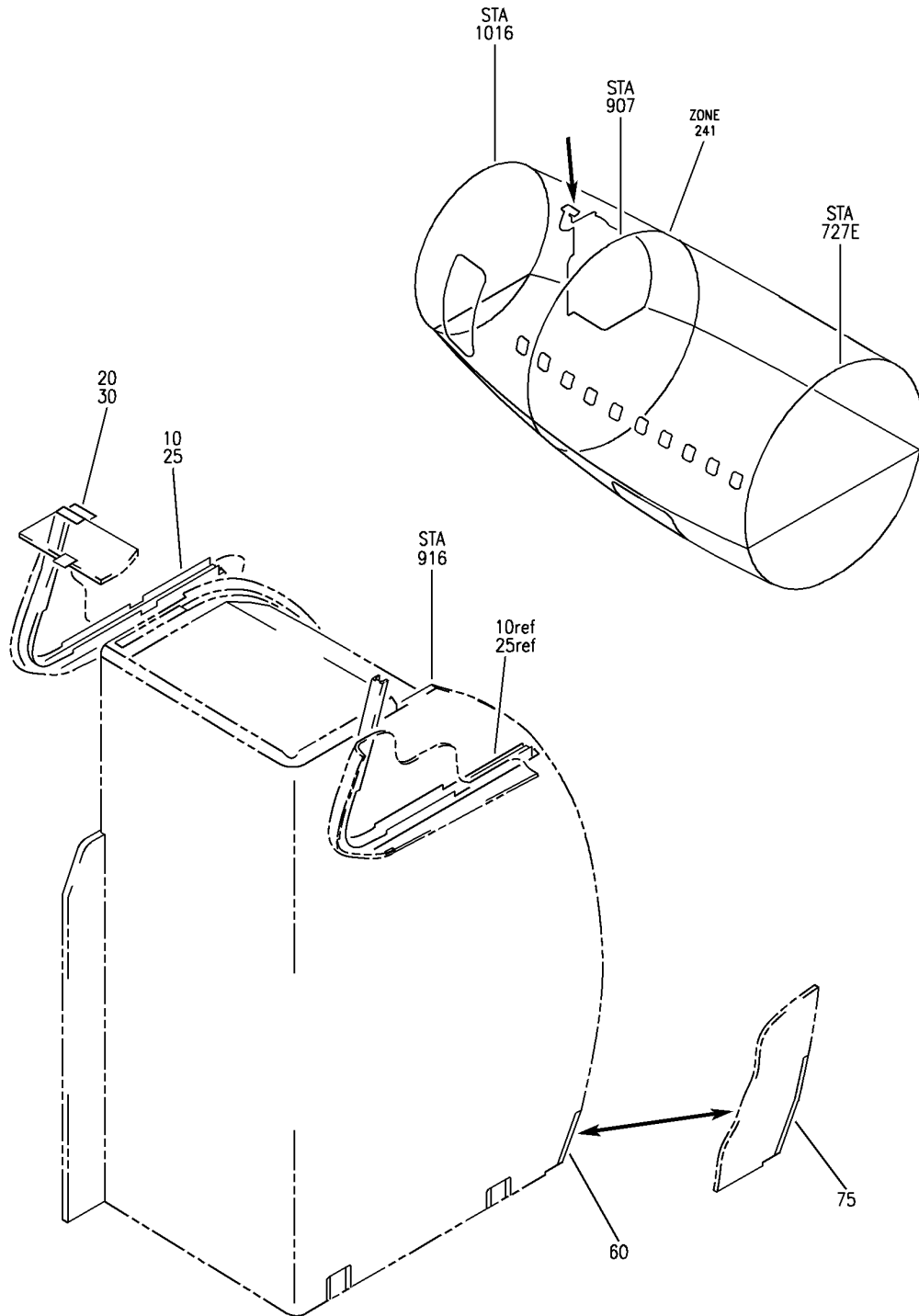
HAP

# 25-30-51-04

BOEING PROPRIETARY - Copyright © - Unpublished Work - See title page for details.

25-30-51  
FIG. 04  
PAGE 1  
OCT 15/08

**BOEING**  
737-600/700/800/900  
PARTS CATALOG (MAINTENANCE)



E 25305108 REV 126

SEAL INSTL  
FIGURE 8

**25-30-51-08**

HAP  
FEB 10/07

25-30-51-08  
PAGE 0

**BOEING**  
737-600/700/800/900  
PARTS CATALOG (MAINTENANCE)

| FIG<br>ITEM | PART NUMBER   | 1 2 3 4 5 6 7 | NOMENCLATURE  | EFFECT<br>FROM TO          | UNITS<br>PER<br>ASSY |
|-------------|---------------|---------------|---|----------------------------|----------------------|
| 8           |               |               | SEAL INSTL  | 029047<br>054106<br>968999 |                      |
| - 1         | 403A3100-267B |               | SEAL INSTL-STOWBIN ENDCAP<br>TO MONUMENT<br>POSITION DATA:<br>AFT LH<br>FOR NHA SEE:<br>25-20-00-03B          | 029030                     | RF                   |
| - 1         | MODREF89487   |               | SEAL INSTL-STOWBIN ENDCAP<br>TO MONUMENT<br>MODULE NUMBER:<br>403A3100-267B REV A<br>POSITION DATA:<br>AFT LH | 031047<br>054106<br>968999 | 1                    |
| - 5         | 403A3100-268B |               | SEAL INSTL-STOWBIN ENDCAP<br>TO MONUMENT<br>POSITION DATA:<br>AFT RH<br>FOR NHA SEE:<br>25-20-00-03B          | 029030                     | RF                   |
| - 5         | MODREF89488   |               | SEAL INSTL-STOWBIN ENDCAP<br>TO MONUMENT<br>MODULE NUMBER:<br>403A3100-268B REV A<br>POSITION DATA:<br>AFT RH | 031047<br>054106<br>968999 | 1                    |

MISSING ITEM NUMBERS NOT APPLICABLE

- ITEM NOT ILLUSTRATED

HAP

# 25-30-51-08

BOEING PROPRIETARY - Copyright © - Unpublished Work - See title page for details.

25-30-51  
FIG. 08  
PAGE 1  
JUN 15/09

**BOEING**  
737-600/700/800/900  
PARTS CATALOG (MAINTENANCE)

| FIG ITEM | PART NUMBER   | 1 2 3 4 5 6 7 | NOMENCLATURE   | EFFECT FROM TO             | UNITS PER ASSY |
|----------|---------------|---------------|--|----------------------------|----------------|
| 8<br>10  | 403A3110-118B |               | .SEAL ASSY-1.5 IN. GAPS<br>POSITION DATA:<br>STA 916, LH SIDE<br>QUALIFIED I/W DATA:<br>403A3110-176B CAN<br>REPLACE BUT NOT BE<br>REPLACED BY<br>403A3110-118B PROVIDED<br>THE 401A3110-118B IS<br>USED ON THE FWD RIGHT<br>AND AFT LEFT HAND SIDE<br>OF THE AIRPLANE. IF MID<br>CABIN LAV EXISTS, THE<br>403A3110-176B REPLACES<br>THE 403A3110-118B ON THE<br>AFT SIDE OF THE LAV(IF<br>LAV IS ON THE RIGHT HAND<br>SIDE) OR THE FWD SIDE OF<br>THE LAV(IF LAV IS ON THE<br>LEFT HAND SIDE).<br>403A3110-175B CAND<br>REPLACE BUT NOT BE<br>REPLACED BY<br>403A3110-118B PROVIDED<br>THE 401A3110-118B IS<br>USED ON THE FWD LEFT AND<br>AFT RIGHT HAND SIDE OF<br>THE AIRPLANE. IF MID<br>CABIN LAV EXISTS, THE<br>403A3110-175B REPLACES<br>THE 403A3110-118B ON THE<br>AFT SIDE OF THE LAV(IF<br>LAV IS ON THE LEFT HAND<br>SIDE) OR THE FWD SIDE OF<br>THE LAV(IF LAV IS ON THE<br>RIGHT HAND SIDE).<br>OPTIONAL PART:<br>403A3110-114B<br>403A3110-116B<br>403A3110-120B | 029047<br>054106<br>968999 | 1              |
|          | 403A3110-114B |               | .SEAL ASSY-0.5 IN. GAPS<br>POSITION DATA:<br>STA 916, LH SIDE<br>OPTIONAL PART:<br>403A3110-118B   | 029047<br>054106<br>968999 | 1              |

MISSING ITEM NUMBERS NOT APPLICABLE

— ITEM NOT ILLUSTRATED

HAP

# 25-30-51-08

BOEING PROPRIETARY - Copyright © - Unpublished Work - See title page for details.

25-30-51  
FIG. 08  
PAGE 2  
JUN 15/09





**BOEING**  
737-600/700/800/900  
PARTS CATALOG (MAINTENANCE)

| FIG<br>ITEM | PART NUMBER   | 1 2 3 4 5 6 7 | NOMENCLATURE  | EFFECT<br>FROM TO          | UNITS<br>PER<br>ASSY |
|-------------|---------------|---------------|---|----------------------------|----------------------|
| 8<br>10     | 403A3110-120B |               | .SEAL ASSY-2.0 IN. GAPS<br>POSITION DATA:<br>STA 916, LH SIDE<br>QUALIFIED I/W DATA:<br>403A3110-178B CAN<br>REPLACE BUT NOT BE<br>REPLACED BY<br>403A3110-120B PROVIDED<br>THE 401A3110-120B IS<br>USED ON THE FWD RIGHT<br>AND AFT LEFT HAND SIDE<br>OF THE AIRPLANE. IF MID<br>CABIN LAV EXISTS, THE<br>403A3110-178B REPLACES<br>THE 403A3110-120B ON THE<br>AFT SIDE OF THE LAV(IF<br>LAV IS ON THE RIGHT HAND<br>SIDE) OR THE FWD SIDE OF<br>THE LAV(IF LAV IS ON THE<br>LEFT HAND SIDE).<br>403A3110-177B CAN<br>REPLACE BUT NOT BE<br>REPLACED BY<br>403A3110-120B PROVIDED<br>THE 401A3110-120B IS<br>USED ON THE FWD LEFT AND<br>AFT RIGHT HAND SIDE OF<br>THE AIRPLANE. IF MID<br>CABIN LAV EXISTS, THE<br>403A3110-178B REPLACES<br>THE 403A3110-120B ON THE<br>AFT SIDE OF THE LAV(IF<br>LAV IS ON THE LEFT HAND<br>SIDE) OR THE FWD SIDE OF<br>THE LAV(IF LAV IS ON THE<br>RIGHT HAND SIDE).<br>OPTIONAL PART:<br>403A3110-118B | 029047<br>054106<br>968999 | 1                    |
|             | 403A3110-172B |               | .SEAL ASSY-0.5 IN. GAPS<br>POSITION DATA:<br>STA 916, LH SIDE   | 029047<br>054106<br>968999 | 1                    |

MISSING ITEM NUMBERS NOT APPLICABLE

— ITEM NOT ILLUSTRATED

HAP

# 25-30-51-08

BOEING PROPRIETARY - Copyright © - Unpublished Work - See title page for details.

25-30-51  
FIG. 08  
PAGE 4  
JUN 15/09

**BOEING**  
737-600/700/800/900  
PARTS CATALOG (MAINTENANCE)

| FIG ITEM  | PART NUMBER   | 1 2 3 4 5 6 7 | NOMENCLATURE   | EFFECT FROM TO             | UNITS PER ASSY |
|-----------|---------------|---------------|--|----------------------------|----------------|
| 8<br>- 15 | 403A3110-118B |               | .SEAL ASSY-1.5 IN. GAPS<br>POSITION DATA:<br>RH SIDE<br>QUALIFIED I/W DATA:<br>403A3110-176B CAN<br>REPLACE BUT NOT BE<br>REPLACED BY<br>403A3110-118B PROVIDED<br>THE 401A3110-118B IS<br>USED ON THE FWD RIGHT<br>AND AFT LEFT HAND SIDE<br>OF THE AIRPLANE. IF MID<br>CABIN LAV EXISTS, THE<br>403A3110-176B REPLACES<br>THE 403A3110-118B ON THE<br>AFT SIDE OF THE LAV(IF<br>LAV IS ON THE RIGHT HAND<br>SIDE) OR THE FWD SIDE OF<br>THE LAV(IF LAV IS ON THE<br>LEFT HAND SIDE).<br>403A3110-175B CAN<br>REPLACE BUT NOT BE<br>REPLACED BY<br>403A3110-118B PROVIDED<br>THE 401A3110-118B IS<br>USED ON THE FWD LEFT AND<br>AFT RIGHT HAND SIDE OF<br>THE AIRPLANE. IF MID<br>CABIN LAV EXISTS, THE<br>403A3110-175B REPLACES<br>THE 403A3110-118B ON THE<br>AFT SIDE OF THE LAV(IF<br>LAV IS ON THE LEFT HAND<br>SIDE) OR THE FWD SIDE OF<br>THE LAV(IF LAV IS ON THE<br>RIGHT HAND SIDE).<br>OPTIONAL PART:<br>403A3110-113B<br>403A3110-116B<br>403A3110-120B | 029047<br>054106<br>968999 | 1              |
|           | 403A3110-113B |               | .SEAL ASSY-0.5 IN. GAPS<br>POSITION DATA:<br>RH SIDE<br>OPTIONAL PART:<br>403A3110-118B  | 029047<br>054106<br>968999 | 1              |

MISSING ITEM NUMBERS NOT APPLICABLE

- ITEM NOT ILLUSTRATED

HAP

# 25-30-51-08

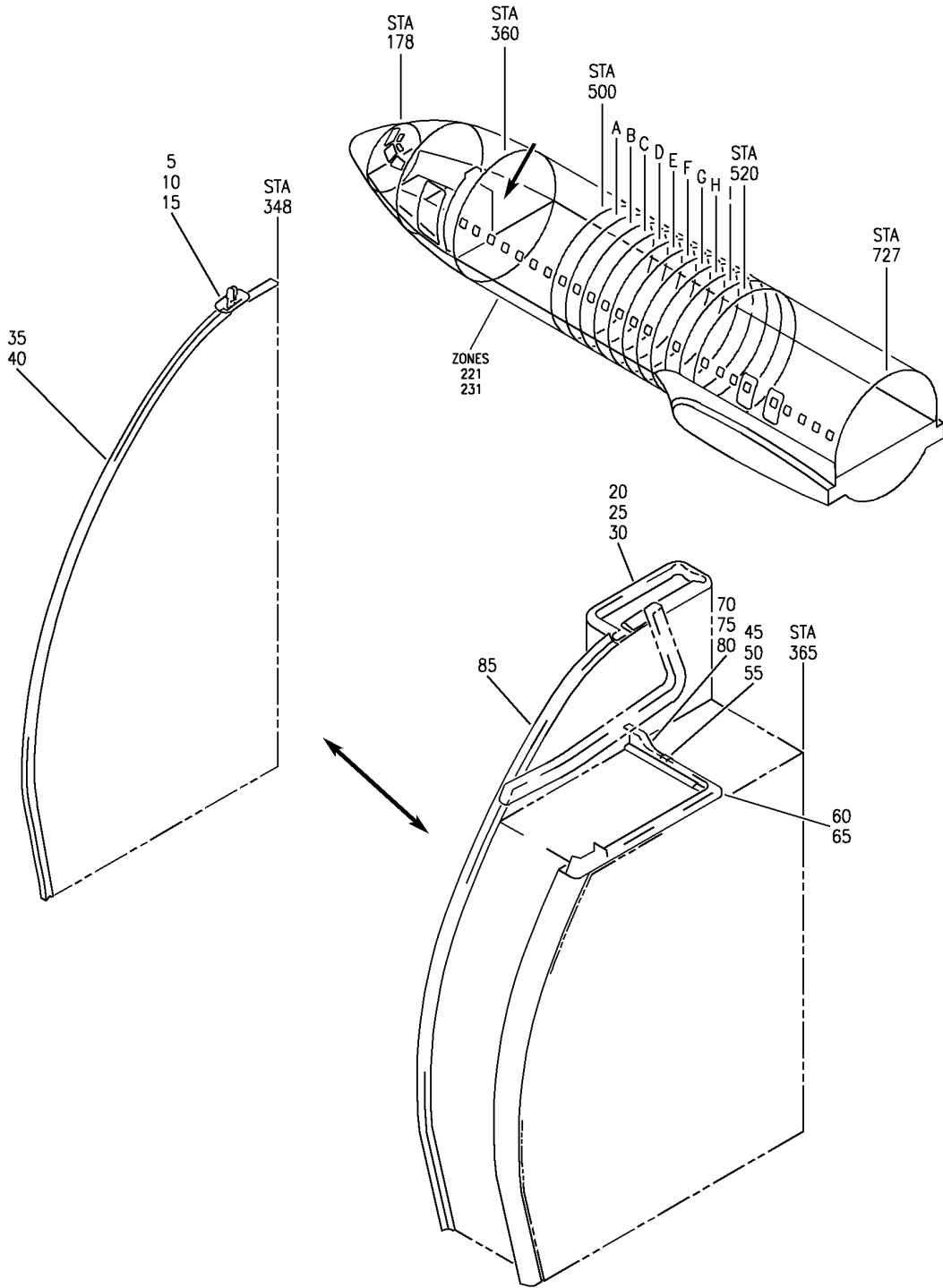
BOEING PROPRIETARY - Copyright © - Unpublished Work - See title page for details.

25-30-51  
FIG. 08  
PAGE 5  
JUN 15/09





**BOEING**  
 737-600/700/800/900  
 PARTS CATALOG (MAINTENANCE)



E 25305113 REV 111

SEAL INSTL-FWD LH  
 FIGURE 13

**25-30-51-13**

HAP  
 OCT 15/08

25-30-51-13  
 PAGE 0

**BOEING**  
737-600/700/800/900  
PARTS CATALOG (MAINTENANCE)

| FIG ITEM | PART NUMBER    | 1 2 3 4 5 6 7 | NOMENCLATURE  | EFFECT FROM TO | UNITS PER ASSY |
|----------|----------------|---------------|---|----------------|----------------|
| 13       |                |               | SEAL INSTL-FWD LH   | 201967         |                |
| - 1      | 403A3100-65C   |               | SEAL INSTL-WINDSCREEN<br>POSITION DATA:<br>FWD LH<br>FOR NHA SEE:<br>25-20-00-03A                   | 201967         | RF             |
| 5        | 415U9000-3305C |               | .SEAL ASSY-STRAIGHT<br>OPTIONAL PART:<br>415U9000-2203C<br>403A3110-53B                             | 201967         | 1              |
| 10       | 415U9000-2203C |               | .SEAL ASSY-STRAIGHT<br>OPTIONAL PART:<br>415U9000-3305C<br>403A3110-53B                             | 201967         | 1              |
| 15       | 403A3110-53B   |               | .SEAL ASSY-<br>OPTIONAL PART:<br>415U9000-2203C<br>415U9000-3305C                                   | 201967         | 1              |
| 35       | 415U9002-78B   |               | .SEAL ASSY-1.40 HIGH X<br>100.00 LONG DUAL SIDED<br>FOR 1.00 GAP<br>OPTIONAL PART:<br>415U9002-100B | 201967         | 1              |
| 40       | 415U9002-100B  |               | .SEAL ASSY-1.75 HIGH X<br>96.00 LONG DUAL SIDED<br>FOR 1.00 GAP<br>OPTIONAL PART:<br>415U9002-78B   | 201967         | 1              |

MISSING ITEM NUMBERS NOT APPLICABLE

- ITEM NOT ILLUSTRATED

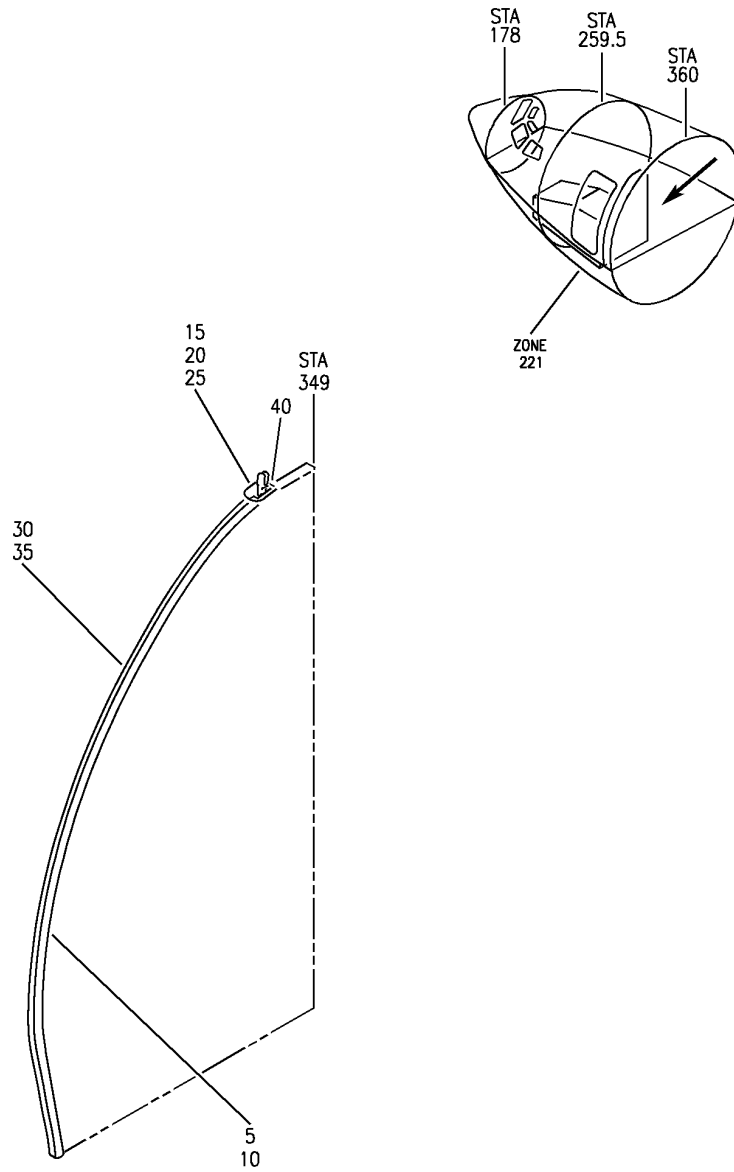
HAP

# 25-30-51-13

BOEING PROPRIETARY - Copyright © - Unpublished Work - See title page for details.

25-30-51  
FIG. 13  
PAGE 1  
OCT 15/08

**BOEING**  
737-600/700/800/900  
PARTS CATALOG (MAINTENANCE)



E 25305113A REV 132

SEAL INSTL-FWD LH WINDSCREEN  
FIGURE 13A

**25-30-51-13A**

HAP  
OCT 10/07

25-30-51-13A  
PAGE 0

**BOEING**  
737-600/700/800/900  
PARTS CATALOG (MAINTENANCE)

| FIG ITEM | PART NUMBER    | 1 2 3 4 5 6 7 | NOMENCLATURE   | EFFECT FROM TO             | UNITS PER ASSY |
|----------|----------------|---------------|--|----------------------------|----------------|
| 13A      |                |               | SEAL INSTL-FWD LH WINDSCREEN   | 031200<br>968999           |                |
| - 1      | MODREF272045   |               | SEAL INSTL-WINDSCREEN<br>MODULE NUMBER:<br>403A3100-65C REV B<br>POSITION DATA:<br>FWD LH                            | 031036                     | 1              |
| - 1      | MODREF298479   |               | SEAL INSTL-WINDSCREEN<br>MODULE NUMBER:<br>403A3100-65C REV C<br>POSITION DATA:<br>FWD LH                            | 037040<br>042042<br>968969 | 1              |
| - 1      | MODREF340188   |               | SEAL INSTL-WINDSCREEN<br>MODULE NUMBER:<br>403A3100-65C REV D<br>POSITION DATA:<br>FWD LH                            | 041041<br>043200<br>970999 | 1              |
| 5        | 415U9000-190B  |               | .SEAL ASSY-SMALL 96.00 IN.<br>STRAIGHT SWEEP FACE WITH<br>EDGE TRIP LIP<br>OPTIONAL PART:<br>415U9000-290B           | 031200<br>968999           | 1              |
| 10       | 415U9000-290B  |               | .SEAL ASSY-MEDIUM 96.00 IN.<br>STRAIGHT SWEEP FACE WITH<br>EDGE TRIP LIP<br>OPTIONAL PART:<br>415U9000-190B          | 031200<br>968999           | 1              |
| 15       | 415U9000-4405C |               | .SEAL ASSY-3.00 IN. HIGH X<br>12.0 IN. LONG<br>OPTIONAL PART:<br>415U9000-3305C<br>403A3110-53B                      | 031200<br>968999           | 1              |
| 20       | 403A3110-53B   |               | .SEAL ASSY-MONUMENT TIE ROD<br>TO CLG CLOSEOUT<br>OPTIONAL PART:<br>415U9000-3305C<br>415U9000-4405C                 | 031200<br>968999           | 1              |
| 25       | 415U9000-3305C |               | .SEAL ASSY-2.25 HIGH X 12.0<br>STRAIGHT<br>OPTIONAL PART:<br>415U9000-4405C<br>403A3110-53B                          | 031200<br>968999           | 1              |
| 30       | 415U9010-18B   |               | .EXTRUSION-CO-EXTRUDED FOR<br>.75 GAPS X 120.00<br>STRAIGHT LENGTH<br>OPTIONAL PART:<br>415U9010-75H<br>415U9010-76H | 031200<br>968999           | 1              |

MISSING ITEM NUMBERS NOT APPLICABLE

- ITEM NOT ILLUSTRATED

HAP

# 25-30-51-13A

BOEING PROPRIETARY - Copyright © - Unpublished Work - See title page for details.

25-30-51  
FIG. 13A  
PAGE 1  
OCT 15/08



**BOEING**  
737-600/700/800/900  
PARTS CATALOG (MAINTENANCE)

| FIG<br>ITEM | PART NUMBER    | 1 2 3 4 5 6 7 | NOMENCLATURE   | EFFECT<br>FROM TO          | UNITS<br>PER<br>ASSY |
|-------------|----------------|---------------|--|----------------------------|----------------------|
| 13A<br>35   | 415U9010-75H   |               | .EXTRUSION-CO-EXTRUDED FOR<br>STRAIGHT FACE NG STYLE<br>SNAP-IN SEAL<br>OPTIONAL PART:<br>415U9010-76H<br>415U9010-18B | 031200<br>968999           | 1                    |
| 35          | 415U9010-76H   |               | .EXTRUSION-CO-EXTRUDED FOR<br>STRAIGHT FACE NG STYLE<br>SNAP-IN SEAL<br>OPTIONAL PART:<br>415U9010-75H<br>415U9010-18B | 031200<br>968999           | 1                    |
| 40          | 415U9000-2202C |               | .SEAL ASSY-CORNER  | 041041<br>043200<br>970999 | AR                   |

MISSING ITEM NUMBERS NOT APPLICABLE

— ITEM NOT ILLUSTRATED

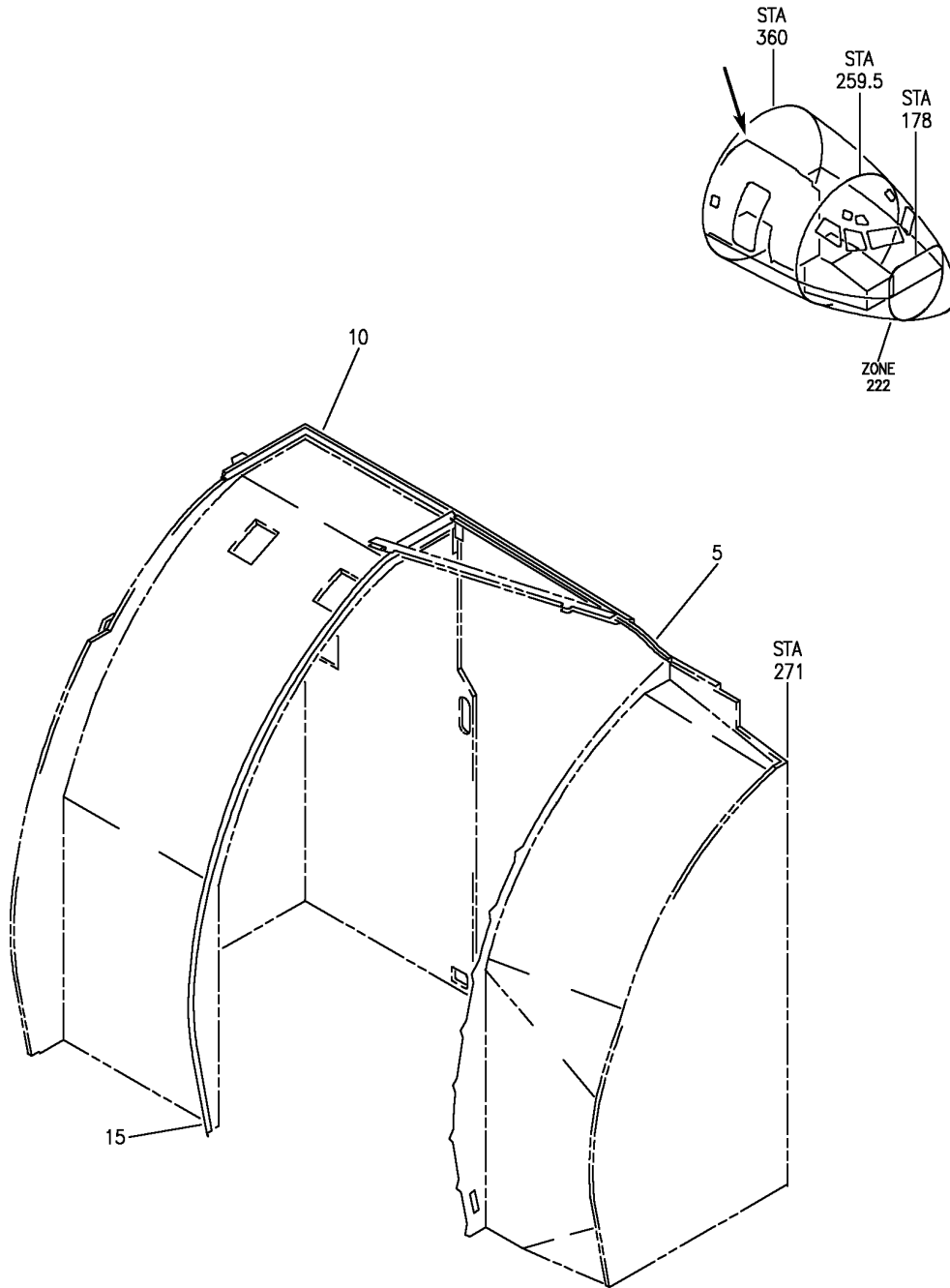
HAP

# 25-30-51-13A

BOEING PROPRIETARY - Copyright © - Unpublished Work - See title page for details.

25-30-51  
FIG. 13A  
PAGE 2  
OCT 15/08

**BOEING**  
737-600/700/800/900  
PARTS CATALOG (MAINTENANCE)



E 25305115 REV 112

SEAL INSTL-FWD RH WITH CURT. HEADER  
FIGURE 15

**25-30-51-15**

HAP  
OCT 10/06

25-30-51-15  
PAGE 0

**BOEING**  
737-600/700/800/900  
PARTS CATALOG (MAINTENANCE)

| FIG<br>ITEM | PART NUMBER   | 1 2 3 4 5 6 7 | NOMENCLATURE   | EFFECT<br>FROM TO | UNITS<br>PER<br>ASSY |
|-------------|---------------|---------------|--|-------------------|----------------------|
| 15          |               |               | SEAL INSTL-FWD RH WITH<br>CURT. HEADER   | 031200<br>968999  |                      |
| - 1         | MODREF89524   |               | SEAL INSTL-MONUMENT WITH<br>CURT. HEADER<br>MODULE NUMBER:<br>403A3100-76B REV A<br>POSITION DATA:<br>FWD RH | 031200<br>968999  | 1                    |
| 5           | 65C35726-136  |               | .SEAL ASSY-  | 031200<br>968999  | 1                    |
| 10          | 415U9010-23SP |               | .EXTRUSION-<br>CO- EXTRUDED SEAL FOR<br>.75 GAPS X 120.00<br>STRAIGHT LENGTH                                 | 031200<br>968999  | 1                    |
| 15          | 415U9010-18SP |               | .EXTRUSION-<br>CO-EXTRUDED SEAL FOR<br>.75 GAPS X 120.00<br>STRAIGHT LENGTH                                  | 031200<br>968999  | 1                    |

MISSING ITEM NUMBERS NOT APPLICABLE

- ITEM NOT ILLUSTRATED

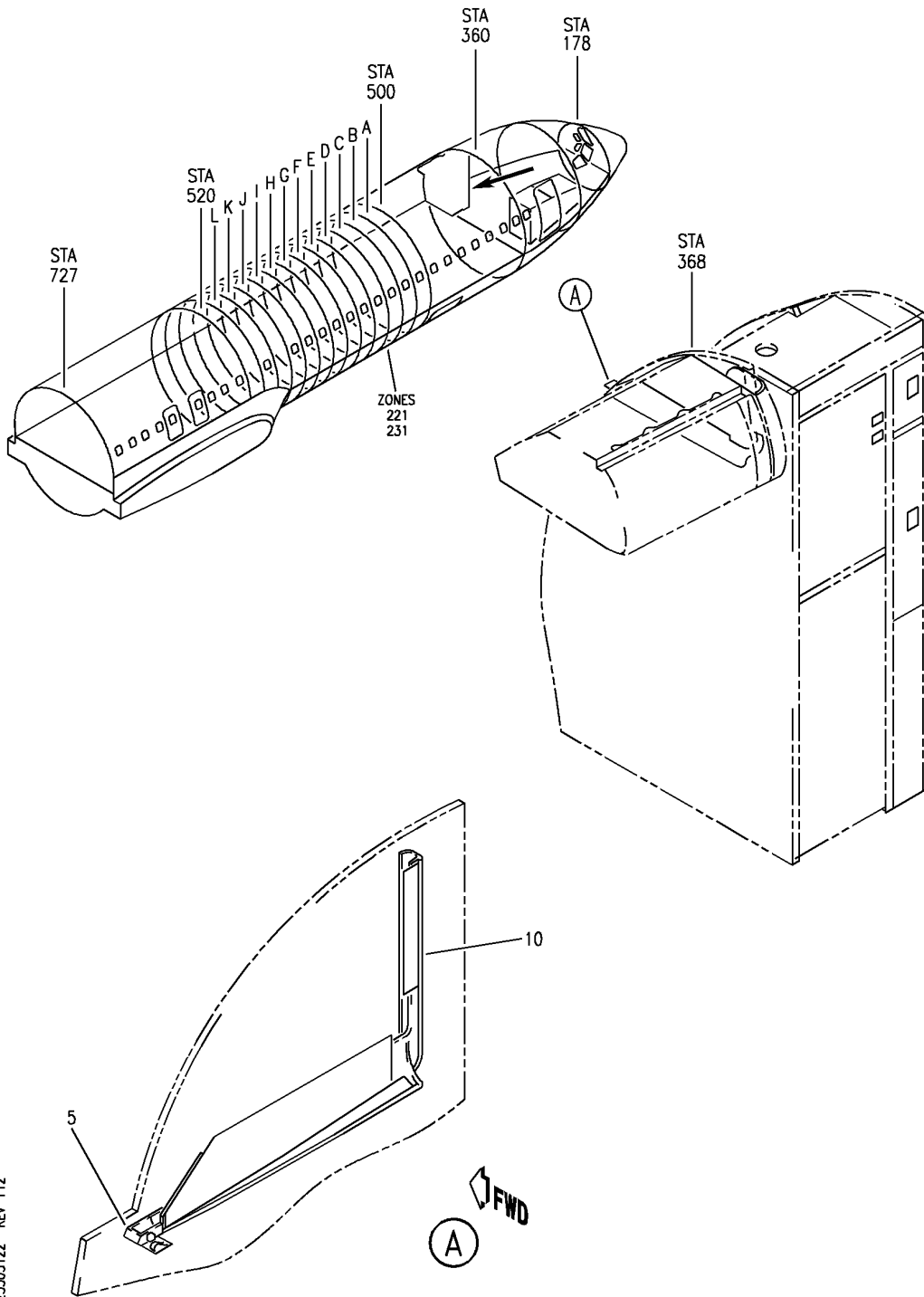
HAP

# 25-30-51-15

BOEING PROPRIETARY - Copyright © - Unpublished Work - See title page for details.

25-30-51  
FIG. 15  
PAGE 1  
OCT 15/08

**BOEING**  
 737-600/700/800/900  
 PARTS CATALOG (MAINTENANCE)



E 25305122 REV 112

SEAL INSTL-FWD RH PSU MOUNTED VIDEO ENDCAP TO MONUMENT  
 FIGURE 22

**25-30-51-22**

HAP  
 OCT 10/06

25-30-51-22  
 PAGE 0

**BOEING**  
737-600/700/800/900  
PARTS CATALOG (MAINTENANCE)

| FIG<br>ITEM | PART NUMBER   | 1 2 3 4 5 6 7 | NOMENCLATURE  | EFFECT<br>FROM TO | UNITS<br>PER<br>ASSY |
|-------------|---------------|---------------|---|-------------------|----------------------|
| 22          |               |               | SEAL INSTL-FWD RH PSU<br>MOUNTED VIDEO ENDCAP TO<br>MONUMENT  | 031200<br>968999  |                      |
| - 1         | MODREF189992  |               | SEAL INSTL-PSU MOUNTED<br>VIDEO ENDCAP TO MONUMENT<br>MODULE NUMBER:<br>403A3100-312B REV A<br>POSITION DATA:<br>FWD RH | 031200<br>968999  | 1                    |
| 5           | 403A3110-144B |               | .SEAL ASSY-A/C RAIL END<br>POSITION DATA:<br>RH SIDE  | 031200<br>968999  | 1                    |
| 10          | 403A3110-142B |               | .SEAL ASSY-PSU MON/STOWBIN<br>ENDCAP TO STD AISLE<br>MONUMENT<br>POSITION DATA:<br>RH SIDE                              | 031200<br>968999  | 1                    |

MISSING ITEM NUMBERS NOT APPLICABLE

- ITEM NOT ILLUSTRATED

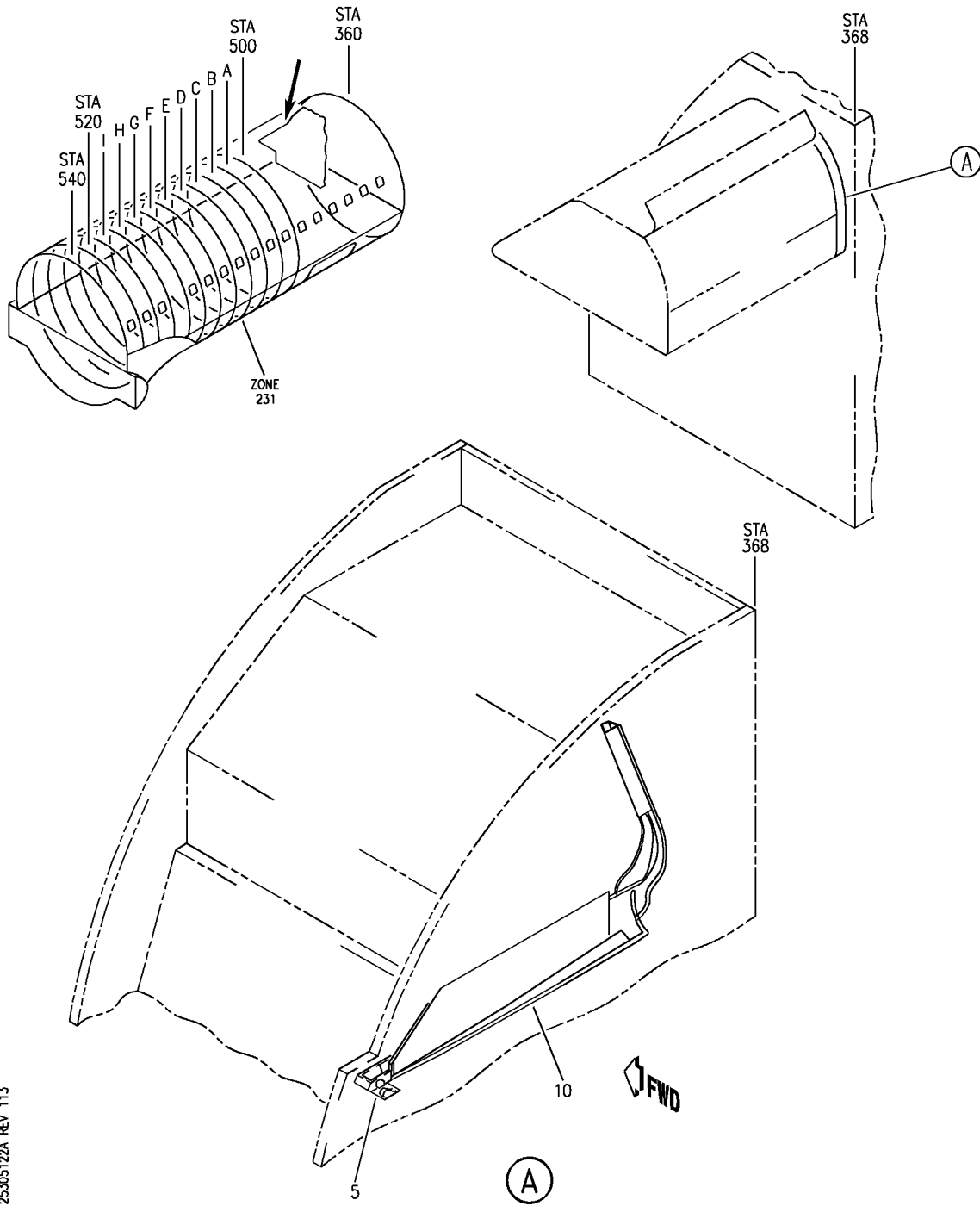
HAP

# 25-30-51-22

BOEING PROPRIETARY - Copyright © - Unpublished Work - See title page for details.

25-30-51  
FIG. 22  
PAGE 1  
OCT 15/08

**BOEING**  
 737-600/700/800/900  
 PARTS CATALOG (MAINTENANCE)



E 25305122A REV 113

SEAL INSTL-FWD LH PSU MOUNTED VIDEO ENDCAP TO MONUMENT  
 FIGURE 22A

**25-30-51-22A**

HAP  
 OCT 10/06

25-30-51-22A  
 PAGE 0

**BOEING**  
737-600/700/800/900  
PARTS CATALOG (MAINTENANCE)

| FIG<br>ITEM | PART NUMBER   | 1 2 3 4 5 6 7 | NOMENCLATURE  | EFFECT<br>FROM TO | UNITS<br>PER<br>ASSY |
|-------------|---------------|---------------|---|-------------------|----------------------|
| 22A         |               |               | SEAL INSTL-FWD LH PSU<br>MOUNTED VIDEO ENDCAP TO<br>MONUMENT  | 031200<br>968999  |                      |
| - 1         | MODREF189991  |               | SEAL INSTL-PSU MOUNTED<br>VIDEO ENDCAP TO MONUMENT<br>MODULE NUMBER:<br>403A3100-311B REV A<br>POSITION DATA:<br>FWD LH | 031200<br>968999  | 1                    |
| 5           | 403A3110-143B |               | .SEAL ASSY-A/C RAIL END<br>POSITION DATA:<br>LH SIDE  | 031200<br>968999  | 1                    |
| 10          | 403A3110-141B |               | .SEAL ASSY-PSU MON/STOWBIN<br>ENDCAP TO STD AISLE<br>MONUMENT<br>POSITION DATA:<br>LH SIDE                              | 031200<br>968999  | 1                    |

MISSING ITEM NUMBERS NOT APPLICABLE

- ITEM NOT ILLUSTRATED

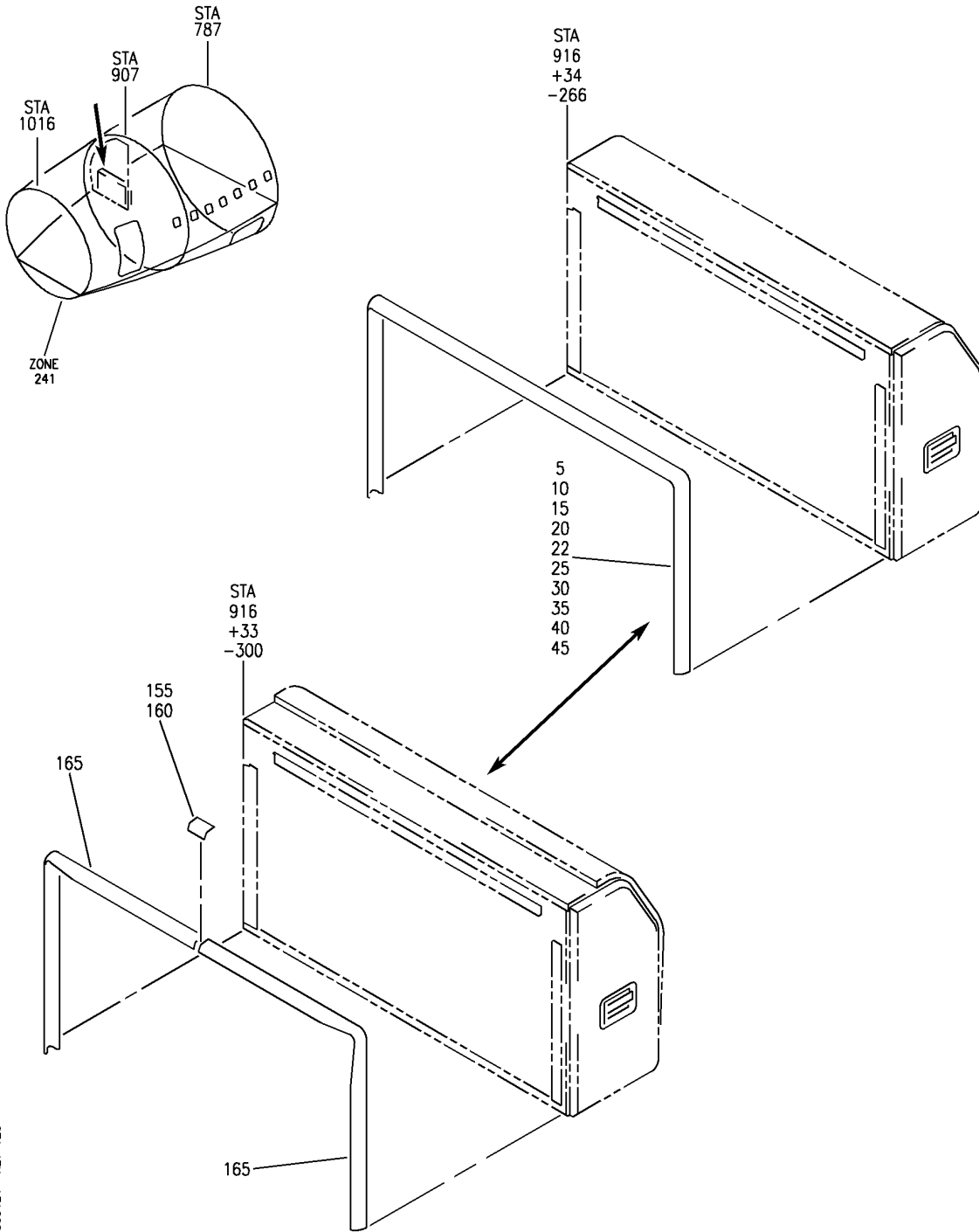
HAP

# 25-30-51-22A

BOEING PROPRIETARY - Copyright © - Unpublished Work - See title page for details.

25-30-51  
FIG. 22A  
PAGE 1  
OCT 15/08

**BOEING**  
 737-600/700/800/900  
 PARTS CATALOG (MAINTENANCE)



E 25305124 REV 126

SEAL INSTL-AFT LH FLOOR MOUNTED STOWAGE UNIT  
 FIGURE 24

**25-30-51-24**

HAP  
 FEB 10/07

25-30-51-24  
 PAGE 0



**BOEING**  
737-600/700/800/900  
PARTS CATALOG (MAINTENANCE)

| FIG<br>ITEM | PART NUMBER   | 1 2 3 4 5 6 7 | NOMENCLATURE  | EFFECT<br>FROM TO          | UNITS<br>PER<br>ASSY |
|-------------|---------------|---------------|---|----------------------------|----------------------|
| 24          |               |               | SEAL INSTL-AFT LH FLOOR<br>MOUNTED STOWAGE UNIT   | 038038<br>042046<br>051052 |                      |
| - 1         | MODREF307382  |               | SEAL INSTL-FLOOR MOUNTED<br>STOWAGE UNIT<br>MODULE NUMBER:<br>403A3100-189B REV B<br>POSITION DATA:<br>AFT LH   | 038038<br>042046<br>051052 | 1                    |
| 20          | 415U9000-188B |               | .SEAL ASSY-MOLDED SWEPT<br>FACE DBL CORNER SMALL<br>MISCELLANEOUS DATA:<br>USE 415U9000-188 FOR<br>GAPS 0.4 TO 0.75 WIDE<br>SELECT FROM ITEM.   | 038038<br>042046<br>051052 | 1                    |
| 22          | 415U9010-70   |               | ..EXTRUSION-  | 038038<br>042046<br>051052 | AR                   |
| 22          | 415U9010-100  |               | ..EXTRUSION-<br>MISCELLANEOUS DATA:<br>PART IS MOST LIKELY<br>REQUIRED BY CUSTOMER TO<br>BE CUT TO FIT SPECIFIC<br>NHA USAGE. THERE IS<br>LIKELY TO BE<br>CONSIDERABLE EXCESS<br>REMAINING AFTER INITIAL<br>USAGE. THIS REMAINING<br>LENGTH COULD REDUCE<br>CUSTOMERS' SPARES QTY<br>NEEDS. | 038038<br>042046<br>051052 | AR                   |
| 25          | 415U9000-187B |               | .SEAL ASSY-MOLDED STRAIGHT<br>FACE DBL CORNER SMALL<br>MISCELLANEOUS DATA:<br>USE 415U9000-187 FOR<br>GAPS 0.75 TO 1.25 WIDE<br>SELECT FROM ITEM.   | 038038<br>042046<br>051052 | 1                    |
| 30          | 415U9000-287B |               | .SEAL ASSY-MOLDED STRAIGHT<br>FACE DBL CORNER MEDIUM<br>MISCELLANEOUS DATA:<br>USE 415U9000-287 FOR<br>GAPS 1.00 TO 1.75 WIDE<br>SELECT FROM ITEM.  | 038038<br>042046<br>051052 | 1                    |
| 35          | 415U9000-387B |               | .SEAL ASSY-MOLDED STRAIGHT<br>FACE DBL CORNER LARGE<br>MISCELLANEOUS DATA:<br>USE 415U9000-387 FOR<br>GAPS 1.50 TO 2.25 WIDE<br>SELECT FROM ITEM.   | 038038<br>042046<br>051052 | 1                    |

MISSING ITEM NUMBERS NOT APPLICABLE

- ITEM NOT ILLUSTRATED

HAP

# 25-30-51-24

25-30-51  
FIG. 24  
PAGE 1  
FEB 15/09

**BOEING**  
737-600/700/800/900  
PARTS CATALOG (MAINTENANCE)

| FIG<br>ITEM | PART NUMBER   | 1 2 3 4 5 6 7 | NOMENCLATURE   | EFFECT<br>FROM TO          | UNITS<br>PER<br>ASSY |
|-------------|---------------|---------------|--|----------------------------|----------------------|
| 24<br>40    | 415U9000-487B | .             | SEAL ASSY-MOLDED STRAIGHT<br>FACE DBL CORNER EXTRA<br>LARGE<br>MISCELLANEOUS DATA:<br>USE 415U9000-487 FOR<br>GAPS 2.00 TO 2.75 WIDE<br>SELECT FROM ITEM.  | 038038<br>042046<br>051052 | 1                    |
| 45          | 415U9010-100  | ..            | EXTRUSION-<br>MISCELLANEOUS DATA:<br>PART IS MOST LIKELY<br>REQUIRED BY CUSTOMER TO<br>BE CUT TO FIT SPECIFIC<br>NHA USAGE. THERE IS<br>LIKELY TO BE<br>CONSIDERABLE EXCESS<br>REMAINING AFTER INITIAL<br>USAGE. THIS REMAINING<br>LENGTH COULD REDUCE<br>CUSTOMERS' SPARES QTY<br>NEEDS.<br>OPTIONAL PART:<br>415U9010-70 | 038038<br>042046<br>051052 | AR                   |
| 45          | 415U9010-70   | ..            | EXTRUSION-<br>OPTIONAL PART:<br>415U9010-100   | 038038<br>042046<br>051052 | AR                   |

MISSING ITEM NUMBERS NOT APPLICABLE

— ITEM NOT ILLUSTRATED

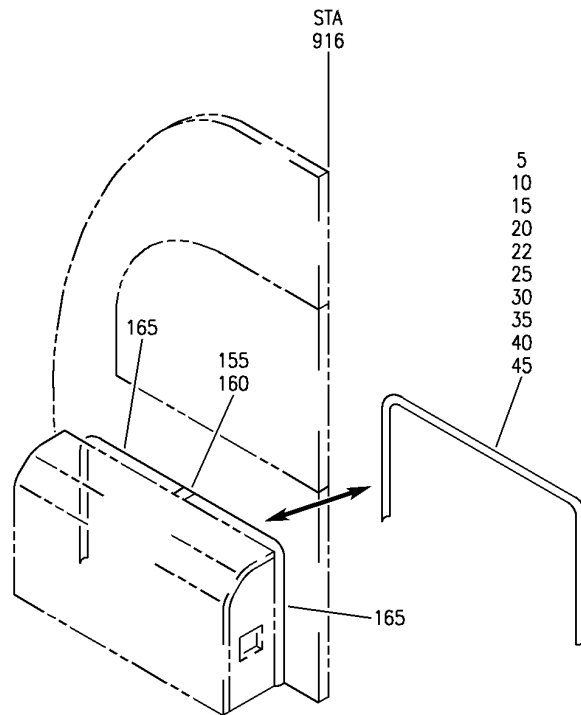
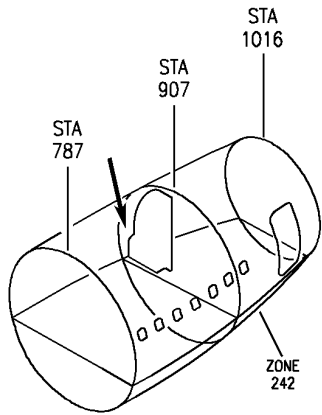
HAP

# 25-30-51-24

BOEING PROPRIETARY - Copyright © - Unpublished Work - See title page for details.

25-30-51  
FIG. 24  
PAGE 2  
FEB 15/09

**BOEING**  
 737-600/700/800/900  
 PARTS CATALOG (MAINTENANCE)



E 25305124A REV 126

SEAL INSTL-AFT RH FLOOR MOUNTED STOWAGE UNIT  
 FIGURE 24A

**25-30-51-24A**

HAP  
 FEB 10/07

25-30-51-24A  
 PAGE 0

**BOEING**  
737-600/700/800/900  
PARTS CATALOG (MAINTENANCE)

| FIG ITEM | PART NUMBER   | 1 2 3 4 5 6 7 | NOMENCLATURE  | EFFECT FROM TO             | UNITS PER ASSY |
|----------|---------------|---------------|---|----------------------------|----------------|
| 24A      |               |               | SEAL INSTL-AFT RH FLOOR MOUNTED STOWAGE UNIT  | 038038<br>042046<br>051052 |                |
| - 1      | MODREF307384  |               | SEAL INSTL-FLOOR MOUNTED STOWAGE UNIT<br>MODULE NUMBER:<br>403A3100-190B REV B<br>POSITION DATA:<br>AFT RH  | 038038<br>042046<br>051052 | 1              |
| 20       | 415U9000-188B |               | .SEAL ASSY-MOLDED SWEEP FACE DBL CORNER SMALL<br>MISCELLANEOUS DATA:<br>USE 415U9000-188 FOR GAPS 0.4 TO 0.75 WIDE<br>SELECT FROM ITEM.   | 038038<br>042046<br>051052 | 1              |
| 22       | 415U9010-70   |               | ..EXTRUSION-  | 038038<br>042046<br>051052 | AR             |
| 22       | 415U9010-100  |               | ..EXTRUSION-<br>MISCELLANEOUS DATA:<br>PART IS MOST LIKELY REQUIRED BY CUSTOMER TO BE CUT TO FIT SPECIFIC NHA USAGE. THERE IS LIKELY TO BE CONSIDERABLE EXCESS REMAINING AFTER INITIAL USAGE. THIS REMAINING LENGTH COULD REDUCE CUSTOMERS' SPARES QTY NEEDS. | 038038<br>042046<br>051052 | AR             |
| 25       | 415U9000-187B |               | .SEAL ASSY-MOLDED STRAIGHT FACE DBL CORNER SMALL<br>MISCELLANEOUS DATA:<br>USE 415U9000-187 FOR GAPS 0.75 TO 1.25 WIDE<br>SELECT FROM ITEM.   | 038038<br>042046<br>051052 | 1              |
| 30       | 415U9000-287B |               | .SEAL ASSY-MOLDED STRAIGHT FACE DBL CORNER MEDIUM<br>MISCELLANEOUS DATA:<br>USE 415U9000-287 FOR GAPS 1.00 TO 1.75 WIDE<br>SELECT FROM ITEM.  | 038038<br>042046<br>051052 | 1              |
| 35       | 415U9000-387B |               | .SEAL ASSY-MOLDED STRAIGHT FACE DBL CORNER LARGE<br>MISCELLANEOUS DATA:<br>USE 415U9000-387 FOR GAPS 1.50 TO 2.25 WIDE<br>SELECT FROM ITEM.   | 038038<br>042046<br>051052 | 1              |

MISSING ITEM NUMBERS NOT APPLICABLE

- ITEM NOT ILLUSTRATED

HAP

# 25-30-51-24A

BOEING PROPRIETARY - Copyright © - Unpublished Work - See title page for details.

25-30-51  
FIG. 24A  
PAGE 1  
FEB 15/09

**BOEING**  
737-600/700/800/900  
PARTS CATALOG (MAINTENANCE)

| FIG<br>ITEM | PART NUMBER   | 1 2 3 4 5 6 7 | NOMENCLATURE   | EFFECT<br>FROM TO          | UNITS<br>PER<br>ASSY |
|-------------|---------------|---------------|--|----------------------------|----------------------|
| 24A<br>40   | 415U9000-487B |               | .SEAL ASSY-MOLDED STRAIGHT<br>FACE DBL CORNER EXTRA<br>LARGE<br>MISCELLANEOUS DATA:<br>USE 415U9000-487 FOR<br>GAPS 2.00 TO 2.75 WIDE<br>SELECT FROM ITEM.   | 038038<br>042046<br>051052 | 1                    |
| 45          | 415U9010-100  |               | ..EXTRUSION-<br>MISCELLANEOUS DATA:<br>PART IS MOST LIKELY<br>REQUIRED BY CUSTOMER TO<br>BE CUT TO FIT SPECIFIC<br>NHA USAGE. THERE IS<br>LIKELY TO BE<br>CONSIDERABLE EXCESS<br>REMAINING AFTER INITIAL<br>USAGE. THIS REMAINING<br>LENGTH COULD REDUCE<br>CUSTOMERS' SPARES QTY<br>NEEDS.<br>OPTIONAL PART:<br>415U9010-70 | 038038<br>042046<br>051052 | AR                   |
| 45          | 415U9010-70   |               | ..EXTRUSION-<br>OPTIONAL PART:<br>415U9010-100   | 038038<br>042046<br>051052 | AR                   |

MISSING ITEM NUMBERS NOT APPLICABLE

— ITEM NOT ILLUSTRATED

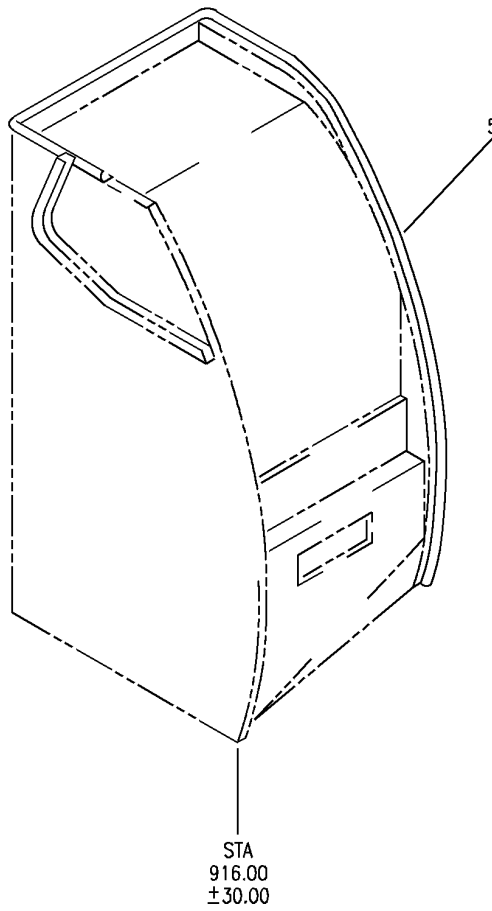
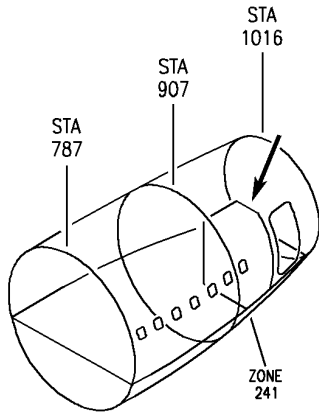
HAP

# 25-30-51-24A

BOEING PROPRIETARY - Copyright © - Unpublished Work - See title page for details.

25-30-51  
FIG. 24A  
PAGE 2  
FEB 15/09

**BOEING**  
737-600/700/800/900  
PARTS CATALOG (MAINTENANCE)



E 25305131 REV 113

SEAL INSTL-AFT LH LAV  
FIGURE 31

**25-30-51-31**

HAP  
OCT 10/06

25-30-51-31  
PAGE 0

**BOEING**  
737-600/700/800/900  
PARTS CATALOG (MAINTENANCE)

| FIG<br>ITEM | PART NUMBER   | 1 2 3 4 5 6 7 | NOMENCLATURE  | EFFECT<br>FROM TO          | UNITS<br>PER<br>ASSY |
|-------------|---------------|---------------|---|----------------------------|----------------------|
| 31          |               |               |   |                            |                      |
| - 1         | 403A3100-103B |               | SEAL INSTL-AFT LH LAV<br>SEAL INSTL-LAV<br>POSITION DATA:<br>AFT LH<br>FOR NHA SEE:<br>25-20-00-03A<br>25-20-00-03B | 008999<br>008030<br>201967 | RF                   |
| - 1         | MODREF103537  |               | SEAL INSTL-LAV<br>MODULE NUMBER:<br>403A3100-285B REV B<br>POSITION DATA:<br>AFT LH                                 | 031200<br>968999           | 1                    |
| 5           | 415U9010-19B  |               | .EXTRUSION-COEXTRUDED SEAL<br>FOR .75 GAPS WITH 2<br>CORNER (MONUMENT)<br>POSITION DATA:<br>LH SIDE                 | 008999                     | 1                    |

MISSING ITEM NUMBERS NOT APPLICABLE

- ITEM NOT ILLUSTRATED

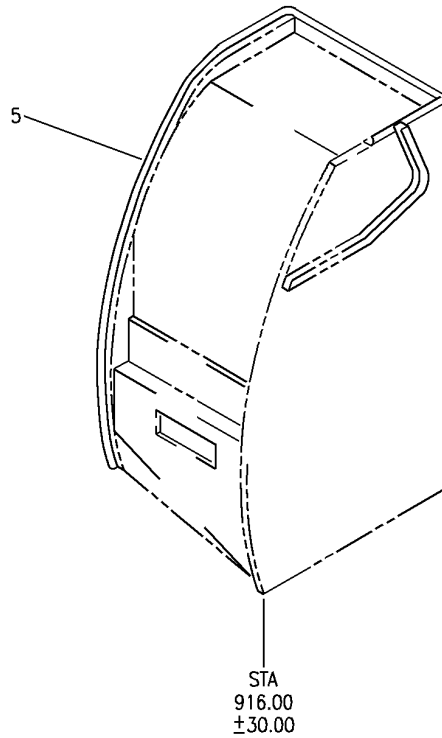
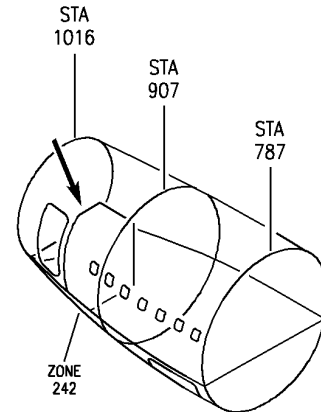
HAP

# 25-30-51-31

BOEING PROPRIETARY - Copyright © - Unpublished Work - See title page for details.

25-30-51  
FIG. 31  
PAGE 1  
OCT 15/08

**BOEING**  
737-600/700/800/900  
PARTS CATALOG (MAINTENANCE)



E 25305131A REV 113

SEAL INSTL-AFT RH LAV  
FIGURE 31A

**25-30-51-31A**

HAP  
OCT 10/06

25-30-51-31A  
PAGE 0



**BOEING**  
737-600/700/800/900  
PARTS CATALOG (MAINTENANCE)

| FIG<br>ITEM | PART NUMBER   | 1 2 3 4 5 6 7 | NOMENCLATURE  | EFFECT<br>FROM TO          | UNITS<br>PER<br>ASSY |
|-------------|---------------|---------------|---|----------------------------|----------------------|
| 31A         |               |               |   |                            |                      |
| - 1         | 403A3100-104B |               | SEAL INSTL-AFT RH LAV<br>SEAL INSTL-LAV<br>POSITION DATA:<br>AFT RH<br>FOR NHA SEE:<br>25-20-00-03A<br>25-20-00-03B | 008999<br>008030<br>201967 | RF                   |
| - 1         | MODREF103538  |               | SEAL INSTL-LAV<br>MODULE NUMBER:<br>403A3100-286B REV B<br>POSITION DATA:<br>AFT RH                                 | 031200<br>968999           | 1                    |
| 5           | 415U9010-20B  |               | .EXTRUSION-COEXTRUDED SEAL<br>FOR .75 GAPS WITH 2<br>CORNER (MONUMENT)<br>POSITION DATA:<br>RH SIDE                 | 008999                     | 1                    |

MISSING ITEM NUMBERS NOT APPLICABLE

- ITEM NOT ILLUSTRATED

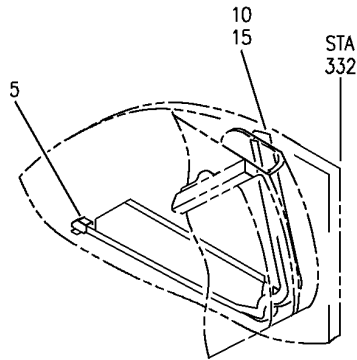
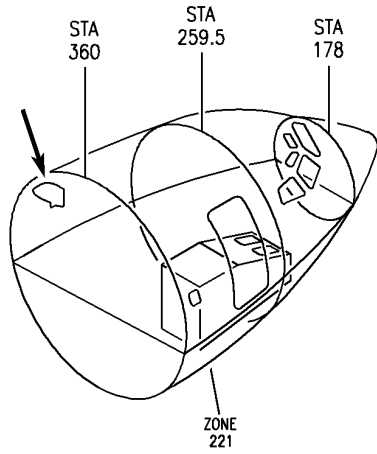
HAP

# 25-30-51-31A

BOEING PROPRIETARY - Copyright © - Unpublished Work - See title page for details.

25-30-51  
FIG. 31A  
PAGE 1  
OCT 15/08

**BOEING**  
737-600/700/800/900  
PARTS CATALOG (MAINTENANCE)



E 25305143 REV 113

SEAL INSTL-FWD LH PSU MON/STOWBIN ENDCAP TO STD AISLE MONUMENT  
FIGURE 43

HAP  
OCT 10/06

**25-30-51-43**

25-30-51-43  
PAGE 0

**BOEING**  
737-600/700/800/900  
PARTS CATALOG (MAINTENANCE)

| FIG<br>ITEM | PART NUMBER   | 1 2 3 4 5 6 7 | NOMENCLATURE   | EFFECT<br>FROM TO | UNITS<br>PER<br>ASSY |
|-------------|---------------|---------------|--|-------------------|----------------------|
| 43          |               |               | SEAL INSTL-FWD LH PSU<br>MON/STOWBIN ENDCAP TO STD<br>AISLE MONUMENT   | 001030            |                      |
| - 1         | 403A3100-141B |               | SEAL INSTL-PSU MON/STOWBIN<br>ENDCAP TO STD AISLE<br>MONUMENT<br>POSITION DATA:<br>FWD LH<br>POST SERVICE BULLETIN:<br>25-1360<br>FOR NHA SEE:<br>25-20-00-03B | 001030            | RF                   |
| 5           | 403A3110-57B  |               | .SEAL ASSY-A/C RAIL END<br>POSITION DATA:<br>LH SIDE   | 001030            | 1                    |
| 10          | 403A3110-59B  |               | .SEAL ASSY-<br>POSITION DATA:<br>LH SIDE   | 001030            | 1                    |

MISSING ITEM NUMBERS NOT APPLICABLE

- ITEM NOT ILLUSTRATED

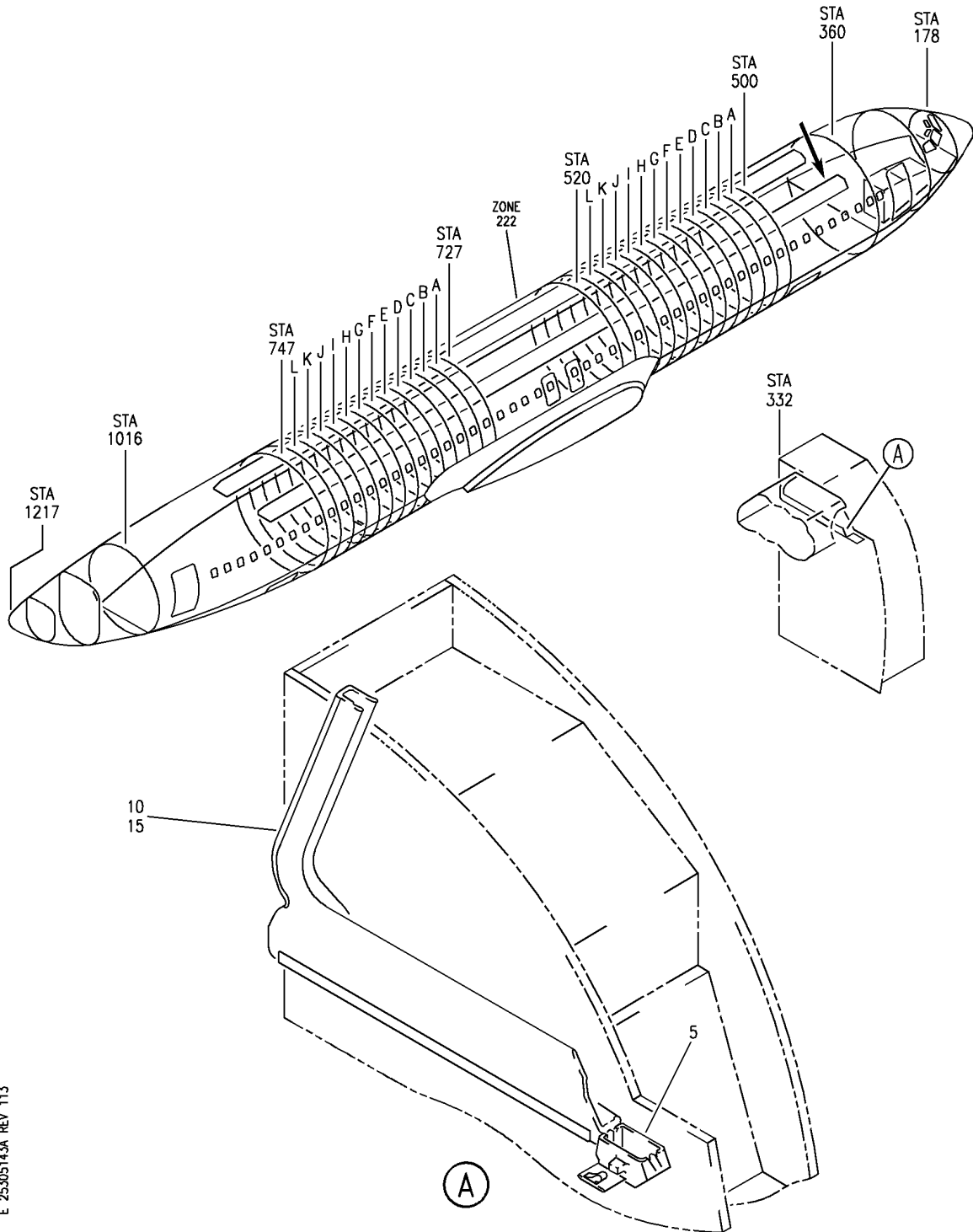
HAP

# 25-30-51-43

BOEING PROPRIETARY - Copyright © - Unpublished Work - See title page for details.

25-30-51  
FIG. 43  
PAGE 1  
OCT 10/06

**BOEING**  
 737-600/700/800/900  
 PARTS CATALOG (MAINTENANCE)



E 25305143A REV 113

SEAL INSTL-FWD RH PSU MON/STOWBIN ENDCAP TO STD AISLE MONUMENT  
 FIGURE 43A

**25-30-51-43A**

HAP  
 OCT 10/06

25-30-51-43A  
 PAGE 0

**BOEING**  
737-600/700/800/900  
PARTS CATALOG (MAINTENANCE)

| FIG<br>ITEM | PART NUMBER   | 1 2 3 4 5 6 7 | NOMENCLATURE   | EFFECT<br>FROM TO | UNITS<br>PER<br>ASSY |
|-------------|---------------|---------------|--|-------------------|----------------------|
| 43A         |               |               | SEAL INSTL-FWD RH PSU<br>MON/STOWBIN ENDCAP TO STD<br>AISLE MONUMENT   | 001030            |                      |
| - 1         | 403A3100-142B |               | SEAL INSTL-PSU MON/STOWBIN<br>ENDCAP TO STD AISLE<br>MONUMENT<br>POSITION DATA:<br>FWD RH<br>POST SERVICE BULLETIN:<br>25-1360<br>FOR NHA SEE:<br>25-20-00-03B | 001030            | RF                   |
| 5           | 403A3110-58B  |               | .SEAL ASSY-A/C RAIL END<br>POSITION DATA:<br>RH SIDE   | 001030            | 1                    |
| 10          | 403A3110-60B  |               | .SEAL ASSY-<br>POSITION DATA:<br>RH SIDE   | 001030            | 1                    |

MISSING ITEM NUMBERS NOT APPLICABLE

- ITEM NOT ILLUSTRATED

HAP

# 25-30-51-43A

BOEING PROPRIETARY - Copyright © - Unpublished Work - See title page for details.

25-30-51  
FIG. 43A  
PAGE 1  
OCT 10/06