

**CHAPTER**

**35**

**OXYGEN**



CHAPTER 35  
OXYGEN

CH-SC-SU	Schem	Page	Sheet	Date	CH-SC-SU	Schem	Page	Sheet	Date
35-EFFECTIVE PAGES					35-21-32				
		1		Aug 10/2009			101		Feb 09/2009
		2		BLANK			102		Jan 14/2008
35-CONTENTS					35-21-41				
		1		Feb 09/2009			101		Feb 09/2009
		2		BLANK					
35-ALPHABETICAL INDEX									
		1		Jan 18/2007					
		2		BLANK					
35-11-11									
		101		Feb 09/2009					
35-21-11									
		101		Feb 09/2009					
35-21-12									
		101		Feb 09/2009					
35-21-21									
		101		Feb 09/2009					
		102		Jan 14/2008					
35-21-22									
		101		Feb 09/2009					
		102		Jan 14/2008					
35-21-31									
		101		Feb 09/2009					
		102		Jan 14/2008					

A = Added, R = Revised, D = Deleted, O = Overflow

**35-EFFECTIVE PAGES**

Page 1  
Aug 10/2009

D280A203



CHAPTER 35  
OXYGEN

Title	CH-SC-SU	Schem	Page	Sheet	Date	Effectivity
<b><u>CREW OXYGEN SYSTEM</u></b>						
CREW OXYGEN SYSTEM	35-11-11		101		Feb 09/2009	ALL
<b><u>PASSENGER OXYGEN SYSTEM</u></b>						
PASS OXYGEN - CONTROL	35-21-11		101		Feb 09/2009	ALL
PASS OXYGEN - MISC	35-21-12		101		Feb 09/2009	ALL
PASS OXYGEN - LEFT FWD	35-21-21		101		Feb 09/2009	YC001-YL430
			102		Jan 14/2008	YM643-YM670
PASS OXYGEN - LEFT AFT	35-21-22		101		Feb 09/2009	YC001-YL430
			102		Jan 14/2008	YM643-YM670
PASS OXYGEN - RIGHT FWD	35-21-31		101		Feb 09/2009	YC001-YL430
			102		Jan 14/2008	YM643-YM670
PASS OXYGEN - RIGHT AFT	35-21-32		101		Feb 09/2009	YC001-YL430
			102		Jan 14/2008	YM643-YM670
OXYGEN DROP - PASS SERVICE UNIT	35-21-41		101		Feb 09/2009	ALL

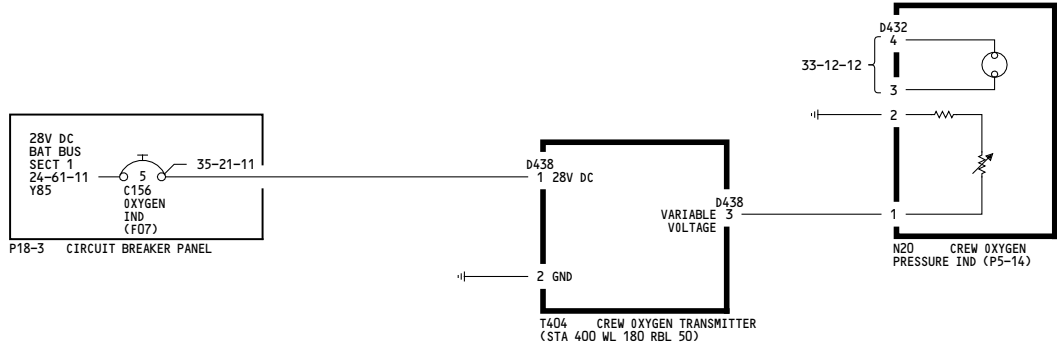
CHAPTER 35  
OXYGEN

CH-SC-SU	Title
35-11-11	CREW OXYGEN SYSTEM
35-21-41	OXYGEN DROP - PASS SERVICE UNIT
35-21-11	PASS OXYGEN - CONTROL
35-21-22	PASS OXYGEN - LEFT AFT
35-21-21	PASS OXYGEN - LEFT FWD
35-21-12	PASS OXYGEN - MISC
35-21-32	PASS OXYGEN - RIGHT AFT
35-21-31	PASS OXYGEN - RIGHT FWD

CH-SC-SU	Title
----------	-------

**35-ALPHABETICAL INDEX**

1



ALL	<p><b>CREW OXYGEN SYSTEM</b></p> <p>D280A203</p>
-----	--

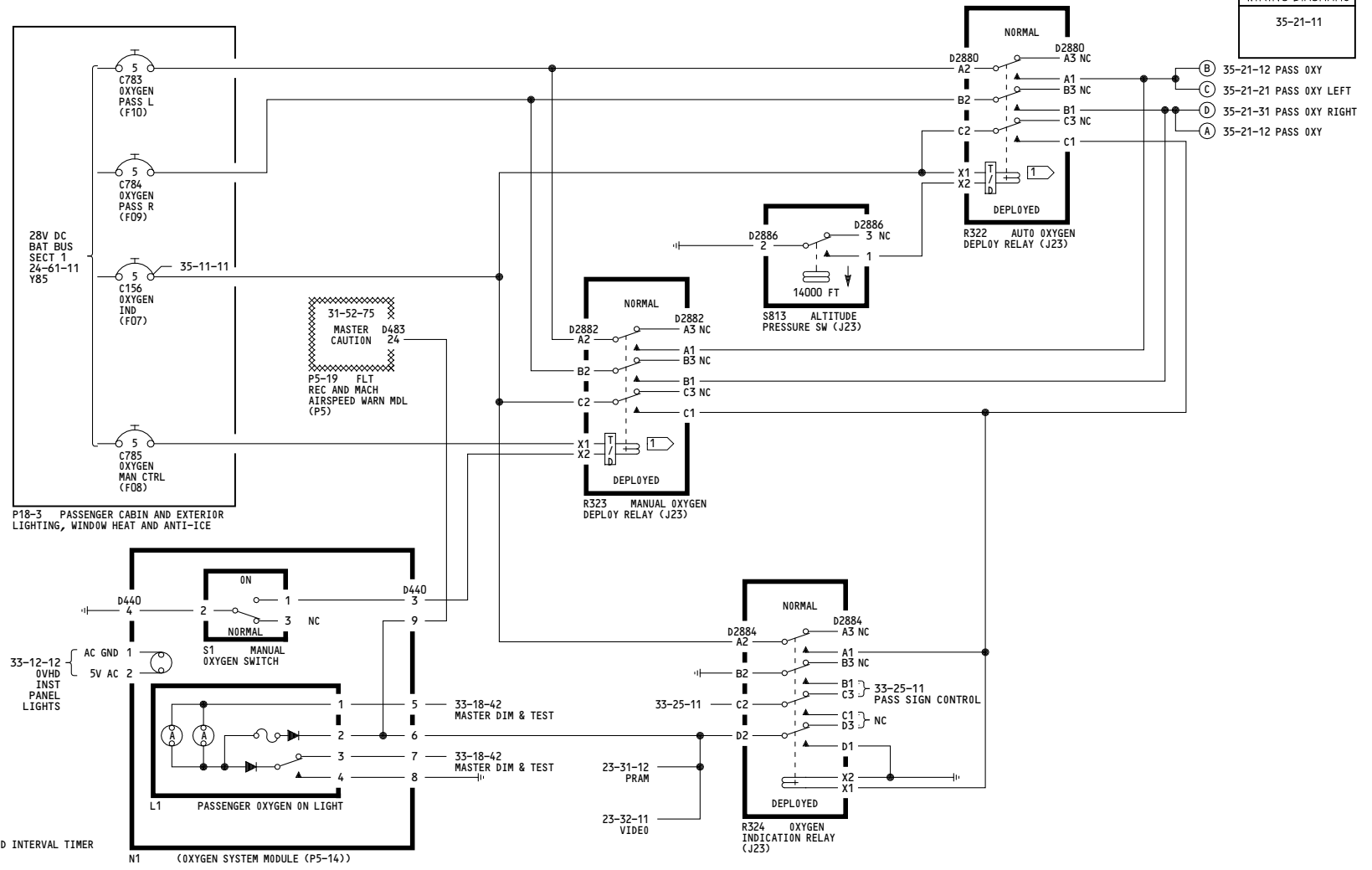
**35-11-11**

Page 101

Feb 09/2009

-B  
8

WIRING DIAGRAMS  
35-21-11



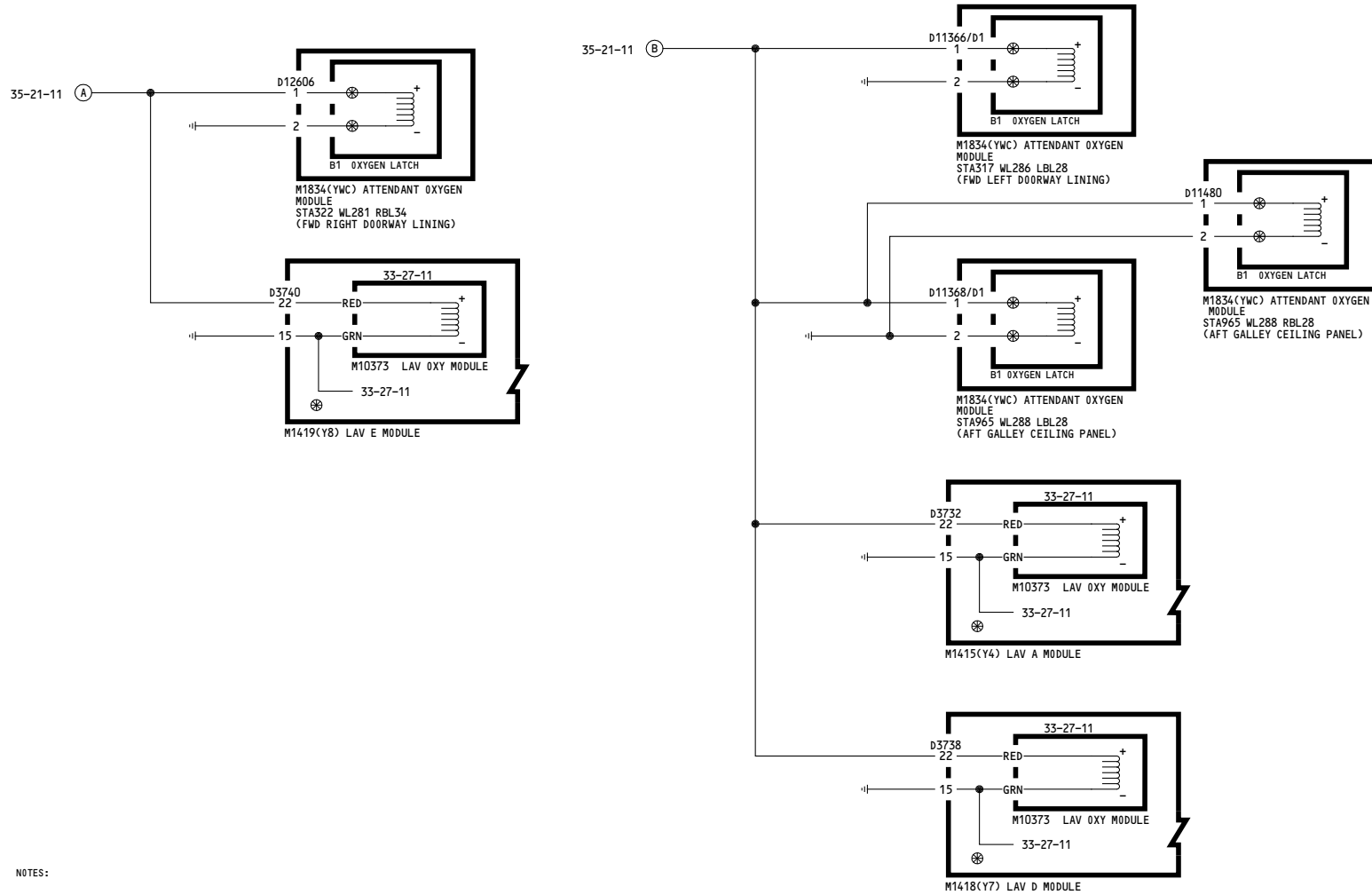
ALL	<b>PASS OXYGEN - CONTROL</b>  D280A203
-----	--

**35-21-11**

Page 101

Feb 09/2009

WIRING DIAGRAMS  
35-21-21  
35-21-31



NOTES:

ALL	<p><b>PASS OXYGEN - MISC</b></p> <p>D280A203</p>
-----	--

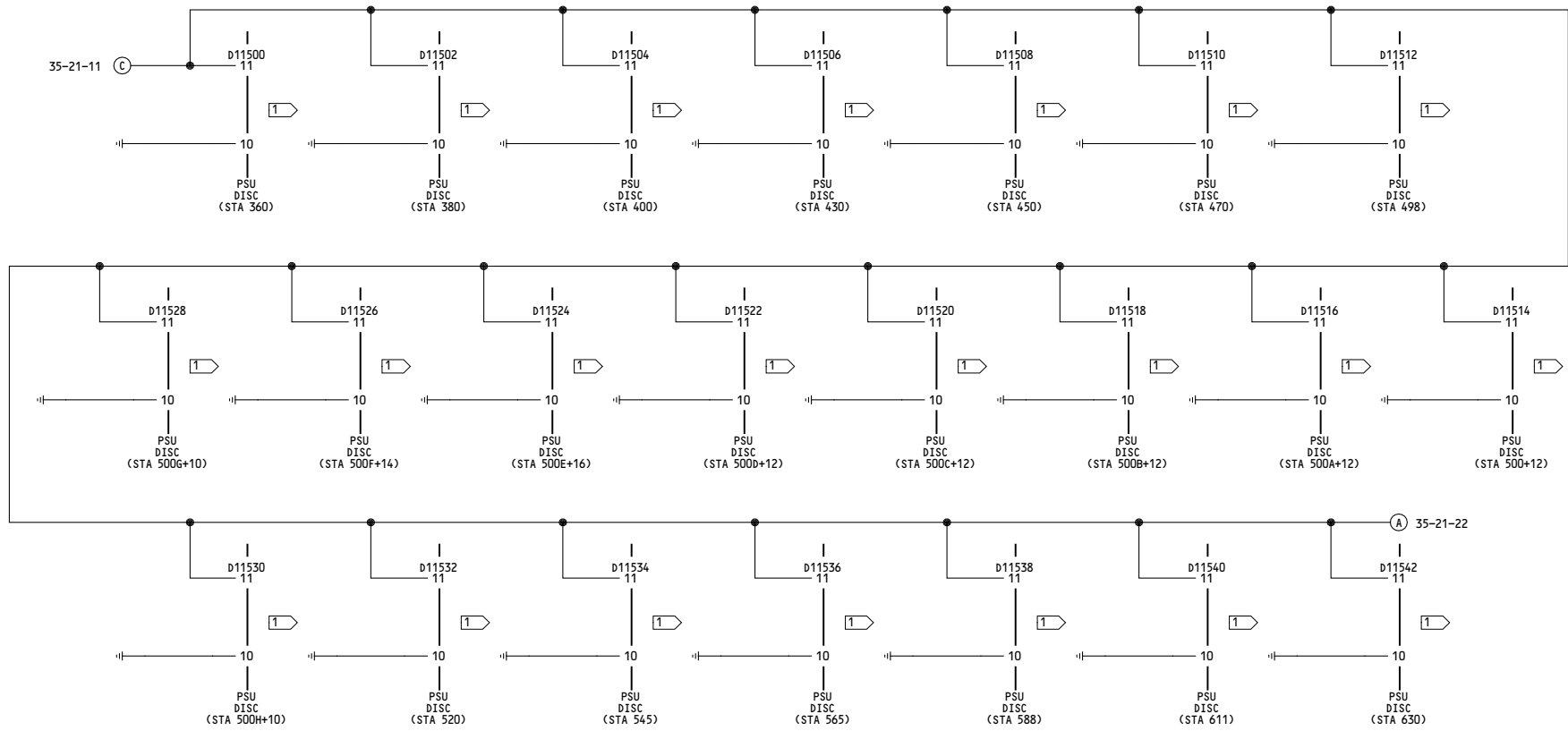
**35-21-12**

Page 101

Feb 09/2009

-D  
2

WIRING DIAGRAMS  
35-21-21



NOTES

1 MATE WITH PASSENGER SERVICE UNIT IF INSTALLED

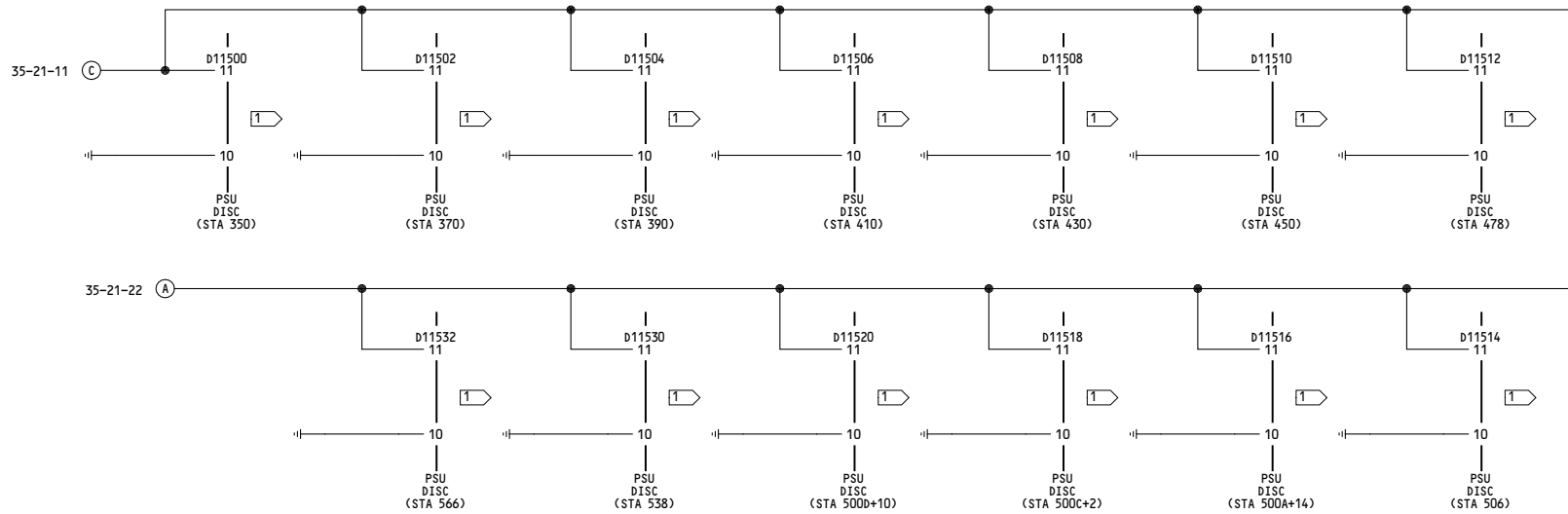
YC001-YL430	<p><b>PASS OXYGEN - LEFT FWD</b></p> <p>D280A203</p>
-------------	--

**35-21-21**

Page 101

Feb 09/2009





NOTES

1 MATE WITH PASSENGER SERVICE UNIT IF INSTALLED

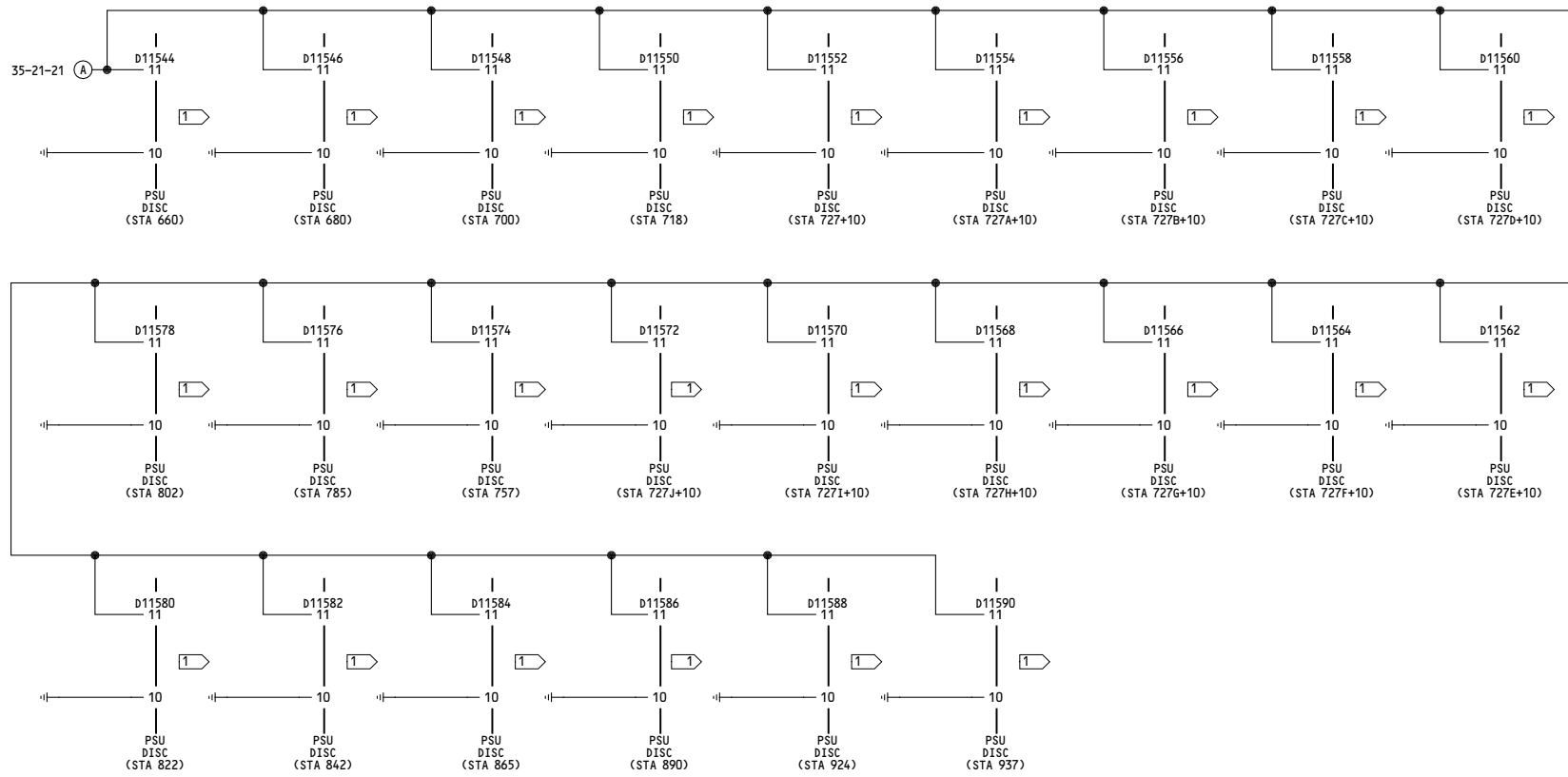
YM643-YM670	<p><b>PASS OXYGEN - LEFT FWD</b></p> <p>D280A203</p>
-------------	--

**35-21-21**

Page 102

Jan 14/2008

WIRING DIAGRAMS  
35-21-21



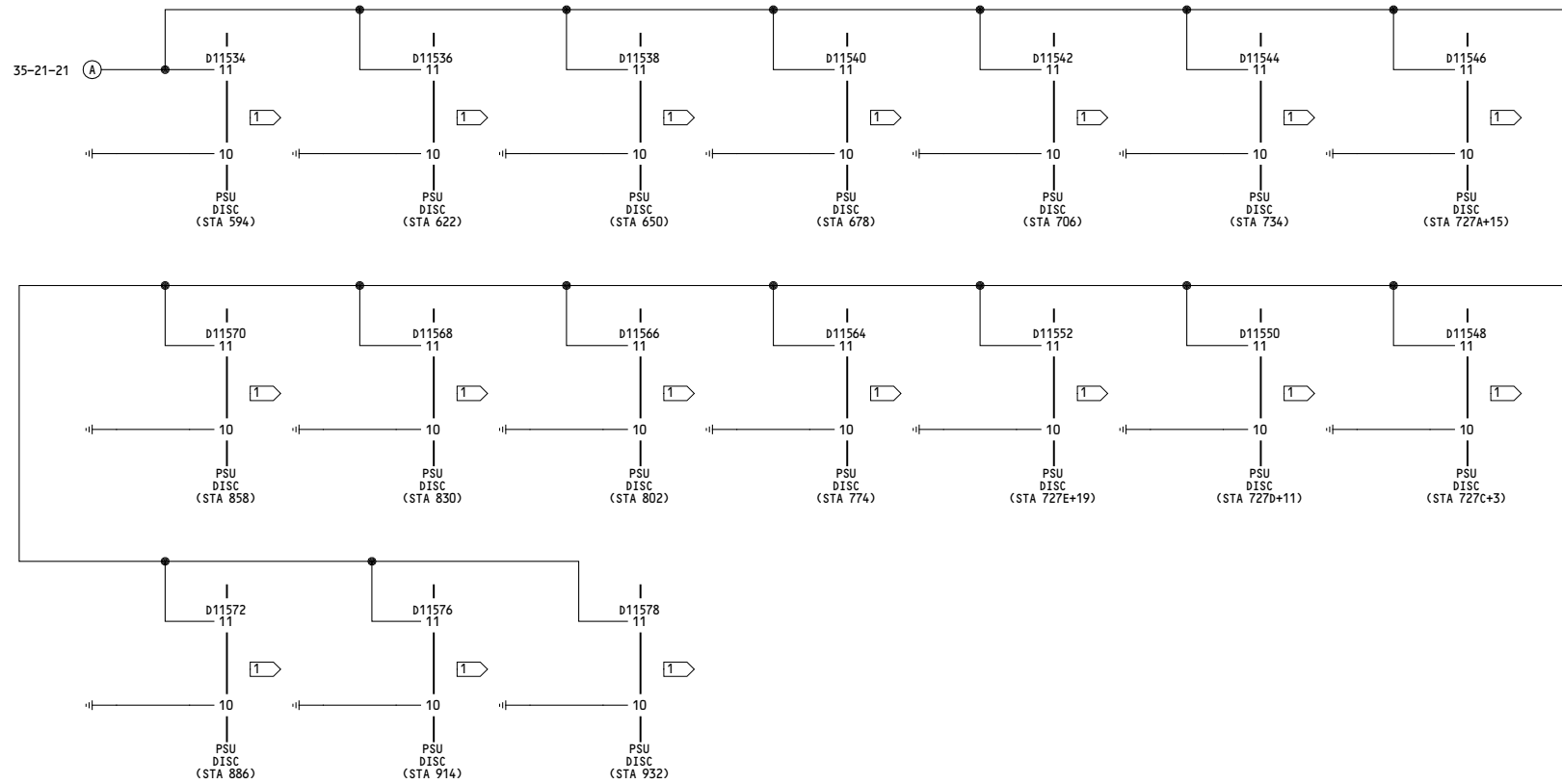
NOTES

1 MATE WITH PASSENGER SERVICE UNIT IF INSTALLED

<p>YC001-YL430</p>	<p><b>PASS OXYGEN - LEFT AFT</b></p> <p>D280A203</p>
--------------------	--

-D  
1

WIRING DIAGRAMS  
35-21-21



NOTES

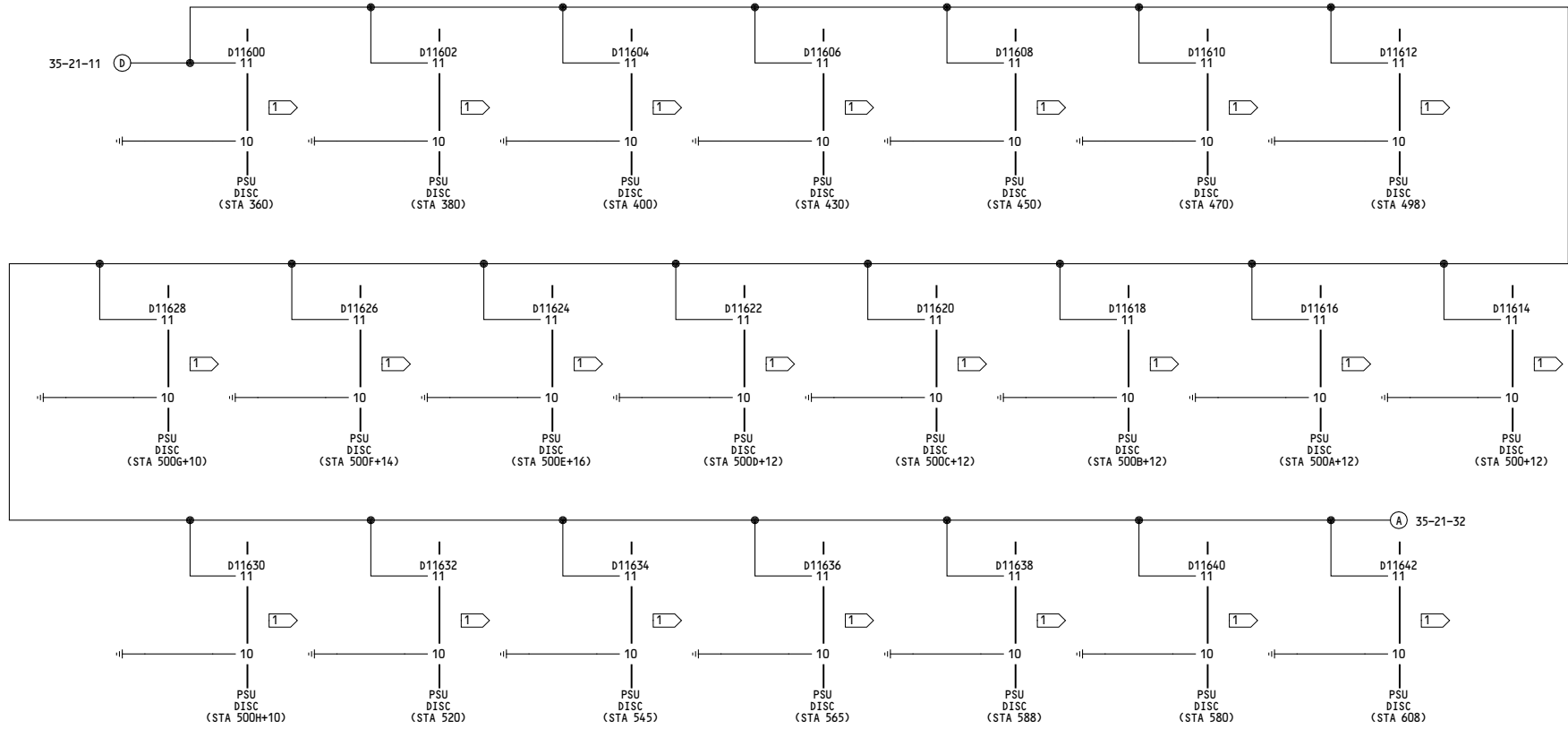
1 → MATE WITH PASSENGER SERVICE UNIT IF INSTALLED

YM643-YM670	<p align="center"><b>PASS OXYGEN - LEFT AFT</b></p> <p align="center">D280A203</p>
-------------	--

**35-21-22**

Page 102

Jan 14/2008



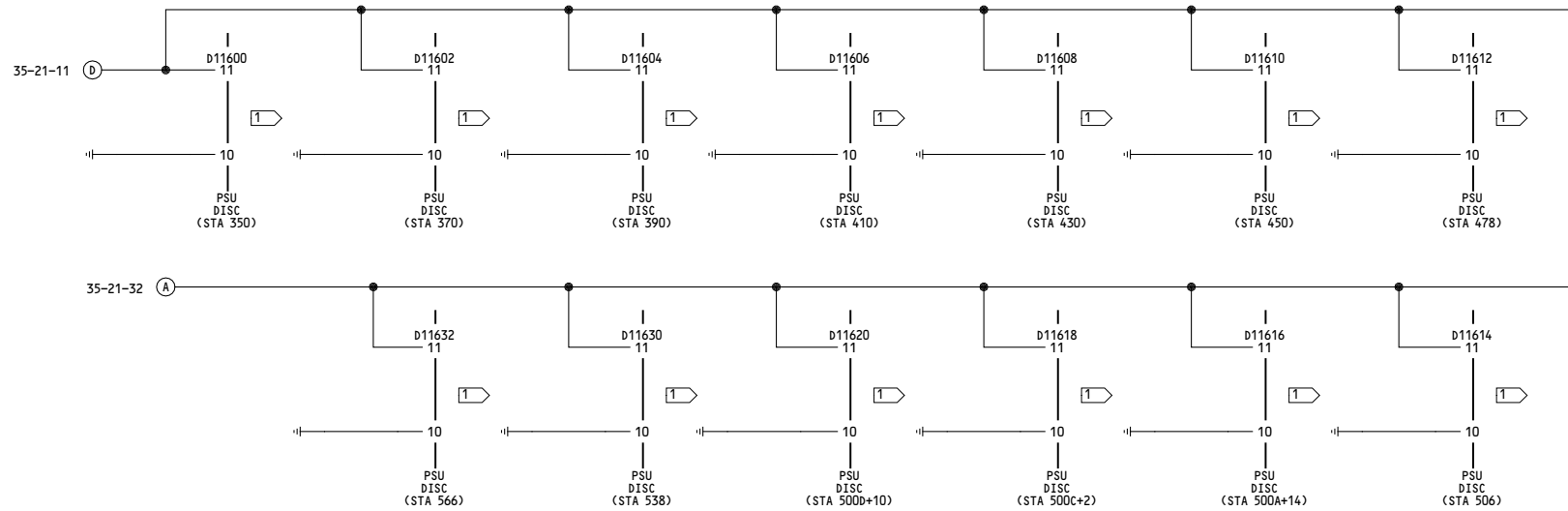
NOTES

1 MATE WITH PASSENGER SERVICE UNIT IF INSTALLED

<p>YC001-YL430</p>	<p><b>PASS OXYGEN - RIGHT FWD</b></p> <p>D280A203</p>
--------------------	---

-C  
1

WIRING DIAGRAMS  
35-21-31



NOTES:

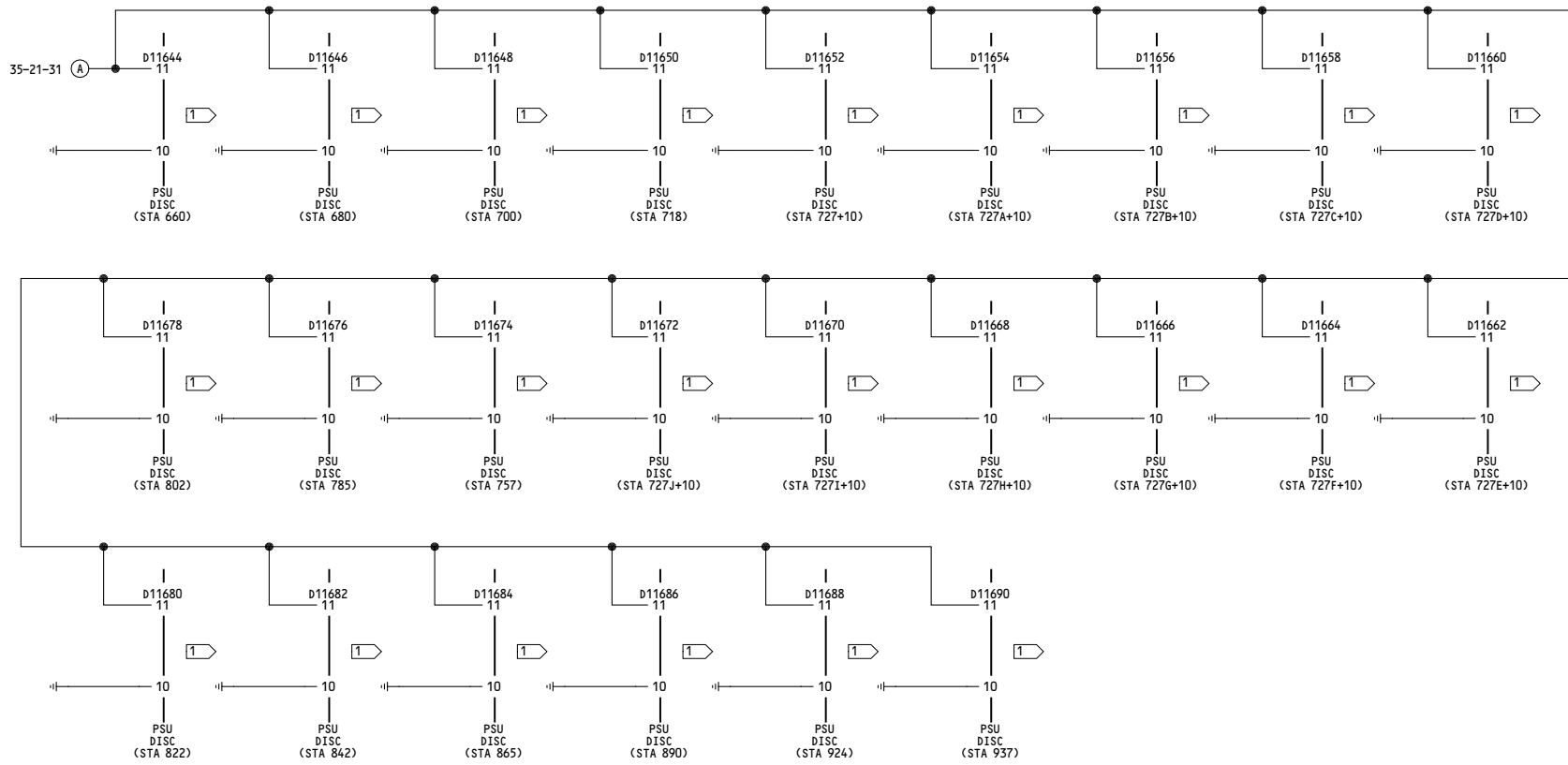
1 MATE WITH PASSENGER SERVICE UNIT IF INSTALLED

YM643-YM670	<p><b>PASS OXYGEN - RIGHT FWD</b></p> <p>D280A203</p>
-------------	---

**35-21-31**

Page 102

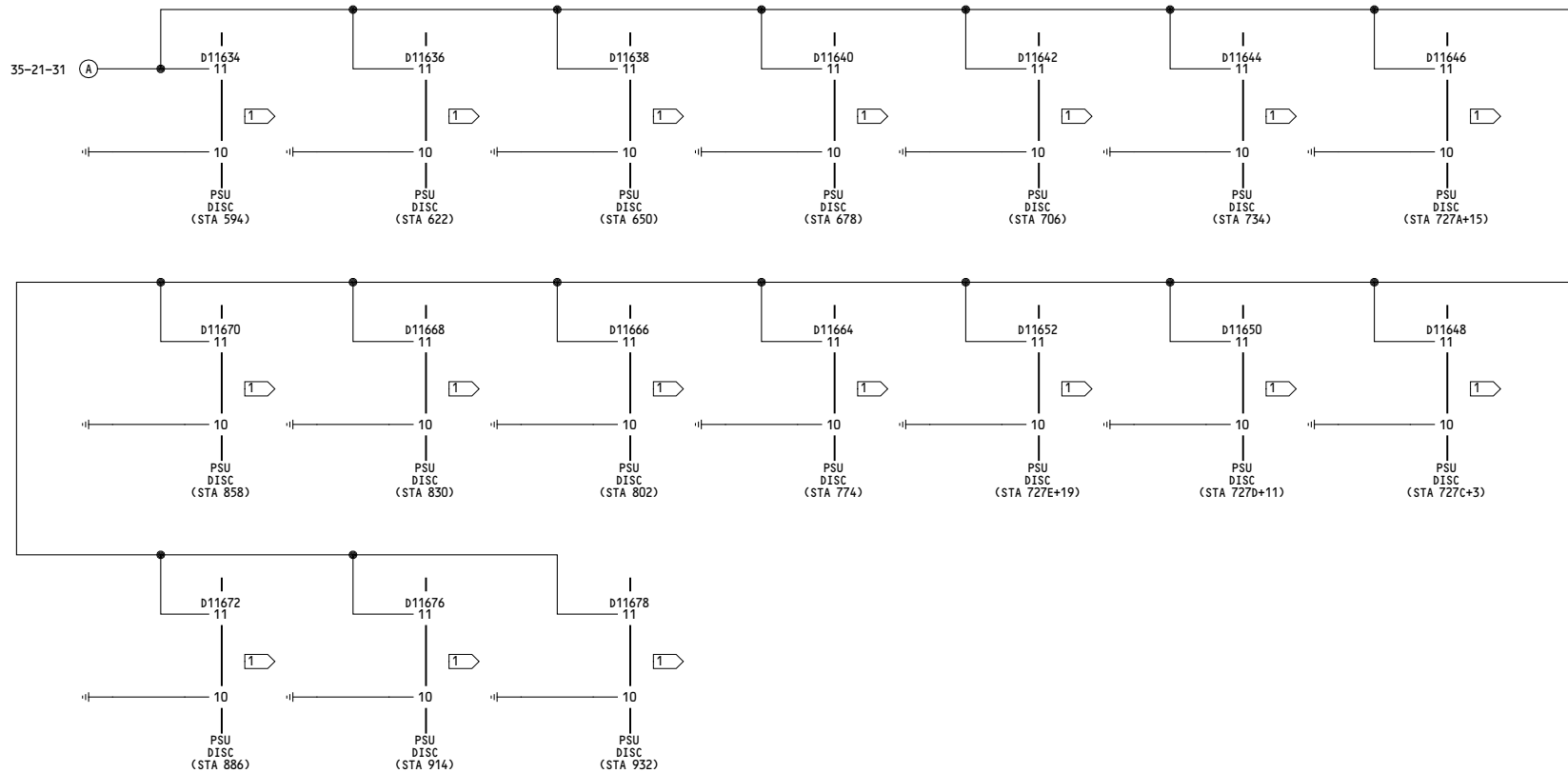
Jan 14/2008



NOTES

1 MATE WITH PASSENGER SERVICE UNIT IF INSTALLED

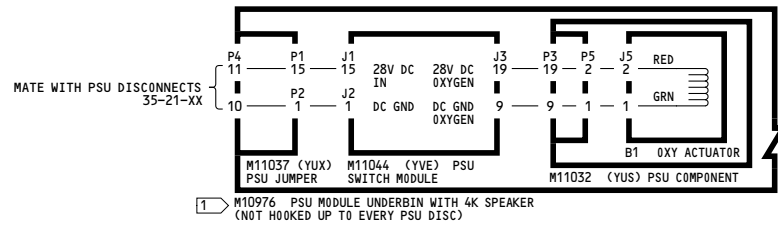
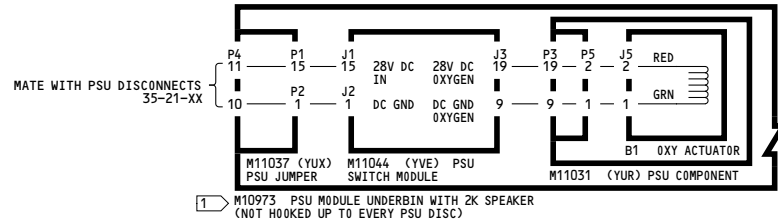
YCO01-YL430	<p align="center"><b>PASS OXYGEN - RIGHT AFT</b></p> <p align="center">D280A203</p>
-------------	---



NOTES:

1 MATE WITH PASSENGER SERVICE UNIT IF INSTALLED

YM643-YM670	<p align="center"><b>PASS OXYGEN - RIGHT AFT</b></p> <p align="center">D280A203</p>
-------------	---



**NOTES:**

1 EITHER THE M10973, M10976 OR A COMBINATION OF BOTH PSU MODULES WILL BE INSTALLED, ACCORDING TO THE INTERIOR ARRANGEMENT OF EACH AIRPLANE.

ALL	<p><b>OXYGEN DROP - PASS SERVICE UNIT</b></p> <p>D280A203</p>
-----	---