

**CHAPTER**

**79**

**OIL**



CHAPTER 79  
OIL

CH-SC-SU	Schem	Page	Sheet	Date	CH-SC-SU	Schem	Page	Sheet	Date
79-EFFECTIVE PAGES									
		1		Aug 10/2009					
		2		BLANK					
79-CONTENTS									
		1		Feb 09/2009					
		2		BLANK					
79-ALPHABETICAL INDEX									
		1		Jan 18/2007					
		2		BLANK					
79-31-11									
		101		Feb 09/2009					
79-32-11									
		101		Feb 09/2009					
79-33-11									
		101		Feb 09/2009					
79-34-11									
		101		Feb 09/2009					

A = Added, R = Revised, D = Deleted, O = Overflow

**79-EFFECTIVE PAGES**



CHAPTER 79  
OIL

Title	CH-SC-SU	Schem	Page	Sheet	Date	Effectivity
<b><u>OIL QUANTITY INDICATING SYSTEM</u></b>						
ENGINE OIL QUANTITY INDICATION	79-31-11		101		Feb 09/2009	ALL
<b><u>OIL PRESSURE INDICATING SYSTEM</u></b>						
ENGINE OIL PRESSURE INDICATION	79-32-11		101		Feb 09/2009	ALL
<b><u>LOW OIL PRESSURE WARNING SYSTEM</u></b>						
ENGINE OIL FILTER BYPASS WARNING	79-33-11		101		Feb 09/2009	ALL
<b><u>OIL TEMPERATURE INDICATING SYSTEM</u></b>						
ENGINE OIL TEMPERATURE INDICATION	79-34-11		101		Feb 09/2009	ALL

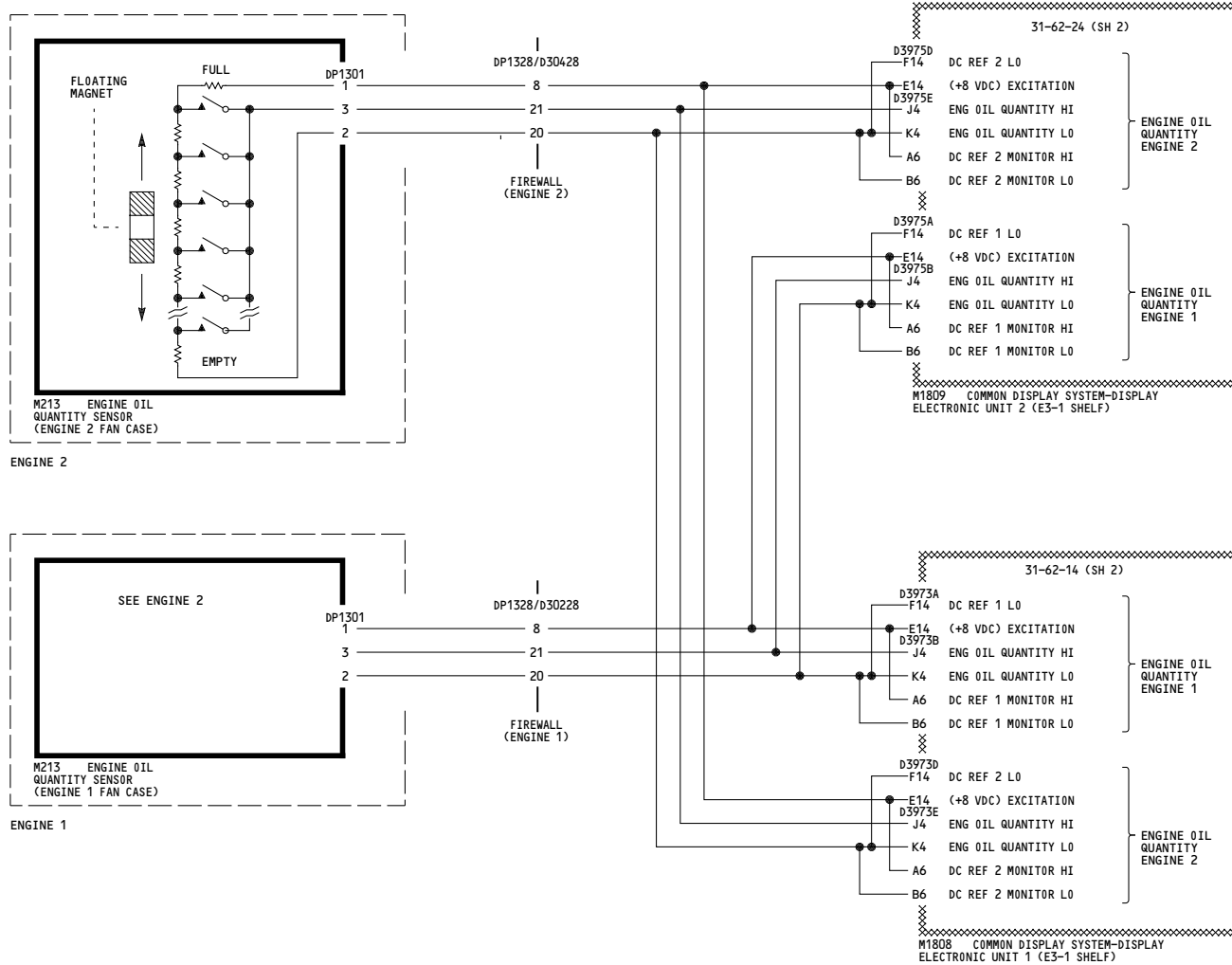
CHAPTER 79  
OIL

CH-SC-SU	Title
79-33-11	ENGINE OIL FILTER BYPASS WARNING
79-32-11	ENGINE OIL PRESSURE INDICATION
79-31-11	ENGINE OIL QUANTITY INDICATION
79-34-11	ENGINE OIL TEMPERATURE INDICATION

CH-SC-SU	Title
----------	-------

**79-ALPHABETICAL INDEX**

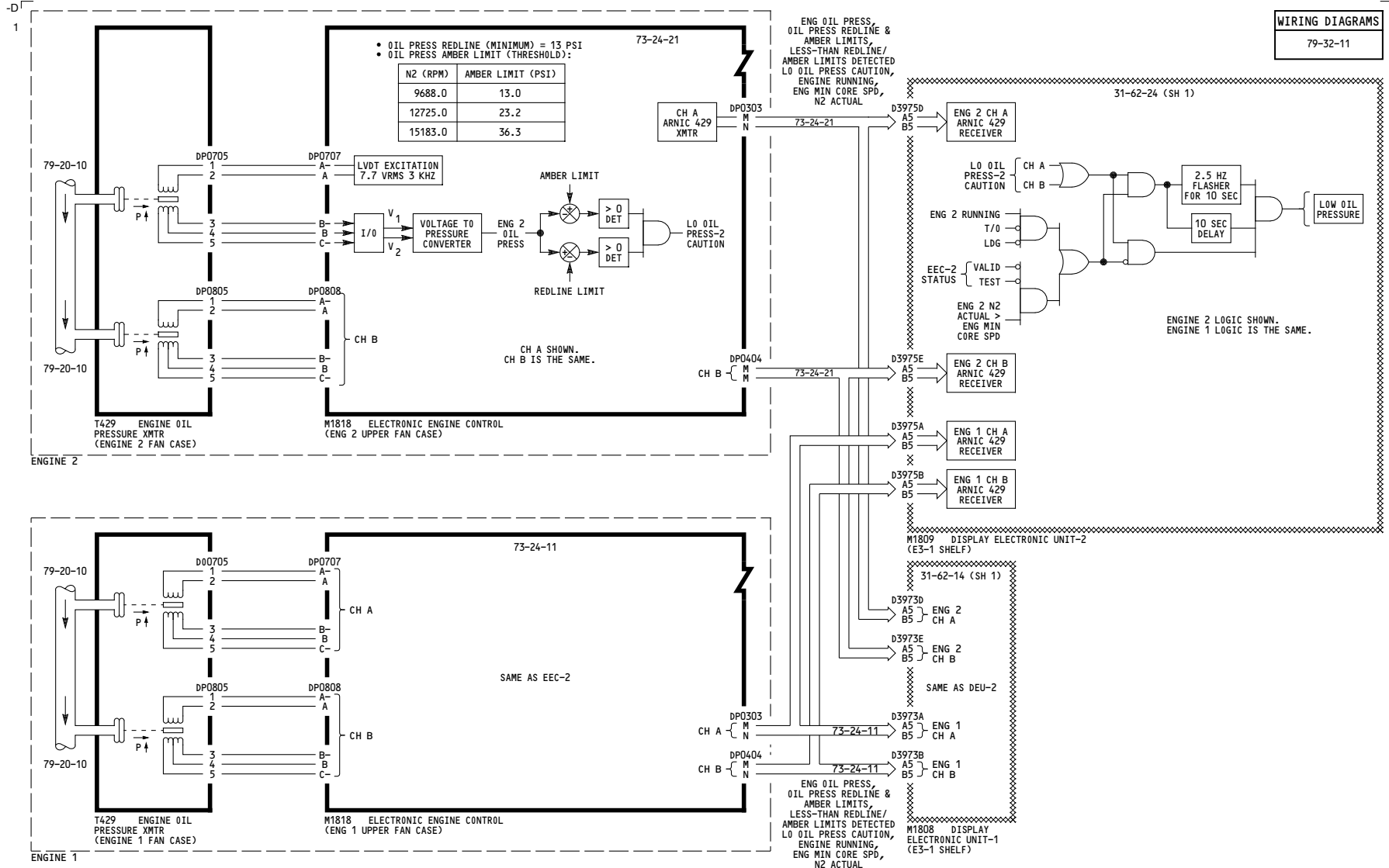
-F  
1



ALL	<b>ENGINE OIL QUANTITY INDICATION</b>
	D280A203

**79-31-11**

WIRING DIAGRAMS  
79-32-11



ALL

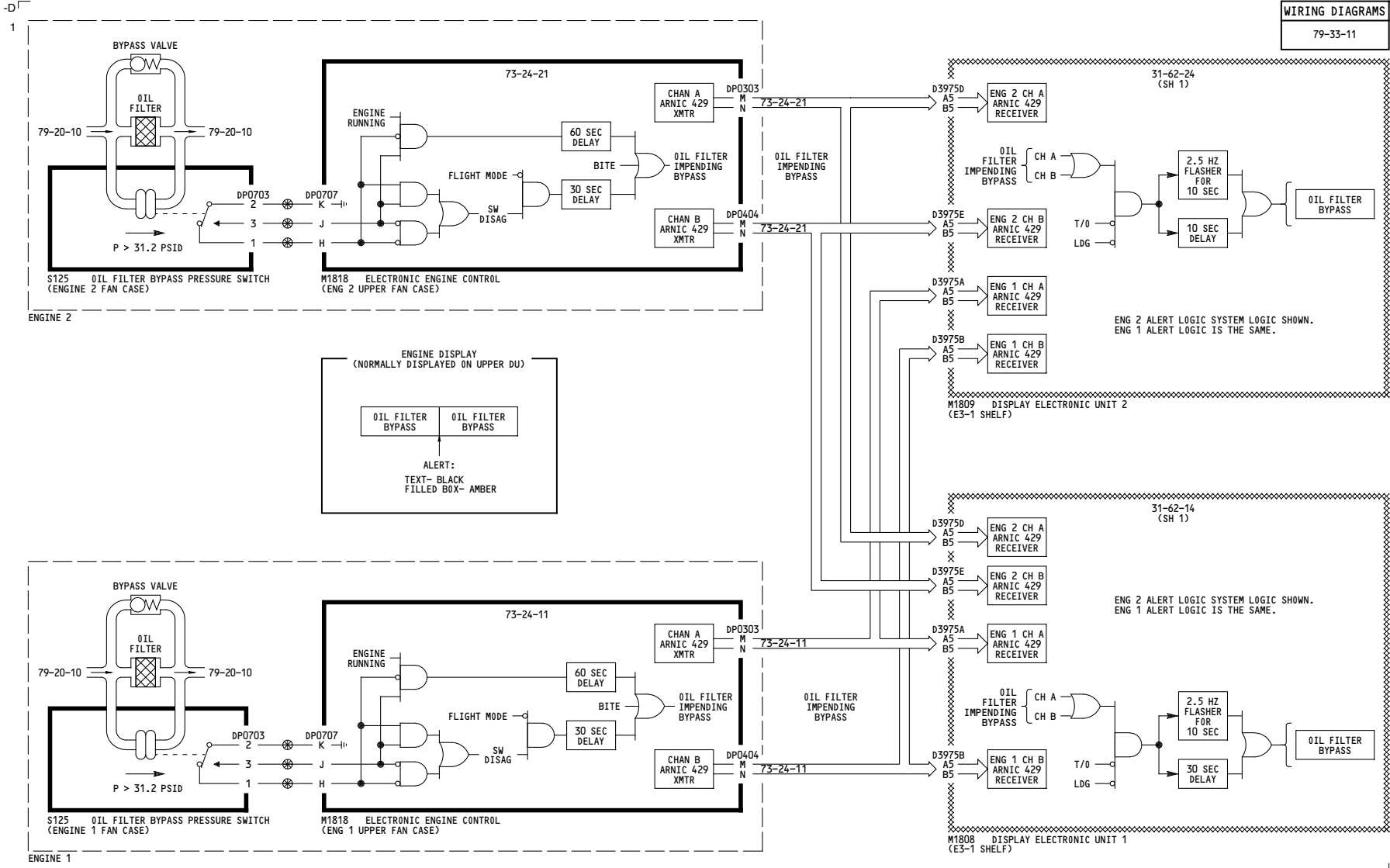
**ENGINE OIL PRESSURE INDICATION**

D280A203

79-32-11

Page 101

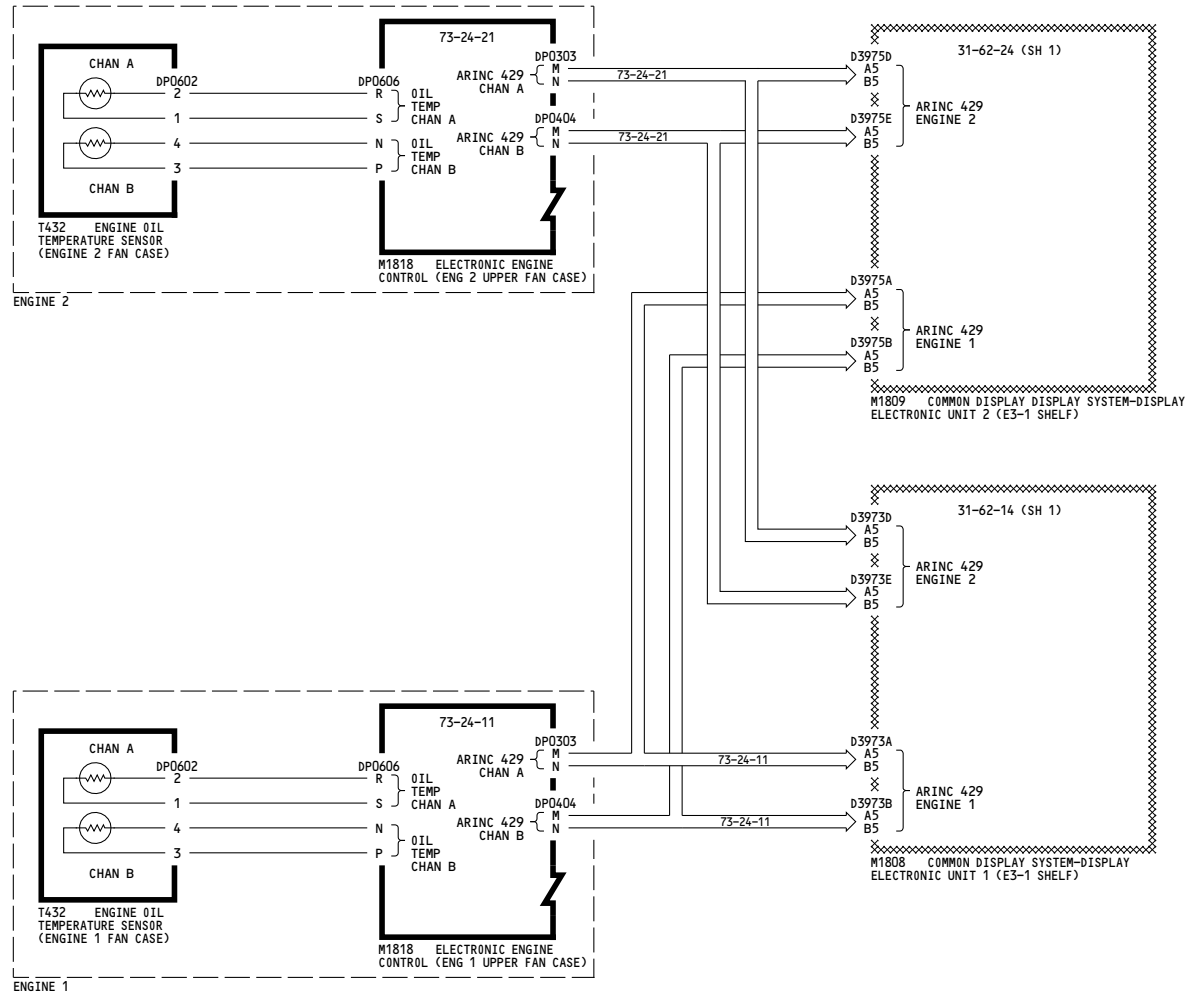
Feb 09/2009



ALL	<p align="center"><b>ENGINE OIL FILTER BYPASS WARNING</b></p> <p align="center">D280A203</p>
-----	--

**79-33-11**

-D  
1



ALL	<p><b>ENGINE OIL TEMPERATURE INDICATION</b></p> <p>D280A203</p>
-----	---

**79-34-11**

Page 101

Feb 09/2009