

CHAPTER

25

**EQUIPMENT /
FURNISHINGS**



737-700/800

WIRING DIAGRAM MANUAL

CHAPTER 25
EQUIPMENT / FURNISHINGS

CH-SC-SU	Schem	Page	Sheet	Date	CH-SC-SU	Schem	Page	Sheet	Date
25-EFFECTIVE PAGES									
		1		Aug 10/2009					
		2		BLANK					
25-CONTENTS									
		1		Feb 09/2009					
		2		BLANK					
25-ALPHABETICAL INDEX									
		1		Jan 18/2007					
		2		BLANK					
25-29-11									
		1		Aug 13/2008					
		2		Feb 09/2009					
		2.1	1	Aug 13/2008					
			2	Aug 13/2008					
		3	1	Aug 13/2008					
			2	Aug 13/2008					
		4	1	Aug 13/2008					
			2	Aug 13/2008					
25-31-11									
		1		May 13/2008					
		2		May 13/2008					
		3		Nov 11/2008					
		4		Feb 09/2009					
		5		Feb 09/2009					
		6		Feb 09/2009					
25-51-21									
		1		Feb 09/2009					

A = Added, R = Revised, D = Deleted, O = Overflow

25-EFFECTIVE PAGES

Page 1
Aug 10/2009

D280A103



737-700/800

WIRING DIAGRAM MANUAL

CHAPTER 25
EQUIPMENT / FURNISHINGS

Title	CH-SC-SU	Schem	Page	Sheet	Date	Effectivity		
<u>PASSENGER COMPARTMENT SERVICE OUTLETS</u>								
SERVICE OUTLETS	25-29-11		1		Aug 13/2008	YC001-YC050		
			2		Feb 09/2009	YK901-YL401 YM643-YM670		
		2.1	1	Aug 13/2008	YK907-YK909			
			2	Aug 13/2008	YK907-YK909			
		3	1	Aug 13/2008	YL421			
			2	Aug 13/2008	YL421			
		4	1	Aug 13/2008	YL422-YL430			
			2	Aug 13/2008	YL422-YL430			
		<u>GALLEY</u>						
		GALLEY POWER	25-31-11		1		May 13/2008	YC001-YC050
	2				May 13/2008	YK901-YK909		
	3				Nov 11/2008	YK910-YK911 YL421-YL426		
	4				Feb 09/2009	YK912-YK920		
	5				Feb 09/2009	YL401 YL427-YL430 YM652		
	6				Feb 09/2009	YM643-YM651 YM653-YM670		
<u>CARGO LOADING SYSTEM</u>								
CARGO LOADER SYSTEM AFT CARGO COMPARTMENT	25-51-21		1		Feb 09/2009	ALL		

25-CONTENTS



737-700/800

WIRING DIAGRAM MANUAL

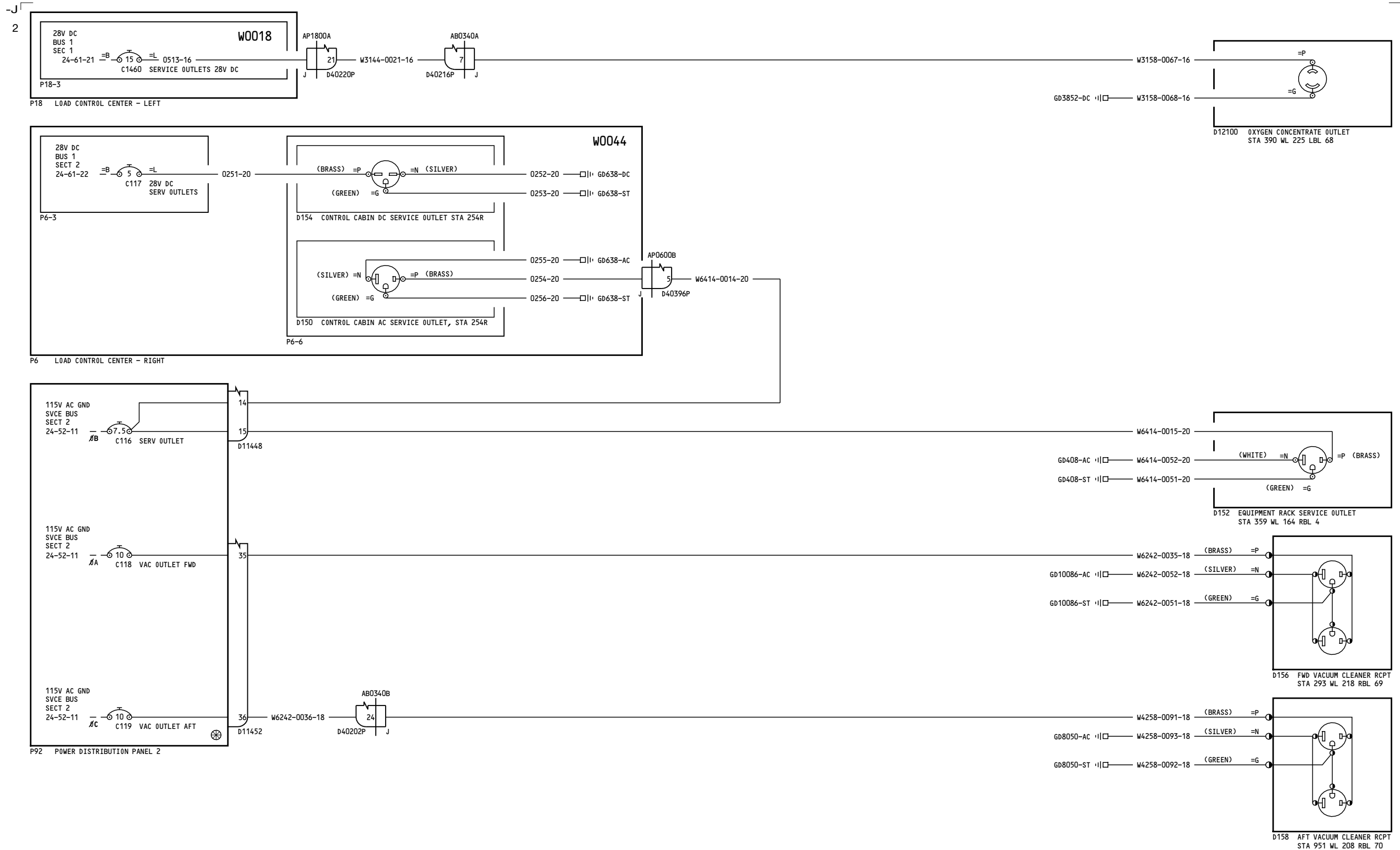
**CHAPTER 25
EQUIPMENT / FURNISHINGS**

CH-SC-SU	Title
25-51-21	CARGO LOADER SYSTEM AFT CARGO COMPARTMENT
25-31-11	GALLEY POWER
25-29-11	SERVICE OUTLETS

25-ALPHABETICAL INDEX

D280A103

Page 1
Jan 18/2007



YC001-YC050

SERVICE OUTLETS

25-29-11

Page 1

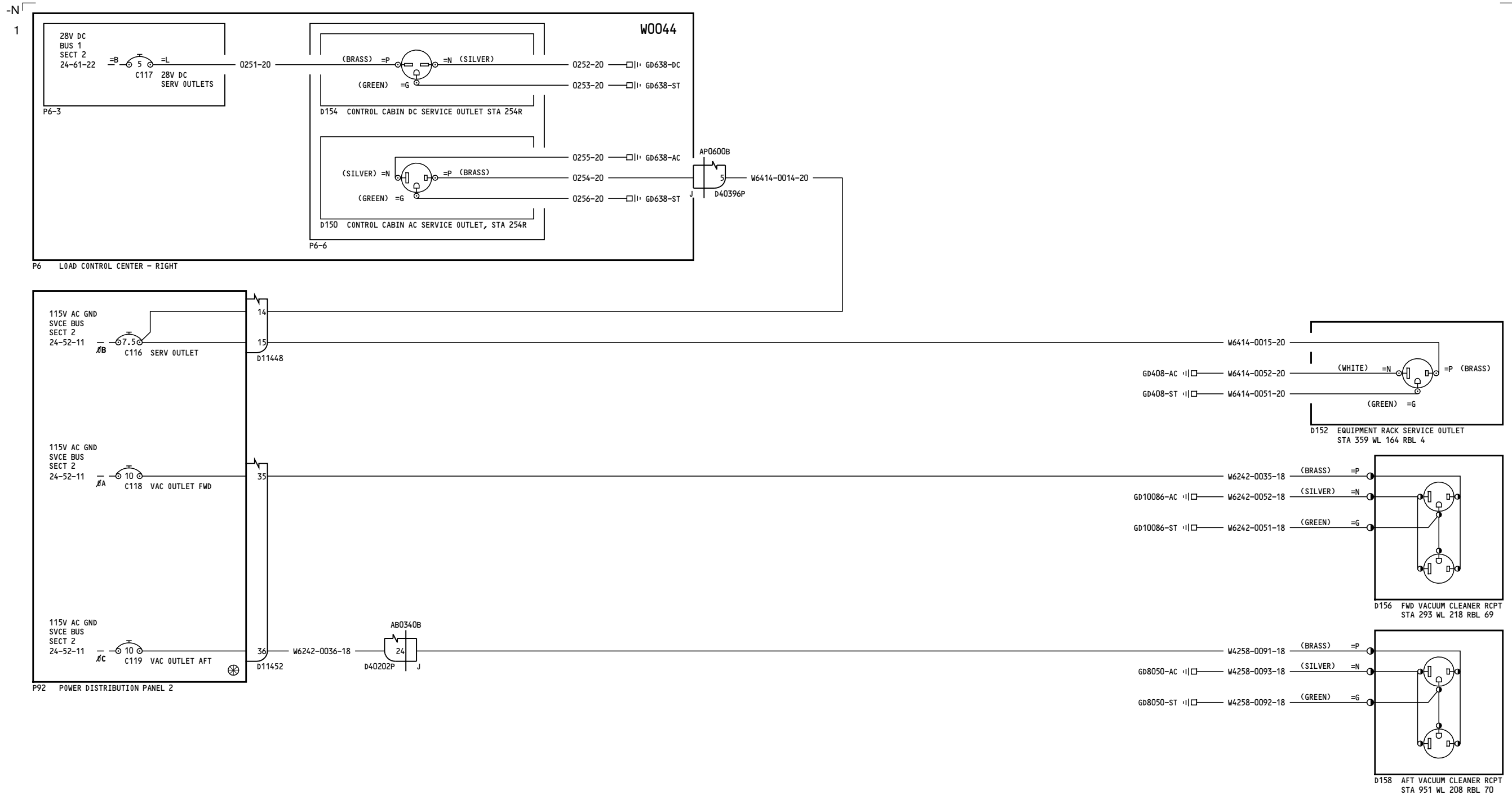
D280A103

Aug 13/2008

25-29-11

Page 1

Aug 13/2008



YK901-YL401, YM643-YM670

SERVICE OUTLETS

25-29-11

Page 2

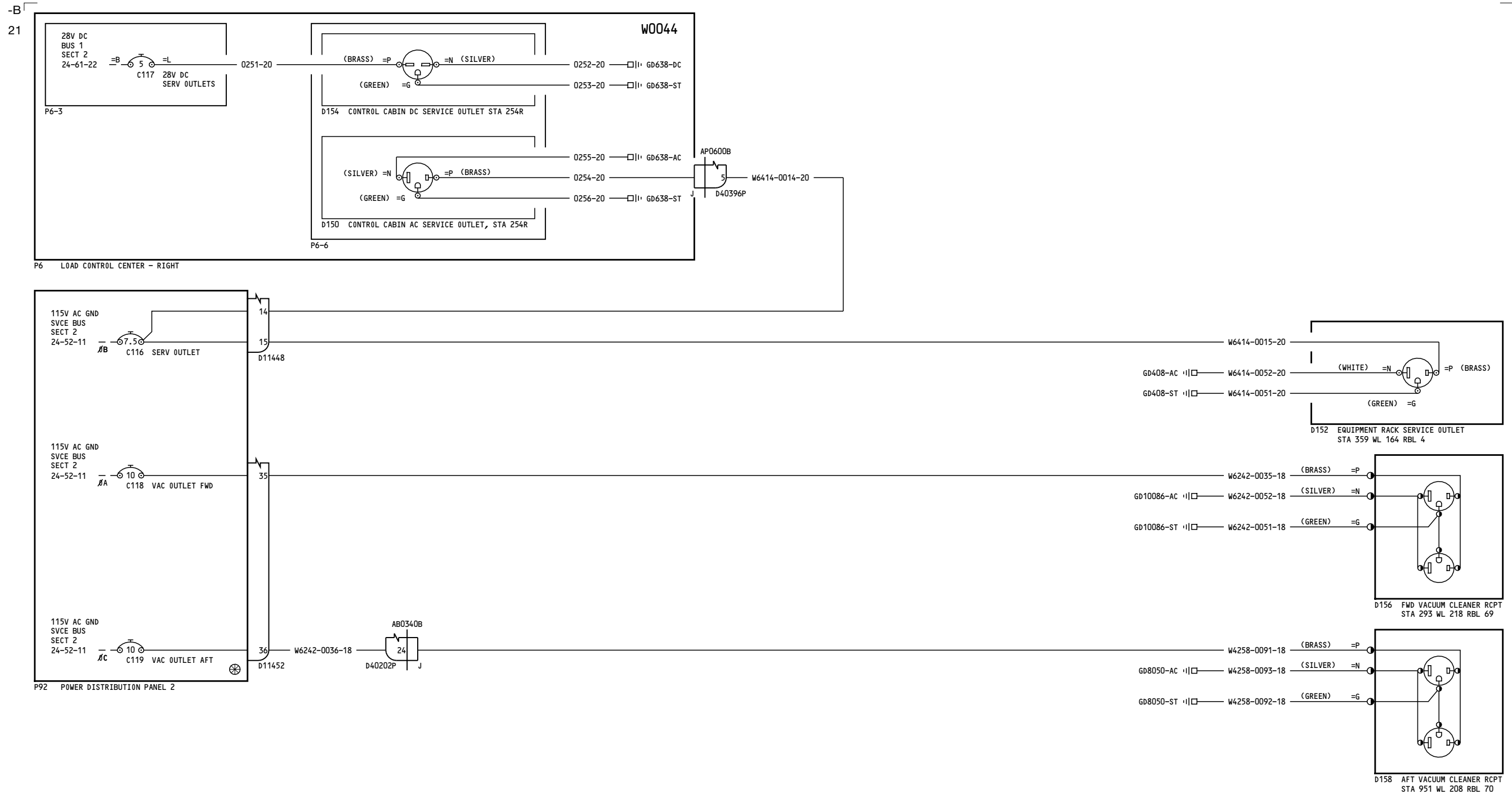
Feb 09/2009

D280A103

25-29-11

Page 2

Feb 09/2009



YK907-YK909

SERVICE OUTLETS

25-29-11

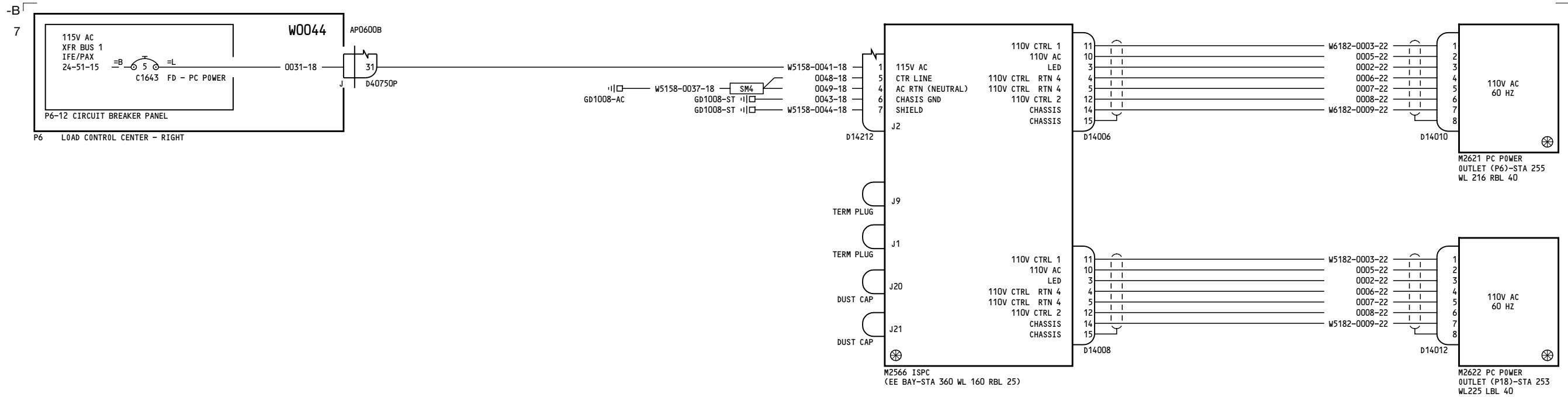
Page 2.1
Sheet 1
Aug 13/2008

D280A103

Incorporates
▶ 24-1180

25-29-11

Page 2.1
Sheet 1
Aug 13/2008



YK907-YK909

SERVICE OUTLETS

D280A103

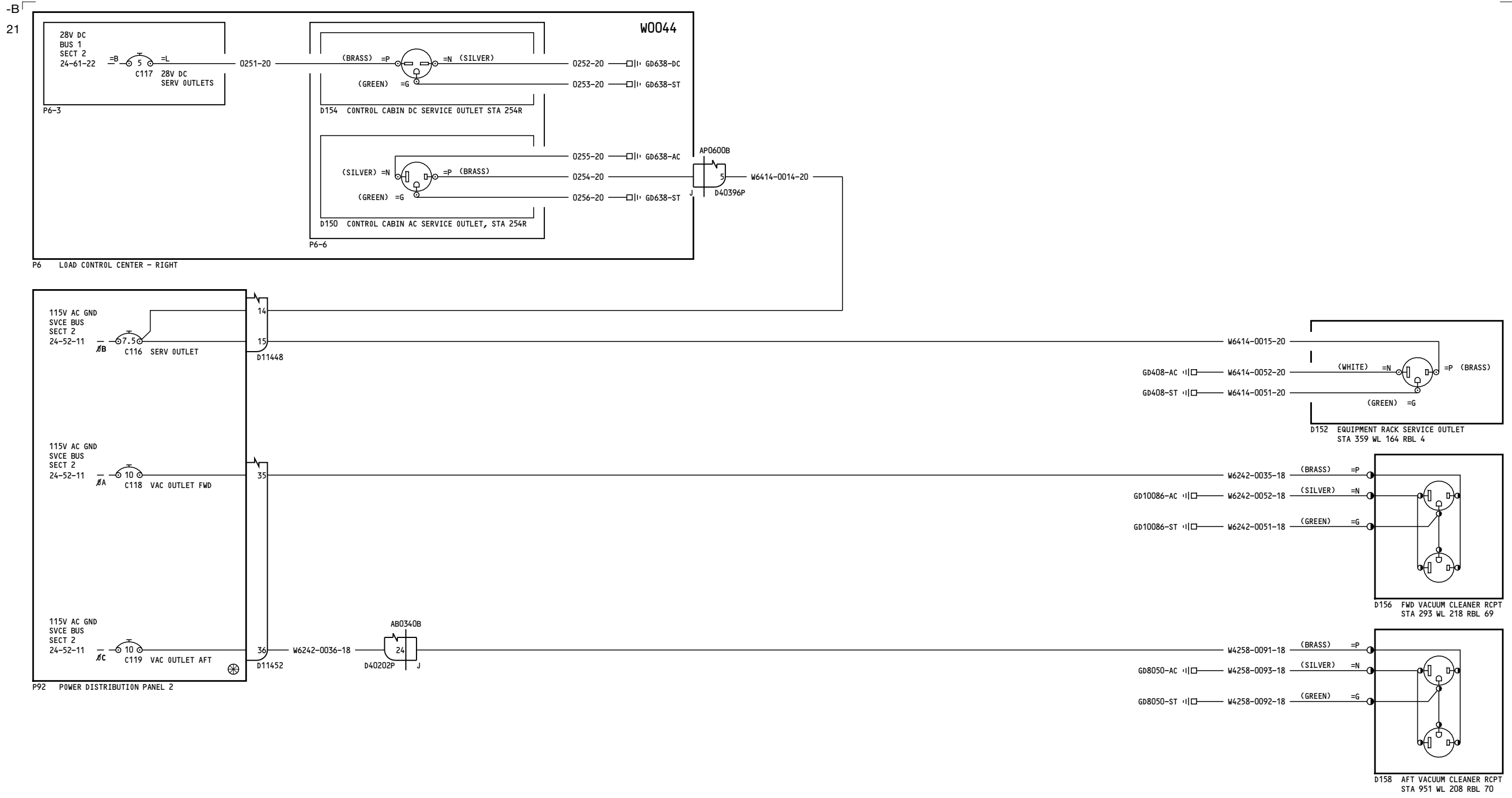
25-29-11

Page 2.1
 Sheet 2
 Aug 13/2008

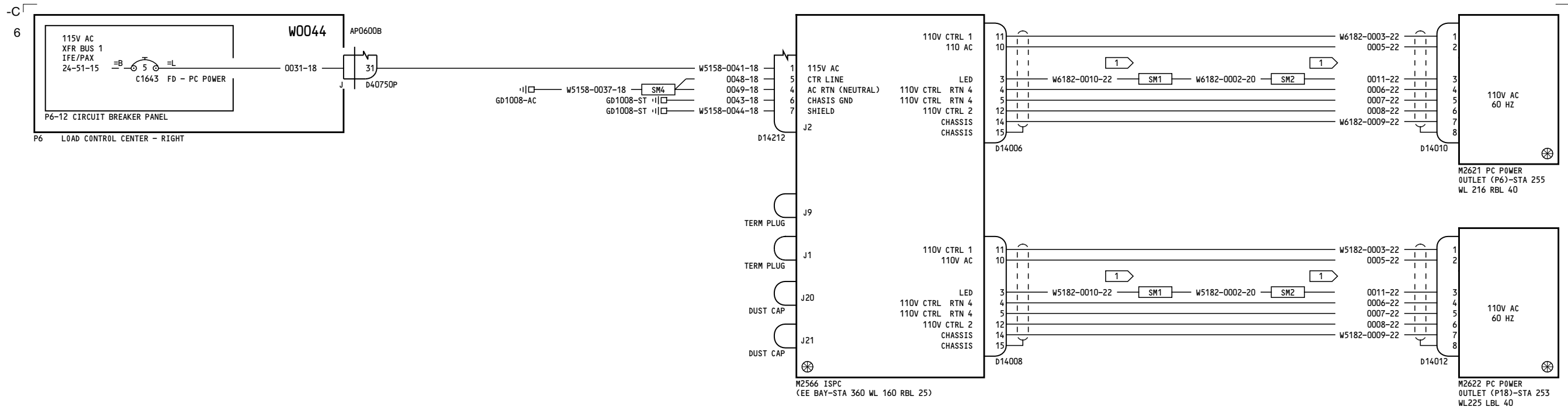
Incorporates
 24-1180

25-29-11

Page 2.1
 Sheet 2
 Aug 13/2008



YL421	SERVICE OUTLETS
	D280A103



NOTES:

1 MAXIMUM LENGTH OF WIRE NOT TO EXCEED 12 INCHES

YL421

SERVICE OUTLETS

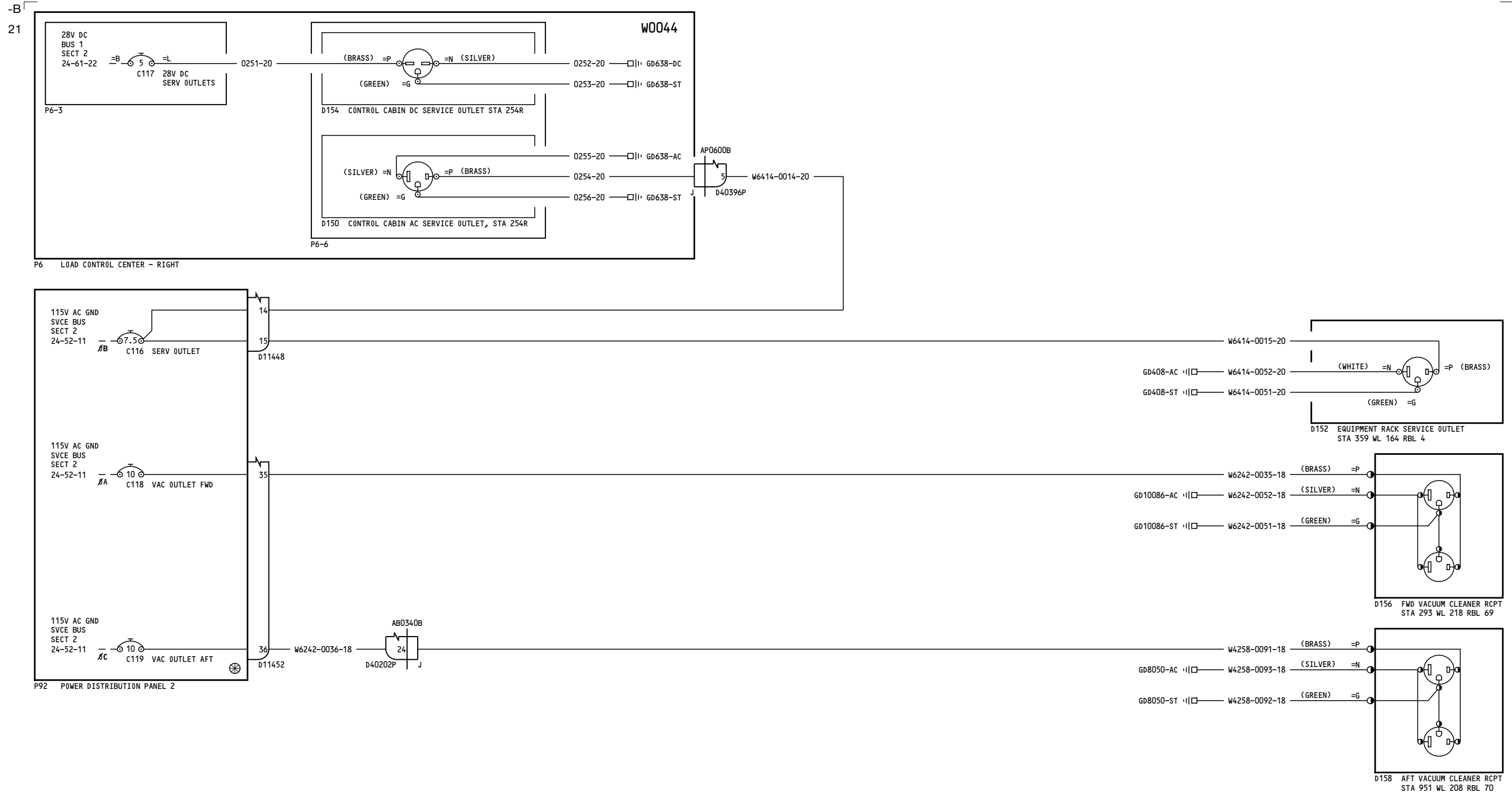
D280A103

25-29-11

Page 3
Sheet 2
Aug 13/2008

25-29-11

Page 3
Sheet 2
Aug 13/2008



YL422-YL430

SERVICE OUTLETS

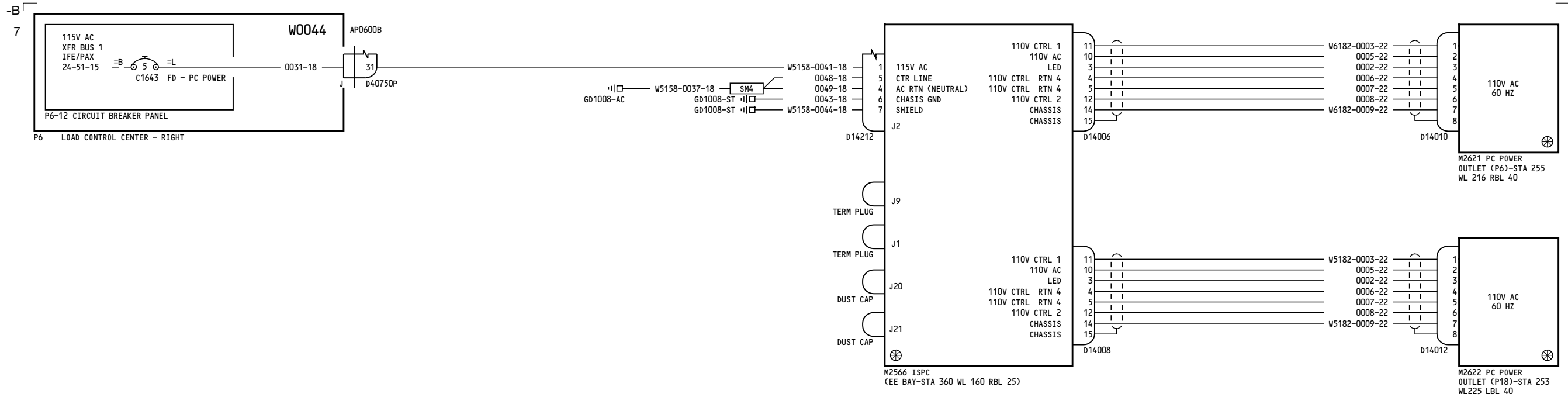
D280A103

25-29-11

Page 4
Sheet 1
Aug 13/2008

25-29-11

Page 4
Sheet 1
Aug 13/2008



YL422-YL430

SERVICE OUTLETS

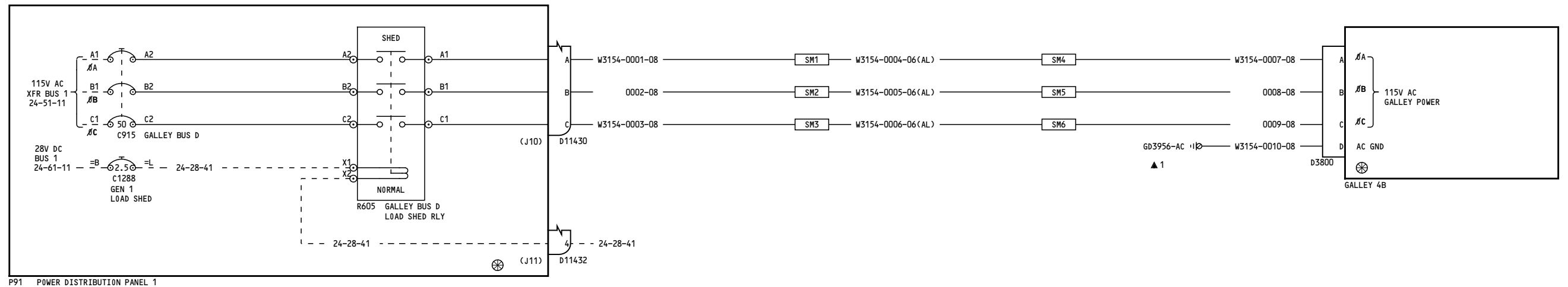
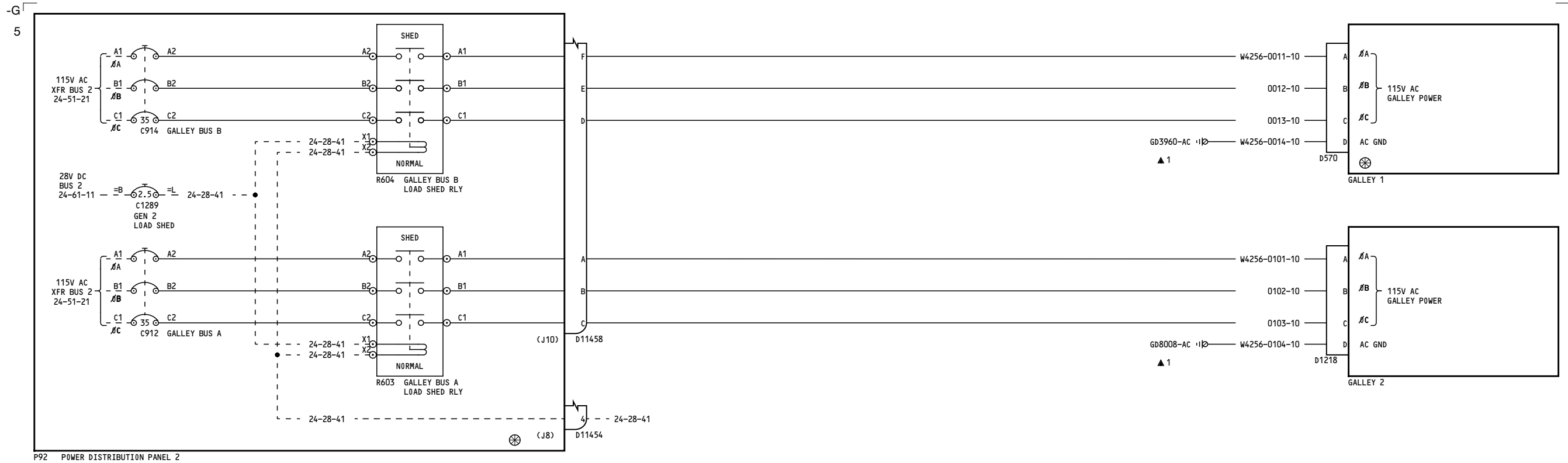
D280A103

25-29-11

Page 4
Sheet 2
Aug 13/2008

25-29-11

Page 4
Sheet 2
Aug 13/2008



YC001-YC050

GALLEY POWER

D280A103

25-31-11

Page 1

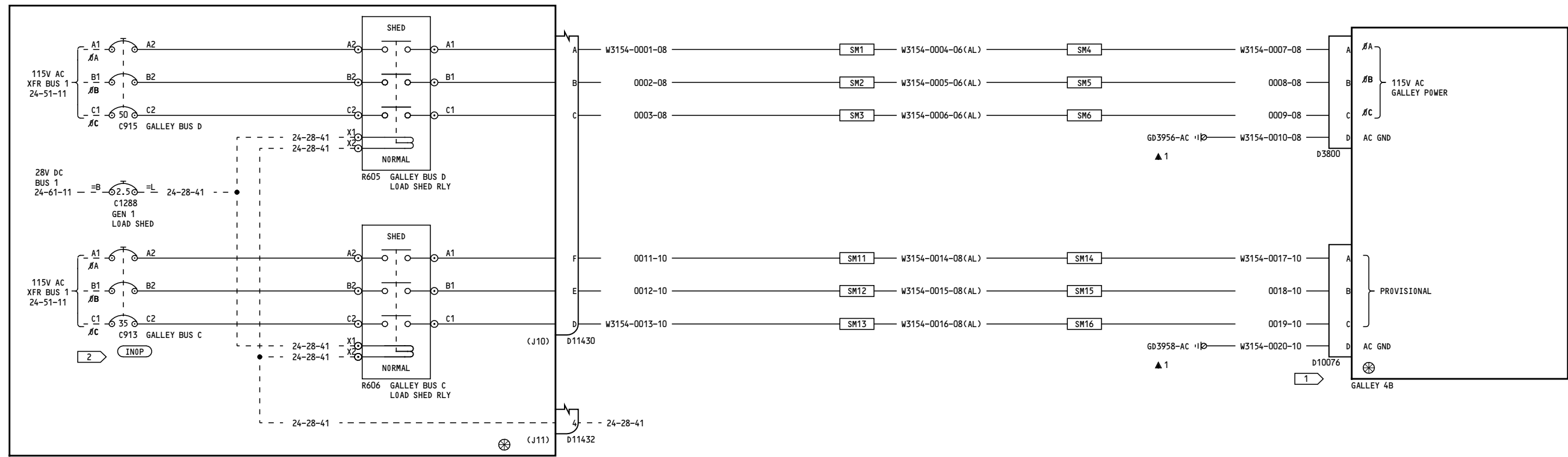
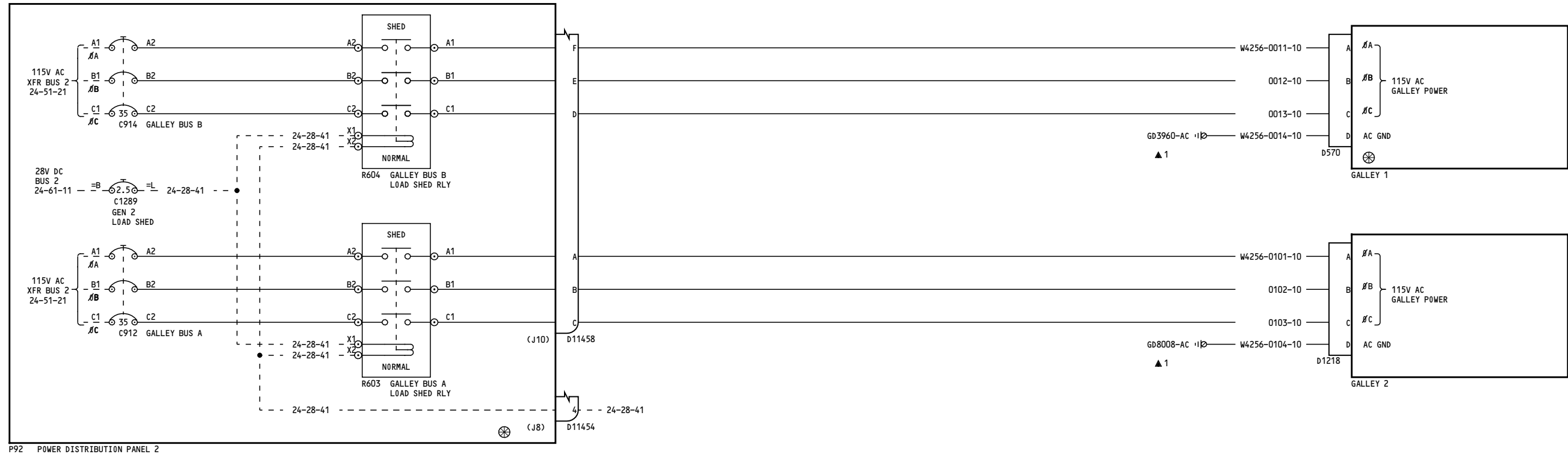
May 13/2008

25-31-11

Page 1

May 13/2008

-A
44



NOTES:

- 1 CAP AND STOW CONNECTOR
- 2 COLLAR CIRCUIT BREAKER AND LABEL "INOP"

YK901-YK909

GALLEY POWER

D280A103

25-31-11

Page 2

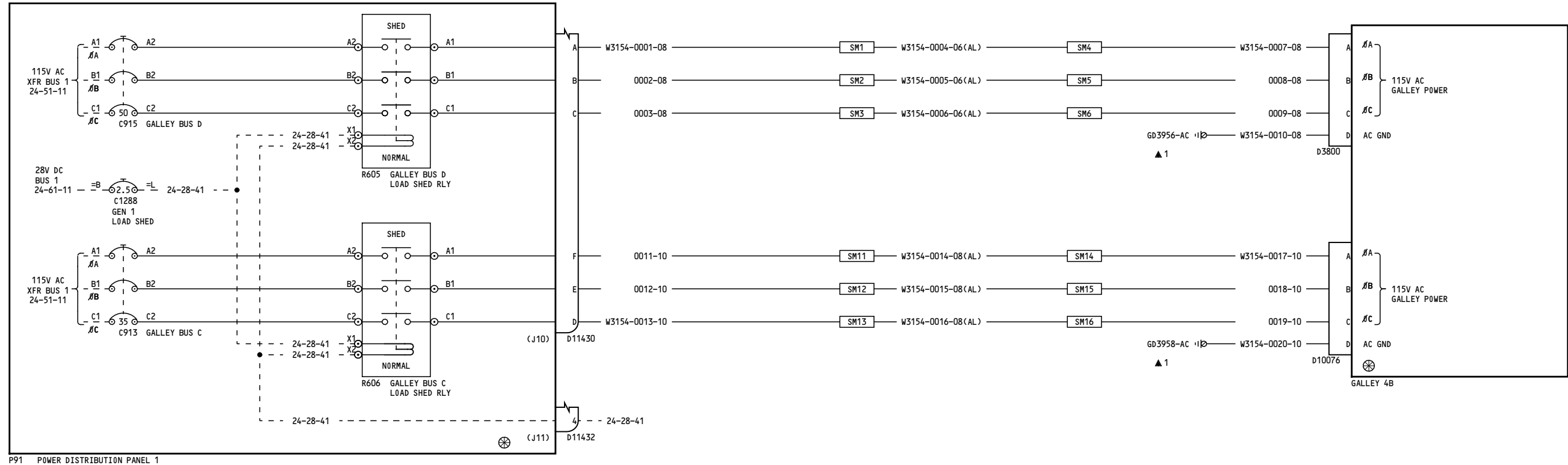
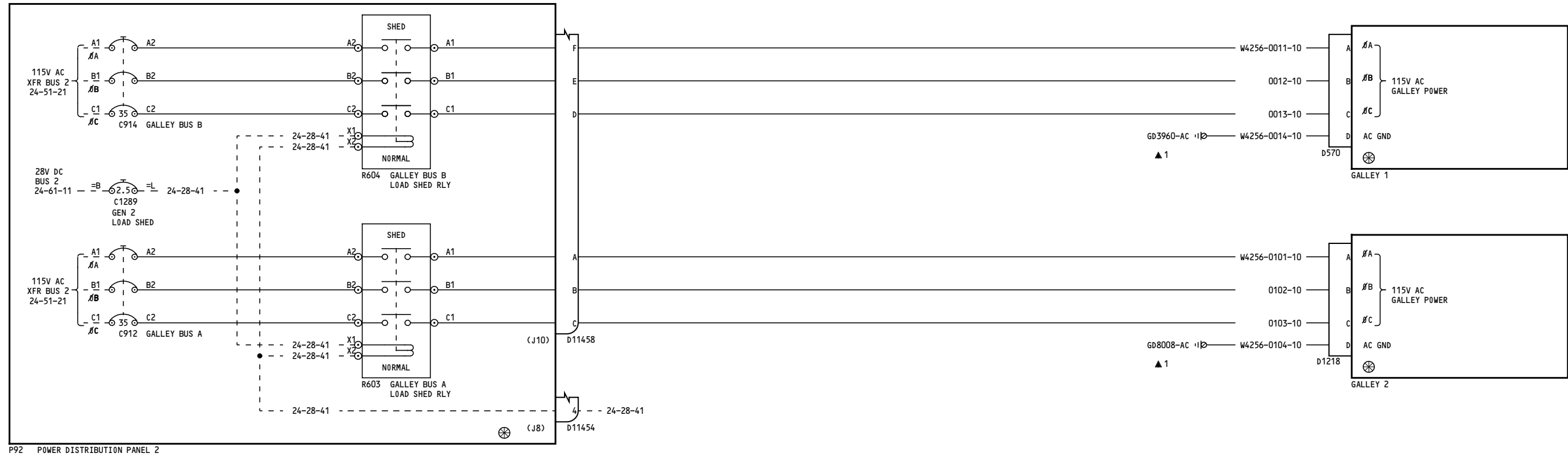
May 13/2008

25-31-11

Page 2

May 13/2008

-E
18



YK910-YK911, YL421-YL426

GALLEY POWER

25-31-11

Page 3

D280A103

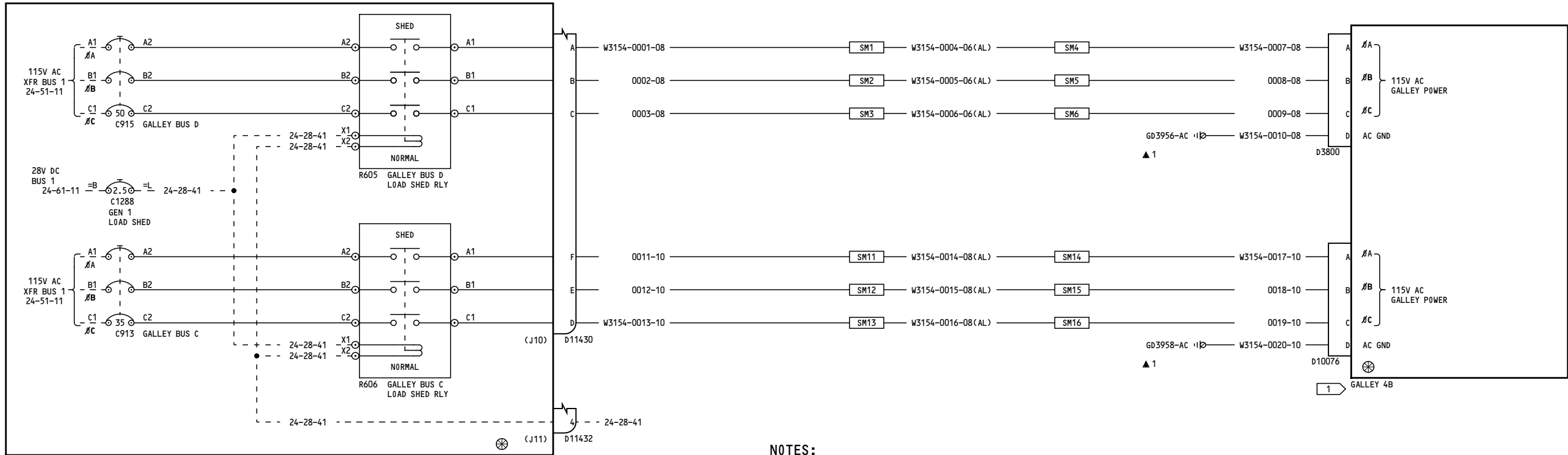
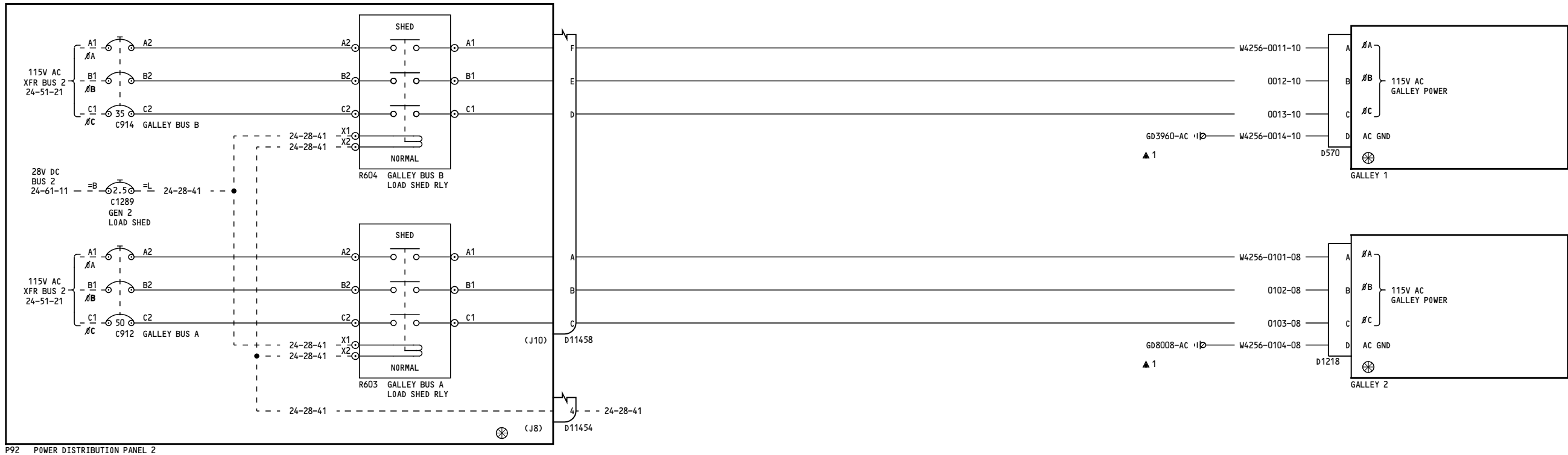
Nov 11/2008

25-31-11

Page 3

Nov 11/2008

54



NOTES:

1 GALLEYS G4B, G4C AND G4D ARE ELLECTRICALLY IDENTICAL AND CAN BE USED INTERCHANGEABLY

YK912-YK920

GALLEY POWER

25-31-11

Page 4

D280A103

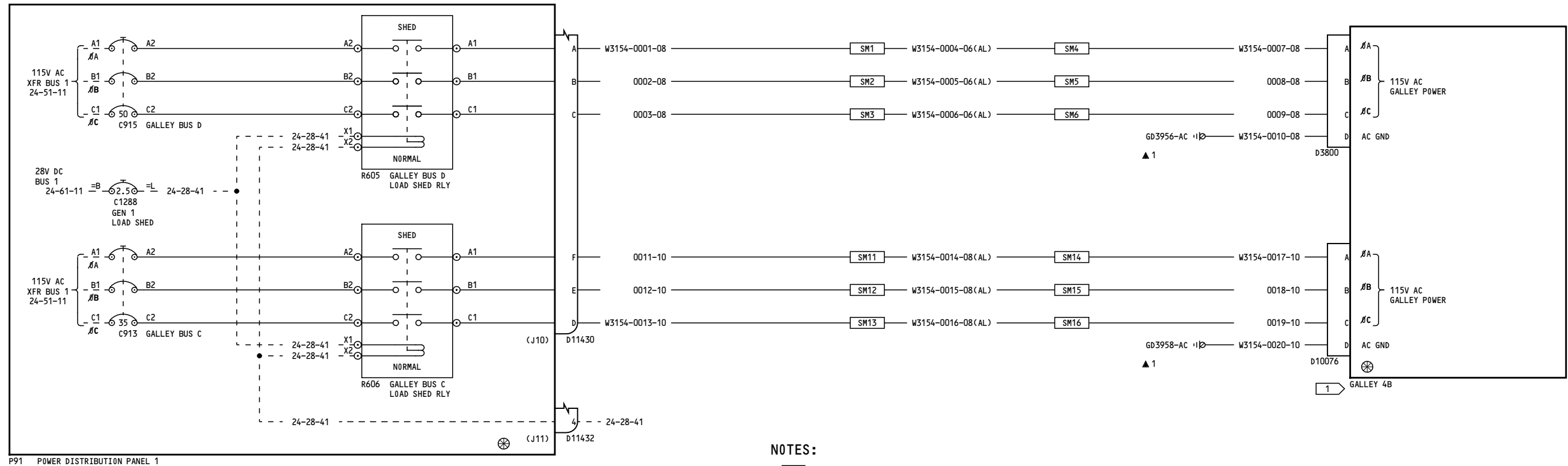
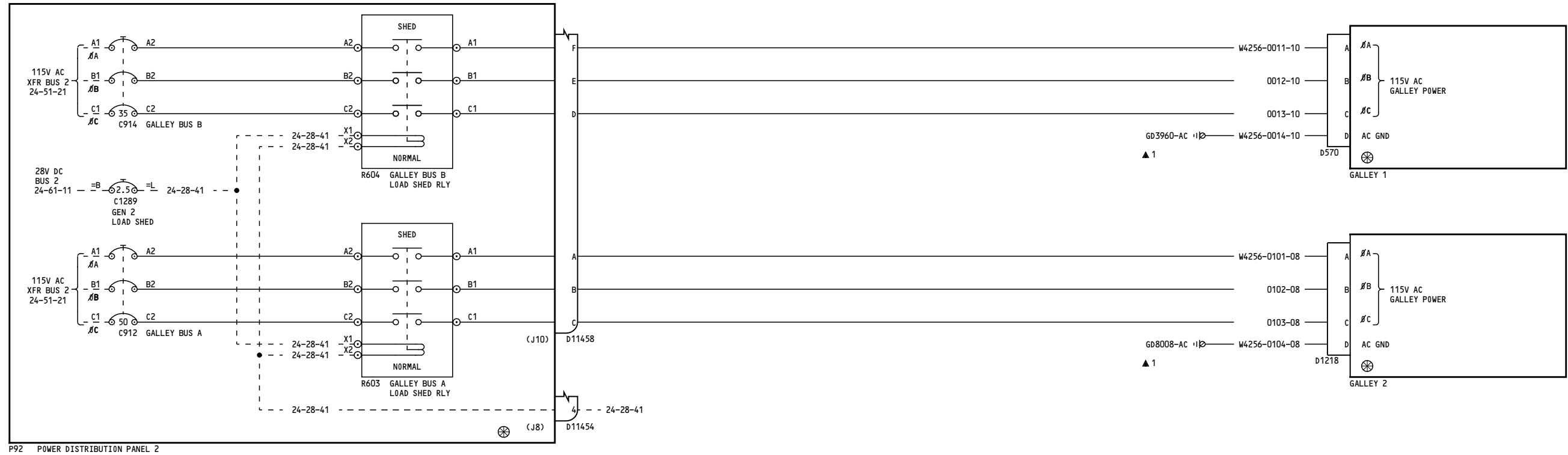
Feb 09/2009

25-31-11

Page 4

Feb 09/2009

-H
12



NOTES:

1 GALLEYS G4B, G4C AND G4D ARE ELLECTRICALLY IDENTICAL AND CAN BE USED INTERCHANGEABLY

YL401, YL427-YL430, YM652

GALLEY POWER

D280A103

25-31-11

Page 5

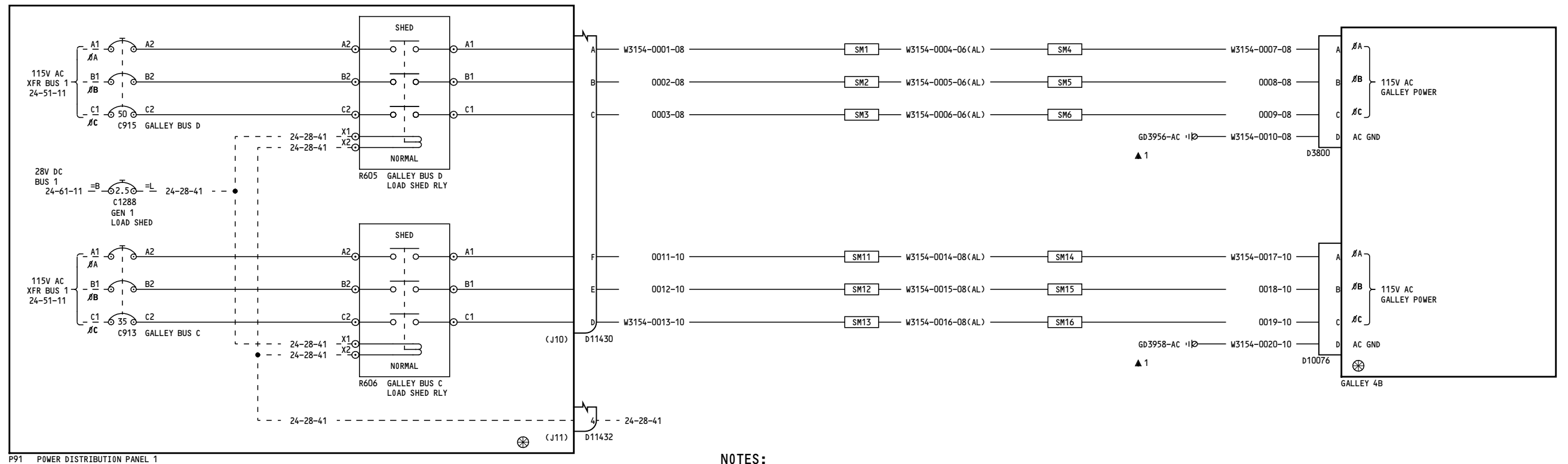
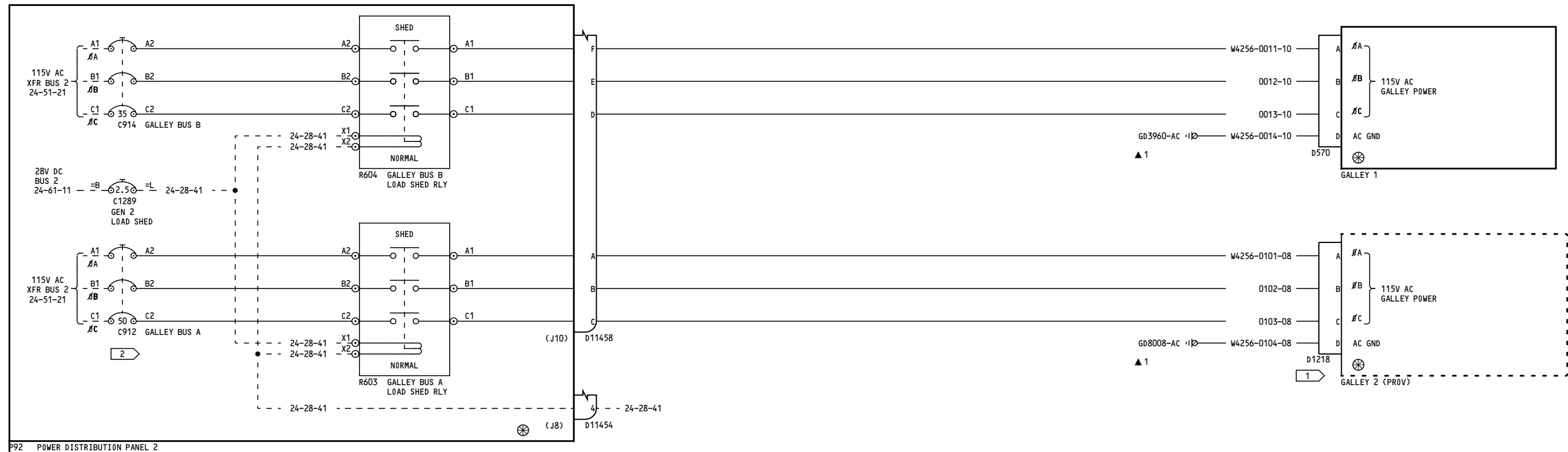
Feb 09/2009

25-31-11

Page 5

Feb 09/2009

-D
11



- NOTES:**
- 1 CAP AND STOW CONNECTOR.
 - 2 COLLAR CIRCUIT BREAKER "INOP".

YM643-YM651, YM653-YM670

GALLEY POWER

D280A103

25-31-11

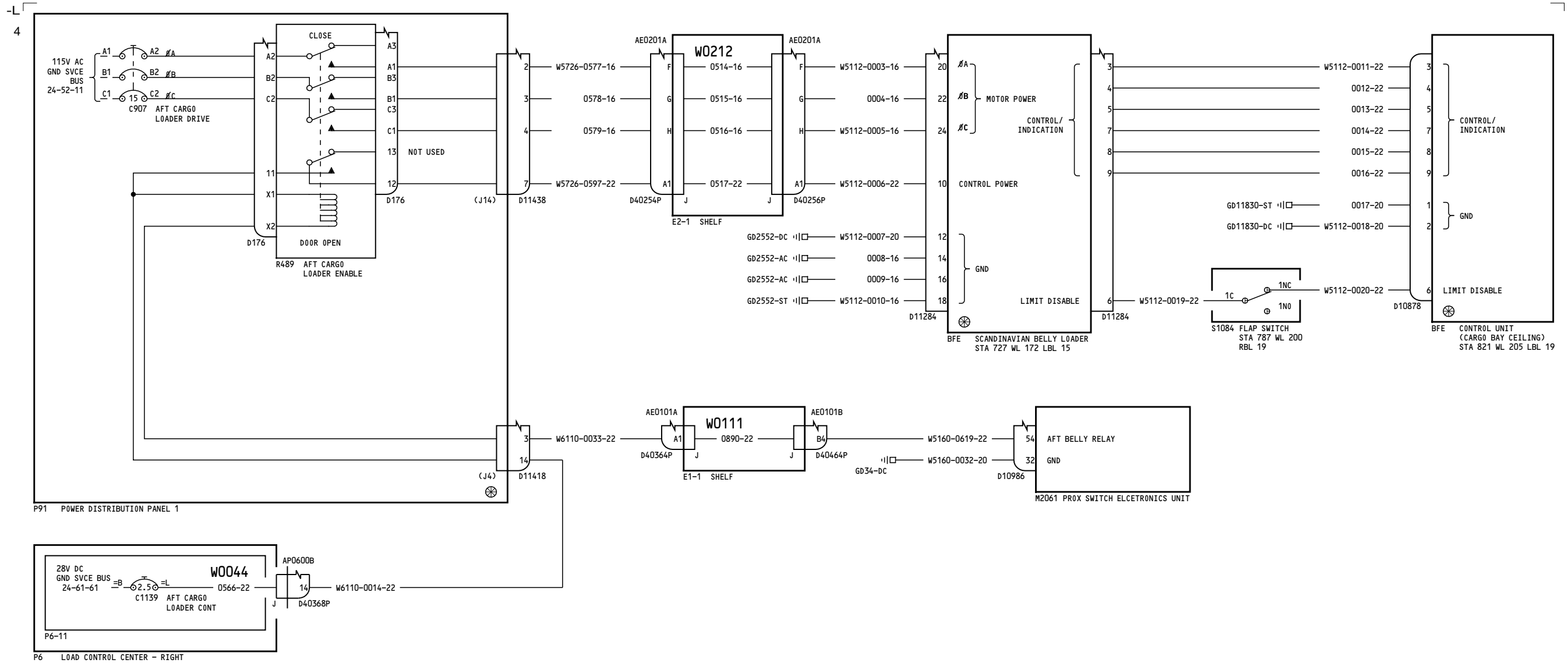
Page 6

Feb 09/2009

25-31-11

Page 6

Feb 09/2009



ALL

**CARGO LOADER SYSTEM
AFT CARGO COMPARTMENT**

D280A103

25-51-21

Page 1

Feb 09/2009

25-51-21

Page 1

Feb 09/2009