

**CHAPTER**

**36**

**PNEUMATIC**



737-700/800

# WIRING DIAGRAM MANUAL

## CHAPTER 36 PNEUMATIC

CH-SC-SU	Schem	Page	Sheet	Date	CH-SC-SU	Schem	Page	Sheet	Date
36-EFFECTIVE PAGES									
		1		Aug 10/2009					
		2		BLANK					
36-CONTENTS									
		1		Feb 09/2009					
		2		BLANK					
36-ALPHABETICAL INDEX									
		1		Jan 18/2007					
		2		BLANK					
36-11-11									
		1	1	Mar 31/2005					
			2	Mar 31/2005					
		2	1	Mar 31/2005					
			2	Mar 31/2005					
		3	1	Feb 09/2009					
			2	Feb 09/2009					
		4	1	Jan 14/2008					
			2	Jan 14/2008					
36-21-11									
		1		Oct 20/2006					
		2		Feb 09/2009					

A = Added, R = Revised, D = Deleted, O = Overflow

### 36-EFFECTIVE PAGES

Page 1  
Aug 10/2009

D280A103



**737-700/800  
WIRING DIAGRAM MANUAL**

**CHAPTER 36  
PNEUMATIC**

<b>Title</b>	<b>CH-SC-SU</b>	<b>Schem</b>	<b>Page</b>	<b>Sheet</b>	<b>Date</b>	<b>Effectivity</b>
<b><u>ENGINE BLEED AIR DISTRIBUTION SYSTEM</u></b>						
BLEED AIR VALVE CONTROL	36-11-11		1	1	Mar 31/2005	YC001-YC003
				2	Mar 31/2005	YC001-YC003
			2	1	Mar 31/2005	YC004-YC007
				2	Mar 31/2005	YC004-YC007
			3	1	Feb 09/2009	YC008-YL430
				2	Feb 09/2009	YC008-YL430
			4	1	Jan 14/2008	YM643-YM670
				2	Jan 14/2008	YM643-YM670
<b><u>PRESSURE INDICATING SYSTEM</u></b>						
BLEED AIR PRESSURE INDICATION	36-21-11		1		Oct 20/2006	YC001-YC007
			2		Feb 09/2009	YC008-YM670



737-700/800

**WIRING DIAGRAM MANUAL**

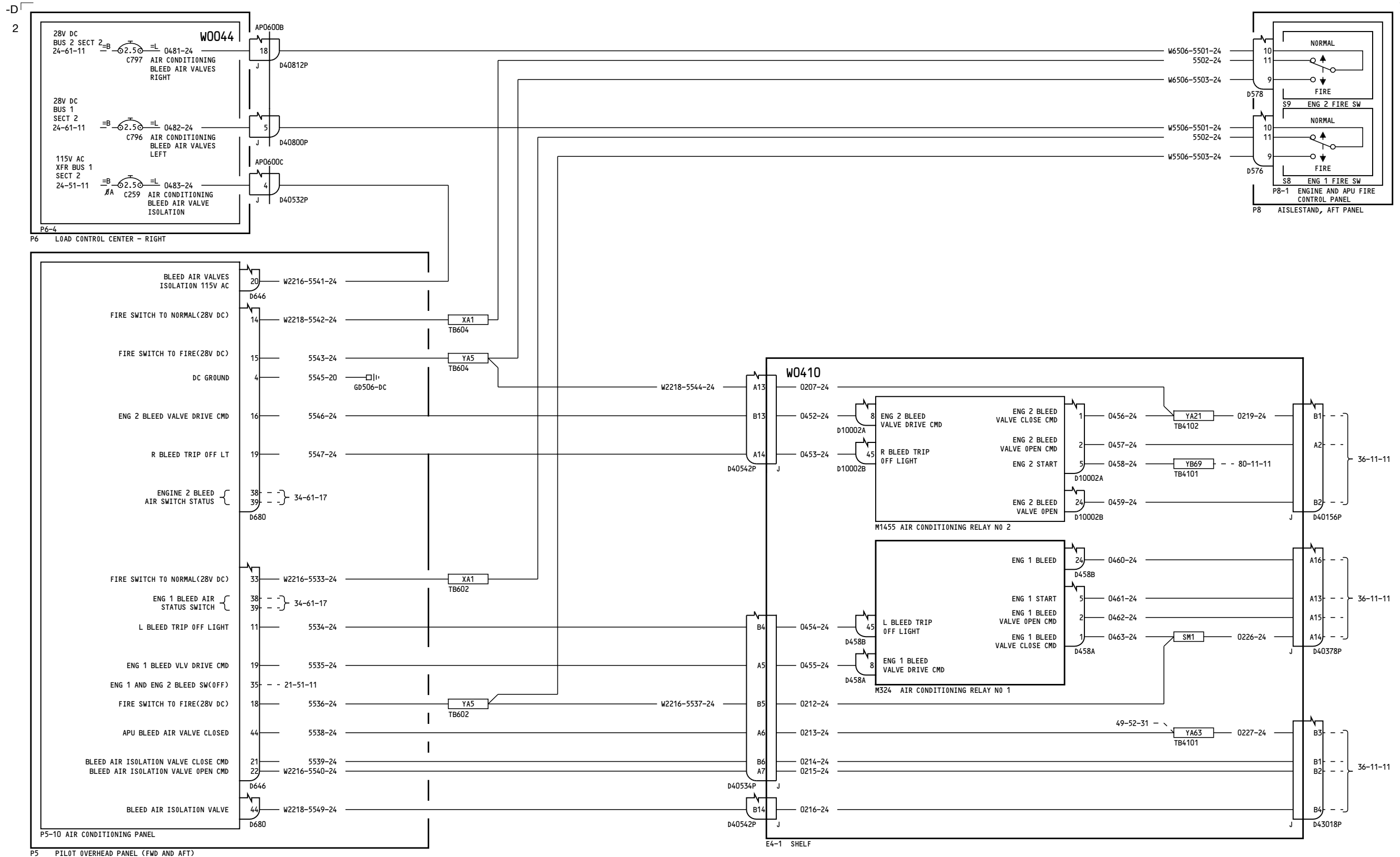
**CHAPTER 36  
PNEUMATIC**

<b>CH-SC-SU</b>	<b>Title</b>
36-21-11	BLEED AIR PRESSURE INDICATION
36-11-11	BLEED AIR VALVE CONTROL

**36-ALPHABETICAL INDEX**

D280A103

Page 1  
Jan 18/2007



YC001-YC003

**BLEED AIR VALVE CONTROL**

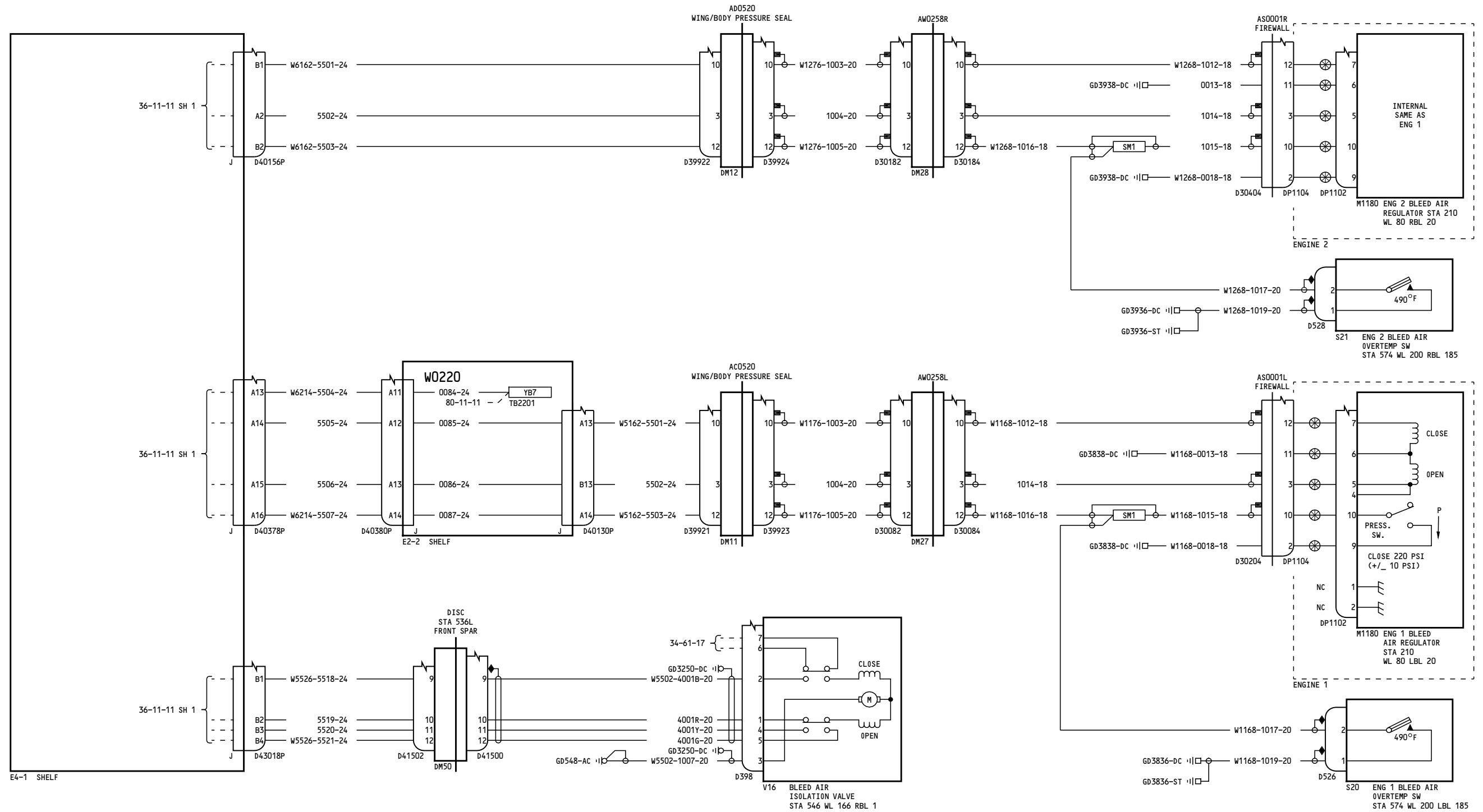
**36-11-11**

Page 1  
Sheet 1  
Mar 31/2005

D280A103

**36-11-11**

Page 1  
Sheet 1  
Mar 31/2005



YC001-YC003

BLEED AIR VALVE CONTROL

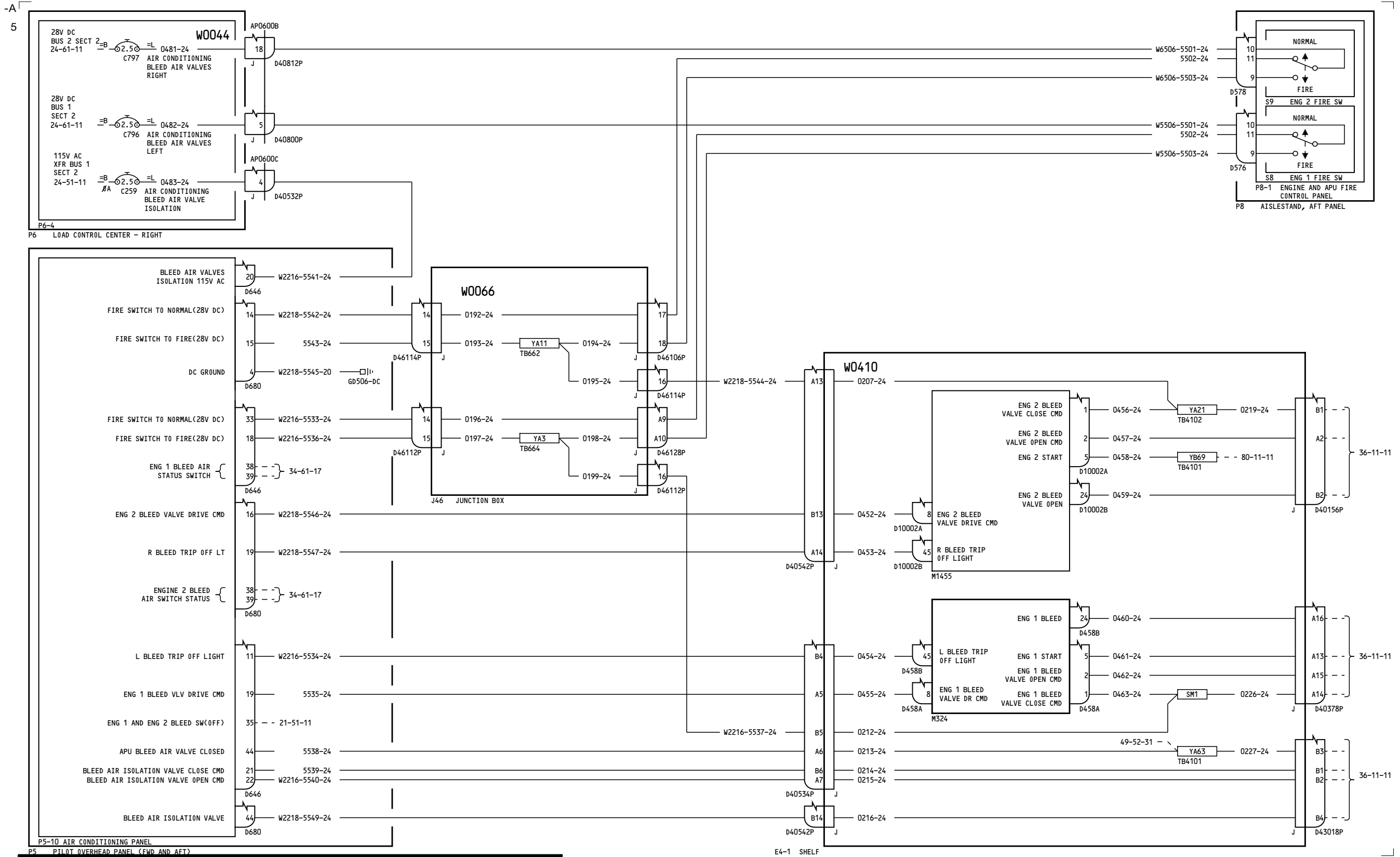
36-11-11

Page 1  
Sheet 2  
Mar 31/2005

D280A103

36-11-11

Page 1  
Sheet 2  
Mar 31/2005



YC004-YC007

**BLEED AIR VALVE CONTROL**

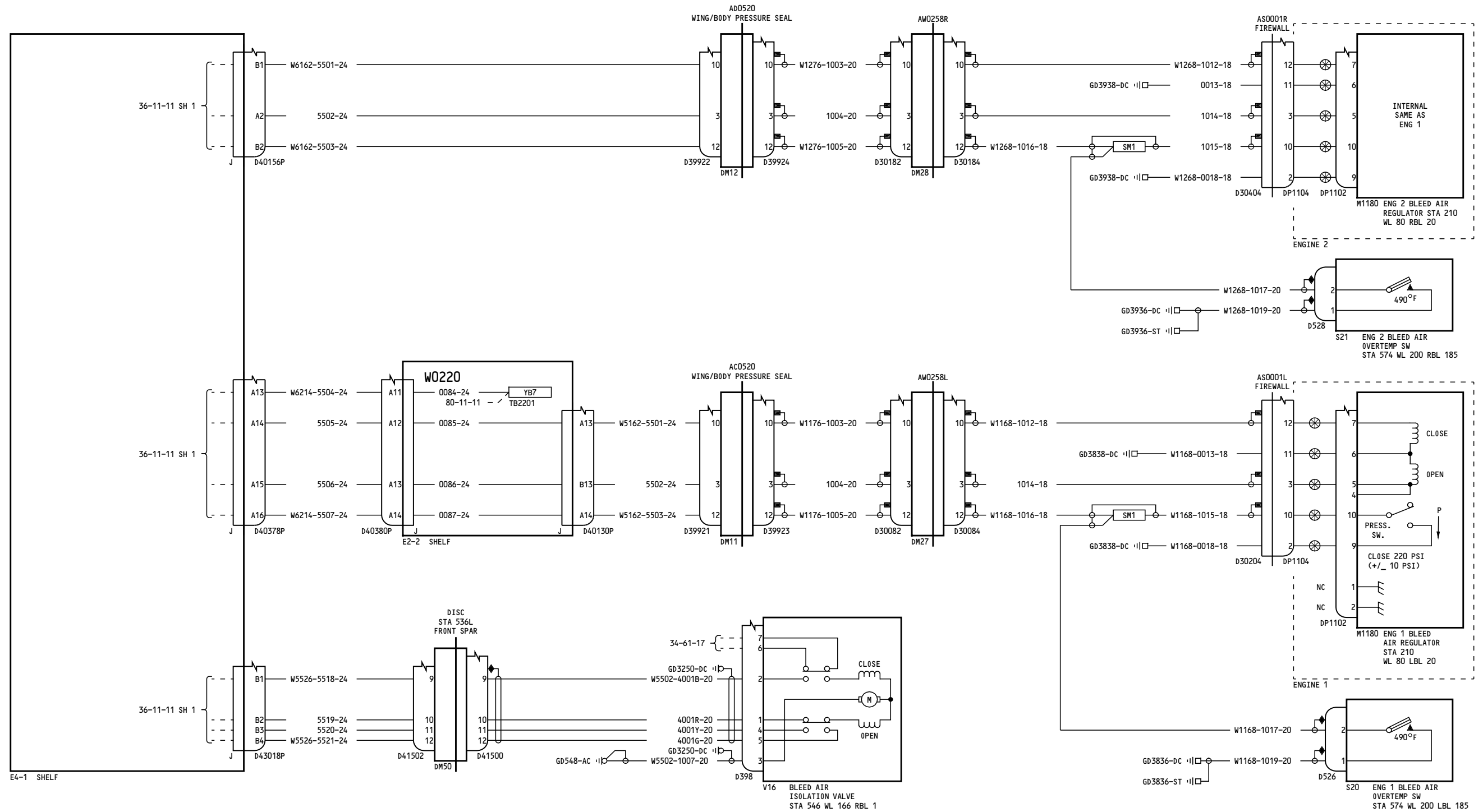
**36-11-11**

Page 2  
Sheet 1  
Mar 31/2005

D280A103

**36-11-11**

Page 2  
Sheet 1  
Mar 31/2005



YC004-YC007

**BLEED AIR VALVE CONTROL**

**36-11-11**

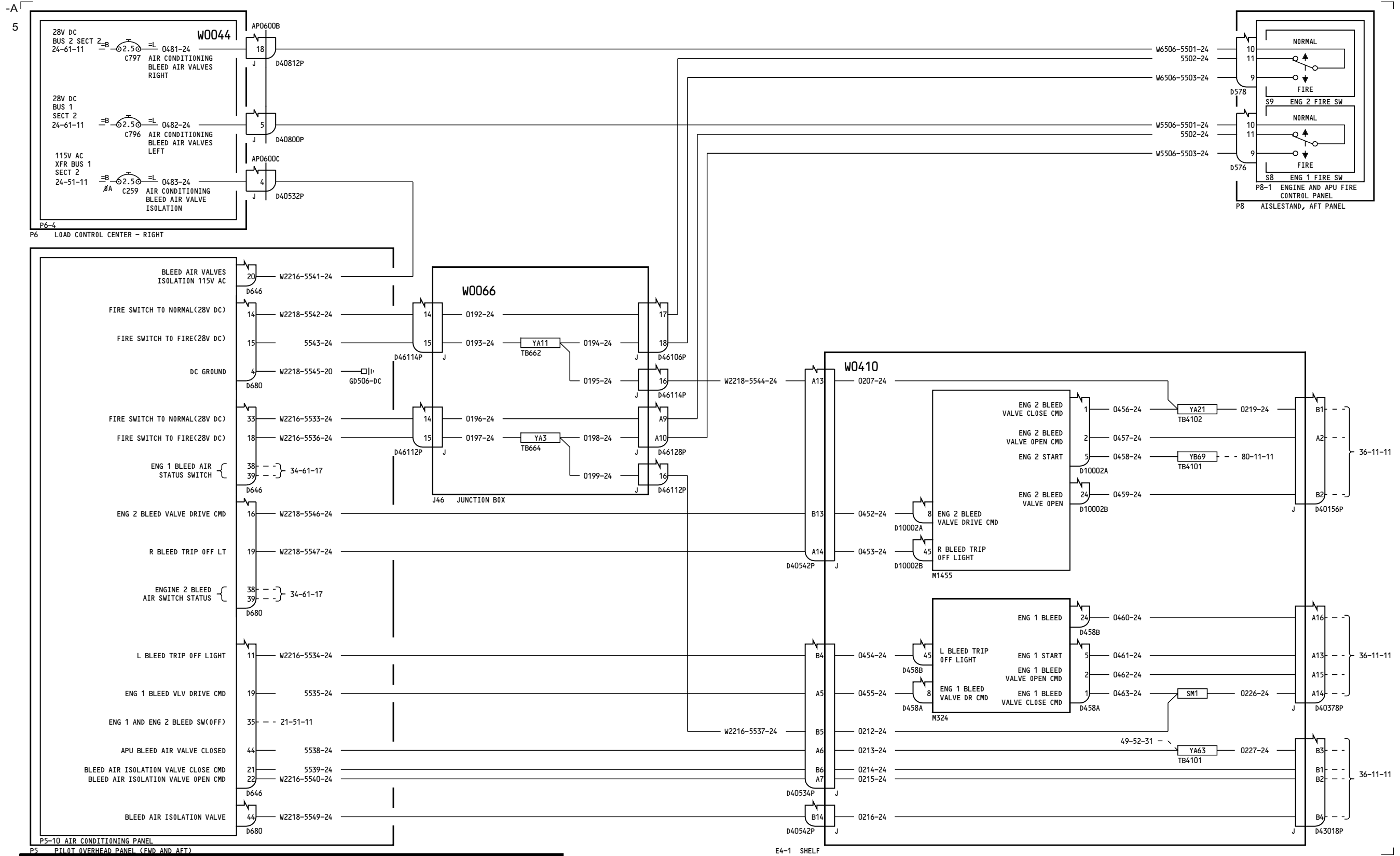
Page 2  
Sheet 2  
Mar 31/2005

D280A103

**36-11-11**

Page 2  
Sheet 2  
Mar 31/2005





YC008-YL430

BLEED AIR VALVE CONTROL

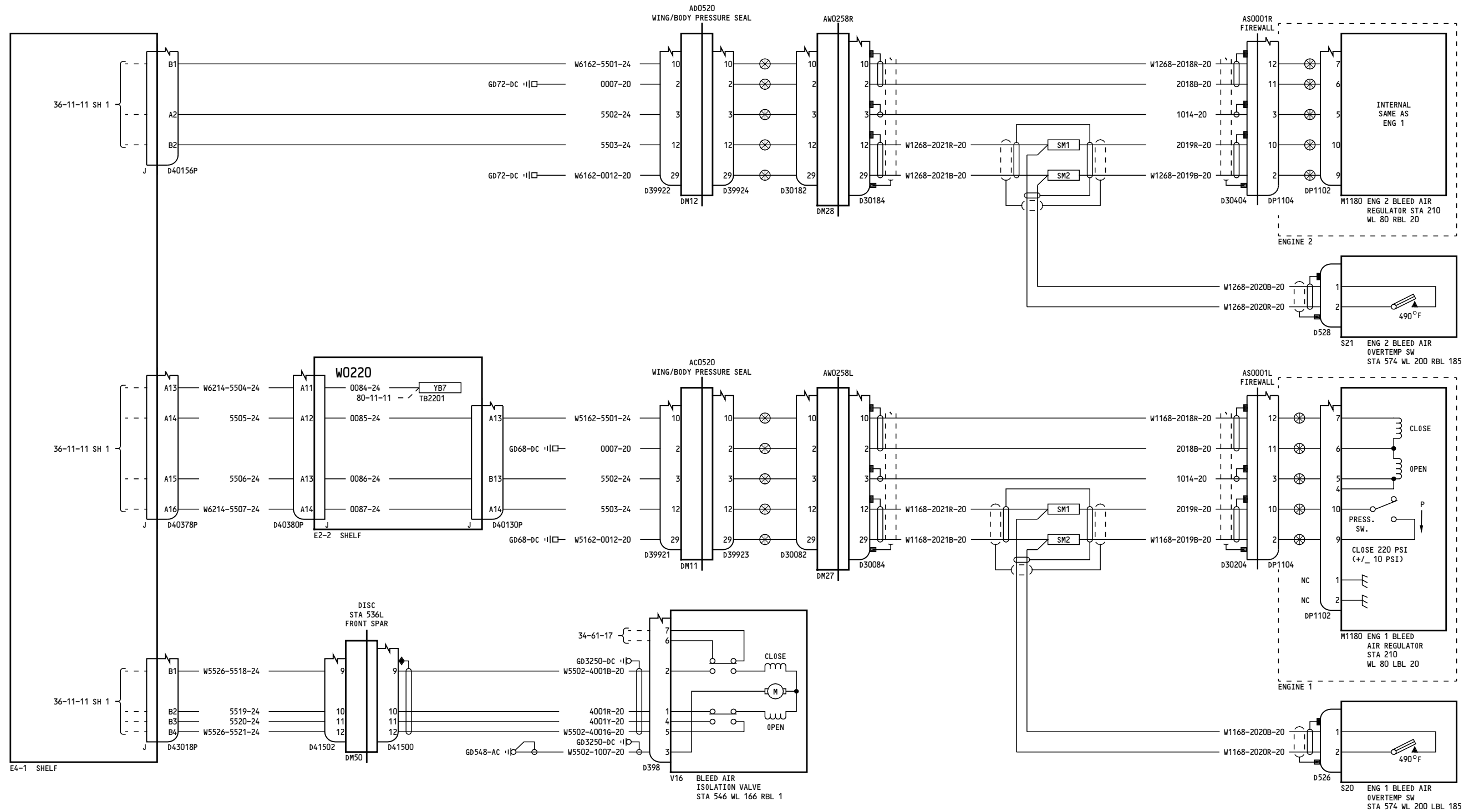
36-11-11

Page 3  
Sheet 1  
Feb 09/2009

D280A103

36-11-11

Page 3  
Sheet 1  
Feb 09/2009



YC008-YL430

**BLEED AIR VALVE CONTROL**

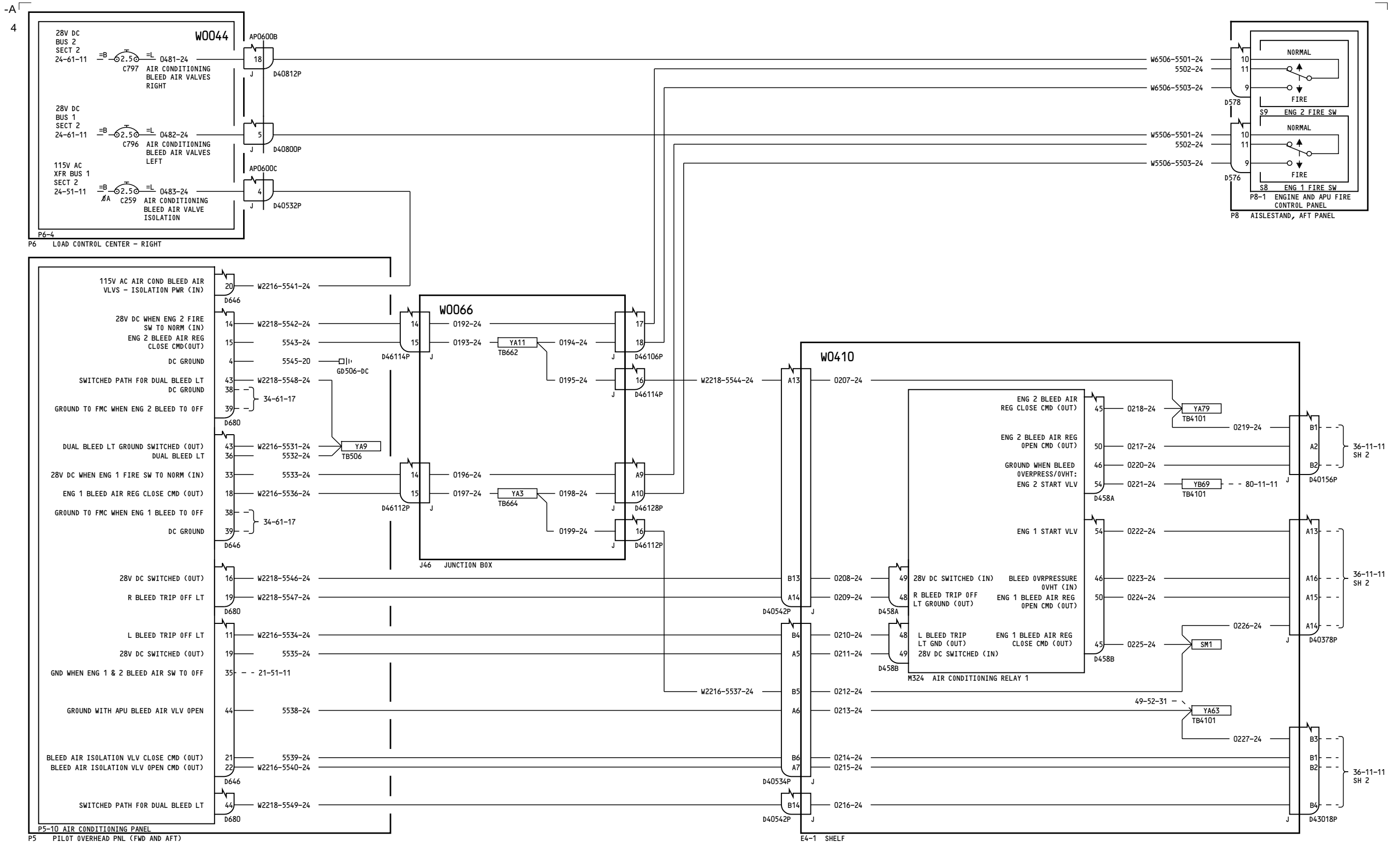
**36-11-11**

Page 3  
Sheet 2  
Feb 09/2009

D280A103

**36-11-11**

Page 3  
Sheet 2  
Feb 09/2009



YM643-YM670

**BLEED AIR VALVE CONTROL**

**36-11-11**

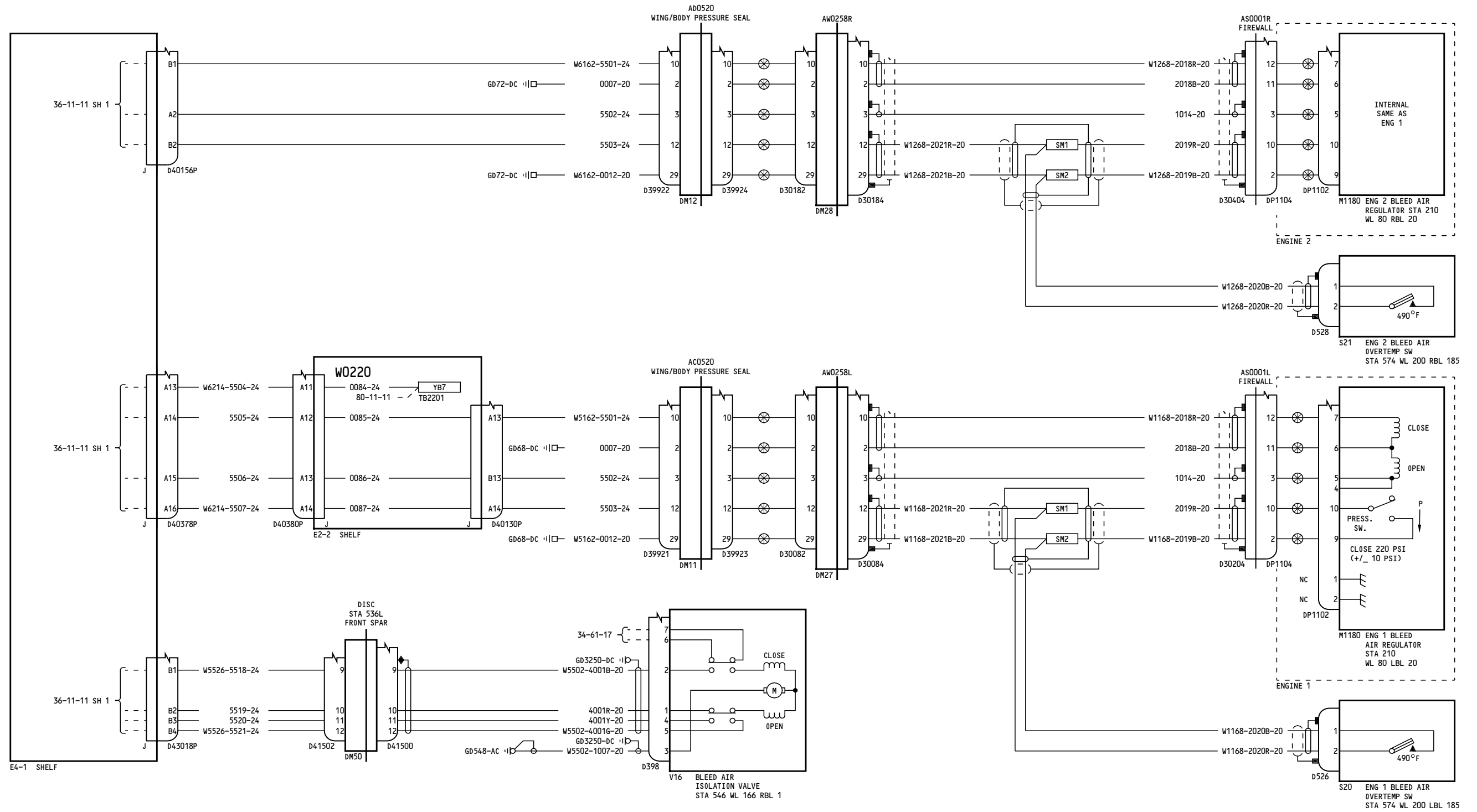
Page 4  
Sheet 1  
Jan 14/2008

D280A103

**36-11-11**

Page 4  
Sheet 1  
Jan 14/2008

-D  
3



YM643-YM670

**BLEED AIR VALVE CONTROL**

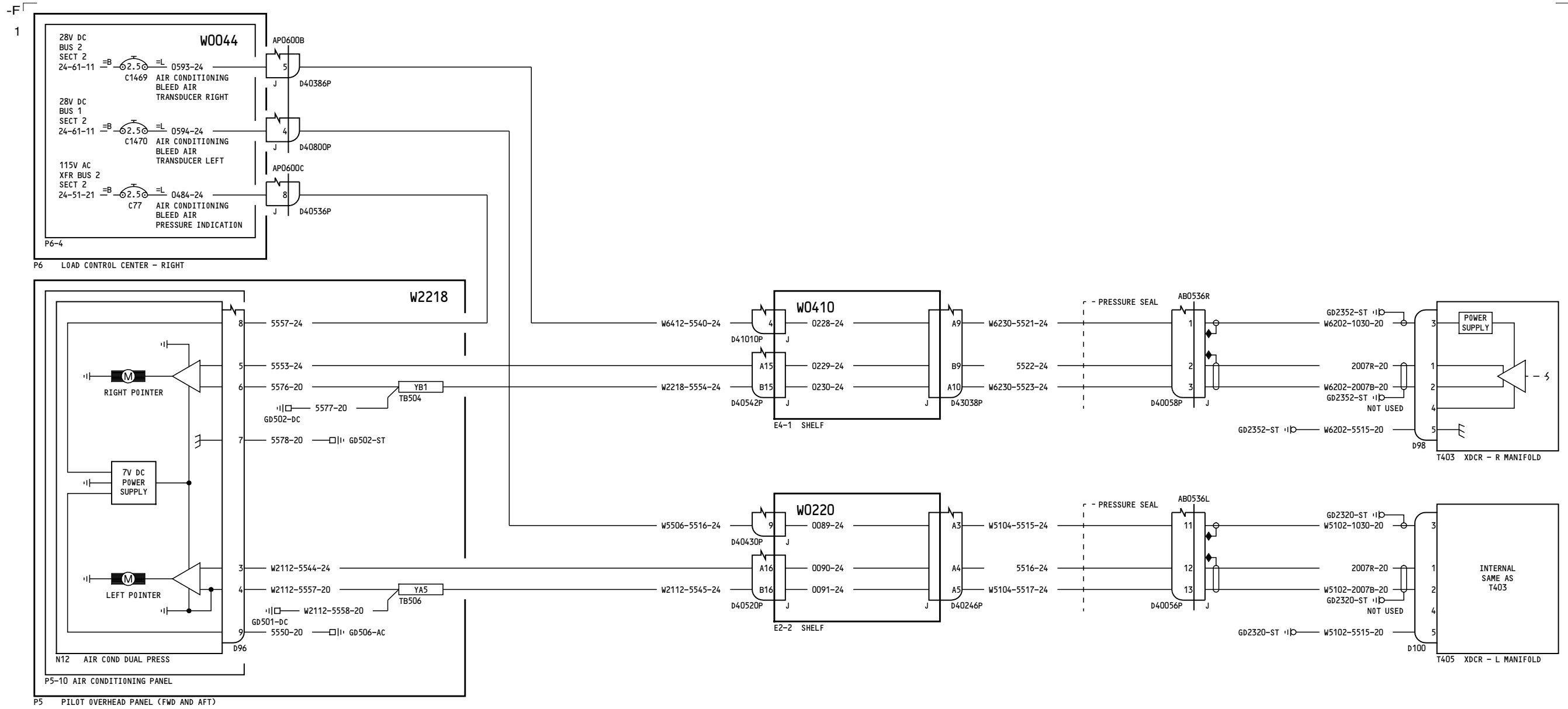
**36-11-11**

Page 4  
Sheet 2  
Jan 14/2008

D280A103

**36-11-11**

Page 4  
Sheet 2  
Jan 14/2008



YC001-YC007

**BLEED AIR PRESSURE INDICATION**

**36-21-11**

Page 1

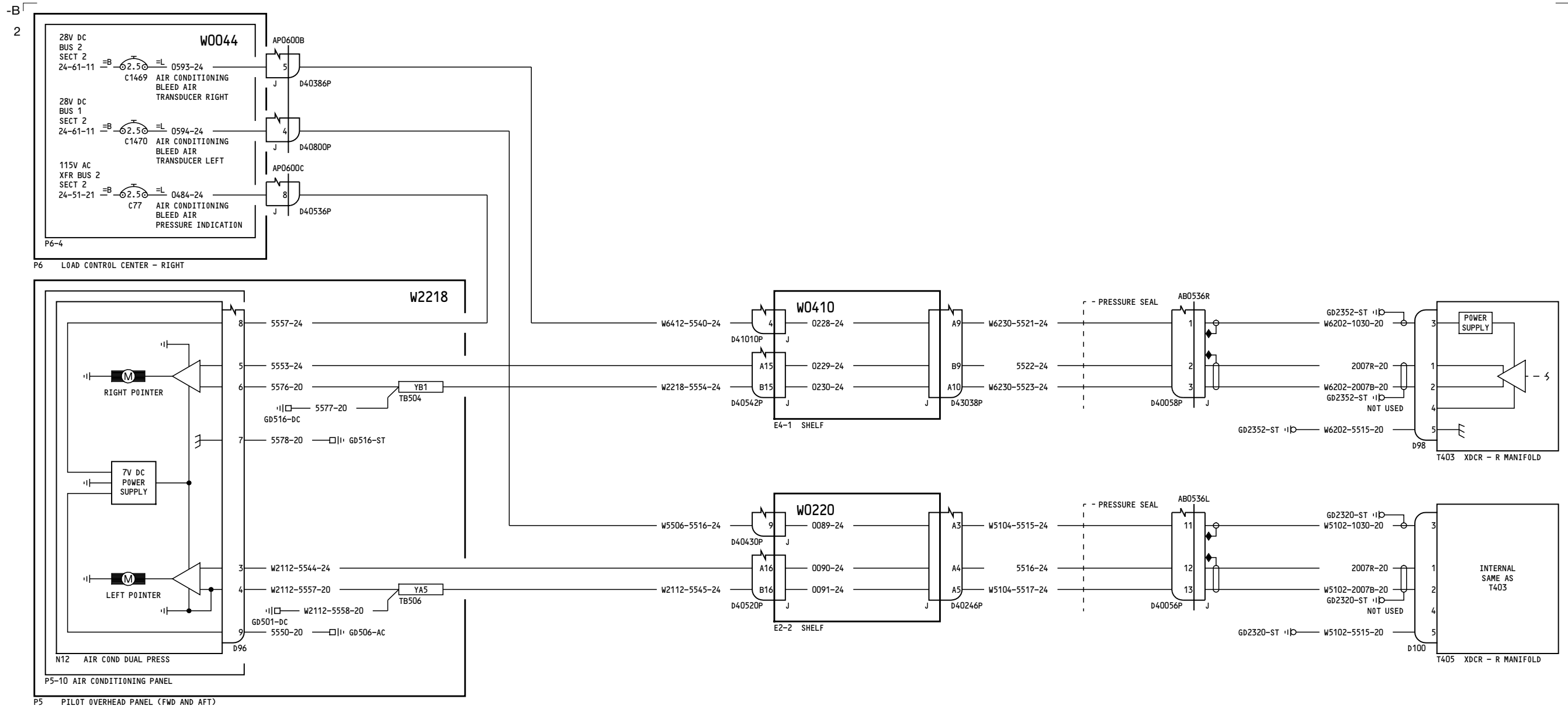
D280A103

Oct 20/2006

**36-21-11**

Page 1

Oct 20/2006



YC008-YM670

**BLEED AIR PRESSURE INDICATION**

**36-21-11**

Page 2

Feb 09/2009

D280A103

**36-21-11**

Page 2

Feb 09/2009