

**CHAPTER**

**38**

**WATER / WASTE**



737-700/800

# WIRING DIAGRAM MANUAL

## CHAPTER 38 WATER / WASTE

CH-SC-SU	Schem	Page	Sheet	Date	CH-SC-SU	Schem	Page	Sheet	Date
38-EFFECTIVE PAGES									
		1		Aug 10/2009					
		2		BLANK					
38-CONTENTS									
R		1		Aug 10/2009					
		2		BLANK					
38-ALPHABETICAL INDEX									
		1		Jan 18/2007					
		2		BLANK					
	38-21-11								
		1		Nov 11/2008					
		2		Nov 11/2008					
		3		Feb 09/2009					
	38-32-12								
		1		Feb 09/2009					
	38-32-13								
R		1		Aug 10/2009					
A		2		Aug 10/2009					
	38-41-11								
R		1		Aug 10/2009					
	38-41-13								
R		1		Aug 10/2009					
R		2		Aug 10/2009					
R		3		Aug 10/2009					

A = Added, R = Revised, D = Deleted, O = Overflow

### 38-EFFECTIVE PAGES

Page 1  
Aug 10/2009

D280A103



737-700/800

# WIRING DIAGRAM MANUAL

## CHAPTER 38 WATER / WASTE

Title	CH-SC-SU	Schem	Page	Sheet	Date	Effectivity
<b><u>LAVATORY WATER HEATERS</u></b>						
LAVATORY WATER HEATERS	38-21-11		1		Nov 11/2008	YC001-YC050
			2		Nov 11/2008	YK901-YK906
			3		Feb 09/2009	YK907-YM670
<b><u>VACUUM WASTE SYSTEM</u></b>						
VACUUM WASTE SYSTEM CONTROL	38-32-12		1		Feb 09/2009	ALL
VACUUM WASTE SYSTEM INDICATION	38-32-13		1		Aug 10/2009	YC001-YL430
			2		Aug 10/2009	YM643-YM670
<b><u>WATER INDICATOR SYSTEM</u></b>						
WATER QUANTITY INDICATOR	38-41-11		1		Aug 10/2009	ALL
POTABLE WATER PRESSURE SYSTEM	38-41-13		1		Aug 10/2009	YC001-YC050
			2		Aug 10/2009	YK901-YL430
			3		Aug 10/2009	YM643-YM670

### 38-CONTENTS

Page 1  
Aug 10/2009

D280A103



737-700/800

**WIRING DIAGRAM MANUAL**

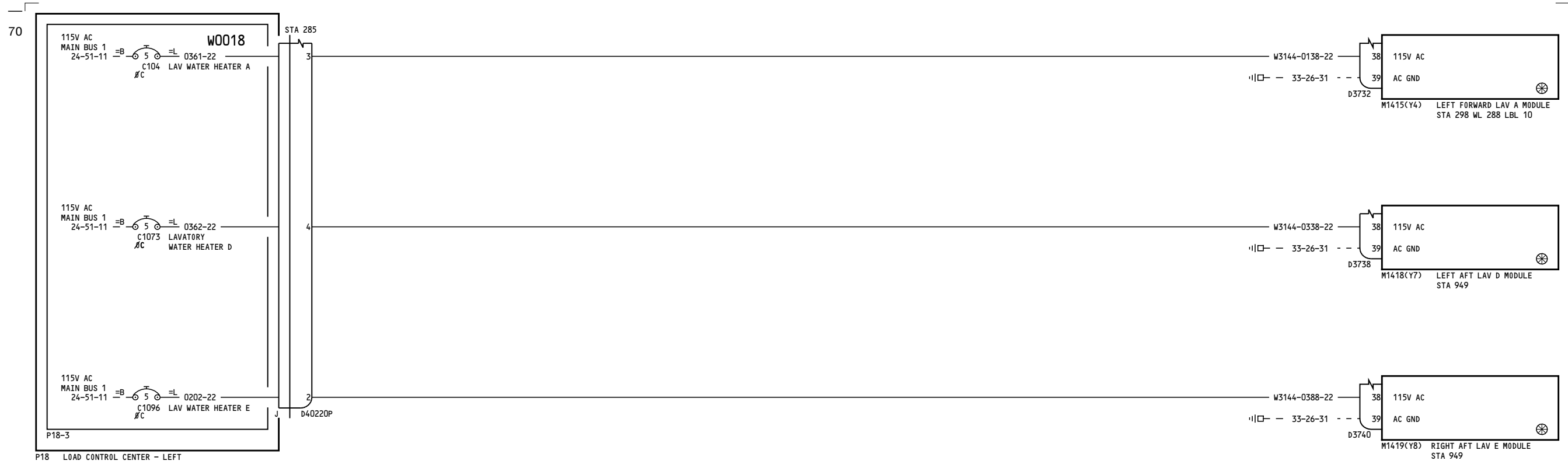
**CHAPTER 38  
WATER / WASTE**

<b>CH-SC-SU</b>	<b>Title</b>
38-21-11	LAVATORY WATER HEATERS
38-41-13	POTABLE WATER PRESSURE SYSTEM
38-32-12	VACUUM WASTE SYSTEM CONTROL
38-32-13	VACUUM WASTE SYSTEM INDICATION
38-41-11	WATER QUANTITY INDICATOR

**38-ALPHABETICAL INDEX**

D280A103

Page 1  
Jan 18/2007



YC001-YC050

**LAVATORY WATER HEATERS**

D280A103

**38-21-11**

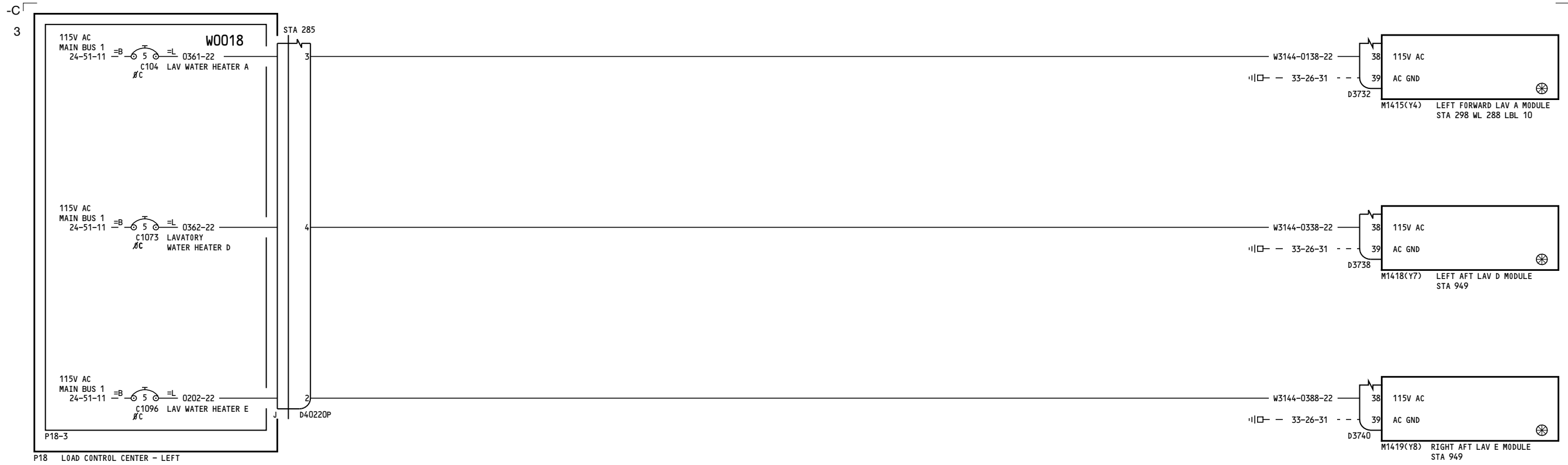
Page 1

Nov 11/2008

**38-21-11**

Page 1

Nov 11/2008



YK901-YK906

**LAVATORY WATER HEATERS**

D280A103

**38-21-11**

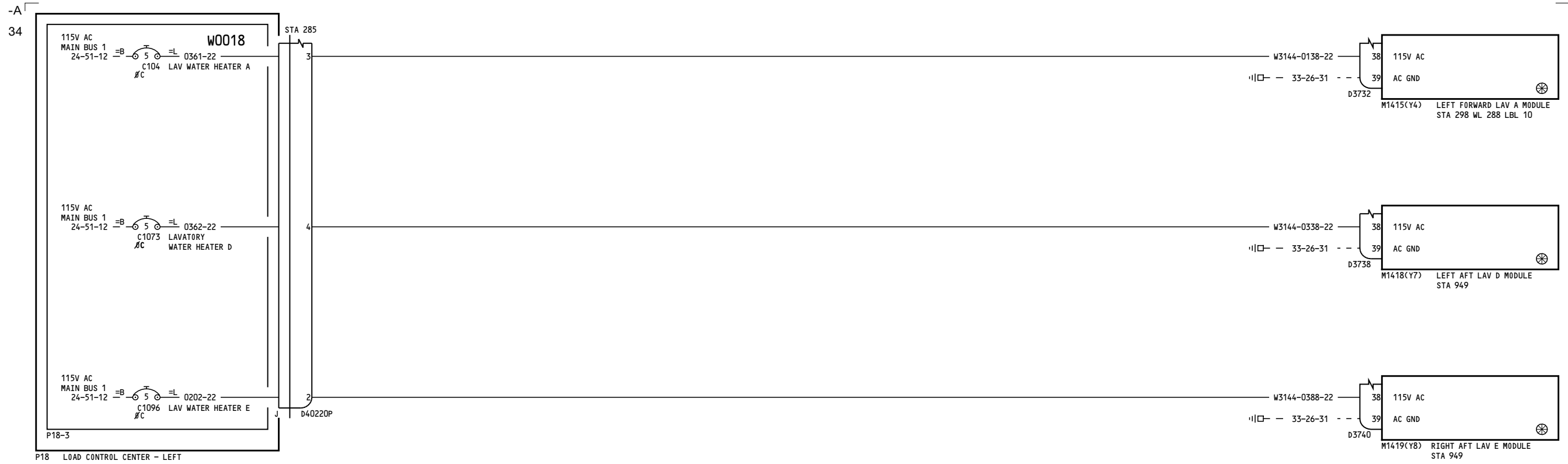
Page 2

Nov 11/2008

**38-21-11**

Page 2

Nov 11/2008



YK907-YM670

**LAVATORY WATER HEATERS**

D280A103

**38-21-11**

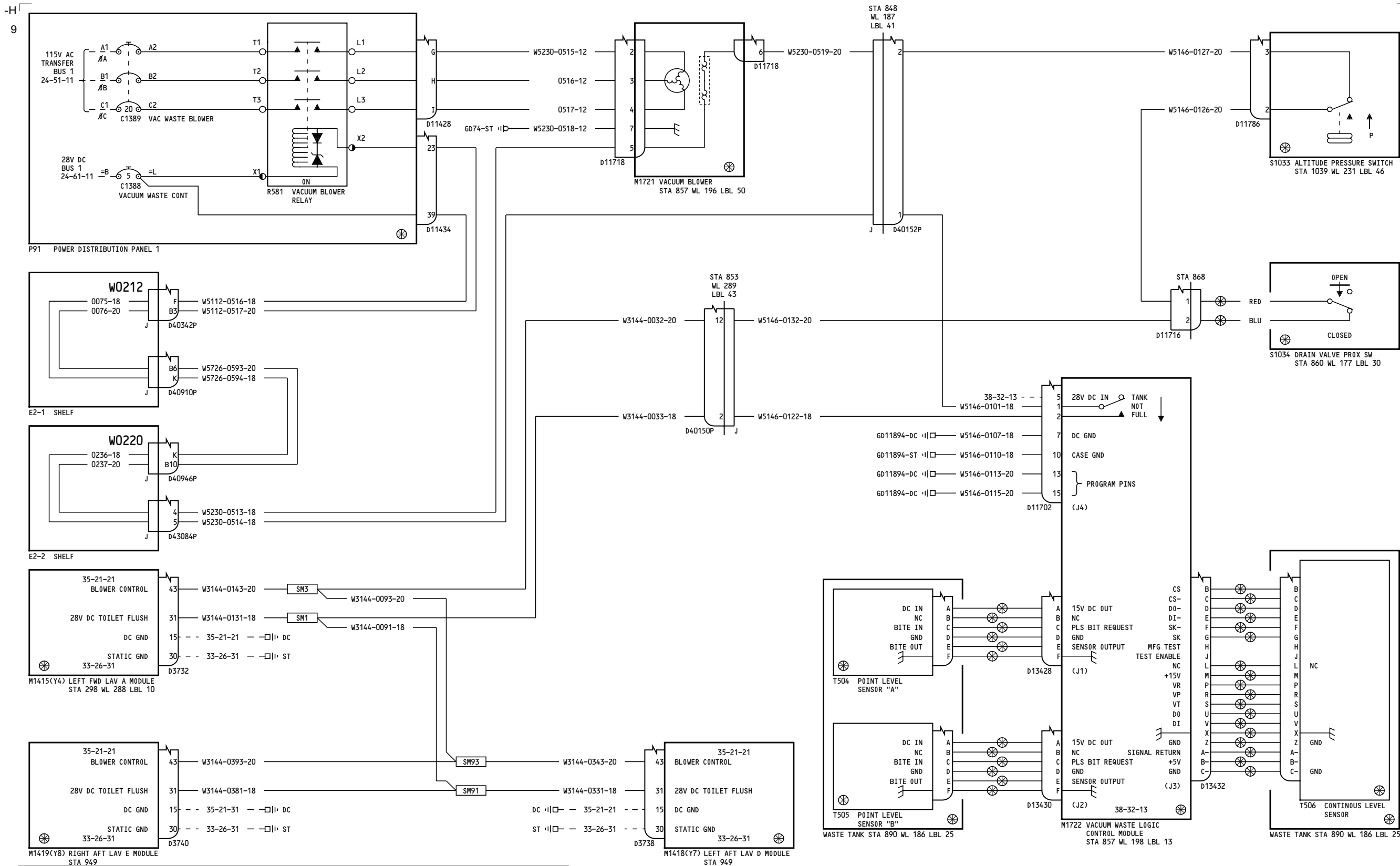
Page 3

Feb 09/2009

**38-21-11**

Page 3

Feb 09/2009



ALL

VACUUM WASTE SYSTEM CONTROL  
D280A103

38-32-12

Page 1

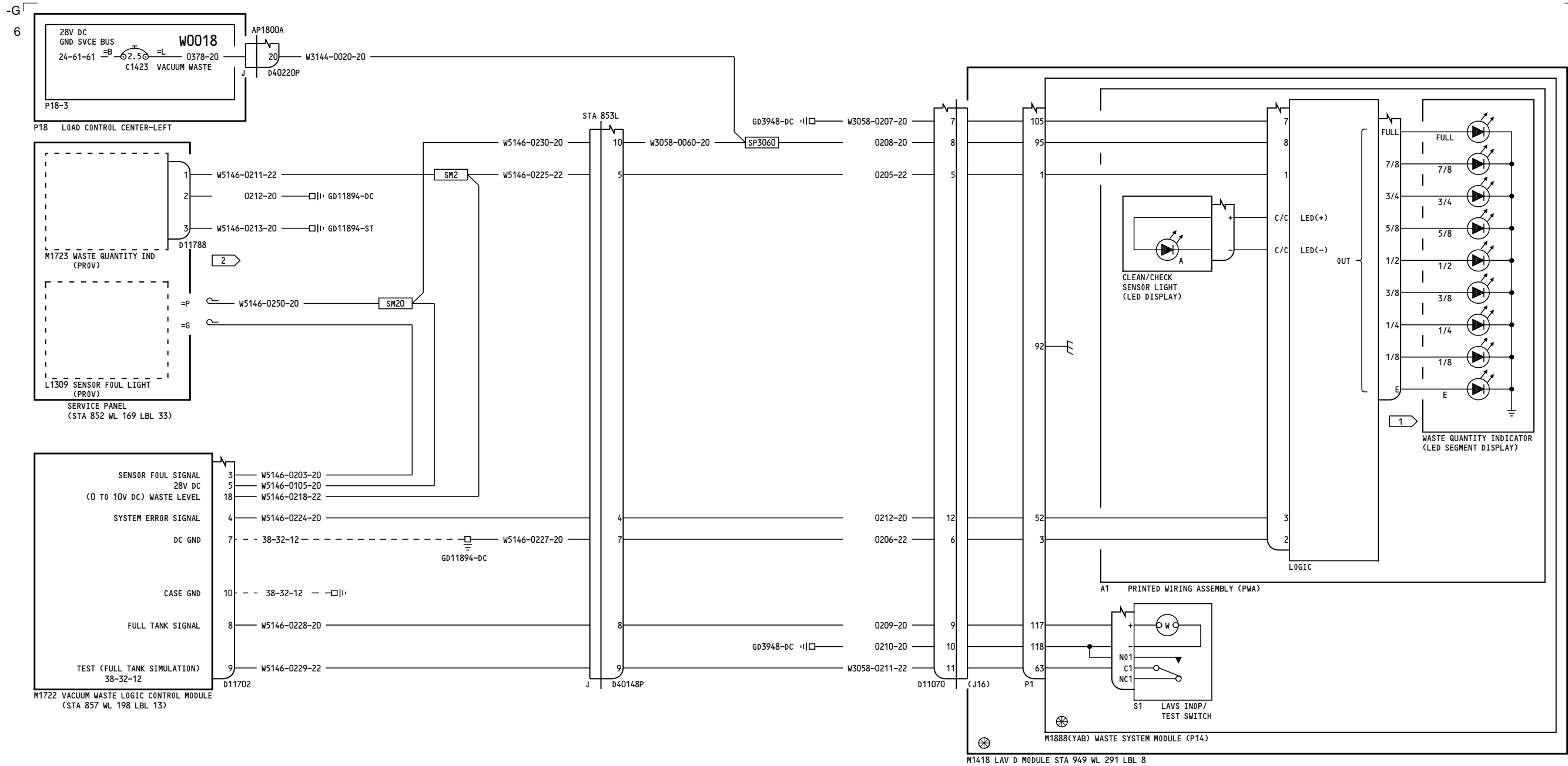
Feb 09/2009

38-32-12

Page 1

Feb 09/2009





**NOTES:**

- 1 EMPTY LED - "POWER ON INDICATION"
- 2 CAP AND STOW DISCONNECT

NOTE:  
 THE INTERNAL WIRING OF THE LAVATORY MODULE IS FOR REFERENCE ONLY.  
 PLEASE REFER TO LAVATORY COMPONENT MAINTENANCE MANUAL (CMM) FOR COMPLETE FUNCTIONALITY.  
 BOEING SHOWS ACCURATE WIRING UP TO DISCONNECT BRACKET ONLY.

YC001-YL430

**VACUUM WASTE SYSTEM INDICATION**

**38-32-13**

Page 1

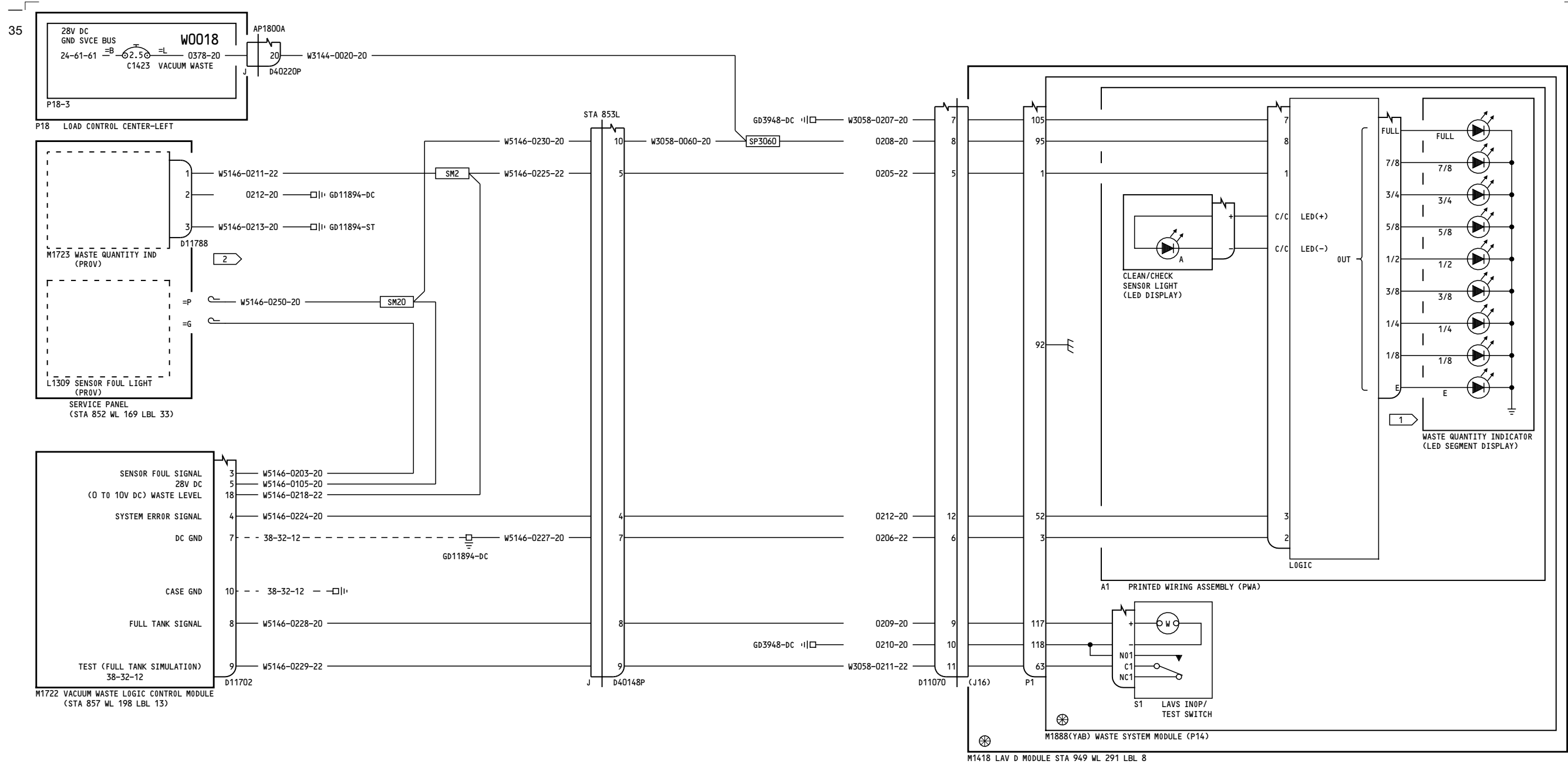
D280A103

Aug 10/2009

**38-32-13**

Page 1

Aug 10/2009



**NOTES:**

- 1 EMPTY LED - "POWER ON INDICATION"
- 2 CAP AND STOW DISCONNECT

NOTE:  
 THE INTERNAL WIRING OF THE LAVATORY MODULE IS FOR REFERENCE ONLY.  
 PLEASE REFER TO LAVATORY COMPONENT MAINTENANCE MANUAL (CMM) FOR COMPLETE FUNCTIONALITY.  
 BOEING SHOWS ACCURATE WIRING UP TO DISCONNECT BRACKET ONLY.

YM643-YM670

**VACUUM WASTE SYSTEM INDICATION**

**38-32-13**

Page 2

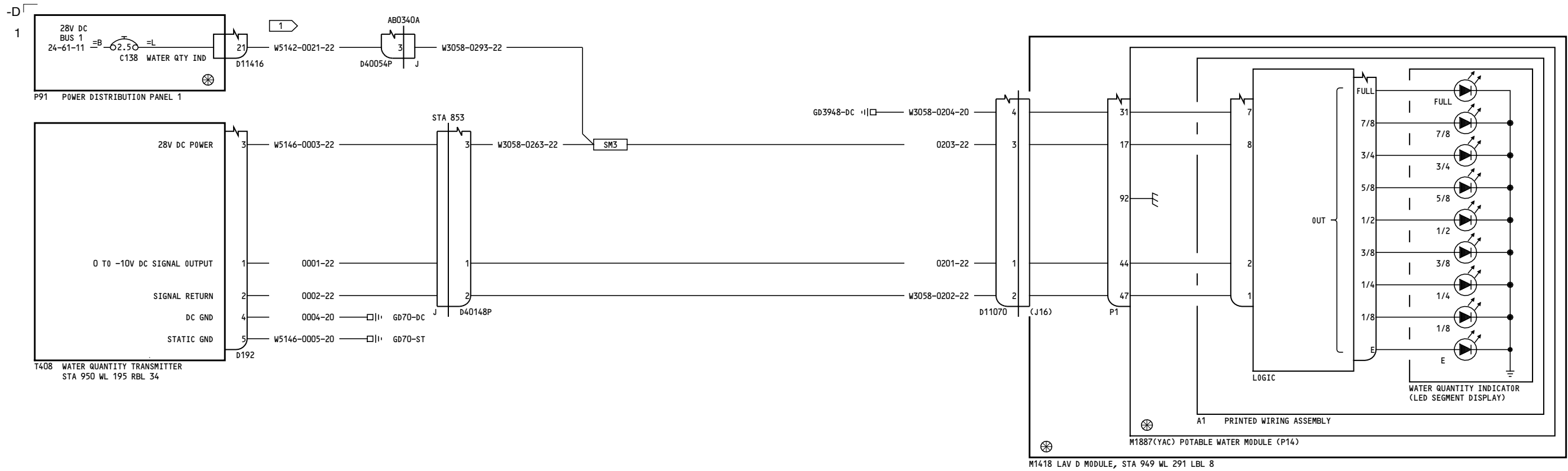
D280A103

Aug 10/2009

**38-32-13**

Page 2

Aug 10/2009



**NOTES:**

1 THIS WIRE MAY BE BUNDLED WITH CATEGORY 1 WIRES FROM P91 TO DISCONNECT BRACKET (AB340A) FOR NO MORE THAN 40 FEET.

NOTE:  
THE INTERNAL WIRING OF THE LAVATORY MODULE IS FOR REFERENCE ONLY.  
PLEASE REFER TO LAVATORY COMPONENT MAINTENANCE MANUAL (CMM) FOR COMPLETE FUNCTIONALITY.  
BOEING SHOWS ACCURATE WIRING UP TO DISCONNECT BRACKET ONLY.

ALL	<b>WATER QUANTITY INDICATOR</b>
	D280A103

**38-41-11**

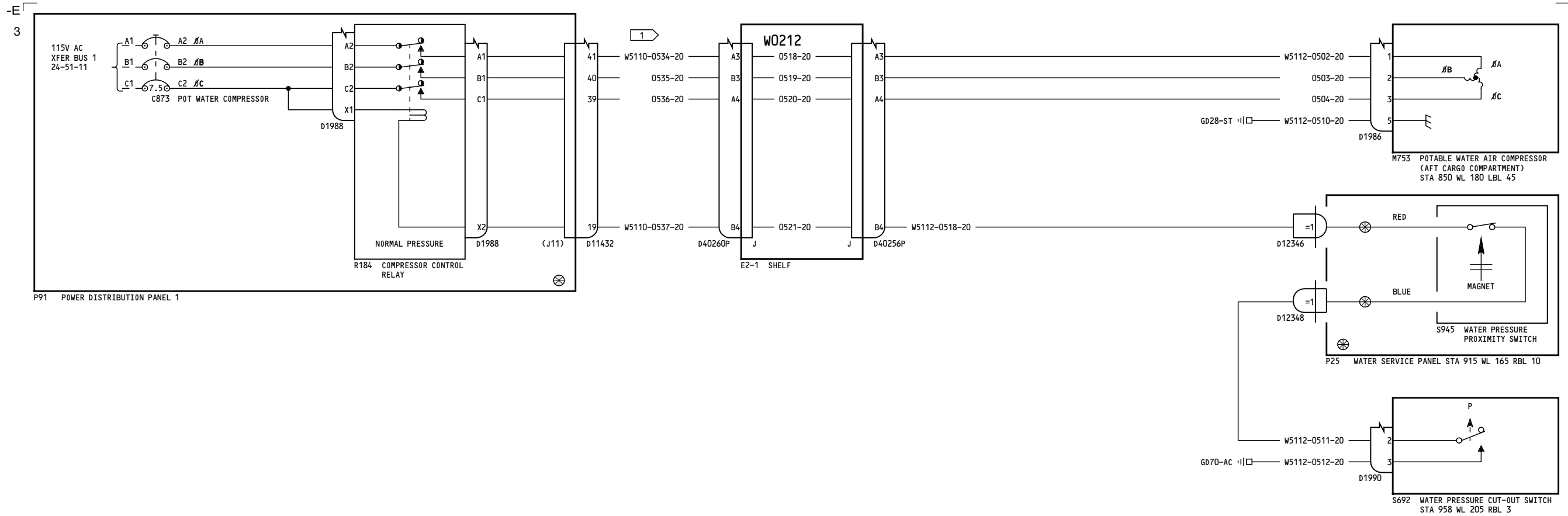
Page 1

Aug 10/2009

**38-41-11**

Page 1

Aug 10/2009



**NOTES:**

1 CATEGORY 1 WIRES MAY BE ROUTED WITH CATEGORY 2 WIRES FROM P91 TO E2-1 (NO MORE THAN 10 FEET).

YC001-YC050

**POTABLE WATER PRESSURE SYSTEM**

D280A103

**38-41-13**

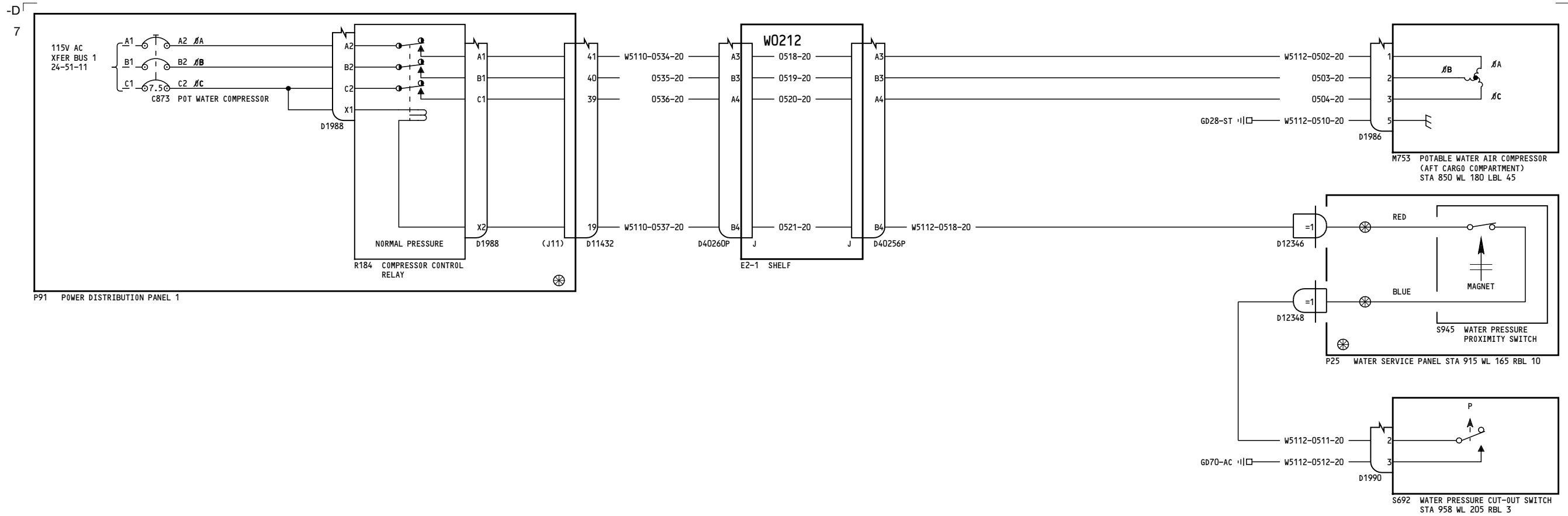
Page 1

Aug 10/2009

**38-41-13**

Page 1

Aug 10/2009



**NOTES:**

1 CATEGORY 1 WIRES MAY BE ROUTED WITH CATEGORY 2 WIRES FROM P91 TO E2-1 (NO MORE THAN 10 FEET).

YK901-YL430

**POTABLE WATER PRESSURE SYSTEM**

D280A103

**38-41-13**

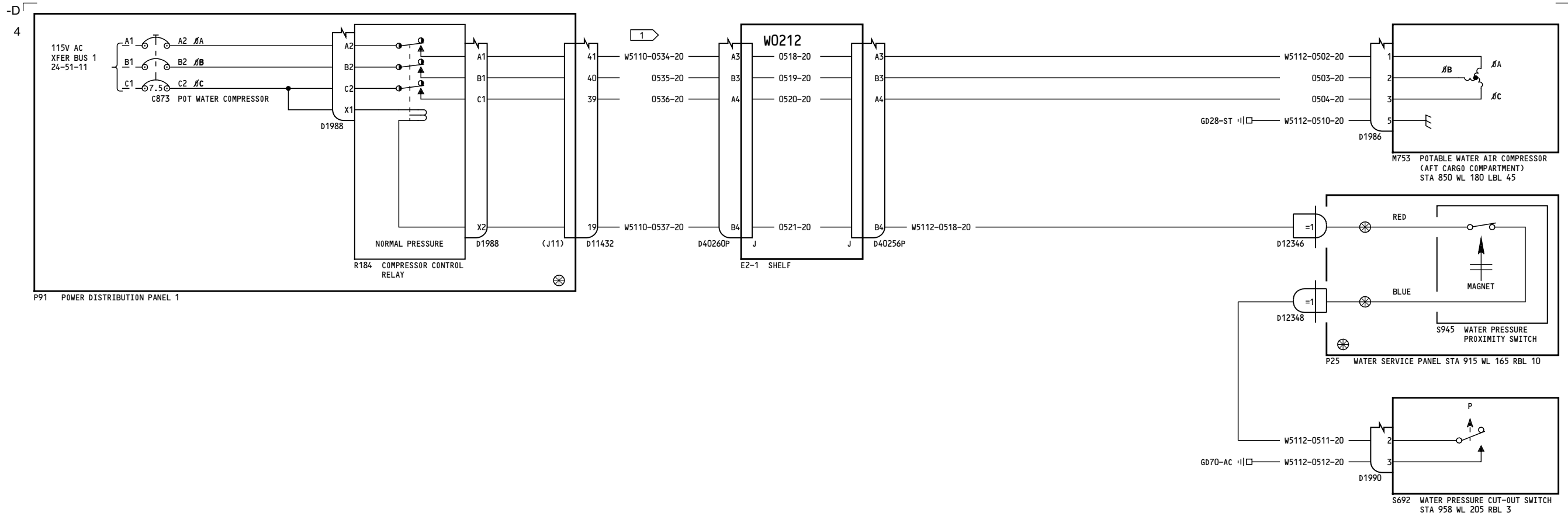
Page 2

Aug 10/2009

**38-41-13**

Page 2

Aug 10/2009



**NOTES:**

1 CATEGORY 1 WIRES MAY BE ROUTED WITH CATEGORY 2 WIRES FROM P91 TO E2-1 (NO MORE THAN 10 FEET).

YM643-YM670

**POTABLE WATER PRESSURE SYSTEM**

D280A103

**38-41-13**

Page 3

Aug 10/2009

**38-41-13**

Page 3

Aug 10/2009