

CHAPTER

47

INERT GAS SYSTEMS



737-700/800

WIRING DIAGRAM MANUAL

CHAPTER 47 INERT GAS SYSTEMS

CH-SC-SU	Schem	Page	Sheet	Date	CH-SC-SU	Schem	Page	Sheet	Date
47-EFFECTIVE PAGES									
		1		Aug 10/2009					
		2		BLANK					
47-CONTENTS									
		1		Feb 09/2009					
		2		BLANK					
47-ALPHABETICAL INDEX									
		1		May 13/2008					
		2		BLANK					
47-30-11									
		1		Apr 18/2007					
		2		Feb 09/2009					
		3	1	Feb 09/2009					
			2	Feb 09/2009					
		4	1	Aug 13/2008					
			2	Aug 13/2008					

A = Added, R = Revised, D = Deleted, O = Overflow

47-EFFECTIVE PAGES

Page 1
Aug 10/2009

D280A103



737-700/800

WIRING DIAGRAM MANUAL

CHAPTER 47 INERT GAS SYSTEMS

Title	CH-SC-SU	Schem	Page	Sheet	Date	Effectivity		
<u>CONTROL</u>								
INERT GAS SYSTEM CONTROL	47-30-11		1		Apr 18/2007	YC031-YC050 YK906 YL421		
			2		Feb 09/2009	YK907-YK910 YK918 YL422-YL426 YM643-YM649		
			3	1	Feb 09/2009	YK911-YK917 YK919-YL401 YL427-YL430		
				2	Feb 09/2009	YK911-YK917 YK919-YL401 YL427-YL430		
			4	1	Aug 13/2008	YM651-YM670		
				2	Aug 13/2008	YM651-YM670		

47-CONTENTS

Page 1
Feb 09/2009

D280A103



737-700/800

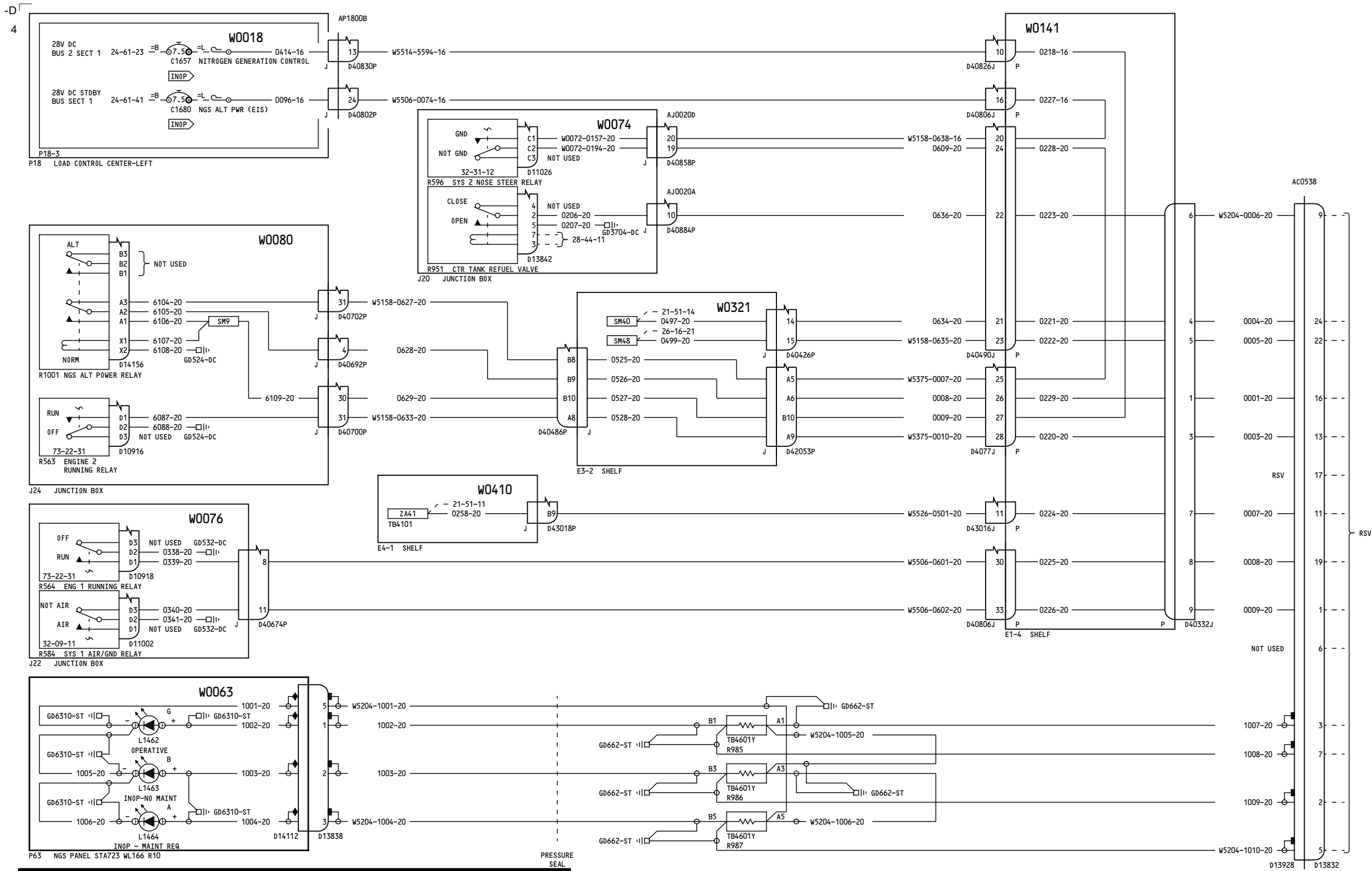
WIRING DIAGRAM MANUAL

**CHAPTER 47
INERT GAS SYSTEMS**

CH-SC-SU	Title
47-30-11	INERT GAS SYSTEM CONTROL

47-ALPHABETICAL INDEX

D280A103



YC031-YC050, YK906, YL421

INERT GAS SYSTEM CONTROL

D280A103

47-30-11

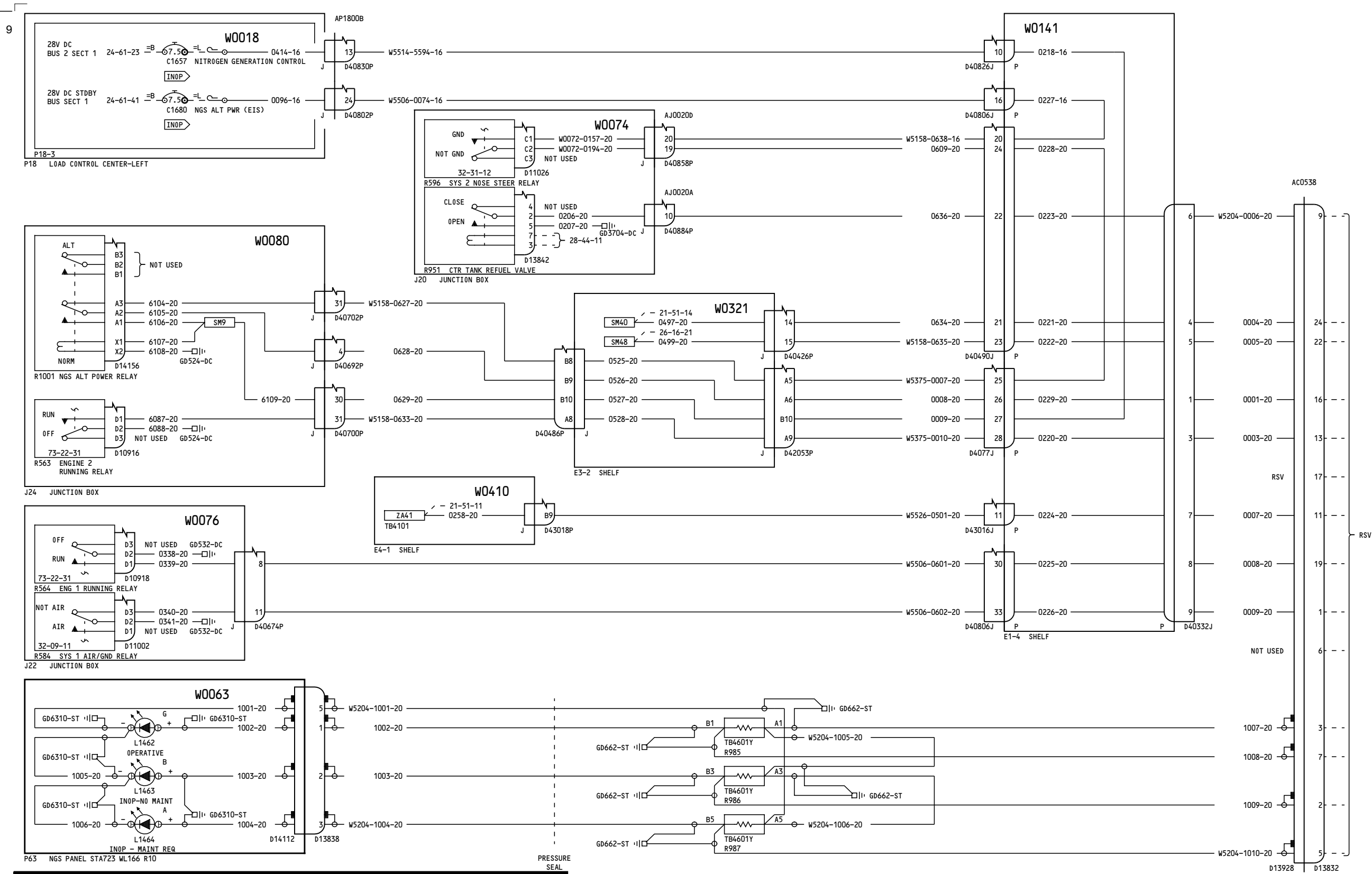
Page 1

Apr 18/2007

47-30-11

Page 1

Apr 18/2007



YK907-YK910, YK918, YL422-YL426, YM643-YM649

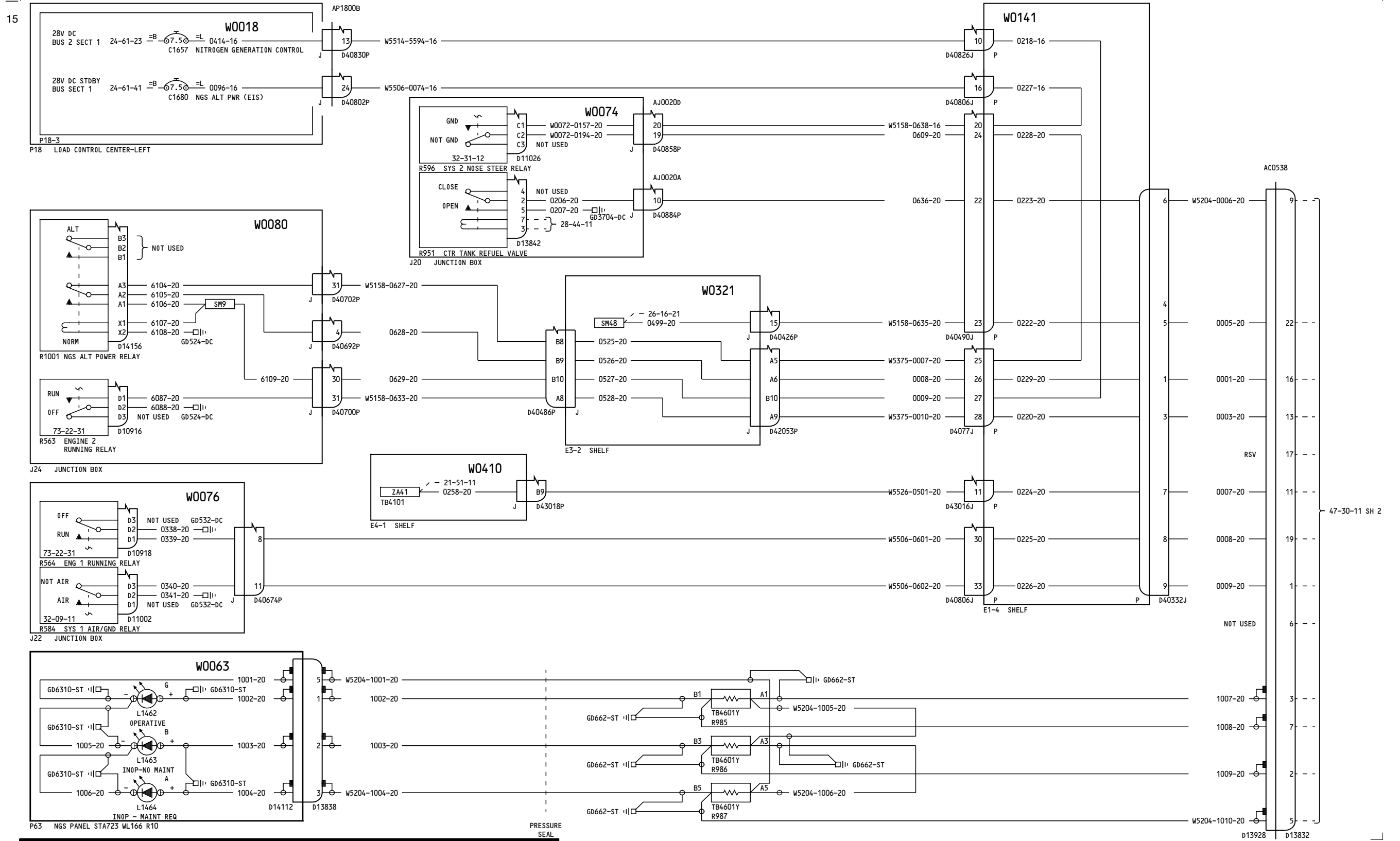
INERT GAS SYSTEM CONTROL
D280A103

47-30-11

Page 2
Feb 09/2009

47-30-11

Page 2
Feb 09/2009



YK911-YK917, YK919-YL401, YL427-YL430

INERT GAS SYSTEM CONTROL

D280A103

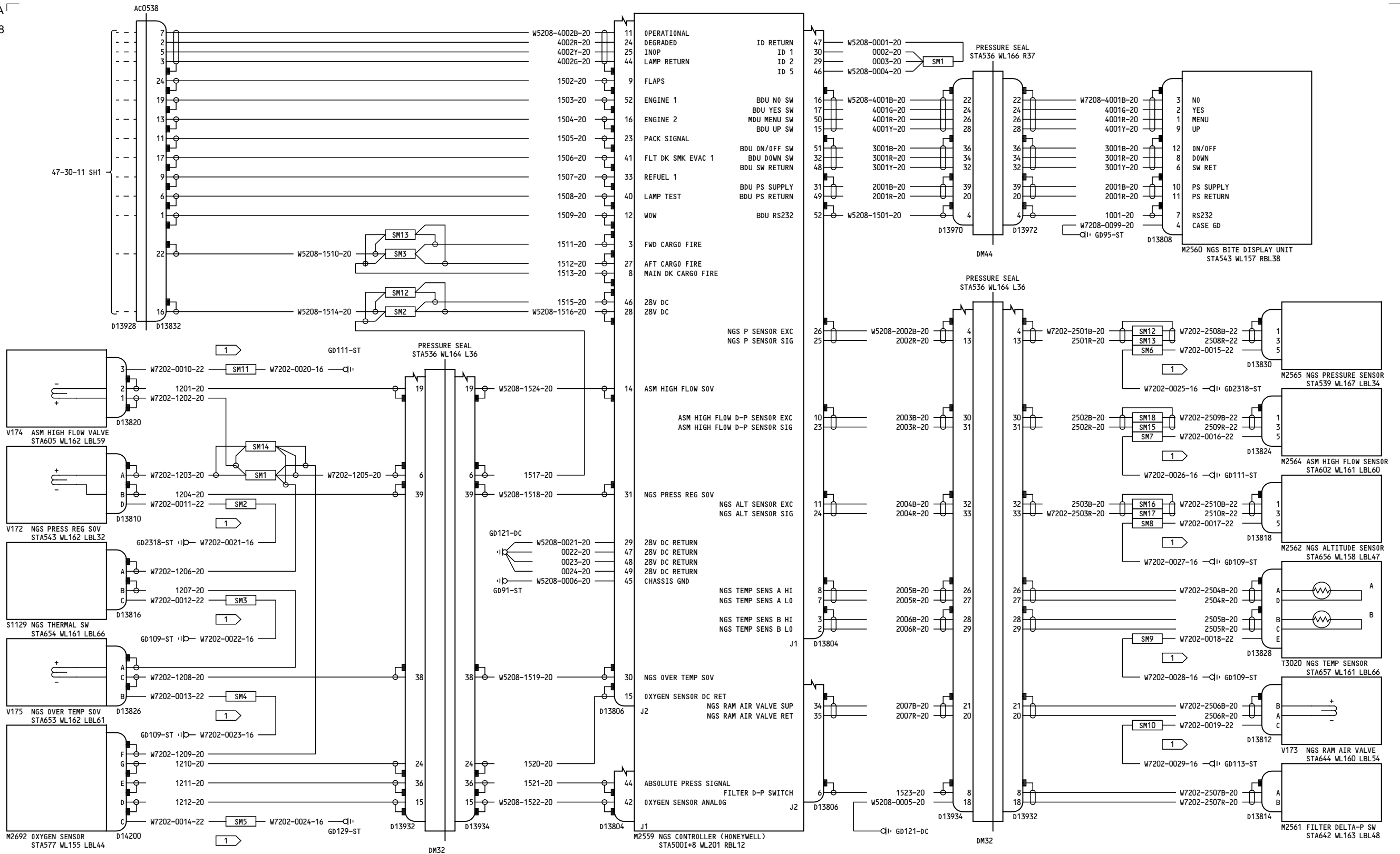
47-30-11

Page 3
Sheet 1
Feb 09/2009

47-30-11

Page 3
Sheet 1
Feb 09/2009

-A
8



1 MAINTAIN 6 INCH MAXIMUM LENGTH TO SPLICE.

YK911-YK917, YK919-YL401, YL427-YL430

INERT GAS SYSTEM CONTROL

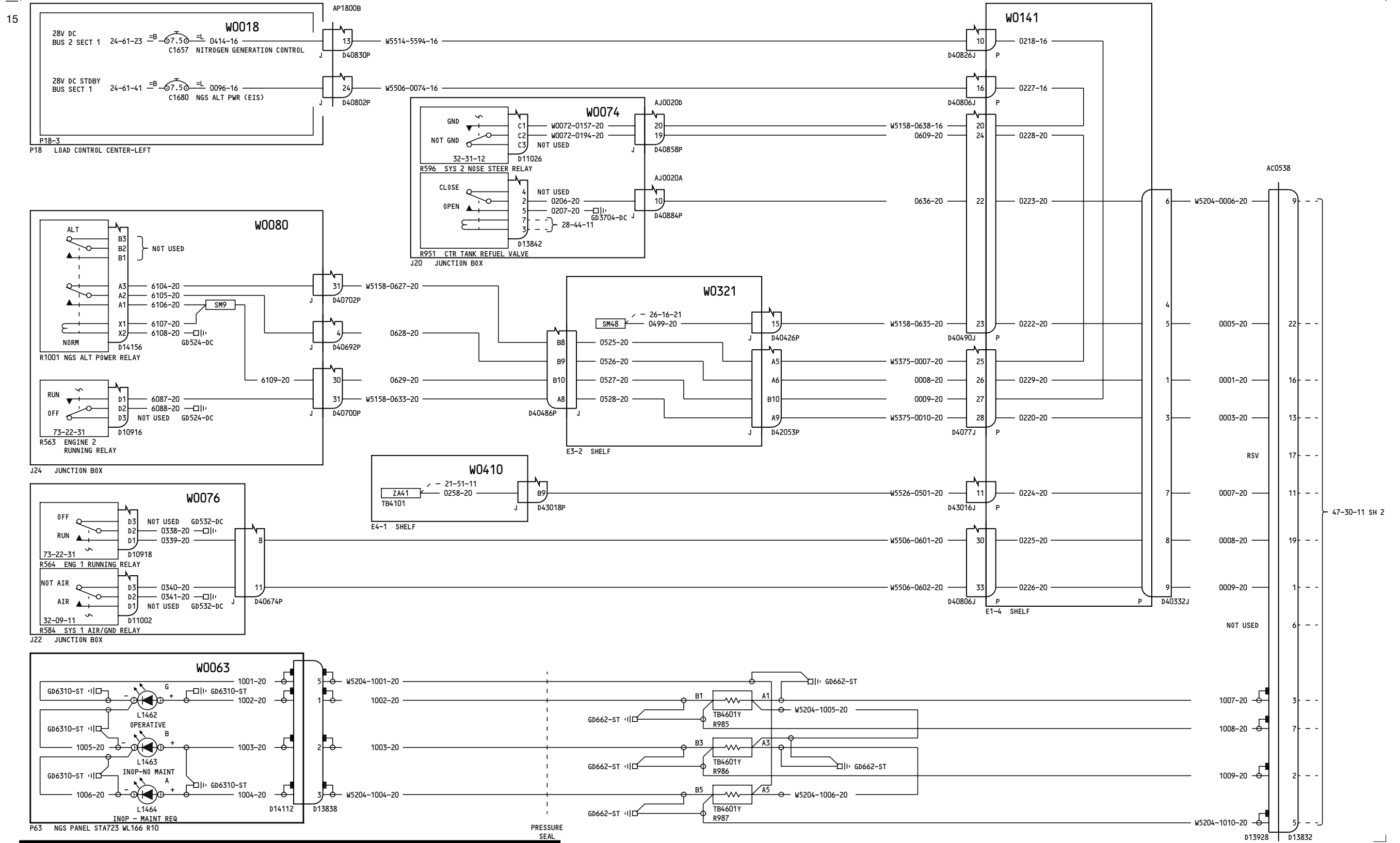
D280A103

47-30-11

Page 3
Sheet 2
Feb 09/2009

47-30-11

Page 3
Sheet 2
Feb 09/2009



YM651-YM670

INERT GAS SYSTEM CONTROL

D280A103

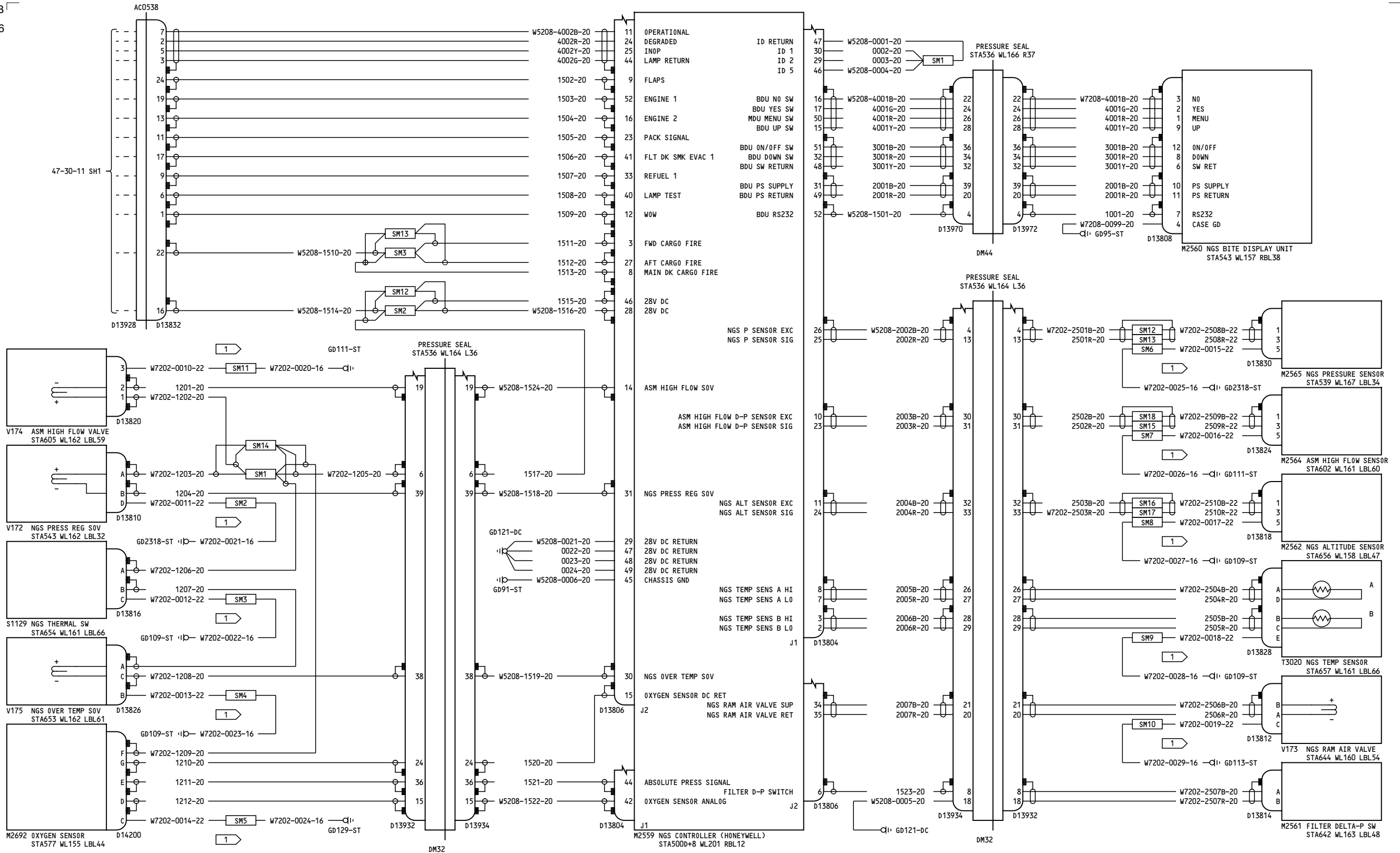
47-30-11

Page 4
Sheet 1
Aug 13/2008

47-30-11

Page 4
Sheet 1
Aug 13/2008

-B
6



1 MAINTAIN 6 INCH MAXIMUM LENGTH TO SPLICE.

YM651-YM670

INERT GAS SYSTEM CONTROL

D280A103

47-30-11

Page 4
Sheet 2
Aug 13/2008

47-30-11

Page 4
Sheet 2
Aug 13/2008