

**CHAPTER**

**74**

**IGNITION**



737-700/800

# WIRING DIAGRAM MANUAL

## CHAPTER 74 IGNITION

CH-SC-SU	Schem	Page	Sheet	Date	CH-SC-SU	Schem	Page	Sheet	Date
74-EFFECTIVE PAGES									
		1		Aug 10/2009					
		2		BLANK					
74-CONTENTS									
R		1		Aug 10/2009					
		2		BLANK					
74-ALPHABETICAL INDEX									
		1		Jan 18/2007					
		2		BLANK					
	74-11-11								
		1		Mar 31/2005					
		1.1		Oct 15/2007					
		2		Jul 17/2007					
		2.1		Oct 15/2007					
R		3		Aug 10/2009					
	74-31-11								
		1		Mar 31/2005					
		2		Feb 09/2009					

A = Added, R = Revised, D = Deleted, O = Overflow

### 74-EFFECTIVE PAGES

Page 1  
Aug 10/2009

D280A103



**737-700/800  
WIRING DIAGRAM MANUAL**

**CHAPTER 74  
IGNITION**

<b>Title</b>	<b>CH-SC-SU</b>	<b>Schem</b>	<b>Page</b>	<b>Sheet</b>	<b>Date</b>	<b>Effectivity</b>
<b><u>IGNITION POWER SUPPLY</u></b>						
ENGINE IGNITION POWER	74-11-11		1		Mar 31/2005	YC001-YC003
			1.1		Oct 15/2007	YC001-YC003
			2		Jul 17/2007	YC004-YC030
			2.1		Oct 15/2007	YC004-YC030
			3		Aug 10/2009	YC031-YK912 YK918-YK919 YL401-YL429 YM643-YM652
<b><u>ENGINE IGNITION CONTROL</u></b>						
ENGINE IGNITION CONTROL	74-31-11		1		Mar 31/2005	YC001-YC007
			2		Feb 09/2009	YC008-YM670



737-700/800

**WIRING DIAGRAM MANUAL**

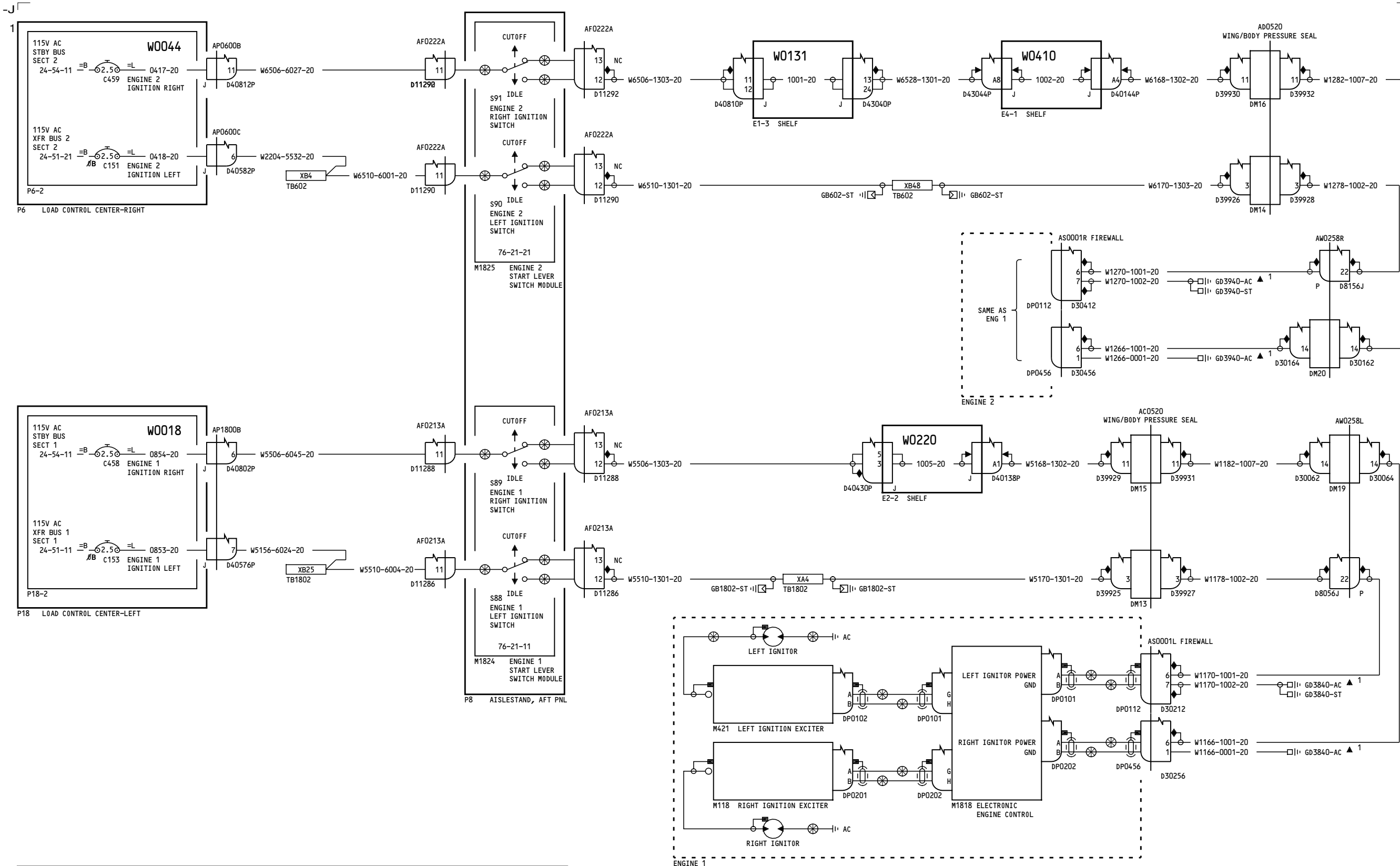
**CHAPTER 74  
IGNITION**

<b>CH-SC-SU</b>	<b>Title</b>
74-31-11	ENGINE IGNITION CONTROL
74-11-11	ENGINE IGNITION POWER

**74-ALPHABETICAL INDEX**

D280A103

Page 1  
Jan 18/2007



YC001-YC003

ENGINE IGNITION POWER

74-11-11

Page 1

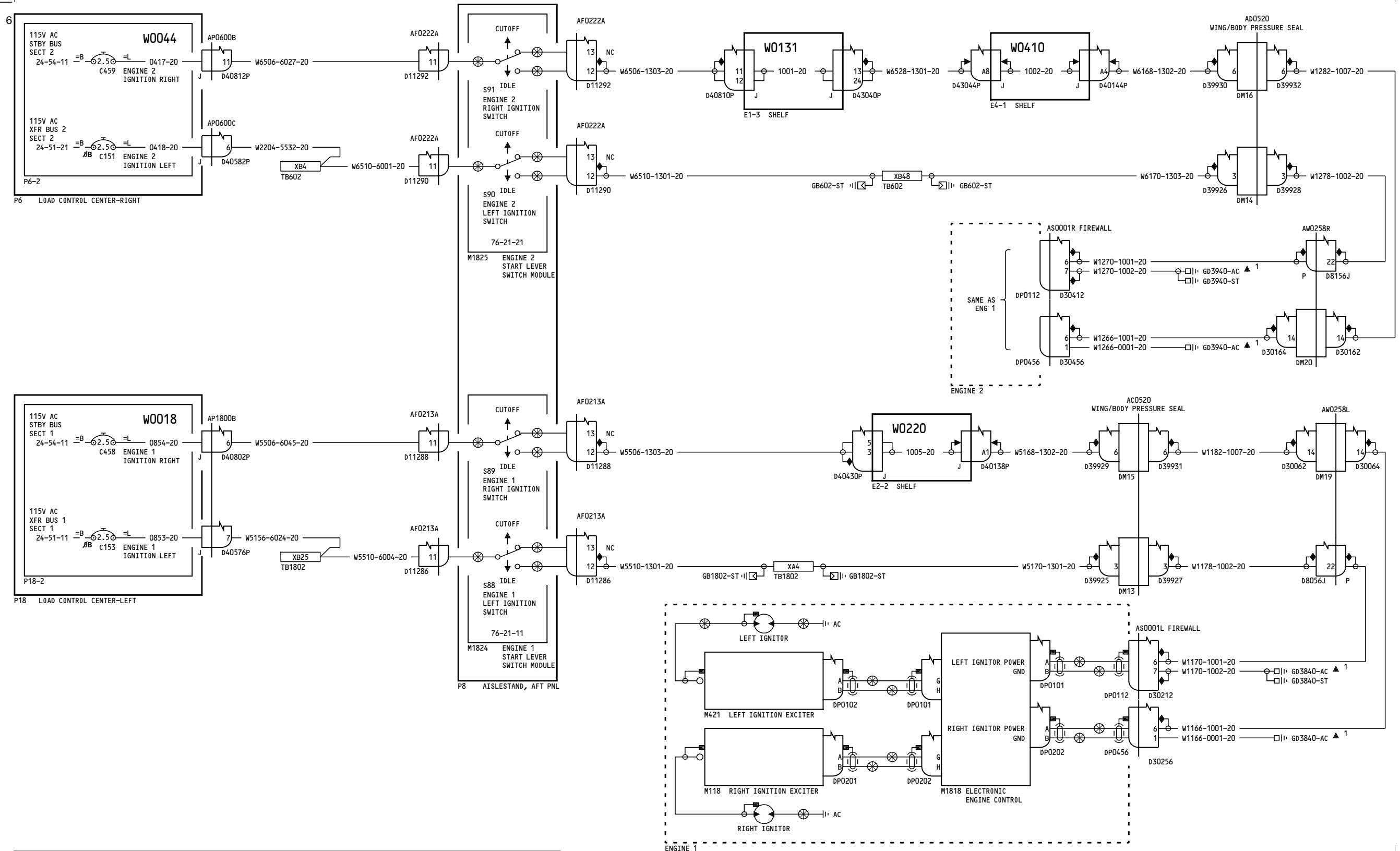
Mar 31/2005

D280A103

74-11-11

Page 1

Mar 31/2005



YC001-YC003

**ENGINE IGNITION POWER**

**74-11-11**

Incorporates  
28-1194 R02

Page 1.1

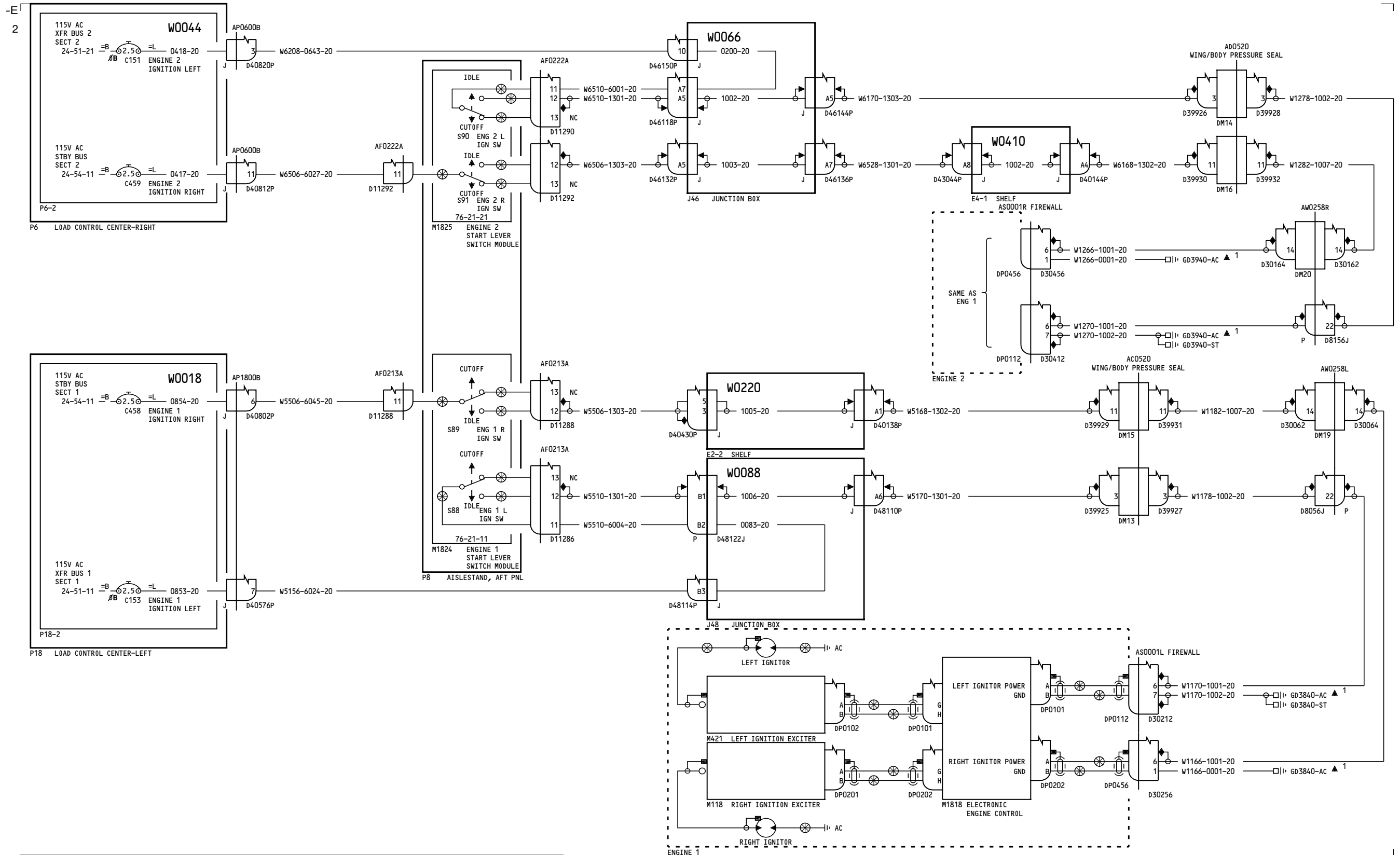
**74-11-11**

Page 1.1

D280A103

Oct 15/2007

Oct 15/2007



YC004-YC030

ENGINE IGNITION POWER

74-11-11

Page 2

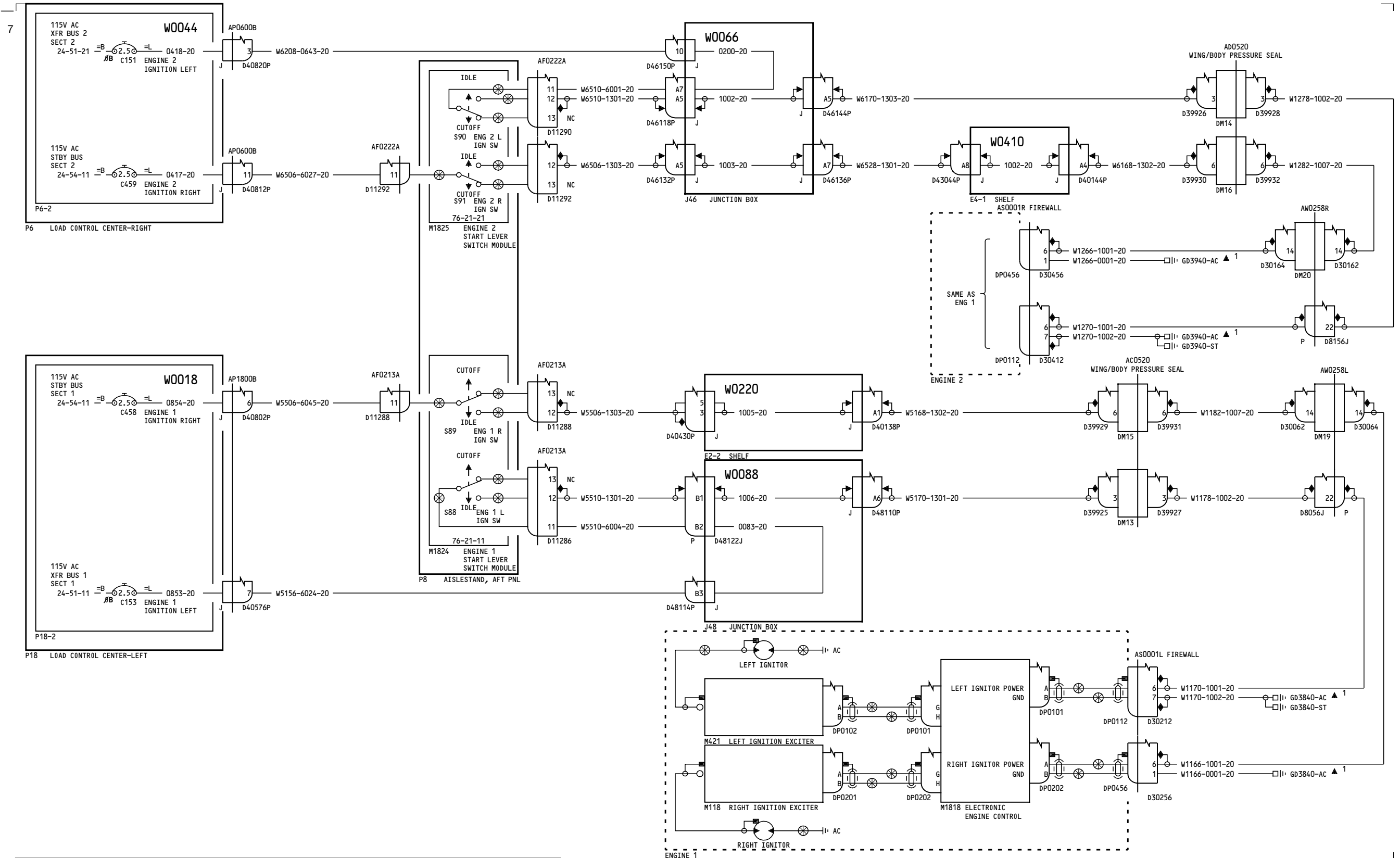
Jul 17/2007

D280A103

74-11-11

Page 2

Jul 17/2007



YC004-YC030

**ENGINE IGNITION POWER**

**74-11-11**

Page 2.1

Oct 15/2007

D280A103

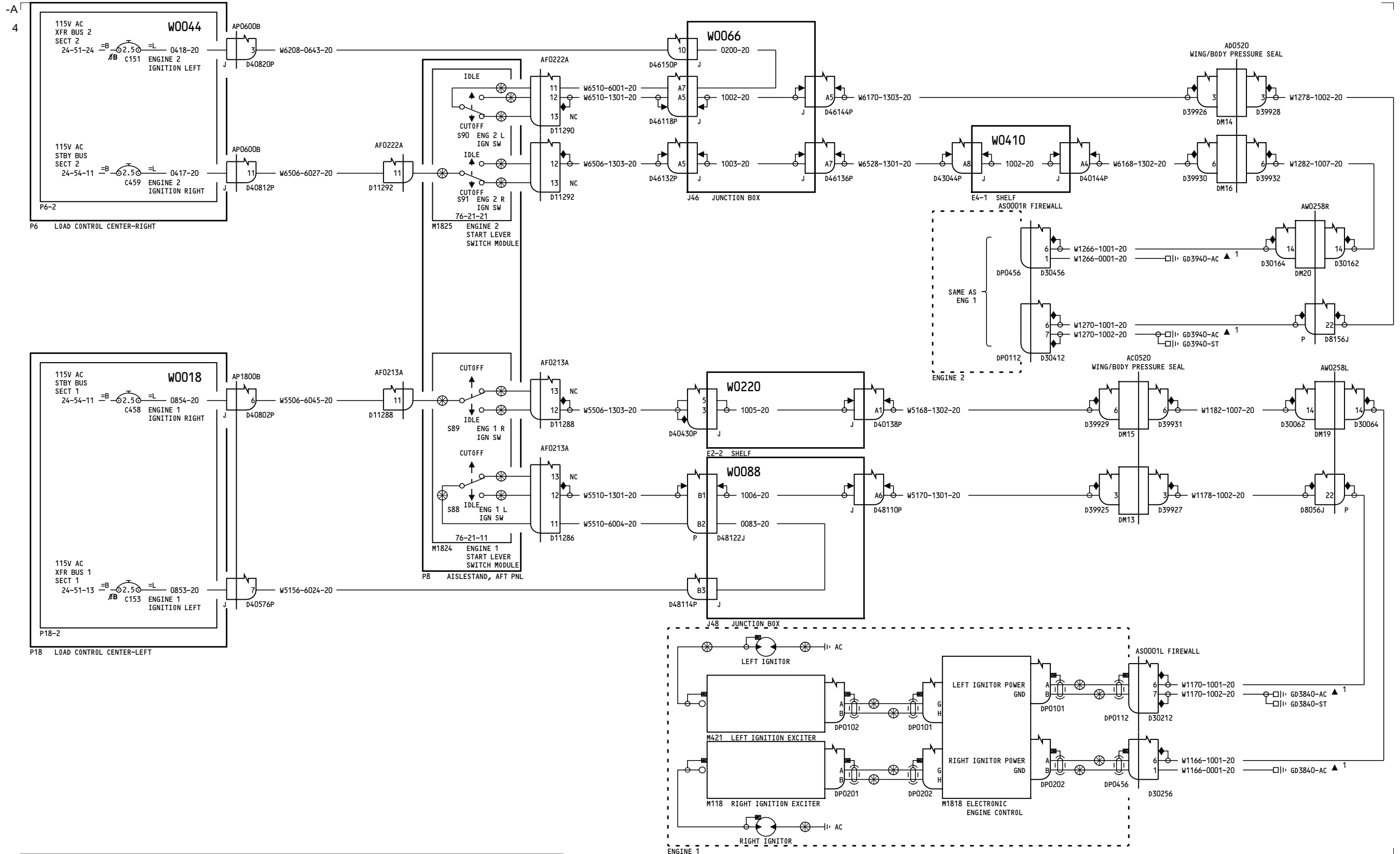
Incorporates  
28-1194 R02

**74-11-11**

Page 2.1

Oct 15/2007





YC031-YK912, YK918-YK919, YL401-YL429, YM643-YM652

ENGINE IGNITION POWER

74-11-11

Page 3

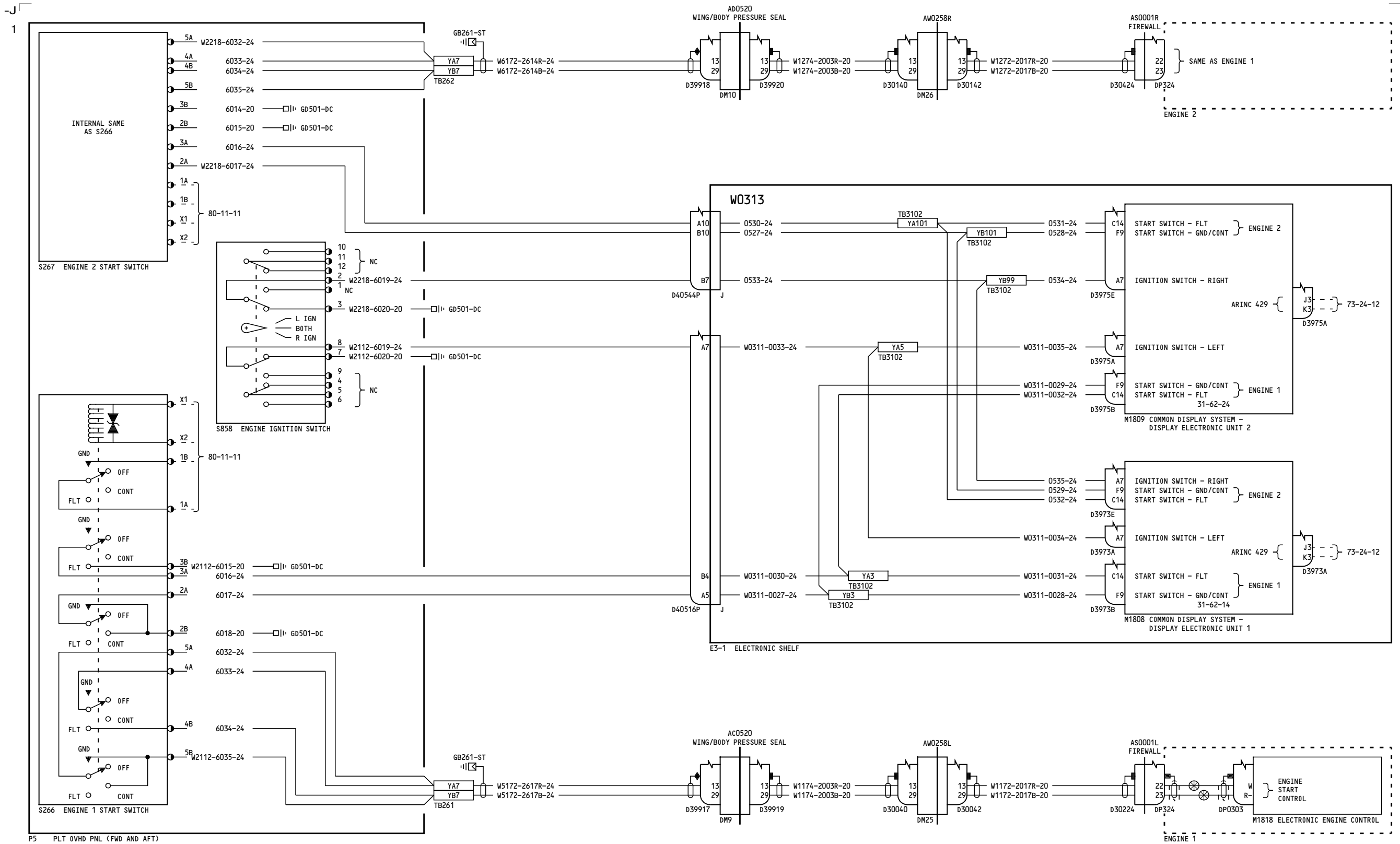
Aug 10/2009

D280A103

74-11-11

Page 3

Aug 10/2009



YC001-YC007

ENGINE IGNITION CONTROL

74-31-11

Page 1

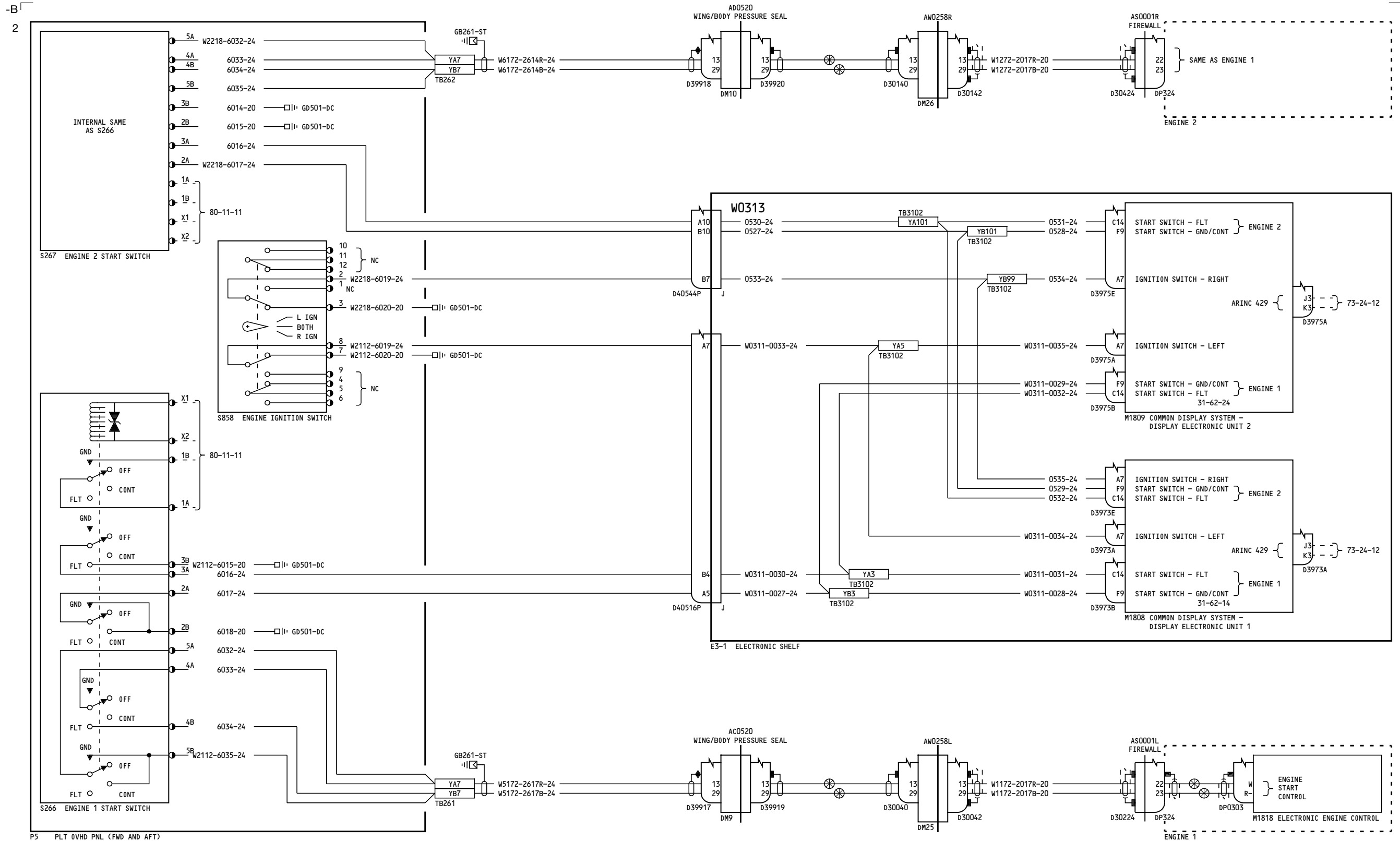
D280A103

Mar 31/2005

74-31-11

Page 1

Mar 31/2005



YC008-YM670

ENGINE IGNITION CONTROL

74-31-11

Page 2

D280A103

Feb 09/2009

74-31-11

Page 2

Feb 09/2009