

CHAPTER

75

AIR



737-700/800

WIRING DIAGRAM MANUAL

CHAPTER 75 AIR

CH-SC-SU	Schem	Page	Sheet	Date	CH-SC-SU	Schem	Page	Sheet	Date
75-EFFECTIVE PAGES									
		1		Aug 10/2009					
		2		BLANK					
75-CONTENTS									
		1		May 11/2009					
		2		BLANK					
75-ALPHABETICAL INDEX									
		1		Jan 18/2007					
		2		BLANK					
75-31-11		1		May 11/2009					
		2		May 11/2009					
75-31-12		1		Feb 09/2009					
75-31-21		1		May 11/2009					
		2		Feb 09/2009					
75-31-22		1		Feb 09/2009					

A = Added, R = Revised, D = Deleted, O = Overflow

75-EFFECTIVE PAGES

Page 1
Aug 10/2009

D280A103



737-700/800

WIRING DIAGRAM MANUAL

CHAPTER 75
AIR

Title	CH-SC-SU	Schem	Page	Sheet	Date	Effectivity
<u>TURBINE VARIABLE STATOR VANE (VSV) CONTROL</u>						
ENGINE 1 TURBINE CLEARANCE / TEMPERATURE	75-31-11		1		May 11/2009	YC001-YC050
			2		May 11/2009	YK901-YM670
ENGINE 1 VARIABLE STATOR VANE / BLEED CONTROL	75-31-12		1		Feb 09/2009	ALL
ENGINE 2 TURBINE CLEARANCE / TEMPERATURE	75-31-21		1		May 11/2009	YC001-YC050
			2		Feb 09/2009	YK901-YM670
ENGINE 2 VARIABLE STATOR VANE / BLEED CONTROL	75-31-22		1		Feb 09/2009	ALL

75-CONTENTS

Page 1

May 11/2009

D280A103



737-700/800

WIRING DIAGRAM MANUAL

CHAPTER 75 AIR

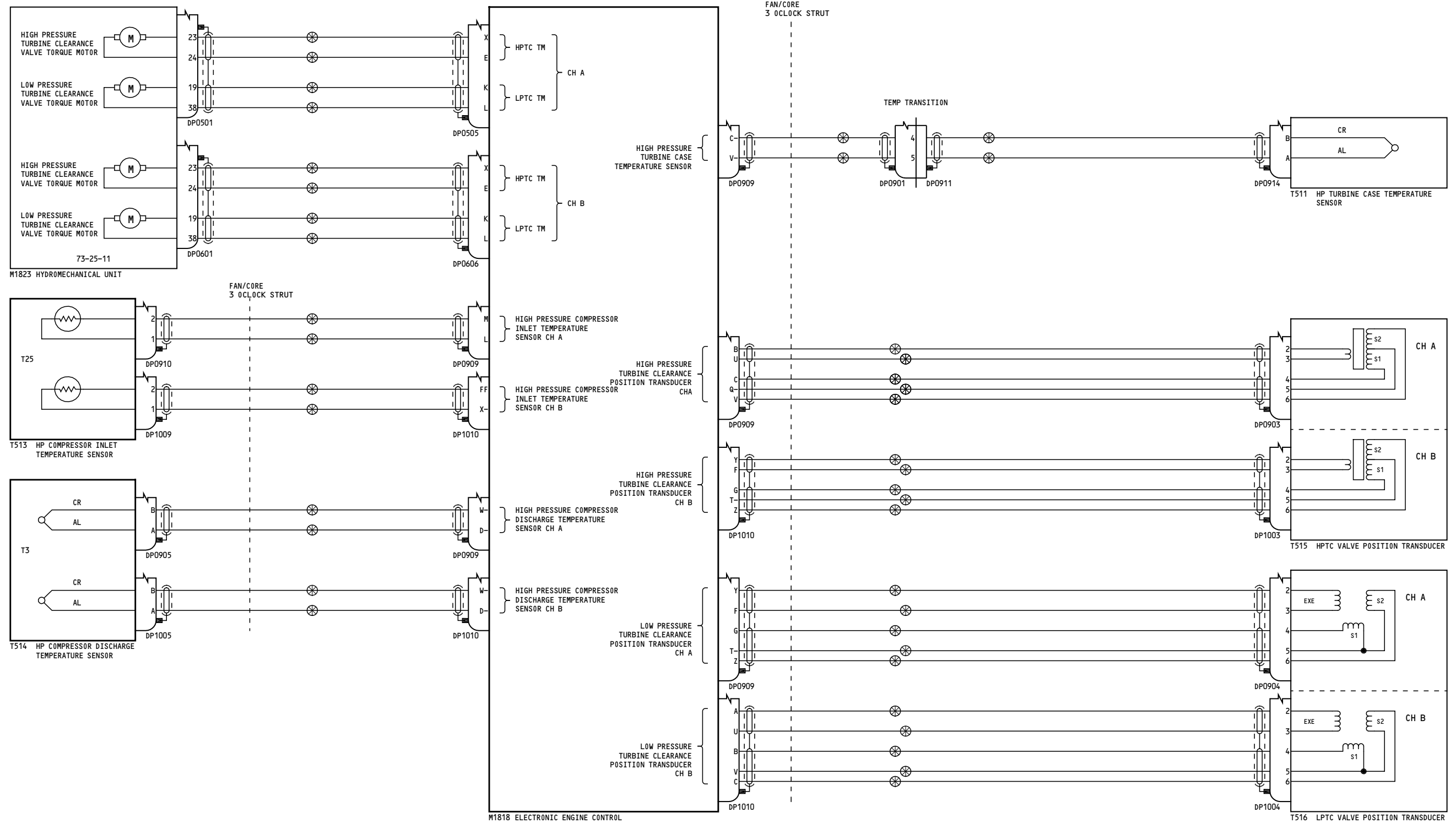
CH-SC-SU	Title
75-31-11	ENGINE 1 TURBINE CLEARANCE / TEMPERATURE
75-31-12	ENGINE 1 VARIABLE STATOR VANE / BLEED CONTROL
75-31-21	ENGINE 2 TURBINE CLEARANCE / TEMPERATURE
75-31-22	ENGINE 2 VARIABLE STATOR VANE / BLEED CONTROL

75-ALPHABETICAL INDEX

D280A103

Page 1
Jan 18/2007

-B
2



YK901-YM670

**ENGINE 1 TURBINE
CLEARANCE / TEMPERATURE**

75-31-11

Page 2

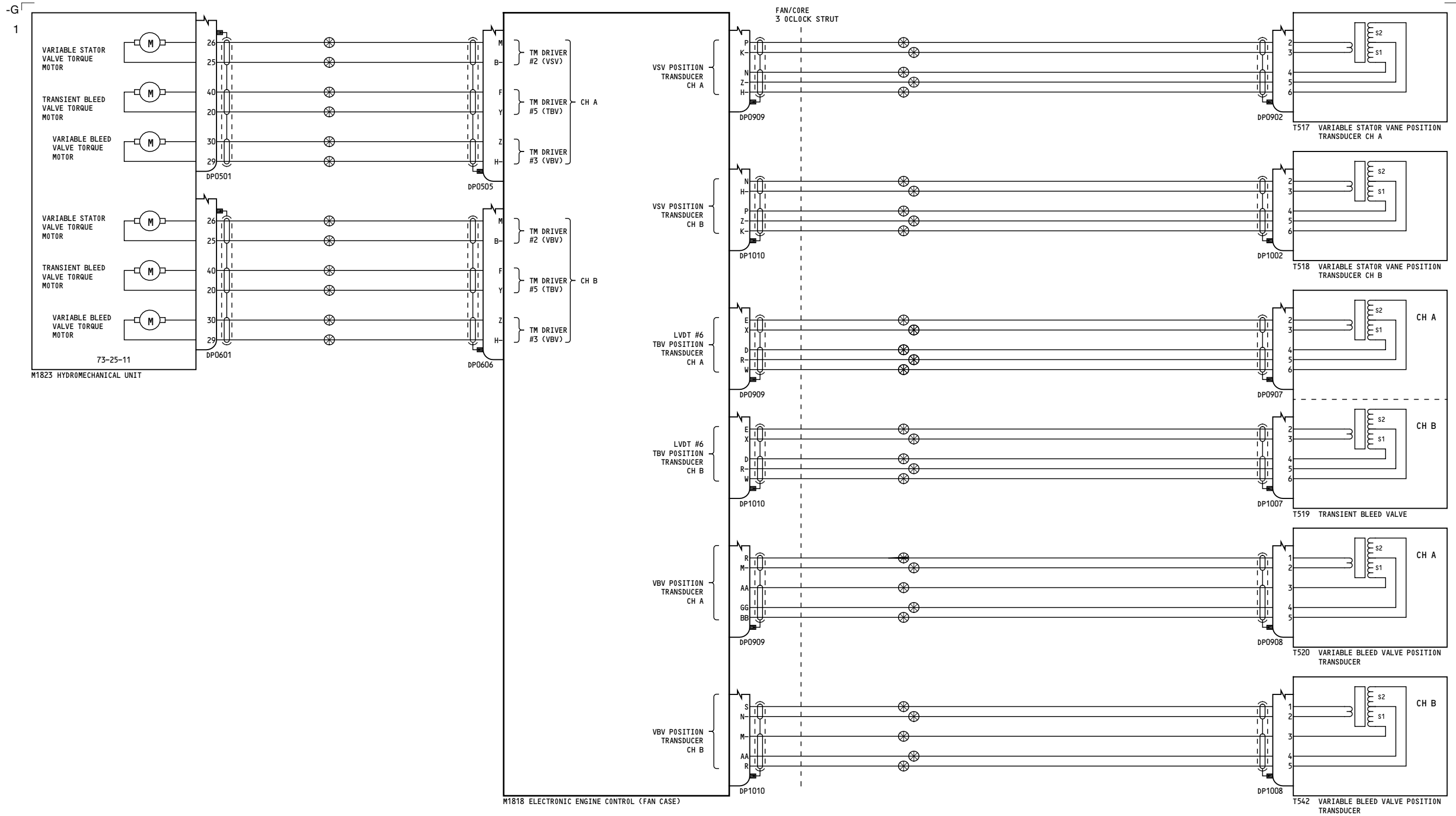
D280A103

May 11/2009

75-31-11

Page 2

May 11/2009



NOTES:

1 SINGLE ANNULAR COMBUSTER CONFIGURATION

ALL	<p align="center">ENGINE 1 VARIABLE STATOR VANE / BLEED CONTROL</p> <p align="center">75-31-12</p> <p align="center">Page 1</p> <p align="center">D280A103</p> <p align="center">Feb 09/2009</p>
-----	---

75-31-12

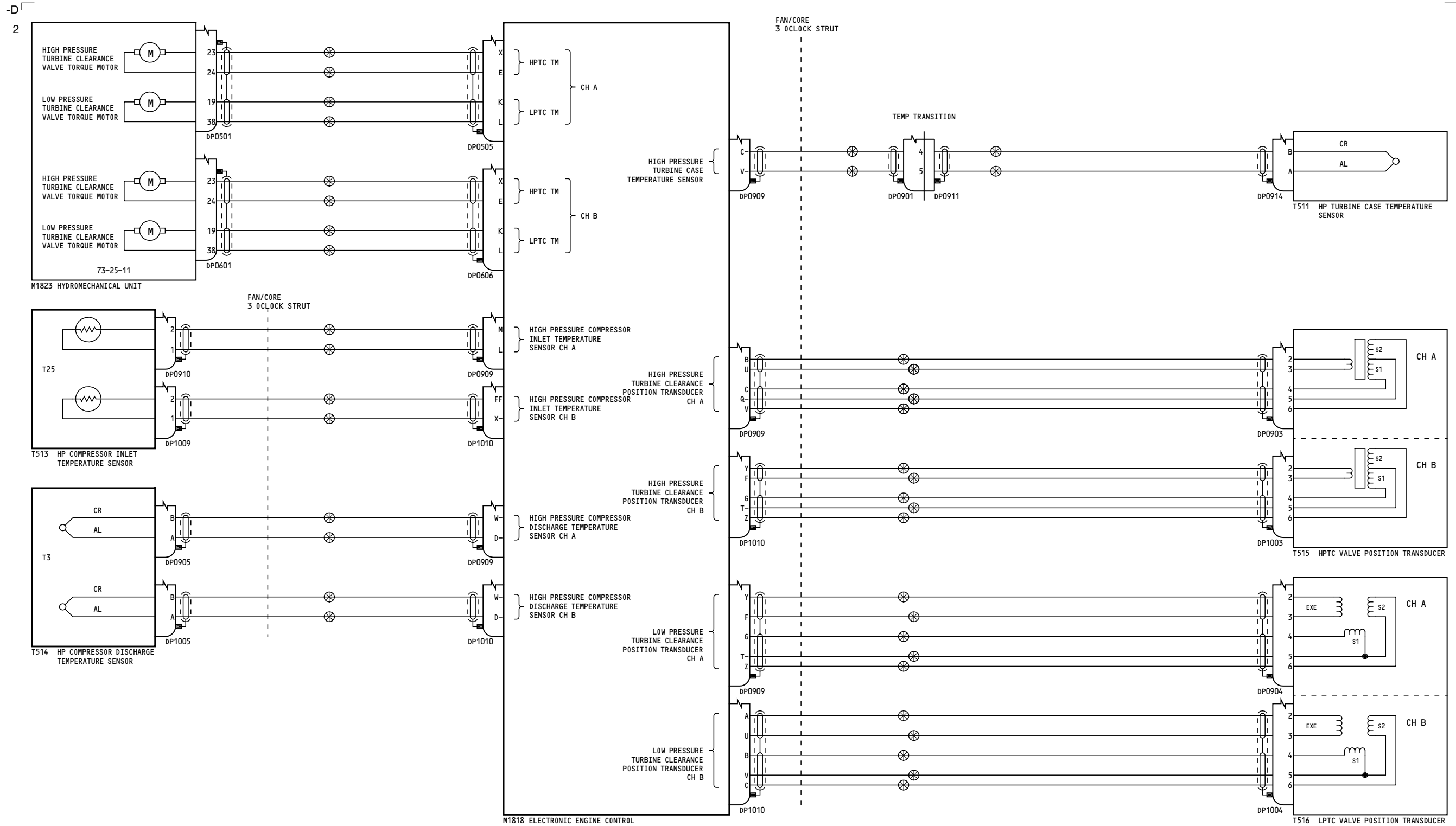
Page 1

Feb 09/2009

75-31-12

Page 1

Feb 09/2009



YK901-YM670

ENGINE 2 TURBINE CLEARANCE / TEMPERATURE

75-31-21

Page 2

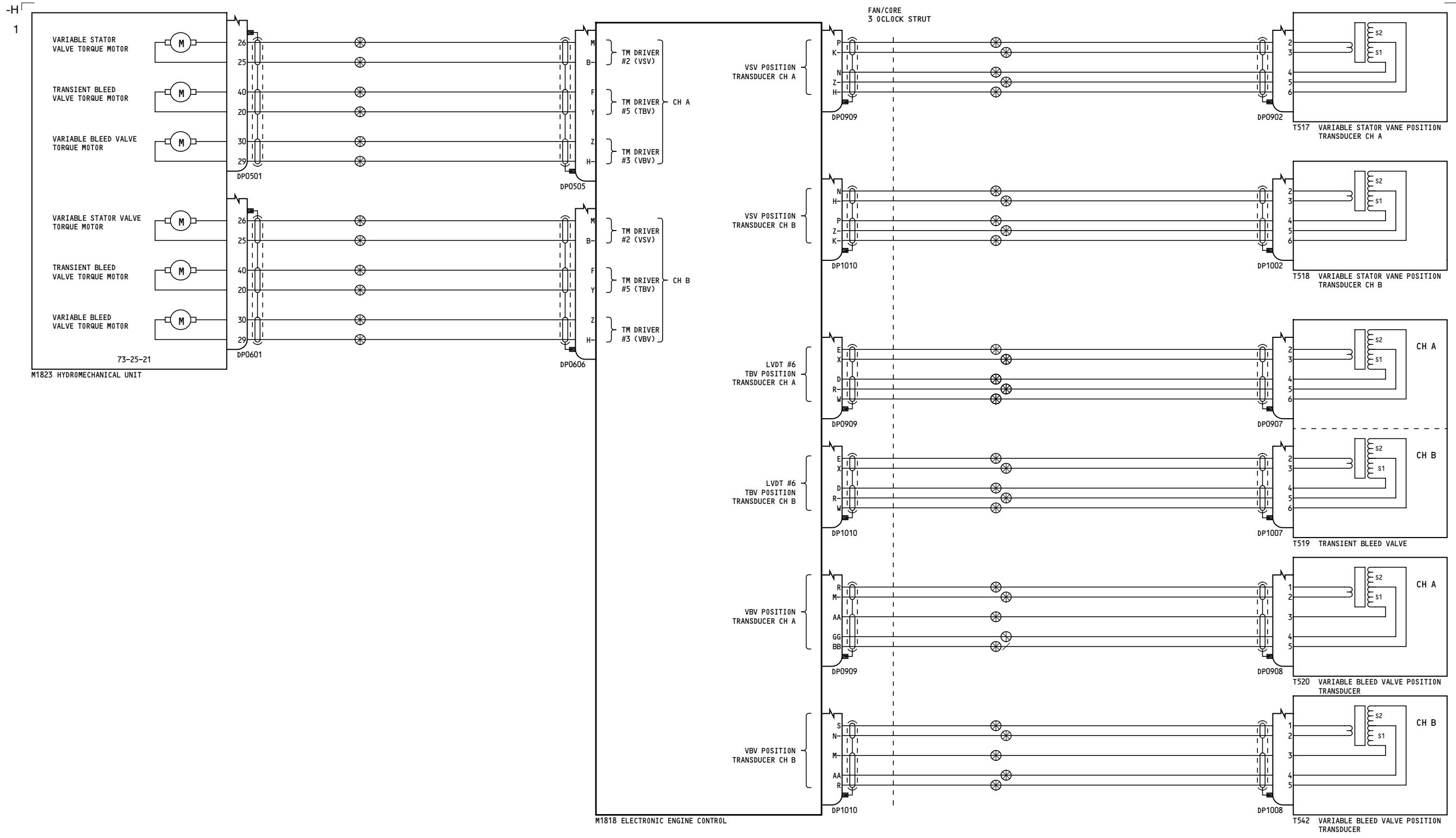
D280A103

Feb 09/2009

75-31-21

Page 2

Feb 09/2009



NOTES:

1 SINGLE ANNULAR COMBUSTOR CONFIGURATION

ALL	<p>ENGINE 2 VARIABLE STATOR VANE / BLEED CONTROL</p> <p>D280A103</p>
-----	---

75-31-22

Page 1

Feb 09/2009

75-31-22

Page 1

Feb 09/2009