



COMPONENT MAINTENANCE MANUAL WITH ILLUSTRATED PARTS LIST

UNDERBIN PASSENGER SERVICE UNIT ASSEMBLY

PART NUMBER

**417N3100–137, –138, –139, –140, –153, –154, –157,
–158, –159, –160, –168, –181, –182, –183, –184, –185,
–186, –188, –231, –232, –233, –234, –235, –236, –238,**

BOEING PROPRIETARY, CONFIDENTIAL, AND/OR TRADE SECRET

Copyright © 1995 The Boeing Company
Unpublished Work - All Rights Reserved

Boeing claims copyright in each page of this document only to the extent that the page contains copyrightable subject matter. Boeing also claims copyright in this document as a compilation and/or collective work.

This document includes proprietary information owned by The Boeing Company and/or one or more third parties. Treatment of the document and the information it contains is governed by contract with Boeing. For more information, contact The Boeing Company, P.O. Box 3707, Seattle, Washington 98124.

Boeing, the Boeing signature, the Boeing symbol, 707, 717, 727, 737, 747, 757, 767, 777, 787, Dreamliner, BBJ, DC-8, DC-9, DC-10, KC-10, KDC-10, MD-10, MD-11, MD-80, MD-88, MD-90, P-8A, Poseidon and the Boeing livery are all trademarks owned by The Boeing Company; and no trademark license is granted in connection with this document unless provided in writing by Boeing.

PUBLISHED BY BOEING COMMERCIAL AIRPLANES GROUP, SEATTLE, WASHINGTON, USA
A DIVISION OF THE BOEING COMPANY
PAGE DATE: Jul 01/2009

25-23-30

Page 1
Jul 01/2009



COMPONENT MAINTENANCE MANUAL

PART NUMBER (Cont.)

417N3100-273, -274, -275, -276, -280, -289, -290, -291, -292, -303, -304, -305, -306, -328, -334, -338, -347, -348, -349, -350, -353, -354, -361, -362, -391, -393, -395, -396, -401, -403, -405, -410, -412, -414, -416, -431, -433, -444, -446, -448, -450, -472, -547, -548, -549, -550, -552, -611, -612, -613, -614, -615, -616, -676, -678, -679, -680, -681, -682, -683, -684, -700, -701, -702, -703, -704, -705, -707, -708, -712, -713, -714, -717, -718, -719, -720, -723, -724, -728, -735SP, -736SP, -737SP, -738SP, -741SP, -742SP, -743SP, -744SP, -748SP, -749SP, -751SP

25-23-30



COMPONENT MAINTENANCE MANUAL

Revision No. 17
Jul 01/2009

To: All holders of UNDERBIN PASSENGER SERVICE UNIT ASSEMBLY 25-23-30.

Attached is the current revision to this COMPONENT MAINTENANCE MANUAL

The COMPONENT MAINTENANCE MANUAL is furnished either as a printed manual, on microfilm, or digital products, or any combination of the three. This revision replaces all previous microfilm cartridges or digital products. All microfilm and digital products are reissued with all obsolete data deleted and all updated pages added.

For printed manuals, changes are indicated on the List of Effective Pages (LEP). The pages which are revised will be identified on the LEP by an R (Revised), A (Added), O (Overflow, i.e. changes to the document structure and/or page layout), or D (Deleted). Each page in the LEP is identified by Chapter-Section-Subject number, page number and page date.

Pages replaced or made obsolete by this revision should be removed and destroyed.

ATTENTION

IF YOU RECEIVE PRINTED REVISIONS, PLEASE VERIFY THAT YOU HAVE RECEIVED AND FILED THE PREVIOUS REVISION. BOEING MUST BE NOTIFIED WITHIN 30 DAYS IF YOU HAVE NOT RECEIVED THE PREVIOUS REVISION. REQUESTS FOR REVISIONS OTHER THAN THE PREVIOUS REVISION WILL REQUIRE A COMPLETE MANUAL REPRINT SUBJECT TO REPRINT CHARGES SHOWN IN THE DATA AND SERVICES CATALOG.

25-23-30
TRANSMITTAL LETTER
Page 1
Jul 01/2009



COMPONENT MAINTENANCE MANUAL

Location of Change

Description of Change

NO HIGHLIGHTS

25-23-30

HIGHLIGHTS

Page 1

Jul 01/2009



COMPONENT MAINTENANCE MANUAL

Subject/Page	Date	Subject/Page	Date	Subject/Page	Date
TITLE PAGE		25-23-30 CLEANING		25-23-30 ILLUSTRATED PARTS LIST	
O 1	Jul 01/2009	401	Jul 01/2007	1001	Nov 01/2008
O 2	Jul 01/2009	402	BLANK	1002	Jul 01/2007
25-23-30 TRANSMITTAL LETTER		25-23-30 CHECK		1003	Jul 01/2007
O 1	Jul 01/2009	501	Jul 01/2007	1004	Jul 01/2007
2	BLANK	502	Jul 01/2007	1005	Jul 01/2007
25-23-30 HIGHLIGHTS		25-23-30 REPAIR - GENERAL		1006	Jul 01/2007
O 1	Jul 01/2009	601	Jul 01/2007	1007	Jul 01/2007
2	BLANK	602	BLANK	1008	Jul 01/2007
25-23-30 EFFECTIVE PAGES		25-23-30 REPAIR 2-1		1009	Jul 01/2007
1 thru 5	Jul 01/2009	601	Jul 01/2007	1010	Jul 01/2007
6	BLANK	602	Jul 01/2007	1011	Jul 01/2007
25-23-30 CONTENTS		25-23-30 REPAIR 3-1		1012	Jul 01/2007
1	Jul 01/2007	601	Jul 01/2007	1013	Jul 01/2007
2	BLANK	602	BLANK	1014	Jul 01/2007
25-23-30 TR AND SB RECORD		25-23-30 REPAIR 4-1		1015	Jul 01/2007
1	Jul 01/2007	601	Jul 01/2007	1016	Jul 01/2007
2	BLANK	602	BLANK	1017	Jul 01/2007
25-23-30 REVISION RECORD		25-23-30 REPAIR 5-1		1018	Jul 01/2007
1	Jul 01/2007	601	Jul 01/2007	1019	Jul 01/2007
2	Jul 01/2007	602	Jul 01/2007	1020	Jul 01/2007
25-23-30 RECORD OF TEMPORARY REVISIONS		25-23-30 REPAIR 6-1		1021	Jul 01/2007
1	Jul 01/2007	601	Jul 01/2007	1022	Jul 01/2007
2	Jul 01/2007	602	Jul 01/2007	1023	Jul 01/2007
25-23-30 INTRODUCTION		25-23-30 ASSEMBLY		1024	Jul 01/2007
1	Mar 01/2009	701	Nov 01/2008	1025	Jul 01/2007
2	BLANK	702	Jul 01/2007	1026	Jul 01/2007
25-23-30 DESCRIPTION AND OPERATION		703	Jul 01/2007	1027	Jul 01/2007
1	Jul 01/2007	704	Jul 01/2007	1028	Jul 01/2007
2	BLANK	705	Jul 01/2007	1029	Jul 01/2007
25-23-30 TESTING AND FAULT ISOLATION		706	Jul 01/2007	1030	Jul 01/2007
101	Jul 01/2007	707	Jul 01/2007	1031	Jul 01/2007
102	Jul 01/2007	708	BLANK	1032	Jul 01/2007
103	Jul 01/2007	25-23-30 FITS AND CLEARANCES		1033	Jul 01/2007
104	Jul 01/2007	801	Jul 01/2007	1034	Jul 01/2007
25-23-30 DISASSEMBLY		802	BLANK	1035	Jul 01/2007
301	Nov 01/2008	25-23-30 SPECIAL TOOLS, FIXTURES, AND EQUIPMENT		1036	Jul 01/2007
302	Jul 01/2007	901	Mar 01/2009	1037	Jul 01/2007
		902	BLANK	1038	Jul 01/2007
				1039	Jul 01/2007

A = Added, R = Revised, D = Deleted, O = Overflow

25-23-30

EFFECTIVE PAGES

Page 1

Jul 01/2009



COMPONENT MAINTENANCE MANUAL

Subject/Page	Date	Subject/Page	Date	Subject/Page	Date
25-23-30 ILLUSTRATED PARTS LIST (cont)		25-23-30 ILLUSTRATED PARTS LIST (cont)		25-23-30 ILLUSTRATED PARTS LIST (cont)	
1040	Jul 01/2007	1078	Jul 01/2007	1098.18	Jul 01/2007
1041	Jul 01/2007	1079	Jul 01/2007	1098.19	Jul 01/2007
1042	Jul 01/2007	1080	Jul 01/2007	1098.20	Jul 01/2007
1043	Jul 01/2007	1081	Jul 01/2007	1098.21	Jul 01/2007
1044	Jul 01/2007	1082	Jul 01/2007	1098.22	Jul 01/2007
1045	Jul 01/2007	1083	Jul 01/2007	1098.23	Jul 01/2007
1046	Jul 01/2007	1084	Jul 01/2007	1098.24	Jul 01/2007
1047	Jul 01/2007	1085	Jul 01/2007	1098.25	Jul 01/2007
1048	Jul 01/2007	1086	Jul 01/2007	1098.26	Jul 01/2007
1049	Jul 01/2007	1087	Jul 01/2007	1098.27	Jul 01/2007
1050	Jul 01/2007	1088	Jul 01/2007	1098.28	Jul 01/2007
1051	Jul 01/2007	1089	Jul 01/2007	1098.29	Jul 01/2007
1052	Jul 01/2007	1090	Jul 01/2007	1098.30	Jul 01/2007
1053	Jul 01/2007	1091	Jul 01/2007	1098.31	Jul 01/2007
1054	Jul 01/2007	1092	Jul 01/2007	1098.32	Jul 01/2007
1055	Jul 01/2007	1093	Jul 01/2007	1098.33	Jul 01/2007
1056	Jul 01/2007	1094	Jul 01/2007	1098.34	Jul 01/2007
1057	Jul 01/2007	1095	Jul 01/2007	1098.35	Jul 01/2007
1058	Jul 01/2007	1096	Jul 01/2007	1098.36	Jul 01/2007
1059	Jul 01/2007	1097	Jul 01/2007	1098.37	Jul 01/2007
1060	Jul 01/2007	1098	Jul 01/2007	1098.38	Jul 01/2007
1061	Jul 01/2007	1098.1	Jul 01/2007	1098.39	Jul 01/2007
1062	Jul 01/2007	1098.2	Jul 01/2007	1098.40	Jul 01/2007
1063	Jul 01/2007	1098.3	Jul 01/2007	1098.41	Jul 01/2007
1064	Jul 01/2007	1098.4	Jul 01/2007	1098.42	Jul 01/2007
1065	Jul 01/2007	1098.5	Jul 01/2007	1098.43	Jul 01/2007
1066	Jul 01/2007	1098.6	Jul 01/2007	1098.44	Jul 01/2007
1067	Jul 01/2007	1098.7	Jul 01/2007	1098.45	Jul 01/2007
1068	Jul 01/2007	1098.8	Jul 01/2007	1098.46	Jul 01/2007
1069	Jul 01/2007	1098.9	Jul 01/2007	1098.47	Jul 01/2007
1070	Jul 01/2007	1098.10	Jul 01/2007	1098.48	Jul 01/2007
1071	Jul 01/2007	1098.11	Jul 01/2007	1098.49	Jul 01/2007
1072	Jul 01/2007	1098.12	Jul 01/2007	1098.50	Jul 01/2007
1073	Jul 01/2007	1098.13	Jul 01/2007	1098.51	Jul 01/2007
1074	Jul 01/2007	1098.14	Jul 01/2007	1098.52	Jul 01/2007
1075	Jul 01/2007	1098.15	Jul 01/2007	1098.53	Jul 01/2007
1076	Jul 01/2007	1098.16	Jul 01/2007	1098.54	Jul 01/2007
1077	Jul 01/2007	1098.17	Jul 01/2007	1098.55	Jul 01/2007

A = Added, R = Revised, D = Deleted, O = Overflow

25-23-30

EFFECTIVE PAGES

Page 2

Jul 01/2009



COMPONENT MAINTENANCE MANUAL

Subject/Page	Date	Subject/Page	Date	Subject/Page	Date
25-23-30 ILLUSTRATED PARTS LIST (cont)		25-23-30 ILLUSTRATED PARTS LIST (cont)		25-23-30 ILLUSTRATED PARTS LIST (cont)	
1098.56	Jul 01/2007	1098.94	Jul 01/2007	1098.132	Jul 01/2007
1098.57	Jul 01/2007	1098.95	Jul 01/2007	1098.133	Jul 01/2007
1098.58	Jul 01/2007	1098.96	Jul 01/2007	1098.134	Jul 01/2007
1098.59	Jul 01/2007	1098.97	Jul 01/2007	1098.135	Jul 01/2007
1098.60	Jul 01/2007	1098.98	Jul 01/2007	1098.136	Jul 01/2007
1098.61	Jul 01/2007	1098.99	Jul 01/2007	1098.137	Jul 01/2007
1098.62	Jul 01/2007	1098.100	Jul 01/2007	1098.138	Jul 01/2007
1098.63	Jul 01/2007	1098.101	Jul 01/2007	1098.139	Jul 01/2007
1098.64	Jul 01/2007	1098.102	Jul 01/2007	1098.140	Jul 01/2007
1098.65	Jul 01/2007	1098.103	Jul 01/2007	1098.141	Jul 01/2007
1098.66	Jul 01/2007	1098.104	Jul 01/2007	1098.142	Jul 01/2007
1098.67	Jul 01/2007	1098.105	Jul 01/2007	1098.143	Jul 01/2007
1098.68	Jul 01/2007	1098.106	Jul 01/2007	1098.144	Jul 01/2007
1098.69	Jul 01/2007	1098.107	Jul 01/2007	1098.145	Jul 01/2007
1098.70	Jul 01/2007	1098.108	Jul 01/2007	1098.146	Jul 01/2007
1098.71	Jul 01/2007	1098.109	Jul 01/2007	1098.147	Jul 01/2007
1098.72	Jul 01/2007	1098.110	Jul 01/2007	1098.148	Jul 01/2007
1098.73	Jul 01/2007	1098.111	Jul 01/2007	1098.149	Jul 01/2007
1098.74	Jul 01/2007	1098.112	Jul 01/2007	1098.150	Jul 01/2007
1098.75	Jul 01/2007	1098.113	Jul 01/2007	1098.151	Jul 01/2007
1098.76	Jul 01/2007	1098.114	Jul 01/2007	1098.152	Jul 01/2007
1098.77	Jul 01/2007	1098.115	Jul 01/2007	1098.153	Jul 01/2007
1098.78	Jul 01/2007	1098.116	Jul 01/2007	1098.154	Jul 01/2007
1098.79	Jul 01/2007	1098.117	Jul 01/2007	1098.155	Jul 01/2007
1098.80	Jul 01/2007	1098.118	Jul 01/2007	1098.156	Jul 01/2007
1098.81	Jul 01/2007	1098.119	Jul 01/2007	1098.157	Jul 01/2007
1098.82	Jul 01/2007	1098.120	Jul 01/2007	1098.158	Jul 01/2007
1098.83	Jul 01/2007	1098.121	Jul 01/2007	1098.159	Jul 01/2007
1098.84	Jul 01/2007	1098.122	Jul 01/2007	1098.160	Jul 01/2007
1098.85	Jul 01/2007	1098.123	Jul 01/2007	1098.161	Jul 01/2007
1098.86	Jul 01/2007	1098.124	Jul 01/2007	1098.162	Jul 01/2007
1098.87	Jul 01/2007	1098.125	Jul 01/2007	1098.163	Jul 01/2007
1098.88	Jul 01/2007	1098.126	Jul 01/2007	1098.164	Jul 01/2007
1098.89	Jul 01/2007	1098.127	Jul 01/2007	1098.165	Jul 01/2007
1098.90	Jul 01/2007	1098.128	Jul 01/2007	1098.166	Jul 01/2007
1098.91	Jul 01/2007	1098.129	Jul 01/2007	1098.167	Jul 01/2007
1098.92	Jul 01/2007	1098.130	Jul 01/2007	1098.168	Jul 01/2007
1098.93	Jul 01/2007	1098.131	Jul 01/2007	1098.169	Jul 01/2007

A = Added, R = Revised, D = Deleted, O = Overflow

25-23-30

EFFECTIVE PAGES

Page 3

Jul 01/2009



COMPONENT MAINTENANCE MANUAL

Subject/Page	Date	Subject/Page	Date	Subject/Page	Date
25-23-30 ILLUSTRATED PARTS LIST (cont)		25-23-30 ILLUSTRATED PARTS LIST (cont)		25-23-30 ILLUSTRATED PARTS LIST (cont)	
1098.170	Jul 01/2007	1098.208	Jul 01/2007	1098.246	Jul 01/2007
1098.171	Jul 01/2007	1098.209	Jul 01/2007	1098.247	Jul 01/2007
1098.172	Jul 01/2007	1098.210	Jul 01/2007	1098.248	Jul 01/2007
1098.173	Jul 01/2007	1098.211	Jul 01/2007	1098.249	Jul 01/2007
1098.174	Jul 01/2007	1098.212	Jul 01/2007	1098.250	Jul 01/2007
1098.175	Jul 01/2007	1098.213	Jul 01/2007	1098.251	Jul 01/2007
1098.176	Jul 01/2007	1098.214	Jul 01/2007	1098.252	Jul 01/2007
1098.177	Jul 01/2007	1098.215	Jul 01/2007	1098.253	Jul 01/2007
1098.178	Jul 01/2007	1098.216	Jul 01/2007	1098.254	Jul 01/2007
1098.179	Jul 01/2007	1098.217	Jul 01/2007	1098.255	Jul 01/2007
1098.180	Jul 01/2007	1098.218	Jul 01/2007	1098.256	Jul 01/2007
1098.181	Jul 01/2007	1098.219	Jul 01/2007	1098.257	Jul 01/2007
1098.182	Jul 01/2007	1098.220	Jul 01/2007	1098.258	Jul 01/2007
1098.183	Jul 01/2007	1098.221	Jul 01/2007	1098.259	Jul 01/2007
1098.184	Jul 01/2007	1098.222	Jul 01/2007	1098.260	Jul 01/2007
1098.185	Jul 01/2007	1098.223	Jul 01/2007	1098.261	Jul 01/2007
1098.186	Jul 01/2007	1098.224	Jul 01/2007	1098.262	Jul 01/2007
1098.187	Jul 01/2007	1098.225	Jul 01/2007	1098.263	Jul 01/2007
1098.188	Jul 01/2007	1098.226	Jul 01/2007	1098.264	Jul 01/2007
1098.189	Jul 01/2007	1098.227	Jul 01/2007	1098.265	Jul 01/2007
1098.190	Jul 01/2007	1098.228	Jul 01/2007	1098.266	Jul 01/2007
1098.191	Jul 01/2007	1098.229	Jul 01/2007	1098.267	Jul 01/2007
1098.192	Jul 01/2007	1098.230	Jul 01/2007	1098.268	Jul 01/2007
1098.193	Jul 01/2007	1098.231	Jul 01/2007	1098.269	Jul 01/2007
1098.194	Jul 01/2007	1098.232	Jul 01/2007	1098.270	Jul 01/2007
1098.195	Jul 01/2007	1098.233	Jul 01/2007	1098.271	Jul 01/2007
1098.196	Jul 01/2007	1098.234	Jul 01/2007	1098.272	Jul 01/2007
1098.197	Jul 01/2007	1098.235	Jul 01/2007	1098.273	Jul 01/2007
1098.198	Jul 01/2007	1098.236	Jul 01/2007	1098.274	Jul 01/2007
1098.199	Jul 01/2007	1098.237	Jul 01/2007	1098.275	Jul 01/2007
1098.200	Jul 01/2007	1098.238	Jul 01/2007	1098.276	Jul 01/2007
1098.201	Jul 01/2007	1098.239	Jul 01/2007	1098.277	Jul 01/2007
1098.202	Jul 01/2007	1098.240	Jul 01/2007	1098.278	Jul 01/2007
1098.203	Jul 01/2007	1098.241	Jul 01/2007	1098.279	Jul 01/2007
1098.204	Jul 01/2007	1098.242	Jul 01/2007	1098.280	Jul 01/2007
1098.205	Jul 01/2007	1098.243	Jul 01/2007	1098.281	Jul 01/2007
1098.206	Jul 01/2007	1098.244	Jul 01/2007	1098.282	Jul 01/2007
1098.207	Jul 01/2007	1098.245	Jul 01/2007	1098.283	Jul 01/2007

A = Added, R = Revised, D = Deleted, O = Overflow

25-23-30

EFFECTIVE PAGES

Page 4

Jul 01/2009



COMPONENT MAINTENANCE MANUAL

Subject/Page	Date	Subject/Page	Date	Subject/Page	Date
25-23-30	ILLUSTRATED PARTS LIST				
(cont)					
1098.284	Jul 01/2007				
1098.285	Jul 01/2007				
1098.286	Jul 01/2007				
1098.287	Jul 01/2007				
1098.288	Jul 01/2007				
1098.289	Jul 01/2007				
1098.290	Jul 01/2007				
1098.291	Jul 01/2007				
1098.292	Jul 01/2007				
1098.293	Jul 01/2007				
1098.294	Jul 01/2007				
1098.295	Jul 01/2007				
1098.296	Jul 01/2007				
1098.297	Jul 01/2007				
1098.298	Jul 01/2007				
1098.299	Jul 01/2007				
1098.300	Jul 01/2007				
1098.301	Jul 01/2007				
1098.302	Jul 01/2007				
1098.303	Jul 01/2007				
1098.304	Jul 01/2007				
1098.305	Jul 01/2007				
1098.306	Jul 01/2007				
1098.307	Jul 01/2007				
1098.308	Jul 01/2007				
1098.309	Jul 01/2007				
1098.310	Jul 01/2007				
1098.311	Jul 01/2007				
1098.312	Jul 01/2007				
1098.313	Jul 01/2007				
1098.314	Jul 01/2007				

A = Added, R = Revised, D = Deleted, O = Overflow

25-23-30

EFFECTIVE PAGES

Page 5

Jul 01/2009

**COMPONENT MAINTENANCE MANUAL****TABLE OF CONTENTS**

<u>Paragraph Title</u>	<u>Page</u>
UNDERBIN PSU ASSEMBLY - DESCRIPTION AND OPERATION	1
TESTING AND FAULT ISOLATION	101
DISASSEMBLY	301
CLEANING	401
CHECK	501
REPAIR	601
ASSEMBLY	701
FITS AND CLEARANCES	(Not Applicable)
SPECIAL TOOLS, FIXTURES, AND EQUIPMENT	901
ILLUSTRATED PARTS LIST	1001

25-23-30

CONTENTS

Page 1

Jul 01/2007



COMPONENT MAINTENANCE MANUAL

TEMPORARY REVISION AND SERVICE BULLETIN RECORD

BOEING SERVICE BULLETIN	BOEING TEMPORARY REVISION	OTHER DIRECTIVE	DATE OF INCORPORATION INTO MANUAL
757-35A0006	25-1	PRR 52001-96	APR 10/86
			APR 01/88
		PRR 34206	JUL 01/88
		PRR 53751	JUL 01/88
737-35A1029			JUL 01/88
		PRR 33195-1	JUL 01/90
		PRR 52001-1	JUL 01/90
		MC N3520-004	JUL 01/90
		MC N3520-006	JUL 01/90
		PRR 53607-4	JUL 01/90
		PRR 54533 (757)	APR 01/93
		PRR 35133 (737)	APR 01/93
		PRR 54840-93	JUL 01/01

25-23-30

TR AND SB RECORD

Page 1

Jul 01/2007



COMPONENT MAINTENANCE MANUAL

All revisions to this manual will be accompanied by transmittal sheet bearing the revision number. Enter the revision number in numerical order, together with the revision date, the date filed and the initials of the person filing.

Revision		Filed		Revision		Filed	
Number	Date	Date	Initials	Number	Date	Date	Initials



COMPONENT MAINTENANCE MANUAL

All temporary revisions to this manual will be accompanied by a cover sheet bearing the temporary revision number. Enter the temporary revision number in numerical order, together with the temporary revision date, the date the temporary revision is inserted and the initials of the person filing.

When the temporary revision is incorporated or cancelled, and the pages are removed, enter the date the pages are removed and the initials of the person who removed the temporary revision.

Temporary Revision		Inserted		Removed		Temporary Revision		Inserted		Removed	
Number	Date	Date	Initials	Date	Initials	Date	Initials	Number	Date	Date	Initials



COMPONENT MAINTENANCE MANUAL

Temporary Revision		Inserted		Removed		Temporary Revision		Inserted		Removed	
Number	Date	Date	Initials	Date	Initials	Date	Initials	Number	Date	Date	Initials



COMPONENT MAINTENANCE MANUAL

INTRODUCTION

1. General

- A. The instructions in this manual supply the data necessary to do the maintenance functions together with the test, fault isolation, repair, and replacement of the defective parts.
- B. This manual is divided into different parts:
 - (1) Title Page
 - (2) Transmittal Letter
 - (3) Highlights
 - (4) List of Effective Pages
 - (5) Table of Contents
 - (6) Temporary Revision & Service Bulletin Record
 - (7) Record of Revisions
 - (8) Record of Temporary Revisions
 - (9) Introduction
 - (10) Procedures & IPL Sections
- C. Components that can be repaired have a different repair number for each specified repair. To find the repair number location of a component, look in the Repair-General procedure at the beginning of the REPAIR section. The Repair-General procedure also has an explanation of the True Position Dimension symbols used.
- D. All dimensions, measures, quantities and weights included are in English units. When metric equivalents are given they will be in the parentheses that follow the English units.
- E. The introduction to the Illustrated Parts List (IPL) shows how the IPL data is used.
- F. Design changes, optional parts, configuration differences and Service Bulletin modifications may cause different part numbers. These part numbers are identified in the IPL with an alphabetical letter which is added to the end of the basic item number. This new item number is referred to as an alpha-variant. Throughout the manual, IPL basic item number references also apply to alpha-variants unless shown differently.
- G. The tool reference numbers found in the individual procedures and in the Special Tools, Fixtures, and Equipment section are used to identify if a tool is a standard tool (STD-XXXX), a commercial tool (COM-XXXX), or a Special Tool (SPL-XXXX). This reference number is also used to distinguish between tools with similar names in the same procedure. These reference numbers are for use in the documentation only. They are not to be used for ordering tools.

25-23-30

INTRODUCTION

Page 1

Mar 01/2009



COMPONENT MAINTENANCE MANUAL

UNDERBIN PSU ASSEMBLY - DESCRIPTION AND OPERATION

1. Description

A. The underbin PSU (Passenger Service Unit) assembly typically consists of reading lights and switches, gasper (ventilation) air outlets, attendant call switch, a service module, loudspeaker, oxygen generator, oxygen box assembly, life preserver and support hardware. The underbin PSU assemblies included in this manual are full PSU's with single oxygen generators.

2. Operation

A. Depressurization of the airplane or manual operation of a switch automatically releases the oxygen masks to fall as limited by their lanyards. Pulling the masks further into position for usage causes the lanyards to pull a release cable assembly and release a firing pin in the generator ignition unit. This detonates a percussion cap which ignites the sodium chlorate core. As the core is consumed, oxygen is generated and flows to the masks.

3. Leading Particulars (Approximate)

- A. Width – 22 inches
- B. Length – 27 inches
- C. Height – 4 inches
- D. Weight – 5 pounds

25-23-30

DESCRIPTION AND OPERATION

Page 1

Jul 01/2007



COMPONENT MAINTENANCE MANUAL

TESTING AND FAULT ISOLATION

1. General

- A. This procedure has the data necessary to do a test of the underbin passenger service unit assembly after an overhaul or for fault isolation.

2. Test Equipment

NOTE: Equivalent substitute may be used.

- A. AC Power Supply – power supply, STD-5467 variable output, controllable to +28 volts, 400 Hz
- B. DC Power Supply – power supply, STD-4539 variable output, controllable to +28 volts, 2A
- C. Audio Signal Generator – 400 Hz signal (HP 205AG or equivalent)
- D. Light Bulb – 28v dc, 40mA lamp, COM-5826 (2 required)
- E. 1.5 Pound Weight

3. Oxygen System Test

- A. Refer to CMM 35-21-02 or CMM 35-21-03, Testing and Trouble Shooting, for oxygen system test.

4. Reading Lights and Switches Test (TESTING AND FAULT ISOLATION, Figure 101)

- A. Apply 28v ac to pin 6 and ground to pin 8.
- B. Depress reading light switches and verify each corresponding reading lamp lights. A. Remove 28v ac from pin 6 and ground from pin 8.

5. Attendant Call Test (TESTING AND FAULT ISOLATION, Figure 101)

NOTE: Perform attendant call test with call select switch in position 1, then position 2.

- A. Connect light bulb one (1) between pins 2 and 10 and light bulb two (2) between pins 4 and 10. Substitute pin 3 for pin 4 when call select switch is in position 2.
- B. For alternate configuration, connect light bulb one (1) between pins 9 and 10 and light bulb two (2) between pins 4 and 10. Substitute pin 3 for pin 4 when call select switch is in position 2.
- C. Apply 28v dc to pin 5 and ground to pin 10.
- D. Depress call switch and verify switch light and both external bulbs light.
- E. Release call switch and verify that light bulb one (1) goes out.
- F. Depress call switch and verify that switch light and light bulb two (2) go out and that light bulb one (1) does not light.
- G. Remove 28v dc from pin 5 and ground from pin 10. Remove both external bulbs.

6. Speaker Test (TESTING AND FAULT ISOLATION, Figure 101)

- A. If a unit has a speaker, apply 400-Hz output of signal generator at no more than 2 watts audio power to pins 13 and 14.
- B. Verify that there is a clear, undistorted 400 Hz tone.
- C. On assemblies with speaker muting relay, apply 28v dc to pin 12 or 15 and ground to pin 10.
- D. Verify that 400 Hz tone ceases.
- E. Remove signal from pins 13 and 14 and remove 28v dc from pin 12 or 15 and ground from pin 10.

7. Information Sign Test (TESTING AND FAULT ISOLATION, Figure 101)

- A. Apply 28v ac to pin 1 and ground to pin 8. Verify that FASTEN SEAT BELT sign lights.

25-23-30

TESTING AND FAULT ISOLATION

Page 101

Jul 01/2007



COMPONENT MAINTENANCE MANUAL

- B. Remove 28v ac from pin 1 and apply to pin 7. Verify that NO SMOKING sign lights.
- C. Remove 28v ac from pin 7 and ground from pin 8.

8. Life Vest System Test

- A. On assemblies with life vest, place 1.5 pound weight in life vest stowage compartment.
- B. Operate door latch manually.
- C. Verify door opens smoothly without binding.
- D. Close and latch door.
- E. Verify that door latches easily without binding.
- F. Remove the weight.

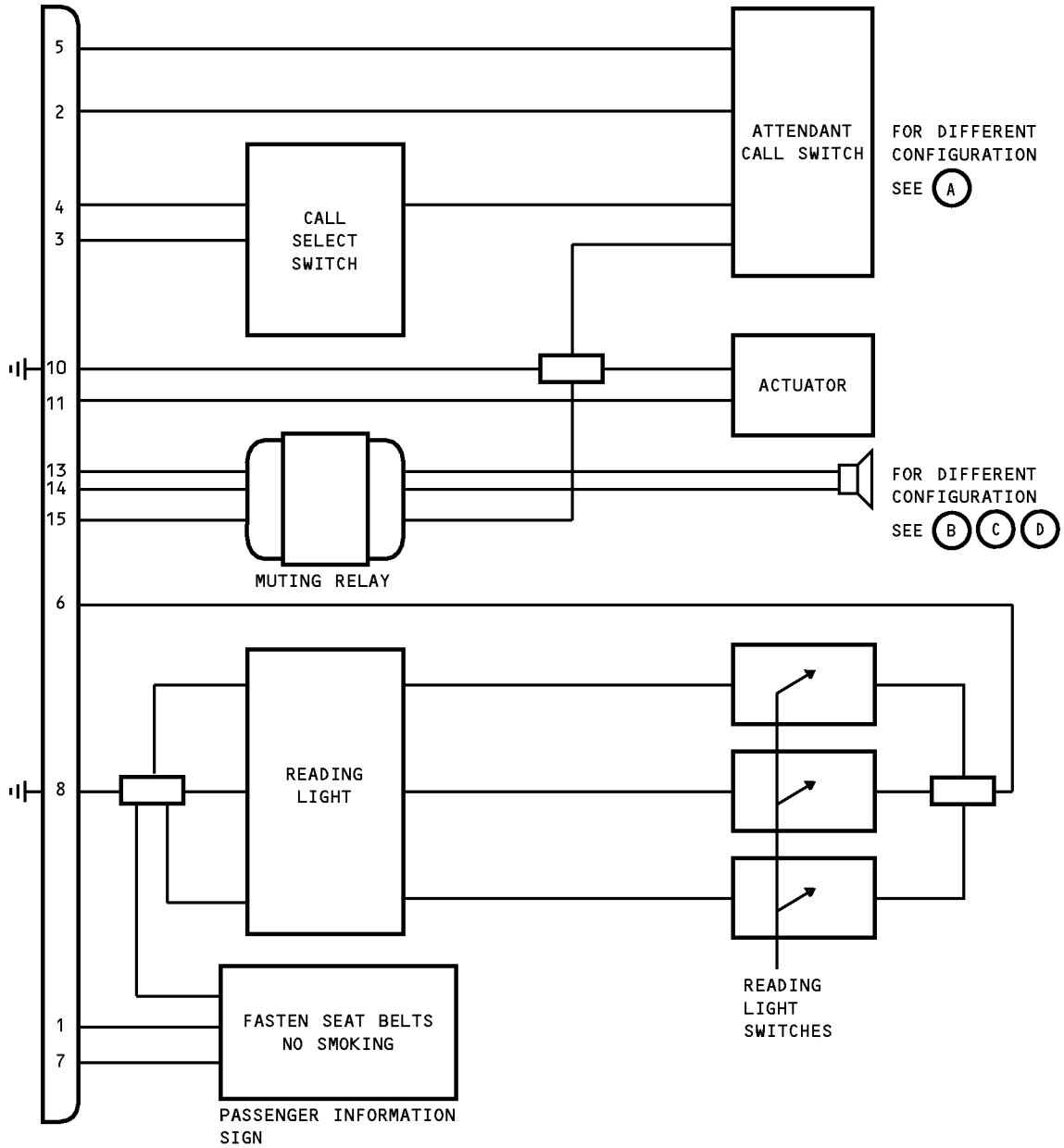
25-23-30

TESTING AND FAULT ISOLATION

Page 102

Jul 01/2007

COMPONENT MAINTENANCE MANUAL



Block Diagram
Figure 101 (Sheet 1 of 2)

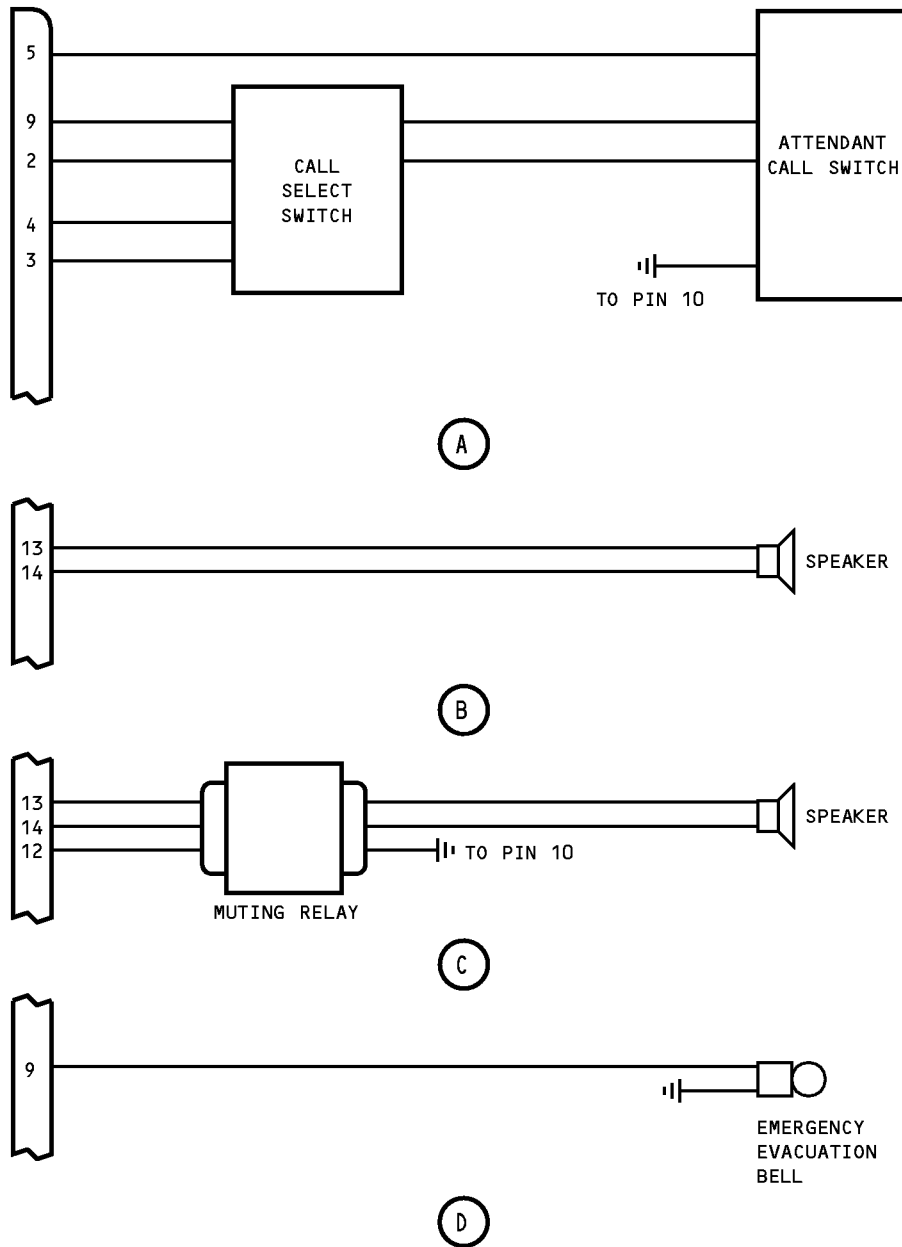
25-23-30

TESTING AND FAULT ISOLATION

Page 103

Jul 01/2007

COMPONENT MAINTENANCE MANUAL



Block Diagram
Figure 101 (Sheet 2 of 2)

25-23-30

TESTING AND FAULT ISOLATION

Page 104

Jul 01/2007



COMPONENT MAINTENANCE MANUAL

DISASSEMBLY

1. General

- A. This procedure has the data to disassemble the underbin passenger service unit assembly.
- B. Disassemble this component only as necessary to complete fault isolation, determine the serviceability of parts, perform required repairs, and restore the unit to serviceable condition.

2. Disassembly

A. Tools/Equipment

NOTE: Equivalent substitutes may be used.

Reference	Description
SPL-1936	Equipment - Firing Pin Retraction, BE Aerospace and AVOX oxygen generators (Part #: C35003-1, Supplier: 81205) (Opt Part #: A35001-10, Supplier: 81205)

B. References

Reference	Title
CMM 35-21-02	OXYGEN BOX ASSEMBLY
CMM 35-21-03	OXYGEN BOX ASSEMBLY

C. Procedure

WARNING: DO NOT ALLOW OIL, GREASE, FLAMMABLE SOLVENTS, DUST, LINT, FINE METAL FILINGS, OR OTHER COMBUSTIBLE MATERIAL TO CONTAMINATE PARTS THAT MAY BE EXPOSED TO OXYGEN. COMBUSTIBLE MATERIAL MAY IGNITE AND RESULT IN AN EXPLOSION WHEN EXPOSED TO OXYGEN. THE OXYGEN GENERATOR IS A PYROTECHNIC-ACTIVATED, HIGH-HEAT-PRODUCING UNIT WHICH CAN INFLICT SERIOUS BURNS. TO PREVENT INJURY TO PERSONNEL ENSURE THAT SAFETY PIN WITH WARNING FLAG IS PROPERLY INSTALLED ON GENERATOR.

CAUTION: PARTS OF PSU ASSEMBLY ARE VISIBLE FROM CABIN INTERIOR. SPECIAL CARE MUST BE TAKEN TO PREVENT MARRING OF VISIBLE SURFACES.

- (1) Label and disconnect reading lamp and reading light switch wires.
- (2) Open four quarter-turn fasteners and remove reading light.
- (3) Remove oxygen box.

CAUTION: VERIFY THAT A35001-8 SAFETY PIN WITH WARNING STREAMER IS INSTALLED ON GENERATOR IGNITION UNIT.

- (a) Remove release pin from generator ignition unit. Install A35001-8 safety pin (A35001-8 is a part of A35001-10 firing pin retraction pliers and safety pin, SPL-1936).
- (b) Pull supply line from generator outlet nozzle.
- (c) Remove fasteners and lift out oxygen box.
- (d) Refer to CMM 35-21-02 or CMM 35-21-03 for overhaul of oxygen box.

25-23-30

DISASSEMBLY

Page 301

Nov 01/2008



COMPONENT MAINTENANCE MANUAL

- (4) Remove screw and lift out oxygen generator.

NOTE: Do not disassemble frame further than necessary to trouble shoot and repair items on frame.

- (5) Remove screws and lift out bracket assembly.
- (6) On assemblies with speaker, disconnect wires from speaker, remove fasteners, then remove speaker and gasket.
- (7) Label and disconnect wires from switch, remove mounting nut and switch.
- (8) Cut straps and remove manifold and outlets.
- (9) Remove angles and fasteners and lift out module.
- (10) Remove lanyard.

25-23-30

DISASSEMBLY

Page 302

Jul 01/2007



COMPONENT MAINTENANCE MANUAL

CLEANING

1. General

- A. This procedure has the data necessary to clean the underbin passenger service unit assembly.
- B. Refer to the Standard Overhaul Practices Manual (SOPM) for the SOPM subjects identified in this procedure.

2. Cleaning

A. References

Reference	Title
SOPM 20-30-03	GENERAL CLEANING PROCEDURES

B. Procedure

CAUTION: USE ONLY LISTED CLEANING MATERIALS. USE OF OTHER MATERIALS MAY CAUSE INSTANTANEOUS AND VISUALLY - UNDETECTABLE DAMAGE.

- (1) Clean all plastic parts per SOPM 20-30-03, Cleaning of Interior Painted or Plastic Surfaces.
- (2) Use standard industry practices for cleaning aluminum parts.

WARNING: DO NOT ALLOW OIL, GREASE, FLAMMABLE SOLVENTS, DUST, LINT, FINE METAL FILINGS, OR OTHER COMBUSTIBLE MATERIALS TO CONTAMINATE PARTS THAT WILL BE EXPOSED TO OXYGEN. COMBUSTIBLE MATERIAL MAY IGNITE AND RESULT IN AN EXPLOSION WHEN EXPOSED TO OXYGEN.

- (3) Clean all vendor supplied oxygen system components per appropriate vendor's instructions.
- (4) Clean all oxygen system tubing and fittings by vapor degreasing per SOPM 20-30-03.

25-23-30

CLEANING

Page 401

Jul 01/2007



COMPONENT MAINTENANCE MANUAL

CHECK

1. General

- A. This procedure has the data necessary to find defects in the material of the specified parts.
- B. Refer to the Standard Overhaul Practices Manual (SOPM) for the SOPM subjects identified in this procedure.

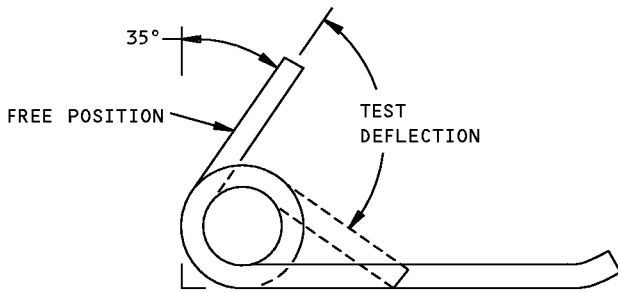
2. Check

- A. Check all parts for obvious defects using standard industry practices.
- B. Check color band around oxygen generator - if it is black, replace generator.
- C. Check springs per CHECK, Figure 501. Check also that spring surface is clean and free from nicks and scratches.

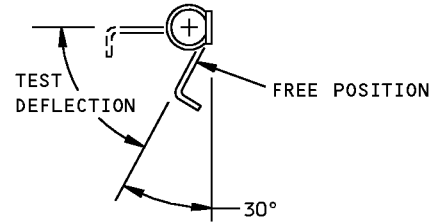
25-23-30

CHECK
Page 501
Jul 01/2007

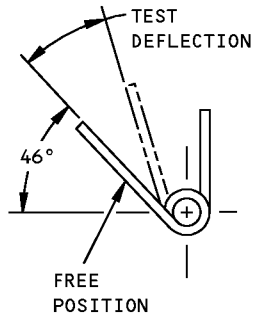
COMPONENT MAINTENANCE MANUAL



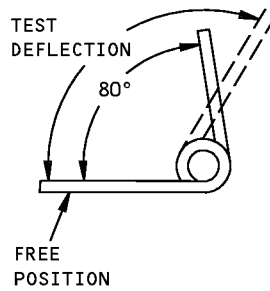
417N3173-1



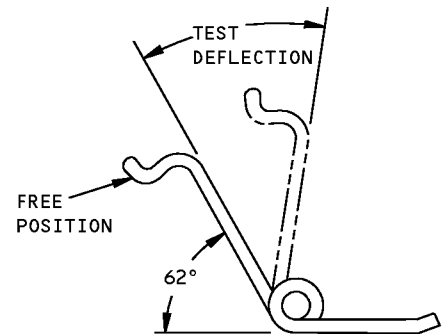
417N3173-6



417N3173-9



417N3173-13



417N3173-14

PART NUMBER	TEST DEFLECTION (DEG)	LOAD (LB-IN)
417N3173-1	48-52	0.63 - 0.77
	88-92	1.35 - 1.65
417N3173-6	58-62	2.0 - 2.4
417N3173-9	25-29	0.65 - 0.75
417N3173-13	118-122	0.45 - 0.54
417N3173-14	35.5-39.5	0.20 - 0.30

Spring Check
Figure 501

25-23-30



COMPONENT MAINTENANCE MANUAL

REPAIR

1. Content

A. Refinish and replacement procedures are included in separate repair sections as follows:

Table 601:

P/N	NAME	REPAIR
–	DELETED	1-1
–	MISC PARTS REFINISH	2-1
417N3105	MODULE ASSEMBLY	3-1
417N3110	FRAME ASSEMBLY	4-1
417N3190	LANYARD ASSEMBLY	5-1
417N3180	CLAMP ASSEMBLY	6-1

2. Standard Practices

A. Refer to the following standard practices, as applicable, for details of procedures in individual repairs:

- (1) SOPM 20-30-02 Stripping of Protective Finishes
- (2) SOPM 20-30-03 General Cleaning Procedures
- (3) SOPM 20-41-01 Decoding Table for Boeing Finish Codes
- (4) SOPM 20-41-02 Application of Chemical and Solvent Resistant Finishes
- (5) SOPM 20-41-04 Application and Repair of Interior Decorative Finishes
- (6) SOPM 20-43-01 Chromic Acid Anodizing
- (7) SOPM 20-50-05 Application of Aluminum Foil and Other Markers
- (8) SOPM 20-50-12 Application of Adhesives
- (9) SOPM 20-60-02 Finishing Materials
- (10) SOPM 20-70-01 Protection, Storage, and Handling of Airplane Components

3. Materials

NOTE: Equivalent substitutes may be used.

NOTE: Replace markers as necessary per SOPM 20-50-05 and IPL Figure 1, IPL Figure 2, IPL Figure 3, IPL Figure 4, IPL Figure 5, IPL Figure 6, IPL Figure 7, IPL Figure 8, IPL Figure 9, IPL Figure 10, IPL Figure 11, IPL Figure 12, IPL Figure 13, IPL Figure 14, IPL Figure 15, IPL Figure 16.

- A. Primer – primer, C00259, BMS 10-11, Type 1 (SOPM 20-60-02)
- B. Adhesive – adhesive, A00028, BAC5010, Type 70 (BMS 5-92, Type 1)
- C. Adhesive – urethane adhesive, A50055, BAC 5010, Type 89 (BMS 5-105)
- D. Enamel – coating, C00260, BMS 10-11, Type 2

25-23-30

REPAIR - GENERAL

Page 601

Jul 01/2007



COMPONENT MAINTENANCE MANUAL

MISCELLANEOUS PARTS REFINISH - REPAIR 2-1

1. General

- A. This repair gives the data that is necessary to refinish the parts which are not given in the specified repairs.
- B. Refer to REPAIR-GENERAL, Paragraph 2. for the Standard Overhaul Practices Manual (SOPM) subjects identified in this procedure.
- C. Refer to REPAIR-GENERAL, Paragraph 3. for the description of the Material codes identified in this procedure.

2. Repair

- A. Refer to REPAIR 2-1, Table 601 for refinish details.

Table 601: Refinish Details

PART NAME and NUMBER	MATERIAL	FINISH
Angles: 417N3083-1, 417N3122-65, -71, -107, -108, -115	Al alloy	Chemical treat all surfaces per MIL-C-5541 (F-17.07).
417N3122-14	Al alloy	Chromic acid anodize type 1 and apply BMS 10-11, Type 1 primer, C00259 (F-18-13).
Brackets: 417N3121-138, -315, -316, 417N3122-54, -57, -60, -61, -111, -112	Al alloy	Chemical treat all surfaces per MIL-C-5541 (F-17.07).
417N3102-1, 417N3136-12, -14, -15, -16, -21, -99, -103, -104, -110, -111, 417N3161-7	Al alloy	Chromic acid anodize type 1 and apply BMS 10-11, Type 1, primer, C00259 (F-18.3).
417N3122-3, -4, -53	Al alloy	Chemical treat all surfaces and apply BMS 10-11, Type 1 primer, C00259 (F-18.06).
Bars: 417N3144-17, -18	Music wire	Cadmium plate 0.0002 to 0.0004 inch, type 2, class 3 (F-15.02).
Gussels: 417N3083-2,-3,-4, 417N3121-138	Al alloy	Chemical treat all surfaces per MIL-C-5541 (F-17.07).
Hinges: 417N3114-7, -8, -9, -10, -11, -16, 417N3811-13	Al alloy	Chromic acid anodize type 1 and apply BMS 10-11, Type 1 primer, C00259 (F-18.13).
Links: 417N3181-1, 65-85902-1	Al alloy	Chromic acid anodize (F-2.26).
Retainers: 417N3122-48, -49, -50	Al alloy	Chromic acid anodize type 1 and apply BMS 10-11, Type 1 primer, C00259 (F-18.13).

25-23-30

REPAIR 2-1

Page 601

Jul 01/2007



COMPONENT MAINTENANCE MANUAL

Table 601: Refinish Details (Continued)

PART NAME and NUMBER	MATERIAL	FINISH
Springs: 417N3173-1, -6, -9, -13, -14, 65C16899-6	Music wire	Cadmium plate 0.0002 to 0.0004 inch, type 2, class 3 (F-15.02).
Stiffeners: 417N3121-27, -28, -35, -36, -49, -50, -51, -52, -63, -64, -67, -68, -71, -72, -74, -81, -82, -83, -84, -115, -116, -117, -118, -119, -120, -141, -142, -165, - 166, -171, -172, -177, -178, -181, -182, -187, -188, -191, -195, -196, -202, -213, -214, -271, -272, - 274, -280, -281, -282, -303, -304, -306, -311, -312, -314	Al alloy	Chemical treat all surfaces per MIL-C-5541 (F-17.07).

25-23-30

REPAIR 2-1

Page 602

Jul 01/2007



COMPONENT MAINTENANCE MANUAL

MODULE ASSEMBLY - REPAIR 3-1

417N3105-4, -5, -6, -8, -9

1. General

- A. This repair gives the data that is necessary to refinish the module assembly.
- B. Refer to REPAIR-GENERAL, Paragraph 2. for the Standard Overhaul Practices Manual (SOPM) subjects identified in this procedure.
- C. Refer to REPAIR-GENERAL, Paragraph 3. for the description of the Material codes identified in this procedure.

2. Bracket Replacement

- A. Bond brackets (417N3122-53, -111) to corresponding modules (417N3101-1, -2, -5, -6) using adhesive, A00028, optional urethane adhesive, A50055 per SOPM 20-50-12.

25-23-30

REPAIR 3-1

Page 601

Jul 01/2007



COMPONENT MAINTENANCE MANUAL

FRAME ASSEMBLY - REPAIR 4-1

417N3110-5, -6, -11, -12, -31, -32, -35, -36, -61, -62, -78, -187, -188

1. General

- A. This repair gives the data that is necessary to refinish the frame assembly.
- B. Refer to REPAIR-GENERAL, Paragraph 2. for the Standard Overhaul Practices Manual (SOPM) subjects identified in this procedure.
- C. Refer to REPAIR-GENERAL, Paragraph 3. for the description of the Material codes identified in this procedure.

2. Component Replacement

- A. Bond studs (417N3122-6, SL6189-8-4, -6) to frame using adhesive, A00028 Type 70, optional urethane adhesive, A50055 Type 89 per SOPM 20-50-12.
- B. Bond grommets (NAS557-12A, -10A, BACG20ZA0235) to frame using adhesive, A00028, optional urethane adhesive, A50055 per SOPM 20-50-12.

25-23-30

REPAIR 4-1

Page 601

Jul 01/2007



COMPONENT MAINTENANCE MANUAL

LANYARD ASSEMBLY - REPAIR 5-1

417N3190-1, -8, -9

1. General

- A. This repair gives the data that is necessary to refinish the lanyard assembly.
- B. Refer to REPAIR-GENERAL, Paragraph 2. for the Standard Overhaul Practices Manual (SOPM) subjects identified in this procedure.
- C. Refer to REPAIR-GENERAL, Paragraph 3. for the description of the Material codes identified in this procedure.

2. Lanyard Replacement (417N3190-1)

- A. Attach spring, spacer and hook by crimping sleeves to cord per REPAIR 5-1, Figure 601.
- B. Make loop in end of cord opposite spring and crimp sleeves.
- C. Heat seal both ends of cord.

3. Lanyard Replacement (417N3190-8)

- A. Install terminals on cord and crimp in place.

4. Lanyard Replacement (417N3190-9)

- A. Install terminal on cord and crimp in place.
- B. Attach spring by crimping sleeves to cord per REPAIR 5-1, Figure 601.

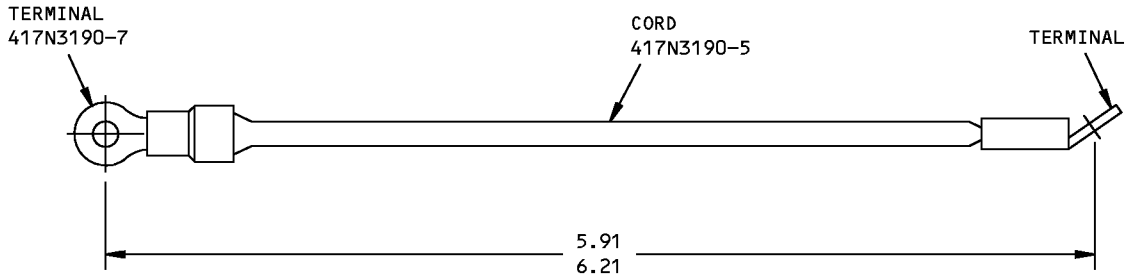
25-23-30

REPAIR 5-1

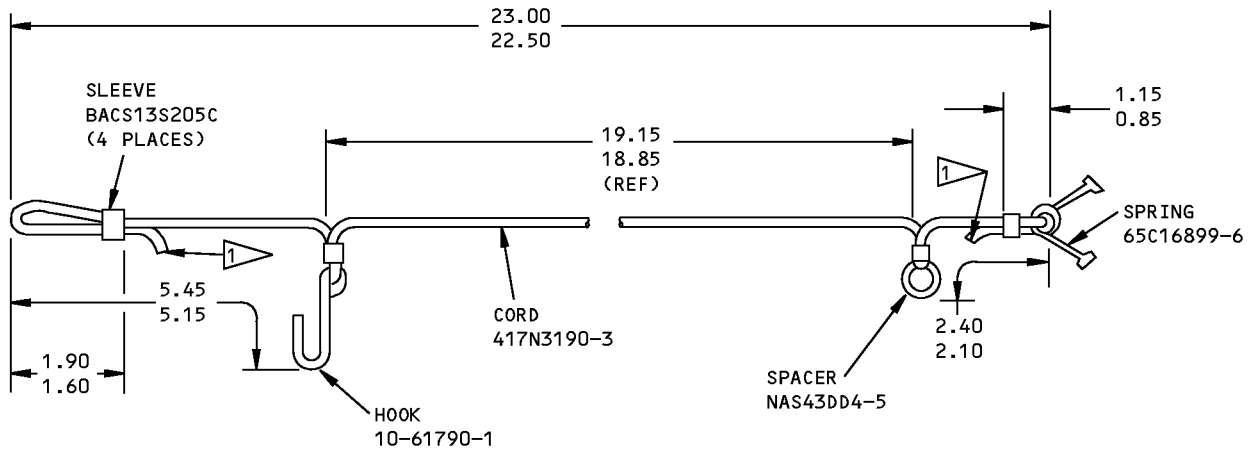
Page 601

Jul 01/2007

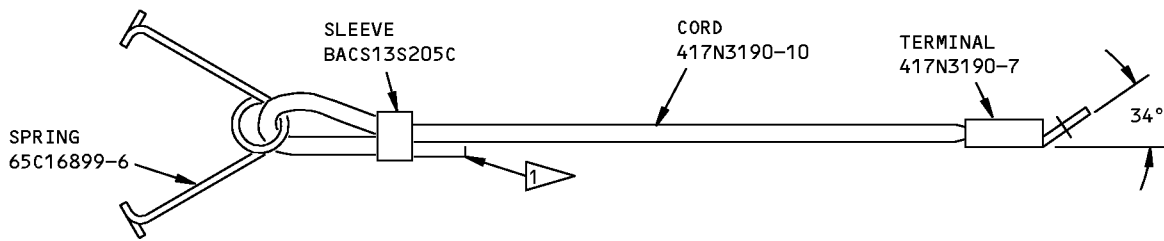
COMPONENT MAINTENANCE MANUAL



417N3190-8



417N3190-1



417N3190-9

HEAT SEAL FREE ENDS OF CORD

ALL DIMENSIONS ARE IN INCHES

Lanyard Replacement
Figure 601

25-23-30

REPAIR 5-1

Page 602

Jul 01/2007



COMPONENT MAINTENANCE MANUAL

CLAMP ASSEMBLY - REPAIR 6-1

417N3180-1, -2

1. General

- A. This repair gives the data that is necessary to refinish the clamp assembly.
- B. Refer to REPAIR-GENERAL, Paragraph 2. for the Standard Overhaul Practices Manual (SOPM) subjects identified in this procedure.
- C. Refer to REPAIR-GENERAL, Paragraph 3. for the description of the Material codes identified in this procedure.

2. Clamp Replacement

NOTE: Refer to REPAIR 6-1, Figure 601 for clamp assembly replacement.

CAUTION: FACEPLATE IS VISIBLE FROM CABIN INTERIOR. SPECIAL CARE MUST BE TAKEN TO PREVENT MARRING VISIBLE SURFACES.

- A. Remove rivet (BACR15BB4D10), retainer (6100-12), and clamp (417N3180).
- B. Spring replacement
 - (1) Remove plunger, spring (-1) and plunger body.
 - (2) Remove pins and rocker link.
 - (3) Remove spring plungers and springs (-2).
 - (4) Slip rocker link into clamp body. Insert pin through clamp body and slot in rocker link.
 - (5) Insert springs (-2) and spring plungers into clamp body. Rotate rocker link until it contacts spring plungers.
 - (6) Align holes in rocker link and clamp body and insert pins.
 - (7) Insert spring (1) and plunger into clamp body. Push plunger body onto plunger and ball-stake plunger body to plunger (location optional).
- C. Attach clamp to frame with rivet and retainer.

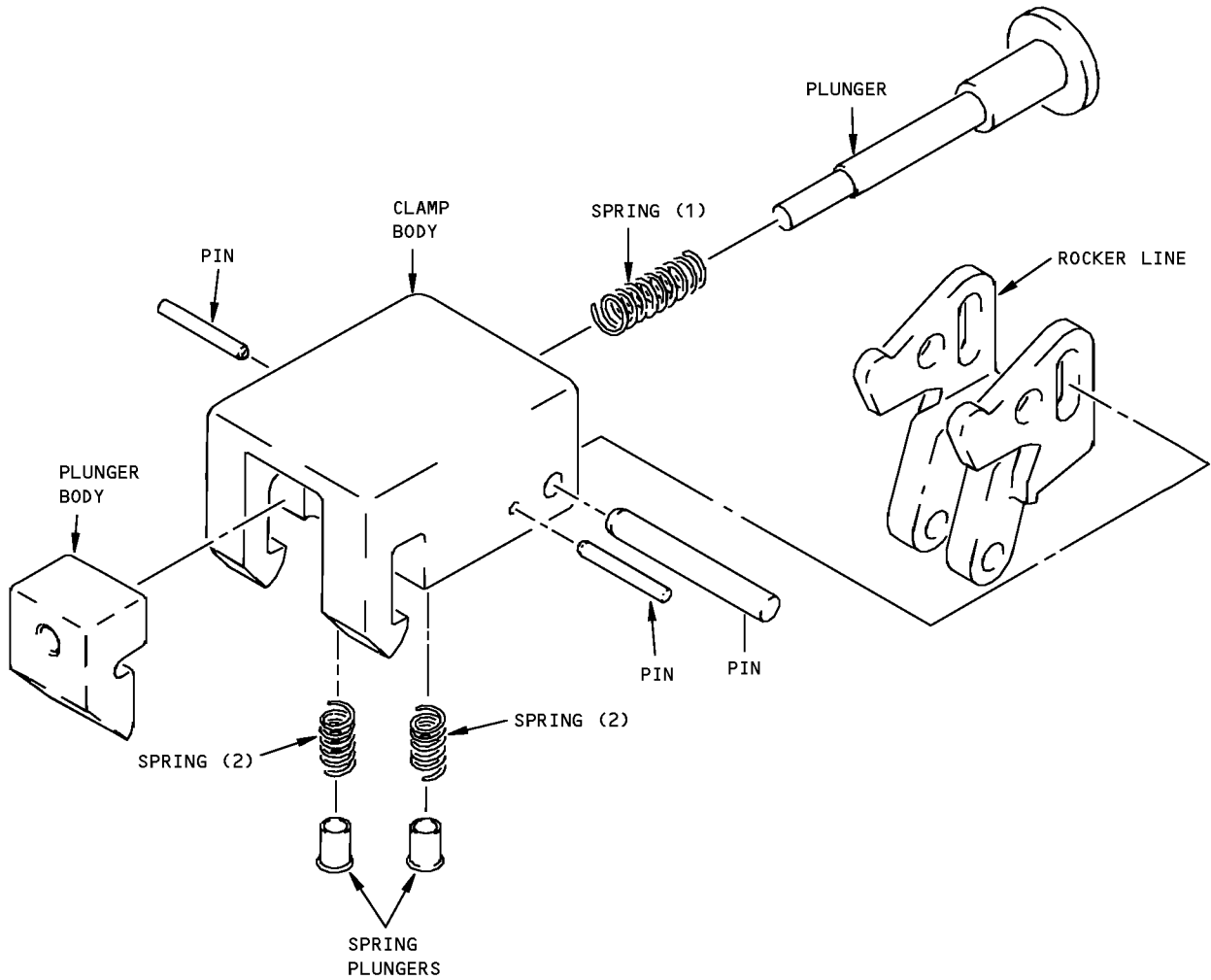
25-23-30

REPAIR 6-1

Page 601

Jul 01/2007

COMPONENT MAINTENANCE MANUAL



Clamp Assembly
Figure 601

25-23-30

REPAIR 6-1

Page 602

Jul 01/2007



COMPONENT MAINTENANCE MANUAL

ASSEMBLY

1. General

- A. This procedure contains the data necessary to assemble the underbin passenger service unit assembly.
- B. Refer to the Standard Overhaul Practices Manual (SOPM) for the SOPM subjects identified in this procedure.

2. Procedure

WARNING: DO NOT ALLOW OIL, GREASE, FLAMMABLE SOLVENTS, DUST, LINT, FINE METAL FILINGS, OR OTHER COMBUSTIBLE MATERIAL TO CONTAMINATE PARTS THAT MAY BE EXPOSED TO OXYGEN. COMBUSTIBLE MATERIAL MAY IGNITE AND RESULT IN AN EXPLOSION WHEN EXPOSED TO OXYGEN. THE OXYGEN GENERATOR IS A PYROTECHNIC-ACTIVATED, HIGH-HEAT-PRODUCING UNIT WHICH CAN INFLICT SERIOUS BURNS. TO PREVENT INJURY TO PERSONNEL ENSURE THAT SAFETY PIN WITH WARNING FLAG IS PROPERLY INSTALLED ON GENERATOR.

CAUTION: PARTS OF PSU ASSEMBLY ARE VISIBLE FROM CABIN INTERIOR. SPECIAL CARE MUST BE TAKEN TO PREVENT MARRING OF VISIBLE SURFACES.

2. A. Tools/Equipment

NOTE: Equivalent substitutes may be used.

Reference	Description
SPL-1936	Equipment - Firing Pin Retraction, BE Aerospace and AVOX oxygen generators (Part #: C35003-1, Supplier: 81205) (Opt Part #: A35001-10, Supplier: 81205)

B. Consumable Materials

NOTE: Equivalent substitutes may be used.

Reference	Description	Specification
C00259	Primer - Chemical And Solvent Resistant Finish, Epoxy Resin	BMS10-11, Type I
C00260	Coating - Chemical And Solvent Resistant Finish, Epoxy Resin Enamel	BMS10-11, Type II

C. General

- (1) Paint exposed rivet heads and fasteners with BMS 10-11, Type 1 primer, C00259 and BMS 10-11, Type 2 enamel coating, C00260, color per airline color scheme.

D. Assembly

NOTE: Use standard industry practices and the following steps for assembly.

NOTE: Verify that A35001-8 safety pin with warning streamer is installed on generator ignition unit (A35001-8 is a part of A35001-10 firing pin retraction pliers and safety pin, SPL-1936).

NOTE: Not all passenger service units have all the features described. Use only the applicable assembly instructions.

25-23-30

ASSEMBLY

Page 701

Nov 01/2008



COMPONENT MAINTENANCE MANUAL

- (1) Place bracket on frame per ASSEMBLY, Figure 701 and secure using screws.
- (2) Place unactivated generator in bracket and secure with screw.
- (3) Install oxygen box.
 - (a) Orient oxygen box on frame per ASSEMBLY, Figure 701 and secure using spacers washers nuts, screws and angles.
 - (b) Adjust panel alignment and make sure the cable assembly is above the pin as specified in ASSEMBLY, Figure 702.

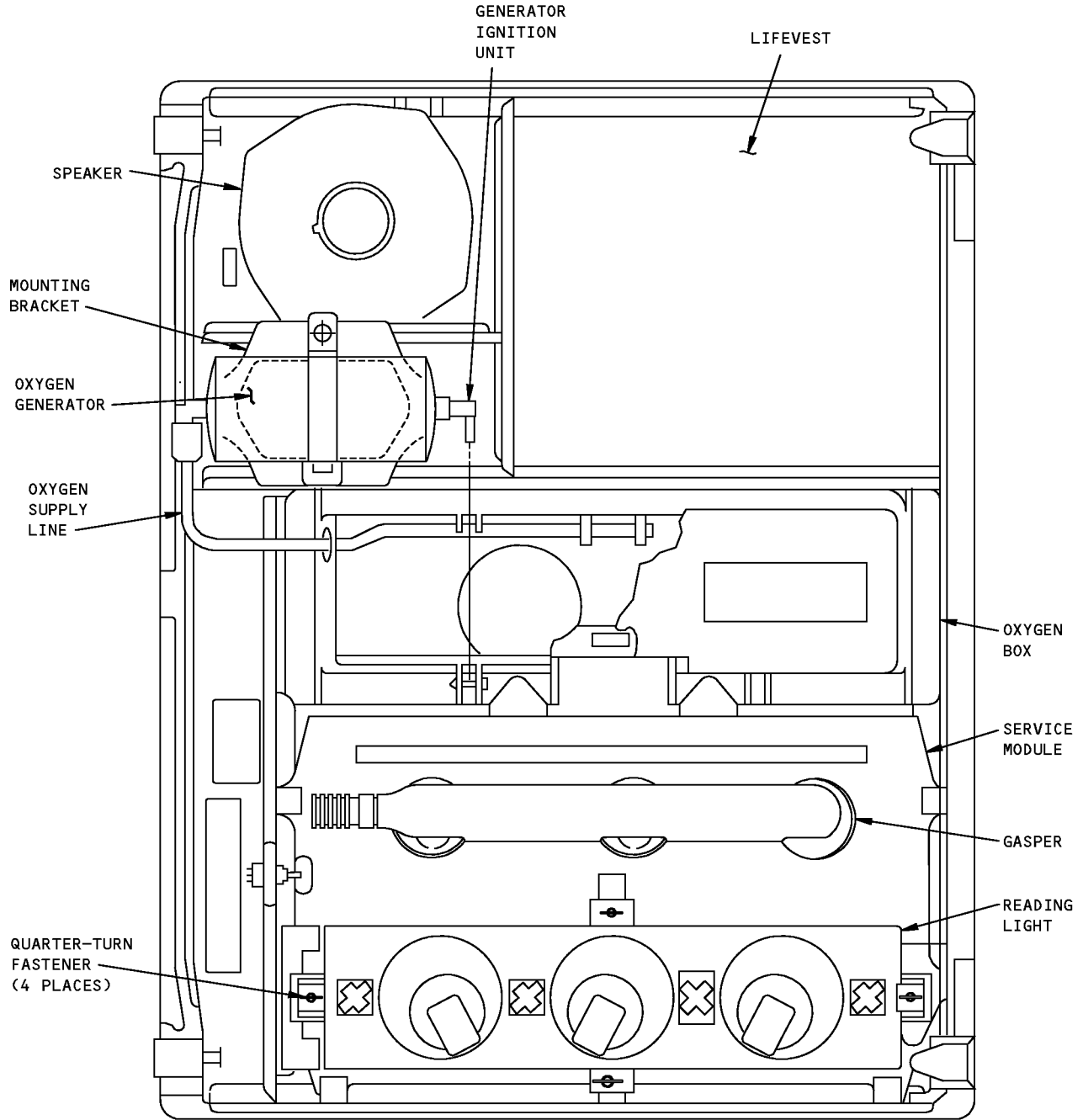
CAUTION: GENERATOR OUTLET NOZZLE MUST BE SUPPORT DURING ATTACHMENT OF OXYGEN SUPPLY LINE.
 - (c) Push oxygen supply line fully onto oxygen generator outlet nozzle.

CAUTION: DO NOT REMOVE A35001-8 SAFETY PIN WITH WARNING STREAMER AFTER INSERTING RELEASE PIN.
 - (d) Insert release pin into generator ignition unit (ASSEMBLY, Figure 701).
- (4) Lay speaker on top of gasket and place under springs, and secure with screws and nuts. Attach wires, as labeled, to speaker.
- (5) Orient module on frame per ASSEMBLY, Figure 701 and secure using spacers, grommets, angles, screws and nuts.
- (6) Set reading light on frame oriented per ASSEMBLY, Figure 701, and close four quarter-turn fasteners. Connect wires, as labeled, to reading light assembly and switches.
- (7) Attach switch to stiffener with mounting nut and attach wires, as labeled, to switch.
- (8) Attach lanyard as shown in ASSEMBLY, Figure 703.
- (9) Attach gasper air manifold to module.
 - (a) Place manifold and air outlet on module.
 - (b) Secure with strap.

25-23-30

ASSEMBLY
Page 702
Jul 01/2007

COMPONENT MAINTENANCE MANUAL



LH SHOWN
RH OPPOSITE

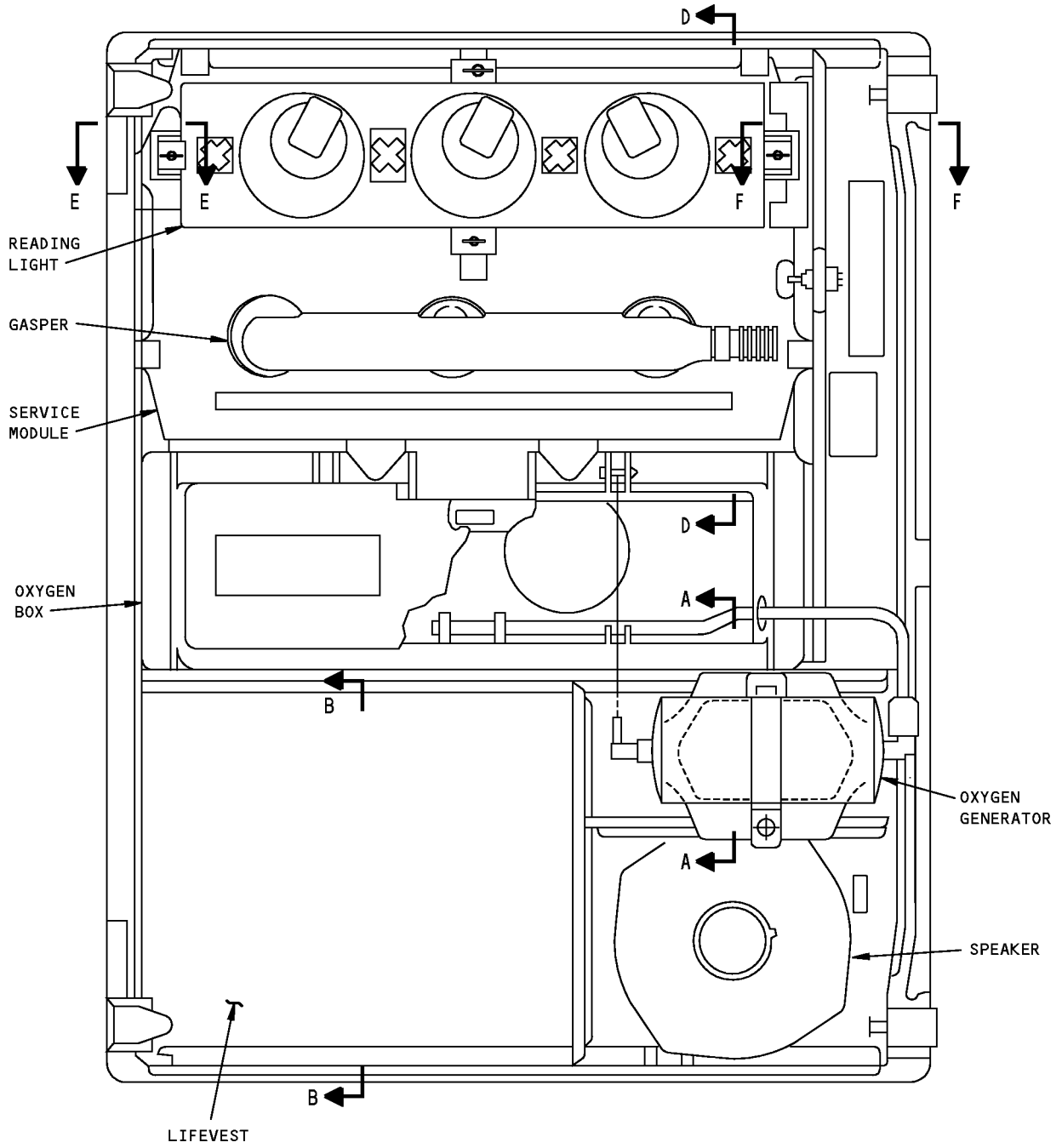
NOTE: NOT ALL ASSEMBLIES HAVE
ALL OF THE FEATURES SHOWN.

Assembly Details
Figure 701

25-23-30

ASSEMBLY
Page 703
Jul 01/2007

COMPONENT MAINTENANCE MANUAL



NOTE: NOT ALL ASSEMBLIES HAVE ALL OF THE FEATURES SHOWN.

Panel Alignment
Figure 702 (Sheet 1 of 3)

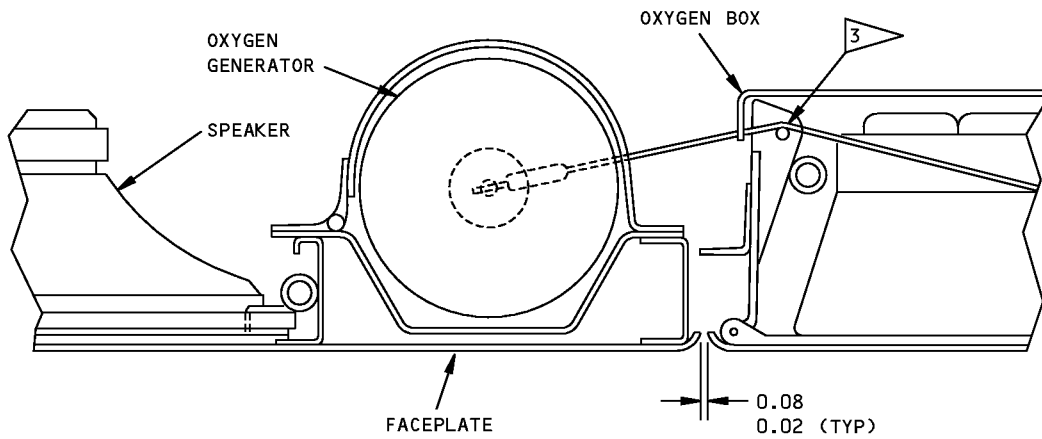
25-23-30

ASSEMBLY

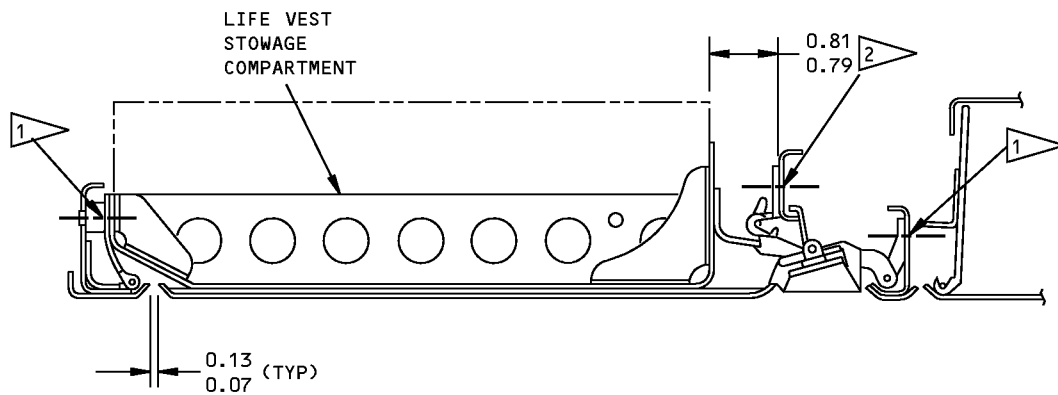
Page 704

Jul 01/2007

COMPONENT MAINTENANCE MANUAL



A-A



(ASSEMBLIES WITH LIFEVESTS ONLY)

B-B

- 1 SHIM WITH AN960PD8L WASHERS, AS REQUIRED, TO MEET DIMENSIONAL REQUIREMENTS
- 2 ADJUST LOCATION OF STIFFENER WITH MOUNTING SCREWS TO OBTAIN DESIRED DISTANCE
- 3 MAKE SURE THE CABLE ASSEMBLY IS ABOVE THE PIN IN THE PSU CUTOUT

ALL DIMENSIONS ARE IN INCHES

Panel Alignment
Figure 702 (Sheet 2 of 3)

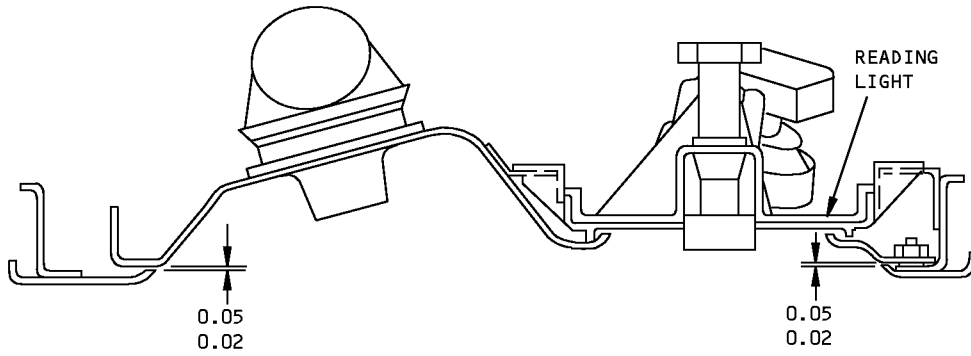
25-23-30

ASSEMBLY

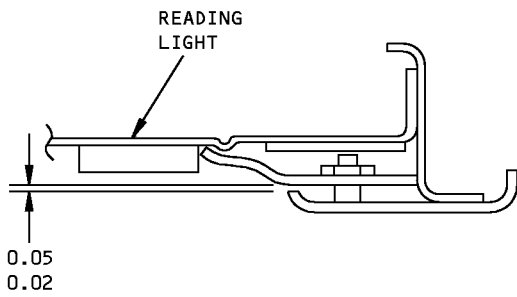
Page 705

Jul 01/2007

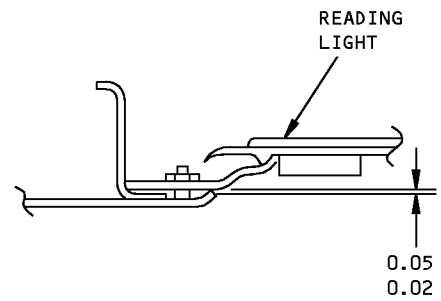
COMPONENT MAINTENANCE MANUAL



D-D



E-E



F-F

ALL DIMENSIONS ARE IN INCHES

Panel Alignment
Figure 702 (Sheet 3 of 3)

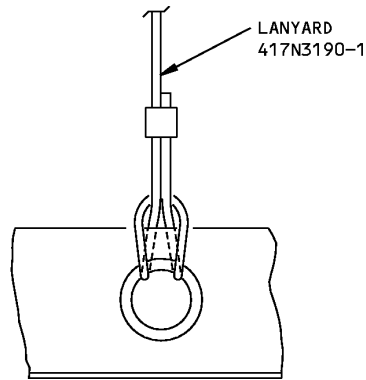
25-23-30

ASSEMBLY

Page 706

Jul 01/2007

COMPONENT MAINTENANCE MANUAL



Lanyard Attachment
Figure 703



COMPONENT MAINTENANCE MANUAL

FITS AND CLEARANCES

(NOT APPLICABLE)

25-23-30

FITS AND CLEARANCES

Page 801

Jul 01/2007



COMPONENT MAINTENANCE MANUAL

SPECIAL TOOLS, FIXTURES, AND EQUIPMENT

1. General

A. This section lists the special tools, fixtures, and equipment necessary for maintenance.

NOTE: Equivalent substitutes may be used.

Special Tools

Reference	Description	Part Number	Supplier
SPL-1936	Equipment - Firing Pin Retraction, BE Aerospace and AVOX oxygen generators	C35003-1	81205
		Opt: A35001-10	81205

Commercial Tools

Reference	Description	Part Number	Supplier
COM-5826	Lamp - 28V, 40 MA	327	3B182

Tool Supplier Information

CAGE Code	Supplier Name	Supplier Address
3B182	GENERAL ELECTRIC SUPPLY CO.	2432 BROCTON SAN ANTONIO, TX 78217-4909 Telephone: (216) 266-2536
81205	THE BOEING COMPANY	17930 INTERNATIONAL BLVD. SOUTH SEATAC, WA 98188-4321 Telephone: 206-662-6650 Facsimile: 206-662-7145

25-23-30

SPECIAL TOOLS, FIXTURES, AND EQUIPMENT

Page 901

Mar 01/2009



COMPONENT MAINTENANCE MANUAL

ILLUSTRATED PARTS LIST

1. Introduction

- A. The Illustrated Parts List (IPL) contains an illustration and a list of component parts you can repair or replace. The Illustrated Parts Catalog (IPC) shows how to use the Boeing part number system.
- B. This shows how parts are related: The relation of each item to its next higher assembly (NHA) is shown in the NOMENCLATURE column. Use the indenture system that follows:

1	2	3	4	5	6	7
.	Assembly					
.	Attaching parts for assembly					
.	.	Detail parts for assembly				
.	.	Subassembly				
.	.	Attaching parts for subassembly				
.	.	.	Detail parts for subassembly			
.	.	.	Sub-subassembly			
.	.	.	Attaching parts for subassembly			
.	.	.	.	Details parts for sub-subassembly		
						Detail Installation Parts (Included only if installation parts may be sent to the shop as part of assembly)

- C. Each top assembly is given one use code letter (A, B, C, etc.) in the USAGE CODE column. All subsequent component parts in the list can have one or more of the use code letters to show effectivity to top assemblies. A component part without a use code applies to all top assemblies.
- D. An alphabetical letter is added after the item number for optional parts, parts changed by a Service Bulletin, configuration differences (except left-handed and right-handed parts), last engineering releases, and parts added between item numbers in a sequence. The alphabetical letter will not be shown on the illustration for equivalent parts of the same part number.
- E. Color-coded parts are identified with a single digit alpha following the dash number or with "SP" suffix. If the "SP" suffix is used, it represents consolidation of all color codes applicable for a given usage which are not separately listed. Orders for color-coded parts should include the registry number of the airplane for which the parts are ordered.
- F. If a part number is 15 characters long but will not fit in the part number column, the part number will be displayed with a "~" at the end of the line and will be continued on the next line. The "~" denotes that the part number continues on the next line.
- G. Parts changed by a Service Bulletin are shown by PRE SB XXXX and POST SB XXXX added to the NOMENCLATURE column.
- (1) When a new top assembly is added by a Service Bulletin, PRE SB XXXX and POST SB XXXX will be added at the top assembly level only. The configuration differences at the detail part level are shown by use code letters.
- (2) When the top assembly part number is not changed by the Service Bulletin, PRE SB XXXX and POST SB XXXX will be added at the detail level.
- H. Interchangeable Parts

25-23-30

ILLUSTRATED PARTS LIST

Page 1001

Nov 01/2008



COMPONENT MAINTENANCE MANUAL

Optional (OPT)	The part is optional to and interchangeable with other parts that have the same item number.
Replaces, Replaced by and not interchangeable with (REPLACES, REPLACED BY AND NOT INTCHG/W)	The part replaces and is not interchangeable with the initial part.
Replaces, Replaced by (REPLACES, REPLACED BY)	The part replaces and is interchangeable with, or is an alternative to, the initial part.

VENDOR CODES

Code	Name
01526	Replaced: [V01526] SEE 00779 TYCO ELECTRONICS by Code: Name and Address below 00779: TYCO ELECTRONICS CORP 2800 FULLING MILL ROAD PO BOX 3608 MIDDLETOWN, PENNSYLVANIA 17057 FORMERLY AMP INC V18342; FORMERLY V04618 FORMERLY GENICOM COMP V01526
01556	EMHART FASTENING SYSTEMS GROUP HELI-COIL DIV SHELTER ROCK LANE DANBURY, CONNECTICUT 06810 FORMERLY HELI-COIL DIV OF BLACK AND DECKER
03296	NYLON MOLDING CORP 2755 THOMPSON CREEK RD POMONA, CALIFORNIA 91767-1861 FORMERLY UNION PLASTIC NYLON MOLDING IN NEW JERSEY; FORMERLY IN MONROVIA, CA
03743	APPLETON ELECTRIC CO DIV OF EMERSON ELECTRIC CO 2205 12TH AVENUE SOUTH MILWAUKEE, WISCONSIN 53172-2541 FORMERLY IN CHICAGO, ILLINOIS
06383	PANDUIT CORPORATION 17301 RIDGELAND AVENUE TINLEY PARK, ILLINOIS 60477-3048
07096	BURKE RUBBER CO PUROSIL DIV 1810 SOUTH SHAMROCK AVENUE PO BOX 5023 MONROVIA, CALIFORNIA 91016-4251 FORMERLY HADBAR DIV OF PUROSIL INC

25-23-30

ILLUSTRATED PARTS LIST

Page 1002

Jul 01/2007



COMPONENT MAINTENANCE MANUAL

Code	Name
07150	ELECTRO-MECH COMPONENTS INC 1826 NORTH FLORADALE AVENUE SOUTH EL MONTE, CALIFORNIA 91733-3689
08205	RENTON COIL SPRING COMPANY 325 BURNETT NORTH PO BOX 328 RENTON, WASHINGTON 98057 FORMERLY VB0009
09026	Replaced: [V09026] BABCOCK ELECTRONICS CORP CONTROL PRODUCT DIV by Code: Name and Address below 82050: ESTERLINE ELECTRONICS CORP COSTA MESA, CALIFORNIA 92626-1437 FACILITIES DISCONTINUED FORMERLY BABCOCK ELECTRONIC CORP ELECTRONIC PRODUCTS V09026
09922	SOURIAU USA INC 25 GRUMBACHER DR YORK, PENNSYLVANNIA 17402-9417 FORMERLY FRAMATOME CONNECTORS FRANCE FORMERLY V59610 IIN VALENCIA, CALIFORNIA
OFF57	MATSUSHITA ELEC CORP OF AMERICA, MATSUSHITA AVIONICS SYS 1916 220TH STREET SOUTHEAST BOTHELL, WASHINGTON 98021 DIST. FOR OSAKA PLANT
11815	CHERRY AEROSPACE FASTENERS DIV OF TEXTRON 1224 EAST WARNER AVENUE PO BOX 2157 SANTA ANA, CALIFORNIA 92707-0157 FORMERLY IN LOS ANGELES, CALIF , FORMERLY CHERRY FASTENERS TOWNSEND DIV OF TEXTRON INC V71087
15653	ALCOA GLOBAL FASTENERS INC DIV KAYNAR PRODUCTS 800 S STATE COLLEGE BLVD FULLERTON, CALIFORNIA 92831-3001 FORMERLY VK6405 MICRODOT AEROSP LTD; FORMERLY KAYNAR TECH FORMERLY FAIRCHILD FASTENERS KAYNAR DIV

25-23-30

ILLUSTRATED PARTS LIST

Page 1003

Jul 01/2007



COMPONENT MAINTENANCE MANUAL

Code	Name
16632	FLEXFAB HORIZONS INTERNATIONAL INC DBA FLEXFLAB LLC 1699 W. M-43 HWY HASTINGS, MIGHIGAN 49058-8377
16827	B/E AEROSPACE PURITAN-BENNETT AERO DIV 10800 PFLUMM ROAD LENEXA, KANSAS 66215 FORMERLY PURITAN EQUIPMENT IN KANSAS CITY, MO; FORMERLY PURITAN-BENNETT AERO SYS V02217
17744	Replaced: [V17744] GULTON IND LUMINATOR DIV SEE LUMINATOR HOLDING V0VDA9 by Code: Name and Address below 0VDA9: LUMINATOR HOLDING LLC A MARK IV IND CO 1200 EAST PLANO PKY SUITE 300 PO 940030 PLANO, TEXAS 75094-0030 FORMERLY MARK IV IND LUMINATOR AIRCRAFT PROD
25281	OETEIKER INC 71-77 OKNER PARKWAY LIVINGSTON, NEW JERSEY 07039
25657	UNION MFG CO DIV OF UNION IND INC NO 4 SOUTH IDAHO STREET SEATTLE, WASHINGTON 98134-1119 FORMERLY VAN-VETTER INC
26344	NEW HAVEN MFG CORP 446 BLAKE STREET NEW HAVEN, CONNECTICUT 06515-1238 OBSOLETE RECORD
28406	VAUPELL INDUSTRIAL PLASTICS, INCORPORATED 1144 NORTHWEST 53RD STREET SEATTLE, WASHINGTON 98107-3735 FORMERLY VB0013 AND V0013B
2X013	MCQUIRE BEARING COMPANY 947 SOUTHEAST MARKET STREET PORTLAND, OREGON 97214-3556 FORMERLY V0647B

25-23-30

ILLUSTRATED PARTS LIST

Page 1004

Jul 01/2007



COMPONENT MAINTENANCE MANUAL

Code	Name
35344	Replaced: [V35344] LEACH CORP RELAY DIV SEE LEACH CORP CONTROL PROD DIV V58657 by Code: Name and Address below 58657: LEACH INTERNATIONAL OF NORTH AMERICA 6900 ORANGETHORPE AVE PO BOX 5032 BUENA PARK, CALIFORNIA 90622-5032 FORMERLY LEACH CORP V35344 AND V00614 FORMERLY LEACH CORP
46384	PENN ENGINEERING AND MFG CORP OLD EASTON ROAD PO BOX 1000 DANBORO, PENNSYLVANIA 18916 FORMERLY IN DOYLESTOWN, PENNSYLVANIA
52828	REPUBLIC FASTENER MFG CORP 1300 RANCHO CONEJO BLVD NEWBURY PARK, CALIFORNIA 91320-1405 FORMERLY IN SYLMAR, CALIFORNIA
53551	ALLFAST FASTENING SYSTEMS INC 15200 EAST DON JULIAN ROAD PO BOX 3166 CITY OF INDUSTRY, CALIFORNIA 91745-1001 FORMERLY V0736B FORMERLY ALLFAST INC V5K545
53655	SCOTT AVIATION DIV FIGGIE INTERNATIONAL INC 225 ERIE STREET LANCASTER, NEW YORK 14086-9502 FORMERLY A-T-O INC EMERGENCY EQUIPMENT DIV V16090 FORMERLY V92114 SIERRA MADRE, CA
54473	MATSUSHITA ELECTRIC CORP OF AMERICA 2 PANASONIC WAY M/S 74-4 SECAUCUS, NEW JERSEY 07094 FORMERLY IN BOTHELL, WASHINGTON
57268	RAINER RUBBER CO 15660 NELSON PL SO SEATTLE, WASHINGTON 98188

25-23-30

ILLUSTRATED PARTS LIST

Page 1005

Jul 01/2007



COMPONENT MAINTENANCE MANUAL

Code	Name
58417	SUNDSTRAND CORP 4751 HARRISON AVENUE PO BOX 7003 ROCKFORD, ILLINOIS 61125
58614	COMMUNICATIONS INSTRUMENTS INC HWY 74 EAST, PO BOX 520 FAIRVIEW, NORTH CAROLINA 28730
58794	FASTENERS TECHNOLOGY CORP 7415 FULTON AVENUE NORTH HOLLYWOOD, CALIFORNIA 91605
58998	FASTENER INNOVATION TECHNOLOGY INC 13215 WESTERN AVENUE PO BOX 3399 GARDENA, CALIFORNIA 90249 FORMERLY V0799B IN WILMINGTON, CALIFORNIA
59730	Replaced: [V59730] THOMAS AND BETTS CORP SEE V56501 by Code: Name and Address below 56501: THOMAS AND BETTS CORP 8155 T AND B BLVD MEMPHIS, TENNESSEE 38125 FORMERLY V 06865 AND V59730 THOMAS AND BETTS CORP
60119	MONADNOCK CO THE 18301 ARENTH AVENUE ROWLAND HEIGHTS, CALIFORNIA 91748-1288 FORMERLY UNITED CARR FASTENER CORP VB0051 VB0056 VB0076 FORMERLY TRW ELECTRONIC COMPONENTS CINCH-MONADNOCK DIV FORMERLY CINCH-MONADNOCK DIV OF TRW INC V76530 FORMERLY IN CITY OF INDUSTRY, CALIFORNIA
60980	MEGGITT-OREGON INC DBA MEGGITT SILICONE PROD DIV MSP 2010 LAFAYETTE AVE P.O. BOX 887 MCMINNVILLE, OREGON 97128 FORMERLY ELASTOMERIC SILICON PRODUCTS

25-23-30

ILLUSTRATED PARTS LIST

Page 1006

Jul 01/2007



COMPONENT MAINTENANCE MANUAL

Code	Name
71087	<p>Replaced: [V71087] BOOTS ACFT NUT DIV TOWNSEND CO SEE TEXTRON INC CHERRY FASTENER TOWNSEND DIV V11815 by Code: Name and Address below 11815: CHERRY AEROSPACE FASTENERS DIV OF TEXTRON 1224 EAST WARNER AVENUE PO BOX 2157 SANTA ANA, CALIFORNIA 92707-0157 FORMERLY IN LOS ANGELES, CALIF , FORMERLY CHERRY FASTENERS TOWNSEND DIV OF TEXTRON INC V71087</p>
71482	<p>CP CLARE CORP NORTH AMERICA SALES OPERATIONS 601B CAMPUS DRIVE ARLINGTON HEIGHTS, ILLINOIS 60004 FORMERLY CLARE DIV OF GENERAL INSTRUMENT CORP FORMERLY IN CHICAGO, ILLINOIS</p>
72914	<p>HONEYWELL/GRIMES AEROSPACE 550 STATE RT 55 URBANA, OHIO 43078 FORMERLY AERO-FLOW V70128; MIDLAND-ROSS JANITROL AERO DIV; FORMERLY FL AEROSP CORP V89513; ALLIEDSIGNAL/GRIMES AEROSP FORMERLY GRIMES AEROSPACE V00672 AND HONEYWELL V60187</p>
72962	<p>HARVARD INDUSTRIES INC 3 WERNER WAY SUITE 210 LEBANON, NEW JERSEY 08833 FORMERLY ESNA V7A079 FORMERLY ELASTIC STOP NUT IN UNION, NJ</p>
75345	<p>KIRKHILL RUBBER CO 300 EAST CYPRESS STREET BREA, CALIFORNIA 92821-4097 FORMERLY L.A. STANDARD RUBBER CO V84914</p>
80539	<p>SPS TECHNOLOGIES INC DIV AERPSOACE - SANTA ANA 2701 SOUTH HARBOR BOULEVARD SANTA ANA, CALIFORNIA 92704-5803 FORMERLY NUTT-SHEL DIV OF SPC WESTERN CO V80539 AND STANDARD PRESSED STEEL WESTERN DIV V17279</p>
81205	<p>BOEING CO THE 7755 EAST MARGINAL WAY PO BOX 3707 SEATTLE, WASHINGTON 98124</p>

25-23-30

ILLUSTRATED PARTS LIST

Page 1007

Jul 01/2007



COMPONENT MAINTENANCE MANUAL

Code	Name
83564	WEMAC DIV OF PURITAN-BENNETT AERO SYS CO 18475 PACIFIC STREET PO BOX 8797 FOUNTAIN VALLEY, CALIFORNIA 92708-7004 FORMERLY IN SANTA ANA, CALIFORNIA WEMAC AIRCRAFT AND PRECISION PRODUCTS AND PURITAN BENNETT AERO SYS WEMAC DIV
84483	ENRICO FASTENING SYSTEMS 301 NEW ALBANY ROAD MOORESTOWN, NEW JERSEY 08057-1120 FORMERLY OMARK IND INC AND KSM WELDING SYS DIV OF OMARK IND INC AND KSM FASTENING SYSTEMS
91929	HONEYWELL INC MICRO SWITCH DIV 11 WEST SPRING STREET FREEPORT, ILLINOIS 61032 FORMERLY MICRO SWITCH A DIV OF HONEYWELL FORMERLY V74059 AND V40228
92215	FAIRCHILD IND INC FAIRCHILD AEROSPACE FASTENER DIV 3010 W LOMITA BLVD TORRANCE, CALIFORNIA 90505-5102 FORMERLY VOI-SHAN IN CULVER CITY, CALIF
95272	STILLMAN SEL CORP 6020 AVENIDA ENCINAS CARLSBAD, CALIFORNIA 92009-1001 FORMERLY SARGENT IND
97393	SHUR-LOK CORPORATION 2541 WHITE ROAD PO BOX 19584 IRVINE, CALIFORNIA 92623-9584 FORMERLY SHUR LOK CORP VB0060 FORMERLY IN SANTA ANA, CALIFORNIA 92714
97564	POLLAK CORP TRANSPORTATION ELECTRONICS DIV 11801 MIRIAM DR SUITE B-1 EL PASO, TEXAS 79936-7430 FORMERLY GENERAL INSTRUMENT V54753
98996	OLYMPIC FASTENING SYSTEMS INC DOWNEY, CALIFORNIA 90241-4986 OBSOLETE RECORD

25-23-30

ILLUSTRATED PARTS LIST

Page 1008

Jul 01/2007



COMPONENT MAINTENANCE MANUAL

Code	Name
D1379	DRAEGERWERK AG MOISLINGER ALLEE 53-55 LUEBECK D23558, GERMANY

25-23-30

ILLUSTRATED PARTS LIST

Page 1009

Jul 01/2007



COMPONENT MAINTENANCE MANUAL

NUMERICAL INDEX

PART NUMBER	AIRLINE PART NUMBER	FIGURE	ITEM	UNITS PER ASSEMBLY		
10-1006-1		2	260	1		
		5	20	1		
		6	80	1		
		7	17	1		
		8	12	1		
		9	120	1		
		10	120	1		
		14	95	1		
		16	17	1		
		10-1006-2		2	265	1
				5	25	1
				6	85	1
				7	15	1
				8	15	1
9	122			1		
10	125			1		
11	115			1		
14	100			1		
16	15			1		
10-60141-23A		2	280D	3		
		5	70C	3		
		6	30C	3		
		7	60C	3		
		8	60C	3		
		9	30F	3		
		10	30C	3		
		11	25C	3		
		14	415E	3		
		16	50A	3		
		10-60141-23S		2	280C	3
5	70D			3		
6	30B			3		
7	60D			3		
8	60D			3		

25-23-30

ILLUSTRATED PARTS LIST

Page 1010

Jul 01/2007



COMPONENT MAINTENANCE MANUAL

PART NUMBER	AIRLINE PART NUMBER	FIGURE	ITEM	UNITS PER ASSEMBLY		
10-60141-23T		9	30E	3		
		10	30B	3		
		11	25B	3		
		14	415F	3		
		16	50B	3		
		2	280B	3		
		5	70F	3		
		6	30	3		
		7	60F	3		
		8	60F	3		
		9	30G	3		
		10	30	3		
		11	25	3		
		14	415B	3		
10-60141-23U		16	50C	3		
		2	280E	3		
		5	70E	3		
		6	30D	3		
		7	60E	3		
		8	60E	3		
		9	30D	3		
		10	30D	3		
		11	25D	3		
		14	415G	3		
		16	50D	3		
		10-60141-23V		2	280F	3
				5	70G	3
		10-60141-23W		2	280G	3
5	70H			3		
6	30E			3		
7	60G			3		
8	60G			3		
9	30H			3		
10	30E			3		
11	25E			3		

25-23-30

ILLUSTRATED PARTS LIST

Page 1011

Jul 01/2007



COMPONENT MAINTENANCE MANUAL

PART NUMBER	AIRLINE PART NUMBER	FIGURE	ITEM	UNITS PER ASSEMBLY
10-61790-1		14	415D	3
		16	50E	3
		2	680	1
		5	310	1
		6	300	1
		7	330	1
		8	495	1
		9	540	1
		10	335	1
		11	375	1
		10-62232-01		14
16	435			1
5	200A			1
7	185A			1
10262232-01		14	360A	1
		16	290A	1
		8	355A	1
117003-13		2	605J	1
		5	185	1
		6	280	1
117003-14		7	170	1
		1	410	1
		2	605	1
		5	185B	1
		6	275	1
		6	280B	1
		7	170B	1
		8	285	1
		9	310	1
		10	315	1
		11	300	1
117003-22		14	280	2
130008		2	570	1
		5	150	1
		6	250	1

25-23-30

ILLUSTRATED PARTS LIST

Page 1012

Jul 01/2007



COMPONENT MAINTENANCE MANUAL

PART NUMBER	AIRLINE PART NUMBER	FIGURE	ITEM	UNITS PER ASSEMBLY
1707-23A		7	135	1
		8	305	1
		9	285	1
		10	290	1
		11	275	1
		14	310	1
		2	280D	3
		5	70C	3
		6	30C	3
		7	60C	3
		8	60C	3
		9	30F	3
		10	30C	3
		11	25C	3
		14	415E	3
	1TW2-3		16	50A
		2	700	1
		5	285	1
		6	205	1
		7	305	1
		8	470	1
		9	245	1
		10	250	1
		11	235	1
		16	405	1
26C82			2	380A
		16	140	1
286N0512		2	780	1
		5	290E	1
286N0512-004		5	290A	1
		6	200A	1
		7	310B	1
		9	240A	1
		10	245A	1
		16	415A	1

25-23-30

ILLUSTRATED PARTS LIST

Page 1013

Jul 01/2007



COMPONENT MAINTENANCE MANUAL

PART NUMBER	AIRLINE PART NUMBER	FIGURE	ITEM	UNITS PER ASSEMBLY
286N0512-008		5	290C	1
		7	310C	1
286N0512-009		14	220	1
286N0514		2	780A	1
286N0514-003		2	780C	1
		7	310	1
		8	475	1
		11	230	1
		16	410	1
		14	220A	1
286N0514-006		14	220A	1
288N0174-601		5	290F	1
		6	200C	1
		8	475A	1
288N0210-701		5	290H	1
		6	200D	1
		8	475B	1
288N0210-702		5	290J	1
288N0210-703		5	290K	1
2TW2-3		14	225	1
3740-1		2	280D	3
		5	70C	3
		6	30C	3
		7	60C	3
		8	60C	3
		9	30F	3
		10	30C	3
		11	25C	3
		14	415E	3
		16	50A	3
		3740-3		2
5	70E			3
6	30D			3
7	60E			3
8	60E			3
9	30D			3

25-23-30

ILLUSTRATED PARTS LIST

Page 1014

Jul 01/2007



COMPONENT MAINTENANCE MANUAL

PART NUMBER	AIRLINE PART NUMBER	FIGURE	ITEM	UNITS PER ASSEMBLY
3740-4		10	30D	3
		11	25D	3
		14	415G	3
		16	50D	3
		2	280C	3
		5	70D	3
		6	30B	3
		7	60D	3
		8	60D	3
		9	30E	3
		10	30B	3
		11	25B	3
		14	415F	3
		16	50B	3
3740-5		2	280G	3
		5	70H	3
		6	30E	3
		7	60G	3
		8	60G	3
		9	30H	3
		10	30E	3
		11	25E	3
		14	415D	3
		16	50E	3
		3740-6		2
5	70G			3
3SAV1338A2		2	645	1
		5	345A	1
		7	200	1
		8	365	1
		11	335	1
		14	240	1
		16	295	1
		417N3063-4		5
6	45			1

25-23-30

ILLUSTRATED PARTS LIST

Page 1015

Jul 01/2007



COMPONENT MAINTENANCE MANUAL

PART NUMBER	AIRLINE PART NUMBER	FIGURE	ITEM	UNITS PER ASSEMBLY
		7	75	1
		8	75	1
		9	45	1
		10	45	1
		11	40	1
		14	430	1
		16	70	1
417N3080-1SP		2	480	1
		8	220	1
		16	225	1
417N3080-3		2	535	1
		8	265	1
		16	270	1
417N3080-4SP		2	480A	1
		9	470	1
		10	480	1
		11	510	1
417N3080-5		2	535A	1
		9	515	1
		10	525	1
		11	555	1
417N3081-1SP		2	540	1
		8	270	1
		16	275	1
417N3081-2SP		2	540A	1
		9	520	1
		10	530	1
		11	560	1
417N3082-1		2	525	1
		8	255	1
		16	260	1
417N3082-2		2	525A	1
		9	505	1
		10	515	1
		11	545	1

25-23-30

ILLUSTRATED PARTS LIST

Page 1016

Jul 01/2007



COMPONENT MAINTENANCE MANUAL

PART NUMBER	AIRLINE PART NUMBER	FIGURE	ITEM	UNITS PER ASSEMBLY
417N3083-1		2	520	2
		8	250	2
		9	500	2
		10	510	2
		11	540	2
		16	255	2
		417N3083-2		2
8	235			2
9	485			2
10	495			2
11	525			2
16	240			2
417N3083-3		2	510	1
		8	240	1
		9	490	1
		10	500	1
		11	530	1
		16	245	1
417N3083-4		2	515	1
		8	245	1
		9	495	1
		10	505	1
		11	535	1
		16	250	1
417N3084-1SP		2	425	1
		8	180	1
		9	430	1
		10	435	1
		11	465	1
		16	175	1
417N3100-137SP		1	1	RF
417N3100-138SP		1	5	RF
417N3100-139SP		1	1A	RF
417N3100-140SP		1	5A	RF
417N3100-15		2	610	1

25-23-30

ILLUSTRATED PARTS LIST

Page 1017

Jul 01/2007



COMPONENT MAINTENANCE MANUAL

PART NUMBER	AIRLINE PART NUMBER	FIGURE	ITEM	UNITS PER ASSEMBLY
417N3100-153SP		1	1B	RF
417N3100-154SP		1	5B	RF
417N3100-157SP		1	1C	RF
		2	1	RF
417N3100-158SP		1	5C	RF
		2	5	RF
417N3100-159SP		1	1D	RF
		2	1A	RF
417N3100-16		2	612	1
		9	315	1
		11	305	1
417N3100-160SP		1	5D	RF
		2	5A	RF
417N3100-168SP		1	5E	RF
		2	5B	RF
417N3100-17		5	190	1
		7	175	1
		8	340	1
		8	342	1
417N3100-181SP		1	1E	RF
417N3100-182SP		1	5F	RF
417N3100-183SP		1	1F	RF
417N3100-184SP		1	5G	RF
417N3100-185SP		1	1G	RF
		2	1B	RF
417N3100-186SP		1	5H	RF
		2	5C	RF
417N3100-188SP		1	5J	RF
417N3100-19		2	640	1
		5	340A	1
		7	195	1
		8	360	1
		11	330	1
		14	235A	1
417N3100-231SP		1	1H	RF

25-23-30

ILLUSTRATED PARTS LIST

Page 1018

Jul 01/2007



COMPONENT MAINTENANCE MANUAL

PART NUMBER	AIRLINE PART NUMBER	FIGURE	ITEM	UNITS PER ASSEMBLY
417N3100-232SP		1	1J	RF
417N3100-233SP		1	1K	RF
		2	1C	RF
417N3100-234SP		1	5K	RF
		2	5D	RF
417N3100-235SP		1	1L	RF
		2	1D	RF
417N3100-236SP		1	5L	RF
		2	5E	RF
417N3100-238SP		1	5M	RF
		2	5F	RF
417N3100-25C		8	47	1
		8	50A	1
417N3100-25D		5	60A	1
		6	20A	1
417N3100-25SP		2	270	1
		5	60	1
		6	20	1
		7	50	1
		8	50	1
		9	20	1
		10	20	1
		11	15	1
		14	405	1
417N3100-273SP		1	1M	RF
		2	1E	RF
417N3100-274SP		1	5N	RF
		2	5G	RF
417N3100-275SP		1	1N	RF
		2	1F	RF
417N3100-276SP		1	5P	RF
		2	5H	RF
417N3100-280SP		1	5Q	RF
		2	5J	RF
417N3100-289SP		1	1P	RF

25-23-30

ILLUSTRATED PARTS LIST

Page 1019

Jul 01/2007



COMPONENT MAINTENANCE MANUAL

PART NUMBER	AIRLINE PART NUMBER	FIGURE	ITEM	UNITS PER ASSEMBLY
		2	1G	RF
417N3100-290SP		1	5R	RF
		2	5K	RF
417N3100-291SP		1	1Q	RF
		2	1H	RF
417N3100-292SP		1	5S	RF
		2	5L	RF
417N3100-303SP		1	1R	RF
		2	1J	RF
417N3100-304SP		1	5T	RF
		2	5M	RF
417N3100-305SP		1	1S	RF
		2	1K	RF
417N3100-306SP		1	5U	RF
		2	5N	RF
417N3100-31E		8	110B	1
417N3100-31SP		2	335	1
417N3100-328SP		1	5V	RF
417N3100-32E		8	112A	1
417N3100-32SP		2	340	1
		8	112	1
417N3100-334SP		1	5W	RF
417N3100-338SP		1	5X	RF
417N3100-347SP		1	1T	RF
417N3100-348SP		1	5Y	RF
417N3100-349SP		1	1U	RF
417N3100-350SP		1	5Z	RF
417N3100-353SP		1	1V	RF
		2	1L	RF
417N3100-354SP		1	6	RF
		2	5P	RF
417N3100-361SP		1	1W	RF
		2	1M	RF
417N3100-362SP		1	6A	RF
		2	5Q	RF

25-23-30

ILLUSTRATED PARTS LIST

Page 1020

Jul 01/2007



COMPONENT MAINTENANCE MANUAL

PART NUMBER	AIRLINE PART NUMBER	FIGURE	ITEM	UNITS PER ASSEMBLY
417N3100-377		2	642	1
		14	235	1
417N3100-391SP		1	1X	RF
417N3100-393SP		1	1Y	RF
417N3100-395SP		1	2F	RF
		2	1N	RF
417N3100-396SP		1	6P	RF
		2	5R	RF
417N3100-401SP		1	1Z	RF
		5	1	RF
417N3100-403SP		1	2	RF
		5	1A	RF
417N3100-405SP		1	2A	RF
		6	1	RF
417N3100-410SP		1	6B	RF
		7	1	RF
417N3100-412SP		1	6C	RF
		5	5	RF
417N3100-414SP		1	6D	RF
		6	5	RF
417N3100-416SP		1	6E	RF
		5	5A	RF
417N3100-41SP		2	335A	1
		9	340	1
		10	355	1
417N3100-42SP		2	340A	1
		9	345	1
		10	360	1
		11	395	1
417N3100-431SP		1	2B	RF
		5	1B	RF
417N3100-433SP		1	2C	RF
		6	1A	RF
417N3100-44		5	125B	1
		6	210A	1

25-23-30

ILLUSTRATED PARTS LIST

Page 1021

Jul 01/2007



COMPONENT MAINTENANCE MANUAL

PART NUMBER	AIRLINE PART NUMBER	FIGURE	ITEM	UNITS PER ASSEMBLY
		6	215A	1
417N3100-444SP		1	6F	RF
		7	1A	RF
417N3100-446SP		1	6G	RF
		7	1B	RF
417N3100-448SP		1	6H	RF
		5	5B	RF
417N3100-450SP		1	6J	RF
		6	5A	RF
417N3100-46		2	545A	1
		5	125	1
		6	215	1
		7	115	1
417N3100-472SP		1	6K	RF
		8	3	RF
417N3100-48		2	545	1
		5	125A	1
		6	210	1
		7	115A	1
		8	275	1
		9	250	1
		10	255	1
		11	240	1
417N3100-51		2	30	1
417N3100-52		2	35	1
417N3100-547SP		1	2D	RF
		9	1	RF
417N3100-548SP		1	6L	RF
		9	5	RF
417N3100-549SP		1	2E	RF
		10	1	RF
417N3100-550SP		1	6M	RF
		10	5	RF
417N3100-552SP		1	6N	RF
		11	1	RF

25-23-30

ILLUSTRATED PARTS LIST

Page 1022

Jul 01/2007



COMPONENT MAINTENANCE MANUAL

PART NUMBER	AIRLINE PART NUMBER	FIGURE	ITEM	UNITS PER ASSEMBLY
417N3100-611SP		1	2G	RF
417N3100-612SP		1	6Q	RF
417N3100-613SP		1	2H	RF
417N3100-614SP		1	6R	RF
417N3100-615SP		1	2J	RF
417N3100-616SP		1	6S	RF
417N3100-676SP		1	6T	RF
		5	5C	RF
417N3100-678SP		1	6U	RF
		6	5B	RF
417N3100-679SP		1	2N	RF
		14	1B	RF
417N3100-680SP		1	6X	RF
		14	5B	RF
417N3100-681SP		1	2K	RF
		14	1	RF
417N3100-682SP		1	6V	RF
		14	5	RF
417N3100-683SP		1	2L	RF
		14	1A	RF
417N3100-684SP		1	6W	RF
		14	5A	RF
417N3100-700SP		1	6Y	RF
		16	3	RF
417N3100-701SP		1	2P	RF
		16	2	RF
417N3100-702SP		1	6Z	RF
		16	3A	RF
417N3100-703SP		1	2Q	RF
		16	2A	RF
417N3100-704SP		1	7	RF
		16	3B	RF
417N3100-705SP		1	2R	RF
		16	1B	1
		16	2B	RF

25-23-30

ILLUSTRATED PARTS LIST

Page 1023

Jul 01/2007



COMPONENT MAINTENANCE MANUAL

PART NUMBER	AIRLINE PART NUMBER	FIGURE	ITEM	UNITS PER ASSEMBLY
417N3100-707SP		1	2S	RF
		7	3	RF
417N3100-708SP		1	7A	RF
		7	1C	RF
417N3100-71		2	670	2
		5	295	2
		6	285	2
		7	315	2
		8	480	2
		9	525	2
		10	320	2
		11	360	2
		14	370	2
		16	420	2
		417N3100-712SP		1
7	1D			RF
417N3100-713SP		1	2T	RF
		5	1C	RF
417N3100-714SP		1	7C	RF
		5	5D	RF
417N3100-717SP		1	2U	RF
		5	1D	RF
417N3100-718SP		1	2V	RF
		6	1B	RF
417N3100-719SP		1	7D	RF
		5	5E	RF
417N3100-720SP		1	7E	RF
		6	5C	RF
417N3100-723SP		1	2W	RF
		7	3B	RF
417N3100-724SP		1	7F	RF
		7	1E	RF
417N3100-728SP		1	7G	RF
		7	1F	RF
417N3100-73		2	400	1

25-23-30

ILLUSTRATED PARTS LIST

Page 1024

Jul 01/2007



COMPONENT MAINTENANCE MANUAL

PART NUMBER	AIRLINE PART NUMBER	FIGURE	ITEM	UNITS PER ASSEMBLY
		8	185	1
		9	405	1
		10	440	1
		11	470	1
		16	180	1
417N3100-735B		1	3B	RF
		8	1C	RF
417N3100-736B		1	3C	RF
		8	1D	RF
417N3100-737B		1	7P	RF
		8	3C	RF
417N3100-738B		1	7Q	RF
		8	3D	RF
417N3100-74		2	415	2
		8	155	2
		9	420	2
		10	415	2
		11	445	2
		16	155	2
417N3100-741B		1	3D	RF
		5	1G	RF
417N3100-742B		1	3E	RF
		6	1C	RF
417N3100-743B		1	7R	RF
		5	5G	RF
417N3100-744B		1	7S	RF
		6	5E	RF
417N3100-748B		1	3F	RF
		5	1H	RF
417N3100-749B		1	7T	RF
		5	5H	RF
417N3100-751B		1	7U	RF
		5	5J	RF
417N3100-78		2	455	1
		8	200	1

25-23-30

ILLUSTRATED PARTS LIST

Page 1025

Jul 01/2007



COMPONENT MAINTENANCE MANUAL

PART NUMBER	AIRLINE PART NUMBER	FIGURE	ITEM	UNITS PER ASSEMBLY		
417N3100-81		9	445	1		
		10	460	1		
		11	490	1		
		16	200	1		
		2	30A	1		
		2	30J	1		
		2	35A	1		
		9	50	1		
		10	50	1		
		11	45	1		
		14	30	1		
		417N3100-83		2	30B	1
		417N3100-92		5	30	1
		417N3101-1SP		6	50	1
7	20			1		
8	20			1		
2	320J			1		
9	150			1		
2	320			1		
10	155			1		
11	145			1		
417N3101-2		14	130	1		
		5	112	1		
		7	105	1		
		5	110	1		
417N3101-2SP		6	110	1		
		7	107	1		
		8	100	1		
		16	100	1		
		3	475	2		
		4	490	2		
		12	130	2		
		13	365	2		
417N3101-5SP		15	220	2		
		2	290	1		
		417N3101-6SP		2	290	1
				3	475	2
				4	490	2
12	130			2		
417N3101-6SP		13	365	2		
		15	220	2		
		2	290	1		
		417N3102-1		2	290	1
				3	475	2
4	490			2		
12	130			2		
13	365			2		
417N3103-1		2	290	1		

25-23-30

ILLUSTRATED PARTS LIST

Page 1026

Jul 01/2007



COMPONENT MAINTENANCE MANUAL

PART NUMBER	AIRLINE PART NUMBER	FIGURE	ITEM	UNITS PER ASSEMBLY
		5	80	1
		6	40	1
		7	70	1
		8	70	1
		9	40	1
		10	40	1
		11	35	1
		14	425	1
		16	65	1
417N3104-1		2	630	1
417N3104-2		2	632	1
		5	205	1
		7	190	1
		8	350	1
		9	330	1
		11	320	1
		14	365	1
		16	285	1
417N3105-4SP		2	295	1
417N3105-5SP		2	295K	1
417N3105-6SP		2	295A	1
		2	295J	1
		9	125	1
		10	130	1
		11	120	1
		14	105	1
417N3105-8C		5	91A	1
417N3105-8SP		7	80	1
417N3105-9D		5	90A	1
		6	90A	1
417N3105-9H		8	77	1
		8	80A	1
417N3105-9SP		5	90	1
		6	90	1
		7	82	1

25-23-30

ILLUSTRATED PARTS LIST

Page 1027

Jul 01/2007



COMPONENT MAINTENANCE MANUAL

PART NUMBER	AIRLINE PART NUMBER	FIGURE	ITEM	UNITS PER ASSEMBLY
		8	80	1
		16	75	1
417N3110-11SP		2	785J	1
		3	1A	RF
417N3110-12SP		2	790J	1
		3	5A	RF
417N3110-187SP		14	435	1
		15	1	RF
417N3110-188SP		14	440	1
		15	5	RF
417N3110-189		15	20	1
417N3110-190		15	25	1
417N3110-223		12	40A	1
417N3110-31SP		2	785K	1
		4	1	RF
417N3110-32SP		2	790K	1
		4	5	RF
417N3110-35SP		2	785A	1
		2	785M	1
		4	1A	RF
417N3110-36SP		2	790A	1
		2	790M	1
		4	5A	RF
417N3110-49		4	20B	1
417N3110-50		4	25	1
417N3110-57		4	20A	1
417N3110-58		4	25A	1
417N3110-5SP		2	785	1
		3	1	RF
417N3110-61SP		2	785L	1
		4	1B	RF
		9	560	1
		10	535	1
417N3110-62SP		2	790L	1
		4	5B	RF

25-23-30

ILLUSTRATED PARTS LIST

Page 1028

Jul 01/2007



COMPONENT MAINTENANCE MANUAL

PART NUMBER	AIRLINE PART NUMBER	FIGURE	ITEM	UNITS PER ASSEMBLY
		9	565	1
		10	540	1
		11	565	1
417N3110-69		4	20D	1
417N3110-6SP		2	790	1
		3	5	RF
417N3110-70		4	25C	1
417N3110-77C		5	330B	1
		12	1A	RF
417N3110-77G		5	330A	1
		6	320A	1
		12	1B	RF
417N3110-77SP		5	330	1
		6	320	1
		7	352	1
		12	1	RF
417N3110-78C		5	335B	1
		12	5A	RF
417N3110-78G		5	335A	1
		6	325A	1
		12	5B	RF
417N3110-78SP		5	335	1
		6	325	1
		7	350	1
		12	5	RF
417N3110-79		12	35	1
417N3110-81G		8	512	1
		13	1B	RF
417N3110-81SP		13	1A	RF
		16	460	1
417N3110-82G		8	515B	1
		13	3A	RF
417N3110-82SP		8	515	1
		13	3	RF
		16	455	1

25-23-30

ILLUSTRATED PARTS LIST

Page 1029

Jul 01/2007



COMPONENT MAINTENANCE MANUAL

PART NUMBER	AIRLINE PART NUMBER	FIGURE	ITEM	UNITS PER ASSEMBLY
417N3110-85		13	5A	1
417N3110-86		13	7A	1
417N3111-1SP		3	555A	1
		4	570B	1
		12	20	1
417N3111-21SP		4	570C	1
417N3111-22SP		4	575B	1
417N3111-2SP		3	560A	1
		4	575	1
		12	25	1
417N3111-35SP		15	335	1
417N3111-36SP		15	340	1
417N3111-5		13	395A	1
417N3111-5SP		3	555	1
		4	570A	1
417N3111-6		13	397A	1
417N3111-6SP		3	560	1
		4	575A	1
417N3113-1		2	530	3
		8	260	3
		9	510	3
		10	520	3
		11	550	3
		16	265	3
417N3114-10		3	125	1
		4	140	1
		13	97A	1
417N3114-11		3	115	1
		4	130	1
		13	90	1
417N3114-13		3	80	1
		4	95	1
		13	70A	1
417N3114-14		3	85	1
		4	100	1

25-23-30

ILLUSTRATED PARTS LIST

Page 1030

Jul 01/2007



COMPONENT MAINTENANCE MANUAL

PART NUMBER	AIRLINE PART NUMBER	FIGURE	ITEM	UNITS PER ASSEMBLY
417N3114-15		13	72A	1
		3	105	2
		4	120	2
417N3114-16		13	85A	2
		3	110	2
		4	125	2
417N3114-17		13	87A	2
		3	130	1
		4	145	1
417N3114-18		13	100A	1
		3	135	1
		4	150	1
417N3114-7		13	102A	1
		3	95	2
		4	110	2
417N3114-8		13	80A	2
		3	100	2
		4	115	2
417N3114-9		13	82A	2
		3	120	1
		4	135	1
417N3121-115		13	95A	1
		3	515A	1
		4	530B	1
417N3121-116		15	265	1
		3	520A	1
		4	535	1
417N3121-117		15	270	1
		3	515	1
		4	530A	1
417N3121-118		3	520	1
		4	535A	1
		3	365	1
417N3121-119		3	365	1
417N3121-120		3	370	1
417N3121-138		2	665	1

25-23-30

ILLUSTRATED PARTS LIST

Page 1031

Jul 01/2007



COMPONENT MAINTENANCE MANUAL

PART NUMBER	AIRLINE PART NUMBER	FIGURE	ITEM	UNITS PER ASSEMBLY
		5	365	1
		7	220	1
		8	385	1
		11	355	1
		14	260	1
		16	320	1
417N3121-139		2	668	1
		14	275	1
		16	325	1
417N3121-141		3	200	1
417N3121-163		3	320	1
		4	335	1
		13	190A	1
417N3121-164		3	325	1
		4	340	1
		13	192A	1
417N3121-165		3	345	1
		4	360	1
		13	205A	1
417N3121-166		3	350	1
		4	365	1
		13	207A	1
417N3121-171		4	380A	1
		15	255	1
417N3121-172		4	385A	1
		15	260	1
417N3121-175		3	160	1
		4	175	1
		13	245A	1
417N3121-176		3	165	1
		4	180	1
		13	247A	1
417N3121-177		3	195	1
		4	210	1
		13	265A	1

25-23-30

ILLUSTRATED PARTS LIST

Page 1032

Jul 01/2007



COMPONENT MAINTENANCE MANUAL

PART NUMBER	AIRLINE PART NUMBER	FIGURE	ITEM	UNITS PER ASSEMBLY
417N3121-178		4	215B	1
		13	267A	1
417N3121-179		4	405A	1
417N3121-180		4	410A	1
417N3121-181		4	430A	1
417N3121-182		4	435A	1
417N3121-185		4	280C	1
417N3121-186		4	285B	1
417N3121-187		4	305C	1
417N3121-188		4	310B	1
417N3121-189		4	175A	1
417N3121-190		4	180A	1
417N3121-191		4	210A	1
417N3121-192		4	215A	1
417N3121-193		4	335A	1
417N3121-194		4	340A	1
417N3121-195		4	360A	1
417N3121-196		4	365A	1
417N3121-197		4	526	1
417N3121-198		4	526J	1
417N3121-199		4	528	1
417N3121-200		4	528J	1
417N3121-201		4	550A	1
417N3121-202		4	555A	1
417N3121-203		4	174	1
417N3121-213		4	560B	1
417N3121-214		4	565B	1
417N3121-27		3	505	1
		4	520A	1
417N3121-271		12	155	1
		13	287	1
417N3121-272		12	160	1
		13	290	1
417N3121-273		12	180	1
417N3121-274		12	185	1

25-23-30

ILLUSTRATED PARTS LIST

Page 1033

Jul 01/2007



COMPONENT MAINTENANCE MANUAL

PART NUMBER	AIRLINE PART NUMBER	FIGURE	ITEM	UNITS PER ASSEMBLY
417N3121-279		13	370A	1
417N3121-28		3	510	1
		4	525A	1
417N3121-280		13	372A	1
417N3121-281		12	305	1
		13	375A	1
417N3121-282		12	310	1
		13	377A	1
417N3121-285		13	295A	1
417N3121-286		13	297A	1
417N3121-287		13	310A	1
417N3121-288		13	312A	1
417N3121-302		12	245	1
417N3121-304		12	265	1
417N3121-305		12	270	1
		13	347A	1
417N3121-306		12	275	1
		13	348A	1
417N3121-307		13	150A	1
417N3121-308		13	152A	1
417N3121-309		12	210	1
417N3121-310		12	215	1
417N3121-311		12	230	1
417N3121-312		12	235	1
417N3121-313		13	170A	1
417N3121-314		13	172A	1
417N3121-315		12	170	2
		13	115	2
417N3121-316		12	175	1
		13	120	1
417N3121-317		15	275	1
417N3121-318		15	280	1
417N3121-319		15	285	1
417N3121-320		15	290	1
417N3121-321		15	245	1

25-23-30

ILLUSTRATED PARTS LIST

Page 1034

Jul 01/2007



COMPONENT MAINTENANCE MANUAL

PART NUMBER	AIRLINE PART NUMBER	FIGURE	ITEM	UNITS PER ASSEMBLY
417N3121-322		15	250	1
417N3121-323		15	295	1
417N3121-324		15	300	1
417N3121-329		15	150	1
417N3121-330		15	155	1
417N3121-331		15	170	1
417N3121-332		15	175	1
417N3121-333		15	305	1
417N3121-334		15	310	1
417N3121-335		15	325	1
417N3121-336		15	330	1
417N3121-337		15	100	1
417N3121-338		15	106	1
417N3121-339		15	180	1
417N3121-340		15	185	1
417N3121-341		15	200	1
417N3121-342		15	205	1
417N3121-35		3	535	1
		4	550	1
417N3121-352		12	185A	1
417N3121-353		12	240A	1
417N3121-354		12	245A	1
417N3121-355		12	260A	1
417N3121-356		12	265A	1
417N3121-36		3	540	1
		4	555	1
417N3121-47		3	425	1
		4	440	1
417N3121-48		3	430	1
		4	445	1
417N3121-49		3	505A	1
		4	520B	1
417N3121-50		3	510A	1
		4	525	1
417N3121-51		3	450	1

25-23-30

ILLUSTRATED PARTS LIST

Page 1035

Jul 01/2007



COMPONENT MAINTENANCE MANUAL

PART NUMBER	AIRLINE PART NUMBER	FIGURE	ITEM	UNITS PER ASSEMBLY
417N3121-52		4	465	1
		3	455	1
417N3121-61		4	470	1
		3	265A	1
417N3121-62		4	280B	1
		3	270A	1
417N3121-63		4	285	1
		3	290A	1
417N3121-64		4	305B	1
		3	295A	1
417N3121-65		4	310	1
		3	390	1
417N3121-66		4	405	1
		3	395	1
417N3121-67		4	410	1
		3	415	1
417N3121-68		4	430	1
		3	420	1
417N3121-69		4	435	1
		3	265	1
417N3121-70		4	280A	1
		3	270	1
417N3121-71		4	285A	1
		3	290	1
417N3121-72		4	305A	1
		3	295	1
417N3121-81		4	310A	1
		3	310	1
417N3121-82		4	325	1
		12	200	1
417N3121-83		3	315	1
		4	330	1
		12	205	1
		3	545	1
		4	560	1

25-23-30

ILLUSTRATED PARTS LIST

Page 1036

Jul 01/2007



COMPONENT MAINTENANCE MANUAL

PART NUMBER	AIRLINE PART NUMBER	FIGURE	ITEM	UNITS PER ASSEMBLY		
417N3121-84		12	315	1		
		13	380A	1		
		3	550	1		
		4	565	1		
		12	320	1		
		13	382A	1		
417N3122-107		2	165	1		
417N3122-108		2	170	1		
417N3122-109		2	190	1		
417N3122-110		2	195	1		
417N3122-111		2	305	1		
		5	95	1		
		6	95	1		
		7	92	1		
		8	85	1		
		9	135	1		
		10	140	1		
		11	130	1		
		14	115	1		
		16	85	1		
		417N3122-112		2	315	1
				5	105	1
				6	105	1
				7	100	1
				8	95	1
				9	145	1
10	150			1		
11	140			1		
14	125			1		
16	95			1		
417N3122-115		2	90	2		
		9	90	2		
		10	90	2		
		11	85	2		
		14	65	2		

25-23-30

ILLUSTRATED PARTS LIST

Page 1037

Jul 01/2007



COMPONENT MAINTENANCE MANUAL

PART NUMBER	AIRLINE PART NUMBER	FIGURE	ITEM	UNITS PER ASSEMBLY
417N3122-121		5	103	1
417N3122-122		5	93	1
417N3122-123		15	110	1
417N3122-124		15	115	1
417N3122-125		15	140	1
417N3122-126		15	130	1
417N3122-130		2	255A	1
		9	115A	1
		10	115A	1
		11	110A	1
		12	300A	1
		13	335A	1
		14	90A	1
417N3122-14		2	140	2
		2	155	2
		9	95	2
		10	95	2
		11	90	2
		14	70	2
417N3122-3		3	485	1
		4	500	1
417N3122-4		3	490	1
		4	505	1
417N3122-48		3	155	1
		4	170	1
		13	135	1
417N3122-49		2	360	1
		8	122	1
		9	365	1
		10	380	1
		16	125	1
417N3122-50		2	365	1
		8	125	1
		9	370	1
		10	385	1

25-23-30

ILLUSTRATED PARTS LIST

Page 1038

Jul 01/2007



COMPONENT MAINTENANCE MANUAL

PART NUMBER	AIRLINE PART NUMBER	FIGURE	ITEM	UNITS PER ASSEMBLY
417N3122-53		11	415	1
		16	120	1
		2	317	1
		5	108	1
		7	90	1
417N3122-54		3	385	1
		4	400	1
		12	165	1
		13	285	1
		15	235	1
417N3122-55		2	221	1
417N3122-56		2	224	1
417N3122-57		3	305	1
		3	360	2
		4	320	1
		4	375	2
		12	190	3
		13	145	1
		13	345	1
		15	145	1
		15	240	2
		15	240	2
417N3122-6		3	10A	7
417N3122-60		2	225	1
		9	100	1
		10	100	1
		11	95	1
		12	280	1
		13	320	1
		14	75	1
		14	75	1
		2	255	1
		9	115	1
417N3122-61		10	115	1
		11	110	1
		12	300	1
		12	300	1
		13	335	1
		13	335	1

25-23-30

ILLUSTRATED PARTS LIST

Page 1039

Jul 01/2007



COMPONENT MAINTENANCE MANUAL

PART NUMBER	AIRLINE PART NUMBER	FIGURE	ITEM	UNITS PER ASSEMBLY
		14	90	1
417N3122-65		2	40	2
417N3122-66		2	65	1
417N3122-71		2	200	1
417N3122-72		2	220	1
417N3130-111SP		16	110	1
417N3130-112SP		16	105	1
417N3130-113SP		14	135	1
417N3130-114SP		14	140	1
417N3130-120SP		5	120C	1
		6	120B	1
417N3130-143B		5	115G	1
417N3130-143K		5	115F	1
		6	115C	1
417N3130-143M		8	105C	1
417N3130-143SP		5	115D	1
		6	115B	1
		7	111	1
417N3130-144B		5	120G	1
417N3130-144K		5	120F	1
		6	120D	1
417N3130-144M		8	107A	1
417N3130-144SP		5	120D	1
		6	120C	1
		7	111A	1
417N3130-146B		5	120H	1
417N3130-146SP		7	111B	1
417N3130-1SP		2	325	1
417N3130-27SP		2	325J	1
417N3130-2SP		2	330	1
417N3130-30SP		2	330J	1
417N3130-33SP		2	325A	1
		2	325P	1
417N3130-34SP		2	330A	1
		2	330P	1

25-23-30

ILLUSTRATED PARTS LIST

Page 1040

Jul 01/2007



COMPONENT MAINTENANCE MANUAL

PART NUMBER	AIRLINE PART NUMBER	FIGURE	ITEM	UNITS PER ASSEMBLY
417N3130-39SP		2	325K	1
417N3130-40SP		1	345P	1
417N3130-42SP		2	330K	1
417N3130-61SP		2	325Q	1
417N3130-62SP		2	330Q	1
417N3130-63SP		2	325R	1
417N3130-64SP		2	330R	1
417N3130-71SP		5	115B	1
		6	115A	1
417N3130-72SP		5	120B	1
		6	120A	1
		8	107	1
417N3130-73SP		5	115C	1
		7	112	1
		9	155	1
		10	160	1
417N3130-74SP		5	120J	1
		7	110A	1
		9	160	1
		10	165	1
		11	150	1
417N3130-76SP		7	110B	1
417N3130-77SP		5	115A	1
		6	115	1
417N3130-78SP		5	120A	1
417N3130-79SP		5	115	1
417N3130-80SP		5	120	1
		6	120	1
		7	110	1
417N3133-15		2	465	1
		8	205	1
		9	455	1
		10	465	1
		11	495	1
		16	205	1

25-23-30

ILLUSTRATED PARTS LIST

Page 1041

Jul 01/2007



COMPONENT MAINTENANCE MANUAL

PART NUMBER	AIRLINE PART NUMBER	FIGURE	ITEM	UNITS PER ASSEMBLY
417N3133-16		2	475	1
		8	210	1
		9	465	1
		10	470	1
		11	500	1
		16	210	1
		417N3133-19		2
8	160			2
9	435			2
10	420			2
11	450			2
16	160			2
417N3136-103		3	255	1
		4	270	1
417N3136-104		3	260	1
		4	275	1
		13	185	1
417N3136-108		3	205	1
		4	220	1
		13	210A	1
417N3136-109		3	210	1
		4	225	1
		13	212A	1
417N3136-110		3	235	1
		4	250A	1
		13	240A	1
417N3136-111		3	240	1
		4	255A	1
		13	242A	1
417N3136-12		3	145	1
		4	160	1
		13	140A	1
417N3136-133		14	345A	1
417N3136-134		14	345	1
417N3136-15		3	495	1

25-23-30

ILLUSTRATED PARTS LIST

Page 1042

Jul 01/2007



COMPONENT MAINTENANCE MANUAL

PART NUMBER	AIRLINE PART NUMBER	FIGURE	ITEM	UNITS PER ASSEMBLY		
417N3136-16		4	510	1		
		3	500	1		
		4	515	1		
417N3136-17		2	667	1		
		14	270	1		
		16	330	1		
417N3136-19		2	95	1		
417N3136-21		2	120	1		
417N3136-24		3	150	1		
		4	165A	1		
		13	142A	1		
417N3136-99		2	600	1		
		5	180	1		
		6	270	1		
		7	165	1		
		8	335	1		
		9	305	1		
		10	310	1		
		11	295	1		
		417N3160-11		2	550	1
				5	130	1
				6	220	1
7	120			1		
8	290			1		
9	255			1		
10	260			1		
417N3160-12		11	245	1		
		2	590	1		
		5	165	1		
		6	255	1		
		7	155	1		
		8	320	1		
		9	295	1		
		10	295	1		
		11	280	1		

25-23-30

ILLUSTRATED PARTS LIST

Page 1043

Jul 01/2007



COMPONENT MAINTENANCE MANUAL

PART NUMBER	AIRLINE PART NUMBER	FIGURE	ITEM	UNITS PER ASSEMBLY		
417N3160-13		14	335	2		
		2	595	6		
		5	175	6		
		6	265	6		
		7	160	6		
		8	330	6		
		9	300	6		
		10	305	6		
		11	290	6		
		14	340	14		
		417N3160-19		14	290	1
		417N3160-20		14	285	1
		417N3161-10		14	330	1
		417N3161-7		2	585	1
5	170			1		
6	260			1		
7	150			1		
8	325			1		
9	290			1		
10	300			1		
11	285			1		
417N3170-11				3	20	1
				4	35	1
				12	45	1
		13	10	1		
		15	40	1		
417N3170-12		3	25	1		
		4	40	1		
		12	50	1		
		13	15	1		
		15	45	1		
417N3171-2		3	50	1		
		4	65	1		
		12	75	1		
		13	40	1		

25-23-30

ILLUSTRATED PARTS LIST

Page 1044

Jul 01/2007



COMPONENT MAINTENANCE MANUAL

PART NUMBER	AIRLINE PART NUMBER	FIGURE	ITEM	UNITS PER ASSEMBLY
417N3171-3		15	70	1
		3	50A	1
		4	65A	1
		12	75A	1
		13	40A	1
		15	70A	1
417N3172-10		3	60	1
		4	75	1
		12	85	1
		13	50	1
		15	80	1
		3	70	1
417N3172-11		4	85	1
		12	95	1
		13	60	1
		15	90	1
		3	75	1
		4	90	1
417N3172-12		12	100	1
		13	65	1
		15	95	1
		3	55A	1
		4	70A	1
		12	80A	1
417N3172-19		13	45A	1
		15	75A	1
		3	60A	1
		4	75A	1
		12	85A	1
		13	50A	1
417N3172-20		15	80A	1
		3	70A	1
		4	85A	1
		12	95A	1
		13	60A	1
		15	70A	1
417N3172-21		4	85A	1
		12	95A	1
		13	60A	1
		15	70A	1

25-23-30

ILLUSTRATED PARTS LIST

Page 1045

Jul 01/2007



COMPONENT MAINTENANCE MANUAL

PART NUMBER	AIRLINE PART NUMBER	FIGURE	ITEM	UNITS PER ASSEMBLY
417N3172-22		15	90A	1
		3	75A	1
		4	90A	1
		12	100A	1
		13	65A	1
417N3172-9		3	55	1
		4	70	1
		12	80	1
		13	45	1
		15	75	1
417N3173-1		3	45	1
		4	60	1
		12	70	1
		13	35	1
		15	65	1
417N3173-13		2	460	1
		8	195	1
		9	450	1
		10	455	1
		11	485	1
		16	190	1
		2	405	1
417N3173-14		8	197	1
		9	410	1
		10	445	1
		11	475	1
		16	195	1
		2	625	2
		417N3173-6		2
417N3173-9		8	170	2
		9	425	2
		10	430	2
		11	460	2
		16	170	2
		2	715	2
		417N3180-1		2

25-23-30

ILLUSTRATED PARTS LIST

Page 1046

Jul 01/2007



COMPONENT MAINTENANCE MANUAL

PART NUMBER	AIRLINE PART NUMBER	FIGURE	ITEM	UNITS PER ASSEMBLY		
417N3180-3		5	220	2		
		6	135	2		
		7	240	2		
		8	400	2		
		9	175	2		
		10	180	2		
		11	165	2		
		14	155	2		
		16	345	2		
		2	740	2		
		5	255	2		
		6	170	2		
		7	275	2		
		8	440	2		
		9	210	2		
		417N3181-1		10	215	2
11	200			2		
14	180			2		
16	380			2		
2	730			1		
5	235			1		
6	150			1		
7	255			1		
8	415			1		
9	190			1		
10	195			1		
11	180			1		
14	170			1		
16	360			1		
417N3182-1				2	755	1
				5	250	1
		6	165	1		
		7	270	1		
		8	435	1		
		9	205	1		

25-23-30

ILLUSTRATED PARTS LIST

Page 1047

Jul 01/2007



COMPONENT MAINTENANCE MANUAL

PART NUMBER	AIRLINE PART NUMBER	FIGURE	ITEM	UNITS PER ASSEMBLY
417N3183-1		10	210	1
		11	195	1
		14	195	1
		16	375	1
		2	760	1
		5	265	1
		6	180	1
		7	285	1
		8	450	1
		9	220	1
		10	225	1
		11	210	1
		14	200	1
		16	390	1
417N3190-1		2	675	1
		5	300	1
		6	290	1
		7	320	1
		8	485	1
		9	530	1
		10	325	1
		11	365	1
		14	375	1
		16	425	1
		417N3190-10		2
9	395			1
10	410			1
11	440			1
417N3190-3		2	695	1
		5	325	1
		6	315	1
		7	345	1
		8	510	1
		9	555	1
		10	350	1

25-23-30

ILLUSTRATED PARTS LIST

Page 1048

Jul 01/2007



COMPONENT MAINTENANCE MANUAL

PART NUMBER	AIRLINE PART NUMBER	FIGURE	ITEM	UNITS PER ASSEMBLY		
417N3190-5		11	390	1		
		14	400	1		
		16	450	1		
		2	390	1		
		8	147	1		
		16	150	1		
417N3190-7		2	385	2		
		2	392	1		
		8	145	2		
		9	380	1		
		10	395	1		
		11	425	1		
		16	145	2		
417N3190-8		2	370	1		
		8	130	1		
		16	130	1		
417N3190-9		2	391	1		
		9	375	1		
		10	390	1		
		11	420	1		
417N3811-13		2	580	1		
		5	160	1		
		6	235	1		
		7	145	1		
		8	315	1		
		9	270	1		
		10	275	1		
		11	260	1		
		14	325	1		
		451120-026		2	650	1
				5	350A	1
7	205			1		
8	370			1		
11	340			1		
14	245			1		

25-23-30

ILLUSTRATED PARTS LIST

Page 1049

Jul 01/2007



COMPONENT MAINTENANCE MANUAL

PART NUMBER	AIRLINE PART NUMBER	FIGURE	ITEM	UNITS PER ASSEMBLY		
6035-2BR185		16	300	1		
		3	65	2		
		4	80	2		
		12	90	2		
		13	55	2		
		15	85	2		
61-33500		5	290D	1		
61-33500-001		6	200B	1		
		2	780B	1		
61-33500-002		5	290	1		
		6	200	1		
		7	310A	1		
		9	240	1		
		10	245	1		
		16	415	1		
		5	290B	1		
		7	310D	1		
		6100-12		2	710	2
				5	215	2
6	130			2		
7	235			2		
8	395			2		
9	170			2		
10	175			2		
11	160			2		
14	150			2		
16	340			2		
6100-9				2	395	2
				2	410	4
				2	450	2
				3	35	2
		4	50	2		
		8	165	4		
		8	190	2		
		8	215	2		

25-23-30

ILLUSTRATED PARTS LIST

Page 1050

Jul 01/2007



COMPONENT MAINTENANCE MANUAL

PART NUMBER	AIRLINE PART NUMBER	FIGURE	ITEM	UNITS PER ASSEMBLY
		9	400	2
		9	415	4
		9	440	2
		10	425	4
		10	450	2
		10	475	2
		11	455	4
		11	480	2
		11	505	2
		12	60	2
		13	25	2
		15	55	2
		16	165	4
		16	185	2
		16	220	2
65-85902-1		2	730A	1
		5	235A	1
		6	150A	1
		7	255A	1
		8	420	1
		9	190A	1
		10	195A	1
		11	180A	1
		14	170A	1
		16	360A	1
65-85905-4		2	750	1
		5	240	1
		6	155	1
		7	260	1
		8	425	1
		9	195	1
		10	200	1
		11	185	1
		14	190	1
		16	365	1

25-23-30

ILLUSTRATED PARTS LIST

Page 1051

Jul 01/2007



COMPONENT MAINTENANCE MANUAL

PART NUMBER	AIRLINE PART NUMBER	FIGURE	ITEM	UNITS PER ASSEMBLY		
65C16899-6		2	393J	1		
		2	690	1		
		5	320	1		
		6	310	1		
		7	340	1		
		8	505	1		
		9	390	1		
		9	550	1		
		10	345	1		
		10	405	1		
		11	385	1		
		11	435	1		
		14	395	1		
		16	445	1		
		66-25727-1		2	230	AR
		66-25727-2		2	235	AR
691212-13A1-1AR		1	15D	3		
		2	15D	3		
		14	15H	3		
		16	6J	3		
691212-13A1-1AT		2	15C	3		
		14	15G	3		
		16	6H	3		
691212-13A1-1AU		2	15F	3		
		14	15L	3		
		16	6M	3		
691212-13A1-1AW		2	15B	3		
		14	15F	3		
		16	6G	3		
691212-13A1-1BA		1	15B	3		
		1	15Z	3		
691212-13A1-1BD		1	15Y	3		
		2	15W	3		
691212-13A1-1J		2	15E	3		
		14	15K	3		

25-23-30

ILLUSTRATED PARTS LIST

Page 1052

Jul 01/2007



COMPONENT MAINTENANCE MANUAL

PART NUMBER	AIRLINE PART NUMBER	FIGURE	ITEM	UNITS PER ASSEMBLY
691212-13A1-1T		16	6L	3
		1	15G	3
		2	15G	3
		14	15M	3
		16	6N	3
70-505R		14	230	2
701-3B3		2	137	5
		5	55	5
		6	75	5
		7	45	5
		8	45	5
		9	85	5
		10	85	5
		11	80	5
		14	60	5
		16	40	5
	750801-002		2	280C
		5	70D	3
		6	30B	3
		7	60D	3
		8	60D	3
		9	30E	3
		10	30B	3
		11	25B	3
		14	415F	3
		16	50B	3
803000-03			2	605K
		5	185A	1
		6	280A	1
		7	170A	1
803000-04		1	410P	1
		2	605A	1
		5	185C	1
		6	275A	1
		7	170C	1

25-23-30

ILLUSTRATED PARTS LIST

Page 1053

Jul 01/2007



COMPONENT MAINTENANCE MANUAL

PART NUMBER	AIRLINE PART NUMBER	FIGURE	ITEM	UNITS PER ASSEMBLY
82-47-108-15		8	285A	1
		9	310A	1
		10	315A	1
		11	300A	1
		2	223	1
		2	245	1
		2	310	1
		5	100	1
		6	100	1
		7	95	1
		8	90	1
		9	105	1
		9	140	1
		10	105	1
		10	145	1
		11	100	1
		11	135	1
		12	290	1
		13	325	1
	920055		14	80
		14	120	1
		16	90	1
		1	20	1
		2	20	1
		5	15	1
		6	15	1
		7	10	1
		8	10	1
		9	10	1
920056		10	15	1
		11	10	1
		16	10	1
		1	10	3
		2	10	3
	5	10	3	

25-23-30

ILLUSTRATED PARTS LIST

Page 1054

Jul 01/2007



COMPONENT MAINTENANCE MANUAL

PART NUMBER	AIRLINE PART NUMBER	FIGURE	ITEM	UNITS PER ASSEMBLY
		6	10	3
		7	5	3
		8	5	3
		9	15	3
		10	10	3
		11	5	3
		14	10	3
		16	5	3
92055		14	20	1
932501-830		1	25F	1
		2	25F	1
		14	25K	1
		16	11L	1
932501-924		1	25B	1
		2	25B	1
		14	25B	1
		16	11B	1
932501-928		1	25Q	1
932501-930		1	25	1
		2	25	1
		14	25L	1
		16	11	1
932501-931		1	25A	1
		2	25A	1
		14	25A	1
		16	11A	1
96-82		2	355	1
		2	380	1
		2	495	3
		3	470	4
		4	485	4
		8	140	1
		8	214	4
		12	125	4
		13	360	4

25-23-30

ILLUSTRATED PARTS LIST

Page 1055

Jul 01/2007



COMPONENT MAINTENANCE MANUAL

PART NUMBER	AIRLINE PART NUMBER	FIGURE	ITEM	UNITS PER ASSEMBLY		
A11330-6-82		15	217	4		
		16	215	4		
		2	570	1		
		5	150	1		
		6	250	1		
		7	135	1		
		8	305	1		
		9	285	1		
		10	290	1		
		11	275	1		
		14	310	1		
		A4972-6-82		2	570	1
				5	150	1
				6	250	1
7	135			1		
8	305			1		
9	285			1		
10	290			1		
11	275			1		
AF5170-3		3	530A	5		
		4	545A	5		
		12	325	5		
		13	390	5		
AN960JD416		2	565A	1		
		5	145A	1		
		6	245A	1		
		7	130A	1		
		8	300A	1		
		9	280A	1		
		10	285A	1		
		11	270A	1		
		14	305A	2		
		AN960JD416L		2	765	AR
				2	765J	AR

25-23-30

ILLUSTRATED PARTS LIST

Page 1056

Jul 01/2007



COMPONENT MAINTENANCE MANUAL

PART NUMBER	AIRLINE PART NUMBER	FIGURE	ITEM	UNITS PER ASSEMBLY
		5	270	AR
		6	185	AR
		7	290	AR
		7	292	AR
		8	455	5
		8	457	4
		9	225	AR
		10	230	AR
		11	215	AR
		14	205	AR
		16	395	5
AN960JD8L		12	120	4
		13	180	2
		13	355	4
AN960KD8L		2	617	2
		4	172	2
		4	265A	2
		4	480A	4
		9	320	2
		11	310	2
		14	350	3
AN960PD8L		2	350	AR
		2	435	AR
		2	490	AR
		3	250	2
		3	465	4
		4	265	2
		4	480	4
		8	120	AR
		8	213	AR
		9	355	AR
		10	370	AR
		11	405	AR
		15	215	4
B0E20563A152		2	275	1

25-23-30

ILLUSTRATED PARTS LIST

Page 1057

Jul 01/2007



COMPONENT MAINTENANCE MANUAL

PART NUMBER	AIRLINE PART NUMBER	FIGURE	ITEM	UNITS PER ASSEMBLY
BAC27DPA2272		5	65	1
		6	25	1
		7	55	1
		8	55	1
		9	25	1
		10	25	1
		11	20	1
		14	410	1
		16	45	1
		2	795	1
		5	370	1
		6	330	1
		7	355	1
		8	520	1
		9	570	1
	BAC27NPA0609		10	545
		11	570	1
		14	445	1
		16	465	1
		2	800	1
		5	380	1
		6	340	1
		7	360	1
		8	525	1
		9	580	1
BAC27NPA0610		10	555	1
		11	575	1
		14	455	1
		16	470	1
		2	805	1
		5	375	1
		6	335	1
		7	362	1
		8	535	1
	9	575	1	

25-23-30

ILLUSTRATED PARTS LIST

Page 1058

Jul 01/2007



COMPONENT MAINTENANCE MANUAL

PART NUMBER	AIRLINE PART NUMBER	FIGURE	ITEM	UNITS PER ASSEMBLY
BAC27NPA0644		10	550	1
		14	450	1
		16	475	1
		2	815C	1
		6	350	1
BAC27NPA0645		16	480	1
		2	810B	1
		6	345	1
BAC27NPA0646		16	485	1
		2	815D	1
		5	390	1
BAC27NPA0647		7	365	1
		16	490	1
		2	810D	1
		5	385	1
BAC27NPA0660		16	495	1
		2	810A	1
		8	540	1
BAC27NPA0661		9	585	1
		14	460B	1
		2	815A	1
		8	545	1
BAC27NPA0662		9	590	1
		14	465B	1
		2	810	1
		8	550	1
BAC27NPA0663		10	560	1
		14	460	1
		2	815	1
		8	555	1
BAC27NPA0666		10	565	1
		14	465	1
		2	810C	1
		14	460A	1
		16	500	1

25-23-30

ILLUSTRATED PARTS LIST

Page 1059

Jul 01/2007



COMPONENT MAINTENANCE MANUAL

PART NUMBER	AIRLINE PART NUMBER	FIGURE	ITEM	UNITS PER ASSEMBLY		
BAC27NPA0667		2	815B	1		
		5	395	1		
		7	380	1		
		8	530	1		
		11	580	1		
		14	465A	1		
		16	505	1		
BAC27NPA0674		7	370	1		
BAC27NPA0676		5	400	1		
		7	375	1		
BAC27NPA0677		5	405	1		
		7	385	1		
BACC10DK3		2	775A	2		
		5	280A	2		
		6	195A	2		
		7	300A	2		
		8	465A	2		
		9	235B	2		
		10	240A	2		
		11	225A	2		
		14	215A	2		
		BACD40P3A120		2	275	1
				5	65	1
6	25			1		
7	55			1		
8	55			1		
9	25			1		
10	25			1		
11	20			1		
14	410			1		
BACG20AF3B3				16	45	1
				2	137	5
		5	55	5		
		6	75	5		
		7	45	5		

25-23-30

ILLUSTRATED PARTS LIST

Page 1060

Jul 01/2007



COMPONENT MAINTENANCE MANUAL

PART NUMBER	AIRLINE PART NUMBER	FIGURE	ITEM	UNITS PER ASSEMBLY
		8	45	5
		9	85	5
		10	85	5
		11	80	5
		14	60	5
		16	40	5
BACG20ZA0235		3	15B	4
		4	30B	4
BACN10FX84		2	570	1
		5	150	1
		6	250	1
		7	135	1
		8	305	1
		9	285	1
		10	290	1
		11	275	1
		14	310	1
BACN10JC08		2	355	1
		2	380	1
		2	495	3
		3	470	4
		4	485	4
		8	140	1
		8	214	4
		12	125	4
		13	360	4
		15	217	4
		16	215	4
BACN10JP08A		2	115	1
		13	200	2
		14	320	1
BACN10JP08AR		3	185	4
		3	285	2
		3	340	2
		3	410	7

25-23-30

ILLUSTRATED PARTS LIST

Page 1061

Jul 01/2007



COMPONENT MAINTENANCE MANUAL

PART NUMBER	AIRLINE PART NUMBER	FIGURE	ITEM	UNITS PER ASSEMBLY
		3	445	3
		4	200	4
		4	300	2
		4	355	2
		4	425	7
		4	460	3
		12	225	2
		12	255A	3
		13	165	2
		13	255	4
		13	305	7
		15	165	2
		15	195	2
		15	320	3
BACN10JP08B		2	110	2
BACN10JP08CR		3	190	2
		3	230	2
		4	205	2
		4	245	2
		13	235	2
		13	260	2
BACN10JPAR		12	255	3
BACN10R8		2	380A	1
		16	140	1
BACN10YJ08		2	55	8
		2	85	6
		2	135	9
		2	150	2
		2	160	4
		2	180	2
		2	210	2
		2	222J	1
		2	240	1
		2	620	4
		2	622	2

25-23-30

ILLUSTRATED PARTS LIST

Page 1062

Jul 01/2007



COMPONENT MAINTENANCE MANUAL

PART NUMBER	AIRLINE PART NUMBER	FIGURE	ITEM	UNITS PER ASSEMBLY
		2	660	1
		5	35	13
		5	106	1
		5	195	2
		5	360A	1
		6	70	13
		7	25	13
		7	180	2
		7	215	1
		8	40	13
		8	345	2
		8	380	1
		9	70	18
		9	325	2
		10	80	18
		11	75	18
		11	315	2
		11	350	1
		12	285	1
		13	315	1
		14	50	18
		14	255	2
		14	355	3
		16	35	13
		16	280	2
		16	310	2
BACR13CD2		2	645	1
		5	345A	1
		7	200	1
		8	365	1
		11	335	1
		14	240	1
		16	295	1
BACR15BA3AD		13	230	4
		14	315	6

25-23-30

ILLUSTRATED PARTS LIST

Page 1063

Jul 01/2007



COMPONENT MAINTENANCE MANUAL

PART NUMBER	AIRLINE PART NUMBER	FIGURE	ITEM	UNITS PER ASSEMBLY
BACR15BA3B		13	270	2
BACR15BA3D		2	105	6
		2	575	4
		3	180	12
		3	225	4
		3	280	4
		3	335	4
		3	440	6
		4	195	12
		4	240	4
		4	295	4
		4	350	4
		4	420	14
		4	455	6
		5	155	4
		6	230	4
		7	140	4
		8	310	4
		9	265	4
		10	270	4
		11	255	4
		12	220	4
		12	250	6
		13	160	4
		13	250	12
		13	300	14
		15	160	4
		15	190	4
BACR15BB3D		2	666	3
		3	140	4
		3	175	3
		3	275	4
		3	300	6
		3	330	2
		3	355	8

25-23-30

ILLUSTRATED PARTS LIST

Page 1064

Jul 01/2007



COMPONENT MAINTENANCE MANUAL

PART NUMBER	AIRLINE PART NUMBER	FIGURE	ITEM	UNITS PER ASSEMBLY
		3	375	2
		3	400	2
		3	435	2
		3	480	4
		3	530	5
		4	155	4
		4	190	3
		4	290	4
		4	315	6
		4	345	2
		4	370	8
		4	390	2
		4	415	2
		4	450	2
		4	495	4
		4	545B	5
		12	150	20
		13	105	18
		13	155	2
		13	275	3
		13	340	6
		14	265	3
		15	135	6
		15	225	16
		15	315	6
		16	315	3
BACR15BB4D		3	90A	6
		4	105A	6
		13	75	6
BACR15BB4D10		2	705	2
		5	210	2
		6	125	2
		7	230	2
		8	390	2
		9	165	2

25-23-30

ILLUSTRATED PARTS LIST

Page 1065

Jul 01/2007



COMPONENT MAINTENANCE MANUAL

PART NUMBER	AIRLINE PART NUMBER	FIGURE	ITEM	UNITS PER ASSEMBLY
BACR15CE3D		10	170	2
		11	155	2
		14	145	2
		16	335	2
		2	500	6
		2	503A	6
		3	405A	14
		3	525	3
		4	540B	3
		8	225	6
		9	475	12
		10	485	12
		11	515	12
		12	135	22
		13	110	22
		13	195	4
	BACR15CE4D		15	101
		15	120	2
		16	230	6
		2	502	8
		2	503B	6
		8	230	14
		9	480	8
		10	490	8
		11	520	8
		16	235	14
BACR15DR3		3	525A	3
		4	540A	3
		12	162	3
		13	385	3
BACR15DR3P		3	530A	5
		4	545A	5
		12	325	5
BACS12FA08K10		13	390	5
		4	230A	2

25-23-30

ILLUSTRATED PARTS LIST

Page 1066

Jul 01/2007



COMPONENT MAINTENANCE MANUAL

PART NUMBER	AIRLINE PART NUMBER	FIGURE	ITEM	UNITS PER ASSEMBLY
BACS12FA08K14		13	215	2
		2	655	1
		5	355A	1
		7	210	1
		8	375	1
		11	345	1
		14	250	2
		16	305	2
BACS12FA08K5		2	125	2
		2	145	2
		2	175	2
		2	205	2
		4	171	2
		9	60	2
		10	60	2
		11	55	2
		14	40	2
	BACS12FA08K6		2	45
		2	70	2
		2	100	3
		2	375	1
		2	555	4
		2	615	4
		3	30	4
		3	170	2
		3	245	2
		3	380	1
		4	45	4
		4	185	2
		4	260	2
		4	395	1
		5	135	4
		6	225	4
	7	122	4	
	8	135	1	

25-23-30

ILLUSTRATED PARTS LIST

Page 1067

Jul 01/2007



COMPONENT MAINTENANCE MANUAL

PART NUMBER	AIRLINE PART NUMBER	FIGURE	ITEM	UNITS PER ASSEMBLY
BACS12FA08K7		8	280	4
		9	55	2
		9	260	4
		10	55	2
		10	265	4
		11	50	2
		11	250	4
		12	55	4
		12	110	1
		13	20	4
		13	175	2
		13	220	2
		13	280	1
		14	35	2
		14	295	6
		15	50	4
		15	230	1
		16	135	1
		2	345	1
		2	430	4
		2	470	4
		2	485	3
		3	460	4
		4	475	4
		8	115	12
		9	350	8
		9	460	4
		10	365	12
		11	400	12
		12	115A	4
		13	350	4
		15	210	4
16	115	12		
BACS12FA08K8		3	215	2
		4	230	2

25-23-30

ILLUSTRATED PARTS LIST

Page 1068

Jul 01/2007



COMPONENT MAINTENANCE MANUAL

PART NUMBER	AIRLINE PART NUMBER	FIGURE	ITEM	UNITS PER ASSEMBLY
BACS13S205C		12	115B	4
		13	350A	4
		2	393A	1
		2	677A	4
		5	305	4
		6	295A	4
		7	325	4
		8	490	4
		9	385A	1
		9	535A	4
		10	330A	4
		10	400A	1
		11	370A	4
		11	430A	1
		14	380A	4
	BACS13S219C		16	430
		2	393	1
		2	677	4
		5	305A	4
		6	295	4
		7	325A	4
		8	490A	4
		9	385	1
		9	535	4
		10	330	4
		10	400	1
		11	370	4
		11	430	1
		14	380	4
		16	430A	4
BACS21AQ2A3K			2	60A
		2	185A	2
		2	215A	2
		2	223J	1
		2	250A	1

25-23-30

ILLUSTRATED PARTS LIST

Page 1069

Jul 01/2007



COMPONENT MAINTENANCE MANUAL

PART NUMBER	AIRLINE PART NUMBER	FIGURE	ITEM	UNITS PER ASSEMBLY
BACS21AQ6A6M		9	110	1
		10	110	1
		11	105	1
		12	295	1
		13	330	1
		14	85	1
		2	300	4
		4	303	1
		4	527	1
		6	107	4
		7	85	4
		7	87	4
		8	82	4
		9	130	4
		10	135	4
	BACW10P193D BACW10P193G		11	125
		14	110	4
		16	80	4
		16	30	8
		2	50	4
		2	75	8
		5	40	8
		6	65	8
		7	30	8
		8	35	8
BR16S233		9	65	8
		10	75	8
		11	70	8
		14	45	8
		2	645	1
		5	345A	1
		7	200	1
		8	365	1
	11	335	1	
	14	240	1	

25-23-30

ILLUSTRATED PARTS LIST

Page 1070

Jul 01/2007



COMPONENT MAINTENANCE MANUAL

PART NUMBER	AIRLINE PART NUMBER	FIGURE	ITEM	UNITS PER ASSEMBLY		
BRH10A08		16	295	1		
		2	355	1		
		2	380	1		
		2	495	3		
		3	470	4		
		4	485	4		
		8	140	1		
		8	214	4		
		12	125	4		
		13	360	4		
		15	217	4		
		16	215	4		
		BRM100A08		2	110	2
				2	115	1
		BRM200A08		13	200	2
				14	320	1
BRM200A08K		3	185	4		
		3	285	2		
		3	340	2		
		3	410	7		
		3	445	3		
		4	200	4		
		4	300	2		
		4	355	2		
		4	425	7		
		4	460	3		
		12	225	2		
		12	255A	3		
		13	165	2		
		13	255	4		
		13	305	7		
		15	165	2		
15	195	2				
15	320	3				
BRM300A08K		3	190	2		

25-23-30

ILLUSTRATED PARTS LIST

Page 1071

Jul 01/2007



COMPONENT MAINTENANCE MANUAL

PART NUMBER	AIRLINE PART NUMBER	FIGURE	ITEM	UNITS PER ASSEMBLY
		3	230	2
		4	205	2
		4	245	2
		13	235	2
		13	260	2
C58024-08-1A		8	295A	1
CCR274SS3		3	530A	5
		4	545A	5
		12	325	5
		13	390	5
CS8024-08-1A		6	240	1
		9	275	1
		10	280	1
		11	265	1
		14	300	2
CS802408-1A		2	560A	1
		5	140A	1
		7	125A	1
E3B3		2	137	5
		5	55	5
		6	75	5
		7	45	5
		8	45	5
		9	85	5
		10	85	5
		11	80	5
		14	60	5
		16	40	5
E71740-00		1	410Q	1
		2	605B	1
		5	185E	1
		6	275C	1
		6	280C	1
		7	170D	1
		8	285B	1

25-23-30

ILLUSTRATED PARTS LIST

Page 1072

Jul 01/2007



COMPONENT MAINTENANCE MANUAL

PART NUMBER	AIRLINE PART NUMBER	FIGURE	ITEM	UNITS PER ASSEMBLY		
EE4AA005		9	310B	1		
		10	315B	1		
		11	300B	1		
		2	645	1		
		5	345A	1		
		7	200	1		
		8	365	1		
		11	335	1		
		14	240	1		
		16	295	1		
		FHS832-6		2	250B	1
				9	110A	1
				10	110A	1
				11	105A	1
12	295A			1		
13	330A			1		
14	85A			1		
FT1387P8-1-2				2	560	1
				5	140	1
				6	240A	1
		7	125	1		
		8	295	1		
		9	275A	1		
		10	280A	1		
		11	265A	1		
		G6940-3B3		2	137	5
				5	55	5
6	75			5		
7	45			5		
8	45			5		
9	85			5		
10	85			5		
11	80			5		
14	60			5		
16	40			5		

25-23-30

ILLUSTRATED PARTS LIST

Page 1073

Jul 01/2007



COMPONENT MAINTENANCE MANUAL

PART NUMBER	AIRLINE PART NUMBER	FIGURE	ITEM	UNITS PER ASSEMBLY	
GSC205		2	393A	1	
		2	677A	4	
		5	305	4	
		6	295A	4	
		7	325	4	
		8	490	4	
		9	385A	1	
		9	535A	4	
		10	330A	4	
		10	400A	1	
		11	370A	4	
		11	430A	1	
		14	380A	4	
		16	430	4	
	GSC219		2	393	1
			2	677	4
		5	305A	4	
		6	295	4	
		7	325A	4	
		8	490A	4	
		9	385	1	
		9	535	4	
		10	330	4	
		10	400	1	
		11	370	4	
		11	430	1	
		14	380	4	
		16	430A	4	
H10-08BAC			2	355	1
			2	380	1
		2	495	3	
		3	470	4	
		4	485	4	
		8	140	1	
		8	214	4	

25-23-30

ILLUSTRATED PARTS LIST

Page 1074

Jul 01/2007



COMPONENT MAINTENANCE MANUAL

PART NUMBER	AIRLINE PART NUMBER	FIGURE	ITEM	UNITS PER ASSEMBLY	
H3B3		12	125	4	
		13	360	4	
		15	217	4	
		16	215	4	
		2	137	5	
		5	55	5	
		6	75	5	
		7	45	5	
		8	45	5	
		9	85	5	
		10	85	5	
		11	80	5	
		14	60	5	
		16	40	5	
	HFW1204K01		2	645	1
			5	345A	1
		7	200	1	
		8	365	1	
		11	335	1	
		14	240	1	
		16	295	1	
HFW1206K03			2	645	1
		5	345A	1	
		7	200	1	
		8	365	1	
		11	335	1	
		14	240	1	
		16	295	1	
	L16999-16C		2	280D	3
		5	70C	3	
		6	30C	3	
		7	60C	3	
		8	60C	3	
		9	30F	3	
		10	30C	3	

25-23-30

ILLUSTRATED PARTS LIST

Page 1075

Jul 01/2007



COMPONENT MAINTENANCE MANUAL

PART NUMBER	AIRLINE PART NUMBER	FIGURE	ITEM	UNITS PER ASSEMBLY
MK1000-08BAC		11	25C	3
		14	415E	3
		16	50A	3
		2	115	1
		13	200	2
		14	320	1
MK1000-08BCBAC		3	185	4
		3	285	2
		3	340	2
		3	410	7
		3	445	3
		4	200	4
		4	300	2
		4	355	2
		4	425	7
		4	460	3
		12	225	2
		12	255A	3
		13	165	2
		13	255	4
		13	305	7
		15	165	2
		15	195	2
		15	320	3
MK2000-08BAC		2	110	2
MK3000-08BCBAC		3	190	2
		3	230	2
		4	205	2
		4	245	2
		13	235	2
		13	260	2
MS20253P2-080		8	185A	1
		16	180A	1
MS20253P2-165		3	40	1
		4	55	1

25-23-30

ILLUSTRATED PARTS LIST

Page 1076

Jul 01/2007



COMPONENT MAINTENANCE MANUAL

PART NUMBER	AIRLINE PART NUMBER	FIGURE	ITEM	UNITS PER ASSEMBLY
		12	65	1
		13	30	1
		15	60	1
MS20253P2-270		8	155A	1
		16	155A	2
MS21042L08		2	355A	1
		2	495A	3
		4	173	2
		9	360	4
		10	375	4
		11	410	4
MS35335-31		2	222	1
NAS1149DN416J		5	270A	AR
NAS43DD3-10		16	20	4
NAS43DD3-18		2	80	4
		3	220	2
		4	235	2
		5	45	4
		6	55	4
		7	35	4
		8	25	4
		9	75	4
		10	65	4
		11	60	4
		13	225	2
		14	55	4
NAS43DD3-20		2	162	4
		5	50	4
		6	60	4
		7	40	4
		8	30	4
		9	80	4
		10	70	4
		11	65	4
		16	25	4

25-23-30

ILLUSTRATED PARTS LIST

Page 1077

Jul 01/2007



COMPONENT MAINTENANCE MANUAL

PART NUMBER	AIRLINE PART NUMBER	FIGURE	ITEM	UNITS PER ASSEMBLY
NAS43DD3-7		2	130	7
NAS43DD4-5		2	685	1
		5	315	1
		6	305	1
		7	335	1
		8	500	1
		9	545	1
		10	340	1
		11	380	1
		14	390	1
		16	440	1
NAS557-10A		3	15A	4
		4	30A	4
		4	30C	4
		12	105	4
		13	8	4
		15	30	4
NAS557-12A		3	15	4
		4	30D	4
NAS557-6A		15	35	1
NAS607-1-4P		2	720	2
		5	230	2
		6	145	2
		7	250	2
		8	410	2
		9	185	2
		10	190	2
		11	175	2
		14	160	2
		16	355	2
NAS607-2-8P		2	725	1
		5	225	1
		6	140	1
		7	245	1
		8	405	1

25-23-30

ILLUSTRATED PARTS LIST

Page 1078

Jul 01/2007



COMPONENT MAINTENANCE MANUAL

PART NUMBER	AIRLINE PART NUMBER	FIGURE	ITEM	UNITS PER ASSEMBLY	
NMC1001-0		9	180	1	
		10	185	1	
		11	170	1	
		14	165	1	
		16	350	1	
		2	775	2	
		5	280	2	
		6	195	2	
		7	300	2	
		8	465	2	
		9	235A	2	
		10	240	2	
		11	225	2	
		14	215	2	
	NS103197-82		2	115	1
			13	200	2
NS103197-82BC		14	320	1	
		3	185	4	
		3	285	2	
		3	340	2	
		3	410	7	
		3	445	3	
		4	200	4	
		4	300	2	
		4	355	2	
		4	425	7	
		4	460	3	
		12	225	2	
		12	255A	3	
		13	165	2	
		13	255	4	
	13	305	7		
	15	165	2		
	15	195	2		
	15	320	3		

25-23-30

ILLUSTRATED PARTS LIST

Page 1079

Jul 01/2007



COMPONENT MAINTENANCE MANUAL

PART NUMBER	AIRLINE PART NUMBER	FIGURE	ITEM	UNITS PER ASSEMBLY	
NS103198-82		2	110	2	
NS103199-82BC		3	190	2	
		3	230	2	
		4	205	2	
		4	245	2	
		13	235	2	
		13	260	2	
NS202101-82		2	355	1	
		2	380	1	
		2	495	3	
		3	470	4	
		4	485	4	
		8	140	1	
		8	214	4	
		12	125	4	
		13	360	4	
		15	217	4	
		16	215	4	
	PLT2MM		2	285	3
			5	75	3
		6	35	3	
		7	65	3	
		7	65A	3	
		8	65	3	
		9	35	3	
		10	35	3	
		11	30	3	
		14	420	3	
		16	60	3	
PLT2MM2			2	285A	3
			5	75A	3
		6	35A	3	
		8	65A	3	
		9	35A	3	
		10	35A	3	

25-23-30

ILLUSTRATED PARTS LIST

Page 1080

Jul 01/2007



COMPONENT MAINTENANCE MANUAL

PART NUMBER	AIRLINE PART NUMBER	FIGURE	ITEM	UNITS PER ASSEMBLY
PLWP1S		11	30A	3
		14	420A	3
		16	60A	3
		2	770	AR
		2	770J	AR
		5	275	AR
		6	190	AR
		7	295	AR
		7	297	AR
		8	460	5
		8	462	4
		9	230	AR
		10	235	AR
		11	220	AR
		14	210	AR
	RCS3289		16	400
		2	735	2
		5	260	2
		6	175	2
		7	280	2
		8	445	2
		9	215	2
		10	220	2
		11	205	2
		14	175	2
RCS3290			16	385
		2	745	1
		5	245	1
		6	160	1
		7	265	1
		8	430	1
		9	200	1
		10	205	1
		11	190	1
		14	185	1

25-23-30

ILLUSTRATED PARTS LIST

Page 1081

Jul 01/2007



COMPONENT MAINTENANCE MANUAL

PART NUMBER	AIRLINE PART NUMBER	FIGURE	ITEM	UNITS PER ASSEMBLY	
RDAM8005A		16	370	1	
		2	635A	1	
		5	200	1	
		7	185	1	
		8	355	1	
		9	335	1	
		11	325	1	
		14	360	1	
		16	290	1	
	RDAM8018		5	200A	1
		7	185A	1	
		8	355A	1	
		14	360A	1	
		16	290A	1	
RM52LHA4972-6-82		2	570	1	
		5	150	1	
		6	250	1	
		7	135	1	
		8	305	1	
		9	285	1	
		10	290	1	
		11	275	1	
		14	310	1	
	RMA9201M82		2	115	1
			13	200	2
		14	320	1	
RMA9201M82BC		3	185	4	
		3	285	2	
		3	340	2	
		3	410	7	
		3	445	3	
		4	200	4	
		4	300	2	
		4	355	2	
		4	425	7	

25-23-30

ILLUSTRATED PARTS LIST

Page 1082

Jul 01/2007



COMPONENT MAINTENANCE MANUAL

PART NUMBER	AIRLINE PART NUMBER	FIGURE	ITEM	UNITS PER ASSEMBLY
RMA9205M82BC		4	460	3
		12	225	2
		12	255A	3
		13	165	2
		13	255	4
		13	305	7
		15	165	2
		15	195	2
		15	320	3
		3	190	2
		3	230	2
		4	205	2
		4	245	2
		13	235	2
		13	260	2
RMA9207M82		2	110	2
RMLH9075-82W		2	355	1
		2	380	1
		2	495	3
		3	470	4
		4	485	4
		8	140	1
		8	214	4
		12	125	4
		13	360	4
		15	217	4
		16	215	4
RR2002-3B3		2	137	5
		5	55	5
		6	75	5
		7	45	5
		8	45	5
		9	85	5
		10	85	5
		11	80	5

25-23-30

ILLUSTRATED PARTS LIST

Page 1083

Jul 01/2007



COMPONENT MAINTENANCE MANUAL

PART NUMBER	AIRLINE PART NUMBER	FIGURE	ITEM	UNITS PER ASSEMBLY		
RV570A3		14	60	5		
		16	40	5		
		3	530A	5		
		4	545A	5		
		12	325	5		
		13	390	5		
S222T101-101		2	635A	1		
		5	200	1		
		7	185	1		
		8	355	1		
		9	335	1		
		11	325	1		
		14	360	1		
		16	290	1		
		S417N302-1		2	260	1
				5	20	1
				6	80	1
7	17			1		
8	12			1		
9	120			1		
10	120			1		
14	95			1		
16	17			1		
S417N302-2				2	265	1
		5	25	1		
		6	85	1		
		7	15	1		
		8	15	1		
		9	122	1		
		10	125	1		
		11	115	1		
		14	100	1		
		16	15	1		
		S417N303-2A		1	25Q	1
2	25Z			1		

25-23-30

ILLUSTRATED PARTS LIST

Page 1084

Jul 01/2007



COMPONENT MAINTENANCE MANUAL

PART NUMBER	AIRLINE PART NUMBER	FIGURE	ITEM	UNITS PER ASSEMBLY
S417N303-2B		1	25R	1
		2	25V	1
S417N303-2C		1	25	1
		2	25	1
		14	25L	1
		16	11	1
S417N303-2D		1	25A	1
		2	25A	1
		14	25A	1
		16	11A	1
S417N303-2E		1	25B	1
		2	25B	1
		14	25B	1
		16	11B	1
S417N303-2F		1	25C	1
		2	25C	1
		14	25C	1
		16	11C	1
S417N303-2G		1	25D	1
		2	25D	1
		14	25D	1
		16	11D	1
S417N303-2H		1	25S	1
		2	25W	1
S417N303-2J		1	25L	1
		2	25S	1
		14	25Q	1
		16	11E	1
S417N303-2K		1	25N	1
		2	25R	1
		14	25N	1
		16	11F	1
S417N303-2L		1	25P	1
		2	25T	1
		14	25P	1

25-23-30

ILLUSTRATED PARTS LIST

Page 1085

Jul 01/2007



COMPONENT MAINTENANCE MANUAL

PART NUMBER	AIRLINE PART NUMBER	FIGURE	ITEM	UNITS PER ASSEMBLY
S417N303-2M		16	11G	1
		1	25T	1
		2	25X	1
		14	25R	1
S417N303-3A		16	11H	1
		1	25E	1
		2	25E	1
		14	25H	1
S417N303-3B		16	11J	1
		2	25Y	1
S417N303-3C		1	25M	1
		2	25P	1
		14	25M	1
		16	11K	1
S417N303-4A		1	25F	1
		2	25F	1
		14	25K	1
S417N304-1A		16	11L	1
		1	15U	3
		2	15Q	3
S417N304-1B		1	15	3
		2	15	3
		14	15R	3
		16	6	3
S417N304-1C		1	15A	3
		2	15A	3
		14	15A	3
		16	6A	3
S417N304-1M		1	15P	3
		2	15M	3
		14	15N	3
		16	6B	3
S417N304-1N		1	15Q	3
		2	15N	3
		14	15P	3

25-23-30

ILLUSTRATED PARTS LIST

Page 1086

Jul 01/2007



COMPONENT MAINTENANCE MANUAL

PART NUMBER	AIRLINE PART NUMBER	FIGURE	ITEM	UNITS PER ASSEMBLY
S417N304-1P		16	6C	3
		1	15V	3
		2	15R	3
S417N304-1R		1	15W	3
		2	15S	3
		1	15R	3
S417N304-1S		2	15T	3
		14	15Q	3
		16	6D	3
S417N304-1T		1	15T	3
		2	15U	3
		14	15S	3
S417N304-1V		16	6E	3
		1	15X	3
		2	15V	3
S417N304-6C		14	15T	3
		16	6F	3
		1	15Y	3
S417N304-6D		2	15W	3
		1	15Z	3
		2	15Y	3
S417N304-6E		1	15B	3
		2	15B	3
		14	15F	3
S417N304-6F		16	6G	3
		1	16	3
		2	15C	3
S417N304-6G		14	15G	3
		16	6H	3
		1	15D	3
S417N304-6H		2	15D	3
		14	15H	3
		16	6J	3
S417N304-6H		1	15J	3
		2	15K	3

25-23-30

ILLUSTRATED PARTS LIST

Page 1087

Jul 01/2007



COMPONENT MAINTENANCE MANUAL

PART NUMBER	AIRLINE PART NUMBER	FIGURE	ITEM	UNITS PER ASSEMBLY
S417N304-6J		14	15J	3
		16	6K	3
		1	16A	3
		2	15E	3
		14	15K	3
S417N304-6K		16	6L	3
		1	16B	3
		2	15F	3
		14	15L	3
S417N304-6L		16	6M	3
		1	15G	3
		2	15G	3
		14	15M	3
S417N304-6M		16	6N	3
		1	15S	3
		2	15P	3
S417T401-22		14	280	2
S417T401-26		2	605J	1
		5	185	1
		6	280	1
		7	170	1
		1	410	1
S417T401-27		2	605	1
		5	185B	1
		6	275	1
		6	280B	1
		7	170B	1
		8	285	1
		9	310	1
		10	315	1
		11	300	1
		S417T401-32		2
5	185A			1
6	280A			1
7	170A			1

25-23-30

ILLUSTRATED PARTS LIST

Page 1088

Jul 01/2007



COMPONENT MAINTENANCE MANUAL

PART NUMBER	AIRLINE PART NUMBER	FIGURE	ITEM	UNITS PER ASSEMBLY		
S417T401-33		1	410P	1		
		2	605A	1		
		5	185C	1		
		6	275A	1		
		7	170C	1		
		8	285A	1		
		9	310A	1		
		10	315A	1		
		11	300A	1		
		S417T401-44		1	410Q	1
				2	605B	1
5	185E			1		
6	275C			1		
6	280C			1		
7	170D			1		
8	285B			1		
9	310B			1		
10	315B			1		
11	300B			1		
SL211-08-1				2	570	1
		5	150	1		
		6	250	1		
		7	135	1		
		8	305	1		
		9	285	1		
		10	290	1		
		11	275	1		
		14	310	1		
		SL5244-08-4		12	140B	5
				13	125A	5
SL5244-08-6		12	145B	6		
		13	130A	6		
SL6189-08-4		3	10	7		
		4	10	5		
		15	10	5		

25-23-30

ILLUSTRATED PARTS LIST

Page 1089

Jul 01/2007



COMPONENT MAINTENANCE MANUAL

PART NUMBER	AIRLINE PART NUMBER	FIGURE	ITEM	UNITS PER ASSEMBLY
		15	105	1
		15	125	1
SL6189-08-6		4	15	4
		15	15	4
		15	125A	1
SZ6924-3B3		2	137	5
		5	55	5
		6	75	5
		7	45	5
		8	45	5
		9	85	5
		10	85	5
		11	80	5
		14	60	5
		16	40	5
T6S832J		2	355	1
		2	380	1
		2	495	3
		3	470	4
		4	485	4
		8	140	1
		8	214	4
		12	125	4
		13	360	4
		15	217	4
		16	215	4
T8076S832		2	115	1
		13	200	2
		14	320	1
T8076S832BC		3	185	4
		3	285	2
		3	340	2
		3	410	7
		3	445	3
		4	200	4

25-23-30

ILLUSTRATED PARTS LIST

Page 1090

Jul 01/2007



COMPONENT MAINTENANCE MANUAL

PART NUMBER	AIRLINE PART NUMBER	FIGURE	ITEM	UNITS PER ASSEMBLY
		4	300	2
		4	355	2
		4	425	7
		4	460	3
		12	225	2
		12	255A	3
		13	165	2
		13	255	4
		13	305	7
		15	165	2
		15	195	2
		15	320	3
T8077S832		2	110	2
T8078S832BC		3	190	2
		3	230	2
		4	205	2
		4	245	2
		13	235	2
		13	260	2
UM62-59000-4		12	140D	5
		13	125B	5
UM62-59000-6		12	145D	6
		13	130B	6
VIP720-1A		1	15U	3
		2	15Q	3
VIP720-1B		1	15	3
		2	15	3
		14	15R	3
		16	6	3
VIP720-1C		1	15A	3
		2	15A	3
		14	15A	3
		16	6A	3
VIP720-1M		1	15P	3
		2	15M	3

25-23-30

ILLUSTRATED PARTS LIST

Page 1091

Jul 01/2007



COMPONENT MAINTENANCE MANUAL

PART NUMBER	AIRLINE PART NUMBER	FIGURE	ITEM	UNITS PER ASSEMBLY
VIP720-1N		14	15N	3
		16	6B	3
		1	15Q	3
		2	15N	3
		14	15P	3
VIP720-1S		16	6C	3
		1	15R	3
		2	15T	3
		14	15Q	3
VIP720-1T		16	6D	3
		1	15T	3
		2	15U	3
		14	15S	3
VIP720-1V		16	6E	3
		1	15X	3
		2	15V	3
		14	15T	3
VIP720-2A		16	6F	3
		1	25Q	1
VIP720-2B		1	25R	1
		2	25V	1
		1	25	1
VIP720-2C		2	25	1
		14	25L	1
		16	11	1
		1	25A	1
VIP720-2D		2	25A	1
		14	25A	1
		16	11A	1
		1	25B	1
VIP720-2E		2	25B	1
		14	25B	1
		16	11B	1
		1	25C	1
VIP720-2F		2	25C	1

25-23-30

ILLUSTRATED PARTS LIST

Page 1092

Jul 01/2007



COMPONENT MAINTENANCE MANUAL

PART NUMBER	AIRLINE PART NUMBER	FIGURE	ITEM	UNITS PER ASSEMBLY
VIP720-2G		14	25C	1
		16	11C	1
		1	25D	1
		2	25D	1
		14	25D	1
VIP720-2J		16	11D	1
		1	25L	1
		2	25S	1
VIP720-2K		14	25Q	1
		16	11E	1
		1	25N	1
		2	25R	1
VIP720-2L		14	25N	1
		16	11F	1
		1	25P	1
		2	25T	1
VIP720-2M		14	25P	1
		16	11G	1
		1	25T	1
		2	25X	1
VIP720-3A		14	25R	1
		16	11H	1
		1	25E	1
		2	25E	1
VIP720-3C		14	25H	1
		16	11J	1
		1	25M	1
		2	25P	1
VIP720-4A		14	25M	1
		16	11K	1
		1	25F	1
		2	25F	1
VIP720-6C		14	25K	1
		16	11L	1
		1	15Y	3

25-23-30

ILLUSTRATED PARTS LIST

Page 1093

Jul 01/2007



COMPONENT MAINTENANCE MANUAL

PART NUMBER	AIRLINE PART NUMBER	FIGURE	ITEM	UNITS PER ASSEMBLY
		2	15W	3
VIP720-6D		1	15Z	3
VIP720-6E		1	15B	3
		2	15B	3
		14	15F	3
		16	6G	3
VIP720-6F		2	15C	3
		14	15G	3
		16	6H	3
VIP720-6G		1	15D	3
		2	15D	3
		14	15H	3
		16	6J	3
VIP720-6J		2	15E	3
		14	15K	3
		16	6L	3
VIP720-6K		2	15F	3
		14	15L	3
		16	6M	3
VIP720-6L		1	15G	3
		2	15G	3
		14	15M	3
		16	6N	3
VIP720-6M		1	15S	3
		2	15P	3
VN201A1-82		2	110	2
VN202A1-82		2	115	1
		13	200	2
		14	320	1
VN202A2-82		3	185	4
		3	285	2
		3	340	2
		3	410	7
		3	445	3
		4	200	4

25-23-30

ILLUSTRATED PARTS LIST

Page 1094

Jul 01/2007



COMPONENT MAINTENANCE MANUAL

PART NUMBER	AIRLINE PART NUMBER	FIGURE	ITEM	UNITS PER ASSEMBLY
		4	300	2
		4	355	2
		4	425	7
		4	460	3
		12	225	2
		12	255A	3
		13	165	2
		13	255	4
		13	305	7
		15	165	2
		15	195	2
		15	320	3
VN203A2-82		3	190	2
		3	230	2
		4	205	2
		4	245	2
		13	235	2
		13	260	2
VN303A82		2	355	1
		2	380	1
		2	495	3
		3	470	4
		4	485	4
		8	140	1
		8	214	4
		12	125	4
		13	360	4
		15	217	4
		16	215	4
Y0C130		2	393A	1
		2	677A	4
		5	305	4
		6	295A	4
		7	325	4
		8	490	4

25-23-30

ILLUSTRATED PARTS LIST

Page 1095

Jul 01/2007



COMPONENT MAINTENANCE MANUAL

PART NUMBER	AIRLINE PART NUMBER	FIGURE	ITEM	UNITS PER ASSEMBLY
Y0C140		9	385A	1
		9	535A	4
		10	330A	4
		10	400A	1
		11	370A	4
		11	430A	1
		14	380A	4
		16	430	4
		2	393	1
		2	677	4
		5	305A	4
		6	295	4
		7	325A	4
		8	490A	4
		9	385	1
		9	535	4
		10	330	4
		10	400	1
		11	370	4
		11	430	1
	14	380	4	
	16	430A	4	

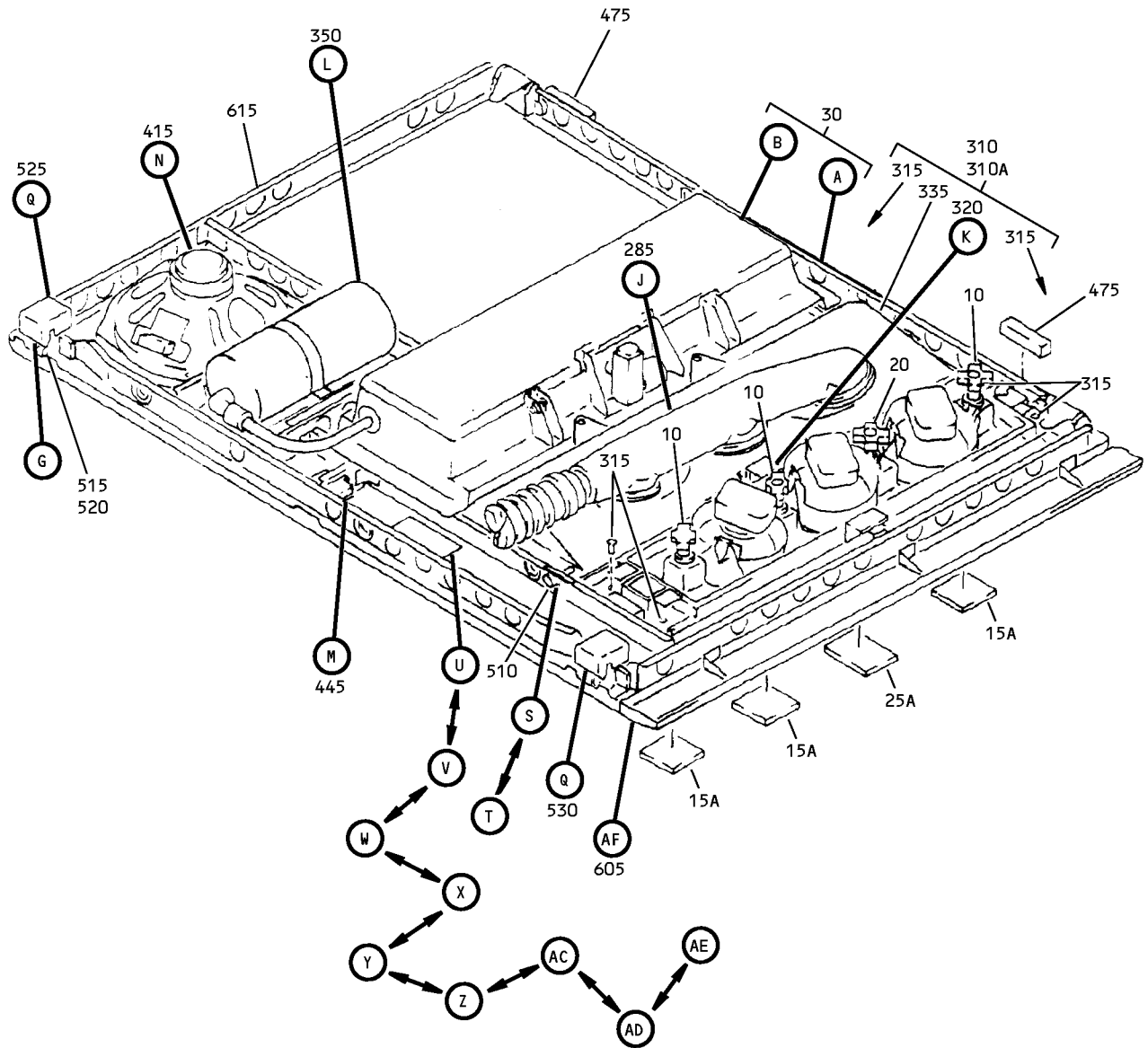
25-23-30

ILLUSTRATED PARTS LIST

Page 1096

Jul 01/2007

COMPONENT MAINTENANCE MANUAL



Full Underbin - Passenger Service Unit (with Speaker and Gasper Air) Assembly
IPL Figure 1 (Sheet 1 of 10)

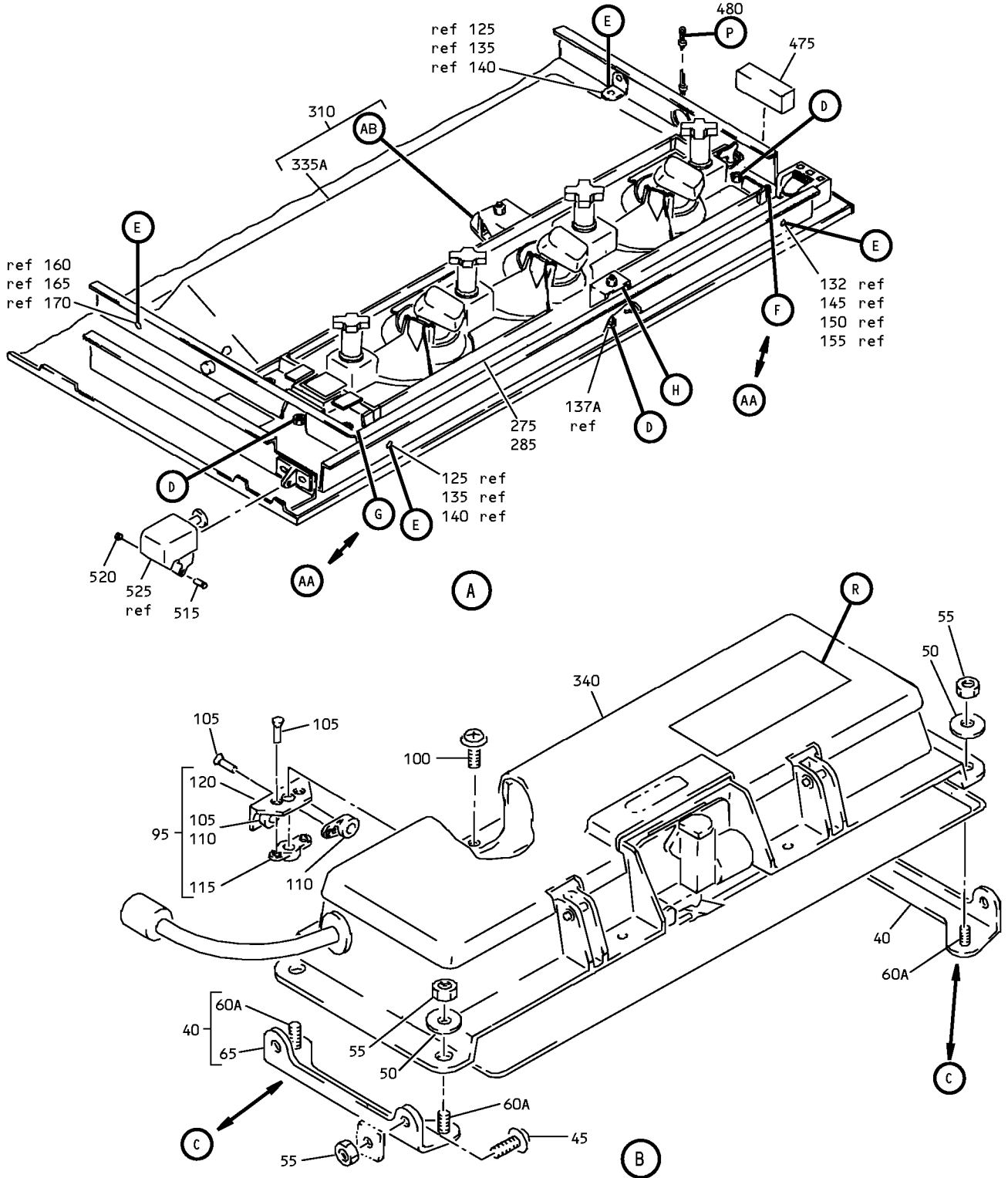
25-23-30

ILLUSTRATED PARTS LIST

Page 1097

Jul 01/2007

COMPONENT MAINTENANCE MANUAL



Full Underbin - Passenger Service Unit (with Speaker and Gasper Air) Assembly
IPL Figure 1 (Sheet 2 of 10)

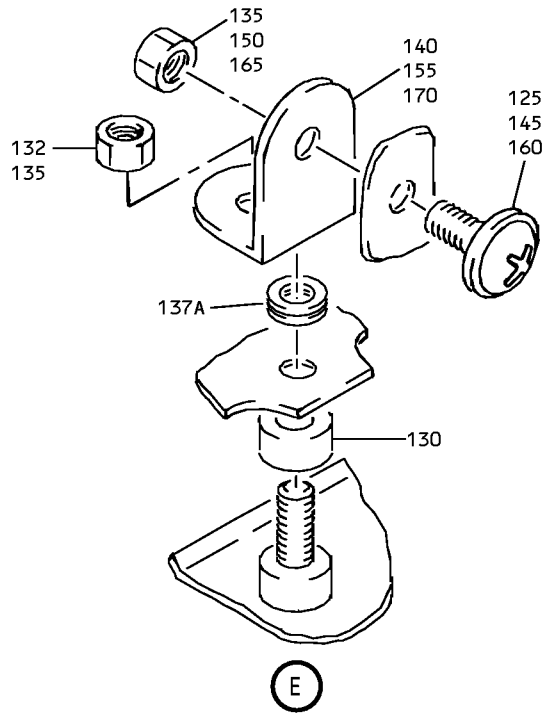
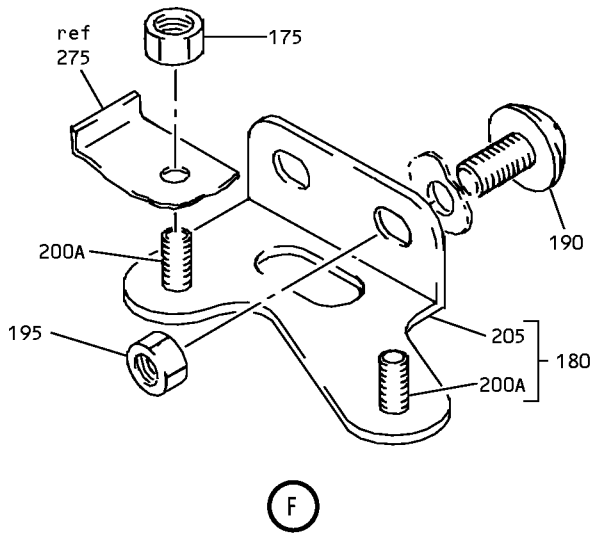
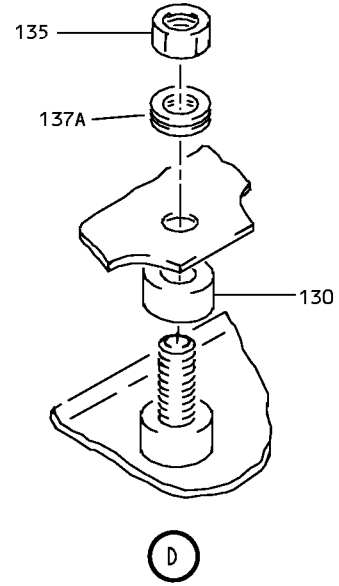
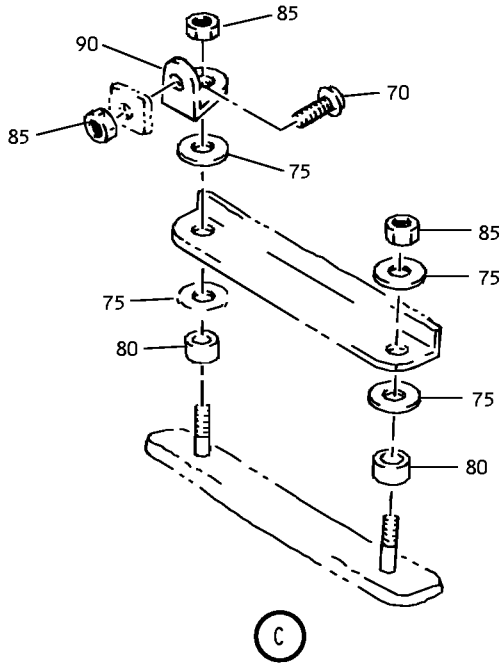
25-23-30

ILLUSTRATED PARTS LIST

Page 1098

Jul 01/2007

COMPONENT MAINTENANCE MANUAL



Full Underbin - Passenger Service Unit (with Speaker and Gasper Air) Assembly
IPL Figure 1 (Sheet 3 of 10)

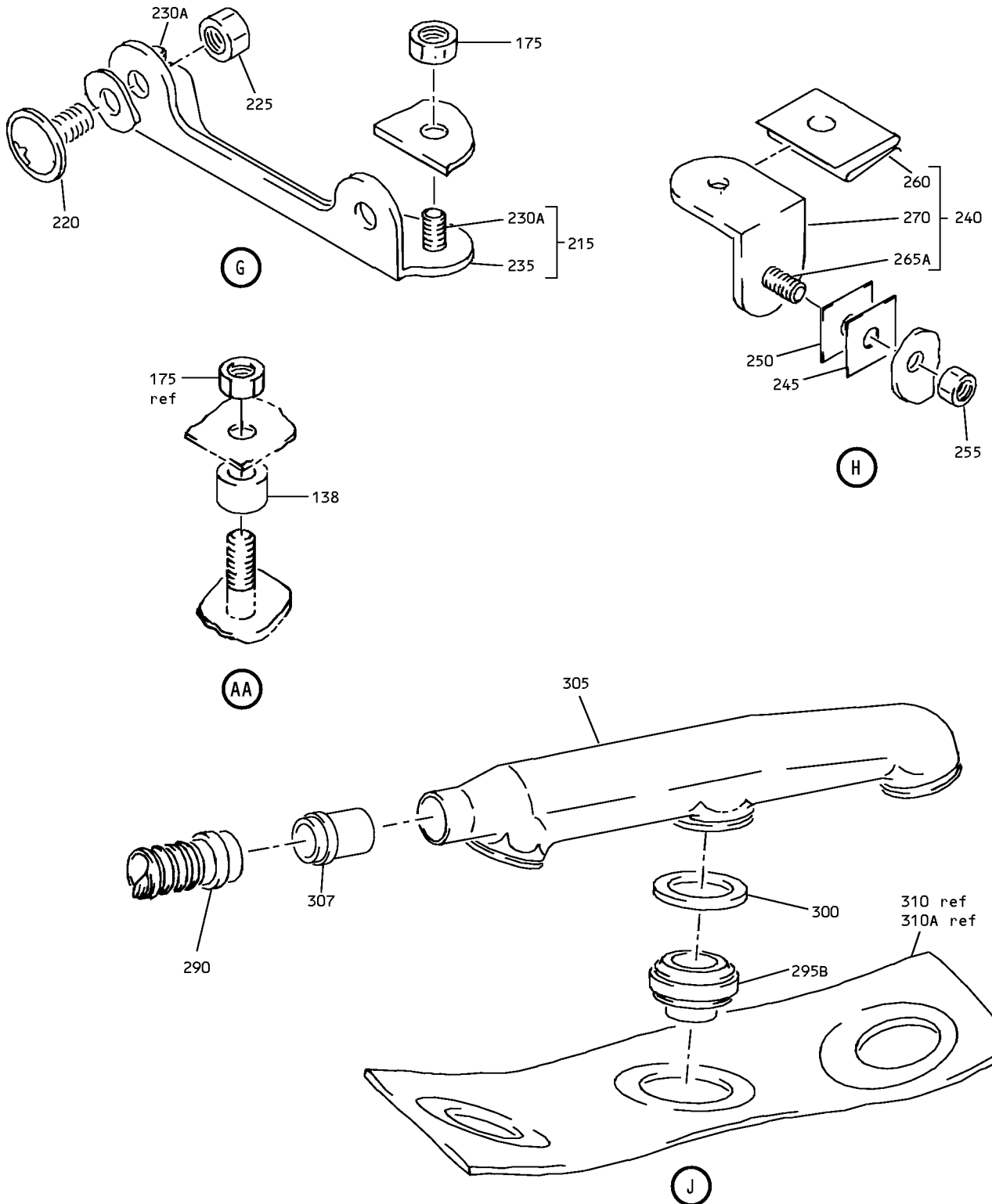
25-23-30

ILLUSTRATED PARTS LIST

Page 1098.1

Jul 01/2007

COMPONENT MAINTENANCE MANUAL



Full Underbin - Passenger Service Unit (with Speaker and Gasper Air) Assembly
IPL Figure 1 (Sheet 4 of 10)

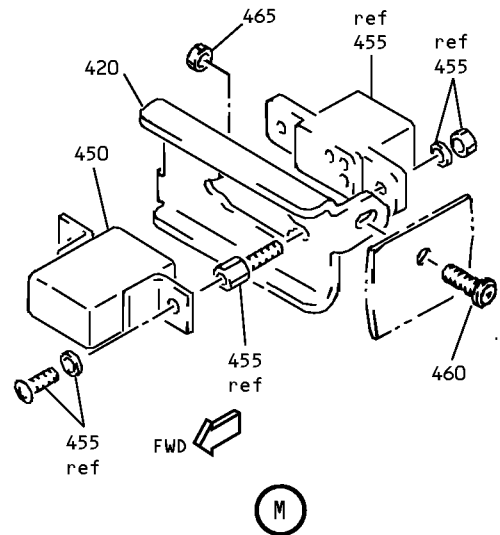
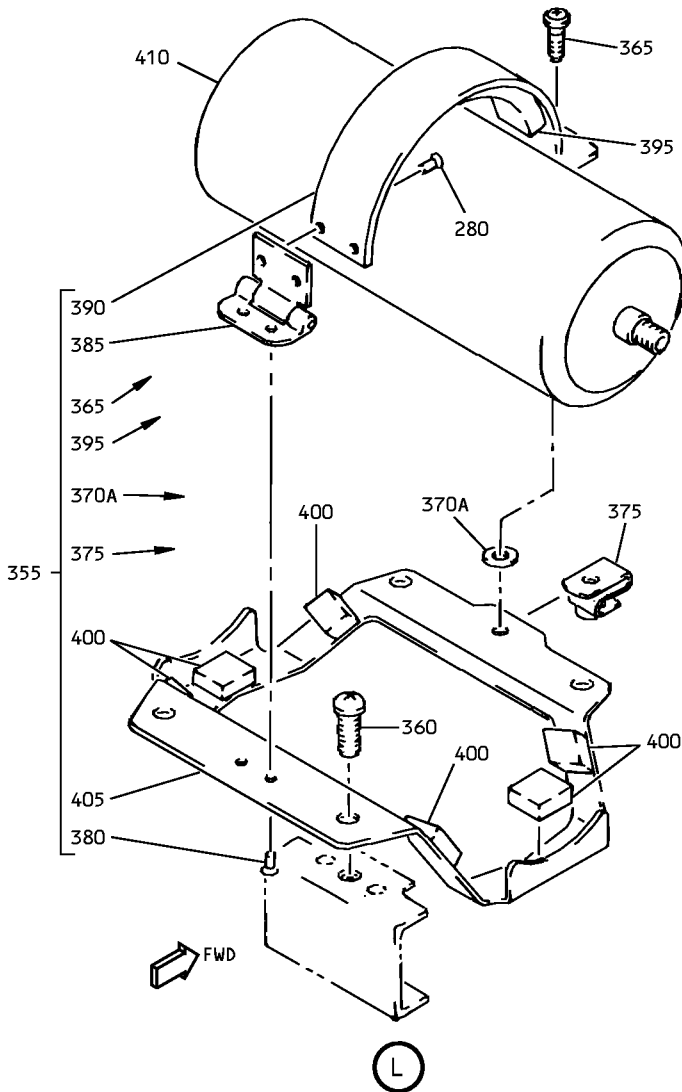
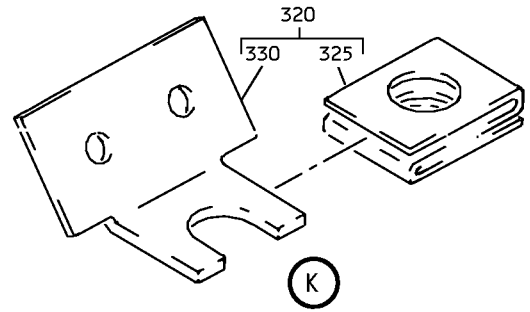
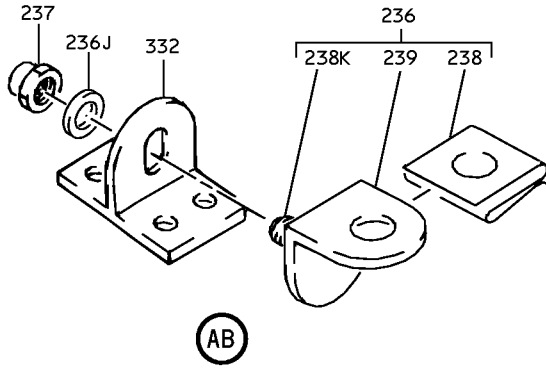
25-23-30

ILLUSTRATED PARTS LIST

Page 1098.2

Jul 01/2007

COMPONENT MAINTENANCE MANUAL



Full Underbin - Passenger Service Unit (with Speaker and Gasper Air) Assembly
IPL Figure 1 (Sheet 5 of 10)

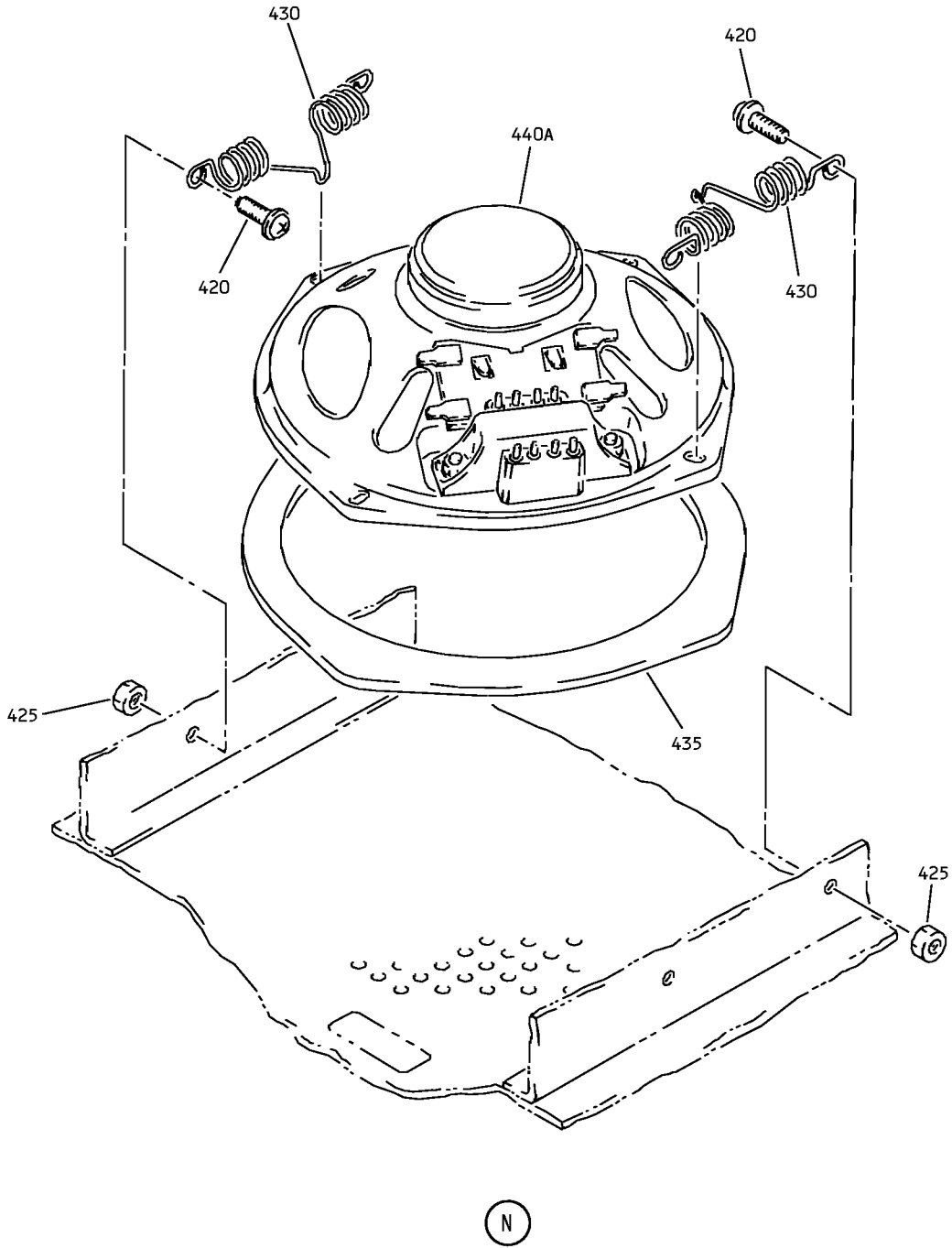
25-23-30

ILLUSTRATED PARTS LIST

Page 1098.3

Jul 01/2007

COMPONENT MAINTENANCE MANUAL



Full Underbin - Passenger Service Unit (with Speaker and Gasper Air) Assembly
IPL Figure 1 (Sheet 6 of 10)

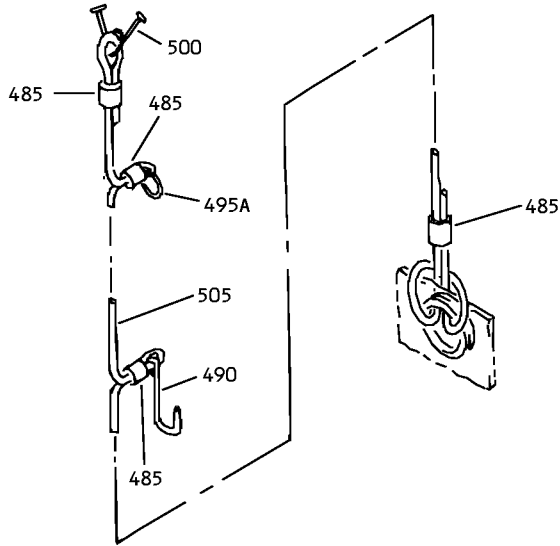
25-23-30

ILLUSTRATED PARTS LIST

Page 1098.4

Jul 01/2007

COMPONENT MAINTENANCE MANUAL



P

ATTENTION

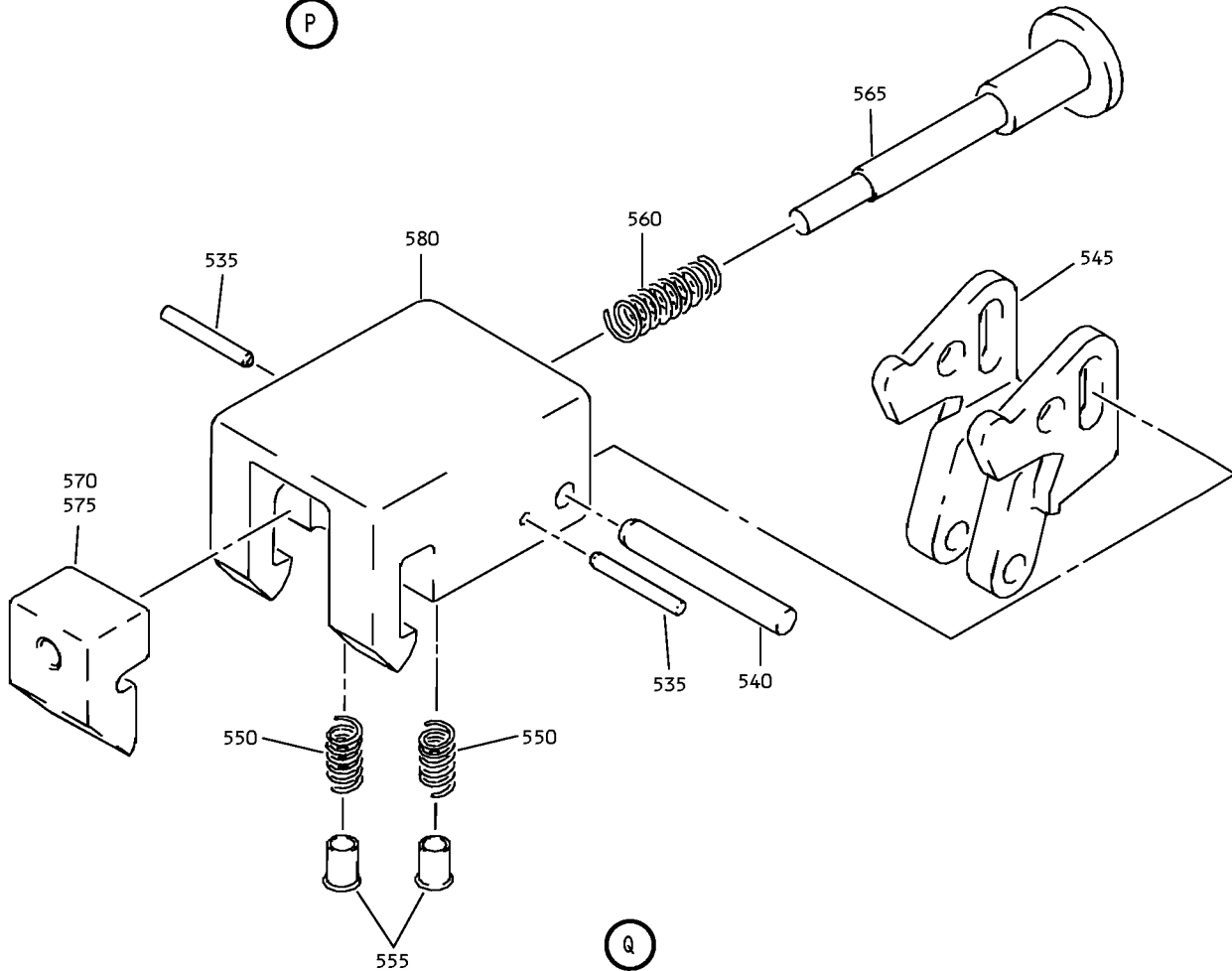
FOR REMOVAL AND RELOCATION INFORMATION SEE MAINTENANCE MANUAL CHAPTER 25

FOR MASK STOWAGE INSTRUCTIONS SEE MAINTENANCE MANUAL CHAPTER 35

FOR CLEANING INSTRUCTIONS SEE DOCUMENT D6-7127

R

625



Q

Full Underbin - Passenger Service Unit (with Speaker and Gasper Air) Assembly
IPL Figure 1 (Sheet 7 of 10)

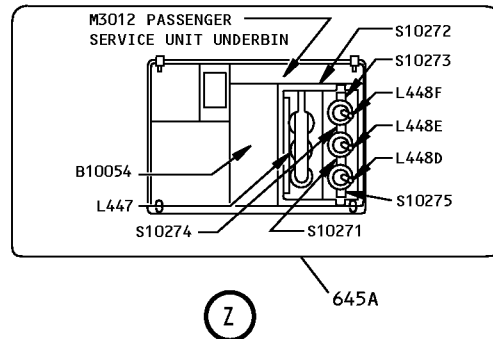
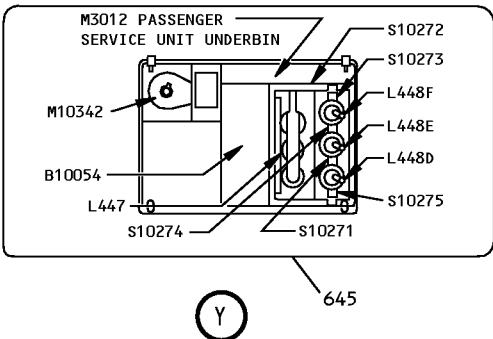
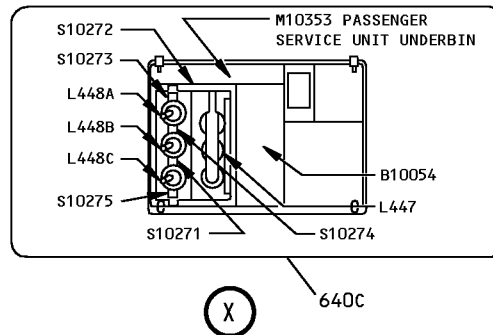
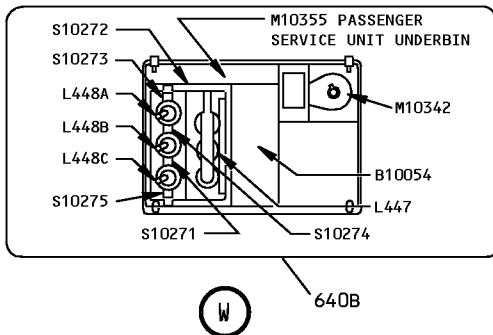
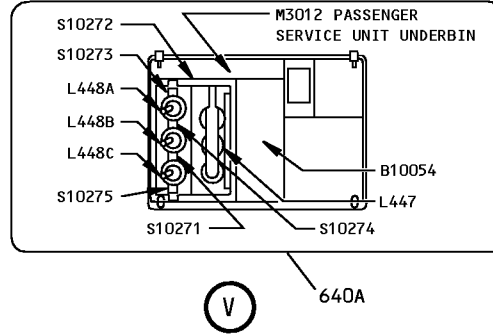
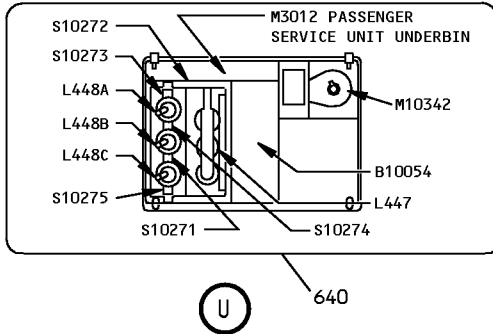
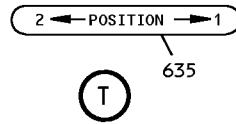
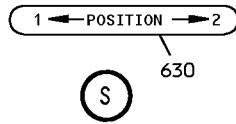
25-23-30

ILLUSTRATED PARTS LIST

Page 1098.5

Jul 01/2007

COMPONENT MAINTENANCE MANUAL



Full Underbin - Passenger Service Unit (with Speaker and Gasper Air) Assembly
IPL Figure 1 (Sheet 8 of 10)

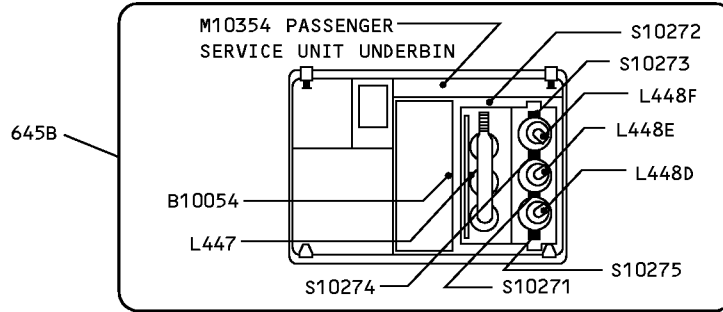
25-23-30

ILLUSTRATED PARTS LIST

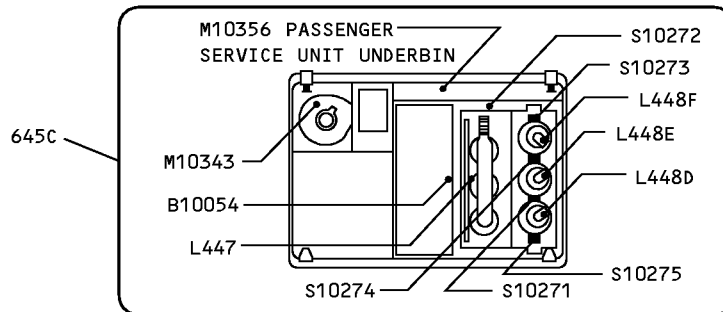
Page 1098.6

Jul 01/2007

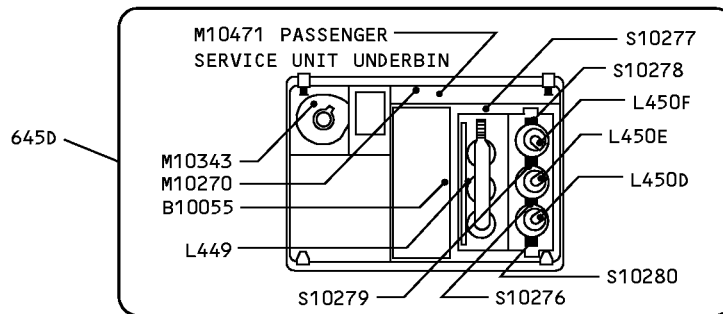
COMPONENT MAINTENANCE MANUAL



AC



AD



AE

Full Underbin - Passenger Service Unit (with Speaker and Gasper Air) Assembly
IPL Figure 1 (Sheet 9 of 10)

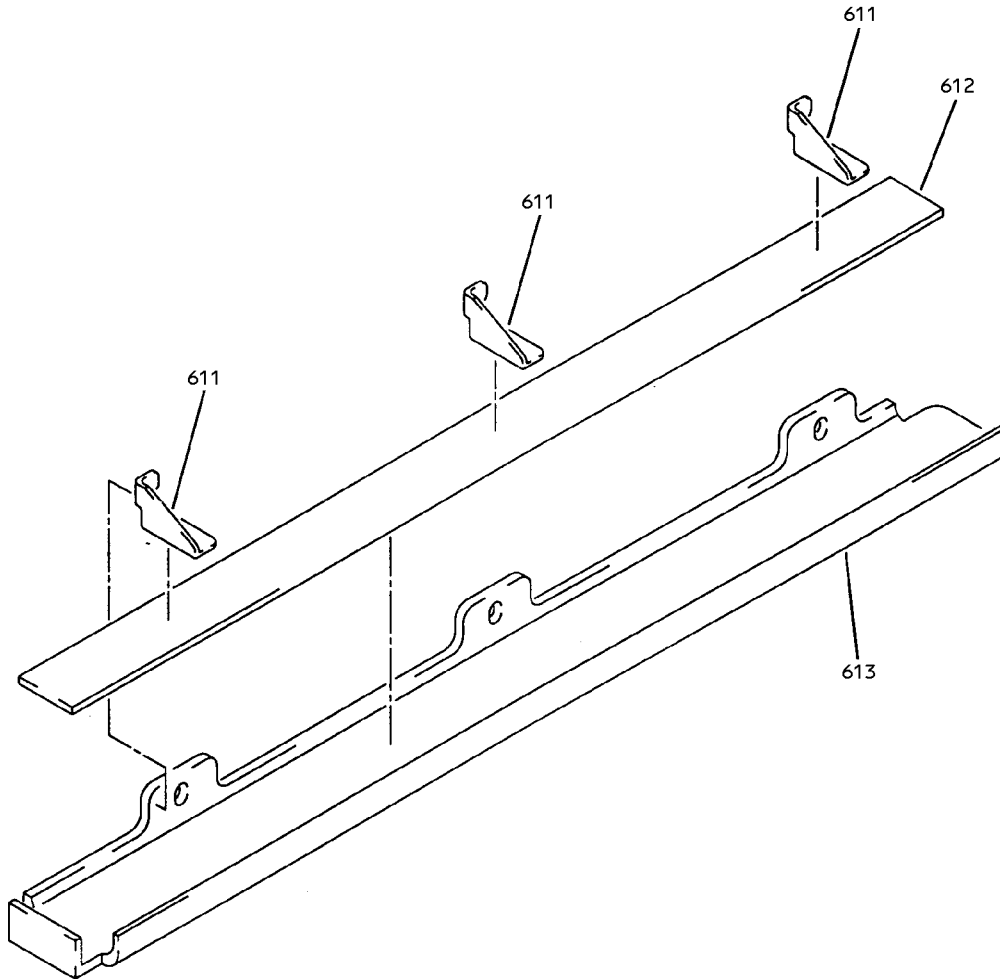
25-23-30

ILLUSTRATED PARTS LIST

Page 1098.7

Jul 01/2007

COMPONENT MAINTENANCE MANUAL



AF

Full Underbin - Passenger Service Unit (with Speaker and Gasper Air) Assembly
IPL Figure 1 (Sheet 10 of 10)

25-23-30

ILLUSTRATED PARTS LIST

Page 1098.8

Jul 01/2007



COMPONENT MAINTENANCE MANUAL

FIG/ ITEM	PART NUMBER	AIRLINE PART NUMBER	NOMENCLATURE							USAGE CODE	UNITS PER ASSY	
			1	2	3	4	5	6	7			
1-												
-1	417N3100-137SP											
-1A	417N3100-139SP											
-1B	417N3100-153SP											
-1C	417N3100-157SP											
-1D	417N3100-159SP											
-1E	417N3100-181SP											
-1F	417N3100-183SP											
-1G	417N3100-185SP											
-1H	417N3100-231SP											

-Item not Illustrated

25-23-30

ILLUSTRATED PARTS LIST

Page 1098.9

Jul 01/2007



COMPONENT MAINTENANCE MANUAL

FIG/ ITEM	PART NUMBER	AIRLINE PART NUMBER	NOMENCLATURE							USAGE CODE	UNITS PER ASSY
			1	2	3	4	5	6	7		
1- -1J	417N3100-232SP		SERVICE UNIT ASSY-FULL UNDERBIN PASS. (WITHOUT SPKR) (LH)							V	RF
-1K	417N3100-233SP		SERVICE UNIT ASSY-FULL UNDERBIN PASS. (WITH LIFEVEST, GASPER AIR, SPKR) (LH) (FOR DETAILS SEE FIG. 2)							W	RF
-1L	417N3100-235SP		SERVICE UNIT ASSY-FULL UNDERBIN PASS. (WITH LIFEVEST, GASPER AIR) (LH) (FOR DETAILS SEE FIG. 2)							Y	RF
-1M	417N3100-273SP		SERVICE UNIT ASSY-FULL UNDERBIN PASS. (WITH LIFEVEST, GASPER AIR, SPKR) (LH) (FOR DETAILS SEE FIG. 2)							AB	RF
-1N	417N3100-275SP		SERVICE UNIT ASSY-FULL UNDERBIN PASS. (WITH LIFEVEST, GASPER AIR) (LH) (FOR DETAILS SEE FIG. 2)							AC	RF
-1P	417N3100-289SP		SERVICE UNIT ASSY-FULL UNDERBIN PASS. (WITH LIFEVEST, SPKR) (LH) (FOR DETAILS SEE FIG. 2)							AG	RF
-1Q	417N3100-291SP		SERVICE UNIT ASSY-FULL UNDERBIN PASS. (WITH LIFEVEST) (LH) (FOR DETAILS SEE FIG. 2)							AJ	RF
-1R	417N3100-303SP		SERVICE UNIT ASSY-FULL UNDERBIN PASS. (WITH LIFEVEST, GASPER AIR, SPKR) (LH) (FOR DETAILS SEE FIG. 2)							AL	RF

-Item not Illustrated

25-23-30

ILLUSTRATED PARTS LIST

Page 1098.10

Jul 01/2007



COMPONENT MAINTENANCE MANUAL

FIG/ ITEM	PART NUMBER	AIRLINE PART NUMBER	NOMENCLATURE							USAGE CODE	UNITS PER ASSY
			1	2	3	4	5	6	7		
1-											
-1S	417N3100-305SP									AN	RF
-1T	417N3100-347SP									AT	RF
-1U	417N3100-349SP									AV	RF
-1V	417N3100-353SP									AX	RF
-1W	417N3100-361SP									AZ	RF
-1X	417N3100-391SP									BB	RF
-1Y	417N3100-393SP									BC	RF
-1Z	417N3100-401SP									BD	RF
-2	417N3100-403SP									BE	RF

-Item not Illustrated

25-23-30

ILLUSTRATED PARTS LIST

Page 1098.11

Jul 01/2007



COMPONENT MAINTENANCE MANUAL

FIG/ ITEM	PART NUMBER	AIRLINE PART NUMBER	NOMENCLATURE							USAGE CODE	UNITS PER ASSY
			1	2	3	4	5	6	7		
1- -2A	417N3100-405SP		SERVICE UNIT ASSY-FULL UNDERBIN PASS. (WITH GASPER AIR, WITHOUT SPKR) (LH) (FOR DETAILS SEE FIG. 6)							BK	RF
-2B	417N3100-431SP		SERVICE UNIT ASSY-FULL UNDERBIN PASS. (WITH SPKR AND GASPER AIR) (LH) (FOR DETAILS SEE FIG. 5)							BF	RF
-2C	417N3100-433SP		SERVICE UNIT ASSY-FULL UNDERBIN PASS. (WITH GASPER AIR, WITHOUT SPKR) (LH) (FOR DETAILS SEE FIG. 6)							BL	RF
-2D	417N3100-547SP		SERVICE UNIT ASSY-30 IN. UNDERBIN PASS. (WITH LIFEVEST, GASPER AIR AND SPKR) (LH) (FOR DETAILS SEE FIG. 9)							BT	RF
-2E	417N3100-549SP		SERVICE UNIT ASSY-30 IN. UNDERBIN PASS. (WITH LIFEVEST AND GASPER AIR) (LH) (FOR DETAILS SEE FIG. 10)							BV	RF
-2F	417N3100-395SP		SERVICE UNIT ASSY-FULL UNDERBIN PASS. (WITH MUTED SPKR AND GASPER AIR) (LH) (FOR DETAILS SEE FIG.2)							BY	RF
-2G	417N3100-611SP		SERVICE UNIT ASSY-FULL UNDERBIN PASS. (WITH SPKR) (LH)							CA	RF
-2H	417N3100-613SP		SERVICE UNIT ASSY-FULL UNDERBIN PASS. (WITHOUT SPKR) (LH)							CC	RF

-Item not Illustrated

25-23-30

ILLUSTRATED PARTS LIST

Page 1098.12

Jul 01/2007



COMPONENT MAINTENANCE MANUAL

FIG/ ITEM	PART NUMBER	AIRLINE PART NUMBER	NOMENCLATURE							USAGE CODE	UNITS PER ASSY
			1	2	3	4	5	6	7		
1-											
-2J	417N3100-615SP									CE	RF
-2K	417N3100-681SP									CJ	RF
-2L	417N3100-683SP									CK	RF
-2N	417N3100-679SP									CN	RF
-2P	417N3100-701SP									CR	RF
-2Q	417N3100-703SP									CT	RF
-2R	417N3100-705SP									CV	RF
-2S	417N3100-707SP									CX	RF

-Item not Illustrated

25-23-30

ILLUSTRATED PARTS LIST

Page 1098.13

Jul 01/2007



COMPONENT MAINTENANCE MANUAL

FIG/ ITEM	PART NUMBER	AIRLINE PART NUMBER	NOMENCLATURE							USAGE CODE	UNITS PER ASSY
			1	2	3	4	5	6	7		
1-											
-2T	417N3100-713SP									CY	RF
-2U	417N3100-717SP									DB	RF
-2V	417N3100-718SP									DC	RF
-2W	417N3100-723SP									DF	RF
-2X	417N3100-735SP										
-2Y	417N3100-736SP										
-2Z	417N3100-741SP										
-3	417N3100-742SP										
-3A	417N3100-748SP										
-3B	417N3100-735B									DV	RF
-3C	417N3100-736B									DX	RF
-3D	417N3100-741B									DZ	RF

-Item not Illustrated

25-23-30

ILLUSTRATED PARTS LIST

Page 1098.14

Jul 01/2007



COMPONENT MAINTENANCE MANUAL

FIG/ ITEM	PART NUMBER	AIRLINE PART NUMBER	NOMENCLATURE							USAGE CODE	UNITS PER ASSY
			1	2	3	4	5	6	7		
1- -3E	417N3100-742B		SERVICE UNIT ASSY-FULL UNDERBIN PASS. (WITH GASPER AIR , WITHOUT SPKR.) (LH) (FOR DETAILS SEE FIG. 6)							EE	RF
-3F	417N3100-748B		SERVICE UNIT ASSY-FULL UNDERBIN PASS. (WITH SPKR.) (LH) (FOR DETAILS SEE FIG. 5)							EB	RF
-5	417N3100-138SP		SERVICE UNIT ASSY-FULL UNDERBIN PASS. (WITH SPKR AND GASPER AIR) (RH)							B	RF
-5A	417N3100-140SP		SERVICE UNIT ASSY-FULL UNDERBIN PASS. WITH GASPER AIR (WITHOUT SPKR) (RH)							D	RF
-5B	417N3100-154SP		SERVICE UNIT ASSY-FULL UNDERBIN PASS. WITH GASPER AIR (WITHOUT SPKR) (RH)							F	RF
-5C	417N3100-158SP		SERVICE UNIT ASSY-FULL UNDERBIN PASS. (WITH LIFEVEST) (RH) (FOR DETAILS SEE FIG. 2)							H	RF
-5D	417N3100-160SP		SERVICE UNIT ASSY-FULL UNDERBIN PASS. (WITH LIFEVEST) (RH) (FOR DETAILS SEE FIG. 2)							K	RF
-5E	417N3100-168SP		SERVICE UNIT ASSY-FULL UNDERBIN PASS. (WITH LIFEVEST AND MUTED SPKR) (RH) (FOR DETAILS SEE FIG. 2)							L	RF
-5F	417N3100-182SP		SERVICE UNIT ASSY-FULL UNDERBIN PASS. (WITH MUTED SPKR AND GASPER AIR) (RH)							N	RF

-Item not Illustrated

25-23-30

ILLUSTRATED PARTS LIST

Page 1098.15

Jul 01/2007



COMPONENT MAINTENANCE MANUAL

FIG/ ITEM	PART NUMBER	AIRLINE PART NUMBER	NOMENCLATURE							USAGE CODE	UNITS PER ASSY
			1	2	3	4	5	6	7		
1- -5G	417N3100-184SP		SERVICE UNIT ASSY-FULL UNDERBIN PASS. (WITH SPKR AND GASPER AIR) (RH)							Q	RF
-5H	417N3100-186SP		SERVICE UNIT ASSY-FULL UNDERBIN PASS. WITH GASPER AIR (WITHOUT SPKR) (RH) (FOR DETAILS SEE FIG. 2)							S	RF
-5J	417N3100-188SP		SERVICE UNIT ASSY-FULL UNDERBIN PASS. WITH GASPER AIR (WITHOUT SPKR) (RH)							T	RF
-5K	417N3100-234SP		SERVICE UNIT ASSY-FULL UNDERBIN PASS. (WITH LIFEVEST, GASPER AIR, SPKR) (RH) (FOR DETAILS SEE FIG. 2)							X	RF
-5L	417N3100-236SP		SERVICE UNIT ASSY-FULL UNDERBIN PASS. (WITH LIFEVEST, GASPER AIR) (RH) (FOR DETAILS SEE FIG. 2)							Z	RF
-5M	417N3100-238SP		SERVICE UNIT ASSY-FULL UNDERBIN PASS. (WITH LIFEVEST, GASPER AIR, SPKR) (RH) (FOR DETAILS SEE FIG. 2)							AA	RF
-5N	417N3100-274SP		SERVICE UNIT ASSY-FULL UNDERBIN PASS. (WITH LIFEVEST, GASPER AIR, SPKR) (RH) (FOR DETAILS SEE FIG. 2)							AD	RF
-5P	417N3100-276SP		SERVICE UNIT ASSY-FULL UNDERBIN PASS. (WITH LIFEVEST, GASPER AIR) (RH) (FOR DETAILS SEE FIG. 2)							AE	RF

-Item not Illustrated

25-23-30

ILLUSTRATED PARTS LIST

Page 1098.16

Jul 01/2007



COMPONENT MAINTENANCE MANUAL

FIG/ ITEM	PART NUMBER	AIRLINE PART NUMBER	NOMENCLATURE							USAGE CODE	UNITS PER ASSY
			1	2	3	4	5	6	7		
1- -5Q	417N3100-280SP		SERVICE UNIT ASSY-FULL UNDERBIN PASS. (WITH LIFEVEST, GASPER AIR AND MUTED SPKR) (RH) (FOR DETAILS SEE FIG. 2)							AF	RF
-5R	417N3100-290SP		SERVICE UNIT ASSY-FULL UNDERBIN PASS. (WITH LIFEVEST, SPKR) (RH) (FOR DETAILS SEE FIG. 2)							AH	RF
-5S	417N3100-292SP		SERVICE UNIT ASSY-FULL UNDERBIN PASS. (WITH LIFEVEST) (RH) (FOR DETAILS SEE FIG. 2)							AK	RF
-5T	417N3100-304SP		SERVICE UNIT ASSY-FULL UNDERBIN PASS. (WITH LIFEVEST, GASPER AIR, SPKR) (RH) (FOR DETAILS SEE FIG. 2)							AM	RF
-5U	417N3100-306SP		SERVICE UNIT ASSY-FULL UNDERBIN PASS. (WITH LIFEVEST, GASPER AIR) (RH) (FOR DETAILS SEE FIG. 2)							AP	RF
-5V	417N3100-328SP		SERVICE UNIT ASSY-FULL UNDERBIN PASS. (WITHOUT SPKR) (RH)							AQ	RF
-5W	417N3100-334SP		SERVICE UNIT ASSY-FULL UNDERBIN PASS. (WITH SPKR) (RH)							AR	RF
-5X	417N3100-338SP		SERVICE UNIT ASSY-FULL UNDERBIN PASS. (WITH MUTED SPKR) (RH)							AS	RF
-5Y	417N3100-348SP		SERVICE UNIT ASSY-FULL UNDERBIN PASS. (WITH SPKR AND GASPER AIR) (RH)							AU	RF

-Item not Illustrated

25-23-30

ILLUSTRATED PARTS LIST

Page 1098.17

Jul 01/2007



COMPONENT MAINTENANCE MANUAL

FIG/ ITEM	PART NUMBER	AIRLINE PART NUMBER	NOMENCLATURE							USAGE CODE	UNITS PER ASSY
			1	2	3	4	5	6	7		
1- -5Z	417N3100-350SP		SERVICE UNIT ASSY-FULL UNDERBIN PASS. (WITH GASPER AIR, WITHOUT SPKR) (RH)							AW	RF
-6	417N3100-354SP		SERVICE UNIT ASSY-FULL UNDERBIN PASS. (WITH LIFEVEST, MUTED SPKR) (RH) (FOR DETAILS SEE FIG. 2)							AY	RF
-6A	417N3100-362SP		SERVICE UNIT ASSY-FULL UNDERBIN PASS. (WITH LIFEVEST, GASPER AIR, AND MUTED SPKR) (RH) (FOR DETAILS SEE FIG. 2)							BA	RF
-6B	417N3100-410SP		SERVICE UNIT ASSY-FULL UNDERBIN PASS. (WITH MUTED SPKR ANDD GASPER AIR) (RH) (FOR DETAILS SEE FIG. 7)							BP	RF
-6C	417N3100-412SP		SERVICE UNIT ASSY-FULL UNDERBIN PASS. (WITH SPKR AND GASPER AIR) (RH) (FOR DETAILS SEE FIG. 5)							BG	RF
-6D	417N3100-414SP		SERVICE UNIT ASSY-FULL UNDERBIN PASS. (WITH GASPER AIR, WITHOUT SPKR) (RH) (FOR DETAILS SEE FIG. 6)							BM	RF
-6E	417N3100-416SP		SERVICE UNIT ASSY-FULL UNDERBIN PASS. (WITH SPKR AND GASPER AIR) (RH) (FOR DETAILS SEE FIG. 5)							BH	RF
-6F	417N3100-444SP		SERVICE UNIT ASSY-FULL UNDERBIN PASS. (WITH SPKR) (RH) (FOR DETAILS SEE FIG. 7)							BQ	RF

-Item not Illustrated

25-23-30

ILLUSTRATED PARTS LIST

Page 1098.18

Jul 01/2007



COMPONENT MAINTENANCE MANUAL

FIG/ ITEM	PART NUMBER	AIRLINE PART NUMBER	NOMENCLATURE							USAGE CODE	UNITS PER ASSY
			1	2	3	4	5	6	7		
1- -6G	417N3100-446SP		SERVICE UNIT ASSY-FULL UNDERBIN PASS. (WITHOUT SPKR) (RH) (FOR DETAILS SEE FIG. 7)							BR	RF
-6H	417N3100-448SP		SERVICE UNIT ASSY-FULL UNDERBIN PASS. (WITH SPKR AND GASPER AIR) (RH) (FOR DETAILS SEE FIG. 5)							BJ	RF
-6J	417N3100-450SP		SERVICE UNIT ASSY-FULL UNDERBIN PASS. (WITH GASPER AIR, WITHOUT SPKR) (RH) (FOR DETAILS SEE FIG. 6)							BN	RF
-6K	417N3100-472SP		SERVICE UNIT ASSY-FULL UNDERBIN PASS. (WITH LIFEVEST, GASPER AIR AND MUTED SPKR) (RH) (FOR DETAILS SEE FIG. 8)							BS	RF
-6L	417N3100-548SP		SERVICE UNIT ASSY-30 IN. UNDERBIN PASS. (WITH LIFEVEST, GASPER AIR AND SPKR) (RH) (FOR DETAILS SEE FIG. 9)							BU	RF
-6M	417N3100-550SP		SERVICE UNIT ASSY-30 IN. UNDERBIN PASS. (WITH LIFEVEST AND GASPER AIR) (RH) (FOR DETAILS SEE FIG. 10)							BW	RF
-6N	417N3100-552SP		SERVICE UNIT ASSY-30 IN. UNDERBIN PASS. (WITH LIFEVEST, GASPER AIR AND SPKR) (RH) (FOR DETAILS SEE FIG. 11)							BX	RF
-6P	417N3100-396SP		SERVICE UNIT ASSY-FULL UNDERBIN PASS. (WITH MUTED SPKR AND GASPER AIR) (RH) (FOR DETAILS SEE FIG. 2)							BZ	RF

-Item not Illustrated

25-23-30

ILLUSTRATED PARTS LIST

Page 1098.19

Jul 01/2007



COMPONENT MAINTENANCE MANUAL

FIG/ ITEM	PART NUMBER	AIRLINE PART NUMBER	NOMENCLATURE							USAGE CODE	UNITS PER ASSY
			1	2	3	4	5	6	7		
1- -6Q	417N3100-612SP		SERVICE UNIT ASSY-FULL UNDERBIN PASS. (WITH SPKR) (RH)							CB	RF
-6R	417N3100-614SP		SERVICE UNIT ASSY-FULL UNDERBIN PASS. (WITHOUT SPKR) (RH)							CD	RF
-6S	417N3100-616SP		SERVICE UNIT ASSY-FULL UNDERBIN PASS., MUTED SPKR) (RH)							CF	RF
-6T	417N3100-676SP		SERVICE UNIT ASSY-FULL UNDERBIN PASS. (WITH SPKR, GASPER AIR AND STREAMERS) (RH) (FOR DETAILS SEE FIG. 5)							CG	RF
-6U	417N3100-678SP		SERVICE UNIT ASSY-FULL UNDERBIN PASS. (WITH GASPER AIR AND STREAMERS, WITHOUT SPKR) (RH) (FOR DETAILS SEE FIG. 6)							CH	RF
-6V	417N3100-682SP		UNIT ASSY-FULL UNDERBIN PASS. (WITH GASPER AIR, WITHOUT SPKR) (RH) (FOR DETAILS SEE FIG. 14)							CL	RF
-6W	417N3100-684SP		UNIT ASSY-FULL UNDERBIN PASS. (WITH GASPER AIR, MUTED SPKR) (RH) (FOR DETAILS SEE FIG. 14)							CM	RF
-6X	417N3100-680SP		UNIT ASSY-FULL UNDERBIN PASS. (WITH GASPER AIR, WITH SPKR) (RH) (FOR DETAILS SEE FIG. 14)							CP	RF
-6Y	417N3100-700SP		SERVICE UNIT ASSY-FULL UNDERBIN PASS. (WITH LIFEVEST, GASEOUS OXY, GASPER AIR,SPKR AND 4 MASKS) (RH) (FOR DETAILS SEE FIG. 16)							CQ	RF

-Item not Illustrated

25-23-30

ILLUSTRATED PARTS LIST

Page 1098.20

Jul 01/2007



COMPONENT MAINTENANCE MANUAL

FIG/ ITEM	PART NUMBER	AIRLINE PART NUMBER	NOMENCLATURE							USAGE CODE	UNITS PER ASSY
			1	2	3	4	5	6	7		
1- -6Z	417N3100-702SP		SERVICE UNIT ASSY-FULL UNDERBIN PASS. (WITH LIFEVEST, GASEOUS OXY, GASPER AIR AND 4 MASKS) (RH) (FOR DETAILS SEE FIG. 16)							CS	RF
-7	417N3100-704SP		SERVICE UNIT ASSY-FULL UNDERBIN PASS. (WITH LIFEVEST, GASEOUS OXY, GASPER AIR, MUTED SPKR AND 4 MASKS) (RH) (FOR DETAILS SEE FIG. 16)							CU	RF
-7A	417N3100-708SP		SERVICE UNIT ASSY-FULL UNDERBIN PASS. (WITH SPKR) (RH) (FOR DETAILS SEE FIG. 7)							CW	RF
-7B	417N3100-712SP		SERVICE UNIT ASSY-FULL UNDERBIN PASS. (WITH MUTED SPKR) (RH) (FOR DETAILS SEE FIG. 7)							CZ	RF
-7C	417N3100-714SP		SERVICE UNIT ASSY-FULL UNDERBIN PASS. (WITH SPKR AND GASPER AIR) (RH) (FOR DETAILS SEE FIG. 5)							DA	RF
-7D	417N3100-719SP		SERVICE UNIT ASSY-FULL UNDERBIN PASS. (WITH SPKR AND GASPER AIR) (RH) (FOR DETAILS SEE FIG. 5)							DD	RF
-7E	417N3100-720SP		SERVICE UNIT ASSY-FULL UNDERBIN PASS. (WITH GASPER AIR, WITHOUT SPKR) (R/H) (FOR DETAILS SEE FIG. 6)							DE	RF
-7F	417N3100-724SP		SERVICE UNIT ASSY-FULL UNDERBIN PASS. (WITH SPKR) (RH) (FOR DETAILS SEE FIG. 7)							DG	RF

-Item not Illustrated

25-23-30

ILLUSTRATED PARTS LIST

Page 1098.21

Jul 01/2007



COMPONENT MAINTENANCE MANUAL

FIG/ ITEM	PART NUMBER	AIRLINE PART NUMBER	NOMENCLATURE							USAGE CODE	UNITS PER ASSY
			1	2	3	4	5	6	7		
1- -7G	417N3100-728SP		SERVICE UNIT ASSY-FULL UNDERBIN PASS. (WITH MUTED SPKR) (RH) (FOR DETAILS SEE FIG. 7)							DH	RF
-7H	417N3100-737SP		DELETED								
-7J	417N3100-738SP		DELETED								
-7K	417N3100-743SP		DELETED								
-7L	417N3100-744SP		DELETED								
-7M	417N3100-749SP		DELETED								
-7N	417N3100-751SP		DELETED								
-7P	417N3100-737B		SERVICE UNIT ASSY-FULL UNDERBIN PASS. (WITH LIFEVEST, GASPER AIR, SPKR.) (RH) (FOR DETAILS SEE FIG. 8)							DW	RF
-7Q	417N3100-738B		SERVICE UNIT ASSY-FULL UNDERBIN PASS. (WITH LIFEVEST, GASPER AIR) (RH) (FOR DETAILS SEE FIG. 8)							DY	RF
-7R	417N3100-743B		SERVICE UNIT ASSY-FULL UNDERBIN PASS. (WITH GASPER AIR AND SPKR.) (RH) (FOR DETAILS SEE FIG. 5)							EA	RF
-7S	417N3100-744B		SERVICE UNIT ASSY-FULL UNDERBIN PASS. (WITH GASPER AIR, WITHOUT SPKR.) (RH) (FOR DETAILS SEE FIG. 6)							EF	RF
-7T	417N3100-749B		SERVICE UNIT ASSY-FULL UNDERBIN PASS. (WITH SPKR.) (RH) (FOR DETAILS SEE FIG. 5)							EC	RF

-Item not Illustrated

25-23-30

ILLUSTRATED PARTS LIST

Page 1098.22

Jul 01/2007



COMPONENT MAINTENANCE MANUAL

FIG/ ITEM	PART NUMBER	AIRLINE PART NUMBER	NOMENCLATURE							USAGE CODE	UNITS PER ASSY
			1	2	3	4	5	6	7		
1- -7U	417N3100-751B		SERVICE UNIT ASSY-FULL UNDERBIN PASS. (WITH MUTED SPKR.) (RH) (FOR DETAILS SEE FIG. 5)							ED	RF
10	920056		. SWITCH-READING LT (V07150)							A-F, M- Q, T-V, AQ-AW, BB, BC, CA-CF	3
15	VIP720-1B		. LENS-LT SWITCH (COLOR OPT-CUST PREFERENCE, WHITE- BROWN) (V28406) (SPEC S417N304-1B)							A-F, M- Q, T-V, AQ-AW, BB, BC, CA-CF	3
15A	VIP720-1C		. LENS-LT SWITCH (COLOR OPT-CUST PREFERENCE, RED-WHITE) (V28406) (SPEC S417N304-1C)							A-F, M- Q, T-V, AQ-AW, BB, BC, CA-CF	3
-15B	VIP720-6E		. LENS-LT SWITCH (COLOR OPT-CUST PREFERENCE, REDWOOD- BEIGE) (V28406) (OPT 691212-13A1-1BA (V07150)) (SPEC S417N304-6E)							A-F, M- Q, T-V, AQ-AW, BB, BC, CA-CF	3
-15C	VIP720-6F		DELETED								
-15D	VIP720-6G		. LENS-LT SWITCH (COLOR OPT-CUST PREFERENCE, BROWN- WHITE) (V28406) (SPEC S417N304-6G) (OPT 691212-13A1-1AR (V07150))							A-F, M- Q, T-V, AQ-AW, BB, BC, CA-CF	3
-15E	VIP720-6J		DELETED								
-15F	VIP720-6K		DELETED								
-15G	VIP720-6L		. LENS-LT SWITCH (COLOR OPT-CUST PREFERENCE, BLUE- WHITE) (V28406) (SPEC S417N304-6L) (OPT 691212-13A1-1T (V07150))							A-F, M- Q, T-V, AQ-AW, BB, BC, CA-CF	3
-15H	S417N304-1M		DELETED								

-Item not Illustrated

25-23-30

ILLUSTRATED PARTS LIST

Page 1098.23

Jul 01/2007



COMPONENT MAINTENANCE MANUAL

FIG/ ITEM	PART NUMBER	AIRLINE PART NUMBER	NOMENCLATURE							USAGE CODE	UNITS PER ASSY
			1	2	3	4	5	6	7		
1- -15J	S417N304-6H		.	L	E	N	S	W		A-F, M- Q, T-V, AQ-AW, BB, BC, CA-CF	3
-15K	S417N304-6M			D	E	L	E	T	E		
-15L	S417N304-1N			D	E	L	E	T	E		
-15M	S417N304-1S			D	E	L	E	T	E		
-15N	S417N304-1T			D	E	L	E	T	E		
-15P	VIP720-1M		.	L	E	N	S	W		A-F, M- Q, T-V, AQ-AW, BB, BC, CA-CF	3
-15Q	VIP720-1N		.	L	E	N	S	W		A-F, M- Q, T-V, AQ-AW, BB, BC, CA-CF	3
-15R	VIP720-1S		.	L	E	N	S	W		A-F, M- Q, T-V, AQ-AW, BB, BC, CA-CF	3
-15S	VIP720-6M		.	L	E	N	S	W		A-F, M- Q, T-V, AQ-AW, BB, BC, CA-CF	3
-15T	VIP720-1T		.	L	E	N	S	W		A-F, M- Q, T-V, AQ-AW, BB, BC, CA-CF	3
-15U	VIP720-1A		.	L	E	N	S	W		A-F, M- Q, T-V, AQ-AW, BB, BC, CA-CF	3

-Item not Illustrated

25-23-30

ILLUSTRATED PARTS LIST

Page 1098.24

Jul 01/2007



COMPONENT MAINTENANCE MANUAL

FIG/ ITEM	PART NUMBER	AIRLINE PART NUMBER	NOMENCLATURE							USAGE CODE	UNITS PER ASSY								
			1	2	3	4	5	6	7										
1- -15V	S417N304-1P		.	L	E	N	S	-	L	T	S	W	I	T	C	H		A-F, M- Q, T-V, AQ-AW, BB, BC, CA-CF	3
-15W	S417N304-1R		.	L	E	N	S	-	L	T	S	W	I	T	C	H		A-F, M- Q, T-V, AQ-AW, BB, BC, CA-CF	3
-15X	VIP720-1V		.	L	E	N	S	-	L	T	S	W	I	T	C	H		A-F, M- Q, T-V, AQ-AW, BB, BC, CA-CF	3
-15Y	VIP720-6C		.	L	E	N	S	-	L	T	S	W	I	T	C	H		A-F, M- Q, T-V, AQ-AW, BB, BC, CA-CF	3
-15Z	VIP720-6D		.	L	E	N	S	-	L	T	S	W	I	T	C	H		A-F, M- Q, T-V, AQ-AW, BB, BC, CA-CF	3
-16	S417N304-6F		.	L	E	N	S	-	L	T	S	W	I	T	C	H		A-F, M- Q, T-V, AQ-AW, BB, BC, CA-CF	3
-16A	S417N304-6J		.	L	E	N	S	-	L	T	S	W	I	T	C	H		A-F, M- Q, T-V, AQ-AW, BB, BC, CA-CF	3
-16B	S417N304-6K		.	L	E	N	S	-	L	T	S	W	I	T	C	H		A-F, M- Q, T-V, AQ-AW, BB, BC, CA-CF	3

-Item not Illustrated

25-23-30

ILLUSTRATED PARTS LIST

Page 1098.25

Jul 01/2007



COMPONENT MAINTENANCE MANUAL

FIG/ ITEM	PART NUMBER	AIRLINE PART NUMBER	NOMENCLATURE							USAGE CODE	UNITS PER ASSY	
			1	2	3	4	5	6	7			
1- 20	920055		.								A-F, M- Q, T-V, AQ-AW, BB, BC, CA-CF	1
25	VIP720-2C		.								A-F, M- Q, T-V, AQ-AW, BB, BC, CA-CF	1
25A	VIP720-2D		.								A-F, M- Q, T-V, AQ-AW, BB, BC, CA-CF	1
-25B	VIP720-2E		.								A-F, M- Q, T-V, AQ-AW, BB, BC, CA-CF	1
-25C	VIP720-2F		.								A-F, M- Q, T-V, AQ-AW, BB, BC, CA-CF	1
-25D	VIP720-2G		.								A-F, M- Q, T-V, AQ-AW, BB, BC, CA-CF	1
-25E	VIP720-3A		.								A-F, M- Q, T-V, AQ-AW, BB, BC, CA-CF	1
-25F	VIP720-4A		.								A-F, M- Q, T-V, AQ-AW, BB, BC, CA-CF	1

-Item not Illustrated

25-23-30

ILLUSTRATED PARTS LIST

Page 1098.26

Jul 01/2007



COMPONENT MAINTENANCE MANUAL

FIG/ ITEM	PART NUMBER	AIRLINE PART NUMBER	NOMENCLATURE							USAGE CODE	UNITS PER ASSY
			1	2	3	4	5	6	7		
1-											
-25G	S417N303-3C										
-25H	S417N303-2J										
-25J	S417N303-2K										
-25K	S417N303-2L										
-25L	VIP720-2J								. LENS-CALL SWITCH (COLOR OPT-CUST PREFERENCE, RED-WHITE) (V28406) (SPEC S417N303-2J)	A-F, M- Q, T-V, AQ-AW, BB, BC, CA-CF	1
-25M	VIP720-3C								. LENS-CALL SWITCH (COLOR OPT-CUST PREFERENCE, RED-WHITE) (V28406) (SPEC S417N303-3C)	A-F, M- Q, T-V, AQ-AW, BB, BC, CA-CF	1
-25N	VIP720-2K								. LENS-CALL SWITCH (V28406) (SPEC S417N303-2K) (COLOR OPT-CUST PREFERENCE, WHITE-RED)	A-F, M- Q, T-V, AQ-AW, BB, BC, CA-CF	1
-25P	VIP720-2L								. LENS-CALL SWITCH (V28406) (SPEC S417N303-2L) (COLOR OPT-CUST PREFERENCE, YELLOW- WHITE)	A-F, M- Q, T-V, AQ-AW, BB, BC, CA-CF	1
-25Q	VIP720-2A								. LENS-CALL SWITCH (COLOR OPT-CUST PREFERENCE, WHITE- BEIGE) (V28406) (SPEC S417N303-2A) (OPT 932501-928 (V07150))	A-F, M- Q, T-V, AQ-AW, BB, BC, CA-CF	1
-25R	VIP720-2B								. LENS-CALL SWITCH (COLOR OPT-CUST PREFERENCE, GOLD-WHITE) (V28406) (SPEC S417N303-2B)	A-F, M- Q, T-V, AQ-AW, BB, BC, CA-CF	1
-25S	S417N303-2H								. LENS-CALL SWITCH (COLOR OPT-CUST PREFERENCE, GOLD-WHITE)	A-F, M- Q, T-V, AQ-AW, BB, BC, CA-CF	1

-Item not Illustrated

25-23-30

ILLUSTRATED PARTS LIST

Page 1098.27

Jul 01/2007



COMPONENT MAINTENANCE MANUAL

FIG/ ITEM	PART NUMBER	AIRLINE PART NUMBER	NOMENCLATURE							USAGE CODE	UNITS PER ASSY
			1	2	3	4	5	6	7		
1-											
-25T	VIP720-2M										1
-25U	S417N303-3B										
30	417N3100-51										
-30A	417N3100-81										
-30B	417N3100-81										
-30J	417N3100-51										
-30K	417N3100-86										
-30S	417N3100-83										
-35	417N3100-52										
-35A	417N3100-81										
-35J	417N3100-52										
-35K	417N3100-86										
40	417N3122-65										
45	BACS12FA08K6										
50	BACW10P193G										
55	BACN10YJ08										
60	BACS21AQ2A3P										
60A	BACS21AQ2A3K										
65	417N3122-66										
70	BACS12FA08K6										
75	BACW10P193G										
80	NAS43DD3-18										
85	BACN10YJ08										
90	417N3122-115										
95	417N3136-19										
100	BACS12FA08K6										
105	BACR15BA3D										
110	BRM100A08										
115	BRM200A08										

-Item not Illustrated

25-23-30

ILLUSTRATED PARTS LIST

Page 1098.28

Jul 01/2007



COMPONENT MAINTENANCE MANUAL

FIG/ ITEM	PART NUMBER	AIRLINE PART NUMBER	NOMENCLATURE							USAGE CODE	UNITS PER ASSY
			1	2	3	4	5	6	7		
1-											
120	417N3136-21										
125	BACS12FA08K5										
130	NAS43DD3-7										
132	BACN10YJ08										
135	BACN10YJ08										
137	BACG20AF383										
137A	G6940-3B3										
138	NAS43DD3-20										
140	417N3122-14										
145	BACS12FA08K5										
150	BACN10YJ08										
155	417N3122-14										
160	BACS12FA08K5										
165	BACN10YJ08										
170	417N3122-14										
175	BACN10YJ08										
180	417N3122-107										
-185	417N3122-108										
190	BACS12FA08K5										
195	BACN10YJ08										
200	BACS21AQ2A3P										
200A	BACS21AQ2A3K										
205	417N3122-109										
-210	417N3122-110										
215	417N3122-71										
220	BACS12FA08K5										
225	BACN10YJ08										
230	BACS21AQ2A3P										
230A	BACS21AQ2A3K										
235	417N3122-72										
236	417N3122-55										

-Item not Illustrated

25-23-30

ILLUSTRATED PARTS LIST

Page 1098.29

Jul 01/2007



COMPONENT MAINTENANCE MANUAL

FIG/ ITEM	PART NUMBER	AIRLINE PART NUMBER	NOMENCLATURE							USAGE CODE	UNITS PER ASSY
			1	2	3	4	5	6	7		
1-											
236J	MS35335-31										
237	BACN10YJ08										
238	82-47-108-15										
238J	BACS21AQ2A3P										
238K	BACS21AQ2A3K										
239	417N3122-56										
240	417N3122-60										
242	417N3122-122										
245	66-25727-1										
250	66-25727-2										
252	MS35335-31										
255	BACN10YJ08										
260	82-47-108-15										
265	BACS21AQ2A3P										
265A	BACS21AQ2A3K										
-265B	FHS832-6										
-265C	BACS21AQ2A3K										
270	417N3122-61										
-270A	417N3122-130										
272	417N3122-121										
275	10-1006-1										
280	10-1006-2										
285	417N3100-25SP										
290	BOE20563A120										
295	10-60141-23S										
295A	750801-002										
295B	3740-4										
-295C	3740-1										
-295D	10-60141-23T										
-295E	3740-3										
-295F	3740-6										

-Item not Illustrated

25-23-30

ILLUSTRATED PARTS LIST

Page 1098.30

Jul 01/2007



COMPONENT MAINTENANCE MANUAL

FIG/ ITEM	PART NUMBER	AIRLINE PART NUMBER	NOMENCLATURE							USAGE CODE	UNITS PER ASSY
			1	2	3	4	5	6	7		
1-											
-295G	3740-5										
300	PLT2MM										
-300A	PLT2MM2										
305	417N3103-1										
307	417N3063-4										
310	417N3105-4SP										
310A	417N3105-6SP										
-310B	417N3105-6SP										
310J	417N3105-5SP										
315	BACS21AQ6A6M										
320	417N3122-111										
325	82-47-108-15										
330	417N3122-112										
332	417N3122-53										
335	417N3101-2SP										
335A	417N3101-1SP										
340	417N3130-23SP										
-340A	417N3130-57SP										
-340G	417N3130-29SP										
-340H	417N3130-41SP										
-340N	417N3130-27SP										
-340P	417N3130-39SP										
-340Q	417N3130-33SP										
-340R	417N3130-61SP										
-340S	417N3130-63SP										
-345	417N3130-24SP										
-345A	417N3130-58SP										
-345G	417N3130-30SP										
-345H	417N3130-42SP										
-345N	417N3130-28SP										

-Item not Illustrated

25-23-30

ILLUSTRATED PARTS LIST

Page 1098.31

Jul 01/2007



COMPONENT MAINTENANCE MANUAL

FIG/ ITEM	PART NUMBER	AIRLINE PART NUMBER	NOMENCLATURE							USAGE CODE	UNITS PER ASSY
			1	2	3	4	5	6	7		
1-											
-345P	417N3130-40SP		.	BOX	ASSY-FOUR	MASK	OXY			T	1
				(REPLACES	ITEM 345N)						
				(REF CMM	35-21-02)						
-345Q	417N3130-66SP		DELETED								
-345R	417N3130-62SP		DELETED								
350	417N3100-44		DELETED								
-350A	417N3100-46		DELETED								
-350B	417N3100-48		DELETED								
355	417N3160-11		DELETED								
360	BACS12FA08K6		DELETED								
365	FT1387P8-1-2		DELETED								
-365A	CS802408-1A		DELETED								
370	AN960KD416		DELETED								
370A	AN960JD416		DELETED								
375	A4972-6-82		DELETED								
380	BACR15BA3D		DELETED								
385	417N3811-13		DELETED								
390	417N3161-7		DELETED								
395	417N3160-12		DELETED								
400	417N3160-13		DELETED								
405	417N3136-99		DELETED								
410	117003-14		.	.	GENERATOR-CHEMICAL	OXY				A-F, P, T- V, AT- AW, BB, BC, CA, CC, CE	1
				(V16827)							
				(SPEC S417T401-27)							
-410G	117003-13		DELETED								
-410H	803000-03		DELETED								
-410N	117003-14		DELETED								
-410P	803000-04		.	.	GENERATOR-CHEMICAL	OXY				P, T-V, BB, BC, CA, CC, CE	1
				(V53655)							
				(SPEC S417T401-33)							

-Item not Illustrated

25-23-30

ILLUSTRATED PARTS LIST

Page 1098.32

Jul 01/2007



COMPONENT MAINTENANCE MANUAL

FIG/ ITEM	PART NUMBER	AIRLINE PART NUMBER	NOMENCLATURE							USAGE CODE	UNITS PER ASSY
			1	2	3	4	5	6	7		
1- -410Q	E71740-00		. . GENERATOR-CHEMICAL OXY (VD1379) (SPEC S417T401-44)							A-F, P, T- V, AT- AW, BB, BC, CA, CC, CE	1
415	417N3100-15		DELETED								
420	BACS12FA08K6		DELETED								
425	BACN10YJ08		DELETED								
430	417N3173-6		DELETED								
435	417N3104-1		DELETED								
440	EAS16P90RZ		DELETED								
440A	RDAM8005A		DELETED								
-440B	RDAM8018		DELETED								
445	417N3100-19		DELETED								
450	HFW1204K01		DELETED								
455	451120-026		DELETED								
460	BACS12FA08K14		DELETED								
465	BACN10YJ08		DELETED								
470	417N3121-138		DELETED								
475	417N3100-71		DELETED								
480	417N3190-1		DELETED								
485	GSC219		DELETED								
-485A	GSC205		DELETED								
490	10-61790-1		DELETED								
495	NAS43D4-5		DELETED								
495A	NAS43DD4-5		DELETED								
500	65C16899-6		DELETED								
505	417N3190-3		DELETED								
510	1TW2-3		DELETED								
-510A	2TW2-3		DELETED								
515	BACR15BB4D10		DELETED								
520	6100-12		DELETED								
525	417N3180-1		DELETED								

-Item not Illustrated

25-23-30

ILLUSTRATED PARTS LIST

Page 1098.33

Jul 01/2007



COMPONENT MAINTENANCE MANUAL

FIG/ ITEM	PART NUMBER	AIRLINE PART NUMBER	NOMENCLATURE							USAGE CODE	UNITS PER ASSY
			1	2	3	4	5	6	7		
1-											
530	417N3180-1		DELETED								
-530A	417N3180-2		DELETED								
535	NAS607-1-4P		DELETED								
540	NAS607-2-8P		DELETED								
545	417N3181-1		DELETED								
-545A	65-85902-1		DELETED								
550	RCS3289		DELETED								
555	417N3180-3		DELETED								
560	RCS3290		DELETED								
565	65-85905-4		DELETED								
570	417N3182-1		DELETED								
575	417N3182-1		DELETED								
-575A	417N3182-2		DELETED								
580	417N3183-1		DELETED								
-585	AN960JD416L		DELETED								
-585J	AN960JD416L		DELETED								
-590	PLWP1S		DELETED								
-590J	PLWP1S		DELETED								
-595	NMC1001-0		DELETED								
-595A	BACC10DK3		DELETED								
-600	61-33500-001		DELETED								
-600A	286N0514-003		DELETED								
-600B	286N0510-002		DELETED								
-600C	286N0512-001		DELETED								
-600D	286N0514-001		DELETED								
-600E	286N0514-002		DELETED								
-600F	286N0512-002		DELETED								
605	417N3310-49SP		DELETED								
-610	417N3310-50SP		DELETED								
611	417N3083-5		DELETED								
-611A	417N3083-6		DELETED								

-Item not Illustrated

25-23-30

ILLUSTRATED PARTS LIST

Page 1098.34

Jul 01/2007



COMPONENT MAINTENANCE MANUAL

FIG/ ITEM	PART NUMBER	AIRLINE PART NUMBER	NOMENCLATURE							USAGE CODE	UNITS PER ASSY
			1	2	3	4	5	6	7		
1-											
612	417N3312-249										
613	417N3312-35SP										
-613A	417N3312-36SP										
615	417N3110-11SP										
-615A	417N3110-31SP										
-615B	417N3110-31SP										
-620	417N3110-12SP										
-620A	417N3110-32SP										
-620B	417N3110-32SP										
625	BAC27DPA2272										
630	BAC27NPA0610										
635	BAC27NPA0609										
640	BAC27NPA0647										
640A	BAC27NPA0645										
640B	BAC27NPA0660										
640C	BAC27NPA0662										
640D	BAC27NPA0666										
645	BAC27NPA0646										
645A	BAC27NPA0644										
645B	BAC27NPA0663										
645C	BAC27NPA0661										
645D	BAC27NPA0667										

-Item not Illustrated

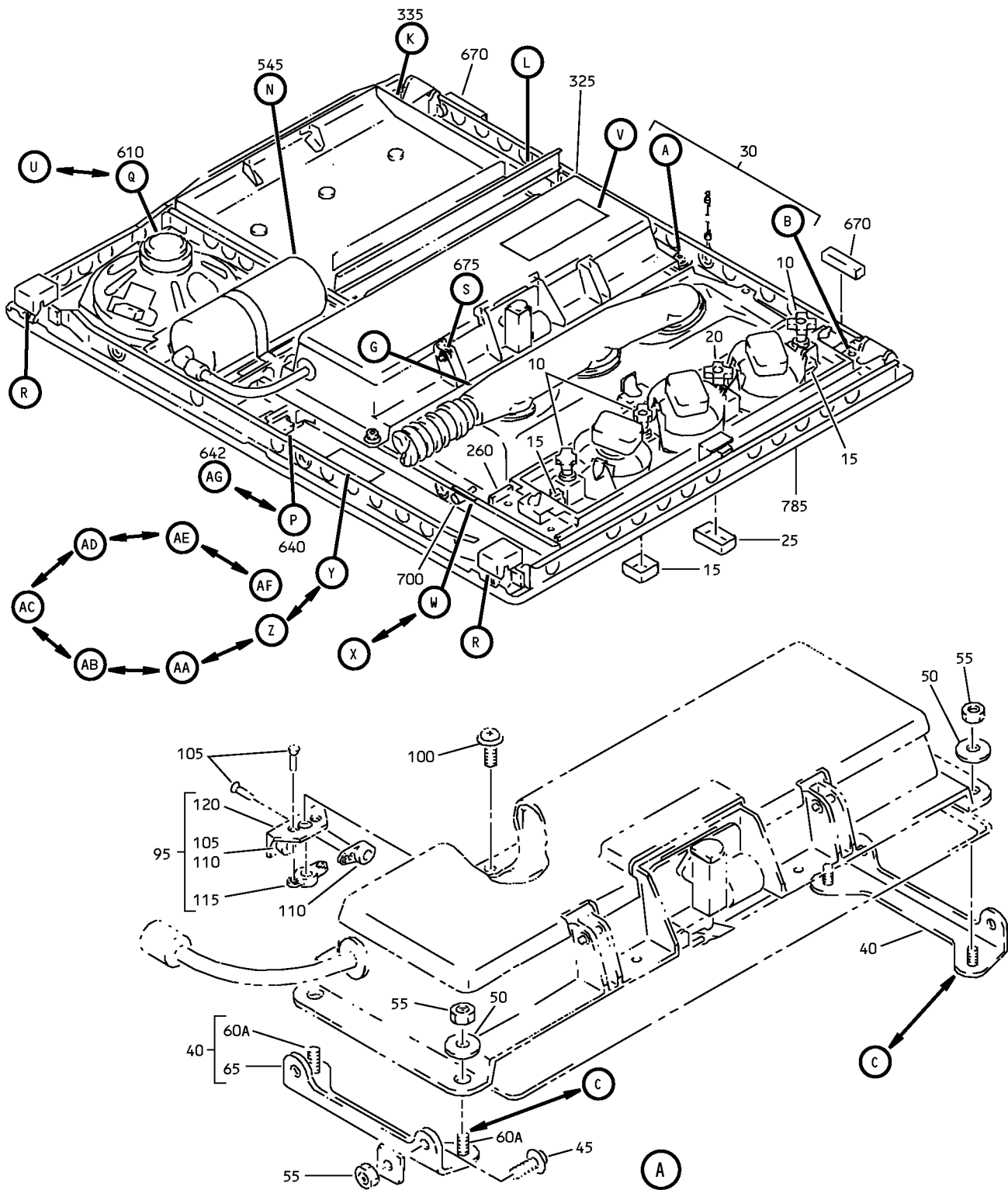
25-23-30

ILLUSTRATED PARTS LIST

Page 1098.35

Jul 01/2007

COMPONENT MAINTENANCE MANUAL



Full Underbin - Passenger Service Unit (with Lifevest) Assembly
IPL Figure 2 (Sheet 1 of 9)

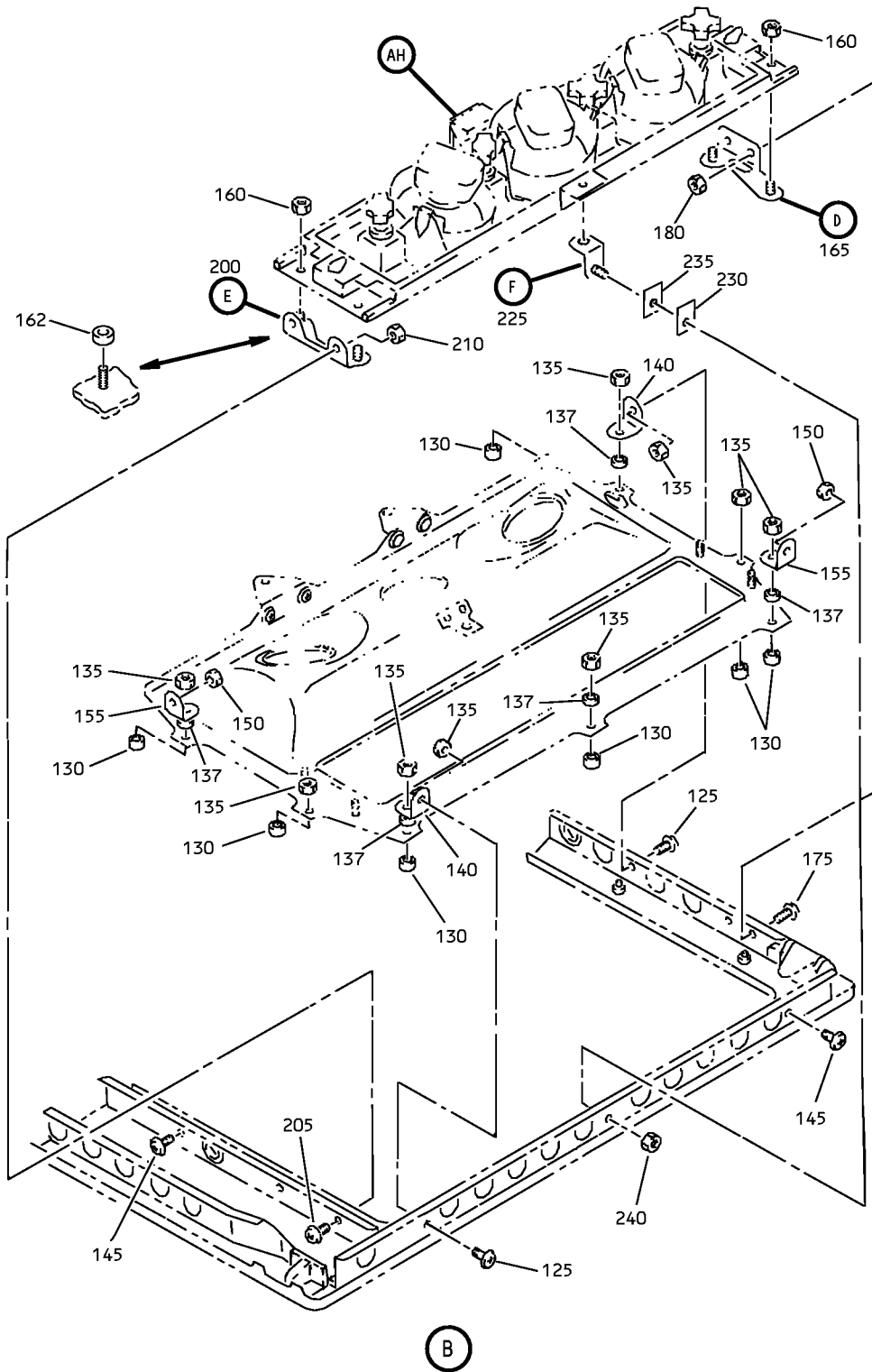
25-23-30

ILLUSTRATED PARTS LIST

Page 1098.36

Jul 01/2007

COMPONENT MAINTENANCE MANUAL



Full Underbin - Passenger Service Unit (with Lifevest) Assembly
IPL Figure 2 (Sheet 2 of 9)

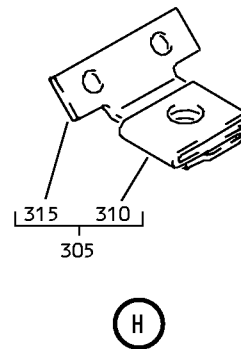
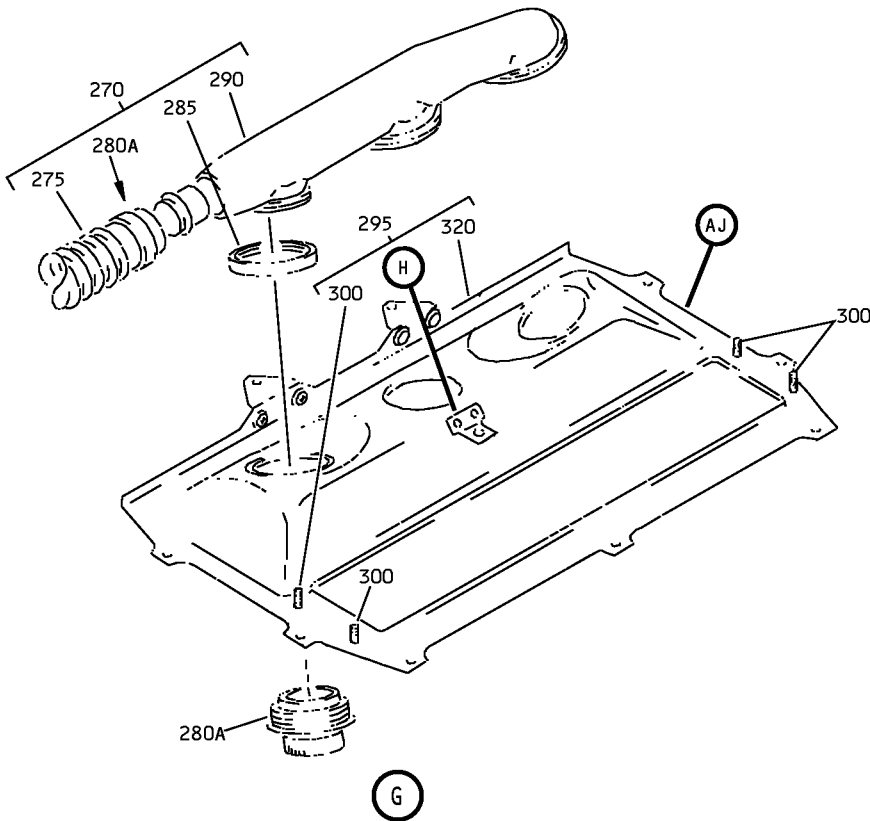
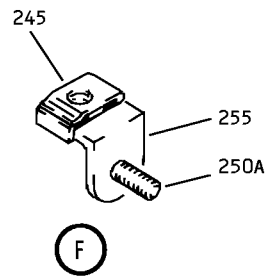
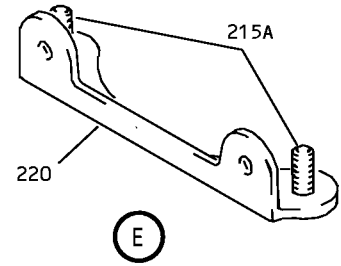
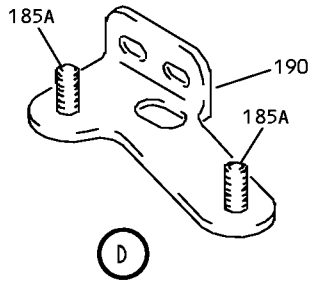
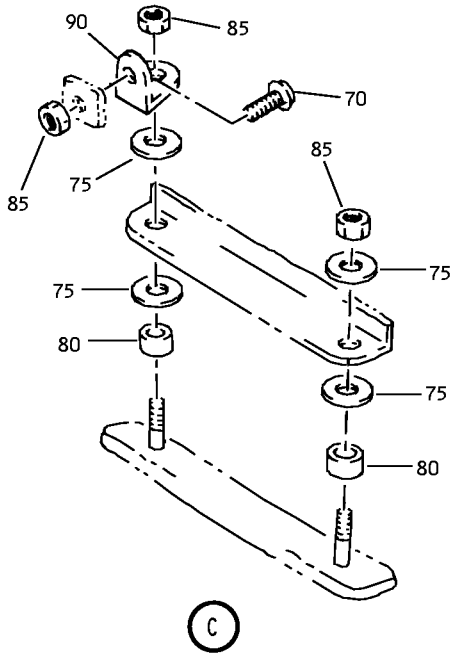
25-23-30

ILLUSTRATED PARTS LIST

Page 1098.37

Jul 01/2007

COMPONENT MAINTENANCE MANUAL



Full Underbin - Passenger Service Unit (with Lifevest) Assembly
IPL Figure 2 (Sheet 3 of 9)

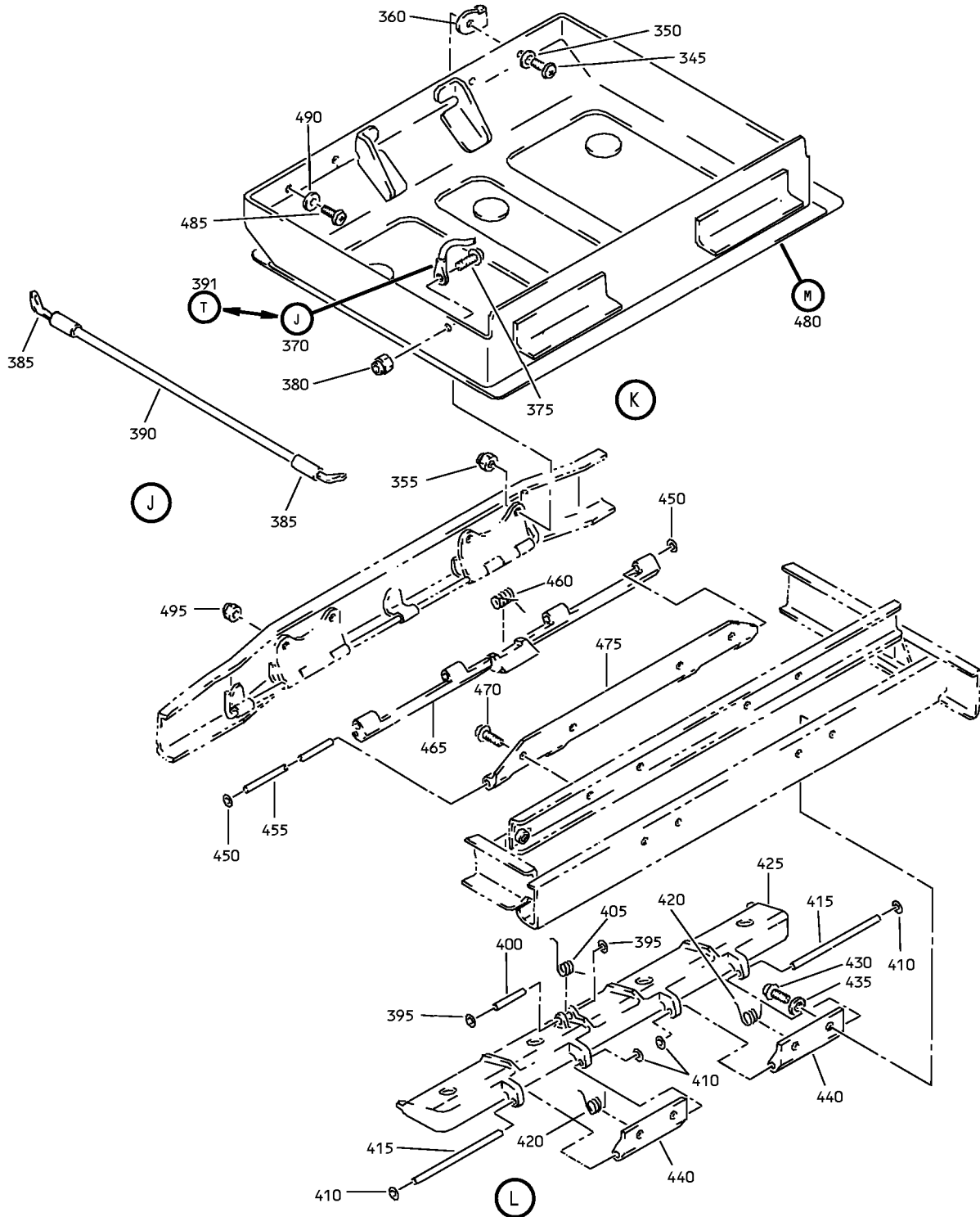
25-23-30

ILLUSTRATED PARTS LIST

Page 1098.38

Jul 01/2007

COMPONENT MAINTENANCE MANUAL



Full Underbin - Passenger Service Unit (with Lifevest) Assembly
IPL Figure 2 (Sheet 4 of 9)

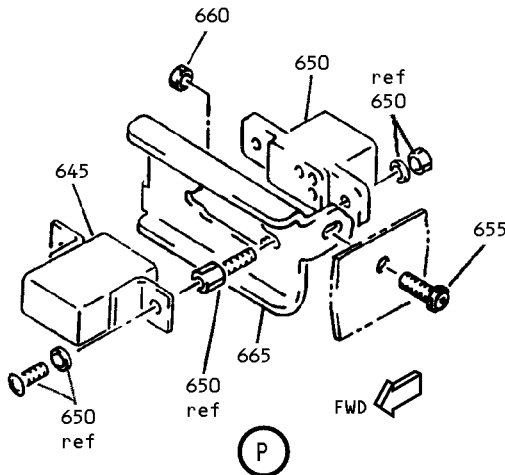
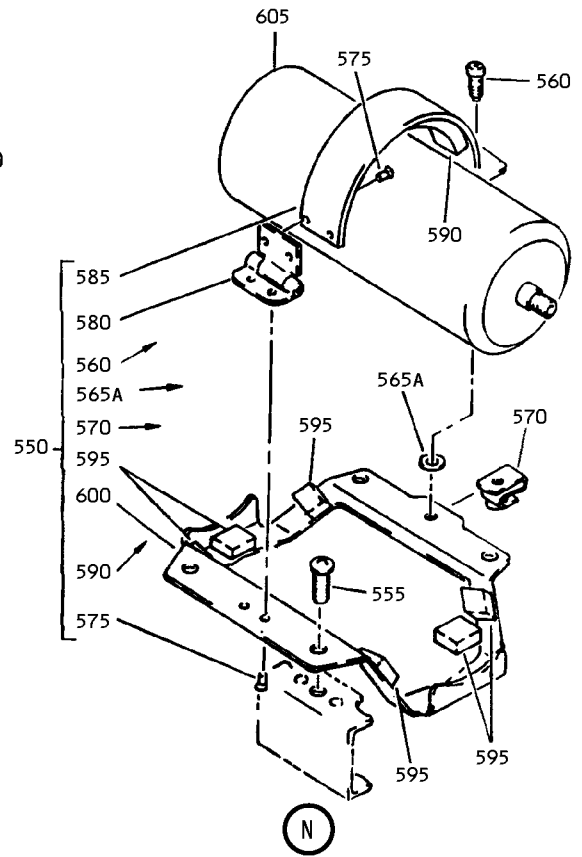
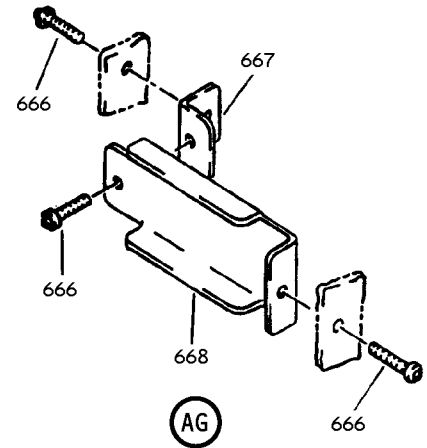
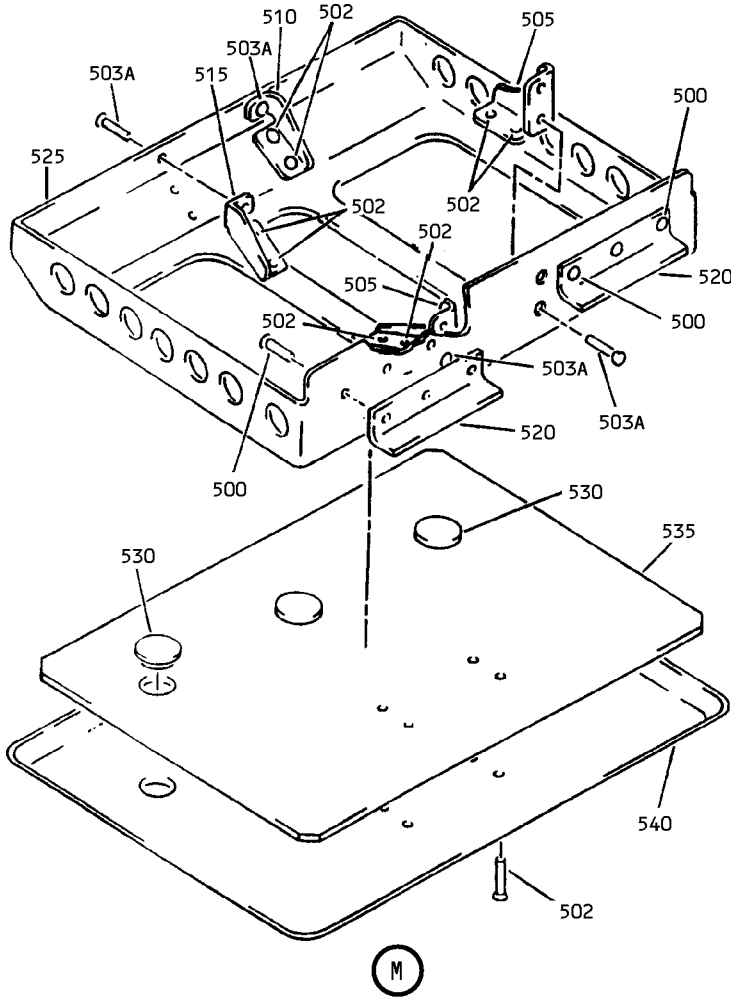
25-23-30

ILLUSTRATED PARTS LIST

Page 1098.39

Jul 01/2007

COMPONENT MAINTENANCE MANUAL



Full Underbin - Passenger Service Unit (with Lifevest) Assembly
IPL Figure 2 (Sheet 5 of 9)

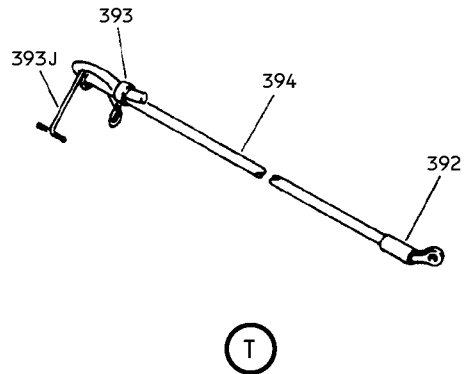
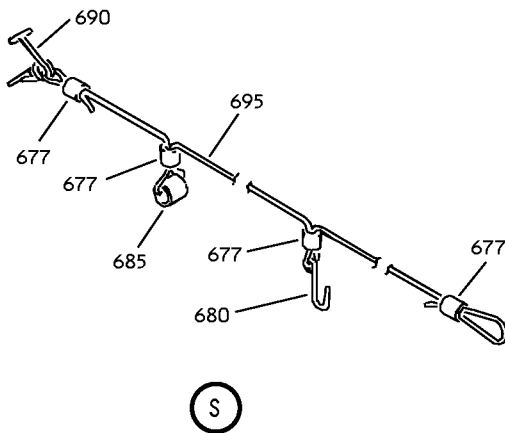
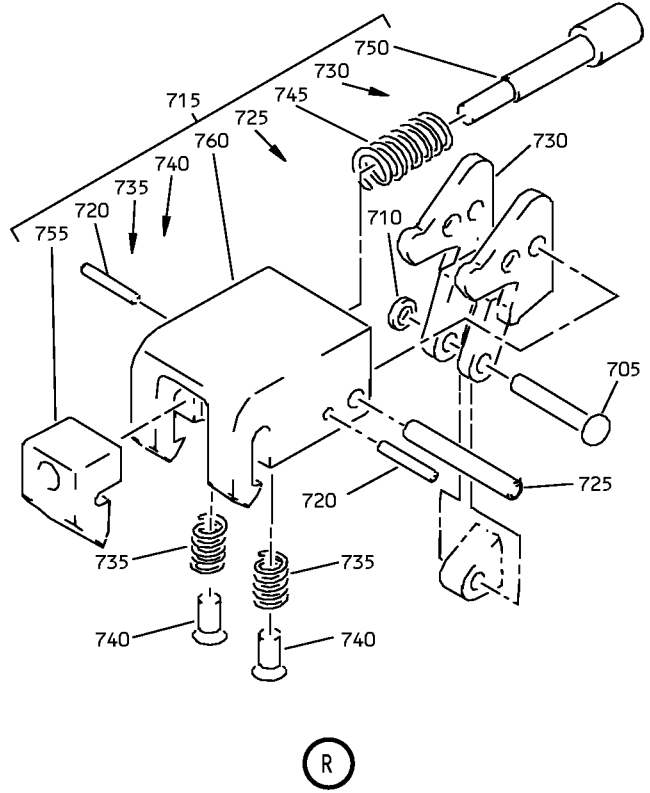
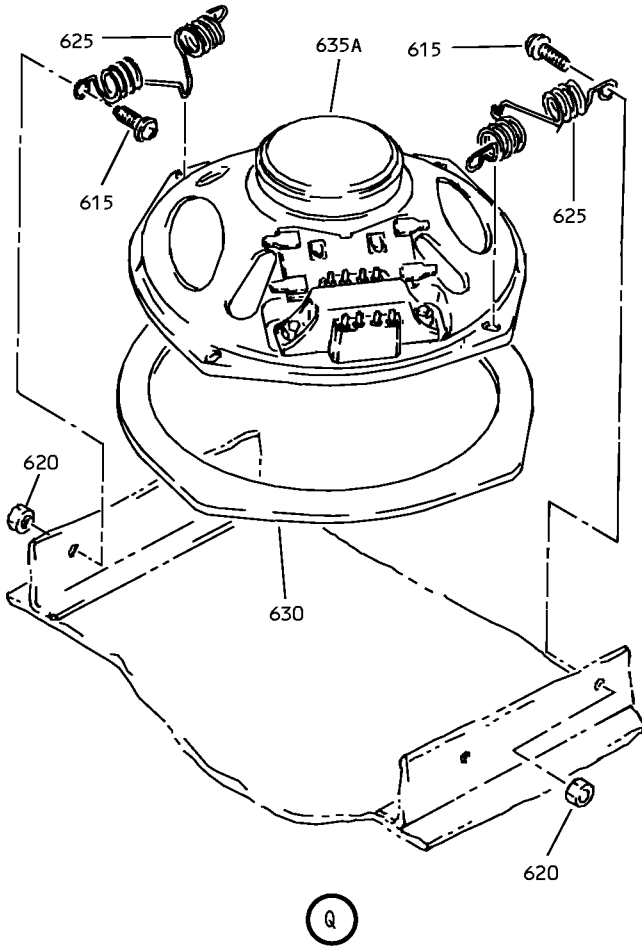
25-23-30

ILLUSTRATED PARTS LIST

Page 1098.40

Jul 01/2007

COMPONENT MAINTENANCE MANUAL



Full Underbin - Passenger Service Unit (with Lifevest) Assembly
IPL Figure 2 (Sheet 6 of 9)

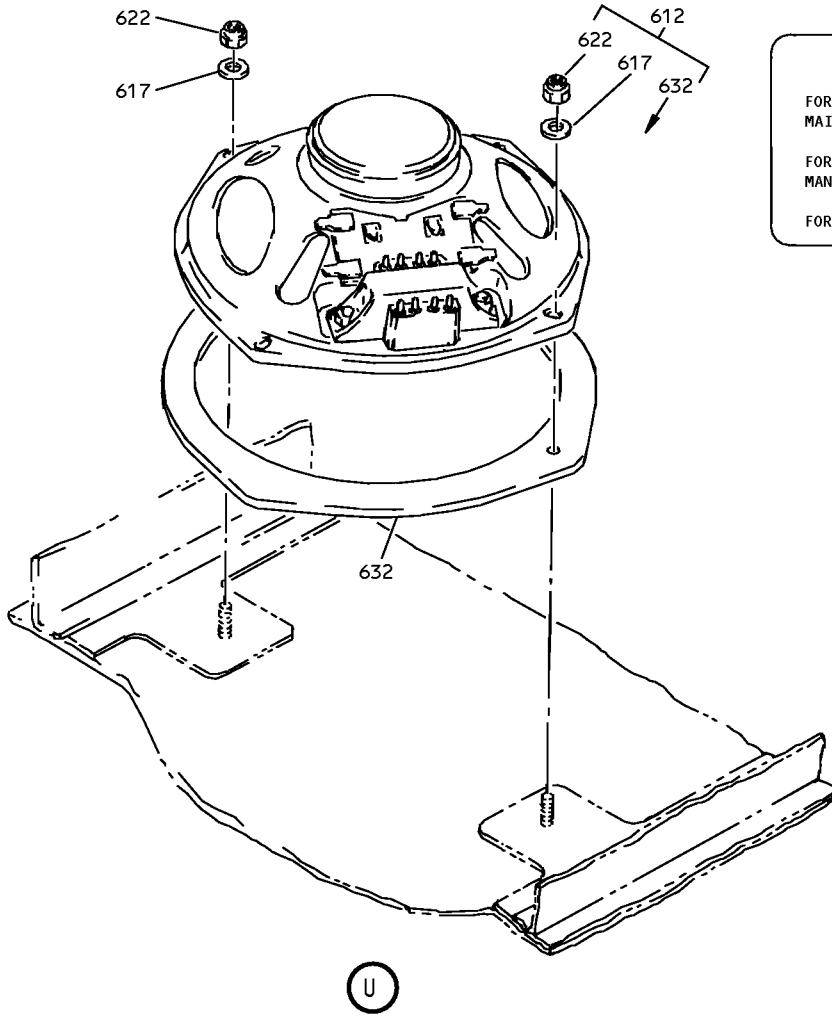
25-23-30

ILLUSTRATED PARTS LIST

Page 1098.41

Jul 01/2007

COMPONENT MAINTENANCE MANUAL



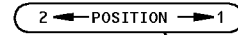
ATTENTION

FOR REMOVAL AND RELOCATION INFORMATION SEE
MAINTENANCE MANUAL CHAPTER 25

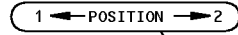
FOR MASK STOWAGE INSTRUCTIONS SEE MAINTENANCE
MANUAL CHAPTER 35

FOR CLEANING INSTRUCTIONS SEE DOCUMENTS D6-7127

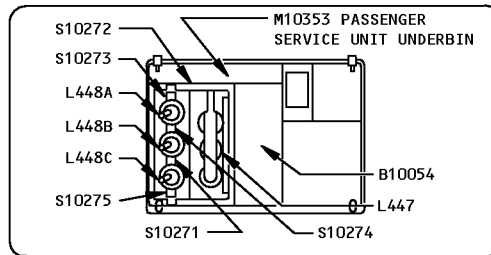
795



800



805



810



Full Underbin - Passenger Service Unit (with Lifevest) Assembly
IPL Figure 2 (Sheet 7 of 9)

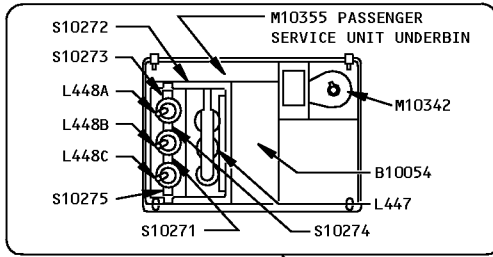
25-23-30

ILLUSTRATED PARTS LIST

Page 1098.42

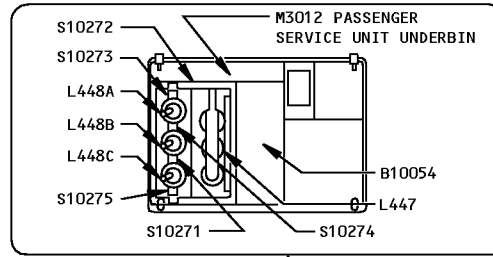
Jul 01/2007

COMPONENT MAINTENANCE MANUAL



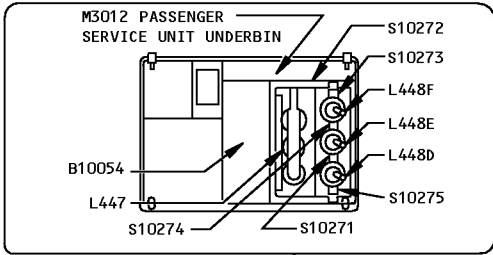
Z

810A



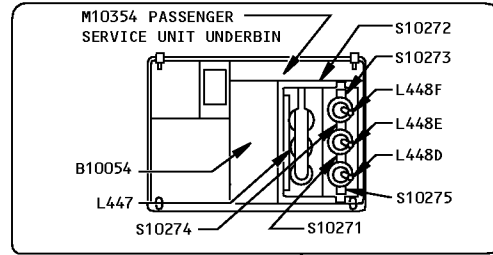
AA

810B



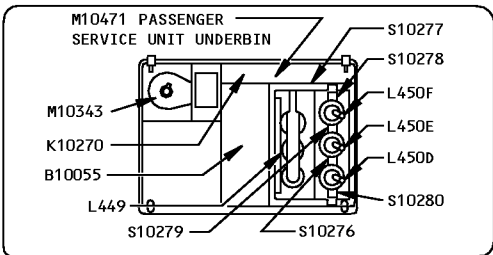
AE

815C



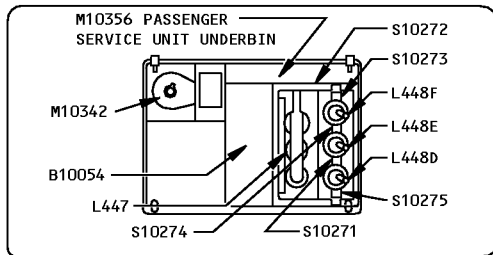
AB

815



AD

815B



AC

815A

Full Underbin - Passenger Service Unit (with Lifevest) Assembly
IPL Figure 2 (Sheet 8 of 9)

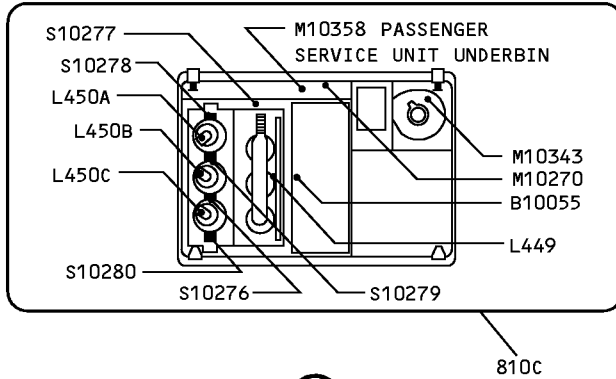
25-23-30

ILLUSTRATED PARTS LIST

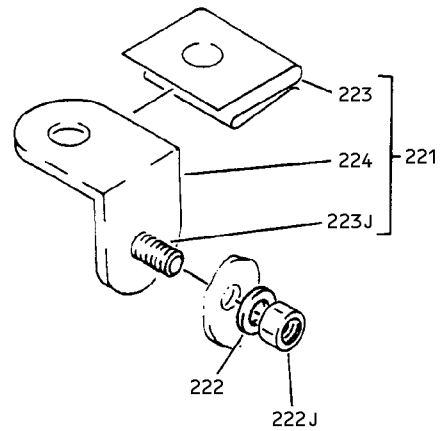
Page 1098.43

Jul 01/2007

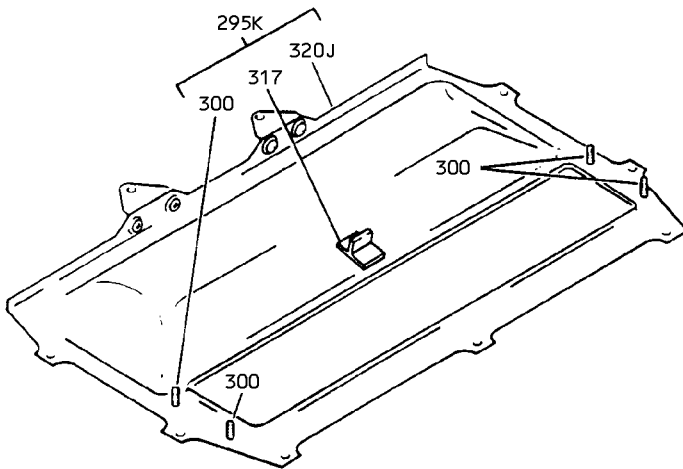
COMPONENT MAINTENANCE MANUAL



AF



AH



AJ

Full Underbin - Passenger Service Unit (with Lifevest) Assembly
IPL Figure 2 (Sheet 9 of 9)

25-23-30

ILLUSTRATED PARTS LIST

Page 1098.44

Jul 01/2007



COMPONENT MAINTENANCE MANUAL

FIG/ ITEM	PART NUMBER	AIRLINE PART NUMBER	NOMENCLATURE							USAGE CODE	UNITS PER ASSY
			1	2	3	4	5	6	7		
2-											
-1	417N3100-157SP									G	RF
-1A	417N3100-159SP									J	RF
-1B	417N3100-185SP									R	RF
-1C	417N3100-233SP									W	RF
-1D	417N3100-235SP									Y	RF
-1E	417N3100-273SP									AB	RF
-1F	417N3100-275SP									AC	RF
-1G	417N3100-289SP									AG	RF
-1H	417N3100-291SP									AJ	RF
-1J	417N3100-303SP									AL	RF

-Item not Illustrated

25-23-30

ILLUSTRATED PARTS LIST

Page 1098.45

Jul 01/2007



COMPONENT MAINTENANCE MANUAL

FIG/ ITEM	PART NUMBER	AIRLINE PART NUMBER	NOMENCLATURE							USAGE CODE	UNITS PER ASSY
			1	2	3	4	5	6	7		
2- -1K	417N3100-305SP		SERVICE UNIT ASSY-FULL UNDERBIN PASS. (WITH LIFEVEST, GASPER AIR) (LH)							AN	RF
-1L	417N3100-353SP		SERVICE UNIT ASSY-FULL UNDERBIN PASS. (WITH LIFEVEST, MUTED SPKR) (LH)							AX	RF
-1M	417N3100-361SP		SERVICE UNIT ASSY-FULL UNDERBIN PASS. (WITH LIFEVEST, GASPER AIR, MUTED SPKR) (LH)							AZ	RF
-1N	417N3100-395SP		SERVICE UNIT ASSY-FULL UNDERBIN PASS. (WITH MUTED SPKR AND GASPER AIR) (LH)							BY	RF
-5	417N3100-158SP		SERVICE UNIT ASSY-FULL UNDERBIN PASS. (WITH LIFEVEST) (RH)							H	RF
-5A	417N3100-160SP		SERVICE UNIT ASSY-FULL UNDERBIN PASS. (WITH LIFEVEST) (RH)							K	RF
-5B	417N3100-168SP		SERVICE UNIT ASSY-FULL UNDERBIN PASS. (WITH LIFEVEST AND MUTED SPKR) (RH)							L	RF
-5C	417N3100-186SP		SERVICE UNIT ASSY-FULL UNDERBIN PASS. WITH GASPER AIR (WITHOUT SPKR) (RH)							S	RF
-5D	417N3100-234SP		SERVICE UNIT ASSY-FULL UNDERBIN PASS. (WITH LIFEVEST, GASPER AIR, SPKR) (RH)							X	RF
-5E	417N3100-236SP		SERVICE UNIT ASSY-FULL UNDERBIN PASS. (WITH LIFEVEST, GASPER AIR) (RH)							Z	RF

-Item not Illustrated

25-23-30

ILLUSTRATED PARTS LIST

Page 1098.46

Jul 01/2007



COMPONENT MAINTENANCE MANUAL

FIG/ ITEM	PART NUMBER	AIRLINE PART NUMBER	NOMENCLATURE							USAGE CODE	UNITS PER ASSY
			1	2	3	4	5	6	7		
2- -5F	417N3100-238SP		SERVICE UNIT ASSY-FULL UNDERBIN PASS. (WITH LIFEVEST, GASPER AIR, SPKR) (RH)							AA	RF
-5G	417N3100-274SP		SERVICE UNIT ASSY-FULL UNDERBIN PASS. (WITH LIFEVEST, GASPER AIR, SPKR) (RH)							AD	RF
-5H	417N3100-276SP		SERVICE UNIT ASSY-FULL UNDERBIN PASS. (WITH LIFEVEST, GASPER AIR) (RH)							AE	RF
-5J	417N3100-280SP		SERVICE UNIT ASSY-FULL UNDERBIN PASS. (WITH LIFEVEST, GASPER AIR AND MUTED SPKR) (RH)							AF	RF
-5K	417N3100-290SP		SERVICE UNIT ASSY-FULL UNDERBIN PASS. (WITH LIFEVEST, SPKR) (RH)							AH	RF
-5L	417N3100-292SP		SERVICE UNIT ASSY-FULL UNDERBIN PASS. (WITH LIFEVEST) (RH)							AK	RF
-5M	417N3100-304SP		SERVICE UNIT ASSY-FULL UNDERBIN PASS. (WITH LIFEVEST, GASPER AIR, SPKR) (RH)							AM	RF
-5N	417N3100-306SP		SERVICE UNIT ASSY-FULL UNDERBIN PASS. (WITH LIFEVEST, GASPER AIR) (RH)							AP	RF
-5P	417N3100-354SP		SERVICE UNIT ASSY-FULL UNDERBIN PASS. (WITH LIFEVEST, MUTED SPKR) (RH)							AY	RF
-5Q	417N3100-362SP		SERVICE UNIT ASSY-FULL UNDERBIN PASS. (WITH LIFEVEST, GASPER AIR, MUTED SPKR) (RH)							BA	RF

-Item not Illustrated

25-23-30

ILLUSTRATED PARTS LIST

Page 1098.47

Jul 01/2007



COMPONENT MAINTENANCE MANUAL

FIG/ ITEM	PART NUMBER	AIRLINE PART NUMBER	NOMENCLATURE							USAGE CODE	UNITS PER ASSY
			1	2	3	4	5	6	7		
2- -5R	417N3100-396SP		SERVICE UNIT ASSY-FULL UNDERBIN PASS. (WITH MUTED SPKR AND GASPER AIR) (RH)							BZ	RF
10	920056		. SWITCH-READING LT (V07150)							G-L, R, S, W-AP, AX-BA, BY, BZ	3
15	VIP720-1B		. LENS-LT SWITCH (COLOR OPT-CUST PREFERENCE, WHITE- BROWN) (V28406) (SPEC S417N304-1B)							G-L, R, S, W-AP, AX-BA, BY, BZ	3
-15A	VIP720-1C		. LENS-LT SWITCH (COLOR OPT-CUST PREFERENCE, RED-WHITE) (V28406) (SPEC S417N304-1C)							G-L, R, S, W-AP, AX-BA, BY, BZ	3
-15B	VIP720-6E		. LENS-LT SWITCH (COLOR OPT-CUST PREFERENCE, REDWOOD- BEIGE) (V28406) (SPEC S417N304-6E) (OPT 691212-13A1-1AW (V07150))							G-L, R, S, W-AP, AX-BA, BY, BZ	3
-15C	VIP720-6F		. LENS-LT SWITCH (COLOR OPT-CUST PREFERENCE, ORANGE- WHITE) (V28406) (SPEC S417N304-6F) (OPT 691212-13A1-1AT (V07150))							G-L, R, S, W-AP, AX-BA, BY, BZ	3
-15D	VIP720-6G		. LENS-LT SWITCH (COLOR OPT-CUST PREFERENCE, BROWN- WHITE) (V28406) (SPEC S417N304-6G) (OPT 691212-13A1-1AR (V07150))							G-L, R, S, W-AP, AX-BA, BY, BZ	3
-15E	VIP720-6J		. LENS-LT SWITCH (COLOR OPT-CUST PREFERENCE, ORANGE- WHITE) (V28406) (SPEC S417N304-6J) (OPT 691212-13A1-1J (V07150))							G-L, R, S, W-AP, AX-BA, BY, BZ	3

-Item not Illustrated

25-23-30

ILLUSTRATED PARTS LIST

Page 1098.48

Jul 01/2007



COMPONENT MAINTENANCE MANUAL

FIG/ ITEM	PART NUMBER	AIRLINE PART NUMBER	NOMENCLATURE							USAGE CODE	UNITS PER ASSY								
			1	2	3	4	5	6	7										
2- -15F	VIP720-6K		.	L	E	N	S	-	L	T	S	W	I	T	C	H		G-L, R, S, W-AP, AX-BA, BY, BZ	3
-15G	VIP720-6L		.	L	E	N	S	-	L	T	S	W	I	T	C	H		G-L, R, S, W-AP, AX-BA, BY, BZ	3
-15H	S417N304-1M																		
-15J	S417N304-1N																		
-15K	S417N304-6H		.	L	E	N	S	-	L	T	S	W	I	T	C	H		G-L, R, S, W-AP, AX-BA, BY, BZ	3
-15L	S417N304-6M																		
-15M	VIP720-1M		.	L	E	N	S	-	L	T	S	W	I	T	C	H		G-L, R, S, W-AP, AX-BA, BY, BZ	3
-15N	VIP720-1N		.	L	E	N	S	-	L	T	S	W	I	T	C	H		G-L, R, S, W-AP, AX-BA, BY, BZ	3
-15P	VIP720-6M		.	L	E	N	S	-	L	T	S	W	I	T	C	H		G-L, R, S, W-AP, AX-BA, BY, BZ	3
-15Q	VIP720-1A		.	L	E	N	S	-	L	T	S	W	I	T	C	H		G-L, R, S, W-AP, AX-BA, BY, BZ	3

-Item not Illustrated

25-23-30

ILLUSTRATED PARTS LIST

Page 1098.49

Jul 01/2007



COMPONENT MAINTENANCE MANUAL

FIG/ ITEM	PART NUMBER	AIRLINE PART NUMBER	NOMENCLATURE							USAGE CODE	UNITS PER ASSY														
			1	2	3	4	5	6	7																
2- -15R	S417N304-1P		.	L	E	N	S	-	L	T	S	W	I	T	C	H		G-L, R, S, W-AP, AX-BA, BY, BZ	3						
-15S	S417N304-1R		.	L	E	N	S	-	L	T	S	W	I	T	C	H		G-L, R, S, W-AP, AX-BA, BY, BZ	3						
-15T	VIP720-1S		.	L	E	N	S	-	L	T	S	W	I	T	C	H		G-L, R, S, W-AP, AX-BA, BY, BZ	3						
-15U	VIP720-1T		.	L	E	N	S	-	L	T	S	W	I	T	C	H		G-L, R, S, W-AP, AX-BA, BY, BZ	3						
-15V	VIP720-1V		.	L	E	N	S	-	L	T	S	W	I	T	C	H		G-L, R, S, W-AP, AX-BA, BY, BZ	3						
-15W	VIP720-6C		.	L	E	N	S	-	L	T	S	W	I	T	C	H		G-L, R, S, W-AP, AX-BA, BY, BZ	3						
-15X	VIP720-6D																								
-15Y	S417N304-6D		.	L	E	N	S	-	L	T	S	W	I	T	C	H		G-L, R, S, W-AP, AX-BA, BY, BZ	3						
20	920055		.	S	W	I	T	C	H	-	A	T	T	E	N	D	A	N	T	C	A	L		G-L, R, S, W-AP, AX-BA, BY, BZ	1

-Item not Illustrated

25-23-30

ILLUSTRATED PARTS LIST

Page 1098.50

Jul 01/2007



COMPONENT MAINTENANCE MANUAL

FIG/ ITEM	PART NUMBER	AIRLINE PART NUMBER	NOMENCLATURE							USAGE CODE	UNITS PER ASSY															
			1	2	3	4	5	6	7																	
2- 25	VIP720-2C		.	L	E	N	S	-	C	A	L	L	S	W	A	P	A	X	-	B	A	B	Y	B	Z	1
-25A	VIP720-2D		.	L	E	N	S	-	C	A	L	L	S	W	A	P	A	X	-	B	A	B	Y	B	Z	1
-25B	VIP720-2E		.	L	E	N	S	-	C	A	L	L	S	W	A	P	A	X	-	B	A	B	Y	B	Z	1
-25C	VIP720-2F		.	L	E	N	S	-	C	A	L	L	S	W	A	P	A	X	-	B	A	B	Y	B	Z	1
-25D	VIP720-2G		.	L	E	N	S	-	C	A	L	L	S	W	A	P	A	X	-	B	A	B	Y	B	Z	1
-25E	VIP720-3A		.	L	E	N	S	-	C	A	L	L	S	W	A	P	A	X	-	B	A	B	Y	B	Z	1
-25F	VIP720-4A		.	L	E	N	S	-	C	A	L	L	S	W	A	P	A	X	-	B	A	B	Y	B	Z	1
-25G	S417N303-3C																									
-25H	S417N303-2J																									
-25J	S417N303-2K																									

-Item not Illustrated

25-23-30

ILLUSTRATED PARTS LIST

Page 1098.51

Jul 01/2007



COMPONENT MAINTENANCE MANUAL

FIG/ ITEM	PART NUMBER	AIRLINE PART NUMBER	NOMENCLATURE							USAGE CODE	UNITS PER ASSY
			1	2	3	4	5	6	7		
2-											
-25K	S417N303-2L										
-25L	S417N304-1S										
-25M	S417N304-1T										
-25N	VIP720-1S										
-25P	VIP720-3C								. LENS-CALL SWITCH (COLOR OPT-CUST PREFERENCE, RED-WHITE) (V28406) (SPEC S417N303-3C)	G-L, R, S, W-AP, AX-BA, BY, BZ	1
-25Q	VIP720-1T										
-25R	VIP720-2K								. LENS-CALL SWITCH (V28406) (SPEC S417N303-2K) (COLOR OPT-CUST PREFERENCE, WHITE-RED)	G-L, R, S, W-AP, AX-BA, BY, BZ	1
-25S	VIP720-2J								. LENS-CALL SWITCH (V28406) (SPEC S417N303-2J) (COLOR OPT-CUST PREFERENCE, RED-WHITE)	G-L, R, S, W-AP, AX-BA, BY, BZ	1
-25T	VIP720-2L								. LENS-CALL SWITCH (V28406) (SPEC S417N303-2L) (COLOR OPT-CUST PREFERENCE, YELLOW- WHITE)	BY, BZ	1
-25U	VIP720-2A										
-25V	VIP720-2B								. LENS-CALL SWITCH (COLOR OPT-CUST PREFERENCE, GOLD-WHITE) (V28406) (SPEC S417N303-2B)	G-L, R, S, W-AP, AX-BA, BY, BZ	1
-25W	S417N303-2H								. LENS-CALL SWITCH (COLOR OPT-CUST PREFERENCE, LAVENDER- WHITE)	G-L, R, S, W-AP, AX-BA, BY, BZ	1
-25X	VIP720-2M								. LENS-CALL SWITCH (COLOR OPT-CUST PREFERENCE, WHITE SAND- BLUE) (V28406) (SPEC S417N303-2M)	G-L, R, S, W-AP, AX-BA, BY, BZ	1

-Item not Illustrated

25-23-30

ILLUSTRATED PARTS LIST

Page 1098.52

Jul 01/2007



COMPONENT MAINTENANCE MANUAL

FIG/ ITEM	PART NUMBER	AIRLINE PART NUMBER	NOMENCLATURE							USAGE CODE	UNITS PER ASSY														
			1	2	3	4	5	6	7																
2-																									
-25Y	S417N303-3B		.	L	E	N	S	-	C	A	L	L	S	W	A	P	A	X	B	A	B	Y	B	Z	1
-25Z	S417N303-2A		.	L	E	N	S	-	C	R	U	S	W	A	P	A	X	B	A	B	Y	B	Z	1	
30	417N3100-51		.	F	A	S	T	E	N	E	R	A	S	S											1
-30A	417N3100-81		.	F	A	S	T	E	N	E	R	A	S	S											1
-30B	417N3100-83		.	F	A	S	T	E	N	E	R	A	S	S											1
-30J	417N3100-81		.	F	A	S	T	E	N	E	R	A	S	S											1
-35	417N3100-52		.	F	A	S	T	E	N	E	R	A	S	S											1
-35A	417N3100-81		.	F	A	S	T	E	N	E	R	A	S	S											1
40	417N3122-65		.	.	A	N	G	L	E															2	
45	BACS12FA08K6		.	.	S	C	R	E	W															4	
50	BACW10P193G		.	.	W	A	S	H	E	R														4	
55	BACN10YJ08		.	.	N	U	T																	8	
60	BACS21AQ2A3P																								
60A	BACS21AQ2A3K		.	.	.	S	T	U	D															2	
65	417N3122-66		.	.	.	A	N	G	L	E														1	
70	BACS12FA08K6		.	.	S	C	R	E	W															2	
75	BACW10P193G		.	.	W	A	S	H	E	R														8	

-Item not Illustrated

25-23-30

ILLUSTRATED PARTS LIST

Page 1098.53

Jul 01/2007



COMPONENT MAINTENANCE MANUAL

FIG/ ITEM	PART NUMBER	AIRLINE PART NUMBER	NOMENCLATURE							USAGE CODE	UNITS PER ASSY	
			1	2	3	4	5	6	7			
2- 80	NAS43DD3-18		. .								G-L, R, S, W-AP, AX-BA, BY, BZ	4
85	BACN10YJ08		. .								G-L, R, S, W-AP, AX-BA, BY, BZ	6
90	417N3122-115		. .								G-L, R, S, W-AP, AX-BA, BY, BZ	2
95	417N3136-19		. .								G-L, R, S	1
100	BACS12FA08K6		. .								G-L, R, S	3
105	BACR15BA3D		. . .								G-L, R, S	6
110	BRM100A08		. . .								G-L, R, S	2
115	BRM200A08		. . .								G-L, R, S	1
120	417N3136-21		. . .								G-L, R, S	1
125	BACS12FA08K5		. .								G-L, R, S, W-AP, AX-BA, BY, BZ	2

-Item not Illustrated

25-23-30

ILLUSTRATED PARTS LIST

Page 1098.54

Jul 01/2007



COMPONENT MAINTENANCE MANUAL

FIG/ ITEM	PART NUMBER	AIRLINE PART NUMBER	NOMENCLATURE							USAGE CODE	UNITS PER ASSY		
			1	2	3	4	5	6	7				
2-													
130	NAS43DD3-7		. .								SPACER (USED ON ITEMS 30, 35)	G-L, R, S	7
135	BACN10YJ08		. .								NUT	G-L, R, S, W-AP, AX-BA, BY, BZ	9
137	G6940-3B3		. .								GROMMET (V75345) (SPEC BACG20AF3B3) (OPT SZ6924-3B3 (V95272)) (OPT 701-3B3 (V07096)) (OPT E3B3 (V60980)) (OPT H3B3 (V60980)) (OPT RR2002-3B3 (V57268)) (USED ON ITEMS 30A, 35A)	G-L, R, S, W-AP, AX-BA, BY, BZ	5
140	417N3122-14		. .								ANGLE-SPRT	G-L, R, S, W-AP, AX-BA, BY, BZ	2
145	BACS12FA08K5		. .								SCREW (USED ON ITEMS 30, 35)	G-L, R, S	2
150	BACN10YJ08		. .								NUT (USED ON ITEMS 30, 35)	G-L, R, S	2
155	417N3122-14		. .								ANGLE-SPRT (USED ON ITEMS 30, 35)	G-L, R, S	2
160	BACN10YJ08		. .								NUT	G-L, R, S, W-AP, AX-BA, BY, BZ	4
162	NAS43DD3-20		. .								SPACER (USED ON ITEMS 30A, 35A)	G-L, R, S, W-AP, AX-BA, BY, BZ	4
165	417N3122-107		. .								ANGLE ASSY (USED ON ITEM 30)	G, J, R	1
-170	417N3122-108		. .								ANGLE ASSY (USED ON ITEM 35)	H, K, L, S	1
											ATTACHING PARTS		
175	BACS12FA08K5		. .								SCREW	G-L, R, S	2

-Item not Illustrated

25-23-30

ILLUSTRATED PARTS LIST

Page 1098.55

Jul 01/2007



COMPONENT MAINTENANCE MANUAL

FIG/ ITEM	PART NUMBER	AIRLINE PART NUMBER	NOMENCLATURE							USAGE CODE	UNITS PER ASSY
			1	2	3	4	5	6	7		
2-											
180	BACN10YJ08								. . NUT	G-L, R, S	2
									-----*-----		
185	BACS21AQ2A3P								DELETED		
185A	BACS21AQ2A3K								. . . STUD	G-L, R, S	2
190	417N3122-109								. . . ANGLE	G, J, R	1
-195	417N3122-110								. . . ANGLE	H, K, L, S	1
200	417N3122-71								. . ANGLE ASSY-SPRT (USED ON ITEMS 30, 35)	G-L, R, S	1
									ATTACHING PARTS		
205	BACS12FA08K5								. . SCREW	G-L, R, S	2
210	BACN10YJ08								. . NUT	G-L, R, S	2
									-----*-----		
215	BACS21AQ2A3P								DELETED		
215A	BACS21AQ2A3K								. . . STUD	G-L, R, S	2
220	417N3122-72								. . . ANGLE	G-L, R, S	1
221	417N3122-55								. . BRACKET ASSY	AG-AK, AX, AY	1
									ATTACHING PARTS		
222	MS35335-31								. . WASHER	AG-AK, AX, AY	1
222J	BACN10YJ08								. . NUT	AG-AK, AX, AY	1
									-----*-----		
223	82-47-108-15								. . . CLIP (V84483)	AG-AK, AX, AY	1
223J	BACS21AQ2A3K								. . . STUD	AG-AK, AX, AY	1
224	417N3122-56								. . . BRACKET	AG-AK, AX, AY	1
225	417N3122-60								. . BRACKET ASSY	G-L, R, S, W-AP, AX-BA, BY, BZ	1

-Item not Illustrated

25-23-30

ILLUSTRATED PARTS LIST

Page 1098.56

Jul 01/2007



COMPONENT MAINTENANCE MANUAL

FIG/ ITEM	PART NUMBER	AIRLINE PART NUMBER	NOMENCLATURE							USAGE CODE	UNITS PER ASSY	
			1	2	3	4	5	6	7			
2-			ATTACHING PARTS									
230	66-25727-1		. .								G-L, R, S	AR
												(USED ON ITEM 30, 35)
235	66-25727-2		. .								G-L, R, S	AR
												(USED ON ITEMS 30, 35)
240	BACN10YJ08		. .								G-L, R, S, W-AP, AX-BA, BY, BZ	1
												----- * -----
245	82-47-108-15		. . .								G-L, R, S, W-AP, AX-BA, BY, BZ	1
												(V84483)
250	BACS21AQ2A3P		DELETED									
250A	BACS21AQ2A3K		. . .								G-L, R, S, W-AP, AX-BA, BY, BZ	1
												(OPT ITEM 250B)
-250B	FHS832-6		. . .								G-L, R, S, W-AP, AX-BA, BY, BZ	1
												(OPT ITEM 250A)
255	417N3122-61		. . .								G-L, R, S, W-AP, AX-BA, BY, BZ	1
												(OPT ITEM 255A)
-255A	417N3122-130		. . .								G-L, R, S, W-AP, AX-BA, BY, BZ	1
												(OPT ITEM 255)
260	10-1006-1		. LIGHT-READING								G, J, R, W, Y, AB, AC, AG, AJ, AL, AN, AX, AZ, BY	1
												(V72914)
												(SPEC S417N302-1)

-Item not Illustrated

25-23-30

ILLUSTRATED PARTS LIST

Page 1098.57

Jul 01/2007



COMPONENT MAINTENANCE MANUAL

FIG/ ITEM	PART NUMBER	AIRLINE PART NUMBER	NOMENCLATURE							USAGE CODE	UNITS PER ASSY								
			1	2	3	4	5	6	7										
2- -265	10-1006-2		.	L	I	G	H	T	-	R	E	A	D	I	N	G	H	K, L, S, X, Z, AA, AD- AF, AH, AK, AM, AP, AY, BA, BZ	1
270	417N3100-25SP		.	A	I	R	A	S	S	-	G	A	S	P	E	R	G-L, R, S, W-AF, AL-AP, AZ, BA, BY, BZ	1	
275	BOE20563A152		.	.	D	U	C	T									G-L, R, S, W-AF, AL-AP, AZ, BA, BY, BZ	1	
280	10-60141-23S																		
280A	750801-002																		
280B	10-60141-23T		.	.	O	U	T	L	E	T	-	A	I	R			G-L, R, S, W-AP, AX-BA, BY, BZ	3	
-280C	3740-4		.	.	O	U	T	L	E	T	-	A	I	R			G-L, R, S, W-AP, AX-BA, BY, BZ	3	
-280D	3740-1		.	.	O	U	T	L	E	T	-	A	I	R			G-L, R, S, W-AP, AX-BA, BY, BZ	3	
-280E	3740-3		.	.	O	U	T	L	E	T	-	A	I	R			G-L, R, S, W-AP, AX-BA, BY, BZ	3	

-Item not Illustrated

25-23-30

ILLUSTRATED PARTS LIST

Page 1098.58

Jul 01/2007



COMPONENT MAINTENANCE MANUAL

FIG/ ITEM	PART NUMBER	AIRLINE PART NUMBER	NOMENCLATURE							USAGE CODE	UNITS PER ASSY	
			1	2	3	4	5	6	7			
2- -280F	3740-6		. .								G-L, R, S, W-AP, AX-BA, BY, BZ	3
											(COLOR OPT-CUST PREFERENCE, DARK GRAY) (V83564) (SPEC 10-60141-23V)	
-280G	3740-5		. .								G-L, R, S, W-AP, AX-BA, BY, BZ	3
											(COLOR OPT-CUST PREFERENCE, DOVE GRAY) (V83564) (SPEC 10-60141-23W)	
285	PLT2MM		. .								G-L, R, S, W-AP, AX-BA, BY, BZ	3
											(V06383) (OPT ITEM 285A)	
-285A	PLT2MM2		. .								G-L, R, S, W-AP, AX-BA, BY, BZ	3
											(V06383) (OPT ITEM 285)	
290	417N3103-1		. .								G-L, R, S, W-AP, AX-BA, BY, BZ	1
											MANIFOLD ASSY	
295	417N3105-4SP		. .								G-L, R, S	1
											MODULE ASSY-SVCE (REPLACED BY ITEM 295A)	
-295A	417N3105-6SP		. .								G-L, R, S	1
											MODULE ASSY-SVCE (REPLACES ITEM 295)	
-295J	417N3105-6SP		. .								W-AF, AL-AP, AZ, BA, BY, BZ	1
											MODULE ASSY-SVCE	
295K	417N3105-5SP		. .								AG-AK, AX, AY	1
											MODULE ASSY-SVCE	
300	BACS21AQ6A6M		. .								G-L, R, S, W-AP, AX-BA, BY, BZ	4
											(USED ON ITEMS 295A, 295J)	
305	417N3122-111		. .								G-L, R, S, W-AF, AL-AP, AZ, BA, BY, BZ	1
											BRACKET ASSY	

-Item not Illustrated

25-23-30

ILLUSTRATED PARTS LIST

Page 1098.59

Jul 01/2007



COMPONENT MAINTENANCE MANUAL

FIG/ ITEM	PART NUMBER	AIRLINE PART NUMBER	NOMENCLATURE							USAGE CODE	UNITS PER ASSY	
			1	2	3	4	5	6	7			
2- 310	82-47-108-15		.	.	.	CLIP (V84483)					G-L, R, S, W-AF, AL-AP, AZ, BA, BY, BZ	1
315	417N3122-112		.	.	.	BRACKET					G-L, R, S, W-AF, AL-AP, AZ, BA, BY, BZ	1
317	417N3122-53		.	.		BRACKET					AG-AK, AX, AY	1
320	417N3101-2SP		.	.		MODULE					G-L, R, S, W-AF, AL-AP, AZ, BA, BY, BZ	1
320J	417N3101-1SP		.	.		MODULE					AG-AK, AX, AY	1
325	417N3130-1SP		.			BOX ASSY-FOUR MASK OXY (REPLACED BY ITEM 325A) (REF CMM 35-21-03)					G, J	1
-325A	417N3130-33SP		.			BOX ASSY-FOUR MASK OXY (REPLACES ITEM 325) (REF CMM 35-21-02)					G, J	1
-325J	417N3130-27SP		.			BOX ASSY-FOUR MASK OXY (REPLACED BY ITEM 325K) (REF CMM 35-21-02)					R	1
-325K	417N3130-39SP		.			BOX ASSY-FOUR MASK OXY (REPLACES ITEM 325J) (REF CMM 35-21-02)					R	1
-325P	417N3130-33SP		.			BOX ASSY-FOUR MASK OXY (REF CMM 35-21-02)					W, Y	1
-325Q	417N3130-61SP		.			BOX ASSY-FOUR MASK OXY (REF CMM 35-21-02)					AB, AC	1
-325R	417N3130-63SP		.			BOX ASSY-FOUR MASK OXY (REF CMM 35-21-02)					AG, AJ, AL, AN, AX, AZ, BY	1

-Item not Illustrated

25-23-30

ILLUSTRATED PARTS LIST

Page 1098.60

Jul 01/2007

COMPONENT MAINTENANCE MANUAL

FIG/ ITEM	PART NUMBER	AIRLINE PART NUMBER	NOMENCLATURE	USAGE CODE	UNITS PER ASSY
2-					
-330	417N3130-2SP		. BOX ASSY-FOUR MASK OXY (REPLACED BY ITEM 330A) (REF CMM 35-21-03)	H, K, L	1
-330A	417N3130-34SP		. BOX ASSY-FOUR MASK OXY (REPLACES ITEM 330) (REF CMM 35-21-02)	H, K, L	1
-330J	417N3130-30SP		. BOX ASSY-THREE MASK OXY (REPLACED BY ITEM 330K) (REF CMM 35-21-02)	S	1
-330K	417N3130-42SP		. BOX ASSY-FOUR MASK OXY (REPLACES ITEM 330J) (REF CMM 35-21-02)	S	1
-330P	417N3130-34SP		. BOX ASSY-FOUR MASK OXY (REF CMM 35-21-02)	X, Z, AA	1
-330Q	417N3130-62SP		. BOX ASSY-FOUR MASK OXY (REF CMM 35-21-02)	AD-AF	1
-330R	417N3130-64SP		. BOX ASSY-FOUR MASK OXY (REF CMM 35-21-02)	AH, AK, AM, AP, AY, BA, BZ	1
335	417N3100-31SP		. LIFEVEST ASSY	G, J, AB, AC, AG, AJ, AL, AN, AX, AZ	1
-335A	417N3100-41SP		. LIFEVEST ASSY	W, Y	1
-340	417N3100-32SP		. LIFEVEST ASSY	H, K, L, AD-AF, AH, AK, AM, AP, AY, BA	1
-340A	417N3100-42SP		. LIFEVEST ASSY	X, Z, AA	1
345	BACS12FA08K7		. . SCREW	G-L, W- AP, AX- BA	1
350	AN960PD8L		. . WASHER	G-L, W- AP, AX- BA	AR

-Item not Illustrated

25-23-30

ILLUSTRATED PARTS LIST

Page 1098.61

Jul 01/2007



COMPONENT MAINTENANCE MANUAL

FIG/ ITEM	PART NUMBER	AIRLINE PART NUMBER	NOMENCLATURE							USAGE CODE	UNITS PER ASSY	
			1	2	3	4	5	6	7			
2- 355	H10-08BAC		.	.	NUT (V15653) (SPEC BACN10JC08) (OPT NS202101-82 (V80539)) (OPT RMLH9075-82W (V72962)) (OPT T6S832J (V71087)) (OPT VN303A82 (V92215)) (OPT 96-82 (V80539)) (OPT BRH10A08 (V52828))						G-L, AB- AP, AX- BA	1
-355A	MS21042L08		.	.	NUT						W-AA	1
360	417N3122-49		.	.	RETAINER						G, J, W, Y, AB, AC, AG, AJ, AL, AN, AX, AZ	1
-365	417N3122-50		.	.	RETAINER						H, K, L, X, Z, AA, AD-AF, AH, AK, AM, AP, AY, BA	1
370	417N3190-8		.	.	LANYARD ASSY						G-L, AB- AP, AX- BA	1
375	BACS12FA08K6		.	.	SCREW						G-L, AB- AP, AX- BA	1
380	H10-08BAC		.	.	NUT (V15653) (SPEC BACN10JC08) (OPT NS202101-82 (V80539)) (OPT RMLH9075-82W (V72962)) (OPT T6S832J (V71087)) (OPT VN303A82 (V92215)) (OPT 96-82 (V80539)) (OPT BRH10A08 (V52828))						H, K, L, AD-AF, AH, AK, AM, AP, AY, BA	1

-Item not Illustrated

25-23-30

ILLUSTRATED PARTS LIST

Page 1098.62

Jul 01/2007



COMPONENT MAINTENANCE MANUAL

FIG/ ITEM	PART NUMBER	AIRLINE PART NUMBER	NOMENCLATURE							USAGE CODE	UNITS PER ASSY	
			1	2	3	4	5	6	7			
2- -380A	26C82		.	.	NUT (V80539) (SPEC BACN10R8)						G, J, AB, AC, AG, AJ, AL, AN, AX, AZ	1
			-----*									
385	417N3190-7		.	.	.	TERMINAL					G-L, AB- AP, AX- BA	2
390	417N3190-5		.	.	.	CORD-NYLON					G-L, AB- AP, AX- BA	1
391	417N3190-9		.	.	LANYARD ASSY						W-AA	1
392	417N3190-7		.	.	.	TERMINAL					W-AA	1
393	GSC219		.	.	.	SLEEVE (V59730) (SPEC BACS13S219C) (OPT Y0C140 (V09922)) (OPT ITEM 393A)					W-AA	1
-393A	GSC205		.	.	.	SLEEVE (V59730) (SPEC BACS13S205C) (OPT Y0C130 (V09922)) (OPT ITEM 393)					W-AA	1
393J	65C16899-6		.	.	.	SPRING					W-AA	1
394	417N3190-10		.	.	.	CORD-NYLON					W-AA	1
395	6100-9		.	.	RETAINER (V2X013)						G-L, W- AP, AX- BA	2
400	417N3100-73		.	.	PIN-HINGE						G-L, W- AP, AX- BA	1
405	417N3173-14		.	.	SPRING						G-L, W- AP, AX- BA	1
410	6100-9		.	.	RETAINER (V2X013)						G-L, W- AP, AX- BA	4

-Item not Illustrated

25-23-30

ILLUSTRATED PARTS LIST

Page 1098.63

Jul 01/2007



COMPONENT MAINTENANCE MANUAL

FIG/ ITEM	PART NUMBER	AIRLINE PART NUMBER	NOMENCLATURE							USAGE CODE	UNITS PER ASSY
			1	2	3	4	5	6	7		
2-											
415	417N3100-74		.	.						G-L, W- AP, AX- BA	2
420	417N3173-9		.	.						G-L, W- AP, AX- BA	2
425	417N3084-1SP		.	.						G-L, W- AP, AX- BA	1
430	BACS12FA08K7		.	.						G-L, W- AP, AX- BA	4
435	AN960PD8L		.	.						G-L, W- AP, AX- BA	AR
440	417N3133-19		.	.						G-L, W- AP, AX- BA	2
450	6100-9		.	.						G-L, W- AP, AX- BA	2
455	417N3100-78		.	.						G-L, W- AP, AX- BA	1
460	417N3173-13		.	.						G-L, W- AP, AX- BA	1
465	417N3133-15		.	.						G-L, W- AP, AX- BA	1
470	BACS12FA08K7		.	.						G-L, W- AP, AX- BA	4
475	417N3133-16		.	.						G-L, W- AP, AX- BA	1
480	417N3080-1SP		.	.						G-L, AB- AP, AX- BA	1
-480A	417N3080-4SP		.	.						W-AA	1

-Item not Illustrated

25-23-30

ILLUSTRATED PARTS LIST

Page 1098.64

Jul 01/2007



COMPONENT MAINTENANCE MANUAL

FIG/ ITEM	PART NUMBER	AIRLINE PART NUMBER	NOMENCLATURE							USAGE CODE	UNITS PER ASSY
			1	2	3	4	5	6	7		
2-			ATTACHING PARTS								
485	BACS12FA08K7		. .							G-L, W- AP, AX- BA	3
490	AN960PD8L		. .							G-L, W- AP, AX- BA	AR
495	H10-08BAC		. .							G-L, AB- AP, AX- BA	3
-495A	MS21042L08		. .							W-AA	3
			-----*								
500	BACR15CE3D		. . .							G-L, W- AP, AX- BA	6
502	BACR15CE4D		. . .							G-L, W- AP, AX- BA	8
503	BACR15CE4D		DELETED								
503A	BACR15CE3D		. . .							W-AA	6
-503B	BACR15CE4D		. . .							G-L, AB- AP, AX- BA	6
505	417N3083-2		. . .							G-L, W- AP, AX- BA	2
510	417N3083-3		. . .							G-L, W- AP, AX- BA	1
515	417N3083-4		. . .							G-L, W- AP, AX- BA	1

-Item not Illustrated

25-23-30

ILLUSTRATED PARTS LIST

Page 1098.65

Jul 01/2007



COMPONENT MAINTENANCE MANUAL

FIG/ ITEM	PART NUMBER	AIRLINE PART NUMBER	NOMENCLATURE							USAGE CODE	UNITS PER ASSY
			1	2	3	4	5	6	7		
2-											
520	417N3083-1		. . .	ANGLE						G-L, W- AP, AX- BA	2
525	417N3082-1		. . .	COMPARTMENT						G-L, AB- AP, AX- BA	1
-525A	417N3082-2		. . .	COMPARTMENT						W-AA	1
530	417N3113-1		. . .	LENS						G-L, W- AP, AX- BA	3
535	417N3080-3		. . .	PANEL						G-L, AB- AP, AX- BA	1
-535A	417N3080-5		. . .	PANEL						W-AA	1
540	417N3081-1SP		. . .	PANEL						G-L, AB- AP, AX- BA	1
-540A	417N3081-2SP		. . .	PANEL						W-AA	1
545	417N3100-48		. . .	GENERATOR ASSY						G-L, R, W-AP, AX-BA, BY, BZ	1
-545A	417N3100-46		. . .	GENERATOR ASSY						S	1
550	417N3160-11		. . .	BRACKET ASSY						G-L, R, S, W-AP, AX-BA, BY, BZ	1
				ATTACHING PARTS							
555	BACS12FA08K6		. . .	SCREW						G-L, R, S, W-AP, AX-BA, BY, BZ	4
				-----*							
560	FT1387P8-1-2		. . .	SCREW (V58794) (OPT ITEM 560A)						G-L, R, S, W-AP, AX-BA, BY, BZ	1

-Item not Illustrated

25-23-30

ILLUSTRATED PARTS LIST

Page 1098.66

Jul 01/2007



COMPONENT MAINTENANCE MANUAL

FIG/ ITEM	PART NUMBER	AIRLINE PART NUMBER	NOMENCLATURE							USAGE CODE	UNITS PER ASSY
			1	2	3	4	5	6	7		
2- -560A	CS802408-1A		. . .	SCREW (V58998) (OPT ITEM 560)						G-L, R, S, W-AP, AX-BA, BY, BZ	1
565	AN960KD416			DELETED							
565A	AN960JD416		. . .	WASHER						G-L, R, S, W-AP, AX-BA, BY, BZ	1
570	A4972-6-82		. . .	NUT (V72962) (SPEC BACN10FX84) (OPT RM52LHA4972-6-82 (V72962)) (OPT SL211-08-1 (V97393)) (OPT 130008 (V60119)) (OPT A11330-6-82 (V72962))						G-L, R, S, W-AP, AX-BA, BY, BZ	1
575	BACR15BA3D		. . .	RIVET (SIZE DETERMINED ON INST)						G-L, R, S, W-AP, AX-BA, BY, BZ	4
580	417N3811-13		. . .	HINGE						G-L, R, S, W-AP, AX-BA, BY, BZ	1
585	417N3161-7		. . .	BRACKET-MTG						G-L, R, S, W-AP, AX-BA, BY, BZ	1
590	417N3160-12		. . .	PAD-INSULATION						G-L, R, S, W-AP, AX-BA, BY, BZ	1
595	417N3160-13		. . .	PAD-INSULATION						G-L, R, S, W-AP, AX-BA, BY, BZ	6
600	417N3136-99		. . .	BRACKET-MTG						G-L, R, S, W-AP, AX-BA, BY, BZ	1

-Item not Illustrated

25-23-30

ILLUSTRATED PARTS LIST

Page 1098.67

Jul 01/2007



COMPONENT MAINTENANCE MANUAL

FIG/ ITEM	PART NUMBER	AIRLINE PART NUMBER	NOMENCLATURE							USAGE CODE	UNITS PER ASSY		
			1	2	3	4	5	6	7				
2- 605	117003-14		.	.							GENERATOR-CHEMICAL OXY (V16827) (SPEC S417T401-27)	G-L, R, W-AP, AX-BA, BY, BZ	1
-605A	803000-04		.	.							GENERATOR-CHEMICAL OXY (V53655) (SPEC S417T401-33)	G-L, R, W-AP, AX-BA, BY, BZ	1
-605B	E71740-00		.	.							GENERATOR-CHEMICAL OXY (VD1379) (SPEC S417T401-44)	G-L, R, W-AP, AX-BA, BY, BZ	1
-605J	117003-13		.	.							GENERATOR-CHEMICAL OXY (V16827) (SPEC S417T401-26) (OPT ITEM 605K)	S	1
-605K	803000-03		.	.							GENERATOR-CHEMICAL OXY (V53655) (SPEC S417T401-32) (OPT ITEM 605J)	S	1
610	417N3100-15		.								SPEAKER ASSY	J-L, AB, AD, AF- AH, AL, AM, AX- BA, BY, BZ	1
612	417N3100-16		.								SPEAKER ASSY	W, X, AA	1
615	BACS12FA08K6		.	.							SCREW	J-L, AB, AD, AF- AH, AL, AM, AX- BA, BY, BZ	4
617	AN960KD8L		.	.							WASHER	W, X, AA	2
620	BACN10YJ08		.	.							NUT	J-L, AB, AD, AF- AH, AL, AM, AX- BA, BY, BZ	4
622	BACN10YJ08		.	.							NUT	W, X, AA	2

-Item not Illustrated

25-23-30

ILLUSTRATED PARTS LIST

Page 1098.68

Jul 01/2007



COMPONENT MAINTENANCE MANUAL

FIG/ ITEM	PART NUMBER	AIRLINE PART NUMBER	NOMENCLATURE							USAGE CODE	UNITS PER ASSY	
			1	2	3	4	5	6	7			
2- 625	417N3173-6		.	.	SPRING						J-L, AB, AD, AF- AH, AL, AM, AX- BA, BY, BZ	2
630	417N3104-1		.	.	GASKET-SPKR						J-L, AB, AD, AF- AH, AL, AM, AX- BA, BY, BZ	1
632	417N3104-2		.	.	GASKET						W, X, AA	1
635	EAS16P90RZ				DELETED							
635A	RDAM8005A		.	.	SPEAKER (V54473) (SPEC S222T101-101)						J-L, W, X, AA, AB, AD, AF- AH, AL, AM, AX- BA, BY, BZ	1
640	417N3100-19		.	.	MUTING ASSY						L, AA, AF, AY, BA, BZ	1
642	417N3100-377		.	.	MUTING ASSY						AX, AZ, BY	1
645	3SAV1338A2		.	.	RELAY (V01526) (SPEC BACR13CD2) (OPT BR16S233 (V09026)) (OPT EE4AA005 (V35344)) (OPT HFW1206K03 (V58614)) (OPT HFW1204K01 (V71482))						L, AA, AF, AX- BA, BY, BZ	1
650	451120-026		.	.	SOCKET (V03743)						L, AA, AF, AX- BA, BY, BZ	1
655	BACS12FA08K14		.	.	SCREW						L, AA, AF, AY, BA, BZ	1

-Item not Illustrated

25-23-30

ILLUSTRATED PARTS LIST

Page 1098.69

Jul 01/2007



COMPONENT MAINTENANCE MANUAL

FIG/ ITEM	PART NUMBER	AIRLINE PART NUMBER	NOMENCLATURE							USAGE CODE	UNITS PER ASSY	
			1	2	3	4	5	6	7			
2- 660	BACN10YJ08		.	.	NUT						L, AA, AF, AY, BA, BZ	1
665	417N3121-138		.	.	BRACKET						L, AA, AF, AY, BA, BZ	1
666	BACR15BB3D		.	.	RIVET (SIZE DETERMINED ON INST) (FOR NHA SEE 417N3100)						AX, AZ, BY	3
667	417N3136-17		.	.	BRACKET						AX, AZ, BY	1
668	417N3121-139		.	.	STIFFENER						AX, AZ, BY	1
670	417N3100-71		.	.	PAD-SPONGE						G-L, R, S, W-AP, AX-BA, BY, BZ	2
675	417N3190-1		.	.	LANYARD ASSY						G-L, R, S, W-AP, AX-BA, BY, BZ	1
677	GSC219		.	.	SLEEVE (V59730) (SPEC BACS13S219C) (OPT Y0C140 (V09922)) (OPT ITEM 677A)						G-L, R, S, W-AP, AX-BA, BY, BZ	4
-677A	GSC205		.	.	SLEEVE (V59730) (SPEC BACS13S205C) (OPT Y0C130 (V09922)) (OPT ITEM 677)						G-L, R, S, W-AP, AX-BA, BY, BZ	4
680	10-61790-1		.	.	HOOK (V08205)						G-L, R, S, W-AP, AX-BA, BY, BZ	1
685	NAS43DD4-5		.	.	SPACER						G-L, R, S, W-AP, AX-BA, BY, BZ	1

-Item not Illustrated

25-23-30

ILLUSTRATED PARTS LIST

Page 1098.70

Jul 01/2007



COMPONENT MAINTENANCE MANUAL

FIG/ ITEM	PART NUMBER	AIRLINE PART NUMBER	NOMENCLATURE							USAGE CODE	UNITS PER ASSY	
			1	2	3	4	5	6	7			
2- 690	65C16899-6		.	.	SPRING						G-L, R, S, W-AP, AX-BA, BY, BZ	1
695	417N3190-3		.	.	CORD-NYLON						G-L, R, S, W-AP, AX-BA, BY, BZ	1
700	1TW2-3		.		SWITCH (V91929)						G-L, R, S, W-AP, AX-BA, BY, BZ	1
705	BACR15BB4D10		.		RIVET						G-L, R, S, W-AP, AX-BA, BY, BZ	2
710	6100-12		.		RETAINER (V2X013)						G-L, R, S, W-AP, AX-BA, BY, BZ	2
715	417N3180-1		.		CLAMP ASSY						G-L, R, S, W-AP, AX-BA, BY, BZ	2
720	NAS607-1-4P		.	.	PIN-DOWEL						G-L, R, S, W-AP, AX-BA, BY, BZ	2
725	NAS607-2-8P		.	.	PIN-DOWEL						G-L, R, S, W-AP, AX-BA, BY, BZ	1
730	417N3181-1		.	.	LINK-ROCKER (OPT ITEM 730A)						G-L, R, S, W-AP, AX-BA, BY, BZ	1
-730A	65-85902-1		.	.	LINK-ROCKER (OPT ITEM 730)						G-L, R, S, W-AP, AX-BA, BY, BZ	1

-Item not Illustrated

25-23-30

ILLUSTRATED PARTS LIST

Page 1098.71

Jul 01/2007



COMPONENT MAINTENANCE MANUAL

FIG/ ITEM	PART NUMBER	AIRLINE PART NUMBER	NOMENCLATURE							USAGE CODE	UNITS PER ASSY	
			1	2	3	4	5	6	7			
2- 735	RCS3289		.	.	SPRING (V08205)						G-L, R, S, W-AP, AX-BA, BY, BZ	2
740	417N3180-3		.	.	PLUNGER-SPR						G-L, R, S, W-AP, AX-BA, BY, BZ	2
745	RCS3290		.	.	SPRING (V08205)						G-L, R, S, W-AP, AX-BA, BY, BZ	1
750	65-85905-4		.	.	PLUNGER						G-L, R, S, W-AP, AX-BA, BY, BZ	1
755	417N3182-1		.	.	BODY-PLUNGER						G-L, R, S, W-AP, AX-BA, BY, BZ	1
760	417N3183-1		.	.	BODY						G-L, R, S, W-AP, AX-BA, BY, BZ	1
-765	AN960JD416L		.	.	WASHER (USED WITH ITEM 770)						G, H, R, S, Y, Z, AC, AE, AN, AP	AR
-765J	AN960JD416L		.	.	WASHER (USED WITH ITEM 770J)						J-L, W, X, AA, AB, AD, AF- AM, AX- BA, BY, BZ	AR
-770	PLWP1S		.	.	TIE-PUSH MOUNT CABLE (V58417)						G, H, R, S, Y, Z, AC, AE, AN, AP	AR

-Item not Illustrated

25-23-30

ILLUSTRATED PARTS LIST

Page 1098.72

Jul 01/2007



COMPONENT MAINTENANCE MANUAL

FIG/ ITEM	PART NUMBER	AIRLINE PART NUMBER	NOMENCLATURE							USAGE CODE	UNITS PER ASSY
			1	2	3	4	5	6	7		
2- -770J	PLWP1S		.	TIE-PUSH MOUNT CABLE (V58417)						J-L, W, X, AA, AB, AD, AF- AM, AX- BA, BY, BZ	AR
-775	NMC1001-0		.	CLAMP (V03296) (OPT ITEM 775A)						G-L, R, S, W-AP, AX-BA, BY, BZ	2
-775A	BACC10DK3		.	CLAMP (OPT ITEM 775)						G-L, R, S, W-AP, AX-BA, BY, BZ	2
-780	286N0512		.	WIRE BUNDLE						G-K	1
-780A	286N0514		.	WIRE BUNDLE						L	1
-780B	61-33500-001		.	WIRE BUNDLE						R, S, W- Z, AB- AE, AG- AP	1
-780C	286N0514-003		.	WIRE BUNDLE						AA, AF, AX-BA, BY, BZ	1
785	417N3110-5SP		.	FRAME ASSY (REPLACED BY ITEM 785A) (FOR DETAILS SEE FIG. 3)						G, J	1
-785A	417N3110-35SP		.	FRAME ASSY (REPLACES ITEM 785) (FOR DETAILS SEE FIG. 4)						G, J	1
-785J	417N3110-11SP		.	FRAME ASSY (REPLACED BY ITEM 785K) (FOR DETAILS SEE FIG. 3)						R	1
-785K	417N3110-31SP		.	FRAME ASSY (REPLACES ITEM 785J) (FOR DETAILS SEE FIG. 4)						R, BY	1
-785L	417N3110-61SP		.	FRAME ASSY (FOR DETAILS SEE FIG. 4)						W, Y	1
-785M	417N3110-35SP		.	FRAME ASSY (FOR DETAILS SEE FIG. 4)						AB, AC, AG, AJ, AL, AN, AX, AZ	1

-Item not Illustrated

25-23-30

ILLUSTRATED PARTS LIST

Page 1098.73

Jul 01/2007



COMPONENT MAINTENANCE MANUAL

FIG/ ITEM	PART NUMBER	AIRLINE PART NUMBER	NOMENCLATURE	USAGE CODE	UNITS PER ASSY
2- -790	417N3110-6SP		. FRAME ASSY (REPLACED BY ITEM 790A) (FOR DETAILS SEE FIG. 3)	H, K, L	1
-790A	417N3110-36SP		. FRAME ASSY (REPLACES ITEM 790) (FOR DETAILS SEE FIG. 4)	H, K, L	1
-790J	417N3110-12SP		. FRAME ASSY (REPLACED BY ITEM 790K) (FOR DETAILS SEE FIG. 3)	S	1
-790K	417N3110-32SP		. FRAME ASSY (REPLACES ITEM 790J) (FOR DETAILS SEE FIG. 4)	S, BZ	1
-790L	417N3110-62SP		. FRAME ASSY (FOR DETAILS SEE FIG. 4)	X, Z, AA	1
-790M	417N3110-36SP		. FRAME ASSY (FOR DETAILS SEE FIG. 4)	AD, AE, AF, AH, AK, AM, AP, AY, BAY	1
795	BAC27DPA2272		. DECAL	G-L, R, S, W-AP, AX-BA, BY, BZ	1
800	BAC27NPA0609		. MARKER-ALUMINUM FOIL	H, K, L, S, X, Z, AA, AD- AF, AH, AK, AM, AP, AY, BA, BZ	1
805	BAC27NPA0610		. MARKER-ALUMINUM FOIL	G, J, R, W, Y, AB, AC, AG, AJ, AL, AN, AX, AZ, BY	1
810	BAC27NPA0662		. MARKER-ALUMINUM FOIL	G, Y, AC, AJ, AN	1
810A	BAC27NPA0660		. MARKER-ALUMINUM FOIL	J, W, AB, AG, AL	1
810B	BAC27NPA0645		. MARKER-ALUMINUM FOIL	R	1

-Item not Illustrated

25-23-30

ILLUSTRATED PARTS LIST

Page 1098.74

Jul 01/2007



COMPONENT MAINTENANCE MANUAL

FIG/ ITEM	PART NUMBER	AIRLINE PART NUMBER	NOMENCLATURE							USAGE CODE	UNITS PER ASSY	
			1	2	3	4	5	6	7			
2-												
810C	BAC27NPA0666									. MARKER-ALUMINUM FOIL	AX, AZ	1
810D	BAC27NPA0647									. MARKER-ALUMINUM FOIL	BY	1
815	BAC27NPA0663									. MARKER-ALUMINUM FOIL	H, Z, AE, AK, AP	1
815A	BAC27NPA0661									. MARKER-ALUMINUM FOIL	K, X, AD, AH, AM	1
815B	BAC27NPA0667									. MARKER-ALUMINUM FOIL	L, AA, AF, AY, BA	1
815C	BAC27NPA0644									. MARKER-ALUMINUM FOIL	S	1
815D	BAC27NPA0646									. MARKER-ALUMINUM FOIL	BZ	1

-Item not Illustrated

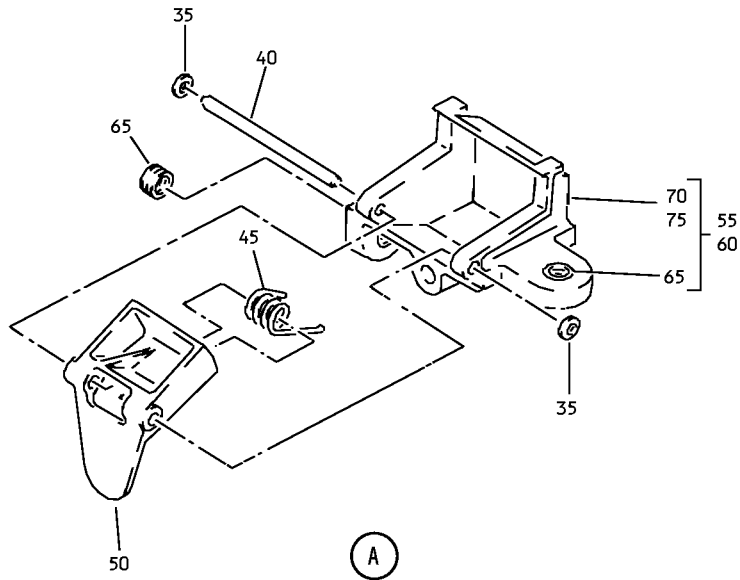
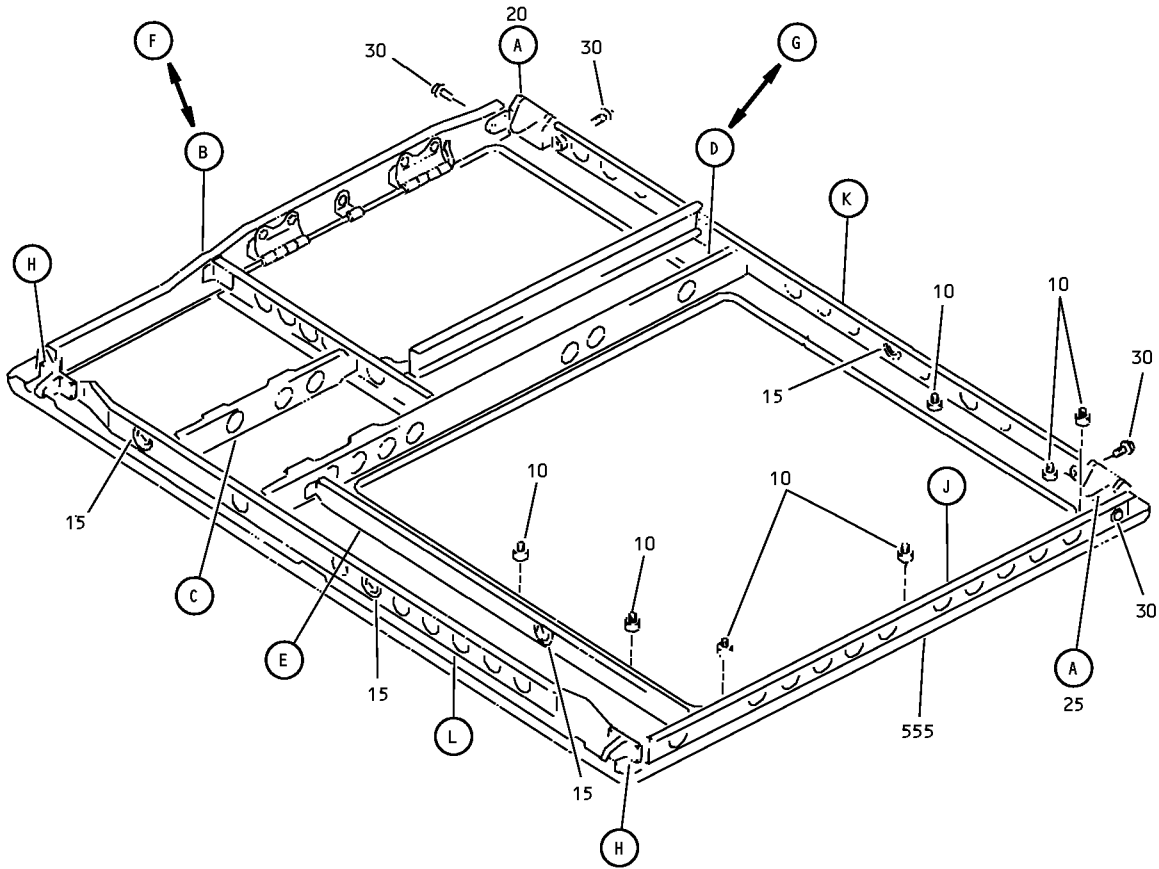
25-23-30

ILLUSTRATED PARTS LIST

Page 1098.75

Jul 01/2007

COMPONENT MAINTENANCE MANUAL



Full Underbin Passenger Service Unit Frame Assembly
IPL Figure 3 (Sheet 1 of 6)

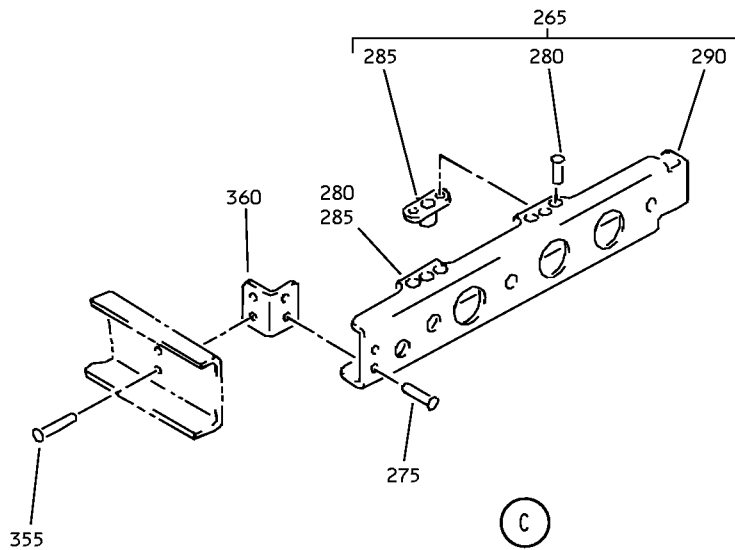
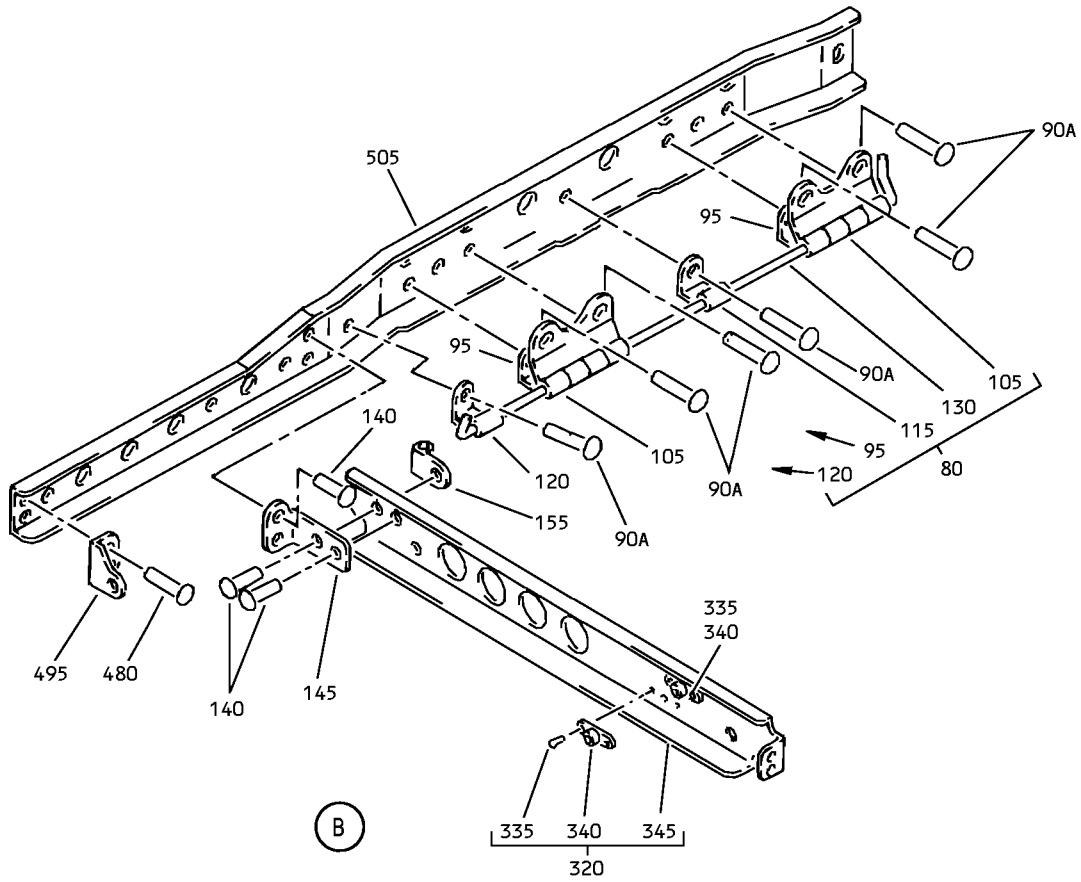
25-23-30

ILLUSTRATED PARTS LIST

Page 1098.76

Jul 01/2007

COMPONENT MAINTENANCE MANUAL



Full Underbin Passenger Service Unit Frame Assembly
IPL Figure 3 (Sheet 2 of 6)

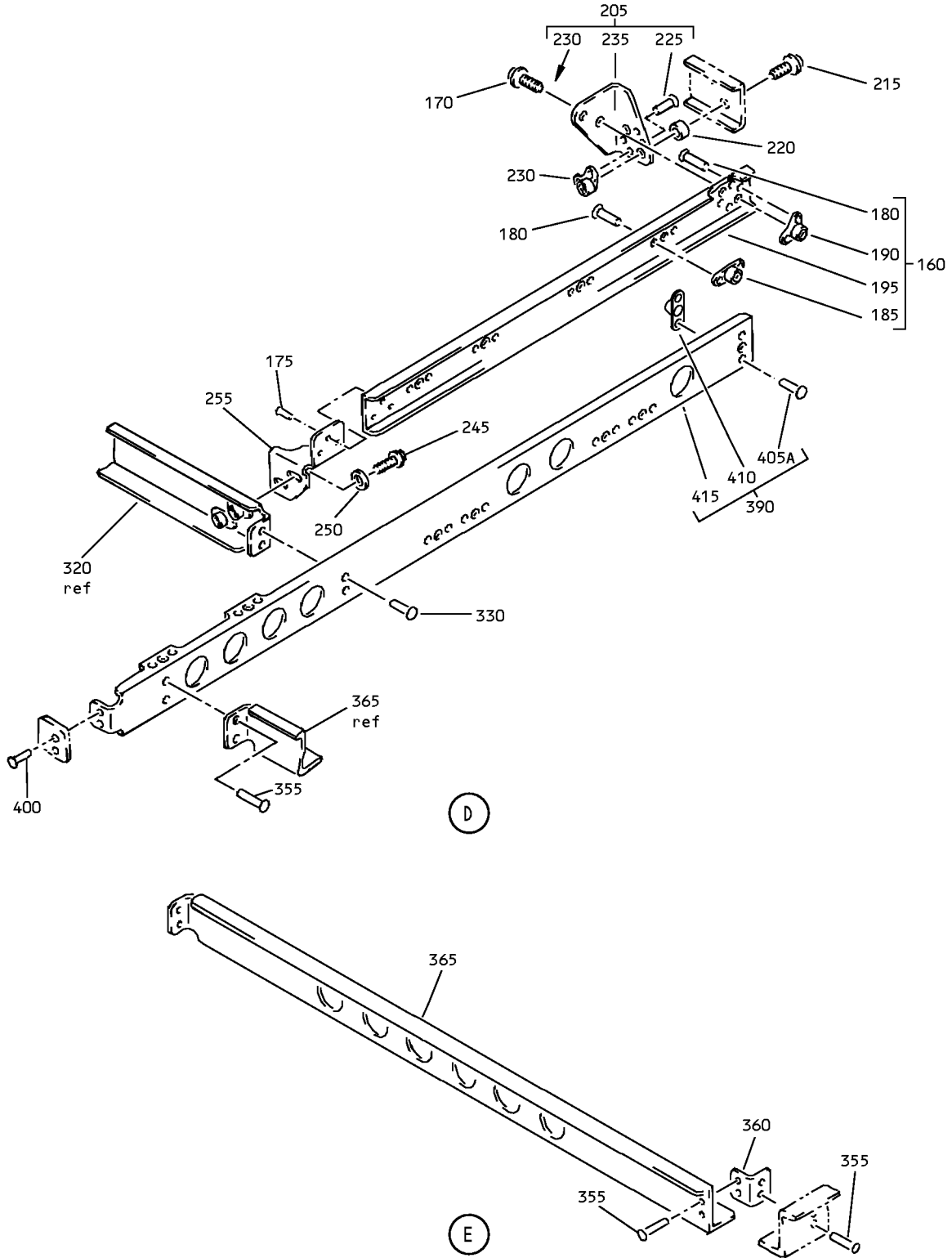
25-23-30

ILLUSTRATED PARTS LIST

Page 1098.77

Jul 01/2007

COMPONENT MAINTENANCE MANUAL



Full Underbin Passenger Service Unit Frame Assembly
IPL Figure 3 (Sheet 3 of 6)

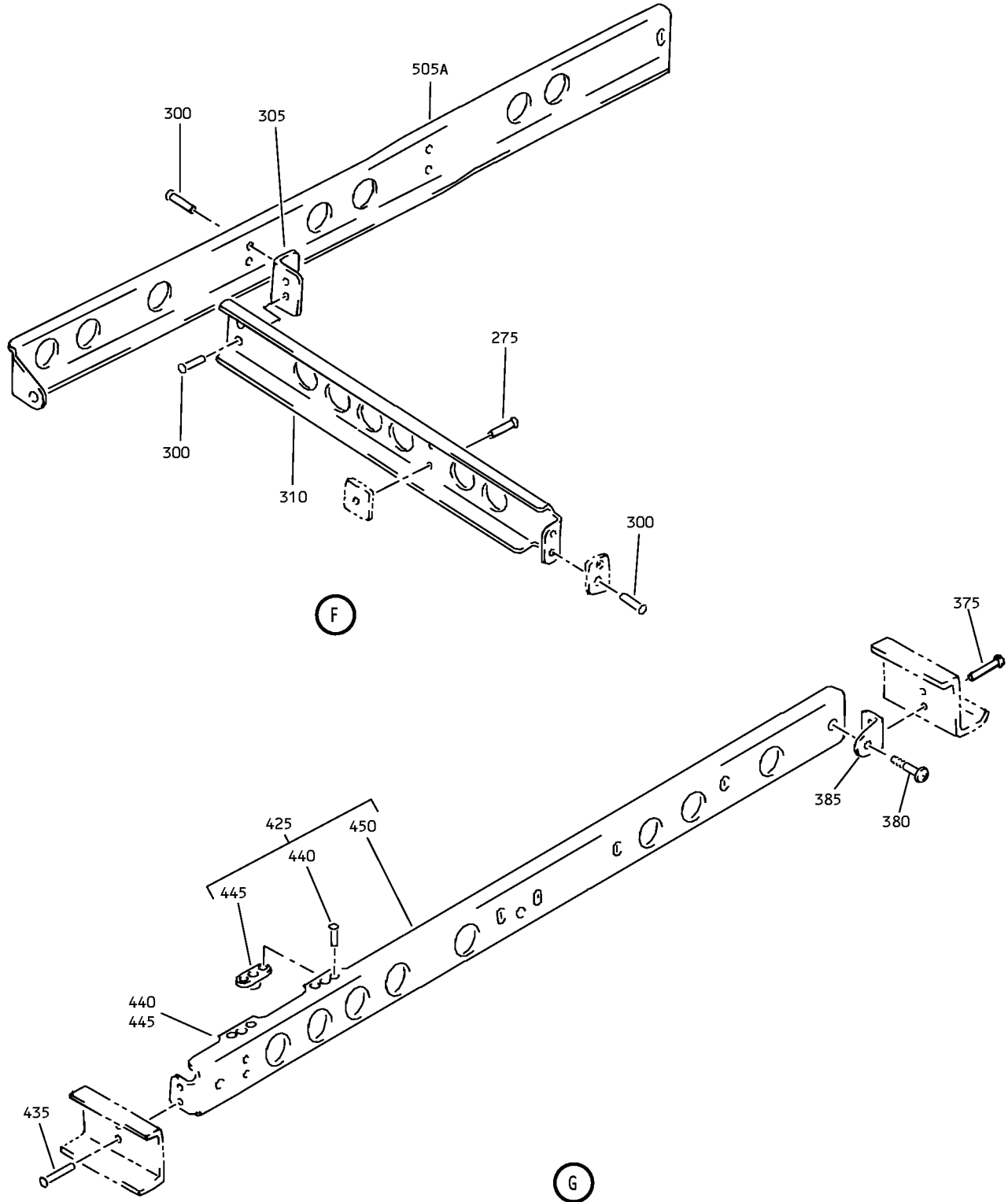
25-23-30

ILLUSTRATED PARTS LIST

Page 1098.78

Jul 01/2007

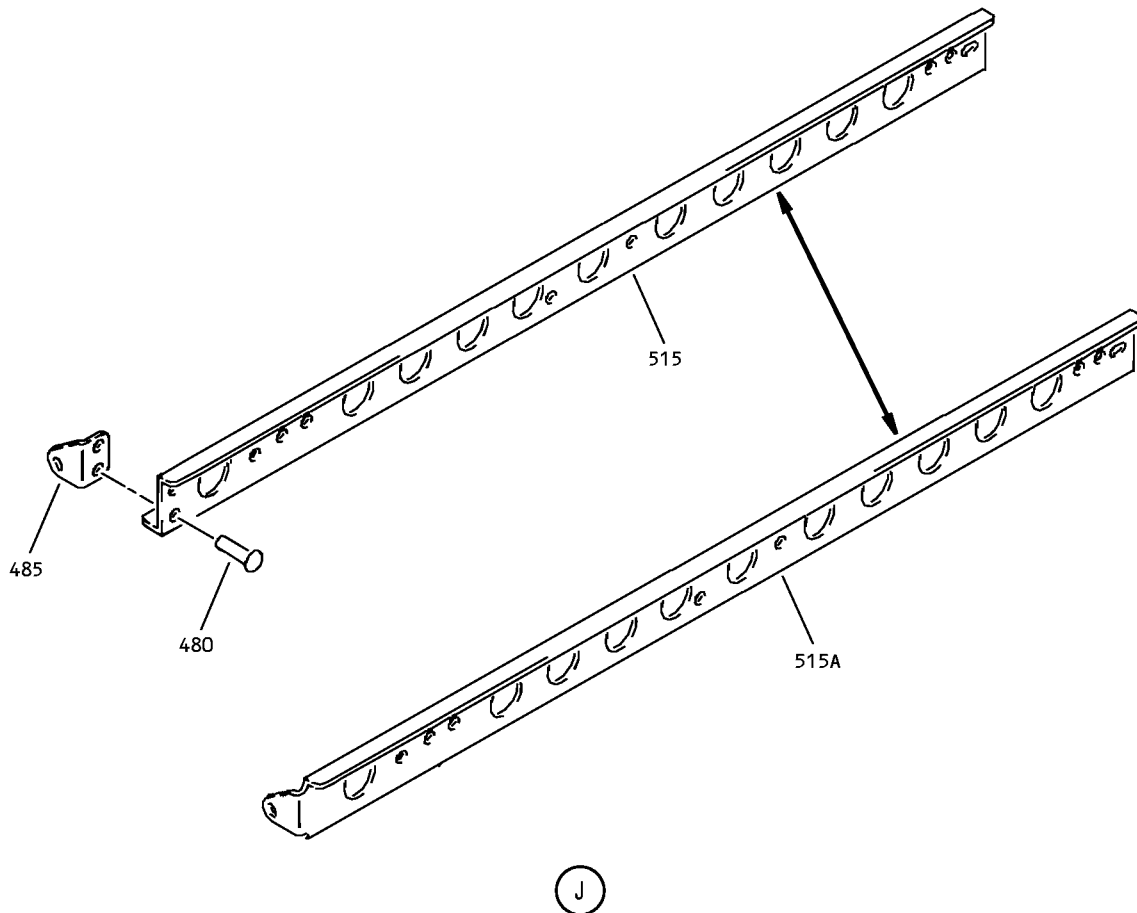
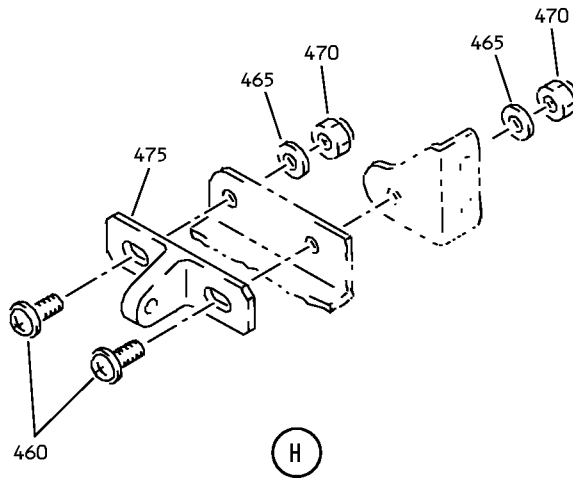
COMPONENT MAINTENANCE MANUAL



Full Underbin Passenger Service Unit Frame Assembly
IPL Figure 3 (Sheet 4 of 6)

25-23-30
ILLUSTRATED PARTS LIST
Page 1098.79
Jul 01/2007

COMPONENT MAINTENANCE MANUAL



Full Underbin Passenger Service Unit Frame Assembly
IPL Figure 3 (Sheet 5 of 6)

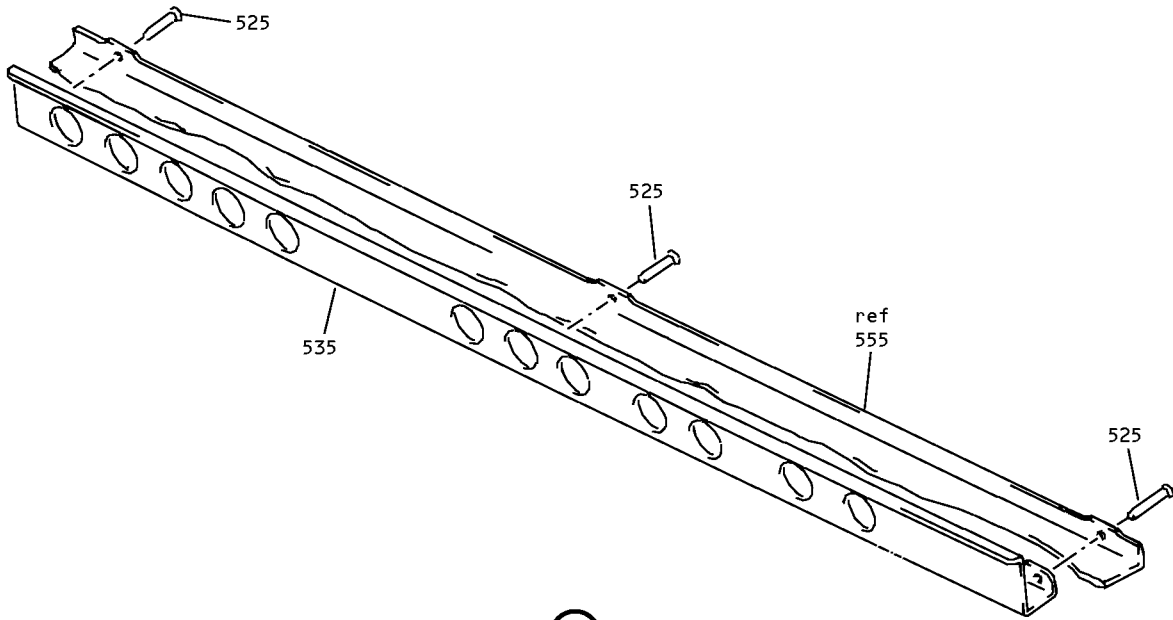
25-23-30

ILLUSTRATED PARTS LIST

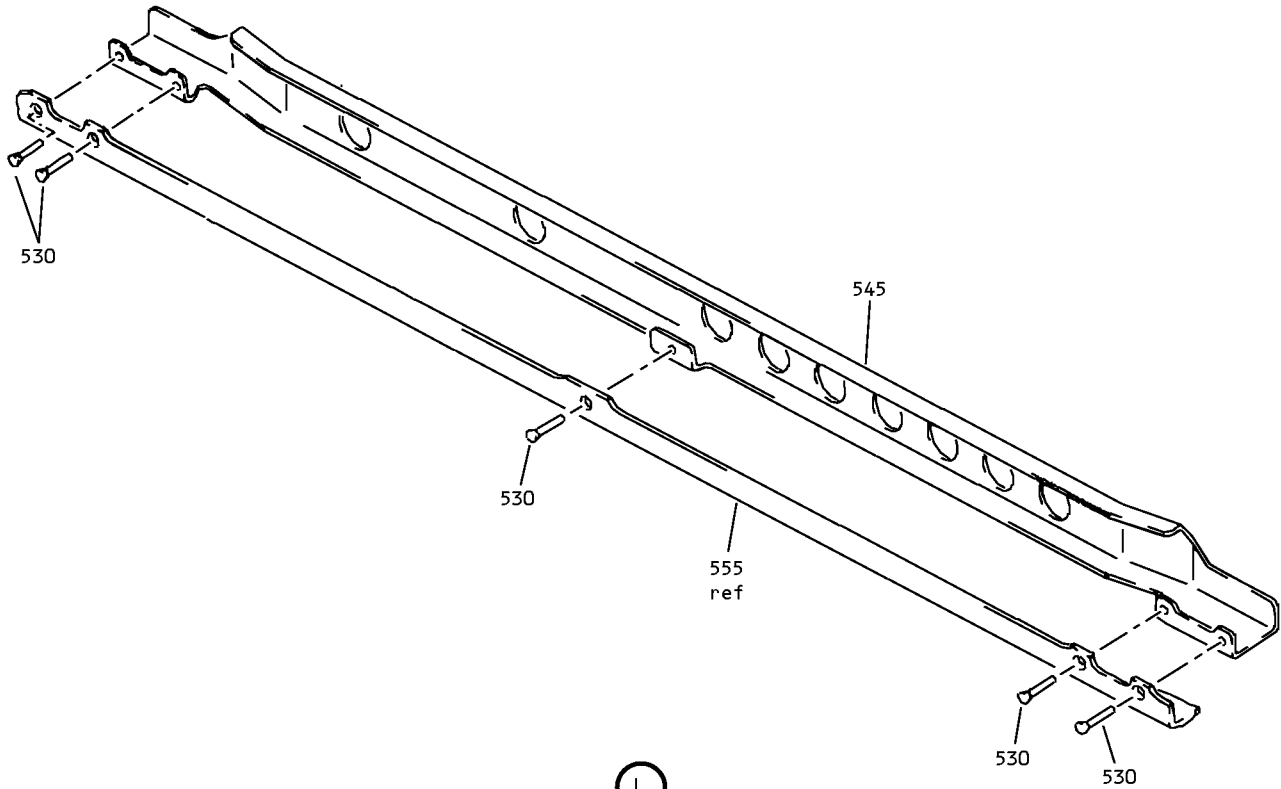
Page 1098.80

Jul 01/2007

COMPONENT MAINTENANCE MANUAL



(K)



(L)

Full Underbin Passenger Service Unit Frame Assembly
IPL Figure 3 (Sheet 6 of 6)

25-23-30

ILLUSTRATED PARTS LIST

Page 1098.81

Jul 01/2007



COMPONENT MAINTENANCE MANUAL

FIG/ ITEM	PART NUMBER	AIRLINE PART NUMBER	NOMENCLATURE							USAGE CODE	UNITS PER ASSY
			1	2	3	4	5	6	7		
3-											
-1	417N3110-5SP									G, J	RF
-1A	417N3110-11SP									A, C, E, M, P, R	RF
-5	417N3110-6SP									H, K, L	RF
-5A	417N3110-12SP									B, D, F, N, Q, S, T	RF
10	SL6189-08-4									A-T	7
-10A	417N3122-6									A-T	7
15	NAS557-12A									A-F, M-T	4
-15A	NAS557-10A									G-L	4
-15B	BACG20ZA0235									G-L	4
20	417N3170-11									A-T	1
25	417N3170-12									A-T	1
30	BACS12FA08K6									A-T	4
35	6100-9									A-T	2
40	MS20253P2-165									A-T	1
45	417N3173-1									A-T	1
50	417N3171-2									A-T	1
-50A	417N3171-3									A-T	1
55	417N3172-9									A-T	1

-Item not Illustrated

25-23-30

ILLUSTRATED PARTS LIST

Page 1098.82

Jul 01/2007



COMPONENT MAINTENANCE MANUAL

FIG/ ITEM	PART NUMBER	AIRLINE PART NUMBER	NOMENCLATURE							USAGE CODE	UNITS PER ASSY
			1	2	3	4	5	6	7		
3-											
-55A	417N3172-19		.	.	HOUSING ASSY-CAM (OPT ITEM 55) (USED ON ITEM 20)					A-T	1
60	417N3172-10		.	.	HOUSING ASSY-CAM (OPT ITEM 60A) (USED ON ITEM 25)					A-T	1
-60A	417N3172-20		.	.	HOUSING ASSY-CAM (OPT ITEM 60) (USED ON ITEM 25)					A-T	1
65	6035-2BR185		.	.	INSERT (V01556)					A-T	2
70	417N3172-11		.	.	HOUSING (USED ON ITEM 55)					A-T	1
-70A	417N3172-21		.	.	HOUSING (USED ON ITEM 55A)					A-T	1
75	417N3172-12		.	.	HOUSING (USED ON ITEM 60)					A-T	1
-75A	417N3172-22		.	.	HOUSING (USED ON ITEM 60A)					A-T	1
80	417N3114-13		.		HINGE ASSY					G, J	1
-85	417N3114-14		.		HINGE ASSY					H, K, L	1
90	BACR15BB3D				DELETED						
90A	BACR15BB4D		.		RIVET (SIZE DETERMINED ON INST)					G-L	6
95	417N3114-7		.	.	HINGE HALF-EXTRUSION					G, J	2
-100	417N3114-8		.	.	HINGE HALF-EXTRUSION					H, K, L	2
105	417N3114-15		.	.	HINGE HALF-EXTRUSION					G, J	2
-110	417N3114-16		.	.	HINGE HALF-EXTRUSION					H, K, L	2
115	417N3114-11		.	.	HINGE HALF-EXTRUSION					G-L	1
120	417N3114-9		.	.	HINGE HALF-EXTRUSION					G, J	1
-125	417N3114-10		.	.	HINGE HALF-EXTRUSION					H, K, L	1
130	417N3114-17		.	.	BAR-TORSION					G, J	1
-135	417N3114-18		.	.	BAR-TORSION					H, K, L	1
140	BACR15BB3D		.		RIVET (SIZE DETERMINED ON INST)					G-L	4
145	417N3136-12		.		BRACKET					G, J	1

-Item not Illustrated

25-23-30

ILLUSTRATED PARTS LIST

Page 1098.83

Jul 01/2007



COMPONENT MAINTENANCE MANUAL

FIG/ ITEM	PART NUMBER	AIRLINE PART NUMBER	NOMENCLATURE							USAGE CODE	UNITS PER ASSY
			1	2	3	4	5	6	7		
3-											
-150	417N3136-24		.							H, K, L	1
155	417N3122-48		.							G-L	1
160	417N3121-175		.							G, J	1
-165	417N3121-176		.							H, K, L	1
170	BACS12FA08K6		.							G-L	2
175	BACR15BB3D		.							G-L	3
180	BACR15BA3D		. .							G-L	12
185	BRM200A08K		. .							G-L	4
190	BRM300A08K		. .							G-L	2
195	417N3121-177		. .							G, J	1
-200	417N3121-141		. .							H, K, L	1
205	417N3136-108		.							G, J	1
-210	417N3136-109		.							H, K, L	1
215	BACS12FA08K8		.							G-L	2
220	NAS43DD3-18		.							G-L	2
225	BACR15BA3D		. .							G-L	4

-Item not Illustrated

25-23-30

ILLUSTRATED PARTS LIST

Page 1098.84

Jul 01/2007



COMPONENT MAINTENANCE MANUAL

FIG/ ITEM	PART NUMBER	AIRLINE PART NUMBER	NOMENCLATURE							USAGE CODE	UNITS PER ASSY
			1	2	3	4	5	6	7		
3-											
230	BRM300A08K		. .	NUTPLATE						G-L	2
				(V52828)							
				(SPEC BACN10JP08CR)							
				(OPT MK3000-08BCBAC (V15653))							
				(OPT NS103199-82BC (V80539))							
				(OPT RMA9205M82BC (V72962))							
				(OPT T8078S832BC (V11815))							
				(OPT VN203A2-82 (V92215))							
235	417N3136-110		. .	BRACKET						G, J	1
-240	417N3136-111		. .	BRACKET						H, K, L	1
245	BACS12FA08K6		.	SCREW						G-L	2
250	AN960PD8L		.	WASHER						G-L	2
255	417N3136-103		.	BRACKET						G, L	1
-260	417N3136-104		.	BRACKET						H, K, L	1
265	417N3121-69		.	STIFFENER ASSY						G, J	1
-265A	417N3121-61		.	STIFFENER ASSY						A, C, E, M, P, R	1
-270	417N3121-70		.	STIFFENER ASSY						H, K, L	1
-270A	417N3121-62		.	STIFFENER ASSY						B, D, F, N, Q, S, T	1
				ATTACHING PARTS							
275	BACR15BB3D		.	RIVET						A-T	4
				(SIZE DETERMINED ON INST)							
				----- * -----							
280	BACR15BA3D		. .	RIVET						A-T	4
				(SIZE DETERMINED ON INST)							
285	BRM200A08K		. .	NUTPLATE						A-T	2
				(V52828)							
				(SPEC BACN10JP08AR)							
				(OPT MK1000-08BCBAC (V15653))							
				(OPT NS103197-82BC (V80539))							
				(OPT RMA9201M82BC (V72962))							
				(OPT T8076S832BC (V11815))							
				(OPT VN202A2-82 (V92215))							
290	417N3121-71		. .	STIFFENER						G, J	1
-290A	417N3121-63		. .	STIFFENER						A, C, E, M, P, R	1
-295	417N3121-72		. .	STIFFENER						H, K, L	1

-Item not Illustrated

25-23-30

ILLUSTRATED PARTS LIST

Page 1098.85

Jul 01/2007



COMPONENT MAINTENANCE MANUAL

FIG/ ITEM	PART NUMBER	AIRLINE PART NUMBER	NOMENCLATURE							USAGE CODE	UNITS PER ASSY
			1	2	3	4	5	6	7		
3-											
-295A	417N3121-64		.	.	STIFFENER					B, D, F, N, Q, S, T	1
300	BACR15BB3D		.		RIVET (SIZE DETERMINED ON INST)					A-F, M-T	6
305	417N3122-57		.		BRACKET					A-F, M-T	1
310	417N3121-81		.		STIFFENER					A, C, E, M, P, R	1
-315	417N3121-82		.		STIFFENER					B, D, F, N, Q, S, T	1
320	417N3121-163		.		STIFFENER ASSY					G, J	1
-325	417N3121-164		.		STIFFENER ASSY					H, K, L	1
					ATTACHING PARTS						
330	BACR15BB3D		.		RIVET (SIZE DETERMINED ON INST)					G-L	2
					-----*-----						
335	BACR15BA3D		.	.	RIVET (SIZE DETERMINED ON INST)					G-L	4
340	BRM200A08K		.	.	NUTPLATE (V52828) (SPEC BACN10JP08AR) (OPT MK1000-08BCBAC (V15653)) (OPT NS103197-82BC (V80539)) (OPT RMA9201M82BC (V72962)) (OPT T8076S832BC (V11815)) (OPT VN202A2-82 (V92215))					G-L	2
345	417N3121-165		.	.	STIFFENER					G, J	1
-350	417N3121-166		.	.	STIFFENER					H, K, L	1
355	BACR15BB3D		.		RIVET (SIZE DETERMINED ON INST)					A-T	8
360	417N3122-57		.		BRACKET					A-T	2
365	417N3121-119		.		STIFFENER					A, C, E, G, J, M, P, R	1
-370	417N3121-120		.		STIFFENER					B, D, F, H, K, L, N, Q, S, T	1
375	BACR15BB3D		.		RIVET (SIZE DETERMINED ON INST)					A-T	2

-Item not Illustrated

25-23-30

ILLUSTRATED PARTS LIST

Page 1098.86

Jul 01/2007



COMPONENT MAINTENANCE MANUAL

FIG/ ITEM	PART NUMBER	AIRLINE PART NUMBER	NOMENCLATURE							USAGE CODE	UNITS PER ASSY
			1	2	3	4	5	6	7		
3-											
380	BACS12FA08K6		.							A-T	1
385	417N3122-54		.							A-T	1
390	417N3121-65		.							G, J	1
-395	417N3121-66		.							H, K, L	1
400	BACR15BB3D		.							G-L	2
405	BACR15BA3D										
405A	BACR15CE3D		.	.						G-L	14
410	BRM200A08K		.	.						G-L	7
415	417N3121-67		.	.						G, J	1
-420	417N3121-68		.	.						H, K, L	1
425	417N3121-47		.							A, C, E, M, P, R	1
-430	417N3121-48		.							B, D, F, N, Q, S, T	1
435	BACR15BB3D		.							A-F, M-T	2
440	BACR15BA3D		.	.						A-F, M-T	6

-Item not Illustrated

25-23-30

ILLUSTRATED PARTS LIST

Page 1098.87

Jul 01/2007



COMPONENT MAINTENANCE MANUAL

FIG/ ITEM	PART NUMBER	AIRLINE PART NUMBER	NOMENCLATURE							USAGE CODE	UNITS PER ASSY	
			1	2	3	4	5	6	7			
3- 445	BRM200A08K		.	.							A-F, M-T	3
450	417N3121-51		.	.							A, C, E, M, P, R	1
-455	417N3121-52		.	.							B, D, F, N, Q, S, T	1
460	BACS12FA08K7		.								A-T	4
465	AN960PD8L		.								A-T	4
470	H10-08BAC		.								A-T	4
475	417N3102-1		.								A-T	2
480	BACR15BB3D		.								G-L	4
485	417N3122-3		.								G, J	1
-490	417N3122-4		.								H, K, L	1
495	417N3136-15		.								G, J	1
-500	417N3136-16		.								H, K, L	1
505	417N3121-27		.								G, J	1
505A	417N3121-49		.								A, C, E, M, P, R	1
-510	417N3121-28		.								H, K, L	1
-510A	417N3121-50		.								B, D, F, N, Q, S, T	1
515	417N3121-117		.								G, J	1
515A	417N3121-115		.								A, C, E, M, P, R	1

-Item not Illustrated

25-23-30

ILLUSTRATED PARTS LIST

Page 1098.88

Jul 01/2007



COMPONENT MAINTENANCE MANUAL

FIG/ ITEM	PART NUMBER	AIRLINE PART NUMBER	NOMENCLATURE							USAGE CODE	UNITS PER ASSY
			1	2	3	4	5	6	7		
3-											
-520	417N3121-118		.							H, K, L	1
-520A	417N3121-116		.							B, D, F, N, Q, S, T	1
525	BACR15CE3D		.							A-F, M-T	3
-525A	BACR15DR3		.							G-L	3
530	BACR15BB3D		.							A-F, M-T	5
-530A	CCR274SS3		.							G-L	5
535	417N3121-35		.							A, C, E, G, J, M, P, R	1
-540	417N3121-36		.							B, D, F, H, K, L, N, Q, S, T	1
545	417N3121-83		.							A, C, E, G, J, M, P, R	1
-550	417N3121-84		.							B, D, F, H, K, L, N, Q, S, T	1
555	417N3111-5SP		.							G, J	1
-555A	417N3111-1SP		.							A, C, E, M, P, R	1
-560	417N3111-6SP		.							H, K, L	1
-560A	417N3111-2SP		.							B, D, F, N, Q, S, T	1

-Item not Illustrated

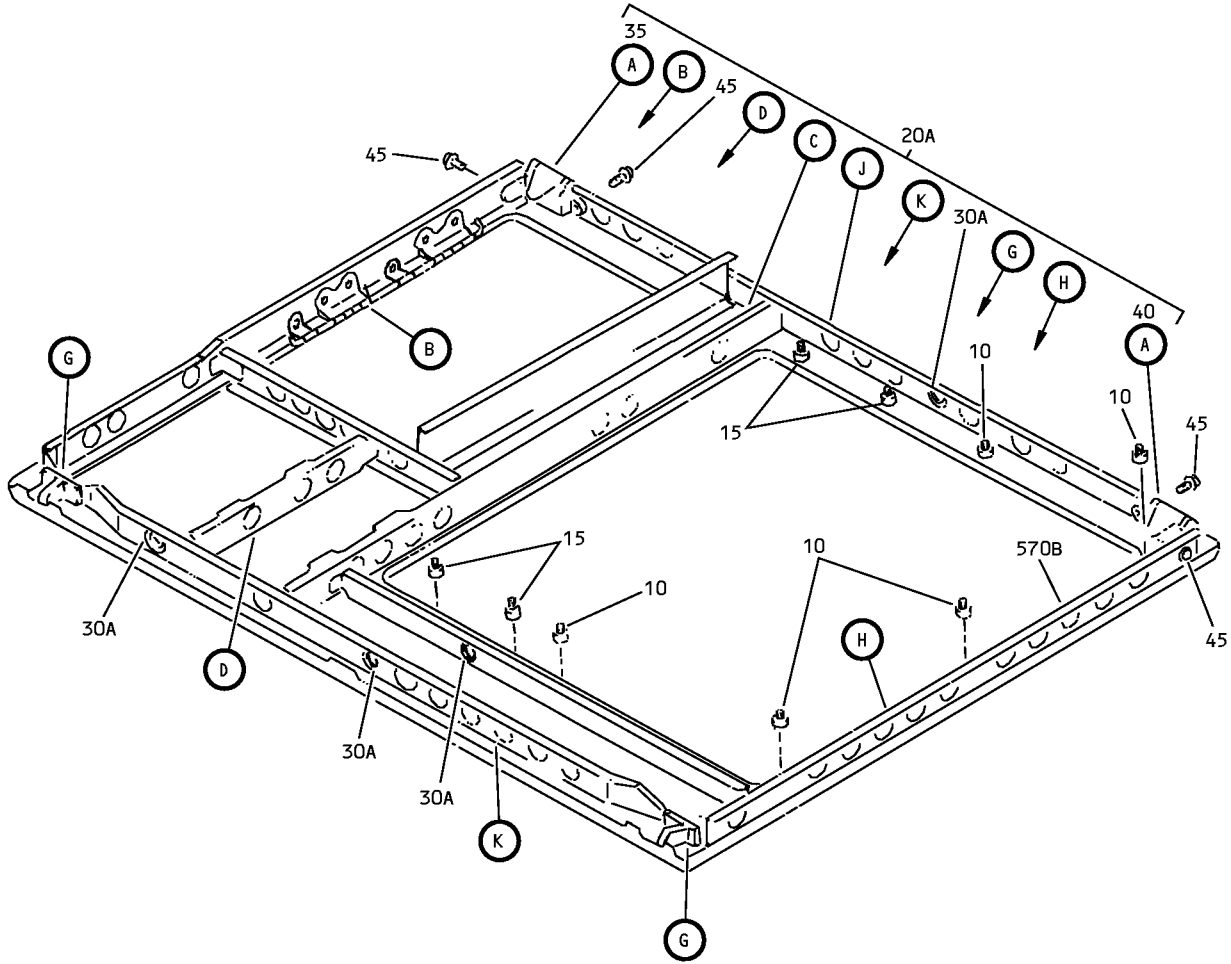
25-23-30

ILLUSTRATED PARTS LIST

Page 1098.89

Jul 01/2007

COMPONENT MAINTENANCE MANUAL



Frame Assembly - Full Underbin PSU
IPL Figure 4 (Sheet 1 of 6)

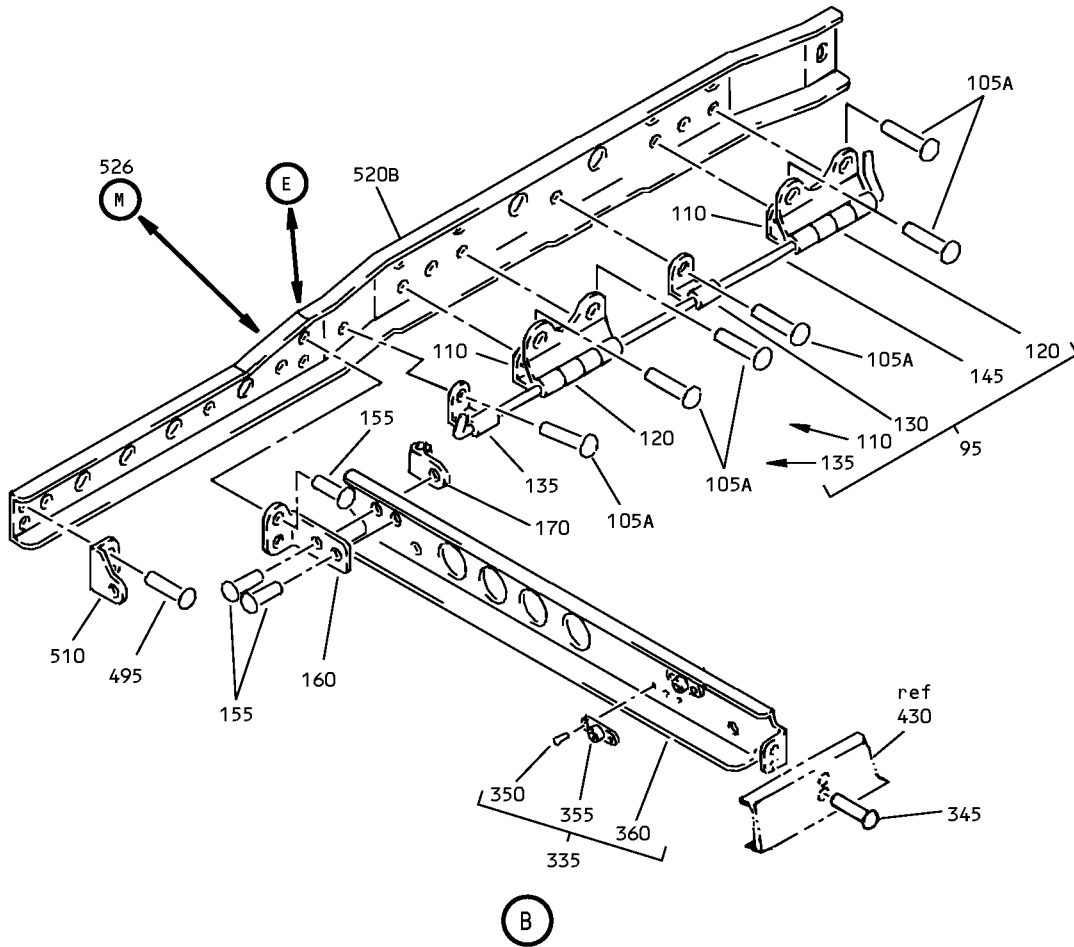
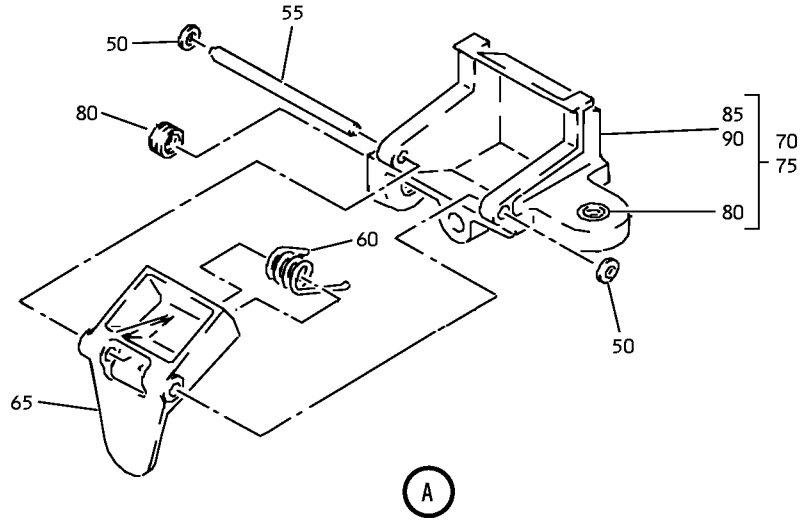
25-23-30

ILLUSTRATED PARTS LIST

Page 1098.90

Jul 01/2007

COMPONENT MAINTENANCE MANUAL



Frame Assembly - Full Underbin PSU
IPL Figure 4 (Sheet 2 of 6)

25-23-30

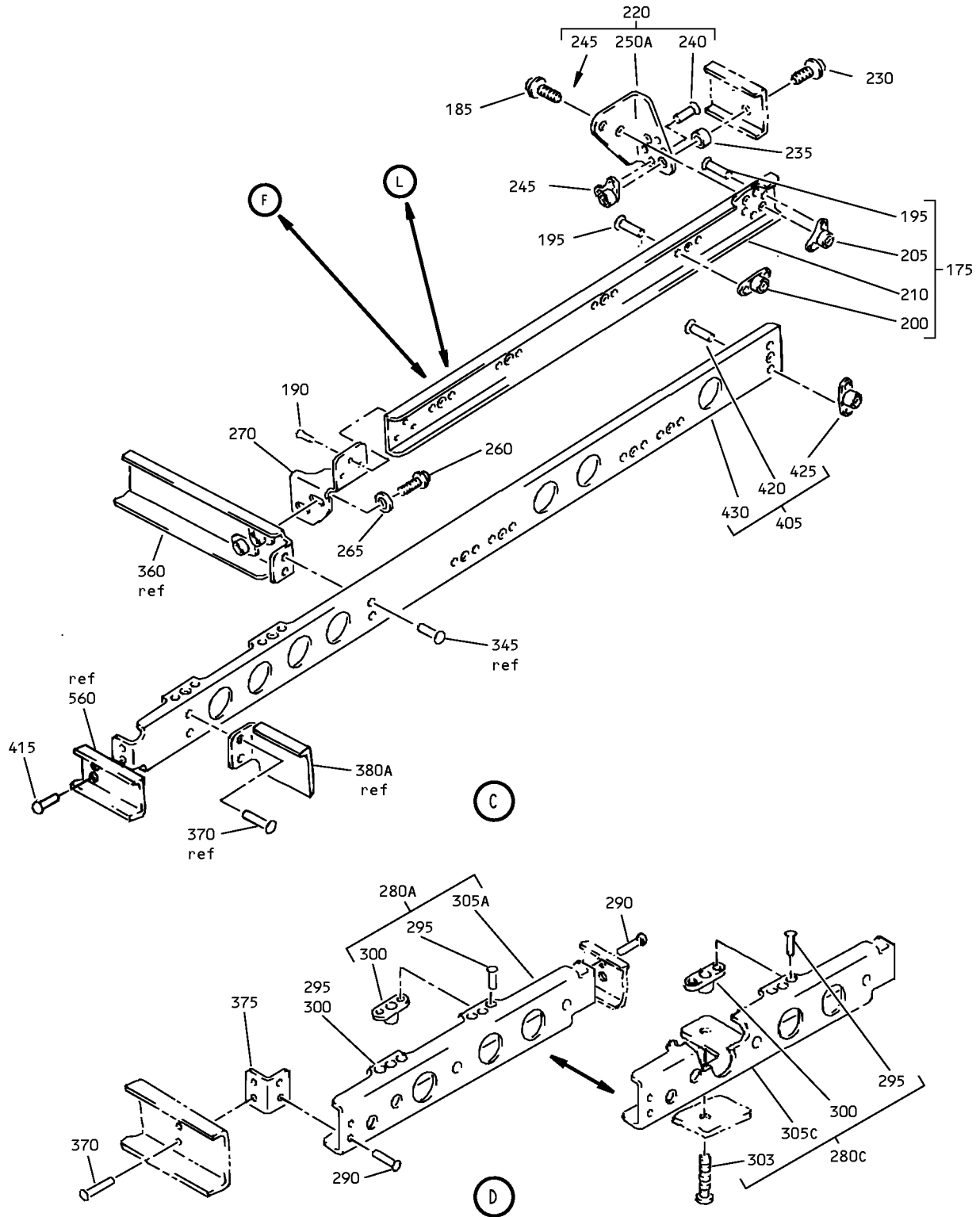
ILLUSTRATED PARTS LIST

Page 1098.91

Jul 01/2007



COMPONENT MAINTENANCE MANUAL



Frame Assembly - Full Underbin PSU
IPL Figure 4 (Sheet 3 of 6)

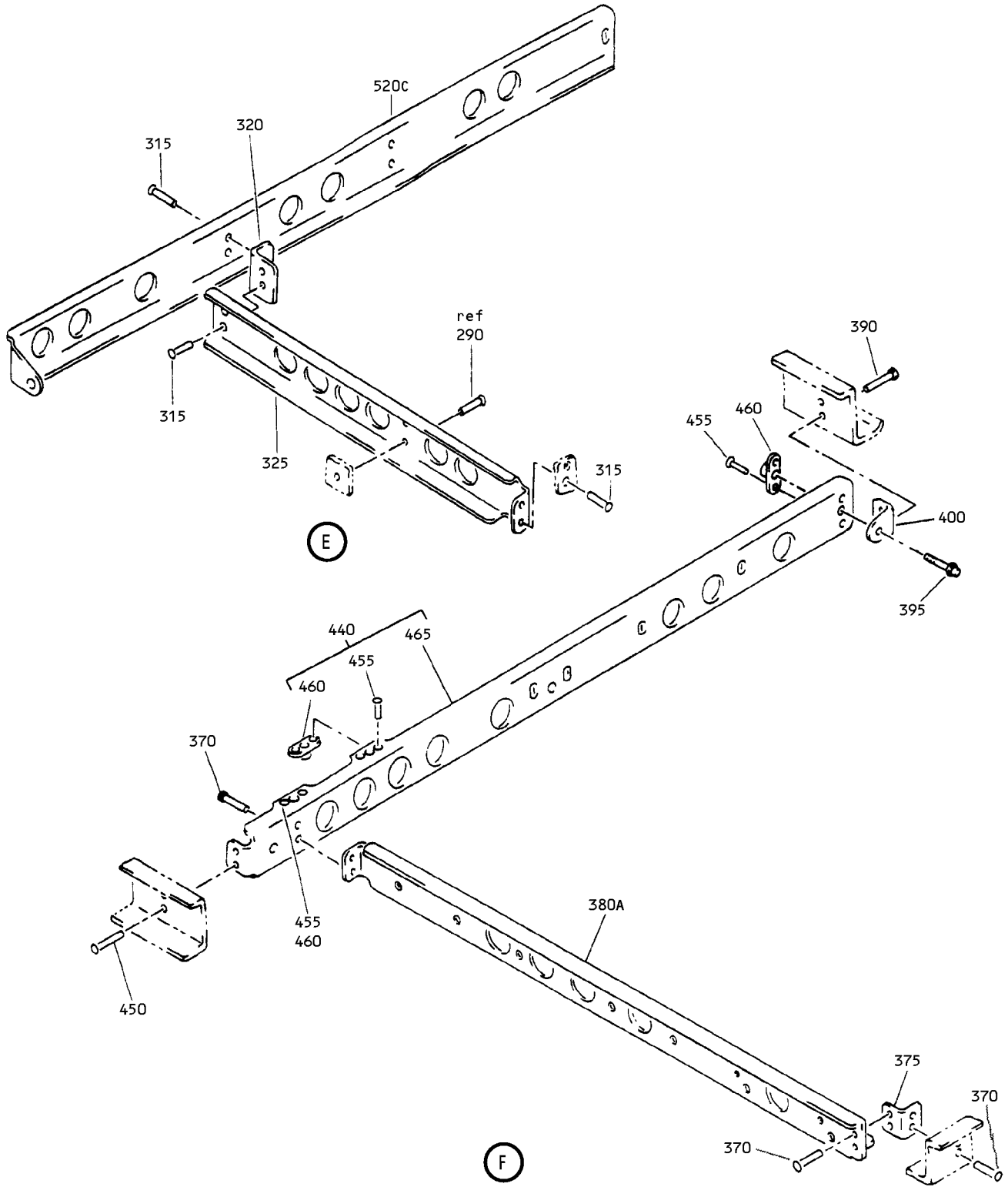
25-23-30

ILLUSTRATED PARTS LIST

Page 1098.92

Jul 01/2007

COMPONENT MAINTENANCE MANUAL



Frame Assembly - Full Underbin PSU
IPL Figure 4 (Sheet 4 of 6)

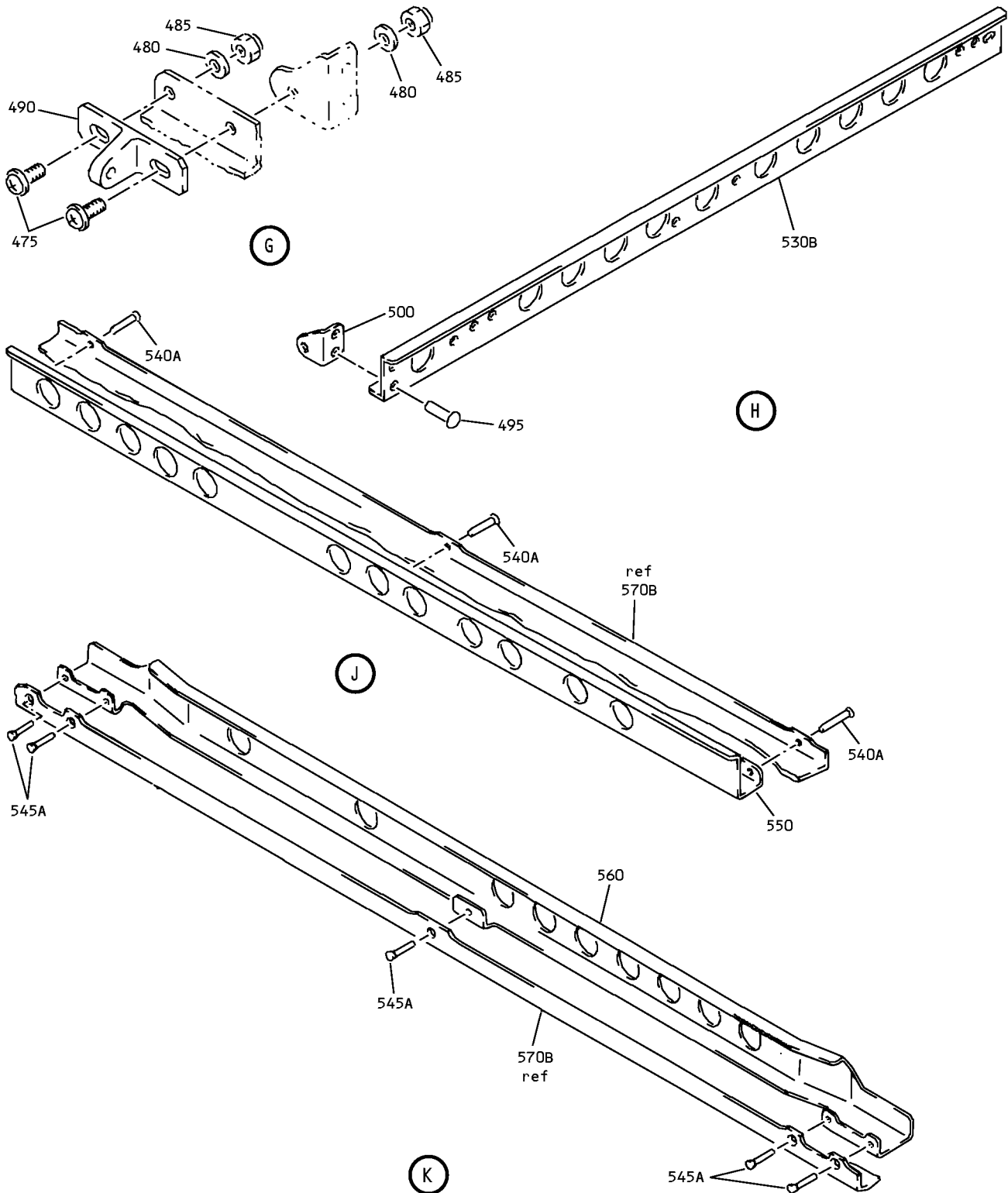
25-23-30

ILLUSTRATED PARTS LIST

Page 1098.93

Jul 01/2007

COMPONENT MAINTENANCE MANUAL



Frame Assembly - Full Underbin PSU
IPL Figure 4 (Sheet 5 of 6)

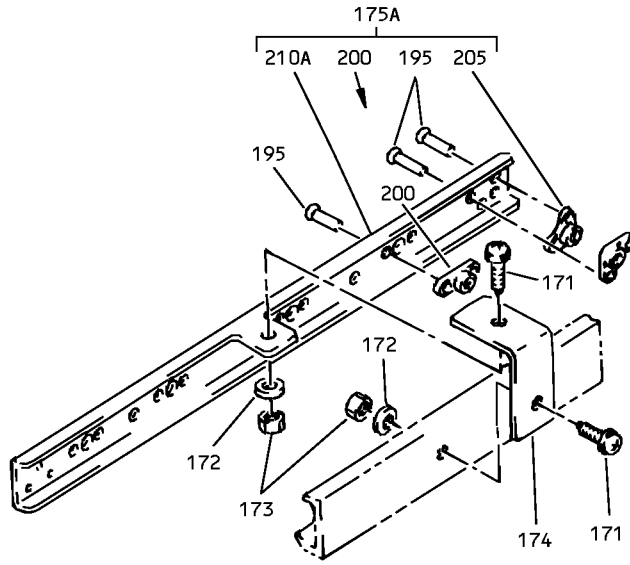
25-23-30

ILLUSTRATED PARTS LIST

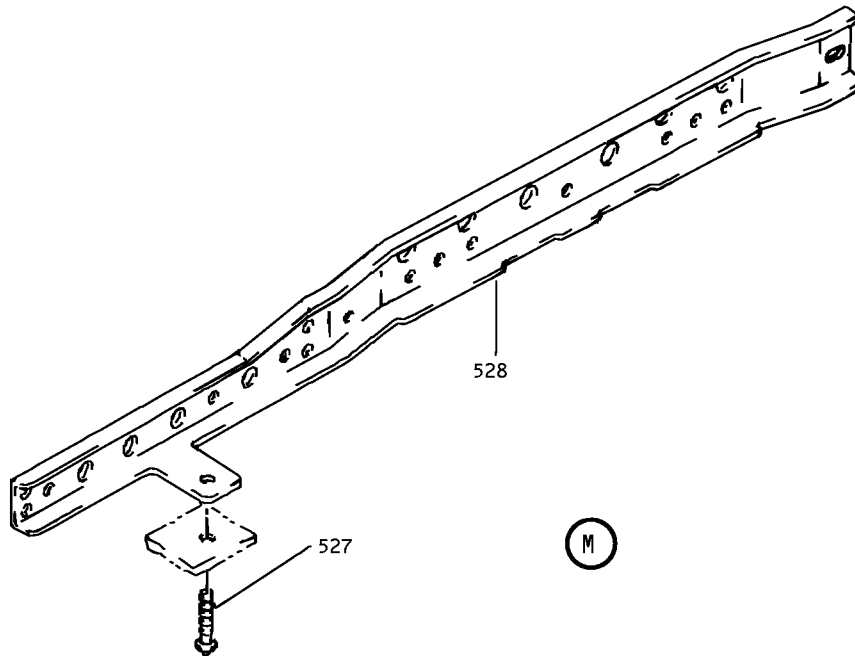
Page 1098.94

Jul 01/2007

COMPONENT MAINTENANCE MANUAL



(L)



Frame Assembly - Full Underbin PSU
IPL Figure 4 (Sheet 6 of 6)

25-23-30

ILLUSTRATED PARTS LIST

Page 1098.95

Jul 01/2007



COMPONENT MAINTENANCE MANUAL

FIG/ ITEM	PART NUMBER	AIRLINE PART NUMBER	NOMENCLATURE							USAGE CODE	UNITS PER ASSY		
			1	2	3	4	5	6	7				
4-													
-1	417N3110-31SP										FRAME ASSY-FULL UNDERBIN PSU	A, C, E, M, P, R, U, V, AT, AV, BB, BC, BY, CA, CC, CE	RF
-1A	417N3110-35SP										FRAME ASSY-FULL UNDERBIN PSU	G, J, AB, AC, AG, AJ, AL, AN, AX, AZAX	RF
-1B	417N3110-61SP										FRAME ASSY-UNDERBIN PSU (LH)	W, Y, BT, BV	RF
-5	417N3110-32SP										FRAME ASSY-FULL UNDERBIN PSU	B, D, F, N, Q, S, T, AQ- AS, AU, AW, BZ, CB, CD, CF	RF
-5A	417N3110-36SP										FRAME ASSY-FULL UNDERBIN PSU	H, K, L, AD-AF, AH, AK, AM, AP, AY, BA	RF
-5B	417N3110-62SP										FRAME ASSY-UNDERBIN PSU (RH)	X, Z, AA, BU, BW, BX	RF
10	SL6189-08-4										. STUD (V97393)	A-BC, BT-CF	5
15	SL6189-08-6										. STUD (V97393)	A-BC, BT-CF	4
20	417N3110-49										DELETED		
20A	417N3110-57										. FRAME ASSY	G, J, AB, AC, AG, AJ, AL, AN, AX, AZAX	1

-Item not Illustrated

25-23-30

ILLUSTRATED PARTS LIST

Page 1098.96

Jul 01/2007



COMPONENT MAINTENANCE MANUAL

FIG/ ITEM	PART NUMBER	AIRLINE PART NUMBER	NOMENCLATURE							USAGE CODE	UNITS PER ASSY	
			1	2	3	4	5	6	7			
4-												
-20B	417N3110-49		.								A, C, E, M, P, R, U, V, AT, AV, BB, BC, BY, CA, CC, CE	1
-20C	417N3110-63										DELETED	
-20D	417N3110-69		.								W, Y, BT, BV	1
-25	417N3110-50		.								B, D, F, N, Q, S, T, AQ- AS, AU, AW, BZ, CB, CD, CF	1
-25A	417N3110-58		.								H, K, L, AD-AF, AH, AK, AM, AP, AY, BA	1
-25B	417N3110-64										DELETED	
-25C	417N3110-70		.								X, Z, AA, BU, BW, BX	1
30	NAS557-12A										DELETED	
30A	NAS557-10A		.	.							A-F, M-V, AQ-AW, BB, BC, BY, BZ, CA-CF	4
-30B	BACG20ZA0235		.	.							G-L, AB- AP, AX- BA	4
-30C	NAS557-10A		.	.							G-L, AB- AP, AX- BA	4
-30D	NAS557-12A		.	.							W-AA, BT-BX	4

-Item not Illustrated

25-23-30

ILLUSTRATED PARTS LIST

Page 1098.97

Jul 01/2007



COMPONENT MAINTENANCE MANUAL

FIG/ ITEM	PART NUMBER	AIRLINE PART NUMBER	NOMENCLATURE							USAGE CODE	UNITS PER ASSY
			1	2	3	4	5	6	7		
4-											
35	417N3170-11								. . LATCH ASSY	A-BC, BT-CF	1
40	417N3170-12								. . LATCH ASSY	A-BC, BT-CF	1
									ATTACHING PARTS		
45	BACS12FA08K6								. . SCREW	A-BC, BT-CF	4
									----- * -----		
50	6100-9								. . . RETAINER (V2X013)	A-BC, BT-CF	2
55	MS20253P2-165								. . . PIN-HINGE	A-BC, BT-CF	1
60	417N3173-1								. . . SPRING	A-BC, BT-CF	1
65	417N3171-2								. . . BOLT-CAM (OPT ITEM 65A)	A-BC, BT-CF	1
-65A	417N3171-3								. . . BOLT-CAM (OPT ITEM 65)	A-BC, BT-CF	1
70	417N3172-9								. . . HOUSING ASSY-CAM (OPT ITEM 70A) (USED ON ITEM 35)	A-BC, BT-CF	1
-70A	417N3172-19								. . . HOUSING ASSY-CAM (OPT ITEM 70) (USED ON ITEM 35)	A-BC, BT-CF	1
75	417N3172-10								. . . HOUSING ASSY-CAM (OPT ITEM 75A) (USED ON ITEM 40)	A-BC, BT-CF	1
-75A	417N3172-20								. . . HOUSING ASSY-CAM (OPT ITEM 75) (USED ON ITEM 40)	A-BC, BT-CF	1
80	6035-2BR185							 INSERT (V01556)	A-BC, BT-CF	2
85	417N3172-11							 HOUSING (USED ON ITEM 70)	A-BC, BT-CF	1
-85A	417N3172-21							 HOUSING (USED ON ITEM 70A)	A-BC, BT-CF	1
90	417N3172-12							 HOUSING (USED ON ITEM 75)	A-BC, BT-BZ	1

-Item not Illustrated

25-23-30

ILLUSTRATED PARTS LIST

Page 1098.98

Jul 01/2007



COMPONENT MAINTENANCE MANUAL

FIG/ ITEM	PART NUMBER	AIRLINE PART NUMBER	NOMENCLATURE							USAGE CODE	UNITS PER ASSY
			1	2	3	4	5	6	7		
4- -90A	417N3172-22		HOUSING (USED ON ITEM 75A)			A-BC, BT-CF	1
95	417N3114-13		.	.			HINGE ASSY			G, J, W, Y, AB, AC, AG, AJ, AL, AN, AX, AZ, BT, BV	1
-100	417N3114-14		.	.			HINGE ASSY			H, K, L, X, Z, AA, AD-AF, AH, AK, AM, AP, AY, BA, BU, BW, BX	1
105	BACR15BB3D						DELETED				
							ATTACHING PARTS				
105A	BACR15BB4D		.	.			RIVET (SIZE DETERMINED ON INST)			G-L, W- AP, AX- BA, BT- BX	6
							-----*				
110	417N3114-7		.	.	.		HINGE HALF-EXTRUSION			G, J, W, Y, AB, AC, AG, AJ, AL, AN, AX, AZ, BT, BV	2
-115	417N3114-8		.	.	.		HINGE HALF-EXTRUSION			H, K, L, X, Z, AA, AD-AF, AH, AK, AM, AP, AY, BA, BU, BW, BX	2

-Item not Illustrated

25-23-30

ILLUSTRATED PARTS LIST

Page 1098.99

Jul 01/2007



COMPONENT MAINTENANCE MANUAL

FIG/ ITEM	PART NUMBER	AIRLINE PART NUMBER	NOMENCLATURE							USAGE CODE	UNITS PER ASSY	
			1	2	3	4	5	6	7			
4- 120	417N3114-15		.	.	.						G, J, W, Y, AB, AC, AG, AJ, AL, AN, AX, AZ, BT, BV	2
-125	417N3114-16		.	.	.						H, K, L, X, Z, AA, AD-AF, AH, AK, AM, AP, AY, BA, BU, BW, BX	2
130	417N3114-11		.	.	.						G-L, W- AP, AX- BA, BT- BX	1
135	417N3114-9		.	.	.						G, J, W, Y, AB, AC, AG, AJ, AL, AN, AX, AZ, BT, BV	1
-140	417N3114-10		.	.	.						H, K, L, X, Z, AA, AD-AF, AH, AK, AM, AP, AY, BA, BU, BW, BX	1
145	417N3114-17		.	.	.						G, J, W, Y, AB, AC, AG, AJ, AL, AN, AX, AZ, BT, BV	1

-Item not Illustrated

25-23-30

ILLUSTRATED PARTS LIST

Page 1098.100

Jul 01/2007



COMPONENT MAINTENANCE MANUAL

FIG/ ITEM	PART NUMBER	AIRLINE PART NUMBER	NOMENCLATURE							USAGE CODE	UNITS PER ASSY	
			1	2	3	4	5	6	7			
4- -150	417N3114-18		.	.	.						H, K, L, X, Z, AA, AD-AF, AH, AK, AM, AP, AY, BA, BU, BW, BX	1
155	BACR15BB3D		.	.							G-L, W- AP, AX- BA, BT- BX	4
160	417N3136-12		.	.							G, J, W, Y, AB, AC, AG, AJ, AL, AN, AX, AZ, BT, BV	1
165	417N3136-12										DELETED	
165A	417N3136-24		.	.							H, K, L, X, Z, AA, AD-AF, AH, AK, AM, AP, AY, BA, BU, BW, BX	1
170	417N3122-48		.	.							G-L, W- AP, AX- BA, BT- BX	1
171	BACS12FA08K5		.	.							W-AA, BT-BX	2
172	AN960KD8L		.	.							W-AA, BT-BX	2
173	MS21042L08		.	.							W-AA, BT-BX	2
174	417N3121-203		.	.							W-AA, BT-BX	1

-Item not Illustrated

25-23-30

ILLUSTRATED PARTS LIST

Page 1098.101

Jul 01/2007



COMPONENT MAINTENANCE MANUAL

FIG/ ITEM	PART NUMBER	AIRLINE PART NUMBER	NOMENCLATURE							USAGE CODE	UNITS PER ASSY	
			1	2	3	4	5	6	7			
4- 175	417N3121-175		.	.							G, J, AB, AC, AG, AJ, AL, AN, AX, AZAX	1
175A	417N3121-189		.	.							W, Y, BT, BV	1
-180	417N3121-176		.	.							H, K, L, AD-AF, AH, AK, AM, AP, AY, BA	1
-180A	417N3121-190		.	.							X, Z, AA, BU, BW, BX	1
			ATTACHING PARTS									
185	BACS12FA08K6		.	.							G-L, W- AP, AX- BA, BT- BX	2
190	BACR15BB3D		.	.							G-L, W- AP, AX- BA, BT- BX	3
			-----*-----									
195	BACR15BA3D		.	.	.						G-L, W- AP, AX- BA, BT- BX	12
200	BRM200A08K		.	.	.						G-L, W- AP, AX- BA, BT- BX	4
			(V52828) (SPEC BACN10JP08AR) (OPT MK1000-08BCBAC (V15653)) (OPT NS103197-82BC (V80539)) (OPT RMA9201M82BC (V72962)) (OPT T8076S832BC (V11815)) (OPT VN202A2-82 (V92215))									

-Item not Illustrated

25-23-30

ILLUSTRATED PARTS LIST

Page 1098.102

Jul 01/2007



COMPONENT MAINTENANCE MANUAL

FIG/ ITEM	PART NUMBER	AIRLINE PART NUMBER	NOMENCLATURE							USAGE CODE	UNITS PER ASSY
			1	2	3	4	5	6	7		
4- 205	BRM300A08K		. . .	NUTPLATE (V52828) (SPEC BACN10JP08CR) (OPT MK3000-08BCBAC (V15653)) (OPT NS103199-82BC (V80539)) (OPT RMA9205M82BC (V72962)) (OPT T8078S832BC (V11815)) (OPT VN203A2-82 (V92215))						G-L, W- AP, AX- BA, BT- BX	2
210	417N3121-177		. . .	STIFFENER						G, J, AB, AC, AG, AJ, AL, AN, AX, AZAX	1
210A	417N3121-191		. . .	STIFFENER						W, Y, BT, BV	1
-215	417N3121-141			DELETED							
-215A	417N3121-192		. . .	STIFFENER						X, Z, AA, BU, BW, BX	1
-215B	417N3121-178		. . .	STIFFENER						H, K, L, AD-AF, AH, AK, AM, AP, AY, BA	1
220	417N3136-108		. .	BRACKET ASSY-MTG						G, J, W, Y, AB, AC, AG, AJ, AL, AN, AX, AZ, BT, BV	1
-225	417N3136-109		. .	BRACKET ASSY-MTG						H, K, L, X, Z, AA, AD-AF, AH, AK, AM, AP, AY, BA, BU, BW, BX	1
230	BACS12FA08K8			ATTACHING PARTS . .	SCREW					W-AA, BT-BX	2

-Item not Illustrated

25-23-30

ILLUSTRATED PARTS LIST

Page 1098.103

Jul 01/2007



COMPONENT MAINTENANCE MANUAL

FIG/ ITEM	PART NUMBER	AIRLINE PART NUMBER	NOMENCLATURE							USAGE CODE	UNITS PER ASSY	
			1	2	3	4	5	6	7			
4- -230A	BACS12FA08K10		.	.							G-L, AB- AP, AX- BA	2
235	NAS43DD3-18		.	.							G-L, W- AP, AX- BA, BT- BX	2
			----- * -----									
240	BACR15BA3D		.	.	.						G-L, W- AP, AX- BA, BT- BX	4
245	BRM300A08K		.	.	.						G-L, W- AP, AX- BA, BT- BX	2
250	417N3136-87		DELETED									
250A	417N3136-110		.	.	.						G, J, W, Y, AB, AC, AG, AJ, AL, AN, AX, AZ, BT, BV	1
-255	417N3136-88		DELETED									
-255A	417N3136-111		.	.	.						H, K, L, X, Z, AA, AD-AF, AH, AK, AM, AP, AY, BA, BU, BW, BX	1
260	BACS12FA08K6		.	.							G-L, W- AP, AX- BA, BT- BX	2

-Item not Illustrated

25-23-30

ILLUSTRATED PARTS LIST

Page 1098.104

Jul 01/2007



COMPONENT MAINTENANCE MANUAL

FIG/ ITEM	PART NUMBER	AIRLINE PART NUMBER	NOMENCLATURE							USAGE CODE	UNITS PER ASSY								
			1	2	3	4	5	6	7										
4- 265	AN960PD8L		.	.	W	A	S	H	E	R	G-L, AB- AP, AX- BA	2							
-265A	AN960KD8L		.	.	W	A	S	H	E	R	W-AA, BT-BX	2							
270	417N3136-103		.	.	B	R	A	C	K	E	G, J, W, Y, AB, AC, AG, AJ, AL, AN, AX, AZ, BT, BV	1							
-275	417N3136-104		.	.	B	R	A	C	K	E	H, K, L, X, Z, AA, AD-AF, AH, AK, AM, AP, AY, BA, BU, BW, BX	1							
280	417N3121-61		DELETED																
280A	417N3121-69		.	.	S	T	I	F	F	E	N	E	R	A	S	S	G	J, AB, AC, AG, AJ, AL, AN, AX, AZAX	1
-280B	417N3121-61		.	.	S	T	I	F	F	E	N	E	R	A	S	S	A	C, E, M, P, R, U, V, AT, AV, BB, BC, BY, CA, CC, CE	1
280C	417N3121-185		.	.	S	T	I	F	F	E	N	E	R	A	S	S	W, Y, BT, BV	1	
-285	417N3121-62		.	.	S	T	I	F	F	E	N	E	R	A	S	S	B, D, F, N, Q, S, T, AQ- AS, AU, AW, BZ, CB, CD, CF	1	

-Item not Illustrated

25-23-30

ILLUSTRATED PARTS LIST

Page 1098.105

Jul 01/2007



COMPONENT MAINTENANCE MANUAL

FIG/ ITEM	PART NUMBER	AIRLINE PART NUMBER	NOMENCLATURE							USAGE CODE	UNITS PER ASSY	
			1	2	3	4	5	6	7			
4-												
-285A	417N3121-70		.	.							H, K, L, AD-AF, AH, AK, AM, AP, AY, BA	1
-285B	417N3121-186		.	.							X, Z, AA, BU, BW, BX	1
290	BACR15BB3D		.	.							A-BC, BT-CF	4
-290A	BACR15BA3B											
295	BACR15BA3D		.	.	.						A-BC, BT-CF	4
300	BRM200A08K		.	.	.						A-BC, BT-CF	2
303	BACS21AQ6A6M		.	.	.						W-AA, BT-BX	1
305	417N3121-63											
305A	417N3121-71		.	.	.						G, J, AB, AC, AG, AJ, AL, AN, AX, AZAX	1
-305B	417N3121-63		.	.	.						A, C, E, M, P, R, U, V, AT, AV, BB, BC, BY, CA, CC, CE	1
305C	417N3121-187		.	.	.						W, Y, BT, BV	1

-Item not Illustrated

25-23-30

ILLUSTRATED PARTS LIST

Page 1098.106

Jul 01/2007



COMPONENT MAINTENANCE MANUAL

FIG/ ITEM	PART NUMBER	AIRLINE PART NUMBER	NOMENCLATURE							USAGE CODE	UNITS PER ASSY	
			1	2	3	4	5	6	7			
4- -310	417N3121-64		.	.	.						B, D, F, N, Q, S, T, AQ- AS, AU, AW, BZ, CB, CD, CF	1
-310A	417N3121-72		.	.	.						H, K, L, AD-AF, AH, AK, AM, AP, AY, BA	1
-310B	417N3121-188		.	.	.						X, Z, AA, BU, BW, BX	1
315	BACR15BB3D		.	.							A-F, M-V, AQ-AW, BB, BC	6
320	417N3122-57		.	.							A-F, M-V, AQ-AW, BB, BC, BY-CF	1
325	417N3121-81		.	.							A, C, E, M, P, R, U, V, AT, AV, BB, BC, BY, CA, CC, CE	1
-330	417N3121-82		.	.							B, D, F, N, Q, S, T, AQ- AS, AU, AW, BZ, CB, CD, CF	1
335	417N3121-163		.	.							G, J, AB, AC, AG, AJ, AL, AN, AX, AZAX	1
-335A	417N3121-193		.	.							W, Y, BT, BV	1

-Item not Illustrated

25-23-30

ILLUSTRATED PARTS LIST

Page 1098.107

Jul 01/2007



COMPONENT MAINTENANCE MANUAL

FIG/ ITEM	PART NUMBER	AIRLINE PART NUMBER	NOMENCLATURE							USAGE CODE	UNITS PER ASSY	
			1	2	3	4	5	6	7			
4- -340	417N3121-164		.	.							H, K, L, AD-AF, AH, AK, AM, AP, AY, BA	1
-340A	417N3121-194		.	.							X, Z, AA, BU, BW, BX	1
345	BACR15BB3D		.	.							G-L, W- AP, AX- BA, BT- BX	2
			-----*-----									
350	BACR15BA3D		.	.	.						G-L, W- AP, AX- BA, BT- BX	4
355	BRM200A08K		.	.	.						G-L, W- AP, AX- BA, BT- BX	2
360	417N3121-165		.	.	.						G, J, AB, AC, AG, AJ, AL, AN, AX, AZAX	1
-360A	417N3121-195		.	.	.						W, Y, BT, BV	1
-365	417N3121-166		.	.	.						H, K, L, AD-AF, AH, AK, AM, AP, AY, BA	1
-365A	417N3121-196		.	.	.						X, Z, AA, BU, BW, BX	1
370	BACR15BB3D		.	.							A-BC, BT-CF	8

-Item not Illustrated

25-23-30

ILLUSTRATED PARTS LIST

Page 1098.108

Jul 01/2007



COMPONENT MAINTENANCE MANUAL

FIG/ ITEM	PART NUMBER	AIRLINE PART NUMBER	NOMENCLATURE							USAGE CODE	UNITS PER ASSY
			1	2	3	4	5	6	7		
4-											
375	417N3122-57									A-BC, BT-CF	2
380	417N3121-119									DELETED	
380A	417N3121-171									A, C, E, G, J, M, P, R, U- W, Y, AB, AC, AG, AJ, AL, AN, AT, AV, AX, AZ, BB, BC, BT, BV, BY, CA-CF	1
-385	417N3121-120									DELETED	
-385A	417N3121-172									B, D, F, H, K, L, N, Q, S, T, X, Z, AA, AD- AF, AH, AK, AM, AP-AS, AU, AW, AY, BA, BU, BW, BX, BZ, CB, CD, CF	1
390	BACR15BB3D									A-BC, BT-CF	2
395	BACS12FA08K6									A-BC, BT-CF	1
400	417N3122-54									A-BC, BT-CF	1
405	417N3121-65									G, J, AB, AC, AG, AJ, AL, AN, AX, AZAX	1
-405A	417N3121-179									W, Y, BT, BV	1

-Item not Illustrated

25-23-30

ILLUSTRATED PARTS LIST

Page 1098.109

Jul 01/2007



COMPONENT MAINTENANCE MANUAL

FIG/ ITEM	PART NUMBER	AIRLINE PART NUMBER	NOMENCLATURE							USAGE CODE	UNITS PER ASSY	
			1	2	3	4	5	6	7			
4- -410	417N3121-66		.	.							H, K, L, AD-AF, AH, AK, AM, AP, AY, BA	1
-410A	417N3121-180		.	.							X, Z, AA, BU, BW, BX	1
			ATTACHING PARTS									
415	BACR15BB3D		.	.							G-L, W- AP, AX- BA, BT- BX	2
			-----*									
420	BACR15BA3D		.	.	.						G-L, W- AP, AX- BA, BT- BX	14
425	BRM200A08K		.	.	.						G-L, W- AP, AX- BA, BT- BX	7
			(V52828) (SPEC BACN10JP08AR) (OPT MK1000-08BCBAC (V15653)) (OPT NS103197-82BC (V80539)) (OPT RMA9201M82BC (V72962)) (OPT T8076S832BC (V11815)) (OPT VN202A2-82 (V92215))									
430	417N3121-67		.	.	.						G, J, AB, AC, AG, AJ, AL, AN, AX, AZAX	1
-430A	417N3121-181		.	.	.						W, Y, BT, BV	1
-435	417N3121-68		.	.	.						H, K, L, AD-AF, AH, AK, AM, AP, AY, BA	1
-435A	417N3121-182		.	.	.						X, Z, AA, BU, BW, BX	1

-Item not Illustrated

25-23-30

ILLUSTRATED PARTS LIST

Page 1098.110

Jul 01/2007



COMPONENT MAINTENANCE MANUAL

FIG/ ITEM	PART NUMBER	AIRLINE PART NUMBER	NOMENCLATURE							USAGE CODE	UNITS PER ASSY	
			1	2	3	4	5	6	7			
4- 440	417N3121-47		.	.							A, C, E, M, P, R, U, V, AT, AV, BB, BC, BY, CA, CC, CE	1
-445	417N3121-48		.	.							B, D, F, N, Q, S, T, AQ- AS, AU, AW, BZ, CB, CD, CF	1
			ATTACHING PARTS									
450	BACR15BB3D		.	.							A-F, M-V, AQ-AW, BB, BC, BY-CF	2
			-----*									
455	BACR15BA3D		.	.	.						A-F, M-V, AQ-AW, BB, BC, BY-CF	6
460	BRM200A08K		.	.	.						A-F, M-V, AQ-AW, BB, BC, BY-CF	3
465	417N3121-51		.	.	.						A, C, E, M, P, R, U, V, AT, AV, BB, BC, BY, CA, CC, CE	1

-Item not Illustrated

25-23-30

ILLUSTRATED PARTS LIST

Page 1098.111

Jul 01/2007



COMPONENT MAINTENANCE MANUAL

FIG/ ITEM	PART NUMBER	AIRLINE PART NUMBER	NOMENCLATURE							USAGE CODE	UNITS PER ASSY	
			1	2	3	4	5	6	7			
4- -470	417N3121-52		.	.	.						B, D, F, N, Q, S, T, AQ- AS, AU, AW, BZ, CB, CD, CF	1
475	BACS12FA08K7		.	.							A-BC, BT-CF	4
480	AN960PD8L		.	.							A-V, AB- BC, BY- CF	4
-480A	AN960KD8L		.	.							W-AA, BT-BX	4
485	H10-08BAC		.	.							A-BC, BT-CF	4
490	417N3102-1		.	.							A-BC, BT-CF	2
495	BACR15BB3D		.	.							G-L, W- AP, AX- BA, BT- BX	4
500	417N3122-3		.	.							G, J, W, Y, AB, AC, AG, AJ, AL, AN, AX, AZ, BT, BV	1

-Item not Illustrated

25-23-30

ILLUSTRATED PARTS LIST

Page 1098.112

Jul 01/2007



COMPONENT MAINTENANCE MANUAL

FIG/ ITEM	PART NUMBER	AIRLINE PART NUMBER	NOMENCLATURE							USAGE CODE	UNITS PER ASSY	
			1	2	3	4	5	6	7			
4- -505	417N3122-4		.	.							H, K, L, X, Z, AA, AD-AF, AH, AK, AM, AP, AY, BA, BU, BW, BX	1
510	417N3136-15		.	.							G, J, W, Y, AB, AC, AG, AJ, AL, AN, AX, AZ, BT, BV	1
-515	417N3136-16		.	.							H, K, L, X, Z, AA, AD-AF, AH, AK, AM, AP, AY, BA, BU, BW, BX	1
520	417N3121-49										DELETED	
520A	417N3121-27		.	.							G, J, AB, AC, AG, AJ, AL, AN, AX, AZAX	1
-520B	417N3121-49		.	.							A, C, E, M, P, R, U, V, AT, AV, BB, BC, BY, CA, CC, CE	1
-525	417N3121-50		.	.							B, D, F, N, Q, S, T, AQ- AS, AU, AW, BZ, CB, CD, CF	1

-Item not Illustrated

25-23-30

ILLUSTRATED PARTS LIST

Page 1098.113

Jul 01/2007



COMPONENT MAINTENANCE MANUAL

FIG/ ITEM	PART NUMBER	AIRLINE PART NUMBER	NOMENCLATURE							USAGE CODE	UNITS PER ASSY	
			1	2	3	4	5	6	7			
4- -525A	417N3121-28		.	.							H, K, L, AD-AF, AH, AK, AM, AP, AY, BA	1
526	417N3121-197		.	.							W, Y, BT, BV	1
-526J	417N3121-198		.	.							X, Z, AA, BU, BW, BX	1
527	BACS21AQ6A6M		.	.	.						W-AA, BT-BX	1
528	417N3121-199		.	.	.						W, Y, BT- BX	1
-528J	417N3121-200		.	.	.						X, Z, AA, BU, BW, BX	1
530	417N3121-115		DELETED									
530A	417N3121-117		.	.							G, J, W, Y, AB, AC, AG, AJ, AL, AN, AX, AZ, BT, BV	1
-530B	417N3121-115		.	.							A, C, E, M, P, R, U, V, AT, AV, BB, BC, BY, CA, CC, CE	1
-535	417N3121-116		.	.							B, D, F, N, Q, S, T, AQ- AS, AU, AW, BZ, CB, CD, CF	1

-Item not Illustrated

25-23-30

ILLUSTRATED PARTS LIST

Page 1098.114

Jul 01/2007



COMPONENT MAINTENANCE MANUAL

FIG/ ITEM	PART NUMBER	AIRLINE PART NUMBER	NOMENCLATURE							USAGE CODE	UNITS PER ASSY	
			1	2	3	4	5	6	7			
4- -535A	417N3121-118		.	.	STIFFENER						H, K, L, X, Z, AA, AD-AF, AH, AK, AM, AP, AY, BA, BU, BW, BX	1
540	BACR15CE3D		DELETED									
540A	BACR15DR3		.	.	RIVET (SIZE DETERMINED ON INST)						G-L, W- AP, AX- BA, BT- BX	3
-540B	BACR15CE3D		.	.	RIVET (SIZE DETERMINED ON INST)						A-F, M-V, AQ-AW, BB, BC	3
545	BACR15BB3D		DELETED									
545A	CCR274SS3		.	.	RIVET (V11815) (SPEC BACR15DR3P) (OPT AF5170-3 (V53551)) (OPT RV570A3 (V98996)) (SIZE DETERMINED ON INST)						G-L, W- AP, AX- BA, BT- BX	5
-545B	BACR15BB3D		.	.	RIVET (SIZE DETERMINED ON INST)						A-F, M-V, AQ-AW, BB, BC	5
550	417N3121-35		.	.	STIFFENER						A, C, E, G, J, M, P, R, U, V, AB, AC, AG, AJ, AL, AN, AT, AV, AX, AZ, BB, BC, BY, CA, CC, CE	1
-550A	417N3121-201		.	.	STIFFENER						W, Y, BT, BV	1

-Item not Illustrated

25-23-30

ILLUSTRATED PARTS LIST

Page 1098.115

Jul 01/2007



COMPONENT MAINTENANCE MANUAL

FIG/ ITEM	PART NUMBER	AIRLINE PART NUMBER	NOMENCLATURE							USAGE CODE	UNITS PER ASSY	
			1	2	3	4	5	6	7			
4- -555	417N3121-36		.	.							B, D, F, H, K, L, N, Q, S, T, AD- AF, AH, AK, AM, AP-AS, AU, AW, AY, BA, BZ, CB, CD, CF	1
-555A	417N3121-202		.	.							X, Z, AA, BU, BW, BX	1
560	417N3121-83		.	.							A, C, E, G, J, M, P, R, U, V, AB, AC, AG, AJ, AL, AN, AT, AV, AX, AZ, BB, BC, BY, CA, CC, CE	1
-560A	417N3121-183										DELETED	
-560B	417N3121-213		.	.							W, Y, BT, BV	1
-565	417N3121-84		.	.							B, D, F, H, K, L, N, Q, S, T, AD- AF, AH, AK, AM, AP-AS, AU, AW, AY, BA, BZ, CB, CD, CF	1
-565A	417N3121-184										DELETED	
-565B	417N3121-214		.	.							X, Z, AA, BU, BW, BX	1

-Item not Illustrated

25-23-30

ILLUSTRATED PARTS LIST

Page 1098.116

Jul 01/2007



COMPONENT MAINTENANCE MANUAL

FIG/ ITEM	PART NUMBER	AIRLINE PART NUMBER	NOMENCLATURE							USAGE CODE	UNITS PER ASSY
			1	2	3	4	5	6	7		
4-											
570	417N3111-1SP										
570A	417N3111-5SP									G, J, AB, AC, AG, AJ, AL, AN, AX, AZAX	1
-570B	417N3111-1SP									A, C, E, M, P, R, U, V, AT, AV, BB, BC, BY	1
-570C	417N3111-21SP									W, Y, BT, BV	1
-575	417N3111-2SP									B, D, F, N, Q, S, T, AQ- AS, AU, AW, BZ, AW	1
-575A	417N3111-6SP									H, K, L, AD-AF, AH, AK, AM, AP, AY, BA	1
-575B	417N3111-22SP									X, Z, AA, BU, BW, BX	1

-Item not Illustrated

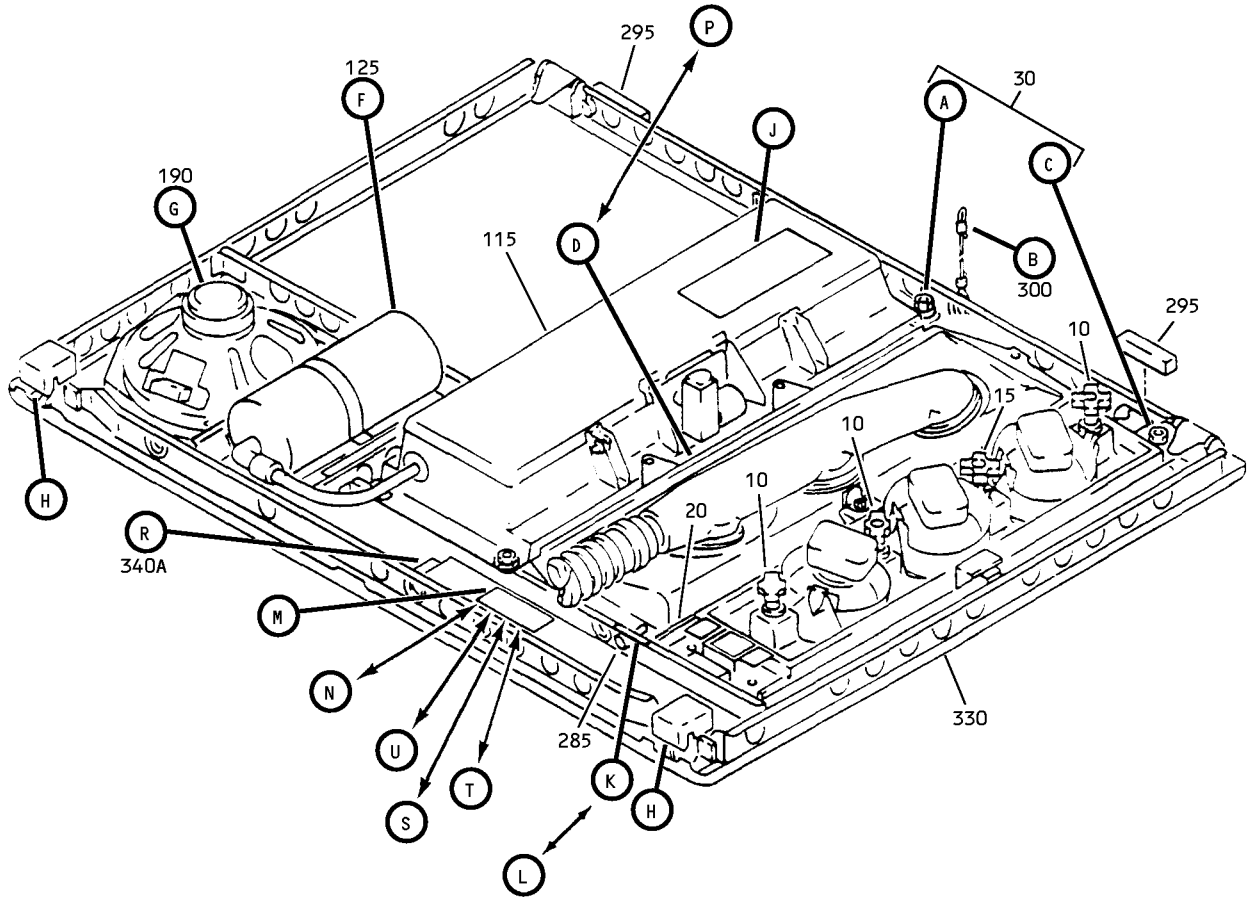
25-23-30

ILLUSTRATED PARTS LIST

Page 1098.117

Jul 01/2007

COMPONENT MAINTENANCE MANUAL



Full Underbin Passenger Service Unit Assembly
IPL Figure 5 (Sheet 1 of 8)

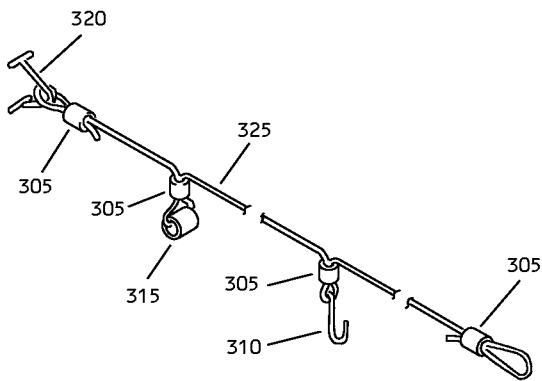
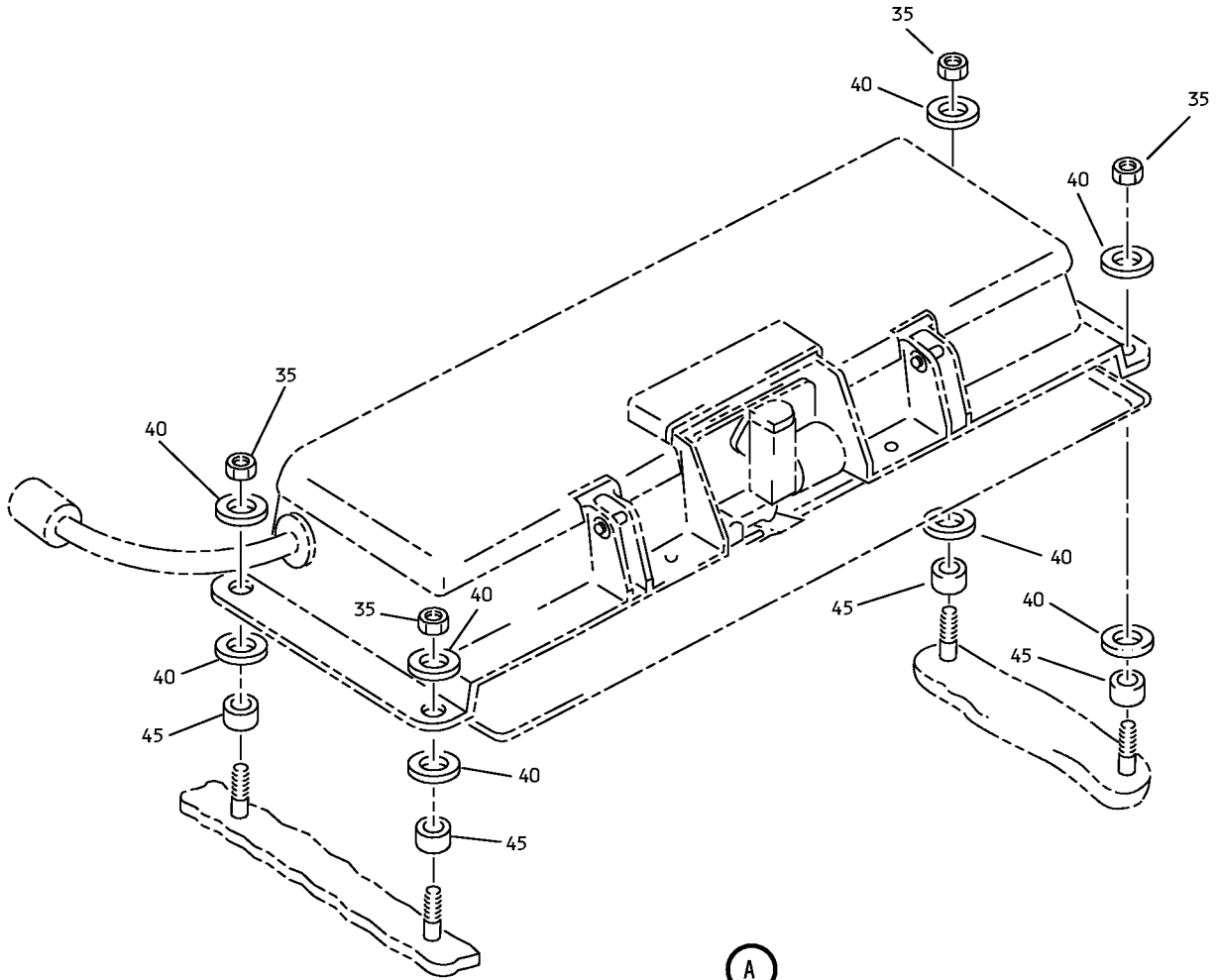
25-23-30

ILLUSTRATED PARTS LIST

Page 1098.118

Jul 01/2007

COMPONENT MAINTENANCE MANUAL



Full Underbin Passenger Service Unit Assembly
IPL Figure 5 (Sheet 2 of 8)

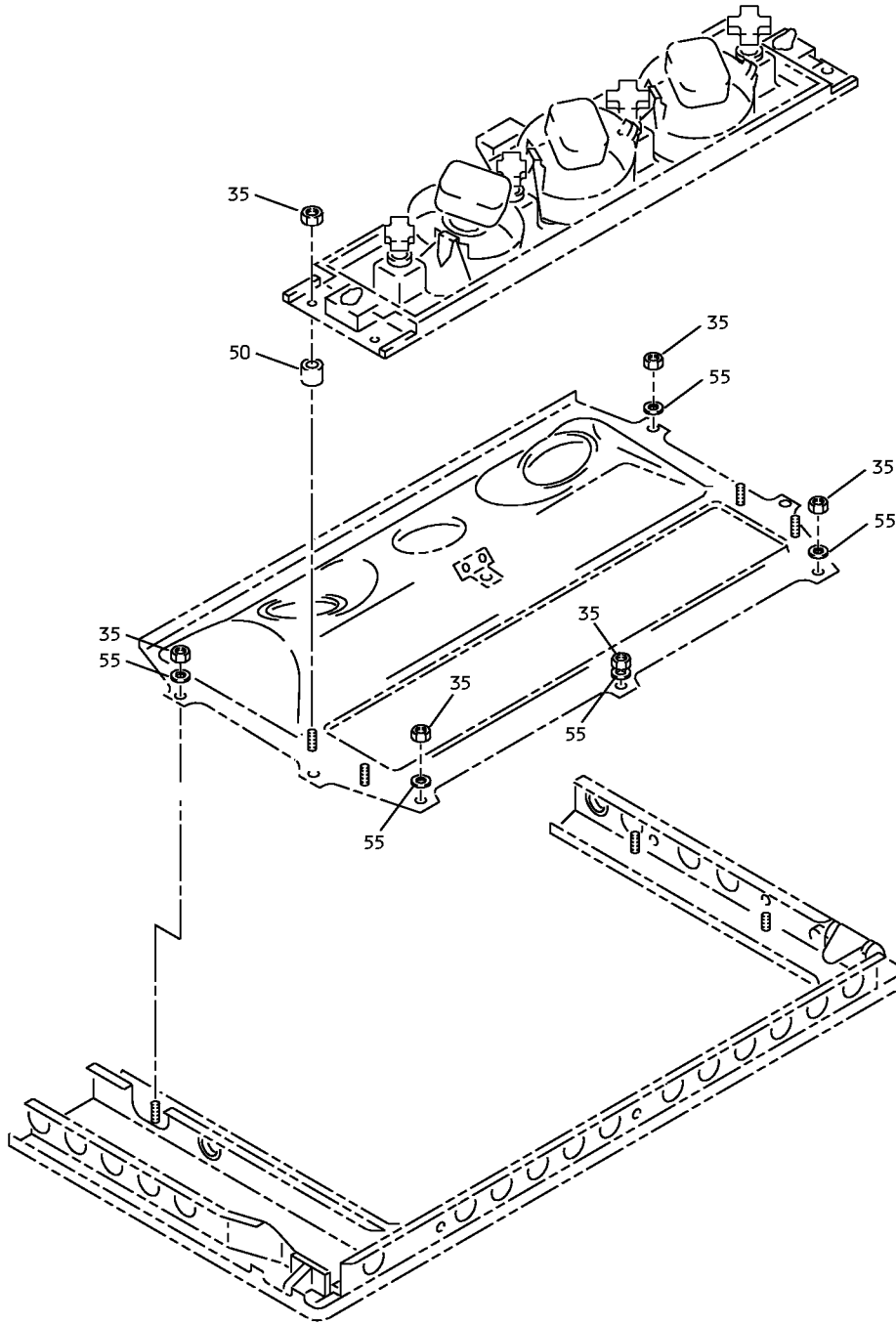
25-23-30

ILLUSTRATED PARTS LIST

Page 1098.119

Jul 01/2007

COMPONENT MAINTENANCE MANUAL



Ⓒ

Full Underbin Passenger Service Unit Assembly
IPL Figure 5 (Sheet 3 of 8)

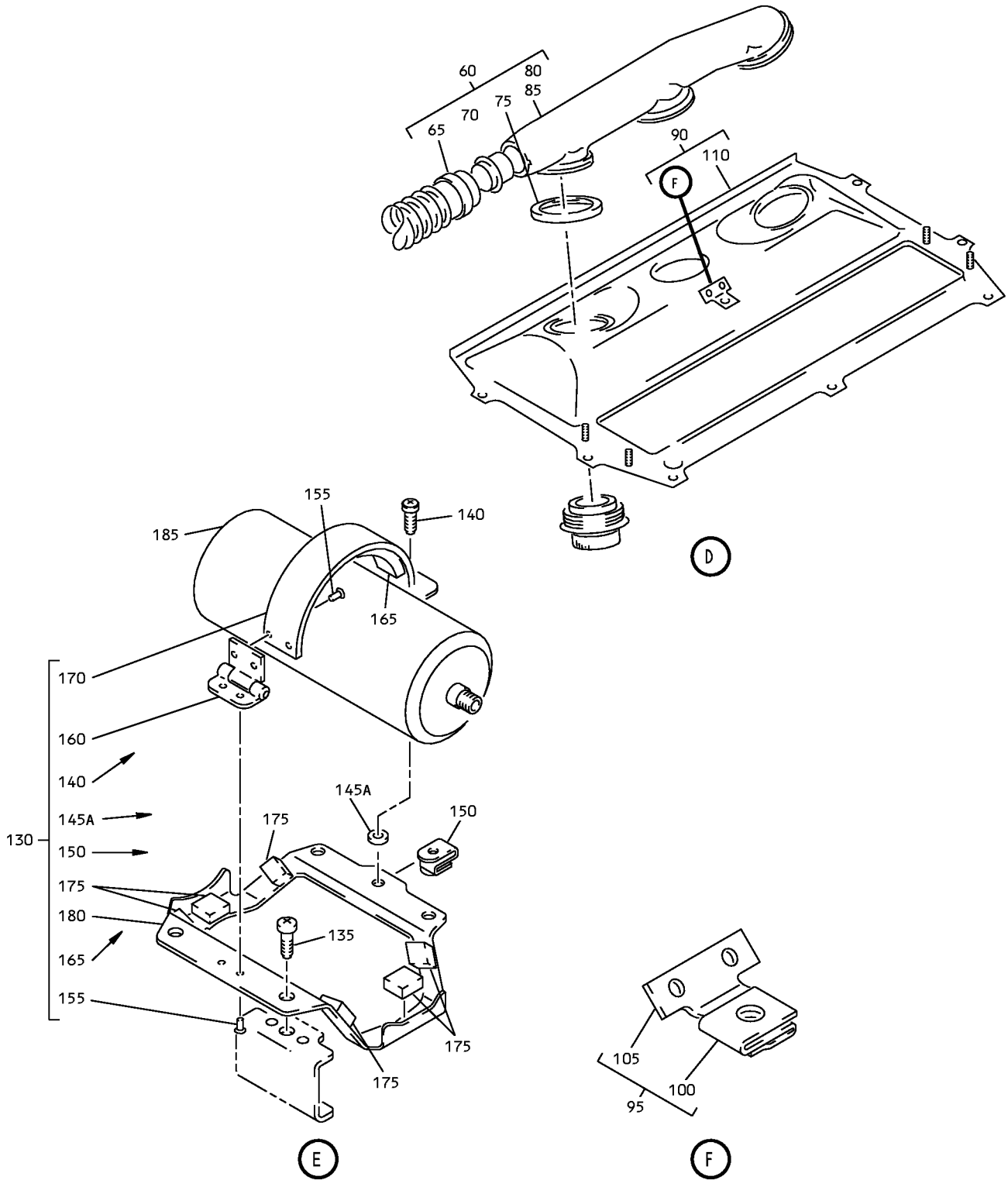
25-23-30

ILLUSTRATED PARTS LIST

Page 1098.120

Jul 01/2007

COMPONENT MAINTENANCE MANUAL



Full Underbin Passenger Service Unit Assembly
IPL Figure 5 (Sheet 4 of 8)

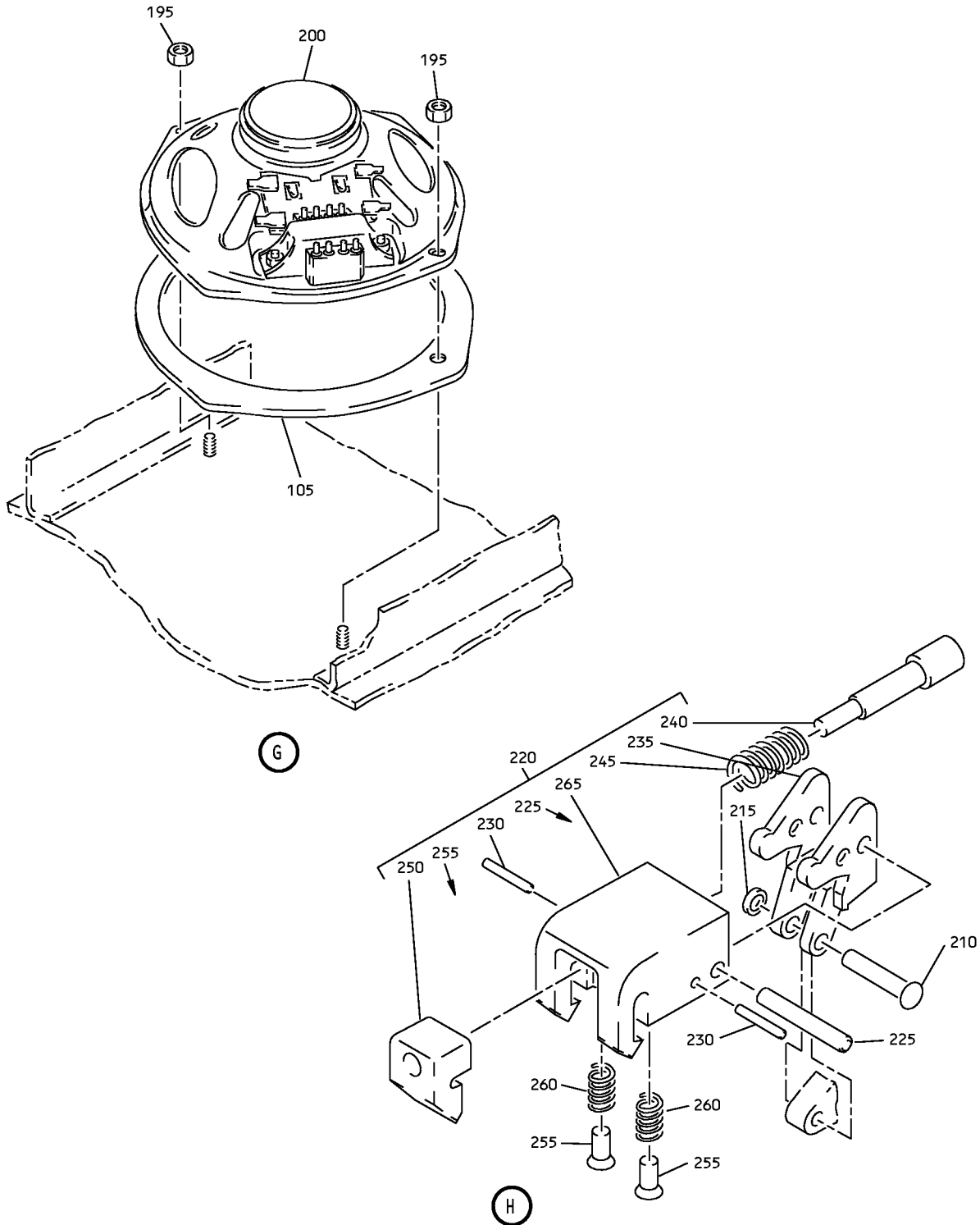
25-23-30

ILLUSTRATED PARTS LIST

Page 1098.121

Jul 01/2007

COMPONENT MAINTENANCE MANUAL



Full Underbin Passenger Service Unit Assembly
IPL Figure 5 (Sheet 5 of 8)

25-23-30

ILLUSTRATED PARTS LIST

Page 1098.122

Jul 01/2007



COMPONENT MAINTENANCE MANUAL

ATTENTION
 FOR REMOVAL AND RELOCATION INFORMATION SEE
 MAINTENANCE MANUAL CHAPTER 25
 FOR MASK STOWAGE INSTRUCTIONS SEE MAINTENANCE
 MANUAL CHAPTER 35
 FOR CLEANING INSTRUCTIONS SEE DOCUMENTS D6-7127

370



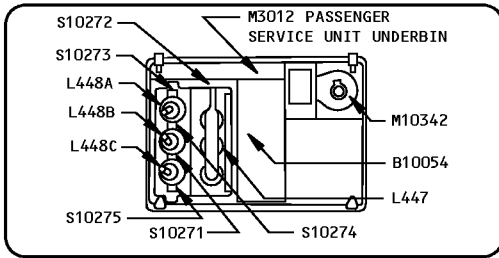
1 ← POSITION → 2

375

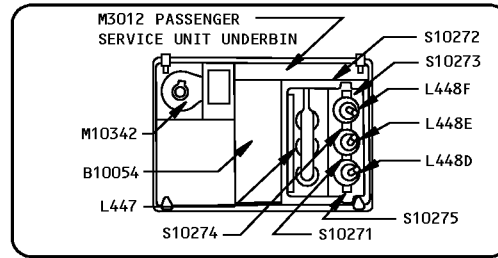


2 ← POSITION → 1

380



385



390



Full Underbin Passenger Service Unit Assembly
 IPL Figure 5 (Sheet 6 of 8)

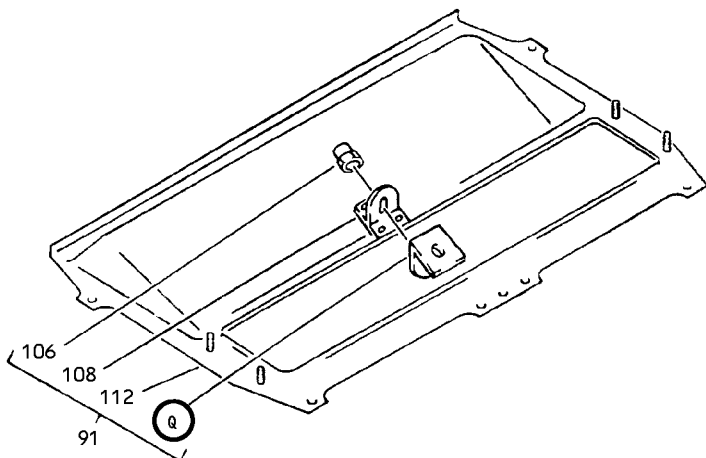
25-23-30

ILLUSTRATED PARTS LIST

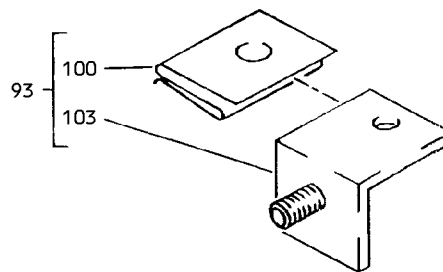
Page 1098.123

Jul 01/2007

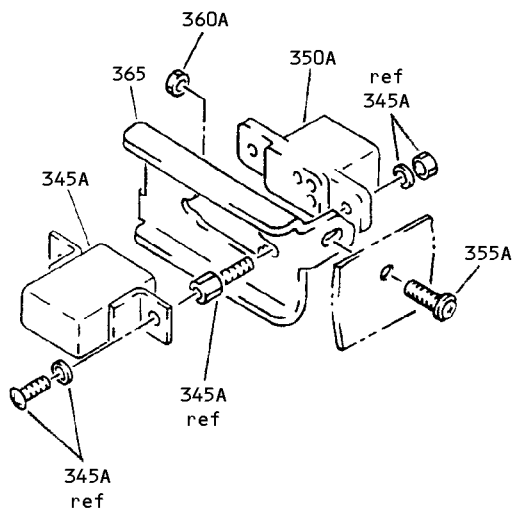
COMPONENT MAINTENANCE MANUAL



P



Q



R

Full Underbin Passenger Service Unit Assembly
IPL Figure 5 (Sheet 7 of 8)

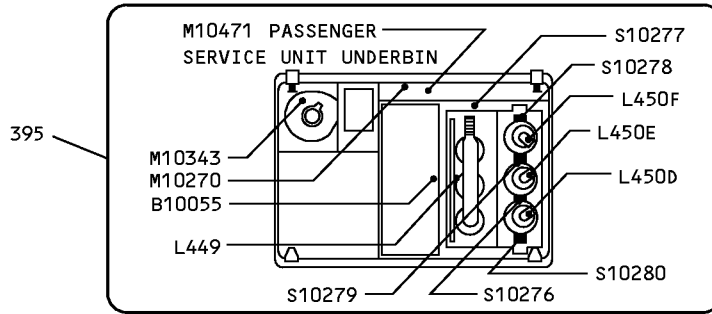
25-23-30

ILLUSTRATED PARTS LIST

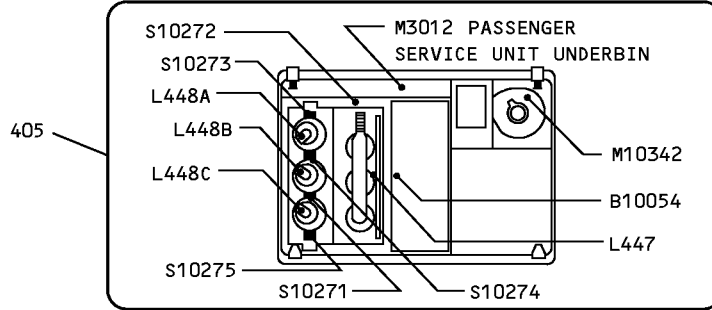
Page 1098.124

Jul 01/2007

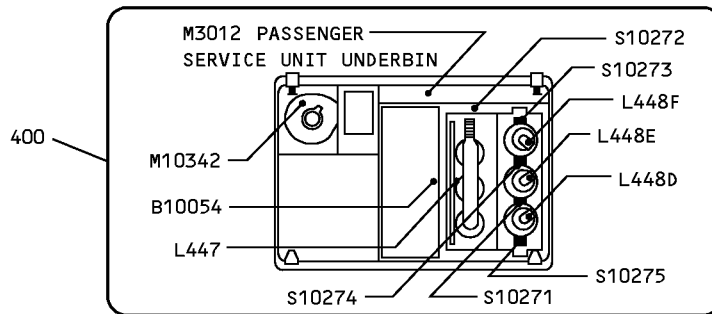
COMPONENT MAINTENANCE MANUAL



S



T



U

Full Underbin Passenger Service Unit Assembly
IPL Figure 5 (Sheet 8 of 8)

25-23-30

ILLUSTRATED PARTS LIST

Page 1098.125

Jul 01/2007



COMPONENT MAINTENANCE MANUAL

FIG/ ITEM	PART NUMBER	AIRLINE PART NUMBER	NOMENCLATURE							USAGE CODE	UNITS PER ASSY
			1	2	3	4	5	6	7		
5-											
-1	417N3100-401SP										
-1A	417N3100-403SP										
-1B	417N3100-431SP										
-1C	417N3100-713SP										
-1D	417N3100-717SP										
-1E	417N3100-741SP										
-1F	417N3100-748SP										
-1G	417N3100-741B										
-1H	417N3100-748B										
-5	417N3100-412SP										
-5A	417N3100-416SP										

-Item not Illustrated

25-23-30

ILLUSTRATED PARTS LIST

Page 1098.126

Jul 01/2007



COMPONENT MAINTENANCE MANUAL

FIG/ ITEM	PART NUMBER	AIRLINE PART NUMBER	NOMENCLATURE							USAGE CODE	UNITS PER ASSY
			1	2	3	4	5	6	7		
5-											
-5B	417N3100-448SP										
-5C	417N3100-676SP										
-5D	417N3100-714SP										
-5E	417N3100-719SP										
-5F	417N3100-743SP										
-5G	417N3100-743B										
-5H	417N3100-749B										
-5J	417N3100-751B										
10	920056										
15	920055										

-Item not Illustrated

25-23-30

ILLUSTRATED PARTS LIST

Page 1098.127

Jul 01/2007



COMPONENT MAINTENANCE MANUAL

FIG/ ITEM	PART NUMBER	AIRLINE PART NUMBER	NOMENCLATURE							USAGE CODE	UNITS PER ASSY	
			1	2	3	4	5	6	7			
5- 20	10-1006-1		.								BD-BF, CY, DB, DZ, EB	1
-25	10-1006-2		.								BG-BJ, CG, DA, DD, EA, EC, ED	1
30	417N3100-92		.								BD-BJ, CG, CY, DA, DB, DD, DZ- ED	1
35	BACN10YJ08		.	.							BD-BJ, CG, CY, DA, DB, DD, DZ- ED	13
40	BACW10P193G		.	.							BD-BJ, CG, CY, DA, DB, DD, DZ- ED	8
45	NAS43DD3-18		.	.							BD-BJ, CG, CY, DA, DB, DD, DZ- ED	4
50	NAS43DD3-20		.	.							BD-BJ, CG, CY, DA, DB, DD, DZ- ED	4
55	G6940-3B3		.	.							BD-BJ, CG, CY, DA, DB, DD, DZ- ED	5

-Item not Illustrated

25-23-30

ILLUSTRATED PARTS LIST

Page 1098.128

Jul 01/2007



COMPONENT MAINTENANCE MANUAL

FIG/ ITEM	PART NUMBER	AIRLINE PART NUMBER	NOMENCLATURE							USAGE CODE	UNITS PER ASSY	
			1	2	3	4	5	6	7			
5- 60	417N3100-25SP		.	AIR	ASSY-GASPER						BD-BJ, CG, CY, DA, DB, DD	1
-60A	417N3100-25D		.	AIR	ASSY-GASPER						DZ, EA	1
65	B0E20563A152		. .	DUCT							BD-BJ, CG, CY, DA, DB, DD, DZ, EAZ	1
70	10-60141-23A			DELETED								
-70A	750801-002			DELETED								
-70B	10-60141-23U			DELETED								
70C	3740-1		. .	OUTLET-AIR							BD-BJ, CG, CY, DA, DB, DD, DZ, EAZ	3
				(COLOR OPT-CUST PREFERENCE, ZYTEL WT-07)								
				(V83564)								
				(SPEC 10-60141-23A)								
				(OPT 1707-23A (V83564))								
				(OPT L16999-16C (V17744))								
-70D	3740-4		. .	OUTLET-AIR							BD-BJ, CG, CY, DA, DB, DD, DZ, EAZ	3
				(COLOR OPT-CUST PREFERENCE, BEIGE)								
				(V83564)								
				(SPEC 10-60141-23S)								
				(OPT 750801-002 (V28406))								
				(PREFERENCE, BIEGE)								
-70E	3740-3		. .	OUTLET-AIR							BD-BJ, CG, CY, DA, DB, DD, DZ, EAZ	3
				(COLOR OPT-CUST PREFERENCE, DARK GRAY)								
				(V83564)								
				(SPEC 10-60141-23U)								
-70F	10-60141-23T		. .	OUTLET-AIR							BD-BJ, CG, CY, DA, DB, DD, DZ, EAZ	3
				(COLOR OPT-CUST PREFERENCE, BEIGE)								
-70G	3740-6		. .	OUTLET-AIR							BD-BJ, CG, CY, DA, DB, DD, DZ, EAZ	3
				(COLOR OPT-CUST PREFERENCE, DARK GRAY)								
				(V83564)								
				(SPEC 10-60141-23V)								

-Item not Illustrated

25-23-30

ILLUSTRATED PARTS LIST

Page 1098.129

Jul 01/2007



COMPONENT MAINTENANCE MANUAL

FIG/ ITEM	PART NUMBER	AIRLINE PART NUMBER	NOMENCLATURE							USAGE CODE	UNITS PER ASSY	
			1	2	3	4	5	6	7			
5- -70H	3740-5		.	.	OUTLET-AIR (COLOR OPT-CUST PREFERENCE, DOVE GRAY) (V83564) (SPEC 10-60141-23W)						BD-BJ, CG, CY, DA, DB, DD, DZ, EAZ	3
75	PLT2MM		.	.	STRAP (V06383) (OPT ITEM 75A)						BD-BJ, CG, CY, DA, DB, DD, DZ, EAZ	3
-75A	PLT2MM2		.	.	STRAP (V06383) (OPT ITEM 75)						BD-BJ, CG, CY, DA, DB, DD, DZ, EAZ	3
80	417N3103-1		.	.	MANIFOLD ASSY						BD-BJ, CG, CY, DA, DB, DD, DZ, EA	1
85	417N3063-4		.	.	CONNECTOR						BD-BJ, CG, CY, DA, DB, DD, DZ, EAZ	1
90	417N3105-9SP		.	.	MODULE ASSY-SVCE						BD-BJ, CG, CY, DA, DB, DD	1
-90A	417N3105-9D		.	.	MODULE ASSY-SVCE						DZ, EA	1
91	417N3105-8SP				DELETED							
91A	417N3105-8C		.	.	MODULE ASSY-SVCE						EB-ED	1
93	417N3122-122		.	.	BRACKET ASSY						EB-ED	1
95	417N3122-111		.	.	BRACKET ASSY						BD-BJ, CG, CY, DA, DB, DD, DZ, EAZ	1

-Item not Illustrated

25-23-30

ILLUSTRATED PARTS LIST

Page 1098.130

Jul 01/2007



COMPONENT MAINTENANCE MANUAL

FIG/ ITEM	PART NUMBER	AIRLINE PART NUMBER	NOMENCLATURE							USAGE CODE	UNITS PER ASSY
			1	2	3	4	5	6	7		
5-											
100	82-47-108-15		.	.	.	CLIP (V84483)				BD-BJ, CG, CY, DA, DB, DD, DZ- ED	1
103	417N3122-121		.	.	.	BRACKET				EB-ED	1
105	417N3122-112		.	.	.	BRACKET				BD-BJ, CG, CY, DA, DB, DD, DZ, EAZ	1
106	BACN10YJ08		.	.		NUT				EB-ED	1
108	417N3122-53		.	.		BRACKET				EB-ED	1
110	417N3101-6SP		.	.		MODULE				BD-BJ, CG, CY, DA, DB, DD, DZ, EAZ	1
112	417N3101-5SP		.	.		MODULE				EB-ED	1
115	417N3130-79SP		.			BOX ASSY-THREE MASK OXY (REF CMM 35-21-02)				BD	1
-115A	417N3130-77SP		.			BOX ASSY-FOUR MASK OXY (REF CMM 35-21-02)				BE	1
-115B	417N3130-71SP		.			BOX ASSY-FOUR MASK OXY (REF CMM 35-21-02)				BF	1
-115C	417N3130-73SP		.			BOX ASSY-FOUR MASK OXY (REF CMM 35-21-02)				CY	1
-115D	417N3130-143SP		.			BOX ASSY-FOUR MASK OXY (REF CMM 35-21-02)				DB	1
-115E	417N3130-74SP					DELETED					
-115F	417N3130-143K		.			BOX ASSY-FOUR MASK OXY (REF CMM 35-21-02)				DZ	1
-115G	417N3130-143B		.			BOX ASSY-FOUR MASK OXY (REF CMM 35-21-02)				EB	1
-120	417N3130-80SP		.			BOX ASSY-THREE MASK OXY (REF CMM 35-21-02)				BG	1
-120A	417N3130-78SP		.			BOX ASSY-FOUR MASK OXY (REF CMM 35-21-02)				BH	1

-Item not Illustrated

25-23-30

ILLUSTRATED PARTS LIST

Page 1098.131

Jul 01/2007



COMPONENT MAINTENANCE MANUAL

FIG/ ITEM	PART NUMBER	AIRLINE PART NUMBER	NOMENCLATURE 1 2 3 4 5 6 7	USAGE CODE	UNITS PER ASSY
5-					
-120B	417N3130-72SP		. BOX ASSY-FOUR MASK OXY (REF CMM 35-21-02)	BJ	1
-120C	417N3130-120SP		. BOX ASSY-FOUR MASK OXY (REF CMM 35-21-02)	CG	1
-120D	417N3130-144SP		. BOX ASSY-FOUR MASK OXY (REF CMM 35-21-02)	DD	1
-120E	417N3130-146SP		DELETED		
-120F	417N3130-144K		. BOX ASSY-FOUR MASK OXY (REF CMM 35-21-02)	EA	1
-120G	417N3130-144B		. BOX ASSY-FOUR MASK OXY (REF CMM 35-21-02)	EC	1
-120H	417N3130-146B		. BOX ASSY-FOUR MASK OXY (REF CMM 35-21-02)	ED	1
-120J	417N3130-74SP		. BOX ASSY-FOUR MASK OXY (REF CMM 35-21-02)	DA	1
125	417N3100-46		. GENERATOR ASSY	BD, BG, ED	1
-125A	417N3100-48		. GENERATOR ASSY	BE, BH, CG, CY, DA, DB, DD, DZ- EC	1
-125B	417N3100-44		. GENERATOR ASSY	BF, BJ	1
130	417N3160-11		. . BRACKET ASSY	BD-BJ, CG, CY, DA, DB, DD, DZ- ED	1
			ATTACHING PARTS		
135	BACS12FA08K6		. . SCREW	BD-BJ, CG, CY, DA, DB, DD, DZ- ED	4
			----- *		
140	FT1387P8-1-2		. . . SCREW (V58794) (OPT ITEM 140A)	BD-BJ, CG, CY, DA, DB, DD, DZ- ED	1

-Item not Illustrated

25-23-30

ILLUSTRATED PARTS LIST

Page 1098.132

Jul 01/2007



COMPONENT MAINTENANCE MANUAL

FIG/ ITEM	PART NUMBER	AIRLINE PART NUMBER	NOMENCLATURE							USAGE CODE	UNITS PER ASSY
			1	2	3	4	5	6	7		
5- -140A	CS802408-1A		. . .	SCREW (V58998) (OPT ITEM 140)						BD-BJ, CG, CY, DA, DB, DD, DZ- ED	1
145	AN960KD416			DELETED							
145A	AN960JD416		. . .	WASHER						BD-BJ, CG, CY, DA, DB, DD, DZ- ED	1
150	A4972-6-82		. . .	NUT (V72962) (SPEC BACN10FX84) (OPT RM52LHA4972-6-82 (V72962)) (OPT SL211-08-1 (V97393)) (OPT 130008 (V60119)) (OPT A11330-6-82 (V72962))						BD-BJ, CG, CY, DA, DB, DD, DZ- ED	1
155	BACR15BA3D		. . .	RIVET (SIZE DETERMINED ON INST)						BD-BJ, CG, CY, DA, DB, DD, DZ- ED	4
160	417N3811-13		. . .	HINGE						BD-BJ, CG, CY, DA, DB, DD, DZ- ED	1
165	417N3160-12		. . .	PAD-INSULATION						BD-BJ, CG, CY, DA, DB, DD, DZ- ED	1
170	417N3161-7		. . .	BRACKET-MTG						BD-BJ, CG, CY, DA, DB, DD, DZ- ED	1
175	417N3160-13		. . .	PAD-INSULATION						BD-BJ, CG, CY, DA, DB, DD, DZ- ED	6

-Item not Illustrated

25-23-30

ILLUSTRATED PARTS LIST

Page 1098.133

Jul 01/2007



COMPONENT MAINTENANCE MANUAL

FIG/ ITEM	PART NUMBER	AIRLINE PART NUMBER	NOMENCLATURE							USAGE CODE	UNITS PER ASSY	
			1	2	3	4	5	6	7			
5- 180	417N3136-99		.	.	.						BD-BJ, CG, CY, DA, DB, DD, DZ- ED	1
185	117003-13		.	.							BD, BG, ED	1
-185A	803000-03		.	.							BD, BG, ED	1
-185B	117003-14		.	.							BE, BF, BH, BJ, CG, CY, DA, DB, DD, DZ- EC	1
-185C	803000-04		.	.							BE, BF, BH, BJ, CG, CY, DA, DB, DD, DZ- EC	1
-185D	117003-14										DELETED	
-185E	E71740-00		.	.							BE, BF, BH, BJ, CG, CY, DA, DB, DD, DZ- EC	1
190	417N3100-17		.								BD-BJ, CG, CY, DA, DB, DD, DZ- ED	1
195	BACN10YJ08		.	.							BD-BJ, CG, CY, DA, DB, DD, DZ- ED	2

-Item not Illustrated

25-23-30

ILLUSTRATED PARTS LIST

Page 1098.134

Jul 01/2007



COMPONENT MAINTENANCE MANUAL

FIG/ ITEM	PART NUMBER	AIRLINE PART NUMBER	NOMENCLATURE							USAGE CODE	UNITS PER ASSY		
			1	2	3	4	5	6	7				
5- 200	RDAM8005A		.	.	S	P	E	A	K	E	R	BD-BJ, CG, CY, DA, DB, DD, DZ- ED	1
					(V54473)								
					(SPEC S222T101-101)								
					(OPT ITEM 200A)								
-200A	RDAM8018		.	.	S	P	E	A	K	E	R	BD-BJ, CG, CY, DA, DB, DD, DZ- ED	1
					(V54473)								
					(SPEC 10-62232-01)								
					(OPT ITEM 200)								
205	417N3104-2		.	.	G	A	S	K	E	T		BD-BJ, CG, CY, DA, DB, DD, DZ- ED	1
210	BACR15BB4D10		.		R	I	V	E	T			BD-BJ, CG, CY, DA, DB, DD, DZ- ED	2
215	6100-12		.		R	E	T	A	I	N	E	BD-BJ, CG, CY, DA, DB, DD, DZ- ED	2
					(V2X013)								
220	417N3180-1		.		C	L	A	M	P	A	S	BD-BJ, CG, CY, DA, DB, DD, DZ- ED	2
225	NAS607-2-8P		.	.	P	I	N	-	D	O	W	BD-BJ, CG, CY, DA, DB, DD, DZ- ED	1
230	NAS607-1-4P		.	.	P	I	N	-	D	O	W	BD-BJ, CG, CY, DA, DB, DD, DZ- ED	2

-Item not Illustrated

25-23-30

ILLUSTRATED PARTS LIST

Page 1098.135

Jul 01/2007



COMPONENT MAINTENANCE MANUAL

FIG/ ITEM	PART NUMBER	AIRLINE PART NUMBER	NOMENCLATURE							USAGE CODE	UNITS PER ASSY	
			1	2	3	4	5	6	7			
5- 235	417N3181-1		.	.	LINK-ROCKER (OPT ITEM 235A)						BD-BJ, CG, CY, DA, DB, DD, DZ- ED	1
-235A	65-85902-1		.	.	LINK-ROCKER (OPT ITEM 235)						BD-BJ, CG, CY, DA, DB, DD, DZ- ED	1
240	65-85905-4		.	.	PLUNGER						BD-BJ, CG, CY, DA, DB, DD, DZ- ED	1
245	RCS3290		.	.	SPRING (V08205)						BD-BJ, CG, CY, DA, DB, DD, DZ- ED	1
250	417N3182-1		.	.	PLUNGER						BD-BJ, CG, CY, DA, DB, DD, DZ- ED	1
255	417N3180-3		.	.	PLUNGER-SPR						BD-BJ, CG, CY, DA, DB, DD, DZ- ED	2
260	RCS3289		.	.	SPRING (V08205)						BD-BJ, CG, CY, DA, DB, DD, DZ- ED	2
265	417N3183-1		.	.	CLAMP						BD-BJ, CG, CY, DA, DB, DD, DZ- ED	1

-Item not Illustrated

25-23-30

ILLUSTRATED PARTS LIST

Page 1098.136

Jul 01/2007



COMPONENT MAINTENANCE MANUAL

FIG/ ITEM	PART NUMBER	AIRLINE PART NUMBER	NOMENCLATURE	USAGE CODE	UNITS PER ASSY
5- -270	AN960JD416L		. WASHER (USED WITH ITEM 275)	BD-BJ, CG, DB, DD, DZ- ED	AR
-270A	NAS1149DN416J		. WASHER	CY, DA	AR
-275	PLWP1S		. TIE-PUSH MOUNT CABLE (V58417)	BD-BJ, CG, CY, DA, DB, DD, DZ- EA	AR
-280	NMC1001-0		. CLAMP (V03296) (OPT ITEM 280A)	BD-BJ, CG, CY, DA, DB, DD, DZ- ED	2
-280A	BACC10DK3		. CLAMP (OPT ITEM 280)	BD-BJ, CG, CY, DA, DB, DD, DZ- ED	2
-280B	NMC1001-0		DELETED		
-283	BACC10DK3		DELETED		
285	1TW2-3		. SWITCH-TOGGLE (V91929)	BD-BJ, CG, CY, DA, DB, DD, DZ- ED	1
-290	61-33500-001		. WIRE BUNDLE (OPT ITEM 290A)	BD-BJ, CG	1
-290A	286N0512-004		. WIRE BUNDLE (OPT ITEM 290)	BD-BJ, CG, DD	1
-290B	61-33500-002		. WIRE BUNDLE (OPT ITEM 290C)	CY, DA	1
-290C	286N0512-008		. WIRE BUNDLE (OPT ITEM 290B)	CY, DA	1
-290D	61-33500		. WIRE BUNDLE	DB, DD	1
-290E	286N0512		. WIRE BUNDLE	DB	1
-290F	288N0174-601		. WIRE BUNDLE	DZ	1
-290G	288N0174-701		DELETED		

-Item not Illustrated

25-23-30

ILLUSTRATED PARTS LIST

Page 1098.137

Jul 01/2007



COMPONENT MAINTENANCE MANUAL

FIG/ ITEM	PART NUMBER	AIRLINE PART NUMBER	NOMENCLATURE							USAGE CODE	UNITS PER ASSY
			1	2	3	4	5	6	7		
5-											
-290H	288N0210-701		.							EA, EB	1
-290J	288N0210-702		.							EC	1
-290K	288N0210-703		.							ED	1
295	417N3100-71		.							BD-BJ, CG, CY, DA, DB, DD, DZ- ED	2
300	417N3190-1		.							BD-BJ, CG, CY, DA, DB, DD, DZ- ED	1
305	GSC205		.	.						BD-BJ, CG, CY, DA, DB, DD, DZ- ED	4
-305A	GSC219		.	.						BD-BJ, CG, CY, DA, DB, DD, DZ- ED	4
310	10-61790-1		.	.						BD-BJ, CG, CY, DA, DB, DD, DZ- ED	1
315	NAS43DD4-5		.	.						BD-BJ, CG, CY, DA, DB, DD, DZ- ED	1
320	65C16899-6		.	.						BD-BJ, CG, CY, DA, DB, DD, DZ- ED	1

-Item not Illustrated

25-23-30

ILLUSTRATED PARTS LIST

Page 1098.138

Jul 01/2007



COMPONENT MAINTENANCE MANUAL

FIG/ ITEM	PART NUMBER	AIRLINE PART NUMBER	NOMENCLATURE							USAGE CODE	UNITS PER ASSY
			1	2	3	4	5	6	7		
5-											
325	417N3190-3		.	.	CORD					BD-BJ, CG, CY, DA, DB, DD, DZ- ED	1
330	417N3110-77SP		.		FRAME ASSY (FOR DETAILS SEE FIG.12)					BD-BF, CY, DB	1
-330A	417N3110-77G		.		FRAME ASSY (FOR DETAILS SEE FIG.12)					DZ	1
-330B	417N3110-77C		.		FRAME ASSY (FOR DETAILS SEE FIG.12)					EB	1
-335	417N3110-78SP		.		FRAME ASSY (FOR DETAILS SEE FIG.12)					BG-BJ, CG, DA, DD	1
-335A	417N3110-78G		.		FRAME ASSY (FOR DETAILS SEE FIG.12)					EA	1
-335B	417N3110-78C		.		FRAME ASSY (FOR DETAILS SEE FIG.12)					EC, ED	1
340	BAC27DPA2272				DELETED						
340A	417N3100-19		.		MUTING ASSY					ED	1
345	BAC27NPA0610				DELETED						
345A	3SAV1338A2		.	.	RELAY (V01526) (SPEC BACR13CD2) (OPT BR16S233 (V09026)) (OPT EE4AA005 (V35344)) (OPT HFW1206K03 (V58614)) (OPT HFW1204K01 (V71482))					ED	1
350	BAC27NPA0609				DELETED						
350A	451120-026		.	.	SOCKET (V03743)					ED	1
355	BAC27NPA0647				DELETED						
355A	BACS12FA08K14		.	.	SCREW					ED	1
360	BAC27NPA0646				DELETED						
360A	BACN10YJ08		.	.	NUT					ED	1
365	417N3121-138		.	.	BRACKET					ED	1

-Item not Illustrated

25-23-30

ILLUSTRATED PARTS LIST

Page 1098.139

Jul 01/2007



COMPONENT MAINTENANCE MANUAL

FIG/ ITEM	PART NUMBER	AIRLINE PART NUMBER	NOMENCLATURE							USAGE CODE	UNITS PER ASSY
			1	2	3	4	5	6	7		
5- 370	BAC27DPA2272		.	DECAL-VINYL						BD-BJ, CG, CY, DA, DB, DD, DZ- ED	1
375	BAC27NPA0610		.	MARKER-ALUMINUM FOIL						BD-BF, CY, DB, DZ, EB	1
380	BAC27NPA0609		.	MARKER-ALUMINUM FOIL						BG-BJ, CG, DA, DD, EA, EC, ED	1
385	BAC27NPA0647		.	MARKER-ALUMINUM FOIL						BD-BF, CY, DB, DZ	1
390	BAC27NPA0646		.	MARKER-ALUMINUM FOIL						BG-BJ, CG, DA, DD, EA	1
395	BAC27NPA0667		.	MARKER-ALUMINUM FOIL						ED	1
400	BAC27NPA0676		.	MARKER-ALUMINUM FOIL						EC	1
405	BAC27NPA0677		.	MARKER-ALUMINUM FOIL						EB	1

-Item not Illustrated

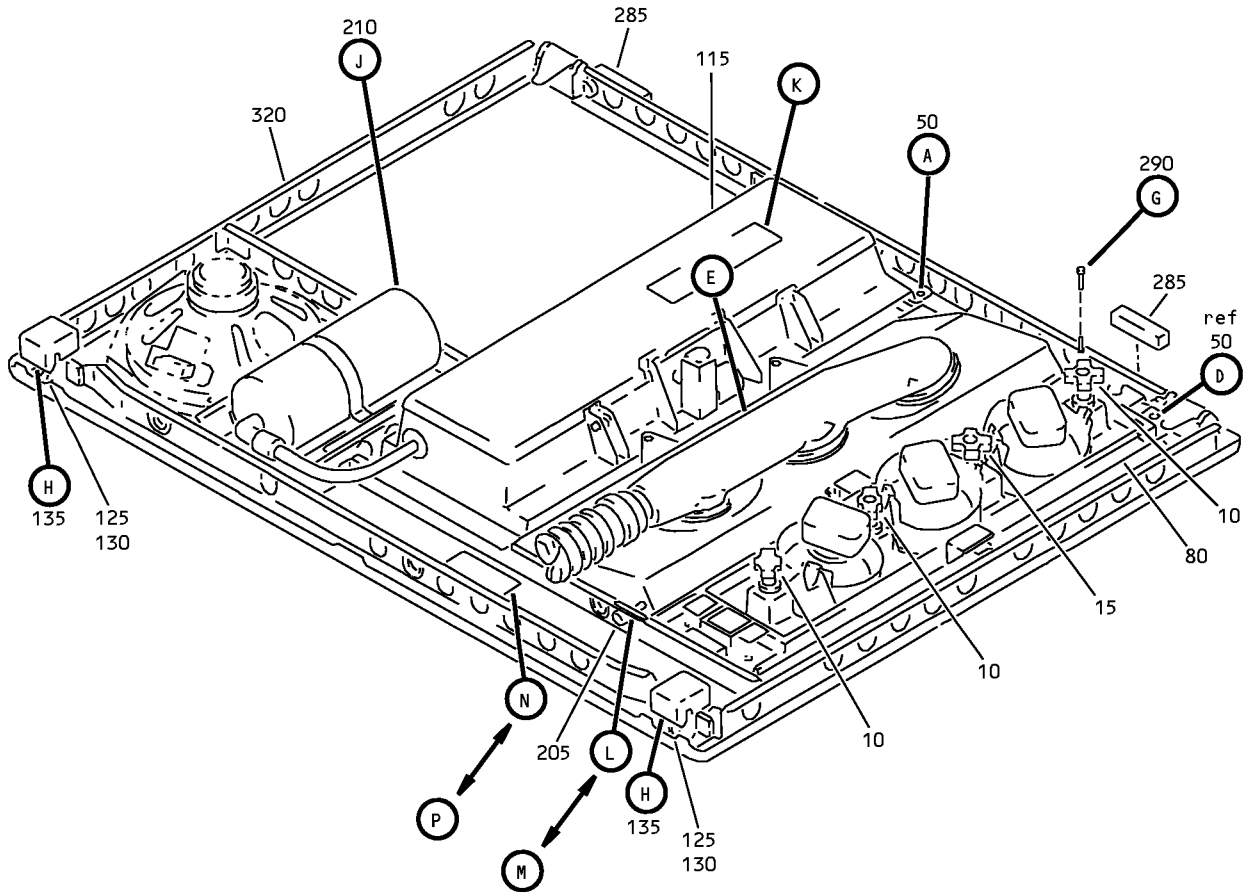
25-23-30

ILLUSTRATED PARTS LIST

Page 1098.140

Jul 01/2007

COMPONENT MAINTENANCE MANUAL



Full Underbin Passenger Service Unit Assembly
 IPL Figure 6 (Sheet 1 of 5)

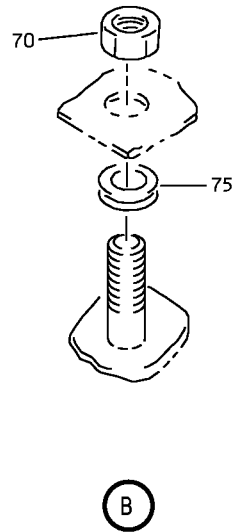
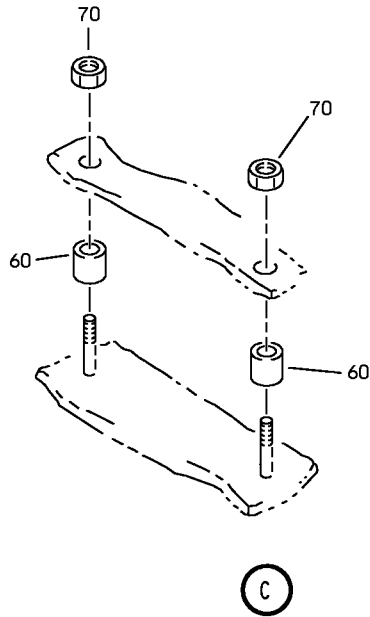
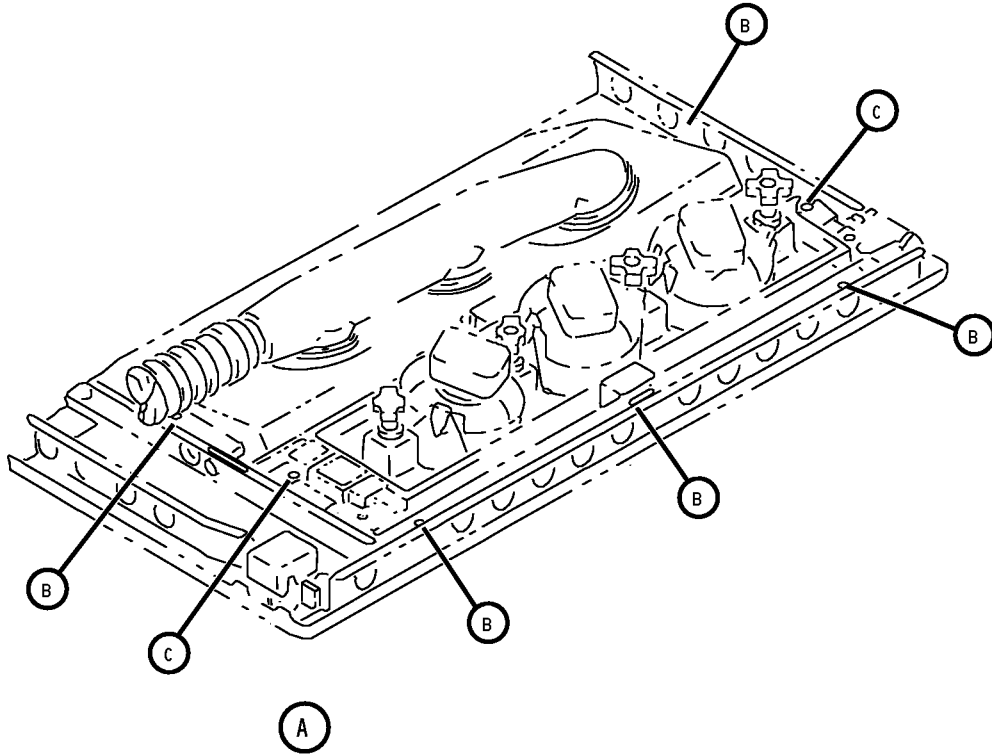
25-23-30

ILLUSTRATED PARTS LIST

Page 1098.141

Jul 01/2007

COMPONENT MAINTENANCE MANUAL



Full Underbin Passenger Service Unit Assembly
IPL Figure 6 (Sheet 2 of 5)

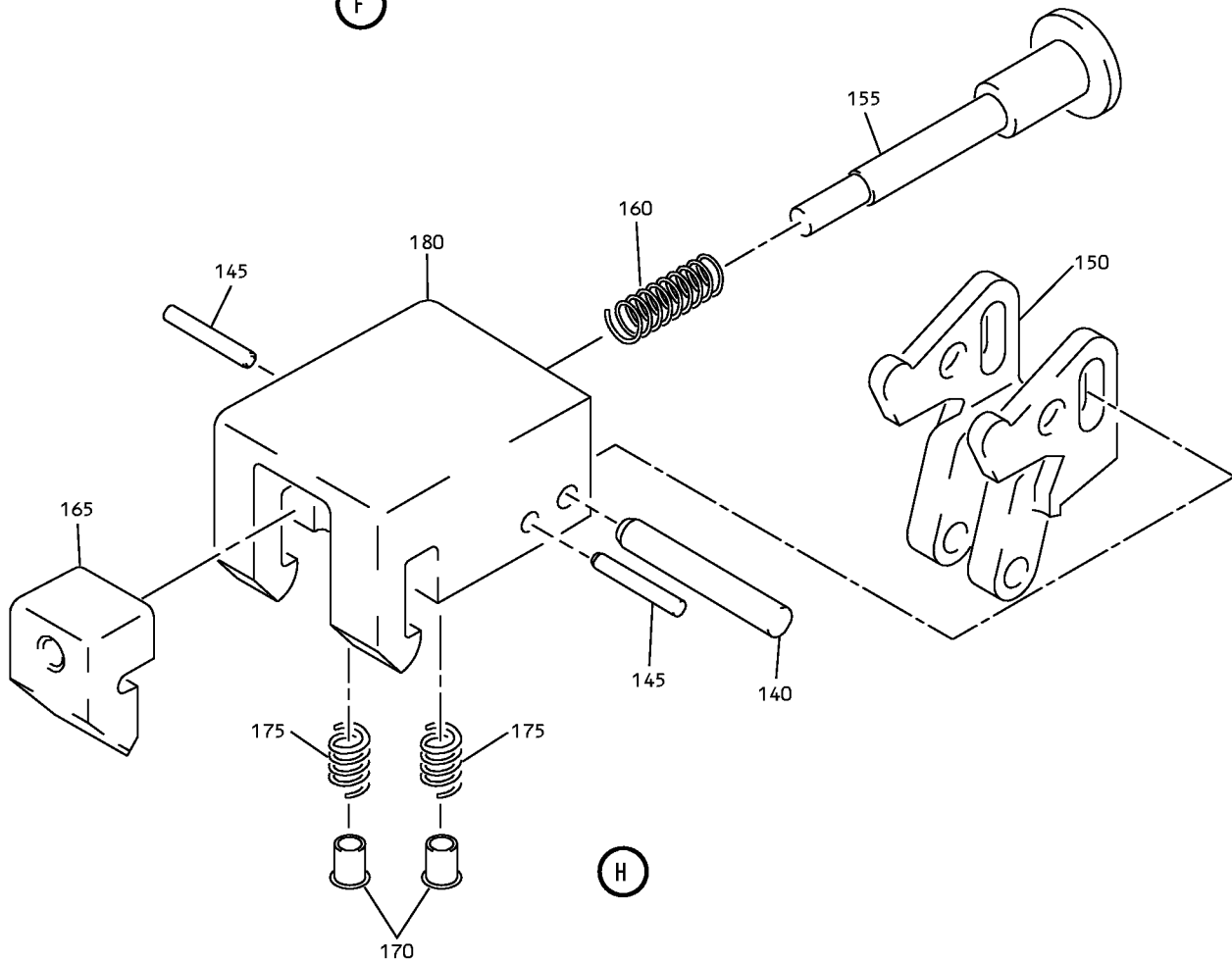
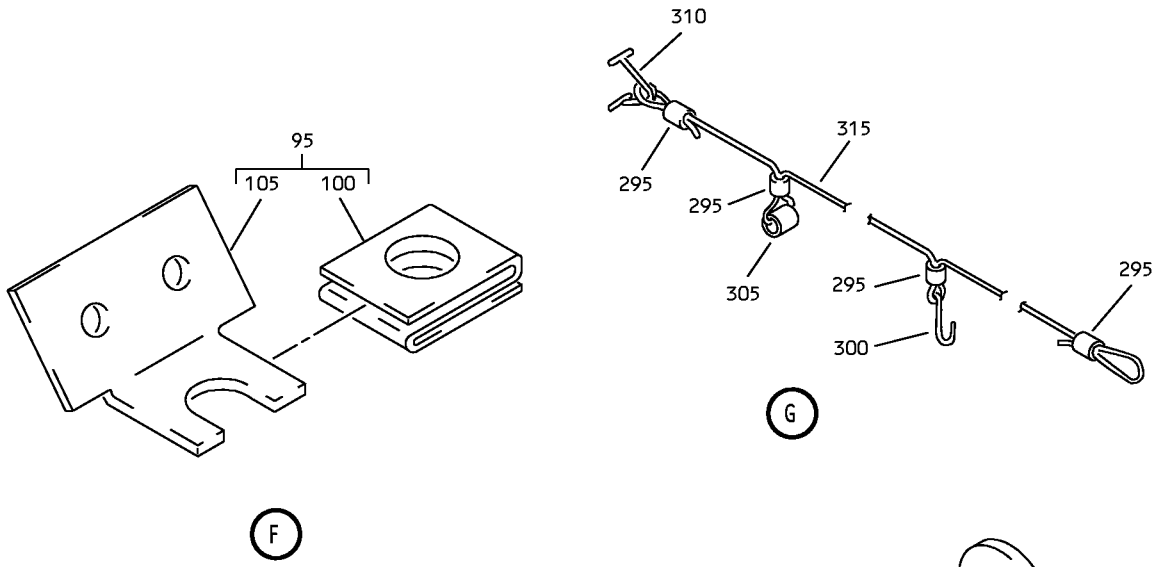
25-23-30

ILLUSTRATED PARTS LIST

Page 1098.142

Jul 01/2007

COMPONENT MAINTENANCE MANUAL



Full Underbin Passenger Service Unit Assembly
IPL Figure 6 (Sheet 3 of 5)

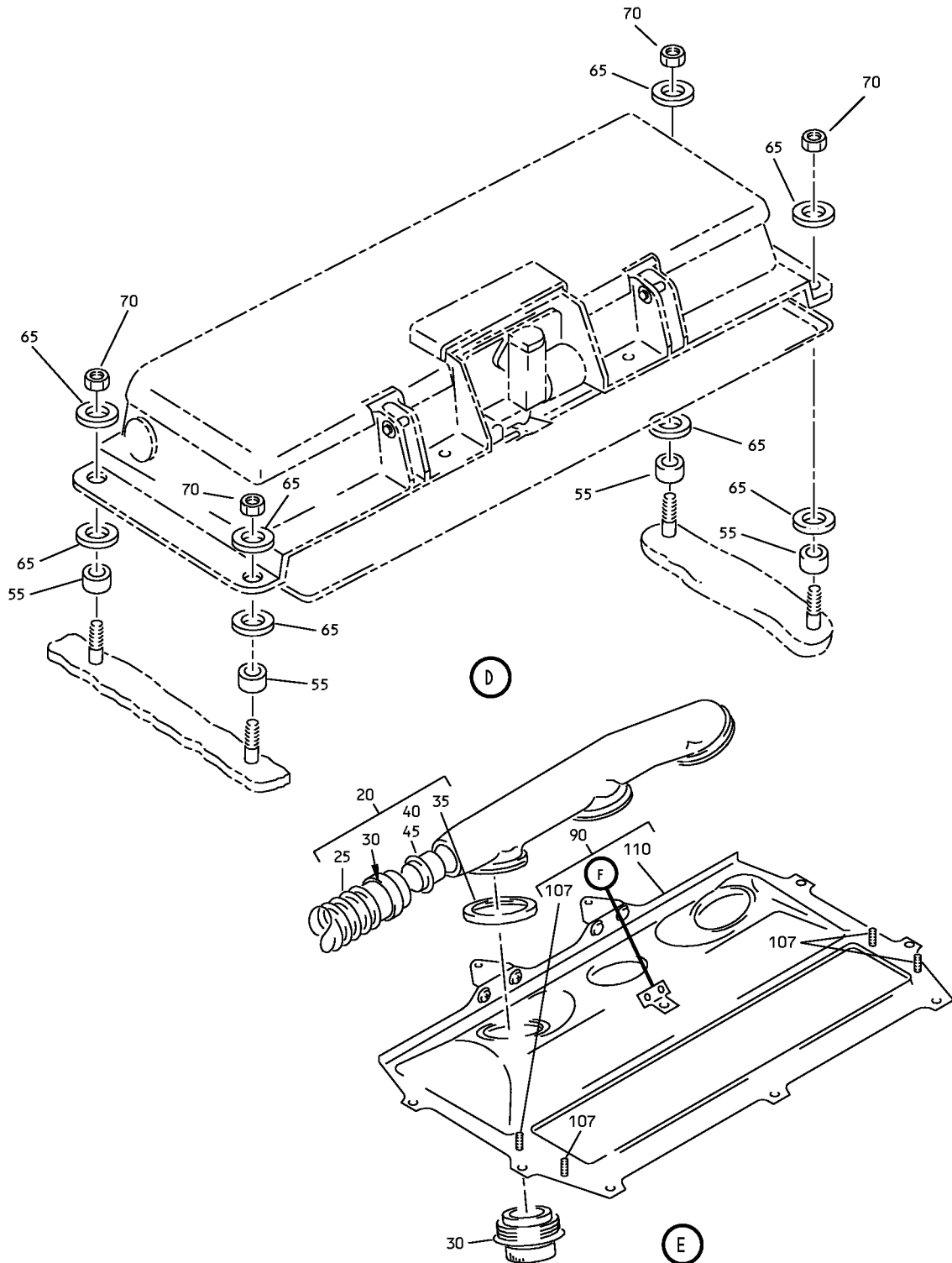
25-23-30

ILLUSTRATED PARTS LIST

Page 1098.143

Jul 01/2007

COMPONENT MAINTENANCE MANUAL



Full Underbin Passenger Service Unit Assembly
IPL Figure 6 (Sheet 4 of 5)

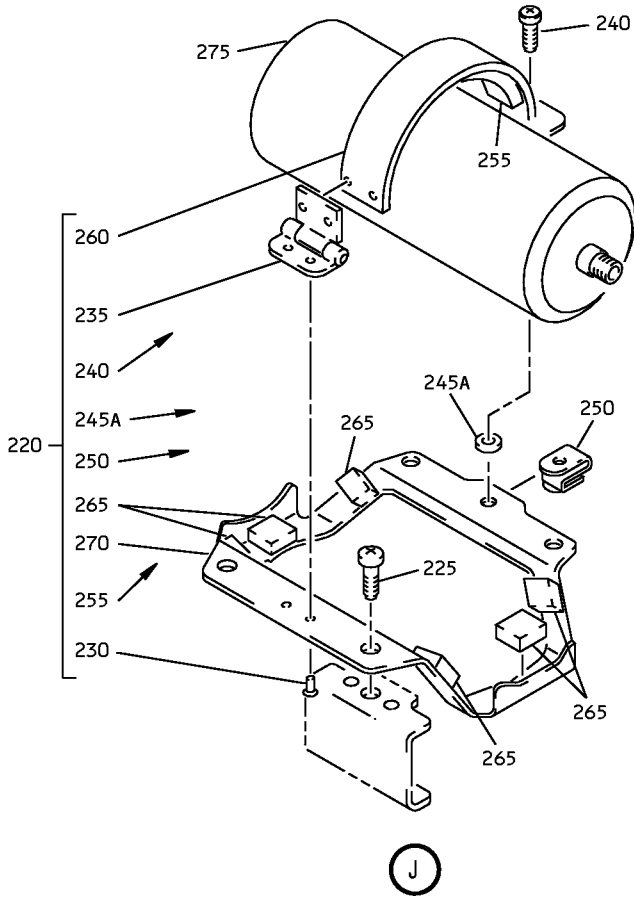
25-23-30

ILLUSTRATED PARTS LIST

Page 1098.144

Jul 01/2007

COMPONENT MAINTENANCE MANUAL



ATTENTION
 FOR REMOVAL AND RELOCATION INFORMATION SEE
 MAINTENANCE MANUAL CHAPTER 25
 FOR MASK STORAGE INSTRUCTIONS SEE MAINTENANCE
 MANUAL CHAPTER 35
 FOR CLEANING INSTRUCTIONS SEE DOCUMENT D6-7127

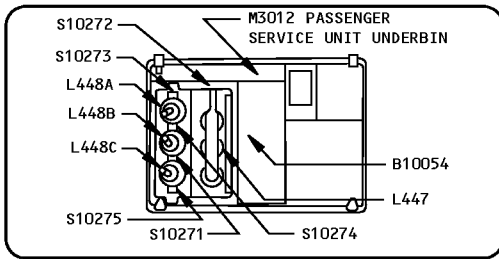
330



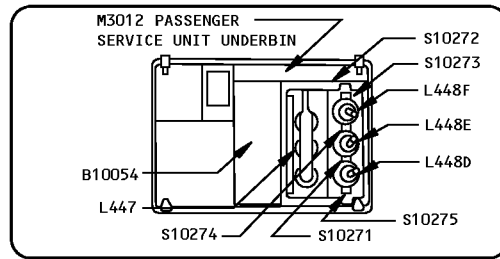
335



340



345



350



Full Underbin Passenger Service Unit Assembly
 IPL Figure 6 (Sheet 5 of 5)

25-23-30

ILLUSTRATED PARTS LIST

Page 1098.145

Jul 01/2007



COMPONENT MAINTENANCE MANUAL

FIG/ ITEM	PART NUMBER	AIRLINE PART NUMBER	NOMENCLATURE							USAGE CODE	UNITS PER ASSY
			1	2	3	4	5	6	7		
6-											
-1	417N3100-405SP									BK	RF
-1A	417N3100-433SP									BL	RF
-1B	417N3100-718SP									DC	RF
-1C	417N3100-742B									EE	RF
-1G	417N3100-744SP										
-5	417N3100-414SP									BM	RF
-5A	417N3100-450SP									BN	RF
-5B	417N3100-678SP									CH	RF
-5C	417N3100-720SP									DE	RF
-5D	417N3100-742SP										
-5E	417N3100-744B									EF	RF

-Item not Illustrated

25-23-30

ILLUSTRATED PARTS LIST

Page 1098.146

Jul 01/2007



COMPONENT MAINTENANCE MANUAL

FIG/ ITEM	PART NUMBER	AIRLINE PART NUMBER	NOMENCLATURE							USAGE CODE	UNITS PER ASSY	
			1	2	3	4	5	6	7			
6- 10	920056		.								BK-BN, CH, DC, DE, EE, EF	3
15	920055		.								BK-BN, CH, DC, DE, EE, EF	1
20	417N3100-25SP		.								BK-BN, CH, DC, DE	1
-20A	417N3100-25D		.								EE, EF	1
25	B0E20563A152		.	.							BK-BN, CH, DC, DE, EE, EF	1
30	10-60141-23T		.	.							BK-BN, CH, DC, DE, EE, EF	3
-30A	750801-002										DELETED	
-30B	3740-4		.	.							BK-BN, CH, DC, DE, EE, EF	3
-30C	3740-1		.	.							BK-BN, CH, DC, DE, EE, EF	3
-30D	3740-3		.	.							BK-BN, CH, DC, DE, EE, EF	3

-Item not Illustrated

25-23-30

ILLUSTRATED PARTS LIST

Page 1098.147

Jul 01/2007



COMPONENT MAINTENANCE MANUAL

FIG/ ITEM	PART NUMBER	AIRLINE PART NUMBER	NOMENCLATURE							USAGE CODE	UNITS PER ASSY	
			1	2	3	4	5	6	7			
6- -30E	3740-5		.	.	OUTLET (COLOR OPT-CUST PREFERENCE, DOVE GRAY) (V28406) (SPEC 10-60141-23W)						BK-BN, CH, DC, DE, EE, EF	3
35	PLT2MM		.	.	STRAP (V06383) (OPT ITEM 35A)						BK-BN, CH, DC, DE, EE, EF	3
-35A	PLT2MM2		.	.	STRAP (V06383) (OPT ITEM 35)						BK-BN, CH, DC, DE, EE, EF	3
40	417N3103-1		.	.	MANIFOLD ASSY						BK-BN, CH, DC, DE, EE, EF	1
45	417N3063-4		.	.	CONNECTOR						BK-BN, CH, DC, DE, EE, EF	1
50	417N3100-92		.		FASTENER ASSY						BK-BN, CH, DC, DE, EE, EF	1
55	NAS43DD3-18		.	.	SPACER						BK-BN, CH, DC, DE, EE, EF	4
60	NAS43DD3-20		.	.	SPACER						BK-BN, CH, DC, DE, EE, EF	4
65	BACW10P193G		.	.	WASHER						BK-BN, CH, DC, DE, EE, EF	8
70	BACN10YJ08		.	.	NUT						BK-BN, CH, DC, DE, EE, EF	13

-Item not Illustrated

25-23-30

ILLUSTRATED PARTS LIST

Page 1098.148

Jul 01/2007



COMPONENT MAINTENANCE MANUAL

FIG/ ITEM	PART NUMBER	AIRLINE PART NUMBER	NOMENCLATURE							USAGE CODE	UNITS PER ASSY											
			1	2	3	4	5	6	7													
6- 75	G6940-3B3		.	.	G	R	O	M	M	E	T	BK-BN, CH, DC, DE, EE, EF	5									
					(V75345)	(SPEC BACG20AF3B3)	(OPT SZ6924-3B3 (V95272))	(OPT 701-3B3 (V07096))	(OPT E3B3 (V60980))	(OPT H3B3 (V60980))	(OPT RR2002-3B3 (V57268))											
80	10-1006-1		.	L	I	G	H	T	-	R	E	A	D	I	BK, BL, DC, EE	1						
					(V72914)	(SPEC S417N302-1)																
-85	10-1006-2		.	L	I	G	H	T	-	R	E	A	D	I	BM, BN, CH, DE, EF	1						
					(V72914)	(SPEC S417N302-2)																
90	417N3105-9SP		.	M	O	D	U	L	E	A	S	S	-	S	V	C	E	BK-BN, CH, DC, DE	1			
-90A	417N3105-9D		.	M	O	D	U	L	E	A	S	S	-	S	V	C	E	EE, EF	1			
95	417N3122-111		.	.	B	R	A	C	K	E	T	A	S	S	BK-BN, CH, DC, DE, EE, EF	1						
100	82-47-108-15		.	.	.	C	L	I	P	(V84483)					BK-BN, CH, DC, DE, EE, EF	1						
105	417N3122-112		.	.	.	B	R	A	C	K	E	T			BK-BN, CH, DC, DE, EE, EF	1						
107	BACS21AQ6A6M		.	.	S	T	U	D							BK-BN, CH, DC, DE, EE, EF	4						
110	417N3101-6SP		.	.	M	O	D	U	L	E					BK-BN, CH, DC, DE, EE, EF	1						
115	417N3130-77SP		.	B	O	X	A	S	S	-	F	O	U	R	M	A	S	K	O	X	BK	1
					(REF CMM 35-21-02)																	
-115A	417N3130-71SP		.	B	O	X	A	S	S	-	F	O	U	R	M	A	S	K	O	X	BL	1
					(REF CMM 35-21-02)																	

-Item not Illustrated

25-23-30

ILLUSTRATED PARTS LIST

Page 1098.149

Jul 01/2007



COMPONENT MAINTENANCE MANUAL

FIG/ ITEM	PART NUMBER	AIRLINE PART NUMBER	NOMENCLATURE							USAGE CODE	UNITS PER ASSY
			1	2	3	4	5	6	7		
6-											
-115B	417N3130-143SP		.							DC	1
-115C	417N3130-143K		.							EE	1
-120	417N3130-80SP		.							BM	1
-120A	417N3130-72SP		.							BN	1
-120B	417N3130-120SP		.							CH	1
-120C	417N3130-144SP		.							DE	1
-120D	417N3130-144K		.							EF	1
125	BACR15BB4D10		.							BK-BN, CH, DC, DE, EE, EF	2
130	6100-12		.							BK-BN, CH, DC, DE, EE, EF	2
135	417N3180-1		.							BK-BN, CH, DC, DE, EE, EF	2
140	NAS607-2-8P		.	.						BK-BN, CH, DC, DE, EE, EF	1
145	NAS607-1-4P		.	.						BK-BN, CH, DC, DE, EE, EF	2
150	417N3181-1		.	.						BK-BN, CH, DC, DE, EE, EF	1

-Item not Illustrated

25-23-30

ILLUSTRATED PARTS LIST

Page 1098.150

Jul 01/2007



COMPONENT MAINTENANCE MANUAL

FIG/ ITEM	PART NUMBER	AIRLINE PART NUMBER	NOMENCLATURE							USAGE CODE	UNITS PER ASSY	
			1	2	3	4	5	6	7			
6- -150A	65-85902-1		.	.	LINK-ROCKER (OPT ITEM 150)						BK-BN, CH, DC, DE, EE, EF	1
155	65-85905-4		.	.	PLUNGER						BK-BN, CH, DC, DE, EE, EF	1
160	RCS3290		.	.	SPRING (V08205)						BK-BN, CH, DC, DE, EE, EF	1
165	417N3182-1		.	.	PLUNGER						BK-BN, CH, DC, DE, EE, EF	1
170	417N3180-3		.	.	PLUNGER-SPR						BK-BN, CH, DC, DE, EE, EF	2
175	RCS3289		.	.	SPRING (V08205)						BK-BN, CH, DC, DE, EE, EF	2
180	417N3183-1		.	.	CLAMP						BK-BN, CH, DC, DE, EE, EF	1
-185	AN960JD416L		.	.	WASHER (USED WITH ITEM 190)						BK-BN, CH, DC, DE, EE, EF	AR
-190	PLWP1S		.	.	TIE-PUSH MOUNT CABLE (V58417)						BK-BN, CH, DC, DE, EE, EF	AR
-195	NMC1001-0		.	.	CLAMP (V03296) (OPT ITEM 195A)						BK-BN, CH, DC, DE, EE, EF	2

-Item not Illustrated

25-23-30

ILLUSTRATED PARTS LIST

Page 1098.151

Jul 01/2007



COMPONENT MAINTENANCE MANUAL

FIG/ ITEM	PART NUMBER	AIRLINE PART NUMBER	NOMENCLATURE							USAGE CODE	UNITS PER ASSY	
			1	2	3	4	5	6	7			
6-												
-195A	BACC10DK3		.	CLAMP							BK-BN, CH, DC, DE, EE, EF	2
				(OPT ITEM 195)								
-200	61-33500-001		.	WIRE BUNDLE							BK-BN, CH	1
				(OPT ITEM 200A)								
-200A	286N0512-004		.	WIRE BUNDLE							BK-BN, CH, DC, DE	1
				(OPT ITEM 200)								
-200B	61-33500		.	WIRE BUNDLE							DC, DE	1
-200C	288N0174-601		.	WIRE BUNDLE							EE	1
-200D	288N0210-701		.	WIRE BUNDLE							EF	1
205	1TW2-3		.	SWITCH-TOGGLE							BK-BN, CH, DC, DE, EE, EF	1
				(V91929)								
210	417N3100-48		.	GENERATOR ASSY							BK, CH, DC, DE, EE, EF	1
-210A	417N3100-44		.	GENERATOR ASSY							BL	1
-215	417N3100-46		.	GENERATOR ASSY							BM	1
-215A	417N3100-44		.	GENERATOR ASSY							BN	1
220	417N3160-11		. .	BRACKET ASSY							BK-BN, CH, DC, DE, EE, EF	1
				ATTACHING PARTS								
225	BACS12FA08K6		. .	SCREW							BK-BN, CH, DC, DE, EE, EF	4
				----- * -----								
230	BACR15BA3D		. . .	RIVET							BK-BN, CH, DC, DE, EE, EF	4
				(SIZE DETERMINED ON INST)								

-Item not Illustrated

25-23-30

ILLUSTRATED PARTS LIST

Page 1098.152

Jul 01/2007



COMPONENT MAINTENANCE MANUAL

FIG/ ITEM	PART NUMBER	AIRLINE PART NUMBER	NOMENCLATURE							USAGE CODE	UNITS PER ASSY		
			1	2	3	4	5	6	7				
6- 235	417N3811-13		. . .								HINGE	BK-BN, CH, DC, DE, EE, EF	1
240	CS8024-08-1A		. . .								SCREW-CAPTIVE (V58998) (OPT ITEM 240A)	BK-BN, CH, DC, DE, EE, EF	1
-240A	FT1387P8-1-2		. . .								SCREW-CAPTIVE (V58794) (OPT ITEM 240)	BK-BN, CH, DC, DE, EE, EF	1
245	AN960KD416										DELETED		
245A	AN960JD416		. . .								WASHER	BK-BN, CH, DC, DE, EE, EF	1
250	A4972-6-82		. . .								NUT (V72962) (SPEC BACN10FX84) (OPT RM52LHA4972-6-82 (V72962)) (OPT SL211-08-1 (V97393)) (OPT 130008 (V60119)) (OPT A11330-6-82 (V72962))	BK-BN, CH, DC, DE, EE, EF	1
255	417N3160-12		. . .								PAD-INSULATION	BK-BN, CH, DC, DE, EE, EF	1
260	417N3161-7		. . .								BRACKET-MTG	BK-BN, CH, DC, DE, EE, EF	1
265	417N3160-13		. . .								PAD-INSULATION	BK-BN, CH, DC, DE, EE, EF	6
270	417N3136-99		. . .								BRACKET-MTG	BK-BN, CH, DC, DE, EE, EF	1

-Item not Illustrated

25-23-30

ILLUSTRATED PARTS LIST

Page 1098.153

Jul 01/2007



COMPONENT MAINTENANCE MANUAL

FIG/ ITEM	PART NUMBER	AIRLINE PART NUMBER	NOMENCLATURE							USAGE CODE	UNITS PER ASSY			
			1	2	3	4	5	6	7					
6- 275	117003-14		.	.								GENERATOR-CHEMICAL OXY (V16827) (SPEC S417T401-27)	BK, BL, CH, DC, DE, EE, EF	1
-275A	803000-04		.	.								GENERATOR-CHEMICAL OXY (V53655) (SPEC S417T401-33)	BK, BL, CH, DC, DE, EE, EF	1
-275B	117003-14		DELETED											
-275C	E71740-00		.	.								GENERATOR-CHEMICAL OXY (VD1379) (SPEC S417T401-44)	BK, BL, CH, DC, DE, DK, DP	1
-280	117003-13		.	.								GENERATOR-CHEMICAL OXY (V16827) (SPEC S417T401-26) (OPT ITEM 280A)	BM	1
-280A	803000-03		.	.								GENERATOR-CHEMICAL OXY (V53655) (SPEC S417T401-32) (OPT ITEM 280)	BM	1
-280B	117003-14		.	.								GENERATOR-CHEMICAL OXY (V16827) (SPEC S417T401-27)	BN	1
-280C	E71740-00		.	.								GENERATOR-CHEMICAL OXY (VD1379) (SPEC S417T401-44)	BN	1
285	417N3100-71		.									PAD-SPONGE	BK-BN, CH, DC, DE, EE, EF	2
290	417N3190-1		.									LANYARD ASSY	BK-BN, CH, DC, DE, EE, EF	1
295	GSC219		.	.								SLEEVE (V59730) (SPEC BACS13S219C) (OPT Y0C140 (V09922)) (OPT ITEM 295A)	BK-BN, CH, DC, DE, EE, EF	4

-Item not Illustrated

25-23-30

ILLUSTRATED PARTS LIST

Page 1098.154

Jul 01/2007



COMPONENT MAINTENANCE MANUAL

FIG/ ITEM	PART NUMBER	AIRLINE PART NUMBER	NOMENCLATURE							USAGE CODE	UNITS PER ASSY	
			1	2	3	4	5	6	7			
6- -295A	GSC205		.	.	SLEEVE (V59730) (SPEC BACS13S205C) (OPT Y0C130 (V09922)) (OPT ITEM 295)						BK-BN, CH, DC, DE, EE, EF	4
300	10-61790-1		.	.	HOOK (V08205)						BK-BN, CH, DC, DE, EE, EF	1
305	NAS43DD4-5		.	.	SPACER						BK-BN, CH, DC, DE, EE, EF	1
310	65C16899-6		.	.	SPRING						BK-BN, CH, DC, DE, EE, EF	1
315	417N3190-3		.	.	CORD-NYLON						BK-BN, CH, DC, DE, EE, EF	1
320	417N3110-77SP		.		FRAME ASSY (FOR DETAILS SEE FIG. 12)						BK, BL, DC	1
-320A	417N3110-77G		.		FRAME ASSY (FOR DETAILS SEE FIG. 12)						EE	1
-325	417N3110-78SP		.		FRAME ASSY (FOR DETAILS SEE FIG. 12)						BM, BN, CH, DE	1
-325A	417N3110-78G		.		FRAME ASSY (FOR DETAILS SEE FIG. 12)						EF	1
330	BAC27DPA2272		.		DECAL						BK-BN, CH, DC, DE, EE, EF	1
335	BAC27NPA0610		.		MARKER-ALUMINUM FOIL						BK, BL, DC, EE	1
340	BAC27NPA0609		.		MARKER-ALUMINUM FOIL						BM, BN, CH, DE, EF	1
345	BAC27NPA0645		.		MARKER-ALUMINUM FOIL						BK, BL, DC, EE	1

-Item not Illustrated

25-23-30

ILLUSTRATED PARTS LIST

Page 1098.155

Jul 01/2007



COMPONENT MAINTENANCE MANUAL

FIG/ ITEM	PART NUMBER	AIRLINE PART NUMBER	NOMENCLATURE							USAGE CODE	UNITS PER ASSY	
			1	2	3	4	5	6	7			
6- 350	BAC27NPA0644									. MARKER-ALUMINUM FOIL	BM, BN, CH, DE, EF	1

-Item not Illustrated

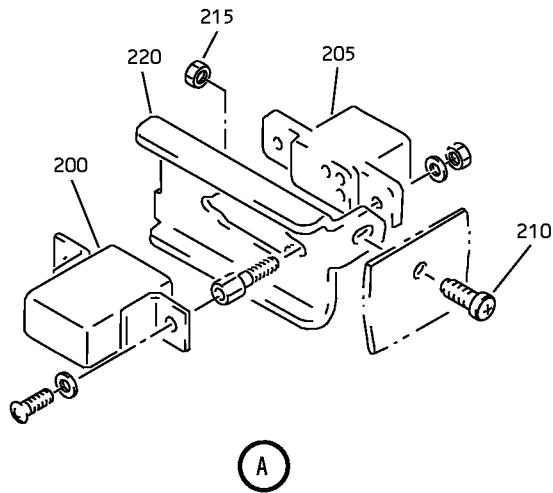
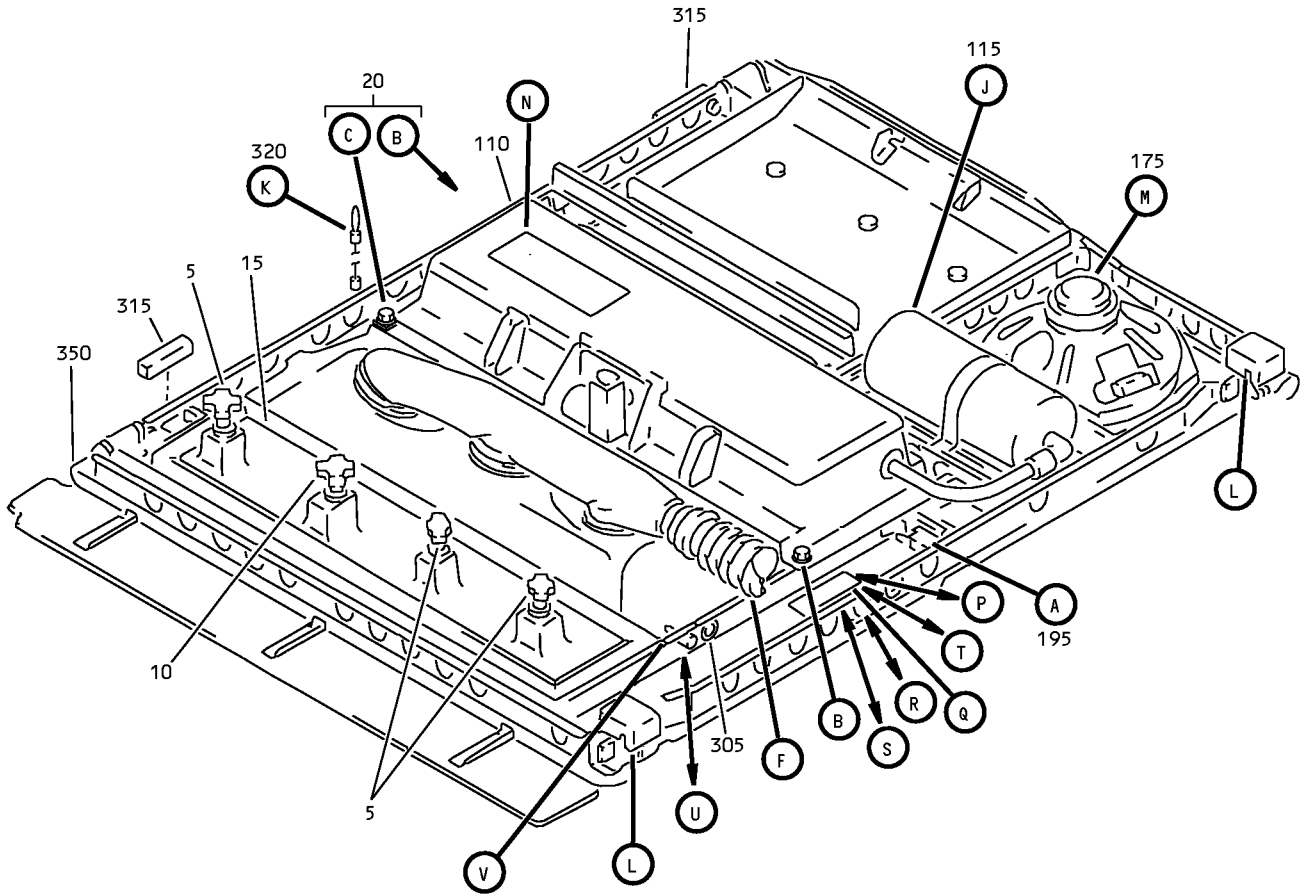
25-23-30

ILLUSTRATED PARTS LIST

Page 1098.156

Jul 01/2007

COMPONENT MAINTENANCE MANUAL



Full Underbin Passenger Service Unit Assembly
IPL Figure 7 (Sheet 1 of 6)

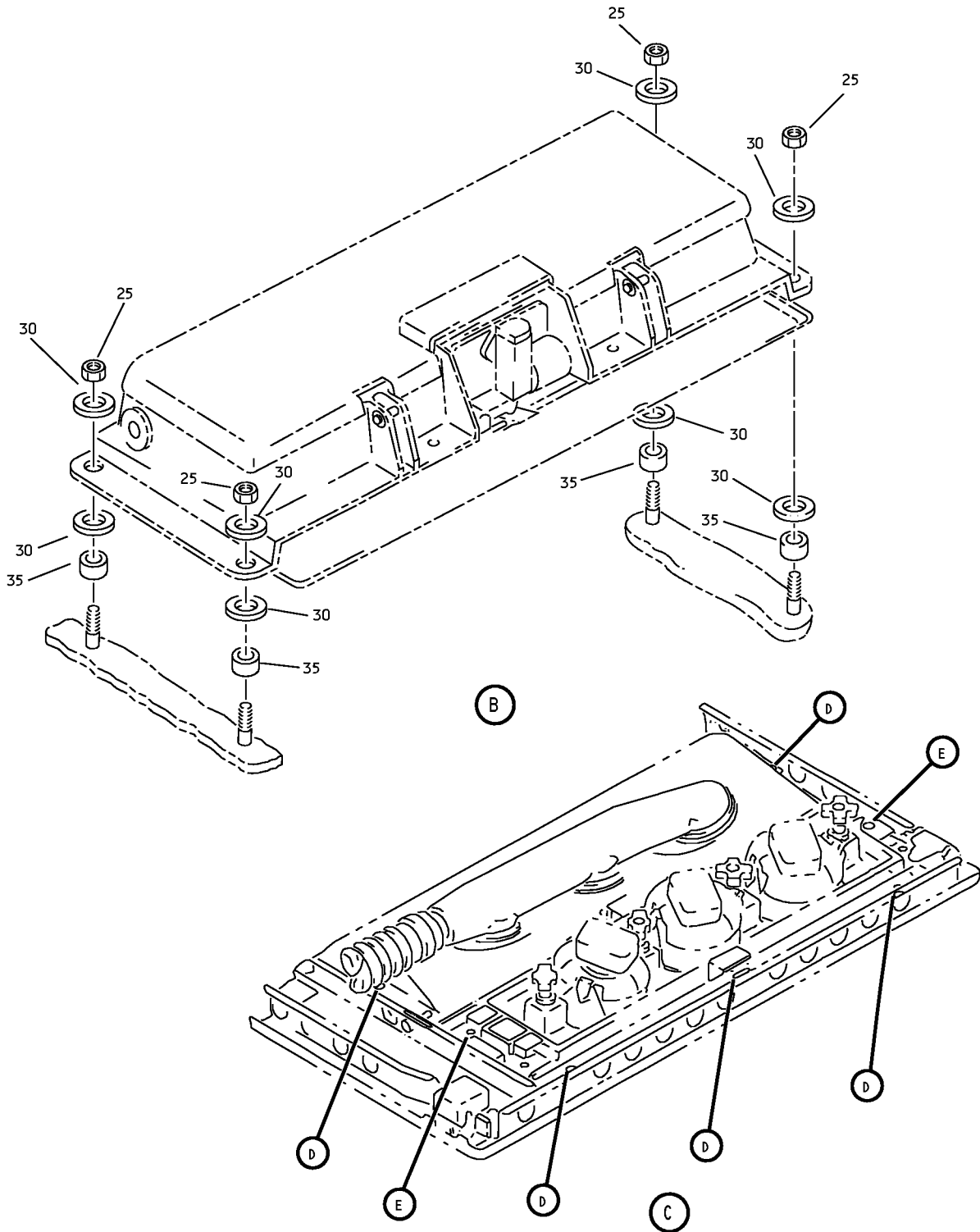
25-23-30

ILLUSTRATED PARTS LIST

Page 1098.157

Jul 01/2007

COMPONENT MAINTENANCE MANUAL



Full Underbin Passenger Service Unit Assembly
IPL Figure 7 (Sheet 2 of 6)

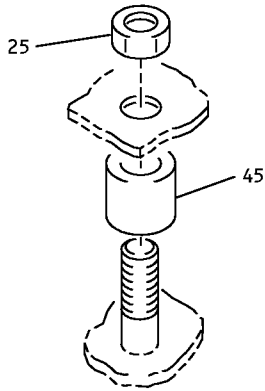
25-23-30

ILLUSTRATED PARTS LIST

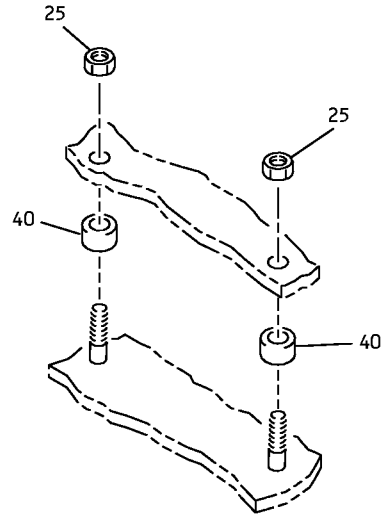
Page 1098.158

Jul 01/2007

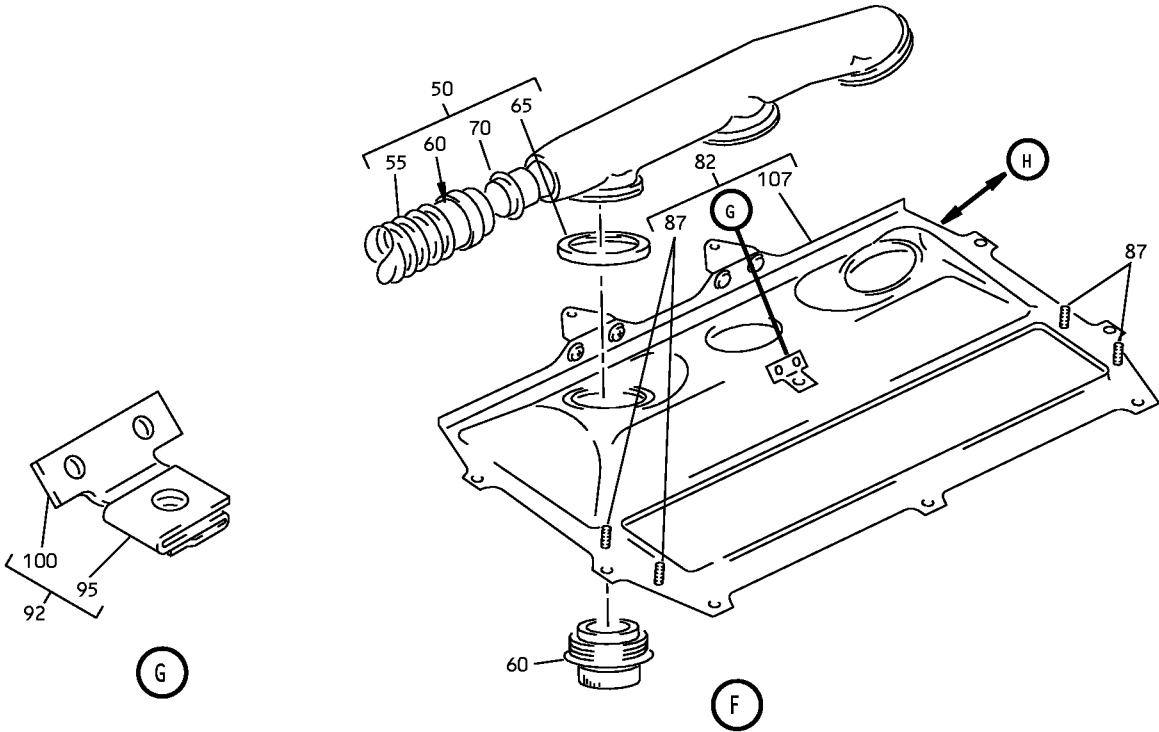
COMPONENT MAINTENANCE MANUAL



D



E



G

F

Full Underbin Passenger Service Unit Assembly
IPL Figure 7 (Sheet 3 of 6)

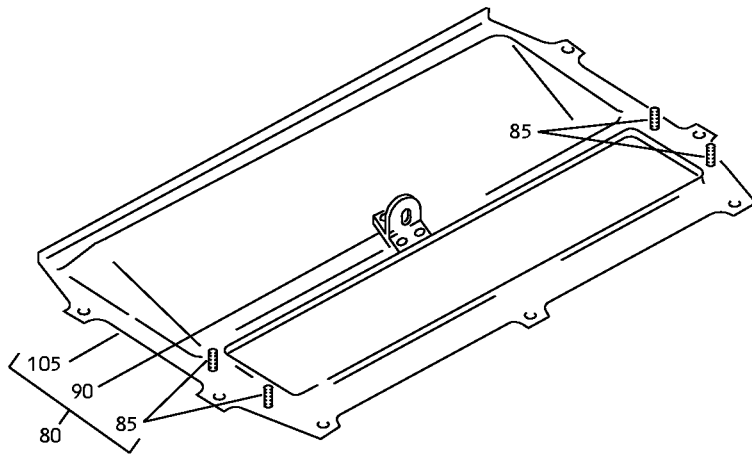
25-23-30

ILLUSTRATED PARTS LIST

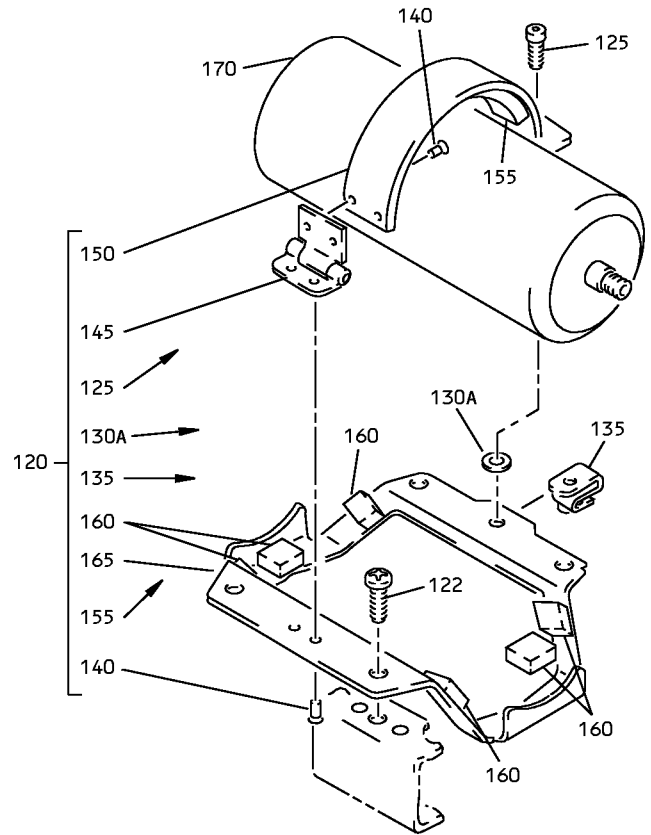
Page 1098.159

Jul 01/2007

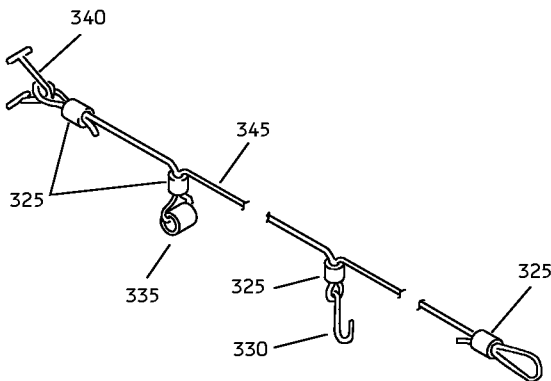
COMPONENT MAINTENANCE MANUAL



(H)



(J)



(K)

Full Underbin Passenger Service Unit Assembly
IPL Figure 7 (Sheet 4 of 6)

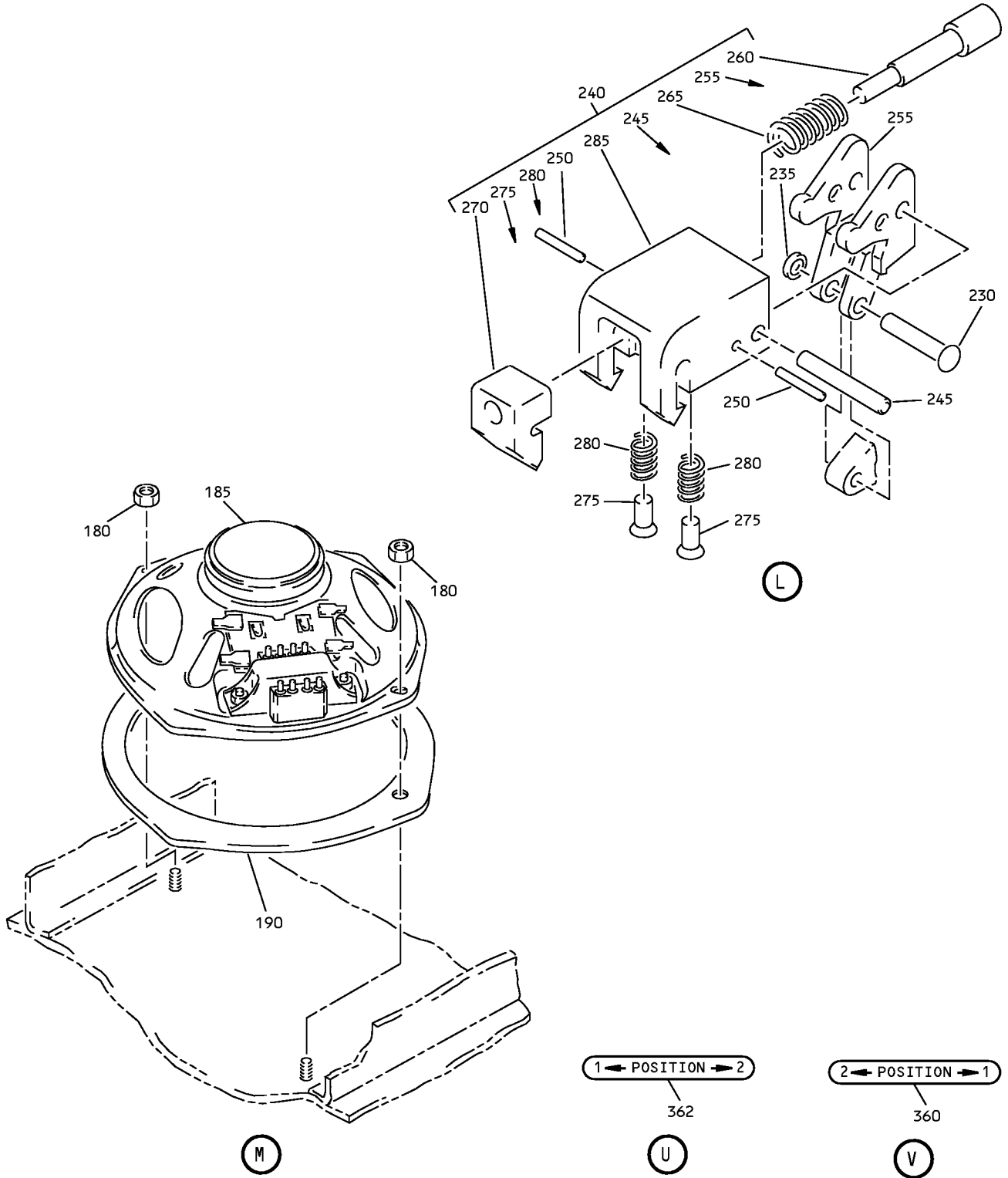
25-23-30

ILLUSTRATED PARTS LIST

Page 1098.160

Jul 01/2007

COMPONENT MAINTENANCE MANUAL



Full Underbin Passenger Service Unit Assembly
IPL Figure 7 (Sheet 5 of 6)

25-23-30

ILLUSTRATED PARTS LIST

Page 1098.161

Jul 01/2007

COMPONENT MAINTENANCE MANUAL

355

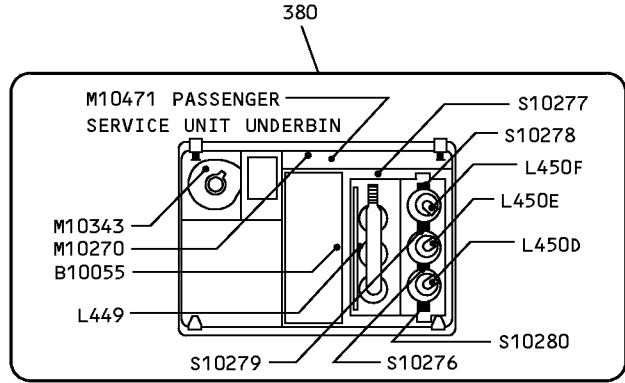
ATTENTION

FOR REMOVAL AND RELOCATION INFORMATION SEE MAINTENANCE MANUAL CHAPTER 25

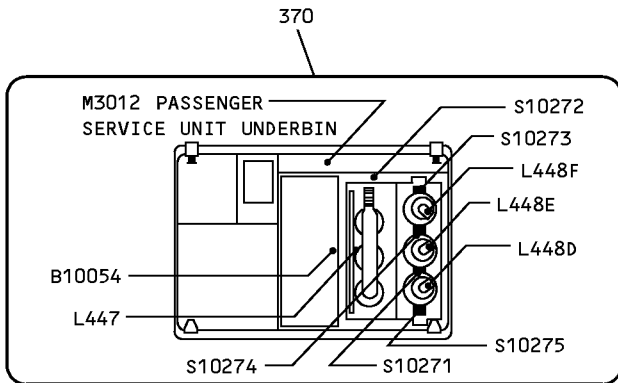
FOR MASK STOWAGE INSTRUCTIONS SEE MAINTENANCE MANUAL CHAPTER 35

FOR CLEANING INSTRUCTIONS SEE DOCUMENT D6-7127

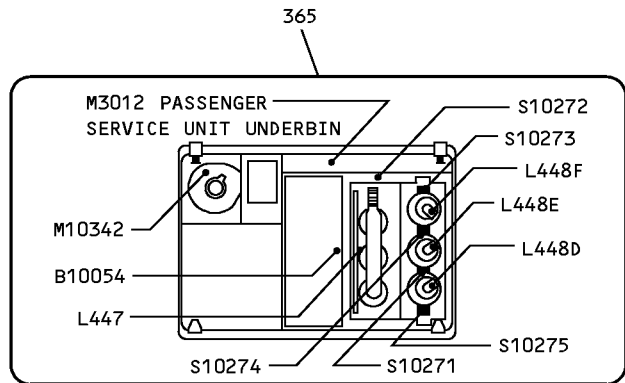
(N)



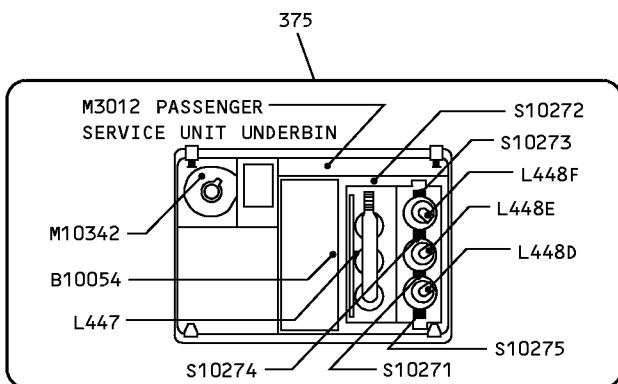
(P)



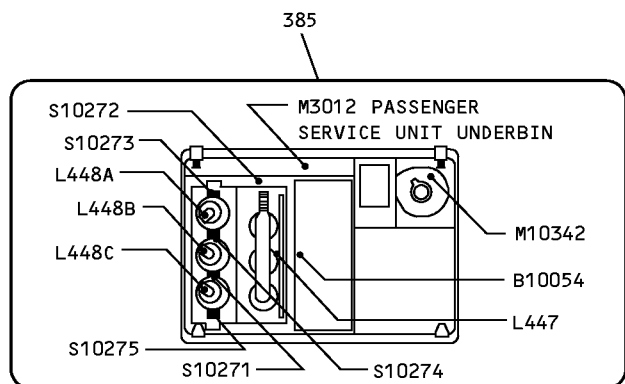
(R)



(Q)



(S)



(T)

Full Underbin Passenger Service Unit Assembly
IPL Figure 7 (Sheet 6 of 6)

25-23-30

ILLUSTRATED PARTS LIST

Page 1098.162

Jul 01/2007



COMPONENT MAINTENANCE MANUAL

FIG/ ITEM	PART NUMBER	AIRLINE PART NUMBER	NOMENCLATURE							USAGE CODE	UNITS PER ASSY
			1	2	3	4	5	6	7		
7-											
-1	417N3100-410SP										
-1A	417N3100-444SP										
-1B	417N3100-446SP										
-1C	417N3100-708SP										
-1D	417N3100-712SP										
-1E	417N3100-724SP										
-1F	417N3100-728SP										
-3	417N3100-707SP										
-3B	417N3100-723SP										
5	920056										

-Item not Illustrated

25-23-30

ILLUSTRATED PARTS LIST

Page 1098.163

Jul 01/2007



COMPONENT MAINTENANCE MANUAL

FIG/ ITEM	PART NUMBER	AIRLINE PART NUMBER	NOMENCLATURE							USAGE CODE	UNITS PER ASSY	
			1	2	3	4	5	6	7			
7-												
10	920055		.							SWITCH-ATTENDANT CALL (V07150)	BP-BR, CW, CX, CZ, DF- DH	1
15	10-1006-2		.							LIGHT-READING (V72914) (SPEC S417N302-2)	BP-BR, CW, CZ, DG, DH	1
-17	10-1006-1		.							LIGHT-READING (V72914) (SPEC S417N302-1)	CX, DF	1
20	417N3100-92		.							FASTENER ASSY	BP-BR, CW, CX, CZ, DF- DH	1
25	BACN10YJ08		.	.						NUT	BP-BR, CW, CX, CZ, DF- DH	13
30	BACW10P193G		.	.						WASHER	BP-BR, CW, CX, CZ, DF- DH	8
35	NAS43DD3-18		.	.						SPACER	CX, CZ, DF-DH	4
40	NAS43DD3-20		.	.						SPACER	BP-BR, CW, CX, CZ, DF- DH	4
45	G6940-3B3		.	.						GROMMET (V75345) (SPEC BACG20AF3B3) (OPT SZ6924-3B3 (V95272)) (OPT 701-3B3 (V07096)) (OPT E3B3 (V60980)) (OPT H3B3 (V60980)) (OPT RR2002-3B3 (V57268))	BP-BR, CW, CX, CZ, DF- DH	5
50	417N3100-25SP		.							AIR ASSY-GASPER	BP	1
55	B0E20563A152		.	.						DUCT (V16632) (SPEC BACD40P3A120)	BP	1
60	10-60141-23A									DELETED		

-Item not Illustrated

25-23-30

ILLUSTRATED PARTS LIST

Page 1098.164

Jul 01/2007



COMPONENT MAINTENANCE MANUAL

FIG/ ITEM	PART NUMBER	AIRLINE PART NUMBER	NOMENCLATURE							USAGE CODE	UNITS PER ASSY	
			1	2	3	4	5	6	7			
7-												
-60A	750801-002											
-60B	10-60141-23U											
60C	3740-1								..	OUTLET-AIR (COLOR OPT-CUST PREFERENCE (ZYTEL WT-07)) (V83564) (SPEC 10-60141-23A) (OPT 1707-23A (V83564)) (OPT L16999-16C (V17744))	BP	3
-60D	3740-4								..	OUTLET-AIR (COLOR OPT-CUST PREFERENCE, BEIGE) (V83564) (SPEC 10-60141-23S) (OPT 750801-002 (V28406))	BP	3
-60E	3740-3								..	OUTLET-AIR (COLOR OPT-CUST PREFERENCE, DARK GRAY) (V83564) (SPEC 10-60141-23U)	BP	3
-60F	10-60141-23T								..	OUTLET-AIR (COLOR OPT-CUST PREFERENCE, BEIGE)	BP	3
-60G	3740-5								..	OUTLET-AIR (COLOR OPT-CUST PREFERENCE, DOVE GRAY) (V83564) (SPEC 10-60141-23W)	BP	3
65	PLT2MM								..	STRAP (V06383) (OPT ITEM 065A)	BP	3
-65A	PLT2MM								..	STRAP (V06383) (OPT ITEM 065)	BP	3
70	417N3103-1								..	MANIFOLD ASSY	BP	1
75	417N3063-4								...	CONNECTOR	BP	1
80	417N3105-8SP								.	MODULE ASSY-SVCE	BQ, BR, CW, CX, CZ, DF- DH	1
82	417N3105-9SP								.	MODULE ASSY-SVCE	BP	1

-Item not Illustrated

25-23-30

ILLUSTRATED PARTS LIST

Page 1098.165

Jul 01/2007



COMPONENT MAINTENANCE MANUAL

FIG/ ITEM	PART NUMBER	AIRLINE PART NUMBER	NOMENCLATURE							USAGE CODE	UNITS PER ASSY
			1	2	3	4	5	6	7		
7-											
85	BACS21AQ6A6M		.	.	STUD					BP	4
87	BACS21AQ6A6M		.	.	STUD					BQ, BR, CW, CX, CZ, DF- DH	4
90	417N3122-53		.	.	BRACKET					BQ, BR, CW, CX, CZ, DF- DH	1
92	417N3122-111		.	.	BRACKET ASSY					BP	1
95	82-47-108-15		.	.	CLIP (V84483)					BP	1
100	417N3122-112		.	.	BRACKET					BP	1
105	417N3101-5SP		.	.	MODULE					BQ, BR, CW, CX, CZ, DF- DH	1
107	417N3101-6SP		.	.	MODULE					BP	1
110	417N3130-80SP		.		BOX ASSY-FOUR MASK OXY (REF CMM 35-21-02)					BP	1
-110A	417N3130-74SP		.		BOX ASSY-FOUR MASK OXY (REF CMM 35-21-02)					BQ, BR, CW	1
-110B	417N3130-76SP		.		BOX ASSY-THREE MASK OXY (REF CMM 35-21-02)					CZ	1
-111	417N3130-143SP		.		BOX ASSY-THREE MASK OXY (REF CMM 35-21-02)					DF	1
-111A	417N3130-144SP		.		BOX ASSY-THREE MASK OXY (REF CMM 35-21-02)					DG	1
-111B	417N3130-146SP		.		BOX ASSY-THREE MASK OXY (REF CMM 35-21-02)					DH	1
-112	417N3130-73SP		.		BOX ASSY-FOUR MASK OXY (REF CMM 35-21-02)					CX	1
115	417N3100-46		.		GENERATOR ASSY					BP, CZ, DH	1
-115A	417N3100-48		.		GENERATOR ASSY					BQ, BR, CW, CX, DF, DG	1

-Item not Illustrated

25-23-30

ILLUSTRATED PARTS LIST

Page 1098.166

Jul 01/2007



COMPONENT MAINTENANCE MANUAL

FIG/ ITEM	PART NUMBER	AIRLINE PART NUMBER	NOMENCLATURE							USAGE CODE	UNITS PER ASSY	
			1	2	3	4	5	6	7			
7- 120	417N3160-11		.	.							BP-BR, CW, CX, CZ, DF- DH	1
			ATTACHING PARTS									
122	BACS12FA08K6		.	.							BP-BR, CW, CX, CZ, DF- DH	4
			----- *									
125	FT1387P8-1-2		.	.	.						BP-BR, CW, CX, CZ, DF- DH	1
-125A	CS802408-1A		.	.	.						BP-BR, CW, CX, CZ, DF- DH	1
130	AN960KD416		DELETED									
130A	AN960JD416		.	.	.						BP-BR, CW, CX, CZ, DF- DH	1
135	A4972-6-82		.	.	.						BP-BR, CW, CX, CZ, DF- DH	1
140	BACR15BA3D		.	.	.						BP-BR, CW, CX, CZ, DF- DH	4
145	417N3811-13		.	.	.						BP-BR, CW, CX, CZ, DF- DH	1
150	417N3161-7		.	.	.						BP-BR, CW, CX, CZ, DF- DH	1

-Item not Illustrated

25-23-30

ILLUSTRATED PARTS LIST

Page 1098.167

Jul 01/2007



COMPONENT MAINTENANCE MANUAL

FIG/ ITEM	PART NUMBER	AIRLINE PART NUMBER	NOMENCLATURE							USAGE CODE	UNITS PER ASSY
			1	2	3	4	5	6	7		
7-											
155	417N3160-12		.	.	.	PAD-INSULATION				BP-BR, CW, CX, CZ, DF- DH	1
160	417N3160-13		.	.	.	PAD-INSULATION				BP-BR, CW, CX, CZ, DF- DH	6
165	417N3136-99		.	.	.	BRACKET				BP-BR, CW, CX, CZ, DF- DH	1
170	117003-13		.	.	GENERATOR-CHEMICAL OXY (V16827) (SPEC S417T401-26) (OPT ITEM 170A)					BP, CZ, DH	1
-170A	803000-03		.	.	GENERATOR-CHEMICAL OXY (V53655) (SPEC S417T401-32) (OPT ITEM 170)					BP, CZ, DH	1
-170B	117003-14		.	.	GENERATOR-CHEMICAL OXY (V16827) (SPEC S417T401-27)					BQ, BR, CW, CX, DF, DG	1
-170C	803000-04		.	.	GENERATOR-CHEMICAL OXY (V53655) (SPEC S417T401-33)					BQ, BR, CW, CX, DF, DG	1
-170D	E71740-00		.	.	GENERATOR-CHEMICAL OXY (VD1379) (SPEC S417T401-44)					BQ, BR, CW, CX, DF, DG	1
175	417N3100-17		.	SPEAKER ASSY						BP, BQ, CW, CX, CZ, DF- DH	1
180	BACN10YJ08		.	NUT						BP, BQ, CW, CX, CZ, DF- DH	2
185	RDAM8005A		.	SPEAKER (V54473) (SPEC S222T101-101) (OPT ITEM 185A)						BP, BQ, CW, CX, CZ, DF- DH	1

-Item not Illustrated

25-23-30

ILLUSTRATED PARTS LIST

Page 1098.168

Jul 01/2007



COMPONENT MAINTENANCE MANUAL

FIG/ ITEM	PART NUMBER	AIRLINE PART NUMBER	NOMENCLATURE							USAGE CODE	UNITS PER ASSY		
			1	2	3	4	5	6	7				
7- -185A	RDAM8018		.	.	S	P	E	A	K	E	R	BP, BQ, CW, CX, CZ, DF- DH	1
190	417N3104-2		.	.	G	A	S	K	E	T		BP, BQ, CW, CX, CZ, DF- DH	1
195	417N3100-19		.	M	U	T	I	N	G	A	S	BP, CZ, DH	1
200	3SAV1338A2		.	.	R	E	L	A	Y			BP, CZ, DH	1
205	451120-026		.	.	S	O	C	K	E	T		BP, CZ, DH	1
210	BACS12FA08K14		.	.	S	C	R	E	W			BP, CZ, DH	1
215	BACN10YJ08		.	.	N	U	T					BP, CZ, DH	1
220	417N3121-138		.	.	B	R	A	C	K	E	T	BP, CZ, DH	1
230	BACR15BB4D10		.	R	I	V	E	T				BP-BR, CW, CX, CZ	2
235	6100-12		.	R	E	T	A	I	N	E	R	BP-BR, CW, CX, CZ, DF- DH	2
240	417N3180-1		.	C	L	A	M	P	A	S	S	BP-BR, CW, CX, CZ, DF- DH	2
245	NAS607-2-8P		.	.	P	I	N	-	D	O	W	BP-BR, CW, CX, CZ, DF- DH	1

-Item not Illustrated

25-23-30

ILLUSTRATED PARTS LIST

Page 1098.169

Jul 01/2007



COMPONENT MAINTENANCE MANUAL

FIG/ ITEM	PART NUMBER	AIRLINE PART NUMBER	NOMENCLATURE							USAGE CODE	UNITS PER ASSY	
			1	2	3	4	5	6	7			
7-												
250	NAS607-1-4P		.	.							BP-BR, CW, CX, CZ, DF- DH	2
255	417N3181-1		.	.							BP-BR, CW, CX, CZ, DF- DH	1
-255A	65-85902-1		.	.							BP-BR, CW, CX, CZ, DF- DH	1
260	65-85905-4		.	.							BP-BR, CW, CX, CZ, DF- DH	1
265	RCS3290		.	.							BP-BR, CW, CX, CZ, DF- DH	1
270	417N3182-1		.	.							BP-BR, CW, CX, CZ, DF- DH	1
275	417N3180-3		.	.							BP-BR, CW, CX, CZ, DF- DH	2
280	RCS3289		.	.							BP-BR, CW, CX, CZ, DF- DH	2
285	417N3183-1		.	.							BP-BR, CW, CX, CZ, DF- DH	1
-290	AN960JD416L		.								BP, BQ, CW, CX, CZ, DF- DH	AR
-292	AN960JD416L		.								BR	AR

-Item not Illustrated

25-23-30

ILLUSTRATED PARTS LIST

Page 1098.170

Jul 01/2007



COMPONENT MAINTENANCE MANUAL

FIG/ ITEM	PART NUMBER	AIRLINE PART NUMBER	NOMENCLATURE							USAGE CODE	UNITS PER ASSY
			1	2	3	4	5	6	7		
7-											
-295	PLWP1S		.	TIE-PUSH MOUNT CABLE (V58417)						BP, BQ, CW, CX, CZ, DF- DH	AR
-297	PLWP1S		.	TIE-PUSH MOUNT CABLE (V58417)						BR	AR
-300	NMC1001-0		.	CLAMP (V03296) (OPT ITEM 300A)						BP-BR, CW, CX, CZ, DF- DH	2
-300A	BACC10DK3		.	CLAMP (OPT ITEM 300)						BP-BR, CW, CX, CZ, DF- DH	2
305	1TW2-3		.	SWITCH-TOGGLE (V91929)						BP-BR, CW, CX, CZ, DF- DH	1
-310	286N0514-003		.	WIRE BUNDLE						BP, CZ, DH	1
-310A	61-33500-001		.	WIRE BUNDLE (OPT ITEM 310B)						BQ, BR	1
-310B	286N0512-004		.	WIRE BUNDLE (OPT ITEM 310A)						BQ, BR	1
-310C	286N0512-008		.	WIRE BUNDLE (OPT ITEM 310D)						CW, CX, DF, DG	1
-310D	61-33500-002		.	WIRE BUNDLE (OPT ITEM 310C)						CW, CX, DF, DG	1
315	417N3100-71		.	PAD						BP-BR, CW, CX, CZ, DF- DH	2
320	417N3190-1		.	LANYARD ASSY						BP-BR, CW, CX, CZ, DF- DH	1
325	GSC205		.	SLEEVE (V59730) (SPEC BACS13S205C) (OPT Y0C130 (V09922)) (OPT ITEM 325A)						BP-BR, CW, CX, CZ, DF- DH	4

-Item not Illustrated

25-23-30

ILLUSTRATED PARTS LIST

Page 1098.171

Jul 01/2007



COMPONENT MAINTENANCE MANUAL

FIG/ ITEM	PART NUMBER	AIRLINE PART NUMBER	NOMENCLATURE							USAGE CODE	UNITS PER ASSY	
			1	2	3	4	5	6	7			
7- -325A	GSC219		.	.	SLEEVE (V59730) (SPEC BACS13S219C) (OPT Y0C140 (V09922)) (OPT ITEM 325)						BP-BR, CW, CX, CZ, DF- DH	4
330	10-61790-1		.	.	HOOK (V08205)						BP-BR, CW, CX, CZ, DF- DH	1
335	NAS43DD4-5		.	.	SPACER						BP-BR, CW, CX, CZ, DF- DH	1
340	65C16899-6		.	.	SPRING						BP-BR, CW, CX, CZ, DF- DH	1
345	417N3190-3		.	.	CORD						BP-BR, CW, CX, CZ, DF- DH	1
350	417N3110-78SP		.		FRAME ASSY (FOR DETAILS SEE FIG.12)						BP-BR, CW, CZ, DG, DH	1
-352	417N3110-77SP		.		FRAME ASSY (FOR DETAILS SEE FIG.12)						CX, DF	1
355	BAC27DPA2272		.		DECAL-VINYL						BP-BR, CW, CX, CZ, DF- DH	1
360	BAC27NPA0609		.		MARKER-ALUMINUM FOIL						BP-BR, CW, CZ, DG, DH	1
362	BAC27NPA0610		.		MARKER-ALUMINUM FOIL						CX, DF	1
365	BAC27NPA0646		.		MARKER-ALUMINUM FOIL						BP	1
370	BAC27NPA0674		.		MARKER-ALUMINUM FOIL						BR	1
375	BAC27NPA0676		.		MARKER-ALUMINUM FOIL						BQ, CW, DG	1
380	BAC27NPA0667		.		MARKER-ALUMINUM FOIL						CZ, DH	1
385	BAC27NPA0677		.		MARKER-ALUMINUM FOIL						CX, DF	1

-Item not Illustrated

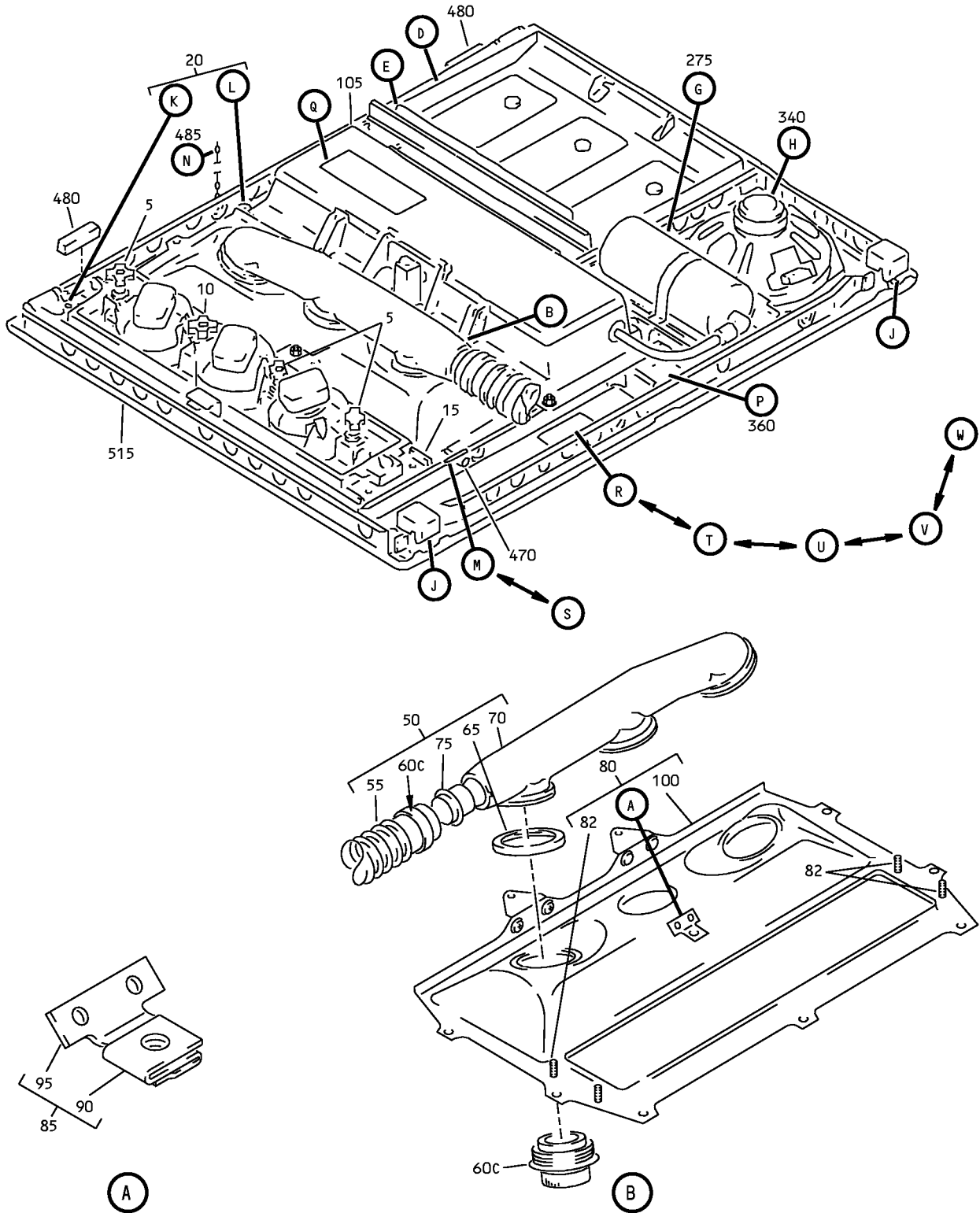
25-23-30

ILLUSTRATED PARTS LIST

Page 1098.172

Jul 01/2007

COMPONENT MAINTENANCE MANUAL



Full Underbin Passenger Service Unit Assembly
IPL Figure 8 (Sheet 1 of 8)

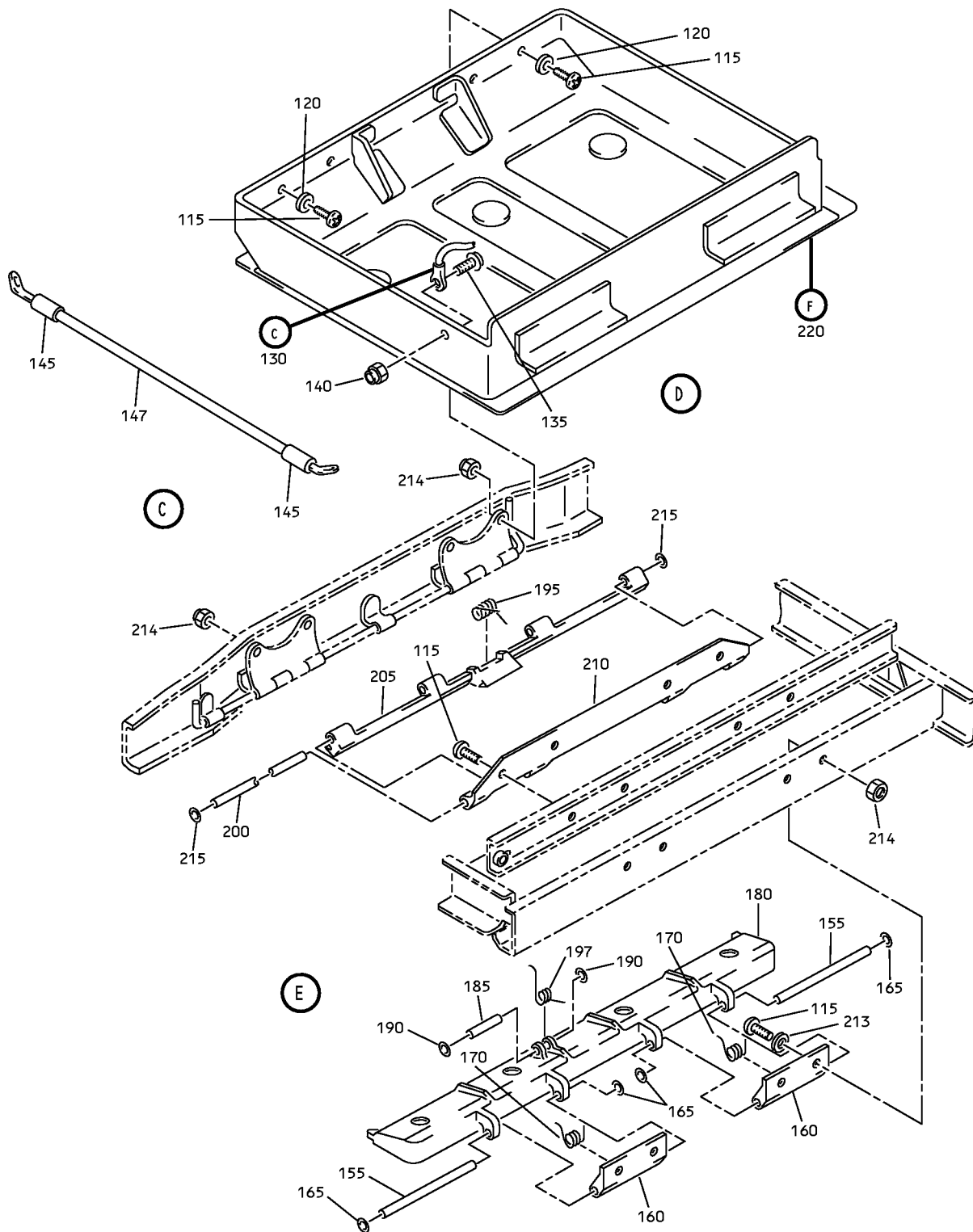
25-23-30

ILLUSTRATED PARTS LIST

Page 1098.173

Jul 01/2007

COMPONENT MAINTENANCE MANUAL



Full Underbin Passenger Service Unit Assembly
IPL Figure 8 (Sheet 2 of 8)

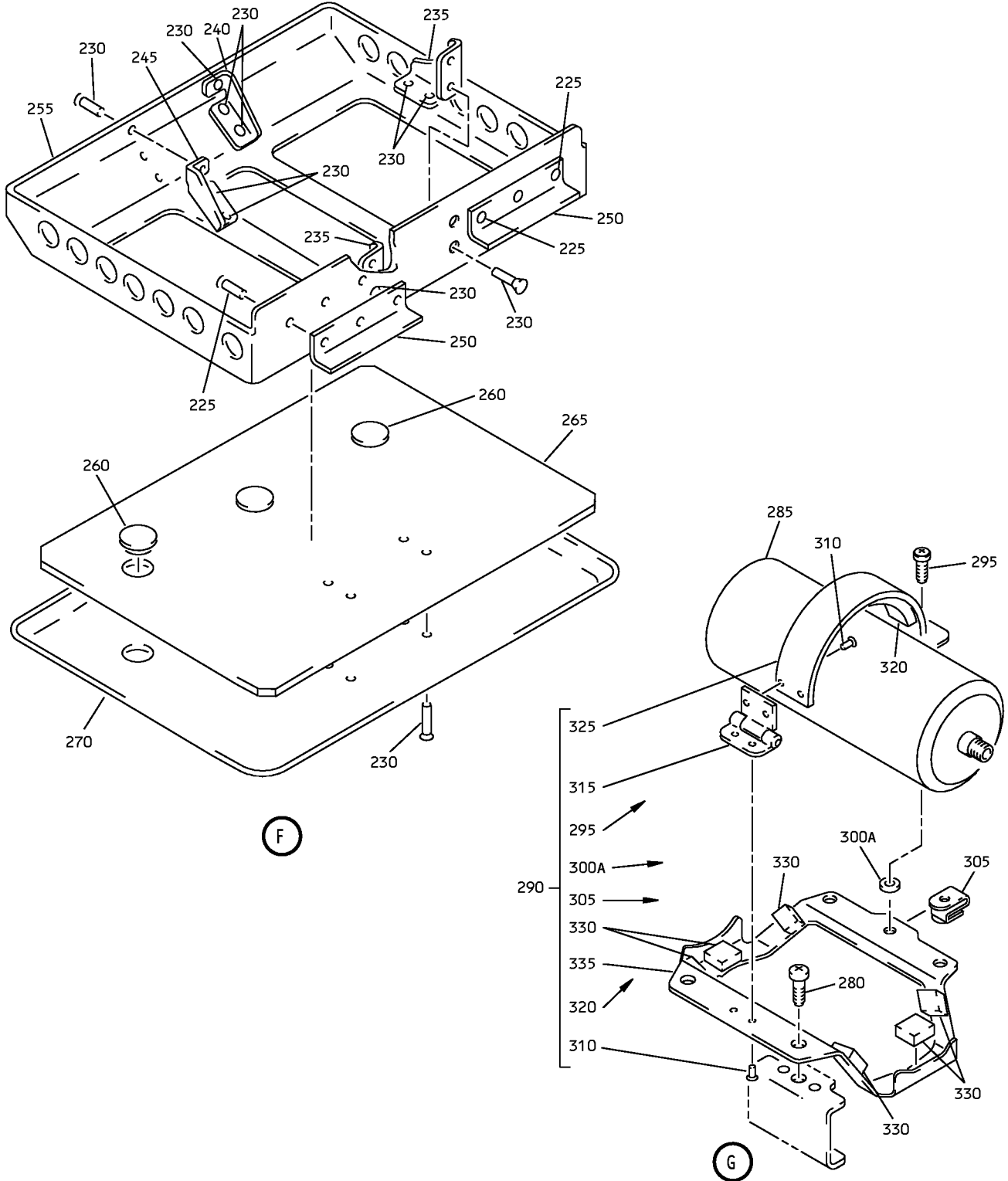
25-23-30

ILLUSTRATED PARTS LIST

Page 1098.174

Jul 01/2007

COMPONENT MAINTENANCE MANUAL



Full Underbin Passenger Service Unit Assembly
IPL Figure 8 (Sheet 3 of 8)

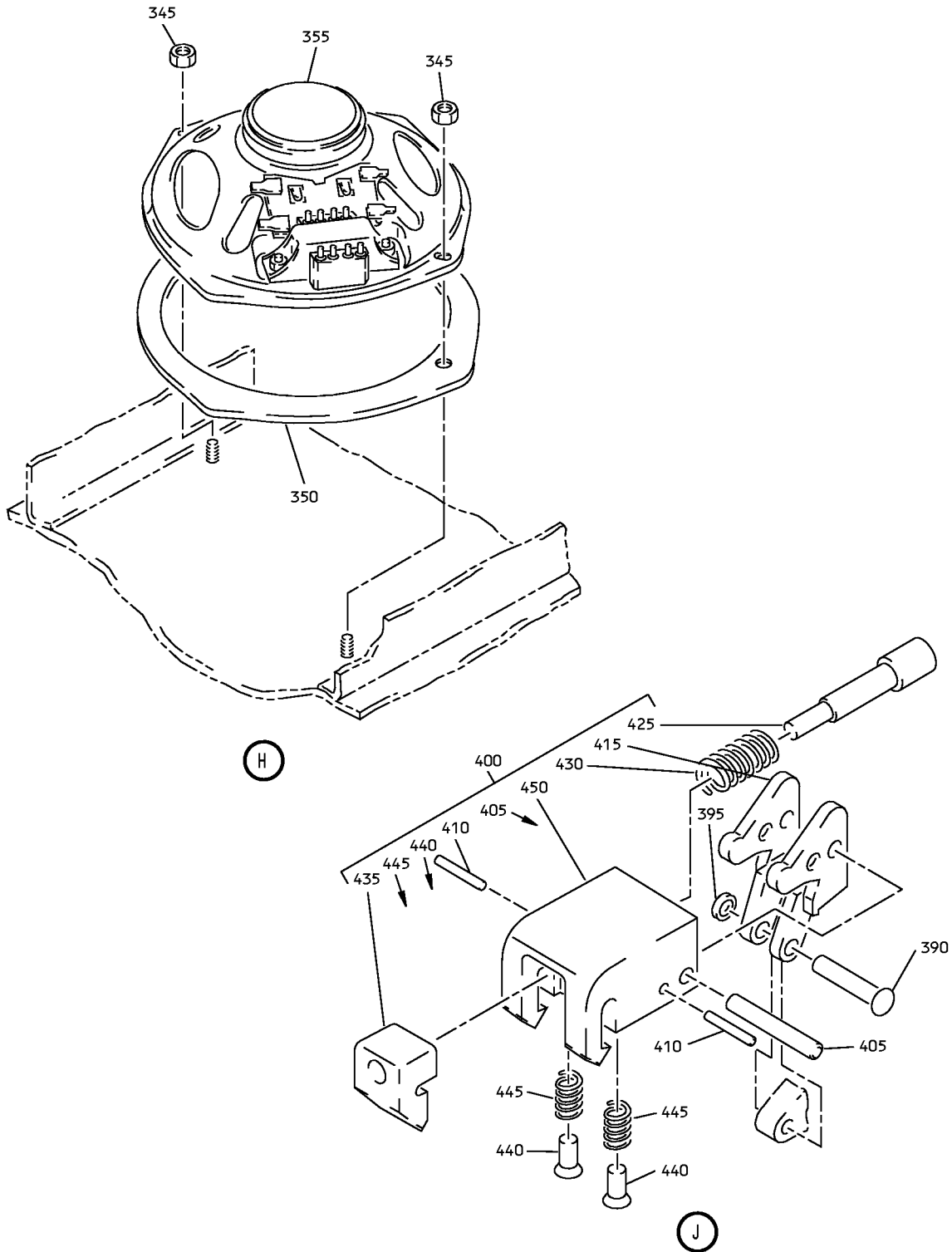
25-23-30

ILLUSTRATED PARTS LIST

Page 1098.175

Jul 01/2007

COMPONENT MAINTENANCE MANUAL



Full Underbin Passenger Service Unit Assembly
IPL Figure 8 (Sheet 4 of 8)

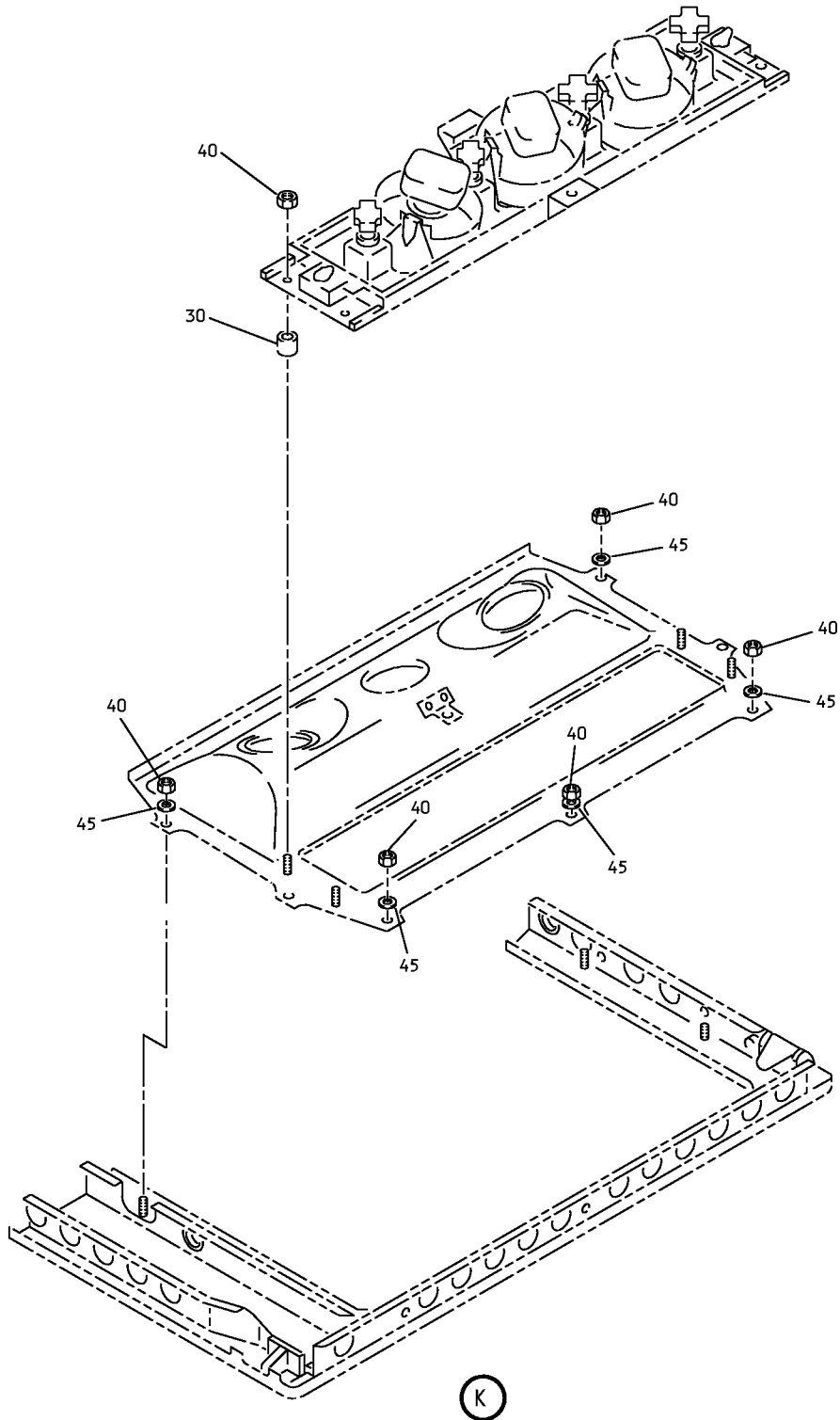
25-23-30

ILLUSTRATED PARTS LIST

Page 1098.176

Jul 01/2007

COMPONENT MAINTENANCE MANUAL



Full Underbin Passenger Service Unit Assembly
IPL Figure 8 (Sheet 5 of 8)

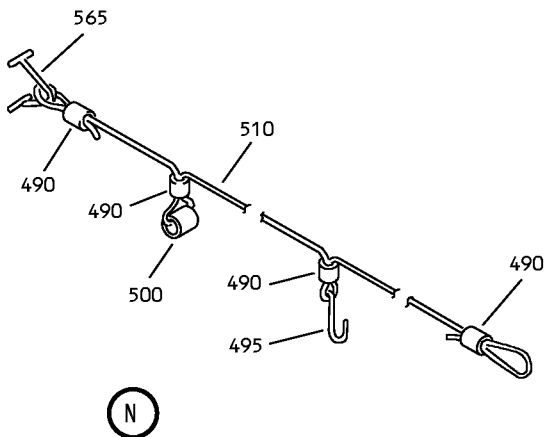
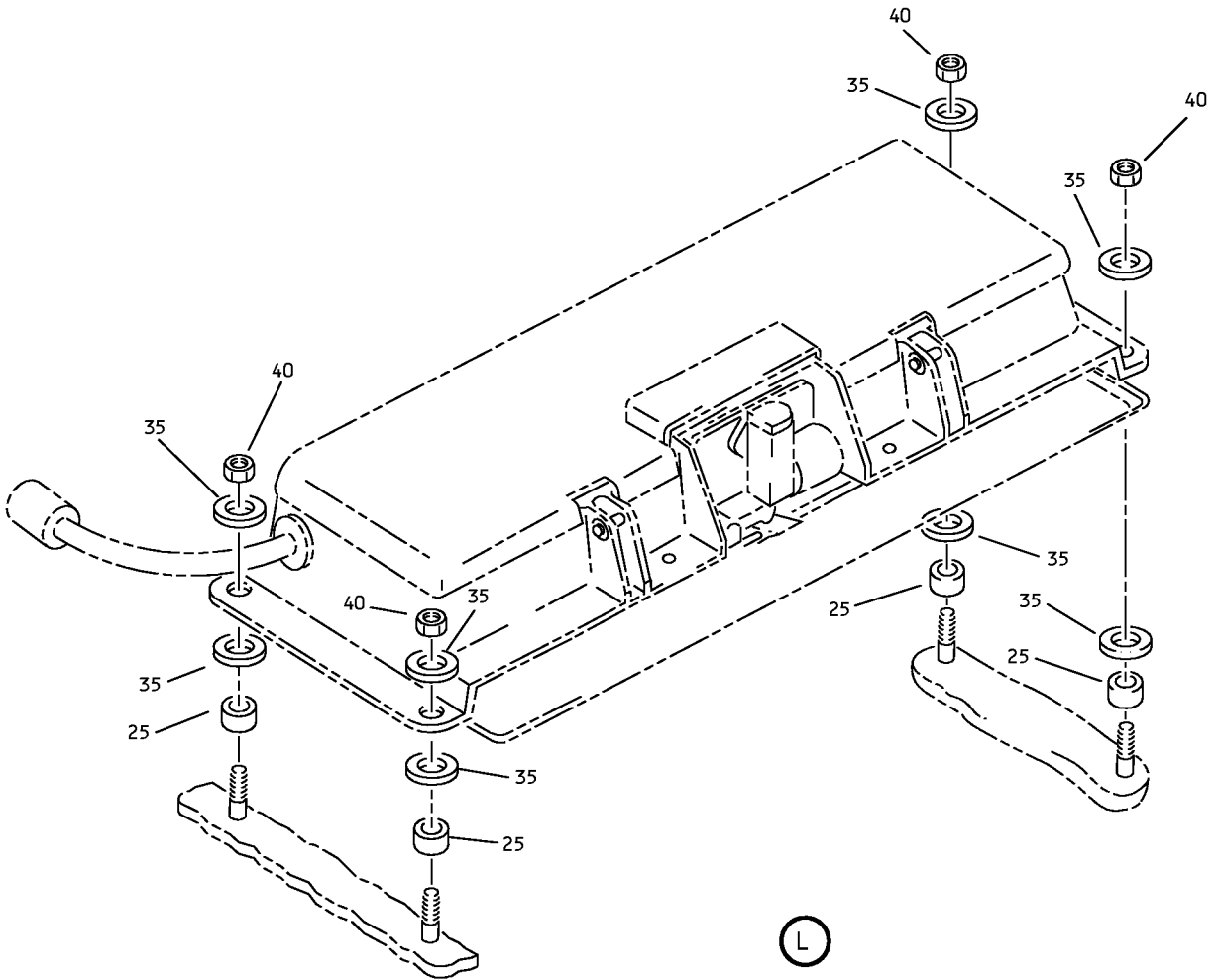
25-23-30

ILLUSTRATED PARTS LIST

Page 1098.177

Jul 01/2007

COMPONENT MAINTENANCE MANUAL



(L)

2 ← POSITION → 1

(M)

Full Underbin Passenger Service Unit Assembly
IPL Figure 8 (Sheet 6 of 8)

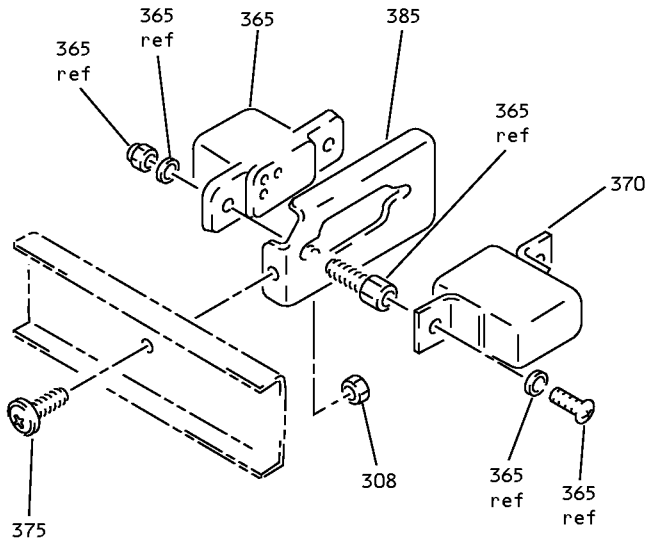
25-23-30

ILLUSTRATED PARTS LIST

Page 1098.178

Jul 01/2007

COMPONENT MAINTENANCE MANUAL



P

ATTENTION

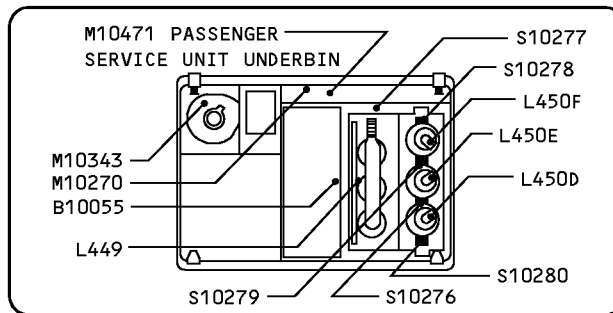
FOR REMOVAL AND RELOCATION INFORMATION SEE MAINTENANCE MANUAL CHAPTER 25

FOR MASK STORAGE INSTRUCTIONS SEE MAINTENANCE MANUAL CHAPTER 35

FOR CLEANING INSTRUCTIONS SEE DOCUMENTS D6-7127

520

Q



530

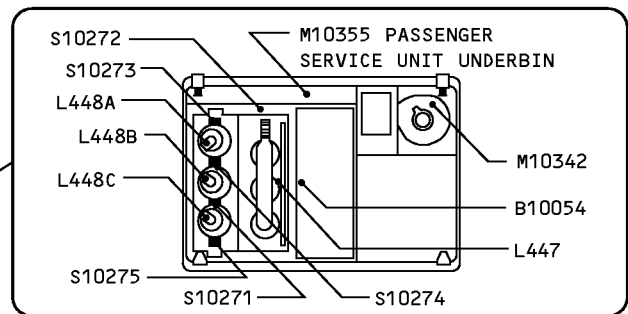
R

1 ← POSITION → 2

535

S

540



T

Full Underbin Passenger Service Unit Assembly
IPL Figure 8 (Sheet 7 of 8)

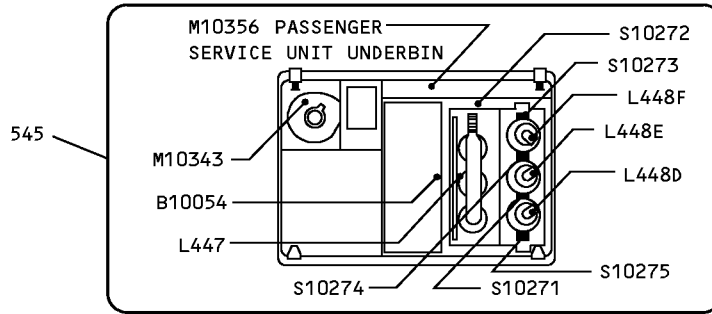
25-23-30

ILLUSTRATED PARTS LIST

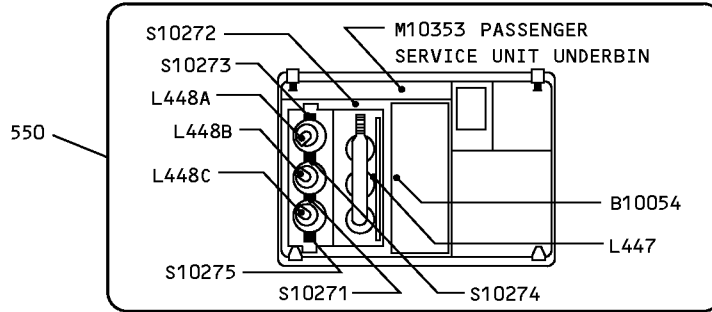
Page 1098.179

Jul 01/2007

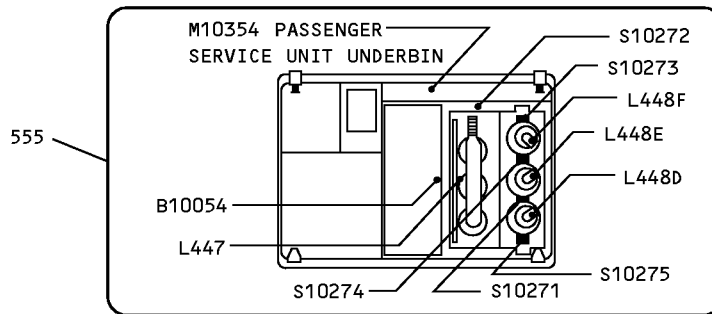
COMPONENT MAINTENANCE MANUAL



U



V



W

Full Underbin Passenger Service Unit Assembly
IPL Figure 8 (Sheet 8 of 8)

25-23-30

ILLUSTRATED PARTS LIST

Page 1098.180

Jul 01/2007



COMPONENT MAINTENANCE MANUAL

FIG/ ITEM	PART NUMBER	AIRLINE PART NUMBER	NOMENCLATURE							USAGE CODE	UNITS PER ASSY
			1	2	3	4	5	6	7		
8-											
-1	417N3100-472SP										
-1A	417N3100-735SP										
-1B	417N3100-736SP										
-1C	417N3100-735B								DV	RF	
-1D	417N3100-736B								DX	RF	
-3	417N3100-472SP								BS	RF	
-3A	417N3100-737SP										
-3B	417N3100-738SP										
-3C	417N3100-737B								DW	RF	
-3D	417N3100-738B								DY	RF	
5	920056								BS, DV- DY	3	
10	920055								BS, DV- DY	1	
12	10-1006-1								DV, DX	1	
-15	10-1006-2								BS, DW, DY	1	
-15A	10-1006-1										

-Item not Illustrated

25-23-30

ILLUSTRATED PARTS LIST

Page 1098.181

Jul 01/2007



COMPONENT MAINTENANCE MANUAL

FIG/ ITEM	PART NUMBER	AIRLINE PART NUMBER	NOMENCLATURE							USAGE CODE	UNITS PER ASSY		
			1	2	3	4	5	6	7				
8-													
20	417N3100-92		.								FASTENER ASSY	BS, DV-DY	1
25	NAS43DD3-18		.	.							SPACER	BS, DV-DY	4
30	NAS43DD3-20		.	.							SPACER	BS, DV-DY	4
35	BACW10P193G		.	.							WASHER	BS, DV-DY	8
40	BACN10YJ08		.	.							NUT	BS, DV-DY	13
45	G6940-3B3		.	.							GROMMET (V75345) (SPEC BACG20AF3B3) (OPT SZ6924-3B3 (V95272)) (OPT 701-3B3 (V07096)) (OPT E3B3 (V60980)) (OPT H3B3 (V60980)) (OPT RR2002-3B3 (V57268))	BS, DV-DY	5
47	417N3100-25C		.								AIR ASSY-GASPER	DV, DX	1
-50	417N3100-25SP		.								AIR ASSY-GASPER	BS	1
-50A	417N3100-25C		.								AIR ASSY-GASPER	DW, DY	1
55	B0E20563A152		.	.							DUCT (V16632) (SPEC BACD40P3A120)	BS, DV-DY	1
60	10-60141-23A										DELETED		
-60A	750801-002										DELETED		
-60B	10-60141-23U										DELETED		
60C	3740-1		.	.							OUTLET-AIR (COLOR OPT-CUST PREFERENCE, ZYTEL WT-07) (V83564) (SPEC 10-60141-23A) (OPT 1707-23A (V83564)) (OPT L16999-16C (V17744))	BS, DV-DY	3
-60D	3740-4		.	.							OUTLET-AIR (COLOR OPT-CUST PREFERENCE, BIEGE) (V83564) (SPEC 10-60141-23S) (OPT 750801-002 (V28406))	BS, DV-DY	3

-Item not Illustrated

25-23-30

ILLUSTRATED PARTS LIST

Page 1098.182

Jul 01/2007



COMPONENT MAINTENANCE MANUAL

FIG/ ITEM	PART NUMBER	AIRLINE PART NUMBER	NOMENCLATURE							USAGE CODE	UNITS PER ASSY	
			1	2	3	4	5	6	7			
8- -60E	3740-3		.	.	OUTLET-AIR (COLOR OPT-CUST PREFERENCE, DARK GRAY) (V83564) (SPEC 10-60141-23U)						BS, DV- DY	3
-60F	10-60141-23T		.	.	OUTLET-AIR (COLOR OPT-CUST PREFERENCE, BEIGE)						BS, DV- DY	3
-60G	3740-5		.	.	OUTLET-AIR (COLOR OPT-CUST PREFERENCE, DOVE GRAY) (V83564) (SPEC 10-60141-23W)						BS, DV- DY	3
65	PLT2MM		.	.	STRAP (V06383) (OPT ITEM 65A)						BS, DV- DY	3
-65A	PLT2MM2		.	.	STRAP (V06383) (OPT ITEM 65)						BS, DV- DY	3
70	417N3103-1		.	.	MANIFOLD ASSY						BS, DV- DY	1
75	417N3063-4		.	.	CONNECTOR						BS, DV- DY	1
77	417N3105-9H		.	.	MODULE ASSY						DV, DX	1
-80	417N3105-9SP		.	.	MODULE ASSY						BS	1
-80A	417N3105-9H		.	.	MODULE ASSY						DW, DY	1
82	BACS21AQ6A6M		.	.	STUD						BS, DV- DY	4
85	417N3122-111		.	.	BRACKET ASSY						BS, DV- DY	1
90	82-47-108-15		.	.	CLIP (V84483)						BS, DV- DY	1
95	417N3122-112		.	.	BRACKET						BS, DV- DY	1
100	417N3101-6SP		.	.	MODULE						BS, DV- DY	1
105	417N3130-72SP				DELETED							
-105A	417N3130-73SP				DELETED							
-105B	417N3130-74SP				DELETED							

-Item not Illustrated

25-23-30

ILLUSTRATED PARTS LIST

Page 1098.183

Jul 01/2007



COMPONENT MAINTENANCE MANUAL

FIG/ ITEM	PART NUMBER	AIRLINE PART NUMBER	NOMENCLATURE							USAGE CODE	UNITS PER ASSY
			1	2	3	4	5	6	7		
8-											
105C	417N3130-143M								. BOX ASSY-FOUR MASK OXY (REF CMM 35-21-02)	DV, DX	1
-107	417N3130-72SP								. BOX ASSY-FOUR MASK OXY (REF CMM 35-21-02)	BS	1
-107A	417N3130-144M								. BOX ASSY-FOUR MASK OXY (REF CMM 35-21-02)	DW, DY	1
-110	417N3100-32SP								DELETED		
-110A	417N3100-31SP								DELETED		
110B	417N3100-31E								. LIFEVEST ASSY	DV, DX	1
-112	417N3100-32SP								. LIFEVEST ASSY	BS	1
-112A	417N3100-32E								. LIFEVEST ASSY	DW, DY	1
115	BACS12FA08K7								. . SCREW	BS, DV- DY	12
120	AN960PD8L								. . WASHER	BS, DV- DY	AR
122	417N3122-49								. . RETAINER	DV, DX	1
-125	417N3122-50								. . RETAINER	BS, DW, DY	1
-125A	417N3122-49								DELETED		
130	417N3190-8								. . LANYARD ASSY	BS, DV- DY	1
									ATTACHING PARTS		
135	BACS12FA08K6								. . SCREW	BS, DV- DY	1
140	H10-08BAC								. . NUT (V15653) (SPEC BACN10JC08) (OPT NS202101-82 (V80539)) (OPT RMLH9075-82W (V72962)) (OPT T6S832J (V71087)) (OPT VN303A82 (V92215)) (OPT 96-82 (V80539)) (OPT BRH10A08 (V52828))	BS, DV- DY	1
									-----*		
145	417N3190-7								. . . TERMINAL	BS, DV- DY	2
147	417N3190-5								. . . CORD	BS, DV- DY	1

-Item not Illustrated

25-23-30

ILLUSTRATED PARTS LIST

Page 1098.184

Jul 01/2007



COMPONENT MAINTENANCE MANUAL

FIG/ ITEM	PART NUMBER	AIRLINE PART NUMBER	NOMENCLATURE							USAGE CODE	UNITS PER ASSY
			1	2	3	4	5	6	7		
8-											
150	417N3160-12										
155	417N3100-74									BS, DV- DY	2
-155A	MS20253P2-270									BS, DV- DY	1
160	417N3133-19									BS, DV- DY	2
165	6100-9									BS, DV- DY	4
170	417N3173-9									BS, DV- DY	2
175	417N3173-9										
180	417N3084-1SP									BS, DV- DY	1
185	417N3100-73									BS, DV- DY	1
-185A	MS20253P2-080									BS, DV- DY	1
190	6100-9									BS, DJ, DL, DM, DR	2
195	417N3173-13									BS, DV- DY	1
197	417N3173-14									BS, DV- DY	1
200	417N3100-78									BS, DV- DY	1
205	417N3133-15									BS, DV- DY	1
210	417N3133-16									BS, DV- DY	1
212	BACS12FA08K7										
213	AN960PD8L									BS, DV- DY	AR

-Item not Illustrated

25-23-30

ILLUSTRATED PARTS LIST

Page 1098.185

Jul 01/2007



COMPONENT MAINTENANCE MANUAL

FIG/ ITEM	PART NUMBER	AIRLINE PART NUMBER	NOMENCLATURE							USAGE CODE	UNITS PER ASSY	
			1	2	3	4	5	6	7			
8- 214	H10-08BAC		.	.	NUT (V15653) (SPEC BACN10JC08) (OPT NS202101-82 (V80539)) (OPT RMLH9075-82W (V72962)) (OPT T6S832J (V71087)) (OPT VN303A82 (V92215)) (OPT 96-82 (V80539)) (OPT BRH10A08 (V52828))						BS, DV- DY	4
215	6100-9		.	.	RETAINER (V2X013)						BS, DV- DY	2
220	417N3080-1SP		.	.	DOOR ASSY						BS, DV- DY	1
225	BACR15CE3D		.	.	RIVET (SIZE DETERMINED ON INST)						BS, DV- DY	6
230	BACR15CE4D		.	.	RIVET (SIZE DETERMINED ON INST)						BS, DV- DY	14
235	417N3083-2		.	.	GUSSET						BS, DV- DY	2
240	417N3083-3		.	.	GUSSET						BS, DV- DY	1
245	417N3083-4		.	.	GUSSET						BS, DV- DY	1
250	417N3083-1		.	.	ANGLE						BS, DV- DY	2
255	417N3082-1		.	.	COMPARTMENT						BS, DV- DY	1
260	417N3113-1		.	.	LENS						BS, DV- DY	3
265	417N3080-3		.	.	PANEL						BS, DV- DY	1
270	417N3081-1SP		.	.	PANEL						BS, DV- DY	1
275	417N3100-48		.	.	GENERATOR ASSY						BS, DV- DY	1
280	BACS12FA08K6		.	.	SCREW						BS, DV- DY	4
285	117003-14		.	.	GENERATOR-CHEMICAL OXY (V16827) (SPEC S417T401-27)						BS, DV- DY	1

-Item not Illustrated

25-23-30

ILLUSTRATED PARTS LIST

Page 1098.186

Jul 01/2007



COMPONENT MAINTENANCE MANUAL

FIG/ ITEM	PART NUMBER	AIRLINE PART NUMBER	NOMENCLATURE							USAGE CODE	UNITS PER ASSY
			1	2	3	4	5	6	7		
8-											
-285A	803000-04		. .	GENERATOR-CHEMICAL OXY						BS, DV-DY	1
				(V53655)							
				(SPEC S417T401-33)							
-285B	E71740-00		. .	GENERATOR-CHEMICAL OXY						BS, DV-DY	1
				(VD1379)							
				(SPEC S417T401-44)							
290	417N3160-11		. .	BRACKET ASSY						BS, DV-DY	1
295	FT1387P8-1-2		. . .	SCREW-CAPTIVE						BS, DV-DY	1
				(V58794)							
				(OPT ITEM 295A)							
-295A	C58024-08-1A		. . .	SCREW-CAPTIVE						BS, DV-DY	1
				(V58998)							
				(OPT ITEM 295)							
300	AN960KD416			DELETED							
300A	AN960JD416		. . .	WASHER						BS, DV-DY	1
305	A4972-6-82		. . .	NUT						BS, DV-DY	1
				(V72962)							
				(SPEC BACN10FX84)							
				(OPT RM52LHA4972-6-82 (V72962))							
				(OPT SL211-08-1 (V97393))							
				(OPT 130008 (V60119))							
				(OPT A11330-6-82 (V72962))							
310	BACR15BA3D		. . .	RIVET						BS, DV-DY	4
				(SIZE DETERMINED ON INST)							
				(FOR NHA SEE 417N3160)							
315	417N3811-13		. . .	HINGE						BS, DV-DY	1
320	417N3160-12		. . .	PAD-INSULATION						BS, DV-DY	1
325	417N3161-7		. . .	BRACKET-MTG						BS, DV-DY	1
330	417N3160-13		. . .	PAD-INSULATION						BS, DV-DY	6
335	417N3136-99		. . .	BRACKET-MTG						BS, DV-DY	1
340	417N3100-17		. .	SPEAKER ASSY						DV	1
-342	417N3100-17		. .	SPEAKER ASSY						BS, DW	1

-Item not Illustrated

25-23-30

ILLUSTRATED PARTS LIST

Page 1098.187

Jul 01/2007



COMPONENT MAINTENANCE MANUAL

FIG/ ITEM	PART NUMBER	AIRLINE PART NUMBER	NOMENCLATURE							USAGE CODE	UNITS PER ASSY
			1	2	3	4	5	6	7		
8-											
345	BACN10YJ08		.	.	NUT					BS, DV, DW	2
350	417N3104-2		.	.	GASKET					BS, DV, DW	1
355	RDAM8005A		.	.	SPEAKER (V54473) (SPEC S222T101-101) (OPT ITEM 355A)					BS, DV, DW	1
-355A	RDAM8018		.	.	SPEAKER (V54473) (SPEC 10262232-01) (OPT ITEM 355)					BS, DV, DW	1
360	417N3100-19		.		MUTING ASSY					BS	1
365	3SAV1338A2		.	.	RELAY (V01526) (SPEC BACR13CD2) (OPT BR16S233 (V09026)) (OPT EE4AA005 (V35344)) (OPT HFW1206K03 (V58614)) (OPT HFW1204K01 (V71482))					BS	1
370	451120-026		.	.	SOCKET (V03743)					BS	1
375	BACS12FA08K14		.	.	SCREW					BS	1
380	BACN10YJ08		.	.	NUT					BS	1
385	417N3121-138		.	.	BRACKET					BS	1
390	BACR15BB4D10		.		RIVET					BS, DV- DY	2
395	6100-12		.		RETAINER (V2X013)					BS, DV- DY	2
400	417N3180-1		.		CLAMP ASSY					BS, DV- DY	2
405	NAS607-2-8P		.	.	PIN-DOWEL					BS, DV- DY	1
410	NAS607-1-4P		.	.	PIN-DOWEL					BS, DV- DY	2
415	417N3181-1		.	.	LINK-ROCKER (OPT ITEM 415A)					BS, DV- DY	1
-420	65-85902-1		.	.	LINK-ROCKER (OPT ITEM 420)					BS, DV- DY	1

-Item not Illustrated

25-23-30

ILLUSTRATED PARTS LIST

Page 1098.188

Jul 01/2007



COMPONENT MAINTENANCE MANUAL

FIG/ ITEM	PART NUMBER	AIRLINE PART NUMBER	NOMENCLATURE							USAGE CODE	UNITS PER ASSY
			1	2	3	4	5	6	7		
8-											
425	65-85905-4		.	.						BS, DV- DY	1
430	RCS3290		.	.						BS, DV- DY	1
435	417N3182-1		.	.						BS, DV- DY	1
440	417N3180-3		.	.						BS, DV- DY	2
445	RCS3289		.	.						BS, DV- DY	2
450	417N3183-1		.	.						BS, DV- DY	1
-455	AN960JD416L		.							BS, DV, DW	5
-457	AN960JD416L		.							DX, DY	4
-460	PLWP1S		.							BS, DV, DW	5
-462	PLWP1S		.							DX, DY	4
-465	NMC1001-0		.							BS, DV- DY	2
-465A	BACC10DK3		.							BS, DV- DY	2
470	1TW2-3		.							BS, DV- DY	1
-475	286N0514-003		.							BS	1
-475A	288N0174-601		.							DV, DX	1
-475B	288N0210-701		.							DW, DY	1
480	417N3100-71		.							BS, DV- DY	2
485	417N3190-1		.							BS, DV- DY	1

-Item not Illustrated

25-23-30

ILLUSTRATED PARTS LIST

Page 1098.189

Jul 01/2007



COMPONENT MAINTENANCE MANUAL

FIG/ ITEM	PART NUMBER	AIRLINE PART NUMBER	NOMENCLATURE							USAGE CODE	UNITS PER ASSY	
			1	2	3	4	5	6	7			
8- 490	GSC205		.	.	SLEEVE (V59730) (SPEC BACS13S205C) (OPT Y0C130 (V09922)) (OPT ITEM 490A)						BS, DV- DY	4
-490A	GSC219		.	.	SLEEVE (V59730) (SPEC BACS13S219C) (OPT Y0C140 (V09922)) (OPT ITEM 490)						BS, DV- DY	4
495	10-61790-1		.	.	HOOK (V08205)						BS, DV- DY	1
500	NAS43DD4-5		.	.	SPACER						BS, DV- DY	1
505	65C16899-6		.	.	SPRING						BS, DV- DY	1
510	417N3190-3		.	.	CORD						BS, DV- DY	1
512	417N3110-81G		.		FRAME ASSY (FOR DETAILS SEE FIG.13)						DV, DX	1
-515	417N3110-82SP		.		FRAME ASSY (FOR DETAILS SEE FIG.13)						BS	1
-515A	417N3110-81SP				DELETED							
-515B	417N3110-82G		.		FRAME ASSY (FOR DETAILS SEE FIG.13)						DW, DY	1
520	BAC27DPA2272		.		DECAL						BS, DV- DY	1
525	BAC27NPA0609		.		MARKER-ALUMINUM FOIL						BS, DW, DY	1
530	BAC27NPA0667		.		MARKER-ALUMINUM FOIL						BS	1
535	BAC27NPA0610		.		MARKER-ALUMINUM FOIL						DV, DX	1
540	BAC27NPA0660		.		MARKER-ALUMINUM FOIL						DV	1
545	BAC27NPA0661		.		MARKER-ALUMINUM FOIL						DW	1
550	BAC27NPA0662		.		MARKER-ALUMINUM FOIL						DX	1
555	BAC27NPA0663		.		MARKER-ALUMINUM FOIL						DY	1

-Item not Illustrated

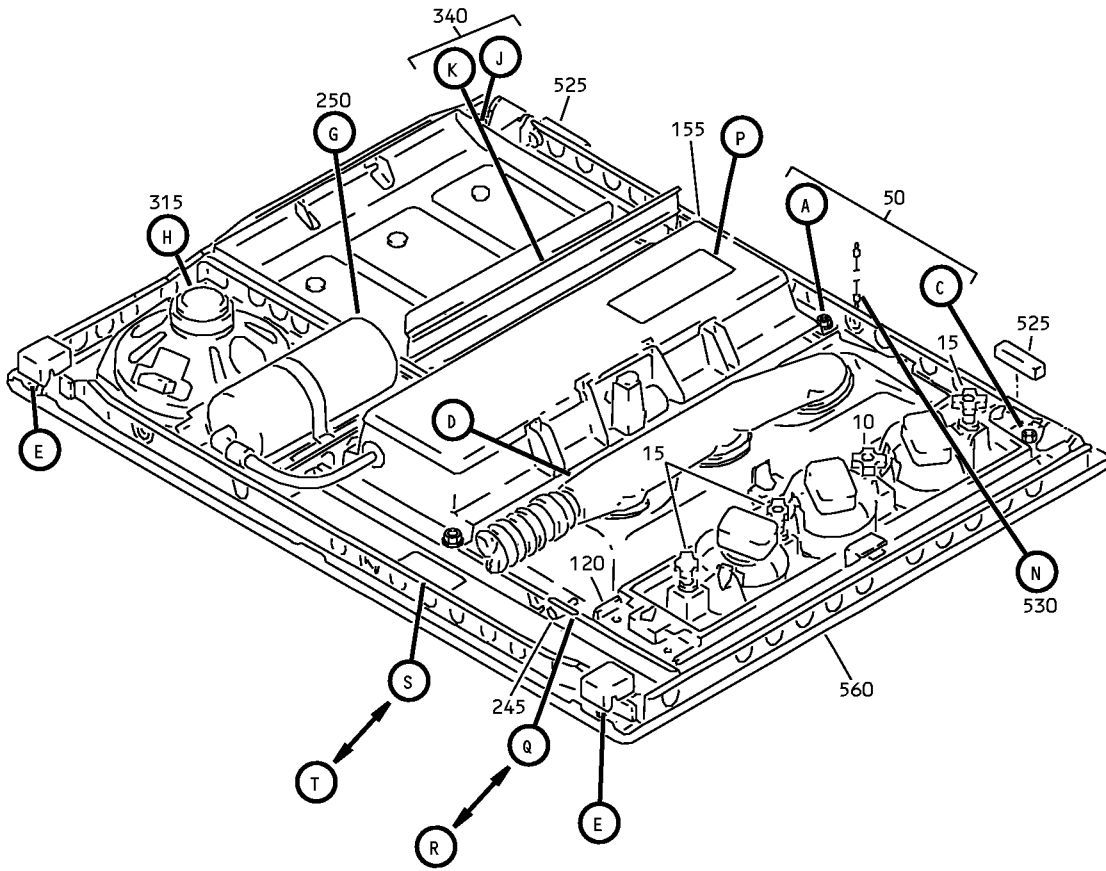
25-23-30

ILLUSTRATED PARTS LIST

Page 1098.190

Jul 01/2007

COMPONENT MAINTENANCE MANUAL



Full Underbin Passenger Service Unit Assembly
IPL Figure 9 (Sheet 1 of 8)

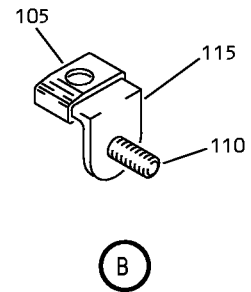
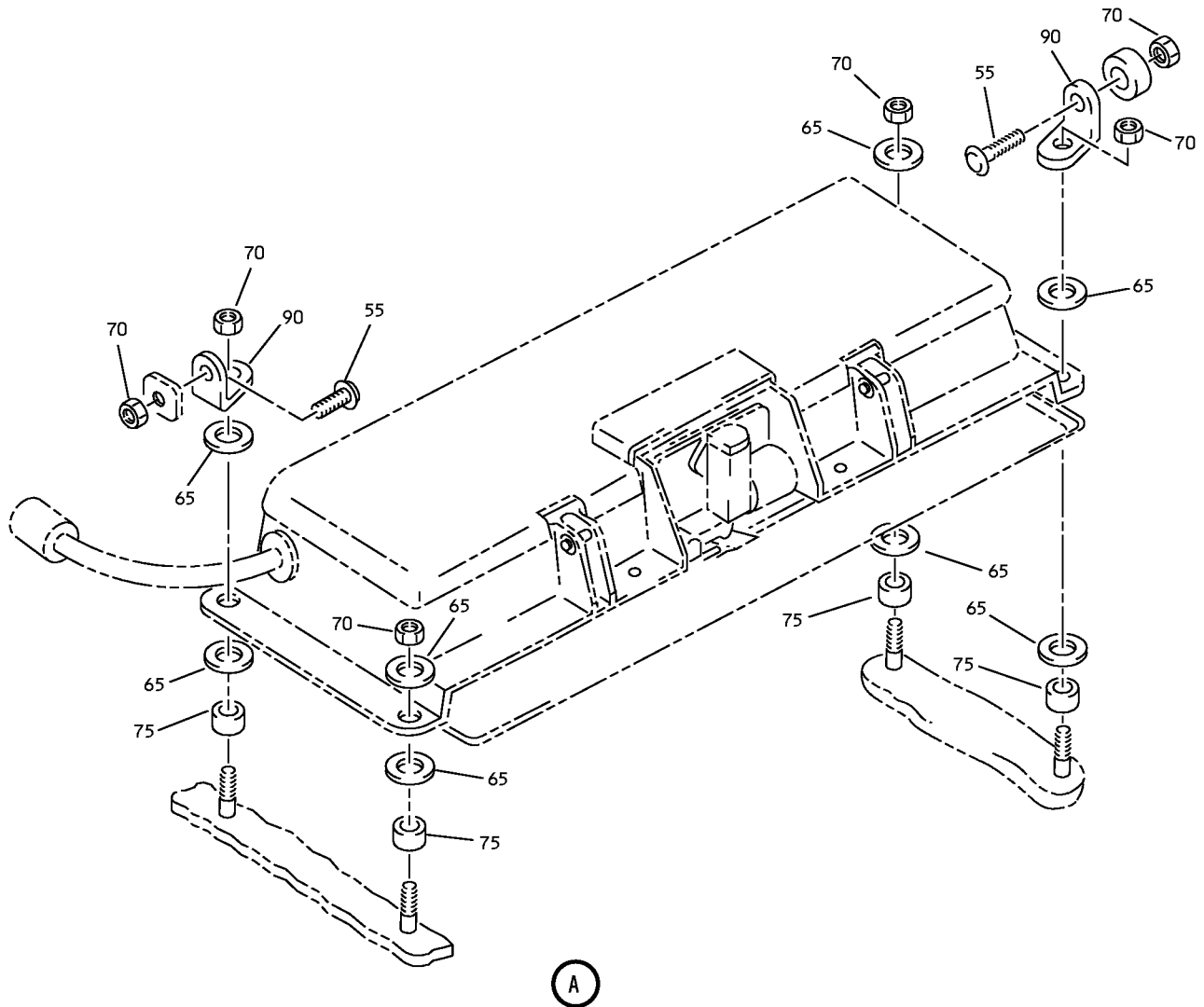
25-23-30

ILLUSTRATED PARTS LIST

Page 1098.191

Jul 01/2007

COMPONENT MAINTENANCE MANUAL



Full Underbin Passenger Service Unit Assembly
IPL Figure 9 (Sheet 2 of 8)

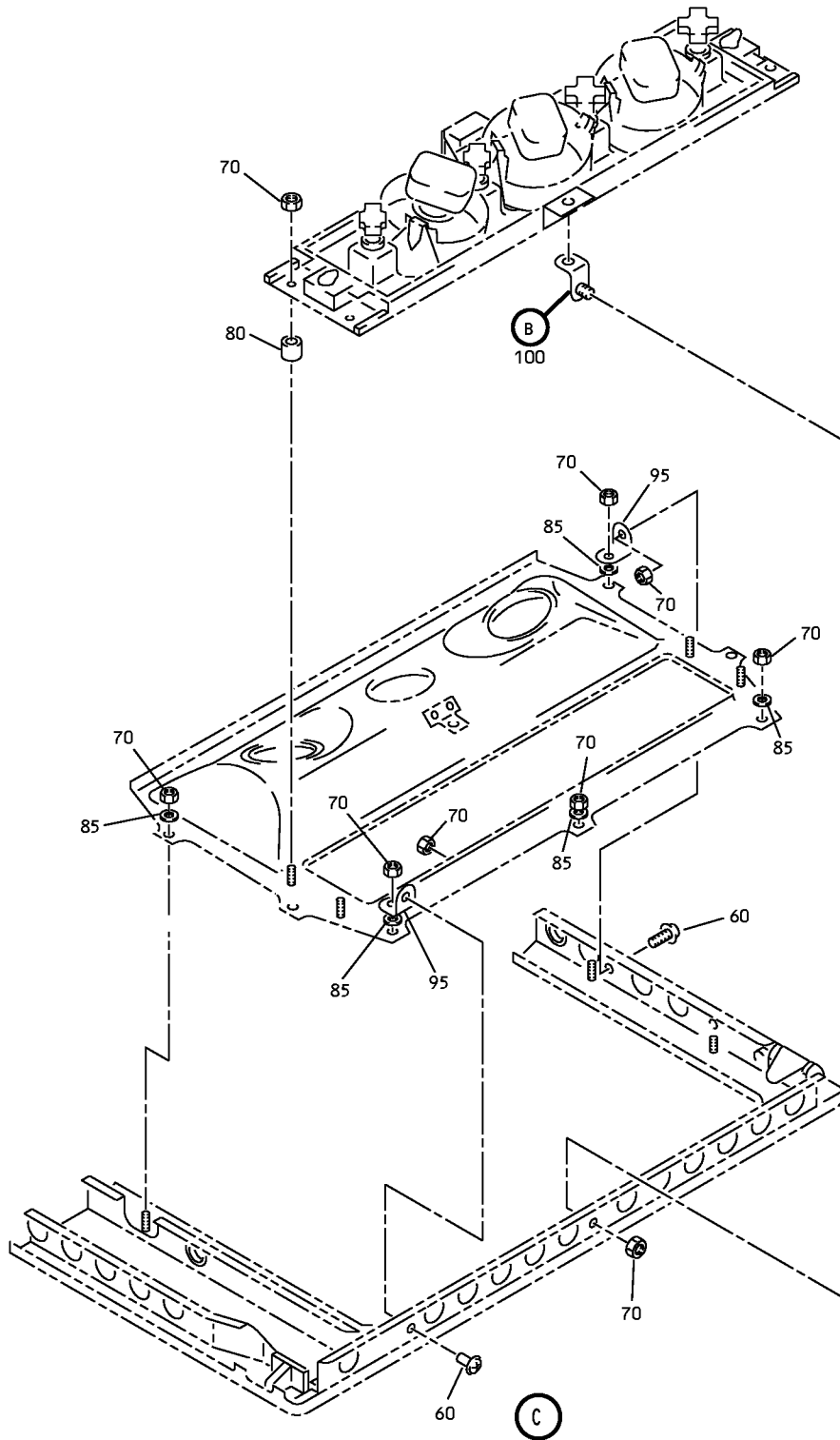
25-23-30

ILLUSTRATED PARTS LIST

Page 1098.192

Jul 01/2007

COMPONENT MAINTENANCE MANUAL



Full Underbin Passenger Service Unit Assembly
IPL Figure 9 (Sheet 3 of 8)

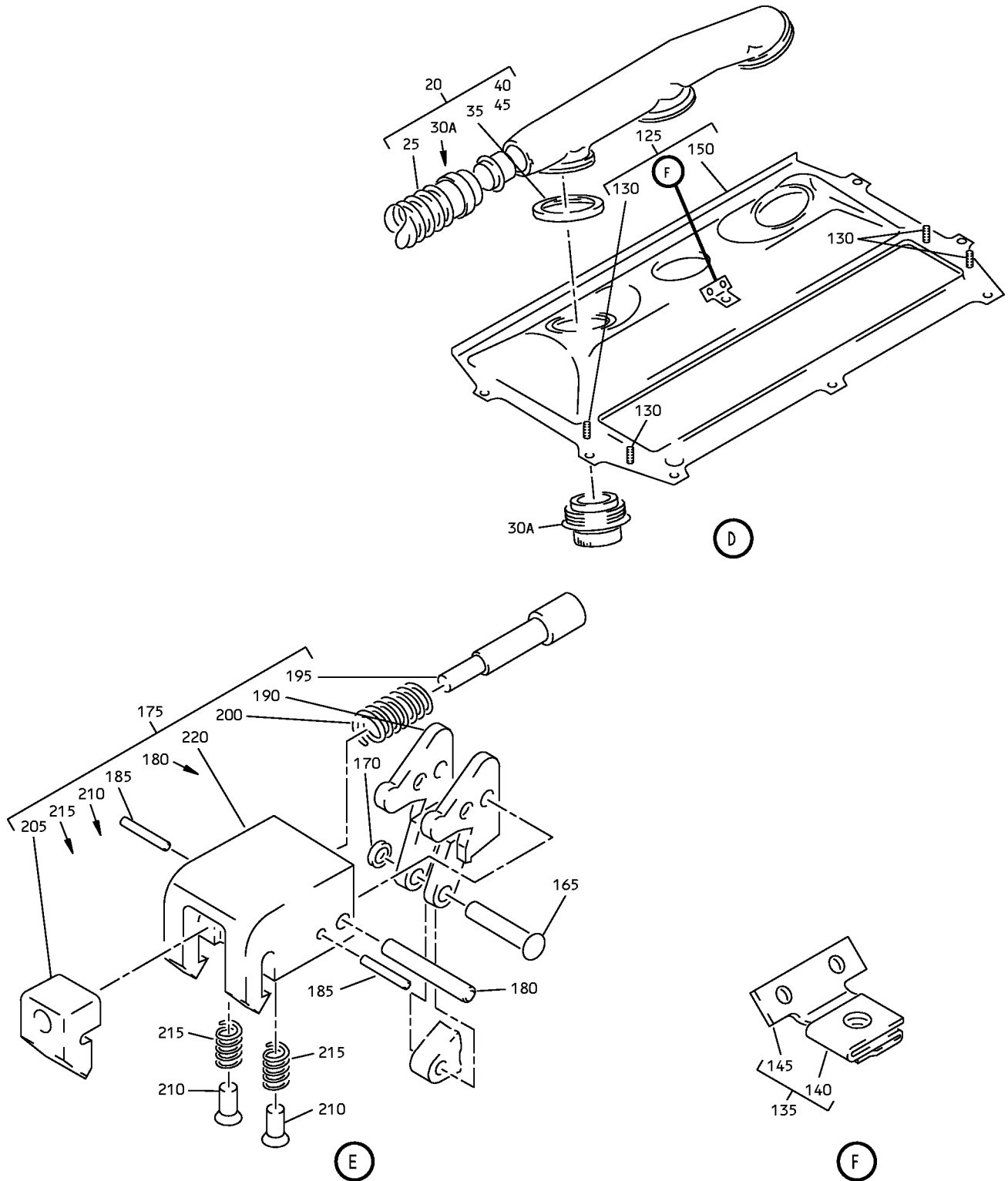
25-23-30

ILLUSTRATED PARTS LIST

Page 1098.193

Jul 01/2007

COMPONENT MAINTENANCE MANUAL



Full Underbin Passenger Service Unit Assembly
IPL Figure 9 (Sheet 4 of 8)

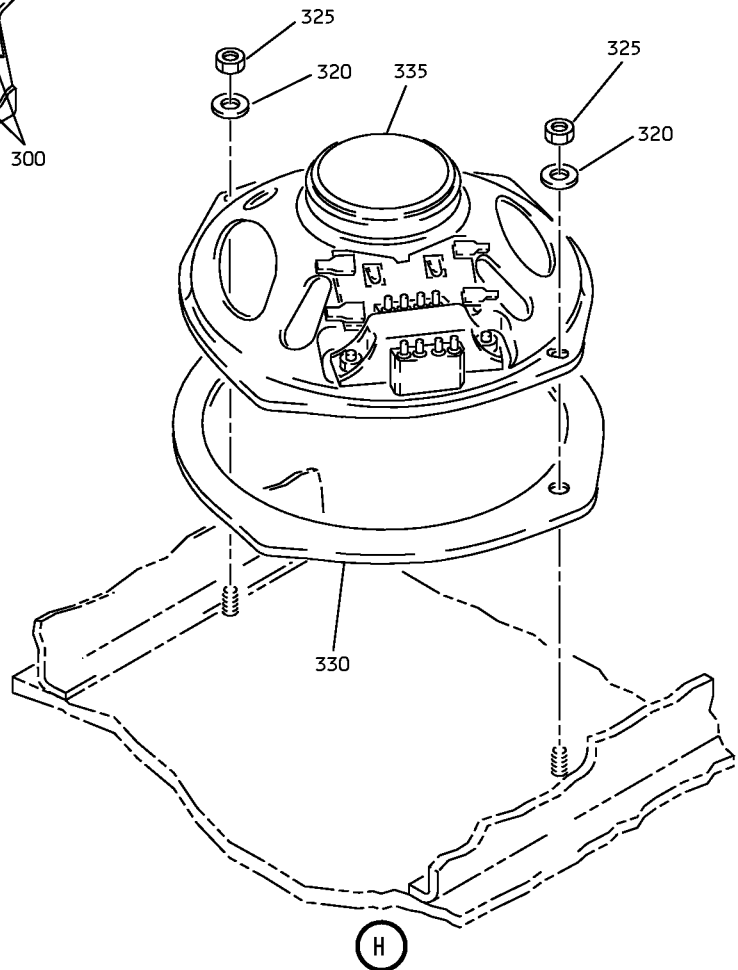
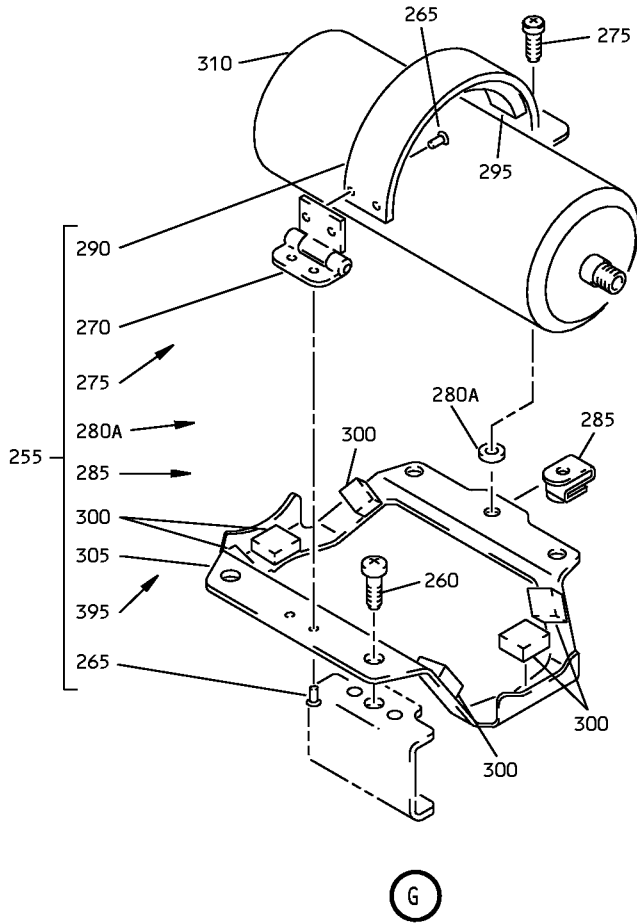
25-23-30

ILLUSTRATED PARTS LIST

Page 1098.194

Jul 01/2007

COMPONENT MAINTENANCE MANUAL



Full Underbin Passenger Service Unit Assembly
IPL Figure 9 (Sheet 5 of 8)

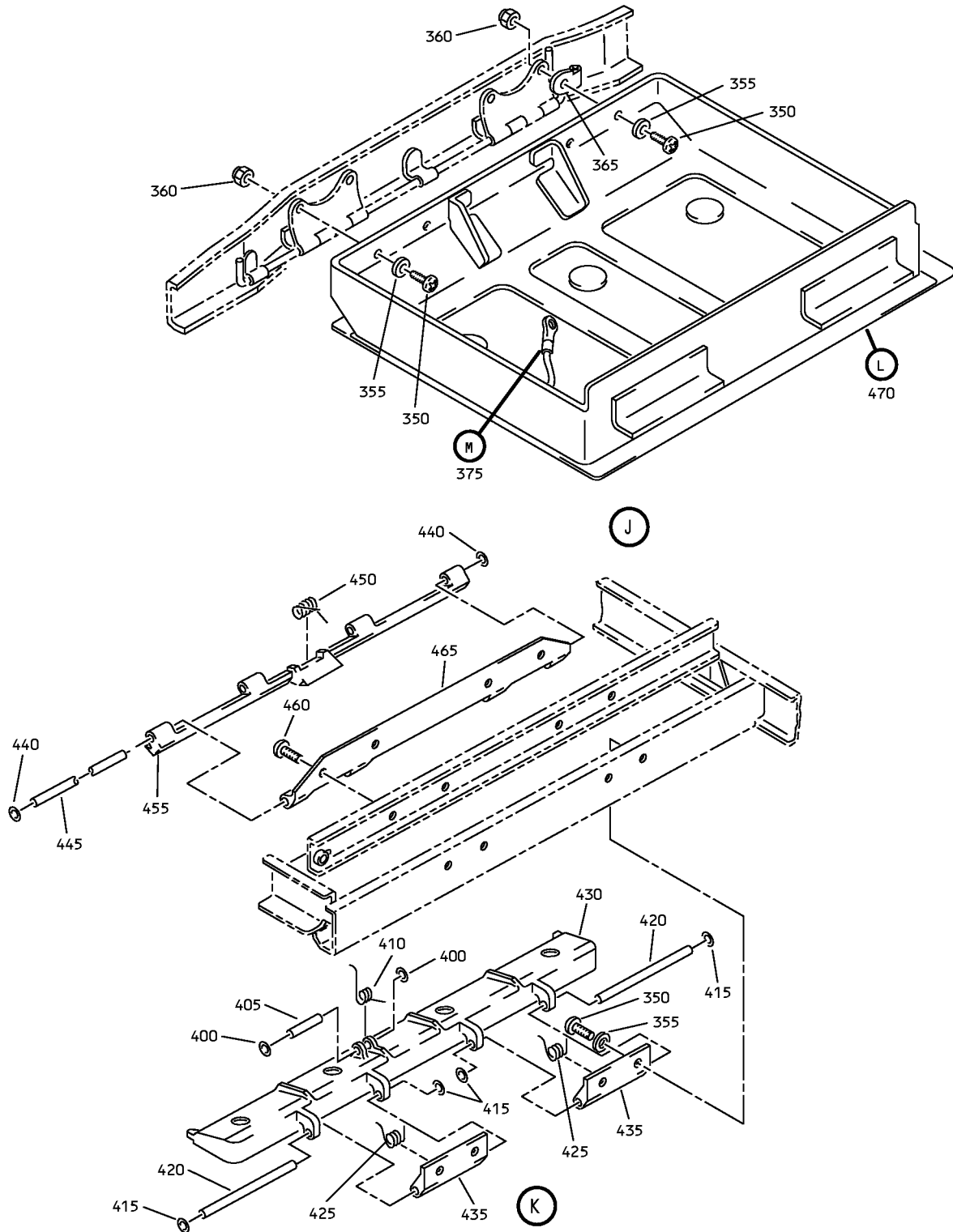
25-23-30

ILLUSTRATED PARTS LIST

Page 1098.195

Jul 01/2007

COMPONENT MAINTENANCE MANUAL



Full Underbin Passenger Service Unit Assembly
IPL Figure 9 (Sheet 6 of 8)

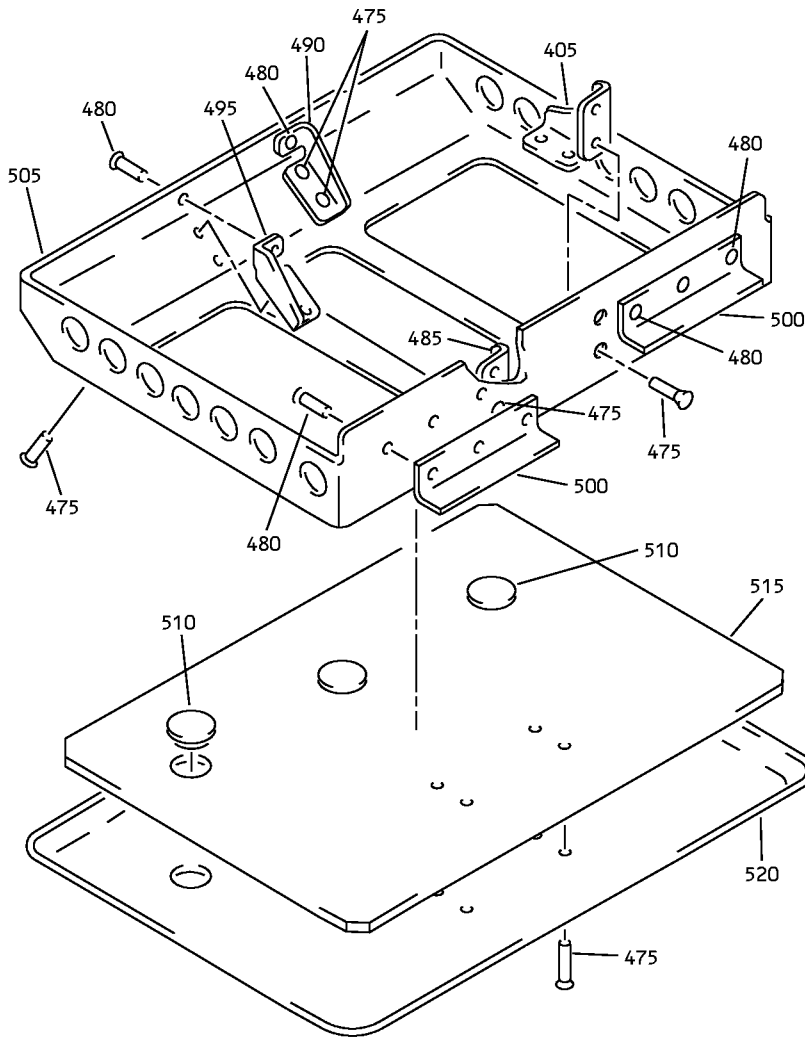
25-23-30

ILLUSTRATED PARTS LIST

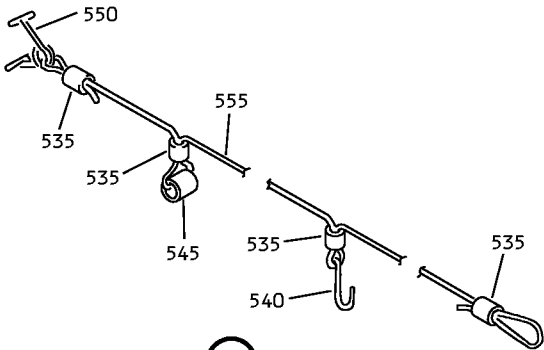
Page 1098.196

Jul 01/2007

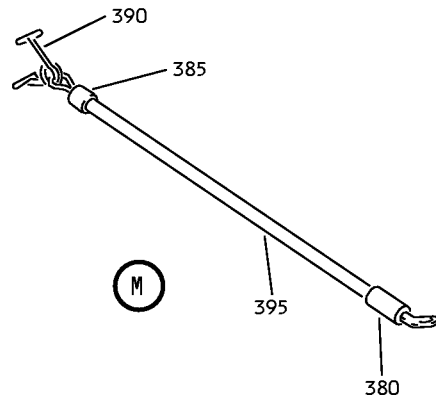
COMPONENT MAINTENANCE MANUAL



(L)



(N)



(M)

Full Underbin Passenger Service Unit Assembly
IPL Figure 9 (Sheet 7 of 8)

25-23-30

ILLUSTRATED PARTS LIST

Page 1098.197

Jul 01/2007

COMPONENT MAINTENANCE MANUAL

ATTENTION
 FOR REMOVAL AND RELOCATION INFORMATION SEE
 MAINTENANCE MANUAL CHAPTER 25
 FOR MASK STOWAGE INSTRUCTIONS SEE MAINTENANCE
 MANUAL CHAPTER 35
 FOR CLEANING INSTRUCTIONS SEE DOCUMENTS D6-7127

570

P

1 ← POSITION → 2

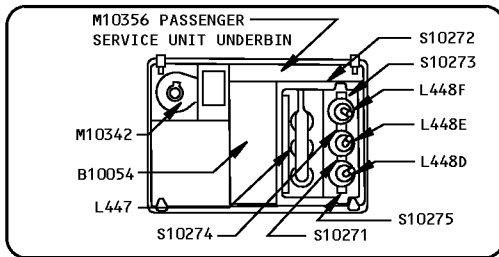
575

Q

2 ← POSITION → 1

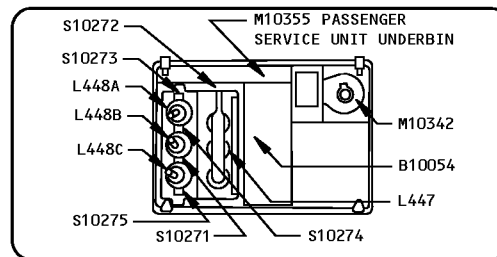
580

R



590

T



585

S

Full Underbin Passenger Service Unit Assembly
 IPL Figure 9 (Sheet 8 of 8)

25-23-30

ILLUSTRATED PARTS LIST

Page 1098.198

Jul 01/2007



COMPONENT MAINTENANCE MANUAL

FIG/ ITEM	PART NUMBER	AIRLINE PART NUMBER	NOMENCLATURE							USAGE CODE	UNITS PER ASSY
			1	2	3	4	5	6	7		
9-											
-1	417N3100-547SP									BT	RF
-5	417N3100-548SP									BU	RF
10	920055									BT, BU	1
15	920056									BT, BU	3
20	417N3100-25SP									BT, BU	1
25	B0E20563A152									BT, BU	1
30	10-60141-23A										
30A	10-60141-23U										
-30B	750801-002										
-30C	L16999-16C										
30D	3740-3									BT, BU	3
-30E	3740-4									BT, BU	3
-30F	3740-1									BT, BU	3

-Item not Illustrated

25-23-30

ILLUSTRATED PARTS LIST

Page 1098.199

Jul 01/2007



COMPONENT MAINTENANCE MANUAL

FIG/ ITEM	PART NUMBER	AIRLINE PART NUMBER	NOMENCLATURE							USAGE CODE	UNITS PER ASSY	
			1	2	3	4	5	6	7			
9- -30G	10-60141-23T		. .								BT, BU	3
-30H	3740-5		. .								BT, BU	3
35	PLT2MM		. .								BT, BU	3
-35A	PLT2MM2		. .								BT, BU	3
40	417N3103-1		. .								BT, BU	1
45	417N3063-4		. . .								BT, BU	1
50	417N3100-81		. .								BT, BU	1
55	BACS12FA08K6		. .								BT, BU	2
60	BACS12FA08K5		. .								BT, BU	2
65	BACW10P193G		. .								BT, BU	8
70	BACN10YJ08		. .								BT, BU	18
75	NAS43DD3-18		. .								BT, BU	4
80	NAS43DD3-20		. .								BT, BU	4
85	G6940-3B3		. .								BT, BU	5
90	417N3122-115		. .								BT, BU	2
95	417N3122-14		. .								BT, BU	2
100	417N3122-60		. .								BT, BU	1
105	82-47-108-15		. . .								BT, BU	1
110	BACS21AQ2A3K		. . .								BT, BU	1

-Item not Illustrated

25-23-30

ILLUSTRATED PARTS LIST

Page 1098.200

Jul 01/2007



COMPONENT MAINTENANCE MANUAL

FIG/ ITEM	PART NUMBER	AIRLINE PART NUMBER	NOMENCLATURE							USAGE CODE	UNITS PER ASSY
			1	2	3	4	5	6	7		
9-											
-110A	FHS832-6		. . .	STUD						BT, BU	1
				(OPT ITEM 110)							
115	417N3122-61		. . .	BRACKET						BT, BU	1
				(OPT ITEM 115A)							
-115A	417N3122-130		. . .	BRACKET						BT, BU	1
				(OPT ITEM 115)							
120	10-1006-1		.	LIGHT-READING						BT	1
				(V72914)							
				(SPEC S417N302-1)							
-122	10-1006-2		.	LIGHT-READING						BU	1
				(V72914)							
				(SPEC S417N302-2)							
125	417N3105-6SP		.	MODULE ASSY-SVCE						BT, BU	1
130	BACS21AQ6A6M		. .	STUD						BT, BU	4
135	417N3122-111		. .	BRACKET ASSY						BT, BU	1
140	82-47-108-15		. . .	CLIP						BT, BU	1
				(V84483)							
145	417N3122-112		. . .	BRACKET						BT, BU	1
150	417N3101-2		. .	MODULE						BT, BU	1
155	417N3130-73SP		.	BOX ASSY-FOUR MASK OXY						BT	1
				(REF CMM 35-21-02)							
-160	417N3130-74SP		.	BOX ASSY-FOUR MASK OXY						BU	1
				(REF CMM 35-21-02)							
165	BACR15BB4D10		.	RIVET						BT, BU	2
170	6100-12		.	RETAINER						BT, BU	2
				(V2X013)							
175	417N3180-1		.	CLAMP ASSY						BT, BU	2
180	NAS607-2-8P		. .	PIN						BT, BU	1
185	NAS607-1-4P		. .	PIN						BT, BU	2
190	417N3181-1		. .	LINK-ROCKER						BT, BU	1
				(OPT ITEM 190A)							
-190A	65-85902-1		. .	LINK-ROCKER						BT, BU	1
				(OPT ITEM 190)							
195	65-85905-4		. .	PLUNGER						BT, BU	1
200	RCS3290		. .	SPRING						BT, BU	1
				(V08205)							

-Item not Illustrated

25-23-30

ILLUSTRATED PARTS LIST

Page 1098.201

Jul 01/2007



COMPONENT MAINTENANCE MANUAL

FIG/ ITEM	PART NUMBER	AIRLINE PART NUMBER	NOMENCLATURE							USAGE CODE	UNITS PER ASSY
			1	2	3	4	5	6	7		
9-											
205	417N3182-1		. .							BT, BU	1
210	417N3180-3		. .							BT, BU	2
215	RCS3289		. .							BT, BU	2
220	417N3183-1		. .							BT, BU	1
-225	AN960JD416L		. .							BT, BU	AR
-230	PLWP1S		. .							BT, BU	AR
-235	NCM1001-0										
-235A	NMC1001-0		. .							BT, BU	2
-235B	BACC10DK3		. .							BT, BU	2
-240	61-33500-001		. .							BT, BU	1
-240A	286N0512-004		. .							BT, BU	1
245	1TW2-3		. .							BT, BU	1
250	417N3100-48		. .							BT, BU	1
255	417N3160-11		. .							BT, BU	1
260	BACS12FA08K6		. .							BT, BU	4
265	BACR15BA3D		. . .							BT, BU	4
270	417N3811-13		. . .							BT, BU	1
275	CS8024-08-1A		. . .							BT, BU	1
-275A	FT1387P8-1-2		. . .							BT, BU	1
280	AN960KD416										
280A	AN960JD416		. . .							BT, BU	1

-Item not Illustrated

25-23-30

ILLUSTRATED PARTS LIST

Page 1098.202

Jul 01/2007



COMPONENT MAINTENANCE MANUAL

FIG/ ITEM	PART NUMBER	AIRLINE PART NUMBER	NOMENCLATURE							USAGE CODE	UNITS PER ASSY
			1	2	3	4	5	6	7		
9-											
285	A4972-6-82		. . .	NUT						BT, BU	1
				(V72962)							
				(SPEC BACN10FX84)							
				(OPT RM52LHA4972-6-82 (V72962))							
				(OPT SL211-08-1 (V97393))							
				(OPT 130008 (V60119))							
				(OPT A11330-6-82 (V72962))							
290	417N3161-7		. . .	BRACKET-MTG						BT, BU	1
295	417N3160-12		. . .	PAD-INSULATION						BT, BU	1
300	417N3160-13		. . .	PAD-INSULATION						BT, BU	6
305	417N3136-99		. . .	BRACKET-MTG						BT, BU	1
310	117003-14		. .	GENERATOR-CHEMICAL OXY						BT, BU	1
				(V16827)							
				(SPEC S417T401-27)							
-310A	803000-04		. .	GENERATOR-CHEMICAL OXY						BT, BU	1
				(V53655)							
				(SPEC S417T401-33)							
-310B	E71740-00		. .	GENERATOR-CHEMICAL OXY						BT, BU	1
				(VD1379)							
				(SPEC S417T401-44)							
315	417N3100-16		. .	SPEAKER ASSY						BT, BU	1
320	AN960KD8L		. .	WASHER						BT, BU	2
325	BACN10YJ08		. .	NUT						BT, BU	2
330	417N3104-2		. .	GASKET						BT, BU	1
335	RDAM8005A		. .	SPEAKER						BT, BU	1
				(V54473)							
				(SPEC S222T101-101)							
340	417N3100-41SP		. .	LIFEVEST ASSY						BT	1
-345	417N3100-42SP		. .	LIFEVEST ASSY						BU	1
350	BACS12FA08K7		. .	SCREW						BT, BU	8
355	AN960PD8L		. .	WASHER						BT, BU	AR
360	MS21042L08		. .	NUT						BT, BU	4
365	417N3122-49		. .	RETAINER						BT	1
-370	417N3122-50		. .	RETAINER						BU	1
375	417N3190-9		. .	LANYARD ASSY						BT, BU	1
380	417N3190-7		. . .	TERMINAL						BT, BU	1

-Item not Illustrated

25-23-30

ILLUSTRATED PARTS LIST

Page 1098.203

Jul 01/2007



COMPONENT MAINTENANCE MANUAL

FIG/ ITEM	PART NUMBER	AIRLINE PART NUMBER	NOMENCLATURE							USAGE CODE	UNITS PER ASSY
			1	2	3	4	5	6	7		
9-											
385	GSC219		. . .	SLEEVE						BT, BU	1
				(V59730)							
				(SPEC BACS13S219C)							
				(OPT Y0C140 (V09922))							
				(OPT ITEM 385A)							
-385A	GSC205		. . .	SLEEVE						BT, BU	1
				(V59730)							
				(SPEC BACS13S205C)							
				(OPT Y0C130 (V09922))							
				(OPT ITEM 385)							
390	65C16899-6		. . .	SPRING						BT, BU	1
395	417N3190-10		. . .	CORD-NYLON						BT, BU	1
400	6100-9		. .	RETAINER						BT, BU	2
				(V2X013)							
405	417N3100-73		. .	PIN-HINGE						BT, BU	1
410	417N3173-14		. .	SPRING						BT, BU	1
415	6100-9		. .	RETAINER						BT, BU	4
				(V2X013)							
420	417N3100-74		. .	PIN-HINGE						BT, BU	2
425	417N3173-9		. .	SPRING						BT, BU	2
430	417N3084-1SP		. .	PUSH BUTTON						BT, BU	1
435	417N3133-19		. .	HOUSING-PUSH BUTTON						BT, BU	2
440	6100-9		. .	RETAINER						BT, BU	2
				(V2X013)							
445	417N3100-78		. .	PIN-HINGE						BT, BU	1
450	417N3173-13		. .	SPRING						BT, BU	1
455	417N3133-15		. .	LATCH						BT, BU	1
460	BACS12FA08K7		. .	SCREW						BT, BU	4
465	417N3133-16		. .	LATCH						BT, BU	1
470	417N3080-4SP		. .	DOOR ASSY						BT, BU	1
475	BACR15CE3D		. . .	RIVET						BT, BU	12
				(SIZE DETERMINED ON INST)							
480	BACR15CE4D		. . .	RIVET						BT, BU	8
				(SIZE DETERMINED ON INST)							
485	417N3083-2		. . .	GUSSET						BT, BU	2
490	417N3083-3		. . .	GUSSET						BT, BU	1

-Item not Illustrated

25-23-30

ILLUSTRATED PARTS LIST

Page 1098.204

Jul 01/2007



COMPONENT MAINTENANCE MANUAL

FIG/ ITEM	PART NUMBER	AIRLINE PART NUMBER	NOMENCLATURE							USAGE CODE	UNITS PER ASSY
			1	2	3	4	5	6	7		
9-											
495	417N3083-4		. . .	GUSSET						BT, BU	1
500	417N3083-1		. . .	ANGLE						BT, BU	2
505	417N3082-2		. . .	COMPARTMENT						BT, BU	1
510	417N3113-1		. . .	LENS						BT, BU	3
515	417N3080-5		. . .	PANEL						BT, BU	1
520	417N3081-2SP		. . .	PANEL						BT, BU	1
525	417N3100-71		.	PAD-SPONGE						BT, BU	2
530	417N3190-1		.	LANYARD ASSY						BT, BU	1
535	GSC219		. .	SLEEVE (V59730) (SPEC BACS13S219C) (OPT Y0C140 (V09922)) (OPT ITEM 535A)						BT, BU	4
-535A	GSC205		. .	SLEEVE (V59730) (SPEC BACS13S205C) (OPT Y0C130 (V09922)) (OPT ITEM 535)						BT, BU	4
540	10-61790-1		. .	HOOK (V08205)						BT, BU	1
545	NAS43DD4-5		. .	SPACER						BT, BU	1
550	65C16899-6		. .	SPRING						BT, BU	1
555	417N3190-3		. .	CORD-NYLON						BT, BU	1
560	417N3110-61SP		.	FRAME ASSY (FOR DETAILS SEE FIG. 4)						BT	1
-565	417N3110-62SP		.	FRAME ASSY (FOR DETAILS SEE FIG. 4)						BU	1
570	BAC27DPA2272		.	DECAL						BT, BU	1
575	BAC27NPA0610		.	MARKER-ALUMINUM						BT	1
580	BAC27NPA0609		.	MARKER-ALUMINUM						BU	1
585	BAC27NPA0660		.	MARKER-ALUMINUM FOIL						BT	1
590	BAC27NPA0661		.	MARKER-ALUMINUM FOIL						BU	1

-Item not Illustrated

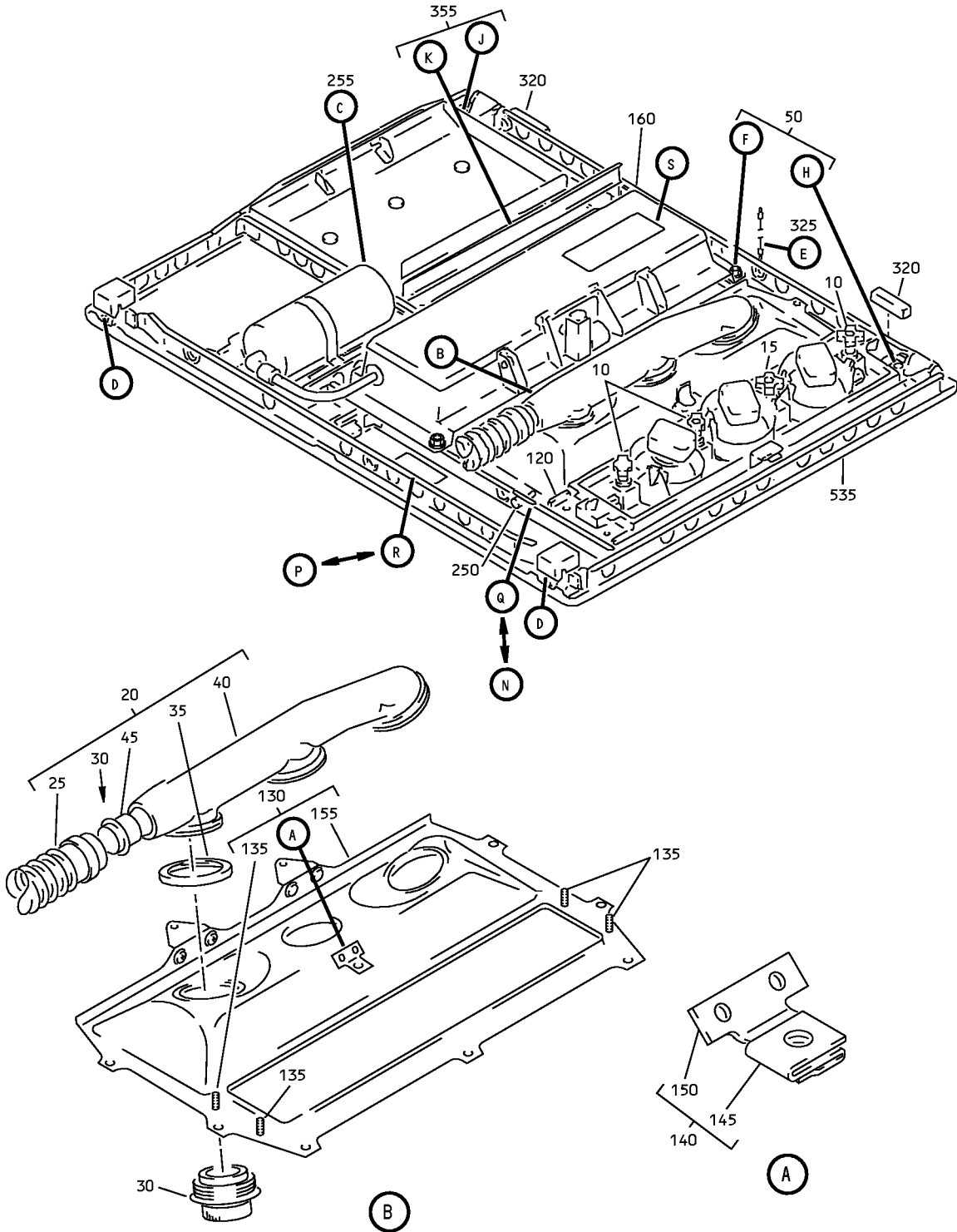
25-23-30

ILLUSTRATED PARTS LIST

Page 1098.205

Jul 01/2007

COMPONENT MAINTENANCE MANUAL



Full Underbin Passenger Service Unit Assembly
IPL Figure 10 (Sheet 1 of 7)

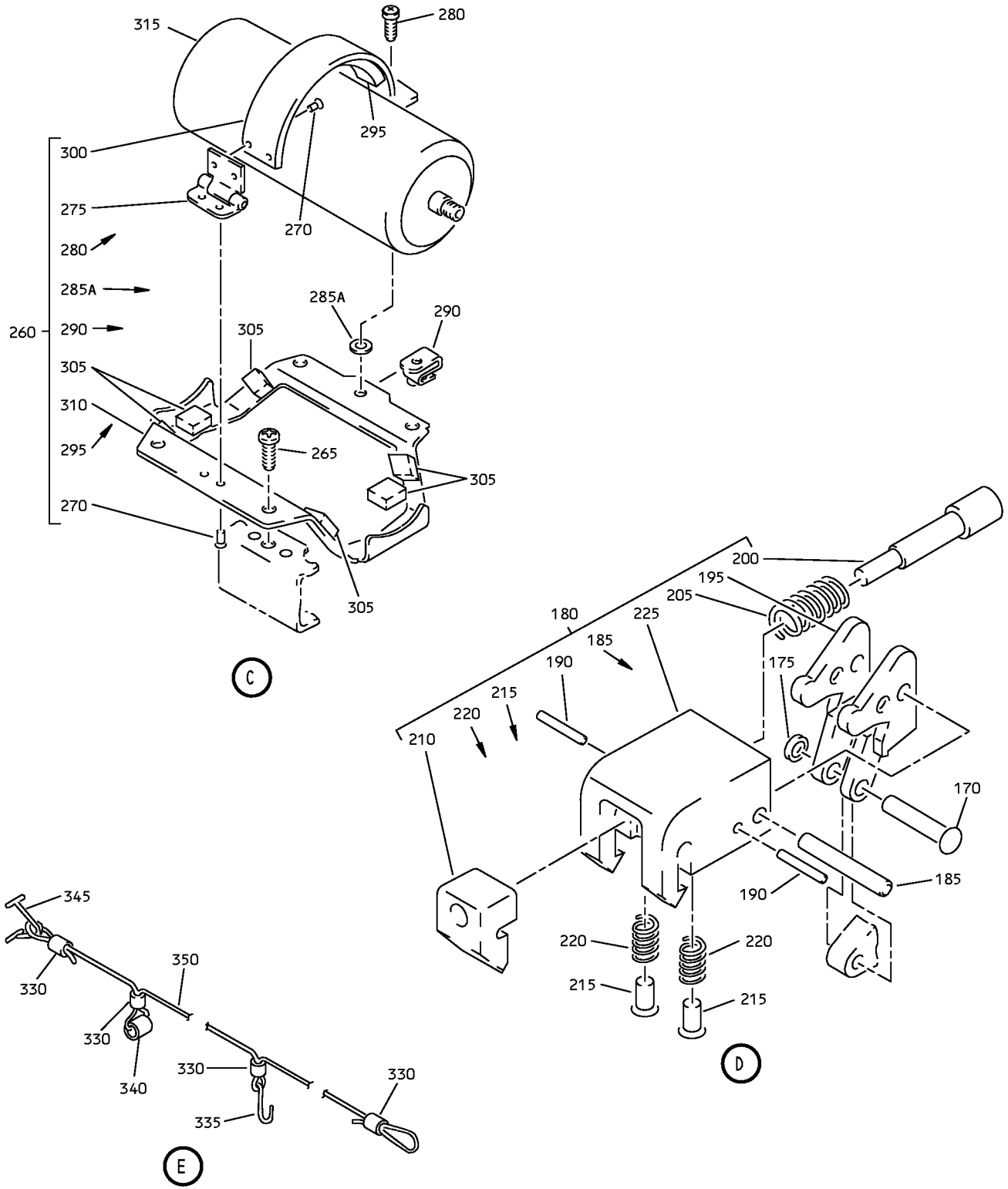
25-23-30

ILLUSTRATED PARTS LIST

Page 1098.206

Jul 01/2007

COMPONENT MAINTENANCE MANUAL



Full Underbin Passenger Service Unit Assembly
IPL Figure 10 (Sheet 2 of 7)

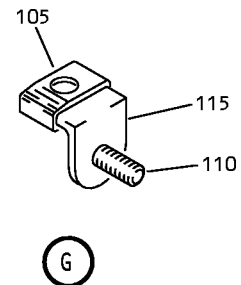
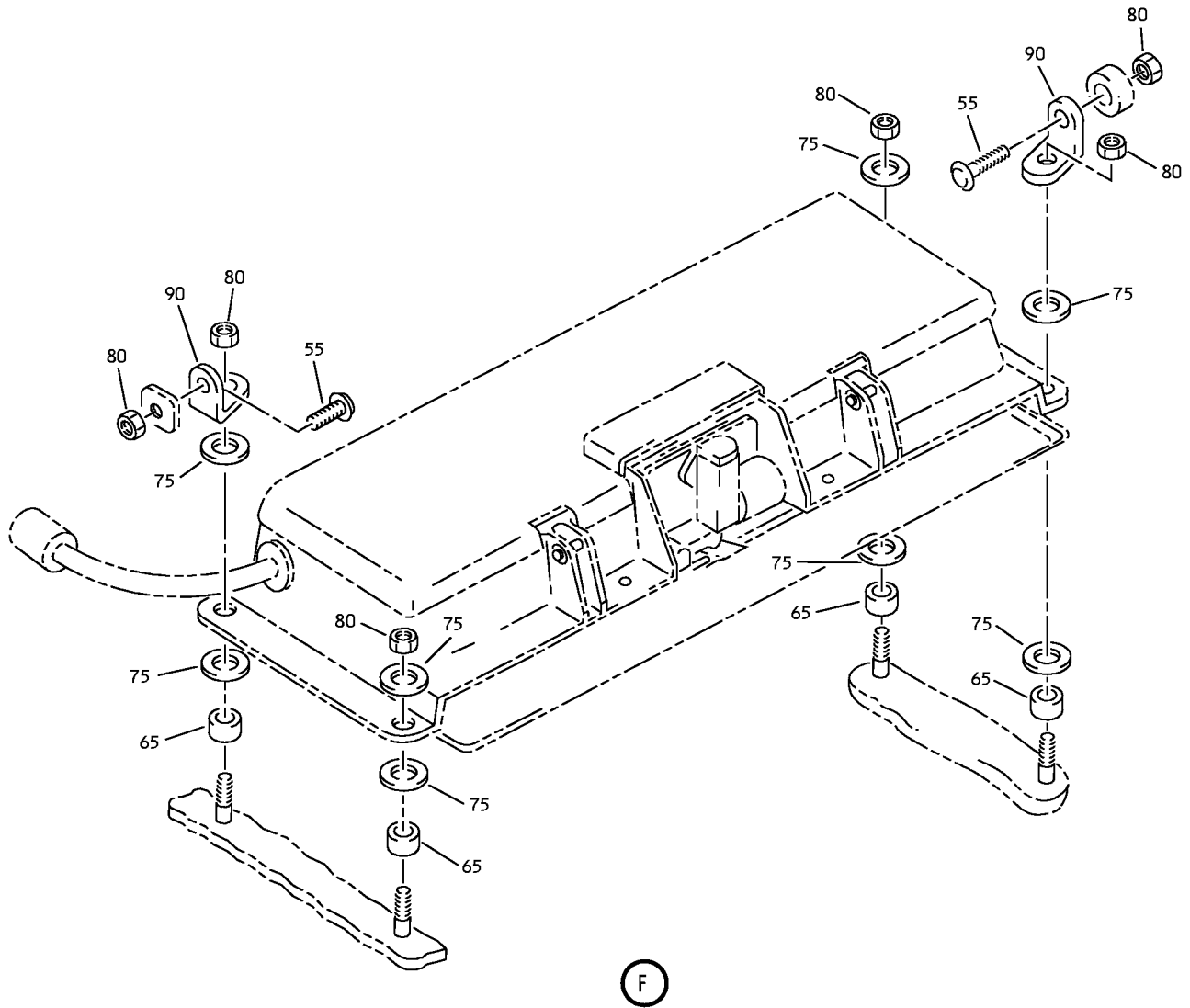
25-23-30

ILLUSTRATED PARTS LIST

Page 1098.207

Jul 01/2007

COMPONENT MAINTENANCE MANUAL



Full Underbin Passenger Service Unit Assembly
IPL Figure 10 (Sheet 3 of 7)

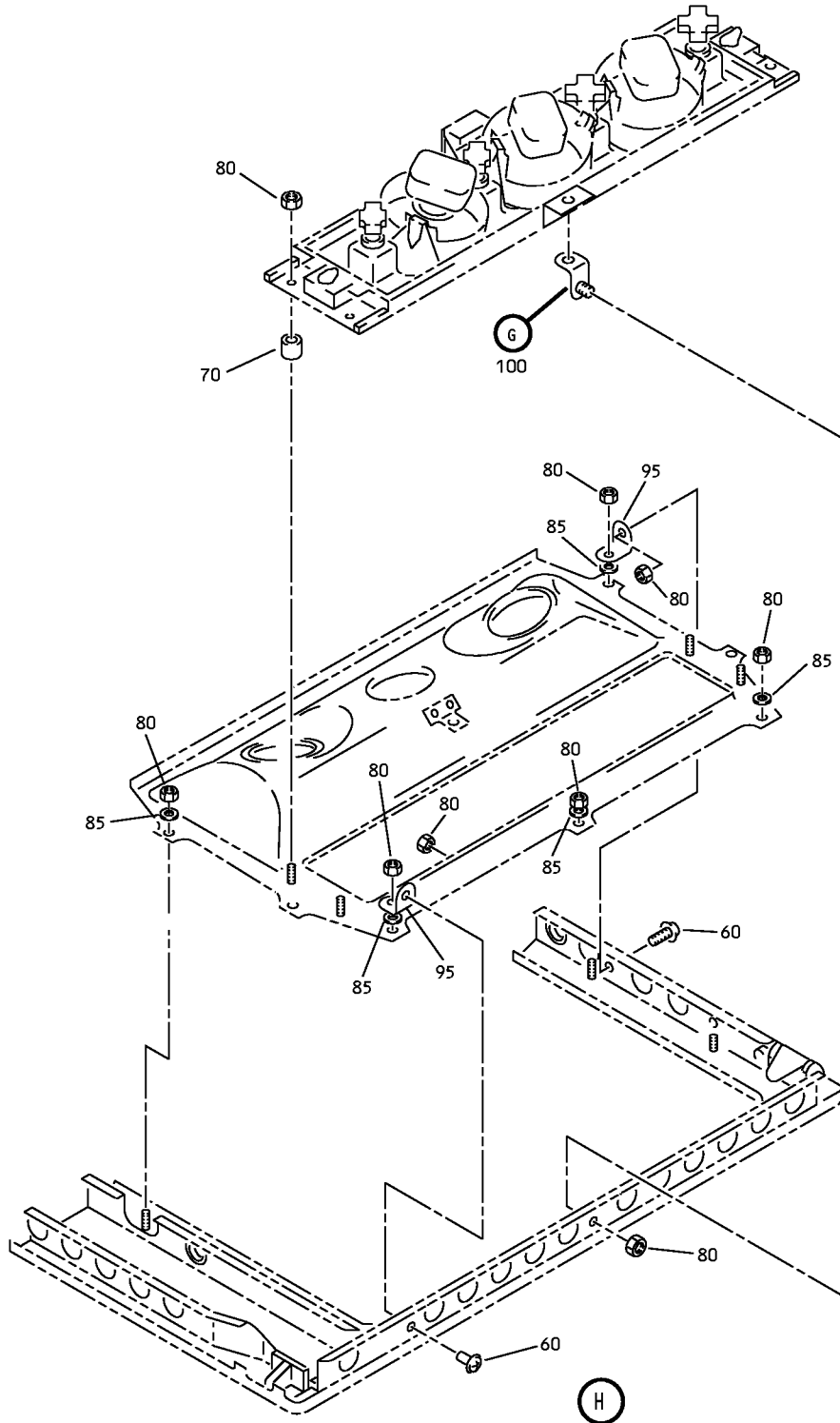
25-23-30

ILLUSTRATED PARTS LIST

Page 1098.208

Jul 01/2007

COMPONENT MAINTENANCE MANUAL



Full Underbin Passenger Service Unit Assembly
IPL Figure 10 (Sheet 4 of 7)

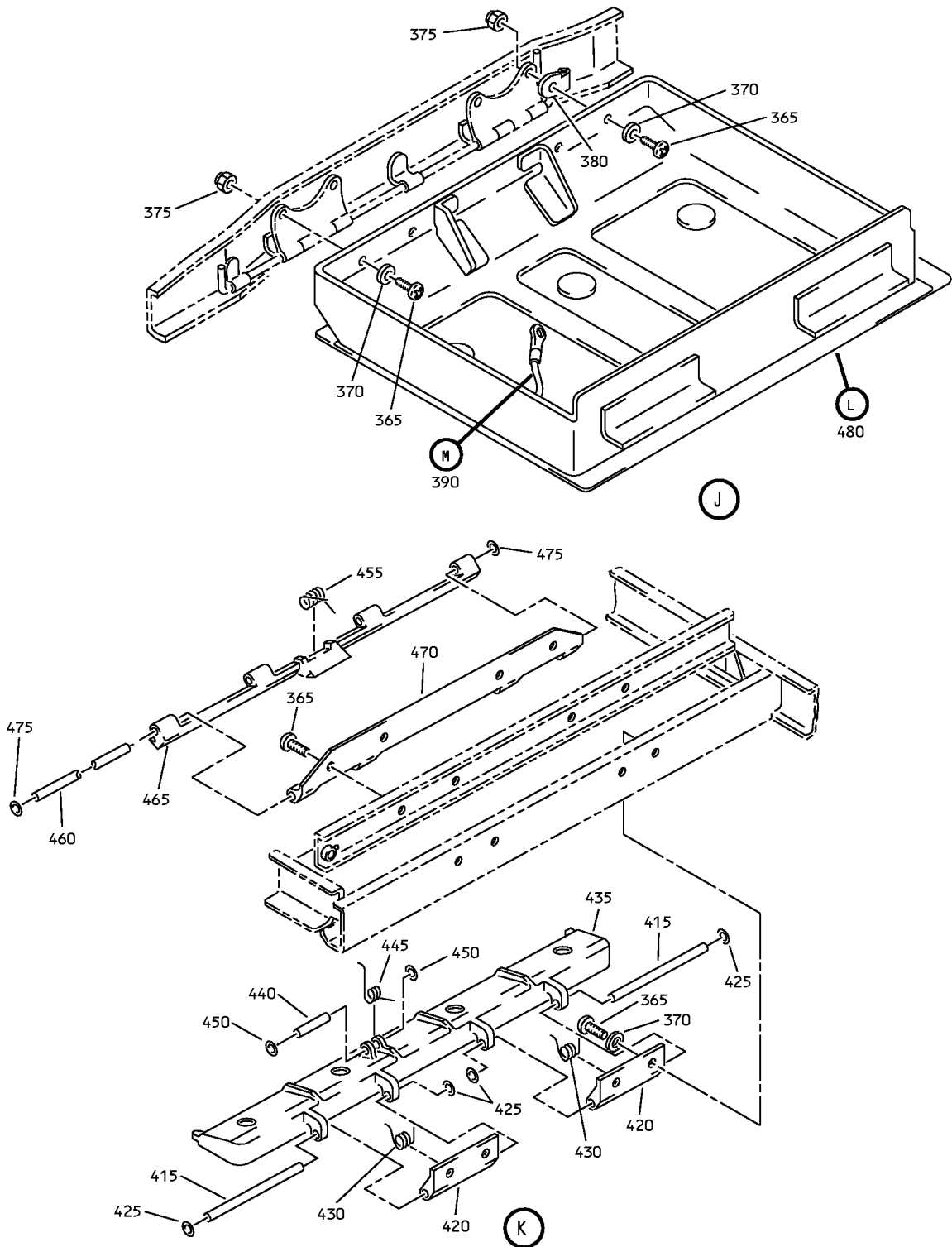
25-23-30

ILLUSTRATED PARTS LIST

Page 1098.209

Jul 01/2007

COMPONENT MAINTENANCE MANUAL



Full Underbin Passenger Service Unit Assembly
IPL Figure 10 (Sheet 5 of 7)

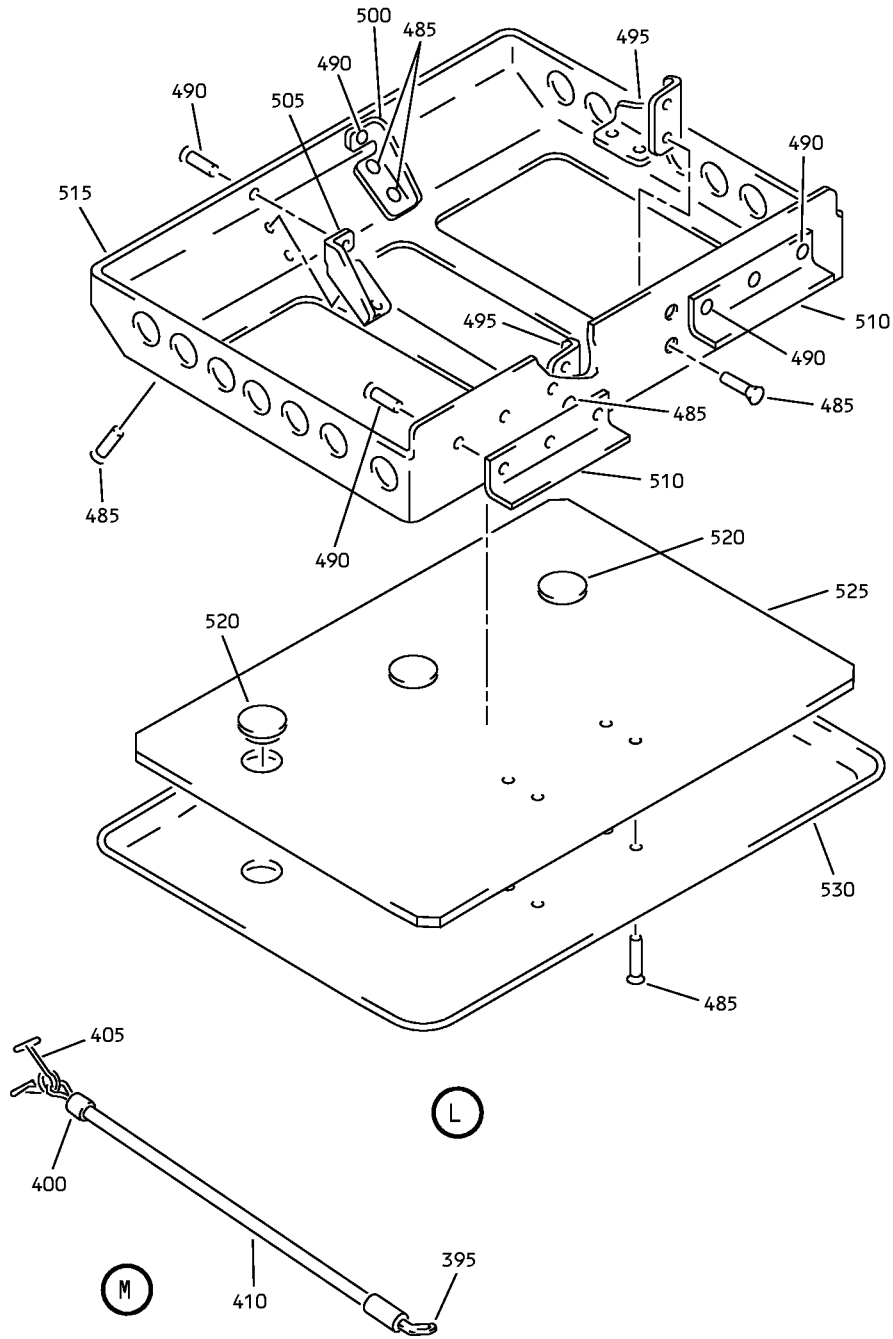
25-23-30

ILLUSTRATED PARTS LIST

Page 1098.210

Jul 01/2007

COMPONENT MAINTENANCE MANUAL



Full Underbin Passenger Service Unit Assembly
IPL Figure 10 (Sheet 6 of 7)

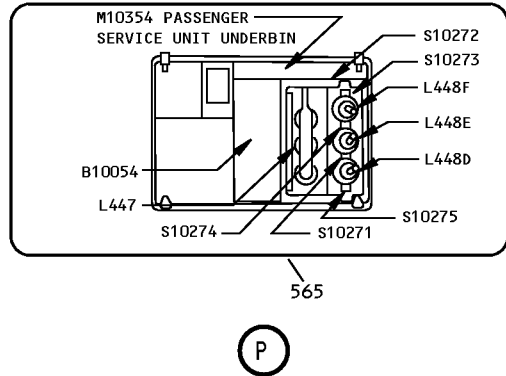
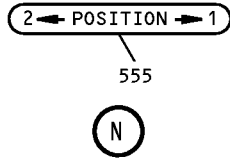
25-23-30

ILLUSTRATED PARTS LIST

Page 1098.211

Jul 01/2007

COMPONENT MAINTENANCE MANUAL

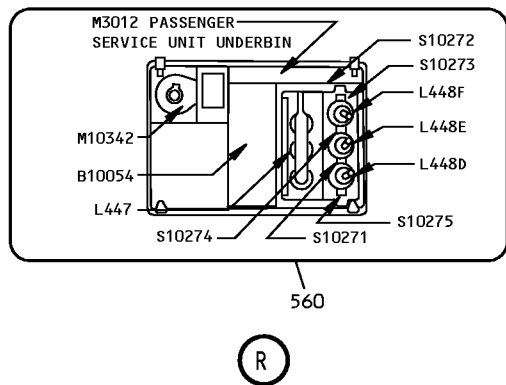
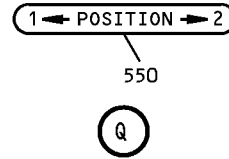
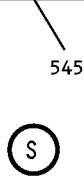


ATTENTION

FOR REMOVAL AND RELOCATION INFORMATION SEE
MAINTENANCE MANUAL CHAPTER 25

FOR MASK STOWAGE INSTRUCTIONS SEE MAINTENANCE
MANUAL CHAPTER 35

FOR CLEANING INSTRUCTIONS SEE DOCUMENTS D6-7127



Full Underbin Passenger Service Unit Assembly
IPL Figure 10 (Sheet 7 of 7)

25-23-30
ILLUSTRATED PARTS LIST
Page 1098.212
Jul 01/2007



COMPONENT MAINTENANCE MANUAL

FIG/ ITEM	PART NUMBER	AIRLINE PART NUMBER	NOMENCLATURE							USAGE CODE	UNITS PER ASSY
			1	2	3	4	5	6	7		
10-											
-1	417N3100-549SP										
-5	417N3100-550SP										
10	920056										
15	920055										
20	417N3100-25SP										
25	B0E20563A152										
30	10-60141-23T										
-30A	750801-002										
-30B	3740-4										
-30C	3740-1										
-30D	3740-3										

-Item not Illustrated

25-23-30

ILLUSTRATED PARTS LIST

Page 1098.213

Jul 01/2007



COMPONENT MAINTENANCE MANUAL

FIG/ ITEM	PART NUMBER	AIRLINE PART NUMBER	NOMENCLATURE							USAGE CODE	UNITS PER ASSY	
			1	2	3	4	5	6	7			
10- -30E	3740-5		. .								BV, BW	3
			. .								BV, BW	3
			. .								BV, BW	3
			. .								BV, BW	1
			. . .								BV, BW	1
			. .								BV, BW	1
			. .								BV, BW	2
			. .								BV, BW	2
			. .								BV, BW	4
			. .								BV, BW	4
			. .								BV, BW	8
			. .								BV, BW	18
			. .								BV, BW	5
			. .								BV, BW	2
			. .								BV, BW	2
			. .								BV, BW	1
			. . .								BV, BW	1
			. . .								BV, BW	1
			. . .								BV, BW	1

-Item not Illustrated

25-23-30

ILLUSTRATED PARTS LIST

Page 1098.214

Jul 01/2007



COMPONENT MAINTENANCE MANUAL

FIG/ ITEM	PART NUMBER	AIRLINE PART NUMBER	NOMENCLATURE							USAGE CODE	UNITS PER ASSY
			1	2	3	4	5	6	7		
10-											
115	417N3122-61		. . .	BRACKET						BV, BW	1
				(OPT ITEM 115A)							
-115A	417N3122-130		. . .	BRACKET						BV, BW	1
				(OPT ITEM 115)							
120	10-1006-1		. LIGHT-READING							BV	1
				(V72914)							
				(SPEC S417N302-1)							
-125	10-1006-2		. LIGHT-READING							BW	1
				(V72914)							
				(SPEC S417N302-2)							
130	417N3105-6SP		. MODULE ASSY-SVCE							BV, BW	1
135	BACS21AQ6A6M		. . STUD							BV, BW	4
140	417N3122-111		. . BRACKET ASSY							BV, BW	1
145	82-47-108-15		. . . CLIP							BV, BW	1
				(V84483)							
150	417N3122-112		. . . BRACKET							BV, BW	1
155	417N3101-2SP		. . MODULE							BV, BW	1
160	417N3130-73SP		. BOX ASSY-FOUR MASK OXY							BV	1
				(REF CMM 35-21-02)							
-165	417N3130-74SP		. BOX ASSY-FOUR MASK OXY							BW	1
				(REF CMM 35-21-02)							
170	BACR15BB4D10		. RIVET							BV, BW	2
175	6100-12		. RETAINER							BV, BW	2
				(V2X013)							
180	417N3180-1		. CLAMP ASSY							BV, BW	2
185	NAS607-2-8P		. . PIN							BV, BW	1
190	NAS607-1-4P		. . PIN							BV, BW	2
195	417N3181-1		. . LINK-ROCKER							BV, BW	1
				(OPT ITEM 195A)							
-195A	65-85902-1		. . LINK-ROCKER							BV, BW	1
				(OPT ITEM 195)							
200	65-85905-4		. . PLUNGER							BV, BW	1
205	RCS3290		. . SPRING							BV, BW	1
				(V08205)							
210	417N3182-1		. . BODY-PLUNGER							BV, BW	1
215	417N3180-3		. . PLUNGER-SPR							BV, BW	2

-Item not Illustrated

25-23-30

ILLUSTRATED PARTS LIST

Page 1098.215

Jul 01/2007



COMPONENT MAINTENANCE MANUAL

FIG/ ITEM	PART NUMBER	AIRLINE PART NUMBER	NOMENCLATURE							USAGE CODE	UNITS PER ASSY	
			1	2	3	4	5	6	7			
10- 220	RCS3289		.	.	SPRING (V08205)						BV, BW	2
225	417N3183-1		.	.	BODY-CLAMP						BV, BW	1
-230	AN960JD416L		.		WASHER (USED WITH ITEM 235)						BV, BW	AR
-235	PLWP1S		.		TIE-PUSH MOUNT CABLE (V58417)						BV, BW	AR
-240	NMC1001-0		.		CLAMP (V03296) (OPT ITEM 240A)						BV, BW	2
-240A	BACC10DK3		.		CLAMP (OPT ITEM 240)						BV, BW	2
-245	61-33500-001		.		WIRE BUNDLE (OPT ITEM 245A)						BV, BW	1
-245A	286N0512-004		.		WIRE BUNDLE (OPT ITEM 245)						BV, BW	1
250	1TW2-3		.		SWITCH-TOGGLE (V91929)						BV, BW	1
255	417N3100-48		.		GENERATOR ASSY						BV, BW	1
260	417N3160-11		.	.	BRACKET ASSY						BV, BW	1
					ATTACHING PARTS							
265	BACS12FA08K6		.	.	SCREW						BV, BW	4
					-----*-----							
270	BACR15BA3D		.	.	RIVET (SIZE DETERMINED ON INST)						BV, BW	4
275	417N3811-13		.	.	HINGE						BV, BW	1
280	CS8024-08-1A		.	.	SCREW-CAPTIVE (V58998) (OPT ITEM 280A)						BV, BW	1
-280A	FT1387P8-1-2		.	.	SCREW-CAPTIVE (V58794) (OPT ITEM 280)						BV, BW	1
285	AN960KD416				DELETED							
285A	AN960JD416		.	.	WASHER						BV, BW	1

-Item not Illustrated

25-23-30

ILLUSTRATED PARTS LIST

Page 1098.216

Jul 01/2007



COMPONENT MAINTENANCE MANUAL

FIG/ ITEM	PART NUMBER	AIRLINE PART NUMBER	NOMENCLATURE							USAGE CODE	UNITS PER ASSY	
			1	2	3	4	5	6	7			
10- 290	A4972-6-82		. . .	NUT							BV, BW	1
				(V72962)								
				(SPEC BACN10FX84)								
				(OPT RM52LHA4972-6-82 (V72962))								
				(OPT SL211-08-1 (V97393))								
				(OPT 130008 (V60119))								
				(OPT A11330-6-82 (V72962))								
295	417N3160-12		. . .	PAD-INSULATION							BV, BW	1
300	417N3161-7		. . .	BRACKET-MTG							BV, BW	1
305	417N3160-13		. . .	PAD-INSULATION							BV, BW	6
310	417N3136-99		. . .	BRACKET-MTG							BV, BW	1
315	117003-14		. .	GENERATOR-CHEMICAL OXY							BV, BW	1
				(V16827)								
				(SPEC S417T401-27)								
-315A	803000-04		. .	GENERATOR-CHEMICAL OXY							BV, BW	1
				(V53655)								
				(SPEC S417T401-33)								
-315B	E71740-00		. .	GENERATOR-CHEMICAL OXY							BV, BW	1
				(VD1379)								
				(SPEC S417T401-44)								
320	417N3100-71		. .	PAD-SPONGE							BV, BW	2
325	417N3190-1		. .	LANYARD ASSY							BV, BW	1
330	GSC219		. .	SLEEVE							BV, BW	4
				(V59730)								
				(SPEC BACS13S219C)								
				(OPT Y0C140 (V09922))								
				(OPT ITEM 330A)								
-330A	GSC205		. .	SLEEVE							BV, BW	4
				(V59730)								
				(SPEC BACS13S205C)								
				(OPT Y0C130 (V09922))								
				(OPT ITEM 330)								
335	10-61790-1		. .	HOOK							BV, BW	1
				(V08205)								
340	NAS43DD4-5		. .	SPACER							BV, BW	1
345	65C16899-6		. .	SPRING							BV, BW	1
350	417N3190-3		. .	CORD-NYLON							BV, BW	1
355	417N3100-41SP		. .	LIFEVEST ASSY							BV	1
-360	417N3100-42SP		. .	LIFEVEST ASSY							BW	1

-Item not Illustrated

25-23-30

ILLUSTRATED PARTS LIST

Page 1098.217

Jul 01/2007



COMPONENT MAINTENANCE MANUAL

FIG/ ITEM	PART NUMBER	AIRLINE PART NUMBER	NOMENCLATURE							USAGE CODE	UNITS PER ASSY
			1	2	3	4	5	6	7		
10-											
365	BACS12FA08K7		.	.	SCREW					BV, BW	12
370	AN960PD8L		.	.	WASHER					BV, BW	AR
375	MS21042L08		.	.	NUT					BV, BW	4
380	417N3122-49		.	.	RETAINER					BV	1
-385	417N3122-50		.	.	RETAINER					BW	1
390	417N3190-9		.	.	LANYARD ASSY					BV, BW	1
395	417N3190-7		.	.	TERMINAL					BV, BW	1
400	GSC219		.	.	SLEEVE					BV, BW	1
					(V59730)						
					(SPEC BACS13S219C)						
					(OPT Y0C140 (V09922))						
					(OPT ITEM 400A)						
-400A	GSC205		.	.	SLEEVE					BV, BW	1
					(V59730)						
					(SPEC BACS13S205C)						
					(OPT Y0C130 (V09922))						
					(OPT ITEM 400)						
405	65C16899-6		.	.	SPRING					BV, BW	1
410	417N3190-10		.	.	CORD-NYLON					BV, BW	1
415	417N3100-74		.	.	PIN					BV, BW	2
420	417N3133-19		.	.	HOUSING-PUSH BUTTON					BV, BW	2
425	6100-9		.	.	RETAINER					BV, BW	4
					(V2X013)						
430	417N3173-9		.	.	SPRING					BV, BW	2
435	417N3084-1SP		.	.	PUSH BUTTON					BV, BW	1
440	417N3100-73		.	.	PIN					BV, BW	1
445	417N3173-14		.	.	SPRING					BV, BW	1
450	6100-9		.	.	RETAINER					BV, BW	2
					(V2X013)						
455	417N3173-13		.	.	SPRING					BV, BW	1
460	417N3100-78		.	.	PIN					BV, BW	1
465	417N3133-15		.	.	LATCH					BV, BW	1
470	417N3133-16		.	.	LATCH					BV, BW	1
475	6100-9		.	.	RETAINER					BV, BW	2
					(V2X013)						

-Item not Illustrated

25-23-30

ILLUSTRATED PARTS LIST

Page 1098.218

Jul 01/2007



COMPONENT MAINTENANCE MANUAL

FIG/ ITEM	PART NUMBER	AIRLINE PART NUMBER	NOMENCLATURE							USAGE CODE	UNITS PER ASSY
			1	2	3	4	5	6	7		
10-											
480	417N3080-4SP		BV, BW	1
485	BACR15CE3D		BV, BW	12
490	BACR15CE4D		BV, BW	8
495	417N3083-2		BV, BW	2
500	417N3083-3		BV, BW	1
505	417N3083-4		BV, BW	1
510	417N3083-1		BV, BW	2
515	417N3082-2		BV, BW	1
520	417N3113-1		BV, BW	3
525	417N3080-5		BV, BW	1
530	417N3081-2SP		BV, BW	1
535	417N3110-61SP		BV	1
-540	417N3110-62SP		BW	1
545	BAC27DPA2272		BV, BW	1
550	BAC27NPA0610		BV	1
555	BAC27NPA0609		BW	1
560	BAC27NPA0662		BV	1
565	BAC27NPA0663		BW	1

-Item not Illustrated

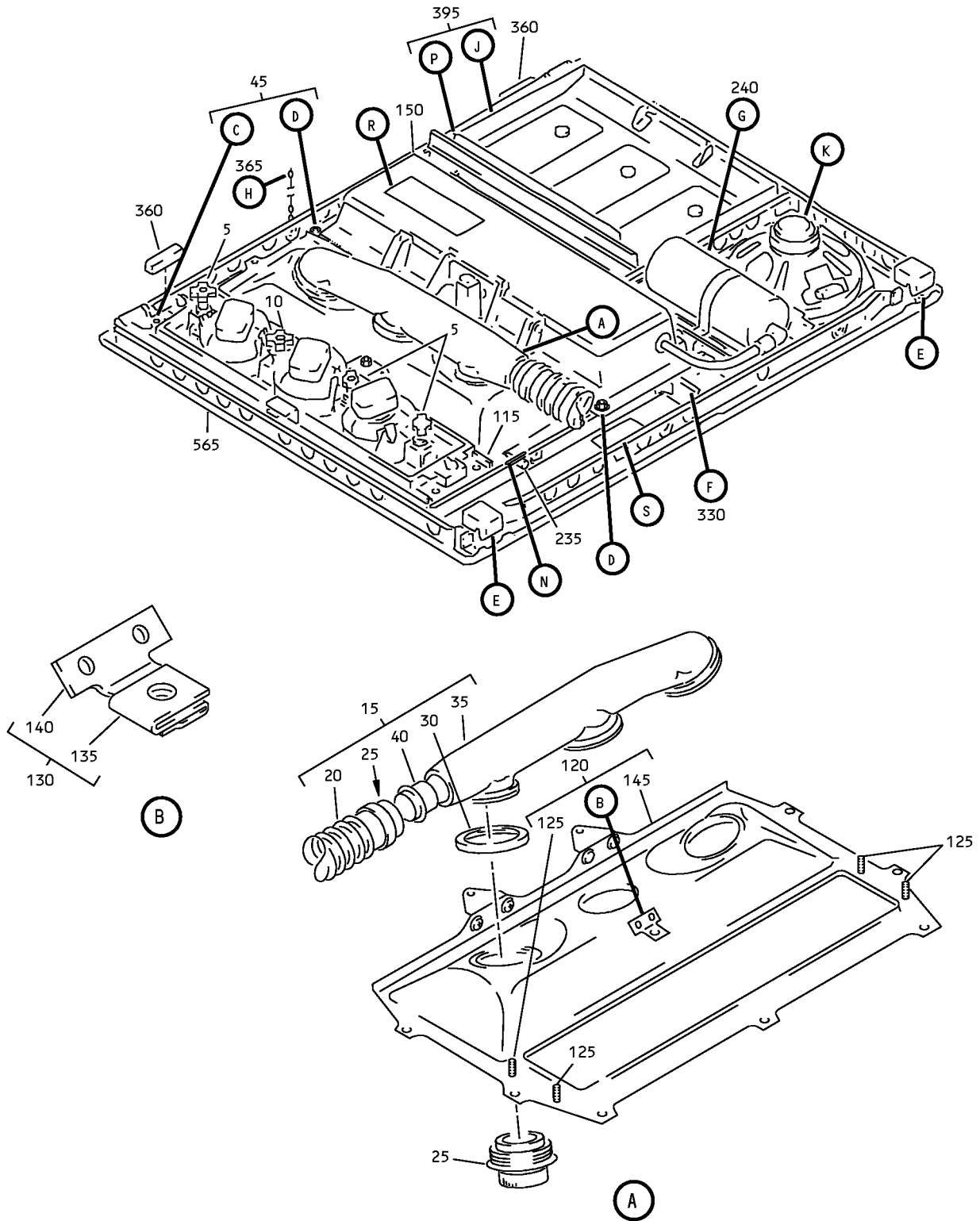
25-23-30

ILLUSTRATED PARTS LIST

Page 1098.219

Jul 01/2007

COMPONENT MAINTENANCE MANUAL



Full Underbin Passenger Service Unit Assembly
IPL Figure 11 (Sheet 1 of 6)

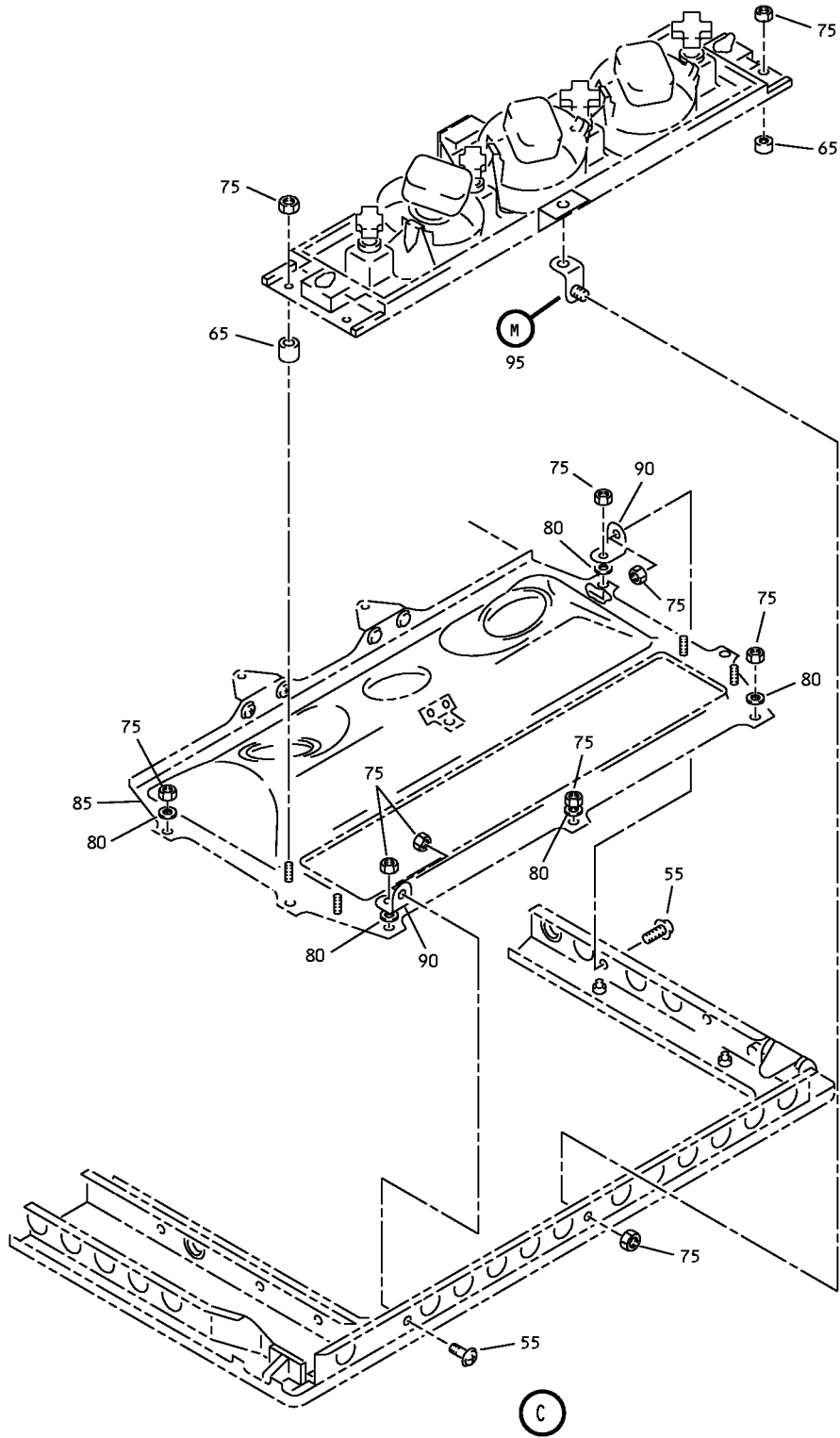
25-23-30

ILLUSTRATED PARTS LIST

Page 1098.220

Jul 01/2007

COMPONENT MAINTENANCE MANUAL



Full Underbin Passenger Service Unit Assembly
IPL Figure 11 (Sheet 2 of 6)

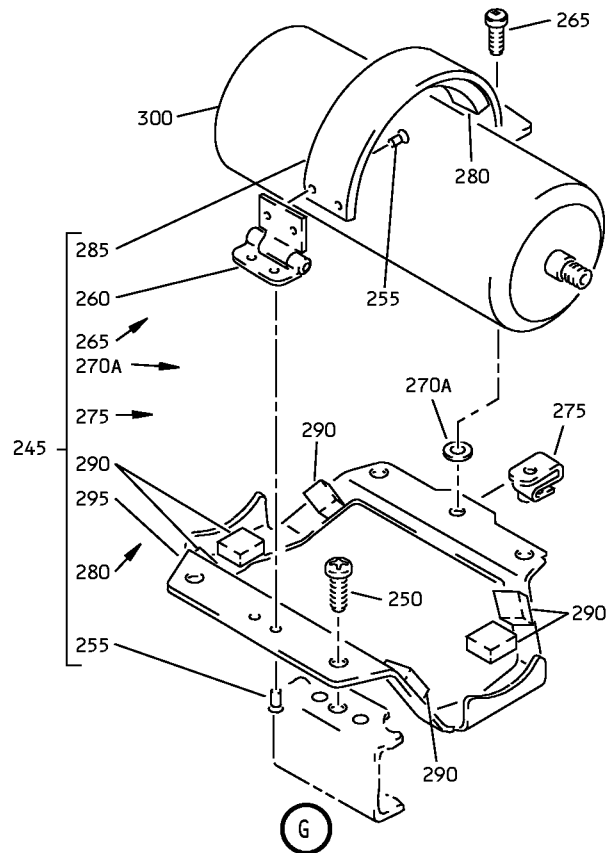
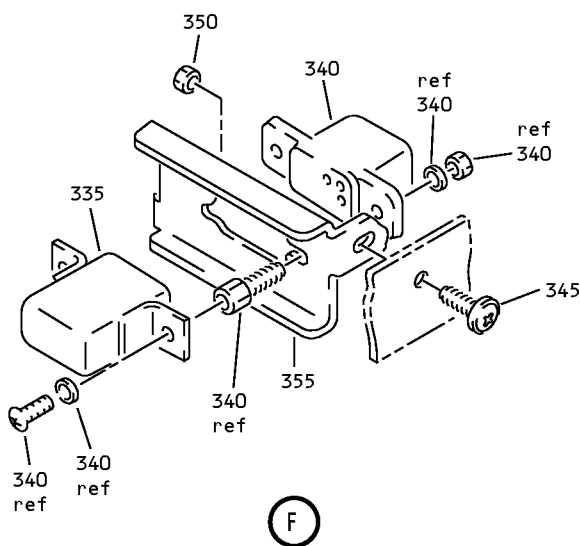
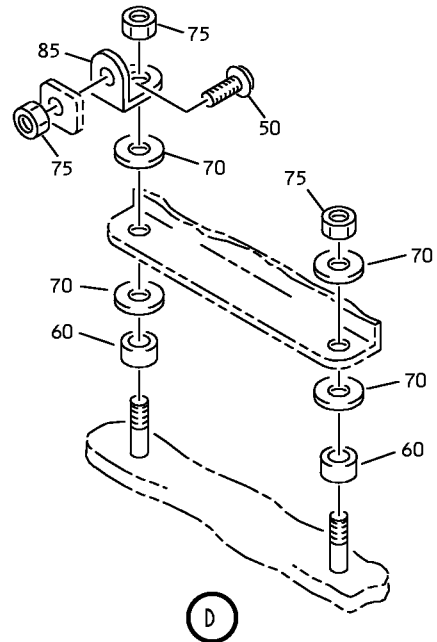
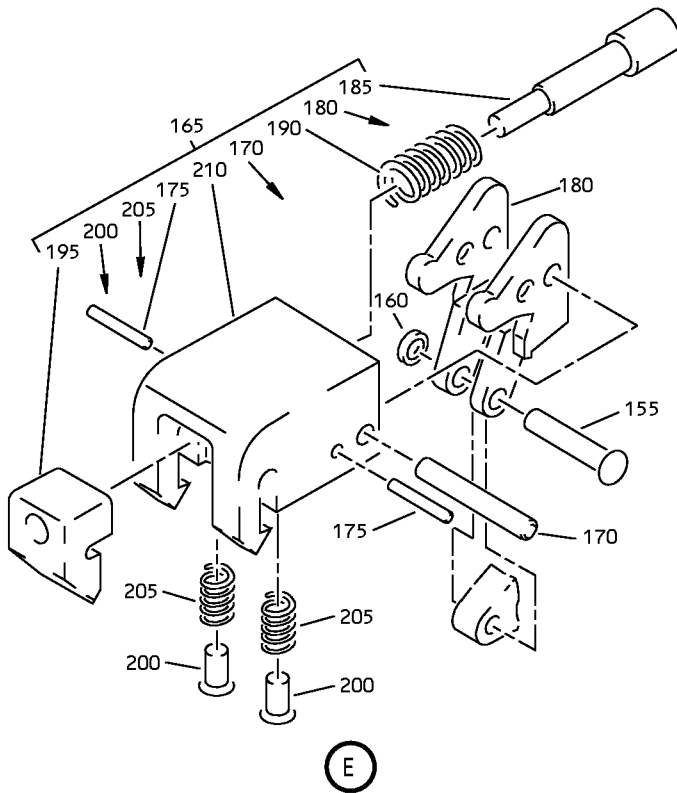
25-23-30

ILLUSTRATED PARTS LIST

Page 1098.221

Jul 01/2007

COMPONENT MAINTENANCE MANUAL



Full Underbin Passenger Service Unit Assembly
IPL Figure 11 (Sheet 3 of 6)

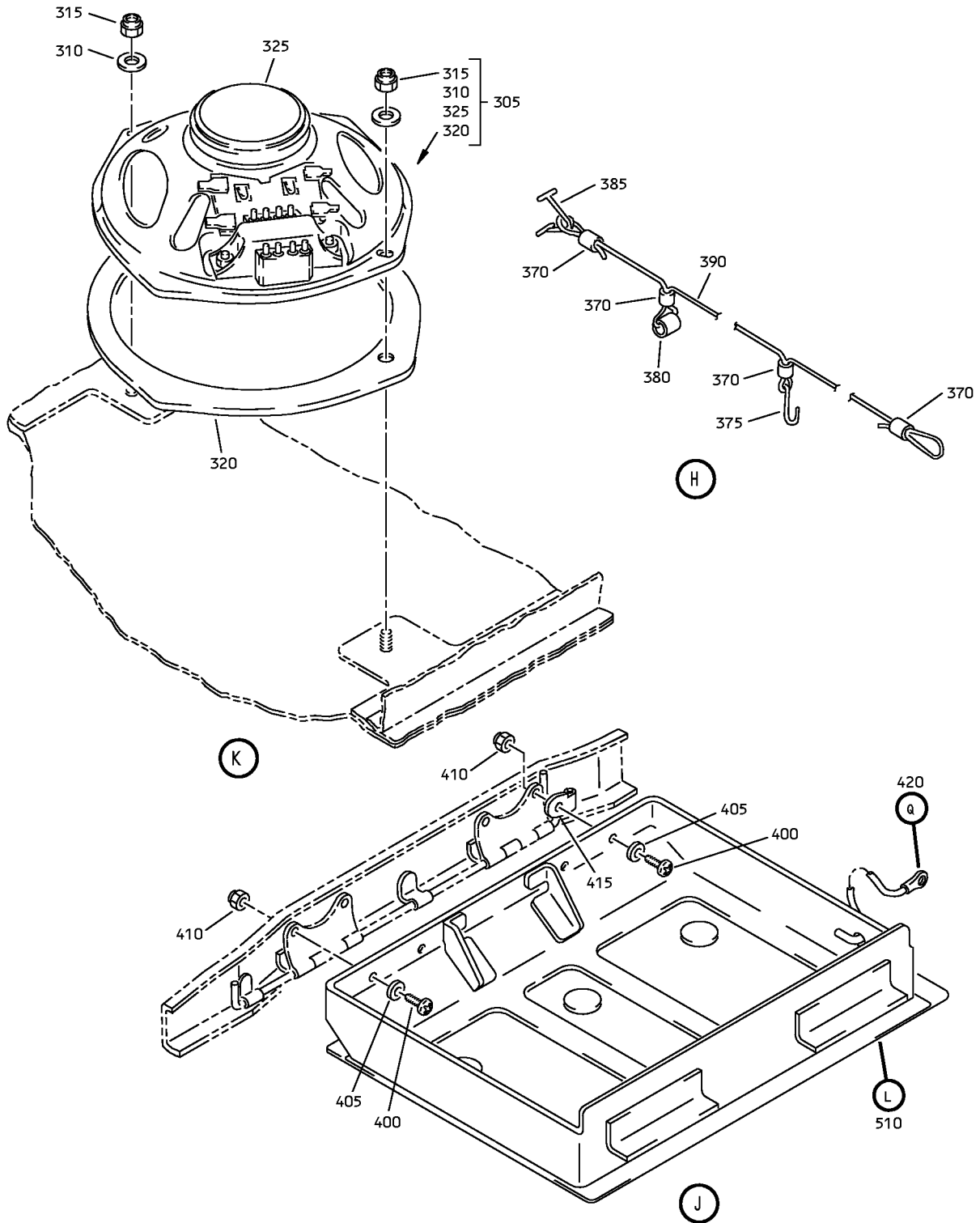
25-23-30

ILLUSTRATED PARTS LIST

Page 1098.222

Jul 01/2007

COMPONENT MAINTENANCE MANUAL



Full Underbin Passenger Service Unit Assembly
IPL Figure 11 (Sheet 4 of 6)

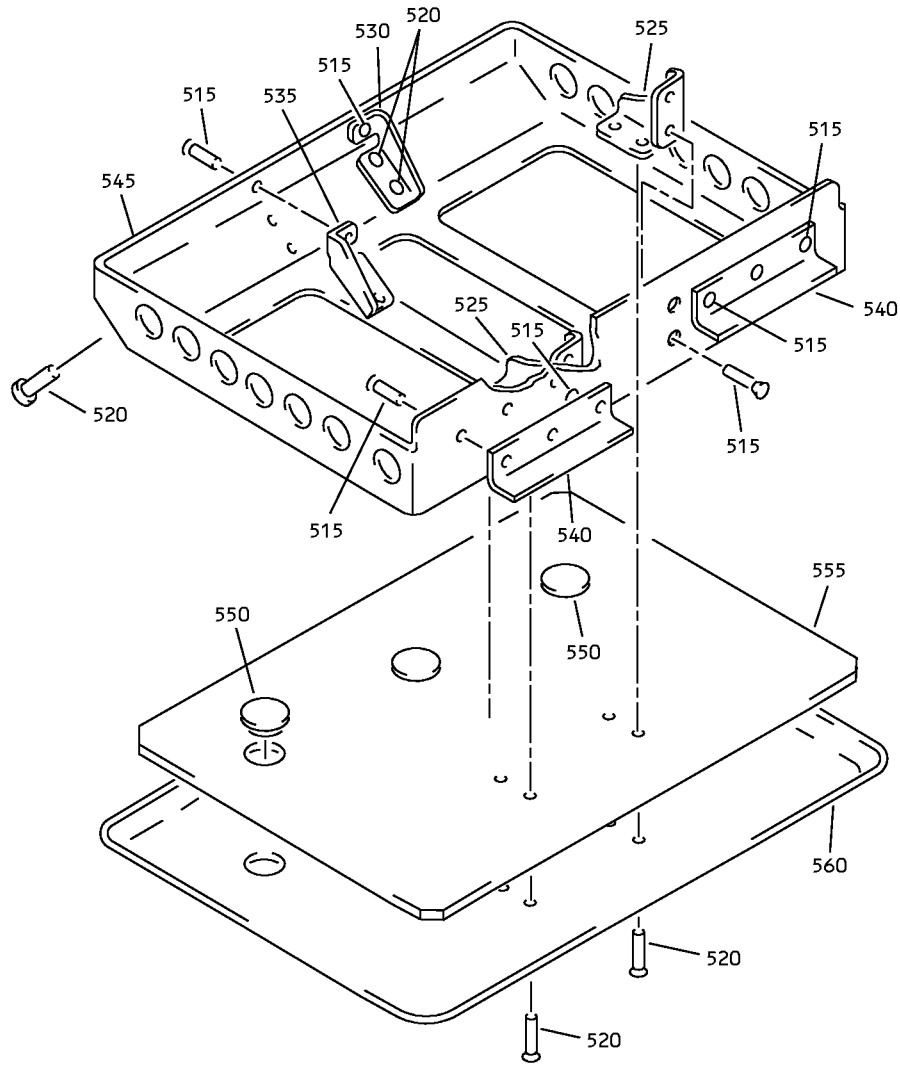
25-23-30

ILLUSTRATED PARTS LIST

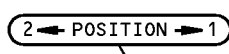
Page 1098.223

Jul 01/2007

COMPONENT MAINTENANCE MANUAL

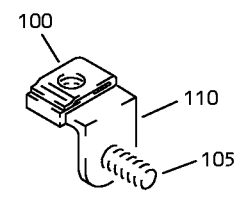


(L)



575

(N)



(M)

Full Underbin Passenger Service Unit Assembly
IPL Figure 11 (Sheet 5 of 6)

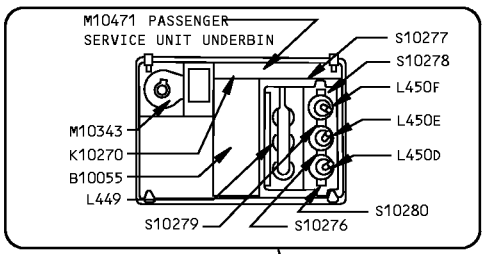
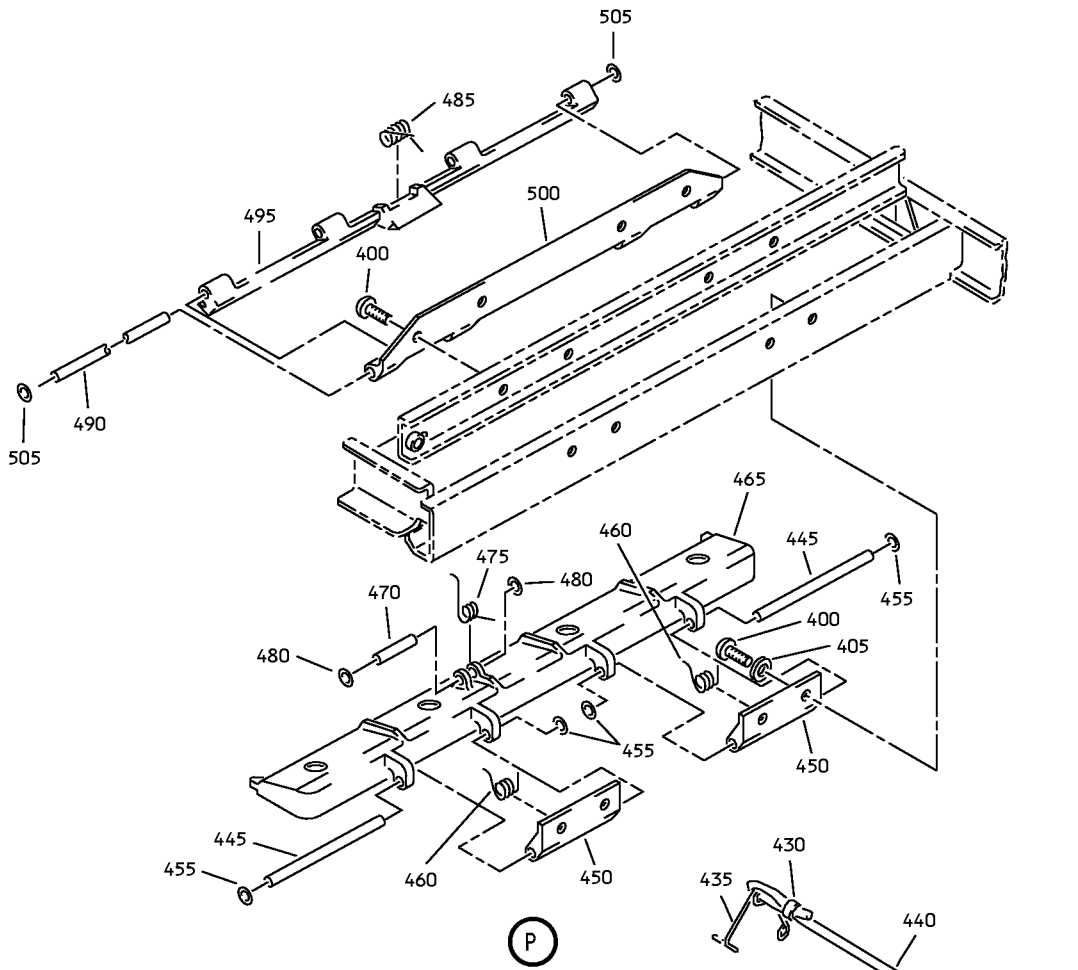
25-23-30

ILLUSTRATED PARTS LIST

Page 1098.224

Jul 01/2007

COMPONENT MAINTENANCE MANUAL

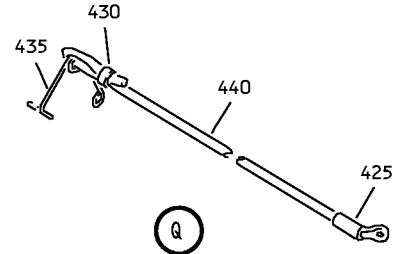


ATTENTION

FOR REMOVAL AND RELOCATION INFORMATION SEE MAINTENANCE MANUAL CHAPTER 25

FOR MASK STOWAGE INSTRUCTIONS SEE MAINTENANCE MANUAL CHAPTER 35

FOR CLEANING INSTRUCTIONS SEE DOCUMENTS D6-7127



(R)

Full Underbin Passenger Service Unit Assembly
IPL Figure 11 (Sheet 6 of 6)

25-23-30

ILLUSTRATED PARTS LIST

Page 1098.225

Jul 01/2007



COMPONENT MAINTENANCE MANUAL

FIG/ ITEM	PART NUMBER	AIRLINE PART NUMBER	NOMENCLATURE							USAGE CODE	UNITS PER ASSY
			1	2	3	4	5	6	7		
11-											
-1	417N3100-552SP										
5	920056										
10	920055										
15	417N3100-25SP										
20	B0E20563A152										
25	10-60141-23T										
-25A	750801-002										
-25B	3740-4										
-25C	3740-1										
-25D	3740-3										
-25E	3740-5										

-Item not Illustrated

25-23-30

ILLUSTRATED PARTS LIST

Page 1098.226

Jul 01/2007



COMPONENT MAINTENANCE MANUAL

FIG/ ITEM	PART NUMBER	AIRLINE PART NUMBER	NOMENCLATURE	USAGE CODE	UNITS PER ASSY
11- 30	PLT2MM		. . STRAP (V06383) (OPT ITEM 30A)	BX	3
-30A	PLT2MM2		. . STRAP (V06383) (OPT ITEM 30)	BX	3
35	417N3103-1		. . MANIFOLD ASSY	BX	1
40	417N3063-4		. . . CONNECTOR	BX	1
45	417N3100-81		. FASTENER ASSY	BX	1
50	BACS12FA08K6		. . SCREW	BX	2
55	BACS12FA08K5		. . SCREW	BX	2
60	NAS43DD3-18		. . SPACER	BX	4
65	NAS43DD3-20		. . SPACER	BX	4
70	BACW10P193G		. . WASHER	BX	8
75	BACN10YJ08		. . NUT	BX	18
80	G6940-3B3		. . GROMMET (V75345) (SPEC BACG20AF3B3) (OPT SZ6924-3B3 (V95272)) (OPT 701-3B3 (V07096)) (OPT E3B3 (V60980)) (OPT H3B3 (V60980)) (OPT RR2002-3B3 (V57268))	BX	5
85	417N3122-115		. . ANGLE	BX	2
90	417N3122-14		. . ANGLE-SPRT	BX	2
95	417N3122-60		. . BRACKET ASSY	BX	1
100	82-47-108-15		. . . CLIP (V84483)	BX	1
105	BACS21AQ2A3K		. . . STUD (OPT ITEM 105A)	BX	1
-105A	FHS832-6		. . . STUD (OPT ITEM 105)	BX	1
110	417N3122-61		. . . BRACKET (OPT ITEM 110A)	BX	1
-110A	417N3122-130		. . . BRACKET (OPT ITEM 110)	BX	1

-Item not Illustrated

25-23-30

ILLUSTRATED PARTS LIST

Page 1098.227

Jul 01/2007



COMPONENT MAINTENANCE MANUAL

FIG/ ITEM	PART NUMBER	AIRLINE PART NUMBER	NOMENCLATURE	USAGE CODE	UNITS PER ASSY
11-					
115	10-1006-2		. LIGHT-READING (V72914) (SPEC S417N302-2)	BX	1
120	417N3105-6SP		. MODULE ASSY-SVCE	BX	1
125	BACS21AQ6A6M		. . STUD	BX	4
130	417N3122-111		. . BRACKET ASSY	BX	1
135	82-47-108-15		. . . CLIP (V84483)	BX	1
140	417N3122-112		. . . BRACKET	BX	1
145	417N3101-2SP		. . MODULE	BX	1
150	417N3130-74SP		. BOX ASSY-FOUR MASK OXY (REF CMM 35-21-02)	BX	1
155	BACR15BB4D10		. RIVET	BX	2
160	6100-12		. RETAINER (V2X013)	BX	2
165	417N3180-1		. CLAMP ASSY	BX	2
170	NAS607-2-8P		. . PIN	BX	1
175	NAS607-1-4P		. . PIN	BX	2
180	417N3181-1		. . LINK-ROCKER (OPT ITEM 180A)	BX	1
-180A	65-85902-1		. . LINK-ROCKER (OPT ITEM 180)	BX	1
185	65-85905-4		. . PLUNGER	BX	1
190	RCS3290		. . SPRING (V08205)	BX	1
195	417N3182-1		. . BODY-PLUNGER	BX	1
200	417N3180-3		. . PLUNGER-SPR	BX	2
205	RCS3289		. . SPRING (V08205)	BX	2
210	417N3183-1		. . BODY-CLAMP	BX	1
-215	AN960JD416L		. WASHER (USED WITH ITEM 220)	BX	AR
-220	PLWP1S		. TIE-PUSH MOUNT CABLE (V58417)	BX	AR

-Item not Illustrated

25-23-30

ILLUSTRATED PARTS LIST

Page 1098.228

Jul 01/2007



COMPONENT MAINTENANCE MANUAL

FIG/ ITEM	PART NUMBER	AIRLINE PART NUMBER	NOMENCLATURE	USAGE CODE	UNITS PER ASSY
11- -225	NMC1001-0		. CLAMP (V03296) (OPT ITEM 225A)	BX	2
-225A	BACC10DK3		. CLAMP (OPT ITEM 225)	BX	2
-230	286N0514-003		. WIRE BUNDLE	BX	1
235	1TW2-3		. SWITCH-TOGGLE (V91929)	BX	1
240	417N3100-48		. GENERATOR ASSY	BX	1
245	417N3160-11		. . BRACKET ASSY	BX	1
			ATTACHING PARTS		
250	BACS12FA08K6		. . SCREW ----- * -----	BX	4
255	BACR15BA3D		. . . RIVET (SIZE DETERMINED ON INST)	BX	4
260	417N3811-13		. . . HINGE	BX	1
265	CS8024-08-1A		. . . SCREW-CAPTIVE (V58998) (OPT ITEM 265A)	BX	1
-265A	FT1387P8-1-2		. . . SCREW-CAPTIVE (V58794) (OPT ITEM 265)	BX	1
270	AN960KD416		DELETED		
270A	AN960JD416		. . . WASHER	BX	1
275	A4972-6-82		. . . NUT (V72962) (SPEC BACN10FX84) (OPT RM52LHA4972-6-82 (V72962)) (OPT SL211-08-1 (V97393)) (OPT 130008 (V60119)) (OPT A11330-6-82 (V72962))	BX	1
280	417N3160-12		. . . PAD-INSULATION	BX	1
285	417N3161-7		. . . BRACKET-MTG	BX	1
290	417N3160-13		. . . PAD-INSULATION	BX	6
295	417N3136-99		. . . BRACKET-MTG	BX	1

-Item not Illustrated

25-23-30

ILLUSTRATED PARTS LIST

Page 1098.229

Jul 01/2007



COMPONENT MAINTENANCE MANUAL

FIG/ ITEM	PART NUMBER	AIRLINE PART NUMBER	NOMENCLATURE							USAGE CODE	UNITS PER ASSY	
			1	2	3	4	5	6	7			
11- 300	117003-14		.	.	GENERATOR-CHEMICAL OXY (V16827) (SPEC S417T401-27)						BX	1
-300A	803000-04		.	.	GENERATOR-CHEMICAL OXY (V53655) (SPEC S417T401-33)						BX	1
-300B	E71740-00		.	.	GENERATOR-CHEMICAL OXY (VD1379) (SPEC S417T401-44)						BX	1
305	417N3100-16		.	.	SPEAKER ASSY						BX	1
310	AN960KD8L		.	.	WASHER						BX	2
315	BACN10YJ08		.	.	NUT						BX	2
320	417N3104-2		.	.	GASKET						BX	1
325	RDAM8005A		.	.	SPEAKER (V54473) (SPEC S222T101-101)						BX	1
330	417N3100-19		.	.	MUTING ASSY						BX	1
335	3SAV1338A2		.	.	RELAY (V01526) (SPEC BACR13CD2) (OPT BR16S233 (V09026)) (OPT EE4AA005 (V35344)) (OPT HFW1206K03 (V58614)) (OPT HFW1204K01 (V71482))						BX	1
340	451120-026		.	.	SOCKET (V03743)						BX	1
345	BACS12FA08K14		.	.	SCREW						BX	1
350	BACN10YJ08		.	.	NUT						BX	1
355	417N3121-138		.	.	BRACKET						BX	1
360	417N3100-71		.	.	PAD-SPONGE						BX	2
365	417N3190-1		.	.	LANYARD ASSY						BX	1
370	GSC219		.	.	SLEEVE (V59730) (SPEC BACS13S219C) (OPT Y0C140 (V09922)) (OPT ITEM 370A)						BX	4

-Item not Illustrated

25-23-30

ILLUSTRATED PARTS LIST

Page 1098.230

Jul 01/2007



COMPONENT MAINTENANCE MANUAL

FIG/ ITEM	PART NUMBER	AIRLINE PART NUMBER	NOMENCLATURE							USAGE CODE	UNITS PER ASSY
			1	2	3	4	5	6	7		
11- -370A	GSC205		BX	4
375	10-61790-1		BX	1
380	NAS43DD4-5		BX	1
385	65C16899-6		BX	1
390	417N3190-3		BX	1
395	417N3100-42SP		BX	1
400	BACS12FA08K7		BX	12
405	AN960PD8L		BX	AR
410	MS21042L08		BX	4
415	417N3122-50		BX	1
420	417N3190-9		BX	1
425	417N3190-7		BX	1
430	GSC219		BX	1
-430A	GSC205		BX	1
435	65C16899-6		BX	1
440	417N3190-10		BX	1
445	417N3100-74		BX	2
450	417N3133-19		BX	2
455	6100-9		BX	4
460	417N3173-9		BX	2
465	417N3084-1SP		BX	1
470	417N3100-73		BX	1

-Item not Illustrated

25-23-30

ILLUSTRATED PARTS LIST

Page 1098.231

Jul 01/2007



COMPONENT MAINTENANCE MANUAL

FIG/ ITEM	PART NUMBER	AIRLINE PART NUMBER	NOMENCLATURE							USAGE CODE	UNITS PER ASSY
			1	2	3	4	5	6	7		
11-											
475	417N3173-14										
480	6100-9										
485	417N3173-13										
490	417N3100-78										
495	417N3133-15										
500	417N3133-16										
505	6100-9										
510	417N3080-4SP										
515	BACR15CE3D										
520	BACR15CE4D										
525	417N3083-2										
530	417N3083-3										
535	417N3083-4										
540	417N3083-1										
545	417N3082-2										
550	417N3113-1										
555	417N3080-5										
560	417N3081-2SP										
565	417N3110-62SP										
570	BAC27DPA2272										
575	BAC27NPA0609										
580	BAC27NPA0667										

-Item not Illustrated

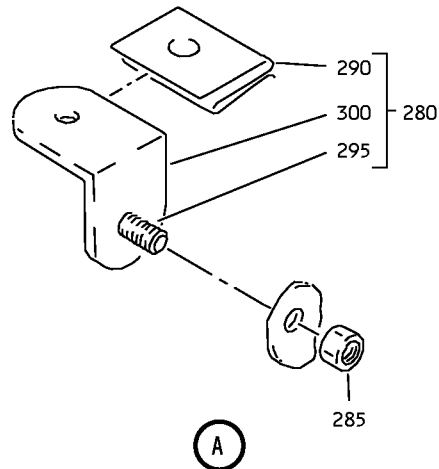
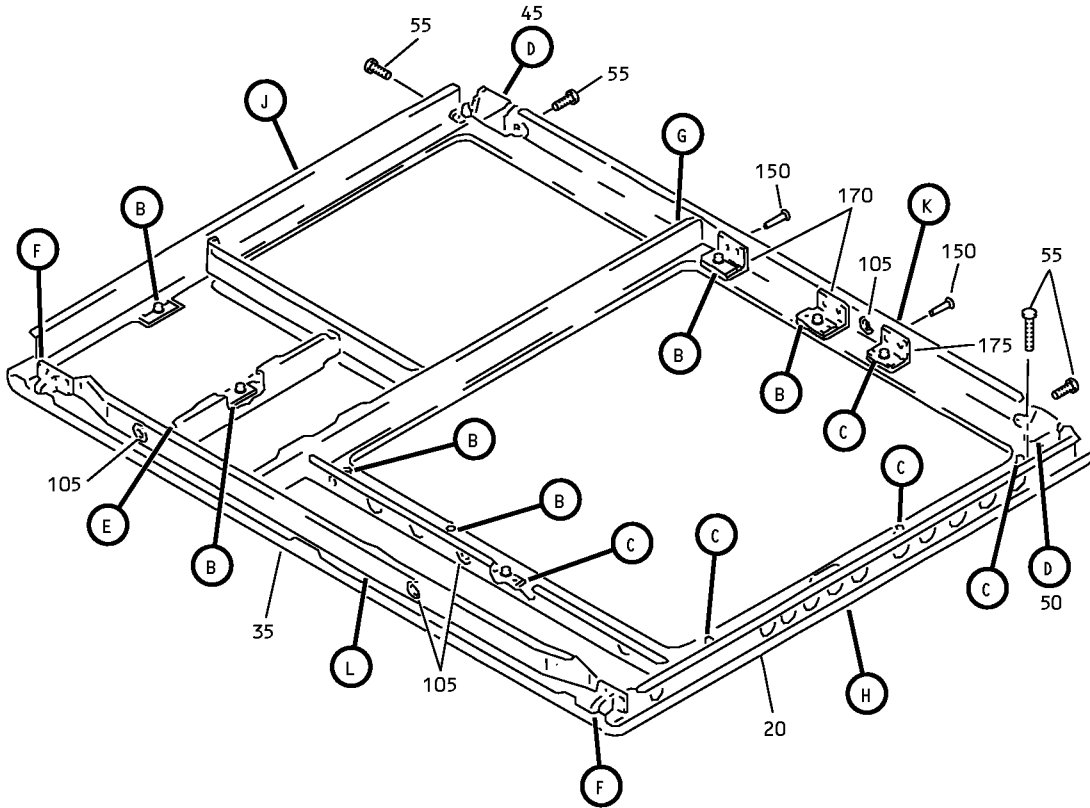
25-23-30

ILLUSTRATED PARTS LIST

Page 1098.232

Jul 01/2007

COMPONENT MAINTENANCE MANUAL



Full Underbin Passenger Service Unit Assembly
IPL Figure 12 (Sheet 1 of 5)

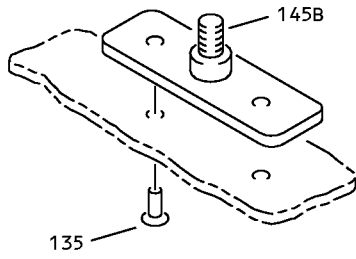
25-23-30

ILLUSTRATED PARTS LIST

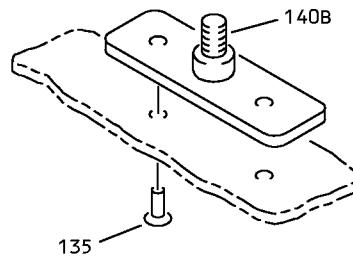
Page 1098.233

Jul 01/2007

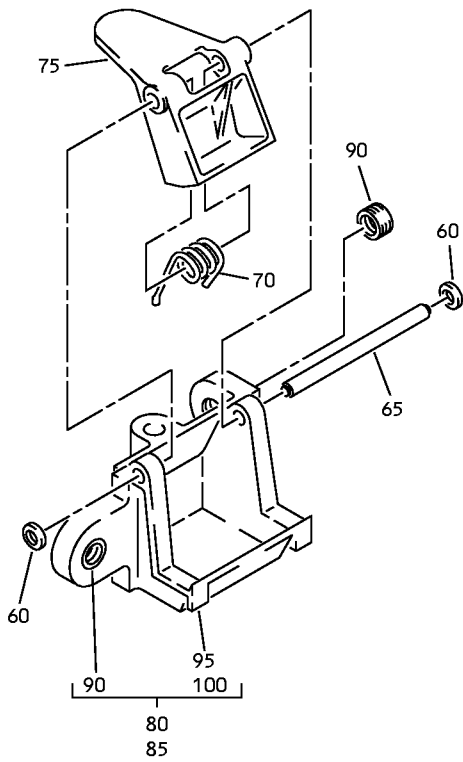
COMPONENT MAINTENANCE MANUAL



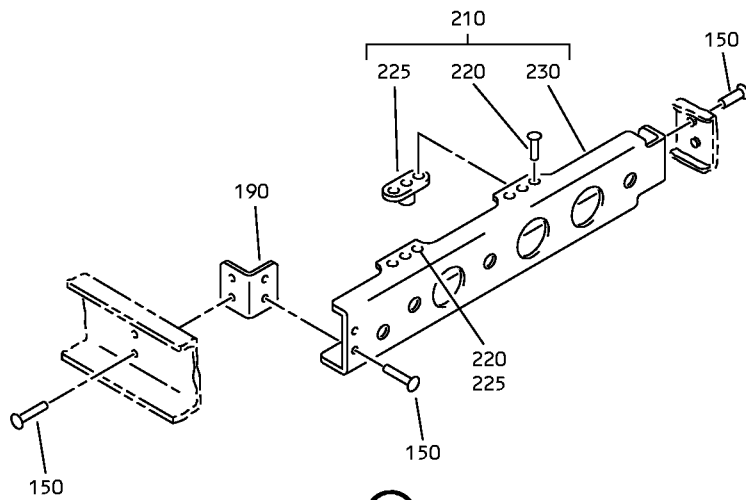
(B)



(C)



(D)



(E)

Full Underbin Passenger Service Unit Assembly
IPL Figure 12 (Sheet 2 of 5)

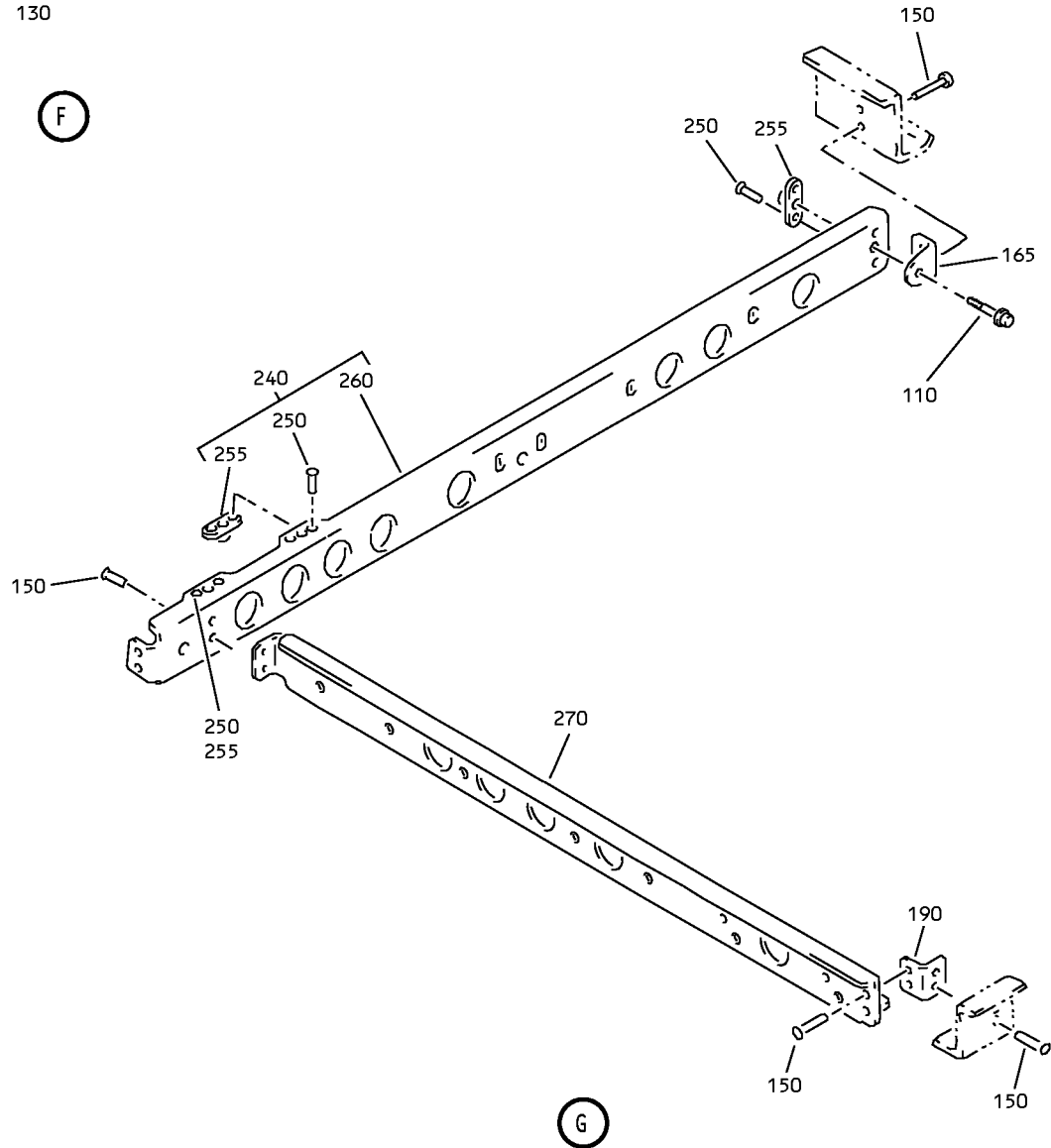
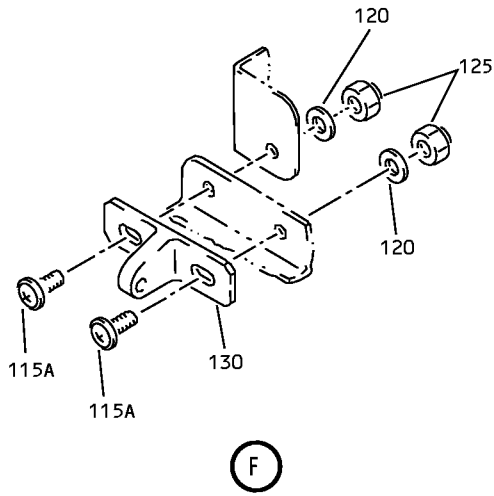
25-23-30

ILLUSTRATED PARTS LIST

Page 1098.234

Jul 01/2007

COMPONENT MAINTENANCE MANUAL



Full Underbin Passenger Service Unit Assembly
IPL Figure 12 (Sheet 3 of 5)

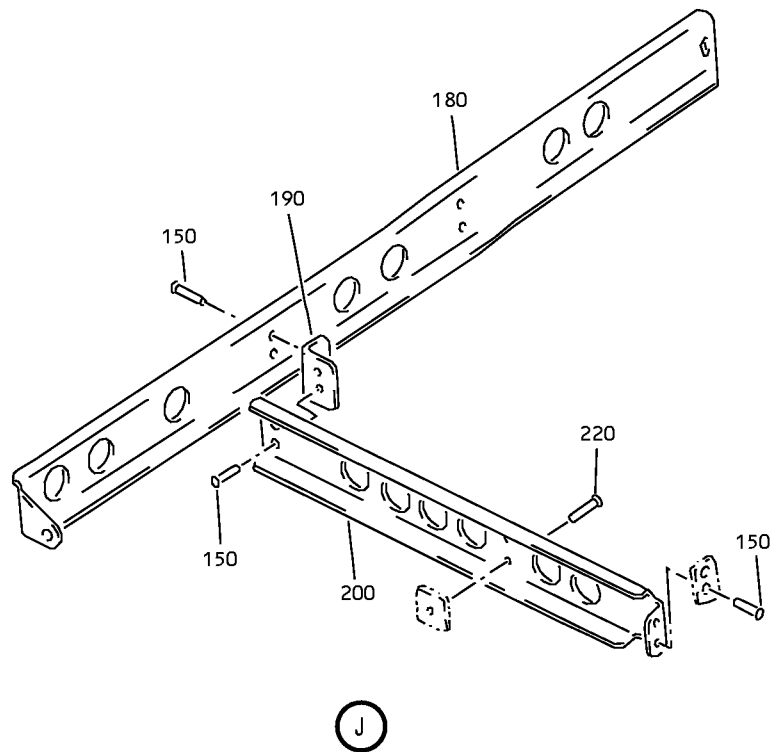
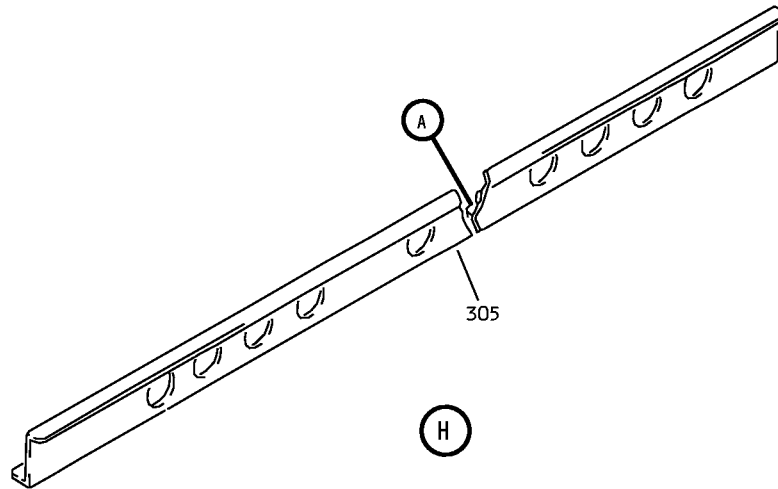
25-23-30

ILLUSTRATED PARTS LIST

Page 1098.235

Jul 01/2007

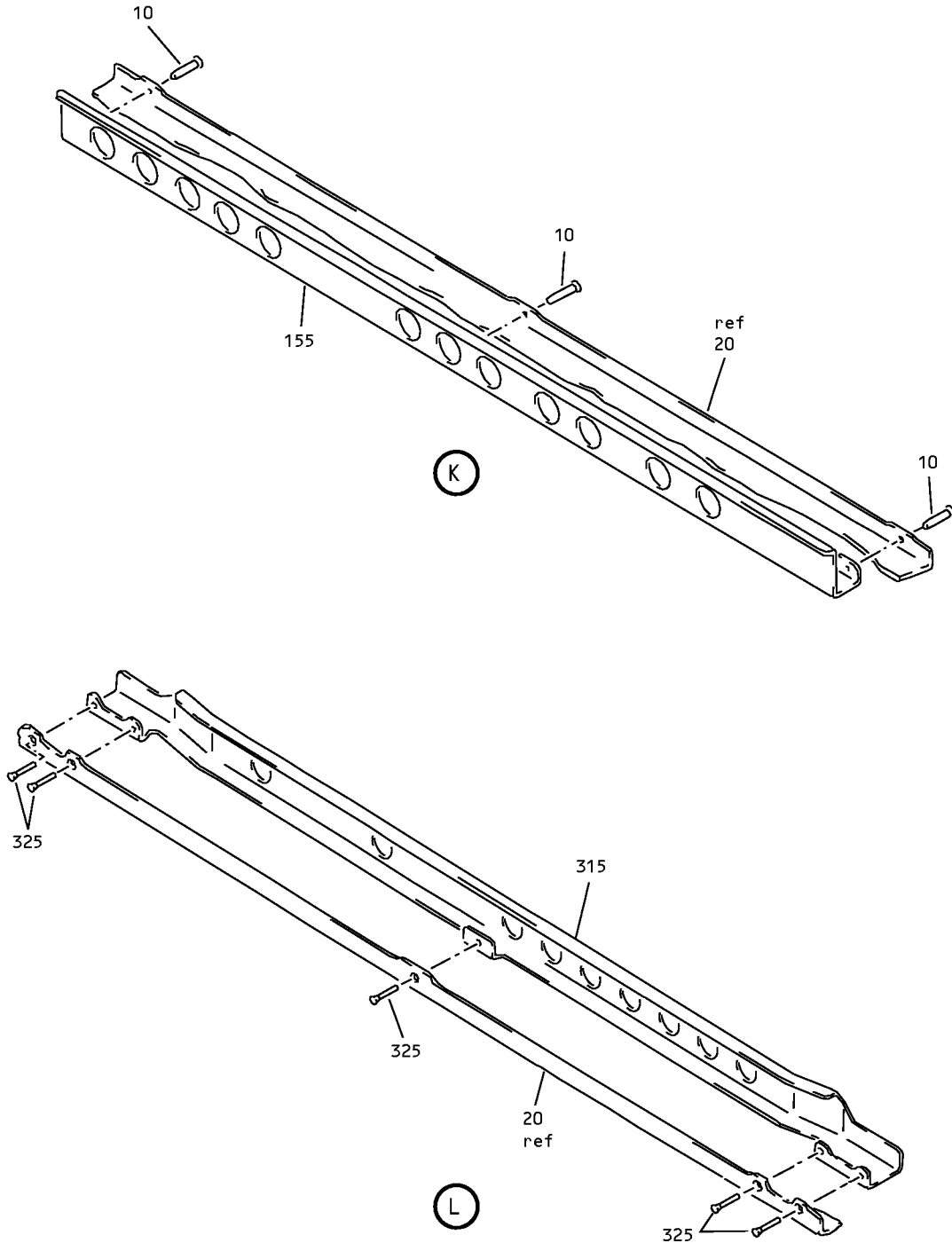
COMPONENT MAINTENANCE MANUAL



Full Underbin Passenger Service Unit Assembly
IPL Figure 12 (Sheet 4 of 5)

25-23-30
ILLUSTRATED PARTS LIST
Page 1098.236
Jul 01/2007

COMPONENT MAINTENANCE MANUAL



Full Underbin Passenger Service Unit Assembly
IPL Figure 12 (Sheet 5 of 5)

25-23-30

ILLUSTRATED PARTS LIST

Page 1098.237

Jul 01/2007



COMPONENT MAINTENANCE MANUAL

FIG/ ITEM	PART NUMBER	AIRLINE PART NUMBER	NOMENCLATURE							USAGE CODE	UNITS PER ASSY		
			1	2	3	4	5	6	7				
12-													
-1	417N3110-77SP										BD-BF, BK, BL, CX, CY, DB, DC, DFC	RF	
-1A	417N3110-77C										EB	RF	
-1B	417N3110-77G										DZ, EE	RF	
-5	417N3110-78SP										BG-BJ, BM-BR, CG, CH, CW, CZ, DA, DD, DE, DG, DH	RF	
-5A	417N3110-78C										EC, ED	RF	
-5B	417N3110-78G										EA, EF	RF	
10	BACR15DR3												
15	CCR274SS3												
20	417N3111-1SP										. FACEPLATE	BD-BF, BK, BL, CX, CY, DB, DC, DF, DZ, EB, EE	1
-25	417N3111-2SP										. FACEPLATE	BG-BJ, BM-BR, CG, CH, CW, CZ, DA, DD, DE, DG, DH, EA, EC, ED, EFD	1

-Item not Illustrated

25-23-30

ILLUSTRATED PARTS LIST

Page 1098.238

Jul 01/2007



COMPONENT MAINTENANCE MANUAL

FIG/ ITEM	PART NUMBER	AIRLINE PART NUMBER	NOMENCLATURE							USAGE CODE	UNITS PER ASSY		
			1	2	3	4	5	6	7				
12- 35	417N3110-79		.								BD-BF, BK, BL, CX, CY, DB, DC, DF, DZ, EB, EE	1	
-40	417N3110-80										DELETED		
-40A	417N3110-223		.								BG-BJ, BM-BR, CG, CH, CW, CZ, DA, DD, DE, DG, DH, EA, EC, ED, EFD	1	
45	417N3170-11		.	.							BD-BR, CG, CH, CW-DH, DZ-EF	1	
50	417N3170-12		.	.							BD-BR, CG, CH, CW-DH, DZ-EF	1	
55	BACS12FA08K6										ATTACHING PARTS .. SCREW	BD-BR, CG, CH, CW-DH, DZ-EF	4
60	6100-9										-----*	BD-BR, CG, CH, CW-DH, DZ-EF	2
65	MS20253P2-165										... RETAINER (V2X013)	BD-BR, CG, CH, CW-DH, DZ-EF	1
70	417N3173-1										... PIN-HINGE	BD-BR, CG, CH, CW-DH, DZ-EF	1
											... SPRING	BD-BR, CG, CH, CW-DH, DZ-EF	1

-Item not Illustrated

25-23-30

ILLUSTRATED PARTS LIST

Page 1098.239

Jul 01/2007



COMPONENT MAINTENANCE MANUAL

FIG/ ITEM	PART NUMBER	AIRLINE PART NUMBER	NOMENCLATURE							USAGE CODE	UNITS PER ASSY	
			1	2	3	4	5	6	7			
12- 75	417N3171-2		. . .	BOLT							BD-BR, CG, CH, CW-DH, DZ-EF	1
				(OPT ITEM 75A)								
-75A	417N3171-3		. . .	BOLT							BD-BR, CG, CH, CW-DH, DZ-EF	1
				(OPT ITEM 75)								
80	417N3172-9		. . .	HOUSING ASSY-CAM LATCH							BD-BR, CG, CH, CW-DH, DZ-EF	1
				(OPT ITEM 80A)								
				(USED ON ITEM 45)								
-80A	417N3172-19		. . .	HOUSING ASSY-CAM LATCH							BD-BR, CG, CH, CW-DH, DZ-EF	1
				(OPT ITEM 80)								
				(USED ON ITEM 45)								
85	417N3172-10		. . .	HOUSING ASSY-CAM LATCH							BD-BR, CG, CH, CW-DH, DZ-EF	1
				(OPT ITEM 85A)								
				(USED ON ITEM 50)								
-85A	417N3172-20		. . .	HOUSING ASSY-CAM LATCH							BD-BR, CG, CH, CW-DH, DZ-EF	1
				(OPT ITEM 85)								
				(USED ON ITEM 50)								
90	6035-2BR185		INSERT							BD-BR, CG, CH, CW-DH, DZ-EF	2
				(V26344)								
95	417N3172-11		HOUSING							BD-BR, CG, CH, CW-DH, DZ-EF	1
				(USED ON ITEM 80)								
-95A	417N3172-21		HOUSING							BD-BR, CG, CH, CW-DH, DZ-EF	1
				(USED ON ITEM 80A)								
100	417N3172-12		HOUSING							BD-BR, CG, CH, CW-DH, DZ-EF	1
				(USED ON ITEM 85)								

-Item not Illustrated

25-23-30

ILLUSTRATED PARTS LIST

Page 1098.240

Jul 01/2007



COMPONENT MAINTENANCE MANUAL

FIG/ ITEM	PART NUMBER	AIRLINE PART NUMBER	NOMENCLATURE							USAGE CODE	UNITS PER ASSY	
			1	2	3	4	5	6	7			
12- -100A	417N3172-22		HOUSING (USED ON ITEM 85A)				BD-BR, CG, CH, CW-DH, DZ-EF	1
105	NAS557-10A		.	.			GROMMET				BD-BR, CG, CH, CW-DH, DZ-EF	4
110	BACS12FA08K6		.	.			SCREW				BD-BR, CG, CH, CW-DH, DZ-EF	1
115	BACS12FA08K7						DELETED					
115A	BACS12FA08K7		.	.			SCREW (OPT ITEM 115B)				BD-BR, CG, CH, CW-DH, DZ-EF	4
-115B	BACS12FA08K8		.	.			SCREW (OPT ITEM 115A)				BD-BR, CG, CH, CW-DH, DZ-EF	4
120	AN960JD8L		.	.			WASHER				BD-BR, CG, CH, CW-DH, DZ-EF	4
125	H10-08BAC		.	.			NUT (V15653) (SPEC BACN10JC08) (OPT NS202101-82 (V80539)) (OPT RMLH9075-82W (V72962)) (OPT T6S832J (V71087)) (OPT VN303A82 (V92215)) (OPT 96-82 (V80539)) (OPT BRH10A08 (V52828))				BD-BR, CG, CH, CW-DH, DZ-EF	4
130	417N3102-1		.	.			BRACKET-MTG				BD-BR, CG, CH, CW-DH, DZ-EF	2
135	BACR15CE3D		.	.			RIVET (SIZE DETERMINED ON INST)				BD-BR, CG, CH, CW-DH, DZ-EF	22

-Item not Illustrated

25-23-30

ILLUSTRATED PARTS LIST

Page 1098.241

Jul 01/2007



COMPONENT MAINTENANCE MANUAL

FIG/ ITEM	PART NUMBER	AIRLINE PART NUMBER	NOMENCLATURE							USAGE CODE	UNITS PER ASSY
			1	2	3	4	5	6	7		
12-											
140	SL6189-08-4										
140A	SL5244-08-4										
140B	SL5244-08-4									BD-BR, CG, CH, CW-DH, DZ-EF	5
-140C	UM62-50009-4										
-140D	UM62-59000-4									BD-BR, CG, CH, CW-DH, DZ-EF	5
145	SL6189-08-6										
145A	SL5244-08-6										
145B	SL5244-08-6									BD-BR, CG, CH, CW-DH, DZ-EF	6
-145C	UM62-50009-6										
-145D	UM62-59000-6									BD-BR, CG, CH, CW-DH, DZ-EF	6
150	BACR15BB3D									BD-BR, CG, CH, CW-DH, DZ-EF	20
155	417N3121-271									BD-BF, BK, BL, CX, CY, DB, DC, DF, DZ, EB, EE	1
-160	417N3121-272									BG-BJ, BM-BR, CG, CH, CW, CZ, DA, DD, DE, DG, DH, EA, EC, ED, EFD	1

-Item not Illustrated

25-23-30

ILLUSTRATED PARTS LIST

Page 1098.242

Jul 01/2007



COMPONENT MAINTENANCE MANUAL

FIG/ ITEM	PART NUMBER	AIRLINE PART NUMBER	NOMENCLATURE							USAGE CODE	UNITS PER ASSY	
			1	2	3	4	5	6	7			
12- 162	BACR15DR3		.	.	RIVET (SIZE DETERMINED ON INST)						BD-BR, CG, CH, CW-DH, DZ-EF	3
165	417N3122-54		.	.	BRACKET						BD-BR, CG, CH, CW-DH, DZ-EF	1
170	417N3121-315		.	.	BRACKET						BD-BR, CG, CH, CW-DH, DZ-EF	2
175	417N3121-316		.	.	BRACKET						BD-BR, CG, CH, CW-DH, DZ-EF	1
180	417N3121-273		.	.	STIFFENER						BD-BF, BK, BL, CX, CY, DB, DC, DF, DZ, EB, EE	1
-185	417N3121-274		.	.	STIFFENER (OPT ITEM 185A)						BG-BJ, BM-BR, CG, CH, CW, CZ, DA, DD, DE, DG, DH, EA, EC, ED, EFD	1
-185A	417N3121-352		.	.	STIFFENER (OPT ITEM 185)						BG-BJ, BM-BR, CG, CH, CW, CZ, DA, DD, DE, DG, DH, EA, EC, ED, EFD	1
190	417N3122-57		.	.	BRACKET						BD-BR, CG, CH, CW-DH, DZ-EF	3

-Item not Illustrated

25-23-30

ILLUSTRATED PARTS LIST

Page 1098.243

Jul 01/2007



COMPONENT MAINTENANCE MANUAL

FIG/ ITEM	PART NUMBER	AIRLINE PART NUMBER	NOMENCLATURE							USAGE CODE	UNITS PER ASSY	
			1	2	3	4	5	6	7			
12- 200	417N3121-81		.	.							BD-BF, BK, BL, CX, CY, DB, DC, DF, DZ, EB, EE	1
-205	417N3121-82		.	.							BG-BJ, BM-BR, CG, CH, CW, CZ, DA, DD, DE, DG, DH, EA, EC, ED, EFD	1
210	417N3121-309		.	.							BD-BF, BK, BL, CX, CY, DB, DC, DF, DZ, EB, EE	1
-215	417N3121-310		.	.							BG-BJ, BM-BR, CG, CH, CW, CZ, DA, DD, DE, DG, DH, EA, EC, ED, EFD	1
220	BACR15BA3D		.	.	.						BD-BR, CG, CH, CW-DH, DZ-EF	4
225	BRM200A08K		.	.	.						BD-BR, CG, CH, CW-DH, DZ-EF	2
											(V52828) (SPEC BACN10JP08AR) (OPT MK1000-08BCBAC (V15653)) (OPT NS103197-82BC (V80539)) (OPT RMA9201M82BC (V72962)) (OPT T8076S832BC (V11815)) (OPT VN202A2-82 (V92215))	

-Item not Illustrated

25-23-30

ILLUSTRATED PARTS LIST

Page 1098.244

Jul 01/2007



COMPONENT MAINTENANCE MANUAL

FIG/ ITEM	PART NUMBER	AIRLINE PART NUMBER	NOMENCLATURE							USAGE CODE	UNITS PER ASSY	
			1	2	3	4	5	6	7			
12- 230	417N3121-311		.	.	.						BD-BF, BK, BL, CX, CY, DB, DC, DF, DZ, EB, EE	1
-235	417N3121-312		.	.	.						BG-BJ, BM-BR, CG, CH, CW, CZ, DA, DD, DE, DG, DH, EA, EC, ED, EFD	1
240	417N3121-301		DELETED									
240A	417N3121-353		.	.							BD-BF, BK, BL, CX, CY, DB, DC, DF, DZ, EB, EE	1
-245	417N3121-302		.	.							BG-BJ, BM-BR, CG, CH, CW, CZ, DA, DD, DE, DG, DH, EA, EC, ED, EFD	1
-245A	417N3121-354		.	.							BG-BJ, BM-BR, CG, CH, CW, CZ, DA, DD, DE, DG, DH, EA, EC, ED, EFD	1
250	BACR15BA3D		.	.	.						BD-BR, CG, CH, CW-DH, DZ-EF	6
			(SIZE DETERMINED ON INST)									

-Item not Illustrated

25-23-30

ILLUSTRATED PARTS LIST

Page 1098.245

Jul 01/2007



COMPONENT MAINTENANCE MANUAL

FIG/ ITEM	PART NUMBER	AIRLINE PART NUMBER	NOMENCLATURE							USAGE CODE	UNITS PER ASSY		
			1	2	3	4	5	6	7				
12- 255	BACN10JPAR		.	.	.						NUTPLATE	BD-BF, BK, BL, CX, CY, DB, DC	3
255A	BRM200A08K		.	.	.						NUTPLATE (V52828) (SPEC BACN10JP08AR) (OPT MK1000-08BCBAC (V15653)) (OPT NS103197-82BC (V80539)) (OPT RMA9201M82BC (V72962)) (OPT T8076S832BC (V11815)) (OPT VN202A2-82 (V92215))	BD-BR, CG, CH, CW-DH, DZ-EF	3
260	417N3121-303										DELETED		
260A	417N3121-355		.	.	.						STIFFENER	BD-BF, BK, BL, CX, CY, DB, DC, DF, DZ, EB, EE	1
-265	417N3121-304		.	.	.						STIFFENER (USED ON ITEM 245)	BG-BJ, BM-BR, CG, CH, CW, CZ, DA, DD, DE, DG, DH, EA, EC, ED, EFD	1
-265A	417N3121-356		.	.	.						STIFFENER (USED ON ITEM 245A)	BG-BJ, BM-BR, CG, CH, CW, CZ, DA, DD, DE, DG, DH, EA, EC, ED, EFD	1
270	417N3121-305		.	.							STIFFENER	BD-BF, BK, BL, CX, CY, DB, DC, DF, DZ, EB, EE	1

-Item not Illustrated

25-23-30

ILLUSTRATED PARTS LIST

Page 1098.246

Jul 01/2007



COMPONENT MAINTENANCE MANUAL

FIG/ ITEM	PART NUMBER	AIRLINE PART NUMBER	NOMENCLATURE							USAGE CODE	UNITS PER ASSY	
			1	2	3	4	5	6	7			
12- -275	417N3121-306		.	.							BG-BJ, BM-BR, CG, CH, CW, CZ, DA, DD, DE, DG, DH, EA, EC, ED, EFD	1
280	417N3122-60		.	.							BD-BR, CG, CH, CW-DH, DZ-EF	1
			ATTACHING PARTS									
285	BACN10YJ08		.	.							BD-BR, CG, CH, CW-DH, DZ-EF	1
			-----*									
290	82-47-108-15		.	.	.						BD-BR, CG, CH, CW-DH, DZ-EF	1
											(V84483)	
295	BACS21AQ2A3K		.	.	.						BD-BR, CG, CH, CW-DH, DZ-EF	1
											(OPT ITEM 295A)	
-295A	FHS832-6		.	.	.						BD-BR, CG, CH, CW-DH, DZ-EF	1
											(V46384)	
											(OPT ITEM 295)	
300	417N3122-61		.	.	.						BD-BR, CG, CH, CW-DH, DZ-EF	1
											(OPT ITEM 300A)	
-300A	417N3122-130		.	.	.						BD-BR, CG, CH, CW-DH, DZ-EF	1
											(OPT ITEM 300)	

-Item not Illustrated

25-23-30

ILLUSTRATED PARTS LIST

Page 1098.247

Jul 01/2007



COMPONENT MAINTENANCE MANUAL

FIG/ ITEM	PART NUMBER	AIRLINE PART NUMBER	NOMENCLATURE							USAGE CODE	UNITS PER ASSY	
			1	2	3	4	5	6	7			
12- 305	417N3121-281		.	.							BD-BF, BK, BL, CX, CY, DB, DC, DF, DZ, EB, EE	1
-310	417N3121-282		.	.							BG-BJ, BM-BR, CG, CH, CW, CZ, DA, DD, DE, DG, DH, EA, EC, ED, EF	1
315	417N3121-83		.	.							BD-BF, BK, BL, CX, CY, DB, DC, DF, DZ, EB, EE	1
-320	417N3121-84		.	.							BG-BJ, BM-BR, CG, CH, CW, CZ, DA, DD, DE, DG, DH, EA, EC, ED, EFD	1
325	CCR274SS3		.	.							BD-BR, CG, CH, CW-DH, DZ-EF	5
			.	.							(V11815) (SPEC BACR15DR3P) (OPT AF5170-3 (V53551)) (OPT RV570A3 (V98996)) (SIZE DETERMINED ON INST)	

-Item not Illustrated

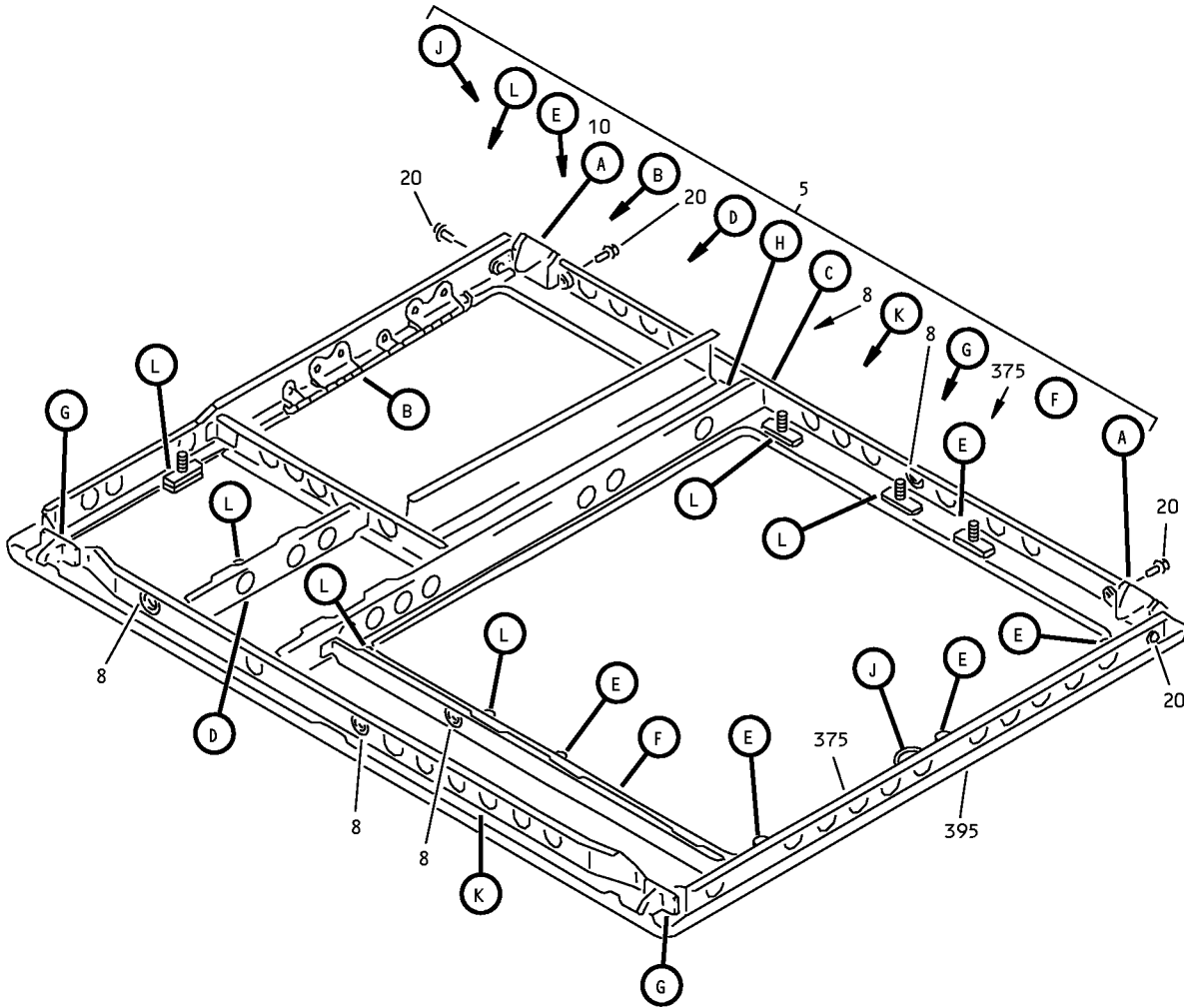
25-23-30

ILLUSTRATED PARTS LIST

Page 1098.248

Jul 01/2007

COMPONENT MAINTENANCE MANUAL



Full Underbin Passenger Service Unit Assembly
IPL Figure 13 (Sheet 1 of 6)

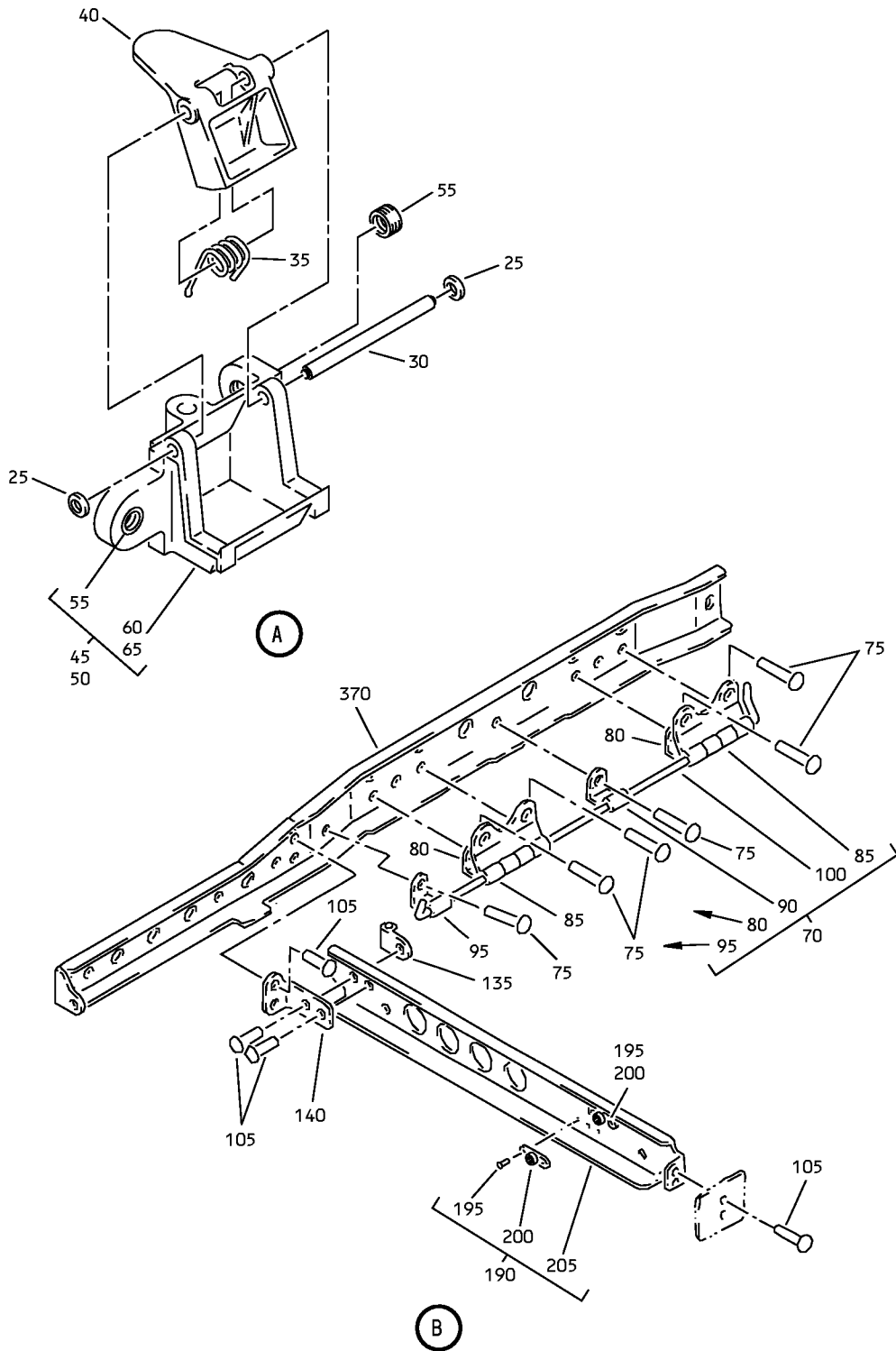
25-23-30

ILLUSTRATED PARTS LIST

Page 1098.249

Jul 01/2007

COMPONENT MAINTENANCE MANUAL



Full Underbin Passenger Service Unit Assembly
IPL Figure 13 (Sheet 2 of 6)

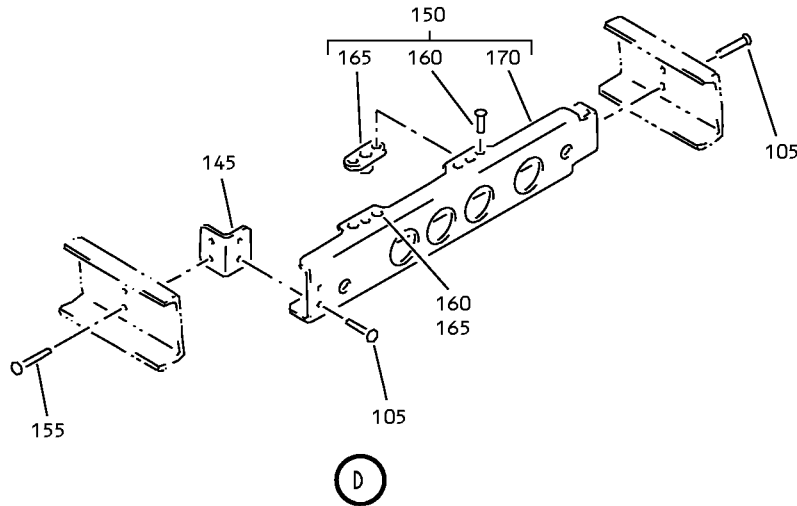
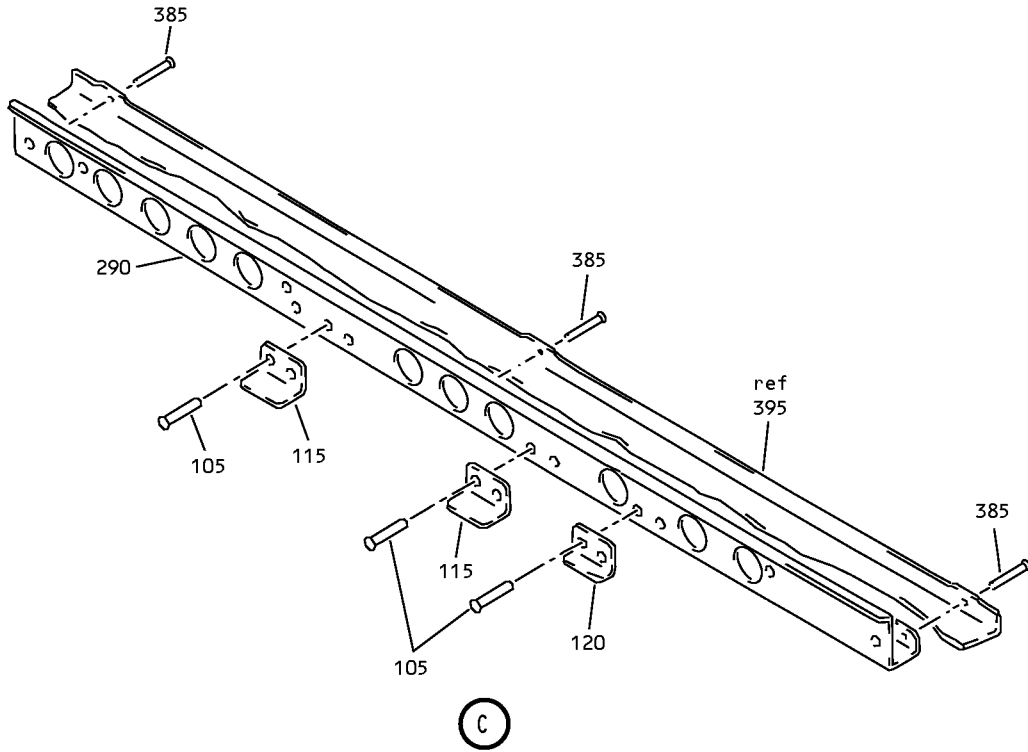
25-23-30

ILLUSTRATED PARTS LIST

Page 1098.250

Jul 01/2007

COMPONENT MAINTENANCE MANUAL



Full Underbin Passenger Service Unit Assembly
IPL Figure 13 (Sheet 3 of 6)

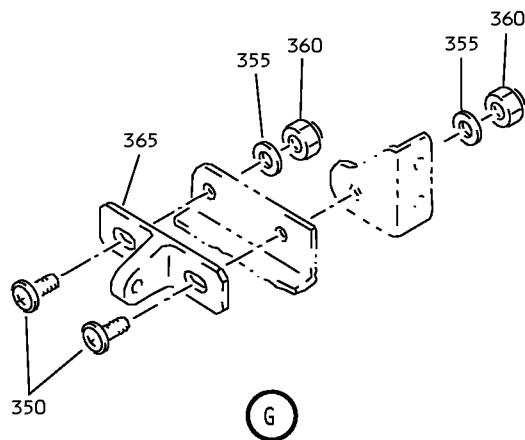
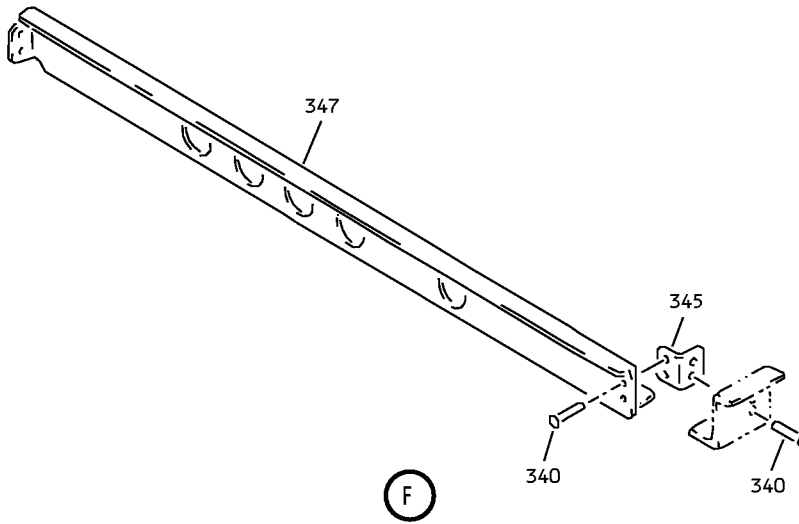
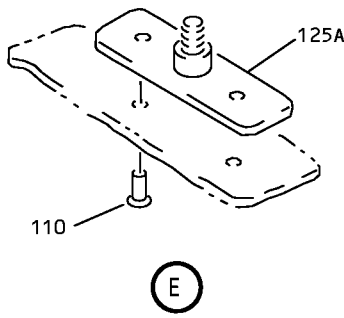
25-23-30

ILLUSTRATED PARTS LIST

Page 1098.251

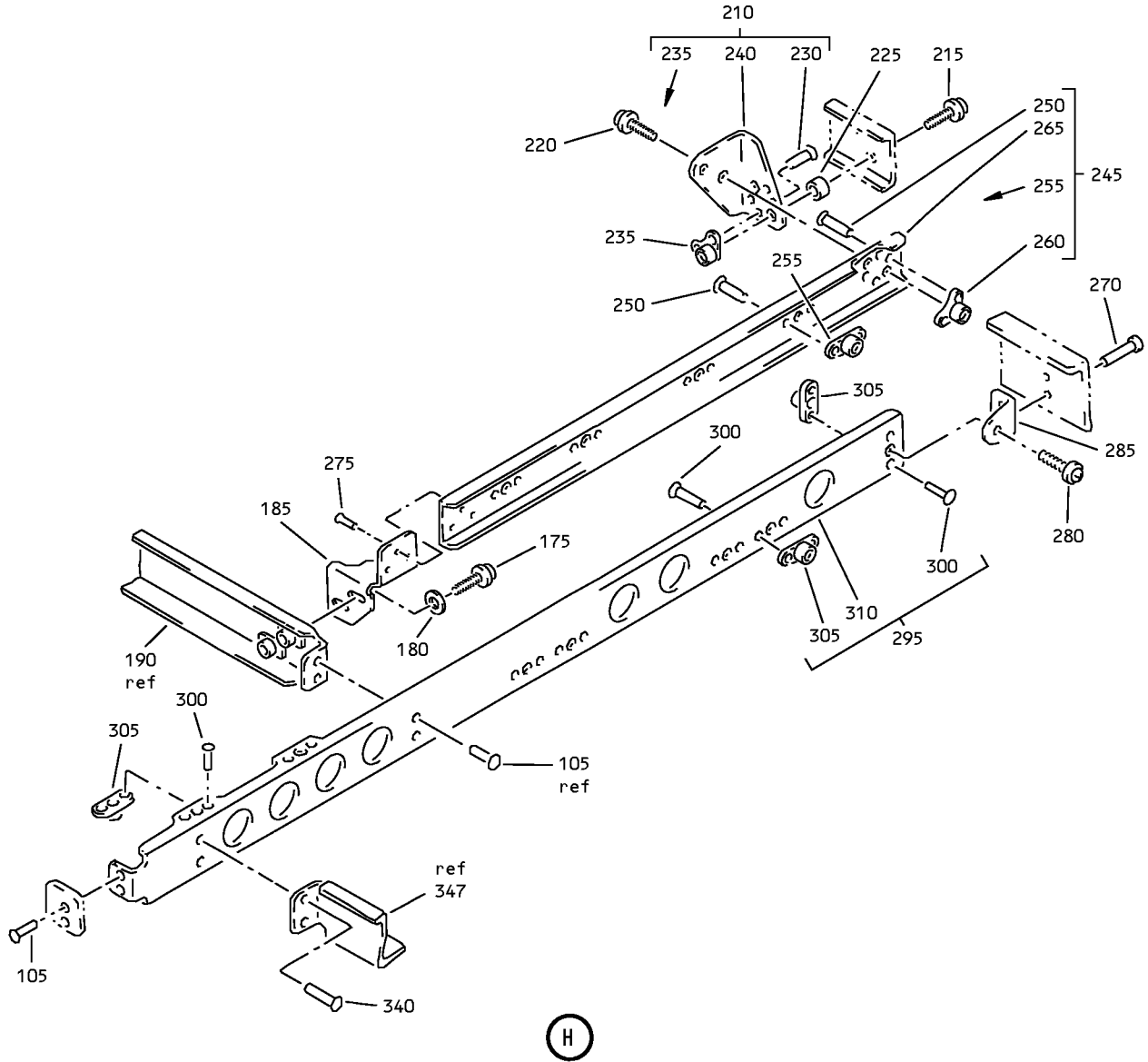
Jul 01/2007

COMPONENT MAINTENANCE MANUAL



Full Underbin Passenger Service Unit Assembly
IPL Figure 13 (Sheet 4 of 6)

COMPONENT MAINTENANCE MANUAL



Full Underbin Passenger Service Unit Assembly
IPL Figure 13 (Sheet 5 of 6)

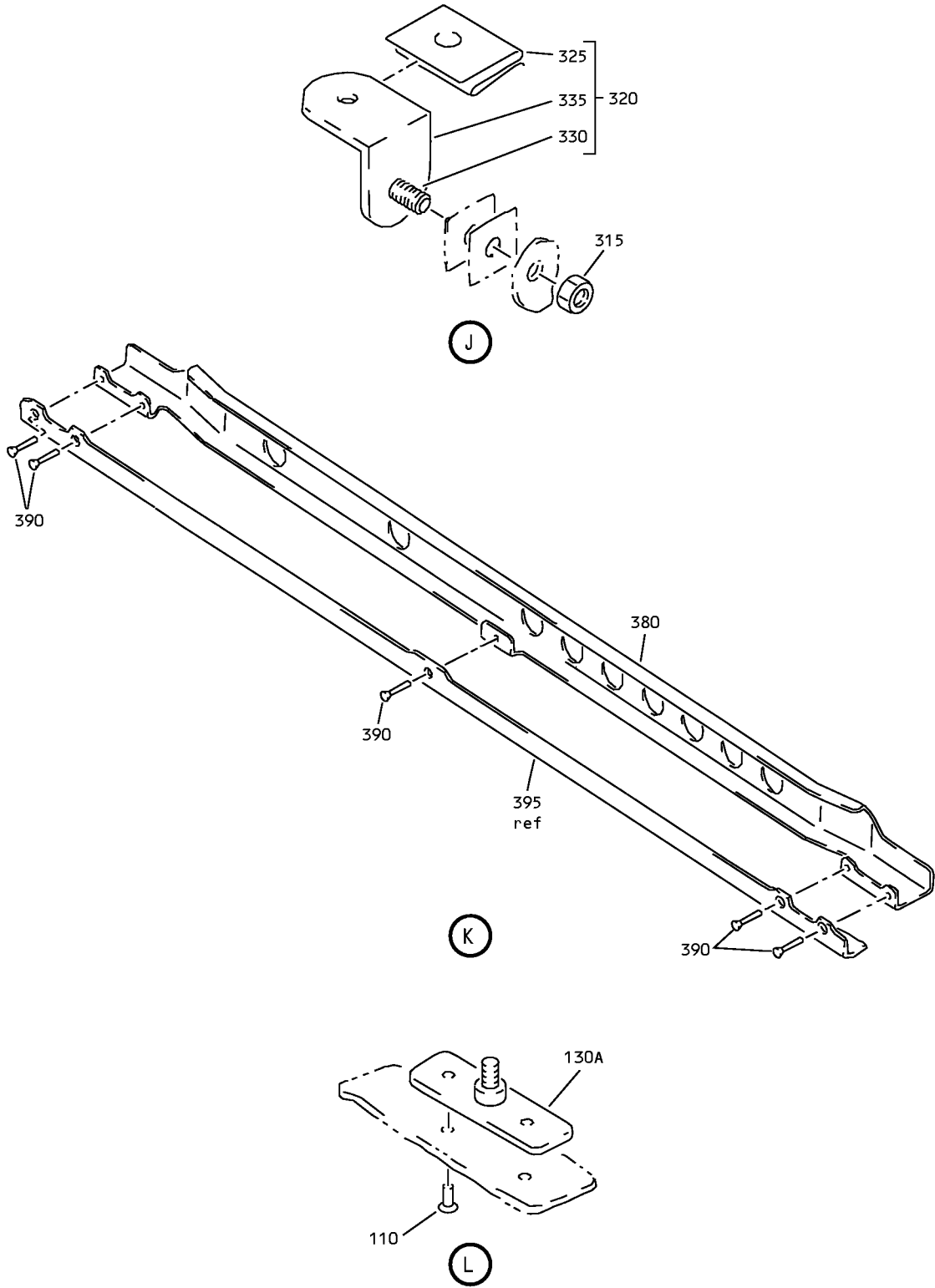
25-23-30

ILLUSTRATED PARTS LIST

Page 1098.253

Jul 01/2007

COMPONENT MAINTENANCE MANUAL



Full Underbin Passenger Service Unit Assembly
IPL Figure 13 (Sheet 6 of 6)



COMPONENT MAINTENANCE MANUAL

FIG/ ITEM	PART NUMBER	AIRLINE PART NUMBER	NOMENCLATURE							USAGE CODE	UNITS PER ASSY	
			1	2	3	4	5	6	7			
13- 35	417N3173-1		.	.	.						BS, CQ- CV, DV- DY	1
40	417N3171-2		.	.	.						BS, CQ- CV, DV- DY	1
-40A	417N3171-3		.	.	.						BS, CQ- CV, DV- DY	1
45	417N3172-9		.	.	.						BS, CQ- CV, DV- DY	1
-45A	417N3172-19		.	.	.						BS, CQ- CV, DV- DY	1
50	417N3172-10		.	.	.						BS, CQ- CV, DV- DY	1
-50A	417N3172-20		.	.	.						BS, CQ- CV, DJ, DV-DY	1
55	6035-2BR185						BS, CQ- CV, DV- DY	2
60	417N3172-11						BS, CQ- CV, DV- DY	1
-60A	417N3172-21						BS, CQ- CV, DV- DY	1
65	417N3172-12						BS, CQ- CV, DV- DY	1
-65A	417N3172-22						BS, CQ- CV, DV- DY	1
70	417N3114-14											
70A	417N3114-13		.	.							CR, CT, CV, DV, DX	1

-Item not Illustrated

25-23-30

ILLUSTRATED PARTS LIST

Page 1098.256

Jul 01/2007



COMPONENT MAINTENANCE MANUAL

FIG/ ITEM	PART NUMBER	AIRLINE PART NUMBER	NOMENCLATURE							USAGE CODE	UNITS PER ASSY
			1	2	3	4	5	6	7		
13-											
-72	417N3114-13										
-72A	417N3114-14									BS, CQ, CS, CU, DW, DY	1
75	BACR15BB4D									BS, CQ- CV, DV- DY	6
80	417N3114-8										
80A	417N3114-7									CR, CT, CV, DV, DX	2
-82	417N3114-7										
-82A	417N3114-8									BS, CQ, CS, CU, DW, DY	2
85	417N3114-16										
85A	417N3114-15									CR, CT, CV, DV, DX	2
-87	417N3114-15										
-87A	417N3114-16									BS, CQ, CS, CU, DW, DY	2
90	417N3114-11									BS, CQ- CV, DV- DY	1
95	417N3114-10										
95A	417N3114-9									CR, CT, CV, DV, DX	1
-97	417N3114-9										
-97A	417N3114-10									BS, CQ, CS, CU, DW, DY	1
100	417N3114-18										

-Item not Illustrated

25-23-30

ILLUSTRATED PARTS LIST

Page 1098.257

Jul 01/2007



COMPONENT MAINTENANCE MANUAL

FIG/ ITEM	PART NUMBER	AIRLINE PART NUMBER	NOMENCLATURE							USAGE CODE	UNITS PER ASSY	
			1	2	3	4	5	6	7			
13- 100A	417N3114-17		.	.	.						CR, CT, CV, DV, DX	1
-102	417N3114-17		DELETED									
-102A	417N3114-18		.	.	.						BS, CQ, CS, CU, DW, DY	1
105	BACR15BB3D		.	.							BS, CQ- CV, DV- DY	18
110	BACR15CE3D		.	.							BS, CQ- CV, DV- DY	22
115	417N3121-315		.	.							BS, CQ- CV, DV- DY	2
120	417N3121-316		.	.								1
125	SL6189-08-4		DELETED									
125A	SL5244-08-4		.	.							BS, CQ- CV, DV- DY	5
-125B	UM62-59000-4		.	.							BS, CQ- CV, DV- DY	5
130	SL6189-08-6		DELETED									
130A	SL5244-08-6		.	.							BS, CQ- CV, DV- DY	6
-130B	UM62-59000-6		.	.							BS, CQ- CV, DV- DY	6
135	417N3122-48		.	.							BS, CQ- CV, DV- DY	1
140	417N3136-24		DELETED									
140A	417N3136-12		.	.							CR, CT, CV, DV, DX	1
-142	417N3136-12		DELETED									

-Item not Illustrated

25-23-30

ILLUSTRATED PARTS LIST

Page 1098.258

Jul 01/2007



COMPONENT MAINTENANCE MANUAL

FIG/ ITEM	PART NUMBER	AIRLINE PART NUMBER	NOMENCLATURE							USAGE CODE	UNITS PER ASSY
			1	2	3	4	5	6	7		
13-											
-142A	417N3136-24								. . BRACKET	BS, CQ, CS, CU, DW, DY	1
145	417N3122-57								. . BRACKET	BS, CQ- CV, DV- DY	1
150	417N3121-308								DELETED		
150A	417N3121-307								. . STIFFENER ASSY	CR, CT, CV, DV, DX	1
-152	417N3121-307								DELETED		
-152A	417N3121-308								. . STIFFENER ASSY	BS, CQ, CS, CU, DW, DY	1
									ATTACHING PARTS		
155	BACR15BB3D								. . RIVET (SIZE DETERMINED ON INST)	BS, CQ- CV, DV- DY	2
									----- * -----		
160	BACR15BA3D								. . . RIVET (SIZE DETERMINED ON INST)	BS, CQ- CV, DV- DY	4
165	BRM200A08K								. . . NUTPLATE (V52828) (SPEC BACN10JP08AR) (OPT MK1000-08BCBAC (V15653)) (OPT NS103197-82BC (V80539)) (OPT RMA9201M82BC (V72962)) (OPT T8076S832BC (V11815)) (OPT VN202A2-82 (V92215))	BS, CQ- CV, DV- DY	2
170	417N3121-314								DELETED		
170A	417N3121-313								. . . STIFFENER	CR, CT, CV, DV, DX	1
-172	417N3121-313								DELETED		
-172A	417N3121-314								. . . STIFFENER	BS, CQ, CS, CU, DW, DY	1

-Item not Illustrated

25-23-30

ILLUSTRATED PARTS LIST

Page 1098.259

Jul 01/2007



COMPONENT MAINTENANCE MANUAL

FIG/ ITEM	PART NUMBER	AIRLINE PART NUMBER	NOMENCLATURE							USAGE CODE	UNITS PER ASSY	
			1	2	3	4	5	6	7			
13- 175	BACS12FA08K6		.	.							BS, CQ- CV, DV- DY	2
180	AN960JD8L		.	.							BS, CQ- CV, DV- DY	2
185	417N3136-104		.	.							BS, CQ- CV, DV- DY	1
190	417N3121-164										DELETED	
190A	417N3121-163		.	.							CR, CT, CV, DV, DX	1
-192	417N3121-163										DELETED	
-192A	417N3121-164		.	.							BS, CQ, CS, CU, DW, DY	1
195	BACR15CE3D		.	.	.						BS, CQ- CV, DV- DY	4
200	BRM200A08		.	.	.						BS, CQ- CV, DV- DY	2
											(V52828) (SPEC BACN10JP08A) (OPT MK1000-08BAC (V15653)) (OPT NS103197-82 (V80539)) (OPT RMA9201M82 (V72962)) (OPT T8076S832 (V11815)) (OPT VN202A1-82 (V92215))	
205	417N3121-166										DELETED	
205A	417N3121-165		.	.	.						CR, CT, CV, DV, DX	1
-207	417N3121-165										DELETED	
-207A	417N3121-166		.	.	.						BS, CQ, CS, CU, DW, DY	1
210	417N3136-109										DELETED	
210A	417N3136-108		.	.							CR, CT, CV, DV, DX	1
											.. BRACKET ASSY-MTG	

-Item not Illustrated

25-23-30

ILLUSTRATED PARTS LIST

Page 1098.260

Jul 01/2007



COMPONENT MAINTENANCE MANUAL

FIG/ ITEM	PART NUMBER	AIRLINE PART NUMBER	NOMENCLATURE							USAGE CODE	UNITS PER ASSY
			1	2	3	4	5	6	7		
13-											
-212	417N3136-108								DELETED		
-212A	417N3136-109								. . BRACKET ASSY-MTG	BS, CQ, CS, CU, DW, DY	1
									ATTACHING PARTS		
215	BACS12FA08K10								. . SCREW	BS, CQ- CV, DV- DY	2
220	BACS12FA08K6								. . SCREW	BS, CQ- CV, DV- DY	2
225	NAS43DD3-18								. . SPACER	BS, CQ- CV, DV- DY	2
									-----*		
230	BACR15BA3AD								. . . RIVET	BS, CQ- CV, DV- DY	4
235	BRM300A08K								. . . NUTPLATE (V52828) (SPEC BACN10JP08CR) (OPT MK3000-08BCBAC (V15653)) (OPT NS103199-82BC (V80539)) (OPT RMA9205M82BC (V72962)) (OPT T8078S832BC (V11815)) (OPT VN203A2-82 (V92215))	BS, CQ- CV, DV- DY	2
240	417N3136-111								DELETED		
240A	417N3136-110								. . . BRACKET	CR, CT, CV, DV, DX	1
-242	417N3136-110								DELETED		
-242A	417N3136-111								. . . BRACKET	BS, CQ, CS, CU, DW, DY	1
245	417N3121-176								DELETED		
245A	417N3121-175								. . STIFFENER ASSY	CR, CT, CV, DV, DX	1
-247	417N3121-175								DELETED		

-Item not Illustrated

25-23-30

ILLUSTRATED PARTS LIST

Page 1098.261

Jul 01/2007



COMPONENT MAINTENANCE MANUAL

FIG/ ITEM	PART NUMBER	AIRLINE PART NUMBER	NOMENCLATURE							USAGE CODE	UNITS PER ASSY	
			1	2	3	4	5	6	7			
13- -247A	417N3121-176		.	.							BS, CQ, CS, CU, DW, DY	1
250	BACR15BA3D		.	.	.						BS, CQ- CV, DV- DY	12
255	BRM200A08K		.	.	.						BS, CQ- CV, DV- DY	4
260	BRM300A08K		.	.	.						BS, CQ- CV, DV- DY	2
265	417N3121-178										DELETED	
265A	417N3121-177		.	.	.						CR, CT, CV, DV, DX	1
-267	417N3121-177										DELETED	
-267A	417N3121-178		.	.	.						BS, CQ, CS, CU, DW, DY	1
270	BACR15BA3B		.	.							BS, CQ- CV, DV- DY	2
275	BACR15BB3D		.	.							BS, CQ- CV, DV- DY	3
280	BACS12FA08K6		.	.							BS, CQ- CV, DV- DY	1
285	417N3122-54		.	.							BS, CQ- CV, DV- DY	1

-Item not Illustrated

25-23-30

ILLUSTRATED PARTS LIST

Page 1098.262

Jul 01/2007



COMPONENT MAINTENANCE MANUAL

FIG/ ITEM	PART NUMBER	AIRLINE PART NUMBER	NOMENCLATURE							USAGE CODE	UNITS PER ASSY	
			1	2	3	4	5	6	7			
13- 287	417N3121-271		.	.							CR, CT, CV, DV, DX	1
-290	417N3121-272		.	.							BS, CQ, CS, CU, DW, DY	1
295	417N3121-286										DELETED	
295A	417N3121-285		.	.							CR, CT, CV, DV, DX	1
-297	417N3121-285										DELETED	
-297A	417N3121-286		.	.							BS, CQ, CS, CU, DW, DY	1
300	BACR15BA3D		.	.	.						BS, CQ- CV, DV- DY	14
305	BRM200A08K		.	.	.						BS, CQ- CV, DV- DY	7
											(V52828) (SPEC BACN10JP08AR) (OPT MK1000-08BCBAC (V15653)) (OPT NS103197-82BC (V80539)) (OPT RMA9201M82BC (V72962)) (OPT T8076S832BC (V11815)) (OPT VN202A2-82 (V92215))	
310	417N3121-288										DELETED	
310A	417N3121-287		.	.	.						CR, CT, CV, DV, DX	1
-312	417N3121-287										DELETED	
-312A	417N3121-288		.	.	.						BS, CQ, CS, CU, DW, DY	1
315	BACN10YJ08		.	.							BS, CQ- CV, DV- DY	1
320	417N3122-60		.	.							BS, CQ- CV, DV- DY	1

-Item not Illustrated

25-23-30

ILLUSTRATED PARTS LIST

Page 1098.263

Jul 01/2007



COMPONENT MAINTENANCE MANUAL

FIG/ ITEM	PART NUMBER	AIRLINE PART NUMBER	NOMENCLATURE							USAGE CODE	UNITS PER ASSY	
			1	2	3	4	5	6	7			
13- 325	82-47-108-15		. . .	CLIP							BS, CQ- CV, DV- DY	1
				(V84483)								
330	BACS21AQ2A3K		. . .	STUD							BS, CQ- CV, DV- DY	1
				(OPT ITEM 330A)								
-330A	FHS832-6		. . .	STUD							BS, CQ- CV, DV- DY	1
				(V46384)								
				(OPT ITEM 330)								
335	417N3122-61		. . .	BRACKET							BS, CQ- CV, DV- DY	1
				(OPT ITEM 335A)								
-335A	417N3122-130		. . .	BRACKET							BS, CQ- CV, DV- DY	1
				(OPT ITEM 335)								
340	BACR15BB3D		. .	RIVET							BS, CQ- CV, DV- DY	6
				(SIZE DETERMINED ON INST)								
345	417N3122-57		. .	BRACKET							BS, CQ- CV, DV- DY	1
347	417N3121-306			DELETED								
347A	417N3121-305		. .	STIFFENER							CR, CT, CV, DV, DX	1
-348	417N3121-305			DELETED								
-348A	417N3121-306		. .	STIFFENER							BS, CQ, CS, CU, DW, DY	1
350	BACS12FA08K7		. .	SCREW							BS, CQ- CV, DV- DY	4
				(OPT ITEM 350A)								
-350A	BACS12FA08K8		. .	SCREW							BS, CQ- CV, DV- DY	4
				(OPT ITEM 350)								
355	AN960JD8L		. .	WASHER							BS, CQ- CV, DV- DY	4

-Item not Illustrated

25-23-30

ILLUSTRATED PARTS LIST

Page 1098.264

Jul 01/2007



COMPONENT MAINTENANCE MANUAL

FIG/ ITEM	PART NUMBER	AIRLINE PART NUMBER	NOMENCLATURE							USAGE CODE	UNITS PER ASSY		
			1	2	3	4	5	6	7				
13- 360	H10-08BAC		.	.	NUT (V15653) (SPEC BACN10JC08) (OPT NS202101-82 (V80539)) (OPT RMLH9075-82W (V72962)) (OPT T6S832J (V71087)) (OPT VN303A82 (V92215)) (OPT 96-82 (V80539)) (OPT BRH10A08 (V52828))							BS, CQ- CV, DV- DY	4
365	417N3102-1		.	.	BRACKET-MTG							BS, CQ- CV, DV- DY	2
370	417N3121-280				DELETED								
370A	417N3121-279		.	.	STIFFENER							CR, CT, CV, DV, DX	1
-372	417N3121-279				DELETED								
-372A	417N3121-280		.	.	STIFFENER							BS, CQ, CS, CU, DW, DY	1
375	417N3121-282				DELETED								
375A	417N3121-281		.	.	STIFFENER							CR, CT, CV, DV, DX	1
-377	417N3121-281				DELETED								
-377A	417N3121-282		.	.	STIFFENER							BS, CQ, CS, CU, DW, DY	1
380	417N3121-84				DELETED								
380A	417N3121-83		.	.	STIFFENER							CR, CT, CV, DV, DX	1
-382	417N3121-83				DELETED								
-382A	417N3121-84		.	.	STIFFENER							BS, CQ, CS, CU, DW, DY	1
385	BACR15DR3		.	.	RIVET (SIZE DETERMINED ON INST)							BS, CQ- CV, DV- DY	3

-Item not Illustrated

25-23-30

ILLUSTRATED PARTS LIST

Page 1098.265

Jul 01/2007



COMPONENT MAINTENANCE MANUAL

FIG/ ITEM	PART NUMBER	AIRLINE PART NUMBER	NOMENCLATURE							USAGE CODE	UNITS PER ASSY	
			1	2	3	4	5	6	7			
13- 390	CCR274SS3		.	.	RIVET (V11815) (SPEC BACR15DR3P) (OPT AF5170-3 (V53551)) (OPT RV570A3 (V98996)) (SIZE DETERMINED ON INST)						BS, CQ- CV, DV- DY	5
395	417N3111-6				DELETED							
395A	417N3111-5		.		FACEPLATE						CR, CT, CV, DV, DX	1
-397	417N3111-5				DELETED							
-397A	417N3111-6		.		FACEPLATE						BS, CQ, CS, CU, DW, DY	1

-Item not Illustrated

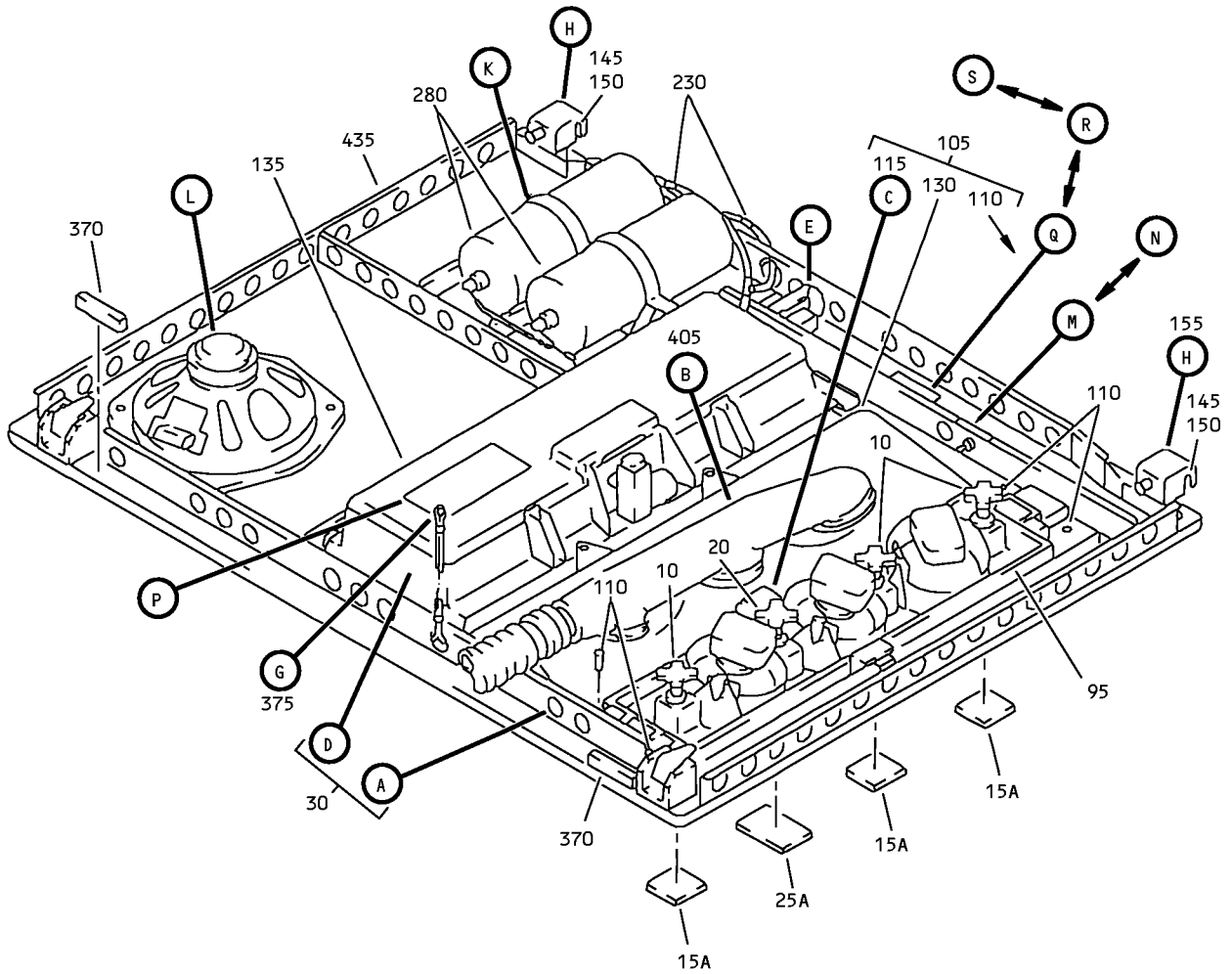
25-23-30

ILLUSTRATED PARTS LIST

Page 1098.266

Jul 01/2007

COMPONENT MAINTENANCE MANUAL



Full Underbin Passenger Service Unit Assembly
IPL Figure 14 (Sheet 1 of 8)

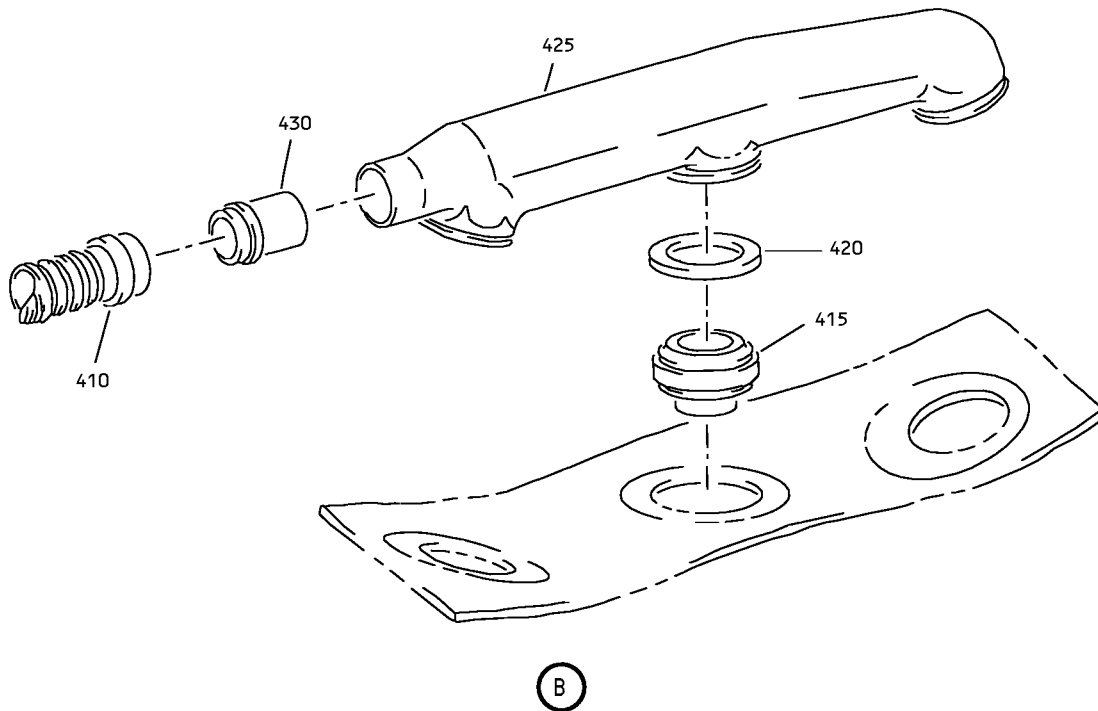
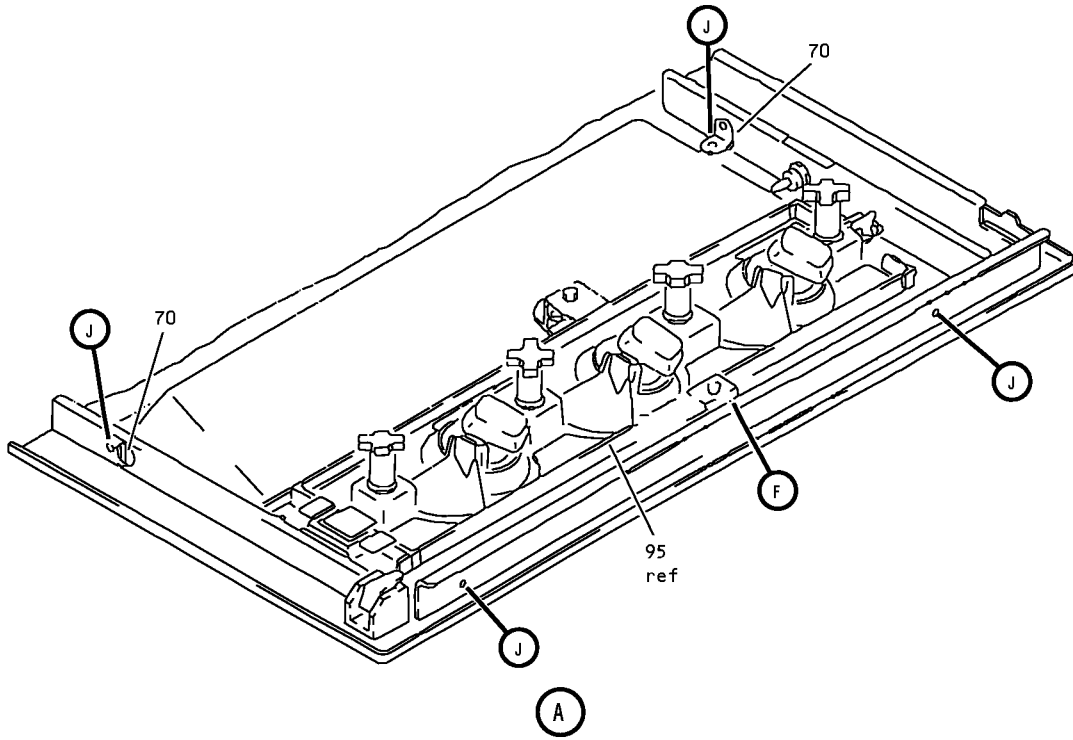
25-23-30

ILLUSTRATED PARTS LIST

Page 1098.267

Jul 01/2007

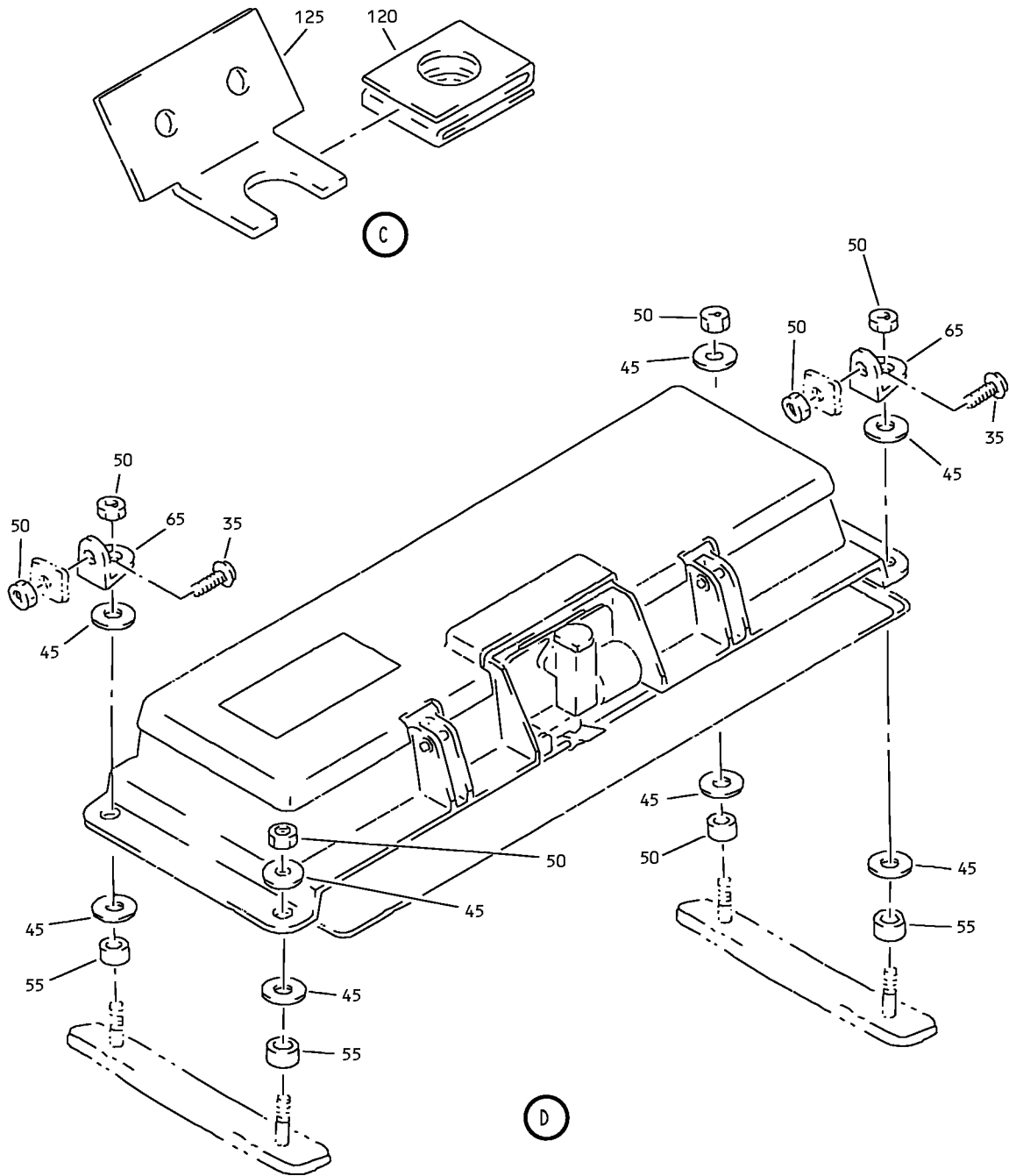
COMPONENT MAINTENANCE MANUAL



Full Underbin Passenger Service Unit Assembly
IPL Figure 14 (Sheet 2 of 8)

25-23-30
ILLUSTRATED PARTS LIST
Page 1098.268
Jul 01/2007

COMPONENT MAINTENANCE MANUAL



Full Underbin Passenger Service Unit Assembly
IPL Figure 14 (Sheet 3 of 8)

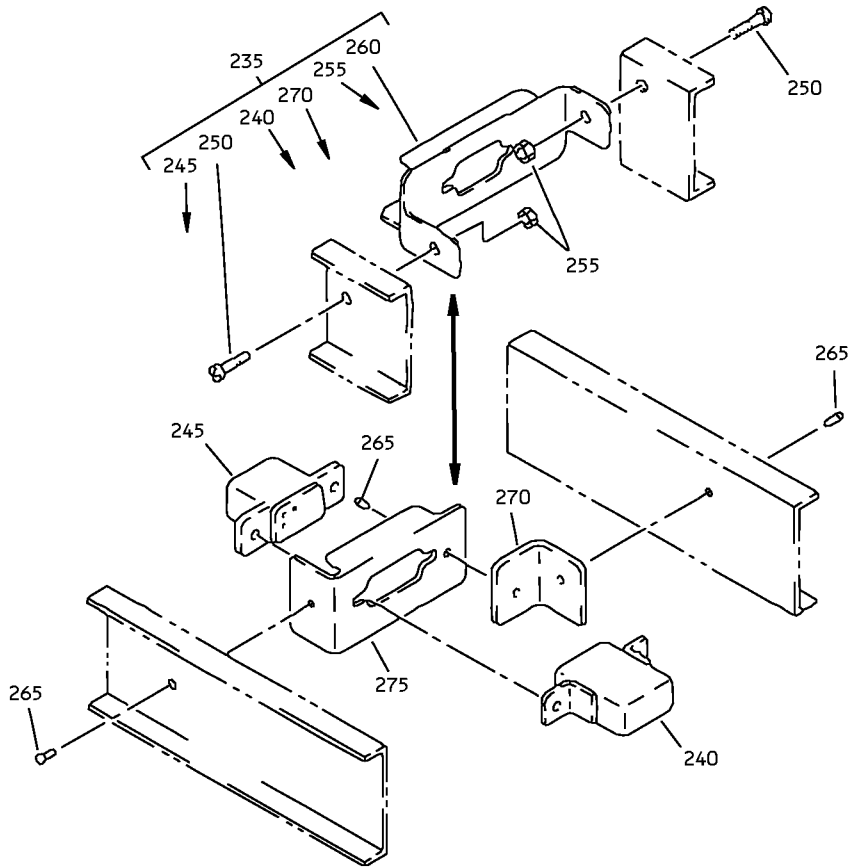
25-23-30

ILLUSTRATED PARTS LIST

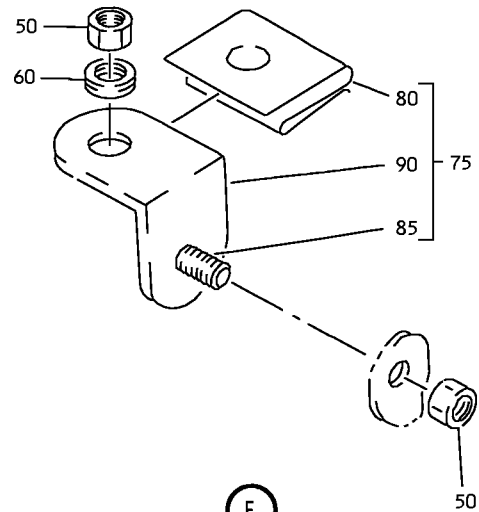
Page 1098.269

Jul 01/2007

COMPONENT MAINTENANCE MANUAL



(E)



(F)

Full Underbin Passenger Service Unit Assembly
IPL Figure 14 (Sheet 4 of 8)

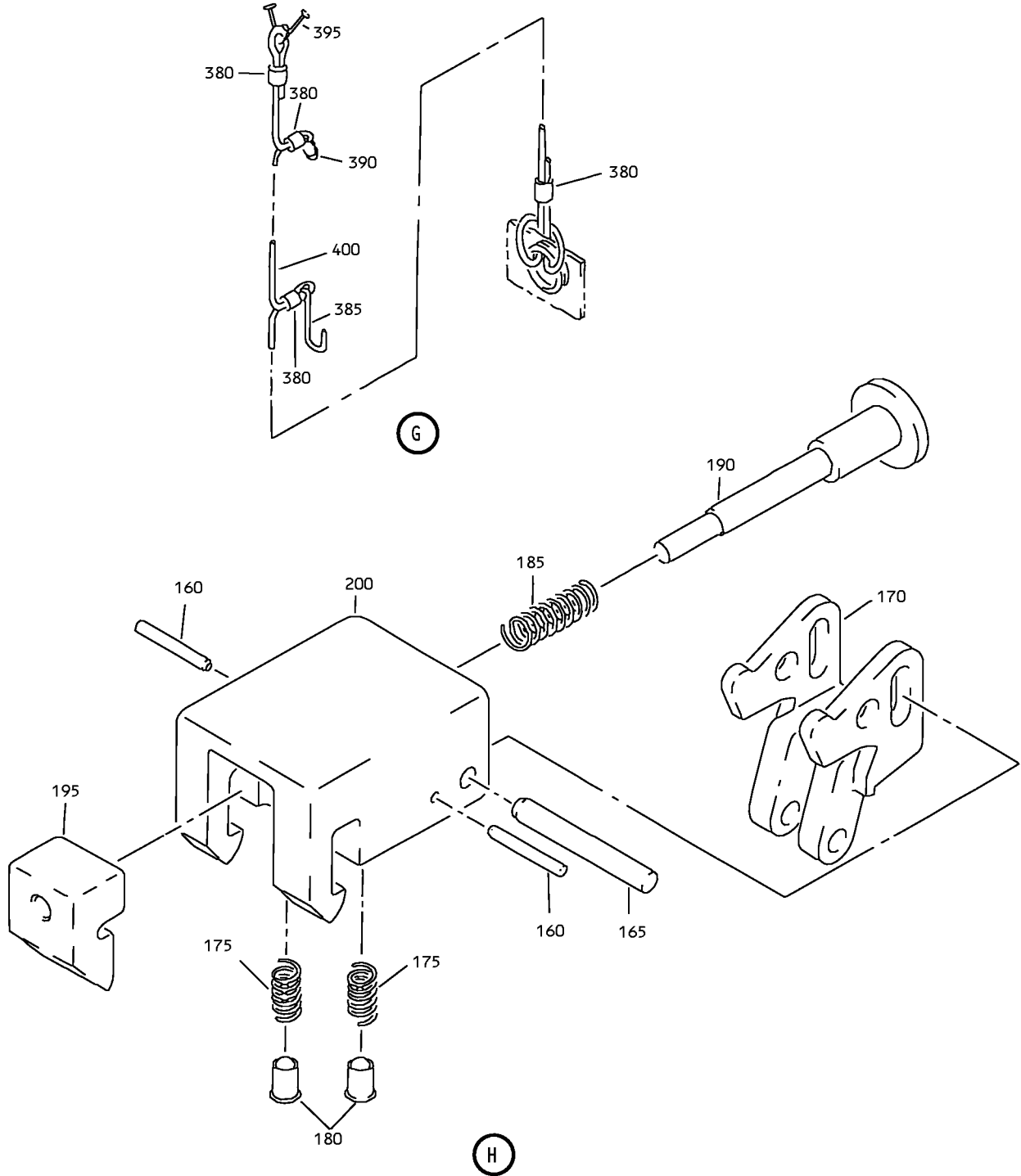
25-23-30

ILLUSTRATED PARTS LIST

Page 1098.270

Jul 01/2007

COMPONENT MAINTENANCE MANUAL



Full Underbin Passenger Service Unit Assembly
IPL Figure 14 (Sheet 5 of 8)

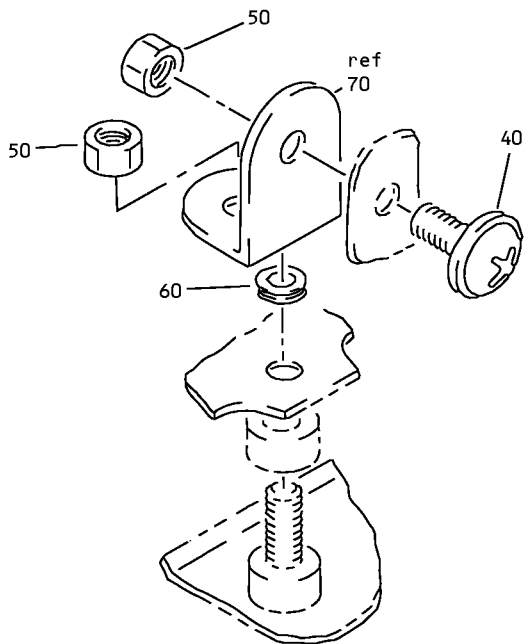
25-23-30

ILLUSTRATED PARTS LIST

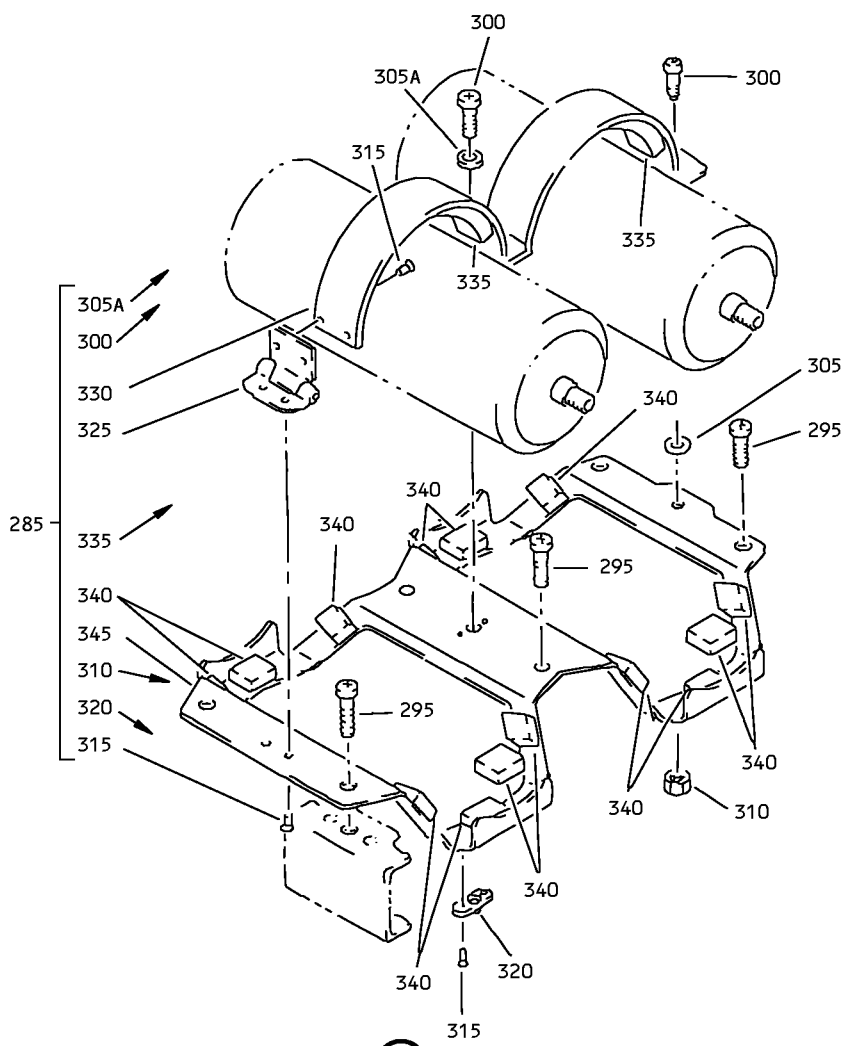
Page 1098.271

Jul 01/2007

COMPONENT MAINTENANCE MANUAL



J



K

Full Underbin Passenger Service Unit Assembly
IPL Figure 14 (Sheet 6 of 8)

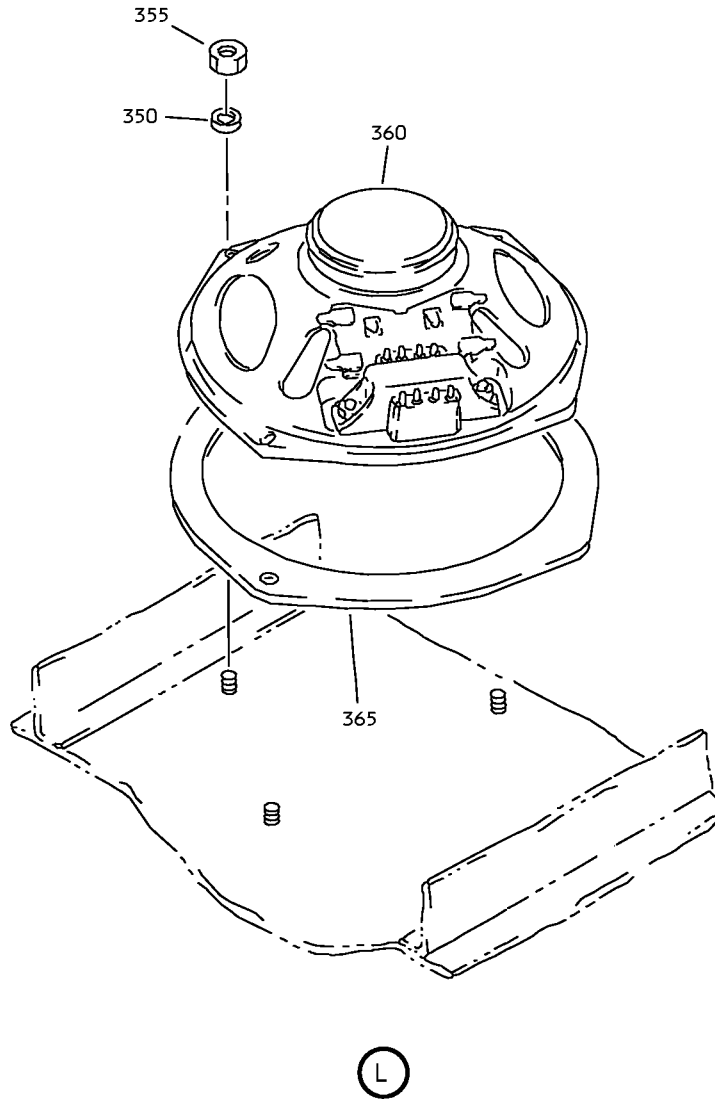
25-23-30

ILLUSTRATED PARTS LIST

Page 1098.272

Jul 01/2007

COMPONENT MAINTENANCE MANUAL



Full Underbin Passenger Service Unit Assembly
IPL Figure 14 (Sheet 7 of 8)

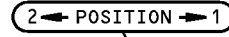
25-23-30

ILLUSTRATED PARTS LIST

Page 1098.273

Jul 01/2007

COMPONENT MAINTENANCE MANUAL



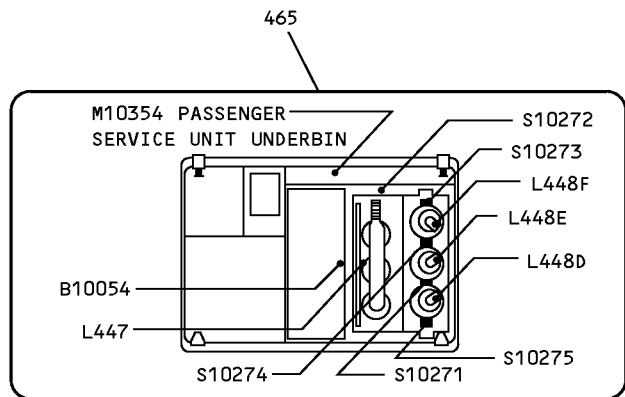
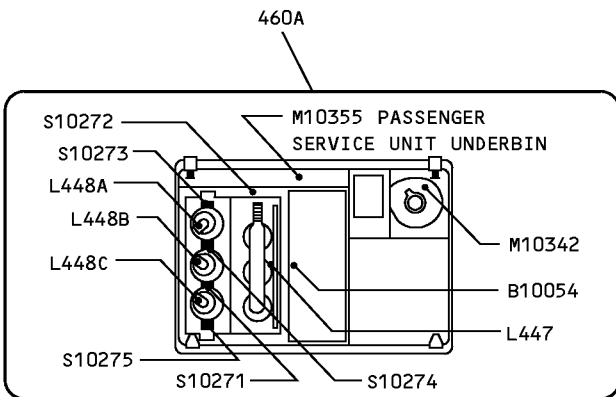
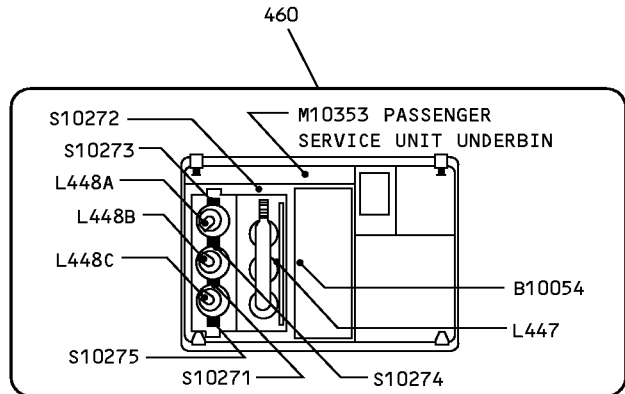
445

ATTENTION

FOR REMOVAL AND RELOCATION INFORMATION SEE
MAINTENANCE MANUAL CHAPTER 25

FOR MASK STORAGE INSTRUCTIONS SEE MAINTENANCE
MANUAL CHAPTER 35

FOR CLEANING INSTRUCTIONS SEE DOCUMENT D6-7127



Full Underbin Passenger Service Unit Assembly
IPL Figure 14 (Sheet 8 of 8)

25-23-30

ILLUSTRATED PARTS LIST

Page 1098.274

Jul 01/2007



COMPONENT MAINTENANCE MANUAL

FIG/ ITEM	PART NUMBER	AIRLINE PART NUMBER	NOMENCLATURE							USAGE CODE	UNITS PER ASSY
			1	2	3	4	5	6	7		
14-											
-1	417N3100-681SP									CJ	RF
-1A	417N3100-683SP									CK	RF
-1B	417N3100-679SP									CN	RF
-5	417N3100-682SP									CL	RF
-5A	417N3100-684SP									CM	RF
-5B	417N3100-680SP									CP	RF
10	920056									CJ-CP	3
15	S417N304-1B										
15A	VIP720-1C									CJ-CP	3
-15B	S417N304-1M										
-15C	S417N304-1N										
-15D	S417N304-1S										
-15E	S417N304-1T										
-15F	VIP720-6E									CJ-CP	3

-Item not Illustrated

25-23-30

ILLUSTRATED PARTS LIST

Page 1098.275

Jul 01/2007



COMPONENT MAINTENANCE MANUAL

FIG/ ITEM	PART NUMBER	AIRLINE PART NUMBER	NOMENCLATURE	USAGE CODE	UNITS PER ASSY
14- -25D	VIP720-2G		. LENS-CALL SWITCH (COLOR OPT-CUST PREFERENCE, ORANGE- WHITE) (V28406) (SPEC S417N303-2G)	CJ-CP	1
-25E	S417N303-2J		DELETED		
-25F	S417N303-2K		DELETED		
-25G	S417N303-2L		DELETED		
-25H	VIP720-3A		. LENS-CALL SWITCH (COLOR OPT-CUST PREFERENCE, ORANGE- WHITE) (V28406) (SPEC S417N303-3A)	CJ-CP	1
-25J	S417N303-3C		DELETED		
-25K	VIP720-4A		. LENS-CALL SWITCH (COLOR OPT-CUST PREFERENCE, RED-WHITE) (V28406) (SPEC S417N303-4A) (OPT 932501-830 (V07150))	CJ-CP	1
-25L	VIP720-2C		. LENS-CALL SWITCH (COLOR OPT-CUST PREFERENCE, WHITE- BROWN) (V28406) (SPEC S417N303-2C) (OPT 932501-930 (V07150))	CJ-CP	1
-25M	VIP720-3C		. LENS-CALL SWITCH (COLOR OPT-CUST PREFERENCE, RED-WHITE) (V28406) (SPEC S417N303-3C)	CJ-CP	1
-25N	VIP720-2K		. LENS-CALL SWITCH (V28406) (SPEC S417N303-2K) (COLOR OPT-CUST PREFERENCE, WHITE-RED)	CJ-CP	1
-25P	VIP720-2L		. LENS-CALL SWITCH (COLOR OPT-CUST PREFERENCE, YELLOW- WHITE) (V28406) (SPEC S417N303-2L)	CJ-CP	1

-Item not Illustrated

25-23-30

ILLUSTRATED PARTS LIST

Page 1098.278

Jul 01/2007



COMPONENT MAINTENANCE MANUAL

FIG/ ITEM	PART NUMBER	AIRLINE PART NUMBER	NOMENCLATURE							USAGE CODE	UNITS PER ASSY
			1	2	3	4	5	6	7		
14-											
95	10-1006-1		.	LIGHT-READING						CJ, CK, CN	1
				(V72914)							
				(SPEC S417N302-1)							
-100	10-1006-2		.	LIGHT-READING						CL, CM, CP	1
				(V72914)							
				(SPEC S417N302-2)							
105	417N3105-6SP		.	MODULE ASSY						CJ-CP	1
110	BACS21AQ6A6M		.	STUD						CJ-CP	4
115	417N3122-111		.	BRACKET ASSY						CJ-CP	1
120	82-47-108-15		.	CLIP						CJ-CP	1
				(V84483)							
125	417N3122-112		.	BRACKET						CJ-CP	1
130	417N3101-2SP		.	MODULE						CJ-CP	1
135	417N3130-113SP		.	BOX ASSY-FOUR MASK OXY						CJ, CK, CN	1
				(REF CMM 35-21-02)							
-140	417N3130-114SP		.	BOX ASSY-FOUR MASK OXY						CL, CM, CP	1
				(REF CMM 35-21-02)							
145	BACR15BB4D10		.	RIVET						CJ-CP	2
150	6100-12		.	RETAINER						CJ-CP	2
				(V2X013)							
155	417N3180-1		.	CLAMP ASSY						CJ-CP	2
160	NAS607-1-4P		.	PIN-DOWEL						CJ-CP	2
165	NAS607-2-8P		.	PIN-DOWEL						CJ-CP	1
170	417N3181-1		.	LINK-ROCKER						CJ-CP	1
				(OPT ITEM 170A)							
-170A	65-85902-1		.	LINK-ROCKER						CJ-CP	1
				(OPT ITEM 170)							
175	RCS3289		.	SPRING						CJ-CP	2
				(V08205)							
180	417N3180-3		.	PLUNGER-SPR						CJ-CP	2
				(V81205)							
185	RCS3290		.	SPRING						CJ-CP	1
				(V08205)							
190	65-85905-4		.	PLUNGER						CJ-CP	1
195	417N3182-1		.	BODY-PLUNGER						CJ-CP	1
200	417N3183-1		.	BODY						CJ-CP	1

-Item not Illustrated

25-23-30

ILLUSTRATED PARTS LIST

Page 1098.280

Jul 01/2007



COMPONENT MAINTENANCE MANUAL

FIG/ ITEM	PART NUMBER	AIRLINE PART NUMBER	NOMENCLATURE							USAGE CODE	UNITS PER ASSY
			1	2	3	4	5	6	7		
14-											
-205	AN960JD416L		.	W	A	S	H	E	R	CJ-CP	AR
									(USED WITH ITEM 210)		
-210	PLWP1S		.	T	I	E	-	P	U	S	A
									M	C	A
									B		
									(V58417)		
-215	NMC1001-0		.	C	L	A	M	P		CJ-CP	2
									(V03296)		
									(OPT ITEM 215A)		
-215A	BACC10DK3		.	C	L	A	M	P		CJ-CP	2
									(OPT ITEM 215)		
-220	286N0512-009		.	W	I	R	E	B	U	C	1
									N	C	
									D		
-220A	286N0514-006		.	W	I	R	E	B	U	C	1
									N	C	
									D		
-225	2TW2-3		.	S	W	I	T	C	H	-	1
									T	O	
									G		
									(V91929)		
230	70-505R		.	C	L	A	M	-	C		2
									I		
									(V25281)		
235	417N3100-377		.	M	U	T	I	N	G	C	1
									A		
-235A	417N3100-19		.	M	U	T	I	N	G	C	1
									A		
240	3SAV1338A2		.	.	R	E	L	A		C	1
										K	
									(V01526)		
									(SPEC BACR13CD2)		
									(OPT BR16S233 (V09026))		
									(OPT EE4AA005 (V35344))		
									(OPT HFW1206K03 (V58614))		
									(OPT HFW1204K01 (V71482))		
245	451120-026		.	.	S	O	C	K		C	1
									(V03743)		
250	BACS12FA08K14		.	.	S	C	R	E		C	2
255	BACN10YJ08		.	.	N	U	T			C	2
260	417N3121-138		.	.	B	R	A	C		C	1
265	BACR15BB3D		.	R	I	V	E	T		C	3
									(SIZE DETERMINED ON INST)		
270	417N3136-17		.	.	B	R	A	C		C	1
275	417N3121-139		.	S	T	I	F	F		C	1
280	117003-22		.	G	E	N	E	R	A	C	2
									T		
									(V16827)		
									(SPEC S417T401-22)		

-Item not Illustrated

25-23-30

ILLUSTRATED PARTS LIST

Page 1098.281

Jul 01/2007



COMPONENT MAINTENANCE MANUAL

FIG/ ITEM	PART NUMBER	AIRLINE PART NUMBER	NOMENCLATURE							USAGE CODE	UNITS PER ASSY	
			1	2	3	4	5	6	7			
14-												
285	417N3160-20		.								CL, CM, CP	1
-290	417N3160-19		.								CJ, CK, CN	1
295	BACS12FA08K6		.								CJ-CP	6
300	CS8024-08-1A		.	.							CJ-CP	2
305	AN960KD416											
305A	AN960JD416		.	.							CJ-CP	2
310	A4972-6-82		.	.							CJ-CP	1
315	BACR15BA3AD		.	.							CJ-CP	6
320	BRM200A08		.	.							CJ-CP	1
325	417N3811-13		.	.							CJ-CP	1
330	417N3161-10		.	.							CJ-CP	1
335	417N3160-12		.	.							CJ-CP	2
340	417N3160-13		.	.							CJ-CP	14
345	417N3136-134		.	.							CJ, CK, CN	1
-345A	417N3136-133		.	.							CL, CM, CP	1
350	AN960KD8L		.								CK, CM, CN, CP	3

-Item not Illustrated

25-23-30

ILLUSTRATED PARTS LIST

Page 1098.282

Jul 01/2007



COMPONENT MAINTENANCE MANUAL

FIG/ ITEM	PART NUMBER	AIRLINE PART NUMBER	NOMENCLATURE							USAGE CODE	UNITS PER ASSY
			1	2	3	4	5	6	7		
14-											
355	BACN10YJ08		.	NUT						CK, CM, CN, CP	3
360	RDAM8005A		.	SPEAKER (V0FF57) (SPEC S222T101-101) (OPT ITEM 360A)						CK, CM- CP	1
-360A	RDAM8018		.	SPEAKER (V0FF57) (SPEC 10-62232-01) (OPT ITEM 360)						CK, CM- CP	1
365	417N3104-2		.	GASKET						CK, CM, CN, CP	1
370	417N3100-71		.	PAD-SPONGE						CJ-CP	2
375	417N3190-1		.	LANYARD ASSY						CJ-CP	1
380	GSC219		. .	SLEEVE (V59730) (SPEC BACS13S219C) (OPT Y0C140 (V09922)) (OPT ITEM 380A)						CJ-CP	4
380A	GSC205		. .	SLEEVE (V59730) (SPEC BACS13S205C) (OPT Y0C130 (V09922)) (OPT ITEM 380)						CJ-CP	4
385	10-61790-1		. .	HOOK (V08205)						CJ-CP	1
390	NAS43DD4-5		. .	SPACER						CJ-CP	1
395	65C16899-6		. .	SPRING						CJ-CP	1
400	417N3190-3		. .	CORD-NYLON						CJ-CP	1
405	417N3100-25SP		.	AIR ASSY-GASPER						CJ-CP	1
410	B0E20563A152		. .	DUCT (V16632) (SPEC BACD40P3A120)						CJ-CP	1
415	10-60141-23A			DELETED							
-415A	750801-002			DELETED							
415B	10-60141-23T		. .	OUTLET (COLOR OPT-CUST PREFERENCE, BEIGE)						CJ-CP	3
-415C	10-60141-23U			DELETED							

-Item not Illustrated

25-23-30

ILLUSTRATED PARTS LIST

Page 1098.283

Jul 01/2007



COMPONENT MAINTENANCE MANUAL

FIG/ ITEM	PART NUMBER	AIRLINE PART NUMBER	NOMENCLATURE							USAGE CODE	UNITS PER ASSY
			1	2	3	4	5	6	7		
14-											
-415D	3740-5		. .	OUTLET						CJ-CP	3
				(COLOR OPT-CUST PREFERENCE, DOVE GRAY)							
				(V83564)							
				(SPEC 10-60141-23W)							
-415E	3740-1		. .	OUTLET						CJ-CP	3
				(COLOR OPT-CUST PREFERENCE, ZYTEL WT-07)							
				(V83564)							
				(SPEC 10-60141-23A)							
				(OPT 1707-23A (V83564))							
				(OPT L16999-16C (V17744))							
-415F	3740-4		. .	OUTLET						CJ-CP	3
				(COLOR OPT-CUST PREFERENCE, BEIGE)							
				(V83564)							
				(SPEC 10-60141-23S)							
				(OPT 750801-002 (V28406))							
-415G	3740-3		. .	OUTLET						CJ-CP	3
				(COLOR OPT-CUST PREFERENCE, DARK GRAY)							
				(V83564)							
				(SPEC 10-60141-23U)							
420	PLT2MM		. .	STRAP						CJ-CP	3
				(V06383)							
				(OPT ITEM 420A)							
-420A	PLT2MM2		. .	STRAP						CJ-CP	3
				(V06383)							
				(OPT ITEM 420)							
425	417N3103-1		. .	MANIFOLD ASSY						CJ-CP	1
430	417N3063-4		. . .	CONNECTOR						CJ-CP	1
435	417N3110-187SP		.	FRAME ASSY						CJ, CK, CN	1
				(FOR DETAILS SEE FIG. 15)							
-440	417N3110-188SP		.	FRAME ASSY						CL, CM, CP	1
				(FOR DETAILS SEE FIG. 15)							
445	BAC27DPA2272		.	DECAL						CJ-CP	1
450	BAC27NPA0610		.	MARKER-ALUMINUM FOIL						CJ, CK, CN	1
455	BAC27NPA0609		.	MARKER-ALUMINUM FOIL						CL, CM, CP	1
460	BAC27NPA0662		.	MARKER-ALUMINUM FOIL						CJ	1

-Item not Illustrated

25-23-30

ILLUSTRATED PARTS LIST

Page 1098.284

Jul 01/2007



COMPONENT MAINTENANCE MANUAL

FIG/ ITEM	PART NUMBER	AIRLINE PART NUMBER	NOMENCLATURE							USAGE CODE	UNITS PER ASSY
			1	2	3	4	5	6	7		
14-											
460A	BAC27NPA0666									CK	1
-460B	BAC27NPA0660									CN	1
465	BAC27NPA0663									CL	1
-465A	BAC27NPA0667									CM	1
-465B	BAC27NPA0661									CP	1

-Item not Illustrated

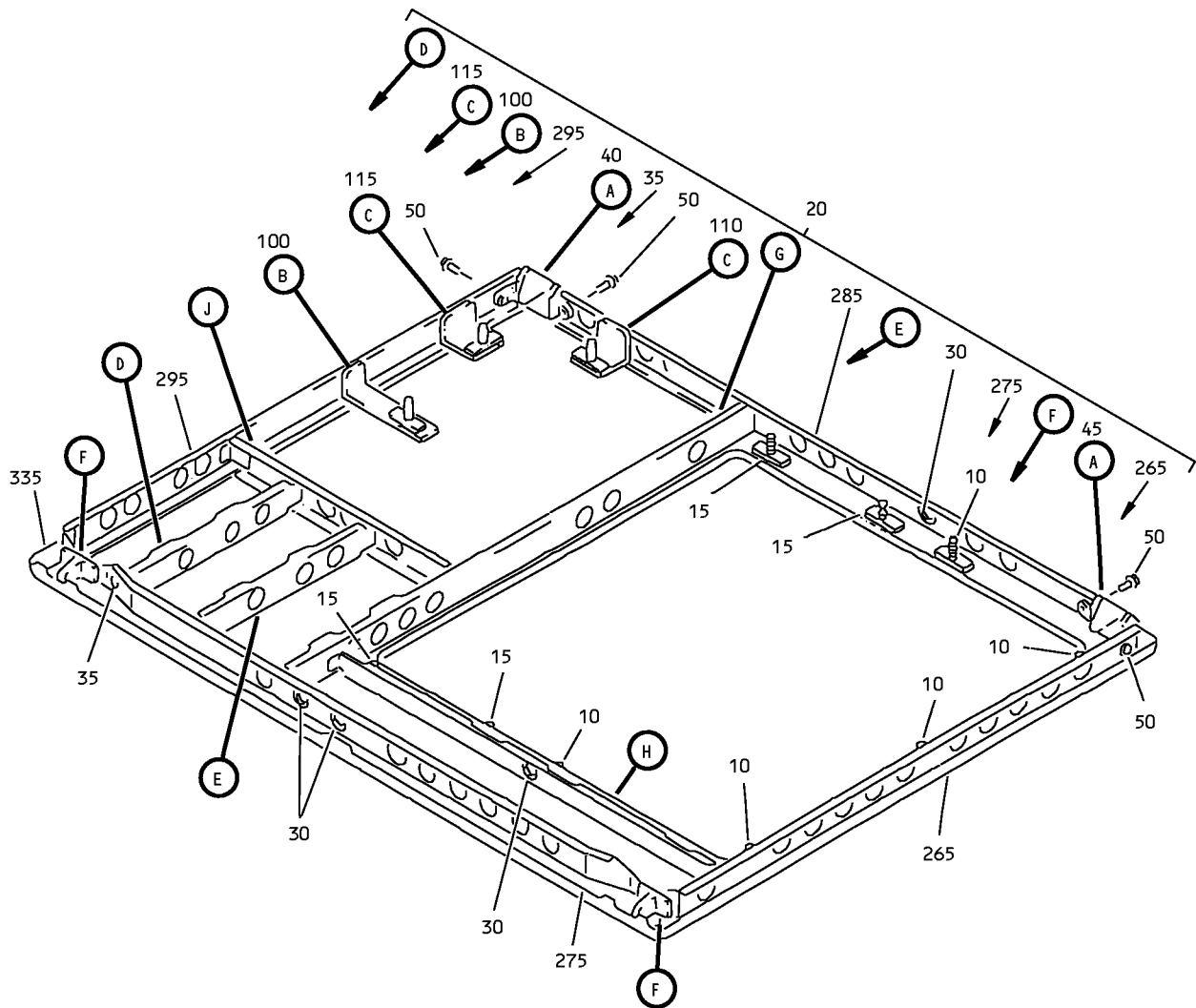
25-23-30

ILLUSTRATED PARTS LIST

Page 1098.285

Jul 01/2007

COMPONENT MAINTENANCE MANUAL



Full Underbin Passenger Service Unit Frame Assembly
IPL Figure 15 (Sheet 1 of 5)

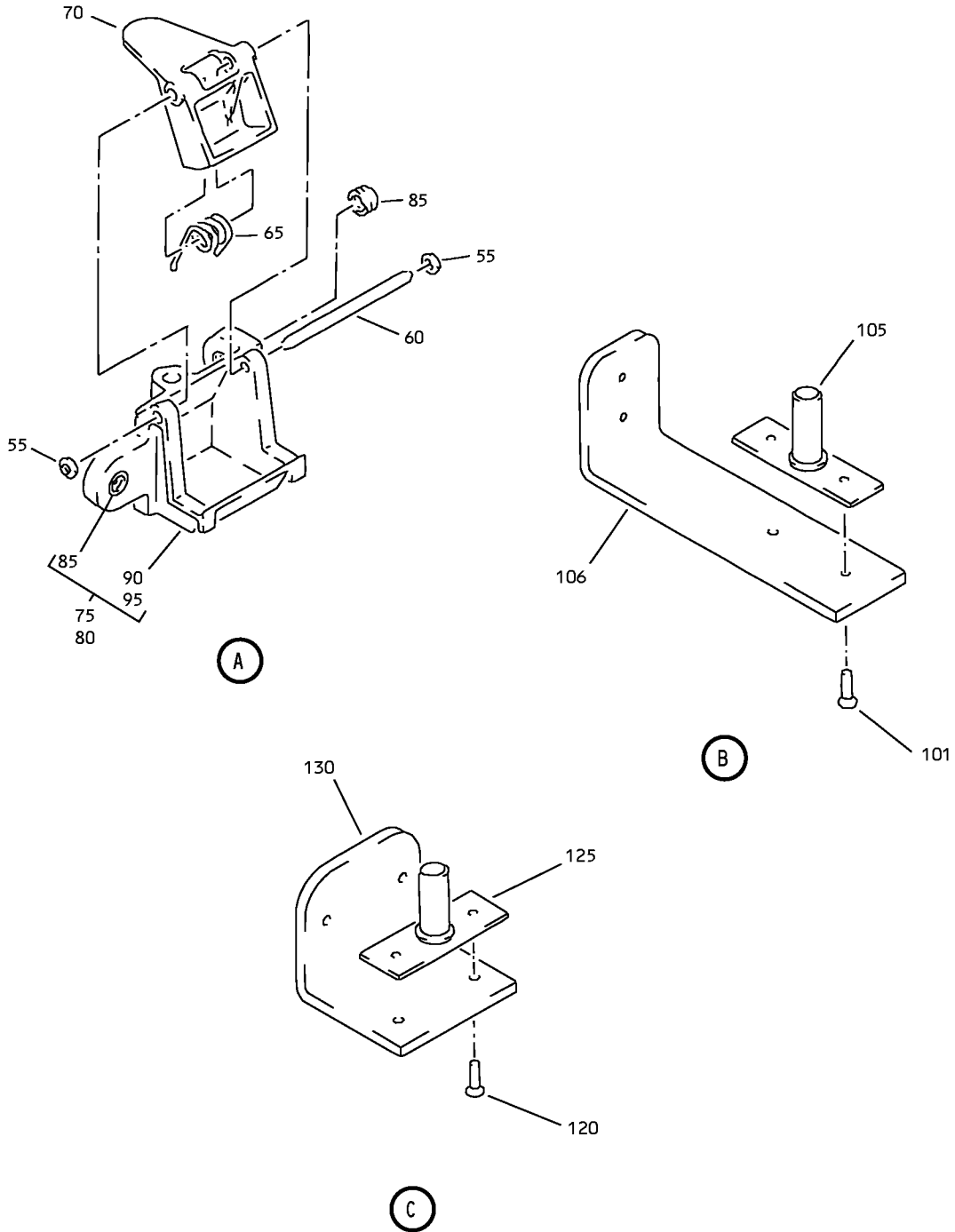
25-23-30

ILLUSTRATED PARTS LIST

Page 1098.286

Jul 01/2007

COMPONENT MAINTENANCE MANUAL



Full Underbin Passenger Service Unit Frame Assembly
IPL Figure 15 (Sheet 2 of 5)

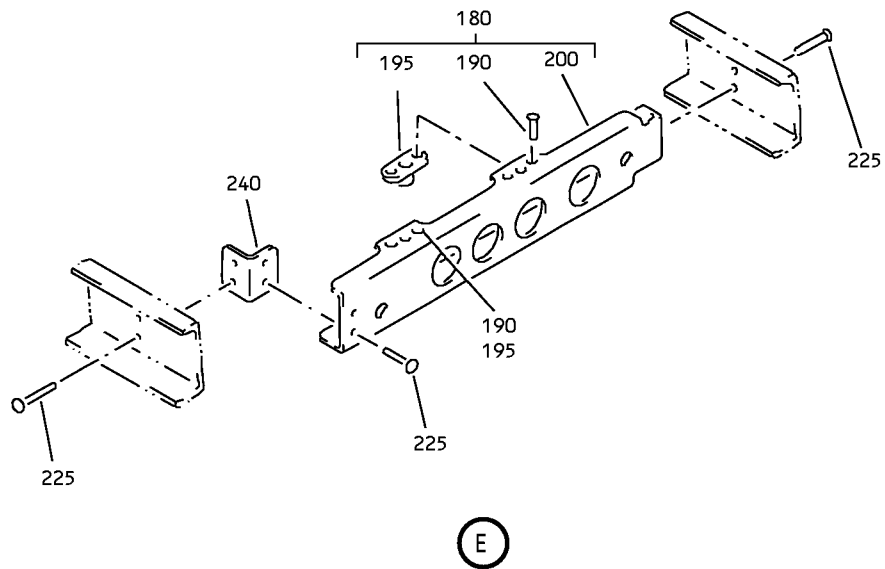
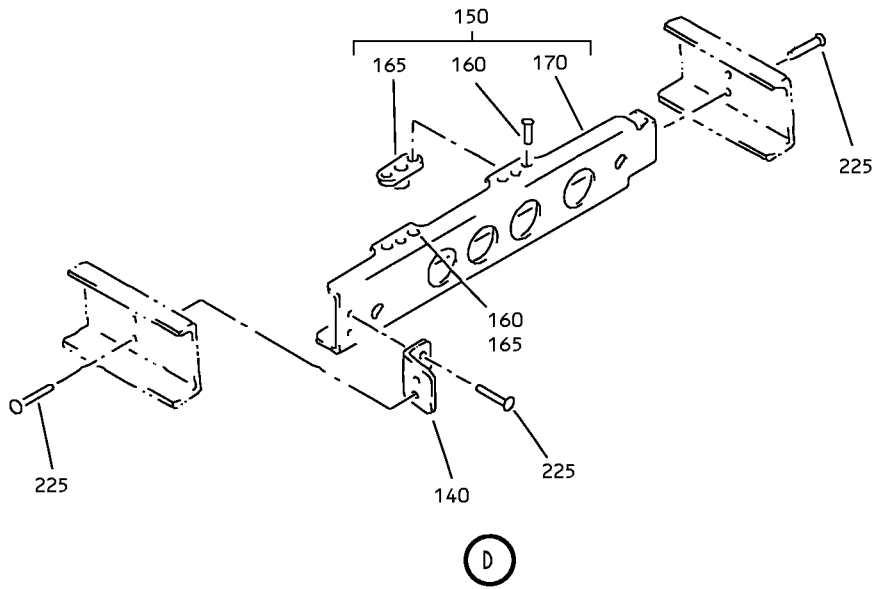
25-23-30

ILLUSTRATED PARTS LIST

Page 1098.287

Jul 01/2007

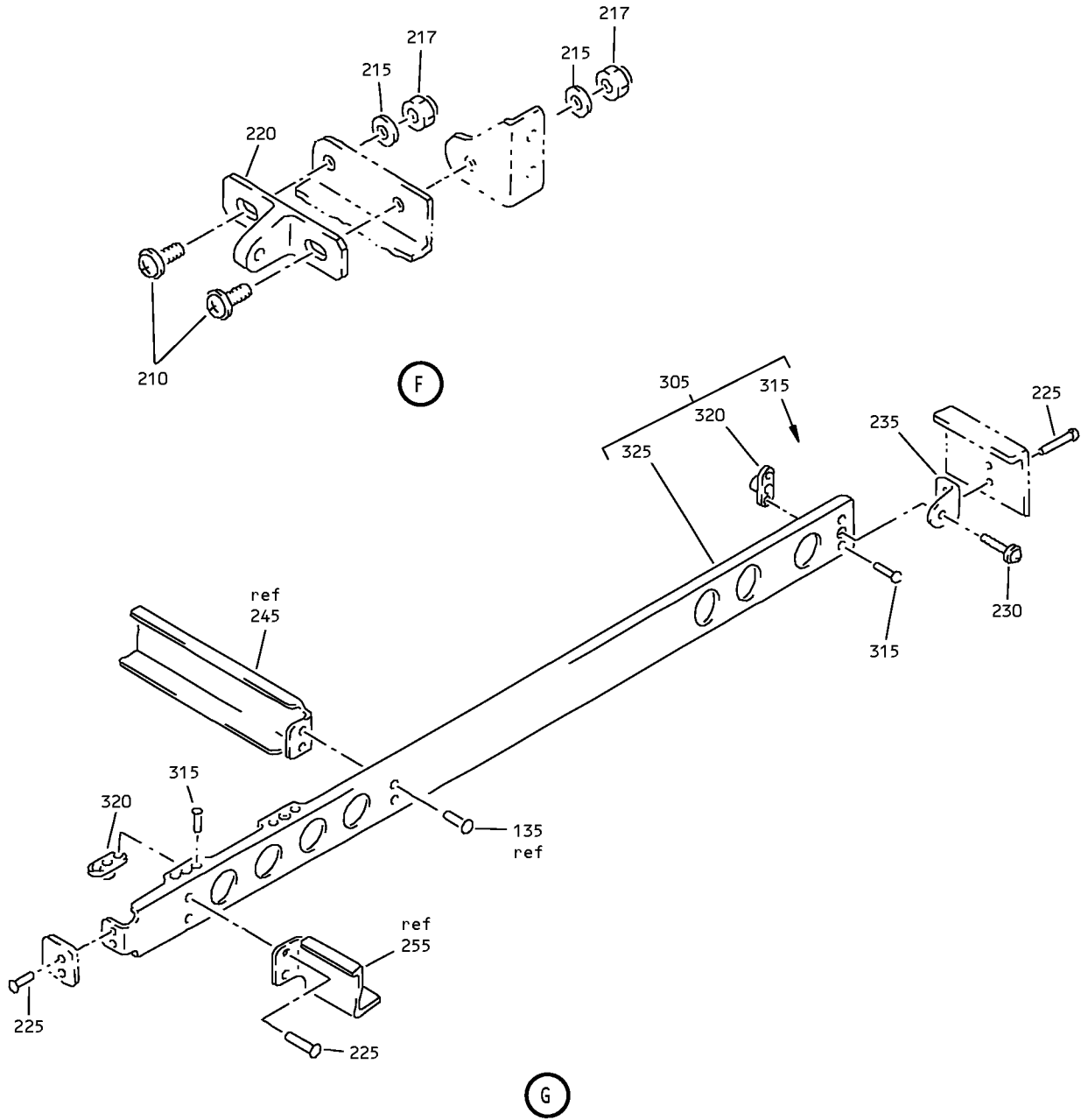
COMPONENT MAINTENANCE MANUAL



Full Underbin Passenger Service Unit Frame Assembly
IPL Figure 15 (Sheet 3 of 5)

25-23-30
ILLUSTRATED PARTS LIST
Page 1098.288
Jul 01/2007

COMPONENT MAINTENANCE MANUAL



Full Underbin Passenger Service Unit Frame Assembly
IPL Figure 15 (Sheet 4 of 5)

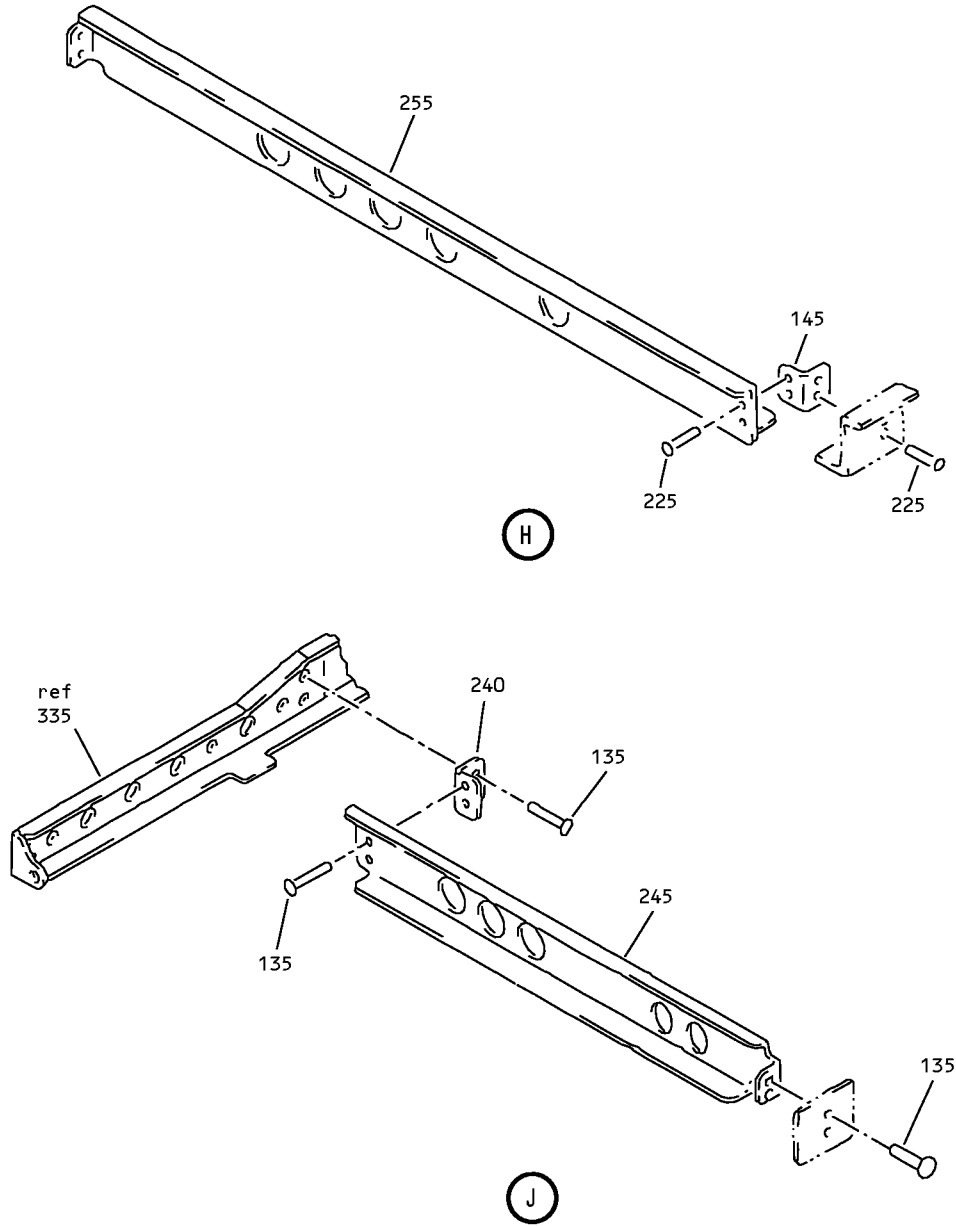
25-23-30

ILLUSTRATED PARTS LIST

Page 1098.289

Jul 01/2007

COMPONENT MAINTENANCE MANUAL



Full Underbin Passenger Service Unit Frame Assembly
IPL Figure 15 (Sheet 5 of 5)

25-23-30

ILLUSTRATED PARTS LIST

Page 1098.290

Jul 01/2007



COMPONENT MAINTENANCE MANUAL

FIG/ ITEM	PART NUMBER	AIRLINE PART NUMBER	NOMENCLATURE							USAGE CODE	UNITS PER ASSY
			1	2	3	4	5	6	7		
15-											
-1	417N3110-187SP									CJ, CK, CN	RF
-5	417N3110-188SP									CL, CM, CP	RF
10	SL6189-08-4									CJ-CP	5
15	SL6189-08-6									CJ-CP	4
20	417N3110-189									CJ, CK, CN	1
-25	417N3110-190									CL, CM, CP	1
30	NAS557-10A									CJ-CP	4
35	NAS557-6A									CJ-CP	1
40	417N3170-11									CJ-CP	1
45	417N3170-12									CJ-CP	1
50	BACS12FA08K6									CJ-CP	4
55	6100-9									CJ-CP	2
60	MS20253P2-165									CJ-CP	1
65	417N3173-1									CJ-CP	1
70	417N3171-2									CJ-CP	1
-70A	417N3171-3									CJ-CP	1
75	417N3172-9									CJ-CP	1
-75A	417N3172-19									CJ-CP	1
80	417N3172-10									CJ-CP	1

-Item not Illustrated

25-23-30

ILLUSTRATED PARTS LIST

Page 1098.291

Jul 01/2007



COMPONENT MAINTENANCE MANUAL

FIG/ ITEM	PART NUMBER	AIRLINE PART NUMBER	NOMENCLATURE							USAGE CODE	UNITS PER ASSY		
			1	2	3	4	5	6	7				
15- -80A	417N3172-20		. . .								HOUSING ASSY-CAM LATCH (OPT ITEM 80) (USED ON ITEM 45)	CJ-CP	1
85	6035-2BR185									INSERT (V26344)	CJ-CP	2
90	417N3172-11									HOUSING (USED ON ITEM 75)	CJ-CP	1
-90A	417N3172-21									HOUSING (USED ON ITEM 75A)	CJ-CP	1
95	417N3172-12									HOUSING (USED ON ITEM 80)	CJ-CP	1
100	417N3121-337		. .								STIFFENER ASSY	CJ-CP	1
101	BACR15CE3D		. . .								RIVET (SIZE DETERMINED ON INST)	CJ-CP	2
105	SL6189-08-4		. . .								STUD (V97393)	CJ-CP	1
106	417N3121-338		. . .								STIFFENER	CJ-CP	1
110	417N3122-123		. .								ANGLE ASSY	CJ-CP	1
115	417N3122-124		. .								ANGLE ASSY	CJ-CP	1
120	BACR15CE3D		. . .								RIVET (SIZE DETERMINED ON INST)	CJ-CP	2
125	SL6189-08-4		. . .								STUD (V97393) (OPT ITEM 125A)	CJ-CP	1
-125A	SL6189-08-6		. . .								STUD (V97393) (OPT ITEM 125)	CJ-CP	1
130	417N3122-126		. . .								ANGLE	CJ-CP	1
135	BACR15BB3D		. .								RIVET (SIZE DETERMINED ON INST)	CJ-CP	6
140	417N3122-125		. .								ANGLE	CJ-CP	1
145	417N3122-57		. .								BRACKET	CJ-CP	1
150	417N3121-329		. .								STIFFENER ASSY	CJ, CK, CN	1
-155	417N3121-330		. .								STIFFENER ASSY	CL, CM, CP	1

-Item not Illustrated

25-23-30

ILLUSTRATED PARTS LIST

Page 1098.292

Jul 01/2007



COMPONENT MAINTENANCE MANUAL

FIG/ ITEM	PART NUMBER	AIRLINE PART NUMBER	NOMENCLATURE							USAGE CODE	UNITS PER ASSY
			1	2	3	4	5	6	7		
15-											
160	BACR15BA3D		. . .	RIVET						CJ-CP	4
				(SIZE DETERMINE INST)							
165	BRM200A08K		. . .	NUTPLATE						CJ-CP	2
				(V52828)							
				(SPEC BACN10JP08AR)							
				(OPT MK1000-08BCBAC (V15653))							
				(OPT NS103197-82BC (V80539))							
				(OPT RMA9201M82BC (V72962))							
				(OPT T8076S832BC (V11815))							
				(OPT VN202A2-82 (V92215))							
170	417N3121-331		. . .	STIFFENER						CJ, CK, CN	1
-175	417N3121-332		. . .	STIFFENER						CL, CM, CP	1
180	417N3121-339		. .	STIFFENER ASSY						CJ, CK, CN	1
-185	417N3121-340		. .	STIFFENER ASSY						CL, CM, CP	1
190	BACR15BA3D		. . .	RIVET						CJ-CP	4
				(SIZE DETERMINED ON INST)							
195	BRM200A08K		. . .	NUTPLATE						CJ-CP	2
				(V52828)							
				(SPEC BACN10JP08AR)							
				(OPT MK1000-08BCBAC (V15653))							
				(OPT NS103197-82BC (V80539))							
				(OPT RMA9201M82BC (V72962))							
				(OPT T8076S832BC (V11815))							
				(OPT VN202A2-82 (V92215))							
200	417N3121-341		. . .	STIFFENER						CJ, CK, CN	1
-205	417N3121-342		. . .	STIFFENER						CL, CM, CP	1
210	BACS12FA08K7		. .	SCREW						CJ-CP	4
215	AN960PD8L		. .	WASHER						CJ-CP	4

-Item not Illustrated

25-23-30

ILLUSTRATED PARTS LIST

Page 1098.293

Jul 01/2007



COMPONENT MAINTENANCE MANUAL

FIG/ ITEM	PART NUMBER	AIRLINE PART NUMBER	NOMENCLATURE							USAGE CODE	UNITS PER ASSY	
			1	2	3	4	5	6	7			
15- 217	H10-08BAC		.	.	NUT (V15653) (SPEC BACN10JC08) (OPT NS202101-82 (V80539)) (OPT RMLH9075-82W (V72962)) (OPT T6S832J (V71087)) (OPT VN303A82 (V92215)) (OPT 96-82 (V80539)) (OPT BRH10A08 (V52828))						CJ-CP	4
220	417N3102-1		.	.	BRACKET-MTG						CJ-CP	2
225	BACR15BB3D		.	.	RIVET (SIZE DETERMINED ON INST)						CJ-CP	16
230	BACS12FA08K6		.	.	SCREW						CJ-CP	1
235	417N3122-54		.	.	BRACKET						CJ-CP	1
240	417N3122-57		.	.	BRACKET						CJ-CP	2
245	417N3121-321		.	.	STIFFENER						CJ, CK, CN	1
-250	417N3121-322		.	.	STIFFENER						CL, CM, CP	1
255	417N3121-171		.	.	STIFFENER						CJ, CK, CN	1
-260	417N3121-172		.	.	STIFFENER						CL, CM, CP	1
265	417N3121-115		.	.	STIFFENER						CJ, CK, CN	1
-270	417N3121-116		.	.	STIFFENER						CL, CM, CP	1
275	417N3121-317		.	.	STIFFENER						CJ, CK, CN	1
-280	417N3121-318		.	.	STIFFENER						CL, CM, CP	1
285	417N3121-319		.	.	STIFFENER						CJ, CK, CN	1
-290	417N3121-320		.	.	STIFFENER						CL, CM, CP	1
295	417N3121-323		.	.	STIFFENER						CJ, CK, CN	1
-300	417N3121-324		.	.	STIFFENER						CL, CM, CP	1

-Item not Illustrated

25-23-30

ILLUSTRATED PARTS LIST

Page 1098.294

Jul 01/2007



COMPONENT MAINTENANCE MANUAL

FIG/ ITEM	PART NUMBER	AIRLINE PART NUMBER	NOMENCLATURE							USAGE CODE	UNITS PER ASSY	
			1	2	3	4	5	6	7			
15- 305	417N3121-333		.	.							CJ, CK, CN	1
-310	417N3121-334		.	.							CL, CM, CP	1
315	BACR15BB3D		.	.	.						CJ-CP	6
320	BRM200A08K		.	.	.						CJ-CP	3
325	417N3121-335		.	.	.						CJ, CK, CN	1
-330	417N3121-336		.	.	.						CL, CM, CP	1
335	417N3111-35SP		.								CJ, CK, CN	1
-340	417N3111-36SP		.								CL, CM, CP	1

-Item not Illustrated

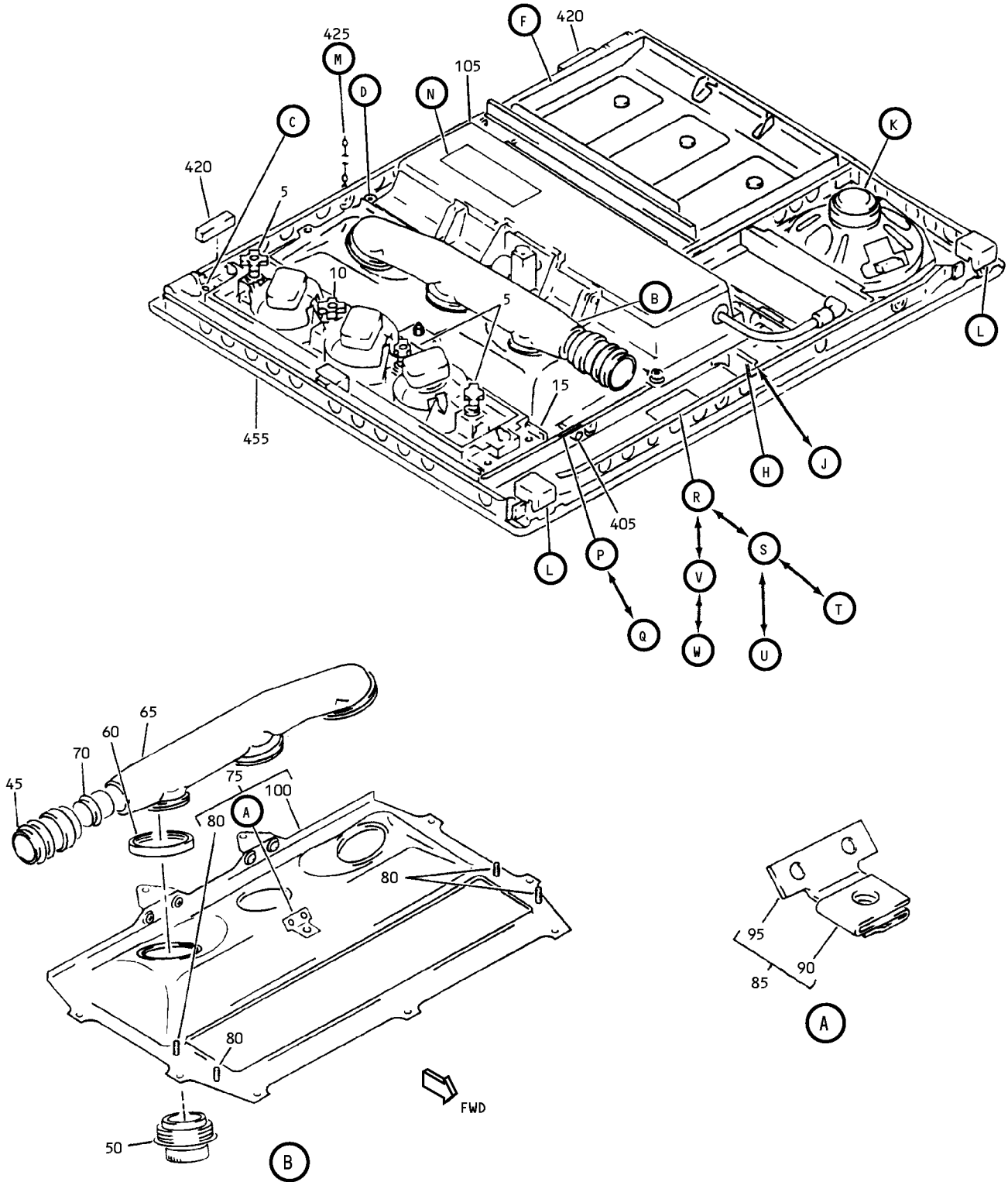
25-23-30

ILLUSTRATED PARTS LIST

Page 1098.295

Jul 01/2007

COMPONENT MAINTENANCE MANUAL



Full Underbin Passenger Service Unit Assembly
IPL Figure 16 (Sheet 1 of 8)

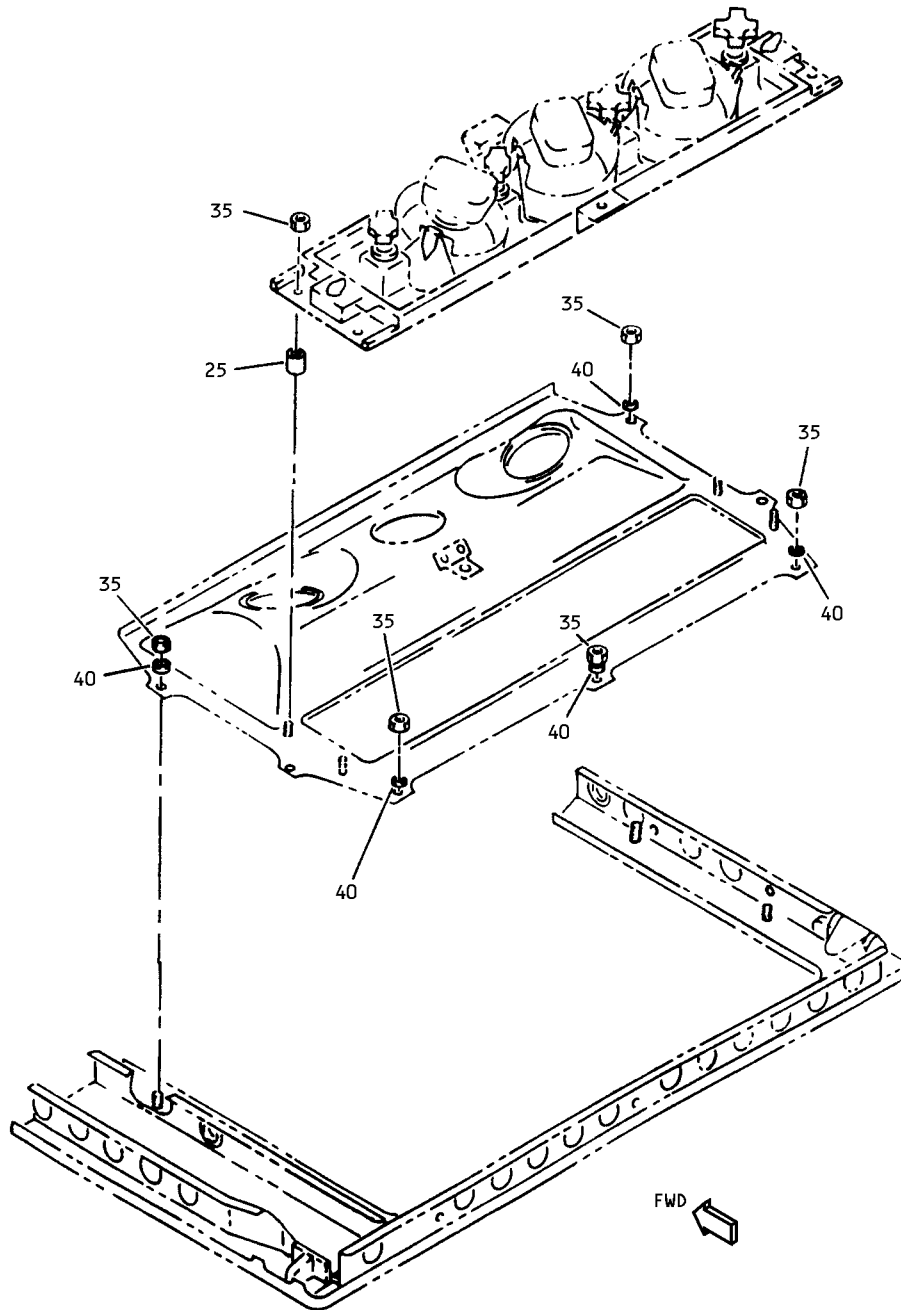
25-23-30

ILLUSTRATED PARTS LIST

Page 1098.296

Jul 01/2007

COMPONENT MAINTENANCE MANUAL



(C)

Full Underbin Passenger Service Unit Assembly
IPL Figure 16 (Sheet 2 of 8)

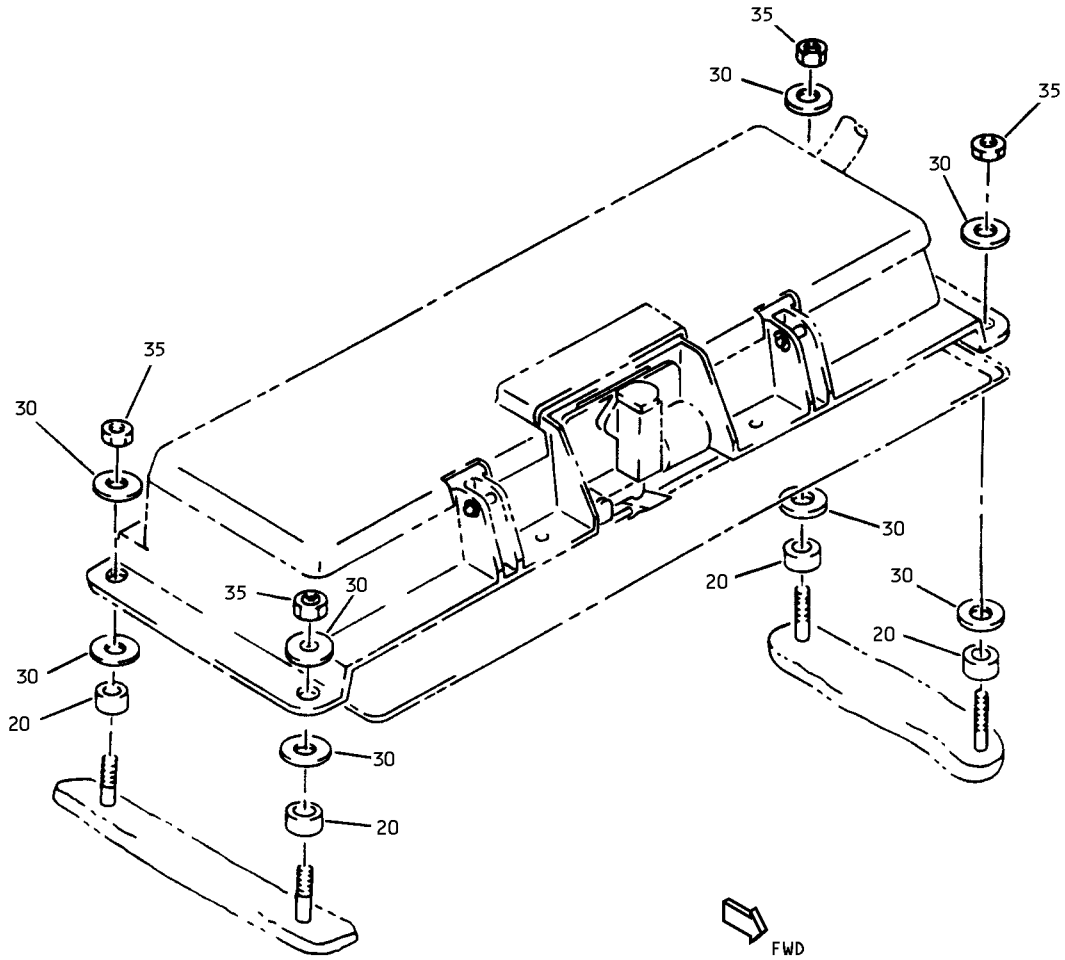
25-23-30

ILLUSTRATED PARTS LIST

Page 1098.297

Jul 01/2007

COMPONENT MAINTENANCE MANUAL



D

Full Underbin Passenger Service Unit Assembly
IPL Figure 16 (Sheet 3 of 8)

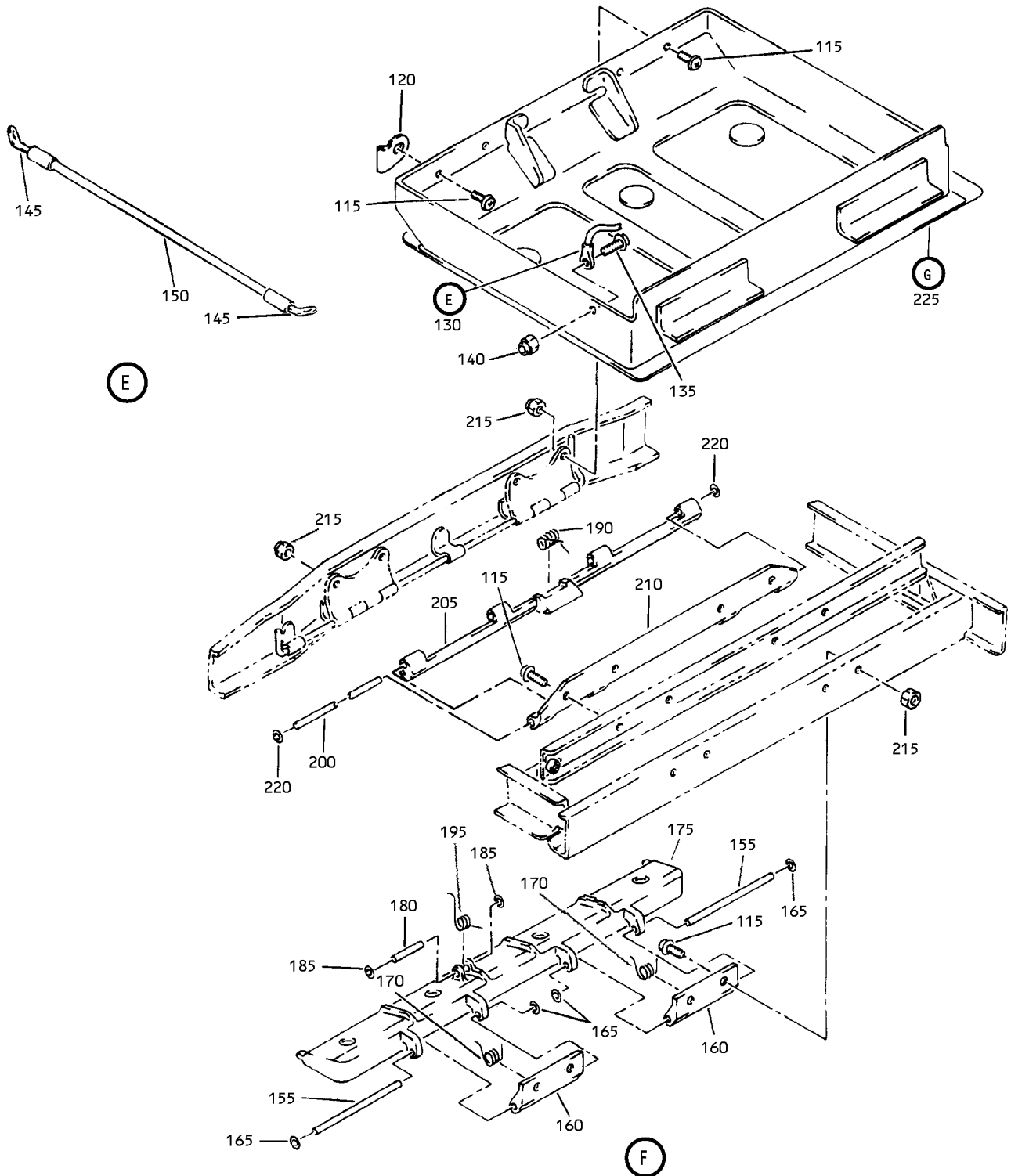
25-23-30

ILLUSTRATED PARTS LIST

Page 1098.298

Jul 01/2007

COMPONENT MAINTENANCE MANUAL



Full Underbin Passenger Service Unit Assembly
IPL Figure 16 (Sheet 4 of 8)

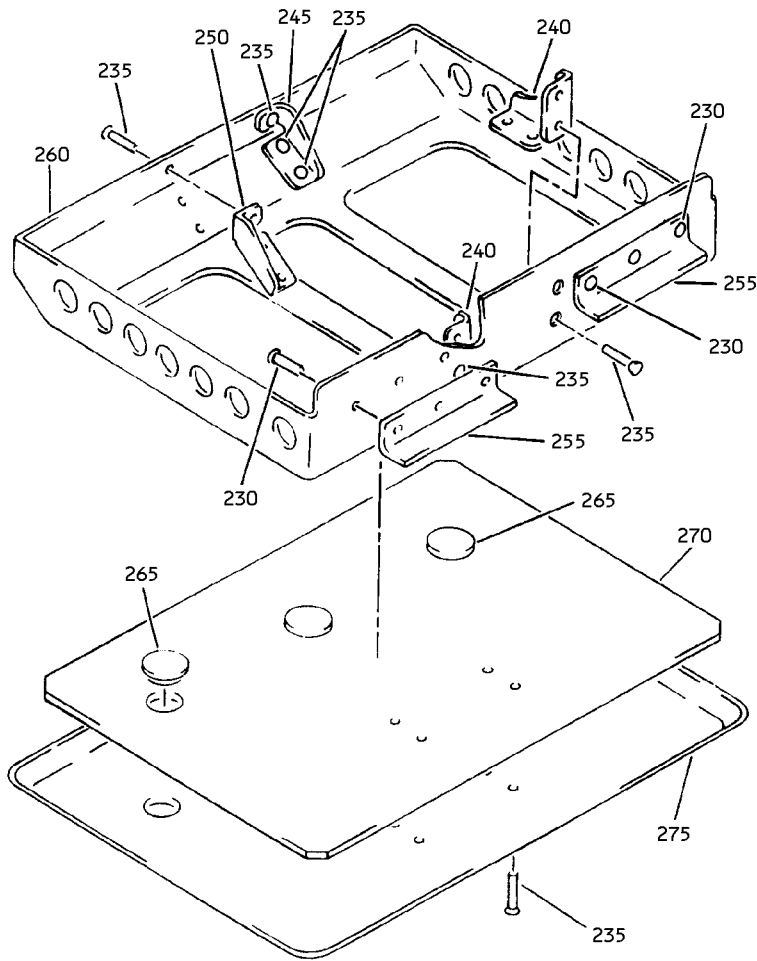
25-23-30

ILLUSTRATED PARTS LIST

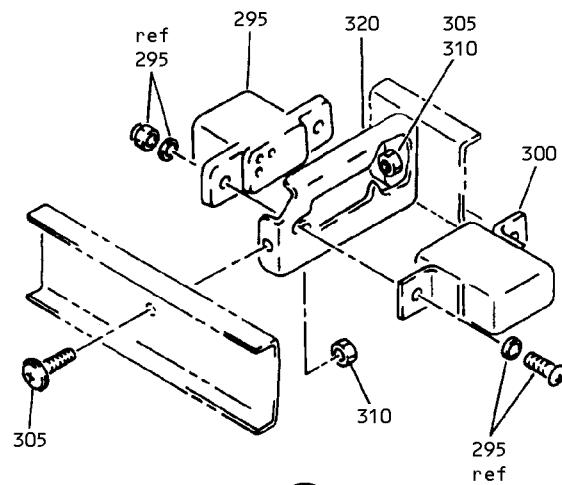
Page 1098.299

Jul 01/2007

COMPONENT MAINTENANCE MANUAL



G



H

Full Underbin Passenger Service Unit Assembly
IPL Figure 16 (Sheet 5 of 8)

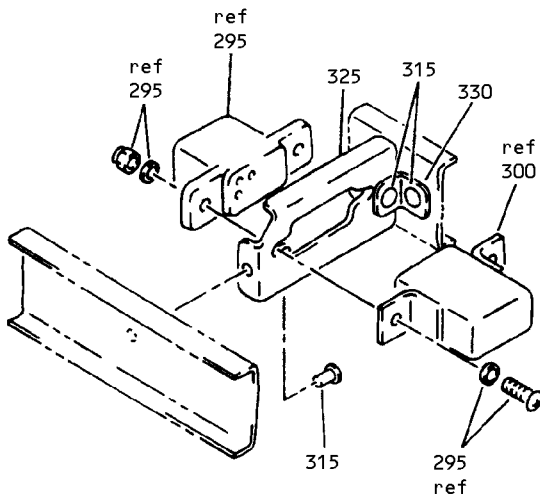
25-23-30

ILLUSTRATED PARTS LIST

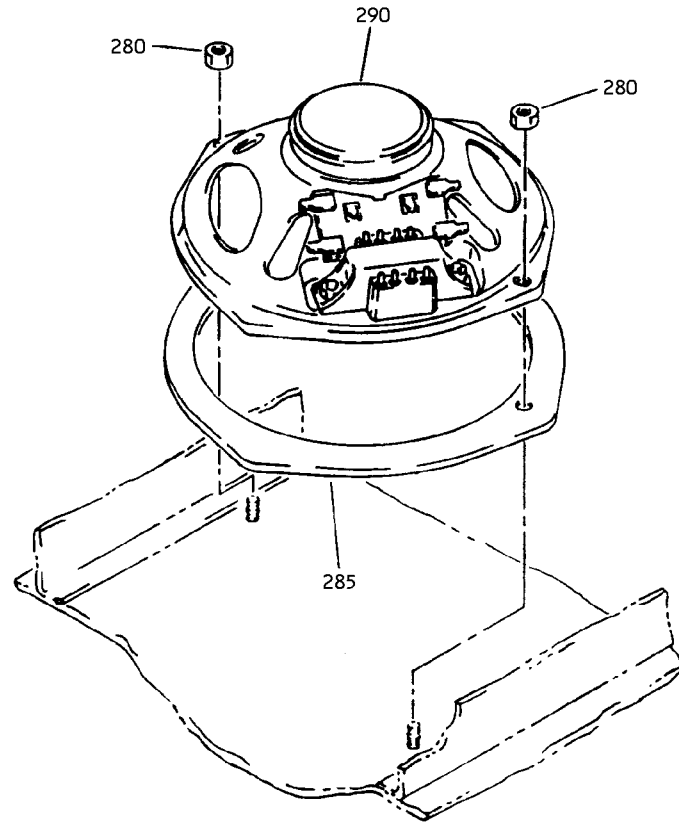
Page 1098.300

Jul 01/2007

COMPONENT MAINTENANCE MANUAL



J



K

Full Underbin Passenger Service Unit Assembly
IPL Figure 16 (Sheet 6 of 8)

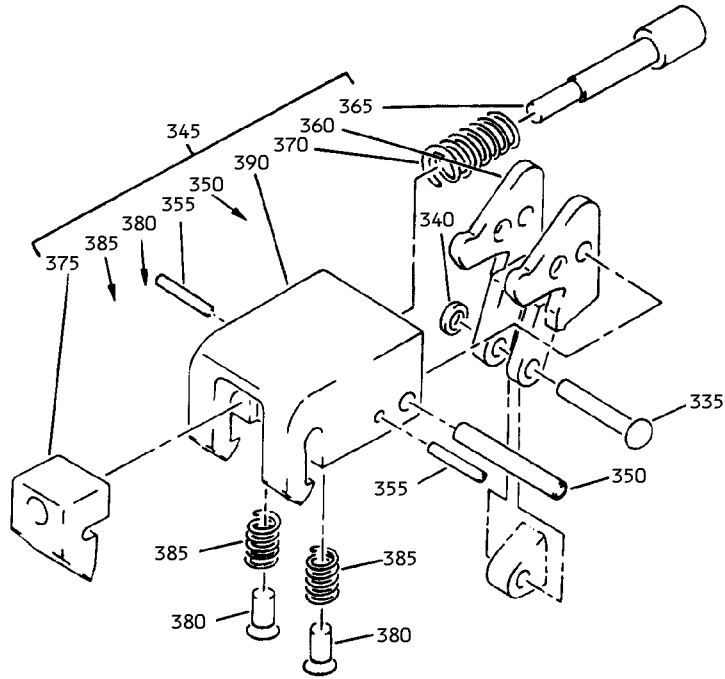
25-23-30

ILLUSTRATED PARTS LIST

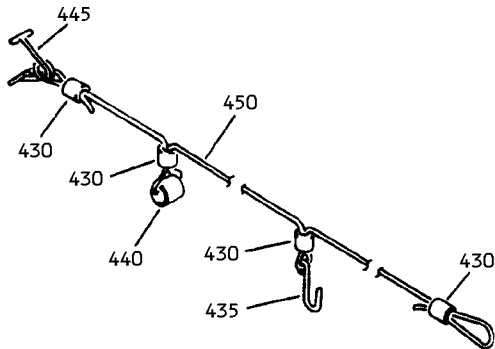
Page 1098.301

Jul 01/2007

COMPONENT MAINTENANCE MANUAL



(L)



(M)

ATTENTION

FOR REMOVAL AND RELOCATION INFORMATION SEE
MAINTENANCE MANUAL CHAPTER 25

FOR MASK STORAGE INSTRUCTIONS SEE MAINTENANCE
MANUAL CHAPTER 35

FOR CLEANING INSTRUCTIONS SEE DOCUMENT D6-7127

(N)

465

Full Underbin Passenger Service Unit Assembly
IPL Figure 16 (Sheet 7 of 8)

25-23-30

ILLUSTRATED PARTS LIST

Page 1098.302

Jul 01/2007

COMPONENT MAINTENANCE MANUAL

2 ← POSITION → 1

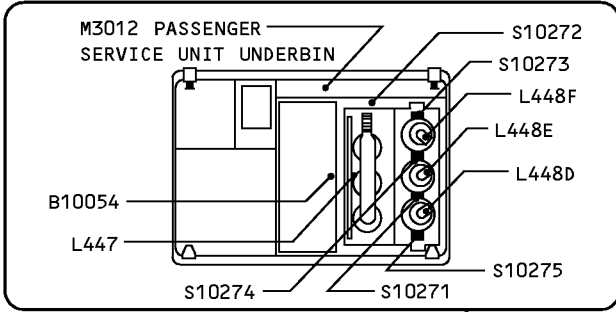
P

470

1 ← POSITION → 2

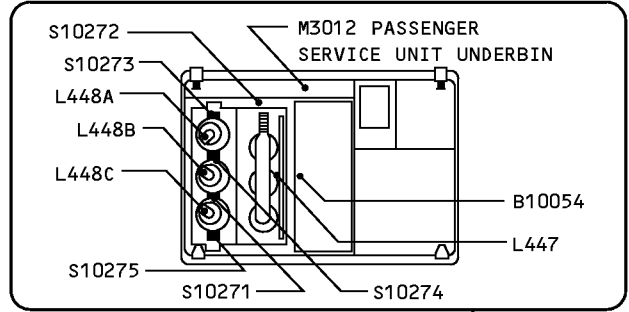
Q

475



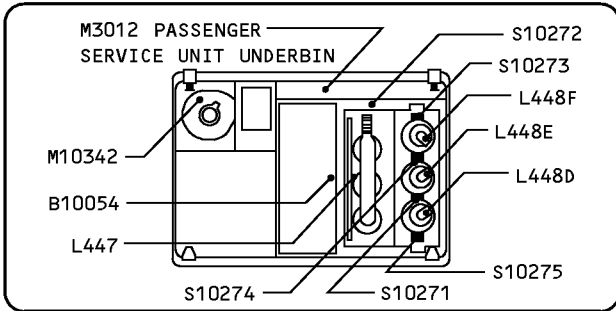
R

480



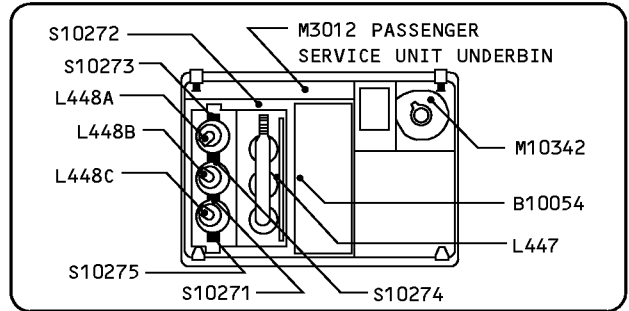
S

485



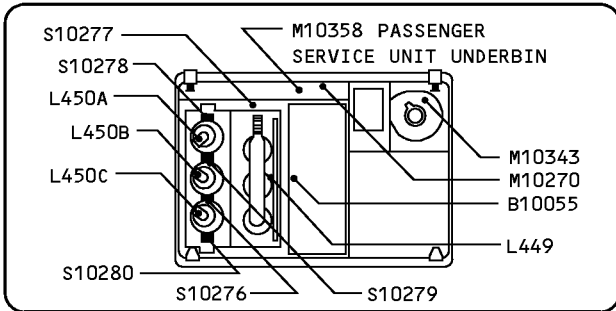
T

490



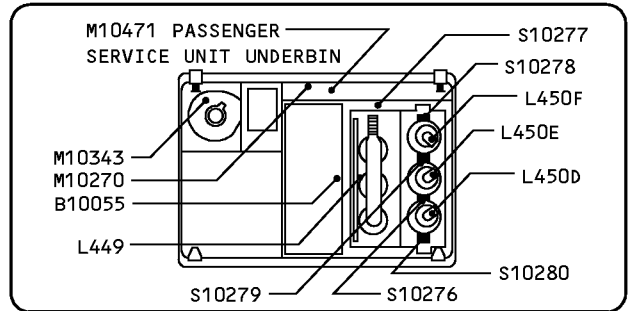
U

495



V

500



W

505

Full Underbin Passenger Service Unit Assembly
IPL Figure 16 (Sheet 8 of 8)

25-23-30

ILLUSTRATED PARTS LIST

Page 1098.303

Jul 01/2007



COMPONENT MAINTENANCE MANUAL

FIG/ ITEM	PART NUMBER	AIRLINE PART NUMBER	NOMENCLATURE							USAGE CODE	UNITS PER ASSY
			1	2	3	4	5	6	7		
16-											
-1	417N3100-701SP										
-1A	417N3100-703SP										
-1B	417N3100-705SP										
-2	417N3100-701SP								CR	RF	
-2A	417N3100-703SP								CT	RF	
-2B	417N3100-705SP								CV	RF	
-3	417N3100-700SP								CQ	RF	
-3A	417N3100-702SP								CS	RF	
-3B	417N3100-704SP								CU	RF	
5	920056								CQ-CV	3	

-Item not Illustrated

25-23-30

ILLUSTRATED PARTS LIST

Page 1098.304

Jul 01/2007



COMPONENT MAINTENANCE MANUAL

FIG/ ITEM	PART NUMBER	AIRLINE PART NUMBER	NOMENCLATURE							USAGE CODE	UNITS PER ASSY						
			1	2	3	4	5	6	7								
16- 6	VIP720-1B		.	L	E	N	S	-	L	T	S	W	C	H		CQ-CV	3
-6A	VIP720-1C		.	L	E	N	S	-	L	T	S	W	C	H		CQ-CV	3
-6B	VIP720-1M		.	L	E	N	S	-	L	T	S	W	C	H		CQ-CV	3
-6C	VIP720-1N		.	L	E	N	S	-	L	T	S	W	C	H		CQ-CV	3
-6D	VIP720-1S		.	L	E	N	S	-	L	T	S	W	C	H		CQ-CV	3
-6E	VIP720-1T		.	L	E	N	S	-	L	T	S	W	C	H		CQ-CV	3
-6F	VIP720-1V		.	L	E	N	S	-	L	T	S	W	C	H		CQ-CV	3
-6G	VIP720-6E		.	L	E	N	S	-	L	T	S	W	C	H		CQ-CV	3

-Item not Illustrated

25-23-30

ILLUSTRATED PARTS LIST

Page 1098.305

Jul 01/2007



COMPONENT MAINTENANCE MANUAL

FIG/ ITEM	PART NUMBER	AIRLINE PART NUMBER	NOMENCLATURE	USAGE CODE	UNITS PER ASSY
16- -11J	VIP720-3A		. LENS-CALL SWITCH (COLOR OPT-CUST PREFERENCE, ORANGE- WHITE) (V28406) (SPEC S417N303-3A)	CQ-CV	1
-11K	VIP720-3C		. LENS-CALL SWITCH (COLOR OPT-CUST PREFERENCE, RED-WHITE) (V28406) (SPEC S417N303-3C)	CQ-CV	1
-11L	VIP720-4A		. LENS-CALL SWITCH (COLOR OPT-CUST PREFERENCE, RED-WHITE) (V28406) (SPEC S417N303-4A) (OPT 932501-830 (V07150))	CQ-CV	1
15	10-1006-2		. LIGHT-READING (V72914) (SPEC S417N302-2)	CQ, CS, CU	1
-17	10-1006-1		. LIGHT-READING (V72914) (SPEC S417N302-1)	CR, CT, CV	1
20	NAS43DD3-10		. SPACER	CQ-CV	4
25	NAS43DD3-20		. SPACER	CQ-CV	4
30	BACW10P193D		. WASHER	CQ-CV	8
35	BACN10YJ08		. NUT	CQ-CV	13
40	G6940-3B3		. GROMMET (V75345) (SPEC BACG20AF3B3) (OPT SZ6924-3B3 (V95272)) (OPT 701-3B3 (V07096)) (OPT E3B3 (V60980)) (OPT H3B3 (V60980)) (OPT RR2002-3B3 (V57268))	CQ-CV	5
45	B0E20563A152		. DUCT (V16632) (SPEC BACD40P3A120)	CQ-CV	1
50	10-60141-23		DELETED		

-Item not Illustrated

25-23-30

ILLUSTRATED PARTS LIST

Page 1098.308

Jul 01/2007



COMPONENT MAINTENANCE MANUAL

FIG/ ITEM	PART NUMBER	AIRLINE PART NUMBER	NOMENCLATURE							USAGE CODE	UNITS PER ASSY
			1	2	3	4	5	6	7		
16-											
95	417N3122-112								. . . BRACKET	CQ-CV	1
100	417N3101-6SP								. . MODULE	CQ-CV	1
105	417N3130-112SP								. BOX ASSY-FOUR MASK OXY (REF CMM 35-21-02)	CQ, CS, CU	1
-110	417N3130-111SP								. BOX ASSY-FOUR MASK OXY (REF CMM 35-21-02)	CR, CS, CV	1
115	BACS12FA08K7								. SCREW	CQ-CV	12
120	417N3122-50								. RETAINER	CQ, CS, CU	1
-125	417N3122-49								. RETAINER	CR, CT, CV	1
130	417N3190-8								. LANYARD ASSY ATTACHING PARTS	CQ-CV	1
135	BACS12FA08K6								. SCREW	CQ-CV	1
140	26C82								. NUT (V80539) (SPEC BACN10R8)	CQ-CV	1
									----- * -----		
145	417N3190-7								. . TERMINAL	CQ-CV	2
150	417N3190-5								. . CORD	CQ-CV	1
155	417N3100-74								. PIN (OPT ITEM 155A)	CQ-CV	2
-155A	MS20253P2-270								. PIN (OPT ITEM 155)	CQ-CV	2
160	417N3133-19								. HOUSING-PUSHBUTTON	CQ-CV	2
165	6100-9								. RETAINER (V2X013)	CQ-CV	4
170	417N3173-9								. SPRING	CQ-CV	2
175	417N3084-1SP								. PUSH BUTTON	CQ-CV	1
180	417N3100-73								. PIN (OPT ITEM 180A)	CQ-CV	1
-180A	MS20253P2-080								. PIN (OPT ITEM 180)	CQ-CV	1
185	6100-9								. RETAINER (V2X013)	CQ-CV	2

-Item not Illustrated

25-23-30

ILLUSTRATED PARTS LIST

Page 1098.310

Jul 01/2007



COMPONENT MAINTENANCE MANUAL

FIG/ ITEM	PART NUMBER	AIRLINE PART NUMBER	NOMENCLATURE							USAGE CODE	UNITS PER ASSY		
			1	2	3	4	5	6	7				
16-													
190	417N3173-13		.								SPRING	CQ-CV	1
195	417N3173-14		.								SPRING	CQ-CV	1
200	417N3100-78		.								PIN	CQ-CV	1
205	417N3133-15		.								LATCH	CQ-CV	1
210	417N3133-16		.								LATCH	CQ-CV	1
215	H10-08BAC		.								NUT	CQ-CV	4
											(V15653)		
											(SPEC BACN10JC08)		
											(OPT NS202101-82 (V80539))		
											(OPT RMLH9075-82W (V72962))		
											(OPT T6S832J (V71087))		
											(OPT VN303A82 (V92215))		
											(OPT 96-82 (V80539))		
											(OPT BRH10A08 (V52828))		
220	6100-9		.								RETAINER	CQ-CV	2
											(V2X013)		
225	417N3080-1SP		.								DOOR ASSY	CQ-CV	1
230	BACR15CE3D		..								RIVET	CQ-CV	6
											(SIZE DETERMINED ON INST)		
235	BACR15CE4D		..								RIVET	CQ-CV	14
											(SIZE DETERMINED ON INST)		
240	417N3083-2		..								GUSSET	CQ-CV	2
245	417N3083-3		..								GUSSET	CQ-CV	1
250	417N3083-4		..								GUSSET	CQ-CV	1
255	417N3083-1		..								ANGLE	CQ-CV	2
260	417N3082-1		..								COMPARTMENT	CQ-CV	1
265	417N3113-1		..								LENS	CQ-CV	3
270	417N3080-3		..								PANEL	CQ-CV	1
275	417N3081-1SP		..								PANEL	CQ-CV	1
280	BACN10YJ08		.								NUT	CQ, CR, CU, CV	2
285	417N3104-2		.								GASKET	CQ, CR, CU, CV	1
290	RDAM8005A		.								SPEAKER	CQ, CR, CU, CV	1
											(V0FF57)		
											(SPEC S222T101-101)		
											(OPT ITEM 290A)		

-Item not Illustrated

25-23-30

ILLUSTRATED PARTS LIST

Page 1098.311

Jul 01/2007



COMPONENT MAINTENANCE MANUAL

FIG/ ITEM	PART NUMBER	AIRLINE PART NUMBER	NOMENCLATURE							USAGE CODE	UNITS PER ASSY	
			1	2	3	4	5	6	7			
16- -290A	RDAM8018		.	S	P	E	A	K	E	R	CQ, CR, CU, CV	1
295	3SAV1338A2		.	R	E	L	A	Y			CU, CV	1
300	451120-026		.	S	O	C	K	E	T		CU, CV	1
305	BACS12FA08K14		.	S	C	R	E	W			CU	2
310	BACN10YJ08		.	N	U	T					CU	2
315	BACR15BB3D		.	R	I	V	E	T			CV	3
320	417N3121-138		.	B	R	A	C	K	E	T	CU	1
325	417N3121-139		.	S	T	I	F	F	E	N	CV	1
330	417N3136-17		.	B	R	A	C	K	E	T	CU	1
335	BACR15BB4D10		.	R	I	V	E	T			CQ-CV	2
340	6100-12		.	R	E	T	A	I	N	E	CQ-CV	2
345	417N3180-1		.	C	L	A	M	P	A	S	CQ-CV	2
350	NAS607-2-8P		.	.	P	I	N	-	D	O	CQ-CV	1
355	NAS607-1-4P		.	.	P	I	N	-	D	O	CQ-CV	2
360	417N3181-1		.	.	L	I	N	K	-	R	CQ-CV	1
-360A	65-85902-1		.	.	L	I	N	K	-	R	CQ-CV	1
365	65-85905-4		.	.	P	L	U	N	G	E	CQ-CV	1
370	RCS3290		.	.	S	P	R	I	N	G	CQ-CV	1
375	417N3182-1		.	.	B	O	D	Y	-	P	CQ-CV	1
380	417N3180-3		.	.	P	L	U	N	G	E	CQ-CV	2
385	RCS3289		.	.	S	P	R	I	N	G	CQ-CV	2

-Item not Illustrated

25-23-30

ILLUSTRATED PARTS LIST

Page 1098.312

Jul 01/2007



COMPONENT MAINTENANCE MANUAL

FIG/ ITEM	PART NUMBER	AIRLINE PART NUMBER	NOMENCLATURE							USAGE CODE	UNITS PER ASSY
			1	2	3	4	5	6	7		
16-											
390	417N3183-1		.	.						CQ-CV	1
-395	AN960JD416L		.							CQ-CV	5
-400	PLWP1S		.							CQ-CV	5
405	1TW2-3		.							CQ-CV	1
-410	286N0514-003		.							CU, CV	1
-415	61-33500-001		.							CQ-CT	1
-415A	286N0512-004		.							CQ-CT	1
420	417N3100-71		.							CQ-CV	2
425	417N3190-1		.							CQ-CV	1
430	GSC205		.	.						CQ-CV	4
-430A	GSC219		.	.						CQ-CV	4
435	10-61790-1		.	.						CQ-CV	1
440	NAS43DD4-5		.	.						CQ-CV	1
445	65C16899-6		.	.						CQ-CV	1
450	417N3190-3		.	.						CQ-CV	1
455	417N3110-82SP		.							CQ, CS, CU	1
-460	417N3110-81SP		.							CR, CT, CV	1
465	BAC27DPA2272		.							CQ-CV	1
470	BAC27NPA0609		.							CQ, CS, CU	1
475	BAC27NPA0610		.							CR, CT, CV	1

-Item not Illustrated

25-23-30

ILLUSTRATED PARTS LIST

Page 1098.313

Jul 01/2007



COMPONENT MAINTENANCE MANUAL

FIG/ ITEM	PART NUMBER	AIRLINE PART NUMBER	NOMENCLATURE							USAGE CODE	UNITS PER ASSY
			1	2	3	4	5	6	7		
16-											
480	BAC27NPA0644									CS	1
485	BAC27NPA0645									CT	1
490	BAC27NPA0646									CQ	1
495	BAC27NPA0647									CR	1
500	BAC27NPA0666									CV	1
505	BAC27NPA0667									CU	1

-Item not Illustrated

25-23-30

ILLUSTRATED PARTS LIST

Page 1098.314

Jul 01/2007