



COMPONENT MAINTENANCE MANUAL WITH ILLUSTRATED PARTS LIST

UNDERBIN PASSENGER SERVICE UNIT ASSEMBLY

PART NUMBER

**417N3100–122SP, –123SP, –124SP, –125SP, –162SP,
–164SP, –177SP, –179SP, –203SP, –205SP, –213SP,
–214SP, –215SP, –216SP, –222SP, –224SP, –241SP,**

BOEING PROPRIETARY, CONFIDENTIAL, AND/OR TRADE SECRET

Copyright © 1995 The Boeing Company
Unpublished Work - All Rights Reserved

Boeing claims copyright in each page of this document only to the extent that the page contains copyrightable subject matter. Boeing also claims copyright in this document as a compilation and/or collective work.

This document includes proprietary information owned by The Boeing Company and/or one or more third parties. Treatment of the document and the information it contains is governed by contract with Boeing. For more information, contact The Boeing Company, P.O. Box 3707, Seattle, Washington 98124.

Boeing, the Boeing signature, the Boeing symbol, 707, 717, 727, 737, 747, 757, 767, 777, 787, Dreamliner, BBJ, DC-8, DC-9, DC-10, KC-10, KDC-10, MD-10, MD-11, MD-80, MD-88, MD-90, P-8A, Poseidon and the Boeing livery are all trademarks owned by The Boeing Company; and no trademark license is granted in connection with this document unless provided in writing by Boeing.

PUBLISHED BY BOEING COMMERCIAL AIRPLANES GROUP, SEATTLE, WASHINGTON, USA
A DIVISION OF THE BOEING COMPANY
PAGE DATE: Jul 01/2009

25-23-34

Page 1
Jul 01/2009



COMPONENT MAINTENANCE MANUAL

PART NUMBER (Cont.)

417N3100-242SP, -243SP, -244SP, -250SP, -251SP, -258SP, -266SP, -268SP, -283SP, -284SP, -285SP, -286SP,
-293SP, -294SP, -295SP, -296SP, -313SP, -314SP, -322SP, -324SP, -333SP, -336SP, -342SP, -344SP,
-363SP, -364SP, -365SP, -366SP, -367SP, -369SP, -407SP, -409SP, -415SP, -417SP, -418SP, -419SP,
-420SP, -421SP, -422SP, -423SP, -424SP, -426SP, -428SP, -429SP, -430SP, -440SP, -445SP, -447SP,
-449SP, -451SP, -452SP, -453SP, -459SP, -461SP, -466SP, -468SP, -470SP, -471SP, -473SP, -474SP,
-476SP, -478SP, -479SP, -480SP, -486SP, -488SP, -492SP, -494SP, -503SP, -504SP, -533SP, -595SP,
-596SP, -600SP, -601SP, -602SP, -603SP, -604SP, -605SP, -633SP, -634SP, -643SP, -645SP, -647SP,
-649SP, -650SP, -657SP, -658SP, -659SP, -662SP, -687SP, -688SP, -689SP, -690SP, -691SP, -692SP

25-23-34



COMPONENT MAINTENANCE MANUAL

Revision No. 17
Jul 01/2009

To: All holders of UNDERBIN PASSENGER SERVICE UNIT ASSEMBLY 25-23-34.

Attached is the current revision to this COMPONENT MAINTENANCE MANUAL

The COMPONENT MAINTENANCE MANUAL is furnished either as a printed manual, on microfilm, or digital products, or any combination of the three. This revision replaces all previous microfilm cartridges or digital products. All microfilm and digital products are reissued with all obsolete data deleted and all updated pages added.

For printed manuals, changes are indicated on the List of Effective Pages (LEP). The pages which are revised will be identified on the LEP by an R (Revised), A (Added), O (Overflow, i.e. changes to the document structure and/or page layout), or D (Deleted). Each page in the LEP is identified by Chapter-Section-Subject number, page number and page date.

Pages replaced or made obsolete by this revision should be removed and destroyed.

ATTENTION

IF YOU RECEIVE PRINTED REVISIONS, PLEASE VERIFY THAT YOU HAVE RECEIVED AND FILED THE PREVIOUS REVISION. BOEING MUST BE NOTIFIED WITHIN 30 DAYS IF YOU HAVE NOT RECEIVED THE PREVIOUS REVISION. REQUESTS FOR REVISIONS OTHER THAN THE PREVIOUS REVISION WILL REQUIRE A COMPLETE MANUAL REPRINT SUBJECT TO REPRINT CHARGES SHOWN IN THE DATA AND SERVICES CATALOG.

25-23-34

TRANSMITTAL LETTER

Page 1

Jul 01/2009



COMPONENT MAINTENANCE MANUAL

Location of Change

Description of Change

NO HIGHLIGHTS

25-23-34

HIGHLIGHTS

Page 1

Jul 01/2009



COMPONENT MAINTENANCE MANUAL

Subject/Page	Date	Subject/Page	Date	Subject/Page	Date
TITLE PAGE		25-23-34 CLEANING		25-23-34 SPECIAL TOOLS, FIXTURES, AND EQUIPMENT	
O 1	Jul 01/2009	401	Jul 01/2007	901	Mar 01/2009
O 2	Jul 01/2009	402	BLANK	902	BLANK
25-23-34 TRANSMITTAL LETTER		25-23-34 CHECK		25-23-34 ILLUSTRATED PARTS LIST	
O 1	Jul 01/2009	501	Jul 01/2007	1001	Nov 01/2008
2	BLANK	502	Jul 01/2007	1002	Jul 01/2007
25-23-34 HIGHLIGHTS		25-23-34 REPAIR - GENERAL		1003	Nov 01/2008
O 1	Jul 01/2009	601	Jul 01/2007	1004	Nov 01/2008
2	BLANK	602	BLANK	1005	Nov 01/2008
25-23-34 EFFECTIVE PAGES		25-23-34 REPAIR 1-1		1006	Nov 01/2008
1 thru 8	Jul 01/2009	601	Jul 01/2007	1007	Nov 01/2008
		602	BLANK	1008	Nov 01/2008
25-23-34 CONTENTS		25-23-34 REPAIR 2-1		1009	Nov 01/2008
1	Jul 01/2007	601	Jul 01/2007	1010	Nov 01/2008
2	BLANK	602	BLANK	1011	Nov 01/2008
25-23-34 TR AND SB RECORD		25-23-34 REPAIR 4-1		1012	Jul 01/2007
1	Jul 01/2007	601	Jul 01/2007	1013	Nov 01/2008
2	BLANK	602	BLANK	1014	Nov 01/2008
25-23-34 REVISION RECORD		25-23-34 REPAIR 5-1		1015	Jul 01/2007
1	Jul 01/2007	601	Jul 01/2007	1016	Nov 01/2008
2	Jul 01/2007	602	Jul 01/2007	1017	Nov 01/2008
25-23-34 RECORD OF TEMPORARY REVISIONS		25-23-34 REPAIR 6-1		1018	Nov 01/2008
1	Jul 01/2007	601	Jul 01/2007	1019	Nov 01/2008
2	Jul 01/2007	602	Jul 01/2007	1020	Nov 01/2008
25-23-34 INTRODUCTION		25-23-34 ASSEMBLY		1021	Nov 01/2008
1	Mar 01/2009	701	Nov 01/2008	1022	Nov 01/2008
2	BLANK	702	Jul 01/2007	1023	Nov 01/2008
25-23-34 DESCRIPTION AND OPERATION		703	Jul 01/2007	1024	Nov 01/2008
1	Jul 01/2007	704	Jul 01/2007	1025	Nov 01/2008
2	BLANK	705	Jul 01/2007	1026	Nov 01/2008
25-23-34 TESTING AND FAULT ISOLATION		706	Jul 01/2007	1027	Nov 01/2008
101	Jul 01/2007	707	Jul 01/2007	1028	Nov 01/2008
102	Jul 01/2007	708	Jul 01/2007	1029	Nov 01/2008
103	Jul 01/2007	709	Jul 01/2007	1030	Nov 01/2008
104	Jul 01/2007	710	BLANK	1031	Nov 01/2008
25-23-34 DISASSEMBLY		25-23-34 FITS AND CLEARANCES		1032	Nov 01/2008
301	Nov 01/2008	801	Jul 01/2007	1033	Nov 01/2008
302	Jul 01/2007	802	BLANK	1034	Nov 01/2008
				1035	Nov 01/2008

A = Added, R = Revised, D = Deleted, O = Overflow

25-23-34

EFFECTIVE PAGES

Page 1

Jul 01/2009



COMPONENT MAINTENANCE MANUAL

Subject/Page	Date	Subject/Page	Date	Subject/Page	Date
25-23-34 ILLUSTRATED PARTS LIST (cont)		25-23-34 ILLUSTRATED PARTS LIST (cont)		25-23-34 ILLUSTRATED PARTS LIST (cont)	
1036	Nov 01/2008	1074	Nov 01/2008	1098.14	Nov 01/2008
1037	Nov 01/2008	1075	Nov 01/2008	1098.15	Nov 01/2008
1038	Nov 01/2008	1076	Nov 01/2008	1098.16	Nov 01/2008
1039	Nov 01/2008	1077	Nov 01/2008	1098.17	Nov 01/2008
1040	Nov 01/2008	1078	Nov 01/2008	1098.18	Nov 01/2008
1041	Nov 01/2008	1079	Nov 01/2008	1098.19	Nov 01/2008
1042	Nov 01/2008	1080	Nov 01/2008	1098.20	Nov 01/2008
1043	Nov 01/2008	1081	Nov 01/2008	1098.21	Nov 01/2008
1044	Nov 01/2008	1082	Nov 01/2008	1098.22	Nov 01/2008
1045	Nov 01/2008	1083	Nov 01/2008	1098.23	Nov 01/2008
1046	Nov 01/2008	1084	Nov 01/2008	1098.24	Nov 01/2008
1047	Nov 01/2008	1085	Nov 01/2008	1098.25	Nov 01/2008
1048	Nov 01/2008	1086	Nov 01/2008	1098.26	Nov 01/2008
1049	Nov 01/2008	1087	Nov 01/2008	1098.27	Nov 01/2008
1050	Nov 01/2008	1088	Nov 01/2008	1098.28	Nov 01/2008
1051	Nov 01/2008	1089	Nov 01/2008	1098.29	Nov 01/2008
1052	Nov 01/2008	1090	Nov 01/2008	1098.30	Nov 01/2008
1053	Nov 01/2008	1091	Nov 01/2008	1098.31	Nov 01/2008
1054	Nov 01/2008	1092	Nov 01/2008	1098.32	Nov 01/2008
1055	Nov 01/2008	1093	Nov 01/2008	1098.33	Nov 01/2008
1056	Nov 01/2008	1094	Nov 01/2008	1098.34	Nov 01/2008
1057	Nov 01/2008	1095	Nov 01/2008	1098.35	Nov 01/2008
1058	Nov 01/2008	1096	Nov 01/2008	1098.36	Nov 01/2008
1059	Nov 01/2008	1097	Nov 01/2008	1098.37	Nov 01/2008
1060	Nov 01/2008	1098	Nov 01/2008	1098.38	Nov 01/2008
1061	Nov 01/2008	1098.1	Nov 01/2008	1098.39	Nov 01/2008
1062	Nov 01/2008	1098.2	Nov 01/2008	1098.40	Nov 01/2008
1063	Nov 01/2008	1098.3	Nov 01/2008	1098.41	Nov 01/2008
1064	Nov 01/2008	1098.4	Nov 01/2008	1098.42	Nov 01/2008
1065	Nov 01/2008	1098.5	Nov 01/2008	1098.43	Nov 01/2008
1066	Nov 01/2008	1098.6	Nov 01/2008	1098.44	Nov 01/2008
1067	Nov 01/2008	1098.7	Nov 01/2008	1098.45	Nov 01/2008
1068	Nov 01/2008	1098.8	Nov 01/2008	1098.46	Nov 01/2008
1069	Nov 01/2008	1098.9	Nov 01/2008	1098.47	Nov 01/2008
1070	Nov 01/2008	1098.10	Nov 01/2008	1098.48	Nov 01/2008
1071	Nov 01/2008	1098.11	Nov 01/2008	1098.49	Nov 01/2008
1072	Nov 01/2008	1098.12	Nov 01/2008	1098.50	Nov 01/2008
1073	Nov 01/2008	1098.13	Nov 01/2008	1098.51	Nov 01/2008

A = Added, R = Revised, D = Deleted, O = Overflow

25-23-34

EFFECTIVE PAGES

Page 2

Jul 01/2009



COMPONENT MAINTENANCE MANUAL

Subject/Page	Date	Subject/Page	Date	Subject/Page	Date
25-23-34 ILLUSTRATED PARTS LIST (cont)		25-23-34 ILLUSTRATED PARTS LIST (cont)		25-23-34 ILLUSTRATED PARTS LIST (cont)	
1098.52	Nov 01/2008	1098.90	Nov 01/2008	1098.128	Nov 01/2008
1098.53	Nov 01/2008	1098.91	Nov 01/2008	1098.129	Nov 01/2008
1098.54	Nov 01/2008	1098.92	Nov 01/2008	1098.130	Nov 01/2008
1098.55	Nov 01/2008	1098.93	Nov 01/2008	1098.131	Nov 01/2008
1098.56	Nov 01/2008	1098.94	Nov 01/2008	1098.132	Nov 01/2008
1098.57	Nov 01/2008	1098.95	Nov 01/2008	1098.133	Nov 01/2008
1098.58	Nov 01/2008	1098.96	Nov 01/2008	1098.134	Nov 01/2008
1098.59	Nov 01/2008	1098.97	Nov 01/2008	1098.135	Nov 01/2008
1098.60	Nov 01/2008	1098.98	Nov 01/2008	1098.136	Nov 01/2008
1098.61	Nov 01/2008	1098.99	Nov 01/2008	1098.137	Nov 01/2008
1098.62	Nov 01/2008	1098.100	Nov 01/2008	1098.138	Nov 01/2008
1098.63	Nov 01/2008	1098.101	Nov 01/2008	1098.139	Nov 01/2008
1098.64	Nov 01/2008	1098.102	Nov 01/2008	1098.140	Nov 01/2008
1098.65	Nov 01/2008	1098.103	Nov 01/2008	1098.141	Nov 01/2008
1098.66	Nov 01/2008	1098.104	Nov 01/2008	1098.142	Nov 01/2008
1098.67	Nov 01/2008	1098.105	Nov 01/2008	1098.143	Nov 01/2008
1098.68	Nov 01/2008	1098.106	Nov 01/2008	1098.144	Nov 01/2008
1098.69	Nov 01/2008	1098.107	Nov 01/2008	1098.145	Nov 01/2008
1098.70	Nov 01/2008	1098.108	Nov 01/2008	1098.146	Mar 01/2009
1098.71	Nov 01/2008	1098.109	Nov 01/2008	1098.147	Nov 01/2008
1098.72	Nov 01/2008	1098.110	Nov 01/2008	1098.148	Nov 01/2008
1098.73	Nov 01/2008	1098.111	Nov 01/2008	1098.149	Nov 01/2008
1098.74	Nov 01/2008	1098.112	Nov 01/2008	1098.150	Nov 01/2008
1098.75	Nov 01/2008	1098.113	Nov 01/2008	1098.151	Nov 01/2008
1098.76	Nov 01/2008	1098.114	Nov 01/2008	1098.152	Nov 01/2008
1098.77	Nov 01/2008	1098.115	Nov 01/2008	1098.153	Nov 01/2008
1098.78	Nov 01/2008	1098.116	Nov 01/2008	1098.154	Nov 01/2008
1098.79	Nov 01/2008	1098.117	Nov 01/2008	1098.155	Nov 01/2008
1098.80	Nov 01/2008	1098.118	Nov 01/2008	1098.156	Nov 01/2008
1098.81	Nov 01/2008	1098.119	Nov 01/2008	1098.157	Nov 01/2008
1098.82	Nov 01/2008	1098.120	Nov 01/2008	1098.158	Nov 01/2008
1098.83	Nov 01/2008	1098.121	Nov 01/2008	1098.159	Nov 01/2008
1098.84	Nov 01/2008	1098.122	Nov 01/2008	1098.160	Nov 01/2008
1098.85	Nov 01/2008	1098.123	Nov 01/2008	1098.161	Nov 01/2008
1098.86	Nov 01/2008	1098.124	Nov 01/2008	1098.162	Nov 01/2008
1098.87	Nov 01/2008	1098.125	Nov 01/2008	1098.163	Nov 01/2008
1098.88	Nov 01/2008	1098.126	Nov 01/2008	1098.164	Nov 01/2008
1098.89	Nov 01/2008	1098.127	Nov 01/2008	1098.165	Nov 01/2008

A = Added, R = Revised, D = Deleted, O = Overflow

25-23-34

EFFECTIVE PAGES

Page 3

Jul 01/2009



COMPONENT MAINTENANCE MANUAL

Subject/Page	Date	Subject/Page	Date	Subject/Page	Date
25-23-34 ILLUSTRATED PARTS LIST (cont)		25-23-34 ILLUSTRATED PARTS LIST (cont)		25-23-34 ILLUSTRATED PARTS LIST (cont)	
1098.166	Nov 01/2008	1098.204	Nov 01/2008	1098.242	Nov 01/2008
1098.167	Nov 01/2008	1098.205	Nov 01/2008	1098.243	Nov 01/2008
1098.168	Nov 01/2008	1098.206	Nov 01/2008	1098.244	Nov 01/2008
1098.169	Nov 01/2008	1098.207	Nov 01/2008	1098.245	Nov 01/2008
1098.170	Nov 01/2008	1098.208	Nov 01/2008	1098.246	Nov 01/2008
1098.171	Nov 01/2008	1098.209	Nov 01/2008	1098.247	Nov 01/2008
1098.172	Nov 01/2008	1098.210	Nov 01/2008	1098.248	Nov 01/2008
1098.173	Nov 01/2008	1098.211	Nov 01/2008	1098.249	Nov 01/2008
1098.174	Nov 01/2008	1098.212	Nov 01/2008	1098.250	Nov 01/2008
1098.175	Nov 01/2008	1098.213	Nov 01/2008	1098.251	Nov 01/2008
1098.176	Nov 01/2008	1098.214	Nov 01/2008	1098.252	Nov 01/2008
1098.177	Nov 01/2008	1098.215	Nov 01/2008	1098.253	Nov 01/2008
1098.178	Nov 01/2008	1098.216	Nov 01/2008	1098.254	Nov 01/2008
1098.179	Nov 01/2008	1098.217	Nov 01/2008	1098.255	Nov 01/2008
1098.180	Nov 01/2008	1098.218	Nov 01/2008	1098.256	Nov 01/2008
1098.181	Nov 01/2008	1098.219	Nov 01/2008	1098.257	Nov 01/2008
1098.182	Nov 01/2008	1098.220	Nov 01/2008	1098.258	Nov 01/2008
1098.183	Nov 01/2008	1098.221	Nov 01/2008	1098.259	Nov 01/2008
O 1098.184	Jul 01/2009	1098.222	Nov 01/2008	1098.260	Nov 01/2008
1098.185	Nov 01/2008	1098.223	Nov 01/2008	1098.261	Nov 01/2008
1098.186	Nov 01/2008	1098.224	Nov 01/2008	1098.262	Nov 01/2008
1098.187	Nov 01/2008	1098.225	Nov 01/2008	1098.263	Nov 01/2008
1098.188	Nov 01/2008	1098.226	Nov 01/2008	1098.264	Nov 01/2008
1098.189	Nov 01/2008	1098.227	Nov 01/2008	1098.265	Nov 01/2008
1098.190	Nov 01/2008	1098.228	Nov 01/2008	1098.266	Nov 01/2008
1098.191	Nov 01/2008	1098.229	Nov 01/2008	1098.267	Nov 01/2008
1098.192	Nov 01/2008	1098.230	Nov 01/2008	1098.268	Nov 01/2008
1098.193	Nov 01/2008	1098.231	Nov 01/2008	1098.269	Nov 01/2008
1098.194	Nov 01/2008	1098.232	Nov 01/2008	1098.270	Nov 01/2008
1098.195	Nov 01/2008	1098.233	Nov 01/2008	1098.271	Mar 01/2009
1098.196	Nov 01/2008	1098.234	Nov 01/2008	1098.272	Nov 01/2008
1098.197	Nov 01/2008	1098.235	Nov 01/2008	1098.273	Nov 01/2008
1098.198	Nov 01/2008	1098.236	Nov 01/2008	1098.274	Nov 01/2008
1098.199	Nov 01/2008	1098.237	Nov 01/2008	1098.275	Nov 01/2008
1098.200	Nov 01/2008	1098.238	Nov 01/2008	1098.276	Nov 01/2008
1098.201	Nov 01/2008	1098.239	Nov 01/2008	1098.277	Nov 01/2008
1098.202	Nov 01/2008	1098.240	Nov 01/2008	1098.278	Nov 01/2008
1098.203	Nov 01/2008	1098.241	Nov 01/2008	1098.279	Nov 01/2008

A = Added, R = Revised, D = Deleted, O = Overflow

25-23-34

EFFECTIVE PAGES

Page 4

Jul 01/2009



COMPONENT MAINTENANCE MANUAL

Subject/Page	Date	Subject/Page	Date	Subject/Page	Date
25-23-34 ILLUSTRATED PARTS LIST (cont)		25-23-34 ILLUSTRATED PARTS LIST (cont)		25-23-34 ILLUSTRATED PARTS LIST (cont)	
1098.280	Nov 01/2008	1098.318	Nov 01/2008	1098.356	Nov 01/2008
1098.281	Nov 01/2008	1098.319	Nov 01/2008	1098.357	Nov 01/2008
1098.282	Nov 01/2008	1098.320	Nov 01/2008	1098.358	Nov 01/2008
1098.283	Nov 01/2008	1098.321	Nov 01/2008	1098.359	Nov 01/2008
1098.284	Nov 01/2008	1098.322	Nov 01/2008	1098.360	Nov 01/2008
1098.285	Nov 01/2008	1098.323	Nov 01/2008	1098.361	Nov 01/2008
1098.286	Nov 01/2008	1098.324	Nov 01/2008	1098.362	Nov 01/2008
1098.287	Nov 01/2008	1098.325	Nov 01/2008	1098.363	Nov 01/2008
1098.288	Nov 01/2008	1098.326	Nov 01/2008	1098.364	Nov 01/2008
1098.289	Nov 01/2008	1098.327	Nov 01/2008	1098.365	Nov 01/2008
1098.290	Nov 01/2008	1098.328	Nov 01/2008	1098.366	Nov 01/2008
1098.291	Nov 01/2008	1098.329	Nov 01/2008	1098.367	Nov 01/2008
1098.292	Nov 01/2008	1098.330	Nov 01/2008	1098.368	Nov 01/2008
1098.293	Nov 01/2008	1098.331	Nov 01/2008	1098.369	Nov 01/2008
1098.294	Nov 01/2008	1098.332	Nov 01/2008	1098.370	Nov 01/2008
1098.295	Nov 01/2008	1098.333	Nov 01/2008	1098.371	Nov 01/2008
1098.296	Nov 01/2008	1098.334	Nov 01/2008	1098.372	Nov 01/2008
1098.297	Nov 01/2008	1098.335	Nov 01/2008	1098.373	Nov 01/2008
1098.298	Nov 01/2008	1098.336	Nov 01/2008	1098.374	Nov 01/2008
1098.299	Nov 01/2008	1098.337	Nov 01/2008	O 1098.375	Jul 01/2009
1098.300	Nov 01/2008	1098.338	Nov 01/2008	1098.376	Nov 01/2008
1098.301	Nov 01/2008	1098.339	Nov 01/2008	1098.377	Nov 01/2008
1098.302	Nov 01/2008	1098.340	Nov 01/2008	1098.378	Nov 01/2008
1098.303	Nov 01/2008	1098.341	Nov 01/2008	1098.379	Nov 01/2008
1098.304	Nov 01/2008	1098.342	Nov 01/2008	1098.380	Nov 01/2008
1098.305	Nov 01/2008	1098.343	Nov 01/2008	1098.381	Nov 01/2008
1098.306	Nov 01/2008	1098.344	Nov 01/2008	1098.382	Nov 01/2008
1098.307	Nov 01/2008	1098.345	Nov 01/2008	1098.383	Nov 01/2008
1098.308	Nov 01/2008	1098.346	Nov 01/2008	1098.384	Nov 01/2008
1098.309	Nov 01/2008	1098.347	Nov 01/2008	1098.385	Nov 01/2008
1098.310	Nov 01/2008	1098.348	Nov 01/2008	1098.386	Nov 01/2008
1098.311	Nov 01/2008	1098.349	Nov 01/2008	1098.387	Nov 01/2008
1098.312	Nov 01/2008	1098.350	Nov 01/2008	1098.388	Nov 01/2008
1098.313	Nov 01/2008	1098.351	Nov 01/2008	1098.389	Nov 01/2008
1098.314	Nov 01/2008	1098.352	Nov 01/2008	1098.390	Nov 01/2008
1098.315	Nov 01/2008	1098.353	Nov 01/2008	1098.391	Nov 01/2008
1098.316	Nov 01/2008	1098.354	Nov 01/2008	1098.392	Nov 01/2008
1098.317	Nov 01/2008	1098.355	Nov 01/2008	1098.393	Nov 01/2008

A = Added, R = Revised, D = Deleted, O = Overflow

25-23-34

EFFECTIVE PAGES

Page 5

Jul 01/2009



COMPONENT MAINTENANCE MANUAL

Subject/Page	Date	Subject/Page	Date	Subject/Page	Date
25-23-34 ILLUSTRATED PARTS LIST (cont)		25-23-34 ILLUSTRATED PARTS LIST (cont)		25-23-34 ILLUSTRATED PARTS LIST (cont)	
1098.394	Nov 01/2008	1098.432	Nov 01/2008	1098.470	Nov 01/2008
1098.395	Nov 01/2008	1098.433	Nov 01/2008	1098.471	Nov 01/2008
1098.396	Nov 01/2008	1098.434	Nov 01/2008	1098.472	Nov 01/2008
1098.397	Nov 01/2008	1098.435	Nov 01/2008	1098.473	Nov 01/2008
1098.398	Nov 01/2008	1098.436	Nov 01/2008	1098.474	Nov 01/2008
1098.399	Nov 01/2008	1098.437	Nov 01/2008	1098.475	Nov 01/2008
1098.400	Nov 01/2008	1098.438	Nov 01/2008	1098.476	Nov 01/2008
1098.401	Nov 01/2008	1098.439	Nov 01/2008	1098.477	Nov 01/2008
1098.402	Nov 01/2008	1098.440	Nov 01/2008	1098.478	Nov 01/2008
1098.403	Nov 01/2008	1098.441	Nov 01/2008	1098.479	Nov 01/2008
1098.404	Nov 01/2008	1098.442	Nov 01/2008	1098.480	Nov 01/2008
1098.405	Nov 01/2008	1098.443	Nov 01/2008	1098.481	Nov 01/2008
1098.406	Nov 01/2008	1098.444	Nov 01/2008	1098.482	Nov 01/2008
1098.407	Nov 01/2008	1098.445	Nov 01/2008	1098.483	Nov 01/2008
1098.408	Nov 01/2008	1098.446	Nov 01/2008	1098.484	Nov 01/2008
1098.409	Nov 01/2008	1098.447	Nov 01/2008	1098.485	Nov 01/2008
1098.410	Nov 01/2008	1098.448	Nov 01/2008	1098.486	Nov 01/2008
1098.411	Nov 01/2008	1098.449	Nov 01/2008	1098.487	Nov 01/2008
1098.412	Nov 01/2008	1098.450	Nov 01/2008	1098.488	Nov 01/2008
1098.413	Nov 01/2008	1098.451	Nov 01/2008	O 1098.489	Jul 01/2009
1098.414	Nov 01/2008	1098.452	Nov 01/2008	1098.490	Nov 01/2008
1098.415	Nov 01/2008	1098.453	Nov 01/2008	1098.491	Nov 01/2008
1098.416	Nov 01/2008	1098.454	Nov 01/2008	1098.492	Nov 01/2008
1098.417	Nov 01/2008	1098.455	Nov 01/2008	1098.493	Nov 01/2008
1098.418	Nov 01/2008	1098.456	Nov 01/2008	1098.494	Nov 01/2008
1098.419	Nov 01/2008	1098.457	Nov 01/2008	1098.495	Nov 01/2008
1098.420	Nov 01/2008	1098.458	Nov 01/2008	1098.496	Nov 01/2008
1098.421	Nov 01/2008	1098.459	Nov 01/2008	1098.497	Nov 01/2008
1098.422	Nov 01/2008	1098.460	Nov 01/2008	1098.498	Nov 01/2008
1098.423	Nov 01/2008	1098.461	Nov 01/2008	1098.499	Nov 01/2008
1098.424	Nov 01/2008	1098.462	Nov 01/2008	1098.500	Nov 01/2008
1098.425	Nov 01/2008	1098.463	Nov 01/2008	1098.501	Nov 01/2008
1098.426	Nov 01/2008	1098.464	Nov 01/2008	1098.502	Nov 01/2008
1098.427	Nov 01/2008	1098.465	Nov 01/2008	1098.503	Nov 01/2008
1098.428	Nov 01/2008	1098.466	Nov 01/2008	1098.504	Nov 01/2008
1098.429	Nov 01/2008	1098.467	Nov 01/2008	1098.505	Nov 01/2008
1098.430	Nov 01/2008	1098.468	Nov 01/2008	1098.506	Nov 01/2008
1098.431	Nov 01/2008	1098.469	Nov 01/2008	1098.507	Nov 01/2008

A = Added, R = Revised, D = Deleted, O = Overflow

25-23-34

EFFECTIVE PAGES

Page 6

Jul 01/2009



COMPONENT MAINTENANCE MANUAL

Subject/Page	Date	Subject/Page	Date	Subject/Page	Date
25-23-34 ILLUSTRATED PARTS LIST (cont)		25-23-34 ILLUSTRATED PARTS LIST (cont)		25-23-34 ILLUSTRATED PARTS LIST (cont)	
1098.508	Nov 01/2008	1098.546	Nov 01/2008	1098.584	Nov 01/2008
1098.509	Nov 01/2008	1098.547	Nov 01/2008	1098.585	Nov 01/2008
1098.510	Nov 01/2008	1098.548	Nov 01/2008	1098.586	Nov 01/2008
1098.511	Nov 01/2008	1098.549	Nov 01/2008	1098.587	Nov 01/2008
1098.512	Nov 01/2008	1098.550	Nov 01/2008	1098.588	Nov 01/2008
1098.513	Nov 01/2008	1098.551	Nov 01/2008	1098.589	Nov 01/2008
1098.514	Nov 01/2008	1098.552	Nov 01/2008	1098.590	Nov 01/2008
1098.515	Nov 01/2008	1098.553	Nov 01/2008	1098.591	Nov 01/2008
1098.516	Nov 01/2008	1098.554	Nov 01/2008	1098.592	Nov 01/2008
O 1098.517	Jul 01/2009	1098.555	Nov 01/2008	1098.593	Nov 01/2008
1098.518	Nov 01/2008	1098.556	Nov 01/2008	1098.594	Nov 01/2008
1098.519	Nov 01/2008	1098.557	Nov 01/2008	1098.595	Nov 01/2008
1098.520	Nov 01/2008	1098.558	Nov 01/2008	1098.596	Nov 01/2008
1098.521	Nov 01/2008	1098.559	Nov 01/2008	1098.597	Nov 01/2008
1098.522	Nov 01/2008	1098.560	Nov 01/2008	1098.598	Nov 01/2008
1098.523	Nov 01/2008	1098.561	Nov 01/2008	1098.599	Nov 01/2008
1098.524	Nov 01/2008	1098.562	Nov 01/2008	1098.600	Nov 01/2008
1098.525	Nov 01/2008	1098.563	Nov 01/2008	1098.601	Nov 01/2008
1098.526	Nov 01/2008	1098.564	Nov 01/2008	1098.602	Nov 01/2008
1098.527	Nov 01/2008	1098.565	Nov 01/2008	1098.603	Nov 01/2008
1098.528	Nov 01/2008	1098.566	Nov 01/2008	1098.604	Nov 01/2008
1098.529	Nov 01/2008	1098.567	Nov 01/2008	1098.605	Nov 01/2008
1098.530	Nov 01/2008	1098.568	Nov 01/2008	1098.606	Nov 01/2008
1098.531	Nov 01/2008	1098.569	Nov 01/2008	1098.607	Nov 01/2008
1098.532	Nov 01/2008	1098.570	Nov 01/2008	1098.608	Nov 01/2008
1098.533	Nov 01/2008	1098.571	Nov 01/2008	1098.609	Nov 01/2008
O 1098.534	Jul 01/2009	1098.572	Nov 01/2008	1098.610	Nov 01/2008
1098.535	Nov 01/2008	1098.573	Nov 01/2008	1098.611	Nov 01/2008
1098.536	Nov 01/2008	1098.574	Nov 01/2008	1098.612	Nov 01/2008
1098.537	Nov 01/2008	1098.575	Nov 01/2008	1098.613	Nov 01/2008
1098.538	Nov 01/2008	1098.576	Nov 01/2008	1098.614	Nov 01/2008
1098.539	Nov 01/2008	1098.577	Nov 01/2008	1098.615	Nov 01/2008
1098.540	Nov 01/2008	1098.578	Nov 01/2008	1098.616	Nov 01/2008
1098.541	Nov 01/2008	1098.579	Nov 01/2008	1098.617	Nov 01/2008
1098.542	Nov 01/2008	1098.580	Nov 01/2008	1098.618	Nov 01/2008
1098.543	Nov 01/2008	1098.581	Nov 01/2008	1098.619	Nov 01/2008
1098.544	Nov 01/2008	1098.582	Nov 01/2008	1098.620	Nov 01/2008
1098.545	Nov 01/2008	1098.583	Nov 01/2008	1098.621	Nov 01/2008

A = Added, R = Revised, D = Deleted, O = Overflow

25-23-34

EFFECTIVE PAGES

Page 7

Jul 01/2009



COMPONENT MAINTENANCE MANUAL

Subject/Page	Date	Subject/Page	Date	Subject/Page	Date
25-23-34 ILLUSTRATED PARTS LIST (cont)		25-23-34 ILLUSTRATED PARTS LIST (cont)			
1098.622	Nov 01/2008	1098.660	Nov 01/2008		
1098.623	Nov 01/2008	1098.661	Nov 01/2008		
1098.624	Nov 01/2008	1098.662	Nov 01/2008		
1098.625	Nov 01/2008	1098.663	Nov 01/2008		
1098.626	Nov 01/2008	1098.664	Nov 01/2008		
1098.627	Nov 01/2008	1098.665	Nov 01/2008		
1098.628	Nov 01/2008	1098.666	Nov 01/2008		
1098.629	Nov 01/2008	1098.667	Nov 01/2008		
1098.630	Nov 01/2008	1098.668	Nov 01/2008		
1098.631	Nov 01/2008	1098.669	Nov 01/2008		
1098.632	Nov 01/2008	1098.670	Nov 01/2008		
1098.633	Nov 01/2008	1098.671	Nov 01/2008		
1098.634	Nov 01/2008	1098.672	Nov 01/2008		
1098.635	Nov 01/2008	1098.673	Nov 01/2008		
1098.636	Nov 01/2008	1098.674	Nov 01/2008		
1098.637	Nov 01/2008	1098.675	Nov 01/2008		
1098.638	Nov 01/2008	1098.676	Nov 01/2008		
1098.639	Nov 01/2008				
1098.640	Nov 01/2008				
1098.641	Nov 01/2008				
1098.642	Nov 01/2008				
1098.643	Nov 01/2008				
1098.644	Nov 01/2008				
1098.645	Nov 01/2008				
1098.646	Nov 01/2008				
1098.647	Nov 01/2008				
1098.648	Nov 01/2008				
1098.649	Nov 01/2008				
1098.650	Nov 01/2008				
1098.651	Nov 01/2008				
1098.652	Nov 01/2008				
1098.653	Nov 01/2008				
1098.654	Nov 01/2008				
1098.655	Nov 01/2008				
1098.656	Nov 01/2008				
O 1098.657	Jul 01/2009				
1098.658	Nov 01/2008				
1098.659	Nov 01/2008				

A = Added, R = Revised, D = Deleted, O = Overflow

25-23-34

EFFECTIVE PAGES

Page 8

Jul 01/2009

**COMPONENT MAINTENANCE MANUAL****TABLE OF CONTENTS**

<u>Paragraph Title</u>	<u>Page</u>
UNDERBIN PSU ASSEMBLY - DESCRIPTION AND OPERATION	1
TESTING AND FAULT ISOLATION	101
DISASSEMBLY	301
CLEANING	401
CHECK	501
REPAIR	601
ASSEMBLY	701
FITS AND CLEARANCES	(Not Applicable)
SPECIAL TOOLS, FIXTURES, AND EQUIPMENT	901
ILLUSTRATED PARTS LIST	1001

25-23-34

CONTENTS

Page 1

Jul 01/2007



COMPONENT MAINTENANCE MANUAL

TEMPORARY REVISION AND SERVICE BULLETIN RECORD

BOEING SERVICE BULLETIN	BOEING TEMPORARY REVISION	OTHER DIRECTIVE	DATE OF INCORPORATION INTO MANUAL
757-35A0006 737-35A1025, Rev 1		PRR 34206	JUN 05/88
		PRR 53751	JUN 05/88
			JUN 05/88
			JUN 05/88
		PRR 33195-1	DEC 05/90
		PRR 33936	DEC 05/90
		MCP 3522-002	DEC 05/90
		MCC2123MP3001	DEC 05/90
		MC 3520MP5009	DEC 05/90
		PRR 33195-5	DEC 05/90
		PRR 34206	DEC 05/90
		RR 97132-93	DEC 05/90
		PRR 34021	DEC 05/90
		MC 0220MP5038	SEP 05/92
		PRR 54533 (757)	MAR 05/93
	PRR 35133 (737)	MAR 05/93	

25-23-34

TR AND SB RECORD

Page 1

Jul 01/2007



COMPONENT MAINTENANCE MANUAL

Revision		Filed	
Number	Date	Date	Initials

Revision		Filed	
Number	Date	Date	Initials



COMPONENT MAINTENANCE MANUAL

All temporary revisions to this manual will be accompanied by a cover sheet bearing the temporary revision number. Enter the temporary revision number in numerical order, together with the temporary revision date, the date the temporary revision is inserted and the initials of the person filing.

When the temporary revision is incorporated or cancelled, and the pages are removed, enter the date the pages are removed and the initials of the person who removed the temporary revision.

Temporary Revision		Inserted		Removed		Temporary Revision		Inserted		Removed	
Number	Date	Date	Initials	Date	Initials	Date	Initials	Number	Date	Date	Initials

25-23-34

RECORD OF TEMPORARY REVISION

Page 1

Jul 01/2007



COMPONENT MAINTENANCE MANUAL

Temporary Revision		Inserted		Removed	
Number	Date	Date	Initials	Date	Initials

Temporary Revision		Inserted		Removed	
Date	Initials	Number	Date	Date	Initials

25-23-34

RECORD OF TEMPORARY REVISION

Page 2

Jul 01/2007



COMPONENT MAINTENANCE MANUAL

INTRODUCTION

1. General

- A. The instructions in this manual supply the data necessary to do the maintenance functions together with the test, fault isolation, repair, and replacement of the defective parts.
- B. This manual is divided into different parts:
 - (1) Title Page
 - (2) Transmittal Letter
 - (3) Highlights
 - (4) List of Effective Pages
 - (5) Table of Contents
 - (6) Temporary Revision & Service Bulletin Record
 - (7) Record of Revisions
 - (8) Record of Temporary Revisions
 - (9) Introduction
 - (10) Procedures & IPL Sections
- C. Components that can be repaired have a different repair number for each specified repair. To find the repair number location of a component, look in the Repair-General procedure at the beginning of the REPAIR section. The Repair-General procedure also has an explanation of the True Position Dimension symbols used.
- D. All dimensions, measures, quantities and weights included are in English units. When metric equivalents are given they will be in the parentheses that follow the English units.
- E. The introduction to the Illustrated Parts List (IPL) shows how the IPL data is used.
- F. Design changes, optional parts, configuration differences and Service Bulletin modifications may cause different part numbers. These part numbers are identified in the IPL with an alphabetical letter which is added to the end of the basic item number. This new item number is referred to as an alpha-variant. Throughout the manual, IPL basic item number references also apply to alpha-variants unless shown differently.
- G. The tool reference numbers found in the individual procedures and in the Special Tools, Fixtures, and Equipment section are used to identify if a tool is a standard tool (STD-XXXX), a commercial tool (COM-XXXX), or a Special Tool (SPL-XXXX). This reference number is also used to distinguish between tools with similar names in the same procedure. These reference numbers are for use in the documentation only. They are not to be used for ordering tools.

25-23-34

INTRODUCTION

Page 1

Mar 01/2009



COMPONENT MAINTENANCE MANUAL

UNDERBIN PSU ASSEMBLY - DESCRIPTION AND OPERATION

1. Description

- A. The underbin PSU (Passenger Service Unit) assembly typically consists of reading lights and switches, gasper (ventilation) air outlets, an attendant call switch, a service module, loudspeaker, and assorted brackets. The underbin PSU assemblies included in this manual have gaseous oxygen supplies or multiple oxygen generators.

2. Operation

- A. Depressurization of the airplane or manual operation of a switch automatically releases the oxygen masks to fall as limited by their lanyards. Pulling the masks further into position for usage causes the lanyards to pull a release cable and release a firing pin in the generator ignition unit. This detonates a percussion cap which ignites the sodium chlorate core. As the core is consumed, oxygen is generated and flows to the masks. In place of oxygen generators, some PSU's are equipped with a gaseous oxygen supply that is fed from a central source.

3. Leading Particulars (Approximate)

- A. Width – 22 inches
- B. Length – 27 inches
- C. Height – 4 inches
- D. Weight – 5 pounds

25-23-34

DESCRIPTION AND OPERATION

Page 1

Jul 01/2007



COMPONENT MAINTENANCE MANUAL

TESTING AND FAULT ISOLATION

1. General

A. This procedure contains the data necessary to do a test of the assembly after an overhaul.

2. Test Equipment

- A. AC Power Supply - power supply, STD-5467, Variable, 0 to 28v ac
- B. DC Power Supply - 28v dc electrical power supply (28VDC), STD-1256
- C. Audio Signal Generator - 400 Hz signal (HP 205AG)
- D. Light bulb - 28v dc, 40mA lamp, COM-5826 (2 required)
- E. 1.5 pound weight

3. Oxygen System Test

A. Refer to CMM 35-21-02 or CMM 35-21-03 for oxygen box test.

4. Reading Lights and Switches Test (TESTING AND FAULT ISOLATION, Figure 101)

- A. Apply 28v ac to pin 6 and ground to pin 8.
- B. Depress reading light switches (P/N 920056) and verify each corresponding reading lamp lights.
- C. Remove 28v ac from pin 6 and ground from pin 8.

5. Attendant Call Test (TESTING AND FAULT ISOLATION, Figure 101)

NOTE: Perform attendant call test with call select switch in position 1, then position 2.

- A. Connect light bulb one (1) between pins 9 and 10 and light bulb two (2) between pins 4 and 10. Substitute pin 3 for pin 4 when call select switch is in position 2.
- B. For alternate configuration, connect light bulb one (1) between pins 2 and 10 and bulb two (2) between pins 4 and 10. Substitute pin 3 for pin 4 when call select switch is in position 2.
- C. Apply 28v dc to pin 5 and ground to pin 10.
- D. Depress call switch (P/N 920055) and verify switch light and both external bulbs light.
- E. Release call switch and verify that bulb 1 goes out.
- F. Depress call switch and verify that switch light and bulb 2 go out and that bulb 1 does not light.
- G. Remove 28v dc from pin 5 and ground from pin 10. Remove both external bulbs.

6. Speaker Test (TESTING AND FAULT ISOLATION, Figure 101)

- A. If unit has a speaker, apply 400 Hz output of signal generator at no more than 2 watts audio power to pins 13 and 14.
- B. Listen for a clear, undistorted 400 Hz tone.
- C. On assemblies with speaker muting relay, apply 28v dc to pin 12 or 15 and ground to pin 10.
- D. Verify that the 400-Hz tone ceases.
- E. Remove signal from pins 13 and 14 and remove 28v dc from pin 12 or 15 and ground from pin 10.

7. Information Sign Test (TESTING AND FAULT ISOLATION, Figure 101)

- A. Apply 28v ac to pin 1 and ground to pin 8. Verify that FASTEN SEAT BELT sign lights.
- B. Remove 28v ac from pin 1 and apply to pin 7. Verify that NO SMOKING sign lights.
- C. Remove 28v ac from pin 7 and ground from pin 8.

25-23-34

TESTING AND FAULT ISOLATION

Page 101

Jul 01/2007



COMPONENT MAINTENANCE MANUAL

8. Life Vest System Test

- A. On assemblies with life vest, place 1.5 pound weight in life vest stowage compartment.
- B. Operate door latch manually.
- C. Verify door opens smoothly and without binding.
- D. Close and latch door.
- E. Verify door latches easily and without binding.
- F. Remove the weight.

9. Emergency Evacuation Bell Test (417N3100-29, -30)

- A. Apply 28v dc to pin 9 and ground to pin 10.
- B. Listen for a clear undistorted bell sound.
- C. Remove 28v dc from pin 9 and ground from pin 10.

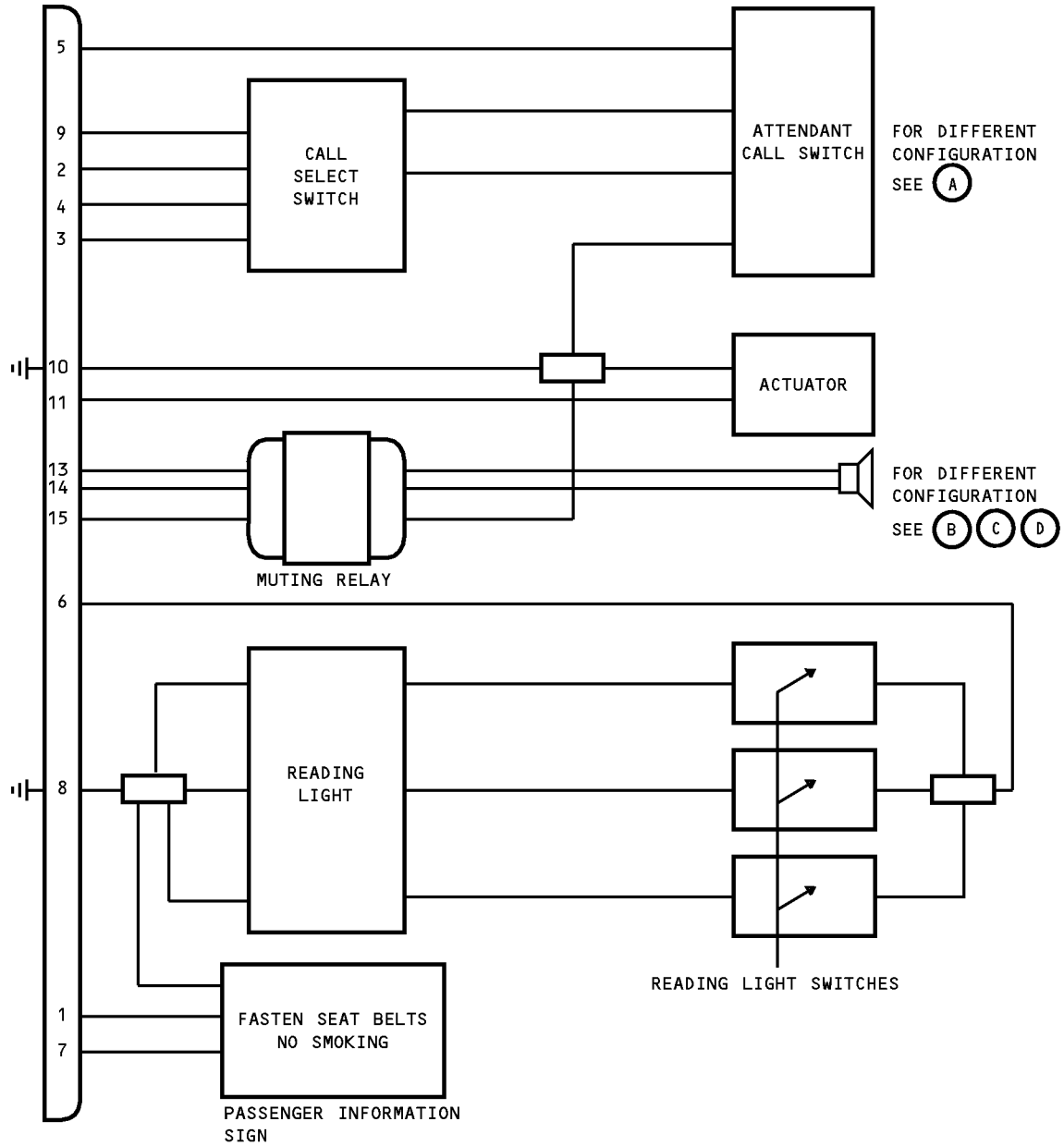
25-23-34

TESTING AND FAULT ISOLATION

Page 102

Jul 01/2007

COMPONENT MAINTENANCE MANUAL



Block Diagram
Figure 101 (Sheet 1 of 2)

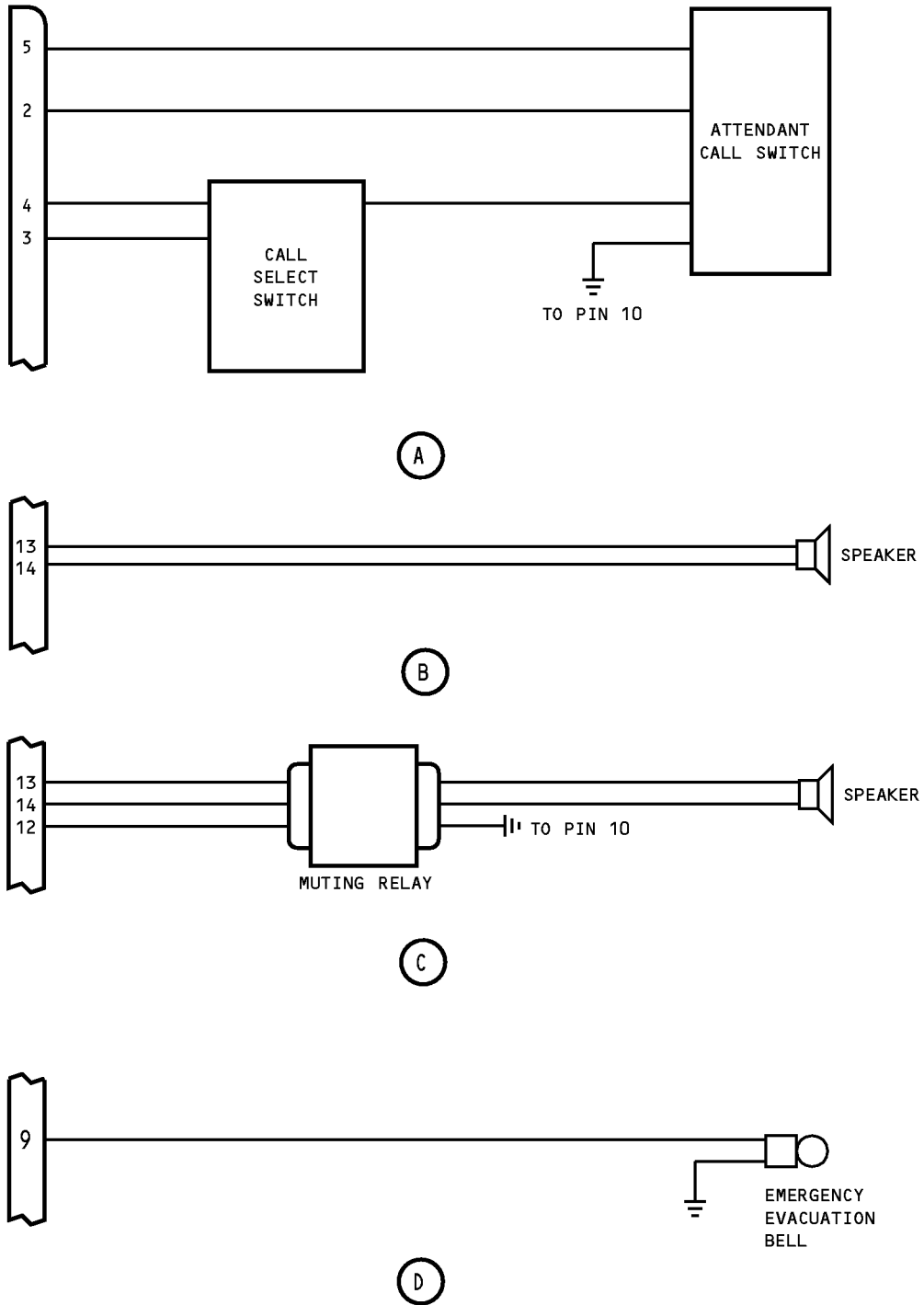
25-23-34

TESTING AND FAULT ISOLATION

Page 103

Jul 01/2007

COMPONENT MAINTENANCE MANUAL



Block Diagram
Figure 101 (Sheet 2 of 2)



COMPONENT MAINTENANCE MANUAL

DISASSEMBLY

1. General

- A. This procedure has the data to disassemble the underbin passenger service unit assembly.
- B. Disassemble this component only as necessary to complete fault isolation, determine the serviceability of parts, perform required repairs, and restore the unit to serviceable condition.
- C. Refer to IPL Figure 1 thru IPL Figure 33 for item numbers.

2. Disassembly

WARNING: DO NOT ALLOW OIL, GREASE, FLAMMABLE SOLVENTS, DUST, LINT, FINE METAL FILINGS, OR OTHER COMBUSTIBLE MATERIAL TO CONTAMINATE PARTS THAT MAY BE EXPOSED TO OXYGEN. COMBUSTIBLE MATERIAL MAY IGNITE AND RESULT IN AN EXPLOSION WHEN EXPOSED TO OXYGEN. THE OXYGEN GENERATOR IS A PYROTECHNIC-ACTIVATED, HIGH-HEAT-PRODUCING UNIT WHICH CAN INFLICT SERIOUS BURNS. TO PREVENT INJURY TO PERSONNEL ENSURE THAT SAFETY PIN WITH WARNING FLAG IS PROPERLY INSTALLED ON GENERATOR.

CAUTION: PARTS OF PSU ASSEMBLY ARE VISIBLE FROM CABIN INTERIOR. SPECIAL CARE MUST BE TAKEN TO PREVENT MARRING OF VISIBLE SURFACES.

2. A. Tools/Equipment

NOTE: Equivalent substitutes may be used.

Reference	Description
SPL-1936	Equipment - Firing Pin Retraction, BE Aerospace and AVOX oxygen generators (Part #: C35003-1, Supplier: 81205) (Opt Part #: A35001-10, Supplier: 81205)

B. References

Reference	Title
CMM 35-21-02	OXYGEN BOX ASSEMBLY
CMM 35-21-03	OXYGEN BOX ASSEMBLY

C. Procedure

- (1) Use standard practices for disassembly of this component, and additional procedures below.
- (2) Label and disconnect reading lamp and reading light switch wires.
- (3) Remove oxygen box.
 - (a) Remove release pin from generator ignition unit. Install A35001-8 (A35001-8 is a part of firing pin retraction pliers and safety pin, SPL-1936) safety pin.
 - (b) Pull supply line from generator outlet nozzle.
 - (c) Remove fasteners and lift out oxygen box.
 - (d) Refer to CMM 35-21-02 or CMM 35-21-03 for overhaul of oxygen box.

NOTE: Do not disassemble frame assembly further than necessary to trouble shoot and repair item on frame.

25-23-34

DISASSEMBLY

Page 301

Nov 01/2008



COMPONENT MAINTENANCE MANUAL

- (4) Remove screw and lift out oxygen generator.
- (5) Remove screws and lift out bracket assembly.
- (6) On assemblies with speaker, disconnect wires from speaker, remove fasteners and remove the speaker and gasket.
- (7) Label and disconnect wires from switch, and remove the mounting nut and switch.
- (8) Cut straps and remove manifold and outlets.
- (9) Remove angles and fasteners and lift out module.
- (10) Remove lanyard.

25-23-34

DISASSEMBLY

Page 302

Jul 01/2007



COMPONENT MAINTENANCE MANUAL

CLEANING

1. General

- A. This procedure has the data necessary to clean the underbin passenger service unit assembly.
- B. Refer to the Standard Overhaul Practices Manual (SOPM) for the SOPM subjects identified in this procedure.

2. Cleaning

A. References

Reference	Title
SOPM 20-30-03	GENERAL CLEANING PROCEDURES

B. Procedure

CAUTION: USE ONLY LISTED CLEANING MATERIALS. USE OF OTHER MATERIALS MAY CAUSE INSTANTANEOUS AND VISUALLY - UNDETECTABLE DAMAGE.

- (1) Clean all plastic parts per Cleaning of Interior Painted or Plastic Surfaces in SOPM 20-30-03.
- (2) Use standard industry practices for cleaning aluminum parts.

WARNING: DO NOT ALLOW OIL, GREASE, FLAMMABLE SOLVENTS, DUST, LINT, FINE METAL FILINGS, OR OTHER COMBUSTIBLE MATERIALS TO CONTAMINATE PARTS THAT WILL BE EXPOSED TO OXYGEN. COMBUSTIBLE MATERIAL MAY IGNITE AND RESULT IN AN EXPLOSION WHEN EXPOSED TO OXYGEN.

- (3) Clean all vendor supplied oxygen system components per appropriate vendor's instructions.
- (4) Clean all oxygen system tubing and fittings by vapor degreasing per SOPM 20-30-03.

25-23-34

CLEANING
Page 401
Jul 01/2007



COMPONENT MAINTENANCE MANUAL

CHECK

1. General

A. This procedure has the data necessary to find defects in the material of the specified parts.

2. Check

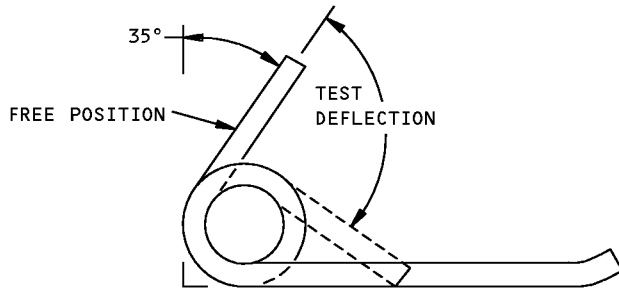
A. Procedure

- (1) Check all parts for obvious defects in accordance with standard industry practices.
- (2) Check color band around oxygen generator. If band is black, replace generator.
- (3) Check springs per CHECK, Figure 501. Check also that spring surface is clean and free from nicks and scratches.

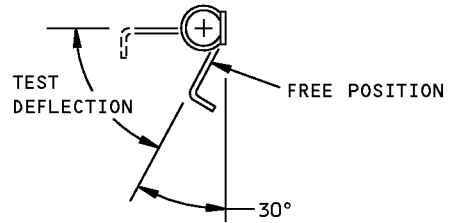
25-23-34

CHECK
Page 501
Jul 01/2007

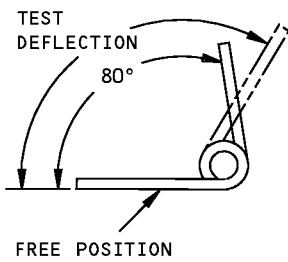
COMPONENT MAINTENANCE MANUAL



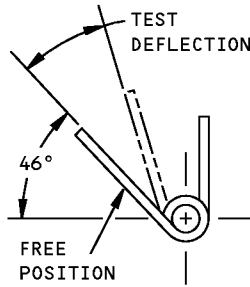
417N3173-1



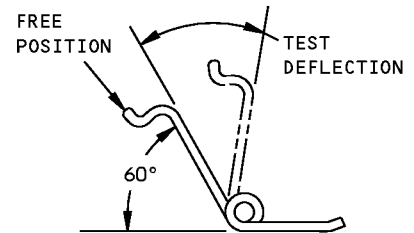
417N3173-6



417N3173-13



417N3173-9



417N3173-14

PART NUMBER	TEST DEFLECTION (DEG)	MOMENT (LB-IN.)
417N3173-1	48-52	0.63-0.77
417N3173-1	88-92	1.35-1.65
417N3173-6	58-62	2.00-2.40
417N3173-9	25-29	0.65-0.75
417N3173-13	118-122	0.45-0.54
417N3173-14	35.5-39.9	0.20-0.30

Spring Check
Figure 501

25-23-34



COMPONENT MAINTENANCE MANUAL

REPAIR

1. Content

A. Refinish and replacement procedures are included in separate repair sections as follows:

Table 601:

P/N	NAME	REPAIR
417N3105	MODULE ASSEMBLY	1-1
417N3110	FRAME ASSEMBLY	2-1
–	DELETED	3-1
–	MISC PARTS REFINISH	4-1
417N3190	LANYARD ASSEMBLY REPLACEMENT	5-1
417N3180	CLAMP ASSEMBLY REPLACEMENT	6-1

2. Standard Practices

A. Refer to the following standard practices, as applicable, for details of procedures in individual repairs:

- (1) SOPM 20-30-02 Stripping of Protective Finishes
- (2) SOPM 20-30-03 General Cleaning Procedures
- (3) SOPM 20-41-01 Decoding Table for Boeing Finish Codes
- (4) SOPM 20-41-02 Application of Chemical and Solvent Resistant Finishes
- (5) SOPM 20-41-04 Application and Repair of Interior Decorative Finishes
- (6) SOPM 20-43-01 Chromic Acid Anodizing
- (7) SOPM 20-50-05 Application of Aluminum Foil and Other Markers
- (8) SOPM 20-50-12 Application of Adhesives
- (9) SOPM 20-60-02 Finishing Materials
- (10) SOPM 20-70-01 Protection, Storage, and Handling of Airplane Components

3. Materials

NOTE: Equivalent substitutes may be used.

- A. Primer – primer, C00259, BMS 10-11, Type 1 (SOPM 20-60-02)
- B. Enamel – flat black coating, C50089, BMS 10-11, Type 2 (SOPM 20-60-02)
- C. Adhesive – adhesive, A00028, BMS 5-92, Type 1 (SOPM 20-50-12)
- D. Adhesive – urethane adhesive, A50055, BAC5010, Type 89 (BMS 5-105)

4. Markers (IPL Figures)

A. Replace markers as necessary per SOPM 20-50-05.

25-23-34

REPAIR - GENERAL

Page 601

Jul 01/2007



COMPONENT MAINTENANCE MANUAL

MODULE ASSEMBLY - REPAIR 1-1

417N3105-3, -4, -5, -6, -8, -9

1. General

- A. This procedure contains the data necessary to repair the module assembly.
- B. Refer to REPAIR-GENERAL, Paragraph 2. for the Standard Overhaul Practices Manual (SOPM) for the SOPM chapters identified in this procedure.
- C. Refer to REPAIR-GENERAL, Paragraph 3. for the description of the Material codes identified in this procedure.

2. Bracket Replacement

- A. Bond brackets (417N3122-32, -53, -111) to corresponding modules using adhesive, A00028, optional urethane adhesive, A50055 per SOPM 20-50-12.

25-23-34

REPAIR 1-1

Page 601

Jul 01/2007



COMPONENT MAINTENANCE MANUAL

FRAME ASSEMBLY - REPAIR 2-1

417N3110-3, -4, -5, -6, -7, -11, -12, -13, -14, -17, -19, -20, -21, -22, -25, -27, -31, -32, -33, -34, -35, -36, -37, -39, -40, -41, -42, -43, -45, -46, -61, -62, -73, -74, -77, -78, -81, -82, -83, -89, -90, -93, -97, -98, -187, -188

1. General

- A. This procedure contains the data necessary to repair the frame assembly.
- B. Refer to REPAIR-GENERAL, Paragraph 2. for the Standard Overhaul Practices Manual (SOPM) for the SOPM chapters identified in this procedure.
- C. Refer to REPAIR-GENERAL, Paragraph 3. for the description of the Material codes identified in this procedure.

2. Stud Replacements

- A. Bond studs (SL5244-08-4, -6) to frame using adhesive, A00028, optional urethane adhesive, A50055 per SOPM 20-50-12.

25-23-34

REPAIR 2-1

Page 601

Jul 01/2007



COMPONENT MAINTENANCE MANUAL

MISCELLANEOUS PARTS REFINISH - REPAIR 4-1

1. General

- A. This procedure has the data necessary to refinish the parts which are not given in the specified repairs.
- B. Refer to REPAIR-GENERAL, Paragraph 2. for the Standard Overhaul Practices Manual (SOPM) for the SOPM chapters identified in this procedure.
- C. Refer to REPAIR-GENERAL, Paragraph 3. for the description of the Material codes identified in this procedure.

2. Refinish

- A. Repair of parts listed in REPAIR 4-1, Table 601 consists of restoration of the original finish.

Table 601: Refinish Details

PART NAME & NO.	MATERIAL	FINISH
Angle assy (417N3122-51, -65, -71, -79, -85, -107, -108, -109, -110, -115, -116, 417N3083-1)	Al alloy	Chemical treat all surfaces per MIL-C-5541 (F-17.07).
Brackets (417N3122-53, -54, -57, -60, -112, 417N3136-48, -50, -59, 417N3121-138)		
Gussets (417N3083-2, -3, -4)		
Stiffeners (417N3121-27, -28, -35, -36, -49, -50, -51, -52, -64, -67, -68, -69, -83, -84, -115, -116, -117, -118, -119, -120, -129, -131, -139, -141, -165, -166, -171, -172, -177)		
Angle (4173122-49)	Al alloy	Chromic acid anodize, type 1 and apply primer, C00259 (F-18.13).
Brackets (417N3136-4, -7, -12, -15, -16, -21, -24, -99, -103, -104, -110, -111, -117003-14, 417N3161-7)		
Hinge (417N3811-13, 417N3114-7 thru -11)		
Retainers (417N3122-48 thru -50)		
Retainers (417N3173-1, -6, -9, -13, -14, 65C16899-6)	Music wire	Cadmium plate, type 2, class 3 (F-15.02)
Bars (417N3114-17, -18)		
Link (417N3180-1, 65-85902-1)	Al alloy	Chromic acid anodize (F-2.26).
Angle (417N3122-14)	Al alloy	Chemical treat all surfaces and apply primer, C00259 (F-18.06).
Brackets (417N3122-3, -4)		
Bracket (417N3102-1)	Al alloy	Chromic acid anodize, type 1 (F-17.04) then apply primer, C00259 (F-20.02).
Bracket (417N3122-4)	Al alloy	Chemical treat all surfaces and apply primer, C00259 (F-20.02).
Springs (417N3173-6, -9, -13)	Al alloy	Chemical treat or Chromic acid anodize type 1 and primer, C00259 (F-18.05)

25-23-34

REPAIR 4-1

Page 601

Jul 01/2007



COMPONENT MAINTENANCE MANUAL

LANYARD ASSEMBLY REPLACEMENT - REPAIR 5-1

417N3190-1, -8

1. General

- A. This procedure contains the data necessary to replace the lanyard assembly.
- B. Refer to REPAIR-GENERAL, Paragraph 2. for the Standard Overhaul Practices Manual (SOPM) for the SOPM chapters identified in this procedure.
- C. Refer to REPAIR-GENERAL, Paragraph 3. for the description of the Material codes identified in this procedure.

2. Lanyard Replacement (417N3190-1) (REPAIR 5-1, Figure 601)

- A. Attach spring, spacer and hook by crimping sleeves to cord per REPAIR 5-1, Figure 601.
- B. Make loop in end of cord opposite spring and crimp sleeves.
- C. Heat seal both ends of cord.

3. Lanyard Replacement (417N3190-8) (REPAIR 5-1, Figure 601)

- A. Install terminals (417N3190-7) on cord (417N3190-5) and crimp.

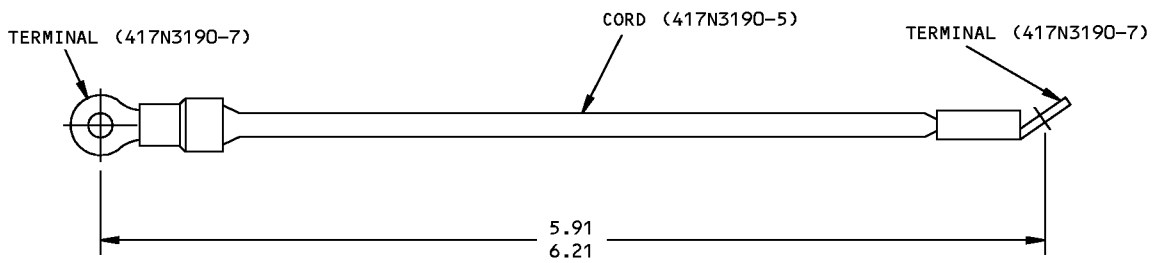
25-23-34

REPAIR 5-1

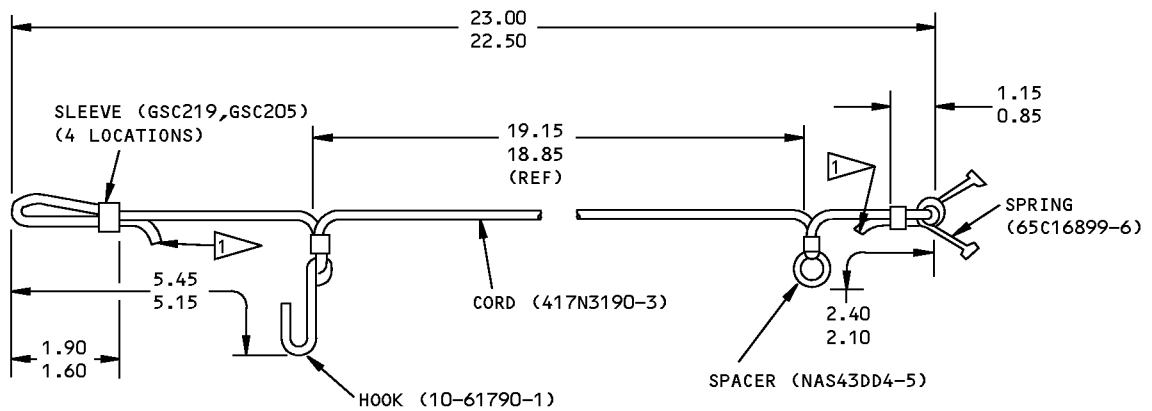
Page 601

Jul 01/2007

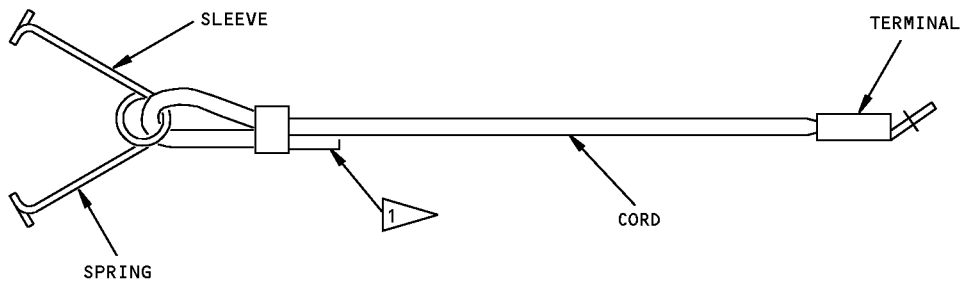
COMPONENT MAINTENANCE MANUAL



417N3190-8



417N3190-1



417N3190-9

HEAT SEAL FREE ENDS OF CORD

ALL DIMENSIONS ARE IN INCHES

Lanyard Replacement
Figure 601

25-23-34

REPAIR 5-1

Page 602

Jul 01/2007



COMPONENT MAINTENANCE MANUAL

CLAMP ASSEMBLY REPLACEMENT - REPAIR 6-1

417N3180-1, -2

1. General

- A. This procedure contains the data necessary to replace the clamp assembly.
- B. Refer to REPAIR-GENERAL, Paragraph 2. for the Standard Overhaul Practices Manual (SOPM) for the SOPM chapters identified in this procedure.
- C. Refer to REPAIR-GENERAL, Paragraph 3. for the description of the Material codes identified in this procedure.

2. Clamp Replacement (REPAIR 6-1, Figure 601)

CAUTION: FACEPLATE IS VISIBLE FROM CABIN INTERIOR. SPECIAL CARE MUST BE TAKEN TO PREVENT MARRING VISIBLE SURFACES.

- A. Remove rivet (BACR15BB4D10), retainer (6100-12), and clamp (417N3180-1, 2).
- B. Spring replacement:
 - (1) Remove plunger (65-85905-4), spring (RCS3290), and plunger body (417N3182-1, -2).
 - (2) Remove pins (NAS607-1-4P, NAS607-2-8P), and rocker link (417N3181-1, 65-85902-1).
 - (3) Remove spring plungers (417N3180-3) and spring RCS3289).
 - (4) Slip rocker link into clamp body. Insert pin (NAS607-2-8P) through clamp body and slot in rocker link.
 - (5) Insert springs (RCS3289) and spring plunger (417N3180-3) into clamp body. Rotate rocker link until it contacts spring plungers.
 - (6) Align holes in rocker link and clamp body. Push plunger body and ball-stake plunger body to plunger (location optional).
 - (7) Insert spring and plunger into clamp body. Push plunger body and ball-stake plunger body to plunger (location optional).
- C. Attach clamp to frame with rivet (BACR15BB4D10) and retainer (6100-12).

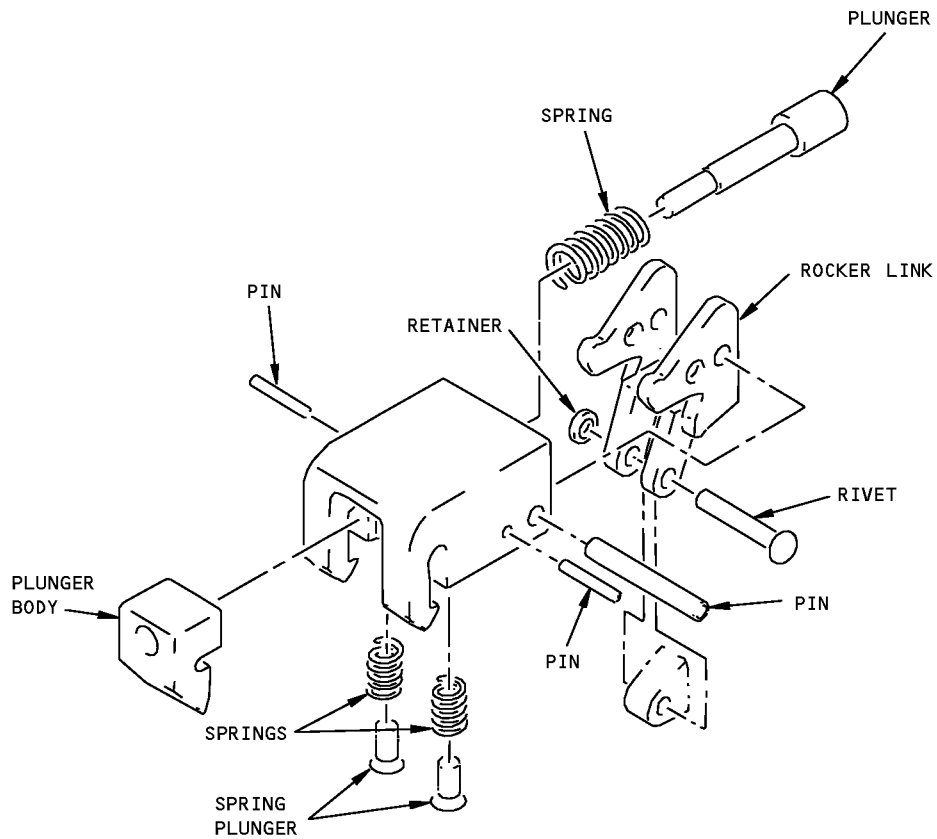
25-23-34

REPAIR 6-1

Page 601

Jul 01/2007

COMPONENT MAINTENANCE MANUAL



(L)

Clamp Assembly Replacement
Figure 601

25-23-34

REPAIR 6-1
Page 602
Jul 01/2007



COMPONENT MAINTENANCE MANUAL

ASSEMBLY

1. General

- A. This procedure contains the data necessary to assemble the underbin passenger service unit assembly.

2. Assembly

WARNING: DO NOT ALLOW OIL, GREASE, FLAMMABLE SOLVENTS, DUST, LINT, FINE METAL FILINGS, OR OTHER COMBUSTIBLE MATERIAL TO CONTAMINATE PARTS THAT MAY BE EXPOSED TO OXYGEN. COMBUSTIBLE MATERIAL MAY IGNITE AND RESULT IN AN EXPLOSION WHEN EXPOSED TO OXYGEN. THE OXYGEN GENERATOR IS A PYROTECHNIC-ACTIVATED, HIGH-HEAT-PRODUCING UNIT WHICH CAN INFLICT SERIOUS BURNS. TO PREVENT INJURY TO PERSONNEL ENSURE THAT SAFETY PIN WITH WARNING FLAG IS PROPERLY INSTALLED ON GENERATOR.

A. Tools/Equipment

NOTE: Equivalent substitutes may be used.

Reference	Description
SPL-1936	Equipment - Firing Pin Retraction, BE Aerospace and AVOX oxygen generators (Part #: C35003-1, Supplier: 81205) (Opt Part #: A35001-10, Supplier: 81205)

B. Consumable Materials

NOTE: Equivalent substitutes may be used.

Reference	Description	Specification
C00259	Primer - Chemical And Solvent Resistant Finish, Epoxy Resin	BMS10-11, Type I
C50089	Coating - Flat Black Enamel	BMS10-11, Type II

C. General

- (1) Paint exposed rivet heads and fasteners with primer, C00259 and flat black coating, C50089, color per airline color scheme.

D. Procedure

- (1) Use standard practices for assembly of this component and additional procedures below.
- (2) Verify that A35001-8 safety pin (A35001-8 is a part of firing pin retraction pliers and safety pin, SPL-1936) with warning streamer is installed on generator ignition unit.
- (3) Refer to ASSEMBLY, Figure 701 for unit configuration and assembly.
- (4) Adjust panel alignment and make sure the cable assembly is above the pin as specified in ASSEMBLY, Figure 702.

CAUTION: GENERATOR OUTLET NOZZLE MUST BE SUPPORT DURING ATTACHMENT OF OXYGEN SUPPLY LINE.

- (5) Push oxygen line fully onto oxygen generator outlet nozzle.
- (6) Insert release pin in generator ignition unit (ASSEMBLY, Figure 701)

25-23-34

ASSEMBLY

Page 701

Nov 01/2008



COMPONENT MAINTENANCE MANUAL

CAUTION: DO NOT REMOVE A35001-8 SAFETY PIN WITH WARNING STREAMER AFTER INSERTING RELEASE PIN.

- (7) Connect all wires, as labeled, to their respective positions.
- (8) Attach lanyard as shown in ASSEMBLY, Figure 703.
- (9) On assemblies with gasper manifold, orient manifold and outlets on module per ASSEMBLY, Figure 701 and secure with strap.

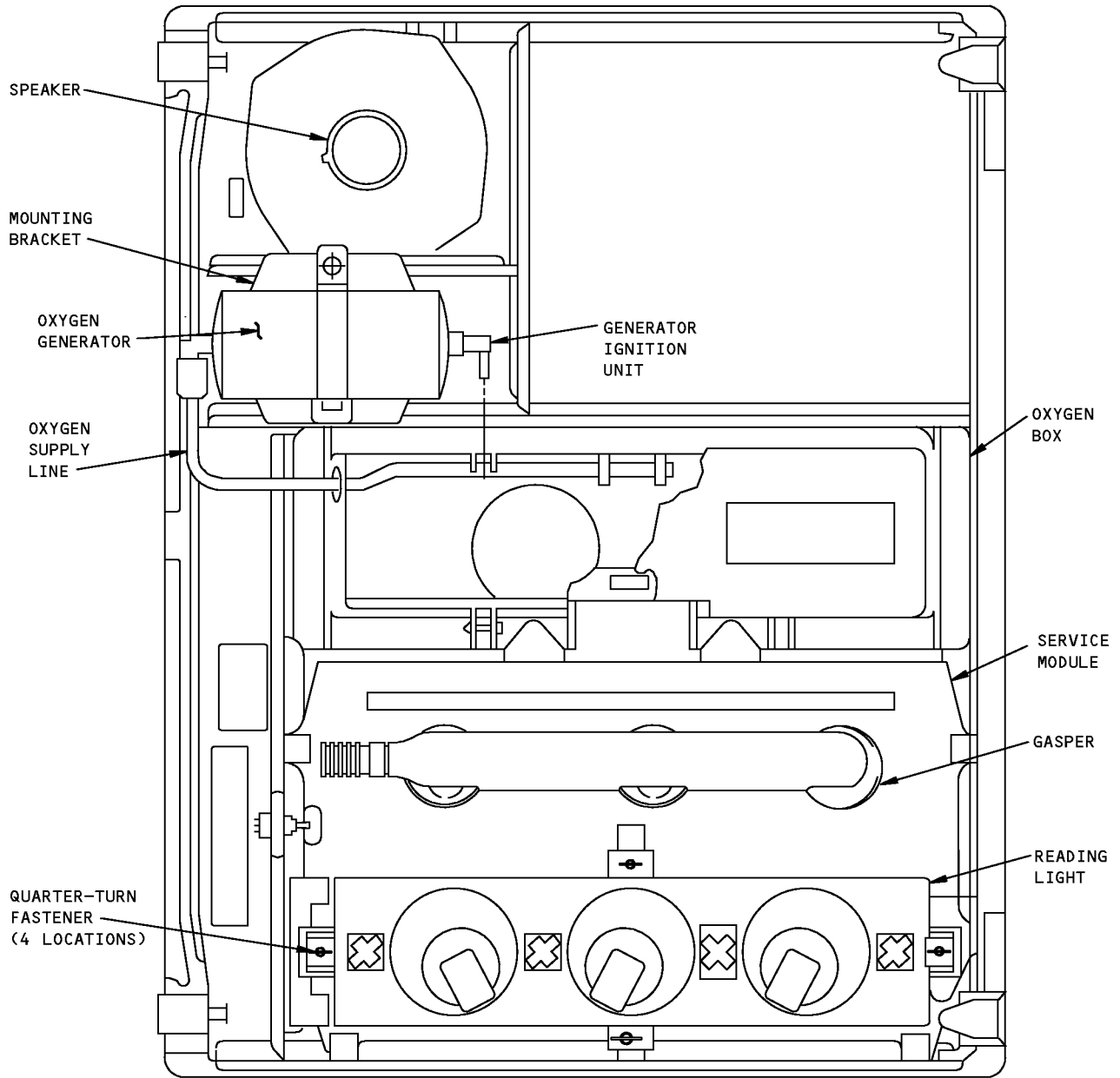
25-23-34

ASSEMBLY

Page 702

Jul 01/2007

COMPONENT MAINTENANCE MANUAL



LEFT SHOWN, RIGHT OPPOSITE

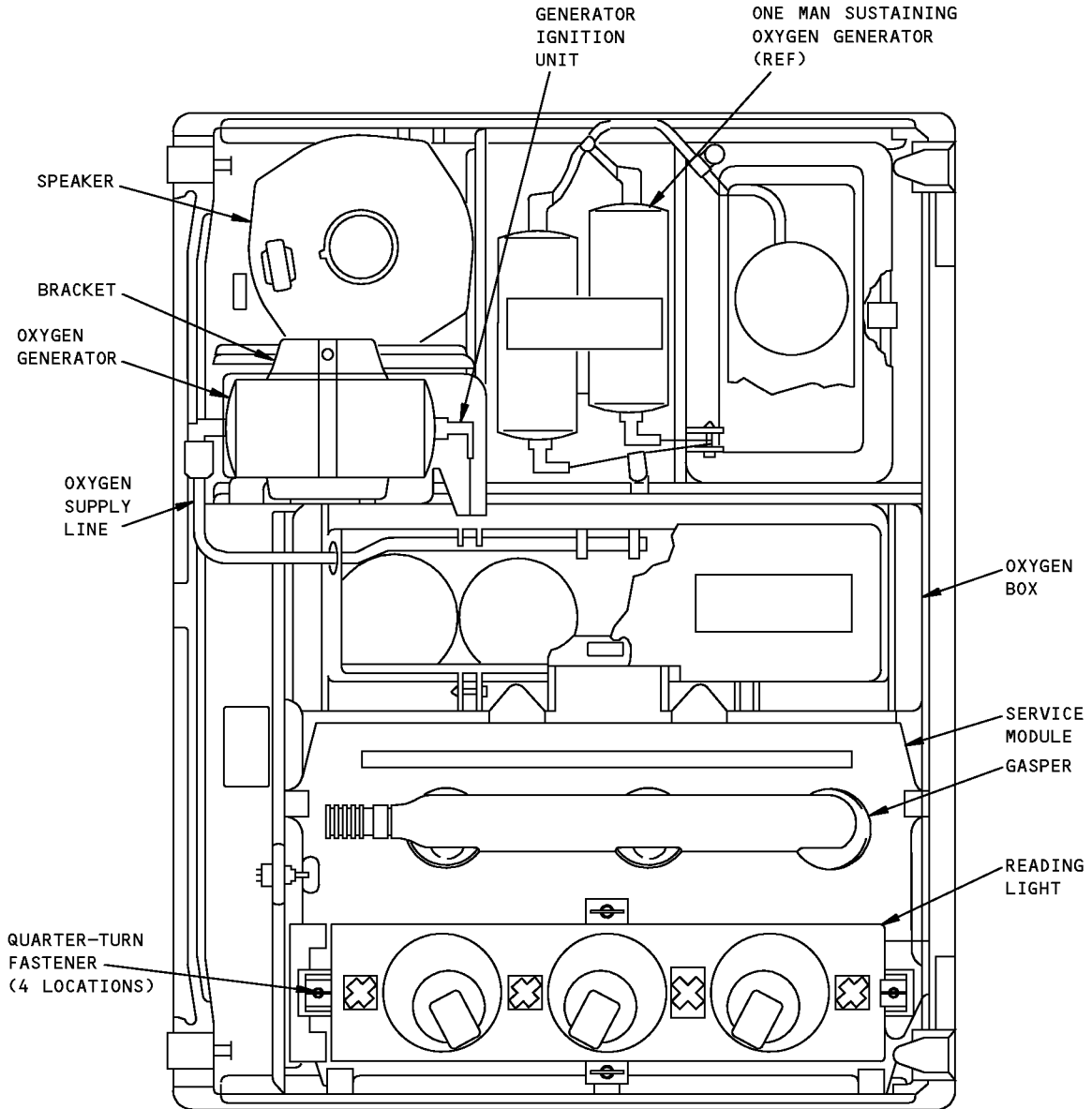
NOTE: NOT ALL OF THE PASSENGER SERVICE UNITS HAVE ALL THE FEATURES SHOWN.

Assembly Details
Figure 701 (Sheet 1 of 2)

25-23-34

ASSEMBLY
Page 703
Jul 01/2007

COMPONENT MAINTENANCE MANUAL



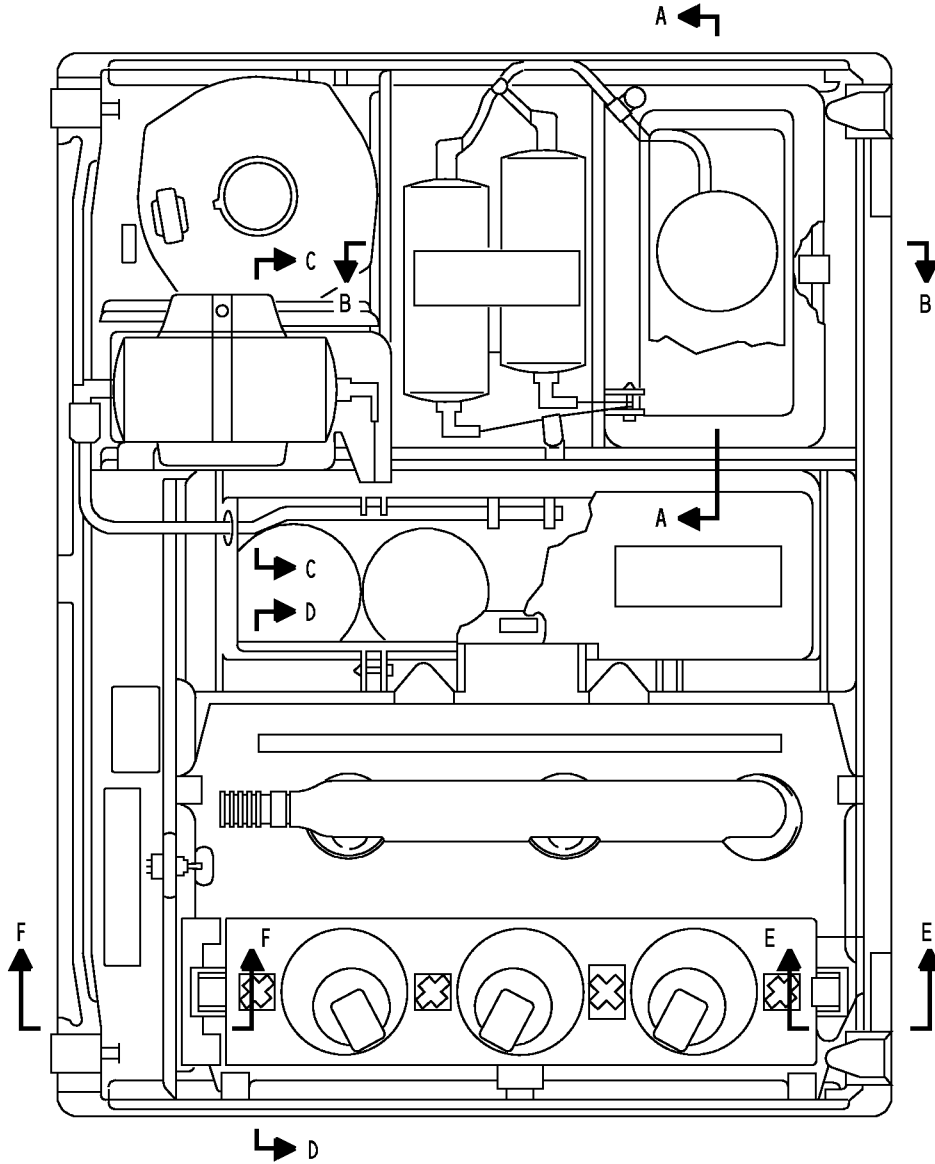
UNIT WITH SUSTAINING OXYGEN GENERATOR

Assembly Details
Figure 701 (Sheet 2 of 2)

25-23-34

ASSEMBLY
Page 704
Jul 01/2007

COMPONENT MAINTENANCE MANUAL

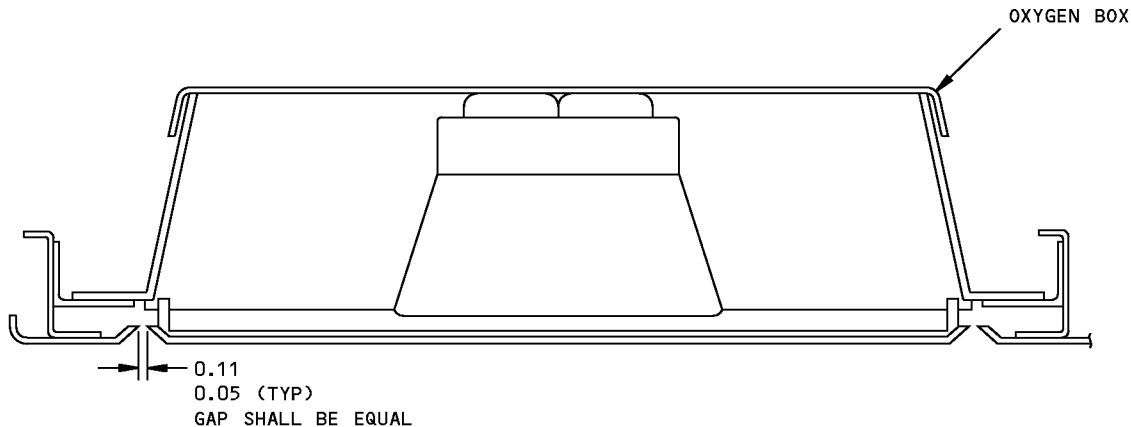


Panel Alignment
Figure 702 (Sheet 1 of 4)

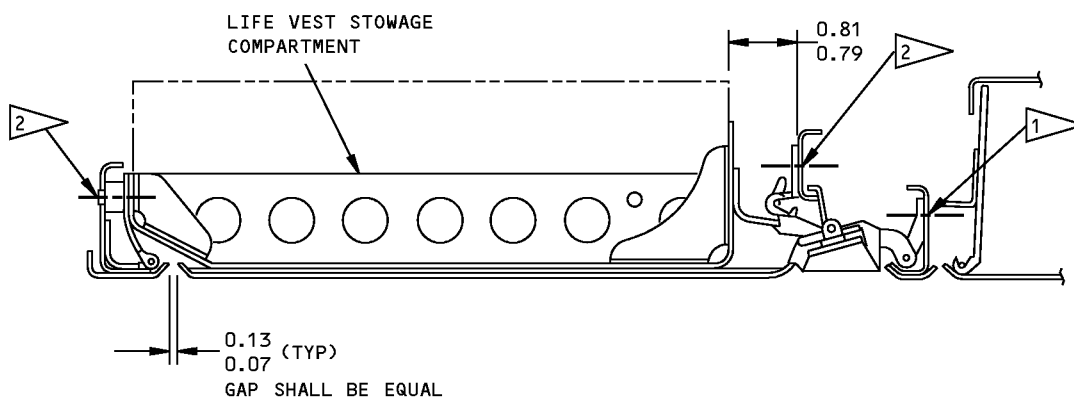
25-23-34

ASSEMBLY
Page 705
Jul 01/2007

COMPONENT MAINTENANCE MANUAL



UNITS WITH SUSTAINING OXYGEN
A-A



UNITS WITH LIFE VEST STOWAGE COMPARTMENT
A-A

- 1 SHIM WITH AN960PD8L WASHERS, AS REQUIRED, TO MEET DIMENSIONAL REQUIREMENTS
- 2 ADJUST LOCATION OF STIFFENER WITH MOUNTING SCREWS TO OBTAIN DESIRED DISTANCE
- 3 MAKE SURE THE CABLE ASSEMBLY IS OVER THE PIN IN THE PSU CUTOUT

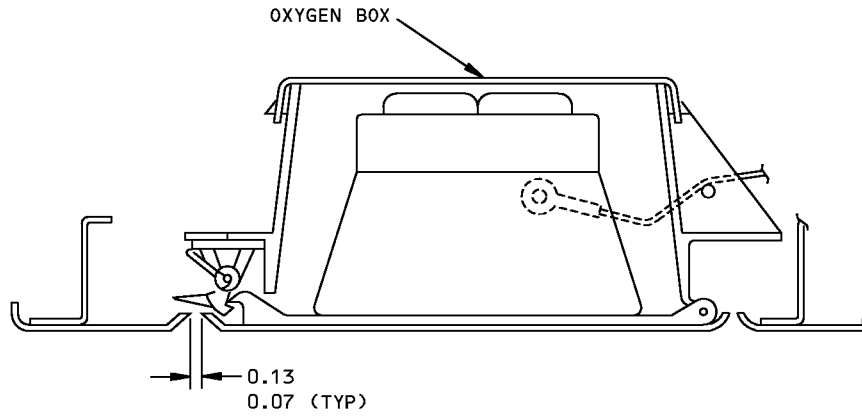
ALL DIMENSIONS ARE IN INCHES

Panel Alignment
Figure 702 (Sheet 2 of 4)

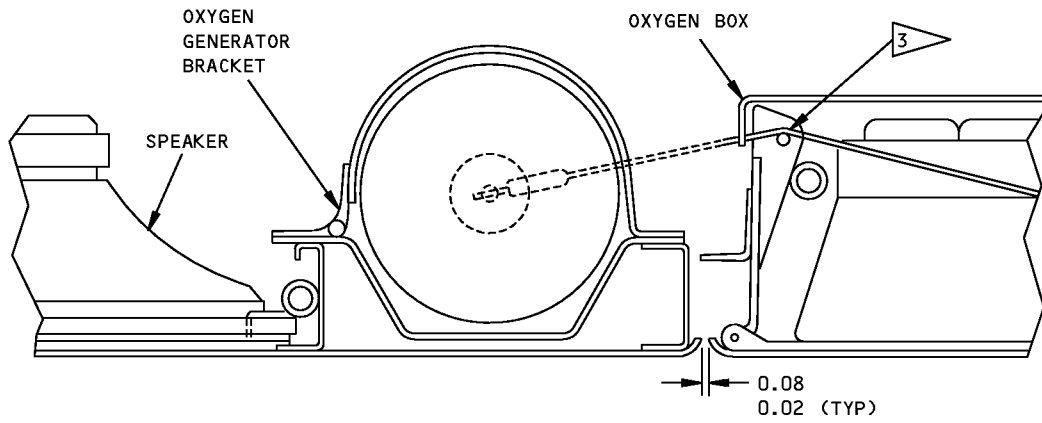
25-23-34

ASSEMBLY
Page 706
Jul 01/2007

COMPONENT MAINTENANCE MANUAL



UNITS WITH SUSTAINING OXYGEN
B-B



C-C

ALL DIMENSIONS ARE IN INCHES

Panel Alignment
Figure 702 (Sheet 3 of 4)

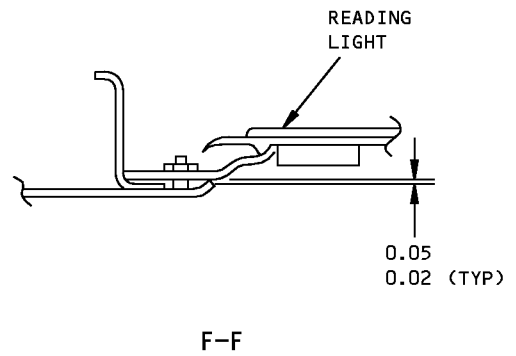
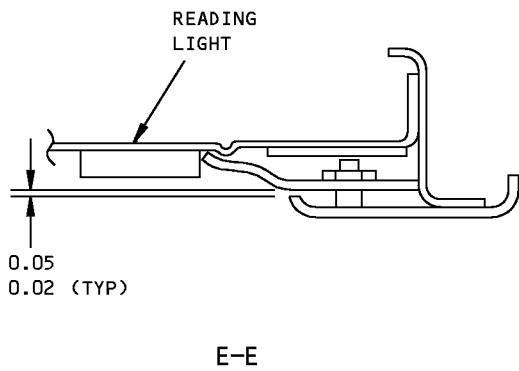
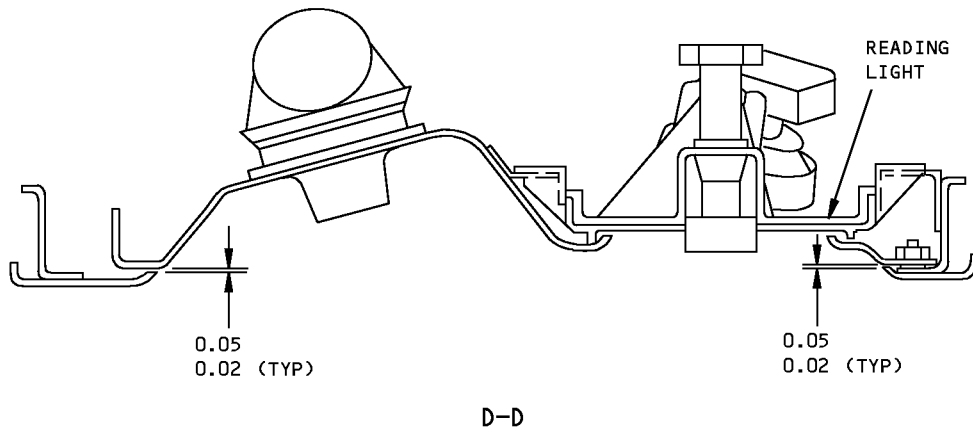
25-23-34

ASSEMBLY

Page 707

Jul 01/2007

COMPONENT MAINTENANCE MANUAL



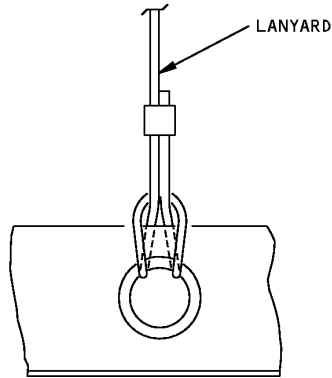
ALL DIMENSIONS ARE IN INCHES

Panel Alignment
Figure 702 (Sheet 4 of 4)

25-23-34

ASSEMBLY
Page 708
Jul 01/2007

COMPONENT MAINTENANCE MANUAL



Lanyard Attachment
Figure 703



COMPONENT MAINTENANCE MANUAL

FITS AND CLEARANCES

(NOT APPLICABLE)

25-23-34

FITS AND CLEARANCES

Page 801

Jul 01/2007



COMPONENT MAINTENANCE MANUAL

SPECIAL TOOLS, FIXTURES, AND EQUIPMENT

1. General

A. This section lists the special tools, fixtures, and equipment necessary for maintenance.

NOTE: Equivalent substitutes may be used.

Special Tools

Reference	Description	Part Number	Supplier
SPL-1936	Equipment - Firing Pin Retraction, BE Aerospace and AVOX oxygen generators	C35003-1	81205
		Opt: A35001-10	81205

Commercial Tools

Reference	Description	Part Number	Supplier
COM-5826	Lamp - 28V, 40 MA	327	3B182

Tool Supplier Information

CAGE Code	Supplier Name	Supplier Address
3B182	GENERAL ELECTRIC SUPPLY CO.	2432 BROCTON SAN ANTONIO, TX 78217-4909 Telephone: (216) 266-2536
81205	THE BOEING COMPANY	17930 INTERNATIONAL BLVD. SOUTH SEATAC, WA 98188-4321 Telephone: 206-662-6650 Facsimile: 206-662-7145

25-23-34

SPECIAL TOOLS, FIXTURES, AND EQUIPMENT

Page 901

Mar 01/2009



COMPONENT MAINTENANCE MANUAL

ILLUSTRATED PARTS LIST

1. Introduction

- A. The Illustrated Parts List (IPL) contains an illustration and a list of component parts you can repair or replace. The Illustrated Parts Catalog (IPC) shows how to use the Boeing part number system.
- B. This shows how parts are related: The relation of each item to its next higher assembly (NHA) is shown in the NOMENCLATURE column. Use the indenture system that follows:

1	2	3	4	5	6	7
.	Assembly					
.	Attaching parts for assembly					
.	.	Detail parts for assembly				
.	.	Subassembly				
.	.	Attaching parts for subassembly				
.	.	.	Detail parts for subassembly			
.	.	.	Sub-subassembly			
.	.	.	Attaching parts for subassembly			
.	.	.	.	Details parts for sub-subassembly		
						Detail Installation Parts (Included only if installation parts may be sent to the shop as part of assembly)

- C. Each top assembly is given one use code letter (A, B, C, etc.) in the USAGE CODE column. All subsequent component parts in the list can have one or more of the use code letters to show effectivity to top assemblies. A component part without a use code applies to all top assemblies.
- D. An alphabetical letter is added after the item number for optional parts, parts changed by a Service Bulletin, configuration differences (except left-handed and right-handed parts), last engineering releases, and parts added between item numbers in a sequence. The alphabetical letter will not be shown on the illustration for equivalent parts of the same part number.
- E. Color-coded parts are identified with a single digit alpha following the dash number or with "SP" suffix. If the "SP" suffix is used, it represents consolidation of all color codes applicable for a given usage which are not separately listed. Orders for color-coded parts should include the registry number of the airplane for which the parts are ordered.
- F. If a part number is 15 characters long but will not fit in the part number column, the part number will be displayed with a "~" at the end of the line and will be continued on the next line. The "~" denotes that the part number continues on the next line.
- G. Parts changed by a Service Bulletin are shown by PRE SB XXXX and POST SB XXXX added to the NOMENCLATURE column.
- (1) When a new top assembly is added by a Service Bulletin, PRE SB XXXX and POST SB XXXX will be added at the top assembly level only. The configuration differences at the detail part level are shown by use code letters.
- (2) When the top assembly part number is not changed by the Service Bulletin, PRE SB XXXX and POST SB XXXX will be added at the detail level.
- H. Interchangeable Parts

25-23-34

ILLUSTRATED PARTS LIST

Page 1001

Nov 01/2008



COMPONENT MAINTENANCE MANUAL

Optional (OPT)	The part is optional to and interchangeable with other parts that have the same item number.
Replaces, Replaced by and not interchangeable with (REPLACES, REPLACED BY AND NOT INTCHG/W)	The part replaces and is not interchangeable with the initial part.
Replaces, Replaced by (REPLACES, REPLACED BY)	The part replaces and is interchangeable with, or is an alternative to, the initial part.

VENDOR CODES

Code	Name
01526	Replaced: [V01526] SEE 00779 TYCO ELECTRONICS by Code: Name and Address below 00779: TYCO ELECTRONICS CORP 2800 FULLING MILL ROAD PO BOX 3608 MIDDLETOWN, PENNSYLVANIA 17057 FORMERLY AMP INC V18342; FORMERLY V04618 FORMERLY GENICOM COMP V01526
01556	EMHART FASTENING SYSTEMS GROUP HELI-COIL DIV SHELTER ROCK LANE DANBURY, CONNECTICUT 06810 FORMERLY HELI-COIL DIV OF BLACK AND DECKER
03296	NYLON MOLDING CORP 2755 THOMPSON CREEK RD POMONA, CALIFORNIA 91767-1861 FORMERLY UNION PLASTIC NYLON MOLDING IN NEW JERSEY; FORMERLY IN MONROVIA, CA
03743	APPLETON ELECTRIC CO DIV OF EMERSON ELECTRIC CO 2205 12TH AVENUE SOUTH MILWAUKEE, WISCONSIN 53172-2541 FORMERLY IN CHICAGO, ILLINOIS
06383	PANDUIT CORPORATION 17301 RIDGELAND AVENUE TINLEY PARK, ILLINOIS 60477-3048

25-23-34

ILLUSTRATED PARTS LIST

Page 1002

Jul 01/2007



COMPONENT MAINTENANCE MANUAL

Code	Name
0647B	Replaced: [V0647B] SEE V2X013 by Code: Name and Address below 2X013: MCQUIRE BEARING COMPANY 947 SOUTHEAST MARKET STREET PORTLAND, OREGON 97214-3556 FORMERLY V0647B
06710	LAMSON AND SESSIONS CO THE VALLEY-TODECO 12975 BRADLEY AVENUE SYLMAR, CALIFORNIA 91342-3830 FORMERLY VALLEY BOLT CORP VB0097 IN NORTH HOLLYWOOD, CA
06725	AIR INDUSTRIES CORPORATION 12570 KNOTT STREET GARDEN GROVE, CALIFORNIA 92641-3932 FORMERLY AIR INDUSTRIES OF CALIF IN GARDENA, CALIF.
06950	SCREWCORP VSI AEROSPACE PRODUCTS DIV FAIRCHILD IND DIV 13001 EAST TEMPLE AVENUE PO BOX 730 CITY OF INDUSTRY, CALIFORNIA 91746-1417 FORMERLY VB0096 AND VSI CORP SCREWCORP DIV FORMERLY IN CULVER CITY, CALIFORNIA SCREW CORP SEE V.S.I. CORP SCREWCORP DIVISION
07096	BURKE RUBBER CO PUROSIL DIV 1810 SOUTH SHAMROCK AVENUE PO BOX 5023 MONROVIA, CALIFORNIA 91016-4251 FORMERLY HADBAR DIV OF PUROSIL INC
07150	ELECTRO-MECH COMPONENTS INC 1826 NORTH FLORADALE AVENUE SOUTH EL MONTE, CALIFORNIA 91733-3689
08205	RENTON COIL SPRING COMPANY 325 BURNETT NORTH PO BOX 328 RENTON, WASHINGTON 98057 FORMERLY VB0009

25-23-34

ILLUSTRATED PARTS LIST

Page 1003

Nov 01/2008



COMPONENT MAINTENANCE MANUAL

Code	Name
09026	<p>Replaced: [V09026] BABCOCK ELECTRONICS CORP CONTROL PRODUCT DIV by Code: Name and Address below 82050: ESTERLINE ELECTRONICS CORP COSTA MESA, CALIFORNIA 92626-1437 FACILITIES DISCONTINUED FORMERLY BABCOCK ELECTRONIC CORP ELECTRONIC PRODUCTS V09026</p>
09192	<p>ALUMINUM COMPANY OF AMERICA VERNON WORKS 5151 ALCOA AVENUE VERNON, CALIFORNIA 90058-3715</p>
09922	<p>SOURIAU USA INC 25 GRUMBACHER DR YORK, PENNSYLVANNIA 17402-9417 FORMERLY FRAMATOME CONNECTORS FRANCE FORMERLY V59610 IINN VALENCIA, CALIFORNIA</p>
OFF57	<p>MATSUSHITA ELEC CORP OF AMERICA, MATSUSHITA AVIONICS SYS 1916 220TH STREET SOUTHEAST BOTHELL, WASHINGTON 98021 DIST. FOR OSAKA PLANT</p>
10630	<p>ANILLO INDUSTRIES, INCORPORATED 2090 NORTH GLASSELL ORANGE, CALIFORNIA 92667 FORMERLY WESTERN WASHER DIV OF SENG CO V87487</p>
11815	<p>CHERRY AEROSPACE FASTENERS DIV OF TEXTRON 1224 EAST WARNER AVENUE PO BOX 2157 SANTA ANA, CALIFORNIA 92707-0157 FORMERLY IN LOS ANGELES, CALIF , FORMERLY CHERRY FASTENERS TOWNSEND DIV OF TEXTRON INC V71087</p>
12357	

25-23-34

ILLUSTRATED PARTS LIST

Page 1004

Nov 01/2008



COMPONENT MAINTENANCE MANUAL

Code	Name
15653	ALCOA GLOBAL FASTENERS INC DIV KAYNAR PRODUCTS 800 S STATE COLLEGE BLVD FULLERTON, CALIFORNIA 92831-3001 FORMERLY VK6405 MICRODOT AEROSP LTD; FORMERLY KAYNAR TECH FORMERLY FAIRCHILD FASTENERS KAYNAR DIV
16115	PECO MANUFACTURING CO INC 4707 SOUTHEAST 17TH STREET PORTLAND, OREGON 97282-0189 FORMERLY VB0129 OR V0129B
16632	FLEXFAB HORIZONS INTERNATIONAL INC DBA FLEXFLAB LLC 1699 W. M-43 HWY HASTINGS, MIGHIGAN 49058-8377
16827	B/E AEROSPACE PURITAN-BENNETT AERO DIV 10800 PFLUMM ROAD LENEXA, KANSAS 66215 FORMERLY PURITAN EQUIPMENT IN KANSAS CITY, MO; FORMERLY PURITAN-BENNETT AERO SYS V02217
17744	Replaced: [V17744] GULTON IND LUMINATOR DIV SEE LUMINATOR HOLDING V0VDA9 by Code: Name and Address below 0VDA9: LUMINATOR HOLDING LLC A MARK IV IND CO 1200 EAST PLANO PKY SUITE 300 PO 940030 PLANO, TEXAS 75094-0030 FORMERLY MARK IV IND LUMINATOR AIRCRAFT PROD
21868	HBD INDUSTRIES INC BELLEFONTAINE WKS 1301 W SANDUSKY AVE BELLEFONTAINE, OHIO 43311-1082 FORMERLY IN PITTSBURGH, PENNSYLVANIA FORMERLY PORTER HK CO INC THERMOID DIV GOVT SALES OFFICE
25281	OETEIKER INC 71-77 OKNER PARKWAY LIVINGSTON, NEW JERSEY 07039

25-23-34

ILLUSTRATED PARTS LIST

Page 1005

Nov 01/2008



COMPONENT MAINTENANCE MANUAL

Code	Name
25657	UNION MFG CO DIV OF UNION IND INC NO 4 SOUTH IDAHO STREET SEATTLE, WASHINGTON 98134-1119 FORMERLY VAN-VETTER INC
26344	NEW HAVEN MFG CORP 446 BLAKE STREET NEW HAVEN, CONNECTICUT 06515-1238 OBSOLETE RECORD
26365	DYNACAST INC 1401 FRONT STREET YORKTOWN, NEW YORK 10598 FORMERLY GRIES DYNACAST CO DIV OF COATS & CLARK INC
27624	PB FASTENERS DIV OF BRILES PAUL R 1700 WEST 132ND STREET GARDENA, CALIFORNIA 90249 FORMERLY PAUL R BRILES INC P.B. FASTENER DIV
28406	VAUPELL INDUSTRIAL PLASTICS, INCORPORATED 1144 NORTHWEST 53RD STREET SEATTLE, WASHINGTON 98107-3735 FORMERLY VB0013 AND V0013B
2X013	MCQUIRE BEARING COMPANY 947 SOUTHEAST MARKET STREET PORTLAND, OREGON 97214-3556 FORMERLY V0647B
34252	GULF OIL CO USA DIV OF GULF OIL CORP PO BOX 1519 HOUSTON, TEXAS 77001
35344	Replaced: [V35344] LEACH CORP RELAY DIV SEE LEACH CORP CONTROL PROD DIV V58657 by Code: Name and Address below 58657: LEACH INTERNATIONAL OF NORTH AMERICA 6900 ORANGETHORPE AVE PO BOX 5032 BUENA PARK, CALIFORNIA 90622-5032 FORMERLY LEACH CORP V35344 AND V00614 FORMERLY LEACH CORP

25-23-34

ILLUSTRATED PARTS LIST

Page 1006

Nov 01/2008

**COMPONENT MAINTENANCE MANUAL**

Code	Name
42838	NATIONAL RIVET AND MANUFACTURING COMPANY 1-21 EAST JEFFERSON STREET WAUPUN, WISCONSIN 53963-2028
46384	PENN ENGINEERING AND MFG CORP OLD EASTON ROAD PO BOX 1000 DANBORO, PENNSYLVANIA 18916 FORMERLY IN DOYLESTOWN, PENNSYLVANIA
52828	REPUBLIC FASTENER MFG CORP 1300 RANCHO CONEJO BLVD NEWBURY PARK, CALIFORNIA 91320-1405 FORMERLY IN SYLMAR, CALIFORNIA
53551	ALLFAST FASTENING SYSTEMS INC 15200 EAST DON JULIAN ROAD PO BOX 3166 CITY OF INDUSTRY, CALIFORNIA 91745-1001 FORMERLY V0736B FORMERLY ALLFAST INC V5K545
53655	SCOTT AVIATION DIV FIGGIE INTERNATIONAL INC 225 ERIE STREET LANCASTER, NEW YORK 14086-9502 FORMERLY A-T-O INC EMERGENCY EQUIPMENT DIV V16090 FORMERLY V92114 SIERRA MADRE, CA
54473	MATSUSHITA ELECTRIC CORP OF AMERICA 2 PANASONIC WAY M/S 74-4 SECAUCUS, NEW JERSEY 07094 FORMERLY IN BOTHELL, WASHINGTON
55473	DELIVERY SYSTEMS INC 902 S OAKLAND P O BOX 3292 CARBONDALE, ILLINOIS 62901
55580	BRILES RIVET CORP 2640 VISTA PACIFIC DRIVE OCEANSIDE, CALIFORNIA 92056-3514 FORMERLY IN SANTA ANA, CALIFORNIA

25-23-34

ILLUSTRATED PARTS LIST

Page 1007

Nov 01/2008



COMPONENT MAINTENANCE MANUAL

Code	Name
56878	SPS TECHNOLOGIES INC AEROSPACE AND INDUSTRIAL PRODUCTS DIV 301 HIGHLAND AVE JENKINTOWN, PENNSYLVANIA 19046 FORMERLY STANDARD PRESSED STEEL FORMERLY IN SALT LAKE, UTAH
57268	RAINER RUBBER CO 15660 NELSON PL SO SEATTLE, WASHINGTON 98188
58417	SUNDSTRAND CORP 4751 HARRISON AVENUE PO BOX 7003 ROCKFORD, ILLINOIS 61125
58614	COMMUNICATIONS INSTRUMENTS INC HWY 74 EAST, PO BOX 520 FAIRVIEW, NORTH CAROLINA 28730
58794	FASTENERS TECHNOLOGY CORP 7415 FULTON AVENUE NORTH HOLLYWOOD, CALIFORNIA 91605
58998	FASTENER INNOVATION TECHNOLOGY INC 13215 WESTERN AVENUE PO BOX 3399 GARDENA, CALIFORNIA 90249 FORMERLY V0799B IN WILMINGTON, CALIFORNIA
59730	Replaced: [V59730] THOMAS AND BETTS CORP SEE V56501 by Code: Name and Address below 56501: THOMAS AND BETTS CORP 8155 T AND B BLVD MEMPHIS, TENNESSEE 38125 FORMERLY V 06865 AND V59730 THOMAS AND BETTS CORP
60119	MONADNOCK CO THE 18301 ARENTH AVENUE ROWLAND HEIGHTS, CALIFORNIA 91748-1288 FORMERLY UNITED CARR FASTENER CORP VB0051 VB0056 VB0076 FORMERLY TRW ELECTRONIC COMPONENTS CINCH-MONADNOCK DIV FORMERLY CINCH-MONADNOCK DIV OF TRW INC V76530 FORMERLY IN CITY OF INDUSTRY, CALIFORNIA

25-23-34

ILLUSTRATED PARTS LIST

Page 1008

Nov 01/2008



COMPONENT MAINTENANCE MANUAL

Code	Name
60980	MEGGITT-OREGON INC DBA MEGGITT SILICONE PROD DIV MSP 2010 LAFAYETTE AVE P.O. BOX 887 MCMINNVILLE, OREGON 97128 FORMERLY ELASTOMERIC SILICON PRODUCTS
71087	Replaced: [V71087] BOOTS ACFT NUT DIV TOWNSEND CO SEE TEXTRON INC CHERRY FASTENER TOWNSEND DIV V11815 by Code: Name and Address below 11815: CHERRY AEROSPACE FASTENERS DIV OF TEXTRON 1224 EAST WARNER AVENUE PO BOX 2157 SANTA ANA, CALIFORNIA 92707-0157 FORMERLY IN LOS ANGELES, CALIF , FORMERLY CHERRY FASTENERS TOWNSEND DIV OF TEXTRON INC V71087
71482	CP CLARE CORP NORTH AMERICA SALES OPERATIONS 601B CAMPUS DRIVE ARLINGTON HEIGHTS, ILLINOIS 60004 FORMERLY CLARE DIV OF GENERAL INSTRUMENT CORP FORMERLY IN CHICAGO, ILLINOIS
72914	HONEYWELL/GRIMES AEROSPACE 550 STATE RT 55 URBANA, OHIO 43078 FORMERLY AERO-FLOW V70128; MIDLAND-ROSS JANITROL AERO DIV; FORMERLY FL AEROSP CORP V89513; ALLIEDSIGNAL/GRIMES AEROSP FORMERLY GRIMES AEROSPACE V00672 AND HONEYWELL V60187
72962	HARVARD INDUSTRIES INC 3 WERNER WAY SUITE 210 LEBANON, NEW JERSEY 08833 FORMERLY ESNA V7A079 FORMERLY ELASTIC STOP NUT IN UNION, NJ
73197	HI-SHEAR TECHNOLOGY CORP 2600 SKYPARK DRIVE TORRANCE, CALIFORNIA 90509
75345	KIRKHILL RUBBER CO 300 EAST CYPRESS STREET BREA, CALIFORNIA 92821-4097 FORMERLY L.A. STANDARD RUBBER CO V84914

25-23-34

ILLUSTRATED PARTS LIST

Page 1009

Nov 01/2008



COMPONENT MAINTENANCE MANUAL

Code	Name
80252	FARADAY INC 805 SOUTH MAUMEE STREET PO BOX 320 TECUMSEH, MICHIGAN 49286-2053 FORMERLY FARADAY DIVN OF GRAY MFG CO V22971 FORMERLY SPERTI FARADAY, INC V80252
80539	SPS TECHNOLOGIES INC DIV AERPSOACE - SANTA ANA 2701 SOUTH HARBOR BOULEVARD SANTA ANA, CALIFORNIA 92704-5803 FORMERLY NUTT-SHEL DIV OF SPC WESTERN CO V80539 AND STANDARD PRESSED STEEL WESTERN DIV V17279
81872	OLYMPIC PLASTICS CO SUB OF INTERCONTENTAL DIAMOND CORP 5800 WEST JEFFERSON BOULEVARD LOS ANGELES, CALIFORNIA 90016-3109
83564	WEMAC DIV OF PURITAN-BENNETT AERO SYS CO 18475 PACIFIC STREET PO BOX 8797 FOUNTAIN VALLEY, CALIFORNIA 92708-7004 FORMERLY IN SANTA ANA, CALIFORNIA WEMAC AIRCRAFT AND PRECISION PRODUCTS AND PURITAN BENNETT AERO SYS WEMAC DIV
84483	ENRICO FASTENING SYSTEMS 301 NEW ALBANY ROAD MOORESTOWN, NEW JERSEY 08057-1120 FORMERLY OMARK IND INC AND KSM WELDING SYS DIV OF OMARK IND INC AND KSM FASTENING SYSTEMS
91929	HONEYWELL INC MICRO SWITCH DIV 11 WEST SPRING STREET FREEPORT, ILLINOIS 61032 FORMERLY MICRO SWITCH A DIV OF HONEYWELL FORMERLY V74059 AND V40228
92215	FAIRCHILD IND INC FAIRCHILD AEROSPACE FASTENER DIV 3010 W LOMITA BLVD TORRANCE, CALIFORNIA 90505-5102 FORMERLY VOI-SHAN IN CULVER CITY, CALIF
93907	TEXTRON INC CAMCAR DIV 600 18TH AVENUE ROCKFORD, ILLINOIS 61101

25-23-34

ILLUSTRATED PARTS LIST

Page 1010

Nov 01/2008



COMPONENT MAINTENANCE MANUAL

Code	Name
95272	STILLMAN SEL CORP 6020 AVENIDA ENCINAS CARLSBAD, CALIFORNIA 92009-1001 FORMERLY SARGENT IND
97393	SHUR-LOK CORPORATION 2541 WHITE ROAD PO BOX 19584 IRVINE, CALIFORNIA 92623-9584 FORMERLY SHUR LOK CORP VB0060 FORMERLY IN SANTA ANA, CALIFORNIA 92714
97464	INDUSTRIAL RETAINING RING COMPANY 57 CORDIER STREET IRVINGTON, NEW JERSEY 07111-4035
97564	POLLAK CORP TRANSPORTATION ELECTRONICS DIV 11801 MIRIAM DR SUITE B-1 EL PASO, TEXAS 79936-7430 FORMERLY GENERAL INSTRUMENT V54753
97928	Replaced: [V97928] SEE V17446 HUCK INTL by Code: Name and Address below 17446: HUCK INTL INC AEROSPACE FASTENER DIV 900 WATSON CENTER ROAD CARSON, CALIFORNIA 90745-4201 FORMERLY V32134 REXNORD INC; FORMERLY V97928 HUCK INTL
98996	OLYMPIC FASTENING SYSTEMS INC DOWNEY, CALIFORNIA 90241-4986 OBSOLETE RECORD
D1379	DRAEGERWERK AG MOISLINGER ALLEE 53-55 LUEBECK D23558, GERMANY

25-23-34

ILLUSTRATED PARTS LIST

Page 1011

Nov 01/2008



COMPONENT MAINTENANCE MANUAL

NUMERICAL INDEX

PART NUMBER	AIRLINE PART NUMBER	FIGURE	ITEM	UNITS PER ASSEMBLY		
10-1006-1		1	155	1		
		2	135A	1		
		4	140	1		
		6	120	1		
		8	30	1		
		10	30	1		
		12	30	1		
		14	25	1		
		15	125	1		
		16	20	1		
		17	95	1		
		18	80	1		
		19	20	1		
		20	75	1		
		30	80	1		
		31	80	1		
		32	80	1		
		33	95	1		
		10-1006-2		1	160	1
				2	135	1
5	140			1		
6	123			1		
8	35			1		
9	25			1		
10	35			1		
11	105			1		
12	35			1		
13	230			1		
15	130			1		
16	25			1		
17	100			1		
18	85			1		
19	20A			1		
		30	85	1		

25-23-34

ILLUSTRATED PARTS LIST

Page 1012

Jul 01/2007



COMPONENT MAINTENANCE MANUAL

PART NUMBER	AIRLINE PART NUMBER	FIGURE	ITEM	UNITS PER ASSEMBLY	
10-60141-23A		31	82	1	
		32	82	1	
		33	100	1	
		1	45G	3	
		6	30D	3	
		8	245G	3	
		10	245D	3	
		12	110C	3	
		13	35C	3	
		14	270C	3	
		15	40C	3	
		16	75D	3	
		17	45C	3	
		18	30C	3	
		19	70C	3	
		20	25C	3	
		30	30D	3	
		32	30C	3	
	10-60141-23S		33	370	3
			1	45F	3
		6	30C	3	
		8	245F	3	
		10	245A	3	
		12	110A	3	
		13	35B	3	
		14	270A	3	
		15	40B	3	
		16	75B	3	
		17	45B	3	
		18	30B	3	
	19	70A	3		
	20	25B	3		
	30	30C	3		
	31	30B	3		
	32	30B	3		

25-23-34

ILLUSTRATED PARTS LIST

Page 1013

Nov 01/2008



COMPONENT MAINTENANCE MANUAL

PART NUMBER	AIRLINE PART NUMBER	FIGURE	ITEM	UNITS PER ASSEMBLY		
10-60141-23T		33	370A	3		
		1	45B	3		
		6	30A	3		
		8	245H	3		
		30	30A	3		
		33	370B	3		
10-60141-23U		1	45E	3		
		6	30B	3		
		8	245E	3		
		10	245B	3		
		12	110B	3		
		13	35A	3		
		14	270B	3		
		15	40A	3		
		16	75C	3		
		17	45A	3		
		18	30A	3		
		19	70B	3		
		20	25A	3		
		30	30B	3		
		31	30A	3		
		32	30A	3		
		33	370C	3		
		10-60141-25		8	245C	1
				10	245C	3
				16	75	1
17	40			3		
10-61790-1		1	395	1		
		2	365	1		
		2	365	1		
		4	340	1		
		4	340	1		
		5	340	1		
		5	340	1		
		6	320	1		

25-23-34

ILLUSTRATED PARTS LIST

Page 1014

Nov 01/2008



COMPONENT MAINTENANCE MANUAL

PART NUMBER	AIRLINE PART NUMBER	FIGURE	ITEM	UNITS PER ASSEMBLY
		6	320	1
		7	215	1
		7	215	1
		8	490	1
		8	490	1
		9	340	1
		9	340	1
		10	460	1
		10	460	1
		11	295	1
		11	295	1
		12	535	1
		12	535	1
		13	420	1
		13	420	1
		14	715	1
		14	715	1
		15	385	1
		15	385	1
		16	315	1
		16	315	1
		17	315	1
		17	315	1
		18	340	1
		18	340	1
		19	495	1
		19	495	1
		20	460	1
		20	460	1
		30	330	1
		30	330	1
		31	545	1
		31	545	1
		32	465	1
		32	465	1

25-23-34

ILLUSTRATED PARTS LIST

Page 1015

Jul 01/2007



COMPONENT MAINTENANCE MANUAL

PART NUMBER	AIRLINE PART NUMBER	FIGURE	ITEM	UNITS PER ASSEMBLY
		33	340	1
		33	340	1
10-62232-01		1	230A	1
		8	390A	1
117003-13		8	310B	1
		10	310B	1
		12	175B	1
		15	315	1
		16	140B	1
		17	295	1
		18	270	1
117003-14		1	375	1
		2	340	1
		6	300	1
		7	195	1
		8	310	1
		9	150	1
		10	310	1
		11	275	1
		12	175	1
		13	400	1
		14	530	1
		15	310	1
		16	140	1
		17	290	1
		18	265	1
		19	135	1
		20	420	1
		30	260	1
		31	280	1
		32	260	1
117003-22		33	235	2
130008		1	346	1
		2	312	1
		6	285	1

25-23-34

ILLUSTRATED PARTS LIST

Page 1016

Nov 01/2008



COMPONENT MAINTENANCE MANUAL

PART NUMBER	AIRLINE PART NUMBER	FIGURE	ITEM	UNITS PER ASSEMBLY
1707-23A		7	180	1
		8	330	1
		9	170	1
		10	330	1
		11	260	1
		12	195	1
		13	385	1
		14	550	1
		15	295	1
		16	160	1
		17	275	1
		18	250	1
		19	155	1
		20	405	1
		30	245	1
		31	255	1
		32	245	1
		33	265	1
		1	45G	3
		8	245G	3
		12	110C	3
		13	35C	3
		14	270C	3
		15	40C	3
		16	75D	3
		17	45C	3
		18	30C	3
		19	70C	3
		20	25C	3
		30	30D	3
		32	30C	3
1TW2-3		1	320	1
		2	285	1
		4	320	1
		5	320	1

25-23-34

ILLUSTRATED PARTS LIST

Page 1017

Nov 01/2008



COMPONENT MAINTENANCE MANUAL

PART NUMBER	AIRLINE PART NUMBER	FIGURE	ITEM	UNITS PER ASSEMBLY
		6	245	1
		8	465	1
		9	310	1
		10	435	1
		11	220	1
		12	510	1
		13	345	1
		14	690	1
		15	250	1
		16	290	1
		17	230	1
		18	205	1
		19	470	1
		20	365	1
		30	205	1
		31	215	1
		32	205	1
26C82		1	460	1
		2	430	1
		4	395	1
		7	265	1
		12	295	1
		19	250	1
		31	365	1
		32	315	1
286N0512-002		20	360A	1
286N0512-007		8	470C	1
		30	200C	1
		33	220	1
286N0514-003		4	315	1
		5	315	1
		30	200A	1
		31	210A	1
286N0538-001		30	200B	1
		33	220A	1

25-23-34

ILLUSTRATED PARTS LIST

Page 1018

Nov 01/2008



COMPONENT MAINTENANCE MANUAL

PART NUMBER	AIRLINE PART NUMBER	FIGURE	ITEM	UNITS PER ASSEMBLY
2TW2-3		10	435A	1
		30	205A	1
		33	225	1
306S9		15	355	1
		18	310	1
3740-1		1	45G	3
		8	245G	3
3740-3		1	45E	3
		8	245E	3
3740-4		1	45F	3
		8	245F	3
3SAV1338A2		4	215	1
		5	215	1
		20	442	1
		30	290	1
		31	310	1
417N3063-4		6	45	1
		8	260	1
		10	260	1
		12	125	1
		13	50	1
		14	285	1
		15	55	1
		16	90	1
		17	60	1
		18	45	1
		19	85	1
		20	40	1
		30	45	1
		31	45	1
		32	45	1
33	385	1		
417N3071-2		3	75	1
417N3071-3		3	75A	1
417N3080-1SP		1	560	1

25-23-34

ILLUSTRATED PARTS LIST

Page 1019

Nov 01/2008



COMPONENT MAINTENANCE MANUAL

PART NUMBER	AIRLINE PART NUMBER	FIGURE	ITEM	UNITS PER ASSEMBLY
417N3080-3		2	530	1
		4	490	1
		5	490	1
		7	345	1
		12	380	1
		13	555	1
		19	335	1
		31	460	1
		32	395	1
		1	625	1
		2	595	1
		4	550	1
		5	550	1
417N3081-1SP		7	390	1
		12	425	1
		13	600	1
		19	380	1
		31	515	1
		32	440	1
		1	630	1
		2	600	1
		4	555	1
		5	555	1
		7	395	1
		12	430	1
		13	605	1
417N3082-1		19	385	1
		31	520	1
		32	445	1
		1	615	1
		2	585	1
		4	540	1
		5	540	1
		7	380	1
		12	415	1

25-23-34

ILLUSTRATED PARTS LIST

Page 1020

Nov 01/2008



COMPONENT MAINTENANCE MANUAL

PART NUMBER	AIRLINE PART NUMBER	FIGURE	ITEM	UNITS PER ASSEMBLY		
417N3083-1		13	590	1		
		19	370	1		
		31	505	1		
		32	430	1		
		1	610	2		
		2	580	2		
		4	535	2		
		5	535	2		
		7	375	2		
		12	410	2		
		13	585	2		
		19	365	2		
		31	500	2		
417N3083-2		32	425	2		
		1	595	2		
		2	565	2		
		4	520	2		
		5	520	2		
		7	360	2		
		12	395	2		
		13	570	2		
		19	350	2		
		31	485	2		
		32	410	2		
		417N3083-3		1	600	1
				2	570	1
4	525			1		
5	525			1		
7	365			1		
12	400			1		
13	575			1		
19	355			1		
31	490			1		
32	415			1		
417N3083-4				1	605	1

25-23-34

ILLUSTRATED PARTS LIST

Page 1021

Nov 01/2008



COMPONENT MAINTENANCE MANUAL

PART NUMBER	AIRLINE PART NUMBER	FIGURE	ITEM	UNITS PER ASSEMBLY
		2	575	1
		4	530	1
		5	530	1
		7	370	1
		12	405	1
		13	580	1
		19	360	1
		31	495	1
		32	420	1
417N3084-1		31	450	1
417N3084-1SP		1	510	1
		2	480	1
		4	440	1
		5	440	1
		7	300	1
		12	335	1
		13	510	1
		19	290	1
		32	360	1
417N3100-122SP		1	6	RF
		8	5	RF
417N3100-123SP		1	2	RF
		8	1	RF
417N3100-124SP		1	6A	RF
		10	5	RF
417N3100-125SP		1	2A	RF
		10	1	RF
417N3100-15		1	205	1
		2	170	1
		4	180	1
		5	180	1
		7	35	1
		8	370	1
		9	205	1
		12	230	1

25-23-34

ILLUSTRATED PARTS LIST

Page 1022

Nov 01/2008



COMPONENT MAINTENANCE MANUAL

PART NUMBER	AIRLINE PART NUMBER	FIGURE	ITEM	UNITS PER ASSEMBLY
		14	585	1
417N3100-162SP		1	6B	RF
		8	5A	RF
417N3100-164SP		1	6C	RF
		10	5A	RF
417N3100-17		8	370A	1
		16	195	1
		19	190	1
		20	425	1
		30	265	1
		31	285	1
		32	265	1
417N3100-177SP		1	2B	RF
		14	1	RF
417N3100-179SP		1	2C	RF
		14	1A	RF
417N3100-19		5	210	1
		30	285	1
		31	307	1
417N3100-199SP		16	60B	1
417N3100-203SP		1	2D	RF
		14	1B	RF
417N3100-205SP		1	2E	RF
		14	1C	RF
417N3100-213SP		1	2F	RF
		8	1A	RF
417N3100-214SP		1	6D	RF
		8	5B	RF
417N3100-215SP		1	2G	RF
		10	1A	RF
417N3100-216SP		1	6E	RF
		10	5B	RF
417N3100-222SP		1	6F	RF
		12	5	RF
417N3100-224SP		1	6G	RF

25-23-34

ILLUSTRATED PARTS LIST

Page 1023

Nov 01/2008



COMPONENT MAINTENANCE MANUAL

PART NUMBER	AIRLINE PART NUMBER	FIGURE	ITEM	UNITS PER ASSEMBLY
		13	1	RF
417N3100-241SP		1	2H	RF
		8	1B	RF
417N3100-242SP		1	7N	RF
		8	5H	RF
417N3100-243SP		1	3M	RF
		8	1H	RF
417N3100-244SP		1	6H	RF
		8	5C	RF
417N3100-250SP		1	6J	RF
		12	5A	RF
417N3100-251SP		1	2J	RF
		12	1	RF
417N3100-258SP		15	5A	RF
417N3100-25SP		1	30	1
		6	20	1
		8	230	1
		10	230	1
		12	100	1
		13	25	1
		14	260	1
		15	30	1
		16	60A	1
		17	25	1
		18	20	1
		19	60	1
		20	15	1
		30	20	1
		31	20	1
		32	20	1
		33	360	1
417N3100-26		8	230A	1
		10	230A	1
		16	60	1
		17	20	1

25-23-34

ILLUSTRATED PARTS LIST

Page 1024

Nov 01/2008



COMPONENT MAINTENANCE MANUAL

PART NUMBER	AIRLINE PART NUMBER	FIGURE	ITEM	UNITS PER ASSEMBLY
417N3100-266SP		1	6K	RF
		9	1	RF
417N3100-268SP		1	6L	RF
		11	1	RF
417N3100-283SP		1	2K	RF
		8	1C	RF
417N3100-284SP		1	6M	RF
		8	5D	RF
417N3100-285SP		1	2L	RF
		8	1D	RF
417N3100-286SP		1	6N	RF
		8	5E	RF
417N3100-29		15	320	1
		18	275	1
417N3100-293SP		1	2M	RF
		8	1E	RF
417N3100-294SP		1	6P	RF
		8	5F	RF
417N3100-295SP		1	2N	RF
		10	1B	RF
417N3100-296SP		1	6Q	RF
		10	5C	RF
417N3100-30		15	325	1
		18	280	1
417N3100-313SP		1	2P	RF
		15	1	RF
417N3100-314SP		1	6R	RF
		15	5	RF
417N3100-31SP		1	415	1
		2	385	1
		4	360	1
		7	235	1
		12	255	1
		19	210	1
		31	350	1

25-23-34

ILLUSTRATED PARTS LIST

Page 1025

Nov 01/2008



COMPONENT MAINTENANCE MANUAL

PART NUMBER	AIRLINE PART NUMBER	FIGURE	ITEM	UNITS PER ASSEMBLY
		32	285	1
417N3100-322SP		1	7F	RF
		12	5B	RF
417N3100-324SP		1	7G	RF
		12	5C	RF
417N3100-32SP		1	420	1
		2	390	1
		5	360	1
		12	260	1
		13	440	1
		19	210A	1
		31	352	1
		32	287	1
417N3100-333SP		1	2Q	RF
		8	1F	RF
417N3100-336SP		1	6S	RF
		8	5G	RF
417N3100-342SP		1	6T	RF
		9	1A	RF
417N3100-344SP		1	6U	RF
		11	1A	RF
417N3100-363SP		1	1	RF
417N3100-364SP		1	5	RF
417N3100-365SP		1	1A	RF
		2	1	RF
417N3100-366SP		1	5A	RF
		2	5	RF
417N3100-367SP		1	2R	RF
		14	1D	RF
417N3100-369SP		1	2S	RF
		14	1E	RF
417N3100-377		4	210	1
		20	441	1
		31	305	1
417N3100-39SP		14	340	1

25-23-34

ILLUSTRATED PARTS LIST

Page 1026

Nov 01/2008



COMPONENT MAINTENANCE MANUAL

PART NUMBER	AIRLINE PART NUMBER	FIGURE	ITEM	UNITS PER ASSEMBLY
		20	110	1
417N3100-407SP		1	2T	RF
		16	1	RF
417N3100-409SP		1	2U	RF
		17	1	RF
417N3100-415SP		1	3E	RF
		8	1G	RF
417N3100-417SP		1	2V	RF
		16	1A	RF
417N3100-418SP		1	6V	RF
		16	5	RF
417N3100-419SP		1	1B	RF
		30	1	RF
417N3100-420SP		1	7H	RF
		10	5E	RF
417N3100-421SP		1	1C	RF
		30	1A	RF
417N3100-422SP		1	6W	RF
		16	5A	RF
417N3100-423SP		1	2W	RF
		18	1	RF
417N3100-424SP		1	6X	RF
		16	5B	RF
417N3100-426SP		1	5B	RF
		30	5	RF
417N3100-428SP		1	5C	RF
		30	5A	RF
417N3100-429SP		1	2X	RF
		16	1B	RF
417N3100-430SP		1	6Y	RF
		18	5	RF
417N3100-440SP		1	6Z	RF
		16	5C	RF
417N3100-445SP		1	2Y	RF
		19	1	RF

25-23-34

ILLUSTRATED PARTS LIST

Page 1027

Nov 01/2008



COMPONENT MAINTENANCE MANUAL

PART NUMBER	AIRLINE PART NUMBER	FIGURE	ITEM	UNITS PER ASSEMBLY
417N3100-447SP		1	1D	RF
		31	1	RF
417N3100-449SP		1	1E	RF
		31	1A	RF
417N3100-451SP		1	1F	RF
		31	1B	RF
417N3100-452SP		1	7	RF
		17	5	RF
417N3100-453SP		1	1G	RF
		31	1C	RF
417N3100-459SP		1	1H	RF
		31	1D	RF
417N3100-46		8	300A	1
		10	300A	1
		12	165A	1
		15	260	1
		16	130A	1
		17	240	1
		18	215	1
		19	215	1
417N3100-461SP		1	1J	RF
		31	1E	RF
417N3100-466SP		1	7A	RF
		19	5	RF
417N3100-468SP		1	5D	RF
		31	5	RF
417N3100-470SP		1	5E	RF
		31	5A	RF
417N3100-471SP		1	2Z	RF
		20	1	RF
417N3100-473SP		1	3	RF
		20	1A	RF
417N3100-474SP		1	5F	RF
		31	5B	RF
417N3100-476SP		1	5G	RF
		31	5C	RF

25-23-34

ILLUSTRATED PARTS LIST

Page 1028

Nov 01/2008



COMPONENT MAINTENANCE MANUAL

PART NUMBER	AIRLINE PART NUMBER	FIGURE	ITEM	UNITS PER ASSEMBLY
417N3100-478SP		1	5H	RF
		31	5D	RF
417N3100-479SP		1	1K	RF
		32	1	RF
417N3100-48		1	325	1
		2	290	1
		6	250	1
		7	145	1
		8	300	1
		9	140	1
		10	300	1
		11	225	1
		12	165	1
		13	350	1
		14	515	1
		15	255	1
		16	130	1
		17	235	1
		18	210	1
		19	125	1
		20	370	1
		30	210	1
		31	220	1
		32	210	1
417N3100-480SP		1	5J	RF
		31	5E	RF
417N3100-486SP		1	5K	RF
		31	5F	RF
417N3100-488SP		1	5L	RF
		31	5G	RF
417N3100-492SP		1	5M	RF
		32	5	RF
417N3100-494SP		1	5N	RF
		32	5A	RF
417N3100-503SP		1	1L	RF

25-23-34

ILLUSTRATED PARTS LIST

Page 1029

Nov 01/2008



COMPONENT MAINTENANCE MANUAL

PART NUMBER	AIRLINE PART NUMBER	FIGURE	ITEM	UNITS PER ASSEMBLY
		6	1	RF
417N3100-504SP		1	5P	RF
		6	5	RF
417N3100-51		8	100	1
		10	100	1
		14	115	1
417N3100-52		8	100A	1
		10	105	1
		13	115	1
417N3100-53		14	115A	1
417N3100-533SP		1	1M	RF
		7	1	RF
417N3100-595SP		1	1N	RF
		30	1B	RF
417N3100-596SP		1	5Q	RF
		30	5B	RF
417N3100-600SP		1	5R	RF
		5	1	RF
417N3100-601SP		1	1P	RF
		4	1	RF
417N3100-602SP		1	5S	RF
		5	1A	RF
417N3100-603SP		1	1Q	RF
		4	1A	RF
417N3100-604SP		1	5T	RF
		5	1B	RF
417N3100-605SP		1	1R	RF
		4	1B	RF
417N3100-633SP		1	3A	RF
		16	1C	RF
417N3100-634SP		1	7B	RF
		16	5D	RF
417N3100-643SP		1	3F	RF
		20	1B	RF
417N3100-645SP		1	3G	RF

25-23-34

ILLUSTRATED PARTS LIST

Page 1030

Nov 01/2008



COMPONENT MAINTENANCE MANUAL

PART NUMBER	AIRLINE PART NUMBER	FIGURE	ITEM	UNITS PER ASSEMBLY
		20	1C	RF
417N3100-647SP		1	3H	RF
		20	1D	RF
417N3100-649SP		1	3B	RF
		30	1C	RF
417N3100-650SP		1	7C	RF
		30	5C	RF
417N3100-657SP		1	3C	RF
		10	1C	RF
417N3100-658SP		1	7D	RF
		10	5D	RF
417N3100-659SP		1	3D	RF
		30	1D	RF
417N3100-662SP		1	7E	RF
		30	5D	RF
417N3100-687SP		1	3J	RF
		33	1	RF
417N3100-688SP		1	7K	RF
		33	5	RF
417N3100-689SP		1	3K	RF
		33	1A	RF
417N3100-690SP		1	7L	RF
		33	5A	RF
417N3100-691SP		1	3L	RF
		33	1B	RF
417N3100-692SP		1	7M	RF
		33	5B	RF
417N3100-71		1	380	2
		2	350	2
		4	325	2
		5	325	2
		6	305	2
		7	200	2
		8	475	2
		9	320	2

25-23-34

ILLUSTRATED PARTS LIST

Page 1031

Nov 01/2008



COMPONENT MAINTENANCE MANUAL

PART NUMBER	AIRLINE PART NUMBER	FIGURE	ITEM	UNITS PER ASSEMBLY
		10	445	2
		11	280	2
		12	520	2
		13	405	2
		14	700	2
		15	370	2
		16	300	2
		17	300	2
		18	325	2
		19	480	2
		20	445	2
		30	315	2
		31	525	2
		32	450	2
		33	325	2
417N3100-73		1	485	1
		2	455	1
		4	415	1
		5	415	1
		7	305	1
		12	340	1
		13	515	1
		19	295	1
		31	385	1
		32	335	1
417N3100-74		1	500	2
		2	470	2
		4	430	2
		5	430	2
		7	280	2
		12	315	2
		13	490	2
		19	270	2
		31	400	2
		32	350	2

25-23-34

ILLUSTRATED PARTS LIST

Page 1032

Nov 01/2008



COMPONENT MAINTENANCE MANUAL

PART NUMBER	AIRLINE PART NUMBER	FIGURE	ITEM	UNITS PER ASSEMBLY		
417N3100-78		1	535	1		
		2	505	1		
		4	465	1		
		5	465	1		
		7	325	1		
		12	360	1		
		13	535	1		
		19	315	1		
		31	425	1		
		32	375	1		
		417N3100-81		6	50	1
				8	40	1
8	40A			1		
10	40			1		
10	40A			1		
12	40			1		
13	55			1		
14	30			1		
14	30A			1		
15	60			1		
33	30			1		
417N3100-82				7	5	1
417N3100-83				4	25	1
		5	25	1		
		9	30	1		
		11	25	1		
		14	30B	1		
417N3100-86		1	55	1		
417N3100-88		2	30	1		
417N3100-92		8	40B	1		
		10	40B	1		
		16	30	1		
		17	65	1		
		18	50	1		
		19	30	1		

25-23-34

ILLUSTRATED PARTS LIST

Page 1033

Nov 01/2008



COMPONENT MAINTENANCE MANUAL

PART NUMBER	AIRLINE PART NUMBER	FIGURE	ITEM	UNITS PER ASSEMBLY
417N3100-94		20	45	1
		30	50	1
		31	50	1
		32	50	1
		417N3101-1SP	2	155
417N3101-2SP		4	170	1
		5	170	1
		9	130	1
		11	120	1
		14	330	1
		1	190	1
		6	150	1
		8	285	1
		10	285	1
		12	150	1
417N3101-5SP		13	240	1
		14	315	1
		15	155	1
		33	130	1
		20	79	1
		31	112	1
		32	113	1
417N3101-6SP		8	285A	1
		16	115	1
		17	125	1
		18	110	1
		19	110	1
		20	100	1
		30	110	1
		31	110	1
		32	105	1
		417N3102-1		3
21	203			2
22	285			2
23	225			2

25-23-34

ILLUSTRATED PARTS LIST

Page 1034

Nov 01/2008



COMPONENT MAINTENANCE MANUAL

PART NUMBER	AIRLINE PART NUMBER	FIGURE	ITEM	UNITS PER ASSEMBLY
417N3103-1		24	195	2
		25	330	2
		26	225	2
		27	190	2
		28	440	2
		29	240	2
		1	50	1
		6	40	1
		8	255	1
		10	255	1
		12	120	1
		13	45	1
		14	280	1
		15	50	1
		16	85	1
		17	55	1
		18	40	1
		19	80	1
		20	35	1
	417N3104-1		30	40
		31	40	1
		32	40	1
		33	380	1
		1	225	1
		2	190	1
		4	200	1
		5	200	1
		7	55	1
		8	385	1
		9	225	1
		12	245	1
		14	605	1
417N3104-2		8	385A	1
		16	210	1
		19	205	1

25-23-34

ILLUSTRATED PARTS LIST

Page 1035

Nov 01/2008



COMPONENT MAINTENANCE MANUAL

PART NUMBER	AIRLINE PART NUMBER	FIGURE	ITEM	UNITS PER ASSEMBLY
		20	435	1
		30	275	1
		31	295	1
		32	275	1
		33	320	1
417N3105-3SP		14	320	1
417N3105-4SP		8	265	1
		10	265	1
		12	130A	1
		13	235	1
		14	295	1
417N3105-5SP		2	140	1
		4	145	1
		5	145	1
		9	110	1
		11	110	1
		14	320A	1
417N3105-6SP		1	165	1
		6	125	1
		8	265A	1
		8	265B	1
		10	265A	1
		10	265B	1
		12	130	1
		12	130B	1
		13	235A	1
		14	295A	1
		14	295B	1
		15	135	1
		33	105	1
417N3105-8SP		20	76	1
		31	85	1
		32	107	1
417N3105-9SP		8	265C	1
		10	265C	1

25-23-34

ILLUSTRATED PARTS LIST

Page 1036

Nov 01/2008



COMPONENT MAINTENANCE MANUAL

PART NUMBER	AIRLINE PART NUMBER	FIGURE	ITEM	UNITS PER ASSEMBLY
		16	95	1
		17	105	1
		18	90	1
		19	90	1
		20	80	1
		30	90	1
		31	87	1
		32	85	1
417N3110-11SP		8	510	1
		10	480	1
		23	1	RF
417N3110-12SP		8	515	1
		10	485	1
		23	5	RF
417N3110-17SP		14	735	1
		26	1	RF
417N3110-18		26	20	1
417N3110-187SP		24	1B	RF
		33	390	1
417N3110-188SP		24	5B	RF
		33	395	1
417N3110-189		24	20A	1
417N3110-190		24	25A	1
417N3110-223		27	15A	1
417N3110-224		29	5A	1
417N3110-27SP		14	735A	1
		14	735B	1
		26	1A	RF
		26	1B	RF
417N3110-31SP		8	510A	1
		8	510B	1
		10	480A	1
		10	480B	1
		15	405	1
		24	1	RF

25-23-34

ILLUSTRATED PARTS LIST

Page 1037

Nov 01/2008



COMPONENT MAINTENANCE MANUAL

PART NUMBER	AIRLINE PART NUMBER	FIGURE	ITEM	UNITS PER ASSEMBLY
417N3110-32SP		24	1A	RF
		8	515A	1
		8	515B	1
		9	360	1
		10	485A	1
		10	485B	1
		11	315	1
		15	410	1
		24	5	RF
		24	5A	RF
417N3110-35SP		1	645	1
		2	615	1
		3	1	RF
		4	560	1
		12	555	1
417N3110-36SP		1	650	1
		2	620	1
		3	5	RF
		5	560	1
		12	560A	1
		12	560B	1
		13	610	1
417N3110-41SP		6	340	1
		21	1	RF
417N3110-42SP		6	345	1
		21	5	RF
417N3110-45SP		7	400	1
		22	1	RF
417N3110-49		24	20	1
417N3110-50		24	25	1
417N3110-53		21	20	1
417N3110-54		21	25	1
417N3110-55		22	10	1
417N3110-57		3	30	1
417N3110-58		3	35	1

25-23-34

ILLUSTRATED PARTS LIST

Page 1038

Nov 01/2008



COMPONENT MAINTENANCE MANUAL

PART NUMBER	AIRLINE PART NUMBER	FIGURE	ITEM	UNITS PER ASSEMBLY
417N3110-6SP		12	560	1
		13	610A	1
		25	1	RF
417N3110-77SP		8	510C	1
		10	480C	1
		16	335	1
		17	335	1
		18	360	1
		27	1	RF
		30	350	1
		417N3110-78SP		10
417N3110-79		16	340	1
		17	340	1
		18	365	1
		27	5	RF
		30	355	1
		27	10	1
		417N3110-81SP		19
417N3110-82SP		28	1	RF
		31	565	1
		32	485	1
		19	520	1
		28	5	RF
417N3110-85		31	567	1
		32	490	1
		28	10	1
417N3110-86		28	15	1
417N3110-93SP		20	480	1
		29	1	RF
417N3111-17SP		21	255	1
417N3111-18SP		21	260	1
417N3111-19SP		22	325A	1
417N3111-1SP		23	280	1
		24	290	1
		27	310	1

25-23-34

ILLUSTRATED PARTS LIST

Page 1039

Nov 01/2008



COMPONENT MAINTENANCE MANUAL

PART NUMBER	AIRLINE PART NUMBER	FIGURE	ITEM	UNITS PER ASSEMBLY
417N3111-2SP		23	285	1
		24	295	1
		27	315	1
417N3111-35SP		24	290A	1
417N3111-36SP		24	295A	1
417N3111-5		28	495	1
417N3111-5SP		3	20	1
417N3111-6		25	380	1
		28	500	1
417N3111-6SP		3	25	1
417N3111-7		29	300	1
417N3111-7SP		26	260	1
417N3113-1		1	620	3
		2	590	3
		4	545	3
		5	545	3
		7	385	3
		12	420	3
		13	595	3
		19	375	3
		31	510	3
		32	435	3
		417N3114-10		3
25	100			1
28	115			1
417N3114-11		3	140	1
		22	90	1
		25	95	1
417N3114-13		28	105	1
		3	105	1
		22	70	1
417N3114-14		28	70	1
		3	110	1
		25	75	1
		28	75	1

25-23-34

ILLUSTRATED PARTS LIST

Page 1040

Nov 01/2008



COMPONENT MAINTENANCE MANUAL

PART NUMBER	AIRLINE PART NUMBER	FIGURE	ITEM	UNITS PER ASSEMBLY
417N3114-15		3	130	2
		22	85	2
		28	95	2
417N3114-16		3	135	2
		25	90	2
		28	100	2
417N3114-17		3	155	1
		22	100	1
		28	120	1
417N3114-18		3	160	1
		25	105	1
		28	125	1
417N3114-7		3	120	2
		22	80	2
		28	85	2
417N3114-8		3	125	2
		25	85	2
		28	90	2
417N3114-9		3	145	1
		22	95	1
		28	110	1
417N3121-111		22	290	1
417N3121-115		23	240	1
		24	250	1
		26	235	1
417N3121-116		23	245	1
		24	255	1
417N3121-117		3	485	1
417N3121-118		3	490	1
		25	355	1
417N3121-119		23	185	1
417N3121-120		23	190	1
		25	160	1
417N3121-129		26	170	1
		29	210	1

25-23-34

ILLUSTRATED PARTS LIST

Page 1041

Nov 01/2008



COMPONENT MAINTENANCE MANUAL

PART NUMBER	AIRLINE PART NUMBER	FIGURE	ITEM	UNITS PER ASSEMBLY
417N3121-131		26	130	1
		29	145	1
417N3121-133		22	125	1
417N3121-134		22	145	1
417N3121-138		5	235	1
		30	310	1
		31	345	1
417N3121-139		4	235	1
		20	444Q	1
		31	340	1
417N3121-145		21	205	1
417N3121-146		21	210	1
417N3121-147		21	245	1
417N3121-148		21	250	1
417N3121-15		21	252	1
417N3121-155		21	230	1
417N3121-156		21	235	1
417N3121-157		21	135	1
417N3121-158		21	140	1
417N3121-159		21	165	1
417N3121-16		21	253	1
417N3121-160		21	170	1
417N3121-161		22	320	1
417N3121-163		3	325	1
		22	190	1
		28	195	1
417N3121-164		3	330	1
		25	125	1
		28	200	1
417N3121-165		3	350	1
		22	210	1
		28	215	1
417N3121-166		3	355	1
		25	145	1
		28	220	1

25-23-34

ILLUSTRATED PARTS LIST

Page 1042

Nov 01/2008



COMPONENT MAINTENANCE MANUAL

PART NUMBER	AIRLINE PART NUMBER	FIGURE	ITEM	UNITS PER ASSEMBLY
417N3121-167		22	235	1
417N3121-171		3	370	1
		21	125	1
		24	160	1
		26	175	1
417N3121-172		3	375	1
		21	130	1
		24	165	1
417N3121-173		22	315	1
417N3121-175		3	185	1
		28	225	1
417N3121-176		3	190	1
		25	210	1
		28	230	1
417N3121-177		3	220	1
		28	250	1
417N3121-178		3	225	1
		25	240	1
		28	255	1
417N3121-27		3	475	1
		22	115	1
417N3121-271		27	155	1
		28	465	1
		29	290	1
417N3121-272		27	160	1
		28	470	1
417N3121-273		27	125	1
417N3121-274		27	130	1
417N3121-275		21	180	1
417N3121-276		21	185	1
417N3121-279		28	445	1
417N3121-28		3	480	1
		25	350	1
417N3121-280		28	450	1
417N3121-281		27	145	1

25-23-34

ILLUSTRATED PARTS LIST

Page 1043

Nov 01/2008



COMPONENT MAINTENANCE MANUAL

PART NUMBER	AIRLINE PART NUMBER	FIGURE	ITEM	UNITS PER ASSEMBLY
		28	455	1
		29	275	1
417N3121-282		27	150	1
		28	460	1
417N3121-285		28	285	1
417N3121-286		28	290	1
417N3121-287		28	305	1
417N3121-288		28	310	1
417N3121-301		27	228	1
417N3121-302		27	230	1
417N3121-303		27	248	1
417N3121-304		27	251	1
417N3121-305		27	135	1
		28	415	1
		29	215	1
417N3121-306		27	140	1
		28	420	1
417N3121-307		28	140	1
		29	150	1
417N3121-308		28	145	1
417N3121-309		27	195	1
417N3121-310		27	200	1
417N3121-311		27	220	1
417N3121-312		27	225	1
417N3121-313		28	165	1
		29	170	1
417N3121-314		28	170	1
417N3121-315		27	300	2
		28	375	2
		29	35	2
417N3121-316		27	305	1
		28	378	1
		29	40	1
417N3121-317		24	270A	1
417N3121-318		24	275A	1

25-23-34

ILLUSTRATED PARTS LIST

Page 1044

Nov 01/2008



COMPONENT MAINTENANCE MANUAL

PART NUMBER	AIRLINE PART NUMBER	FIGURE	ITEM	UNITS PER ASSEMBLY
417N3121-319		24	260A	1
417N3121-320		24	265A	1
417N3121-321		24	105A	1
417N3121-322		24	110A	1
417N3121-323		24	240A	1
417N3121-324		24	245A	1
417N3121-329		24	148M	1
417N3121-330		24	149	1
417N3121-331		24	149L	1
417N3121-332		24	149M	1
417N3121-333		24	205A	1
417N3121-334		24	210A	1
417N3121-335		24	230A	1
417N3121-336		24	235A	1
417N3121-337		24	91	1
417N3121-338		24	93	1
417N3121-339		24	115A	1
417N3121-340		24	120A	1
417N3121-341		24	140A	1
417N3121-342		24	145A	1
417N3121-35		3	505	1
		23	260	1
		24	260	1
		26	250	1
417N3121-359		29	270A	1
417N3121-36		3	510	1
		23	265	1
		24	265	1
		25	370	1
417N3121-360		29	175A	1
417N3121-361		29	195A	1
417N3121-47		23	140	1
		24	205	1
		26	180	1
417N3121-48		23	145	1

25-23-34

ILLUSTRATED PARTS LIST

Page 1045

Nov 01/2008



COMPONENT MAINTENANCE MANUAL

PART NUMBER	AIRLINE PART NUMBER	FIGURE	ITEM	UNITS PER ASSEMBLY
417N3121-49		24	210	1
		23	230	1
		24	240	1
417N3121-50		26	230	1
		23	235	1
417N3121-51		24	245	1
		23	165	1
417N3121-52		24	230	1
		26	205	1
		23	170	1
417N3121-61		24	235	1
		23	85	1
417N3121-62		24	115	1
		23	90	1
417N3121-63		24	120	1
		23	110	1
417N3121-64		24	140	1
		23	115	1
417N3121-65		24	145	1
		3	395	1
417N3121-66		22	215	1
		3	400	1
417N3121-67		25	290	1
		3	420	1
417N3121-68		22	228	1
		3	425	1
417N3121-69		25	310	1
		3	290	1
		22	170	1
417N3121-70		26	135	1
		3	295	1
417N3121-71		25	165	1
		3	315	1
		22	188	1
		26	150	1

25-23-34

ILLUSTRATED PARTS LIST

Page 1046

Nov 01/2008



COMPONENT MAINTENANCE MANUAL

PART NUMBER	AIRLINE PART NUMBER	FIGURE	ITEM	UNITS PER ASSEMBLY
417N3121-72		3	320	1
		25	185	1
417N3121-81		23	130	1
		24	105	1
		27	165	1
417N3121-82		23	135	1
		24	110	1
		27	170	1
417N3121-83		3	515	1
		23	270	1
		24	270	1
		26	255	1
		27	290	1
		28	475	1
417N3121-84		29	295	1
		3	520	1
		23	275	1
		24	275	1
		25	375	1
		27	295	1
417N3122-107		28	480	1
		8	160	1
		10	160	1
		14	180	1
417N3122-108		8	160A	1
		10	165	1
		13	170	1
417N3122-109		8	170	1
		10	170	1
		14	185	1
417N3122-110		8	170A	1
		10	175	1
		13	175	1
417N3122-111		1	175	1
		6	135	1

25-23-34

ILLUSTRATED PARTS LIST

Page 1047

Nov 01/2008



COMPONENT MAINTENANCE MANUAL

PART NUMBER	AIRLINE PART NUMBER	FIGURE	ITEM	UNITS PER ASSEMBLY
417N3122-112		8	270	1
		10	270	1
		12	135	1
		13	245	1
		14	300	1
		15	140	1
		16	100	1
		17	110	1
		18	95	1
		19	95	1
		20	85	1
		30	95	1
		31	90	1
		32	90	1
		33	115	1
		1	185	1
		6	145	1
		8	280	1
		10	280	1
		12	145	1
		13	255	1
		14	310	1
		15	150	1
		16	110	1
		17	120	1
		18	105	1
		19	105	1
		20	95	1
		30	105	1
		31	100	1
		32	100	1
		33	125	1
		417N3122-115		1
2	45			2
4	55			2

25-23-34

ILLUSTRATED PARTS LIST

Page 1048

Nov 01/2008



COMPONENT MAINTENANCE MANUAL

PART NUMBER	AIRLINE PART NUMBER	FIGURE	ITEM	UNITS PER ASSEMBLY
		5	55	2
		6	90	2
		8	75	2
		9	70	2
		10	75	2
		11	65	2
		12	75	2
		13	90	2
		14	65	2
		15	100	2
		33	65	2
417N3122-116		7	30	2
417N3122-121		2	105A	1
		4	115	1
		5	115	1
		9	90	1
		11	85	1
		14	95	1
		14	215	1
417N3122-122		2	90A	1
		4	90	1
		5	90	1
		9	80	1
		11	75	1
		14	75	1
		14	195	1
417N3122-123		24	94	1
417N3122-124		24	94J	1
417N3122-125		24	148L	1
417N3122-126		24	94Q	1
417N3122-130		1	150A	1
		2	130A	1
		4	135A	1
		5	135A	1
		6	115A	1

25-23-34

ILLUSTRATED PARTS LIST

Page 1049

Nov 01/2008



COMPONENT MAINTENANCE MANUAL

PART NUMBER	AIRLINE PART NUMBER	FIGURE	ITEM	UNITS PER ASSEMBLY
		8	95A	1
		9	105A	1
		10	95A	1
		11	100A	1
		12	95A	1
		13	200A	1
		14	110A	1
		15	120A	1
		27	275A	1
		28	400A	1
		29	265A	1
417N3122-131		33	90A	1
417N3122-14		1	105	3
		2	70	3
		4	70	2
		5	70	2
		6	95	2
		8	80	2
		8	155	4
		9	75	2
		10	80	2
		10	155	4
		11	70	2
		12	80	2
		13	95	2
		13	165	4
		14	70	2
		14	175	4
		15	105	2
		33	70	2
417N3122-3		3	455	1
417N3122-4		3	460	1
		25	340	1
417N3122-48		3	180	1
		22	120	1

25-23-34

ILLUSTRATED PARTS LIST

Page 1050

Nov 01/2008



COMPONENT MAINTENANCE MANUAL

PART NUMBER	AIRLINE PART NUMBER	FIGURE	ITEM	UNITS PER ASSEMBLY
417N3122-49		25	120	1
		28	135	1
		1	440	1
		2	410	1
		4	380	1
		7	250	1
		12	275	1
		19	230	1
		31	455	1
		32	300	1
417N3122-50		1	445	1
		2	415	1
		5	380	1
		12	280	1
		13	460	1
		19	235	1
		31	455A	1
		32	302	1
417N3122-51		14	375	1
417N3122-52		20	145	1
		14	390	1
417N3122-53		20	160	1
		2	150	1
417N3122-54		4	155	1
		5	155	1
		9	115	1
		11	115	1
		14	325	1
		20	78	1
		31	105	1
		32	112	1
		3	390	1
		21	105	1
	22	245	1	
	23	205	1	

25-23-34

ILLUSTRATED PARTS LIST

Page 1051

Nov 01/2008



COMPONENT MAINTENANCE MANUAL

PART NUMBER	AIRLINE PART NUMBER	FIGURE	ITEM	UNITS PER ASSEMBLY
417N3122-57		24	175	1
		25	285	1
		26	160	1
		27	110	1
		28	282	1
		29	205	1
		3	365	2
		21	115	1
		22	310	2
		23	125	1
		23	180	2
		24	100	1
		24	155	2
		25	155	2
		26	125	1
		26	165	3
		27	120	3
		28	172	1
		28	410	1
	417N3122-6		29	140
		23	10A	7
		25	5A	7
		26	5A	5
417N3122-60		26	10A	2
		1	135	1
		2	110	1
		4	120	1
		5	120	1
		6	100	1
		8	85	1
		8	190	1
		9	95	1
		10	85	1
		10	190	1
	11	90	1	

25-23-34

ILLUSTRATED PARTS LIST

Page 1052

Nov 01/2008



COMPONENT MAINTENANCE MANUAL

PART NUMBER	AIRLINE PART NUMBER	FIGURE	ITEM	UNITS PER ASSEMBLY		
417N3122-61		12	85	1		
		13	100	1		
		13	190	1		
		14	100	1		
		14	220	1		
		15	110	1		
		27	260	1		
		28	385	1		
		29	250	1		
		33	75	1		
		1	150	1		
		2	130	1		
		4	135	1		
		5	135	1		
		6	115	1		
		8	95	1		
		8	200	1		
		9	105	1		
		10	95	1		
		10	200	1		
		11	100	1		
		12	95	1		
		13	110	1		
		13	200	1		
		14	110	1		
		14	230	1		
		15	120	1		
		27	275	1		
		28	400	1		
		29	265	1		
		33	90	1		
		417N3122-64		14	370	1
				20	140	1
417N3122-65		8	145	2		
		10	145	2		

25-23-34

ILLUSTRATED PARTS LIST

Page 1053

Nov 01/2008



COMPONENT MAINTENANCE MANUAL

PART NUMBER	AIRLINE PART NUMBER	FIGURE	ITEM	UNITS PER ASSEMBLY
417N3122-66		13	155	2
		14	160	2
		8	150	1
		10	150	1
		13	160	1
417N3122-71		14	170	1
		8	180	1
		10	180	1
417N3122-72		13	180	1
		14	187	1
		8	185	1
		10	185	1
417N3122-79		13	185	1
		14	190	1
		14	355	1
417N3122-84		20	125	1
		26	95	4
417N3122-85		29	110	4
		26	115	1
417N3122-91		29	130	1
		14	405	1
417N3122-92		20	175	1
		14	420	1
417N3130-111SP		20	190	1
417N3130-112SP		4	175A	1
417N3130-113SP		5	175A	1
417N3130-114SP		33	135	1
417N3130-18SP		33	140	1
417N3130-1SP		14	345	1
		20	115	1
		8	290	1
417N3130-2SP		10	290	1
		14	335	1
		8	295B	1
		10	295B	1

25-23-34

ILLUSTRATED PARTS LIST

Page 1054

Nov 01/2008



COMPONENT MAINTENANCE MANUAL

PART NUMBER	AIRLINE PART NUMBER	FIGURE	ITEM	UNITS PER ASSEMBLY
417N3130-33SP		12	160	1
		13	260	1
		8	290A	1
		8	290B	1
		10	290A	1
		12	155	1
		14	335A	1
417N3130-34SP		8	295C	1
		8	295D	1
		9	135	1
		10	295C	1
		11	135	1
		12	160A	1
		12	160B	1
		13	260A	1
417N3130-35SP		8	290F	1
417N3130-36SP		8	295A	1
		8	295G	1
		10	295A	1
417N3130-4SP		8	295	1
		10	295	1
417N3130-63SP		1	195	1
		2	160	1
		8	290C	1
		10	290B	1
		14	335B	1
		15	160	1
417N3130-64SP		1	200	1
		2	165	1
		8	295F	1
		9	135A	1
		10	295D	1
		11	135A	1
417N3130-65SP		8	290D	1
417N3130-66SP		8	295E	1

25-23-34

ILLUSTRATED PARTS LIST

Page 1055

Nov 01/2008



COMPONENT MAINTENANCE MANUAL

PART NUMBER	AIRLINE PART NUMBER	FIGURE	ITEM	UNITS PER ASSEMBLY		
417N3130-71SP		12	160C	1		
		15	165	1		
		6	155	1		
		31	115	1		
417N3130-72SP		6	160	1		
		31	120	1		
417N3130-73SP		8	290E	1		
		10	290C	1		
		16	120	1		
		17	130	1		
		18	115	1		
		19	115	1		
		20	105	1		
		30	115	1		
		31	115A	1		
		32	115	1		
		417N3130-74SP		10	295E	1
				16	125	1
				19	120	1
30	120			1		
31	120A			1		
32	117			1		
417N3130-75SP		16	120A	1		
417N3130-76SP		16	125A	1		
		17	135	1		
		18	120	1		
417N3133-15		1	545	1		
		2	515	1		
		4	475	1		
		5	475	1		
		7	330	1		
		12	365	1		
		13	540	1		
		19	320	1		
		31	435	1		

25-23-34

ILLUSTRATED PARTS LIST

Page 1056

Nov 01/2008



COMPONENT MAINTENANCE MANUAL

PART NUMBER	AIRLINE PART NUMBER	FIGURE	ITEM	UNITS PER ASSEMBLY
417N3133-16		32	385	1
		1	555	1
		2	525	1
		4	485	1
		5	485	1
		7	335	1
		12	370	1
		13	545	1
		19	325	1
		31	445	1
417N3133-19		32	390A	1
		1	525	2
		2	495	2
		4	455	2
		5	455	2
		7	285	2
		12	320	2
		13	495	2
		19	275	2
		31	415	2
417N3136-103		32	365	2
		3	280	1
		22	165	1
417N3136-104		28	185	1
		3	285	1
		25	205	1
417N3136-108		28	190	1
		3	230	1
		28	315	1
417N3136-109		3	235	1
		25	245	1
		28	320	1
417N3136-110		3	260	1
		28	345	1
417N3136-111		3	265	1

25-23-34

ILLUSTRATED PARTS LIST

Page 1057

Nov 01/2008



COMPONENT MAINTENANCE MANUAL

PART NUMBER	AIRLINE PART NUMBER	FIGURE	ITEM	UNITS PER ASSEMBLY
		25	270	1
		28	350	1
417N3136-12		3	170	1
		22	110	1
		28	137	1
417N3136-133		33	300A	1
417N3136-134		33	300	1
417N3136-15		3	465	1
		22	300	1
417N3136-16		3	470	1
		25	345	1
417N3136-17		4	230	1
		20	444G	1
		31	335	1
417N3136-19		8	205	1
		10	205	1
		13	205	1
		14	235	1
417N3136-21		8	225	1
		10	225	1
		13	225	1
		14	255	1
417N3136-24		3	175	1
		25	115	1
		28	138	1
417N3136-48		14	505	1
		20	275	1
417N3136-50		14	445	1
		20	215	1
417N3136-59		14	495	1
		20	265	1
417N3136-85		22	260	1
417N3136-87		22	268	1
417N3136-99		1	370	1
		2	335	1

25-23-34

ILLUSTRATED PARTS LIST

Page 1058

Nov 01/2008



COMPONENT MAINTENANCE MANUAL

PART NUMBER	AIRLINE PART NUMBER	FIGURE	ITEM	UNITS PER ASSEMBLY
		6	295	1
		7	190	1
		8	365	1
		9	200	1
		10	360	1
		11	270	1
		12	225	1
		13	395	1
		14	580	1
		15	305	1
		16	190	1
		17	285	1
		18	260	1
		19	185	1
		20	415	1
		30	255	1
		31	275	1
		32	255	1
417N3138-11		14	450	1
		20	220	1
417N3138-12		14	460	1
		20	230	1
417N3138-13		14	455	2
		20	225	2
417N3160-11		1	330	1
		2	295	1
		6	255	1
		7	150	1
		8	315	1
		9	155	1
		10	315	1
		11	230	1
		12	180	1
		13	355	1
		14	535	1

25-23-34

ILLUSTRATED PARTS LIST

Page 1059

Nov 01/2008



COMPONENT MAINTENANCE MANUAL

PART NUMBER	AIRLINE PART NUMBER	FIGURE	ITEM	UNITS PER ASSEMBLY	
417N3160-12		15	265	1	
		16	145	1	
		17	245	1	
		18	220	1	
		19	140	1	
		20	375	1	
		30	215	1	
		31	225	1	
		32	215	1	
		1	360	1	
		2	325	1	
		6	287	1	
		8	350	1	
		9	185	1	
		10	345	1	
		11	268	1	
		12	210	1	
		13	397	1	
		14	565	1	
		15	307	1	
		16	175	1	
		17	287	1	
		18	262	1	
		19	170	1	
		20	417	1	
		30	257	1	
		31	265	1	
		32	251	1	
		33	290	2	
	417N3160-13		1	365	6
			2	330	6
			6	293	6
		8	360	6	
		9	195	6	
		10	355	6	

25-23-34

ILLUSTRATED PARTS LIST

Page 1060

Nov 01/2008



COMPONENT MAINTENANCE MANUAL

PART NUMBER	AIRLINE PART NUMBER	FIGURE	ITEM	UNITS PER ASSEMBLY
		11	273	6
		12	220	6
		13	398	6
		14	575	6
		15	308	6
		16	185	6
		17	288	6
		18	263	6
		19	180	6
		20	418	6
		30	258	6
		31	270	6
		32	253	6
		33	295	14
417N3160-19		33	245	1
417N3160-20		33	240	1
417N3160-7		14	465	1
		20	235	1
417N3161-10		33	285	1
417N3161-7		1	355	1
		2	320	1
		6	290	1
		7	185	1
		8	355	1
		9	190	1
		10	350	1
		11	265	1
		12	215	1
		13	390	1
		14	570	1
		15	300	1
		16	180	1
		17	280	1
		18	255	1
		19	175	1

25-23-34

ILLUSTRATED PARTS LIST

Page 1061

Nov 01/2008



COMPONENT MAINTENANCE MANUAL

PART NUMBER	AIRLINE PART NUMBER	FIGURE	ITEM	UNITS PER ASSEMBLY
		20	410	1
		30	250	1
		31	260	1
		32	250	1
417N3162-1		14	500	16
		20	270	16
417N3170-11		3	45	1
		21	35	1
		22	20	1
		23	25	1
		24	35	1
		25	15	1
		26	35	1
		27	45	1
		28	20	1
		29	45	1
417N3170-12		3	50	1
		21	40	1
		22	25	1
		23	30	1
		24	40	1
		25	20	1
		26	40	1
		27	50	1
		28	25	1
		29	50	1
417N3171-2		21	65	1
		22	50	1
		23	55	1
		24	65	1
		25	45	1
		26	65	1
		27	75	1
		28	50	1
		29	75	1

25-23-34

ILLUSTRATED PARTS LIST

Page 1062

Nov 01/2008



COMPONENT MAINTENANCE MANUAL

PART NUMBER	AIRLINE PART NUMBER	FIGURE	ITEM	UNITS PER ASSEMBLY
417N3171-3		21	65A	1
		22	50A	1
		23	55A	1
		24	65A	1
		25	45A	1
		26	65A	1
		27	75A	1
		28	50A	1
		29	75A	1
417N3172-10		3	85	1
		21	75	1
		22	57	1
		23	65	1
		24	75	1
		25	55	1
		26	75	1
		27	85	1
		28	57	1
417N3172-11		3	95	1
		21	85	1
		22	65	1
		23	75	1
		24	85	1
		25	65	1
		26	85	1
		27	90	1
		28	65	1
417N3172-12		3	100	1
		21	90	1
		22	67	1
		23	80	1
		24	90	1
		25	70	1

25-23-34

ILLUSTRATED PARTS LIST

Page 1063

Nov 01/2008



COMPONENT MAINTENANCE MANUAL

PART NUMBER	AIRLINE PART NUMBER	FIGURE	ITEM	UNITS PER ASSEMBLY
417N3172-19		26	90	1
		27	95	1
		28	67	1
		29	100	1
		3	80A	1
		21	70A	1
		22	55A	1
		23	60A	1
		24	70A	1
		25	50A	1
		26	70A	1
		27	80A	1
		28	55A	1
		29	80A	1
417N3172-20		3	85A	1
		21	75A	1
		22	57A	1
		23	65A	1
		24	75A	1
		25	55A	1
		26	75A	1
		27	85A	1
		28	57A	1
		29	85A	1
417N3172-21		3	95A	1
		21	85A	1
		22	65A	1
		23	75A	1
		24	85A	1
		25	65A	1
		26	85A	1
		27	90A	1
		28	65A	1
		29	95A	1
417N3172-22		3	100A	1

25-23-34

ILLUSTRATED PARTS LIST

Page 1064

Nov 01/2008



COMPONENT MAINTENANCE MANUAL

PART NUMBER	AIRLINE PART NUMBER	FIGURE	ITEM	UNITS PER ASSEMBLY
		21	90A	1
		22	67A	1
		23	80A	1
		24	90A	1
		25	70A	1
		26	90A	1
		27	95A	1
		28	67A	1
		29	105	1
		3	80	1
417N3172-9		21	70	1
		22	55	1
		23	60	1
		24	70	1
		25	50	1
		26	70	1
		27	80	1
		28	55	1
		29	80	1
		3	70	1
417N3173-1		21	60	1
		22	45	1
		23	50	1
		24	60	1
		25	40	1
		26	60	1
		27	70	1
		28	45	1
		29	70	1
		1	540	1
417N3173-13		2	510	1
		4	470	1
		5	470	1
		7	320	1
		12	355	1

25-23-34

ILLUSTRATED PARTS LIST

Page 1065

Nov 01/2008



COMPONENT MAINTENANCE MANUAL

PART NUMBER	AIRLINE PART NUMBER	FIGURE	ITEM	UNITS PER ASSEMBLY	
417N3173-14		13	530	1	
		19	310	1	
		31	430	1	
		32	380	1	
		1	490	1	
		2	460	1	
		4	420	1	
		5	420	1	
		7	310	1	
		12	345	1	
		13	520	1	
		19	300	1	
		31	390	1	
417N3173-6		32	340	1	
		1	220	2	
		2	185	2	
		4	195	2	
		5	195	2	
		7	50	2	
		8	382	2	
		9	220	2	
		12	232	2	
		14	600	2	
	417N3173-9		1	505	2
			2	475	2
			4	435	2
		5	435	2	
		7	295	2	
		12	330	2	
		13	505	2	
		19	285	2	
		31	405	2	
		32	355	2	
417N3180-1			1	240	1
			2	205	1

25-23-34

ILLUSTRATED PARTS LIST

Page 1066

Nov 01/2008



COMPONENT MAINTENANCE MANUAL

PART NUMBER	AIRLINE PART NUMBER	FIGURE	ITEM	UNITS PER ASSEMBLY
		4	250	2
		5	250	2
		6	175	2
		7	75	2
		8	400	2
		9	245	2
		10	370	2
		11	150	2
		12	445	2
		13	275	2
		14	625	2
		15	180	2
		16	225	2
		17	150	2
		18	135	2
		19	400	2
		20	295	2
		30	135	2
		31	135	2
		32	130	1
		33	155	2
417N3180-2		1	245	1
		2	210	1
		32	135	1
417N3180-3		1	270	2
		2	235	2
		4	275	2
		5	275	2
		6	210	2
		7	110	2
		8	435	2
		9	280	2
		10	405	2
		11	185	2
		12	480	2

25-23-34

ILLUSTRATED PARTS LIST

Page 1067

Nov 01/2008



COMPONENT MAINTENANCE MANUAL

PART NUMBER	AIRLINE PART NUMBER	FIGURE	ITEM	UNITS PER ASSEMBLY
417N3181-1		13	310	2
		14	660	2
		15	215	2
		16	260	2
		17	185	2
		18	170	2
		19	435	2
		20	330	2
		30	170	2
		31	170	2
		32	170	2
		33	180	2
		1	260	1
		2	225	1
		4	265	1
		5	265	1
		6	190	1
		7	90	1
		8	415	1
		9	260	1
		10	385	1
		11	165	1
		12	460	1
		13	290	1
		14	640	1
		15	195	1
		16	240	1
		17	165	1
		18	150	1
		19	415	1
		20	310	1
		30	150	1
		31	150	1
	32	150	1	
	33	170	1	

25-23-34

ILLUSTRATED PARTS LIST

Page 1068

Nov 01/2008



COMPONENT MAINTENANCE MANUAL

PART NUMBER	AIRLINE PART NUMBER	FIGURE	ITEM	UNITS PER ASSEMBLY		
417N3182-1		1	285	1		
		2	250	1		
		4	290	1		
		5	290	1		
		6	205	1		
		7	105	1		
		8	430	1		
		9	275	1		
		10	400	1		
		11	180	1		
		12	475	1		
		13	305	1		
		14	655	1		
		15	210	1		
		16	255	1		
		17	180	1		
		18	165	1		
		19	430	1		
		20	325	1		
		30	165	1		
		31	165	1		
		32	165	1		
		33	195	1		
		417N3182-2		1	290	1
				2	255	1
				32	165A	1
		417N3183-1		1	295	1
				2	260	1
				4	295	1
				5	295	1
				6	220	1
				7	120	1
				8	445	1
9	290			1		
10	415			1		

25-23-34

ILLUSTRATED PARTS LIST

Page 1069

Nov 01/2008



COMPONENT MAINTENANCE MANUAL

PART NUMBER	AIRLINE PART NUMBER	FIGURE	ITEM	UNITS PER ASSEMBLY
417N3190-1		11	195	1
		12	490	1
		13	320	1
		14	670	1
		15	225	1
		16	270	1
		17	195	1
		18	180	1
		19	445	1
		20	340	1
		30	180	1
		31	180	1
		32	180	1
		33	200	1
		1	385	1
		2	355	1
		4	330	1
		5	330	1
		6	310	1
		7	205	1
		8	480	1
		9	325	1
		10	450	1
		11	285	1
		12	525	1
		13	410	1
		14	705	1
		15	375	1
		16	305	1
		17	305	1
		18	330	1
	19	485	1	
	20	450	1	
	30	320	1	
	31	530	1	

25-23-34

ILLUSTRATED PARTS LIST

Page 1070

Nov 01/2008



COMPONENT MAINTENANCE MANUAL

PART NUMBER	AIRLINE PART NUMBER	FIGURE	ITEM	UNITS PER ASSEMBLY
417N3190-3		32	455	1
		33	330	1
		1	410	1
		2	380	1
		4	355	1
		5	355	1
		6	335	1
		7	230	1
		8	505	1
		9	355	1
		10	475	1
		11	310	1
		12	550	1
		13	435	1
		14	730	1
		15	400	1
		16	330	1
		17	330	1
		18	355	1
		19	510	1
	20	475	1	
	30	345	1	
	31	560	1	
	32	480	1	
	33	355	1	
417N3190-5		1	475	1
		2	445	1
		4	405	1
		5	405	1
		7	275	1
		12	310	1
		13	485	1
		19	265	1
	31	375	1	
	32	325	1	

25-23-34

ILLUSTRATED PARTS LIST

Page 1071

Nov 01/2008



COMPONENT MAINTENANCE MANUAL

PART NUMBER	AIRLINE PART NUMBER	FIGURE	ITEM	UNITS PER ASSEMBLY		
417N3190-7		1	470	2		
		2	440	2		
		4	400	2		
		5	400	2		
		7	270	2		
		12	305	2		
		13	480	2		
		19	260	2		
		31	370	2		
		32	320	2		
		417N3190-8		1	450	1
				2	420	1
4	385			1		
5	385			1		
7	255			1		
12	285			1		
13	465			1		
19	240			1		
31	355			1		
32	305			1		
417N3310-49SP				1	635	1
				2	605	1
		32	495	1		
417N3310-50SP		1	640	1		
		2	610	1		
		32	497	1		
417N3811-13		1	350	1		
		2	315	1		
		6	270	1		
		7	165	1		
		8	340	1		
		9	180	1		
		10	340	1		
		11	245	1		
		12	205	1		

25-23-34

ILLUSTRATED PARTS LIST

Page 1072

Nov 01/2008



COMPONENT MAINTENANCE MANUAL

PART NUMBER	AIRLINE PART NUMBER	FIGURE	ITEM	UNITS PER ASSEMBLY
451120-026		13	370	1
		14	560	1
		15	280	1
		16	170	1
		17	260	1
		18	235	1
		19	165	1
		20	390	1
		30	230	1
		31	240	1
		32	230	1
		33	280	1
		6035-2BR185		4
5	220			1
20	443			1
30	295			1
31	315			1
3	90			2
21	80			2
22	60			2
23	70			2
24	80			2
61-33500-001		25	60	2
		26	80	2
		27	88	2
		28	60	2
		29	90	2
		1	315	1
		2	280	1
		4	315A	1
		5	315A	1
		6	240	1
		8	470	1
9	315	1		
	11	215	1	

25-23-34

ILLUSTRATED PARTS LIST

Page 1073

Nov 01/2008



COMPONENT MAINTENANCE MANUAL

PART NUMBER	AIRLINE PART NUMBER	FIGURE	ITEM	UNITS PER ASSEMBLY
		12	515A	1
		13	340	1
		14	695	1
		15	245	1
		16	295	1
		17	225	1
		18	200	1
		20	360	1
		30	200	1
		31	210	1
		32	200	1
61-33500-002		8	470A	1
		12	515	1
		16	295A	1
		19	475	1
61-33520-001		7	140	1
6100-12		1	235	2
		2	200	2
		4	245	2
		5	245	2
		6	170	2
		7	70	2
		8	395	2
		9	240	2
		10	365	2
		11	145	2
		12	440	2
		13	270	2
		14	620	2
		15	175	2
		16	220	2
		17	145	2
		18	130	2
		19	395	2
		20	290	2

25-23-34

ILLUSTRATED PARTS LIST

Page 1074

Nov 01/2008



COMPONENT MAINTENANCE MANUAL

PART NUMBER	AIRLINE PART NUMBER	FIGURE	ITEM	UNITS PER ASSEMBLY
6100-9		30	130	2
		31	130	2
		32	125	2
		33	150	2
		1	480	2
		1	495	4
		1	530	2
		2	450	2
		2	465	4
		2	500	2
		3	60	2
		4	410	2
		4	425	4
		4	460	2
		5	410	2
		5	425	4
		5	460	2
		7	290	4
		7	315	2
		7	340	2
		12	325	4
		12	350	2
		12	375	2
		13	500	4
		13	525	2
		13	550	2
	19	280	4	
	19	305	2	
	19	330	2	
	21	50	2	
	22	35	2	
	23	40	2	
	24	50	2	
	25	30	2	
	26	50	2	

25-23-34

ILLUSTRATED PARTS LIST

Page 1075

Nov 01/2008



COMPONENT MAINTENANCE MANUAL

PART NUMBER	AIRLINE PART NUMBER	FIGURE	ITEM	UNITS PER ASSEMBLY	
65-85902-1		27	60	2	
		28	35	2	
		29	60	2	
		31	380	2	
		31	395	4	
		31	420	2	
		32	330	2	
		32	345	4	
		32	370	2	
		1	260A	1	
		5	265A	1	
		6	190A	1	
		7	90A	1	
		8	415A	1	
		9	260A	1	
		10	385A	1	
		11	165A	1	
		12	460A	1	
		13	290A	1	
		14	640A	1	
		15	195A	1	
		16	240A	1	
		17	165A	1	
		18	150A	1	
		19	415A	1	
		20	310A	1	
		30	150A	1	
		31	150A	1	
		32	150A	1	
		33	170A	1	
	65-85905-4		1	280	1
			2	245	1
			4	285	1
		5	285	1	
		6	195	1	

25-23-34

ILLUSTRATED PARTS LIST

Page 1076

Nov 01/2008



COMPONENT MAINTENANCE MANUAL

PART NUMBER	AIRLINE PART NUMBER	FIGURE	ITEM	UNITS PER ASSEMBLY
65C16899-6		7	95	1
		8	420	1
		9	265	1
		10	390	1
		11	170	1
		12	465	1
		13	295	1
		14	645	1
		15	200	1
		16	245	1
		17	170	1
		18	155	1
		19	420	1
		20	315	1
		30	155	1
		31	155	1
		32	155	1
		33	190	1
		1	405	1
		2	375	1
		4	350	1
		5	350	1
		6	330	1
		7	225	1
		8	500	1
		9	350	1
		10	470	1
		11	305	1
		12	545	1
		13	430	1
		14	725	1
		15	395	1
		16	325	1
		17	325	1
	18	350	1	

25-23-34

ILLUSTRATED PARTS LIST

Page 1077

Nov 01/2008



COMPONENT MAINTENANCE MANUAL

PART NUMBER	AIRLINE PART NUMBER	FIGURE	ITEM	UNITS PER ASSEMBLY
		19	505	1
		20	470	1
		30	340	1
		31	555	1
		32	475	1
		33	350	1
65C22184-3		15	360	1
		18	315	1
65C22184-4		15	365	1
		18	320	1
65C31432-1		8	240	AR
		10	240	AR
		16	70	AR
		17	35	AR
66-25727-1		8	135	AR
		10	135	1
		13	145	1
		14	150	AR
66-25727-2		8	140	AR
		10	140	1
		13	150	1
		14	155	AR
691212-13A1-1AR		1	15C	3
		8	15K	3
691212-13A1-1AT		1	15B	3
691212-13A1-1AU		1	15D	3
691212-13A1-1AW		1	15A	3
		8	15J	3
691212-13A1-1BA		8	15R	3
691212-13A1-1BD		8	15T	3
691212-13A1-1J		1	15F	3
691212-13A1-1T		1	15G	3
		4	10K	3
		5	10K	3
		8	15Y	3

25-23-34

ILLUSTRATED PARTS LIST

Page 1078

Nov 01/2008



COMPONENT MAINTENANCE MANUAL

PART NUMBER	AIRLINE PART NUMBER	FIGURE	ITEM	UNITS PER ASSEMBLY
70-505R		33	230	2
701-3B3		1	115	5
		2	75	5
		4	75	5
		5	75	5
		6	85	5
		8	70	5
		9	65	5
		10	70	5
		11	60	5
		12	70	5
		13	85	5
		14	60	5
		15	95	5
		16	55	5
		17	90	5
		18	75	5
		19	55	5
		20	70	5
		30	75	5
		31	75	5
		32	75	5
		33	60	5
750801-002		1	45F	3
		6	30C	3
		8	245F	3
		10	245A	3
		12	110A	3
		13	35B	3
		14	270A	3
		15	40B	3
		16	75B	3
		17	45B	3
		18	30B	3
		19	70A	3

25-23-34

ILLUSTRATED PARTS LIST

Page 1079

Nov 01/2008



COMPONENT MAINTENANCE MANUAL

PART NUMBER	AIRLINE PART NUMBER	FIGURE	ITEM	UNITS PER ASSEMBLY
		20	25B	3
		30	30C	3
		31	30B	3
		32	30B	3
		33	370A	3
801386-11		14	510	2
		20	280	2
803000-03		8	310C	1
		10	310C	1
		12	175C	1
		15	315A	1
		16	140C	1
		17	295A	1
		18	270A	1
803000-04		1	375A	1
		2	340A	1
		6	300A	1
		7	195A	1
		8	310A	1
		9	150A	1
		10	310A	1
		11	275A	1
		12	175A	1
		13	400A	1
		14	530A	1
		15	310A	1
		16	140A	1
		17	290A	1
		18	265A	1
		19	135A	1
		20	420A	1
		30	260A	1
		31	280A	1
		32	260A	1
82-47-108-15		1	140	1

25-23-34

ILLUSTRATED PARTS LIST

Page 1080

Nov 01/2008



COMPONENT MAINTENANCE MANUAL

PART NUMBER	AIRLINE PART NUMBER	FIGURE	ITEM	UNITS PER ASSEMBLY
		1	180	1
		2	100	1
		2	120	1
		4	105	1
		4	125	1
		5	105	1
		5	125	1
		6	105	1
		6	140	1
		8	90	1
		8	195	1
		8	275	1
		9	85	1
		9	100	1
		10	90	1
		10	195	1
		10	275	1
		11	80	1
		11	95	1
		12	90	1
		12	140	1
		13	105	1
		13	195	1
		13	250	1
		14	90	1
		14	105	1
		14	210	1
		14	225	1
		14	305	1
		15	115	1
		15	145	1
		16	105	1
		17	115	1
		18	100	1
		19	100	1

25-23-34

ILLUSTRATED PARTS LIST

Page 1081

Nov 01/2008



COMPONENT MAINTENANCE MANUAL

PART NUMBER	AIRLINE PART NUMBER	FIGURE	ITEM	UNITS PER ASSEMBLY
		20	90	1
		27	270	1
		28	390	1
		29	260	1
		30	100	1
		31	95	1
		32	95	1
		33	80	1
		33	120	1
919-118		14	490	1
		20	260	1
920055		1	20	1
		2	20	1
		4	15	1
		5	15	1
		6	15	1
		8	20	1
		9	15	1
		10	20	1
		11	15	1
		12	20	1
		13	15	1
		14	15	1
		15	20	1
		16	15	1
		17	15	1
		18	15	1
		19	15	1
		20	10	1
		30	15	1
		31	10	1
		32	15	1
920056		1	10	3
		2	10	3
		4	5	3

25-23-34

ILLUSTRATED PARTS LIST

Page 1082

Nov 01/2008



COMPONENT MAINTENANCE MANUAL

PART NUMBER	AIRLINE PART NUMBER	FIGURE	ITEM	UNITS PER ASSEMBLY
		5	5	3
		6	10	3
		8	10	3
		9	5	3
		10	10	3
		11	5	3
		12	10	3
		13	5	3
		14	5	3
		15	10	3
		16	10	3
		17	10	3
		18	10	3
		19	10	3
		20	5	3
		30	10	3
		31	15	3
		32	10	3
		33	10	3
92055		33	20	1
9322501-930		10	25M	1
932501-830		1	25C	1
		8	25V	1
932501-924		1	25D	1
		2	25D	1
		4	20B	1
		5	20B	1
		8	25D	1
		9	20D	1
		10	25D	1
		11	20D	1
		12	25D	1
		13	20D	1
		14	20D	1
		15	25D	1

25-23-34

ILLUSTRATED PARTS LIST

Page 1083

Nov 01/2008



COMPONENT MAINTENANCE MANUAL

PART NUMBER	AIRLINE PART NUMBER	FIGURE	ITEM	UNITS PER ASSEMBLY		
932501-928		33	25A	1		
		8	25K	1		
		9	20K	1		
		10	25K	1		
		11	20M	1		
		12	25K	1		
		13	20M	1		
		14	20K	1		
		15	25M	1		
		932501-930		1	25K	1
				8	25M	1
				9	20M	1
				12	25M	1
				13	20P	1
				14	20M	1
15	25P			1		
932501-931		1	25	1		
		4	20A	1		
		5	20A	1		
		8	25C	1		
		9	20C	1		
		10	25C	1		
		11	20C	1		
		12	25C	1		
		13	20C	1		
		15	25C	1		
		96-82		1	435	1
				1	465	1
				1	575	3
				2	405	1
				2	435	1
2	545			3		
3	440			4		
4	375			1		
4	505			3		

25-23-34

ILLUSTRATED PARTS LIST

Page 1084

Nov 01/2008



COMPONENT MAINTENANCE MANUAL

PART NUMBER	AIRLINE PART NUMBER	FIGURE	ITEM	UNITS PER ASSEMBLY
A11330-6-82		5	375	1
		5	395	1
		5	505	3
		12	300	1
		13	455	4
		13	475	1
		14	435	1
		15	350	3
		18	305	3
		19	250A	1
		20	205	1
		21	200	4
		22	280	4
		23	220	4
		24	190	4
		25	325	4
		26	220	4
		27	185	4
		28	435	4
		29	235	4
		31	367	1
		31	470	4
		32	297	4
		32	317	1
		1	346	1
		2	312	1
		6	285	1
		7	180	1
		8	330	1
		9	170	1
		10	330	1
		11	260	1
	12	195	1	
	13	385	1	
	14	550	1	

25-23-34

ILLUSTRATED PARTS LIST

Page 1085

Nov 01/2008



COMPONENT MAINTENANCE MANUAL

PART NUMBER	AIRLINE PART NUMBER	FIGURE	ITEM	UNITS PER ASSEMBLY	
A4972-6-82		15	295	1	
		16	160	1	
		17	275	1	
		18	250	1	
		19	155	1	
		20	405	1	
		30	245	1	
		31	255	1	
		32	245	1	
		33	265	1	
		1	346	1	
		2	312	1	
		6	285	1	
		7	180	1	
		8	330	1	
		9	170	1	
		10	330	1	
		11	260	1	
		12	195	1	
		13	385	1	
		14	550	1	
		15	295	1	
		16	160	1	
		17	275	1	
		18	250	1	
		19	155	1	
		20	405	1	
		30	245	1	
		31	255	1	
		32	245	1	
		33	265	1	
	AD15273A120		6	25	1
			10	235	1
		12	105	1	
		13	30	1	

25-23-34

ILLUSTRATED PARTS LIST

Page 1086

Nov 01/2008



COMPONENT MAINTENANCE MANUAL

PART NUMBER	AIRLINE PART NUMBER	FIGURE	ITEM	UNITS PER ASSEMBLY
		14	265	1
		15	35	1
		16	65	1
		17	30	1
		18	25	1
		19	65	1
		20	20	1
		30	25	1
		31	25	1
		32	25	1
		33	365	1
AF5170-3		3	500	5
		25	365	5
		27	285	5
		28	490	5
		29	285	5
AN256-10		14	415	1
		20	185	1
AN960JD416		1	345A	1
		8	325A	1
AN960JD416L		1	300	AR
		1	300A	AR
		2	265	AR
		2	265A	AR
		4	300	AR
		5	300	AR
		6	225	4
		7	125	AR
		8	450	AR
		9	295	AR
		10	420	AR
		10	420A	AR
		11	200	AR
		12	495	AR
		12	497	AR

25-23-34

ILLUSTRATED PARTS LIST

Page 1087

Nov 01/2008



COMPONENT MAINTENANCE MANUAL

PART NUMBER	AIRLINE PART NUMBER	FIGURE	ITEM	UNITS PER ASSEMBLY
		13	325	AR
		14	675	AR
		14	677	AR
		15	230	5
		16	275	AR
		17	200	AR
		17	205	5
		18	185	5
		19	455	AR
		20	345	AR
		20	347	AR
		30	185	AR
		30	185A	AR
		31	185	AR
		31	190	AR
		32	185	AR
		32	187	AR
		33	205	AR
AN960JD8L		15	340	6
		18	295	6
		27	180	4
		28	180	2
		28	430	4
		29	230	4
		33	305	3
AN960KD10L		14	480	1
		20	250	1
AN960KD416		2	310	1
		6	280	1
		7	175	1
		9	165	1
		10	325	1
		11	255	1
		12	190	1
		13	380	1

25-23-34

ILLUSTRATED PARTS LIST

Page 1088

Nov 01/2008



COMPONENT MAINTENANCE MANUAL

PART NUMBER	AIRLINE PART NUMBER	FIGURE	ITEM	UNITS PER ASSEMBLY
		14	545	1
		15	290	1
		16	155	1
		17	270	1
		18	245	1
		19	150	1
		20	400	1
		30	240	1
		31	250	1
		32	240	1
		33	260	2
AN960KD8L		14	430	1
		20	200	1
		21	195	4
		26	215	4
AN960PD8L		1	430	AR
		1	520	AR
		1	570	AR
		2	400	AR
		2	490	AR
		2	540	AR
		3	275	2
		3	435	4
		4	370	AR
		4	450	AR
		4	500	AR
		5	370	AR
		5	450	AR
		5	500	AR
		7	245	8
		12	270	8
		13	450	AR
		19	225	8
		22	155	2
		22	275	4

25-23-34

ILLUSTRATED PARTS LIST

Page 1089

Nov 01/2008



COMPONENT MAINTENANCE MANUAL

PART NUMBER	AIRLINE PART NUMBER	FIGURE	ITEM	UNITS PER ASSEMBLY
B0E20563A120		23	215	4
		24	185	4
		25	195	2
		25	320	4
		31	412	AR
		31	467	AR
		32	295	8
		6	25	1
		10	235	1
		12	105	1
		13	30	1
		14	265	1
		15	35	1
		16	65	1
		17	30	1
		18	25	1
		19	65	1
		20	20	1
		30	25	1
	BAC27DPA2272		31	25
		32	25	1
		33	365	1
		1	655	1
		2	625	1
		4	565	1
		5	565	1
		6	350	1
		7	405	1
		8	520	1
		9	365	1
		10	490	1
		11	320	1
		12	565	1
	13	615	1	
	14	740	1	

25-23-34

ILLUSTRATED PARTS LIST

Page 1090

Nov 01/2008



COMPONENT MAINTENANCE MANUAL

PART NUMBER	AIRLINE PART NUMBER	FIGURE	ITEM	UNITS PER ASSEMBLY		
BAC27NPA0609		15	415	1		
		16	345	1		
		17	345	1		
		18	370	1		
		19	525	1		
		20	485	1		
		30	360	1		
		31	570	1		
		32	500	1		
		33	400	1		
		1	665	1		
		2	635	1		
		5	570	1		
		6	360	1		
		8	530	1		
		9	370	1		
		10	500	1		
		11	325	1		
		12	575	1		
		13	620	1		
		15	425	1		
		16	355	1		
		17	355	1		
		18	380	1		
		19	535	1		
		30	370	1		
		31	580	1		
		32	510	1		
		33	410	1		
		BAC27NPA0610		1	660	1
				2	630	1
				4	570	1
				6	355	1
8	525A			1		
10	495			1		

25-23-34

ILLUSTRATED PARTS LIST

Page 1091

Nov 01/2008



COMPONENT MAINTENANCE MANUAL

PART NUMBER	AIRLINE PART NUMBER	FIGURE	ITEM	UNITS PER ASSEMBLY
		12	570	1
		14	745	1
		15	420	1
		16	350	1
		17	350	1
		18	375	1
		19	530	1
		20	490	1
		30	365	1
		31	575	1
		32	505	1
		33	405	1
BAC27NPA0644		6	370	1
		10	510	1
		17	365	1
		30	390	1
BAC27NPA0645		6	365	1
		10	505	1
		14	755	1
		17	360	1
		20	500	1
		30	380	1
BAC27NPA0646		8	540	1
		10	515	1
		16	365	1
		30	385	1
BAC27NPA0647		8	535	1
		14	750	1
		16	360	1
		20	495	1
		30	375	1
BAC27NPA0660		2	640	1
		4	585	1
		12	580	1
		19	540	1

25-23-34

ILLUSTRATED PARTS LIST

Page 1092

Nov 01/2008



COMPONENT MAINTENANCE MANUAL

PART NUMBER	AIRLINE PART NUMBER	FIGURE	ITEM	UNITS PER ASSEMBLY
BAC27NPA0661		20	510	1
		31	585	1
		32	515	1
		33	415	1
		1	675	1
		5	585	1
		12	585	1
		19	545	1
		31	590	1
		32	520	1
		33	420	1
BAC27NPA0662		1	670	1
		4	580	1
		20	505	1
		31	595	1
		33	415A	1
BAC27NPA0663		2	645	1
		5	580	1
		12	580A	1
		13	625	1
		31	600	1
		32	525	1
		33	420A	1
		4	575	1
BAC27NPA0666		20	515	1
		31	605	1
		5	575	1
BAC27NPA0667		31	610	1
		11	330	1
BAC27NPA0674		9	375	1
BAC27NPA0676		30	400	1
BAC29PPS11238		30	395	1
BAC29PPS11239		7	410	1
BAC29PPS1425		15	435	1
BAC29PPS4818		18	390	1

25-23-34

ILLUSTRATED PARTS LIST

Page 1093

Nov 01/2008



COMPONENT MAINTENANCE MANUAL

PART NUMBER	AIRLINE PART NUMBER	FIGURE	ITEM	UNITS PER ASSEMBLY
BAC29PPS4819		15	430	1
		18	385	1
		14	440	1
BACC10DK2		14	440	1
		14	440	1
		14	440	1
		20	210	1
		20	210	1
		20	210	1
BACC10DK3		1	310A	2
		2	275A	2
		2	275A	2
		2	275A	2
		4	310A	2
		4	310A	2
		4	310A	2
		6	235A	2
		6	235A	2
		6	235A	2
		7	135A	2
		7	135A	2
		7	135A	2
		8	460A	2
		9	305A	2
		9	305A	2
		9	305A	2
		10	430A	2
		10	430A	2
		10	430A	2
11	210A	2		
11	210A	2		
11	210A	2		
12	505A	2		
12	505A	2		
12	505A	2		
13	335A	2		

25-23-34

ILLUSTRATED PARTS LIST

Page 1094

Nov 01/2008



COMPONENT MAINTENANCE MANUAL

PART NUMBER	AIRLINE PART NUMBER	FIGURE	ITEM	UNITS PER ASSEMBLY
		13	335A	2
		13	335A	2
		14	400	1
		14	400	1
		14	400	1
		14	685A	2
		14	685A	2
		14	685A	2
		15	240A	2
		15	240A	2
		15	240A	2
		16	285A	2
		16	285A	2
		16	285A	2
		17	220A	2
		17	220A	2
		17	220A	2
		18	195A	2
		18	195A	2
		18	195A	2
		19	465A	2
		19	465A	2
		19	465A	2
		20	170	1
		20	170	1
		20	170	1
		20	355A	2
		20	355A	2
		20	355A	2
		30	195A	2
		30	195A	2
		30	195A	2
		31	205B	2
		31	205B	2
		31	205B	2

25-23-34

ILLUSTRATED PARTS LIST

Page 1095

Nov 01/2008



COMPONENT MAINTENANCE MANUAL

PART NUMBER	AIRLINE PART NUMBER	FIGURE	ITEM	UNITS PER ASSEMBLY
BACD40P3A120		33	215A	2
		33	215A	2
		33	215A	2
		1	35	1
		6	25	1
		8	235	1
		10	235	1
		12	105	1
		13	30	1
		14	265	1
		15	35	1
		16	65	1
		17	30	1
		18	25	1
		19	65	1
		20	20	1
		30	25	1
		31	25	1
		32	25	1
		33	365	1
BACD40P3A180		16	65A	1
BACG20AF3B3		1	115	5
		2	75	5
		4	75	5
		5	75	5
		6	85	5
		8	70	5
		9	65	5
		10	70	5
		11	60	5
		12	70	5
		13	85	5
		14	60	5
		15	95	5
		16	55	5

25-23-34

ILLUSTRATED PARTS LIST

Page 1096

Nov 01/2008



COMPONENT MAINTENANCE MANUAL

PART NUMBER	AIRLINE PART NUMBER	FIGURE	ITEM	UNITS PER ASSEMBLY
		17	90	5
		18	75	5
		19	55	5
		20	70	5
		30	75	5
		31	75	5
		32	75	5
		33	60	5
BACG20ZA0235		3	40	4
		21	30	3
		25	10A	4
		26	25	4
BACN10FX84		1	346	1
		2	312	1
		6	285	1
		7	180	1
		8	330	1
		9	170	1
		10	330	1
		11	260	1
		12	195	1
		13	385	1
		14	550	1
		15	295	1
		16	160	1
		17	275	1
		18	250	1
		19	155	1
		20	405	1
		30	245	1
		31	255	1
		32	245	1
		33	265	1
BACN10JC08		1	435	1
		1	465	1

25-23-34

ILLUSTRATED PARTS LIST

Page 1097

Nov 01/2008



COMPONENT MAINTENANCE MANUAL

PART NUMBER	AIRLINE PART NUMBER	FIGURE	ITEM	UNITS PER ASSEMBLY
		1	575	3
		2	405	1
		2	435	1
		2	545	3
		3	440	4
		4	375	1
		4	505	3
		5	375	1
		5	395	1
		5	505	3
		12	300	1
		13	455	4
		13	475	1
		14	435	1
		15	350	3
		18	305	3
		19	250A	1
		20	205	1
		21	200	4
		22	280	4
		23	220	4
		24	190	4
		25	325	4
		26	220	4
		27	185	4
		28	435	4
		29	235	4
		31	367	1
		31	470	4
		32	297	4
		32	317	1
BACN10JP06C		26	110	1
		29	125	1
BACN10JP08A		8	215	1
		10	215	1

25-23-34

ILLUSTRATED PARTS LIST

Page 1098

Nov 01/2008



COMPONENT MAINTENANCE MANUAL

PART NUMBER	AIRLINE PART NUMBER	FIGURE	ITEM	UNITS PER ASSEMBLY
BACN10JP08AR		13	215	1
		14	245	1
		22	200	2
		25	140	2
		28	210	2
		33	275	1
		3	210	4
		3	310	2
		3	345	2
		3	415	7
		21	150	2
		21	225	3
		22	135	4
		22	185	2
		22	225	7
		23	105	2
		23	160	3
		24	135	2
		24	149K	2
		24	225	3
		25	180	2
		25	305	7
		26	145	2
		26	200	3
		27	215	2
		27	245	3
		28	240	4
	28	300	7	
	29	165	2	
	29	190A	3	
BACN10JP08B		8	220	2
		10	220	2
		13	220	2
BACN10JP08CR		14	250	2
		3	215	2

25-23-34

ILLUSTRATED PARTS LIST

Page 1098.1

Nov 01/2008



COMPONENT MAINTENANCE MANUAL

PART NUMBER	AIRLINE PART NUMBER	FIGURE	ITEM	UNITS PER ASSEMBLY
		3	255	2
		22	140	2
		22	265	2
		25	265	2
		28	245	2
		28	340	2
BACN10JP8AR		25	230	4
		28	160	2
BACN10JP8CR		25	235	2
BACN10MG10		14	485	3
		20	255	3
BACN10R8		1	460	1
		2	430	1
		4	395	1
		7	265	1
		12	295	1
		19	250	1
		31	365	1
		32	315	1
BACN10YJ08		1	70	4
		1	90	2
		1	100	8
		1	125	4
		1	130	1
		1	215	4
		2	40	4
		2	55	2
		2	65	8
		2	85	4
		2	95	1
		2	115	1
		2	180	4
		4	40	4
		4	50	2
		4	65	7

25-23-34

ILLUSTRATED PARTS LIST

Page 1098.2

Nov 01/2008



COMPONENT MAINTENANCE MANUAL

PART NUMBER	AIRLINE PART NUMBER	FIGURE	ITEM	UNITS PER ASSEMBLY
		4	85	4
		4	95	1
		4	123	1
		4	190	4
		5	40	4
		5	50	2
		5	65	7
		5	85	4
		5	95	1
		5	123	1
		5	190	4
		5	230	1
		6	70	18
		7	25	6
		7	45	4
		8	65	13
		8	67	5
		8	130	28
		8	380	4
		8	381	2
		9	60	19
		9	215	4
		10	65	13
		10	67	5
		10	130	28
		11	55	19
		12	65	19
		12	240	4
		13	80	18
		13	140	28
		14	55	18
		14	80	1
		14	145	28
		14	200	1
		14	350	4

25-23-34

ILLUSTRATED PARTS LIST

Page 1098.3

Nov 01/2008



COMPONENT MAINTENANCE MANUAL

PART NUMBER	AIRLINE PART NUMBER	FIGURE	ITEM	UNITS PER ASSEMBLY
BACR13CD2		14	365	2
		14	385	2
		14	595	4
		15	80	18
		15	345	2
		16	35	13
		16	200	2
		17	85	13
		18	70	13
		18	300	2
		19	35	13
		19	195	2
		20	65	13
		20	120	4
		20	135	2
		20	155	2
		20	430	2
		27	255	1
		28	380	1
		29	245	1
		30	70	13
		30	270	2
		30	305	1
		31	70	13
		31	290	2
		31	325	1
		32	70	15
		32	270	2
		33	50	18
		33	310	3
		4	215	1
	5	215	1	
	20	442	1	
	30	290	1	
	31	310	1	

25-23-34

ILLUSTRATED PARTS LIST

Page 1098.4

Nov 01/2008



COMPONENT MAINTENANCE MANUAL

PART NUMBER	AIRLINE PART NUMBER	FIGURE	ITEM	UNITS PER ASSEMBLY		
BACR15BA3AD		8	210	6		
		10	210	6		
		13	210	6		
		14	240	6		
		22	262	4		
		25	260	4		
		26	105	2		
		28	335	4		
		29	120	2		
		33	270	6		
		BACR15BA3B		28	275	2
		BACR15BA3D		1	348	4
				2	314	4
3	205			12		
3	250			4		
3	305			4		
3	340			4		
3	410			14		
6	265			4		
7	160			4		
8	335			4		
9	175			4		
10	335			4		
11	240			4		
12	200			4		
13	365			4		
14	555			4		
15	275			4		
16	165			4		
17	255	4				
18	230	4				
19	160	2				
20	385	4				
21	145	4				
21	220	6				

25-23-34

ILLUSTRATED PARTS LIST

Page 1098.5

Nov 01/2008



COMPONENT MAINTENANCE MANUAL

PART NUMBER	AIRLINE PART NUMBER	FIGURE	ITEM	UNITS PER ASSEMBLY
		22	130	12
		22	180	4
		22	205	2
		23	100	4
		24	130	4
		24	149J	4
		24	220A	6
		25	175	4
		25	225	12
		26	140	4
		26	195	6
		27	210	4
		27	240	6
		28	155	4
		28	235	12
		28	295	14
		29	160	4
		29	185	6
		30	225	4
		31	235	4
		32	225	4
BACR15BB3A		14	410	2
		20	180	2
BACR15BB3D		3	165	4
		3	200	3
		3	300	4
		3	335	2
		3	360	8
		3	380	2
		3	405	2
		3	450	4
		4	225	3
		20	444	3
		21	100	2
		21	110	6

25-23-34

ILLUSTRATED PARTS LIST

Page 1098.6

Nov 01/2008



COMPONENT MAINTENANCE MANUAL

PART NUMBER	AIRLINE PART NUMBER	FIGURE	ITEM	UNITS PER ASSEMBLY
		21	215	2
		21	240	5
		22	105	4
		22	160	3
		22	175	4
		22	230	2
		22	295	2
		22	305	6
		23	95	4
		23	120	6
		23	150	2
		23	175	8
		23	195	2
		23	255	5
		24	95	6
		24	125	4
		24	148J	6
		24	150	6
		24	170	2
		24	215	4
		24	285	5
		25	110	4
		25	130	2
		25	150	8
		25	170	4
		25	220	3
		25	280	2
		25	295	2
		25	335	4
		26	100	4
		26	120	10
		26	155	16
		26	185	2
		26	245	5
		27	30	6

25-23-34

ILLUSTRATED PARTS LIST

Page 1098.7

Nov 01/2008



COMPONENT MAINTENANCE MANUAL

PART NUMBER	AIRLINE PART NUMBER	FIGURE	ITEM	UNITS PER ASSEMBLY
		27	105	2
		27	115	6
		27	205	4
		27	235	4
		27	297	6
		28	130	12
		28	150	2
		28	182	3
		28	280	4
		28	360	6
		28	405	4
		29	20	6
		29	115	4
		29	135	10
		29	155	4
		29	180	2
		29	200	12
		31	330	3
BACR15BB4D		3	115	6
		22	75	6
		25	80	6
		28	80	6
BACR15BB4D10		1	232	2
		2	198	2
		2	198	2
		2	198	2
		2	198	2
		2	198	2
		4	240	2
		4	240	2
		4	240	2
		4	240	2
		4	240	2
		5	240	2
		5	240	2

25-23-34

ILLUSTRATED PARTS LIST

Page 1098.8

Nov 01/2008



COMPONENT MAINTENANCE MANUAL

PART NUMBER	AIRLINE PART NUMBER	FIGURE	ITEM	UNITS PER ASSEMBLY
		5	240	2
		5	240	2
		5	240	2
		6	165	2
		6	165	2
		6	165	2
		6	165	2
		6	165	2
		7	65	2
		7	65	2
		7	65	2
		7	65	2
		7	65	2
		8	393	2
		9	235	2
		9	235	2
		9	235	2
		9	235	2
		9	235	2
		10	362	2
		10	362	2
		10	362	2
		10	362	2
		10	362	2
		11	140	2
		11	140	2
		11	140	2
		11	140	2
		11	140	2
		12	435	2
		12	435	2
		12	435	2
		12	435	2
		12	435	2
		13	265	2

25-23-34

ILLUSTRATED PARTS LIST

Page 1098.9

Nov 01/2008



COMPONENT MAINTENANCE MANUAL

PART NUMBER	AIRLINE PART NUMBER	FIGURE	ITEM	UNITS PER ASSEMBLY
		13	265	2
		13	265	2
		13	265	2
		13	265	2
		14	615	2
		14	615	2
		14	615	2
		14	615	2
		14	615	2
		15	170	2
		15	170	2
		15	170	2
		15	170	2
		15	170	2
		16	215	2
		16	215	2
		16	215	2
		16	215	2
		16	215	2
		17	140	2
		17	140	2
		17	140	2
		17	140	2
		17	140	2
		18	125	2
		18	125	2
		18	125	2
		18	125	2
		18	125	2
		19	390	2
		19	390	2
		19	390	2
		19	390	2
		19	390	2
		20	285	2

25-23-34

ILLUSTRATED PARTS LIST

Page 1098.10

Nov 01/2008



COMPONENT MAINTENANCE MANUAL

PART NUMBER	AIRLINE PART NUMBER	FIGURE	ITEM	UNITS PER ASSEMBLY
BACR15CE3D		20	285	2
		20	285	2
		20	285	2
		20	285	2
		30	125	2
		30	125	2
		30	125	2
		30	125	2
		30	125	2
		31	125	2
		31	125	2
		31	125	2
		31	125	2
		31	125	2
		31	125	2
		32	120	2
		32	120	2
		32	120	2
		32	120	2
		32	120	2
		32	120	2
		33	145	2
		33	145	2
		33	145	2
		33	145	2
		33	145	2
		1	585	6
		2	555	6
		4	510	6
		5	510	6
		7	350	6
		12	385	6
13	560	6		
19	340	6		
21	175	3		
22	195	4		
22	220	14		

25-23-34

ILLUSTRATED PARTS LIST

Page 1098.11

Nov 01/2008



COMPONENT MAINTENANCE MANUAL

PART NUMBER	AIRLINE PART NUMBER	FIGURE	ITEM	UNITS PER ASSEMBLY	
BACR15CE4D		23	155	6	
		23	250	3	
		24	94L	2	
		24	220	6	
		24	280	3	
		25	135	4	
		25	300	14	
		26	240	3	
		27	25	22	
		28	205	4	
		28	355	22	
		29	15	22	
		31	475	6	
		32	400	6	
		1	590	14	
		2	560	14	
		4	515	14	
		5	515	14	
	BACR15DR3		7	355	14
			12	390	14
		13	565	14	
		19	345	14	
		31	480	14	
		32	405	14	
BACR15DR3P		3	495	3	
		25	360	3	
		27	280	3	
		28	485	3	
BACS12FA08K10		29	280	3	
		3	500	5	
		25	365	5	
		27	285	5	
		28	490	5	
	29	285	5		
	3	240	2		

25-23-34

ILLUSTRATED PARTS LIST

Page 1098.12

Nov 01/2008



COMPONENT MAINTENANCE MANUAL

PART NUMBER	AIRLINE PART NUMBER	FIGURE	ITEM	UNITS PER ASSEMBLY
		2	60	3
		2	60	3
		2	60	3
		2	60	3
		4	60	2
		4	60	2
		4	60	2
		4	60	2
		4	60	2
		4	60	2
		4	60	2
		4	60	2
		4	60	2
		4	60	2
		4	60	2
		4	60	2
		4	60	2
		4	60	2
		4	60	2
		4	60	2
		4	60	2
		5	60	2
		5	60	2
		5	60	2
		5	60	2
		5	60	2
		5	60	2
		5	60	2
		5	60	2
		5	60	2
		5	60	2
		5	60	2
		5	60	2
		5	60	2
		5	60	2
		5	60	2
		5	60	2
		5	60	2
		5	60	2
		5	60	2
		6	55	2
		6	55	2
		6	55	2
		6	55	2
		6	55	2
		6	55	2
		6	55	2
		6	55	2

25-23-34

BOEING PROPRIETARY - Copyright © Unpublished Work - See title page for details



COMPONENT MAINTENANCE MANUAL

PART NUMBER	AIRLINE PART NUMBER	FIGURE	ITEM	UNITS PER ASSEMBLY
		10	115	8
		10	115	8
		10	115	8
		10	115	8
		10	115	8
		10	115	8
		10	115	8
		10	115	8
		11	35	2
		11	35	2
		11	35	2
		11	35	2
		11	35	2
		11	35	2
		11	35	2
		11	35	2
		11	35	2
		11	35	2
		11	35	2
		12	50	2
		12	50	2
		12	50	2
		12	50	2
		12	50	2
		12	50	2
		12	50	2
		12	50	2
		12	50	2
		12	50	2
		12	50	2
		12	50	2
		12	50	2
		12	50	2
		13	65	2
		13	65	2
		13	65	2

25-23-34

ILLUSTRATED PARTS LIST

Page 1098.16

Nov 01/2008



COMPONENT MAINTENANCE MANUAL

PART NUMBER	AIRLINE PART NUMBER	FIGURE	ITEM	UNITS PER ASSEMBLY
		13	65	2
		13	65	2
		13	65	2
		13	65	2
		13	65	2
		13	65	2
		13	65	2
		13	65	2
		13	65	2
		13	125	8
		13	125	8
		13	125	8
		13	125	8
		13	125	8
		13	125	8
		13	125	8
		13	125	8
		13	125	8
		13	125	8
		13	125	8
		13	125	8
		13	125	8
		13	125	8
		13	125	8
		13	125	8
		14	40	2
		14	40	2
		14	40	2
		14	40	2
		14	40	2
		14	40	2
		14	40	2
		14	40	2
		14	40	2
		14	40	2
		14	40	2
		14	40	2
		14	40	2
		14	40	2
		14	40	2
		14	130	8
		14	130	8

25-23-34

ILLUSTRATED PARTS LIST

Page 1098.17

Nov 01/2008



COMPONENT MAINTENANCE MANUAL

PART NUMBER	AIRLINE PART NUMBER	FIGURE	ITEM	UNITS PER ASSEMBLY
		14	130	8
		14	130	8
		14	130	8
		14	130	8
		14	130	8
		14	130	8
		14	130	8
		14	130	8
		14	130	8
		14	130	8
		15	65	2
		15	65	2
		15	65	2
		15	65	2
		15	65	2
		15	65	2
		15	65	2
		15	65	2
		15	65	2
		15	65	2
		15	65	2
		15	65	2
		15	65	2
		15	65	2
		15	65	2
		15	65	2
		15	65	2
		15	65	2
		32	53	2
		32	53	2
		32	53	2
		32	53	2
		32	53	2
		32	53	2
		32	53	2
		32	53	2
		32	53	2
		32	53	2
		32	53	2
		32	53	2
		32	53	2
		32	53	2
		32	53	2
		32	53	2
		32	53	2
		32	53	2
		32	53	2
		32	53	2
		32	53	2
		32	53	2
		32	53	2
		33	40	2

25-23-34

ILLUSTRATED PARTS LIST

Page 1098.18

Nov 01/2008



COMPONENT MAINTENANCE MANUAL

PART NUMBER	AIRLINE PART NUMBER	FIGURE	ITEM	UNITS PER ASSEMBLY
BACS12FA08K6		33	40	2
		33	40	2
		33	40	2
		33	40	2
		33	40	2
		33	40	2
		33	40	2
		33	40	2
		33	40	2
		33	40	2
		33	40	2
		33	40	2
		1	85	2
		1	210	4
		1	335	4
		1	455	1
		2	175	4
		2	175	4
		2	175	4
		2	175	4
		2	175	4
		2	175	4
		2	175	4
		2	175	4
		2	175	4
		2	175	4
		2	175	4
		2	175	4
		2	300	4
		2	300	4
		2	300	4
		2	300	4
	2	300	4	
	2	300	4	
	2	300	4	
	2	300	4	

25-23-34

ILLUSTRATED PARTS LIST

Page 1098.19

Nov 01/2008



COMPONENT MAINTENANCE MANUAL

PART NUMBER	AIRLINE PART NUMBER	FIGURE	ITEM	UNITS PER ASSEMBLY
		2	300	4
		2	300	4
		2	300	4
		2	300	4
		2	425	1
		2	425	1
		2	425	1
		2	425	1
		2	425	1
		2	425	1
		2	425	1
		2	425	1
		2	425	1
		2	425	1
		2	425	1
		2	425	1
		2	425	1
		2	425	1
		2	425	1
		2	425	1
		2	425	1
		2	425	1
		3	55	4
		3	55	4
		3	55	4
		3	55	4
		3	55	4
		3	55	4
		3	55	4
		3	55	4
		3	55	4
		3	55	4
		3	55	4
		3	55	4
		3	55	4
		3	55	4
		3	55	4
		3	55	4
		3	195	2
		3	195	2
		3	195	2
		3	195	2
		3	195	2
		3	195	2
		3	195	2
		3	195	2
		3	195	2
		3	195	2

25-23-34



COMPONENT MAINTENANCE MANUAL

PART NUMBER	AIRLINE PART NUMBER	FIGURE	ITEM	UNITS PER ASSEMBLY
		3	195	2
		3	195	2
		3	195	2
		3	195	2
		3	195	2
		3	270	2
		3	270	2
		3	270	2
		3	270	2
		3	270	2
		3	270	2
		3	270	2
		3	270	2
		3	270	2
		3	270	2
		3	270	2
		3	270	2
		3	270	2
		3	270	2
		3	270	2
		3	270	2
		3	385	1
		3	385	1
		3	385	1
		3	385	1
		3	385	1
		3	385	1
		3	385	1
		3	385	1
		3	385	1
		3	385	1
		3	385	1
		3	385	1
		3	385	1
		3	385	1
		4	45	2
		4	45	2
		4	45	2
		4	45	2
		4	45	2
		4	45	2
		4	45	2

25-23-34

ILLUSTRATED PARTS LIST

Page 1098.21

Nov 01/2008



COMPONENT MAINTENANCE MANUAL

PART NUMBER	AIRLINE PART NUMBER	FIGURE	ITEM	UNITS PER ASSEMBLY
		4	45	2
		4	45	2
		4	45	2
		4	45	2
		4	45	2
		4	45	2
		4	185	4
		4	185	4
		4	185	4
		4	185	4
		4	185	4
		4	185	4
		4	185	4
		4	185	4
		4	185	4
		4	185	4
		4	185	4
		4	185	4
		4	185	4
		4	185	4
		4	390	1
		4	390	1
		4	390	1
		4	390	1
		4	390	1
		4	390	1
		4	390	1
		4	390	1
		4	390	1
		4	390	1
		4	390	1
		4	390	1
		4	390	1
		4	390	1
		4	390	1
		5	45	2
		5	45	2
		5	45	2
		5	45	2
		5	45	2

25-23-34

ILLUSTRATED PARTS LIST

Page 1098.22

Nov 01/2008



COMPONENT MAINTENANCE MANUAL

PART NUMBER	AIRLINE PART NUMBER	FIGURE	ITEM	UNITS PER ASSEMBLY
		5	45	2
		5	45	2
		5	45	2
		5	45	2
		5	45	2
		5	45	2
		5	45	2
		5	185	4
		5	185	4
		5	185	4
		5	185	4
		5	185	4
		5	185	4
		5	185	4
		5	185	4
		5	185	4
		5	185	4
		5	185	4
		5	185	4
		5	185	4
		5	390	1
		5	390	1
		5	390	1
		5	390	1
		5	390	1
		5	390	1
		5	390	1
		5	390	1
		5	390	1
		5	390	1
		5	390	1
		5	390	1
		5	390	1
		6	60	2
		6	60	2
		6	60	2
		6	60	2

25-23-34

ILLUSTRATED PARTS LIST

Page 1098.23

Nov 01/2008



COMPONENT MAINTENANCE MANUAL

PART NUMBER	AIRLINE PART NUMBER	FIGURE	ITEM	UNITS PER ASSEMBLY
		6	60	2
		6	60	2
		6	60	2
		6	60	2
		6	60	2
		6	60	2
		6	60	2
		6	60	2
		6	60	2
		6	260	4
		6	260	4
		6	260	4
		6	260	4
		6	260	4
		6	260	4
		6	260	4
		6	260	4
		6	260	4
		6	260	4
		6	260	4
		6	260	4
		6	260	4
		6	260	4
		7	10	2
		7	10	2
		7	10	2
		7	10	2
		7	10	2
		7	10	2
		7	10	2
		7	10	2
		7	10	2
		7	10	2
		7	10	2
		7	10	2
		7	10	2
		7	10	2
		7	40	4
		7	40	4
		7	40	4

25-23-34

ILLUSTRATED PARTS LIST

Page 1098.24

Nov 01/2008



COMPONENT MAINTENANCE MANUAL

PART NUMBER	AIRLINE PART NUMBER	FIGURE	ITEM	UNITS PER ASSEMBLY
		7	40	4
		7	40	4
		7	40	4
		7	40	4
		7	40	4
		7	40	4
		7	40	4
		7	40	4
		7	40	4
		7	40	4
		7	155	4
		7	155	4
		7	155	4
		7	155	4
		7	155	4
		7	155	4
		7	155	4
		7	155	4
		7	155	4
		7	155	4
		7	155	4
		7	155	4
		7	155	4
		7	155	4
		7	155	4
		7	155	4
		7	155	4
		7	260	1
		7	260	1
		7	260	1
		7	260	1
		7	260	1
		7	260	1
		7	260	1
		7	260	1
		7	260	1
		7	260	1
		7	260	1
		7	260	1
		7	260	1
		7	260	1
		7	260	1
		7	260	1
		7	260	1
		7	260	1
		7	260	1
		7	260	1
		7	260	1
		8	45	2
		8	110	7



COMPONENT MAINTENANCE MANUAL

PART NUMBER	AIRLINE PART NUMBER	FIGURE	ITEM	UNITS PER ASSEMBLY
		8	305	4
		8	375	4
		9	35	2
		9	35	2
		9	35	2
		9	35	2
		9	35	2
		9	35	2
		9	35	2
		9	35	2
		9	35	2
		9	35	2
		9	35	2
		9	35	2
		9	35	2
		9	35	2
		9	145	4
		9	145	4
		9	145	4
		9	145	4
		9	145	4
		9	145	4
		9	145	4
		9	145	4
		9	145	4
		9	145	4
		9	145	4
		9	210	4
		9	210	4
		9	210	4
		9	210	4
		9	210	4
		9	210	4
		9	210	4
		9	210	4
		9	210	4

25-23-34

ILLUSTRATED PARTS LIST

Page 1098.26

Nov 01/2008



COMPONENT MAINTENANCE MANUAL

PART NUMBER	AIRLINE PART NUMBER	FIGURE	ITEM	UNITS PER ASSEMBLY
		9	210	4
		9	210	4
		9	210	4
		10	45	2
		10	45	2
		10	45	2
		10	45	2
		10	45	2
		10	45	2
		10	45	2
		10	45	2
		10	45	2
		10	45	2
		10	45	2
		10	45	2
		10	110	7
		10	110	7
		10	110	7
		10	110	7
		10	110	7
		10	110	7
		10	110	7
		10	110	7
		10	110	7
		10	110	7
		10	110	7
		10	110	7
		10	110	7
		10	110	7
		10	110	7
		10	110	7
		10	305	4
		10	305	4
		10	305	4
		10	305	4
		10	305	4
		10	305	4
		10	305	4
		10	305	4
		10	305	4
		10	305	4
		10	305	4
		10	305	4
		10	305	4
		10	305	4

25-23-34
ILLUSTRATED PARTS LIST
Page 1098.27
Nov 01/2008



COMPONENT MAINTENANCE MANUAL

PART NUMBER	AIRLINE PART NUMBER	FIGURE	ITEM	UNITS PER ASSEMBLY
		10	305	4
		10	305	4
		10	305	4
		10	305	4
		11	30	2
		11	30	2
		11	30	2
		11	30	2
		11	30	2
		11	30	2
		11	30	2
		11	30	2
		11	30	2
		11	30	2
		11	30	2
		11	30	2
		11	30	2
		11	30	2
		11	30	2
		11	30	2
		11	30	2
		11	30	2
		11	30	2
		11	30	2
		11	30	2
		11	30	2
		11	30	2
		11	30	2
		11	30	2
		11	30	2
		11	30	2
		11	235	4
		11	235	4
		11	235	4
		11	235	4
		11	235	4
		11	235	4
		11	235	4
		11	235	4
		11	235	4
		11	235	4
		11	235	4
		11	235	4
		11	235	4
		11	235	4
		11	235	4
		11	235	4
		11	235	4
		12	45	2
		12	45	2
		12	45	2
		12	45	2
		12	45	2
		12	45	2
		12	45	2

25-23-34

ILLUSTRATED PARTS LIST

Page 1098.28

Nov 01/2008



COMPONENT MAINTENANCE MANUAL

PART NUMBER	AIRLINE PART NUMBER	FIGURE	ITEM	UNITS PER ASSEMBLY
		12	45	2
		12	45	2
		12	45	2
		12	45	2
		12	45	2
		12	170	4
		12	170	4
		12	170	4
		12	170	4
		12	170	4
		12	170	4
		12	170	4
		12	170	4
		12	170	4
		12	170	4
		12	170	4
		12	170	4
		12	170	4
		12	170	4
		12	235	4
		12	235	4
		12	235	4
		12	235	4
		12	235	4
		12	235	4
		12	235	4
		12	235	4
		12	235	4
		12	235	4
		12	235	4
		12	235	4
		12	235	4
		12	235	4
		12	235	4
		12	235	4
		12	235	4
		12	235	4
		12	290	1
		12	290	1
		12	290	1
		12	290	1
		12	290	1
		12	290	1
		12	290	1

BOEING PROPRIETARY - Copyright © Unpublished Work - See title page for details



COMPONENT MAINTENANCE MANUAL

PART NUMBER	AIRLINE PART NUMBER	FIGURE	ITEM	UNITS PER ASSEMBLY
		12	290	1
		12	290	1
		12	290	1
		12	290	1
		12	290	1
		12	290	1
		13	60	2
		13	60	2
		13	60	2
		13	60	2
		13	60	2
		13	60	2
		13	60	2
		13	60	2
		13	60	2
		13	60	2
		13	60	2
		13	60	2
		13	60	2
		13	60	2
		13	60	2
		13	60	2
		13	60	2
		13	60	2
		13	120	7
		13	120	7
		13	120	7
		13	120	7
		13	120	7
		13	120	7
		13	120	7
		13	120	7
		13	120	7
		13	120	7
		13	120	7
		13	120	7
		13	120	7
		13	120	7
		13	120	7
		13	120	7
		13	360	4
		13	360	4
		13	360	4
		13	360	4
		13	360	4

25-23-34

ILLUSTRATED PARTS LIST

Page 1098.30

Nov 01/2008



COMPONENT MAINTENANCE MANUAL

PART NUMBER	AIRLINE PART NUMBER	FIGURE	ITEM	UNITS PER ASSEMBLY
		13	360	4
		13	360	4
		13	360	4
		13	360	4
		13	360	4
		13	360	4
		13	360	4
		13	470	1
		13	470	1
		13	470	1
		13	470	1
		13	470	1
		13	470	1
		13	470	1
		13	470	1
		13	470	1
		13	470	1
		13	470	1
		13	470	1
		14	35	2
		14	35	2
		14	35	2
		14	35	2
		14	35	2
		14	35	2
		14	35	2
		14	35	2
		14	35	2
		14	35	2
		14	35	2
		14	35	2
		14	35	2
		14	125	7
		14	125	7
		14	125	7
		14	125	7

25-23-34

ILLUSTRATED PARTS LIST

Page 1098.31

Nov 01/2008



COMPONENT MAINTENANCE MANUAL

PART NUMBER	AIRLINE PART NUMBER	FIGURE	ITEM	UNITS PER ASSEMBLY
		14	125	7
		14	125	7
		14	125	7
		14	125	7
		14	125	7
		14	125	7
		14	125	7
		14	125	7
		14	125	7
		14	360	2
		14	360	2
		14	360	2
		14	360	2
		14	360	2
		14	360	2
		14	360	2
		14	360	2
		14	360	2
		14	360	2
		14	360	2
		14	360	2
		14	360	2
		14	380	2
		14	380	2
		14	380	2
		14	380	2
		14	380	2
		14	380	2
		14	380	2
		14	380	2
		14	380	2
		14	380	2
		14	380	2
		14	380	2
		14	380	2
		14	470	4
		14	470	4
		14	470	4

25-23-34

ILLUSTRATED PARTS LIST

Page 1098.32

Nov 01/2008



COMPONENT MAINTENANCE MANUAL

PART NUMBER	AIRLINE PART NUMBER	FIGURE	ITEM	UNITS PER ASSEMBLY
		14	470	4
		14	470	4
		14	470	4
		14	470	4
		14	470	4
		14	470	4
		14	470	4
		14	470	4
		14	470	4
		14	470	4
		14	520	4
		14	520	4
		14	520	4
		14	520	4
		14	520	4
		14	520	4
		14	520	4
		14	520	4
		14	520	4
		14	520	4
		14	520	4
		14	520	4
		14	520	4
		14	520	4
		14	520	4
		14	520	4
		14	520	4
		14	590	4
		14	590	4
		14	590	4
		14	590	4
		14	590	4
		14	590	4
		14	590	4
		14	590	4
		14	590	4
		14	590	4
		14	590	4
		14	590	4
		14	590	4
		14	590	4
		15	70	2
		15	70	2

25-23-34

ILLUSTRATED PARTS LIST
Page 1098.33
Nov 01/2008



COMPONENT MAINTENANCE MANUAL

PART NUMBER	AIRLINE PART NUMBER	FIGURE	ITEM	UNITS PER ASSEMBLY
		15	70	2
		15	70	2
		15	70	2
		15	70	2
		15	70	2
		15	70	2
		15	70	2
		15	70	2
		15	70	2
		15	70	2
		15	270	4
		15	270	4
		15	270	4
		15	270	4
		15	270	4
		15	270	4
		15	270	4
		15	270	4
		15	270	4
		15	270	4
		15	270	4
		15	270	4
		15	270	4
		15	270	4
		15	270	4
		15	270	4
		15	270	4
		15	270	4
		15	270	4
		15	270	4
		15	330	2
		15	330	2
		15	330	2
		15	330	2
		15	330	2
		15	330	2
		15	330	2
		15	330	2
		15	330	2
		15	330	2
		15	330	2
		15	330	2
		15	330	2
		15	330	2
		15	330	2
		15	330	2
		16	135	4

25-23-34

ILLUSTRATED PARTS LIST

Page 1098.34

Nov 01/2008



COMPONENT MAINTENANCE MANUAL

PART NUMBER	AIRLINE PART NUMBER	FIGURE	ITEM	UNITS PER ASSEMBLY
		16	135	4
		16	135	4
		16	135	4
		16	135	4
		16	135	4
		16	135	4
		16	135	4
		16	135	4
		16	135	4
		16	135	4
		16	135	4
		17	250	4
		17	250	4
		17	250	4
		17	250	4
		17	250	4
		17	250	4
		17	250	4
		17	250	4
		17	250	4
		17	250	4
		17	250	4
		17	250	4
		17	250	4
		17	250	4
		17	250	4
		17	250	4
		18	225	4
		18	225	4
		18	225	4
		18	225	4
		18	225	4
		18	225	4
		18	225	4
		18	225	4
		18	225	4
		18	225	4
		18	225	4
		18	225	4
		18	225	4
		18	225	4
		18	225	4
		18	225	4
		18	225	4
		18	225	4
		18	225	4
		18	225	4

25-23-34



COMPONENT MAINTENANCE MANUAL

PART NUMBER	AIRLINE PART NUMBER	FIGURE	ITEM	UNITS PER ASSEMBLY
		18	285	2
		18	285	2
		18	285	2
		18	285	2
		18	285	2
		18	285	2
		18	285	2
		18	285	2
		18	285	2
		18	285	2
		18	285	2
		18	285	2
		19	130	4
		19	130	4
		19	130	4
		19	130	4
		19	130	4
		19	130	4
		19	130	4
		19	130	4
		19	130	4
		19	130	4
		19	130	4
		19	130	4
		19	130	4
		19	245	1
		19	245	1
		19	245	1
		19	245	1
		19	245	1
		19	245	1
		19	245	1
		19	245	1
		19	245	1
		19	245	1
		19	245	1
		19	245	1
		19	245	1

25-23-34

BOEING PROPRIETARY - Copyright © Unpublished Work - See title page for details



COMPONENT MAINTENANCE MANUAL

PART NUMBER	AIRLINE PART NUMBER	FIGURE	ITEM	UNITS PER ASSEMBLY
		19	245	1
		20	130	2
		20	130	2
		20	130	2
		20	130	2
		20	130	2
		20	130	2
		20	130	2
		20	130	2
		20	130	2
		20	130	2
		20	130	2
		20	130	2
		20	150	2
		20	150	2
		20	150	2
		20	150	2
		20	150	2
		20	150	2
		20	150	2
		20	150	2
		20	150	2
		20	150	2
		20	150	2
		20	150	2
		20	240	4
		20	240	4
		20	240	4
		20	240	4
		20	240	4
		20	240	4
		20	240	4
		20	240	4
		20	240	4
		20	240	4
		20	240	4
		20	240	4
		20	240	4
		20	240	4
		20	240	4

25-23-34

ILLUSTRATED PARTS LIST

Page 1098.37

Nov 01/2008



COMPONENT MAINTENANCE MANUAL

PART NUMBER	AIRLINE PART NUMBER	FIGURE	ITEM	UNITS PER ASSEMBLY
		20	240	4
		20	240	4
		20	380	4
		20	380	4
		20	380	4
		20	380	4
		20	380	4
		20	380	4
		20	380	4
		20	380	4
		20	380	4
		20	380	4
		20	380	4
		20	380	4
		20	380	4
		21	45	4
		21	45	4
		21	45	4
		21	45	4
		21	45	4
		21	45	4
		21	45	4
		21	45	4
		21	45	4
		21	45	4
		21	45	4
		21	45	4
		21	95	1
		21	95	1
		21	95	1
		21	95	1
		21	95	1
		21	95	1
		21	95	1
		21	95	1
		21	95	1
		21	95	1
		21	95	1

25-23-34
ILLUSTRATED PARTS LIST
Page 1098.38
Nov 01/2008



COMPONENT MAINTENANCE MANUAL

PART NUMBER	AIRLINE PART NUMBER	FIGURE	ITEM	UNITS PER ASSEMBLY
		21	95	1
		21	95	1
		21	95	1
		22	30	4
		22	30	4
		22	30	4
		22	30	4
		22	30	4
		22	30	4
		22	30	4
		22	30	4
		22	30	4
		22	30	4
		22	30	4
		22	30	4
		22	30	4
		22	30	4
		22	30	4
		22	30	4
		22	30	4
		22	30	4
		22	150	2
		22	150	2
		22	150	2
		22	150	2
		22	150	2
		22	150	2
		22	150	2
		22	150	2
		22	150	2
		22	150	2
		22	150	2
		22	150	2
		22	150	2
		22	150	2
		22	150	2
		22	150	2
		22	240	1
		22	240	1
		22	240	1
		22	240	1
		22	240	1
		22	240	1
		22	240	1
		22	240	1
		22	240	1
		22	240	1
		22	240	1
		22	240	1

25-23-34

ILLUSTRATED PARTS LIST

Page 1098.39

Nov 01/2008



COMPONENT MAINTENANCE MANUAL

PART NUMBER	AIRLINE PART NUMBER	FIGURE	ITEM	UNITS PER ASSEMBLY
		22	240	1
		22	240	1
		22	240	1
		22	240	1
		22	255	2
		22	255	2
		22	255	2
		22	255	2
		22	255	2
		22	255	2
		22	255	2
		22	255	2
		22	255	2
		22	255	2
		22	255	2
		22	255	2
		22	255	2
		22	255	2
		22	255	2
		23	35	4
		23	35	4
		23	35	4
		23	35	4
		23	35	4
		23	35	4
		23	35	4
		23	35	4
		23	35	4
		23	35	4
		23	35	4
		23	35	4
		23	35	4
		23	35	4
		23	35	4
		23	35	4
		23	153	1
		23	153	1
		23	153	1
		23	153	1
		23	153	1
		23	153	1
		23	153	1
		23	153	1
		23	153	1
		23	153	1
		23	153	1
		23	153	1
		23	153	1
		23	153	1
		23	153	1

25-23-34

ILLUSTRATED PARTS LIST

Page 1098.40

Nov 01/2008



COMPONENT MAINTENANCE MANUAL

PART NUMBER	AIRLINE PART NUMBER	FIGURE	ITEM	UNITS PER ASSEMBLY
		23	153	1
		23	153	1
		23	153	1
		23	153	1
		23	153	1
		24	45	4
		24	45	4
		24	45	4
		24	45	4
		24	45	4
		24	45	4
		24	45	4
		24	45	4
		24	45	4
		24	45	4
		24	45	4
		24	45	4
		24	45	4
		24	45	4
		24	45	4
		24	45	4
		24	200	1
		24	200	1
		24	200	1
		24	200	1
		24	200	1
		24	200	1
		24	200	1
		24	200	1
		24	200	1
		24	200	1
		24	200	1
		24	200	1
		24	200	1
		24	200	1
		24	200	1
		24	200	1
		24	200	1
		24	200	1
		25	25	4
		25	25	4
		25	25	4
		25	25	4
		25	25	4
		25	25	4
		25	25	4

25-23-34

ILLUSTRATED PARTS LIST

Page 1098.41

Nov 01/2008



COMPONENT MAINTENANCE MANUAL

PART NUMBER	AIRLINE PART NUMBER	FIGURE	ITEM	UNITS PER ASSEMBLY
		25	25	4
		25	25	4
		25	25	4
		25	25	4
		25	25	4
		25	25	4
		25	190	2
		25	190	2
		25	190	2
		25	190	2
		25	190	2
		25	190	2
		25	190	2
		25	190	2
		25	190	2
		25	190	2
		25	190	2
		25	190	2
		25	190	2
		25	215	2
		25	215	2
		25	215	2
		25	215	2
		25	215	2
		25	215	2
		25	215	2
		25	215	2
		25	215	2
		25	215	2
		25	215	2
		25	215	2
		25	215	2
		25	215	2
		25	275	1
		25	275	1
		25	275	1
		25	275	1
		25	275	1

25-23-34

ILLUSTRATED PARTS LIST

Page 1098.42

Nov 01/2008



COMPONENT MAINTENANCE MANUAL

PART NUMBER	AIRLINE PART NUMBER	FIGURE	ITEM	UNITS PER ASSEMBLY
		25	275	1
		25	275	1
		25	275	1
		25	275	1
		25	275	1
		25	275	1
		25	275	1
		26	45	4
		26	45	4
		26	45	4
		26	45	4
		26	45	4
		26	45	4
		26	45	4
		26	45	4
		26	45	4
		26	45	4
		26	45	4
		26	45	4
		26	190	1
		26	190	1
		26	190	1
		26	190	1
		26	190	1
		26	190	1
		26	190	1
		26	190	1
		26	190	1
		26	190	1
		26	190	1
		26	190	1
		26	190	1
		26	190	1
		26	190	1
		26	190	1
		26	190	1
		26	190	1
		26	190	1
		27	55	4
		27	55	4
		27	55	4
		27	55	4

25-23-34

ILLUSTRATED PARTS LIST
Page 1098.43
Nov 01/2008



COMPONENT MAINTENANCE MANUAL

PART NUMBER	AIRLINE PART NUMBER	FIGURE	ITEM	UNITS PER ASSEMBLY
		27	55	4
		27	55	4
		27	55	4
		27	55	4
		27	55	4
		27	55	4
		27	55	4
		27	55	4
		27	100	1
		27	100	1
		27	100	1
		27	100	1
		27	100	1
		27	100	1
		27	100	1
		27	100	1
		27	100	1
		27	100	1
		27	100	1
		27	100	1
		28	30	4
		28	30	4
		28	30	4
		28	30	4
		28	30	4
		28	30	4
		28	30	4
		28	30	4
		28	30	4
		28	30	4
		28	30	4
		28	30	4
		28	175	2
		28	175	2
		28	175	2

25-23-34

BOEING PROPRIETARY - Copyright © Unpublished Work - See title page for details



COMPONENT MAINTENANCE MANUAL

PART NUMBER	AIRLINE PART NUMBER	FIGURE	ITEM	UNITS PER ASSEMBLY
		28	175	2
		28	175	2
		28	175	2
		28	175	2
		28	175	2
		28	175	2
		28	175	2
		28	175	2
		28	175	2
		28	223	2
		28	223	2
		28	223	2
		28	223	2
		28	223	2
		28	223	2
		28	223	2
		28	223	2
		28	223	2
		28	223	2
		28	223	2
		28	223	2
		28	223	2
		28	223	2
		28	270	1
		28	270	1
		28	270	1
		28	270	1
		28	270	1
		28	270	1
		28	270	1
		28	270	1
		28	270	1
		28	270	1
		28	270	1
		28	270	1
		28	270	1
		29	55	4
		29	55	4

25-23-34

ILLUSTRATED PARTS LIST

Page 1098.45

Nov 01/2008



COMPONENT MAINTENANCE MANUAL

PART NUMBER	AIRLINE PART NUMBER	FIGURE	ITEM	UNITS PER ASSEMBLY
		29	55	4
		29	55	4
		29	55	4
		29	55	4
		29	55	4
		29	55	4
		29	55	4
		29	55	4
		29	55	4
		29	55	4
		29	220	1
		29	220	1
		29	220	1
		29	220	1
		29	220	1
		29	220	1
		29	220	1
		29	220	1
		29	220	1
		29	220	1
		29	220	1
		29	220	1
		29	220	1
		29	220	1
		29	220	1
		30	220	4
		30	220	4
		30	220	4
		30	220	4
		30	220	4
		30	220	4
		30	220	4
		30	220	4
		30	220	4
		30	220	4
		30	220	4
		30	220	4
		30	220	4
		30	220	4
		31	230	4

25-23-34

ILLUSTRATED PARTS LIST

Page 1098.46

Nov 01/2008



COMPONENT MAINTENANCE MANUAL

PART NUMBER	AIRLINE PART NUMBER	FIGURE	ITEM	UNITS PER ASSEMBLY
		31	230	4
		31	230	4
		31	230	4
		31	230	4
		31	230	4
		31	230	4
		31	230	4
		31	230	4
		31	230	4
		31	230	4
		31	230	4
		31	360	1
		31	360	1
		31	360	1
		31	360	1
		31	360	1
		31	360	1
		31	360	1
		31	360	1
		31	360	1
		31	360	1
		31	360	1
		32	220	4
		32	220	4
		32	220	4
		32	220	4
		32	220	4
		32	220	4
		32	220	4
		32	220	4
		32	220	4
		32	220	4
		32	220	4
		32	220	4
		32	220	4
		32	220	4
		32	220	4
		32	220	4

25-23-34

ILLUSTRATED PARTS LIST

Page 1098.47

Nov 01/2008

BOEING PROPRIETARY - Copyright © Unpublished Work - See title page for details



COMPONENT MAINTENANCE MANUAL

PART NUMBER	AIRLINE PART NUMBER	FIGURE	ITEM	UNITS PER ASSEMBLY
		32	310	1
		32	310	1
		32	310	1
		32	310	1
		32	310	1
		32	310	1
		32	310	1
		32	310	1
		32	310	1
		32	310	1
		32	310	1
		32	310	1
		32	310	1
		32	310	1
		33	35	2
		33	35	2
		33	35	2
		33	35	2
		33	35	2
		33	35	2
		33	35	2
		33	35	2
		33	35	2
		33	35	2
		33	35	2
		33	35	2
		33	35	2
		33	35	2
		33	35	2
		33	35	2
		33	35	2
		33	250	6
		33	250	6
		33	250	6
		33	250	6
		33	250	6
		33	250	6
		33	250	6
		33	250	6
		33	250	6
		33	250	6
		33	250	6
		33	250	6
		33	250	6
		33	250	6

25-23-34

ILLUSTRATED PARTS LIST

Page 1098.48

Nov 01/2008



COMPONENT MAINTENANCE MANUAL

PART NUMBER	AIRLINE PART NUMBER	FIGURE	ITEM	UNITS PER ASSEMBLY
BACS12FA08K7		33	250	6
		1	425	1
		1	515	4
		1	550	4
		1	565	3
		2	395	1
		2	395	1
		2	395	1
		2	395	1
		2	395	1
		2	395	1
		2	395	1
		2	395	1
		2	395	1
		2	395	1
		2	395	1
		2	395	1
		2	395	1
		2	485	4
		2	485	4
		2	485	4
		2	485	4
		2	485	4
		2	485	4
		2	485	4
		2	485	4
		2	485	4
		2	485	4
		2	520	4
		2	520	4
	2	520	4	
	2	520	4	
	2	520	4	
	2	520	4	

25-23-34

BOEING PROPRIETARY - Copyright © Unpublished Work - See title page for details



COMPONENT MAINTENANCE MANUAL

PART NUMBER	AIRLINE PART NUMBER	FIGURE	ITEM	UNITS PER ASSEMBLY
		2	520	4
		2	520	4
		2	520	4
		2	520	4
		2	520	4
		2	520	4
		2	535	3
		2	535	3
		2	535	3
		2	535	3
		2	535	3
		2	535	3
		2	535	3
		2	535	3
		2	535	3
		2	535	3
		2	535	3
		2	535	3
		3	430	4
		3	430	4
		3	430	4
		3	430	4
		3	430	4
		3	430	4
		3	430	4
		3	430	4
		3	430	4
		3	430	4
		3	430	4
		3	430	4
		3	430	4
		4	365	1
		4	365	1
		4	365	1
		4	365	1
		4	365	1

25-23-34

ILLUSTRATED PARTS LIST

Page 1098.50

Nov 01/2008



COMPONENT MAINTENANCE MANUAL

PART NUMBER	AIRLINE PART NUMBER	FIGURE	ITEM	UNITS PER ASSEMBLY
		4	365	1
		4	365	1
		4	365	1
		4	365	1
		4	365	1
		4	365	1
		4	365	1
		4	445	4
		4	445	4
		4	445	4
		4	445	4
		4	445	4
		4	445	4
		4	445	4
		4	445	4
		4	445	4
		4	445	4
		4	445	4
		4	445	4
		4	480	4
		4	480	4
		4	480	4
		4	480	4
		4	480	4
		4	480	4
		4	480	4
		4	480	4
		4	480	4
		4	480	4
		4	480	4
		4	480	4
		4	480	4
		4	480	4
		4	480	4
		4	480	4
		4	495	3
		4	495	3
		4	495	3
		4	495	3

25-23-34



COMPONENT MAINTENANCE MANUAL

PART NUMBER	AIRLINE PART NUMBER	FIGURE	ITEM	UNITS PER ASSEMBLY
		4	495	3
		4	495	3
		4	495	3
		4	495	3
		4	495	3
		4	495	3
		4	495	3
		4	495	3
		4	495	3
		5	365	1
		5	365	1
		5	365	1
		5	365	1
		5	365	1
		5	365	1
		5	365	1
		5	365	1
		5	365	1
		5	365	1
		5	365	1
		5	365	1
		5	365	1
		5	365	1
		5	365	1
		5	445	4
		5	445	4
		5	445	4
		5	445	4
		5	445	4
		5	445	4
		5	445	4
		5	445	4
		5	445	4
		5	445	4
		5	445	4
		5	445	4
		5	445	4
		5	445	4
		5	480	4
		5	480	4
		5	480	4

25-23-34

ILLUSTRATED PARTS LIST

Page 1098.52

Nov 01/2008



COMPONENT MAINTENANCE MANUAL

PART NUMBER	AIRLINE PART NUMBER	FIGURE	ITEM	UNITS PER ASSEMBLY
		5	480	4
		5	480	4
		5	480	4
		5	480	4
		5	480	4
		5	480	4
		5	480	4
		5	480	4
		5	480	4
		5	480	4
		5	495	3
		5	495	3
		5	495	3
		5	495	3
		5	495	3
		5	495	3
		5	495	3
		5	495	3
		5	495	3
		5	495	3
		5	495	3
		5	495	3
		5	495	3
		5	495	3
		5	495	3
		5	495	3
		7	240	12
		7	240	12
		7	240	12
		7	240	12
		7	240	12
		7	240	12
		7	240	12
		7	240	12
		7	240	12
		7	240	12
		7	240	12
		7	240	12
		7	240	12
		7	240	12
		7	240	12
		7	240	12
		7	240	12
		12	265	12
		12	265	12

25-23-34

ILLUSTRATED PARTS LIST

Page 1098.53

Nov 01/2008



COMPONENT MAINTENANCE MANUAL

PART NUMBER	AIRLINE PART NUMBER	FIGURE	ITEM	UNITS PER ASSEMBLY
		12	265	12
		12	265	12
		12	265	12
		12	265	12
		12	265	12
		12	265	12
		12	265	12
		12	265	12
		12	265	12
		12	265	12
		12	265	12
		13	445	12
		13	445	12
		13	445	12
		13	445	12
		13	445	12
		13	445	12
		13	445	12
		13	445	12
		13	445	12
		13	445	12
		13	445	12
		13	445	12
		13	445	12
		13	445	12
		13	445	12
		13	445	12
		14	395	1
		14	395	1
		14	395	1
		14	395	1
		14	395	1
		14	395	1
		14	395	1
		14	395	1
		14	395	1
		14	395	1
		14	395	1
		14	395	1
		14	395	1
		14	395	1
		14	395	1
		14	395	1
		14	425	1

25-23-34

ILLUSTRATED PARTS LIST

Page 1098.54

Nov 01/2008



COMPONENT MAINTENANCE MANUAL

PART NUMBER	AIRLINE PART NUMBER	FIGURE	ITEM	UNITS PER ASSEMBLY
		14	425	1
		14	425	1
		14	425	1
		14	425	1
		14	425	1
		14	425	1
		14	425	1
		14	425	1
		14	425	1
		14	425	1
		14	425	1
		19	220	12
		19	220	12
		19	220	12
		19	220	12
		19	220	12
		19	220	12
		19	220	12
		19	220	12
		19	220	12
		19	220	12
		19	220	12
		19	220	12
		19	220	12
		19	220	12
		20	165	1
		20	165	1
		20	165	1
		20	165	1
		20	165	1
		20	165	1
		20	165	1
		20	165	1
		20	165	1
		20	165	1
		20	165	1
		20	165	1
		20	165	1
		20	165	1
		20	165	1
		20	165	1

25-23-34

ILLUSTRATED PARTS LIST

Page 1098.55

Nov 01/2008



COMPONENT MAINTENANCE MANUAL

PART NUMBER	AIRLINE PART NUMBER	FIGURE	ITEM	UNITS PER ASSEMBLY
		20	195	1
		20	195	1
		20	195	1
		20	195	1
		20	195	1
		20	195	1
		20	195	1
		20	195	1
		20	195	1
		20	195	1
		20	195	1
		20	195	1
		20	195	1
		21	190	4
		21	190	4
		21	190	4
		21	190	4
		21	190	4
		21	190	4
		21	190	4
		21	190	4
		21	190	4
		21	190	4
		21	190	4
		21	190	4
		21	190	4
		21	190	4
		21	190	4
		21	190	4
		21	190	4
		21	190	4
		21	190	4
		21	190	4
		22	270	4
		22	270	4
		22	270	4
		22	270	4
		22	270	4
		22	270	4
		22	270	4
		22	270	4
		22	270	4
		22	270	4
		22	270	4
		22	270	4
		22	270	4
		22	270	4
		22	270	4



COMPONENT MAINTENANCE MANUAL

PART NUMBER	AIRLINE PART NUMBER	FIGURE	ITEM	UNITS PER ASSEMBLY
		22	270	4
		23	210	4
		23	210	4
		23	210	4
		23	210	4
		23	210	4
		23	210	4
		23	210	4
		23	210	4
		23	210	4
		23	210	4
		23	210	4
		23	210	4
		23	210	4
		23	210	4
		23	210	4
		23	210	4
		23	210	4
		23	210	4
		23	210	4
		23	210	4
		24	180	4
		24	180	4
		24	180	4
		24	180	4
		24	180	4
		24	180	4
		24	180	4
		24	180	4
		24	180	4
		24	180	4
		24	180	4
		24	180	4
		24	180	4
		24	180	4
		24	180	4
		24	180	4
		25	315	4
		25	315	4
		25	315	4
		25	315	4
		25	315	4
		25	315	4
		25	315	4
		25	315	4
		25	315	4
		25	315	4
		25	315	4
		25	315	4

25-23-34

ILLUSTRATED PARTS LIST

Page 1098.57

Nov 01/2008



COMPONENT MAINTENANCE MANUAL

PART NUMBER	AIRLINE PART NUMBER	FIGURE	ITEM	UNITS PER ASSEMBLY
		25	315	4
		25	315	4
		26	210	4
		26	210	4
		26	210	4
		26	210	4
		26	210	4
		26	210	4
		26	210	4
		26	210	4
		26	210	4
		26	210	4
		26	210	4
		26	210	4
		26	210	4
		26	210	4
		27	175A	4
		27	175A	4
		27	175A	4
		27	175A	4
		27	175A	4
		27	175A	4
		27	175A	4
		27	175A	4
		27	175A	4
		27	175A	4
		27	175A	4
		27	175A	4
		27	175A	4
		27	175A	4
		27	175A	4
		27	175A	4
		27	175A	4
		27	175B	4
		27	175B	4
		27	175B	4
		27	175B	4
		27	175B	4
		27	175B	4
		27	175B	4
		27	175B	4
		27	175B	4
		27	175B	4
		27	175B	4
		27	175B	4
		27	175B	4
		27	175B	4
		27	175B	4

25-23-34
 ILLUSTRATED PARTS LIST
 Page 1098.58
 Nov 01/2008



COMPONENT MAINTENANCE MANUAL

PART NUMBER	AIRLINE PART NUMBER	FIGURE	ITEM	UNITS PER ASSEMBLY
		27	175B	4
		27	175B	4
		27	175B	4
		28	425	4
		28	425	4
		28	425	4
		28	425	4
		28	425	4
		28	425	4
		28	425	4
		28	425	4
		28	425	4
		28	425	4
		28	425	4
		28	425	4
		28	425	4
		28	425	4
		28	425	4
		28	425	4
		28	425	4
		28	425	4
		28	425	4
		28	425	4
		28	425	4
		29	225A	4
		29	225A	4
		29	225A	4
		29	225A	4
		29	225A	4
		29	225A	4
		29	225A	4
		29	225A	4
		29	225A	4
		29	225A	4
		29	225A	4
		29	225A	4
		29	225A	4
		29	225A	4
		29	225A	4
		29	225A	4
		29	225A	4
		29	225A	4
		29	225A	4
		29	225A	4
		29	225A	4
		31	410	4
		31	410	4
		31	410	4
		31	410	4
		31	410	4
		31	410	4
		31	410	4
		31	410	4
		31	410	4
		31	410	4

25-23-34

ILLUSTRATED PARTS LIST
Page 1098.59
Nov 01/2008



COMPONENT MAINTENANCE MANUAL

PART NUMBER	AIRLINE PART NUMBER	FIGURE	ITEM	UNITS PER ASSEMBLY
		31	410	4
		31	410	4
		31	410	4
		31	410	4
		31	440	4
		31	440	4
		31	440	4
		31	440	4
		31	440	4
		31	440	4
		31	440	4
		31	440	4
		31	440	4
		31	440	4
		31	440	4
		31	440	4
		31	440	4
		31	440	4
		31	440	4
		31	440	4
		31	440	4
		31	440	4
		31	440	4
		31	440	4
		31	465	4
		31	465	4
		31	465	4
		31	465	4
		31	465	4
		31	465	4
		31	465	4
		31	465	4
		31	465	4
		31	465	4
		31	465	4
		31	465	4
		31	465	4
		31	465	4
		31	465	4
		31	465	4
		31	465	4
		31	465	4
		32	290A	8
		32	290A	8
		32	290A	8
		32	290A	8
		32	290A	8
		32	290A	8
		32	290A	8
		32	290A	8
		32	290A	8
		32	290A	8
		32	290A	8
		32	290A	8

25-23-34

ILLUSTRATED PARTS LIST
 Page 1098.60
 Nov 01/2008



COMPONENT MAINTENANCE MANUAL

PART NUMBER	AIRLINE PART NUMBER	FIGURE	ITEM	UNITS PER ASSEMBLY
BACS12FA08K8		32	290A	8
		32	290A	8
		32	290A	8
		32	290A	8
		32	290A	8
		32	390	4
		32	390	4
		32	390	4
		32	390	4
		32	390	4
		32	390	4
		32	390	4
		32	390	4
		32	390	4
		32	390	4
		25	250	2
		25	250	2
		25	250	2
		25	250	2
		25	250	2
		25	250	2
		25	250	2
		25	250	2
		25	250	2
		25	250	2
		25	250	2
		27	175C	4
		27	175C	4
		27	175C	4
		27	175C	4
		27	175C	4
		27	175C	4

25-23-34

ILLUSTRATED PARTS LIST

Page 1098.61

Nov 01/2008



COMPONENT MAINTENANCE MANUAL

PART NUMBER	AIRLINE PART NUMBER	FIGURE	ITEM	UNITS PER ASSEMBLY
		27	175C	4
		27	175C	4
		27	175C	4
		27	175C	4
		27	175C	4
		27	175C	4
		28	425A	4
		28	425A	4
		28	425A	4
		28	425A	4
		28	425A	4
		28	425A	4
		28	425A	4
		28	425A	4
		28	425A	4
		28	425A	4
		28	425A	4
		28	425A	4
		28	425A	4
		29	225B	4
		29	225B	4
		29	225B	4
		29	225B	4
		29	225B	4
		29	225B	4
		29	225B	4
		29	225B	4
		29	225B	4
		29	225B	4
		29	225B	4
		29	225B	4
		29	225B	4
		29	225B	4
		29	225B	4
		29	225B	4
		29	225B	4
		29	225B	4
BACS12FA3K32		14	475	1
		20	245	1
BACS13S205C		1	390A	4
		2	360A	4
		4	335A	4

25-23-34

ILLUSTRATED PARTS LIST
 Page 1098.62
 Nov 01/2008



COMPONENT MAINTENANCE MANUAL

PART NUMBER	AIRLINE PART NUMBER	FIGURE	ITEM	UNITS PER ASSEMBLY
BACS13S219C		5	335A	4
		6	315A	4
		7	210A	4
		8	485	4
		9	330	4
		10	455	4
		11	290A	4
		12	530	4
		13	415A	4
		14	710	4
		15	380A	4
		16	310	4
		17	310A	4
		18	335A	4
		19	490	4
		20	455A	4
		30	325A	4
		31	540A	4
		32	460A	4
		33	335A	4
		1	390	4
		2	360	4
		4	335	4
		5	335	4
		6	315	4
		7	210	4
		8	485A	4
		9	330A	4
		10	455A	4
		11	290	4
		12	530A	4
		13	415	4
		14	710A	4
	15	380	4	
	16	310A	4	

25-23-34

ILLUSTRATED PARTS LIST

Page 1098.63

Nov 01/2008



COMPONENT MAINTENANCE MANUAL

PART NUMBER	AIRLINE PART NUMBER	FIGURE	ITEM	UNITS PER ASSEMBLY
BACS21AQ2A3K		17	310	4
		18	335	4
		19	490A	4
		20	455	4
		30	325	4
		31	540	4
		32	460	4
		33	335	4
		1	145	1
		2	102	1
		2	125	1
		4	110	1
		4	130	1
		5	110	1
		5	130	1
		6	110	1
		8	92	1
		8	147	2
		8	182	2
		8	197	1
		9	87	1
		9	102	1
		10	97	1
		10	147	2
		10	182	2
		10	197	1
		11	83	1
		11	98	1
		12	92	1
		13	107	1
		13	157	2
		13	182	2
	13	197	1	
	14	87	1	
	14	107	1	

25-23-34

ILLUSTRATED PARTS LIST

Page 1098.64

Nov 01/2008



COMPONENT MAINTENANCE MANUAL

PART NUMBER	AIRLINE PART NUMBER	FIGURE	ITEM	UNITS PER ASSEMBLY
		14	165	2
		14	189	2
		14	205	1
		14	227	1
		15	117	1
		27	265	1
		28	395	1
		29	255	1
		33	85	1
BACS21AQ2A3P		8	167	2
		10	167	2
		13	172	2
		14	182	2
BACS21AQ2A4K		14	367A	2
		14	387A	2
		20	137A	2
		20	157A	2
BACS21AQ6A6M		1	170	4
		2	145	4
		4	150	4
		5	150	4
		6	130	4
		8	267	4
		9	112	4
		10	267	4
		11	112	4
		12	137	4
		13	237	4
		14	297	4
		14	322	4
		15	137	4
		16	97	4
		17	127	4
		18	102	4
		19	93	4

25-23-34

ILLUSTRATED PARTS LIST

Page 1098.65

Nov 01/2008



COMPONENT MAINTENANCE MANUAL

PART NUMBER	AIRLINE PART NUMBER	FIGURE	ITEM	UNITS PER ASSEMBLY
BACSFA08K6 BACW10P193G		20	77	4
		20	102	4
		30	93	4
		31	102	4
		32	87	4
		32	110	4
		33	110	4
		2	50	2
		1	60	8
		2	32	8
		2	32	8
		4	30	8
		4	30	8
		5	30	8
		5	30	8
		6	65	8
		6	65	8
		7	20	8
		7	20	8
		8	60	8
		8	120	4
		9	50	8
		9	50	8
		10	60	8
		10	60	8
		10	120	4
		10	120	4
		11	45	8
		11	45	8
		12	60	8
		12	60	8
		13	75	8
	13	75	8	
	13	130	4	
	13	130	4	

25-23-34

ILLUSTRATED PARTS LIST

Page 1098.66

Nov 01/2008



COMPONENT MAINTENANCE MANUAL

PART NUMBER	AIRLINE PART NUMBER	FIGURE	ITEM	UNITS PER ASSEMBLY
		14	45	8
		14	45	8
		14	135	4
		14	135	4
		15	75	8
		15	75	8
		16	40	8
		16	40	8
		17	80	8
		17	80	8
		18	65	8
		18	65	8
		19	40	8
		19	40	8
		20	60	8
		20	60	8
		30	65	8
		30	65	8
		31	65	8
		31	65	8
		32	65	8
		32	65	8
		33	45	8
		33	45	8
BR16S233		4	215	1
		5	215	1
		20	442	1
		30	290	1
		31	310	1
BRH10A08		1	435	1
		1	465	1
		1	575	3
		2	405	1
		2	435	1
		2	545	3

25-23-34

ILLUSTRATED PARTS LIST

Page 1098.67

Nov 01/2008



COMPONENT MAINTENANCE MANUAL

PART NUMBER	AIRLINE PART NUMBER	FIGURE	ITEM	UNITS PER ASSEMBLY
		3	440	4
		4	375	1
		4	505	3
		5	375	1
		5	395	1
		5	505	3
		12	300	1
		13	455	4
		13	475	1
		14	435	1
		15	350	3
		18	305	3
		19	250A	1
		20	205	1
		21	200	4
		22	280	4
		23	220	4
		24	190	4
		25	325	4
		26	220	4
		27	185	4
		28	435	4
		29	235	4
		31	367	1
		31	470	4
		32	297	4
		32	317	1
BRM100A08		8	220	2
		10	220	2
		13	220	2
		14	250	2
BRM200A08		8	215	1
		10	215	1
		13	215	1
		14	245	1

25-23-34

ILLUSTRATED PARTS LIST

Page 1098.68

Nov 01/2008



COMPONENT MAINTENANCE MANUAL

PART NUMBER	AIRLINE PART NUMBER	FIGURE	ITEM	UNITS PER ASSEMBLY
BRM200A08K		22	200	2
		25	140	2
		28	210	2
		33	275	1
		3	210	4
		3	310	2
		3	345	2
		3	415	7
		21	150	2
		21	225	3
		22	135	4
		22	185	2
		22	225	7
		23	105	2
		23	160	3
		24	135	2
		24	149K	2
		24	225	3
		25	180	2
		25	305	7
		26	145	2
		26	200	3
		27	215	2
	27	245	3	
	28	240	4	
	28	300	7	
	29	165	2	
	29	190A	3	
BRM300-06L		26	110	1
		29	125	1
BRM300A08K		3	215	2
		3	255	2
		22	140	2
		22	265	2
		25	265	2

25-23-34

ILLUSTRATED PARTS LIST

Page 1098.69

Nov 01/2008



COMPONENT MAINTENANCE MANUAL

PART NUMBER	AIRLINE PART NUMBER	FIGURE	ITEM	UNITS PER ASSEMBLY
C58024-08-1A		28	245	2
		28	340	2
		8	320A	1
		9	160A	1
		10	320A	1
		12	185A	1
		14	540A	1
		16	150A	1
		19	145A	1
CCR274SS3		3	500	5
		25	365	5
		27	285	5
		28	490	5
		29	285	5
CS8024-08-1A		6	275	1
		7	170	1
		11	250	1
		13	375	1
		15	285	1
		17	265	1
		18	240	1
		20	395	1
		30	235	1
		31	245	1
		32	235	1
		33	255	2
	CS802408-1A		1	340A
		2	305A	1
E3B3		1	115	5
		2	75	5
		4	75	5
		5	75	5
		6	85	5
		8	70	5
		9	65	5

25-23-34

ILLUSTRATED PARTS LIST

Page 1098.70

Nov 01/2008



COMPONENT MAINTENANCE MANUAL

PART NUMBER	AIRLINE PART NUMBER	FIGURE	ITEM	UNITS PER ASSEMBLY
		10	70	5
		11	60	5
		12	70	5
		13	85	5
		14	60	5
		15	95	5
		16	55	5
		17	90	5
		18	75	5
		19	55	5
		20	70	5
		30	75	5
		31	75	5
		32	75	5
		33	60	5
E71740-00		1	375B	1
		8	310D	1
EE4AA005		4	215	1
		5	215	1
		20	442	1
		30	290	1
		31	310	1
FHS832-6		1	145A	1
		2	125A	1
		4	130A	1
		8	92A	1
		9	102A	1
		10	97A	1
		11	98A	1
		12	92A	1
		13	197A	1
		14	107A	1
		15	117A	1
		27	265A	1
		28	395A	1

25-23-34

ILLUSTRATED PARTS LIST

Page 1098.71

Nov 01/2008



COMPONENT MAINTENANCE MANUAL

PART NUMBER	AIRLINE PART NUMBER	FIGURE	ITEM	UNITS PER ASSEMBLY		
FHS832-62		29	255A	1		
		33	85A	1		
		5	130A	1		
		6	110A	1		
		FT1387P8-1-2		1	340	1
				2	305	1
				6	275A	1
				7	170A	1
				8	320	1
				9	160	1
				10	320	1
				11	250A	1
				12	185	1
				13	375A	1
				14	540	1
				15	285A	1
				16	150	1
				17	265A	1
		18	240A	1		
19	145	1				
20	395A	1				
30	235A	1				
31	245A	1				
32	235A	1				
G6940-3B3		1	115	5		
		2	75	5		
		4	75	5		
		5	75	5		
		6	85	5		
		8	70	5		
		9	65	5		
		10	70	5		
		11	60	5		
		12	70	5		
		13	85	5		

25-23-34

ILLUSTRATED PARTS LIST

Page 1098.72

Nov 01/2008



COMPONENT MAINTENANCE MANUAL

PART NUMBER	AIRLINE PART NUMBER	FIGURE	ITEM	UNITS PER ASSEMBLY
		14	60	5
		15	95	5
		16	55	5
		17	90	5
		18	75	5
		19	55	5
		20	70	5
		30	75	5
		31	75	5
		32	75	5
		33	60	5
GRC912618		14	485	3
		20	255	3
GSC205		1	390A	4
		2	360A	4
		4	335A	4
		5	335A	4
		6	315A	4
		7	210A	4
		8	485	4
		9	330	4
		10	455	4
		11	290A	4
		12	530	4
		13	415A	4
		14	710	4
		15	380A	4
		16	310	4
		17	310A	4
		18	335A	4
		19	490	4
		20	455A	4
		30	325A	4
		31	540A	4
		32	460A	4

25-23-34

ILLUSTRATED PARTS LIST

Page 1098.73

Nov 01/2008



COMPONENT MAINTENANCE MANUAL

PART NUMBER	AIRLINE PART NUMBER	FIGURE	ITEM	UNITS PER ASSEMBLY	
GSC219		33	335A	4	
		1	390	4	
		2	360	4	
		4	335	4	
		5	335	4	
		6	315	4	
		7	210	4	
		8	485A	4	
		9	330A	4	
		10	455A	4	
		11	290	4	
		12	530A	4	
		13	415	4	
		14	710A	4	
		15	380	4	
		16	310A	4	
		17	310	4	
		18	335	4	
		19	490A	4	
		20	455	4	
		30	325	4	
		31	540	4	
		32	460	4	
		33	335	4	
	H10-08BAC		1	435	1
			1	465	1
			1	575	3
			2	405	1
			2	435	1
			2	545	3
			3	440	4
			4	375	1
			4	505	3
		5	375	1	
		5	395	1	

25-23-34

ILLUSTRATED PARTS LIST

Page 1098.74

Nov 01/2008



COMPONENT MAINTENANCE MANUAL

PART NUMBER	AIRLINE PART NUMBER	FIGURE	ITEM	UNITS PER ASSEMBLY
H3B3		5	505	3
		12	300	1
		13	455	4
		13	475	1
		14	435	1
		15	350	3
		18	305	3
		19	250A	1
		20	205	1
		21	200	4
		22	280	4
		23	220	4
		24	190	4
		25	325	4
		26	220	4
		27	185	4
		28	435	4
		29	235	4
		31	367	1
		31	470	4
		32	297	4
		32	317	1
		1	115	5
		2	75	5
		4	75	5
		5	75	5
		6	85	5
		8	70	5
		9	65	5
		10	70	5
		11	60	5
		12	70	5
		13	85	5
	14	60	5	
	15	95	5	

25-23-34

ILLUSTRATED PARTS LIST

Page 1098.75

Nov 01/2008



COMPONENT MAINTENANCE MANUAL

PART NUMBER	AIRLINE PART NUMBER	FIGURE	ITEM	UNITS PER ASSEMBLY
HFW1204K01		16	55	5
		17	90	5
		18	75	5
		19	55	5
		20	70	5
		30	75	5
		31	75	5
		32	75	5
		33	60	5
		4	215	1
		5	215	1
		20	442	1
		HFW1206K03		30
31	310			1
4	215			1
5	215			1
20	442			1
L16999-16C		30	290	1
		31	310	1
		1	45G	3
		6	30D	3
		8	245G	3
		10	245D	3
		12	110C	3
		13	35C	3
		14	270C	3
		15	40C	3
		16	75D	3
		17	45C	3
		18	30C	3
		19	70C	3
		20	25C	3
		30	30D	3
		32	30C	3
		MK1000-08BAC		8

25-23-34

ILLUSTRATED PARTS LIST

Page 1098.76

Nov 01/2008



COMPONENT MAINTENANCE MANUAL

PART NUMBER	AIRLINE PART NUMBER	FIGURE	ITEM	UNITS PER ASSEMBLY
MK1000-08BCBAC		10	215	1
		13	215	1
		14	245	1
		22	200	2
		25	140	2
		28	210	2
		33	275	1
		3	210	4
		3	310	2
		3	345	2
		3	415	7
		21	150	2
		21	225	3
		22	135	4
		22	185	2
		22	225	7
		23	105	2
		23	160	3
		24	135	2
		24	149K	2
		24	225	3
		25	180	2
		25	305	7
		26	145	2
		26	200	3
		27	215	2
		27	245	3
	28	240	4	
	28	300	7	
	29	165	2	
	29	190A	3	
MK2000-08BAC		8	220	2
		10	220	2
		13	220	2
		14	250	2

25-23-34

ILLUSTRATED PARTS LIST

Page 1098.77

Nov 01/2008



COMPONENT MAINTENANCE MANUAL

PART NUMBER	AIRLINE PART NUMBER	FIGURE	ITEM	UNITS PER ASSEMBLY
MK3000-06BAC		26	110	1
		29	125	1
MK3000-08BCBAC		3	215	2
		3	255	2
		22	140	2
		22	265	2
		25	265	2
		28	245	2
		28	340	2
		28	340	2
MS20253P2-165		3	65	1
		21	55	1
		22	40	1
		23	45	1
		24	55	1
		25	35	1
		26	55	1
		27	65	1
		28	40	1
		29	65	1
		29	65	1
MS35335-31		4	100	1
		5	100	1
		9	55	1
		11	50	1
		14	85	1
MS35335-51		2	92	1
NAS43DD3-18		1	65	4
		2	35	4
		3	245	2
		4	35	4
		5	35	4
		6	75	4
		7	15	4
		8	55	4
		9	45	4
		10	55	4

25-23-34

ILLUSTRATED PARTS LIST

Page 1098.78

Nov 01/2008



COMPONENT MAINTENANCE MANUAL

PART NUMBER	AIRLINE PART NUMBER	FIGURE	ITEM	UNITS PER ASSEMBLY
NAS43DD3-20		11	40	4
		12	55	4
		13	70	4
		14	50	4
		15	85	4
		16	45	4
		17	70	4
		18	55	4
		19	45	4
		20	50	4
		22	250	2
		28	330	2
		30	55	4
		31	55	4
		32	55	4
		33	55	4
		1	120	4
		2	80	4
		4	80	4
		5	80	4
		6	80	4
		8	57	4
		9	67	4
		10	57	4
		11	42	4
		12	57	4
		13	72	4
		14	52	4
		15	90	4
		16	50	4
		17	75	4
		18	60	4
		19	50	4
	20	55	4	
	30	60	4	

25-23-34

ILLUSTRATED PARTS LIST

Page 1098.79

Nov 01/2008



COMPONENT MAINTENANCE MANUAL

PART NUMBER	AIRLINE PART NUMBER	FIGURE	ITEM	UNITS PER ASSEMBLY
NAS43DD3-7		31	60	4
		32	60	4
		8	125	7
		10	125	7
		13	135	7
		14	140	7
NAS43DD4-5		1	400	1
		2	370	1
		4	345	1
		5	345	1
		6	325	1
		7	220	1
		8	495	1
		9	345	1
		10	465	1
		11	300	1
		12	540	1
		13	425	1
		14	720	1
		15	390	1
		16	320	1
		17	320	1
		18	345	1
		19	500	1
		20	465	1
	NAS4DD3-18		30	335
		31	550	1
		32	470	1
NAS557-10A		33	345	1
		25	255	2
		3	40A	4
		21	30A	3
		24	30	2
		24	31	1
	24	33	1	

25-23-34

ILLUSTRATED PARTS LIST

Page 1098.80

Nov 01/2008



COMPONENT MAINTENANCE MANUAL

PART NUMBER	AIRLINE PART NUMBER	FIGURE	ITEM	UNITS PER ASSEMBLY
		24	34	1
		24	34J	1
		25	10	4
		26	25A	4
		27	20	4
		28	17	4
		29	10	4
NAS557-12A		22	15	4
		23	15	4
NAS557-6A		24	32	1
NAS602-6P		15	335	3
		18	290	3
NAS607-1-4P		1	250	2
		2	215	2
		4	255	2
		5	255	2
		6	185	2
		7	85	2
		8	410	2
		9	255	2
		10	380	2
		11	160	2
		12	455	2
		13	285	2
		14	635	2
		15	190	2
		16	235	2
		17	160	2
		18	145	2
		19	410	2
		20	305	2
		30	145	2
		31	145	2
		32	145	2
		33	160	2

25-23-34

ILLUSTRATED PARTS LIST

Page 1098.81

Nov 01/2008



COMPONENT MAINTENANCE MANUAL

PART NUMBER	AIRLINE PART NUMBER	FIGURE	ITEM	UNITS PER ASSEMBLY	
NAS607-2-8P		1	255	1	
		2	220	1	
		4	260	1	
		5	260	1	
		6	180	1	
		7	80	1	
		8	405	1	
		9	250	1	
		10	375	1	
		11	155	1	
		12	450	1	
		13	280	1	
		14	630	1	
		15	185	1	
		16	230	1	
		17	155	1	
		18	140	1	
		19	405	1	
		20	300	1	
		30	140	1	
		31	140	1	
		32	140	1	
		33	165	1	
	NMC1001-0		1	310	2
			2	275	2
			4	310	2
			5	310	2
			6	235	2
			7	135	2
			8	460	2
			9	305	2
			10	430	2
			11	210	2
		12	505	2	
		13	335	2	

25-23-34

ILLUSTRATED PARTS LIST

Page 1098.82

Nov 01/2008



COMPONENT MAINTENANCE MANUAL

PART NUMBER	AIRLINE PART NUMBER	FIGURE	ITEM	UNITS PER ASSEMBLY
NS103197-82		14	685	2
		15	240	2
		16	285	2
		17	220	2
		18	195	2
		19	465	2
		20	355	2
		30	195	2
		31	205A	2
		32	195A	2
		33	215	2
		8	215	1
		10	215	1
		13	215	1
		14	245	1
		22	200	2
		25	140	2
		28	210	2
		33	275	1
		NS103197-82BC		3
3	310			2
3	345			2
3	415			7
21	150			2
21	225			3
22	135			4
22	185			2
22	225			7
23	105			2
23	160			3
24	135			2
24	149K			2
24	225			3
25	180			2
25	305	7		

25-23-34

ILLUSTRATED PARTS LIST

Page 1098.83

Nov 01/2008



COMPONENT MAINTENANCE MANUAL

PART NUMBER	AIRLINE PART NUMBER	FIGURE	ITEM	UNITS PER ASSEMBLY
		26	145	2
		26	200	3
		27	215	2
		27	245	3
		28	240	4
		28	300	7
		29	165	2
		29	190A	3
NS103198-82		8	220	2
		10	220	2
		13	220	2
		14	250	2
NS103199-62		26	110	1
		29	125	1
NS103199-82BC		3	215	2
		3	255	2
		22	140	2
		22	265	2
		25	265	2
		28	245	2
		28	340	2
NS202101-82		1	435	1
		1	465	1
		1	575	3
		2	405	1
		2	435	1
		2	545	3
		3	440	4
		4	375	1
		4	505	3
		5	375	1
		5	395	1
		5	505	3
		12	300	1
		13	455	4

25-23-34

ILLUSTRATED PARTS LIST

Page 1098.84

Nov 01/2008



COMPONENT MAINTENANCE MANUAL

PART NUMBER	AIRLINE PART NUMBER	FIGURE	ITEM	UNITS PER ASSEMBLY
PLT2MM		13	475	1
		14	435	1
		15	350	3
		18	305	3
		19	250A	1
		20	205	1
		21	200	4
		22	280	4
		23	220	4
		24	190	4
		25	325	4
		26	220	4
		27	185	4
		28	435	4
		29	235	4
		31	367	1
		31	470	4
		32	297	4
		32	317	1
		1	40	3
		6	35	3
		8	250	3
		10	250	3
		12	115	3
		13	40	3
		14	275	3
		15	45	3
		16	80	3
		17	50	3
		18	35	3
		19	75	3
		20	30	3
	30	35	3	
	31	35	3	
	32	35	3	

25-23-34

ILLUSTRATED PARTS LIST

Page 1098.85

Nov 01/2008



COMPONENT MAINTENANCE MANUAL

PART NUMBER	AIRLINE PART NUMBER	FIGURE	ITEM	UNITS PER ASSEMBLY	
PLT2MM2		33	375	3	
		1	40A	3	
		6	35A	3	
		8	250A	3	
		10	250A	3	
		12	115A	3	
		13	40A	3	
		14	275A	3	
		15	45A	3	
		16	80A	3	
		17	50A	3	
		18	35A	3	
		19	75A	3	
		20	30A	3	
		30	35A	3	
		31	35A	3	
		32	35A	3	
		33	375A	3	
	PLWP1S		1	305	AR
			1	305A	AR
		2	270	AR	
		2	270A	AR	
		4	305	AR	
		5	305	AR	
		6	230	4	
		7	130	AR	
		8	455	AR	
		9	300	AR	
		10	425	AR	
		10	425A	AR	
		11	205	AR	
		12	500	AR	
	12	502	AR		
	13	330	AR		
	14	680	AR		

25-23-34

ILLUSTRATED PARTS LIST

Page 1098.86

Nov 01/2008



COMPONENT MAINTENANCE MANUAL

PART NUMBER	AIRLINE PART NUMBER	FIGURE	ITEM	UNITS PER ASSEMBLY
RCS3289		14	682	AR
		15	235	5
		16	280	AR
		17	210	AR
		17	215	5
		18	190	5
		19	460	AR
		20	350	AR
		20	352	AR
		30	190	AR
		30	190A	AR
		31	195	AR
		31	200	AR
		32	190	AR
		32	192	AR
		33	210	AR
		1	265	2
		2	230	2
		4	270	2
		5	270	2
		6	215	2
		7	115	2
		8	440	2
		9	285	2
		10	410	2
		11	190	2
		12	485	2
		13	315	2
		14	665	2
		15	220	2
		16	265	2
		17	190	2
		18	175	2
	19	440	2	
	20	335	2	

25-23-34

ILLUSTRATED PARTS LIST

Page 1098.87

Nov 01/2008



COMPONENT MAINTENANCE MANUAL

PART NUMBER	AIRLINE PART NUMBER	FIGURE	ITEM	UNITS PER ASSEMBLY
RCS3290		30	175	2
		31	175	2
		32	175	2
		33	175	2
		1	275	1
		2	240	1
		4	280	1
		5	280	1
		6	200	1
		7	100	1
		8	425	1
		9	270	1
		10	395	1
		11	175	1
		12	470	1
		13	300	1
		14	650	1
		15	205	1
		16	250	1
	RDAM8005A		17	175
		18	160	1
		19	425	1
		20	320	1
		30	160	1
		31	160	1
		32	160	1
		33	185	1
		1	230	1
		2	195	1
		4	205	1
		5	205	1
	7	60	1	
	8	390	1	
	9	230	1	
	12	250	1	

25-23-34

ILLUSTRATED PARTS LIST

Page 1098.88

Nov 01/2008



COMPONENT MAINTENANCE MANUAL

PART NUMBER	AIRLINE PART NUMBER	FIGURE	ITEM	UNITS PER ASSEMBLY
		14	610	1
		16	205	1
		19	200	1
		20	440	1
		30	280	1
		31	300	1
		32	280	1
		33	315	1
RDAM8018		1	230A	1
		8	390A	1
RM52LHA4972-6-82		1	346	1
		2	312	1
		6	285	1
		7	180	1
		8	330	1
		9	170	1
		10	330	1
		11	260	1
		12	195	1
		13	385	1
		14	550	1
		15	295	1
		16	160	1
		17	275	1
		18	250	1
		19	155	1
		20	405	1
		30	245	1
		31	255	1
		32	245	1
		33	265	1
RMA9201M82		8	215	1
		10	215	1
		13	215	1
		14	245	1

25-23-34

ILLUSTRATED PARTS LIST

Page 1098.89

Nov 01/2008



COMPONENT MAINTENANCE MANUAL

PART NUMBER	AIRLINE PART NUMBER	FIGURE	ITEM	UNITS PER ASSEMBLY
RMA9201M82BC		22	200	2
		25	140	2
		28	210	2
		33	275	1
		3	210	4
		3	310	2
		3	345	2
		3	415	7
		21	150	2
		21	225	3
		22	135	4
		22	185	2
		22	225	7
		23	105	2
		23	160	3
		24	135	2
		24	149K	2
		24	225	3
		25	180	2
		25	305	7
		26	145	2
		26	200	3
		27	215	2
		27	245	3
		28	240	4
		28	300	7
		29	165	2
	29	190A	3	
RMA9205M62		26	110	1
		29	125	1
RMA9205M82BC		3	215	2
		3	255	2
		22	140	2
		22	265	2
		25	265	2

25-23-34

ILLUSTRATED PARTS LIST

Page 1098.90

Nov 01/2008



COMPONENT MAINTENANCE MANUAL

PART NUMBER	AIRLINE PART NUMBER	FIGURE	ITEM	UNITS PER ASSEMBLY
RMA9207M82		28	245	2
		28	340	2
		8	220	2
		10	220	2
		13	220	2
		14	250	2
RMLH9075-82W		1	435	1
		1	465	1
		1	575	3
		2	405	1
		2	435	1
		2	545	3
		3	440	4
		4	375	1
		4	505	3
		5	375	1
		5	395	1
		5	505	3
		12	300	1
		13	455	4
		13	475	1
		14	435	1
		15	350	3
		18	305	3
		19	250A	1
		20	205	1
		21	200	4
		22	280	4
		23	220	4
		24	190	4
	25	325	4	
	26	220	4	
	27	185	4	
	28	435	4	
	29	235	4	

25-23-34

ILLUSTRATED PARTS LIST

Page 1098.91

Nov 01/2008



COMPONENT MAINTENANCE MANUAL

PART NUMBER	AIRLINE PART NUMBER	FIGURE	ITEM	UNITS PER ASSEMBLY
RR2002-3B3		31	367	1
		31	470	4
		32	297	4
		32	317	1
		1	115	5
		2	75	5
		4	75	5
		5	75	5
		6	85	5
		8	70	5
		9	65	5
		10	70	5
		11	60	5
		12	70	5
		13	85	5
		14	60	5
		15	95	5
		16	55	5
		17	90	5
	RV570A3		18	75
		19	55	5
		20	70	5
		30	75	5
		31	75	5
		32	75	5
S222T101-101		33	60	5
		3	500	5
		25	365	5
		27	285	5
		28	490	5
	29	285	5	
	1	230	1	
	2	195	1	
	4	205	1	
	5	205	1	

25-23-34

ILLUSTRATED PARTS LIST

Page 1098.92

Nov 01/2008



COMPONENT MAINTENANCE MANUAL

PART NUMBER	AIRLINE PART NUMBER	FIGURE	ITEM	UNITS PER ASSEMBLY
		7	60	1
		8	390	1
		9	230	1
		12	250	1
		14	610	1
		16	205	1
		19	200	1
		20	440	1
		30	280	1
		31	300	1
		32	280	1
		33	315	1
S417N301-1C		4	10A	3
S417N302-1		1	155	1
		2	135A	1
		4	140	1
		6	120	1
		8	30	1
		10	30	1
		12	30	1
		14	25	1
		15	125	1
		16	20	1
		17	95	1
		18	80	1
		19	20	1
		20	75	1
		30	80	1
		31	80	1
		32	80	1
		33	95	1
S417N302-2		1	160	1
		2	135	1
		5	140	1
		6	123	1

25-23-34

ILLUSTRATED PARTS LIST

Page 1098.93

Nov 01/2008



COMPONENT MAINTENANCE MANUAL

PART NUMBER	AIRLINE PART NUMBER	FIGURE	ITEM	UNITS PER ASSEMBLY
		8	35	1
		9	25	1
		10	35	1
		11	105	1
		12	35	1
		13	230	1
		15	130	1
		16	25	1
		17	100	1
		18	85	1
		19	20A	1
		30	85	1
		31	82	1
		32	82	1
		33	100	1
S417N303-2		12	25L	1
S417N303-2A		8	25K	1
		9	20K	1
		10	25K	1
		12	25K	1
		13	20M	1
		14	20K	1
		15	25M	1
S417N303-2B		8	25L	1
		9	20L	1
		10	25L	1
		11	20N	1
		13	20N	1
		14	20L	1
		15	25N	1
S417N303-2C		1	25K	1
		4	20K	1
		5	20L	1
		8	25M	1
		9	20M	1

25-23-34

ILLUSTRATED PARTS LIST

Page 1098.94

Nov 01/2008



COMPONENT MAINTENANCE MANUAL

PART NUMBER	AIRLINE PART NUMBER	FIGURE	ITEM	UNITS PER ASSEMBLY
S417N303-2D		10	25M	1
		11	20B	1
		12	25M	1
		13	20P	1
		14	20M	1
		15	25P	1
		33	25H	1
		33	25K	1
		1	25	1
		2	25	1
		4	20A	1
		5	20A	1
		8	25C	1
		9	20C	1
		10	25C	1
		11	20C	1
		12	25C	1
	S417N303-2E		13	20C
		14	20C	1
		15	25C	1
		33	25	1
		1	25D	1
		2	25D	1
		4	20B	1
		5	20B	1
		8	25D	1
		9	20D	1
		10	25D	1
		11	20D	1
		12	25D	1
		13	20D	1
		14	20D	1
S417N303-2F		15	25D	1
		33	25A	1
		1	25A	1

25-23-34

ILLUSTRATED PARTS LIST

Page 1098.95

Nov 01/2008



COMPONENT MAINTENANCE MANUAL

PART NUMBER	AIRLINE PART NUMBER	FIGURE	ITEM	UNITS PER ASSEMBLY
S417N303-2G		2	25A	1
		4	20C	1
		5	20C	1
		8	25R	1
		33	25B	1
		1	25B	1
		2	25B	1
		4	20D	1
		5	20D	1
		8	25E	1
		9	20E	1
		10	25E	1
		11	20E	1
		12	25E	1
		13	20E	1
S417N303-2H		14	20E	1
		15	25E	1
		33	25C	1
		8	25F	1
		9	20F	1
		10	25F	1
		11	20F	1
		12	25F	1
S417N303-2J		13	20F	1
		14	20F	1
		15	25F	1
		1	25L	1
		4	20L	1
		5	20M	1
		8	25N	1
		9	20N	1
		10	25N	1
		11	20G	1
		12	25N	1
13	20Q	1		

25-23-34

ILLUSTRATED PARTS LIST

Page 1098.96

Nov 01/2008



COMPONENT MAINTENANCE MANUAL

PART NUMBER	AIRLINE PART NUMBER	FIGURE	ITEM	UNITS PER ASSEMBLY
S417N303-2K		14	20N	1
		15	25Q	1
		33	25J	1
		1	25N	1
		4	20F	1
		5	20F	1
		8	25Q	1
		9	20H	1
		10	25H	1
		11	20H	1
		12	25H	1
		13	20H	1
		14	20H	1
		15	25H	1
S417N303-2L		33	25D	1
		1	25P	1
		8	25P	1
		9	20P	1
		10	25P	1
		11	20J	1
		12	25P	1
		13	20R	1
		14	20P	1
		15	25R	1
S417N303-3A		1	25E	1
		2	25E	1
		4	20G	1
		5	20G	1
		8	25S	1
		33	25E	1
S417N303-3B		8	25T	1
		11	20K	1
		13	20K	1
S417N303-3C		15	25K	1
		1	25M	1

25-23-34

ILLUSTRATED PARTS LIST

Page 1098.97

Nov 01/2008



COMPONENT MAINTENANCE MANUAL

PART NUMBER	AIRLINE PART NUMBER	FIGURE	ITEM	UNITS PER ASSEMBLY		
S417N303-4A		4	20H	1		
		5	20H	1		
		8	25U	1		
		33	25F	1		
		1	25C	1		
		2	25C	1		
		4	20J	1		
		5	20J	1		
		8	25V	1		
		11	20L	1		
		13	20L	1		
		15	25L	1		
		33	25G	1		
		S417N304-1A		8	15L	3
				9	10L	3
10	15L			3		
11	10L			3		
12	15L			3		
13	10L			3		
14	10L			3		
15	15L			3		
S417N304-1B				1	15P	3
				4	10P	3
				5	10P	3
				8	15Q	3
				9	10Q	3
				10	15Q	3
				11	10Q	3
		12	15Q	3		
		13	10Q	3		
		14	10Q	3		
		15	15Q	3		
		33	15M	3		
		S417N304-1C		1	15	3
				2	15	3

25-23-34

ILLUSTRATED PARTS LIST

Page 1098.98

Nov 01/2008



COMPONENT MAINTENANCE MANUAL

PART NUMBER	AIRLINE PART NUMBER	FIGURE	ITEM	UNITS PER ASSEMBLY
S417N304-1M		5	10A	3
		8	15B	3
		9	10B	3
		10	15B	3
		11	10B	3
		12	15B	3
		13	10B	3
		14	10B	3
		15	15B	3
		33	15	3
		1	15M	3
		2	15H	3
		4	10M	3
		5	10M	3
		8	15M	3
S417N304-1N		9	10M	3
		10	15M	3
		11	10M	3
		12	15M	3
		13	10M	3
		14	10M	3
		15	15M	3
		33	15J	3
		1	15N	3
		4	10N	3
		5	10N	3
		8	15N	3
		9	10N	3
		10	15N	3
		11	10N	3
12	15N	3		
13	10N	3		
14	10N	3		
15	15N	3		
33	15K	3		

25-23-34

ILLUSTRATED PARTS LIST

Page 1098.99

Nov 01/2008



COMPONENT MAINTENANCE MANUAL

PART NUMBER	AIRLINE PART NUMBER	FIGURE	ITEM	UNITS PER ASSEMBLY		
S417N304-1P		8	15E	3		
		9	10E	3		
		10	15E	3		
		11	10E	3		
		12	15E	3		
		13	10E	3		
		14	10E	3		
		15	15E	3		
		S417N304-1R		8	15F	3
				9	10F	3
				10	15F	3
				11	10F	3
				12	15F	3
				13	10F	3
				14	10F	3
S417N304-1S		1	15R	3		
		8	15P	3		
		9	10P	3		
		10	15P	3		
		11	10P	3		
		12	15P	3		
		13	10P	3		
		14	10P	3		
		15	15P	3		
		33	15L	3		
		S417N304-1T		1	15S	3
				8	15S	3
				33	15A	3
		S417N304-2A		11	20M	1
		S417N304-6C		8	15T	3
S417N304-6D		8	15R	3		
		9	10H	3		
		10	15H	3		
		11	10H	3		

25-23-34

ILLUSTRATED PARTS LIST

Page 1098.100

Nov 01/2008



COMPONENT MAINTENANCE MANUAL

PART NUMBER	AIRLINE PART NUMBER	FIGURE	ITEM	UNITS PER ASSEMBLY
S417N304-6E		12	15H	3
		13	10H	3
		14	10H	3
		15	15H	3
		1	15A	3
		2	15A	3
		4	10D	3
		5	10D	3
		8	15J	3
		9	10J	3
		10	15J	3
		11	10J	3
		12	15J	3
		13	10J	3
		14	10J	3
S417N304-6F		15	15J	3
		33	15B	3
		1	15B	3
		2	15B	3
		4	10E	3
		5	10E	3
S417N304-6G		8	16	3
		33	15C	3
		1	15C	3
		2	15E	3
		4	10F	3
		5	10F	3
		8	15K	3
		9	10K	3
		10	15K	3
		11	10K	3
		12	15K	3
		13	10K	3
		14	10K	3
		15	15K	3

25-23-34

ILLUSTRATED PARTS LIST

Page 1098.101

Nov 01/2008



COMPONENT MAINTENANCE MANUAL

PART NUMBER	AIRLINE PART NUMBER	FIGURE	ITEM	UNITS PER ASSEMBLY
S417N304-6H		33	15D	3
		1	15L	3
		4	10G	3
		5	10G	3
		8	15V	3
S417N304-6J		33	15E	3
		1	15F	3
		2	15F	3
		4	10H	3
		5	10H	3
S417N304-6K		8	16A	3
		33	15F	3
		1	15D	3
		2	15C	3
		4	10J	3
S417N304-6L		5	10J	3
		8	16B	3
		33	15G	3
		1	15G	3
		2	15G	3
S417N304-6M		4	10K	3
		5	10K	3
		8	15Y	3
		33	15H	3
		1	15Q	3
S417T401-22		4	10L	3
		5	10L	3
		8	15Z	3
		33	235	2
		8	310B	1
S417T401-26		10	310B	1
		12	175B	1
		15	315	1
		16	140B	1
		17	295	1

25-23-34

ILLUSTRATED PARTS LIST

Page 1098.102

Nov 01/2008



COMPONENT MAINTENANCE MANUAL

PART NUMBER	AIRLINE PART NUMBER	FIGURE	ITEM	UNITS PER ASSEMBLY
S417T401-27		18	270	1
		1	375	1
		2	340	1
		6	300	1
		7	195	1
		8	310	1
		9	150	1
		10	310	1
		11	275	1
		12	175	1
		13	400	1
		14	530	1
		15	310	1
		16	140	1
		17	290	1
		18	265	1
		19	135	1
		20	420	1
		30	260	1
		31	280	1
	32	260	1	
S417T401-29		14	510	2
		20	280	2
S417T401-30		14	510B	2
		20	280B	2
S417T401-32		8	310C	1
		10	310C	1
		12	175C	1
		15	315A	1
		16	140C	1
		17	295A	1
		18	270A	1
S417T401-33		1	375A	1
		2	340A	1
		6	300A	1

25-23-34

ILLUSTRATED PARTS LIST

Page 1098.103

Nov 01/2008



COMPONENT MAINTENANCE MANUAL

PART NUMBER	AIRLINE PART NUMBER	FIGURE	ITEM	UNITS PER ASSEMBLY
		7	195A	1
		8	310A	1
		9	150A	1
		10	310A	1
		11	275A	1
		12	175A	1
		13	400A	1
		14	530A	1
		15	310A	1
		16	140A	1
		17	290A	1
		18	265A	1
		19	135A	1
		20	420A	1
		30	260A	1
		31	280A	1
		32	260A	1
S417T401-44		1	375B	1
		8	310D	1
SL211-08-1		1	346	1
		2	312	1
		6	285	1
		7	180	1
		8	330	1
		9	170	1
		10	330	1
		11	260	1
		12	195	1
		13	385	1
		14	550	1
		15	295	1
		16	160	1
		17	275	1
		18	250	1
		19	155	1

25-23-34

ILLUSTRATED PARTS LIST

Page 1098.104

Nov 01/2008



COMPONENT MAINTENANCE MANUAL

PART NUMBER	AIRLINE PART NUMBER	FIGURE	ITEM	UNITS PER ASSEMBLY
		20	405	1
		30	245	1
		31	255	1
		32	245	1
		33	265	1
SL5244-08-4		27	42	5
		28	367	5
		29	32	5
SL5244-08-6		27	37	6
		28	372	6
		29	27	6
SL6189-08-4		3	10	5
		21	10	5
		23	10	7
		24	10	5
		24	92	1
		24	94N	1
		25	5	7
		26	5	5
		26	5B	5
		26	10	2
SL6189-08-6		3	15	4
		21	15	4
		22	5	4
		24	15	4
		24	94P	1
		26	15	4
SZ6924-3B3		1	115	5
		2	75	5
		4	75	5
		5	75	5
		6	85	5
		8	70	5
		9	65	5
		10	70	5

25-23-34

ILLUSTRATED PARTS LIST

Page 1098.105

Nov 01/2008



COMPONENT MAINTENANCE MANUAL

PART NUMBER	AIRLINE PART NUMBER	FIGURE	ITEM	UNITS PER ASSEMBLY
T6S832J		11	60	5
		12	70	5
		13	85	5
		14	60	5
		15	95	5
		16	55	5
		17	90	5
		18	75	5
		19	55	5
		20	70	5
		30	75	5
		31	75	5
		32	75	5
		33	60	5
		1	435	1
		1	465	1
		1	575	3
		2	405	1
		2	405	1
		2	435	1
		2	435	1
		2	545	3
		2	545	3
		3	440	4
		3	440	4
		4	375	1
		4	375	1
		4	505	3
		4	505	3
		5	375	1
		5	375	1
		5	395	1
		5	395	1
	5	505	3	
	5	505	3	

25-23-34

ILLUSTRATED PARTS LIST

Page 1098.106

Nov 01/2008



COMPONENT MAINTENANCE MANUAL

PART NUMBER	AIRLINE PART NUMBER	FIGURE	ITEM	UNITS PER ASSEMBLY
		12	300	1
		12	300	1
		13	455	4
		13	455	4
		13	475	1
		13	475	1
		14	435	1
		14	435	1
		15	350	3
		15	350	3
		18	305	3
		18	305	3
		19	250A	1
		19	250A	1
		20	205	1
		20	205	1
		21	200	4
		21	200	4
		22	280	4
		22	280	4
		23	220	4
		23	220	4
		24	190	4
		24	190	4
		25	325	4
		25	325	4
		26	220	4
		26	220	4
		27	185	4
		27	185	4
		28	435	4
		28	435	4
		29	235	4
		29	235	4
		31	367	1

25-23-34

ILLUSTRATED PARTS LIST

Page 1098.107

Nov 01/2008



COMPONENT MAINTENANCE MANUAL

PART NUMBER	AIRLINE PART NUMBER	FIGURE	ITEM	UNITS PER ASSEMBLY
T8076S832		31	367	1
		31	470	4
		31	470	4
		32	297	4
		32	297	4
		32	317	1
		32	317	1
		8	215	1
		10	215	1
		13	215	1
		14	245	1
		22	200	2
		25	140	2
		28	210	2
		33	275	1
T8076S832BC		3	210	4
		3	310	2
		3	345	2
		3	415	7
		21	150	2
		21	225	3
		22	135	4
		22	185	2
		22	225	7
		23	105	2
		23	160	3
		24	135	2
		24	149K	2
		24	225	3
		25	180	2
		25	305	7
		26	145	2
	26	200	3	
	27	215	2	
	27	245	3	

25-23-34

ILLUSTRATED PARTS LIST

Page 1098.108

Nov 01/2008



COMPONENT MAINTENANCE MANUAL

PART NUMBER	AIRLINE PART NUMBER	FIGURE	ITEM	UNITS PER ASSEMBLY
		28	240	4
		28	300	7
		29	165	2
		29	190A	3
T8077S832		8	220	2
		10	220	2
		13	220	2
		14	250	2
T8078S832BC		3	215	2
		3	255	2
		22	140	2
		22	265	2
		25	265	2
		28	245	2
		28	340	2
T80878S632		26	110	1
		29	125	1
UM62-50009-4		27	42A	5
		28	367A	5
		29	32A	5
UM62-50009-6		27	37A	6
		28	372A	6
		29	27A	6
VIP270-2A		12	25K	1
VIP270-2B		12	25L	1
VIP720-1A		8	15L	3
		9	10L	3
		10	15L	3
		11	10L	3
		12	15L	3
		13	10L	3
		14	10L	3
		15	15L	3
VIP720-1B		1	15P	3
		4	10P	3

25-23-34

ILLUSTRATED PARTS LIST

Page 1098.109

Nov 01/2008



COMPONENT MAINTENANCE MANUAL

PART NUMBER	AIRLINE PART NUMBER	FIGURE	ITEM	UNITS PER ASSEMBLY
VIP720-1C		5	10P	3
		8	15Q	3
		9	10Q	3
		10	15Q	3
		11	10Q	3
		12	15Q	3
		13	10Q	3
		14	10Q	3
		15	15Q	3
		33	15M	3
		1	15	3
		2	15	3
		4	10A	3
		5	10A	3
		8	15B	3
		9	10B	3
		10	15B	3
		11	10B	3
		VIP720-1M		12
13	10B			3
14	10B			3
15	15B			3
33	15			3
1	15M			3
2	15H			3
4	10M			3
5	10M			3
8	15M			3
9	10M			3
10	15M			3
11	10M			3
12	15M			3
13	10M			3
14	10M	3		
15	15M	3		

25-23-34

ILLUSTRATED PARTS LIST

Page 1098.110

Nov 01/2008



COMPONENT MAINTENANCE MANUAL

PART NUMBER	AIRLINE PART NUMBER	FIGURE	ITEM	UNITS PER ASSEMBLY	
VIP720-1N		33	15J	3	
		1	15N	3	
		4	10N	3	
		5	10N	3	
		8	15N	3	
		9	10N	3	
		10	15N	3	
		11	10N	3	
		12	15N	3	
		13	10N	3	
		14	10N	3	
		15	15N	3	
		33	15K	3	
	VIP720-1S		1	15R	3
			8	15P	3
		9	10P	3	
		10	15P	3	
		11	10P	3	
		12	15P	3	
		13	10P	3	
		14	10P	3	
		15	15P	3	
		33	15L	3	
VIP720-1T		1	15S	3	
		8	15S	3	
VIP720-2A		8	25K	1	
		9	20K	1	
		10	25K	1	
		11	20M	1	
		13	20M	1	
		14	20K	1	
		15	25M	1	
	VIP720-2B		8	25L	1
		9	20L	1	
		10	25L	1	

25-23-34

ILLUSTRATED PARTS LIST

Page 1098.111

Nov 01/2008



COMPONENT MAINTENANCE MANUAL

PART NUMBER	AIRLINE PART NUMBER	FIGURE	ITEM	UNITS PER ASSEMBLY	
VIP720-2C		11	20N	1	
		13	20N	1	
		14	20L	1	
		15	25N	1	
		1	25K	1	
		4	20K	1	
		5	20L	1	
		8	25M	1	
		9	20M	1	
		10	25M	1	
		12	25M	1	
		13	20P	1	
		14	20M	1	
		15	25P	1	
	VIP720-2D		33	25H	1
		1	25	1	
		2	25	1	
		4	20A	1	
		5	20A	1	
		8	25C	1	
		9	20C	1	
		10	25C	1	
		11	20C	1	
		12	25C	1	
		13	20C	1	
		14	20C	1	
		15	25C	1	
VIP720-2E			33	25	1
			1	25D	1
		2	25D	1	
		4	20B	1	
		5	20B	1	
		8	25D	1	
		9	20D	1	
		10	25D	1	

25-23-34

ILLUSTRATED PARTS LIST

Page 1098.112

Nov 01/2008



COMPONENT MAINTENANCE MANUAL

PART NUMBER	AIRLINE PART NUMBER	FIGURE	ITEM	UNITS PER ASSEMBLY	
VIP720-2F		11	20D	1	
		12	25D	1	
		13	20D	1	
		14	20D	1	
		15	25D	1	
		33	25A	1	
		1	25A	1	
		2	25A	1	
		4	20C	1	
		5	20C	1	
		8	25R	1	
		33	25B	1	
	VIP720-2G		1	25B	1
			2	25B	1
			4	20D	1
		5	20D	1	
		8	25E	1	
		9	20E	1	
		10	25E	1	
		11	20E	1	
		12	25E	1	
		13	20E	1	
		14	20E	1	
		15	25E	1	
		33	25C	1	
VIP720-2J			1	25L	1
			4	20L	1
		5	20M	1	
		8	25N	1	
		9	20N	1	
		10	25N	1	
		12	25N	1	
		13	20Q	1	
		14	20N	1	
		15	25Q	1	

25-23-34

ILLUSTRATED PARTS LIST

Page 1098.113

Nov 01/2008



COMPONENT MAINTENANCE MANUAL

PART NUMBER	AIRLINE PART NUMBER	FIGURE	ITEM	UNITS PER ASSEMBLY
VIP720-2K		33	25J	1
		1	25N	1
VIP720-2L		8	25Q	1
		1	25P	1
		8	25P	1
		9	20P	1
		10	25P	1
		12	25P	1
		13	20R	1
		14	20P	1
		15	25R	1
		33	25K	1
VIP720-3A		1	25E	1
		2	25E	1
		4	20G	1
		5	20G	1
		8	25S	1
VIP720-3C		33	25E	1
		1	25M	1
VIP720-4A		8	25U	1
		1	25C	1
		2	25C	1
		4	20J	1
		5	20J	1
		8	25V	1
		11	20L	1
		13	20L	1
		15	25L	1
		33	25G	1
VIP720-6C		8	15T	3
VIP720-6D		8	15R	3
VIP720-6E		1	15A	3
		2	15A	3
		4	10D	3
		5	10D	3

25-23-34

ILLUSTRATED PARTS LIST

Page 1098.114

Nov 01/2008



COMPONENT MAINTENANCE MANUAL

PART NUMBER	AIRLINE PART NUMBER	FIGURE	ITEM	UNITS PER ASSEMBLY		
VIP720-6F		8	15J	3		
		9	10J	3		
		10	15J	3		
		11	10J	3		
		12	15J	3		
		13	10J	3		
		14	10J	3		
		15	15J	3		
		33	15B	3		
		1	15B	3		
		2	15B	3		
		4	10E	3		
		5	10E	3		
		33	15C	3		
		VIP720-6G		1	15C	3
2	15E			3		
4	10F			3		
5	10F			3		
8	15K			3		
9	10K			3		
10	15K			3		
11	10K			3		
12	15K			3		
13	10K			3		
14	10K			3		
15	15K			3		
33	15D			3		
VIP720-6J				1	15F	3
				2	15F	3
		4	10H	3		
		5	10H	3		
		33	15F	3		
VIP720-6K		1	15D	3		
		2	15C	3		
		4	10J	3		

25-23-34

ILLUSTRATED PARTS LIST

Page 1098.115

Nov 01/2008



COMPONENT MAINTENANCE MANUAL

PART NUMBER	AIRLINE PART NUMBER	FIGURE	ITEM	UNITS PER ASSEMBLY
VIP720-6L		5	10J	3
		33	15G	3
		1	15G	3
		2	15G	3
		4	10K	3
		5	10K	3
		8	15Y	3
		33	15H	3
VIP720-6M		1	15Q	3
		8	15Z	3
VN201A1-82		8	220	2
		10	220	2
		13	220	2
		14	250	2
VN202A1-82		8	215	1
		10	215	1
		13	215	1
		14	245	1
		22	200	2
		25	140	2
		28	210	2
		33	275	1
VN202A2-82		3	210	4
		3	310	2
		3	345	2
		3	415	7
		21	150	2
		21	225	3
		22	135	4
		22	185	2
		22	225	7
		23	105	2
		23	160	3
		24	135	2
	24	149K	2	

25-23-34

ILLUSTRATED PARTS LIST

Page 1098.116

Nov 01/2008



COMPONENT MAINTENANCE MANUAL

PART NUMBER	AIRLINE PART NUMBER	FIGURE	ITEM	UNITS PER ASSEMBLY
		24	225	3
		25	180	2
		25	305	7
		26	145	2
		26	200	3
		27	215	2
		27	245	3
		28	240	4
		28	300	7
		29	165	2
		29	190A	3
VN203A1-62L		26	110	1
		29	125	1
VN203A2-82		3	215	2
		3	255	2
		22	140	2
		22	265	2
		25	265	2
		28	245	2
		28	340	2
VN303A82		1	435	1
		1	465	1
		1	575	3
		2	405	1
		2	435	1
		2	545	3
		3	440	4
		4	375	1
		4	505	3
		5	375	1
		5	395	1
		5	505	3
		12	300	1
		13	455	4
		13	475	1

25-23-34

ILLUSTRATED PARTS LIST

Page 1098.117

Nov 01/2008



COMPONENT MAINTENANCE MANUAL

PART NUMBER	AIRLINE PART NUMBER	FIGURE	ITEM	UNITS PER ASSEMBLY
Y0C130		14	435	1
		15	350	3
		18	305	3
		19	250A	1
		20	205	1
		21	200	4
		22	280	4
		23	220	4
		24	190	4
		25	325	4
		26	220	4
		27	185	4
		28	435	4
		29	235	4
		31	367	1
		31	470	4
		32	297	4
		32	317	1
		1	390A	4
		2	360A	4
		4	335A	4
		5	335A	4
		6	315A	4
		7	210A	4
		8	485	4
		9	330	4
		10	455	4
		11	290A	4
		12	530	4
		13	415A	4
		14	710	4
		15	380A	4
		16	310	4
		17	310A	4
	18	335A	4	

25-23-34

ILLUSTRATED PARTS LIST

Page 1098.118

Nov 01/2008



COMPONENT MAINTENANCE MANUAL

PART NUMBER	AIRLINE PART NUMBER	FIGURE	ITEM	UNITS PER ASSEMBLY
Y0C140		19	490	4
		20	455A	4
		30	325A	4
		31	540A	4
		32	460A	4
		33	335A	4
		1	390	4
		2	360	4
		4	335	4
		5	335	4
		6	315	4
		7	210	4
		8	485A	4
		9	330A	4
		10	455A	4
		11	290	4
		12	530A	4
		13	415	4
		14	710A	4
		15	380	4
		16	310A	4
		17	310	4
		18	335	4
		19	490A	4
		20	455	4
		30	325	4
		31	540	4
		32	460	4
		33	335	4

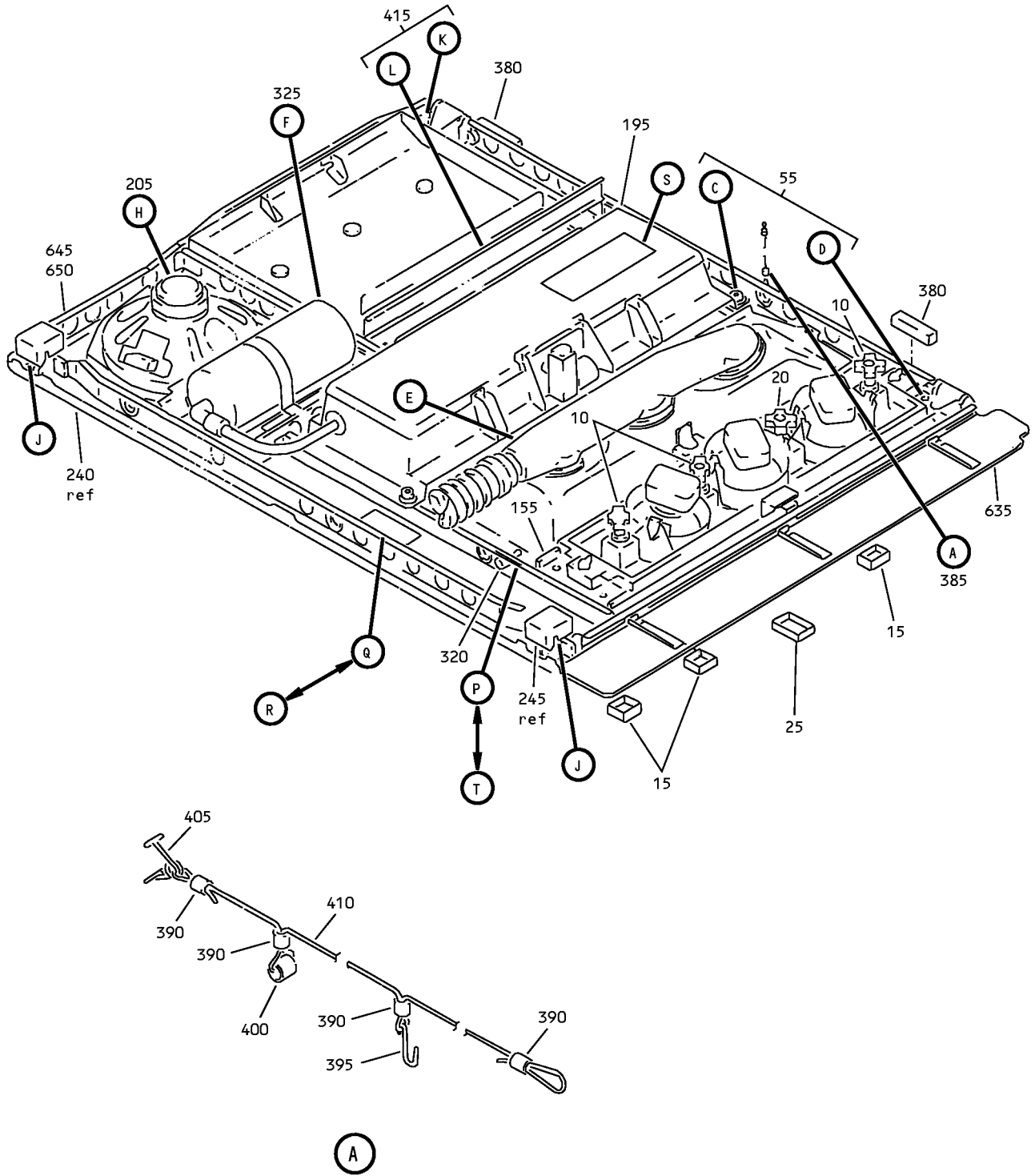
25-23-34

ILLUSTRATED PARTS LIST

Page 1098.119

Nov 01/2008

COMPONENT MAINTENANCE MANUAL



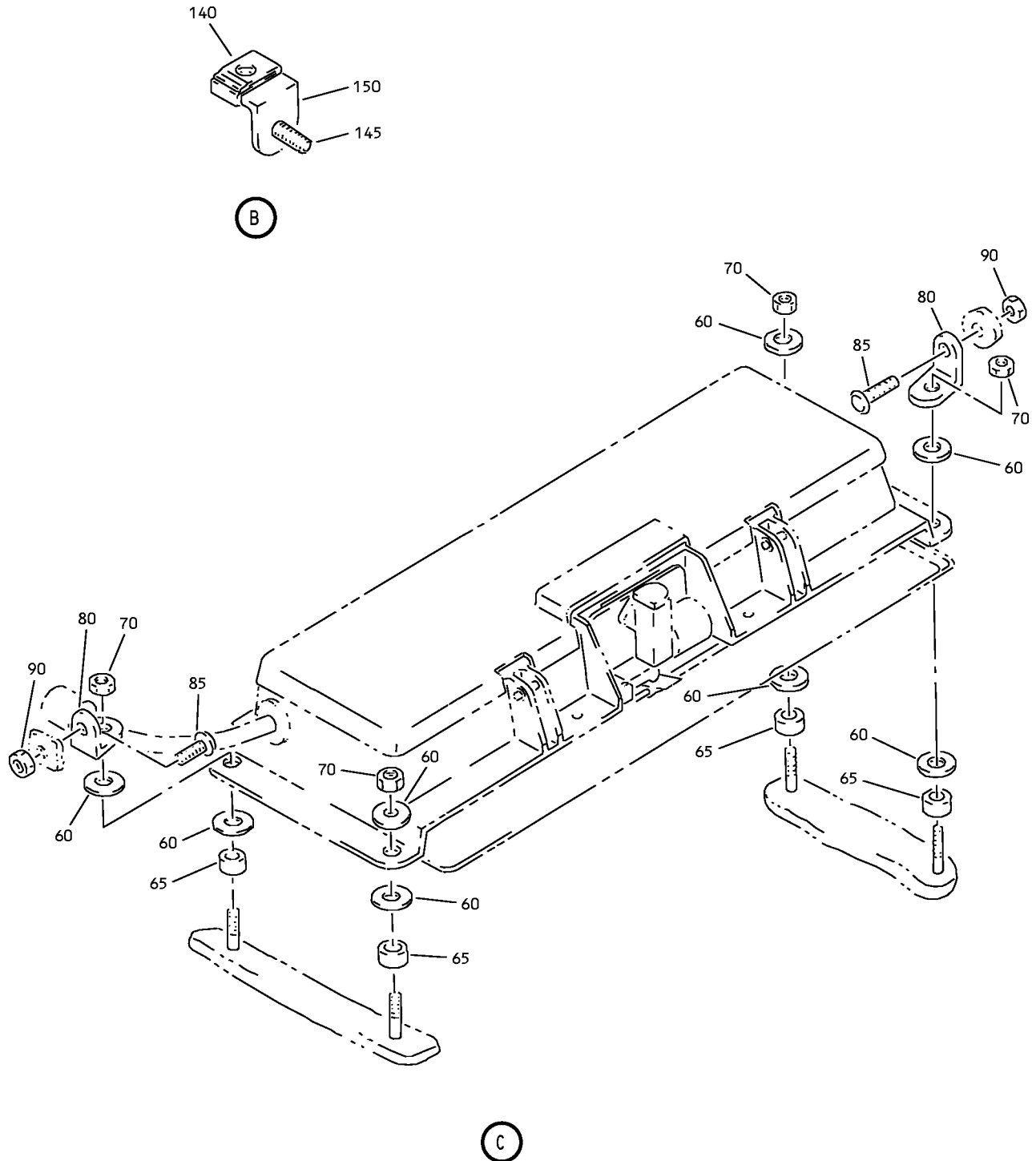
Full Underbin - Passenger Service Unit (with Lifevest, Speaker, and Gasper Air) Assembly
IPL Figure 1 (Sheet 1 of 8)

25-23-34

ILLUSTRATED PARTS LIST

Page 1098.120

Nov 01/2008

COMPONENT MAINTENANCE MANUAL

Full Underbin - Passenger Service Unit (with Lifevest, Speaker, and Gasper Air) Assembly
IPL Figure 1 (Sheet 2 of 8)

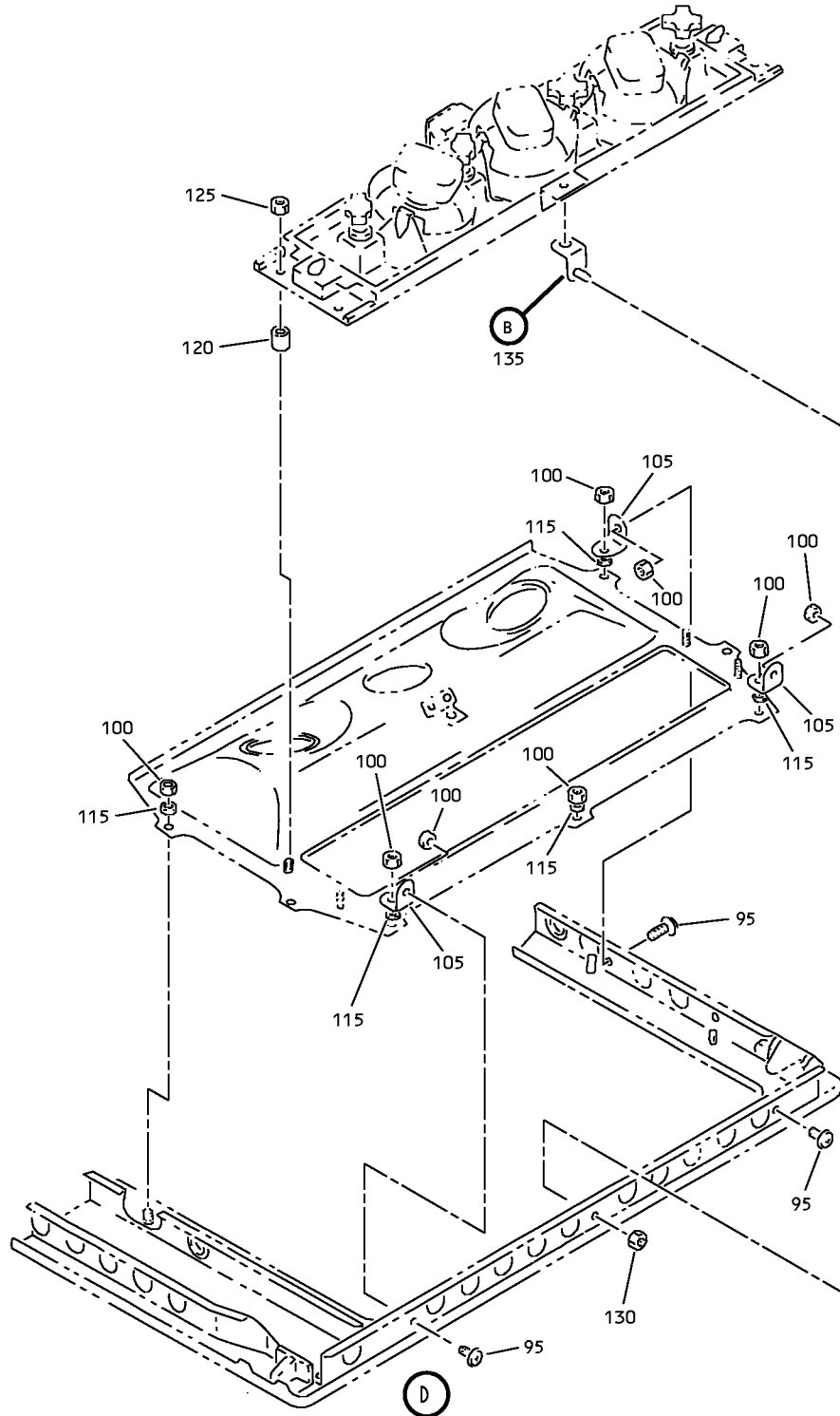
25-23-34

ILLUSTRATED PARTS LIST

Page 1098.121

Nov 01/2008

COMPONENT MAINTENANCE MANUAL



Full Underbin - Passenger Service Unit (with Lifevest, Speaker, and Gasper Air) Assembly
IPL Figure 1 (Sheet 3 of 8)

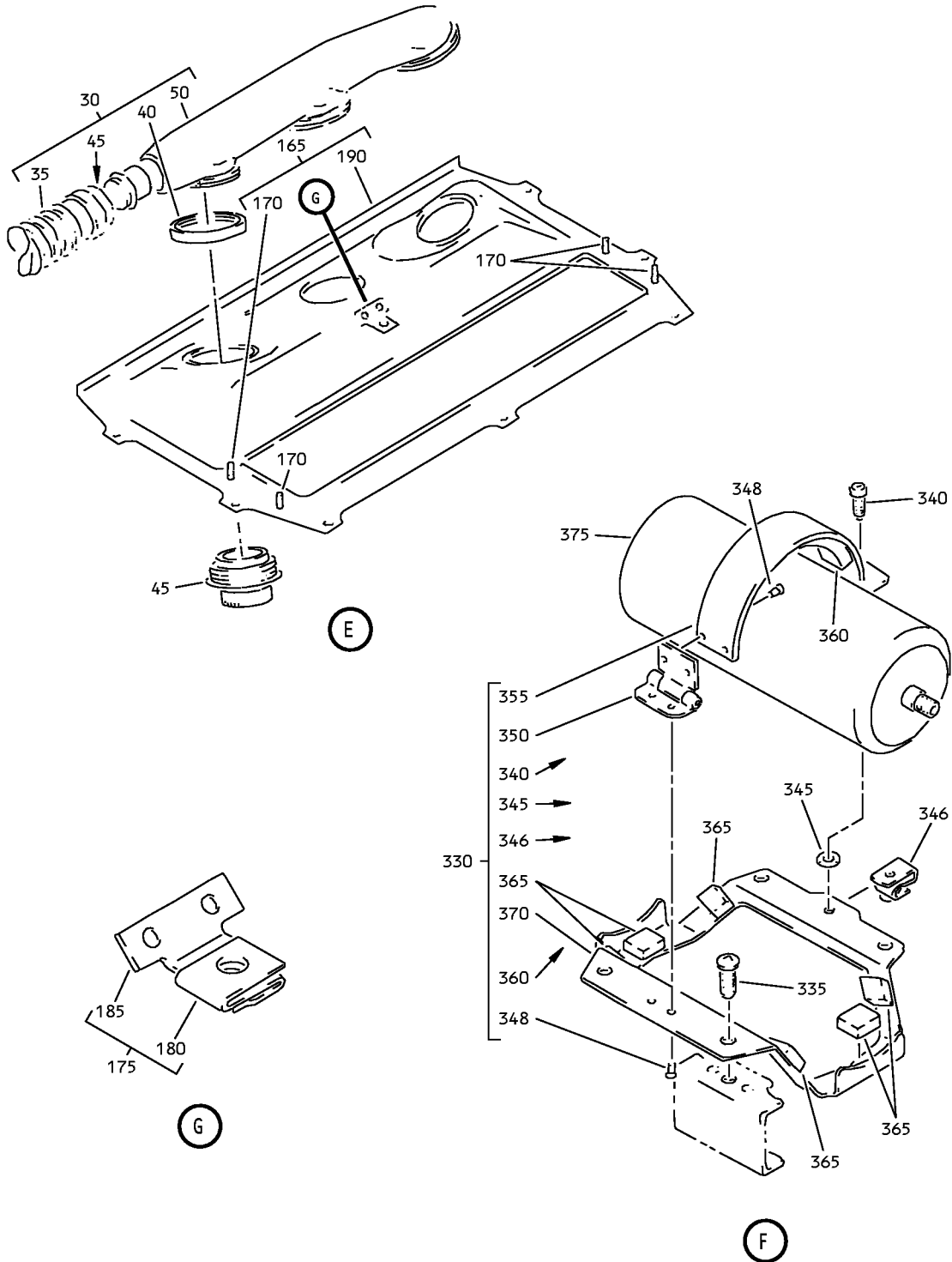
25-23-34

ILLUSTRATED PARTS LIST

Page 1098.122

Nov 01/2008

COMPONENT MAINTENANCE MANUAL



Full Underbin - Passenger Service Unit (with Lifevest, Speaker, and Gasper Air) Assembly
IPL Figure 1 (Sheet 4 of 8)

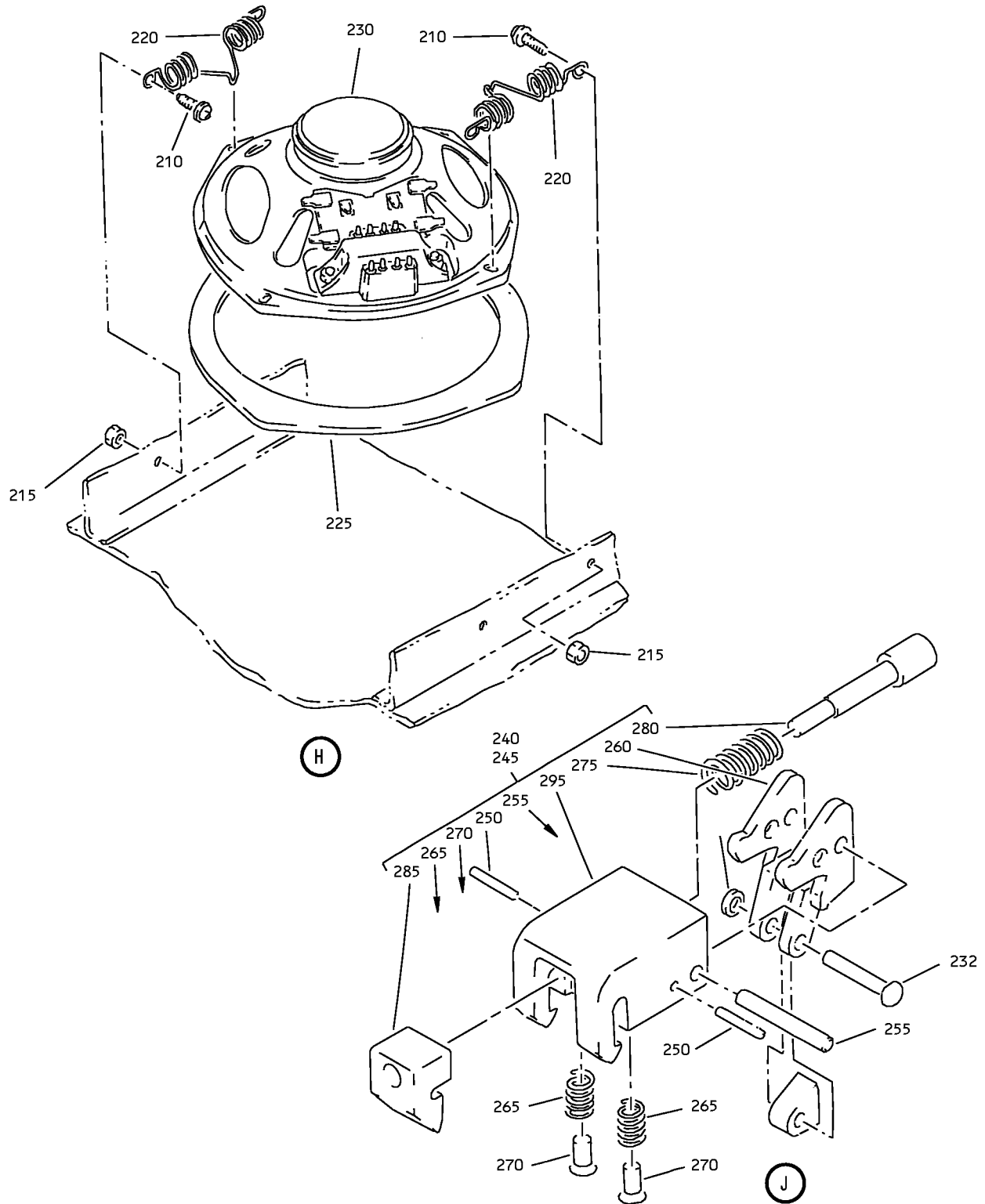
25-23-34

ILLUSTRATED PARTS LIST

Page 1098.123

Nov 01/2008

COMPONENT MAINTENANCE MANUAL



Full Underbin - Passenger Service Unit (with Lifevest, Speaker, and Gasper Air) Assembly
IPL Figure 1 (Sheet 5 of 8)

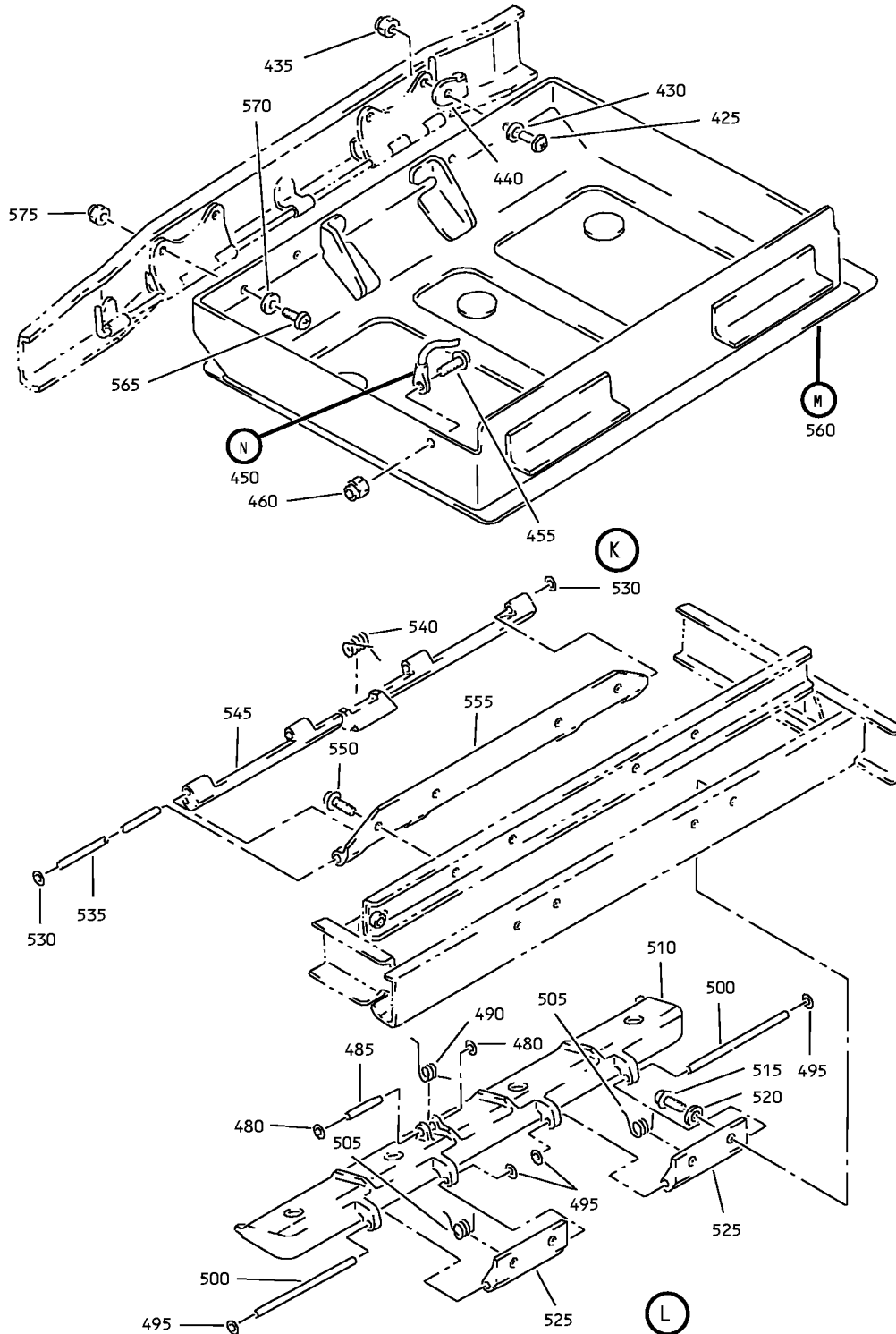
25-23-34

ILLUSTRATED PARTS LIST

Page 1098.124

Nov 01/2008

COMPONENT MAINTENANCE MANUAL



Full Underbin - Passenger Service Unit (with Lifevest, Speaker, and Gasper Air) Assembly
IPL Figure 1 (Sheet 6 of 8)

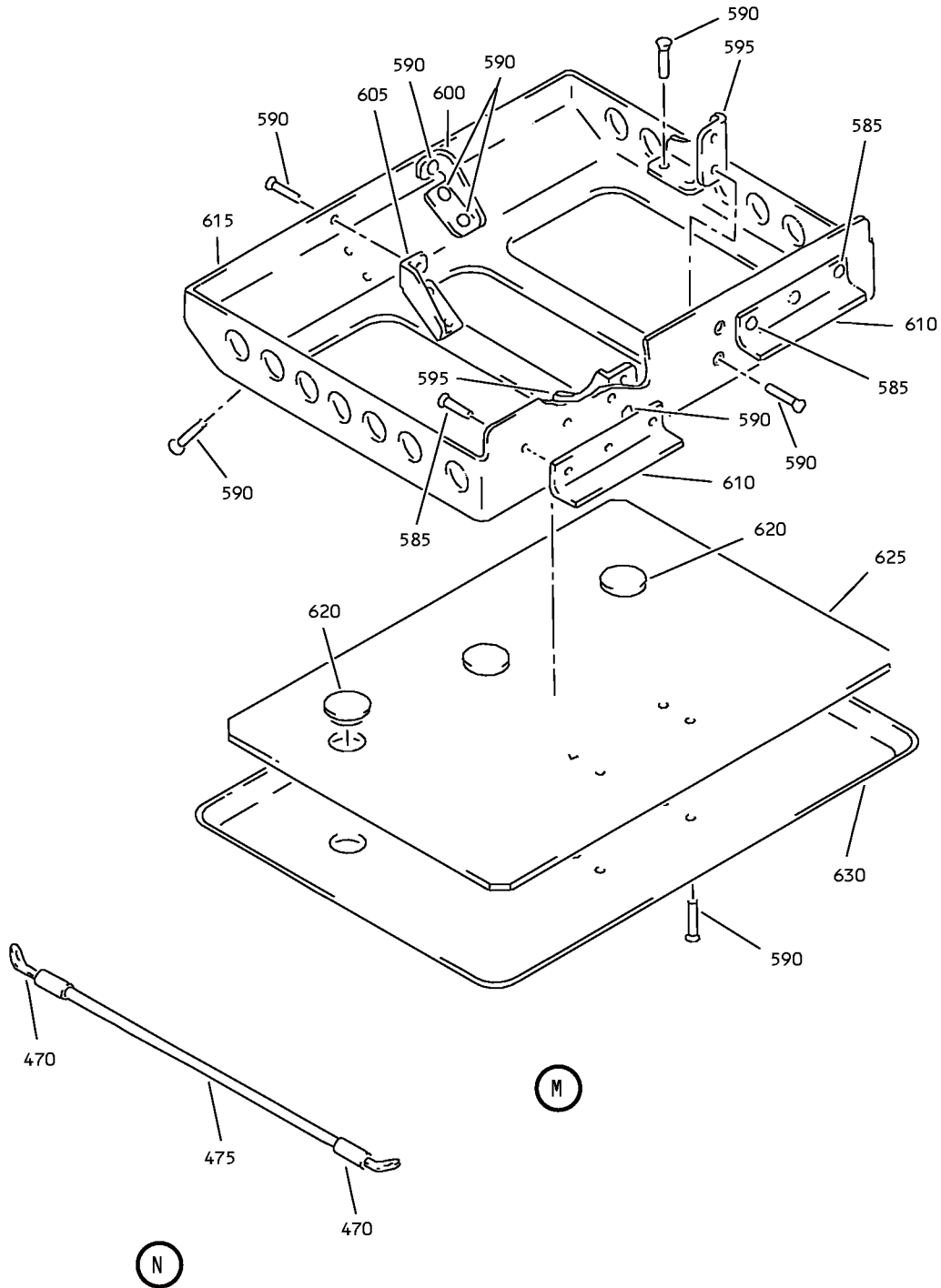
25-23-34

ILLUSTRATED PARTS LIST

Page 1098.125

Nov 01/2008

COMPONENT MAINTENANCE MANUAL



Full Underbin - Passenger Service Unit (with Lifevest, Speaker, and Gasper Air) Assembly
IPL Figure 1 (Sheet 7 of 8)

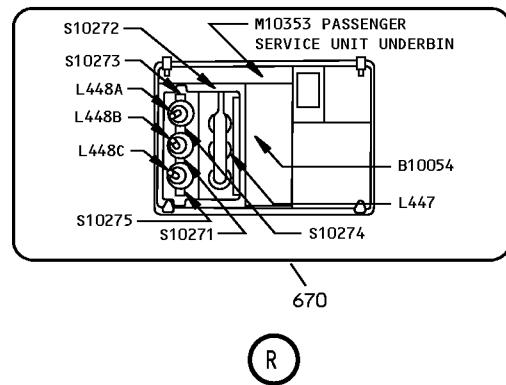
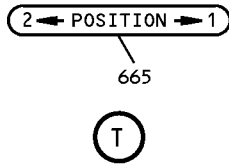
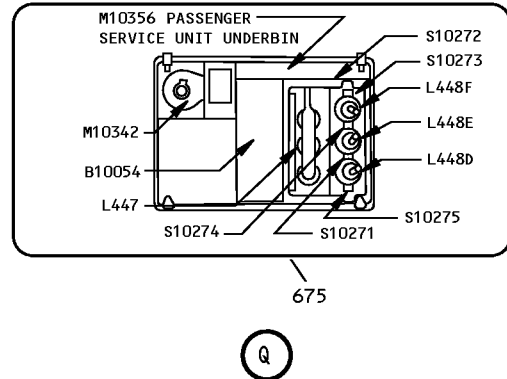
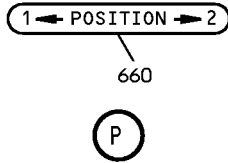
25-23-34

ILLUSTRATED PARTS LIST

Page 1098.126

Nov 01/2008

COMPONENT MAINTENANCE MANUAL



ATTENTION

FOR REMOVAL AND RELOCATION INFORMATION SEE MAINTENANCE MANUAL CHAPTER 25

FOR MASK STOWAGE INSTRUCTIONS SEE MAINTENANCE MANUAL CHAPTER 35

FOR CLEANING INSTRUCTIONS SEE DOCUMENT D6-7127



Full Underbin - Passenger Service Unit (with Lifevest, Speaker, and Gasper Air) Assembly
IPL Figure 1 (Sheet 8 of 8)

25-23-34

ILLUSTRATED PARTS LIST

Page 1098.127

Nov 01/2008



COMPONENT MAINTENANCE MANUAL

FIG/ ITEM	PART NUMBER	AIRLINE PART NUMBER	NOMENCLATURE							USAGE CODE	UNITS PER ASSY
			1	2	3	4	5	6	7		
1-											
-1	417N3100-363SP									A	RF
-1A	417N3100-365SP									C	RF
-1B	417N3100-419SP									N	RF
-1C	417N3100-421SP									P	RF
-1D	417N3100-447SP									S	RF
-1E	417N3100-449SP									T	RF
-1F	417N3100-451SP									U	RF
-1G	417N3100-453SP									V	RF

-Item not Illustrated

25-23-34

ILLUSTRATED PARTS LIST

Page 1098.128

Nov 01/2008



COMPONENT MAINTENANCE MANUAL

FIG/ ITEM	PART NUMBER	AIRLINE PART NUMBER	NOMENCLATURE							USAGE CODE	UNITS PER ASSY
			1	2	3	4	5	6	7		
1-											
-1H	417N3100-459SP									W	RF
-1J	417N3100-461SP									X	RF
-1K	417N3100-479SP									AD	RF
-1L	417N3100-503SP									AK	RF
-1M	417N3100-533SP									AN	RF
-1N	417N3100-595SP									E	RF
-1P	417N3100-601SP									G	RF
-1Q	417N3100-603SP									H	RF

-Item not Illustrated

25-23-34

ILLUSTRATED PARTS LIST

Page 1098.129

Nov 01/2008



COMPONENT MAINTENANCE MANUAL

FIG/ ITEM	PART NUMBER	AIRLINE PART NUMBER	NOMENCLATURE							USAGE CODE	UNITS PER ASSY
			1	2	3	4	5	6	7		
1- -1R	417N3100-605SP		SERVICE UNIT ASSY-FULL UNDERBIN PASS., GASEOUS OXY (WITH LIFEVEST, SPKR) (LH) (FOR DETAILS SEE FIG. 4)							J	RF
-2	417N3100-123SP		SERVICE UNIT ASSY-FULL UNDERBIN PASS. (WITH SPKR AND GASPER AIR) (LH) (FOR DETAILS SEE FIG. 8)							CA	RF
-2A	417N3100-125SP		SERVICE UNIT ASSY-FULL UNDERBIN PASS. (WITH GASPER AIR, WITHOUT SPKR) (LH) (FOR DETAILS SEE FIG. 10)							CS	RF
-2B	417N3100-177SP		SERVICE UNIT ASSY-FULL UNDERBIN PASS. (WITH SPKR, SUSTAINING OXY AND GASPER AIR) (LH) (FOR DETAILS SEE FIG. 14)							DG	RF
-2C	417N3100-179SP		SERVICE UNIT ASSY-FULL UNDERBIN PASS. (WITHOUT SPKR, WITH SUSTAINING OXY AND GASPER AIR) (LH) (FOR DETAILS SEE FIG. 14)							DH	RF
-2D	417N3100-203SP		SERVICE UNIT ASSY-FULL UNDERBIN PASS. (WITH SPKR AND SUSTAINING OXY) (LH) (FOR DETAILS SEE FIG. 14)							DJ	RF
-2E	417N3100-205SP		SERVICE UNIT ASSY-FULL UNDERBIN PASS. (WITHOUT SPKR WITH SUSTAINING OXY) (LH) (FOR DETAILS SEE FIG. 14)							DK	RF
-2F	417N3100-213SP		SERVICE UNIT ASSY-FULL UNDERBIN PASS. (WITH SPKR AND GASPER AIR) (LH) (FOR DETAILS SEE FIG. 8)							CB	RF

-Item not Illustrated

25-23-34

ILLUSTRATED PARTS LIST

Page 1098.130

Nov 01/2008



COMPONENT MAINTENANCE MANUAL

FIG/ ITEM	PART NUMBER	AIRLINE PART NUMBER	NOMENCLATURE							USAGE CODE	UNITS PER ASSY
			1	2	3	4	5	6	7		
1- -2G	417N3100-215SP		SERVICE UNIT ASSY-FULL UNDERBIN PASS. (WITH GASPER AIR, WITHOUT SPKR) (LH) (FOR DETAILS SEE FIG. 10)							CT	RF
-2H	417N3100-241SP		SERVICE UNIT ASSY-FULL UNDERBIN PASS. (WITH SPKR AND GASPER AIR) (LH) (FOR DETAILS SEE FIG. 8)							CC	RF
-2J	417N3100-251SP		SERVICE UNIT ASSY-FULL UNDERBIN PASS. (WITH LIFEVEST, GASPER AIR, SPKR) (LH) (FOR DETAILS SEE FIG. 12)							DC	RF
-2K	417N3100-283SP		SERVICE UNIT ASSY-FULL UNDERBIN PASS. (WITH SPKR AND GASPER AIR) (LH) (FOR DETAILS SEE FIG. 8)							CD	RF
-2L	417N3100-285SP		SERVICE UNIT ASSY-FULL UNDERBIN PASS. (WITH SPKR AND GASPER AIR) (LH) (FOR DETAILS SEE FIG. 8)							CE	RF
-2M	417N3100-293SP		SERVICE UNIT ASSY-FULL UNDERBIN PASS. (WITH SPKR AND GASPER AIR) (LH) (FOR DETAILS SEE FIG. 8)							CF	RF
-2N	417N3100-295SP		SERVICE UNIT ASSY-FULL UNDERBIN PASS. (WITH GASPER AIR, WITHOUT SPKR) (LH) (FOR DETAILS SEE FIG. 10)							CU	RF
-2P	417N3100-313SP		SERVICE UNIT ASSY-FULL UNDERBIN PASS. (WITH BELL AND GASPER) (LH) (FOR DETAILS SEE FIG. 15)							DN	RF

-Item not Illustrated

25-23-34

ILLUSTRATED PARTS LIST

Page 1098.131

Nov 01/2008



COMPONENT MAINTENANCE MANUAL

FIG/ ITEM	PART NUMBER	AIRLINE PART NUMBER	NOMENCLATURE							USAGE CODE	UNITS PER ASSY
			1	2	3	4	5	6	7		
1- -2Q	417N3100-333SP		SERVICE UNIT ASSY-FULL UNDERBIN PASS. (WITH SPKR AND GASPER AIR) (LH) (FOR DETAILS SEE FIG. 8)							CG	RF
-2R	417N3100-367SP		SERVICE UNIT ASSY-FULL UNDERBIN PASS. (WITH SPKR, SUSTAINING OXY AND GASPER AIR) (LH) (FOR DETAILS SEE FIG. 14)							DL	RF
-2S	417N3100-369SP		SERVICE UNIT ASSY-FULL UNDERBIN PASS. (WITH SUSTAINING OXY, GASPER AIR) (LH) (FOR DETAILS SEE FIG. 14)							DM	RF
-2T	417N3100-407SP		SERVICE UNIT ASSY-FULL UNDERBIN PASS. (WITH SPKR AND GASPER AIR) (LH) (FOR DETAILS SEE FIG. 16)							DP	RF
-2U	417N3100-409SP		SERVICE UNIT ASSY-FULL UNDERBIN PASS. (WITH GASPER AIR, WITHOUT SPKR) (LH) (FOR DETAILS SEE FIG. 17)							DW	RF
-2V	417N3100-417SP		SERVICE UNIT ASSY-FULL UNDERBIN PASS. (WITH SPKR AND GASPER AIR) (LH) (FOR DETAILS SEE FIG. 16)							DQ	RF
-2W	417N3100-423SP		SERVICE UNIT ASSY-FULL UNDERBIN PASS. (WITH BELL AND GASPER) (LH) (FOR DETAILS SEE FIG. 18)							DY	RF
-2X	417N3100-429SP		SERVICE UNIT ASSY-FULL UNDERBIN PASS. (WITH SPKR AND GASPER AIR) (LH) (FOR DETAILS SEE FIG. 16)							DR	RF

-Item not Illustrated

25-23-34

ILLUSTRATED PARTS LIST

Page 1098.132

Nov 01/2008



COMPONENT MAINTENANCE MANUAL

FIG/ ITEM	PART NUMBER	AIRLINE PART NUMBER	NOMENCLATURE							USAGE CODE	UNITS PER ASSY
			1	2	3	4	5	6	7		
1- -2Y	417N3100-445SP		SERVICE UNIT ASSY-FULL UNDERBIN PASS. (WITH LIFEVEST, GASPER AIR AND SPKR) (LH) (FOR DETAILS SEE FIG. 19)							EA	RF
-2Z	417N3100-471SP		SERVICE UNIT ASSY-FULL UNDERBIN PASS. (WITH SPKR, SUSTAINING OXY AND GASPER AIR) (LH) (FOR DETAILS SEE FIG. 20)							EC	RF
-3	417N3100-473SP		SERVICE UNIT ASSY-FULL UNDERBIN PASS. (WITH SUSTAINING OXY AND GASPER AIR) (LH) (FOR DETAILS SEE FIG. 20)							ED	RF
-3A	417N3100-633SP		SERVICE UNIT ASSY-FULL UNDERBIN PASS. (WITH SPKR AND PASS. DEDICATED GASPER AIR) (LH) (FOR DETAILS SEE FIG. 16)							AM	RF
-3B	417N3100-649SP		SERVICE UNIT ASSY-FULL UNDERBIN PASS. (WITH SPKR, GASPER AIR AND ZONED CALL SYS) (LH) (FOR DETAILS SEE FIG. 30)							AQ	RF
-3C	417N3100-657SP		SERVICE UNIT ASSY-FULL UNDERBIN PASS. (WITH GASPER AIR, WITHOUT SPKR, ZONED CALL SYS) (LH) (FOR DETAILS SEE FIG. 10)							AS	RF
-3D	417N3100-659SP		SERVICE UNIT ASSY-FULL UNDERBIN PASS. (WITH SPKR, GASPER AIR, ZONED CALL SYS) (LH) (FOR DETAILS SEE FIG. 30)							AU	RF

-Item not Illustrated

25-23-34

ILLUSTRATED PARTS LIST

Page 1098.133

Nov 01/2008



COMPONENT MAINTENANCE MANUAL

FIG/ ITEM	PART NUMBER	AIRLINE PART NUMBER	NOMENCLATURE							USAGE CODE	UNITS PER ASSY
			1	2	3	4	5	6	7		
1- -3E	417N3100-415SP		SERVICE UNIT ASSY-FULL UNDERBIN PASS. (WITH SPKR AND GASPER AIR) (LH) (FOR DETAILS SEE FIG. 8)							AY	RF
-3F	417N3100-643SP		SERVICE UNIT ASSY-FULL UNDERBIN PASS. (SUSTAINING OXY WITHOUT SPKR) (LH) (FOR DETAILS SEE FIG. 20)							BA	RF
-3G	417N3100-645SP		SERVICE UNIT ASSY-FULL UNDERBIN PASS. (SUSTAINING OXY WITH SPKR) (LH) (FOR DETAILS SEE FIG. 20)							BB	RF
-3H	417N3100-647SP		SERVICE UNIT ASSY-FULL UNDERBIN PASS. (SUSTAINING OXY WITH MUTED SPKR) (LH) (FOR DETAILS SEE FIG. 20)							BC	RF
-3J	417N3100-687SP		UNIT ASSY-FULL UNDERBIN PASS. (WITH GASPER AIR, WITHOUT SPKR) (LH) (FOR DETAILS SEE FIG. 33)							EF	RF
-3K	417N3100-689SP		UNIT ASSY-FULL UNDERBIN PASS. (WITH GASPER AIR AND SPKR) (LH) (FOR DETAILS SEE FIG. 33)							EH	RF
-3L	417N3100-691SP		UNIT ASSY-FULL UNDERBIN PASS. (WITH GASPER AIR AND SPKR) (LH) (FOR DETAILS SEE FIG. 33)							EK	RF
-3M	417N3100-243SP		UNIT ASSY-FULL UNDERBIN PASS. (WITH GASPER AIR AND SPKR) (LH) (FOR DETAILS SEE FIG. 8)							EM	RF
-5	417N3100-364SP		SERVICE UNIT ASSY-FULL UNDERBIN PASS. (WITH LIFEVEST, GASPER AIR AND SPKR)							B	RF

-Item not Illustrated

25-23-34

ILLUSTRATED PARTS LIST

Page 1098.134

Nov 01/2008



COMPONENT MAINTENANCE MANUAL

FIG/ ITEM	PART NUMBER	AIRLINE PART NUMBER	NOMENCLATURE							USAGE CODE	UNITS PER ASSY
			1	2	3	4	5	6	7		
1- -5A	417N3100-366SP		SERVICE UNIT ASSY-FULL UNDERBIN PASS. (WITH LIFEVEST) (FOR DETAILS SEE FIG. 2)							D	RF
-5B	417N3100-426SP		SERVICE UNIT ASSY-FULL UNDERBIN PASS. (WITH SPKR, GASPER AIR) (RH) (FOR DETAILS SEE FIG. 30)							Q	RF
-5C	417N3100-428SP		SERVICE UNIT ASSY-FULL UNDERBIN PASS. (WITH GASPER AIR, WITHOUT SPKR) (RH) (FOR DETAILS SEE FIG. 30)							R	RF
-5D	417N3100-468SP		SERVICE UNIT ASSY-FULL UNDERBIN PASS. (WITH LIFEVEST, GASPER AIR AND SPKR) (RH) (FOR DETAILS SEE FIG. 31)							Y	RF
-5E	417N3100-470SP		SERVICE UNIT ASSY-FULL UNDERBIN PASS. (WITH LIFEVEST AND GASPER AIR) (RH) (FOR DETAILS SEE FIG. 31)							Z	RF
-5F	417N3100-474SP		SERVICE UNIT ASSY-FULL UNDERBIN PASS. (WITH LIFEVEST AND SPKR) (RH) (FOR DETAILS SEE FIG. 31)							AA	RF
-5G	417N3100-476SP		SERVICE UNIT ASSY-FULL UNDERBIN PASS. (WITH LIFEVEST) (RH) (FOR DETAILS SEE FIG. 31)							AB	RF
-5H	417N3100-478SP		SERVICE UNIT ASSY-FULL UNDERBIN PASS. (WITH LIFEVEST, GASPER AIR AND SPKR) (RH) (FOR DETAILS SEE FIG. 31)							AC	RF

-Item not Illustrated

25-23-34

ILLUSTRATED PARTS LIST

Page 1098.135

Nov 01/2008



COMPONENT MAINTENANCE MANUAL

FIG/ ITEM	PART NUMBER	AIRLINE PART NUMBER	NOMENCLATURE							USAGE CODE	UNITS PER ASSY
			1	2	3	4	5	6	7		
1- -5J	417N3100-480SP		SERVICE UNIT ASSY-FULL UNDERBIN PASS. (WITH LIFEVEST AND GASPER AIR) (RH) (FOR DETAILS SEE FIG. 31)							AE	RF
-5K	417N3100-486SP		SERVICE UNIT ASSY-FULL UNDERBIN PASS. (WITH LIFEVEST AND MUTED SPKR) (RH) (FOR DETAILS SEE FIG. 31)							AF	RF
-5L	417N3100-488SP		SERVICE UNIT ASSY-FULL UNDERBIN PASS. (WITH LIFEVEST, GASPER AIR AND MUTED SPKR) (RH) (FOR DETAILS SEE FIG. 31)							AG	RF
-5M	417N3100-492SP		SERVICE UNIT ASSY-FULL UNDERBIN PASS. (WITH LIFEVEST, GASPER AIR AND SPKR) (RH) (FOR DETAILS SEE FIG. 32)							AH	RF
-5N	417N3100-494SP		SERVICE UNIT ASSY-FULL UNDERBIN PASS. (WITH LIFEVEST) (RH) (FOR DETAILS SEE FIG. 32)							AJ	RF
-5P	417N3100-504SP		SERVICE UNIT ASSY-22 INCH PARTIAL UNDERBIN PASS. (WITH GASPER AIR, WITHOUT SPKR) (RH) (FOR DETAILS SEE FIG. 6)							AL	RF
-5Q	417N3100-596SP		SERVICE UNIT ASSY-FULL UNDERBIN PASS. (WITH MUTED SPKR AND GASPER AIR) (RH) (FOR DETAILS SEE FIG. 30)							F	RF
-5R	417N3100-600SP		SERVICE UNIT ASSY-FULL UNDERBIN PASS., GASEOUS OXY (WITH LIFEVEST, MUTED SPKR) (RH) (FOR DETAILS SEE FIG. 5)							K	RF

-Item not Illustrated

25-23-34

ILLUSTRATED PARTS LIST

Page 1098.136

Nov 01/2008



COMPONENT MAINTENANCE MANUAL

FIG/ ITEM	PART NUMBER	AIRLINE PART NUMBER	NOMENCLATURE							USAGE CODE	UNITS PER ASSY
			1	2	3	4	5	6	7		
1- -5S	417N3100-602SP		SERVICE UNIT ASSY-FULL UNDERBIN PASS., GASEOUS OXY (WITH LIFEVEST) (RH) (FOR DETAILS SEE FIG. 5)							L	RF
-5T	417N3100-604SP		SERVICE UNIT ASSY-FULL UNDERBIN PASS., GASEOUS OXY (WITH LIFEVEST, SPKR) (RH) (FOR DETAILS SEE FIG. 5)							M	RF
-6	417N3100-122SP		SERVICE UNIT ASSY-FULL UNDERBIN PASS. (WITH SPKR AND GASPER AIR) (RH) (FOR DETAILS SEE FIG. 8)							CH	RF
-6A	417N3100-124SP		SERVICE UNIT ASSY-FULL UNDERBIN PASS. (WITH GASPER AIR, WITHOUT SPKR) (RH) (FOR DETAILS SEE FIG. 10)							CV	RF
-6B	417N3100-162SP		SERVICE UNIT ASSY-FULL UNDERBIN PASS. (WITH SPKR AND GASPER AIR) (RH) (FOR DETAILS SEE FIG. 8)							CJ	RF
-6C	417N3100-164SP		SERVICE UNIT ASSY-FULL UNDERBIN PASS. (WITH GASPER AIR, WITHOUT SPKR) (RH) (FOR DETAILS SEE FIG. 10)							CW	RF
-6D	417N3100-214SP		SERVICE UNIT ASSY-FULL UNDERBIN PASS. (WITH SPKR AND GASPER AIR) (RH) (FOR DETAILS SEE FIG. 8)							CK	RF
-6E	417N3100-216SP		SERVICE UNIT ASSY-FULL UNDERBIN PASS. (WITH GASPER AIR, WITHOUT SPKR) (RH) (FOR DETAILS SEE FIG. 10)							CX	RF

-Item not Illustrated

25-23-34

ILLUSTRATED PARTS LIST

Page 1098.137

Nov 01/2008



COMPONENT MAINTENANCE MANUAL

FIG/ ITEM	PART NUMBER	AIRLINE PART NUMBER	NOMENCLATURE							USAGE CODE	UNITS PER ASSY
			1	2	3	4	5	6	7		
1- -6F	417N3100-222SP		SERVICE UNIT ASSY-FULL UNDERBIN PASS. (WITH LIFEVEST, GASPER AIR, SPKR) (RH) (FOR DETAILS SEE FIG. 12)							DD	RF
-6G	417N3100-224SP		SERVICE UNIT ASSY-FULL UNDERBIN PASS. (WITH LIFEVEST, GASPER AIR) (RH) (FOR DETAILS SEE FIG. 13)							DF	RF
-6H	417N3100-244SP		SERVICE UNIT ASSY-FULL UNDERBIN PASS. (WITH SPKR AND GASPER AIR) (RH) (FOR DETAILS SEE FIG. 8)							CL	RF
-6J	417N3100-250SP		SERVICE UNIT ASSY-FULL UNDERBIN PASS. (WITH LIFEVEST, GASPER AIR, SPKR) (RH) (FOR DETAILS SEE FIG. 12)							DE	RF
-6K	417N3100-266SP		SERVICE UNIT ASSY-FULL UNDERBIN PASS. (WITH SPKR) (RH) (FOR DETAILS SEE FIG. 9)							CQ	RF
-6L	417N3100-268SP		SERVICE UNIT ASSY-FULL UNDERBIN PASS. (WITHOUT SPKR) (RH) (FOR DETAILS SEE FIG. 11)							DA	RF
-6M	417N3100-284SP		SERVICE UNIT ASSY-FULL UNDERBIN PASS. (WITH SPKR AND GASPER AIR) (RH) (FOR DETAILS SEE FIG. 8)							CM	RF
-6N	417N3100-286SP		SERVICE UNIT ASSY-FULL UNDERBIN PASS. (WITH SPKR AND GASPER AIR) (RH) (FOR DETAILS SEE FIG. 8)							CN	RF

-Item not Illustrated

25-23-34

ILLUSTRATED PARTS LIST

Page 1098.138

Nov 01/2008



COMPONENT MAINTENANCE MANUAL

FIG/ ITEM	PART NUMBER	AIRLINE PART NUMBER	NOMENCLATURE							USAGE CODE	UNITS PER ASSY
			1	2	3	4	5	6	7		
1- -6P	417N3100-294SP		SERVICE UNIT ASSY-FULL UNDERBIN PASS. (WITH SPKR AND GASPER AIR) (RH) (FOR DETAILS SEE FIG. 8)							CP	RF
-6Q	417N3100-296SP		SERVICE UNIT ASSY-FULL UNDERBIN PASS. (WITH GASPER AIR, WITHOUT SPKR) (RH) (FOR DETAILS SEE FIG. 10)							CY	RF
-6R	417N3100-314SP		SERVICE UNIT ASSY-FULL UNDERBIN PASS. (WITH BELL AND GASPER) (RH) (FOR DETAILS SEE FIG. 11)							CZ	RF
-6S	417N3100-336SP		SERVICE UNIT ASSY-FULL UNDERBIN PASS. (WITH SPKR AND GASPER AIR) (RH) (FOR DETAILS SEE FIG. 8)							EE	RF
-6T	417N3100-342SP		SERVICE UNIT ASSY-FULL UNDERBIN PASS. (WITH SPKR) (RH) (FOR DETAILS SEE FIG. 9)							CR	RF
-6U	417N3100-344SP		SERVICE UNIT ASSY-FULL UNDERBIN PASS. (WITHOUT SPKR) (RH) (FOR DETAILS SEE FIG. 11)							DB	RF
-6V	417N3100-418SP		SERVICE UNIT ASSY-FULL UNDERBIN PASS. (WITH SPKR AND GASPER AIR) (RH) (FOR DETAILS SEE FIG. 16)							DS	RF
-6W	417N3100-422SP		SERVICE UNIT ASSY-FULL UNDERBIN PASS. (WITH SPKR AND GASPER AIR) (RH) (FOR DETAILS SEE FIG. 16)							DT	RF

-Item not Illustrated

25-23-34

ILLUSTRATED PARTS LIST

Page 1098.139

Nov 01/2008



COMPONENT MAINTENANCE MANUAL

FIG/ ITEM	PART NUMBER	AIRLINE PART NUMBER	NOMENCLATURE							USAGE CODE	UNITS PER ASSY
			1	2	3	4	5	6	7		
1- -6X	417N3100-424SP		SERVICE UNIT ASSY-FULL UNDERBIN PASS. (WITH SPKR AND GASPER AIR) (RH) (FOR DETAILS SEE FIG. 16)							DU	RF
-6Y	417N3100-430SP		SERVICE UNIT ASSY-FULL UNDERBIN PASS. (WITH BELL AND GASPER) (RH) (FOR DETAILS SEE FIG. 18)							DZ	RF
-6Z	417N3100-440SP		SERVICE UNIT ASSY-FULL UNDERBIN PASS. (WITH SPKR AND GASPER AIR) (RH) (FOR DETAILS SEE FIG. 16)							DV	RF
-7	417N3100-452SP		SERVICE UNIT ASSY-FULL UNDERBIN PASS. (WITH GASPER AIR, WITHOUT SPKR) (RH) (FOR DETAILS SEE FIG. 17)							DX	RF
-7A	417N3100-466SP		SERVICE UNIT ASSY-FULL UNDERBIN PASS. (WITH LIFEVEST, GASPER AIR AND SPKR) (RH) (FOR DETAILS SEE FIG. 19)							EB	RF
-7B	417N3100-634SP		SERVICE UNIT ASSY-FULL UNDERBIN PASS. (WITH SPKR, AND PASS. DEDICATED GASPER AIR) (RH) (FOR DETAILS SEE FIG. 16)							AP	RF
-7C	417N3100-650SP		SERVICE UNIT ASSY-FULL UNDERBIN PASS. (WITH SPKR, GASPER AIR, ZONED CALL SYS) (RH) (FOR DETAILS SEE FIG. 30)							AR	RF
-7D	417N3100-658SP		SERVICE UNIT ASSY-FULL UNDERBIN PASS. (WITH SPKR, GASPER AIR, ZONED CALL SYS) (RH) (FOR DETAILS SEE FIG. 10)							AT	RF

-Item not Illustrated

25-23-34

ILLUSTRATED PARTS LIST

Page 1098.140

Nov 01/2008



COMPONENT MAINTENANCE MANUAL

FIG/ ITEM	PART NUMBER	AIRLINE PART NUMBER	NOMENCLATURE							USAGE CODE	UNITS PER ASSY
			1	2	3	4	5	6	7		
1- -7E	417N3100-662SP		SERVICE UNIT ASSY-FULL UNDERBIN PASS. (WITH GASPER AIR, WITHOUT SPKR ZONED CALL SYS) (RH) (FOR DETAILS SEE FIG. 30)							AV	RF
-7F	417N3100-322SP		SERVICE UNIT ASSY-FULL UNDERBIN PASS. (WITH LIFEVEST, GASPER AIR, SPKR) (RH) (FOR DETAILS SEE FIG. 12)							AW	RF
-7G	417N3100-324SP		SERVICE UNIT ASSY-FULL UNDERBIN PASS. (WITH LIFEVEST, GASPER AIR) (RH) (FOR DETAILS SEE FIG. 12)							AX	RF
-7H	417N3100-420SP		SERVICE UNIT ASSY-FULL UNDERBIN PASS. (WITH GASPER AIR, WITHOUT SPKR) (RH) (FOR DETAILS SEE FIG. 10)							AZ	RF
-7J	417N3100-258SP		DELETED								
-7K	417N3100-688SP		UNIT ASSY-FULL UNDERBIN PASS. (WITH GASPER AIR, WITHOUT SPKR) (RH) (FOR DETAILS SEE FIG. 33)							EG	RF
-7L	417N3100-690SP		UNIT ASSY-FULL UNDERBIN PASS. (WITH GASPER AIR, WITH SPKR) (FOR DETAILS SEE FIG. 33)							EJ	RF
-7M	417N3100-692SP		UNIT ASSY-FULL UNDERBIN PASS. (WITH GASPER AIR, WITH SPKR) (FOR DETAILS SEE FIG. 33)							EL	RF
-7N	417N3100-242SP		UNIT ASSY-FULL UNDERBIN PASS. (WITH GASPER AIR, WITH SPKR) (FOR DETAILS SEE FIG. 8)							EN	RF
10	920056		. SWITCH-READING LT (V07150)							A, B	3
15	VIP720-1C		. LENS-LT SWITCH (COLOR OPT-CUST PREFERENCE, RED-WHITE) (V28406) (SPEC S417N304-1C)							A, B	3

-Item not Illustrated

25-23-34

ILLUSTRATED PARTS LIST

Page 1098.141

Nov 01/2008

COMPONENT MAINTENANCE MANUAL

FIG/ ITEM	PART NUMBER	AIRLINE PART NUMBER	NOMENCLATURE	USAGE CODE	UNITS PER ASSY
1- -15A	VIP720-6E		. LENS-LT SWITCH (COLOR OPT-CUST PREFERENCE, REDWOOD- BEIGE) (V28406) (SPEC S417N304-6E) (OPT 691212-13A1-1AW (V07150))	A, B	3
-15B	VIP720-6F		. LENS-LT SWITCH (COLOR OPT-CUST PREFERENCE, ORANGE- WHITE) (V28406) (SPEC S417N304-6F) (OPT 691212-13A1-1AT (V07150))	A, B	3
-15C	VIP720-6G		. LENS-LT SWITCH (COLOR OPT-CUST PREFERENCE, BROWN- WHITE) (V28406) (SPEC S417N304-6G) (OPT 691212-13A1-1AR (V07150))	A, B	3
-15D	VIP720-6K		. LENS-LT SWITCH (COLOR OPT-CUST PREFERENCE, BLUE) (V28406) (SPEC S417N304-6K) (OPT 691212-13A1-1AU (V07150))	A, B	3
-15E	S417N304-1M		DELETED		
-15F	VIP720-6J		. LENS-LT SWITCH (COLOR OPT-CUST PREFERENCE, ORANGE- WHITE) (V28406) (SPEC S417N304-6J) (OPT 691212-13A1-1J (V07150))	A, B	3
-15G	VIP720-6L		. LENS-LT SWITCH (COLOR OPT-CUST PREFERENCE, BLUE-WHITE) (V28406) (SPEC S417N304-6L) (OPT 691212-13A1-1T (V07150))	A, B	3
-15H	S417N304-1B		DELETED		
-15J	S417N304-1N		DELETED		
-15K	S417N304-6M		DELETED		

-Item not Illustrated

25-23-34

ILLUSTRATED PARTS LIST

Page 1098.142

Nov 01/2008



COMPONENT MAINTENANCE MANUAL

FIG/ ITEM	PART NUMBER	AIRLINE PART NUMBER	NOMENCLATURE							USAGE CODE	UNITS PER ASSY									
			1	2	3	4	5	6	7											
1-																				
-15L	S417N304-6H		.	L	E	N	S	-	L	T	S	W	I	T	C	H		A, B	3	
-15M	VIP720-1M		.	L	E	N	S	-	L	T	S	W	I	T	C	H		A, B	3	
-15N	VIP720-1N		.	L	E	N	S	-	L	T	S	W	I	T	C	H		A, B	3	
-15P	VIP720-1B		.	L	E	N	S	-	L	T	S	W	I	T	C	H		A, B	3	
-15Q	VIP720-6M		.	L	E	N	S	-	L	T	S	W	I	T	C	H		A, B	3	
-15R	VIP720-1S		.	L	E	N	S	-	L	T	S	W	I	T	C	H		A, B	3	
-15S	VIP720-1T		.	L	E	N	S	-	L	T	S	W	I	T	C	H		A, B	3	
20	920055		.	S	W	I	T	C	H	-	A	T	T	E	N	D	A	N	T	
25	VIP720-2D		.	L	E	N	S	-	C	A	L	L	S	W	I	T	C	H		

-Item not Illustrated

25-23-34

ILLUSTRATED PARTS LIST

Page 1098.143

Nov 01/2008

COMPONENT MAINTENANCE MANUAL

FIG/ ITEM	PART NUMBER	AIRLINE PART NUMBER	NOMENCLATURE							USAGE CODE	UNITS PER ASSY
			1	2	3	4	5	6	7		
1- -25A	VIP720-2F		.	LENS-CALL SWITCH (COLOR OPT-CUST PREFERENCE, RED-WHITE) (V28406) (SPEC S417N303-2F)						A, B	1
-25B	VIP720-2G		.	LENS-CALL SWITCH (COLOR OPT-CUST PREFERENCE, ORANGE- WHITE) (V28406) (SPEC S417N303-2G)						A, B	1
-25C	VIP720-4A		.	LENS-CALL SWITCH (COLOR OPT-CUST PREFERENCE, RED-WHITE) (V28406) (SPEC S417N303-4A) (OPT 932501-830 (V07150))						A, B	1
-25D	VIP720-2E		.	LENS-CALL SWITCH (COLOR OPT-CUST PREFERENCE, WHITE- BROWN) (V28406) (SPEC S417N303-2E) (OPT 932501-924 (V07150))						A, B	1
-25E	VIP720-3A		.	LENS-CALL SWITCH (COLOR OPT-CUST PREFERENCE, ORANGE- WHITE) (V28406) (SPEC S417N303-3A)						A, B	1
-25F	S417N303-2C			DELETED							
-25G	S417N303-2J			DELETED							
-25H	S417N303-2K			DELETED							
-25J	S417N303-3C			DELETED							
-25K	VIP720-2C		.	LENS-CALL SWITCH (COLOR OPT-CUST PREFERENCE, WHITE- BROWN) (V28406) (SPEC S417N303-2C) (OPT 932501-930 (V07150))						A, B	1
-25L	VIP720-2J		.	LENS-CALL SWITCH (COLOR OPT-CUST PREFERENCE, RED-WHITE) (V28406) (SPEC S417N303-2J)						A, B	1

-Item not Illustrated

25-23-34

ILLUSTRATED PARTS LIST
Page 1098.144
Nov 01/2008



COMPONENT MAINTENANCE MANUAL

FIG/ ITEM	PART NUMBER	AIRLINE PART NUMBER	NOMENCLATURE							USAGE CODE	UNITS PER ASSY
			1	2	3	4	5	6	7		
1-											
-25M	VIP720-3C		.							A, B	1
-25N	VIP720-2K		.							A, B	1
-25P	VIP720-2L		.							A, B	1
30	417N3100-25SP		.							A, B	1
35	BACD40P3A120		.	.						A, B	1
40	PLT2MM		.	.						A, B	3
-40A	PLT2MM2		.	.						A, B	3
45	750801-002										
-45A	10-60141-23A										
45B	10-60141-23T		.	.						A, B	3
-45C	10-60141-23U										
-45D	L16999-16C										
-45E	3740-3		.	.						A, B	3
-45F	3740-4		.	.						A, B	3

-Item not Illustrated

25-23-34
 ILLUSTRATED PARTS LIST
 Page 1098.145
 Nov 01/2008



COMPONENT MAINTENANCE MANUAL

FIG/ ITEM	PART NUMBER	AIRLINE PART NUMBER	NOMENCLATURE							USAGE CODE	UNITS PER ASSY	
			1	2	3	4	5	6	7			
1- -45G	3740-1		. .								A, B	3
50	417N3103-1		. .								A, B	1
55	417N3100-86		. .								A, B	1
60	BACW10P193G		. .								A, B	8
65	NAS43DD3-18		. .								A, B	4
70	BACN10YJ08		. .								A, B	4
80	417N3122-115		. .								A, B	2
85	BACS12FA08K6		. .								A, B	2
90	BACN10YJ08		. .								A, B	2
95	BACS12FA08K5		. .								A, B	3
100	BACN10YJ08		. .								A, B	8
105	417N3122-14		. .								A, B	3
115	RR2002-3B3		. .								A, B	5
120	NAS43DD3-20		. .								A, B	4
125	BACN10YJ08		. .								A, B	4
130	BACN10YJ08		. .								A, B	1
135	417N3122-60		. .								A, B	1
140	82-47-108-15		. . .								A, B	1
145	BACS21AQ2A3K		. . .								A, B	1

-Item not Illustrated

25-23-34

ILLUSTRATED PARTS LIST

Page 1098.146

Mar 01/2009



COMPONENT MAINTENANCE MANUAL

FIG/ ITEM	PART NUMBER	AIRLINE PART NUMBER	NOMENCLATURE							USAGE CODE	UNITS PER ASSY
			1	2	3	4	5	6	7		
1-											
-145A	FHS832-6		. . .	STUD						A, B	1
				(OPT ITEM 145)							
150	417N3122-61		. . .	BRACKET						A, B	1
				(OPT ITEM 150A)							
-150A	417N3122-130		. . .	BRACKET						A, B	1
				(OPT ITEM 150)							
155	10-1006-1		.	LIGHT-READING						A	1
				(V72914)							
				(SPEC S417N302-1)							
-160	10-1006-2		.	LIGHT-READING						B	1
				(V72914)							
				(SPEC S417N302-2)							
165	417N3105-6SP		.	MODULE ASSY-SVCE						A, B	1
170	BACS21AQ6A6M		. .	STUD						A, B	4
175	417N3122-111		. .	BRACKET ASSY						A, B	1
180	82-47-108-15		. . .	CLIP						A, B	1
				(V84483)							
185	417N3122-112		. . .	BRACKET						A, B	1
190	417N3101-2SP		. .	MODULE						A, B	1
195	417N3130-63SP		.	BOX ASSY-FOUR MASK OXY						A	1
				(REF CMM 35-21-02)							
-200	417N3130-64SP		.	BOX ASSY-FOUR MASK OXY						B	1
				(REF CMM 35-21-02)							
205	417N3100-15		.	SPEAKER ASSY						B	1
210	BACS12FA08K6		. .	SCREW						B	4
215	BACN10YJ08		. .	NUT						B	4
220	417N3173-6		. .	SPRING						B	2
225	417N3104-1		. .	GASKET-SPKR						B	1
				(MAKE FROM SH RUBATEX R310V 0.125 X 7.0 IN DIA)							
230	RDAM8005A		. .	SPEAKER						B	1
				(V0FF57)							
				(SPEC S222T101-101)							
				(OPT ITEM 230A)							
-230A	RDAM8018		. .	SPEAKER						B	1
				(V0FF57)							
				(SPEC 10-62232-01)							
				(OPT ITEM 230)							

-Item not Illustrated

25-23-34

ILLUSTRATED PARTS LIST

Page 1098.147

Nov 01/2008



COMPONENT MAINTENANCE MANUAL

FIG/ ITEM	PART NUMBER	AIRLINE PART NUMBER	NOMENCLATURE							USAGE CODE	UNITS PER ASSY
			1	2	3	4	5	6	7		
1-											
232	BACR15BB4D10		.	RIVET						A, B	2
				(SIZE DETERMINED ON INST)							
235	6100-12		.	RETAINER						A, B	2
				(V97464)							
240	417N3180-1		.	CLAMP ASSY						A, B	1
245	417N3180-2		.	CLAMP ASSY						A, B	1
250	NAS607-1-4P		. .	PIN-DOWEL						A, B	2
255	NAS607-2-8P		. .	PIN-DOWEL						A, B	1
260	417N3181-1		. .	LINK-ROCKER						A, B	1
				(OPT ITEM 260A)							
-260A	65-85902-1		. .	LINK-ROCKER						A, B	1
				(OPT ITEM 260)							
265	RCS3289		. .	SPRING						A, B	2
				(V08205)							
270	417N3180-3		. .	PLUNGER-SPR						A, B	2
275	RCS3290		. .	SPRING						A, B	1
				(V08205)							
280	65-85905-4		. .	PLUNGER						A, B	1
285	417N3182-1		. .	BODY-PLUNGER						A, B	1
				(USED ON ITEM 240)							
-290	417N3182-2		. .	BODY-PLUNGER						A, B	1
				(USED ON ITEM 245)							
295	417N3183-1		. .	BODY						A, B	1
-300	AN960JD416L		.	WASHER						B	AR
				(USED WITH ITEM 305)							
-300A	AN960JD416L		.	WASHER						A	AR
				(USED WITH ITEM 305A)							
-305	PLWP1S		.	TIE-PUSH MOUNT CABLE						B	AR
				(V58417)							
-305A	PLWP1S		.	TIE-PUSH MOUNT CABLE						A	AR
				(V58417)							
-310	NMC1001-0		.	CLAMP						A, B	2
				(V03296)							
				(OPT ITEM 310A)							
-310A	BACC10DK3		.	CLAMP						A, B	2
				(OPT ITEM 310)							

-Item not Illustrated

25-23-34

ILLUSTRATED PARTS LIST

Page 1098.148

Nov 01/2008



COMPONENT MAINTENANCE MANUAL

FIG/ ITEM	PART NUMBER	AIRLINE PART NUMBER	NOMENCLATURE	USAGE CODE	UNITS PER ASSY
1-					
-315	61-33500-001		. WIRE BUNDLE	A, B	1
320	1TW2-3		. SWITCH (V91929)	A, B	1
325	417N3100-48		. GENERATOR ASSY	A, B	1
330	417N3160-11		. . BRACKET ASSY	A, B	1
			ATTACHING PARTS		
335	BACS12FA08K6		. . SCREW -----*	A, B	4
340	FT1387P8-1-2		. . . SCREW (V58794) (OPT ITEM 340A)	A, B	1
-340A	CS802408-1A		. . . SCREW (V58998) (OPT ITEM 340)	A, B	1
-345	AN960KD416		DELETED		
345A	AN960JD416		. . . WASHER	A, B	1
346	A4972-6-82		. . . NUT (V72962) (SPEC BACN10FX84) (OPT RM52LHA4972-6-82 (V72962)) (OPT SL211-08-1 (V97393)) (OPT 130008 (V60119)) (OPT A11330-6-82 (V72962))	A, B	1
348	BACR15BA3D		. . . RIVET (SIZE DETERMINED ON INST)	A, B	4
350	417N3811-13		. . . HINGE	A, B	1
355	417N3161-7		. . . BRACKET-MTG	A, B	1
360	417N3160-12		. . . PAD-INSULATION	A, B	1
365	417N3160-13		. . . PAD-INSULATION	A, B	6
370	417N3136-99		. . . BRACKET-MTG	A, B	1
375	117003-14		. . GENERATOR-CHEMICAL OXY (V16827) (SPEC S417T401-27) (OPT ITEM 375A, 375B)	A, B	1
-375A	803000-04		. . GENERATOR-CHEMICAL OXY (V53655) (SPEC S417T401-33) (OPT ITEM 375, 375B)	A, B	1

-Item not Illustrated

25-23-34

ILLUSTRATED PARTS LIST

Page 1098.149

Nov 01/2008



COMPONENT MAINTENANCE MANUAL

FIG/ ITEM	PART NUMBER	AIRLINE PART NUMBER	NOMENCLATURE	USAGE CODE	UNITS PER ASSY
1- -375B	E71740-00		. . GENERATOR-CHEMICAL OXY (VD1379) (SPEC S417T401-44) (OPT ITEM 375, 375A)	A, B	1
380	417N3100-71		. PAD-SPONGE	A, B	2
385	417N3190-1		. LANYARD ASSY	A, B	1
390	GSC219		. . SLEEVE (V59730) (SPEC BACS13S219C) (OPT Y0C140 (V12357)) (OPT ITEM 390A)	A, B	4
-390A	GSC205		. . SLEEVE (V59730) (SPEC BACS13S205C) (OPT Y0C130 (V12357)) (OPT ITEM 390)	A, B	4
395	10-61790-1		. . HOOK (V08205)	A, B	1
400	NAS43DD4-5		. . SPACER	A, B	1
405	65C16899-6		. . SPRING	A, B	1
410	417N3190-3		. . CORD-NYLON	A, B	1
415	417N3100-31SP		. LIFEVEST ASSY	A	1
-420	417N3100-32SP		. LIFEVEST ASSY	B	1
425	BACS12FA08K7		. . SCREW	A, B	1
430	AN960PD8L		. . WASHER	A, B	AR
435	H10-08BAC		. . NUT (V15653) (SPEC BACN10JC08) (OPT NS202101-82 (V80539)) (OPT RMLH9075-82W (V72962)) (OPT T6S832J (V71087)) (OPT VN303A82 (V92215)) (OPT 96-82 (V80539)) (OPT BRH10A08 (V52828))	A, B	1
440	417N3122-49		. . RETAINER	A	1
-445	417N3122-50		. . RETAINER	B	1
450	417N3190-8		. . LANYARD ASSY	A, B	1

-Item not Illustrated

25-23-34

ILLUSTRATED PARTS LIST

Page 1098.150

Nov 01/2008



COMPONENT MAINTENANCE MANUAL

FIG/ ITEM	PART NUMBER	AIRLINE PART NUMBER	NOMENCLATURE							USAGE CODE	UNITS PER ASSY
			1	2	3	4	5	6	7		
1-			ATTACHING PARTS								
455	BACS12FA08K6		. .	SCREW						A, B	1
460	26C82		. .	NUT (V80539) (SPEC BACN10R8)						A	1
-465	H10-08BAC		. .	NUT (V15653) (SPEC BACN10JC08) (OPT NS202101-82 (V80539)) (OPT RMLH9075-82W (V72962)) (OPT T6S832J (V71087)) (OPT VN303A82 (V92215)) (OPT 96-82 (V80539)) (OPT BRH10A08 (V52828))						B	1
			-----*								
470	417N3190-7		. . .	TERMINAL						A, B	2
475	417N3190-5		. . .	CORD-NYLON						A, B	1
480	6100-9		. .	RETAINER (V2X013)						A, B	2
485	417N3100-73		. .	PIN-HINGE						A, B	1
490	417N3173-14		. .	SPRING						A, B	1
495	6100-9		. .	RETAINER (V2X013)						A, B	4
500	417N3100-74		. .	PIN-HINGE						A, B	2
505	417N3173-9		. .	SPRING						A, B	2
510	417N3084-1SP		. .	PUSH BUTTON						A, B	1
515	BACS12FA08K7		. .	SCREW						A, B	4
520	AN960PD8L		. .	WASHER						A, B	AR
525	417N3133-19		. .	HOUSING-PUSH BUTTON						A, B	2
530	6100-9		. .	RETAINER (V2X013)						A, B	2
535	417N3100-78		. .	PIN-HINGE						A, B	1
540	417N3173-13		. .	SPRING						A, B	1
545	417N3133-15		. .	LATCH						A, B	1
550	BACS12FA08K7		. .	SCREW						A, B	4
555	417N3133-16		. .	LATCH						A, B	1

-Item not Illustrated

25-23-34

ILLUSTRATED PARTS LIST
Page 1098.151
Nov 01/2008



COMPONENT MAINTENANCE MANUAL

FIG/ ITEM	PART NUMBER	AIRLINE PART NUMBER	NOMENCLATURE	USAGE CODE	UNITS PER ASSY
1- 560	417N3080-1SP		. . DOOR ASSY ATTACHING PARTS	A, B	1
565	BACS12FA08K7		. . SCREW	A, B	3
570	AN960PD8L		. . WASHER	A, B	AR
575	H10-08BAC		. . NUT (V15653) (SPEC BACN10JC08) (OPT NS202101-82 (V80539)) (OPT RMLH9075-82W (V72962)) (OPT T6S832J (V71087)) (OPT VN303A82 (V92215)) (OPT 96-82 (V80539)) (OPT BRH10A08 (V52828))	A, B	3
585	BACR15CE3D		. . . RIVET (SIZE DETERMINED ON INST)	A, B	6
590	BACR15CE4D		. . . RIVET (SIZE DETERMINED ON INST)	A, B	14
595	417N3083-2		. . . GUSSET	A, B	2
600	417N3083-3		. . . GUSSET	A, B	1
605	417N3083-4		. . . GUSSET	A, B	1
610	417N3083-1		. . . ANGLE	A, B	2
615	417N3082-1		. . . COMPARTMENT	A, B	1
620	417N3113-1		. . . LENS	A, B	3
625	417N3080-3		. . . PANEL	A, B	1
630	417N3081-1SP		. . . PANEL	A, B	1
635	417N3310-49SP		. PANEL ASSY	A	1
-640	417N3310-50SP		. PANEL ASSY	B	1
645	417N3110-35SP		. FRAME ASSY (FOR DETAILS SEE FIG. 3)	A	1
650	417N3110-36SP		. FRAME ASSY (FOR DETAILS SEE FIG. 3)	B	1
655	BAC27DPA2272		. DECAL	A, B	1
660	BAC27NPA0610		. MARKER-ALUMINUM FOIL	A	1
665	BAC27NPA0609		. MARKER-ALUMINUM FOIL	B	1

-Item not Illustrated

25-23-34

ILLUSTRATED PARTS LIST
Page 1098.152
Nov 01/2008

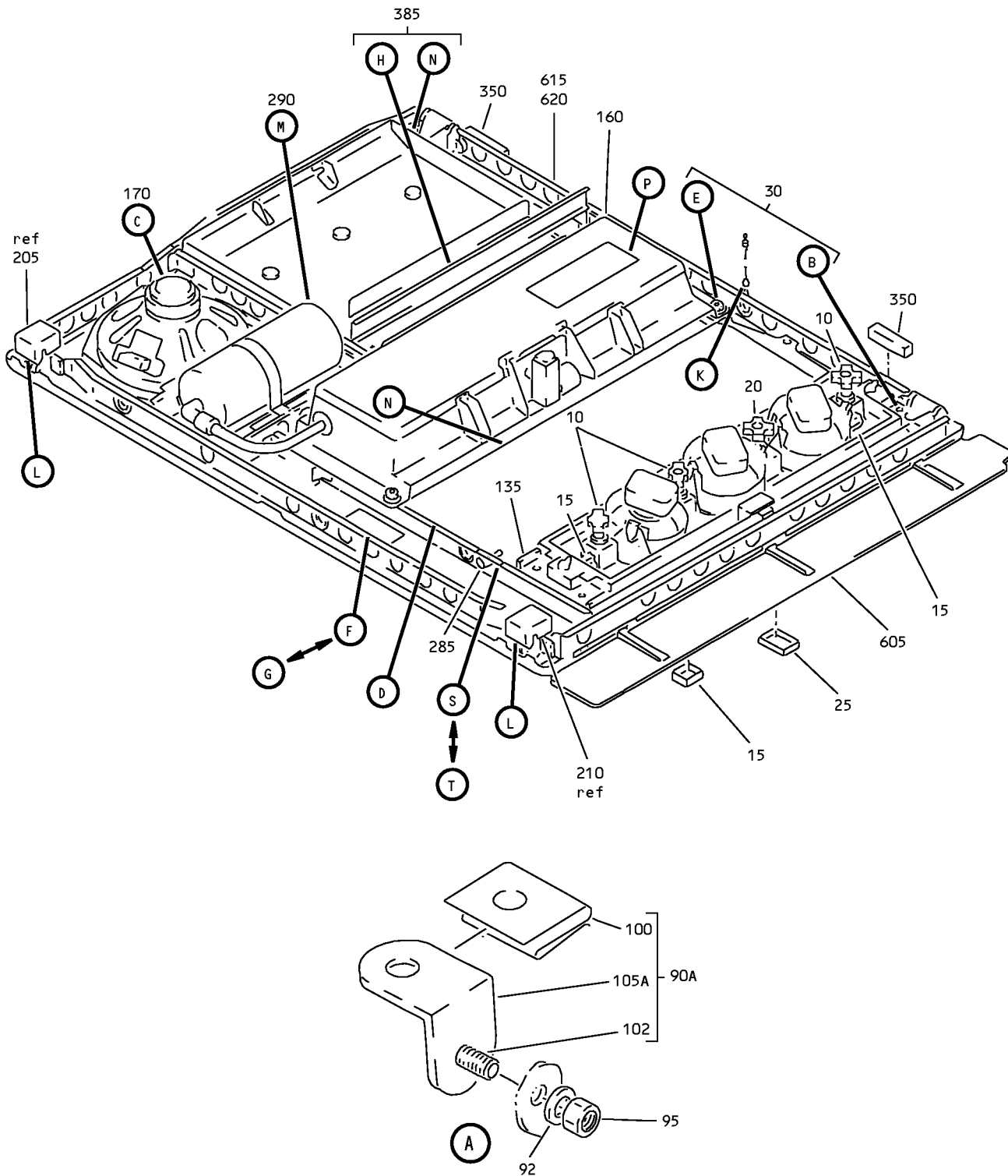


COMPONENT MAINTENANCE MANUAL

FIG/ ITEM	PART NUMBER	AIRLINE PART NUMBER	NOMENCLATURE	USAGE CODE	UNITS PER ASSY
			1 2 3 4 5 6 7		
1-					
670	BAC27NPA0662		. MARKER-ALUMINUM FOIL	A	1
675	BAC27NPA0661		. MARKER-ALUMINUM FOIL DELETED	B	1

-Item not Illustrated

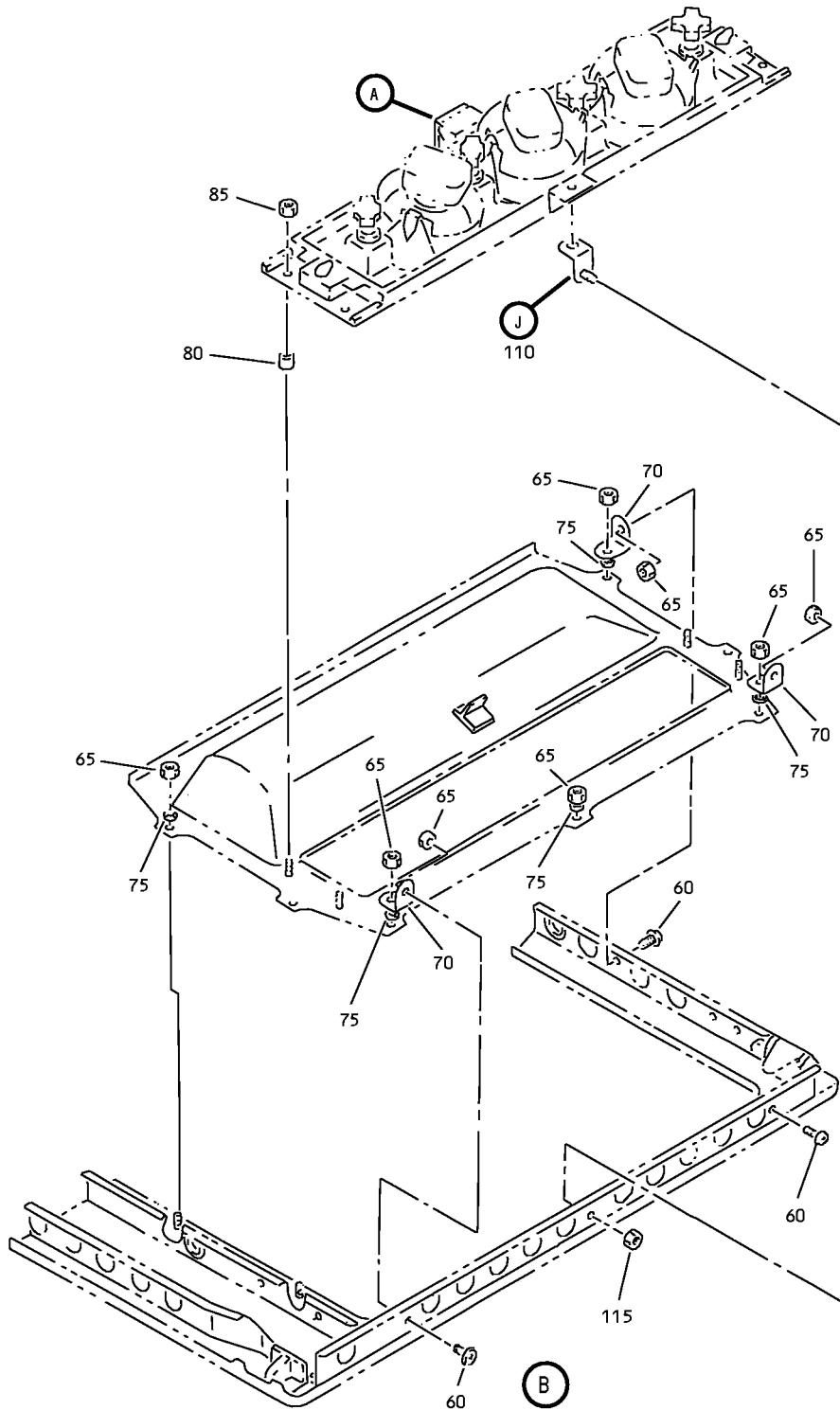
COMPONENT MAINTENANCE MANUAL



Full Underbin Passenger Service Unit Assembly
IPL Figure 2 (Sheet 1 of 8)

25-23-34
ILLUSTRATED PARTS LIST
Page 1098.154
Nov 01/2008

COMPONENT MAINTENANCE MANUAL



Full Underbin Passenger Service Unit Assembly
IPL Figure 2 (Sheet 2 of 8)

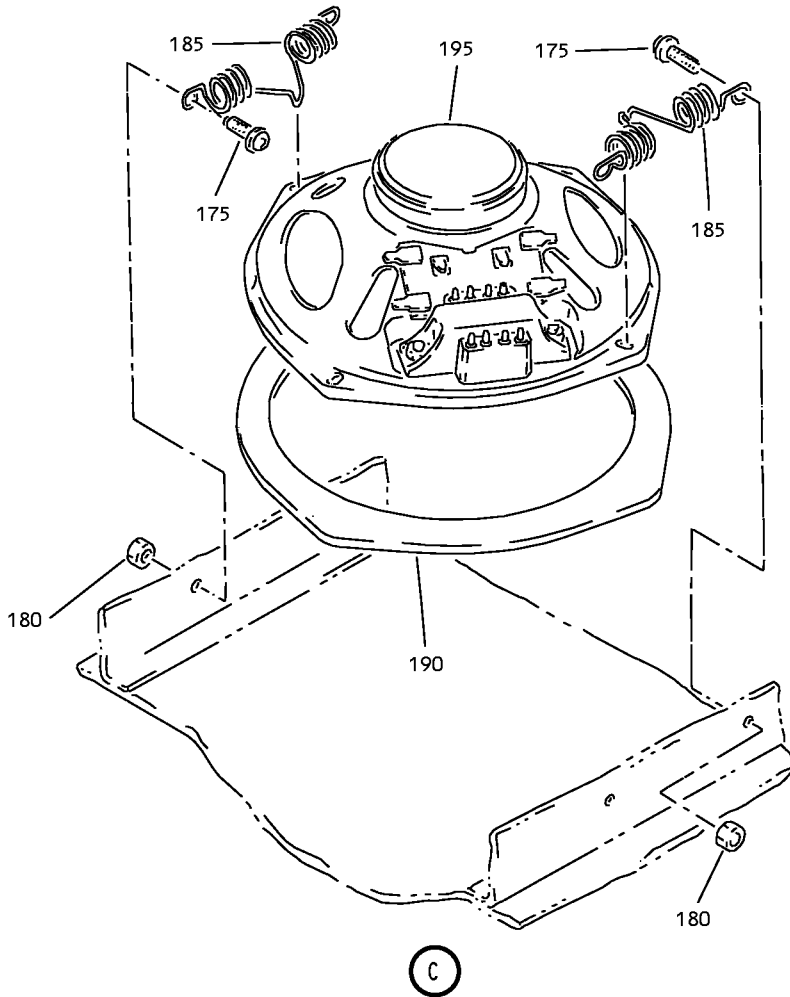
25-23-34

ILLUSTRATED PARTS LIST

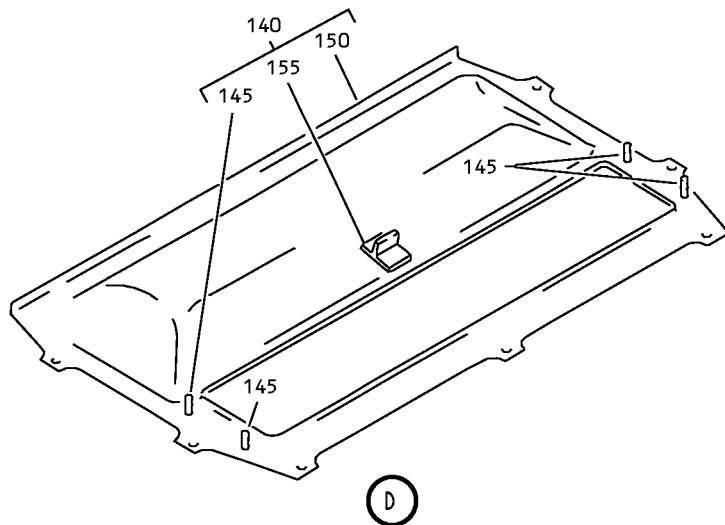
Page 1098.155

Nov 01/2008

COMPONENT MAINTENANCE MANUAL



C



D

Full Underbin Passenger Service Unit Assembly
IPL Figure 2 (Sheet 3 of 8)

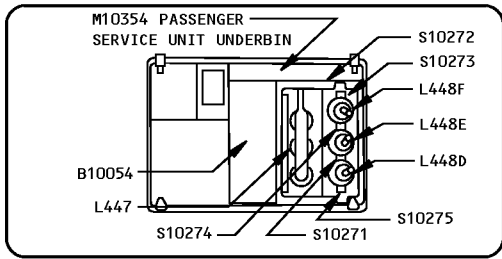
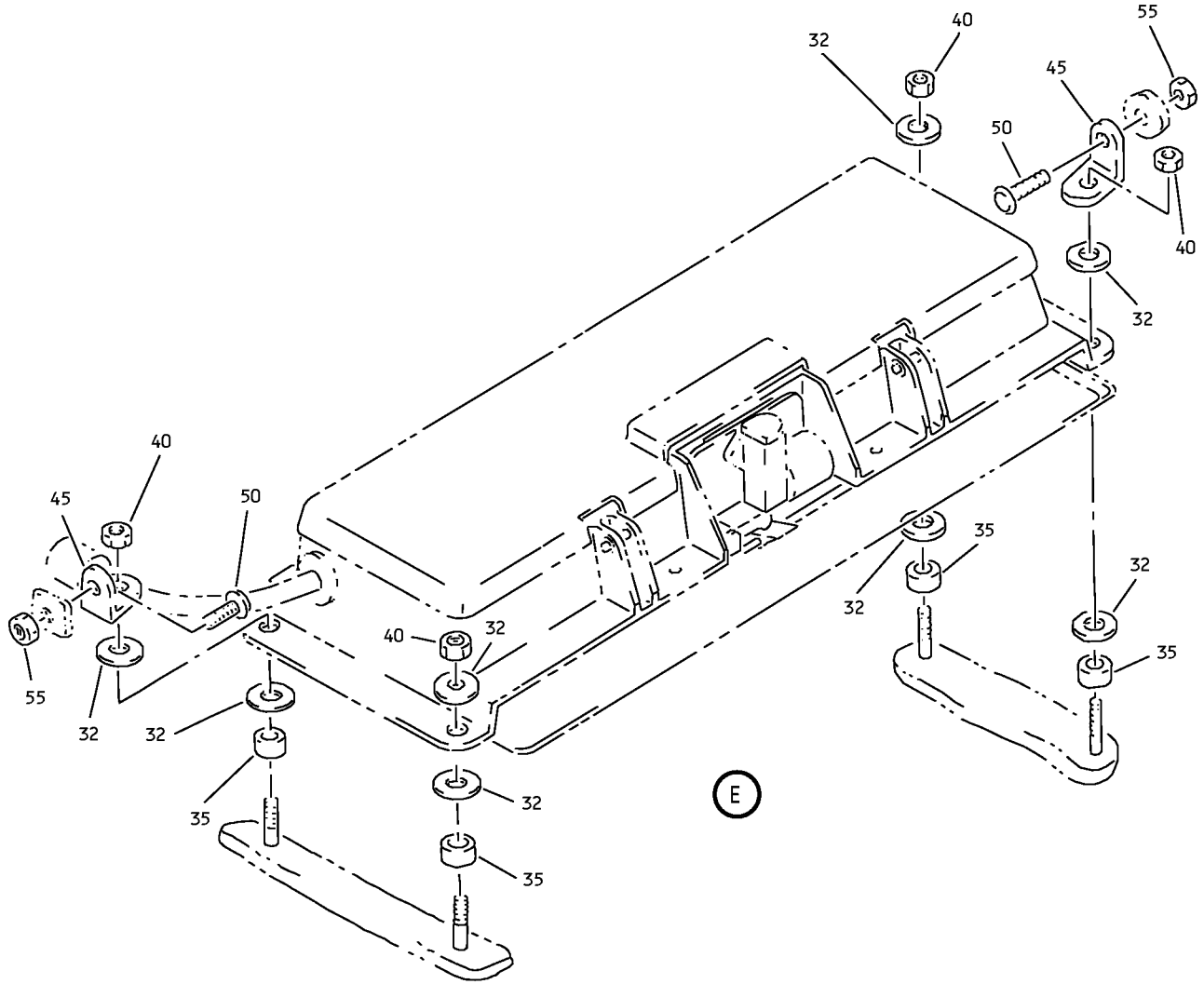
25-23-34

ILLUSTRATED PARTS LIST

Page 1098.156

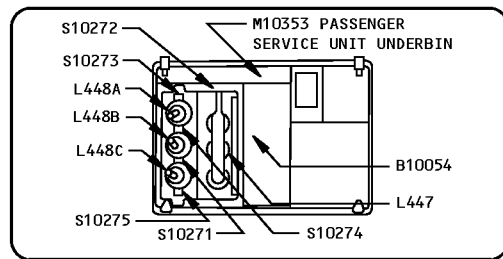
Nov 01/2008

COMPONENT MAINTENANCE MANUAL



645

G



640

F

Full Underbin Passenger Service Unit Assembly
IPL Figure 2 (Sheet 4 of 8)

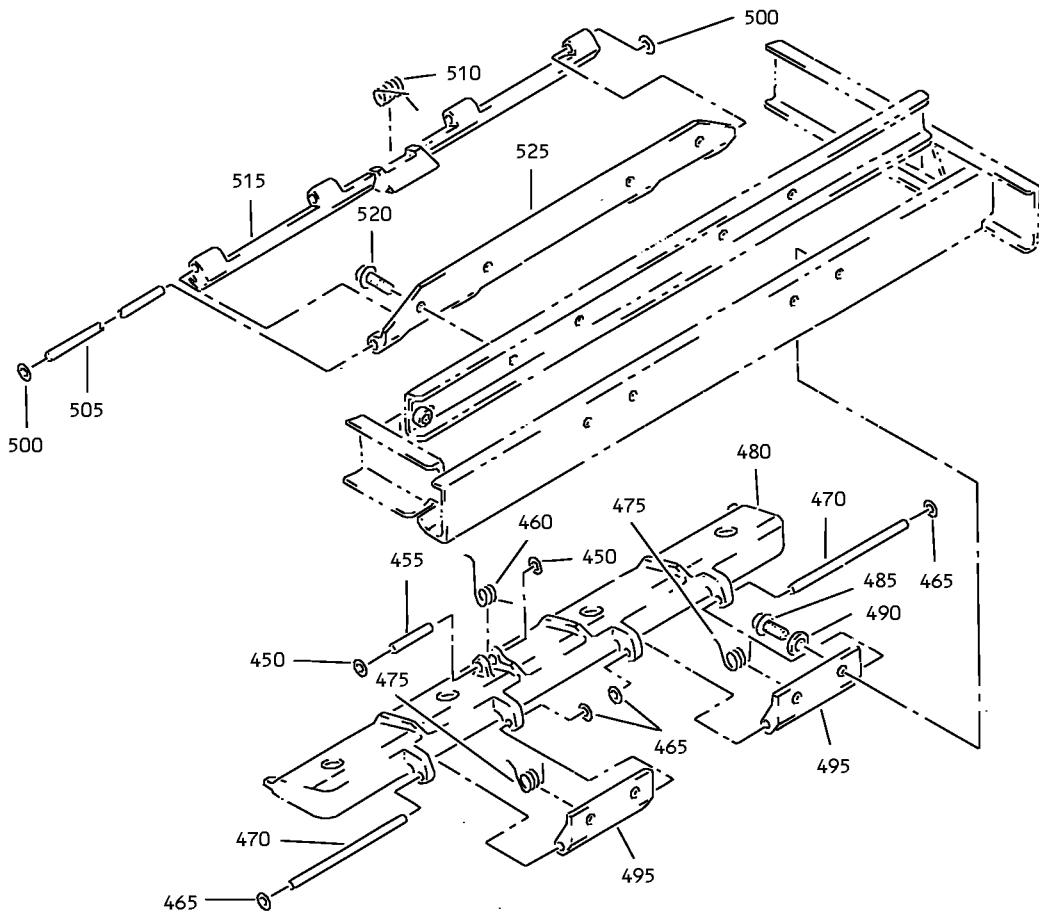
25-23-34

ILLUSTRATED PARTS LIST

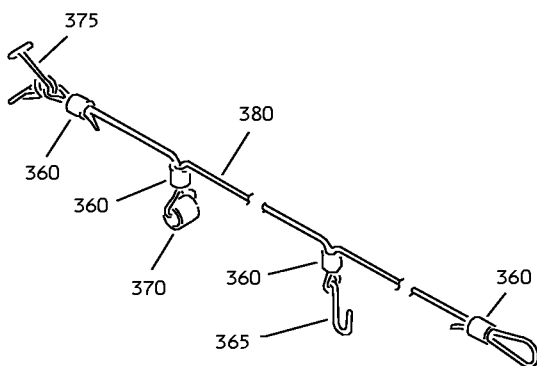
Page 1098.157

Nov 01/2008

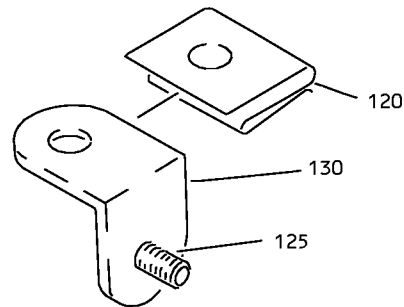
COMPONENT MAINTENANCE MANUAL



(H)



(K)



(J)

Full Underbin Passenger Service Unit Assembly
IPL Figure 2 (Sheet 5 of 8)

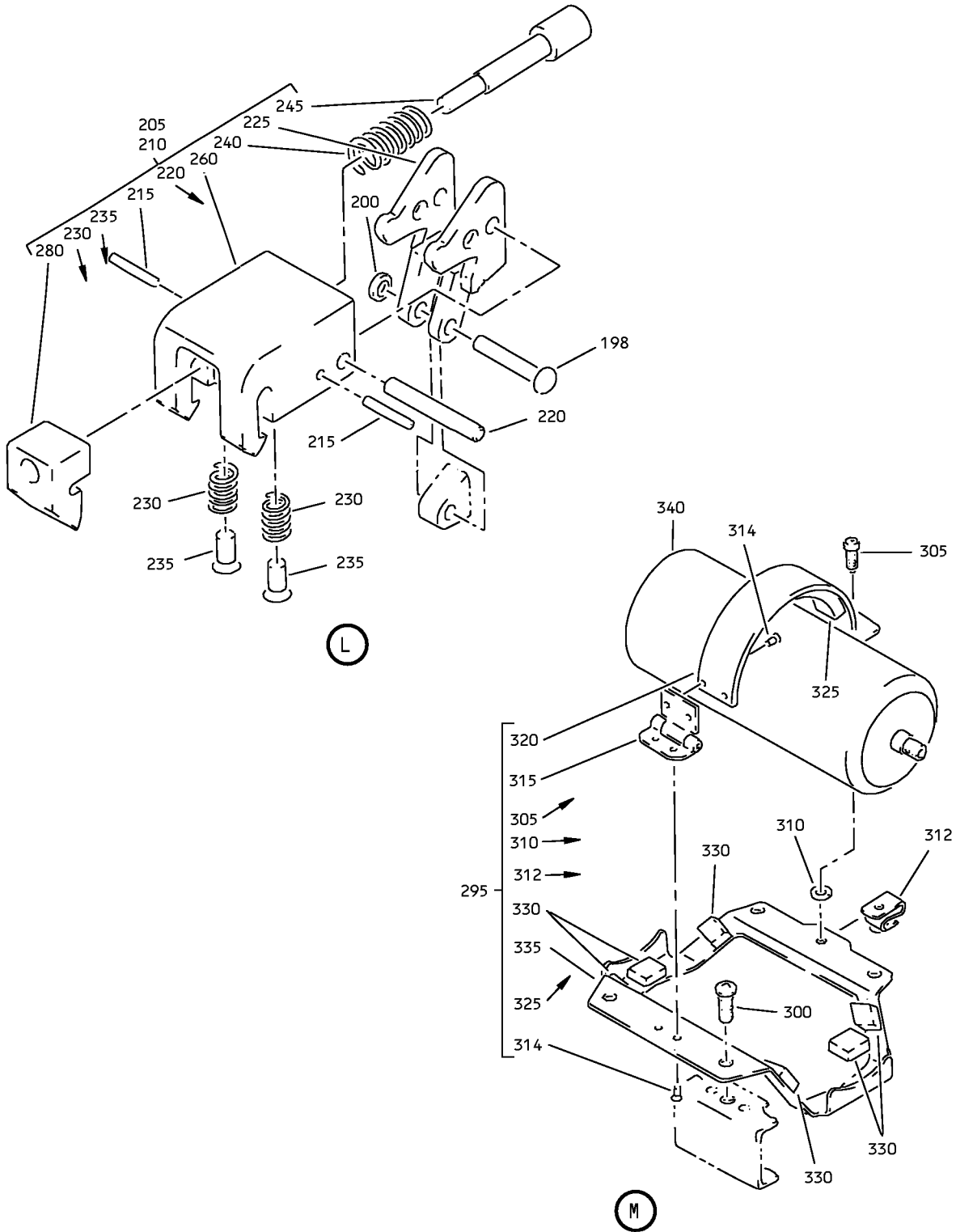
25-23-34

ILLUSTRATED PARTS LIST

Page 1098.158

Nov 01/2008

COMPONENT MAINTENANCE MANUAL



Full Underbin Passenger Service Unit Assembly
IPL Figure 2 (Sheet 6 of 8)

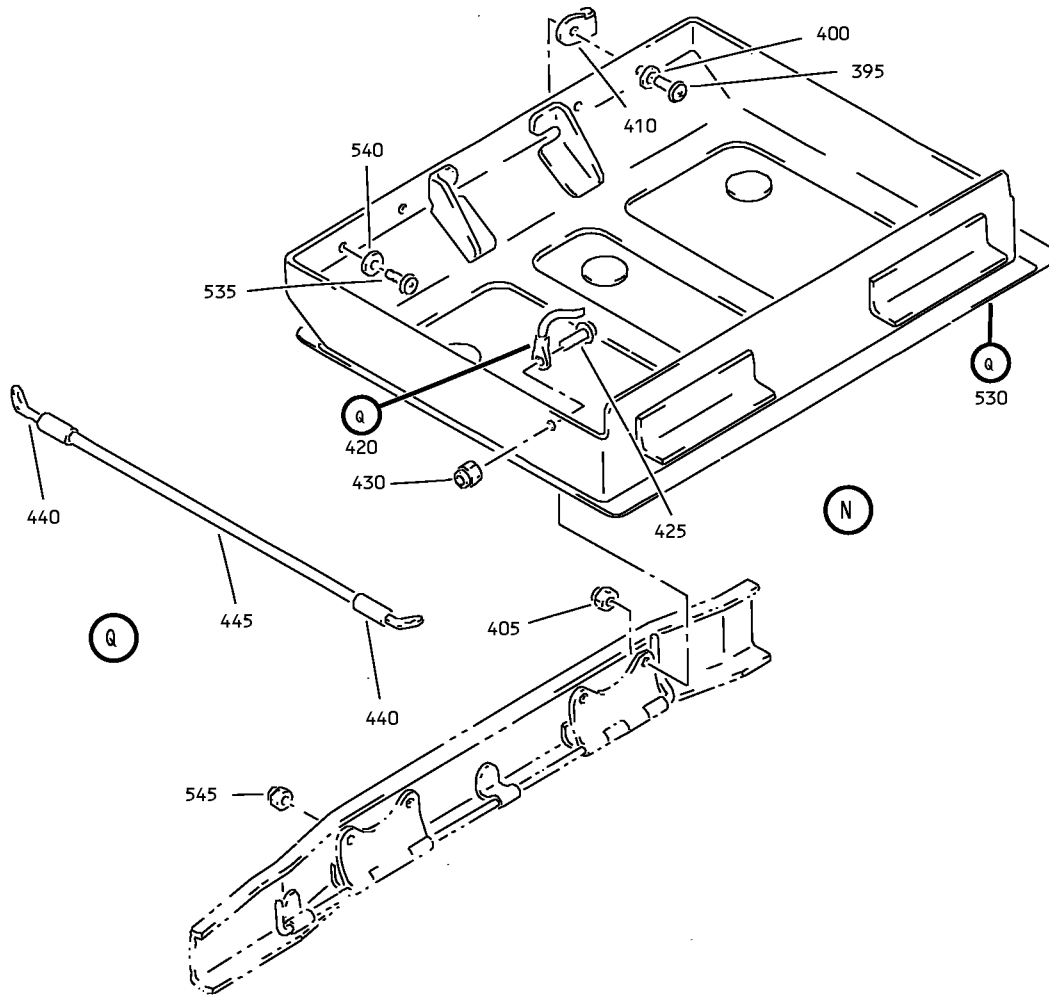
25-23-34

ILLUSTRATED PARTS LIST

Page 1098.159

Nov 01/2008

COMPONENT MAINTENANCE MANUAL



ATTENTION

FOR REMOVAL AND RELOCATION INFORMATION SEE
 MAINTENANCE MANUAL CHAPTER 25

FOR MASK STOWAGE INSTRUCTIONS SEE MAINTENANCE
 MANUAL CHAPTER 35

FOR CLEANING INSTRUCTIONS SEE DOCUMENT D6-7127

625

P

Full Underbin Passenger Service Unit Assembly
 IPL Figure 2 (Sheet 7 of 8)

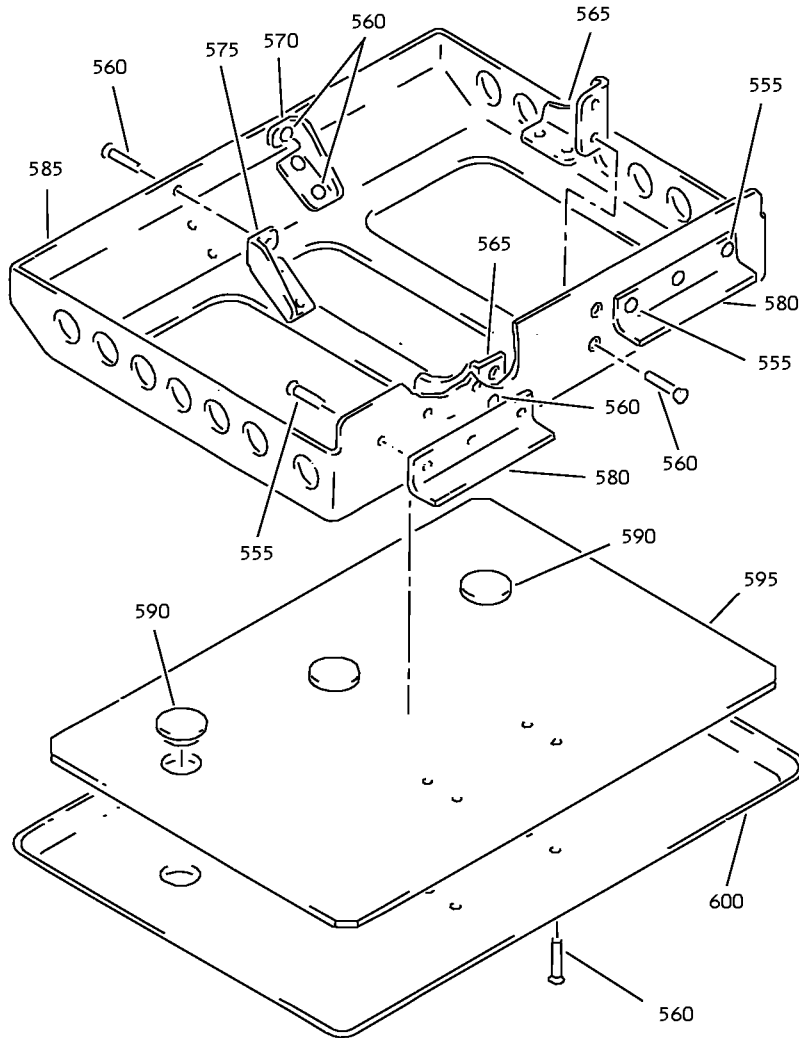
25-23-34

ILLUSTRATED PARTS LIST

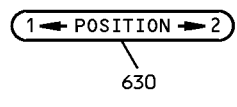
Page 1098.160

Nov 01/2008

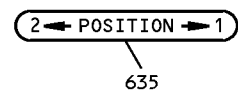
COMPONENT MAINTENANCE MANUAL



(R)



(T)



(S)

Full Underbin Passenger Service Unit Assembly
IPL Figure 2 (Sheet 8 of 8)

25-23-34

ILLUSTRATED PARTS LIST

Page 1098.161

Nov 01/2008



COMPONENT MAINTENANCE MANUAL

FIG/ ITEM	PART NUMBER	AIRLINE PART NUMBER	NOMENCLATURE							USAGE CODE	UNITS PER ASSY
			1	2	3	4	5	6	7		
2-											
-1	417N3100-365SP										
-5	417N3100-366SP										
10	920056										
15	VIP720-1C										
-15A	VIP720-6E										
-15B	VIP720-6F										
-15C	VIP720-6K										
-15D	S417N304-1M										
-15E	VIP720-6G										
-15F	VIP720-6J										

-Item not Illustrated

25-23-34

ILLUSTRATED PARTS LIST

Page 1098.162

Nov 01/2008



COMPONENT MAINTENANCE MANUAL

FIG/ ITEM	PART NUMBER	AIRLINE PART NUMBER	NOMENCLATURE							USAGE CODE	UNITS PER ASSY									
			1	2	3	4	5	6	7											
2- -15G	VIP720-6L		.	L	E	N	S	-	R	E	A	D	I	N	G	L		C, D	3	
			.	L	E	N	S	-	L	T	S	W	I	T	C	H		C, D	3	
			.	S	W	I	T	C	H	-	A	T	T	E	N	D	A	N	T	
			.	L	E	N	S	-	C	A	L	L	S	W	I	T	C		C, D	1
			.	L	E	N	S	-	C	A	L	L	S	W	I	T	C		C, D	1
			.	L	E	N	S	-	C	A	L	L	S	W	I	T	C		C, D	1
			.	L	E	N	S	-	C	A	L	L	S	W	I	T	C		C, D	1
			.	L	E	N	S	-	C	A	L	L	S	W	I	T	C		C, D	1

-Item not Illustrated

25-23-34

ILLUSTRATED PARTS LIST

Page 1098.163

Nov 01/2008



COMPONENT MAINTENANCE MANUAL

FIG/ ITEM	PART NUMBER	AIRLINE PART NUMBER	NOMENCLATURE							USAGE CODE	UNITS PER ASSY	
			1	2	3	4	5	6	7			
2-												
30	417N3100-88									. FASTENER ASSY	C, D	1
32	BACW10P193G									. . WASHER (V10630) (SPEC BACW10P193G)	C, D	8
35	NAS43DD3-18									. . SPACER	C, D	4
40	BACN10YJ08									. . NUT	C, D	4
45	417N3122-115									. . ANGLE	C, D	2
										ATTACHING PARTS		
50	BACSFA08K6									. . SCREW	C, D	2
55	BACN10YJ08									. . NUT	C, D	2
										----- * -----		
60	BACS12FA08K5									. . SCREW (V06710) (SPEC BACS12FA08K5) (OPT BACS12FA08K5 (V06725)) (OPT BACS12FA08K5 (V06950)) (OPT BACS12FA08K5 (V27624)) (OPT BACS12FA08K5 (V34252)) (OPT BACS12FA08K5 (V56878)) (OPT BACS12FA08K5 (V73197)) (OPT BACS12FA08K5 (V80539)) (OPT BACS12FA08K5 (V92215)) (OPT BACS12FA08K5 (V93907)) (OPT BACS12FA08K5 (V97928))	C, D	3
65	BACN10YJ08									. . NUT	C, D	8
70	417N3122-14									. . ANGLE-SPRT	C, D	3
75	G6940-3B3									. . GROMMET (V75345) (SPEC BACG20AF3B3) (OPT SZ6924-3B3 (V95272)) (OPT 701-3B3 (V07096)) (OPT E3B3 (V60980)) (OPT H3B3 (V60980)) (OPT RR2002-3B3 (V57268))	C, D	5
80	NAS43DD3-20									. . SPACER	C, D	4
85	BACN10YJ08									. . NUT	C, D	4
90	417N3122-55									DELETED		
90A	417N3122-122									. . BRACKET ASSY	C, D	1

-Item not Illustrated

25-23-34

ILLUSTRATED PARTS LIST

Page 1098.164

Nov 01/2008



COMPONENT MAINTENANCE MANUAL

FIG/ ITEM	PART NUMBER	AIRLINE PART NUMBER	NOMENCLATURE							USAGE CODE	UNITS PER ASSY
			1	2	3	4	5	6	7		
2-			ATTACHING PARTS								
92	MS35335-51		.	.						C, D	1
95	BACN10YJ08		.	.						C, D	1
			-----*-----								
100	82-47-108-15		.	.	.					C, D	1
102	BACS21AQ2A3K		.	.	.					C, D	1
105	417N3122-56		DELETED								
105A	417N3122-121		.	.	.					C, D	1
110	417N3122-60		.	.						C, D	1
			ATTACHING PARTS								
115	BACN10YJ08		.	.						C, D	1
			-----*-----								
120	82-47-108-15		.	.	.					C, D	1
125	BACS21AQ2A3K		.	.	.					C, D	1
-125A	FHS832-6		.	.	.					C, D	1
130	417N3122-61		.	.	.					C, D	1
-130A	417N3122-130		.	.	.					C, D	1
135	10-1006-2		.							D	1
-135A	10-1006-1		.							C	1
140	417N3105-5SP		.							C, D	1
145	BACS21AQ6A6M		.	.						C, D	4
150	417N3122-53		.	.						C, D	1
155	417N3101-1SP		.	.						C, D	1
160	417N3130-63SP		.							C	1

-Item not Illustrated

25-23-34

ILLUSTRATED PARTS LIST

Page 1098.165

Nov 01/2008



COMPONENT MAINTENANCE MANUAL

FIG/ ITEM	PART NUMBER	AIRLINE PART NUMBER	NOMENCLATURE	USAGE CODE	UNITS PER ASSY
2-					
-165	417N3130-64SP		. BOX ASSY-FOUR MASK OXY (REF CMM 35-21-02)	D	1
170	417N3100-15		. SPEAKER ASSY	C	1
175	BACS12FA08K6		. . SCREW (V06710) (SPEC BACS12FA08K6) (OPT BACS12FA08K6 (V06725)) (OPT BACS12FA08K6 (V06950)) (OPT BACS12FA08K6 (V27624)) (OPT BACS12FA08K6 (V34252)) (OPT BACS12FA08K6 (V56878)) (OPT BACS12FA08K6 (V73197)) (OPT BACS12FA08K6 (V80539)) (OPT BACS12FA08K6 (V92215)) (OPT BACS12FA08K6 (V93907)) (OPT BACS12FA08K6 (V97928))	C	4
180	BACN10YJ08		. . NUT	C	4
185	417N3173-6		. . SPRING	C	2
190	417N3104-1		. . GASKET (MAKE FROM SH RUBATEX R310V 0.125 X 7.0 IN. DIA)	C	1
195	RDAM8005A		. . SPEAKER (V54473) (SPEC S222T101-101)	C	1
198	BACR15BB4D10		. RIVET (V09192) (SPEC BACR15BB4D10) (OPT BACR15BB4D10 (V42838)) (OPT BACR15BB4D10 (V53551)) (OPT BACR15BB4D10 (V55580))	C, D	2
200	6100-12		. RETAINER (V2X013)	C, D	2
205	417N3180-1		. CLAMP ASSY	C, D	1
210	417N3180-2		. CLAMP ASSY	C, D	1
215	NAS607-1-4P		. . PIN-DOWEL	C, D	2
220	NAS607-2-8P		. . PIN-DOWEL	C, D	1
225	417N3181-1		. . LINK-ROCKER	C, D	1
230	RCS3289		. . SPRING (V08205)	C, D	2
235	417N3180-3		. . PLUNGER-SPR	C, D	2

-Item not Illustrated

25-23-34

ILLUSTRATED PARTS LIST

Page 1098.166

Nov 01/2008



COMPONENT MAINTENANCE MANUAL

FIG/ ITEM	PART NUMBER	AIRLINE PART NUMBER	NOMENCLATURE							USAGE CODE	UNITS PER ASSY
			1	2	3	4	5	6	7		
2-											
240	RCS3290		.	.	SPRING (V08205)					C, D	1
245	65-85905-4		.	.	PLUNGER					C, D	1
250	417N3182-1		.	.	BODY-PLUNGER (USED ON ITEM 205)					C, D	1
-255	417N3182-2		.	.	BODY-PLUNGER (USED ON ITEM 210)					C, D	1
260	417N3183-1		.	.	BODY					C, D	1
-265	AN960JD416L		.		WASHER (USED WITH ITEM 270)					D	AR
-265A	AN960JD416L		.		WASHER (USED WITH ITEM 270A)					C	AR
-270	PLWP1S		.		TIE-PUSH MOUNT CABLE (V58417)					D	AR
-270A	PLWP1S		.		TIE-PUSH MOUNT CABLE (V58417)					C	AR
-275	NMC1001-0		.		CLAMP (V03296) (OPT ITEM 275A)					C, D	2
-275A	BACC10DK3		.		CLAMP (V16115) (SPEC BACC10DK3) (OPT BACC10DK3 (V81872)) (OPT ITEM 275)					C, D	2
-280	61-33500-001		.		WIRE BUNDLE					C, D	1
285	1TW2-3		.		SWITCH (V91929)					C, D	1
290	417N3100-48		.		GENERATOR ASSY					C, D	1
295	417N3160-11		.	.	BRACKET ASSY					C, D	1

-Item not Illustrated

25-23-34

ILLUSTRATED PARTS LIST

Page 1098.167

Nov 01/2008



COMPONENT MAINTENANCE MANUAL

FIG/ ITEM	PART NUMBER	AIRLINE PART NUMBER	NOMENCLATURE							USAGE CODE	UNITS PER ASSY
			1	2	3	4	5	6	7		
2-			ATTACHING PARTS								
300	BACS12FA08K6		. .	SCREW						C, D	4
				(V06710)							
				(SPEC BACS12FA08K6)							
				(OPT BACS12FA08K6 (V06725))							
				(OPT BACS12FA08K6 (V06950))							
				(OPT BACS12FA08K6 (V27624))							
				(OPT BACS12FA08K6 (V34252))							
				(OPT BACS12FA08K6 (V56878))							
				(OPT BACS12FA08K6 (V73197))							
				(OPT BACS12FA08K6 (V80539))							
				(OPT BACS12FA08K6 (V92215))							
				(OPT BACS12FA08K6 (V93907))							
				(OPT BACS12FA08K6 (V97928))							
			-----*-----								
305	FT1387P8-1-2		. . .	SCREW						C, D	1
				(V58794)							
				(OPT ITEM 305A)							
-305A	CS802408-1A		. . .	SCREW						C, D	1
				(V58998)							
				(OPT ITEM 305)							
310	AN960KD416		. . .	WASHER						C, D	1
312	A4972-6-82		. . .	NUT						C, D	1
				(V72962)							
				(SPEC BACN10FX84)							
				(OPT RM52LHA4972-6-82 (V72962))							
				(OPT SL211-08-1 (V97393))							
				(OPT 130008 (V60119))							
				(OPT A11330-6-82 (V72962))							
314	BACR15BA3D		. . .	RIVET						C, D	4
				(SIZE DETERMINED ON INST)							
315	417N3811-13		. . .	HINGE						C, D	1
320	417N3161-7		. . .	BRACKET-MTG						C, D	1
325	417N3160-12		. . .	PAD-INSULATION						C, D	1
330	417N3160-13		. . .	PAD-INSULATION						C, D	6
335	417N3136-99		. . .	BRACKET-MTG						C, D	1
340	117003-14		. .	GENERATOR-CHEMICAL OXY						C, D	1
				(V16827)							
				(SPEC S417T401-27)							
				(OPT ITEM 340A)							

-Item not Illustrated

25-23-34

ILLUSTRATED PARTS LIST

Page 1098.168

Nov 01/2008



COMPONENT MAINTENANCE MANUAL

FIG/ ITEM	PART NUMBER	AIRLINE PART NUMBER	NOMENCLATURE							USAGE CODE	UNITS PER ASSY
			1	2	3	4	5	6	7		
2-											
-340A	803000-04		C, D	1
350	417N3100-71		C, D	2
355	417N3190-1		C, D	1
360	GSC219		C, D	4
-360A	GSC205		C, D	4
365	10-61790-1		C, D	1
370	NAS43DD4-5		C, D	1
375	65C16899-6		C, D	1
380	417N3190-3		C, D	1
385	417N3100-31SP		C	1
-390	417N3100-32SP		D	1
395	BACS12FA08K7		C, D	1
400	AN960PD8L		C, D	AR

-Item not Illustrated

25-23-34

ILLUSTRATED PARTS LIST

Page 1098.169

Nov 01/2008



COMPONENT MAINTENANCE MANUAL

FIG/ ITEM	PART NUMBER	AIRLINE PART NUMBER	NOMENCLATURE							USAGE CODE	UNITS PER ASSY	
			1	2	3	4	5	6	7			
2- 405	H10-08BAC		.	.	NUT						C, D	1
					(V15653)							
					(SPEC BACN10JC08)							
					(OPT NS202101-82 (V80539))							
					(OPT RMLH9075-82W (V72962))							
					(OPT T6S832J (V71087))							
					(OPT VN303A82 (V92215))							
					(OPT 96-82 (V80539))							
					(OPT BRH10A08 (V52828))							
					(OPT T6S832J (V11815))							
410	417N3122-49		.	.	RETAINER						C	1
-415	417N3122-50		.	.	RETAINER						D	1
420	417N3190-8		.	.	LANYARD ASSY						C, D	1
			ATTACHING PARTS									
425	BACS12FA08K6		.	.	SCREW						C, D	1
					(V06710)							
					(SPEC BACS12FA08K6)							
					(OPT BACS12FA08K6 (V06725))							
					(OPT BACS12FA08K6 (V06950))							
					(OPT BACS12FA08K6 (V27624))							
					(OPT BACS12FA08K6 (V34252))							
					(OPT BACS12FA08K6 (V56878))							
					(OPT BACS12FA08K6 (V73197))							
					(OPT BACS12FA08K6 (V80539))							
					(OPT BACS12FA08K6 (V92215))							
					(OPT BACS12FA08K6 (V93907))							
					(OPT BACS12FA08K6 (V97928))							
430	26C82		.	.	NUT						C	1
					(V80539)							
					(SPEC BACN10R8)							
-435	H10-08BAC		.	.	NUT						D	1
					(V15653)							
					(SPEC BACN10JC08)							
					(OPT NS202101-82 (V80539))							
					(OPT RMLH9075-82W (V72962))							
					(OPT T6S832J (V71087))							
					(OPT VN303A82 (V92215))							
					(OPT 96-82 (V80539))							
					(OPT BRH10A08 (V52828))							
					(OPT T6S832J (V11815))							
			----- * -----									
440	417N3190-7		.	.	TERMINAL						C, D	2

-Item not Illustrated

25-23-34

ILLUSTRATED PARTS LIST

Page 1098.170

Nov 01/2008



COMPONENT MAINTENANCE MANUAL

FIG/ ITEM	PART NUMBER	AIRLINE PART NUMBER	NOMENCLATURE							USAGE CODE	UNITS PER ASSY
			1	2	3	4	5	6	7		
2-											
445	417N3190-5		. . .							C, D	1
450	6100-9		. .							C, D	2
455	417N3100-73		. .							C, D	1
460	417N3173-14		. .							C, D	1
465	6100-9		. .							C, D	4
470	417N3100-74		. .							C, D	2
475	417N3173-9		. .							C, D	2
480	417N3084-1SP		. .							C, D	1
485	BACS12FA08K7		. .							C, D	4
490	AN960PD8L		. .							C, D	AR
495	417N3133-19		. .							C, D	2
500	6100-9		. .							C, D	2
505	417N3100-78		. .							C, D	1
510	417N3173-13		. .							C, D	1
515	417N3133-15		. .							C, D	1

-Item not Illustrated

25-23-34

ILLUSTRATED PARTS LIST

Page 1098.171

Nov 01/2008



COMPONENT MAINTENANCE MANUAL

FIG/ ITEM	PART NUMBER	AIRLINE PART NUMBER	NOMENCLATURE							USAGE CODE	UNITS PER ASSY
			1	2	3	4	5	6	7		
2- 520	BACS12FA08K7		. . SCREW (V06710) (SPEC BACS12FA08K7) (OPT BACS12FA08K7 (V06725)) (OPT BACS12FA08K7 (V06950)) (OPT BACS12FA08K7 (V27624)) (OPT BACS12FA08K7 (V34252)) (OPT BACS12FA08K7 (V56878)) (OPT BACS12FA08K7 (V73197)) (OPT BACS12FA08K7 (V80539)) (OPT BACS12FA08K7 (V92215)) (OPT BACS12FA08K7 (V93907)) (OPT BACS12FA08K7 (V97928))							C, D	4
525	417N3133-16		. . LATCH							C, D	1
530	417N3080-1SP		. . DOOR ASSY							C, D	1
			ATTACHING PARTS								
535	BACS12FA08K7		. . SCREW (V06710) (SPEC BACS12FA08K7) (OPT BACS12FA08K7 (V06725)) (OPT BACS12FA08K7 (V06950)) (OPT BACS12FA08K7 (V27624)) (OPT BACS12FA08K7 (V34252)) (OPT BACS12FA08K7 (V56878)) (OPT BACS12FA08K7 (V73197)) (OPT BACS12FA08K7 (V80539)) (OPT BACS12FA08K7 (V92215)) (OPT BACS12FA08K7 (V93907)) (OPT BACS12FA08K7 (V97928))							C, D	3
540	AN960PD8L		. . WASHER							C, D	AR
545	H10-08BAC		. . NUT (V15653) (SPEC BACN10JC08) (OPT NS202101-82 (V80539)) (OPT RMLH9075-82W (V72962)) (OPT T6S832J (V71087)) (OPT VN303A82 (V92215)) (OPT 96-82 (V80539)) (OPT BRH10A08 (V52828)) (OPT T6S832J (V11815))							C, D	3
			----- * -----								
555	BACR15CE3D		. . . RIVET (SIZE DETERMINED ON INST)							C, D	6

-Item not Illustrated

25-23-34

ILLUSTRATED PARTS LIST

Page 1098.172

Nov 01/2008



COMPONENT MAINTENANCE MANUAL

FIG/ ITEM	PART NUMBER	AIRLINE PART NUMBER	NOMENCLATURE							USAGE CODE	UNITS PER ASSY
			1	2	3	4	5	6	7		
2-											
560	BACR15CE4D		. . .	RIVET						C, D	14
				(SIZE DETERMINED ON INST)							
565	417N3083-2		. . .	GUSSET						C, D	2
570	417N3083-3		. . .	GUSSET						C, D	1
575	417N3083-4		. . .	GUSSET						C, D	1
580	417N3083-1		. . .	ANGLE						C, D	2
585	417N3082-1		. . .	COMPARTMENT						C, D	1
590	417N3113-1		. . .	LENS						C, D	3
595	417N3080-3		. . .	PANEL						C, D	1
600	417N3081-1SP		. . .	PANEL						C, D	1
605	417N3310-49SP		.	PANEL ASSY						C	1
-610	417N3310-50SP		.	PANEL ASSY						D	1
615	417N3110-35SP		.	FRAME ASSY						C	1
				(FOR DETAILS SEE FIG. 3)							
620	417N3110-36SP		.	FRAME ASSY						D	1
				(FOR DETAILS SEE FIG. 3)							
625	BAC27DPA2272		.	DECAL						C, D	1
630	BAC27NPA0610		.	MARKER-ALUMINUM FOIL						C	1
635	BAC27NPA0609		.	MARKER-ALUMINUM FOIL						D	1
640	BAC27NPA0660		.	MARKER-ALUMINUM FOIL						C	1
645	BAC27NPA0663		.	MARKER-ALUMINUM FOIL						D	1

-Item not Illustrated

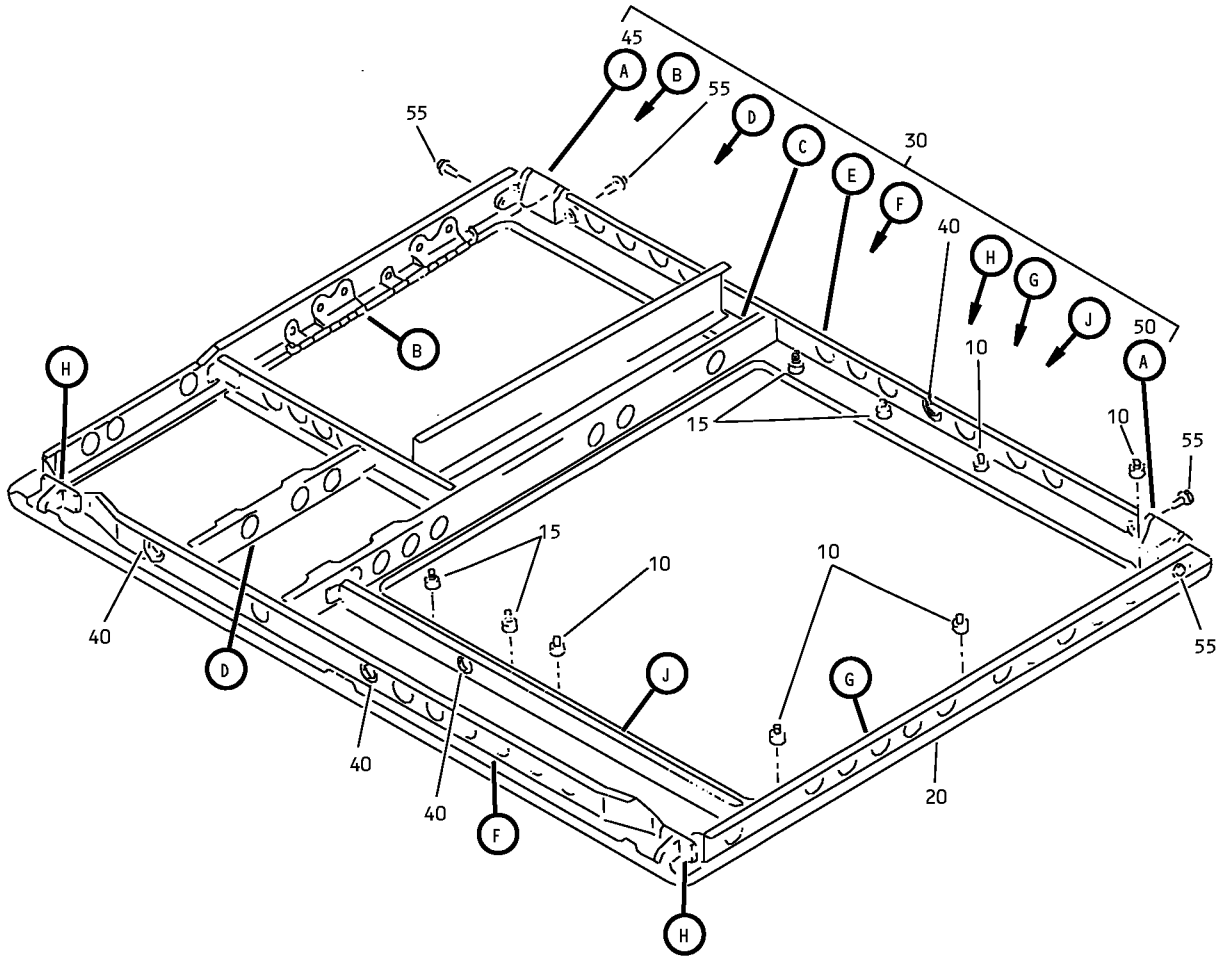
25-23-34

ILLUSTRATED PARTS LIST

Page 1098.173

Nov 01/2008

COMPONENT MAINTENANCE MANUAL



Underbin - Passenger Service Unit Frame Assembly
 IPL Figure 3 (Sheet 1 of 5)

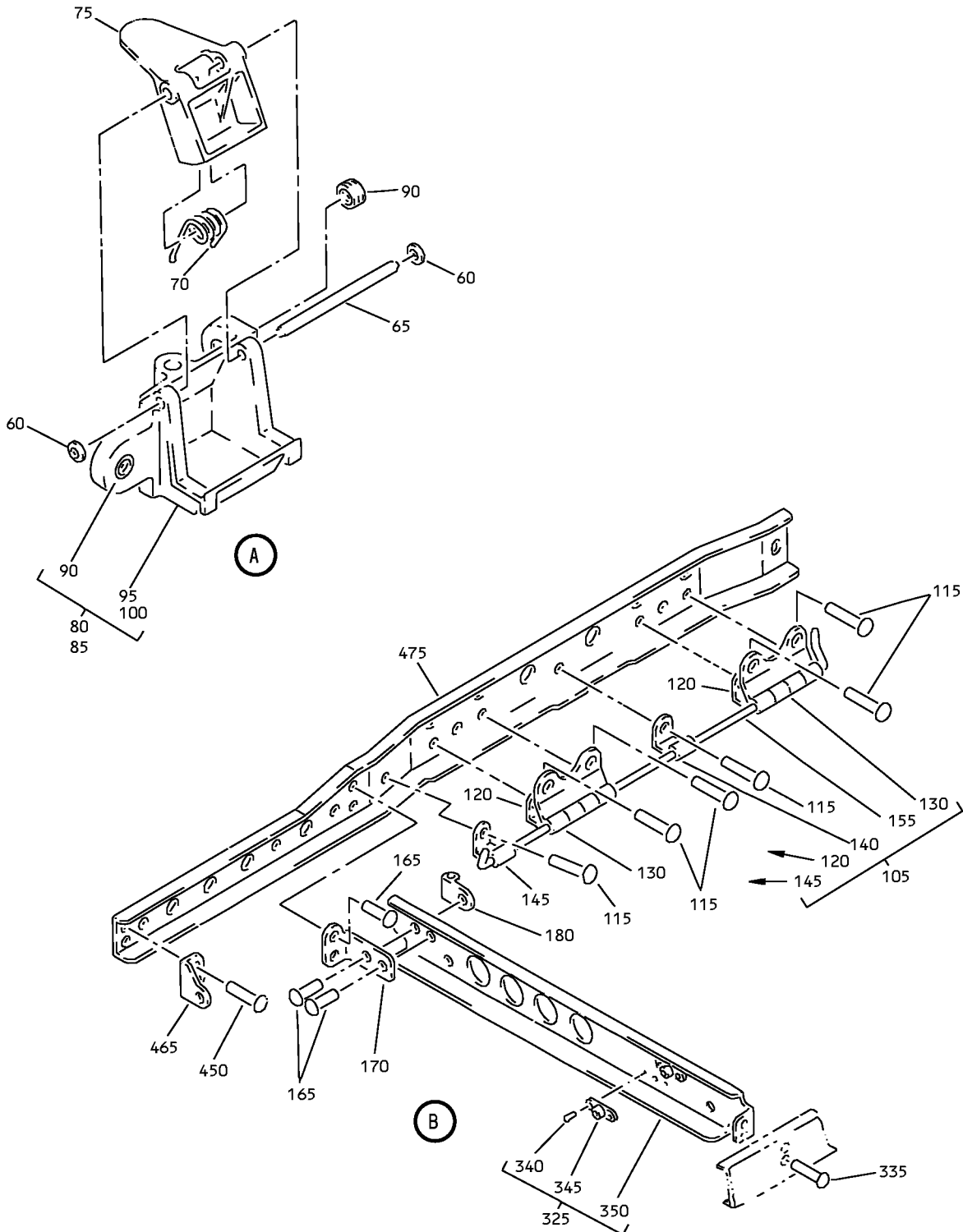
25-23-34

ILLUSTRATED PARTS LIST

Page 1098.174

Nov 01/2008

COMPONENT MAINTENANCE MANUAL



Underbin - Passenger Service Unit Frame Assembly
IPL Figure 3 (Sheet 2 of 5)

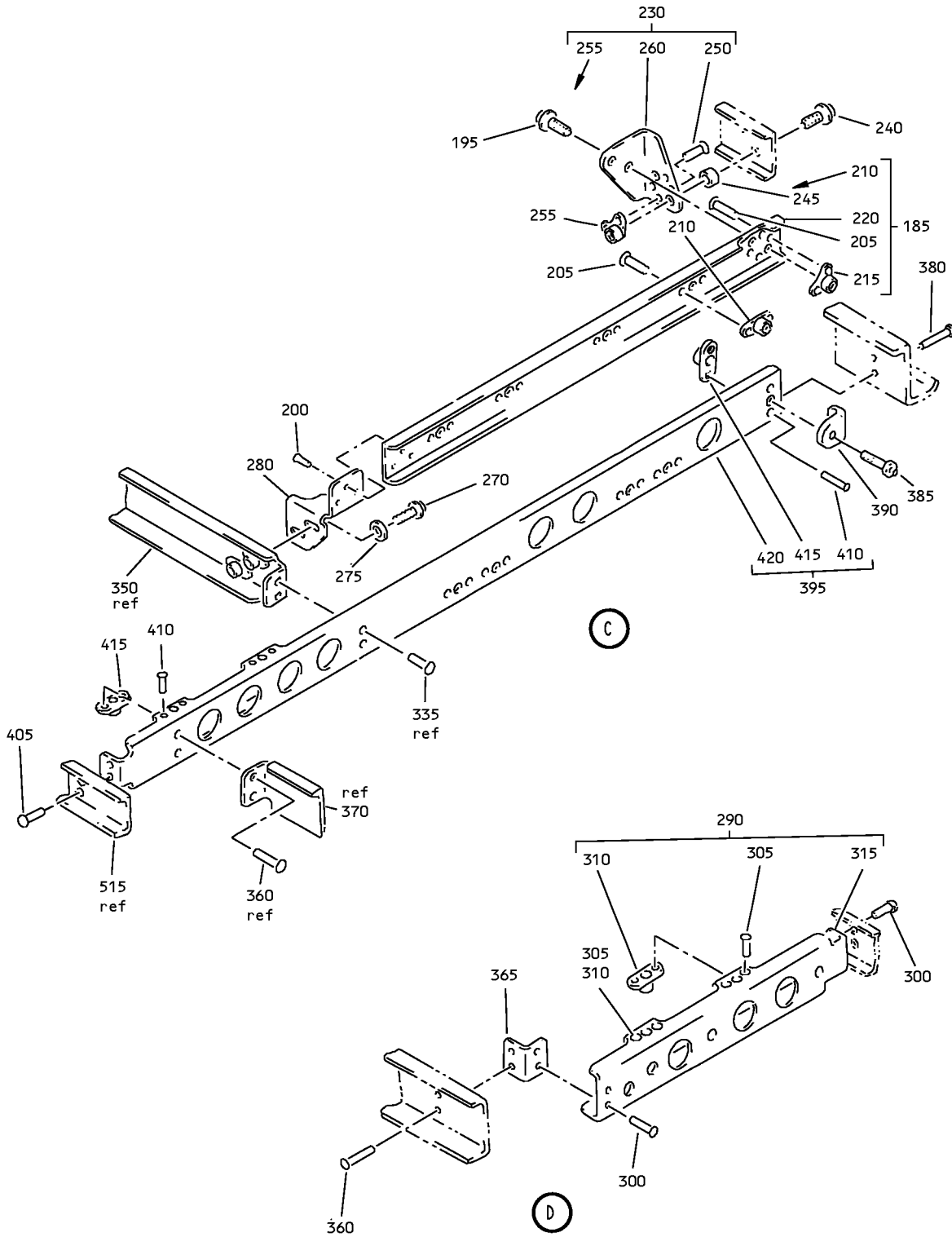
25-23-34

ILLUSTRATED PARTS LIST

Page 1098.175

Nov 01/2008

COMPONENT MAINTENANCE MANUAL



Underbin - Passenger Service Unit Frame Assembly
IPL Figure 3 (Sheet 3 of 5)

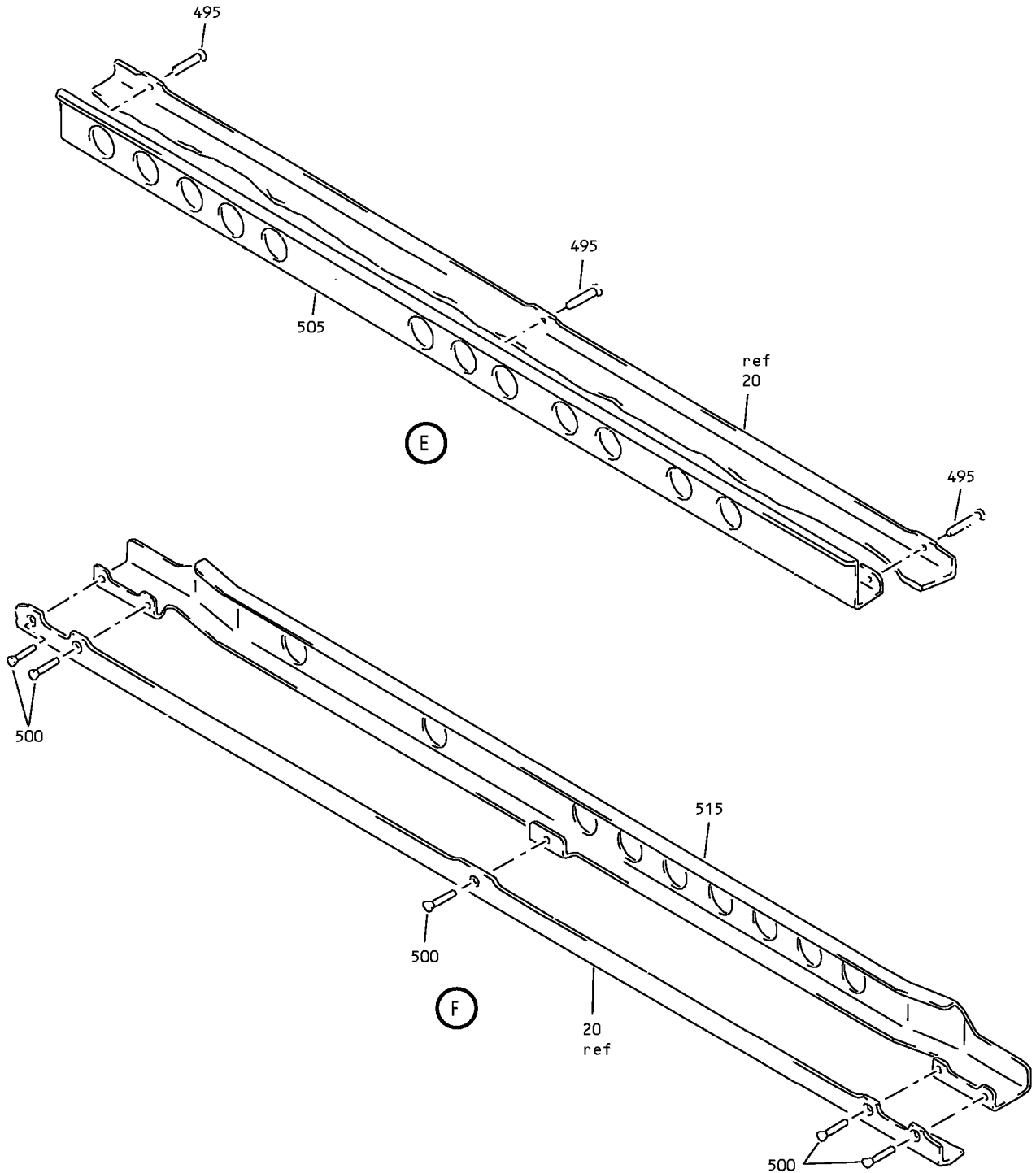
25-23-34

ILLUSTRATED PARTS LIST

Page 1098.176

Nov 01/2008

COMPONENT MAINTENANCE MANUAL



Underbin - Passenger Service Unit Frame Assembly
IPL Figure 3 (Sheet 4 of 5)

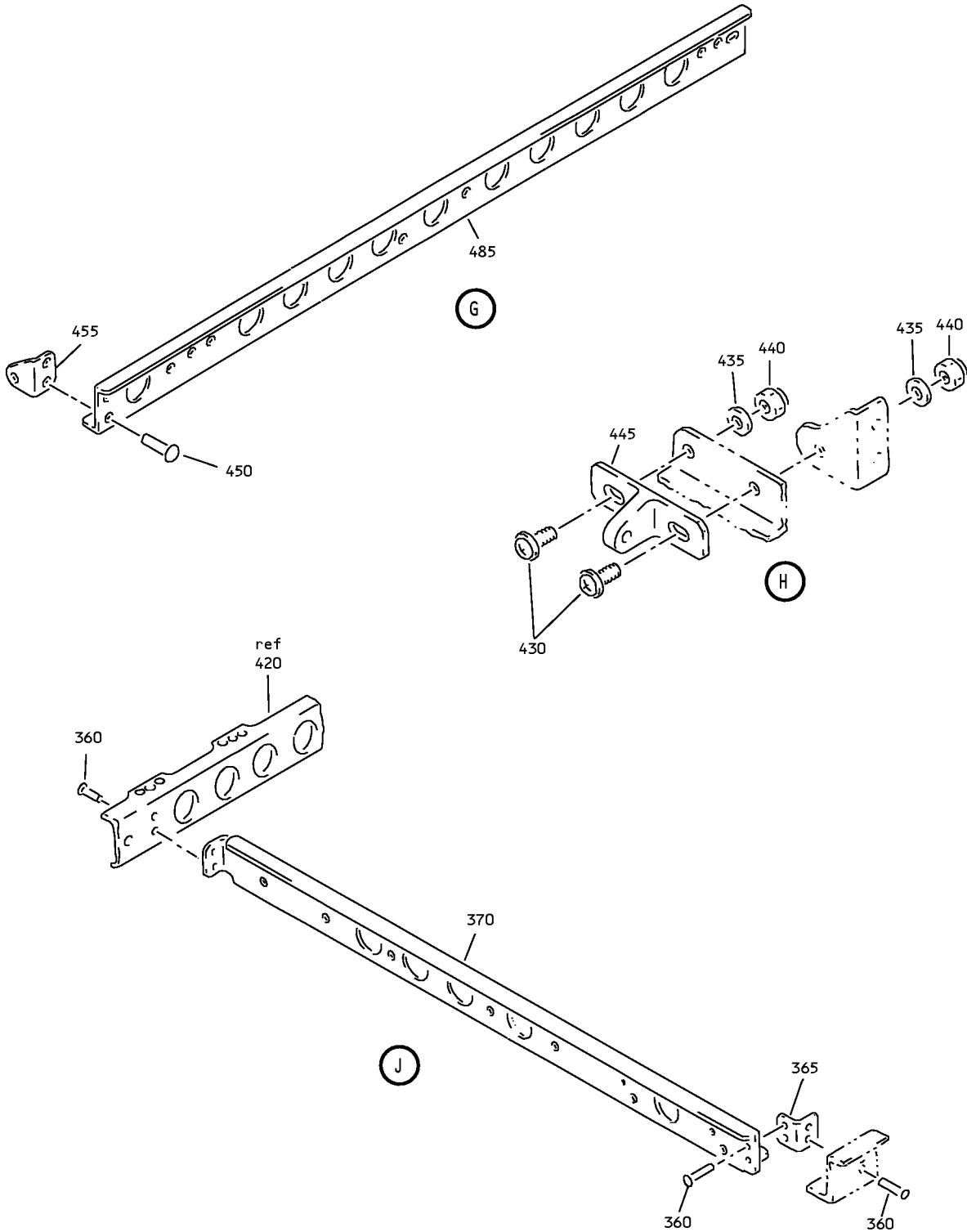
25-23-34

ILLUSTRATED PARTS LIST

Page 1098.177

Nov 01/2008

COMPONENT MAINTENANCE MANUAL



Underbin - Passenger Service Unit Frame Assembly
IPL Figure 3 (Sheet 5 of 5)

25-23-34

ILLUSTRATED PARTS LIST

Page 1098.178

Nov 01/2008



COMPONENT MAINTENANCE MANUAL

FIG/ ITEM	PART NUMBER	AIRLINE PART NUMBER	NOMENCLATURE							USAGE CODE	UNITS PER ASSY	
			1	2	3	4	5	6	7			
3-												
-1	417N3110-35SP										FRAME ASSY-UNDERBIN PSU A, C, H, K, M, AW, AX, DC	RF
-5	417N3110-36SP										FRAME ASSY-UNDERBIN PSU B, D, G, J, L, DD- DF	RF
10	SL6189-08-4										. STUD (V97393) A-D, G- M, AW, AX, DC- DF	5
15	SL6189-08-6										. STUD (V97393) A-D, G- M, AW, AX, DC- DF	4
20	417N3111-5SP										. FACEPLATE A, C, H, K, M, AW, AX, DC	1
-25	417N3111-6SP										. FACEPLATE B, D, G, J, L, DD- DF	1
30	417N3110-57										. FRAME ASSY A, C, H, K, M, AW, AX, DC	1
-35	417N3110-58										. FRAME ASSY B, D, G, J, L, DD- DF	1
40	BACG20ZA0235										. . GROMMET (OPT ITEM 40A) A-D, G- M, AW, AX, DC- DF	4
-40A	NAS557-10A										. . GROMMET (OPT ITEM 40) A-D, G- M, AW, AX, DC- DF	4
45	417N3170-11										. . LATCH ASSY A-D, G- M, AW, AX, DC- DF	1

-Item not Illustrated

25-23-34

ILLUSTRATED PARTS LIST

Page 1098.179

Nov 01/2008



COMPONENT MAINTENANCE MANUAL

FIG/ ITEM	PART NUMBER	AIRLINE PART NUMBER	NOMENCLATURE							USAGE CODE	UNITS PER ASSY	
			1	2	3	4	5	6	7			
3- 50	417N3170-12		.	.	LATCH ASSY						A-D, G- M, AW, AX, DC- DF	1
			ATTACHING PARTS									
55	BACS12FA08K6		.	.	SCREW (V06710) (SPEC BACS12FA08K6) (OPT BACS12FA08K6 (V06725)) (OPT BACS12FA08K6 (V06950)) (OPT BACS12FA08K6 (V27624)) (OPT BACS12FA08K6 (V34252)) (OPT BACS12FA08K6 (V56878)) (OPT BACS12FA08K6 (V73197)) (OPT BACS12FA08K6 (V80539)) (OPT BACS12FA08K6 (V92215)) (OPT BACS12FA08K6 (V93907)) (OPT BACS12FA08K6 (V97928))						A-D, G- M, AW, AX, DC- DF	4
			-----*									
60	6100-9		.	.	RETAINER (V2X013)						A-D, G- M, AW, AX, DC- DF	2
65	MS20253P2-165		.	.	PIN						A-D, G- M, AW, AX, DC- DF	1
70	417N3173-1		.	.	SPRING						A-D, G- M, AW, AX, DC- DF	1
75	417N3071-2		.	.	BOLT (OPT ITEM 075A)						A-D, G- M, AW, AX, DC- DF	1
-75A	417N3071-3		.	.	BOLT (OPT ITEM 075)						A-D, G- M, AW, AX, DC- DF	1
80	417N3172-9		.	.	HOUSING ASSY (OPT ITEM 100A) (USED ON ITEM 45)						A-D, G- M, AW, AX, DC- DF	1

-Item not Illustrated

25-23-34

ILLUSTRATED PARTS LIST

Page 1098.180

Nov 01/2008



COMPONENT MAINTENANCE MANUAL

FIG/ ITEM	PART NUMBER	AIRLINE PART NUMBER	NOMENCLATURE							USAGE CODE	UNITS PER ASSY		
			1	2	3	4	5	6	7				
3- -80A	417N3172-19		. . .								HOUSING ASSY (OPT ITEM 100) (USED ON ITEM 45)	A-D, G- M, AW, AX, DC- DF	1
85	417N3172-10		. . .								HOUSING ASSY (OPT ITEM 105A) (USED ON ITEM 50)	A-D, G- M, AW, AX, DC- DF	1
-85A	417N3172-20		. . .								HOUSING ASSY (OPT ITEM 105) (USED OM ITEM 50)	A-D, G- M, AW, AX, DC- DF	1
90	6035-2BR185									INSERT (V01556)	A-D, G- M, AW, AX, DC- DF	2
95	417N3172-11									HOUSING (USED ON ITEM 80)	A-D, G- M, AW, AX, DC- DF	1
-95A	417N3172-21									HOUSING (USED ON ITEM 80A)	A-D, G- M, AW, AX, DC- DF	1
100	417N3172-12									HOUSING (USED ON ITEM 85)	A-D, G- M, AW, AX, DC- DF	1
-100A	417N3172-22									HOUSING (USED ON ITEM 85A)	A-D, G- M, AW, AX, DC- DF	1
105	417N3114-13		. .								HINGE ASSY	A, C, H, K, M, AW, AX, DC	1
-110	417N3114-14		. .								HINGE ASSY	B, D, G, J, L, DD- DF	1

-Item not Illustrated

25-23-34

ILLUSTRATED PARTS LIST

Page 1098.181

Nov 01/2008



COMPONENT MAINTENANCE MANUAL

FIG/ ITEM	PART NUMBER	AIRLINE PART NUMBER	NOMENCLATURE							USAGE CODE	UNITS PER ASSY
			1	2	3	4	5	6	7		
3-			ATTACHING PARTS								
115	BACR15BB4D		.	.	RIVET (SIZE DETERMINED ON INST)					A-D, G- M, AW, AX, DC- DF	6
			-----*								
120	417N3114-7		.	.	. HINGE HALF-EXTRUSION					A, C, H, K, M, AW, AX, DC	2
-125	417N3114-8		.	.	. HINGE HALF-EXTRUSION					B, D, G, J, L, DD- DF	2
130	417N3114-15		.	.	. HINGE HALF-EXTRUSION					A, C, H, K, M, AW, AX, DC	2
-135	417N3114-16		.	.	. HINGE HALF-EXTRUSION					B, D, G, J, L, DD- DF	2
140	417N3114-11		.	.	. HINGE HALF-EXTRUSION					A-D, G- M, AW, AX, DC- DF	1
145	417N3114-9		.	.	. HINGE HALF-EXTRUSION					A, C, H, K, M, AW, AX, DC	1
-150	417N3114-10		.	.	. HINGE HALF-EXTRUSION					B, D, G, J, L, DD- DF	1
155	417N3114-17		.	.	. BAR-TORSION					A, C, H, K, M, AW, AX, DC	1
-160	417N3114-18		.	.	. BAR-TORSION					B, D, G, J, L, DD- DF	1

-Item not Illustrated

25-23-34

ILLUSTRATED PARTS LIST

Page 1098.182

Nov 01/2008



COMPONENT MAINTENANCE MANUAL

FIG/ ITEM	PART NUMBER	AIRLINE PART NUMBER	NOMENCLATURE							USAGE CODE	UNITS PER ASSY	
			1	2	3	4	5	6	7			
3-												
165	BACR15BB3D									. . RIVET (SIZE DETERMINED ON INST)	A-D, G- M, AW, AX, DC- DF	4
170	417N3136-12									. . BRACKET	A, C, H, K, M, AW, AX, DC	1
-175	417N3136-24									. . BRACKET	B, D, G, J, L, DD- DF	1
180	417N3122-48									. . RETAINER	A-D, G- M, AW, AX, DC- DF	1
185	417N3121-175									. . STIFFENER ASSY	A, C, H, K, M, AW, AX, DC	1
-190	417N3121-176									. . STIFFENER ASSY	B, D, G, J, L, DD- DF	1
										ATTACHING PARTS		
195	BACS12FA08K6									. . SCREW (V06710) (SPEC BACS12FA08K6) (OPT BACS12FA08K6 (V06725)) (OPT BACS12FA08K6 (V06950)) (OPT BACS12FA08K6 (V27624)) (OPT BACS12FA08K6 (V34252)) (OPT BACS12FA08K6 (V56878)) (OPT BACS12FA08K6 (V73197)) (OPT BACS12FA08K6 (V80539)) (OPT BACS12FA08K6 (V92215)) (OPT BACS12FA08K6 (V93907)) (OPT BACS12FA08K6 (V97928))	A-D, G- M, AW, AX, DC- DF	2
200	BACR15BB3D									. . RIVET (SIZE DETERMINED ON INST)	A-D, G- M, AW, AX, DC- DF	3
										----- * -----		

-Item not Illustrated

25-23-34

ILLUSTRATED PARTS LIST

Page 1098.183

Nov 01/2008



COMPONENT MAINTENANCE MANUAL

FIG/ ITEM	PART NUMBER	AIRLINE PART NUMBER	NOMENCLATURE							USAGE CODE	UNITS PER ASSY	
			1	2	3	4	5	6	7			
3- -205	BACR15BA3D		.	.	.	RIVET (SIZE DETERMINED ON INST)					A-D, G- M, AW, AX, DC- DF	12
210	BRM200A08K		.	.	.	NUTPLATE (V52828) (SPEC BACN10JP08AR) (OPT MK1000-08BCBAC (V15653)) (OPT NS103197-82BC (V80539)) (OPT RMA9201M82BC (V72962)) (OPT T8076S832BC (V11815)) (OPT VN202A2-82 (V92215))					A-D, G- M, AW, AX, DC- DF	4
215	BRM300A08K		.	.	.	NUTPLATE (V52828) (SPEC BACN10JP08CR) (OPT MK3000-08BCBAC (V15653)) (OPT NS103199-82BC (V80539)) (OPT RMA9205M82BC (V72962)) (OPT T8078S832BC (V11815)) (OPT VN203A2-82 (V92215))					A-D, G- M, AW, AX, DC- DF	2
220	417N3121-177		.	.	.	STIFFENER					A, C, H, K, M, AW, AX, DC	1
-225	417N3121-178		.	.	.	STIFFENER					B, D, G, J, L, DD- DF	1
230	417N3136-108		.	.		BRACKET ASSY-MTG					A, C, H, K, M, AW, AX, DC	1
-235	417N3136-109		.	.		BRACKET ASSY-MTG					B, D, G, J, L, DD- DF	1

-Item not Illustrated

25-23-34

ILLUSTRATED PARTS LIST

Page 1098.184

Jul 01/2009



COMPONENT MAINTENANCE MANUAL

FIG/ ITEM	PART NUMBER	AIRLINE PART NUMBER	NOMENCLATURE							USAGE CODE	UNITS PER ASSY
			1	2	3	4	5	6	7		
3-			ATTACHING PARTS								
240	BACS12FA08K10		. .	SCREW						A-D, G- M, AW, AX, DC- DF	2
				(V06710)							
				(SPEC BACS12FA08K10)							
				(OPT BACS12FA08K10 (V06725))							
				(OPT BACS12FA08K10 (V06950))							
				(OPT BACS12FA08K10 (V27624))							
				(OPT BACS12FA08K10 (V34252))							
				(OPT BACS12FA08K10 (V56878))							
				(OPT BACS12FA08K10 (V73197))							
				(OPT BACS12FA08K10 (V80539))							
				(OPT BACS12FA08K10 (V92215))							
				(OPT BACS12FA08K10 (V93907))							
				(OPT BACS12FA08K10 (V97928))							
245	NAS43DD3-18		. .	SPACER						A-D, G- M, AW, AX, DC- DF	2
				-----*							
250	BACR15BA3D		. . .	RIVET						A-D, G- M, AW, AX, DC- DF	4
				(SIZE DETERMINED ON INST)							
255	BRM300A08K		. . .	NUTPLATE						A-D, G- M, AW, AX, DC- DF	2
				(V52828)							
				(SPEC BACN10JP08CR)							
				(OPT MK3000-08BCBAC (V15653))							
				(OPT NS103199-82BC (V80539))							
				(OPT RMA9205M82BC (V72962))							
				(OPT T8078S832BC (V11815))							
				(OPT VN203A2-82 (V92215))							
260	417N3136-110		. . .	BRACKET						A, C, H, K, M, AW, AX, DC	1
-265	417N3136-111		. . .	BRACKET						B, D, G, J, L, DD- DF	1

-Item not Illustrated

25-23-34

ILLUSTRATED PARTS LIST

Page 1098.185

Nov 01/2008

COMPONENT MAINTENANCE MANUAL

FIG/ ITEM	PART NUMBER	AIRLINE PART NUMBER	NOMENCLATURE							USAGE CODE	UNITS PER ASSY							
			1	2	3	4	5	6	7									
3- 270	BACS12FA08K6		.	.	S	C	R	E	W	A-D, G- M, AW, AX, DC- DF	2							
					(V06710)	(SPEC BACS12FA08K6)	(OPT BACS12FA08K6 (V06725))	(OPT BACS12FA08K6 (V06950))	(OPT BACS12FA08K6 (V27624))	(OPT BACS12FA08K6 (V34252))	(OPT BACS12FA08K6 (V56878))	(OPT BACS12FA08K6 (V73197))	(OPT BACS12FA08K6 (V80539))	(OPT BACS12FA08K6 (V92215))	(OPT BACS12FA08K6 (V93907))	(OPT BACS12FA08K6 (V97928))		
275	AN960PD8L		.	.	W	A	S	H	E	A-D, G- M, AW, AX, DC- DF	2							
280	417N3136-103		.	.	B	R	A	C	E	A, C, H, K, M, AW, AX, DC	1							
-285	417N3136-104		.	.	B	R	A	C	E	B, D, G, J, L, DD- DF	1							
290	417N3121-69		.	.	S	T	I	F	F	A, C, H, K, M, AW, AX, DC	1							
-295	417N3121-70		.	.	S	T	I	F	F	B, D, G, J, L, DD- DF	1							
			ATTACHING PARTS															
300	BACR15BB3D		.	.	R	I	V	E	T	A-D, G- M, AW, AX, DC- DF	4							
					(SIZE DETERMINED ON INST)													
			-----*															
305	BACR15BA3D		.	.	R	I	V	E	T	A-D, G- M, AW, AX, DC- DF	4							
					(SIZE DETERMINED ON INST)													

-Item not Illustrated

25-23-34

ILLUSTRATED PARTS LIST

Page 1098.186

Nov 01/2008



COMPONENT MAINTENANCE MANUAL

FIG/ ITEM	PART NUMBER	AIRLINE PART NUMBER	NOMENCLATURE							USAGE CODE	UNITS PER ASSY
			1	2	3	4	5	6	7		
3- 310	BRM200A08K		. . .	NUTPLATE (V52828) (SPEC BACN10JP08AR) (OPT MK1000-08BCBAC (V15653)) (OPT NS103197-82BC (V80539)) (OPT RMA9201M82BC (V72962)) (OPT T8076S832BC (V11815)) (OPT VN202A2-82 (V92215))						A-D, G- M, AW, AX, DC- DF	2
315	417N3121-71		. . .	STIFFENER						A, C, H, K, M, AW, AX, DC	1
-320	417N3121-72		. . .	STIFFENER						B, D, G, J, L, DD- DF	1
325	417N3121-163		. .	STIFFENER ASSY						A, C, H, K, M, AW, AX, DC	1
-330	417N3121-164		. .	STIFFENER ASSY						B, D, G, J, L, DD- DF	1
335	BACR15BB3D		. .	RIVET (SIZE DETERMINED ON INST)						A-D, G- M, AW, AX, DC- DF	2
340	BACR15BA3D		. . .	RIVET (SIZE DETERMINED ON INST)						A-D, G- M, AW, AX, DC- DF	4
345	BRM200A08K		. . .	NUTPLATE (V52828) (SPEC BACN10JP08AR) (OPT MK1000-08BCBAC (V15653)) (OPT NS103197-82BC (V80539)) (OPT RMA9201M82BC (V72962)) (OPT T8076S832BC (V11815)) (OPT VN202A2-82 (V92215))						A-D, G- M, AW, AX, DC- DF	2
350	417N3121-165		. . .	STIFFENER						A, C, H, K, M, AW, AX, DC	1

-Item not Illustrated

25-23-34

ILLUSTRATED PARTS LIST

Page 1098.187

Nov 01/2008



COMPONENT MAINTENANCE MANUAL

FIG/ ITEM	PART NUMBER	AIRLINE PART NUMBER	NOMENCLATURE							USAGE CODE	UNITS PER ASSY	
			1	2	3	4	5	6	7			
3- -355	417N3121-166		.	.	.						B, D, G, J, L, DD- DF	1
360	BACR15BB3D		.	.							A-D, G- M, AW, AX, DC- DF	8
365	417N3122-57		.	.							A-D, G- M, AW, AX, DC- DF	2
370	417N3121-171		.	.							A, C, H, K, M, AW, AX, DC	1
-375	417N3121-172		.	.							B, D, G, J, L, DD- DF	1
380	BACR15BB3D		.	.							A-D, G- M, AW, AX, DC- DF	2
385	BACS12FA08K6		.	.							A-D, G- M, AW, AX, DC- DF	1
390	417N3122-54		.	.							A-D, G- M, AW, AX, DC- DF	1
395	417N3121-65		.	.							A, C, H, K, M, AW, AX, DC	1

-Item not Illustrated

25-23-34

ILLUSTRATED PARTS LIST

Page 1098.188

Nov 01/2008



COMPONENT MAINTENANCE MANUAL

FIG/ ITEM	PART NUMBER	AIRLINE PART NUMBER	NOMENCLATURE							USAGE CODE	UNITS PER ASSY	
			1	2	3	4	5	6	7			
3- -400	417N3121-66		.	.							B, D, G, J, L, DD- DF	1
			ATTACHING PARTS									
405	BACR15BB3D		.	.							A-D, G- M, AW, AX, DC- DF	2
			-----*									
410	BACR15BA3D		.	.	.						A-D, G- M, AW, AX, DC- DF	14
415	BRM200A08K		.	.	.						A-D, G- M, AW, AX, DC- DF	7
			(V52828) (SPEC BACN10JP08AR) (OPT MK1000-08BCBAC (V15653)) (OPT NS103197-82BC (V80539)) (OPT RMA9201M82BC (V72962)) (OPT T8076S832BC (V11815)) (OPT VN202A2-82 (V92215))									
420	417N3121-67		.	.	.						A, C, H, K, M, AW, AX, DC	1
-425	417N3121-68		.	.	.						B, D, G, J, L, DD- DF	1
430	BACS12FA08K7		.	.							A-D, G- M, AW, AX, DC- DF	4
			(V06710) (SPEC BACS12FA08K7) (OPT BACS12FA08K7 (V06725)) (OPT BACS12FA08K7 (V06950)) (OPT BACS12FA08K7 (V27624)) (OPT BACS12FA08K7 (V34252)) (OPT BACS12FA08K7 (V56878)) (OPT BACS12FA08K7 (V73197)) (OPT BACS12FA08K7 (V80539)) (OPT BACS12FA08K7 (V92215)) (OPT BACS12FA08K7 (V93907)) (OPT BACS12FA08K7 (V97928))									

-Item not Illustrated

25-23-34

ILLUSTRATED PARTS LIST

Page 1098.189

Nov 01/2008



COMPONENT MAINTENANCE MANUAL

FIG/ ITEM	PART NUMBER	AIRLINE PART NUMBER	NOMENCLATURE							USAGE CODE	UNITS PER ASSY
			1	2	3	4	5	6	7		
3- 435	AN960PD8L		.	.	W	A	S	H	E	A-D, G- M, AW, AX, DC- DF	4
440	H10-08BAC		.	.	N					A-D, G- M, AW, AX, DC- DF	4
445	417N3102-1		.	.	B	R	A	C	K	A-D, G- M, AW, AX, DC- DF	2
450	BACR15BB3D		.	.	R	I	V	E	T	A-D, G- M, AW, AX, DC- DF	4
455	417N3122-3		.	.	B	R	A	C	K	A, C, H, K, M, AW, AX, DC	1
-460	417N3122-4		.	.	B	R	A	C	K	B, D, G, J, L, DD- DF	1
465	417N3136-15		.	.	B	R	A	C	K	A, C, H, K, M, AW, AX, DC	1
-470	417N3136-16		.	.	B	R	A	C	K	B, D, G, J, L, DD- DF	1
475	417N3121-27		.	.	S	T	I	F	F	A, C, H, K, M, AW, AX, DC	1
-480	417N3121-28		.	.	S	T	I	F	F	B, D, G, J, L, DD- DF	1

-Item not Illustrated

25-23-34

ILLUSTRATED PARTS LIST

Page 1098.190

Nov 01/2008



COMPONENT MAINTENANCE MANUAL

FIG/ ITEM	PART NUMBER	AIRLINE PART NUMBER	NOMENCLATURE							USAGE CODE	UNITS PER ASSY	
			1	2	3	4	5	6	7			
3- 485	417N3121-117		.	.							A, C, H, K, M, AW, AX, DC	1
-490	417N3121-118		.	.							B, D, G, J, L, DD- DF	1
495	BACR15DR3		.	.							A-D, G- M, AW, AX, DC- DF	3
500	CCR274SS3		.	.							A-D, G- M, AW, AX, DC- DF	5
505	417N3121-35		.	.							A, C, H, K, M, AW, AX, DC	1
-510	417N3121-36		.	.							B, D, G, J, L, DD- DF	1
515	417N3121-83		.	.							A, C, H, K, M, AW, AX, DC	1
-520	417N3121-84		.	.							B, D, G, J, L, DD- DF	1

-Item not Illustrated

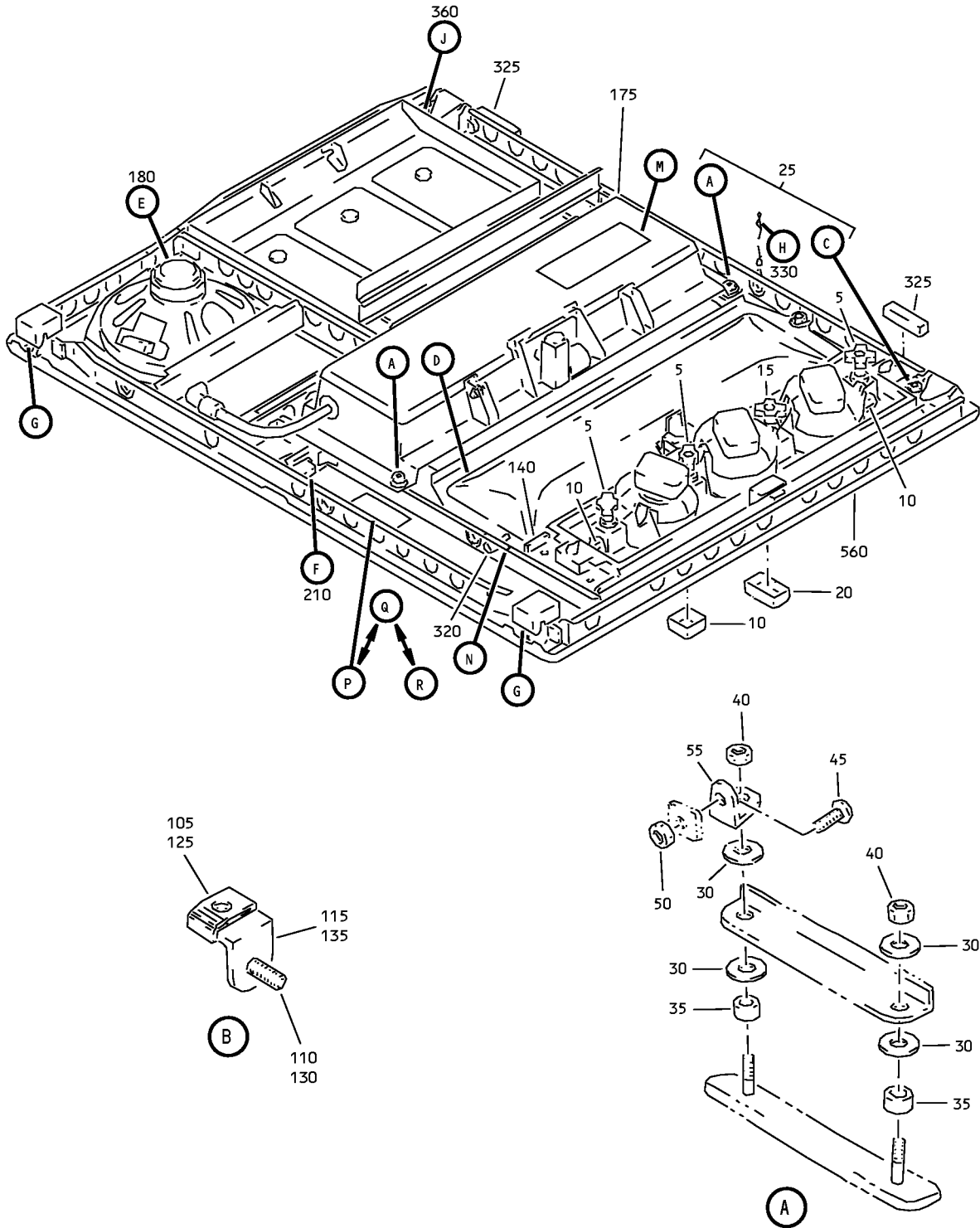
25-23-34

ILLUSTRATED PARTS LIST

Page 1098.191

Nov 01/2008

COMPONENT MAINTENANCE MANUAL



Full Underbin - Passenger Service Unit (with Gaseous Oxygen, Lifevest, and Speaker) Assembly
IPL Figure 4 (Sheet 1 of 7)

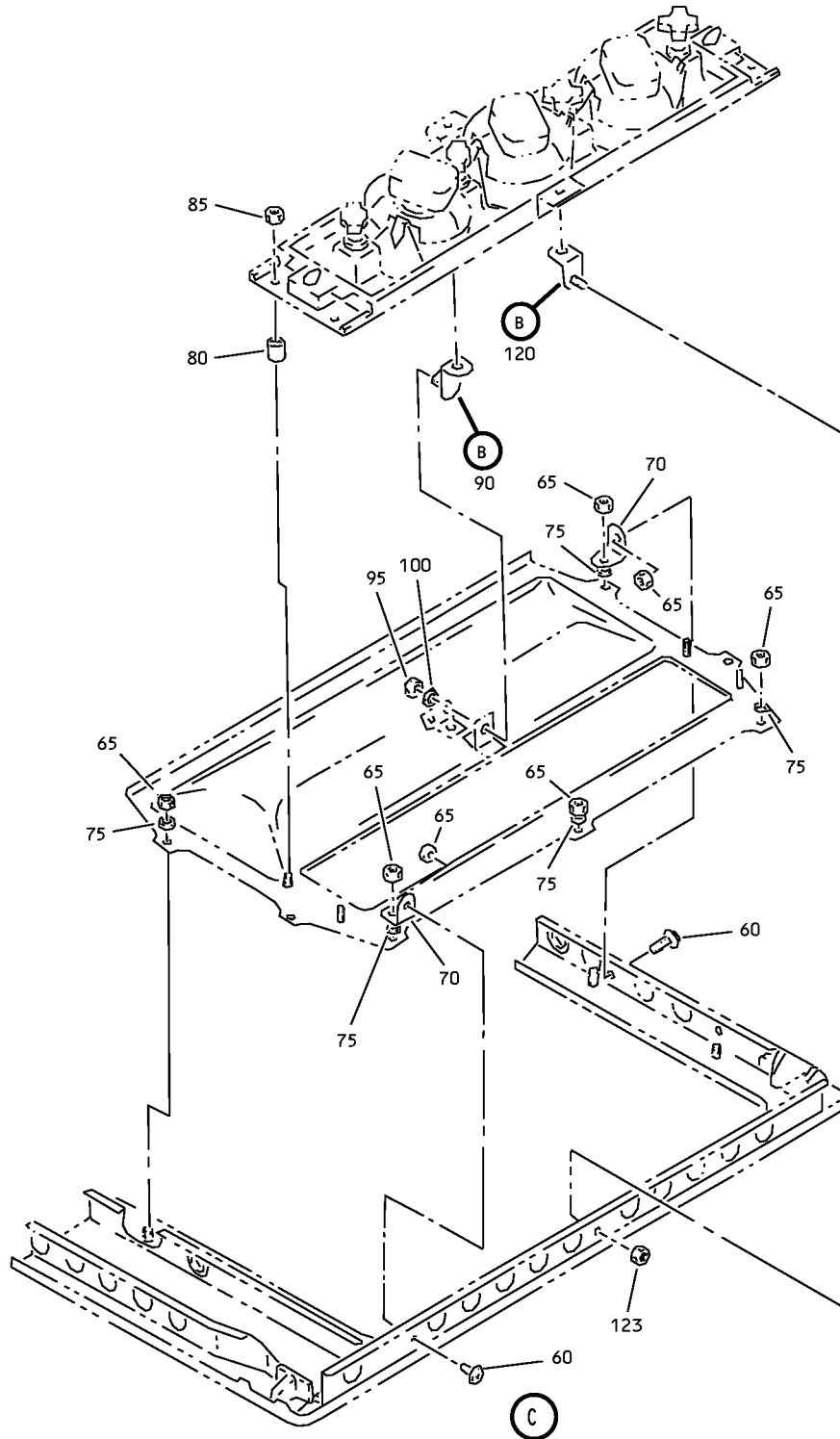
25-23-34

ILLUSTRATED PARTS LIST

Page 1098.192

Nov 01/2008

COMPONENT MAINTENANCE MANUAL



Full Underbin - Passenger Service Unit (with Gaseous Oxygen, Lifevest, and Speaker) Assembly
 IPL Figure 4 (Sheet 2 of 7)

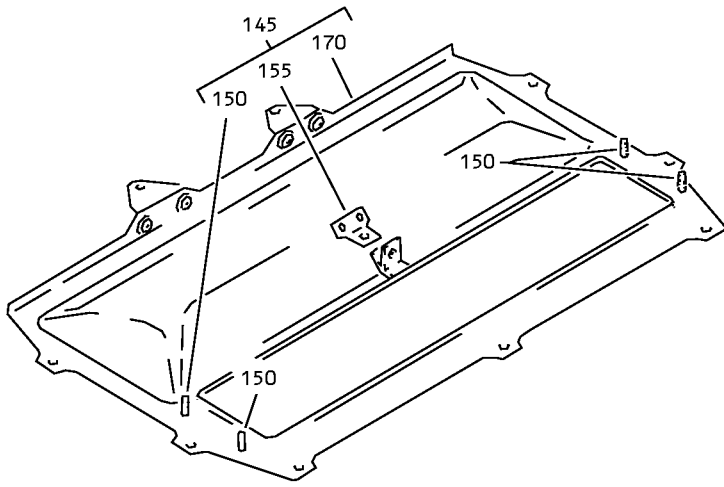
25-23-34

ILLUSTRATED PARTS LIST

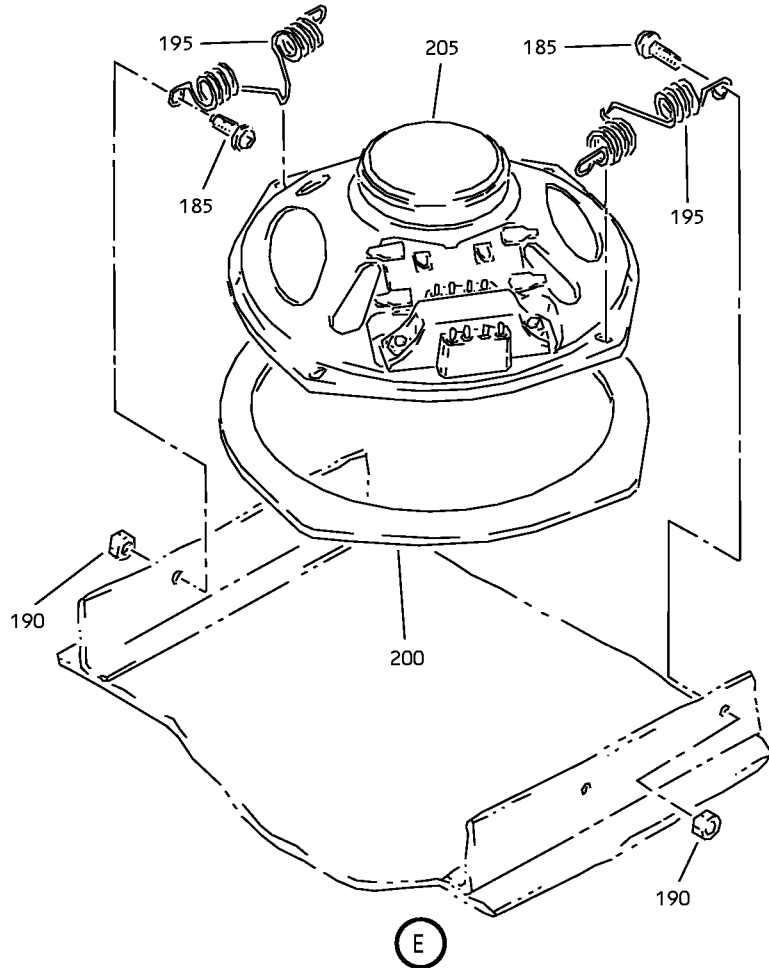
Page 1098.193

Nov 01/2008

COMPONENT MAINTENANCE MANUAL



(D)



(E)

Full Underbin - Passenger Service Unit (with Gaseous Oxygen, Lifevest, and Speaker) Assembly
IPL Figure 4 (Sheet 3 of 7)

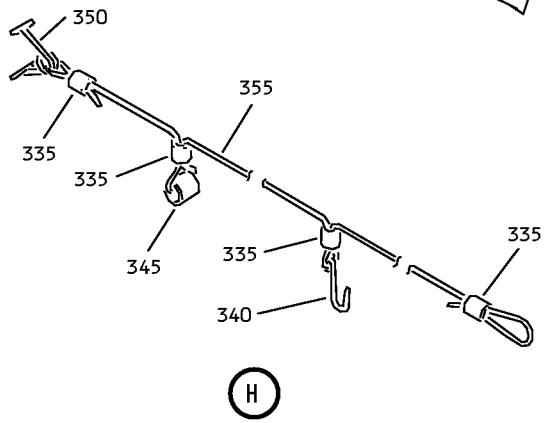
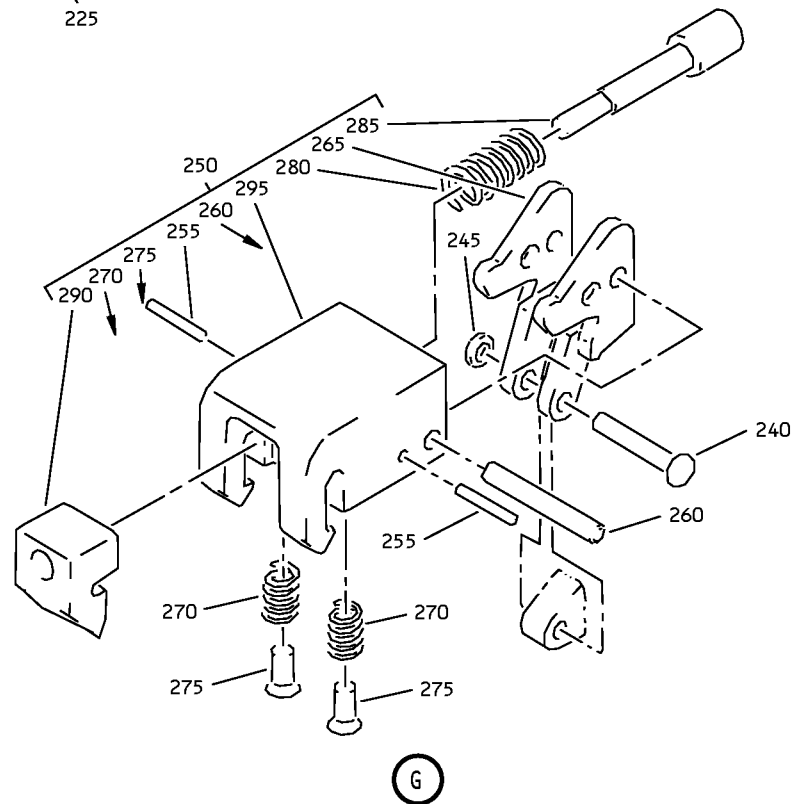
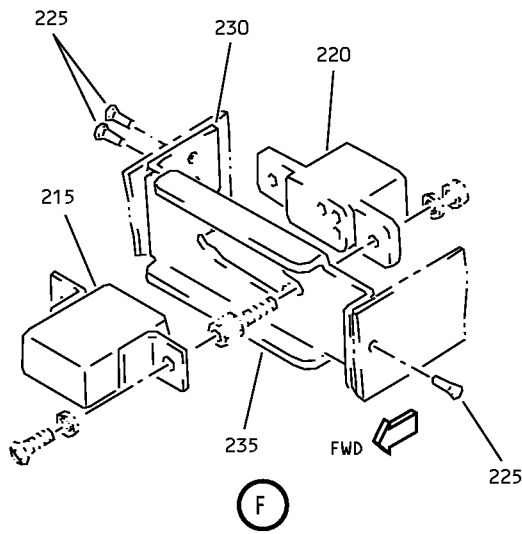
25-23-34

ILLUSTRATED PARTS LIST

Page 1098.194

Nov 01/2008

COMPONENT MAINTENANCE MANUAL



Full Underbin - Passenger Service Unit (with Gaseous Oxygen, Lifevest, and Speaker) Assembly
IPL Figure 4 (Sheet 4 of 7)

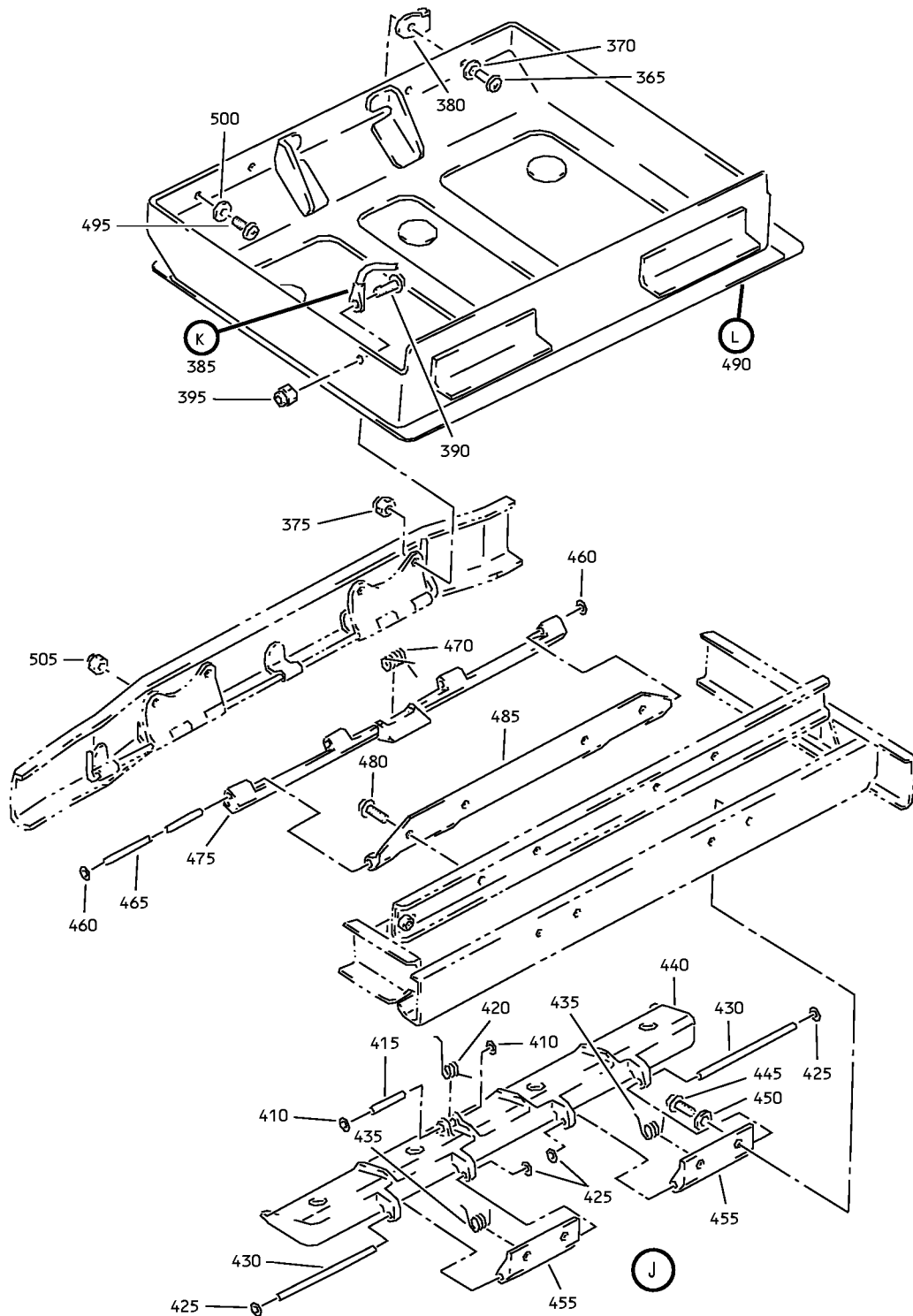
25-23-34

ILLUSTRATED PARTS LIST

Page 1098.195

Nov 01/2008

COMPONENT MAINTENANCE MANUAL



Full Underbin - Passenger Service Unit (with Gaseous Oxygen, Lifevest, and Speaker) Assembly
IPL Figure 4 (Sheet 5 of 7)

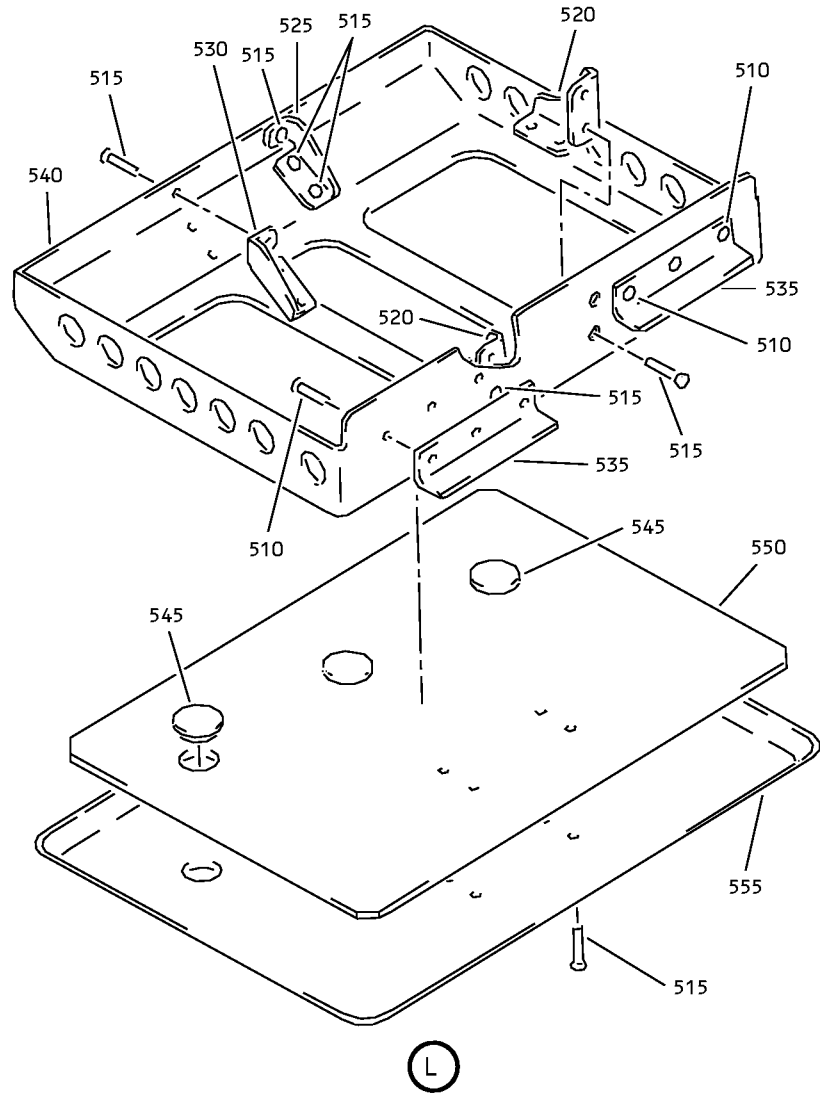
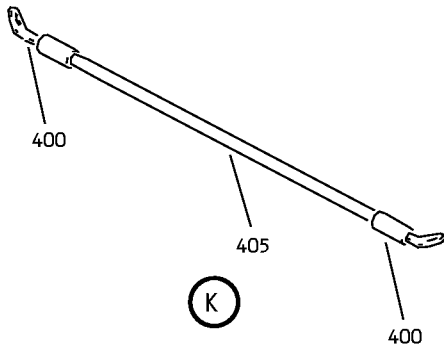
25-23-34

ILLUSTRATED PARTS LIST

Page 1098.196

Nov 01/2008

COMPONENT MAINTENANCE MANUAL



Full Underbin - Passenger Service Unit (with Gaseous Oxygen, Lifevest, and Speaker) Assembly
IPL Figure 4 (Sheet 6 of 7)

25-23-34

ILLUSTRATED PARTS LIST

Page 1098.197

Nov 01/2008

COMPONENT MAINTENANCE MANUAL

ATTENTION
 FOR REMOVAL AND RELOCATION INFORMATION SEE
 MAINTENANCE MANUAL CHAPTER 25
 FOR MASK STOWAGE INSTRUCTIONS SEE MAINTENANCE
 MANUAL CHAPTER 35
 FOR CLEANING INSTRUCTIONS SEE DOCUMENT D6-7127

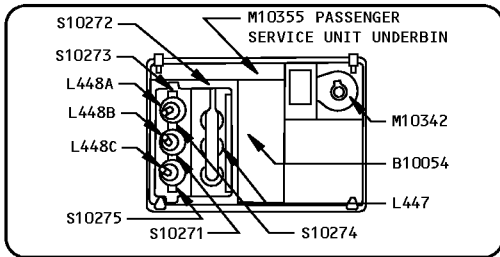
1 ← POSITION → 2

570

(N)

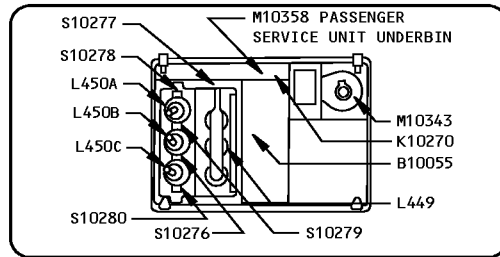
565

(M)



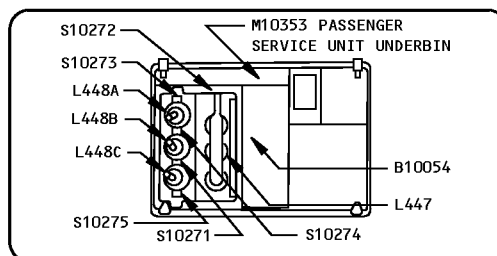
585

(R)



575

(P)



580

(Q)

Full Underbin - Passenger Service Unit (with Gaseous Oxygen, Lifevest, and Speaker) Assembly
 IPL Figure 4 (Sheet 7 of 7)

25-23-34

ILLUSTRATED PARTS LIST

Page 1098.198

Nov 01/2008



COMPONENT MAINTENANCE MANUAL

FIG/ ITEM	PART NUMBER	AIRLINE PART NUMBER	NOMENCLATURE							USAGE CODE	UNITS PER ASSY
			1	2	3	4	5	6	7		
4-											
-1	417N3100-601SP									G	RF
-1A	417N3100-603SP									H	RF
-1B	417N3100-605SP									J	RF
5	920056									G-J	3
10	S417N304-1B										
10A	VIP720-1C									G-J	3
-10B	S417N304-1M										
-10C	S417N304-1N										
-10D	VIP720-6E									G-J	3
-10E	VIP720-6F									G-J	3
-10F	VIP720-6G									G-J	3
-10G	S417N304-6H									G-J	3

-Item not Illustrated

25-23-34

ILLUSTRATED PARTS LIST

Page 1098.199

Nov 01/2008



COMPONENT MAINTENANCE MANUAL

FIG/ ITEM	PART NUMBER	AIRLINE PART NUMBER	NOMENCLATURE							USAGE CODE	UNITS PER ASSY														
			1	2	3	4	5	6	7																
4- -10H	VIP720-6J		.	L	E	N	S	-	L	T	S	W	I	T	C	H		G-J	3						
-10J	VIP720-6K		.	L	E	N	S	-	L	T	S	W	I	T	C	H		G-J	3						
-10K	VIP720-6L		.	L	E	N	S	-	L	T	S	W	I	T	C	H		G-J	3						
-10L	S417N304-6M		.	L	E	N	S	-	L	T	S	W	I	T	C	H		G-J	3						
-10M	VIP720-1M		.	L	E	N	S	-	L	T	S	W	I	T	C	H		G-J	3						
-10N	VIP720-1N		.	L	E	N	S	-	L	T	S	W	I	T	C	H		G-J	3						
-10P	VIP720-1B		.	L	E	N	S	-	L	T	S	W	I	T	C	H		G-J	3						
15	920055		.	S	W	I	T	C	H	-	A	T	T	E	N	D	A	N	T	C	A	L		G-J	1
20	S417N303-2C																								
20A	VIP720-2D		.	L	E	N	S	-	C	A	L	L	S	W	I	T	C	H						G-J	1

-Item not Illustrated

25-23-34

ILLUSTRATED PARTS LIST

Page 1098.200

Nov 01/2008



COMPONENT MAINTENANCE MANUAL

FIG/ ITEM	PART NUMBER	AIRLINE PART NUMBER	NOMENCLATURE	USAGE CODE	UNITS PER ASSY
4- -20B	VIP720-2E		. LENS-CALL SWITCH (COLOR OPT-CUST PREFERENCE, WHITE- BROWN) (V28406) (SPEC S417N303-2E) (OPT 932501-924 (V97564))	G-J	1
-20C	VIP720-2F		. LENS-CALL SWITCH (COLOR OPT-CUST PREFERENCE, RED-WHITE) (V28406) (SPEC S417N303-2F)	G-J	1
-20D	VIP720-2G		. LENS-CALL SWITCH (COLOR OPT-CUST PREFERENCE, ORANGE- WHITE) (V28406) (SPEC S417N303-2G)	G-J	1
-20E	S417N303-2J		DELETED		
-20F	S417N303-2K		. LENS-CALL SWITCH (COLOR OPT-CUST PREFERENCE, WHITE-RED)	G-J	1
-20G	VIP720-3A		. LENS-CALL SWITCH (COLOR OPT-CUST PREFERENCE, ORANGE- WHITE) (V28406) (SPEC S417N303-3A)	G-J	1
-20H	S417N303-3C		. LENS-CALL SWITCH (COLOR OPT-CUST PREFERENCE, RED-WHITE)	G-J	1
-20J	VIP720-4A		. LENS-CALL SWITCH (COLOR OPT-CUST PREFERENCE, RED-WHITE) (V28406) (SPEC S417N303-4A)	G-J	1
-20K	VIP720-2C		. LENS-CALL SWITCH (COLOR OPT-CUST PREFERENCE, WHITE- BROWN) (V28406) (SPEC S417N303-2C)	G-J	1
-20L	VIP720-2J		. LENS-CALL SWITCH (COLOR OPT-CUST PREFERENCE, RED-WHITE) (V28406) (SPEC S417N303-2J)	G-J	1

-Item not Illustrated

25-23-34

ILLUSTRATED PARTS LIST

Page 1098.201

Nov 01/2008



COMPONENT MAINTENANCE MANUAL

FIG/ ITEM	PART NUMBER	AIRLINE PART NUMBER	NOMENCLATURE							USAGE CODE	UNITS PER ASSY
			1	2	3	4	5	6	7		
4-											
25	417N3100-83		G-J	1
30	BACW10P193G		G-J	8
35	NAS43DD3-18		G-J	4
40	BACN10YJ08		G-J	4
45	BACS12FA08K6		G-J	2
50	BACN10YJ08		G-J	2
55	417N3122-115		G-J	2
60	BACS12FA08K5		G-J	2
65	BACN10YJ08		G-J	7
70	417N3122-14		G-J	2

-Item not Illustrated

25-23-34

ILLUSTRATED PARTS LIST

Page 1098.202

Nov 01/2008



COMPONENT MAINTENANCE MANUAL

FIG/ ITEM	PART NUMBER	AIRLINE PART NUMBER	NOMENCLATURE							USAGE CODE	UNITS PER ASSY
			1	2	3	4	5	6	7		
4-											
75	G6940-3B3		. .	GROMMET						G-J	5
				(V75345)							
				(SPEC BACG20AF3B3)							
				(OPT SZ6924-3B3 (V95272))							
				(OPT 701-3B3 (V07096))							
				(OPT E3B3 (V60980))							
				(OPT H3B3 (V60980))							
				(OPT RR2002-3B3 (V57268))							
80	NAS43DD3-20		. .	SPACER						G-J	4
85	BACN10YJ08		. .	NUT						G-J	4
90	417N3122-122		. .	BRACKET ASSY						G-J	1
				ATTACHING PARTS							
95	BACN10YJ08		. .	NUT						G-J	1
100	MS35335-31		. .	WASHER						G-J	1
				-----*							
105	82-47-108-15		. . .	CLIP						G-J	1
				(V84483)							
110	BACS21AQ2A3K		. . .	STUD						G-J	1
115	417N3122-121		. . .	BRACKET						G-J	1
120	417N3122-60		. .	BRACKET ASSY						G-J	1
123	BACN10YJ08		. .	NUT						G-J	1
125	82-47-108-15		. . .	CLIP						G-J	1
				(V84483)							
130	BACS21AQ2A3K		. . .	STUD						G-J	1
				(OPT ITEM 130A)							
-130A	FHS832-6		. . .	STUD						G-J	1
				(OPT ITEM 130)							
135	417N3122-61		. . .	BRACKET						G-J	1
				(OPT ITEM 135A)							
-135A	417N3122-130		. . .	BRACKET						G-J	1
				(OPT ITEM 135)							
140	10-1006-1		. LIGHT-READING							G-J	1
				(V72914)							
				(SPEC S417N302-1)							
145	417N3105-5SP		. MODULE ASSY-SVCE							G-J	1
150	BACS21AQ6A6M		. .	STUD						G-J	4

-Item not Illustrated

25-23-34

ILLUSTRATED PARTS LIST

Page 1098.203

Nov 01/2008



COMPONENT MAINTENANCE MANUAL

FIG/ ITEM	PART NUMBER	AIRLINE PART NUMBER	NOMENCLATURE							USAGE CODE	UNITS PER ASSY
			1	2	3	4	5	6	7		
4-											
155	417N3122-53								. . BRACKET	G-J	1
170	417N3101-1SP								. . MODULE	G-J	1
175	417N3130-97SP								DELETED		
175A	417N3130-111SP								. BOX ASSY-FOUR MASK OXY (REF CMM 35-21-02)	G-J	1
180	417N3100-15								. SPEAKER ASSY	G, J	1
185	BACS12FA08K6								. . SCREW (V06710) (SPEC BACS12FA08K6) (OPT BACS12FA08K6 (V06725)) (OPT BACS12FA08K6 (V06950)) (OPT BACS12FA08K6 (V27624)) (OPT BACS12FA08K6 (V34252)) (OPT BACS12FA08K6 (V56878)) (OPT BACS12FA08K6 (V73197)) (OPT BACS12FA08K6 (V80539)) (OPT BACS12FA08K6 (V92215)) (OPT BACS12FA08K6 (V93907)) (OPT BACS12FA08K6 (V97928))	G, J	4
190	BACN10YJ08								. . NUT	G, J	4
195	417N3173-6								. . SPRING	G, J	2
200	417N3104-1								. . GASKET (MAKE FROM SH RUBATEX R310V 0.125 X 7.0 IN DIA)	G, J	1
205	RDAM8005A								. . SPEAKER (V54473) (SPEC S222T101-101)	G, J	1
210	417N3100-377								. MUTING ASSY	G	1
215	HFW1204K01								. . RELAY (V71482) (SPEC BACR13CD2) (OPT BR16S233 (V09026)) (OPT EE4AA005 (V35344)) (OPT 3SAV1338A2 (V01526)) (OPT HFW1206K03 (V58614))	G	1
220	451120-026								. . SOCKET (V03743)	G	1
225	BACR15BB3D								. . RIVET (SIZE DETERMINED ON INST)	G	3
230	417N3136-17								. . BRACKET	G	1

-Item not Illustrated

25-23-34

ILLUSTRATED PARTS LIST

Page 1098.204

Nov 01/2008



COMPONENT MAINTENANCE MANUAL

FIG/ ITEM	PART NUMBER	AIRLINE PART NUMBER	NOMENCLATURE							USAGE CODE	UNITS PER ASSY
			1	2	3	4	5	6	7		
4-											
235	417N3121-139		.	.						G	1
240	BACR15BB4D10		.							G-J	2
245	6100-12		.							G-J	2
250	417N3180-1		.							G-J	2
255	NAS607-1-4P		.	.						G-J	2
260	NAS607-2-8P		.	.						G-J	1
265	417N3181-1		.	.						G-J	1
270	RCS3289		.	.						G-J	2
275	417N3180-3		.	.						G-J	2
280	RCS3290		.	.						G-J	1
285	65-85905-4		.	.						G-J	1
290	417N3182-1		.	.						G-J	1
295	417N3183-1		.	.						G-J	1
-300	AN960JD416L		.							G-J	AR
-305	PLWP1S		.							G-J	AR
-310	NMC1001-0		.							G-J	2
-310A	BACC10DK3		.							G-J	2
-315	286N0514-003		.							G	1
-315A	61-33500-001		.							H, J	1
320	1TW2-3		.							G-J	1

-Item not Illustrated

25-23-34

ILLUSTRATED PARTS LIST

Page 1098.205

Nov 01/2008



COMPONENT MAINTENANCE MANUAL

FIG/ ITEM	PART NUMBER	AIRLINE PART NUMBER	NOMENCLATURE							USAGE CODE	UNITS PER ASSY
			1	2	3	4	5	6	7		
4-											
325	417N3100-71		.							G-J	2
330	417N3190-1		.							G-J	1
335	GSC219		..							G-J	4
-335A	GSC205		..							G-J	4
340	10-61790-1		..							G-J	1
345	NAS43DD4-5		..							G-J	1
350	65C16899-6		..							G-J	1
355	417N3190-3		..							G-J	1
360	417N3100-31SP		.							G-J	1
365	BACS12FA08K7		..							G-J	1
370	AN960PD8L		..							G-J	AR

-Item not Illustrated

25-23-34

ILLUSTRATED PARTS LIST

Page 1098.206

Nov 01/2008



COMPONENT MAINTENANCE MANUAL

FIG/ ITEM	PART NUMBER	AIRLINE PART NUMBER	NOMENCLATURE							USAGE CODE	UNITS PER ASSY
			1	2	3	4	5	6	7		
4- 375	H10-08BAC		. .	NUT						G-J	1
				(V15653)							
				(SPEC BACN10JC08)							
				(OPT NS202101-82 (V80539))							
				(OPT RMLH9075-82W (V72962))							
				(OPT T6S832J (V71087))							
				(OPT VN303A82 (V92215))							
				(OPT 96-82 (V80539))							
				(OPT BRH10A08 (V52828))							
				(OPT T6S832J (V11815))							
380	417N3122-49		. .	RETAINER						G-J	1
385	417N3190-8		. .	LANYARD ASSY						G-J	1
				ATTACHING PARTS							
390	BACS12FA08K6		. .	SCREW						G-J	1
				(V06710)							
				(SPEC BACS12FA08K6)							
				(OPT BACS12FA08K6 (V06725))							
				(OPT BACS12FA08K6 (V06950))							
				(OPT BACS12FA08K6 (V27624))							
				(OPT BACS12FA08K6 (V34252))							
				(OPT BACS12FA08K6 (V56878))							
				(OPT BACS12FA08K6 (V73197))							
				(OPT BACS12FA08K6 (V80539))							
				(OPT BACS12FA08K6 (V92215))							
				(OPT BACS12FA08K6 (V93907))							
				(OPT BACS12FA08K6 (V97928))							
395	26C82		. .	NUT						G-J	1
				(V80539)							
				(SPEC BACN10R8)							
				----- * -----							
400	417N3190-7		. . .	TERMINAL						G-J	2
405	417N3190-5		. . .	CORD-NYLON						G-J	1
410	6100-9		. .	RETAINER						G-J	2
				(V0647B)							
415	417N3100-73		. .	PIN-HINGE						G-J	1
420	417N3173-14		. .	SPRING						G-J	1
425	6100-9		. .	RETAINER						G-J	4
				(V2X013)							
430	417N3100-74		. .	PIN-HINGE						G-J	2
435	417N3173-9		. .	SPRING						G-J	2

-Item not Illustrated

25-23-34

ILLUSTRATED PARTS LIST

Page 1098.207

Nov 01/2008



COMPONENT MAINTENANCE MANUAL

FIG/ ITEM	PART NUMBER	AIRLINE PART NUMBER	NOMENCLATURE							USAGE CODE	UNITS PER ASSY
			1	2	3	4	5	6	7		
4-											
440	417N3084-1SP								. . PUSH BUTTON	G-J	1
445	BACS12FA08K7								. . SCREW (V06710) (SPEC BACS12FA08K7) (OPT BACS12FA08K7 (V06725)) (OPT BACS12FA08K7 (V06950)) (OPT BACS12FA08K7 (V27624)) (OPT BACS12FA08K7 (V34252)) (OPT BACS12FA08K7 (V56878)) (OPT BACS12FA08K7 (V73197)) (OPT BACS12FA08K7 (V80539)) (OPT BACS12FA08K7 (V92215)) (OPT BACS12FA08K7 (V93907)) (OPT BACS12FA08K7 (V97928))	G-J	4
450	AN960PD8L								. . WASHER	G-J	AR
455	417N3133-19								. . HOUSING-PUSHBUTTON	G-J	2
460	6100-9								. . RETAINER (V0647B)	G-J	2
465	417N3100-78								. . PIN-HINGE	G-J	1
470	417N3173-13								. . SPRING	G-J	1
475	417N3133-15								. . LATCH	G-J	1
480	BACS12FA08K7								. . SCREW (V06710) (SPEC BACS12FA08K7) (OPT BACS12FA08K7 (V06725)) (OPT BACS12FA08K7 (V06950)) (OPT BACS12FA08K7 (V27624)) (OPT BACS12FA08K7 (V34252)) (OPT BACS12FA08K7 (V56878)) (OPT BACS12FA08K7 (V73197)) (OPT BACS12FA08K7 (V80539)) (OPT BACS12FA08K7 (V92215)) (OPT BACS12FA08K7 (V93907)) (OPT BACS12FA08K7 (V97928))	G-J	4
485	417N3133-16								. . LATCH	G-J	1
490	417N3080-1SP								. . DOOR ASSY	G-J	1

-Item not Illustrated

25-23-34

ILLUSTRATED PARTS LIST

Page 1098.208

Nov 01/2008



COMPONENT MAINTENANCE MANUAL

FIG/ ITEM	PART NUMBER	AIRLINE PART NUMBER	NOMENCLATURE							USAGE CODE	UNITS PER ASSY
			1	2	3	4	5	6	7		
4-			ATTACHING PARTS								
495	BACS12FA08K7		. .	SCREW						G-J	3
				(V06710)							
				(SPEC BACS12FA08K7)							
				(OPT BACS12FA08K7 (V06725))							
				(OPT BACS12FA08K7 (V06950))							
				(OPT BACS12FA08K7 (V27624))							
				(OPT BACS12FA08K7 (V34252))							
				(OPT BACS12FA08K7 (V56878))							
				(OPT BACS12FA08K7 (V73197))							
				(OPT BACS12FA08K7 (V80539))							
				(OPT BACS12FA08K7 (V92215))							
				(OPT BACS12FA08K7 (V93907))							
				(OPT BACS12FA08K7 (V97928))							
500	AN960PD8L		. .	WASHER						G-J	AR
505	H10-08BAC		. .	NUT						G-J	3
				(V15653)							
				(SPEC BACN10JC08)							
				(OPT NS202101-82 (V80539))							
				(OPT RMLH9075-82W (V72962))							
				(OPT T6S832J (V71087))							
				(OPT VN303A82 (V92215))							
				(OPT 96-82 (V80539))							
				(OPT BRH10A08 (V52828))							
				(OPT T6S832J (V11815))							
			----- * -----								
510	BACR15CE3D		. . .	RIVET						G-J	6
				(SIZE DETERMINED ON INST)							
515	BACR15CE4D		. . .	RIVET						G-J	14
				(SIZE DETERMINED ON INST)							
520	417N3083-2		. . .	GUSSET						G-J	2
525	417N3083-3		. . .	GUSSET						G-J	1
530	417N3083-4		. . .	GUSSET						G-J	1
535	417N3083-1		. . .	ANGLE						G-J	2
540	417N3082-1		. . .	COMPARTMENT						G-J	1
545	417N3113-1		. . .	LENS						G-J	3
550	417N3080-3		. . .	PANEL						G-J	1
555	417N3081-1SP		. . .	PANEL						G-J	1
560	417N3110-35SP		. . .	FRAME ASSY						G-J	1
				(FOR DETAILS SEE FIG. 3)							

-Item not Illustrated

25-23-34

ILLUSTRATED PARTS LIST

Page 1098.209

Nov 01/2008



COMPONENT MAINTENANCE MANUAL

FIG/ ITEM	PART NUMBER	AIRLINE PART NUMBER	NOMENCLATURE							USAGE CODE	UNITS PER ASSY	
			1	2	3	4	5	6	7			
4-												
565	BAC27DPA2272									. DECAL	G-J	1
570	BAC27NPA0610									. MARKER-ALUMINUM FOIL	G-J	1
575	BAC27NPA0666									. MARKER-ALUMINUM FOIL	G	1
580	BAC27NPA0662									. MARKER-ALUMINUM FOIL	H	1
585	BAC27NPA0660									. MARKER-ALUMINUM FOIL	J	1

-Item not Illustrated

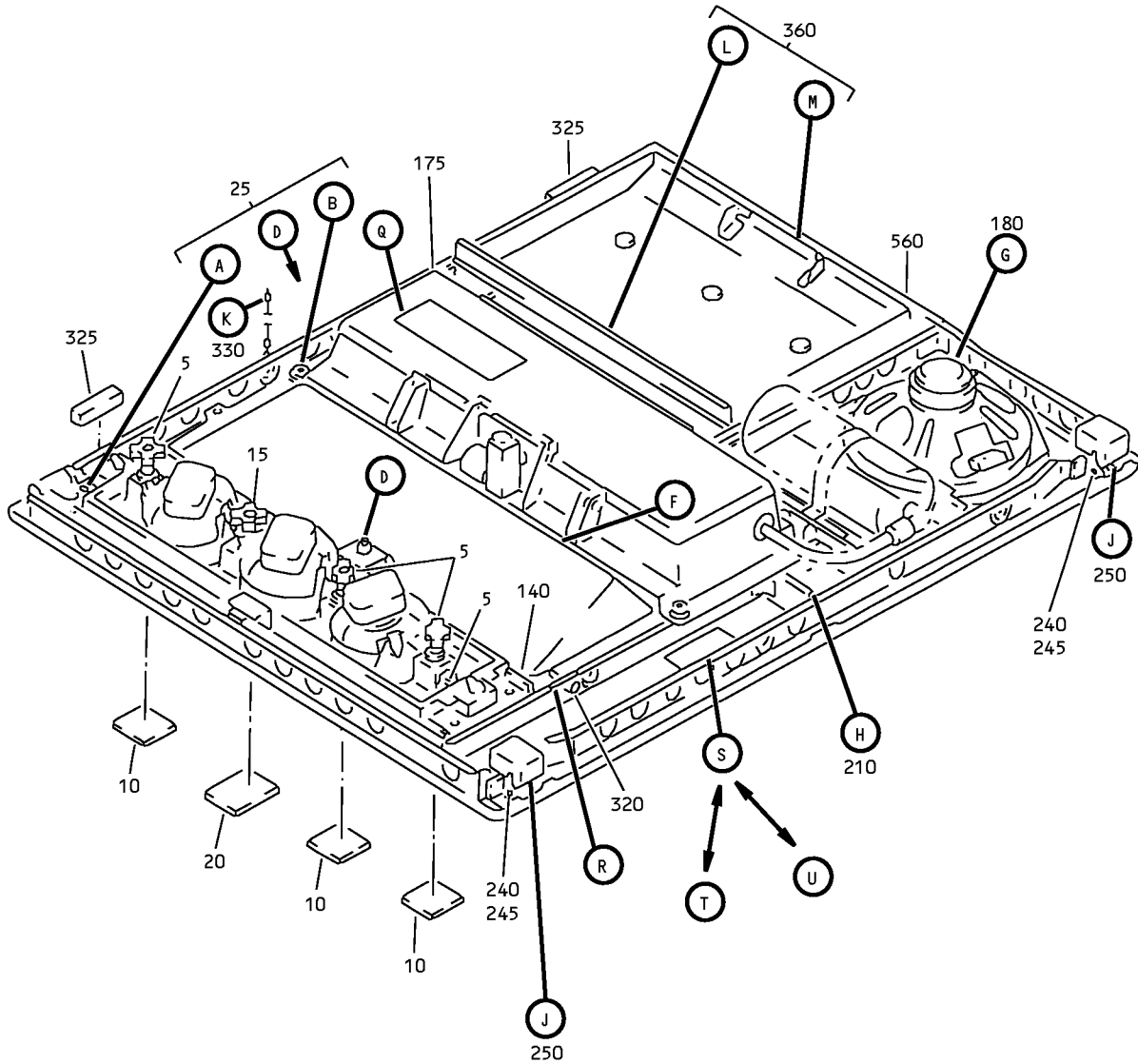
25-23-34

ILLUSTRATED PARTS LIST

Page 1098.210

Nov 01/2008

COMPONENT MAINTENANCE MANUAL



Full Underbin - Passenger Service Unit (with Gaseous Oxygen, Lifevest, and Speaker) Assembly
 IPL Figure 5 (Sheet 1 of 8)

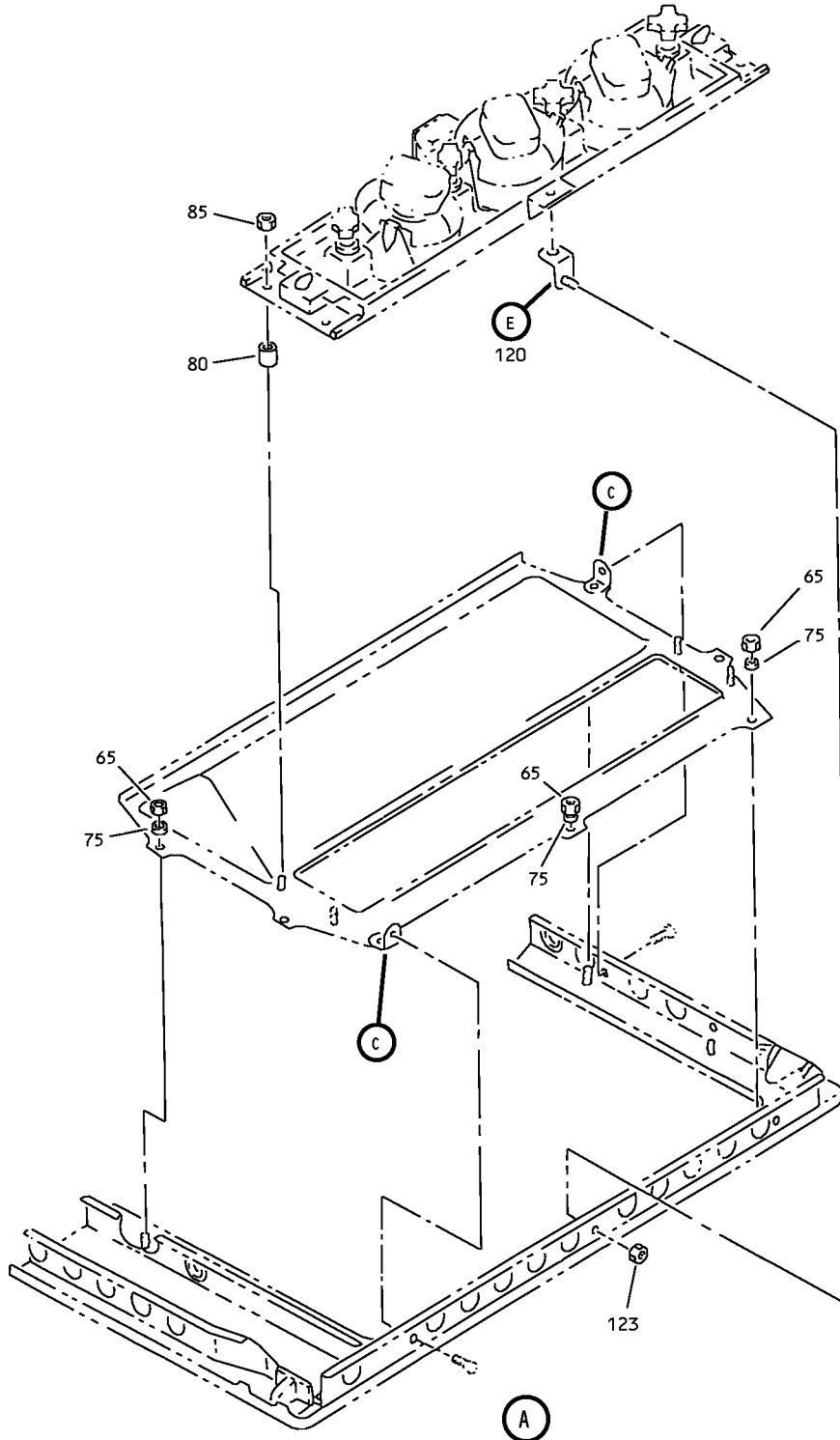
25-23-34

ILLUSTRATED PARTS LIST

Page 1098.211

Nov 01/2008

COMPONENT MAINTENANCE MANUAL



Full Underbin - Passenger Service Unit (with Gaseous Oxygen, Lifevest, and Speaker) Assembly
 IPL Figure 5 (Sheet 2 of 8)

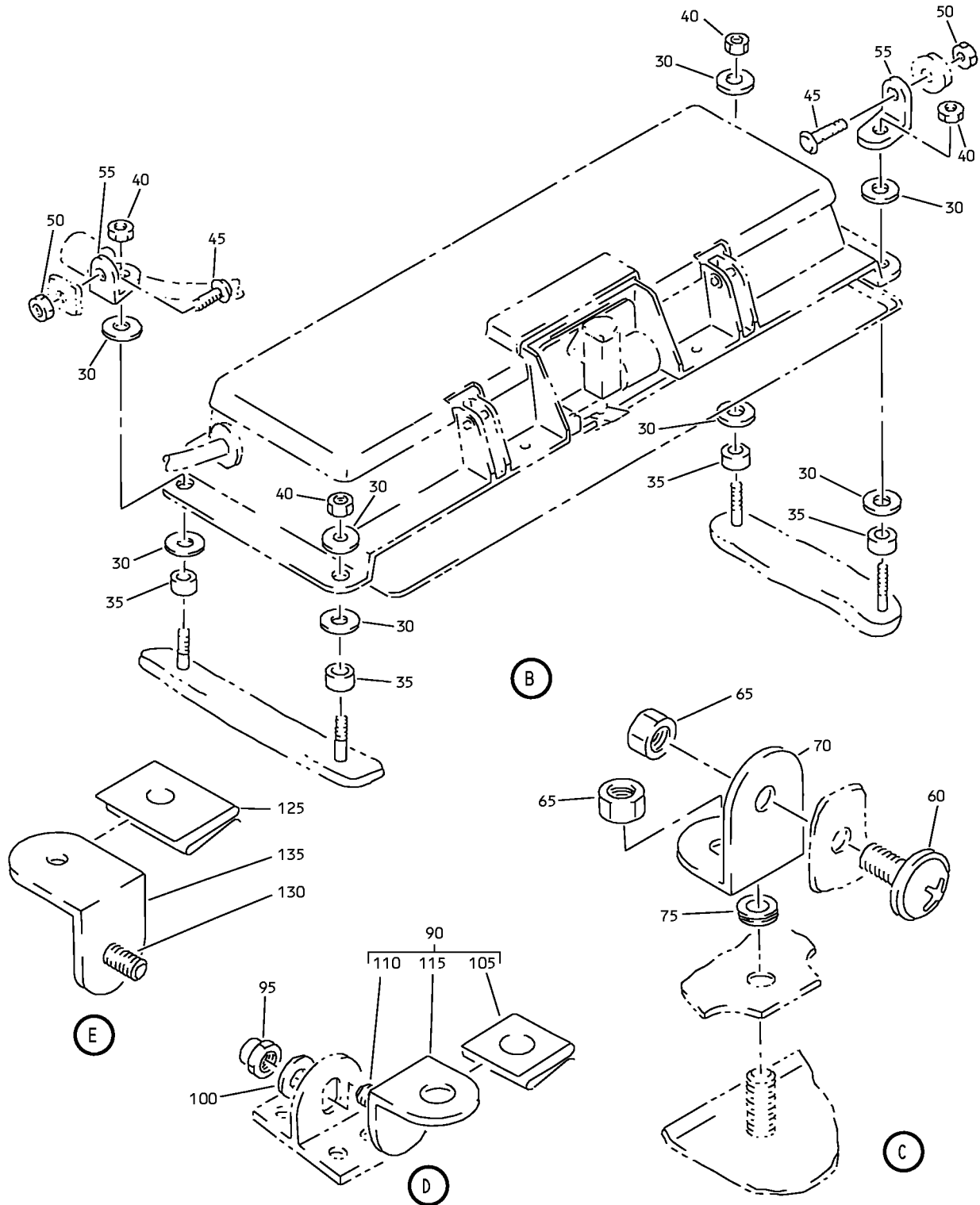
25-23-34

ILLUSTRATED PARTS LIST

Page 1098.212

Nov 01/2008

COMPONENT MAINTENANCE MANUAL



Full Underbin - Passenger Service Unit (with Gaseous Oxygen, Lifevest, and Speaker) Assembly
IPL Figure 5 (Sheet 3 of 8)

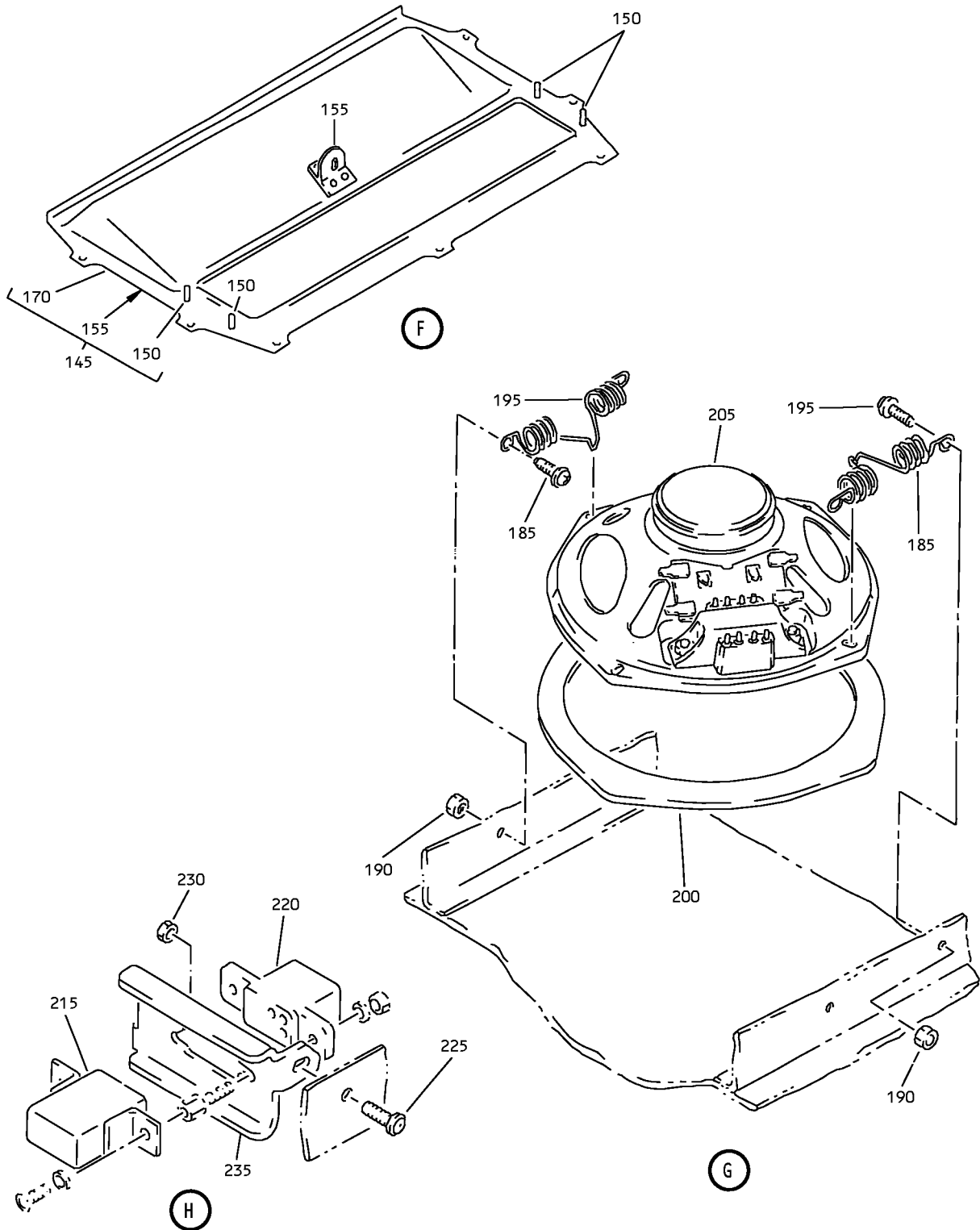
25-23-34

ILLUSTRATED PARTS LIST

Page 1098.213

Nov 01/2008

COMPONENT MAINTENANCE MANUAL



Full Underbin - Passenger Service Unit (with Gaseous Oxygen, Lifevest, and Speaker) Assembly
 IPL Figure 5 (Sheet 4 of 8)

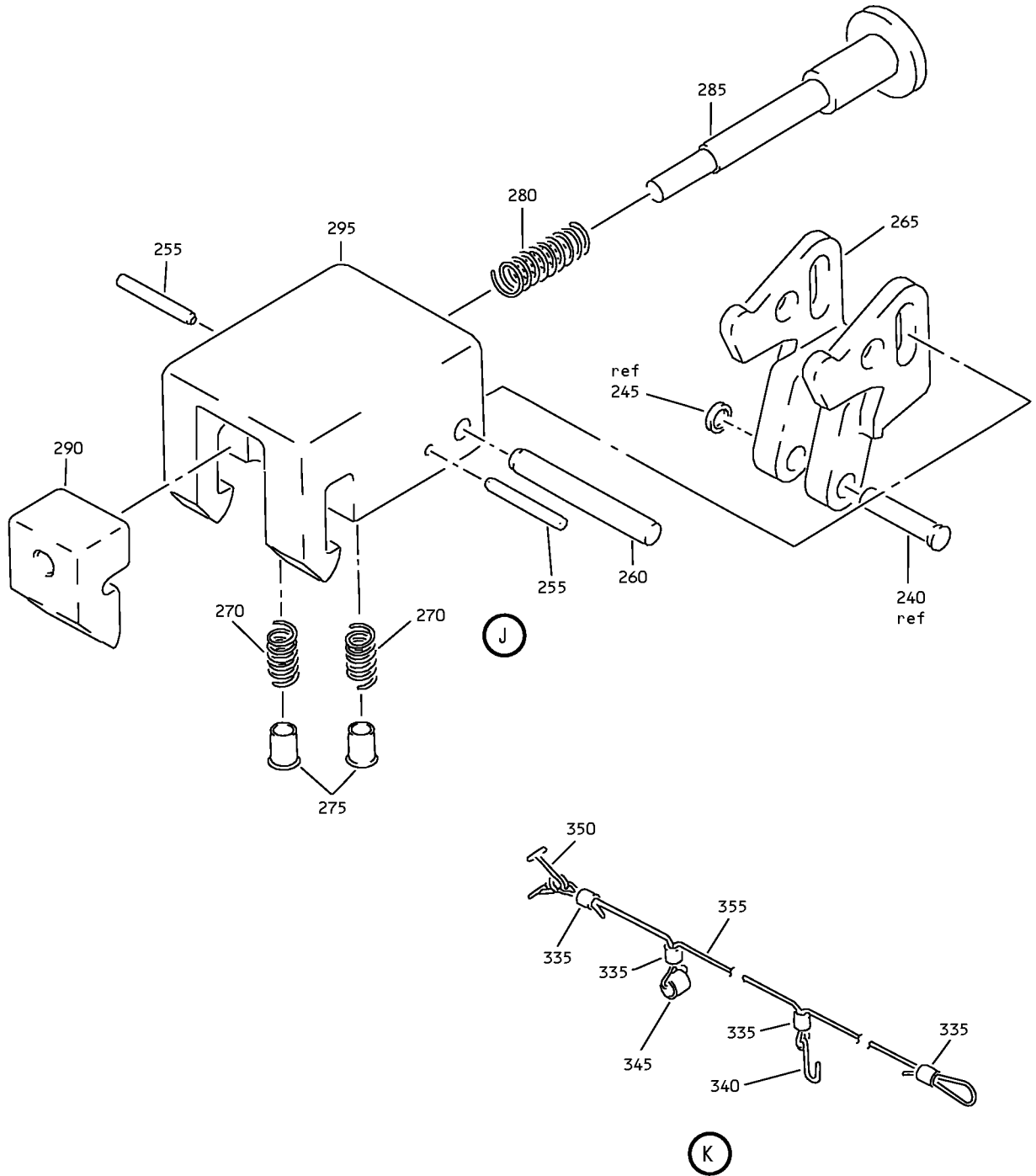
25-23-34

ILLUSTRATED PARTS LIST

Page 1098.214

Nov 01/2008

COMPONENT MAINTENANCE MANUAL



Full Underbin - Passenger Service Unit (with Gaseous Oxygen, Lifevest, and Speaker) Assembly
IPL Figure 5 (Sheet 5 of 8)

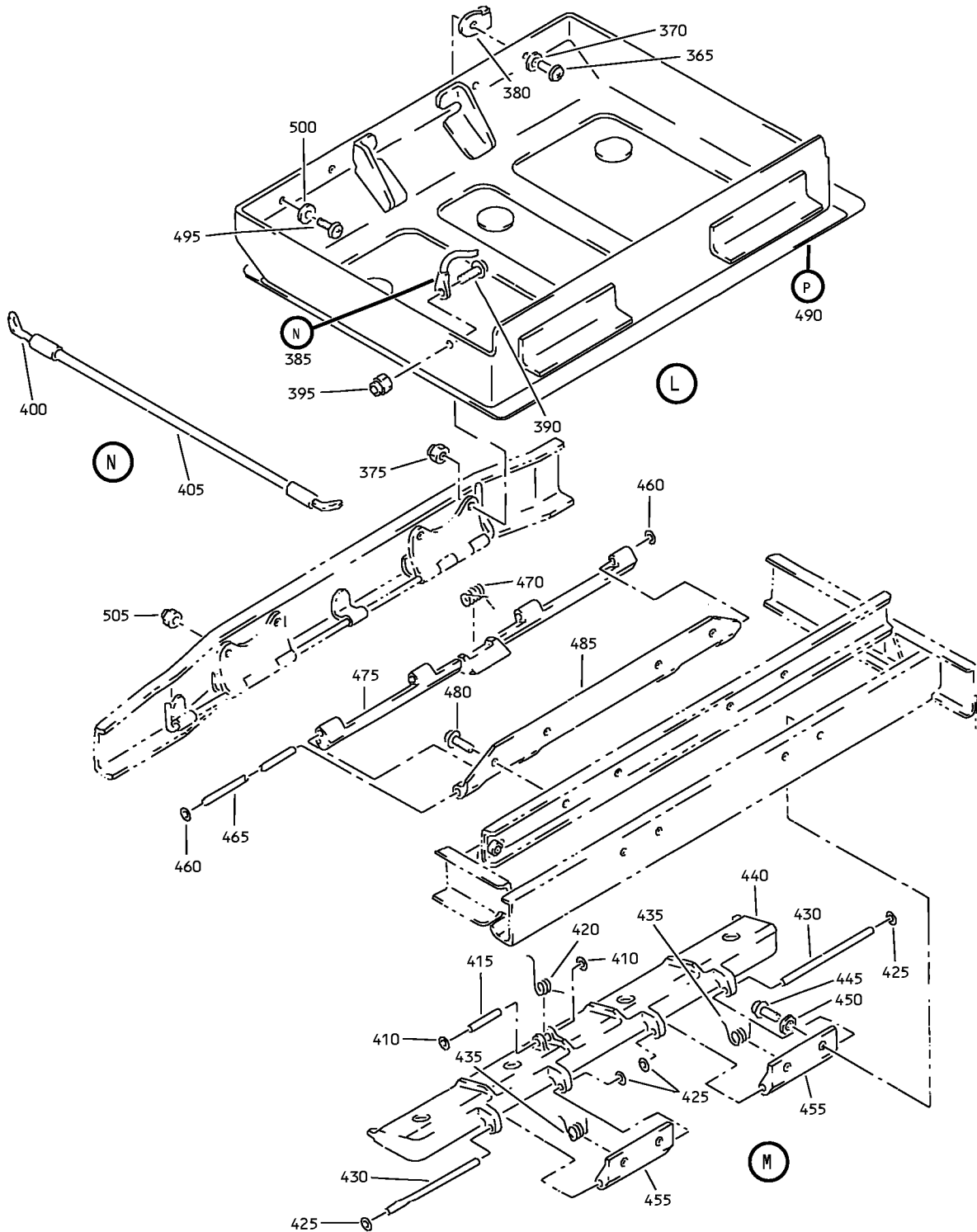
25-23-34

ILLUSTRATED PARTS LIST

Page 1098.215

Nov 01/2008

COMPONENT MAINTENANCE MANUAL



Full Underbin - Passenger Service Unit (with Gaseous Oxygen, Lifevest, and Speaker) Assembly
IPL Figure 5 (Sheet 6 of 8)

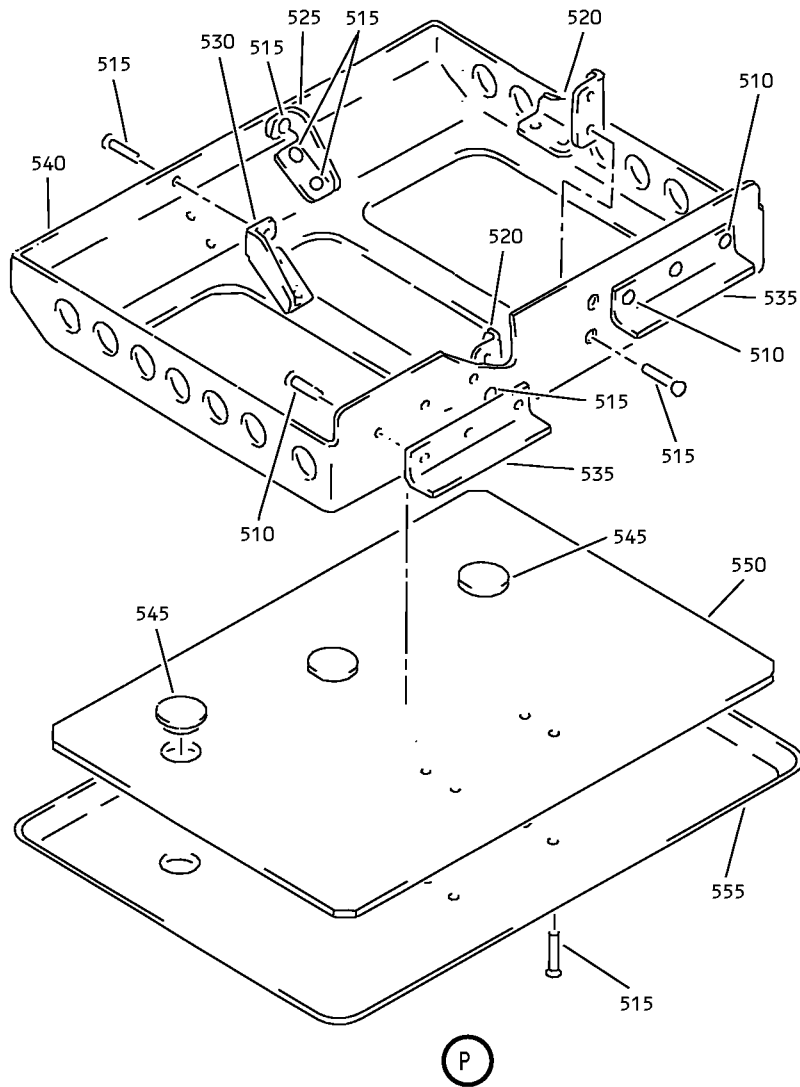
25-23-34

ILLUSTRATED PARTS LIST

Page 1098.216

Nov 01/2008

COMPONENT MAINTENANCE MANUAL



ATTENTION

FOR REMOVAL AND RELOCATION INFORMATION SEE
MAINTENANCE MANUAL CHAPTER 25

FOR MASK STOWAGE INSTRUCTIONS SEE MAINTENANCE
MANUAL CHAPTER 35

FOR CLEANING INSTRUCTIONS SEE DOCUMENT D6-7127



570

(R)

565

(Q)

Full Underbin - Passenger Service Unit (with Gaseous Oxygen, Lifevest, and Speaker) Assembly
IPL Figure 5 (Sheet 7 of 8)

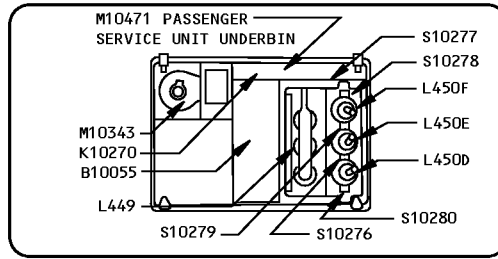
25-23-34

ILLUSTRATED PARTS LIST

Page 1098.217

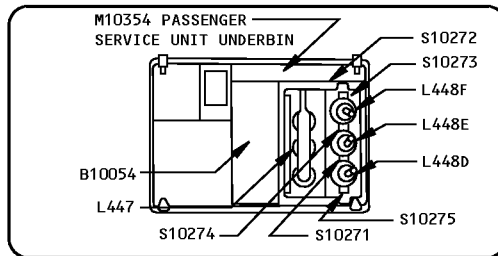
Nov 01/2008

COMPONENT MAINTENANCE MANUAL



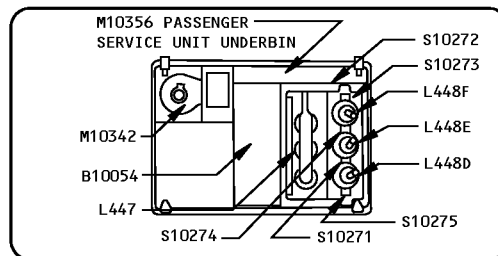
575

S



580

T



585

U

Full Underbin - Passenger Service Unit (with Gaseous Oxygen, Lifevest, and Speaker) Assembly
IPL Figure 5 (Sheet 8 of 8)

25-23-34

ILLUSTRATED PARTS LIST

Page 1098.218

Nov 01/2008



COMPONENT MAINTENANCE MANUAL

FIG/ ITEM	PART NUMBER	AIRLINE PART NUMBER	NOMENCLATURE							USAGE CODE	UNITS PER ASSY
			1	2	3	4	5	6	7		
5-											
-1	417N3100-600SP										
										K	RF
-1A	417N3100-602SP										
										L	RF
-1B	417N3100-604SP										
										M	RF
5	920056										
										K-M	3
10	S417N304-1B										
10A	VIP720-1C										
										K-M	3
-10B	S417N304-1M										
-10C	S417N304-1N										
-10D	VIP720-6E										
										K-M	3
-10E	VIP720-6F										
										K-M	3
-10F	VIP720-6G										
										K-M	3
-10G	S417N304-6H										
										K-M	3

-Item not Illustrated

25-23-34

ILLUSTRATED PARTS LIST

Page 1098.219

Nov 01/2008



COMPONENT MAINTENANCE MANUAL

FIG/ ITEM	PART NUMBER	AIRLINE PART NUMBER	NOMENCLATURE							USAGE CODE	UNITS PER ASSY									
			1	2	3	4	5	6	7											
5-																				
-10H	VIP720-6J		.	L	E	N	S	-	L	T	S	W	I	T	C	H		K-M	3	
-10J	VIP720-6K		.	L	E	N	S	-	L	T	S	W	I	T	C	H		K-M	3	
-10K	VIP720-6L		.	L	E	N	S	-	L	T	S	W	I	T	C	H		K-M	3	
-10L	S417N304-6M		.	L	E	N	S	-	L	T	S	W	I	T	C	H		K-M	3	
-10M	VIP720-1M		.	L	E	N	S	-	L	T	S	W	I	T	C	H		K-M	3	
-10N	VIP720-1N		.	L	E	N	S	-	L	T	S	W	I	T	C	H		K-M	3	
-10P	VIP720-1B		.	L	E	N	S	-	L	T	S	W	I	T	C	H		K-M	3	
15	920055		.	S	W	I	T	C	H	-	A	T	T	E	N	D	A	N	T	C
20	S417N303-2C																			
20A	VIP720-2D		.	L	E	N	S	-	C	A	L	L	S	W	I	T	C			

-Item not Illustrated

25-23-34

ILLUSTRATED PARTS LIST

Page 1098.220

Nov 01/2008



COMPONENT MAINTENANCE MANUAL

FIG/ ITEM	PART NUMBER	AIRLINE PART NUMBER	NOMENCLATURE							USAGE CODE	UNITS PER ASSY	
			1	2	3	4	5	6	7			
5- -20B	VIP720-2E		.								K-M	1
-20C	VIP720-2F		.								K-M	1
-20D	VIP720-2G		.								K-M	1
-20E	S417N303-2J											
-20F	S417N303-2K		.								K-M	1
-20G	VIP720-3A		.								K-M	1
-20H	S417N303-3C		.								K-M	1
-20J	VIP720-4A		.								K-M	1
-20L	VIP720-2C		.								K-M	1
-20M	VIP720-2J		.								K-M	1

-Item not Illustrated

25-23-34

ILLUSTRATED PARTS LIST
 Page 1098.221
 Nov 01/2008

COMPONENT MAINTENANCE MANUAL

FIG/ ITEM	PART NUMBER	AIRLINE PART NUMBER	NOMENCLATURE							USAGE CODE	UNITS PER ASSY
			1	2	3	4	5	6	7		
5-											
25	417N3100-83		K-M	1
30	BACW10P193G		K-M	8
35	NAS43DD3-18		K-M	4
40	BACN10YJ08		K-M	4
45	BACS12FA08K6		K-M	2
50	BACN10YJ08		K-M	2
55	417N3122-115		K-M	2
60	BACS12FA08K5		K-M	2
65	BACN10YJ08		K-M	7
70	417N3122-14		K-M	2

-Item not Illustrated

25-23-34

ILLUSTRATED PARTS LIST

Page 1098.222

Nov 01/2008



COMPONENT MAINTENANCE MANUAL

FIG/ ITEM	PART NUMBER	AIRLINE PART NUMBER	NOMENCLATURE							USAGE CODE	UNITS PER ASSY
			1	2	3	4	5	6	7		
5-											
75	G6940-3B3		. .	GROMMET						K-M	5
				(V75345)							
				(SPEC BACG20AF3B3)							
				(OPT SZ6924-3B3 (V95272))							
				(OPT 701-3B3 (V07096))							
				(OPT E3B3 (V60980))							
				(OPT H3B3 (V60980))							
				(OPT RR2002-3B3 (V57268))							
80	NAS43DD3-20		. .	SPACER						K-M	4
85	BACN10YJ08		. .	NUT						K-M	4
90	417N3122-122		. .	BRACKET ASSY						K-M	1
				ATTACHING PARTS							
95	BACN10YJ08		. .	NUT						K-M	1
100	MS35335-31		. .	WASHER						K-M	1
				-----*							
105	82-47-108-15		. . .	CLIP						K-M	1
				(V84483)							
110	BACS21AQ2A3K		. . .	STUD						K-M	1
115	417N3122-121		. . .	BRACKET						K-M	1
120	417N3122-60		. .	BRACKET ASSY						K-M	1
123	BACN10YJ08		. .	NUT						K-M	1
125	82-47-108-15		. . .	CLIP						K-M	1
				(V84483)							
130	BACS21AQ2A3K		. . .	STUD						K-M	1
				(OPT ITEM 130A)							
-130A	FHS832-62		. . .	STUD						K-M	1
				(OPT ITEM 130)							
135	417N3122-61		. . .	BRACKET						K-M	1
				(OPT ITEM 135A)							
-135A	417N3122-130		. . .	BRACKET						K-M	1
				(OPT ITEM 135)							
140	10-1006-2		. LIGHT-READING							K-M	1
				(V72914)							
				(SPEC S417N302-2)							
145	417N3105-5SP		. MODULE ASSY-SVCE							K-M	1
150	BACS21AQ6A6M		. .	STUD						K-M	4

-Item not Illustrated

25-23-34

ILLUSTRATED PARTS LIST

Page 1098.223

Nov 01/2008



COMPONENT MAINTENANCE MANUAL

FIG/ ITEM	PART NUMBER	AIRLINE PART NUMBER	NOMENCLATURE							USAGE CODE	UNITS PER ASSY
			1	2	3	4	5	6	7		
5-											
155	417N3122-53			.	.	BRACKET				K-M	1
170	417N3101-1SP			.	.	MODULE				K-M	1
175	417N3130-98SP					DELETED					
175A	417N3130-112SP			.		BOX ASSY-FOUR MASK OXY (REF CMM 35-21-02)				K-M	1
180	417N3100-15			.		SPEAKER ASSY				K, M	1
185	BACS12FA08K6			.	.	SCREW (V06710) (SPEC BACS12FA08K6) (OPT BACS12FA08K6 (V06725)) (OPT BACS12FA08K6 (V06950)) (OPT BACS12FA08K6 (V27624)) (OPT BACS12FA08K6 (V34252)) (OPT BACS12FA08K6 (V56878)) (OPT BACS12FA08K6 (V73197)) (OPT BACS12FA08K6 (V80539)) (OPT BACS12FA08K6 (V92215)) (OPT BACS12FA08K6 (V93907)) (OPT BACS12FA08K6 (V97928))			K, M	4	
190	BACN10YJ08			.	.	NUT				K, M	4
195	417N3173-6			.	.	SPRING				K, M	2
200	417N3104-1			.	.	GASKET (MAKE FROM SH RUBATEX R310V 0.125 X 7.0 IN DIA)				K, M	1
205	RDAM8005A			.	.	SPEAKER (V54473) (SPEC S222T101-101)				K, M	1
210	417N3100-19			.		MUTING ASSY				K	1
215	HFW1204K01			.	.	RELAY (V71482) (SPEC BACR13CD2) (OPT BR16S233 (V09026)) (OPT EE4AA005 (V35344)) (OPT 3SAV1338A2 (V01526)) (OPT HFW1206K03 (V58614))				K	1
220	451120-026			.	.	SOCKET (V03743)				K	1
225	BACS12FA08K14			.	.	SCREW				K	1
230	BACN10YJ08			.	.	NUT				K	1
235	417N3121-138			.	.	BRACKET				K	1

-Item not Illustrated

25-23-34

ILLUSTRATED PARTS LIST

Page 1098.224

Nov 01/2008



COMPONENT MAINTENANCE MANUAL

FIG/ ITEM	PART NUMBER	AIRLINE PART NUMBER	NOMENCLATURE							USAGE CODE	UNITS PER ASSY
			1	2	3	4	5	6	7		
5-											
240	BACR15BB4D10		.	RIVET						K-M	2
				(V09192)							
				(SPEC BACR15BB4D10)							
				(OPT BACR15BB4D10 (V42838))							
				(OPT BACR15BB4D10 (V53551))							
				(OPT BACR15BB4D10 (V55580))							
				(SIZE DETERMINED ON INST)							
245	6100-12		.	RETAINER						K-M	2
				(V2X013)							
250	417N3180-1		.	CLAMP ASSY						K-M	2
255	NAS607-1-4P		. .	PIN-DOWEL						K-M	2
260	NAS607-2-8P		. .	PIN-DOWEL						K-M	1
265	417N3181-1		. .	LINK-ROCKER						K-M	1
				(OPT ITEM 265A)							
-265A	65-85902-1		. .	LINK-ROCKER						K-M	1
				(OPT ITEM 265)							
270	RCS3289		. .	SPRING						K-M	2
				(V08205)							
275	417N3180-3		. .	PLUNGER-SPR						K-M	2
280	RCS3290		. .	SPRING						K-M	1
				(V08205)							
285	65-85905-4		. .	PLUNGER						K-M	1
290	417N3182-1		. .	BODY-PLUNGER						K-M	1
295	417N3183-1		. .	BODY						K-M	1
-300	AN960JD416L		.	WASHER						K-M	AR
				(USED WITH ITEM 305)							
-305	PLWP1S		.	TIE-PUSH MOUNT CABLE						K-M	AR
				(V58417)							
-310	NMC1001-0		.	CLAMP						K-M	2
				(V03296)							
				(OPT ITEM 310A)							
-315	286N0514-003		.	WIRE BUNDLE						K	1
-315A	61-33500-001		.	WIRE BUNDLE						L, M	1
320	1TW2-3		.	SWITCH						K-M	1
				(V91929)							
325	417N3100-71		.	PAD-SPONGE						K-M	2
330	417N3190-1		.	LANYARD ASSY						K-M	1

-Item not Illustrated

25-23-34

ILLUSTRATED PARTS LIST

Page 1098.225

Nov 01/2008



COMPONENT MAINTENANCE MANUAL

FIG/ ITEM	PART NUMBER	AIRLINE PART NUMBER	NOMENCLATURE							USAGE CODE	UNITS PER ASSY
			1	2	3	4	5	6	7		
5-											
335	GSC219		. .	SLEEVE						K-M	4
				(V59730)							
				(SPEC BACS13S219C)							
				(OPT Y0C140 (V09922))							
				(OPT ITEM 335A)							
-335A	GSC205		. .	SLEEVE						K-M	4
				(V59730)							
				(SPEC BACS13S205C)							
				(OPT Y0C130 (V09922))							
				(OPT ITEM 335)							
340	10-61790-1		. .	HOOK						K-M	1
				(V08205)							
				(SPEC 10-61790-1)							
345	NAS43DD4-5		. .	SPACER						K-M	1
350	65C16899-6		. .	SPRING						K-M	1
355	417N3190-3		. .	CORD-NYLON						K-M	1
360	417N3100-32SP		. .	LIFEVEST ASSY						K-M	1
365	BACS12FA08K7		. .	SCREW						K-M	1
				(V06710)							
				(SPEC BACS12FA08K7)							
				(OPT BACS12FA08K7 (V06725))							
				(OPT BACS12FA08K7 (V06950))							
				(OPT BACS12FA08K7 (V27624))							
				(OPT BACS12FA08K7 (V34252))							
				(OPT BACS12FA08K7 (V56878))							
				(OPT BACS12FA08K7 (V73197))							
				(OPT BACS12FA08K7 (V80539))							
				(OPT BACS12FA08K7 (V92215))							
				(OPT BACS12FA08K7 (V93907))							
				(OPT BACS12FA08K7 (V97928))							
370	AN960PD8L		. .	WASHER						K-M	AR
375	H10-08BAC		. .	NUT						K-M	1
				(V15653)							
				(SPEC BACN10JC08)							
				(OPT NS202101-82 (V80539))							
				(OPT RMLH9075-82W (V72962))							
				(OPT T6S832J (V71087))							
				(OPT VN303A82 (V92215))							
				(OPT 96-82 (V80539))							
				(OPT BRH10A08 (V52828))							
				(OPT T6S832J (V11815))							
380	417N3122-50		. .	RETAINER						K-M	1

-Item not Illustrated

25-23-34

ILLUSTRATED PARTS LIST

Page 1098.226

Nov 01/2008



COMPONENT MAINTENANCE MANUAL

FIG/ ITEM	PART NUMBER	AIRLINE PART NUMBER	NOMENCLATURE							USAGE CODE	UNITS PER ASSY
			1	2	3	4	5	6	7		
5-											
385	417N3190-8									K-M	1
390	BACS12FA08K6									K-M	1
395	H10-08BAC									K-M	1
400	417N3190-7									K-M	2
405	417N3190-5									K-M	1
410	6100-9									K-M	2
415	417N3100-73									K-M	1
420	417N3173-14									K-M	1
425	6100-9									K-M	4
430	417N3100-74									K-M	2
435	417N3173-9									K-M	2
440	417N3084-1SP									K-M	1

-Item not Illustrated

25-23-34

ILLUSTRATED PARTS LIST

Page 1098.227

Nov 01/2008



COMPONENT MAINTENANCE MANUAL

FIG/ ITEM	PART NUMBER	AIRLINE PART NUMBER	NOMENCLATURE							USAGE CODE	UNITS PER ASSY
			1	2	3	4	5	6	7		
5- 445	BACS12FA08K7		. .	SCREW (V06710) (SPEC BACS12FA08K7) (OPT BACS12FA08K7 (V06725)) (OPT BACS12FA08K7 (V06950)) (OPT BACS12FA08K7 (V27624)) (OPT BACS12FA08K7 (V34252)) (OPT BACS12FA08K7 (V56878)) (OPT BACS12FA08K7 (V73197)) (OPT BACS12FA08K7 (V80539)) (OPT BACS12FA08K7 (V92215)) (OPT BACS12FA08K7 (V93907)) (OPT BACS12FA08K7 (V97928))						K-M	4
450	AN960PD8L		. .	WASHER						K-M	AR
455	417N3133-19		. .	HOUSING-PUSH BUTTON						K-M	2
460	6100-9		. .	RETAINER (V2X013)						K-M	2
465	417N3100-78		. .	PIN-HINGE						K-M	1
470	417N3173-13		. .	SPRING						K-M	1
475	417N3133-15		. .	LATCH						K-M	1
480	BACS12FA08K7		. .	SCREW (V06710) (SPEC BACS12FA08K7) (OPT BACS12FA08K7 (V06725)) (OPT BACS12FA08K7 (V06950)) (OPT BACS12FA08K7 (V27624)) (OPT BACS12FA08K7 (V34252)) (OPT BACS12FA08K7 (V56878)) (OPT BACS12FA08K7 (V73197)) (OPT BACS12FA08K7 (V80539)) (OPT BACS12FA08K7 (V92215)) (OPT BACS12FA08K7 (V93907)) (OPT BACS12FA08K7 (V97928))						K-M	4
485	417N3133-16		. .	LATCH						K-M	1
490	417N3080-1SP		. .	DOOR ASSY						K-M	1

-Item not Illustrated

25-23-34

ILLUSTRATED PARTS LIST

Page 1098.228

Nov 01/2008



COMPONENT MAINTENANCE MANUAL

FIG/ ITEM	PART NUMBER	AIRLINE PART NUMBER	NOMENCLATURE							USAGE CODE	UNITS PER ASSY
			1	2	3	4	5	6	7		
5-			ATTACHING PARTS								
495	BACS12FA08K7		. .	SCREW (V06710) (SPEC BACS12FA08K7) (OPT BACS12FA08K7 (V06725)) (OPT BACS12FA08K7 (V06950)) (OPT BACS12FA08K7 (V27624)) (OPT BACS12FA08K7 (V34252)) (OPT BACS12FA08K7 (V56878)) (OPT BACS12FA08K7 (V73197)) (OPT BACS12FA08K7 (V80539)) (OPT BACS12FA08K7 (V92215)) (OPT BACS12FA08K7 (V93907)) (OPT BACS12FA08K7 (V97928))						K-M	3
500	AN960PD8L		. .	WASHER						K-M	AR
505	H10-08BAC		. .	NUT (V15653) (SPEC BACN10JC08) (OPT NS202101-82 (V80539)) (OPT RMLH9075-82W (V72962)) (OPT T6S832J (V71087)) (OPT VN303A82 (V92215)) (OPT 96-82 (V80539)) (OPT BRH10A08 (V52828)) (OPT T6S832J (V11815))						K-M	3
			-----*								
510	BACR15CE3D		. . .	RIVET (SIZE DETERMINED ON INST)						K-M	6
515	BACR15CE4D		. . .	RIVET (SIZE DETERMINED ON INST)						K-M	14
520	417N3083-2		. . .	GUSSET						K-M	2
525	417N3083-3		. . .	GUSSET						K-M	1
530	417N3083-4		. . .	GUSSET						K-M	1
535	417N3083-1		. . .	ANGLE						K-M	2
540	417N3082-1		. . .	COMPARTMENT						K-M	1
545	417N3113-1		. . .	LENS						K-M	3
550	417N3080-3		. . .	PANEL						K-M	1
555	417N3081-1SP		. . .	PANEL						K-M	1
560	417N3110-36SP		. . .	FRAME ASSY (FOR DETAILS SEE FIG. 3)						K-M	1

-Item not Illustrated

25-23-34

ILLUSTRATED PARTS LIST

Page 1098.229

Nov 01/2008



COMPONENT MAINTENANCE MANUAL

FIG/ ITEM	PART NUMBER	AIRLINE PART NUMBER	NOMENCLATURE							USAGE CODE	UNITS PER ASSY	
			1	2	3	4	5	6	7			
5-												
565	BAC27DPA2272									. DECAL	K-M	1
570	BAC27NPA0609									. MARKER-ALUMINUM FOIL	K-M	1
575	BAC27NPA0667									. MARKER-ALUMINUM FOIL	K	1
580	BAC27NPA0663									. MARKER-ALUMINUM FOIL	L	1
585	BAC27NPA0661									. MARKER-ALUMINUM FOIL	M	1

-Item not Illustrated

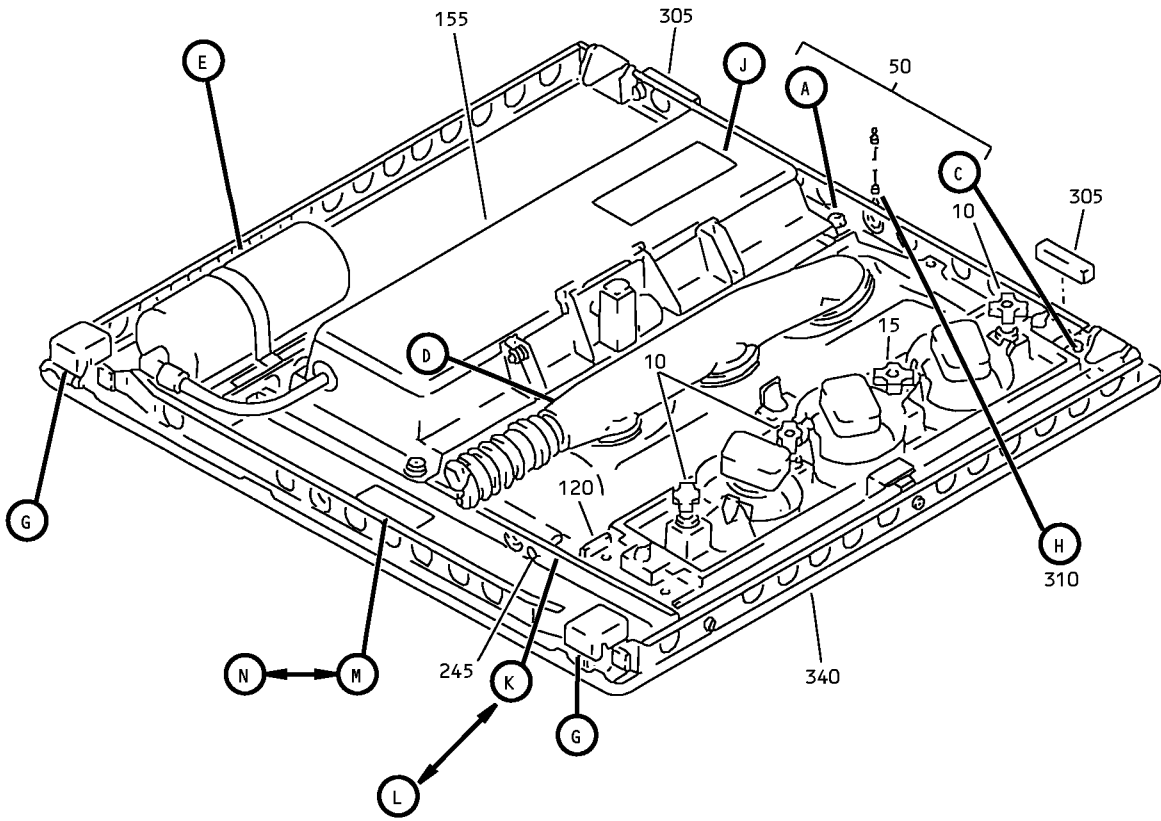
25-23-34

ILLUSTRATED PARTS LIST

Page 1098.230

Nov 01/2008

COMPONENT MAINTENANCE MANUAL



22 inch Partial Underbin - Passenger Service Unit (with Gasper Air, without Speaker) Assembly
 IPL Figure 6 (Sheet 1 of 6)

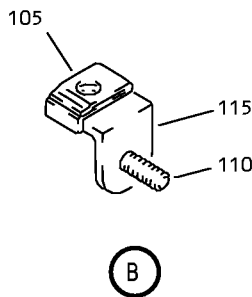
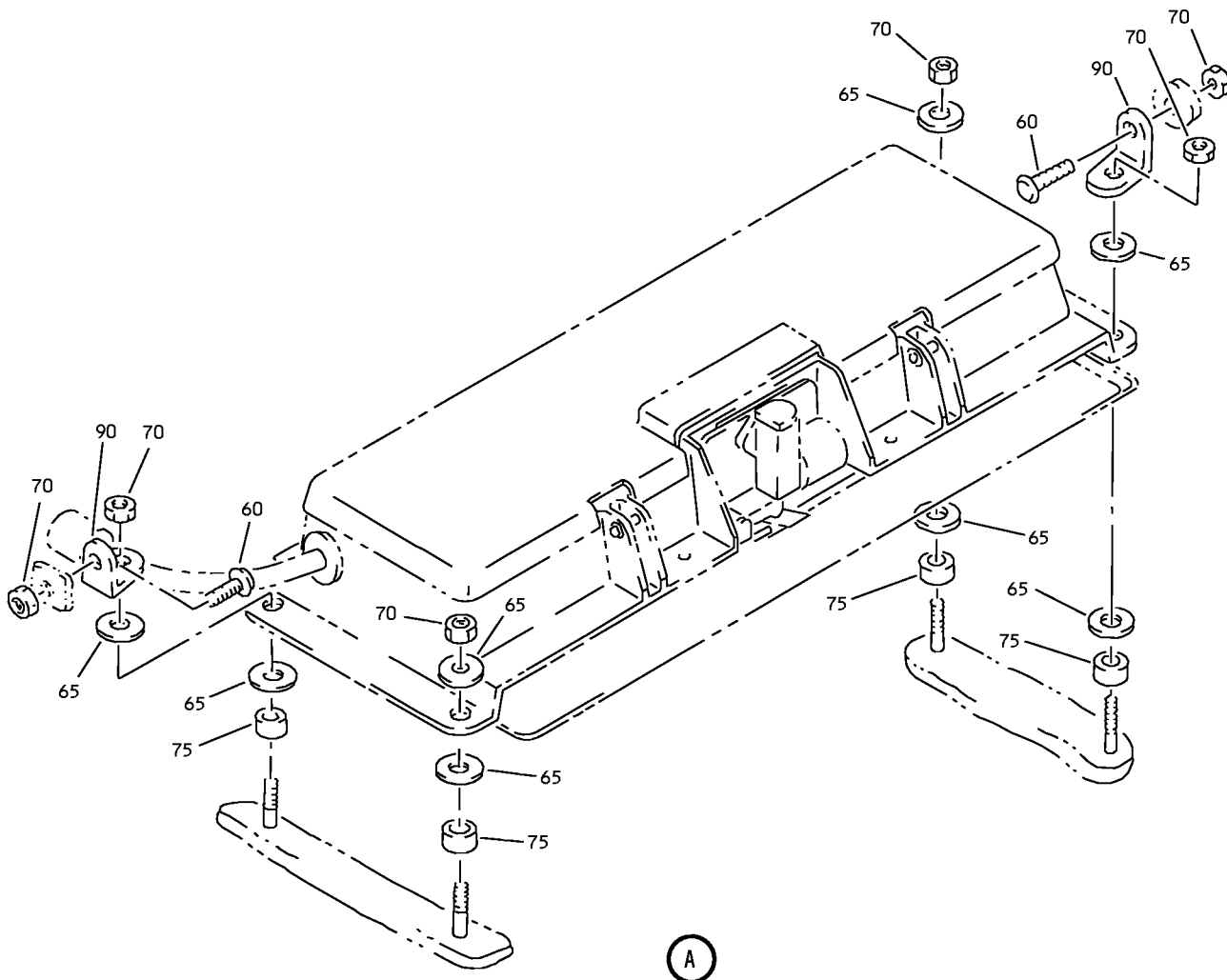
25-23-34

ILLUSTRATED PARTS LIST

Page 1098.231

Nov 01/2008

COMPONENT MAINTENANCE MANUAL



22 inch Partial Underbin - Passenger Service Unit (with Gasper Air, without Speaker) Assembly
IPL Figure 6 (Sheet 2 of 6)

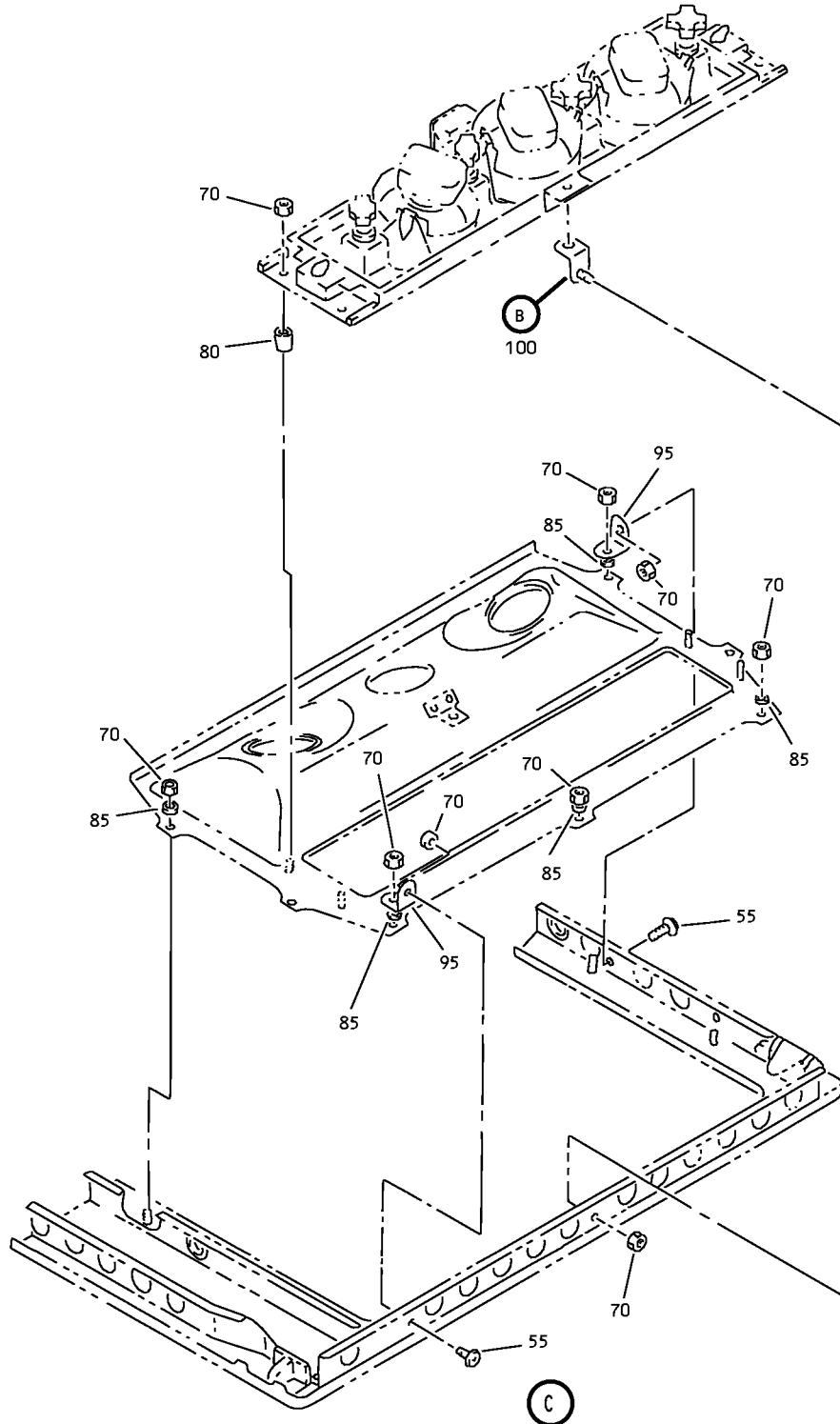
25-23-34

ILLUSTRATED PARTS LIST

Page 1098.232

Nov 01/2008

COMPONENT MAINTENANCE MANUAL



22 inch Partial Underbin - Passenger Service Unit (with Gasper Air, without Speaker) Assembly
IPL Figure 6 (Sheet 3 of 6)

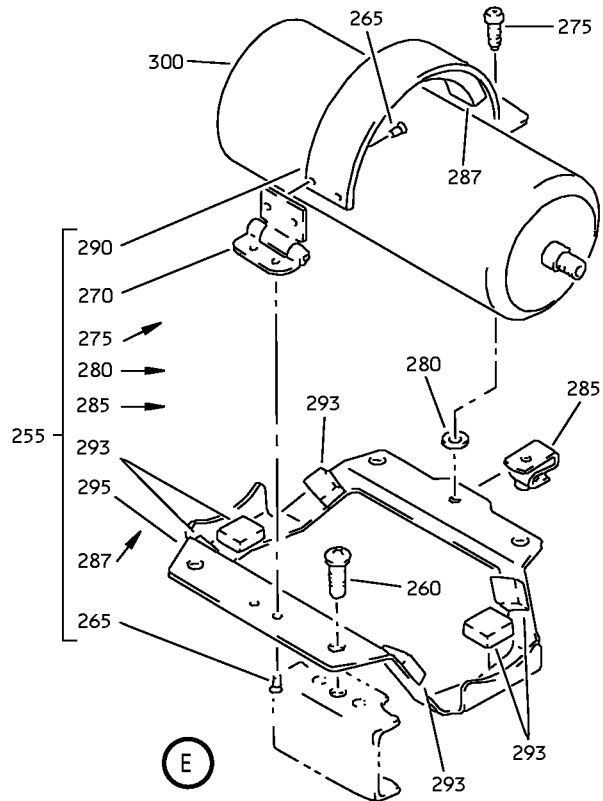
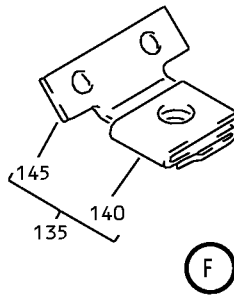
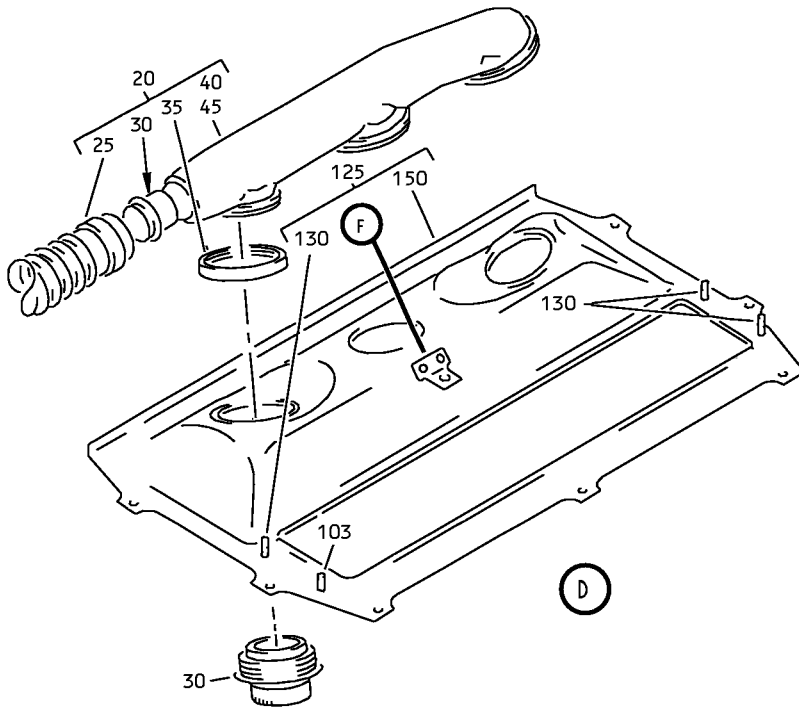
25-23-34

ILLUSTRATED PARTS LIST

Page 1098.233

Nov 01/2008

COMPONENT MAINTENANCE MANUAL



22 inch Partial Underbin - Passenger Service Unit (with Gasper Air, without Speaker) Assembly
IPL Figure 6 (Sheet 4 of 6)

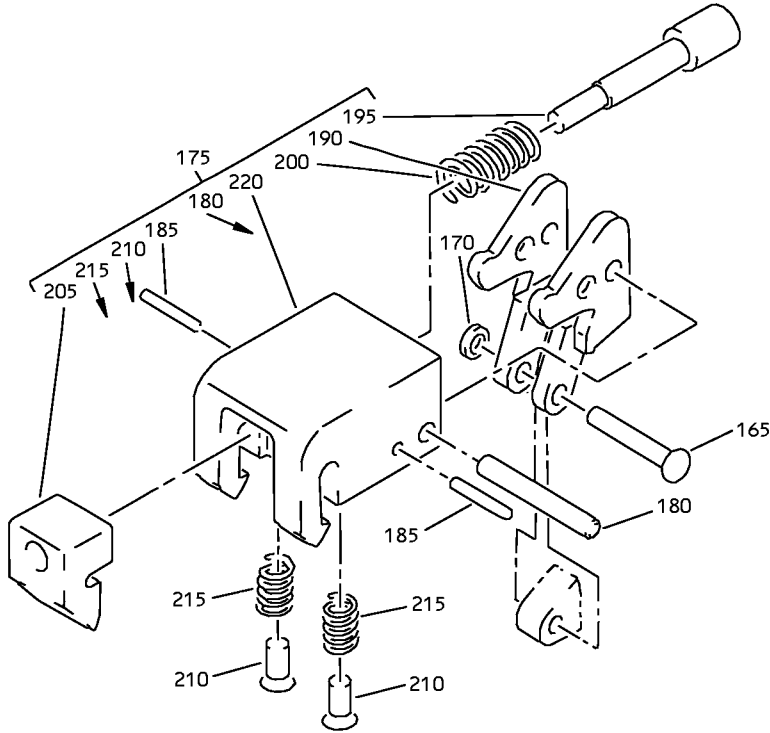
25-23-34

ILLUSTRATED PARTS LIST

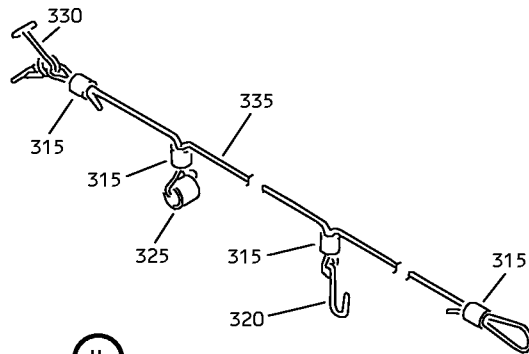
Page 1098.234

Nov 01/2008

COMPONENT MAINTENANCE MANUAL



G



H

22 inch Partial Underbin - Passenger Service Unit (with Gasper Air, without Speaker) Assembly
IPL Figure 6 (Sheet 5 of 6)

25-23-34

ILLUSTRATED PARTS LIST

Page 1098.235

Nov 01/2008

COMPONENT MAINTENANCE MANUAL

ATTENTION

FOR REMOVAL AND RELOCATION INFORMATION SEE
MAINTENANCE MANUAL CHAPTER 25

FOR MASK STOWAGE INSTRUCTIONS SEE MAINTENANCE
MANUAL CHAPTER 35

FOR CLEANING INSTRUCTIONS SEE DOCUMENT D6-7127

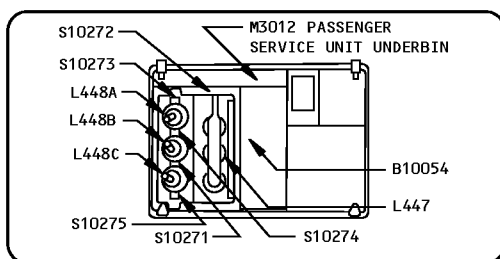
350

(J)

1 ← POSITION → 2

355

(K)



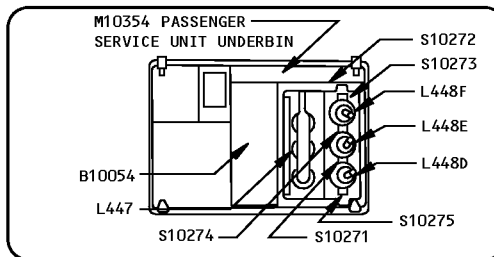
370

(N)

2 ← POSITION → 1

360

(L)



365

(M)

22 inch Partial Underbin - Passenger Service Unit (with Gasper Air, without Speaker) Assembly
IPL Figure 6 (Sheet 6 of 6)

25-23-34

ILLUSTRATED PARTS LIST

Page 1098.236

Nov 01/2008



COMPONENT MAINTENANCE MANUAL

FIG/ ITEM	PART NUMBER	AIRLINE PART NUMBER	NOMENCLATURE							USAGE CODE	UNITS PER ASSY
			1	2	3	4	5	6	7		
6-											
-1	417N3100-503SP									AK	RF
-5	417N3100-504SP									AL	RF
10	920056									AK, AL	3
15	920055									AK, AL	1
20	417N3100-25SP									AK, AL	1
25	B0E20563A120									AK, AL	1
30	10-60141-23A										
30A	10-60141-23T									AK, AL	3
-30B	10-60141-23U									AK, AL	3
-30C	750801-002									AK, AL	3
-30D	L16999-16C									AK, AL	3
35	PLT2MM									AK, AL	3
-35A	PLT2MM2									AK, AL	3

-Item not Illustrated

25-23-34

ILLUSTRATED PARTS LIST

Page 1098.237

Nov 01/2008



COMPONENT MAINTENANCE MANUAL

FIG/ ITEM	PART NUMBER	AIRLINE PART NUMBER	NOMENCLATURE							USAGE CODE	UNITS PER ASSY
			1	2	3	4	5	6	7		
6-											
40	417N3103-1		.	.	MANIFOLD ASSY					AK, AL	1
45	417N3063-4		.	.	CONNECTOR					AK, AL	1
50	417N3100-81		.	FASTENER ASSY						AK, AL	1
55	BACS12FA08K5		.	.	SCREW (V06710) (SPEC BACS12FA08K5) (OPT BACS12FA08K5 (V06725)) (OPT BACS12FA08K5 (V06950)) (OPT BACS12FA08K5 (V27624)) (OPT BACS12FA08K5 (V34252)) (OPT BACS12FA08K5 (V56878)) (OPT BACS12FA08K5 (V73197)) (OPT BACS12FA08K5 (V80539)) (OPT BACS12FA08K5 (V92215)) (OPT BACS12FA08K5 (V93907)) (OPT BACS12FA08K5 (V97928))					AK, AL	2
60	BACS12FA08K6		.	.	SCREW (V06710) (SPEC BACS12FA08K6) (OPT BACS12FA08K6 (V06725)) (OPT BACS12FA08K6 (V06950)) (OPT BACS12FA08K6 (V27624)) (OPT BACS12FA08K6 (V34252)) (OPT BACS12FA08K6 (V56878)) (OPT BACS12FA08K6 (V73197)) (OPT BACS12FA08K6 (V80539)) (OPT BACS12FA08K6 (V92215)) (OPT BACS12FA08K6 (V93907)) (OPT BACS12FA08K6 (V97928))					AK, AL	2
65	BACW10P193G		.	.	WASHER (V10630) (SPEC BACW10P193G)					AK, AL	8
70	BACN10YJ08		.	.	NUT					AK, AL	18
75	NAS43DD3-18		.	.	SPACER					AK, AL	4
80	NAS43DD3-20		.	.	SPACER					AK, AL	4
85	G6940-3B3		.	.	GROMMET (V75345) (SPEC BACG20AF3B3) (OPT SZ6924-3B3 (V95272)) (OPT 701-3B3 (V07096)) (OPT E3B3 (V60980)) (OPT H3B3 (V60980)) (OPT RR2002-3B3 (V57268))					AK, AL	5

-Item not Illustrated

25-23-34

ILLUSTRATED PARTS LIST

Page 1098.238

Nov 01/2008



COMPONENT MAINTENANCE MANUAL

FIG/ ITEM	PART NUMBER	AIRLINE PART NUMBER	NOMENCLATURE							USAGE CODE	UNITS PER ASSY
			1	2	3	4	5	6	7		
6-											
90	417N3122-115		.	.	ANGLE					AK, AL	2
95	417N3122-14		.	.	ANGLE-SPRT					AK, AL	2
100	417N3122-60		.	.	BRACKET ASSY					AK, AL	1
105	82-47-108-15		.	.	CLIP (V84483)					AK, AL	1
110	BACS21AQ2A3K		.	.	STUD (OPT ITEM 110A)					AK, AL	1
-110A	FHS832-62		.	.	STUD (OPT ITEM 110)					AK, AL	1
115	417N3122-61		.	.	BRACKET (OPT ITEM 115A)					AK, AL	1
-115A	417N3122-130		.	.	BRACKET (OPT ITEM 115)					AK, AL	1
120	10-1006-1		.		LIGHT-READING (V72914) (SPEC S417N302-1)					AK	1
-123	10-1006-2		.		LIGHT-READING (V72914) (SPEC S417N302-2)					AL	1
125	417N3105-6SP		.		MODULE ASSY-SERVICE					AK, AL	1
130	BACS21AQ6A6M		.	.	STUD					AK, AL	4
135	417N3122-111		.	.	BRACKET ASSY					AK, AL	1
140	82-47-108-15		.	.	CLIP (V84483)					AK, AL	1
145	417N3122-112		.	.	BRACKET					AK, AL	1
150	417N3101-2SP		.	.	MODULE					AK, AL	1
155	417N3130-71SP		.		BOX ASSY-FOUR MASK OXY (REF CMM 35-21-02)					AK	1
-160	417N3130-72SP		.		BOX ASSY-FOUR MASK OXY (REF CMM 35-21-02)					AL	1
165	BACR15BB4D10		.		RIVET (V09192) (SPEC BACR15BB4D10) (OPT BACR15BB4D10 (V42838)) (OPT BACR15BB4D10 (V53551)) (OPT BACR15BB4D10 (V55580))					AK, AL	2
170	6100-12		.		RETAINER (V2X013)					AK, AL	2

-Item not Illustrated

25-23-34

ILLUSTRATED PARTS LIST

Page 1098.239

Nov 01/2008



COMPONENT MAINTENANCE MANUAL

FIG/ ITEM	PART NUMBER	AIRLINE PART NUMBER	NOMENCLATURE							USAGE CODE	UNITS PER ASSY	
			1	2	3	4	5	6	7			
6-												
175	417N3180-1		.							CLAMP ASSY	AK, AL	2
180	NAS607-2-8P		.	.						PIN	AK, AL	1
185	NAS607-1-4P		.	.						PIN	AK, AL	2
190	417N3181-1		.	.						LINK-ROCKER (OPT ITEM 190A)	AK, AL	1
-190A	65-85902-1		.	.						LINK-ROCKER (OPT ITEM 190)	AK, AL	1
195	65-85905-4		.	.						PLUNGER	AK, AL	1
200	RCS3290		.	.						SPRING (V08205)	AK, AL	1
205	417N3182-1		.	.						BODY-PLUNGER	AK, AL	1
210	417N3180-3		.	.						PLUNGER-SPR	AK, AL	2
215	RCS3289		.	.						SPRING (V08205)	AK, AL	2
220	417N3183-1		.	.						BODY-CLAMP	AK, AL	1
-225	AN960JD416L		.							WASHER (USED WITH ITEM 230)	AK, AL	4
-230	PLWP1S		.							TIE-PUSH MOUNT CABLE (V58417)	AK, AL	4
-235	NMC1001-0		.							CLAMP (V03296) (OPT ITEM 235A)	AK, AL	2
-235A	BACC10DK3		.							CLAMP (V16115) (SPEC BACC10DK3) (OPT BACC10DK3 (V81872)) (OPT ITEM 235)	AK, AL	2
-240	61-33500-001		.							WIRE BUNDLE	AK, AL	1
245	1TW2-3		.							SWITCH-TOGGLE (V91929)	AK, AL	1
250	417N3100-48		.							GENERATOR ASSY	AK, AL	1
255	417N3160-11		.	.						BRACKET ASSY	AK, AL	1

-Item not Illustrated

25-23-34

ILLUSTRATED PARTS LIST

Page 1098.240

Nov 01/2008



COMPONENT MAINTENANCE MANUAL

FIG/ ITEM	PART NUMBER	AIRLINE PART NUMBER	NOMENCLATURE							USAGE CODE	UNITS PER ASSY
			1	2	3	4	5	6	7		
6-			ATTACHING PARTS								
260	BACS12FA08K6		. . SCREW (V06710) (SPEC BACS12FA08K6) (OPT BACS12FA08K6 (V06725)) (OPT BACS12FA08K6 (V06950)) (OPT BACS12FA08K6 (V27624)) (OPT BACS12FA08K6 (V34252)) (OPT BACS12FA08K6 (V56878)) (OPT BACS12FA08K6 (V73197)) (OPT BACS12FA08K6 (V80539)) (OPT BACS12FA08K6 (V92215)) (OPT BACS12FA08K6 (V93907)) (OPT BACS12FA08K6 (V97928))							AK, AL	4
265	BACR15BA3D		. . . RIVET (SIZE DETERMINED ON INST)							AK, AL	4
270	417N3811-13		. . . HINGE							AK, AL	1
275	CS8024-08-1A		. . . SCREW-CAPTIVE (V58998) (OPT ITEM 275A)							AK, AL	1
-275A	FT1387P8-1-2		. . . SCREW-CAPTIVE (V58794) (OPT ITEM 275)							AK, AL	1
280	AN960KD416		. . . WASHER							AK, AL	1
285	A4972-6-82		. . . NUT (V72962) (SPEC BACN10FX84) (OPT RM52LHA4972-6-82 (V72962)) (OPT SL211-08-1 (V97393)) (OPT 130008 (V60119)) (OPT A11330-6-82 (V72962))							AK, AL	1
287	417N3160-12		. . . PAD-INSULATION							AK, AL	1
290	417N3161-7		. . . BRACKET-MTG							AK, AL	1
293	417N3160-13		. . . PAD-INSULATION							AK, AL	6
295	417N3136-99		. . . BRACKET-MTG							AK, AL	1
300	117003-14		. . GENERATOR-CHEMICAL OXY (V16827) (OPT ITEM 300A) (SPEC S417T401-27)							AK, AL	1

-Item not Illustrated

25-23-34

ILLUSTRATED PARTS LIST

Page 1098.241

Nov 01/2008



COMPONENT MAINTENANCE MANUAL

FIG/ ITEM	PART NUMBER	AIRLINE PART NUMBER	NOMENCLATURE							USAGE CODE	UNITS PER ASSY
			1	2	3	4	5	6	7		
6- -300A	803000-04		AK, AL	1
305	417N3100-71		AK, AL	2
310	417N3190-1		AK, AL	1
315	GSC219		AK, AL	4
-315A	GSC205		AK, AL	4
320	10-61790-1		AK, AL	1
325	NAS43DD4-5		AK, AL	1
330	65C16899-6		AK, AL	1
335	417N3190-3		AK, AL	1
340	417N3110-41SP		AK	1
-345	417N3110-42SP		AL	1
350	BAC27DPA2272		AK, AL	1
355	BAC27NPA0610		AK	1
360	BAC27NPA0609		AL	1
365	BAC27NPA0645		AK	1
370	BAC27NPA0644		AL	1

-Item not Illustrated

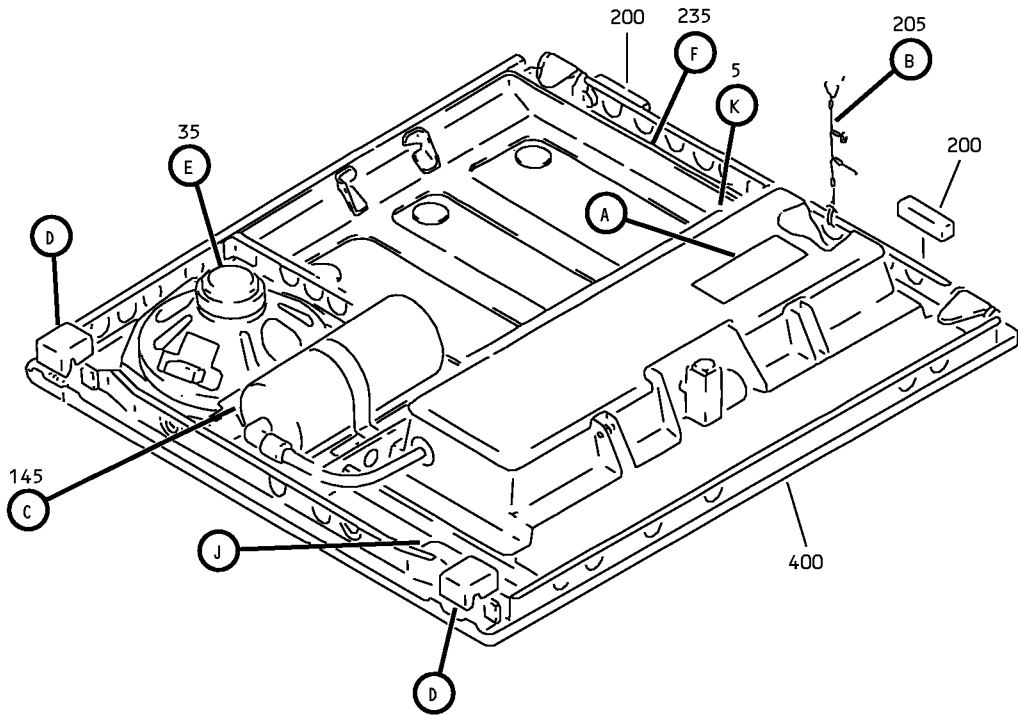
25-23-34

ILLUSTRATED PARTS LIST

Page 1098.242

Nov 01/2008

COMPONENT MAINTENANCE MANUAL



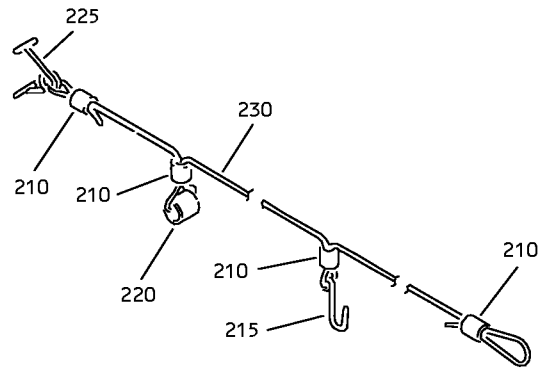
ATTENTION

FOR REMOVAL AND RELOCATION INFORMATION SEE
MAINTENANCE MANUAL CHAPTER 25

FOR MASK STOWAGE INSTRUCTIONS SEE MAINTENANCE
MANUAL CHAPTER 35

FOR CLEANING INSTRUCTIONS SEE DOCUMENT D6-7127

405



Forward Partial Underbin - Passenger Service Unit (with Lifevest and Speaker) Assembly
IPL Figure 7 (Sheet 1 of 6)

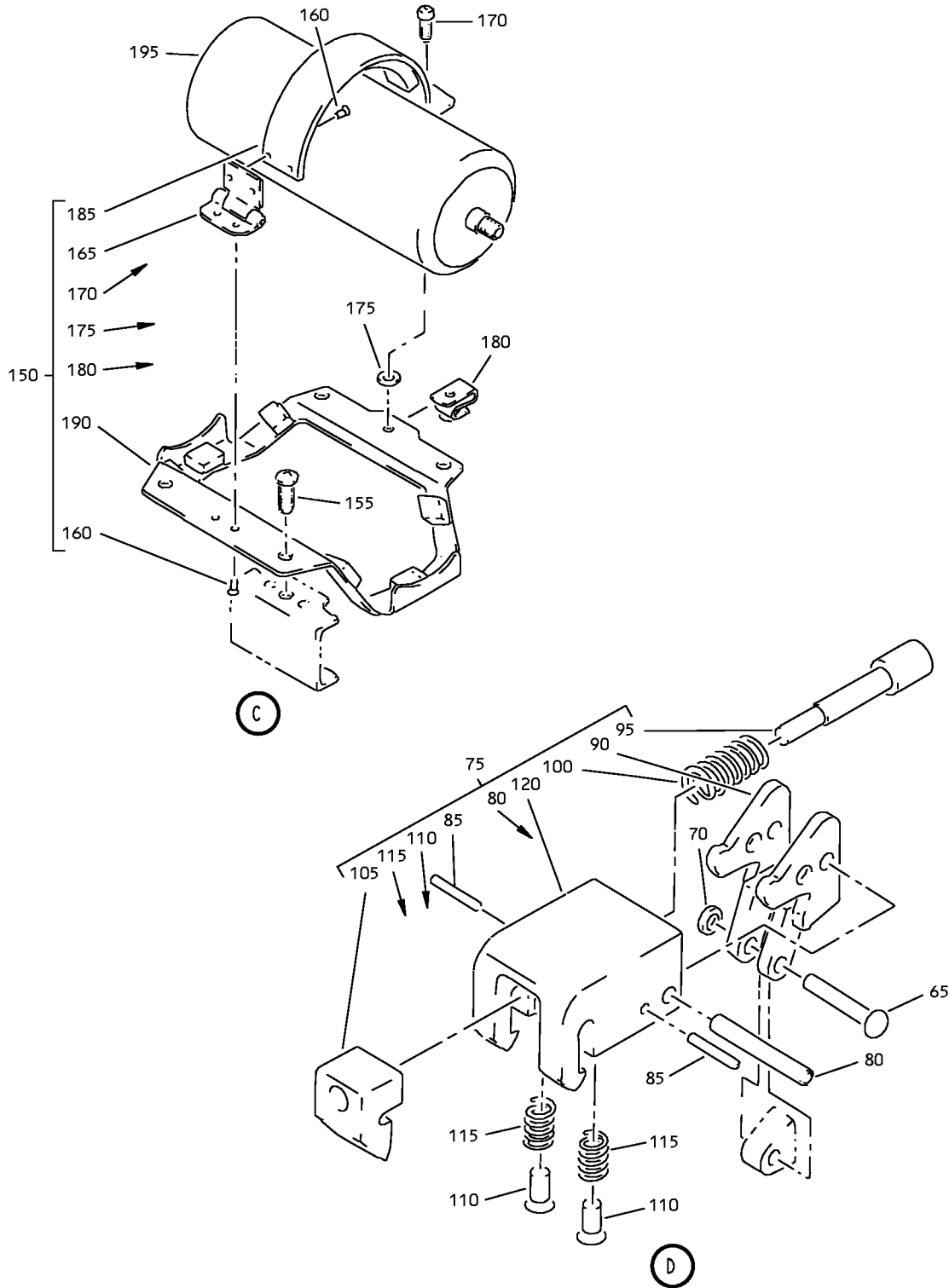
25-23-34

ILLUSTRATED PARTS LIST

Page 1098.243

Nov 01/2008

COMPONENT MAINTENANCE MANUAL



Forward Partial Underbin - Passenger Service Unit (with Lifevest and Speaker) Assembly
IPL Figure 7 (Sheet 2 of 6)

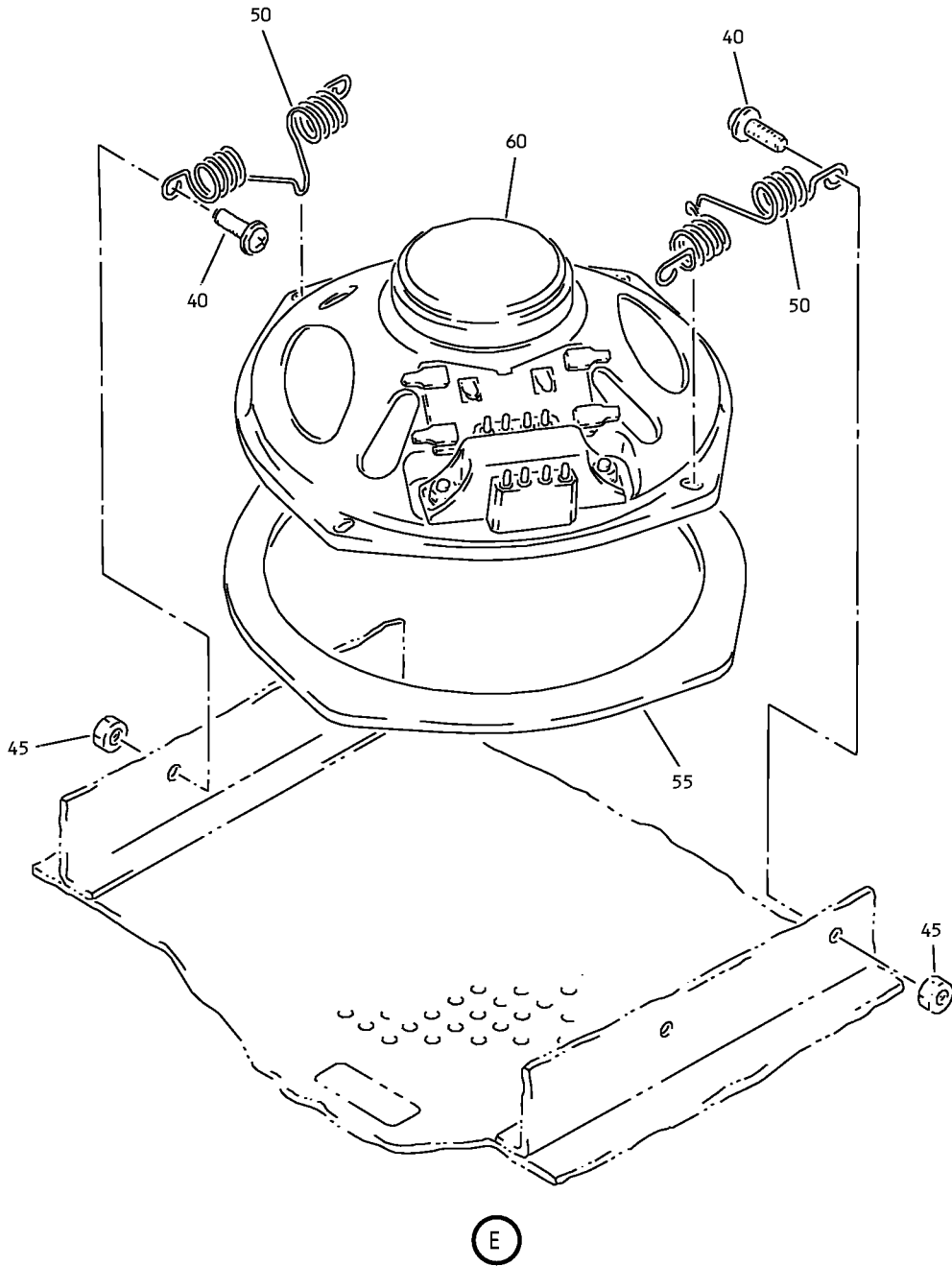
25-23-34

ILLUSTRATED PARTS LIST

Page 1098.244

Nov 01/2008

COMPONENT MAINTENANCE MANUAL



Forward Partial Underbin - Passenger Service Unit (with Lifevest and Speaker) Assembly
 IPL Figure 7 (Sheet 3 of 6)

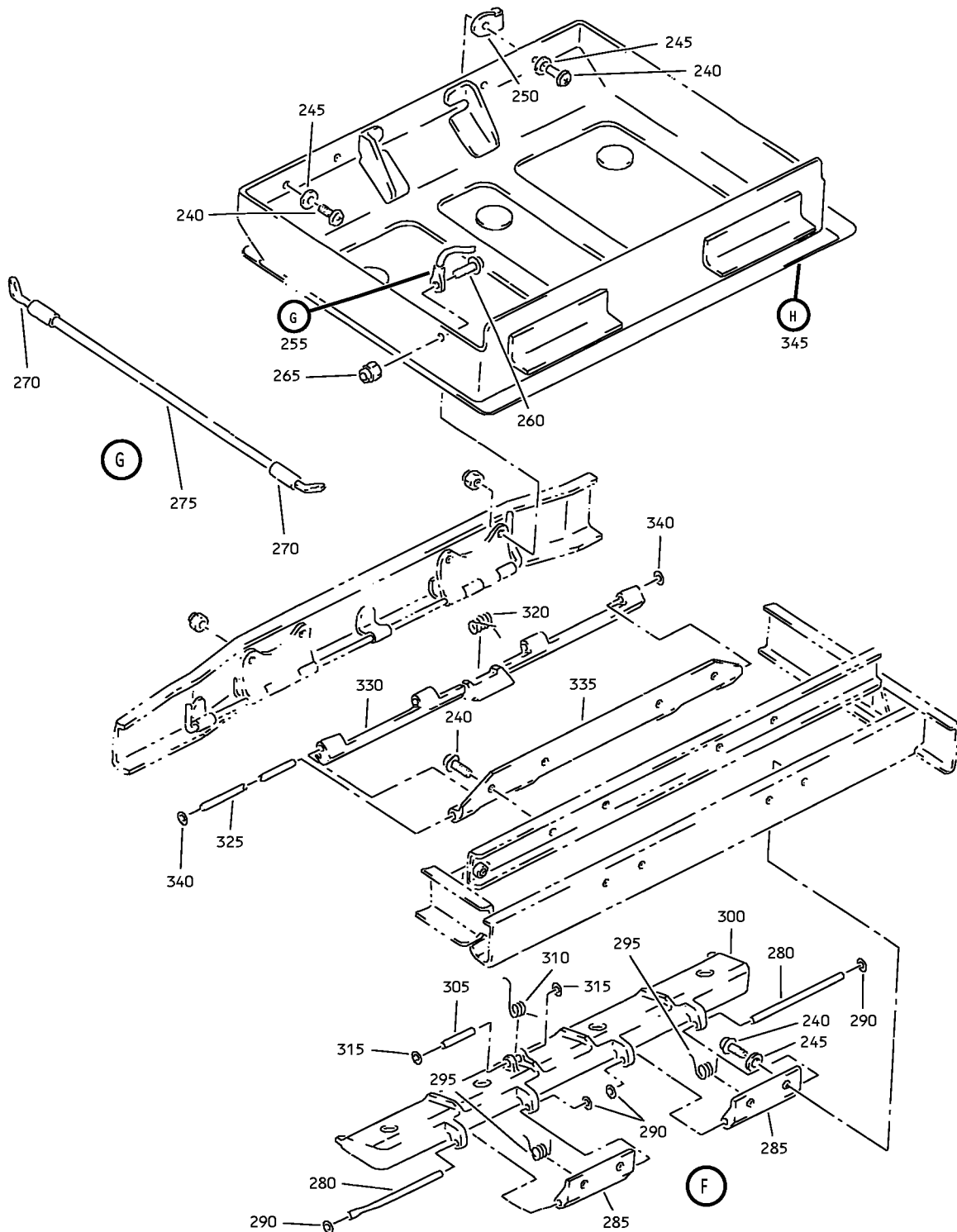
25-23-34

ILLUSTRATED PARTS LIST

Page 1098.245

Nov 01/2008

COMPONENT MAINTENANCE MANUAL



Forward Partial Underbin - Passenger Service Unit (with Lifevest and Speaker) Assembly
IPL Figure 7 (Sheet 4 of 6)

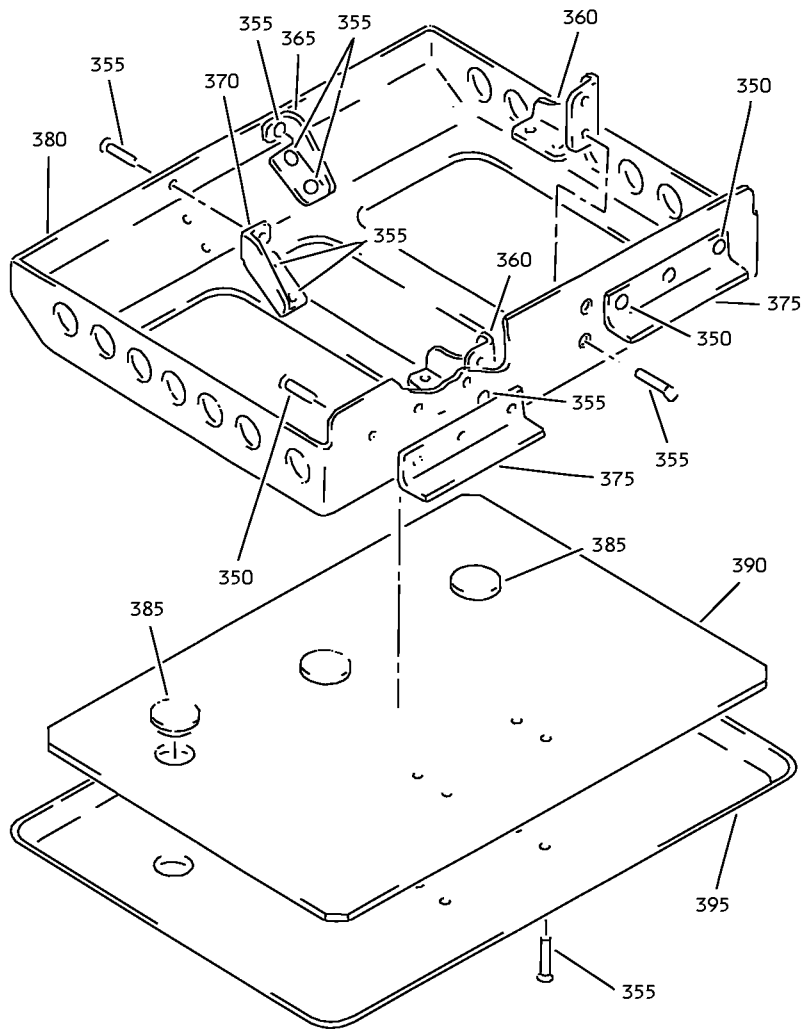
25-23-34

ILLUSTRATED PARTS LIST

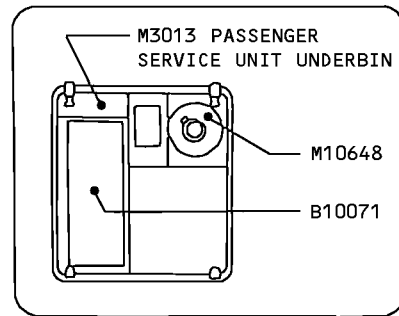
Page 1098.246

Nov 01/2008

COMPONENT MAINTENANCE MANUAL



H



J

410

Forward Partial Underbin - Passenger Service Unit (with Lifevest and Speaker) Assembly
IPL Figure 7 (Sheet 5 of 6)

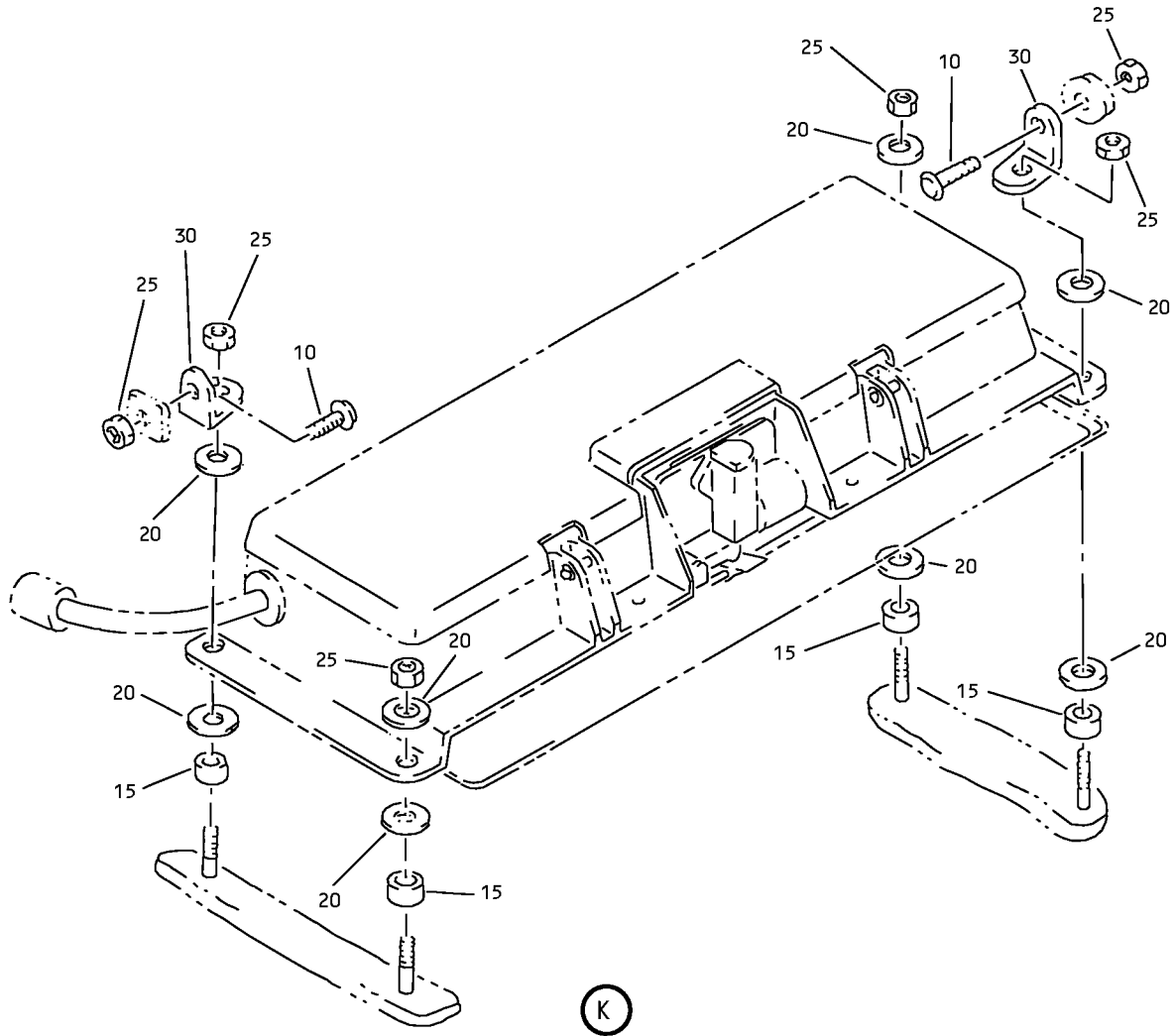
25-23-34

ILLUSTRATED PARTS LIST

Page 1098.247

Nov 01/2008

COMPONENT MAINTENANCE MANUAL



Forward Partial Underbin - Passenger Service Unit (with Lifevest and Speaker) Assembly
 IPL Figure 7 (Sheet 6 of 6)

25-23-34

ILLUSTRATED PARTS LIST

Page 1098.248

Nov 01/2008



COMPONENT MAINTENANCE MANUAL

FIG/ ITEM	PART NUMBER	AIRLINE PART NUMBER	NOMENCLATURE							USAGE CODE	UNITS PER ASSY
			1	2	3	4	5	6	7		
7-											
-1	417N3100-533SP									AN	RF
5	417N3100-82									AN	1
10	BACS12FA08K6									AN	2
15	NAS43DD3-18									AN	4
20	BACW10P193G									AN	8
25	BACN10YJ08									AN	6
30	417N3122-116									AN	2
35	417N3100-15									AN	1
40	BACS12FA08K6									AN	4
45	BACN10YJ08									AN	4
50	417N3173-6									AN	2

-Item not Illustrated

25-23-34

ILLUSTRATED PARTS LIST

Page 1098.249

Nov 01/2008



COMPONENT MAINTENANCE MANUAL

FIG/ ITEM	PART NUMBER	AIRLINE PART NUMBER	NOMENCLATURE							USAGE CODE	UNITS PER ASSY
			1	2	3	4	5	6	7		
7-											
55	417N3104-1		. .	GASKET (MAKE FROM SH RUBATEX R310V 0.125 X 7.0 IN. DIA)						AN	1
60	RDAM8005A		. .	SPEAKER (V54473) (SPEC S222T101-101)						AN	1
65	BACR15BB4D10		. RIVET (V09192) (SPEC BACR15BB4D10) (OPT BACR15BB4D10 (V42838)) (OPT BACR15BB4D10 (V53551)) (OPT BACR15BB4D10 (V55580))							AN	2
70	6100-12		. RETAINER (V2X013)							AN	2
75	417N3180-1		. CLAMP ASSY							AN	2
80	NAS607-2-8P		. . PIN							AN	1
85	NAS607-1-4P		. . PIN							AN	2
90	417N3181-1		. . LINK-ROCKER (OPT ITEM 90A)							AN	1
-90A	65-85902-1		. . LINK-ROCKER (OPT ITEM 90)							AN	1
95	65-85905-4		. . PLUNGER							AN	1
100	RCS3290		. . SPRING (V08205)							AN	1
105	417N3182-1		. . BODY-PLUNGER							AN	1
110	417N3180-3		. . PLUNGER-SPRING							AN	2
115	RCS3289		. . SPRING (V08205)							AN	2
120	417N3183-1		. . BODY-CLAMP							AN	1
-125	AN960JD416L		. WASHER (USED WITH ITEM 130)							AN	AR
-130	PLWP1S		. TIE-PUSH MOUNT CABLE (V58417)							AN	AR
-135	NMC1001-0		. CLAMP (V03296) (OPT ITEM 135A)							AN	2

-Item not Illustrated

25-23-34

ILLUSTRATED PARTS LIST

Page 1098.250

Nov 01/2008



COMPONENT MAINTENANCE MANUAL

FIG/ ITEM	PART NUMBER	AIRLINE PART NUMBER	NOMENCLATURE							USAGE CODE	UNITS PER ASSY
			1	2	3	4	5	6	7		
7-											
-135A	BACC10DK3		.	CLAMP						AN	2
				(V16115)							
				(SPEC BACC10DK3)							
				(OPT BACC10DK3 (V81872))							
				(OPT ITEM 135)							
-140	61-33520-001		.	WIRE BUNDLE						AN	1
145	417N3100-48		.	GENERATOR ASSY						AN	1
150	417N3160-11		..	BRACKET ASSY						AN	1
				ATTACHING PARTS							
155	BACS12FA08K6		..	SCREW						AN	4
				(V06710)							
				(SPEC BACS12FA08K6)							
				(OPT BACS12FA08K6 (V06725))							
				(OPT BACS12FA08K6 (V06950))							
				(OPT BACS12FA08K6 (V27624))							
				(OPT BACS12FA08K6 (V34252))							
				(OPT BACS12FA08K6 (V56878))							
				(OPT BACS12FA08K6 (V73197))							
				(OPT BACS12FA08K6 (V80539))							
				(OPT BACS12FA08K6 (V92215))							
				(OPT BACS12FA08K6 (V93907))							
				(OPT BACS12FA08K6 (V97928))							
				-----*							
160	BACR15BA3D		...	RIVET						AN	4
				(SIZE DETERMINED ON INST)							
165	417N3811-13		...	HINGE						AN	1
170	CS8024-08-1A		...	SCREW-CAPTIVE						AN	1
				(V58998)							
				(OPT ITEM 170A)							
-170A	FT1387P8-1-2		...	SCREW-CAPTIVE						AN	1
				(V58794)							
				(OPT ITEM 170)							
175	AN960KD416		...	WASHER						AN	1
180	A4972-6-82		...	NUT						AN	1
				(V72962)							
				(SPEC BACN10FX84)							
				(OPT RM52LHA4972-6-82 (V72962))							
				(OPT SL211-08-1 (V97393))							
				(OPT 130008 (V60119))							
				(OPT A11330-6-82 (V72962))							
185	417N3161-7		...	BRACKET-MTG						AN	1

-Item not Illustrated

25-23-34

ILLUSTRATED PARTS LIST

Page 1098.251

Nov 01/2008

COMPONENT MAINTENANCE MANUAL

FIG/ ITEM	PART NUMBER	AIRLINE PART NUMBER	NOMENCLATURE							USAGE CODE	UNITS PER ASSY
			1	2	3	4	5	6	7		
7-											
190	417N3136-99		. . .							AN	1
195	117003-14		. .							AN	1
-195A	803000-04		. .							AN	1
200	417N3100-71		. PAD-							AN	2
205	417N3190-1		. LANYARD							AN	1
210	GSC219		. .							AN	4
-210A	GSC205		. .							AN	4
215	10-61790-1		. .							AN	1
220	NAS43DD4-5		. .							AN	1
225	65C16899-6		. .							AN	1
230	417N3190-3		. .							AN	1
235	417N3100-31SP		. LIFEVEST							AN	1
240	BACS12FA08K7		. .							AN	12

-Item not Illustrated

25-23-34

ILLUSTRATED PARTS LIST

Page 1098.252

Nov 01/2008



COMPONENT MAINTENANCE MANUAL

FIG/ ITEM	PART NUMBER	AIRLINE PART NUMBER	NOMENCLATURE							USAGE CODE	UNITS PER ASSY
			1	2	3	4	5	6	7		
7-											
245	AN960PD8L								. . WASHER	AN	8
250	417N3122-49								. . RETAINER	AN	1
255	417N3190-8								. . LANYARD ASSY	AN	1
									ATTACHING PARTS		
260	BACS12FA08K6								. . SCREW (V06710) (SPEC BACS12FA08K6) (OPT BACS12FA08K6 (V06725)) (OPT BACS12FA08K6 (V06950)) (OPT BACS12FA08K6 (V27624)) (OPT BACS12FA08K6 (V34252)) (OPT BACS12FA08K6 (V56878)) (OPT BACS12FA08K6 (V73197)) (OPT BACS12FA08K6 (V80539)) (OPT BACS12FA08K6 (V92215)) (OPT BACS12FA08K6 (V93907)) (OPT BACS12FA08K6 (V97928))	AN	1
265	26C82								. . NUT (V80539) (SPEC BACN10R8)	AN	1
									----- * -----		
270	417N3190-7								. . . TERMINAL	AN	2
275	417N3190-5								. . . CORD-NYLON	AN	1
280	417N3100-74								. . PIN	AN	2
285	417N3133-19								. . HOUSING-PUSH BUTTON	AN	2
290	6100-9								. . RETAINER (V2X013)	AN	4
295	417N3173-9								. . SPRING	AN	2
300	417N3084-1SP								. . PUSH BUTTON	AN	1
305	417N3100-73								. . PIN	AN	1
310	417N3173-14								. . SPRING	AN	1
315	6100-9								. . RETAINER (V2X013)	AN	2
320	417N3173-13								. . SPRING	AN	1
325	417N3100-78								. . PIN	AN	1
330	417N3133-15								. . LATCH	AN	1
335	417N3133-16								. . LATCH	AN	1

-Item not Illustrated

25-23-34

ILLUSTRATED PARTS LIST

Page 1098.253

Nov 01/2008



COMPONENT MAINTENANCE MANUAL

FIG/ ITEM	PART NUMBER	AIRLINE PART NUMBER	NOMENCLATURE							USAGE CODE	UNITS PER ASSY
			1	2	3	4	5	6	7		
7-											
340	6100-9		.	.						AN	2
345	417N3080-1SP		.	.						AN	1
350	BACR15CE3D		.	.	.					AN	6
355	BACR15CE4D		.	.	.					AN	14
360	417N3083-2		.	.	.					AN	2
365	417N3083-3		.	.	.					AN	1
370	417N3083-4		.	.	.					AN	1
375	417N3083-1		.	.	.					AN	2
380	417N3082-1		.	.	.					AN	1
385	417N3113-1		.	.	.					AN	3
390	417N3080-3		.	.	.					AN	1
395	417N3081-1SP		.	.	.					AN	1
400	417N3110-45SP		.							AN	1
405	BAC27DPA2272		.							AN	1
410	BAC29PPS1425		.							AN	1

-Item not Illustrated

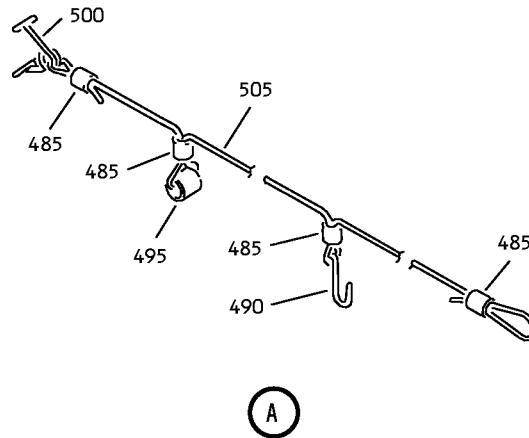
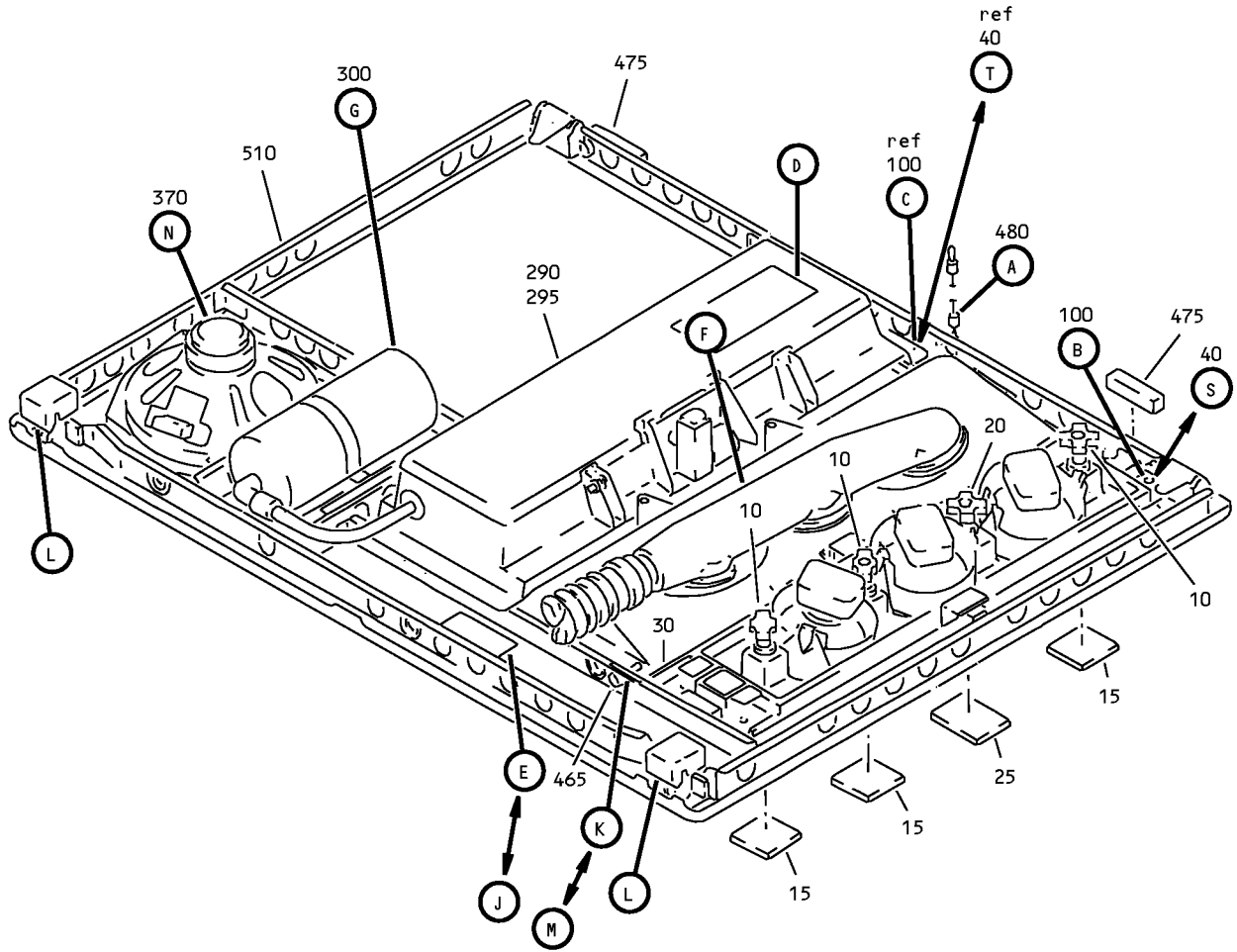
25-23-34

ILLUSTRATED PARTS LIST

Page 1098.254

Nov 01/2008

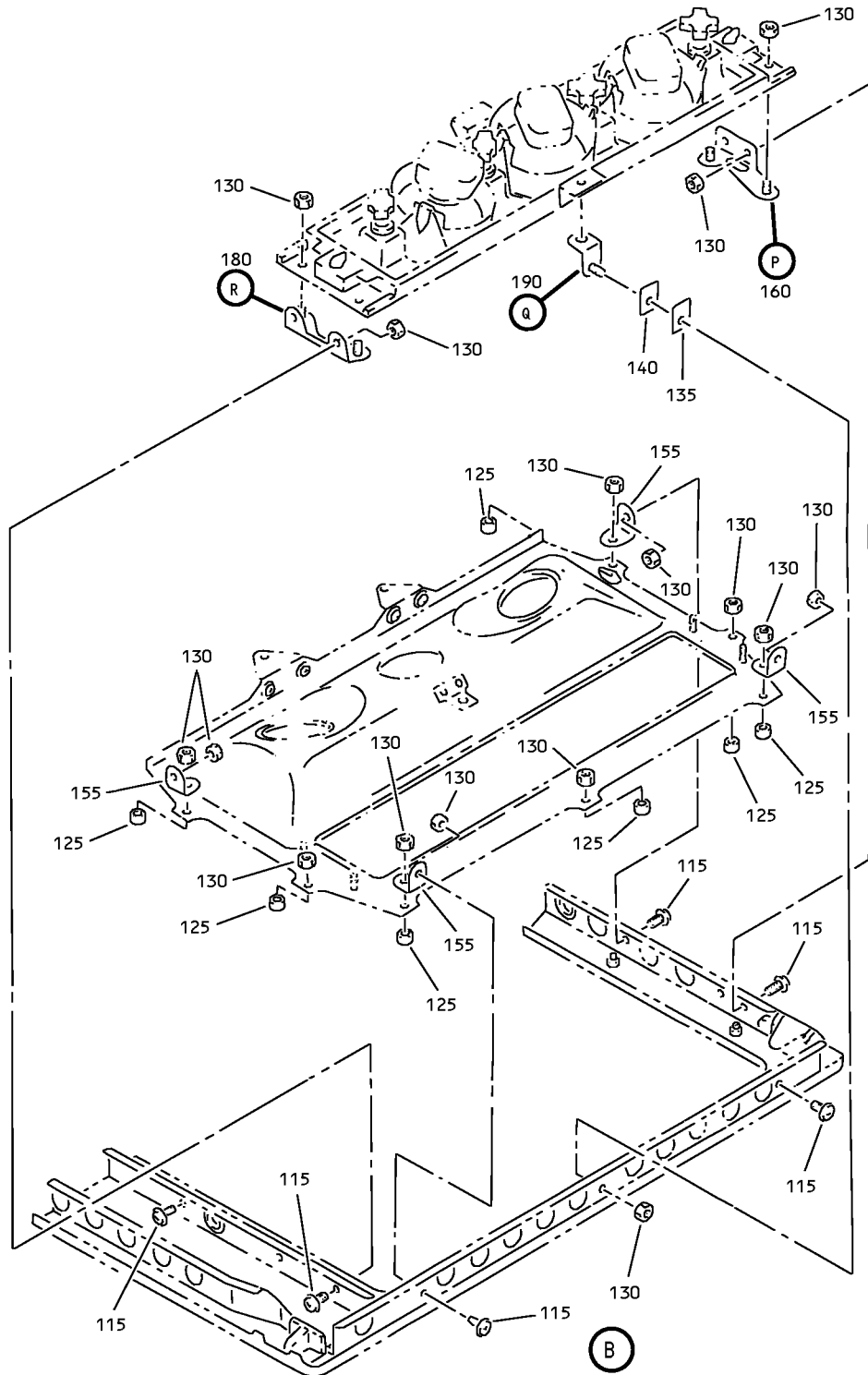
COMPONENT MAINTENANCE MANUAL



Full Underbin - Passenger Service Unit (with Gasper Air and Speaker) Assembly
 IPL Figure 8 (Sheet 1 of 9)

25-23-34
 ILLUSTRATED PARTS LIST
 Page 1098.255
 Nov 01/2008

COMPONENT MAINTENANCE MANUAL



Full Underbin - Passenger Service Unit (with Gasper Air and Speaker) Assembly
IPL Figure 8 (Sheet 2 of 9)

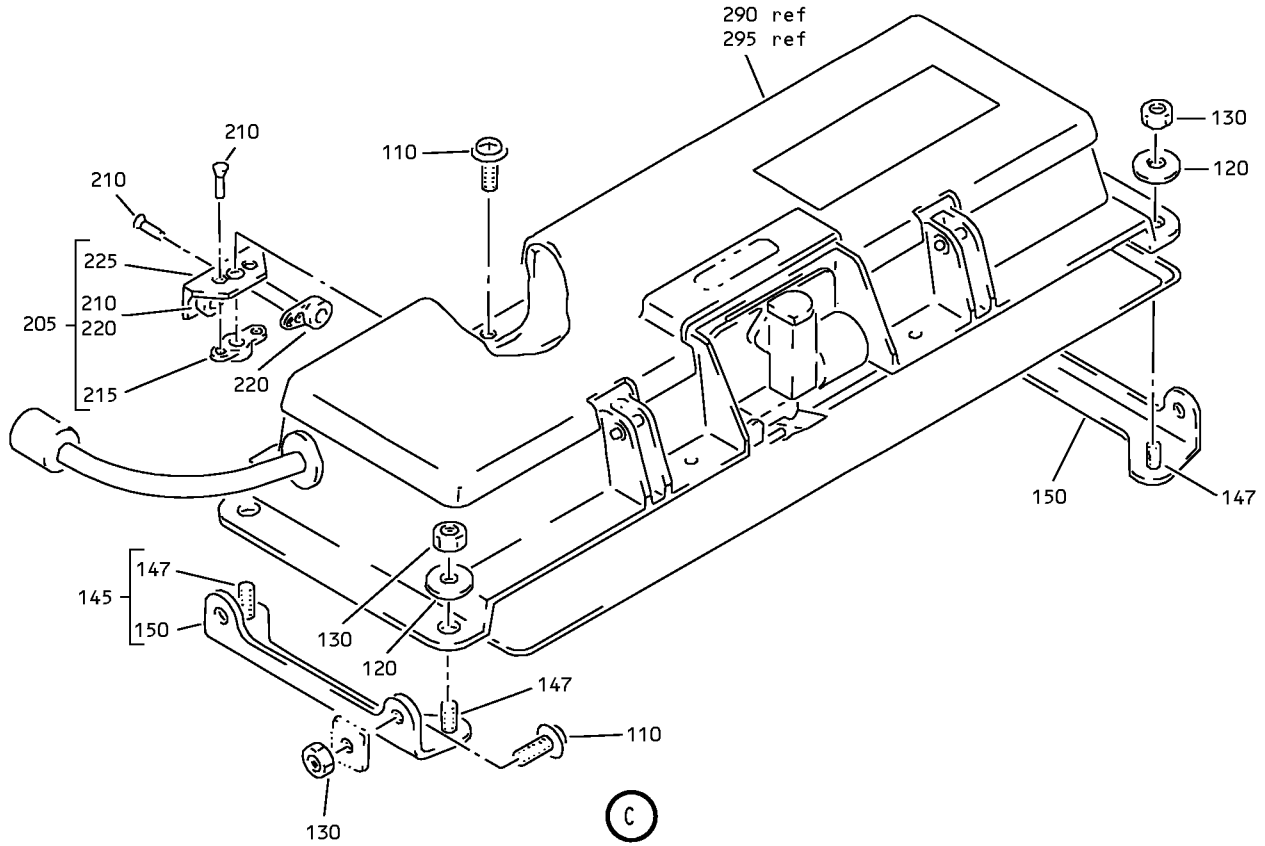
25-23-34

ILLUSTRATED PARTS LIST

Page 1098.256

Nov 01/2008

COMPONENT MAINTENANCE MANUAL



ATTENTION

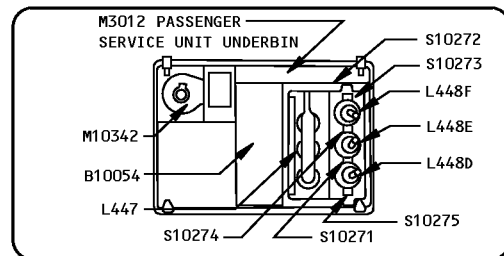
FOR REMOVAL AND RELOCATION INFORMATION SEE
MAINTENANCE MANUAL CHAPTER 25

FOR MASK STORAGE INSTRUCTIONS SEE MAINTENANCE
MANUAL CHAPTER 35

FOR CLEANING INSTRUCTIONS SEE DOCUMENT D6-7127

520

D



540

E

Full Underbin - Passenger Service Unit (with Gasper Air and Speaker) Assembly
IPL Figure 8 (Sheet 3 of 9)

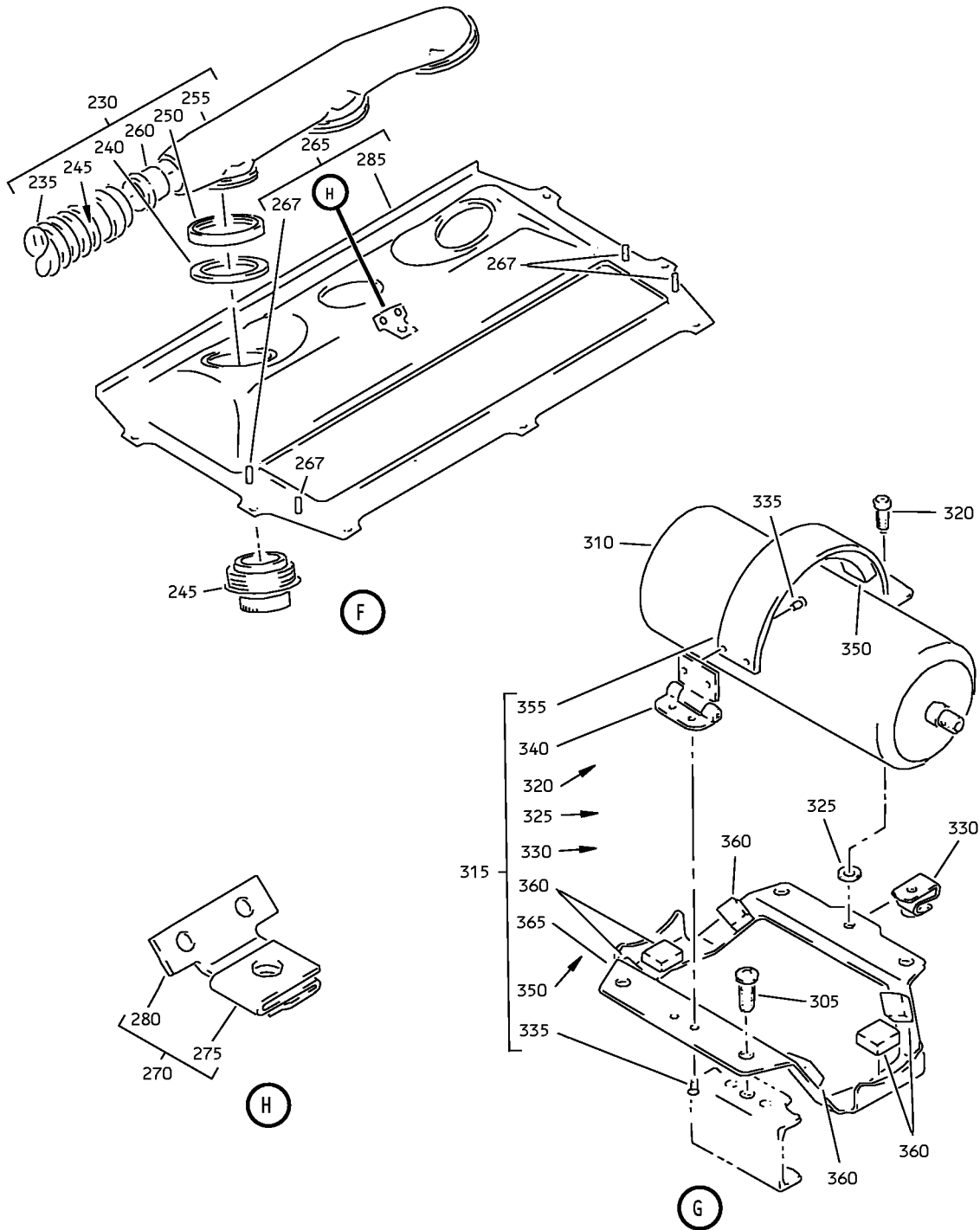
25-23-34

ILLUSTRATED PARTS LIST

Page 1098.257

Nov 01/2008

COMPONENT MAINTENANCE MANUAL



Full Underbin - Passenger Service Unit (with Gasper Air and Speaker) Assembly
IPL Figure 8 (Sheet 4 of 9)

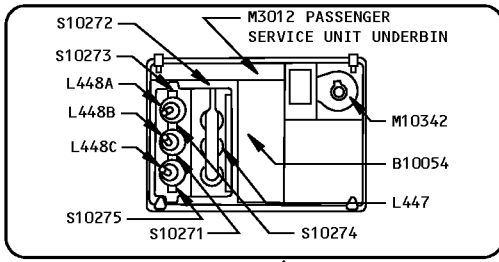
25-23-34

ILLUSTRATED PARTS LIST

Page 1098.258

Nov 01/2008

COMPONENT MAINTENANCE MANUAL



535

(J)

2 ← POSITION → 1

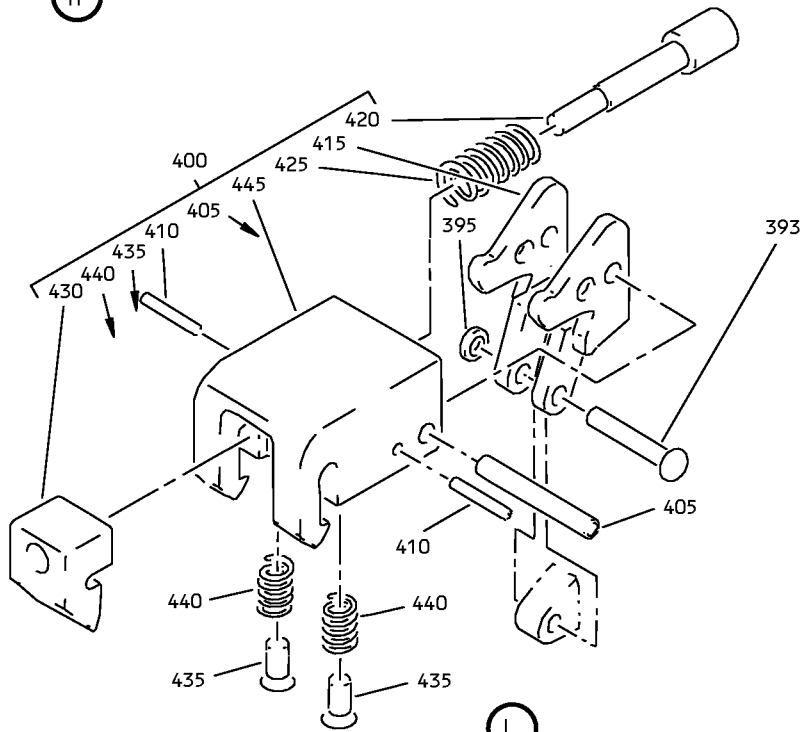
530

(K)

1 ← POSITION → 2

525A

(M)



(L)

Full Underbin - Passenger Service Unit (with Gasper Air and Speaker) Assembly
IPL Figure 8 (Sheet 5 of 9)

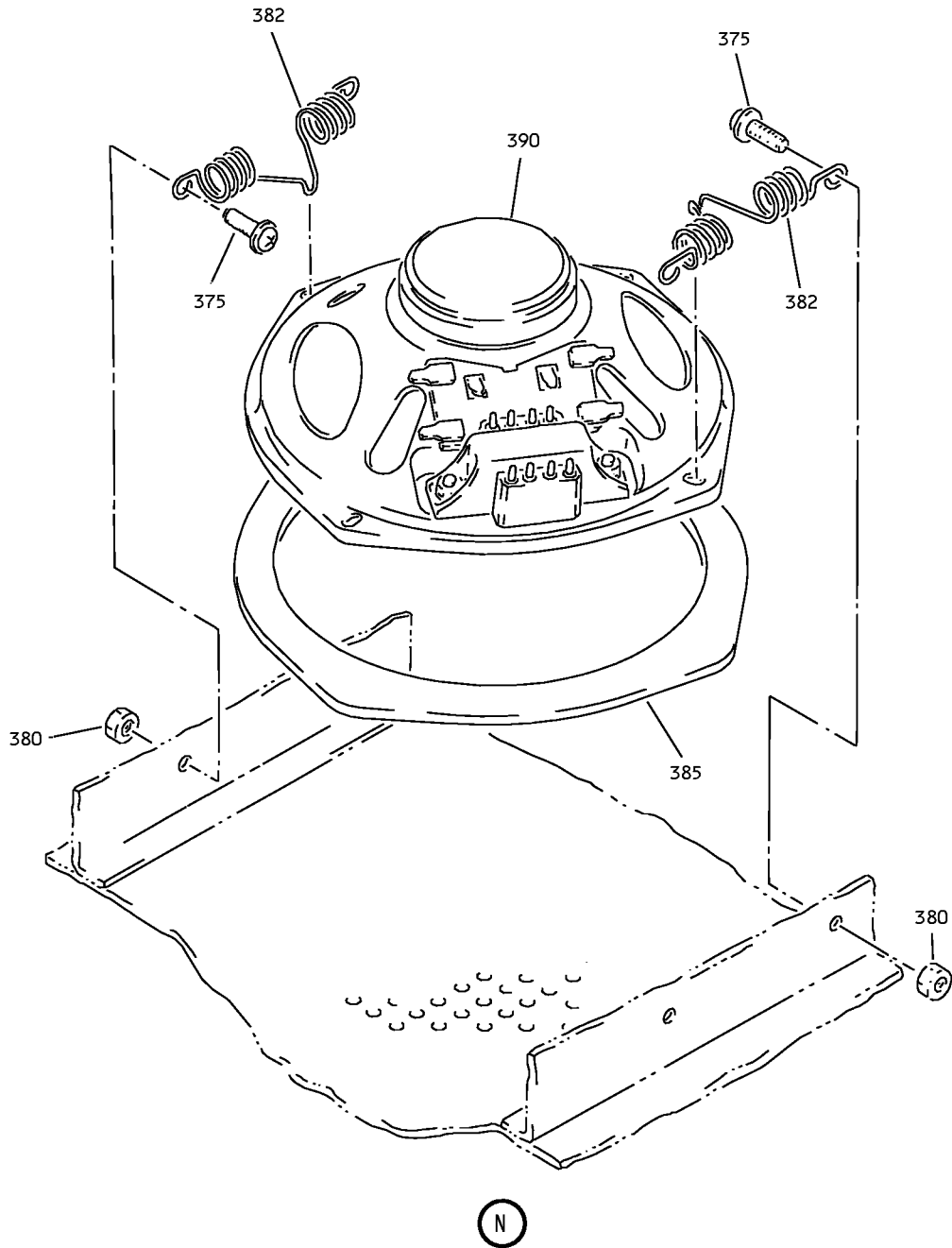
25-23-34

ILLUSTRATED PARTS LIST

Page 1098.259

Nov 01/2008

COMPONENT MAINTENANCE MANUAL



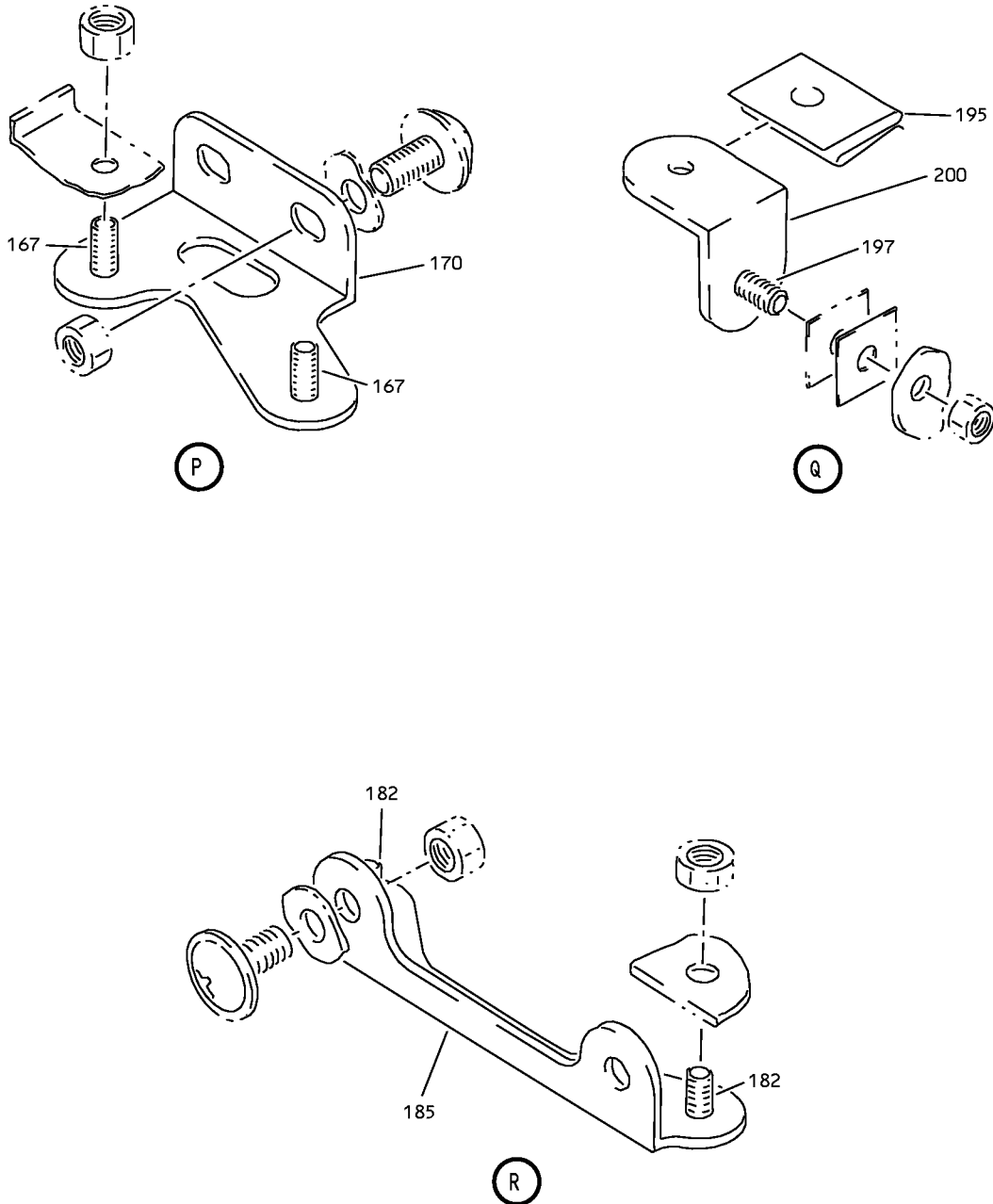
Full Underbin - Passenger Service Unit (with Gasper Air and Speaker) Assembly
 IPL Figure 8 (Sheet 6 of 9)

25-23-34

ILLUSTRATED PARTS LIST

Page 1098.260

Nov 01/2008

COMPONENT MAINTENANCE MANUAL


Full Underbin - Passenger Service Unit (with Gasper Air and Speaker) Assembly
IPL Figure 8 (Sheet 7 of 9)

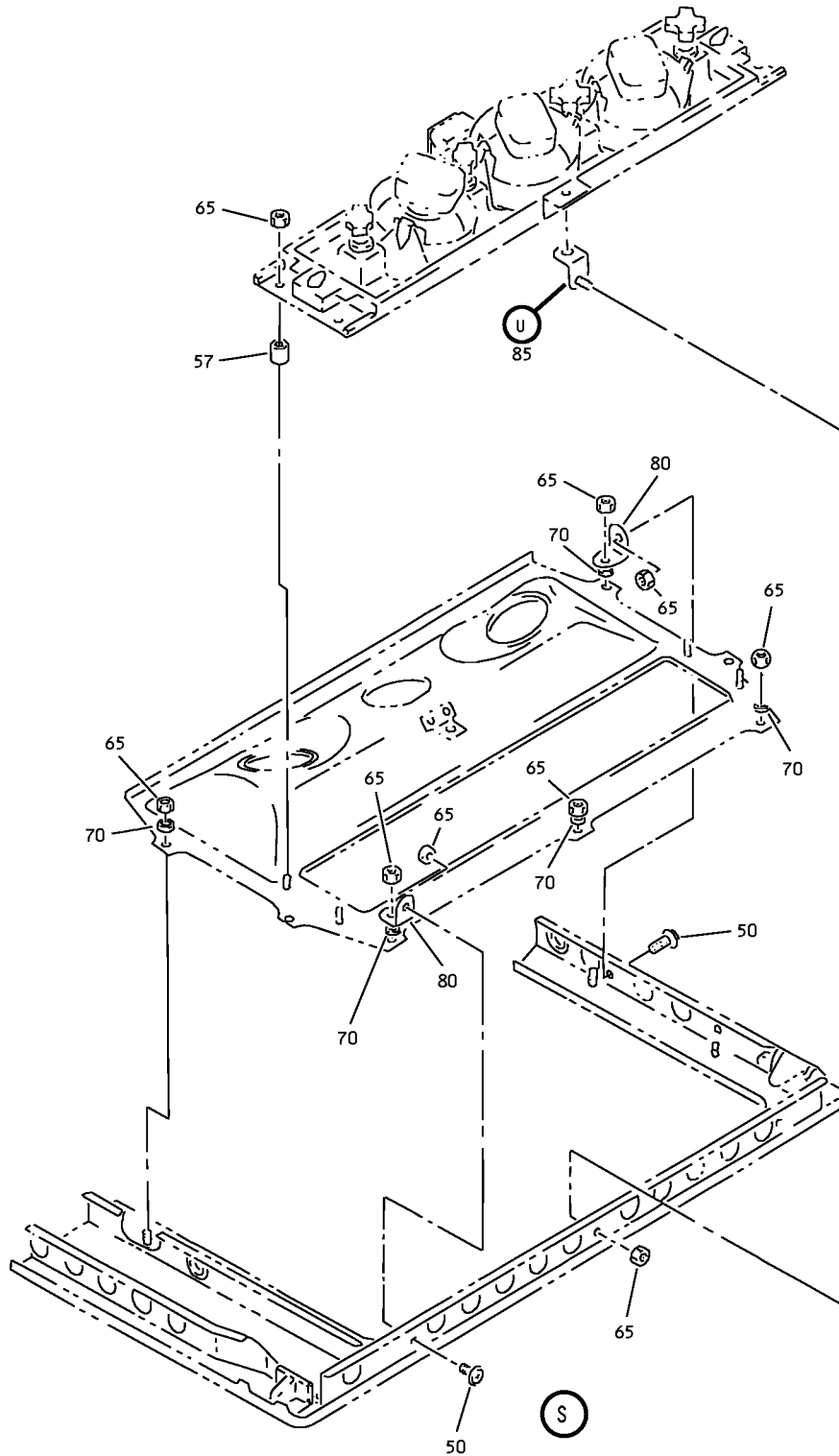
25-23-34

ILLUSTRATED PARTS LIST

Page 1098.261

Nov 01/2008

COMPONENT MAINTENANCE MANUAL



Full Underbin - Passenger Service Unit (with Gasper Air and Speaker) Assembly
IPL Figure 8 (Sheet 8 of 9)

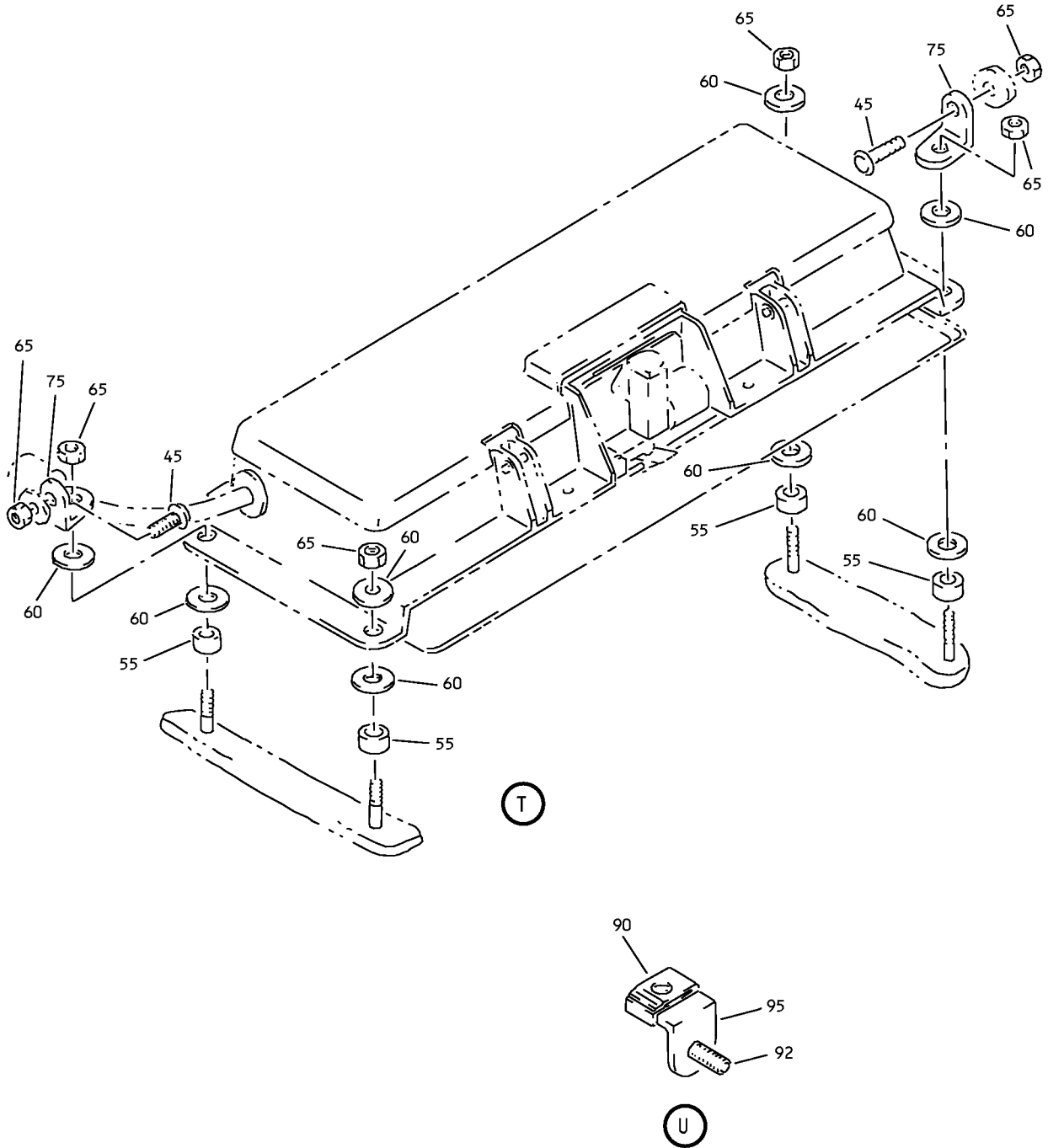
25-23-34

ILLUSTRATED PARTS LIST

Page 1098.262

Nov 01/2008

COMPONENT MAINTENANCE MANUAL



Full Underbin - Passenger Service Unit (with Gasper Air and Speaker) Assembly
IPL Figure 8 (Sheet 9 of 9)

25-23-34

ILLUSTRATED PARTS LIST

Page 1098.263

Nov 01/2008



COMPONENT MAINTENANCE MANUAL

FIG/ ITEM	PART NUMBER	AIRLINE PART NUMBER	NOMENCLATURE							USAGE CODE	UNITS PER ASSY
			1	2	3	4	5	6	7		
8-											
-1	417N3100-123SP									CA	RF
-1A	417N3100-213SP									CB	RF
-1B	417N3100-241SP									CC	RF
-1C	417N3100-283SP									CD	RF
-1D	417N3100-285SP									CE	RF
-1E	417N3100-293SP									CF	RF
-1F	417N3100-333SP									CG	RF
-1G	417N3100-415SP									AY	RF
-1H	417N3100-243SP									EM	RF
-5	417N3100-122SP									CH	RF

-Item not Illustrated

25-23-34

ILLUSTRATED PARTS LIST

Page 1098.264

Nov 01/2008



COMPONENT MAINTENANCE MANUAL

FIG/ ITEM	PART NUMBER	AIRLINE PART NUMBER	NOMENCLATURE							USAGE CODE	UNITS PER ASSY
			1	2	3	4	5	6	7		
8- -5A	417N3100-162SP		SERVICE UNIT ASSY-FULL UNDERBIN PASS. (WITH SPKR AND GASPER AIR) (RH)							CJ	RF
-5B	417N3100-214SP		SERVICE UNIT ASSY-FULL UNDERBIN PASS. (WITH SPKR AND GASPER AIR) (RH)							CK	RF
-5C	417N3100-244SP		SERVICE UNIT ASSY-FULL UNDERBIN PASS. (WITH SPKR AND GASPER AIR) (RH)							CL	RF
-5D	417N3100-284SP		SERVICE UNIT ASSY-FULL UNDERBIN PASS. (WITH SPKR AND GASPER AIR) (RH)							CM	RF
-5E	417N3100-286SP		SERVICE UNIT ASSY-FULL UNDERBIN PASS. (WITH SPKR AND GASPER AIR) (RH)							CN	RF
-5F	417N3100-294SP		SERVICE UNIT ASSY-FULL UNDERBIN PASS. (WITH SPKR AND GASPER AIR) (RH)							CP	RF
-5G	417N3100-336SP		SERVICE UNIT ASSY-FULL UNDERBIN PASS. (WITH SPKR AND GASPER AIR) (RH)							EE	RF
-5H	417N3100-242SP		UNIT ASSY-FULL UNDERBIN PASS. (WITH SPKR AND GASPER AIR) (RH)							EN	RF
10	920056		. SWITCH-READING LT (V07150)							AY, CA- CP, EE, EM, EN	3
-15	S417N304-1A		DELETED								
-15A	S417N304-1B		DELETED								
15B	VIP720-1C		. LENS-LIGHT SWITCH (COLOR OPT-CUST PREFERENCE, RED-WHITE) (V28406) (SPEC S417N304-1C)							AY, CA- CP, EE, EM, EN	3

-Item not Illustrated

25-23-34

ILLUSTRATED PARTS LIST

Page 1098.265

Nov 01/2008



COMPONENT MAINTENANCE MANUAL

FIG/ ITEM	PART NUMBER	AIRLINE PART NUMBER	NOMENCLATURE							USAGE CODE	UNITS PER ASSY
			1	2	3	4	5	6	7		
8-											
-15C	S417N304-1M										
-15D	S417N304-1N										
-15E	S417N304-1P								. LENS-LIGHT SWITCH (COLOR OPT-CUST PREFERENCE, PURPLE)	AY, CA- CP, EE, EM, EN	3
-15F	S417N304-1R								. LENS-LIGHT SWITCH (COLOR OPT-CUST PREFERENCE, ORANGE- WHITE)	AY, CA- CP, EE, EM, EN	3
-15G	S417N304-1S								DELETED		
-15H	S417N304-6D								DELETED		
-15J	VIP720-6E								. LENS-LIGHT SWITCH (COLOR OPT-CUST PREFERENCE, REDWOOD- BEIGE) (V28406) (SPEC S417N304-6E) (OPT 691212-13A1-1AW (V07150))	AY, CA- CP, EE, EM, EN	3
-15K	VIP720-6G								. LENS-LIGHT SWITCH (COLOR OPT-CUST PREFERENCE, BROWN- WHITE) (V28406) (SPEC S417N304-6G) (OPT 691212-13A1-1AR (V07150))	AY, CA- CP, EE, EM, EN	3
-15L	VIP720-1A								. LENS-LIGHT SWITCH (COLOR OPT-CUST PREFERENCE, WHITE-GOLD) (V28406) (SPEC S417N304-1A)	AY, CA- CP, EE, EM, EN	3
-15M	VIP720-1M								. LENS-LIGHT SWITCH (COLOR OPT-CUST PREFERENCE, WHITE-RED) (V28406) (SPEC S417N304-1M)	AY, CA- CP, EE, EM, EN	3
-15N	VIP720-1N								. LENS-LIGHT SWITCH (COLOR OPT-CUST PREFERENCE, BROWN- WHITE) (V28406) (SPEC S417N304-1N)	AY, CA- CP, EE, EM, EN	3
-15P	VIP720-1S								. LENS-LIGHT SWITCH (COLOR OPT-CUST PREFERENCE, GRAY-WHITE) (V28406) (SPEC S417N304-1S)	AY, CA- CP, EE, EM, EN	3

-Item not Illustrated

25-23-34

ILLUSTRATED PARTS LIST

Page 1098.266

Nov 01/2008



COMPONENT MAINTENANCE MANUAL

FIG/ ITEM	PART NUMBER	AIRLINE PART NUMBER	NOMENCLATURE							USAGE CODE	UNITS PER ASSY											
			1	2	3	4	5	6	7													
8- -15Q	VIP720-1B		.	L	E	N	S	-	L	I	G	H	T	S	W	I	T	C	H		AY, CA- CP, EE, EM, EN	3
-15R	VIP720-6D		.	L	E	N	S	-	L	I	G	H	T	S	W	I	T	C	H		AY, CA- CP, EE, EM, EN	3
-15S	VIP720-1T		.	L	E	N	S	-	L	T	S	W	I	T	C	H					AY, CA- CP, EE, EM, EN	3
-15T	VIP720-6C		.	L	E	N	S	-	L	T	S	W	I	T	C	H					AY, CA- CP, EE, EM, EN	3
-15U	VIP720-6F																					
-15V	S417N304-6H		.	L	E	N	S	-	L	T	S	W	I	T	C	H					AY, CA- CP, EE, EM, EN	3
-15W	VIP720-6J																					
-15X	VIP720-6K																					
-15Y	VIP720-6L		.	L	E	N	S	-	L	T	S	W	I	T	C	H					AY, CA- CP, EE, EM, EN	3
-15Z	VIP720-6M		.	L	E	N	S	-	L	T	S	W	I	T	C	H					AY, CA- CP, EE, EM, EN	3
-16	S417N304-6F		.	L	E	N	S	-	L	T	S	W	I	T	C	H					AY, CA- CP, EE, EM, EN	3

-Item not Illustrated

25-23-34

ILLUSTRATED PARTS LIST

Page 1098.267

Nov 01/2008



COMPONENT MAINTENANCE MANUAL

FIG/ ITEM	PART NUMBER	AIRLINE PART NUMBER	NOMENCLATURE							USAGE CODE	UNITS PER ASSY		
			1	2	3	4	5	6	7				
8-													
-16A	S417N304-6J		.	L	E	N	S	W	I	T	A	Y, CA- CP, EE, EM, EN	3
-16B	S417N304-6K		.	L	E	N	S	W	I	T	A	Y, CA- CP, EE, EM, EN	3
20	920055		.	S	W	I	T	C	H	A	T	Y, CA- CP, EE, EM, EN	1
-25	S417N303-2A												
-25A	S417N303-2B												
-25B	S417N303-2C												
25C	VIP720-2D		.	L	E	N	S	W	I	T	A	Y, CA- CP, EE, EM, EN	1
-25D	VIP720-2E		.	L	E	N	S	W	I	T	A	Y, CA- CP, EE, EM, EN	1
-25E	VIP720-2G		.	L	E	N	S	W	I	T	A	Y, CA- CP, EE, EM, EN	1
-25F	S417N303-2H		.	L	E	N	S	W	I	T	A	Y, CA- CP, EE, EM, EN	1
-25G	S417N303-2J												
-25H	S417N303-2K												
-25J	S417N303-2L												
-25K	VIP720-2A		.	L	E	N	S	W	I	T	A	Y, CA- CP, EE, EM, EN	1

-Item not Illustrated

25-23-34

ILLUSTRATED PARTS LIST

Page 1098.268

Nov 01/2008



COMPONENT MAINTENANCE MANUAL

FIG/ ITEM	PART NUMBER	AIRLINE PART NUMBER	NOMENCLATURE							USAGE CODE	UNITS PER ASSY	
			1	2	3	4	5	6	7			
8- -25L	VIP720-2B		.								AY, CA- CP, EE, EM, EN	1
-25M	VIP720-2C		.								AY, CA- CP, EE, EM, EN	1
-25N	VIP720-2J		.								AY, CA- CP, EE, EM, EN	1
-25P	VIP720-2L		.								AY, CA- CP, EE, EM, EN	1
-25Q	VIP720-2K		.								AY, CA- CP, EE, EM, EN	1
-25R	VIP720-2F		.								AY, CA- CP, EE, EM, EN	1
-25S	VIP720-3A		.								AY, CA- CP, EE, EM, EN	1
-25T	S417N303-3B		.								AY, CA- CP, EE, EM, EN	1

-Item not Illustrated

25-23-34

ILLUSTRATED PARTS LIST

Page 1098.269

Nov 01/2008



COMPONENT MAINTENANCE MANUAL

FIG/ ITEM	PART NUMBER	AIRLINE PART NUMBER	NOMENCLATURE							USAGE CODE	UNITS PER ASSY					
			1	2	3	4	5	6	7							
8- -25U	VIP720-3C		.	L	E	N	-	C	A	L	S	W	A	Y, CA- CP, EE, EM, EN	1	
-25V	VIP720-4A		.	L	E	N	-	C	A	L	S	W	A	Y, CA- CP, EE, EM, EN	1	
30	10-1006-1		.	L	I	G	H	-	R	E	A	D	I	A	Y, CA- CG, EM, EN	1
-35	10-1006-2		.	L	I	G	H	-	R	E	A	D	I	C	H-CP, EE	1
40	417N3100-81		.	F	A	S	T	E	N	E	R	A	S	Y	CA, CB, CH-CK	1
-40A	417N3100-81		.	F	A	S	T	E	N	E	R	A	S	Y	CC-CG, CL-CP, EE, EM, EN	1
-40B	417N3100-92		.	F	A	S	T	E	N	E	R	A	S	Y	AY	1
45	BACS12FA08K6		.	.	S	C	R	E	W					CA-CP, EE, EM, EN	2	
50	BACS12FA08K5		.	.	S	C	R	E	W					CA-CP, EE, EM, EN	2	
55	NAS43DD3-18		.	.	S	P	A	C	E	R				AY, CA- CP, EE, EM, EN	4	
57	NAS43DD3-20		.	.	S	P	A	C	E	R				AY, CA- CP, EE, EM, EN	4	
60	BACW10P193G		.	.	W	A	S	H	E	R				AY, CA- CP, EE, EM, EN	8	

-Item not Illustrated

25-23-34

ILLUSTRATED PARTS LIST

Page 1098.270

Nov 01/2008



COMPONENT MAINTENANCE MANUAL

FIG/ ITEM	PART NUMBER	AIRLINE PART NUMBER	NOMENCLATURE							USAGE CODE	UNITS PER ASSY	
			1	2	3	4	5	6	7			
8- 65	BACN10YJ08		.	.	NUT						AY, CA- CP, EE, EM, EN	13
67	BACN10YJ08		.	.	NUT						CA-CP, EE, EM, EN	5
70	RR2002-3B3		.	.	GROMMET (V57268) (SPEC BACG20AF3B3) (OPT SZ6924-3B3 (V95272)) (OPT 701-3B3 (V07096)) (OPT E3B3 (V60980)) (OPT H3B3 (V60980)) (OPT G6940-3B3 (V75345))						AY, CA- CP, EE, EM, EN	5
75	417N3122-115		.	.	ANGLE						CA-CP, EE, EM, EN	2
80	417N3122-14		.	.	ANGLE-SPRT						CA-CP, EE, EM, EN	2
85	417N3122-60		.	.	BRACKET ASSY						CA-CP, EE, EM, EN	1
90	82-47-108-15		.	.	CLIP (V84483)						CA-CP, EE, EM, EN	1
92	BACS21AQ2A3K		.	.	STUD (OPT ITEM 92A)						CA-CP, EE, EM, EN	1
-92A	FHS832-6		.	.	STUD (V46384) (OPT ITEM 92)						CA-CP, EE, EM, EN	1
95	417N3122-61		.	.	BRACKET (OPT ITEM 95A)						CA-CP, EE, EM, EN	1
-95A	417N3122-130		.	.	BRACKET (OPT ITEM 95)						CA-CP, EE, EM, EN	1
100	417N3100-51		.	.	FASTENER ASSY (LIMITED USAGE)						CA, CB	1

-Item not Illustrated

25-23-34

ILLUSTRATED PARTS LIST

Page 1098.271

Mar 01/2009



COMPONENT MAINTENANCE MANUAL

FIG/ ITEM	PART NUMBER	AIRLINE PART NUMBER	NOMENCLATURE							USAGE CODE	UNITS PER ASSY
			1	2	3	4	5	6	7		
8-											
-100A	417N3100-52		.							CH-CK	1
110	BACS12FA08K6		.	.						CA, CB, CH-CK	7
115	BACS12FA08K5		.	.						CA, CB, CH-CK	8
120	BACW10P193G		.	.						CA, CB, CH-CK	4
125	NAS43DD3-7		.	.						CA, CB, CH-CK	7
130	BACN10YJ08		.	.						CA, CB, CH-CK	28
135	66-25727-1		.	.						CA, CB, CH-CK	AR
140	66-25727-2		.	.						CA, CB, CH-CK	AR
145	417N3122-65		.	.						CA, CB, CH-CK	2
147	BACS21AQ2A3K		.	.	.					CA, CB, CH-CK	2
150	417N3122-66		.	.	.					CA, CB, CH-CK	1
155	417N3122-14		.	.						CA, CB, CH-CK	4
160	417N3122-107		.	.						CA, CB	1
-160A	417N3122-108		.	.						CH-CK	1
167	BACS21AQ2A3P		.	.	.					CA, CB, CH-CK	2
170	417N3122-109		.	.	.					CA, CB	1
-170A	417N3122-110		.	.	.					CH-CK	1
180	417N3122-71		.	.						CA, CB, CH-CK	1
182	BACS21AQ2A3K		.	.	.					CA, CB, CH-CK	2
185	417N3122-72		.	.	.					CA, CB, CH-CK	1

-Item not Illustrated

25-23-34

ILLUSTRATED PARTS LIST

Page 1098.272

Nov 01/2008



COMPONENT MAINTENANCE MANUAL

FIG/ ITEM	PART NUMBER	AIRLINE PART NUMBER	NOMENCLATURE							USAGE CODE	UNITS PER ASSY
			1	2	3	4	5	6	7		
8-											
190	417N3122-60		.	.						CA, CB, CH-CK	1
195	82-47-108-15		.	.	.					CA, CB, CH-CK	1
197	BACS21AQ2A3K		.	.	.					CA, CB, CH-CK	1
200	417N3122-61		.	.	.					CA, CB, CH-CK	1
205	417N3136-19		.	.						CA, CB, CH-CK	1
210	BACR15BA3AD		.	.	.					CA, CB, CH-CK	6
215	BRM200A08		.	.	.					CA, CB, CH-CK	1
220	BRM100A08		.	.	.					CA, CB, CH-CK	2
225	417N3136-21		.	.	.					CA, CB, CH-CK	1
230	417N3100-25SP		.							AY, CA, CC-CJ, CL-CP, EE, EM, EN	1
-230A	417N3100-26		.							CB, CK	1
235	BACD40P3A120		.	.						AY, CA- CP, EE, EM, EN	1
240	65C31432-1		.	.						CB, CK	AR

-Item not Illustrated

25-23-34

ILLUSTRATED PARTS LIST

Page 1098.273

Nov 01/2008



COMPONENT MAINTENANCE MANUAL

FIG/ ITEM	PART NUMBER	AIRLINE PART NUMBER	NOMENCLATURE							USAGE CODE	UNITS PER ASSY
			1	2	3	4	5	6	7		
8-											
-245	10-60141-23A										
-245A	750801-002										
-245B	10-60141-23U										
245C	10-60141-25								. . OUTLET	CB, CK	1
-245D	L16999-16C								DELETED		
-245E	3740-3								. . OUTLET (COLOR OPT-CUST PREFERENCE (DARK GREY)) (V83564) (SPEC 10-60141-23U)	AY, CA, CC-CJ, CL-CP, EE, EM, EN	3
-245F	3740-4								. . OUTLET (COLOR OPT-CUST PREFERENCE (BIEGE)) (V83564) (SPEC 10-60141-23S) (OPT 750801-002 (V28406))	AY, CA, CC-CJ, CL-CP, EE, EM, EN	3
-245G	3740-1								. . OUTLET (COLOR OPT-CUST PREFERENCE (ZYTEL WT-07)) (V83564) (SPEC 10-60141-23A) (OPT 1707-23A (V83564)) (OPT L16999-16C (V17744))	AY, CA, CC-CJ, CL-CP, EE, EM, EN	3
-245H	10-60141-23T								. . OUTLET (COLOR OPT-CUST PREFERENCE (BEIGE))	AY, CA, CC-CJ, CL-CP, EE, EM, EN	3
250	PLT2MM								. . STRAP (V06383) (OPT ITEM 250A)	AY, CA- CP, EE, EM, EN	3
-250A	PLT2MM2								. . STRAP (V06383) (OPT ITEM 250)	AY, CA- CP, EE, EM, EN	3
255	417N3103-1								. . MANIFOLD ASSY	AY, CA- CP, EE, EM, EN	1
260	417N3063-4								. . . CONNECTOR	AY, CA- CP, EE, EM, EN	1

-Item not Illustrated

25-23-34

ILLUSTRATED PARTS LIST

Page 1098.274

Nov 01/2008



COMPONENT MAINTENANCE MANUAL

FIG/ ITEM	PART NUMBER	AIRLINE PART NUMBER	NOMENCLATURE							USAGE CODE	UNITS PER ASSY
			1	2	3	4	5	6	7		
8-											
265	417N3105-4SP		.							CA, CB, CH-CK	1
-265A	417N3105-6SP		.							CA, CB, CH-CK	1
-265B	417N3105-6SP		.							CC-CG, CL-CP, EE, EM, EN	1
-265C	417N3105-9SP		.							AY	1
267	BACS21AQ6A6M		.	.						CA-CP, EE, EM, EN	4
270	417N3122-111		.	.						AY, CA- CP, EE, EM, EN	1
275	82-47-108-15		.	.	.					AY, CA- CP, EE, EM, EN	1
280	417N3122-112		.	.	.					AY, CA- CP, EE, EM, EN	1
285	417N3101-2SP		.	.						CA-CP, EE, EM, EN	1
-285A	417N3101-6SP		.	.						AY	1
290	417N3130-1SP		.							CA, CB	1
-290A	417N3130-33SP		.							CA, CB	1
-290B	417N3130-33SP		.							CC	1
-290C	417N3130-63SP		.							CD, CF	1
-290D	417N3130-65SP		.							CE, CG	1
-290E	417N3130-73SP		.							AY	1

-Item not Illustrated

25-23-34

ILLUSTRATED PARTS LIST

Page 1098.275

Nov 01/2008



COMPONENT MAINTENANCE MANUAL

FIG/ ITEM	PART NUMBER	AIRLINE PART NUMBER	NOMENCLATURE							USAGE CODE	UNITS PER ASSY	
			1	2	3	4	5	6	7			
8-												
-290F	417N3130-35SP		.							BOX ASSY-THREE MASK OXY (REF CMM 35-21-02)	EM	1
295	417N3130-4SP		.							BOX ASSY-THREE MASK OXY (LIMITED USAGE) (REF CMM 35-21-03)	CH	1
-295A	417N3130-36SP		.							BOX ASSY-THREE MASK OXY (LIMITED USAGE) (REF CMM 35-21-02)	CH	1
-295B	417N3130-2SP		.							BOX ASSY-FOUR MASK OXY (LIMITED USAGE) (REF CMM 35-21-03)	CJ, CK	1
-295C	417N3130-34SP		.							BOX ASSY-FOUR MASK OXY (LIMITED USAGE) (REF CMM 35-21-02)	CJ, CK	1
-295D	417N3130-34SP		.							BOX ASSY-FOUR MASK OXY (REF CMM 35-21-02)	CL	1
-295E	417N3130-66SP		.							BOX ASSY-THREE MASK OXY (REF CMM 35-21-02)	EE	1
-295F	417N3130-64SP		.							BOX ASSY-FOUR MASK OXY (REF CMM 35-21-02)	CN, CP	1
-295G	417N3130-36SP		.							BOX ASSY-THREE MASK OXY (REF CMM 35-21-02)	EN	1
300	417N3100-48		.							GENERATOR ASSY	AY, CA- CD, CF, CJ-CL, CN, CP	1
-300A	417N3100-46		.							GENERATOR ASSY	CE, CG, CH, CM, EE, EM, EN	1
305	BACS12FA08K6		.	.						SCREW	AY, CA- CP, EE, EM, EN	4
310	117003-14		.	.						GENERATOR-CHEMICAL OXY (V16827) (SPEC S417T401-27) (OPT ITEM 310A, 310D)	AY, CA- CD, CF, CJ-CL, CN, CP, EM, EN	1

-Item not Illustrated

25-23-34

ILLUSTRATED PARTS LIST

Page 1098.276

Nov 01/2008



COMPONENT MAINTENANCE MANUAL

FIG/ ITEM	PART NUMBER	AIRLINE PART NUMBER	NOMENCLATURE							USAGE CODE	UNITS PER ASSY	
			1	2	3	4	5	6	7			
8- -310A	803000-04		. .								AY, CA- CD, CF, CJ-CL, CN, CP, EM, EN	1
-310B	117003-13		. .								CE, CG, CH, CM, EE, EM, EN	1
-310C	803000-03		. .								CE, CG, CH, CM, EE, EM, EN	1
-310D	E71740-00		. .								AY, CA- CD, CF, CJ-CL, CN, CP, EM, EN	1
315	417N3160-11		. .								AY, CA- CP, EE, EM, EN	1
320	FT1387P8-1-2		. . .								AY, CA- CP, EE, EM, EN	1
-320A	C58024-08-1A		. . .								AY, CA- CP, EE, EM, EN	1
-325	AN960KD416		DELETED									
325A	AN960JD416		. . .								AY, CA- CP, EE, EM, EN	1
330	A4972-6-82		. . .								AY, CA- CP, EE, EM, EN	1
335	BACR15BA3D		. . .								AY, CA- CP, EE, EM, EN	4

-Item not Illustrated

25-23-34

ILLUSTRATED PARTS LIST

Page 1098.277

Nov 01/2008



COMPONENT MAINTENANCE MANUAL

FIG/ ITEM	PART NUMBER	AIRLINE PART NUMBER	NOMENCLATURE							USAGE CODE	UNITS PER ASSY	
			1	2	3	4	5	6	7			
8-												
340	417N3811-13		.	.	.					HINGE	AY, CA-CP, EE, EM, EN	1
350	417N3160-12		.	.	.					PAD-INSULATION	AY, CA-CP, EE, EM, EN	1
355	417N3161-7		.	.	.					BRACKET-MTG	AY, CA-CP, EE, EM, EN	1
360	417N3160-13		.	.	.					PAD-INSULATION	AY, CA-CP, EE, EM, EN	6
365	417N3136-99		.	.	.					BRACKET-MTG	AY, CA-CP, EE, EM, EN	1
370	417N3100-15		.							SPEAKER ASSY	CA-CP, EE, EM, EN	1
-370A	417N3100-17		.							SPEAKER ASSY	AY	1
375	BACS12FA08K6		.	.						SCREW	CA-CP, EE, EM, EN	4
380	BACN10YJ08		.	.						NUT	CA-CP, EE, EM, EN	4
381	BACN10YJ08		.	.						NUT	AY	2
382	417N3173-6		.	.						SPRING	CA-CP, EE, EM, EN	2
385	417N3104-1		.	.						GASKET (MAKE FROM SH RUBATEX R310V 0.125 X 7.0 IN. DIA)	CA-CP, EE, EM, EN	1
-385A	417N3104-2		.	.						GASKET (MAKE FROM SH RUBATEX R310V 0.125 X 7.0 IN. DIA)	AY	1
390	RDAM8005A		.	.						SPEAKER (V54473) (SPEC S222T101-101) (OPT ITEM 390A)	AY, CA-CP, EE, EM, EN	1

-Item not Illustrated

25-23-34

ILLUSTRATED PARTS LIST

Page 1098.278

Nov 01/2008



COMPONENT MAINTENANCE MANUAL

FIG/ ITEM	PART NUMBER	AIRLINE PART NUMBER	NOMENCLATURE							USAGE CODE	UNITS PER ASSY	
			1	2	3	4	5	6	7			
8- -390A	RDAM8018		.	.	S	P	E	A	K	E	AY, CA- CP, EE, EM, EN	1
					(V54473)							
					(SPEC 10-62232-01)							
					(OPT ITEM 390)							
393	BACR15BB4D10		.		R	I	V	E	T		AY, CA- CP, EE, EM, EN	2
395	6100-12		.		R	E	T	A	I	N	AY, CA- CP, EE, EM, EN	2
					(V97464)							
400	417N3180-1		.		C	L	A	M	P	A	AY, CA- CP, EE, EM, EN	2
405	NAS607-2-8P		.	.	P	I	N	-	D	O	AY, CA- CP, EE, EM, EN	1
410	NAS607-1-4P		.	.	P	I	N	-	D	O	AY, CA- CP, EE, EM, EN	2
415	417N3181-1		.	.	L	I	N	K	-	R	AY, CA- CP, EE, EM, EN	1
					(OPT ITEM 415A)							
-415A	65-85902-1		.	.	L	I	N	K	-	R	AY, CA- CP, EE, EM, EN	1
					(OPT ITEM 415)							
420	65-85905-4		.	.	P	L	U	N	G	E	AY, CA- CP, EE, EM, EN	1
425	RCS3290		.	.	S	P	R	I	N	G	AY, CA- CP, EE, EM, EN	1
					(V08205)							
430	417N3182-1		.	.	P	L	U	N	G	E	AY, CA- CP, EE, EM, EN	1
					-P	L	U	N	G	E		
435	417N3180-3		.	.	P	L	U	N	G	E	AY, CA- CP, EE, EM, EN	2
					-S	P	R					
440	RCS3289		.	.	S	P	R	I	N	G	AY, CA- CP, EE, EM, EN	2
					(V08205)							

-Item not Illustrated

25-23-34

ILLUSTRATED PARTS LIST

Page 1098.279

Nov 01/2008



COMPONENT MAINTENANCE MANUAL

FIG/ ITEM	PART NUMBER	AIRLINE PART NUMBER	NOMENCLATURE							USAGE CODE	UNITS PER ASSY	
			1	2	3	4	5	6	7			
8- 445	417N3183-1		.	.						CLAMP-CLAMP	AY, CA- CP, EE, EM, EN	1
-450	AN960JD416L		.							WASHER (USED WITH ITEM 455)	AY, CA- CP, EE	AR
-455	PLWP1S		.							TIE-PUSH MOUNT CABLE (V58417)	AY, CA- CP, EE, EM, EN	AR
-460	NMC1001-0		.							CLAMP (V03296) (OPT ITEM 460A)	AY, CA- CP, EE, EM, EN	2
-460A	BACC10DK3		.							CLAMP (OPT ITEM 460)	AY, CA- CP, EE, EM, EN	2
465	1TW2-3		.							SWITCH-TOGGLE (V91929)	AY, CA- CP, EE, EM, EN	1
-470	61-33500-001		.							WIRE BUNDLE	CA, CB, CF-CK, EE	1
-470A	61-33500-002		.							WIRE BUNDLE	CC-CE, CL-CN, EM, EN	1
-470B	61-33500-002									DELETED		
-470C	286N0512-007		.							WIRE BUNDLE	AY	1
475	417N3100-71		.							PAD	AY, CA- CP, EE, EM, EN	2
480	417N3190-1		.							LANYARD ASSY	AY, CA- CP, EE, EM, EN	1
485	GSC205		.	.						SLEEVE (V59730) (SPEC BACS13S205C) (OPT Y0C130 (V12357)) (OPT ITEM 485A)	AY, CA- CP, EE, EM, EN	4
-485A	GSC219		.	.						SLEEVE (V59730) (SPEC BACS13S219C) (OPT Y0C140 (V12357)) (OPT ITEM 485)	AY, CA- CP, EE, EM, EN	4

-Item not Illustrated

25-23-34

ILLUSTRATED PARTS LIST

Page 1098.280

Nov 01/2008



COMPONENT MAINTENANCE MANUAL

FIG/ ITEM	PART NUMBER	AIRLINE PART NUMBER	NOMENCLATURE							USAGE CODE	UNITS PER ASSY
			1	2	3	4	5	6	7		
8-											
490	10-61790-1		.	.	HOOK (V08205) (SPEC 10-61790-1)					AY, CA- CP, EE, EM, EN	1
495	NAS43DD4-5		.	.	SPACER					AY, CA- CP, EE, EM, EN	1
500	65C16899-6		.	.	SPRING					AY, CA- CP, EE, EM, EN	1
505	417N3190-3		.	.	CORD					AY, CA- CP, EE, EM, EN	1
510	417N3110-11SP		.		FRAME ASSY (LIMITED USAGE) (FOR DETAILS SEE FIG.23)					CA, CB	1
-510A	417N3110-31SP		.		FRAME ASSY (LIMITED USAGE) (FOR DETAILS SEE FIG.24)					CA, CB	1
-510B	417N3110-31SP		.		FRAME ASSY (FOR DETAILS SEE FIG.24)					CC-CG, EM	1
-510C	417N3110-77SP		.		FRAME ASSY (FOR DETAILS SEE FIG.27)					AY	1
-515	417N3110-12SP		.		FRAME ASSY (LIMITED USAGE) (FOR DETAILS SEE FIG.23)					CH-CK	1
-515A	417N3110-32SP		.		FRAME ASSY (LIMITED USAGE) (FOR DETAILS SEE FIG.24)					CH-CK	1
-515B	417N3110-32SP		.		FRAME ASSY (FOR DETAILS SEE FIG.24)					CL-CP, EE, EN	1
520	BAC27DPA2272		.		DECAL					AY, CA- CP, EE, EM, EN	1
-525	BACN27NPA0610				DELETED						
525A	BAC27NPA0610		.		MARKER-ALUMINIUM FOIL					AY, CA- CG, EM	1
530	BAC27NPA0609		.		MARKER-ALUMINUM FOIL					CH-CP, EE, EN	1
535	BAC27NPA0647		.		MARKER-ALUMINUM FOIL					AY, CA- CG, EM	1

-Item not Illustrated

25-23-34

ILLUSTRATED PARTS LIST

Page 1098.281

Nov 01/2008



COMPONENT MAINTENANCE MANUAL

FIG/ ITEM	PART NUMBER	AIRLINE PART NUMBER	NOMENCLATURE							USAGE CODE	UNITS PER ASSY
			1	2	3	4	5	6	7		
8- 540	BAC27NPA0646									CH-CP, EE, EN	1

-Item not Illustrated

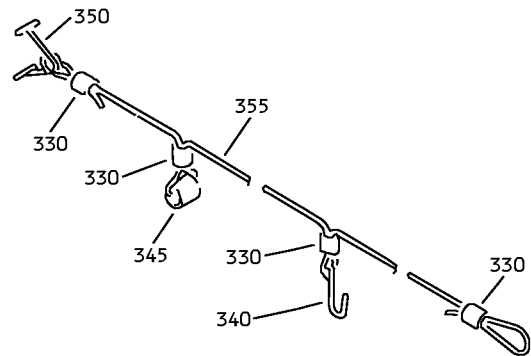
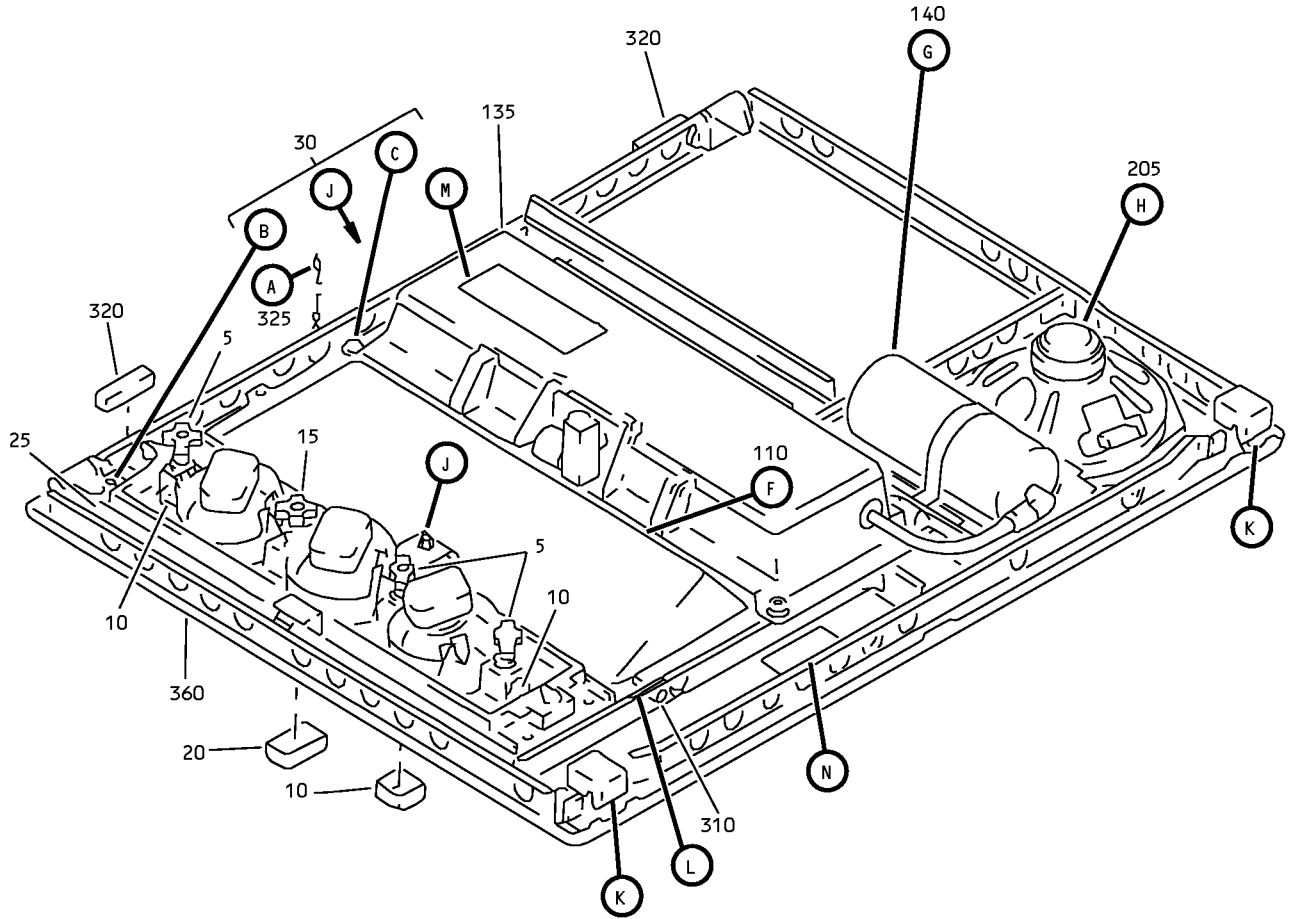
25-23-34

ILLUSTRATED PARTS LIST

Page 1098.282

Nov 01/2008

COMPONENT MAINTENANCE MANUAL



A

Full Underbin - Passenger Service Unit (with Speaker) Assembly
IPL Figure 9 (Sheet 1 of 6)

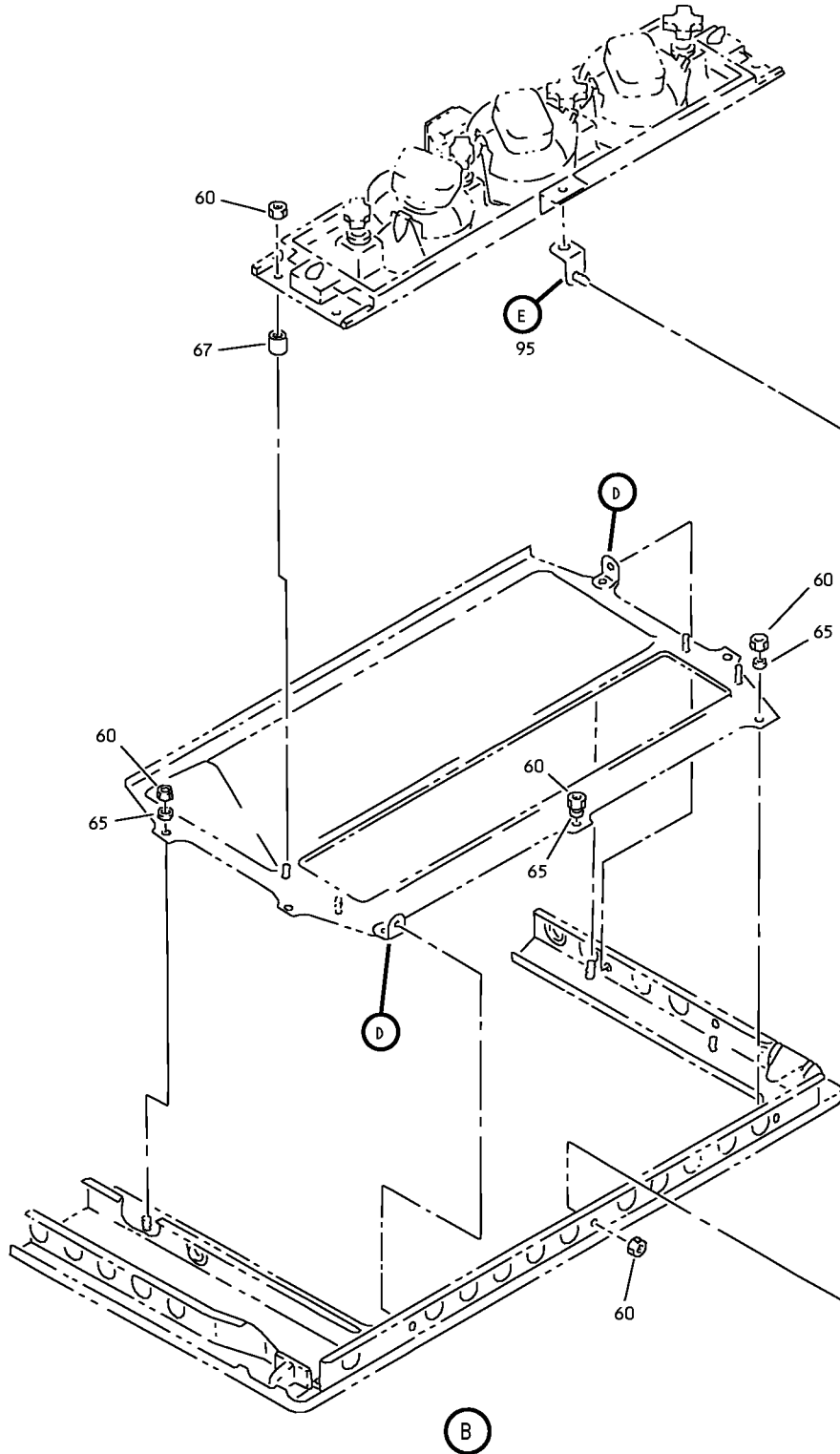
25-23-34

ILLUSTRATED PARTS LIST

Page 1098.283

Nov 01/2008

COMPONENT MAINTENANCE MANUAL



Full Underbin - Passenger Service Unit (with Speaker) Assembly
IPL Figure 9 (Sheet 2 of 6)

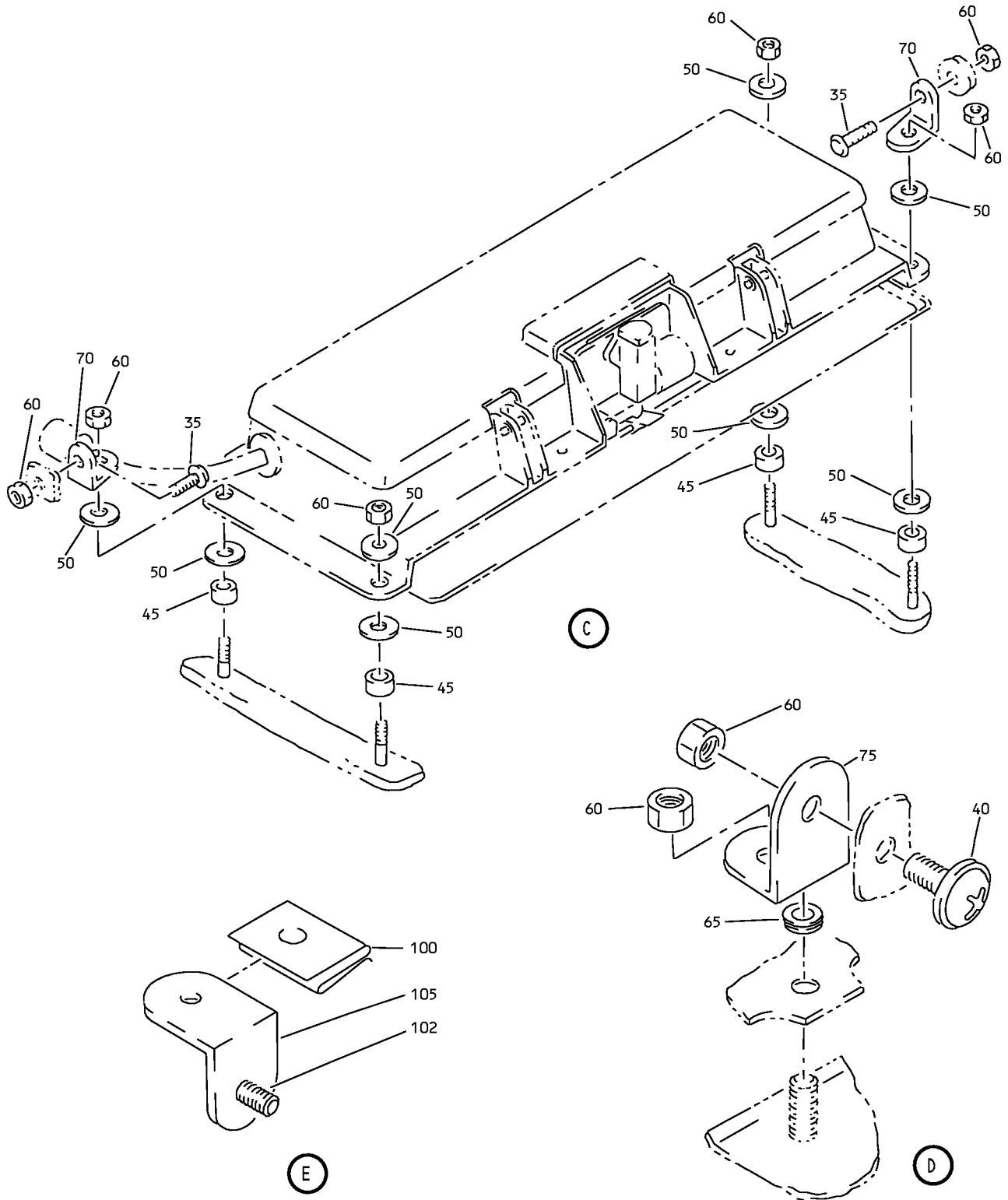
25-23-34

ILLUSTRATED PARTS LIST

Page 1098.284

Nov 01/2008

COMPONENT MAINTENANCE MANUAL



Full Underbin - Passenger Service Unit (with Speaker) Assembly
IPL Figure 9 (Sheet 3 of 6)

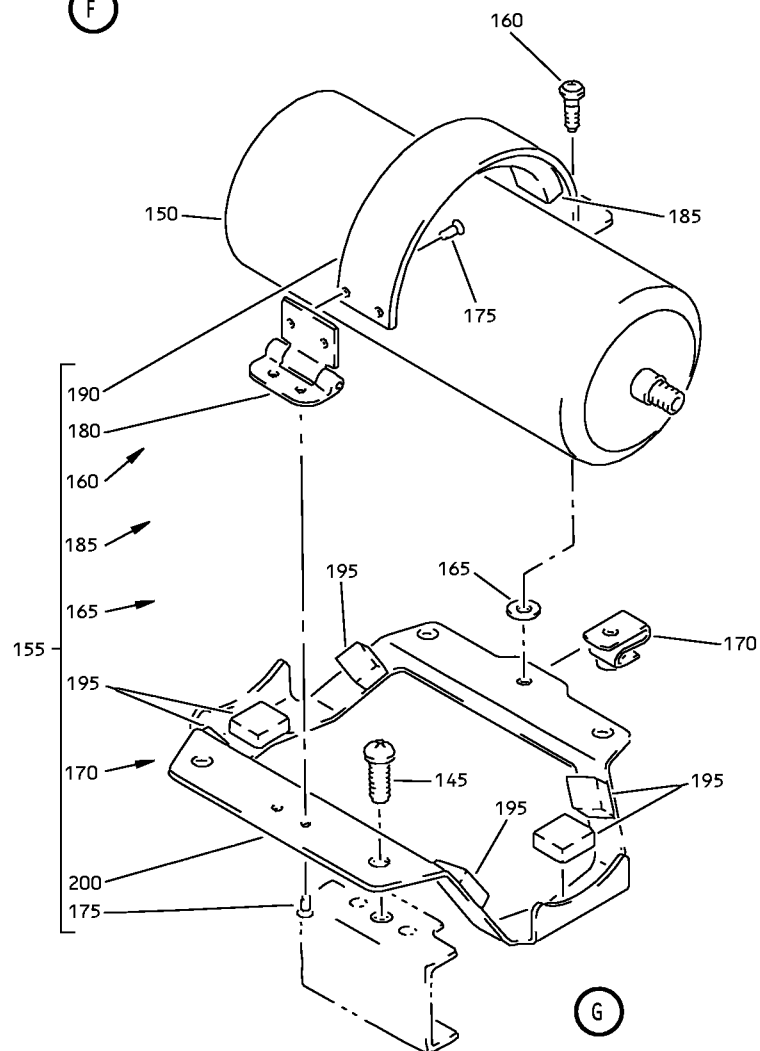
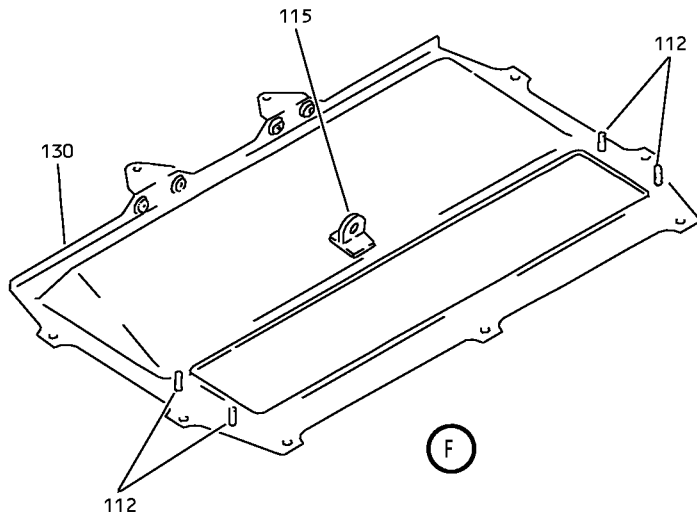
25-23-34

ILLUSTRATED PARTS LIST

Page 1098.285

Nov 01/2008

COMPONENT MAINTENANCE MANUAL



Full Underbin - Passenger Service Unit (with Speaker) Assembly
IPL Figure 9 (Sheet 4 of 6)

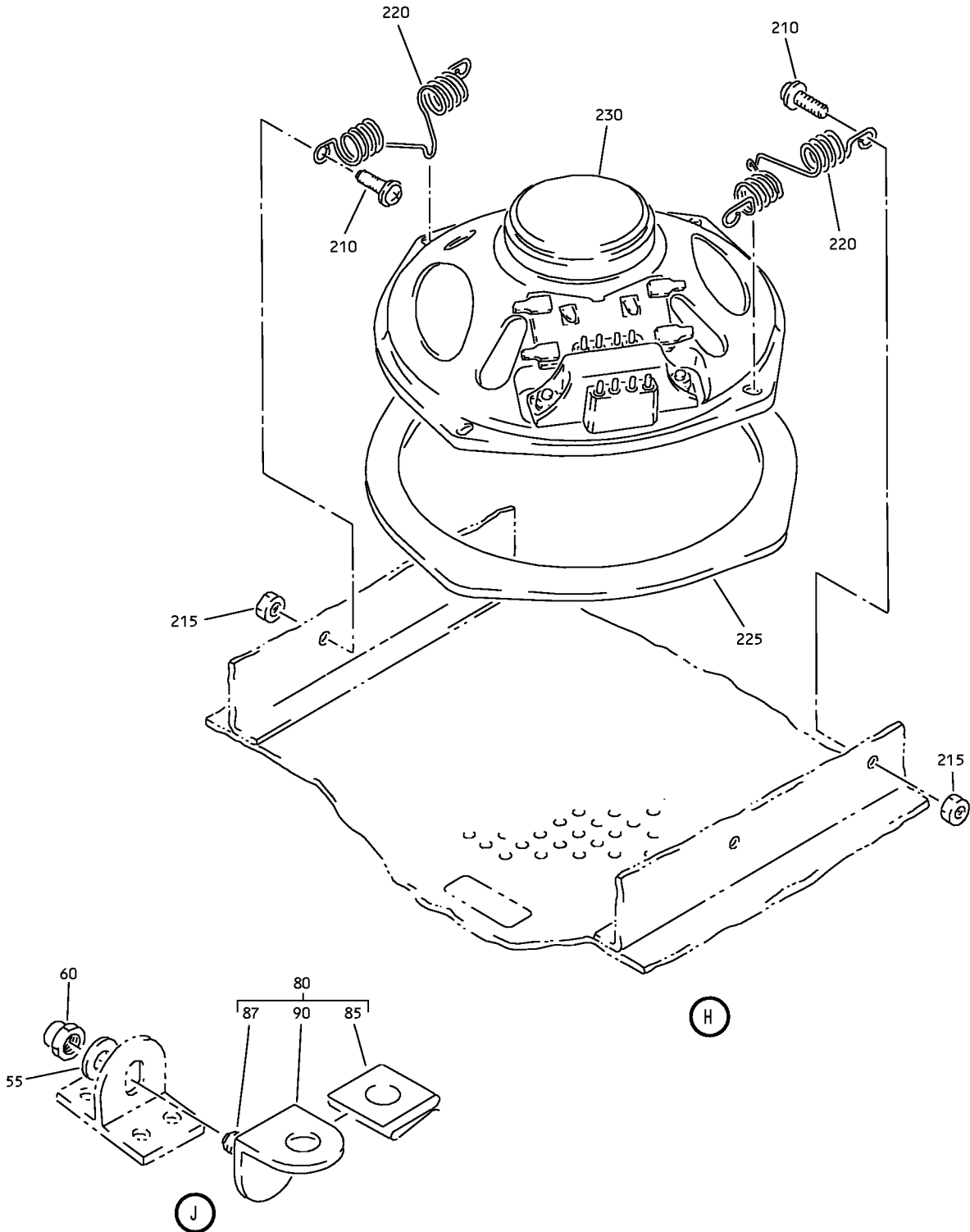
25-23-34

ILLUSTRATED PARTS LIST

Page 1098.286

Nov 01/2008

COMPONENT MAINTENANCE MANUAL



Full Underbin - Passenger Service Unit (with Speaker) Assembly
IPL Figure 9 (Sheet 5 of 6)

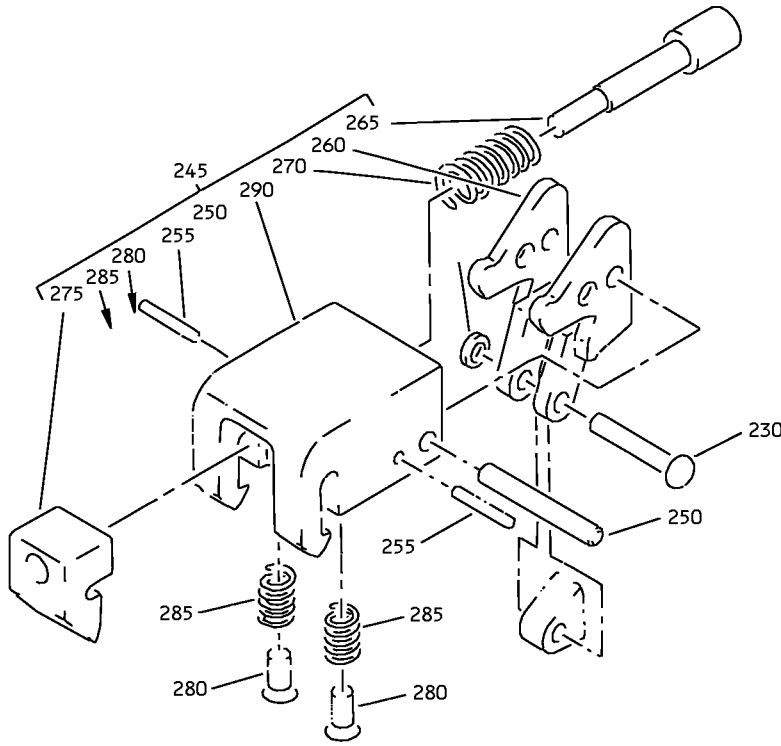
25-23-34

ILLUSTRATED PARTS LIST

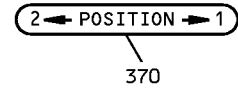
Page 1098.287

Nov 01/2008

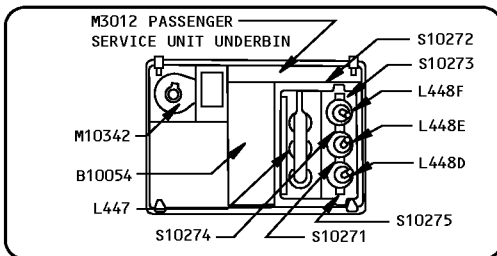
COMPONENT MAINTENANCE MANUAL



(K)



(L)



(N)

ATTENTION

FOR REMOVAL AND RELOCATION INFORMATION SEE
MAINTENANCE MANUAL CHAPTER 25

FOR MASK STOWAGE INSTRUCTIONS SEE MAINTENANCE
MANUAL CHAPTER 35

FOR CLEANING INSTRUCTIONS SEE DOCUMENT D6-7127

(M)

Full Underbin - Passenger Service Unit (with Speaker) Assembly
IPL Figure 9 (Sheet 6 of 6)

25-23-34

ILLUSTRATED PARTS LIST

Page 1098.288

Nov 01/2008



COMPONENT MAINTENANCE MANUAL

FIG/ ITEM	PART NUMBER	AIRLINE PART NUMBER	NOMENCLATURE							USAGE CODE	UNITS PER ASSY
			1	2	3	4	5	6	7		
9-											
-1	417N3100-266SP										
-1A	417N3100-342SP										
5	920056										
10	S417N304-1A										
10A	S417N304-1B										
10B	VIP720-1C										
-10C	S417N304-1M										
-10D	S417N304-1N										
-10E	S417N304-1P										
-10F	S417N304-1R										
-10G	S417N304-1S										
-10H	S417N304-6D										
-10J	VIP720-6E										
-10K	VIP720-6G										

-Item not Illustrated

25-23-34

ILLUSTRATED PARTS LIST

Page 1098.289

Nov 01/2008



COMPONENT MAINTENANCE MANUAL

FIG/ ITEM	PART NUMBER	AIRLINE PART NUMBER	NOMENCLATURE							USAGE CODE	UNITS PER ASSY	
			1	2	3	4	5	6	7			
9- -10L	VIP720-1A		.								CQ, CR	3
-10M	VIP720-1M		.								CQ, CR	3
-10N	VIP720-1N		.								CQ, CR	3
-10P	VIP720-1S		.								CQ, CR	3
-10Q	VIP720-1B		.								CQ, CR	3
15	920055		.								CQ, CR	1
20	S417N303-2A											
-20A	S417N303-2B											
20B	S417N303-2C											
20C	VIP720-2D		.								CQ, CR	1
-20D	VIP720-2E		.								CQ, CR	1

-Item not Illustrated

25-23-34

ILLUSTRATED PARTS LIST

Page 1098.290

Nov 01/2008



COMPONENT MAINTENANCE MANUAL

FIG/ ITEM	PART NUMBER	AIRLINE PART NUMBER	NOMENCLATURE							USAGE CODE	UNITS PER ASSY									
			1	2	3	4	5	6	7											
9- -20E	VIP720-2G		.	L	E	N	-	C	A	L	L	S	W	I	T	C	H		CQ, CR	1
-20F	S417N303-2H		.	L	E	N	-	C	A	L	L	S	W	I	T	C	H		CQ, CR	1
-20G	S417N303-2J																			
-20H	S417N303-2K		.	L	E	N	-	C	A	L	L	S	W	I	T	C	H		CQ, CR	1
-20J	S417N303-2L																			
-20K	VIP720-2A		.	L	E	N	-	C	A	L	L	S	W	I	T	C	H		CQ, CR	1
-20L	VIP720-2B		.	L	E	N	-	C	A	L	L	S	W	I	T	C	H		CQ, CR	1
-20M	VIP720-2C		.	L	E	N	-	C	A	L	L	S	W	I	T	C	H		CQ, CR	1
-20N	VIP720-2J		.	L	E	N	-	C	A	L	L	S	W	I	T	C	H		CQ, CR	1
-20P	VIP720-2L		.	L	E	N	-	C	A	L	L	S	W	I	T	C	H		CQ, CR	1

-Item not Illustrated

25-23-34

ILLUSTRATED PARTS LIST

Page 1098.291

Nov 01/2008



COMPONENT MAINTENANCE MANUAL

FIG/ ITEM	PART NUMBER	AIRLINE PART NUMBER	NOMENCLATURE							USAGE CODE	UNITS PER ASSY	
			1	2	3	4	5	6	7			
9- 25	10-1006-2		.								CQ, CR	1
30	417N3100-83		.								CQ, CR	1
35	BACS12FA08K6		..								CQ, CR	2
40	BACS12FA08K5		..								CQ, CR	2
45	NAS43DD3-18		..								CQ, CR	4
50	BACW10P193G		..								CQ, CR	8
55	MS35335-31		..								CQ, CR	1
60	BACN10YJ08		..								CQ, CR	19

-Item not Illustrated

25-23-34

ILLUSTRATED PARTS LIST

Page 1098.292

Nov 01/2008



COMPONENT MAINTENANCE MANUAL

FIG/ ITEM	PART NUMBER	AIRLINE PART NUMBER	NOMENCLATURE							USAGE CODE	UNITS PER ASSY
			1	2	3	4	5	6	7		
9-											
65	G6940-3B3		.	.	GROMMET (V75345) (SPEC BACG20AF3B3) (OPT SZ6924-3B3 (V95272)) (OPT 701-3B3 (V07096)) (OPT E3B3 (V60980)) (OPT H3B3 (V60980)) (OPT RR2002-3B3 (V57268))					CQ, CR	5
67	NAS43DD3-20		.	.	SPACER					CQ, CR	4
70	417N3122-115		.	.	ANGLE					CQ, CR	2
75	417N3122-14		.	.	ANGLE-SUPPORT					CQ, CR	2
80	417N3122-122		.	.	BRACKET ASSY					CQ, CR	1
85	82-47-108-15		.	.	CLIP (V84483)					CQ, CR	1
87	BACS21AQ2A3K		.	.	STUD					CQ, CR	1
90	417N3122-121		.	.	BRACKET					CQ, CR	1
95	417N3122-60		.	.	BRACKET ASSY					CQ, CR	1
100	82-47-108-15		.	.	CLIP (V84483)					CQ, CR	1
102	BACS21AQ2A3K		.	.	STUD (OPT ITEM 102A)					CQ, CR	1
-102A	FHS832-6		.	.	STUD (OPT ITEM 102)					CQ, CR	1
105	417N3122-61		.	.	BRACKET (OPT ITEM 105A)					CQ, CR	1
-105A	417N3122-130		.	.	BRACKET (OPT ITEM 105)					CQ, CR	1
110	417N3105-5SP		.	.	MODULE ASSY-SVCE					CQ, CR	1
112	BACS21AQ6A6M		.	.	STUD					CQ, CR	4
115	417N3122-53		.	.	BRACKET					CQ, CR	1
130	417N3101-1SP		.	.	MODULE					CQ, CR	1
135	417N3130-34SP		.	.	BOX ASSY-FOUR MASK OXY (REF CMM 35-21-02)					CQ	1
-135A	417N3130-64SP		.	.	BOX ASSY-FOUR MASK OXY (REF CMM 35-21-02)					CR	1
140	417N3100-48		.	.	GENERATOR ASSY					CQ, CR	1

-Item not Illustrated

25-23-34

ILLUSTRATED PARTS LIST

Page 1098.293

Nov 01/2008



COMPONENT MAINTENANCE MANUAL

FIG/ ITEM	PART NUMBER	AIRLINE PART NUMBER	NOMENCLATURE							USAGE CODE	UNITS PER ASSY
			1	2	3	4	5	6	7		
9-											
145	BACS12FA08K6		. .	SCREW						CQ, CR	4
				(V06710)							
				(SPEC BACS12FA08K6)							
				(OPT BACS12FA08K6 (V06725))							
				(OPT BACS12FA08K6 (V06950))							
				(OPT BACS12FA08K6 (V27624))							
				(OPT BACS12FA08K6 (V34252))							
				(OPT BACS12FA08K6 (V56878))							
				(OPT BACS12FA08K6 (V73197))							
				(OPT BACS12FA08K6 (V80539))							
				(OPT BACS12FA08K6 (V92215))							
				(OPT BACS12FA08K6 (V93907))							
				(OPT BACS12FA08K6 (V97928))							
150	117003-14		. .	GENERATOR-CHEMICAL OXY						CQ, CR	1
				(V16827)							
				(SPEC S417T401-27)							
				(OPT ITEM 150A)							
-150A	803000-04		. .	GENERATOR-CHEMICAL OXY						CQ, CR	1
				(V53655)							
				(SPEC S417T401-33)							
				(OPT ITEM 150)							
155	417N3160-11		. .	BRACKET ASSY						CQ, CR	1
160	FT1387P8-1-2		. . .	SCREW-CAPTIVE						CQ, CR	1
				(V58794)							
				(OPT ITEM 160A)							
-160A	C58024-08-1A		. . .	SCREW-CAPTIVE						CQ, CR	1
				(V58998)							
				(OPT ITEM 160)							
165	AN960KD416		. . .	WASHER						CQ, CR	1
170	A4972-6-82		. . .	NUT						CQ, CR	1
				(V72962)							
				(SPEC BACN10FX84)							
				(OPT RM52LHA4972-6-82 (V72962))							
				(OPT SL211-08-1 (V97393))							
				(OPT 130008 (V60119))							
				(OPT A11330-6-82 (V72962))							
175	BACR15BA3D		. . .	RIVET						CQ, CR	4
				(SIZE DETERMINED ON INST)							
				(FOR NHA SEE 417N3160)							
180	417N3811-13		. . .	HINGE						CQ, CR	1
185	417N3160-12		. . .	PAD-INSULATION						CQ, CR	1
190	417N3161-7		. . .	BRACKET-MTG						CQ, CR	1

-Item not Illustrated

25-23-34

ILLUSTRATED PARTS LIST

Page 1098.294

Nov 01/2008



COMPONENT MAINTENANCE MANUAL

FIG/ ITEM	PART NUMBER	AIRLINE PART NUMBER	NOMENCLATURE							USAGE CODE	UNITS PER ASSY	
			1	2	3	4	5	6	7			
9-												
195	417N3160-13		. . .							PAD-INSULATION	CQ, CR	6
200	417N3136-99		. . .							BRACKET-MTG	CQ, CR	1
205	417N3100-15		.							SPEAKER ASSY	CQ, CR	1
210	BACS12FA08K6		. .							SCREW (V06710) (SPEC BACS12FA08K6) (OPT BACS12FA08K6 (V06725)) (OPT BACS12FA08K6 (V06950)) (OPT BACS12FA08K6 (V27624)) (OPT BACS12FA08K6 (V34252)) (OPT BACS12FA08K6 (V56878)) (OPT BACS12FA08K6 (V73197)) (OPT BACS12FA08K6 (V80539)) (OPT BACS12FA08K6 (V92215)) (OPT BACS12FA08K6 (V93907)) (OPT BACS12FA08K6 (V97928))	CQ, CR	4
215	BACN10YJ08		. .							NUT	CQ, CR	4
220	417N3173-6		. .							SPRING	CQ, CR	2
225	417N3104-1		. .							GASKET (MAKE FROM SH RUBATEX R310V 0.125 X 7.0 IN. DIA)	CQ, CR	1
230	RDAM8005A		. .							SPEAKER (V54473) (SPEC S222T101-101)	CQ, CR	1
235	BACR15BB4D10		.							RIVET (V09192) (SPEC BACR15BB4D10) (OPT BACR15BB4D10 (V42838)) (OPT BACR15BB4D10 (V53551)) (OPT BACR15BB4D10 (V55580))	CQ, CR	2
240	6100-12		.							RETAINER (V2X013)	CQ, CR	2
245	417N3180-1		.							CLAMP ASSY	CQ, CR	2
250	NAS607-2-8P		. .							PIN-DOWEL	CQ, CR	1
255	NAS607-1-4P		. .							PIN-DOWEL	CQ, CR	2
260	417N3181-1		. .							LINK-ROCKER (OPT ITEM 260A)	CQ, CR	1
-260A	65-85902-1		. .							LINK-ROCKER (OPT ITEM 260)	CQ, CR	1
265	65-85905-4		. .							PLUNGER	CQ, CR	1

-Item not illustrated

25-23-34

ILLUSTRATED PARTS LIST

Page 1098.295

Nov 01/2008



COMPONENT MAINTENANCE MANUAL

FIG/ ITEM	PART NUMBER	AIRLINE PART NUMBER	NOMENCLATURE							USAGE CODE	UNITS PER ASSY
			1	2	3	4	5	6	7		
9-											
270	RCS3290		.	.	SPRING (V08205)					CQ, CR	1
275	417N3182-1		.	.	BODY-PLUNGER					CQ, CR	1
280	417N3180-3		.	.	PLUNGER-SPR					CQ, CR	2
285	RCS3289		.	.	SPRING (V08205)					CQ, CR	2
290	417N3183-1		.	.	BODY-CLAMP					CQ, CR	1
-295	AN960JD416L		.		WASHER (USED WITH ITEM 300)					CQ, CR	AR
-300	PLWP1S		.		TIE-PUSH MOUNT CABLE (V58417)					CQ, CR	AR
-305	NMC1001-0		.		CLAMP (V03296) (OPT ITEM 305A)					CQ, CR	2
-305A	BACC10DK3		.		CLAMP (V16115) (SPEC BACC10DK3) (OPT BACC10DK3 (V81872)) (OPT ITEM 305)					CQ, CR	2
310	1TW2-3		.		SWITCH-TOGGLE (V91929)					CQ, CR	1
-315	61-33500-001		.		WIRE BUNDLE					CQ, CR	1
320	417N3100-71		.		PAD					CQ, CR	2
325	417N3190-1		.		LANYARD ASSY					CQ, CR	1
330	GSC205		.	.	SLEEVE (V59730) (SPEC BACS13S205C) (OPT Y0C130 (V09922)) (OPT ITEM 330A)					CQ, CR	4
-330A	GSC219		.	.	SLEEVE (V59730) (SPEC BACS13S219C) (OPT Y0C140 (V09922)) (OPT ITEM 330)					CQ, CR	4
340	10-61790-1		.	.	HOOK (V08205) (SPEC 10-61790-1)					CQ, CR	1
345	NAS43DD4-5		.	.	SPACER					CQ, CR	1
350	65C16899-6		.	.	SPRING					CQ, CR	1

-Item not Illustrated

25-23-34

ILLUSTRATED PARTS LIST

Page 1098.296

Nov 01/2008



COMPONENT MAINTENANCE MANUAL

FIG/ ITEM	PART NUMBER	AIRLINE PART NUMBER	NOMENCLATURE							USAGE CODE	UNITS PER ASSY
			1	2	3	4	5	6	7		
9-											
355	417N3190-3		.	.	CORD					CQ, CR	1
360	417N3110-32SP		.		FRAME ASSY (FOR DETAILS SEE FIG.24)					CQ, CR	1
365	BAC27DPA2272		.		DECAL					CQ, CR	1
370	BAC27NPA0609		.		MARKER-ALUMINUM FOIL					CQ, CR	1
375	BAC27NPA0676		.		MARKER-ALUMINUM FOIL					CQ, CR	1

-Item not Illustrated

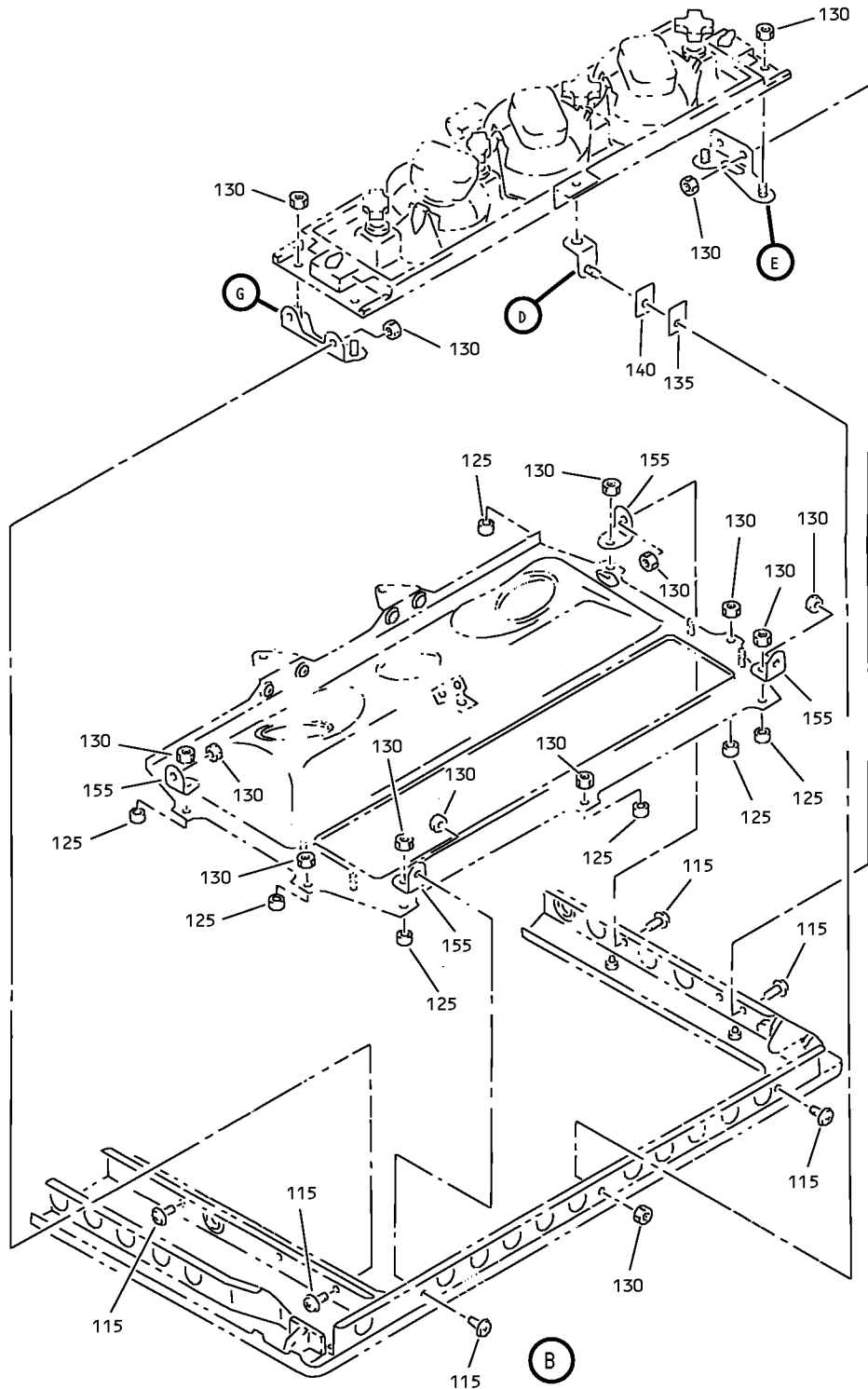
25-23-34

ILLUSTRATED PARTS LIST

Page 1098.297

Nov 01/2008

COMPONENT MAINTENANCE MANUAL



Full Underbin - Passenger Service Unit (with Gasper Air, without Speaker) Assembly
IPL Figure 10 (Sheet 2 of 8)

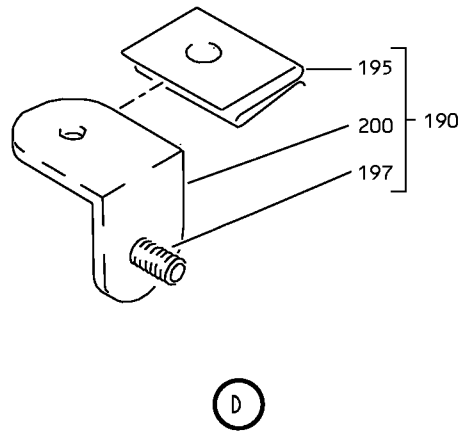
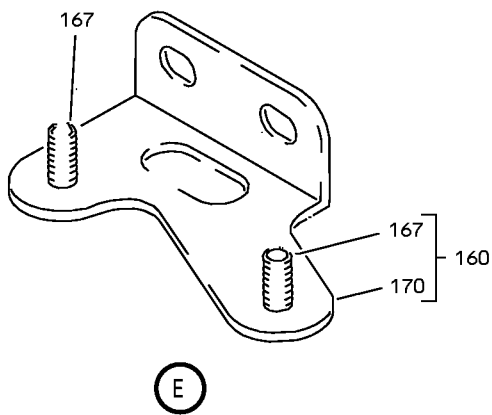
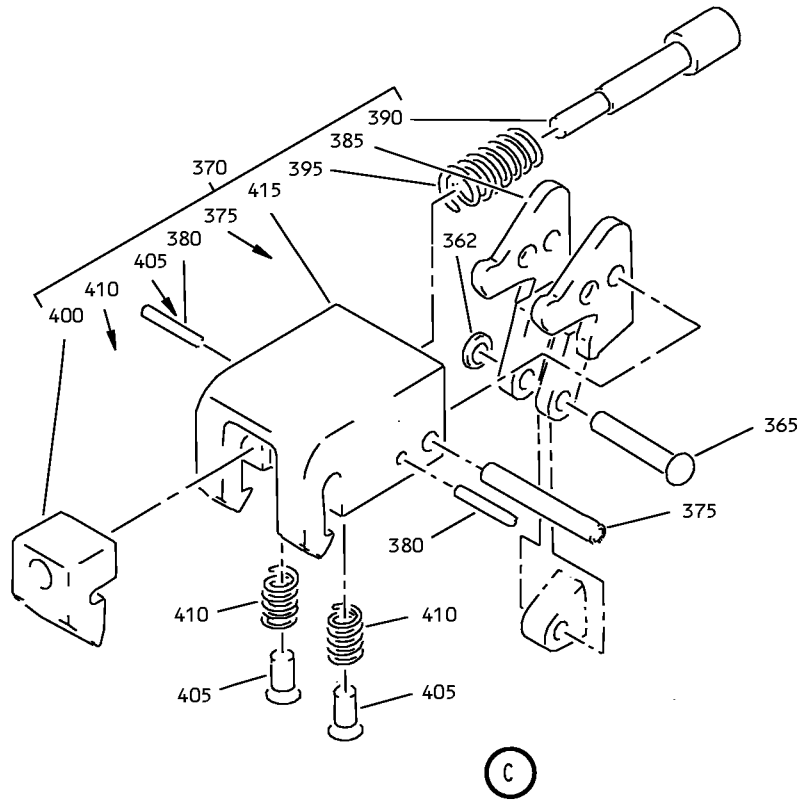
25-23-34

ILLUSTRATED PARTS LIST

Page 1098.299

Nov 01/2008

COMPONENT MAINTENANCE MANUAL



Full Underbin - Passenger Service Unit (with Gasper Air, without Speaker) Assembly
IPL Figure 10 (Sheet 3 of 8)

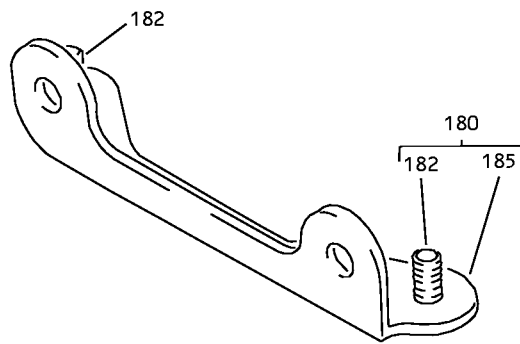
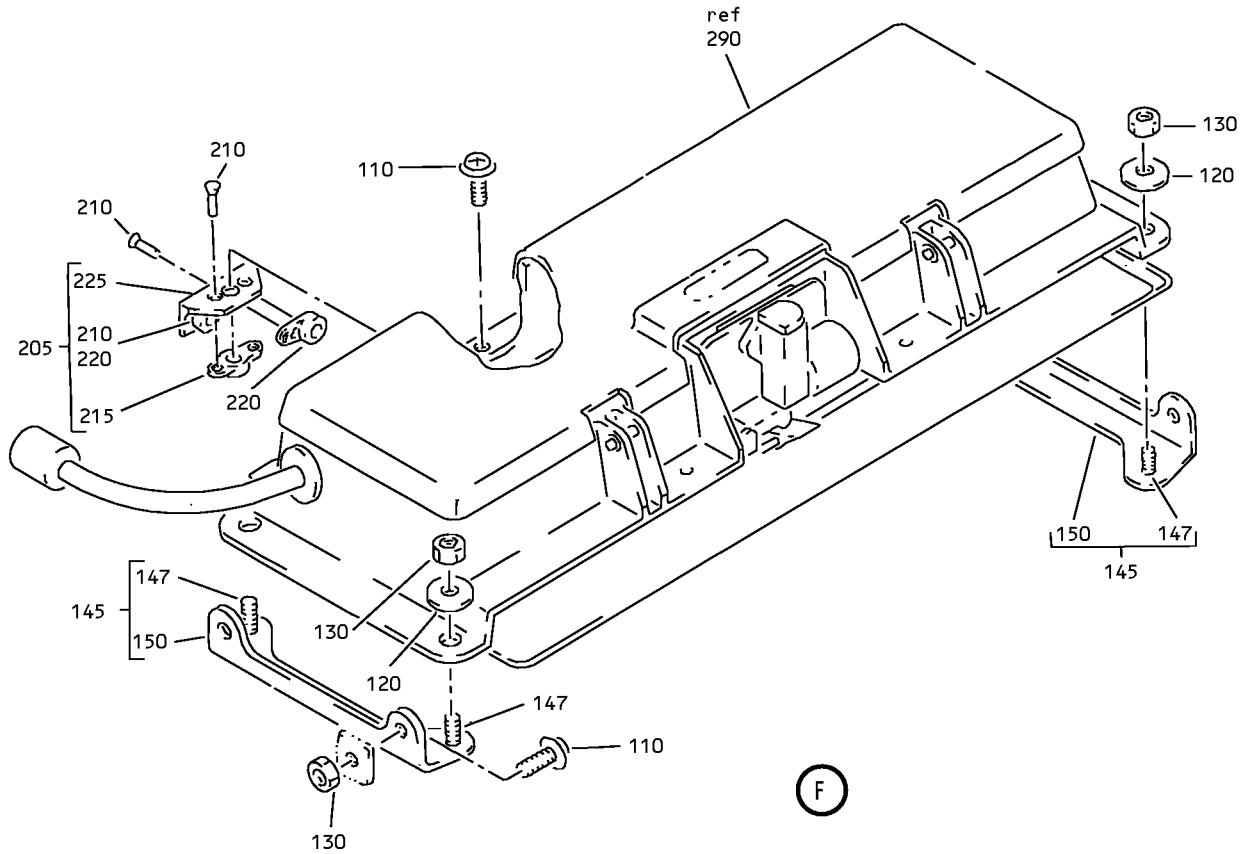
25-23-34

ILLUSTRATED PARTS LIST

Page 1098.300

Nov 01/2008

COMPONENT MAINTENANCE MANUAL



Full Underbin - Passenger Service Unit (with Gasper Air, without Speaker) Assembly
IPL Figure 10 (Sheet 4 of 8)

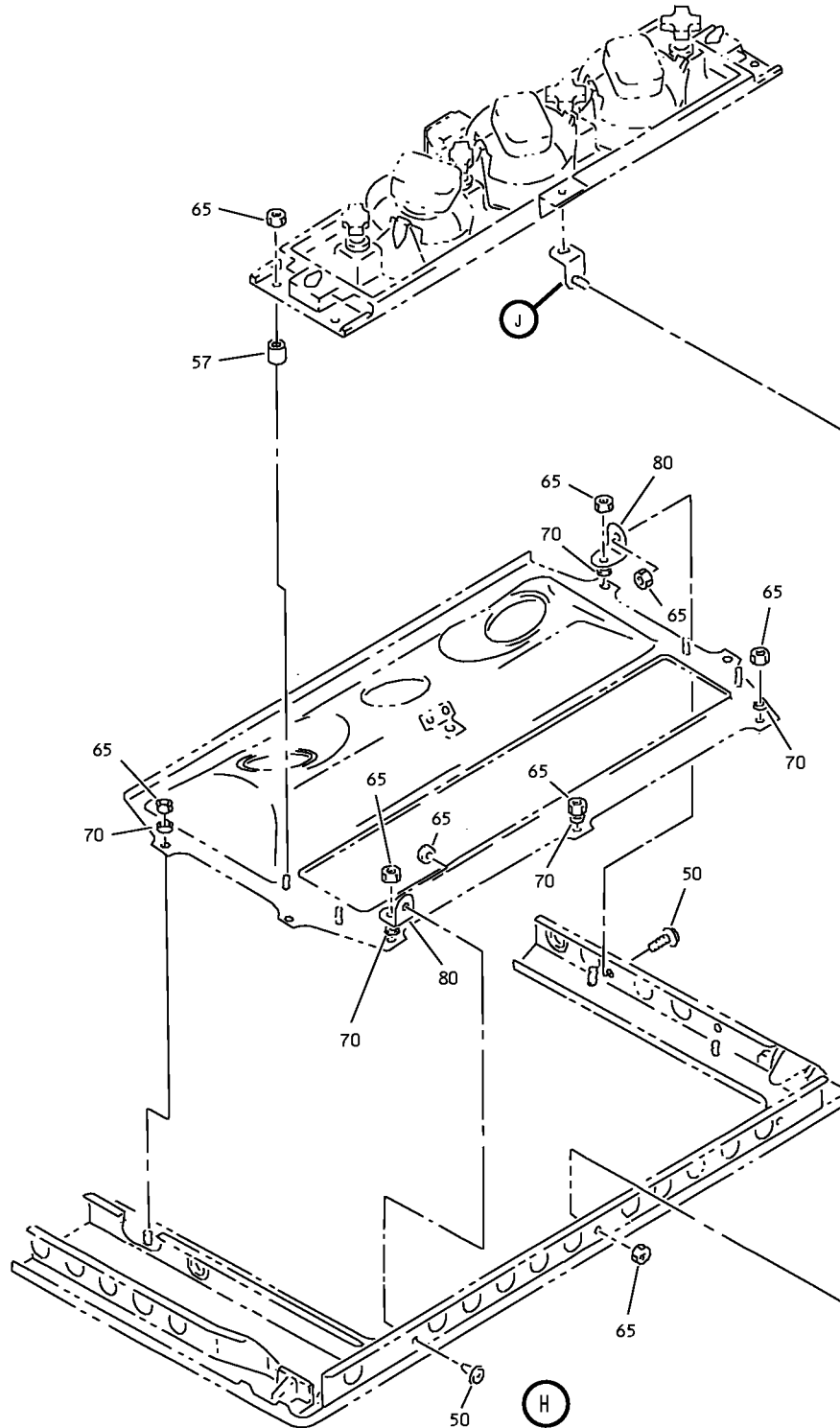
25-23-34

ILLUSTRATED PARTS LIST

Page 1098.301

Nov 01/2008

COMPONENT MAINTENANCE MANUAL



Full Underbin - Passenger Service Unit (with Gasper Air, without Speaker) Assembly
IPL Figure 10 (Sheet 5 of 8)

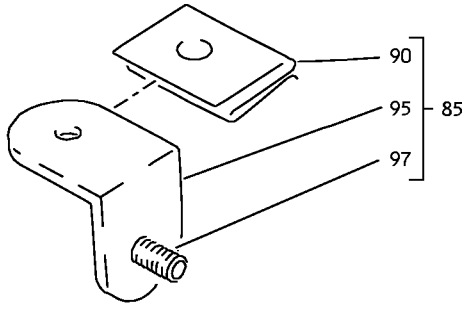
25-23-34

ILLUSTRATED PARTS LIST

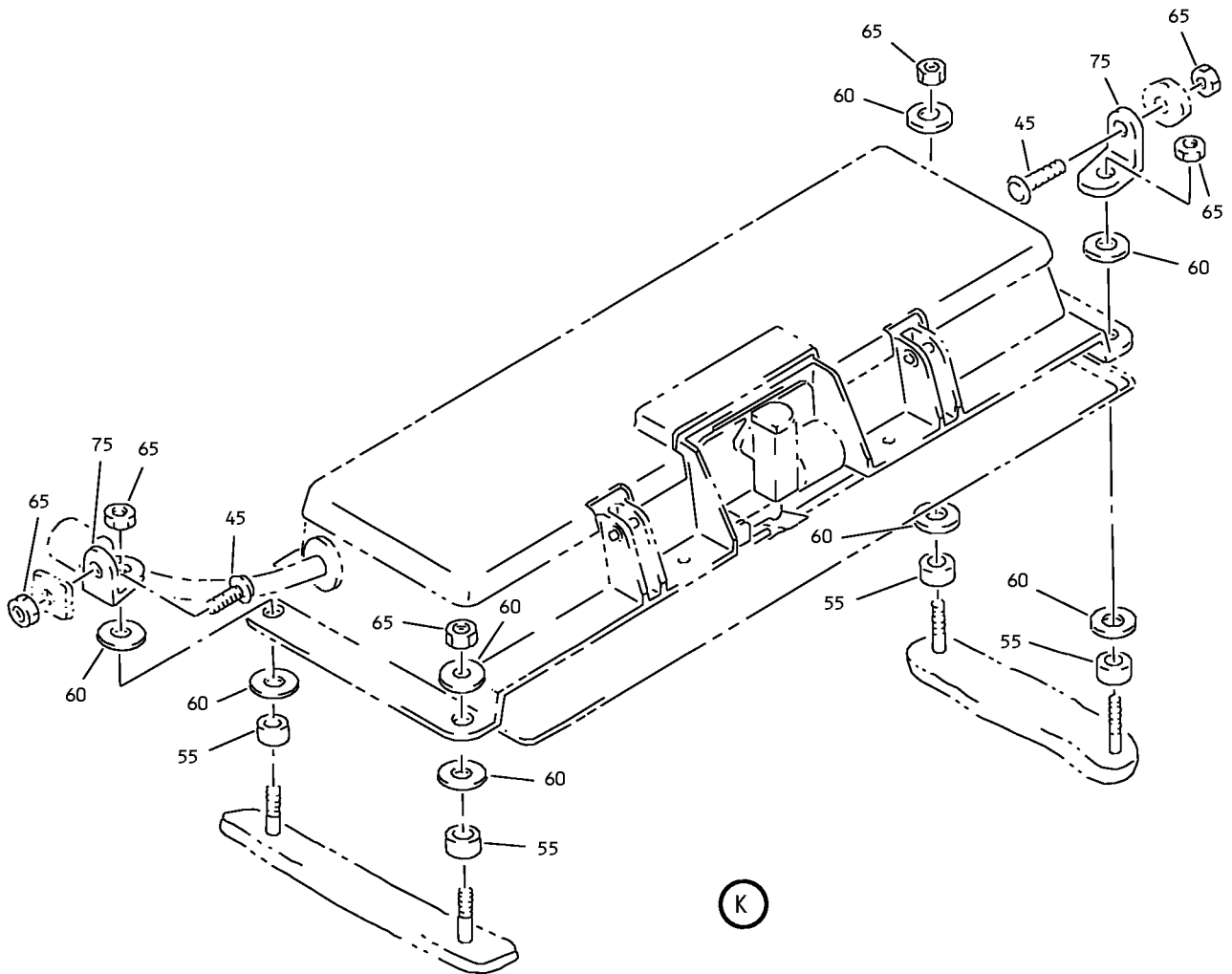
Page 1098.302

Nov 01/2008

COMPONENT MAINTENANCE MANUAL



J



K

Full Underbin - Passenger Service Unit (with Gasper Air, without Speaker) Assembly
IPL Figure 10 (Sheet 6 of 8)

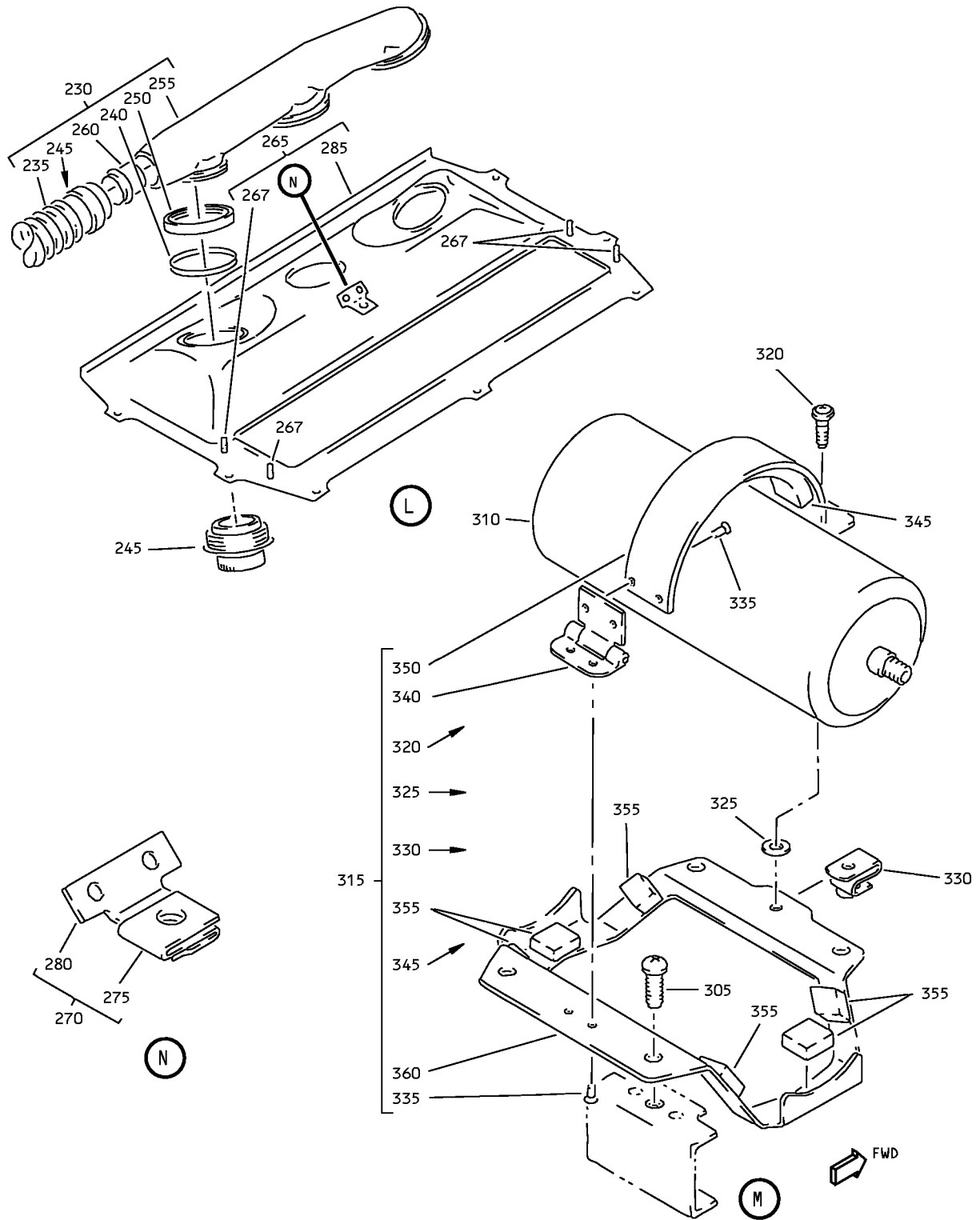
25-23-34

ILLUSTRATED PARTS LIST

Page 1098.303

Nov 01/2008

COMPONENT MAINTENANCE MANUAL



Full Underbin - Passenger Service Unit (with Gasper Air, without Speaker) Assembly
IPL Figure 10 (Sheet 7 of 8)

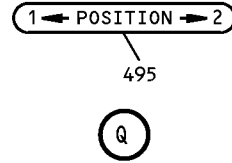
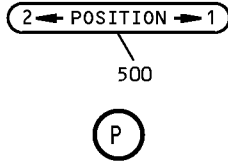
25-23-34

ILLUSTRATED PARTS LIST

Page 1098.304

Nov 01/2008

COMPONENT MAINTENANCE MANUAL

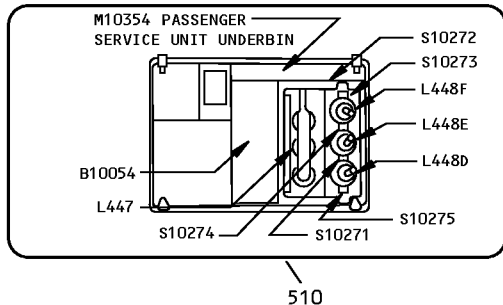
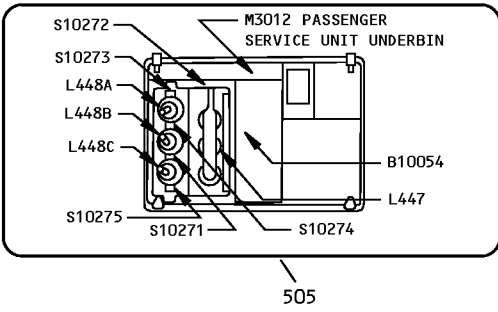
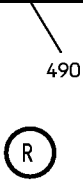


ATTENTION

FOR REMOVAL AND RELOCATION INFORMATION SEE
MAINTENANCE MANUAL CHAPTER 25

FOR MASK STOWAGE INSTRUCTIONS SEE MAINTENANCE
MANUAL CHAPTER 35

FOR CLEANING INSTRUCTIONS SEE DOCUMENT D6-7127



Full Underbin - Passenger Service Unit (with Gasper Air, without Speaker) Assembly
IPL Figure 10 (Sheet 8 of 8)

25-23-34

ILLUSTRATED PARTS LIST

Page 1098.305

Nov 01/2008



COMPONENT MAINTENANCE MANUAL

FIG/ ITEM	PART NUMBER	AIRLINE PART NUMBER	NOMENCLATURE							USAGE CODE	UNITS PER ASSY
			1	2	3	4	5	6	7		
10-											
-1	417N3100-125SP		SERVICE UNIT ASSY-FULL UNDERBIN PASS. (WITH GASPER AIR, WITHOUT SPKR) (LH)							CS	RF
-1A	417N3100-215SP		SERVICE UNIT ASSY-FULL UNDERBIN PASS. (WITH GASPER AIR, WITHOUT SPKR) (LH)							CT	RF
-1B	417N3100-295SP		SERVICE UNIT ASSY-FULL UNDERBIN PASS. (WITH GASPER AIR, WITHOUT SPKR) (LH)							CU	RF
-1C	417N3100-657SP		SERVICE UNIT ASSY-FULL UNDERBIN PASS. (WITH GASPER AIR, WITHOUT SPKR, ZONED CALL SYS) (LH)							AS	RF
-5	417N3100-124SP		SERVICE UNIT ASSY-FULL UNDERBIN PASS. (WITH GASPER AIR, WITHOUT SPKR) (RH)							CV	RF
-5A	417N3100-164SP		SERVICE UNIT ASSY-FULL UNDERBIN PASS. (WITH GASPER AIR, WITHOUT SPKR) (RH)							CW	RF
-5B	417N3100-216SP		SERVICE UNIT ASSY-FULL UNDERBIN PASS. (WITH GASPER AIR, WITHOUT SPKR) (RH)							CX	RF
-5C	417N3100-296SP		SERVICE UNIT ASSY-FULL UNDERBIN PASS. (WITH GASPER AIR, WITHOUT SPKR) (RH)							CY	RF
-5D	417N3100-658SP		SERVICE UNIT ASSY-FULL UNDERBIN PASS. (WITH SPKR, GASPER AIR, ZONED CALL SYS) (RH)							AT	RF
-5E	417N3100-420SP		SERVICE UNIT ASSY-FULL UNDERBIN PASS. (WITH GASPER AIR, WITHOUT SPKR) (RH)							AZ	RF

-Item not Illustrated

25-23-34

ILLUSTRATED PARTS LIST

Page 1098.306

Nov 01/2008



COMPONENT MAINTENANCE MANUAL

FIG/ ITEM	PART NUMBER	AIRLINE PART NUMBER	NOMENCLATURE							USAGE CODE	UNITS PER ASSY
			1	2	3	4	5	6	7		
10-											
10	920056								. SWITCH-READING LT (V97564)	AS, AT, AZ, CS- CY	3
15	S417N304-1A								DELETED		
15A	S417N304-1B								DELETED		
15B	VIP720-1C								. LENS-LT SWITCH (COLOR OPT-CUST PREFERENCE, RED-WHITE) (V28406) (SPEC S417N304-1C)	AS, AT, AZ, CS- CY	3
-15C	S417N304-1M								DELETED		
-15D	S417N304-1N								DELETED		
-15E	S417N304-1P								. LENS-LT SWITCH (COLOR OPT-CUST PREFERENCE, PURPLE)	AS, AT, AZ, CS- CY	3
-15F	S417N304-1R								. LENS-LT SWITCH (COLOR OPT-CUST PREFERENCE, ORANGE- WHITE)	AS, AT, AZ, CS- CY	3
-15G	S417N304-1S								DELETED		
-15H	S417N304-6D								. LENS-LT SWITCH (COLOR OPT-CUST PREFERENCE, WHITE- BIEGE)	AS, AT, AZ, CS- CY	3
-15J	VIP720-6E								. LENS-LT SWITCH (COLOR OPT-CUST PREFERENCE, REDWOOD- BEIGE) (V28406) (SPEC S417N304-6E)	AS, AT, AZ, CS- CY	3
-15K	VIP720-6G								. LENS-LT SWITCH (COLOR OPT-CUST PREFERENCE, BROWN- WHITE) (V28406) (SPEC S417N304-6G)	AS, AT, AZ, CS- CY	3
-15L	VIP720-1A								. LENS-LT SWITCH (COLOR OPT-CUST PREFERENCE, WHITE-GOLD) (V28406) (SPEC S417N304-1A)	AS, AT, AZ, CS- CY	3

-Item not Illustrated

25-23-34

ILLUSTRATED PARTS LIST

Page 1098.307

Nov 01/2008



COMPONENT MAINTENANCE MANUAL

FIG/ ITEM	PART NUMBER	AIRLINE PART NUMBER	NOMENCLATURE							USAGE CODE	UNITS PER ASSY														
			1	2	3	4	5	6	7																
10- -15M	VIP720-1M		.	L	E	N	S	-	L	T	S	W	I	T	C	H		AS, AT, AZ, CS- CY	3						
-15N	VIP720-1N		.	L	E	N	S	-	L	T	S	W	I	T	C	H		AS, AT, AZ, CS- CY	3						
-15P	VIP720-1S		.	L	E	N	S	-	L	T	S	W	I	T	C	H		AS, AT, AZ, CS- CY	3						
-15Q	VIP720-1B		.	L	E	N	S	-	L	T	S	W	I	T	C	H		AS, AT, AZ, CS- CY	3						
20	920055		.	S	W	I	T	C	H	-	A	T	T	E	N	D	A	N	T	C	A	L		AS, AT, AZ, CS- CY	1
25	S417N303-2A																								
-25A	S417N303-2B																								
25B	S417N303-2C																								
25C	VIP720-2D		.	L	E	N	S	-	C	A	L	L	S	W	I	T	C	H		AS, AT, AZ, CS- CY	1				
-25D	VIP720-2E		.	L	E	N	S	-	C	A	L	L	S	W	I	T	C	H		AS, AT, AZ, CS- CY	1				

-Item not Illustrated

25-23-34

ILLUSTRATED PARTS LIST

Page 1098.308

Nov 01/2008



COMPONENT MAINTENANCE MANUAL

FIG/ ITEM	PART NUMBER	AIRLINE PART NUMBER	NOMENCLATURE							USAGE CODE	UNITS PER ASSY										
			1	2	3	4	5	6	7												
10- -25E	VIP720-2G		.	L	E	N	S	-	C	A	L	L	S	W	I	T	C	H		AS, AT, AZ, CS- CY	1
-25F	S417N303-2H		.	L	E	N	S	-	C	A	L	L	S	W	I	T	C	H		AS, AT, AZ, CS- CY	1
-25G	S417N303-2J		DELETED																		
-25H	S417N303-2K		.	L	E	N	S	-	C	A	L	L	S	W	I	T	C	H		AS, AT, AZ, CS- CY	1
-25J	S417N303-2L		DELETED																		
-25K	VIP720-2A		.	L	E	N	S	-	C	A	L	L	S	W	I	T	C	H		AS, AT, AZ, CS- CY	1
-25L	VIP720-2B		.	L	E	N	S	-	C	A	L	L	S	W	I	T	C	H		AS, AT, AZ, CS- CY	1
-25M	VIP720-2C		.	L	E	N	S	-	C	A	L	L	S	W	I	T	C	H		AS, AT, AZ, CS- CY	1
-25N	VIP720-2J		.	L	E	N	S	-	C	A	L	L	S	W	I	T	C	H		AS, AT, AZ, CS- CY	1
-25P	VIP720-2L		.	L	E	N	S	-	C	A	L	L	S	W	I	T	C	H		AS, AT, AZ, CS- CY	1

-Item not Illustrated

25-23-34

ILLUSTRATED PARTS LIST

Page 1098.309

Nov 01/2008



COMPONENT MAINTENANCE MANUAL

FIG/ ITEM	PART NUMBER	AIRLINE PART NUMBER	NOMENCLATURE							USAGE CODE	UNITS PER ASSY
			1	2	3	4	5	6	7		
10- 30	10-1006-1		.							AS, CS- CU	1
			.								
-35	10-1006-2		.							AT, AZ, CV-CY	1
			.								
40	417N3100-81		.							CS, CT, CV-CX	1
-40A	417N3100-81		.							CU, CY	1
-40B	417N3100-92		.							AS, AT, AZ	1
			.								
45	BACS12FA08K6		.	.						CS-CY	2
			.	.							
			.	.							
			.	.							
			.	.							
			.	.							
			.	.							
			.	.							
			.	.							
			.	.							
			.	.							
			.	.							
50	BACS12FA08K5		.	.						CS-CY	2
			.	.							
			.	.							
			.	.							
			.	.							
			.	.							
			.	.							
			.	.							
			.	.							
			.	.							
			.	.							
			.	.							
			.	.							
			.	.							
			.	.							
			.	.							
			.	.							
			.	.							
55	NAS43DD3-18		.	.						AS, AT, AZ, CS- CY	4
			.	.							
			.	.							
57	NAS43DD3-20		.	.						AS, AT, AZ, CS- CY	4
			.	.							

-Item not Illustrated

25-23-34

ILLUSTRATED PARTS LIST

Page 1098.310

Nov 01/2008



COMPONENT MAINTENANCE MANUAL

FIG/ ITEM	PART NUMBER	AIRLINE PART NUMBER	NOMENCLATURE							USAGE CODE	UNITS PER ASSY
			1	2	3	4	5	6	7		
10-											
60	BACW10P193G		.	.	WASHER (V10630) (SPEC BACW10P193G)					AS, AT, AZ, CS- CY	8
65	BACN10YJ08		.	.	NUT					AS, AT, AZ, CS- CY	13
67	BACN10YJ08		.	.	NUT					CS-CY	5
70	G6940-3B3		.	.	GROMMET (V75345) (SPEC BACG20AF3B3) (OPT SZ6924-3B3 (V95272)) (OPT 701-3B3 (V07096)) (OPT E3B3 (V60980)) (OPT H3B3 (V60980)) (OPT RR2002-3B3 (V57268))					AS, AT, AZ, CS- CY	5
75	417N3122-115		.	.	ANGLE					CS-CY	2
80	417N3122-14		.	.	ANGLE-SPRT					CS-CY	2
85	417N3122-60		.	.	BRACKET ASSY					CS-CY	1
90	82-47-108-15		.	.	CLIP (V84483)					CS-CY	1
95	417N3122-61		.	.	BRACKET (OPT ITEM 95A)					CS-CY	1
-95A	417N3122-130		.	.	BRACKET (OPT ITEM 95)					CS-CY	1
97	BACS21AQ2A3K		.	.	STUD (OPT ITEM 97A)					CS-CY	1
-97A	FHS832-6		.	.	STUD (OPT ITEM 97)					CS-CY	1
100	417N3100-51		.	.	FASTENER ASSY (LIMITED USAGE)					CS, CT	1
-105	417N3100-52		.	.	FASTENER ASSY (LIMITED USAGE)					CV-CX	1

-Item not Illustrated

25-23-34

ILLUSTRATED PARTS LIST

Page 1098.311

Nov 01/2008



COMPONENT MAINTENANCE MANUAL

FIG/ ITEM	PART NUMBER	AIRLINE PART NUMBER	NOMENCLATURE							USAGE CODE	UNITS PER ASSY	
			1	2	3	4	5	6	7			
10- 110	BACS12FA08K6		.	.	SCREW (V06710) (SPEC BACS12FA08K6) (OPT BACS12FA08K6 (V06725)) (OPT BACS12FA08K6 (V06950)) (OPT BACS12FA08K6 (V27624)) (OPT BACS12FA08K6 (V34252)) (OPT BACS12FA08K6 (V56878)) (OPT BACS12FA08K6 (V73197)) (OPT BACS12FA08K6 (V80539)) (OPT BACS12FA08K6 (V92215)) (OPT BACS12FA08K6 (V93907)) (OPT BACS12FA08K6 (V97928))						CS, CT, CV-CX	7
115	BACS12FA08K5		.	.	SCREW (V06710) (SPEC BACS12FA08K5) (OPT BACS12FA08K5 (V06725)) (OPT BACS12FA08K5 (V06950)) (OPT BACS12FA08K5 (V27624)) (OPT BACS12FA08K5 (V34252)) (OPT BACS12FA08K5 (V56878)) (OPT BACS12FA08K5 (V73197)) (OPT BACS12FA08K5 (V80539)) (OPT BACS12FA08K5 (V92215)) (OPT BACS12FA08K5 (V93907)) (OPT BACS12FA08K5 (V97928))					CS, CT, CV-CX	8	
120	BACW10P193G		.	.	WASHER (V10630) (SPEC BACW10P193G)					CS, CT, CV-CX	4	
125	NAS43DD3-7		.	.	SPACER					CS, CT, CV-CX	7	
130	BACN10YJ08		.	.	NUT					CS, CT, CV-CX	28	
135	66-25727-1		.	.	SHIM					CS, CT, CV-CX	1	
140	66-25727-2		.	.	SHIM					CS, CT, CV-CX	1	
145	417N3122-65		.	.	ANGLE ASSY					CS, CT, CV-CX	2	
147	BACS21AQ2A3K		.	.	STUD-WELD					CS, CT, CV-CX	2	
150	417N3122-66		.	.	ANGLE					CS, CT, CV-CX	1	

-Item not Illustrated

25-23-34

ILLUSTRATED PARTS LIST

Page 1098.312

Nov 01/2008



COMPONENT MAINTENANCE MANUAL

FIG/ ITEM	PART NUMBER	AIRLINE PART NUMBER	NOMENCLATURE							USAGE CODE	UNITS PER ASSY
			1	2	3	4	5	6	7		
10-											
155	417N3122-14		.	.	ANGLE-SPRT					CS, CT, CV-CX	4
160	417N3122-107		.	.	ANGLE ASSY					CS, CT	1
-165	417N3122-108		.	.	ANGLE ASSY					CV-CX	1
167	BACS21AQ2A3P		.	.	STUD-WELD					CS, CT, CV-CX	2
170	417N3122-109		.	.	ANGLE					CS, CT	1
-175	417N3122-110		.	.	ANGLE					CV-CX	1
180	417N3122-71		.	.	ANGLE ASSY					CS, CT, CV-CX	1
182	BACS21AQ2A3K		.	.	STUD-WELD					CS, CT, CV-CX	2
185	417N3122-72		.	.	ANGLE					CS, CT, CV-CX	1
190	417N3122-60		.	.	BRACKET ASSY					CS, CT, CV-CX	1
195	82-47-108-15		.	.	CLIP					CS, CT, CV-CX	1
197	BACS21AQ2A3K		.	.	STUD-WELD					CS, CT, CV-CX	1
200	417N3122-61		.	.	BRACKET					CS, CT, CV-CX	1
205	417N3136-19		.	.	BRACKET ASSY-MTG					CS, CT, CV-CX	1
210	BACR15BA3AD		.	.	RIVET (SIZE DETERMINED ON INST) (FOR NHA SEE 417N3136)					CS, CT, CV-CX	6
215	BRM200A08		.	.	NUTPLATE (V52828) (SPEC BACN10JP08A) (OPT MK1000-08BAC (V15653)) (OPT NS103197-82 (V80539)) (OPT RMA9201M82 (V72962)) (OPT T8076S832 (V11815)) (OPT VN202A1-82 (V92215))					CS, CT, CV-CX	1

-Item not Illustrated

25-23-34

ILLUSTRATED PARTS LIST

Page 1098.313

Nov 01/2008



COMPONENT MAINTENANCE MANUAL

FIG/ ITEM	PART NUMBER	AIRLINE PART NUMBER	NOMENCLATURE							USAGE CODE	UNITS PER ASSY	
			1	2	3	4	5	6	7			
10- 220	BRM100A08		.	.	.	NUTPLATE (V52828) (SPEC BACN10JP08B) (OPT MK2000-08BAC (V15653)) (OPT NS103198-82 (V80539)) (OPT RMA9207M82 (V72962)) (OPT T8077S832 (V11815)) (OPT VN201A1-82 (V92215))					CS, CT, CV-CX	2
225	417N3136-21		.	.	.	BRACKET					CS, CT, CV-CX	1
230	417N3100-25SP		.			AIR ASSY-GASPER					AS, AT, CS, CU- CW, CY	1
-230A	417N3100-26		.			AIR ASSY-GASPER					AZ, CT, CX	1
235	B0E20563A120		.	.		DUCT (V16632) (SPEC BACD40P3A120) (OPT AD15273A120 (V21868))					AS, AT, AZ, CS- CY	1
240	65C31432-1		.	.		WASHER					AZ, CT, CX	AR
245	10-60141-23A					DELETED						
245A	750801-002		.	.		OUTLET (V28406) (SPEC 10-60141-23S) (COLOR OPT-CUST PREFERENCE, BIEGE)					AS, AT, CS, CU- CW, CY	3
-245B	10-60141-23U		.	.		OUTLET (COLOR OPT-CUST PREFERENCE, DARK GREY)					AS, AT, CS, CU- CW, CY	3
-245C	10-60141-25		.	.		OUTLET					AZ, CT, CX	3
-245D	L16999-16C		.	.		OUTLET AIR (V17744) (SPEC 10-60141-23A) (COLOR OPT-CUST PREFERENCE, ZYTEL WT-07)					AS, AT, CS, CU- CW, CY	3
250	PLT2MM		.	.		STRAP (V06383) (OPT ITEM 250A)					AS, AT, AZ, CS- CY	3

-Item not Illustrated

25-23-34

ILLUSTRATED PARTS LIST

Page 1098.314

Nov 01/2008



COMPONENT MAINTENANCE MANUAL

FIG/ ITEM	PART NUMBER	AIRLINE PART NUMBER	NOMENCLATURE							USAGE CODE	UNITS PER ASSY	
			1	2	3	4	5	6	7			
10- -250A	PLT2MM2		.	.							AS, AT, AZ, CS- CY	3
255	417N3103-1		.	.							AS, AT, AZ, CS- CY	1
260	417N3063-4		.	.	.						AS, AT, AZ, CS- CY	1
265	417N3105-4SP		.								CS, CT, CV-CX	1
-265A	417N3105-6SP		.								CS, CT, CV-CX	1
-265B	417N3105-6SP		.								CU, CY	1
-265C	417N3105-9SP		.								AS, AT, AZ	1
267	BACS21AQ6A6M		.	.							CS-CY	4
270	417N3122-111		.	.							AS, AT, AZ, CS- CY	1
275	82-47-108-15		.	.	.						AS, AT, AZ, CS- CY	1
280	417N3122-112		.	.	.						AS, AT, AZ, CS- CY	1
285	417N3101-2SP		.	.							CS-CY	1
290	417N3130-1SP		.								CS, CT	1
-290A	417N3130-33SP		.								CS, CT	1
-290B	417N3130-63SP		.								CU	1
-290C	417N3130-73SP		.								AS	1

-Item not Illustrated

25-23-34

ILLUSTRATED PARTS LIST

Page 1098.315

Nov 01/2008



COMPONENT MAINTENANCE MANUAL

FIG/ ITEM	PART NUMBER	AIRLINE PART NUMBER	NOMENCLATURE							USAGE CODE	UNITS PER ASSY	
			1	2	3	4	5	6	7			
10- -295	417N3130-4SP		.								CV	1
-295A	417N3130-36SP		.								CV	1
-295B	417N3130-2SP		.								CW, CX	1
-295C	417N3130-34SP		.								CW, CX	1
-295D	417N3130-64SP		.								CY	1
-295E	417N3130-74SP		.								AT, AZ	1
300	417N3100-48		.								AS, AT, AZ, CS- CU, CW- CY	1
-300A	417N3100-46		.								CV	1
305	BACS12FA08K6		.	.							AS, AT, AZ, CS- CY	4
310	117003-14		.	.							AS, AT, AZ, CS- CU, CW- CY	1
-310A	803000-04		.	.							AS, AT, AZ, CS- CU, CW- CY	1

-Item not Illustrated

25-23-34

ILLUSTRATED PARTS LIST

Page 1098.316

Nov 01/2008



COMPONENT MAINTENANCE MANUAL

FIG/ ITEM	PART NUMBER	AIRLINE PART NUMBER	NOMENCLATURE							USAGE CODE	UNITS PER ASSY
			1	2	3	4	5	6	7		
10- -310B	117003-13		CV	1
			GENERATOR-CHEMICAL OXY (V16827) (SPEC S417T401-26) (OPT ITEM 310C)								
-310C	803000-03		CV	1
			GENERATOR-CHEMICAL OXY (V53655) (SPEC S417T401-32) (OPT ITEM 310B)								
315	417N3160-11		AS, AT, AZ, CS- CY	1
			BRACKET ASSY								
320	FT1387P8-1-2		AS, AT, AZ, CS- CY	1
			SCREW-CAPTIVE (V58794) (OPT ITEM 320A)								
-320A	C58024-08-1A		AS, AT, AZ, CS- CY	1
			SCREW-CAPTIVE (V58998) (OPT ITEM 320)								
325	AN960KD416		AS, AT, AZ, CS- CY	1
			WASHER								
330	A4972-6-82		AS, AT, AZ, CS- CY	1
			NUT (V72962) (SPEC BACN10FX84) (OPT RM52LHA4972-6-82 (V72962)) (OPT SL211-08-1 (V97393)) (OPT 130008 (V60119)) (OPT A11330-6-82 (V72962))								
335	BACR15BA3D		AS, AT, AZ, CS- CY	4
			RIVET (SIZE DETERMINED ON INST) (FOR NHA SEE 417N3160)								
340	417N3811-13		AS, AT, AZ, CS- CY	1
			HINGE								
345	417N3160-12		AS, AT, AZ, CS- CY	1
			PAD-INSULATION								
350	417N3161-7		AS, AT, AZ, CS- CY	1
			BRACKET-MTG								
355	417N3160-13		AS, AT, AZ, CS- CY	6
			PAD-INSULATION								

-Item not Illustrated

25-23-34

ILLUSTRATED PARTS LIST

Page 1098.317

Nov 01/2008



COMPONENT MAINTENANCE MANUAL

FIG/ ITEM	PART NUMBER	AIRLINE PART NUMBER	NOMENCLATURE							USAGE CODE	UNITS PER ASSY	
			1	2	3	4	5	6	7			
10- 360	417N3136-99		.	.	.						AS, AT, AZ, CS- CY	1
362	BACR15BB4D10		.								AS, AT, AZ, CS- CY	2
365	6100-12		.								AS, AT, AZ, CS- CY	2
370	417N3180-1		.								AS, AT, AZ, CS- CY	2
375	NAS607-2-8P		.	.							AS, AT, AZ, CS- CY	1
380	NAS607-1-4P		.	.							AS, AT, AZ, CS- CY	2
385	417N3181-1		.	.							AS, AT, AZ, CS- CY	1
-385A	65-85902-1		.	.							AS, AT, AZ, CS- CY	1
390	65-85905-4		.	.							AS, AT, AZ, CS- CY	1
395	RCS3290		.	.							AS, AT, AZ, CS- CY	1
400	417N3182-1		.	.							AS, AT, AZ, CS- CY	1
405	417N3180-3		.	.							AS, AT, AZ, CS- CY	2

-Item not Illustrated

25-23-34

ILLUSTRATED PARTS LIST

Page 1098.318

Nov 01/2008



COMPONENT MAINTENANCE MANUAL

FIG/ ITEM	PART NUMBER	AIRLINE PART NUMBER	NOMENCLATURE							USAGE CODE	UNITS PER ASSY	
			1	2	3	4	5	6	7			
10- 410	RCS3289		.	.	SPRING (V08205)						AS, AT, AZ, CS- CY	2
415	417N3183-1		.	.	BODY-CLAMP						AS, AT, AZ, CS- CY	1
-420	AN960JD416L		.		WASHER (USED WITH ITEM 425)						AS, AZ, CS-CY	AR
-420A	AN960JD416L		.		WASHER (USED WITH ITEM 425A)						AT	AR
-425	PLWP1S		.		TIE-PUSH MOUNT CABLE (V58417)						AS, AZ, CS-CY	AR
-425A	PLWP1S		.	.	TIE-PUSH MOUNT CABLE (V58417)						AT	AR
-430	NMC1001-0		.		CLAMP (V03296) (OPT ITEM 430A)						AS, AT, AZ, CS- CY	2
-430A	BACC10DK3		.		CLAMP (V16115) (SPEC BACC10DK3) (OPT BACC10DK3 (V81872)) (OPT ITEM 430)						AS, AT, AZ, CS- CY	2
435	1TW2-3		.		SWITCH-TOGGLE (V91929)						AZ, CS- CY	1
-435A	2TW2-3		.		SWITCH-TOGGLE (V91929)						AS, AT	1
445	417N3100-71		.		PAD						AS, AT, AZ, CS- CY	2
450	417N3190-1		.		LANYARD ASSY						AS, AT, AZ, CS- CY	1
455	GSC205		.	.	SLEEVE (V59730) (SPEC BACS13S205C) (OPT Y0C130 (V09922)) (OPT ITEM 455A)						AS, AT, AZ, CS- CY	4

-Item not Illustrated

25-23-34

ILLUSTRATED PARTS LIST

Page 1098.319

Nov 01/2008



COMPONENT MAINTENANCE MANUAL

FIG/ ITEM	PART NUMBER	AIRLINE PART NUMBER	NOMENCLATURE							USAGE CODE	UNITS PER ASSY	
			1	2	3	4	5	6	7			
10- -455A	GSC219		.	.	SLEEVE (V59730) (SPEC BACS13S219C) (OPT Y0C140 (V09922)) (OPT ITEM 455)						AS, AT, AZ, CS- CY	4
460	10-61790-1		.	.	HOOK (V08205) (SPEC 10-61790-1)						AS, AT, AZ, CS- CY	1
465	NAS43DD4-5		.	.	SPACER						AS, AT, AZ, CS- CY	1
470	65C16899-6		.	.	SPRING						AS, AT, AZ, CS- CY	1
475	417N3190-3		.	.	CORD						AS, AT, AZ, CS- CY	1
480	417N3110-11SP		.		FRAME ASSY (LIMITED USAGE) (FOR DETAILS SEE FIG.23)						CS, CT	1
-480A	417N3110-31SP		.		FRAME ASSY (LIMITED USAGE) (FOR DETAILS SEE FIG.24)						CS, CT	1
-480B	417N3110-31SP		.		FRAME ASSY (FOR DETAILS SEE FIG.24)						CU	1
-480C	417N3110-77SP		.		FRAME ASSY (FOR DETAILS SEE FIG.27)						AS	1
-485	417N3110-12SP		.		FRAME ASSY (LIMITED USAGE) (FOR DETAILS SEE FIG.23)						CV-CX	1
-485A	417N3110-32SP		.		FRAME ASSY (LIMITED USAGE) (FOR DETAILS SEE FIG.24)						CV-CX	1
-485B	417N3110-32SP		.		FRAME ASSY (FOR DETAILS SEE FIG.24)						CY	1
-485C	417N3110-78SP		.		FRAME ASSY (FOR DETAILS SEE FIG. 27)						AT, AZ	1
490	BAC27DPA2272		.		DECAL						AS, AT, AZ, CS- CY	1

-Item not Illustrated

25-23-34

ILLUSTRATED PARTS LIST

Page 1098.320

Nov 01/2008



COMPONENT MAINTENANCE MANUAL

FIG/ ITEM	PART NUMBER	AIRLINE PART NUMBER	NOMENCLATURE							USAGE CODE	UNITS PER ASSY	
			1	2	3	4	5	6	7			
10- 495	BAC27NPA0610		.								AS, CS- CU	1
500	BAC27NPA0609		.								AT, AZ, CV-CY	1
505	BAC27NPA0645		.								AS, CS- CU	1
510	BAC27NPA0644		.								AZ, CV- CY	1
515	BAC27NPA0646		.								AT	1

-Item not Illustrated

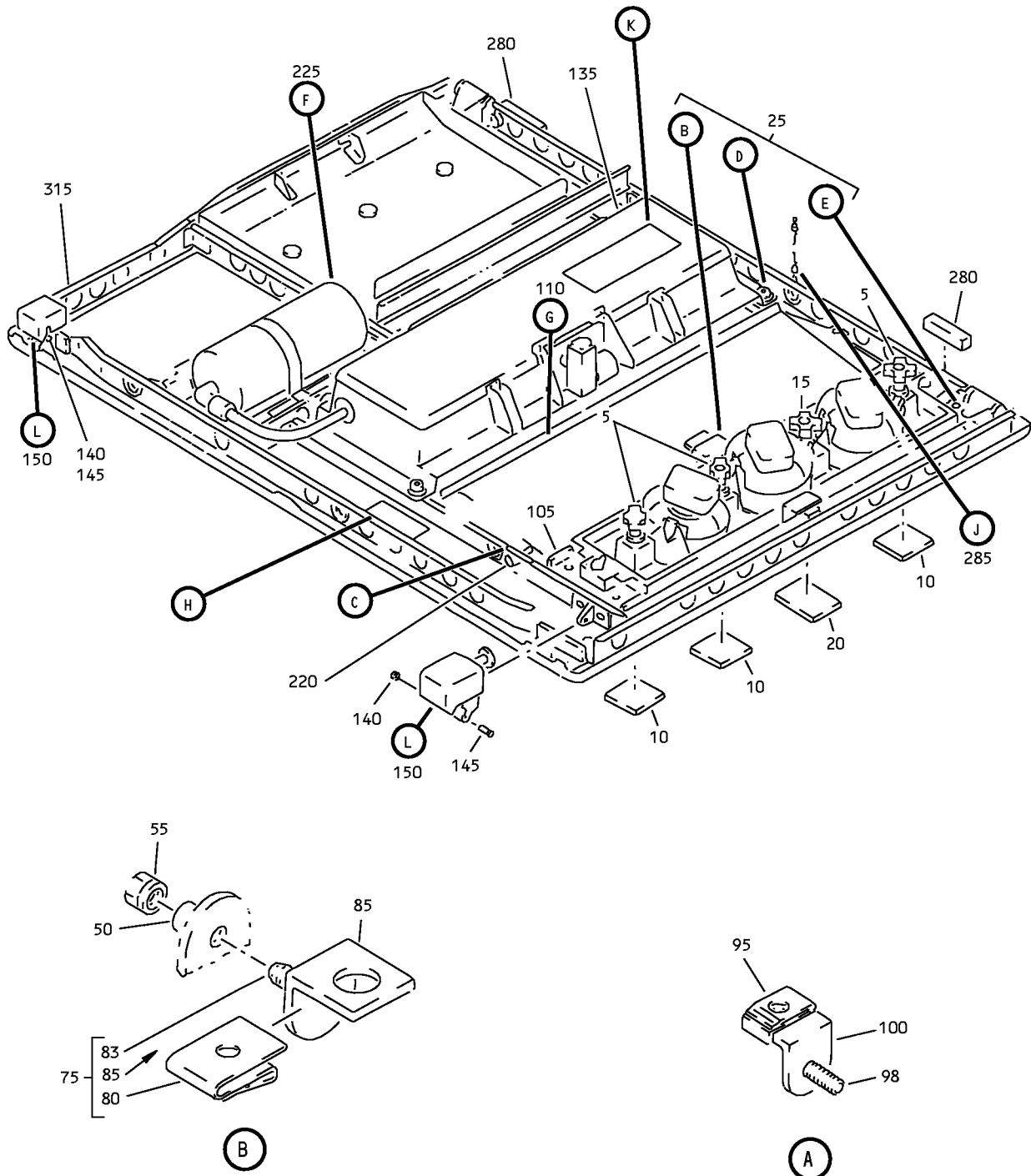
25-23-34

ILLUSTRATED PARTS LIST

Page 1098.321

Nov 01/2008

COMPONENT MAINTENANCE MANUAL



Full Underbin - Passenger Service Unit (without Speaker) Assembly
IPL Figure 11 (Sheet 1 of 5)

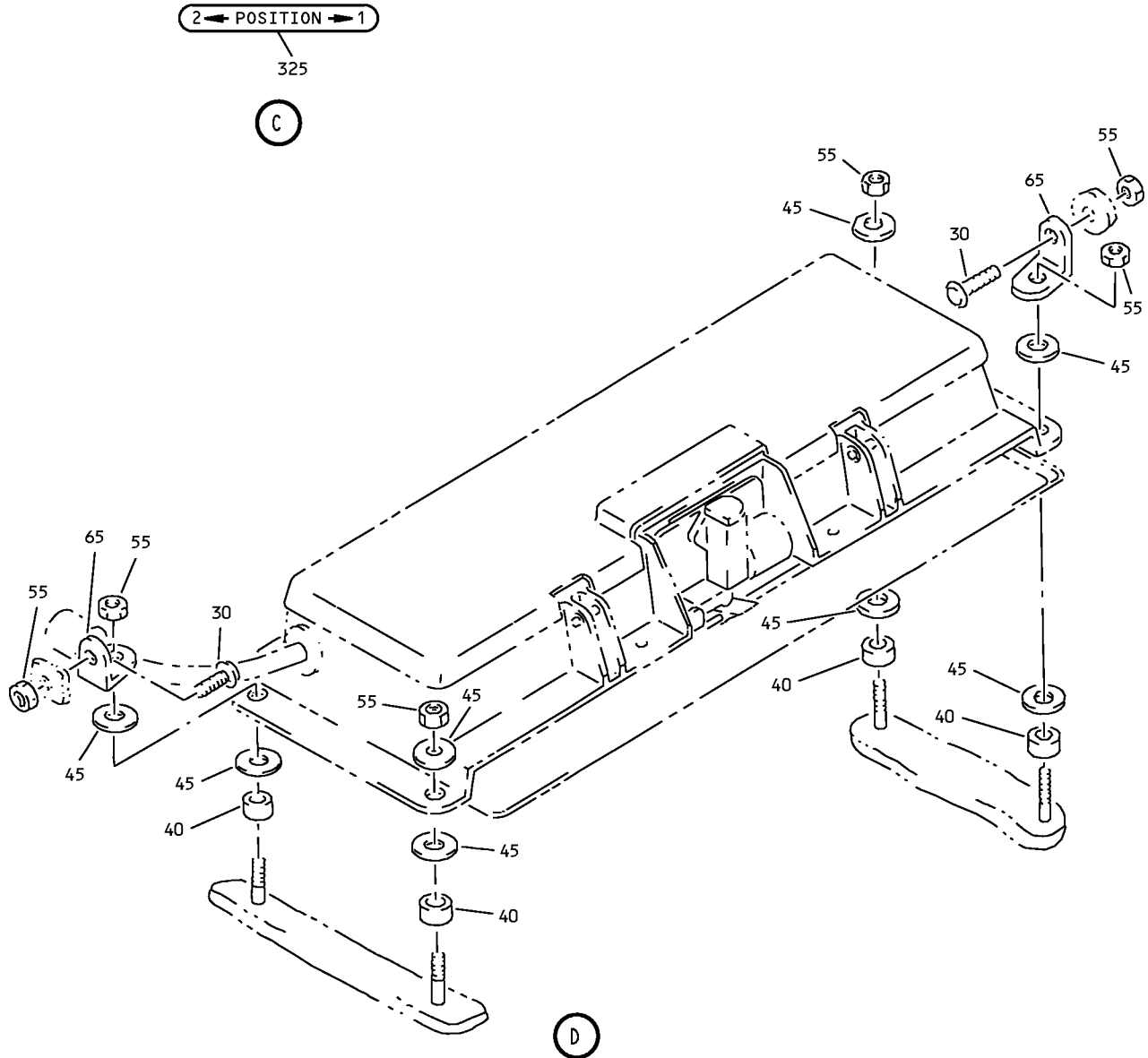
25-23-34

ILLUSTRATED PARTS LIST

Page 1098.322

Nov 01/2008

COMPONENT MAINTENANCE MANUAL



Full Underbin - Passenger Service Unit (without Speaker) Assembly
IPL Figure 11 (Sheet 2 of 5)

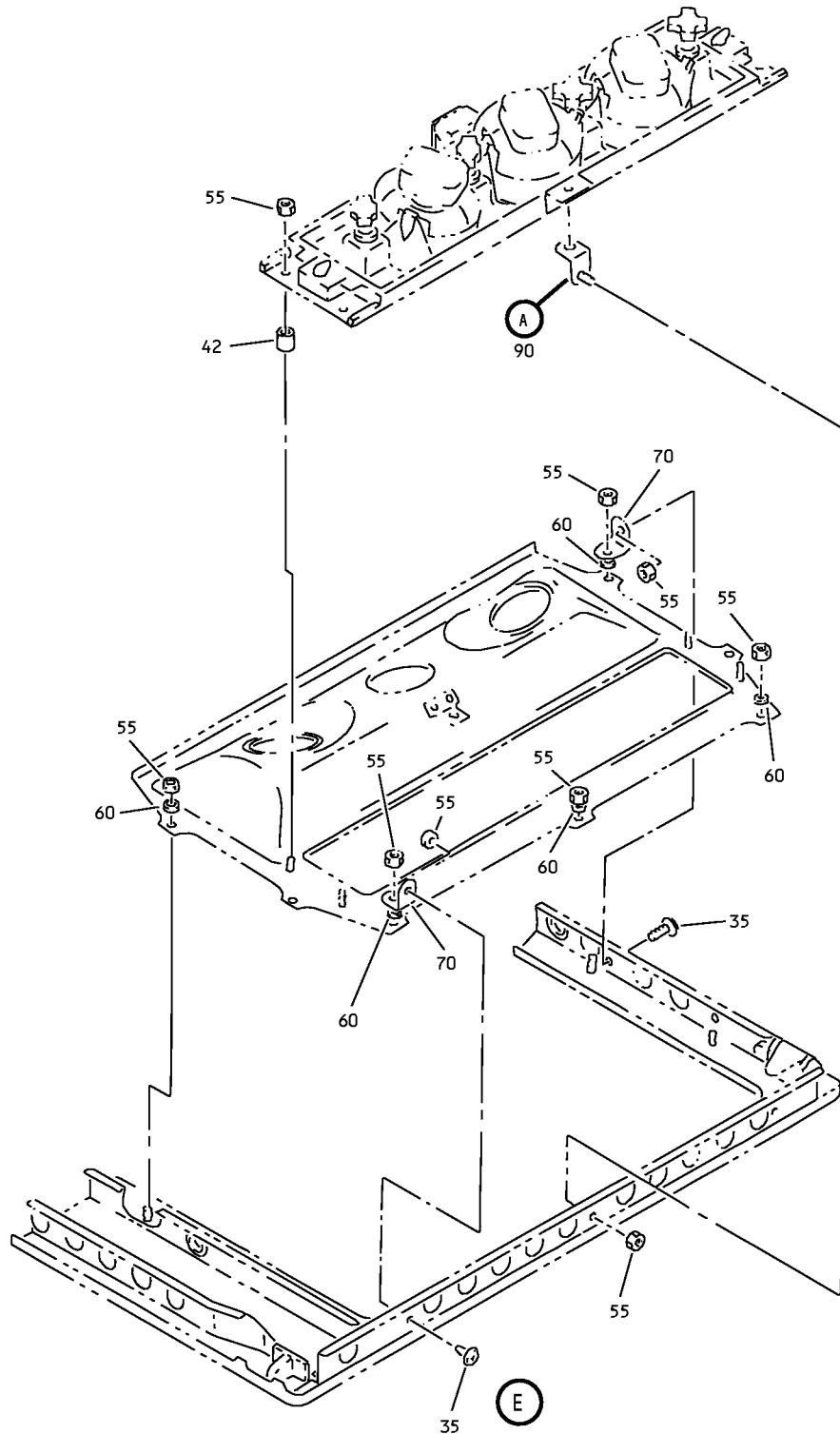
25-23-34

ILLUSTRATED PARTS LIST

Page 1098.323

Nov 01/2008

COMPONENT MAINTENANCE MANUAL



Full Underbin - Passenger Service Unit (without Speaker) Assembly
IPL Figure 11 (Sheet 3 of 5)

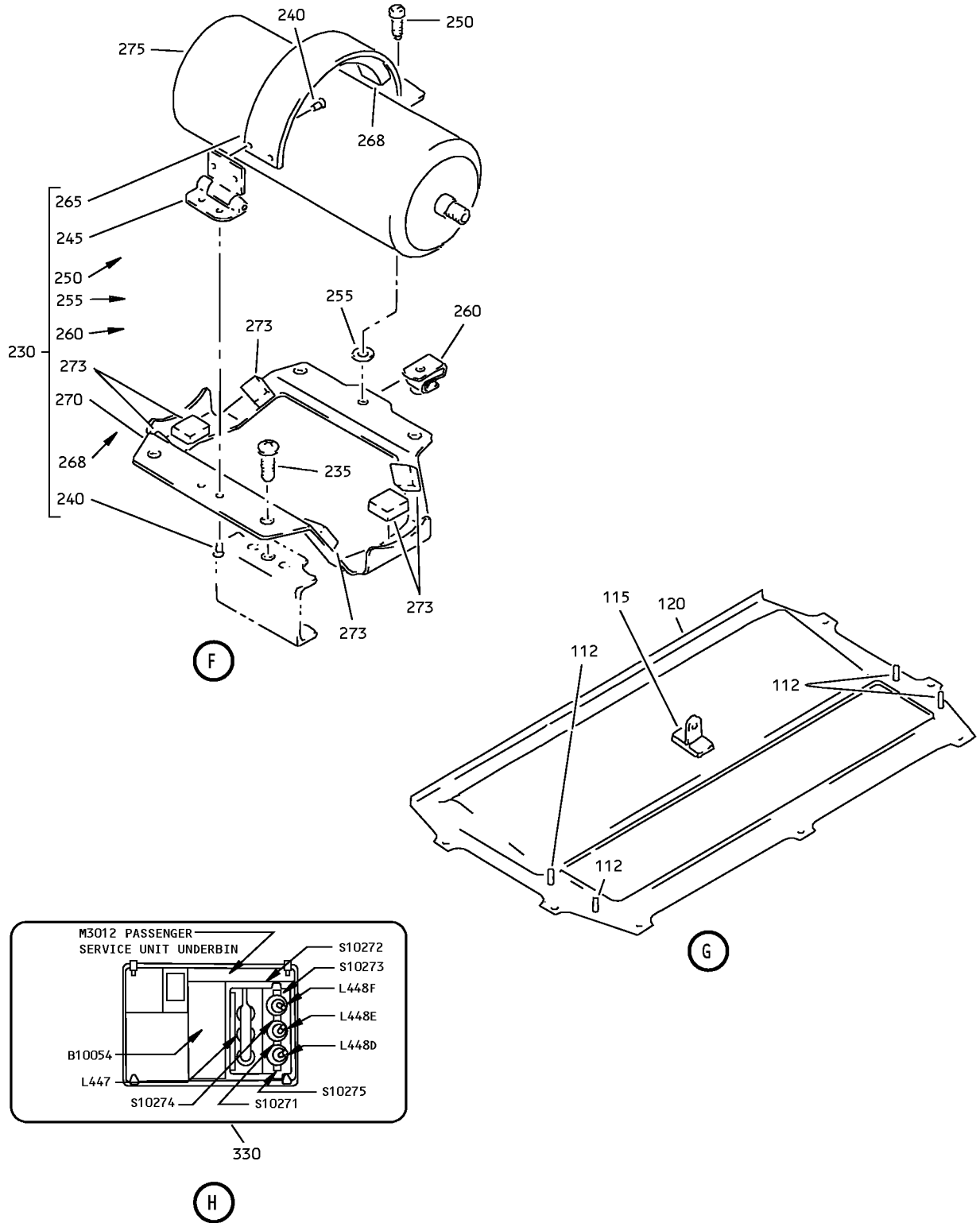
25-23-34

ILLUSTRATED PARTS LIST

Page 1098.324

Nov 01/2008

COMPONENT MAINTENANCE MANUAL



Full Underbin - Passenger Service Unit (without Speaker) Assembly
IPL Figure 11 (Sheet 4 of 5)

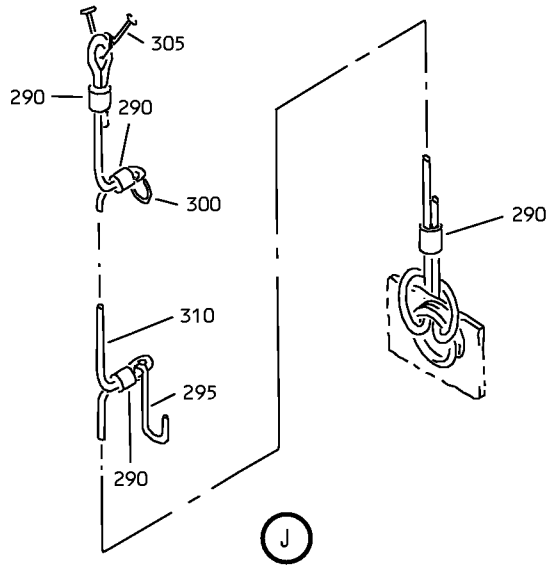
25-23-34

ILLUSTRATED PARTS LIST

Page 1098.325

Nov 01/2008

COMPONENT MAINTENANCE MANUAL



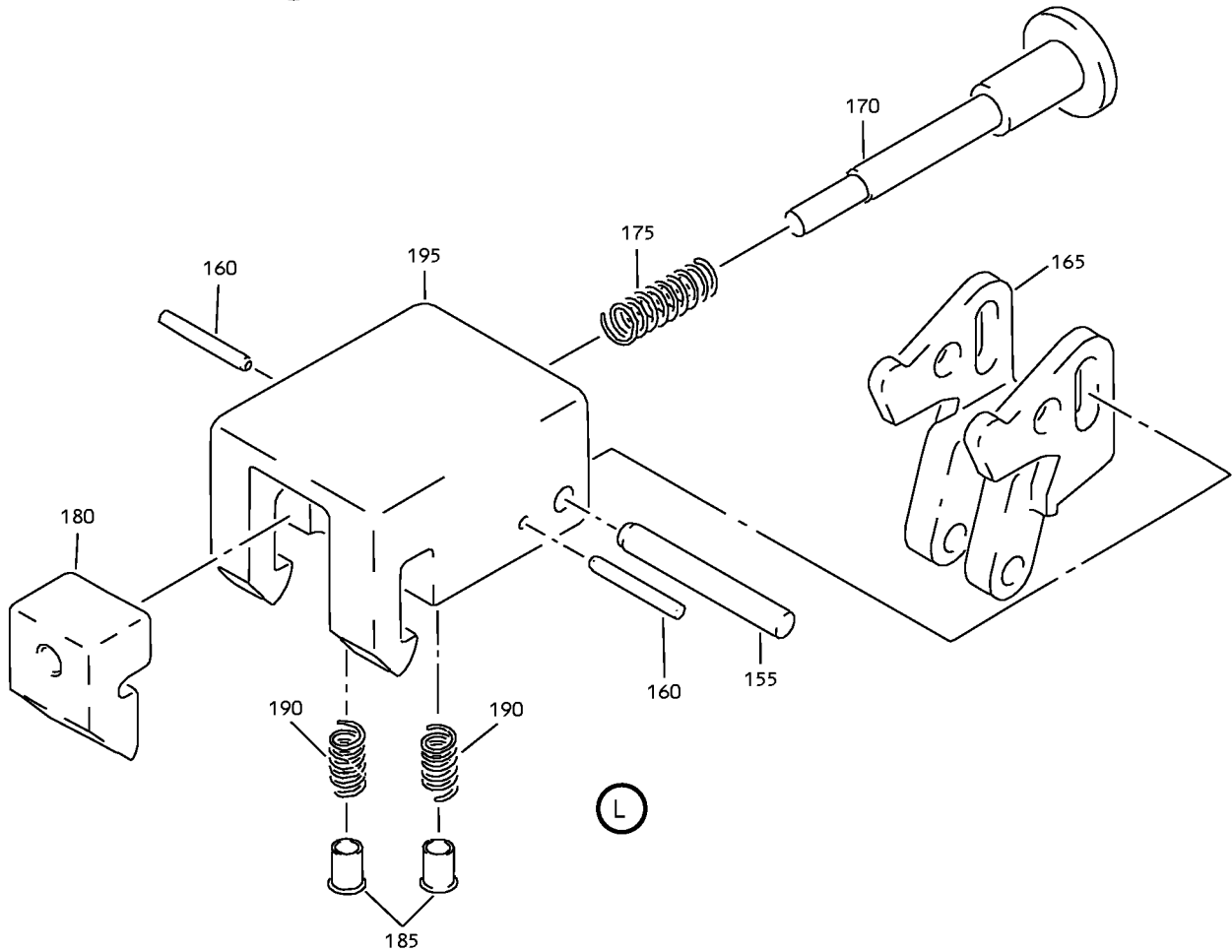
ATTENTION

FOR REMOVAL AND RELOCATION INFORMATION SEE
MAINTENANCE MANUAL CHAPTER 25

FOR MASK STOWAGE INSTRUCTIONS SEE MAINTENANCE
MANUAL CHAPTER 35

FOR CLEANING INSTRUCTIONS SEE DOCUMENT D6-7127

(K)



Full Underbin - Passenger Service Unit (without Speaker) Assembly
IPL Figure 11 (Sheet 5 of 5)

25-23-34

ILLUSTRATED PARTS LIST

Page 1098.326

Nov 01/2008



COMPONENT MAINTENANCE MANUAL

FIG/ ITEM	PART NUMBER	AIRLINE PART NUMBER	NOMENCLATURE							USAGE CODE	UNITS PER ASSY
			1	2	3	4	5	6	7		
11-											
-1	417N3100-268SP									DA	RF
-1A	417N3100-344SP									DB	RF
5	920056									DA, DB	3
10	S417N304-1A										
-10A	S417N304-1B										
10B	VIP720-1C									DA, DB	3
-10C	S417N304-1M										
-10D	S417N304-1N										
-10E	S417N304-1P									DA, DB	3
-10F	S417N304-1R									DA, DB	3
-10G	S417N304-1S										
-10H	S417N304-6D									DA, DB	3
-10J	VIP720-6E									DA, DB	3
-10K	VIP720-6G									DA, DB	3

-Item not Illustrated

25-23-34

ILLUSTRATED PARTS LIST

Page 1098.327

Nov 01/2008



COMPONENT MAINTENANCE MANUAL

FIG/ ITEM	PART NUMBER	AIRLINE PART NUMBER	NOMENCLATURE							USAGE CODE	UNITS PER ASSY
			1	2	3	4	5	6	7		
11- -20D	VIP720-2E		.							DA, DB	1
-20E	VIP720-2G		.							DA, DB	1
-20F	S417N303-2H		.							DA, DB	1
-20G	S417N303-2J		.							DA, DB	1
-20H	S417N303-2K		.							DA, DB	1
-20J	S417N303-2L		.							DA, DB	1
-20K	S417N303-3B		.							DA, DB	1
-20L	VIP720-4A		.							DA, DB	1
-20M	VIP720-2A		.							DA, DB	1
-20N	VIP720-2B		.							DA, DB	1

-Item not Illustrated

25-23-34

ILLUSTRATED PARTS LIST

Page 1098.329

Nov 01/2008



COMPONENT MAINTENANCE MANUAL

FIG/ ITEM	PART NUMBER	AIRLINE PART NUMBER	NOMENCLATURE							USAGE CODE	UNITS PER ASSY
			1	2	3	4	5	6	7		
11- 25	417N3100-83		DA, DB	1
30	BACS12FA08K6		DA, DB	2
35	BACS12FA08K5		DA, DB	2
40	NAS43DD3-18		DA, DB	4
42	NAS43DD3-20		DA, DB	4
45	BACW10P193G		DA, DB	8
50	MS35335-31		DA, DB	1
55	BACN10YJ08		DA, DB	19
60	G6940-3B3		DA, DB	5
65	417N3122-115		DA, DB	2

-Item not Illustrated

25-23-34

ILLUSTRATED PARTS LIST

Page 1098.330

Nov 01/2008



COMPONENT MAINTENANCE MANUAL

FIG/ ITEM	PART NUMBER	AIRLINE PART NUMBER	NOMENCLATURE							USAGE CODE	UNITS PER ASSY
			1	2	3	4	5	6	7		
11-											
70	417N3122-14		.	.	ANGLE-SPRT					DA, DB	2
75	417N3122-122		.	.	BRACKET ASSY					DA, DB	1
80	82-47-108-15		.	.	CLIP					DA, DB	1
					(V84483)						
83	BACS21AQ2A3K		.	.	STUD					DA, DB	1
85	417N3122-121		.	.	BRACKET					DA, DB	1
90	417N3122-60		.	.	BRACKET ASSY					DA, DB	1
95	82-47-108-15		.	.	CLIP					DA, DB	1
					(V84483)						
98	BACS21AQ2A3K		.	.	STUD					DA, DB	1
					(OPT ITEM 98A)						
-98A	FHS832-6		.	.	STUD					DA, DB	1
					(OPT ITEM 98)						
100	417N3122-61		.	.	BRACKET					DA, DB	1
					(OPT ITEM 100A)						
-100A	417N3122-130		.	.	BRACKET					DA, DB	1
					(OPT ITEM 100)						
105	10-1006-2		.	.	LIGHT-READING					DA, DB	1
					(V72914)						
					(SPEC S417N302-2)						
110	417N3105-5SP		.	.	MODULE ASSY-SVCE					DA, DB	1
112	BACS21AQ6A6M		.	.	STUD					DA, DB	4
115	417N3122-53		.	.	BRACKET					DA, DB	1
120	417N3101-1SP		.	.	MODULE					DA, DB	1
135	417N3130-34SP		.	.	BOX ASSY-THREE MASK OXY					DA	1
					(REF CMM 35-21-02)						
-135A	417N3130-64SP		.	.	BOX ASSY-FOUR MASK OXY					DB	1
					(REF CMM 35-21-02)						
140	BACR15BB4D10		.	.	RIVET					DA, DB	2
					(V09192)						
					(SPEC BACR15BB4D10)						
					(OPT BACR15BB4D10 (V42838))						
					(OPT BACR15BB4D10 (V53551))						
					(OPT BACR15BB4D10 (V55580))						
145	6100-12		.	.	RETAINER					DA, DB	2
					(V2X013)						
150	417N3180-1		.	.	CLAMP ASSY					DA, DB	2

-Item not Illustrated

25-23-34

ILLUSTRATED PARTS LIST

Page 1098.331

Nov 01/2008



COMPONENT MAINTENANCE MANUAL

FIG/ ITEM	PART NUMBER	AIRLINE PART NUMBER	NOMENCLATURE							USAGE CODE	UNITS PER ASSY
			1	2	3	4	5	6	7		
11-											
155	NAS607-2-8P		.	.						DA, DB	1
160	NAS607-1-4P		.	.						DA, DB	2
165	417N3181-1		.	.						DA, DB	1
-165A	65-85902-1		.	.						DA, DB	1
170	65-85905-4		.	.						DA, DB	1
175	RCS3290		.	.						DA, DB	1
180	417N3182-1		.	.						DA, DB	1
185	417N3180-3		.	.						DA, DB	2
190	RCS3289		.	.						DA, DB	2
195	417N3183-1		.	.						DA, DB	1
-200	AN960JD416L		.							DA, DB	AR
-205	PLWP1S		.							DA, DB	AR
-210	NMC1001-0		.							DA, DB	2
-210A	BACC10DK3		.							DA, DB	2
-215	61-33500-001		.							DA, DB	1
220	1TW2-3		.							DA, DB	1
225	417N3100-48		.							DA, DB	1
230	417N3160-11		.	.						DA, DB	1

-Item not Illustrated

25-23-34

ILLUSTRATED PARTS LIST

Page 1098.332

Nov 01/2008



COMPONENT MAINTENANCE MANUAL

FIG/ ITEM	PART NUMBER	AIRLINE PART NUMBER	NOMENCLATURE							USAGE CODE	UNITS PER ASSY
			1	2	3	4	5	6	7		
11-			ATTACHING PARTS								
235	BACS12FA08K6		. . SCREW (V06710) (SPEC BACS12FA08K6) (OPT BACS12FA08K6 (V06725)) (OPT BACS12FA08K6 (V06950)) (OPT BACS12FA08K6 (V27624)) (OPT BACS12FA08K6 (V34252)) (OPT BACS12FA08K6 (V56878)) (OPT BACS12FA08K6 (V73197)) (OPT BACS12FA08K6 (V80539)) (OPT BACS12FA08K6 (V92215)) (OPT BACS12FA08K6 (V93907)) (OPT BACS12FA08K6 (V97928))							DA, DB	4
240	BACR15BA3D		-----*----- . . . RIVET (SIZE DETERMINED ON INST)							DA, DB	4
245	417N3811-13		. . . HINGE							DA, DB	1
250	CS8024-08-1A		. . . SCREW-CAPTIVE (V58998) (OPT ITEM 250A)							DA, DB	1
-250A	FT1387P8-1-2		. . . SCREW-CAPTIVE (V58794) (OPT ITEM 250)							DA, DB	1
255	AN960KD416		. . . WASHER							DA, DB	1
260	A4972-6-82		. . . NUT (V72962) (SPEC BACN10FX84) (OPT RM52LHA4972-6-82 (V72962)) (OPT SL211-08-1 (V97393)) (OPT 130008 (V60119)) (OPT A11330-6-82 (V72962))							DA, DB	1
265	417N3161-7		. . . BRACKET-MTG							DA, DB	1
268	417N3160-12		. . . PAD							DA, DB	1
270	417N3136-99		. . . BRACKET-MTG							DA, DB	1
273	417N3160-13		. . . PAD							DA, DB	6
275	117003-14		. . GENERATOR-CHEMICAL OXY (V16827) (OPT ITEM 275A) (SPEC S417T401-27)							DA, DB	1

-Item not Illustrated

25-23-34

ILLUSTRATED PARTS LIST

Page 1098.333

Nov 01/2008



COMPONENT MAINTENANCE MANUAL

FIG/ ITEM	PART NUMBER	AIRLINE PART NUMBER	NOMENCLATURE	USAGE CODE	UNITS PER ASSY
11- -275A	803000-04		. . GENERATOR-CHEMICAL OXY (V53655) (OPT ITEM 275) (SPEC S417T401-33)	DA, DB	1
280	417N3100-71		. PAD-SPONGE	DA, DB	2
285	417N3190-1		. LANYARD ASSY	DA, DB	1
290	GSC219		. . SLEEVE (V59730) (SPEC BACS13S219C) (OPT Y0C140 (V09922)) (OPT ITEM 290A)	DA, DB	4
-290A	GSC205		. . SLEEVE (V59730) (SPEC BACS13S205C) (OPT Y0C130 (V09922)) (OPT ITEM 290)	DA, DB	4
295	10-61790-1		. . HOOK (V08205) (SPEC 10-61790-1)	DA, DB	1
300	NAS43DD4-5		. . SPACER	DA, DB	1
305	65C16899-6		. . SPRING	DA, DB	1
310	417N3190-3		. . CORD-NYLON	DA, DB	1
315	417N3110-32SP		. FRAME ASSY (FOR DETAILS SEE FIG. 24)	DA, DB	1
320	BAC27DPA2272		. DECAL	DA, DB	1
325	BAC27NPA0609		. MARKER-ALUMINUM FOIL	DA, DB	1
330	BAC27NPA0674		. MARKER-ALUMINUM FOIL	DA, DB	1

-Item not Illustrated

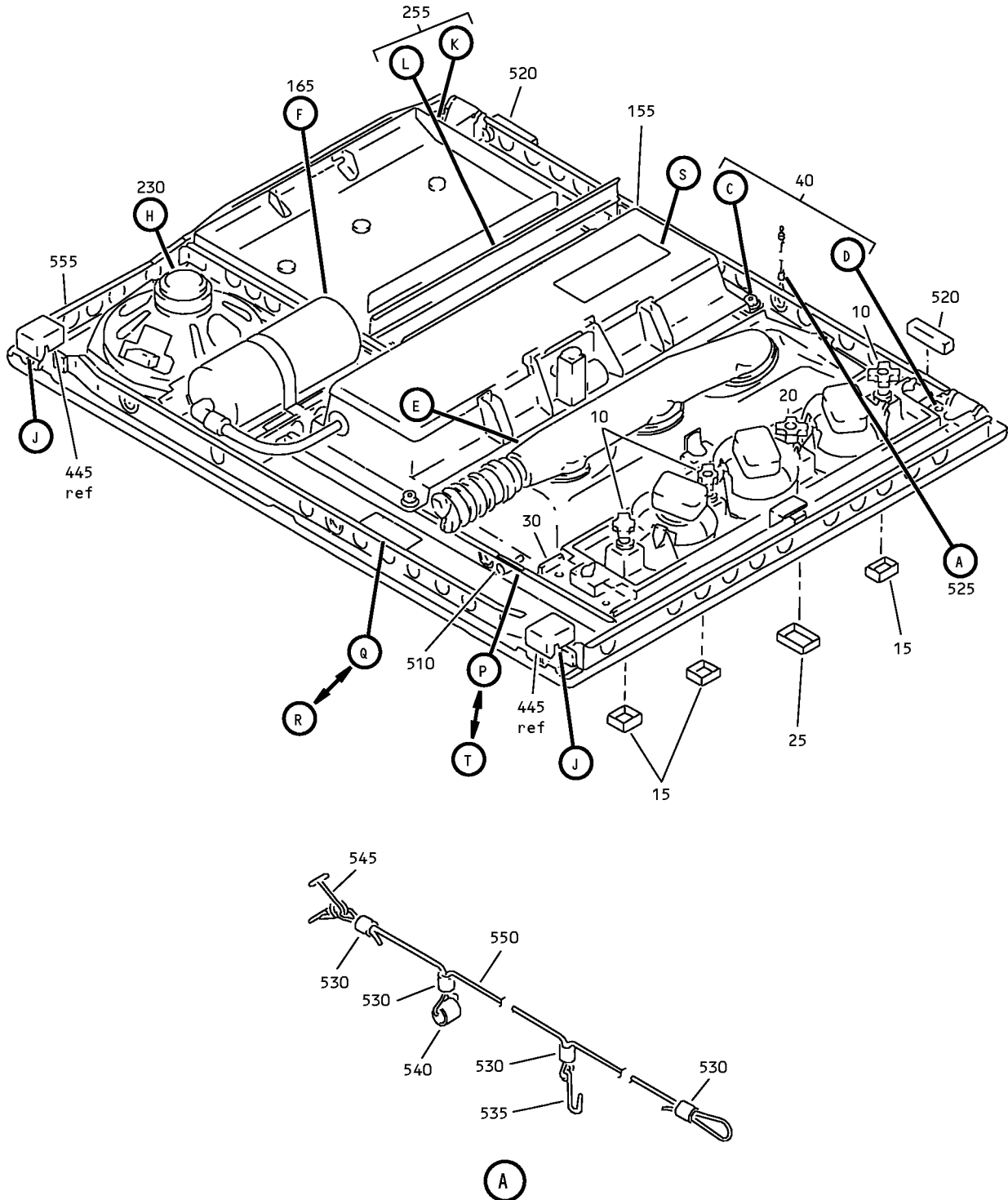
25-23-34

ILLUSTRATED PARTS LIST

Page 1098.334

Nov 01/2008

COMPONENT MAINTENANCE MANUAL



Full Underbin - Passenger Service Unit (with Lifevest, Gasper Air, and Speaker) Assembly
IPL Figure 12 (Sheet 1 of 8)

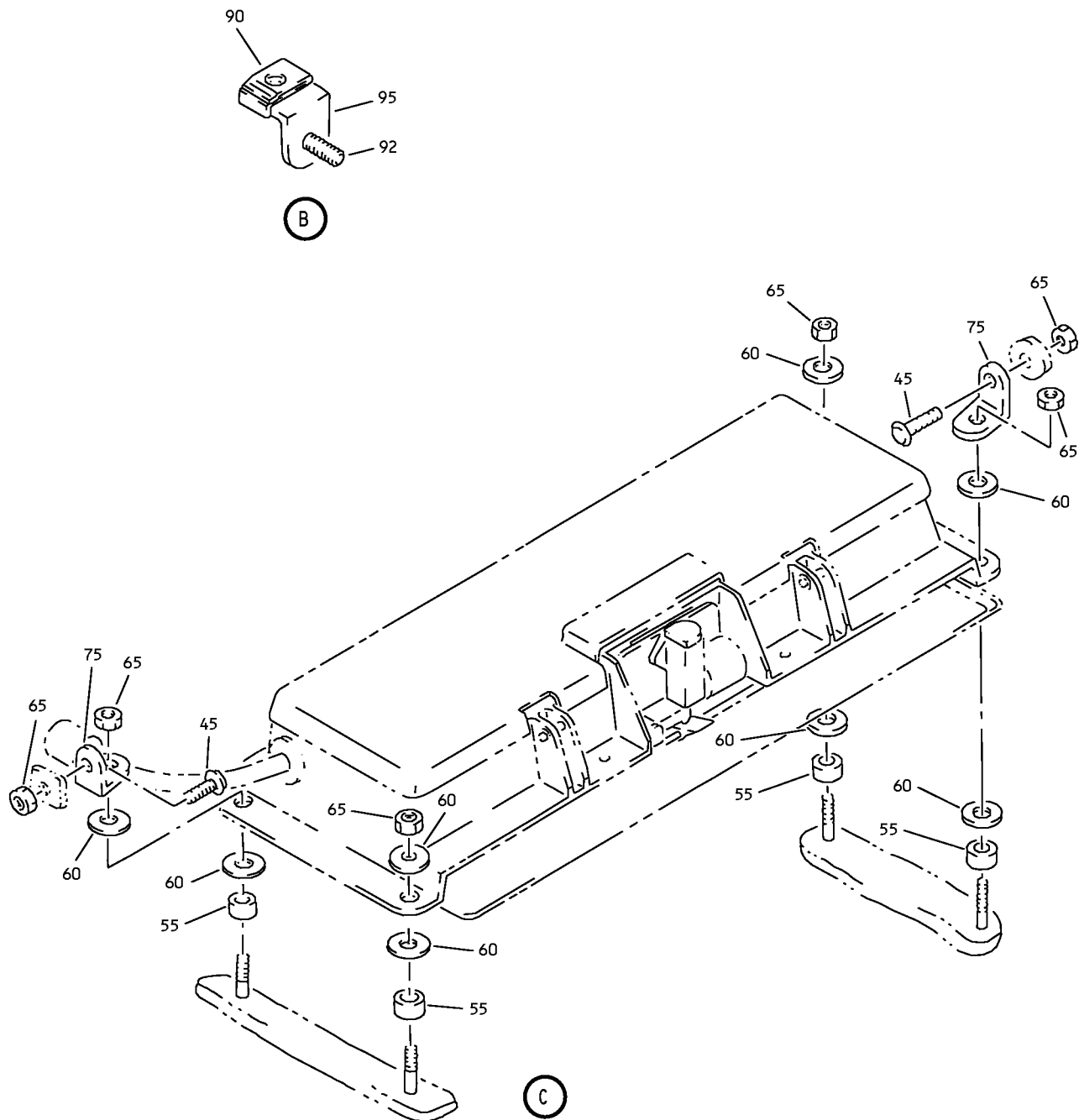
25-23-34

ILLUSTRATED PARTS LIST

Page 1098.335

Nov 01/2008

COMPONENT MAINTENANCE MANUAL



Full Underbin - Passenger Service Unit (with Lifevest, Gasper Air, and Speaker) Assembly
IPL Figure 12 (Sheet 2 of 8)

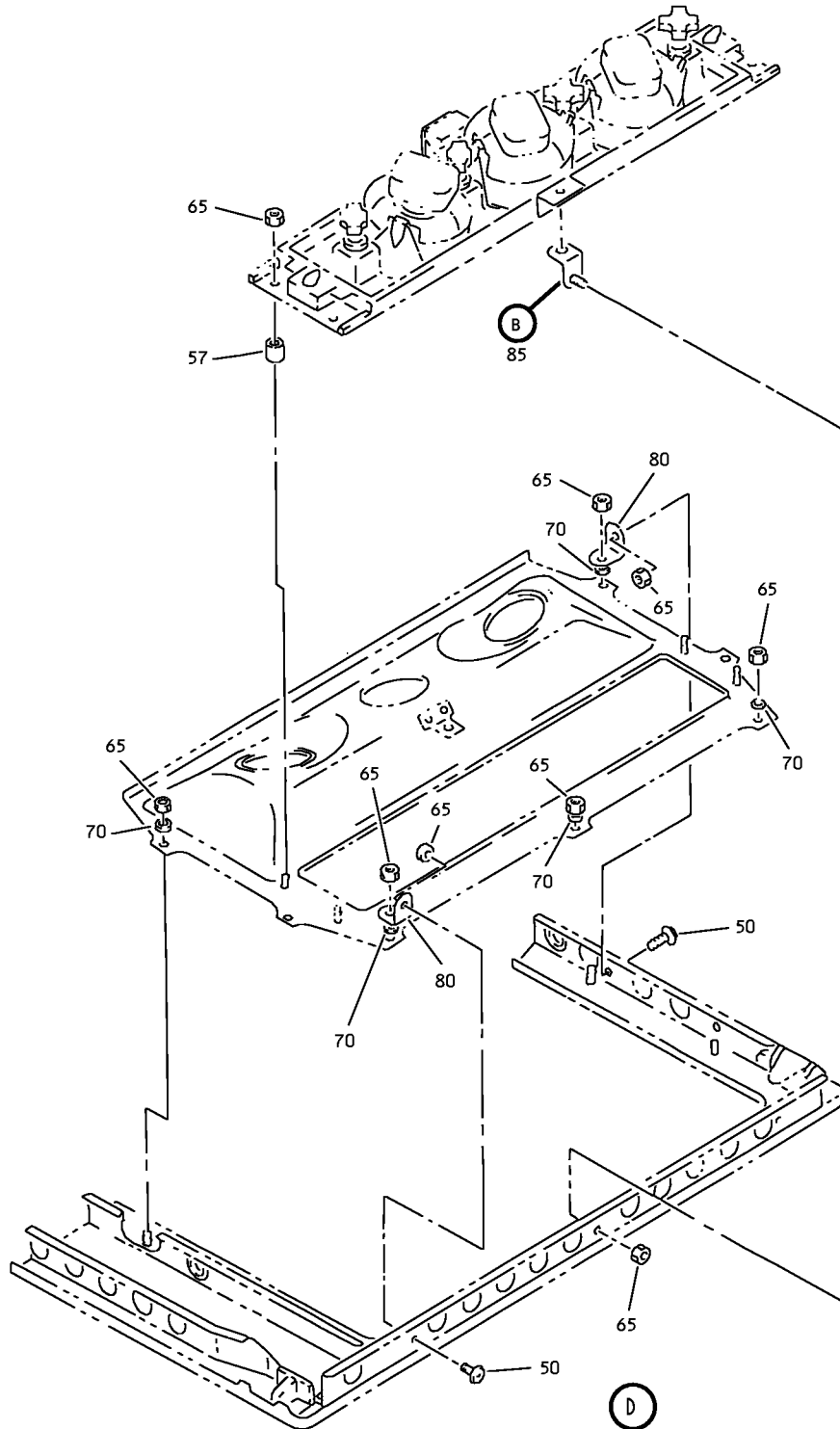
25-23-34

ILLUSTRATED PARTS LIST

Page 1098.336

Nov 01/2008

COMPONENT MAINTENANCE MANUAL



Full Underbin - Passenger Service Unit (with Lifevest, Gasper Air, and Speaker) Assembly
IPL Figure 12 (Sheet 3 of 8)

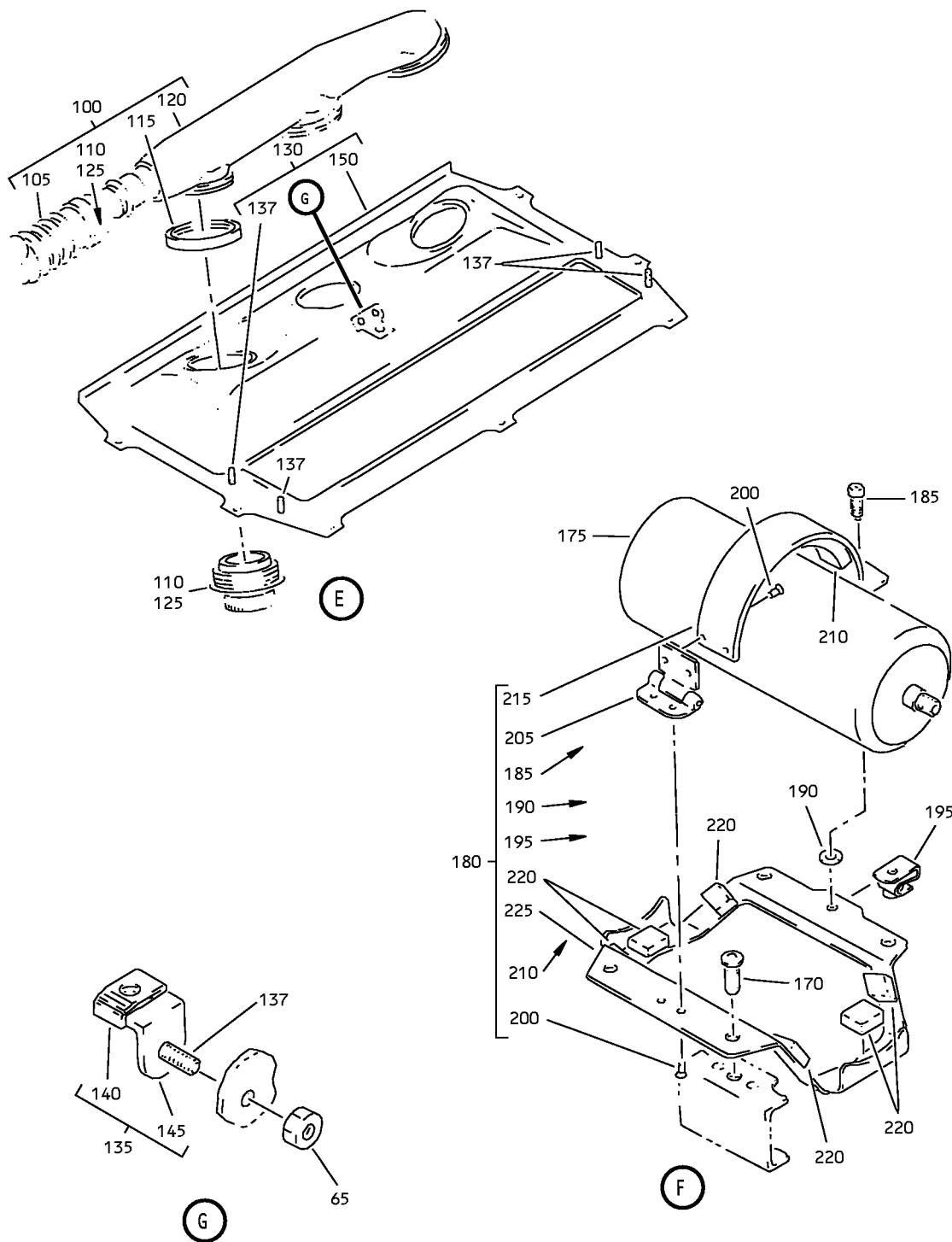
25-23-34

ILLUSTRATED PARTS LIST

Page 1098.337

Nov 01/2008

COMPONENT MAINTENANCE MANUAL



Full Underbin - Passenger Service Unit (with Lifevest, Gasper Air, and Speaker) Assembly
IPL Figure 12 (Sheet 4 of 8)

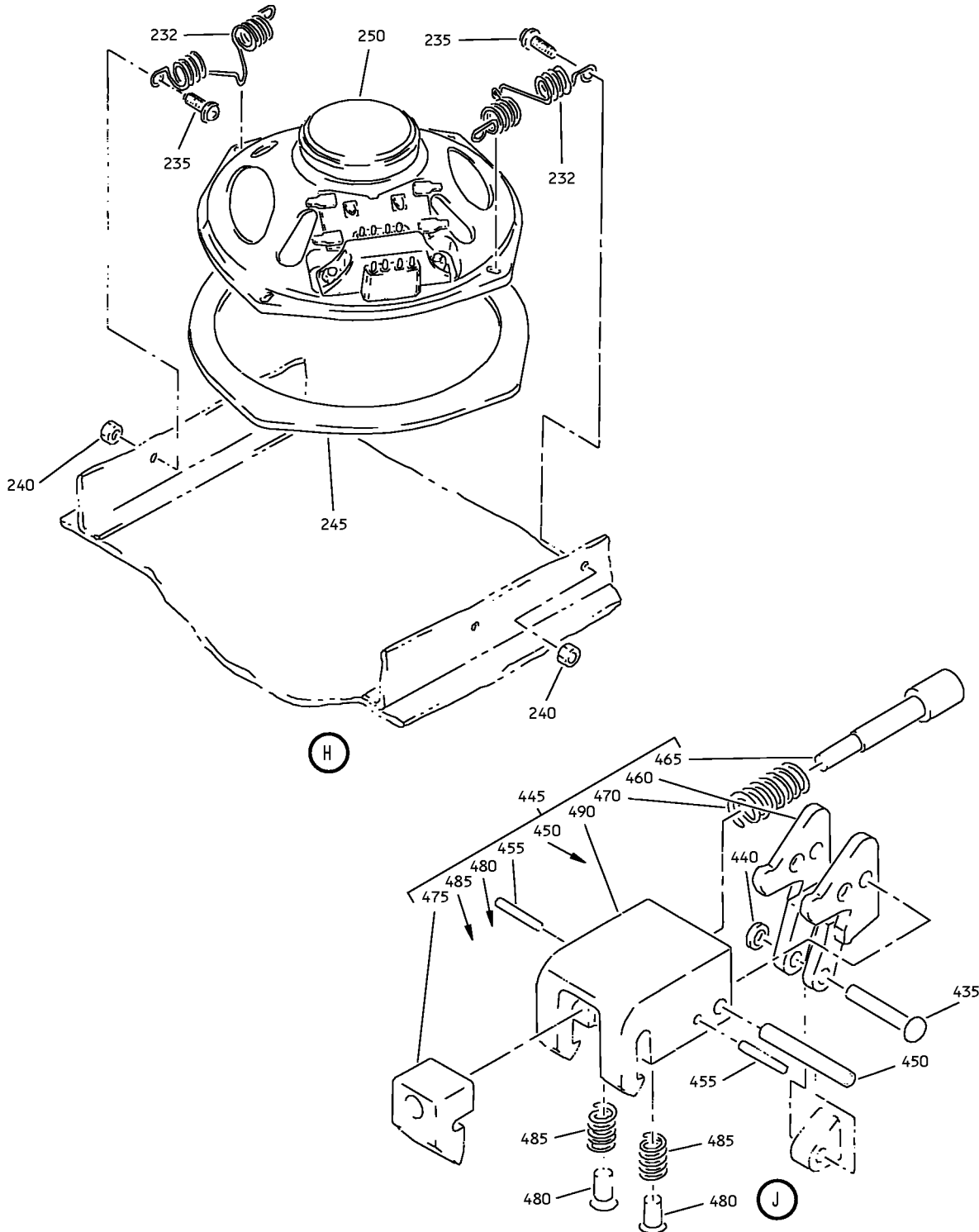
25-23-34

ILLUSTRATED PARTS LIST

Page 1098.338

Nov 01/2008

COMPONENT MAINTENANCE MANUAL



Full Underbin - Passenger Service Unit (with Lifevest, Gasper Air, and Speaker) Assembly
IPL Figure 12 (Sheet 5 of 8)

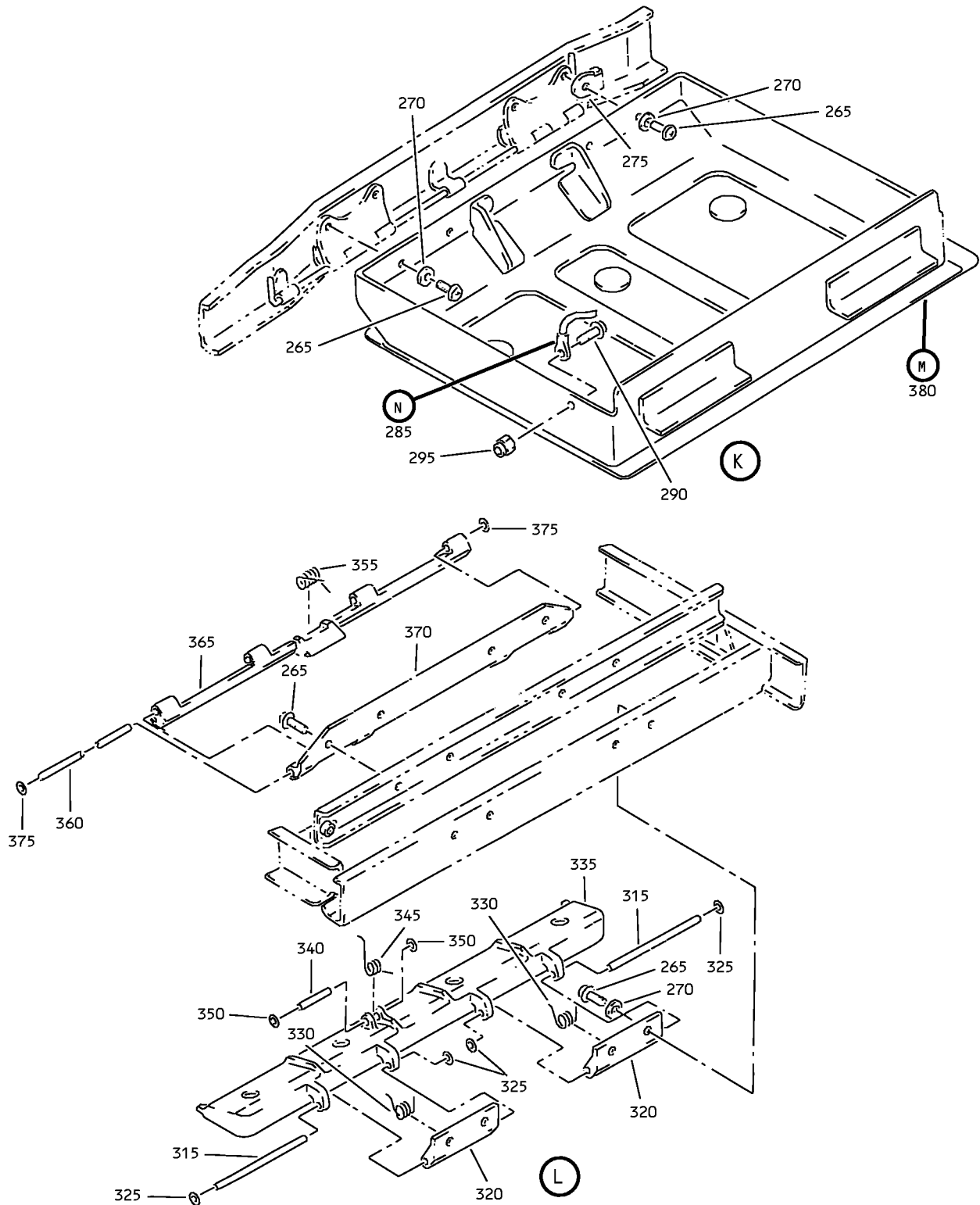
25-23-34

ILLUSTRATED PARTS LIST

Page 1098.339

Nov 01/2008

COMPONENT MAINTENANCE MANUAL



Full Underbin - Passenger Service Unit (with Lifevest, Gasper Air, and Speaker) Assembly
IPL Figure 12 (Sheet 6 of 8)

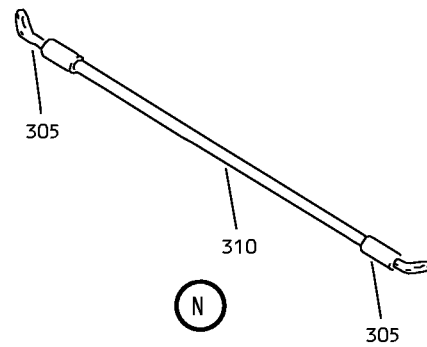
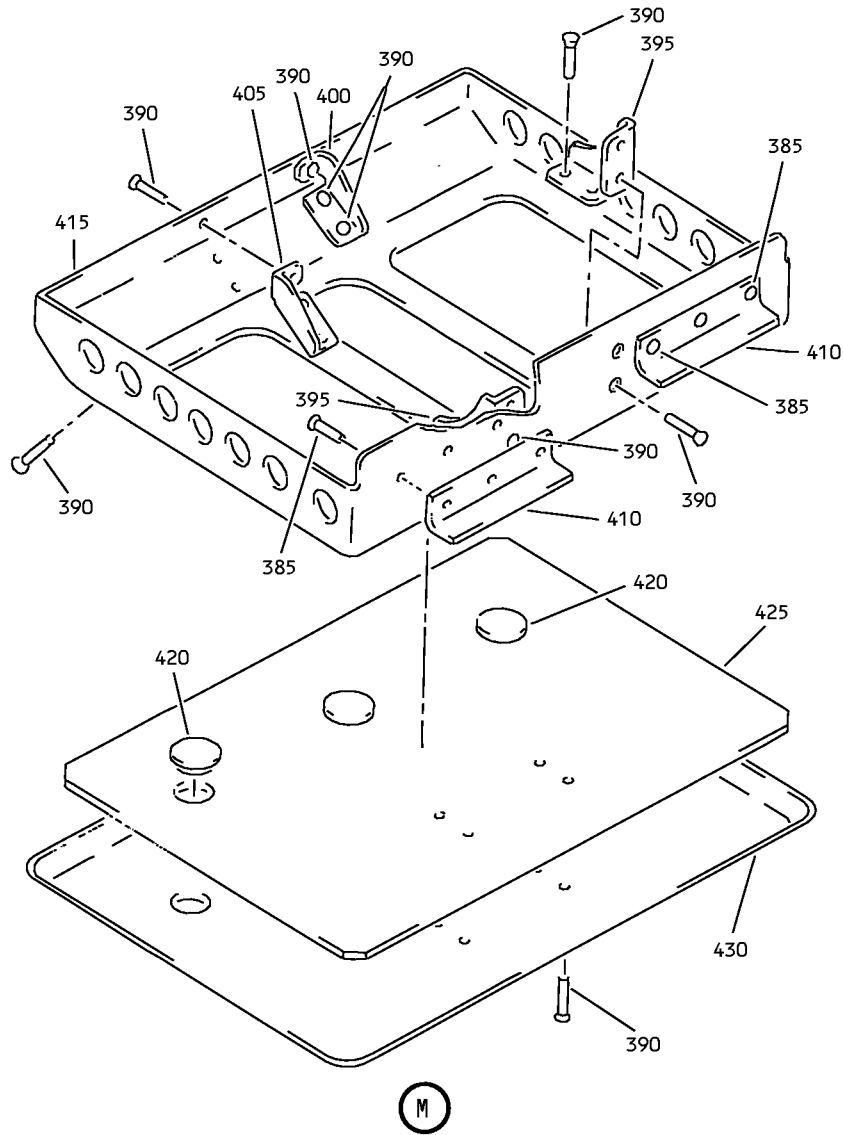
25-23-34

ILLUSTRATED PARTS LIST

Page 1098.340

Nov 01/2008

COMPONENT MAINTENANCE MANUAL



Full Underbin - Passenger Service Unit (with Lifevest, Gasper Air, and Speaker) Assembly
IPL Figure 12 (Sheet 7 of 8)

25-23-34

ILLUSTRATED PARTS LIST

Page 1098.341

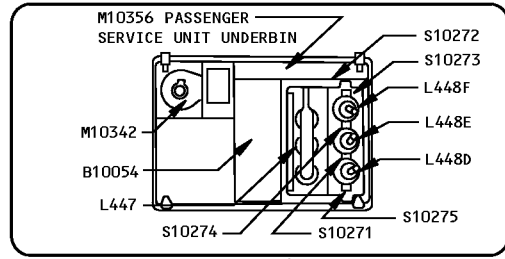
Nov 01/2008

COMPONENT MAINTENANCE MANUAL

1 ← POSITION → 2

570

P



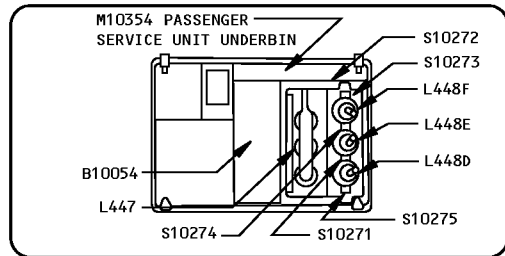
585

Q

2 ← POSITION → 1

575

T



580

R

ATTENTION

FOR REMOVAL AND RELOCATION INFORMATION SEE MAINTENANCE MANUAL CHAPTER 25
 FOR MASK STOWAGE INSTRUCTIONS SEE MAINTENANCE MANUAL CHAPTER 35
 FOR CLEANING INSTRUCTIONS SEE DOCUMENT D6-7127

565

S

Full Underbin - Passenger Service Unit (with Lifevest, Gasper Air, and Speaker) Assembly
 IPL Figure 12 (Sheet 8 of 8)

25-23-34

ILLUSTRATED PARTS LIST

Page 1098.342

Nov 01/2008



COMPONENT MAINTENANCE MANUAL

FIG/ ITEM	PART NUMBER	AIRLINE PART NUMBER	NOMENCLATURE							USAGE CODE	UNITS PER ASSY
			1	2	3	4	5	6	7		
12-											
-1	417N3100-251SP									DC	RF
-5	417N3100-222SP									DD	RF
-5A	417N3100-250SP									DE	RF
-5B	417N3100-322SP									AW	RF
-5C	417N3100-324SP									AX	RF
10	920056									AW, AX, DC-DE	3
15	S417N304-1A										
15A	S417N304-1B										
15B	VIP720-1C									AW, AX, DC-DE	3
-15C	S417N304-1M										
-15D	S417N304-1N										
-15E	S417N304-1P									AW, AX, DC-DE	3
-15F	S417N304-1R									AW, AX, DC-DE	3
-15G	S417N304-1S										

-Item not Illustrated

25-23-34

ILLUSTRATED PARTS LIST

Page 1098.343

Nov 01/2008



COMPONENT MAINTENANCE MANUAL

FIG/ ITEM	PART NUMBER	AIRLINE PART NUMBER	NOMENCLATURE							USAGE CODE	UNITS PER ASSY
			1	2	3	4	5	6	7		
12-											
-25B	S417N303-2C										
25C	VIP720-2D								. LENS-CALL SWITCH (COLOR OPT-CUST PREFERENCE, RED-WHITE) (V28406) (SPEC S417N303-2D) (OPT 932501-931 (V97564))	AW, AX, DC-DE	1
-25D	VIP720-2E								. LENS-CALL SWITCH (COLOR OPT-CUST PREFERENCE, WHITE- BROWN) (V28406) (SPEC S417N303-2E) (OPT 932501-924 (V97564))	AW, AX, DC-DE	1
-25E	VIP720-2G								. LENS-CALL SWITCH (COLOR OPT-CUST PREFERENCE, ORANGE- WHITE) (V28406) (SPEC S417N303-2G)	AW, AX, DC-DE	1
-25F	S417N303-2H								. LENS-CALL SWITCH (COLOR OPT-CUST PREFERENCE, LAVENDER- WHITE)	AW, AX, DC-DE	1
-25G	S417N303-2J								DELETED		
-25H	S417N303-2K								. LENS-CALL SWITCH (COLOR OPT-CUST PREFERENCE, WHITE-RED)	AW, AX, DC-DE	1
-25J	S417N303-2L								DELETED		
-25K	VIP270-2A								. LENS-CALL SWITCH (COLOR OPT-CUST PREFERENCE, WHITE- BEIGE) (V28406) (SPEC S417N303-2A) (OPT 932501-928 (V97564))	AW, AX, DC-DE	1
-25L	VIP270-2B								. LENS-CALL SWITCH (COLOR OPT-CUST PREFERENCE, GOLD-WHITE) (V28406) (SPEC S417N303-2)	AW, AX, DC-DE	1

-Item not Illustrated

25-23-34

ILLUSTRATED PARTS LIST

Page 1098.345

Nov 01/2008



COMPONENT MAINTENANCE MANUAL

FIG/ ITEM	PART NUMBER	AIRLINE PART NUMBER	NOMENCLATURE							USAGE CODE	UNITS PER ASSY																							
			1	2	3	4	5	6	7																									
12- -25M	VIP720-2C		.	L	E	N	S	-	C	A	L	L	S	W	, A	X	, D	C	-	D	E	1												
-25N	VIP720-2J		.	L	E	N	S	-	C	A	L	L	S	W	, A	X	, D	C	-	D	E	1												
-25P	VIP720-2L		.	L	E	N	S	-	C	A	L	L	S	W	, A	X	, D	C	-	D	E	1												
30	10-1006-1		.	L	I	G	H	T	-	R	E	A	D	I	N	G							D	C	1									
-35	10-1006-2		.	L	I	G	H	T	-	R	E	A	D	I	N	G									A	W	, A	X	, D	D	, D	E	1	
40	417N3100-81		.	F	A	S	T	E	N	E	R	A	S	S											A	W	, A	X	, D	C	-	D	E	1
45	BACS12FA08K6		.	.	S	C	R	E	W																A	W	, A	X	, D	C	-	D	E	2

-Item not Illustrated

25-23-34

ILLUSTRATED PARTS LIST

Page 1098.346

Nov 01/2008



COMPONENT MAINTENANCE MANUAL

FIG/ ITEM	PART NUMBER	AIRLINE PART NUMBER	NOMENCLATURE							USAGE CODE	UNITS PER ASSY	
			1	2	3	4	5	6	7			
12- 50	BACS12FA08K5		. .	SCREW (V06710) (SPEC BACS12FA08K5) (OPT BACS12FA08K5 (V06725)) (OPT BACS12FA08K5 (V06950)) (OPT BACS12FA08K5 (V27624)) (OPT BACS12FA08K5 (V34252)) (OPT BACS12FA08K5 (V56878)) (OPT BACS12FA08K5 (V73197)) (OPT BACS12FA08K5 (V80539)) (OPT BACS12FA08K5 (V92215)) (OPT BACS12FA08K5 (V93907)) (OPT BACS12FA08K5 (V97928))							AW, AX, DC-DE	2
55	NAS43DD3-18		. .	SPACER							AW, AX, DC-DE	4
57	NAS43DD3-20		. .	SPACER							AW, AX, DC-DE	4
60	BACW10P193G		. .	WASHER (V10630) (SPEC BACW10P193G)							AW, AX, DC-DE	8
65	BACN10YJ08		. .	NUT							AW, AX, DC-DE	19
70	G6940-3B3		. .	GROMMET (V75345) (SPEC BACG20AF3B3) (OPT SZ6924-3B3 (V95272)) (OPT 701-3B3 (V07096)) (OPT E3B3 (V60980)) (OPT H3B3 (V60980)) (OPT RR2002-3B3 (V57268))							AW, AX, DC-DE	5
75	417N3122-115		. .	ANGLE							AW, AX, DC-DE	2
80	417N3122-14		. .	ANGLE-SPRT							AW, AX, DC-DE	2
85	417N3122-60		. .	BRACKET ASSY							AW, AX, DC-DE	1
90	82-47-108-15		. . .	CLIP (V84483)							AW, AX, DC-DE	1
92	BACS21AQ2A3K		. . .	STUD-WELD (OPT ITEM 92A)							AW, AX, DC-DE	1
-92A	FHS832-6		. . .	STUD-WELD (OPT ITEM 92)							AW, AX, DC-DE	1

-Item not Illustrated

25-23-34

ILLUSTRATED PARTS LIST

Page 1098.347

Nov 01/2008



COMPONENT MAINTENANCE MANUAL

FIG/ ITEM	PART NUMBER	AIRLINE PART NUMBER	NOMENCLATURE							USAGE CODE	UNITS PER ASSY	
			1	2	3	4	5	6	7			
12- 95	417N3122-61		. . .								AW, AX, DC-DE	1
-95A	417N3122-130		. . .								AW, AX, DC-DE	1
100	417N3100-25SP		. AIR								AW, AX, DC-DE	1
105	BOE20563A120		. . DUCT								AW, AX, DC-DE	1
110	10-60141-23A		DELETED									
110A	750801-002		. . OUTLET-AIR								AW, AX, DC-DE	3
-110B	10-60141-23U		. . OUTLET								AW, AX, DC-DE	3
-110C	L16999-16C		. . OUTLET AIR								AW, AX, DC-DE	3
115	PLT2MM		. . STRAP								AW, AX, DC-DE	3
-115A	PLT2MM2		. . STRAP								AW, AX, DC-DE	3
120	417N3103-1		. . MANIFOLD ASSY								AW, AX, DC-DE	1
125	417N3063-4		. . . CONNECTOR								AW, AX, DC-DE	1
130	417N3105-6SP		. MODULE ASSY-SVCE								AW, AX, DC, DE	1
-130A	417N3105-4SP		. MODULE ASSY-SVCE								DD	1

-Item not Illustrated

25-23-34

ILLUSTRATED PARTS LIST

Page 1098.348

Nov 01/2008



COMPONENT MAINTENANCE MANUAL

FIG/ ITEM	PART NUMBER	AIRLINE PART NUMBER	NOMENCLATURE							USAGE CODE	UNITS PER ASSY
			1	2	3	4	5	6	7		
12- 175	117003-14		DC-DE	1
-175A	803000-04		DC-DE	1
-175B	117003-13		AW, AX	1
-175C	803000-03		AW, AX	1
180	417N3160-11		AW, AX, DC-DE	1
185	FT1387P8-1-2		AW, AX, DC-DE	1
-185A	C58024-08-1A		AW, AX, DC-DE	1
190	AN960KD416		AW, AX, DC-DE	1
195	A4972-6-82		AW, AX, DC-DE	1
200	BACR15BA3D		AW, AX, DC-DE	4
205	417N3811-13		AW, AX, DC-DE	1
210	417N3160-12		AW, AX, DC-DE	1

-Item not Illustrated

25-23-34

ILLUSTRATED PARTS LIST

Page 1098.350

Nov 01/2008



COMPONENT MAINTENANCE MANUAL

FIG/ ITEM	PART NUMBER	AIRLINE PART NUMBER	NOMENCLATURE							USAGE CODE	UNITS PER ASSY	
			1	2	3	4	5	6	7			
12- 215	417N3161-7		.	.	.						AW, AX, DC-DE	1
220	417N3160-13		.	.	.						AW, AX, DC-DE	6
225	417N3136-99		.	.	.						AW, AX, DC-DE	1
230	417N3100-15		.								AW, DC- DE	1
232	417N3173-6		.	.							AW, DC- DE	2
235	BACS12FA08K6		.	.							AW, DC- DE	4
240	BACN10YJ08		.	.							AW, DC- DE	4
245	417N3104-1		.	.							AW, DC- DE	1
250	RDAM8005A		.	.							AW, DC- DE	1
255	417N3100-31SP		.								DC	1
-260	417N3100-32SP		.								AW, AX, DD, DE	1

-Item not Illustrated

25-23-34

ILLUSTRATED PARTS LIST

Page 1098.351

Nov 01/2008



COMPONENT MAINTENANCE MANUAL

FIG/ ITEM	PART NUMBER	AIRLINE PART NUMBER	NOMENCLATURE							USAGE CODE	UNITS PER ASSY	
			1	2	3	4	5	6	7			
12- 265	BACS12FA08K7		. .	SCREW							AW, AX, DC-DE	12
				(V06710)								
				(SPEC BACS12FA08K7)								
				(OPT BACS12FA08K7 (V06725))								
				(OPT BACS12FA08K7 (V06950))								
				(OPT BACS12FA08K7 (V27624))								
				(OPT BACS12FA08K7 (V34252))								
				(OPT BACS12FA08K7 (V56878))								
				(OPT BACS12FA08K7 (V73197))								
				(OPT BACS12FA08K7 (V80539))								
				(OPT BACS12FA08K7 (V92215))								
				(OPT BACS12FA08K7 (V93907))								
				(OPT BACS12FA08K7 (V97928))								
270	AN960PD8L		. .	WASHER							AW, AX, DC-DE	8
275	417N3122-49		. .	RETAINER							DC	1
-280	417N3122-50		. .	RETAINER							AW, AX, DD, DE	1
285	417N3190-8		. .	LANYARD ASSY							AW, AX, DC-DE	1
				ATTACHING PARTS								
290	BACS12FA08K6		. .	SCREW							AW, AX, DC-DE	1
				(V06710)								
				(SPEC BACS12FA08K6)								
				(OPT BACS12FA08K6 (V06725))								
				(OPT BACS12FA08K6 (V06950))								
				(OPT BACS12FA08K6 (V27624))								
				(OPT BACS12FA08K6 (V34252))								
				(OPT BACS12FA08K6 (V56878))								
				(OPT BACS12FA08K6 (V73197))								
				(OPT BACS12FA08K6 (V80539))								
				(OPT BACS12FA08K6 (V92215))								
				(OPT BACS12FA08K6 (V93907))								
				(OPT BACS12FA08K6 (V97928))								
295	26C82		. .	NUT							DC	1
				(V80539)								
				(SPEC BACN10R8)								

-Item not Illustrated

25-23-34

ILLUSTRATED PARTS LIST

Page 1098.352

Nov 01/2008



COMPONENT MAINTENANCE MANUAL

FIG/ ITEM	PART NUMBER	AIRLINE PART NUMBER	NOMENCLATURE							USAGE CODE	UNITS PER ASSY		
			1	2	3	4	5	6	7				
12- -300	H10-08BAC		. .								NUT (V15653) (SPEC BACN10JC08) (OPT NS202101-82 (V80539)) (OPT RMLH9075-82W (V72962)) (OPT T6S832J (V71087)) (OPT VN303A82 (V92215)) (OPT 96-82 (V80539)) (OPT BRH10A08 (V52828)) (OPT T6S832J (V11815))	AW, AX, DD, DE	1
			----- * -----										
305	417N3190-7		. . .								TERMINAL	AW, AX, DC-DE	2
310	417N3190-5		. . .								CORD-NYLON	AW, AX, DC-DE	1
315	417N3100-74		. .								PIN	AW, AX, DC-DE	2
320	417N3133-19		. .								HOUSING-PUSHBUTTON	AW, AX, DC-DE	2
325	6100-9		. .								RETAINER (V2X013)	AW, AX, DC-DE	4
330	417N3173-9		. .								SPRING	AW, AX, DC-DE	2
335	417N3084-1SP		. .								PUSH BUTTON	AW, AX, DC-DE	1
340	417N3100-73		. .								PIN	AW, AX, DC-DE	1
345	417N3173-14		. .								SPRING	AW, AX, DC-DE	1
350	6100-9		. .								RETAINER (V2X013)	AW, AX, DC-DE	2
355	417N3173-13		. .								SPRING	AW, AX, DC-DE	1
360	417N3100-78		. .								PIN	AW, AX, DC-DE	1
365	417N3133-15		. .								LATCH	AW, AX, DC-DE	1
370	417N3133-16		. .								LATCH	AW, AX, DC-DE	1

-Item not Illustrated

25-23-34

ILLUSTRATED PARTS LIST

Page 1098.353

Nov 01/2008



COMPONENT MAINTENANCE MANUAL

FIG/ ITEM	PART NUMBER	AIRLINE PART NUMBER	NOMENCLATURE							USAGE CODE	UNITS PER ASSY	
			1	2	3	4	5	6	7			
12- 375	6100-9		. .								AW, AX, DC-DE	2
380	417N3080-1SP		. .								AW, AX, DC-DE	1
385	BACR15CE3D		. . .								AW, AX, DC-DE	6
390	BACR15CE4D		. . .								DC-DE	14
395	417N3083-2		. . .								AW, AX, DC-DE	2
400	417N3083-3		. . .								AW, AX, DC-DE	1
405	417N3083-4		. . .								AW, AX, DC-DE	1
410	417N3083-1		. . .								AW, AX, DC-DE	2
415	417N3082-1		. . .								AW, AX, DC-DE	1
420	417N3113-1		. . .								AW, AX, DC-DE	3
425	417N3080-3		. . .								AW, AX, DC-DE	1
430	417N3081-1SP		. . .								AW, AX, DC-DE	1
435	BACR15BB4D10		. RIVET (V09192) (SPEC BACR15BB4D10) (OPT BACR15BB4D10 (V42838)) (OPT BACR15BB4D10 (V53551)) (OPT BACR15BB4D10 (V55580))								AW, AX, DC-DE	2
440	6100-12		. RETAINER (V2X013)								AW, AX, DC-DE	2
445	417N3180-1		. CLAMP ASSY								AW, AX, DC-DE	2
450	NAS607-2-8P		. . PIN-DOWEL								AW, AX, DC-DE	1
455	NAS607-1-4P		. . PIN-DOWEL								AW, AX, DC-DE	2

-Item not Illustrated

25-23-34

ILLUSTRATED PARTS LIST

Page 1098.354

Nov 01/2008



COMPONENT MAINTENANCE MANUAL

FIG/ ITEM	PART NUMBER	AIRLINE PART NUMBER	NOMENCLATURE							USAGE CODE	UNITS PER ASSY	
			1	2	3	4	5	6	7			
12- 460	417N3181-1		.	.	LINK-ROCKER (OPT ITEM 460A)						AW, AX, DC-DE	1
-460A	65-85902-1		.	.	LINK-ROCKER (OPT ITEM 460)						AW, AX, DC-DE	1
465	65-85905-4		.	.	PLUNGER						AW, AX, DC-DE	1
470	RCS3290		.	.	SPRING (V08205)						AW, AX, DC-DE	1
475	417N3182-1		.	.	BODY-PLUNGER						AW, AX, DC-DE	1
480	417N3180-3		.	.	PLUNGER-SPR						AW, AX, DC-DE	2
485	RCS3289		.	.	SPRING (V08205)						AW, AX, DC-DE	2
490	417N3183-1		.	.	BODY-CLAMP						AW, AX, DC-DE	1
-495	AN960JD416L		.		WASHER (USED WITH ITEM 500)						AW, DC- DE	AR
-497	AN960JD416L		.		WASHER (USED WITH ITEM 502)						AX	AR
-500	PLWP1S		.		TIE-PUSH MOUNT CABLE (V58417)						AW, DC- DE	AR
-502	PLWP1S		.		TIE-PUSH MOUNT CABLE (V58417)						AX	AR
-505	NMC1001-0		.		CLAMP (V03296) (OPT ITEM 505A)						AW, AX, DC-DE	2
-505A	BACC10DK3		.		CLAMP (V16115) (SPEC BACC10DK3) (OPT BACC10DK3 (V81872)) (OPT ITEM 505)						AW, AX, DC-DE	2
510	1TW2-3		.		SWITCH-TOGGLE						AW, AX, DC-DE	1
-515	61-33500-002		.		WIRE BUNDLE						DC, DE	1
-515A	61-33500-001		.		WIRE BUNDLE						AW, AX, DD	1
520	417N3100-71		.		PAD						AW, AX, DC-DE	2

-Item not Illustrated

25-23-34

ILLUSTRATED PARTS LIST

Page 1098.355

Nov 01/2008



COMPONENT MAINTENANCE MANUAL

FIG/ ITEM	PART NUMBER	AIRLINE PART NUMBER	NOMENCLATURE							USAGE CODE	UNITS PER ASSY						
			1	2	3	4	5	6	7								
12- 525	417N3190-1		.	L	A	N	A	R	D	A	S	S		AW, AX, DC-DE	1		
530	GSC205		.	.	S	L	E	E	V	E				AW, AX, DC-DE	4		
-530A	GSC219		.	.	S	L	E	E	V	E				AW, AX, DC-DE	4		
535	10-61790-1		.	.	H	O	O	K						AW, AX, DC-DE	1		
540	NAS43DD4-5		.	.	S	P	A	C	E	R				AW, AX, DC-DE	1		
545	65C16899-6		.	.	S	P	R	I	N	G				AW, AX, DC-DE	1		
550	417N3190-3		.	.	C	O	R	D						AW, AX, DC-DE	1		
555	417N3110-35SP		.	F	R	A	M	E	A	S	S			DC	1		
-560	417N3110-6SP		.	F	R	A	M	E	A	S	S			DD	1		
-560A	417N3110-36SP		.	F	R	A	M	E	A	S	S			DD	1		
-560B	417N3110-36SP		.	F	R	A	M	E	A	S	S			AW, AX, DE	1		
565	BAC27DPA2272		.	D	E	C	A	L						AW, AX, DC-DE	1		
570	BAC27NPA0610		.	M	A	R	K	E	R	-	A	L	U	MINIUM	FOIL	DC	1
575	BAC27NPA0609		.	M	A	R	K	E	R	-	A	L	U	MINIUM	FOIL	AW, AX, DD, DE	1
580	BAC27NPA0660		.	M	A	R	K	E	R	-	A	L	U	MINIUM	FOIL	DC	1
-580A	BAC27NPA0663		.	M	A	R	K	E	R	-	A	L	U	MINIUM	FOIL	AX	1

-Item not Illustrated

25-23-34

ILLUSTRATED PARTS LIST

Page 1098.356

Nov 01/2008



COMPONENT MAINTENANCE MANUAL

FIG/ ITEM	PART NUMBER	AIRLINE PART NUMBER	NOMENCLATURE							USAGE CODE	UNITS PER ASSY	
			1	2	3	4	5	6	7			
12- 585	BAC27NPA0661									. MARKER-ALUMINUM FOIL	AW, DD, DE	1

-Item not Illustrated

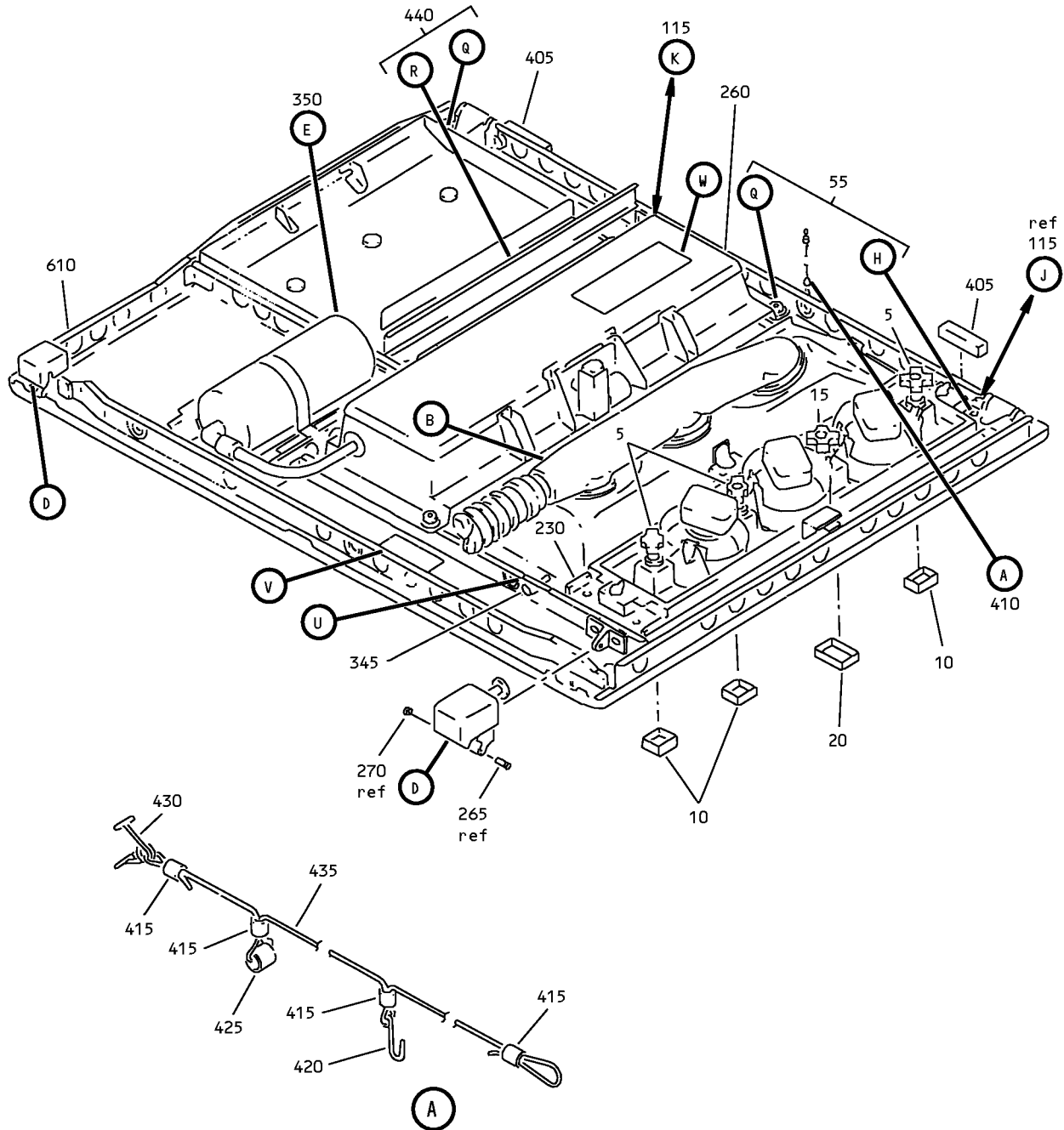
25-23-34

ILLUSTRATED PARTS LIST

Page 1098.357

Nov 01/2008

COMPONENT MAINTENANCE MANUAL



Full Underbin - Passenger Service Unit (with Lifevest and Gasper Air) Assembly
IPL Figure 13 (Sheet 1 of 8)

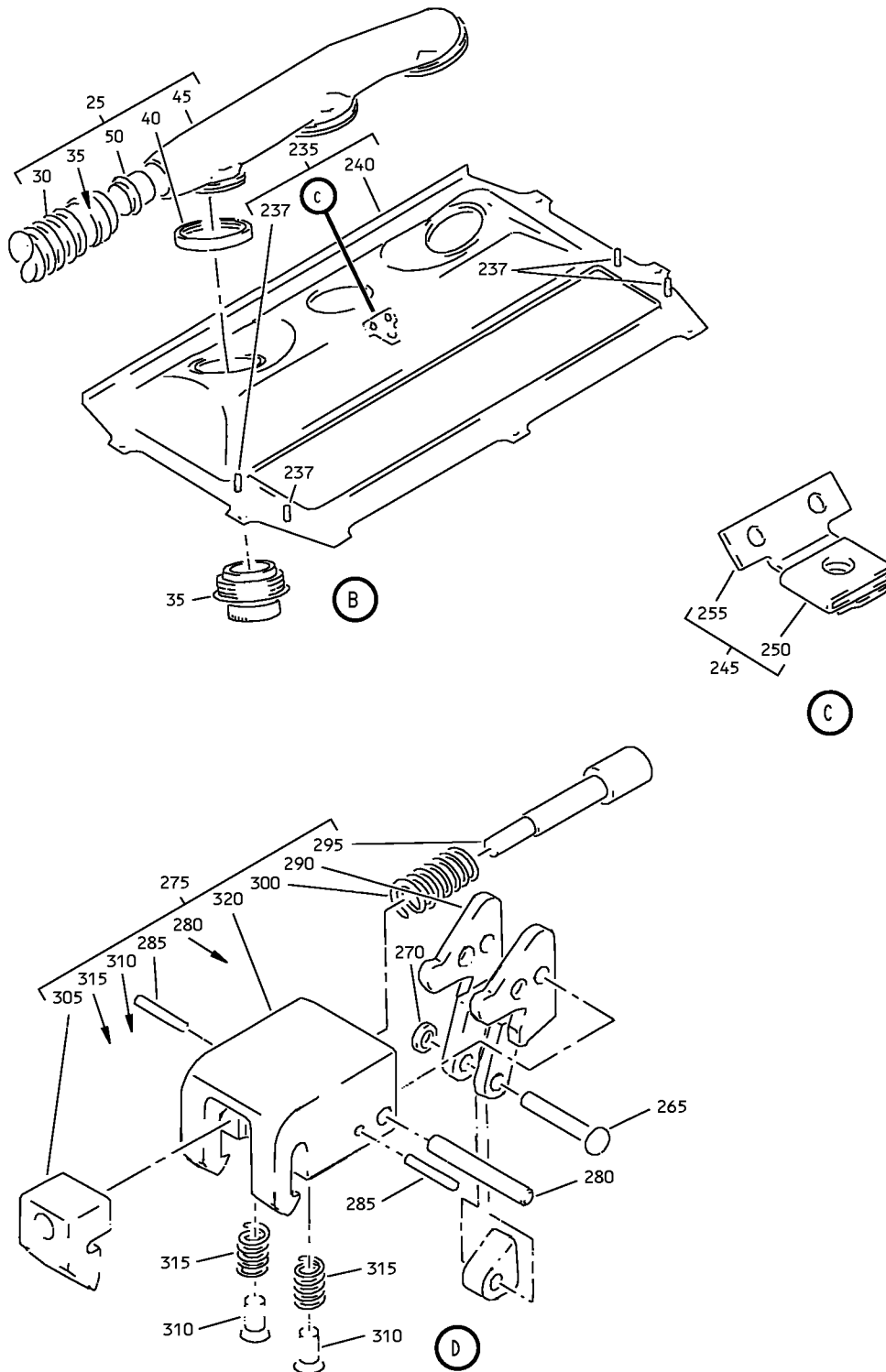
25-23-34

ILLUSTRATED PARTS LIST

Page 1098.358

Nov 01/2008

COMPONENT MAINTENANCE MANUAL



Full Underbin - Passenger Service Unit (with Lifevest and Gasper Air) Assembly
IPL Figure 13 (Sheet 2 of 8)

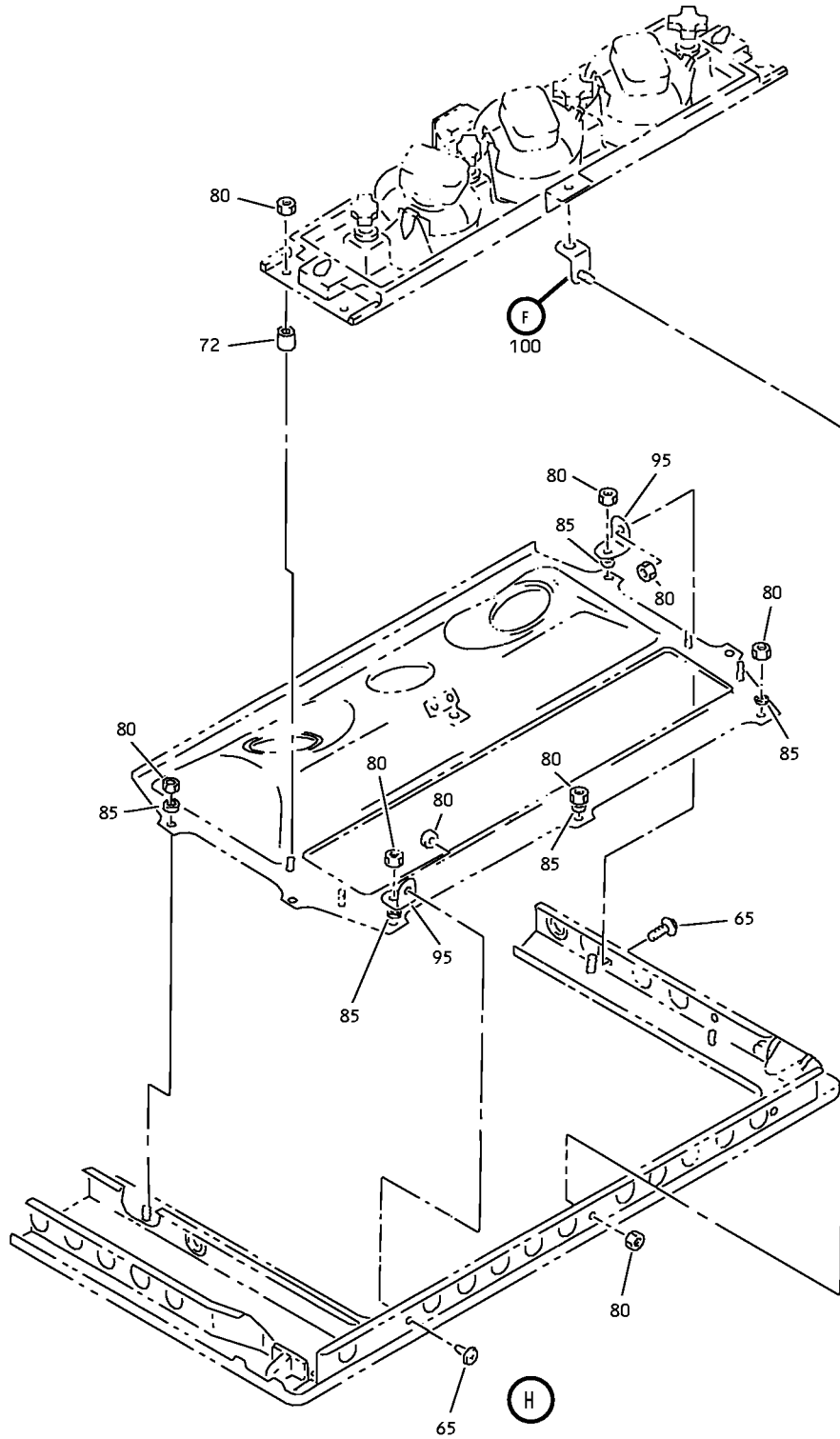
25-23-34

ILLUSTRATED PARTS LIST

Page 1098.359

Nov 01/2008

COMPONENT MAINTENANCE MANUAL



Full Underbin - Passenger Service Unit (with Lifevest and Gasper Air) Assembly
IPL Figure 13 (Sheet 4 of 8)

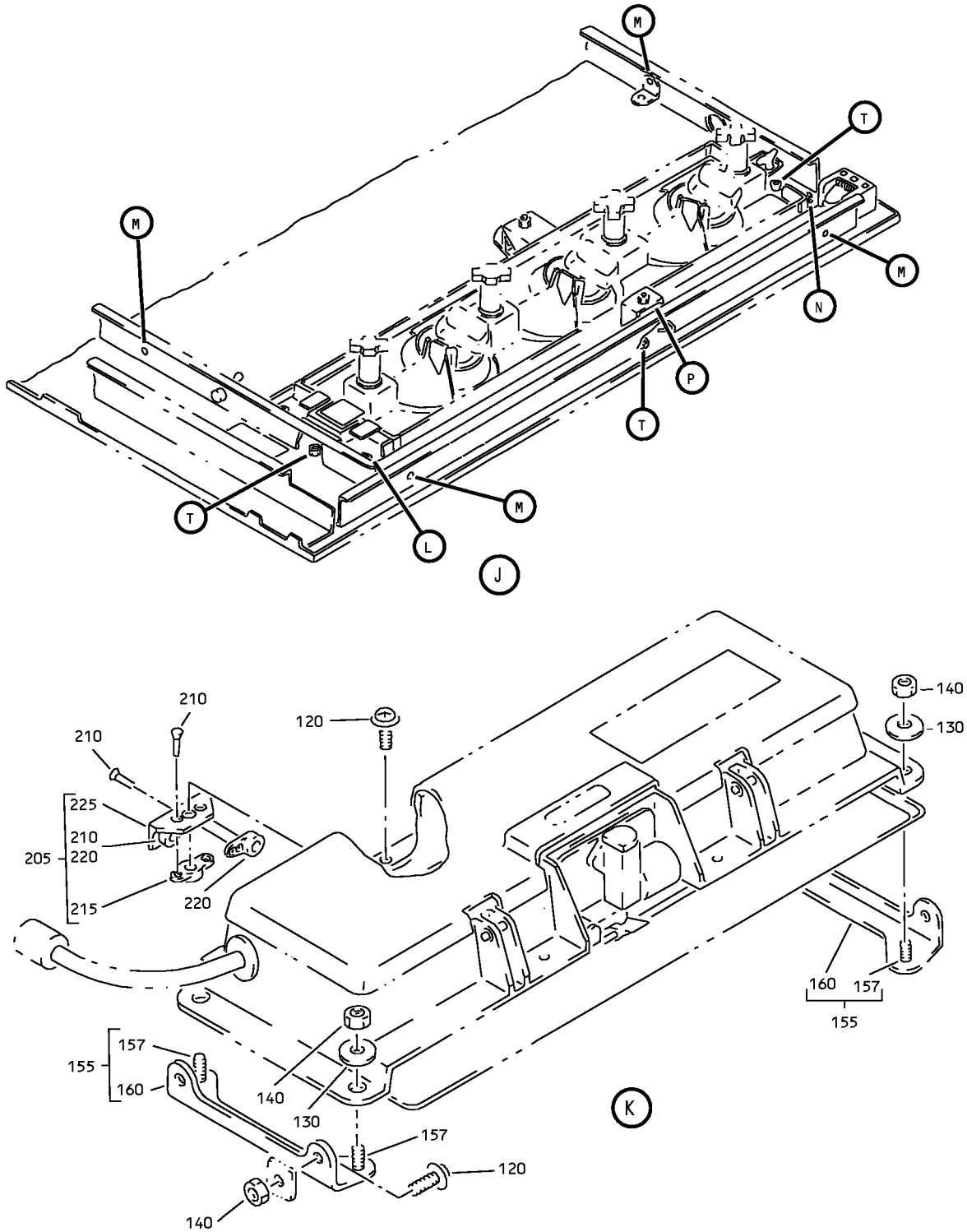
25-23-34

ILLUSTRATED PARTS LIST

Page 1098.361

Nov 01/2008

COMPONENT MAINTENANCE MANUAL



Full Underbin - Passenger Service Unit (with Lifevest and Gasper Air) Assembly
IPL Figure 13 (Sheet 5 of 8)

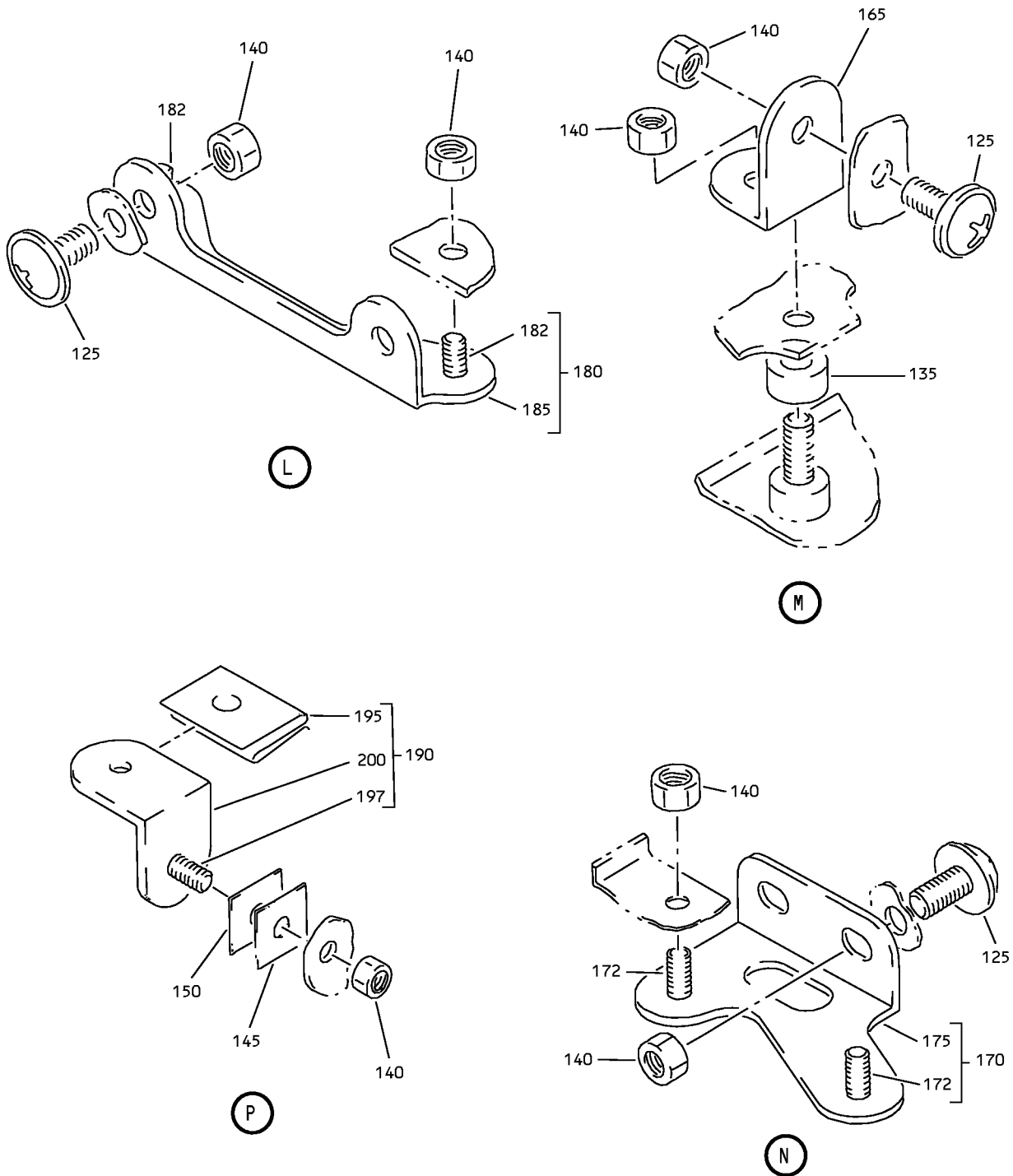
25-23-34

ILLUSTRATED PARTS LIST

Page 1098.362

Nov 01/2008

COMPONENT MAINTENANCE MANUAL



Full Underbin - Passenger Service Unit (with Lifevest and Gasper Air) Assembly
 IPL Figure 13 (Sheet 6 of 8)

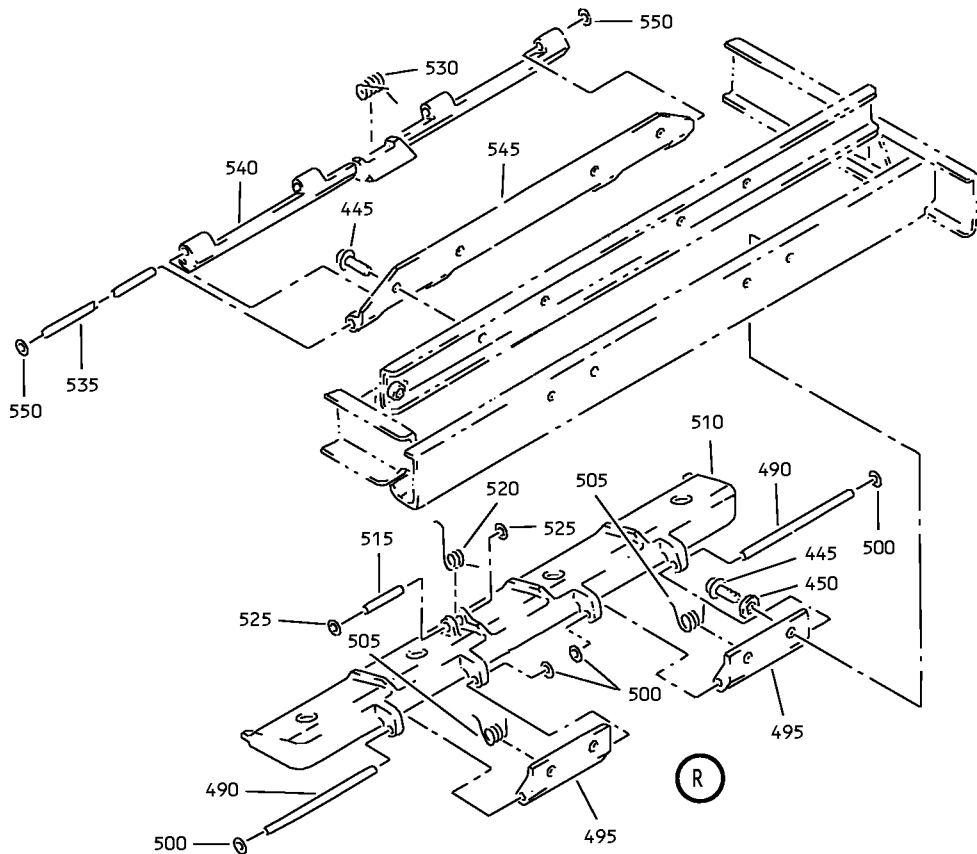
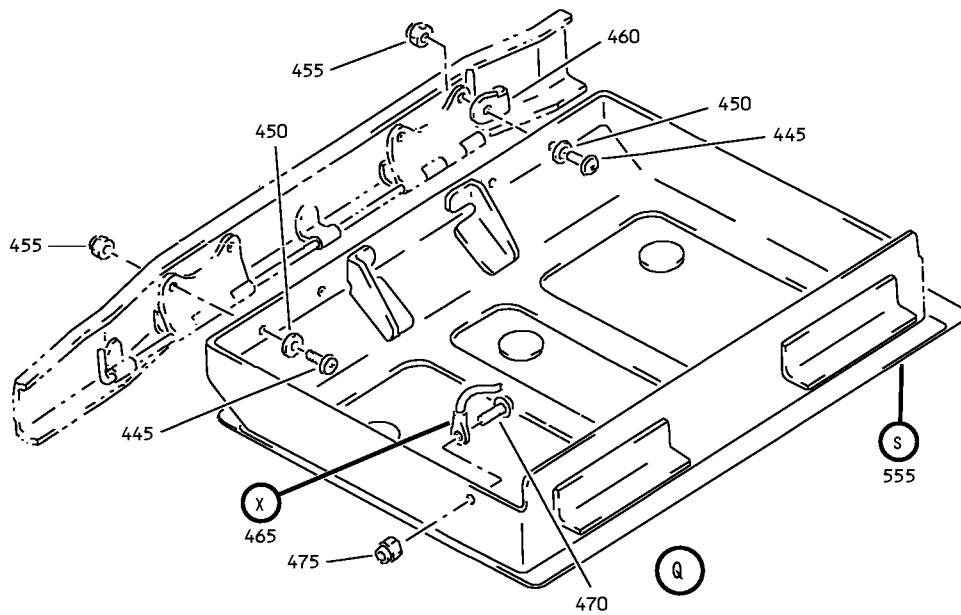
25-23-34

ILLUSTRATED PARTS LIST

Page 1098.363

Nov 01/2008

COMPONENT MAINTENANCE MANUAL



Full Underbin - Passenger Service Unit (with Lifevest and Gasper Air) Assembly
IPL Figure 13 (Sheet 7 of 8)

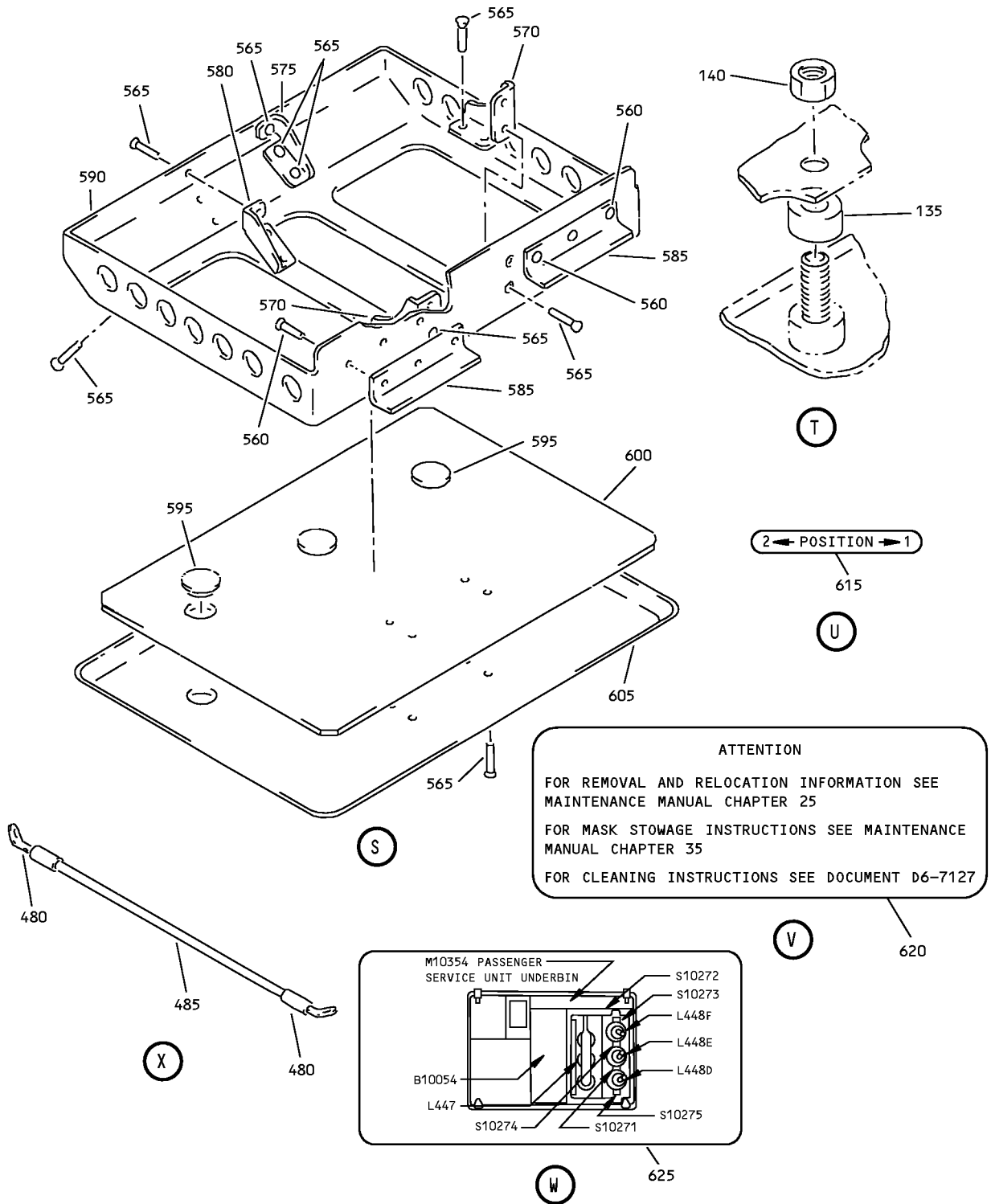
25-23-34

ILLUSTRATED PARTS LIST

Page 1098.364

Nov 01/2008

COMPONENT MAINTENANCE MANUAL



Full Underbin - Passenger Service Unit (with Lifevest and Gasper Air) Assembly
IPL Figure 13 (Sheet 8 of 8)

25-23-34

ILLUSTRATED PARTS LIST

Page 1098.365

Nov 01/2008



COMPONENT MAINTENANCE MANUAL

FIG/ ITEM	PART NUMBER	AIRLINE PART NUMBER	NOMENCLATURE							USAGE CODE	UNITS PER ASSY
			1	2	3	4	5	6	7		
13- -1	417N3100-224SP		SERVICE UNIT ASSY-FULL UNDERBIN PASS. (WITH LIFEVEST, GASPER AIR) (RH)							DF	RF
5	920056		. SWITCH-READING LT (V97564)							DF	3
10	S417N304-1A		DELETED								
10A	S417N304-1B		DELETED								
10B	VIP720-1C		. LENS-LT SWITCH (COLOR OPT-CUST PREFERENCE, RED-WHITE) (V28406) (SPEC S417N304-1C)							DF	3
-10C	S417N304-1M		DELETED								
-10D	S417N304-1N		DELETED								
-10E	S417N304-1P		. LENS-LT SWITCH (COLOR OPT-CUST PREFERENCE, PURPLE)							DF	3
-10F	S417N304-1R		. LENS-LT SWITCH (COLOR OPT-CUST PREFERENCE, ORANGE- WHITE)							DF	3
-10G	S417N304-1S		DELETED								
-10H	S417N304-6D		. LENS-LT SWITCH (COLOR OPT-CUST PREFERENCE, WHITE- BEIGE)							DF	3
-10J	VIP720-6E		. LENS-LT SWITCH (COLOR OPT-CUST PREFERENCE, REDWOOD- BEIGE) (V28406) (SPEC S417N304-6E)							DF	3
-10K	VIP720-6G		. LENS-LT SWITCH (COLOR OPT-CUST PREFERENCE, BROWN- WHITE) (V28406) (SPEC S417N304-6G)							DF	3

-Item not Illustrated

25-23-34

ILLUSTRATED PARTS LIST

Page 1098.366

Nov 01/2008



COMPONENT MAINTENANCE MANUAL

FIG/ ITEM	PART NUMBER	AIRLINE PART NUMBER	NOMENCLATURE							USAGE CODE	UNITS PER ASSY	
			1	2	3	4	5	6	7			
13- -20E	VIP720-2G		.								DF	1
-20F	S417N303-2H		.								DF	1
-20G	S417N303-2J											
-20H	S417N303-2K		.								DF	1
-20J	S417N303-2L											
-20K	S417N303-3B		.								DF	1
-20L	VIP720-4A		.								DF	1
20M	VIP720-2A		.								DF	1
-20N	VIP720-2B		.								DF	1
-20P	VIP720-2C		.								DF	1

-Item not Illustrated

25-23-34

ILLUSTRATED PARTS LIST

Page 1098.368

Nov 01/2008



COMPONENT MAINTENANCE MANUAL

FIG/ ITEM	PART NUMBER	AIRLINE PART NUMBER	NOMENCLATURE							USAGE CODE	UNITS PER ASSY	
			1	2	3	4	5	6	7			
13- -20Q	VIP720-2J		.								DF	1
-20R	VIP720-2L		.								DF	1
25	417N3100-25SP		.								DF	1
30	B0E20563A120		.	.							DF	1
35	10-60141-23A											
35A	10-60141-23U		.	.							DF	3
-35B	750801-002		.	.							DF	3
-35C	L16999-16C		.	.							DF	3
40	PLT2MM		.	.							DF	3
-40A	PLT2MM2		.	.							DF	3
45	417N3103-1		.	.							DF	1
50	417N3063-4		.	.	.						DF	1
55	417N3100-81		.								DF	1

-Item not Illustrated

25-23-34

ILLUSTRATED PARTS LIST

Page 1098.369

Nov 01/2008



COMPONENT MAINTENANCE MANUAL

FIG/ ITEM	PART NUMBER	AIRLINE PART NUMBER	NOMENCLATURE							USAGE CODE	UNITS PER ASSY
			1	2	3	4	5	6	7		
13- 60	BACS12FA08K6		. .	SCREW						DF	2
				(V06710)							
				(SPEC BACS12FA08K6)							
				(OPT BACS12FA08K6 (V06725))							
				(OPT BACS12FA08K6 (V06950))							
				(OPT BACS12FA08K6 (V27624))							
				(OPT BACS12FA08K6 (V34252))							
				(OPT BACS12FA08K6 (V56878))							
				(OPT BACS12FA08K6 (V73197))							
				(OPT BACS12FA08K6 (V80539))							
				(OPT BACS12FA08K6 (V92215))							
				(OPT BACS12FA08K6 (V93907))							
				(OPT BACS12FA08K6 (V97928))							
65	BACS12FA08K5		. .	SCREW						DF	2
				(V06710)							
				(SPEC BACS12FA08K5)							
				(OPT BACS12FA08K5 (V06725))							
				(OPT BACS12FA08K5 (V06950))							
				(OPT BACS12FA08K5 (V27624))							
				(OPT BACS12FA08K5 (V34252))							
				(OPT BACS12FA08K5 (V56878))							
				(OPT BACS12FA08K5 (V73197))							
				(OPT BACS12FA08K5 (V80539))							
				(OPT BACS12FA08K5 (V92215))							
				(OPT BACS12FA08K5 (V93907))							
				(OPT BACS12FA08K5 (V97928))							
70	NAS43DD3-18		. .	SPACER						DF	4
72	NAS43DD3-20		. .	SPACER						DF	4
75	BACW10P193G		. .	WASHER						DF	8
				(V10630)							
				(SPEC BACW10P193G)							
80	BACN10YJ08		. .	NUT						DF	18
85	G6940-3B3		. .	GROMMET						DF	5
				(V75345)							
				(SPEC BACG20AF3B3)							
				(OPT SZ6924-3B3 (V95272))							
				(OPT 701-3B3 (V07096))							
				(OPT E3B3 (V60980))							
				(OPT H3B3 (V60980))							
				(OPT RR2002-3B3 (V57268))							
90	417N3122-115		. .	ANGLE						DF	2
95	417N3122-14		. .	ANGLE-SPRT						DF	2
100	417N3122-60		. .	BRACKET ASSY						DF	1

-Item not Illustrated

25-23-34

ILLUSTRATED PARTS LIST

Page 1098.370

Nov 01/2008



COMPONENT MAINTENANCE MANUAL

FIG/ ITEM	PART NUMBER	AIRLINE PART NUMBER	NOMENCLATURE							USAGE CODE	UNITS PER ASSY
			1	2	3	4	5	6	7		
13-											
105	82-47-108-15								. . . CLIP (V84483)	DF	1
107	BACS21AQ2A3K								. . . STUD	DF	1
110	417N3122-61								. . . BRACKET	DF	1
115	417N3100-52								. FASTENER ASSY (LIMITED USAGE)	DF	1
120	BACS12FA08K6								. . SCREW (V06710) (SPEC BACS12FA08K6) (OPT BACS12FA08K6 (V06725)) (OPT BACS12FA08K6 (V06950)) (OPT BACS12FA08K6 (V27624)) (OPT BACS12FA08K6 (V34252)) (OPT BACS12FA08K6 (V56878)) (OPT BACS12FA08K6 (V73197)) (OPT BACS12FA08K6 (V80539)) (OPT BACS12FA08K6 (V92215)) (OPT BACS12FA08K6 (V93907)) (OPT BACS12FA08K6 (V97928))	DF	7
125	BACS12FA08K5								. . SCREW (V06710) (SPEC BACS12FA08K5) (OPT BACS12FA08K5 (V06725)) (OPT BACS12FA08K5 (V06950)) (OPT BACS12FA08K5 (V27624)) (OPT BACS12FA08K5 (V34252)) (OPT BACS12FA08K5 (V56878)) (OPT BACS12FA08K5 (V73197)) (OPT BACS12FA08K5 (V80539)) (OPT BACS12FA08K5 (V92215)) (OPT BACS12FA08K5 (V93907)) (OPT BACS12FA08K5 (V97928))	DF	8
130	BACW10P193G								. . WASHER (V10630) (SPEC BACW10P193G)	DF	4
135	NAS43DD3-7								. . SPACER	DF	7
140	BACN10YJ08								. . NUT	DF	28
145	66-25727-1								. . SHIM	DF	1
150	66-25727-2								. . SHIM	DF	1
155	417N3122-65								. . ANGLE ASSY	DF	2
157	BACS21AQ2A3K								. . . STUD	DF	2

-Item not Illustrated

25-23-34

ILLUSTRATED PARTS LIST

Page 1098.371

Nov 01/2008



COMPONENT MAINTENANCE MANUAL

FIG/ ITEM	PART NUMBER	AIRLINE PART NUMBER	NOMENCLATURE							USAGE CODE	UNITS PER ASSY	
			1	2	3	4	5	6	7			
13-												
160	417N3122-66		. . .							ANGLE	DF	1
165	417N3122-14		. .							ANGLE-SPRT	DF	4
170	417N3122-108		. .							ANGLE ASSY	DF	1
172	BACS21AQ2A3P		. . .							STUD	DF	2
175	417N3122-110		. . .							ANGLE	DF	1
180	417N3122-71		. .							ANGLE ASSY	DF	1
182	BACS21AQ2A3K		. . .							STUD	DF	2
185	417N3122-72		. . .							ANGLE	DF	1
190	417N3122-60		. .							BRACKET ASSY	DF	1
195	82-47-108-15		. . .							CLIP	DF	1
197	BACS21AQ2A3K		. . .							STUD	DF	1
										(OPT ITEM 197A)		
-197A	FHS832-6		. . .							STUD	DF	1
										(V46384)		
										(OPT ITEM 197)		
200	417N3122-61		. . .							BRACKET	DF	1
										(OPT ITEM 200A)		
-200A	417N3122-130		. . .							BRACKET	DF	1
										(OPT ITEM 200)		
205	417N3136-19		. .							BRACKET ASSY-MTG	DF	1
210	BACR15BA3AD		. . .							RIVET	DF	6
										(SIZE DETERMINED ON INST)		
215	BRM200A08		. . .							NUTPLATE	DF	1
										(V52828)		
										(SPEC BACN10JP08A)		
										(OPT MK1000-08BAC (V15653))		
										(OPT NS103197-82 (V80539))		
										(OPT RMA9201M82 (V72962))		
										(OPT T8076S832 (V11815))		
										(OPT VN202A1-82 (V92215))		
220	BRM100A08		. . .							NUTPLATE	DF	2
										(V52828)		
										(SPEC BACN10JP08B)		
										(OPT MK2000-08BAC (V15653))		
										(OPT NS103198-82 (V80539))		
										(OPT RMA9207M82 (V72962))		
										(OPT T8077S832 (V11815))		
										(OPT VN201A1-82 (V92215))		

-Item not Illustrated

25-23-34

ILLUSTRATED PARTS LIST

Page 1098.372

Nov 01/2008



COMPONENT MAINTENANCE MANUAL

FIG/ ITEM	PART NUMBER	AIRLINE PART NUMBER	NOMENCLATURE							USAGE CODE	UNITS PER ASSY
			1	2	3	4	5	6	7		
13-											
225	417N3136-21								. . . BRACKET	DF	1
230	10-1006-2								. LIGHT-READING (V72914) (SPEC S417N302-2)	DF	1
235	417N3105-4SP								. MODULE ASSY (LIMITED USAGE)	DF	1
-235A	417N3105-6SP								. MODULE ASSY (LIMITED USAGE)	DF	1
237	BACS21AQ6A6M								. . STUD (USED ON ITEM 235A)	DF	4
240	417N3101-2SP								. . MODULE	DF	1
245	417N3122-111								. . BRACKET ASSY	DF	1
250	82-47-108-15								. . . CLIP (V84483)	DF	1
255	417N3122-112								. . . BRACKET	DF	1
260	417N3130-2SP								. BOX ASSY-FOUR MASK OXY (LIMITED USAGE) (REF CMM 35-21-03)	DF	1
-260A	417N3130-34SP								. BOX ASSY-FOUR MASK OXY (LIMITED USAGE) (REF CMM 35-21-02)	DF	1
265	BACR15BB4D10								. RIVET (V09192) (SPEC BACR15BB4D10) (OPT BACR15BB4D10 (V42838)) (OPT BACR15BB4D10 (V53551)) (OPT BACR15BB4D10 (V55580))	DF	2
270	6100-12								. RETAINER (V2X013)	DF	2
275	417N3180-1								. CLAMP ASSY	DF	2
280	NAS607-2-8P								. . PIN	DF	1
285	NAS607-1-4P								. . PIN	DF	2
290	417N3181-1								. . LINK-ROCKER (OPT ITEM 290A)	DF	1
-290A	65-85902-1								. . LINK-ROCKER (OPT ITEM 290)	DF	1
295	65-85905-4								. . PLUNGER	DF	1

-Item not Illustrated

25-23-34

ILLUSTRATED PARTS LIST

Page 1098.373

Nov 01/2008



COMPONENT MAINTENANCE MANUAL

FIG/ ITEM	PART NUMBER	AIRLINE PART NUMBER	NOMENCLATURE							USAGE CODE	UNITS PER ASSY	
			1	2	3	4	5	6	7			
13- 300	RCS3290		.	.	SPRING (V08205)						DF	1
305	417N3182-1		.	.	BODY-PLUNGER						DF	1
310	417N3180-3		.	.	PLUNGER-SPRING						DF	2
315	RCS3289		.	.	SPRING (V08205)						DF	2
320	417N3183-1		.	.	BODY-CLAMP						DF	1
-325	AN960JD416L		.		WASHER (USED WITH ITEM 330)						DF	AR
-330	PLWP1S		.		TIE-PUSH MOUNT CABLE (V58417)						DF	AR
-335	NMC1001-0		.		CLAMP (V03296) (OPT ITEM 335A)						DF	2
-335A	BACC10DK3		.		CLAMP (V16115) (SPEC BACC10DK3) (OPT BACC10DK3 (V81872)) (OPT ITEM 335)						DF	2
-340	61-33500-001		.		WIRE BUNDLE						DF	1
345	1TW2-3		.		SWITCH-TOGGLE (V91929)						DF	1
350	417N3100-48		.		GENERATOR ASSY						DF	1
355	417N3160-11		.	.	BRACKET ASSY						DF	1
			ATTACHING PARTS									
360	BACS12FA08K6		.	.	SCREW (V06710) (SPEC BACS12FA08K6) (OPT BACS12FA08K6 (V06725)) (OPT BACS12FA08K6 (V06950)) (OPT BACS12FA08K6 (V27624)) (OPT BACS12FA08K6 (V34252)) (OPT BACS12FA08K6 (V56878)) (OPT BACS12FA08K6 (V73197)) (OPT BACS12FA08K6 (V80539)) (OPT BACS12FA08K6 (V92215)) (OPT BACS12FA08K6 (V93907)) (OPT BACS12FA08K6 (V97928))						DF	4
			-----*									

-Item not Illustrated

25-23-34

ILLUSTRATED PARTS LIST

Page 1098.374

Nov 01/2008



COMPONENT MAINTENANCE MANUAL

FIG/ ITEM	PART NUMBER	AIRLINE PART NUMBER	NOMENCLATURE							USAGE CODE	UNITS PER ASSY
			1	2	3	4	5	6	7		
13-											
-365	BACR15BA3D		. . .	RIVET						DF	4
				(SIZE DETERMINED ON INST)							
370	417N3811-13		. . .	HINGE						DF	1
375	CS8024-08-1A		. . .	SCREW-CAPTIVE						DF	1
				(V58998)							
				(OPT ITEM 375A)							
-375A	FT1387P8-1-2		. . .	SCREW-CAPTIVE						DF	1
				(V58794)							
				(OPT ITEM 375)							
380	AN960KD416		. . .	WASHER						DF	1
385	A4972-6-82		. . .	NUT						DF	1
				(V72962)							
				(SPEC BACN10FX84)							
				(OPT RM52LHA4972-6-82 (V72962))							
				(OPT SL211-08-1 (V97393))							
				(OPT 130008 (V60119))							
				(OPT A11330-6-82 (V72962))							
390	417N3161-7		. . .	BRACKET-MTG						DF	1
395	417N3136-99		. . .	BRACKET-MTG						DF	1
397	417N3160-12		. . .	PAD-INSULATION						DF	1
398	417N3160-13		. . .	PAD-INSULATION						DF	6
400	117003-14		. .	GENERATOR-CHEMICAL OXY						DF	1
				(V16827)							
				(OPT ITEM 400A)							
				(SPEC S417T401-27)							
-400A	803000-04		. .	GENERATOR-CHEMICAL OXY						DF	1
				(V53655)							
				(OPT ITEM 400)							
				(SPEC S417T401-33)							
405	417N3100-71		. .	PAD-SPONGE						DF	2
410	417N3190-1		. .	LANYARD ASSY						DF	1
415	GSC219		. .	SLEEVE						DF	4
				(V59730)							
				(SPEC BACS13S219C)							
				(OPT Y0C140 (V09922))							
				(OPT ITEM 415A)							

-Item not Illustrated

25-23-34

ILLUSTRATED PARTS LIST

Page 1098.375

Jul 01/2009



COMPONENT MAINTENANCE MANUAL

FIG/ ITEM	PART NUMBER	AIRLINE PART NUMBER	NOMENCLATURE							USAGE CODE	UNITS PER ASSY	
			1	2	3	4	5	6	7			
13- -415A	GSC205		.	.	SLEEVE (V59730) (SPEC BACS13S205C) (OPT Y0C130 (V09922)) (OPT ITEM 415)						DF	4
420	10-61790-1		.	.	HOOK (V08205) (SPEC 10-61790-1)						DF	1
425	NAS43DD4-5		.	.	SPACER						DF	1
430	65C16899-6		.	.	SPRING						DF	1
435	417N3190-3		.	.	CORD-NYLON						DF	1
440	417N3100-32SP		.		LIFEVEST ASSY						DF	1
445	BACS12FA08K7		.	.	SCREW (V06710) (SPEC BACS12FA08K7) (OPT BACS12FA08K7 (V06725)) (OPT BACS12FA08K7 (V06950)) (OPT BACS12FA08K7 (V27624)) (OPT BACS12FA08K7 (V34252)) (OPT BACS12FA08K7 (V56878)) (OPT BACS12FA08K7 (V73197)) (OPT BACS12FA08K7 (V80539)) (OPT BACS12FA08K7 (V92215)) (OPT BACS12FA08K7 (V93907)) (OPT BACS12FA08K7 (V97928))					DF	12	
450	AN960PD8L		.	.	WASHER						DF	AR
455	H10-08BAC		.	.	NUT (V15653) (SPEC BACN10JC08) (OPT NS202101-82 (V80539)) (OPT RMLH9075-82W (V72962)) (OPT T6S832J (V71087)) (OPT VN303A82 (V92215)) (OPT 96-82 (V80539)) (OPT BRH10A08 (V52828)) (OPT T6S832J (V11815))					DF	4	
460	417N3122-50		.	.	RETAINER						DF	1
465	417N3190-8		.	.	LANYARD ASSY						DF	1

-Item not Illustrated

25-23-34

ILLUSTRATED PARTS LIST

Page 1098.376

Nov 01/2008



COMPONENT MAINTENANCE MANUAL

FIG/ ITEM	PART NUMBER	AIRLINE PART NUMBER	NOMENCLATURE							USAGE CODE	UNITS PER ASSY
			1	2	3	4	5	6	7		
13-			ATTACHING PARTS								
470	BACS12FA08K6		. . SCREW (V06710) (SPEC BACS12FA08K6) (OPT BACS12FA08K6 (V06725)) (OPT BACS12FA08K6 (V06950)) (OPT BACS12FA08K6 (V27624)) (OPT BACS12FA08K6 (V34252)) (OPT BACS12FA08K6 (V56878)) (OPT BACS12FA08K6 (V73197)) (OPT BACS12FA08K6 (V80539)) (OPT BACS12FA08K6 (V92215)) (OPT BACS12FA08K6 (V93907)) (OPT BACS12FA08K6 (V97928))							DF	1
475	H10-08BAC		. . NUT (V15653) (SPEC BACN10JC08) (OPT NS202101-82 (V80539)) (OPT RMLH9075-82W (V72962)) (OPT T6S832J (V71087)) (OPT VN303A82 (V92215)) (OPT 96-82 (V80539)) (OPT BRH10A08 (V52828)) (OPT T6S832J (V11815))							DF	1
			-----*-----								
480	417N3190-7		. . . TERMINAL							DF	2
485	417N3190-5		. . . CORD-NYLON							DF	1
490	417N3100-74		. . PIN							DF	2
495	417N3133-19		. . HOUSING-PUSH BUTTON							DF	2
500	6100-9		. . RETAINER (V2X013)							DF	4
505	417N3173-9		. . SPRING							DF	2
510	417N3084-1SP		. . PUSH BUTTON							DF	1
515	417N3100-73		. . PIN							DF	1
520	417N3173-14		. . SPRING							DF	1
525	6100-9		. . RETAINER (V2X013)							DF	2
530	417N3173-13		. . SPRING							DF	1
535	417N3100-78		. . PIN							DF	1

-Item not Illustrated

25-23-34

ILLUSTRATED PARTS LIST

Page 1098.377

Nov 01/2008



COMPONENT MAINTENANCE MANUAL

FIG/ ITEM	PART NUMBER	AIRLINE PART NUMBER	NOMENCLATURE							USAGE CODE	UNITS PER ASSY
			1	2	3	4	5	6	7		
13-											
540	417N3133-15		.	.	LATCH					DF	1
545	417N3133-16		.	.	LATCH					DF	1
550	6100-9		.	.	RETAINER (V2X013)					DF	2
555	417N3080-1SP		.	.	DOOR ASSY					DF	1
560	BACR15CE3D		.	.	RIVET (SIZE DETERMINED ON INST)					DF	6
565	BACR15CE4D		.	.	RIVET (SIZE DETERMINED ON INST)					DF	14
570	417N3083-2		.	.	GUSSET					DF	2
575	417N3083-3		.	.	GUSSET					DF	1
580	417N3083-4		.	.	GUSSET					DF	1
585	417N3083-1		.	.	ANGLE					DF	2
590	417N3082-1		.	.	COMPARTMENT					DF	1
595	417N3113-1		.	.	LENS					DF	3
600	417N3080-3		.	.	PANEL					DF	1
605	417N3081-1SP		.	.	PANEL					DF	1
610	417N3110-36SP		.	.	FRAME ASSY (LIMITED USAGE) (FOR DETAILS SEE FIG. 3)					DF	1
-610A	417N3110-6SP		.	.	FRAME ASSY (LIMITED USAGE) (FOR DETAILS SEE FIG. 25)					DF	1
615	BAC27DPA2272		.	.	DECAL					DF	1
620	BAC27NPA0609		.	.	MARKER-ALUMINUM FOIL					DF	1
625	BAC27NPA0663		.	.	MARKER-ALUMINUM FOIL					DF	1

-Item not Illustrated

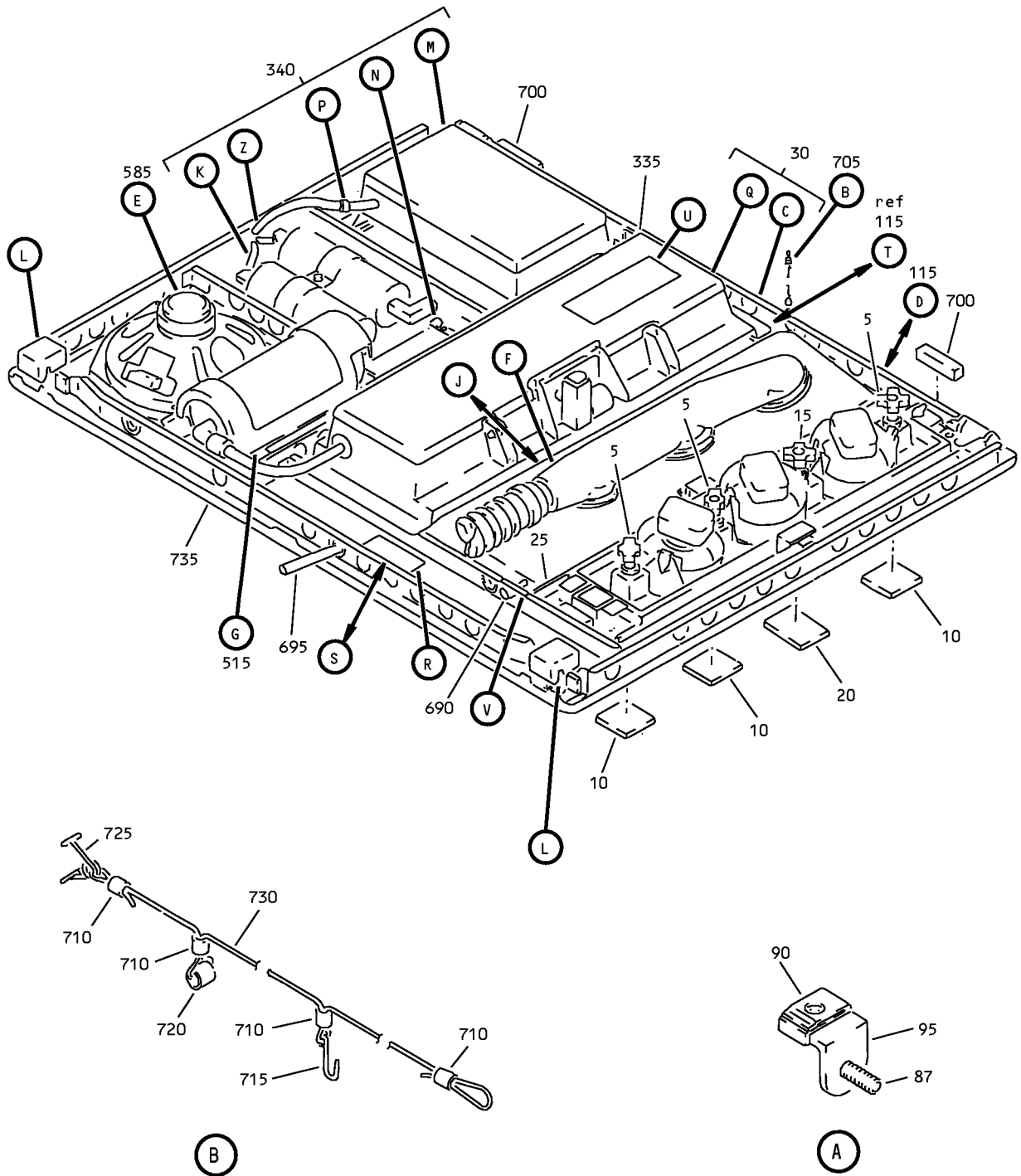
25-23-34

ILLUSTRATED PARTS LIST

Page 1098.378

Nov 01/2008

COMPONENT MAINTENANCE MANUAL



Full Underbin - Passenger Service Unit (with Speaker, Sustaining Oxygen, and Gasper Air) Assembly
IPL Figure 14 (Sheet 1 of 11)

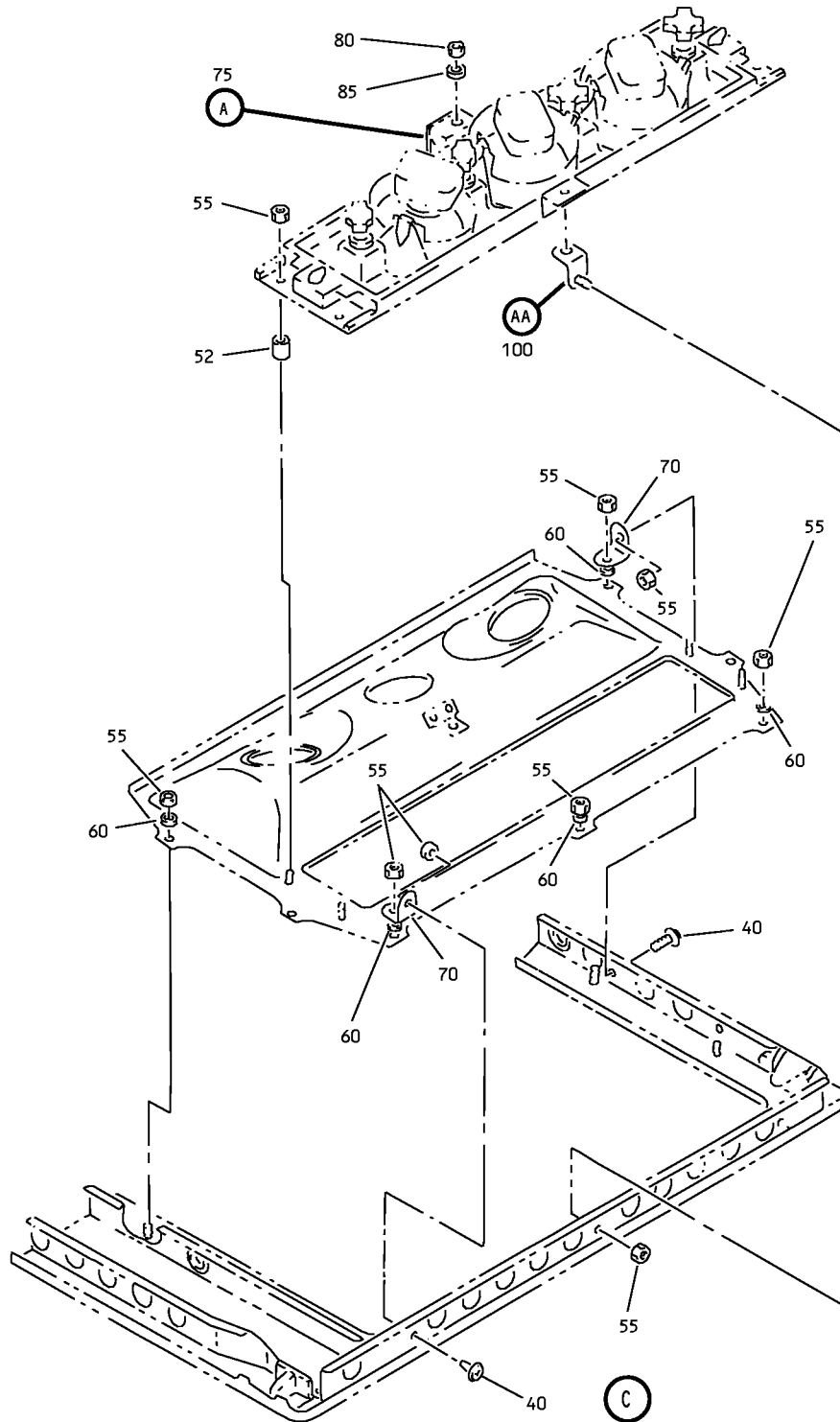
25-23-34

ILLUSTRATED PARTS LIST

Page 1098.379

Nov 01/2008

COMPONENT MAINTENANCE MANUAL



Full Underbin - Passenger Service Unit (with Speaker, Sustaining Oxygen, and Gasper Air) Assembly
 IPL Figure 14 (Sheet 2 of 11)

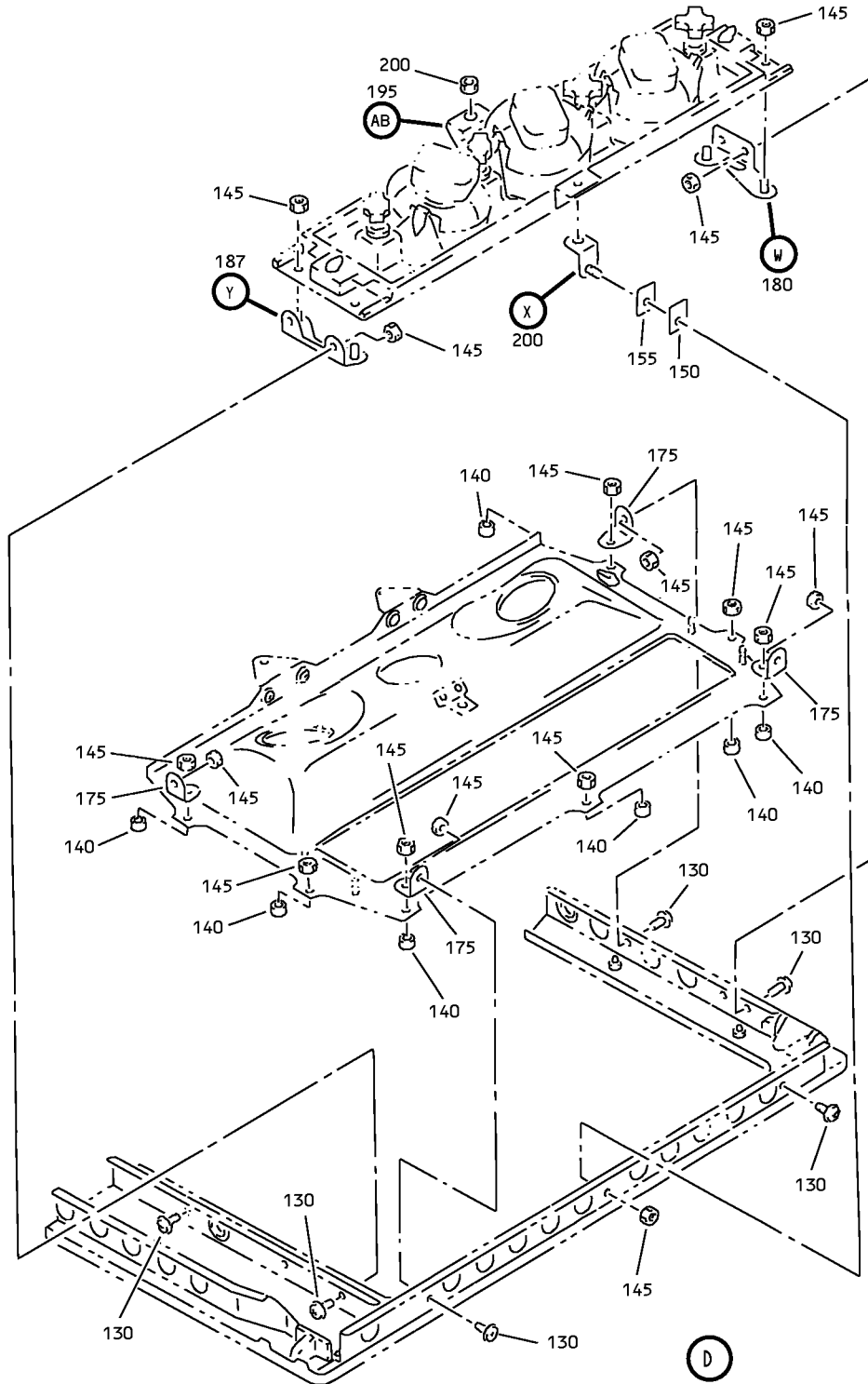
25-23-34

ILLUSTRATED PARTS LIST

Page 1098.380

Nov 01/2008

COMPONENT MAINTENANCE MANUAL



Full Underbin - Passenger Service Unit (with Speaker, Sustaining Oxygen, and Gasper Air) Assembly
 IPL Figure 14 (Sheet 3 of 11)

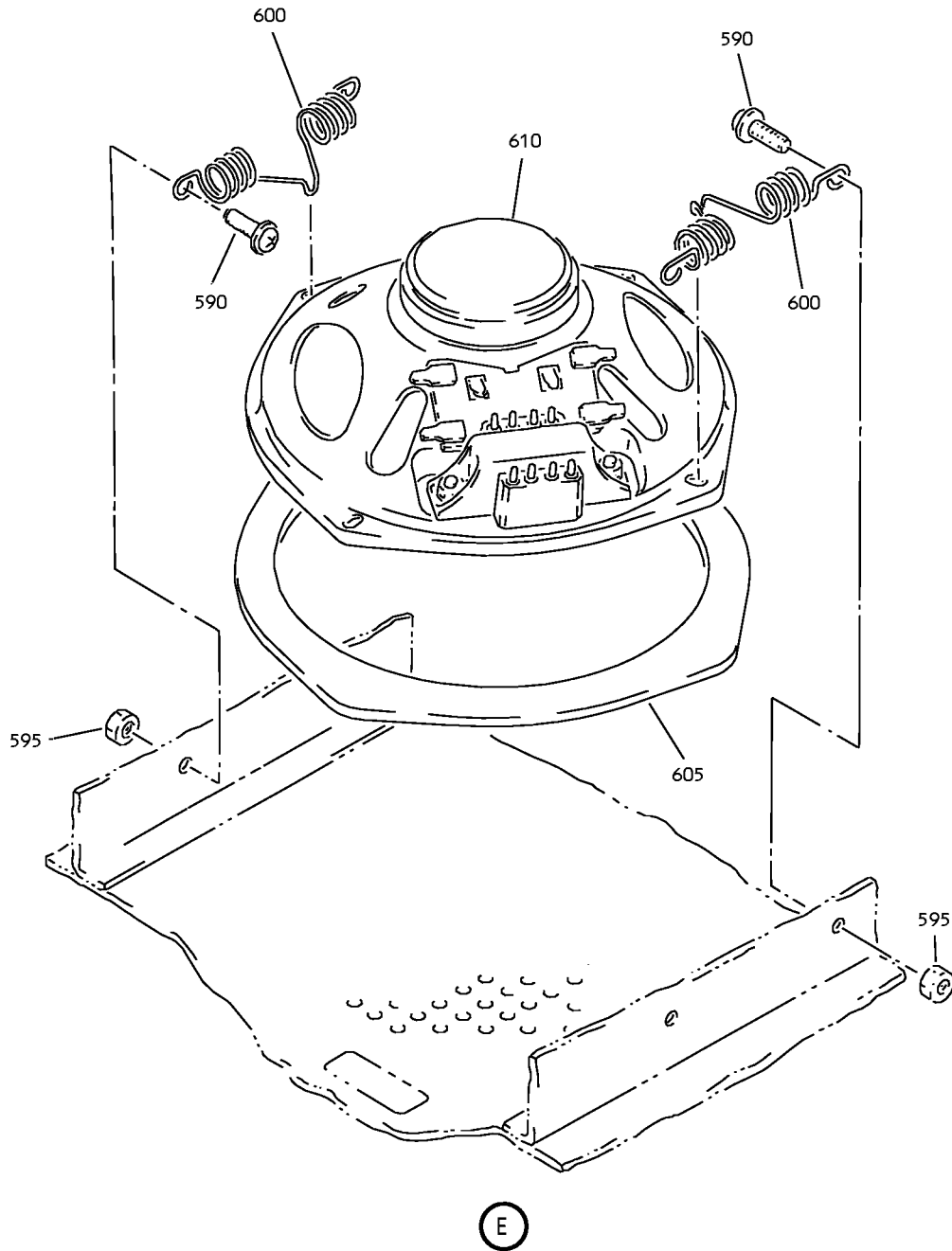
25-23-34

ILLUSTRATED PARTS LIST

Page 1098.381

Nov 01/2008

COMPONENT MAINTENANCE MANUAL



Full Underbin - Passenger Service Unit (with Speaker, Sustaining Oxygen, and Gasper Air) Assembly
IPL Figure 14 (Sheet 4 of 11)

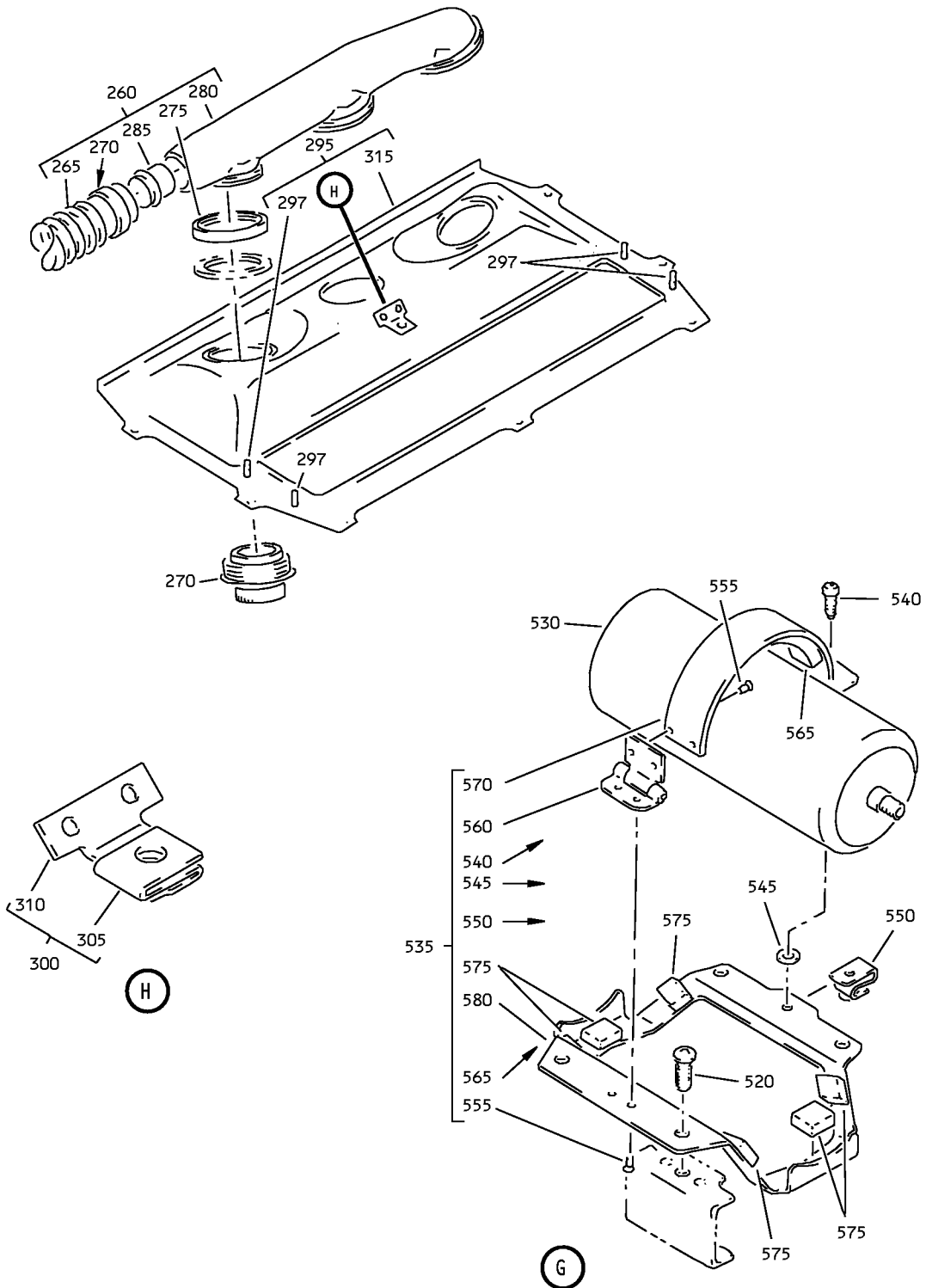
25-23-34

ILLUSTRATED PARTS LIST

Page 1098.382

Nov 01/2008

COMPONENT MAINTENANCE MANUAL



Full Underbin - Passenger Service Unit (with Speaker, Sustaining Oxygen, and Gasper Air) Assembly
IPL Figure 14 (Sheet 5 of 11)

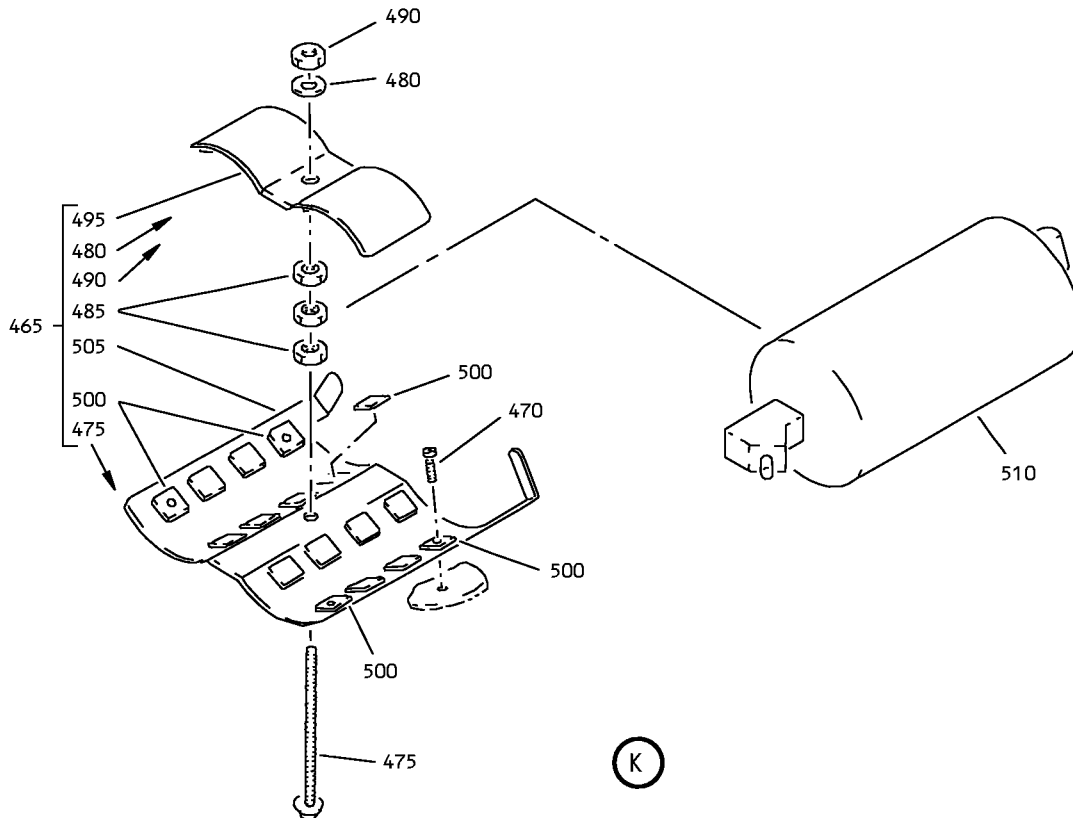
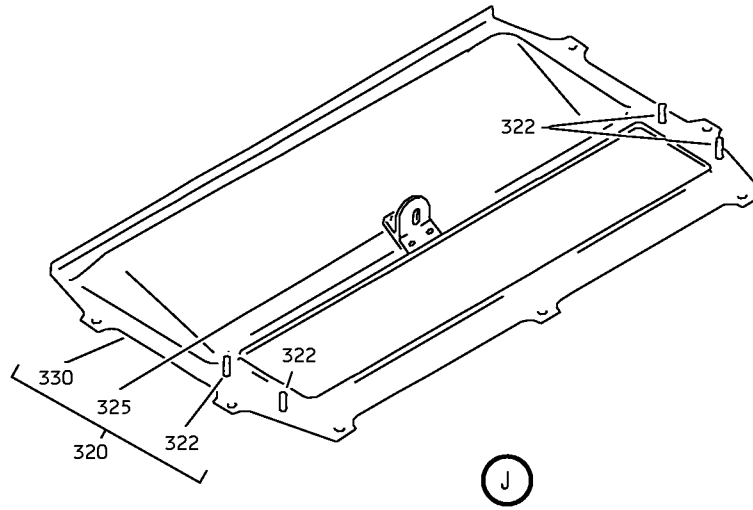
25-23-34

ILLUSTRATED PARTS LIST

Page 1098.383

Nov 01/2008

COMPONENT MAINTENANCE MANUAL



Full Underbin - Passenger Service Unit (with Speaker, Sustaining Oxygen, and Gasper Air) Assembly
IPL Figure 14 (Sheet 6 of 11)

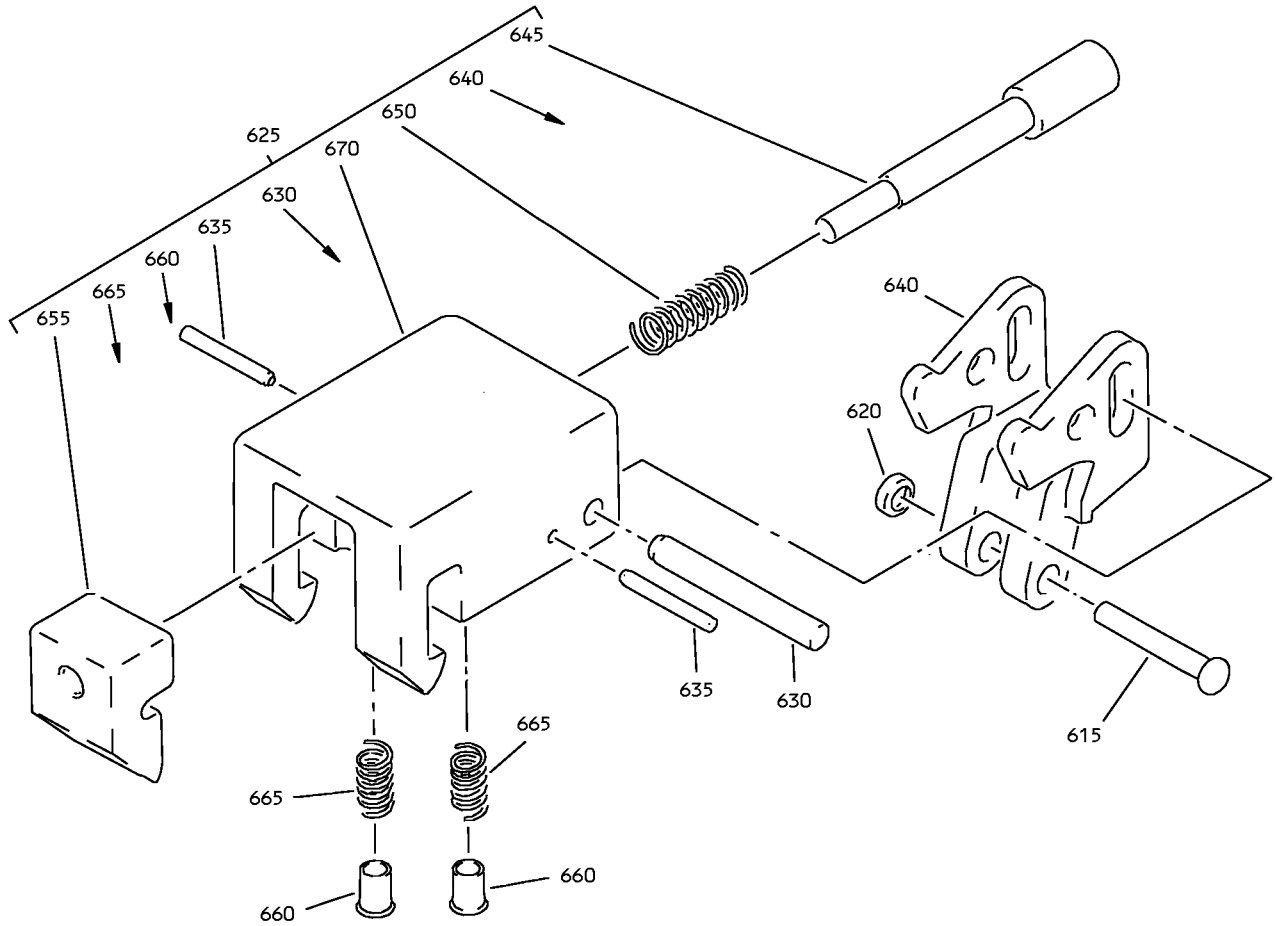
25-23-34

ILLUSTRATED PARTS LIST

Page 1098.384

Nov 01/2008

COMPONENT MAINTENANCE MANUAL



(L)

Full Underbin - Passenger Service Unit (with Speaker, Sustaining Oxygen, and Gasper Air) Assembly
IPL Figure 14 (Sheet 7 of 11)

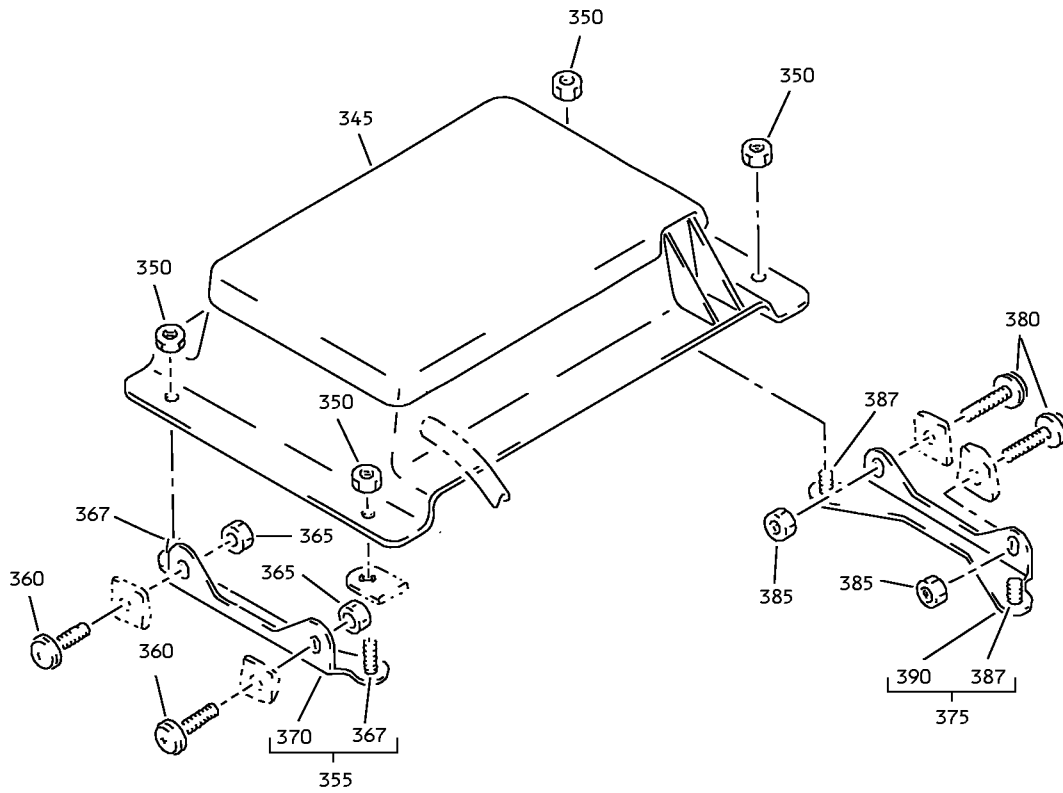
25-23-34

ILLUSTRATED PARTS LIST

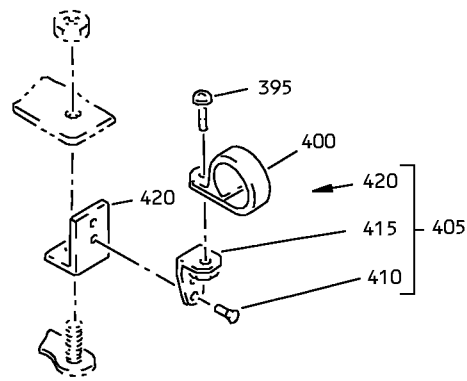
Page 1098.385

Nov 01/2008

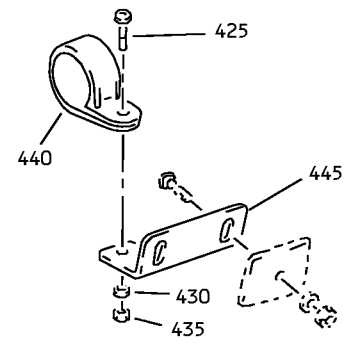
COMPONENT MAINTENANCE MANUAL



M



P



N

Full Underbin - Passenger Service Unit (with Speaker, Sustaining Oxygen, and Gasper Air) Assembly
IPL Figure 14 (Sheet 8 of 11)

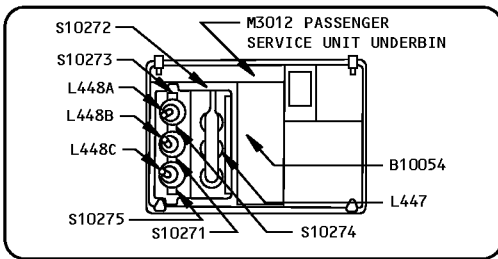
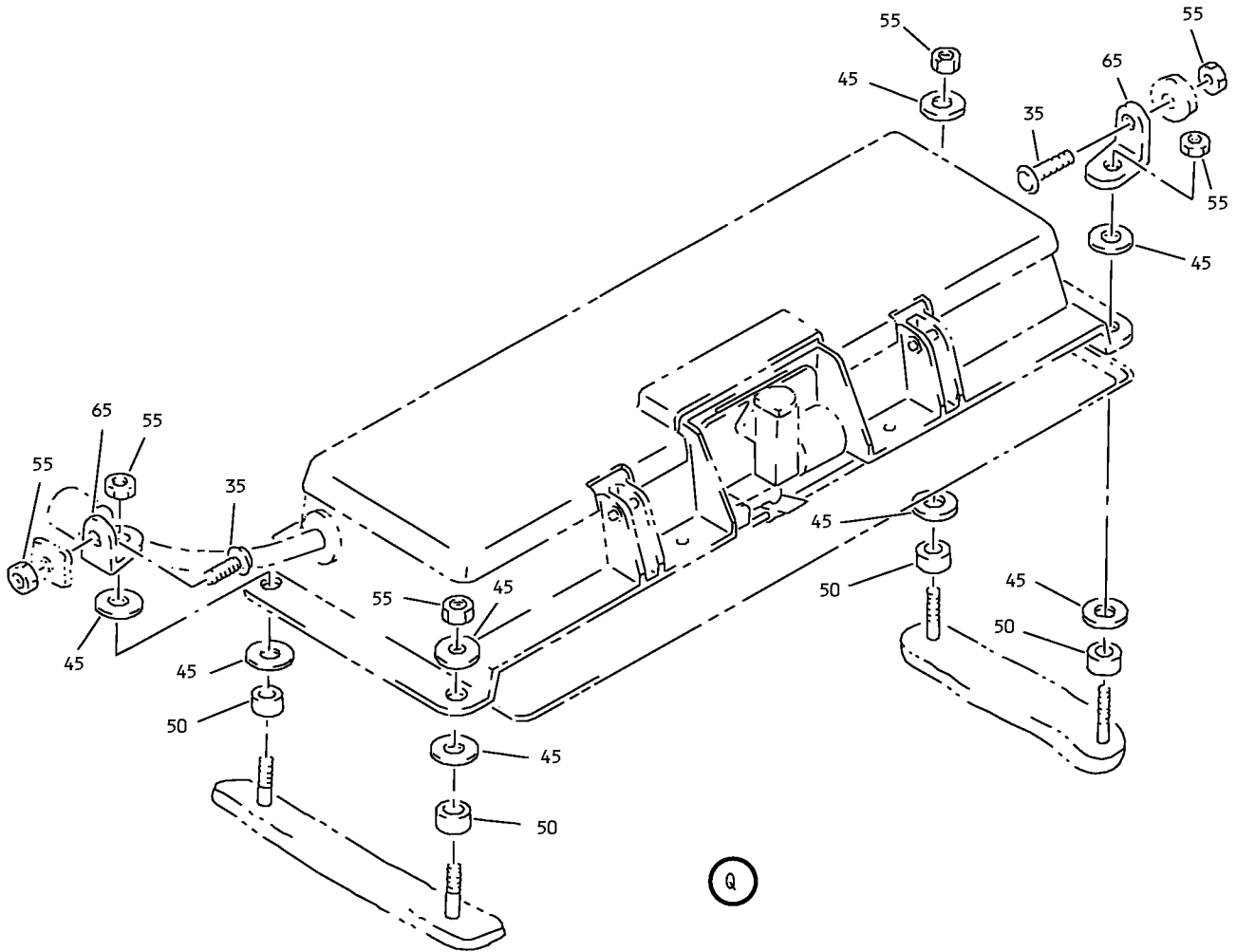
25-23-34

ILLUSTRATED PARTS LIST

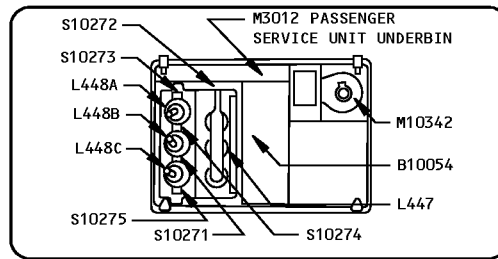
Page 1098.386

Nov 01/2008

COMPONENT MAINTENANCE MANUAL



755
S



750
R

Full Underbin - Passenger Service Unit (with Speaker, Sustaining Oxygen, and Gasper Air) Assembly
IPL Figure 14 (Sheet 9 of 11)

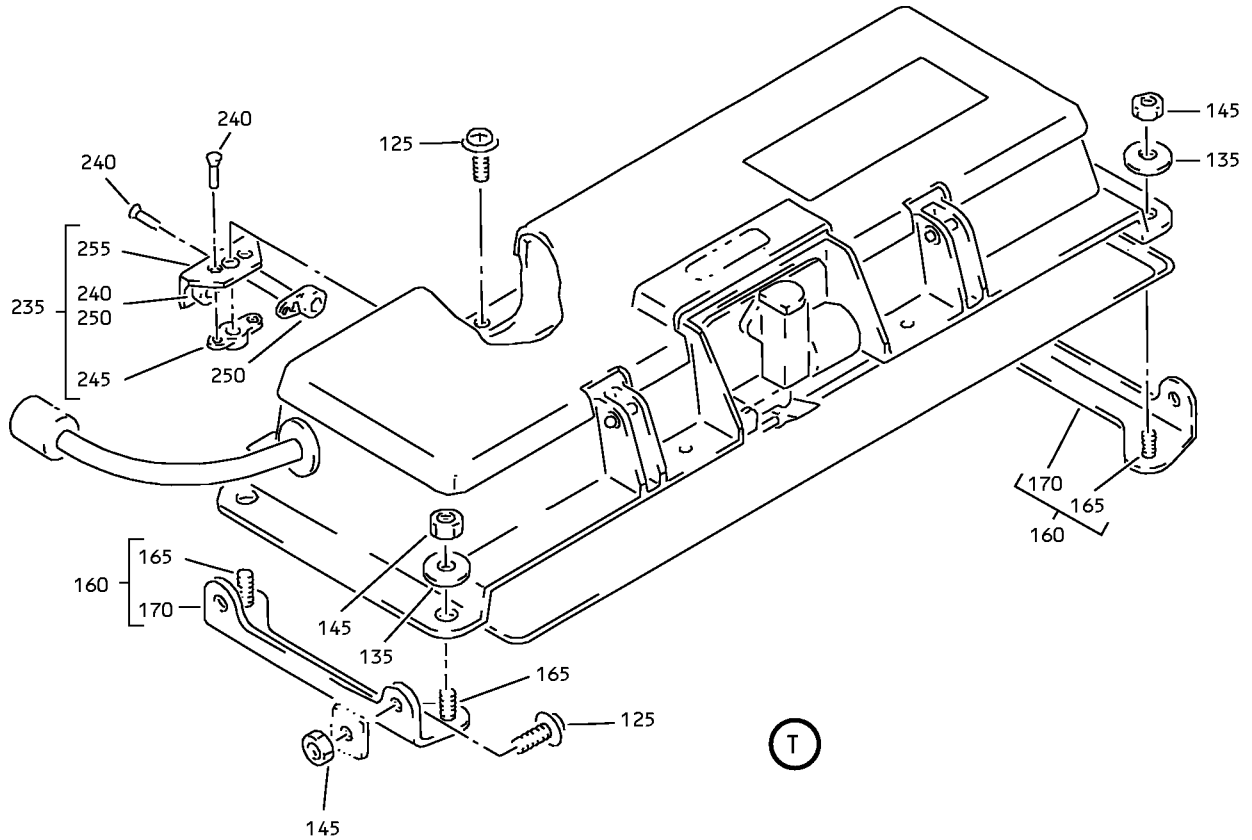
25-23-34

ILLUSTRATED PARTS LIST

Page 1098.387

Nov 01/2008

COMPONENT MAINTENANCE MANUAL



1 ← POSITION → 2

745

V

ATTENTION

FOR REMOVAL AND RELOCATION INFORMATION SEE
MAINTENANCE MANUAL CHAPTER 25

FOR MASK STOWAGE INSTRUCTIONS SEE MAINTENANCE
MANUAL CHAPTER 35

FOR CLEANING INSTRUCTIONS SEE DOCUMENT D6-7127

740

U

Full Underbin - Passenger Service Unit (with Speaker, Sustaining Oxygen, and Gasper Air) Assembly
IPL Figure 14 (Sheet 10 of 11)

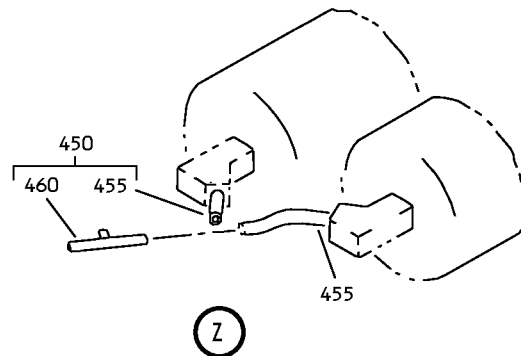
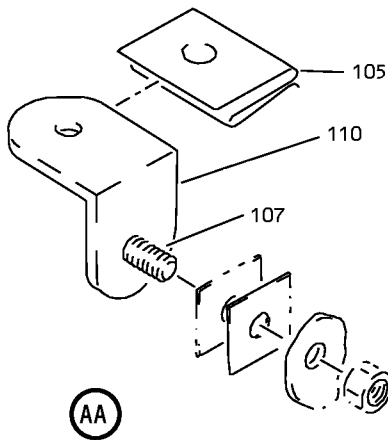
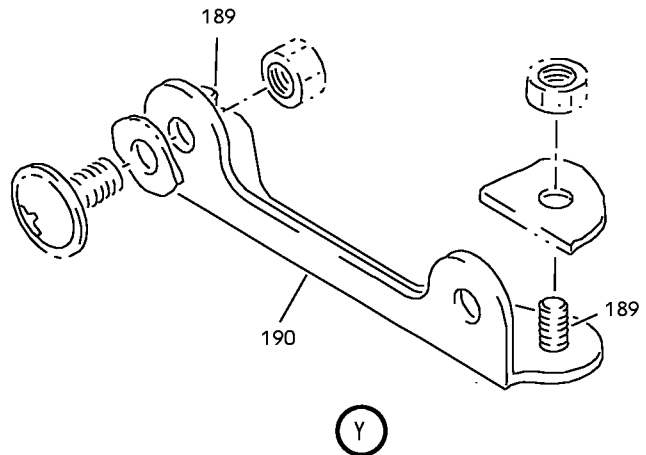
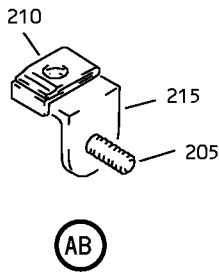
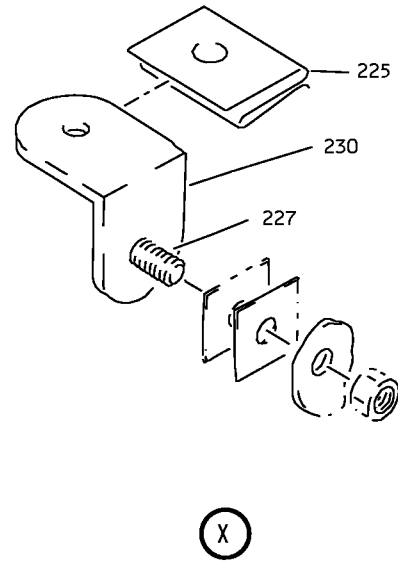
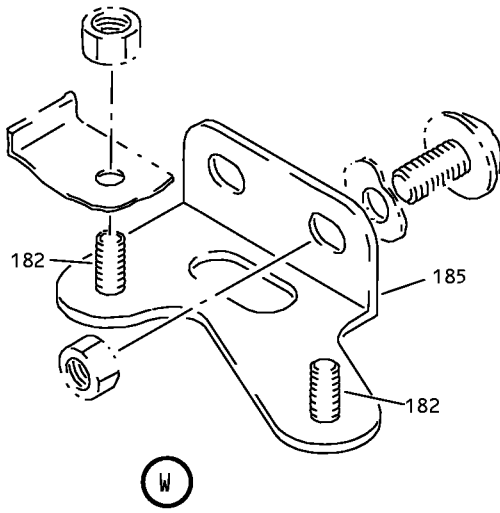
25-23-34

ILLUSTRATED PARTS LIST

Page 1098.388

Nov 01/2008

COMPONENT MAINTENANCE MANUAL



Full Underbin - Passenger Service Unit (with Speaker, Sustaining Oxygen, and Gasper Air) Assembly
IPL Figure 14 (Sheet 11 of 11)

25-23-34

ILLUSTRATED PARTS LIST

Page 1098.389

Nov 01/2008



COMPONENT MAINTENANCE MANUAL

FIG/ ITEM	PART NUMBER	AIRLINE PART NUMBER	NOMENCLATURE							USAGE CODE	UNITS PER ASSY
			1	2	3	4	5	6	7		
14-											
-1	417N3100-177SP									DG	RF
-1A	417N3100-179SP									DH	RF
-1B	417N3100-203SP									DJ	RF
-1C	417N3100-205SP									DK	RF
-1D	417N3100-367SP									DL	RF
-1E	417N3100-369SP									DM	RF
5	920056									DG-DM	3
10	S417N304-1A										
10A	S417N304-1B										
10B	VIP720-1C									DG-DM	3
-10C	S417N304-1M										
-10D	S417N304-1N										

-Item not Illustrated

25-23-34

ILLUSTRATED PARTS LIST

Page 1098.390

Nov 01/2008



COMPONENT MAINTENANCE MANUAL

FIG/ ITEM	PART NUMBER	AIRLINE PART NUMBER	NOMENCLATURE							USAGE CODE	UNITS PER ASSY					
			1	2	3	4	5	6	7							
14-																
-10E	S417N304-1P		.	L	E	N	S	-	L	T	S	W	D		DG-DM	3
-10F	S417N304-1R		.	L	E	N	S	-	L	T	S	W	D		DG-DM	3
-10G	S417N304-1S															
-10H	S417N304-6D		.	L	E	N	S	-	L	T	S	W	D		DG-DM	3
-10J	VIP720-6E		.	L	E	N	S	-	L	T	S	W	D		DG-DM	3
-10K	VIP720-6G		.	L	E	N	S	-	L	T	S	W	D		DG-DM	3
-10L	VIP720-1A		.	L	E	N	S	-	L	T	S	W	D		DG-DM	3
-10M	VIP720-1M		.	L	E	N	S	-	L	T	S	W	D		DG-DM	3
-10N	VIP720-1N		.	L	E	N	S	-	L	T	S	W	D		DG-DM	3
-10P	VIP720-1S		.	L	E	N	S	-	L	T	S	W	D		DG-DM	3

-Item not Illustrated

25-23-34

ILLUSTRATED PARTS LIST

Page 1098.391

Nov 01/2008



COMPONENT MAINTENANCE MANUAL

FIG/ ITEM	PART NUMBER	AIRLINE PART NUMBER	NOMENCLATURE							USAGE CODE	UNITS PER ASSY															
			1	2	3	4	5	6	7																	
14- -10Q	VIP720-1B		.	L	E	N	S	-	L	T	S	W	I	T	C	H		DG-DM	3							
15	920055		.	S	W	I	T	C	H	-	A	T	T	E	N	D	A	N	T	C	A	L		DG-DM	1	
20	S417N303-2A																									
-20A	S417N303-2B																									
20B	S417N303-2C																									
20C	VIP720-2D		.	L	E	N	S	-	C	A	L	L	S	W	I	T	C	H						DG-DM	1	
-20D	VIP720-2E		.	L	E	N	S	-	C	A	L	L	S	W	I	T	C	H						DG-DM	1	
-20E	VIP720-2G		.	L	E	N	S	-	C	A	L	L	S	W	I	T	C	H						DG-DM	1	
-20F	S417N303-2H		.	L	E	N	S	-	C	A	L	L	S	W	I	T	C	H						DG-DM	1	
-20G	S417N303-2J																									
-20H	S417N303-2K		.	L	E	N	S	-	C	A	L	L	S	W	I	T	C	H						DG-DM	1	
-20J	S417N303-2L																									

-Item not Illustrated

25-23-34

ILLUSTRATED PARTS LIST

Page 1098.392

Nov 01/2008



COMPONENT MAINTENANCE MANUAL

FIG/ ITEM	PART NUMBER	AIRLINE PART NUMBER	NOMENCLATURE							USAGE CODE	UNITS PER ASSY	
			1	2	3	4	5	6	7			
14- -20K	VIP720-2A		.								DG-DM	1
			.								DG-DM	1
			.								DG-DM	1
			.								DG-DM	1
			.								DG-DM	1
			.								DG-DM	1
			.								DG, DH	1
			.								DL, DM	1
			.								DJ, DK	1

-Item not Illustrated

25-23-34

ILLUSTRATED PARTS LIST

Page 1098.393

Nov 01/2008



COMPONENT MAINTENANCE MANUAL

FIG/ ITEM	PART NUMBER	AIRLINE PART NUMBER	NOMENCLATURE							USAGE CODE	UNITS PER ASSY
			1	2	3	4	5	6	7		
14-											
35	BACS12FA08K6		. .	SCREW						DG-DM	2
				(V06710)							
				(SPEC BACS12FA08K6)							
				(OPT BACS12FA08K6 (V06725))							
				(OPT BACS12FA08K6 (V06950))							
				(OPT BACS12FA08K6 (V27624))							
				(OPT BACS12FA08K6 (V34252))							
				(OPT BACS12FA08K6 (V56878))							
				(OPT BACS12FA08K6 (V73197))							
				(OPT BACS12FA08K6 (V80539))							
				(OPT BACS12FA08K6 (V92215))							
				(OPT BACS12FA08K6 (V93907))							
				(OPT BACS12FA08K6 (V97928))							
40	BACS12FA08K5		. .	SCREW						DG-DM	2
				(V06710)							
				(SPEC BACS12FA08K5)							
				(OPT BACS12FA08K5 (V06725))							
				(OPT BACS12FA08K5 (V06950))							
				(OPT BACS12FA08K5 (V27624))							
				(OPT BACS12FA08K5 (V34252))							
				(OPT BACS12FA08K5 (V56878))							
				(OPT BACS12FA08K5 (V73197))							
				(OPT BACS12FA08K5 (V80539))							
				(OPT BACS12FA08K5 (V92215))							
				(OPT BACS12FA08K5 (V93907))							
				(OPT BACS12FA08K5 (V97928))							
45	BACW10P193G		. .	WASHER						DG-DM	8
				(V10630)							
				(SPEC BACW10P193G)							
50	NAS43DD3-18		. .	SPACER						DG-DM	4
52	NAS43DD3-20		. .	SPACER						DG-DM	4
55	BACN10YJ08		. .	NUT						DG-DM	18
60	G6940-3B3		. .	GROMMET						DG-DM	5
				(V75345)							
				(SPEC BACG20AF3B3)							
				(OPT SZ6924-3B3 (V95272))							
				(OPT 701-3B3 (V07096))							
				(OPT E3B3 (V60980))							
				(OPT H3B3 (V60980))							
				(OPT RR2002-3B3 (V57268))							
65	417N3122-115		. .	ANGLE						DG-DM	2
70	417N3122-14		. .	ANGLE-SPRT						DG-DM	2
75	417N3122-122		. .	BRACKET ASSY						DJ, DK	1

-Item not Illustrated

25-23-34

ILLUSTRATED PARTS LIST

Page 1098.394

Nov 01/2008



COMPONENT MAINTENANCE MANUAL

FIG/ ITEM	PART NUMBER	AIRLINE PART NUMBER	NOMENCLATURE							USAGE CODE	UNITS PER ASSY
			1	2	3	4	5	6	7		
14-			ATTACHING PARTS								
80	BACN10YJ08		.	.						DJ, DK	1
85	MS35335-31		.	.						DJ, DK	1
			-----*-----								
87	BACS21AQ2A3K		.	.	.					DJ, DK	1
90	82-47-108-15		.	.	.					DJ, DK	1
			(V84483)								
95	417N3122-121		.	.	.					DJ, DK	1
100	417N3122-60		.	.						DG-DM	1
105	82-47-108-15		.	.	.					DG-DM	1
			(V84483)								
107	BACS21AQ2A3K		.	.	.					DG-DM	1
			(OPT ITEM 107A)								
-107A	FHS832-6		.	.	.					DG-DM	1
			(OPT ITEM 107)								
110	417N3122-61		.	.	.					DG-DM	1
			(OPT ITEM 110A)								
-110A	417N3122-130		.	.	.					DG-DM	1
			(OPT ITEM 110)								
115	417N3100-51		.							DG, DH	1
			(LIMITED USAGE)								
-115A	417N3100-53		.							DJ, DK	1
			(LIMITED USAGE)								
125	BACS12FA08K6		.	.						DG-DK	7
			(V06710)								
			(SPEC BACS12FA08K6)								
			(OPT BACS12FA08K6 (V06725))								
			(OPT BACS12FA08K6 (V06950))								
			(OPT BACS12FA08K6 (V27624))								
			(OPT BACS12FA08K6 (V34252))								
			(OPT BACS12FA08K6 (V56878))								
			(OPT BACS12FA08K6 (V73197))								
			(OPT BACS12FA08K6 (V80539))								
			(OPT BACS12FA08K6 (V92215))								
			(OPT BACS12FA08K6 (V93907))								
			(OPT BACS12FA08K6 (V97928))								

-Item not Illustrated

25-23-34

ILLUSTRATED PARTS LIST

Page 1098.395

Nov 01/2008



COMPONENT MAINTENANCE MANUAL

FIG/ ITEM	PART NUMBER	AIRLINE PART NUMBER	NOMENCLATURE							USAGE CODE	UNITS PER ASSY
			1	2	3	4	5	6	7		
14-											
130	BACS12FA08K5		. .	SCREW						DG-DK	8
				(V06710)							
				(SPEC BACS12FA08K5)							
				(OPT BACS12FA08K5 (V06725))							
				(OPT BACS12FA08K5 (V06950))							
				(OPT BACS12FA08K5 (V27624))							
				(OPT BACS12FA08K5 (V34252))							
				(OPT BACS12FA08K5 (V56878))							
				(OPT BACS12FA08K5 (V73197))							
				(OPT BACS12FA08K5 (V80539))							
				(OPT BACS12FA08K5 (V92215))							
				(OPT BACS12FA08K5 (V93907))							
				(OPT BACS12FA08K5 (V97928))							
135	BACW10P193G		. .	WASHER						DG-DK	4
				(V10630)							
				(SPEC BACW10P193G)							
140	NAS43DD3-7		. .	SPACER						DG-DK	7
145	BACN10YJ08		. .	NUT						DG-DK	28
150	66-25727-1		. .	SHIM						DG-DK	AR
155	66-25727-2		. .	SHIM						DG-DK	AR
160	417N3122-65		. .	ANGLE ASSY						DG-DK	2
165	BACS21AQ2A3K		. . .	STUD-WELD						DG-DK	2
170	417N3122-66		. . .	ANGLE						DG-DK	1
175	417N3122-14		. .	ANGLE-SPRT						DG-DK	4
180	417N3122-107		. .	ANGLE ASSY						DG-DK	1
182	BACS21AQ2A3P		. . .	STUD-WELD						DG-DK	2
185	417N3122-109		. . .	ANGLE						DG-DK	1
187	417N3122-71		. .	ANGLE ASSY						DG-DK	1
189	BACS21AQ2A3K		. . .	STUD-WELD						DG-DK	2
190	417N3122-72		. . .	ANGLE						DG-DK	1
195	417N3122-122		. .	BRACKET ASSY						DJ, DK	1
				ATTACHING PARTS							
200	BACN10YJ08		. .	NUT						DJ, DK	1
				-----*-----							
205	BACS21AQ2A3K		. . .	STUD-WELD						DJ, DK	1

-Item not Illustrated

25-23-34

ILLUSTRATED PARTS LIST

Page 1098.396

Nov 01/2008



COMPONENT MAINTENANCE MANUAL

FIG/ ITEM	PART NUMBER	AIRLINE PART NUMBER	NOMENCLATURE							USAGE CODE	UNITS PER ASSY
			1	2	3	4	5	6	7		
14-											
210	82-47-108-15		. . .	CLIP						DJ, DK	1
				(V84483)							
215	417N3122-121		. . .	BRACKET						DJ, DK	1
220	417N3122-60		. .	BRACKET ASSY						DG-DK	1
225	82-47-108-15		. . .	CLIP						DG-DK	1
227	BACS21AQ2A3K		. . .	STUD-WELD						DG-DK	1
230	417N3122-61		. . .	BRACKET						DG-DK	1
235	417N3136-19		. .	BRACKET ASSY-MTG						DG-DK	1
240	BACR15BA3AD		. . .	RIVET						DG-DK	6
				(SIZE DETERMINED ON INST)							
245	BRM200A08		. . .	NUTPLATE						DG-DK	1
				(V52828)							
				(SPEC BACN10JP08A)							
				(OPT MK1000-08BAC (V15653))							
				(OPT NS103197-82 (V80539))							
				(OPT RMA9201M82 (V72962))							
				(OPT T8076S832 (V11815))							
				(OPT VN202A1-82 (V92215))							
250	BRM100A08		. . .	NUTPLATE						DG-DK	2
				(V52828)							
				(SPEC BACN10JP08B)							
				(OPT MK2000-08BAC (V15653))							
				(OPT NS103198-82 (V80539))							
				(OPT RMA9207M82 (V72962))							
				(OPT T8077S832 (V11815))							
				(OPT VN201A1-82 (V92215))							
255	417N3136-21		. . .	BRACKET						DG-DK	1
260	417N3100-25SP		. AIR	ASSY-GASPER						DG, DH, DL, DM	1
265	BOE20563A120		. .	DUCT						DG, DH, DL, DM	1
				(V16632)							
				(SPEC BACD40P3A120)							
				(OPT AD15273A120 (V21868))							
270	10-60141-23A		DELETED								
270A	750801-002		. .	OUTLET						DG, DH, DL, DM	3
				(COLOR OPT-CUST PREFERENCE, BIEGE)							
				(V28406)							
				(SPEC 10-60141-23S)							

-Item not Illustrated

25-23-34

ILLUSTRATED PARTS LIST

Page 1098.397

Nov 01/2008



COMPONENT MAINTENANCE MANUAL

FIG/ ITEM	PART NUMBER	AIRLINE PART NUMBER	NOMENCLATURE							USAGE CODE	UNITS PER ASSY	
			1	2	3	4	5	6	7			
14- -270B	10-60141-23U		.	.							DG, DH, DL, DM	3
-270C	L16999-16C		.	.							DG, DH, DL, DM	3
275	PLT2MM		.	.							DG, DH, DL, DM	3
-275A	PLT2MM2		.	.							DG, DH, DL, DM	3
280	417N3103-1		.	.							DG, DH, DL, DM	1
285	417N3063-4		.	.	.						DG, DH, DL, DM	1
295	417N3105-4SP		.								DG, DH	1
-295A	417N3105-6SP		.								DG, DH	1
-295B	417N3105-6SP		.								DL, DM	1
297	BACS21AQ6A6M		.	.							DG, DH, DL, DM	4
300	417N3122-111		.	.							DG, DH, DL, DM	1
305	82-47-108-15		.	.	.						DG, DH, DL, DM	1
310	417N3122-112		.	.	.						DG, DH, DL, DM	1
315	417N3101-2SP		.	.							DG, DH, DL, DM	1
320	417N3105-3SP		.								DJ, DK	1
-320A	417N3105-5SP		.								DJ, DK	1

-Item not Illustrated

25-23-34

ILLUSTRATED PARTS LIST

Page 1098.398

Nov 01/2008



COMPONENT MAINTENANCE MANUAL

FIG/ ITEM	PART NUMBER	AIRLINE PART NUMBER	NOMENCLATURE							USAGE CODE	UNITS PER ASSY
			1	2	3	4	5	6	7		
14-											
322	BACS21AQ6A6M		. .	STUD-WELD						DJ, DK	4
				(USED ON ITEM 320A)							
325	417N3122-53		. .	BRACKET						DJ, DK	1
330	417N3101-1SP		. .	MODULE						DJ, DK	1
335	417N3130-1SP		. .	BOX ASSY-FOUR MASK OXY						DG-DK	1
				(LIMITED USAGE)							
				(REF CMM 35-21-03)							
-335A	417N3130-33SP		. .	BOX ASSY-FOUR MASK OXY						DG-DK	1
				(LIMITED USAGE)							
				(REF CMM 35-21-02)							
-335B	417N3130-63SP		. .	BOX ASSY-FOUR MASK OXY						DL, DM	1
				(REF CMM 35-21-02)							
340	417N3100-39SP		. .	OXYGEN ASSY-SUSTAINING						DG-DM	1
345	417N3130-18SP		. .	BOX ASSY						DG-DM	1
				(REF CMM 35-21-03)							
				ATTACHING PARTS							
350	BACN10YJ08		. .	NUT						DG-DM	4
				----- * -----							
355	417N3122-79		. .	ANGLE ASSY						DG-DM	1
				ATTACHING PARTS							
360	BACS12FA08K6		. .	SCREW						DG-DM	2
				(V06710)							
				(SPEC BACS12FA08K6)							
				(OPT BACS12FA08K6 (V06725))							
				(OPT BACS12FA08K6 (V06950))							
				(OPT BACS12FA08K6 (V27624))							
				(OPT BACS12FA08K6 (V34252))							
				(OPT BACS12FA08K6 (V56878))							
				(OPT BACS12FA08K6 (V73197))							
				(OPT BACS12FA08K6 (V80539))							
				(OPT BACS12FA08K6 (V92215))							
				(OPT BACS12FA08K6 (V93907))							
				(OPT BACS12FA08K6 (V97928))							
365	BACN10YJ08		. .	NUT						DG-DM	2
				----- * -----							
367	BACS21AQ2A3K			DELETED							
367A	BACS21AQ2A4K		. . .	STUD-WELD						DG-DM	2
370	417N3122-64		. . .	ANGLE						DG-DM	1

-Item not Illustrated

25-23-34

ILLUSTRATED PARTS LIST

Page 1098.399

Nov 01/2008



COMPONENT MAINTENANCE MANUAL

FIG/ ITEM	PART NUMBER	AIRLINE PART NUMBER	NOMENCLATURE							USAGE CODE	UNITS PER ASSY
			1	2	3	4	5	6	7		
14-											
375	417N3122-51									DG-DM	1
380	BACS12FA08K6									DG-DM	2
385	BACN10YJ08									DG-DM	2
387	BACS21AQ2A3K										
387A	BACS21AQ2A4K									DG-DM	2
390	417N3122-52									DG-DM	1
395	BACS12FA08K7									DG-DM	1
400	BACC10DK3									DG-DM	1
405	417N3122-91									DG-DM	1
410	BACR15BB3A									DG-DM	2
415	AN256-10									DG-DM	1

-Item not Illustrated

25-23-34

ILLUSTRATED PARTS LIST

Page 1098.400

Nov 01/2008



COMPONENT MAINTENANCE MANUAL

FIG/ ITEM	PART NUMBER	AIRLINE PART NUMBER	NOMENCLATURE							USAGE CODE	UNITS PER ASSY
			1	2	3	4	5	6	7		
14-											
420	417N3122-92							. . .	ANGLE	DG-DM	1
425	BACS12FA08K7							. .	SCREW (V06710) (SPEC BACS12FA08K7) (OPT BACS12FA08K7 (V06725)) (OPT BACS12FA08K7 (V06950)) (OPT BACS12FA08K7 (V27624)) (OPT BACS12FA08K7 (V34252)) (OPT BACS12FA08K7 (V56878)) (OPT BACS12FA08K7 (V73197)) (OPT BACS12FA08K7 (V80539)) (OPT BACS12FA08K7 (V92215)) (OPT BACS12FA08K7 (V93907)) (OPT BACS12FA08K7 (V97928))	DG-DM	1
430	AN960KD8L							. .	WASHER	DG-DM	1
435	H10-08BAC							. .	NUT (V15653) (SPEC BACN10JC08) (OPT NS202101-82 (V80539)) (OPT RMLH9075-82W (V72962)) (OPT T6S832J (V71087)) (OPT VN303A82 (V92215)) (OPT 96-82 (V80539)) (OPT BRH10A08 (V52828)) (OPT T6S832J (V11815))	DG-DM	1
440	BACC10DK2							. .	CLAMP (V16115) (SPEC BACC10DK2) (OPT BACC10DK2 (V81872))	DG-DM	1
445	417N3136-50							. .	BRACKET-MTG	DG-DM	1
450	417N3138-11							. .	LINE ASSY-SUPPLY	DG-DM	1
455	417N3138-13							. . .	HOSE-FLEXIBLE	DG-DM	2
460	417N3138-12							. . .	CONNECTOR	DG-DM	1
465	417N3160-7							. .	BRACKET ASSY	DG-DM	1

-Item not Illustrated

25-23-34

ILLUSTRATED PARTS LIST

Page 1098.401

Nov 01/2008



COMPONENT MAINTENANCE MANUAL

FIG/ ITEM	PART NUMBER	AIRLINE PART NUMBER	NOMENCLATURE							USAGE CODE	UNITS PER ASSY
			1	2	3	4	5	6	7		
14-			ATTACHING PARTS								
470	BACS12FA08K6		.	.	SCREW (V06710) (SPEC BACS12FA08K6) (OPT BACS12FA08K6 (V06725)) (OPT BACS12FA08K6 (V06950)) (OPT BACS12FA08K6 (V27624)) (OPT BACS12FA08K6 (V34252)) (OPT BACS12FA08K6 (V56878)) (OPT BACS12FA08K6 (V73197)) (OPT BACS12FA08K6 (V80539)) (OPT BACS12FA08K6 (V92215)) (OPT BACS12FA08K6 (V93907)) (OPT BACS12FA08K6 (V97928))				DG-DM	4	
475	BACS12FA3K32		.	.	.	SCREW -----*-----				DG-DM	1
480	AN960KD10L		.	.	.	WASHER				DG-DM	1
485	GRC912618		.	.	.	NUT (V26365) (SPEC BACN10MG10)				DG-DM	3
490	919-118		.	.	.	NUT-WING (V26365)				DG-DM	1
495	417N3136-59		.	.	.	BRACKET-MTG				DG-DM	1
500	417N3162-1		.	.	.	PAD-INSULATION				DG-DM	16
505	417N3136-48		.	.	.	BRACKET				DG-DM	1
510	801386-11		.	.	GENERATOR ASSY-1 MAN SUSTAINING (V53655) (SPEC S417T401-29) (OPT ITEM 510B)				DG-DM	2	
-510A	117010-56		DELETED								
-510B	S417T401-30		.	.	GENERATOR ASSY-1 MAN SUSTAINING (OPT ITEM 510)				DG-DM	2	
515	417N3100-48		.	GENERATOR ASSY						DG-DM	1

-Item not Illustrated

25-23-34

ILLUSTRATED PARTS LIST

Page 1098.402

Nov 01/2008


COMPONENT MAINTENANCE MANUAL

FIG/ ITEM	PART NUMBER	AIRLINE PART NUMBER	NOMENCLATURE							USAGE CODE	UNITS PER ASSY
			1	2	3	4	5	6	7		
14- 520	BACS12FA08K6		. .	SCREW (V06710) (SPEC BACS12FA08K6) (OPT BACS12FA08K6 (V06725)) (OPT BACS12FA08K6 (V06950)) (OPT BACS12FA08K6 (V27624)) (OPT BACS12FA08K6 (V34252)) (OPT BACS12FA08K6 (V56878)) (OPT BACS12FA08K6 (V73197)) (OPT BACS12FA08K6 (V80539)) (OPT BACS12FA08K6 (V92215)) (OPT BACS12FA08K6 (V93907)) (OPT BACS12FA08K6 (V97928))						DG-DM	4
530	117003-14		. .	GENERATOR-CHEMICAL OXY (V16827) (SPEC S417T401-27) (OPT ITEM 530A)						DG-DM	1
-530A	803000-04		. .	GENERATOR-CHEMICAL OXY (V53655) (SPEC S417T401-33) (OPT ITEM 530)						DG-DM	1
535	417N3160-11		. .	BRACKET ASSY						DG-DM	1
540	FT1387P8-1-2		. . .	SCREW-CAPTIVE (V58794) (OPT ITEM 540A)						DG-DM	1
-540A	C58024-08-1A		. . .	SCREW-CAPTIVE (V58998) (OPT ITEM 540)						DG-DM	1
545	AN960KD416		. . .	WASHER						DG-DM	1
550	A4972-6-82		. . .	NUT (V72962) (SPEC BACN10FX84) (OPT RM52LHA4972-6-82 (V72962)) (OPT SL211-08-1 (V97393)) (OPT 130008 (V60119)) (OPT A11330-6-82 (V72962))						DG-DM	1
555	BACR15BA3D		. . .	RIVET (SIZE DETERMINED ON INST) (FOR NHA SEE 417N3160)						DG-DM	4
560	417N3811-13		. . .	HINGE						DG-DM	1
565	417N3160-12		. . .	PAD-INSULATION						DG-DM	1
570	417N3161-7		. . .	BRACKET-MTG						DG-DM	1

-Item not illustrated

25-23-34

ILLUSTRATED PARTS LIST

Page 1098.403

Nov 01/2008



COMPONENT MAINTENANCE MANUAL

FIG/ ITEM	PART NUMBER	AIRLINE PART NUMBER	NOMENCLATURE							USAGE CODE	UNITS PER ASSY
			1	2	3	4	5	6	7		
14-											
575	417N3160-13									DG-DM	6
580	417N3136-99									DG-DM	1
585	417N3100-15									DG, DJ, DL	1
590	BACS12FA08K6									DG, DJ, DL	4
595	BACN10YJ08									DG, DJ, DL	4
600	417N3173-6									DG, DJ, DL	2
605	417N3104-1									DG, DJ, DL	1
610	RDAM8005A									DG, DJ, DL	1
615	BACR15BB4D10									DG-DM	2
620	6100-12									DG-DM	2
625	417N3180-1									DG-DM	2
630	NAS607-2-8P									DG-DM	1
635	NAS607-1-4P									DG-DM	2
640	417N3181-1									DG-DM	1

-Item not Illustrated

25-23-34

ILLUSTRATED PARTS LIST

Page 1098.404

Nov 01/2008



COMPONENT MAINTENANCE MANUAL

FIG/ ITEM	PART NUMBER	AIRLINE PART NUMBER	NOMENCLATURE							USAGE CODE	UNITS PER ASSY
			1	2	3	4	5	6	7		
14-											
-640A	65-85902-1		.	.	LINK-ROCKER (OPT ITEM 640)					DG-DM	1
645	65-85905-4		.	.	PLUNGER					DG-DM	1
650	RCS3290		.	.	SPRING (V08205)					DG-DM	1
655	417N3182-1		.	.	BODY-PLUNGER					DG-DM	1
660	417N3180-3		.	.	PLUNGER-SPR					DG-DM	2
665	RCS3289		.	.	SPRING (V08205)					DG-DM	2
670	417N3183-1		.	.	BODY-CLAMP					DG-DM	1
-675	AN960JD416L		.		WASHER (USED WITH ITEM 680)					DG-DM	AR
-677	AN960JD416L		.		WASHER (USED WITH ITEM 682)					DG, DJ, DL	AR
-680	PLWP1S		.		TIE-PUSH MOUNT CABLE (V58417)					DG-DM	AR
-682	PLWP1S		.		TIE-PUSH MOUNT CABLE (V58417)					DG, DJ, DL	AR
-685	NMC1001-0		.		CLAMP (V03296) (OPT ITEM 685A)					DG-DM	2
-685A	BACC10DK3		.		CLAMP (V16115) (SPEC BACC10DK3) (OPT BACC10DK3 (V81872)) (OPT ITEM 685)					DG-DM	2
690	1TW2-3		.		SWITCH-TOGGLE					DG-DM	1
695	61-33500-001		.		WIRE BUNDLE					DG-DM	1
700	417N3100-71		.		PAD					DG-DM	2
705	417N3190-1		.		LANYARD ASSY					DG-DM	1
710	GSC205		.	.	SLEEVE (V59730) (SPEC BACS13S205C) (OPT Y0C130 (V09922)) (OPT ITEM 710A)					DG-DM	4

-Item not Illustrated

25-23-34

ILLUSTRATED PARTS LIST

Page 1098.405

Nov 01/2008



COMPONENT MAINTENANCE MANUAL

FIG/ ITEM	PART NUMBER	AIRLINE PART NUMBER	NOMENCLATURE							USAGE CODE	UNITS PER ASSY	
			1	2	3	4	5	6	7			
14- -710A	GSC219		.	.	SLEEVE (V59730) (SPEC BACS13S219C) (OPT Y0C140 (V09922)) (OPT ITEM 710)						DG-DM	4
715	10-61790-1		.	.	HOOK (V08205) (SPEC 10-61790-1)						DG-DM	1
720	NAS43DD4-5		.	.	SPACER						DG-DM	1
725	65C16899-6		.	.	SPRING						DG-DM	1
730	417N3190-3		.	.	CORD						DG-DM	1
735	417N3110-17SP		.	.	FRAME ASSY (LIMITED USAGE) (FOR DETAILS SEE FIG.26)						DG-DK	1
-735A	417N3110-27SP		.	.	FRAME ASSY (LIMITED USAGE) (FOR DETAILS SEE FIG.26)						DG-DK	1
-735B	417N3110-27SP		.	.	FRAME ASSY (FOR DETAILS SEE FIG.26)						DL, DM	1
740	BAC27DPA2272		.	.	DECAL						DG-DM	1
745	BAC27NPA0610		.	.	MARKER-ALUMINUM FOIL						DG-DM	1
750	BAC27NPA0647		.	.	MARKER-ALUMINUM FOIL						DG, DJ, DL	1
755	BAC27NPA0645		.	.	MARKER-ALUMINUM FOIL						DH, DK, DM	1

-Item not Illustrated

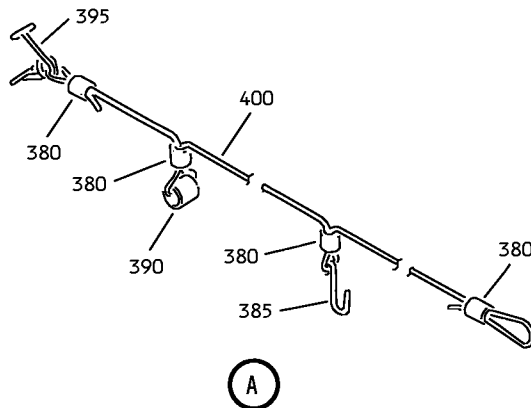
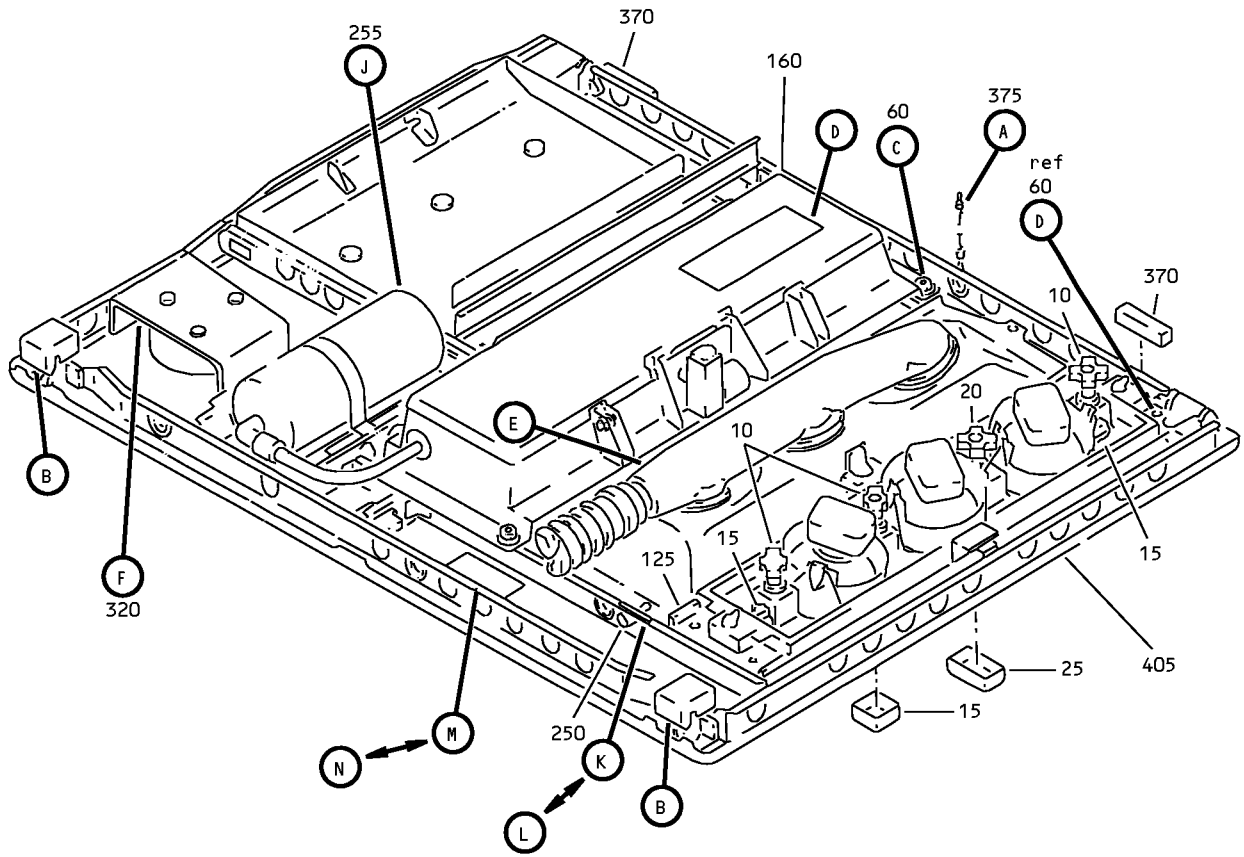
25-23-34

ILLUSTRATED PARTS LIST

Page 1098.406

Nov 01/2008

COMPONENT MAINTENANCE MANUAL



Full Underbin - Passenger Service Unit (with Bell and Gasper) Assembly
IPL Figure 15 (Sheet 1 of 5)

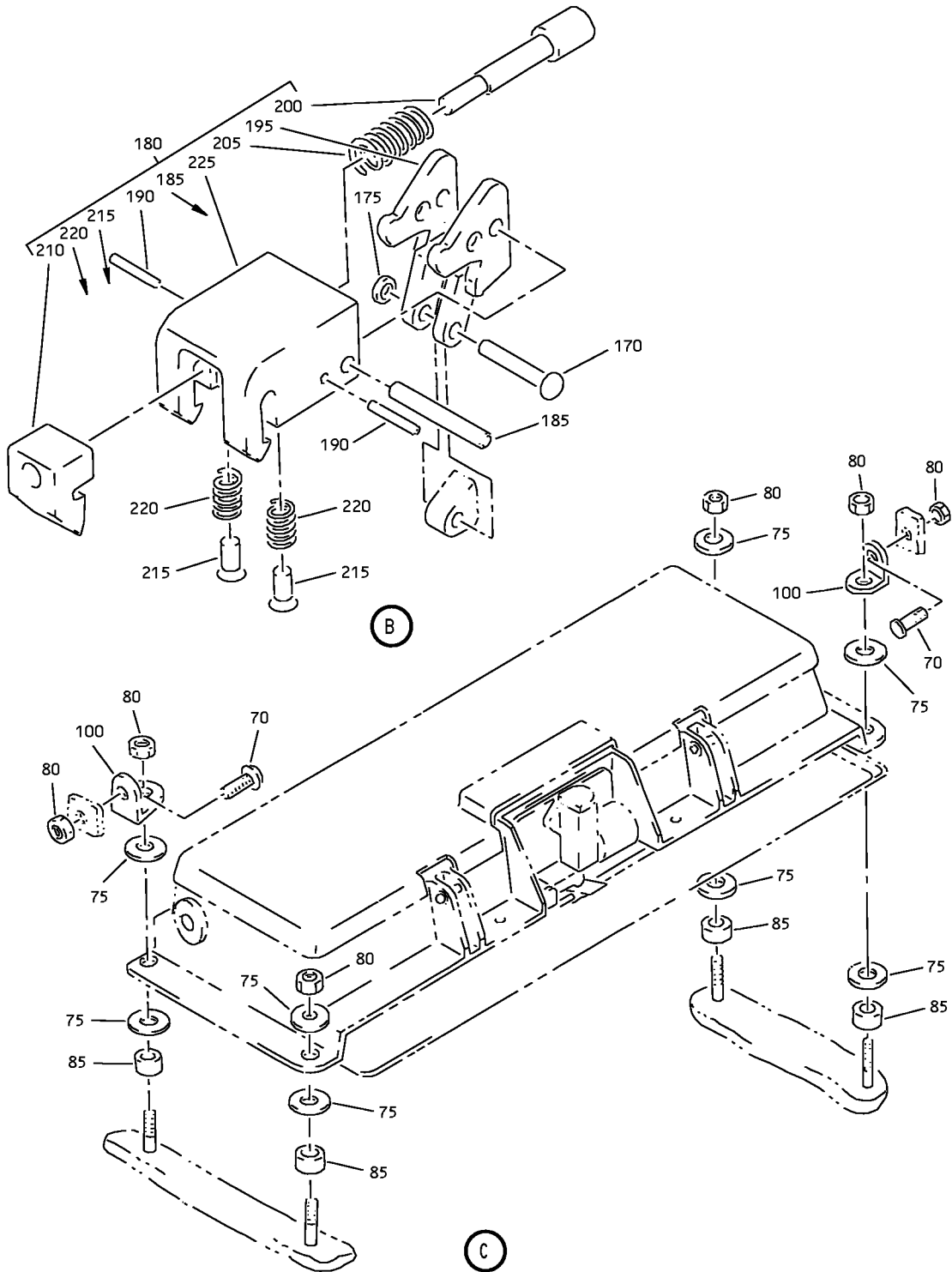
25-23-34

ILLUSTRATED PARTS LIST

Page 1098.407

Nov 01/2008

COMPONENT MAINTENANCE MANUAL



Full Underbin - Passenger Service Unit (with Bell and Gasper) Assembly
IPL Figure 15 (Sheet 2 of 5)

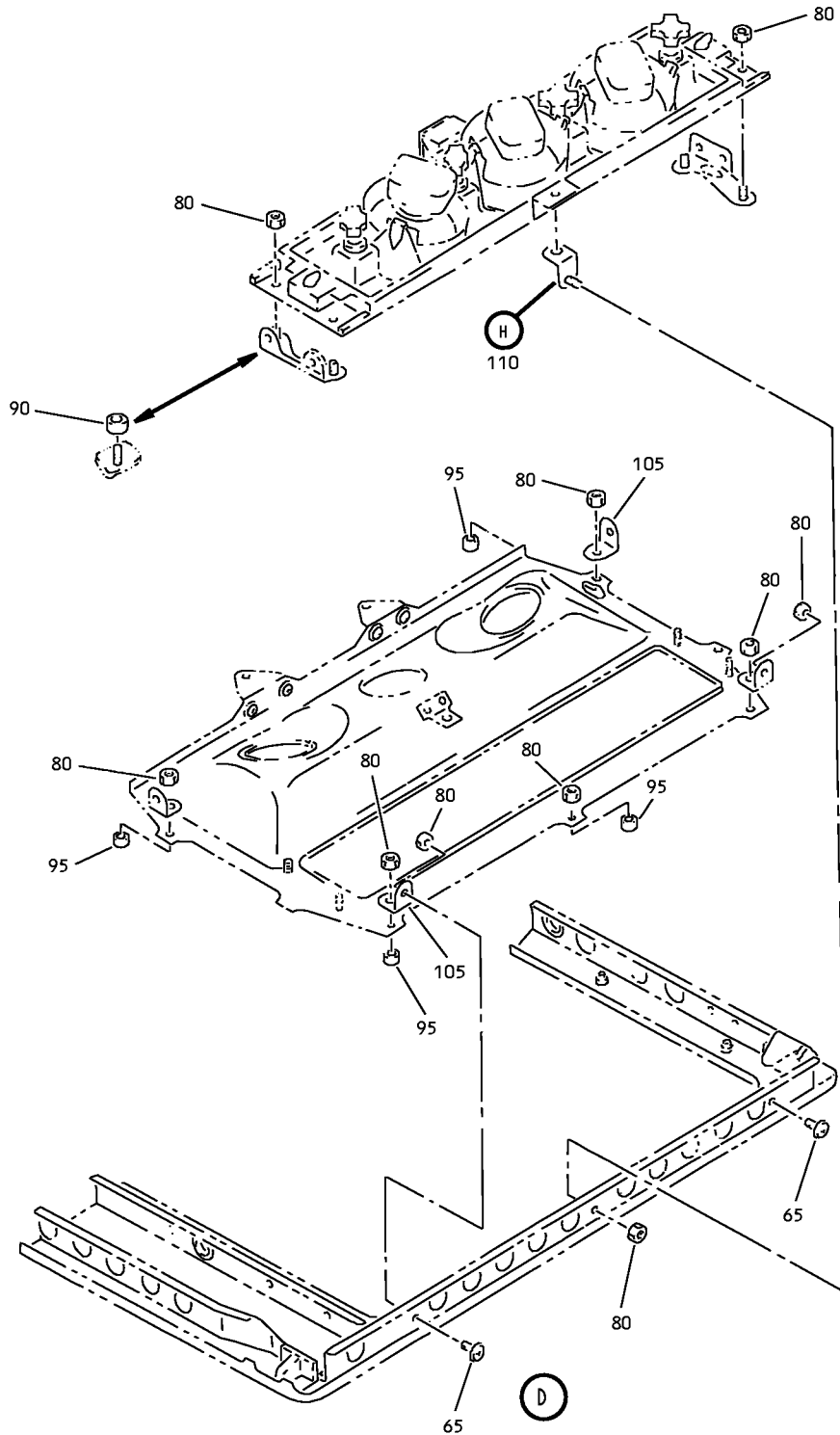
25-23-34

ILLUSTRATED PARTS LIST

Page 1098.408

Nov 01/2008

COMPONENT MAINTENANCE MANUAL



Full Underbin - Passenger Service Unit (with Bell and Gasper) Assembly
IPL Figure 15 (Sheet 3 of 5)

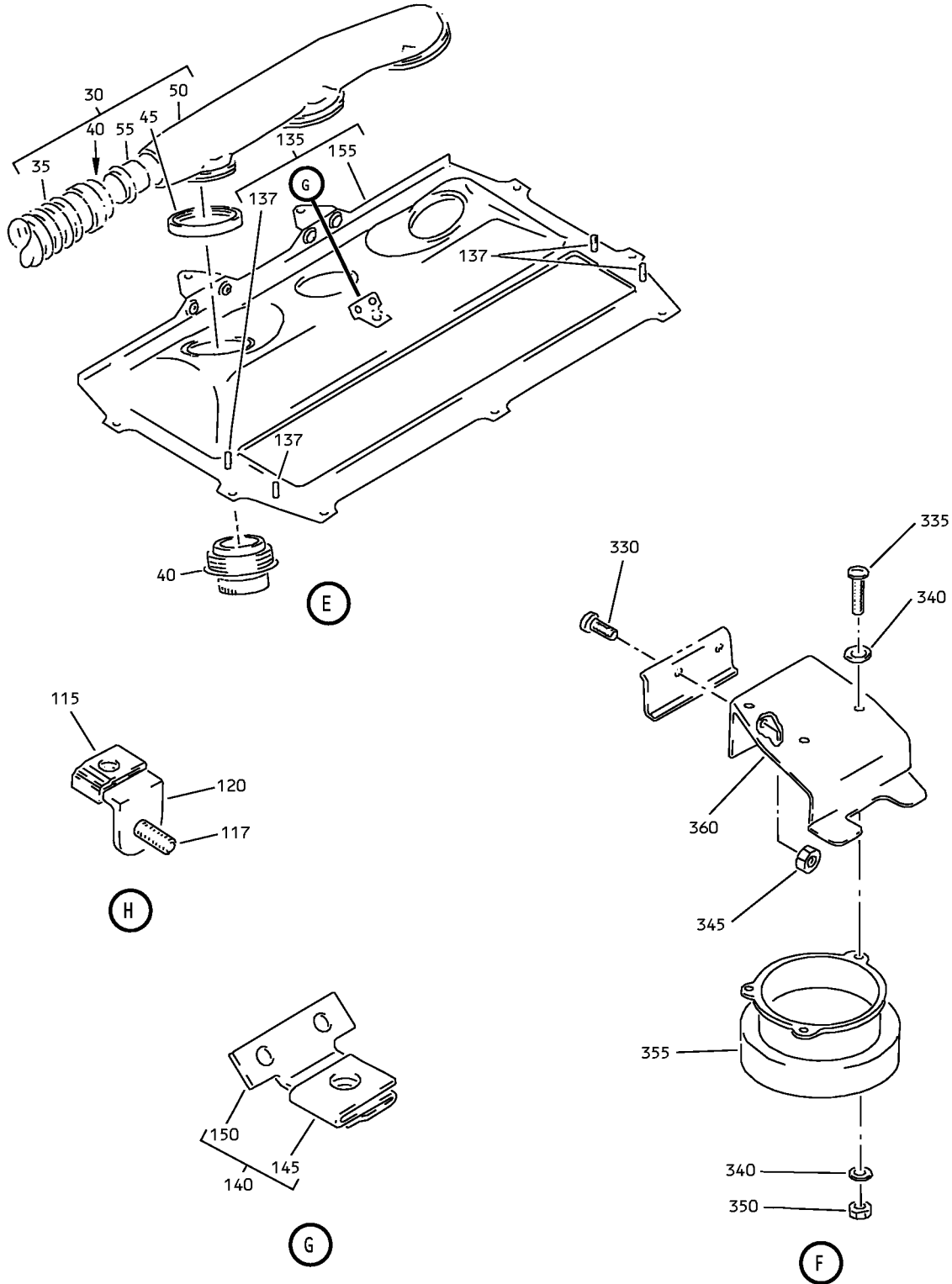
25-23-34

ILLUSTRATED PARTS LIST

Page 1098.409

Nov 01/2008

COMPONENT MAINTENANCE MANUAL



Full Underbin - Passenger Service Unit (with Bell and Gasper) Assembly
IPL Figure 15 (Sheet 4 of 5)

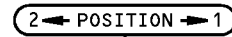
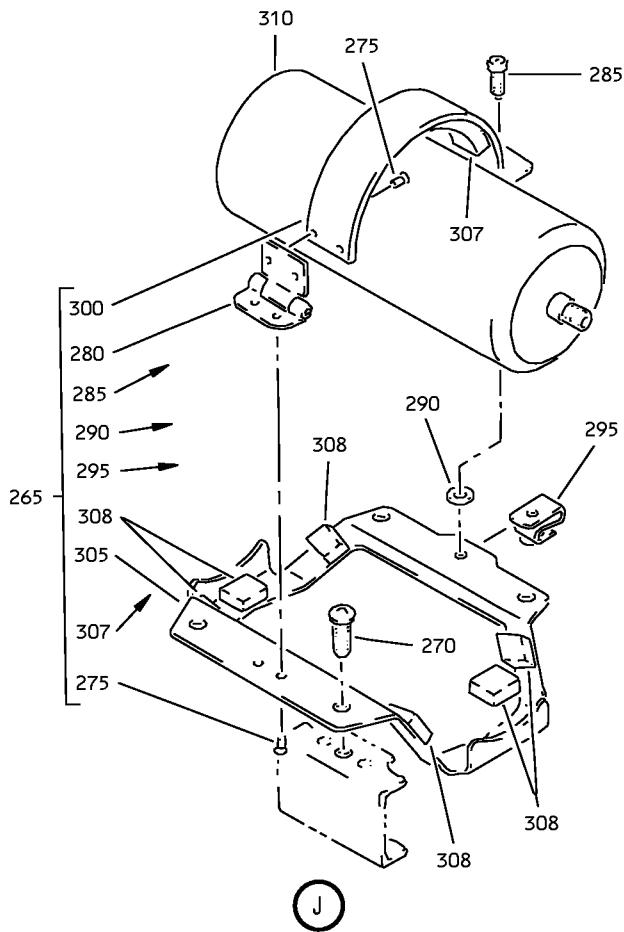
25-23-34

ILLUSTRATED PARTS LIST

Page 1098.410

Nov 01/2008

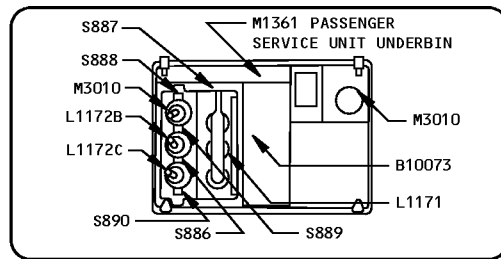
COMPONENT MAINTENANCE MANUAL



425



420



430



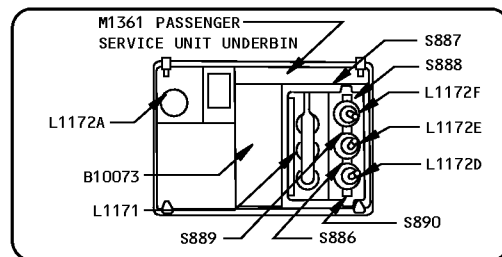
ATTENTION

FOR REMOVAL AND RELOCATION INFORMATION SEE MAINTENANCE MANUAL CHAPTER 25

FOR MASK STOWAGE INSTRUCTIONS SEE MAINTENANCE MANUAL CHAPTER 35

FOR CLEANING INSTRUCTIONS SEE DOCUMENT D6-7127

415



435



Full Underbin - Passenger Service Unit (with Bell and Gasper) Assembly
IPL Figure 15 (Sheet 5 of 5)

25-23-34

ILLUSTRATED PARTS LIST

Page 1098.411

Nov 01/2008



COMPONENT MAINTENANCE MANUAL

FIG/ ITEM	PART NUMBER	AIRLINE PART NUMBER	NOMENCLATURE							USAGE CODE	UNITS PER ASSY
			1	2	3	4	5	6	7		
15-											
-1	417N3100-313SP									DN	RF
-5	417N3100-314SP									CZ	RF
-5A	417N3100-258SP									BD	RF
10	920056									BD, CZ, DN	3
15	S417N304-1A										
15A	S417N304-1B										
15B	VIP720-1C									BD, CZ, DN	3
-15C	S417N304-1M										
-15D	S417N304-1N										
-15E	S417N304-1P									BD, CZ, DN	3
-15F	S417N304-1R									BD, CZ, DN	3
-15G	S417N304-1S										
-15H	S417N304-6D									BD, CZ, DN	3
-15J	VIP720-6E									BD, CZ, DN	3

-Item not Illustrated

25-23-34

ILLUSTRATED PARTS LIST

Page 1098.412

Nov 01/2008



COMPONENT MAINTENANCE MANUAL

FIG/ ITEM	PART NUMBER	AIRLINE PART NUMBER	NOMENCLATURE							USAGE CODE	UNITS PER ASSY															
			1	2	3	4	5	6	7																	
15- -15K	VIP720-6G		.	L	E	N	S	-	L	T	S	W	I	T	C	H		BD, CZ, DN	3							
													(COLOR OPT-CUST PREFERENCE, BROWN- WHITE)													
													(V28406)													
													(SPEC S417N304-6G)													
-15L	VIP720-1A		.	L	E	N	S	-	L	T	S	W	I	T	C	H		BD, CZ, DN	3							
													(COLOR OPT-CUST PREFERENCE, WHITE-GOLD)													
													(V28406)													
													(SPEC S417N304-1A)													
-15M	VIP720-1M		.	L	E	N	S	-	L	T	S	W	I	T	C	H		BD, CZ, DN	3							
													(COLOR OPT-CUST PREFERENCE, WHITE-RED)													
													(V28406)													
													(SPEC S417N304-1M)													
-15N	VIP720-1N		.	L	E	N	S	-	L	T	S	W	I	T	C	H		BD, CZ, DN	3							
													(COLOR OPT-CUST PREFERENCE, BROWN- WHITE)													
													(V28406)													
													(SPEC S417N304-1N)													
-15P	VIP720-1S		.	L	E	N	S	-	L	T	S	W	I	T	C	H		BD, CZ, DN	3							
													(COLOR OPT-CUST PREFERENCE, GRAY-WHITE)													
													(V28406)													
													(SPEC S417N304-1S)													
-15Q	VIP720-1B		.	L	E	N	S	-	L	T	S	W	I	T	C	H		BD, CZ, DN	3							
													(COLOR OPT-CUST PREFERENCE, WHITE- BROWN)													
													(V28406)													
													(SPEC S417N304-1B)													
20	920055		.	S	W	I	T	C	H	-	A	T	T	E	N	D	A	N	T	C	A	L	L		BD, CZ, DN	1
													(V97564)													
25	S417N303-2A																									
-25A	S417N303-2B																									
25B	S417N303-2C																									
25C	VIP720-2D		.	L	E	N	S	-	C	A	L	L	S	W	I	T	C	H		BD, CZ, DN	1					
													(COLOR OPT-CUST PREFERENCE, RED-WHITE)													
													(V28406)													
													(SPEC S417N303-2D)													
													(OPT 932501-931 (V97564))													

-Item not Illustrated

25-23-34

ILLUSTRATED PARTS LIST

Page 1098.413

Nov 01/2008



COMPONENT MAINTENANCE MANUAL

FIG/ ITEM	PART NUMBER	AIRLINE PART NUMBER	NOMENCLATURE							USAGE CODE	UNITS PER ASSY										
			1	2	3	4	5	6	7												
15- -25D	VIP720-2E		.	L	E	N	S	-	C	A	L	L	S	W	I	T	C	H		BD, CZ, DN	1
-25E	VIP720-2G		.	L	E	N	S	-	C	A	L	L	S	W	I	T	C	H		BD, CZ, DN	1
-25F	S417N303-2H		.	L	E	N	S	-	C	A	L	L	S	W	I	T	C	H		BD, CZ, DN	1
-25G	S417N303-2J																				
-25H	S417N303-2K		.	L	E	N	S	-	C	A	L	L	S	W	I	T	C	H		BD, CZ, DN	1
-25J	S417N303-2L																				
-25K	S417N303-3B		.	L	E	N	S	-	C	A	L	L	S	W	I	T	C	H		BD, CZ, DN	1
-25L	VIP720-4A		.	L	E	N	S	-	C	A	L	L	S	W	I	T	C	H		BD, CZ, DN	1
-25M	VIP720-2A		.	L	E	N	S	-	C	A	L	L	S	W	I	T	C	H		BD, CZ, DN	1
-25N	VIP720-2B		.	L	E	N	S	-	C	A	L	L	S	W	I	T	C	H		BD, CZ, DN	1

-Item not Illustrated

25-23-34

ILLUSTRATED PARTS LIST

Page 1098.414

Nov 01/2008



COMPONENT MAINTENANCE MANUAL

FIG/ ITEM	PART NUMBER	AIRLINE PART NUMBER	NOMENCLATURE							USAGE CODE	UNITS PER ASSY	
			1	2	3	4	5	6	7			
15- -45A	PLT2MM2		.	.	STRAP (V06383) (OPT ITEM 45)						BD, CZ, DN	3
50	417N3103-1		.	.	MANIFOLD ASSY						BD, CZ, DN	1
55	417N3063-4		.	.	CONNECTOR						BD, CZ, DN	1
60	417N3100-81		.	.	FASTENER ASSY						BD, CZ, DN	1
65	BACS12FA08K5		.	.	SCREW (V06710) (SPEC BACS12FA08K5) (OPT BACS12FA08K5 (V06725)) (OPT BACS12FA08K5 (V06950)) (OPT BACS12FA08K5 (V27624)) (OPT BACS12FA08K5 (V34252)) (OPT BACS12FA08K5 (V56878)) (OPT BACS12FA08K5 (V73197)) (OPT BACS12FA08K5 (V80539)) (OPT BACS12FA08K5 (V92215)) (OPT BACS12FA08K5 (V93907)) (OPT BACS12FA08K5 (V97928))						BD, CZ, DN	2
70	BACS12FA08K6		.	.	SCREW (V06710) (SPEC BACS12FA08K6) (OPT BACS12FA08K6 (V06725)) (OPT BACS12FA08K6 (V06950)) (OPT BACS12FA08K6 (V27624)) (OPT BACS12FA08K6 (V34252)) (OPT BACS12FA08K6 (V56878)) (OPT BACS12FA08K6 (V73197)) (OPT BACS12FA08K6 (V80539)) (OPT BACS12FA08K6 (V92215)) (OPT BACS12FA08K6 (V93907)) (OPT BACS12FA08K6 (V97928))						BD, CZ, DN	2
75	BACW10P193G		.	.	WASHER (V10630) (SPEC BACW10P193G)						BD, CZ, DN	8
80	BACN10YJ08		.	.	NUT						BD, CZ, DN	18
85	NAS43DD3-18		.	.	SPACER						BD, CZ, DN	4

-Item not Illustrated

25-23-34

ILLUSTRATED PARTS LIST

Page 1098.416

Nov 01/2008



COMPONENT MAINTENANCE MANUAL

FIG/ ITEM	PART NUMBER	AIRLINE PART NUMBER	NOMENCLATURE							USAGE CODE	UNITS PER ASSY
			1	2	3	4	5	6	7		
15-											
90	NAS43DD3-20		.	.	SPACER					BD, CZ, DN	4
95	G6940-3B3		.	.	GROMMET (V75345) (SPEC BACG20AF3B3) (OPT SZ6924-3B3 (V95272)) (OPT 701-3B3 (V07096)) (OPT E3B3 (V60980)) (OPT H3B3 (V60980)) (OPT RR2002-3B3 (V57268))					BD, CZ, DN	5
100	417N3122-115		.	.	ANGLE					BD, CZ, DN	2
105	417N3122-14		.	.	ANGLE-SPRT					BD, CZ, DN	2
110	417N3122-60		.	.	BRACKET ASSY					BD, CZ, DN	1
115	82-47-108-15		.	.	CLIP (V84483)					BD, CZ, DN	1
117	BACS21AQ2A3K		.	.	STUD (OPT ITEM 117A)					BD, CZ, DN	1
-117A	FHS832-6		.	.	STUD (OPT ITEM 117)					BD, CZ, DN	1
120	417N3122-61		.	.	BRACKET (OPT ITEM 120A)					BD, CZ, DN	1
-120A	417N3122-130		.	.	BRACKET (OPT ITEM 120)					BD, CZ, DN	1
125	10-1006-1		.	.	LIGHT-READING (V72914) (SPEC S417N302-1)					DN	1
-130	10-1006-2		.	.	LIGHT-READING (V72914) (SPEC S417N302-2)					BD, CZ	1
135	417N3105-6SP		.	.	MODULE ASSY-SVCE					BD, CZ, DN	1
137	BACS21AQ6A6M		.	.	STUD					BD, CZ, DN	4
140	417N3122-111		.	.	BRACKET ASSY					BD, CZ, DN	1
145	82-47-108-15		.	.	CLIP (V84483)					BD, CZ, DN	1

-Item not Illustrated

25-23-34

ILLUSTRATED PARTS LIST

Page 1098.417

Nov 01/2008



COMPONENT MAINTENANCE MANUAL

FIG/ ITEM	PART NUMBER	AIRLINE PART NUMBER	NOMENCLATURE							USAGE CODE	UNITS PER ASSY
			1	2	3	4	5	6	7		
15-											
150	417N3122-112		.	.	.					BD, CZ, DN	1
155	417N3101-2SP		.	.						BD, CZ, DN	1
160	417N3130-63SP		.							DN	1
-165	417N3130-66SP		.							BD, CZ	1
170	BACR15BB4D10		.							BD, CZ, DN	2
175	6100-12		.							BD, CZ, DN	2
180	417N3180-1		.							BD, CZ, DN	2
185	NAS607-2-8P		.	.						BD, CZ, DN	1
190	NAS607-1-4P		.	.						BD, CZ, DN	2
195	417N3181-1		.	.						BD, CZ, DN	1
-195A	65-85902-1		.	.						BD, CZ, DN	1
200	65-85905-4		.	.						BD, CZ, DN	1
205	RCS3290		.	.						BD, CZ, DN	1
210	417N3182-1		.	.						BD, CZ, DN	1
215	417N3180-3		.	.						BD, CZ, DN	2
220	RCS3289		.	.						BD, CZ, DN	2
225	417N3183-1		.	.						BD, CZ, DN	1

-Item not Illustrated

25-23-34

ILLUSTRATED PARTS LIST

Page 1098.418

Nov 01/2008



COMPONENT MAINTENANCE MANUAL

FIG/ ITEM	PART NUMBER	AIRLINE PART NUMBER	NOMENCLATURE							USAGE CODE	UNITS PER ASSY
			1	2	3	4	5	6	7		
15-											
-230	AN960JD416L		.	WASHER						BD, CZ, DN	5
				(USED WITH ITEM 235)							
-235	PLWP1S		.	TIE-PUSH MOUNT CABLE						BD, CZ, DN	5
				(V58417)							
-240	NMC1001-0		.	CLAMP						BD, CZ, DN	2
				(V03296)							
				(OPT ITEM 240A)							
-240A	BACC10DK3		.	CLAMP						BD, CZ, DN	2
				(V16115)							
				(SPEC BACC10DK3)							
				(OPT BACC10DK3 (V81872))							
				(OPT ITEM 240)							
-245	61-33500-001		.	WIRE BUNDLE						BD, CZ, DN	1
250	1TW2-3		.	SWITCH-TOGGLE						BD, CZ, DN	1
				(V91929)							
255	417N3100-48		.	GENERATOR ASSY						DN	1
-260	417N3100-46		.	GENERATOR ASSY						BD, CZ	1
265	417N3160-11		. .	BRACKET ASSY						BD, CZ, DN	1
				ATTACHING PARTS							
270	BACS12FA08K6		. .	SCREW						BD, CZ, DN	4
				(V06710)							
				(SPEC BACS12FA08K6)							
				(OPT BACS12FA08K6 (V06725))							
				(OPT BACS12FA08K6 (V06950))							
				(OPT BACS12FA08K6 (V27624))							
				(OPT BACS12FA08K6 (V34252))							
				(OPT BACS12FA08K6 (V56878))							
				(OPT BACS12FA08K6 (V73197))							
				(OPT BACS12FA08K6 (V80539))							
				(OPT BACS12FA08K6 (V92215))							
				(OPT BACS12FA08K6 (V93907))							
				(OPT BACS12FA08K6 (V97928))							
				-----*							
275	BACR15BA3D		. . .	RIVET						BD, CZ, DN	4
				(SIZE DETERMINED ON INST)							
280	417N3811-13		. . .	HINGE						BD, CZ, DN	1

-Item not Illustrated

25-23-34

ILLUSTRATED PARTS LIST

Page 1098.419

Nov 01/2008



COMPONENT MAINTENANCE MANUAL

FIG/ ITEM	PART NUMBER	AIRLINE PART NUMBER	NOMENCLATURE							USAGE CODE	UNITS PER ASSY
			1	2	3	4	5	6	7		
15- 285	CS8024-08-1A		. . .	SCREW-CAPTIVE (V58998) (OPT ITEM 285A)						BD, CZ, DN	1
-285A	FT1387P8-1-2		. . .	SCREW-CAPTIVE (V58794) (OPT ITEM 285)						BD, CZ, DN	1
290	AN960KD416		. . .	WASHER						BD, CZ, DN	1
295	A4972-6-82		. . .	NUT (V72962) (SPEC BACN10FX84) (OPT RM52LHA4972-6-82 (V72962)) (OPT SL211-08-1 (V97393)) (OPT 130008 (V60119)) (OPT A11330-6-82 (V72962))						BD, CZ, DN	1
300	417N3161-7		. . .	BRACKET-MTG						BD, CZ, DN	1
305	417N3136-99		. . .	BRACKET-MTG						BD, CZ, DN	1
307	417N3160-12		. . .	PAD-INSULATION						BD, CZ, DN	1
308	417N3160-13		. . .	PAD-INSULATION						BD, CZ, DN	6
310	117003-14		. .	GENERATOR-CHEMICAL OXY (V16827) (OPT ITEM 310A) (SPEC S417T401-27)						DN	1
-310A	803000-04		. .	GENERATOR-CHEMICAL OXY (V53655) (OPT ITEM 310) (SPEC S417T401-33)						DN	1
-315	117003-13		. .	GENERATOR-CHEMICAL OXY (V16827) (OPT ITEM 315A) (SPEC S417T401-26)						BD, CZ	1
-315A	803000-03		. .	GENERATOR-CHEMICAL OXY (V53655) (OPT ITEM 315) (SPEC S417T401-32)						BD, CZ	1
320	417N3100-29		.	BELL ASSY						DN	1
-325	417N3100-30		.	BELL ASSY						BD, CZ	1

-Item not Illustrated

25-23-34

ILLUSTRATED PARTS LIST

Page 1098.420

Nov 01/2008



COMPONENT MAINTENANCE MANUAL

FIG/ ITEM	PART NUMBER	AIRLINE PART NUMBER	NOMENCLATURE							USAGE CODE	UNITS PER ASSY	
			1	2	3	4	5	6	7			
15- 330	BACS12FA08K6		. .								BD, CZ, DN	2
			. .								BD, CZ, DN	3
335	NAS602-6P		. .								BD, CZ, DN	6
340	AN960JD8L		. .								BD, CZ, DN	2
345	BACN10YJ08		. .								BD, CZ, DN	3
350	H10-08BAC		. .								BD, CZ, DN	1
			. .								BD, CZ, DN	1
355	306S9		. .								DN	1
360	65C22184-3		. .								BD, CZ	1
-365	65C22184-4		. .								BD, CZ, DN	2
370	417N3100-71		. .								BD, CZ, DN	1
375	417N3190-1		. .								BD, CZ, DN	4
380	GSC219		. .								BD, CZ, DN	

-Item not Illustrated

25-23-34

ILLUSTRATED PARTS LIST

Page 1098.421

Nov 01/2008



COMPONENT MAINTENANCE MANUAL

FIG/ ITEM	PART NUMBER	AIRLINE PART NUMBER	NOMENCLATURE							USAGE CODE	UNITS PER ASSY	
			1	2	3	4	5	6	7			
15- -380A	GSC205		.	.	SLEEVE (V59730) (SPEC BACS13S205C) (OPT Y0C130 (V09922)) (OPT ITEM 380)						BD, CZ, DN	4
385	10-61790-1		.	.	HOOK (V08205) (SPEC 10-61790-1)						BD, CZ, DN	1
390	NAS43DD4-5		.	.	SPACER						BD, CZ, DN	1
395	65C16899-6		.	.	SPRING						BD, CZ, DN	1
400	417N3190-3		.	.	CORD-NYLON						BD, CZ, DN	1
405	417N3110-31SP		.		FRAME ASSY (FOR DETAILS SEE FIG. 24)						DN	1
-410	417N3110-32SP		.		FRAME ASSY (FOR DETAILS SEE FIG. 24)						BD, CZ	1
415	BAC27DPA2272		.		DECAL						BD, CZ, DN	1
420	BAC27NPA0610		.		MARKER-ALUMINUM FOIL						DN	1
425	BAC27NPA0609		.		MARKER-ALUMINUM FOIL						BD, CZ	1
430	BAC29PPS4819		.		MARKER-ALUMINUM FOIL						DN	1
435	BAC29PPS4818		.		MARKER-ALUMINUM FOIL						BD, CZ	1

-Item not Illustrated

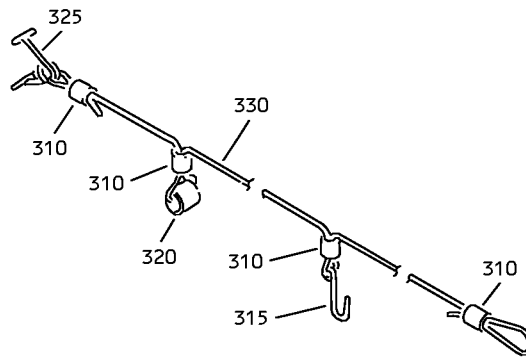
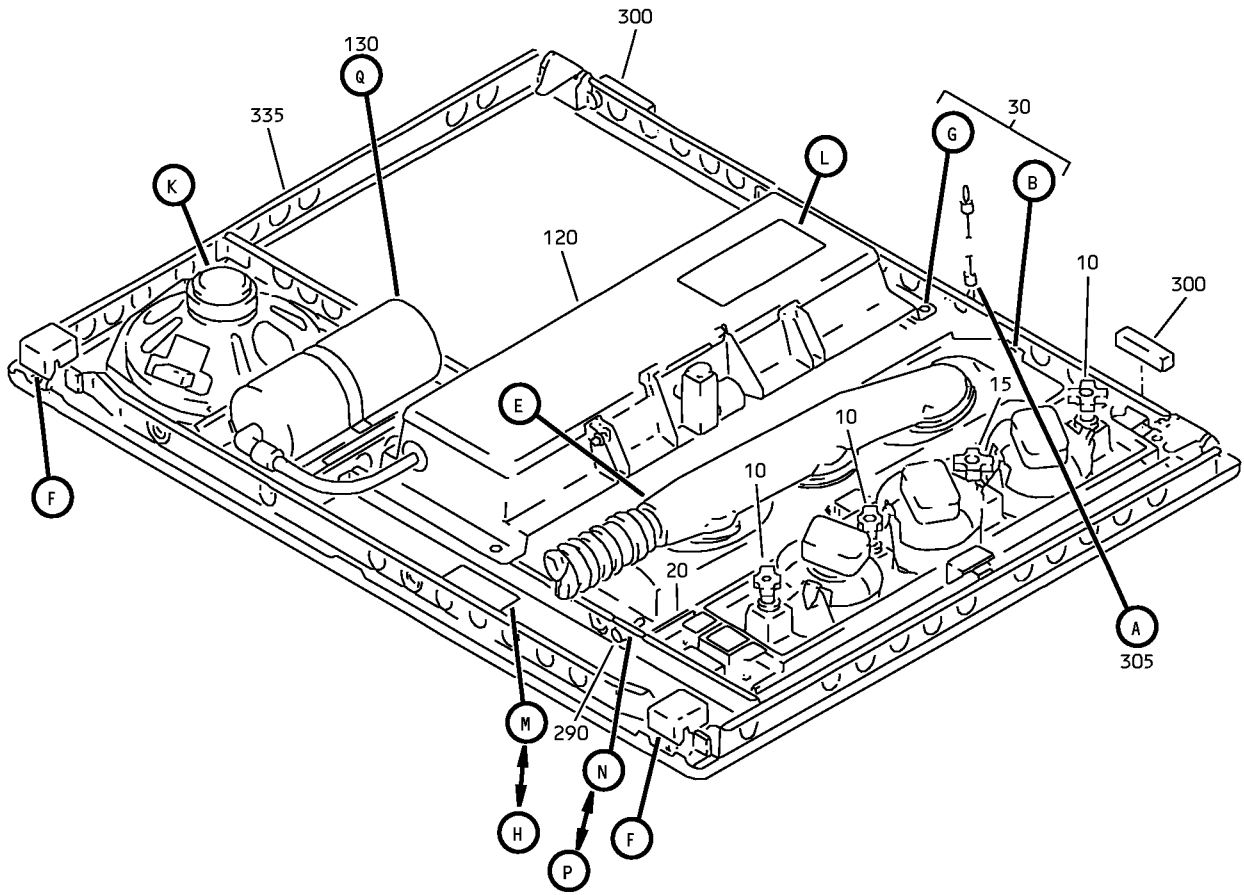
25-23-34

ILLUSTRATED PARTS LIST

Page 1098.422

Nov 01/2008

COMPONENT MAINTENANCE MANUAL



A

Full Underbin - Passenger Service Unit (With Speaker and Gasper Air) Assembly
IPL Figure 16 (Sheet 1 of 6)

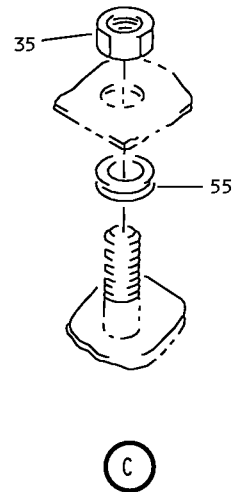
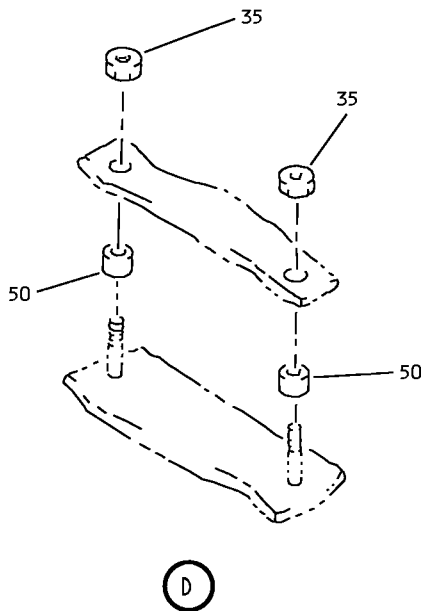
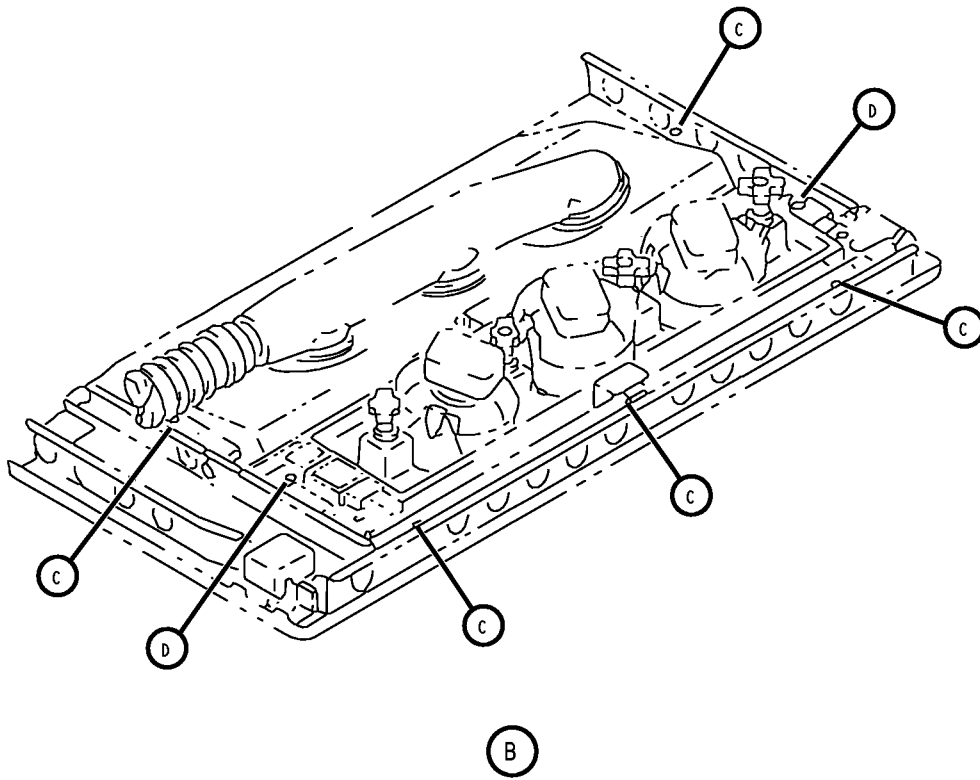
25-23-34

ILLUSTRATED PARTS LIST

Page 1098.423

Nov 01/2008

COMPONENT MAINTENANCE MANUAL



Full Underbin - Passenger Service Unit (With Speaker and Gasper Air) Assembly
IPL Figure 16 (Sheet 2 of 6)

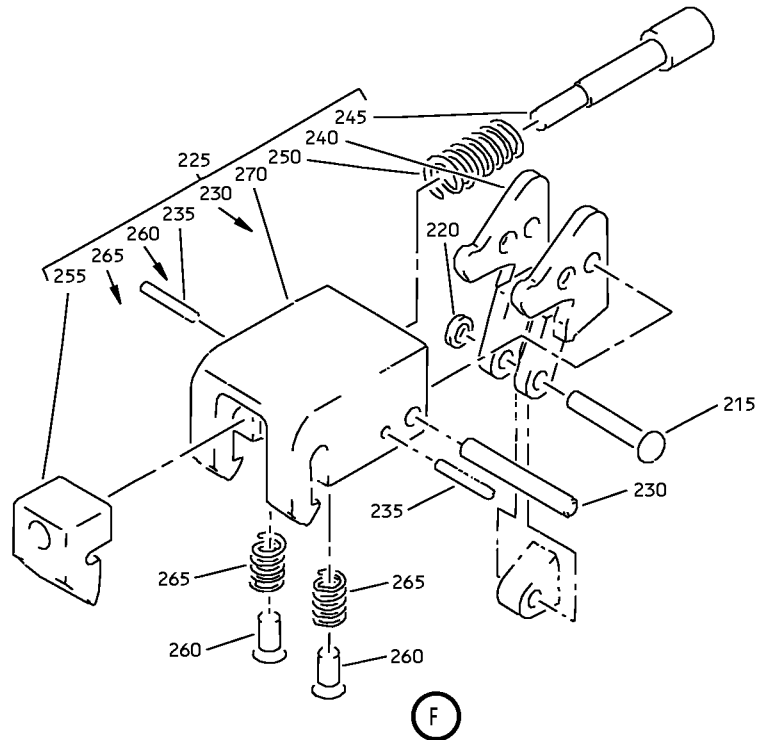
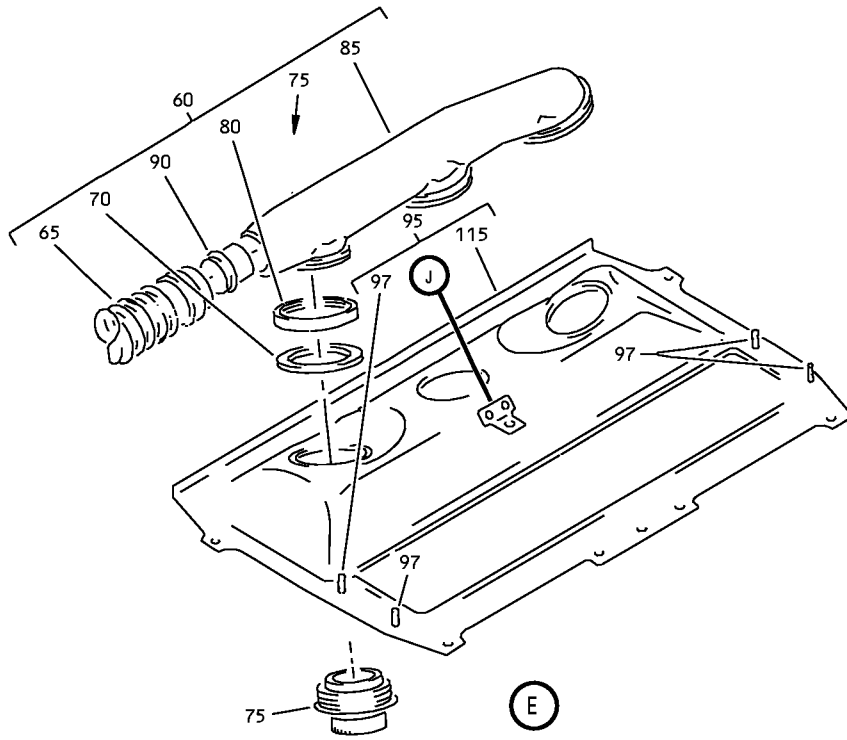
25-23-34

ILLUSTRATED PARTS LIST

Page 1098.424

Nov 01/2008

COMPONENT MAINTENANCE MANUAL



Full Underbin - Passenger Service Unit (With Speaker and Gasper Air) Assembly
IPL Figure 16 (Sheet 3 of 6)

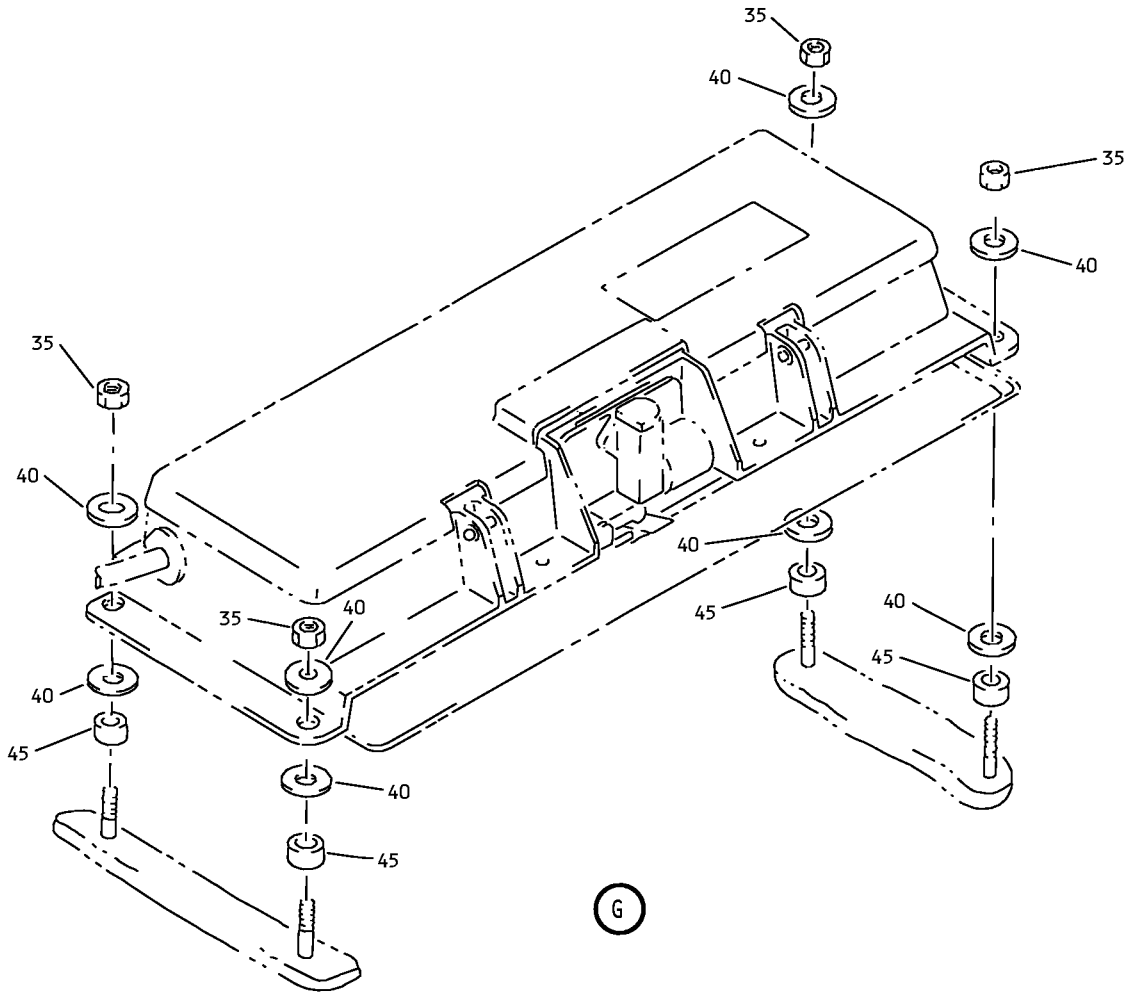
25-23-34

ILLUSTRATED PARTS LIST

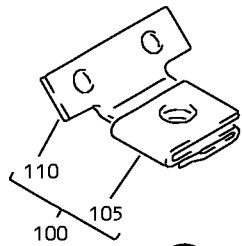
Page 1098.425

Nov 01/2008

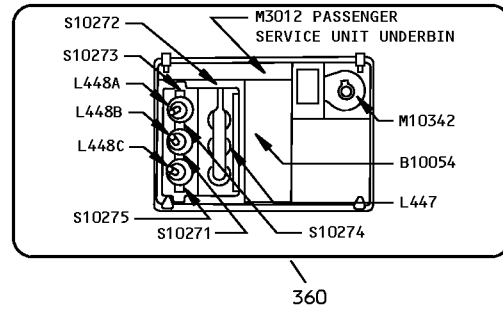
COMPONENT MAINTENANCE MANUAL



G



J



H

Full Underbin - Passenger Service Unit (With Speaker and Gasper Air) Assembly
IPL Figure 16 (Sheet 4 of 6)

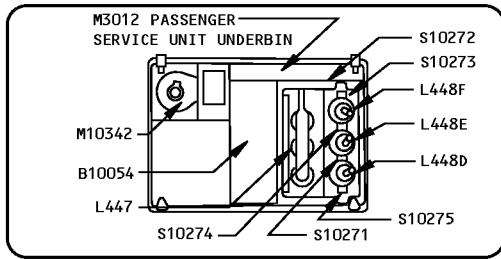
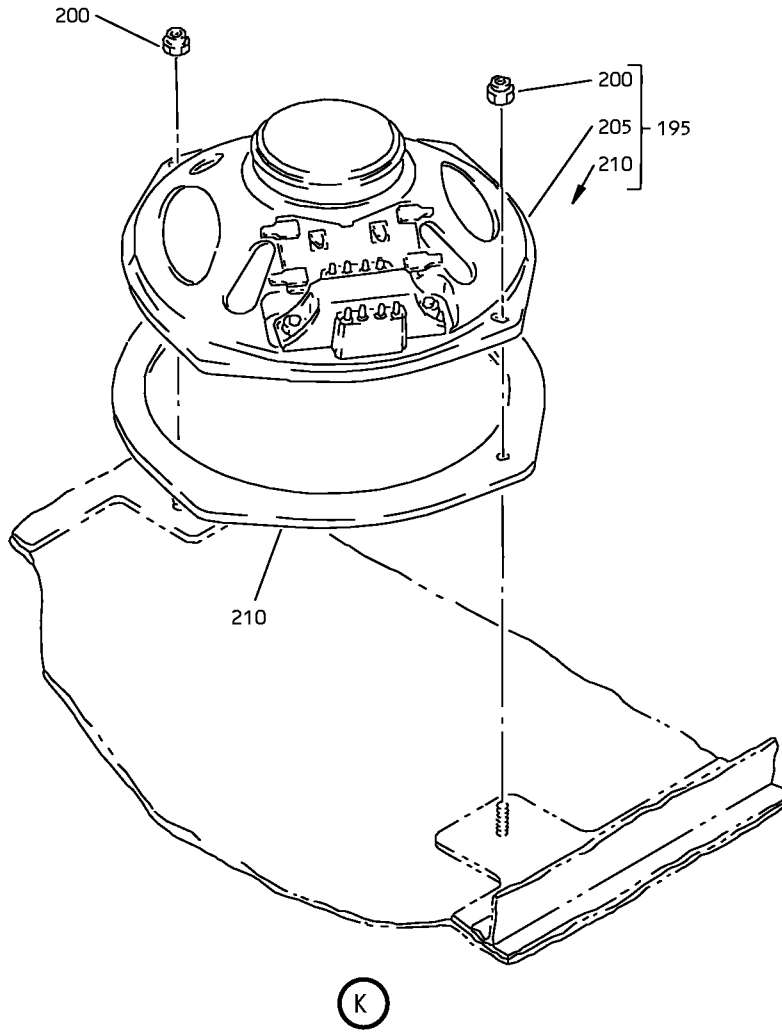
25-23-34

ILLUSTRATED PARTS LIST

Page 1098.426

Nov 01/2008

COMPONENT MAINTENANCE MANUAL



ATTENTION

FOR REMOVAL AND RELOCATION INFORMATION SEE
MAINTENANCE MANUAL CHAPTER 25

FOR MASK STOWAGE INSTRUCTIONS SEE MAINTENANCE
MANUAL CHAPTER 35

FOR CLEANING INSTRUCTIONS SEE DOCUMENT D6-7127

365

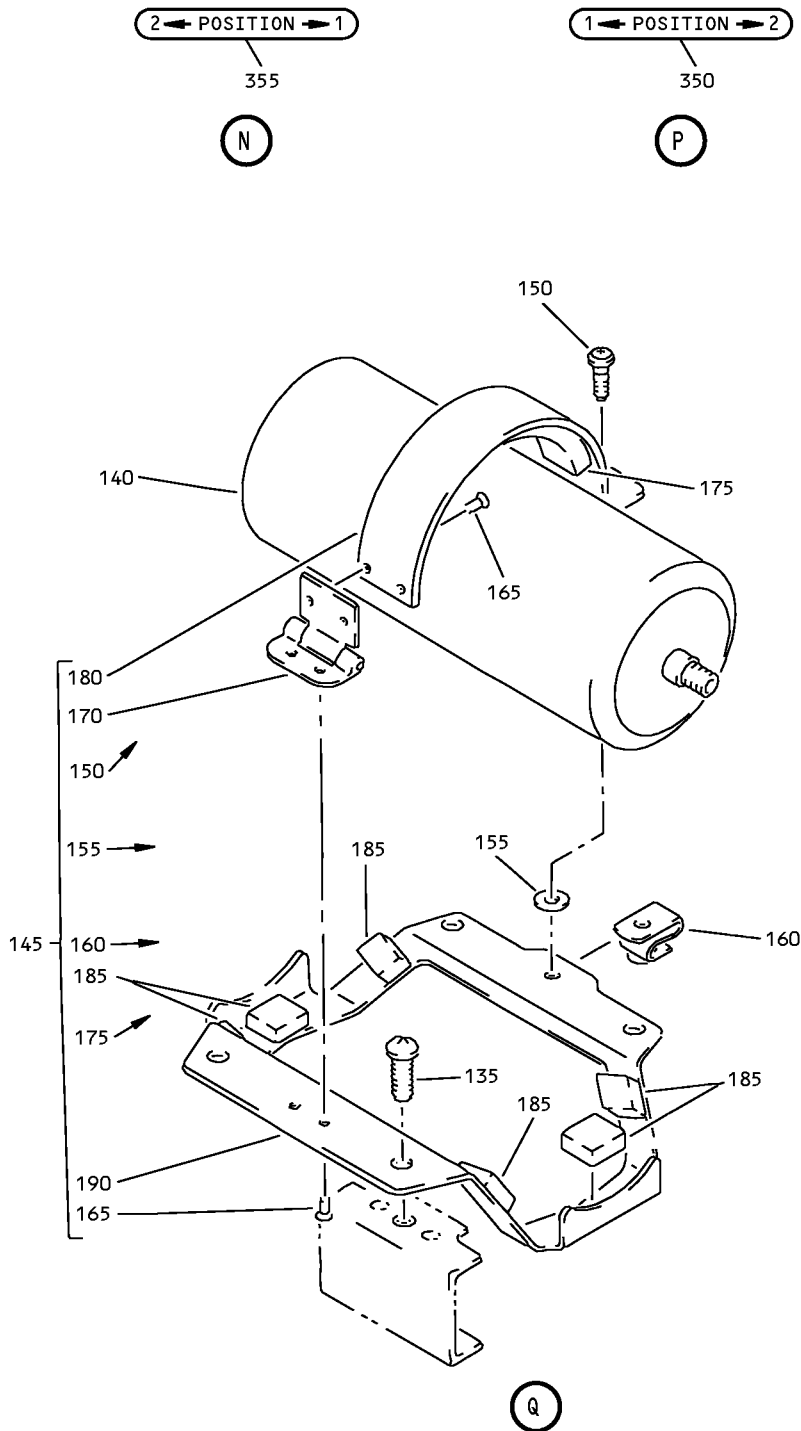
(M)

345

(L)

Full Underbin - Passenger Service Unit (With Speaker and Gasper Air) Assembly
IPL Figure 16 (Sheet 5 of 6)

COMPONENT MAINTENANCE MANUAL



Full Underbin - Passenger Service Unit (With Speaker and Gasper Air) Assembly
IPL Figure 16 (Sheet 6 of 6)

25-23-34

ILLUSTRATED PARTS LIST

Page 1098.428

Nov 01/2008



COMPONENT MAINTENANCE MANUAL

FIG/ ITEM	PART NUMBER	AIRLINE PART NUMBER	NOMENCLATURE							USAGE CODE	UNITS PER ASSY
			1	2	3	4	5	6	7		
16-											
-1	417N3100-407SP										
										DP	RF
-1A	417N3100-417SP										
										DQ	RF
-1B	417N3100-429SP										
										DR	RF
-1C	417N3100-633SP										
										AM	RF
-5	417N3100-418SP										
										DS	RF
-5A	417N3100-422SP										
										DT	RF
-5B	417N3100-424SP										
										DU	RF
-5C	417N3100-440SP										
										DV	RF
-5D	417N3100-634SP										
										AP	RF
10	920056										
										AM, AP, DP-DV	3

-Item not Illustrated

25-23-34

ILLUSTRATED PARTS LIST

Page 1098.429

Nov 01/2008



COMPONENT MAINTENANCE MANUAL

FIG/ ITEM	PART NUMBER	AIRLINE PART NUMBER	NOMENCLATURE							USAGE CODE	UNITS PER ASSY
			1	2	3	4	5	6	7		
16-											
15	920055		.							AM, AP, DP-DV	1
20	10-1006-1		.							AM, DP- DR	1
-25	10-1006-2		.							AP, DS- DV	1
30	417N3100-92		.							AM, AP, DP-DV	1
35	BACN10YJ08		.	.						AM, AP, DP-DV	13
40	BACW10P193G		.	.						AM, AP, DP-DV	8
45	NAS43DD3-18		.	.						AM, AP, DP-DV	4
50	NAS43DD3-20		.	.						AM, AP, DP-DV	4
55	G6940-3B3		.	.						AM, AP, DP-DV	5
60	417N3100-26		.							DP, DS	1
-60A	417N3100-25SP		.							DQ, DR, DT-DV	1
-60B	417N3100-199SP		.							AM, AP	1
65	B0E20563A120		.	.						DP-DV	1
-65A	BACD40P3A180		.	.						AM, AP	1
70	65C31432-1		.	.						DP, DS	AR
75	10-60141-25		.	.						DP, DS	1
-75A	10-60141-23A									DELETED	

-Item not Illustrated

25-23-34

ILLUSTRATED PARTS LIST

Page 1098.430

Nov 01/2008



COMPONENT MAINTENANCE MANUAL

FIG/ ITEM	PART NUMBER	AIRLINE PART NUMBER	NOMENCLATURE							USAGE CODE	UNITS PER ASSY
			1	2	3	4	5	6	7		
16- -75B	750801-002		.	.						AM, AP, DQ, DR, DT-DV	3
										(COLOR OPT-CUST PREFERENCE, BIEGE) (V28406) (SPEC 10-60141-23S)	
-75C	10-60141-23U		.	.						AM, AP, DQ, DR, DT-DV	3
										(COLOR OPT-CUST PREFERENCE, DARK GREY)	
-75D	L16999-16C		.	.						AM, AP, DQ, DR, DT-DV	3
										OUTLET AIR (V17744) (SPEC 10-60141-23A) (OPT 1707-23A (V83564)) (COLOR OPT-CUST PREFERENCE, ZYTEL WT-07)	
80	PLT2MM		.	.						AM, AP, DP-DV	3
										STRAP (V06383) (OPT ITEM 80A)	
-80A	PLT2MM2		.	.						AM, AP, DP-DV	3
										STRAP (V06383) (OPT ITEM 80)	
85	417N3103-1		.	.						AM, AP, DP-DV	1
										MANIFOLD ASSY	
90	417N3063-4		.	.	.					AM, AP, DP-DV	1
										CONNECTOR	
95	417N3105-9SP		.							AM, AP, DP-DV	1
										MODULE ASSY-SVCE	
97	BACS21AQ6A6M		.	.						AM, AP, DP-DV	4
										STUD	
100	417N3122-111		.	.						AM, AP, DP-DV	1
										BRACKET ASSY	
105	82-47-108-15		.	.	.					AM, AP, DP-DV	1
										CLIP (V84483)	
110	417N3122-112		.	.	.					AM, AP, DP-DV	1
										BRACKET	
115	417N3101-6SP		.	.						AM, AP, DP-DV	1
										MODULE	
120	417N3130-73SP		.							AM, DP	1
										BOX ASSY-FOUR MASK OXY (REF CMM 35-21-02)	
-120A	417N3130-75SP		.							DQ, DR	1
										BOX ASSY-THREE MASK OXY (REF CMM 35-21-02)	

-Item not Illustrated

25-23-34

ILLUSTRATED PARTS LIST

Page 1098.431

Nov 01/2008



COMPONENT MAINTENANCE MANUAL

FIG/ ITEM	PART NUMBER	AIRLINE PART NUMBER	NOMENCLATURE							USAGE CODE	UNITS PER ASSY	
			1	2	3	4	5	6	7			
16-												
-125	417N3130-74SP		.								AP, DS, DU	1
-125A	417N3130-76SP		.								DT, DV	1
130	417N3100-48		.								AM, AP, DP, DS, DU	1
-130A	417N3100-46		.								DQ, DR, DT, DV	1
135	BACS12FA08K6		.	.							AM, AP, DP-DV	4
140	117003-14		.	.							AM, AP, DP, DS, DU	1
-140A	803000-04		.	.							AM, AP, DP, DS, DU	1
-140B	117003-13		.	.							DQ, DR, DT, DV	1
-140C	803000-03		.	.							DQ, DR, DT, DV	1
145	417N3160-11		.	.							AM, AP, DP-DV	1

-Item not Illustrated

25-23-34

ILLUSTRATED PARTS LIST

Page 1098.432

Nov 01/2008



COMPONENT MAINTENANCE MANUAL

FIG/ ITEM	PART NUMBER	AIRLINE PART NUMBER	NOMENCLATURE							USAGE CODE	UNITS PER ASSY
			1	2	3	4	5	6	7		
16-											
150	FT1387P8-1-2		. . .	SCREW-CAPTIVE						AM, AP, DP-DV	1
				(V58794)							
				(OPT ITEM 150A)							
-150A	C58024-08-1A		. . .	SCREW-CAPTIVE						AM, AP, DP-DV	1
				(V58998)							
				(OPT ITEM 150)							
155	AN960KD416		. . .	WASHER						AM, AP, DP-DV	1
160	A4972-6-82		. . .	NUT						AM, AP, DP-DV	1
				(V72962)							
				(SPEC BACN10FX84)							
				(OPT RM52LHA4972-6-82 (V72962))							
				(OPT SL211-08-1 (V97393))							
				(OPT 130008 (V60119))							
				(OPT A11330-6-82 (V72962))							
165	BACR15BA3D		. . .	RIVET						AM, AP, DP-DV	4
				(SIZE DETERMINED ON INST)							
170	417N3811-13		. . .	HINGE						AM, AP, DP-DV	1
175	417N3160-12		. . .	PAD-INSULATION						AM, AP, DP-DV	1
180	417N3161-7		. . .	BRACKET-MTG						AM, AP, DP-DV	1
185	417N3160-13		. . .	PAD-INSULATION						AM, AP, DP-DV	6
190	417N3136-99		. . .	BRACKET-MTG						AM, AP, DP-DV	1
195	417N3100-17		.	SPEAKER ASSY						AM, AP, DP-DV	1
200	BACN10YJ08		. .	NUT						AM, AP, DP-DV	2
205	RDAM8005A		. .	SPEAKER						AM, AP, DP-DV	1
				(V54473)							
				(SPEC S222T101-101)							
210	417N3104-2		. .	GASKET						AM, AP, DP-DV	1

-Item not Illustrated

25-23-34

ILLUSTRATED PARTS LIST

Page 1098.433

Nov 01/2008



COMPONENT MAINTENANCE MANUAL

FIG/ ITEM	PART NUMBER	AIRLINE PART NUMBER	NOMENCLATURE							USAGE CODE	UNITS PER ASSY
			1	2	3	4	5	6	7		
16- 215	BACR15BB4D10		.	RIVET (V09192) (SPEC BACR15BB4D10) (OPT BACR15BB4D10 (V42838)) (OPT BACR15BB4D10 (V53551)) (OPT BACR15BB4D10 (V55580))						AM, AP, DP-DV	2
220	6100-12		.	RETAINER (V2X013)						AM, AP, DP-DV	2
225	417N3180-1		.	CLAMP ASSY						AM, AP, DP-DV	2
230	NAS607-2-8P		. .	PIN-DOWEL						AM, AP, DP-DV	1
235	NAS607-1-4P		. .	PIN-DOWEL						AM, AP, DP-DV	2
240	417N3181-1		. .	LINK-ROCKER (OPT ITEM 240A)						AM, AP, DP-DV	1
-240A	65-85902-1		. .	LINK-ROCKER (OPT ITEM 240)						AM, AP, DP-DV	1
245	65-85905-4		. .	PLUNGER						AM, AP, DP-DV	1
250	RCS3290		. .	SPRING (V08205)						AM, AP, DP-DV	1
255	417N3182-1		. .	BODY-PLUNGER						AM, AP, DP-DV	1
260	417N3180-3		. .	PLUNGER-SPR						AM, AP, DP-DV	2
265	RCS3289		. .	SPRING (V08205)						AM, AP, DP-DV	2
270	417N3183-1		. .	BODY-CLAMP						AM, AP, DP-DV	1
-275	AN960JD416L		.	WASHER (USED WITH ITEM 280)						AM, AP, DP-DV	AR
-280	PLWP1S		.	TIE-PUSH MOUNT CABLE (V58417)						AM, AP, DP-DV	AR
-285	NMC1001-0		.	CLAMP (V03296) (OPT ITEM 285A)						AM, AP, DP-DV	2

-Item not Illustrated

25-23-34

ILLUSTRATED PARTS LIST

Page 1098.434

Nov 01/2008



COMPONENT MAINTENANCE MANUAL

FIG/ ITEM	PART NUMBER	AIRLINE PART NUMBER	NOMENCLATURE							USAGE CODE	UNITS PER ASSY	
			1	2	3	4	5	6	7			
16- -285A	BACC10DK3		.	CLAMP (V16115) (SPEC BACC10DK3) (OPT BACC10DK3 (V81872)) (OPT ITEM 285)							AM, AP, DP-DV	2
290	1TW2-3		.	SWITCH-TOGGLE							AM, AP, DP-DV	1
-295	61-33500-001		.	WIRE BUNDLE							DP, DR, DS, DV	1
-295A	61-33500-002		.	WIRE BUNDLE							AM, AP, DQ, DT, DU	1
300	417N3100-71		.	PAD							AM, AP, DP-DV	2
305	417N3190-1		.	LANYARD ASSY							AM, AP, DP-DV	1
310	GSC205		. .	SLEEVE (V59730) (SPEC BACS13S205C) (OPT Y0C130 (V09922)) (OPT ITEM 310A)							AM, AP, DP-DV	4
-310A	GSC219		. .	SLEEVE (V59730) (SPEC BACS13S219C) (OPT Y0C140 (V09922)) (OPT ITEM 310)							AM, AP, DP-DV	4
315	10-61790-1		. .	HOOK (V08205) (SPEC 10-61790-1)							AM, AP, DP-DV	1
320	NAS43DD4-5		. .	SPACER							AM, AP, DP-DV	1
325	65C16899-6		. .	SPRING							AM, AP, DP-DV	1
330	417N3190-3		. .	CORD							AM, AP, DP-DV	1
335	417N3110-77SP		.	FRAME ASSY (FOR DETAILS SEE FIG.27)							AM, DP- DR	1
-340	417N3110-78SP		.	FRAME ASSY (FOR DETAILS SEE FIG.27)							AP, DS- DV	1

-Item not Illustrated

25-23-34

ILLUSTRATED PARTS LIST

Page 1098.435

Nov 01/2008



COMPONENT MAINTENANCE MANUAL

FIG/ ITEM	PART NUMBER	AIRLINE PART NUMBER	NOMENCLATURE							USAGE CODE	UNITS PER ASSY	
			1	2	3	4	5	6	7			
16- 345	BAC27DPA2272		.	DECAL							AM, AP, DP-DV	1
350	BAC27NPA0610		.	MARKER-ALUMINUM FOIL							AM, DP- DR	1
355	BAC27NPA0609		.	MARKER-ALUMINUM FOIL							AP, DS- DV	1
360	BAC27NPA0647		.	MARKER-ALUMINUM FOIL							AM, DP- DR	1
365	BAC27NPA0646		.	MARKER-ALUMINUM FOIL							AP, DS- DV	1

-Item not Illustrated

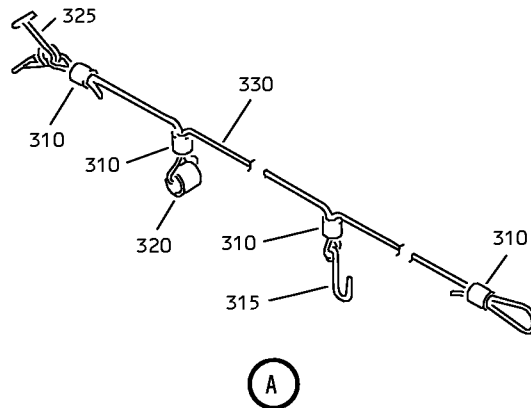
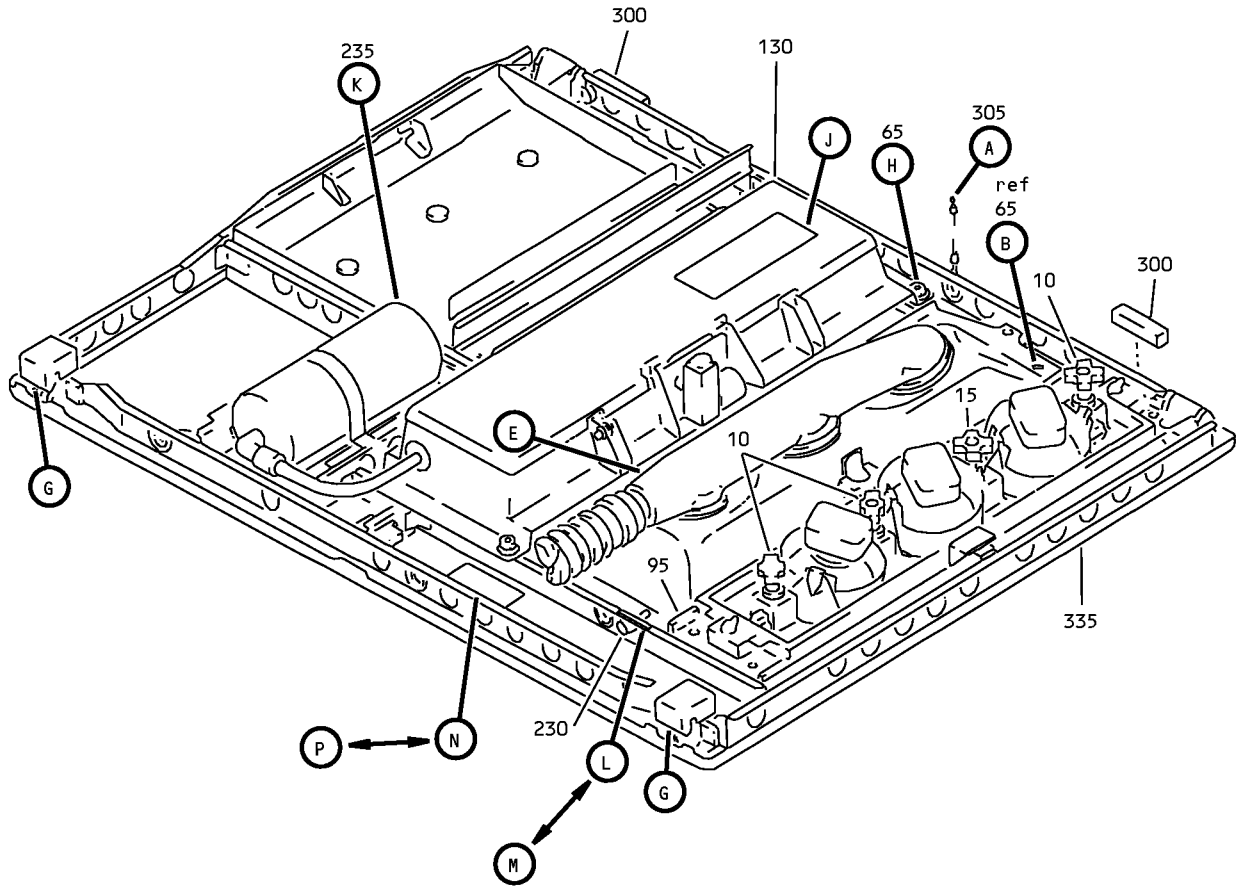
25-23-34

ILLUSTRATED PARTS LIST

Page 1098.436

Nov 01/2008

COMPONENT MAINTENANCE MANUAL



Full Underbin - Passenger Service Unit (with Gasper Air, without Speaker) Assembly
IPL Figure 17 (Sheet 1 of 5)

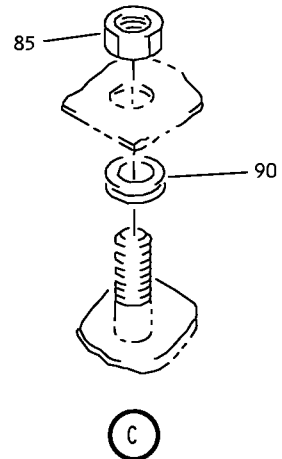
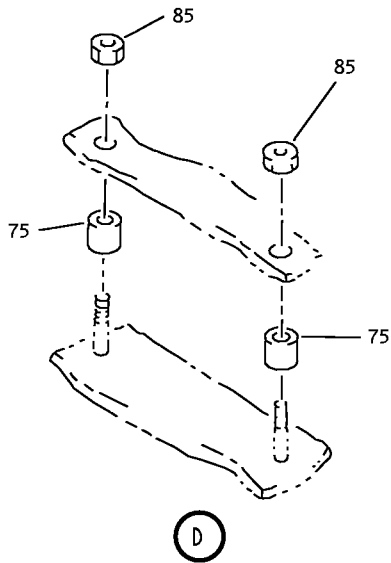
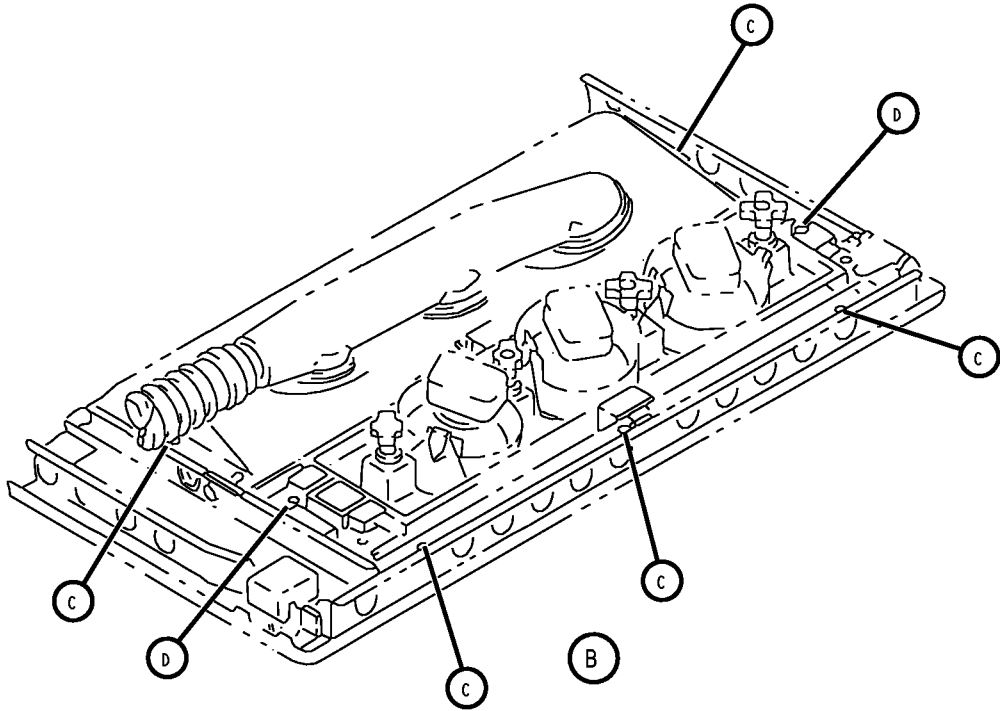
25-23-34

ILLUSTRATED PARTS LIST

Page 1098.437

Nov 01/2008

COMPONENT MAINTENANCE MANUAL



Full Underbin - Passenger Service Unit (with Gasper Air, without Speaker) Assembly
IPL Figure 17 (Sheet 2 of 5)

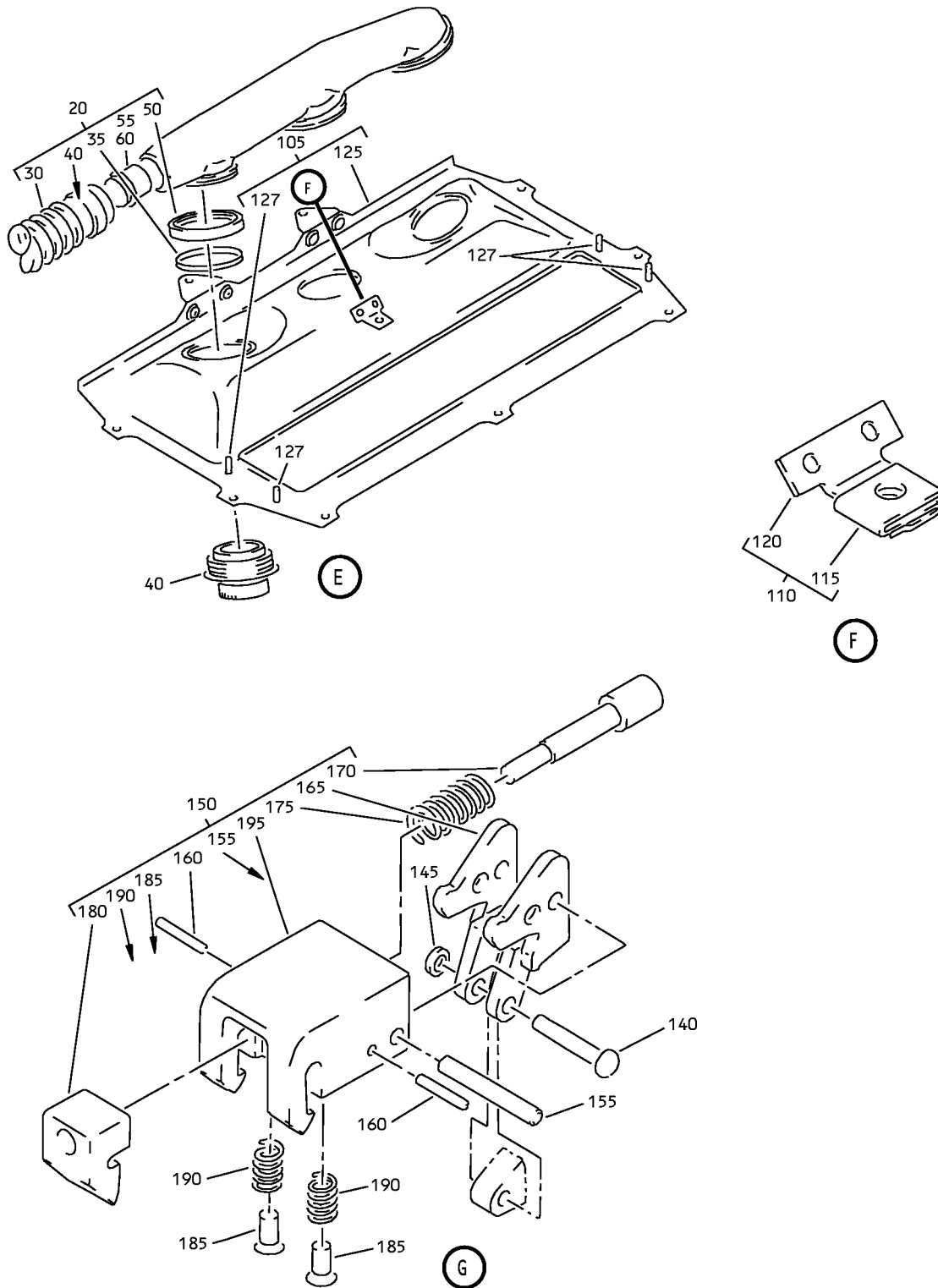
25-23-34

ILLUSTRATED PARTS LIST

Page 1098.438

Nov 01/2008

COMPONENT MAINTENANCE MANUAL



Full Underbin - Passenger Service Unit (with Gasper Air, without Speaker) Assembly
IPL Figure 17 (Sheet 3 of 5)

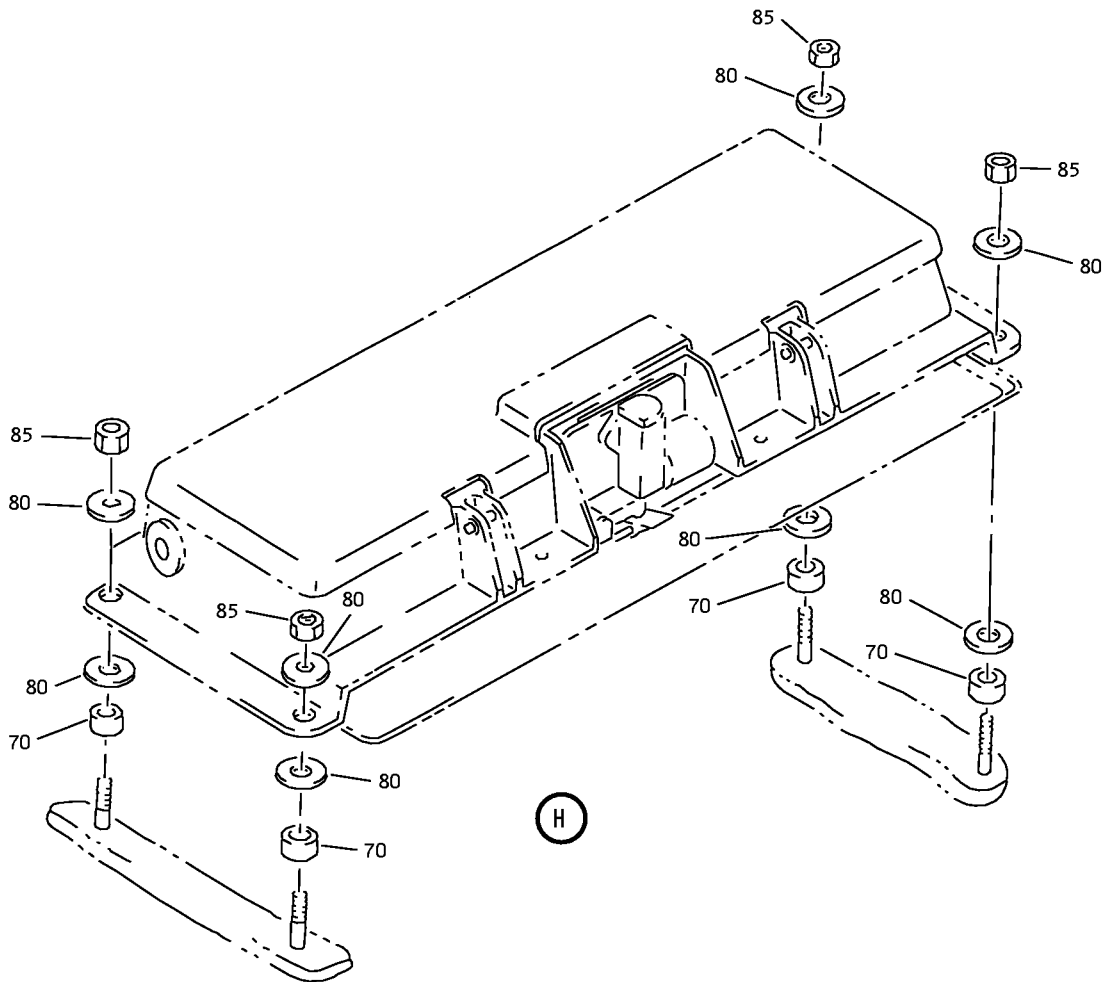
25-23-34

ILLUSTRATED PARTS LIST

Page 1098.439

Nov 01/2008

COMPONENT MAINTENANCE MANUAL



ATTENTION

FOR REMOVAL AND RELOCATION INFORMATION SEE
 MAINTENANCE MANUAL CHAPTER 25

FOR MASK STOWAGE INSTRUCTIONS SEE MAINTENANCE
 MANUAL CHAPTER 35

FOR CLEANING INSTRUCTIONS SEE DOCUMENT D6-7127

J

345

Full Underbin - Passenger Service Unit (with Gasper Air, without Speaker) Assembly
 IPL Figure 17 (Sheet 4 of 5)

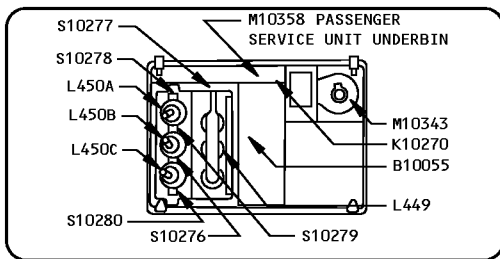
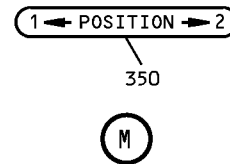
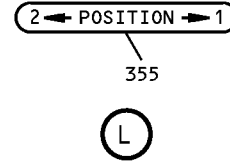
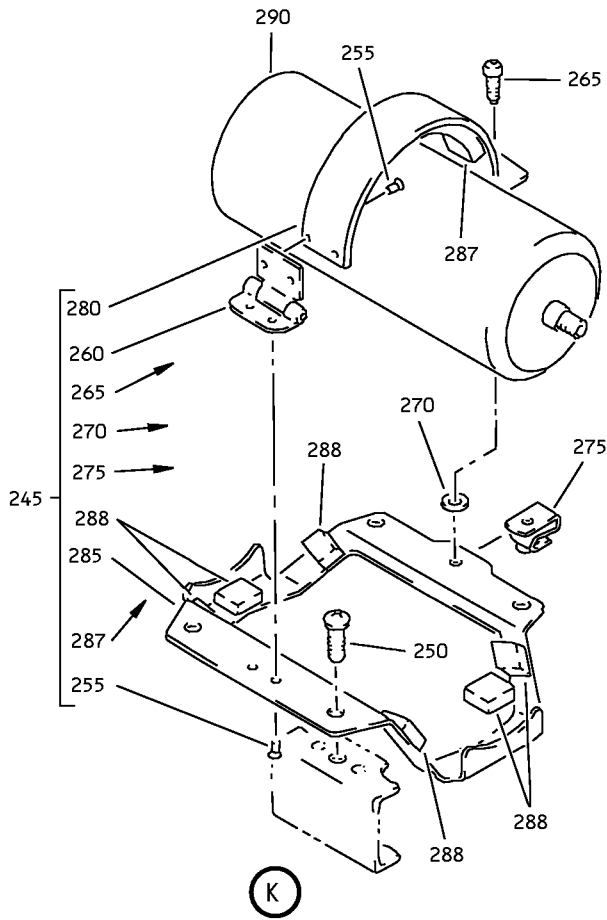
25-23-34

ILLUSTRATED PARTS LIST

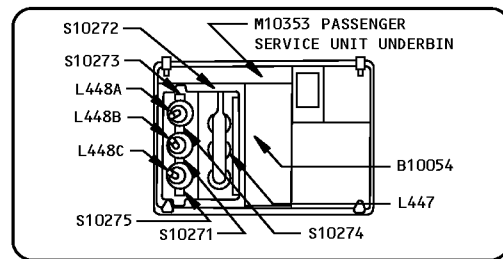
Page 1098.440

Nov 01/2008

COMPONENT MAINTENANCE MANUAL



360



365



Full Underbin - Passenger Service Unit (with Gasper Air, without Speaker) Assembly
IPL Figure 17 (Sheet 5 of 5)

25-23-34

ILLUSTRATED PARTS LIST

Page 1098.441

Nov 01/2008



COMPONENT MAINTENANCE MANUAL

FIG/ ITEM	PART NUMBER	AIRLINE PART NUMBER	NOMENCLATURE							USAGE CODE	UNITS PER ASSY
			1	2	3	4	5	6	7		
17-											
-1	417N3100-409SP									DW	RF
-5	417N3100-452SP									DX	RF
10	920056									DW, DX	3
15	920055									DW, DX	1
20	417N3100-26									DW	1
-25	417N3100-25SP									DX	1
30	B0E20563A120									DW, DX	1
35	65C31432-1									DW	AR
40	10-60141-25									DW	3
-45	10-60141-23A										
-45A	10-60141-23U									DX	3
-45B	750801-002									DX	3
-45C	L16999-16C									DX	3
50	PLT2MM									DW, DX	3

-Item not Illustrated

25-23-34

ILLUSTRATED PARTS LIST

Page 1098.442

Nov 01/2008



COMPONENT MAINTENANCE MANUAL

FIG/ ITEM	PART NUMBER	AIRLINE PART NUMBER	NOMENCLATURE							USAGE CODE	UNITS PER ASSY	
			1	2	3	4	5	6	7			
17- -50A	PLT2MM2		.	.							DW, DX	3
55	417N3103-1		.	.							DW, DX	1
60	417N3063-4		.	.	.						DW, DX	1
65	417N3100-92		.								DW, DX	1
70	NAS43DD3-18		.	.							DW, DX	4
75	NAS43DD3-20		.	.							DW, DX	4
80	BACW10P193G		.	.							DW, DX	8
85	BACN10YJ08		.	.							DW, DX	13
90	G6940-3B3		.	.							DW, DX	5
95	10-1006-1		.								DW	1
-100	10-1006-2		.								DX	1
105	417N3105-9SP		.								DW, DX	1
110	417N3122-111		.	.							DW, DX	1
115	82-47-108-15		.	.	.						DW, DX	1
120	417N3122-112		.	.	.						DW, DX	1
125	417N3101-6SP		.	.							DW, DX	1
127	BACS21AQ6A6M		.	.							DW, DX	4
130	417N3130-73SP		.								DW	1
-135	417N3130-76SP		.								DX	1

-Item not Illustrated

25-23-34

ILLUSTRATED PARTS LIST

Page 1098.443

Nov 01/2008



COMPONENT MAINTENANCE MANUAL

FIG/ ITEM	PART NUMBER	AIRLINE PART NUMBER	NOMENCLATURE							USAGE CODE	UNITS PER ASSY
			1	2	3	4	5	6	7		
17- 140	BACR15BB4D10		.	RIVET (V09192) (SPEC BACR15BB4D10) (OPT BACR15BB4D10 (V42838)) (OPT BACR15BB4D10 (V53551)) (OPT BACR15BB4D10 (V55580))						DW, DX	2
145	6100-12		.	RETAINER (V2X013)						DW, DX	2
150	417N3180-1		.	CLAMP ASSY						DW, DX	2
155	NAS607-2-8P		. .	PIN						DW, DX	1
160	NAS607-1-4P		. .	PIN						DW, DX	2
165	417N3181-1		. .	LINK-ROCKER (OPT ITEM 165A)						DW, DX	1
-165A	65-85902-1		. .	LINK-ROCKER (OPT ITEM 165)						DW, DX	1
170	65-85905-4		. .	PLUNGER						DW, DX	1
175	RCS3290		. .	SPRING (V08205)						DW, DX	1
180	417N3182-1		. .	BODY-PLUNGER						DW, DX	1
185	417N3180-3		. .	PLUNGER-SPR						DW, DX	2
190	RCS3289		. .	SPRING (V08205)						DW, DX	2
195	417N3183-1		. .	BODY-CLAMP						DW, DX	1
-200	AN960JD416L		.	WASHER (USED WITH ITEM 210)						DW	AR
-205	AN960JD416L		.	WASHER (USED WITH ITEM 215)						DX	5
-210	PLWP1S		.	TIE-PUSH MOUNT CABLE (V58417)						DW	AR
-215	PLWP1S		.	TIE-PUSH MOUNT CABLE (V58417)						DX	5
-220	NMC1001-0		.	CLAMP (V03296) (OPT ITEM 220A)						DW, DX	2

-Item not Illustrated

25-23-34

ILLUSTRATED PARTS LIST

Page 1098.444

Nov 01/2008

COMPONENT MAINTENANCE MANUAL

FIG/ ITEM	PART NUMBER	AIRLINE PART NUMBER	NOMENCLATURE							USAGE CODE	UNITS PER ASSY
			1	2	3	4	5	6	7		
17- -220A	BACC10DK3		.	CLAMP (V16115) (SPEC BACC10DK3) (OPT BACC10DK3 (V81872)) (OPT ITEM 220)						DW, DX	2
-225	61-33500-001		.	WIRE BUNDLE						DW, DX	1
230	1TW2-3		.	SWITCH-TOGGLE (V91929)						DW, DX	1
235	417N3100-48		.	GENERATOR ASSY						DW	1
-240	417N3100-46		.	GENERATOR ASSY						DX	1
245	417N3160-11		.	BRACKET ASSY						DW, DX	1
				ATTACHING PARTS							
250	BACS12FA08K6		.	SCREW (V06710) (SPEC BACS12FA08K6) (OPT BACS12FA08K6 (V06725)) (OPT BACS12FA08K6 (V06950)) (OPT BACS12FA08K6 (V27624)) (OPT BACS12FA08K6 (V34252)) (OPT BACS12FA08K6 (V56878)) (OPT BACS12FA08K6 (V73197)) (OPT BACS12FA08K6 (V80539)) (OPT BACS12FA08K6 (V92215)) (OPT BACS12FA08K6 (V93907)) (OPT BACS12FA08K6 (V97928))						DW, DX	4
				-----*-----							
255	BACR15BA3D		.	RIVET (SIZE DETERMINED ON INST)						DW, DX	4
260	417N3811-13		.	HINGE						DW, DX	1
265	CS8024-08-1A		.	SCREW-CAPTIVE (V58998) (OPT ITEM 265A)						DW, DX	1
-265A	FT1387P8-1-2		.	SCREW-CAPTIVE (V58794) (OPT ITEM 265)						DW, DX	1
270	AN960KD416		.	WASHER						DW, DX	1

-Item not Illustrated

25-23-34

ILLUSTRATED PARTS LIST

Page 1098.445

Nov 01/2008



COMPONENT MAINTENANCE MANUAL

FIG/ ITEM	PART NUMBER	AIRLINE PART NUMBER	NOMENCLATURE							USAGE CODE	UNITS PER ASSY	
			1	2	3	4	5	6	7			
17- 275	A4972-6-82		.	.	.	NUT					DW, DX	1
						(V72962)						
						(SPEC BACN10FX84)						
						(OPT RM52LHA4972-6-82 (V72962))						
						(OPT SL211-08-1 (V97393))						
						(OPT 130008 (V60119))						
						(OPT A11330-6-82 (V72962))						
280	417N3161-7		.	.	.	BRACKET-MTG					DW, DX	1
285	417N3136-99		.	.	.	BRACKET-MTG					DW, DX	1
287	417N3160-12		.	.	.	PAD-INSULATION					DW, DX	1
288	417N3160-13		.	.	.	PAD-INSULATION					DW, DX	6
290	117003-14		.	.	GENERATOR-CHEMICAL OXY						DW	1
						(V16827)						
						(OPT ITEM 290A)						
						(SPEC S417T401-27)						
-290A	803000-04		.	.	GENERATOR-CHEMICAL OXY						DW	1
						(V53655)						
						(OPT ITEM 290)						
						(SPEC S417T401-33)						
-295	117003-13		.	.	GENERATOR-CHEMICAL OXY						DX	1
						(V16827)						
						(OPT ITEM 295A)						
						(SPEC S417T401-26)						
-295A	803000-03		.	.	GENERATOR-CHEMICAL OXY						DX	1
						(V53655)						
						(OPT ITEM 295)						
						(SPEC S417T401-32)						
300	417N3100-71		.	PAD-SPONGE							DW, DX	2
305	417N3190-1		.	LANYARD ASSY							DW, DX	1
310	GSC219		.	SLEEVE							DW, DX	4
						(V59730)						
						(SPEC BACS13S219C)						
						(OPT Y0C140 (V09922))						
						(OPT ITEM 310A)						
-310A	GSC205		.	SLEEVE							DW, DX	4
						(V59730)						
						(SPEC BACS13S205C)						
						(OPT Y0C130 (V09922))						
						(OPT ITEM 310)						

-Item not Illustrated

25-23-34

ILLUSTRATED PARTS LIST

Page 1098.446

Nov 01/2008



COMPONENT MAINTENANCE MANUAL

FIG/ ITEM	PART NUMBER	AIRLINE PART NUMBER	NOMENCLATURE							USAGE CODE	UNITS PER ASSY	
			1	2	3	4	5	6	7			
17- 315	10-61790-1		.	.							DW, DX	1
320	NAS43DD4-5		.	.							DW, DX	1
325	65C16899-6		.	.							DW, DX	1
330	417N3190-3		.	.							DW, DX	1
335	417N3110-77SP		.								DW	1
-340	417N3110-78SP		.								DX	1
345	BAC27DPA2272		.								DW, DX	1
350	BAC27NPA0610		.								DW	1
355	BAC27NPA0609		.								DX	1
360	BAC27NPA0645		.								DW	1
365	BAC27NPA0644		.								DX	1

-Item not Illustrated

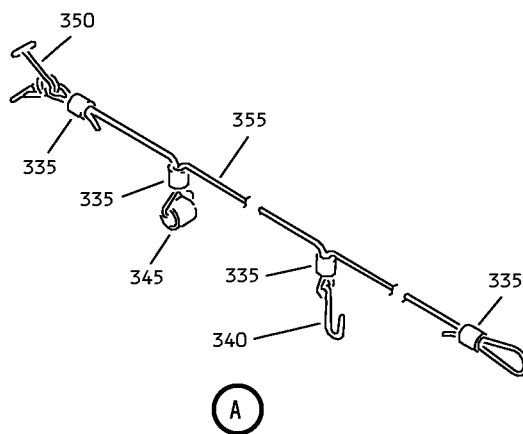
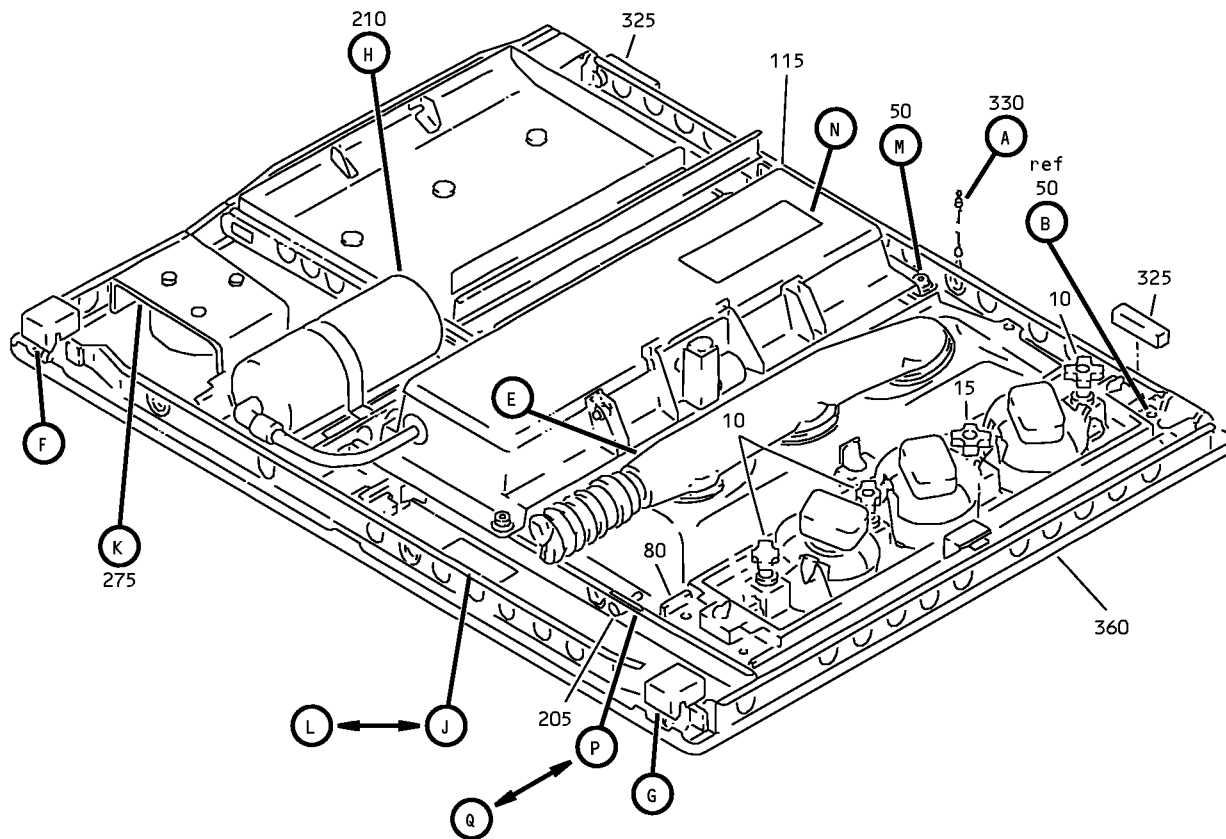
25-23-34

ILLUSTRATED PARTS LIST

Page 1098.447

Nov 01/2008

COMPONENT MAINTENANCE MANUAL



Full Underbin - Passenger Service Unit (with Bell and Gasper Air) Assembly
 IPL Figure 18 (Sheet 1 of 5)

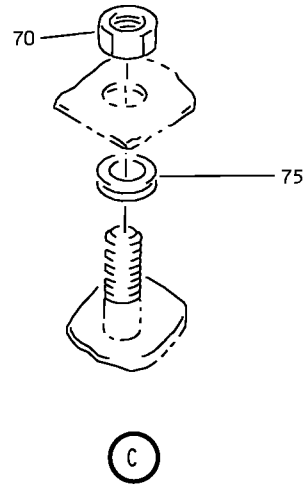
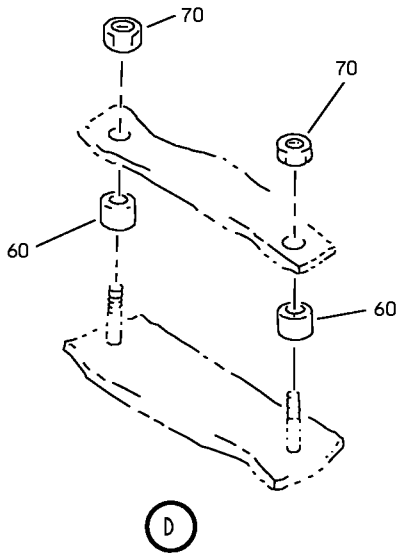
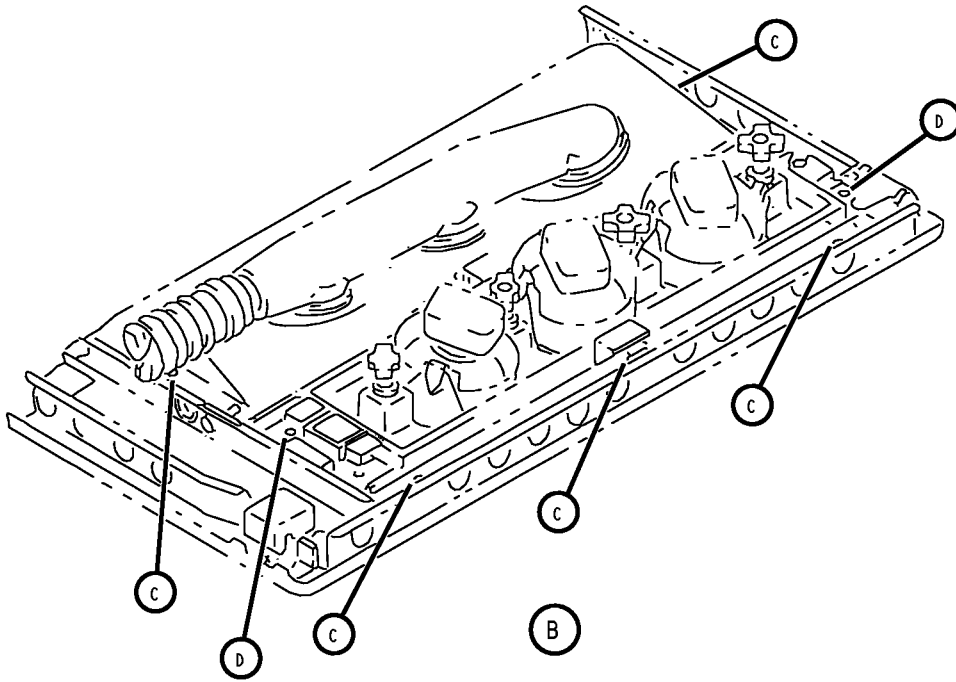
25-23-34

ILLUSTRATED PARTS LIST

Page 1098.448

Nov 01/2008

COMPONENT MAINTENANCE MANUAL



Full Underbin - Passenger Service Unit (with Bell and Gasper Air) Assembly
 IPL Figure 18 (Sheet 2 of 5)

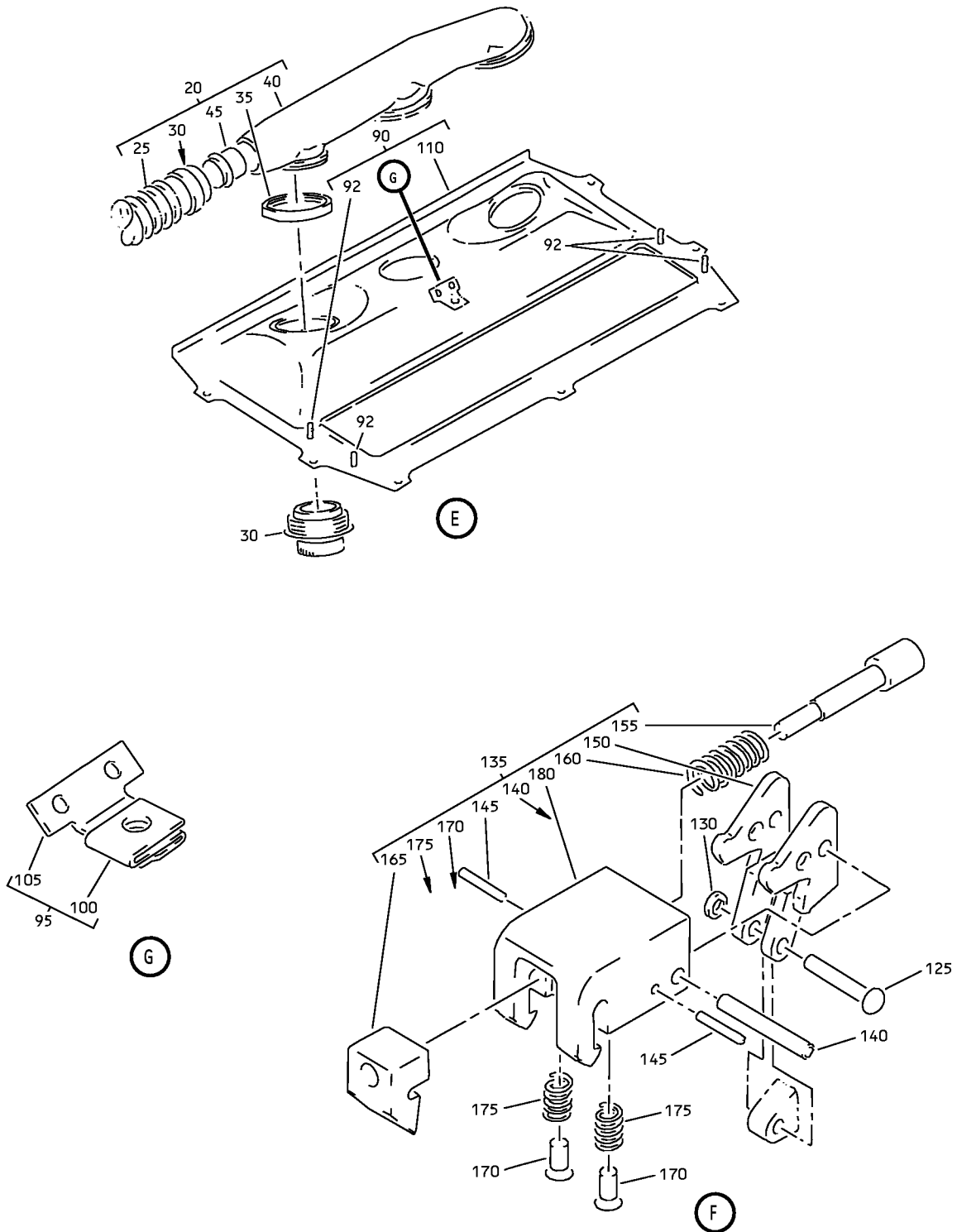
25-23-34

ILLUSTRATED PARTS LIST

Page 1098.449

Nov 01/2008

COMPONENT MAINTENANCE MANUAL



Full Underbin - Passenger Service Unit (with Bell and Gasper Air) Assembly
IPL Figure 18 (Sheet 3 of 5)

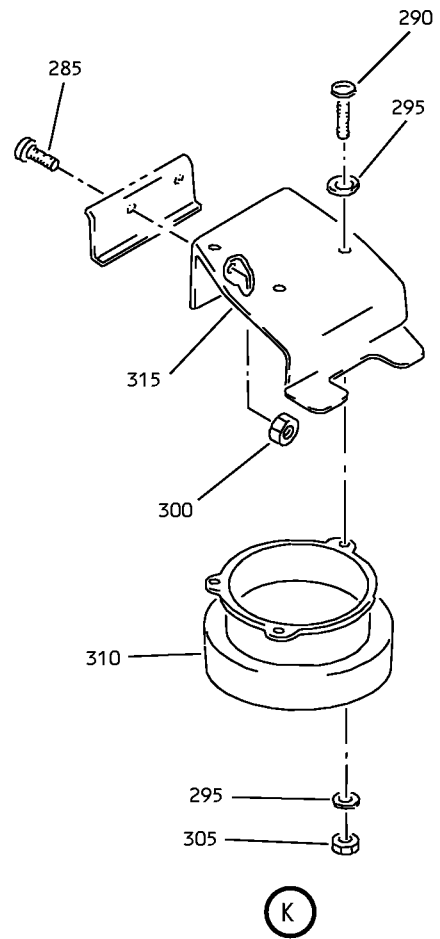
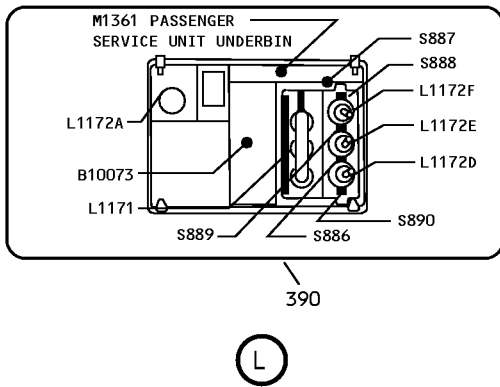
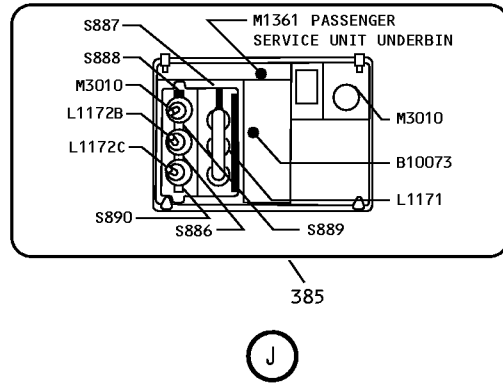
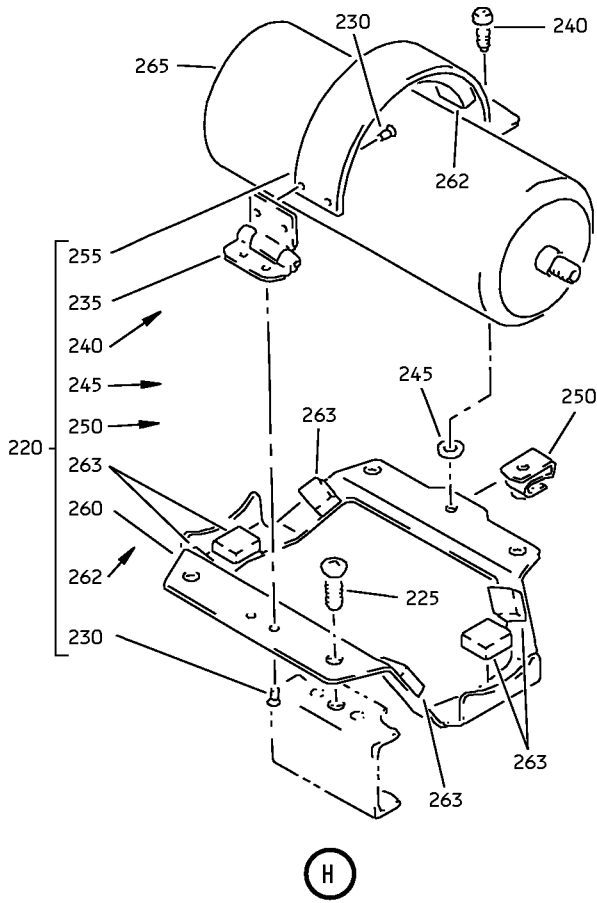
25-23-34

ILLUSTRATED PARTS LIST

Page 1098.450

Nov 01/2008

COMPONENT MAINTENANCE MANUAL



Full Underbin - Passenger Service Unit (with Bell and Gasper Air) Assembly
IPL Figure 18 (Sheet 4 of 5)

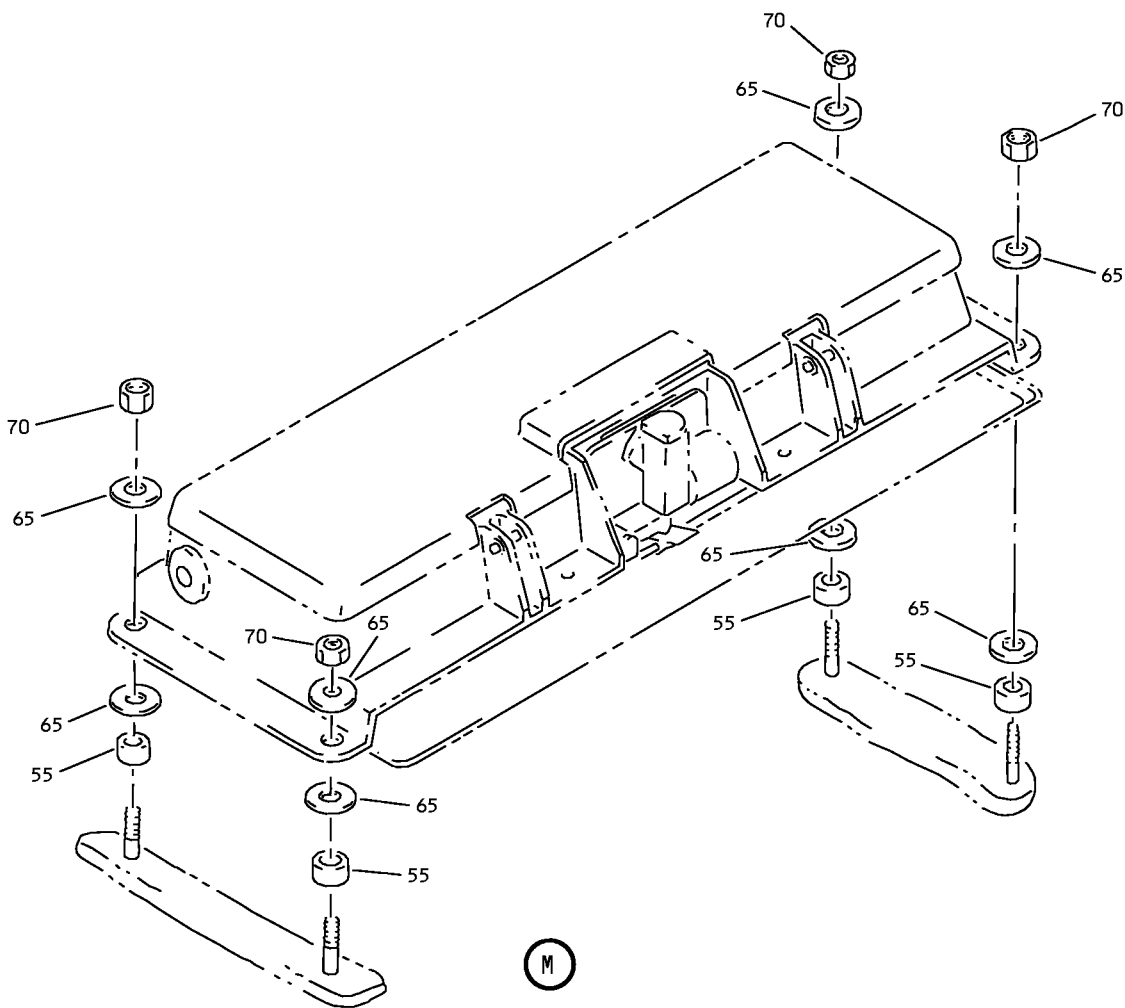
25-23-34

ILLUSTRATED PARTS LIST

Page 1098.451

Nov 01/2008

COMPONENT MAINTENANCE MANUAL



1 ← POSITION → 2

375

Q

2 ← POSITION → 1

380

P

ATTENTION

FOR REMOVAL AND RELOCATION INFORMATION SEE MAINTENANCE MANUAL CHAPTER 25

FOR MASK STOWAGE INSTRUCTIONS SEE MAINTENANCE MANUAL CHAPTER 35

FOR CLEANING INSTRUCTIONS SEE DOCUMENT D6-7127

370

N

Full Underbin - Passenger Service Unit (with Bell and Gasper Air) Assembly
IPL Figure 18 (Sheet 5 of 5)

25-23-34

ILLUSTRATED PARTS LIST

Page 1098.452

Nov 01/2008



COMPONENT MAINTENANCE MANUAL

FIG/ ITEM	PART NUMBER	AIRLINE PART NUMBER	NOMENCLATURE							USAGE CODE	UNITS PER ASSY
			1	2	3	4	5	6	7		
18-											
-1	417N3100-423SP										
-5	417N3100-430SP										
10	920056										
15	920055										
20	417N3100-25SP										
25	B0E20563A120										
30	10-60141-23A										
30A	10-60141-23U										
-30B	750801-002										
-30C	L16999-16C										
35	PLT2MM										
-35A	PLT2MM2										
40	417N3103-1										

-Item not Illustrated

25-23-34

ILLUSTRATED PARTS LIST

Page 1098.453

Nov 01/2008



COMPONENT MAINTENANCE MANUAL

FIG/ ITEM	PART NUMBER	AIRLINE PART NUMBER	NOMENCLATURE							USAGE CODE	UNITS PER ASSY
			1	2	3	4	5	6	7		
18-											
45	417N3063-4		.	.	.					DY, DZ	1
50	417N3100-92		.							DY, DZ	1
55	NAS43DD3-18		.	.						DY, DZ	4
60	NAS43DD3-20		.	.						DY, DZ	4
65	BACW10P193G		.	.						DY, DZ	8
70	BACN10YJ08		.	.						DY, DZ	13
75	G6940-3B3		.	.						DY, DZ	5
80	10-1006-1		.							DY	1
-85	10-1006-2		.							DZ	1
90	417N3105-9SP		.							DY, DZ	1
95	417N3122-111		.	.						DY, DZ	1
100	82-47-108-15		.	.	.					DY, DZ	1
102	BACS21AQ6A6M		.	.	.					DY, DZ	4
105	417N3122-112		.	.	.					DY, DZ	1
110	417N3101-6SP		.	.						DY, DZ	1
115	417N3130-73SP		.							DY	1
-120	417N3130-76SP		.							DZ	1
125	BACR15BB4D10		.							DY, DZ	2

-Item not Illustrated

25-23-34

ILLUSTRATED PARTS LIST

Page 1098.454

Nov 01/2008



COMPONENT MAINTENANCE MANUAL

FIG/ ITEM	PART NUMBER	AIRLINE PART NUMBER	NOMENCLATURE							USAGE CODE	UNITS PER ASSY	
			1	2	3	4	5	6	7			
18-												
130	6100-12		.								DY, DZ	2
135	417N3180-1		.								DY, DZ	2
140	NAS607-2-8P		.	.							DY, DZ	1
145	NAS607-1-4P		.	.							DY, DZ	2
150	417N3181-1		.	.							DY, DZ	1
-150A	65-85902-1		.	.							DY, DZ	1
155	65-85905-4		.	.							DY, DZ	1
160	RCS3290		.	.							DY, DZ	1
165	417N3182-1		.	.							DY, DZ	1
170	417N3180-3		.	.							DY, DZ	2
175	RCS3289		.	.							DY, DZ	2
180	417N3183-1		.	.							DY, DZ	1
-185	AN960JD416L		.								DY, DZ	5
-190	PLWP1S		.								DY, DZ	5
-195	NMC1001-0		.								DY, DZ	2
-195A	BACC10DK3		.								DY, DZ	2
-200	61-33500-001		.								DY, DZ	1
205	1TW2-3		.								DY, DZ	1
210	417N3100-48		.								DY	1
-215	417N3100-46		.								DZ	1
220	417N3160-11		.	.							DY, DZ	1

-Item not Illustrated

25-23-34

ILLUSTRATED PARTS LIST

Page 1098.455

Nov 01/2008

COMPONENT MAINTENANCE MANUAL

FIG/ ITEM	PART NUMBER	AIRLINE PART NUMBER	NOMENCLATURE							USAGE CODE	UNITS PER ASSY
			1	2	3	4	5	6	7		
18-			ATTACHING PARTS								
225	BACS12FA08K6		.	.						DY, DZ	4

-Item not Illustrated

25-23-34
ILLUSTRATED PARTS LIST
Page 1098.456
Nov 01/2008



COMPONENT MAINTENANCE MANUAL

FIG/ ITEM	PART NUMBER	AIRLINE PART NUMBER	NOMENCLATURE							USAGE CODE	UNITS PER ASSY	
			1	2	3	4	5	6	7			
18- -265A	803000-04		. .							GENERATOR-CHEMICAL OXY (V53655) (OPT ITEM 265) (SPEC S417T401-33)	DY	1
-270	117003-13		. .							GENERATOR-CHEMICAL OXY (V16827) (OPT ITEM 270A) (SPEC S417T401-26)	DZ	1
-270A	803000-03		. .							GENERATOR-CHEMICAL OXY (V53655) (OPT ITEM 270) (SPEC S417T401-32)	DZ	1
275	417N3100-29		. .							BELL ASSY	DY	1
-280	417N3100-30		. .							BELL ASSY	DZ	1
285	BACS12FA08K6		. .							SCREW (V06710) (SPEC BACS12FA08K6) (OPT BACS12FA08K6 (V06725)) (OPT BACS12FA08K6 (V06950)) (OPT BACS12FA08K6 (V27624)) (OPT BACS12FA08K6 (V34252)) (OPT BACS12FA08K6 (V56878)) (OPT BACS12FA08K6 (V73197)) (OPT BACS12FA08K6 (V80539)) (OPT BACS12FA08K6 (V92215)) (OPT BACS12FA08K6 (V93907)) (OPT BACS12FA08K6 (V97928))	DY, DZ	2
290	NAS602-6P		. .							SCREW	DY, DZ	3
295	AN960JD8L		. .							WASHER	DY, DZ	6
300	BACN10YJ08		. .							NUT	DY, DZ	2
305	H10-08BAC		. .							NUT (V15653) (SPEC BACN10JC08) (OPT NS202101-82 (V80539)) (OPT RMLH9075-82W (V72962)) (OPT T6S832J (V71087)) (OPT VN303A82 (V92215)) (OPT 96-82 (V80539)) (OPT BRH10A08 (V52828)) (OPT T6S832J (V11815))	DY, DZ	3
310	306S9		. .							BELL (V80252)	DY, DZ	1

-Item not Illustrated

25-23-34

ILLUSTRATED PARTS LIST

Page 1098.457

Nov 01/2008



COMPONENT MAINTENANCE MANUAL

FIG/ ITEM	PART NUMBER	AIRLINE PART NUMBER	NOMENCLATURE							USAGE CODE	UNITS PER ASSY
			1	2	3	4	5	6	7		
18-											
315	65C22184-3		.	.	BRACKET-MTG					DY	1
-320	65C22184-4		.	.	BRACKET-MTG					DZ	1
325	417N3100-71		.		PAD-SPONGE					DY, DZ	2
330	417N3190-1		.		LANYARD ASSY					DY, DZ	1
335	GSC219		.	.	SLEEVE (V59730) (SPEC BACS13S219C) (OPT Y0C140 (V09922)) (OPT ITEM 335A)					DY, DZ	4
-335A	GSC205		.	.	SLEEVE (V59730) (SPEC BACS13S205C) (OPT Y0C130 (V09922)) (OPT ITEM 335)					DY, DZ	4
340	10-61790-1		.	.	HOOK (V08205) (SPEC 10-61790-1)					DY, DZ	1
345	NAS43DD4-5		.	.	SPACER					DY, DZ	1
350	65C16899-6		.	.	SPRING					DY, DZ	1
355	417N3190-3		.	.	CORD-NYLON					DY, DZ	1
360	417N3110-77SP		.		FRAME ASSY (FOR DETAILS SEE FIG. 27)					DY	1
-365	417N3110-78SP		.		FRAME ASSY (FOR DETAILS SEE FIG. 27)					DZ	1
370	BAC27DPA2272		.		DECAL					DY, DZ	1
375	BAC27NPA0610		.		MARKER-ALUMINUM FOIL					DY	1
380	BAC27NPA0609		.		MARKER-ALUMINUM FOIL					DZ	1
385	BAC29PPS4819		.		MARKER-ALUMINUM FOIL					DY	1
390	BAC29PPS4818		.		MARKER-ALUMINUM FOIL					DZ	1

-Item not Illustrated

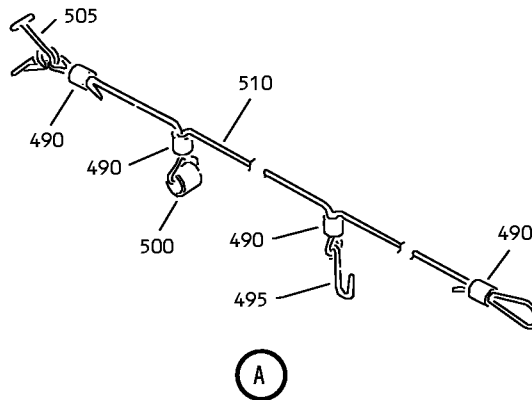
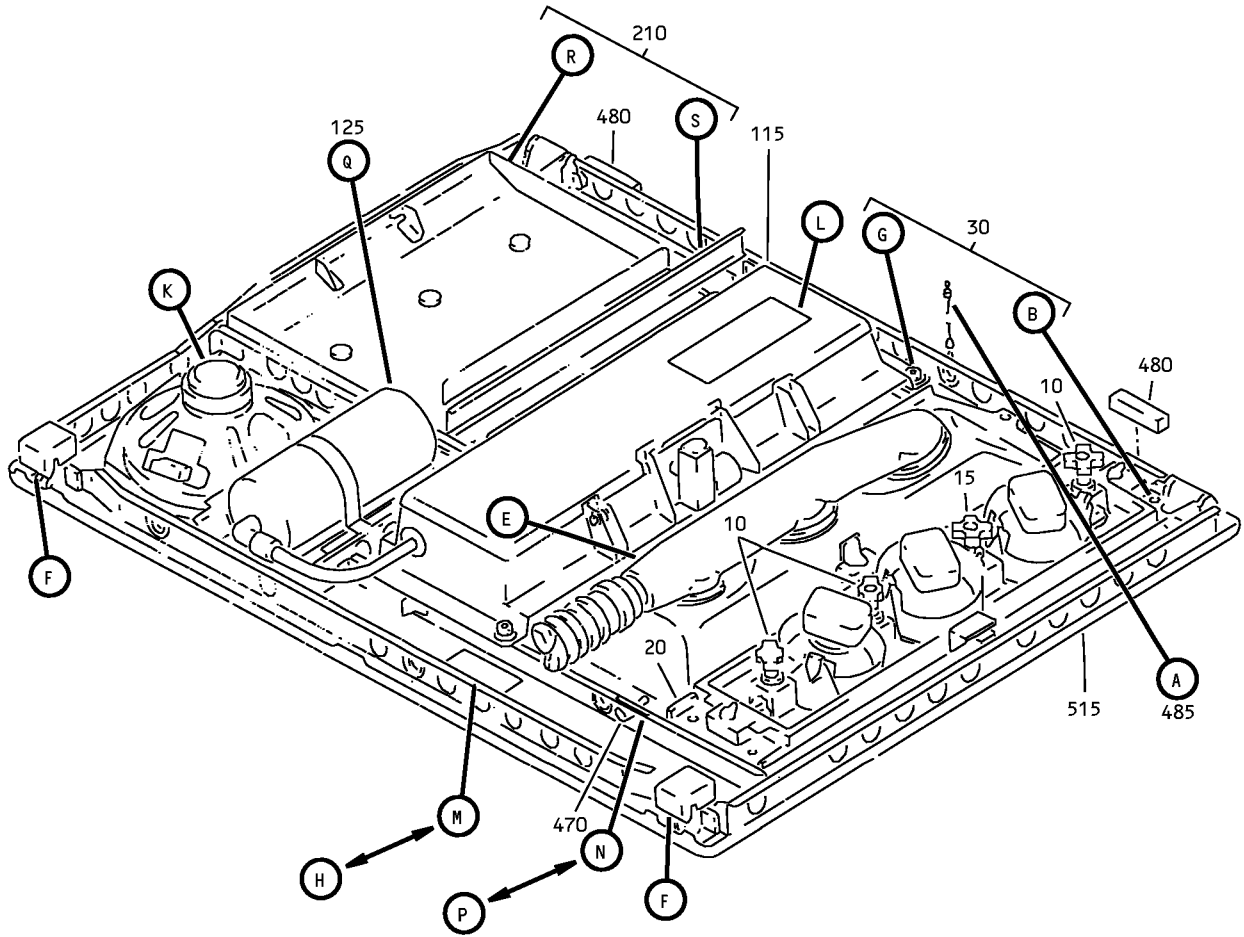
25-23-34

ILLUSTRATED PARTS LIST

Page 1098.458

Nov 01/2008

COMPONENT MAINTENANCE MANUAL



Full Underbin - Passenger Service Unit (with Lifevest, Gasper Air, and Speaker) Assembly
IPL Figure 19 (Sheet 1 of 8)

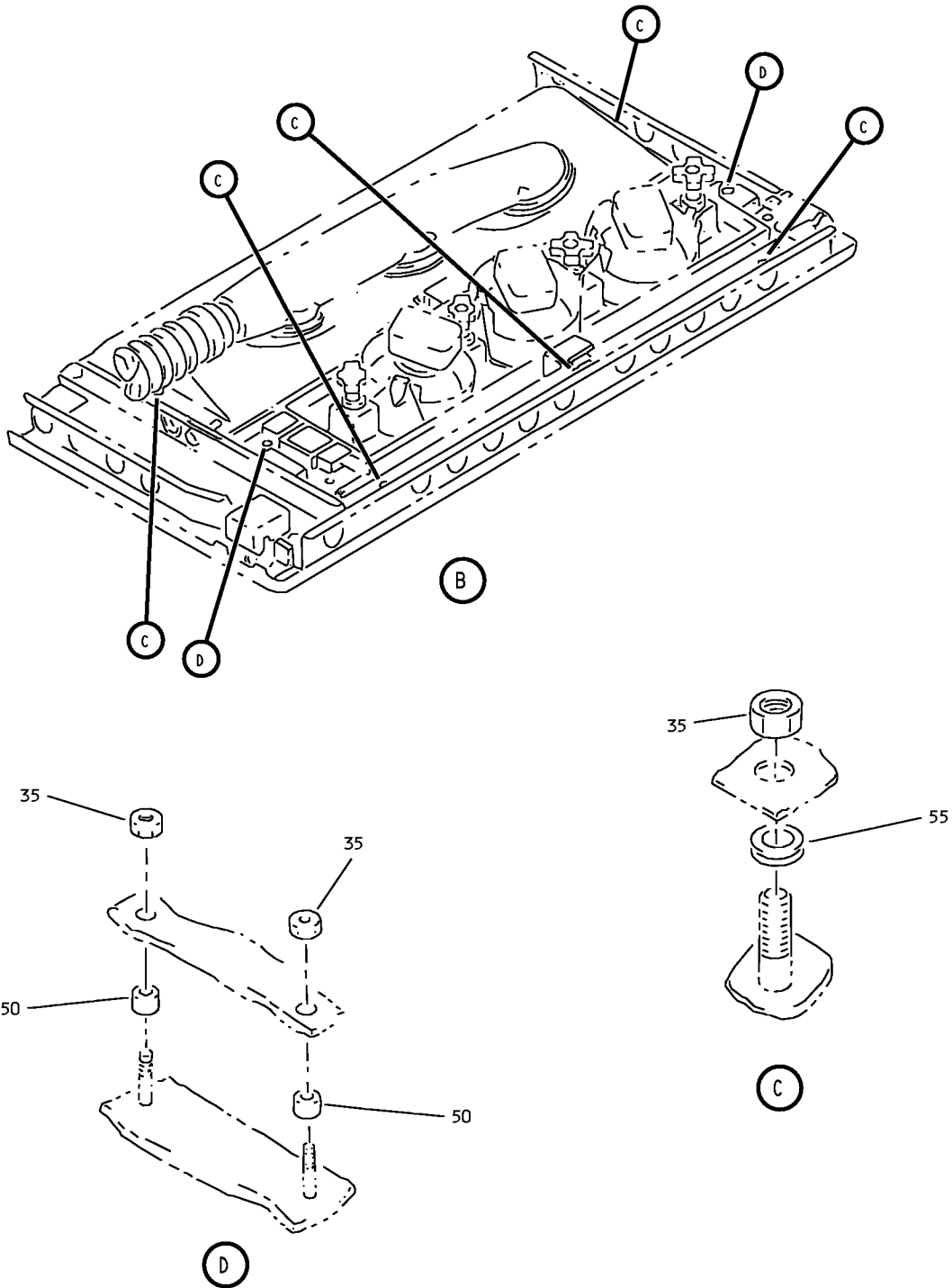
25-23-34

ILLUSTRATED PARTS LIST

Page 1098.459

Nov 01/2008

COMPONENT MAINTENANCE MANUAL



Full Underbin - Passenger Service Unit (with Lifevest, Gasper Air, and Speaker) Assembly
IPL Figure 19 (Sheet 2 of 8)

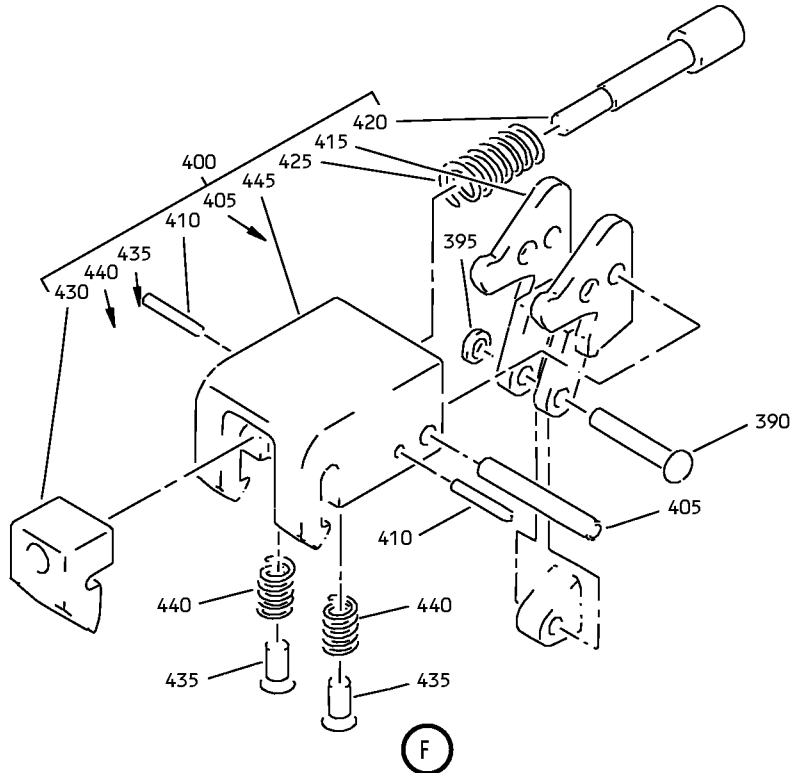
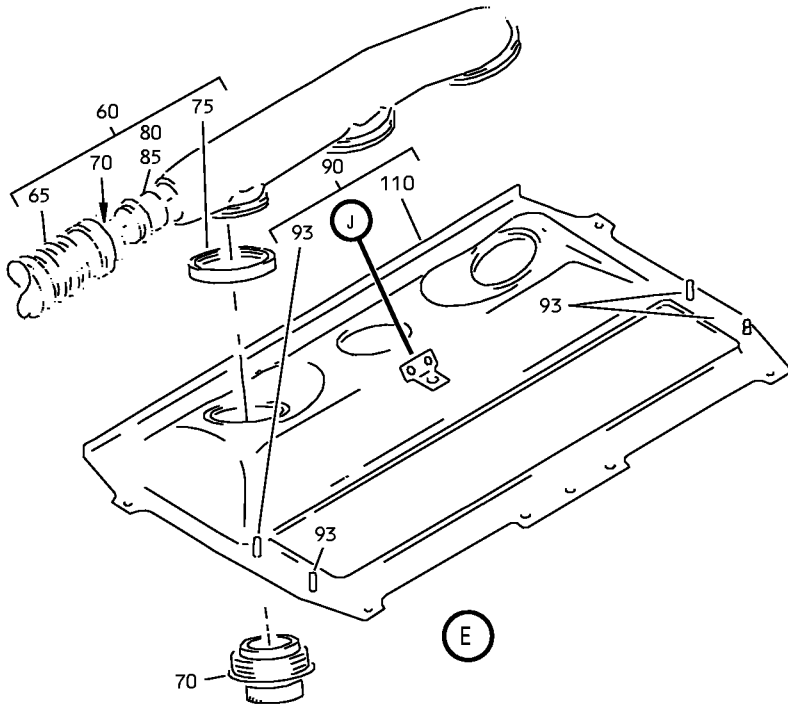
25-23-34

ILLUSTRATED PARTS LIST

Page 1098.460

Nov 01/2008

COMPONENT MAINTENANCE MANUAL



Full Underbin - Passenger Service Unit (with Lifevest, Gasper Air, and Speaker) Assembly
IPL Figure 19 (Sheet 3 of 8)

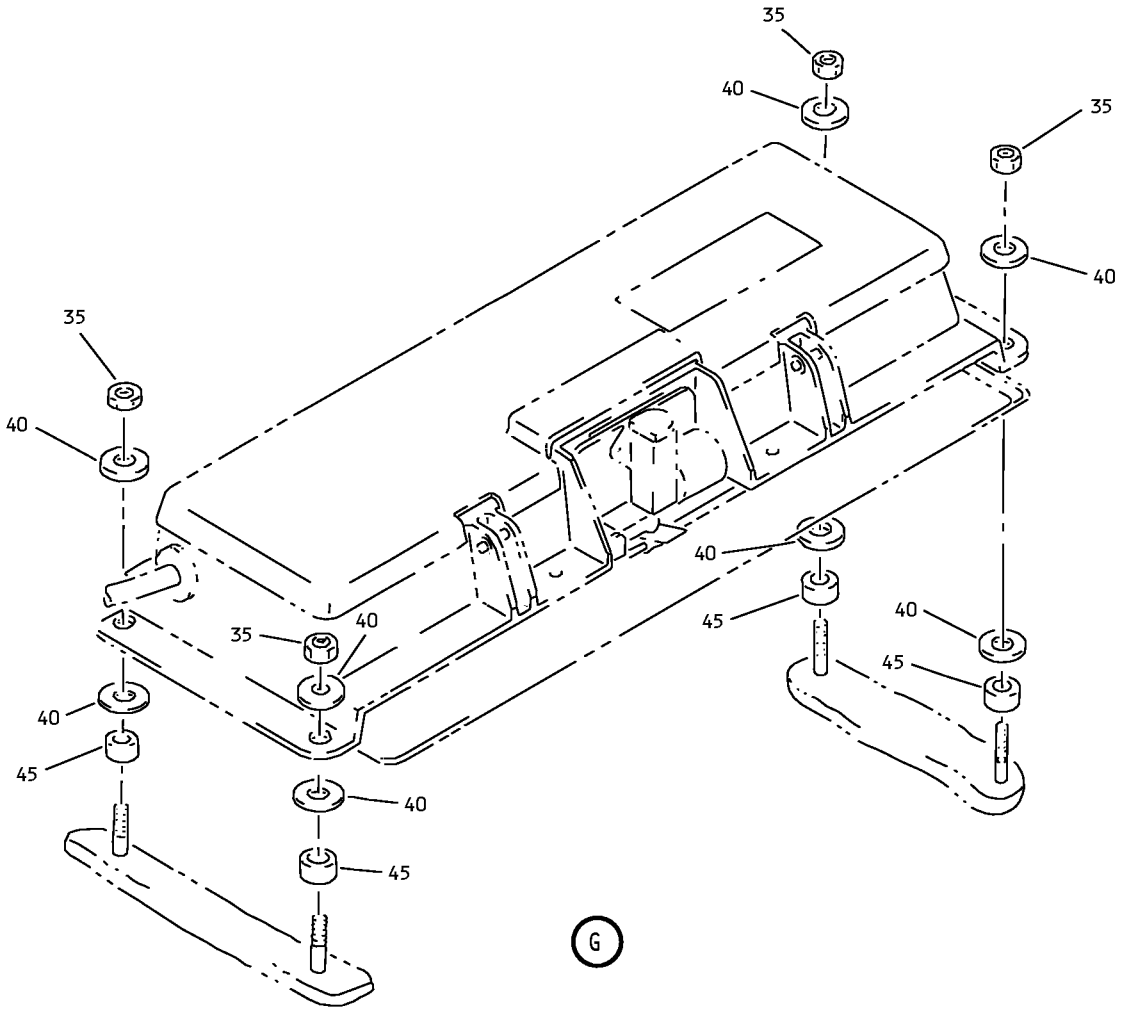
25-23-34

ILLUSTRATED PARTS LIST

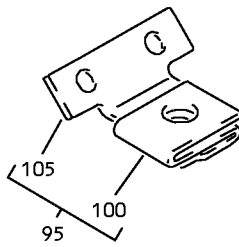
Page 1098.461

Nov 01/2008

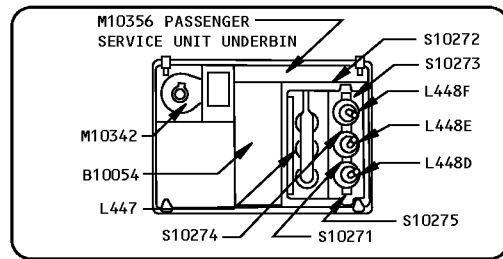
COMPONENT MAINTENANCE MANUAL



G



J



H

Full Underbin - Passenger Service Unit (with Lifevest, Gasper Air, and Speaker) Assembly
IPL Figure 19 (Sheet 4 of 8)

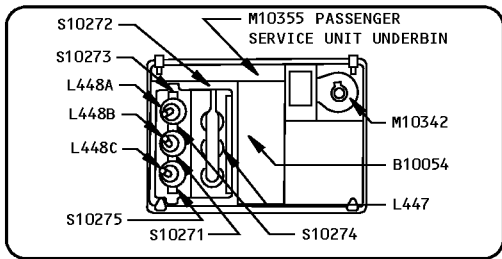
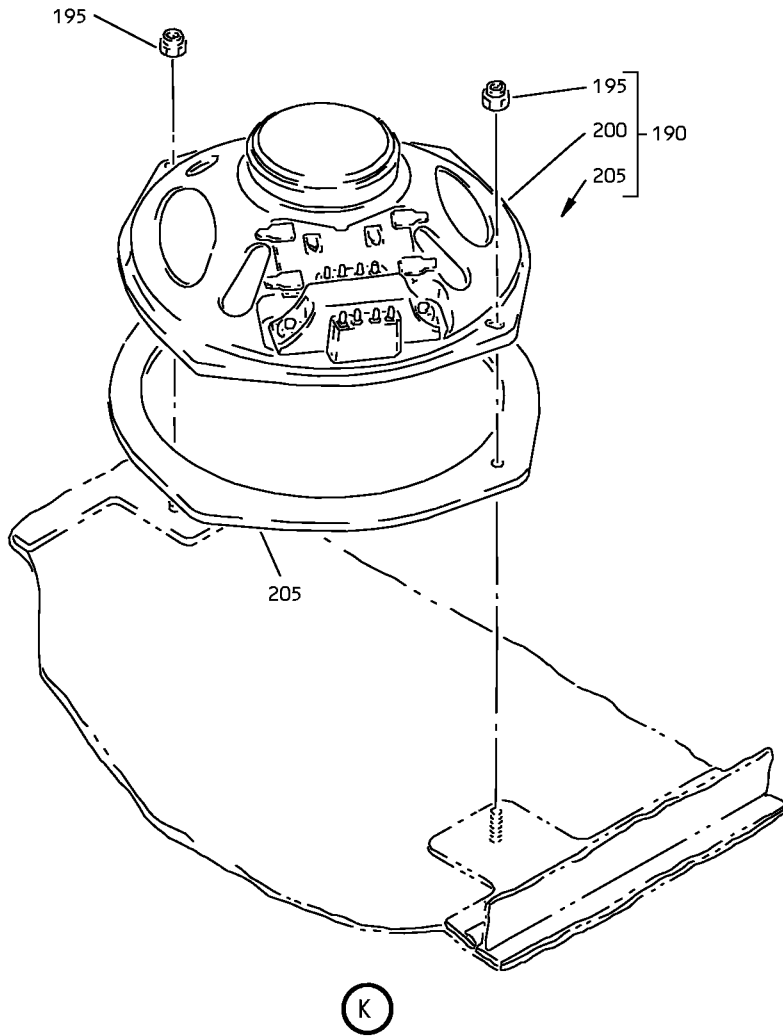
25-23-34

ILLUSTRATED PARTS LIST

Page 1098.462

Nov 01/2008

COMPONENT MAINTENANCE MANUAL



ATTENTION

FOR REMOVAL AND RELOCATION INFORMATION SEE MAINTENANCE MANUAL CHAPTER 25

FOR MASK STOWAGE INSTRUCTIONS SEE MAINTENANCE MANUAL CHAPTER 35

FOR CLEANING INSTRUCTIONS SEE DOCUMENTS D6-7127

540

525

(M) (L)

Full Underbin - Passenger Service Unit (with Lifevest, Gasper Air, and Speaker) Assembly
IPL Figure 19 (Sheet 5 of 8)

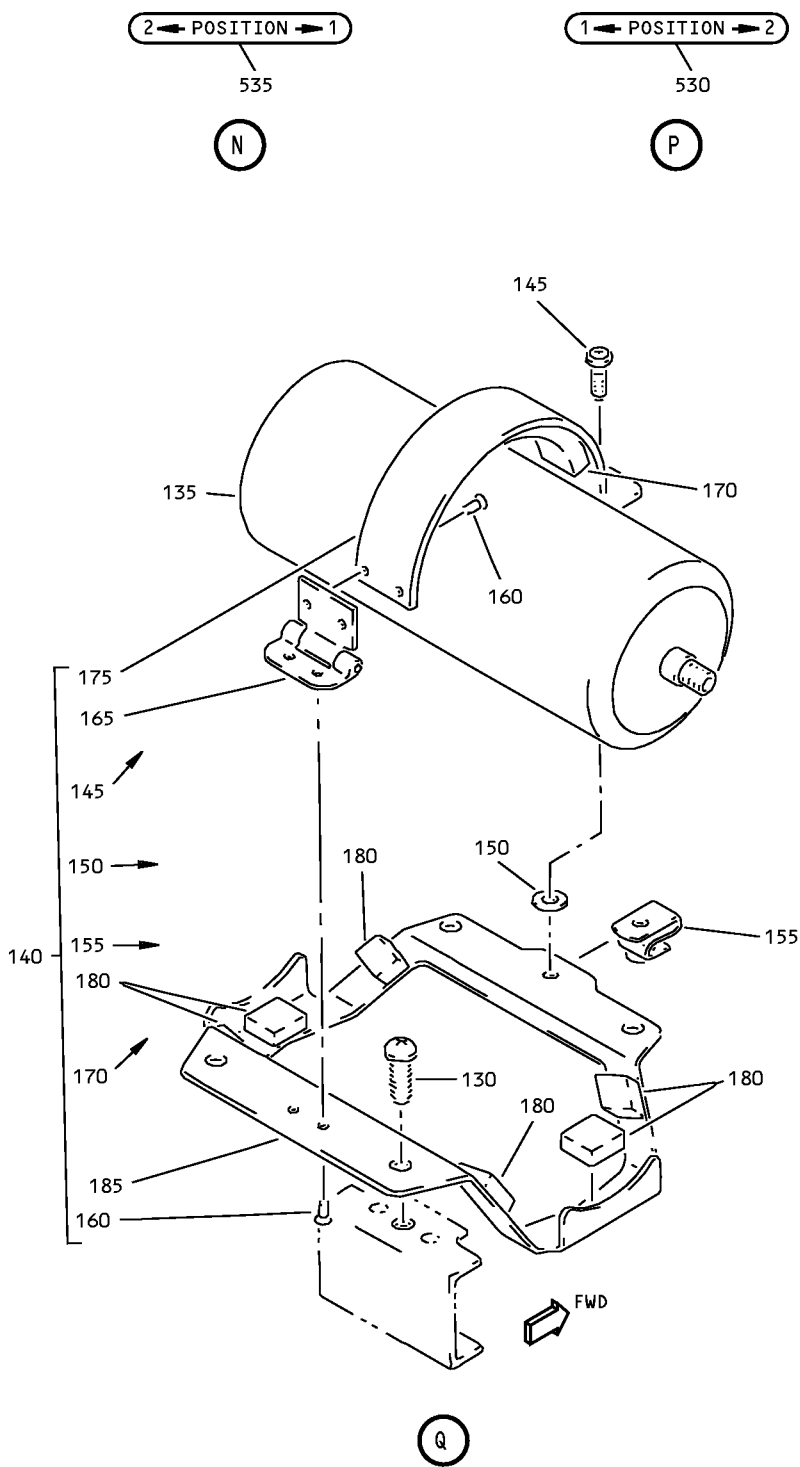
25-23-34

ILLUSTRATED PARTS LIST

Page 1098.463

Nov 01/2008

COMPONENT MAINTENANCE MANUAL



Full Underbin - Passenger Service Unit (with Lifevest, Gasper Air, and Speaker) Assembly
IPL Figure 19 (Sheet 6 of 8)

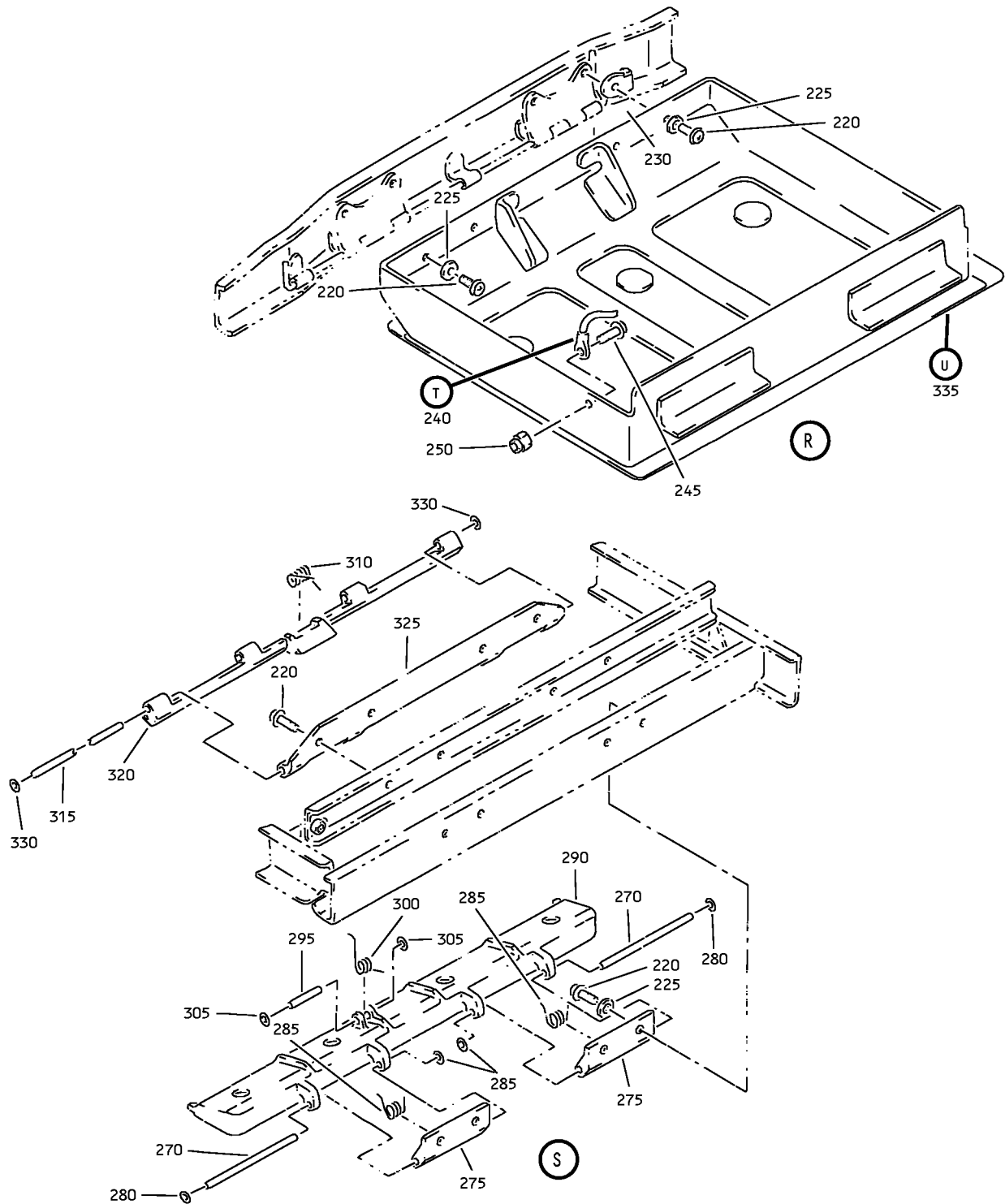
25-23-34

ILLUSTRATED PARTS LIST

Page 1098.464

Nov 01/2008

COMPONENT MAINTENANCE MANUAL



Full Underbin - Passenger Service Unit (with Lifevest, Gasper Air, and Speaker) Assembly
IPL Figure 19 (Sheet 7 of 8)

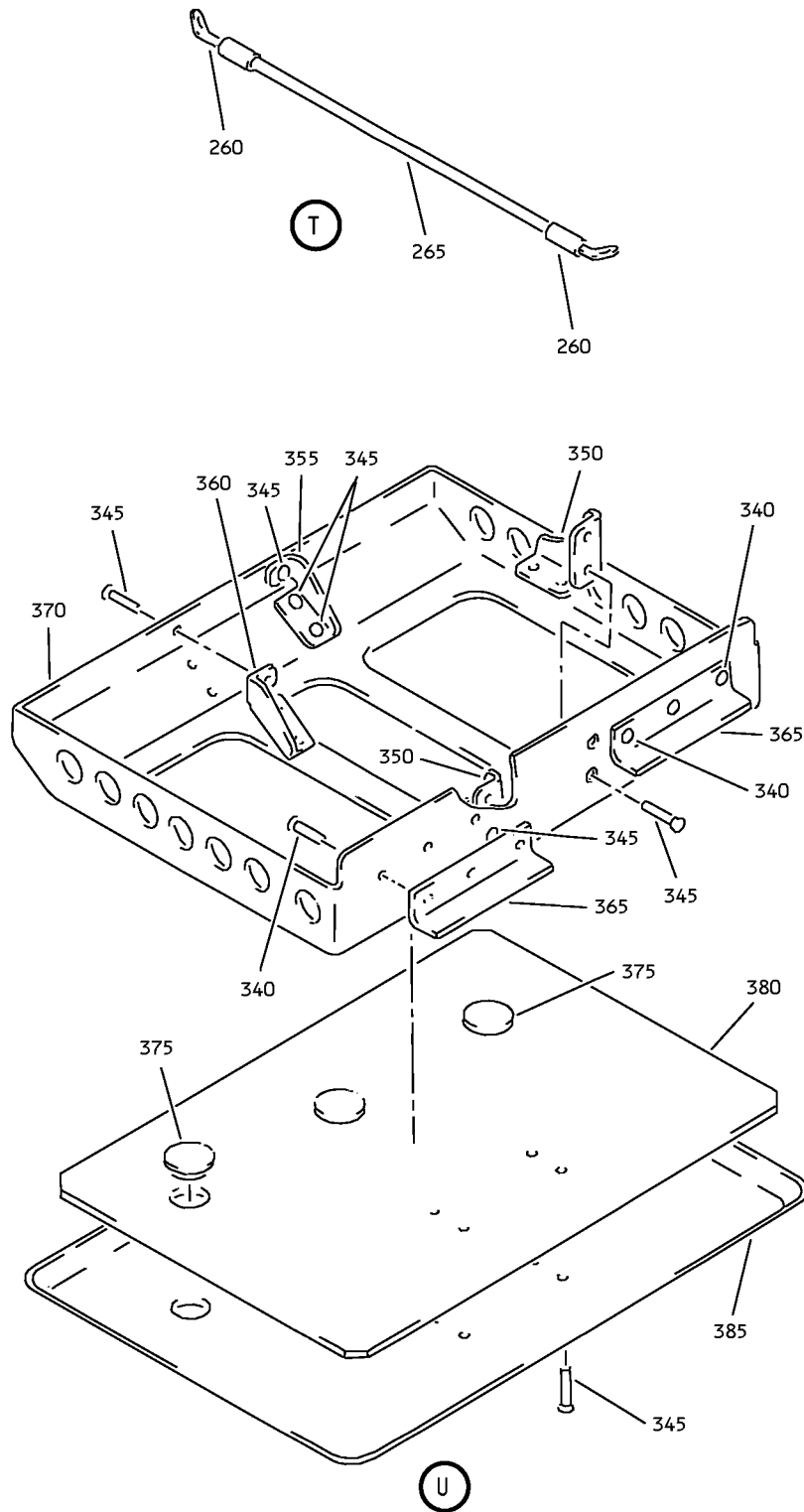
25-23-34

ILLUSTRATED PARTS LIST

Page 1098.465

Nov 01/2008

COMPONENT MAINTENANCE MANUAL



Full Underbin - Passenger Service Unit (with Lifevest, Gasper Air, and Speaker) Assembly
IPL Figure 19 (Sheet 8 of 8)

25-23-34

ILLUSTRATED PARTS LIST

Page 1098.466

Nov 01/2008



COMPONENT MAINTENANCE MANUAL

FIG/ ITEM	PART NUMBER	AIRLINE PART NUMBER	NOMENCLATURE							USAGE CODE	UNITS PER ASSY
			1	2	3	4	5	6	7		
19-											
-1	417N3100-445SP									EA	RF
-5	417N3100-466SP									EB	RF
10	920056									EA, EB	3
15	920055									EA, EB	1
20	10-1006-1									EA	1
-20A	10-1006-2									EB	1
30	417N3100-92									EA, EB	1
35	BACN10YJ08									EA, EB	13
40	BACW10P193G									EA, EB	8
45	NAS43DD3-18									EA, EB	4
50	NAS43DD3-20									EA, EB	4
55	G6940-3B3									EA, EB	5
60	417N3100-25SP									EA, EB	1

-Item not Illustrated

25-23-34

ILLUSTRATED PARTS LIST

Page 1098.467

Nov 01/2008



COMPONENT MAINTENANCE MANUAL

FIG/ ITEM	PART NUMBER	AIRLINE PART NUMBER	NOMENCLATURE							USAGE CODE	UNITS PER ASSY
			1	2	3	4	5	6	7		
19-											
65	B0E20563A120		. .	DUCT						EA, EB	1
				(V16632)							
				(SPEC BACD40P3A120)							
				(OPT AD15273A120 (V21868))							
70	10-60141-23A			DELETED							
70A	750801-002		. .	OUTLET-AIR						EA, EB	3
				(V28406)							
				(SPEC 10-60141-23S)							
				(COLOR OPT-CUST PREFERENCE, BIEGE)							
-70B	10-60141-23U		. .	OUTLET-AIR						EA, EB	3
				(COLOR OPT-CUST PREFERENCE, DARK GREY)							
-70C	L16999-16C		. .	OUTLET AIR-AIR						EA, EB	3
				(V17744)							
				(SPEC 10-60141-23A)							
				(OPT 1707-23A (V83564))							
				(COLOR OPT-CUST PREFERENCE, ZYTEL WT-07)							
75	PLT2MM		. .	STRAP						EA, EB	3
				(V06383)							
				(OPT ITEM 75A)							
-75A	PLT2MM2		. .	STRAP						EA, EB	3
				(V06383)							
				(OPT ITEM 75)							
80	417N3103-1		. .	MANIFOLD ASSY						EA, EB	1
85	417N3063-4		. . .	CONNECTOR						EA, EB	1
90	417N3105-9SP		. .	MODULE ASSY-SERVICE						EA, EB	1
93	BACS21AQ6A6M		. .	STUD						EA, EB	4
95	417N3122-111		. .	BRACKET ASSY						EA, EB	1
100	82-47-108-15		. . .	CLIP						EA, EB	1
				(V84483)							
105	417N3122-112		. . .	BRACKET						EA, EB	1
110	417N3101-6SP		. .	MODULE-SERVICE						EA, EB	1
115	417N3130-73SP		. .	BOX ASSY-FOUR MASK OXY						EA	1
				(REF CMM 35-21-02)							
-120	417N3130-74SP		. .	BOX ASSY-FOUR MASK OXY						EB	1
				(REF CMM 35-21-02)							
125	417N3100-48		. .	GENERATOR ASSY						EA, EB	1

-Item not Illustrated

25-23-34

ILLUSTRATED PARTS LIST

Page 1098.468

Nov 01/2008



COMPONENT MAINTENANCE MANUAL

FIG/ ITEM	PART NUMBER	AIRLINE PART NUMBER	NOMENCLATURE							USAGE CODE	UNITS PER ASSY	
			1	2	3	4	5	6	7			
19- 130	BACS12FA08K6		.	.	SCREW (V06710) (SPEC BACS12FA08K6) (OPT BACS12FA08K6 (V06725)) (OPT BACS12FA08K6 (V06950)) (OPT BACS12FA08K6 (V27624)) (OPT BACS12FA08K6 (V34252)) (OPT BACS12FA08K6 (V56878)) (OPT BACS12FA08K6 (V73197)) (OPT BACS12FA08K6 (V80539)) (OPT BACS12FA08K6 (V92215)) (OPT BACS12FA08K6 (V93907)) (OPT BACS12FA08K6 (V97928))						EA, EB	4
135	117003-14		.	.	GENERATOR-CHEMICAL OXY (V16827) (SPEC S417T401-27) (OPT ITEM 135A)						EA, EB	1
-135A	803000-04		.	.	GENERATOR-CHEMICAL OXY (V53655) (SPEC S417T401-33) (OPT ITEM 135)						EA, EB	1
140	417N3160-11		.	.	BRACKET ASSY						EA, EB	1
145	FT1387P8-1-2		.	.	SCREW-CAPTIVE (V58794) (OPT ITEM 145A)						EA, EB	1
-145A	C58024-08-1A		.	.	SCREW-CAPTIVE (V58998) (OPT ITEM 145)						EA, EB	1
150	AN960KD416		.	.	WASHER						EA, EB	1
155	A4972-6-82		.	.	NUT (V72962) (SPEC BACN10FX84) (OPT RM52LHA4972-6-82 (V72962)) (OPT SL211-08-1 (V97393)) (OPT 130008 (V60119)) (OPT A11330-6-82 (V72962))						EA, EB	1
160	BACR15BA3D		.	.	RIVET (SIZE DETERMINED ON INST)						EA, EB	2
165	417N3811-13		.	.	HINGE						EA, EB	1
170	417N3160-12		.	.	PAD-INSULATION						EA, EB	1
175	417N3161-7		.	.	BRACKET-MTG						EA, EB	1

-Item not Illustrated

25-23-34

ILLUSTRATED PARTS LIST

Page 1098.469

Nov 01/2008



COMPONENT MAINTENANCE MANUAL

FIG/ ITEM	PART NUMBER	AIRLINE PART NUMBER	NOMENCLATURE							USAGE CODE	UNITS PER ASSY
			1	2	3	4	5	6	7		
19-											
180	417N3160-13		. . .							EA, EB	6
185	417N3136-99		. . .							EA, EB	1
190	417N3100-17		. SPEAKER ASSY							EA, EB	1
195	BACN10YJ08		. . NUT							EA, EB	2
200	RDAM8005A		. . SPEAKER (V54473) (SPEC S222T101-101)							EA, EB	1
205	417N3104-2		. . GASKET							EA, EB	1
210	417N3100-31SP		. LIFEVEST ASSY							EA	1
-210A	417N3100-32SP		. LIFEVEST ASSY							EB	1
220	BACS12FA08K7		. . SCREW (V06710) (SPEC BACS12FA08K7) (OPT BACS12FA08K7 (V06725)) (OPT BACS12FA08K7 (V06950)) (OPT BACS12FA08K7 (V27624)) (OPT BACS12FA08K7 (V34252)) (OPT BACS12FA08K7 (V56878)) (OPT BACS12FA08K7 (V73197)) (OPT BACS12FA08K7 (V80539)) (OPT BACS12FA08K7 (V92215)) (OPT BACS12FA08K7 (V93907)) (OPT BACS12FA08K7 (V97928))							EA, EB	12
225	AN960PD8L		. . WASHER							EA, EB	8
230	417N3122-49		. . RETAINER							EA	1
-235	417N3122-50		. . RETAINER							EB	1
240	417N3190-8		. . LANYARD ASSY							EA, EB	1

-Item not Illustrated

25-23-34

ILLUSTRATED PARTS LIST

Page 1098.470

Nov 01/2008



COMPONENT MAINTENANCE MANUAL

FIG/ ITEM	PART NUMBER	AIRLINE PART NUMBER	NOMENCLATURE							USAGE CODE	UNITS PER ASSY
			1	2	3	4	5	6	7		
19-			ATTACHING PARTS								
245	BACS12FA08K6		. . SCREW (V06710) (SPEC BACS12FA08K6) (OPT BACS12FA08K6 (V06725)) (OPT BACS12FA08K6 (V06950)) (OPT BACS12FA08K6 (V27624)) (OPT BACS12FA08K6 (V34252)) (OPT BACS12FA08K6 (V56878)) (OPT BACS12FA08K6 (V73197)) (OPT BACS12FA08K6 (V80539)) (OPT BACS12FA08K6 (V92215)) (OPT BACS12FA08K6 (V93907)) (OPT BACS12FA08K6 (V97928))							EA, EB	1
250	26C82		. . NUT (V80539) (SPEC BACN10R8)							EA	1
-250A	H10-08BAC		. . NUT (V15653) (SPEC BACN10JC08) (OPT NS202101-82 (V80539)) (OPT RMLH9075-82W (V72962)) (OPT T6S832J (V71087)) (OPT VN303A82 (V92215)) (OPT 96-82 (V80539)) (OPT BRH10A08 (V52828)) (OPT T6S832J (V11815))							EB	1
260	417N3190-7		-----*----- . . . TERMINAL							EA, EB	2
265	417N3190-5		. . . CORD-NYLON							EA, EB	1
270	417N3100-74		. . PIN							EA, EB	2
275	417N3133-19		. . HOUSING-PUSHBUTTON							EA, EB	2
280	6100-9		. . RETAINER (V2X013)							EA, EB	4
285	417N3173-9		. . SPRING							EA, EB	2
290	417N3084-1SP		. . PUSH BUTTON							EA, EB	1
295	417N3100-73		. . PIN							EA, EB	1
300	417N3173-14		. . SPRING							EA, EB	1
305	6100-9		. . RETAINER (V2X013)							EA, EB	2

-Item not Illustrated

25-23-34

ILLUSTRATED PARTS LIST

Page 1098.471

Nov 01/2008



COMPONENT MAINTENANCE MANUAL

FIG/ ITEM	PART NUMBER	AIRLINE PART NUMBER	NOMENCLATURE							USAGE CODE	UNITS PER ASSY	
			1	2	3	4	5	6	7			
19-												
310	417N3173-13								. .	SPRING	EA, EB	1
315	417N3100-78								. .	PIN	EA, EB	1
320	417N3133-15								. .	LATCH	EA, EB	1
325	417N3133-16								. .	LATCH	EA, EB	1
330	6100-9								. .	RETAINER (V2X013)	EA, EB	2
335	417N3080-1SP								. .	DOOR ASSY	EA, EB	1
340	BACR15CE3D								. . .	RIVET (SIZE DETERMINED ON INST)	EA, EB	6
345	BACR15CE4D								. . .	RIVET (SIZE DETERMINED ON INST)	EA, EB	14
350	417N3083-2								. . .	GUSSET	EA, EB	2
355	417N3083-3								. . .	GUSSET	EA, EB	1
360	417N3083-4								. . .	GUSSET	EA, EB	1
365	417N3083-1								. . .	ANGLE	EA, EB	2
370	417N3082-1								. . .	COMPARTMENT	EA, EB	1
375	417N3113-1								. . .	LENS	EA, EB	3
380	417N3080-3								. . .	PANEL	EA, EB	1
385	417N3081-1SP								. . .	PANEL	EA, EB	1
390	BACR15BB4D10								.	RIVET (V09192) (SPEC BACR15BB4D10) (OPT BACR15BB4D10 (V42838)) (OPT BACR15BB4D10 (V53551)) (OPT BACR15BB4D10 (V55580))	EA, EB	2
395	6100-12								.	RETAINER (V2X013)	EA, EB	2
400	417N3180-1								.	CLAMP ASSY	EA, EB	2
405	NAS607-2-8P								. .	PIN-DOWEL	EA, EB	1
410	NAS607-1-4P								. .	PIN-DOWEL	EA, EB	2
415	417N3181-1								. .	LINK-ROCKER (OPT ITEM 415A)	EA, EB	1
-415A	65-85902-1								. .	LINK-ROCKER (OPT ITEM 415)	EA, EB	1
420	65-85905-4								. .	PLUNGER	EA, EB	1

-Item not Illustrated

25-23-34

ILLUSTRATED PARTS LIST

Page 1098.472

Nov 01/2008



COMPONENT MAINTENANCE MANUAL

FIG/ ITEM	PART NUMBER	AIRLINE PART NUMBER	NOMENCLATURE							USAGE CODE	UNITS PER ASSY
			1	2	3	4	5	6	7		
19-											
425	RCS3290		. .	SPRING						EA, EB	1
				(V08205)							
430	417N3182-1		. .	BODY-PLUNGER						EA, EB	1
435	417N3180-3		. .	PLUNGER-SPR						EA, EB	2
440	RCS3289		. .	SPRING						EA, EB	2
				(V08205)							
445	417N3183-1		. .	BODY-CLAMP						EA, EB	1
-455	AN960JD416L		. .	WASHER						EA, EB	AR
				(USED WITH ITEM 460)							
-460	PLWP1S		. .	TIE-PUSH MOUNT CABLE						EA, EB	AR
				(V58417)							
-465	NMC1001-0		. .	CLAMP						EA, EB	2
				(V03296)							
				(OPT ITEM 465A)							
-465A	BACC10DK3		. .	CLAMP						EA, EB	2
				(V16115)							
				(SPEC BACC10DK3)							
				(OPT BACC10DK3 (V81872))							
				(OPT ITEM 465)							
470	1TW2-3		. .	SWITCH-TOGGLE						EA, EB	1
-475	61-33500-002		. .	WIRE BUNDLE						EA, EB	1
480	417N3100-71		. .	PAD						EA, EB	2
485	417N3190-1		. .	LANYARD ASSY						EA, EB	1
490	GSC205		. .	SLEEVE						EA, EB	4
				(V59730)							
				(SPEC BACS13S205C)							
				(OPT Y0C130 (V09922))							
				(OPT ITEM 490A)							
-490A	GSC219		. .	SLEEVE						EA, EB	4
				(V59730)							
				(SPEC BACS13S219C)							
				(OPT Y0C140 (V09922))							
				(OPT ITEM 490)							
495	10-61790-1		. .	HOOK						EA, EB	1
				(V08205)							
				(SPEC 10-61790-1)							
500	NAS43DD4-5		. .	SPACER						EA, EB	1
505	65C16899-6		. .	SPRING						EA, EB	1

-Item not Illustrated

25-23-34

ILLUSTRATED PARTS LIST

Page 1098.473

Nov 01/2008



COMPONENT MAINTENANCE MANUAL

FIG/ ITEM	PART NUMBER	AIRLINE PART NUMBER	NOMENCLATURE							USAGE CODE	UNITS PER ASSY
			1	2	3	4	5	6	7		
19-											
510	417N3190-3		.	.	CORD					EA, EB	1
515	417N3110-81SP		.		FRAME ASSY (FOR DETAILS SEE FIG.28)					EA	1
-520	417N3110-82SP		.		FRAME ASSY (FOR DETAILS SEE FIG.28)					EB	1
525	BAC27DPA2272		.		DECAL-VINYL					EA, EB	1
530	BAC27NPA0610		.		MARKER-ALUMINUM FOIL					EA	1
535	BAC27NPA0609		.		MARKER-ALUMINUM FOIL					EB	1
540	BAC27NPA0660		.		MARKER-ALUMINUM FOIL					EA	1
545	BAC27NPA0661		.		MARKER-ALUMINUM FOIL					EB	1

-Item not Illustrated

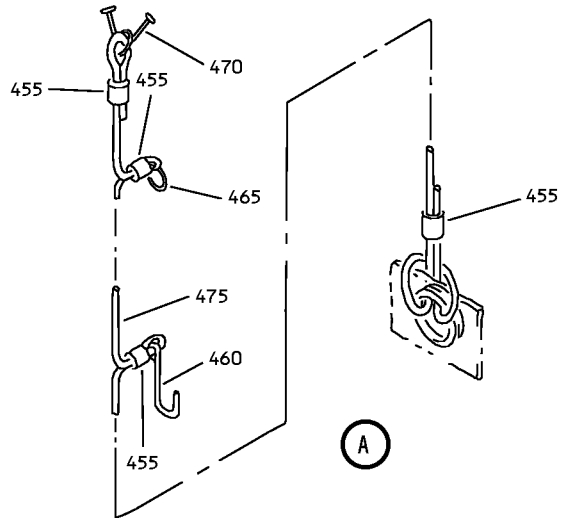
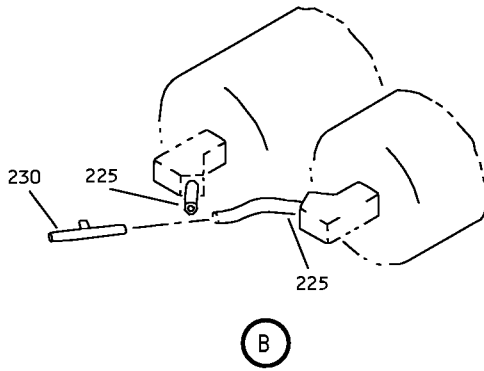
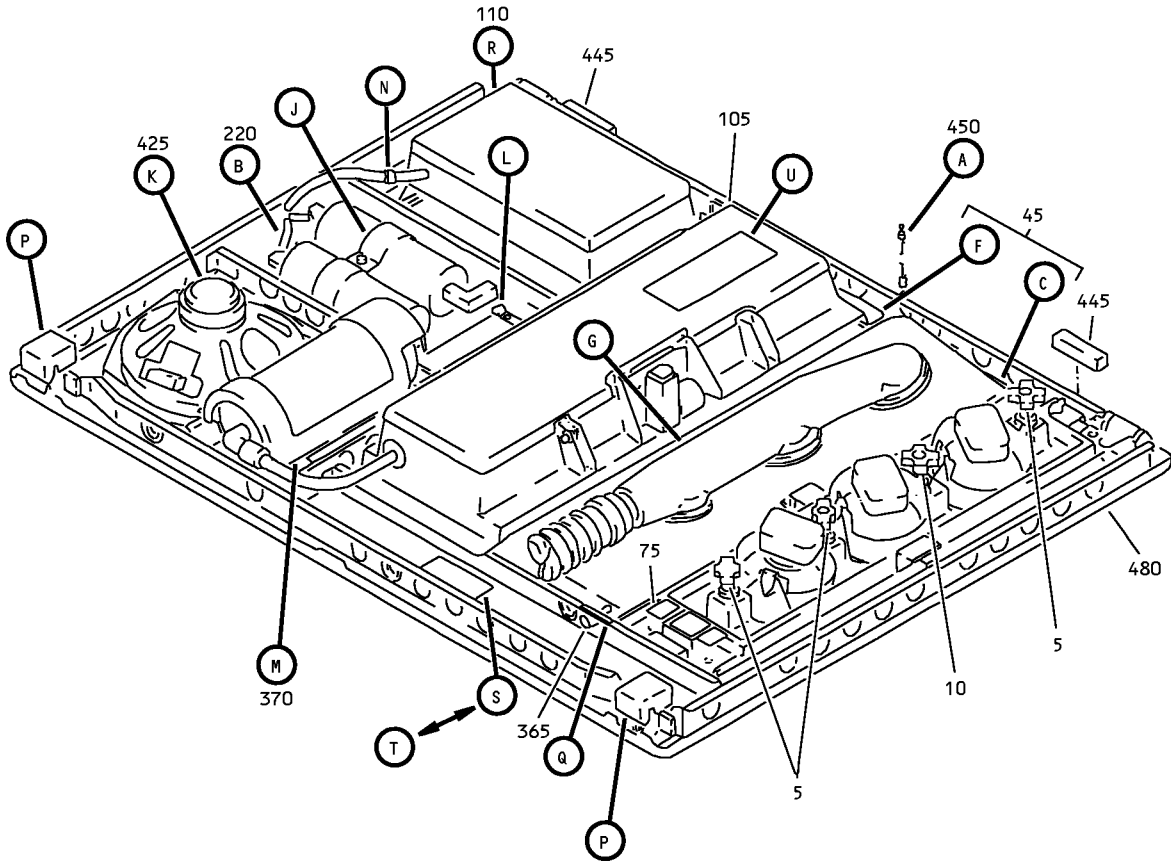
25-23-34

ILLUSTRATED PARTS LIST

Page 1098.474

Nov 01/2008

COMPONENT MAINTENANCE MANUAL



Full Underbin - Passenger Service Unit (with Speaker, Sustaining Oxygen, and Gasper Air) Assembly
IPL Figure 20 (Sheet 1 of 6)

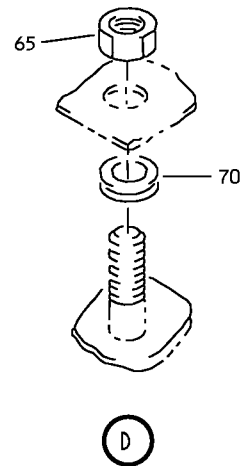
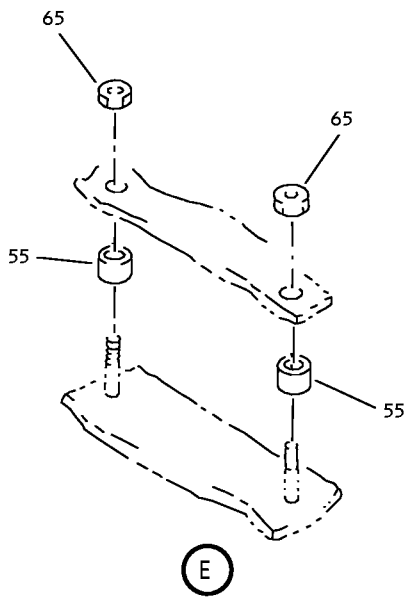
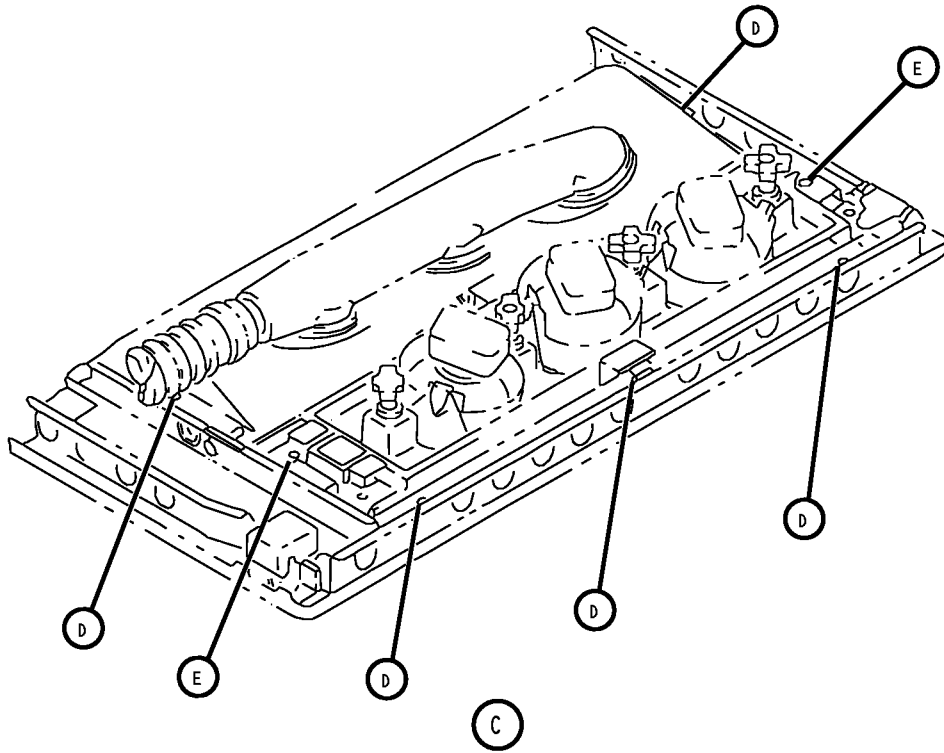
25-23-34

ILLUSTRATED PARTS LIST

Page 1098.475

Nov 01/2008

COMPONENT MAINTENANCE MANUAL



Full Underbin - Passenger Service Unit (with Speaker, Sustaining Oxygen, and Gasper Air) Assembly
IPL Figure 20 (Sheet 2 of 6)

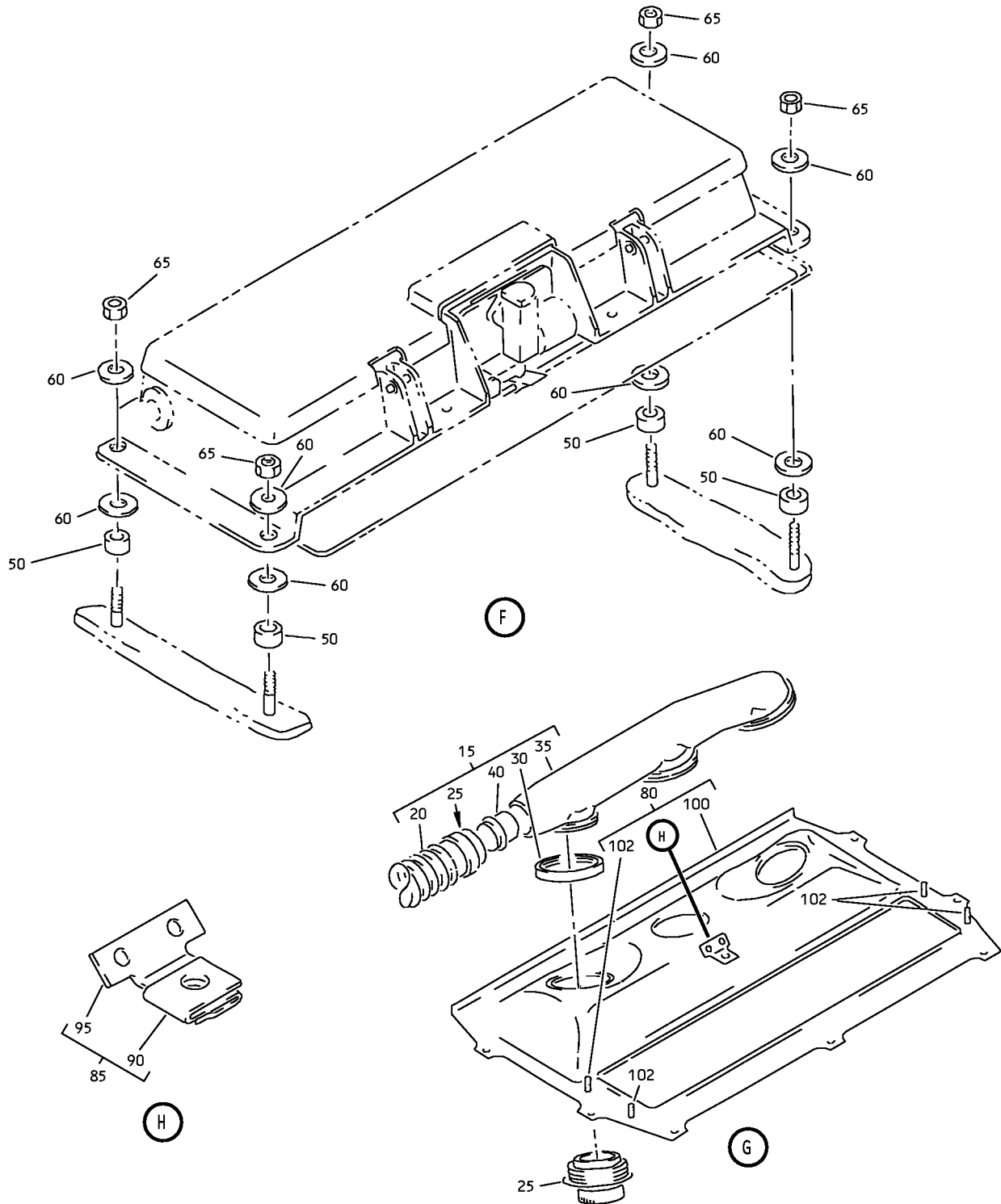
25-23-34

ILLUSTRATED PARTS LIST

Page 1098.476

Nov 01/2008

COMPONENT MAINTENANCE MANUAL



Full Underbin - Passenger Service Unit (with Speaker, Sustaining Oxygen, and Gasper Air) Assembly
IPL Figure 20 (Sheet 3 of 6)

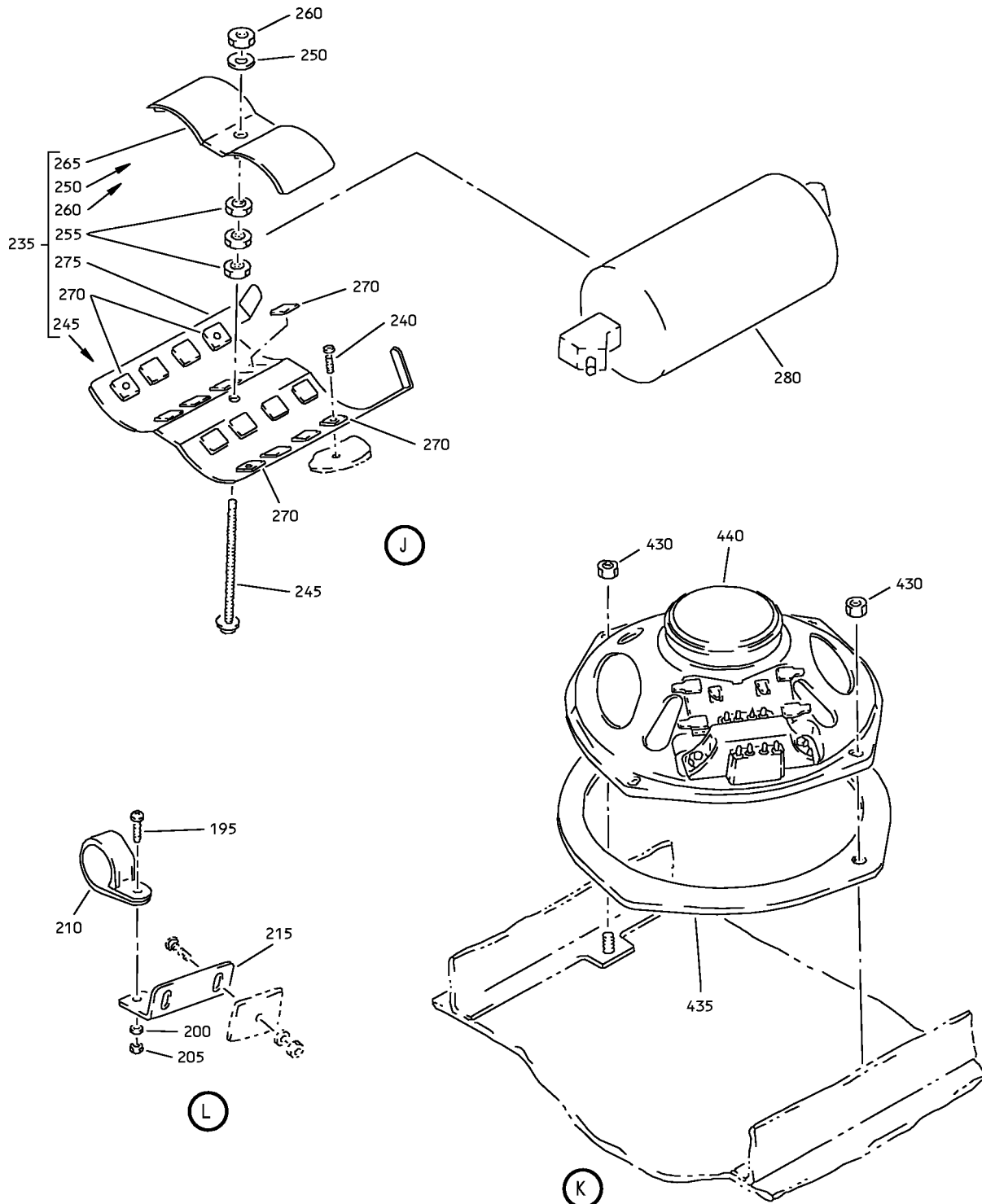
25-23-34

ILLUSTRATED PARTS LIST

Page 1098.477

Nov 01/2008

COMPONENT MAINTENANCE MANUAL



Full Underbin - Passenger Service Unit (with Speaker, Sustaining Oxygen, and Gasper Air) Assembly
 IPL Figure 20 (Sheet 4 of 6)

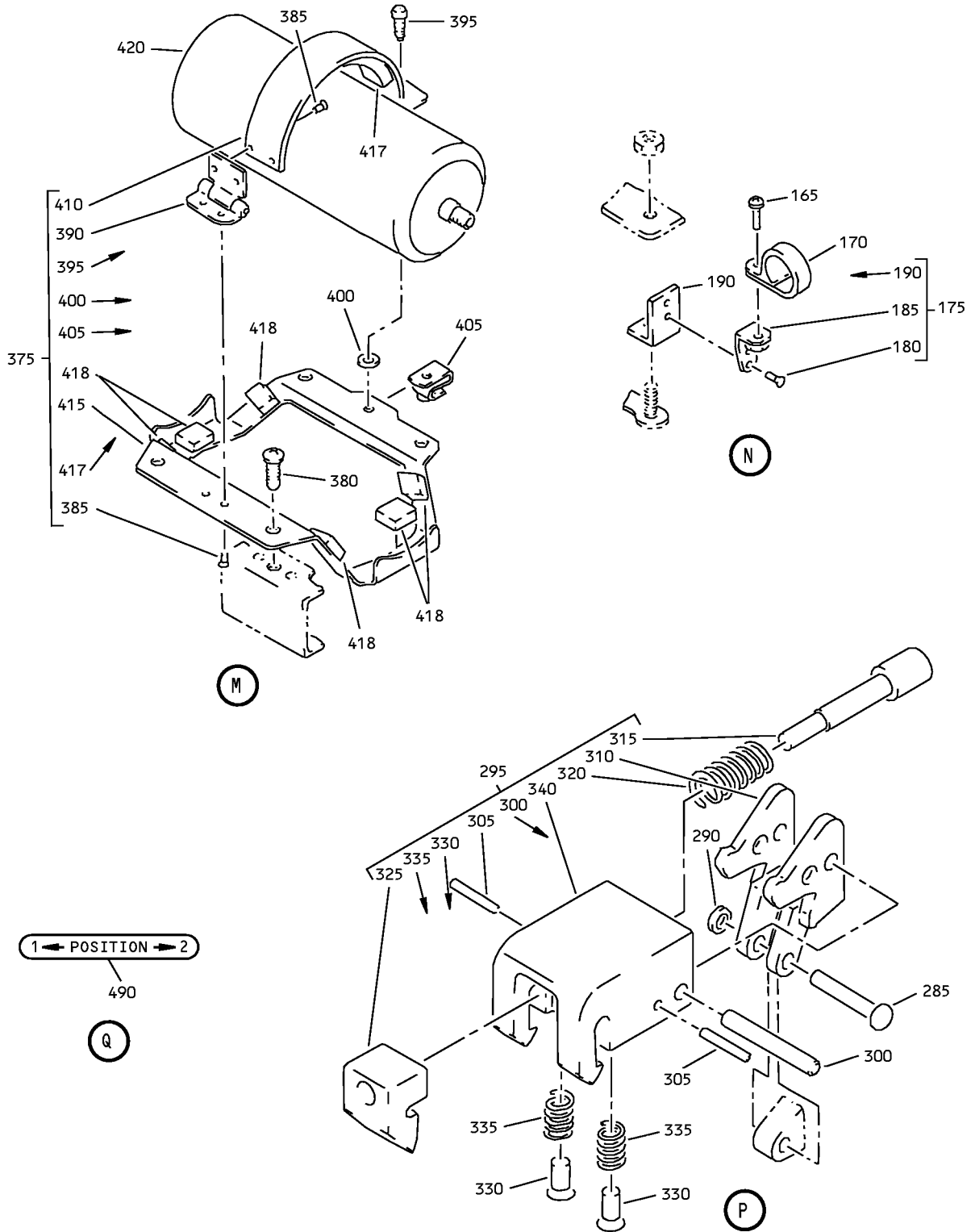
25-23-34

ILLUSTRATED PARTS LIST

Page 1098.478

Nov 01/2008

COMPONENT MAINTENANCE MANUAL



Full Underbin - Passenger Service Unit (with Speaker, Sustaining Oxygen, and Gasper Air) Assembly
IPL Figure 20 (Sheet 5 of 6)

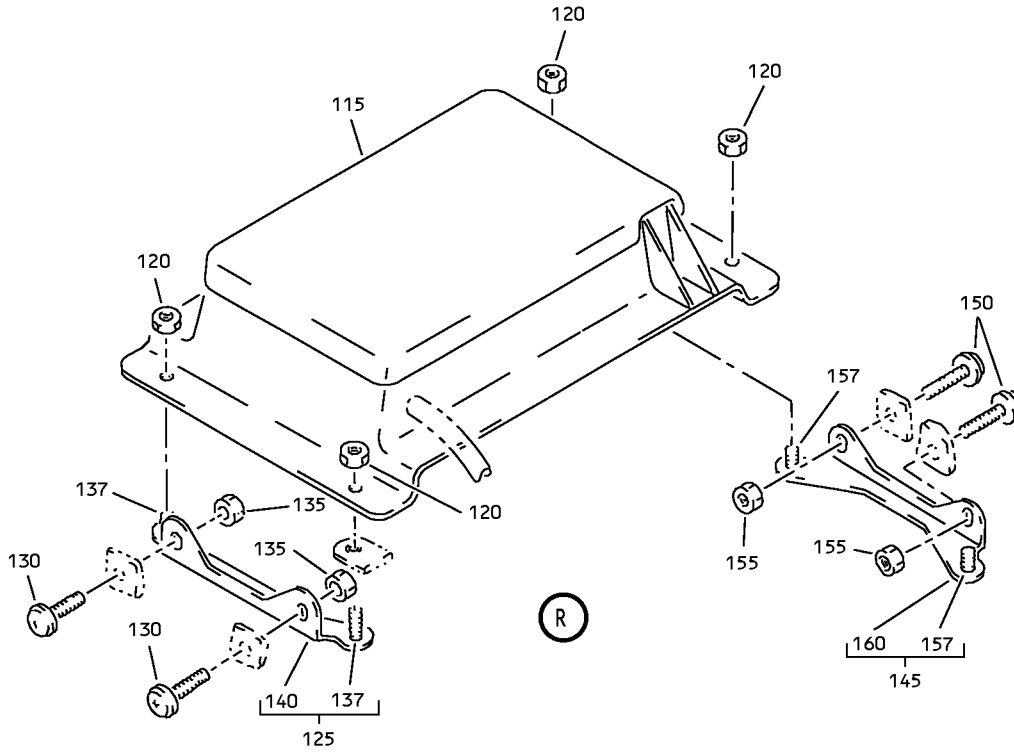
25-23-34

ILLUSTRATED PARTS LIST

Page 1098.479

Nov 01/2008

COMPONENT MAINTENANCE MANUAL

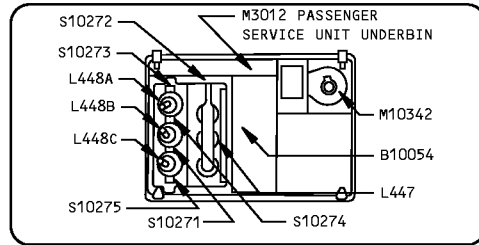


ATTENTION

FOR REMOVAL AND RELOCATION INFORMATION SEE
MAINTENANCE MANUAL CHAPTER 25

FOR MASK STOWAGE INSTRUCTIONS SEE MAINTENANCE
MANUAL CHAPTER 35

FOR CLEANING INSTRUCTIONS SEE DOCUMENT D6-7127

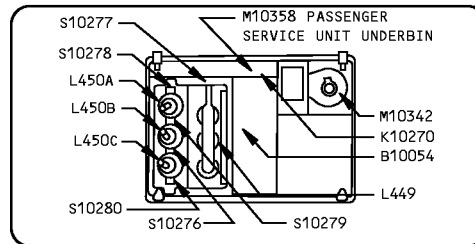


U

485

S

495



T

500

Full Underbin - Passenger Service Unit (with Speaker, Sustaining Oxygen, and Gasper Air) Assembly
IPL Figure 20 (Sheet 6 of 6)

25-23-34

ILLUSTRATED PARTS LIST

Page 1098.480

Nov 01/2008



COMPONENT MAINTENANCE MANUAL

FIG/ ITEM	PART NUMBER	AIRLINE PART NUMBER	NOMENCLATURE							USAGE CODE	UNITS PER ASSY
			1	2	3	4	5	6	7		
20-											
-1	417N3100-471SP									EC	RF
-1A	417N3100-473SP									ED	RF
-1B	417N3100-643SP									BA	RF
-1C	417N3100-645SP									BB	RF
-1D	417N3100-647SP									BC	RF
5	920056									BA-BC, EC, ED	3
10	920055									BA-BC, EC, ED	1
15	417N3100-25SP									EC, ED	1
20	B0E20563A120									EC, ED	1
25	10-60141-23A										
25A	10-60141-23U									EC, ED	3

-Item not Illustrated

25-23-34

ILLUSTRATED PARTS LIST

Page 1098.481

Nov 01/2008



COMPONENT MAINTENANCE MANUAL

FIG/ ITEM	PART NUMBER	AIRLINE PART NUMBER	NOMENCLATURE							USAGE CODE	UNITS PER ASSY
			1	2	3	4	5	6	7		
20- -25B	750801-002		. .	OUTLET (COLOR OPT-CUST PREFERENCE, BEIGE) (V28406) (SPEC 10-60141-23S)						EC, ED	3
-25C	L16999-16C		. .	OUTLET AIR (V17744) (SPEC 10-60141-23A) (OPT 1707-23A (V83564)) (COLOR OPT-CUST PREFERENCE, ZYTEL WT-07)						EC, ED	3
30	PLT2MM		. .	STRAP (V06383) (OPT ITEM 30A)						EC, ED	3
-30A	PLT2MM2		. .	STRAP (V06383) (OPT ITEM 30)						EC, ED	3
35	417N3103-1		. .	MANIFOLD ASSY						EC, ED	1
40	417N3063-4		. . .	CONNECTOR						EC, ED	1
45	417N3100-92		. .	FASTENER ASSY						BA-BC, EC, ED	1
50	NAS43DD3-18		. .	SPACER						BA-BC, EC, ED	4
55	NAS43DD3-20		. .	SPACER						BA-BC, EC, ED	4
60	BACW10P193G		. .	WASHER (V10630) (SPEC BACW10P193G)						BA-BC, EC, ED	8
65	BACN10YJ08		. .	NUT						BA-BC, EC, ED	13
70	G6940-3B3		. .	GROMMET (V75345) (SPEC BACG20AF3B3) (OPT SZ6924-3B3 (V95272)) (OPT 701-3B3 (V07096)) (OPT E3B3 (V60980)) (OPT H3B3 (V60980)) (OPT RR2002-3B3 (V57268))						BA-BC, EC, ED	5
75	10-1006-1		. .	LIGHT-READING (V72914) (SPEC S417N302-1)						BA-BC, EC, ED	1

-Item not Illustrated

25-23-34

ILLUSTRATED PARTS LIST

Page 1098.482

Nov 01/2008



COMPONENT MAINTENANCE MANUAL

FIG/ ITEM	PART NUMBER	AIRLINE PART NUMBER	NOMENCLATURE							USAGE CODE	UNITS PER ASSY	
			1	2	3	4	5	6	7			
20-												
76	417N3105-8SP		.							MODULE ASSY-SVCE	BA-BC	1
77	BACS21AQ6A6M		.	.						STUD	BA-BC	4
78	417N3122-53		.	.						BRACKET	BA-BC	1
79	417N3101-5SP		.	.						MODULE	BA-BC	1
80	417N3105-9SP		.							MODULE ASSY	EC, ED	1
85	417N3122-111		.	.						BRACKET ASSY	EC, ED	1
90	82-47-108-15		.	.	.					CLIP (V84483)	EC, ED	1
95	417N3122-112		.	.	.					BRACKET	EC, ED	1
100	417N3101-6SP		.	.						MODULE	EC, ED	1
102	BACS21AQ6A6M		.	.						STUD	EC, ED	4
105	417N3130-73SP		.							BOX ASSY-FOUR MASK OXY (REF CMM 35-21-02)	BA-BC, EC, ED	1
110	417N3100-39SP		.							OXYGEN ASSY-SUSTAINING	BA-BC, EC, ED	1
115	417N3130-18SP		.	.						BOX ASSY (REF CMM 35-21-03)	BA-BC, EC, ED	1
120	BACN10YJ08		.	.						NUT	BA-BC, EC, ED	4
125	417N3122-79		.	.						ANGLE ASSY	BA-BC, EC, ED	1
										ATTACHING PARTS		
130	BACS12FA08K6		.	.						SCREW (V06710) (SPEC BACS12FA08K6) (OPT BACS12FA08K6 (V06725)) (OPT BACS12FA08K6 (V06950)) (OPT BACS12FA08K6 (V27624)) (OPT BACS12FA08K6 (V34252)) (OPT BACS12FA08K6 (V56878)) (OPT BACS12FA08K6 (V73197)) (OPT BACS12FA08K6 (V80539)) (OPT BACS12FA08K6 (V92215)) (OPT BACS12FA08K6 (V93907)) (OPT BACS12FA08K6 (V97928))	BA-BC, EC, ED	2
135	BACN10YJ08		.	.						NUT	BA-BC, EC, ED	2
										-----*		

-Item not Illustrated

25-23-34

ILLUSTRATED PARTS LIST

Page 1098.483

Nov 01/2008



COMPONENT MAINTENANCE MANUAL

FIG/ ITEM	PART NUMBER	AIRLINE PART NUMBER	NOMENCLATURE							USAGE CODE	UNITS PER ASSY
			1	2	3	4	5	6	7		
20-											
-137	BACS21AQ2A3K								DELETED		
137A	BACS21AQ2A4K								. . . STUD	BA-BC, EC, ED	2
140	417N3122-64								. . . ANGLE	BA-BC, EC, ED	1
145	417N3122-51								. . ANGLE ASSY-SPRT	BA-BC, EC, ED	1
									ATTACHING PARTS		
150	BACS12FA08K6								. . SCREW (V06710) (SPEC BACS12FA08K6) (OPT BACS12FA08K6 (V06725)) (OPT BACS12FA08K6 (V06950)) (OPT BACS12FA08K6 (V27624)) (OPT BACS12FA08K6 (V34252)) (OPT BACS12FA08K6 (V56878)) (OPT BACS12FA08K6 (V73197)) (OPT BACS12FA08K6 (V80539)) (OPT BACS12FA08K6 (V92215)) (OPT BACS12FA08K6 (V93907)) (OPT BACS12FA08K6 (V97928))	BA-BC, EC, ED	2
155	BACN10YJ08								. . NUT	BA-BC, EC, ED	2
									----- * -----		
157	BACS21AQ2A3K								DELETED		
157A	BACS21AQ2A4K								. . . STUD	BA-BC, EC, ED	2
160	417N3122-52								. . . ANGLE	BA-BC, EC, ED	1
165	BACS12FA08K7								. . SCREW (V06710) (SPEC BACS12FA08K7) (OPT BACS12FA08K7 (V06725)) (OPT BACS12FA08K7 (V06950)) (OPT BACS12FA08K7 (V27624)) (OPT BACS12FA08K7 (V34252)) (OPT BACS12FA08K7 (V56878)) (OPT BACS12FA08K7 (V73197)) (OPT BACS12FA08K7 (V80539)) (OPT BACS12FA08K7 (V92215)) (OPT BACS12FA08K7 (V93907)) (OPT BACS12FA08K7 (V97928))	BA-BC, EC, ED	1

-Item not Illustrated

25-23-34

ILLUSTRATED PARTS LIST

Page 1098.484

Nov 01/2008



COMPONENT MAINTENANCE MANUAL

FIG/ ITEM	PART NUMBER	AIRLINE PART NUMBER	NOMENCLATURE							USAGE CODE	UNITS PER ASSY
			1	2	3	4	5	6	7		
20-											
170	BACC10DK3		. .							BA-BC, EC, ED	1
175	417N3122-91		. .							BA-BC, EC, ED	1
180	BACR15BB3A		. . .							BA-BC, EC, ED	2
185	AN256-10		. . .							BA-BC, EC, ED	1
190	417N3122-92		. . .							BA-BC, EC, ED	1
195	BACS12FA08K7		. .							BA-BC, EC, ED	1
200	AN960KD8L		. .							BA-BC, EC, ED	1
205	H10-08BAC		. .							BA-BC, EC, ED	1
210	BACC10DK2		. .							BA-BC, EC, ED	1
215	417N3136-50		. .							BA-BC, EC, ED	1

-Item not Illustrated

25-23-34

ILLUSTRATED PARTS LIST

Page 1098.485

Nov 01/2008



COMPONENT MAINTENANCE MANUAL

FIG/ ITEM	PART NUMBER	AIRLINE PART NUMBER	NOMENCLATURE							USAGE CODE	UNITS PER ASSY
			1	2	3	4	5	6	7		
20-											
220	417N3138-11		. .							BA-BC, EC, ED	1
225	417N3138-13		. . .							BA-BC, EC, ED	2
230	417N3138-12		. . .							BA-BC, EC, ED	1
235	417N3160-7		. .							BA-BC, EC, ED	1
			ATTACHING PARTS								
240	BACS12FA08K6		. .							BA-BC, EC, ED	4
			(V06710) (SPEC BACS12FA08K6) (OPT BACS12FA08K6 (V06725)) (OPT BACS12FA08K6 (V06950)) (OPT BACS12FA08K6 (V27624)) (OPT BACS12FA08K6 (V34252)) (OPT BACS12FA08K6 (V56878)) (OPT BACS12FA08K6 (V73197)) (OPT BACS12FA08K6 (V80539)) (OPT BACS12FA08K6 (V92215)) (OPT BACS12FA08K6 (V93907)) (OPT BACS12FA08K6 (V97928))								
			----- *								
245	BACS12FA3K32		. . .							BA-BC, EC, ED	1
250	AN960KD10L		. . .							BA-BC, EC, ED	1
255	GRC912618		. . .							BA-BC, EC, ED	3
			(V26365) (SPEC BACN10MG10)								
260	919-118		. . .							BA-BC, EC, ED	1
			(V26365)								
265	417N3136-59		. . .							BA-BC, EC, ED	1
270	417N3162-1		. . .							BA-BC, EC, ED	16
275	417N3136-48		. . .							BA-BC, EC, ED	1

-Item not Illustrated

25-23-34

ILLUSTRATED PARTS LIST

Page 1098.486

Nov 01/2008



COMPONENT MAINTENANCE MANUAL

FIG/ ITEM	PART NUMBER	AIRLINE PART NUMBER	NOMENCLATURE							USAGE CODE	UNITS PER ASSY	
			1	2	3	4	5	6	7			
20- 280	801386-11		.	.							BA-BC, EC, ED	2
-280A	117010-56											
-280B	S417T401-30		.	.							BA-BC, EC, ED	2
285	BACR15BB4D10		.								BA-BC, EC, ED	2
290	6100-12		.								BA-BC, EC, ED	2
295	417N3180-1		.								BA-BC, EC, ED	2
300	NAS607-2-8P		.	.							BA-BC, EC, ED	1
305	NAS607-1-4P		.	.							BA-BC, EC, ED	2
310	417N3181-1		.	.							BA-BC, EC, ED	1
-310A	65-85902-1		.	.							BA-BC, EC, ED	1
315	65-85905-4		.	.							BA-BC, EC, ED	1
320	RCS3290		.	.							BA-BC, EC, ED	1
325	417N3182-1		.	.							BA-BC, EC, ED	1
330	417N3180-3		.	.							BA-BC, EC, ED	2
335	RCS3289		.	.							BA-BC, EC, ED	2
340	417N3183-1		.	.							BA-BC, EC, ED	1

-Item not Illustrated

25-23-34

ILLUSTRATED PARTS LIST

Page 1098.487

Nov 01/2008



COMPONENT MAINTENANCE MANUAL

FIG/ ITEM	PART NUMBER	AIRLINE PART NUMBER	NOMENCLATURE							USAGE CODE	UNITS PER ASSY
			1	2	3	4	5	6	7		
20-											
-345	AN960JD416L		.	WASHER						BB, BC, EC	AR
				(USED WITH ITEM 350)							
-347	AN960JD416L		.	WASHER						BA, ED	AR
				(USED WITH ITEM 352)							
-350	PLWP1S		.	TIE-PUSH MOUNT CABLE						BB, BC, EC	AR
				(V58417)							
-352	PLWP1S		.	TIE-PUSH MOUNT CABLE						BA, ED	AR
				(V58417)							
-355	NMC1001-0		.	CLAMP						BA-BC, EC, ED	2
				(V03296)							
				(OPT ITEM 355A)							
-355A	BACC10DK3		.	CLAMP						BA-BC, EC, ED	2
				(V16115)							
				(SPEC BACC10DK3)							
				(OPT BACC10DK3 (V81872))							
				(OPT ITEM 355)							
-360	61-33500-001		.	WIRE BUNDLE						EC, ED	1
-360A	286N0512-002		.	WIRE BUNDLE						BA-BC	1
365	1TW2-3		.	SWITCH-TOGGLE						BA-BC, EC, ED	1
				(V91929)							
370	417N3100-48		.	GENERATOR ASSY						BA-BC, EC, ED	1
375	417N3160-11		.	BRACKET ASSY						BA-BC, EC, ED	1
				ATTACHING PARTS							
380	BACS12FA08K6		.	SCREW						BA-BC, EC, ED	4
				(V06710)							
				(SPEC BACS12FA08K6)							
				(OPT BACS12FA08K6 (V06725))							
				(OPT BACS12FA08K6 (V06950))							
				(OPT BACS12FA08K6 (V27624))							
				(OPT BACS12FA08K6 (V34252))							
				(OPT BACS12FA08K6 (V56878))							
				(OPT BACS12FA08K6 (V73197))							
				(OPT BACS12FA08K6 (V80539))							
				(OPT BACS12FA08K6 (V92215))							
				(OPT BACS12FA08K6 (V93907))							
				(OPT BACS12FA08K6 (V97928))							
				-----*							

-Item not Illustrated

25-23-34

ILLUSTRATED PARTS LIST

Page 1098.488

Nov 01/2008



COMPONENT MAINTENANCE MANUAL

FIG/ ITEM	PART NUMBER	AIRLINE PART NUMBER	NOMENCLATURE							USAGE CODE	UNITS PER ASSY
			1	2	3	4	5	6	7		
20-											
-385	BACR15BA3D		. . .	RIVET						BA-BC, EC, ED	4
				(SIZE DETERMINED ON INST)							
390	417N3811-13		. . .	HINGE						BA-BC, EC, ED	1
395	CS8024-08-1A		. . .	SCREW-CAPTIVE						BA-BC, EC, ED	1
				(V58998)							
				(OPT ITEM 395A)							
-395A	FT1387P8-1-2		. . .	SCREW-CAPTIVE						BA-BC, EC, ED	1
				(V58794)							
				(OPT ITEM 395)							
400	AN960KD416		. . .	WASHER						BA-BC, EC, ED	1
405	A4972-6-82		. . .	NUT						BA-BC, EC, ED	1
				(V72962)							
				(SPEC BACN10FX84)							
				(OPT RM52LHA4972-6-82 (V72962))							
				(OPT SL211-08-1 (V97393))							
				(OPT 130008 (V60119))							
				(OPT A11330-6-82 (V72962))							
410	417N3161-7		. . .	BRACKET-MTG						BA-BC, EC, ED	1
415	417N3136-99		. . .	BRACKET-MTG						BA-BC, EC, ED	1
417	417N3160-12		. . .	PAD-INSULATION						BA-BC, EC, ED	1
418	417N3160-13		. . .	PAD-INSULATION						BA-BC, EC, ED	6
420	117003-14		. .	GENERATOR-CHEMICAL OXY						BA-BC, EC, ED	1
				(V16827)							
				(OPT ITEM 420A)							
				(SPEC S417T401-27)							
-420A	803000-04		. .	GENERATOR-CHEMICAL OXY						BA-BC, EC, ED	1
				(V53655)							
				(OPT ITEM 420)							
				(SPEC S417T401-33)							
425	417N3100-17		. .	SPEAKER ASSY						BB, BC, EC	1
430	BACN10YJ08		. .	NUT						BB, BC, EC	2

-Item not Illustrated

25-23-34

ILLUSTRATED PARTS LIST

Page 1098.489

Jul 01/2009



COMPONENT MAINTENANCE MANUAL

FIG/ ITEM	PART NUMBER	AIRLINE PART NUMBER	NOMENCLATURE							USAGE CODE	UNITS PER ASSY	
			1	2	3	4	5	6	7			
20- 435	417N3104-2		.	.							BB, BC, EC	1
440	RDAM8005A		.	.							BB, BC, EC	1
441	417N3100-377		.								BC	1
442	HFW1204K01		.	.							BC	1
443	451120-026		.	.							BC	1
444	BACR15BB3D		.	.							BC	3
444G	417N3136-17		.	.							BC	1
444Q	417N3121-139		.	.							BC	1
445	417N3100-71		.								BA-BC, EC, ED	2
450	417N3190-1		.								BA-BC, EC, ED	1
455	GSC219		.	.							BA-BC, EC, ED	4
-455A	GSC205		.	.							BA-BC, EC, ED	4
460	10-61790-1		.	.							BA-BC, EC, ED	1
465	NAS43DD4-5		.	.							BA-BC, EC, ED	1
470	65C16899-6		.	.							BA-BC, EC, ED	1

-Item not Illustrated

25-23-34

ILLUSTRATED PARTS LIST

Page 1098.490

Nov 01/2008



COMPONENT MAINTENANCE MANUAL

FIG/ ITEM	PART NUMBER	AIRLINE PART NUMBER	NOMENCLATURE							USAGE CODE	UNITS PER ASSY	
			1	2	3	4	5	6	7			
20- 475	417N3190-3		.	.							BA-BC, EC, ED	1
480	417N3110-93SP		.								BA-BC, EC, ED	1
485	BAC27DPA2272		.								BA-BC, EC, ED	1
490	BAC27NPA0610		.								BA-BC, EC, ED	1
495	BAC27NPA0647		.								EC	1
500	BAC27NPA0645		.								ED	1
505	BAC27NPA0662		.								BA	1
510	BAC27NPA0660		.								BB	1
515	BAC27NPA0666		.								BC	1

-Item not Illustrated

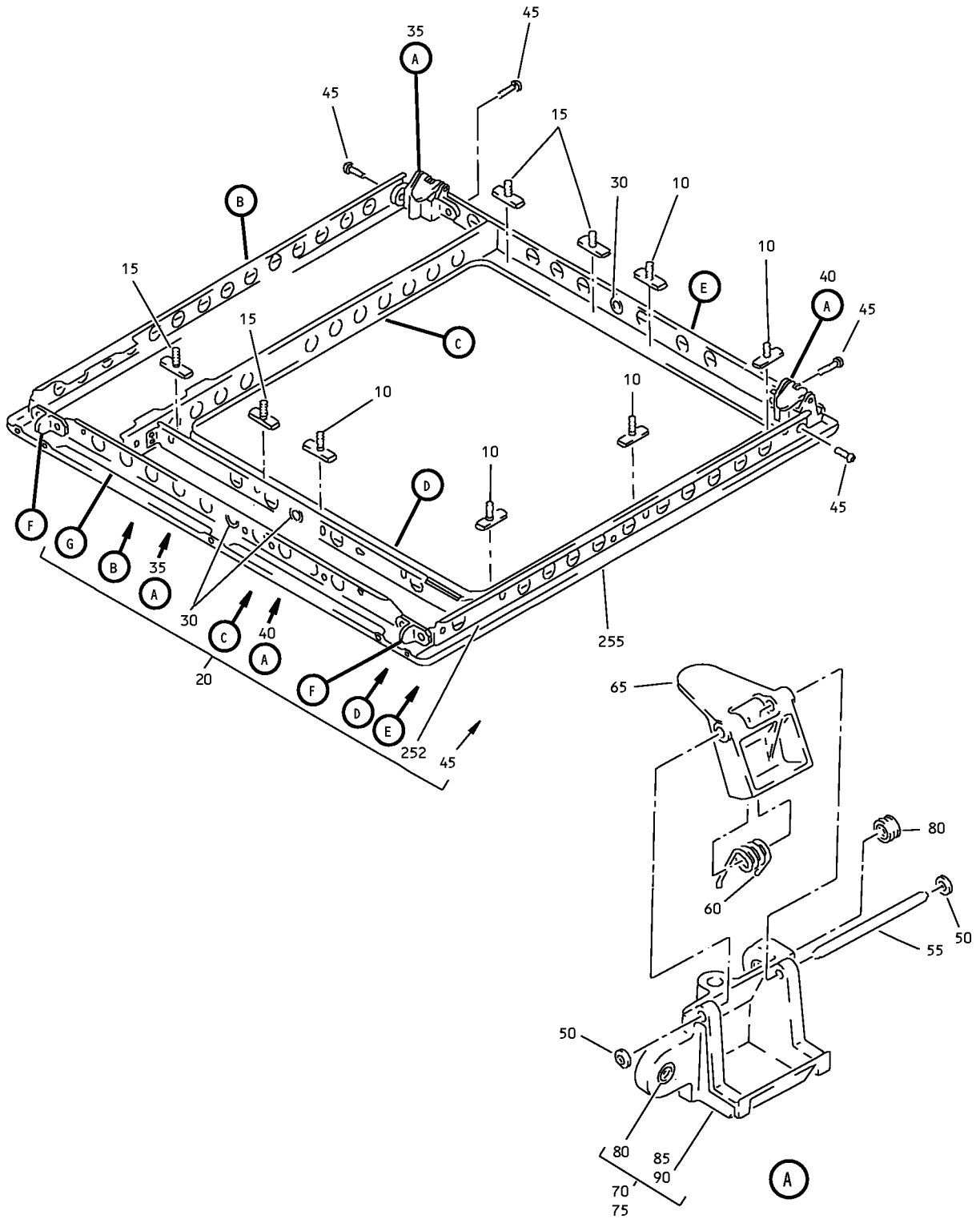
25-23-34

ILLUSTRATED PARTS LIST

Page 1098.491

Nov 01/2008

COMPONENT MAINTENANCE MANUAL



Underbin Passenger Service Unit Frame Assembly
IPL Figure 21 (Sheet 1 of 4)

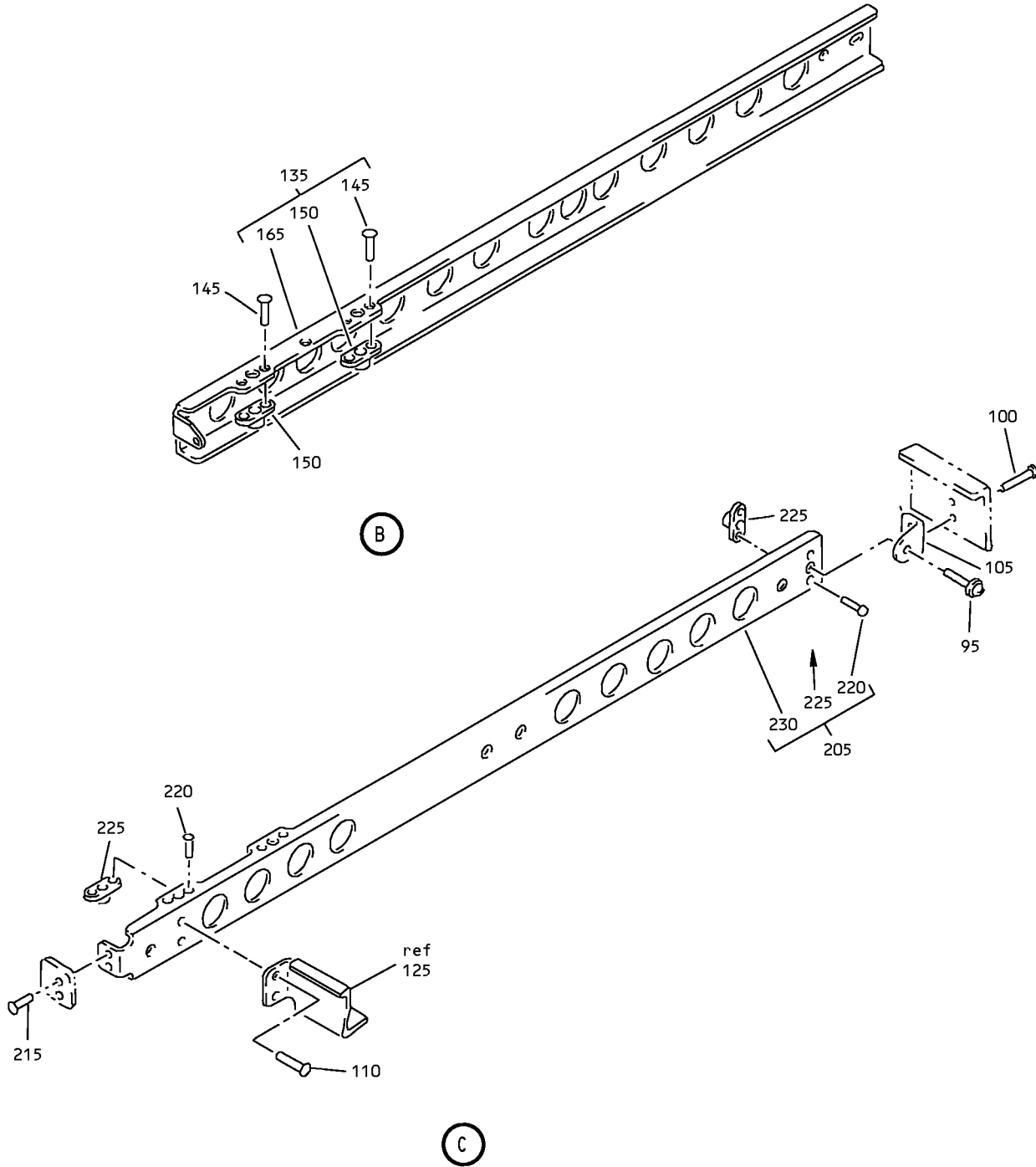
25-23-34

ILLUSTRATED PARTS LIST

Page 1098.492

Nov 01/2008

COMPONENT MAINTENANCE MANUAL



Underbin Passenger Service Unit Frame Assembly
IPL Figure 21 (Sheet 2 of 4)

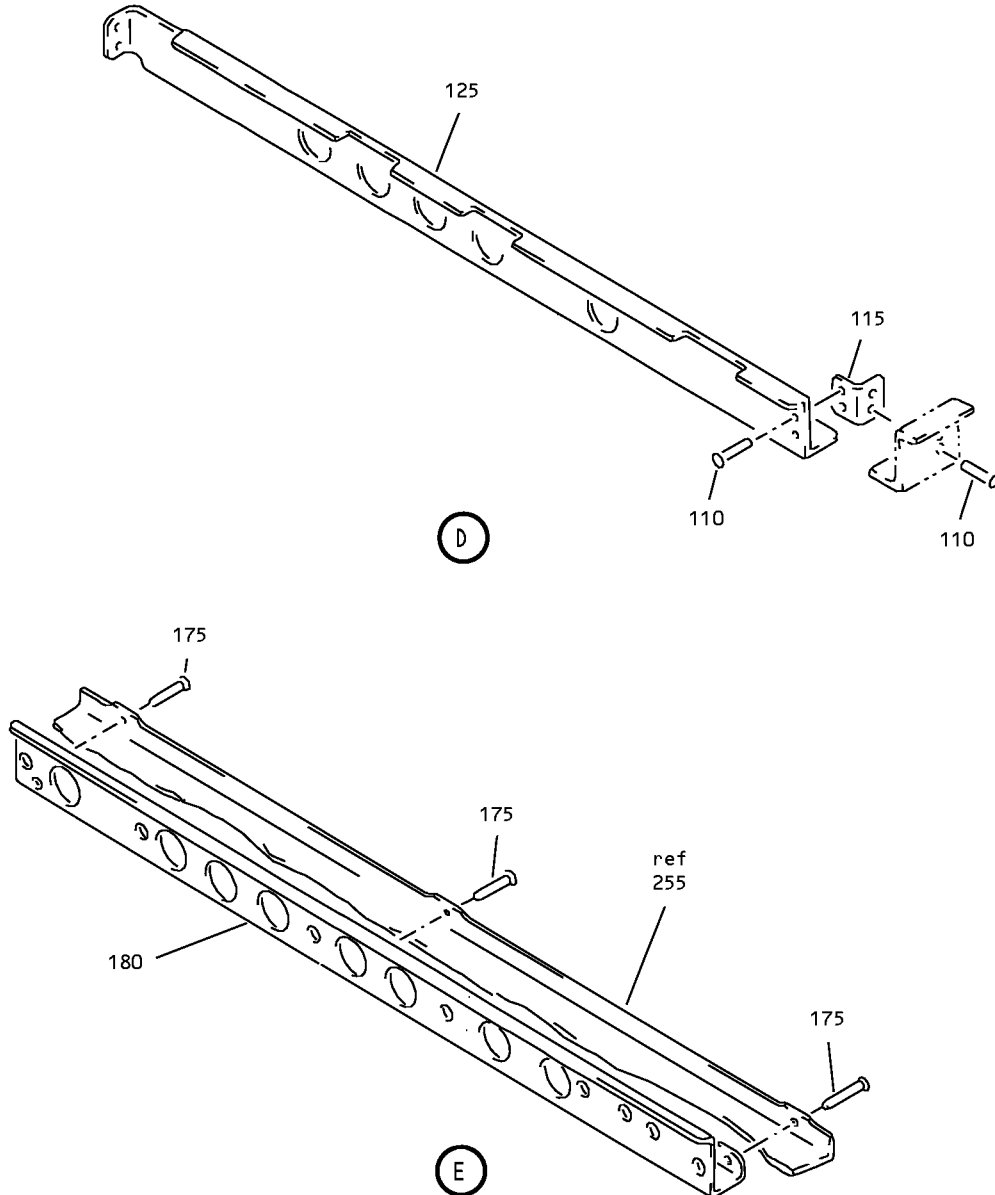
25-23-34

ILLUSTRATED PARTS LIST

Page 1098.493

Nov 01/2008

COMPONENT MAINTENANCE MANUAL



Underbin Passenger Service Unit Frame Assembly
IPL Figure 21 (Sheet 3 of 4)

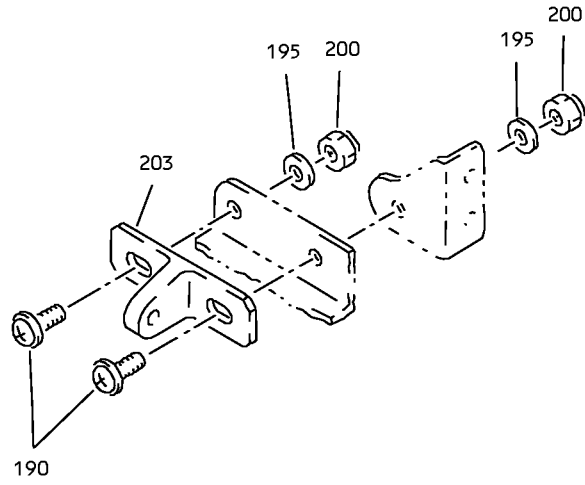
25-23-34

ILLUSTRATED PARTS LIST

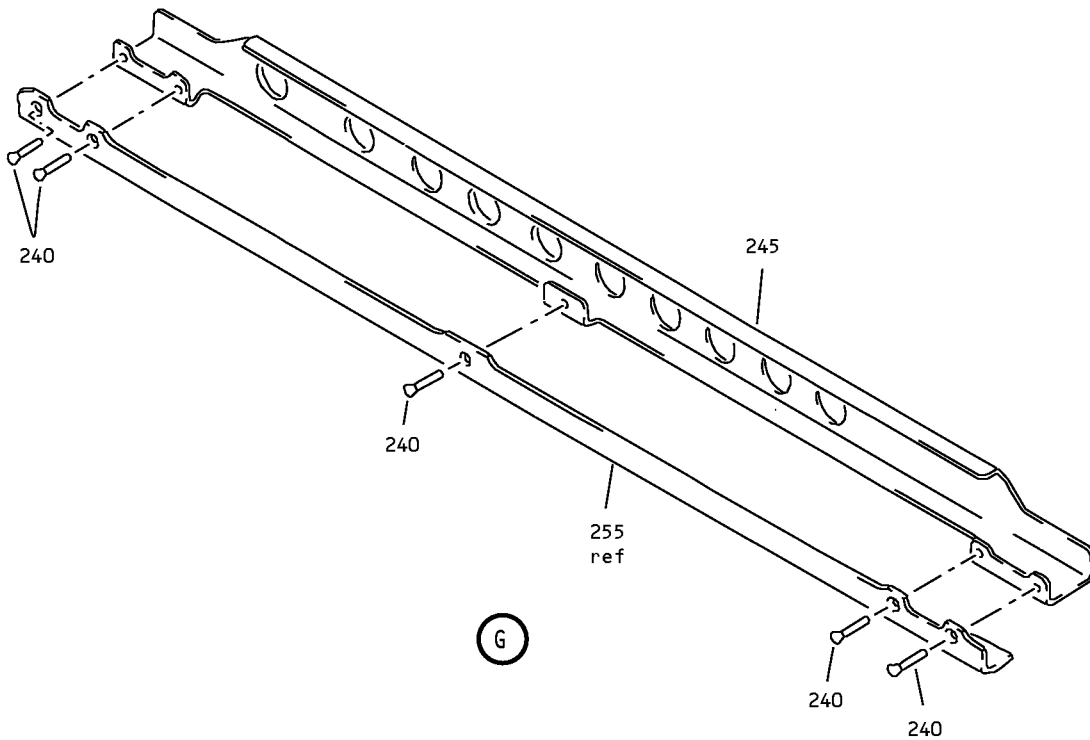
Page 1098.494

Nov 01/2008

COMPONENT MAINTENANCE MANUAL



F



G

Underbin Passenger Service Unit Frame Assembly
IPL Figure 21 (Sheet 4 of 4)

25-23-34

ILLUSTRATED PARTS LIST

Page 1098.495

Nov 01/2008



COMPONENT MAINTENANCE MANUAL

FIG/ ITEM	PART NUMBER	AIRLINE PART NUMBER	NOMENCLATURE	USAGE CODE	UNITS PER ASSY
21-					
-1	417N3110-41SP		FRAME ASSY-UNDERBIN PSU (LH)	AK	RF
-5	417N3110-42SP		FRAME ASSY-UNDERBIN PSU (RH)	AL	RF
10	SL6189-08-4		. STUD (V97393)	AK, AL	5
15	SL6189-08-6		. STUD (V97393)	AK, AL	4
20	417N3110-53		. FRAME ASSY	AK	1
-25	417N3110-54		. FRAME ASSY	AL	1
30	BACG20ZA0235		. . GROMMET (OPT ITEM 30A)	AK, AL	3
-30A	NAS557-10A		. . GROMMET (OPT ITEM 30)	AK, AL	3
35	417N3170-11		. . LATCH ASSY	AK, AL	1
40	417N3170-12		. . LATCH ASSY	AK, AL	1
			ATTACHING PARTS		
45	BACS12FA08K6		. . SCREW (V06710) (SPEC BACS12FA08K6) (OPT BACS12FA08K6 (V06725)) (OPT BACS12FA08K6 (V06950)) (OPT BACS12FA08K6 (V27624)) (OPT BACS12FA08K6 (V34252)) (OPT BACS12FA08K6 (V56878)) (OPT BACS12FA08K6 (V73197)) (OPT BACS12FA08K6 (V80539)) (OPT BACS12FA08K6 (V92215)) (OPT BACS12FA08K6 (V93907)) (OPT BACS12FA08K6 (V97928))	AK, AL	4
			-----*-----		
50	6100-9		. . . RETAINER (V2X013)	AK, AL	2
55	MS20253P2-165		. . . PIN	AK, AL	1
60	417N3173-1		. . . SPRING	AK, AL	1
65	417N3171-2		. . . BOLT (OPT ITEM 65A)	AK, AL	1

-Item not illustrated

25-23-34

ILLUSTRATED PARTS LIST

Page 1098.496

Nov 01/2008



COMPONENT MAINTENANCE MANUAL

FIG/ ITEM	PART NUMBER	AIRLINE PART NUMBER	NOMENCLATURE							USAGE CODE	UNITS PER ASSY	
			1	2	3	4	5	6	7			
21- -65A	417N3171-3		. . .	BOLT							AK, AL	1
				(OPT ITEM 65)								
70	417N3172-9		. . .	HOUSING ASSY-CAM LATCH							AK, AL	1
				(OPT ITEM 70A)								
				(USED ON ITEM 35)								
-70A	417N3172-19		. . .	HOUSING ASSY-CAM LATCH							AK, AL	1
				(OPT ITEM 70)								
				(USED ON ITEM 35)								
75	417N3172-10		. . .	HOUSING ASSY-CAM LATCH							AK, AL	1
				(OPT ITEM 75A)								
				(USED ON ITEM 40)								
-75A	417N3172-20		. . .	HOUSING ASSY-CAM LATCH							AK, AL	1
				(OPT ITEM 75)								
				(USED ON ITEM 40)								
80	6035-2BR185		INSERT							AK, AL	2
				(V26344)								
85	417N3172-11		HOUSING							AK, AL	1
				(USED ON ITEM 70)								
-85A	417N3172-21		HOUSING							AK, AL	1
				(USED ON ITEM 70A)								
90	417N3172-12		HOUSING							AK, AL	1
				(USED ON ITEM 75)								
-90A	417N3172-22		HOUSING							AK, AL	1
				(USED ON ITEM 75A)								
95	BACS12FA08K6		. .	SCREW							AK, AL	1
				(V06710)								
				(SPEC BACS12FA08K6)								
				(OPT BACS12FA08K6 (V06725))								
				(OPT BACS12FA08K6 (V06950))								
				(OPT BACS12FA08K6 (V27624))								
				(OPT BACS12FA08K6 (V34252))								
				(OPT BACS12FA08K6 (V56878))								
				(OPT BACS12FA08K6 (V73197))								
				(OPT BACS12FA08K6 (V80539))								
				(OPT BACS12FA08K6 (V92215))								
				(OPT BACS12FA08K6 (V93907))								
				(OPT BACS12FA08K6 (V97928))								
100	BACR15BB3D		. .	RIVET							AK, AL	2
				(SIZE DETERMINED ON INST)								
105	417N3122-54		. .	BRACKET							AK, AL	1

-Item not Illustrated

25-23-34

ILLUSTRATED PARTS LIST

Page 1098.497

Nov 01/2008



COMPONENT MAINTENANCE MANUAL

FIG/ ITEM	PART NUMBER	AIRLINE PART NUMBER	NOMENCLATURE							USAGE CODE	UNITS PER ASSY
			1	2	3	4	5	6	7		
21-											
110	BACR15BB3D									AK, AL	6
115	417N3122-57									AK, AL	1
125	417N3121-171									AK	1
-130	417N3121-172									AL	1
135	417N3121-157									AK	1
-140	417N3121-158									AL	1
145	BACR15BA3D									AK, AL	4
150	BRM200A08K									AK, AL	2
165	417N3121-159									AK	1
-170	417N3121-160									AL	1
175	BACR15CE3D									AK, AL	3
180	417N3121-275									AK	1
-185	417N3121-276									AL	1
190	BACS12FA08K7									AK, AL	4
195	AN960KD8L									AK, AL	4

-Item not Illustrated

25-23-34

ILLUSTRATED PARTS LIST

Page 1098.498

Nov 01/2008



COMPONENT MAINTENANCE MANUAL

FIG/ ITEM	PART NUMBER	AIRLINE PART NUMBER	NOMENCLATURE							USAGE CODE	UNITS PER ASSY
			1	2	3	4	5	6	7		
21- 200	H10-08BAC		. .	NUT (V15653) (SPEC BACN10JC08) (OPT NS202101-82 (V80539)) (OPT RMLH9075-82W (V72962)) (OPT T6S832J (V71087)) (OPT VN303A82 (V92215)) (OPT 96-82 (V80539)) (OPT BRH10A08 (V52828)) (OPT T6S832J (V11815))						AK, AL	4
203	417N3102-1		. .	BRACKET-MTG						AK, AL	2
205	417N3121-145		. .	STIFFENER ASSY						AK	1
-210	417N3121-146		. .	STIFFENER ASSY						AL	1
			ATTACHING PARTS								
215	BACR15BB3D		. .	RIVET (SIZE DETERMINED ON INST)						AK, AL	2
			-----*-----								
220	BACR15BA3D		. . .	RIVET (SIZE DETERMINED ON INST)						AK, AL	6
225	BRM200A08K		. . .	NUTPLATE (V52828) (SPEC BACN10JP08AR) (OPT MK1000-08BCBAC (V15653)) (OPT NS103197-82BC (V80539)) (OPT RMA9201M82BC (V72962)) (OPT T8076S832BC (V11815)) (OPT VN202A2-82 (V92215))						AK, AL	3
230	417N3121-155		. . .	STIFFENER						AK	1
-235	417N3121-156		. . .	STIFFENER						AL	1
240	BACR15BB3D		. .	RIVET (SIZE DETERMINED ON INST)						AK, AL	5
245	417N3121-147		. .	STIFFENER						AK	1
-250	417N3121-148		. .	STIFFENER						AL	1
252	417N3121-15		. .	STIFFENER						AK	1
-253	417N3121-16		. .	STIFFENER						AL	1
255	417N3111-17SP		. .	FACEPLATE						AK	1
-260	417N3111-18SP		. .	FACEPLATE						AL	1

-Item not Illustrated

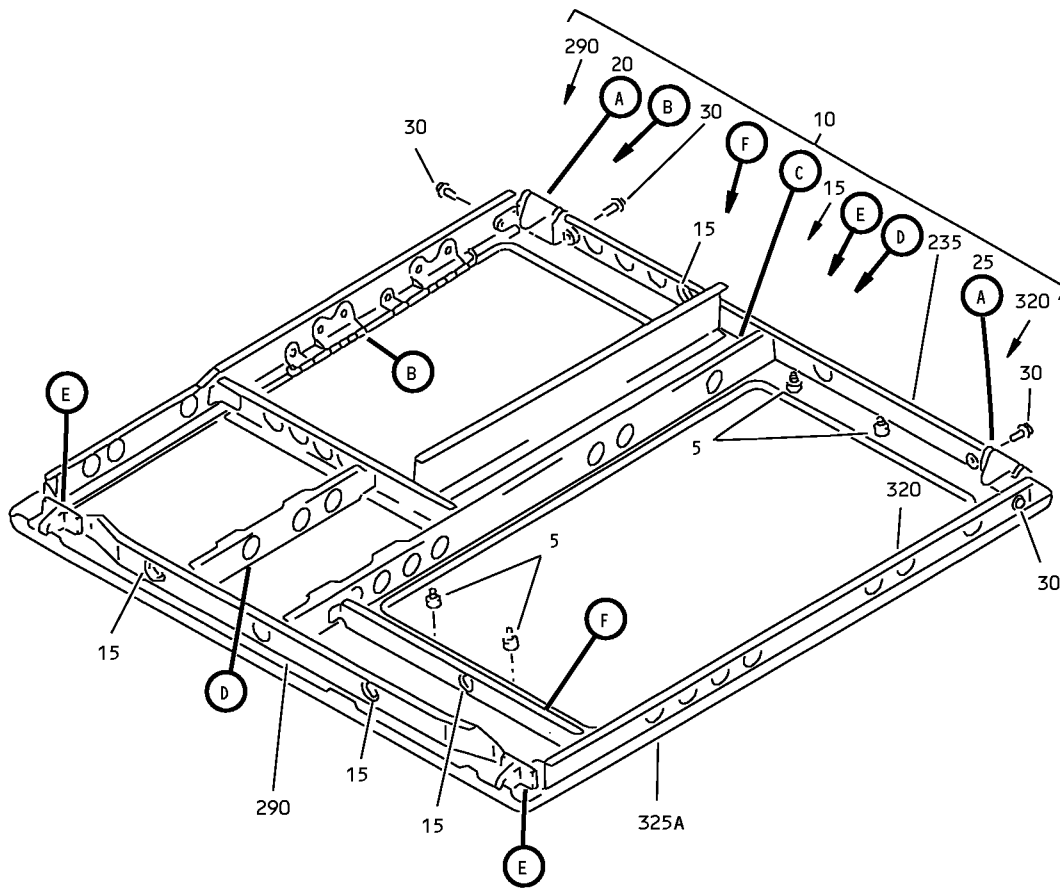
25-23-34

ILLUSTRATED PARTS LIST

Page 1098.499

Nov 01/2008

COMPONENT MAINTENANCE MANUAL



Underbin Passenger Service Unit Frame Assembly
IPL Figure 22 (Sheet 1 of 4)

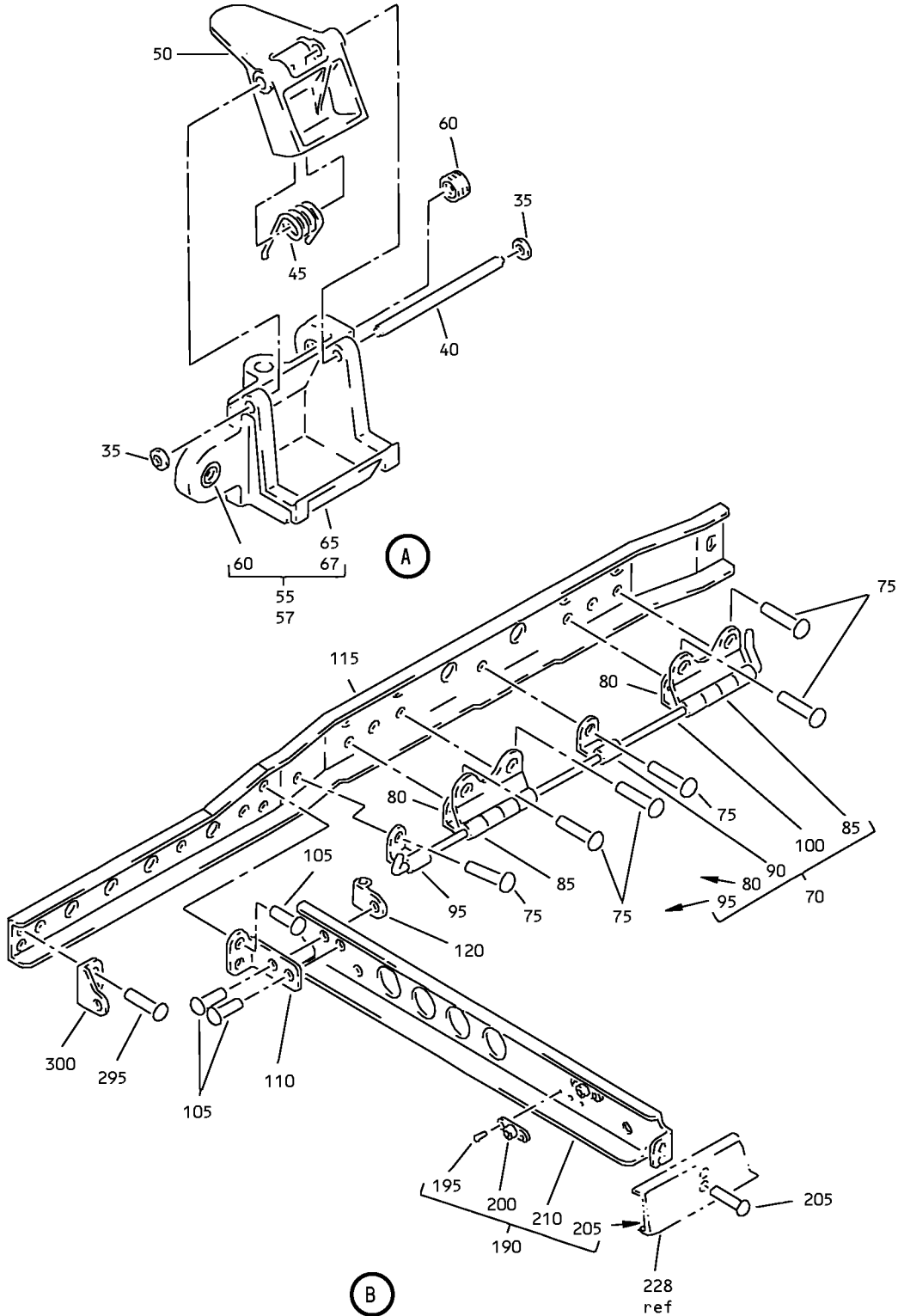
25-23-34

ILLUSTRATED PARTS LIST

Page 1098.500

Nov 01/2008

COMPONENT MAINTENANCE MANUAL



Underbin Passenger Service Unit Frame Assembly
IPL Figure 22 (Sheet 2 of 4)

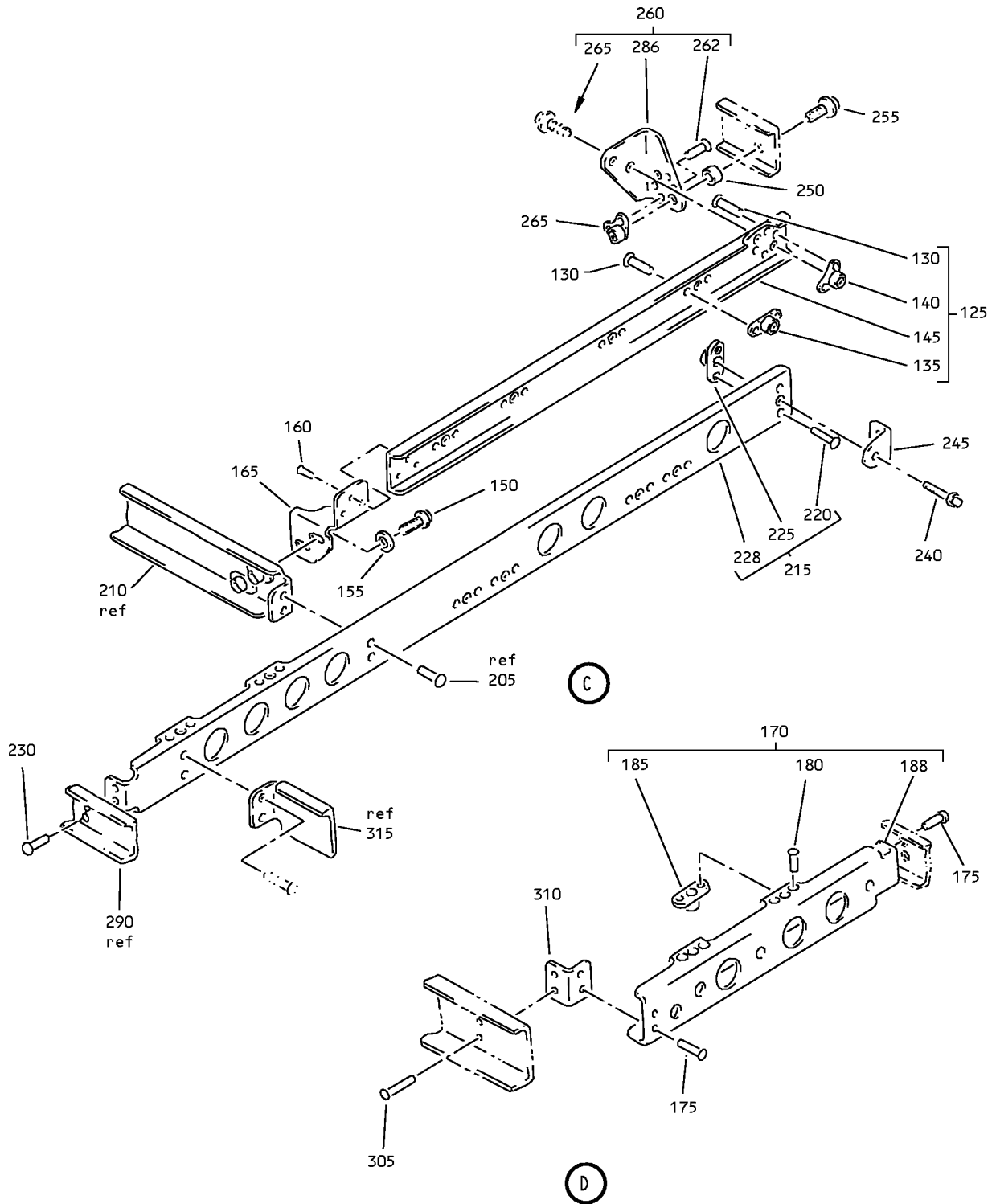
25-23-34

ILLUSTRATED PARTS LIST

Page 1098.501

Nov 01/2008

COMPONENT MAINTENANCE MANUAL



Underbin Passenger Service Unit Frame Assembly
IPL Figure 22 (Sheet 3 of 4)

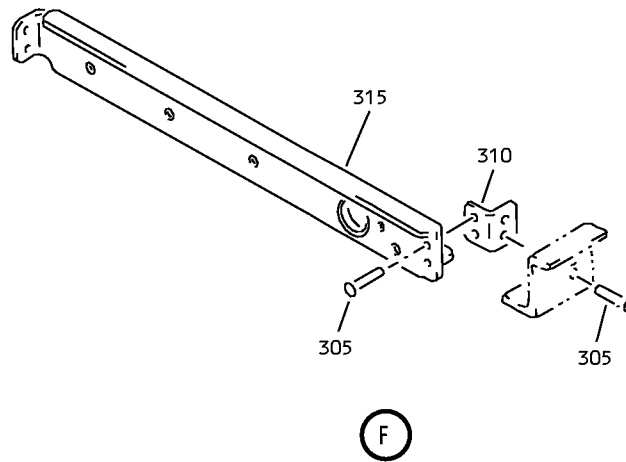
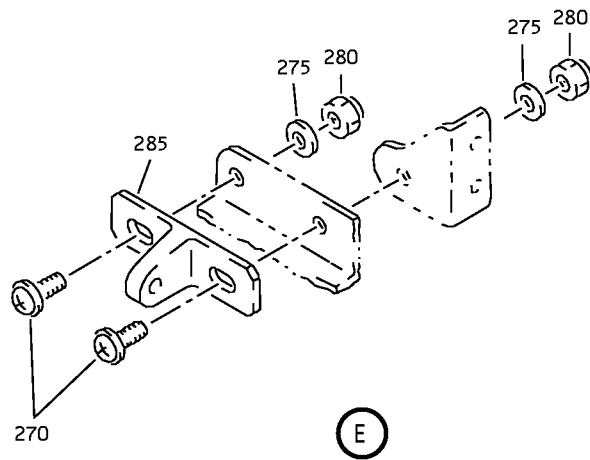
25-23-34

ILLUSTRATED PARTS LIST

Page 1098.502

Nov 01/2008

COMPONENT MAINTENANCE MANUAL



Underbin Passenger Service Unit Frame Assembly
IPL Figure 22 (Sheet 4 of 4)

25-23-34

ILLUSTRATED PARTS LIST

Page 1098.503

Nov 01/2008



COMPONENT MAINTENANCE MANUAL

FIG/ ITEM	PART NUMBER	AIRLINE PART NUMBER	NOMENCLATURE							USAGE CODE	UNITS PER ASSY
			1	2	3	4	5	6	7		
22-											
57	417N3172-10									AN	1
-57A	417N3172-20									AN	1
60	6035-2BR185									AN	2
65	417N3172-11									AN	1
-65A	417N3172-21									AN	1
67	417N3172-12									AN	1
-67A	417N3172-22									AN	1
70	417N3114-13									AN	1
75	BACR15BB4D									AN	6
80	417N3114-7									AN	2
85	417N3114-15									AN	2
90	417N3114-11									AN	1
95	417N3114-9									AN	1
100	417N3114-17									AN	1
105	BACR15BB3D									AN	4
110	417N3136-12									AN	1
115	417N3121-27									AN	1
120	417N3122-48									AN	1
125	417N3121-133									AN	1
130	BACR15BA3D									AN	12

-Item not Illustrated

25-23-34

ILLUSTRATED PARTS LIST

Page 1098.505

Nov 01/2008



COMPONENT MAINTENANCE MANUAL

FIG/ ITEM	PART NUMBER	AIRLINE PART NUMBER	NOMENCLATURE							USAGE CODE	UNITS PER ASSY
			1	2	3	4	5	6	7		
22- 135	BRM200A08K		. . .	NUTPLATE						AN	4
				(V52828)							
				(SPEC BACN10JP08AR)							
				(OPT MK1000-08BCBAC (V15653))							
				(OPT NS103197-82BC (V80539))							
				(OPT RMA9201M82BC (V72962))							
				(OPT T8076S832BC (V11815))							
				(OPT VN202A2-82 (V92215))							
140	BRM300A08K		. . .	NUTPLATE						AN	2
				(V52828)							
				(SPEC BACN10JP08CR)							
				(OPT MK3000-08BCBAC (V15653))							
				(OPT NS103199-82BC (V80539))							
				(OPT RMA9205M82BC (V72962))							
				(OPT T8078S832BC (V11815))							
				(OPT VN203A2-82 (V92215))							
145	417N3121-134		. . .	STIFFENER						AN	1
150	BACS12FA08K6		. .	SCREW						AN	2
				(V06710)							
				(SPEC BACS12FA08K6)							
				(OPT BACS12FA08K6 (V06725))							
				(OPT BACS12FA08K6 (V06950))							
				(OPT BACS12FA08K6 (V27624))							
				(OPT BACS12FA08K6 (V34252))							
				(OPT BACS12FA08K6 (V56878))							
				(OPT BACS12FA08K6 (V73197))							
				(OPT BACS12FA08K6 (V80539))							
				(OPT BACS12FA08K6 (V92215))							
				(OPT BACS12FA08K6 (V93907))							
				(OPT BACS12FA08K6 (V97928))							
155	AN960PD8L		. .	WASHER						AN	2
160	BACR15BB3D		. .	RIVET						AN	3
				(SIZE DETERMINED ON INST)							
165	417N3136-103		. .	BRACKET						AN	1
170	417N3121-69		. .	STIFFENER ASSY						AN	1
				ATTACHING PARTS							
175	BACR15BB3D		. .	RIVET						AN	4
				(SIZE DETERMINED ON INST)							
				-----*-----							
180	BACR15BA3D		. . .	RIVET						AN	4
				(SIZE DETERMINED ON INST)							

-Item not Illustrated

25-23-34

ILLUSTRATED PARTS LIST

Page 1098.506

Nov 01/2008



COMPONENT MAINTENANCE MANUAL

FIG/ ITEM	PART NUMBER	AIRLINE PART NUMBER	NOMENCLATURE							USAGE CODE	UNITS PER ASSY	
			1	2	3	4	5	6	7			
22- 185	BRM200A08K		. . .	NUTPLATE							AN	2
				(V52828)								
				(SPEC BACN10JP08AR)								
				(OPT MK1000-08BCBAC (V15653))								
				(OPT NS103197-82BC (V80539))								
				(OPT RMA9201M82BC (V72962))								
				(OPT T8076S832BC (V11815))								
				(OPT VN202A2-82 (V92215))								
188	417N3121-71		. . .	STIFFENER							AN	1
190	417N3121-163		. .	STIFFENER ASSY							AN	1
195	BACR15CE3D		. . .	RIVET							AN	4
				(SIZE DETERMINED ON INST)								
200	BRM200A08		. . .	NUTPLATE							AN	2
				(V52828)								
				(SPEC BACN10JP08A)								
				(OPT MK1000-08BAC (V15653))								
				(OPT NS103197-82 (V80539))								
				(OPT RMA9201M82 (V72962))								
				(OPT T8076S832 (V11815))								
				(OPT VN202A1-82 (V92215))								
205	BACR15BA3D		. . .	RIVET							AN	2
				(SIZE DETERMINED ON INST)								
210	417N3121-165		. . .	STIFFENER							AN	1
215	417N3121-65		. .	STIFFENER ASSY							AN	1
220	BACR15CE3D		. . .	RIVET							AN	14
				(SIZE DETERMINED ON INST)								
225	BRM200A08K		. . .	NUTPLATE							AN	7
				(V52828)								
				(SPEC BACN10JP08AR)								
				(OPT MK1000-08BCBAC (V15653))								
				(OPT NS103197-82BC (V80539))								
				(OPT RMA9201M82BC (V72962))								
				(OPT T8076S832BC (V11815))								
				(OPT VN202A2-82 (V92215))								
228	417N3121-67		. . .	STIFFENER							AN	1
230	BACR15BB3D		. .	RIVET							AN	2
				(SIZE DETERMINED ON INST)								
235	417N3121-167		. .	STIFFENER							AN	1

-Item not Illustrated

25-23-34

ILLUSTRATED PARTS LIST

Page 1098.507

Nov 01/2008



COMPONENT MAINTENANCE MANUAL

FIG/ ITEM	PART NUMBER	AIRLINE PART NUMBER	NOMENCLATURE							USAGE CODE	UNITS PER ASSY
			1	2	3	4	5	6	7		
22- 240	BACS12FA08K6		. .	SCREW						AN	1
				(V06710)							
				(SPEC BACS12FA08K6)							
				(OPT BACS12FA08K6 (V06725))							
				(OPT BACS12FA08K6 (V06950))							
				(OPT BACS12FA08K6 (V27624))							
				(OPT BACS12FA08K6 (V34252))							
				(OPT BACS12FA08K6 (V56878))							
				(OPT BACS12FA08K6 (V73197))							
				(OPT BACS12FA08K6 (V80539))							
				(OPT BACS12FA08K6 (V92215))							
				(OPT BACS12FA08K6 (V93907))							
				(OPT BACS12FA08K6 (V97928))							
245	417N3122-54		. .	BRACKET						AN	1
250	NAS43DD3-18		. .	SPACER						AN	2
255	BACS12FA08K6		. .	SCREW						AN	2
				(V06710)							
				(SPEC BACS12FA08K6)							
				(OPT BACS12FA08K6 (V06725))							
				(OPT BACS12FA08K6 (V06950))							
				(OPT BACS12FA08K6 (V27624))							
				(OPT BACS12FA08K6 (V34252))							
				(OPT BACS12FA08K6 (V56878))							
				(OPT BACS12FA08K6 (V73197))							
				(OPT BACS12FA08K6 (V80539))							
				(OPT BACS12FA08K6 (V92215))							
				(OPT BACS12FA08K6 (V93907))							
				(OPT BACS12FA08K6 (V97928))							
260	417N3136-85		. .	BRACKET ASSY-MTG						AN	1
262	BACR15BA3AD		. . .	RIVET						AN	4
				(SIZE DETERMINED ON INST)							
265	BRM300A08K		. . .	NUTPLATE						AN	2
				(V52828)							
				(SPEC BACN10JP08CR)							
				(OPT MK3000-08BCBAC (V15653))							
				(OPT NS103199-82BC (V80539))							
				(OPT RMA9205M82BC (V72962))							
				(OPT T8078S832BC (V11815))							
				(OPT VN203A2-82 (V92215))							
268	417N3136-87		. . .	BRACKET						AN	1

-Item not Illustrated

25-23-34

ILLUSTRATED PARTS LIST

Page 1098.508

Nov 01/2008



COMPONENT MAINTENANCE MANUAL

FIG/ ITEM	PART NUMBER	AIRLINE PART NUMBER	NOMENCLATURE							USAGE CODE	UNITS PER ASSY	
			1	2	3	4	5	6	7			
22- 270	BACS12FA08K7		.	.	SCREW (V06710) (SPEC BACS12FA08K7) (OPT BACS12FA08K7 (V06725)) (OPT BACS12FA08K7 (V06950)) (OPT BACS12FA08K7 (V27624)) (OPT BACS12FA08K7 (V34252)) (OPT BACS12FA08K7 (V56878)) (OPT BACS12FA08K7 (V73197)) (OPT BACS12FA08K7 (V80539)) (OPT BACS12FA08K7 (V92215)) (OPT BACS12FA08K7 (V93907)) (OPT BACS12FA08K7 (V97928))						AN	4
275	AN960PD8L		.	.	WASHER						AN	4
280	H10-08BAC		.	.	NUT (V15653) (SPEC BACN10JC08) (OPT NS202101-82 (V80539)) (OPT RMLH9075-82W (V72962)) (OPT T6S832J (V71087)) (OPT VN303A82 (V92215)) (OPT 96-82 (V80539)) (OPT BRH10A08 (V52828)) (OPT T6S832J (V11815))						AN	4
285	417N3102-1		.	.	BRACKET-MTG						AN	2
290	417N3121-111		.	.	STIFFENER						AN	1
295	BACR15BB3D		.	.	RIVET (SIZE DETERMINED ON INST)						AN	2
300	417N3136-15		.	.	BRACKET						AN	1
305	BACR15BB3D		.	.	RIVET (SIZE DETERMINED ON INST)						AN	6
310	417N3122-57		.	.	BRACKET						AN	2
315	417N3121-173		.	.	STIFFENER						AN	1
320	417N3121-161		.	.	STIFFENER						AN	1
325	417N3111-19				DELETED							
325A	417N3111-19SP		.	.	FACEPLATE						AN	1

-Item not Illustrated

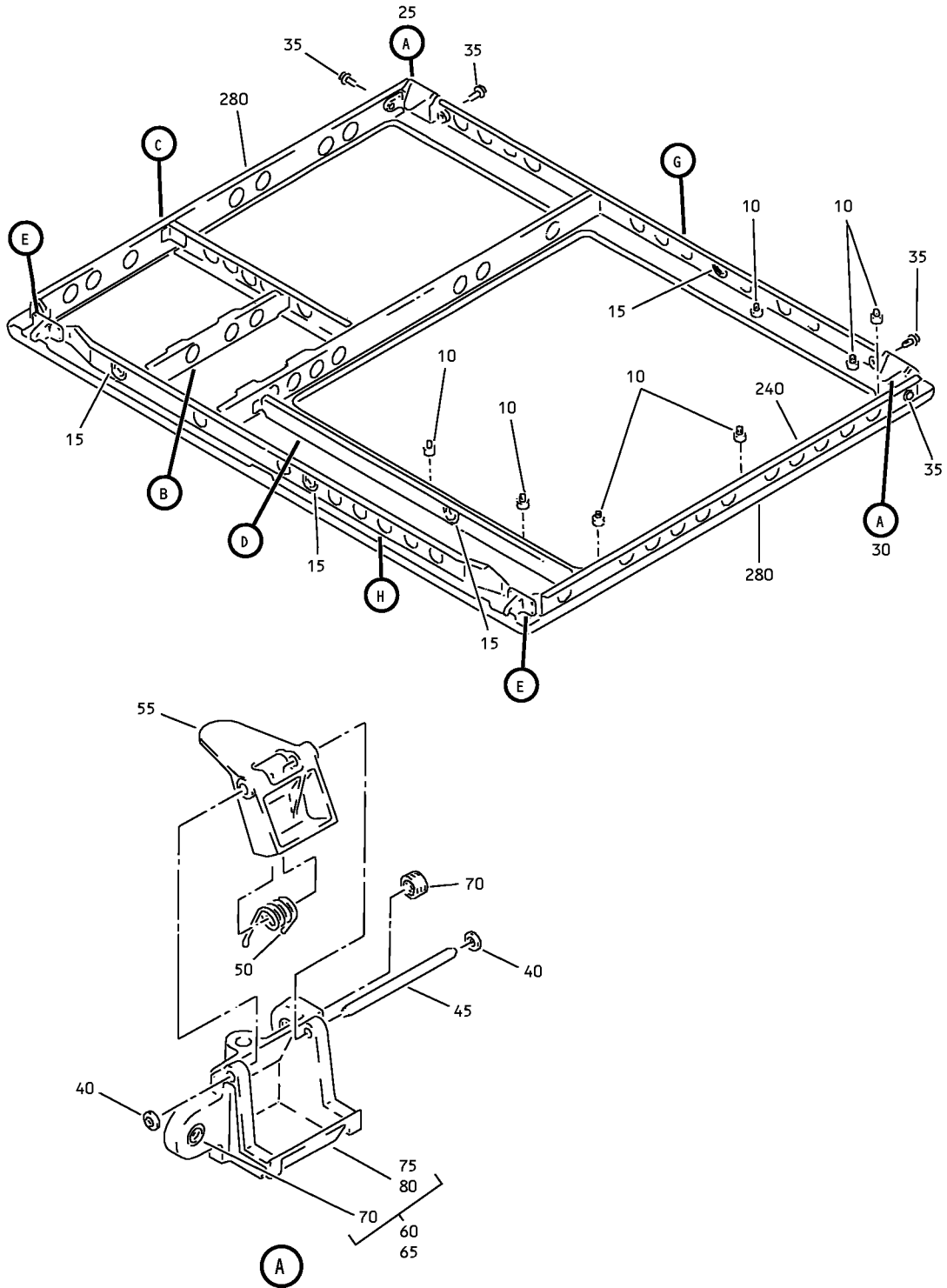
25-23-34

ILLUSTRATED PARTS LIST

Page 1098.509

Nov 01/2008

COMPONENT MAINTENANCE MANUAL



Underbin Passenger Service Unit Frame Assembly
IPL Figure 23 (Sheet 1 of 4)

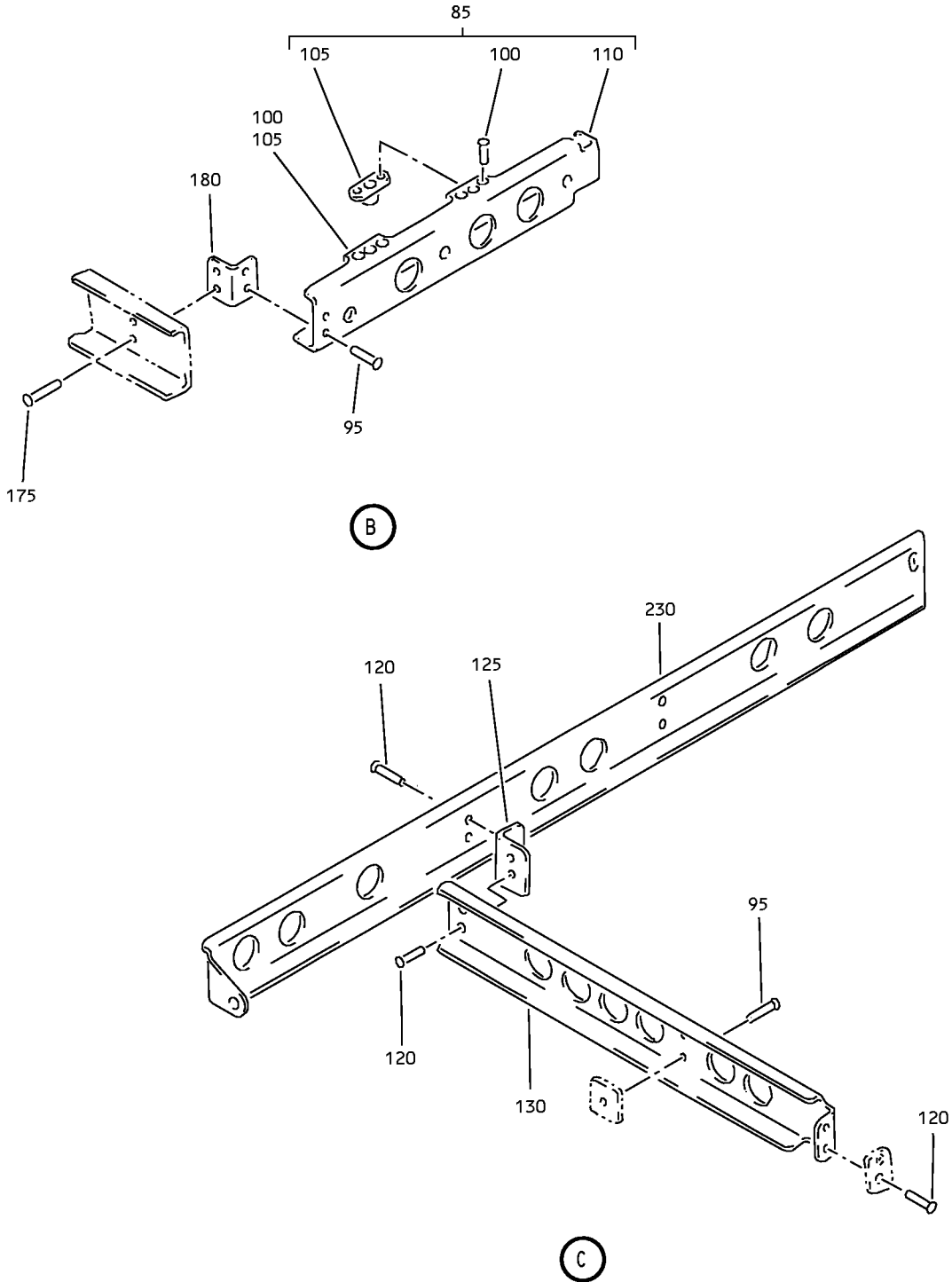
25-23-34

ILLUSTRATED PARTS LIST

Page 1098.510

Nov 01/2008

COMPONENT MAINTENANCE MANUAL



Underbin Passenger Service Unit Frame Assembly
IPL Figure 23 (Sheet 2 of 4)

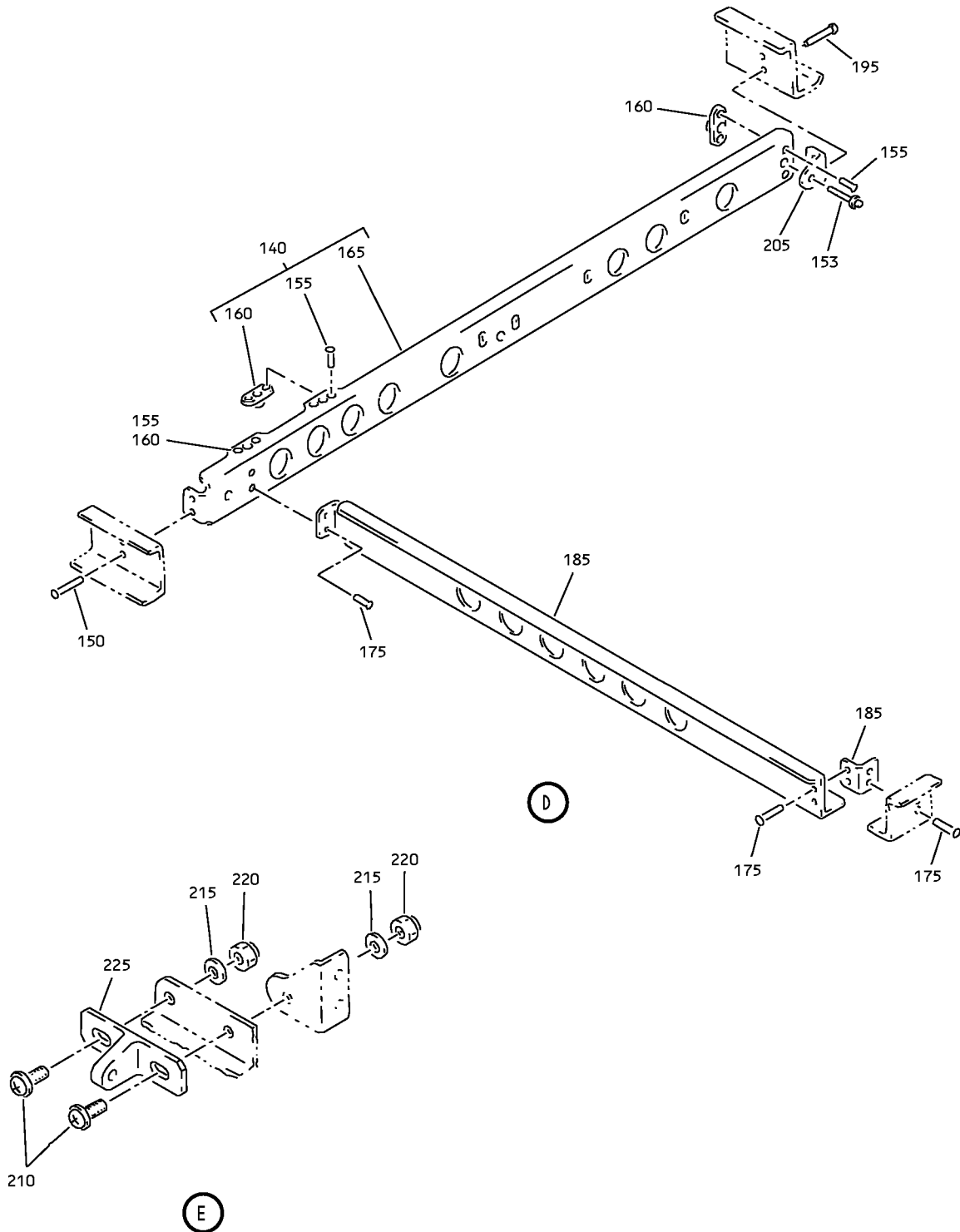
25-23-34

ILLUSTRATED PARTS LIST

Page 1098.511

Nov 01/2008

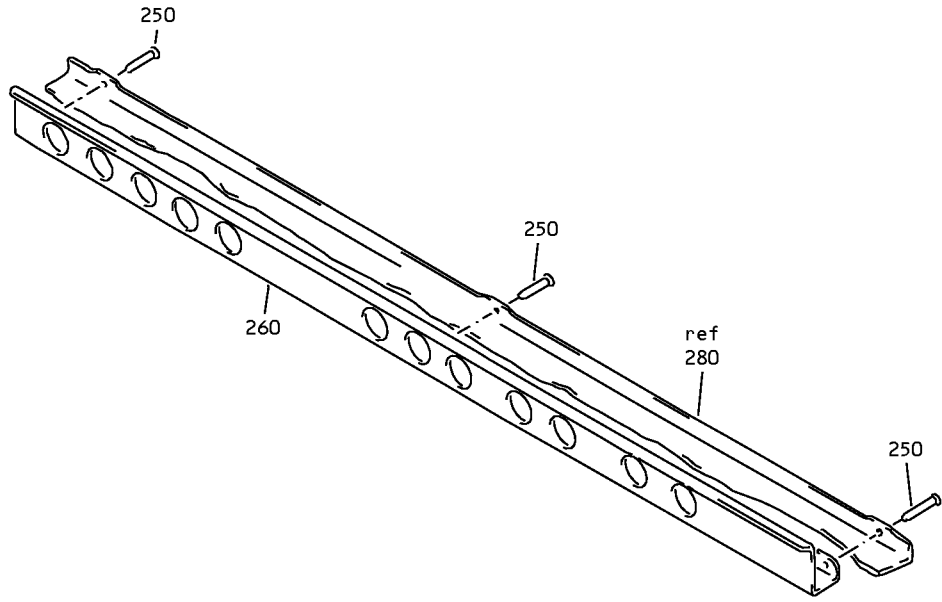
COMPONENT MAINTENANCE MANUAL



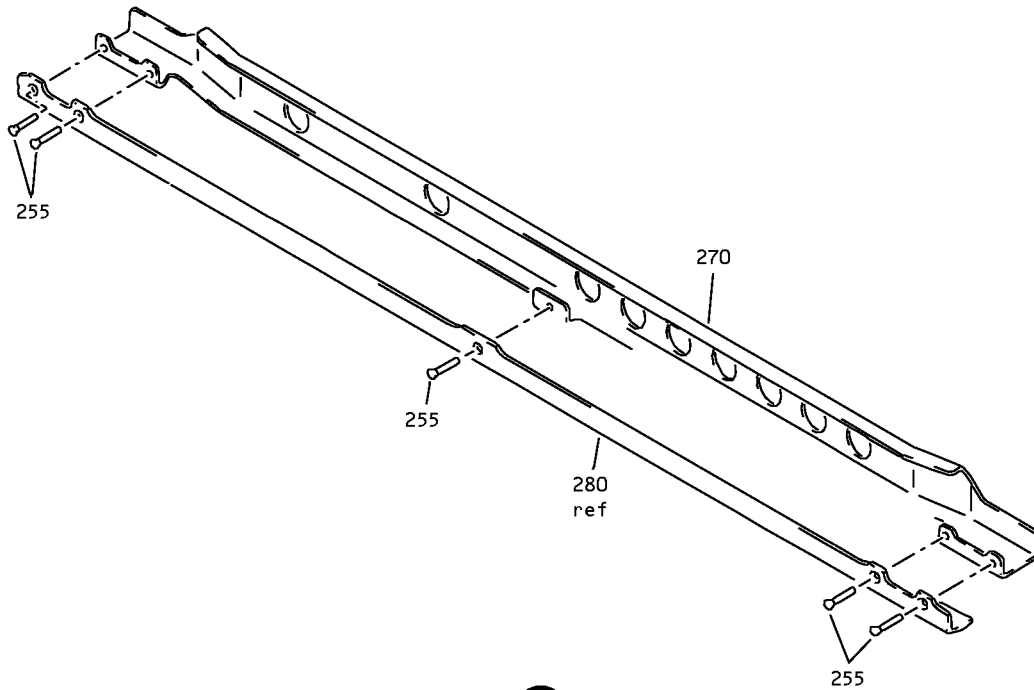
Underbin Passenger Service Unit Frame Assembly
IPL Figure 23 (Sheet 3 of 4)

25-23-34
ILLUSTRATED PARTS LIST
Page 1098.512
Nov 01/2008

COMPONENT MAINTENANCE MANUAL



G



H

Underbin Passenger Service Unit Frame Assembly
IPL Figure 23 (Sheet 4 of 4)

25-23-34

ILLUSTRATED PARTS LIST

Page 1098.513

Nov 01/2008



COMPONENT MAINTENANCE MANUAL

FIG/ ITEM	PART NUMBER	AIRLINE PART NUMBER	NOMENCLATURE							USAGE CODE	UNITS PER ASSY
			1	2	3	4	5	6	7		
23-											
-1	417N3110-11SP										
-5	417N3110-12SP										
10	SL6189-08-4										
-10A	417N3122-6										
15	NAS557-12A										
20	BACS12FA08K6										
25	417N3170-11										
30	417N3170-12										

-Item not Illustrated

25-23-34

ILLUSTRATED PARTS LIST

Page 1098.514

Nov 01/2008



COMPONENT MAINTENANCE MANUAL

FIG/ ITEM	PART NUMBER	AIRLINE PART NUMBER	NOMENCLATURE							USAGE CODE	UNITS PER ASSY
			1	2	3	4	5	6	7		
23-			ATTACHING PARTS								
35	BACS12FA08K6		.	SCREW						CA, CB, CH-CK, CS, CT, CV-CX	4
				(V06710)							
				(SPEC BACS12FA08K6)							
				(OPT BACS12FA08K6 (V06725))							
				(OPT BACS12FA08K6 (V06950))							
				(OPT BACS12FA08K6 (V27624))							
				(OPT BACS12FA08K6 (V34252))							
				(OPT BACS12FA08K6 (V56878))							
				(OPT BACS12FA08K6 (V73197))							
				(OPT BACS12FA08K6 (V80539))							
				(OPT BACS12FA08K6 (V92215))							
				(OPT BACS12FA08K6 (V93907))							
				(OPT BACS12FA08K6 (V97928))							
			-----*-----								
40	6100-9		.	RETAINER						CA, CB, CH-CK, CS, CT, CV-CX	2
				(V2X013)							
45	MS20253P2-165		.	PIN-HINGE						CA, CB, CH-CK, CS, CT, CV-CX	1
50	417N3173-1		.	SPRING						CA, CB, CH-CK, CS, CT, CV-CX	1
55	417N3171-2		.	BOLT						CA, CB, CH-CK, CS, CT, CV-CX	1
				(OPT ITEM 55A)							
-55A	417N3171-3		.	BOLT						CA, CB, CH-CK, CS, CT, CV-CX	1
				(OPT ITEM 55)							
60	417N3172-9		.	HOUSING ASSY-CAM LATCH						CA, CB, CH-CK, CS, CT, CV-CX	1
				(OPT ITEM 60A)							
				(USED ON ITEM 25)							
-60A	417N3172-19		.	HOUSING ASSY-CAM LATCH						CA, CB, CH-CK, CS, CT, CV-CX	1
				(OPT ITEM 60)							
				(USED ON ITEM 25)							

-Item not Illustrated

25-23-34

ILLUSTRATED PARTS LIST

Page 1098.515

Nov 01/2008



COMPONENT MAINTENANCE MANUAL

FIG/ ITEM	PART NUMBER	AIRLINE PART NUMBER	NOMENCLATURE							USAGE CODE	UNITS PER ASSY	
			1	2	3	4	5	6	7			
23- 65	417N3172-10		.	.	HOUSING ASSY-CAM LATCH (OPT ITEM 65A) (USED ON ITEM 30)						CA, CB, CH-CK, CS, CT, CV-CX	1
-65A	417N3172-20		.	.	HOUSING ASSY-CAM LATCH (OPT ITEM 65) (USED ON ITEM 30)						CA, CB, CH-CK, CS, CT, CV-CX	1
70	6035-2BR185		.	.	INSERT (V26344)						CA, CB, CH-CK, CS, CT, CV-CX	2
75	417N3172-11		.	.	HOUSING (USED ON ITEM 60)						CA, CB, CH-CK, CS, CT, CV-CX	1
-75A	417N3172-21		.	.	HOUSING (USED ON ITEM 60A)						CA, CB, CH-CK, CS, CT, CV-CX	1
80	417N3172-12		.	.	HOUSING (USED ON ITEM 65)						CA, CB, CH-CK, CS, CT, CV-CX	1
-80A	417N3172-22		.	.	HOUSING (USED ON ITEM 65A)						CA, CB, CH-CK, CS, CT, CV-CX	1
85	417N3121-61		.		STIFFENER ASSY						CA, CB, CS, CT	1
-90	417N3121-62		.		STIFFENER ASSY						CH-CK, CV-CX	1
					ATTACHING PARTS							
95	BACR15BB3D		.		RIVET (SIZE DETERMINED ON INST)						CA, CB, CH-CK, CS, CT, CV-CX	4
					-----*							

-Item not Illustrated

25-23-34

ILLUSTRATED PARTS LIST

Page 1098.516

Nov 01/2008



COMPONENT MAINTENANCE MANUAL

FIG/ ITEM	PART NUMBER	AIRLINE PART NUMBER	NOMENCLATURE							USAGE CODE	UNITS PER ASSY	
			1	2	3	4	5	6	7			
23- -100	BACR15BA3D		.	.							CA, CB, CH-CK, CS, CT, CV-CX	4
105	BRM200A08K		.	.							CA, CB, CH-CK, CS, CT, CV-CX	2
110	417N3121-63		.	.							CA, CB, CS, CT	1
-115	417N3121-64		.	.							CH-CK, CV-CX	1
120	BACR15BB3D		.								CA, CB, CH-CK, CS, CT, CV-CX	6
125	417N3122-57		.								CA, CB, CH-CK, CS, CT, CV-CX	1
130	417N3121-81		.								CA, CB, CS, CT	1
-135	417N3121-82		.								CH-CK, CV-CX	1
140	417N3121-47		.								CA, CB, CS, CT	1
-145	417N3121-48		.								CH-CK, CV-CX	1
150	BACR15BB3D		.								CA, CB, CH-CK, CS, CT, CV-CX	2

-Item not Illustrated

25-23-34

ILLUSTRATED PARTS LIST

Page 1098.517

Jul 01/2009



COMPONENT MAINTENANCE MANUAL

FIG/ ITEM	PART NUMBER	AIRLINE PART NUMBER	NOMENCLATURE							USAGE CODE	UNITS PER ASSY						
			1	2	3	4	5	6	7								
23- 153	BACS12FA08K6		.	S	C	R	E	W		CA, CB, CH-CK, CS, CT, CV-CX	1						
				(V06710)	(SPEC BACS12FA08K6)	(OPT BACS12FA08K6 (V06725))	(OPT BACS12FA08K6 (V06950))	(OPT BACS12FA08K6 (V27624))	(OPT BACS12FA08K6 (V34252))	(OPT BACS12FA08K6 (V56878))	(OPT BACS12FA08K6 (V73197))	(OPT BACS12FA08K6 (V80539))	(OPT BACS12FA08K6 (V92215))	(OPT BACS12FA08K6 (V93907))	(OPT BACS12FA08K6 (V97928))		
			-	-	-	-	-	-	-								
155	BACR15CE3D		.	.	R	I	V	E	T	CA, CB, CH-CK, CS, CT, CV-CX	6						
				(SIZE DETERMINED ON INST)													
160	BRM200A08K		.	.	N	U	T	P	L	CA, CB, CH-CK, CS, CT, CV-CX	3						
				(V52828)	(SPEC BACN10JP08AR)	(OPT MK1000-08BCBAC (V15653))	(OPT NS103197-82BC (V80539))	(OPT RMA9201M82BC (V72962))	(OPT T8076S832BC (V11815))	(OPT VN202A2-82 (V92215))							
165	417N3121-51		.	.	S	T	I	F	F	CA, CB, CS, CT	1						
-170	417N3121-52		.	.	S	T	I	F	F	CH-CK, CV-CX	1						
175	BACR15BB3D		.	R	I	V	E	T		CA, CB, CH-CK, CS, CT, CV-CX	8						
				(SIZE DETERMINED ON INST)													
180	417N3122-57		.	B	R	A	C	K	E	CA, CB, CH-CK, CS, CT, CV-CX	2						
185	417N3121-119		.	S	T	I	F	F	E	CA, CB, CS, CT	1						
-190	417N3121-120		.	S	T	I	F	F	E	CH-CK, CV-CX	1						

-Item not Illustrated

25-23-34

ILLUSTRATED PARTS LIST

Page 1098.518

Nov 01/2008



COMPONENT MAINTENANCE MANUAL

FIG/ ITEM	PART NUMBER	AIRLINE PART NUMBER	NOMENCLATURE							USAGE CODE	UNITS PER ASSY
			1	2	3	4	5	6	7		
23- 195	BACR15BB3D		.	RIVET (SIZE DETERMINED ON INST)						CA, CB, CH-CK, CS, CT, CV-CX	2
200	BACS12FA08K6			DELETED							
205	417N3122-54		.	BRACKET						CA, CB, CH-CK, CS, CT, CV-CX	1
210	BACS12FA08K7		.	SCREW (V06710) (SPEC BACS12FA08K7) (OPT BACS12FA08K7 (V06725)) (OPT BACS12FA08K7 (V06950)) (OPT BACS12FA08K7 (V27624)) (OPT BACS12FA08K7 (V34252)) (OPT BACS12FA08K7 (V56878)) (OPT BACS12FA08K7 (V73197)) (OPT BACS12FA08K7 (V80539)) (OPT BACS12FA08K7 (V92215)) (OPT BACS12FA08K7 (V93907)) (OPT BACS12FA08K7 (V97928))						CA, CB, CH-CK, CS, CT, CV-CX	4
215	AN960PD8L		.	WASHER						CA, CB, CH-CK, CS, CT, CV-CX	4
220	H10-08BAC		.	NUT (V15653) (SPEC BACN10JC08) (OPT NS202101-82 (V80539)) (OPT RMLH9075-82W (V72962)) (OPT T6S832J (V71087)) (OPT VN303A82 (V92215)) (OPT 96-82 (V80539)) (OPT BRH10A08 (V52828)) (OPT T6S832J (V11815))						CA, CB, CH-CK, CS, CT, CV-CX	4
225	417N3102-1		.	BRACKET-MTG						CA, CB, CH-CK, CS, CT, CV-CX	2
230	417N3121-49		.	STIFFENER						CA, CB, CS, CT	1

-Item not Illustrated

25-23-34

ILLUSTRATED PARTS LIST

Page 1098.519

Nov 01/2008



COMPONENT MAINTENANCE MANUAL

FIG/ ITEM	PART NUMBER	AIRLINE PART NUMBER	NOMENCLATURE							USAGE CODE	UNITS PER ASSY
			1	2	3	4	5	6	7		
23-											
-235	417N3121-50		.							CH-CK, CV-CX	1
240	417N3121-115		.							CA, CB, CS, CT	1
-245	417N3121-116		.							CH-CK, CV-CX	1
250	BACR15CE3D		.							CA, CB, CH-CK, CS, CT, CV-CX	3
255	BACR15BB3D		.							CA, CB, CH-CK, CS, CT, CV-CX	5
260	417N3121-35		.							CA, CB, CS, CT	1
-265	417N3121-36		.							CH-CK, CV-CX	1
270	417N3121-83		.							CA, CB, CS, CT	1
-275	417N3121-84		.							CH-CK, CV-CX	1
280	417N3111-1SP		.							CA, CB, CS, CT	1
-285	417N3111-2SP		.							CH-CK, CV-CX	1

-Item not Illustrated

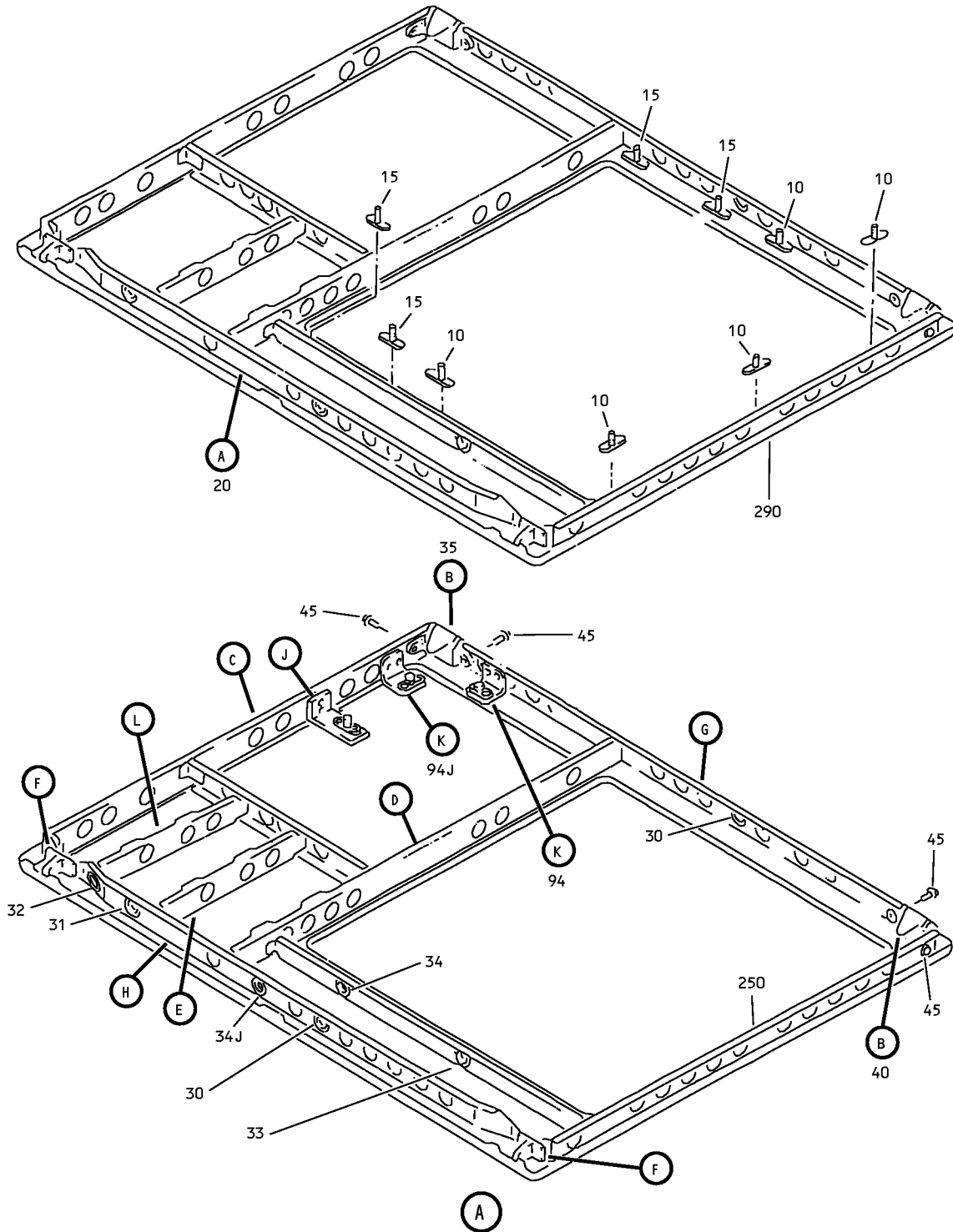
25-23-34

ILLUSTRATED PARTS LIST

Page 1098.520

Nov 01/2008

COMPONENT MAINTENANCE MANUAL



Underbin Passenger Service Unit Frame Assembly
IPL Figure 24 (Sheet 1 of 6)

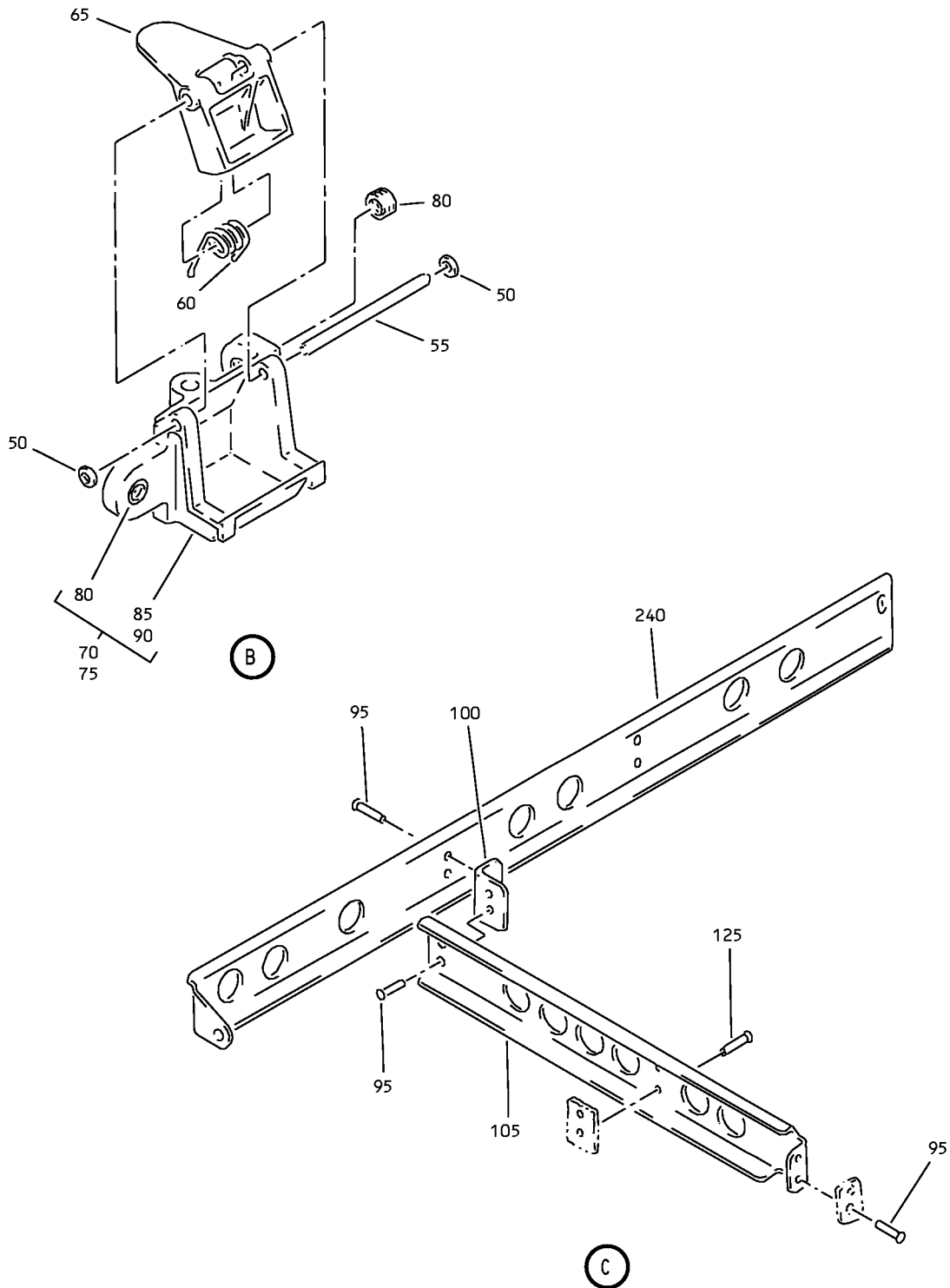
25-23-34

ILLUSTRATED PARTS LIST

Page 1098.521

Nov 01/2008

COMPONENT MAINTENANCE MANUAL



Underbin Passenger Service Unit Frame Assembly
IPL Figure 24 (Sheet 2 of 6)

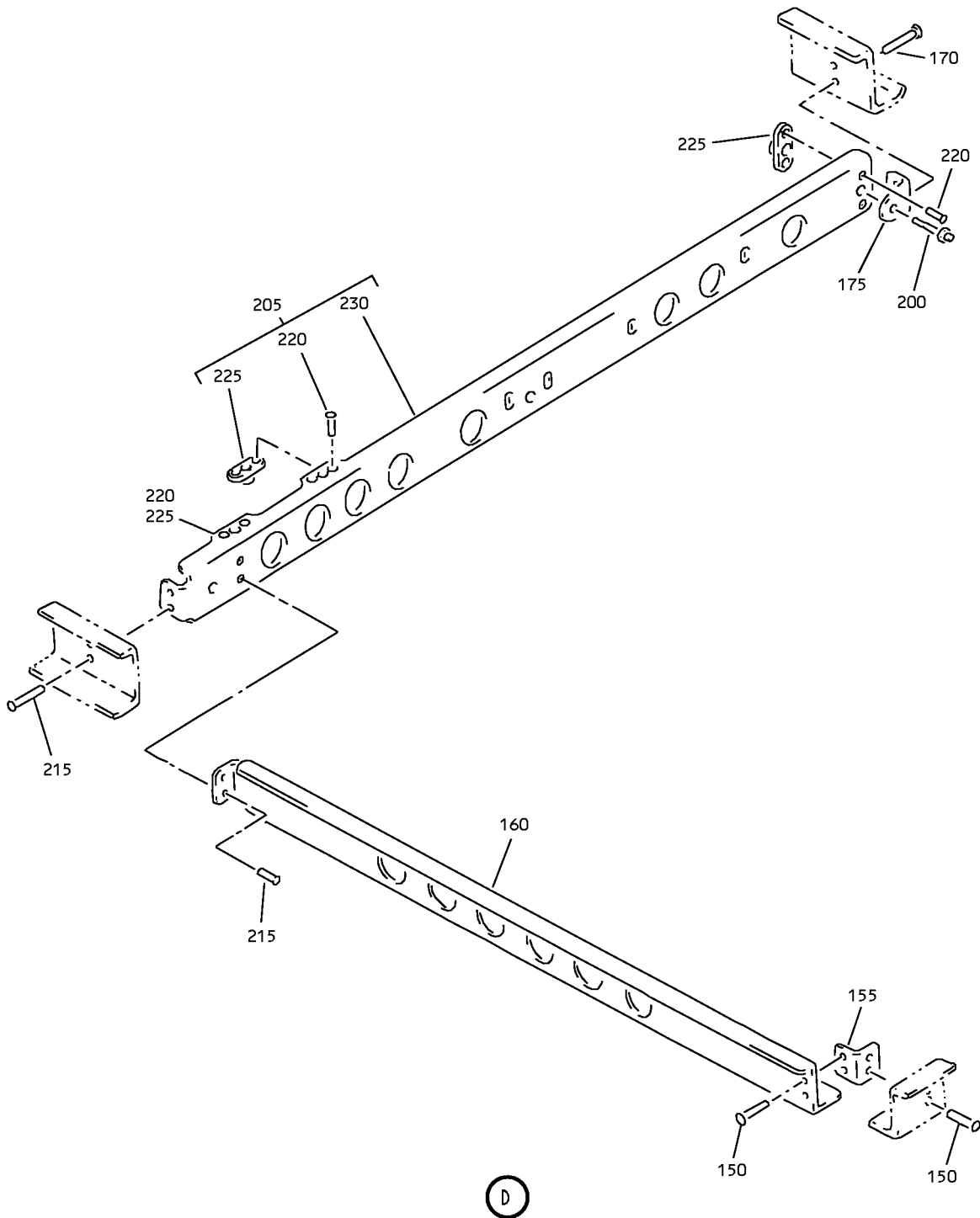
25-23-34

ILLUSTRATED PARTS LIST

Page 1098.522

Nov 01/2008

COMPONENT MAINTENANCE MANUAL



Underbin Passenger Service Unit Frame Assembly
IPL Figure 24 (Sheet 3 of 6)

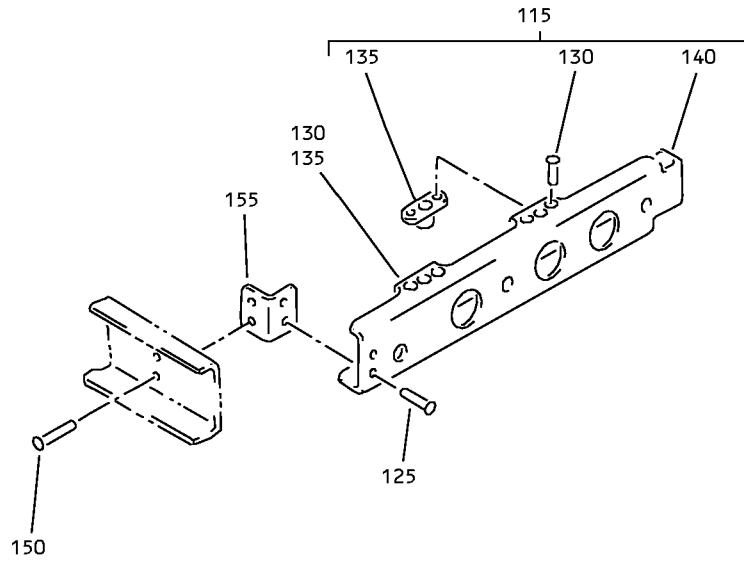
25-23-34

ILLUSTRATED PARTS LIST

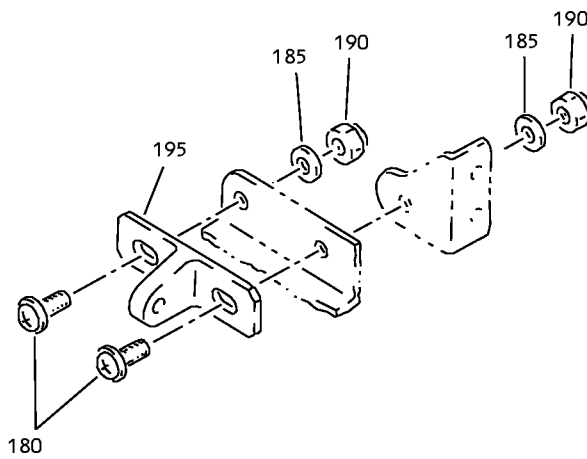
Page 1098.523

Nov 01/2008

COMPONENT MAINTENANCE MANUAL



(E)



(F)

Underbin Passenger Service Unit Frame Assembly
IPL Figure 24 (Sheet 4 of 6)

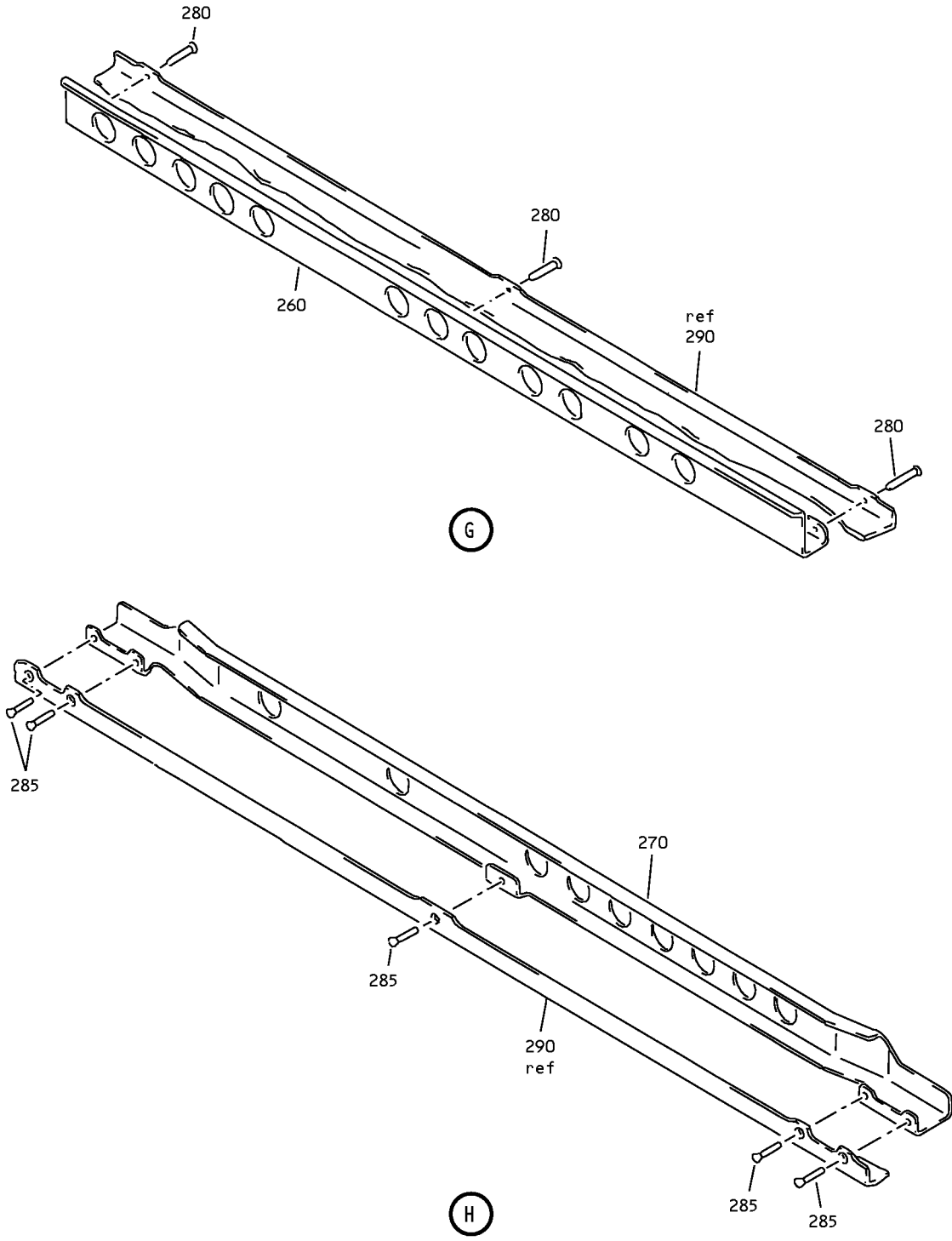
25-23-34

ILLUSTRATED PARTS LIST

Page 1098.524

Nov 01/2008

COMPONENT MAINTENANCE MANUAL



Underbin Passenger Service Unit Frame Assembly
IPL Figure 24 (Sheet 5 of 6)

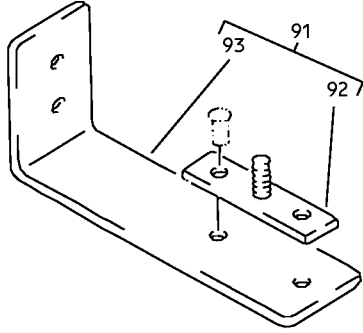
25-23-34

ILLUSTRATED PARTS LIST

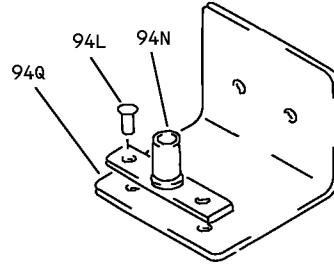
Page 1098.525

Nov 01/2008

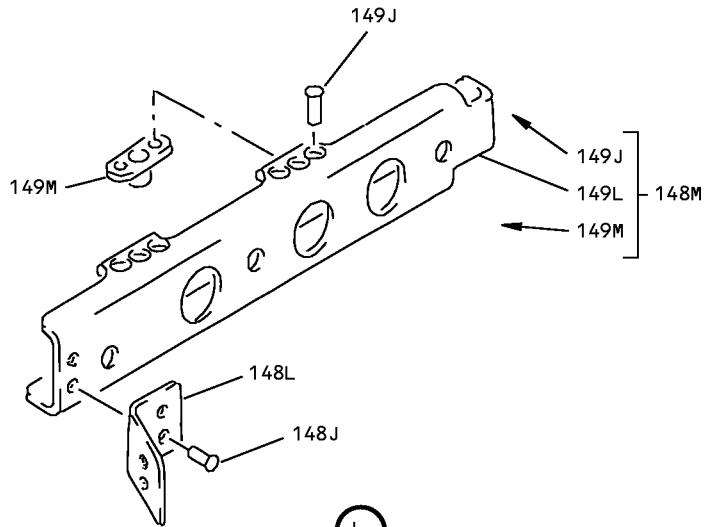
COMPONENT MAINTENANCE MANUAL



J



K



L

Underbin Passenger Service Unit Frame Assembly
IPL Figure 24 (Sheet 6 of 6)

25-23-34

ILLUSTRATED PARTS LIST

Page 1098.526

Nov 01/2008



COMPONENT MAINTENANCE MANUAL

FIG/ ITEM	PART NUMBER	AIRLINE PART NUMBER	NOMENCLATURE							USAGE CODE	UNITS PER ASSY	
			1	2	3	4	5	6	7			
24-												
-1	417N3110-31SP									FRAME ASSY-UNDERBIN PSU (LH) (LIMITED USAGE)	CA, CB, CS, CT	RF
-1A	417N3110-31SP									FRAME ASSY-UNDERBIN PSU (LH)	CC-CG, CU, DN	RF
-1B	417N3110-187SP									FRAME ASSY-UNDERBIN PSU (LH)	EF, EH, EK	RF
-5	417N3110-32SP									FRAME ASSY-UNDERBIN PSU (RH) (LIMITED USAGE)	CH-CK, CV-CX	RF
-5A	417N3110-32SP									FRAME ASSY-UNDERBIN PSU (RH)	BD, CL- CR, CY- DB, EE	RF
-5B	417N3110-188SP									FRAME ASSY-UNDERBIN PSU (RH)	EG, EJ, EL	RF
10	SL6189-08-4									. STUD (V97393)	BD, CA- DB, DN, EE-EL	5
15	SL6189-08-6									. STUD (V97393)	BD, CA- DB, DN, EE-EL	4
20	417N3110-49									. FRAME ASSY	CA-CG, CS-CU, DN	1
-20A	417N3110-189									. FRAME ASSY	EF, EH, EK	1
-25	417N3110-50									. FRAME ASSY	BD, CH- CR, CV- DB, EE	1
-25A	417N3110-190									. FRAME ASSY	EG, EJ, EL	1
30	NAS557-10A									. . GROMMET	BD, CA- DB, DN, EE-EL	2
31	NAS557-10A									. . GROMMET	BD, CA- DB, DN, EE	1
32	NAS557-6A									. . GROMMET	EF-EL	1

-Item not Illustrated

25-23-34

ILLUSTRATED PARTS LIST

Page 1098.527

Nov 01/2008



COMPONENT MAINTENANCE MANUAL

FIG/ ITEM	PART NUMBER	AIRLINE PART NUMBER	NOMENCLATURE							USAGE CODE	UNITS PER ASSY
			1	2	3	4	5	6	7		
24-											
33	NAS557-10A		.	.	GROMMET					BD, CA- DB, DN, EE	1
34	NAS557-10A		.	.	GROMMET					EF-EL	1
34J	NAS557-10A		.	.	GROMMET					EF-EL	1
35	417N3170-11		.	.	LATCH ASSY					BD, CA- DB, DN, EE-EL	1
40	417N3170-12		.	.	LATCH ASSY					BD, CA- DB, DN, EE-EL	1
					ATTACHING PARTS						
45	BACS12FA08K6		.	.	SCREW (V06710) (SPEC BACS12FA08K6) (OPT BACS12FA08K6 (V06725)) (OPT BACS12FA08K6 (V06950)) (OPT BACS12FA08K6 (V27624)) (OPT BACS12FA08K6 (V34252)) (OPT BACS12FA08K6 (V56878)) (OPT BACS12FA08K6 (V73197)) (OPT BACS12FA08K6 (V80539)) (OPT BACS12FA08K6 (V92215)) (OPT BACS12FA08K6 (V93907)) (OPT BACS12FA08K6 (V97928))					BD, CA- DB, DN, EE-EL	4
					-----*						
50	6100-9		.	.	RETAINER (V2X013)					BD, CA- DB, DN, EE-EL	2
55	MS20253P2-165		.	.	PIN-HINGE					BD, CA- DB, DN, EE-EL	1
60	417N3173-1		.	.	SPRING					BD, CA- DB, DN, EE-EL	1
65	417N3171-2		.	.	BOLT (OPT ITEM 65A)					BD, CA- DB, DN, EE-EL	1
-65A	417N3171-3		.	.	BOLT (OPT ITEM 65)					BD, CA- DB, DN, EE-EL	1

-Item not Illustrated

25-23-34

ILLUSTRATED PARTS LIST

Page 1098.528

Nov 01/2008



COMPONENT MAINTENANCE MANUAL

FIG/ ITEM	PART NUMBER	AIRLINE PART NUMBER	NOMENCLATURE							USAGE CODE	UNITS PER ASSY
			1	2	3	4	5	6	7		
24-											
70	417N3172-9		. . .	HOUSING ASSY-CAM LATCH (OPT ITEM 70A) (USED ON ITEM 35)						BD, CA- DB, DN, EE-EL	1
-70A	417N3172-19		. . .	HOUSING ASSY-CAM LATCH (OPT ITEM 70) (USED ON ITEM 35)						BD, CA- DB, DN, EE-EL	1
75	417N3172-10		. . .	HOUSING ASSY-CAM LATCH (OPT ITEM 75A) (USED ON ITEM 40)						BD, CA- DB, DN, EE-EL	1
-75A	417N3172-20		. . .	HOUSING ASSY-CAM LATCH (OPT ITEM 75) (USED ON ITEM 40)						BD, CA- DB, DN, EE-EL	1
80	6035-2BR185		INSERT (V26344)						BD, CA- DB, DN, EE-EL	2
85	417N3172-11		HOUSING (USED ON ITEM 70)						BD, CA- DB, DN, EE-EL	1
-85A	417N3172-21		HOUSING (USED ON ITEM 70A)						BD, CA- DB, DN, EE-EL	1
90	417N3172-12		HOUSING (USED ON ITEM 75)						BD, CA- DB, DN, EE-EL	1
-90A	417N3172-22		HOUSING (USED ON ITEM 75A)						BD, CA- DB, DN, EE-EL	1
91	417N3121-337		. .	STIFFENER ASSY						EF-EL	1
92	SL6189-08-4		. . .	STUD (V97393)						EF-EL	1
93	417N3121-338		. . .	STIFFENER						EF-EL	1
94	417N3122-123		. .	ANGLE ASSY						EF-EL	1
94J	417N3122-124		. .	ANGLE ASSY						EF-EL	1
94L	BACR15CE3D		. . .	RIVET (SIZE DETERMINED ON INST)						EF-EL	2
94N	SL6189-08-4		. . .	STUD (V97393) (OPT ITEM 94P)						EF-EL	1

-Item not Illustrated

25-23-34

ILLUSTRATED PARTS LIST

Page 1098.529

Nov 01/2008



COMPONENT MAINTENANCE MANUAL

FIG/ ITEM	PART NUMBER	AIRLINE PART NUMBER	NOMENCLATURE							USAGE CODE	UNITS PER ASSY
			1	2	3	4	5	6	7		
24-											
-94P	SL6189-08-6		. . .	STUD						EF-EL	1
				(V97393)							
				(OPT ITEM 94N)							
94Q	417N3122-126		. . .	ANGLE						EF-EL	1
95	BACR15BB3D		. .	RIVET						BD, CA- DB, DN, EE-EL	6
				(SIZE DETERMINED ON INST)							
100	417N3122-57		. .	BRACKET						BD, CA- DB, DN, EE-EL	1
105	417N3121-81		. .	STIFFENER						CA-CG, CS-CU, DN	1
-105A	417N3121-321		. .	STIFFENER						EF, EH, EK	1
-110	417N3121-82		. .	STIFFENER						BD, CH- CR, CV- DB, EE	1
-110A	417N3121-322		. .	STIFFENER						EG, EJ, EL	1
115	417N3121-61		. .	STIFFENER ASSY						CA-CG, CS-CU, DN	1
-115A	417N3121-339		. .	STIFFENER ASSY						EF-EH, EK	1
-120	417N3121-62		. .	STIFFENER ASSY						BD, CH- CR, CV- DB, EE	1
-120A	417N3121-340		. .	STIFFENER ASSY						EG, EJ, EL	1
				ATTACHING PARTS							
125	BACR15BB3D		. .	RIVET						BD, CA- DB, DN, EE-EL	4
				(SIZE DETERMINED ON INST)							
			-----*								
130	BACR15BA3D		. . .	RIVET						BD, CA- DB, DN, EE-EL	4
				(SIZE DETERMINED ON INST)							

-Item not Illustrated

25-23-34

ILLUSTRATED PARTS LIST

Page 1098.530

Nov 01/2008



COMPONENT MAINTENANCE MANUAL

FIG/ ITEM	PART NUMBER	AIRLINE PART NUMBER	NOMENCLATURE							USAGE CODE	UNITS PER ASSY
			1	2	3	4	5	6	7		
24- 135	BRM200A08K		. . .	NUTPLATE (V52828) (SPEC BACN10JP08AR) (OPT MK1000-08BCBAC (V15653)) (OPT NS103197-82BC (V80539)) (OPT RMA9201M82BC (V72962)) (OPT T8076S832BC (V11815)) (OPT VN202A2-82 (V92215))						BD, CA- DB, DN, EE-EL	2
140	417N3121-63		. . .	STIFFENER						CA-CG, CS-CU, DN	1
-140A	417N3121-341		. . .	STIFFENER						EF, EH, EK	1
-145	417N3121-64		. . .	STIFFENER						BD, CH- CR, CV- DB, EE	1
-145A	417N3121-342		. . .	STIFFENER						EG, EJ, EL	1
148J	BACR15BB3D		. .	RIVET (SIZE DETERMINED ON INST)						EF-EL	6
148L	417N3122-125		. .	ANGLE						EF-EL	1
148M	417N3121-329		. .	STIFFENER ASSY						EF, EH, EK	1
-149	417N3121-330		. .	STIFFENER ASSY						EG, EJ, EL	1
149J	BACR15BA3D		. . .	RIVET (SIZE DETERMINED ON INST)						EF-EL	4
149K	BRM200A08K		. . .	NUTPLATE (V52828) (SPEC BACN10JP08AR) (OPT MK1000-08BCBAC (V15653)) (OPT NS103197-82BC (V80539)) (OPT RMA9201M82BC (V72962)) (OPT T8076S832BC (V11815)) (OPT VN202A2-82 (V92215))						EF-EL	2
149L	417N3121-331		. . .	STIFFENER						EF, EH, EK	1
-149M	417N3121-332		. . .	STIFFENER						EG, EJ, EL	1

-Item not Illustrated

25-23-34

ILLUSTRATED PARTS LIST

Page 1098.531

Nov 01/2008



COMPONENT MAINTENANCE MANUAL

FIG/ ITEM	PART NUMBER	AIRLINE PART NUMBER	NOMENCLATURE							USAGE CODE	UNITS PER ASSY	
			1	2	3	4	5	6	7			
24- 150	BACR15BB3D		.	.	RIVET (SIZE DETERMINED ON INST)						BD, CA- DB, DN, EE-EL	6
155	417N3122-57		.	.	BRACKET						BD, CA- DB, DN, EE-EL	2
160	417N3121-171		.	.	STIFFENER						CA-CG, CS-CU, DN, EF, EH, EK	1
-165	417N3121-172		.	.	STIFFENER						BD, CH- CR, CV- DB, EE, EG, EJ, EL	1
170	BACR15BB3D		.	.	RIVET (SIZE DETERMINED ON INST)						BD, CA- DB, DN, EE-EL	2
175	417N3122-54		.	.	BRACKET						BD, CA- DB, DN, EE-EL	1
180	BACS12FA08K7		.	.	SCREW (V06710) (SPEC BACS12FA08K7) (OPT BACS12FA08K7 (V06725)) (OPT BACS12FA08K7 (V06950)) (OPT BACS12FA08K7 (V27624)) (OPT BACS12FA08K7 (V34252)) (OPT BACS12FA08K7 (V56878)) (OPT BACS12FA08K7 (V73197)) (OPT BACS12FA08K7 (V80539)) (OPT BACS12FA08K7 (V92215)) (OPT BACS12FA08K7 (V93907)) (OPT BACS12FA08K7 (V97928))					BD, CA- DB, DN, EE-EL	4	
185	AN960PD8L		.	.	WASHER						BD, CA- DB, DN, EE-EL	4

-Item not Illustrated

25-23-34

ILLUSTRATED PARTS LIST

Page 1098.532

Nov 01/2008



COMPONENT MAINTENANCE MANUAL

FIG/ ITEM	PART NUMBER	AIRLINE PART NUMBER	NOMENCLATURE							USAGE CODE	UNITS PER ASSY	
			1	2	3	4	5	6	7			
24- 190	H10-08BAC		. .	NUT (V15653) (SPEC BACN10JC08) (OPT NS202101-82 (V80539)) (OPT RMLH9075-82W (V72962)) (OPT T6S832J (V71087)) (OPT VN303A82 (V92215)) (OPT 96-82 (V80539)) (OPT BRH10A08 (V52828)) (OPT T6S832J (V11815))							BD, CA- DB, DN, EE-EL	4
195	417N3102-1		. .	BRACKET-MTG							BD, CA- DB, DN, EE-EL	2
200	BACS12FA08K6		. .	SCREW (V06710) (SPEC BACS12FA08K6) (OPT BACS12FA08K6 (V06725)) (OPT BACS12FA08K6 (V06950)) (OPT BACS12FA08K6 (V27624)) (OPT BACS12FA08K6 (V34252)) (OPT BACS12FA08K6 (V56878)) (OPT BACS12FA08K6 (V73197)) (OPT BACS12FA08K6 (V80539)) (OPT BACS12FA08K6 (V92215)) (OPT BACS12FA08K6 (V93907)) (OPT BACS12FA08K6 (V97928))							BD, CA- DB, DN, EE-EL	1
205	417N3121-47		. .	STIFFENER ASSY							CA-CG, CS-CU, DN	1
-205A	417N3121-333		. .	STIFFENER ASSY							EF, EH, EK	1
-210	417N3121-48		. .	STIFFENER ASSY							BD, CH- CR, CV- DB, EE	1
-210A	417N3121-334		. .	STIFFENER ASSY							EG, EJ, EL	1
215	BACR15BB3D			ATTACHING PARTS								
			. .	RIVET (SIZE DETERMINED ON INST)							BD, CA- DB, DN, EE-EL	4
				----- * -----								

-Item not Illustrated

25-23-34

ILLUSTRATED PARTS LIST

Page 1098.533

Nov 01/2008



COMPONENT MAINTENANCE MANUAL

FIG/ ITEM	PART NUMBER	AIRLINE PART NUMBER	NOMENCLATURE							USAGE CODE	UNITS PER ASSY	
			1	2	3	4	5	6	7			
24- -220	BACR15CE3D		. . .	RIVET							BD, CA- DB, DN, EE	6
				(SIZE DETERMINED ON INST)								
-220A	BACR15BA3D		. . .	RIVET							EF-EL	6
				(SIZE DETERMINED ON INST)								
225	BRM200A08K		. . .	NUTPLATE							BD, CA- DB, DN, EE-EL	3
				(V52828)								
				(SPEC BACN10JP08AR)								
				(OPT MK1000-08BCBAC (V15653))								
				(OPT NS103197-82BC (V80539))								
				(OPT RMA9201M82BC (V72962))								
				(OPT T8076S832BC (V11815))								
				(OPT VN202A2-82 (V92215))								
230	417N3121-51		. . .	STIFFENER							CA-CG, CS-CU, DN	1
-230A	417N3121-335		. . .	STIFFENER							EF, EH, EK	1
-235	417N3121-52		. . .	STIFFENER							BD, CH- CR, CV- DB, EE	1
-235A	417N3121-336		. . .	STIFFENER							EG, EJ, EL	1
240	417N3121-49		. .	STIFFENER							CA-CG, CS-CU, DN	1
-240A	417N3121-323		. .	STIFFENER							EF, EH, EK	1
-245	417N3121-50		. .	STIFFENER							BD, CH- CR, CV- DB, EE	1
-245A	417N3121-324		. .	STIFFENER							EG, EJ, EL	1
250	417N3121-115		. .	STIFFENER							CA-CG, CS-CU, DN, EF, EH, EK	1

-Item not Illustrated

25-23-34

ILLUSTRATED PARTS LIST

Page 1098.534

Jul 01/2009



COMPONENT MAINTENANCE MANUAL

FIG/ ITEM	PART NUMBER	AIRLINE PART NUMBER	NOMENCLATURE							USAGE CODE	UNITS PER ASSY	
			1	2	3	4	5	6	7			
24- -255	417N3121-116		.	.							BD, CH- CR, CV- DB, EE, EG, EJ, EL	1
260	417N3121-35		.	.							CA-CG, CS-CU, DN	1
-260A	417N3121-319		.	.							EF, EH, EK	1
-265	417N3121-36		.	.							BD, CH- CR, CV- DB, EE	1
-265A	417N3121-320		.	.							EG, EJ, EL	1
270	417N3121-83		.	.							CA-CG, CS-CU, DN	1
-270A	417N3121-317		.	.							EF, EH, EK	1
-275	417N3121-84		.	.							BD, CH- CR, CV- DB, EE	1
-275A	417N3121-318		.	.							EG, EJ, EL	1
280	BACR15CE3D		.	.							BD, CA- DB, DN, EE-EL	3
285	BACR15BB3D		.	.							BD, CA- DB, DN, EE-EL	5
290	417N3111-1SP		.								CA-CG, CS-CU, DN	1
-290A	417N3111-35SP		.								EF, EH, EK	1
-295	417N3111-2SP		.								BD, CH- CR, CV- DB, EE	1

-Item not Illustrated

25-23-34

ILLUSTRATED PARTS LIST

Page 1098.535

Nov 01/2008



COMPONENT MAINTENANCE MANUAL

FIG/ ITEM	PART NUMBER	AIRLINE PART NUMBER	NOMENCLATURE							USAGE CODE	UNITS PER ASSY	
			1	2	3	4	5	6	7			
24- -295A	417N3111-36SP									. FACEPLATE	EG, EJ, EL	1

-Item not Illustrated

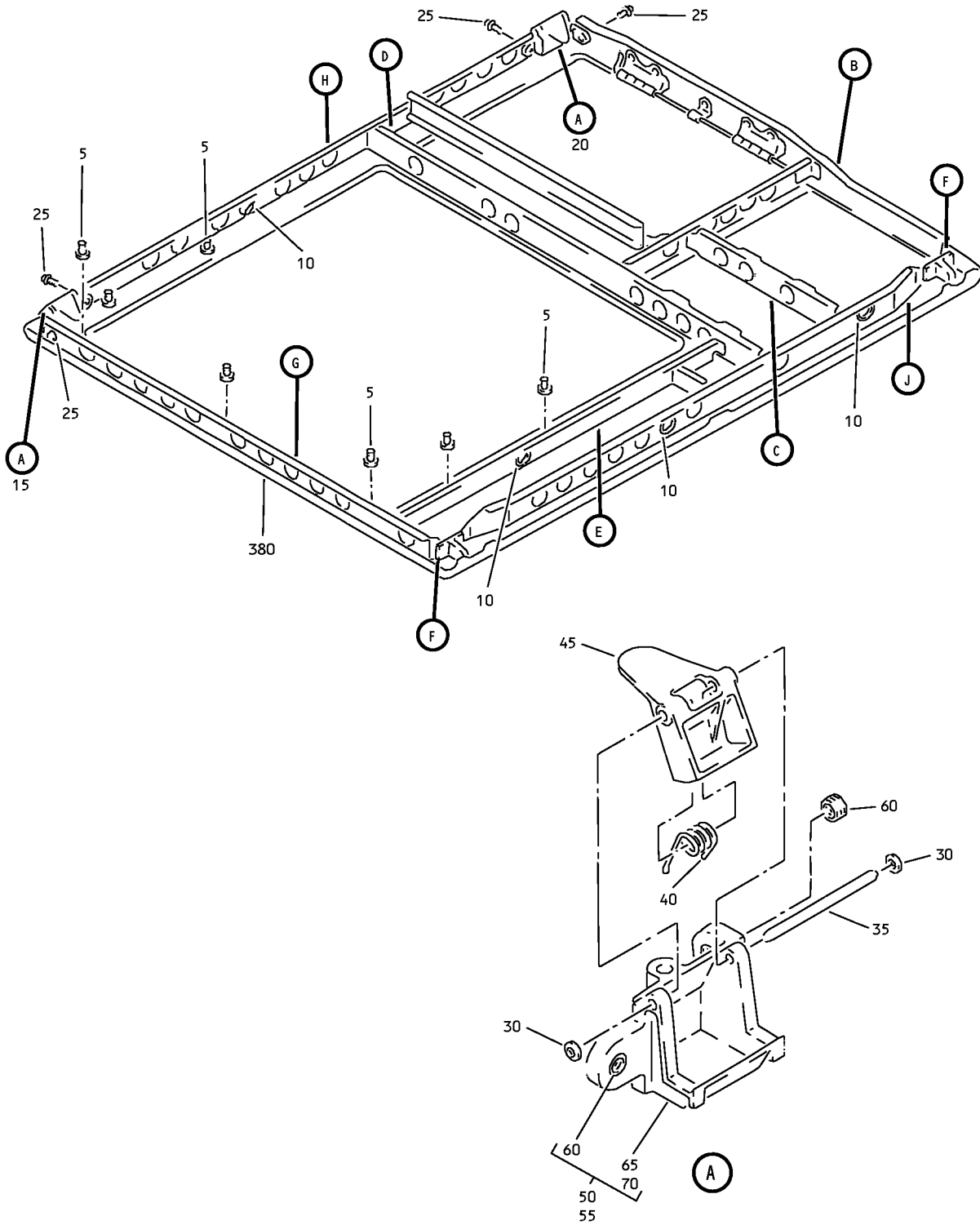
25-23-34

ILLUSTRATED PARTS LIST

Page 1098.536

Nov 01/2008

COMPONENT MAINTENANCE MANUAL



Underbin Passenger Service Unit Frame Assembly
IPL Figure 25 (Sheet 1 of 5)

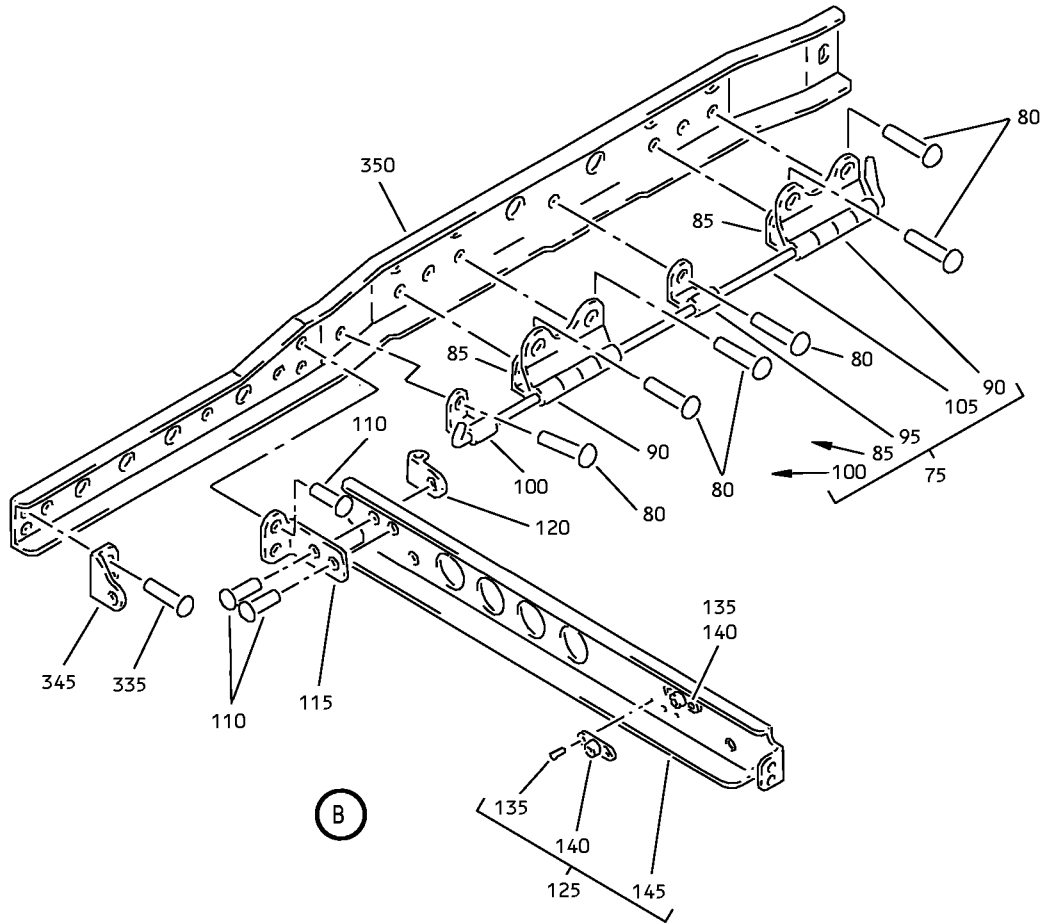
25-23-34

ILLUSTRATED PARTS LIST

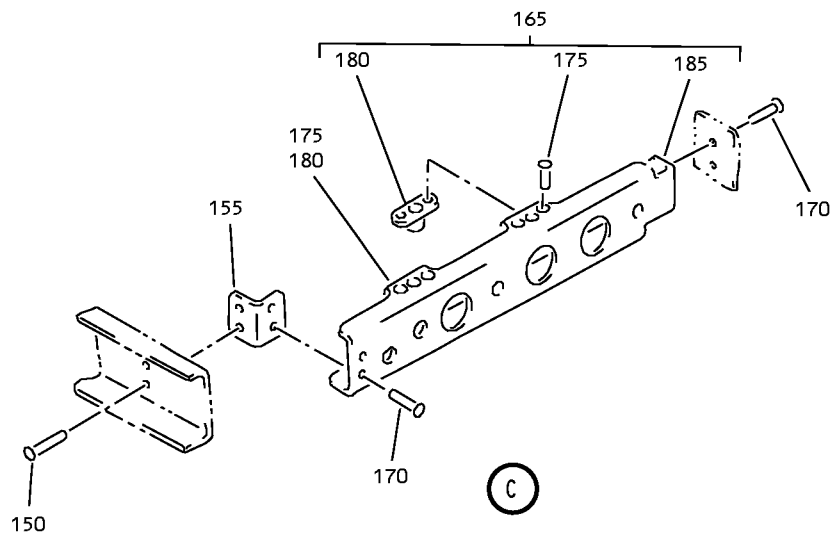
Page 1098.537

Nov 01/2008

COMPONENT MAINTENANCE MANUAL



(B)



(C)

Underbin Passenger Service Unit Frame Assembly
IPL Figure 25 (Sheet 2 of 5)

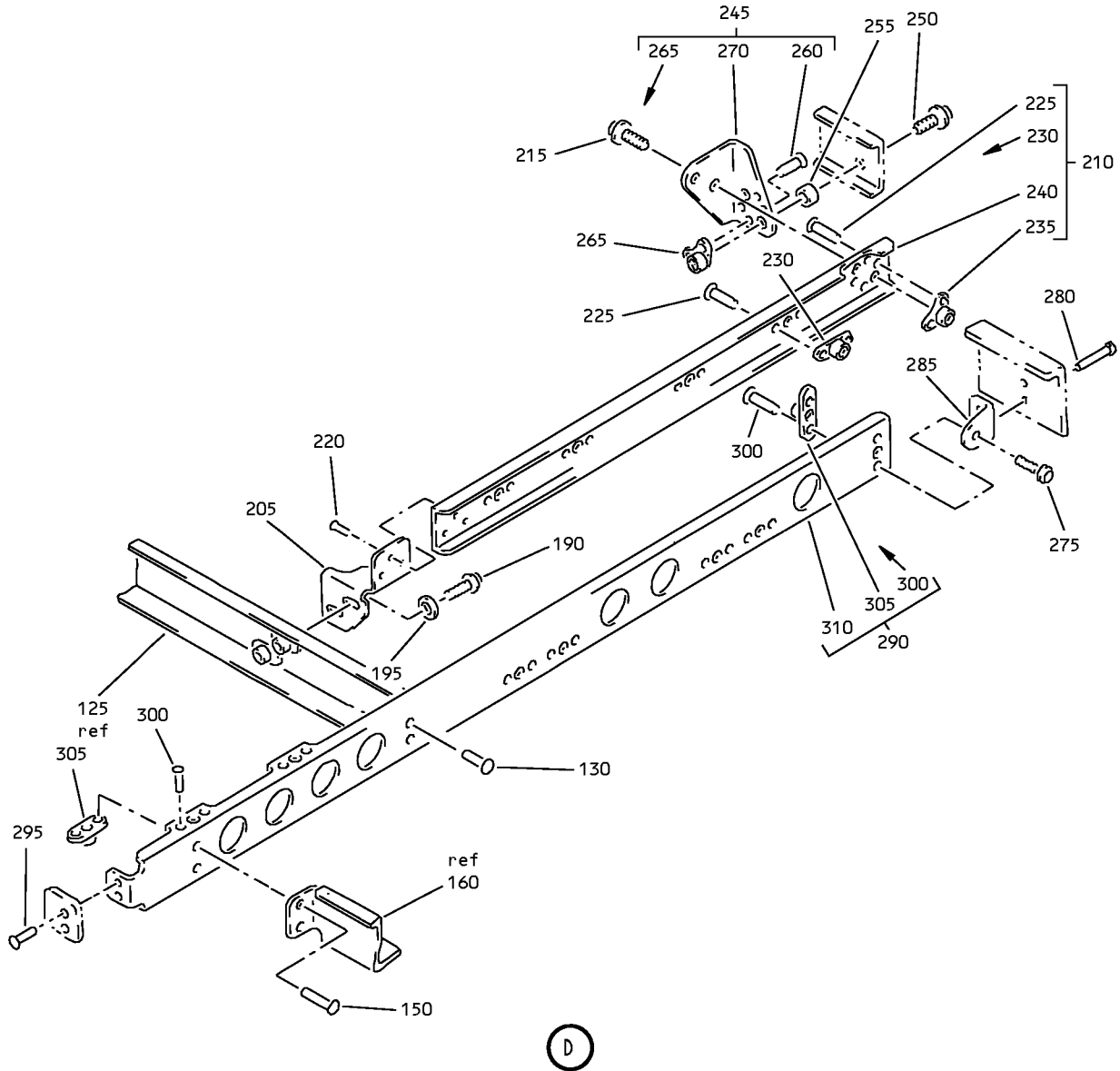
25-23-34

ILLUSTRATED PARTS LIST

Page 1098.538

Nov 01/2008

COMPONENT MAINTENANCE MANUAL



Underbin Passenger Service Unit Frame Assembly
IPL Figure 25 (Sheet 3 of 5)

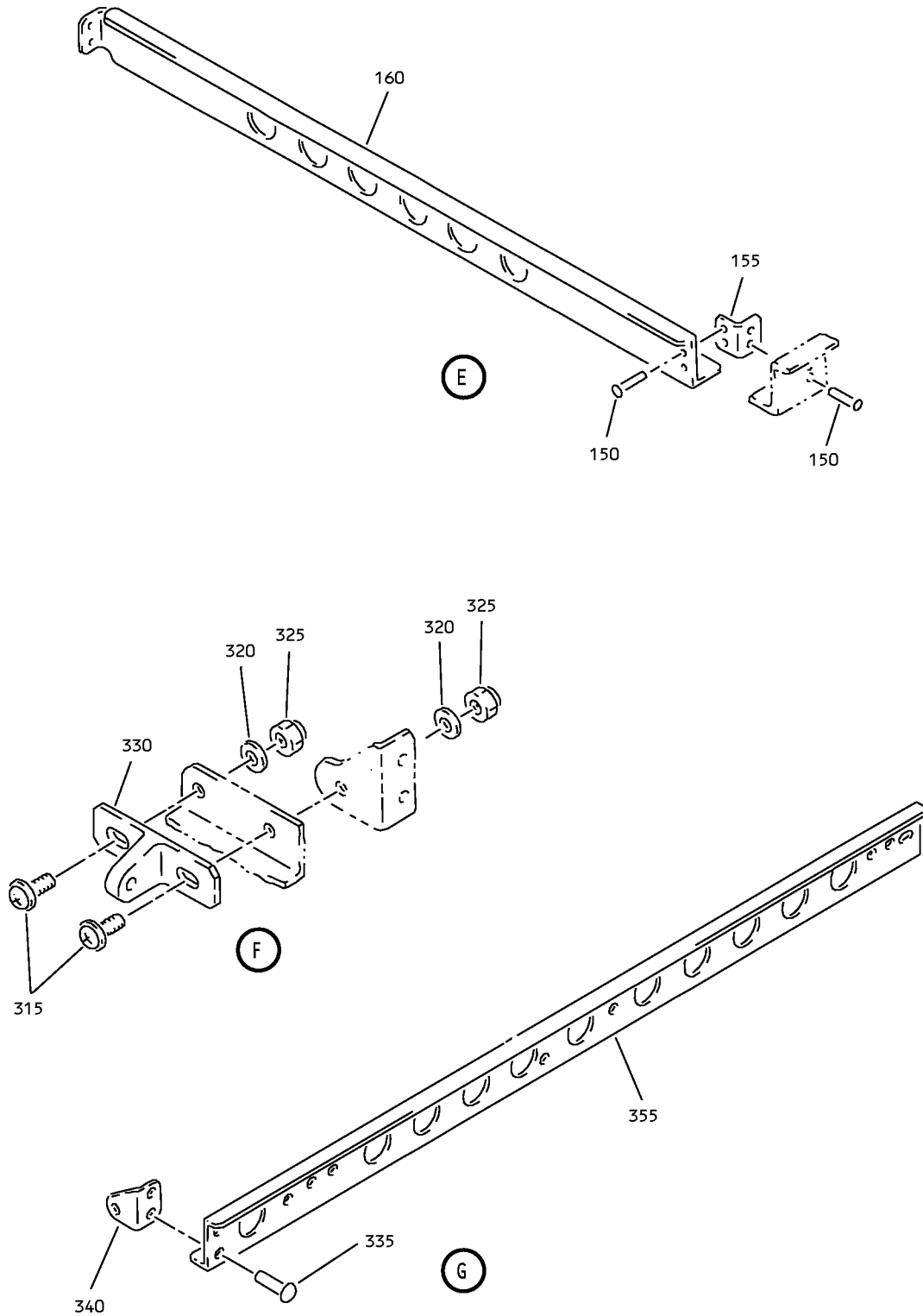
25-23-34

ILLUSTRATED PARTS LIST

Page 1098.539

Nov 01/2008

COMPONENT MAINTENANCE MANUAL



Underbin Passenger Service Unit Frame Assembly
IPL Figure 25 (Sheet 4 of 5)

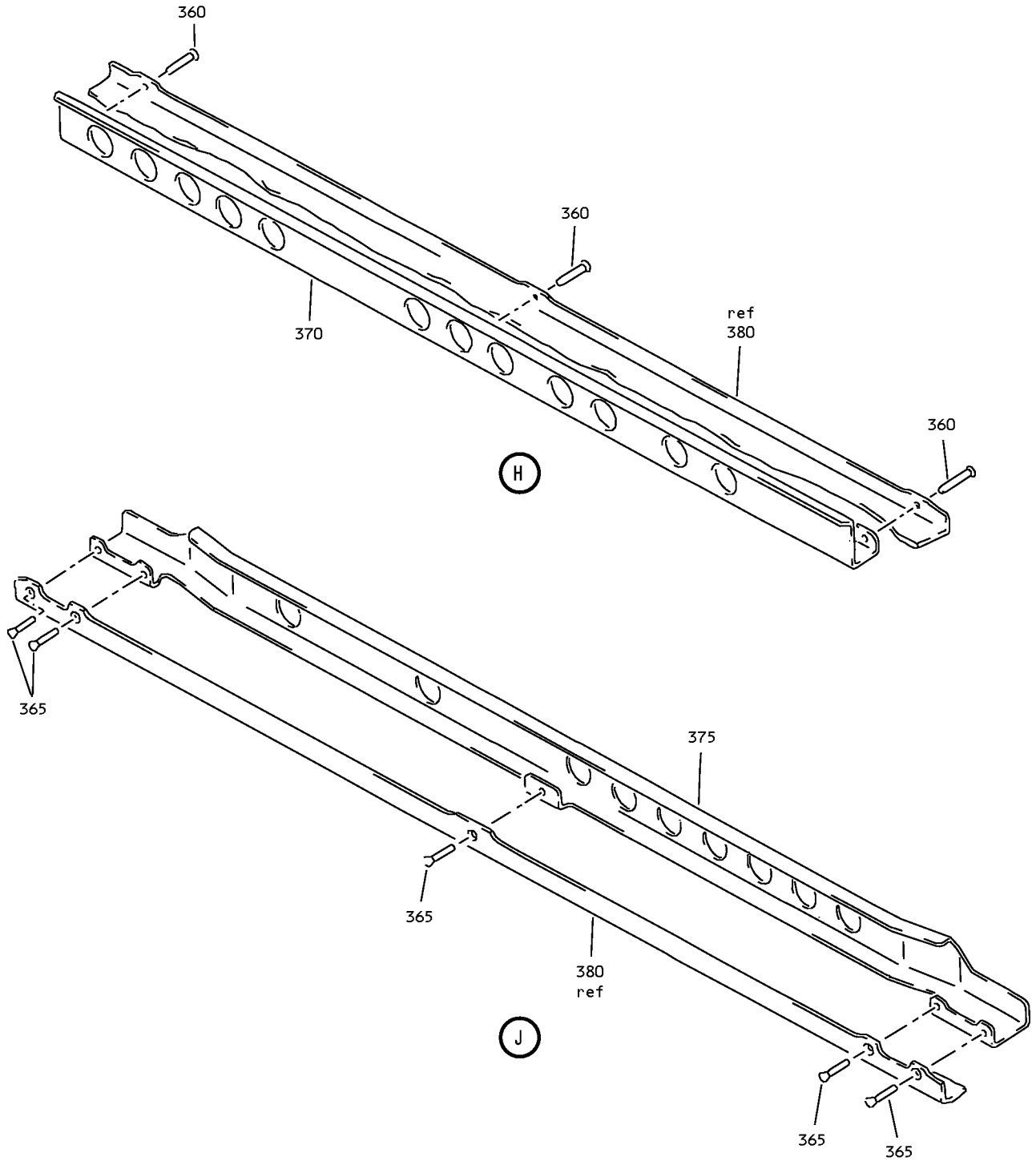
25-23-34

ILLUSTRATED PARTS LIST

Page 1098.540

Nov 01/2008

COMPONENT MAINTENANCE MANUAL



Underbin Passenger Service Unit Frame Assembly
IPL Figure 25 (Sheet 5 of 5)

25-23-34

ILLUSTRATED PARTS LIST

Page 1098.541

Nov 01/2008



COMPONENT MAINTENANCE MANUAL

FIG/ ITEM	PART NUMBER	AIRLINE PART NUMBER	NOMENCLATURE							USAGE CODE	UNITS PER ASSY
			1	2	3	4	5	6	7		
25-											
-1	417N3110-6SP								FRAME ASSY-UNDERBIN PSU (RH) (LIMITED USAGE)	DD, DF	RF
5	SL6189-08-4								. STUD (V97393) (OPT ITEM 5A UNTIL NEW STUD IS AVAILABLE)	DD, DF	7
-5A	417N3122-6								. BOLT-STUD (OPT ITEM 5 UNTIL NEW STUD IS AVAILABLE)	DD, DF	7
10	NAS557-10A								. GROMMET (OPT ITEM 10A)	DD, DF	4
-10A	BACG20ZA0235								. GROMMET (OPT ITEM 10)	DD, DF	4
15	417N3170-11								. LATCH ASSY	DD, DF	1
20	417N3170-12								. LATCH ASSY	DD, DF	1
									ATTACHING PARTS		
25	BACS12FA08K6								. SCREW (V06710) (SPEC BACS12FA08K6) (OPT BACS12FA08K6 (V06725)) (OPT BACS12FA08K6 (V06950)) (OPT BACS12FA08K6 (V27624)) (OPT BACS12FA08K6 (V34252)) (OPT BACS12FA08K6 (V56878)) (OPT BACS12FA08K6 (V73197)) (OPT BACS12FA08K6 (V80539)) (OPT BACS12FA08K6 (V92215)) (OPT BACS12FA08K6 (V93907)) (OPT BACS12FA08K6 (V97928))	DD, DF	4
									-----*		
30	6100-9								. . RETAINER (V2X013)	DD, DF	2
35	MS20253P2-165								. . PIN-HINGE	DD, DF	1
40	417N3173-1								. . SPRING	DD, DF	1
45	417N3171-2								. . BOLT (OPT ITEM 45A)	DD, DF	1
-45A	417N3171-3								. . BOLT (OPT ITEM 45)	DD, DF	1

-Item not illustrated

25-23-34

ILLUSTRATED PARTS LIST

Page 1098.542

Nov 01/2008



COMPONENT MAINTENANCE MANUAL

FIG/ ITEM	PART NUMBER	AIRLINE PART NUMBER	NOMENCLATURE							USAGE CODE	UNITS PER ASSY
			1	2	3	4	5	6	7		
25-											
50	417N3172-9		. .							DD, DF	1
-50A	417N3172-19		. .							DD, DF	1
55	417N3172-10		. .							DD, DF	1
-55A	417N3172-20		. .							DD, DF	1
60	6035-2BR185		. . .							DD, DF	2
65	417N3172-11		. . .							DD, DF	1
-65A	417N3172-21		. . .							DD, DF	1
70	417N3172-12		. . .							DD, DF	1
-70A	417N3172-22		. . .							DD, DF	1
75	417N3114-14		. HINGE ASSY							DD, DF	1
			ATTACHING PARTS								
80	BACR15BB4D		. RIVET							DD, DF	6
			(SIZE DETERMINED ON INST)								
			-----*-----								
85	417N3114-8		. . HINGE HALF-EXTRUSION							DD, DF	2
90	417N3114-16		. . HINGE HALF-EXTRUSION							DD, DF	2
95	417N3114-11		. . HINGE HALF-EXTRUSION							DD, DF	1
100	417N3114-10		. . HINGE HALF-EXTRUSION							DD, DF	1
105	417N3114-18		. . BAR-TORSION							DD, DF	1
110	BACR15BB3D		. RIVET							DD, DF	4
			(SIZE DETERMINED ON INST)								
115	417N3136-24		. BRACKET							DD, DF	1
120	417N3122-48		. RETAINER							DD, DF	1

-Item not Illustrated

25-23-34

ILLUSTRATED PARTS LIST

Page 1098.543

Nov 01/2008



COMPONENT MAINTENANCE MANUAL

FIG/ ITEM	PART NUMBER	AIRLINE PART NUMBER	NOMENCLATURE							USAGE CODE	UNITS PER ASSY
			1	2	3	4	5	6	7		
25-											
125	417N3121-164								. STIFFENER ASSY	DD, DF	1
									ATTACHING PARTS		
130	BACR15BB3D								. RIVET (SIZE DETERMINED ON INST)	DD, DF	2
									-----*-----		
135	BACR15CE3D								. . RIVET (SIZE DETERMINED ON INST)	DD, DF	4
140	BRM200A08								. . NUTPLATE (V52828) (SPEC BACN10JP08A) (OPT MK1000-08BAC (V15653)) (OPT NS103197-82 (V80539)) (OPT RMA9201M82 (V72962)) (OPT T8076S832 (V11815)) (OPT VN202A1-82 (V92215))	DD, DF	2
145	417N3121-166								. . STIFFENER	DD, DF	1
150	BACR15BB3D								. RIVET (SIZE DETERMINED ON INST)	DD, DF	8
155	417N3122-57								. BRACKET	DD, DF	2
160	417N3121-120								. STIFFENER	DD, DF	1
165	417N3121-70								. STIFFENER ASSY	DD, DF	1
									ATTACHING PARTS		
170	BACR15BB3D								. RIVET (SIZE DETERMINED ON INST)	DD, DF	4
									-----*-----		
175	BACR15BA3D								. . RIVET (SIZE DETERMINED ON INST)	DD, DF	4
180	BRM200A08K								. . NUTPLATE (V52828) (SPEC BACN10JP08AR) (OPT MK1000-08BCBAC (V15653)) (OPT NS103197-82BC (V80539)) (OPT RMA9201M82BC (V72962)) (OPT T8076S832BC (V11815)) (OPT VN202A2-82 (V92215))	DD, DF	2
185	417N3121-72								. . STIFFENER	DD, DF	1

-Item not Illustrated

25-23-34

ILLUSTRATED PARTS LIST

Page 1098.544

Nov 01/2008



COMPONENT MAINTENANCE MANUAL

FIG/ ITEM	PART NUMBER	AIRLINE PART NUMBER	NOMENCLATURE							USAGE CODE	UNITS PER ASSY	
			1	2	3	4	5	6	7			
25- 190	BACS12FA08K6		.	SCREW (V06710) (SPEC BACS12FA08K6) (OPT BACS12FA08K6 (V06725)) (OPT BACS12FA08K6 (V06950)) (OPT BACS12FA08K6 (V27624)) (OPT BACS12FA08K6 (V34252)) (OPT BACS12FA08K6 (V56878)) (OPT BACS12FA08K6 (V73197)) (OPT BACS12FA08K6 (V80539)) (OPT BACS12FA08K6 (V92215)) (OPT BACS12FA08K6 (V93907)) (OPT BACS12FA08K6 (V97928))							DD, DF	2
195	AN960PD8L		.	WASHER							DD, DF	2
205	417N3136-104		.	BRACKET							DD, DF	1
210	417N3121-176		.	STIFFENER ASSY							DD, DF	1
				ATTACHING PARTS								
215	BACS12FA08K6		.	SCREW (V06710) (SPEC BACS12FA08K6) (OPT BACS12FA08K6 (V06725)) (OPT BACS12FA08K6 (V06950)) (OPT BACS12FA08K6 (V27624)) (OPT BACS12FA08K6 (V34252)) (OPT BACS12FA08K6 (V56878)) (OPT BACS12FA08K6 (V73197)) (OPT BACS12FA08K6 (V80539)) (OPT BACS12FA08K6 (V92215)) (OPT BACS12FA08K6 (V93907)) (OPT BACS12FA08K6 (V97928))							DD, DF	2
220	BACR15BB3D		.	RIVET (SIZE DETERMINED ON INST)							DD, DF	3
				----- * -----								
225	BACR15BA3D		. .	RIVET (SIZE DETERMINED ON INST)							DD, DF	12
230	BACN10JP8AR		. .	NUTPLATE							DD, DF	4
235	BACN10JP8CR		. .	NUTPLATE							DD, DF	2
240	417N3121-178		. .	STIFFENER							DD, DF	1
245	417N3136-109		.	BRACKET ASSY-MTG							DD, DF	1

-Item not Illustrated

25-23-34

ILLUSTRATED PARTS LIST

Page 1098.545

Nov 01/2008



COMPONENT MAINTENANCE MANUAL

FIG/ ITEM	PART NUMBER	AIRLINE PART NUMBER	NOMENCLATURE							USAGE CODE	UNITS PER ASSY
			1	2	3	4	5	6	7		
25-			ATTACHING PARTS								
250	BACS12FA08K8		.							DD, DF	2
255	NAS4DD3-18		.							DD, DF	2
260	BACR15BA3AD		. .							DD, DF	4
265	BRM300A08K		. .							DD, DF	2
270	417N3136-111		. .							DD, DF	1
275	BACS12FA08K6		.							DD, DF	1
280	BACR15BB3D		.							DD, DF	2
285	417N3122-54		.							DD, DF	1

-Item not Illustrated

25-23-34

ILLUSTRATED PARTS LIST

Page 1098.546

Nov 01/2008



COMPONENT MAINTENANCE MANUAL

FIG/ ITEM	PART NUMBER	AIRLINE PART NUMBER	NOMENCLATURE	USAGE CODE	UNITS PER ASSY
25-					
290	417N3121-66		. STIFFENER ASSY	DD, DF	1
			ATTACHING PARTS		
295	BACR15BB3D		. RIVET (SIZE DETERMINED ON INST)	DD, DF	2
			-----*-----		
300	BACR15CE3D		. . RIVET (SIZE DETERMINED ON INST)	DD, DF	14
305	BRM200A08K		. . NUTPLATE (V52828) (SPEC BACN10JP08AR) (OPT MK1000-08BCBAC (V15653)) (OPT NS103197-82BC (V80539)) (OPT RMA9201M82BC (V72962)) (OPT T8076S832BC (V11815)) (OPT VN202A2-82 (V92215))	DD, DF	7
310	417N3121-68		. . STIFFENER	DD, DF	1
315	BACS12FA08K7		. SCREW (V06710) (SPEC BACS12FA08K7) (OPT BACS12FA08K7 (V06725)) (OPT BACS12FA08K7 (V06950)) (OPT BACS12FA08K7 (V27624)) (OPT BACS12FA08K7 (V34252)) (OPT BACS12FA08K7 (V56878)) (OPT BACS12FA08K7 (V73197)) (OPT BACS12FA08K7 (V80539)) (OPT BACS12FA08K7 (V92215)) (OPT BACS12FA08K7 (V93907)) (OPT BACS12FA08K7 (V97928))	DD, DF	4
320	AN960PD8L		. WASHER	DD, DF	4
325	H10-08BAC		. NUT (V15653) (SPEC BACN10JC08) (OPT NS202101-82 (V80539)) (OPT RMLH9075-82W (V72962)) (OPT T6S832J (V71087)) (OPT VN303A82 (V92215)) (OPT 96-82 (V80539)) (OPT BRH10A08 (V52828)) (OPT T6S832J (V11815))	DD, DF	4
330	417N3102-1		. BRACKET-MTG	DD, DF	2

-Item not Illustrated

25-23-34

ILLUSTRATED PARTS LIST

Page 1098.547

Nov 01/2008



COMPONENT MAINTENANCE MANUAL

FIG/ ITEM	PART NUMBER	AIRLINE PART NUMBER	NOMENCLATURE							USAGE CODE	UNITS PER ASSY			
			1	2	3	4	5	6	7					
25- 335	BACR15BB3D		.	R	I	V	E	T			DD, DF	4		
340	417N3122-4		.	B	R	A	C	K	E	T	DD, DF	1		
345	417N3136-16		.	B	R	A	C	K	E	T	DD, DF	1		
350	417N3121-28		.	S	T	I	F	F	E	N	ER	DD, DF	1	
355	417N3121-118		.	S	T	I	F	F	E	N	ER	DD, DF	1	
360	BACR15DR3		.	R	I	V	E	T			DD, DF	3		
365	CCR274SS3		.	R	I	V	E	T			DD, DF	5		
370	417N3121-36		.	S	T	I	F	F	E	N	ER	DD, DF	1	
375	417N3121-84		.	S	T	I	F	F	E	N	ER	DD, DF	1	
380	417N3111-6		.	F	A	C	E	P	L	A	T	E	DD, DF	1

-Item not Illustrated

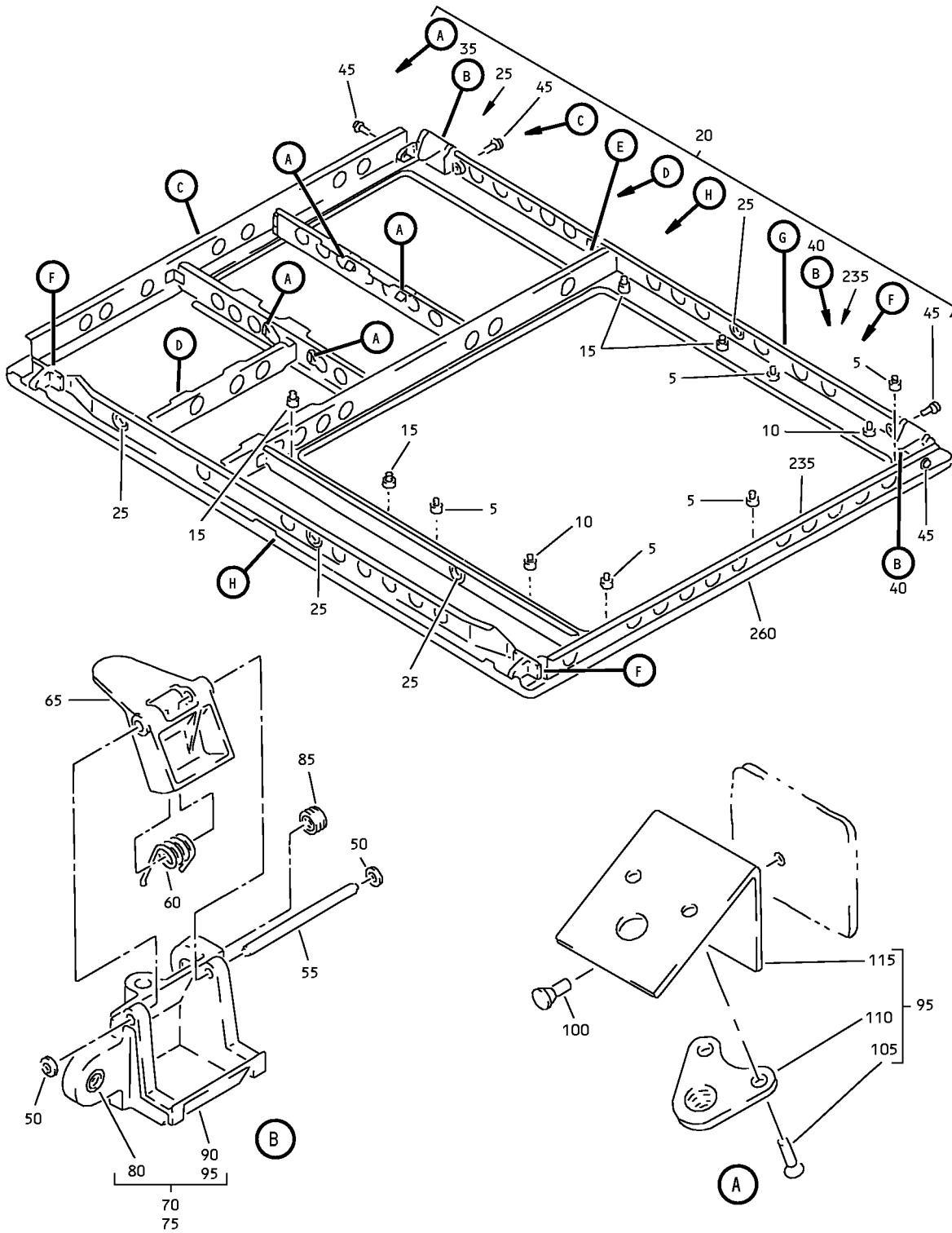
25-23-34

ILLUSTRATED PARTS LIST

Page 1098.548

Nov 01/2008

COMPONENT MAINTENANCE MANUAL



Underbin Passenger Service Unit Frame Assembly
IPL Figure 26 (Sheet 1 of 4)

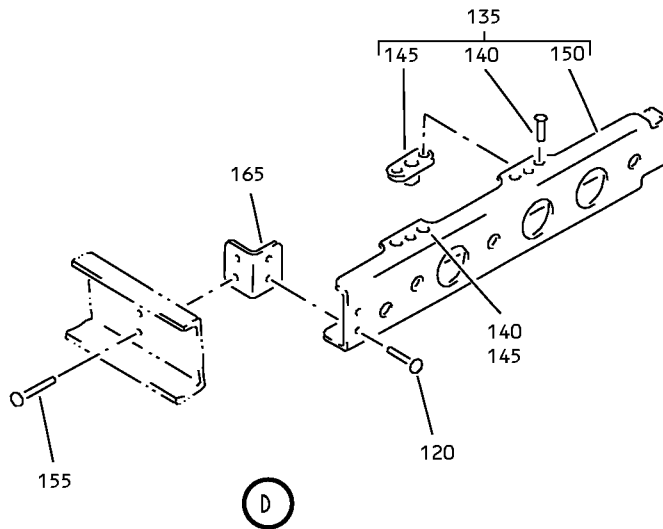
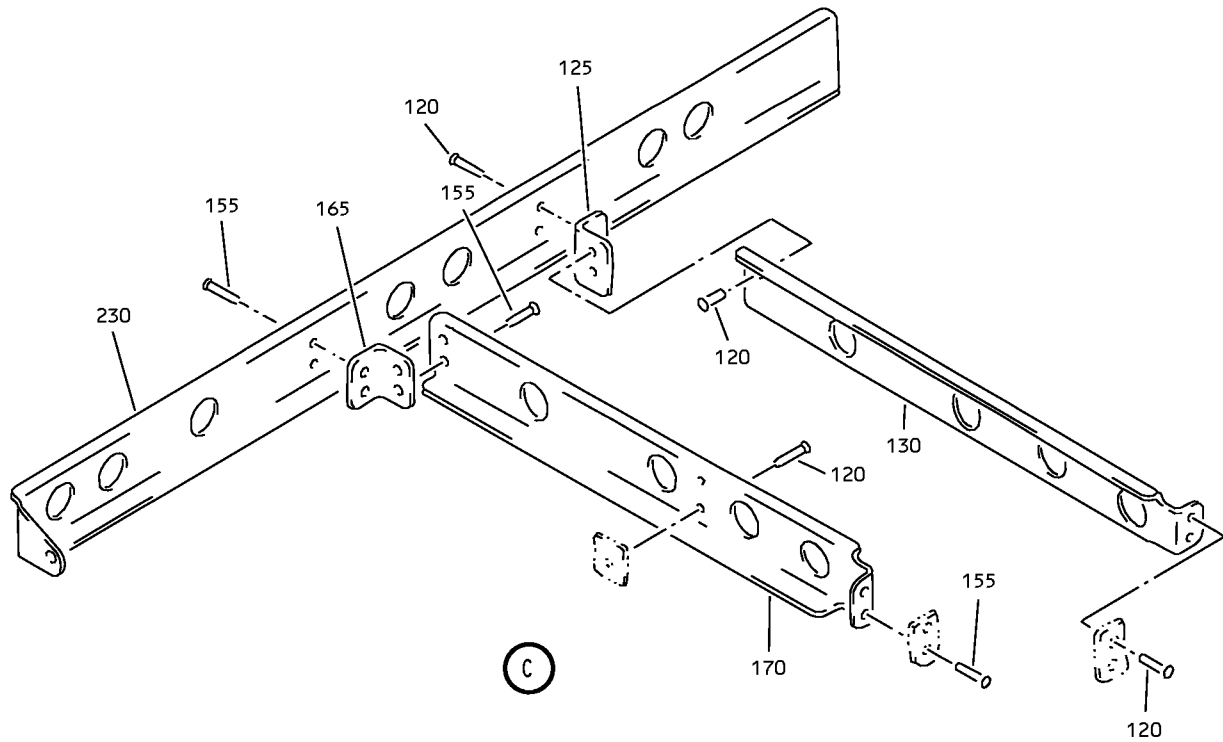
25-23-34

ILLUSTRATED PARTS LIST

Page 1098.549

Nov 01/2008

COMPONENT MAINTENANCE MANUAL



Underbin Passenger Service Unit Frame Assembly
IPL Figure 26 (Sheet 2 of 4)

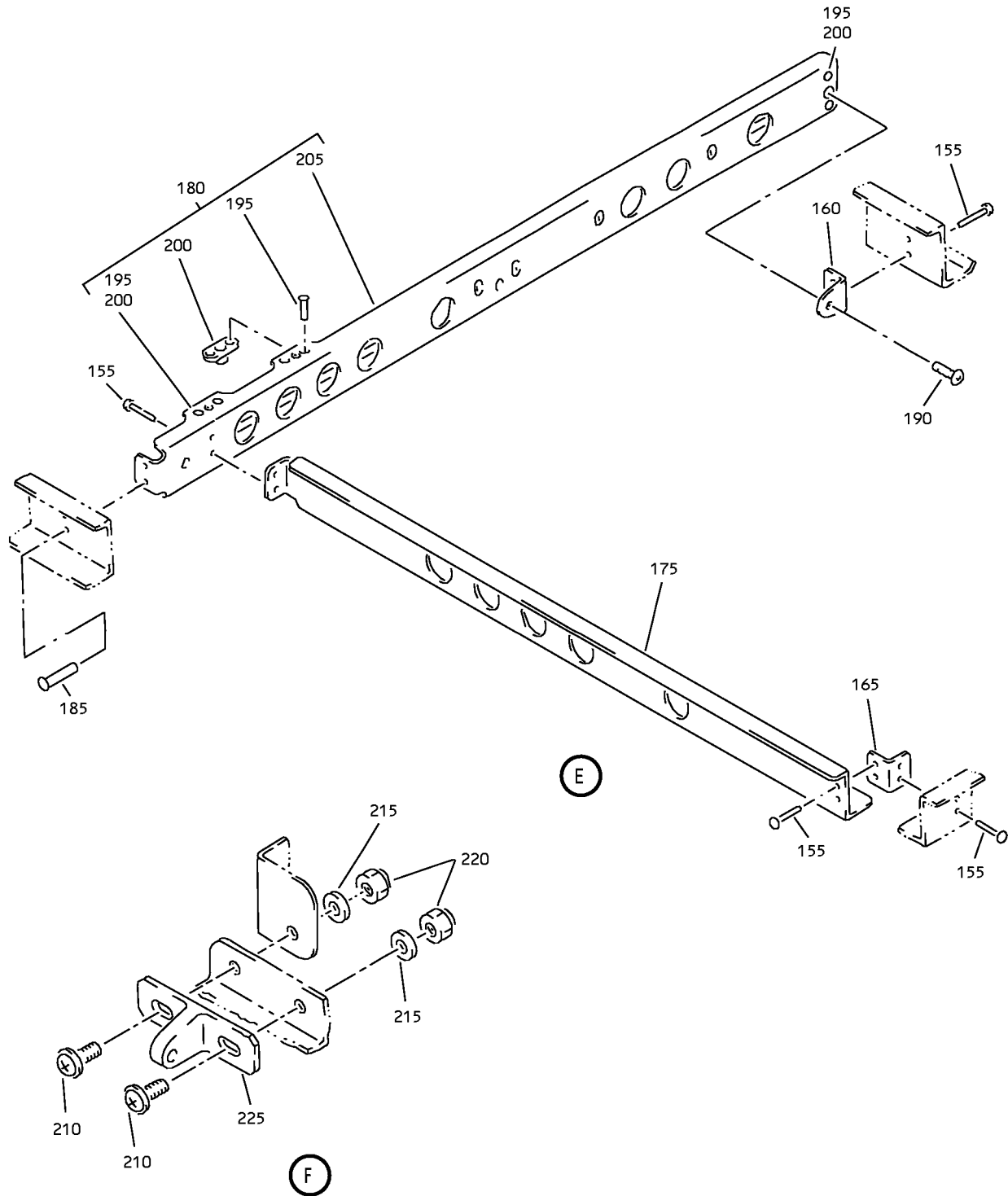
25-23-34

ILLUSTRATED PARTS LIST

Page 1098.550

Nov 01/2008

COMPONENT MAINTENANCE MANUAL



Underbin Passenger Service Unit Frame Assembly
IPL Figure 26 (Sheet 3 of 4)

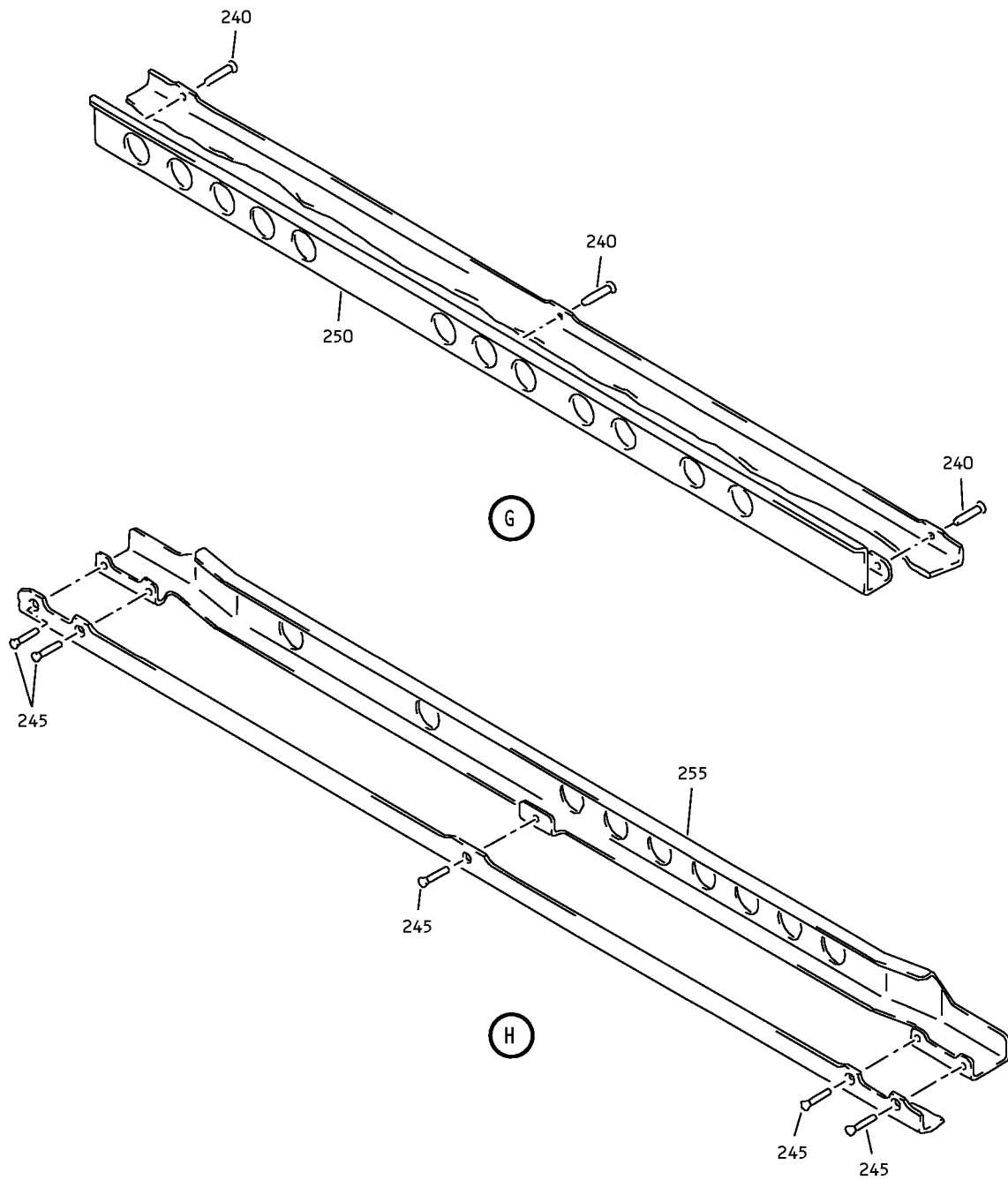
25-23-34

ILLUSTRATED PARTS LIST

Page 1098.551

Nov 01/2008

COMPONENT MAINTENANCE MANUAL



Underbin Passenger Service Unit Frame Assembly
IPL Figure 26 (Sheet 4 of 4)

25-23-34

ILLUSTRATED PARTS LIST

Page 1098.552

Nov 01/2008



COMPONENT MAINTENANCE MANUAL

FIG/ ITEM	PART NUMBER	AIRLINE PART NUMBER	NOMENCLATURE							USAGE CODE	UNITS PER ASSY
			1	2	3	4	5	6	7		
26-											
-1	417N3110-17SP										
-1A	417N3110-27SP										
-1B	417N3110-27SP										
5	SL6189-08-4										
-5A	417N3122-6										
-5B	SL6189-08-4										
10	SL6189-08-4										
-10A	417N3122-6										
15	SL6189-08-6										
20	417N3110-18										
25	BACG20ZA0235										
-25A	NAS557-10A										
35	417N3170-11										
40	417N3170-12										

-Item not Illustrated

25-23-34

ILLUSTRATED PARTS LIST

Page 1098.553

Nov 01/2008



COMPONENT MAINTENANCE MANUAL

FIG/ ITEM	PART NUMBER	AIRLINE PART NUMBER	NOMENCLATURE							USAGE CODE	UNITS PER ASSY
			1	2	3	4	5	6	7		
26-			ATTACHING PARTS								
45	BACS12FA08K6		. . SCREW (V06710) (SPEC BACS12FA08K6) (OPT BACS12FA08K6 (V06725)) (OPT BACS12FA08K6 (V06950)) (OPT BACS12FA08K6 (V27624)) (OPT BACS12FA08K6 (V34252)) (OPT BACS12FA08K6 (V56878)) (OPT BACS12FA08K6 (V73197)) (OPT BACS12FA08K6 (V80539)) (OPT BACS12FA08K6 (V92215)) (OPT BACS12FA08K6 (V93907)) (OPT BACS12FA08K6 (V97928))							DG-DM	4
			-----*								
50	6100-9		. . . RETAINER (V0647B)							DG-DM	2
55	MS20253P2-165		. . . PIN-HINGE							DG-DM	1
60	417N3173-1		. . . SPRING							DG-DM	1
65	417N3171-2		. . . BOLT-CAM (OPT ITEM 65A)							DG-DM	1
-65A	417N3171-3		. . . BOLT-CAM (OPT ITEM 65)							DG-DM	1
70	417N3172-9		. . . HOUSING ASSY-CAM (OPT ITEM 70A) (USED ON ITEM 35)							DG-DM	1
-70A	417N3172-19		. . . HOUSING ASSY-CAM (OPT ITEM 70) (USED ON ITEM 35)							DG-DM	1
75	417N3172-10		. . . HOUSING ASSY-CAM (OPT ITEM 75A) (USED ON ITEM 40)							DG-DM	1
-75A	417N3172-20		. . . HOUSING ASSY-CAM (OPT ITEM 75) (USED ON ITEM 40)							DG-DM	1
80	6035-2BR185	 INSERT (V01556)							DG-DM	2
85	417N3172-11	 HOUSING (USED ON ITEM 70)							DG-DM	1

-Item not illustrated

25-23-34

ILLUSTRATED PARTS LIST

Page 1098.554

Nov 01/2008



COMPONENT MAINTENANCE MANUAL

FIG/ ITEM	PART NUMBER	AIRLINE PART NUMBER	NOMENCLATURE							USAGE CODE	UNITS PER ASSY	
			1	2	3	4	5	6	7			
26- -85A	417N3172-21								HOUSING (USED ON ITEM 70A)	DG-DM	1
90	417N3172-12								HOUSING (USED ON ITEM 75)	DG-DM	1
-90A	417N3172-22								HOUSING (USED ON ITEM 75A)	DG-DM	1
95	417N3122-84		. .							ANGLE ASSY	DG-DM	4
			ATTACHING PARTS									
100	BACR15BB3D		. .							RIVET (SIZE DETERMINED ON INST)	DG-DM	4
			----- * -----									
105	BACR15BA3AD		. . .							RIVET (SIZE DETERMINED ON INST)	DG-DM	2
110	BRM300-06L		. . .							NUTPLATE (V52828) (SPEC BACN10JP06C) (OPT MK3000-06BAC (V15653)) (OPT NS103199-62 (V80539)) (OPT RMA9205M62 (V72962)) (OPT T80878S632 (V11815)) (OPT VN203A1-62L (V92215))	DG-DM	1
115	417N3122-85		. . .							ANGLE	DG-DM	1
120	BACR15BB3D		. .							RIVET (SIZE DETERMINED ON INST)	DG-DM	10
125	417N3122-57		. .							BRACKET	DG-DM	1
130	417N3121-131		. .							STIFFENER	DG-DM	1
135	417N3121-69		. .							STIFFENER ASSY	DG-DM	1
140	BACR15BA3D		. . .							RIVET (SIZE DETERMINED ON INST)	DG-DM	4
145	BRM200A08K		. . .							NUTPLATE (V52828) (SPEC BACN10JP08AR) (OPT MK1000-08BCBAC (V15653)) (OPT NS103197-82BC (V80539)) (OPT RMA9201M82BC (V72962)) (OPT T8076S832BC (V11815)) (OPT VN202A2-82 (V92215))	DG-DM	2
150	417N3121-71		. . .							STIFFENER	DG-DM	1

-Item not Illustrated

25-23-34

ILLUSTRATED PARTS LIST

Page 1098.555

Nov 01/2008

COMPONENT MAINTENANCE MANUAL

FIG/ ITEM	PART NUMBER	AIRLINE PART NUMBER	NOMENCLATURE							USAGE CODE	UNITS PER ASSY
			1	2	3	4	5	6	7		
26-											
155	BACR15BB3D								. . RIVET (SIZE DETERMINED ON INST)	DG-DM	16
160	417N3122-54								. . BRACKET	DG-DM	1
165	417N3122-57								. . BRACKET	DG-DM	3
170	417N3121-129								. . STIFFENER	DG-DM	1
175	417N3121-171								. . STIFFENER	DG-DM	1
180	417N3121-47								. . STIFFENER ASSY	DG-DM	1
									ATTACHING PARTS		
185	BACR15BB3D								. . RIVET (SIZE DETERMINED ON INST)	DG-DM	2
190	BACS12FA08K6								. . SCREW (V06710) (SPEC BACS12FA08K6) (OPT BACS12FA08K6 (V06725)) (OPT BACS12FA08K6 (V06950)) (OPT BACS12FA08K6 (V27624)) (OPT BACS12FA08K6 (V34252)) (OPT BACS12FA08K6 (V56878)) (OPT BACS12FA08K6 (V73197)) (OPT BACS12FA08K6 (V80539)) (OPT BACS12FA08K6 (V92215)) (OPT BACS12FA08K6 (V93907)) (OPT BACS12FA08K6 (V97928))	DG-DM	1
									-----*-----		
195	BACR15BA3D								. . . RIVET (SIZE DETERMINED ON INST)	DG-DM	6
200	BRM200A08K								. . . NUTPLATE (V52828) (SPEC BACN10JP08AR) (OPT MK1000-08BCBAC (V15653)) (OPT NS103197-82BC (V80539)) (OPT RMA9201M82BC (V72962)) (OPT T8076S832BC (V11815)) (OPT VN202A2-82 (V92215))	DG-DM	3
205	417N3121-51								. . . STIFFENER	DG-DM	1

-Item not Illustrated

25-23-34

ILLUSTRATED PARTS LIST

Page 1098.556

Nov 01/2008



COMPONENT MAINTENANCE MANUAL

FIG/ ITEM	PART NUMBER	AIRLINE PART NUMBER	NOMENCLATURE							USAGE CODE	UNITS PER ASSY
			1	2	3	4	5	6	7		
26- 210	BACS12FA08K7		. .	SCREW						DG-DM	4
				(V06710)							
				(SPEC BACS12FA08K7)							
				(OPT BACS12FA08K7 (V06725))							
				(OPT BACS12FA08K7 (V06950))							
				(OPT BACS12FA08K7 (V27624))							
				(OPT BACS12FA08K7 (V34252))							
				(OPT BACS12FA08K7 (V56878))							
				(OPT BACS12FA08K7 (V73197))							
				(OPT BACS12FA08K7 (V80539))							
				(OPT BACS12FA08K7 (V92215))							
				(OPT BACS12FA08K7 (V93907))							
				(OPT BACS12FA08K7 (V97928))							
215	AN960KD8L		. .	WASHER						DG-DM	4
220	H10-08BAC		. .	NUT						DG-DM	4
				(V15653)							
				(SPEC BACN10JC08)							
				(OPT NS202101-82 (V80539))							
				(OPT RMLH9075-82W (V72962))							
				(OPT T6S832J (V71087))							
				(OPT VN303A82 (V92215))							
				(OPT 96-82 (V80539))							
				(OPT BRH10A08 (V52828))							
				(OPT T6S832J (V11815))							
225	417N3102-1		. .	BRACKET-MTG						DG-DM	2
230	417N3121-49		. .	STIFFENER						DG-DM	1
235	417N3121-115		. .	STIFFENER						DG-DM	1
240	BACR15CE3D		. .	RIVET						DG-DM	3
				(SIZE DETERMINED ON INST)							
245	BACR15BB3D		. .	RIVET						DG-DM	5
				(SIZE DETERMINED ON INST)							
250	417N3121-35		. .	STIFFENER						DG-DM	1
255	417N3121-83		. .	STIFFENER						DG-DM	1
260	417N3111-7SP		.	FACEPLATE						DG-DM	1

-Item not Illustrated

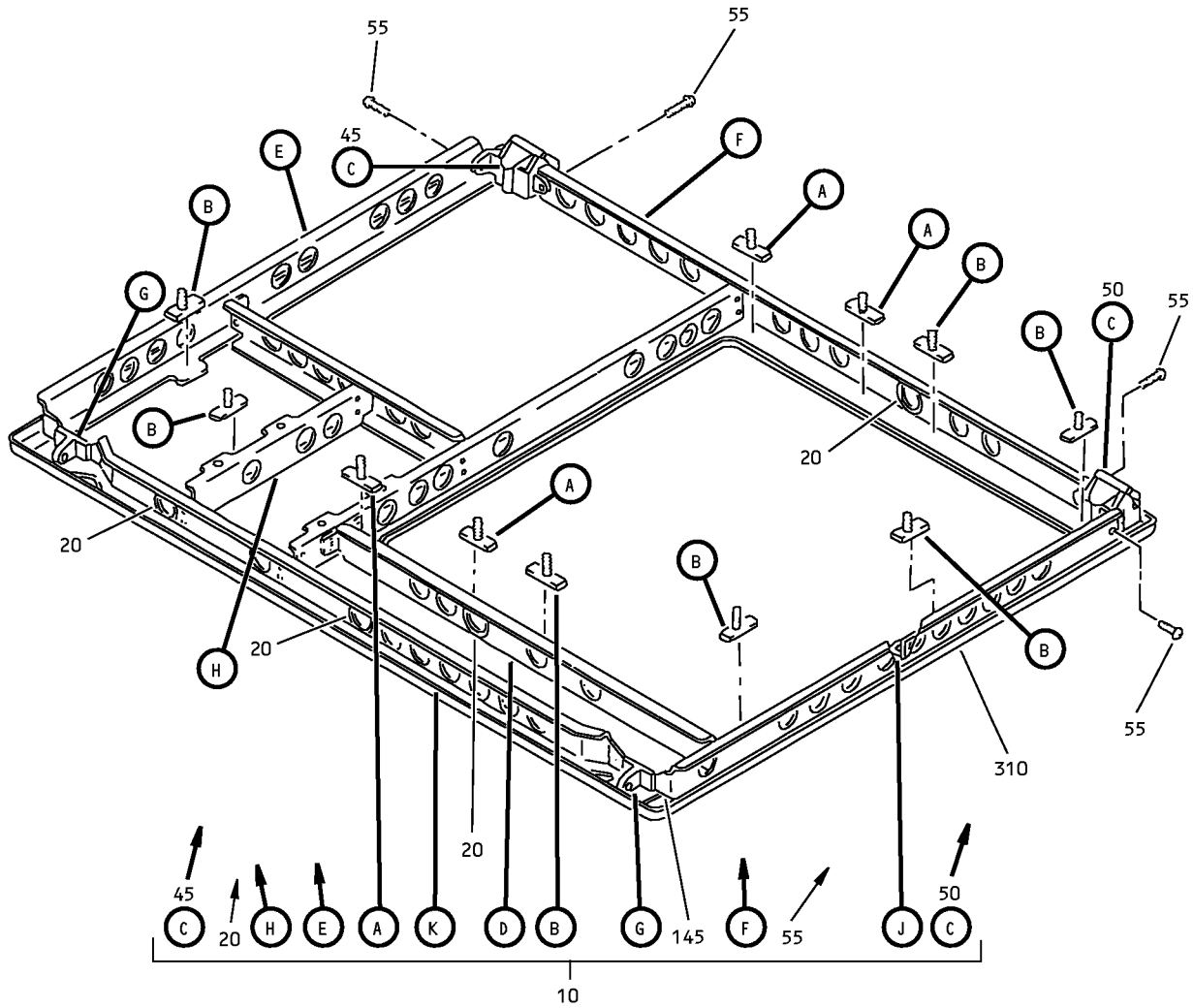
25-23-34

ILLUSTRATED PARTS LIST

Page 1098.557

Nov 01/2008

COMPONENT MAINTENANCE MANUAL



Underbin Passenger Service Unit Frame Assembly
IPL Figure 27 (Sheet 1 of 6)

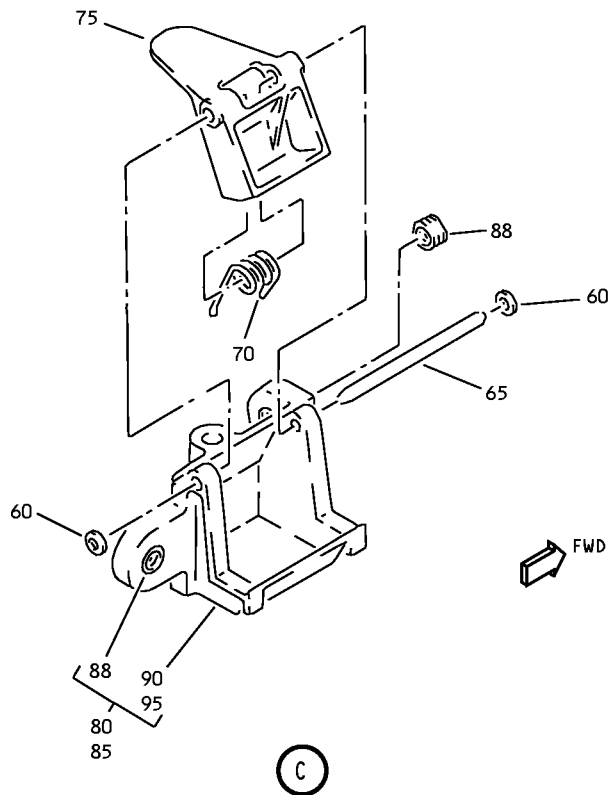
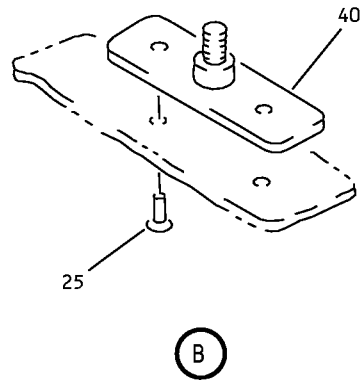
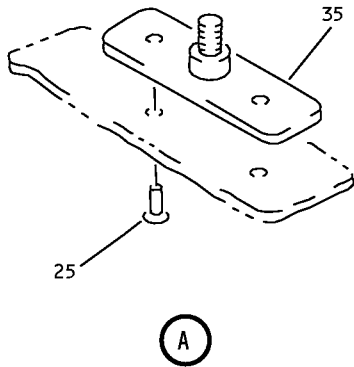
25-23-34

ILLUSTRATED PARTS LIST

Page 1098.558

Nov 01/2008

COMPONENT MAINTENANCE MANUAL



Underbin Passenger Service Unit Frame Assembly
IPL Figure 27 (Sheet 2 of 6)

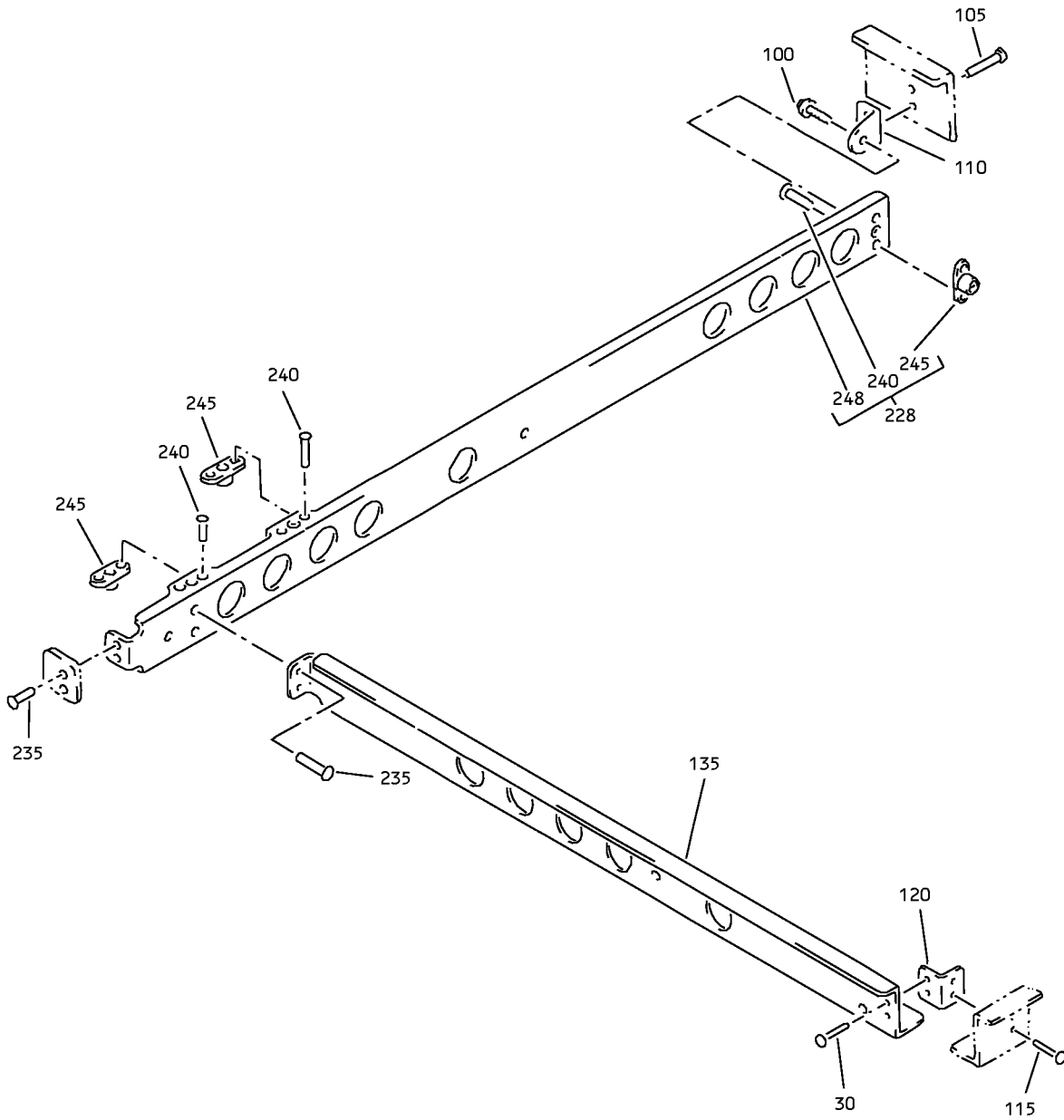
25-23-34

ILLUSTRATED PARTS LIST

Page 1098.559

Nov 01/2008

COMPONENT MAINTENANCE MANUAL



D

Underbin Passenger Service Unit Frame Assembly
IPL Figure 27 (Sheet 3 of 6)

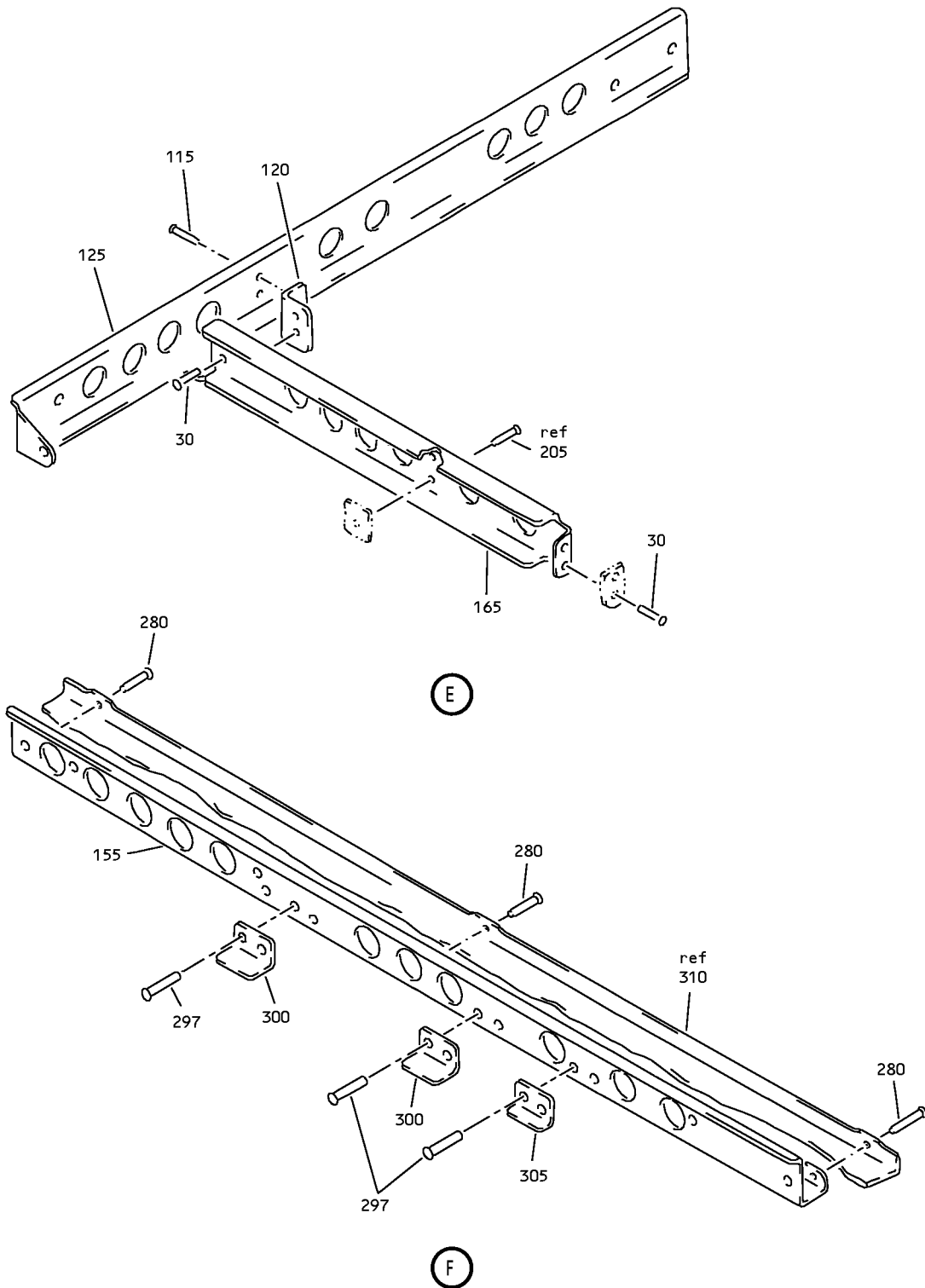
25-23-34

ILLUSTRATED PARTS LIST

Page 1098.560

Nov 01/2008

COMPONENT MAINTENANCE MANUAL



Underbin Passenger Service Unit Frame Assembly
 IPL Figure 27 (Sheet 4 of 6)

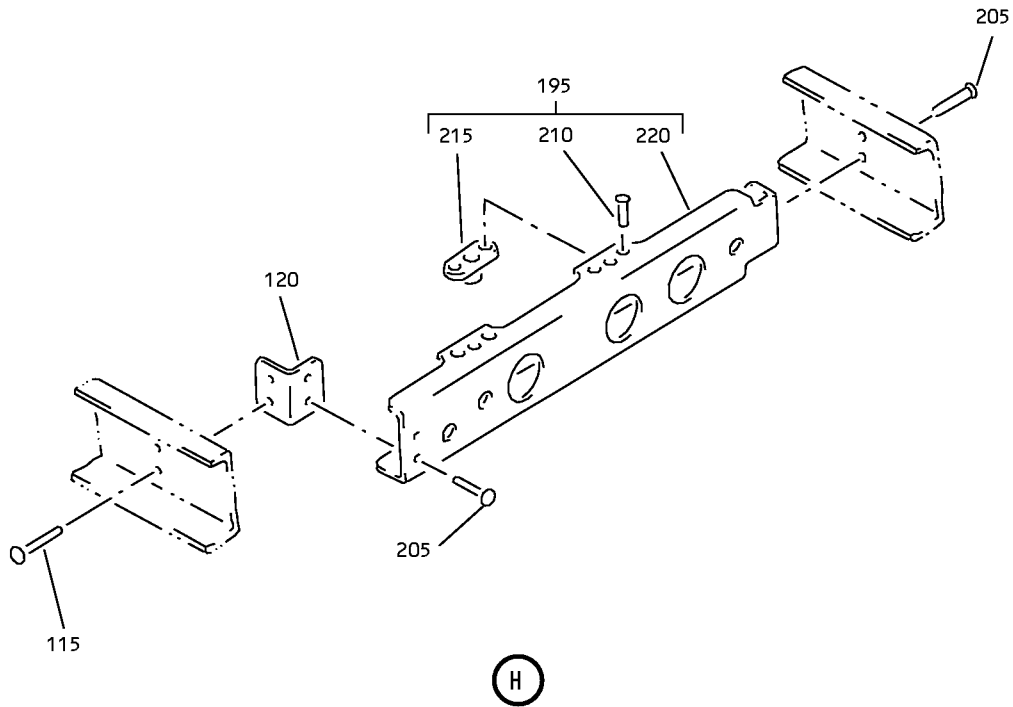
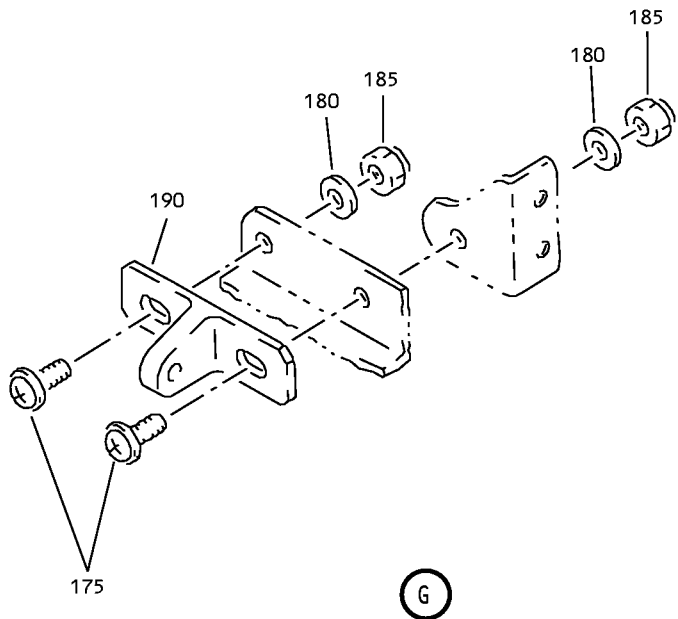
25-23-34

ILLUSTRATED PARTS LIST

Page 1098.561

Nov 01/2008

COMPONENT MAINTENANCE MANUAL



Underbin Passenger Service Unit Frame Assembly
IPL Figure 27 (Sheet 5 of 6)

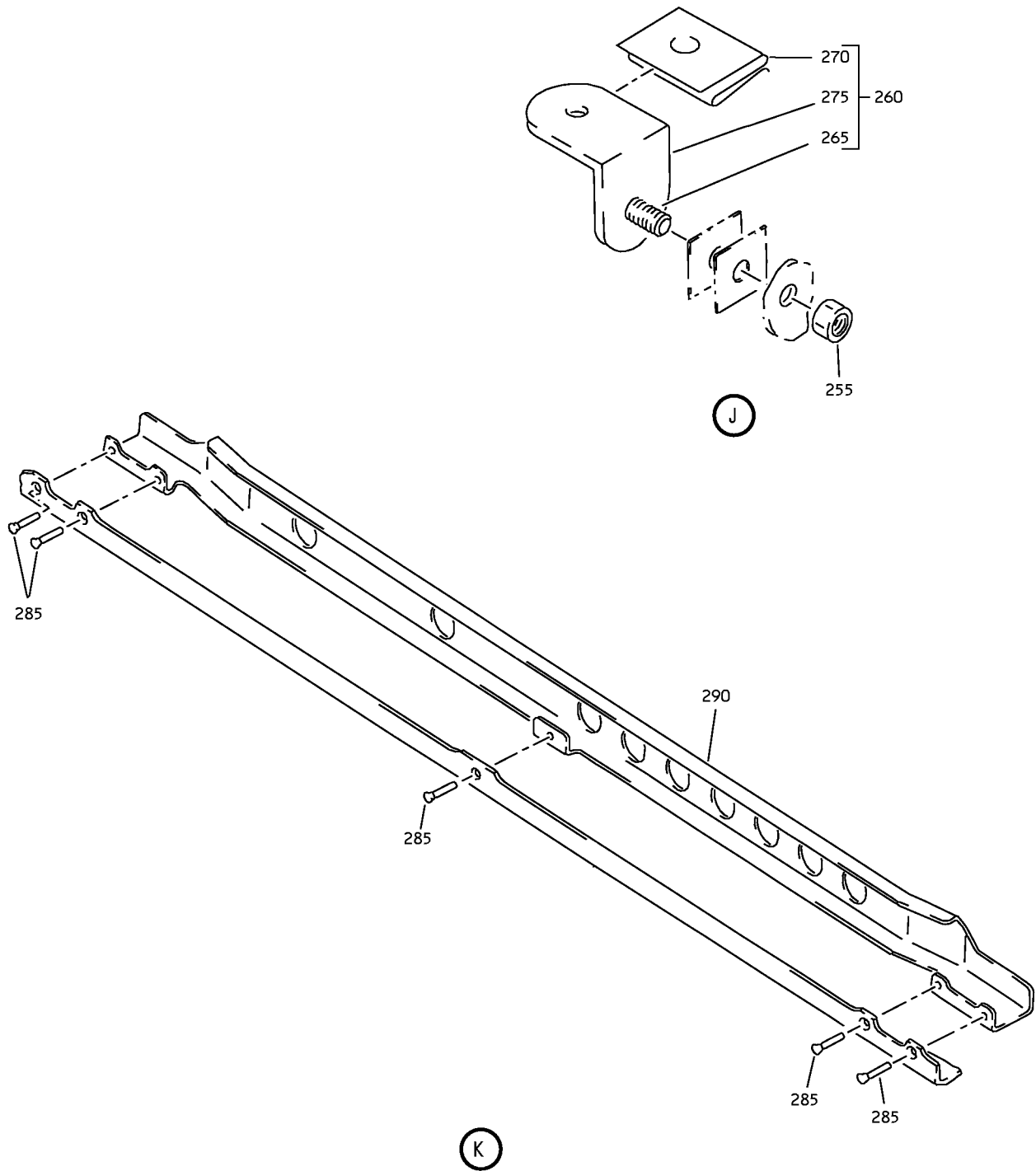
25-23-34

ILLUSTRATED PARTS LIST

Page 1098.562

Nov 01/2008

COMPONENT MAINTENANCE MANUAL



Underbin Passenger Service Unit Frame Assembly
IPL Figure 27 (Sheet 6 of 6)

25-23-34

ILLUSTRATED PARTS LIST

Page 1098.563

Nov 01/2008



COMPONENT MAINTENANCE MANUAL

FIG/ ITEM	PART NUMBER	AIRLINE PART NUMBER	NOMENCLATURE							USAGE CODE	UNITS PER ASSY
			1	2	3	4	5	6	7		
27- -1	417N3110-77SP		FRAME ASSY-UNDERBIN PSU (LH)							E, N, P, AM, AQ, AS, AU, AY, DP- DR, DW, DY	RF
-5	417N3110-78SP		FRAME ASSY-UNDERBIN PSU (RH)							F, Q, R, AP, AR, AT, AV, AZ, DS- DV, DX, DZ	RF
10	417N3110-79		. FRAME ASSY							E, N, P, AM, AQ, AS, AU, AY, DP- DR, DW, DY	1
-15	417N3110-80		DELETED								
-15A	417N3110-223		. FRAME ASSY							F, Q, R, AP, AR, AT, AV, AZ, DS- DV, DX, DZ	1
20	NAS557-10A		. . GROMMET							E, F, N-R, AM, AP- AV, AY, AZ, DP- DZ	4
25	BACR15CE3D		. . RIVET (SIZE DETERMINED ON INST)							E, F, N-R, AM, AP- AV, AY, AZ, DP- DZ	22
30	BACR15BB3D		. . RIVET (SIZE DETERMINED ON INST)							E, F, N-R, AM, AP- AV, AY, AZ, DP- DZ	6
35	SL6189-08-6		DELETED								

-Item not Illustrated

25-23-34

ILLUSTRATED PARTS LIST

Page 1098.564

Nov 01/2008



COMPONENT MAINTENANCE MANUAL

FIG/ ITEM	PART NUMBER	AIRLINE PART NUMBER	NOMENCLATURE							USAGE CODE	UNITS PER ASSY	
			1	2	3	4	5	6	7			
27- 37	SL5244-08-6		.	.	STUD (V97393) (OPT ITEM 37A)						E, F, N-R, AM, AP- AV, AY, AZ, DP- DZ	6
-37A	UM62-50009-6		.	.	STUD (V25657) (OPT ITEM 37)						E, F, N-R, AM, AP- AV, AY, AZ, DP- DZ	6
40	SL6189-08-4		DELETED									
42	SL5244-08-4		.	.	STUD (V97393) (OPT ITEM 42A)						E, F, N-R, AM, AP- AV, AY, AZ, DP- DZ	5
-42A	UM62-50009-4		.	.	STUD (V25657) (OPT ITEM 42)						E, F, N-R, AM, AP- AV, AY, AZ, DP- DZ	5
45	417N3170-11		.	.	LATCH ASSY						E, F, N-R, AM, AP- AV, AY, AZ, DP- DZ	1
50	417N3170-12		.	.	LATCH ASSY						E, F, N-R, AM, AP- AV, AY, AZ, DP- DZ	1

-Item not Illustrated

25-23-34

ILLUSTRATED PARTS LIST

Page 1098.565

Nov 01/2008



COMPONENT MAINTENANCE MANUAL

FIG/ ITEM	PART NUMBER	AIRLINE PART NUMBER	NOMENCLATURE							USAGE CODE	UNITS PER ASSY
			1	2	3	4	5	6	7		
27-			ATTACHING PARTS								
55	BACS12FA08K6		. . SCREW (V06710) (SPEC BACS12FA08K6) (OPT BACS12FA08K6 (V06725)) (OPT BACS12FA08K6 (V06950)) (OPT BACS12FA08K6 (V27624)) (OPT BACS12FA08K6 (V34252)) (OPT BACS12FA08K6 (V56878)) (OPT BACS12FA08K6 (V73197)) (OPT BACS12FA08K6 (V80539)) (OPT BACS12FA08K6 (V92215)) (OPT BACS12FA08K6 (V93907)) (OPT BACS12FA08K6 (V97928))							E, F, N-R, AM, AP- AV, AY, AZ, DP- DZ	4
60	6100-9		-----*----- . . . RETAINER (V2X013)							E, F, N-R, AM, AP- AV, AY, AZ, DP- DZ	2
65	MS20253P2-165		. . . PIN-HINGE							E, F, N-R, AM, AP- AV, AY, AZ, DP- DZ	1
70	417N3173-1		. . . SPRING							E, F, N-R, AM, AP- AV, AY, AZ, DP- DZ	1
75	417N3171-2		. . . BOLT (OPT ITEM 75A)							E, F, N-R, AM, AP- AV, AY, AZ, DP- DZ	1
-75A	417N3171-3		. . . BOLT (OPT ITEM 75)							E, F, N-R, AM, AP- AV, AY, AZ, DP- DZ	1

-Item not Illustrated

25-23-34

ILLUSTRATED PARTS LIST

Page 1098.566

Nov 01/2008



COMPONENT MAINTENANCE MANUAL

FIG/ ITEM	PART NUMBER	AIRLINE PART NUMBER	NOMENCLATURE							USAGE CODE	UNITS PER ASSY	
			1	2	3	4	5	6	7			
27- 80	417N3172-9		.	.	.	HOUSING ASSY-CAM LATCH (OPT ITEM 80A) (USED ON ITEM 45)					E, F, N-R, AM, AP- AV, AY, AZ, DP- DZ	1
-80A	417N3172-19		.	.	.	HOUSING ASSY-CAM LATCH (OPT ITEM 80) (USED ON ITEM 45)					E, F, N-R, AM, AP- AV, AY, AZ, DP- DZ	1
85	417N3172-10		.	.	.	HOUSING ASSY-CAM LATCH (OPT ITEM 85A) (USED ON ITEM 50)					E, F, N-R, AM, AP- AV, AY, AZ, DP- DZ	1
-85A	417N3172-20		.	.	.	HOUSING ASSY-CAM LATCH (OPT ITEM 85) (USED ON ITEM 50)					E, F, N-R, AM, AP- AV, AY, AZ, DP- DZ	1
88	6035-2BR185		.	.	.	INSERT (V26344)					E, F, N-R, AM, AP- AV, AY, AZ, DP- DZ	2
90	417N3172-11		.	.	.	HOUSING (USED ON ITEM 80)					E, F, N-R, AM, AP- AV, AY, AZ, DP- DZ	1
-90A	417N3172-21		.	.	.	HOUSING (USED ON ITEM 80A)					E, F, N-R, AM, AP- AV, AY, AZ, DP- DZ	1
95	417N3172-12		.	.	.	HOUSING (USED ON ITEM 85)					E, F, N-R, AM, AP- AV, AY, AZ, DP- DZ	1

-Item not Illustrated

25-23-34

ILLUSTRATED PARTS LIST

Page 1098.567

Nov 01/2008



COMPONENT MAINTENANCE MANUAL

FIG/ ITEM	PART NUMBER	AIRLINE PART NUMBER	NOMENCLATURE							USAGE CODE	UNITS PER ASSY	
			1	2	3	4	5	6	7			
27- -95A	417N3172-22		E, F, N-R, AM, AP- AV, AY, AZ, DP- DZ	1
100	BACS12FA08K6		E, F, N-R, AM, AP- AV, AY, AZ, DP- DZ	1
105	BACR15BB3D		E, F, N-R, AM, AP- AV, AY, AZ, DP- DV	2
110	417N3122-54		E, F, N-R, AM, AP- AV, AY, AZ, DP- DZ	1
115	BACR15BB3D		E, F, N-R, AM, AP- AV, AY, AZ, DP- DZ	6
120	417N3122-57		E, F, N-R, AM, AP- AV, AY, AZ, DP- DZ	3
125	417N3121-273		E, N, P, AM, AQ, AS, AU, AY, DP- DR, DW, DY	1

-Item not Illustrated

25-23-34

ILLUSTRATED PARTS LIST

Page 1098.568

Nov 01/2008



COMPONENT MAINTENANCE MANUAL

FIG/ ITEM	PART NUMBER	AIRLINE PART NUMBER	NOMENCLATURE							USAGE CODE	UNITS PER ASSY	
			1	2	3	4	5	6	7			
27- -130	417N3121-274		.	.							F, Q, R, AP, AR, AT, AV, AZ, DS- DV, DX, DZ	1
135	417N3121-305		.	.							E, N, P, AM, AQ, AS, AU, AY, DP- DR, DW, DY	1
-140	417N3121-306		.	.							F, Q, R, AM, AQ, AS, AU, AY, DP- DR, DW, DY	1
145	417N3121-281		.	.							E, N, P, AM, AQ, AS, AU, AY, DP- DR, DW, DY	1
-150	417N3121-282		.	.							F, Q, R, AP, AR, AT, AV, AZ, DS- DV, DX, DZ	1
155	417N3121-271		.	.							E, N, P, AM, AQ, AS, AU, AY, DP- DR, DW, DY	1
-160	417N3121-272		.	.							F, Q, R, AP, AR, AT, AV, AZ, DS- DV, DX, DZ	1

-Item not Illustrated

25-23-34

ILLUSTRATED PARTS LIST

Page 1098.569

Nov 01/2008



COMPONENT MAINTENANCE MANUAL

FIG/ ITEM	PART NUMBER	AIRLINE PART NUMBER	NOMENCLATURE							USAGE CODE	UNITS PER ASSY	
			1	2	3	4	5	6	7			
27- 165	417N3121-81		.	.							E, N, P, AM, AQ, AS, AU, AY, DP- DR, DW, DY	1
-170	417N3121-82		.	.							F, Q, R, AP, AR, AT, AV, AZ, DS- DV, DX, DZ	1
175 175A	BAC12FA08K7 BACS12FA08K7		DELETED									
			.	.							E, N, P, AM, AQ, AS, AU, AY, DP- DR, DW, DY	4
			(V06710) (SPEC BACS12FA08K7) (OPT BACS12FA08K7 (V06725)) (OPT BACS12FA08K7 (V06950)) (OPT BACS12FA08K7 (V27624)) (OPT BACS12FA08K7 (V34252)) (OPT BACS12FA08K7 (V56878)) (OPT BACS12FA08K7 (V73197)) (OPT BACS12FA08K7 (V80539)) (OPT BACS12FA08K7 (V92215)) (OPT BACS12FA08K7 (V93907)) (OPT BACS12FA08K7 (V97928))									
-175B	BACS12FA08K7		.	.							F, Q, R, AP, AR, AT, AV, AZ, DS- DV, DX, DZ	4
			(V06710) (SPEC BACS12FA08K7) (OPT BACS12FA08K7 (V06725)) (OPT BACS12FA08K7 (V06950)) (OPT BACS12FA08K7 (V27624)) (OPT BACS12FA08K7 (V34252)) (OPT BACS12FA08K7 (V56878)) (OPT BACS12FA08K7 (V73197)) (OPT BACS12FA08K7 (V80539)) (OPT BACS12FA08K7 (V92215)) (OPT BACS12FA08K7 (V93907)) (OPT BACS12FA08K7 (V97928)) (OPT ITEM 175C)									

-Item not Illustrated

25-23-34

ILLUSTRATED PARTS LIST

Page 1098.570

Nov 01/2008



COMPONENT MAINTENANCE MANUAL

FIG/ ITEM	PART NUMBER	AIRLINE PART NUMBER	NOMENCLATURE							USAGE CODE	UNITS PER ASSY	
			1	2	3	4	5	6	7			
27- -175C	BACS12FA08K8		.	.	SCREW (V06710) (SPEC BACS12FA08K8) (OPT BACS12FA08K8 (V06725)) (OPT BACS12FA08K8 (V06950)) (OPT BACS12FA08K8 (V27624)) (OPT BACS12FA08K8 (V34252)) (OPT BACS12FA08K8 (V56878)) (OPT BACS12FA08K8 (V73197)) (OPT BACS12FA08K8 (V80539)) (OPT BACS12FA08K8 (V92215)) (OPT BACS12FA08K8 (V93907)) (OPT BACS12FA08K8 (V97928)) (OPT ITEM 175B)						F, Q, R, AP, AR, AT, AV, AZ, DS- DV, DX, DZ	4
180	AN960JD8L		.	.	WASHER						E, F, N-R, AM, AP- AV, AY, AZ, DP- DZ	4
185	H10-08BAC		.	.	NUT (V15653) (SPEC BACN10JC08) (OPT NS202101-82 (V80539)) (OPT RMLH9075-82W (V72962)) (OPT T6S832J (V71087)) (OPT VN303A82 (V92215)) (OPT 96-82 (V80539)) (OPT BRH10A08 (V52828)) (OPT T6S832J (V11815))					E, F, N-R, AM, AP- AV, AY, AZ, DP- DZ	4	
190	417N3102-1		.	.	BRACKET-MTG						E, F, N-R, AM, AP- AV, AY, AZ, DP- DZ	2
195	417N3121-309		.	.	STIFFENER ASSY						E, N, P, AM, AQ, AS, AU, AY, DP- DR, DW, DY	1

-Item not Illustrated

25-23-34

ILLUSTRATED PARTS LIST

Page 1098.571

Nov 01/2008



COMPONENT MAINTENANCE MANUAL

FIG/ ITEM	PART NUMBER	AIRLINE PART NUMBER	NOMENCLATURE							USAGE CODE	UNITS PER ASSY	
			1	2	3	4	5	6	7			
27- -200	417N3121-310		.	.							F, Q, R, AP, AR, AT, AV, AZ, DS- DV, DX, DZ	1
			ATTACHING PARTS									
205	BACR15BB3D		.	.							E, F, N-R, AM, AP- AV, AY, AZ, DP- DZ	4
			-----*-----									
210	BACR15BA3D		.	.	.						E, F, N-R, AM, AP- AV, AY, AZ, DP- DZ	4
215	BRM200A08K		.	.	.						E, F, N-R, AM, AP- AV, AY, AZ, DP- DZ	2
			(V52828) (SPEC BACN10JP08AR) (OPT MK1000-08BCBAC (V15653)) (OPT NS103197-82BC (V80539)) (OPT RMA9201M82BC (V72962)) (OPT T8076S832BC (V11815)) (OPT VN202A2-82 (V92215))									
220	417N3121-311		.	.	.						E, N, P, AM, AQ, AS, AU, AY, DP- DR, DW, DY	1
-225	417N3121-312		.	.	.						F, Q, R, AP, AR, AT, AV, AZ, DS- DV, DX, DZ	1

-Item not Illustrated

25-23-34

ILLUSTRATED PARTS LIST

Page 1098.572

Nov 01/2008



COMPONENT MAINTENANCE MANUAL

FIG/ ITEM	PART NUMBER	AIRLINE PART NUMBER	NOMENCLATURE							USAGE CODE	UNITS PER ASSY	
			1	2	3	4	5	6	7			
27- 228	417N3121-301		.	.							E, N, P, AM, AQ, AS, AU, AY, DP- DR, DW, DY	1
-230	417N3121-302		.	.							F, Q, R, AP, AR, AT, AV, AZ, DS- DV, DX, DZ	1
235	BACR15BB3D		ATTACHING PARTS									
			.	.							E, F, N-R, AM, AP- AV, AY, AZ, DP- DZ	4
			-----*									
240	BACR15BA3D		.	.	.						E, F, N-R, AM, AP- AV, AY, AZ, DP- DZ	6
245	BRM200A08K		.	.	.						E, F, N-R, AM, AP- AV, AY, AZ, DP- DZ	3
			(V52828) (SPEC BACN10JP08AR) (OPT MK1000-08BCBAC (V15653)) (OPT NS103197-82BC (V80539)) (OPT RMA9201M82BC (V72962)) (OPT T8076S832BC (V11815)) (OPT VN202A2-82 (V92215))									
248	417N3121-303		.	.	.						E, N, P, AM, AQ, AS, AU, AY, DP- DR, DW, DY	1

-Item not Illustrated

25-23-34

ILLUSTRATED PARTS LIST

Page 1098.573

Nov 01/2008



COMPONENT MAINTENANCE MANUAL

FIG/ ITEM	PART NUMBER	AIRLINE PART NUMBER	NOMENCLATURE							USAGE CODE	UNITS PER ASSY	
			1	2	3	4	5	6	7			
27- -251	417N3121-304		.	.	.						F, Q, R, AP, AR, AT, AV, AZ, DS- DV, DX, DZ	1
255	BACN10YJ08		.	.							E, F, N-R, AM, AP- AV, AY, AZ, DP- DZ	1
260	417N3122-60		.	.							E, F, N-R, AM, AP- AV, AY, AZ, DP- DZ	1
265	BACS21AQ2A3K		.	.	.						E, F, N-R, AM, AP- AV, AY, AZ, DP- DZ	1
-265A	FHS832-6		.	.	.						E, F, N-R, AM, AP- AV, AY, AZ, DP- DZ	1
270	82-47-108-15		.	.	.						E, F, N-R, AM, AP- AV, AY, AZ, DP- DZ	1
275	417N3122-61		.	.	.						E, F, N-R, AM, AP- AV, AY, AZ, DP- DZ	1
-275A	417N3122-130		.	.	.						E, F, N-R, AM, AP- AV, AY, AZ, DP- DZ	1

-Item not Illustrated

25-23-34

ILLUSTRATED PARTS LIST

Page 1098.574

Nov 01/2008



COMPONENT MAINTENANCE MANUAL

FIG/ ITEM	PART NUMBER	AIRLINE PART NUMBER	NOMENCLATURE							USAGE CODE	UNITS PER ASSY	
			1	2	3	4	5	6	7			
27- 280	BACR15DR3		.	.							E, F, N-R, AM, AP- AV, AY, AZ, DP- DZ	3
285	CCR274SS3		.	.							E, F, N-R, AM, AP- AV, AY, AZ, DP- DZ	5
290	417N3121-83		.	.							E, N, P, AM, AQ, AS, AU, AY, DP- DR, DW, DY	1
-295	417N3121-84		.	.							F, Q, R, AP, AR, AT, AV, AZ, DP- DR, DW, DY	1
297	BACR15BB3D		.	.							E, F, N-R, AM, AP- AV, AY, AZ, DP- DZ	6
300	417N3121-315		.	.							E, N, P, AM, AQ, AS, AU, AY, DP- DR, DW, DY	2
-305	417N3121-316		.	.							F, Q, R, AP, AR, AT, AV, AZ, DP- DR, DW, DY	1

-Item not Illustrated

25-23-34

ILLUSTRATED PARTS LIST

Page 1098.575

Nov 01/2008



COMPONENT MAINTENANCE MANUAL

FIG/ ITEM	PART NUMBER	AIRLINE PART NUMBER	NOMENCLATURE							USAGE CODE	UNITS PER ASSY	
			1	2	3	4	5	6	7			
27- 310	417N3111-1SP		.								E, N, P, AM, AQ, AS, AU, AY, DP- DR, DW, DY	1
-315	417N3111-2SP		.								F, Q, R, AP, AR, AT, AV, AZ, DS- DV, DX, DZ	1

-Item not Illustrated

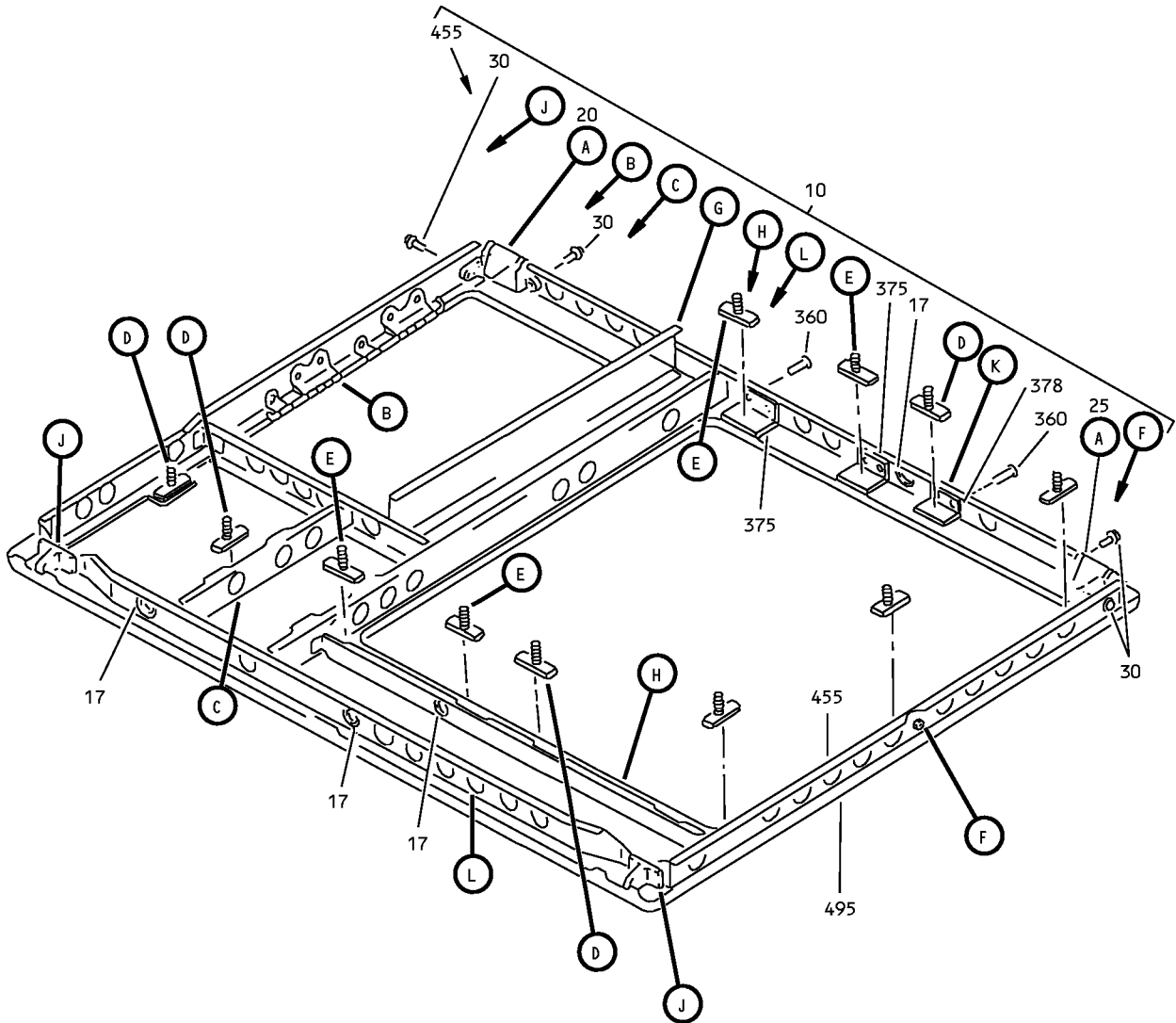
25-23-34

ILLUSTRATED PARTS LIST

Page 1098.576

Nov 01/2008

COMPONENT MAINTENANCE MANUAL



Underbin Passenger Service Unit Frame Assembly
 IPL Figure 28 (Sheet 1 of 6)

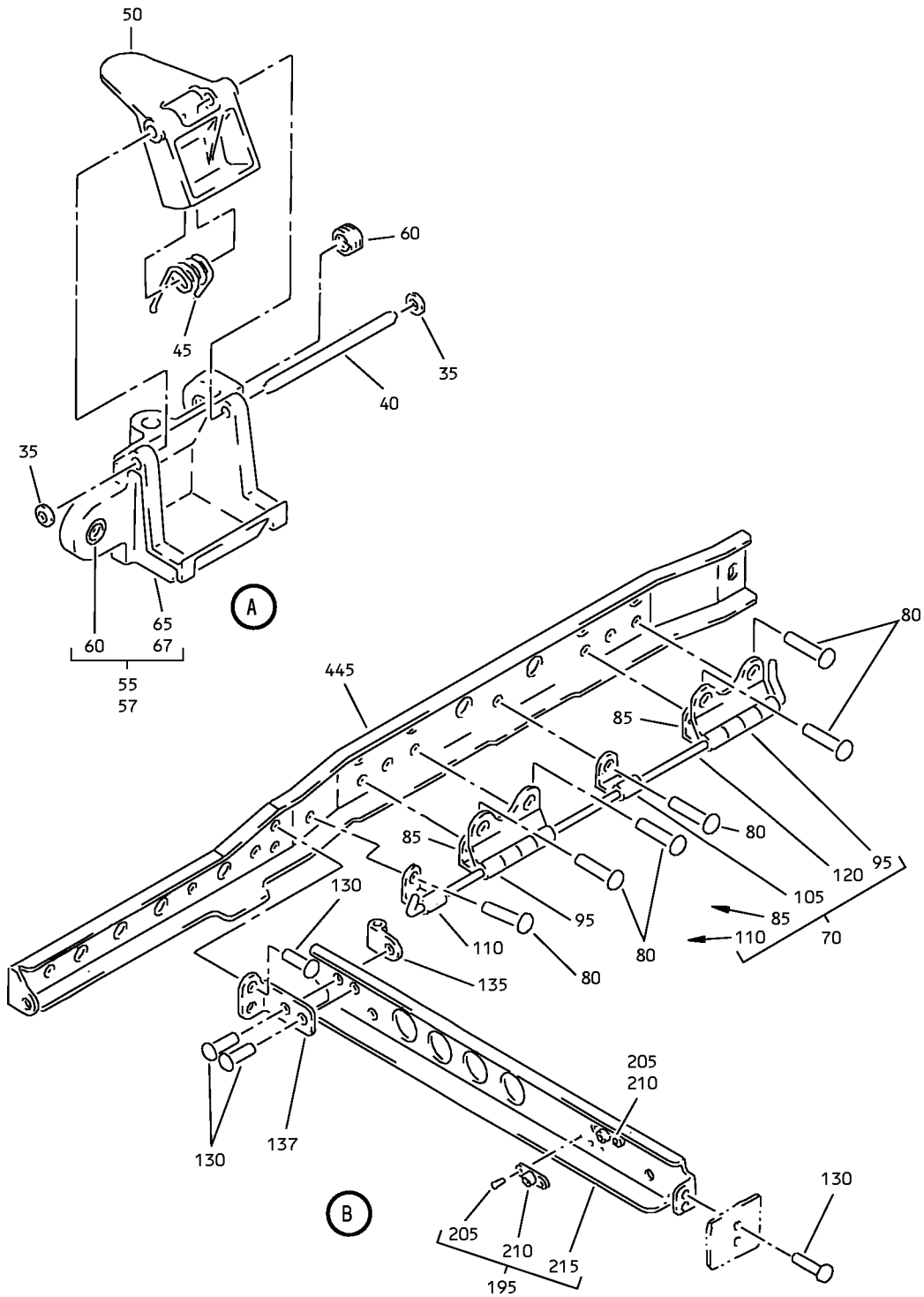
25-23-34

ILLUSTRATED PARTS LIST

Page 1098.577

Nov 01/2008

COMPONENT MAINTENANCE MANUAL



Underbin Passenger Service Unit Frame Assembly
IPL Figure 28 (Sheet 2 of 6)

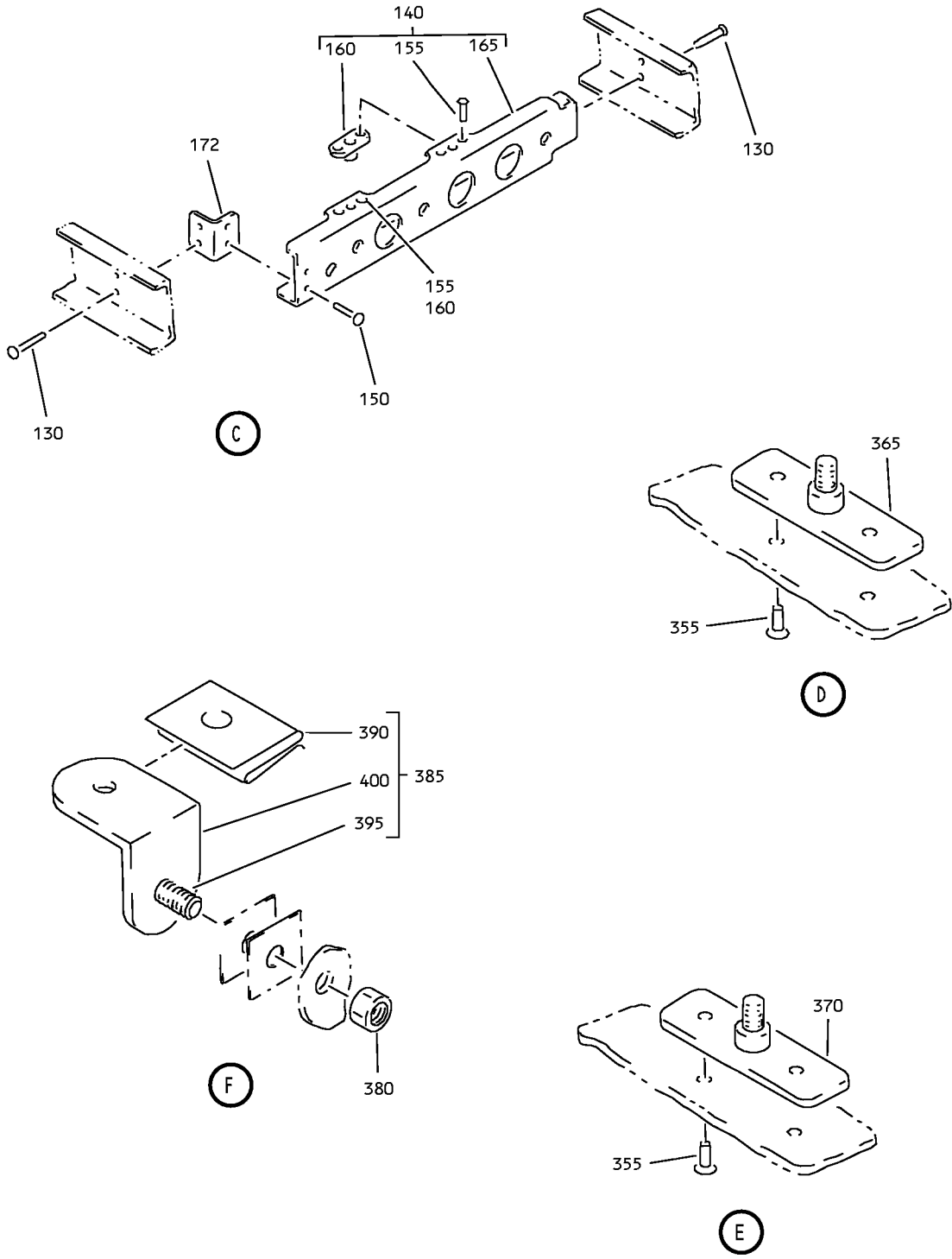
25-23-34

ILLUSTRATED PARTS LIST

Page 1098.578

Nov 01/2008

COMPONENT MAINTENANCE MANUAL



Underbin Passenger Service Unit Frame Assembly
IPL Figure 28 (Sheet 3 of 6)

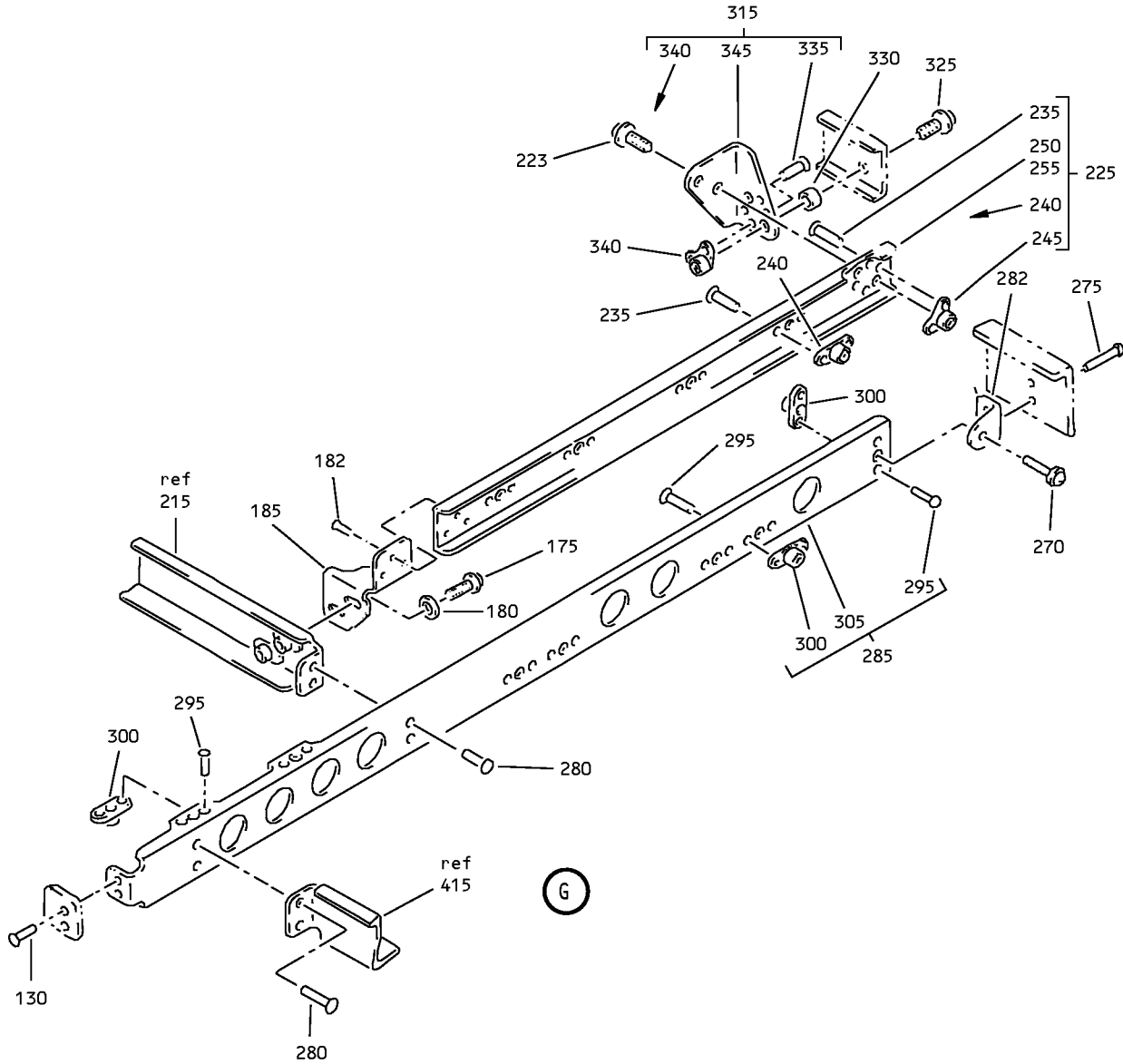
25-23-34

ILLUSTRATED PARTS LIST

Page 1098.579

Nov 01/2008

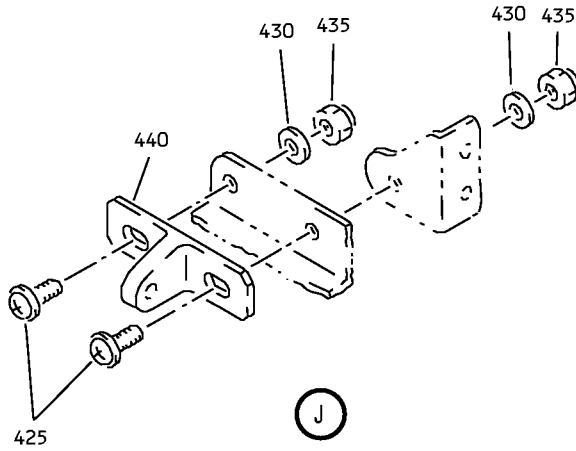
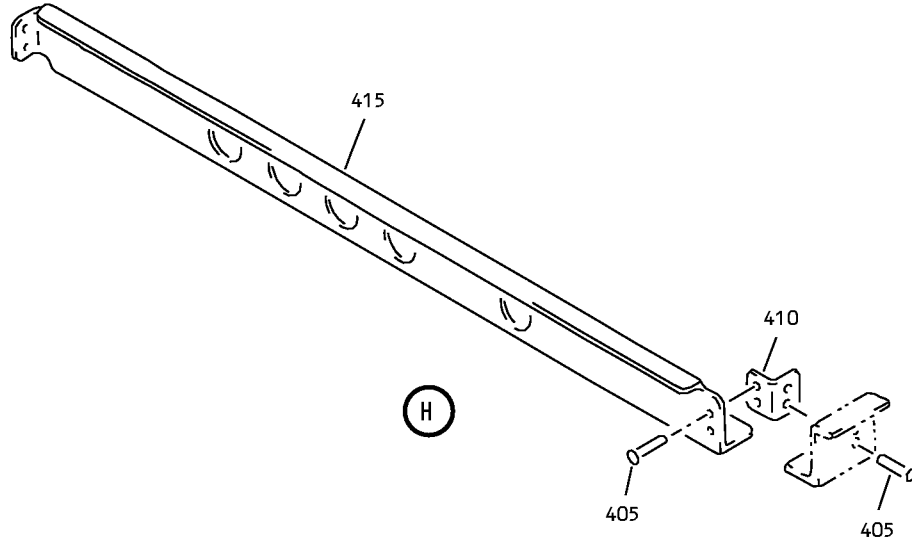
COMPONENT MAINTENANCE MANUAL



Underbin Passenger Service Unit Frame Assembly
IPL Figure 28 (Sheet 4 of 6)

25-23-34
ILLUSTRATED PARTS LIST
Page 1098.580
Nov 01/2008

COMPONENT MAINTENANCE MANUAL



Underbin Passenger Service Unit Frame Assembly
IPL Figure 28 (Sheet 5 of 6)

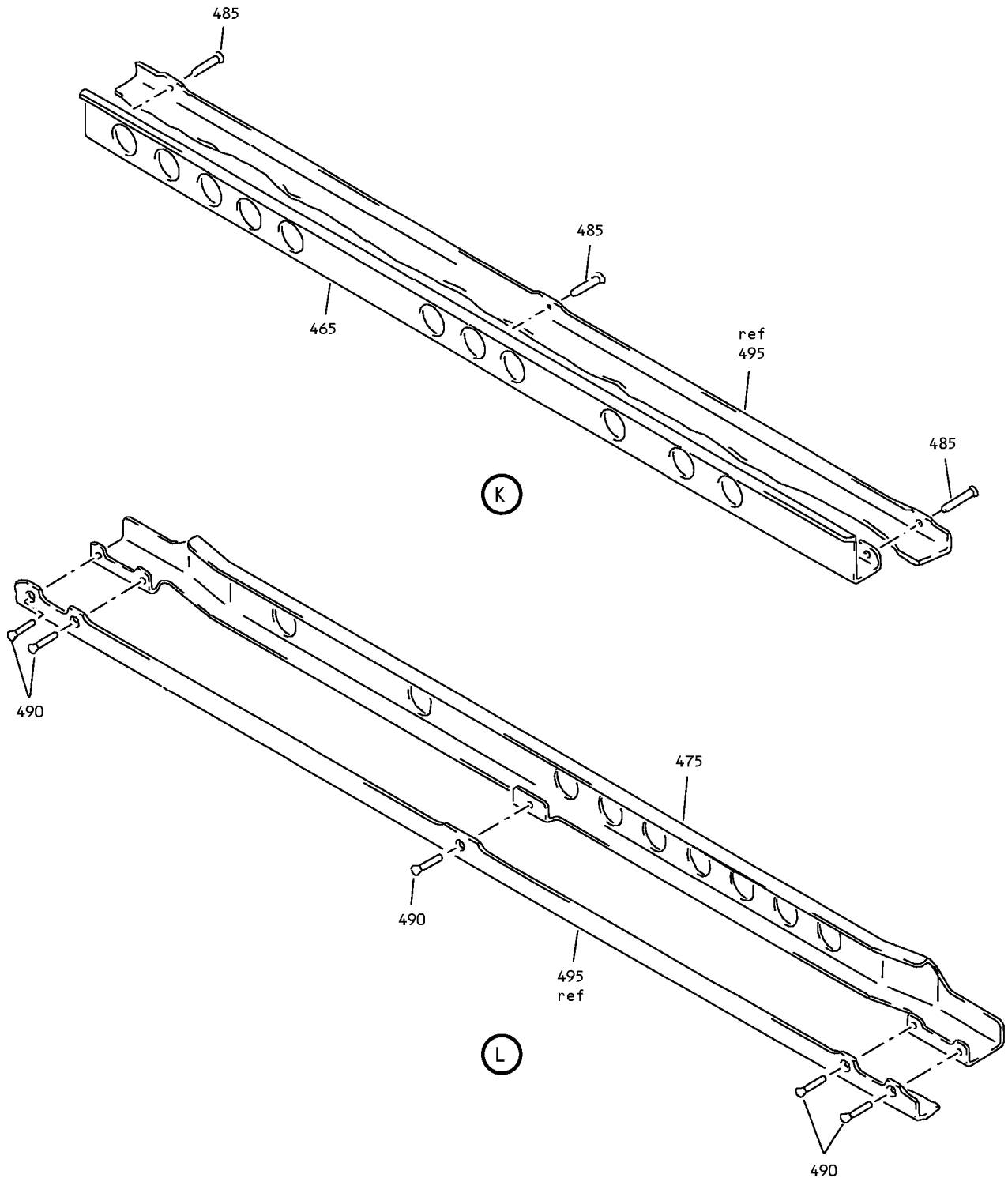
25-23-34

ILLUSTRATED PARTS LIST

Page 1098.581

Nov 01/2008

COMPONENT MAINTENANCE MANUAL



Underbin Passenger Service Unit Frame Assembly
IPL Figure 28 (Sheet 6 of 6)

25-23-34

ILLUSTRATED PARTS LIST

Page 1098.582

Nov 01/2008



COMPONENT MAINTENANCE MANUAL

FIG/ ITEM	PART NUMBER	AIRLINE PART NUMBER	NOMENCLATURE							USAGE CODE	UNITS PER ASSY	
			1	2	3	4	5	6	7			
28-												
-1	417N3110-81SP									FRAME ASSY-UNDERBIN PSU (LH)	S-X, AD, EA	RF
-5	417N3110-82SP									FRAME ASSY-UNDERBIN PSU (RH)	Y-AC, AE-AJ, EB	RF
10	417N3110-85									. FRAME ASSY	S-X, AD, EA	1
-15	417N3110-86									. FRAME ASSY	Y-AC, AE-AJ, EB	1
17	NAS557-10A									. . GROMMET	S-AJ, EA, EB	4
20	417N3170-11									. . LATCH ASSY	S-AJ, EA, EB	1
25	417N3170-12									. . LATCH ASSY	S-AJ, EA, EB	1
										ATTACHING PARTS		
30	BACS12FA08K6									. . SCREW (V06710) (SPEC BACS12FA08K6) (OPT BACS12FA08K6 (V06725)) (OPT BACS12FA08K6 (V06950)) (OPT BACS12FA08K6 (V27624)) (OPT BACS12FA08K6 (V34252)) (OPT BACS12FA08K6 (V56878)) (OPT BACS12FA08K6 (V73197)) (OPT BACS12FA08K6 (V80539)) (OPT BACS12FA08K6 (V92215)) (OPT BACS12FA08K6 (V93907)) (OPT BACS12FA08K6 (V97928))	S-AJ, EA, EB	4
										-----*		
35	6100-9									. . . RETAINER (V2X013)	S-AJ, EA, EB	2
40	MS20253P2-165									. . . PIN	S-AJ, EA, EB	1
45	417N3173-1									. . . SPRING	S-AJ, EA, EB	1
50	417N3171-2									. . . BOLT (OPT ITEM 50A)	S-AJ, EA, EB	1

-Item not Illustrated

25-23-34

ILLUSTRATED PARTS LIST

Page 1098.583

Nov 01/2008



COMPONENT MAINTENANCE MANUAL

FIG/ ITEM	PART NUMBER	AIRLINE PART NUMBER	NOMENCLATURE							USAGE CODE	UNITS PER ASSY
			1	2	3	4	5	6	7		
28-											
-50A	417N3171-3		. . .	BOLT						S-AJ, EA, EB	1
				(OPT ITEM 50)							
55	417N3172-9		. . .	HOUSING ASSY-CAM LATCH						S-AJ, EA, EB	1
				(OPT ITEM 55A)							
				(USED ON ITEM 20)							
-55A	417N3172-19		. . .	HOUSING ASSY-CAM LATCH						S-AJ, EA, EB	1
				(OPT ITEM 55)							
				(USED ON ITEM 20)							
57	417N3172-10		. . .	HOUSING ASSY-CAM LATCH						S-AJ, EA, EB	1
				(OPT ITEM 57A)							
				(USED ON ITEM 25)							
-57A	417N3172-20		. . .	HOUSING ASSY-CAM LATCH						S-AJ, EA, EB	1
				(OPT ITEM 57)							
				(USED ON ITEM 25)							
60	6035-2BR185		INSERT						S-AJ, EA, EB	2
				(V26344)							
65	417N3172-11		HOUSING						S-AJ, EA, EB	1
				(USED ON ITEM 55)							
-65A	417N3172-21		HOUSING						S-AJ, EA, EB	1
				(USED ON ITEM 55A)							
67	417N3172-12		HOUSING						S-AJ, EA, EB	1
				(USED ON ITEM 57)							
-67A	417N3172-22		HOUSING						S-AJ, EA, EB	1
				(USED ON ITEM 57A)							
70	417N3114-13		. .	HINGE ASSY						S-X, AD, EA	1
-75	417N3114-14		. .	HINGE ASSY						Y-AC, AE-AJ, EB	1
				ATTACHING PARTS							
80	BACR15BB4D		. .	RIVET						S-AJ, EA, EB	6
				(SIZE DETERMINED ON INST)							
				----- * -----							
85	417N3114-7		. . .	HINGE HALF-EXTRUSION						S-X, AD, EA	2
-90	417N3114-8		. . .	HINGE HALF-EXTRUSION						Y-AC, AE-AJ, EB	2

-Item not Illustrated

25-23-34

ILLUSTRATED PARTS LIST

Page 1098.584

Nov 01/2008



COMPONENT MAINTENANCE MANUAL

FIG/ ITEM	PART NUMBER	AIRLINE PART NUMBER	NOMENCLATURE							USAGE CODE	UNITS PER ASSY		
			1	2	3	4	5	6	7				
28- 95	417N3114-15		. . .								HINGE HALF-EXTRUSION	S-X, AD, EA	2
-100	417N3114-16		. . .								HINGE HALF-EXTRUSION	Y-AC, AE-AJ, EB	2
105	417N3114-11		. . .								HINGE HALF-EXTRUSION	S-AJ, EA, EB	1
110	417N3114-9		. . .								HINGE HALF-EXTRUSION	S-X, AD, EA	1
-115	417N3114-10		. . .								HINGE HALF-EXTRUSION	Y-AC, AE-AJ, EB	1
120	417N3114-17		. . .								BAR-TORSION	S-X, AD, EA	1
-125	417N3114-18		. . .								BAR-TORSION	Y-AC, AE-AJ, EB	1
130	BACR15BB3D		. .								RIVET (SIZE DETERMINED ON INST)	S-AJ, EA, EB	12
135	417N3122-48		. .								RETAINER	S-AJ, EA, EB	1
137	417N3136-12		. .								BRACKET	S-X, AD, EA	1
-138	417N3136-24		. .								BRACKET	Y-AC, AE-AJ, EB	1
140	417N3121-307		. .								STIFFENER ASSY	S-X, AD, EA	1
-145	417N3121-308		. .								STIFFENER ASSY	Y-AC, AE-AJ, EB	1
											ATTACHING PARTS		
150	BACR15BB3D		. .								RIVET (SIZE DETERMINED ON INST)	S-AJ, EA, EB	2
											-----*-----		
155	BACR15BA3D		. . .								RIVET (SIZE DETERMINED ON INST)	S-AJ, EA, EB	4
160	BACN10JP8AR		. . .								NUTPLATE	S-AJ, EA, EB	2

-Item not Illustrated

25-23-34

ILLUSTRATED PARTS LIST

Page 1098.585

Nov 01/2008



COMPONENT MAINTENANCE MANUAL

FIG/ ITEM	PART NUMBER	AIRLINE PART NUMBER	NOMENCLATURE	USAGE CODE	UNITS PER ASSY
28-					
165	417N3121-313		. . . STIFFENER	S-X, AD, EA	1
-170	417N3121-314		. . . STIFFENER	Y-AC, AE-AJ, EB	1
172	417N3122-57		. . BRACKET	S-AJ, EA, EB	1
175	BACS12FA08K6		. . SCREW (V06710) (SPEC BACS12FA08K6) (OPT BACS12FA08K6 (V06725)) (OPT BACS12FA08K6 (V06950)) (OPT BACS12FA08K6 (V27624)) (OPT BACS12FA08K6 (V34252)) (OPT BACS12FA08K6 (V56878)) (OPT BACS12FA08K6 (V73197)) (OPT BACS12FA08K6 (V80539)) (OPT BACS12FA08K6 (V92215)) (OPT BACS12FA08K6 (V93907)) (OPT BACS12FA08K6 (V97928))	S-AJ, EA, EB	2
180	AN960JD8L		. . WASHER	S-AJ, EA, EB	2
182	BACR15BB3D		. . RIVET (SIZE DETERMINED ON INST)	S-AJ, EA, EB	3
185	417N3136-103		. . BRACKET	S-X, AD, EA	1
-190	417N3136-104		. . BRACKET	Y-AC, AE-AJ, EB	1
195	417N3121-163		. . STIFFENER ASSY	S-X, AD, EA	1
-200	417N3121-164		. . STIFFENER ASSY	Y-AC, AE-AJ, EB	1
205	BACR15CE3D		. . . RIVET (SIZE DETERMINED ON INST)	S-AJ, EA, EB	4

-Item not Illustrated

25-23-34

ILLUSTRATED PARTS LIST

Page 1098.586

Nov 01/2008



COMPONENT MAINTENANCE MANUAL

FIG/ ITEM	PART NUMBER	AIRLINE PART NUMBER	NOMENCLATURE							USAGE CODE	UNITS PER ASSY	
			1	2	3	4	5	6	7			
28- 210	BRM200A08		. . .	NUTPLATE							S-AJ, EA, EB	2
				(V52828)								
				(SPEC BACN10JP08A)								
				(OPT MK1000-08BAC (V15653))								
				(OPT NS103197-82 (V80539))								
				(OPT RMA9201M82 (V72962))								
				(OPT T8076S832 (V11815))								
				(OPT VN202A1-82 (V92215))								
215	417N3121-165		. . .	STIFFENER							S-X, AD, EA	1
-220	417N3121-166		. . .	STIFFENER							Y-AC, AE-AJ, EB	1
223	BACS12FA08K6		. .	SCREW							S-AJ, EA, EB	2
				(V06710)								
				(SPEC BACS12FA08K6)								
				(OPT BACS12FA08K6 (V06725))								
				(OPT BACS12FA08K6 (V06950))								
				(OPT BACS12FA08K6 (V27624))								
				(OPT BACS12FA08K6 (V34252))								
				(OPT BACS12FA08K6 (V56878))								
				(OPT BACS12FA08K6 (V73197))								
				(OPT BACS12FA08K6 (V80539))								
				(OPT BACS12FA08K6 (V92215))								
				(OPT BACS12FA08K6 (V93907))								
				(OPT BACS12FA08K6 (V97928))								
225	417N3121-175		. .	STIFFENER ASSY							S-X, AD, EA	1
-230	417N3121-176		. .	STIFFENER ASSY							Y-AC, AE-AJ, EB	1
235	BACR15BA3D		. . .	RIVET							S-AJ, EA, EB	12
				(SIZE DETERMINED ON INST)								
240	BRM200A08K		. . .	NUTPLATE							S-AJ, EA, EB	4
				(V52828)								
				(SPEC BACN10JP08AR)								
				(OPT MK1000-08BCBAC (V15653))								
				(OPT NS103197-82BC (V80539))								
				(OPT RMA9201M82BC (V72962))								
				(OPT T8076S832BC (V11815))								
				(OPT VN202A2-82 (V92215))								

-Item not Illustrated

25-23-34

ILLUSTRATED PARTS LIST

Page 1098.587

Nov 01/2008



COMPONENT MAINTENANCE MANUAL

FIG/ ITEM	PART NUMBER	AIRLINE PART NUMBER	NOMENCLATURE							USAGE CODE	UNITS PER ASSY	
			1	2	3	4	5	6	7			
28- 245	BRM300A08K		. . .	NUTPLATE							S-AJ, EA, EB	2
				(V52828)								
				(SPEC BACN10JP08CR)								
				(OPT MK3000-08BCBAC (V15653))								
				(OPT NS103199-82BC (V80539))								
				(OPT RMA9205M82BC (V72962))								
				(OPT T8078S832BC (V11815))								
				(OPT VN203A2-82 (V92215))								
250	417N3121-177		. . .	STIFFENER							S-X, AD, EA	1
255	417N3121-178		. . .	STIFFENER							Y-AC, AE-AJ, EB	1
270	BACS12FA08K6		. .	SCREW							S-AJ, EA, EB	1
				(V06710)								
				(SPEC BACS12FA08K6)								
				(OPT BACS12FA08K6 (V06725))								
				(OPT BACS12FA08K6 (V06950))								
				(OPT BACS12FA08K6 (V27624))								
				(OPT BACS12FA08K6 (V34252))								
				(OPT BACS12FA08K6 (V56878))								
				(OPT BACS12FA08K6 (V73197))								
				(OPT BACS12FA08K6 (V80539))								
				(OPT BACS12FA08K6 (V92215))								
				(OPT BACS12FA08K6 (V93907))								
				(OPT BACS12FA08K6 (V97928))								
275	BACR15BA3B		. .	RIVET							S-AJ, EA, EB	2
				(SIZE DETERMINED ON INST)								
280	BACR15BB3D		. .	RIVET							S-AJ, EA, EB	4
				(SIZE DETERMINED ON INST)								
282	417N3122-54		. .	BRACKET							S-X, AD, EA	1
285	417N3121-285		. .	STIFFENER ASSY							S-X, AD, EA	1
-290	417N3121-286		. .	STIFFENER ASSY							Y-AC, AE-AJ, EB	1
295	BACR15BA3D		. . .	RIVET							S-AJ, EA, EB	14
				(SIZE DETERMINED ON INST)								

-Item not Illustrated

25-23-34

ILLUSTRATED PARTS LIST

Page 1098.588

Nov 01/2008



COMPONENT MAINTENANCE MANUAL

FIG/ ITEM	PART NUMBER	AIRLINE PART NUMBER	NOMENCLATURE							USAGE CODE	UNITS PER ASSY
			1	2	3	4	5	6	7		
28- 300	BRM200A08K		. . .	NUTPLATE (V52828) (SPEC BACN10JP08AR) (OPT MK1000-08BCBAC (V15653)) (OPT NS103197-82BC (V80539)) (OPT RMA9201M82BC (V72962)) (OPT T8076S832BC (V11815)) (OPT VN202A2-82 (V92215))						S-AJ, EA, EB	7
305	417N3121-287		. . .	STIFFENER						S-X, AD, EA	1
-310	417N3121-288		. . .	STIFFENER						Y-AC, AE-AJ, EB	1
315	417N3136-108		. .	BRACKET ASSY-MTG						S-X, AD, EA	1
-320	417N3136-109		. .	BRACKET ASSY-MTG						Y-AC, AE-AJ, EB	1
				ATTACHING PARTS							
325	BACS12FA08K10		. .	SCREW (V06710) (SPEC BACS12FA08K10) (OPT BACS12FA08K10 (V06725)) (OPT BACS12FA08K10 (V06950)) (OPT BACS12FA08K10 (V27624)) (OPT BACS12FA08K10 (V34252)) (OPT BACS12FA08K10 (V56878)) (OPT BACS12FA08K10 (V73197)) (OPT BACS12FA08K10 (V80539)) (OPT BACS12FA08K10 (V92215)) (OPT BACS12FA08K10 (V93907)) (OPT BACS12FA08K10 (V97928))						S-AJ, EA, EB	2
330	NAS43DD3-18		. .	SPACER						S-AJ, EA, EB	2
				----- * -----							
335	BACR15BA3AD		. . .	RIVET (SIZE DETERMINED ON INST)						S-AJ, EA, EB	4

-Item not Illustrated

25-23-34

ILLUSTRATED PARTS LIST

Page 1098.589

Nov 01/2008



COMPONENT MAINTENANCE MANUAL

FIG/ ITEM	PART NUMBER	AIRLINE PART NUMBER	NOMENCLATURE							USAGE CODE	UNITS PER ASSY
			1	2	3	4	5	6	7		
28- 340	BRM300A08K		. . .	NUTPLATE						S-AJ, EA, EB	2
				(V52828)							
				(SPEC BACN10JP08CR)							
				(OPT MK3000-08BCBAC (V15653))							
				(OPT NS103199-82BC (V80539))							
				(OPT RMA9205M82BC (V72962))							
				(OPT T8078S832BC (V11815))							
				(OPT VN203A2-82 (V92215))							
345	417N3136-110		. . .	BRACKET						S-X, AD, EA	1
-350	417N3136-111		. . .	BRACKET						Y-AC, AE-AJ, EB	1
355	BACR15CE3D		. .	RIVET						S-AJ, EA, EB	22
				(SIZE DETERMINED ON INST)							
360	BACR15BB3D		. .	RIVET						S-AJ, EA, EB	6
				(SIZE DETERMINED ON INST)							
365	SL6189-08-4			DELETED							
367	SL5244-08-4		. .	STUD						S-AJ, EA, EB	5
				(V97393)							
				(OPT ITEM 367A)							
-367A	UM62-50009-4		. .	STUD						S-AJ, EA, EB	5
				(V25657)							
				(OPT ITEM 367)							
370	SL6189-08-6			DELETED							
372	SL5244-08-6		. .	STUD						S-AJ, EA, EB	6
				(V97393)							
				(OPT ITEM 372A)							
-372A	UM62-50009-6		. .	STUD						S-AJ, EA, EB	6
				(V25657)							
				(OPT ITEM 372)							
375	417N3121-315		. .	BRACKET						S-AJ, EA, EB	2
378	417N3121-316		. .	BRACKET						S-AJ, EA, EB	1
380	BACN10YJ08		. .	NUT						S-AJ, EA, EB	1
385	417N3122-60		. .	BRACKET ASSY						S-AJ, EA, EB	1

-Item not Illustrated

25-23-34

ILLUSTRATED PARTS LIST

Page 1098.590

Nov 01/2008



COMPONENT MAINTENANCE MANUAL

FIG/ ITEM	PART NUMBER	AIRLINE PART NUMBER	NOMENCLATURE							USAGE CODE	UNITS PER ASSY
			1	2	3	4	5	6	7		
28-											
390	82-47-108-15		. . .	CLIP						S-AJ, EA, EB	1
				(V84483)							
395	BACS21AQ2A3K		. . .	STUD						S-AJ, EA, EB	1
				(OPT ITEM 395A)							
-395A	FHS832-6		. . .	STUD						S-AJ, EA, EB	1
				(OPT ITEM 395)							
400	417N3122-61		. . .	BRACKET						S-AJ, EA, EB	1
				(OPT ITEM 400A)							
-400A	417N3122-130		. . .	BRACKET						S-AJ, EA, EB	1
				(OPT ITEM 400)							
405	BACR15BB3D		. .	RIVET						S-AJ, EA, EB	4
				(SIZE DETERMINED ON INST)							
410	417N3122-57		. .	BRACKET						S-AJ, EA, EB	1
415	417N3121-305		. .	STIFFENER						S-X, AD, EA	1
-420	417N3121-306		. .	STIFFENER						Y-AC, AE-AJ, EB	1
425	BACS12FA08K7		. .	SCREW						S-AJ, EA, EB	4
				(V06710)							
				(SPEC BACS12FA08K7)							
				(OPT BACS12FA08K7 (V06725))							
				(OPT BACS12FA08K7 (V06950))							
				(OPT BACS12FA08K7 (V27624))							
				(OPT BACS12FA08K7 (V34252))							
				(OPT BACS12FA08K7 (V56878))							
				(OPT BACS12FA08K7 (V73197))							
				(OPT BACS12FA08K7 (V80539))							
				(OPT BACS12FA08K7 (V92215))							
				(OPT BACS12FA08K7 (V93907))							
				(OPT BACS12FA08K7 (V97928))							
				(OPT ITEM 425A)							

-Item not Illustrated

25-23-34

ILLUSTRATED PARTS LIST

Page 1098.591

Nov 01/2008



COMPONENT MAINTENANCE MANUAL

FIG/ ITEM	PART NUMBER	AIRLINE PART NUMBER	NOMENCLATURE							USAGE CODE	UNITS PER ASSY
			1	2	3	4	5	6	7		
28- -425A	BACS12FA08K8		.	.						S-AJ, EA, EB	4
430	AN960JD8L		.	.						S-AJ, EA, EB	4
435	H10-08BAC		.	.						S-AJ, EA, EB	4
440	417N3102-1		.	.						S-AJ, EA, EB	2
445	417N3121-279		.	.						S-X, AD, EA	1
-450	417N3121-280		.	.						Y-AC, AE-AJ, EB	1
455	417N3121-281		.	.						S-X, AD, EA	1
-460	417N3121-282		.	.						Y-AC, AE-AJ, EB	1
465	417N3121-271		.	.						S-X, AD, EA	1
-470	417N3121-272		.	.						Y-AC, AE-AJ, EB	1

-Item not Illustrated

25-23-34

ILLUSTRATED PARTS LIST

Page 1098.592

Nov 01/2008



COMPONENT MAINTENANCE MANUAL

FIG/ ITEM	PART NUMBER	AIRLINE PART NUMBER	NOMENCLATURE							USAGE CODE	UNITS PER ASSY	
			1	2	3	4	5	6	7			
28- 475	417N3121-83		.	.							S-X, AD, EA	1
-480	417N3121-84		.	.							Y-AC, AE-AJ, EB	1
485	BACR15DR3		.	.							S-AJ, EA, EB	3
490	CCR274SS3		.	.							S-AJ, EA, EB	5
495	417N3111-5		.								S-X, AD, EA	1
-500	417N3111-6		.								Y-AC, AE-AJ, EB	1

-Item not Illustrated

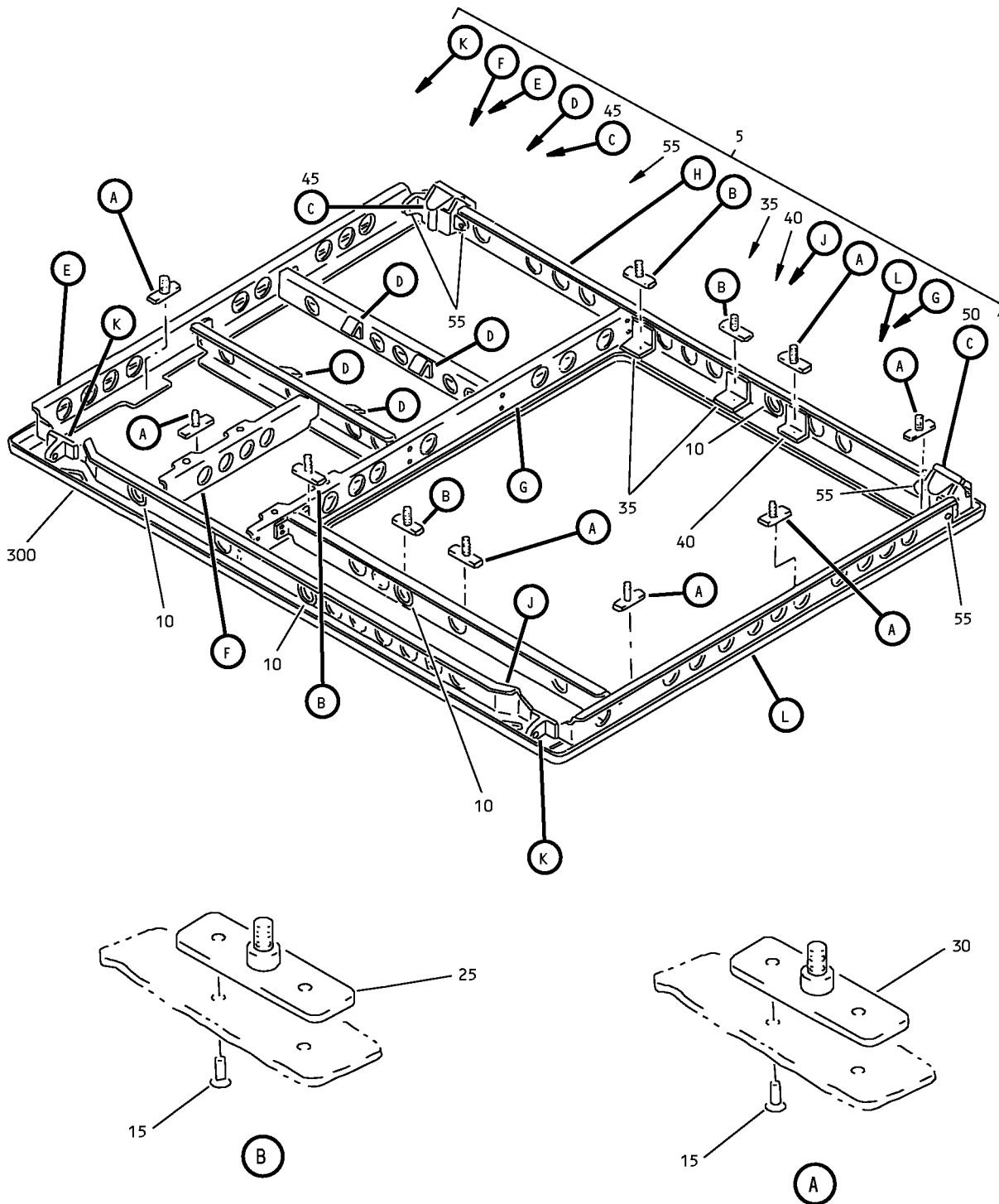
25-23-34

ILLUSTRATED PARTS LIST

Page 1098.593

Nov 01/2008

COMPONENT MAINTENANCE MANUAL



Underbin Passenger Service Unit Frame Assembly
IPL Figure 29 (Sheet 1 of 5)

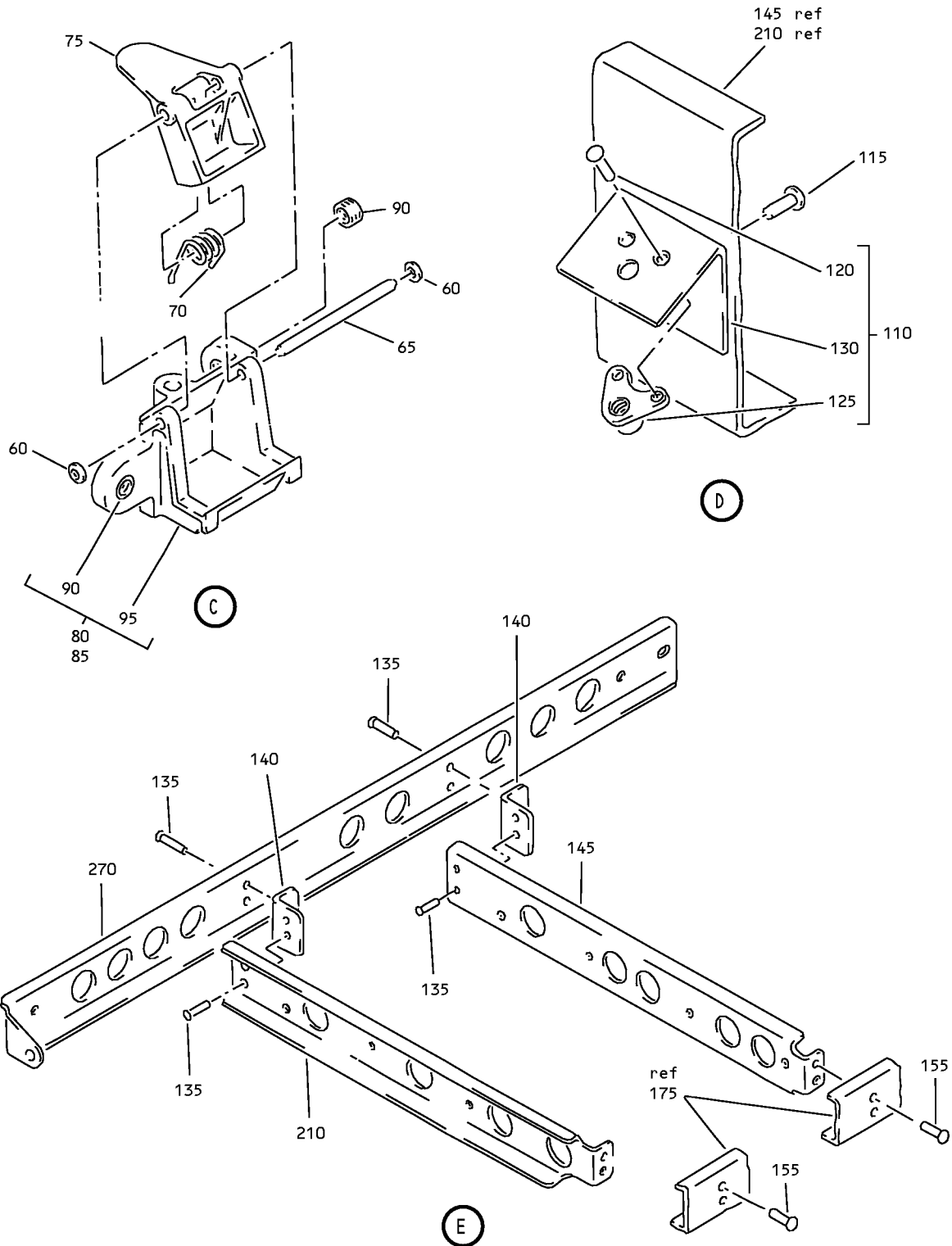
25-23-34

ILLUSTRATED PARTS LIST

Page 1098.594

Nov 01/2008

COMPONENT MAINTENANCE MANUAL



Underbin Passenger Service Unit Frame Assembly
IPL Figure 29 (Sheet 2 of 5)

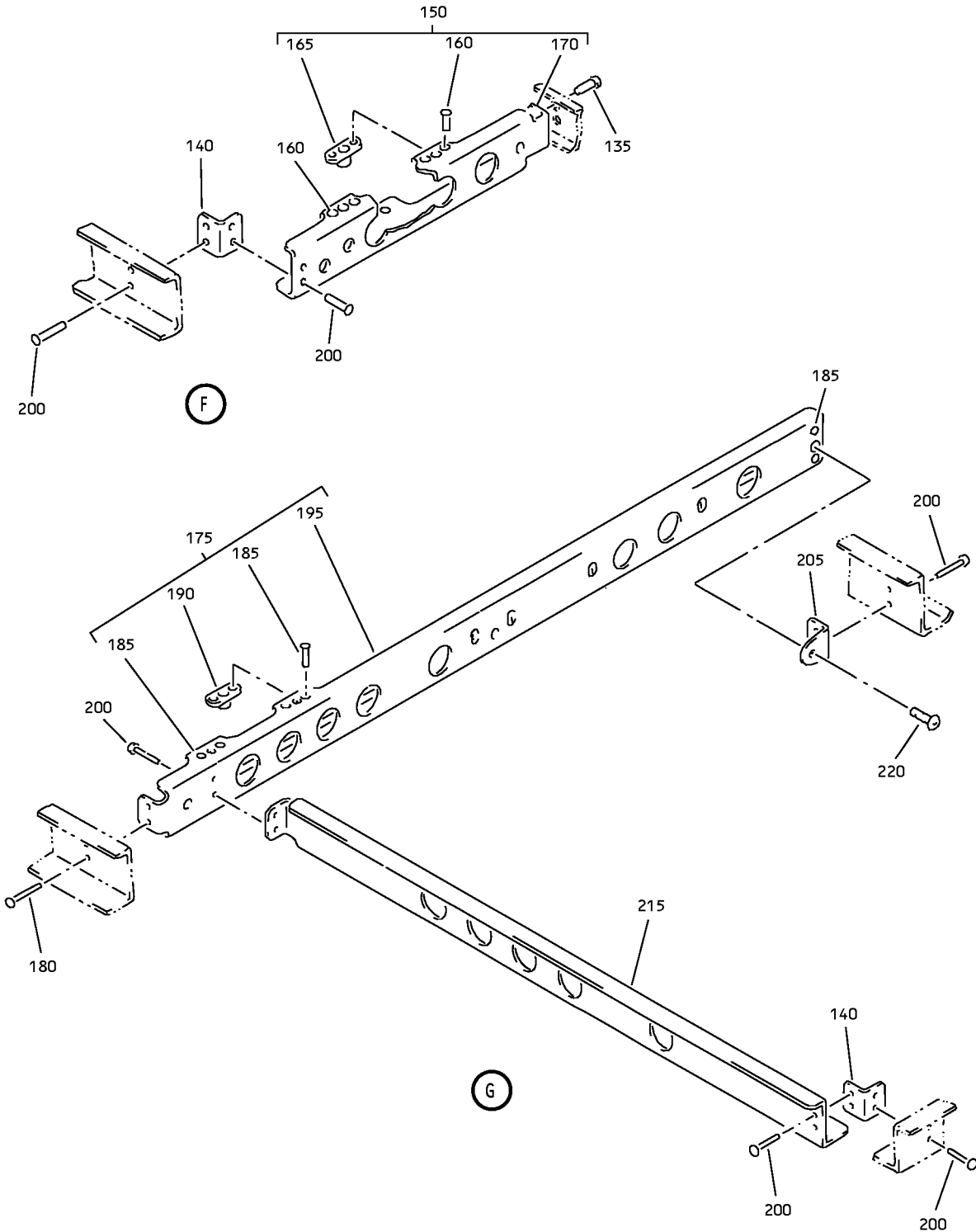
25-23-34

ILLUSTRATED PARTS LIST

Page 1098.595

Nov 01/2008

COMPONENT MAINTENANCE MANUAL



Underbin Passenger Service Unit Frame Assembly
IPL Figure 29 (Sheet 3 of 5)

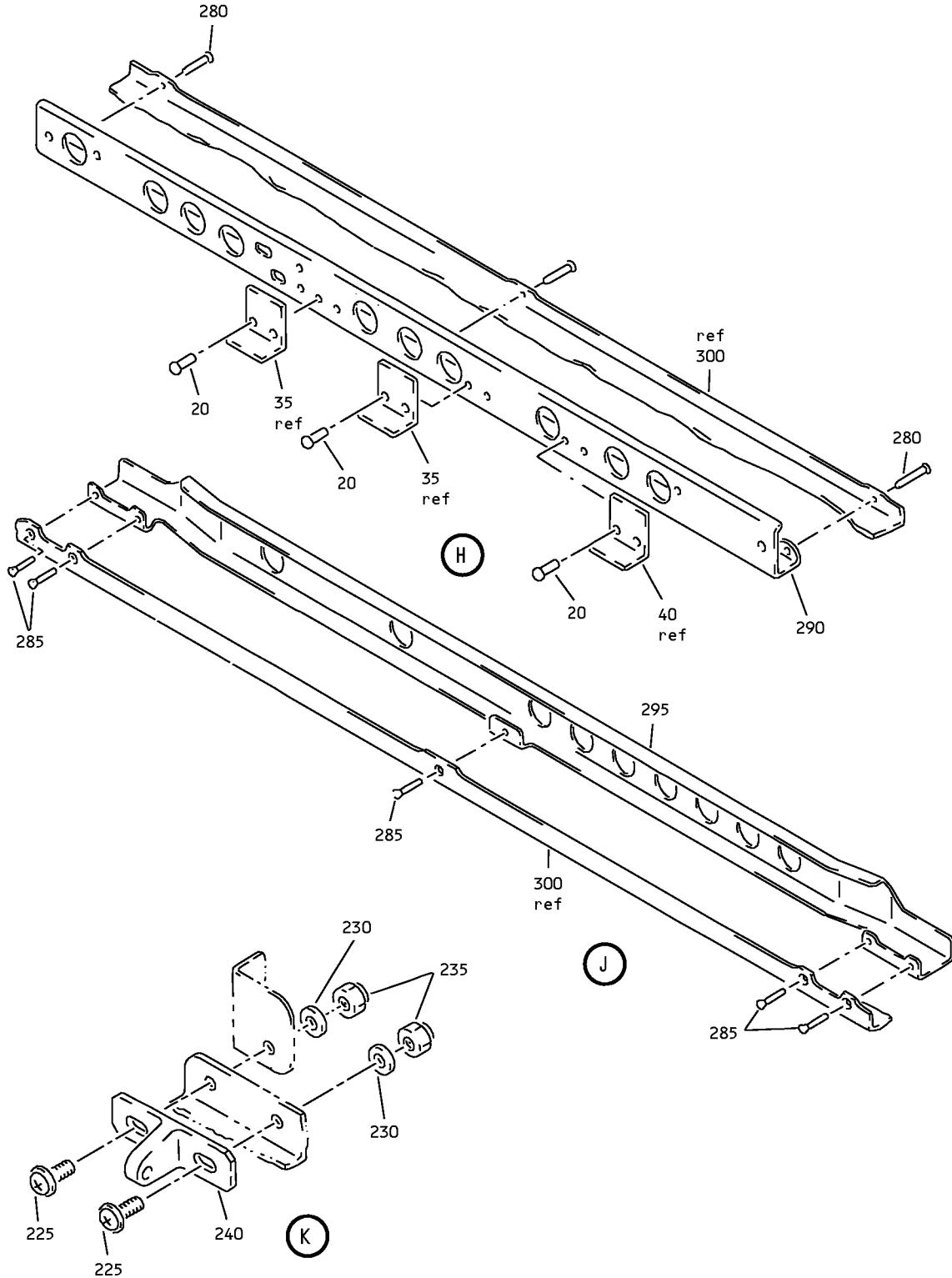
25-23-34

ILLUSTRATED PARTS LIST

Page 1098.596

Nov 01/2008

COMPONENT MAINTENANCE MANUAL



Underbin Passenger Service Unit Frame Assembly
IPL Figure 29 (Sheet 4 of 5)

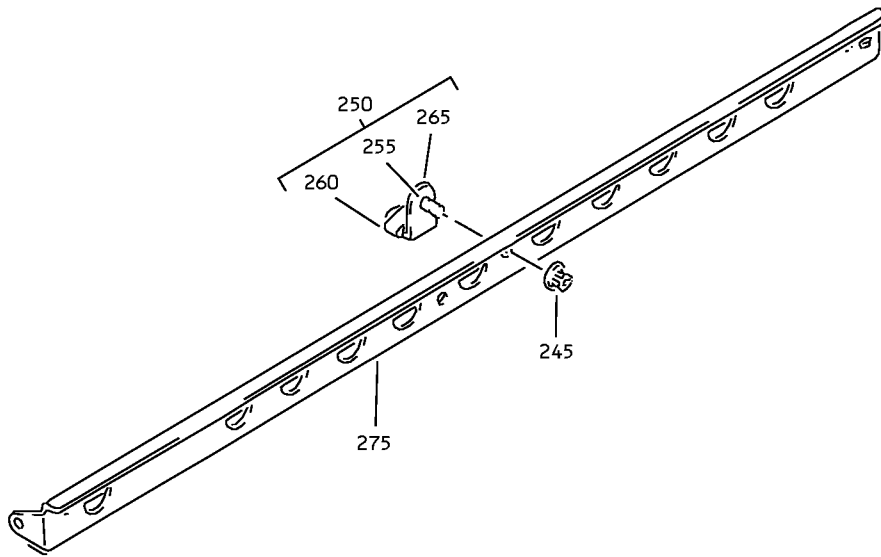
25-23-34

ILLUSTRATED PARTS LIST

Page 1098.597

Nov 01/2008

COMPONENT MAINTENANCE MANUAL



(L)

Underbin Passenger Service Unit Frame Assembly
IPL Figure 29 (Sheet 5 of 5)

25-23-34

ILLUSTRATED PARTS LIST

Page 1098.598

Nov 01/2008



COMPONENT MAINTENANCE MANUAL

FIG/ ITEM	PART NUMBER	AIRLINE PART NUMBER	NOMENCLATURE							USAGE CODE	UNITS PER ASSY
			1	2	3	4	5	6	7		
29-											
-1	417N3110-93SP									BA-BC, EC, ED	RF
5	417N3110-95										
5A	417N3110-224									BA-BC, EC, ED	1
10	NAS557-10A									BA-BC, EC, ED	4
15	BACR15CE3D									BA-BC, EC, ED	22
20	BACR15BB3D									BA-BC, EC, ED	6
25	SL6189-08-6										
27	SL5244-08-6									BA-BC, EC, ED	6
-27A	UM62-50009-6									BA-BC, EC, ED	6
30	SL6189-08-4										
32	SL5244-08-4									BA-BC, EC, ED	5
-32A	UM62-50009-4									BA-BC, EC, ED	5
35	417N3121-315									BA-BC, EC, ED	2
40	417N3121-316									BA-BC, EC, ED	1
45	417N3170-11									BA-BC, EC, ED	1
50	417N3170-12									BA-BC, EC, ED	1

-Item not Illustrated

25-23-34

ILLUSTRATED PARTS LIST

Page 1098.599

Nov 01/2008



COMPONENT MAINTENANCE MANUAL

FIG/ ITEM	PART NUMBER	AIRLINE PART NUMBER	NOMENCLATURE							USAGE CODE	UNITS PER ASSY	
			1	2	3	4	5	6	7			
29-			ATTACHING PARTS									
55	BACS12FA08K6		.	.	SCREW (V06710) (SPEC BACS12FA08K6) (OPT BACS12FA08K6 (V06725)) (OPT BACS12FA08K6 (V06950)) (OPT BACS12FA08K6 (V27624)) (OPT BACS12FA08K6 (V34252)) (OPT BACS12FA08K6 (V56878)) (OPT BACS12FA08K6 (V73197)) (OPT BACS12FA08K6 (V80539)) (OPT BACS12FA08K6 (V92215)) (OPT BACS12FA08K6 (V93907)) (OPT BACS12FA08K6 (V97928))						BA-BC, EC, ED	4
			-----*-----									
60	6100-9		RETAINER (V2X013)					BA-BC, EC, ED	2
65	MS20253P2-165		PIN-HINGE					BA-BC, EC, ED	1
70	417N3173-1		SPRING					BA-BC, EC, ED	1
75	417N3171-2		BOLT (OPT ITEM 75A)					BA-BC, EC, ED	1
-75A	417N3171-3		BOLT (OPT ITEM 75)					BA-BC, EC, ED	1
80	417N3172-9		HOUSING ASSY-CAM LATCH (OPT ITEM 80A) (USED ON ITEM 45)					BA-BC, EC, ED	1
-80A	417N3172-19		HOUSING ASSY-CAM LATCH (OPT ITEM 80) (USED ON ITEM 45)					BA-BC, EC, ED	1
85	417N3172-10		HOUSING ASSY-CAM LATCH (OPT ITEM 85A) (USED ON ITEM 50)					BA-BC, EC, ED	1
-85A	417N3172-20		HOUSING ASSY-CAM LATCH (OPT ITEM 85) (USED ON ITEM 50)					BA-BC, EC, ED	1
90	6035-2BR185		INSERT (V26344)					BA-BC, EC, ED	2
95	417N3172-11		HOUSING (USED ON ITEM 80)					BA-BC, EC, ED	1

-Item not Illustrated

25-23-34

ILLUSTRATED PARTS LIST

Page 1098.600

Nov 01/2008



COMPONENT MAINTENANCE MANUAL

FIG/ ITEM	PART NUMBER	AIRLINE PART NUMBER	NOMENCLATURE							USAGE CODE	UNITS PER ASSY	
			1	2	3	4	5	6	7			
29-												
-95A	417N3172-21								HOUSING (USED ON ITEM 80A)	BA-BC, EC, ED	1
-100	417N3172-12								HOUSING (USED ON ITEM 85)	BA-BC, EC, ED	1
-105	417N3172-22								HOUSING (USED ON ITEM 85A)	BA-BC, EC, ED	1
110	417N3122-84		. .							ANGLE ASSY	BA-BC, EC, ED	4
										ATTACHING PARTS		
115	BACR15BB3D		. .							RIVET (SIZE DETERMINED ON INST)	BA-BC, EC, ED	4
			-----							*-----		
120	BACR15BA3AD		. . .							RIVET (SIZE DETERMINED ON INST)	BA-BC, EC, ED	2
125	BRM300-06L		. . .							NUTPLATE (V52828) (SPEC BACN10JP06C) (OPT MK3000-06BAC (V15653)) (OPT NS103199-62 (V80539)) (OPT RMA9205M62 (V72962)) (OPT T80878S632 (V11815)) (OPT VN203A1-62L (V92215))	BA-BC, EC, ED	1
130	417N3122-85		. . .							ANGLE	BA-BC, EC, ED	1
135	BACR15BB3D		. .							RIVET (SIZE DETERMINED ON INST)	BA-BC, EC, ED	10
140	417N3122-57		. .							BRACKET	BA-BC, EC, ED	4
145	417N3121-131		. .							STIFFENER	BA-BC, EC, ED	1
150	417N3121-307		. .							STIFFENER ASSY	BA-BC, EC, ED	1
										ATTACHING PARTS		
155	BACR15BB3D		. .							RIVET (SIZE DETERMINED ON INST)	BA-BC, EC, ED	4
			-----							*-----		
160	BACR15BA3D		. . .							RIVET (SIZE DETERMINED ON INST)	BA-BC, EC, ED	4

-Item not Illustrated

25-23-34

ILLUSTRATED PARTS LIST

Page 1098.601

Nov 01/2008



COMPONENT MAINTENANCE MANUAL

FIG/ ITEM	PART NUMBER	AIRLINE PART NUMBER	NOMENCLATURE							USAGE CODE	UNITS PER ASSY
			1	2	3	4	5	6	7		
29- 165	BRM200A08K		. . .	NUTPLATE (V52828) (SPEC BACN10JP08AR) (OPT MK1000-08BCBAC (V15653)) (OPT NS103197-82BC (V80539)) (OPT RMA9201M82BC (V72962)) (OPT T8076S832BC (V11815)) (OPT VN202A2-82 (V92215))						BA-BC, EC, ED	2
170	417N3121-313		. . .	STIFFENER						BA-BC, EC, ED	1
175	417N3121-301		DELETED								
175A	417N3121-360		. .	STIFFENER ASSY						BA-BC, EC, ED	1
			ATTACHING PARTS								
180	BACR15BB3D		. .	RIVET (SIZE DETERMINED ON INST)						BA-BC, EC, ED	2
			-----*-----								
185	BACR15BA3D		. . .	RIVET (SIZE DETERMINED ON INST)						BA-BC, EC, ED	6
190	BACN10JP0AR		DELETED								
190A	BRM200A08K		. . .	NUTPLATE (V52828) (SPEC BACN10JP08AR) (OPT MK1000-08BCBAC (V15653)) (OPT NS103197-82BC (V80539)) (OPT RMA9201M82BC (V72962)) (OPT T8076S832BC (V11815)) (OPT VN202A2-82 (V92215))						BA-BC, EC, ED	3
195	417N3121-303		DELETED								
195A	417N3121-361		. . .	STIFFENER						BA-BC, EC, ED	1
200	BACR15BB3D		. .	RIVET (SIZE DETERMINED ON INST)						BA-BC, EC, ED	12
205	417N3122-54		. .	BRACKET						BA-BC, EC, ED	1
210	417N3121-129		. .	STIFFENER						BA-BC, EC, ED	1
215	417N3121-305		. .	STIFFENER						BA-BC, EC, ED	1

-Item not Illustrated

25-23-34

ILLUSTRATED PARTS LIST

Page 1098.602

Nov 01/2008



COMPONENT MAINTENANCE MANUAL

FIG/ ITEM	PART NUMBER	AIRLINE PART NUMBER	NOMENCLATURE							USAGE CODE	UNITS PER ASSY
			1	2	3	4	5	6	7		
29- 220	BACS12FA08K6		. . SCREW (V06710) (SPEC BACS12FA08K6) (OPT BACS12FA08K6 (V06725)) (OPT BACS12FA08K6 (V06950)) (OPT BACS12FA08K6 (V27624)) (OPT BACS12FA08K6 (V34252)) (OPT BACS12FA08K6 (V56878)) (OPT BACS12FA08K6 (V73197)) (OPT BACS12FA08K6 (V80539)) (OPT BACS12FA08K6 (V92215)) (OPT BACS12FA08K6 (V93907)) (OPT BACS12FA08K6 (V97928))							BA-BC, EC, ED	1
225	BAC12FA08K7		DELETED								
225A	BACS12FA08K7		. . SCREW (V06710) (SPEC BACS12FA08K7) (OPT BACS12FA08K7 (V06725)) (OPT BACS12FA08K7 (V06950)) (OPT BACS12FA08K7 (V27624)) (OPT BACS12FA08K7 (V34252)) (OPT BACS12FA08K7 (V56878)) (OPT BACS12FA08K7 (V73197)) (OPT BACS12FA08K7 (V80539)) (OPT BACS12FA08K7 (V92215)) (OPT BACS12FA08K7 (V93907)) (OPT BACS12FA08K7 (V97928)) (OPT ITEM 225B)							BA-BC, EC, ED	4
-225B	BACS12FA08K8		. . SCREW (V06710) (SPEC BACS12FA08K8) (OPT BACS12FA08K8 (V06725)) (OPT BACS12FA08K8 (V06950)) (OPT BACS12FA08K8 (V27624)) (OPT BACS12FA08K8 (V34252)) (OPT BACS12FA08K8 (V56878)) (OPT BACS12FA08K8 (V73197)) (OPT BACS12FA08K8 (V80539)) (OPT BACS12FA08K8 (V92215)) (OPT BACS12FA08K8 (V93907)) (OPT BACS12FA08K8 (V97928)) (OPT ITEM 225A)							BA-BC, EC, ED	4
230	AN960JD8L		. . WASHER							BA-BC, EC, ED	4

-Item not Illustrated

25-23-34

ILLUSTRATED PARTS LIST

Page 1098.603

Nov 01/2008



COMPONENT MAINTENANCE MANUAL

FIG/ ITEM	PART NUMBER	AIRLINE PART NUMBER	NOMENCLATURE							USAGE CODE	UNITS PER ASSY	
			1	2	3	4	5	6	7			
29- 235	H10-08BAC		. .	NUT (V15653) (SPEC BACN10JC08) (OPT NS202101-82 (V80539)) (OPT RMLH9075-82W (V72962)) (OPT T6S832J (V71087)) (OPT VN303A82 (V92215)) (OPT 96-82 (V80539)) (OPT BRH10A08 (V52828)) (OPT T6S832J (V11815))							BA-BC, EC, ED	4
240	417N3102-1		. .	BRACKET-MTG							BA-BC, EC, ED	2
245	BACN10YJ08		. .	NUT							BA-BC, EC, ED	1
250	417N3122-60		. .	BRACKET ASSY							BA-BC, EC, ED	1
255	BACS21AQ2A3K		. . .	STUD (OPT ITEM 255A)							BA-BC, EC, ED	1
-255A	FHS832-6		. . .	STUD (OPT ITEM 255)							BA-BC, EC, ED	1
260	82-47-108-15		. . .	CLIP (V84483)							BA-BC, EC, ED	1
265	417N3122-61		. . .	BRACKET (OPT ITEM 265A)							BA-BC, EC, ED	1
-265A	417N3122-130		. . .	BRACKET (OPT ITEM 265)							BA-BC, EC, ED	1
270	417N3121-273			DELETED								
270A	417N3121-359		. .	STIFFENER							BA-BC, EC, ED	1
275	417N3121-281		. .	STIFFENER							BA-BC, EC, ED	1
280	BACR15DR3		. .	RIVET (SIZE DETERMINED ON INST)							BA-BC, EC, ED	3
285	CCR274SS3		. .	RIVET (V11815) (SPEC BACR15DR3P) (OPT AF5170-3 (V53551)) (OPT RV570A3 (V98996)) (SIZE DETERMINED ON INST)							BA-BC, EC, ED	5

-Item not Illustrated

25-23-34

ILLUSTRATED PARTS LIST

Page 1098.604

Nov 01/2008



COMPONENT MAINTENANCE MANUAL

FIG/ ITEM	PART NUMBER	AIRLINE PART NUMBER	NOMENCLATURE							USAGE CODE	UNITS PER ASSY
			1	2	3	4	5	6	7		
29-											
290	417N3121-271		.	.	STIFFENER					BA-BC, EC, ED	1
295	417N3121-83		.	.	STIFFENER					BA-BC, EC, ED	1
300	417N3111-7		.		FACEPLATE					BA-BC, EC, ED	1

-Item not Illustrated

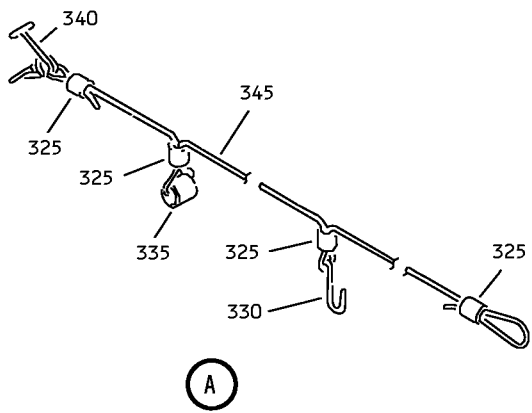
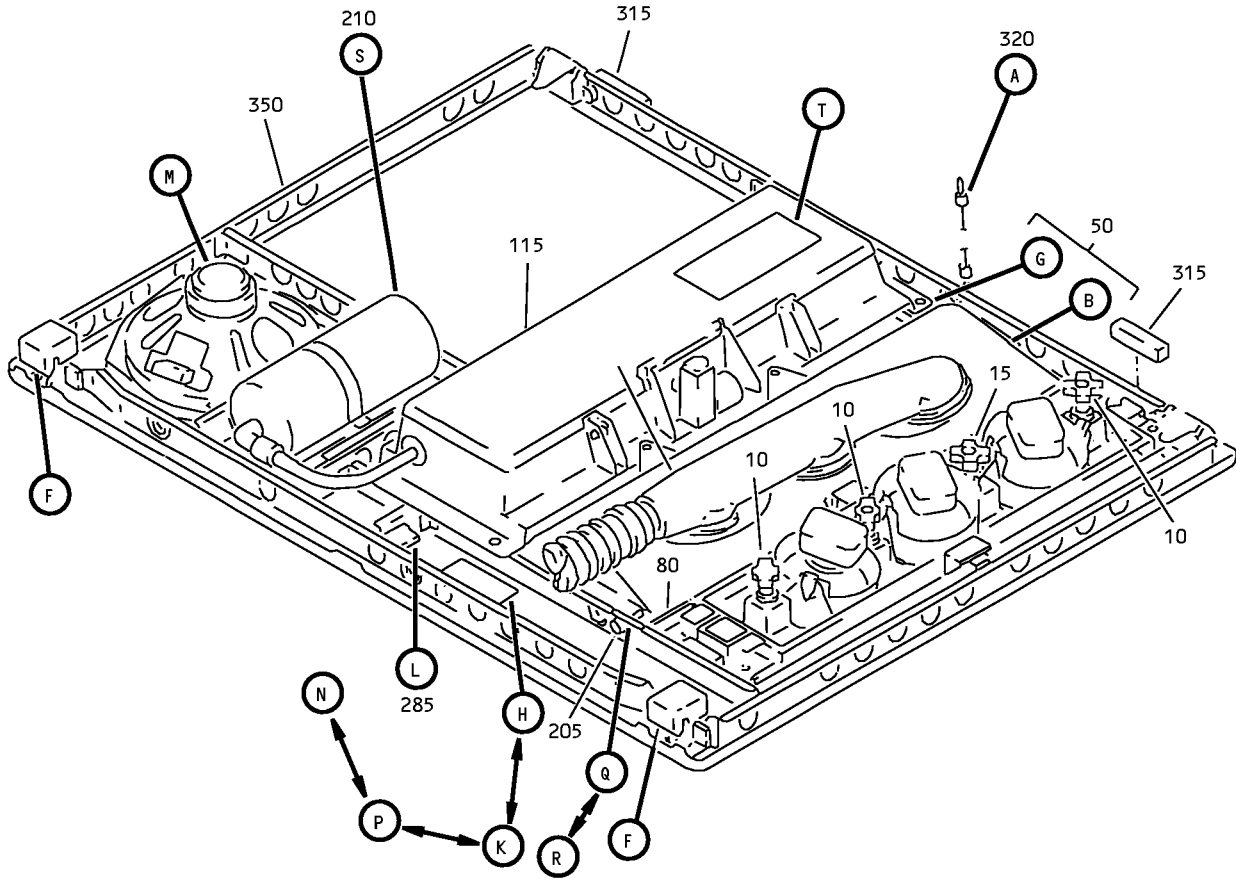
25-23-34

ILLUSTRATED PARTS LIST

Page 1098.605

Nov 01/2008

COMPONENT MAINTENANCE MANUAL



Full Underbin - Passenger Service Unit (with Speaker and Gasper Air) Assembly
IPL Figure 30 (Sheet 1 of 6)

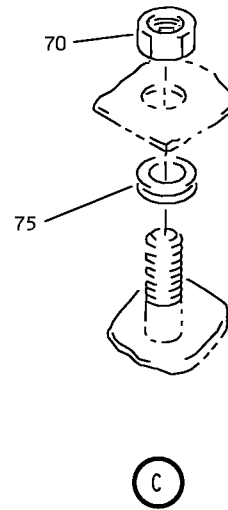
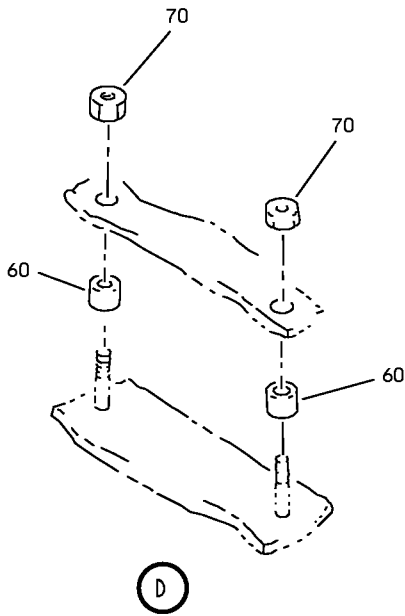
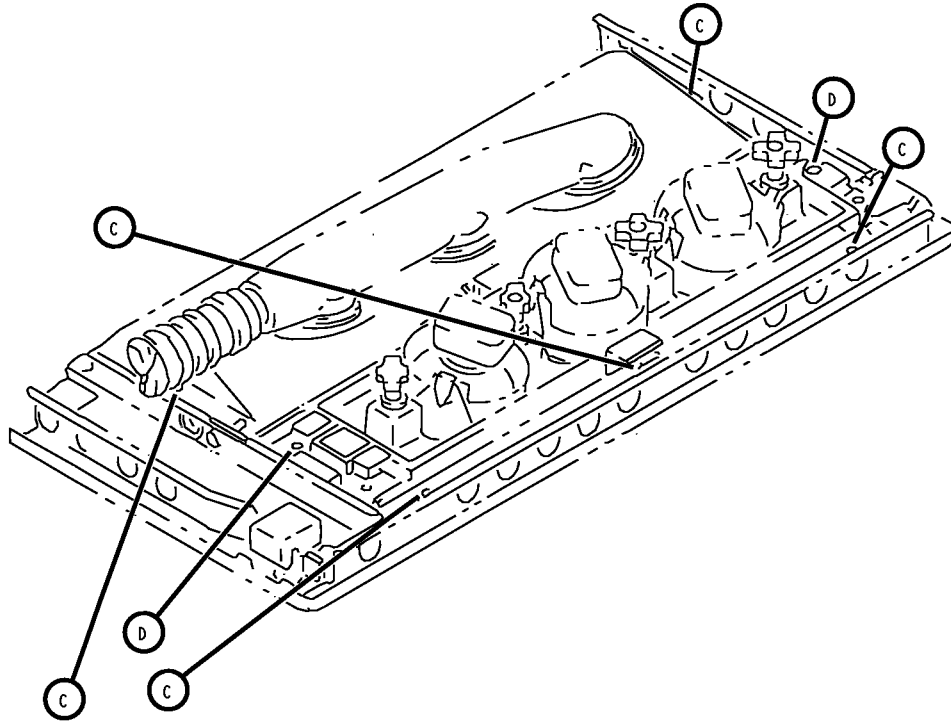
25-23-34

ILLUSTRATED PARTS LIST

Page 1098.606

Nov 01/2008

COMPONENT MAINTENANCE MANUAL



Full Underbin - Passenger Service Unit (with Speaker and Gasper Air) Assembly
IPL Figure 30 (Sheet 2 of 6)

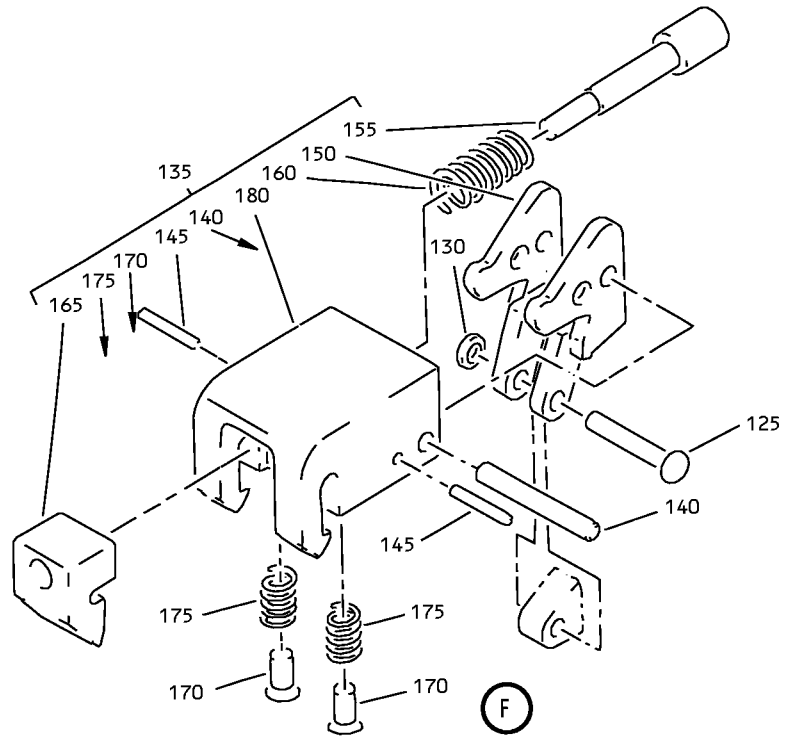
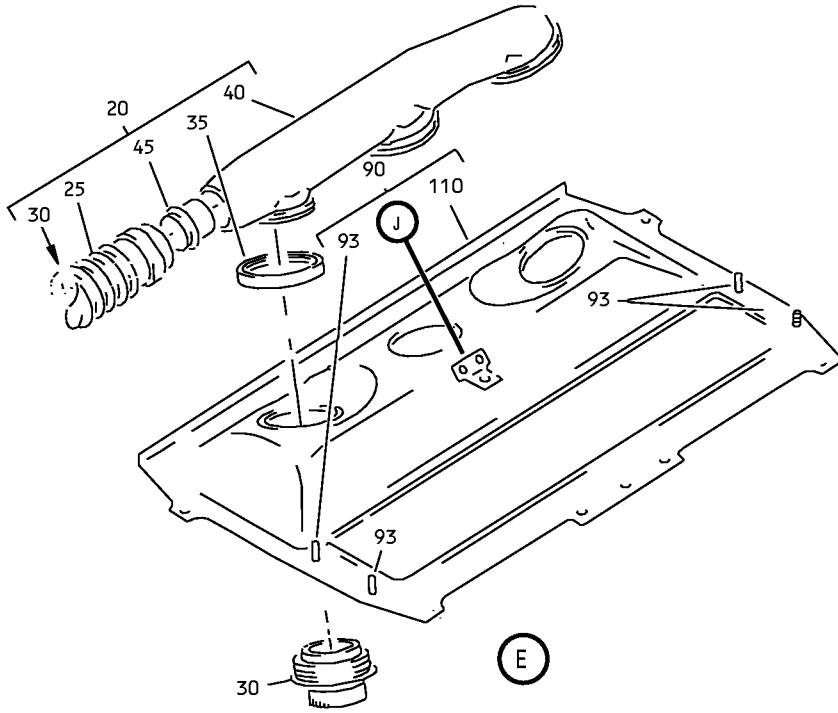
25-23-34

ILLUSTRATED PARTS LIST

Page 1098.607

Nov 01/2008

COMPONENT MAINTENANCE MANUAL



Full Underbin - Passenger Service Unit (with Speaker and Gasper Air) Assembly
IPL Figure 30 (Sheet 3 of 6)

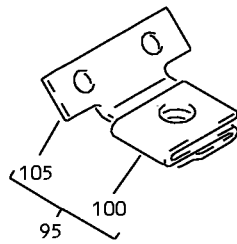
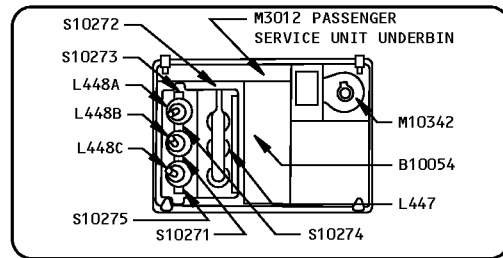
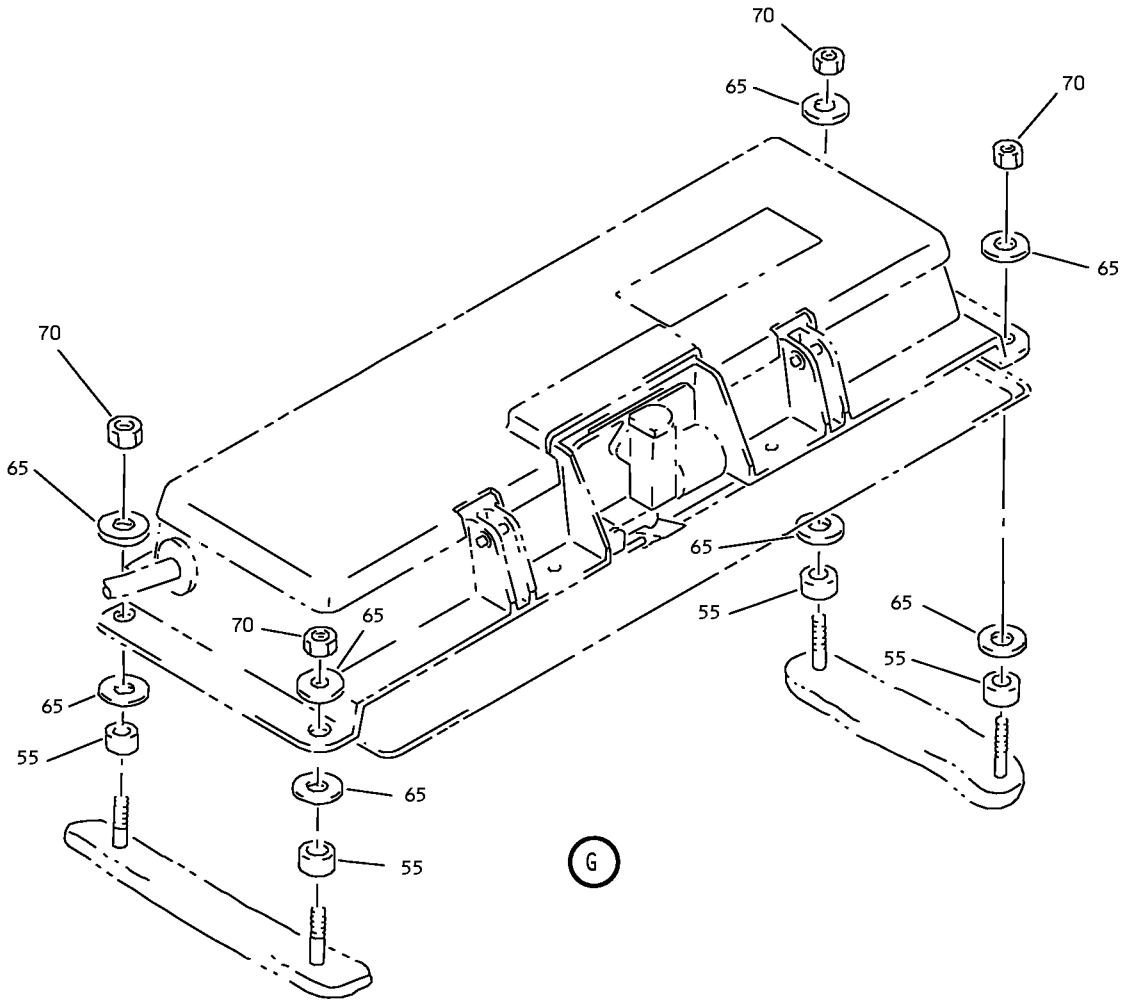
25-23-34

ILLUSTRATED PARTS LIST

Page 1098.608

Nov 01/2008

COMPONENT MAINTENANCE MANUAL



Full Underbin - Passenger Service Unit (with Speaker and Gasper Air) Assembly
IPL Figure 30 (Sheet 4 of 6)

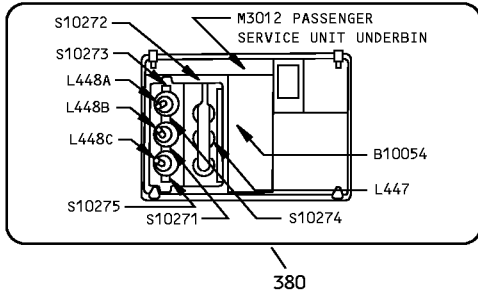
25-23-34

ILLUSTRATED PARTS LIST

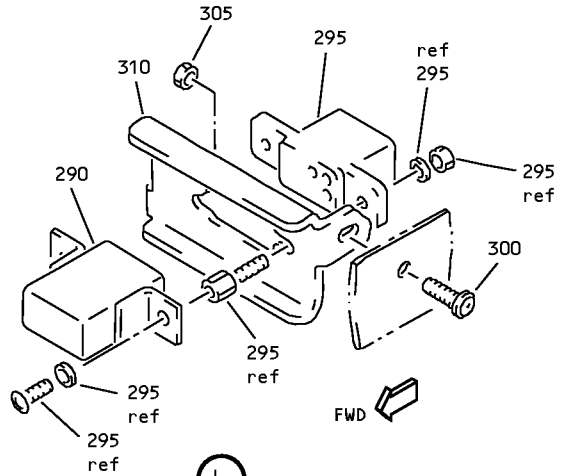
Page 1098.609

Nov 01/2008

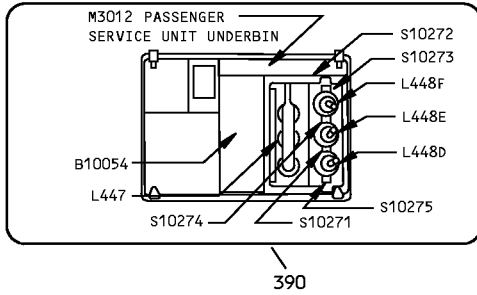
COMPONENT MAINTENANCE MANUAL



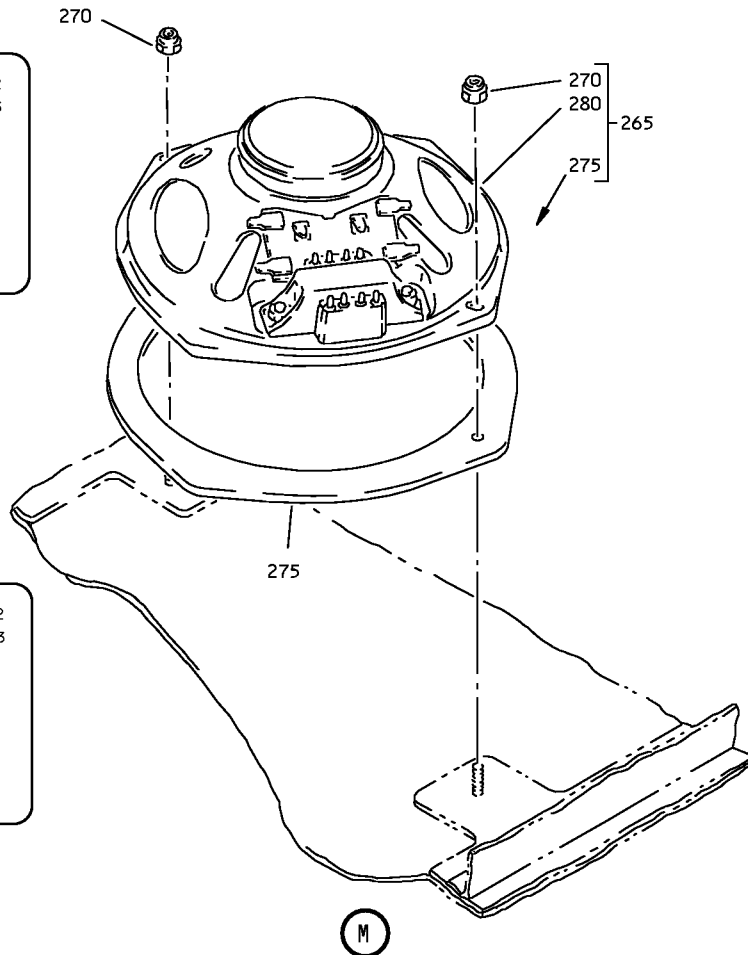
(K)



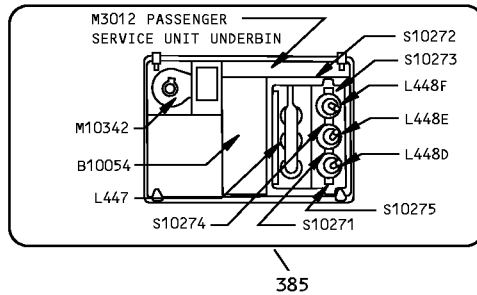
(L)



(P)



(M)



(N)

Full Underbin - Passenger Service Unit (with Speaker and Gasper Air) Assembly
IPL Figure 30 (Sheet 5 of 6)

25-23-34

ILLUSTRATED PARTS LIST

Page 1098.610

Nov 01/2008

COMPONENT MAINTENANCE MANUAL

2 ← POSITION → 1

370

Q

1 ← POSITION → 2

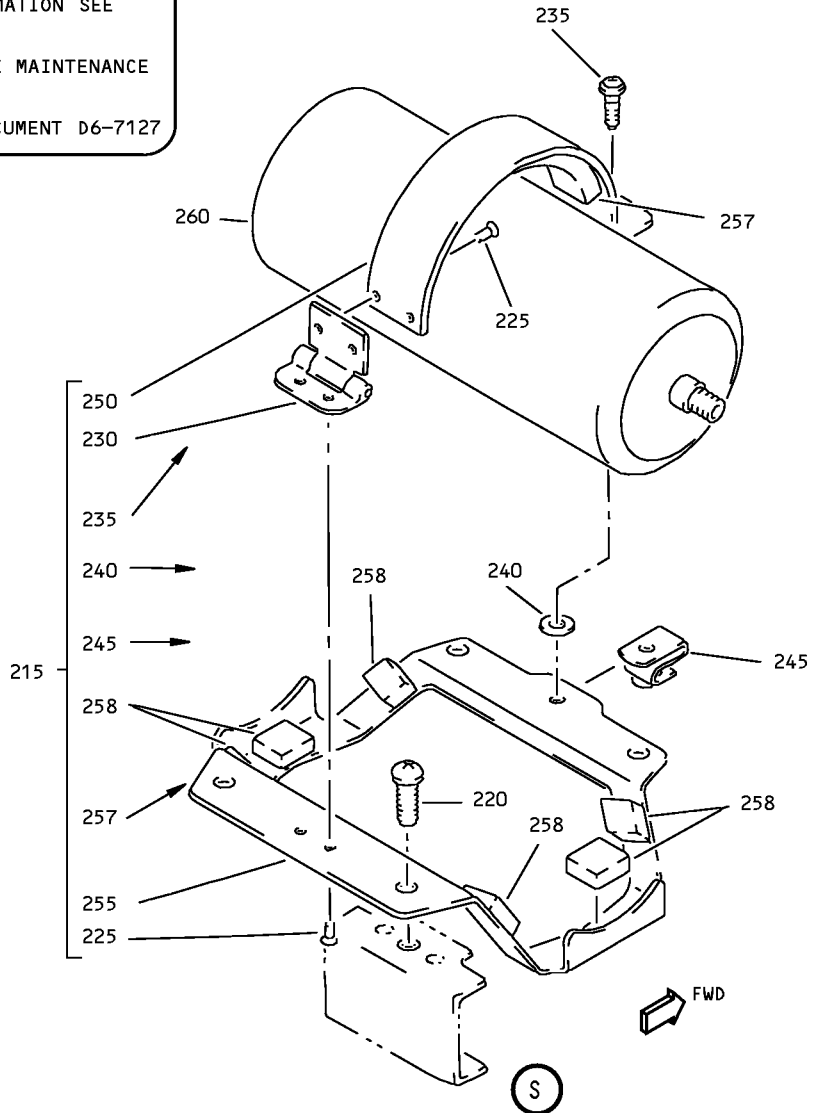
365

R

ATTENTION
 FOR REMOVAL AND RELOCATION INFORMATION SEE
 MAINTENANCE MANUAL CHAPTER 25
 FOR MASK STOWAGE INSTRUCTIONS SEE MAINTENANCE
 MANUAL CHAPTER 35
 FOR CLEANING INSTRUCTIONS SEE DOCUMENT D6-7127

360

T



Full Underbin - Passenger Service Unit (with Speaker and Gasper Air) Assembly
 IPL Figure 30 (Sheet 6 of 6)

25-23-34

ILLUSTRATED PARTS LIST

Page 1098.611

Nov 01/2008



COMPONENT MAINTENANCE MANUAL

FIG/ ITEM	PART NUMBER	AIRLINE PART NUMBER	NOMENCLATURE							USAGE CODE	UNITS PER ASSY
			1	2	3	4	5	6	7		
30-											
-1	417N3100-419SP									N	RF
-1A	417N3100-421SP									P	RF
-1B	417N3100-595SP									E	RF
-1C	417N3100-649SP									AQ	RF
-1D	417N3100-659SP									AU	RF
-5	417N3100-426SP									Q	RF
-5A	417N3100-428SP									R	RF
-5B	417N3100-596SP									F	RF
-5C	417N3100-650SP									AR	RF

-Item not Illustrated

25-23-34

ILLUSTRATED PARTS LIST

Page 1098.612

Nov 01/2008



COMPONENT MAINTENANCE MANUAL

FIG/ ITEM	PART NUMBER	AIRLINE PART NUMBER	NOMENCLATURE							USAGE CODE	UNITS PER ASSY
			1	2	3	4	5	6	7		
30- -5D	417N3100-662SP		SERVICE UNIT ASSY-FULL UNDERBIN PASS. (WITH GASPER AIR, WITHOUT SPKR ZONED CALL SYS) (RH)							AV	RF
10	920056		. SWITCH-READING LT (V97564)							E, F, N-R, AQ, AR, AU, AV	3
15	920055		. SWITCH-ATTENDANT CALL (V97564)							E, F, N-R, AQ, AR, AU, AV	1
20	417N3100-25SP		. AIR ASSY							E, F, N-R, AQ, AR, AU, AV	1
25	B0E20563A120		. . DUCT (V16632) (SPEC BACD40P3A120) (OPT AD15273A120 (V21868))							E, F, N-R, AQ, AR, AU, AV	1
30	10-60141-23A		DELETED								
30A	10-60141-23T		. . OUTLET (COLOR OPT-CUST PREFERENCE, BEIGE)							E, F, N-R, AQ, AR, AU, AV	3
-30B	10-60141-23U		. . OUTLET (COLOR OPT-CUST PREFERENCE, DARK GRAY)							E, F, N-R, AQ, AR, AU, AV	3
-30C	750801-002		. . OUTLET (COLOR OPT-CUST PREFERENCE, BEIGE) (V28406) (SPEC 10-60141-23S)							E, F, N-R, AQ, AR, AU, AV	3
-30D	L16999-16C		. . OUTLET AIR (V17744) (SPEC 10-60141-23A) (OPT 1707-23A (V83564)) (COLOR OPT-CUST PREFERENCE, ZYTEL WT-07)							E, F, N-R, AQ, AR, AU, AV	3
35	PLT2MM		. . STRAP (V06383) (OPT ITEM 35A)							E, F, N-R, AQ, AR, AU, AV	3
-35A	PLT2MM2		. . STRAP (V06383) (OPT ITEM 35)							E, F, N-R, A, AR, AU, AV	3

-Item not Illustrated

25-23-34

ILLUSTRATED PARTS LIST

Page 1098.613

Nov 01/2008



COMPONENT MAINTENANCE MANUAL

FIG/ ITEM	PART NUMBER	AIRLINE PART NUMBER	NOMENCLATURE							USAGE CODE	UNITS PER ASSY	
			1	2	3	4	5	6	7			
30- 40	417N3103-1		.	.							E, F, N-R, AQ, AR, AU, AV	1
45	417N3063-4		.	.	.						E, F, N-R, AQ, AR, AU, AV	1
50	417N3100-92		.								E, F, N-R, AQ, AR, AU, AV	1
55	NAS43DD3-18		.	.							E, F, N-R, AQ, AR, AU, AV	4
60	NAS43DD3-20		.	.							E, F, N-R, AQ, AR, AU, AV	4
65	BACW10P193G		.	.							E, F, N-R, AQ, AR, AU, AV	8
70	BACN10YJ08		.	.							E, F, N-R, AQ, AR, AU, AV	13
75	G6940-3B3		.	.							E, F, N-R, AQ, AR, AU, AV	5
80	10-1006-1		.								E, N, P, AQ, AU	1
-85	10-1006-2		.								F, Q, R, AR, AV	1
90	417N3105-9SP		.								E, F, N-R, AQ, AR, AU, AV	1
93	BACS21AQ6A6M		.	.							E, F, N-R, AQ, AR, AU, AV	4

-Item not Illustrated

25-23-34

ILLUSTRATED PARTS LIST

Page 1098.614

Nov 01/2008



COMPONENT MAINTENANCE MANUAL

FIG/ ITEM	PART NUMBER	AIRLINE PART NUMBER	NOMENCLATURE							USAGE CODE	UNITS PER ASSY	
			1	2	3	4	5	6	7			
30- 95	417N3122-111		.	.							E, F, N-R, AQ, AR, AU, AV	1
100	82-47-108-15		.	.	.						E, F, N-R, AQ, AR, AU, AV	1
105	417N3122-112		.	.	.						E, F, N-R, AQ, AR, AU, AV	1
110	417N3101-6SP		.	.							E, F, N-R, AQ, AR, AU, AV	1
115	417N3130-73SP		.								E, N, P, AQ, AU	1
-120	417N3130-74SP		.								F, Q, R, AR, AV	1
125	BACR15BB4D10		.								E, F, N-R, AQ, AR, AU, AV	2
130	6100-12		.								E, F, N-R, AQ, AR, AU, AV	2
135	417N3180-1		.								E, F, N-R, AQ, AR, AU, AV	2
140	NAS607-2-8P		.	.							E, F, N-R, AQ, AR, AU, AV	1
145	NAS607-1-4P		.	.							E, F, N-R, AQ, AR, AU, AV	2
150	417N3181-1		.	.							E, F, N-R, AQ, AR, AU, AV	1
-150A	65-85902-1		.	.							E, F, N-R, AQ, AR, AU, AV	1

-Item not Illustrated

25-23-34

ILLUSTRATED PARTS LIST

Page 1098.615

Nov 01/2008



COMPONENT MAINTENANCE MANUAL

FIG/ ITEM	PART NUMBER	AIRLINE PART NUMBER	NOMENCLATURE	USAGE CODE	UNITS PER ASSY
30-					
155	65-85905-4		. . PLUNGER	E, F, N-R, AQ, AR, AU, AV	1
160	RCS3290		. . SPRING (V08205)	E, F, N-R, AQ, AR, AU, AV	1
165	417N3182-1		. . BODY-PLUNGER	E, F, N-R, AQ, AR, AU, AV	1
170	417N3180-3		. . PLUNGER-SPR	E, F, N-R, AQ, AR, AU, AV	2
175	RCS3289		. . SPRING (V08205)	E, F, N-R, AQ, AR, AU, AV	2
180	417N3183-1		. . BODY-CLAMP	E, F, N-R, AQ, AR, AU, AV	1
-185	AN960JD416L		. WASHER (USED WITH ITEM 190)	E, F, N, Q, AQ, AR, AU	AR
-185A	AN960JD416L		. WASHER (USED WITH ITEM 190A)	P, R, AV	AR
-190	PLWP1S		. TIE-PUSH MOUNT CABLE (V58417)	E, F, N, Q, AQ, AR, AU	AR
-190A	PLWP1S		. TIE-PUSH MOUNT CABLE (V58417)	P, R, AV	AR
-195	NMC1001-0		. CLAMP (V03296) (OPT ITEM 195A)	E, F, N-R, AQ, AR, AU, AV	2
-195A	BACC10DK3		. CLAMP (V16115) (SPEC BACC10DK3) (OPT BACC10DK3 (V81872)) (OPT ITEM 195)	E, F, N-R, AQ, AR, AU, AV	2
-200	61-33500-001		. WIRE BUNDLE	N-R	1
-200A	286N0514-003		. WIRE BUNDLE	E, F	1
-200B	286N0538-001		. WIRE BUNDLE	AQ, AR	1
-200C	286N0512-007		. WIRE BUNDLE	AU, AV	1

-Item not Illustrated

25-23-34

ILLUSTRATED PARTS LIST

Page 1098.616

Nov 01/2008



COMPONENT MAINTENANCE MANUAL

FIG/ ITEM	PART NUMBER	AIRLINE PART NUMBER	NOMENCLATURE							USAGE CODE	UNITS PER ASSY
			1	2	3	4	5	6	7		
30-											
205	1TW2-3				.	SWITCH-TOGGLE (V91929)				E, F, N-R	1
-205A	2TW2-3				.	SWITCH-TOGGLE (V91929)				AQ, AR, AU, AV	1
210	417N3100-48				.	GENERATOR ASSY				E, F, N-R, AQ, AR, AU, AV	1
215	417N3160-11				.	BRACKET ASSY				E, F, N-R, AQ, AR, AU, AV	1
						ATTACHING PARTS					
220	BACS12FA08K6				.	SCREW (V06710) (SPEC BACS12FA08K6) (OPT BACS12FA08K6 (V06725)) (OPT BACS12FA08K6 (V06950)) (OPT BACS12FA08K6 (V27624)) (OPT BACS12FA08K6 (V34252)) (OPT BACS12FA08K6 (V56878)) (OPT BACS12FA08K6 (V73197)) (OPT BACS12FA08K6 (V80539)) (OPT BACS12FA08K6 (V92215)) (OPT BACS12FA08K6 (V93907)) (OPT BACS12FA08K6 (V97928))				E, F, N-R, AQ, AR, AU, AV	4
						-----*-----					
225	BACR15BA3D				.	RIVET (SIZE DETERMINED ON INST)				E, F, N-R, AQ, AR, AU, AV	4
230	417N3811-13				.	HINGE				E, F, N-R, AQ, AR, AU, AV	1
235	CS8024-08-1A				.	SCREW-CAPTIVE (V58998) (OPT ITEM 235A)				E, F, N-R, AQ, AR, AU, AV	1
-235A	FT1387P8-1-2				.	SCREW-CAPTIVE (V58794) (OPT ITEM 235)				E, F, N-P, AQ, AR, AU, AV	1
240	AN960KD416				.	WASHER				E, F, N-R, AQ, AR, AU, AV	1

-Item not Illustrated

25-23-34

ILLUSTRATED PARTS LIST

Page 1098.617

Nov 01/2008



COMPONENT MAINTENANCE MANUAL

FIG/ ITEM	PART NUMBER	AIRLINE PART NUMBER	NOMENCLATURE							USAGE CODE	UNITS PER ASSY
			1	2	3	4	5	6	7		
30- 245	A4972-6-82		.	.	.	NUT (V72962) (SPEC BACN10FX84) (OPT RM52LHA4972-6-82 (V72962)) (OPT SL211-08-1 (V97393)) (OPT 130008 (V60119)) (OPT A11330-6-82 (V72962))				E, F, N-R, AQ, AR, AU, AV	1
250	417N3161-7		.	.	.	BRACKET-MTG				E, F, N-R, AQ, AR, AU, AV	1
255	417N3136-99		.	.	.	BRACKET-MTG				E, F, N-R, AQ, AR, AU, AV	1
257	417N3160-12		.	.	.	PAD-INSULATION				E, F, N-R, AQ, AR, AU, AV	1
258	417N3160-13		.	.	.	PAD-INSULATION				E, F, N-R, AQ, AR, AU, AV	6
260	117003-14		.	.		GENERATOR-CHEMICAL OXY (V16827) (OPT ITEM 260A) (SPEC S417T401-27)				E, F, N-R, AQ, AR, AU, AV	1
-260A	803000-04		.	.		GENERATOR-CHEMICAL OXY (V53655) (OPT ITEM 260) (SPEC S417T401-33)				E, F, N-R, AQ, AR, AU, AV	1
265	417N3100-17		.			SPEAKER ASSY				E, F, N, Q, AQ, AR, AU	1
270	BACN10YJ08		.	.		NUT				E, F, N, Q, AQ, AR, AU	2
275	417N3104-2		.	.		GASKET				E, F, N, Q, AQ, AR, AU	1
280	RDAM8005A		.	.		SPEAKER (V54473) (SPEC S222T101-101)				E, F, N, Q, AQ, AR, AU	1
285	417N3100-19		.			MUTING ASSY				E, F	1

-Item not Illustrated

25-23-34

ILLUSTRATED PARTS LIST

Page 1098.618

Nov 01/2008



COMPONENT MAINTENANCE MANUAL

FIG/ ITEM	PART NUMBER	AIRLINE PART NUMBER	NOMENCLATURE							USAGE CODE	UNITS PER ASSY	
			1	2	3	4	5	6	7			
30- 290	HFW1204K01		.	.	RELAY (V71482) (SPEC BACR13CD2) (OPT BR16S233 (V09026)) (OPT EE4AA005 (V35344)) (OPT 3SAV1338A2 (V01526)) (OPT HFW1206K03 (V58614))						E, F	1
295	451120-026		.	.	SOCKET (V03743)						E, F	1
300	BACS12FA08K14		.	.	SCREW						E, F	1
305	BACN10YJ08		.	.	NUT						E, F	1
310	417N3121-138		.	.	BRACKET						E, F	1
315	417N3100-71		.		PAD-SPONGE						E, F, N-R, AQ, AR, AU, AV	2
320	417N3190-1		.		LANYARD ASSY						E, F, N-R, AQ, AR, AU, AV	1
325	GSC219		.	.	SLEEVE (V59730) (SPEC BACS13S219C) (OPT Y0C140 (V09922)) (OPT ITEM 325A)						E, F, N-R, AQ, AR, AU, AV	4
-325A	GSC205		.	.	SLEEVE (V59730) (SPEC BACS13S205C) (OPT Y0C130 (V09922)) (OPT ITEM 325)						E, F, N-R, AQ, AR, AU, AV	4
330	10-61790-1		.	.	HOOK (V08205) (SPEC 10-61790-1)						E, F, N-R, AQ, AR, AU, AV	1
335	NAS43DD4-5		.	.	SPACER						E, F, N-R, AQ, AR, AU, AV	1
340	65C16899-6		.	.	SPRING						E, F, N-R, AQ, AR, AU, AV	1
345	417N3190-3		.	.	CORD-NYLON						E, F, N-R, AQ, AR, AU, AV	1

-Item not Illustrated

25-23-34

ILLUSTRATED PARTS LIST

Page 1098.619

Nov 01/2008



COMPONENT MAINTENANCE MANUAL

FIG/ ITEM	PART NUMBER	AIRLINE PART NUMBER	NOMENCLATURE							USAGE CODE	UNITS PER ASSY	
			1	2	3	4	5	6	7			
30-												
350	417N3110-77SP		.								E, N, P, AQ, AU	1
-355	417N3110-78SP		.								F, Q, R, AR, AV	1
360	BAC27DPA2272		.								E, F, N-R, AQ, AR, AU, AV	1
365	BAC27NPA0610		.								E, N, P, AQ, AU	1
370	BAC27NPA0609		.								F, Q, R, AR, AV	1
375	BAC27NPA0647		.								E, N, AU	1
380	BAC27NPA0645		.								P	1
385	BAC27NPA0646		.								F, Q	1
390	BAC27NPA0644		.								R, AV	1
395	BAC29PPS11239		.								AQ	1
400	BAC29PPS11238		.								AR	1

-Item not Illustrated

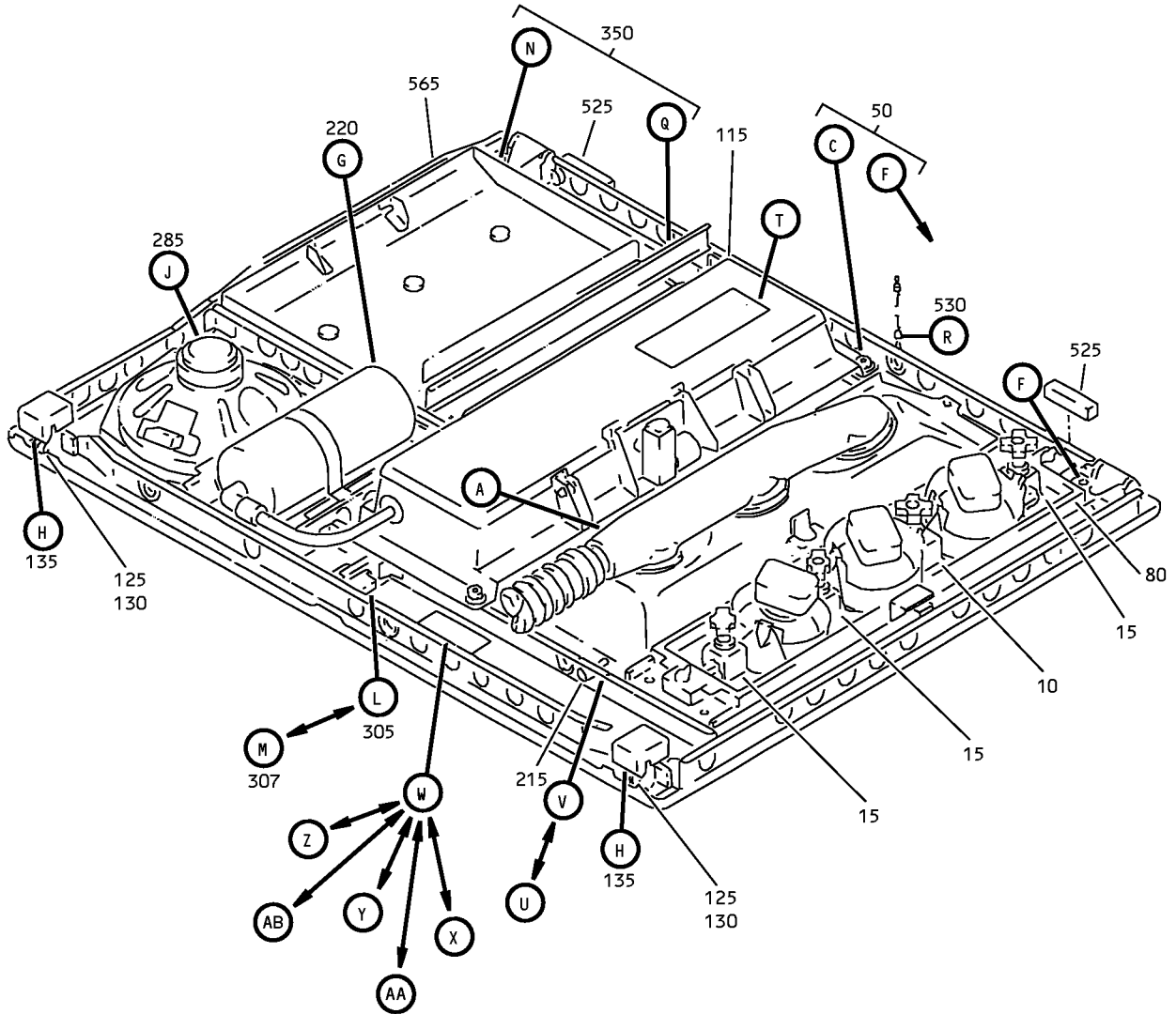
25-23-34

ILLUSTRATED PARTS LIST

Page 1098.620

Nov 01/2008

COMPONENT MAINTENANCE MANUAL



Full Underbin - Passenger Service Unit (with Lifevest, Gasper Air, and Speaker) Assembly
IPL Figure 31 (Sheet 1 of 9)

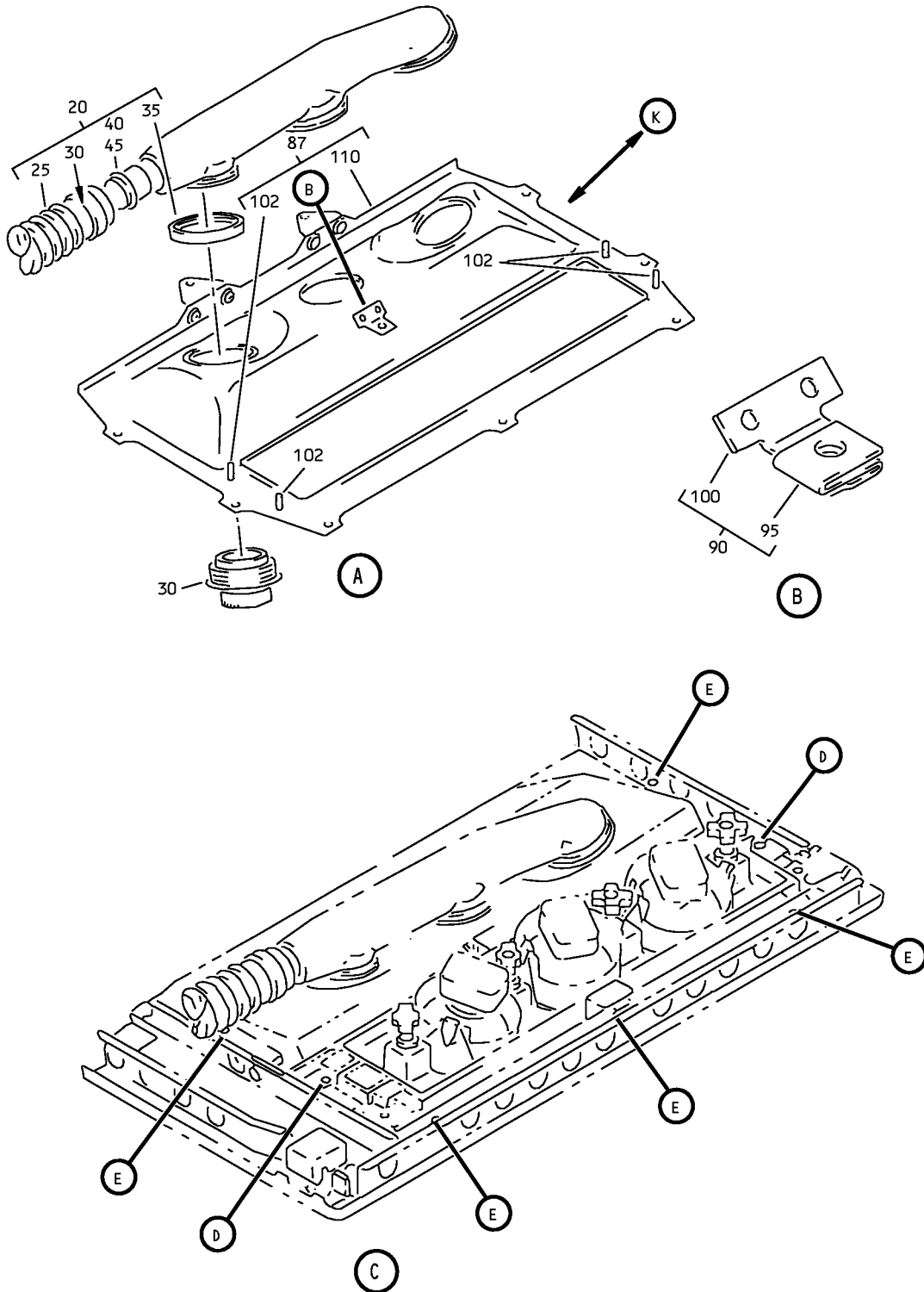
25-23-34

ILLUSTRATED PARTS LIST

Page 1098.621

Nov 01/2008

COMPONENT MAINTENANCE MANUAL



Full Underbin - Passenger Service Unit (with Lifevest, Gasper Air, and Speaker) Assembly
 IPL Figure 31 (Sheet 2 of 9)

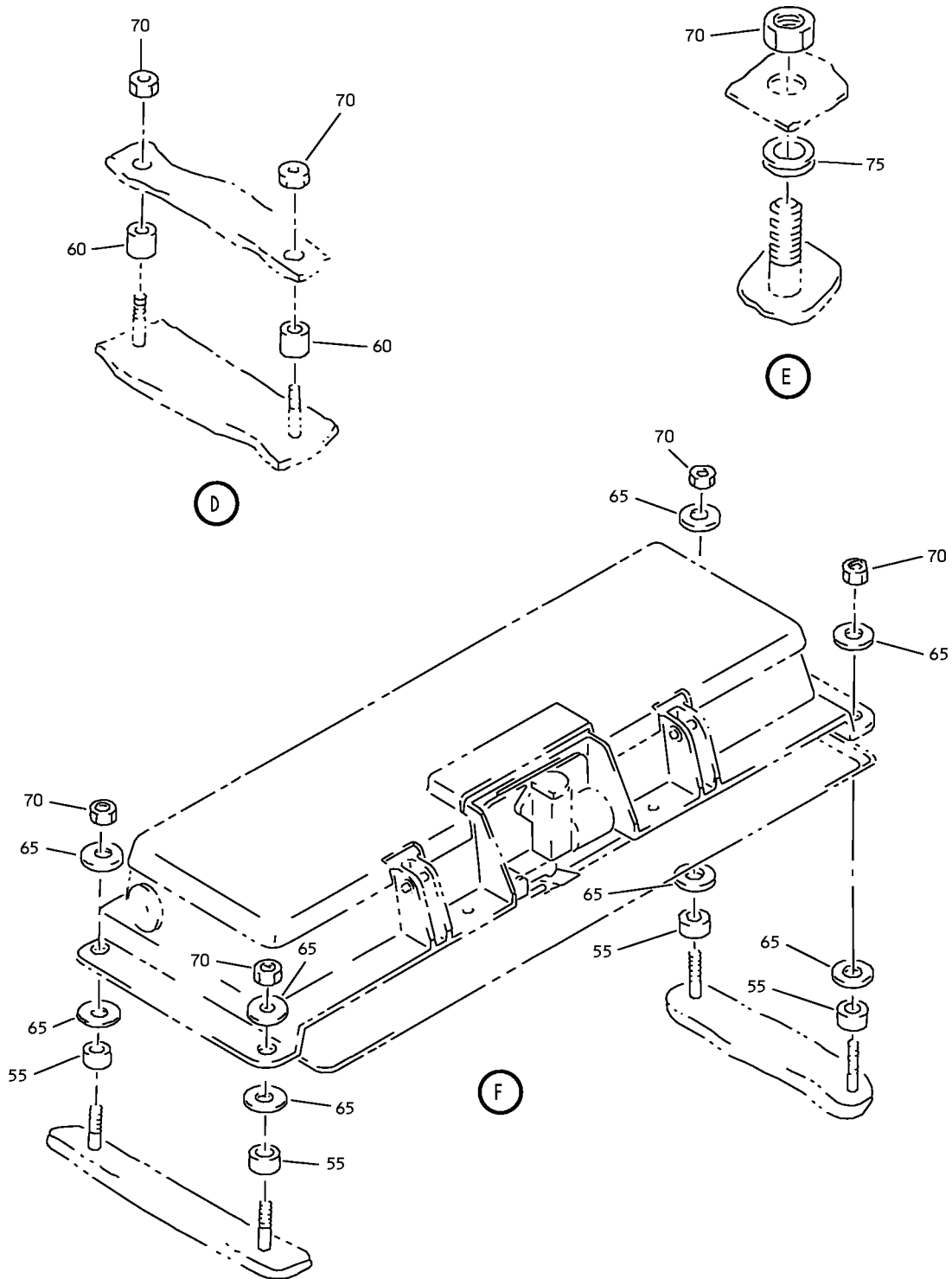
25-23-34

ILLUSTRATED PARTS LIST

Page 1098.622

Nov 01/2008

COMPONENT MAINTENANCE MANUAL



Full Underbin - Passenger Service Unit (with Lifevest, Gasper Air, and Speaker) Assembly
 IPL Figure 31 (Sheet 3 of 9)

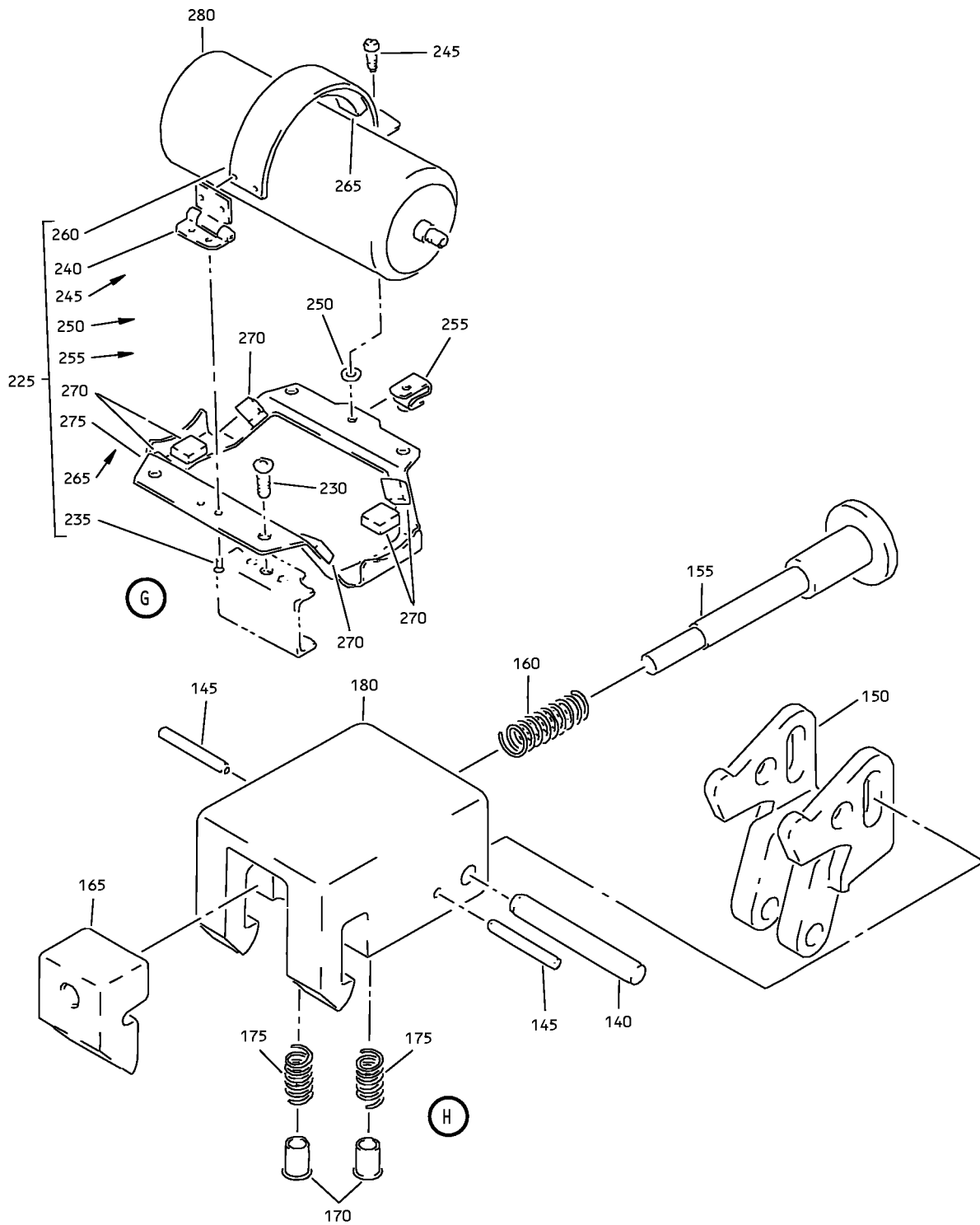
25-23-34

ILLUSTRATED PARTS LIST

Page 1098.623

Nov 01/2008

COMPONENT MAINTENANCE MANUAL



Full Underbin - Passenger Service Unit (with Lifevest, Gasper Air, and Speaker) Assembly
IPL Figure 31 (Sheet 4 of 9)

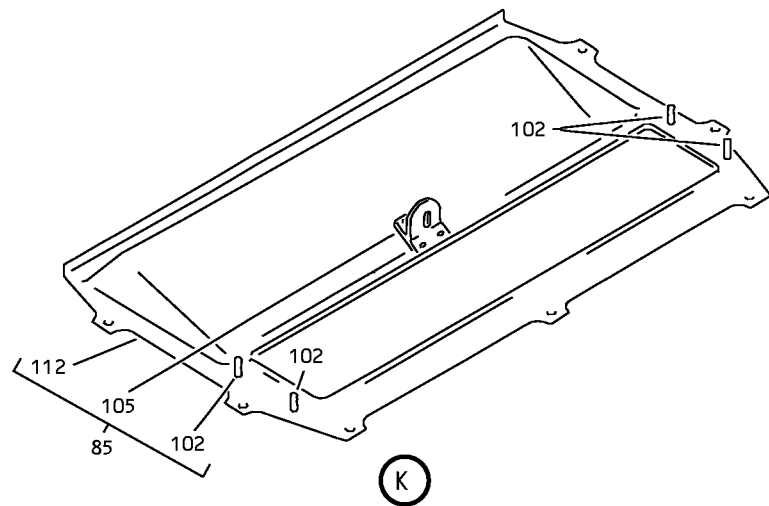
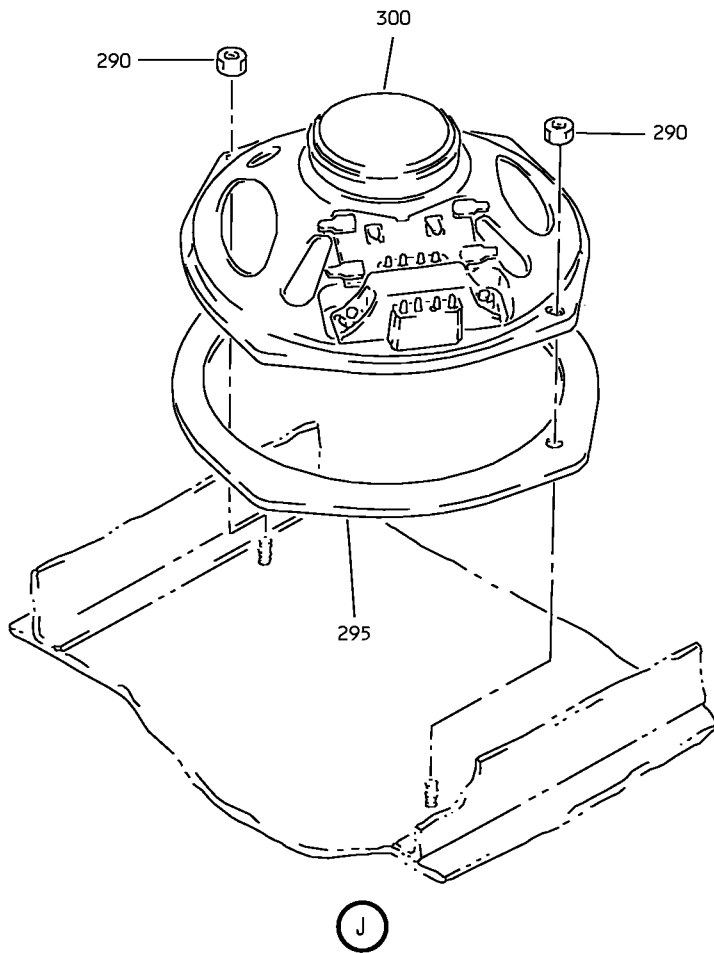
25-23-34

ILLUSTRATED PARTS LIST

Page 1098.624

Nov 01/2008

COMPONENT MAINTENANCE MANUAL



Full Underbin - Passenger Service Unit (with Lifevest, Gasper Air, and Speaker) Assembly
IPL Figure 31 (Sheet 5 of 9)

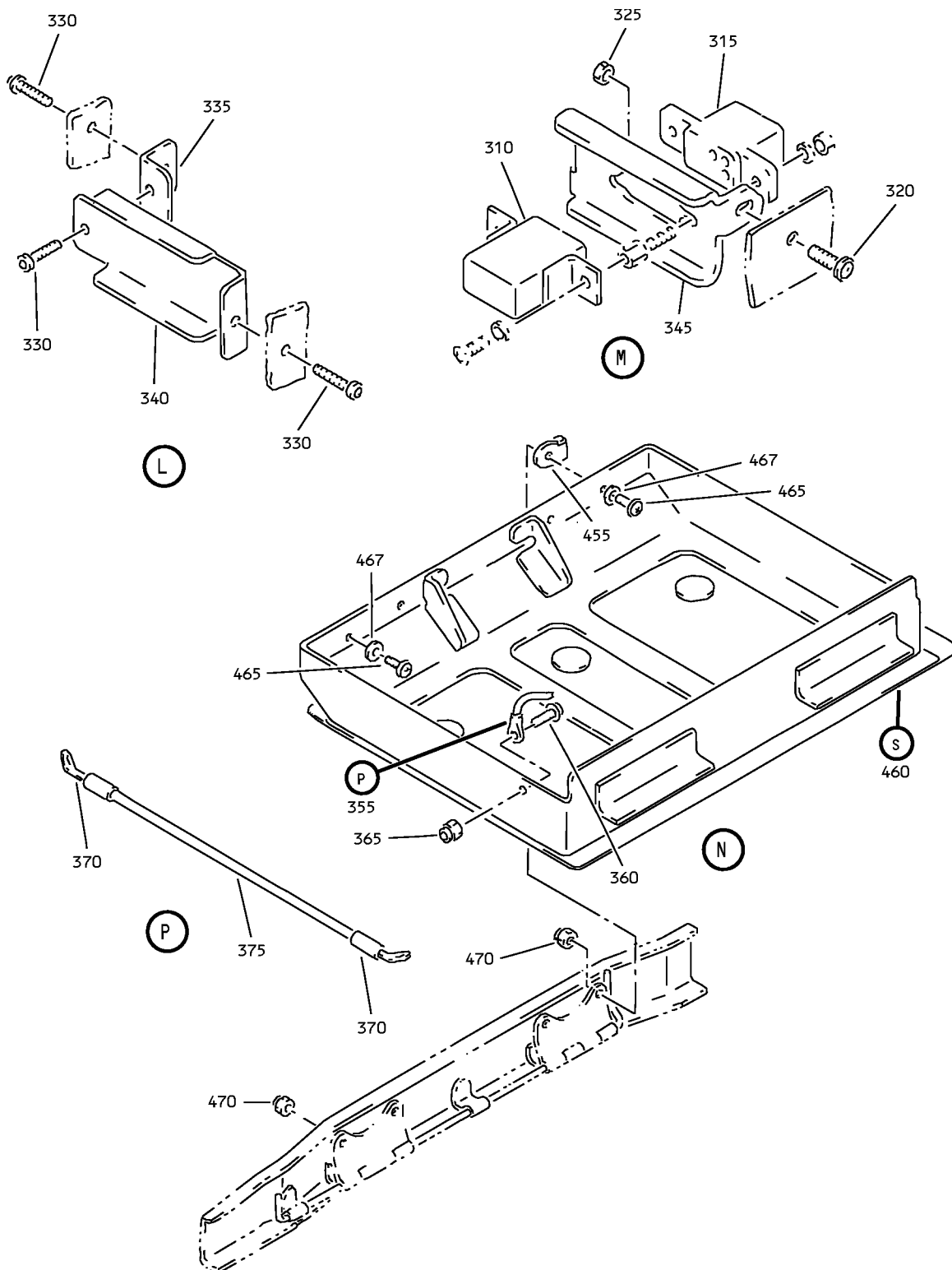
25-23-34

ILLUSTRATED PARTS LIST

Page 1098.625

Nov 01/2008

COMPONENT MAINTENANCE MANUAL



Full Underbin - Passenger Service Unit (with Lifevest, Gasper Air, and Speaker) Assembly
IPL Figure 31 (Sheet 6 of 9)

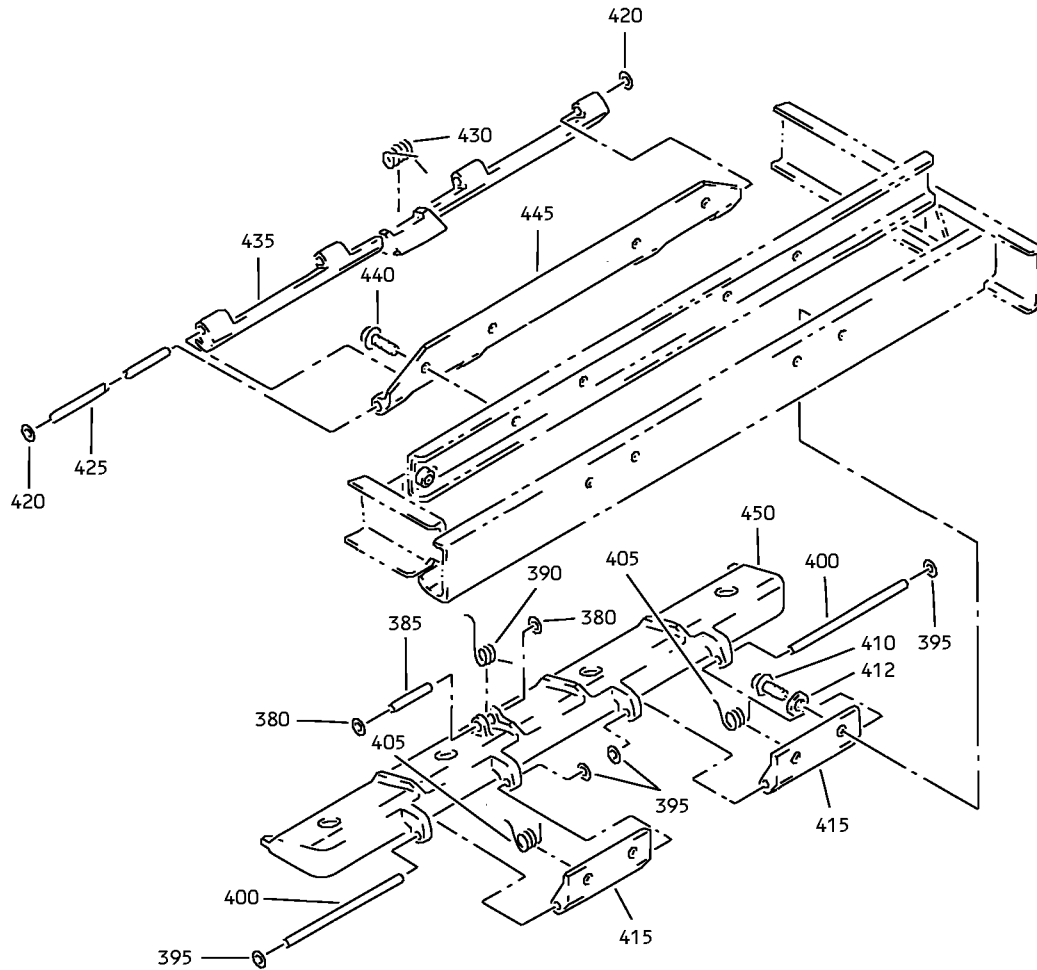
25-23-34

ILLUSTRATED PARTS LIST

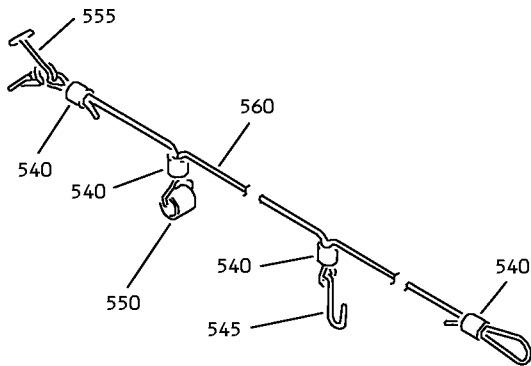
Page 1098.626

Nov 01/2008

COMPONENT MAINTENANCE MANUAL



Q



R

Full Underbin - Passenger Service Unit (with Lifevest, Gasper Air, and Speaker) Assembly
IPL Figure 31 (Sheet 7 of 9)

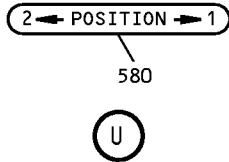
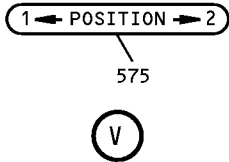
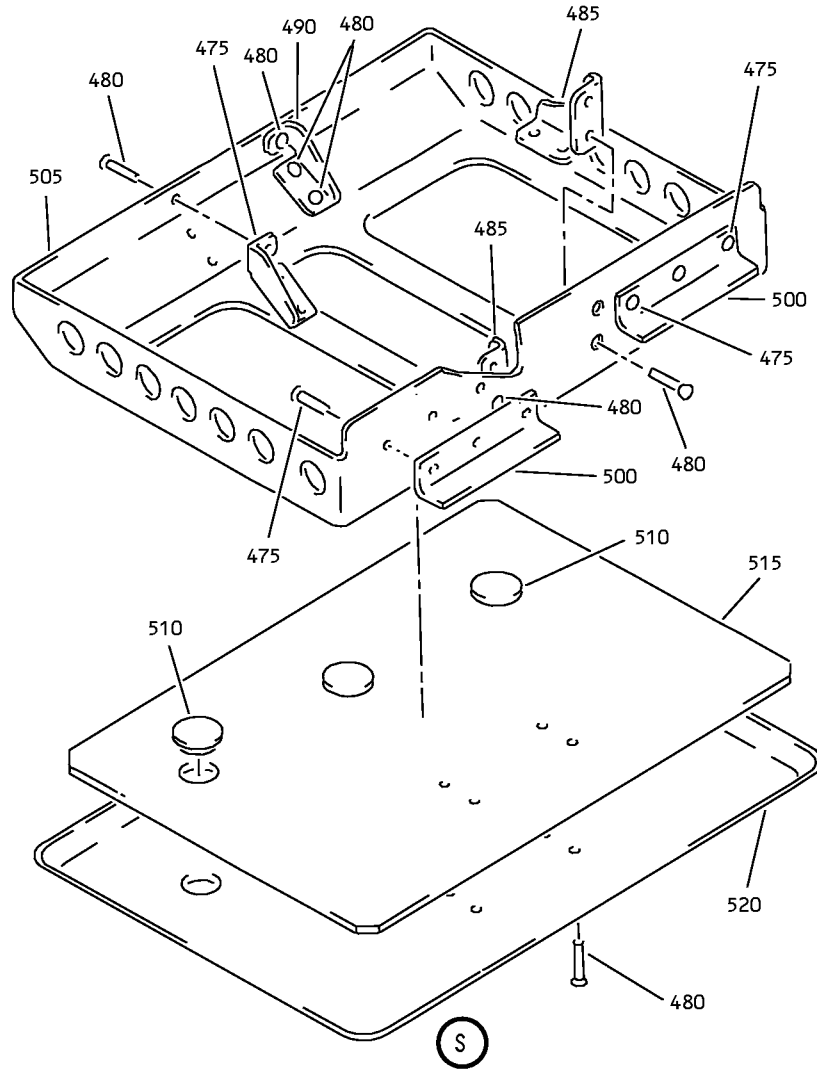
25-23-34

ILLUSTRATED PARTS LIST

Page 1098.627

Nov 01/2008

COMPONENT MAINTENANCE MANUAL



ATTENTION

FOR REMOVAL AND RELOCATION INFORMATION SEE MAINTENANCE MANUAL CHAPTER 25

FOR MASK STOWAGE INSTRUCTIONS SEE MAINTENANCE MANUAL CHAPTER 35

FOR CLEANING INSTRUCTIONS SEE DOCUMENT D6-7127



Full Underbin - Passenger Service Unit (with Lifevest, Gasper Air, and Speaker) Assembly
IPL Figure 31 (Sheet 8 of 9)

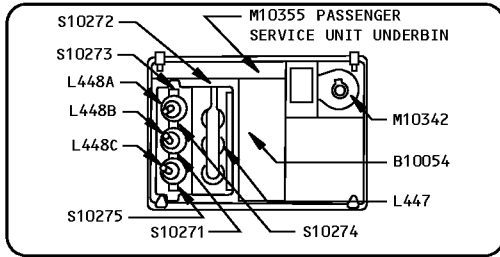
25-23-34

ILLUSTRATED PARTS LIST

Page 1098.628

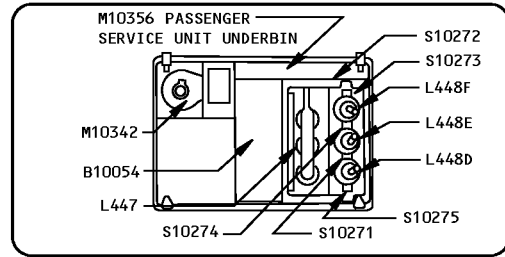
Nov 01/2008

COMPONENT MAINTENANCE MANUAL



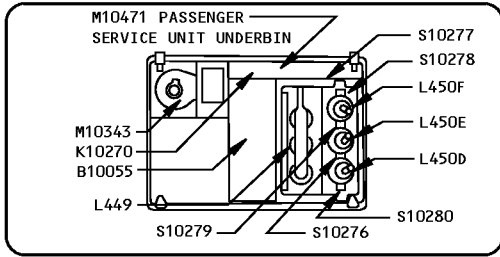
585

W



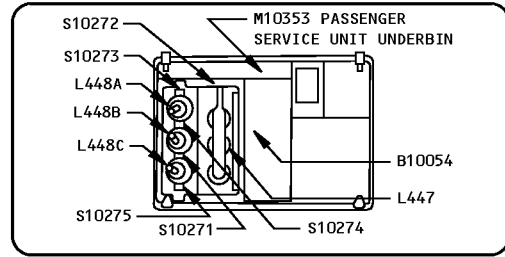
590

X



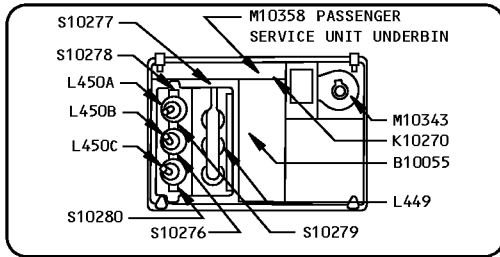
610

AB



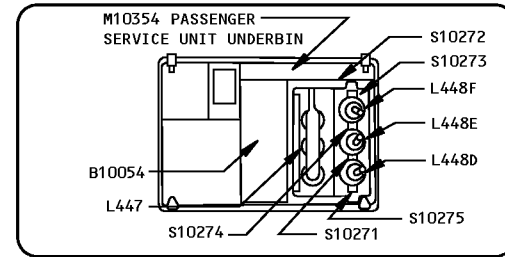
595

Y



605

AA



600

Z

Full Underbin - Passenger Service Unit (with Lifevest, Gasper Air, and Speaker) Assembly
IPL Figure 31 (Sheet 9 of 9)

25-23-34

ILLUSTRATED PARTS LIST

Page 1098.629

Nov 01/2008



COMPONENT MAINTENANCE MANUAL

FIG/ ITEM	PART NUMBER	AIRLINE PART NUMBER	NOMENCLATURE							USAGE CODE	UNITS PER ASSY
			1	2	3	4	5	6	7		
31-											
-1	417N3100-447SP									S	RF
-1A	417N3100-449SP									T	RF
-1B	417N3100-451SP									U	RF
-1C	417N3100-453SP									V	RF
-1D	417N3100-459SP									W	RF
-1E	417N3100-461SP									X	RF
-5	417N3100-468SP									Y	RF
-5A	417N3100-470SP									Z	RF
-5B	417N3100-474SP									AA	RF
-5C	417N3100-476SP									AB	RF
-5D	417N3100-478SP									AC	RF

-Item not Illustrated

25-23-34

ILLUSTRATED PARTS LIST

Page 1098.630

Nov 01/2008



COMPONENT MAINTENANCE MANUAL

FIG/ ITEM	PART NUMBER	AIRLINE PART NUMBER	NOMENCLATURE							USAGE CODE	UNITS PER ASSY
			1	2	3	4	5	6	7		
31- -5E	417N3100-480SP		SERVICE UNIT ASSY (WITH LIFEVEST AND GASPER AIR) (RH)							AE	RF
-5F	417N3100-486SP		SERVICE UNIT ASSY (WITH LIFEVEST AND MUTED SPKR) (RH)							AF	RF
-5G	417N3100-488SP		SERVICE UNIT ASSY (WITH LIFEVEST, GASPER AIR AND MUTED SPKR) (RH)							AG	RF
10	920055		. SWITCH-ATTENDANTS CALL (V97564)							S-AC, AE-AG	1
15	920056		. SWITCH-READING LT (V97564)							S-AC, AE-AG	3
20	417N3100-25SP		. AIR ASSY-GASPER							S, T, X-Z, AC, AE, AG	1
25	BOE20563A120		. . DUCT (V16632) (SPEC BACD40P3A120) (OPT AD15273A120 (V21868))							S, T, X-Z, AC, AE, AG	1
30	10-60141-23A		DELETED								
30A	10-60141-23U		. . OUTLET (COLOR OPT-CUST PREFERENCE, DARK GRAY)							S, T, X-Z, AC, AE, AG	3
-30B	750801-002		. . OUTLET (COLOR OPT-CUST PREFERENCE, BEIGE) (V28406) (SPEC 10-60141-23S)							S, T, X-Z, AC, AE, AG	3
35	PLT2MM		. . STRAP (V06383) (OPT ITEM 35A)							S, T, X-Z, AC, AE, AG	3
-35A	PLT2MM2		. . STRAP (V06383) (OPT ITEM 35)							S, T, X-Z, AC, AE, AG	3
40	417N3103-1		. . MANIFOLD ASSY							S, T, X-Z, AC, AE, AG	1

-Item not Illustrated

25-23-34

ILLUSTRATED PARTS LIST

Page 1098.631

Nov 01/2008



COMPONENT MAINTENANCE MANUAL

FIG/ ITEM	PART NUMBER	AIRLINE PART NUMBER	NOMENCLATURE							USAGE CODE	UNITS PER ASSY	
			1	2	3	4	5	6	7			
31- 45	417N3063-4		.	.	.						S, T, X-Z, AC, AE, AG	1
50	417N3100-92		.								S-AC, AE-AG	1
55	NAS43DD3-18		.	.							S-AC, AE-AG	4
60	NAS43DD3-20		.	.							S-AC, AE-AG	4
65	BACW10P193G		.	.							S-AC, AE-AG	8
70	BACN10YJ08		.	.							S-AC, AE-AG	13
75	G6940-3B3		.	.							S-AC, AE-AG	5
80	10-1006-1		.								S-X	1
-82	10-1006-2		.								Y-AC, AE-AG	1
85	417N3105-8SP		.								U-W, AA, AB, AF	1
87	417N3105-9SP		.								S, T, X-Z, AC, AE, AG	1
90	417N3122-111		.	.							S, T, X-Z, AC, AE, AG	1
95	82-47-108-15		.	.	.						S, T, X-Z, AC, AE, AG	1

-Item not Illustrated

25-23-34

ILLUSTRATED PARTS LIST

Page 1098.632

Nov 01/2008



COMPONENT MAINTENANCE MANUAL

FIG/ ITEM	PART NUMBER	AIRLINE PART NUMBER	NOMENCLATURE							USAGE CODE	UNITS PER ASSY	
			1	2	3	4	5	6	7			
31- 100	417N3122-112		.	.	.						S, T, X-Z, AC, AE, AG	1
102	BACS21AQ6A6M		.	.							U-W, AA, AB, AF	4
105	417N3122-53		.	.							U-W, AA, AB, AF	1
110	417N3101-6SP		.	.							S, T, X-Z, AC, AE, AG	1
112	417N3101-5SP		.	.							U-W, AA, AB, AF	1
115	417N3130-71SP		.								S, T	1
-115A	417N3130-73SP		.								U-X	1
-120	417N3130-72SP		.								Y, Z	1
-120A	417N3130-74SP		.								AA-AC, AE-AG	1
125	BACR15BB4D10		.								S-AC, AE-AG	2
130	6100-12		.								S-AC, AE-AG	2
135	417N3180-1		.								S-AC, AE-AG	2
140	NAS607-2-8P		.	.							S-AC, AE-AG	1
145	NAS607-1-4P		.	.							S-AC, AE-AG	2
150	417N3181-1		.	.							S-AC, AE-AG	1
-150A	65-85902-1		.	.							S-AC, AE-AG	1

-Item not Illustrated

25-23-34

ILLUSTRATED PARTS LIST

Page 1098.633

Nov 01/2008



COMPONENT MAINTENANCE MANUAL

FIG/ ITEM	PART NUMBER	AIRLINE PART NUMBER	NOMENCLATURE							USAGE CODE	UNITS PER ASSY
			1	2	3	4	5	6	7		
31-											
155	65-85905-4		.	.						S-AC, AE-AG	1
160	RCS3290		.	.						S-AC, AE-AG	1
165	417N3182-1		.	.						S-AC, AE-AG	1
170	417N3180-3		.	.						S-AC, AE-AG	2
175	RCS3289		.	.						S-AC, AE-AG	2
180	417N3183-1		.	.						S-AC, AE-AG	1
-185	AN960JD416L		.							S-AC, AE-AG	AR
-190	AN960JD416L		.							S, U-Y, AA-AC, AF, AG	AR
-195	PLWP1S		.							S-AC, AE-AG	AR
-200	PLWP1S		.							S, U-Y, AA-AC, AF, AG	AR
-205	NCM1001-0									DELETED	
-205A	NMC1001-0		.							S-AC, AE-AG	2
-205B	BACC10DK3		.							S-AC, AE-AG	2
-210	61-33500-001		.							S-V, Y- AE	1
-210A	286N0514-003		.							W, X, AF, AG	1
215	1TW2-3		.							S-AC, AE-AG	1
220	417N3100-48		.							S-AC, AE-AG	1

-Item not Illustrated

25-23-34

ILLUSTRATED PARTS LIST

Page 1098.634

Nov 01/2008



COMPONENT MAINTENANCE MANUAL

FIG/ ITEM	PART NUMBER	AIRLINE PART NUMBER	NOMENCLATURE							USAGE CODE	UNITS PER ASSY	
			1	2	3	4	5	6	7			
31- 225	417N3160-11		.	.							S-AC, AE-AG	1
			ATTACHING PARTS									
230	BACS12FA08K6		.	.							S-AC, AE-AG	4
235	BACR15BA3D		.	.	.						S-AC, AE-AG	4
240	417N3811-13		.	.	.						S-AC, AE-AG	1
245	CS8024-08-1A		.	.	.						S-AC, AE-AG	1
-245A	FT1387P8-1-2		.	.	.						S-AC, AE-AG	1
250	AN960KD416		.	.	.						S-AC, AE-AG	1
255	A4972-6-82		.	.	.						S-AC, AE-AG	1
260	417N3161-7		.	.	.						S-AC, AE-AG	1
265	417N3160-12		.	.	.						S-AC, AE-AG	1

-Item not Illustrated

25-23-34

ILLUSTRATED PARTS LIST

Page 1098.635

Nov 01/2008



COMPONENT MAINTENANCE MANUAL

FIG/ ITEM	PART NUMBER	AIRLINE PART NUMBER	NOMENCLATURE							USAGE CODE	UNITS PER ASSY	
			1	2	3	4	5	6	7			
31- 270	417N3160-13		.	.	.						S-AC, AE-AG	6
275	417N3136-99		.	.	.						S-AC, AE-AG	1
280	117003-14		.	.							S-AC, AE-AG	1
-280A	803000-04		.	.							S-AC, AE-AG	1
285	417N3100-17		.								S, U, W- Y, AA, AC, AF, AG	1
290	BACN10YJ08		.	.							S, U, W- Y, AA, AC, AF, AG	2
295	417N3104-2		.	.							S, U, W- Y, AA, AC, AF, AG	1
300	RDAM8005A		.	.							S, U, W- Y, AA, AC, AF, AG	1
305	417N3100-377		.								W, X	1
307	417N3100-19		.								AF, AG	1
310	HFW1204K01		.	.							W, X, AF, AG	1
315	451120-026		.	.							W, X, AF, AG	1
320	BACS12FA08K14		.	.							AF, AG	1
325	BACN10YJ08		.	.							AF, AG	1

-Item not Illustrated

25-23-34

ILLUSTRATED PARTS LIST

Page 1098.636

Nov 01/2008



COMPONENT MAINTENANCE MANUAL

FIG/ ITEM	PART NUMBER	AIRLINE PART NUMBER	NOMENCLATURE							USAGE CODE	UNITS PER ASSY
			1	2	3	4	5	6	7		
31-											
330	BACR15BB3D		. .	RIVET						W, X	3
				(SIZE DETERMINED ON INST)							
335	417N3136-17		. .	BRACKET						W, X	1
340	417N3121-139		. .	STIFFENER						W, X	1
345	417N3121-138		. .	BRACKET						AF, AG	1
350	417N3100-31SP		. .	LIFEVEST ASSY						S-X	1
-352	417N3100-32SP		. .	LIFEVEST ASSY						Y-AC, AE-AG	1
355	417N3190-8		. .	LANYARD ASSY						S-AC, AE-AG	1
				ATTACHING PARTS							
360	BACS12FA08K6		. .	SCREW						S-AC, AE-AG	1
				(V06710)							
				(SPEC BACS12FA08K6)							
				(OPT BACS12FA08K6 (V06725))							
				(OPT BACS12FA08K6 (V06950))							
				(OPT BACS12FA08K6 (V27624))							
				(OPT BACS12FA08K6 (V34252))							
				(OPT BACS12FA08K6 (V56878))							
				(OPT BACS12FA08K6 (V73197))							
				(OPT BACS12FA08K6 (V80539))							
				(OPT BACS12FA08K6 (V92215))							
				(OPT BACS12FA08K6 (V93907))							
				(OPT BACS12FA08K6 (V97928))							
365	26C82		. .	NUT						S-X	1
				(V80539)							
				(SPEC BACN10R8)							
-367	H10-08BAC		. .	NUT						Y-AC, AE-AG	1
				(V15653)							
				(SPEC BACN10JC08)							
				(OPT NS202101-82 (V80539))							
				(OPT RMLH9075-82W (V72962))							
				(OPT T6S832J (V71087))							
				(OPT VN303A82 (V92215))							
				(OPT 96-82 (V80539))							
				(OPT BRH10A08 (V52828))							
				(OPT T6S832J (V11815))							
				-----*							
370	417N3190-7		. . .	TERMINAL						S-AC, AE-AG	2

-Item not Illustrated

25-23-34

ILLUSTRATED PARTS LIST

Page 1098.637

Nov 01/2008



COMPONENT MAINTENANCE MANUAL

FIG/ ITEM	PART NUMBER	AIRLINE PART NUMBER	NOMENCLATURE							USAGE CODE	UNITS PER ASSY	
			1	2	3	4	5	6	7			
31- 375	417N3190-5		.	.	.						S-AC, AE-AG	1
380	6100-9		.	.							S-AC, AE-AG	2
385	417N3100-73		.	.							S-AC, AE-AG	1
390	417N3173-14		.	.							S-AC, AE-AG	1
395	6100-9		.	.							S-AC, AE-AG	4
400	417N3100-74		.	.							S-AC, AE-AG	2
405	417N3173-9		.	.							S-AC, AE-AG	2
410	BACS12FA08K7		.	.							S-AC, AE-AG	4
412	AN960PD8L		.	.							S-AC, AE-AG	AR
415	417N3133-19		.	.							S-AC, AE-AG	2
420	6100-9		.	.							S-AC, AE-AG	2
425	417N3100-78		.	.							S-AC, AE-AG	1
430	417N3173-13		.	.							S-AC, AE-AG	1
435	417N3133-15		.	.							S-AC, AE-AG	1

-Item not Illustrated

25-23-34

ILLUSTRATED PARTS LIST

Page 1098.638

Nov 01/2008



COMPONENT MAINTENANCE MANUAL

FIG/ ITEM	PART NUMBER	AIRLINE PART NUMBER	NOMENCLATURE							USAGE CODE	UNITS PER ASSY
			1	2	3	4	5	6	7		
31- 440	BACS12FA08K7		. . SCREW (V06710) (SPEC BACS12FA08K7) (OPT BACS12FA08K7 (V06725)) (OPT BACS12FA08K7 (V06950)) (OPT BACS12FA08K7 (V27624)) (OPT BACS12FA08K7 (V34252)) (OPT BACS12FA08K7 (V56878)) (OPT BACS12FA08K7 (V73197)) (OPT BACS12FA08K7 (V80539)) (OPT BACS12FA08K7 (V92215)) (OPT BACS12FA08K7 (V93907)) (OPT BACS12FA08K7 (V97928))							S-AC, AE-AG	4
445	417N3133-16		. . LATCH							S-AC, AE-AG	1
450	417N3084-1		. . PUSH BUTTON							S-AC, AE-AG	1
455	417N3122-49		. . RETAINER							S-X	1
-455A	417N3122-50		. . RETAINER							Y-AC, AE-AG	1
460	417N3080-1SP		. . DOOR ASSY							S-AC, AE-AG	1
			ATTACHING PARTS								
465	BACS12FA08K7		. . SCREW (V06710) (SPEC BACS12FA08K7) (OPT BACS12FA08K7 (V06725)) (OPT BACS12FA08K7 (V06950)) (OPT BACS12FA08K7 (V27624)) (OPT BACS12FA08K7 (V34252)) (OPT BACS12FA08K7 (V56878)) (OPT BACS12FA08K7 (V73197)) (OPT BACS12FA08K7 (V80539)) (OPT BACS12FA08K7 (V92215)) (OPT BACS12FA08K7 (V93907)) (OPT BACS12FA08K7 (V97928))							S-AC, AE-AG	4
			-----*-----								
467	AN960PD8L		. . WASHER							S-AC, AE-AG	AR

-Item not Illustrated

25-23-34

ILLUSTRATED PARTS LIST

Page 1098.639

Nov 01/2008



COMPONENT MAINTENANCE MANUAL

FIG/ ITEM	PART NUMBER	AIRLINE PART NUMBER	NOMENCLATURE							USAGE CODE	UNITS PER ASSY
			1	2	3	4	5	6	7		
31-			ATTACHING PARTS								
470	H10-08BAC		.	.	NUT					Y-AC, AE-AG	4
					(V15653)						
					(SPEC BACN10JC08)						
					(OPT NS202101-82 (V80539))						
					(OPT RMLH9075-82W (V72962))						
					(OPT T6S832J (V71087))						
					(OPT VN303A82 (V92215))						
					(OPT 96-82 (V80539))						
					(OPT BRH10A08 (V52828))						
					(OPT T6S832J (V11815))						
			----- * -----								
475	BACR15CE3D		.	.	RIVET					S-AC, AE-AG	6
					(SIZE DETERMINED ON INST)						
480	BACR15CE4D		.	.	RIVET					S-AC, AE-AG	14
					(SIZE DETERMINED ON INST)						
485	417N3083-2		.	.	GUSSET					S-AC, AE-AG	2
490	417N3083-3		.	.	GUSSET					S-AC, AE-AG	1
495	417N3083-4		.	.	GUSSET					S-AC, AE-AG	1
500	417N3083-1		.	.	ANGLE					S-AC, AE-AG	2
505	417N3082-1		.	.	COMPARTMENT					S-AC, AE-AG	1
510	417N3113-1		.	.	LENS					S-AC, AE-AG	3
515	417N3080-3		.	.	PANEL					S-AC, AE-AG	1
520	417N3081-1SP		.	.	PANEL					S-AC, AE-AG	1
525	417N3100-71		.	.	PAD-SPONGE					S-AC, AE-AG	2
530	417N3190-1		.	.	LANYARD ASSY					S-AC, AE-AG	1

-Item not Illustrated

25-23-34

ILLUSTRATED PARTS LIST

Page 1098.640

Nov 01/2008



COMPONENT MAINTENANCE MANUAL

FIG/ ITEM	PART NUMBER	AIRLINE PART NUMBER	NOMENCLATURE							USAGE CODE	UNITS PER ASSY	
			1	2	3	4	5	6	7			
31- 540	GSC219		.	.	SLEEVE (V59730) (SPEC BACS13S219C) (OPT Y0C140 (V09922)) (OPT ITEM 540A)						S-AC, AE-AG	4
-540A	GSC205		.	.	SLEEVE (V59730) (SPEC BACS13S205C) (OPT Y0C130 (V09922)) (OPT ITEM 540)						S-AC, AE-AG	4
545	10-61790-1		.	.	HOOK (V08205) (SPEC 10-61790-1)						S-AC, AE-AG	1
550	NAS43DD4-5		.	.	SPACER						S-AC, AE-AG	1
555	65C16899-6		.	.	SPRING						S-AC, AE-AG	1
560	417N3190-3		.	.	CORD-NYLON						S-AC, AE-AG	1
565	417N3110-81SP		.		FRAME ASSY (FOR DETAILS SEE FIG. 28)						S-X	1
-567	417N3110-82SP		.		FRAME ASSY (FOR DETAILS SEE FIG. 28)						Y-AC, AE-AG	1
570	BAC27DPA2272		.		DECAL						S-AC, AE-AG	1
575	BAC27NPA0610		.		MARKER-ALUMINUM						S-X	1
580	BAC27NPA0609		.		MARKER-ALUMINUM						Y-AC, AE-AG	1
585	BAC27NPA0660		.		MARKER-ALUMINUM FOIL						S, U	1
590	BAC27NPA0661		.		MARKER-ALUMINUM FOIL						Y, AA, AC	1
595	BAC27NPA0662		.		MARKER-ALUMINUM FOIL						T, V	1
600	BAC27NPA0663		.		MARKER-ALUMINUM FOIL						Z, AB, AE	1
605	BAC27NPA0666		.		MARKER-ALUMINUM FOIL						W, X	1
610	BAC27NPA0667		.		MARKER-ALUMINUM FOIL						AF, AG	1

-Item not Illustrated

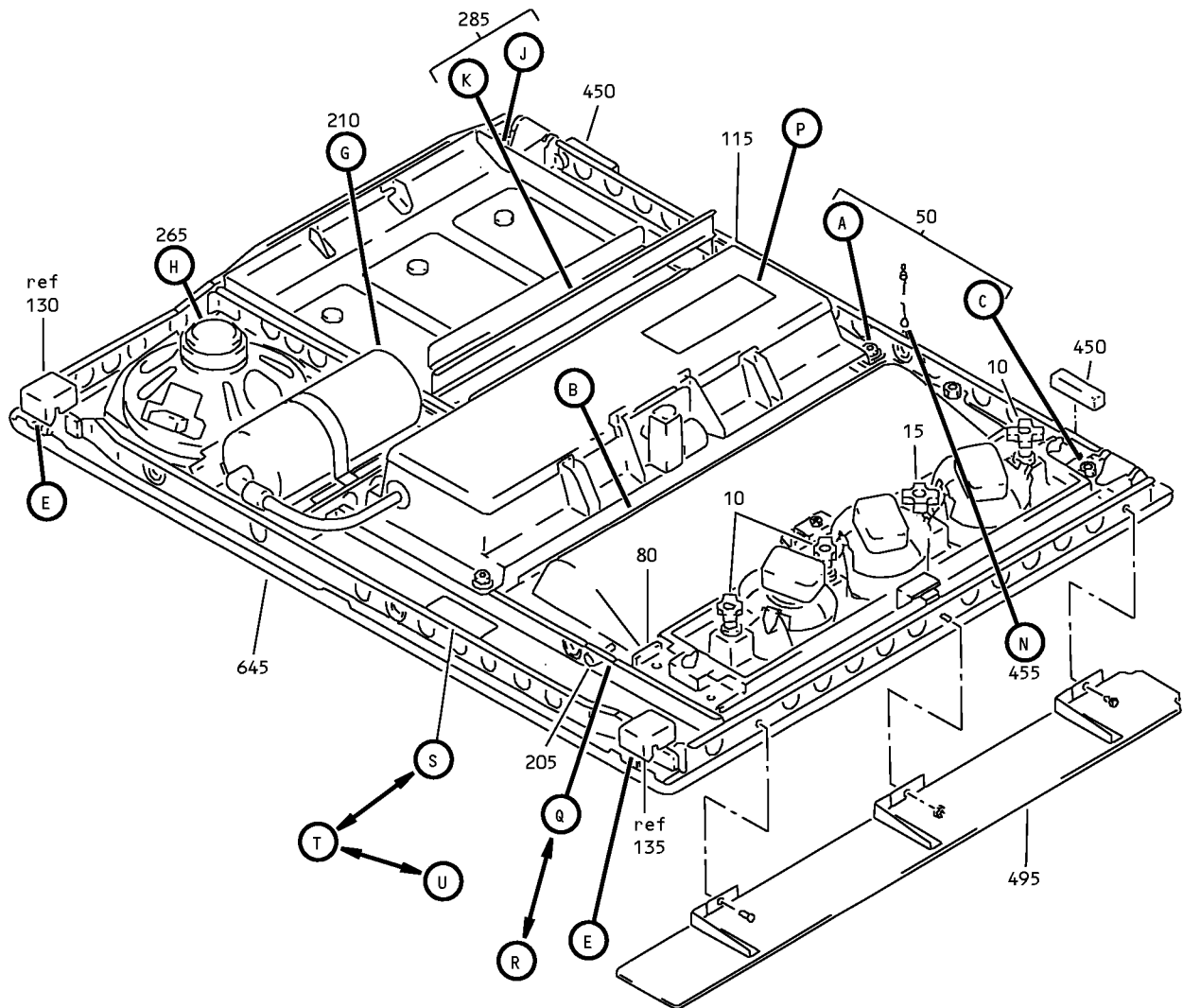
25-23-34

ILLUSTRATED PARTS LIST

Page 1098.641

Nov 01/2008

COMPONENT MAINTENANCE MANUAL



Full Underbin - Passenger Service Unit (With Lifevest and Speaker) Assembly
 IPL Figure 32 (Sheet 1 of 8)

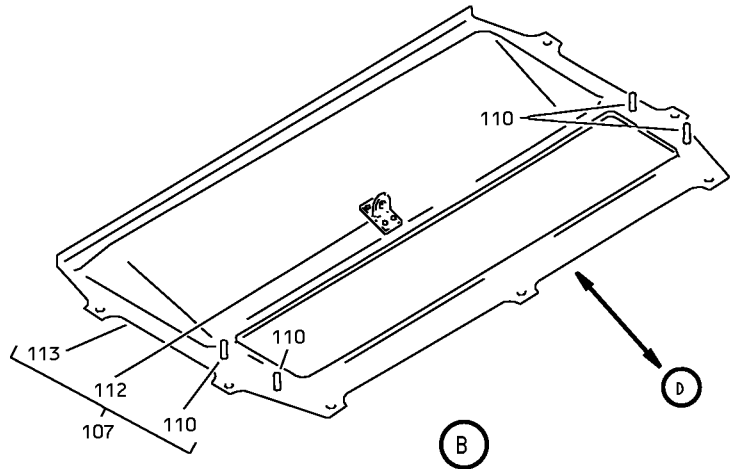
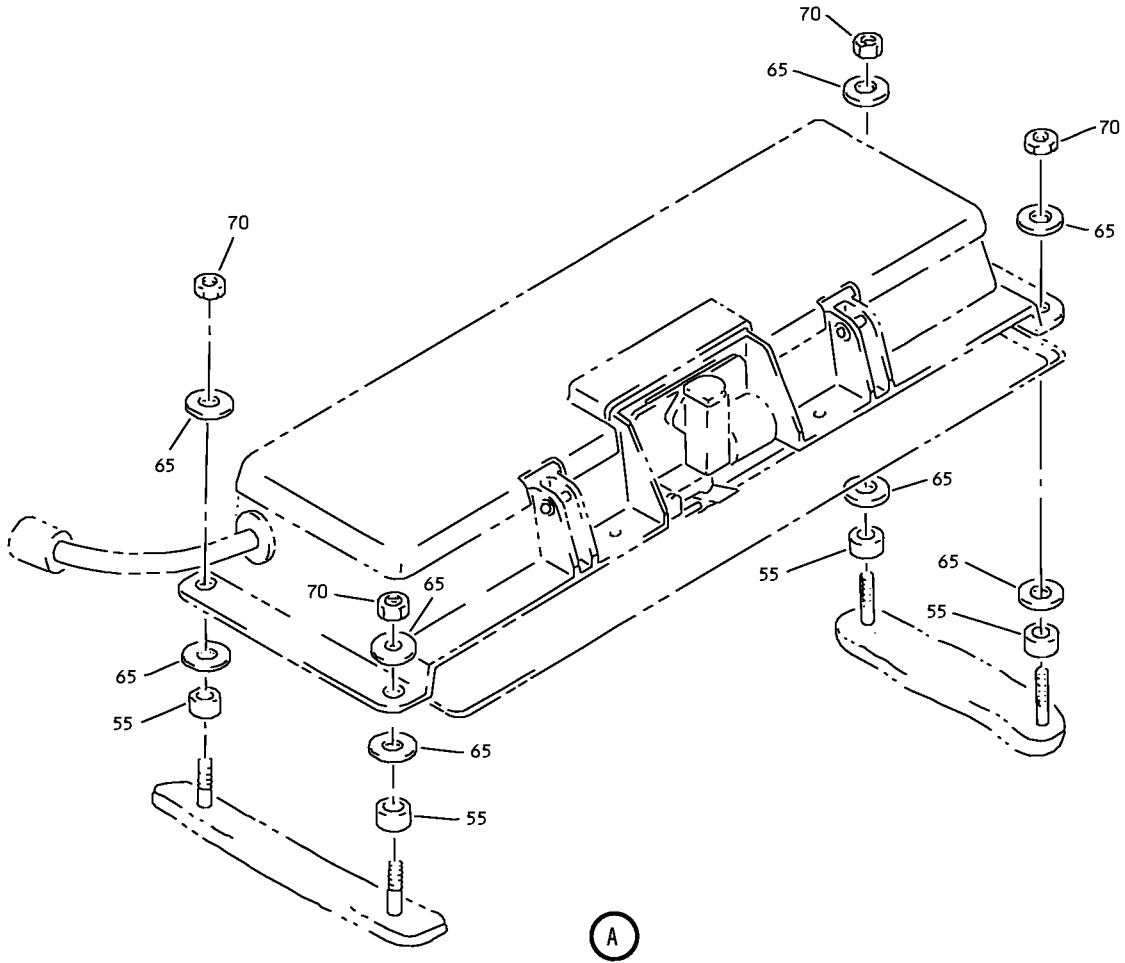
25-23-34

ILLUSTRATED PARTS LIST

Page 1098.642

Nov 01/2008

COMPONENT MAINTENANCE MANUAL



Full Underbin - Passenger Service Unit (With Lifevest and Speaker) Assembly
IPL Figure 32 (Sheet 2 of 8)

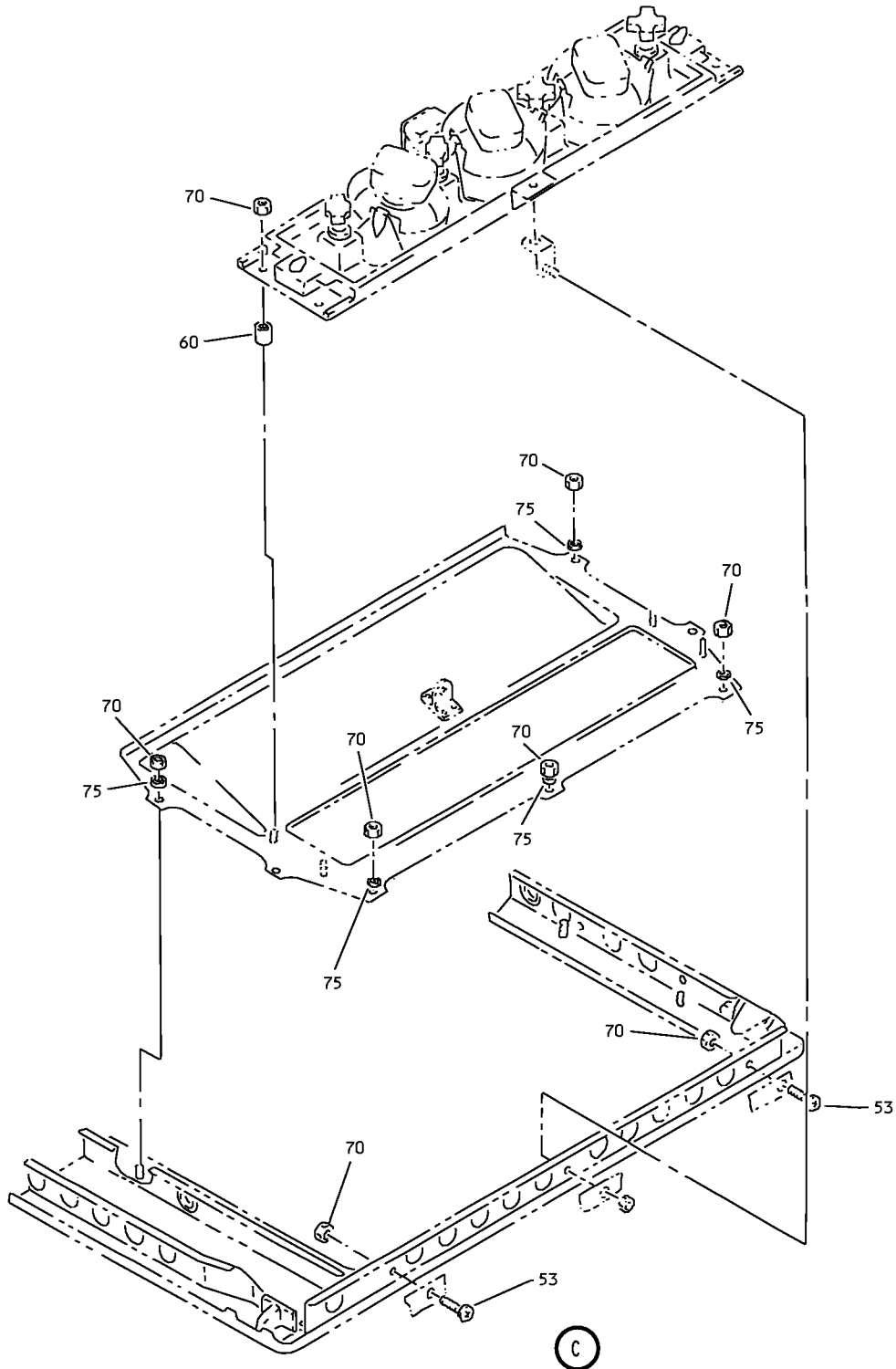
25-23-34

ILLUSTRATED PARTS LIST

Page 1098.643

Nov 01/2008

COMPONENT MAINTENANCE MANUAL



Full Underbin - Passenger Service Unit (With Lifevest and Speaker) Assembly
IPL Figure 32 (Sheet 3 of 8)

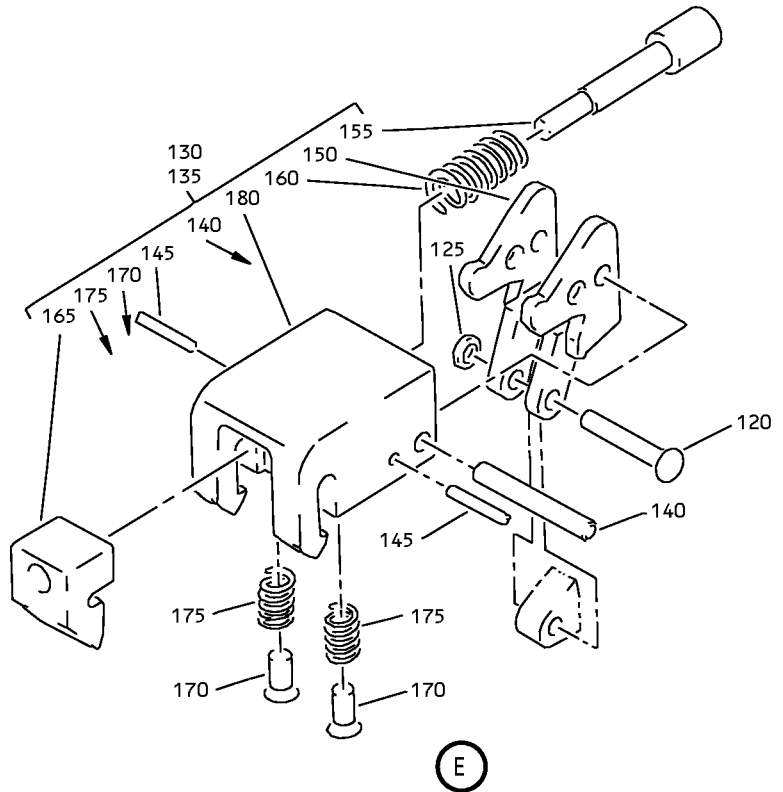
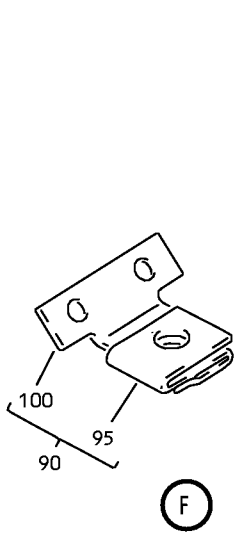
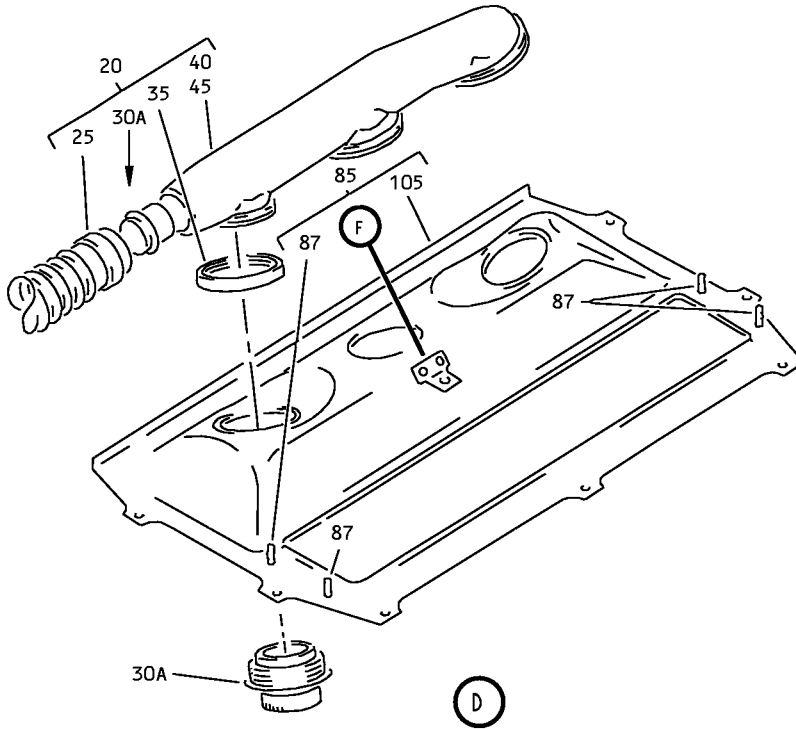
25-23-34

ILLUSTRATED PARTS LIST

Page 1098.644

Nov 01/2008

COMPONENT MAINTENANCE MANUAL



Full Underbin - Passenger Service Unit (With Lifevest and Speaker) Assembly
IPL Figure 32 (Sheet 4 of 8)

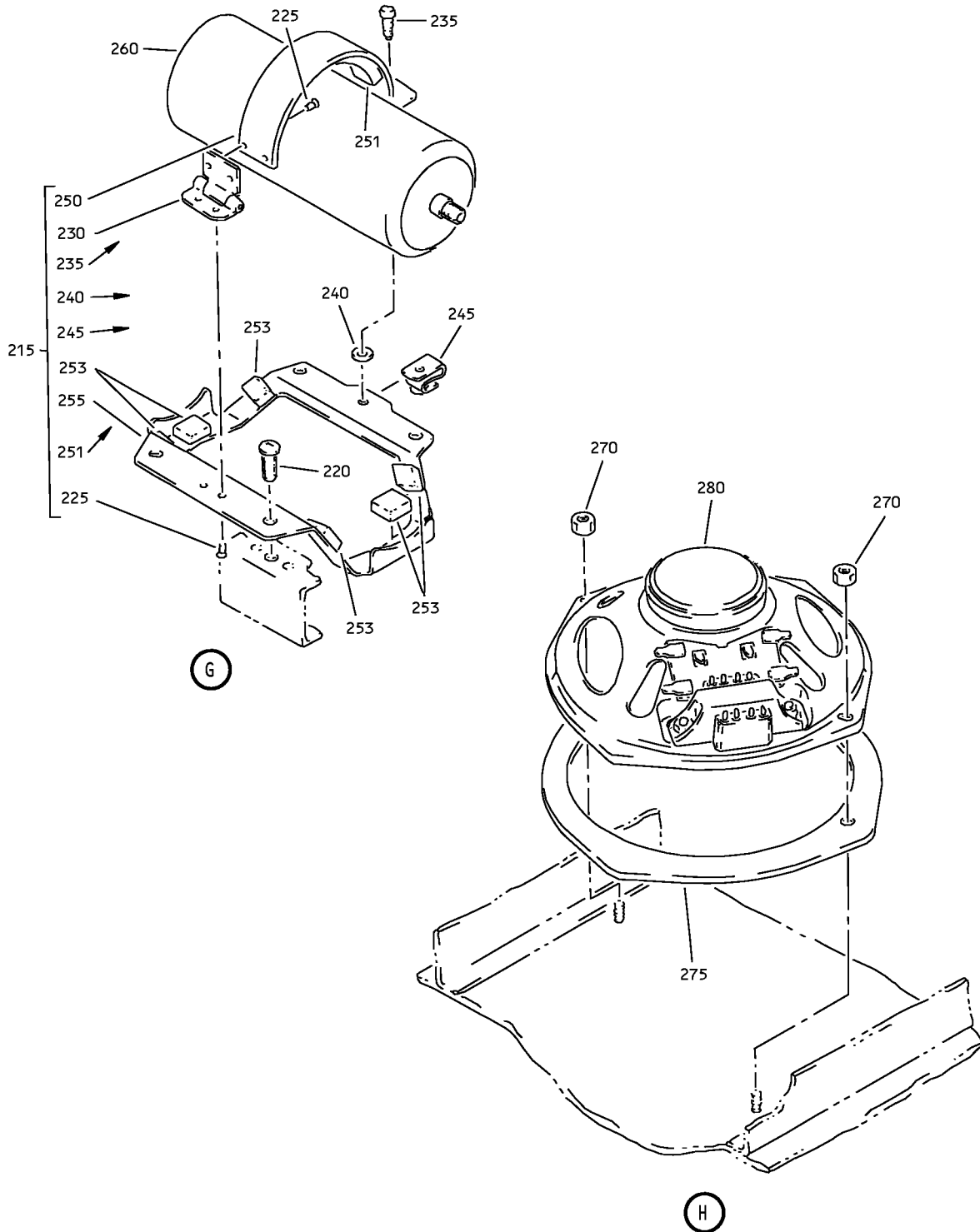
25-23-34

ILLUSTRATED PARTS LIST

Page 1098.645

Nov 01/2008

COMPONENT MAINTENANCE MANUAL



Full Underbin - Passenger Service Unit (With Lifevest and Speaker) Assembly
IPL Figure 32 (Sheet 5 of 8)

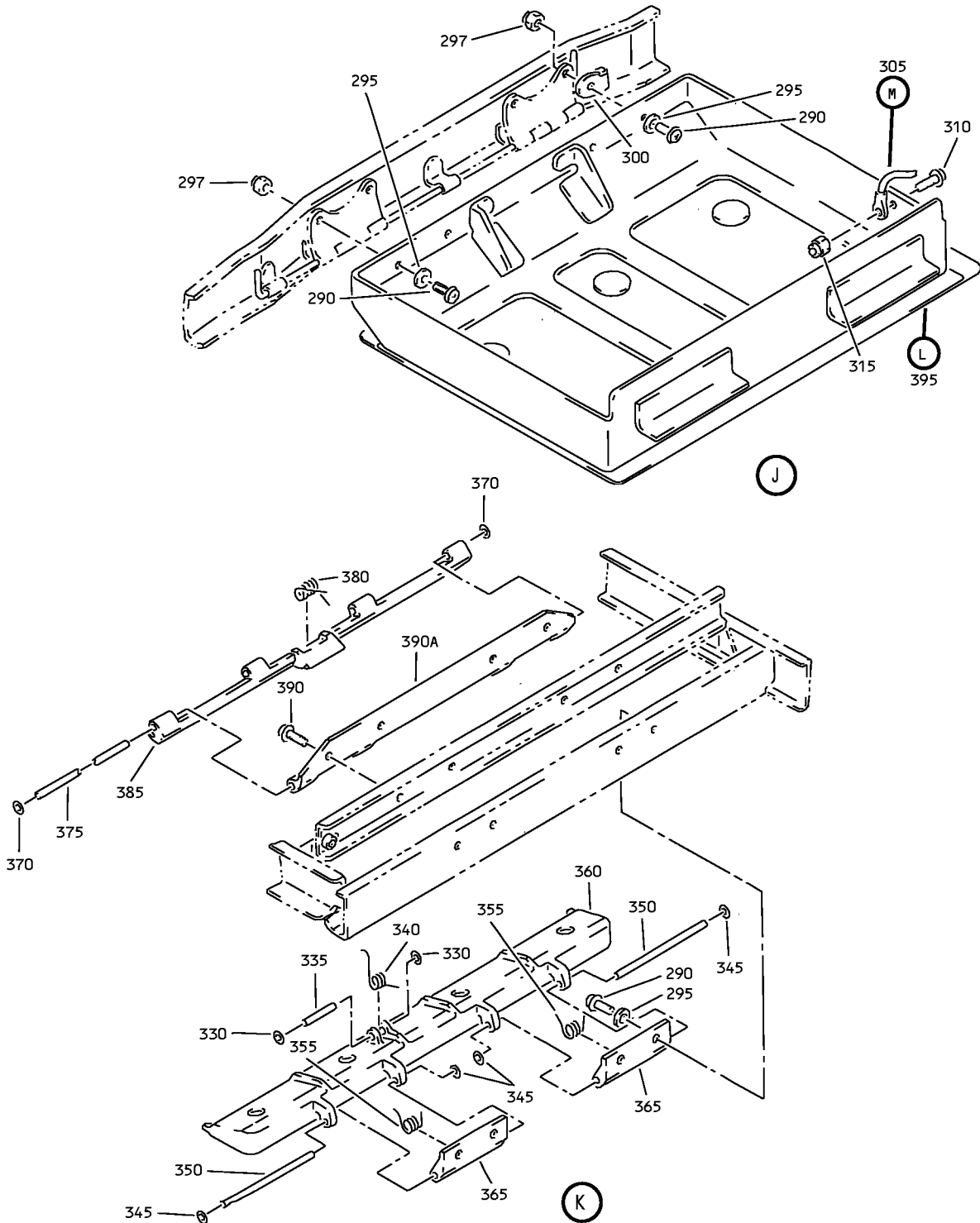
25-23-34

ILLUSTRATED PARTS LIST

Page 1098.646

Nov 01/2008

COMPONENT MAINTENANCE MANUAL



Full Underbin - Passenger Service Unit (With Lifevest and Speaker) Assembly
 IPL Figure 32 (Sheet 6 of 8)

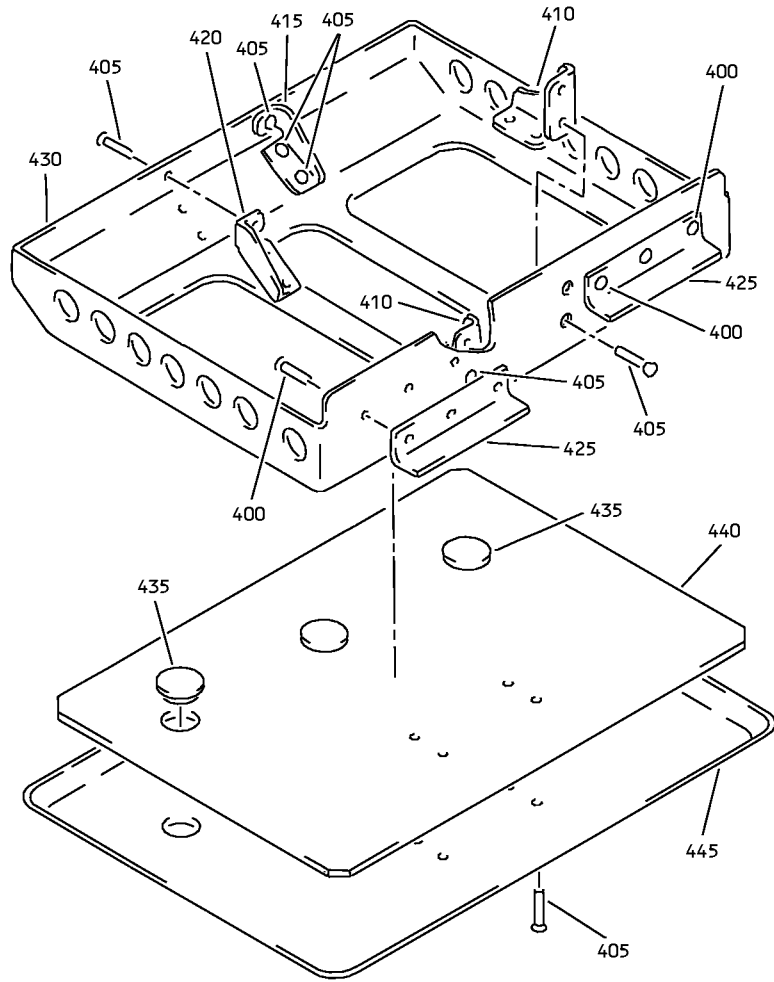
25-23-34

ILLUSTRATED PARTS LIST

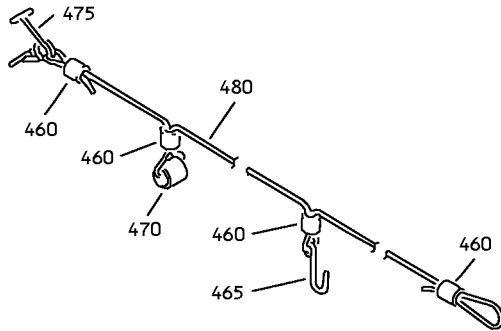
Page 1098.647

Nov 01/2008

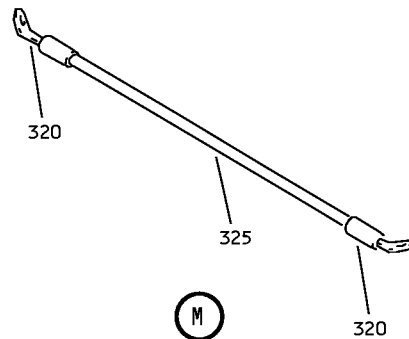
COMPONENT MAINTENANCE MANUAL



(L)



(N)



(M)

Full Underbin - Passenger Service Unit (With Lifevest and Speaker) Assembly
IPL Figure 32 (Sheet 7 of 8)

25-23-34

ILLUSTRATED PARTS LIST

Page 1098.648

Nov 01/2008

COMPONENT MAINTENANCE MANUAL

ATTENTION

FOR REMOVAL AND RELOCATION INFORMATION SEE MAINTENANCE MANUAL CHAPTER 25

FOR MASK STORAGE INSTRUCTIONS SEE MAINTENANCE MANUAL CHAPTER 35

FOR CLEANING INSTRUCTIONS SEE DOCUMENT D6-7127

500

(P)

1 ← POSITION → 2

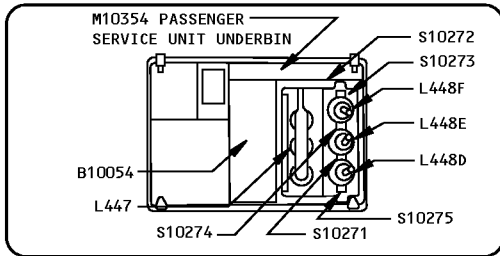
505

(Q)

2 ← POSITION → 1

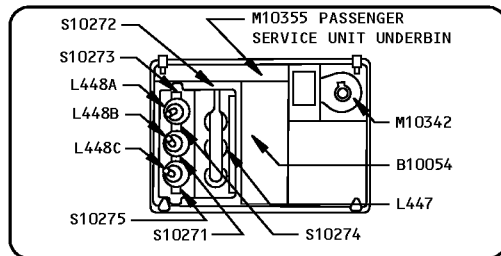
510

(R)



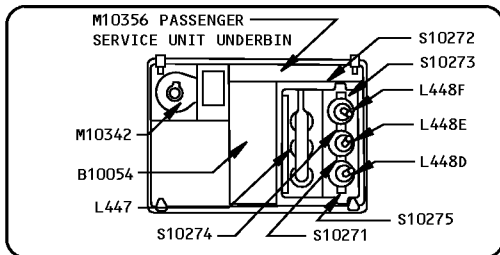
525

(U)



515

(S)



520

(T)

Full Underbin - Passenger Service Unit (With Lifevest and Speaker) Assembly
IPL Figure 32 (Sheet 8 of 8)

25-23-34

ILLUSTRATED PARTS LIST

Page 1098.649

Nov 01/2008



COMPONENT MAINTENANCE MANUAL

FIG/ ITEM	PART NUMBER	AIRLINE PART NUMBER	NOMENCLATURE							USAGE CODE	UNITS PER ASSY
			1	2	3	4	5	6	7		
32-											
-1	417N3100-479SP									AD	RF
-5	417N3100-492SP									AH	RF
-5A	417N3100-494SP									AJ	RF
10	920056									AD, AH, AJ	3
15	920055									AD, AH, AJ	1
20	417N3100-25SP									AH	1
25	B0E20563A120									AH	1
30	10-60141-23A										
30A	10-60141-23U									AH	3
-30B	750801-002									AH	3
-30C	L16999-16C									AH	3
35	PLT2MM									AH	3
-35A	PLT2MM2									AH	3

-Item not Illustrated

25-23-34

ILLUSTRATED PARTS LIST

Page 1098.650

Nov 01/2008



COMPONENT MAINTENANCE MANUAL

FIG/ ITEM	PART NUMBER	AIRLINE PART NUMBER	NOMENCLATURE							USAGE CODE	UNITS PER ASSY	
			1	2	3	4	5	6	7			
32-												
40	417N3103-1		.	.						MANIFOLD ASSY	AH	1
45	417N3063-4		.	.	.					CONNECTOR	AH	1
50	417N3100-94		.							FASTENER ASSY	AD, AH, AJ	1
53	BACS12FA08K5		.	.						SCREW (V06710) (SPEC BACS12FA08K5) (OPT BACS12FA08K5 (V06725)) (OPT BACS12FA08K5 (V06950)) (OPT BACS12FA08K5 (V27624)) (OPT BACS12FA08K5 (V34252)) (OPT BACS12FA08K5 (V56878)) (OPT BACS12FA08K5 (V73197)) (OPT BACS12FA08K5 (V80539)) (OPT BACS12FA08K5 (V92215)) (OPT BACS12FA08K5 (V93907)) (OPT BACS12FA08K5 (V97928))	AD, AH, AJ	2
55	NAS43DD3-18		.	.						SPACER	AD, AH, AJ	4
60	NAS43DD3-20		.	.						SPACER	AD, AH, AJ	4
65	BACW10P193G		.	.						WASHER (V10630) (SPEC BACW10P193G)	AD, AH, AJ	8
70	BACN10YJ08		.	.						NUT	AD, AH, AJ	15
75	G6940-3B3		.	.						GROMMET (V75345) (SPEC BACG20AF3B3) (OPT SZ6924-3B3 (V95272)) (OPT 701-3B3 (V07096)) (OPT E3B3 (V60980)) (OPT H3B3 (V60980)) (OPT RR2002-3B3 (V57268))	AD, AH, AJ	5
80	10-1006-1		.							LIGHT-READING (V72914) (SPEC S417N302-1)	AD	1
-82	10-1006-2		.							LIGHT-READING (V72914) (SPEC S417N302-2)	AH, AJ	1
85	417N3105-9SP		.							MODULE ASSY-SVCE	AH	1

-Item not Illustrated

25-23-34

ILLUSTRATED PARTS LIST

Page 1098.651

Nov 01/2008



COMPONENT MAINTENANCE MANUAL

FIG/ ITEM	PART NUMBER	AIRLINE PART NUMBER	NOMENCLATURE							USAGE CODE	UNITS PER ASSY
			1	2	3	4	5	6	7		
32-											
87	BACS21AQ6A6M		.	.	STUD					AH	4
90	417N3122-111		.	.	BRACKET ASSY					AH	1
95	82-47-108-15		.	.	CLIP					AH	1
					(V84483)						
100	417N3122-112		.	.	BRACKET					AH	1
105	417N3101-6SP		.	.	MODULE					AH	1
107	417N3105-8SP		.		MODULE ASSY-SVCE					AD, AJ	1
110	BACS21AQ6A6M		.	.	STUD					AD, AJ	4
112	417N3122-53		.	.	BRACKET					AD, AJ	1
113	417N3101-5SP		.	.	MODULE					AD, AJ	1
115	417N3130-73SP		.		BOX ASSY-FOUR MASK OXY					AD	1
					(REF CMM 35-21-02)						
-117	417N3130-74SP		.		BOX ASSY-FOUR MASK OXY					AH, AJ	1
					(REF CMM 35-21-02)						
120	BACR15BB4D10		.		RIVET					AD, AH, AJ	2
					(V09192)						
					(SPEC BACR15BB4D10)						
					(OPT BACR15BB4D10 (V42838))						
					(OPT BACR15BB4D10 (V53551))						
					(OPT BACR15BB4D10 (V55580))						
125	6100-12		.		RETAINER					AD, AH, AJ	2
					(V2X013)						
130	417N3180-1		.		CLAMP ASSY					AD, AH, AJ	1
135	417N3180-2		.		CLAMP ASSY					AD, AH, AJ	1
140	NAS607-2-8P		.	.	PIN					AD, AH, AJ	1
145	NAS607-1-4P		.	.	PIN					AD, AH, AJ	2
150	417N3181-1		.	.	LINK-ROCKER					AD, AH, AJ	1
					(OPT ITEM 150A)						
-150A	65-85902-1		.	.	LINK-ROCKER					AD, AH, AJ	1
					(OPT ITEM 150)						
155	65-85905-4		.	.	PLUNGER					AD, AH, AJ	1

-Item not Illustrated

25-23-34

ILLUSTRATED PARTS LIST

Page 1098.652

Nov 01/2008



COMPONENT MAINTENANCE MANUAL

FIG/ ITEM	PART NUMBER	AIRLINE PART NUMBER	NOMENCLATURE							USAGE CODE	UNITS PER ASSY
			1	2	3	4	5	6	7		
32-											
160	RCS3290		.	.	SPRING (V08205)					AD, AH, AJ	1
165	417N3182-1		.	.	BODY-PLUNGER (USED ON ITEM 130)					AD, AH, AJ	1
-165A	417N3182-2		.	.	BODY-PLUNGER (USED ON ITEM 135)					AD, AH, AJ	1
170	417N3180-3		.	.	PLUNGER-SPR					AD, AH, AJ	2
175	RCS3289		.	.	SPRING (V08205)					AD, AH, AJ	2
180	417N3183-1		.	.	BODY-CLAMP					AD, AH, AJ	1
-185	AN960JD416L		.		WASHER (USED WITH ITEM 190)					AD, AH, AJ	AR
-187	AN960JD416L		.		WASHER (USED WITH ITEM 192)					AH, AJ	AR
-190	PLWP1S		.		TIE-PUSH MOUNT CABLE (V58417)					AD, AH, AJ	AR
-192	PLWP1S		.		TIE-PUSH MOUNT CABLE (V58417)					AH, AJ	AR
-195	NCM1001-0				DELETED						
-195A	NMC1001-0		.		CLAMP (V03296) (OPT ITEM 195B)					AD, AH, AJ	2
-200	61-33500-001		.		WIRE BUNDLE					AD, AH, AJ	1
205	1TW2-3		.		SWITCH-TOGGLE (V91929)					AD, AH, AJ	1
210	417N3100-48		.		GENERATOR ASSY					AD, AH, AJ	1
215	417N3160-11		.	.	BRACKET ASSY					AD, AH, AJ	1

-Item not Illustrated

25-23-34

ILLUSTRATED PARTS LIST

Page 1098.653

Nov 01/2008



COMPONENT MAINTENANCE MANUAL

FIG/ ITEM	PART NUMBER	AIRLINE PART NUMBER	NOMENCLATURE							USAGE CODE	UNITS PER ASSY
			1	2	3	4	5	6	7		
32-			ATTACHING PARTS								
220	BACS12FA08K6		. .	SCREW (V06710) (SPEC BACS12FA08K6) (OPT BACS12FA08K6 (V06725)) (OPT BACS12FA08K6 (V06950)) (OPT BACS12FA08K6 (V27624)) (OPT BACS12FA08K6 (V34252)) (OPT BACS12FA08K6 (V56878)) (OPT BACS12FA08K6 (V73197)) (OPT BACS12FA08K6 (V80539)) (OPT BACS12FA08K6 (V92215)) (OPT BACS12FA08K6 (V93907)) (OPT BACS12FA08K6 (V97928))						AD, AH, AJ	4
			-----*-----								
225	BACR15BA3D		. . .	RIVET (SIZE DETERMINED ON INST)						AD, AH, AJ	4
230	417N3811-13		. . .	HINGE						AD, AH, AJ	1
235	CS8024-08-1A		. . .	SCREW-CAPTIVE (V58998) (OPT ITEM 235A)						AD, AH, AJ	1
-235A	FT1387P8-1-2		. . .	SCREW-CAPTIVE (V58794) (OPT ITEM 235)						AD, AH, AJ	1
240	AN960KD416		. . .	WASHER						AD, AH, AJ	1
245	A4972-6-82		. . .	NUT (V72962) (SPEC BACN10FX84) (OPT RM52LHA4972-6-82 (V72962)) (OPT SL211-08-1 (V97393)) (OPT 130008 (V60119)) (OPT A11330-6-82 (V72962))						AD, AH, AJ	1
250	417N3161-7		. . .	BRACKET-MTG						AD, AH, AJ	1
251	417N3160-12		. . .	PAD-INSULATION						AD, AH, AJ	1
253	417N3160-13		. . .	PAD-INSULATION						AD, AH, AJ	6

-Item not Illustrated

25-23-34

ILLUSTRATED PARTS LIST

Page 1098.654

Nov 01/2008



COMPONENT MAINTENANCE MANUAL

FIG/ ITEM	PART NUMBER	AIRLINE PART NUMBER	NOMENCLATURE							USAGE CODE	UNITS PER ASSY
			1	2	3	4	5	6	7		
32-											
255	417N3136-99		. . .							AD, AH, AJ	1
260	117003-14		. .							AD, AH, AJ	1
-260A	803000-04		. .							AD, AH, AJ	1
265	417N3100-17		. .							AD, AH	1
270	BACN10YJ08		. .							AD, AH	2
275	417N3104-2		. .							AD, AH	1
280	RDAM8005A		. .							AD, AH	1
285	417N3100-31SP		. .							AD	1
-287	417N3100-32SP		. .							AH, AJ	1
290	BACSFA08K7		DELETED								
290A	BACS12FA08K7		. .							AD, AH, AJ	8
295	AN960PD8L		. .							AD, AH, AJ	8

-Item not Illustrated

25-23-34

ILLUSTRATED PARTS LIST

Page 1098.655

Nov 01/2008



COMPONENT MAINTENANCE MANUAL

FIG/ ITEM	PART NUMBER	AIRLINE PART NUMBER	NOMENCLATURE							USAGE CODE	UNITS PER ASSY	
			1	2	3	4	5	6	7			
32- 297	H10-08BAC		.	.	NUT (V15653) (SPEC BACN10JC08) (OPT NS202101-82 (V80539)) (OPT RMLH9075-82W (V72962)) (OPT T6S832J (V71087)) (OPT VN303A82 (V92215)) (OPT 96-82 (V80539)) (OPT BRH10A08 (V52828)) (OPT T6S832J (V11815))						AD, AH, AJ	4
300	417N3122-49		.	.	RETAINER						AD	1
-302	417N3122-50		.	.	RETAINER						AH, AJ	1
305	417N3190-8		.	.	LANYARD ASSY						AD, AH, AJ	1
			ATTACHING PARTS									
310	BACS12FA08K6		.	.	SCREW (V06710) (SPEC BACS12FA08K6) (OPT BACS12FA08K6 (V06725)) (OPT BACS12FA08K6 (V06950)) (OPT BACS12FA08K6 (V27624)) (OPT BACS12FA08K6 (V34252)) (OPT BACS12FA08K6 (V56878)) (OPT BACS12FA08K6 (V73197)) (OPT BACS12FA08K6 (V80539)) (OPT BACS12FA08K6 (V92215)) (OPT BACS12FA08K6 (V93907)) (OPT BACS12FA08K6 (V97928))						AD, AH, AJ	1
315	26C82		.	.	NUT (V80539) (SPEC BACN10R8)						AD	1
-317	H10-08BAC		.	.	NUT (V15653) (SPEC BACN10JC08) (OPT NS202101-82 (V80539)) (OPT RMLH9075-82W (V72962)) (OPT T6S832J (V71087)) (OPT VN303A82 (V92215)) (OPT 96-82 (V80539)) (OPT BRH10A08 (V52828)) (OPT T6S832J (V11815))						AH, AJ	1
			----- * -----									

-Item not Illustrated

25-23-34

ILLUSTRATED PARTS LIST

Page 1098.656

Nov 01/2008



COMPONENT MAINTENANCE MANUAL

FIG/ ITEM	PART NUMBER	AIRLINE PART NUMBER	NOMENCLATURE							USAGE CODE	UNITS PER ASSY	
			1	2	3	4	5	6	7			
32- -320	417N3190-7		.	.	.						AD, AH, AJ	2
325	417N3190-5		.	.	.						AD, AH, AJ	1
330	6100-9		.	.							AD, AH, AJ	2
335	417N3100-73		.	.							AD, AH, AJ	1
340	417N3173-14		.	.							AD, AH, AJ	1
345	6100-9		.	.							AD, AH, AJ	4
350	417N3100-74		.	.							AD, AH, AJ	2
355	417N3173-9		.	.							AD, AH, AJ	2
360	417N3084-1SP		.	.							AD, AH, AJ	1
365	417N3133-19		.	.							AD, AH, AJ	2
370	6100-9		.	.							AD, AH, AJ	2
375	417N3100-78		.	.							AD, AH, AJ	1
380	417N3173-13		.	.							AD, AH, AJ	1
385	417N3133-15		.	.							AD, AH, AJ	1

-Item not Illustrated

25-23-34

ILLUSTRATED PARTS LIST

Page 1098.657

Jul 01/2009



COMPONENT MAINTENANCE MANUAL

FIG/ ITEM	PART NUMBER	AIRLINE PART NUMBER	NOMENCLATURE							USAGE CODE	UNITS PER ASSY	
			1	2	3	4	5	6	7			
32- 390	BACS12FA08K7		.	.	SCREW (V06710) (SPEC BACS12FA08K7) (OPT BACS12FA08K7 (V06725)) (OPT BACS12FA08K7 (V06950)) (OPT BACS12FA08K7 (V27624)) (OPT BACS12FA08K7 (V34252)) (OPT BACS12FA08K7 (V56878)) (OPT BACS12FA08K7 (V73197)) (OPT BACS12FA08K7 (V80539)) (OPT BACS12FA08K7 (V92215)) (OPT BACS12FA08K7 (V93907)) (OPT BACS12FA08K7 (V97928))						AD, AH, AJ	4
390A	417N3133-16		.	.	LATCH					AD, AH, AJ	1	
395	417N3080-1SP		.	.	DOOR ASSY					AD, AH, AJ	1	
400	BACR15CE3D		.	.	RIVET (SIZE DETERMINED ON INST)					AD, AH, AJ	6	
405	BACR15CE4D		.	.	RIVET (SIZE DETERMINED ON INST)					AD, AH, AJ	14	
410	417N3083-2		.	.	GUSSET					AD, AH, AJ	2	
415	417N3083-3		.	.	GUSSET					AD, AH, AJ	1	
420	417N3083-4		.	.	GUSSET					AD, AH, AJ	1	
425	417N3083-1		.	.	ANGLE					AD, AH, AJ	2	
430	417N3082-1		.	.	COMPARTMENT					AD, AH, AJ	1	
435	417N3113-1		.	.	LENS					AD, AH, AJ	3	
440	417N3080-3		.	.	PANEL					AD, AH, AJ	1	
445	417N3081-1SP		.	.	PANEL					AD, AH, AJ	1	
450	417N3100-71		.	.	PAD-SPONGE					AD, AH, AJ	2	

-Item not Illustrated

25-23-34

ILLUSTRATED PARTS LIST

Page 1098.658

Nov 01/2008



COMPONENT MAINTENANCE MANUAL

FIG/ ITEM	PART NUMBER	AIRLINE PART NUMBER	NOMENCLATURE							USAGE CODE	UNITS PER ASSY						
			1	2	3	4	5	6	7								
32-																	
455	417N3190-1		.	L	A	N	A	R	D	A	S	S	Y		AD, AH, AJ	1	
460	GSC219		.	.	S	L	E	E	V	E					AD, AH, AJ	4	
-460A	GSC205		.	.	S	L	E	E	V	E					AD, AH, AJ	4	
465	10-61790-1		.	.	H	O	O	K							AD, AH, AJ	1	
470	NAS43DD4-5		.	.	S	P	A	C	E	R					AD, AH, AJ	1	
475	65C16899-6		.	.	S	P	R	I	N	G					AD, AH, AJ	1	
480	417N3190-3		.	.	C	O	R	D	-	N	Y	L	O	N		AD, AH, AJ	1
485	417N3110-81SP		.	F	R	A	M	E	A	S	S	Y			AD	1	
-490	417N3110-82SP		.	F	R	A	M	E	A	S	S	Y			AH, AJ	1	
495	417N3310-49SP		.	P	A	N	E	L	A	S	S	Y			AD	1	
-497	417N3310-50SP		.	P	A	N	E	L	A	S	S	Y			AH, AJ	1	
500	BAC27DPA2272		.	D	E	C	A	L							AD, AH, AJ	1	
505	BAC27NPA0610		.	M	A	R	K	E	R	-	A	L	U	M	I	N	U
															AD	1	
510	BAC27NPA0609		.	M	A	R	K	E	R	-	A	L	U	M	I	N	U
															AH, AJ	1	
515	BAC27NPA0660		.	M	A	R	K	E	R	-	A	L	U	M	I	N	U
															AD	1	
520	BAC27NPA0661		.	M	A	R	K	E	R	-	A	L	U	M	I	N	U
															AH	1	
525	BAC27NPA0663		.	M	A	R	K	E	R	-	A	L	U	M	I	N	U
															AJ	1	

-Item not Illustrated

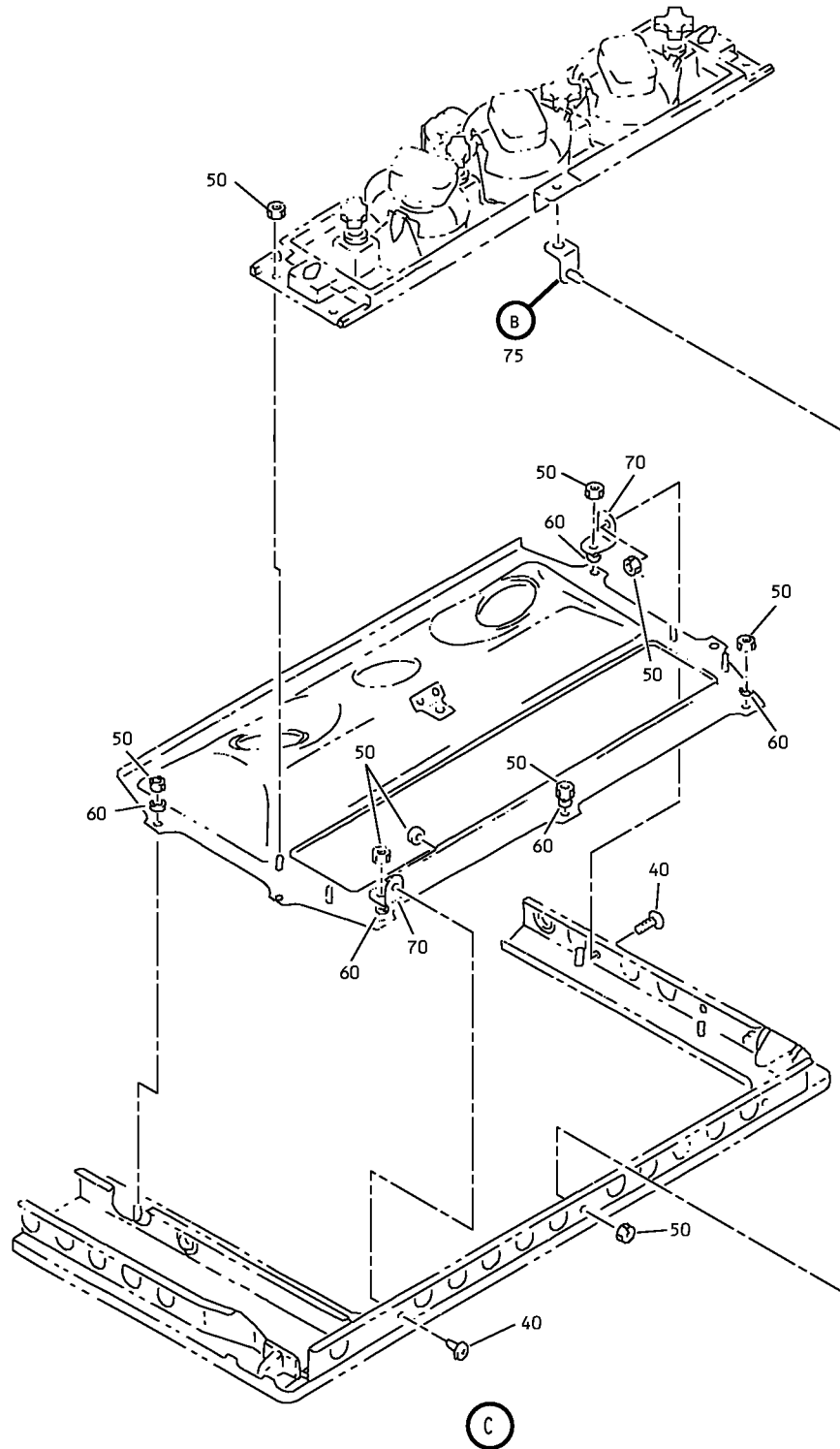
25-23-34

ILLUSTRATED PARTS LIST

Page 1098.659

Nov 01/2008

COMPONENT MAINTENANCE MANUAL



Full Underbin Passenger Service Unit Assembly
IPL Figure 33 (Sheet 2 of 7)

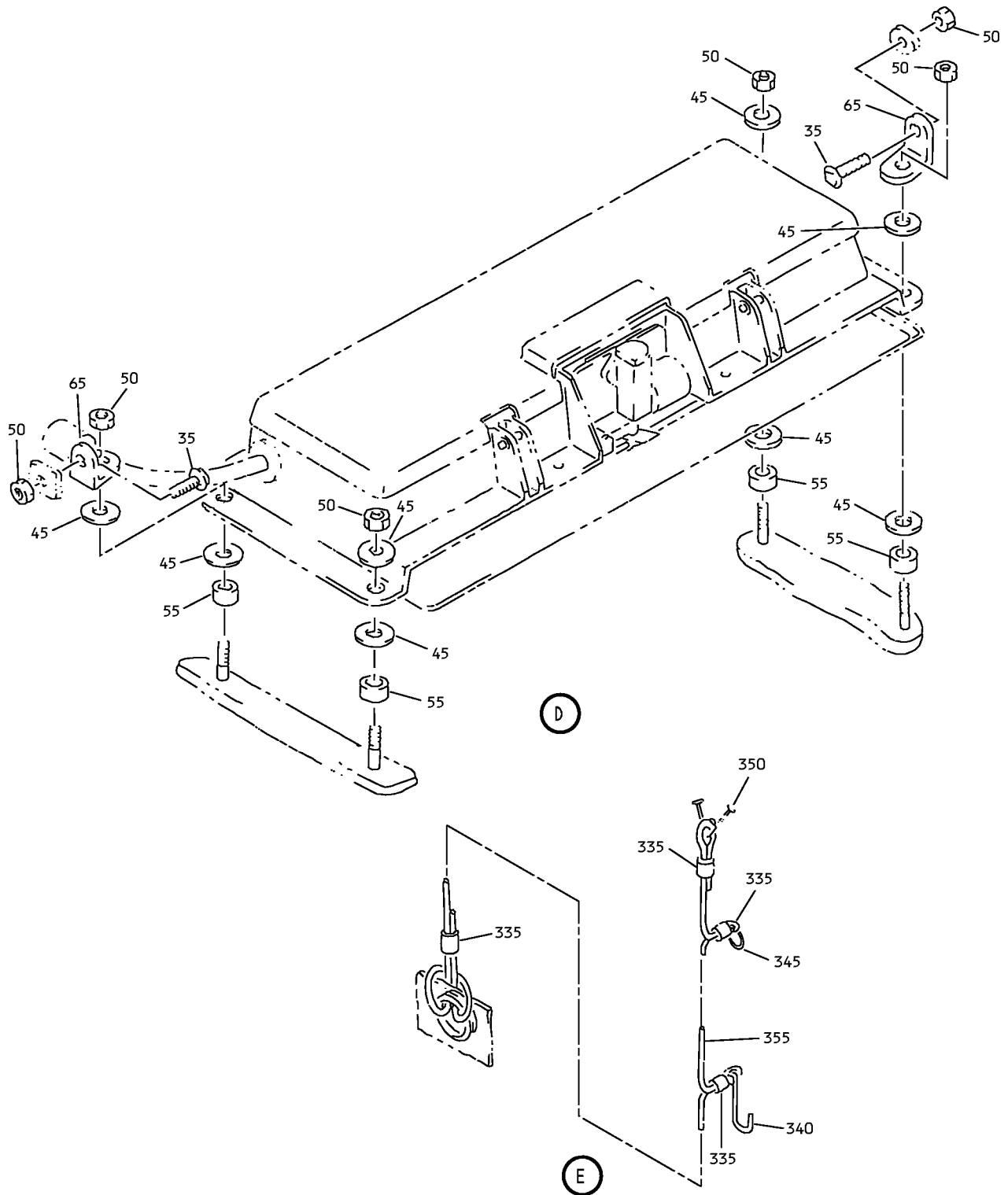
25-23-34

ILLUSTRATED PARTS LIST

Page 1098.661

Nov 01/2008

COMPONENT MAINTENANCE MANUAL



Full Underbin Passenger Service Unit Assembly
IPL Figure 33 (Sheet 3 of 7)

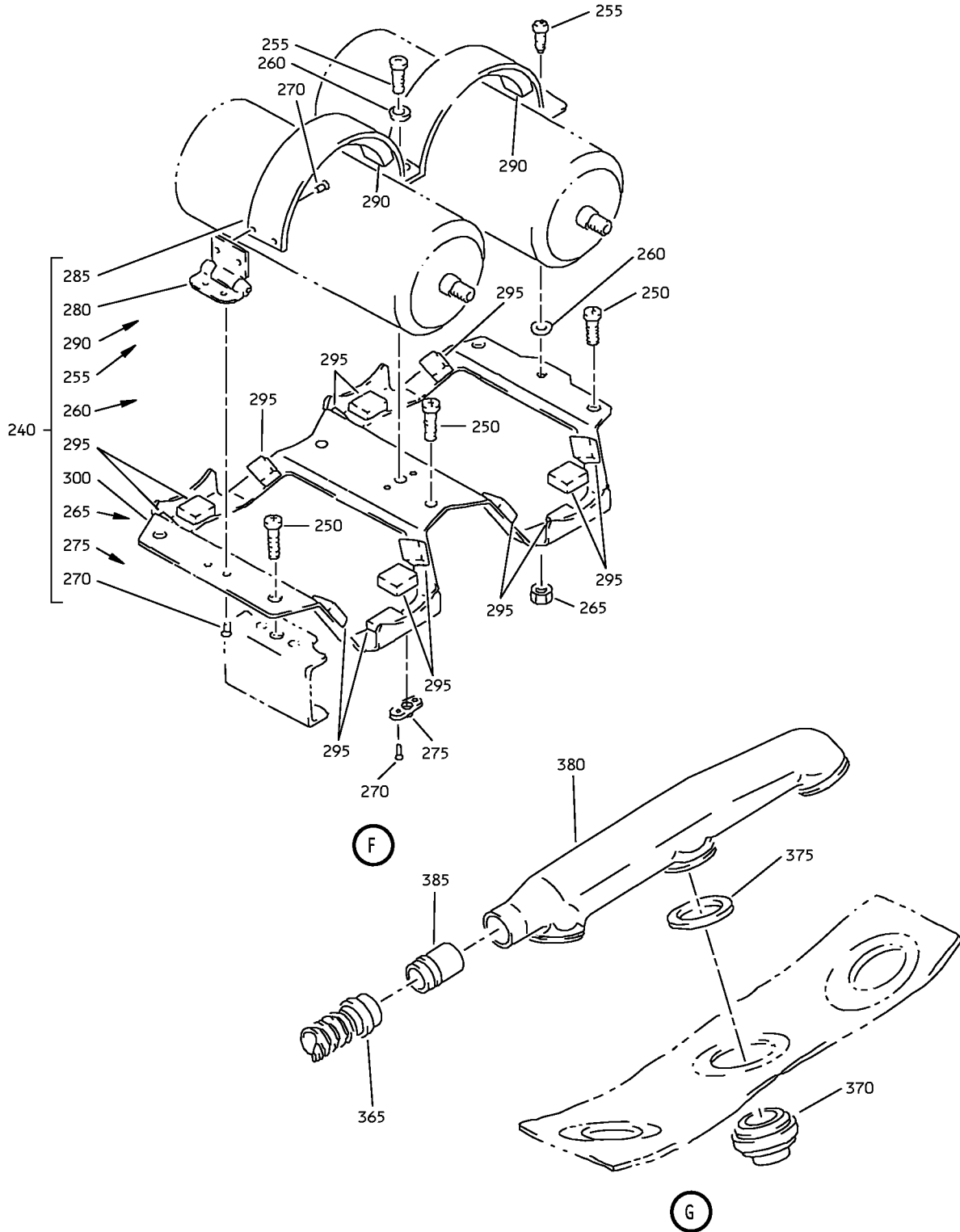
25-23-34

ILLUSTRATED PARTS LIST

Page 1098.662

Nov 01/2008

COMPONENT MAINTENANCE MANUAL



Full Underbin Passenger Service Unit Assembly
IPL Figure 33 (Sheet 4 of 7)

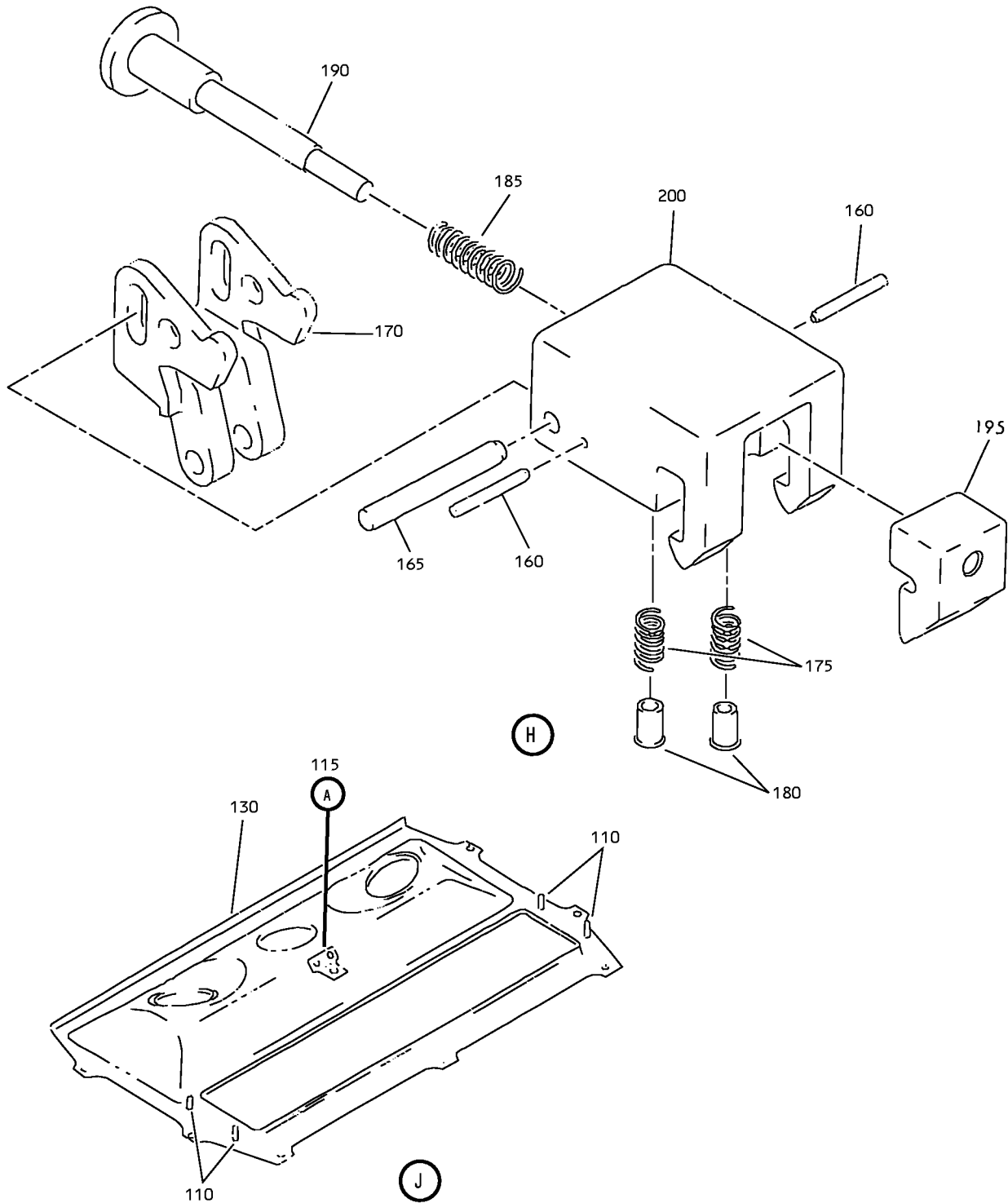
25-23-34

ILLUSTRATED PARTS LIST

Page 1098.663

Nov 01/2008

COMPONENT MAINTENANCE MANUAL



Full Underbin Passenger Service Unit Assembly
IPL Figure 33 (Sheet 5 of 7)

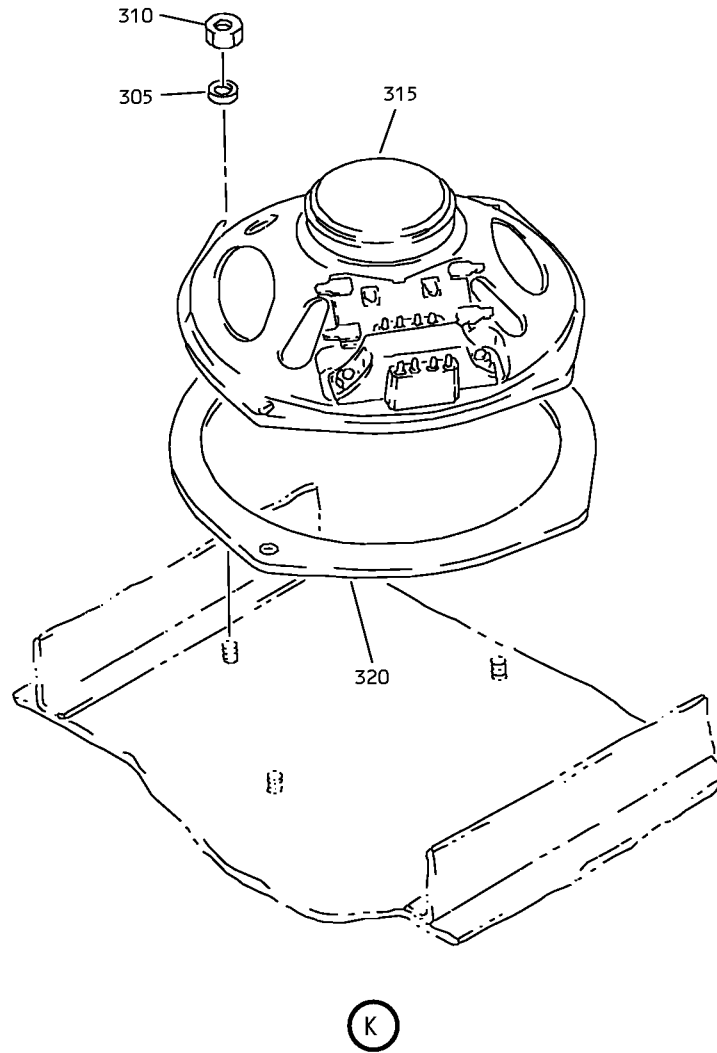
25-23-34

ILLUSTRATED PARTS LIST

Page 1098.664

Nov 01/2008

COMPONENT MAINTENANCE MANUAL



Full Underbin Passenger Service Unit Assembly
IPL Figure 33 (Sheet 6 of 7)

25-23-34

ILLUSTRATED PARTS LIST

Page 1098.665

Nov 01/2008



COMPONENT MAINTENANCE MANUAL

ATTENTION

FOR REMOVAL AND RELOCATION INFORMATION SEE
MAINTENANCE MANUAL CHAPTER 25

FOR MASK STOWAGE INSTRUCTIONS SEE MAINTENANCE
MANUAL CHAPTER 35

FOR CLEANING INSTRUCTIONS SEE DOCUMENT D6-7127

400



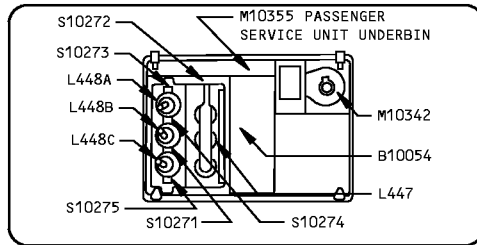
1 ← POSITION → 2

405

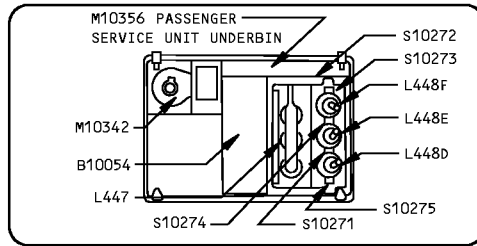


2 ← POSITION → 1

410



415



420



Full Underbin Passenger Service Unit Assembly
IPL Figure 33 (Sheet 7 of 7)

25-23-34

ILLUSTRATED PARTS LIST

Page 1098.666

Nov 01/2008



COMPONENT MAINTENANCE MANUAL

FIG/ ITEM	PART NUMBER	AIRLINE PART NUMBER	NOMENCLATURE							USAGE CODE	UNITS PER ASSY	
			1	2	3	4	5	6	7			
33-												
-1	417N3100-687SP									UNIT ASSY-FULL UNDERBIN PASS. (WITH GASPER AIR, WITHOUT SPKR) (LH)	EF	RF
-1A	417N3100-689SP									UNIT ASSY-FULL UNDERBIN PASS. (WITH GASPER AIR, WITH SPKR) (LH)	EH	RF
-1B	417N3100-691SP									UNIT ASSY-FULL UNDERBIN PASS. (WITH GASPER AIR, WITH SPKR) (LH)	EK	RF
-5	417N3100-688SP									UNIT ASSY-FULL UNDERBIN PASS. (WITH GASPER AIR, WITHOUT SPKR) (RH)	EG	RF
-5A	417N3100-690SP									UNIT ASSY-FULL UNDERBIN PASS. (WITH GASPER AIR, WITH SPKR) (RH)	EJ	RF
-5B	417N3100-692SP									UNIT ASSY-FULL UNDERBIN PASS. (WITH GASPER AIR, WITH SPKR) (RH)	EL	RF
10	920056									. SWITCH-READING LT (V97564)	EF-EL	3
15	VIP720-1C									. LENS-LT SWITCH (COLOR OPT-CUST PREFERENCE, RED-WHITE) (V28406) (SPEC S417N304-1C)	EF-EL	3
-15A	S417N304-1T									. LENS-LT SWITCH (COLOR OPT-CUST PREFERENCE, WHITE- BLACK)	EF-EL	3
-15B	VIP720-6E									. LENS-LT SWITCH (COLOR OPT-CUST PREFERENCE, REDWOOD- BEIGE) (V28406) (SPEC S417N304-6E)	EF-EL	3
-15C	VIP720-6F									. LENS-LT SWITCH (COLOR OPT-CUST PREFERENCE, ORANGE- WHITE) (V28406) (SPEC S417N304-6F)	EF-EL	3

-Item not Illustrated

25-23-34

ILLUSTRATED PARTS LIST

Page 1098.667

Nov 01/2008



COMPONENT MAINTENANCE MANUAL

FIG/ ITEM	PART NUMBER	AIRLINE PART NUMBER	NOMENCLATURE							USAGE CODE	UNITS PER ASSY	
			1	2	3	4	5	6	7			
33- -15D	VIP720-6G		.								EF-EL	3
-15E	S417N304-6H		.								EF-EL	3
-15F	VIP720-6J		.								EF-EL	3
-15G	VIP720-6K		.								EF-EL	3
-15H	VIP720-6L		.								EF-EL	3
-15J	VIP720-1M		.								EF-EL	3
-15K	VIP720-1N		.								EF-EL	3
-15L	VIP720-1S		.								EF-EL	3
-15M	VIP720-1B		.								EF-EL	3

-Item not Illustrated

25-23-34

ILLUSTRATED PARTS LIST

Page 1098.668

Nov 01/2008



COMPONENT MAINTENANCE MANUAL

FIG/ ITEM	PART NUMBER	AIRLINE PART NUMBER	NOMENCLATURE							USAGE CODE	UNITS PER ASSY	
			1	2	3	4	5	6	7			
33- 20	92055		.								EF-EL	1
25	VIP720-2D		.								EF-EL	1
-25A	VIP720-2E		.								EF-EL	1
-25B	VIP720-2F		.								EF-EL	1
-25C	VIP720-2G		.								EF-EL	1
-25D	S417N303-2K		.								EE-EL	1
-25E	VIP720-3A		.								EF-EL	1
-25F	S417N303-3C		.								EF-EL	1
-25G	VIP720-4A		.								EF-EL	1

-Item not Illustrated

25-23-34

ILLUSTRATED PARTS LIST

Page 1098.669

Nov 01/2008



COMPONENT MAINTENANCE MANUAL

FIG/ ITEM	PART NUMBER	AIRLINE PART NUMBER	NOMENCLATURE							USAGE CODE	UNITS PER ASSY	
			1	2	3	4	5	6	7			
33- -25H	VIP720-2C		.								EF-EL	1
-25J	VIP720-2J		.								EF-EL	1
-25K	VIP720-2L		.								EF-EL	1
30	417N3100-81		.								EF-EL	1
35	BACS12FA08K6		.	.							EF-EL	2
40	BACS12FA08K5		.	.							EF-EL	2

-Item not Illustrated

25-23-34

ILLUSTRATED PARTS LIST

Page 1098.670

Nov 01/2008



COMPONENT MAINTENANCE MANUAL

FIG/ ITEM	PART NUMBER	AIRLINE PART NUMBER	NOMENCLATURE							USAGE CODE	UNITS PER ASSY
			1	2	3	4	5	6	7		
33-											
45	BACW10P193G		. .	WASHER						EF-EL	8
				(V10630)							
				(SPEC BACW10P193G)							
50	BACN10YJ08		. .	NUT						EF-EL	18
55	NAS43DD3-18		. .	SPACER						EF-EL	4
60	G6940-3B3		. .	GROMMET						EF-EL	5
				(V75345)							
				(SPEC BACG20AF3B3)							
				(OPT SZ6924-3B3 (V95272))							
				(OPT 701-3B3 (V07096))							
				(OPT E3B3 (V60980))							
				(OPT H3B3 (V60980))							
				(OPT RR2002-3B3 (V57268))							
65	417N3122-115		. .	ANGLE						EF-EL	2
70	417N3122-14		. .	ANGLE-SPRT						EF-EL	2
75	417N3122-60		. .	BRACKET ASSY						EF-EL	1
80	82-47-108-15		. . .	CLIP						EF-EL	1
				(V84483)							
85	BACS21AQ2A3K		. . .	STUD						EF-EL	1
				(OPT ITEM 85A)							
-85A	FHS832-6		. . .	STUD						EF-EL	1
				(OPT ITEM 85)							
90	417N3122-61		. . .	BRACKET						EF-EL	1
				(OPT ITEM 90A)							
-90A	417N3122-131		. . .	STIFFENER						EF-EL	1
				(OPT ITEM 90)							
95	10-1006-1		. LIGHT-READING							EF, EH, EK	1
				(V72914)							
				(SPEC S417N302-1)							
-100	10-1006-2		. LIGHT-READING							EG, EJ, EL	1
				(V72914)							
				(SPEC S417N302-2)							
105	417N3105-6SP		. MODULE ASSY							EF-EL	1
110	BACS21AQ6A6M		. .	STUD						EF-EL	4
115	417N3122-111		. .	BRACKET ASSY						EF-EL	1
120	82-47-108-15		. . .	CLIP						EF-EL	1
				(V84483)							
125	417N3122-112		. . .	BRACKET						EF-EL	1

-Item not Illustrated

25-23-34

ILLUSTRATED PARTS LIST

Page 1098.671

Nov 01/2008



COMPONENT MAINTENANCE MANUAL

FIG/ ITEM	PART NUMBER	AIRLINE PART NUMBER	NOMENCLATURE							USAGE CODE	UNITS PER ASSY
			1	2	3	4	5	6	7		
33-											
130	417N3101-2SP		.	.						EF-EL	1
135	417N3130-113SP		.							EF, EH, EK	1
-140	417N3130-114SP		.							EG, EJ, EL	1
145	BACR15BB4D10		.							EF-EL	2
150	6100-12		.							EF-EL	2
155	417N3180-1		.							EF-EL	2
160	NAS607-1-4P		.	.						EF-EL	2
165	NAS607-2-8P		.	.						EF-EL	1
170	417N3181-1		.	.						EF-EL	1
-170A	65-85902-1		.	.						EF-EL	1
175	RCS3289		.	.						EF-EL	2
180	417N3180-3		.	.						EF-EL	2
185	RCS3290		.	.						EF-EL	1
190	65-85905-4		.	.						EF-EL	1
195	417N3182-1		.	.						EF-EL	1
200	417N3183-1		.	.						EF-EL	1
-205	AN960JD416L		.							EF-EL	AR
-210	PLWP1S		.							EF-EL	AR
-215	NMC1001-0		.							EF-EL	2

-Item not Illustrated

25-23-34

ILLUSTRATED PARTS LIST

Page 1098.672

Nov 01/2008



COMPONENT MAINTENANCE MANUAL

FIG/ ITEM	PART NUMBER	AIRLINE PART NUMBER	NOMENCLATURE							USAGE CODE	UNITS PER ASSY
			1	2	3	4	5	6	7		
33- -215A	BACC10DK3		.	CLAMP (V16115) (SPEC BACC10DK3) (OPT BACC10DK3 (V81872)) (OPT ITEM 215)						EF-EL	2
-220	286N0512-007		.	WIRE BUNDLE						EF-EJ	1
-220A	286N0538-001		.	WIRE BUNDLE						EK, EL	1
-225	2TW2-3		.	SWITCH-TOGGLE (V91929)						EF-EL	1
230	70-505R		.	CLAMP-CIRCLE (V25281)						EF-EL	2
235	117003-22		.	GENERATOR-CHEMICAL OXY (V16827) (SPEC S417T401-22)						EF-EL	2
240	417N3160-20		.	BRACKET ASSY						EF, EK	1
-245	417N3160-19		.	BRACKET ASSY						EG-EJ, EL	1
				ATTACHING PARTS							
250	BACS12FA08K6		.	SCREW (V06710) (SPEC BACS12FA08K6) (OPT BACS12FA08K6 (V06725)) (OPT BACS12FA08K6 (V06950)) (OPT BACS12FA08K6 (V27624)) (OPT BACS12FA08K6 (V34252)) (OPT BACS12FA08K6 (V56878)) (OPT BACS12FA08K6 (V73197)) (OPT BACS12FA08K6 (V80539)) (OPT BACS12FA08K6 (V92215)) (OPT BACS12FA08K6 (V93907)) (OPT BACS12FA08K6 (V97928))						EF-EL	6
				----- * -----							
255	CS8024-08-1A		.	SCREW-CAPTIVE (V58998)						EF-EL	2
260	AN960KD416		.	WASHER						EF-EL	2

-Item not Illustrated

25-23-34

ILLUSTRATED PARTS LIST

Page 1098.673

Nov 01/2008



COMPONENT MAINTENANCE MANUAL

FIG/ ITEM	PART NUMBER	AIRLINE PART NUMBER	NOMENCLATURE							USAGE CODE	UNITS PER ASSY
			1	2	3	4	5	6	7		
33- 265	A4972-6-82		. .	NUT						EF-EL	1
				(V72962)							
				(SPEC BACN10FX84)							
				(OPT RM52LHA4972-6-82 (V72962))							
				(OPT SL211-08-1 (V97393))							
				(OPT 130008 (V60119))							
				(OPT A11330-6-82 (V72962))							
270	BACR15BA3AD		. .	RIVET						EF-EL	6
				(SIZE DETERMINED ON INST)							
275	BRM200A08		. .	NUTPLATE						EF-EL	1
				(V52828)							
				(SPEC BACN10JP08A)							
				(OPT MK1000-08BAC (V15653))							
				(OPT NS103197-82 (V80539))							
				(OPT RMA9201M82 (V72962))							
				(OPT T8076S832 (V11815))							
				(OPT VN202A1-82 (V92215))							
280	417N3811-13		. .	HINGE						EF-EL	1
285	417N3161-10		. .	BRACKET-MTG						EF-EL	1
290	417N3160-12		. .	PAD-INSULATION						EF-EL	2
295	417N3160-13		. .	PAD-INSULATION						EF-EL	14
300	417N3136-134		. .	PLATE-MTG						EF, EK	1
-300A	417N3136-133		. .	PLATE-MTG						EG-EJ, EL	1
305	AN960JD8L		. .	WASHER						EH-EL	3
310	BACN10YJ08		. .	NUT						EH-EL	3
315	RDAM8005A		. .	SPEAKER						EH-EL	1
				(V54473)							
				(SPEC S222T101-101)							
320	417N3104-2		. .	GASKET						EH-EL	1
325	417N3100-71		. .	PAD						EF-EL	2
330	417N3190-1		. .	LANYARD ASSY						EF-EL	1
335	GSC219		. .	SLEEVE						EF-EL	4
				(V59730)							
				(SPEC BACS13S219C)							
				(OPT Y0C140 (V09922))							
				(OPT ITEM 335A)							

-Item not Illustrated

25-23-34

ILLUSTRATED PARTS LIST

Page 1098.674

Nov 01/2008



COMPONENT MAINTENANCE MANUAL

FIG/ ITEM	PART NUMBER	AIRLINE PART NUMBER	NOMENCLATURE							USAGE CODE	UNITS PER ASSY
			1	2	3	4	5	6	7		
33-											
-335A	GSC205		. .	SLEEVE						EF-EL	4
				(V59730)							
				(SPEC BACS13S205C)							
				(OPT Y0C130 (V09922))							
				(OPT ITEM 335)							
340	10-61790-1		. .	HOOK						EF-EL	1
				(V08205)							
				(SPEC 10-61790-1)							
345	NAS43DD4-5		. .	SPACER						EF-EL	1
350	65C16899-6		. .	SPRING						EF-EL	1
355	417N3190-3		. .	CORD-NYLON						EF-EL	1
360	417N3100-25SP		. .	AIR ASSY-GASPER						EF-EL	1
365	B0E20563A120		. .	DUCT						EF-EL	1
				(V16632)							
				(SPEC BACD40P3A120)							
				(OPT AD15273A120 (V21868))							
370	10-60141-23A		. .	OUTLET						EF-EL	3
				(COLOR OPT-CUST PREFERENCE, ZYTEL WT-07)							
-370A	750801-002		. .	OUTLET						EF-EL	3
				(COLOR OPT-CUST PREFERENCE, BEIGE)							
				(V28406)							
				(SPEC 10-60141-23S)							
-370B	10-60141-23T		. .	OUTLET						EF-EL	3
				(COLOR OPT-CUST PREFERENCE, BEIGE)							
-370C	10-60141-23U		. .	OUTLET						EF-EL	3
				(COLOR OPT-CUST PREFERENCE, DARK GRAY)							
375	PLT2MM		. .	STRAP						EF-EL	3
				(V06383)							
				(OPT ITEM 375A)							
-375A	PLT2MM2		. .	STRAP						EF-EL	3
				(V06383)							
				(OPT ITEM 375)							
380	417N3103-1		. .	MANIFOLD ASSY						EF-EL	1
385	417N3063-4		. . .	CONNECTOR						EF-EL	1
390	417N3110-187SP		. .	FRAME ASSY						EF, EH, EK	1
				(FOR DETAILS SEE FIG. 24)							

-Item not illustrated

25-23-34

ILLUSTRATED PARTS LIST

Page 1098.675

Nov 01/2008



COMPONENT MAINTENANCE MANUAL

FIG/ ITEM	PART NUMBER	AIRLINE PART NUMBER	NOMENCLATURE							USAGE CODE	UNITS PER ASSY	
			1	2	3	4	5	6	7			
33- -395	417N3110-188SP		.								EG, EJ, EL	1
400	BAC27DPA2272		.								EH-EL	1
405	BAC27NPA0610		.								EF, EH, EK	1
410	BAC27NPA0609		.								EG, EJ, EL	1
415	BAC27NPA0660		.								EH, EK	1
-415A	BAC27NPA0662		.								EF	1
420	BAC27NPA0661		.								EJ, EL	1
-420A	BAC27NPA0663		.								EG	1

-Item not Illustrated

25-23-34

ILLUSTRATED PARTS LIST

Page 1098.676

Nov 01/2008