



# COMPONENT MAINTENANCE MANUAL WITH ILLUSTRATED PARTS LIST

## FORWARD RIGHT CLOSET ASSEMBLY

### PART NUMBER

**413N3206–100SP, –144SP, –146SP, –150SP, –153SP,  
–155SP, –157SP, –158SP, –174SP, –177SP, –181SP,  
–191SP, –195SP, –196SP, –197SP, –198SP, –199SP,  
–200SP, –201SP, –202SP, –204SP, –207SP, –208SP,**

**BOEING PROPRIETARY, CONFIDENTIAL, AND/OR TRADE SECRET**

Copyright © 1995 The Boeing Company  
Unpublished Work - All Rights Reserved

Boeing claims copyright in each page of this document only to the extent that the page contains copyrightable subject matter. Boeing also claims copyright in this document as a compilation and/or collective work.

This document includes proprietary information owned by The Boeing Company and/or one or more third parties. Treatment of the document and the information it contains is governed by contract with Boeing. For more information, contact The Boeing Company, P.O. Box 3707, Seattle, Washington 98124.

Boeing, the Boeing signature, the Boeing symbol, 707, 717, 727, 737, 747, 757, 767, 777, 787, Dreamliner, BBJ, DC-8, DC-9, DC-10, KC-10, KDC-10, MD-10, MD-11, MD-80, MD-88, MD-90, P-8A, Poseidon and the Boeing livery are all trademarks owned by The Boeing Company; and no trademark license is granted in connection with this document unless provided in writing by Boeing.

PUBLISHED BY BOEING COMMERCIAL AIRPLANES GROUP, SEATTLE, WASHINGTON, USA  
A DIVISION OF THE BOEING COMPANY  
PAGE DATE: Jul 01/2009

**25-24-08**

Page 1  
Jul 01/2009



## COMPONENT MAINTENANCE MANUAL

### PART NUMBER (Cont.)

413N3206-209SP, -210SP, -211SP, -212SP, -213SP, -215SP, -217SP, -218SP, -219SP, -220SP, -223SP, -224SP,  
-227SP, -228SP, -230SP, -232SP, -233SP, -234SP, -235SP, -236SP, -34SP, -73SP

**25-24-08**



## COMPONENT MAINTENANCE MANUAL

Revision No. 9  
Jul 01/2009

To: All holders of FORWARD RIGHT CLOSET ASSEMBLY 25-24-08.

Attached is the current revision to this COMPONENT MAINTENANCE MANUAL

The COMPONENT MAINTENANCE MANUAL is furnished either as a printed manual, on microfilm, or digital products, or any combination of the three. This revision replaces all previous microfilm cartridges or digital products. All microfilm and digital products are reissued with all obsolete data deleted and all updated pages added.

For printed manuals, changes are indicated on the List of Effective Pages (LEP). The pages which are revised will be identified on the LEP by an R (Revised), A (Added), O (Overflow, i.e. changes to the document structure and/or page layout), or D (Deleted). Each page in the LEP is identified by Chapter-Section-Subject number, page number and page date.

Pages replaced or made obsolete by this revision should be removed and destroyed.

### ATTENTION

IF YOU RECEIVE PRINTED REVISIONS, PLEASE VERIFY THAT YOU HAVE RECEIVED AND FILED THE PREVIOUS REVISION. BOEING MUST BE NOTIFIED WITHIN 30 DAYS IF YOU HAVE NOT RECEIVED THE PREVIOUS REVISION. REQUESTS FOR REVISIONS OTHER THAN THE PREVIOUS REVISION WILL REQUIRE A COMPLETE MANUAL REPRINT SUBJECT TO REPRINT CHARGES SHOWN IN THE DATA AND SERVICES CATALOG.

**25-24-08**

TRANSMITTAL LETTER

Page 1

Jul 01/2009



## COMPONENT MAINTENANCE MANUAL

Location of Change

Description of Change

NO HIGHLIGHTS

**25-24-08**

HIGHLIGHTS

Page 1

Jul 01/2009



## COMPONENT MAINTENANCE MANUAL

Subject/Page	Date	Subject/Page	Date	Subject/Page	Date
TITLE PAGE		25-24-08 CLEANING (cont)		25-24-08 ILLUSTRATED PARTS LIST (cont)	
O 1	Jul 01/2009	402	BLANK	1007	Jul 01/2007
O 2	Jul 01/2009	25-24-08 CHECK		1008	Jul 01/2007
25-24-08 TRANSMITTAL LETTER		501	Jul 01/2007	1009	Jul 01/2007
O 1	Jul 01/2009	502	BLANK	1010	Jul 01/2007
2	BLANK	25-24-08 REPAIR - GENERAL		1011	Jul 01/2007
25-24-08 HIGHLIGHTS		601	Jul 01/2007	1012	Jul 01/2007
O 1	Jul 01/2009	602	Jul 01/2007	1013	Jul 01/2007
2	BLANK	25-24-08 REPAIR 1-1		1014	Jul 01/2007
25-24-08 EFFECTIVE PAGES		601	Jul 01/2007	1015	Jul 01/2007
1 thru 6	Jul 01/2009	602	Jul 01/2007	1016	Jul 01/2007
25-24-08 CONTENTS		25-24-08 REPAIR 2-1		1017	Jul 01/2007
1	Jul 01/2007	601	Jul 01/2007	1018	Jul 01/2007
2	BLANK	602	BLANK	1019	Jul 01/2007
25-24-08 TR AND SB RECORD		25-24-08 REPAIR 3-1		1020	Jul 01/2007
1	Jul 01/2007	601	Jul 01/2007	1021	Jul 01/2007
2	BLANK	602	Jul 01/2007	1022	Jul 01/2007
25-24-08 REVISION RECORD		25-24-08 REPAIR 4-1		1023	Jul 01/2007
1	Jul 01/2007	601	Jul 01/2007	1024	Jul 01/2007
2	Jul 01/2007	602	BLANK	1025	Jul 01/2007
25-24-08 RECORD OF TEMPORARY REVISIONS		25-24-08 REPAIR 5-1		1026	Jul 01/2007
1	Jul 01/2007	601	Jul 01/2007	1027	Jul 01/2007
2	Jul 01/2007	602	BLANK	1028	Jul 01/2007
25-24-08 INTRODUCTION		25-24-08 ASSEMBLY		1029	Jul 01/2007
1	Mar 01/2009	701	Jul 01/2007	1030	Jul 01/2007
2	BLANK	702	BLANK	1031	Jul 01/2007
25-24-08 DESCRIPTION AND OPERATION		25-24-08 FITS AND CLEARANCES		1032	Jul 01/2007
1	Jul 01/2007	801	Jul 01/2007	1033	Jul 01/2007
2	BLANK	802	BLANK	1034	Jul 01/2007
25-24-08 TESTING AND FAULT ISOLATION		25-24-08 SPECIAL TOOLS, FIXTURES, AND EQUIPMENT		1035	Jul 01/2007
101	Jul 01/2007	901	Jul 01/2007	1036	Jul 01/2007
102	BLANK	902	BLANK	1037	Jul 01/2007
25-24-08 DISASSEMBLY		25-24-08 ILLUSTRATED PARTS LIST		1038	Jul 01/2007
301	Jul 01/2007	1001	Nov 01/2008	1039	Jul 01/2007
302	BLANK	1002	Jul 01/2007	1040	Jul 01/2007
25-24-08 CLEANING		1003	Jul 01/2007	1041	Jul 01/2007
401	Jul 01/2007	1004	Jul 01/2007	1042	Jul 01/2007
		1005	Jul 01/2007	1043	Jul 01/2007
		1006	Jul 01/2007	1044	Jul 01/2007

A = Added, R = Revised, D = Deleted, O = Overflow

# 25-24-08

EFFECTIVE PAGES

Page 1

Jul 01/2009



## COMPONENT MAINTENANCE MANUAL

Subject/Page	Date	Subject/Page	Date	Subject/Page	Date
25-24-08 ILLUSTRATED PARTS LIST (cont)		25-24-08 ILLUSTRATED PARTS LIST (cont)		25-24-08 ILLUSTRATED PARTS LIST (cont)	
1045	Jul 01/2007	1083	Jul 01/2007	1098.23	Jul 01/2007
1046	Jul 01/2007	1084	Jul 01/2007	1098.24	Jul 01/2007
1047	Jul 01/2007	1085	Jul 01/2007	1098.25	Jul 01/2007
1048	Jul 01/2007	1086	Jul 01/2007	1098.26	Jul 01/2007
1049	Jul 01/2007	1087	Jul 01/2007	1098.27	Jul 01/2007
1050	Jul 01/2007	1088	Jul 01/2007	1098.28	Jul 01/2007
1051	Jul 01/2007	1089	Jul 01/2007	1098.29	Jul 01/2007
1052	Jul 01/2007	1090	Jul 01/2007	1098.30	Jul 01/2007
1053	Jul 01/2007	1091	Jul 01/2007	1098.31	Jul 01/2007
1054	Jul 01/2007	1092	Jul 01/2007	1098.32	Jul 01/2007
1055	Jul 01/2007	1093	Jul 01/2007	1098.33	Jul 01/2007
1056	Jul 01/2007	1094	Jul 01/2007	1098.34	Jul 01/2007
1057	Jul 01/2007	1095	Jul 01/2007	1098.35	Jul 01/2007
1058	Jul 01/2007	1096	Jul 01/2007	1098.36	Jul 01/2007
1059	Jul 01/2007	1097	Jul 01/2007	1098.37	Jul 01/2007
1060	Jul 01/2007	1098	Jul 01/2007	1098.38	Jul 01/2007
1061	Jul 01/2007	1098.1	Jul 01/2007	1098.39	Jul 01/2007
1062	Jul 01/2007	1098.2	Jul 01/2007	1098.40	Jul 01/2007
1063	Jul 01/2007	1098.3	Jul 01/2007	1098.41	Jul 01/2007
1064	Jul 01/2007	1098.4	Jul 01/2007	1098.42	Jul 01/2007
1065	Jul 01/2007	1098.5	Jul 01/2007	1098.43	Jul 01/2007
1066	Jul 01/2007	1098.6	Jul 01/2007	1098.44	Jul 01/2007
1067	Jul 01/2007	1098.7	Jul 01/2007	1098.45	Jul 01/2007
1068	Jul 01/2007	1098.8	Jul 01/2007	1098.46	Jul 01/2007
1069	Jul 01/2007	1098.9	Jul 01/2007	1098.47	Jul 01/2007
1070	Jul 01/2007	1098.10	Jul 01/2007	1098.48	Jul 01/2007
1071	Jul 01/2007	1098.11	Jul 01/2007	1098.49	Jul 01/2007
1072	Jul 01/2007	1098.12	Jul 01/2007	1098.50	Jul 01/2007
1073	Jul 01/2007	1098.13	Jul 01/2007	1098.51	Jul 01/2007
1074	Jul 01/2007	1098.14	Jul 01/2007	1098.52	Jul 01/2007
1075	Jul 01/2007	1098.15	Jul 01/2007	1098.53	Jul 01/2007
1076	Jul 01/2007	1098.16	Jul 01/2007	1098.54	Jul 01/2007
1077	Jul 01/2007	1098.17	Jul 01/2007	1098.55	Jul 01/2007
1078	Jul 01/2007	1098.18	Jul 01/2007	1098.56	Jul 01/2007
1079	Jul 01/2007	1098.19	Jul 01/2007	1098.57	Jul 01/2007
1080	Jul 01/2007	1098.20	Jul 01/2007	1098.58	Jul 01/2007
1081	Jul 01/2007	1098.21	Jul 01/2007	1098.59	Jul 01/2007
1082	Jul 01/2007	1098.22	Jul 01/2007	1098.60	Jul 01/2007

A = Added, R = Revised, D = Deleted, O = Overflow

# 25-24-08

EFFECTIVE PAGES

Page 2

Jul 01/2009



## COMPONENT MAINTENANCE MANUAL

Subject/Page	Date	Subject/Page	Date	Subject/Page	Date
25-24-08 ILLUSTRATED PARTS LIST (cont)		25-24-08 ILLUSTRATED PARTS LIST (cont)		25-24-08 ILLUSTRATED PARTS LIST (cont)	
1098.61	Jul 01/2007	1098.99	Jul 01/2007	1098.137	Jul 01/2007
1098.62	Jul 01/2007	1098.100	Jul 01/2007	1098.138	Jul 01/2007
1098.63	Jul 01/2007	1098.101	Jul 01/2007	1098.139	Jul 01/2007
1098.64	Jul 01/2007	1098.102	Jul 01/2007	1098.140	Jul 01/2007
1098.65	Jul 01/2007	1098.103	Jul 01/2007	1098.141	Jul 01/2007
1098.66	Jul 01/2007	1098.104	Jul 01/2007	1098.142	Jul 01/2007
1098.67	Jul 01/2007	1098.105	Jul 01/2007	1098.143	Jul 01/2007
1098.68	Jul 01/2007	1098.106	Jul 01/2007	1098.144	Jul 01/2007
1098.69	Jul 01/2007	1098.107	Jul 01/2007	1098.145	Jul 01/2007
1098.70	Jul 01/2007	1098.108	Jul 01/2007	1098.146	Jul 01/2007
1098.71	Jul 01/2007	1098.109	Jul 01/2007	1098.147	Jul 01/2007
1098.72	Jul 01/2007	1098.110	Jul 01/2007	1098.148	Jul 01/2007
1098.73	Jul 01/2007	1098.111	Jul 01/2007	1098.149	Jul 01/2007
1098.74	Jul 01/2007	1098.112	Jul 01/2007	1098.150	Jul 01/2007
1098.75	Jul 01/2007	1098.113	Jul 01/2007	1098.151	Jul 01/2007
1098.76	Jul 01/2007	1098.114	Jul 01/2007	1098.152	Jul 01/2007
1098.77	Jul 01/2007	1098.115	Jul 01/2007	1098.153	Jul 01/2007
1098.78	Jul 01/2007	1098.116	Jul 01/2007	1098.154	Jul 01/2007
1098.79	Jul 01/2007	1098.117	Jul 01/2007	1098.155	Jul 01/2007
1098.80	Jul 01/2007	1098.118	Jul 01/2007	1098.156	Jul 01/2007
1098.81	Jul 01/2007	1098.119	Jul 01/2007	1098.157	Jul 01/2007
1098.82	Jul 01/2007	1098.120	Jul 01/2007	1098.158	Jul 01/2007
1098.83	Jul 01/2007	1098.121	Jul 01/2007	1098.159	Jul 01/2007
1098.84	Jul 01/2007	1098.122	Jul 01/2007	1098.160	Jul 01/2007
1098.85	Jul 01/2007	1098.123	Jul 01/2007	1098.161	Jul 01/2007
1098.86	Jul 01/2007	1098.124	Jul 01/2007	1098.162	Jul 01/2007
1098.87	Jul 01/2007	1098.125	Jul 01/2007	1098.163	Jul 01/2007
1098.88	Jul 01/2007	1098.126	Jul 01/2007	1098.164	Jul 01/2007
1098.89	Jul 01/2007	1098.127	Jul 01/2007	1098.165	Jul 01/2007
1098.90	Jul 01/2007	1098.128	Jul 01/2007	1098.166	Jul 01/2007
1098.91	Jul 01/2007	1098.129	Jul 01/2007	1098.167	Jul 01/2007
1098.92	Jul 01/2007	1098.130	Jul 01/2007	1098.168	Jul 01/2007
1098.93	Jul 01/2007	1098.131	Jul 01/2007	1098.169	Jul 01/2007
1098.94	Jul 01/2007	1098.132	Jul 01/2007	1098.170	Jul 01/2007
1098.95	Jul 01/2007	1098.133	Jul 01/2007	1098.171	Jul 01/2007
1098.96	Jul 01/2007	1098.134	Jul 01/2007	1098.172	Jul 01/2007
1098.97	Jul 01/2007	1098.135	Jul 01/2007	1098.173	Jul 01/2007
1098.98	Jul 01/2007	1098.136	Jul 01/2007	1098.174	Jul 01/2007

A = Added, R = Revised, D = Deleted, O = Overflow

# 25-24-08

EFFECTIVE PAGES

Page 3

Jul 01/2009



## COMPONENT MAINTENANCE MANUAL

Subject/Page	Date	Subject/Page	Date	Subject/Page	Date
25-24-08 ILLUSTRATED PARTS LIST (cont)		25-24-08 ILLUSTRATED PARTS LIST (cont)		25-24-08 ILLUSTRATED PARTS LIST (cont)	
1098.175	Jul 01/2007	1098.213	Jul 01/2007	1098.251	Jul 01/2007
1098.176	Jul 01/2007	1098.214	Jul 01/2007	1098.252	Jul 01/2007
1098.177	Jul 01/2007	1098.215	Jul 01/2007	1098.253	Jul 01/2007
1098.178	Jul 01/2007	1098.216	Jul 01/2007	1098.254	Jul 01/2007
1098.179	Jul 01/2007	1098.217	Jul 01/2007	1098.255	Jul 01/2007
1098.180	Jul 01/2007	1098.218	Jul 01/2007	1098.256	Jul 01/2007
1098.181	Jul 01/2007	1098.219	Jul 01/2007	1098.257	Jul 01/2007
1098.182	Jul 01/2007	1098.220	Jul 01/2007	1098.258	Jul 01/2007
1098.183	Jul 01/2007	1098.221	Jul 01/2007	1098.259	Jul 01/2007
1098.184	Jul 01/2007	1098.222	Jul 01/2007	1098.260	Jul 01/2007
1098.185	Jul 01/2007	1098.223	Jul 01/2007	1098.261	Jul 01/2007
1098.186	Jul 01/2007	1098.224	Jul 01/2007	1098.262	Jul 01/2007
1098.187	Jul 01/2007	1098.225	Jul 01/2007	1098.263	Jul 01/2007
1098.188	Jul 01/2007	1098.226	Jul 01/2007	1098.264	Jul 01/2007
1098.189	Jul 01/2007	1098.227	Jul 01/2007	1098.265	Jul 01/2007
1098.190	Jul 01/2007	1098.228	Jul 01/2007	1098.266	Jul 01/2007
1098.191	Jul 01/2007	1098.229	Jul 01/2007	1098.267	Jul 01/2007
1098.192	Jul 01/2007	1098.230	Jul 01/2007	1098.268	Jul 01/2007
1098.193	Jul 01/2007	1098.231	Jul 01/2007	1098.269	Jul 01/2007
1098.194	Jul 01/2007	1098.232	Jul 01/2007	1098.270	Jul 01/2007
1098.195	Jul 01/2007	1098.233	Jul 01/2007	1098.271	Jul 01/2007
1098.196	Jul 01/2007	1098.234	Jul 01/2007	1098.272	Jul 01/2007
1098.197	Jul 01/2007	1098.235	Jul 01/2007	1098.273	Jul 01/2007
1098.198	Jul 01/2007	1098.236	Jul 01/2007	1098.274	Jul 01/2007
1098.199	Jul 01/2007	1098.237	Jul 01/2007	1098.275	Jul 01/2007
1098.200	Jul 01/2007	1098.238	Jul 01/2007	1098.276	Jul 01/2007
1098.201	Jul 01/2007	1098.239	Jul 01/2007	1098.277	Jul 01/2007
1098.202	Jul 01/2007	1098.240	Jul 01/2007	1098.278	Jul 01/2007
1098.203	Jul 01/2007	1098.241	Jul 01/2007	1098.279	Jul 01/2007
1098.204	Jul 01/2007	1098.242	Jul 01/2007	1098.280	Jul 01/2007
1098.205	Jul 01/2007	1098.243	Jul 01/2007	1098.281	Jul 01/2007
1098.206	Jul 01/2007	1098.244	Jul 01/2007	1098.282	Jul 01/2007
1098.207	Jul 01/2007	1098.245	Jul 01/2007	1098.283	Jul 01/2007
1098.208	Jul 01/2007	1098.246	Jul 01/2007	1098.284	Jul 01/2007
1098.209	Jul 01/2007	1098.247	Jul 01/2007	1098.285	Jul 01/2007
1098.210	Jul 01/2007	1098.248	Jul 01/2007	1098.286	Jul 01/2007
1098.211	Jul 01/2007	1098.249	Jul 01/2007	1098.287	Jul 01/2007
1098.212	Jul 01/2007	1098.250	Jul 01/2007	1098.288	Jul 01/2007

A = Added, R = Revised, D = Deleted, O = Overflow

# 25-24-08

EFFECTIVE PAGES

Page 4

Jul 01/2009





## COMPONENT MAINTENANCE MANUAL

Subject/Page	Date	Subject/Page	Date	Subject/Page	Date
25-24-08 ILLUSTRATED PARTS LIST (cont)		25-24-08 ILLUSTRATED PARTS LIST (cont)		25-24-08 ILLUSTRATED PARTS LIST (cont)	
1098.289	Jul 01/2007	1098.327	Jul 01/2007	1098.365	Jul 01/2007
1098.290	Jul 01/2007	1098.328	Jul 01/2007	1098.366	Jul 01/2007
1098.291	Jul 01/2007	1098.329	Jul 01/2007	1098.367	Jul 01/2007
1098.292	Jul 01/2007	1098.330	Jul 01/2007	1098.368	Jul 01/2007
1098.293	Jul 01/2007	1098.331	Jul 01/2007	1098.369	Jul 01/2007
1098.294	Jul 01/2007	1098.332	Jul 01/2007	1098.370	Jul 01/2007
1098.295	Jul 01/2007	1098.333	Jul 01/2007	1098.371	Jul 01/2007
1098.296	Jul 01/2007	1098.334	Jul 01/2007	1098.372	Jul 01/2007
1098.297	Jul 01/2007	1098.335	Jul 01/2007	1098.373	Jul 01/2007
1098.298	Jul 01/2007	1098.336	Jul 01/2007	1098.374	Jul 01/2007
1098.299	Jul 01/2007	1098.337	Jul 01/2007	1098.375	Jul 01/2007
1098.300	Jul 01/2007	1098.338	Jul 01/2007	1098.376	Jul 01/2007
1098.301	Jul 01/2007	1098.339	Jul 01/2007	1098.377	Jul 01/2007
1098.302	Jul 01/2007	1098.340	Jul 01/2007	1098.378	Jul 01/2007
1098.303	Jul 01/2007	1098.341	Jul 01/2007	1098.379	Jul 01/2007
1098.304	Jul 01/2007	1098.342	Jul 01/2007	1098.380	Jul 01/2007
1098.305	Jul 01/2007	1098.343	Jul 01/2007	1098.381	Jul 01/2007
1098.306	Jul 01/2007	1098.344	Jul 01/2007	1098.382	Jul 01/2007
1098.307	Jul 01/2007	1098.345	Jul 01/2007	1098.383	Jul 01/2007
1098.308	Jul 01/2007	1098.346	Jul 01/2007	1098.384	Jul 01/2007
1098.309	Jul 01/2007	1098.347	Jul 01/2007	1098.385	Jul 01/2007
1098.310	Jul 01/2007	1098.348	Jul 01/2007	1098.386	Jul 01/2007
1098.311	Jul 01/2007	1098.349	Jul 01/2007	1098.387	Jul 01/2007
1098.312	Jul 01/2007	1098.350	Jul 01/2007	1098.388	Jul 01/2007
1098.313	Jul 01/2007	1098.351	Jul 01/2007	1098.389	Jul 01/2007
1098.314	Jul 01/2007	1098.352	Jul 01/2007	1098.390	Jul 01/2007
1098.315	Jul 01/2007	1098.353	Jul 01/2007	1098.391	Jul 01/2007
1098.316	Jul 01/2007	1098.354	Jul 01/2007	1098.392	Jul 01/2007
1098.317	Jul 01/2007	1098.355	Jul 01/2007	1098.393	Jul 01/2007
1098.318	Jul 01/2007	1098.356	Jul 01/2007	1098.394	Jul 01/2007
1098.319	Jul 01/2007	1098.357	Jul 01/2007	1098.395	Jul 01/2007
1098.320	Jul 01/2007	1098.358	Jul 01/2007	1098.396	Jul 01/2007
1098.321	Jul 01/2007	1098.359	Jul 01/2007	1098.397	Jul 01/2007
1098.322	Jul 01/2007	1098.360	Jul 01/2007	1098.398	Jul 01/2007
1098.323	Jul 01/2007	1098.361	Jul 01/2007	1098.399	Jul 01/2007
1098.324	Jul 01/2007	1098.362	Jul 01/2007	1098.400	Jul 01/2007
1098.325	Jul 01/2007	1098.363	Jul 01/2007	1098.401	Jul 01/2007
1098.326	Jul 01/2007	1098.364	Jul 01/2007	1098.402	Jul 01/2007

A = Added, R = Revised, D = Deleted, O = Overflow

# 25-24-08

EFFECTIVE PAGES

Page 5

Jul 01/2009



## COMPONENT MAINTENANCE MANUAL

Subject/Page	Date	Subject/Page	Date	Subject/Page	Date
25-24-08 ILLUSTRATED PARTS LIST (cont)		25-24-08 ILLUSTRATED PARTS LIST (cont)			
1098.403	Jul 01/2007	1098.441	Jul 01/2007		
1098.404	Jul 01/2007	1098.442	Jul 01/2007		
1098.405	Jul 01/2007	1098.443	Jul 01/2007		
1098.406	Jul 01/2007	1098.444	Jul 01/2007		
1098.407	Jul 01/2007	1098.445	Jul 01/2007		
1098.408	Jul 01/2007	1098.446	Jul 01/2007		
1098.409	Jul 01/2007	1098.447	Jul 01/2007		
1098.410	Jul 01/2007	1098.448	Jul 01/2007		
1098.411	Jul 01/2007	1098.449	Jul 01/2007		
1098.412	Jul 01/2007	1098.450	Jul 01/2007		
1098.413	Jul 01/2007	1098.451	Jul 01/2007		
1098.414	Jul 01/2007	1098.452	Jul 01/2007		
1098.415	Jul 01/2007	1098.453	Jul 01/2007		
1098.416	Jul 01/2007	1098.454	Jul 01/2007		
1098.417	Jul 01/2007	1098.455	Jul 01/2007		
1098.418	Jul 01/2007	1098.456	Jul 01/2007		
1098.419	Jul 01/2007	1098.457	Jul 01/2007		
1098.420	Jul 01/2007	1098.458	Jul 01/2007		
1098.421	Jul 01/2007	1098.459	Jul 01/2007		
1098.422	Jul 01/2007	1098.460	Jul 01/2007		
1098.423	Jul 01/2007	1098.461	Jul 01/2007		
1098.424	Jul 01/2007	1098.462	Jul 01/2007		
1098.425	Jul 01/2007	1098.463	Jul 01/2007		
1098.426	Jul 01/2007	1098.464	Jul 01/2007		
1098.427	Jul 01/2007	1098.465	Jul 01/2007		
1098.428	Jul 01/2007	1098.466	Jul 01/2007		
1098.429	Jul 01/2007	O 1098.467	Jul 01/2009		
1098.430	Jul 01/2007	1098.468	Jul 01/2007		
1098.431	Jul 01/2007	1098.469	Jul 01/2007		
1098.432	Jul 01/2007	1098.470	Jul 01/2007		
1098.433	Jul 01/2007				
1098.434	Jul 01/2007				
1098.435	Jul 01/2007				
1098.436	Jul 01/2007				
O 1098.437	Jul 01/2009				
1098.438	Jul 01/2007				
1098.439	Jul 01/2007				
1098.440	Jul 01/2007				

A = Added, R = Revised, D = Deleted, O = Overflow

# 25-24-08

EFFECTIVE PAGES

Page 6

Jul 01/2009

**COMPONENT MAINTENANCE MANUAL****TABLE OF CONTENTS**

<b><u>Paragraph Title</u></b>		<b><u>Page</u></b>
FORWARD RIGHT CLOSET ASSEMBLY - DESCRIPTION AND OPERATION		1
TESTING AND FAULT ISOLATION	(Not Applicable)	
DISASSEMBLY		301
CLEANING	(Not Applicable)	
CHECK		501
REPAIR		601
ASSEMBLY		701
FITS AND CLEARANCES	(Not Applicable)	
SPECIAL TOOLS, FIXTURES, AND EQUIPMENT	(Not Applicable)	
ILLUSTRATED PARTS LIST		1001

**25-24-08**

CONTENTS

Page 1

Jul 01/2007



## COMPONENT MAINTENANCE MANUAL

### TEMPORARY REVISION AND SERVICE BULLETIN RECORD

BOEING SERVICE BULLETIN	BOEING TEMPORARY REVISION	OTHER DIRECTIVE	DATE OF INCORPORATION INTO MANUAL
25-0080		PRR 34519 PRR 53810 PRR 54015 PRR 54019	OCT 01/90 OCT 01/90 OCT 01/90 OCT 01/90

# 25-24-08

TR AND SB RECORD

Page 1

Jul 01/2007













## COMPONENT MAINTENANCE MANUAL

### INTRODUCTION

#### 1. General

- A. The instructions in this manual supply the data necessary to do the maintenance functions together with the test, fault isolation, repair, and replacement of the defective parts.
- B. This manual is divided into different parts:
  - (1) Title Page
  - (2) Transmittal Letter
  - (3) Highlights
  - (4) List of Effective Pages
  - (5) Table of Contents
  - (6) Temporary Revision & Service Bulletin Record
  - (7) Record of Revisions
  - (8) Record of Temporary Revisions
  - (9) Introduction
  - (10) Procedures & IPL Sections
- C. Components that can be repaired have a different repair number for each specified repair. To find the repair number location of a component, look in the Repair-General procedure at the beginning of the REPAIR section. The Repair-General procedure also has an explanation of the True Position Dimension symbols used.
- D. All dimensions, measures, quantities and weights included are in English units. When metric equivalents are given they will be in the parentheses that follow the English units.
- E. The introduction to the Illustrated Parts List (IPL) shows how the IPL data is used.
- F. Design changes, optional parts, configuration differences and Service Bulletin modifications may cause different part numbers. These part numbers are identified in the IPL with an alphabetical letter which is added to the end of the basic item number. This new item number is referred to as an alpha-variant. Throughout the manual, IPL basic item number references also apply to alpha-variants unless shown differently.
- G. The tool reference numbers found in the individual procedures and in the Special Tools, Fixtures, and Equipment section are used to identify if a tool is a standard tool (STD-XXXX), a commercial tool (COM-XXXX), or a Special Tool (SPL-XXXX). This reference number is also used to distinguish between tools with similar names in the same procedure. These reference numbers are for use in the documentation only. They are not to be used for ordering tools.

# 25-24-08

INTRODUCTION

Page 1

Mar 01/2009



## COMPONENT MAINTENANCE MANUAL

### FORWARD RIGHT CLOSET ASSEMBLY - DESCRIPTION AND OPERATION

#### **1. Description and Operation**

A. The closet assembly is a box of bonded, honeycomb panels. It has a storage shelf and a coat rack. You can get to the storage shelf through a hinged door. You can get to the coat rack through two doors, an upper door and a lower door, that move on rails. A rack and gear mechanism connects these two doors together. As the upper door moves down, the lower door moves down at a slower speed. This gets the two doors to the bottom at the same time. The doors do not fall suddenly to the bottom because springs push against their guides.

#### **2. Leading Particulars (approximate)**

- A. Height – 62 inches
- B. Length – 44 inches
- C. Width – 16 inches
- D. Weight – 44 pounds

# 25-24-08

DESCRIPTION AND OPERATION

Page 1

Jul 01/2007



**COMPONENT MAINTENANCE MANUAL**

**TESTING AND FAULT ISOLATION**

**(NOT APPLICABLE)**

**25-24-08**

TESTING AND FAULT ISOLATION

Page 101

Jul 01/2007



## COMPONENT MAINTENANCE MANUAL

### DISASSEMBLY

#### 1. General

- A. This procedure has the data necessary to disassemble the forward right closet assembly.
- B. Disassemble this component only as necessary to complete fault isolation, determine part serviceability, perform required repairs, and restore unit to serviceable condition.
- C. Refer to the Standard Overhaul Practices Manual (SOPM) for the SOPM subjects identified in this procedure.

#### 2. Disassembly

**CAUTION:** CLOSET CONSISTS OF APPEARANCE ITEMS. BE CAREFUL NOT TO DAMAGE SURFACES THAT THE PASSENGERS WILL SEE.

**NOTE:** Disassemble this component only as necessary to complete fault isolation, determine part serviceability, perform required repairs, and restore unit to serviceable condition.

##### A. Procedure

- (1) Special instructions are not required. Use standard industry practices.

# 25-24-08

DISASSEMBLY

Page 301

Jul 01/2007



COMPONENT MAINTENANCE MANUAL

CLEANING

**(NOT APPLICABLE)**

**25-24-08**

CLEANING  
Page 401  
Jul 01/2007



## COMPONENT MAINTENANCE MANUAL

### CHECK

#### 1. General

- A. This procedure has the data necessary to do a check of the forward right closet assembly.
- B. Refer to the Standard Overhaul Practices Manual (SOPM) for the SOPM subjects identified in this procedure.

#### 2. Check

- A. Procedure
  - (1) Examine all parts for obvious defects by standard industry practices.
  - (2) Extend latch spring MS24586-525 to 1.47-1.55 inches, measured from the inside surfaces of the end loops. The load must be 3.9 pounds.

# 25-24-08

CHECK  
Page 501  
Jul 01/2007



## COMPONENT MAINTENANCE MANUAL

### REPAIR

#### 1. Contents

A. Repair, refinish and replacement procedures are included in separate repair sections as follows:

**Table 601:**

<b>P/N</b>	<b>NAME</b>	<b>REPAIR</b>
413T3004-4,-9	PULL AND HANDLE	1-1
65C19715-406, -449, -450	RAILS	2-1
413N3109-78, -93	LATCH	3-1
413N3211-183, -321	DOORSTOP	4-1
65C19715-310	DOORSTOP	4-1
—	MISCELLANEOUS PARTS	5-1
	REFINISH	

#### 2. Standard Practices

- A. SOPM 20-41-01 Decoding Table for Boeing Finish Codes
- B. SOPM 20-41-02 Application of Chemical and Solvent Resistant Finishes
- C. SOPM 20-41-04 Application and Repair of Interior Decorative Finishes
- D. SOPM 20-43-01 Chromic Acid Anodizing
- E. SOPM 20-50-12 Application of Adhesives
- F. SOPM 20-60-02 Finishing Materials

#### 3. Materials

**NOTE:** Equivalent substitutes may be used.

- A. Primer – primer, C00259 BMS 10-11, Type 1 (Ref SOPM 20-60-02)
- B. Primer – primer, C00039 BMS 10-83, Type 1 (Ref SOPM 20-60-02)
- C. Enamel – coating, C00260 BMS 10-11, Type 2 (Ref SOPM 20-60-02)
- D. Enamel – coating, C00040 BMS 10-83, Type 2 (Ref SOPM 20-60-02)
- E. Adhesive – adhesive, A50113 Type 48 (Ref SOPM 20-50-12)
- F. Adhesive – adhesive, A00155 Type 50 (Ref SOPM 20-50-12)
- G. Adhesive – adhesive, A50057 Type 60 (Ref SOPM 20-50-12)
- H. Adhesive – adhesive, A00028 Type 70 (Ref SOPM 20-50-12)
- I. Adhesive – adhesive, A50141 Type 72 (Ref SOPM 20-50-12)

#### 4. Dimensioning Symbols

- A. Standard True Position Dimensioning Symbols used in the applicable repair procedures are shown in REPAIR-GENERAL, Figure 601.

# 25-24-08

REPAIR - GENERAL

Page 601

Jul 01/2007



COMPONENT MAINTENANCE MANUAL

—	STRAIGHTNESS	$\oplus$	THEORETICAL EXACT POSITION OF A FEATURE (TRUE POSITION)
$\square$	FLATNESS	$\varnothing$	DIAMETER
$\perp$	PERPENDICULARITY (OR SQUARENESS)	$s \varnothing$	SPHERICAL DIAMETER
//	PARALLELISM	R	RADIUS
$\bigcirc$	ROUNDNESS	SR	SPHERICAL RADIUS
$\bigcirc$	CYLINDRICITY	( )	REFERENCE
$\frown$	PROFILE OF A LINE	BASIC (BSC) OR	A THEORETICALLY EXACT DIMENSION USED TO DESCRIBE SIZE, SHAPE OR LOCATION OF A FEATURE FROM WHICH PERMISSIBLE VARIATIONS ARE ESTABLISHED BY TOLERANCES ON OTHER DIMENSIONS OR NOTES.
$\triangle$	PROFILE OF A SURFACE	<b>DIM</b>	
$\odot$	CONCENTRICITY	<b>-A-</b>	DATUM
$\equiv$	SYMMETRY	$\textcircled{M}$	MAXIMUM MATERIAL CONDITION (MMC)
$\sphericalangle$	ANGULARITY	$\textcircled{L}$	LEAST MATERIAL CONDITION (LMC)
$\nearrow$	RUNOUT	$\textcircled{S}$	REGARDLESS OF FEATURE SIZE (RFS)
$\nearrow$	TOTAL RUNOUT	$\textcircled{P}$	PROJECTED TOLERANCE ZONE
$\sqsubset$	COUNTERBORE OR SPOTFACE	FIM	FULL INDICATOR MOVEMENT
$\sphericalangle$	COUNTERSINK	TIR	TOTAL INDICATOR READING

EXAMPLES

$\boxed{-0.002}$	STRAIGHT WITHIN 0.002	$\boxed{\textcircled{\varnothing}0.0005 \text{ C}}$	CONCENTRIC TO C WITHIN 0.0005 DIAMETER
$\boxed{\perp 0.002 \text{ B}}$	PERPENDICULAR TO B WITHIN 0.002	$\boxed{\equiv 0.010 \text{ A}}$	SYMMETRICAL WITH A WITHIN 0.010
$\boxed{\parallel 0.002 \text{ A}}$	PARALLEL TO A WITHIN 0.002	$\boxed{\sphericalangle 0.005 \text{ A}}$	ANGULAR TOLERANCE 0.005 WITH A
$\boxed{\bigcirc 0.002}$	ROUND WITHIN 0.002	$\boxed{\oplus \varnothing 0.002 \textcircled{S} \text{ B}}$	LOCATED AT TRUE POSITION WITHIN 0.002 DIA RELATIVE TO DATUM B, REGARDLESS OF FEATURE SIZE
$\boxed{\bigcirc 0.010}$	CYLINDRICAL SURFACE MUST LIE BETWEEN TWO CONCENTRIC CYLINDERS, ONE OF WHICH HAS A RADIUS 0.010 INCH GREATER THAN THE OTHER	$\boxed{\perp \varnothing 0.010 \textcircled{M} \text{ A}}$ $\boxed{0.510 \textcircled{P}}$	AXIS IS TOTALLY WITHIN A CYLINDER OF 0.010-INCH DIAMETER, PERPENDICULAR TO, AND EXTENDING 0.510-INCH ABOVE, DATUM A, MAXIMUM MATERIAL CONDITION
$\boxed{\frown 0.006 \text{ A}}$	EACH LINE ELEMENT OF THE SURFACE AT ANY CROSS SECTION MUST LIE BETWEEN TWO PROFILE BOUNDARIES 0.006 INCH APART RELATIVE TO DATUM PLANE A	$\boxed{2.000}$	THEORETICALLY EXACT DIMENSION IS 2.000
$\boxed{\triangle 0.020 \text{ A}}$	SURFACES MUST LIE WITHIN PARALLEL BOUNDARIES 0.02 INCH APART AND EQUALLY DISPOSED ABOUT TRUE PROFILE	OR 2.000 BSC	
<b>NOTE:</b> DATUM MAY APPEAR AT EITHER SIDE OF TOLERANCE FRAME		$\boxed{0.020 \text{ A}}$ $\boxed{\text{A} 0.020}$	

True Position Dimensioning Symbols  
Figure 601





## COMPONENT MAINTENANCE MANUAL

### PULL AND HANDLE - REPAIR 1-1

413T3004-4, -9

#### 1. General

- A. This repair gives the data that is necessary to repair and refinish the pull and handle.
- B. Refer to the Standard Overhaul Practices Manual (SOPM) for the SOPM subjects identified in this procedure.
- C. Refer to REPAIR-GENERAL, Paragraph 2. for list of applicable standard practices.
- D. Refer to REPAIR-GENERAL, Paragraph 3. for the list of consumables materials.

#### 2. Foam Replacement (413T3004-4 assembly only) (REPAIR 1-1, Figure 601)

**NOTE:** For repair of surfaces which is only replacement of the original finish, refer to Refinish instructions, REPAIR 1-1, Figure 601.

- A. Remove the defective foam.
- B. Cut new foam for a good fit. Bond the foam in position, as shown using adhesive, A50141 per SOPM 20-50-12.

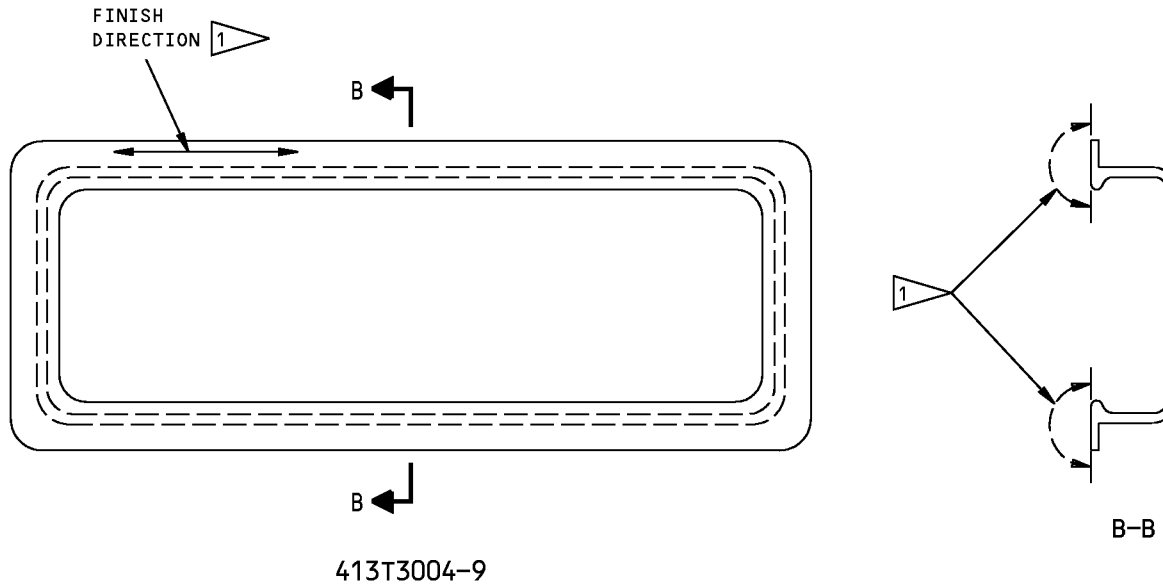
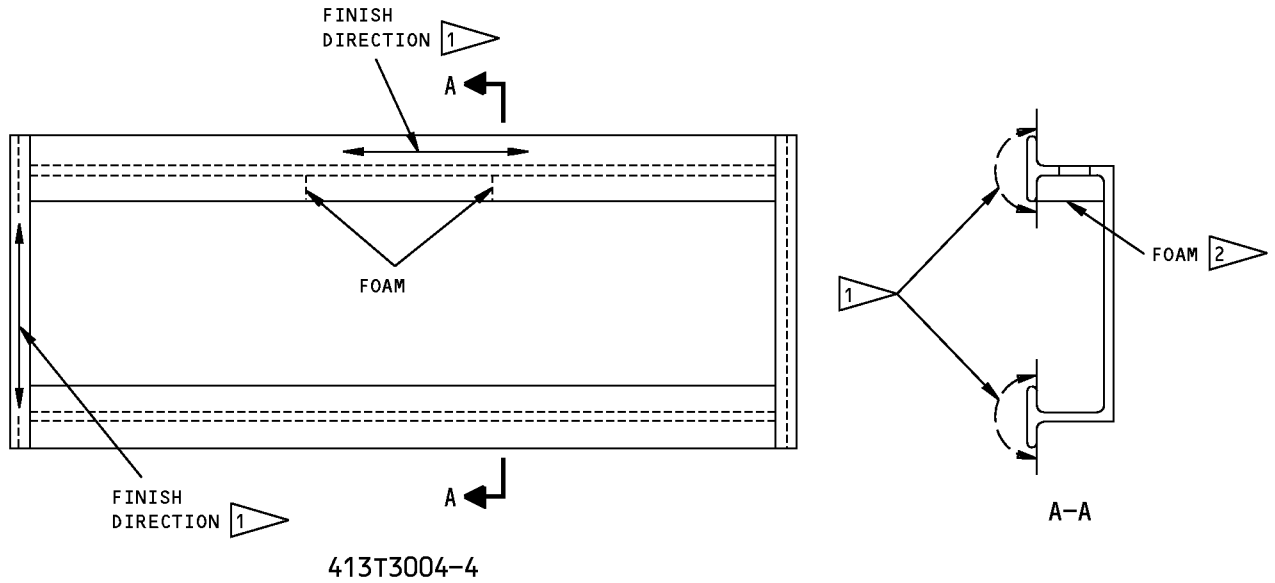
# 25-24-08

REPAIR 1-1

Page 601

Jul 01/2007

COMPONENT MAINTENANCE MANUAL



REFINISH

ANODIZE (F-14.2992) ALL OVER, EXCEPT LONGITUDINALLY ANODIZE (F-14.25) AREAS

- LONGITUDINALLY ANODIZE THESE SURFACES ONLY
- BOND WITH TYPE 72 ADHESIVE

REPAIR

REF

MATERIAL: AL ALLOY

413T3004-4,-9 Pull and Handle Details  
Figure 601

**25-24-08**

REPAIR 1-1  
Page 602  
Jul 01/2007



## COMPONENT MAINTENANCE MANUAL

### RAILS - REPAIR 2-1

65C19715-406, -449, -450

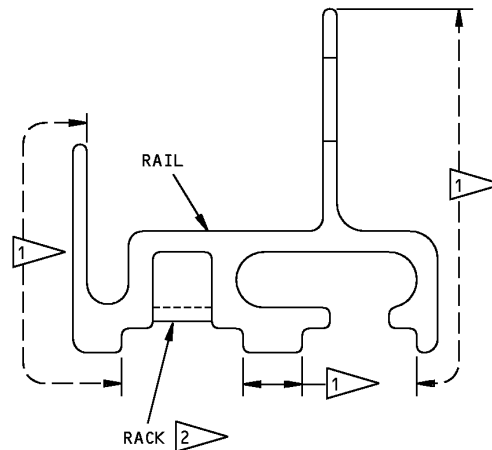
#### 1. General

- A. This repair gives the data that is necessary to repair and refinish the rails.
- B. Refer to the Standard Overhaul Practices Manual (SOPM) for the SOPM subjects identified in this procedure.
- C. Refer to REPAIR-GENERAL, Paragraph 2. for list of applicable standard practices.
- D. Refer to REPAIR-GENERAL, Paragraph 3. for the list of consumables materials.

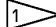
#### 2. Rack Replacement (REPAIR 2-1, Figure 601)



**NOTE:** For repair of surfaces which is only replacement of the original finish, refer to Refinish instructions, REPAIR 2-1, Figure 601.

- A. Remove the defective rack from the rail.
- B. Bond the replacement rack to the rail as shown using adhesive, A00155 or adhesive, A50113 per SOPM 20-50-12. When you install the racks, make sure the ends of the pieces touch each other. The distance between the teeth must be constant, or the door will not operate correctly. Do not get adhesive on the teeth.



#### REFINISH

ANODIZE (F-14.25) ALONG THE LENGTH OF THE RAIL, IN AREAS NOTED 

-  FINISH THESE SURFACES ONLY
-  BOND WITH TYPE 50 OR TYPE 48 ADHESIVE

A-A

MATERIAL: AL ALLOY

Rail Details  
Figure 601

# 25-24-08

REPAIR 2-1  
Page 601  
Jul 01/2007



## COMPONENT MAINTENANCE MANUAL

### LATCH ASSEMBLY - REPAIR 3-1

413N3109-78, -93

#### 1. General

- A. This repair gives the data that is necessary to repair and refinish the latch assembly.
- B. Refer to the Standard Overhaul Practices Manual (SOPM) for the SOPM subjects identified in this procedure.
- C. Refer to REPAIR-GENERAL, Paragraph 2. for list of applicable standard practices.
- D. Refer to REPAIR-GENERAL, Paragraph 3. for the list of consumables materials.

#### 2. Parts Replacement (REPAIR 3-1, Figure 601)

- A. Remove defective parts. Install replacement parts as shown. Use the setscrew to adjust the catch as necessary.

#### 3. Refinish

- A. Refer to REPAIR 4-1 for refinish of the parts of the latch assembly.

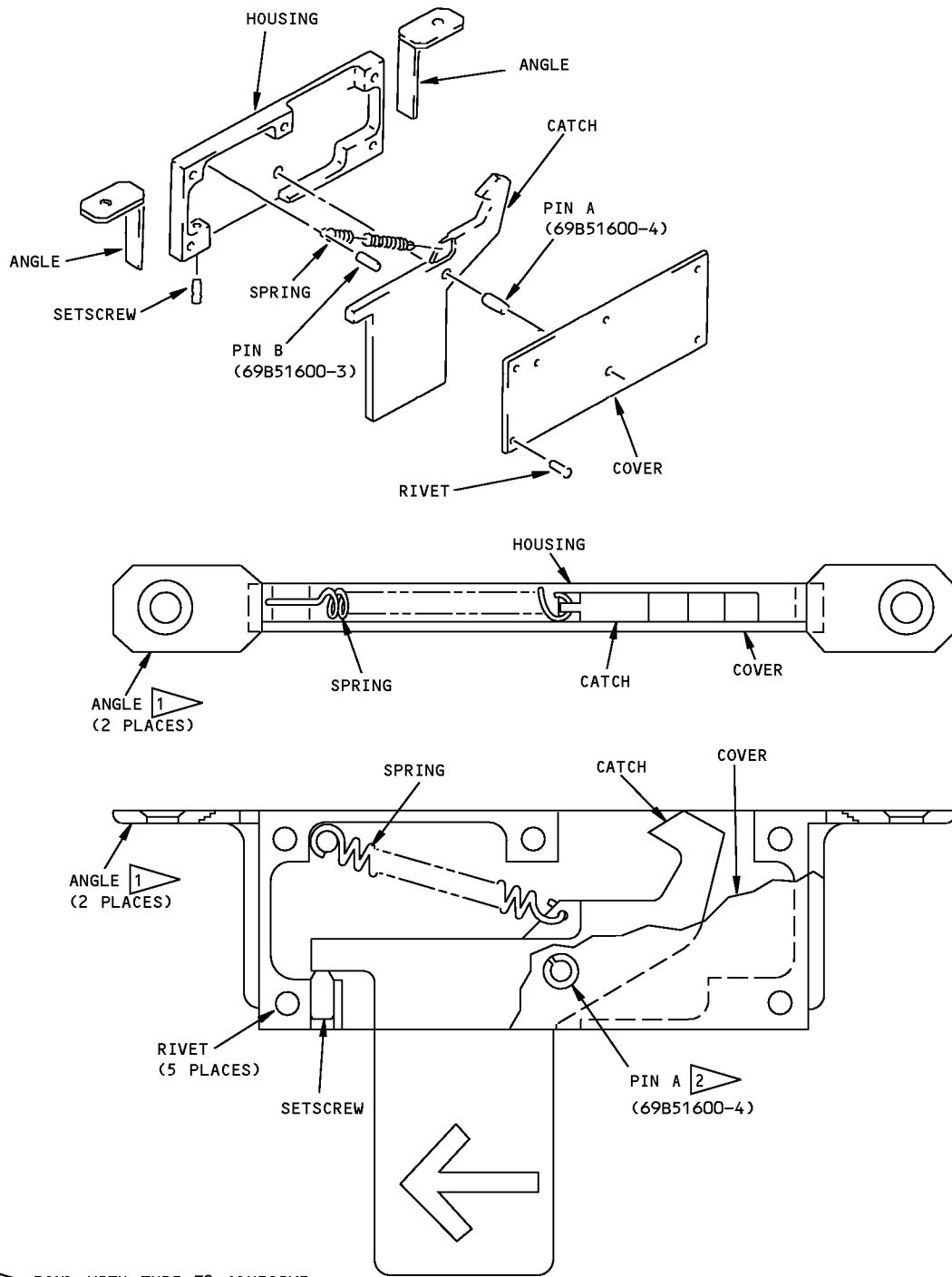
**25-24-08**

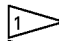
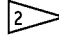
REPAIR 3-1

Page 601

Jul 01/2007

COMPONENT MAINTENANCE MANUAL



-  BOND WITH TYPE 70 ADHESIVE
-  INSTALL WITH SLOT TURNED AS SHOWN

413N3109-78,-93 Latch Assembly Parts Replacement  
Figure 601

**25-24-08**

REPAIR 3-1  
Page 602  
Jul 01/2007



**COMPONENT MAINTENANCE MANUAL**

**DOORSTOP ASSEMBLY - REPAIR 4-1**

**413N3211-183, -321, 65C19715-310**

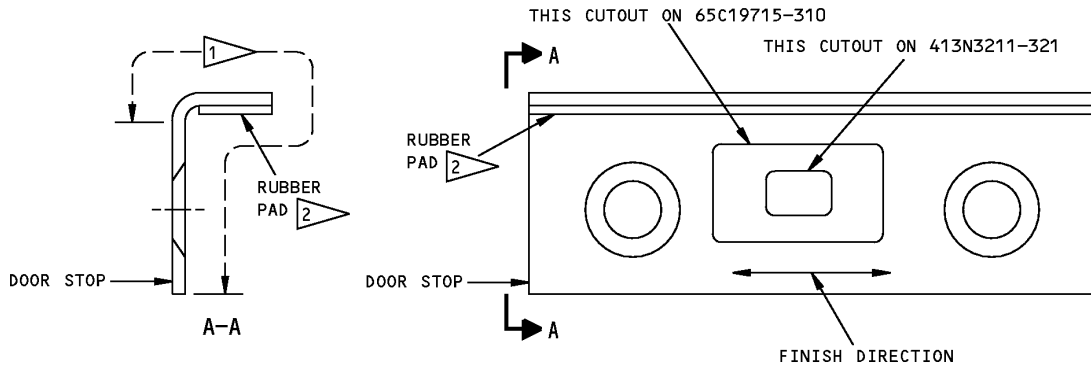
**1. General**

- A. This repair gives the data that is necessary to repair and refinish the doorstop assembly.
- B. Refer to the Standard Overhaul Practices Manual (SOPM) for the SOPM subjects identified in this procedure.
- C. Refer to REPAIR-GENERAL, Paragraph 2. for list of applicable standard practices.
- D. Refer to REPAIR-GENERAL, Paragraph 3. for the list of consumables materials.

**2. Pad Replacement (REPAIR 4-1, Figure 601)**

**NOTE:** For repair of surfaces which is only replacement of the original finish, refer to Refinish instructions, REPAIR 4-1, Figure 601.

- A. Remove the defective pad. Bond a replacement pad to the stop as shown using adhesive, A50057 per SOPM 20-50-12.



**REFINISH**

DOOR STOP: SATIN FINISH (F-14.80),  
DIRECTION AS SHOWN

- 1 DO THE FINISH ON THIS AREA ONLY
- 2 BOND WITH TYPE 60 ADHESIVE

**REPAIR**

REF 2

MATERIAL: STOP -- AISI 302 CRES  
PAD -- SILICONE RUBBER

Door Stop Repair and Refinish  
Figure 601

**25-24-08**

REPAIR 4-1  
Page 601  
Jul 01/2007



## COMPONENT MAINTENANCE MANUAL

### MISCELLANEOUS PARTS REFINISH - REPAIR 5-1

#### 1. General

- A. This procedure has the data necessary to refinish the parts not given in the specified repairs.
- B. Refer to the Standard Overhaul Practices Manual (SOPM) for the SOPM subjects identified in this procedure.
- C. Refer to REPAIR-GENERAL, Paragraph 2. for list of applicable standard practices.
- D. Refer to REPAIR-GENERAL, Paragraph 3. for the list of consumables materials.
- E. Refer to IPL Figure 1 thru IPL Figure 15 for the part numbers.

#### 2. Refinish

- A. Repair of these parts is only replacement of the original finish. Refer to REPAIR 5-1, Table 601 for the refinish details.

**NOTE:** Part numbers are used, not item numbers, to make the parts easier to identify in this table. Part names are in alphabetical order.

**Table 601:** Refinish Details

NAME & PART NUMBER	MATERIAL	FINISH
Angle 413N3109-80	Al alloy	Chemical treat and apply primer, C00259 (F-18.06).
Catch 413N3109-79, -84	15-5PH CRES, 180-200 ksi	Passivate (F-17.09).
Coat Rod 65-88166-268,-495	Al alloy	Decorative anodize (F-14.2992).
65-88166-468,-470, -471, -478, -484	Al alloy	Decorative anodize (F-14.251), grain along the length.
65-88166-486	Al alloy	No finish.
Cover 69B51600-2	Al alloy	Chemical treat or chromic acid anodize and apply primer, C00259 (F-18.05). Then apply enamel coating, C00951 (SRF-14.9625).
Housing 69B51629-1	Al alloy	Chemical treat or chromic acid anodize and apply primer, C00259 (F-18.05).
Strike 69B51630-1	17-4PH CRES, or 4340 or 4130 steel, 125-145 ksi	Passivate (F-17.09) if CRES; cadmium plate (F-15.02) if steel.

# 25-24-08

REPAIR 5-1  
Page 601  
Jul 01/2007



## COMPONENT MAINTENANCE MANUAL

### ASSEMBLY

**CAUTION:** THE CLOSET INCLUDES APPEARANCE ITEMS. BE CAREFUL NOT TO DAMAGE SURFACES THAT THE PASSENGERS WILL SEE.

#### 1. General

- A. This procedure has the data necessary to do an assembly of the forward right closet assembly.
- B. Refer to the Standard Overhaul Practices Manual (SOPM) for the SOPM subjects identified in this procedure.
- C. Refer to IPL Figure 1 thru IPL Figure 15 for the item numbers.

#### 2. Assembly

- A. Procedure
  - (1) Use standard industry practices and these steps.
  - (2) If you removed the rails, make sure you install them parallel within 0.05 inch. Also, make sure the teeth of both rails are opposite each other, within 0.01 inch, for correct door operation.

# 25-24-08

ASSEMBLY

Page 701

Jul 01/2007





**COMPONENT MAINTENANCE MANUAL**

**FITS AND CLEARANCES**

**(NOT APPLICABLE)**

**25-24-08**

FITS AND CLEARANCES

Page 801

Jul 01/2007



**COMPONENT MAINTENANCE MANUAL**

**SPECIAL TOOLS, FIXTURES, AND EQUIPMENT**

**(NOT APPLICABLE)**

**25-24-08**

SPECIAL TOOLS, FIXTURES, AND EQUIPMENT

Page 901

Jul 01/2007



## COMPONENT MAINTENANCE MANUAL

### ILLUSTRATED PARTS LIST

#### 1. Introduction

- A. The Illustrated Parts List (IPL) contains an illustration and a list of component parts you can repair or replace. The Illustrated Parts Catalog (IPC) shows how to use the Boeing part number system.
- B. This shows how parts are related: The relation of each item to its next higher assembly (NHA) is shown in the NOMENCLATURE column. Use the indenture system that follows:

1	2	3	4	5	6	7
.	Assembly					
.	Attaching parts for assembly					
.	.	Detail parts for assembly				
.	.	Subassembly				
.	.	Attaching parts for subassembly				
.	.	.	Detail parts for subassembly			
.	.	.	Sub-subassembly			
.	.	.	Attaching parts for subassembly			
.	.	.	.	Details parts for sub-subassembly		
						Detail Installation Parts (Included only if installation parts may be sent to the shop as part of assembly)

- C. Each top assembly is given one use code letter (A, B, C, etc.) in the USAGE CODE column. All subsequent component parts in the list can have one or more of the use code letters to show effectivity to top assemblies. A component part without a use code applies to all top assemblies.
- D. An alphabetical letter is added after the item number for optional parts, parts changed by a Service Bulletin, configuration differences (except left-handed and right-handed parts), last engineering releases, and parts added between item numbers in a sequence. The alphabetical letter will not be shown on the illustration for equivalent parts of the same part number.
- E. Color-coded parts are identified with a single digit alpha following the dash number or with "SP" suffix. If the "SP" suffix is used, it represents consolidation of all color codes applicable for a given usage which are not separately listed. Orders for color-coded parts should include the registry number of the airplane for which the parts are ordered.
- F. If a part number is 15 characters long but will not fit in the part number column, the part number will be displayed with a "~" at the end of the line and will be continued on the next line. The "~" denotes that the part number continues on the next line.
- G. Parts changed by a Service Bulletin are shown by PRE SB XXXX and POST SB XXXX added to the NOMENCLATURE column.
- (1) When a new top assembly is added by a Service Bulletin, PRE SB XXXX and POST SB XXXX will be added at the top assembly level only. The configuration differences at the detail part level are shown by use code letters.
- (2) When the top assembly part number is not changed by the Service Bulletin, PRE SB XXXX and POST SB XXXX will be added at the detail level.
- H. Interchangeable Parts

# 25-24-08

ILLUSTRATED PARTS LIST

Page 1001

Nov 01/2008



## COMPONENT MAINTENANCE MANUAL

Optional (OPT)	The part is optional to and interchangeable with other parts that have the same item number.
Replaces, Replaced by and not interchangeable with (REPLACES, REPLACED BY AND NOT INTCHG/W)	The part replaces and is not interchangeable with the initial part.
Replaces, Replaced by (REPLACES, REPLACED BY)	The part replaces and is interchangeable with, or is an alternative to, the initial part.

### VENDOR CODES

Code	Name
00624	EATON AEROQUIP INC ENGINEERED SYSTEMS DIV 300 S EAST AVE JACKSON, MICHIGAN 49203-1972 FORMERLY AEROQUIP ELBEE PLANT V99879 OR WESTERN PLANT V70128; FORMERLY AEROQUIP AEROSP DIV JACKSON PLANT; FORMERLY V11328 AEROQUIP LINAIR DIV; LAWRENCE PLANT V26622
02768	ILLINOIS TOOL WORKS INC. FASTEX DIV 195 ALGONQUIN ROAD DES PLAINES, ILLINOIS 60016-6103 FORMERLY ITW NEXUS IN WOOD DALE, ILLINOIS
04169	WESTERN SKY INDUSTRIES A DIVISION OF ATLAS CORPORATION 1280 SAN LUIS OBISPO STREET HAYWARD, CALIFORNIA 94544-7916 FORMERLY WESTERN SKY IND VB0008
06725	AIR INDUSTRIES CORPORATION 12570 KNOTT STREET GARDEN GROVE, CALIFORNIA 92641-3932 FORMERLY AIR INDUSTRIES OF CALIF IN GARDENA, CALIF.
06950	SCREWCORP VSI AEROSPACE PRODUCTS DIV FAIRCHILD IND DIV 13001 EAST TEMPLE AVENUE PO BOX 730 CITY OF INDUSTRY, CALIFORNIA 91746-1417 FORMERLY VB0096 AND VSI CORP SCREWCORP DIV FORMERLY IN CULVER CITY, CALIFORNIA SCREW CORP SEE V.S.I. CORP SCREWCORP DIVISION

# 25-24-08

ILLUSTRATED PARTS LIST

Page 1002

Jul 01/2007



## COMPONENT MAINTENANCE MANUAL

Code	Name
0PTK6	SPS TECHNOLOGIES INC AEROSPACE PRODUCTS DIV 5195 W 4700 SALT LAKE CITY, UTAH 94118 SEE V56878 SPS TECHNOLOGIES INC
11815	CHERRY AEROSPACE FASTENERS DIV OF TEXTRON 1224 EAST WARNER AVENUE PO BOX 2157 SANTA ANA, CALIFORNIA 92707-0157 FORMERLY IN LOS ANGELES, CALIF , FORMERLY CHERRY FASTENERS TOWNSEND DIV OF TEXTRON INC V71087
14608	EMHART INDUSTRIES INC CORBIN CABINET LOCK HARDWARE DIV 225 EPISCOPAL ROAD BERLIN, CONNECTICUT 06037-1524 FORMERLY CORBIN CABINET LOCK DIV OF AMERICAN HARDWARE CORP FORMERLY IN NEW BRITAIN, CONNECTICUT
15653	ALCOA GLOBAL FASTENERS INC DIV KAYNAR PRODUCTS 800 S STATE COLLEGE BLVD FULLERTON, CALIFORNIA 92831-3001 FORMERLY VK6405 MICRODOT AEROSP LTD; FORMERLY KAYNAR TECH FORMERLY FAIRCHILD FASTENERS KAYNAR DIV
17744	Replaced: [V17744] GULTON IND LUMINATOR DIV SEE LUMINATOR HOLDING V0VDA9 by Code: Name and Address below 0VDA9: LUMINATOR HOLDING LLC A MARK IV IND CO 1200 EAST PLANO PKY SUITE 300 PO 940030 PLANO, TEXAS 75094-0030 FORMERLY MARK IV IND LUMINATOR AIRCRAFT PROD
29372	ALCOA GLOBAL FASTENERS INC DBA ALCOA FASTENERS SYSTEMS DIV 3000 WEST LOMITA BLVD TORRANCE CALIFORNIA 90505-5103 FORMERLY CALFAX INC V11907; NEWTON INSERT CO V98004;REXNORD INC SPECIALTY FASTERNER DIV AND DELRON CO V82831; REXNORD INC TRIDAIR IND; FORMERLY FAIRCHAIDL IND INC

# 25-24-08

ILLUSTRATED PARTS LIST

Page 1003

Jul 01/2007



## COMPONENT MAINTENANCE MANUAL

Code	Name
31272	ANCRA CORPORATION 4880 ROSECRANS AVENUE HAWTHORNE, CALIFORNIA 90250 FORMERLY IN EL SEGUNDO, CALIFORNIA
31845	SEALTH AERO-MARINE CO 16001 MILL CREEK BLVD SE BOTHHELL, WASHINGTON 98012 FORMERLY V0100B IN SEATTLE, WASHINGTON
34742	TYEE AIRCRAFT INCORPORATED 3008 100TH STREET SOUTHWEST EVERETT, WASHINGTON 98204 FORMERLY V0128B
34941	HARPER ENGINEERING COMPANY 200 SOUTH TOBIN STREET RENTON, WASHINGTON 98055-1307
45722	USM CORP PARKER-KALON FASTENER DIV CAMPBELLSVILLE, KENTUCKY 42718 FORMERLY PARKER-KALON DIV OF GEN AMERICAN TRANSPORTATION FORMERLY IN CLIFTON, NEW JERSEY
4N374	
52607	ACTRON MANUFACTURING INC 3800 EAST MIRA LOMA AVENUE ANAHEIM, CALIFORNIA 92806-2108 FORMERLY V0493B IN FULLERTON, CALIFORNIA
52828	REPUBLIC FASTENER MFG CORP 1300 RANCHO CONEJO BLVD NEWBURY PARK, CALIFORNIA 91320-1405 FORMERLY IN SYLMAR, CALIFORNIA
53551	ALLFAST FASTENING SYSTEMS INC 15200 EAST DON JULIAN ROAD PO BOX 3166 CITY OF INDUSTRY, CALIFORNIA 91745-1001 FORMERLY V0736B FORMERLY ALLFAST INC V5K545

# 25-24-08

ILLUSTRATED PARTS LIST

Page 1004

Jul 01/2007



## COMPONENT MAINTENANCE MANUAL

Code	Name
56878	SPS TECHNOLOGIES INC AEROSPACE AND INDUSTRIAL PRODUCTS DIV 301 HIGHLAND AVE JENKINTOWN, PENNSYLVANIA 19046 FORMERLY STANDARD PRESSED STEEL FORMERLY IN SALT LAKE, UTAH
59706	
5M902	ALCOA GLOBAL FASTENERS INC, DIV OF VOI-SHAN PRODUCTS 3000 W LOMITA BLVD TORRANCE, CALIFORNIA 90505-5103 FORMERLY FAIRCHILD INC INC FAIRCHILD AEROSPACE FASTENERS DIV
60119	MONADNOCK CO THE 18301 ARENTH AVENUE ROWLAND HEIGHTS, CALIFORNIA 91748-1288 FORMERLY UNITED CARR FASTENER CORP VB0051 VB0056 VB0076 FORMERLY TRW ELECTRONIC COMPONENTS CINCH-MONADNOCK DIV FORMERLY CINCH-MONADNOCK DIV OF TRW INC V76530 FORMERLY IN CITY OF INDUSTRY, CALIFORNIA
62063	ADVANCED ENGINEERED PRODUCTS DIV OF MARKETING MASTERS 1400 19TH AVE NORTHWEST ISSAQUAH, WASHINGTON 98027-5330 FORMERLY V0625B, V4N374, AND MARKETING MASTERS
71087	Replaced: [V71087] BOOTS ACFT NUT DIV TOWNSEND CO SEE TEXTRON INC CHERRY FASTENER TOWNSEND DIV V11815 by Code: Name and Address below 11815: CHERRY AEROSPACE FASTENERS DIV OF TEXTRON 1224 EAST WARNER AVENUE PO BOX 2157 SANTA ANA, CALIFORNIA 92707-0157 FORMERLY IN LOS ANGELES, CALIF , FORMERLY CHERRY FASTENERS TOWNSEND DIV OF TEXTRON INC V71087
72914	HONEYWELL/GRIMES AEROSPACE 550 STATE RT 55 URBANA, OHIO 43078 FORMERLY AERO-FLOW V70128; MIDLAND-ROSS JANITROL AERO DIV; FORMERLY FL AEROSP CORP V89513; ALLIEDSIGNAL/GRIMES AEROSP FORMERLY GRIMES AEROSPACE V00672 AND HONEYWELL V60187

# 25-24-08

ILLUSTRATED PARTS LIST

Page 1005

Jul 01/2007



## COMPONENT MAINTENANCE MANUAL

Code	Name
72962	HARVARD INDUSTRIES INC 3 WERNER WAY SUITE 210 LEBANON, NEW JERSEY 08833 FORMERLY ESNA V7A079 FORMERLY ELASTIC STOP NUT IN UNION, NJ
73197	HI-SHEAR TECHNOLOGY CORP 2600 SKYPARK DRIVE TORRANCE, CALIFORNIA 90509
73439	AMSCO PRODUCTS CAMCAR DIV TEXTRON INC 345 EAST MARSHALL STREET WYTHEVILLE, VIRGINIA 24382-3917 FORMERLY AMERICAN SCREW CO IN WILLIMANTIC, CONNECTICUT FORMERLY TEXTRON INC CAMCAR DIV AMERICAN SCREW CO
75543	LAVELLE INDUSTRIES INC CHICAGO, ILLINOIS 60622-6260 OBSOLETE RECORD FORMERLY LAVELLE RUBBER COMPANY
80477	ADAMS RITE AEROSPACE INC 4141 N PALM ST FULLERTON, CALIFORNIA 92835-1025 FORMERLY V00163 REID METAL PARTS; FORMERLY ADAMS RITE SABRE INTL IN GLENDALE, CA
80539	SPS TECHNOLOGIES INC DIV AERPSPACE - SANTA ANA 2701 SOUTH HARBOR BOULEVARD SANTA ANA, CALIFORNIA 92704-5803 FORMERLY NUTT-SHEL DIV OF SPC WESTERN CO V80539 AND STANDARD PRESSED STEEL WESTERN DIV V17279
83508	GRANT HARDWARE CO HIGH STREET WEST NYACK, NEW YORK 10994-0600 FORMERLY IN HAVERSTRAW, NEW YORK
92215	FAIRCHILD IND INC FAIRCHILD AEROSPACE FASTENER DIV 3010 W LOMITA BLVD TORRANCE, CALIFORNIA 90505-5102 FORMERLY VOI-SHAN IN CULVER CITY, CALIF

# 25-24-08

ILLUSTRATED PARTS LIST

Page 1006

Jul 01/2007



**COMPONENT MAINTENANCE MANUAL**

<b>Code</b>	<b>Name</b>
97393	SHUR-LOK CORPORATION 2541 WHITE ROAD PO BOX 19584 IRVINE, CALIFORNIA 92623-9584 FORMERLY SHUR LOK CORP VB0060 FORMERLY IN SANTA ANA, CALIFORNIA 92714
97928	Replaced: [V97928] SEE V17446 HUCK INTL by Code: Name and Address below 17446: HUCK INTL INC AEROSPACE FASTENER DIV 900 WATSON CENTER ROAD CARSON, CALIFORNIA 90745-4201 FORMERLY V32134 REXNORD INC; FORMERLY V97928 HUCK INTL
98996	OLYMPIC FASTENING SYSTEMS INC DOWNEY, CALIFORNIA 90241-4986 OBSOLETE RECORD
9N513	VOI SHAN/CHATSWORTH DIV OF VSI CORP SUB OF FAIRCHILD IND CHATSWORTH, CALIFORNIA 91311-5013 COMPANY NO LONGER WISHES TO BE CONSIDERED FOR FED CONTRCTG

**25-24-08**

ILLUSTRATED PARTS LIST

Page 1007

Jul 01/2007



## COMPONENT MAINTENANCE MANUAL

### NUMERICAL INDEX

PART NUMBER	AIRLINE PART NUMBER	FIGURE	ITEM	UNITS PER ASSEMBLY
10-0341-13		13	140	1
1042-35		12	25	1
15-0465-1		1	10	1
1M12N24		1	480	2
		1	710	2
		6	105	2
		6	255	2
201-120751-00-0		13	128	4
		13	128	4
		13	628	4
		13	628	4
201-120911-00-010		13	596	16
201-120911-00-0101		13	16	12
2055144		3	387	1
		6	300	2
		15	490	1
22K1-02		3	505A	1
		7	250	1
		8	330	1
		9	261	1
		15	730	1
26C02		11	465	1
26C048		2	451	1
		3	505	1
		5	235	1
		6	709	1
		14	230	1
		16	305A	1
26CL02		3	505A	1
		7	250	1
		8	330	1
		9	261	1
		15	730	1
286N0602-002		1	945	1

# 25-24-08

ILLUSTRATED PARTS LIST

Page 1008

Jul 01/2007



## COMPONENT MAINTENANCE MANUAL

PART NUMBER	AIRLINE PART NUMBER	FIGURE	ITEM	UNITS PER ASSEMBLY
286N0626		13	800	1
286N0626-301		13	805	1
288N0168-701		13	800A	1
2911-2-000-198		4	42A	1
2911-2-198-000		4	39A	1
3067CR1		3	42	2
		9	45	2
		11	545	2
		15	85	2
31210		2	651	1
329-26		4	501	1
		4	558	1
34038-3		2	656	1
401T2801-34		7	312	AR
41030-10		2	651A	1
411N1133-3		4	387	1
412N3211-175		10	475	2
412N3211-177		10	480	2
412N3211-183		4	108	2
412N3211-184		4	114	1
412N3211-185		4	46	2
		4	111	1
412N3211-321		4	45	2
412N3211-322		4	47	2
412N3211-76SP		6	520	1
		6	542	1
412N3211-78SP		6	522	2
412N3224-7SP		8	425	2
412T3167-1SP		13	544	2
412T3167-2SP		13	546	2
413A3008-403		15	735	1
413N2615-7SP		9	117	1
413N3022-1SP		9	156A	1
413N3022-2		9	210A	1
413N3109-77		1	230	4

# 25-24-08

ILLUSTRATED PARTS LIST

Page 1009

Jul 01/2007



## COMPONENT MAINTENANCE MANUAL

PART NUMBER	AIRLINE PART NUMBER	FIGURE	ITEM	UNITS PER ASSEMBLY
413N3109-78		1	375	4
		6	39	4
		6	186	4
		1	395	1
		3	190	1
		6	54	1
413N3109-79		15	215	1
		1	435	1
		3	230	1
		6	78	1
413N3109-80		15	255	1
		1	445	2
		3	240	2
		6	87	1
413N3109-93		15	265	2
		3	195	1
		6	57	1
413N3109-94		15	220	1
		3	235	1
		6	81	1
413N3165-1SP		15	260	1
		7	532A	1
		13	168	1
		13	240	1
		13	320A	1
		13	476	1
		13	504	1
		13	520	1
		13	592	1
		13	692	1
		13	760	1
413N3165-25		14	635	1
		14	690	1
413N3165-25		1	595A	AR
413N3165-2SP		13	588	1

# 25-24-08

ILLUSTRATED PARTS LIST

Page 1010

Jul 01/2007



## COMPONENT MAINTENANCE MANUAL

PART NUMBER	AIRLINE PART NUMBER	FIGURE	ITEM	UNITS PER ASSEMBLY
413N3165-3SP		14	695	1
		13	92	1
		13	164	1
413N3165-400SP		13	688	1
413N3165-4SP		7	533A	1
		14	640	1
413N3165-611		15	715	1
		16	250A	AR
413N3165-6SP		13	81	1
413N3165-7		9	201A	1
413N3165-8		9	204A	1
413N3165-9SP		13	236	1
413N3206-100SP		1	1D	RF
		6	1	RF
413N3206-119		3	675	1
413N3206-123		6	987	1
413N3206-123MAAG		16	545	AR
413N3206-123SP		3	705	1
		7	565	1
		8	228	1
		9	334	AR
		11	170	1
		15	750	1
413N3206-14		2	725	AR
		3	600	AR
		5	325	AR
		14	330	AR
413N3206-144SP		1	1A	RF
		2	1	RF
413N3206-146SP		1	1B	RF
		3	1	RF
413N3206-147C		16	540	AR
413N3206-147SP		3	710	1
		7	570	1
		8	226	1

# 25-24-08

ILLUSTRATED PARTS LIST

Page 1011

Jul 01/2007



## COMPONENT MAINTENANCE MANUAL

PART NUMBER	AIRLINE PART NUMBER	FIGURE	ITEM	UNITS PER ASSEMBLY
		9	337	AR
		11	165	1
		15	755	1
413N3206-15		1	750	AR
		2	730	AR
		3	600A	AR
		3	715	AR
413N3206-150SP		1	1E	RF
413N3206-152SP		1	842A	1
413N3206-153SP		1	1F	RF
		3	1A	RF
413N3206-155SP		1	1G	RF
		4	1	RF
413N3206-157SP		1	1H	RF
		3	1B	RF
413N3206-158SP		1	1J	RF
413N3206-159SP		1	915A	1
413N3206-160SP		1	890A	1
413N3206-161SP		1	155A	1
413N3206-162SP		1	875A	1
413N3206-163SP		1	815A	1
413N3206-164SP		1	835B	1
413N3206-165SP		1	820A	1
413N3206-166SP		1	825A	1
413N3206-167SP		1	830A	1
413N3206-168SP		1	845A	1
413N3206-169SP		1	860A	1
413N3206-17		3	620	AR
413N3206-170SP		1	865A	1
413N3206-171SP		1	905A	1
413N3206-172SP		1	765A	1
413N3206-173SP		1	805A	1
413N3206-174SP		1	1K	RF
413N3206-176		3	675A	1
413N3206-177SP		1	1L	RF

# 25-24-08

ILLUSTRATED PARTS LIST

Page 1012

Jul 01/2007



## COMPONENT MAINTENANCE MANUAL

PART NUMBER	AIRLINE PART NUMBER	FIGURE	ITEM	UNITS PER ASSEMBLY
		7	1	RF
413N3206-178SP		1	765B	1
413N3206-179		1	750A	AR
		1	789	AR
413N3206-180		1	787A	1
413N3206-181SP		1	1M	RF
		14	1A	RF
413N3206-182		14	195	1
413N3206-183		14	645	1
413N3206-184		14	200	1
413N3206-185		14	275	1
413N3206-186		14	610	1
413N3206-187		14	180	1
413N3206-188		14	190	1
413N3206-189		14	550	1
413N3206-190		14	700	1
413N3206-191SP		1	1N	RF
		8	1	RF
413N3206-194		8	195	AR
		9	135	AR
		11	845	AR
413N3206-195SP		1	1P	RF
413N3206-196SP		1	1Q	RF
		8	1A	RF
413N3206-197SP		1	1R	RF
		8	1B	RF
413N3206-198SP		1	1S	RF
		7	1A	RF
413N3206-199SP		1	1T	RF
		3	1C	RF
413N3206-200SP		1	1U	RF
		9	1	RF
413N3206-201SP		1	1V	RF
		14	1B	RF
413N3206-202SP		1	1W	RF

# 25-24-08

ILLUSTRATED PARTS LIST

Page 1013

Jul 01/2007



## COMPONENT MAINTENANCE MANUAL

PART NUMBER	AIRLINE PART NUMBER	FIGURE	ITEM	UNITS PER ASSEMBLY
		10	1	RF
413N3206-204SP		1	1X	RF
413N3206-205SP		1	765C	1
413N3206-207SP		1	1Y	RF
		3	1D	RF
413N3206-208SP		1	1Z	RF
		3	1E	RF
413N3206-209SP		1	2	RF
		11	1A	RF
413N3206-210SP		1	2A	RF
		10	1A	RF
413N3206-211SP		1	2B	RF
413N3206-212SP		1	2C	RF
		3	1F	RF
413N3206-213SP		1	2E	RF
		12	1A	RF
413N3206-215SP		1	2D	RF
		3	1G	RF
413N3206-217SP		1	2F	RF
		3	1H	RF
413N3206-218SP		1	2G	RF
		14	1C	RF
413N3206-219SP		1	2H	RF
		9	1A	RF
413N3206-220SP		1	2J	RF
		13	1A	RF
413N3206-221		13	380	1
		13	532	1
413N3206-223SP		1	2L	RF
		14	1D	RF
413N3206-224SP		1	2K	RF
		11	1B	RF
413N3206-226		13	22	1
		13	374	1
		13	526	1

# 25-24-08

ILLUSTRATED PARTS LIST

Page 1014

Jul 01/2007





## COMPONENT MAINTENANCE MANUAL

PART NUMBER	AIRLINE PART NUMBER	FIGURE	ITEM	UNITS PER ASSEMBLY
		13	602	1
413N3206-227SP		1	2M	RF
		13	1B	RF
413N3206-228SP		1	2N	RF
		12	1B	RF
413N3206-230SP		1	2P	RF
		7	1B	RF
413N3206-232SP		1	2Q	RF
		15	1A	RF
413N3206-233SP		1	2R	RF
		15	1B	RF
413N3206-234SP		1	2S	RF
		12	1C	RF
413N3206-235B		1	2T	RF
		16	1A	RF
413N3206-236B		12	1D	RF
413N3206-26		2	711	AR
413N3206-34SP		1	1	RF
413N3206-36SP		1	915	1
413N3206-37SP		1	890	1
413N3206-383SP		14	645A	1
413N3206-386SP		14	610A	1
413N3206-38SP		1	155	1
413N3206-39SP		1	875	1
413N3206-41SP		1	815	1
413N3206-42SP		1	835	1
413N3206-43SP		1	820	1
413N3206-44SP		1	825	1
413N3206-45SP		1	830	1
413N3206-46SP		1	845	1
413N3206-47SP		1	860	1
413N3206-48SP		1	865	1
413N3206-55SP		1	177	AR
		1	802	1
		1	842B	1

# 25-24-08

ILLUSTRATED PARTS LIST

Page 1015

Jul 01/2007



## COMPONENT MAINTENANCE MANUAL

PART NUMBER	AIRLINE PART NUMBER	FIGURE	ITEM	UNITS PER ASSEMBLY
		1	912	1
		5	680	1
		14	710	1
413N3206-56SP		1	942	1
		5	695	1
		14	725	1
413N3206-57SP		1	812	1
		1	902	1
		5	690	1
		14	720	1
413N3206-58SP		1	177J	AR
		1	802J	1
		1	812J	1
		1	842J	1
		1	857	1
		1	887J	1
		1	902J	1
		5	685	1
		14	715	1
413N3206-59SP		1	842	1
		1	855	1
		1	887	1
		5	700	1
		14	730	1
413N3206-60SP		1	905	1
413N3206-63		1	787	1
413N3206-64		1	788	1
413N3206-66SP		1	740	AR
		10	165	1
413N3206-67SP		1	735	AR
		10	160	AR
413N3206-70		1	147	AR
413N3206-71SP		1	765	1
413N3206-72SP		1	805	1
413N3206-73SP		1	1C	RF

# 25-24-08

ILLUSTRATED PARTS LIST

Page 1016

Jul 01/2007



## COMPONENT MAINTENANCE MANUAL

PART NUMBER	AIRLINE PART NUMBER	FIGURE	ITEM	UNITS PER ASSEMBLY
		5	1	RF
413N3206-75		5	200A	1
413N3206-76		5	625	1
413N3206-77		5	205A	1
413N3206-78		5	270	1
413N3206-80		5	510	1
		14	520	1
413N3206-81		5	175	1
413N3206-82		5	190A	1
413N3206-83		5	540	1
413N3206-84		5	670	1
413N3206-85		5	600	1
413N3206-93		5	280	1
		14	285	1
413N3206-97SP		5	705	1
		14	735	1
413N3206-98SP		5	710	1
		14	740	1
413N3210-175SP		13	24	1
		13	376	1
		13	528	1
		13	604	1
413N3211-100		5	450	1
		14	460	1
413N3211-101		5	350	1
		14	350	1
413N3211-102SP		5	585	1
		14	595	1
413N3211-103		5	620	1
		14	630	1
413N3211-104SP		5	520	1
		14	530	1
413N3211-105SP		5	305	1
		14	310	1
413N3211-107		2	735	2

# 25-24-08

ILLUSTRATED PARTS LIST

Page 1017

Jul 01/2007



## COMPONENT MAINTENANCE MANUAL

PART NUMBER	AIRLINE PART NUMBER	FIGURE	ITEM	UNITS PER ASSEMBLY
		3	712	2
		5	595	2
		6	766	2
		14	605	2
		15	855	2
413N3211-108SP		5	250	1
		14	255	1
413N3211-109SP		5	255	1
		14	260	1
413N3211-110SP		5	260	1
		5	530	2
		6	778	2
		9	442	2
		14	265	1
		14	540	2
413N3211-111B		16	320	1
		16	360	3
413N3211-111SP		3	565A	1
		3	612A	2
		5	265	1
		5	315	1
		5	535	1
		6	745	6
		6	835	1
		7	275	1
		7	395	3
		8	345	7
		9	252	1
		9	388	5
		11	275	5
		14	270	1
		14	320	1
		14	545	1
		15	440	6
413N3211-116		6	901	1

# 25-24-08

ILLUSTRATED PARTS LIST

Page 1018

Jul 01/2007



## COMPONENT MAINTENANCE MANUAL

PART NUMBER	AIRLINE PART NUMBER	FIGURE	ITEM	UNITS PER ASSEMBLY
413N3211-117		6	903	1
413N3211-11SP		6	270	1
413N3211-120		6	895	1
413N3211-121		6	893	1
413N3211-124SP		6	760	1
413N3211-125SP		6	757	1
413N3211-127		6	939	1
413N3211-128		6	941	1
413N3211-130		6	919	1
413N3211-134		6	909	1
413N3211-137		6	971	1
413N3211-14		1	460A	2
		6	93	2
413N3211-143		6	973	1
413N3211-145		6	937	1
413N3211-155SP		6	688	1
413N3211-156SP		6	676	2
413N3211-173SP		6	844	1
		6	959	1
413N3211-175		6	977	2
413N3211-177		6	979	2
		7	550	1
		8	227J	1
		9	427	1
		11	180	1
		15	820	1
		16	555	1
413N3211-178SP		6	426	1
413N3211-18		1	390	2
413N3211-183		2	95	2
		2	185	1
		4	201	2
		4	273	2
		7	115	2
		8	65	2

# 25-24-08

ILLUSTRATED PARTS LIST

Page 1019

Jul 01/2007



## COMPONENT MAINTENANCE MANUAL

PART NUMBER	AIRLINE PART NUMBER	FIGURE	ITEM	UNITS PER ASSEMBLY
413N3211-184		9	57	2
		10	60	2
		11	50	2
		16	95	2
		4	207	1
		4	279	1
		7	125	1
		8	75	1
		9	63	1
		10	70	1
		11	60	1
413N3211-185		16	115	1
		4	204	1
		4	276	1
		7	120	1
		8	70	1
		9	60	1
		10	65	1
		11	55	1
413N3211-19		16	110	1
		1	265	1
413N3211-191		6	195	1
		6	881	1
413N3211-192		6	883	1
413N3211-195		6	875	1
413N3211-196		6	873	1
413N3211-202		6	975	1
413N3211-22		1	270	2
		6	198	2
413N3211-23		1	295	1
		6	213	1
413N3211-247		2	805	1
413N3211-248		2	810	1
413N3211-249		2	825	1
413N3211-250		2	775	1

# 25-24-08

ILLUSTRATED PARTS LIST

Page 1020

Jul 01/2007



## COMPONENT MAINTENANCE MANUAL

PART NUMBER	AIRLINE PART NUMBER	FIGURE	ITEM	UNITS PER ASSEMBLY
413N3211-251		2	865	1
413N3211-252		2	855	1
413N3211-253		2	860	1
		3	845	1
		15	690	1
413N3211-254		2	556	1
413N3211-255		2	516	1
413N3211-256		2	621	1
413N3211-257		2	626	1
413N3211-258		2	586	1
413N3211-261		2	331	1
413N3211-262		3	815	1
		15	625	1
413N3211-263		3	555	1
		15	825	2
413N3211-264		3	580	1
413N3211-265		3	850	1
		15	695	1
413N3211-266		3	855	1
		15	675	1
413N3211-26SP		1	730	1
		3	325	2
		6	246	2
		15	355	2
413N3211-292		3	690	1
413N3211-293		3	695	1
413N3211-294		3	670	1
		15	795	1
413N3211-315		4	492	1
413N3211-316		4	534	1
413N3211-317		4	531	1
413N3211-318		4	495	1
413N3211-319		4	333	1
413N3211-320		4	330	1
413N3211-36SP		1	140	1

# 25-24-08

ILLUSTRATED PARTS LIST

Page 1021

Jul 01/2007



## COMPONENT MAINTENANCE MANUAL

PART NUMBER	AIRLINE PART NUMBER	FIGURE	ITEM	UNITS PER ASSEMBLY
413N3211-387		9	472	1
		11	805	1
413N3211-38SP		1	90	1
413N3211-390B		12	655A	1
413N3211-390SP		12	655	1
413N3211-4		12	575	1
413N3211-40		1	110	1
413N3211-43		1	470	1
		6	99	1
413N3211-469		7	515	2
		8	515	1
		9	279	1
		16	445	2
413N3211-473		7	507	AR
		8	495	1
		11	440A	1
		16	435	1
413N3211-474		7	508	AR
		8	500	1
		11	445A	1
		16	430	1
413N3211-479		7	365	1
		16	535	1
413N3211-480		7	320	1
413N3211-481		7	375	1
413N3211-482		7	425	1
		16	225	1
413N3211-483		7	540	1
		16	560	1
413N3211-484		7	545	1
		16	565	1
413N3211-485		16	455	1
413N3211-488		7	385	1
		16	350	1
413N3211-489		7	485	1

# 25-24-08

ILLUSTRATED PARTS LIST

Page 1022

Jul 01/2007





## COMPONENT MAINTENANCE MANUAL

PART NUMBER	AIRLINE PART NUMBER	FIGURE	ITEM	UNITS PER ASSEMBLY
413N3211-49		16	490	1
		3	410	1
		6	306	1
		15	540	1
413N3211-499SP		1	785A	1
413N3211-50		3	415	1
		6	309	1
		15	545	1
413N3211-51		3	430	1
		6	318	1
413N3211-52		3	435	1
		6	321	1
413N3211-53		3	425	1
		6	315	1
413N3211-56		1	115	1
413N3211-57		1	150A	1
413N3211-58SP		1	763	1
413N3211-59SP		1	785	1
413N3211-602		7	170A	1
		7	170B	1
413N3211-603		3	260C	2
		6	90B	2
		15	285A	2
413N3211-615		9	556	2
413N3211-617		8	405	1
		11	365	1
413N3211-618		8	410	1
		11	370	1
413N3211-619		8	415	1
		9	355	1
		11	375	1
413N3211-620		8	580	1
413N3211-621		8	535	1
413N3211-622		8	520	1
		9	273	1

# 25-24-08

ILLUSTRATED PARTS LIST

Page 1023

Jul 01/2007



## COMPONENT MAINTENANCE MANUAL

PART NUMBER	AIRLINE PART NUMBER	FIGURE	ITEM	UNITS PER ASSEMBLY
413N3211-624		8	400	1
413N3211-627		8	227K	1
413N3211-628		8	227L	1
413N3211-635		8	580A	1
413N3211-637		9	430	1
413N3211-638		9	433	1
413N3211-639		9	281	1
413N3211-64		5	485	1
		14	490	1
413N3211-640		9	553	1
413N3211-641		9	361	1
413N3211-642		9	364	1
413N3211-643		9	409	1
413N3211-644		9	132	1
413N3211-647		14	350A	1
413N3211-648		14	370A	1
413N3211-65		5	395	1
		14	400	1
413N3211-655		12	570	8
413N3211-661		12	580	1
413N3211-66D		16	310	1
413N3211-66P		9	246	1
413N3211-66SP		2	456	1
		3	515	1
		5	240	1
		6	712	1
		7	255	1
		8	335	1
		11	265	1
		14	235	1
		15	470	1
413N3211-686B		16	180	1
413N3211-686SP		7	170C	1
413N3211-72SP		2	591	2
		6	273	1

# 25-24-08

ILLUSTRATED PARTS LIST

Page 1024

Jul 01/2007



## COMPONENT MAINTENANCE MANUAL

PART NUMBER	AIRLINE PART NUMBER	FIGURE	ITEM	UNITS PER ASSEMBLY
413N3211-73SP		6	369	1
		6	492	2
		6	811	1
		2	247	1
		2	326	1
		2	476	2
		2	526	1
		2	566	3
		2	691	1
		3	565	1
		3	610	2
		3	612	2
		6	372	1
		6	435	2
		6	504	1
		6	800	1
	413N3211-74SP		6	832
		15	405	2
		2	256	1
		2	296	2
		3	395	1
		6	276	1
		6	429	1
		6	495	2
		6	803	2
		15	375	1
413N3211-75SP		2	301	2
		2	336	2
		6	432	1
		6	498	2
		6	860	1
413N3211-76SP		2	245	1
		3	335	3
		3	520	2
		3	615	1

# 25-24-08

ILLUSTRATED PARTS LIST

Page 1025

Jul 01/2007



## COMPONENT MAINTENANCE MANUAL

PART NUMBER	AIRLINE PART NUMBER	FIGURE	ITEM	UNITS PER ASSEMBLY
		6	724	2
		6	806	1
		6	933	1
		15	385	5
413N3211-77SP		2	461	1
		3	342	1
		3	617	1
		6	721	2
		6	809	1
		15	415	2
413N3211-78SP		2	240	2
		2	466	1
		2	681	2
413N3211-79SP		2	686	1
		6	501	1
413N3211-81SP		3	465A	2
		15	365	2
413N3211-82SP		2	596	2
413N3211-83SP		3	525A	1
		15	425	1
413N3211-84SP		2	401	2
		6	931	1
413N3211-85SP		2	250	2
		3	340	2
		6	555	2
		6	718	1
		6	775	1
		6	814	1
		6	863	1
		15	395	2
413N3211-86SP		2	471	1
		2	676	1
413N3211-89		5	565	1
		14	575	1
413N3211-92		5	470	1

# 25-24-08

ILLUSTRATED PARTS LIST

Page 1026

Jul 01/2007



## COMPONENT MAINTENANCE MANUAL

PART NUMBER	AIRLINE PART NUMBER	FIGURE	ITEM	UNITS PER ASSEMBLY
		14	480	1
413N3211-93		5	375	1
		14	385	1
413N3211-98		5	465	1
		14	470	1
413N3211-99		5	370	1
		14	365	1
413N3214-102SP		2	815	1
413N3214-103SP		2	845	1
413N3214-104SP		2	406	1
413N3214-105SP		2	371	1
413N3214-106SP		2	481	1
413N3214-107SP		2	271	1
413N3214-108SP		2	780	1
413N3214-109SP		2	571	1
413N3214-110SP		2	351	1
413N3214-111SP		2	306	1
413N3214-112SP		2	601	1
413N3214-113SP		2	696	1
413N3214-115		2	531	1
413N3214-127SP		3	720	1
413N3214-128SP		3	835A	1
413N3214-129SP		3	345	1
413N3214-130SP		3	400	1
413N3214-131SP		3	625	1
413N3214-132		3	680	1
413N3214-133SP		3	470	1
413N3214-134SP		3	530	1
413N3214-135		3	585	1
413N3214-159		3	595	2
413N3214-179SP		4	645	1
413N3214-180SP		4	543	1
413N3214-181SP		4	624	1
413N3214-182SP		4	363	1
413N3214-183SP		4	405	1

# 25-24-08

ILLUSTRATED PARTS LIST

Page 1027

Jul 01/2007



## COMPONENT MAINTENANCE MANUAL

PART NUMBER	AIRLINE PART NUMBER	FIGURE	ITEM	UNITS PER ASSEMBLY
413N3214-184SP		4	474	1
413N3214-185SP		4	345	1
413N3214-186SP		4	684	1
413N3214-187SP		4	675	1
413N3214-188SP		4	453	1
413N3214-189SP		4	429	1
413N3214-190SP		4	513	1
413N3214-286SP		3	720A	1
413N3214-287SP		3	835B	1
413N3214-288SP		3	345A	1
413N3214-289SP		3	400A	1
413N3214-290SP		3	625A	1
413N3214-291		3	680A	1
413N3214-292SP		3	470A	1
413N3214-293SP		3	530A	1
413N3214-33		6	748	1
413N3214-410SP		7	480	1
413N3214-411SP		7	510	1
413N3214-412SP		7	210	1
413N3214-413		7	535	1
		16	550	1
413N3214-414SP		7	455	1
413N3214-415C		16	365	1
413N3214-415SP		7	400	1
413N3214-416C		16	325	1
413N3214-416SP		7	280	1
413N3214-417		7	310	1
		16	420	1
413N3214-418		16	460	1
413N3214-428SP		7	190	1
413N3214-473SP		8	375	1
413N3214-492SP		7	480A	1
413N3214-493SP		7	455A	1
413N3214-494SP		7	400A	1
413N3214-495SP		3	720B	1

# 25-24-08

ILLUSTRATED PARTS LIST

Page 1028

Jul 01/2007



## COMPONENT MAINTENANCE MANUAL

PART NUMBER	AIRLINE PART NUMBER	FIGURE	ITEM	UNITS PER ASSEMBLY
413N3214-496SP		3	345B	1
413N3214-497SP		3	625B	1
		15	560	1
413N3214-54		7	313	AR
413N3214-55SP		6	935	1
413N3214-56SP		6	917	1
413N3214-57SP		6	303	1
413N3214-58SP		6	507	1
413N3214-60SP		6	961	1
413N3214-61SP		6	817	1
413N3214-62		6	791	1
413N3214-63SP		6	727	1
413N3214-64SP		6	543	1
413N3214-65		6	558	1
413N3214-664SP		3	720C	1
413N3214-66SP		6	531	1
413N3214-67SP		6	847	1
413N3214-68		6	969	1
413N3214-682SP		15	600	1
413N3214-683SP		15	655	1
413N3214-684SP		15	700	1
413N3214-687		15	840	1
413N3214-688		15	870	1
413N3214-689SP		15	580	1
413N3214-690SP		15	510	1
413N3214-691SP		15	655A	1
413N3214-692SP		15	700A	1
413N3214-73SP		2	281	1
		2	316	2
		2	361	1
		2	386	1
		2	416	2
		2	496	1
		2	611	1
		2	706	2

# 25-24-08

ILLUSTRATED PARTS LIST

Page 1029

Jul 01/2007



## COMPONENT MAINTENANCE MANUAL

PART NUMBER	AIRLINE PART NUMBER	FIGURE	ITEM	UNITS PER ASSEMBLY
		2	835	1
		2	870	1
		3	355	1
		3	450	1
		3	480	1
		3	540	1
		3	635	1
		3	825A	1
		3	865A	1
		4	351	1
		4	372	1
		4	414	1
		4	435	1
		4	459	1
		4	480	1
		4	519	1
		4	549	1
		4	633	2
		4	657	1
		4	681	1
		6	513	1
		6	540	2
		6	549	2
		6	664	2
		6	733	2
		6	852	1
		6	925	1
		6	951	1
		6	965	1
		7	200	1
		7	220	1
		7	295	2
		7	410	1
		7	465	1
		7	500	1

# 25-24-08

ILLUSTRATED PARTS LIST

Page 1030

Jul 01/2007





## COMPONENT MAINTENANCE MANUAL

PART NUMBER	AIRLINE PART NUMBER	FIGURE	ITEM	UNITS PER ASSEMBLY	
413N3214-74SP		7	532	1	
		15	520	1	
		15	570	1	
		15	595	1	
		15	620	1	
		15	680	1	
		15	710	1	
		16	340	2	
		16	375	1	
		2	366	1	
		3	455	1	
		3	485A	1	
		3	640	1	
		4	354	1	
		4	375	1	
		4	690	1	
		6	855	1	
		6	927	1	
	413N3214-75SP		7	205	1
			7	415	1
		15	575	1	
		16	380	1	
		2	286	1	
		2	391	1	
		3	485	1	
		6	516	1	
		6	967	1	
		7	225	1	
413N3214-76SP		7	505	1	
		15	525	1	
		2	840	1	
		3	830A	1	
		4	552	1	
		7	505A	1	
	7	533	1		

# 25-24-08

ILLUSTRATED PARTS LIST

Page 1031

Jul 01/2007



## COMPONENT MAINTENANCE MANUAL

PART NUMBER	AIRLINE PART NUMBER	FIGURE	ITEM	UNITS PER ASSEMBLY		
413N3214-77SP		15	610	1		
		2	875	1		
		3	827	1		
		3	870A	1		
		4	654	1		
		6	953	1		
		15	615	1		
		15	685	1		
		413N3215-102		12	470	3
		413N3215-103		12	490	1
413N3215-13C		16	155	1		
413N3215-13SP		2	341	1		
		3	380	1		
		5	170	1		
		6	282	1		
		7	175	1		
		8	245	1		
		9	240	1		
		10	275	1		
		11	210	1		
		14	175	1		
		15	455	1		
		413N3215-14C		16	160	1
		413N3215-14SP		2	346	1
				3	385	1
				5	165	1
6	279			1		
7	180			1		
8	240			1		
9	296			1		
10	280			1		
11	215			1		
14	170			1		
15	460			1		
413N3215-174B		16	190	1		

# 25-24-08

ILLUSTRATED PARTS LIST

Page 1032

Jul 01/2007



## COMPONENT MAINTENANCE MANUAL

PART NUMBER	AIRLINE PART NUMBER	FIGURE	ITEM	UNITS PER ASSEMBLY
413N3215-174SP		7	450C	1
413N3215-25SP		6	691	1
413N3215-30		2	765	1
413N3215-32		4	663	1
413N3215-33		4	666	1
413N3215-34		4	669	1
413N3215-35		4	672	1
413N3215-36		4	525	2
413N3215-37		4	486	2
413N3215-38		4	381	1
413N3215-39		4	51	2
413N3215-40		4	189	1
413N3215-41		4	120	2
		4	159	1
		4	213	2
		4	285	2
413N3215-42		4	339	1
413N3215-43		4	336	1
413N3215-44		4	393	1
413N3215-59		7	450	1
		7	450B	1
413N3215-61		7	100	2
		16	85	2
413N3215-66		10	265	1
413N3215-69		7	311	2
		16	425	2
413N3215-71		8	250	2
		9	320	1
		11	220	2
413N3217-11		10	230	1
413N3217-110SP		10	370	1
413N3217-111SP		10	375	1
413N3217-112SP		10	380	1
413N3217-113SP		10	385	1
413N3217-114SP		10	185	1

# 25-24-08

ILLUSTRATED PARTS LIST

Page 1033

Jul 01/2007



## COMPONENT MAINTENANCE MANUAL

PART NUMBER	AIRLINE PART NUMBER	FIGURE	ITEM	UNITS PER ASSEMBLY
413N3217-115SP		10	190	1
413N3217-116SP		10	195	1
413N3217-117SP		10	200	1
413N3217-192		11	360	1
413N3217-194		11	185	1
413N3217-196		11	190	1
413N3217-198		11	710	1
413N3217-199		11	725	1
413N3217-200		11	480	1
413N3217-201		11	485	1
413N3217-202		11	490	1
413N3217-203		11	495	1
413N3217-206		11	505	1
413N3217-210		11	830	1
413N3217-293		15	890	1
413N3217-307		12	485	1
413N3217-309		12	480	1
413N3217-310		12	460	1
413N3217-311A		12	535A	1
413N3217-311SP		12	535	1
413N3217-312S		12	540A	1
413N3217-312SP		12	540	1
413N3217-313		12	620	1
413N3217-315A		12	845A	1
413N3217-315SP		12	845	1
413N3217-317		12	195	1
413N3217-318		12	340	1
413N3217-321A		12	555A	1
413N3217-321SP		12	555	1
413N3217-335		12	475A	3
413N3217-342A		12	560A	1
413N3217-342SP		12	560	1
413N3217-354		12	55A	1
413N3217-357		12	595	1
413N3217-362		3	695A	1

# 25-24-08

ILLUSTRATED PARTS LIST

Page 1034

Jul 01/2007



## COMPONENT MAINTENANCE MANUAL

PART NUMBER	AIRLINE PART NUMBER	FIGURE	ITEM	UNITS PER ASSEMBLY
		15	895	1
413N3217-363		3	695B	2
		15	885	2
413N3217-370A		12	530A	1
413N3217-370SP		12	530	1
413N3217-39		10	485	1
413N3217-40		10	405	1
413N3217-41		10	490	1
413N3217-417		13	780	1
413N3217-419SP		13	768	2
413N3217-42		10	435	1
413N3217-420SP		13	784	1
413N3217-421SP		13	772	2
413N3217-422SP		13	788	1
413N3217-423SP		13	264	3
		13	404	1
413N3217-424		13	756	1
413N3217-425		13	584	1
		13	680	1
413N3217-426		13	160	1
413N3217-427SP		13	120	2
		13	122	1
		13	200	1
		13	548A	2
413N3217-428SP		13	192	4
413N3217-429SP		13	116	2
413N3217-432		13	284	1
413N3217-433		13	424	2
413N3217-434		13	684	2
413N3217-436SP		13	268	2
		13	412	1
413N3217-437		13	468	1
413N3217-438		13	272A	1
		13	356	1
413N3217-439SP		13	124	1

# 25-24-08

ILLUSTRATED PARTS LIST

Page 1035

Jul 01/2007



## COMPONENT MAINTENANCE MANUAL

PART NUMBER	AIRLINE PART NUMBER	FIGURE	ITEM	UNITS PER ASSEMBLY
413N3217-449		13	300	1
413N3217-453		13	296	1
413N3217-456		13	312	1
413N3217-476SP		13	194	2
413N3217-477SP		13	115	1
413N3217-478		13	408A	1
413N3217-479SP		13	556A	2
413N3217-480SP		13	557	2
413N3217-481		13	452A	1
413N3217-482		13	464A	1
413N3217-483		13	724A	1
413N3217-484		13	736A	1
413N3217-485		13	740A	1
413N3217-486		13	752A	1
413N3217-487		13	220A	1
413N3217-488		13	232A	1
413N3217-489		13	216A	1
413N3217-490		13	82	1
413N3217-5		10	215	1
413N3217-690		16	465	1
413N3217-691		7	375A	1
		16	415	1
413N3217-692		7	320A	1
		16	410	1
413N3217-7		10	220	1
413N3217-761		15	830	2
413N3217-763		15	835	1
413N3217-9		10	225	1
413N3223-1		1	752	1
413N3224-10SP		8	530	1
		8	585	1
413N3224-11SP		8	590	1
413N3224-147		10	245	1
413N3224-160SP		3	400B	1
413N3224-245		11	310	1

# 25-24-08

ILLUSTRATED PARTS LIST

Page 1036

Jul 01/2007



## COMPONENT MAINTENANCE MANUAL

PART NUMBER	AIRLINE PART NUMBER	FIGURE	ITEM	UNITS PER ASSEMBLY
413N3224-256SP		3	400C	1
		15	530	1
413N3224-260B		12	790A	1
413N3224-260SP		12	790	1
413N3224-261A		12	660A	1
413N3224-261SP		12	660	1
413N3224-262SP		12	675	1
413N3224-263SP		12	695	1
413N3224-264SP		12	870	1
413N3224-265A		12	735A	1
413N3224-265SP		12	735	1
413N3224-266A		12	715A	1
413N3224-266SP		12	715	1
413N3224-267SP		12	915	1
413N3224-268A		12	855A	1
413N3224-268SP		12	855	1
413N3224-269A		12	950A	1
413N3224-269SP		12	950	1
413N3224-270A		12	635A	1
413N3224-270SP		12	635	1
413N3224-271A		12	630A	1
413N3224-271SP		12	630	1
413N3224-272A		12	770A	1
413N3224-272SP		12	770	1
413N3224-273SP		12	825	1
413N3224-274A		12	755A	1
413N3224-274SP		12	755	1
413N3224-285SP		9	463A	1
413N3224-286SP		9	267A	1
413N3224-287		9	349B	1
413N3224-301SP		11	705	1
413N3224-302SP		11	470	1
413N3224-303SP		11	175A	1
413N3224-304SP		11	225	1
413N3224-305SP		11	380	1

# 25-24-08

ILLUSTRATED PARTS LIST

Page 1037

Jul 01/2007



## COMPONENT MAINTENANCE MANUAL

PART NUMBER	AIRLINE PART NUMBER	FIGURE	ITEM	UNITS PER ASSEMBLY
413N3224-306SP		11	395	1
413N3224-314SP		11	515	1
413N3224-322		3	680B	1
413N3224-329		14	520A	1
413N3224-355SP		13	564	1
413N3224-356SP		13	656	1
413N3224-357SP		13	432	1
413N3224-358SP		13	496	1
413N3224-359SP		13	148	1
413N3224-360SP		13	716	1
413N3224-361SP		13	276	1
413N3224-363SP		13	208	1
413N3224-364SP		13	508	1
413N3224-387SP		11	705A	1
413N3224-42SP		8	560	1
413N3224-447SP		12	915A	1
413N3224-453SP		7	510A	1
413N3224-47SP		8	565	1
413N3224-48SP		8	505	1
413N3224-49SP		8	545	1
413N3224-50SP		8	275	1
		11	240	1
413N3224-51SP		8	465	1
413N3224-52SP		8	420	1
413N3224-54SP		8	255	1
413N3224-55SP		8	227	1
413N3224-56SP		8	440	1
413N3224-68SP		8	565A	1
413N3224-69SP		8	545A	1
413N3224-7		9	436	1
413N3224-70SP		8	465A	1
		11	405	1
413N3224-72SP		9	463	1
413N3224-73SP		9	267	1
413N3224-74SP		9	373	1

# 25-24-08

ILLUSTRATED PARTS LIST

Page 1038

Jul 01/2007





## COMPONENT MAINTENANCE MANUAL

PART NUMBER	AIRLINE PART NUMBER	FIGURE	ITEM	UNITS PER ASSEMBLY
413N3224-75SP		9	302	1
413N3224-76SP		9	391	1
413N3224-77SP		9	445	1
413N3224-780SP		12	915B	1
413N3224-781B		12	675B	1
413N3224-781SP		12	675A	1
413N3224-782B		12	710B	1
413N3224-782SP		12	710A	1
413N3224-783B		12	825B	1
413N3224-783SP		12	825A	1
413N3224-78SP		9	323	1
413N3224-79SP		9	412	1
413N3224-7SP		3	450A	1
		8	227N	1
		8	265	1
		8	285	1
		8	445	1
		8	470	1
		8	540	1
		8	555	1
		8	595	1
		9	287	1
		9	308	1
		9	329	1
		9	379	1
		9	454	1
		9	562	1
		10	295	1
		10	315	1
		10	355	1
		10	415	1
		10	450	1
		10	495	1
		11	195	1
		11	230	1

# 25-24-08

ILLUSTRATED PARTS LIST

Page 1039

Jul 01/2007



## COMPONENT MAINTENANCE MANUAL

PART NUMBER	AIRLINE PART NUMBER	FIGURE	ITEM	UNITS PER ASSEMBLY
		11	250	1
		11	385	2
		11	400	2
		11	410	1
		11	510	1
		11	525	1
		11	820	1
		15	550	1
413N3224-80		9	349A	1
413N3224-800B		16	440	1
413N3224-801B		16	480	1
413N3224-802B		16	165	1
413N3224-803B		16	240	1
413N3224-804B		16	205	1
413N3224-83SP		3	455A	1
		9	311	1
		9	382	1
		9	394	1
		10	300	1
		15	555	1
413N3224-84SP		9	331	1
		10	320	1
		11	235	1
413N3224-85SP		10	360	1
413N3224-87SP		9	290	1
		10	455	1
		11	500	1
413N3224-88SP		9	567	1
		10	420	1
		11	810	1
413N3224-89SP		9	565	1
		11	815	1
413N3224-8SP		8	290	1
		8	475	1
		11	255	1

# 25-24-08

ILLUSTRATED PARTS LIST

Page 1040

Jul 01/2007



## COMPONENT MAINTENANCE MANUAL

PART NUMBER	AIRLINE PART NUMBER	FIGURE	ITEM	UNITS PER ASSEMBLY
		11	415	1
413N3224-90SP		10	305	1
413N3224-91SP		10	395	1
413N3224-92SP		10	425	1
413N3224-93SP		10	345	1
413N3224-94SP		10	460	1
413N3224-95SP		10	285	1
413N3224-9SP		8	270	1
413N3234-50B		12	870A	1
413N3234-51B		12	915C	1
413N3235-19B		16	25	1
413N3235-20		16	120	1
413N3508-4		2	115	4
		4	81	4
		4	138	3
		4	177	3
		4	246	4
		4	303	2
413N3600-1		1	920	1
413N3600-2		1	930	1
413N3600-26		1	165	1
413N3600-27		1	175	1
413N3600-39		5	645	1
		14	665	1
413N3600-40		5	655	1
		14	675	1
413N3600-41		5	650	1
		14	670	1
413N3600-42		5	665	1
		14	685	1
413N3615-103		1	370	AR
		6	45	AR
413N3615-114SP		1	535	1
413N3615-115SP		1	600	1
413N3615-116		1	550	1

# 25-24-08

ILLUSTRATED PARTS LIST

Page 1041

Jul 01/2007



## COMPONENT MAINTENANCE MANUAL

PART NUMBER	AIRLINE PART NUMBER	FIGURE	ITEM	UNITS PER ASSEMBLY
413N3615-118		5	130	2
		14	135	2
413N3615-169		2	125	AR
		2	220	AR
		5	135	1
		6	399	AR
		6	462	AR
		14	120	1
413N3615-172SP		5	100	1
413N3615-173		5	125	1
413N3615-175		5	95	1
		14	110	1
413N3615-180SP		6	24	1
413N3615-181SP		6	135	1
413N3615-182SP		6	123	1
413N3615-183SP		6	231	1
413N3615-187		3	265	2
		15	290	2
413N3615-188SP		5	50	1
413N3615-189		5	85	1
		14	100	1
		6	441	1
413N3615-209SP		6	378	1
413N3615-212SP		6	339	1
413N3615-231SP		6	339	1
413N3615-292		2	195	1
413N3615-293SP		2	50A	1
413N3615-294		2	100	1
413N3615-295		2	215	1
413N3615-296		2	120	1
413N3615-297		2	80	2
		2	170	2
413N3615-304SP		3	180B	1
413N3615-305SP		3	285	1
413N3615-307SP		2	140A	1
413N3615-313SP		4	27	1

# 25-24-08

ILLUSTRATED PARTS LIST

Page 1042

Jul 01/2007



## COMPONENT MAINTENANCE MANUAL

PART NUMBER	AIRLINE PART NUMBER	FIGURE	ITEM	UNITS PER ASSEMBLY
413N3615-314SP		4	30	1
413N3615-315SP		4	99	1
413N3615-316SP		4	153	1
413N3615-317SP		4	264	1
413N3615-318SP		4	192	1
413N3615-340SP		3	180C	1
		15	205	1
413N3615-341SP		3	285A	1
		15	310	1
413N3615-343SP		1	535A	1
413N3615-344SP		1	600A	1
413N3615-345SP		1	180A	1
413N3615-346SP		1	325A	1
413N3615-347SP		1	345A	1
413N3615-348SP		1	510A	1
413N3615-359SP		1	345B	1
413N3615-360SP		1	342	1
413N3615-387SP		7	55	1
413N3615-4		1	595	AR
413N3615-411SP		14	65	1
413N3615-418SP		8	45	1
413N3615-419SP		8	50	1
413N3615-424SP		9	48	1
413N3615-428SP		10	45	1
413N3615-429SP		10	135	1
413N3615-440		10	157	1
413N3615-481SP		11	30	1
413N3615-482SP		11	35	1
413N3615-483SP		10	45A	1
413N3615-484SP		10	135A	1
413N3615-485		10	157A	1
413N3615-492SP		1	535B	1
413N3615-50		1	195	AR
		1	365	AR
		6	36	AR

# 25-24-08

ILLUSTRATED PARTS LIST

Page 1043

Jul 01/2007



## COMPONENT MAINTENANCE MANUAL

PART NUMBER	AIRLINE PART NUMBER	FIGURE	ITEM	UNITS PER ASSEMBLY
		6	150	AR
413N3615-605SP		12	75	1
413N3615-606SP		12	80	1
413N3615-607B		12	135A	1
413N3615-607SP		12	135	1
413N3615-608B		12	140A	1
413N3615-608SP		12	140	1
413N3615-613B		12	165A	1
413N3615-613SP		12	165	1
413N3615-614SP		12	225	1
413N3615-616B		12	250A	1
413N3615-616SP		12	250	1
413N3615-617SP		12	290	1
413N3615-618B		12	310A	1
413N3615-618SP		12	310	1
413N3615-619SP		12	370	1
413N3615-621B		12	395A	1
413N3615-621SP		12	395	1
413N3615-622SP		12	435	1
413N3615-655SP		13	32	1
413N3615-656SP		13	84	1
413N3615-65SP		9	114	1
413N3615-66SP		1	180	1
413N3615-67SP		1	325	1
413N3615-76SP		1	345	1
413N3615-77SP		1	510	1
413N3615-82		1	475	2
		6	102	2
413N3615-851B		12	75A	1
413N3615-852B		12	80A	1
413N3616-1		4	171	1
413N3616-100		10	110	1
413N3616-101		10	120	1
413N3616-102		10	125	1
413N3616-103		8	135	1

# 25-24-08

ILLUSTRATED PARTS LIST

Page 1044

Jul 01/2007



## COMPONENT MAINTENANCE MANUAL

PART NUMBER	AIRLINE PART NUMBER	FIGURE	ITEM	UNITS PER ASSEMBLY
		9	99	1
		11	90	1
413N3616-104		8	145	1
		9	105	1
		11	100	1
413N3616-105		8	150	1
		9	108	1
		11	105	1
413N3616-106		7	140	1
		16	40	1
413N3616-107		7	150	2
		16	50	2
413N3616-16		4	180	1
413N3616-17		4	141	1
413N3616-177		12	110	1
413N3616-178		12	120	1
413N3616-179		12	125	1
413N3616-18		4	249	1
413N3616-180		12	345	1
		12	410	1
413N3616-183		12	200	1
		12	265	1
413N3616-184		12	210	1
		12	275	1
		12	355	1
		12	420	1
413N3616-185		12	215	1
		12	280	1
		12	360	1
		12	425	1
413N3616-19		4	306	2
413N3616-2		4	132	1
413N3616-20		4	84	1
413N3616-214		13	68	1
413N3616-215		13	76	2

# 25-24-08

ILLUSTRATED PARTS LIST

Page 1045

Jul 01/2007



## COMPONENT MAINTENANCE MANUAL

PART NUMBER	AIRLINE PART NUMBER	FIGURE	ITEM	UNITS PER ASSEMBLY
413N3616-24		4	87	1
413N3616-3		4	240	1
413N3616-38		4	183	1
413N3616-39		4	144	1
413N3616-4		4	297	1
413N3616-40		4	252	1
413N3616-5		4	75	1
413T3004-4		1	450A	1
413T3004-9		1	450B	1
		3	260B	2
		6	90A	2
		15	285	2
413T3022-1		1	620	1
413T3022-2		1	630	1
413T3022-7		1	640	1
413T3030-70		2	70	2
		2	160	2
		3	170	1
		9	231	1
		11	535	1
		15	70	1
413T3038-36		13	708	1
413T3046-1		1	240	2
		6	183	2
413T3046-2		1	255	2
		6	180	2
413T3046-3		1	300	2
		1	485	2
		6	108	2
		6	216	2
413T3046-4		1	305	2
		1	490	2
		6	111	2
		6	219	2
413T3046-5		1	315	1

# 25-24-08

ILLUSTRATED PARTS LIST

Page 1046

Jul 01/2007





## COMPONENT MAINTENANCE MANUAL

PART NUMBER	AIRLINE PART NUMBER	FIGURE	ITEM	UNITS PER ASSEMBLY
413T3046-6		1	500	1
		6	117	1
		6	225	1
		1	320	1
		1	505	1
		6	120	1
413T3046-7		6	228	1
		1	200	2
413T3051-101		6	156	2
		3	372	1
413T3051-102		15	500	1
		1	667	1
413T3051-12A		3	372J	1
		15	505	1
		3	390A	1
413T3051-12SP		6	297	2
		1	685	1
413T3150-40		3	390B	1
		15	485	1
		13	132	AR
413T3150-41		13	632	AR
		15	337	1
413T3165-1SP		11	295	AR
413T3165-42		9	16	2
413T3167-10SP		13	198	3
413T3167-1B		12	500A	45
		16	200	10
		16	230	2
413T3167-1SP		4	402A	1
		4	426A	1
		4	471A	2
		4	567A	4
		7	185	10
		7	435	2
		8	235	15

# 25-24-08

ILLUSTRATED PARTS LIST

Page 1047

Jul 01/2007



## COMPONENT MAINTENANCE MANUAL

PART NUMBER	AIRLINE PART NUMBER	FIGURE	ITEM	UNITS PER ASSEMBLY
		8	355A	18
		8	460	3
		8	490	22
		9	237	17
		9	299	2
		9	317	4
		9	370	15
		10	270	10
		10	330	2
		11	205A	11
		11	285A	35
		11	430A	5
		12	500	45
		13	108	8
		13	196	3
		13	416	4
		13	488	16
413T3167-2B		12	505A	31
		16	235	11
		16	315	8
413T3167-2SP		4	396A	6
		4	423A	2
		4	450A	2
		4	468A	1
		4	507A	3
		4	540A	3
		4	570A	12
		7	270	9
		7	440	10
		10	335	10
		11	290A	2
		11	435A	2
		12	505	31
		13	110	2
		13	418	2

# 25-24-08

ILLUSTRATED PARTS LIST

Page 1048

Jul 01/2007



## COMPONENT MAINTENANCE MANUAL

PART NUMBER	AIRLINE PART NUMBER	FIGURE	ITEM	UNITS PER ASSEMBLY
413T3167-3SP		4	342A	9
		4	399A	5
		4	420A	6
		4	447A	15
		4	465A	7
		4	510A	3
		10	340	1
		15	865	1
		13	112	2
		13	492	2
413U3165-1		3	600B	AR
		7	309	AR
		9	457	AR
		11	700	AR
		15	5	1
		16	20	AR
		15	25	1
		13	80B	2
		13	144A	1
		11	850	1
413U3165-11		15	25	1
413U3165-128		13	80B	2
		13	144A	1
413U3165-172		11	850	1
413U3165-172SP		10	255	AR
413U3165-1SP		8	360	AR
413U3165-25		8	155	AR
		9	111	AR
		10	130	AR
		11	110	AR
		12	130	AR
		12	220	AR
		12	285	AR
		12	365	AR
		12	610	AR
		16	130	AR
		15	20	1
		413U3165-3		15
413U3165-4		3	620B	AR
		12	605	AR

# 25-24-08

ILLUSTRATED PARTS LIST

Page 1049

Jul 01/2007



## COMPONENT MAINTENANCE MANUAL

PART NUMBER	AIRLINE PART NUMBER	FIGURE	ITEM	UNITS PER ASSEMBLY
413U3165-42		15	15	1
		11	15	2
		12	70	1
		13	12	2
		14	30	2
		15	55	AR
413U3165-49		16	145	AR
		13	204	1
413U3165-6		13	428	1
		9	340	AR
413U3165-7		13	644	1
		16	15A	AR
		7	477	AR
		7	506	AR
413U3165-75		8	170	AR
		9	264	AR
		9	407	AR
		11	125	AR
		12	600	AR
		16	15	AR
		3	833	AR
413U3165-7SP		13	712	1
		15	10	1
		10	250	AR
413U3165-8		9	460	AR
413U3165-80		11	20	AR
413U3165-81		12	600A	AR
		13	648	1
		16	10	AR
413U3165-81SP		13	560	1
413U3165-82		3	717	AR
		12	610A	AR
		15	40	1
413U3165-83		13	652	1
413U3192-18SP		13	624	1

# 25-24-08

ILLUSTRATED PARTS LIST

Page 1050

Jul 01/2007



## COMPONENT MAINTENANCE MANUAL

PART NUMBER	AIRLINE PART NUMBER	FIGURE	ITEM	UNITS PER ASSEMBLY
413U3192-9SP		13	616	1
413U3250-1		13	612	1
413U3616-25		12	430	1
414N3235-190SP		13	20	1
		13	372	1
		13	524	1
		13	600	1
414N3300-10SP		7	70	1
414N3300-195SP		13	48	4
414N3300-1SP		4	66	2
		4	231	6
		7	80	2
		8	105	2
		8	310	2
		9	39	2
		9	81	2
		10	95	2
414N3300-21SP		4	228	3
414N3300-22SP		4	225	3
414N3300-397SP		10	100	1
414N3300-398SP		10	85	1
414N3300-484SP		8	110	1
414N3300-485SP		8	95	1
414N3300-486SP		9	84	1
414N3300-487SP		9	75	1
414N3300-48SP		9	36	1
414N3300-49SP		9	27	1
414N3300-618SP		13	44	2
414N3300-619SP		13	40	2
414N3300-77SP		8	305	1
414N3300-78SP		8	300	1
414N3300-89SP		4	60	1
414N3300-90SP		4	63	1
414N3300-9SP		7	75	1
415N0017-135		12	585A	4

# 25-24-08

ILLUSTRATED PARTS LIST

Page 1051

Jul 01/2007



## COMPONENT MAINTENANCE MANUAL

PART NUMBER	AIRLINE PART NUMBER	FIGURE	ITEM	UNITS PER ASSEMBLY
415N0017-136		12	590A	3
415N0017-138		12	50	1
415N0017-139		12	45	1
415N0017-146		12	510	1
415N0017-147		12	515	1
415N0017-159		12	40	1
415N0017-32		12	60	1
415N3007-2		12	10	1
415U9010-101		16	5	AR
42911-11		5	460	1
		14	475	1
42NKE048		2	451	1
		3	505	1
		5	235	1
		6	709	1
		14	230	1
43166-10		5	480	1
		14	495	1
43166-12		6	879	1
432W6521-1		13	796	4
432W6523-1		13	792	4
432W7100-1B		16	65	AR
432W7100-2B		16	60	AR
432W7101-6G		16	70	2
437W8500-71		15	850	1
439W3412-11		16	260	2
439W3632-11		16	255	1
45227-10		5	365	1
		5	390	1
		14	370	1
		14	405	1
45227-11		6	899	1
45927-13		2	755	2
45927-14		7	360	2
		16	520	2

# 25-24-08

ILLUSTRATED PARTS LIST

Page 1052

Jul 01/2007



## COMPONENT MAINTENANCE MANUAL

PART NUMBER	AIRLINE PART NUMBER	FIGURE	ITEM	UNITS PER ASSEMBLY
45927-21		3	660	2
		9	153A	2
		15	785	2
45927-29		8	225	2
		11	160	2
500006		3	42	2
		9	45	2
		11	545	2
60B50041-2		15	85	2
		13	140	1
65-62776-101		11	780	1
65-62776-102		11	785	1
65-62776-13		3	740	2
		9	487	2
65-62776-22		3	755	2
		9	496	2
65-62776-23		3	767	1
		9	505	1
65-62776-26		3	768	1
		9	508	1
65-62776-27		3	769	1
		9	511	1
65-62776-29		3	776	1
		9	526	1
65-62776-32		3	770	1
		9	514	1
65-62776-33		3	775	1
		9	529	1
		11	745	1
65-62776-50		3	725	1
65-62776-51		3	790	1
65-62776-52		3	795	1
65-62776-53		3	800	1
		9	544	1
		11	790	1

# 25-24-08

ILLUSTRATED PARTS LIST

Page 1053

Jul 01/2007



## COMPONENT MAINTENANCE MANUAL

PART NUMBER	AIRLINE PART NUMBER	FIGURE	ITEM	UNITS PER ASSEMBLY
65-62776-54		3	805	1
		9	547	1
		11	795	1
65-62776-55		3	780	1
		3	780A	1
		9	532	1
65-62776-63		3	772	1
		9	517	1
65-62776-64		3	773	1
		9	520	1
65-62776-65		3	725A	1
		9	475	1
65-62776-67		3	790A	1
		9	538	1
65-62776-68		3	795A	1
		9	541	1
65-62776-75		3	774	1
		9	523	1
65-62776-78		3	771	1
65-62776-79		11	730	1
65-62776-80		3	780B	1
		9	532A	1
		11	740	1
65-62776-81		11	770	2
65-62776-82		11	775	2
65-62776-85		3	808	2
		9	550A	2
		15	645	2
65-62776-86		3	806	1
		9	548	1
		15	630	1
65-62776-87		3	809	1
		9	551	1
		15	650	1
65-74227-13		11	685	2

# 25-24-08

ILLUSTRATED PARTS LIST

Page 1054

Jul 01/2007





## COMPONENT MAINTENANCE MANUAL

PART NUMBER	AIRLINE PART NUMBER	FIGURE	ITEM	UNITS PER ASSEMBLY
65-74227-14		11	655	1
65-74227-23		3	100	1
		9	186	AR
		11	610	1
		15	140	1
65-74227-24SP		3	125	1
		9	201	1
		11	580A	1
		15	165	1
65-74227-25SP		3	130	1
		9	204	1
		11	585A	1
		15	170	1
65-74227-26SP		3	45	1
65-74227-27		3	135	1
		11	650	1
65-74227-32		3	105	1
		9	189	AR
		11	590	1
		15	145	1
65-74227-33		3	110	1
		9	192	AR
		11	595	1
		15	150	1
65-74227-36		3	115	1
		9	195	AR
		11	600	1
		15	155	1
65-74227-37		3	120	1
		9	198	AR
		11	605	1
		15	160	1
65-74227-84SP		11	560A	1
65-74227-91		15	90	1
65-74227-91SP		3	45A	1

# 25-24-08

ILLUSTRATED PARTS LIST

Page 1055

Jul 01/2007



## COMPONENT MAINTENANCE MANUAL

PART NUMBER	AIRLINE PART NUMBER	FIGURE	ITEM	UNITS PER ASSEMBLY
		9	156	1
65-74227-92		3	135A	1
		9	210	1
		15	175	1
65-88166-268		4	15	3
65-88166-468		1	60	1
65-88166-471		5	25	2
		14	25	2
65-88166-478		6	15	1
65-88166-484		2	35	2
65-88166-486		3	25	2
65-88166-495		7	25	2
65-88166-600		8	25A	2
65-88166-601		9	15	2
65-88166-602		10	25	2
65C13879-110		9	42	4
		11	550	4
		15	80	4
65C19715-310		1	555	1
		5	65	1
		6	387	2
		6	450	2
		14	80	1
65C19715-311		1	570	1
65C19715-312		1	565	1
65C19715-406		1	690	2
65C19715-407		1	715	1
65C19715-449		6	249	1
65C19715-450		6	252	1
65C19715-451		6	258	1
65C19715-452		6	261	1
65C19744-113		8	175	1
		9	123	1
		11	130	1
		11	835	1

# 25-24-08

ILLUSTRATED PARTS LIST

Page 1056

Jul 01/2007



## COMPONENT MAINTENANCE MANUAL

PART NUMBER	AIRLINE PART NUMBER	FIGURE	ITEM	UNITS PER ASSEMBLY
65C19744-114		8	185	1
		9	129	1
		11	140	1
65C20092-12SP		6	471	1
65C20092-13SP		6	474	1
65C20092-15SP		6	477	2
65C20092-16SP		6	360	1
65C20092-18SP		6	411	1
65C20092-19SP		6	414	2
65C20092-25SP		6	408	1
65C20092-26SP		6	417	1
65C20092-27SP		6	480	1
65C20092-28SP		6	483	1
65C20092-29SP		6	486	1
65C20092-37SP		4	561	1
65C20092-38SP		4	582	1
65C20092-39SP		4	600	2
65C20092-3SP		4	579	2
		4	588	2
		4	597	2
		4	606	2
		4	615	1
		4	591	1
		4	609	1
65C20092-40SP		4	591	1
65C20092-41SP		4	609	1
65C20092-42SP		4	573	1
69-17083-3		1	70	2
		2	45	4
		3	35	4
		4	21	6
		5	40	4
		6	21	2
		7	35	4
		8	35	4
		9	21	4
		10	35	4

# 25-24-08

ILLUSTRATED PARTS LIST

Page 1057

Jul 01/2007



## COMPONENT MAINTENANCE MANUAL

PART NUMBER	AIRLINE PART NUMBER	FIGURE	ITEM	UNITS PER ASSEMBLY
69-19088-14B		14	50	4
		3	48	1
		9	159	1
		11	615	1
69-19088-14SP		15	95	1
69-19088-8		11	620	1
69-31288-28		2	631	1
69-31288-29		2	661	1
69-31288-30		2	636	1
69-31288-31		2	666	1
69-50264-1		3	95	2
		9	183	2
		11	575	2
		15	135	2
69-50264-2		3	75	2
		9	171	2
		11	640	2
		15	115	2
69-50264-6		9	183A	2
69-50264-7		9	171A	2
69-50266-1		3	155	1
		9	222	1
		11	675	1
		15	195	1
69-50267-1		3	140	2
		9	213	2
		11	660	2
		15	180	2
69-50267-2		3	160	1
		9	225	1
		11	680	1
		15	200	1
69-50269-12		9	165A	1
69-50269-3		3	65	1
		9	165	1

# 25-24-08

ILLUSTRATED PARTS LIST

Page 1058

Jul 01/2007



## COMPONENT MAINTENANCE MANUAL

PART NUMBER	AIRLINE PART NUMBER	FIGURE	ITEM	UNITS PER ASSEMBLY
69-50269-4		11	630	1
		15	105	1
		3	80	1
		9	174	1
		11	645	1
69-50485-1		15	120	1
		3	85A	2
		9	177	2
		11	565	2
		11	690	4
69-56542-1		15	30	4
		15	125	2
		2	210	4
		5	90	2
		12	207	2
		12	273	2
		12	353	2
		12	417	2
		14	105	2
		9	466	1
69-66077-113		9	466	1
69-66077-114		9	469	2
69-66077-124		11	800	1
69-66077-97		8	190	1
69-66152-1		11	840	1
		1	80	2
69-66152-38		1	85	2
69B51600-2		1	415	1
		3	250	1
		6	66	1
		15	275	1
69B51600-3		1	420	1
		3	210	1
		6	69	1
		15	235	1
69B51600-4		1	410	1

# 25-24-08

ILLUSTRATED PARTS LIST

Page 1059

Jul 01/2007



## COMPONENT MAINTENANCE MANUAL

PART NUMBER	AIRLINE PART NUMBER	FIGURE	ITEM	UNITS PER ASSEMBLY
69B51629-1		3	215	1
		6	63	1
		15	240	1
		1	440	1
		3	255	1
		6	84	1
69B51630-1		15	280	1
		1	665	1
		3	370	2
69B51654-1		6	294	2
		1	15	1
69B51655-1		1	35	1
69B51689-3		9	22	4
		11	10	4
		12	65	2
		13	8	4
		14	55	4
		15	50	4
		16	140	4
		1	350A	1
705R		6	30	1
		6	141	1
82B23		6	682	1
82B32		6	357	6
96-02		11	350	2
A32009-1		4	360	2
		4	441	2
		4	621	6
		7	45	2
		1	645	1
A35502-7		5	150	1
		14	150	1
		11	720	4
AF5141-3C		11	720	4
AF5141-3C3		11	715	18
AN960-416L		1	45	4

# 25-24-08

ILLUSTRATED PARTS LIST

Page 1060

Jul 01/2007



## COMPONENT MAINTENANCE MANUAL

PART NUMBER	AIRLINE PART NUMBER	FIGURE	ITEM	UNITS PER ASSEMBLY
		4	6	12
		5	10	8
		6	6	4
		14	10	8
AN960-516L		6	887	2
AN960C1016		4	642	3
AN960C10L		1	210	2
		6	162	2
AN960JD10		3	500A	1
		7	240	1
AN960JD10L		1	250A	4
		1	280A	4
		1	705A	22
		2	750	20
		3	495A	1
		3	655	20
		6	336	10
		6	673	16
		7	245	1
		7	350	20
		8	215	20
		8	325	3
		9	147	20
		9	258	2
		9	403	1
		14	210	7
		14	295A	3
		14	445	4
		14	515	3
AN960JD10LL		14	45	16
		14	160	20
		14	340	2
		14	380	2
		14	435	9
		14	570	16

# 25-24-08

ILLUSTRATED PARTS LIST

Page 1061

Jul 01/2007



## COMPONENT MAINTENANCE MANUAL

PART NUMBER	AIRLINE PART NUMBER	FIGURE	ITEM	UNITS PER ASSEMBLY		
AN960JD416		14	585	5		
		2	441	1		
		3	500	1		
		6	703	1		
		14	225	1		
AN960JD416L		2	20	8		
		2	436	1		
		3	10	8		
		3	495	1		
		6	700	1		
		7	10	8		
		8	10	8		
		9	6	8		
		10	10	8		
		14	220	1		
		14	440	1		
		AN960JD516L		14	440	1
		AN960KD10L		1	100	19
				1	135	14
1	146J			6		
1	680			2		
1	725			11		
5	35			16		
5	160			20		
5	215B			7		
5	290			3		
5	340			4		
5	425			9		
5	505			3		
5	560			16		
5	575			5		
6	177			2		
6	204			4		
14	295			3		
AN960KD10LL		6	366	10		
		6	423	34		

# 25-24-08

ILLUSTRATED PARTS LIST

Page 1062

Jul 01/2007





## COMPONENT MAINTENANCE MANUAL

PART NUMBER	AIRLINE PART NUMBER	FIGURE	ITEM	UNITS PER ASSEMBLY
AN960KD10M		5	435	4
AN960KD416		5	230	1
AN960KD416L		5	225	1
AN960KD516		1	220	2
		6	168	2
AN960KD516L		1	225	2
		5	430	1
		6	171	2
AN960KD6L		1	580	2
AR131		1	655	1
		2	720	4
		5	145	1
		6	528	2
		6	915	4
		14	145	1
AR2713-4-082-082		12	325	1
AR2713-4-109-109		12	180	1
AR2713-4-249-249		12	95	1
AR2911-2-000-198		4	42	1
AR2911-2-198-000		4	39	1
BAC30NM3K22		3	490B	1
BACB2844D020		11	135	2
BACB28Y4D020		8	180	2
		9	126	2
BACB2D010D1D1TE		4	318	4
BACB30LH3P2		13	420	16
		13	552	16
BACB30LU3-4		1	75	12
BACB30NM3K1		12	457A	8
BACB30NM3K2		7	325A	4
		12	525	15
		14	415A	7
		15	760	4
		16	505	4
BACB30NM3K20		11	325	1

# 25-24-08

ILLUSTRATED PARTS LIST

Page 1063

Jul 01/2007



## COMPONENT MAINTENANCE MANUAL

PART NUMBER	AIRLINE PART NUMBER	FIGURE	ITEM	UNITS PER ASSEMBLY
		14	410A	1
BACB30NM3K21		11	450	1
BACB30NM3K22		15	720	1
BACB30NM3K3		7	330A	16
		12	457	8
		15	765	16
		16	500	16
BACB30NM3K5		12	455A	7
BACB30NM3K6		11	150	4
BACB30NM3K7		11	145	16
BACB30NM3K8		12	455	7
BACB30NM4K18		7	340A	1
		16	400	1
BACB30NM4K20		7	235A	1
		15	805	1
		16	290	1
BACB30NM5K20		14	425A	1
BACB30NN3K17		12	545A	9
BACB30NR4K21		1	40	2
		2	15	4
		3	5	4
		4	3	6
		5	5	4
		6	3	2
		7	5	4
		8	5A	4
		9	3	4
		10	5	4
		14	5	4
BACB30NR5K25		10	170	4
BACB30NT3K1		10	90	5
		10	260	66
		10	325	76
		10	390	29
BACB30NT3K19		11	340	2

# 25-24-08

ILLUSTRATED PARTS LIST

Page 1064

Jul 01/2007



## COMPONENT MAINTENANCE MANUAL

PART NUMBER	AIRLINE PART NUMBER	FIGURE	ITEM	UNITS PER ASSEMBLY
BACB30NT3K2		3	377	4
		15	495	4
BACB30RFSP20		6	866A	2
BACB30U55K4		13	764	4
BACB30VF08K1		10	50	4
		12	90A	4
BACB30VF3K1		10	75	13
		10	105	11
		13	78	32
		13	142	5
BACB30VF3K2		16	265	4
BACB30VF3K6		6	907	30
BACB30VF5K17		5	420	1
		14	430	1
BACB30VF5K2		5	355	1
		5	380	1
		14	355	1
		14	390	1
BACB30VF5K20		6	866	2
BACB30VT5HK8		13	776B	2
BACB30VT5K8		13	776C	2
BACC12C9		3	42	2
		9	45	2
		11	545	2
		15	85	2
BACC30BL5		13	778	2
BACF3F006R209NN		1	120A	1
BACF3F010B023NC		1	330	8
		6	234	8
BACF3F010G027NN		5	345	1
		14	345	1
BACF3F022G027NN		5	445	1
		14	455	1
BACN10JC3		11	350	2
BACN10JN3		13	228	31

# 25-24-08

ILLUSTRATED PARTS LIST

Page 1065

Jul 01/2007



## COMPONENT MAINTENANCE MANUAL

PART NUMBER	AIRLINE PART NUMBER	FIGURE	ITEM	UNITS PER ASSEMBLY
		13	292	8
		13	308	7
		13	460	28
		13	732	20
		13	748	30
BACN10JP3D		1	290	2
		6	210	2
BACN10JR3		3	760	2
		3	760A	2
		9	499	2
BACN10JR3F		3	760B	2
		9	499A	2
BACN10KB3		3	150	1
		3	765	2
		3	765A	2
		9	219	1
		9	503	2
		11	670	1
		11	755	4
		15	190	1
BACN10KB3F		3	765B	2
		9	503A	2
BACN10R10		11	465	1
BACN10R10L		3	505A	1
		7	250	1
		8	330	1
		9	261	1
		15	730	1
BACN10R428		2	451	1
		3	505	1
		5	235	1
		6	709	1
		14	230	1
BACN10R428A		16	305A	1
BACR15BA3D		1	285	4

# 25-24-08

ILLUSTRATED PARTS LIST

Page 1066

Jul 01/2007



## COMPONENT MAINTENANCE MANUAL

PART NUMBER	AIRLINE PART NUMBER	FIGURE	ITEM	UNITS PER ASSEMBLY
		1	405	5
		3	145	2
		3	245	5
		6	60	5
		6	207	4
		9	216	2
		11	665	2
		11	750	8
		15	270	5
BACR15BA4D		3	745	4
		9	490	4
		11	765	8
BACR15BA5A		1	625	2
BACR15BA5D		1	105	7
		3	785	46
		9	535	46
BACR15BA8D		6	679	4
BACR15BB4D		3	750	4
		9	493	4
BACR15BX6-3		13	128	4
		13	628	4
BACR15CE4B		11	735	46
BACR15DR3AC		11	720	4
BACR15DR3AC3		11	715	18
BACS12ER06K5		14	140A	2
BACS12ER06K8		12	100	3
		12	185	3
		12	330	3
BACS12ER08K5		12	90	4
		12	175	4
		12	320	4
		14	60A	12
BACS12ER08K6		10	50A	4
		11	40	4
BACS12ER3K10		12	820	2

# 25-24-08

ILLUSTRATED PARTS LIST

Page 1067

Jul 01/2007



## COMPONENT MAINTENANCE MANUAL

PART NUMBER	AIRLINE PART NUMBER	FIGURE	ITEM	UNITS PER ASSEMBLY
		14	560A	16
BACS12ER3K12		12	32A	1
BACS12ER3K14		11	530	2
BACS12ER3K16		7	300A	8
		7	302	1
		11	300	11
		15	740	14
		16	385	9
BACS12ER3K24		14	420A	4
		14	580A	5
BACS12ER3K5		11	25	20
		12	85	20
		12	170	6
		12	190	6
		12	255	6
		12	315	5
		12	400	5
		12	910	13
		14	250	34
		14	315A	3
		14	535A	22
BACS12ER3K6		3	667A	12
		12	260	6
		12	335	5
		12	405	5
		12	565	20
		13	178	12
		14	300A	5
		14	500A	5
BACS12ER3K7		10	40	11
		10	75A	13
		10	105A	11
		10	365	48
		11	65	12
		11	80	10

# 25-24-08

ILLUSTRATED PARTS LIST

Page 1068

Jul 01/2007



## COMPONENT MAINTENANCE MANUAL

PART NUMBER	AIRLINE PART NUMBER	FIGURE	ITEM	UNITS PER ASSEMBLY
		12	105	10
BACS12ER3K8		11	320	10
BACS12FA3K11		11	825	1
BACS12FA3K12		12	30	3
		12	31	2
BACS12FA3K14		15	65	2
BACS12FA3K15		12	31A	2
BACS12FA3K3		3	30A	16
BACS12FA3K5		3	320A	22
		3	330A	110
		3	375A	30
		3	375B	14
		3	460A	44
		3	510A	50
		3	560A	18
		3	605A	50
		3	665A	26
		7	165A	68
		7	260A	54
		7	315A	3
		7	380A	6
		7	430A	68
		9	234A	78
		9	293A	18
		9	314A	24
		9	367A	60
		9	408A	17
		11	200	28
		11	280	76
		11	425	16
		14	245	34
		15	345	22
		15	360	44
		15	370	8
		15	380	60

# 25-24-08

ILLUSTRATED PARTS LIST

Page 1069

Jul 01/2007



## COMPONENT MAINTENANCE MANUAL

PART NUMBER	AIRLINE PART NUMBER	FIGURE	ITEM	UNITS PER ASSEMBLY
BACS12FA3K6		15	390	60
		15	400	12
		15	410	28
		15	420	26
		15	430	24
		15	445	8
		15	465	7
		15	480	2
		15	800	5
		16	175	8
		16	345	6
		7	30A	16
		7	230A	7
		7	335A	24
		7	370A	3
		9	30A	9
		9	358A	8
		11	5	16
		11	260	7
		11	270	15
		11	355	3
		12	465	62
		12	495	366
		12	625	4
		13	4	16
		13	100	68
		13	136	2
		13	176	32
		13	392	28
		13	484	72
	13	536	20	
	14	35A	16	
	14	155A	20	
	14	205A	7	
	14	290A	3	

# 25-24-08

ILLUSTRATED PARTS LIST

Page 1070

Jul 01/2007





## COMPONENT MAINTENANCE MANUAL

PART NUMBER	AIRLINE PART NUMBER	FIGURE	ITEM	UNITS PER ASSEMBLY
		14	510A	3
		14	565A	16
		15	790	37
		15	860	3
		16	150	20
		16	195	40
		16	220	74
		16	280	48
BACS12FA3K7		11	315	11
BACS12FA3K8		9	19	16
		9	352A	3
		13	636	2
		14	40	16
		15	45	16
		15	340	22
		16	135	16
		16	282	10
		16	395A	3
BACS12FA3K9		15	450	6
BACS12H10-12		1	5	3
BACS12H2-12		1	745	AR
BACS12H6-10		6	913	8
BACS12H6-6		1	650	2
		2	715	8
BACS12H8-12		1	590	AR
		3	597	2
		5	320	2
		5	590	4
		6	396	AR
		6	459	AR
		6	763	4
		14	325	2
		14	600	4
		15	475	2
BACS13CJ06L080P		2	785	5

# 25-24-08

ILLUSTRATED PARTS LIST

Page 1071

Jul 01/2007



## COMPONENT MAINTENANCE MANUAL

PART NUMBER	AIRLINE PART NUMBER	FIGURE	ITEM	UNITS PER ASSEMBLY
BACS13CJ3CD080P		7	523A	7
		13	79	32
		13	440	4
		13	668	16
		13	704	2
		16	470	7
BACS13CJ3CD180P		13	156	4
		13	572	4
		13	664	12
		13	720	9
BACS13CJ3E080P		2	753	4
		3	657	8
		15	780	4
BACS13CJ3L080P		2	753A	4
		2	790	27
		2	820	17
		2	850	4
		3	657A	4
		3	685	36
		3	685A	51
		3	687	15
		3	810A	15
		3	811	4
		6	923	15
		6	949	5
		6	983	66
		7	357	4
		7	495	12
		7	530	4
7	555	40		
8	220	4		
8	227M	38		
8	510	4		
8	575	16		
9	150	4		

# 25-24-08

ILLUSTRATED PARTS LIST

Page 1072

Jul 01/2007



## COMPONENT MAINTENANCE MANUAL

PART NUMBER	AIRLINE PART NUMBER	FIGURE	ITEM	UNITS PER ASSEMBLY
		9	284	4
		9	419	30
		9	552	13
		10	400	18
		10	430	19
		15	640	4
		15	880	49
		16	450	4
		16	485	12
		16	515	4
		16	575	40
BACS13CJ3L130P		3	810	15
		3	840	4
		6	685	8
		10	465	24
		12	945	10
		15	660	4
BACS13CJ3L180P		3	405	6
		6	327	6
		12	975	6
		15	535	6
BACS13CJ4L080P		6	985	4
BACS13FA3K6		16	530	24
BACS18K10-43		1	908	2
BACS18K10-45		1	907	2
BACS30NM4K22		14	215A	1
BACS40R004F020F		3	365	2
		6	291	2
BACS40R04F20F		1	670	1
BACS40T006E209		1	120B	1
BACW10BP3CD		11	155	20
		11	455	1
BACW10P1936		9	180B	2
BACW10P193G		3	90A	2
		9	180A	2

# 25-24-08

ILLUSTRATED PARTS LIST

Page 1073

Jul 01/2007



## COMPONENT MAINTENANCE MANUAL

PART NUMBER	AIRLINE PART NUMBER	FIGURE	ITEM	UNITS PER ASSEMBLY
		11	570A	2
		15	130A	2
BACW10P68S		2	646	4
BCREF122477		12	325	1
BCREF122478		12	180	1
BCREF122479		12	95	1
BCREF16539		16	545	AR
BCREF9492		13	16	12
		13	596	16
BCREFA0350		2	10	8
BCREFA1217		4	42	1
BCREFA1219		4	39	1
BR1000A3		3	150	1
		3	765	2
		3	765A	2
		9	219	1
		9	503	2
		11	670	1
		11	755	4
		15	190	1
BR2000A3		3	760	2
		3	760A	2
		9	499	2
BRF100A3		3	765B	2
		9	503A	2
BRF200A3		3	760B	2
		9	499A	2
BRFM20A3		13	228	31
		13	292	8
		13	308	7
		13	460	28
		13	732	20
		13	748	30
BRH10A3		11	350	2
CCR264CS3-3IT		11	715	18

# 25-24-08

ILLUSTRATED PARTS LIST

Page 1074

Jul 01/2007



## COMPONENT MAINTENANCE MANUAL

PART NUMBER	AIRLINE PART NUMBER	FIGURE	ITEM	UNITS PER ASSEMBLY
CCR264CS3C		11	720	4
F2000-3		3	765B	2
		3	765B	2
		9	503A	2
		9	503A	2
F22K1-02		3	505A	1
		7	250	1
		8	330	1
		9	261	1
		15	730	1
F42NKE048		2	451	1
		3	505	1
		5	235	1
		6	709	1
		14	230	1
F5000-3BAC		3	760B	2
		9	499A	2
G5000-1236-1304-356		2	10	8
G8100-1		1	215	2
		6	165	2
GAR1003-1892		3	315	2
		15	350	1
GAR1007-5762		1	690A	2
GAR2002-1-075		4	639	3
GAR2002-1-085		7	470	3
GAR2002-1-095		10	235	3
GAR2002-2-090		7	475	3
GAR2002-2-095		10	240	3
GAR2002-3-075		4	636	3
H10-3BAC		11	350	2
H111F1C65-080M		2	785A	5
H111F365-080M		2	790A	27
		2	820A	17
		2	850A	4
H2-1061-1		4	324	1

# 25-24-08

ILLUSTRATED PARTS LIST

Page 1075

Jul 01/2007



## COMPONENT MAINTENANCE MANUAL

PART NUMBER	AIRLINE PART NUMBER	FIGURE	ITEM	UNITS PER ASSEMBLY
H3-1242-3		13	640	1
		3	42	2
		9	45	2
		11	545	2
		15	85	2
HST10AG5-8		13	776C	2
		13	776C	2
		13	776C	2
		13	776C	2
HST79-5		13	778	2
		13	778	2
		13	778	2
HST79CY5		13	778	2
K1000-3BAC		3	760	2
		3	760A	2
		9	499	2
K2000-3		3	150	1
		3	150	1
		3	765	2
		3	765	2
		3	765A	2
		3	765A	2
		9	219	1
		9	219	1
		9	503	2
		9	503	2
		11	670	1
		11	670	1
		11	755	4
11	755	4		
L18366-12		15	190	1
		1	30	1
MF1000-3BAC		13	228	31
		13	292	8
		13	308	7

# 25-24-08

ILLUSTRATED PARTS LIST

Page 1076

Jul 01/2007



## COMPONENT MAINTENANCE MANUAL

PART NUMBER	AIRLINE PART NUMBER	FIGURE	ITEM	UNITS PER ASSEMBLY
MF53049-3		13	460	28
		13	732	20
		13	748	30
		13	228	31
		13	292	8
		13	308	7
		13	460	28
		13	732	20
		13	748	30
		MK4000-3BAC		1
6	210			2
MS16562-26		3	60	2
		9	162	2
		11	625	2
		15	100	2
MS16562-29		6	877	2
		6	897	2
MS16562-37		5	385	2
		5	475	2
		14	395	2
		14	485	2
MS16562-38		5	360	2
		14	360	2
MS16562-39		5	455	1
		14	465	1
MS16633-4018		1	205	2
		6	159	2
MS18065-10		1	430	1
		3	225	1
		6	75	1
		15	250	1
MS20002C5		10	175	4
MS20253P2-1		13	72	1
MS20253P2-1543		4	300	1
MS20253P2-1585		12	350	1

# 25-24-08

ILLUSTRATED PARTS LIST

Page 1077

Jul 01/2007



## COMPONENT MAINTENANCE MANUAL

PART NUMBER	AIRLINE PART NUMBER	FIGURE	ITEM	UNITS PER ASSEMBLY
MS20253P2-2121		12	415	1
		12	205	1
		12	270	1
MS20253P2-2228		4	135	1
MS20253P2-2337		4	174	1
MS20253P2-3543		4	243	1
MS20253P2-4227		4	78	1
MS20253P2-4422		8	140	1
		9	102	1
		11	95	1
MS20253P2-4459		7	145	1
		16	45	1
MS20253P2-4921		12	115	1
MS20253P2-5565		10	115	1
MS20426D3		3	732	8
		9	481	8
MS20426D4		3	730	4
		9	478	4
MS20470D4		3	735	4
		9	484	4
MS20605B3		13	224	62
		13	288	16
		13	304	14
		13	456	56
		13	728	40
		13	744	60
MS21042L3		5	440	5
		5	580	5
		9	406	1
		11	335	1
		12	550	9
		13	188	8
		13	260	3
		13	400	3
		14	450	5

# 25-24-08

ILLUSTRATED PARTS LIST

Page 1078

Jul 01/2007





## COMPONENT MAINTENANCE MANUAL

PART NUMBER	AIRLINE PART NUMBER	FIGURE	ITEM	UNITS PER ASSEMBLY
MS21042L4		14	590	5
		1	55	2
		2	30	4
		3	20	4
		4	12	6
		5	20	4
		6	12	2
		7	20	4
		7	355	1
		8	20	4
		9	12	4
		10	20	4
		14	20	4
		15	815	1
		16	405	1
	MS21141U5P2		11	760
MS21207-6-10		4	357	4
		4	438	4
		4	618	12
		7	40	4
		7	40	4
MS21209C0610		1	310	2
		1	495	2
MS21269C0610		6	114	2
		6	222	2
MS24585-1063		1	235	4
		1	380	4
		6	42	4
		6	189	4
MS24586-525		1	425	1
		3	220	1
		6	72	1
MS24665-285		15	245	1
		3	70	2
		11	635	2
		15	110	2

# 25-24-08

ILLUSTRATED PARTS LIST

Page 1079

Jul 01/2007



## COMPONENT MAINTENANCE MANUAL

PART NUMBER	AIRLINE PART NUMBER	FIGURE	ITEM	UNITS PER ASSEMBLY
MS24665-300		12	5	1
MS246655-285		9	168	2
MS35340-45		10	180	4
MS51862-16C		1	185A	AR
		6	144	AR
MS51862-17		1	355A	AR
		6	27	1
		6	138	1
MS90353U0603		3	807	12
		9	549	12
		15	635	12
MS90354U0603		12	520	20
NAS1149C0332R		11	330	1
		11	460	1
NAS1149D0316J		14	45A	16
		14	340A	2
		14	380A	9
		14	435A	9
		14	585A	5
		15	775	32
NAS1149D0332J		3	500B	1
		7	245A	1
		7	350A	20
		9	147A	20
		9	258A	2
		9	403A	1
		11	345	2
		13	184	8
		13	256	3
		13	396	3
		14	445A	4
		15	725	1
		15	770	76
		16	510	28
NAS1149D0362J		7	240A	1

# 25-24-08

ILLUSTRATED PARTS LIST

Page 1080

Jul 01/2007



## COMPONENT MAINTENANCE MANUAL

PART NUMBER	AIRLINE PART NUMBER	FIGURE	ITEM	UNITS PER ASSEMBLY
NAS1149D0363J		12	35	5
NAS1149D0416H		14	220A	1
NAS1149D0416J		3	10A	8
		7	10A	8
NAS1149D0432J		15	810	1
		16	300A	1
NAS1149D0432P		14	10A	8
NAS1149D0463J		14	225A	1
		16	295A	1
NAS1149D0516J		14	440A	1
NAS1149D0663K		12	20	2
NAS114D0416L		10	10A	8
NAS1368N24K		15	60	2
NAS1368N8A		13	620	1
NAS1368N8D		13	480	2
NAS1801-3-2		9	228A	2
NAS1801-3-5		7	420	12
		16	215	10
NAS1801-3-9		16	217	2
NAS1801-4-9		1	762	5
NAS1834-3-1000		15	590	1
NAS1834-3-1040		2	491	1
NAS1834-3-750		2	376	6
NAS1834-3-970		8	430	1
		9	448	1
		11	390	1
NAS1834-3-980		12	885	9
		12	965	14
NAS1834-4-970		7	285A	1
		16	330	1
NAS1834-4-980		12	970	4
NAS1834A3-1000		13	212	8
		13	280	3
		13	516	7
NAS1834A3K1000		13	444	4

# 25-24-08

ILLUSTRATED PARTS LIST

Page 1081

Jul 01/2007



## COMPONENT MAINTENANCE MANUAL

PART NUMBER	AIRLINE PART NUMBER	FIGURE	ITEM	UNITS PER ASSEMBLY
NAS1835A3		12	890	13
NAS1836-06-09		1	402	2
		1	520	2
		3	205	4
		6	129	4
		15	230	4
NAS1836-06-12		1	650B	2
		2	715B	8
		4	36	4
		6	534	4
		6	913B	8
NAS1836-08-09		6	132	8
NAS1836-08-12		1	610	2
		2	90	4
		2	180	2
		3	440	4
		4	105	4
		4	198	4
		4	270	4
		5	60	2
		5	110	2
		6	237	4
		6	330	4
		6	384	4
		8	60	4
		11	45	4
		14	75	2
NAS1836-08-14		7	110	4
		9	54	4
		16	105	4
NAS1836-3-12		13	580	2
		13	676	3
NAS1836-3-14		8	115	1
		9	87	2
		10	140	5

# 25-24-08

ILLUSTRATED PARTS LIST

Page 1082

Jul 01/2007



## COMPONENT MAINTENANCE MANUAL

PART NUMBER	AIRLINE PART NUMBER	FIGURE	ITEM	UNITS PER ASSEMBLY
		12	810	13
		12	947	2
NAS1836-3-17		1	647	1
		1	895	1
NAS183606-12		5	615	2
		14	625	2
NAS1836A08-12		1	795	2
NAS43D03-20N		16	80	4
NAS43DD3-20N		7	90	4
NAS43DD4-38		1	50	4
		2	25	8
		3	15	8
		4	9	12
		5	15	8
		6	9	4
		7	15	8
		14	15	8
NAS43DD4-38FC		3	15A	8
		8	15A	8
		10	15	8
NAS43DD4-66		2	446	1
		6	706	1
NAS43DD6-18FC		12	15	1
NAS5141032-16		5	295	5
		14	300	5
NAS514P1032-10		5	550	16
		7	85	4
		14	560	16
		16	75	4
NAS514P1032-16		2	501	3
		2	536	3
		3	545	6
		3	570	6
		5	490	5
		6	354	16

# 25-24-08

ILLUSTRATED PARTS LIST

Page 1083

Jul 01/2007



## COMPONENT MAINTENANCE MANUAL

PART NUMBER	AIRLINE PART NUMBER	FIGURE	ITEM	UNITS PER ASSEMBLY
		6	736	10
		7	300	8
		8	365	11
		9	343	13
		14	500	5
NAS514P1032-24		5	410	4
		5	570	5
		14	420	4
		14	580	5
NAS514P1032-5		2	65	4
		2	155	4
		4	69	9
		4	126	5
		4	165	1
		4	234	8
		4	291	4
		5	45	12
		5	245	68
		5	310	6
		5	525	25
		6	243	44
		6	351	36
		6	667	12
		6	742	6
		6	772	16
		6	829	6
		7	50	9
		7	265	6
		7	390	18
		7	445	4
		8	40	20
		8	80	12
		8	340	42
		9	24	10
		9	66	12

# 25-24-08

ILLUSTRATED PARTS LIST

Page 1084

Jul 01/2007



## COMPONENT MAINTENANCE MANUAL

PART NUMBER	AIRLINE PART NUMBER	FIGURE	ITEM	UNITS PER ASSEMBLY
NAS514P1032-6		9	249	6
		9	385	30
		9	439	16
		12	615	2
		14	60	12
		14	240	68
		14	315	3
		14	535	22
		15	435	12
		16	30	9
		16	185	4
		16	285	6
		16	355	18
		1	145	6
		3	185	12
		3	290	12
		7	130	9
		7	345	12
		13	28	13
		13	60	13
13	252	8		
13	332	8		
13	608	2		
16	525	12		
NAS514P1032-6P		4	24	18
		4	96	19
		4	261	4
		4	378	5
		4	483	4
		4	498	8
		4	522	4
		4	555	8
		4	660	24
		9	93	10
NAS514P1032-7		13	52	12

# 25-24-08

ILLUSTRATED PARTS LIST

Page 1085

Jul 01/2007



## COMPONENT MAINTENANCE MANUAL

PART NUMBER	AIRLINE PART NUMBER	FIGURE	ITEM	UNITS PER ASSEMBLY
NAS514P1032-8		1	385	10
		1	465	3
		6	96	3
		8	395	14
		9	397	10
		13	700	2
		16	35	9
NAS514P1032-9		2	581	2
		2	616	27
NAS514P1302-6P		8	125	10
NAS514P632-3		1	400	2
		3	200	4
		6	48	4
		15	225	4
NAS514P632-4		6	51	8
NAS514P632-5		1	650A	2
		2	715A	8
		4	33	4
		5	140	2
		6	525	4
		6	913A	8
		14	140	2
NAS514P632-6		2	5	8
		2	760	12
		15	210	12
		15	315	12
NAS514P632-6P		4	186	4
NAS514P632-8		1	192	8
		1	360	8
		4	48	6
		4	156	2
		4	210	4
		6	33	8
		6	147	8
		4	117	4
NAS514P632-9		4	117	4

# 25-24-08

ILLUSTRATED PARTS LIST

Page 1086

Jul 01/2007





## COMPONENT MAINTENANCE MANUAL

PART NUMBER	AIRLINE PART NUMBER	FIGURE	ITEM	UNITS PER ASSEMBLY
		4	282	4
		5	70	2
		6	342	4
		6	390	4
		6	453	4
		14	85	2
NAS514P832-12		1	615	2
NAS514P832-4		2	105	15
		2	200	5
		5	80	12
		14	95	12
NAS514P832-4P		1	540	5
NAS514P832-5		1	545	5
		1	560	2
		2	85	4
		2	175	2
		4	102	4
		4	195	4
		4	267	4
		5	55	2
		6	381	4
		6	444	4
		7	105	4
		8	55	4
		9	51	4
		14	70	2
		16	100	4
NAS514P832-6		2	55	15
		2	145	5
NAS514P832-6P		4	321	2
NAS514P832-8		1	190	2
		1	260	4
		6	153	2
		6	192	4
NAS514S1032-6		3	667	12

# 25-24-08

ILLUSTRATED PARTS LIST

Page 1087

Jul 01/2007



## COMPONENT MAINTENANCE MANUAL

PART NUMBER	AIRLINE PART NUMBER	FIGURE	ITEM	UNITS PER ASSEMBLY
NAS51836-08-12		6	447	4
NAS549ML416		3	90	2
		9	180	2
		11	570	2
		11	695A	4
		15	35	4
		15	130	2
NAS557-6A		1	25	1
NAS601-7P		1	575	2
NAS602-4P		1	617	2
NAS602-5P		1	20	2
NAS602-7P		1	660	2
		6	288	4
NAS603-10P		2	551	1
		6	267	6
		8	385	1
NAS603-14		3	165	2
		9	228	2
NAS603-20		9	400	1
NAS603-4P		1	530	2
NAS603-5P		1	95	19
		1	125	8
		1	146	6
		1	700	11
		1	720	11
		4	564	88
		6	285	4
		7	165	68
		7	230	7
		7	260	54
		7	380	6
		7	430	68
		8	230	96
		8	350	72
		8	390	28

# 25-24-08

ILLUSTRATED PARTS LIST

Page 1088

Jul 01/2007



## COMPONENT MAINTENANCE MANUAL

PART NUMBER	AIRLINE PART NUMBER	FIGURE	ITEM	UNITS PER ASSEMBLY
NAS603-6P		8	455	12
		8	485	88
		9	234	78
		9	293	18
		9	314	24
		9	367	60
		9	408	17
		1	65	8
		1	130	6
		1	695	11
		2	40	16
		2	235	133
		2	291	36
		2	321	49
		2	396	56
		2	421	84
		2	521	6
		2	561	27
		2	641	4
		2	671	44
		3	30	16
		3	320	22
		3	330	110
		3	375	30
		3	460	44
		3	510	50
		3	560	18
		3	605	50
		3	665	26
		4	18	24
		4	54	6
		4	219	15
	4	315	8	
	4	327	108	
	4	390	90	

# 25-24-08

ILLUSTRATED PARTS LIST

Page 1089

Jul 01/2007



## COMPONENT MAINTENANCE MANUAL

PART NUMBER	AIRLINE PART NUMBER	FIGURE	ITEM	UNITS PER ASSEMBLY
		4	417	64
		4	444	132
		4	462	70
		4	504	42
		4	537	18
		5	30	16
		5	155	20
		5	210	7
		5	285	3
		5	500	3
		5	555	16
		6	18	8
		6	264	32
		6	333	10
		6	363	10
		6	420	34
		6	489	68
		6	519	44
		6	541	12
		6	552	60
		6	670	16
		6	694	7
		6	715	82
		6	754	8
		6	769	30
		6	797	82
		6	826	6
		6	838	3
		6	858	40
		6	871	4
		6	889	4
		6	905	5
		6	911	11
		6	929	40
		6	955	3

# 25-24-08

ILLUSTRATED PARTS LIST

Page 1090

Jul 01/2007



## COMPONENT MAINTENANCE MANUAL

PART NUMBER	AIRLINE PART NUMBER	FIGURE	ITEM	UNITS PER ASSEMBLY
NAS603-7P		7	30	16
		7	60	6
		7	315	3
		7	335	24
		7	370	3
		8	30	16
		8	100	5
		8	295	11
		8	315	7
		8	380	9
		9	18	16
		9	30	9
		9	78	6
		9	243	7
		9	352	3
		9	358	8
		13	36	14
		14	35	16
		14	155	20
		14	205	7
		14	290	3
		14	510	3
		14	565	16
		16	55	6
		1	245	4
		1	275	4
		1	662	2
		1	675	2
		2	426	2
		2	511	2
		2	546	2
		3	360	4
		4	384	6
	6	174	2	
	6	201	4	

# 25-24-08

ILLUSTRATED PARTS LIST

Page 1091

Jul 01/2007



## COMPONENT MAINTENANCE MANUAL

PART NUMBER	AIRLINE PART NUMBER	FIGURE	ITEM	UNITS PER ASSEMBLY
		6	869	8
		6	891	8
NAS603-8P		2	770	30
		3	310	22
NAS603-9P		4	489	20
		4	528	22
NAS604-6P		6	841	2
		6	957	2
NAS623-3-20		13	180	8
		13	248	3
		13	388	3
NAS623-3-4		13	104	8
		13	172	16
		13	244	37
		13	384	14
		13	540	8
		13	696	20
NAS623-3-6		13	106	4
NAS623-3-9		13	107	4
NAS6603-2		2	740	4
		3	645	4
		5	335	2
		5	405	7
		7	325	4
		8	200	4
		9	141	4
		14	375	2
		14	415	7
NAS6603-20		5	400	1
		7	235	1
		8	320	2
		9	255	1
		14	410	1
NAS6603-22		3	490A	1
NAS6603-3		2	745A	16

# 25-24-08

ILLUSTRATED PARTS LIST

Page 1092

Jul 01/2007



## COMPONENT MAINTENANCE MANUAL

PART NUMBER	AIRLINE PART NUMBER	FIGURE	ITEM	UNITS PER ASSEMBLY
		3	650	16
		5	330	2
		7	330	16
		8	210	4
		9	144	4
		14	335	2
NAS6603-4		8	205	12
		9	138	12
NAS6604-18		7	340	1
NAS6604-22		2	431	1
		3	490	1
		5	220	1
		6	697	1
		14	215	1
NAS6605-18		6	885	2
NAS6605-20		5	415	1
		14	425	1
NAS8203A6		10	30	16
NAS8203A7		10	205	8
NAS8203A8		10	210	16
NS103184-02		15	190	1
NS103200-02		1	290	2
		6	210	2
NS103202-02		3	760	2
		3	760A	2
		9	499	2
NS103203-02		3	760B	2
		9	499A	2
NS103218-02		13	228	31
		13	292	8
		13	308	7
		13	460	28
		13	732	20
		13	748	30
NS202101-02		11	350	2

# 25-24-08

ILLUSTRATED PARTS LIST

Page 1093

Jul 01/2007



## COMPONENT MAINTENANCE MANUAL

PART NUMBER	AIRLINE PART NUMBER	FIGURE	ITEM	UNITS PER ASSEMBLY
PK87XA10-12		1	5	3
PK87XA2-12		1	745	AR
PK87XA6-10		6	913	8
PK87XA6-6		1	650	2
		2	715	8
PK87XA8-12		1	590	AR
		3	597	2
		5	320	2
		5	590	4
		6	396	AR
		6	459	AR
		6	763	4
		14	325	2
		14	600	4
		15	475	2
RMA9201-3		3	760	2
		3	760A	2
		9	499	2
RMA9207-3		3	150	1
		3	765	2
		3	765A	2
		9	219	1
		9	503	2
		11	670	1
		11	755	4
		15	190	1
RMA9209M3		1	290	2
		6	210	2
RMF9201-3		3	760B	2
		9	499A	2
RMF9201M3		13	228	31
		13	292	8
		13	308	7
		13	460	28
		13	732	20

# 25-24-08

ILLUSTRATED PARTS LIST

Page 1094

Jul 01/2007





## COMPONENT MAINTENANCE MANUAL

PART NUMBER	AIRLINE PART NUMBER	FIGURE	ITEM	UNITS PER ASSEMBLY
		13	748	30
RMF9207-3		3	765B	2
		9	503A	2
RMLH9075-3W		11	350	2
RV541A3C		11	720	4
RV541A3C3		11	715	18
S1030-9		16	275	2
S1124-2		15	335	1
SAM222-11		1	585	1
		4	162	1
		4	216	2
		4	288	2
		5	75	1
		6	345	2
		6	393	2
		6	456	2
		14	90	1
SAM223-10		2	75	2
SAM223-11		2	165	2
		4	123	2
		7	95	2
		16	90	2
SAM223-1R		3	175	1
		9	233	1
		11	540	1
		15	75	1
SAM261-1		13	56	1
SAM261-2		8	90	1
		9	72	1
		11	75	1
SAM261-8		10	80	1
SK145A10-12		1	5	3
SK145A2-12		1	745	AR
SK145A6-10		6	913	8
SK145A6-6		1	650	2

# 25-24-08

ILLUSTRATED PARTS LIST

Page 1095

Jul 01/2007



## COMPONENT MAINTENANCE MANUAL

PART NUMBER	AIRLINE PART NUMBER	FIGURE	ITEM	UNITS PER ASSEMBLY	
SK145A8-12		2	715	8	
		1	590	AR	
		3	597	2	
		5	320	2	
		5	590	4	
		6	396	AR	
		6	459	AR	
		6	763	4	
		14	325	2	
		14	600	4	
		15	475	2	
	SL2334-06A3		1	343	12
			1	347	11
			2	800	7
		3	270	12	
		3	295	12	
		4	408	5	
		15	295	12	
		15	320	12	
SL2334-06A5			4	630	4
SL2334-08A2			1	335	4
SL2334-08A3			1	605	5
		1	755	5	
		1	880	2	
		1	935	8	
		2	110	15	
		2	150	5	
		2	205	5	
		4	366	2	
		5	105	12	
		5	610	9	
		6	947	6	
	7	525	9		
	10	440	9		
	11	475	6		

# 25-24-08

ILLUSTRATED PARTS LIST

Page 1096

Jul 01/2007



## COMPONENT MAINTENANCE MANUAL

PART NUMBER	AIRLINE PART NUMBER	FIGURE	ITEM	UNITS PER ASSEMBLY
		12	155	4
		12	240	4
		12	385	4
		14	115	12
		14	620	9
		15	670	6
SL2334-3A1		3	817	2
SL2334-3A2		1	340	4
		6	240	2
SL2334-3A3		1	160	12
		1	515	13
		1	663	2
		1	800	37
		1	840	5
		1	850	4
		1	885	4
		1	900	22
		1	910	6
		1	940	5
		2	190	5
		2	276	77
		2	311	10
		2	356	10
		2	381	25
		2	411	34
		2	486	39
		2	576	12
		2	606	28
		2	701	93
		2	795	25
		2	830	101
		3	350	55
		3	445	6
		3	445J	6
		3	475	32

# 25-24-08

ILLUSTRATED PARTS LIST

Page 1097

Jul 01/2007



## COMPONENT MAINTENANCE MANUAL

PART NUMBER	AIRLINE PART NUMBER	FIGURE	ITEM	UNITS PER ASSEMBLY
		3	535	44
		3	590	3
		3	630	25
		3	700	17
		3	820	86
		3	823	88
		3	860	93
		4	57	6
		4	72	9
		4	129	5
		4	168	1
		4	222	15
		4	237	8
		4	294	4
		4	348	13
		4	369	54
		4	411	76
		4	432	32
		4	456	62
		4	477	41
		4	516	58
		4	546	97
		4	576	1
		4	585	13
		4	594	28
		4	603	33
		4	612	24
		4	627	108
		4	651	64
		4	678	68
		4	687	11
		5	180	8
		5	195	6
		5	275	37
		5	515	3

# 25-24-08

ILLUSTRATED PARTS LIST

Page 1098

Jul 01/2007



## COMPONENT MAINTENANCE MANUAL

PART NUMBER	AIRLINE PART NUMBER	FIGURE	ITEM	UNITS PER ASSEMBLY
		5	545	14
		5	605	37
		5	630	34
		5	675	29
		6	126	3
		6	324	15
		6	348	10
		6	375	22
		6	438	67
		6	510	46
		6	537	22
		6	546	28
		6	661	54
		6	730	57
		6	751	3
		6	794	26
		6	820	105
		6	849	30
		6	921	56
		6	943	91
		6	963	86
		6	981	56
		7	65	6
		7	135	9
		7	195	8
		7	215	30
		7	290	33
		7	405	16
		7	460	51
		7	490	62
		7	520	53
		7	523	7
		7	528	12
		7	560	10
		8	85	12

# 25-24-08

ILLUSTRATED PARTS LIST

Page 1098.1

Jul 01/2007



## COMPONENT MAINTENANCE MANUAL

PART NUMBER	AIRLINE PART NUMBER	FIGURE	ITEM	UNITS PER ASSEMBLY
		8	120	4
		8	130	10
		8	260	44
		8	280	14
		8	435	36
		8	450	33
		8	480	19
		8	525	79
		8	550	60
		8	570	66
		9	69	12
		9	90	4
		9	96	10
		9	270	69
		9	276	6
		9	305	12
		9	326	30
		9	376	46
		9	393	18
		9	415	16
		9	451	32
		9	559	62
		9	560	62
		10	145	28
		10	290	8
		10	310	29
		10	350	41
		10	410	54
		10	445	54
		10	470	12
		11	70	12
		11	85	10
		11	245	14
		11	420	19
		11	520	60

# 25-24-08

ILLUSTRATED PARTS LIST

Page 1098.2

Jul 01/2007



## COMPONENT MAINTENANCE MANUAL

PART NUMBER	AIRLINE PART NUMBER	FIGURE	ITEM	UNITS PER ASSEMBLY
		12	160	10
		12	245	12
		12	305	6
		12	390	10
		12	450	5
		12	645	2
		12	650	6
		12	670	28
		12	685	48
		12	705	38
		12	712	44
		12	725	13
		12	745	15
		12	765	36
		12	780	18
		12	805	38
		12	835	70
		12	837	2
		12	865	10
		12	880	126
		12	881	26
		12	925	75
		12	927	2
		12	960	36
		13	64	13
		13	88	26
		13	152	38
		13	436	12
		13	500	16
		13	512	32
		13	568	59
		13	660	48
		14	165	14
		14	280	37
		14	525	3

# 25-24-08

ILLUSTRATED PARTS LIST

Page 1098.3

Jul 01/2007



## COMPONENT MAINTENANCE MANUAL

PART NUMBER	AIRLINE PART NUMBER	FIGURE	ITEM	UNITS PER ASSEMBLY
		14	555	14
		14	615	37
		14	650	34
		14	705	29
		15	515	32
		15	565	25
		15	585	44
		15	605	92
		15	665	90
		15	705	55
		15	875	17
		16	125	6
		16	170	8
		16	210	30
		16	245	51
		16	270	4
		16	335	33
		16	370	16
		16	475	65
		16	495	62
		16	570	10
SL2334-3A4		1	810A	4
		12	930	30
		12	931	1
		16	37	9
SL2334-3A5		4	648	8
		5	185	1
		14	185	1
SL2334-3A7		6	823	11
		6	945	11
SL2334-3A8		12	840	11
		12	895	4
		12	940	3
SL252-3		2	506	3
SL2868A3-1000		13	448	8

# 25-24-08

ILLUSTRATED PARTS LIST

Page 1098.4

Jul 01/2007





## COMPONENT MAINTENANCE MANUAL

PART NUMBER	AIRLINE PART NUMBER	FIGURE	ITEM	UNITS PER ASSEMBLY
		13	576	8
SL2868S3-800		15	845	3
SL3224-3A5		12	690	5
		12	692	2
SL3579A3		1	635	1
SL52-3		2	541	3
		3	550	6
		3	575	6
		5	300	5
		5	495	5
		6	739	10
		7	305	8
		7	307	1
		8	370	11
		9	346	13
		11	305	11
		14	305	5
		14	505	5
		15	745	14
		16	390	9
SL644-04-4		12	900	2
		12	935	2
SL854-3C16C		3	420	11
		6	312	11
SL854C08C5C		5	640	12
		14	660	12
SL854C3C10C		1	162	6
		1	170	6
		1	760	1
		1	925	6
SL854C3C5C		5	660	4
		14	680	4
SL854C3C7C		5	635	16
		14	655	16
SL854C4C11C		1	790A	5

# 25-24-08

ILLUSTRATED PARTS LIST

Page 1098.5

Jul 01/2007



## COMPONENT MAINTENANCE MANUAL

PART NUMBER	AIRLINE PART NUMBER	FIGURE	ITEM	UNITS PER ASSEMBLY	
T6S1032J		11	350	2	
T8079S1032		1	290	2	
		6	210	2	
T8088S1032		3	760	2	
		3	760A	2	
		9	499	2	
T8091S1032		3	760B	2	
		9	499A	2	
T8109S1032		3	150	1	
		3	765	2	
		3	765A	2	
		9	219	1	
		9	503	2	
		11	670	1	
		11	755	4	
		15	190	1	
	T8114S1032S		3	765B	2
			9	503A	2
T8124S3S		13	228	31	
		13	292	8	
		13	308	7	
		13	460	28	
		13	732	20	
		13	748	30	
		13	776B	2	
VL310AG5-8		13	776B	2	
		13	776B	2	
		13	776B	2	
VN101A1-02		3	150	1	
		3	765	2	
		3	765A	2	
		9	219	1	
		9	503	2	
		11	670	1	
		11	755	4	
		15	190	1	

# 25-24-08

ILLUSTRATED PARTS LIST

Page 1098.6

Jul 01/2007



## COMPONENT MAINTENANCE MANUAL

PART NUMBER	AIRLINE PART NUMBER	FIGURE	ITEM	UNITS PER ASSEMBLY
VN102A1-02		3	760	2
		3	760A	2
		9	499	2
VN151A1-02		3	765B	2
		9	503A	2
VN152A1-02		3	760B	2
		9	499A	2
VN204A1-02		1	290	2
		6	210	2
VN252A02		13	228	31
		13	292	8
		13	308	7
		13	460	28
		13	732	20
		13	748	30
VN303A02		11	350	2

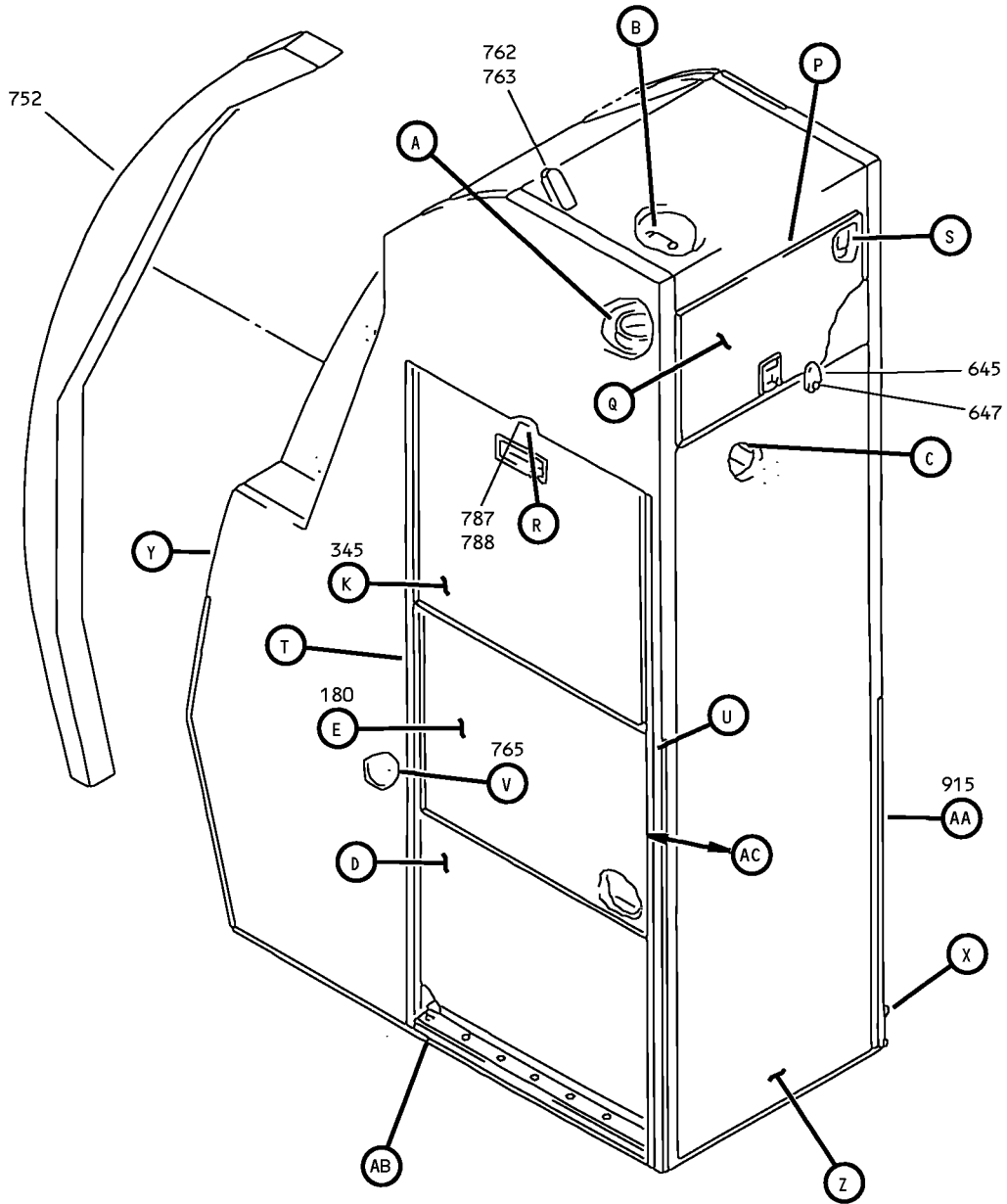
# 25-24-08

ILLUSTRATED PARTS LIST

Page 1098.7

Jul 01/2007

COMPONENT MAINTENANCE MANUAL



Forward Right Closet Assembly  
IPL Figure 1 (Sheet 1 of 13)

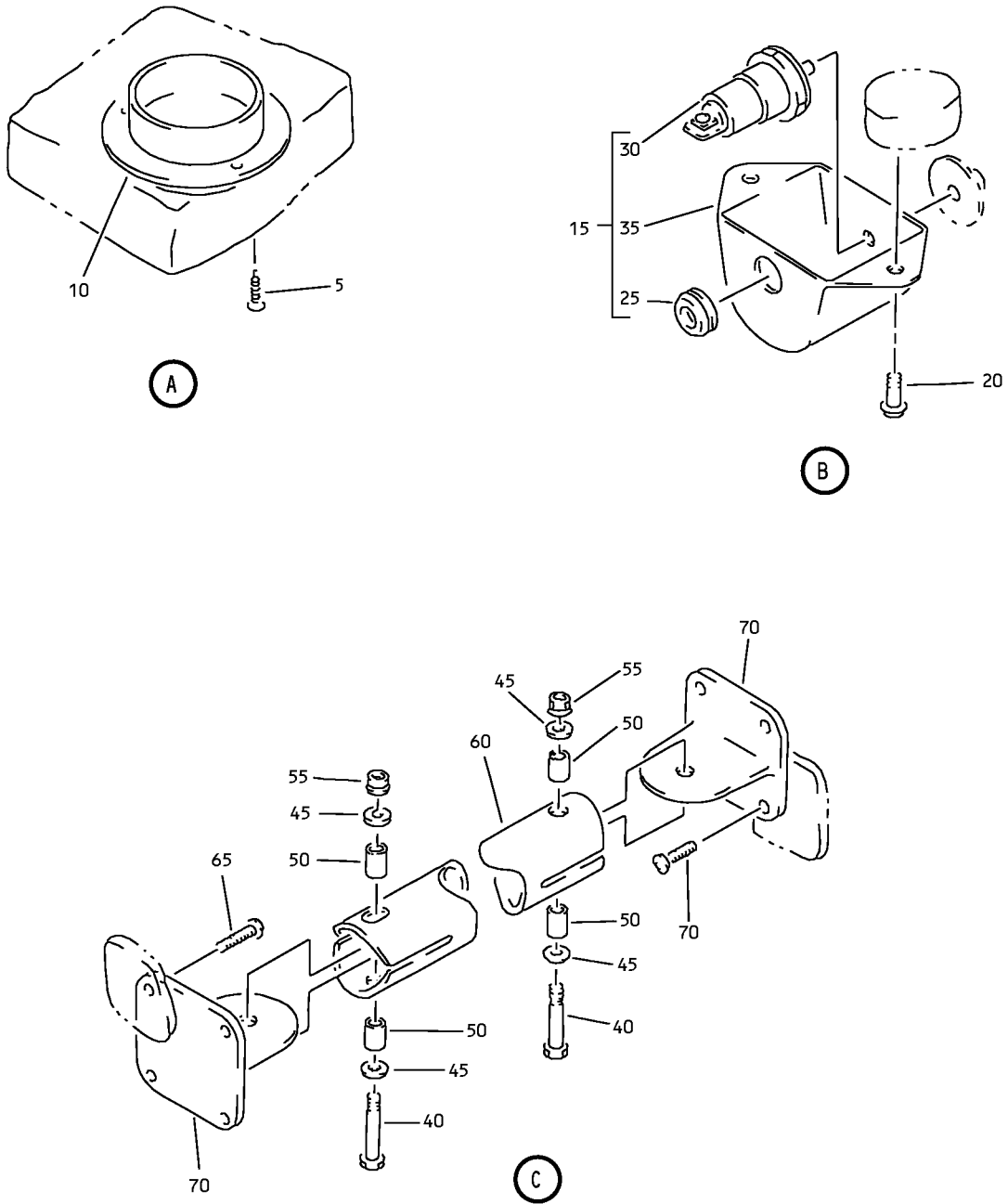
**25-24-08**

ILLUSTRATED PARTS LIST

Page 1098.8

Jul 01/2007

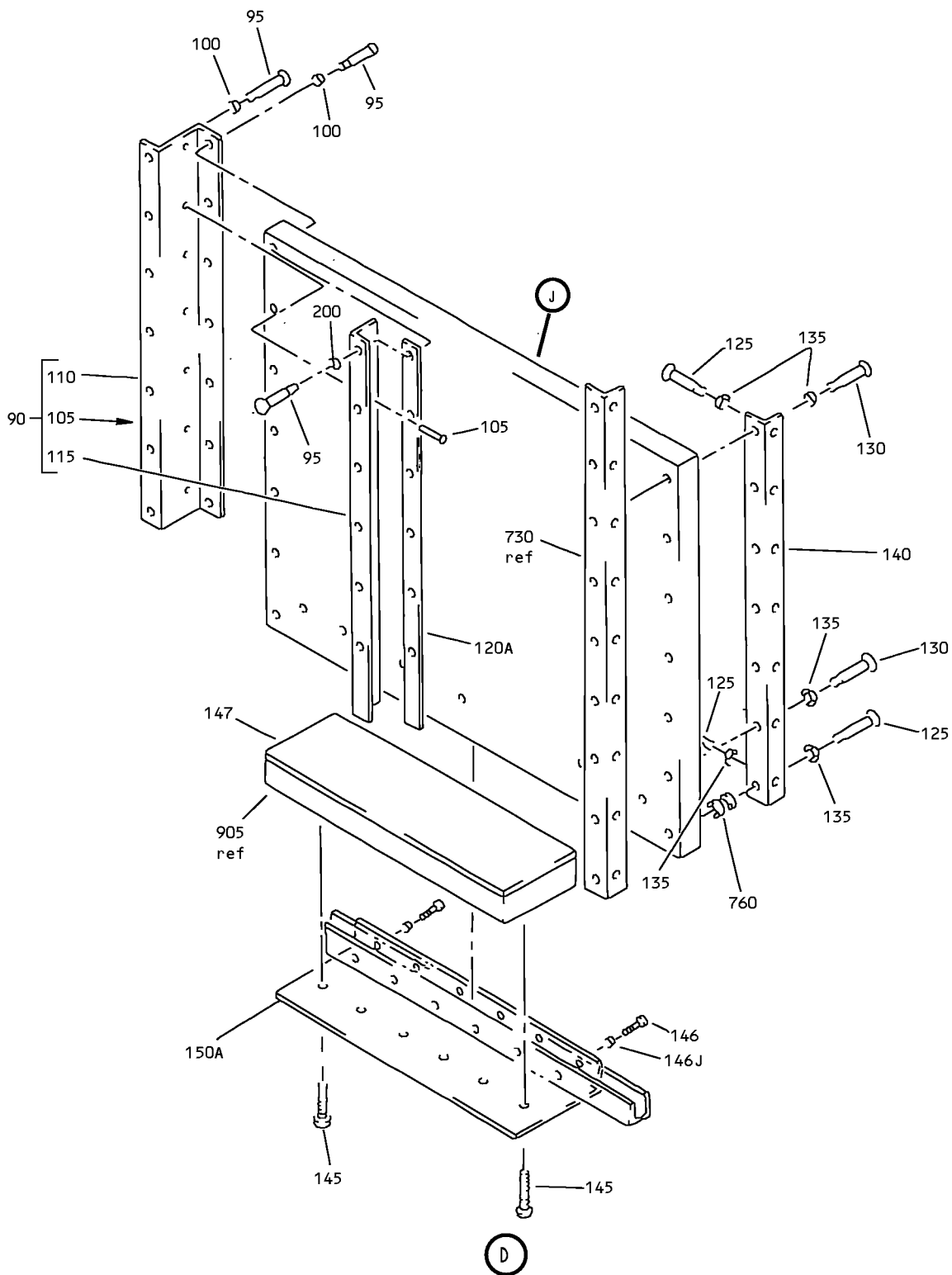
COMPONENT MAINTENANCE MANUAL



Forward Right Closet Assembly  
IPL Figure 1 (Sheet 2 of 13)

**25-24-08**  
ILLUSTRATED PARTS LIST  
Page 1098.9  
Jul 01/2007

### COMPONENT MAINTENANCE MANUAL



Forward Right Closet Assembly  
IPL Figure 1 (Sheet 3 of 13)

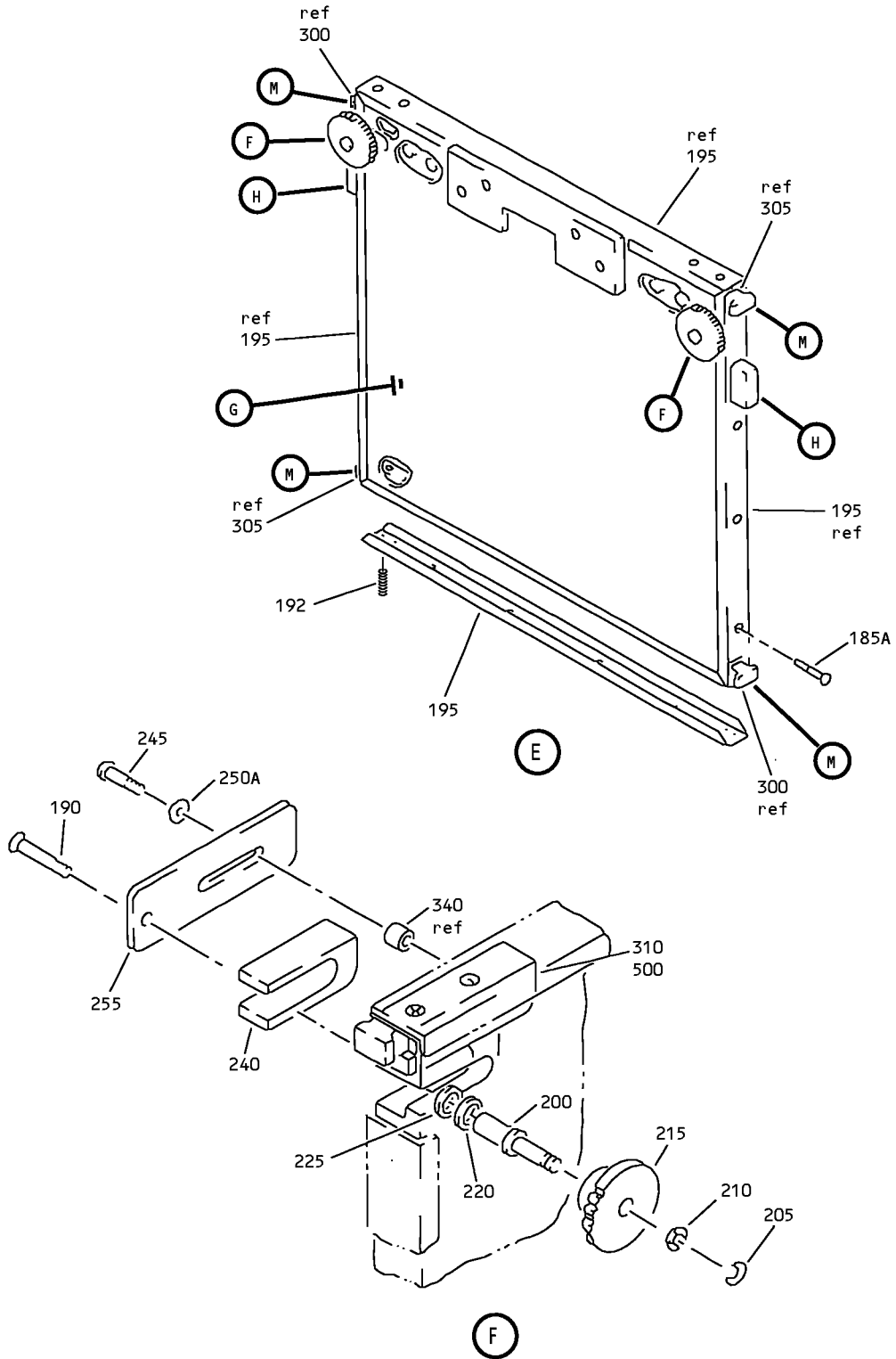
# 25-24-08

ILLUSTRATED PARTS LIST

Page 1098.10

Jul 01/2007

COMPONENT MAINTENANCE MANUAL



Forward Right Closet Assembly  
IPL Figure 1 (Sheet 4 of 13)

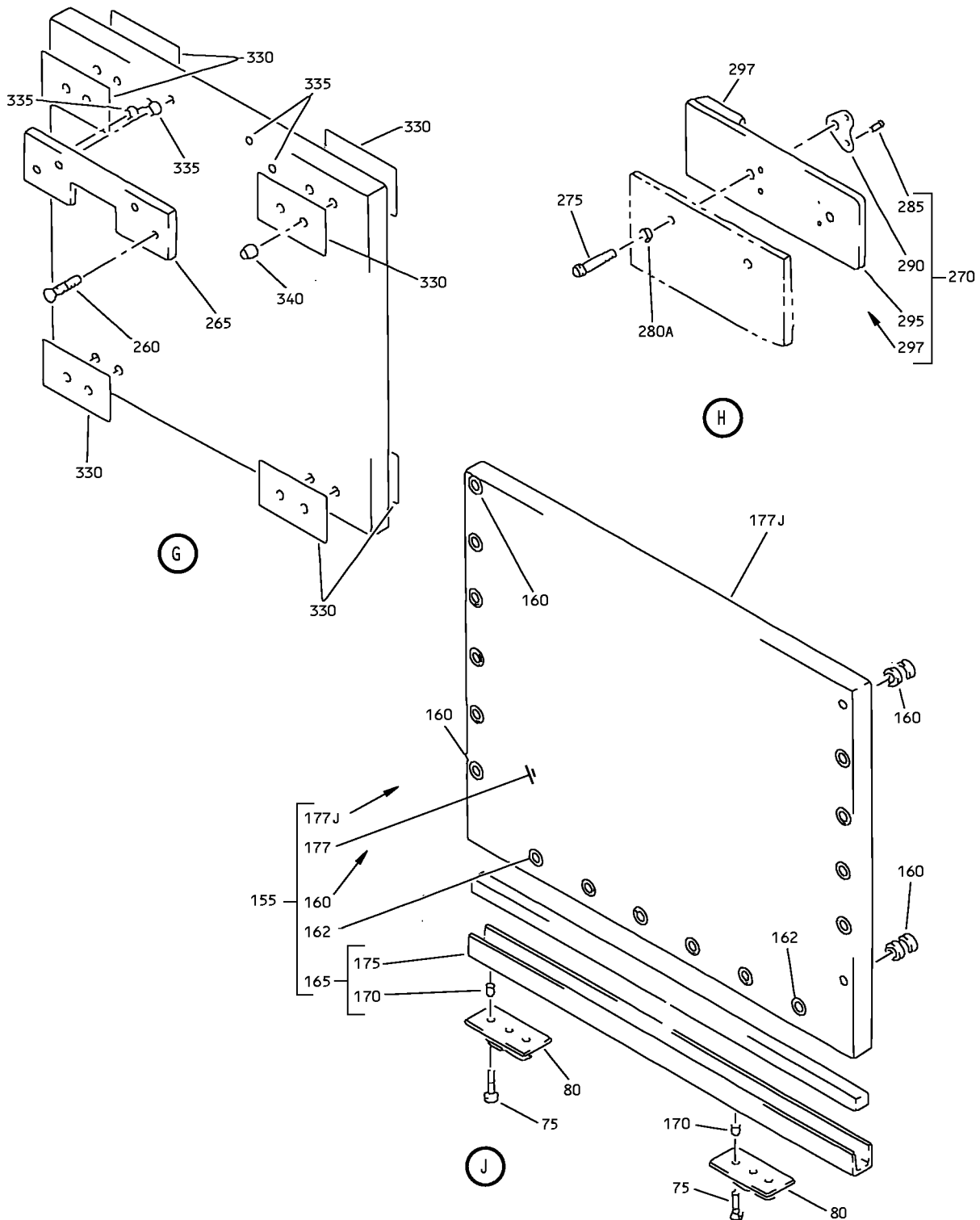
**25-24-08**

ILLUSTRATED PARTS LIST

Page 1098.11

Jul 01/2007

COMPONENT MAINTENANCE MANUAL



Forward Right Closet Assembly  
IPL Figure 1 (Sheet 5 of 13)

**25-24-08**

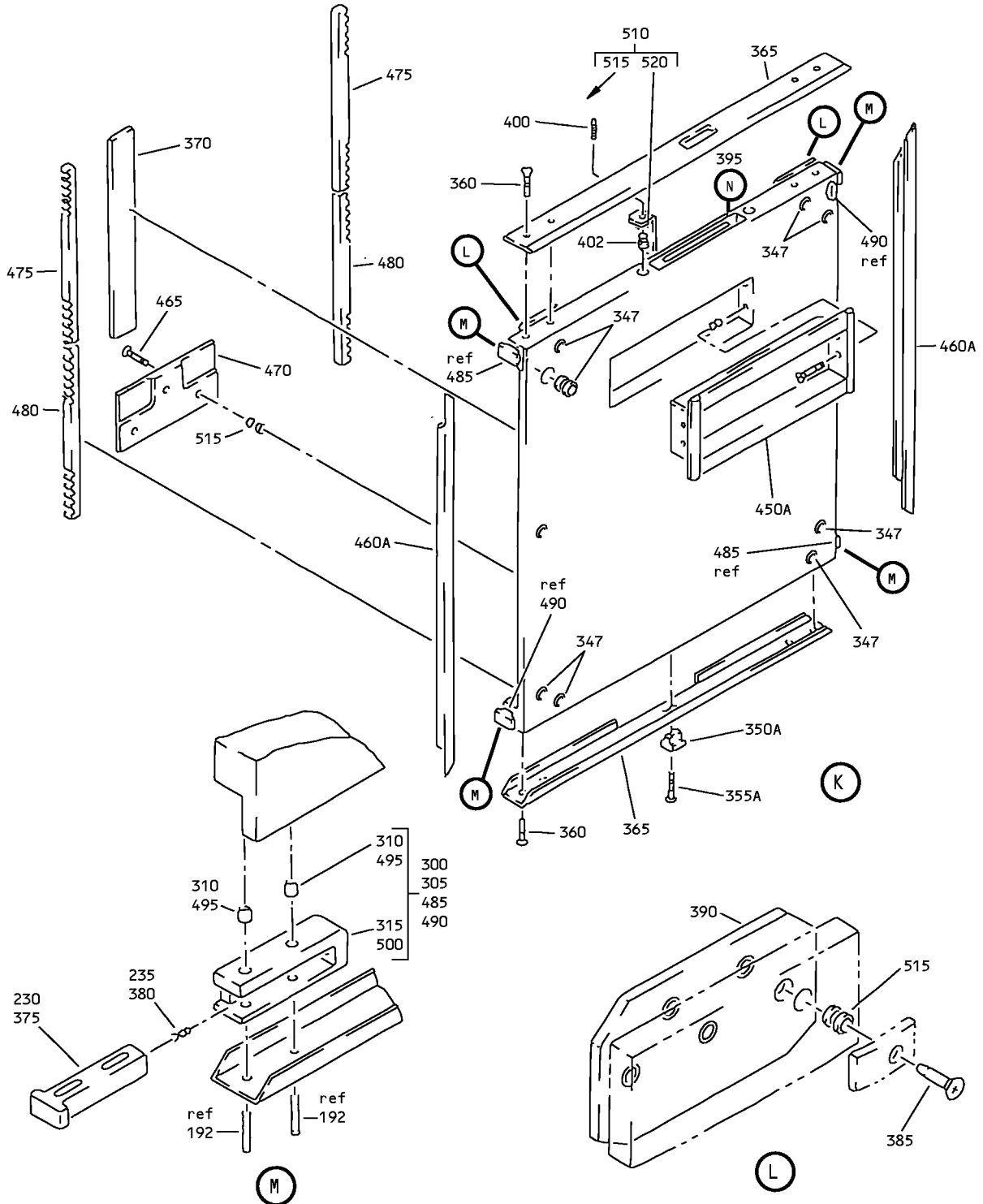
ILLUSTRATED PARTS LIST

Page 1098.12

Jul 01/2007



COMPONENT MAINTENANCE MANUAL



Forward Right Closet Assembly  
IPL Figure 1 (Sheet 6 of 13)

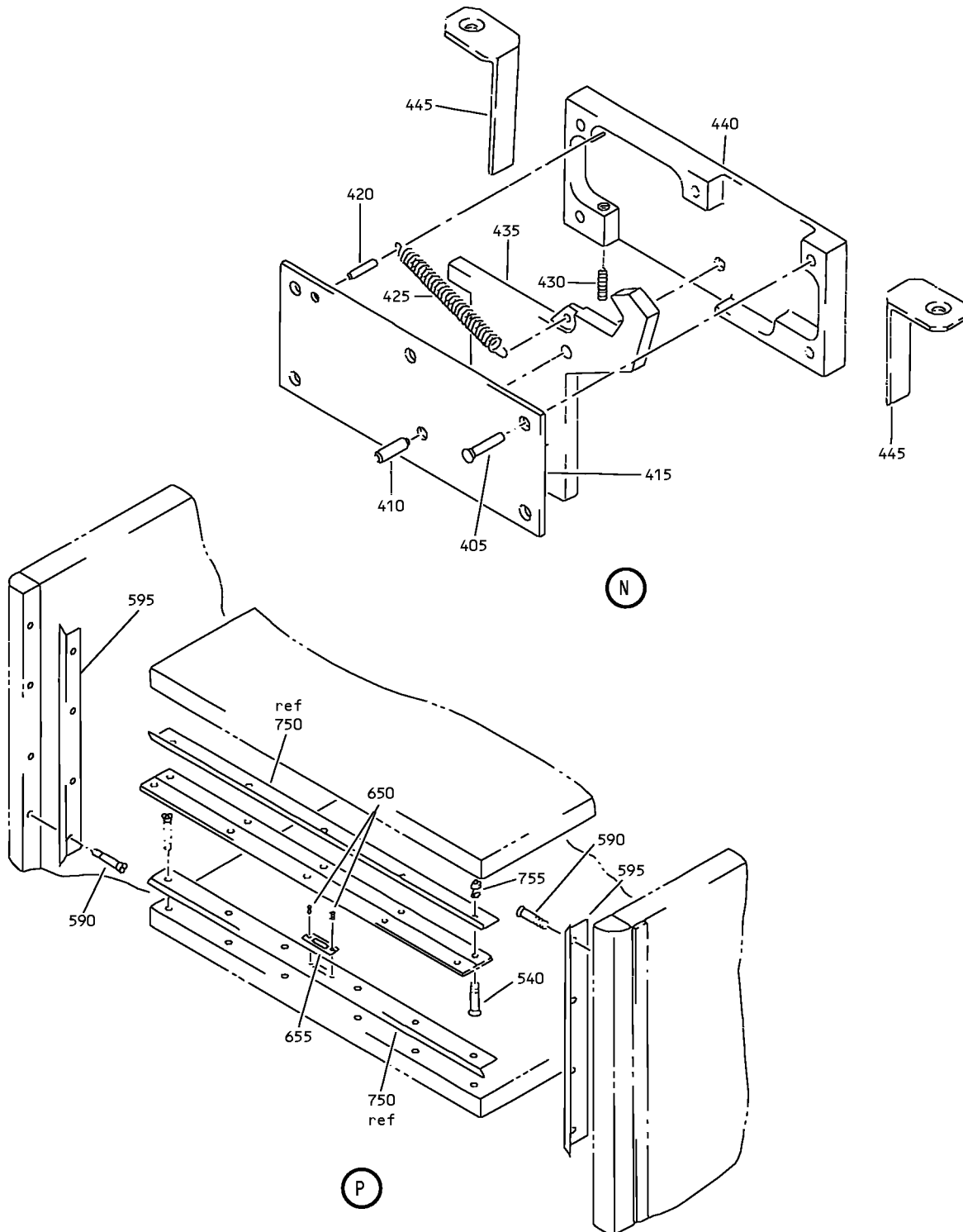
**25-24-08**

ILLUSTRATED PARTS LIST

Page 1098.13

Jul 01/2007

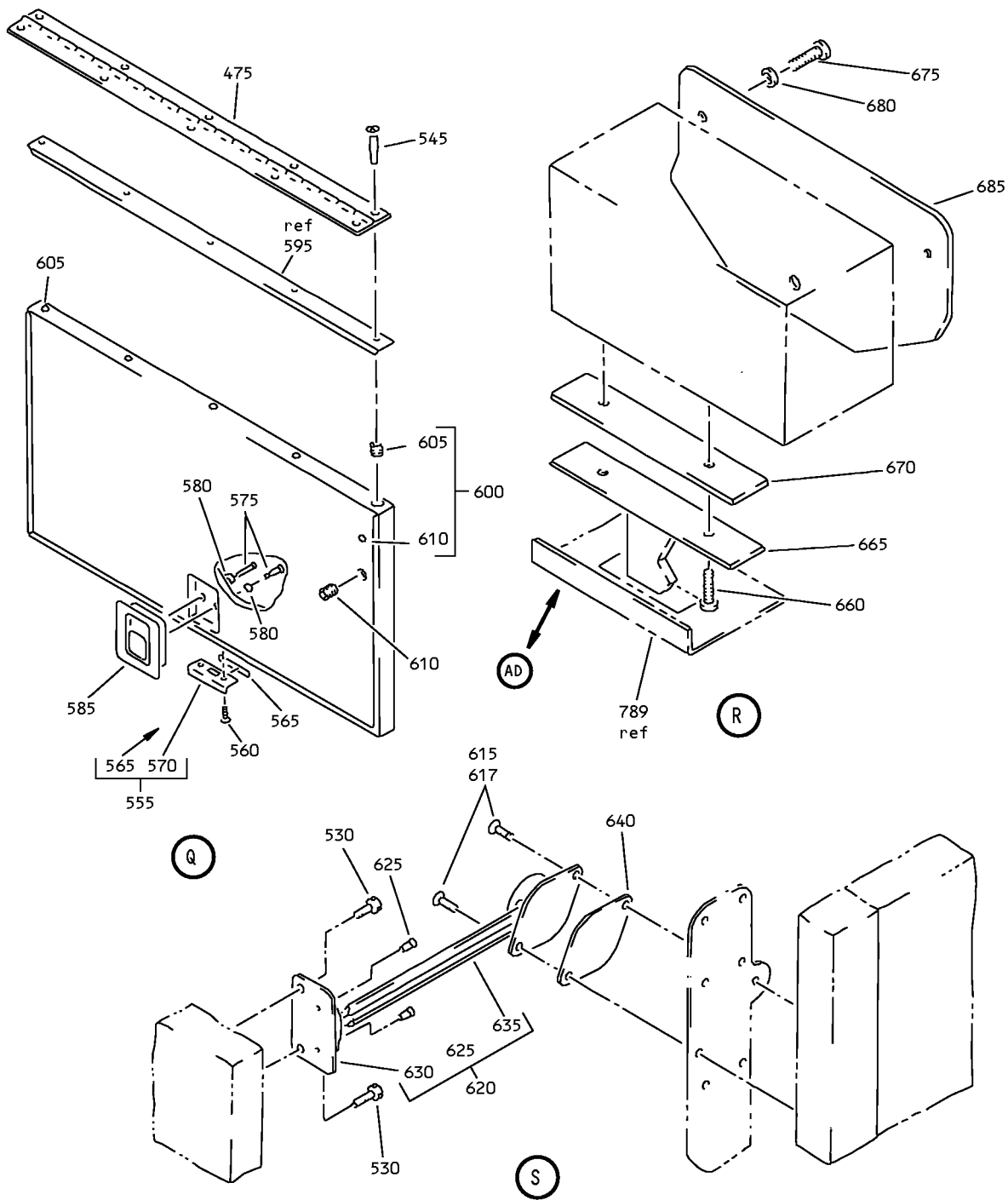
COMPONENT MAINTENANCE MANUAL



Forward Right Closet Assembly  
IPL Figure 1 (Sheet 7 of 13)

**25-24-08**  
ILLUSTRATED PARTS LIST  
Page 1098.14  
Jul 01/2007

COMPONENT MAINTENANCE MANUAL



Forward Right Closet Assembly  
IPL Figure 1 (Sheet 8 of 13)

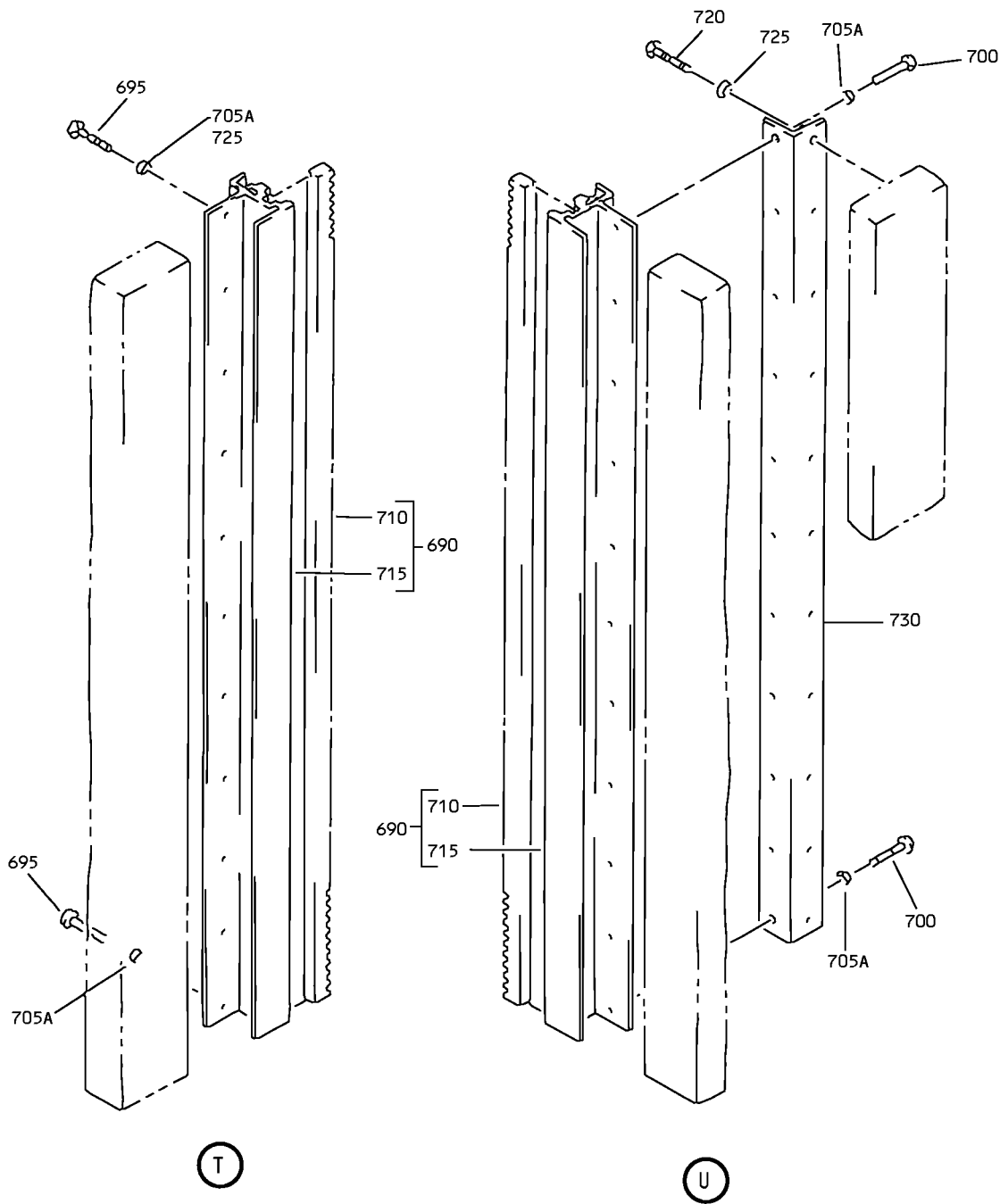
**25-24-08**

ILLUSTRATED PARTS LIST

Page 1098.15

Jul 01/2007

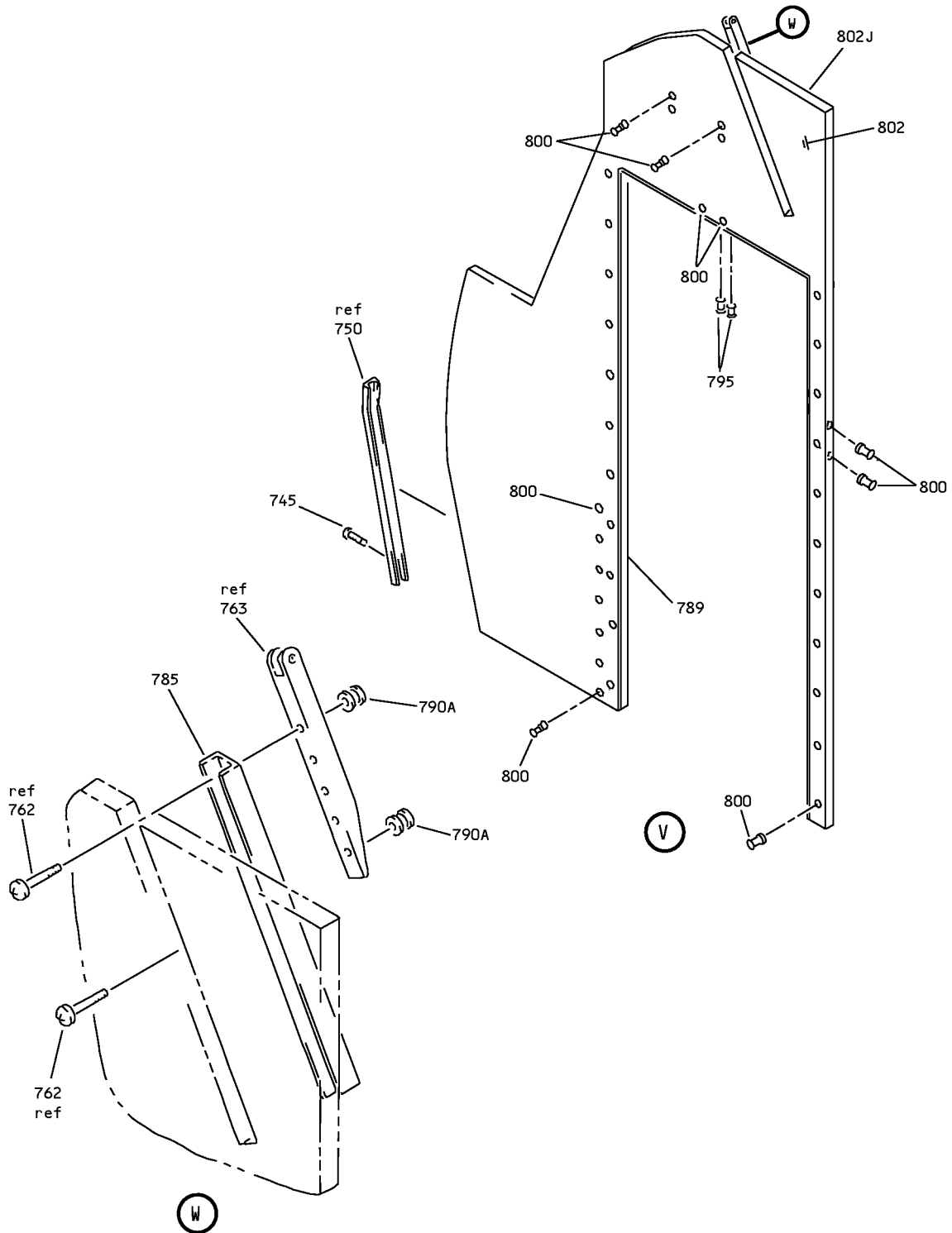
COMPONENT MAINTENANCE MANUAL



Forward Right Closet Assembly  
IPL Figure 1 (Sheet 9 of 13)

**25-24-08**  
ILLUSTRATED PARTS LIST  
Page 1098.16  
Jul 01/2007

COMPONENT MAINTENANCE MANUAL



Forward Right Closet Assembly  
IPL Figure 1 (Sheet 10 of 13)

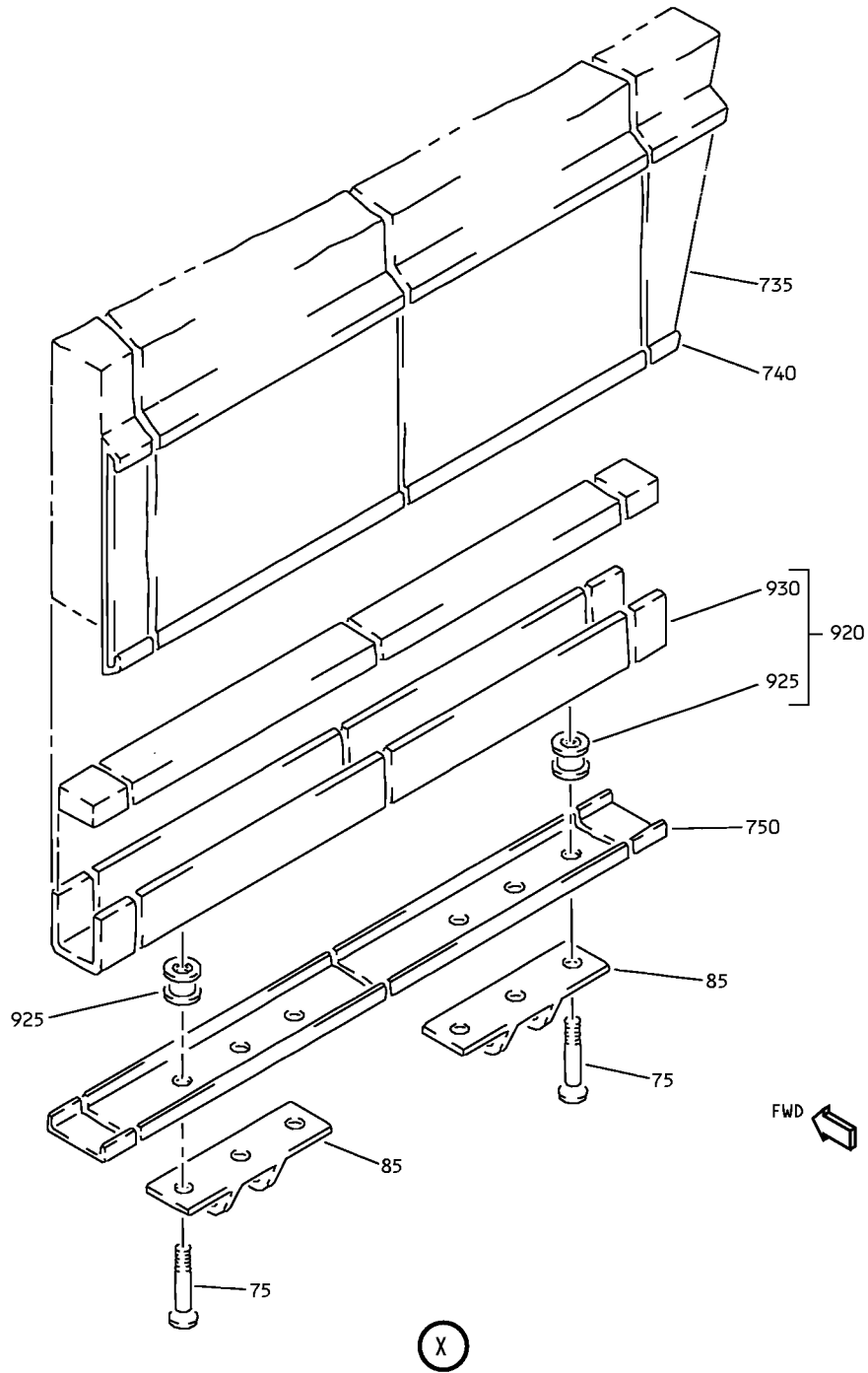
**25-24-08**

ILLUSTRATED PARTS LIST

Page 1098.17

Jul 01/2007

COMPONENT MAINTENANCE MANUAL



Forward Right Closet Assembly  
IPL Figure 1 (Sheet 11 of 13)

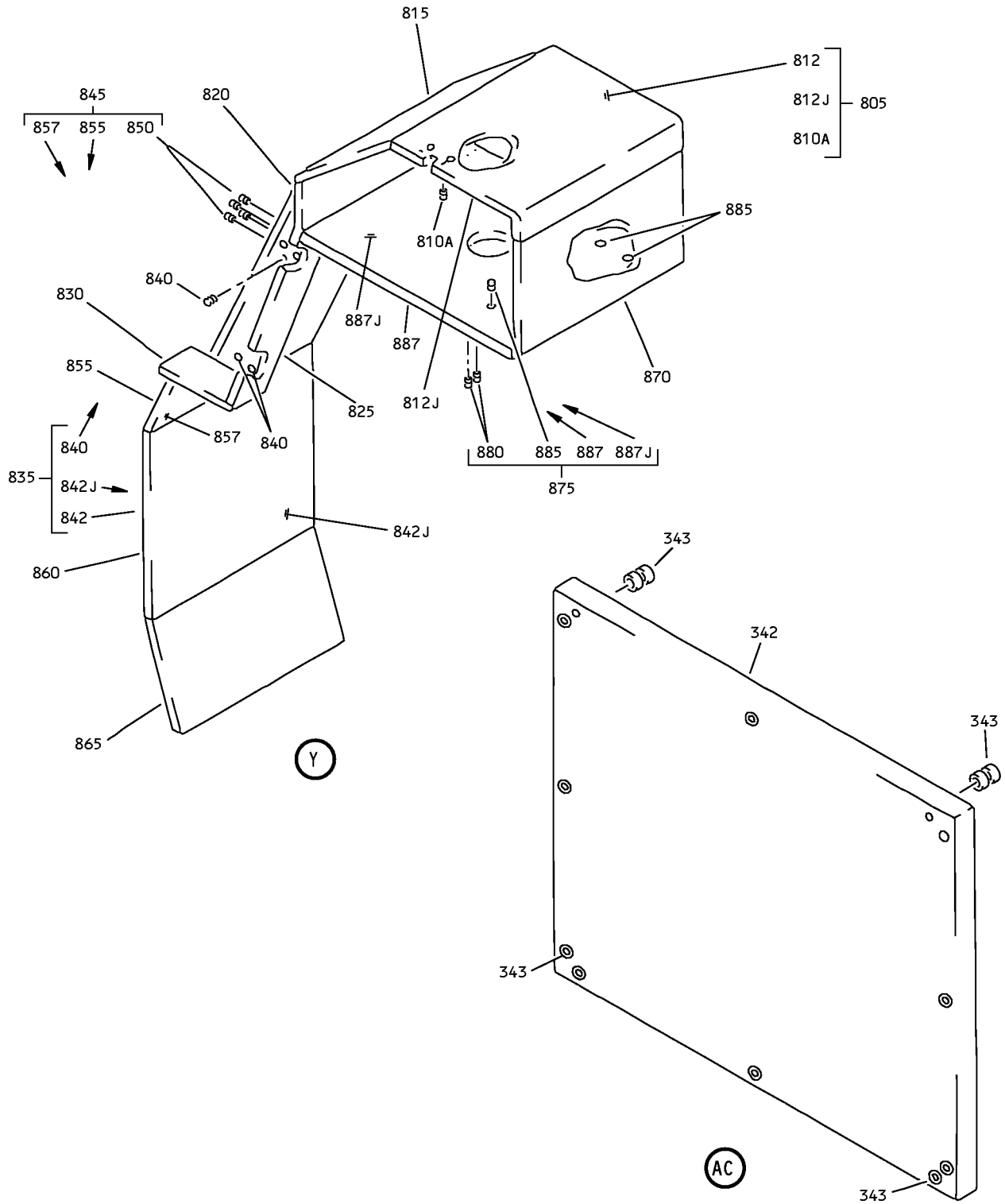
**25-24-08**

ILLUSTRATED PARTS LIST

Page 1098.18

Jul 01/2007

COMPONENT MAINTENANCE MANUAL



Forward Right Closet Assembly  
IPL Figure 1 (Sheet 12 of 13)

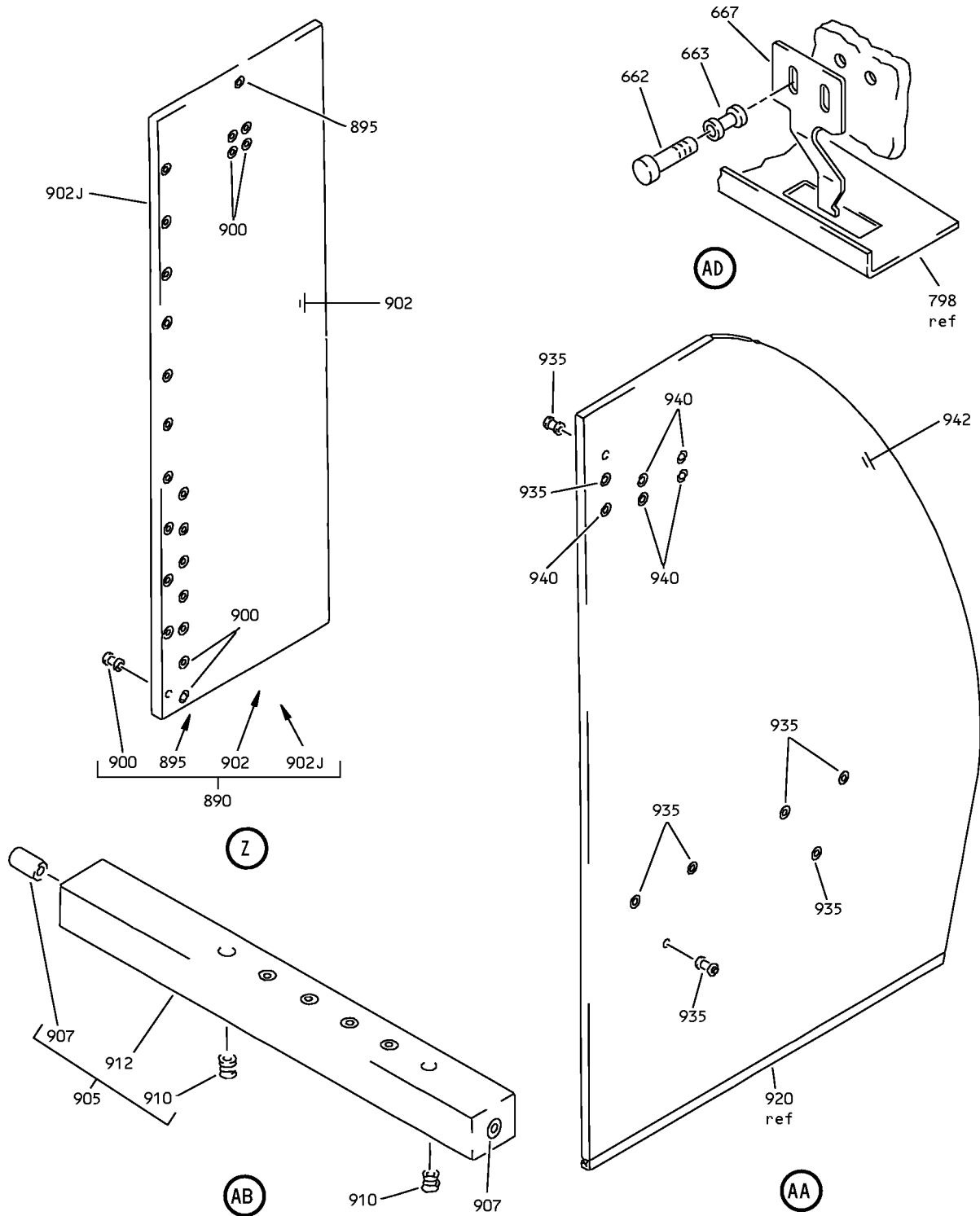
**25-24-08**

ILLUSTRATED PARTS LIST

Page 1098.19

Jul 01/2007

COMPONENT MAINTENANCE MANUAL



Forward Right Closet Assembly  
IPL Figure 1 (Sheet 13 of 13)

**25-24-08**

ILLUSTRATED PARTS LIST

Page 1098.20

Jul 01/2007





## COMPONENT MAINTENANCE MANUAL

FIG/ ITEM	PART NUMBER	AIRLINE PART NUMBER	NOMENCLATURE							USAGE CODE	UNITS PER ASSY
			1	2	3	4	5	6	7		
1-											
-1	413N3206-34SP									A	RF
-1A	413N3206-144SP									B	RF
-1B	413N3206-146SP									C	RF
-1C	413N3206-73SP									D	RF
-1D	413N3206-100SP									E	RF
-1E	413N3206-150SP									F	RF
-1F	413N3206-153SP									G	RF
-1G	413N3206-155SP									H	RF
-1H	413N3206-157SP									J	RF
-1J	413N3206-158SP									K	RF
-1K	413N3206-174SP									L	RF
-1L	413N3206-177SP									M	RF
-1M	413N3206-181SP									N	RF
-1N	413N3206-191SP									P	RF
-1P	413N3206-195SP									Q	RF
-1Q	413N3206-196SP									R	RF
-1R	413N3206-197SP									S	RF
-1S	413N3206-198SP									T	RF
-1T	413N3206-199SP									U	RF
-1U	413N3206-200SP									V	RF

-Item not Illustrated

# 25-24-08

ILLUSTRATED PARTS LIST

Page 1098.21

Jul 01/2007



## COMPONENT MAINTENANCE MANUAL

FIG/ ITEM	PART NUMBER	AIRLINE PART NUMBER	NOMENCLATURE							USAGE CODE	UNITS PER ASSY
			1	2	3	4	5	6	7		
1-											
-1V	413N3206-201SP									W	RF
-1W	413N3206-202SP									X	RF
-1X	413N3206-204SP									Y	RF
-1Y	413N3206-207SP									Z	RF
-1Z	413N3206-208SP									AA	RF
-2	413N3206-209SP									AG	RF
-2A	413N3206-210SP									AB	RF
-2B	413N3206-211SP									AC	RF
-2C	413N3206-212SP									AD	RF
-2D	413N3206-215SP									AE	RF
-2E	413N3206-213SP									AF	RF
-2F	413N3206-217SP									AH	RF
-2G	413N3206-218SP									AJ	RF
-2H	413N3206-219SP									AK	RF
-2J	413N3206-220SP									AL	RF
-2K	413N3206-224SP									AM	RF
-2L	413N3206-223SP									AN	RF
-2M	413N3206-227SP									AP	RF
-2N	413N3206-228SP									AQ	RF
-2P	413N3206-230SP									AR	RF

-Item not Illustrated

# 25-24-08

ILLUSTRATED PARTS LIST

Page 1098.22

Jul 01/2007







## COMPONENT MAINTENANCE MANUAL

FIG/ ITEM	PART NUMBER	AIRLINE PART NUMBER	NOMENCLATURE							USAGE CODE	UNITS PER ASSY
			1	2	3	4	5	6	7		
1-											
110	413N3211-40		.	.	ANGLE					A, F, K, L, Q, Y, AC	1
115	413N3211-56		.	.	ANGLE					A, F, K, L, Q, Y, AC	1
120	BACF3F060R209NN				DELETED						
120A	BACF3F006R209NN		.		FILLER					A, F, K	1
-120B	BACS40T006E209		.		FILLER					L, Q, Y, AC	1
125	NAS603-5P		.		SCREW					A, F, K, L, Q, Y, AC	8
130	NAS603-6P		.		SCREW					A, F, K, L, Q, Y, AC	6
135	AN960KD10L		.		WASHER					A, F, K, L, Q, Y, AC	14
140	413N3211-36SP		.		ANGLE					A, F, K, L, Q, Y, AC	1
145	NAS514P1032-6		.		SCREW					A, F, K, L, Q, Y, AC	6
146	NAS603-5P		.		SCREW					A, F, K, L, Q, Y, AC	6
146J	AN960KD10L		.		WASHER					A, F, K, L, Q, Y, AC	6
147	413N3206-70		.		STRIP-SCUFF					A, F, K, L, Q, Y, AC	AR
150	413N3211-37SP				DELETED						
150A	413N3211-57		.		ANGLE					A, F, K, L, Q, Y, AC	1
155	413N3206-38SP		.		PANEL ASSY-SILL					A, F	1

-Item not Illustrated

**25-24-08**

ILLUSTRATED PARTS LIST

Page 1098.25

Jul 01/2007



## COMPONENT MAINTENANCE MANUAL

FIG/ ITEM	PART NUMBER	AIRLINE PART NUMBER	NOMENCLATURE							USAGE CODE	UNITS PER ASSY															
			1	2	3	4	5	6	7																	
1-																										
-155A	413N3206-161SP		.	P	A	N	E	L	A	S	S	I	L		K, L, Q, Y, AC	1										
160	SL2334-3A3		.	.	I	N	S	E	R	T					A, F, K, L, Q, Y, AC	12										
162	SL854C3C10C		.	.	I	N	S	E	R	T					A, F, K, L, Q, Y, AC	6										
165	413N3600-26		.	.	C	H	A	N	N	E	L	A	S	S	A	A	A, F, K, L, Q, Y, AC	1								
170	SL854C3C10C		.	.	.	I	N	S	E	R					A, F, K, L, Q, Y, AC	6										
175	413N3600-27		.	.	.	C	H	A	N	N	E	L			A, F, K, L, Q, Y, AC	1										
177	413N3206-55SP		.	.	C	O	V	E	R	-	D	E	C	O	R	A	T	I	V	E	F	W	D		A, F, K, L, Q, Y, AC	AR
177J	413N3206-58SP		.	.	C	O	V	E	R	-	D	E	C	O	R	A	T	I	V	E	I	N	T		A, F, K, L, Q, Y, AC	AR
180	413N3615-66SP		.	D	O	O	R	A	S	S						A, F	1									
-180A	413N3615-345SP		.	D	O	O	R	A	S	S						K	1									
185	PK87XA8-12																									
185A	MS51862-16C		.	.	S	C	R	E	W							A, F, K	AR									
190	NAS514P832-8		.	.	S	C	R	E	W							A, F, K	2									
192	NAS514P632-8		.	.	S	C	R	E	W							A, F, K	8									
195	413N3615-50		.	.	T	R	I	M								A, F, K	AR									
200	413T3046-7		.	.	P	O	S	T	-	G	E	A	R			A, F, K	2									
205	MS16633-4018		.	.	R	I	N	G								A, F, K	2									
210	AN960C10L		.	.	W	A	S	H	E	R						A, F, K	2									
215	G8100-1		.	.	G	E	A	R	-	S	P	U	R			A, F, K	2									
220	AN960KD516		.	.	W	A	S	H	E	R						A, F, K	2									
225	AN960KD516L		.	.	W	A	S	H	E	R						A, F, K	2									

-Item not Illustrated

**25-24-08**

ILLUSTRATED PARTS LIST

Page 1098.26

Jul 01/2007



## COMPONENT MAINTENANCE MANUAL

FIG/ ITEM	PART NUMBER	AIRLINE PART NUMBER	NOMENCLATURE							USAGE CODE	UNITS PER ASSY
			1	2	3	4	5	6	7		
1-											
230	413N3109-77									A, F, K	4
235	MS24585-1063									A, F, K	4
240	413T3046-1									A, F, K	2
245	NAS603-7P									A, F, K	4
250	AN960KD10L									DELETED	
250A	AN960JD10L									A, F, K	4
255	413T3046-2									A, F, K	2
260	NAS514P832-8									A, F, K	4
265	413N3211-19									A, F, K	1
270	413N3211-22									A, F, K	2
										ATTACHING PARTS	
275	NAS603-7P									A, F, K	4
280	AN960KD10L									DELETED	
280A	AN960JD10L									A, F, K	4
										-----*	
285	BACR15BA3D									A, F, K	4
										(SIZE DETERMINED ON INST)	
290	MK4000-3BAC									A, F, K	2
										(V15653)	
										(SPEC BACN10JP3D)	
										(OPT NS103200-02 (V80539))	
										(OPT RMA9209M3 (V72962))	
										(OPT VN204A1-02 (V92215))	
										(OPT T8079S1032 (V11815))	
295	413N3211-23									A, F, K	1
300	413T3046-3									A, F, K	2
305	413T3046-4									A, F, K	2
310	MS21209C0610									A, F, K	2
315	413T3046-5									A, F, K	1
										(USED ON ITEM 300)	
-320	413T3046-6									A, F, K	1
										(USED ON ITEM 305)	
325	413N3615-67SP									A, F	1
-325A	413N3615-346SP									K	1

-Item not Illustrated

# 25-24-08

ILLUSTRATED PARTS LIST

Page 1098.27

Jul 01/2007



## COMPONENT MAINTENANCE MANUAL

FIG/ ITEM	PART NUMBER	AIRLINE PART NUMBER	NOMENCLATURE							USAGE CODE	UNITS PER ASSY
			1	2	3	4	5	6	7		
1-											
330	BACF3F010B023NC		. . .	FILLER						A, F, K	8
335	SL2334-08A2		. . .	INSERT (V97393)						A, F, K	4
340	SL2334-3A2		. . .	INSERT (V97393)						A, F, K	4
342	413N3615-360SP		. DOOR	ASSY						L, Q, Y, AC	1
343	SL2334-06A3		. .	INSERT (V97393)						L, Q, Y, AC	12
344	SL2334-06A3		DELETED								
345	413N3615-76SP		. DOOR	ASSY						A, F	1
-345A	413N3615-347SP		. DOOR	ASSY						K	1
-345B	413N3615-359SP		. DOOR	ASSY						L, Q, Y, AC	1
347	SL2334-06A3		. .	INSERT (V97393)						L, Q, Y, AC	11
350	301S		DELETED								
350A	705R		. .	BUMPER (V75543)						A, F, K	1
355	PK87XA8-12		DELETED								
355A	MS51862-17		. .	SCREW						A, F, K	AR
360	NAS514P632-8		. .	SCREW						A, F, K	8
365	413N3615-50		. .	TRIM						A, F, K	AR
370	413N3615-103		. .	STRIP						A, F, K	AR
375	413N3109-77		. .	GUIDE						A, F, K	4
380	MS24585-1063		. .	SPRING						A, F, K	4
385	NAS514P1032-8		. .	SCREW						A, F, K	10
390	413N3211-18		. .	PLATE						A, F, K	2
395	413N3109-78		. .	LATCH ASSY						A, F, K, L, Q, Y, AC	1
			ATTACHING PARTS								
400	NAS514P632-3		. .	SCREW						A, F, K, L, Q, Y, AC	2

-Item not Illustrated

**25-24-08**

ILLUSTRATED PARTS LIST

Page 1098.28

Jul 01/2007





## COMPONENT MAINTENANCE MANUAL

FIG/ ITEM	PART NUMBER	AIRLINE PART NUMBER	NOMENCLATURE							USAGE CODE	UNITS PER ASSY
			1	2	3	4	5	6	7		
1-											
402	NAS1836-06-09									L, Q, Y, AC	2
405	BACR15BA3D									A, F, K, L, Q, Y, AC	5
410	69B51600-4									A, F, K, L, Q, Y, AC	1
415	69B51600-2									A, F, K, L, Q, Y, AC	1
420	69B51600-3									A, F, K, L, Q, Y, AC	1
425	MS24586-525									A, F, K, L, Q, Y, AC	1
430	MS18065-10									A, F, K, L, Q, Y, AC	1
435	413N3109-79									A, F, K, L, Q, Y, AC	1
440	69B51629-1									A, F, K, L, Q, Y, AC	1
445	413N3109-80									A, F, K, L, Q, Y, AC	2
450	413N3211-47									DELETED	
450A	413T3004-4									A, F, K, L, Q, Y, AC	1
-450B	413T3004-9									A, F, K, L, Q, Y, AC	1
										ATTACHING PARTS	
455	NAS514P832-4									DELETED	

-Item not Illustrated

**25-24-08**

ILLUSTRATED PARTS LIST

Page 1098.29

Jul 01/2007



## COMPONENT MAINTENANCE MANUAL

FIG/ ITEM	PART NUMBER	AIRLINE PART NUMBER	NOMENCLATURE							USAGE CODE	UNITS PER ASSY
			1	2	3	4	5	6	7		
1-											
460	413N3211-21										
460A	413N3211-14									A, F, K	2
465	NAS514P1032-8									A, F, K	3
470	413N3211-43									A, F, K	1
475	413N3615-82									A, F, K	2
480	1M12N24									A, F, K	2
485	413T3046-3									A, F, K	2
490	413T3046-4									A, F, K	2
495	MS21209C0610									A, F, K	2
500	413T3046-5									A, F, K	1
-505	413T3046-6									A, F, K	1
510	413N3615-77SP									A, F	1
-510A	413N3615-348SP									K	1
515	SL2334-3A3									A, F, K	13
520	NAS1836-06-09									A, F, K	2
525	NAS1836-08-09										
530	NAS603-4P									A, F, K, L, Q, Y, AC	2
535	413N3615-114SP									A, F	1
-535A	413N3615-343SP									K, L, Q, Y	1
-535B	413N3615-492SP									AC	1
540	NAS514P832-4P									A, F, K, L, Q, Y, AC	5
545	NAS514P832-5									A, F, K, L, Q, Y, AC	5

-Item not Illustrated

# 25-24-08

ILLUSTRATED PARTS LIST

Page 1098.30

Jul 01/2007



## COMPONENT MAINTENANCE MANUAL

FIG/ ITEM	PART NUMBER	AIRLINE PART NUMBER	NOMENCLATURE							USAGE CODE	UNITS PER ASSY
			1	2	3	4	5	6	7		
1-											
550	413N3615-116		. .							A, F, K, L, Q, Y, AC	1
555	65C19715-310		. .							A, F, K, L, Q, Y, AC	1
560	NAS514P832-5		. .							A, F, K, L, Q, Y, AC	2
565	65C19715-312		. . .							A, F, K, L, Q, Y, AC	1
570	65C19715-311		. . .							A, F, K, L, Q, Y, AC	1
575	NAS601-7P		. .							A, F, K, L, Q, Y, AC	2
580	AN960KD6L		. .							A, F, K, L, Q, Y, AC	2
585	SAM222-11		. .							A, F, K, L, Q, Y, AC	1
590	PK87XA8-12		. .							A, F, K, L, Q, Y, AC	AR
595	413N3615-4		. .							A, F, K, L, Q, Y	AR
-595A	413N3165-25		. .							AC	AR
600	413N3615-115SP		. .							A, F	1
-600A	413N3615-344SP		. .							K, L, Q, Y, AC	1
605	SL2334-08A3		. . .							A, F, K, L, Q, Y, AC	5

-Item not Illustrated

**25-24-08**

ILLUSTRATED PARTS LIST

Page 1098.31

Jul 01/2007



## COMPONENT MAINTENANCE MANUAL

FIG/ ITEM	PART NUMBER	AIRLINE PART NUMBER	NOMENCLATURE							USAGE CODE	UNITS PER ASSY	
			1	2	3	4	5	6	7			
1-												
610	NAS1836-08-12		.	.	.						INSERT A, F, K, L, Q, Y, AC	2
615	NAS514P832-12		.								SCREW A, F, K, L, Y, AC	2
617	NAS602-4P		.								SCREW Q	2
620	413T3022-1		.								SUPPORT ASSY-DOOR A, F, K, L, Y, AC	1
625	BACR15BA5A		.	.							RIVET (SIZE DETERMINED ON INST) A, F, K, L, Y, AC	2
630	413T3022-2		.	.							PLATE A, F, K, L, Y, AC	1
635	SL3579A3		.	.							SUPPORT (V97393) A, F, K, L, Y, AC	1
640	413T3022-7		.								SPACER A, F, K, L, Y, AC	1
645	A35502-7		.								RETAINER (V52607) A, F, K, L, Q, Y, AC	1
647	NAS1836-3-17		.								INSERT A, F, K, L, Q, Y, AC	1
650	PK87XA6-6		.								SCREW (V45722) (SPEC BACS12H6-6) (OPT SK145A6-6 (V73439)) (ITEM 650A TOGETHER WITH ITEM 650B OPT ITEM 650) A, F, K, L, Q, Y, AC	2
-650A	NAS514P632-5		.								SCREW (ITEMS 650A TOGETHER WITH ITEM 650B OPT ITEM 650) A, F, K, L, Q, Y, AC	2
-650B	NAS1836-06-12		.								INSERT (ITEM 650A TOGETHER WITH ITEM 650B OPT ITEM 650) A, F, K, L, Q, Y, AC	2
655	AR131		.								PLATE-STRIKE (V80477) A, F, K, L, Q, Y, AC	1
660	NAS602-7P		.								SCREW A, F, K, L, Q	2
662	NAS603-7P		.								SCREW Y, AC	2

-Item not Illustrated

**25-24-08**

ILLUSTRATED PARTS LIST

Page 1098.32

Jul 01/2007



## COMPONENT MAINTENANCE MANUAL

FIG/ ITEM	PART NUMBER	AIRLINE PART NUMBER	NOMENCLATURE							USAGE CODE	UNITS PER ASSY
			1	2	3	4	5	6	7		
1-											
663	SL2334-3A3		.	INSERT						Y, AC	2
				(V97393)							
665	69B51630-1		.	STRIKE						A, F, K, L, Q	1
667	413T3051-102		.	STRIKE-PNL LATCH						Y, AC	1
670	BACS40R04F20F		.	SHIM						A, F, K, L, Q	1
675	NAS603-7P		.	SCREW						A, F, K, L, Q	2
680	AN960KD10L		.	WASHER						A, F, K, L, Q	2
685	413T3051-12SP		.	BRACKET						A, F, K, L, Q	1
690	65C19715-406		.	RAIL ASSY-DOOR						A, F, K	2
-690A	GAR1007-5762		.	TRACK ASSY						L, Q, Y, AC	2
				ATTACHING PARTS							
695	NAS603-6P		.	SCREW						A, F, K, L, Q, Y, AC	11
700	NAS603-5P		.	SCREW						A, F, K, L, Q, Y, AC	11
705	AN960KD10L			DELETED							
705A	AN960JD10L		.	WASHER						A, F, K, L, Q, Y, AC	22
				-----*							
710	1M12N24		.	. RACK-MOLDED						A, F, K	2
				(V59706)							
715	65C19715-407		.	. RAIL						A, F, K	1
720	NAS603-5P		.	SCREW						A, F, K, L, Q, Y, AC	11
725	AN960KD10L		.	WASHER						A, F, K, L, Q, Y, AC	11

-Item not Illustrated

**25-24-08**

ILLUSTRATED PARTS LIST

Page 1098.33

Jul 01/2007



## COMPONENT MAINTENANCE MANUAL

FIG/ ITEM	PART NUMBER	AIRLINE PART NUMBER	NOMENCLATURE							USAGE CODE	UNITS PER ASSY
			1	2	3	4	5	6	7		
1-											
730	413N3211-26SP		.	ANGLE						A, F, K, L, Q, Y, AC	1
735	413N3206-67SP		.	KICKSTRIP-CARPET						A, F, K, L, Q, Y, AC	AR
740	413N3206-66SP		.	RETAINER-KICKSTRIP						A, F, K, L, Q, Y, AC	AR
745	SK145A2-12		.	SCREW (V73439) (SPEC BACS12H2-12) (OPT PK87XA2-12 (V45722))						A, F, K, L, Q, Y, AC	AR
750	413N3206-15		.	TRIM						A, F, K, Y, AC	AR
-750A	413N3206-179		.	TRIM						L, Q, Y, AC	AR
752	413N3223-1		.	SEAL						A, F, K, L, Q, Y, AC	1
755	SL2334-08A3		.	INSERT (V97393)						A, F, K, L, Q, Y, AC	5
760	SL854C3C10C		.	INSERT (V97393)						A, F, K, L, Q, Y, AC	1
762	NAS1801-4-9		.	SCREW						A, F, K, L, Q, Y, AC	5
763	413N3211-58SP		.	CHANNEL-SPRT						A, F, K, L, Q, Y, AC	1
765	413N3206-71SP		.	PARTITION ASSY						A, F	1
-765A	413N3206-172SP		.	PARTITION ASSY						K	1
-765B	413N3206-178SP		.	PARTITION ASSY						L, Q	1
-765C	413N3206-205SP		.	PARTITION ASSY						Y, AC	1
770	NAS623-4-3			DELETED							
775	AN960KD416L			DELETED							
780	413N3211-58SP			DELETED							

-Item not Illustrated

# 25-24-08

ILLUSTRATED PARTS LIST

Page 1098.34

Jul 01/2007



## COMPONENT MAINTENANCE MANUAL

FIG/ ITEM	PART NUMBER	AIRLINE PART NUMBER	NOMENCLATURE							USAGE CODE	UNITS PER ASSY
			1	2	3	4	5	6	7		
1-											
785	413N3211-59SP		.	.	CHANNEL-SPRT					A, F, K	1
-785A	413N3211-499SP		.	.	CHANNEL-SPRT					L, Q, Y, AC	1
787	413N3206-63		.	.	CHANNEL ASSY					A, F, K	1
-787A	413N3206-180		.	.	CHANNEL ASSY					L, Q	1
788	413N3206-64		.	.	CHANNEL					A, F, K, L, Q	1
789	413N3206-179		.	.	TRIM					L, Q, Y	AR
790	SL854C4C11				DELETED						
790A	SL854C4C11C		.	.	INSERT (V97393)					A, F, K, L, Q, Y, AC	5
795	NAS1836A08-12		.	.	INSERT					A, F, K, L, Q, Y, AC	2
800	SL2334-3A3		.	.	INSERT (V97393)					A, F, K, L, Q, Y, AC	37
802	413N3206-55SP		.	.	COVER-DECORATIVE FWD					A, F, K, L, Q, Y, AC	1
802J	413N3206-58SP		.	.	COVER-DECORATIVE INT					A, F, K, L, Q, Y, AC	1
805	413N3206-72SP		.		PANEL ASSY-TOP					A, F	1
-805A	413N3206-173SP		.		PANEL ASSY-TOP					K, L, Q, Y, AC	1
810	SL2334-3-4A				DELETED						
810A	SL2334-3A4		.	.	INSERT (V97393)					A, F, K, L, Q, Y, AC	4
812	413N3206-57SP		.	.	COVER-DECORATIVE INBD					A, F, K, L, Q, Y, AC	1
812J	413N3206-58SP		.	.	COVER-DECORATIVE INBD					A, F, K, L, Q, Y, AC	1
815	413N3206-41SP		.		PANEL ASSY-OUTBD					A, F	1

-Item not Illustrated

**25-24-08**

ILLUSTRATED PARTS LIST

Page 1098.35

Jul 01/2007



## COMPONENT MAINTENANCE MANUAL

FIG/ ITEM	PART NUMBER	AIRLINE PART NUMBER	NOMENCLATURE							USAGE CODE	UNITS PER ASSY	
			1	2	3	4	5	6	7			
1-												
-815A	413N3206-163SP		.								K, L, Q, Y, AC	1
820	413N3206-43SP		.								A, F	1
-820A	413N3206-165SP		.								K, L, Q, Y, AC	1
825	413N3206-44SP		.								A, F	1
-825A	413N3206-166SP		.								K, L, Q, Y, AC	1
830	413N3206-45SP		.								A, F	1
-830A	413N3206-167SP		.								K, L, Q, Y, AC	1
835	413N3206-42SP		.								A, F	1
-835A	413N3206-159SP										DELETED	
-835B	413N3206-164SP		.								K, L, Q, Y, AC	1
840	SL2334-3A3		.	.							A, F, K, L, Q, Y, AC	5
842	413N3206-59SP		.	.							A, F, K, L, Q, Y, AC	1
-842A	413N3206-152SP		.	.							A, F, K, L, Q, Y, AC	1
-842B	413N3206-55SP		.	.							A, F, K, L, Q, Y, AC	1
842J	413N3206-58SP		.	.							A, F, K, L, Q, Y, AC	1
845	413N3206-46SP		.								A, F	1
-845A	413N3206-168SP		.								K, L, Q, Y, AC	1
850	SL2334-3A3		.	.							A, F, K, L, Q, Y, AC	4

-Item not Illustrated

# 25-24-08

ILLUSTRATED PARTS LIST

Page 1098.36

Jul 01/2007





## COMPONENT MAINTENANCE MANUAL

FIG/ ITEM	PART NUMBER	AIRLINE PART NUMBER	NOMENCLATURE							USAGE CODE	UNITS PER ASSY	
			1	2	3	4	5	6	7			
1-												
855	413N3206-59SP		.	.						COVER-DECORATIVE OUTBD	A, F, K, L, Q, Y, AC	1
857	413N3206-58SP		.	.						COVER-DECORATIVE INT	A, F, K, L, Q, Y, AC	1
860	413N3206-47SP		.							PANEL ASSY-OUTBD	A, F	1
-860A	413N3206-169SP		.							PANEL ASSY-OUTBD	K, L, Q, Y, AC	1
865	413N3206-48SP		.							PANEL ASSY-OUTBD	A, F	1
-865A	413N3206-170SP		.							PANEL ASSY-OUTBD	K, L, Q, Y, AC	1
870	413N3206-49SP									DELETED		
875	413N3206-39SP		.							PANEL ASSY-SHELF	A, F	1
-875A	413N3206-162SP		.							PANEL ASSY-SHELF	K, L, Q, Y, AC	1
880	SL2334-08A3		.	.						INSERT (V97393)	A, F, K, L, Q, Y, AC	2
885	SL2334-3A3		.	.						INSERT (V97393)	A, F, K, L, Q, Y, AC	4
887	413N3206-59SP		.	.						COVER-DECORATIVE OUTBD (USED ON ITEMS 860, 860A 865, 865A)	A, F, K, L, Q, Y, AC	1
887J	413N3206-58SP		.	.						COVER-DECORATIVE INT	A, F, K, L, Q, Y, AB	1
890	413N3206-37SP		.							PANEL ASSY-INBD	A, F	1
-890A	413N3206-160SP		.							PANEL ASSY-INBD	K, L, Q, Y, AC	1
895	NAS1836-3-17		.	.						INSERT	A, F, K, L, Q, Y, AC	1
900	SL2334-3A3		.	.						INSERT (V97393)	A, F, K, L, Q, Y, AC	22

-Item not Illustrated

# 25-24-08

ILLUSTRATED PARTS LIST

Page 1098.37

Jul 01/2007



## COMPONENT MAINTENANCE MANUAL

FIG/ ITEM	PART NUMBER	AIRLINE PART NUMBER	NOMENCLATURE							USAGE CODE	UNITS PER ASSY
			1	2	3	4	5	6	7		
1-											
902	413N3206-57SP		.	.	COVER-DECORATIVE	INBD				A, F, K, L, Q, Y, AC	1
902J	413N3206-58SP		.	.	COVER-DECORATIVE	INT				A, F, K, L, Q, Y, AC	1
905	413N3206-60SP		.		PANEL ASSY-FLOOR					A, F	1
-905A	413N3206-171SP		.		PANEL ASSY-FLOOR					K, L, Q, Y, AC	1
907	BACS18K10-45		.	.	SPACER					A, F, K, L, Q, Y, AC	2
-908	BACS18K10-43		.	.	SPACER					A, F, K, L, Q, Y, AC	2
910	SL2334-3A3		.	.	INSERT (V97393)					A, F, K, L, Q, Y, AC	6
912	413N3206-55SP		.	.	COVER-DECORATIVE	FWD				A, F, K, L, Q, Y, AC	1
915	413N3206-36SP		.		PARTITION ASSY-AFT					A, F	1
-915A	413N3206-159SP		.		PANEL ASSY-AFT					K, L, Q, Y, AC	1
920	413N3600-1		.	.	CHANNEL ASSY					A, F, K, L, Q, Y, AC	1
925	SL854C3C10C		.	.	INSERT (V97393)					A, F, K, L, Q, Y, AC	6
930	413N3600-2		.	.	CHANNEL					A, F, K, L, Q, Y, AC	1
935	SL2334-08A3		.	.	INSERT (V97393)					A, F, K, L, Q, Y, AC	8
940	SL2334-3A3		.	.	INSERT (V97393)					A, F, K, L, Q, Y, AC	5

-Item not Illustrated

# 25-24-08

ILLUSTRATED PARTS LIST

Page 1098.38

Jul 01/2007



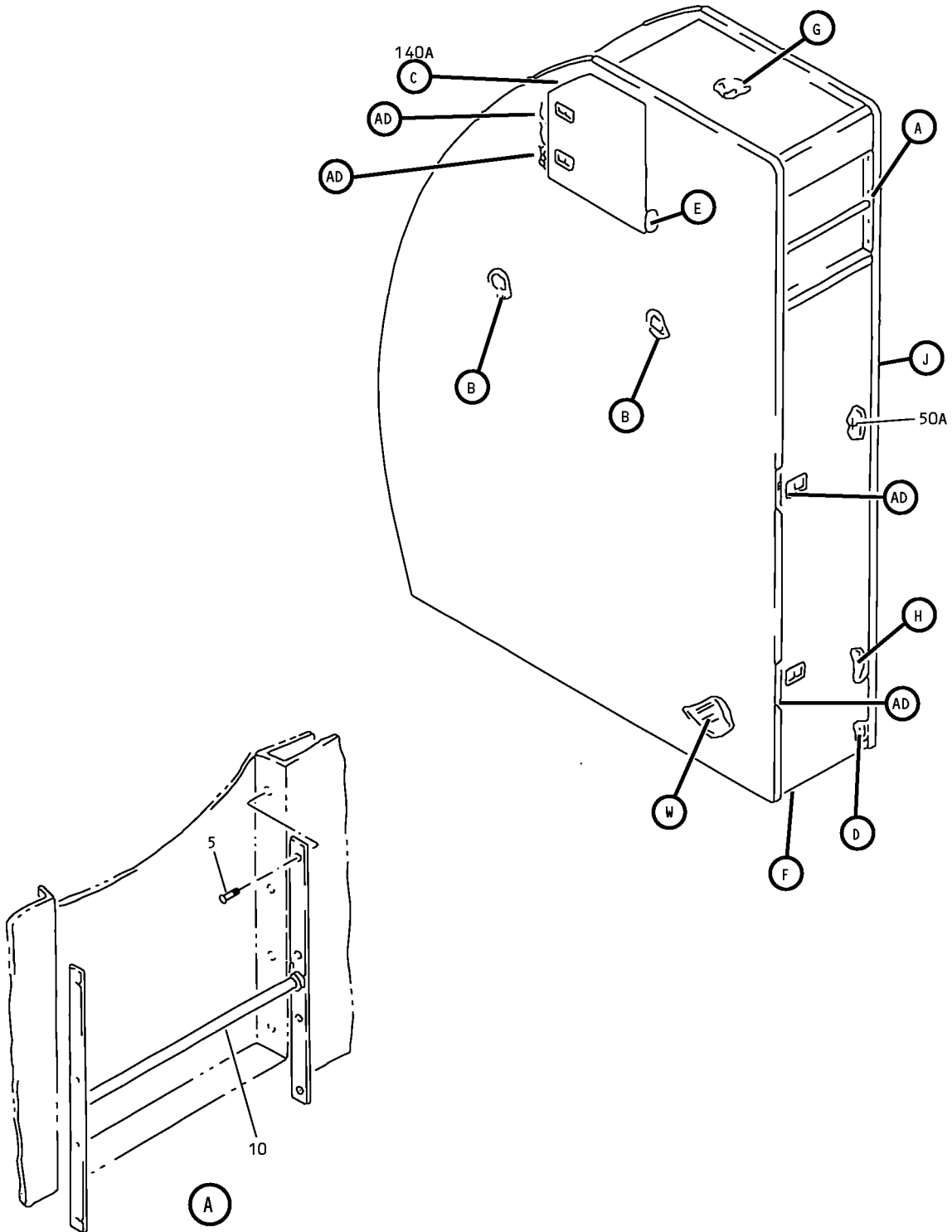
## COMPONENT MAINTENANCE MANUAL

FIG/ ITEM	PART NUMBER	AIRLINE PART NUMBER	NOMENCLATURE							USAGE CODE	UNITS PER ASSY	
			1	2	3	4	5	6	7			
1- 942	413N3206-56SP		.	.							A, F, K, L, Q, Y, AC	1
-945	286N0602-002		.								A, F, K, L, Q, Y, AC	1

-Item not Illustrated

**25-24-08**  
ILLUSTRATED PARTS LIST  
Page 1098.39  
Jul 01/2007

COMPONENT MAINTENANCE MANUAL



Forward Right Closet Assembly  
IPL Figure 2 (Sheet 1 of 13)

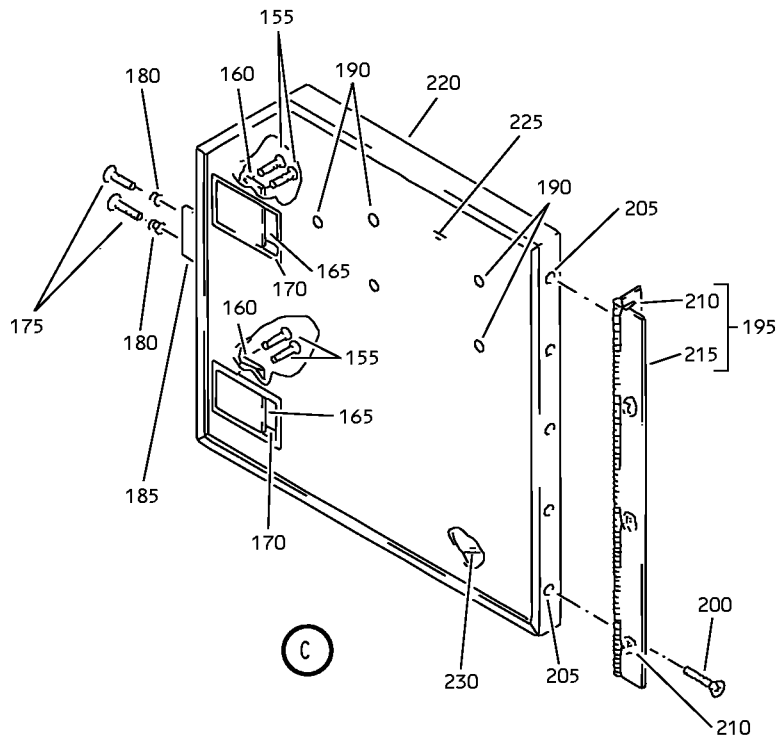
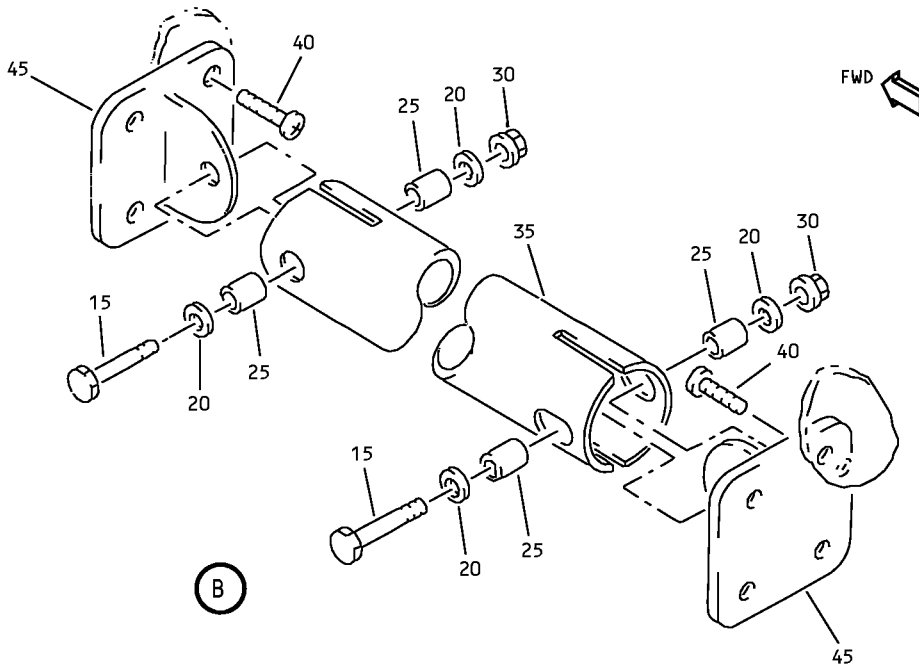
**25-24-08**

ILLUSTRATED PARTS LIST

Page 1098.40

Jul 01/2007

COMPONENT MAINTENANCE MANUAL



Forward Right Closet Assembly  
IPL Figure 2 (Sheet 2 of 13)

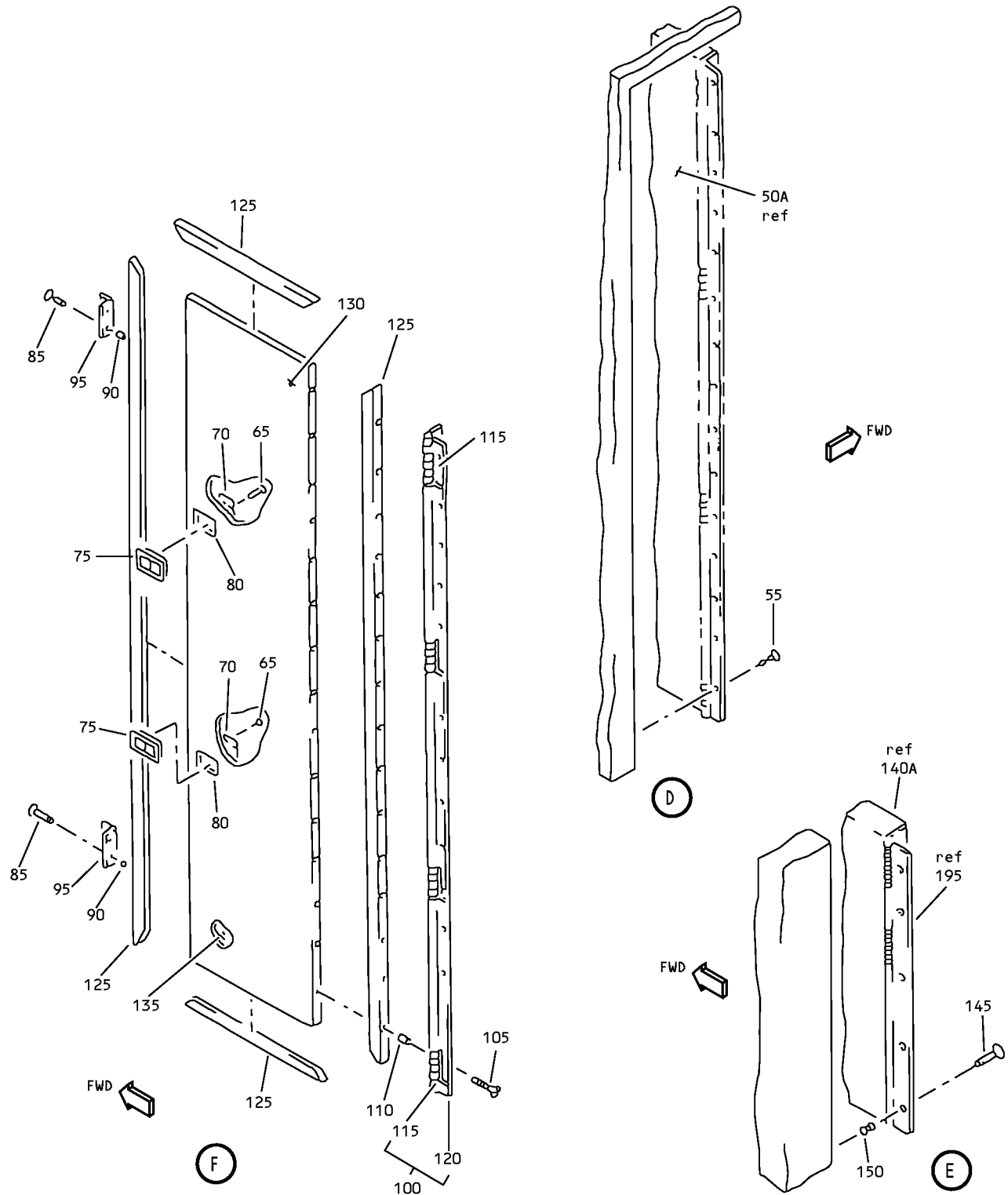
**25-24-08**

ILLUSTRATED PARTS LIST

Page 1098.41

Jul 01/2007

COMPONENT MAINTENANCE MANUAL



Forward Right Closet Assembly  
IPL Figure 2 (Sheet 3 of 13)

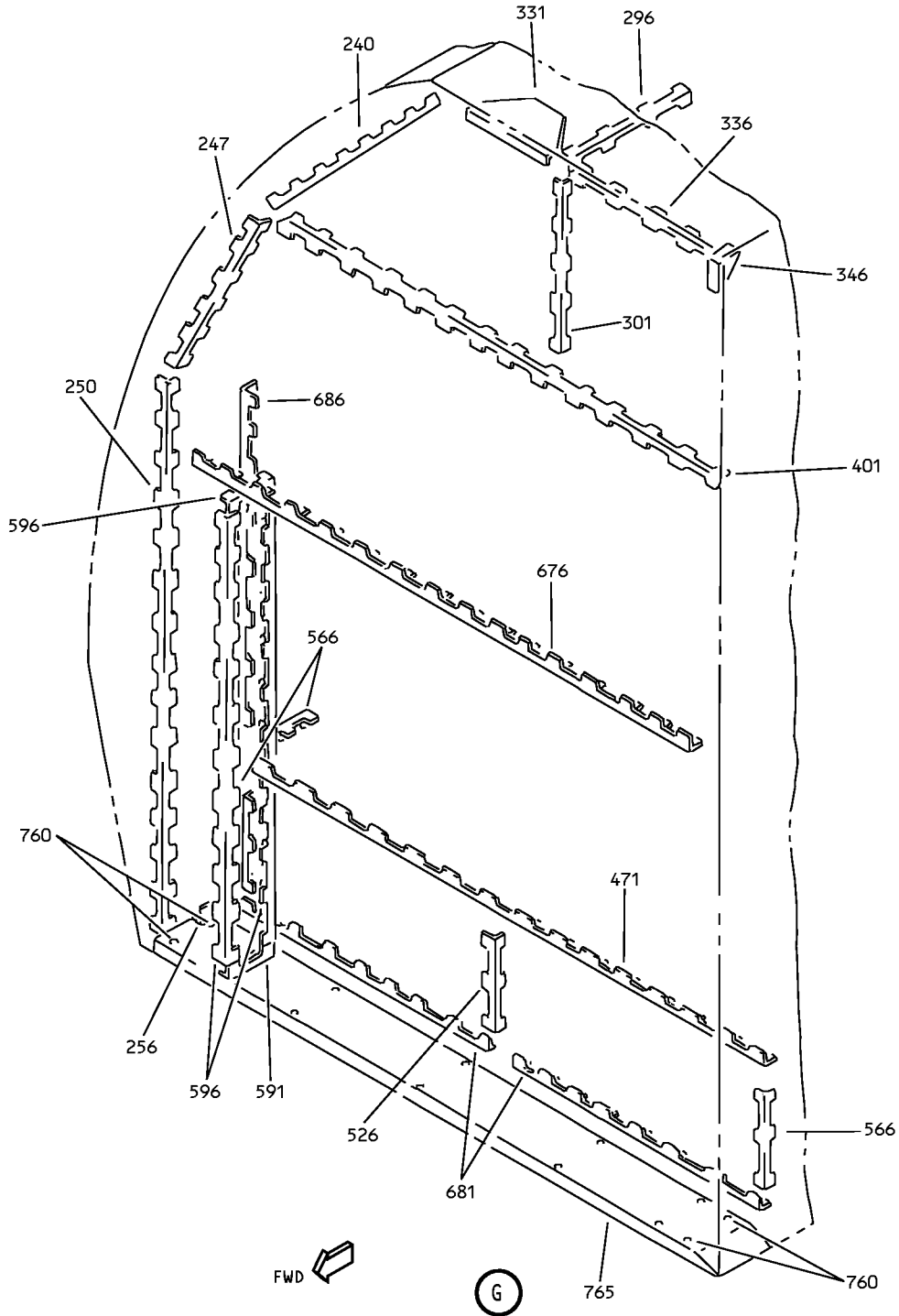
**25-24-08**

ILLUSTRATED PARTS LIST

Page 1098.42

Jul 01/2007

COMPONENT MAINTENANCE MANUAL



Forward Right Closet Assembly  
IPL Figure 2 (Sheet 4 of 13)

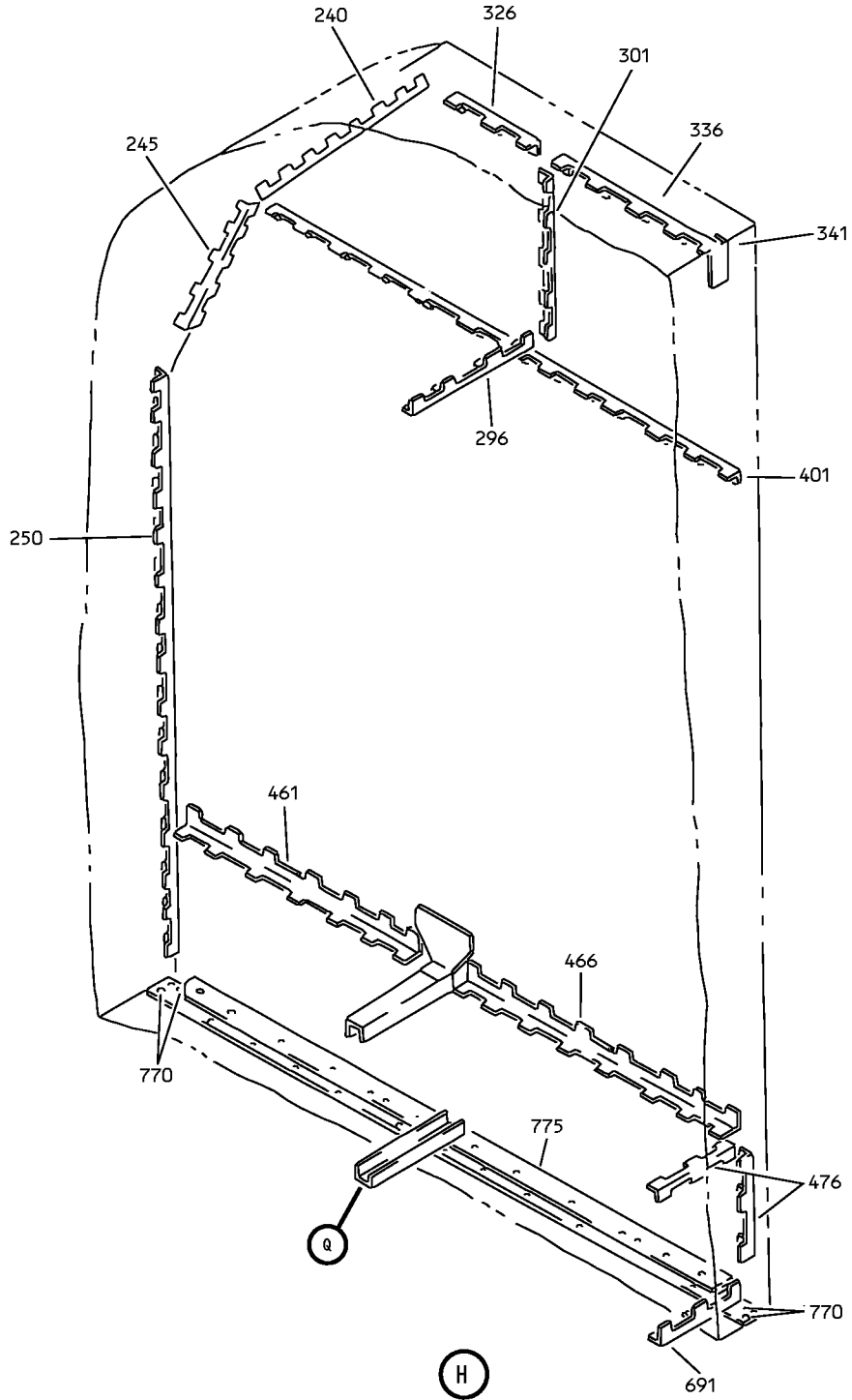
**25-24-08**

ILLUSTRATED PARTS LIST

Page 1098.43

Jul 01/2007

COMPONENT MAINTENANCE MANUAL



Forward Right Closet Assembly  
IPL Figure 2 (Sheet 5 of 13)

**25-24-08**

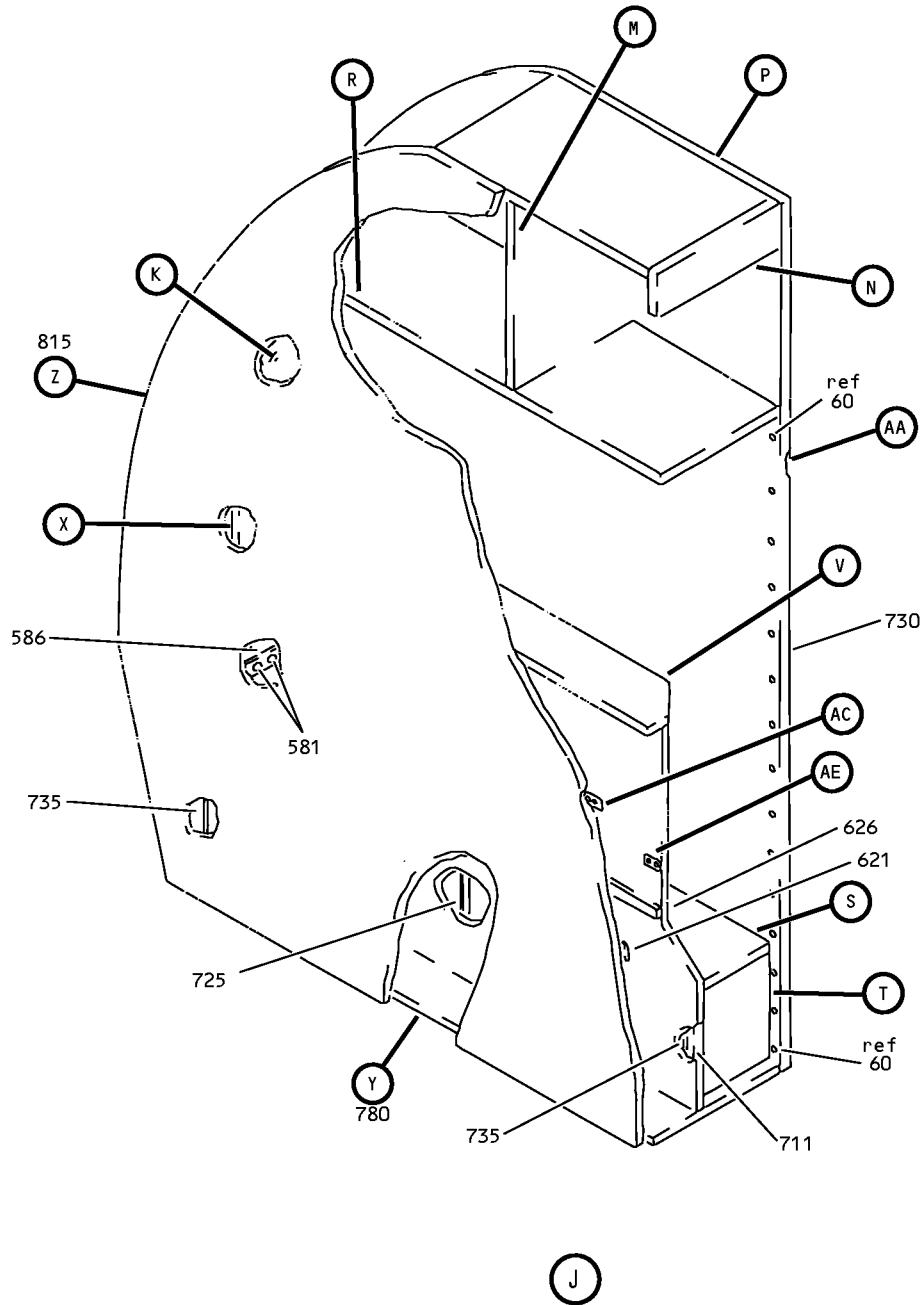
ILLUSTRATED PARTS LIST

Page 1098.44

Jul 01/2007



COMPONENT MAINTENANCE MANUAL



Forward Right Closet Assembly  
IPL Figure 2 (Sheet 6 of 13)

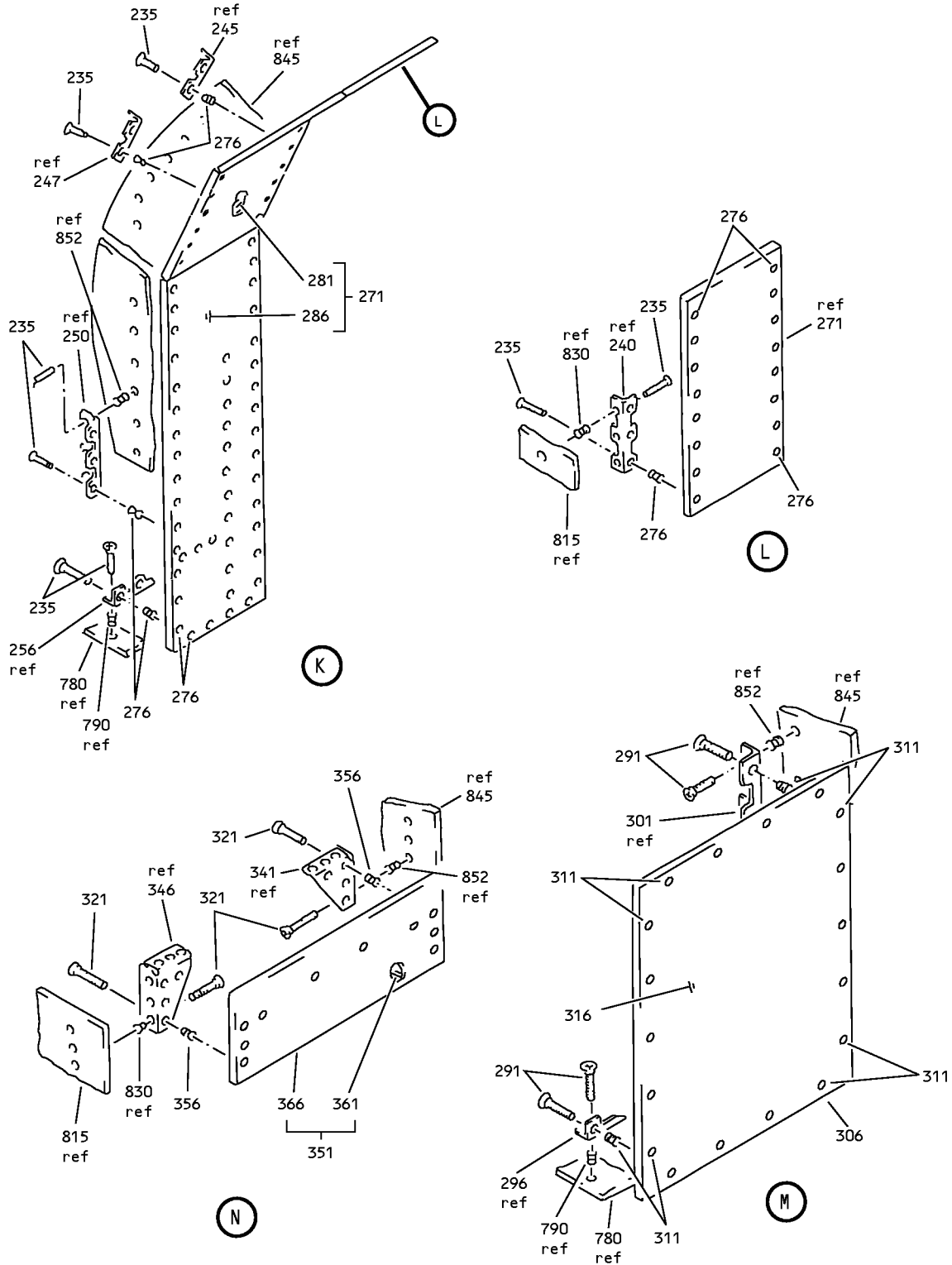
**25-24-08**

ILLUSTRATED PARTS LIST

Page 1098.45

Jul 01/2007

COMPONENT MAINTENANCE MANUAL



Forward Right Closet Assembly  
IPL Figure 2 (Sheet 7 of 13)

**25-24-08**

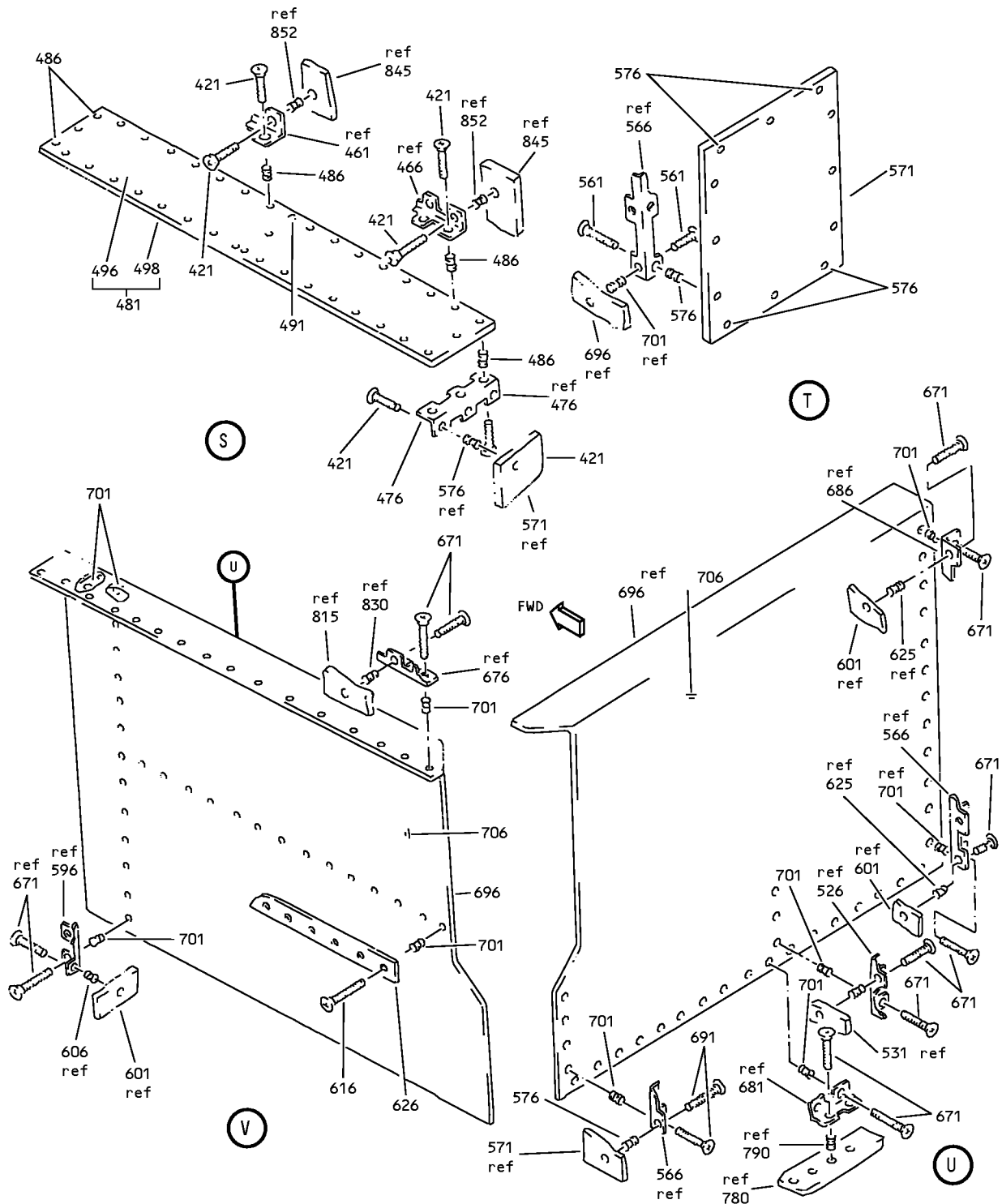
ILLUSTRATED PARTS LIST

Page 1098.46

Jul 01/2007



# COMPONENT MAINTENANCE MANUAL



Forward Right Closet Assembly  
IPL Figure 2 (Sheet 9 of 13)

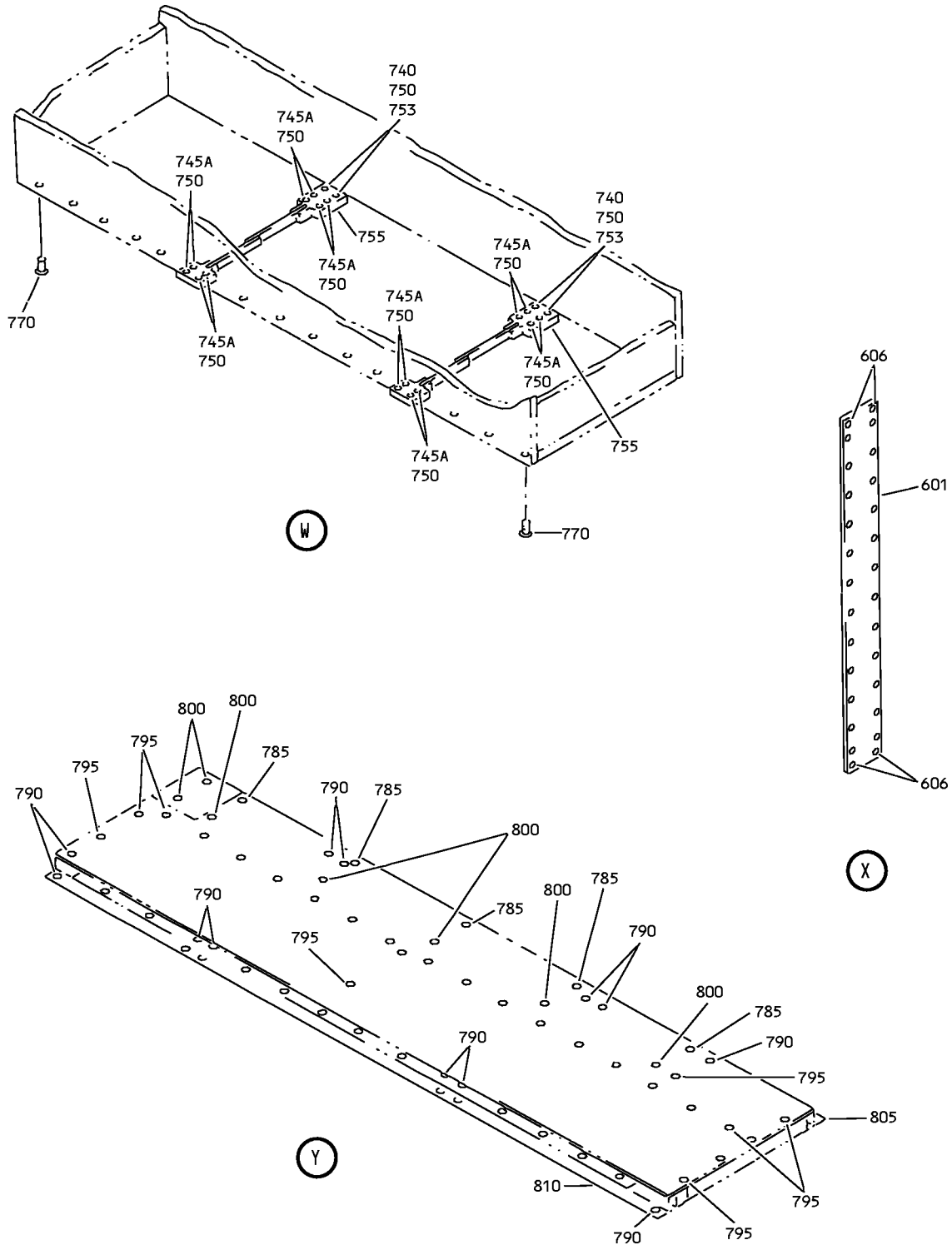
## 25-24-08

ILLUSTRATED PARTS LIST

Page 1098.48

Jul 01/2007

# COMPONENT MAINTENANCE MANUAL



Forward Right Closet Assembly  
IPL Figure 2 (Sheet 10 of 13)

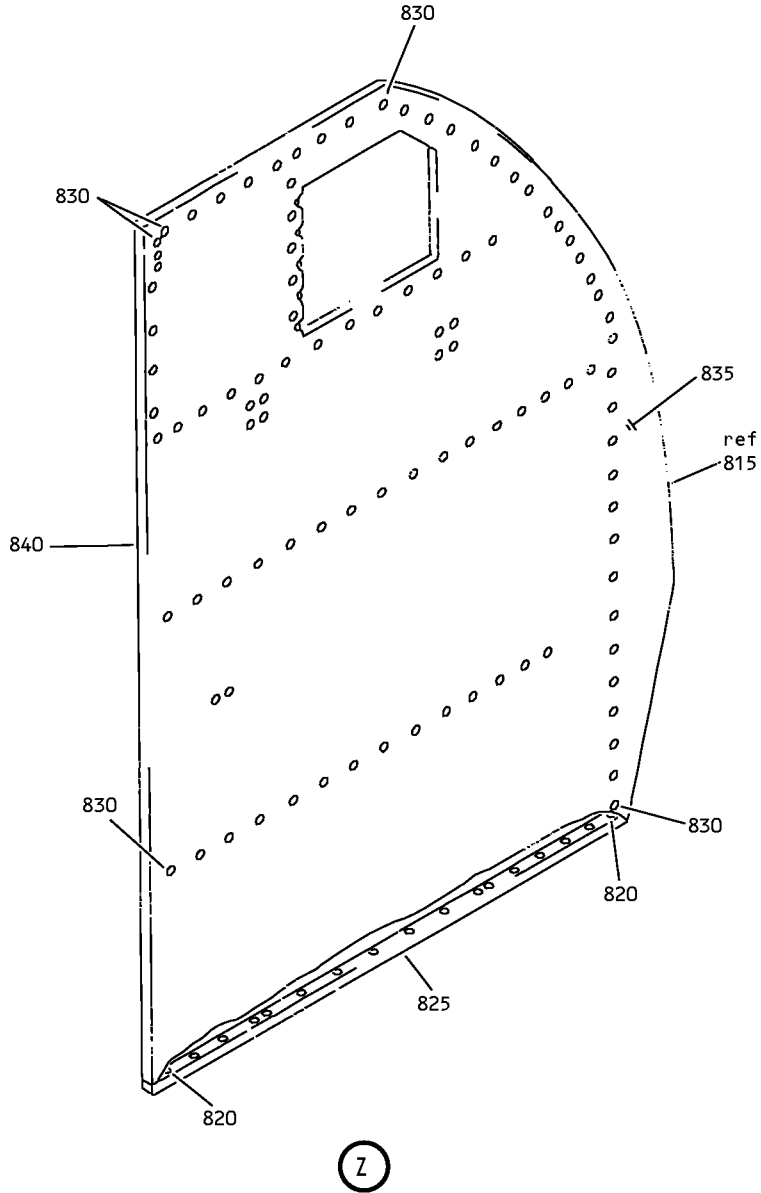
## 25-24-08

ILLUSTRATED PARTS LIST

Page 1098.49

Jul 01/2007

COMPONENT MAINTENANCE MANUAL



Forward Right Closet Assembly  
IPL Figure 2 (Sheet 11 of 13)

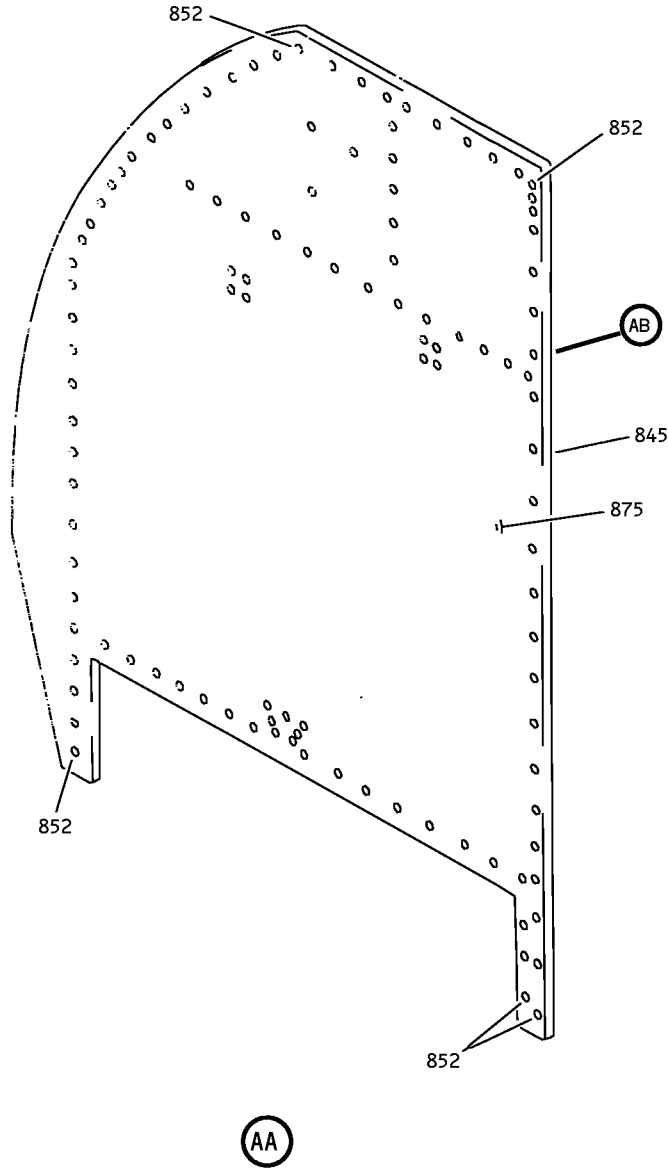
**25-24-08**

ILLUSTRATED PARTS LIST

Page 1098.50

Jul 01/2007

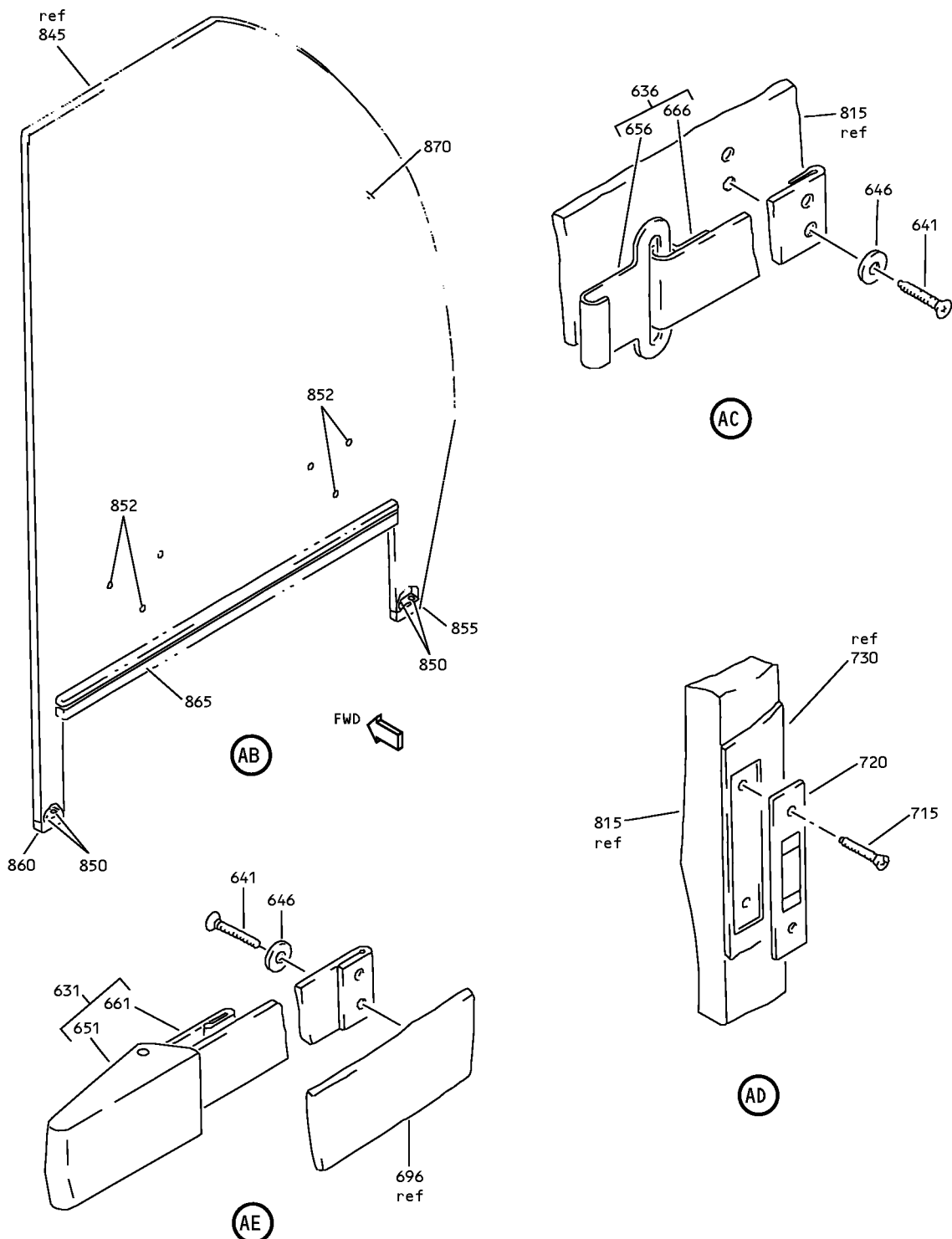
COMPONENT MAINTENANCE MANUAL



Forward Right Closet Assembly  
IPL Figure 2 (Sheet 12 of 13)

**25-24-08**  
ILLUSTRATED PARTS LIST  
Page 1098.51  
Jul 01/2007

### COMPONENT MAINTENANCE MANUAL



Forward Right Closet Assembly  
IPL Figure 2 (Sheet 13 of 13)

# 25-24-08

ILLUSTRATED PARTS LIST

Page 1098.52

Jul 01/2007





## COMPONENT MAINTENANCE MANUAL

FIG/ ITEM	PART NUMBER	AIRLINE PART NUMBER	NOMENCLATURE							USAGE CODE	UNITS PER ASSY
			1	2	3	4	5	6	7		
2-											
-1	413N3206-144SP									B	RF
5	NAS514P632-6									B	8
10	BCREFA0350									B	8
15	BACB30NR4K21									B	4
20	AN960JD416L									B	8
25	NAS43DD4-38									B	8
30	MS21042L4									B	4
35	65-88166-484									B	2
40	NAS603-6P									B	16
45	69-17083-3									B	4
50	413N3215-293SP										
50A	413N3615-293SP									B	1
55	NAS514P832-6									B	15
60	SL2334-08A3										
65	NAS514P1032-5									B	4
70	413T3030-70									B	2
75	SAM223-10									B	2
80	413N3615-297									B	2
85	NAS514P832-5									B	4
90	NAS1836-08-12									B	4
95	413N3211-183									B	2
100	413N3615-294									B	1
105	NAS514P832-4									B	15
110	SL2334-08A3									B	15
115	413N3508-4									B	4
120	413N3615-296									B	1

-Item not Illustrated

# 25-24-08

ILLUSTRATED PARTS LIST

Page 1098.53

Jul 01/2007



## COMPONENT MAINTENANCE MANUAL

FIG/ ITEM	PART NUMBER	AIRLINE PART NUMBER	NOMENCLATURE							USAGE CODE	UNITS PER ASSY
			1	2	3	4	5	6	7		
2-											
125	413N3615-169								. . TRIM	B	AR
130	413N3615-6SP								DELETED		
135	413N3615-7SP								DELETED		
140	413N3615-291SP								DELETED		
140A	413N3615-307SP								. DOOR ASSY	B	1
									ATTACHING PARTS		
145	NAS514P832-6								. SCREW	B	5
150	SL2334-08A3								. INSERT (V97393)	B	5
									-----*-----		
155	NAS514P1032-5								. . SCREW	B	4
160	413T3030-70								. . PLATE	B	2
165	SAM223-11								. . LATCH (V31845)	B	2
170	413N3615-297								. . BLOCK	B	2
175	NAS514P832-5								. . SCREW	B	2
180	NAS1836-08-12								. . INSERT	B	2
185	413N3211-183								. . STOP	B	1
190	SL2334-3A3								. . INSERT (V97393)	B	5
195	413N3615-292								. . HINGE ASSY	B	1
									ATTACHING PARTS		
200	NAS514P832-4								. . SCREW	B	5
205	SL2334-08A3								. . INSERT (V97393)	B	5
									-----*-----		
210	69-56542-1								. . . SPRING	B	4
215	413N3615-295								. . . HINGE	B	1
220	413N3615-169								. . TRIM	B	AR
225	413N3615-6SP								DELETED		
230	413N3615-7SP								DELETED		
235	NAS603-6P								. SCREW	B	133
240	413N3211-78SP								. ANGLE	B	2

-Item not Illustrated

**25-24-08**

ILLUSTRATED PARTS LIST

Page 1098.54

Jul 01/2007



## COMPONENT MAINTENANCE MANUAL

FIG/ ITEM	PART NUMBER	AIRLINE PART NUMBER	NOMENCLATURE							USAGE CODE	UNITS PER ASSY	
			1	2	3	4	5	6	7			
2-												
245	413N3211-76SP		.								B	1
247	413N3211-73SP		.								B	1
250	413N3211-85SP		.								B	2
256	413N3211-74SP		.								B	1
271	413N3214-107SP		.								B	1
276	SL2334-3A3		.	.							B	77
												(V97393)
281	413N3214-73SP		.	.							B	1
286	413N3214-75SP		.	.							B	1
291	NAS603-6P		.								B	36
296	413N3211-74SP		.								B	2
301	413N3211-75SP		.								B	2
306	413N3214-111SP		.								B	1
311	SL2334-3A3		.	.							B	10
												(V97393)
316	413N3214-73SP		.	.							B	2
321	NAS603-6P		.									49
326	413N3211-73SP		.								B	1
331	413N3211-261		.								B	1
336	413N3211-75SP		.								B	2
341	413N3215-13SP		.								B	1
346	413N3215-14SP		.								B	1
351	413N3214-110SP		.								B	1
356	SL2334-3A3		.	.							B	10
												(V97393)
361	413N3214-73SP		.	.							B	1
366	413N3214-74SP		.	.							B	1
371	413N3214-105SP		.								B	1
376	NAS1834-3-750		.	.							B	6
381	SL2334-3A3		.	.							B	25
												(V97393)
386	413N3214-73SP		.	.							B	1
391	413N3214-75SP		.	.							B	1

-Item not Illustrated

# 25-24-08

ILLUSTRATED PARTS LIST

Page 1098.55

Jul 01/2007







## COMPONENT MAINTENANCE MANUAL

FIG/ ITEM	PART NUMBER	AIRLINE PART NUMBER	NOMENCLATURE	USAGE CODE	UNITS PER ASSY
2-					
-651A	41030-10		. . BUCKLE ASSY (V31272) (OPT ITEM 651) (USED ON ITEM 600)	B	1
656	34038-3		. . HOOK-FLAT (V00624) (USED ON ITEM 605)	B	1
661	69-31288-29		. . STRAP (USED ON ITEM 600)	B	1
666	69-31288-31		. . STRAP (USED ON ITEM 605)	B	1
671	NAS603-6P		. . SCREW	B	44
676	413N3211-86SP		. ANGLE	B	1
681	413N3211-78SP		. ANGLE	B	2
686	413N3211-79SP		. ANGLE	B	1
691	413N3211-73SP		. ANGLE	B	1
696	413N3214-113SP		. PANEL ASSY-DIVIDER	B	1
701	SL2334-3A3		. . INSERT (V97393)	B	93
706	413N3214-73SP		. . COVER-DECORATIVE INTR	B	2
711	413N3206-26		. TRIM	B	AR
715	PK87XA6-6		. SCREW (V45722) (SPEC BACS12H6-6) (OPT SK145A6-6 (V73439)) (OPT ITEM 715A, 715B)	B	8
-715A	NAS514P632-5		. SCREW (OPT ITEM 715, 715B)	B	8
-715B	NAS1836-06-12		. INSERT (OPT ITEM 715, 715A)	B	8
720	AR131		. PLATE-STRIKER (V80477)	B	4
725	413N3206-14		. TRIM	B	AR
730	413N3206-15		. TRIM	B	AR
735	413N3211-107		. TRIM-CHANNEL	B	2
740	NAS6603-2		. BOLT	B	4

-Item not Illustrated

**25-24-08**

ILLUSTRATED PARTS LIST

Page 1098.58

Jul 01/2007



## COMPONENT MAINTENANCE MANUAL

FIG/ ITEM	PART NUMBER	AIRLINE PART NUMBER	NOMENCLATURE							USAGE CODE	UNITS PER ASSY
			1	2	3	4	5	6	7		
2-											
745	NAS6603-2										
745A	NAS6603-3									B	16
750	AN960JD10L									B	20
753	BACS13CJ3E080P									B	4
-753A	BACS13CJ3L080P									B	4
755	45927-13									B	2
760	NAS514P632-6									B	12
765	413N3215-30									B	1
770	NAS603-8P									B	30
775	413N3211-250									B	1
780	413N3214-108SP									B	1
785	BACS13CJ06L080P									B	5
-785A	H111F1C65-080M									B	5
790	BACS13CJ3L080P									B	27
-790A	H111F365-080M									B	27
795	SL2334-3A3									B	25
800	SL2334-06A3									B	7
805	413N3211-247									B	1
810	413N3211-248									B	1
815	413N3214-102SP									B	1
820	BACS13CJ3L080P									B	17
-820A	H111F365-080M									B	17
825	413N3211-249									B	1

-Item not Illustrated

**25-24-08**

ILLUSTRATED PARTS LIST

Page 1098.59

Jul 01/2007



## COMPONENT MAINTENANCE MANUAL

FIG/ ITEM	PART NUMBER	AIRLINE PART NUMBER	NOMENCLATURE							USAGE CODE	UNITS PER ASSY
			1	2	3	4	5	6	7		
2-											
830	SL2334-3A3		.	.	INSERT (V97393)					B	101
835	413N3214-73SP		.	.	COVER-DECORATIVE INTR					B	1
840	413N3214-76SP		.	.	COVER-DECORATIVE					B	1
845	413N3214-103SP		.		PANEL ASSY-AFT					B	1
850	BACS13CJ3L080P		.	.	INSERT (OPT ITEM 850A)					B	4
-850A	H111F365-080M		.	.	INSERT (OPT ITEM 850)					B	4
855	413N3211-252		.	.	TUBE					B	1
860	413N3211-253		.	.	TUBE					B	1
865	413N3211-251		.	.	EXTRUSION-UPR FOOTWELL					B	1
870	413N3214-73SP		.	.	COVER-DECORATIVE INTR					B	1
875	413N3214-77SP		.	.	COVER-DECORATIVE INTR					B	1

-Item not Illustrated

# 25-24-08

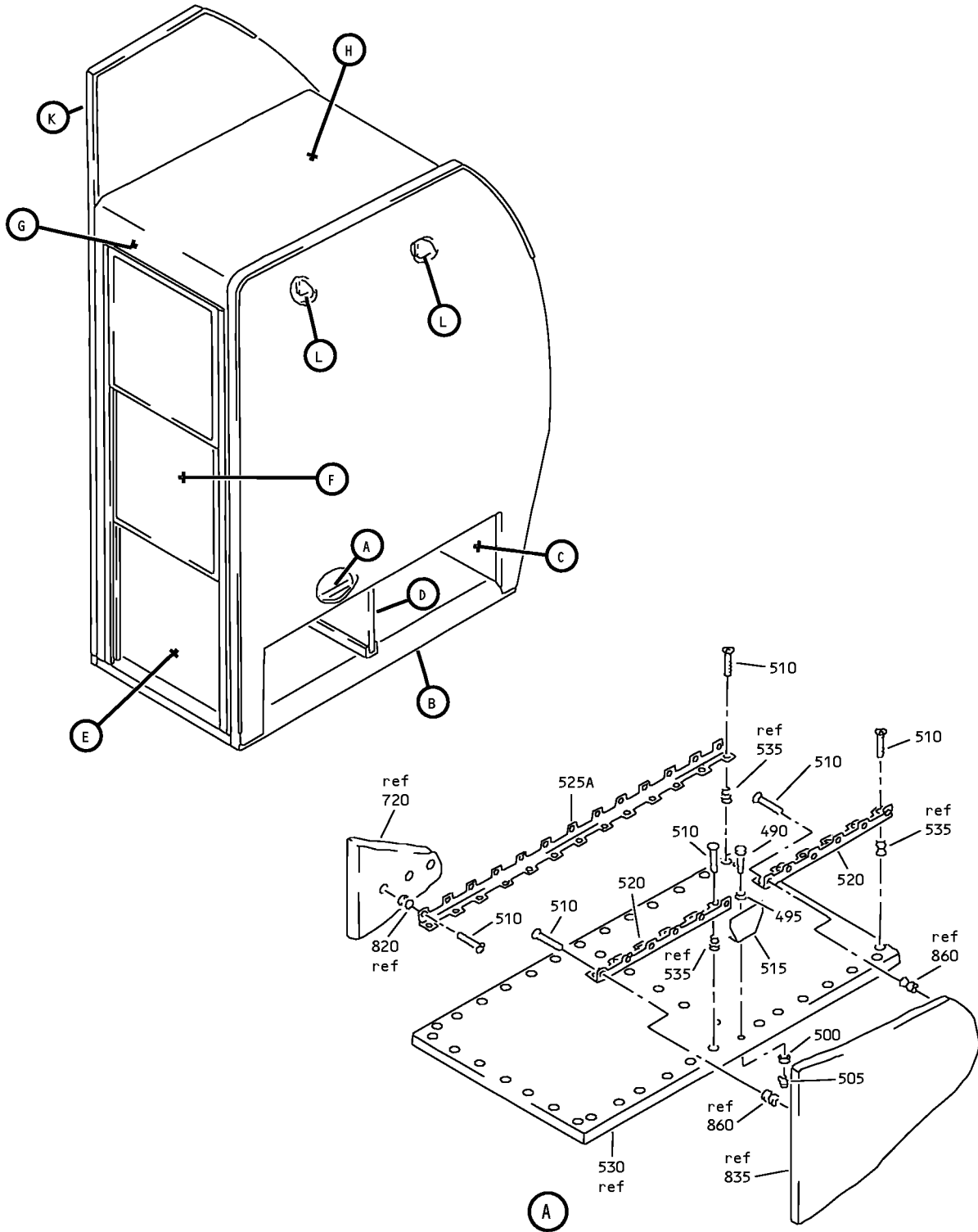
ILLUSTRATED PARTS LIST

Page 1098.60

Jul 01/2007



COMPONENT MAINTENANCE MANUAL



Forward Right Closet Assembly  
IPL Figure 3 (Sheet 1 of 16)

**25-24-08**

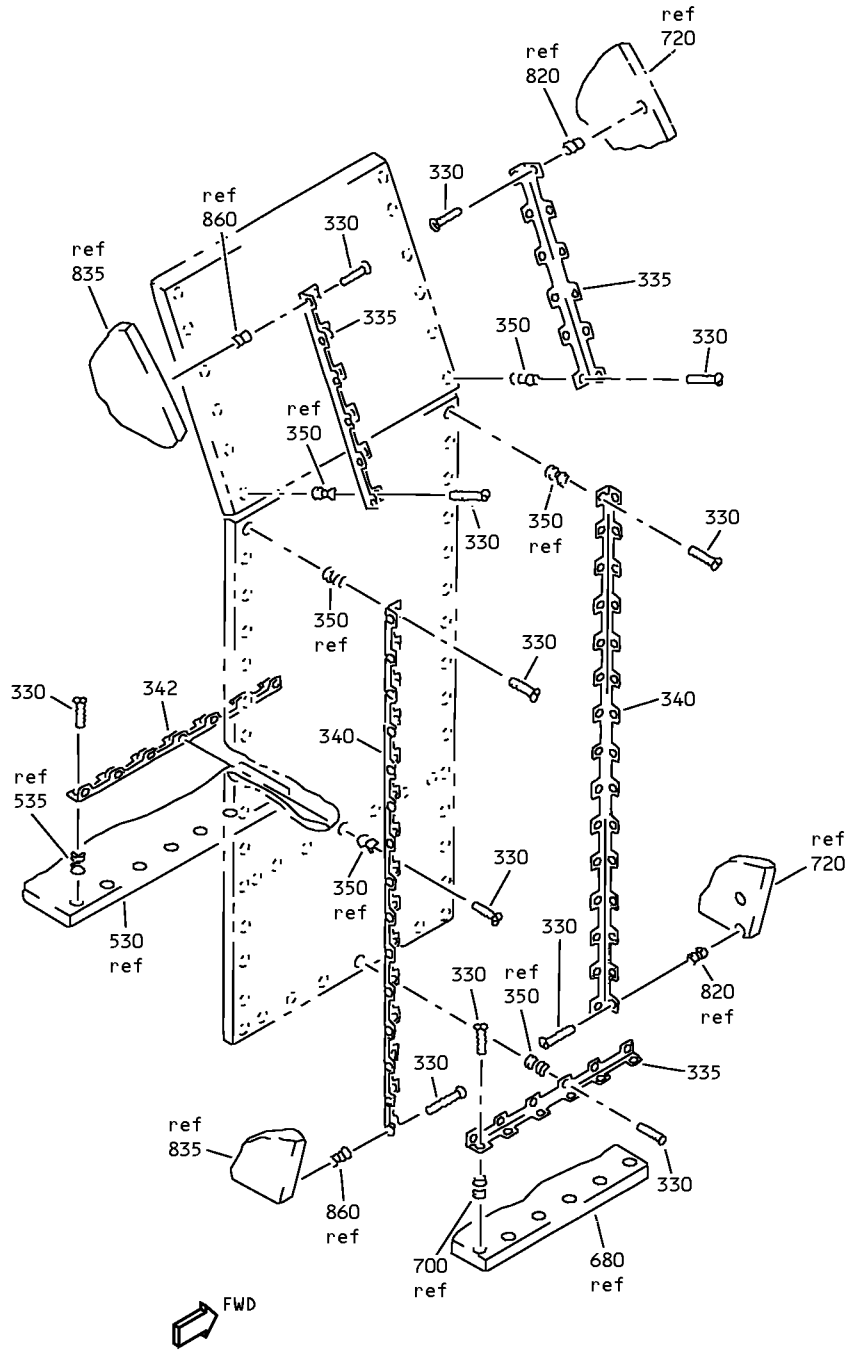
ILLUSTRATED PARTS LIST

Page 1098.61

Jul 01/2007



# COMPONENT MAINTENANCE MANUAL



Forward Right Closet Assembly  
IPL Figure 3 (Sheet 3 of 16)

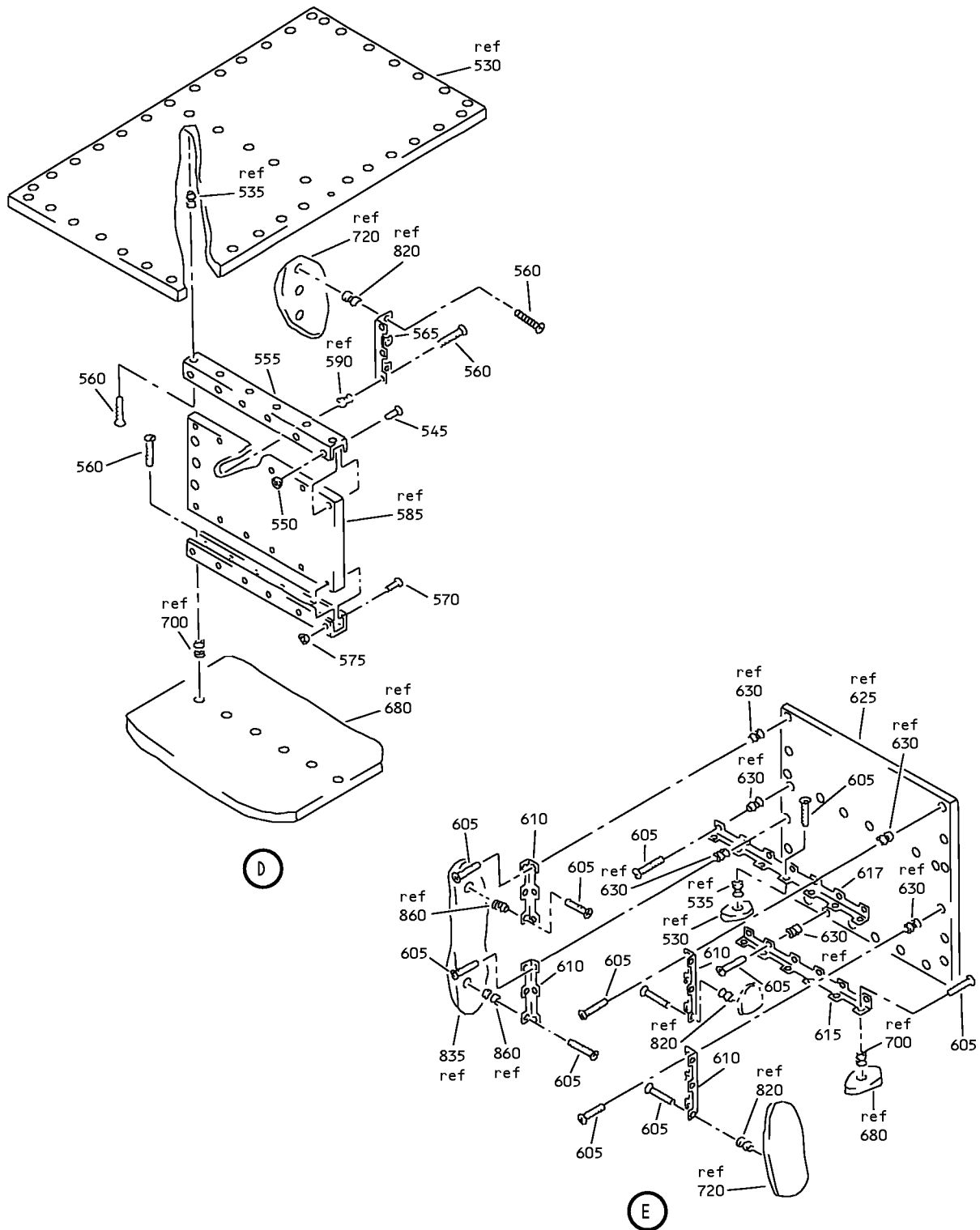
## 25-24-08

ILLUSTRATED PARTS LIST

Page 1098.63

Jul 01/2007

COMPONENT MAINTENANCE MANUAL



Forward Right Closet Assembly  
IPL Figure 3 (Sheet 4 of 16)

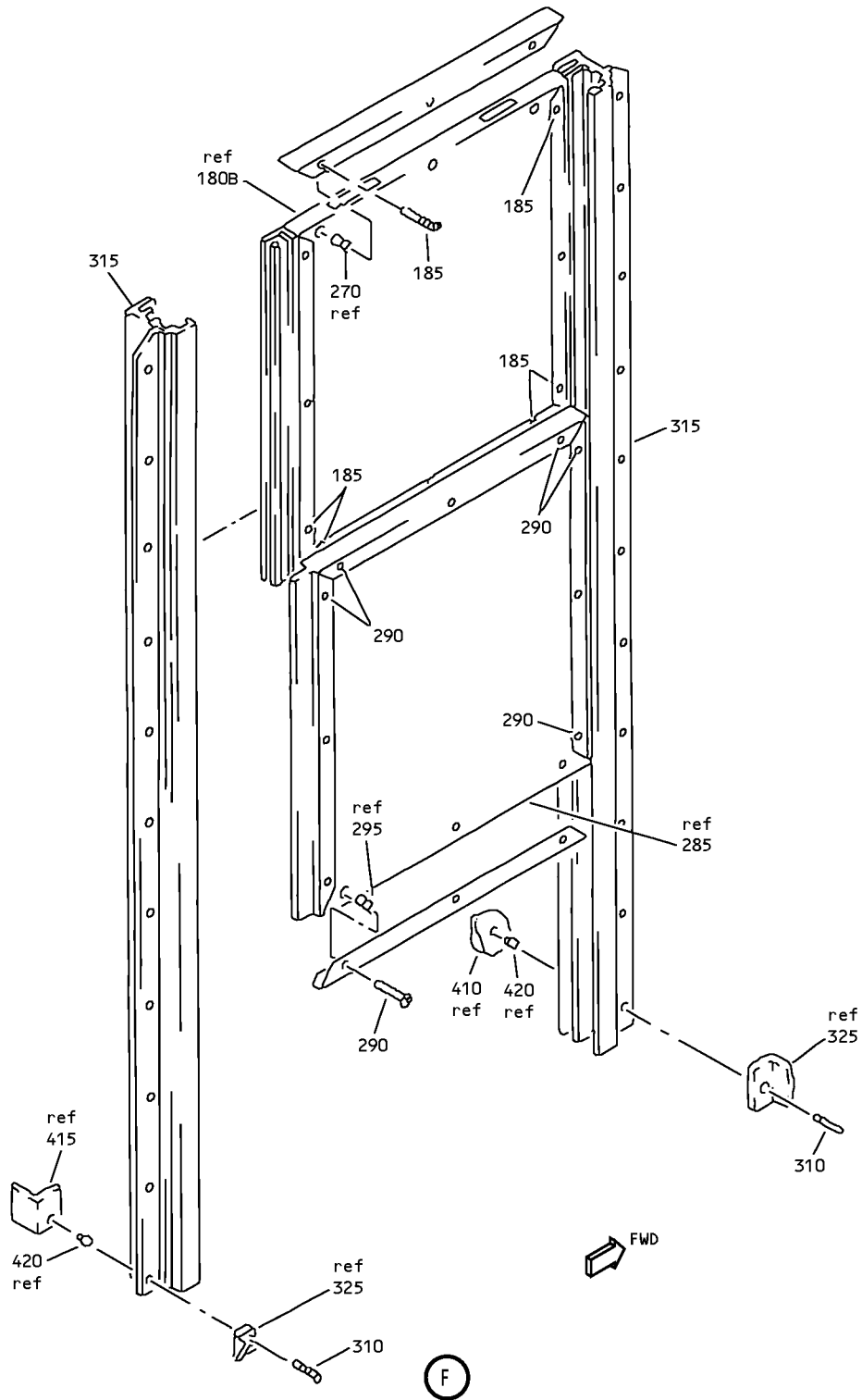
**25-24-08**

ILLUSTRATED PARTS LIST

Page 1098.64

Jul 01/2007

COMPONENT MAINTENANCE MANUAL



Forward Right Closet Assembly  
IPL Figure 3 (Sheet 5 of 16)

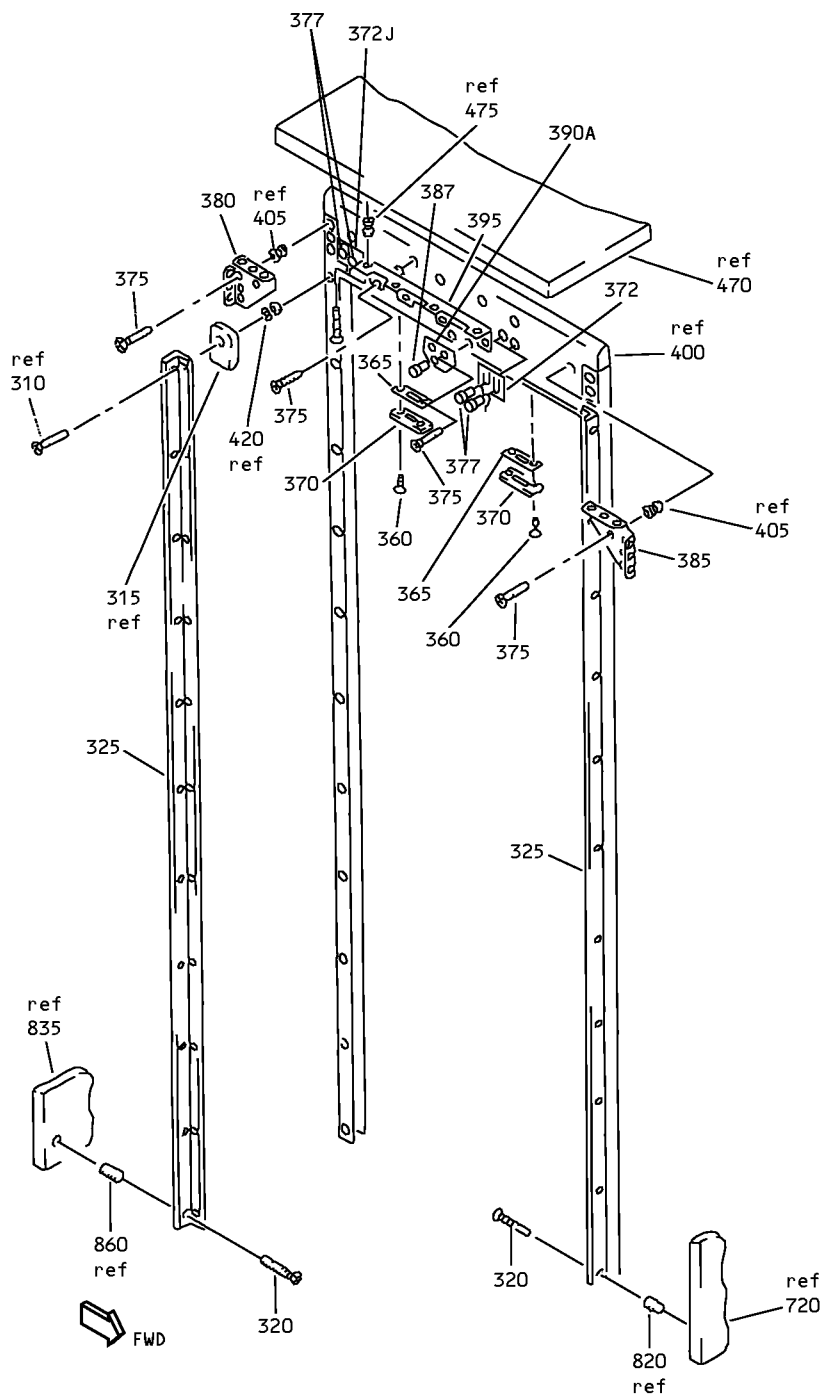
**25-24-08**

ILLUSTRATED PARTS LIST

Page 1098.65

Jul 01/2007

### COMPONENT MAINTENANCE MANUAL



Forward Right Closet Assembly  
IPL Figure 3 (Sheet 6 of 16)

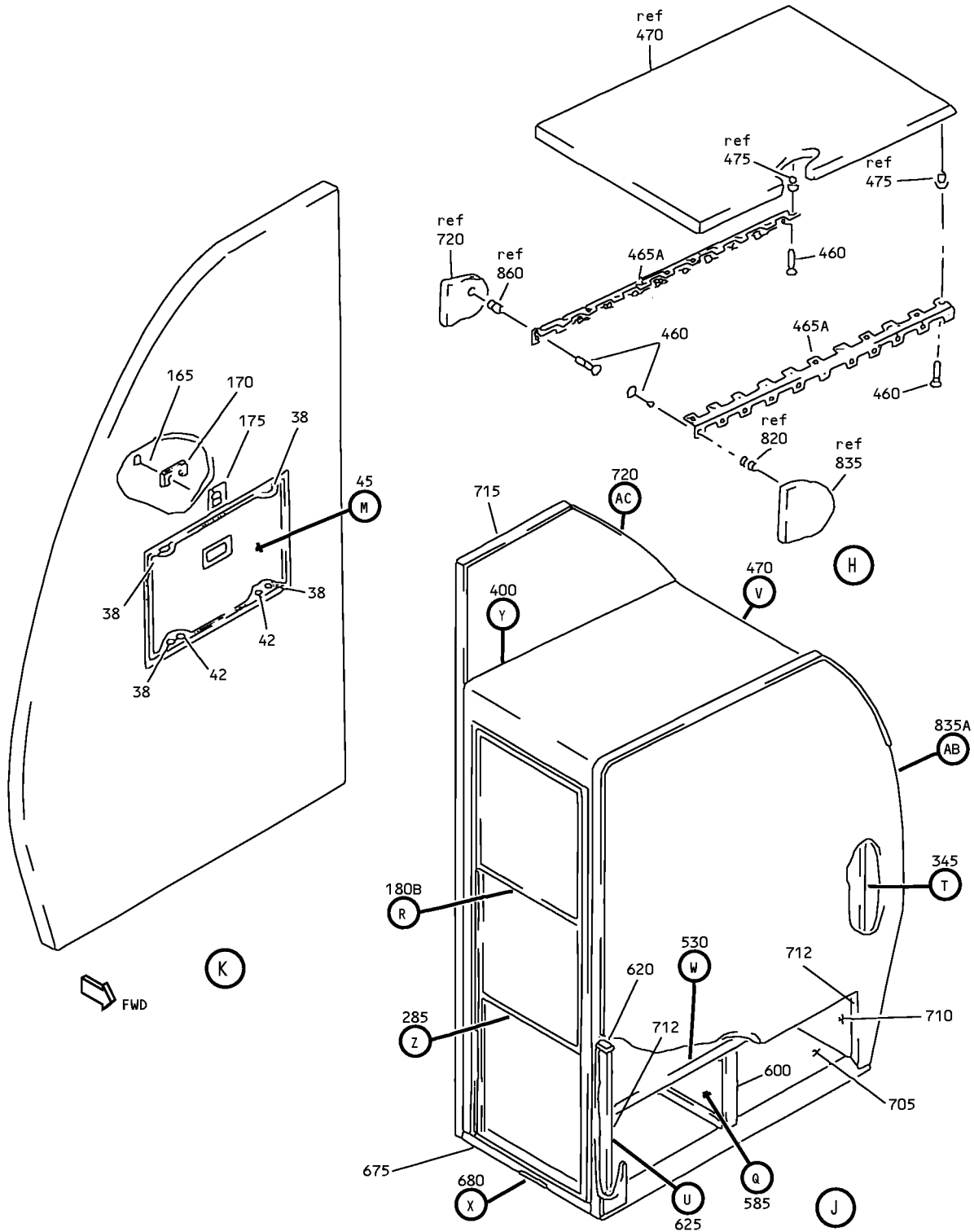
# 25-24-08

ILLUSTRATED PARTS LIST

Page 1098.66

Jul 01/2007

COMPONENT MAINTENANCE MANUAL



Forward Right Closet Assembly  
IPL Figure 3 (Sheet 7 of 16)

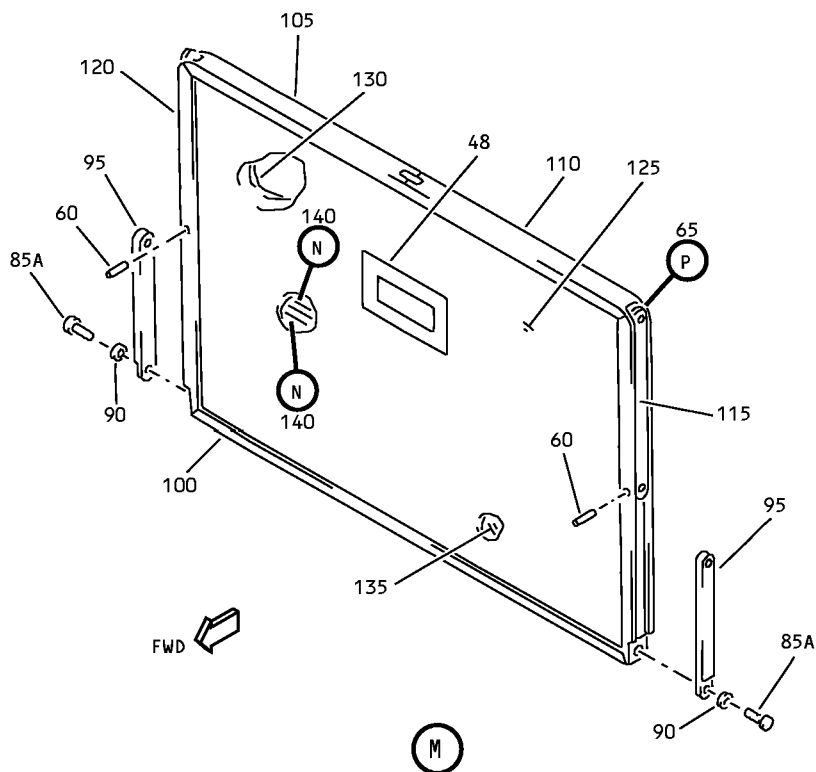
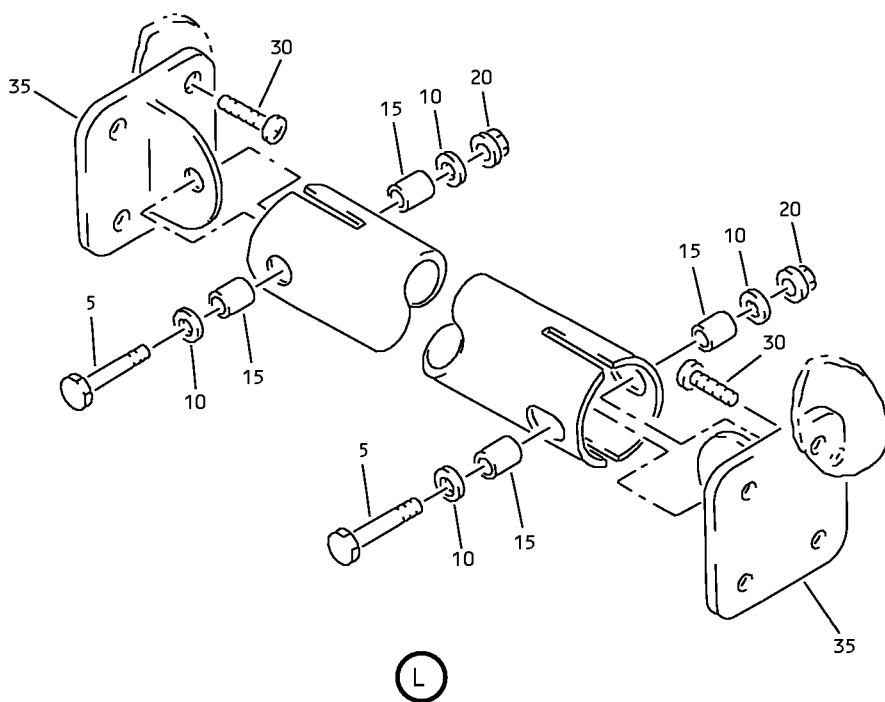
**25-24-08**

ILLUSTRATED PARTS LIST

Page 1098.67

Jul 01/2007

COMPONENT MAINTENANCE MANUAL



Forward Right Closet Assembly  
IPL Figure 3 (Sheet 8 of 16)

**25-24-08**

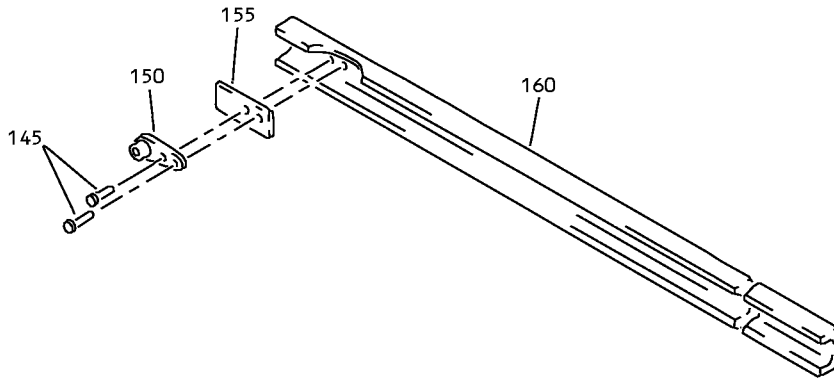
ILLUSTRATED PARTS LIST

Page 1098.68

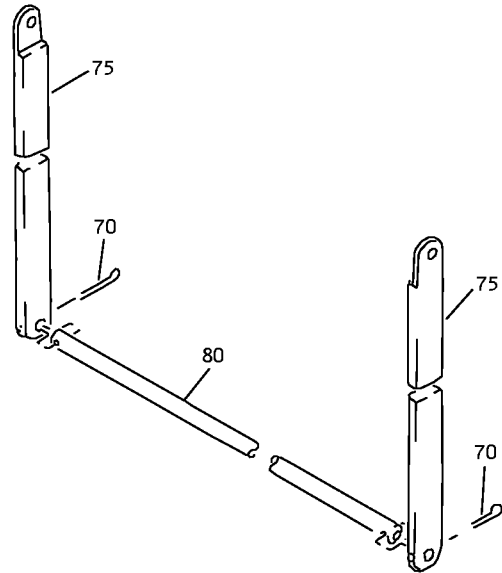
Jul 01/2007



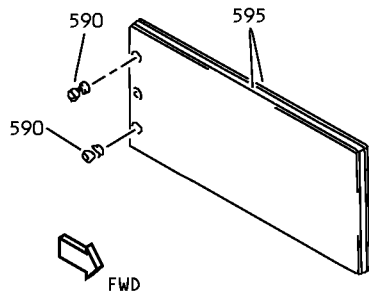
COMPONENT MAINTENANCE MANUAL



N



P



Q

Forward Right Closet Assembly  
IPL Figure 3 (Sheet 9 of 16)

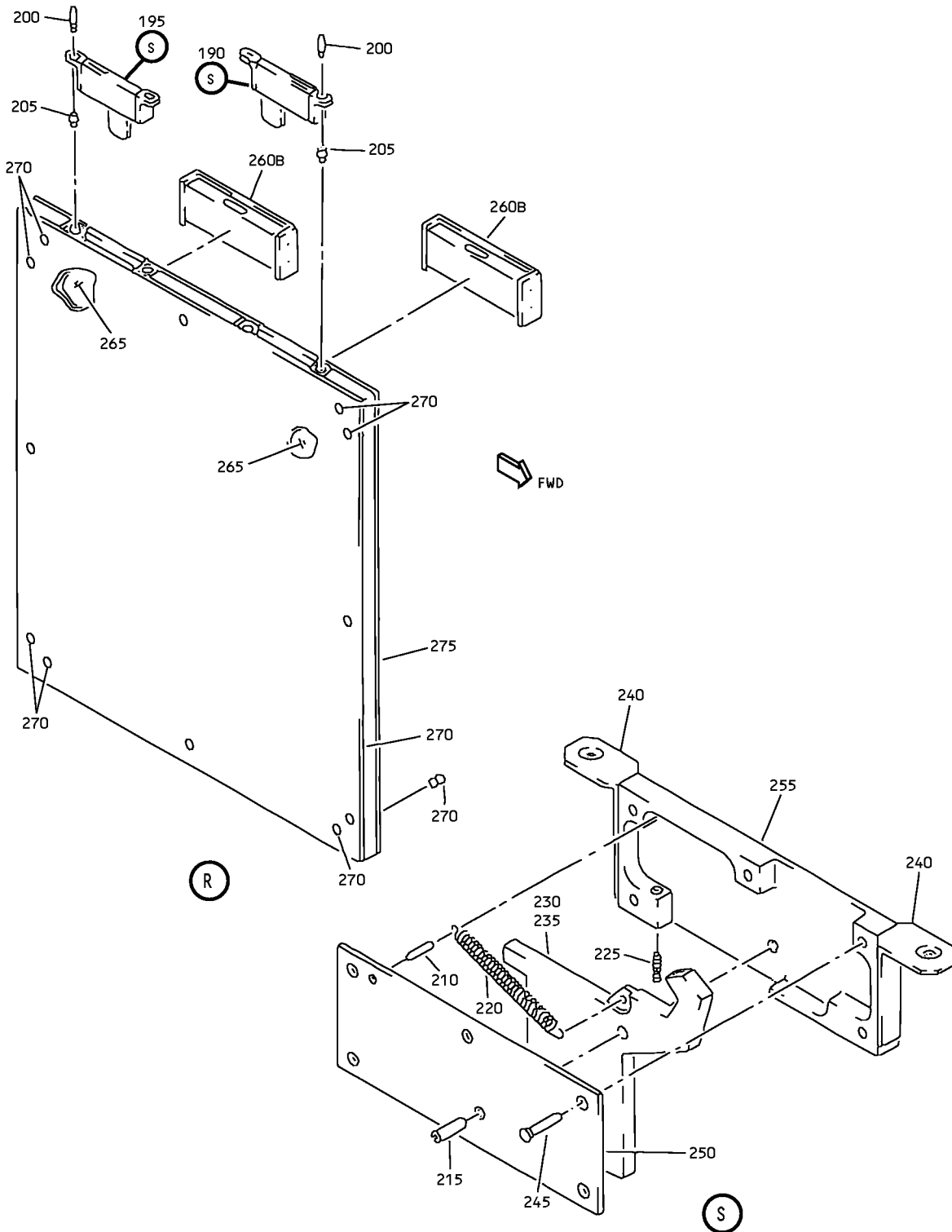
**25-24-08**

ILLUSTRATED PARTS LIST

Page 1098.69

Jul 01/2007

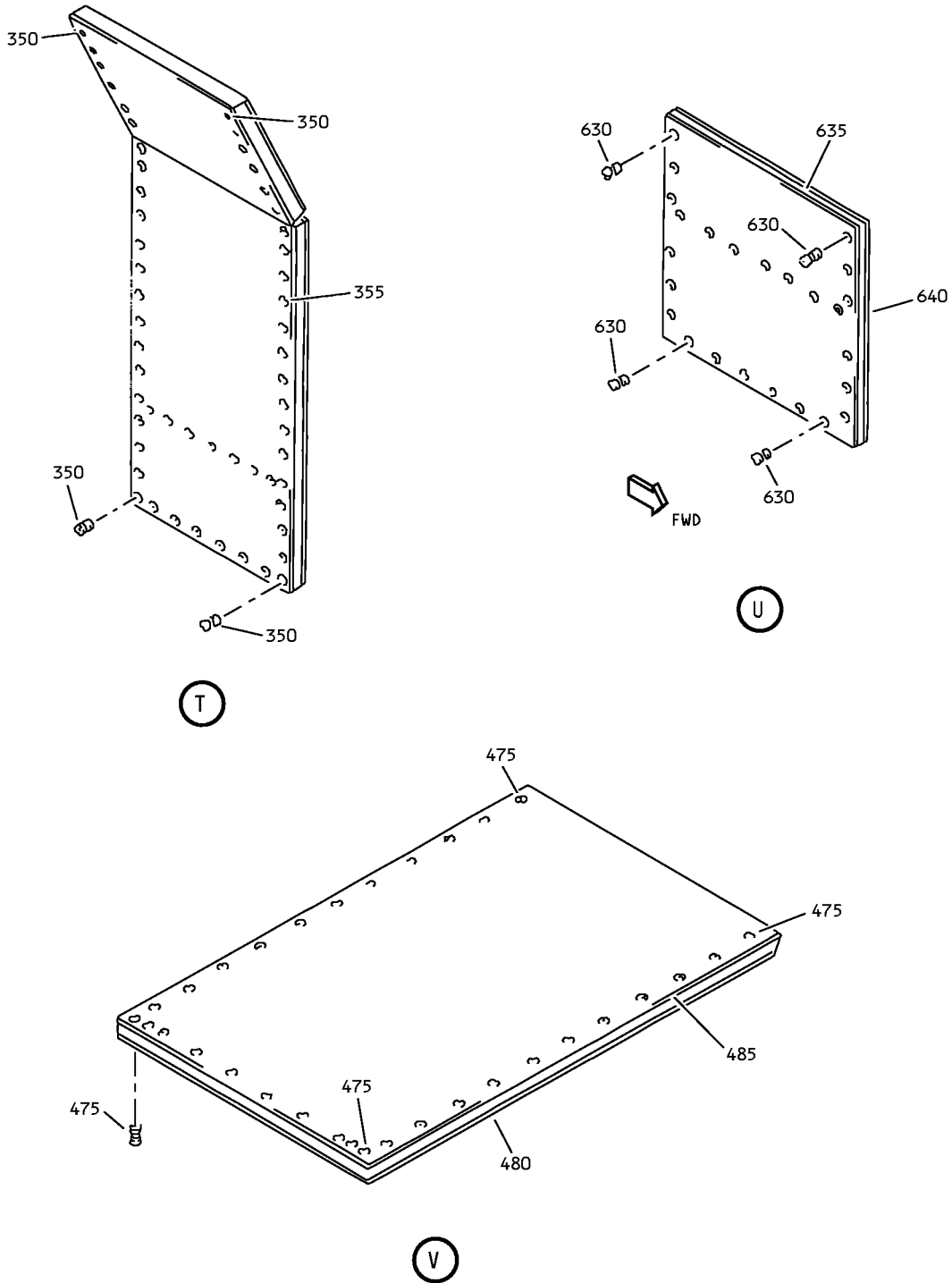
COMPONENT MAINTENANCE MANUAL



Forward Right Closet Assembly  
IPL Figure 3 (Sheet 10 of 16)

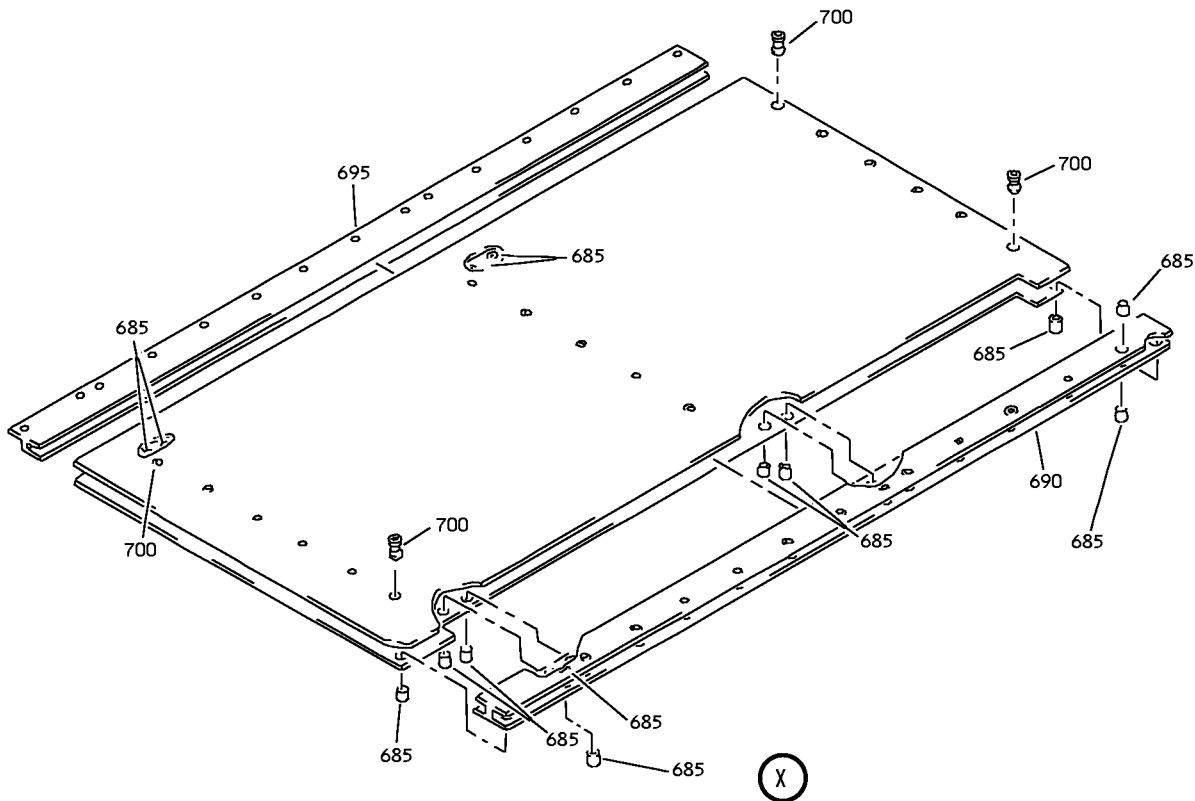
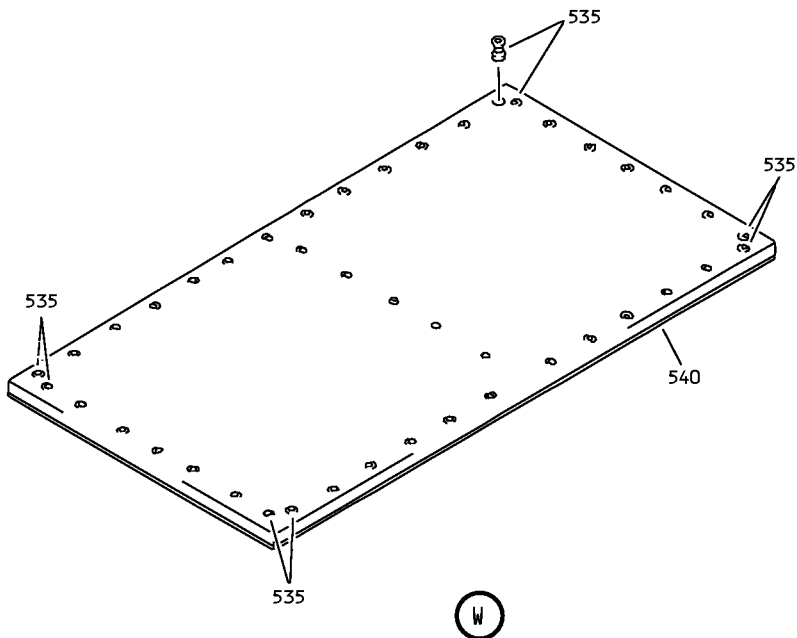
**25-24-08**  
ILLUSTRATED PARTS LIST  
Page 1098.70  
Jul 01/2007

COMPONENT MAINTENANCE MANUAL



Forward Right Closet Assembly  
IPL Figure 3 (Sheet 11 of 16)

# COMPONENT MAINTENANCE MANUAL



Forward Right Closet Assembly  
IPL Figure 3 (Sheet 12 of 16)

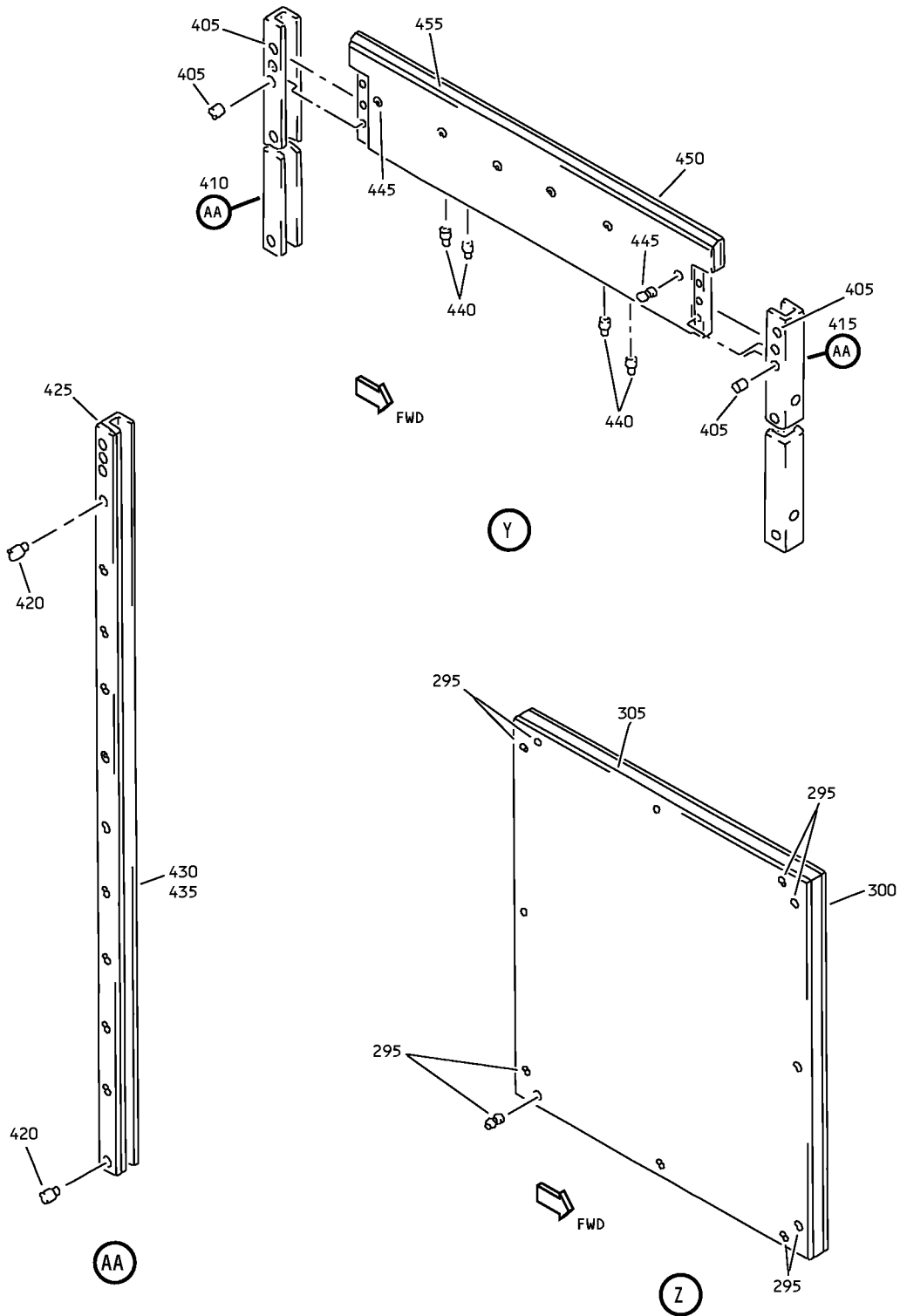
## 25-24-08

ILLUSTRATED PARTS LIST

Page 1098.72

Jul 01/2007

COMPONENT MAINTENANCE MANUAL



Forward Right Closet Assembly  
IPL Figure 3 (Sheet 13 of 16)

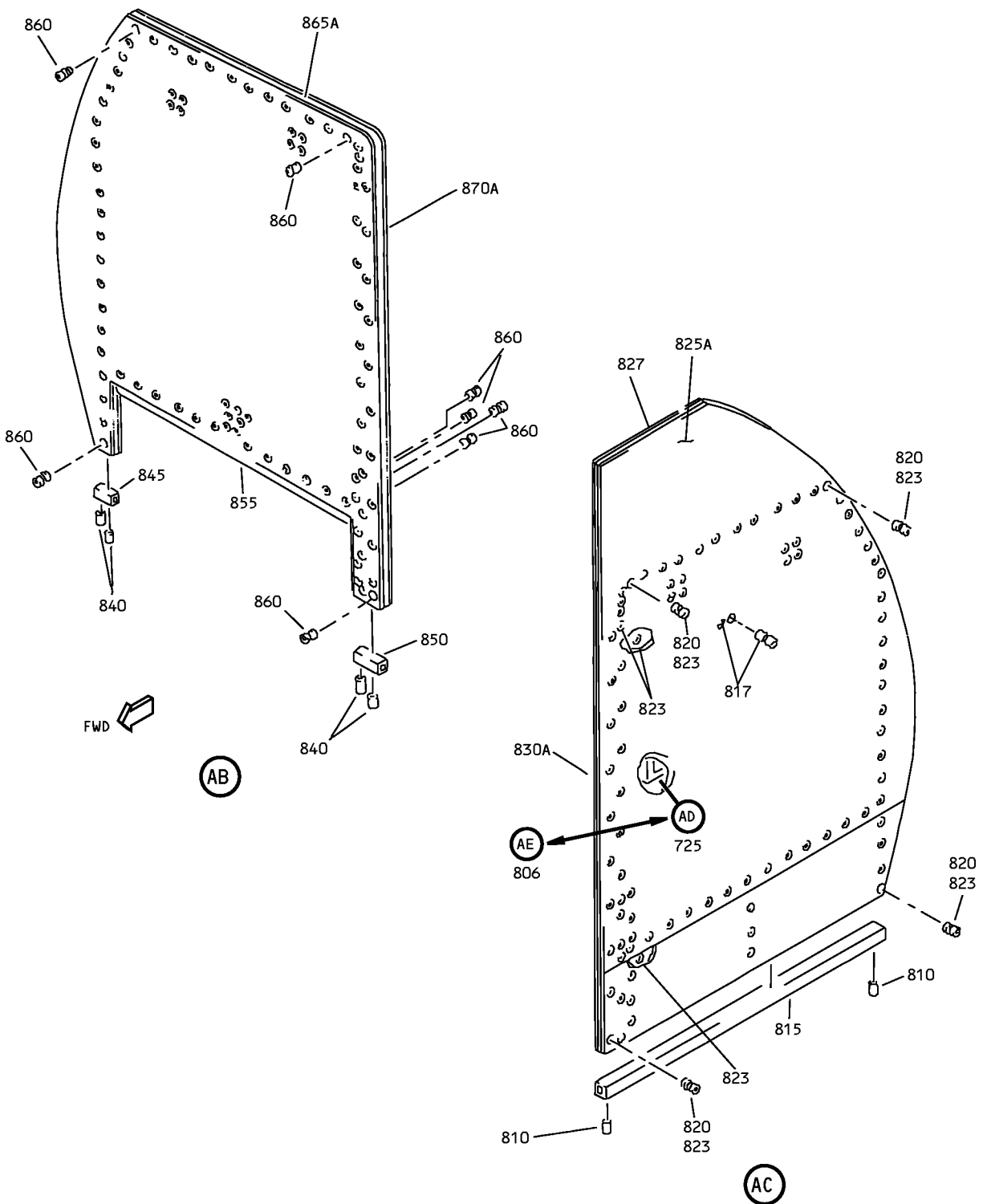
**25-24-08**

ILLUSTRATED PARTS LIST

Page 1098.73

Jul 01/2007

### COMPONENT MAINTENANCE MANUAL



Forward Right Closet Assembly  
IPL Figure 3 (Sheet 14 of 16)

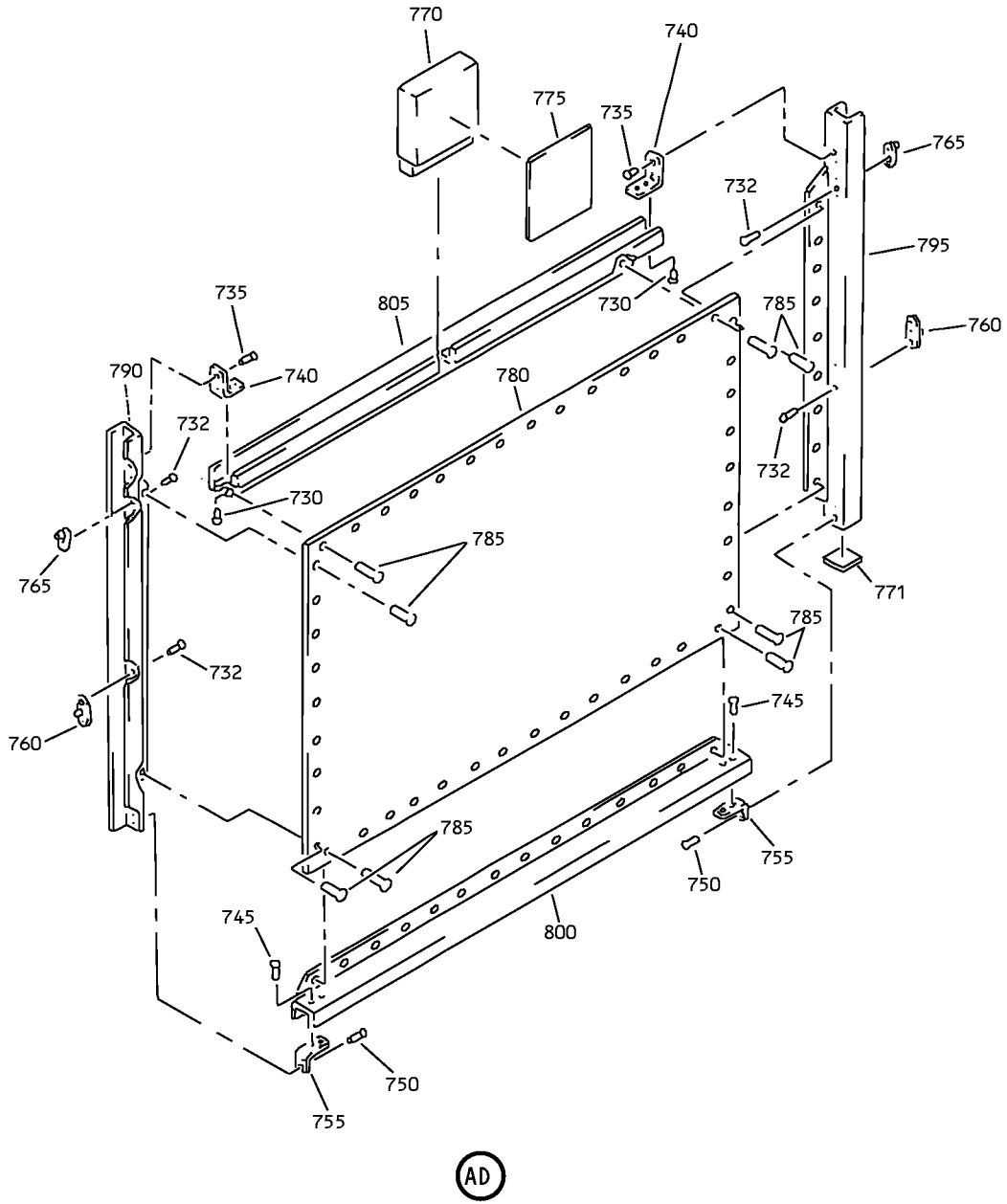
# 25-24-08

ILLUSTRATED PARTS LIST

Page 1098.74

Jul 01/2007

COMPONENT MAINTENANCE MANUAL



Forward Right Closet Assembly  
IPL Figure 3 (Sheet 15 of 16)

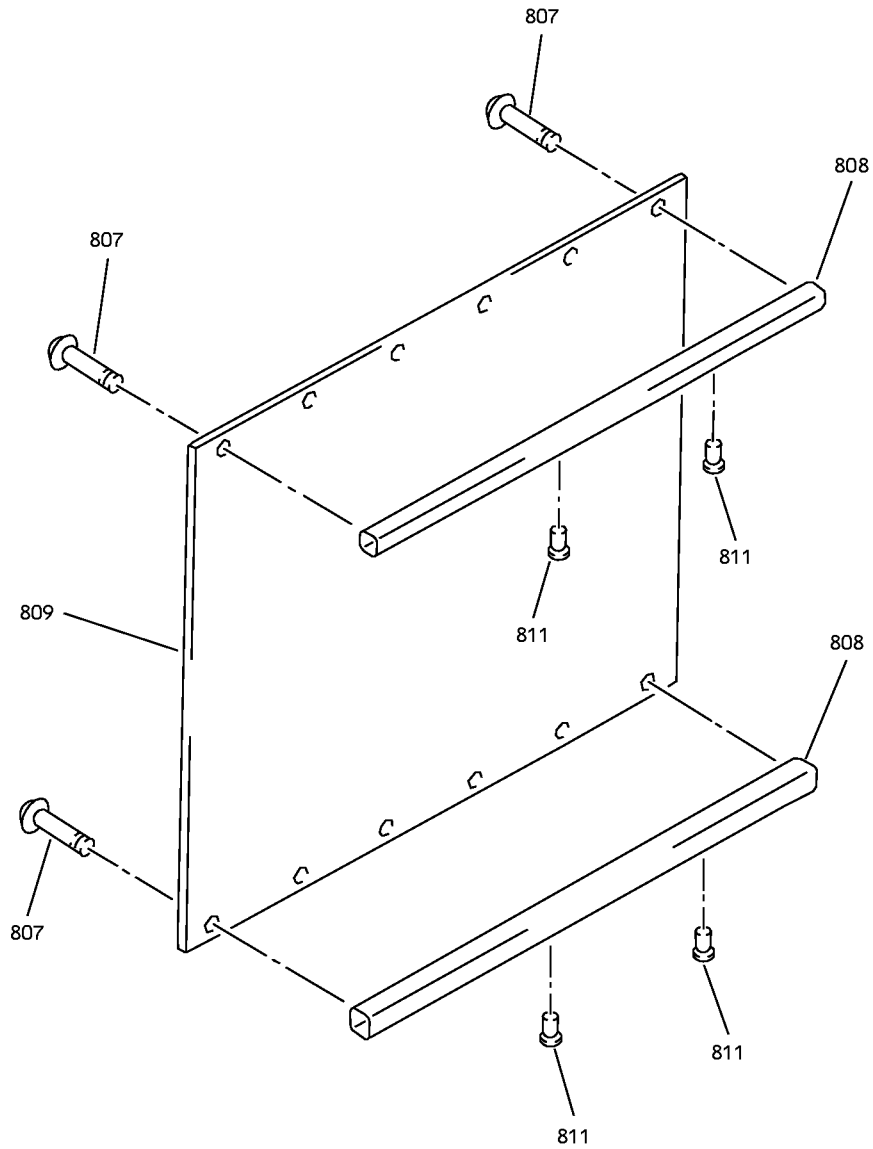
**25-24-08**

ILLUSTRATED PARTS LIST

Page 1098.75

Jul 01/2007

COMPONENT MAINTENANCE MANUAL



Ⓐ

Forward Right Closet Assembly  
IPL Figure 3 (Sheet 16 of 16)

**25-24-08**

ILLUSTRATED PARTS LIST

Page 1098.76

Jul 01/2007





## COMPONENT MAINTENANCE MANUAL

FIG/ ITEM	PART NUMBER	AIRLINE PART NUMBER	NOMENCLATURE							USAGE CODE	UNITS PER ASSY
			1	2	3	4	5	6	7		
3-											
-1	413N3206-146SP									C	RF
-1A	413N3206-153SP									G	RF
-1B	413N3206-157SP									J	RF
-1C	413N3206-199SP									U	RF
-1D	413N3206-207SP									Z	RF
-1E	413N3206-208SP									AA	RF
-1F	413N3206-212SP									AD	RF
-1G	413N3206-215SP									AE	RF
-1H	413N3206-217SP									AH	RF
5	BACB30NR4K21									. BOLT C, G, J, U, Z, AA, AD, AE, AH	4
10	AN960JD416L									. WASHER C, G, J, U, Z, AA, AD, AE	8
-10A	NAS1149D0416J									. WASHER AH	8
15	NAS43DD4-38									. SPACER C, G, J, U	8
-15A	NAS43DD4-38FC									. SPACER Z, AA, AD, AE, AH	8
20	MS21042L4									. NUT C, G, J, U, Z, AA, AD, AE, AH	4
25	65-88166-486									. ROD-COAT C, G, J, U, Z, AA, AD, AE, AH	2
30	NAS603-6P									. SCREW C, G, J, U, Z, AA	16
-30A	BACS12FA3K3									. SCREW AD, AE, AH	16
35	69-17083-3									. TEE C, G, J, U, Z, AA, AD, AE, AH	4

-Item not Illustrated

# 25-24-08

ILLUSTRATED PARTS LIST

Page 1098.77

Jul 01/2007



## COMPONENT MAINTENANCE MANUAL

FIG/ ITEM	PART NUMBER	AIRLINE PART NUMBER	NOMENCLATURE							USAGE CODE	UNITS PER ASSY
			1	2	3	4	5	6	7		
3-											
38	65C13879-110										
42	H3-1242-3									C, G, J, U, AA, AD, AE, AH	2
45	65-74227-26SP									C, G	1
-45A	65-74227-91SP									J, U, Z, AA, AD, AE, AH	1
48	69-19088-14B									C, G, J, U, Z, AA, AD, AE, AH	1
50	69-19088-13										
55	69-19088-8										
60	MS16562-26									C, G, J, U, Z, AA, AD, AE, AH	2
65	69-50269-3									C, G, J, U, Z, AA, AD, AE, AH	1
70	MS24665-285									C, G, J, U, Z, AA, AD, AE, AH	2
75	69-50264-2									C, G, J, U, Z, AA, AD, AE, AH	2
80	69-50269-4									C, G, J, U, Z, AA, AD, AE, AH	1
85	69-50269-3										
85A	69-50485-1									C, G, J, U, Z, AA, AD, AE, AH	2

-Item not Illustrated

**25-24-08**

ILLUSTRATED PARTS LIST

Page 1098.78

Jul 01/2007



## COMPONENT MAINTENANCE MANUAL

FIG/ ITEM	PART NUMBER	AIRLINE PART NUMBER	NOMENCLATURE							USAGE CODE	UNITS PER ASSY	
			1	2	3	4	5	6	7			
3- 90	NAS549ML416		.	.	WASHER (OPT ITEM 090A)						C, G, J, U, Z, AA, AD, AE, AH	2
-90A	BACW10P193G		.	.	WASHER (OPT ITEM 090)						C, G, J, U, Z, AA, AD, AE, AH	2
95	69-50264-1		.	.	LINK						C, G, J, U, Z, AA, AD, AE, AH	2
100	65-74227-23		.	.	TRIM						C, G, J, U, Z, AA, AD, AE, AH	1
105	65-74227-32		.	.	TRIM						C, G, J, U, Z, AA, AD, AE, AH	1
110	65-74227-33		.	.	TRIM						C, G, J, U, Z, AA, AD, AE, AH	1
115	65-74227-36		.	.	TRIM						C, G, J, U, Z, AA, AD, AE, AH	1
120	65-74227-37		.	.	TRIM						C, G, J, U, Z, AA, AD, AE, AH	1
125	65-74227-24SP		.	.	COVER-DECORATIVE						C, G, J, U, Z, AA, AD, AE, AH	1
130	65-74227-25SP		.	.	COVER-DECORATIVE						C, G, J, U, Z, AA, AD, AE, AH	1
135	65-74227-27		.	.	PANEL ASSY						C, G	1

-Item not Illustrated

# 25-24-08

ILLUSTRATED PARTS LIST

Page 1098.79

Jul 01/2007



## COMPONENT MAINTENANCE MANUAL

FIG/ ITEM	PART NUMBER	AIRLINE PART NUMBER	NOMENCLATURE							USAGE CODE	UNITS PER ASSY	
			1	2	3	4	5	6	7			
3- -135A	65-74227-92		.	.							J, U, Z, AA, AD, AE, AH	1
140	69-50267-1		.	.	.						C, G, J, U, Z, AA, AD, AE, AH	2
145	BACR15BA3D		.	.	.	.					C, G, J, U, Z, AA, AD, AE, AH	2
150	BR1000A3		.	.	.	.					C, G, J, U, Z, AA, AD, AE, AH	1
155	69-50266-1		.	.	.	.					C, G, J, U, Z, AA, AD, AE, AH	1
160	69-50267-2		.	.	.	.					C, G, J, U, Z, AA, AD, AE, AH	1
165	NAS603-14		.								C, G, J, U, Z, AA, AD, AE, AH	2
170	413T3030-70		.								C, G, J, U, Z, AA, AD, AE, AH	1
175	SAM223-1R		.								C, G, J, U, Z, AA, AD, AE, AH	1
180	413N3214-304SP											
180A	413N3215-304SP											
180B	413N3615-304SP		.								C, G	1

-Item not Illustrated

**25-24-08**

ILLUSTRATED PARTS LIST

Page 1098.80

Jul 01/2007



## COMPONENT MAINTENANCE MANUAL

FIG/ ITEM	PART NUMBER	AIRLINE PART NUMBER	NOMENCLATURE							USAGE CODE	UNITS PER ASSY	
			1	2	3	4	5	6	7			
3- -180C	413N3615-340SP		.								J, U, Z, AA, AD, AE, AH	1
185	NAS514P1032-6		.								C, G, J, U, Z, AA, AD, AE, AH	12
190	413N3109-78		.	.							C, G, J, U, Z, AA, AD, AE, AH	1
195	413N3109-93		.	.							C, G, J, U, Z, AA, AD, AE, AH	1
200	NAS514P632-3		.	.							C, G, J, U, Z, AA, AD, AE, AH	4
205	NAS1836-06-09		.	.							C, G, J, U, Z, AA, AD, AE, AH	4
210	69B51600-3		.	.	.						C, G, J, U, Z, AA, AD, AE, AH	1
215	69B51600-4		.	.	.						C, G, J, U, Z, AA, AD, AE, AH	1
220	MS24586-525		.	.	.						C, G, J, U, Z, AA, AD, AE, AH	1

-Item not Illustrated

# 25-24-08

ILLUSTRATED PARTS LIST

Page 1098.81

Jul 01/2007



## COMPONENT MAINTENANCE MANUAL

FIG/ ITEM	PART NUMBER	AIRLINE PART NUMBER	NOMENCLATURE							USAGE CODE	UNITS PER ASSY		
			1	2	3	4	5	6	7				
3- 225	MS18065-10		.	.	.	S	C	R	E	W	C, G, J, U, Z, AA, AD, AE, AH	1	
230	413N3109-79		.	.	.	C	A	T	C	H	C, G, J, U, Z, AA, AD, AE, AH	1	
235	413N3109-94		.	.	.	C	A	T	C	H	C, G, J, U, Z, AA, AD, AE, AH	1	
240	413N3109-80		.	.	.	A	N	G	L	E	C, G, J, U, Z, AA, AD, AE, AH	2	
245	BACR15BA3D		.	.	.	R	I	V	E	T	C, G, J, U, Z, AA, AD, AE, AH	5	
250	69B51600-2		.	.	.	C	O	V	E	R	C, G, J, U, Z, AA, AD, AE, AH	1	
255	69B51629-1		.	.	.	H	O	U	S	I	C	C, G, J, U, Z, AA, AD, AE, AH	1
260	413N3211-47		DELETED										
260A	413T3004-4		DELETED										
260B	413T3004-9		.	.	P	U	L	L	A	S	C, G, J, U, Z, AA, AD, AE, AH	2	
-260C	413N3211-603		.	.	P	U	L	L	A	S	C, G, J, U, Z, AA, AD, AE, AH	2	
265	413N3615-187		.	.	P	L	A	T	E		C, G, J, U, Z, AA, AD, AE, AH	2	

-Item not Illustrated

**25-24-08**

ILLUSTRATED PARTS LIST

Page 1098.82

Jul 01/2007



## COMPONENT MAINTENANCE MANUAL

FIG/ ITEM	PART NUMBER	AIRLINE PART NUMBER	NOMENCLATURE							USAGE CODE	UNITS PER ASSY
			1	2	3	4	5	6	7		
3-											
270	SL2334-06A3		. .	INSERT						C, G, J, U, Z, AA, AD, AE, AH	12
				(V97393)							
275	413N3615-6SP			DELETED							
280	413N3615-7SP			DELETED							
285	413N3615-305SP		. .	DOOR ASSY						C, G	1
-285A	413N3615-341SP		. .	DOOR ASSY						J, U, Z, AA, AD, AE, AH	1
				ATTACHING PARTS							
290	NAS514P1032-6		. .	SCREW						C, G, J, U, Z, AA, AD, AE, AH	12
				-----*							
295	SL2334-06A3		. .	INSERT						C, G, J, U, Z, AA, AD, AE, AH	12
				(V97393)							
300	413N3615-6SP			DELETED							
305	413N3615-7SP			DELETED							
310	NAS603-8P		. .	SCREW						C, G, J, U, Z, AA, AD, AE, AH	22
315	GAR1003-1892		. .	TRACK ASSY						C, G, J, U, Z, AA, AD, AE, AH	2
				(V4N374)							
320	NAS603-6P		. .	SCREW						C, G, J, U, Z, AA	22
-320A	BACS12FA3K5		. .	SCREW						AD, AE, AH	22
325	413N3211-26SP		. .	ANGLE						C, G, J, U, Z, AA, AD, AE, AH	2

-Item not Illustrated

# 25-24-08

ILLUSTRATED PARTS LIST

Page 1098.83

Jul 01/2007



## COMPONENT MAINTENANCE MANUAL

FIG/ ITEM	PART NUMBER	AIRLINE PART NUMBER	NOMENCLATURE							USAGE CODE	UNITS PER ASSY	
			1	2	3	4	5	6	7			
3-												
330	NAS603-6P		.								C, G, J, U, Z, AA, AD	110
-330A	BACS12FA3K5		.								AD, AE, AH	110
335	413N3211-76SP		.								C, G, J, U, Z, AA, AD, AE, AH	3
340	413N3211-85SP		.								C, G, J, U, Z, AA, AD, AE, AH	2
342	413N3211-77SP		.								C, G, J, U, Z, AA, AE, AH	1
345	413N3214-129SP		.								C, G	1
-345A	413N3214-288SP		.								J	1
-345B	413N3214-496SP		.								U, Z, AA, AD, AE, AH	1
350	SL2334-3A3		.	.							C, G, J, U, Z, AA, AD, AE, AH	55
355	413N3214-73SP		.	.							C, G, J, U, Z, AA, AD, AE, AH	1
360	NAS603-7P		.								C, G, J, U	4
365	BACS40R004F020F		.								C, G, J, U	2
370	69B51630-1		.								C, G, J, U	2
372	413T3051-101		.								Z, AA, AD, AE, AH	1
372J	413T3051-102		.								Z, AA, AD, AE, AH	1
375	NAS603-6P		.								C, G, J, U, Z, AA	30

-Item not Illustrated

**25-24-08**

ILLUSTRATED PARTS LIST

Page 1098.84

Jul 01/2007





## COMPONENT MAINTENANCE MANUAL

FIG/ ITEM	PART NUMBER	AIRLINE PART NUMBER	NOMENCLATURE							USAGE CODE	UNITS PER ASSY
			1	2	3	4	5	6	7		
3-											
-375A	BACS12FA3K5		.	SCREW						AD	30
-375B	BACS12FA3K5		.	SCREW						AE, AH	14
377	BACB30NT3K2		.	BOLT						Z, AA, AD, AE, AH	4
380	413N3215-13SP		.	BRACKET-GUSSET						C, G, J, U, Z, AA, AD, AE, AH	1
385	413N3215-14SP		.	BRACKET-GUSSET						C, G, J, U, Z, AA, AD, AE, AH	1
387	2055144		.	RETAINER						C, J, U, Z, AA, AD	1
390	413N3051-12A			DELETED							
390A	413T3051-12A		.	BRACKET						C, J, U, Z, AA, AD, AE	1
-390B	413T3051-12SP		.	BRACKET						AH	1
395	413N3211-74SP		.	ANGLE						C, G, J, U, Z, AA, AD, AE, AH	1
400	413N3214-130SP		.	PANEL ASSY-INBD						C, G	1
-400A	413N3214-289SP		.	PANEL ASSY-INBD						J, U	1
-400B	413N3224-160SP		.	PANEL ASSY-INBD						Z, AA	1
-400C	413N3224-256SP		.	PANEL ASSY-INBD						AD, AE, AH	1
405	BACS13CJ3L180P		. .	INSERT						C, G, J, U, Z, AA, AD, AE, AH	6
410	413N3211-49		. .	CHANNEL ASSY						C, G, J, U, Z, AA, AD, AE, AH	1

-Item not Illustrated

**25-24-08**

ILLUSTRATED PARTS LIST

Page 1098.85

Jul 01/2007



## COMPONENT MAINTENANCE MANUAL

FIG/ ITEM	PART NUMBER	AIRLINE PART NUMBER	NOMENCLATURE							USAGE CODE	UNITS PER ASSY
			1	2	3	4	5	6	7		
3-											
415	413N3211-50		.	.	CHANNEL ASSY					C, G, J, U, Z, AA, AD, AE, AH	1
420	SL854-3C16C		.	.	INSERT (V97393)					C, G, J, U, Z, AA, AD, AE, AH	11
425	413N3211-53		.	.	FILLER					C, G, J, U, Z, AA, AD, AE, AH	1
430	413N3211-51		.	.	CHANNEL (USED ON ITEM 410)					C, G, J, U, Z, AA, AD, AE, AH	1
435	413N3211-52		.	.	CHANNEL (USED ON ITEM 415)					C, G, J, U, Z, AA, AD, AE, AH	1
440	NAS1836-08-12		.	.	INSERT					C, G, J, U	4
445	SL2334-3A3		.	.	INSERT (V97393)					C, G, J, U, Z, AA, AD, AE, AH	6
445J	SL2334-3A3		.	.	INSERT (V97393)					Z, AA, AD, AE, AH	6
450	413N3214-73SP		.	.	COVER-DECORATIVE INTR					C, G, J, U	1
-450A	413N3224-7SP		.	.	COVER-DECORATIVE INTR					Z, AA, AD, AE, AH	1
455	413N3214-74SP		.	.	COVER-DECORATIVE					C, G, J, U	1
-455A	413N3224-83SP		.	.	COVER-DECORATIVE					Z, AA, AD, AE, AH	1
460	NAS603-6P		.	.	SCREW					C, G, J, U, Z, AA	44
460A	BACS12FA3K5		.	.	SCREW					AD, AE, AH	44

-Item not Illustrated

# 25-24-08

ILLUSTRATED PARTS LIST

Page 1098.86

Jul 01/2007



## COMPONENT MAINTENANCE MANUAL

FIG/ ITEM	PART NUMBER	AIRLINE PART NUMBER	NOMENCLATURE							USAGE CODE	UNITS PER ASSY
			1	2	3	4	5	6	7		
3-											
465	413N3211-81										
465A	413N3211-81SP									C, G, J, U, Z, AA, AD, AE, AH	2
470	413N3214-133SP									C, G	1
-470A	413N3214-292SP									J, U, Z, AA, AD, AE, AH	1
475	SL2334-3A3									C, G, J, U, Z, AA, AD, AE, AH	32
480	413N3214-73SP									C, G, J, U, Z, AA, AD, AE, AH	1
485	413N3214-75SP									C, J, U, Z, AA, AD, AE, AH	1
-485A	413N3214-74SP									G	1
490	NAS6604-22									C, G	1
-490A	NAS6603-22									J, U, Z, AA	1
-490B	BAC30NM3K22									AD, AE, AH	1
495	AN960JD416L									C, G	1
-495A	AN960JD10L									J, U, Z, AA	1
500	AN960JD416									C, G	1
-500A	AN960JD10									J, U, Z, AA	1
500B	NAS1149D0332J									AD, AE, AH	1

-Item not Illustrated

**25-24-08**

ILLUSTRATED PARTS LIST

Page 1098.87

Jul 01/2007



## COMPONENT MAINTENANCE MANUAL

FIG/ ITEM	PART NUMBER	AIRLINE PART NUMBER	NOMENCLATURE							USAGE CODE	UNITS PER ASSY
			1	2	3	4	5	6	7		
3- 505	F42NKE048		.	NUT (V72962) (SPEC BACN10R428) (OPT 42NKE048 (V72962)) (OPT 26C048 (V80539))						C, G	1
-505A	F22K1-02		.	NUT (V72962) (SPEC BACN10R10L) (OPT 22K1-02 (V72962)) (OPT 26CL02 (V80539))						J, U, Z, AA, AD, AE, AH	1
510	NAS603-6P		.	SCREW						C, G, J, U, Z, AA	50
-510A	BACS12FA3K5		.	SCREW						AD, AE, AH	50
515	413N3211-66SP		.	ANGLE-GUSSET						C, G, J, U, Z, AA, AD, AE, AH	1
520	413N3211-76SP		.	ANGLE						C, G, J, U, Z, AA, AD, AE, AH	2
525	413N3211-83			DELETED							
525A	413N3211-83SP		.	ANGLE						C, G, J, U, Z, AA, AD, AE, AH	1
530	413N3214-134SP		.	PANEL ASSY-SHELF						C, G	1
-530A	413N3214-293SP		.	PANEL ASSY-SHELF						J, U, Z, AA, AD, AE, AH	1
535	SL2334-3A3		.	INSERT (V97393)						C, G, J, U, Z, AA, AD, AE, AH	44
540	413N3214-73SP		.	COVER-DECORATIVE INTR						C, G, J, U, Z, AA, AD, AE, AH	1

-Item not Illustrated

**25-24-08**

ILLUSTRATED PARTS LIST

Page 1098.88

Jul 01/2007



## COMPONENT MAINTENANCE MANUAL

FIG/ ITEM	PART NUMBER	AIRLINE PART NUMBER	NOMENCLATURE							USAGE CODE	UNITS PER ASSY		
			1	2	3	4	5	6	7				
3-													
545	NAS514P1032-16		.								SCREW	C, G, J, U, Z, AA, AD, AE, AH	6
550	SL52-3		.								NUT (V97393)	C, G, J, U, Z, AA, AD, AE, AH	6
555	413N3211-263		.								CHANNEL	C, G, J, U, Z, AA, AD, AE, AH	1
560	NAS603-6P		.								SCREW	C, G, J, U, Z, AA, AE, AH	18
-560A	BACS12FA3K5		.								SCREW	AD	18
565	413N3211-73SP		.								ANGLE	C, G, J, U, Z, AA, AE, AH	1
-565A	413N3211-111SP		.								ANGLE	AD	1
570	NAS514P1032-16		.								SCREW	C, G, J, U, Z, AA, AD, AE, AH	6
575	SL52-3		.								NUT (V97393)	C, G, J, U, Z, AA, AD, AE, AH	6
580	413N3211-264		.								CHANNEL	C, G, J, U, Z, AA, AD, AE, AH	1
585	413N3214-135		.								PANEL ASSY-DIVIDER	C, G, J, U, Z, AA, AD, AE, AH	1
590	SL2334-3A3		.	.							INSERT (V97393)	C, G, J, U, Z, AA, AD, AE, AH	3

-Item not Illustrated

# 25-24-08

ILLUSTRATED PARTS LIST

Page 1098.89

Jul 01/2007



## COMPONENT MAINTENANCE MANUAL

FIG/ ITEM	PART NUMBER	AIRLINE PART NUMBER	NOMENCLATURE							USAGE CODE	UNITS PER ASSY
			1	2	3	4	5	6	7		
3-											
595	413N3214-159		.	.	DOUBLER					C, G, J, U, Z, AA, AD, AE, AH	2
-597	PK87XA8-12		.		SCREW (V45722) (SPEC BACS12H8-12) (OPT SK145A8-12 (V73439))					AE, AH	2
600	413N3206-14		.		TRIM					C	AR
-600A	413N3206-15		.		TRIM					G	AR
-600B	413U3165-1		.		TRIM					J, U, Z, AA, AD, AE, AH	AR
605	NAS603-6P		.		SCREW					C, G, J, U, Z, AA	50
-605A	BACS12FA3K5		.		SCREW					AD, AE, AH	50
610	413N3211-73SP		.		ANGLE					C, G, J, U, Z, AA, AD, AE, AH	2
-610A	413N3211-111SP				DELETED						
612	413N3211-73SP		.		ANGLE					C, G, J, U, Z, AA	2
-612A	413N3211-111SP		.		ANGLE					AD, AE, AH	2
615	413N3211-76SP		.		ANGLE					C, G, J, U, Z, AA, AD, AE, AH	1
617	413N3211-77SP		.		ANGLE					C, G, J, U, Z, AA	1
620	413N3206-17		.		TRIM					C, G	AR
-620A	413U3165-14				DELETED						
-620B	413U3165-4		.		TRIM					J, U, Z, AA, AD, AE, AH	AR
625	413N3214-131SP		.		PANEL ASSY-INBD					C, G	1
-625A	413N3214-290SP		.		PANEL ASSY-INBD					J	1

-Item not Illustrated

**25-24-08**

ILLUSTRATED PARTS LIST

Page 1098.90

Jul 01/2007



## COMPONENT MAINTENANCE MANUAL

FIG/ ITEM	PART NUMBER	AIRLINE PART NUMBER	NOMENCLATURE							USAGE CODE	UNITS PER ASSY	
			1	2	3	4	5	6	7			
3- -625B	413N3214-497SP		.								U, Z, AA, AD, AE, AH	1
630	SL2334-3A3		.	.							C, G, J, U, Z, AA, AD, AE, AH	25
635	413N3214-73SP		.	.							C, G, J, U, Z, AA, AD, AE, AH	1
640	413N3214-74SP		.	.							C, G, J, U, Z, AA, AD, AE, AH	1
645	NAS6603-2		.								C, G, J, U, Z, AA, AD, AE, AH	4
650	NAS6603-3		.								C, G, J, U, Z, AA, AD, AE, AH	16
655	AN960JD10L		.								C, G, J, U, Z, AA, AD, AE, AH	20
657	BACS13CJ3E080P		.								C, G, J, U, Z, AA, AD, AE, AH	8
-657A	BACS13CJ3L080P		.								C, G, J, U, Z, AA, AD, AE, AH	4
660	45927-21		.								C, G, J, U, Z, AA, AD, AE, AH	2
665	NAS603-6P		.								C, G, J, U, Z, AA, AE, AH	26

-Item not Illustrated

**25-24-08**

ILLUSTRATED PARTS LIST

Page 1098.91

Jul 01/2007



## COMPONENT MAINTENANCE MANUAL

FIG/ ITEM	PART NUMBER	AIRLINE PART NUMBER	NOMENCLATURE							USAGE CODE	UNITS PER ASSY
			1	2	3	4	5	6	7		
3-											
-665A	BACS12FA3K5		.							AD, AE, AH	26
667	NAS514S1032-6		.							C, G, J, U, Z, AA, AE, AH	12
-667A	BACS12ER3K6		.							AD, AE, AH	12
670	413N3211-294		.							C, G, J, U, Z, AA, AD, AE, AH	1
675	413N3206-119		.							C, G	1
-675A	413N3206-176		.							J, U, Z, AA, AD, AE, AH	1
680	413N3214-132		.							C, G	1
-680A	413N3214-291		.							J, U, Z, AA, AD	1
-680B	413N3224-322		.							AE, AH	1
685	BACS13CJ3L080P		.	.						C, G, J, U, Z, AA, AD, AE, AH	36
685A	BACS13CJ3L080P		.	.						AE, AH	51
687	BACS13CJ3L080P		.	.						AE, AH	15
690	413N3211-292		.	.						C, G, J, U, Z, AA, AD	1
695	413N3211-293		.	.						C, G, J, U, Z, AA, AD, AE, AH	1
695A	413N3217-362		.	.						AE, AH	1
695B	413N3217-363		.	.						AE, AH	2
700	SL2334-3A3		.	.						C, G, J, U, Z, AA, AD, AE, AH	17

-Item not Illustrated

**25-24-08**

ILLUSTRATED PARTS LIST

Page 1098.92

Jul 01/2007





## COMPONENT MAINTENANCE MANUAL

FIG/ ITEM	PART NUMBER	AIRLINE PART NUMBER	NOMENCLATURE							USAGE CODE	UNITS PER ASSY
			1	2	3	4	5	6	7		
3-											
705	413N3206-123SP		.							C, G, J, U, Z, AA, AD, AE, AH	1
710	413N3206-147SP		.							C, G, J, U, Z, AA, AD, AE, AH	1
712	413N3211-107		.							C, G, J, U, Z, AA, AD, AE, AH	2
715	413N3206-15		.							C, G, J	AR
717	413U3165-82		.							AE	AR
720	413N3214-127SP		.							C, G	1
-720A	413N3214-286SP		.							J	1
-720B	413N3214-495SP		.							U, Z, AA, AD, AE	1
-720C	413N3214-664SP		.							AH	1
725	65-62776-50		.	.						C, G, J	1
-725A	65-62776-65		.	.						U, Z, AA, AD, AE	1
730	MS20426D4		.	.	.					C, G, J, U, Z, AA, AD, AE	4
										(SIZE DETERMINED ON INST)	
732	MS20426D3		.	.	.					C, G, J, U, Z, AA, AD, AE	8
										(SIZE DETERMINED ON INST)	
735	MS20470D4		.	.	.					C, G, J, U, Z, AA, AD, AE	4
										(SIZE DETERMINED ON INST)	
740	65-62776-13		.	.	.					C, G, J, U, Z, AA, AD, AE	2
										(SIZE DETERMINED ON INST)	
745	BACR15BA4D		.	.	.					C, G, J, U, Z, AA, AD, AE	4
										(SIZE DETERMINED ON INST)	

-Item not Illustrated

# 25-24-08

ILLUSTRATED PARTS LIST

Page 1098.93

Jul 01/2007



## COMPONENT MAINTENANCE MANUAL

FIG/ ITEM	PART NUMBER	AIRLINE PART NUMBER	NOMENCLATURE							USAGE CODE	UNITS PER ASSY
			1	2	3	4	5	6	7		
3-											
750	BACR15BB4D		. . .	RIVET						C, G, J, U, Z, AA, AD, AE	4
				(SIZE DETERMINED ON INST)							
755	65-62776-22		. . .	CLIP-MTG						C, G, J, U, Z, AA, AD, AE	2
760	K1000-3BAC		. . .	NUTPLATE						C, G, J	2
				(V15653)							
				(SPEC BACN10JR3)							
				(OPT NS103202-02 (V80539))							
				(OPT RMA9201-3 (V72962))							
				(OPT T8088S1032 (V11815))							
				(OPT VN102A1-02 (V92215))							
				(OPT BR2000A3 (V52828))							
-760A	K1000-3BAC		. . .	NUTPLATE						U, Z, AA, AD, AE	2
				(V15653)							
				(SPEC BACN10JR3)							
				(OPT NS103202-02 (V80539))							
				(OPT RMA9201-3 (V72962))							
				(OPT T8088S1032 (V11815))							
				(OPT VN102A1-02 (V92215))							
				(OPT BR2000A3 (V52828))							
				(OPT ITEM 760B)							
-760B	F5000-3BAC		. . .	NUTPLATE						U, Z, AA, AD, AE	2
				(V15653)							
				(SPEC BACN10JR3F)							
				(OPT NS103203-02 (V80539))							
				(OPT RMF9201-3 (V72962))							
				(OPT T8091S1032 (V11815))							
				(OPT VN152A1-02 (V92215))							
				(OPT BRF200A3 (V52828))							
				(OPT ITEM 760A)							
765	BR1000A3		. . .	NUTPLATE						C, G, J	2
				(V52828)							
				(SPEC BACN10KB3)							
				(OPT K2000-3 (V15653))							
				(OPT RMA9207-3 (V72962))							
				(OPT T8109S1032 (V11815))							
				(OPT VN101A1-02 (V92215))							
				(OPT K2000-3 (V15653))							

-Item not Illustrated

# 25-24-08

ILLUSTRATED PARTS LIST

Page 1098.94

Jul 01/2007



## COMPONENT MAINTENANCE MANUAL

FIG/ ITEM	PART NUMBER	AIRLINE PART NUMBER	NOMENCLATURE							USAGE CODE	UNITS PER ASSY	
			1	2	3	4	5	6	7			
3- -765A	BR1000A3		. . .	NUTPLATE							U, Z, AA, AD, AE	2
				(V52828)								
				(SPEC BACN10KB3)								
				(OPT K2000-3 (V15653))								
				(OPT RMA9207-3 (V72962))								
				(OPT T8109S1032 (V11815))								
				(OPT VN101A1-02 (V92215))								
				(OPT K2000-3 (V15653))								
				(OPT ITEM 765B)								
-765B	BRF100A3		. . .	NUTPLATE							U, Z, AA, AD, AE	2
				(V52828)								
				(SPEC BACN10KB3F)								
				(OPT F2000-3 (V15653))								
				(OPT RMF9207-3 (V72962))								
				(OPT T8114S1032S (V11815))								
				(OPT VN151A1-02 (V92215))								
				(OPT F2000-3 (V15653))								
				(OPT ITEM 765A)								
767	65-62776-23		. . .	FILLER							C, G, J, U, Z, AA, AD, AE	1
768	65-62776-26		. . .	FILLER							C, G, J, U, Z, AA, AD, AE	1
769	65-62776-27		. . .	FILLER							C, G, J, U, Z, AA, AD, AE	1
770	65-62776-32		. . .	FILLER							C, G, J, U, Z, AA, AD, AE	1
771	65-62776-78		. . .	FILLER							U, Z, AA, AD, AE	1
772	65-62776-63		. . .	FILLER							C, G, J	1
773	65-62776-64		. . .	FILLER							C, G, J, U, Z, AA, AD, AE	1
774	65-62776-75		. . .	FILLER							C, G, J, U, Z, AA, AD, AE	1
775	65-62776-33		. . .	PLATE							C, G, J, U, Z, AA, AD, AE	1

-Item not Illustrated

**25-24-08**

ILLUSTRATED PARTS LIST

Page 1098.95

Jul 01/2007



## COMPONENT MAINTENANCE MANUAL

FIG/ ITEM	PART NUMBER	AIRLINE PART NUMBER	NOMENCLATURE							USAGE CODE	UNITS PER ASSY
			1	2	3	4	5	6	7		
3-											
776	65-62776-29									U, Z, AA, AD, AE	1
780	65-62776-55									C, G, J	1
-780A	65-62776-55									U, Z, AA, AD, AE	1
-780B	65-62776-80									U, Z, AA, AD, AE	1
785	BACR15BA5D									C, G, J, U, Z, AA, AD, AE	46
790	65-62776-51									C, G, J	1
-790A	65-62776-67									U, Z, AA, AD, AE	1
795	65-62776-52									C, G, J	1
795A	65-62776-68									U, Z, AA, AD, AE	1
800	65-62776-53									C, G, J, U, Z, AA, AD, AE	1
805	65-62776-54									C, G, J, U, Z, AA, AD, AE	1
806	65-62776-86									AH	1
807	MS90353U0603									AH	12
808	65-62776-85									AH	2
809	65-62776-87									AH	1
810	BACS13CJ3L130P									C, G, J, U, Z, AA, AD, AE	15
-810A	BACS13CJ3L080P									AH	15
811	BACS13CJ3L080P									AH	4
815	413N3211-262									C, G, J, U, Z, AA, AD, AE, AH	1
817	SL2334-3A1									AH	2

-Item not Illustrated

**25-24-08**

ILLUSTRATED PARTS LIST

Page 1098.96

Jul 01/2007



## COMPONENT MAINTENANCE MANUAL

FIG/ ITEM	PART NUMBER	AIRLINE PART NUMBER	NOMENCLATURE							USAGE CODE	UNITS PER ASSY
			1	2	3	4	5	6	7		
3-											
820	SL2334-3A3		.	.	INSERT (V97393)					C, G, J, U, Z, AA, AD, AE	86
823	SL2334-3A3		.	.	INSERT (V97393)					AH	88
825	413N3206-73SP				DELETED						
825A	413N3214-73SP		.	.	COVER-DECORATIVE INTR					C, G, J, U, Z, AA, AD, AE, AH	1
827	413N3214-77SP		.	.	COVER-DECORATIVE					J, U, Z, AA, AD, AE, AH	1
830	413N3206-76SP				DELETED						
830A	413N3214-76SP		.	.	COVER-DECORATIVE					C, G, J, U, Z, AA, AD, AE, AH	1
833	413U3165-75		.		TRIM					AE, AH	AR
835	413N3206-128SP				DELETED						
835A	413N3214-128SP		.		PANEL ASSY-AFT					C, G	1
-835B	413N3214-287SP		.		PANEL ASSY-AFT					J, U, Z, AA, AD, AE, AH	1
840	BACS13CJ3L130P		.	.	INSERT					C, G, J, U, Z, AA, AD, AE, AH	4
845	413N3211-253		.	.	TUBE					C, G, J, U, Z, AA, AD, AE, AH	1
850	413N3211-265		.	.	TUBE					C, G, J, U, Z, AA, AD, AE, AH	1
855	413N3211-266		.	.	EXTRUSION					C, G, J, U, Z, AA, AD, AE, AH	1

-Item not Illustrated

**25-24-08**

ILLUSTRATED PARTS LIST

Page 1098.97

Jul 01/2007



## COMPONENT MAINTENANCE MANUAL

FIG/ ITEM	PART NUMBER	AIRLINE PART NUMBER	NOMENCLATURE							USAGE CODE	UNITS PER ASSY
			1	2	3	4	5	6	7		
3- 860	SL2334-3A3								. . INSERT (V97393)	C, G, J, U, Z, AA, AD, AE, AH	93
865	413N3206-73SP								DELETED		
865A	413N3214-73SP								. . COVER-DECORATIVE INTR	C, G, J, AE, AH	1
870	413N3206-77SP								DELETED		
870A	413N3214-77SP								. . COVER-DECORATIVE	C, G, J, AE, AH	1

-Item not Illustrated

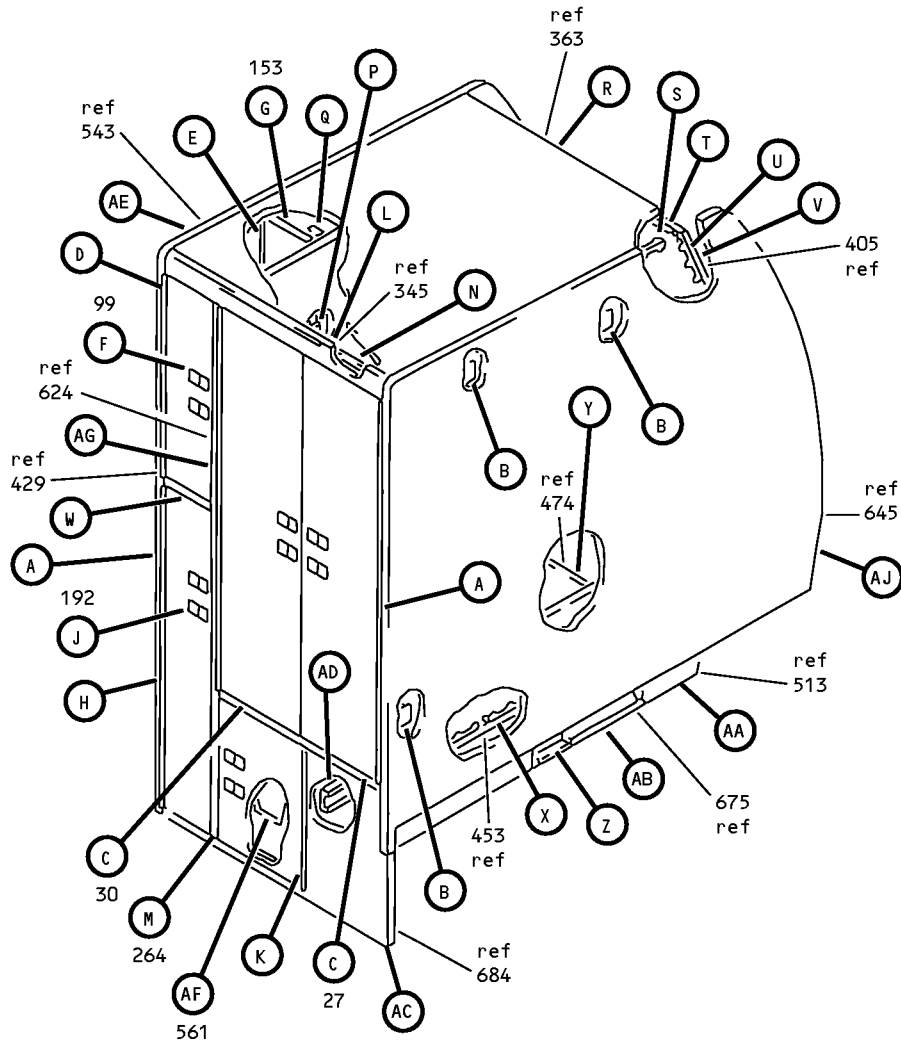
# 25-24-08

ILLUSTRATED PARTS LIST

Page 1098.98

Jul 01/2007

COMPONENT MAINTENANCE MANUAL



Forward Right Closet Assembly  
IPL Figure 4 (Sheet 1 of 26)

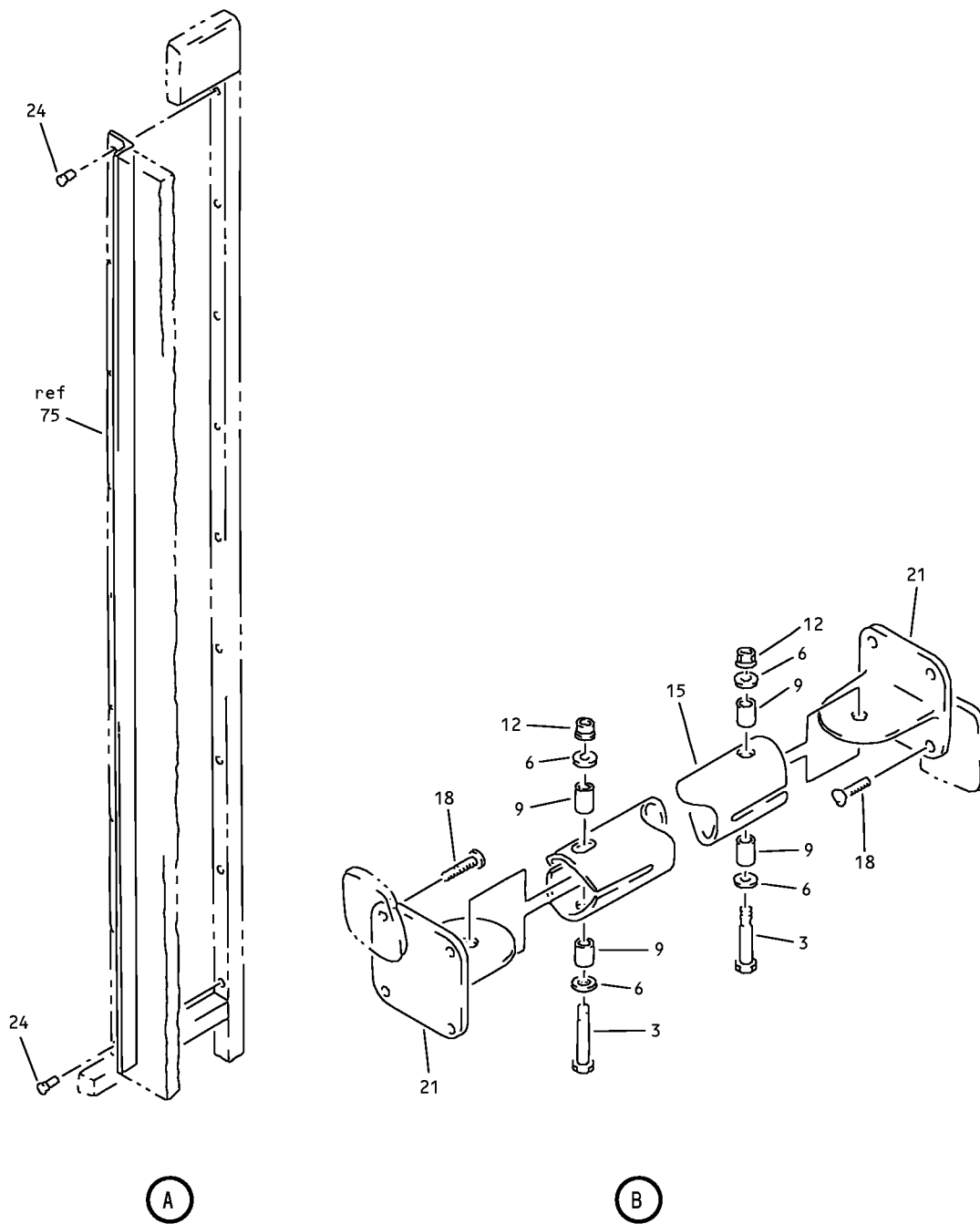
**25-24-08**

ILLUSTRATED PARTS LIST

Page 1098.99

Jul 01/2007

# COMPONENT MAINTENANCE MANUAL

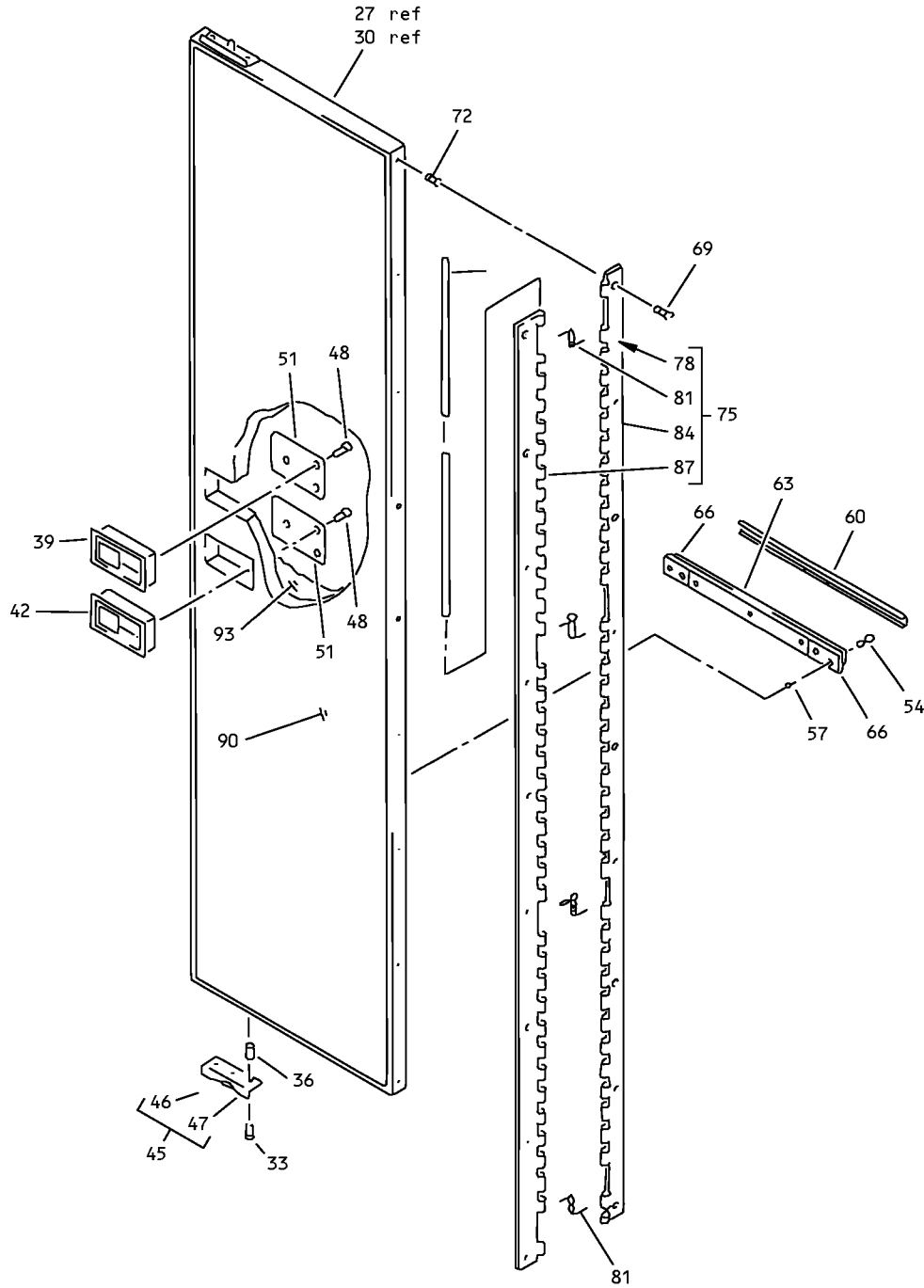


Forward Right Closet Assembly  
IPL Figure 4 (Sheet 2 of 26)

**25-24-08**  
ILLUSTRATED PARTS LIST  
Page 1098.100  
Jul 01/2007



COMPONENT MAINTENANCE MANUAL



(C)

Forward Right Closet Assembly  
IPL Figure 4 (Sheet 3 of 26)

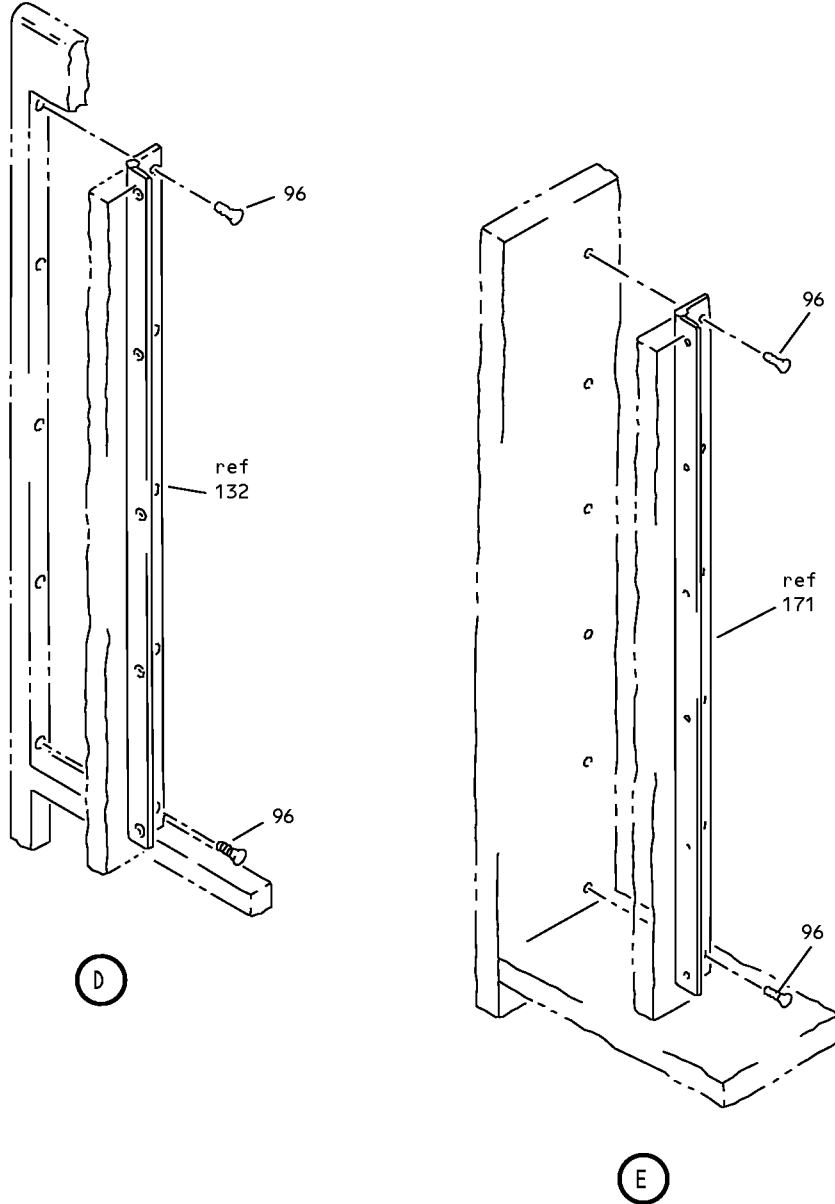
**25-24-08**

ILLUSTRATED PARTS LIST

Page 1098.101

Jul 01/2007

COMPONENT MAINTENANCE MANUAL



Forward Right Closet Assembly  
IPL Figure 4 (Sheet 4 of 26)

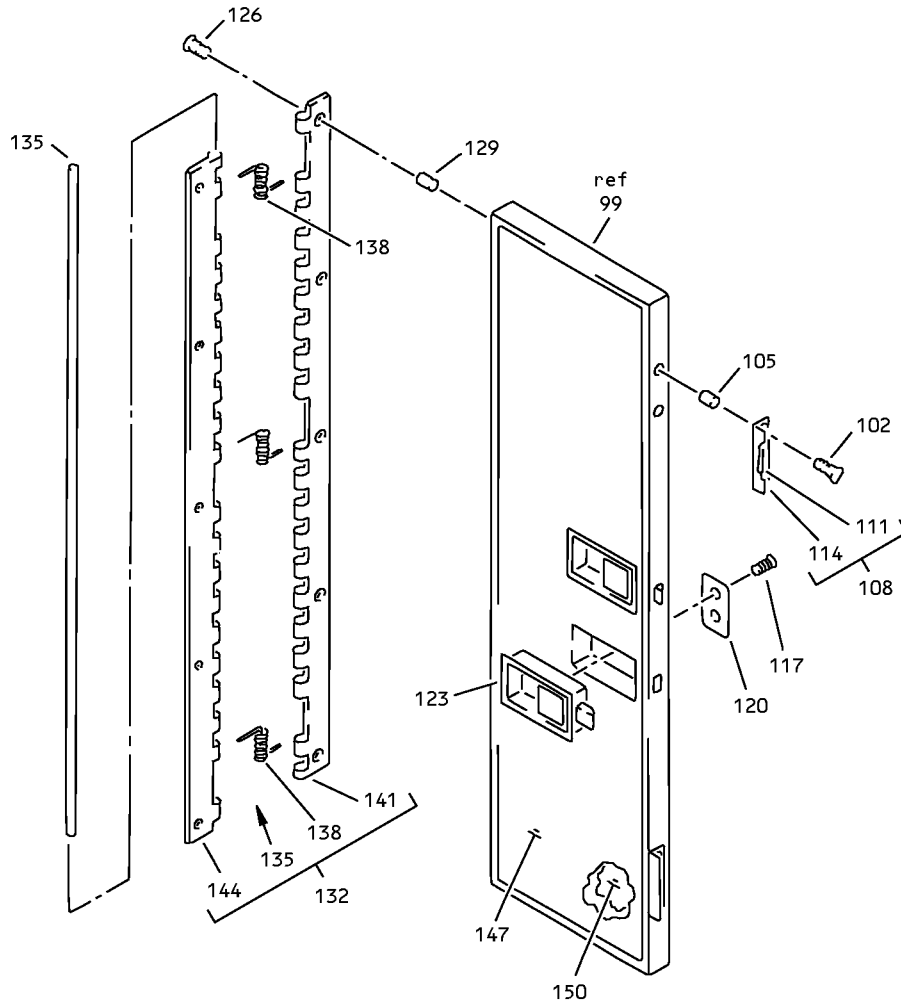
**25-24-08**

ILLUSTRATED PARTS LIST

Page 1098.102

Jul 01/2007

COMPONENT MAINTENANCE MANUAL



F

Forward Right Closet Assembly  
IPL Figure 4 (Sheet 5 of 26)

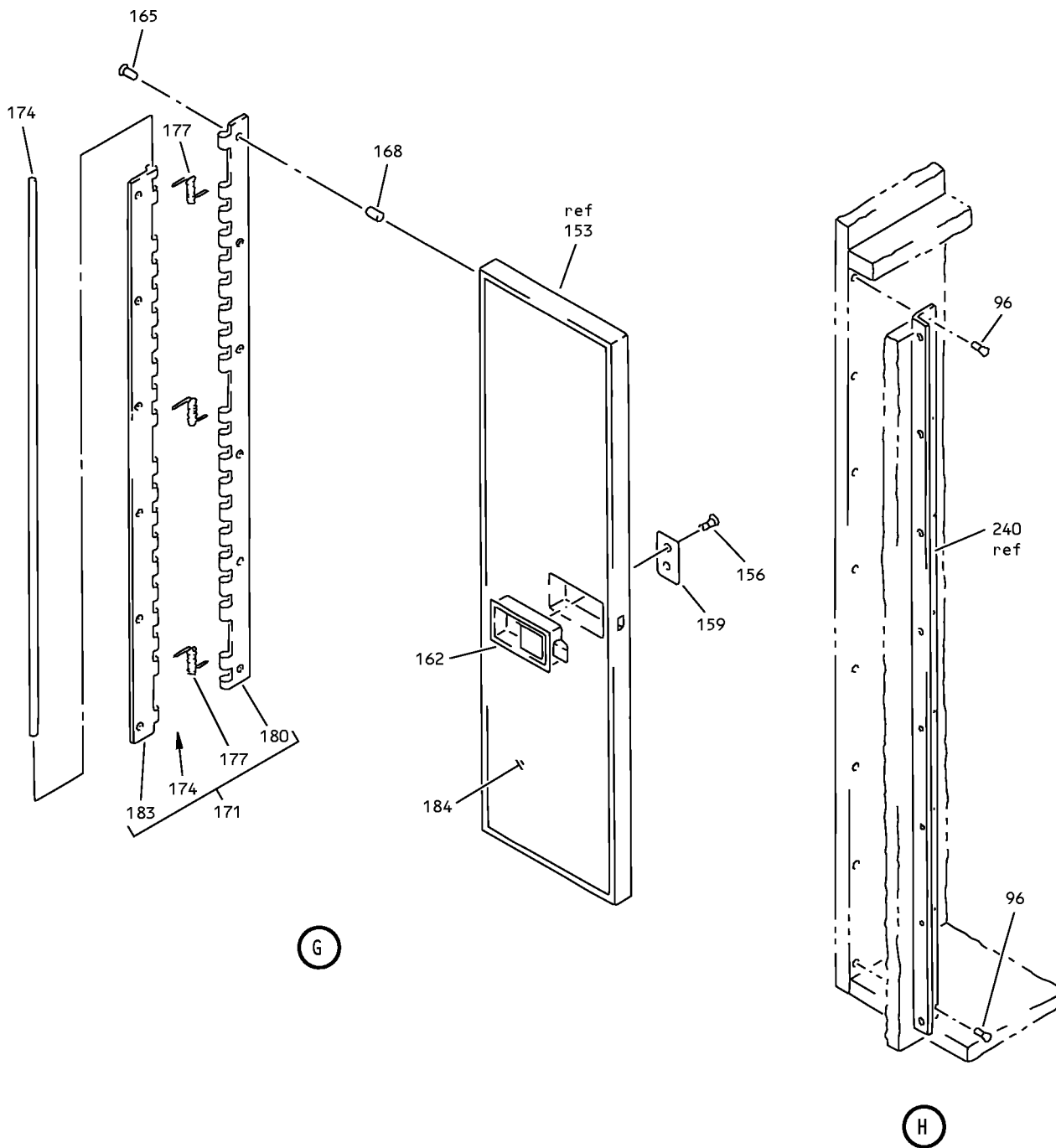
**25-24-08**

ILLUSTRATED PARTS LIST

Page 1098.103

Jul 01/2007

COMPONENT MAINTENANCE MANUAL



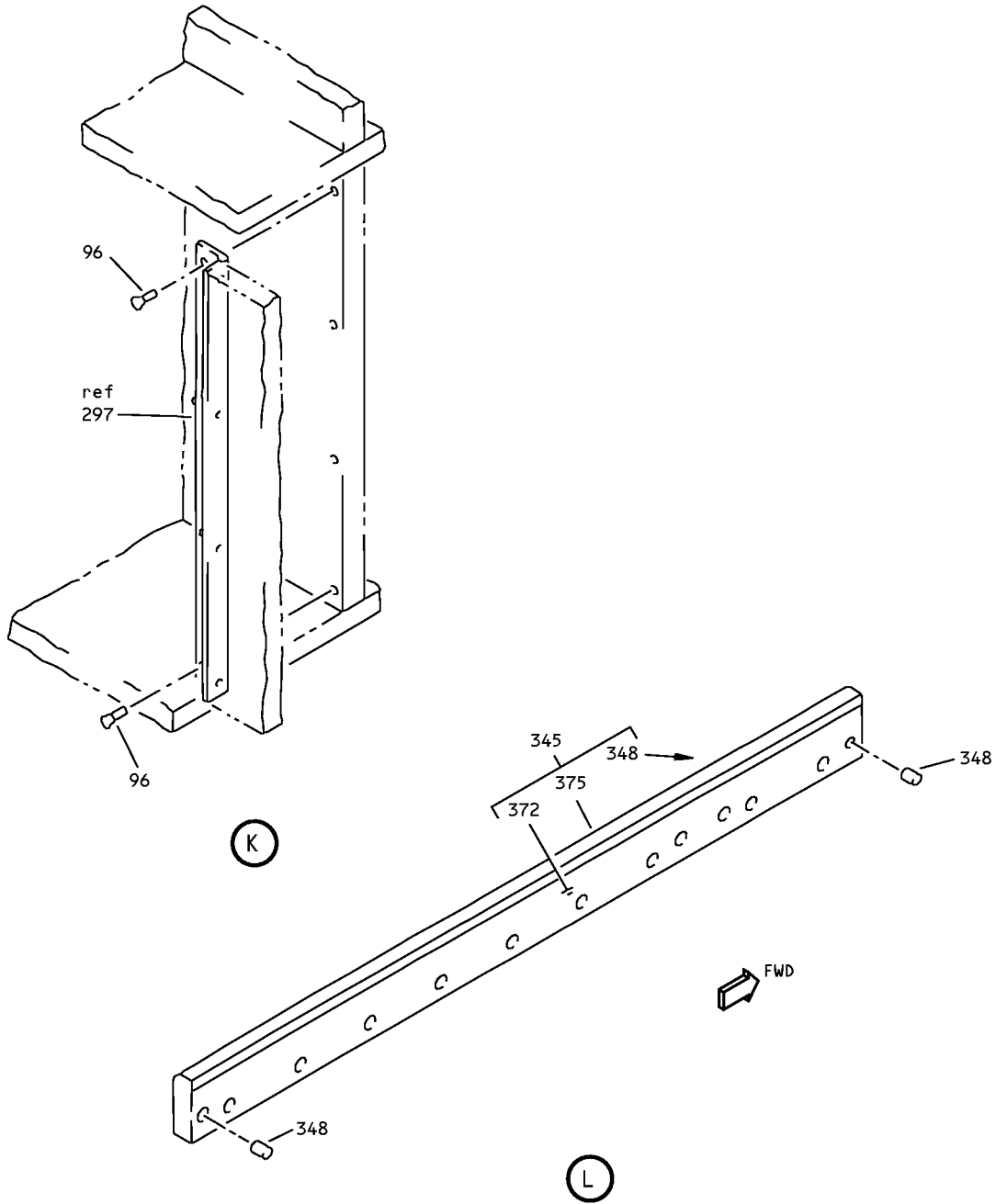
Forward Right Closet Assembly  
IPL Figure 4 (Sheet 6 of 26)

**25-24-08**

ILLUSTRATED PARTS LIST  
Page 1098.104  
Jul 01/2007



COMPONENT MAINTENANCE MANUAL



Forward Right Closet Assembly  
IPL Figure 4 (Sheet 8 of 26)

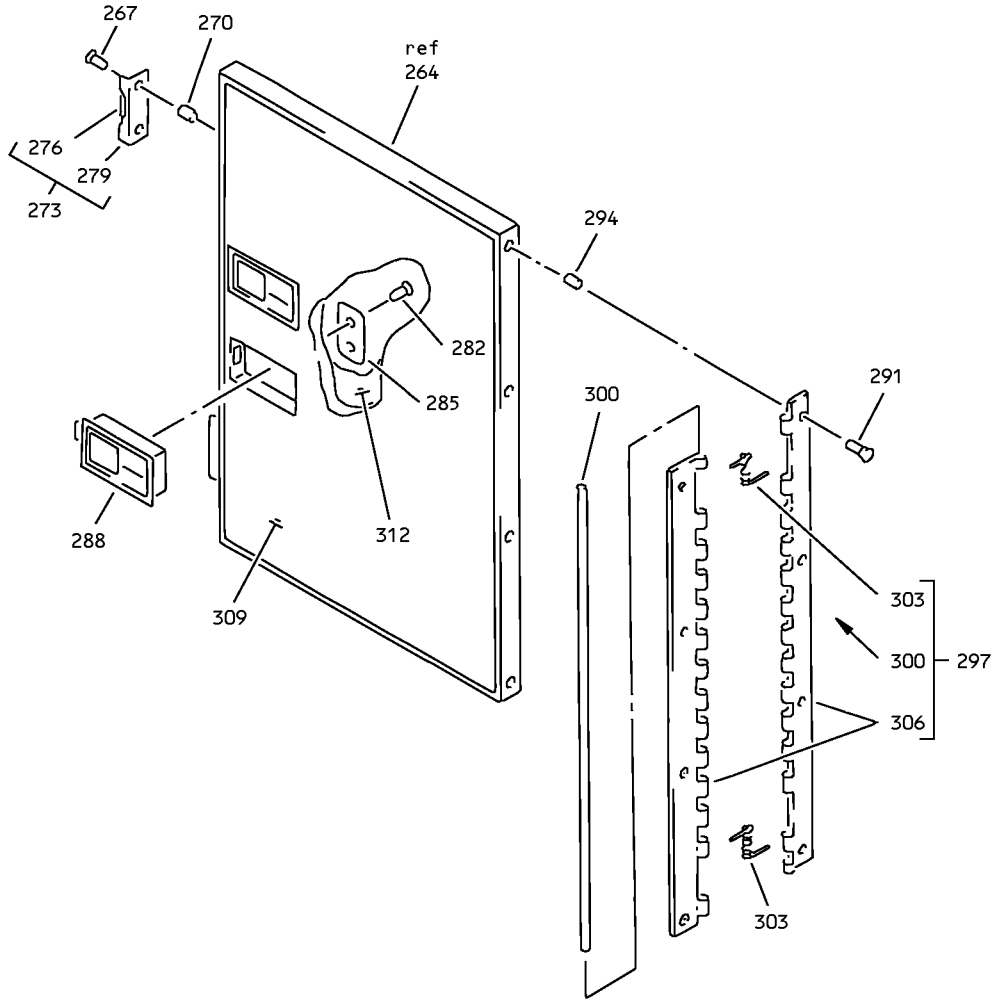
**25-24-08**

ILLUSTRATED PARTS LIST

Page 1098.106

Jul 01/2007

COMPONENT MAINTENANCE MANUAL



M

Forward Right Closet Assembly  
IPL Figure 4 (Sheet 9 of 26)

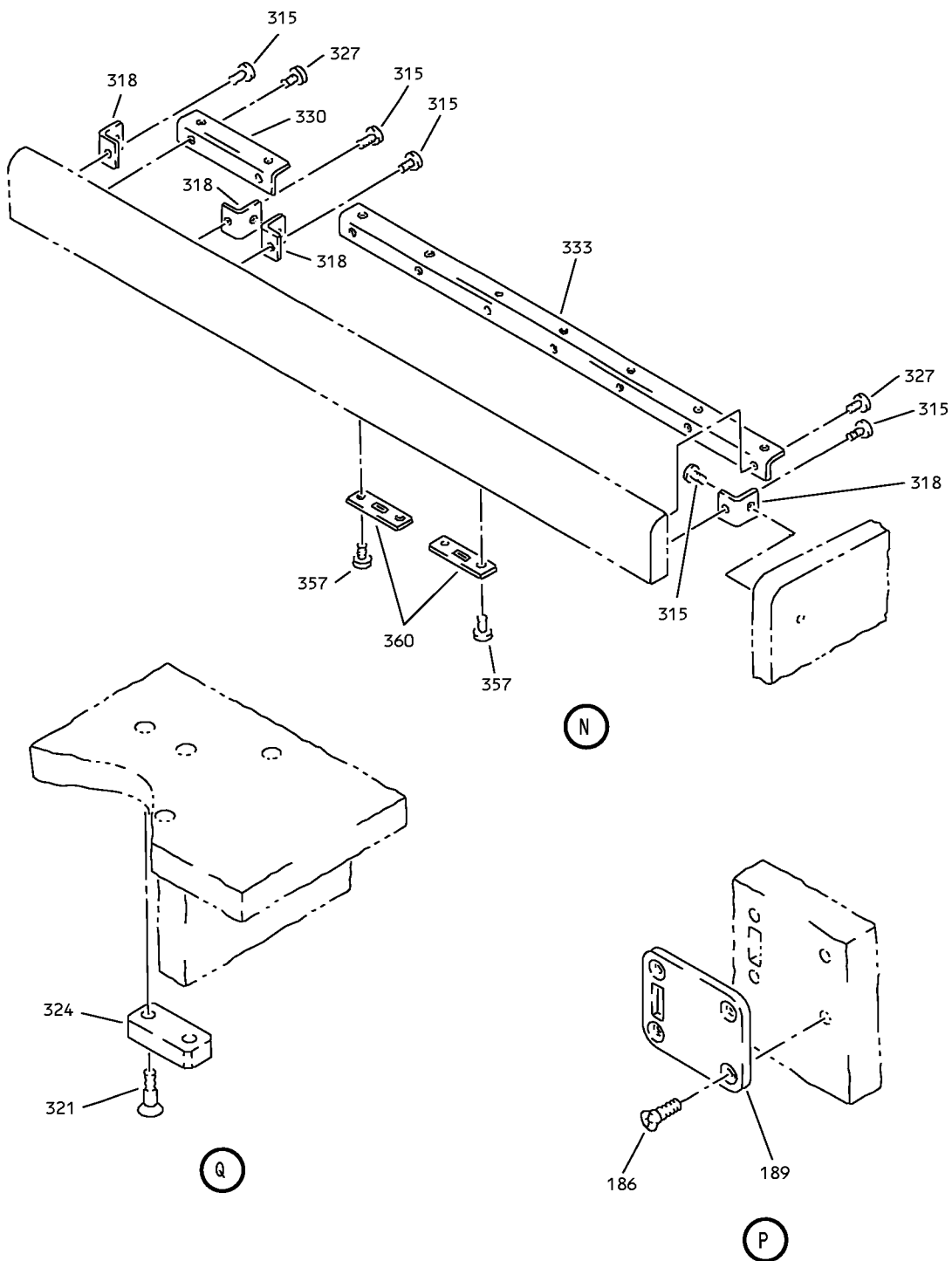
**25-24-08**

ILLUSTRATED PARTS LIST

Page 1098.107

Jul 01/2007

COMPONENT MAINTENANCE MANUAL



Forward Right Closet Assembly  
IPL Figure 4 (Sheet 10 of 26)

**25-24-08**

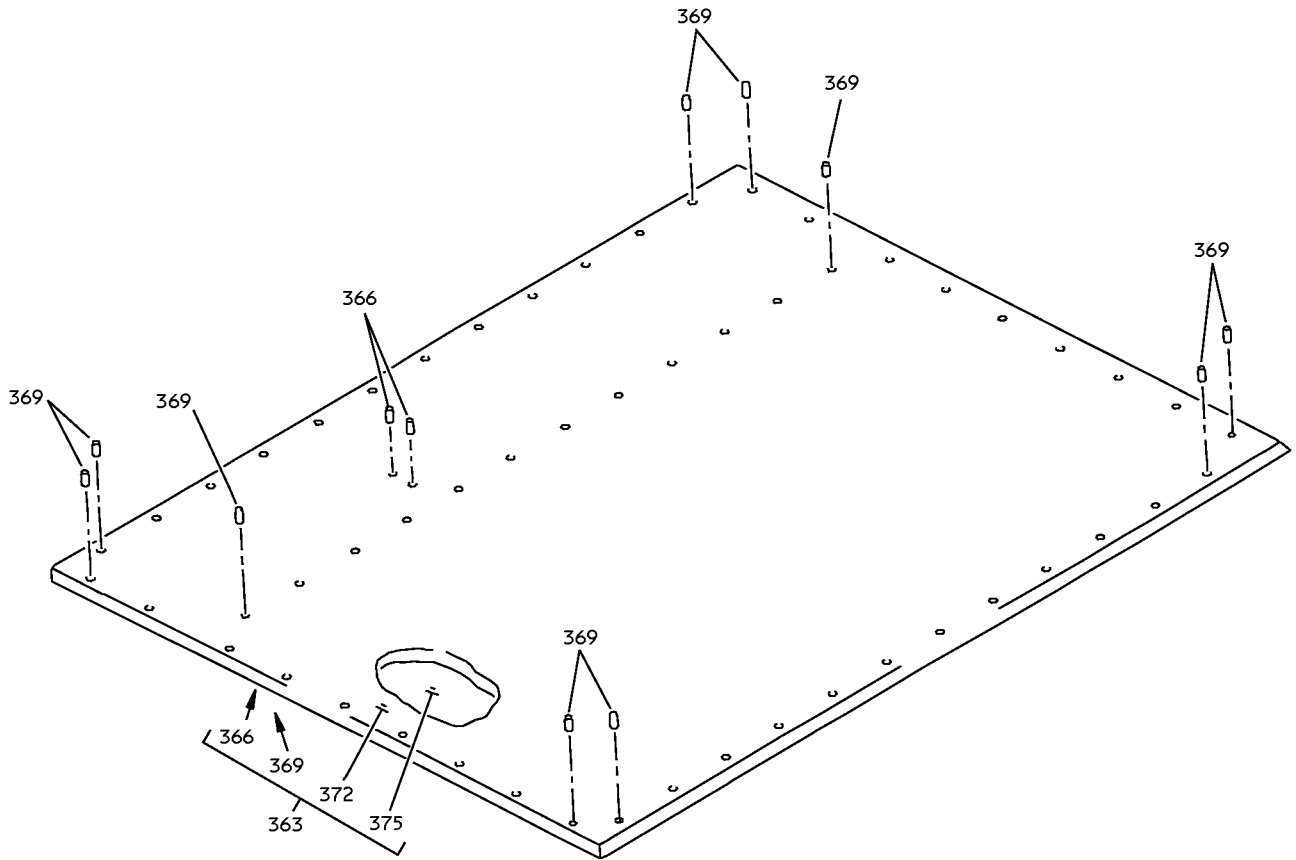
ILLUSTRATED PARTS LIST

Page 1098.108

Jul 01/2007



COMPONENT MAINTENANCE MANUAL



R

Forward Right Closet Assembly  
IPL Figure 4 (Sheet 11 of 26)

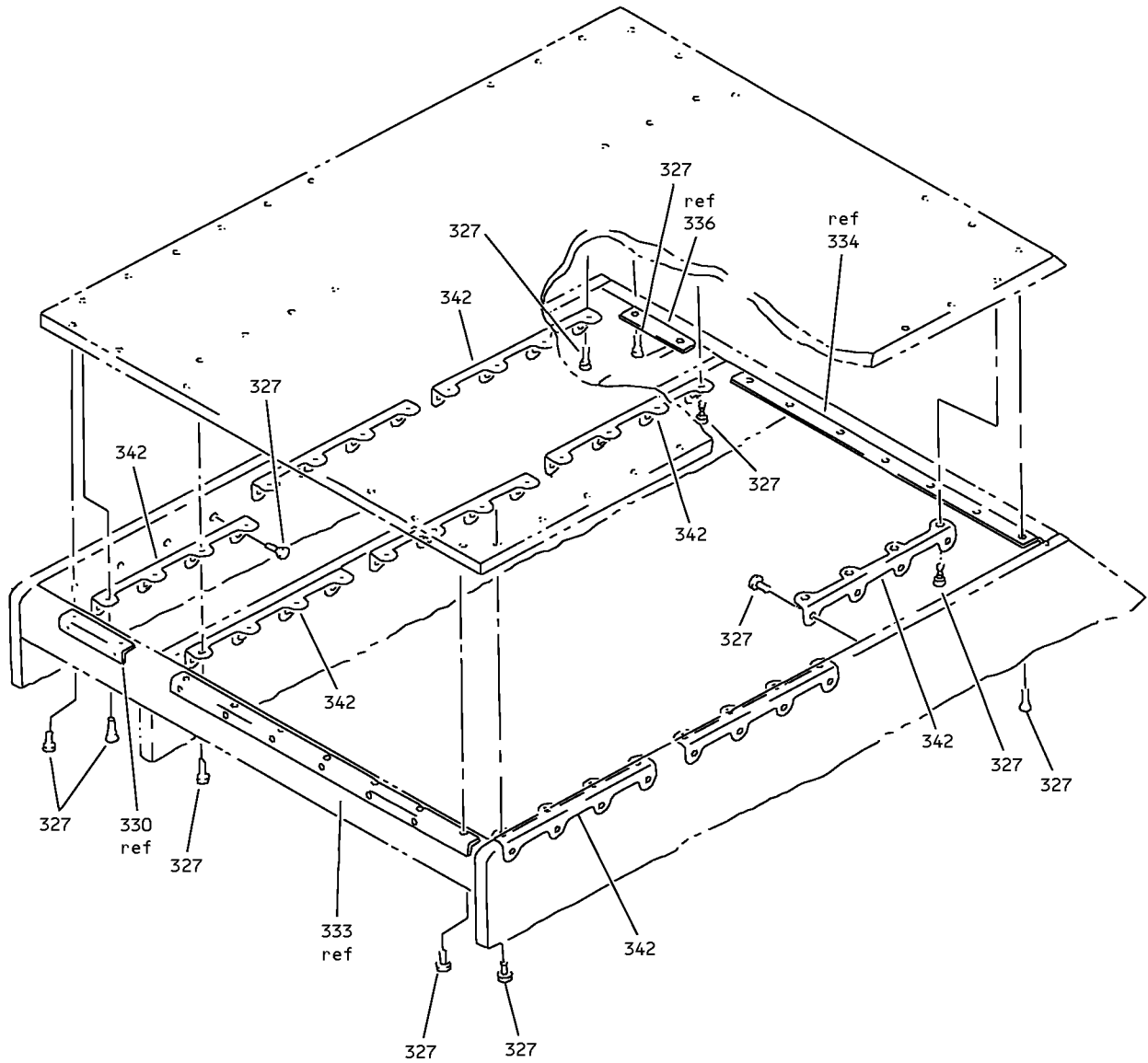
**25-24-08**

ILLUSTRATED PARTS LIST

Page 1098.109

Jul 01/2007

COMPONENT MAINTENANCE MANUAL



S

Forward Right Closet Assembly  
IPL Figure 4 (Sheet 12 of 26)

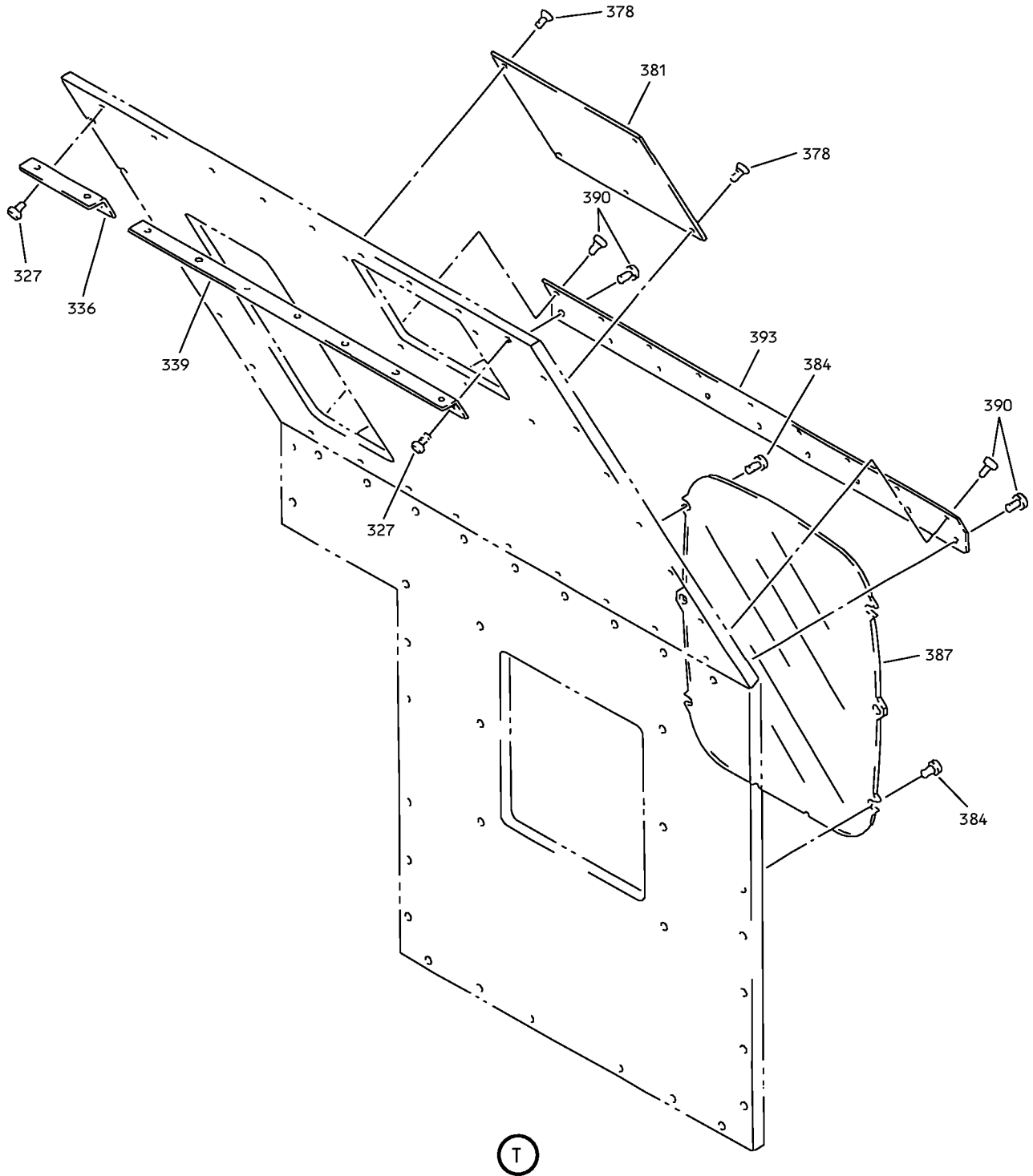
**25-24-08**

ILLUSTRATED PARTS LIST

Page 1098.110

Jul 01/2007

COMPONENT MAINTENANCE MANUAL



Forward Right Closet Assembly  
IPL Figure 4 (Sheet 13 of 26)

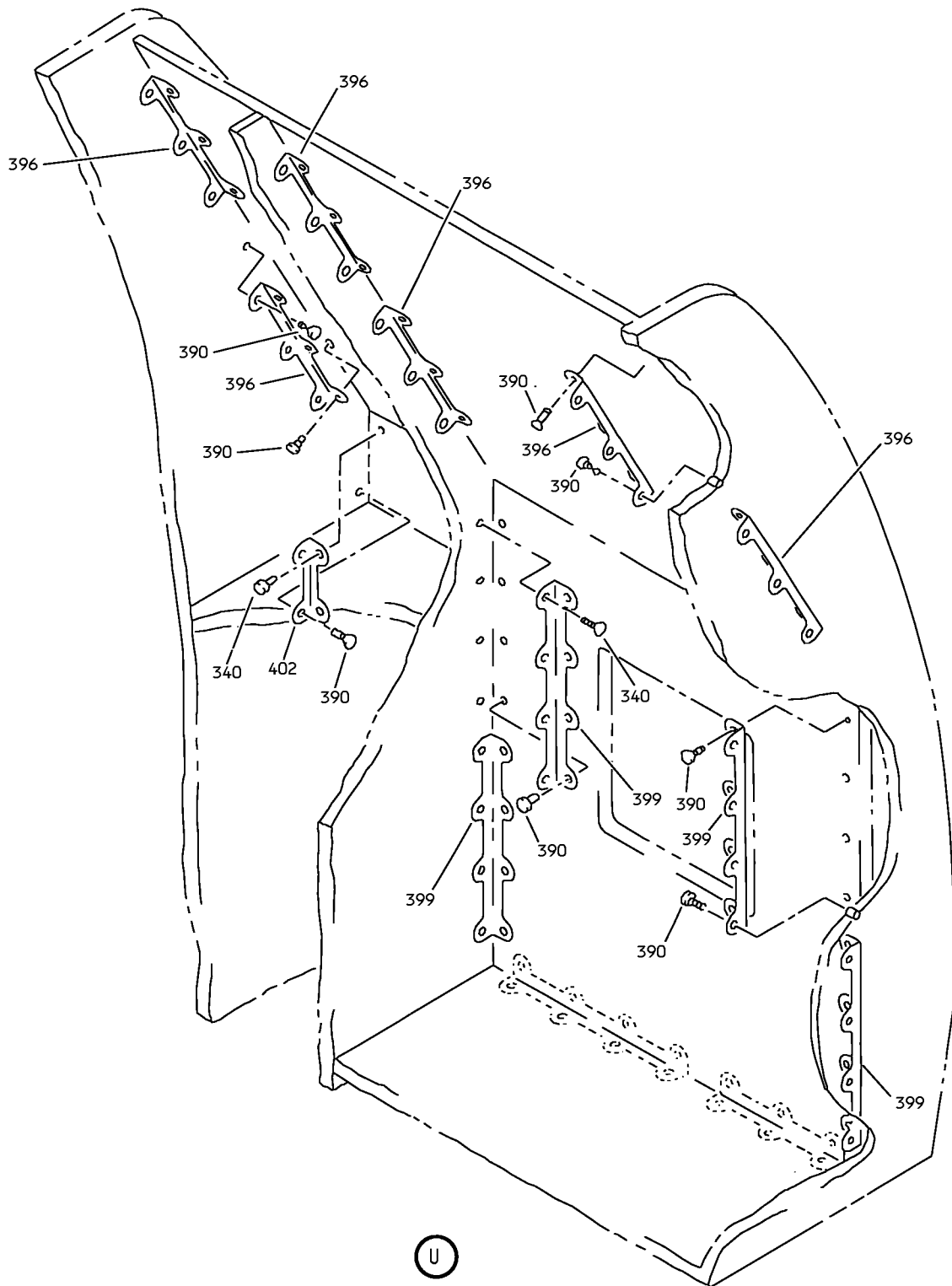
**25-24-08**

ILLUSTRATED PARTS LIST

Page 1098.111

Jul 01/2007

COMPONENT MAINTENANCE MANUAL



Forward Right Closet Assembly  
IPL Figure 4 (Sheet 14 of 26)

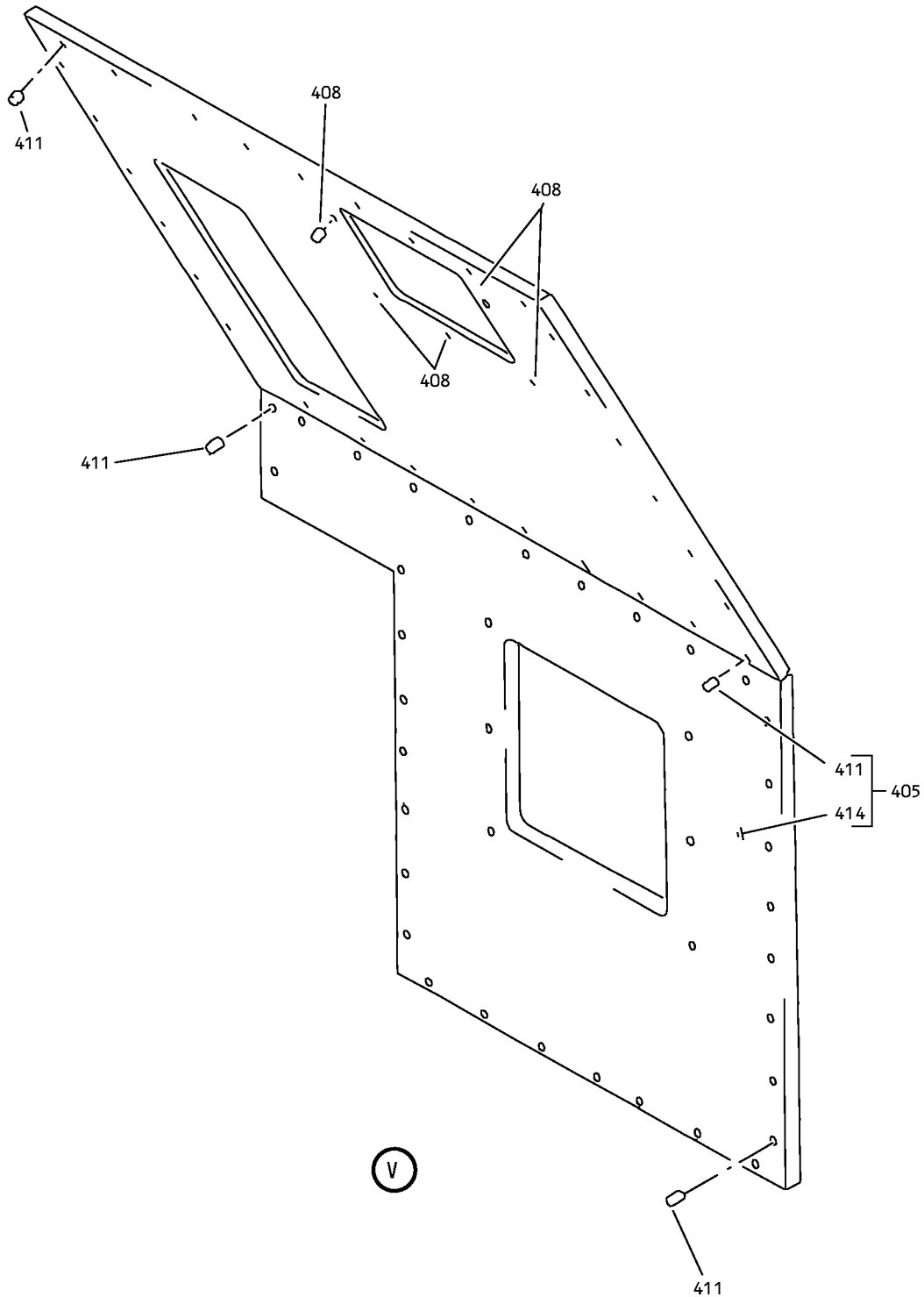
**25-24-08**

ILLUSTRATED PARTS LIST

Page 1098.112

Jul 01/2007

COMPONENT MAINTENANCE MANUAL



Forward Right Closet Assembly  
IPL Figure 4 (Sheet 15 of 26)

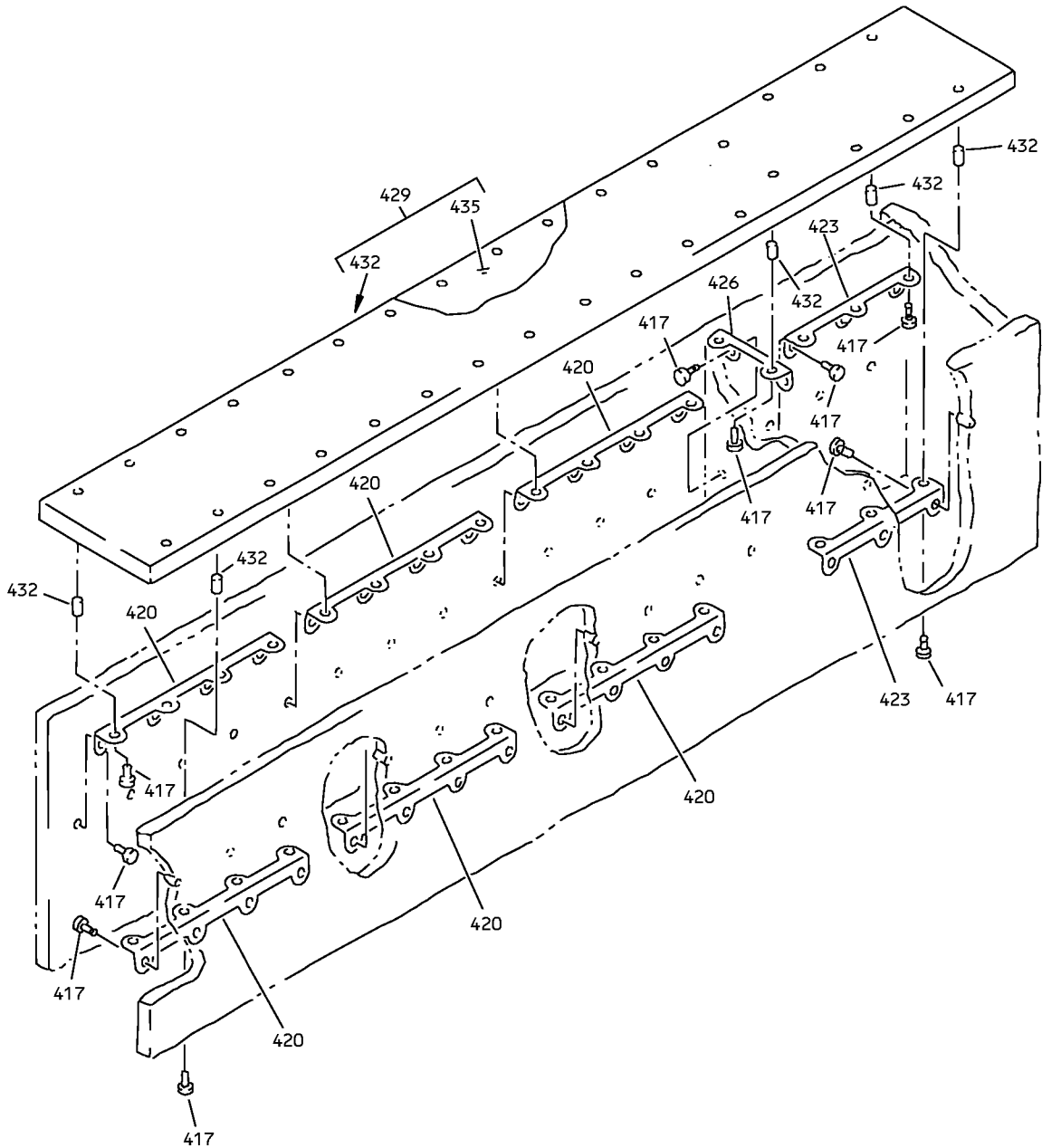
**25-24-08**

ILLUSTRATED PARTS LIST

Page 1098.113

Jul 01/2007

COMPONENT MAINTENANCE MANUAL



W

Forward Right Closet Assembly  
IPL Figure 4 (Sheet 16 of 26)

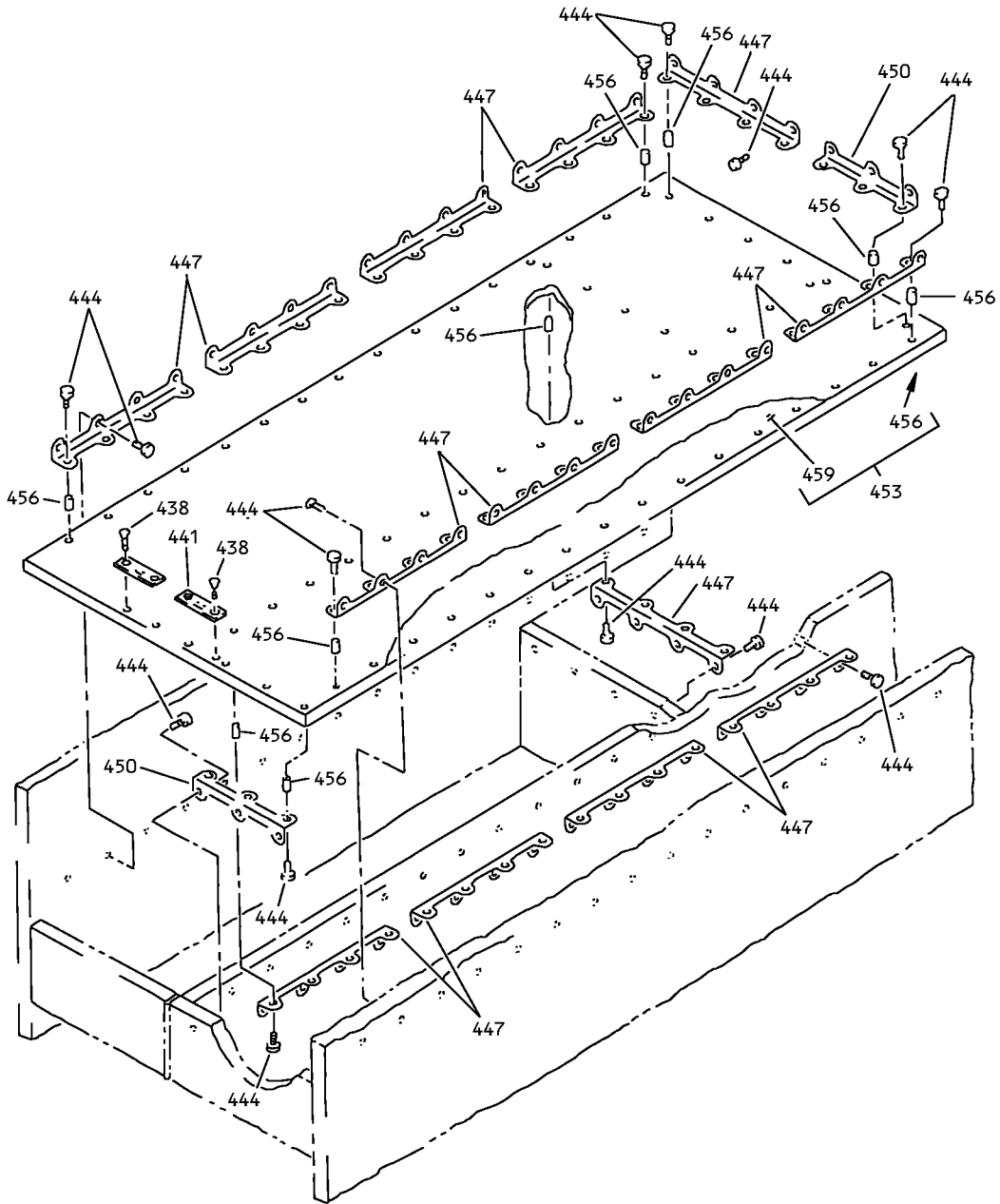
**25-24-08**

ILLUSTRATED PARTS LIST

Page 1098.114

Jul 01/2007

COMPONENT MAINTENANCE MANUAL



(X)

Forward Right Closet Assembly  
IPL Figure 4 (Sheet 17 of 26)

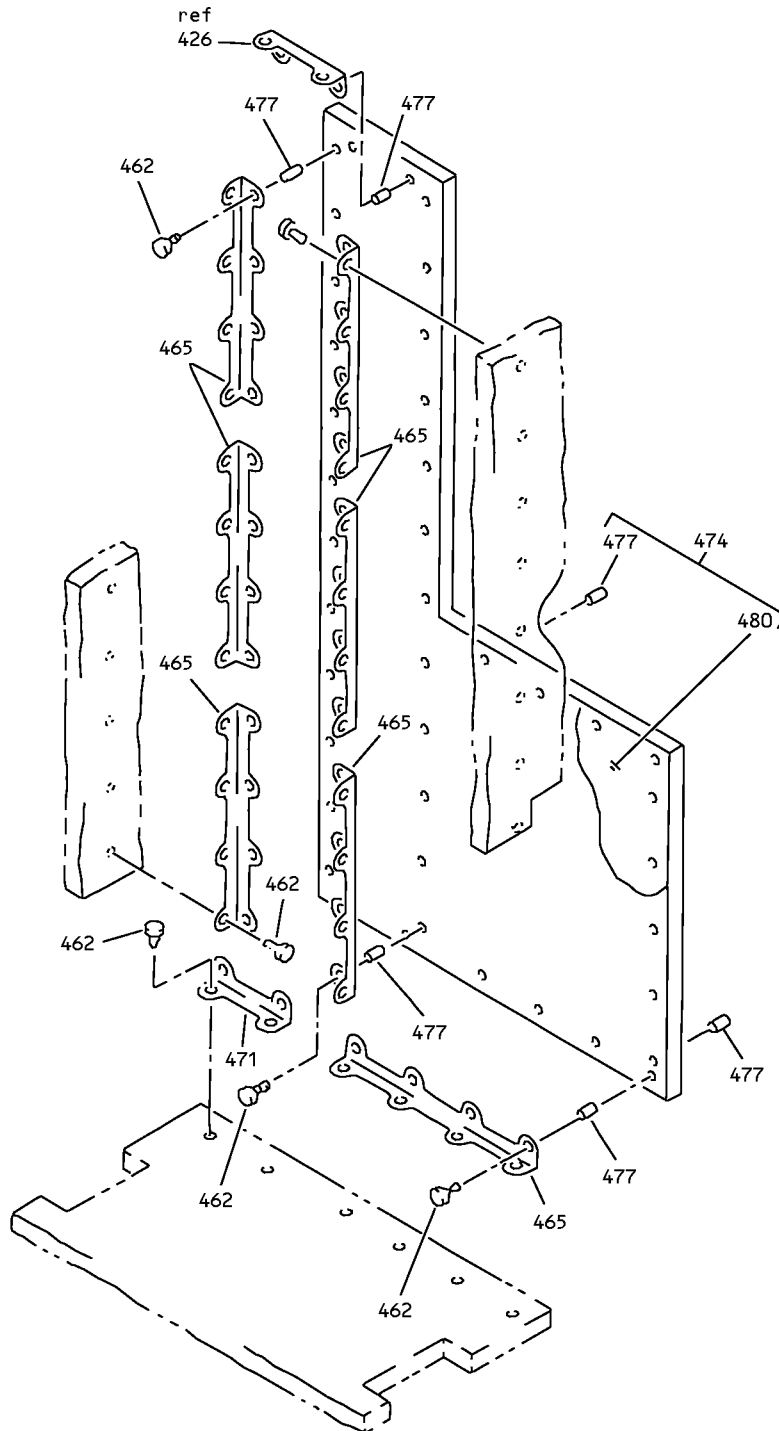
**25-24-08**

ILLUSTRATED PARTS LIST

Page 1098.115

Jul 01/2007

### COMPONENT MAINTENANCE MANUAL



Y

Forward Right Closet Assembly  
IPL Figure 4 (Sheet 18 of 26)

# 25-24-08

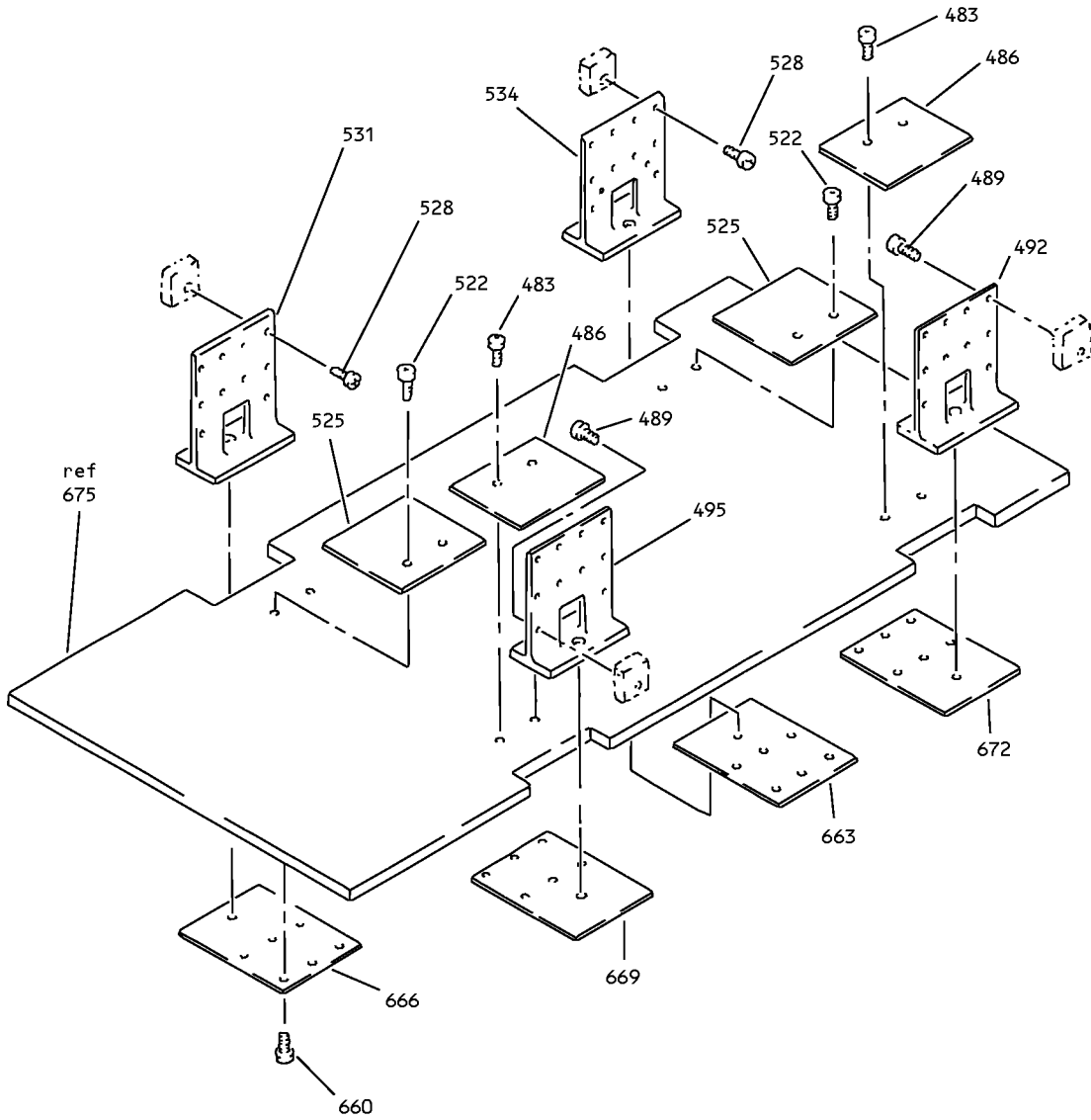
ILLUSTRATED PARTS LIST

Page 1098.116

Jul 01/2007



COMPONENT MAINTENANCE MANUAL



7

Forward Right Closet Assembly  
IPL Figure 4 (Sheet 19 of 26)

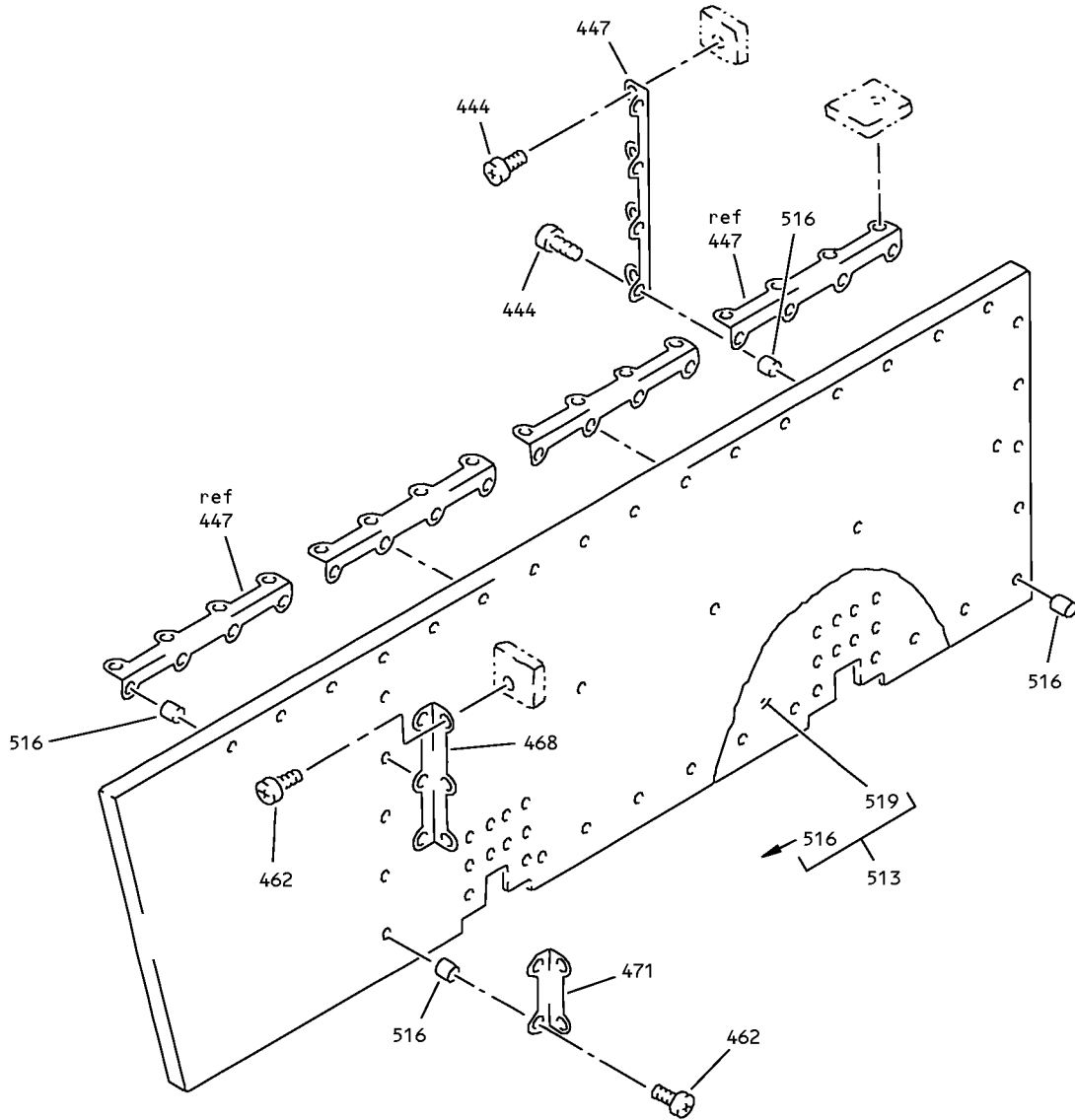
**25-24-08**

ILLUSTRATED PARTS LIST

Page 1098.117

Jul 01/2007

COMPONENT MAINTENANCE MANUAL



(AA)

Forward Right Closet Assembly  
IPL Figure 4 (Sheet 20 of 26)

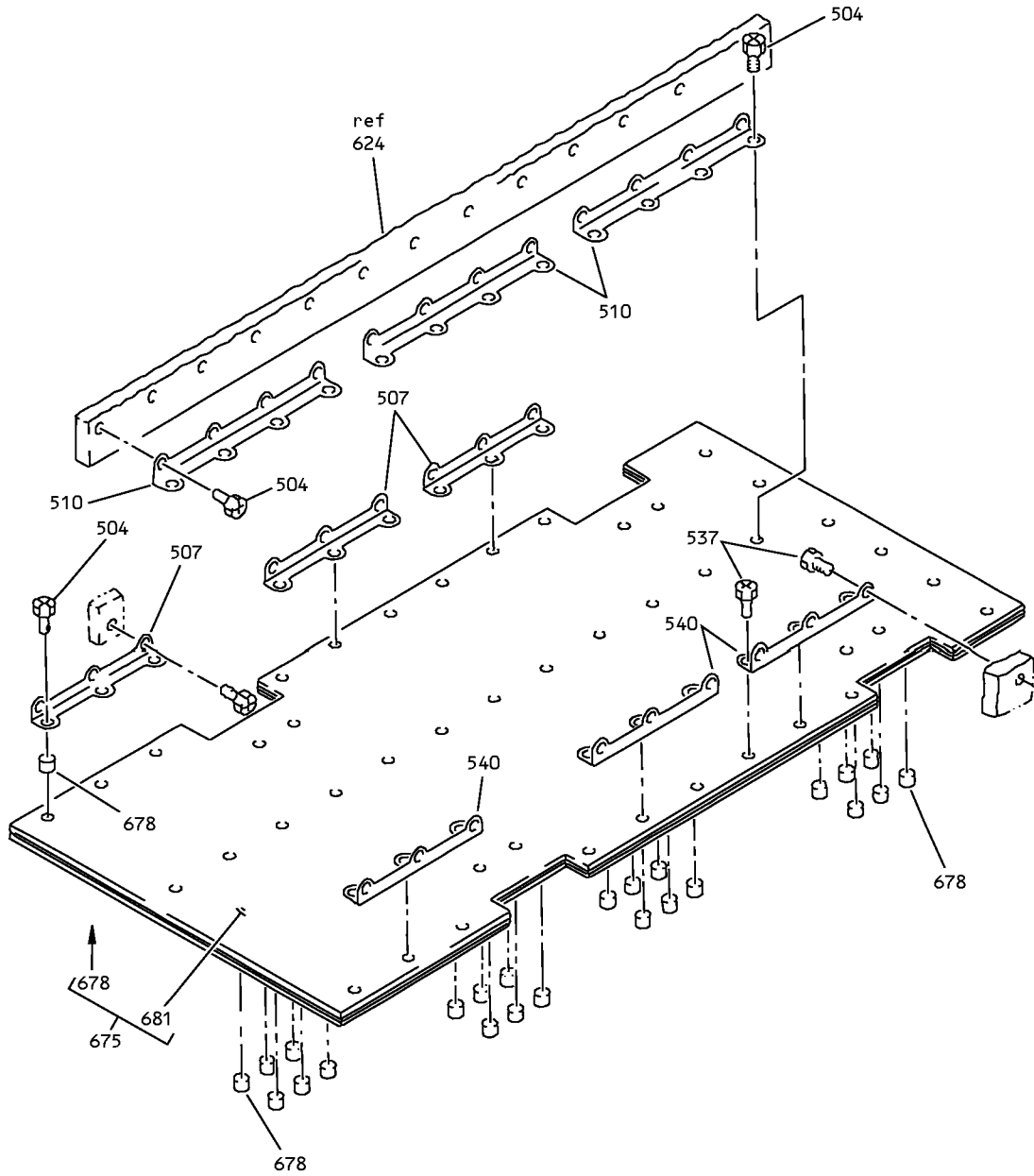
**25-24-08**

ILLUSTRATED PARTS LIST

Page 1098.118

Jul 01/2007

COMPONENT MAINTENANCE MANUAL



(AB)

Forward Right Closet Assembly  
IPL Figure 4 (Sheet 21 of 26)

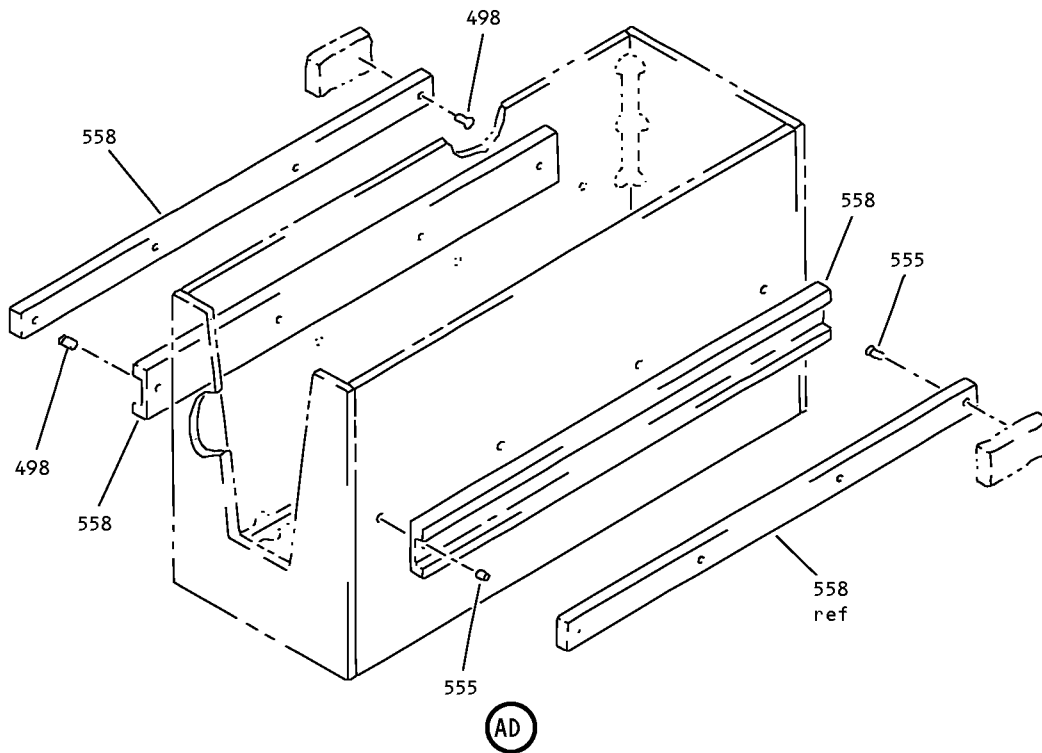
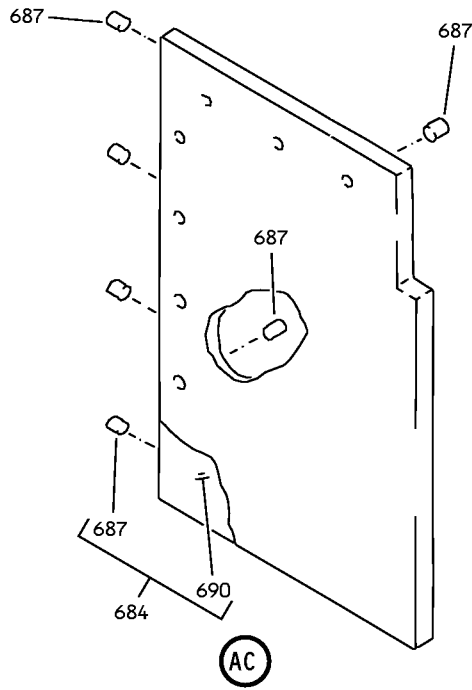
**25-24-08**

ILLUSTRATED PARTS LIST

Page 1098.119

Jul 01/2007

COMPONENT MAINTENANCE MANUAL



Forward Right Closet Assembly  
IPL Figure 4 (Sheet 22 of 26)

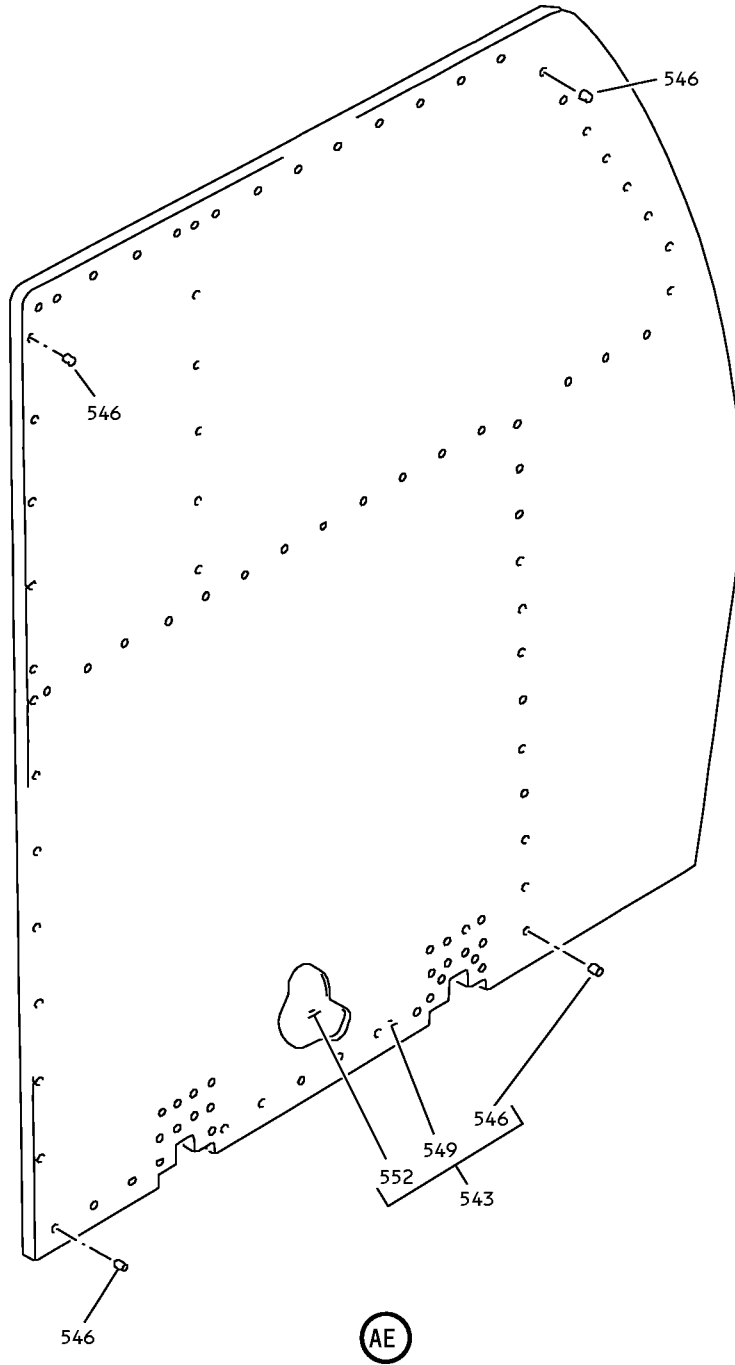
**25-24-08**

ILLUSTRATED PARTS LIST

Page 1098.120

Jul 01/2007

COMPONENT MAINTENANCE MANUAL



Forward Right Closet Assembly  
IPL Figure 4 (Sheet 23 of 26)

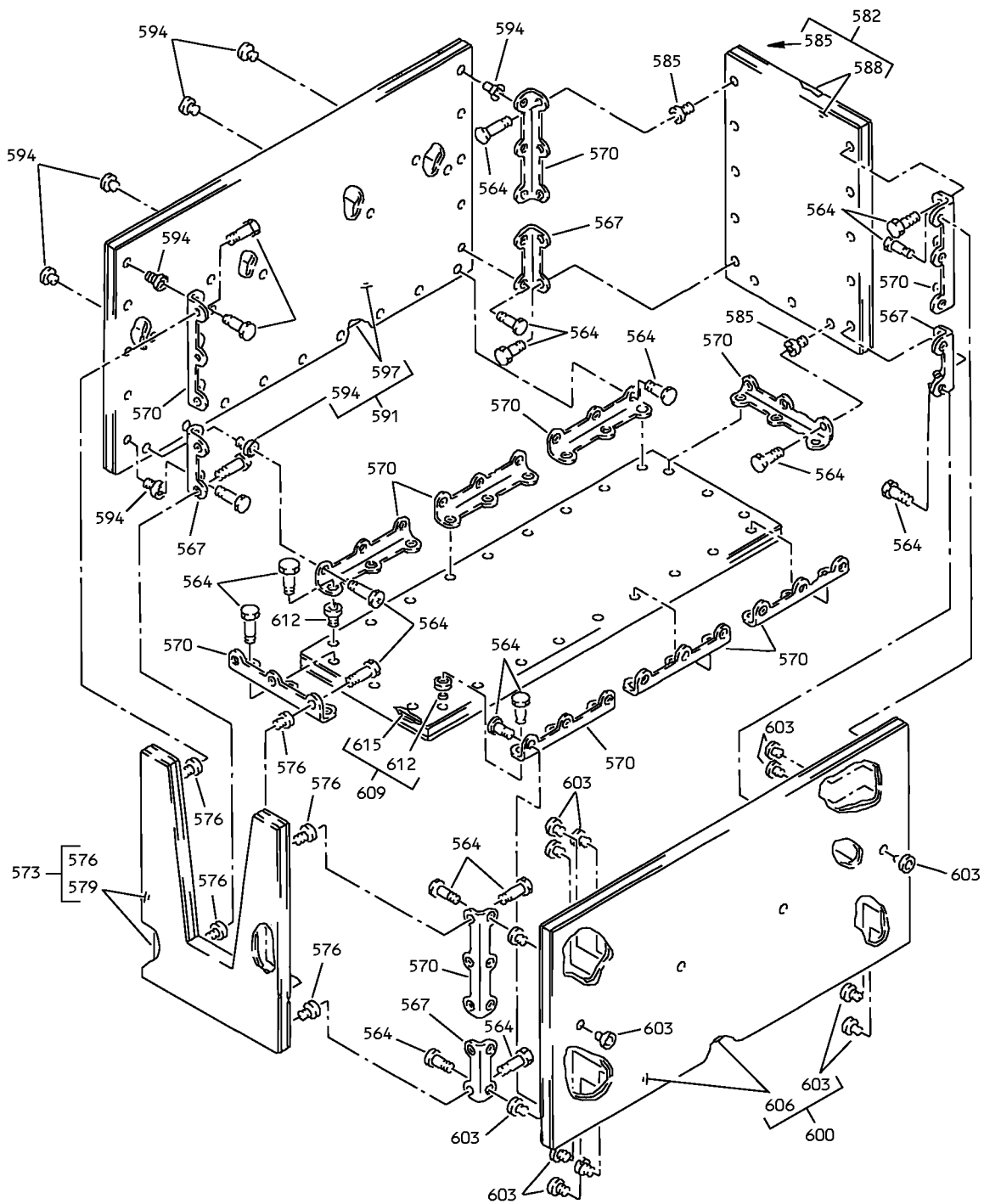
**25-24-08**

ILLUSTRATED PARTS LIST

Page 1098.121

Jul 01/2007

# COMPONENT MAINTENANCE MANUAL



AF

Forward Right Closet Assembly  
IPL Figure 4 (Sheet 24 of 26)

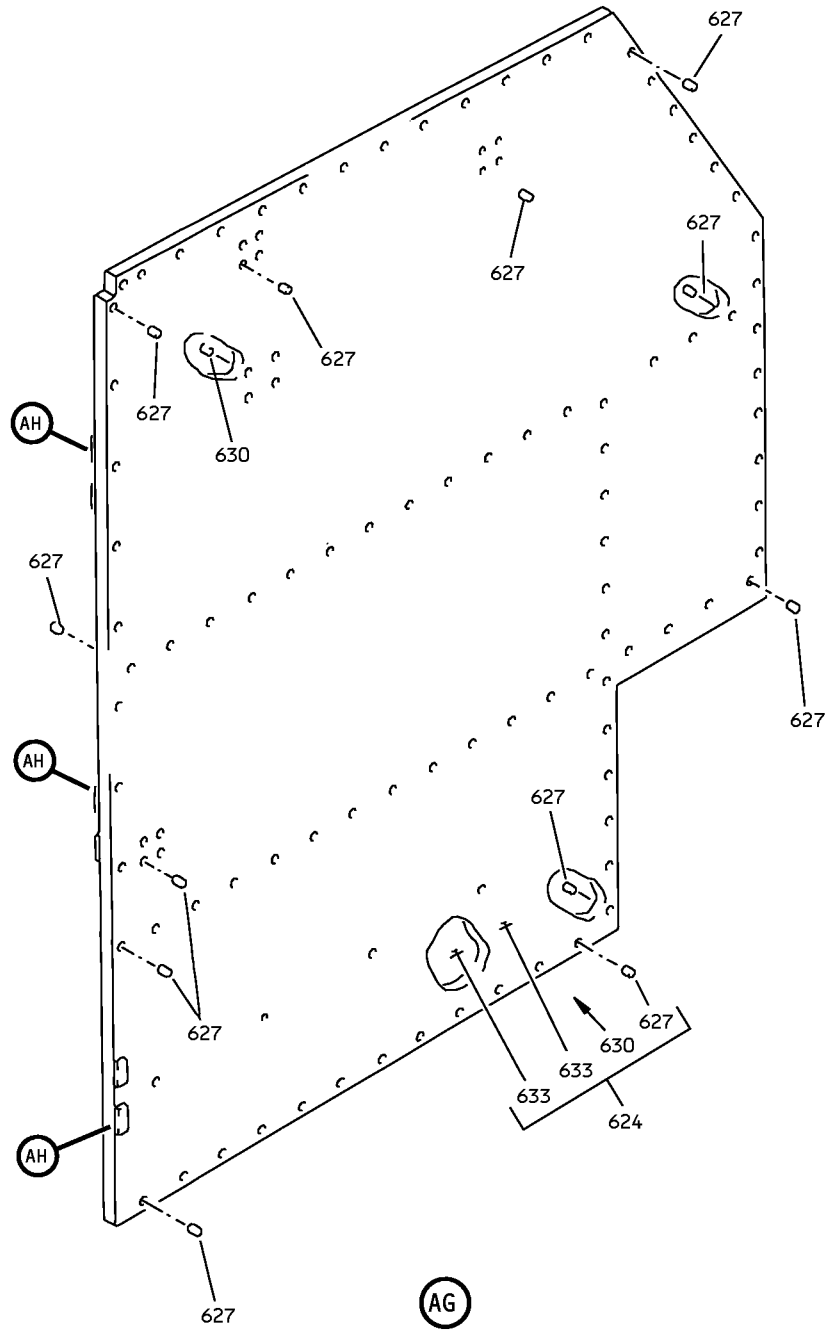
## 25-24-08

ILLUSTRATED PARTS LIST

Page 1098.122

Jul 01/2007

COMPONENT MAINTENANCE MANUAL



Forward Right Closet Assembly  
IPL Figure 4 (Sheet 25 of 26)

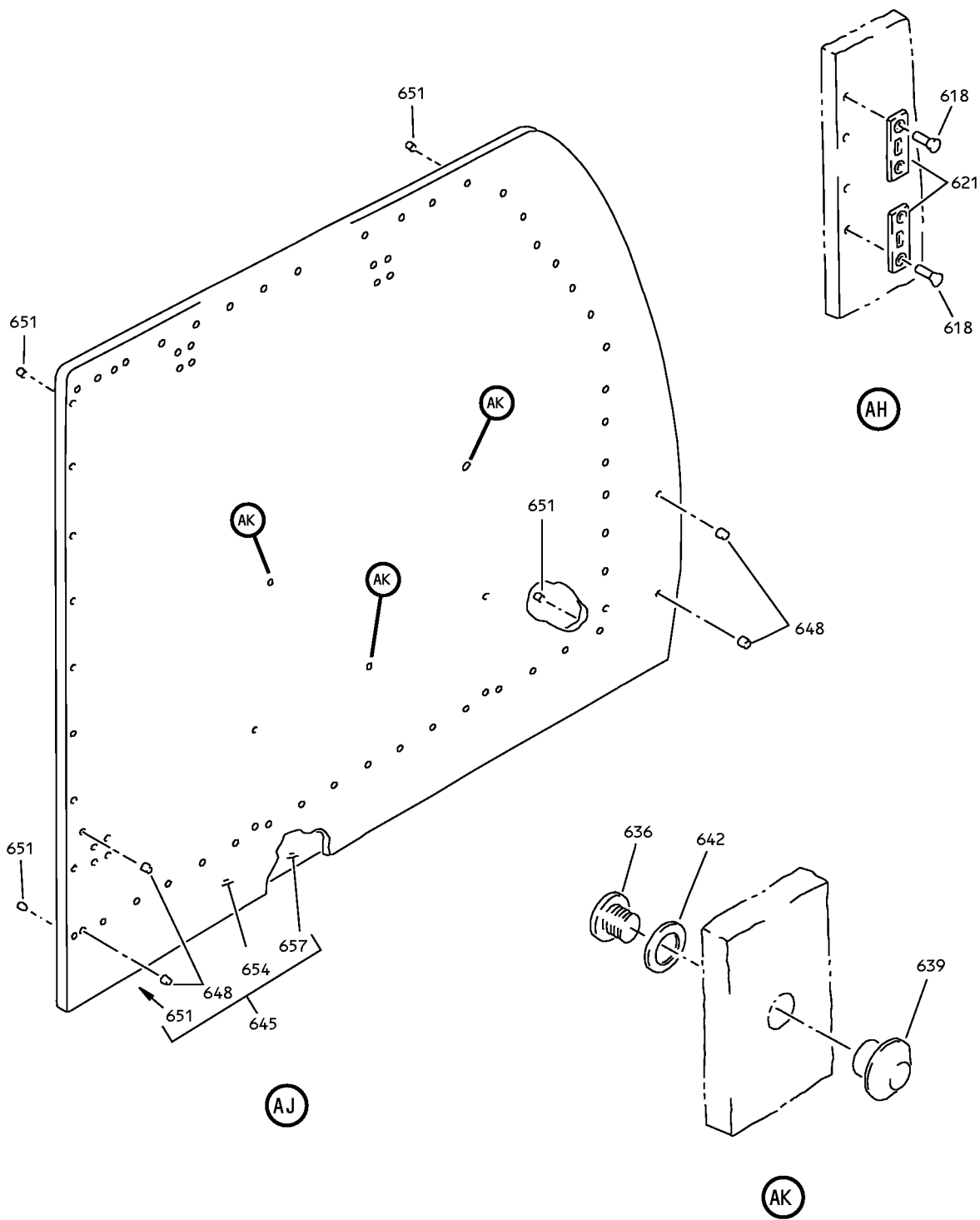
**25-24-08**

ILLUSTRATED PARTS LIST

Page 1098.123

Jul 01/2007

COMPONENT MAINTENANCE MANUAL



Forward Right Closet Assembly  
IPL Figure 4 (Sheet 26 of 26)

**25-24-08**  
ILLUSTRATED PARTS LIST  
Page 1098.124  
Jul 01/2007





## COMPONENT MAINTENANCE MANUAL

FIG/ ITEM	PART NUMBER	AIRLINE PART NUMBER	NOMENCLATURE							USAGE CODE	UNITS PER ASSY		
			1	2	3	4	5	6	7				
4-													
-1	413N3206-155SP										CLOSET ASSY-FWD R	H	RF
3	BACB30NR4K21										. BOLT	H	6
6	AN960-416L										. WASHER	H	12
9	NAS43DD4-38										. SPACER	H	12
12	MS21042L4										. NUT	H	6
15	65-88166-268										. ROD-COAT	H	3
18	NAS603-6P										. SCREW	H	24
21	69-17083-3										. TEE	H	6
24	NAS514P1032-6P										. SCREW	H	18
27	413N3615-313SP										. DOOR ASSY	H	1
30	413N3615-314SP										. DOOR ASSY	H	1
33	NAS514P632-5										. . SCREW	H	4
36	NAS1836-06-12										. . INSERT	H	4
39	BCREFA1219										. . LATCH (V80477) (AR2911-2-198-000) (OPT ITEM 39A)	H	1
-39A	2911-2-198-000										. . LATCH (V80477) (OPT ITEM 39)	H	1
42	BCREFA1217										. . LATCH (V80477) (AR2911-2-000-198) (OPT ITEM 42A)	H	1
-42A	2911-2-000-198										. . LATCH (V80477) (OPT ITEM 42)	H	1
45	412N3211-321										. . STOP ASSY	H	2
46	412N3211-185										. . . PAD	H	2
47	412N3211-322										. . . STOP	H	2
48	NAS514P632-8										. . SCREW	H	6
51	413N3215-39										. . PLATE	H	2
54	NAS603-6P										. . SCREW	H	6

-Item not Illustrated

# 25-24-08

ILLUSTRATED PARTS LIST

Page 1098.125

Jul 01/2007



## COMPONENT MAINTENANCE MANUAL

FIG/ ITEM	PART NUMBER	AIRLINE PART NUMBER	NOMENCLATURE							USAGE CODE	UNITS PER ASSY
			1	2	3	4	5	6	7		
4-											
57	SL2334-3A3		. .							H	6
60	414N3300-89SP		. .							H	1
63	414N3300-90SP		. .							H	1
66	414N3300-1SP		. .							H	2
69	NAS514P1032-5		. .							H	9
72	SL2334-3A3		. .							H	9
75	413N3616-5		. .							H	1
78	MS20253P2-4227		. . .							H	1
81	413N3508-4		. . .							H	4
84	413N3616-20		. . .							H	1
87	413N3616-24		. . .							H	1
90	413N3615-6SP		DELETED								
93	413N3615-7SP		DELETED								
96	NAS514P1032-6P		. SCREW							H	19
99	413N3615-315SP		. DOOR ASSY							H	1
102	NAS514P832-5		. . SCREW							H	4
105	NAS1836-08-12		. . INSERT							H	4
108	412N3211-183		. . STOP ASSY							H	2
111	412N3211-185		. . . PAD							H	1
114	412N3211-184		. . . STOP							H	1
117	NAS514P632-9		. . SCREW							H	4
120	413N3215-41		. . PLATE							H	2
123	SAM223-11		. . LATCH (V31845)							H	2
126	NAS514P1032-5		. . SCREW							H	5
129	SL2334-3A3		. . INSERT (V97393)							H	5
132	413N3616-2		. . HINGE ASSY							H	1
135	MS20253P2-2228		. . . PIN							H	1
138	413N3508-4		. . . SPRING							H	3
141	413N3616-17		. . . HINGE-HALF							H	1

-Item not Illustrated

# 25-24-08

ILLUSTRATED PARTS LIST

Page 1098.126

Jul 01/2007



## COMPONENT MAINTENANCE MANUAL

FIG/ ITEM	PART NUMBER	AIRLINE PART NUMBER	NOMENCLATURE							USAGE CODE	UNITS PER ASSY
			1	2	3	4	5	6	7		
4-											
144	413N3616-39									H	1
147	413N3615-6SP										
150	413N3615-7SP										
153	413N3615-316SP									H	1
156	NAS514P632-8									H	2
159	413N3215-41									H	1
162	SAM222-11									H	1
165	NAS514P1032-5									H	1
168	SL2334-3A3									H	1
171	413N3616-1									H	1
174	MS20253P2-2337									H	1
177	413N3508-4									H	3
180	413N3616-16									H	1
183	413N3616-38									H	1
184	413N3615-7SP										
186	NAS514P632-6P									H	4
189	413N3215-40									H	1
192	413N3615-318SP									H	1
195	NAS514P832-5									H	4
198	NAS1836-08-12									H	4
201	413N3211-183									H	2
204	413N3211-185									H	1
207	413N3211-184									H	1
210	NAS514P632-8									H	4
213	413N3215-41									H	2
216	SAM222-11									H	2
219	NAS603-6P									H	15
222	SL2334-3A3									H	15
225	414N3300-22SP									H	3

-Item not Illustrated

# 25-24-08

ILLUSTRATED PARTS LIST

Page 1098.127

Jul 01/2007



## COMPONENT MAINTENANCE MANUAL

FIG/ ITEM	PART NUMBER	AIRLINE PART NUMBER	NOMENCLATURE							USAGE CODE	UNITS PER ASSY
			1	2	3	4	5	6	7		
4-											
228	414N3300-21SP		. .							H	3
231	414N3300-1SP		. .							H	6
234	NAS514P1032-5		. .							H	8
237	SL2334-3A3		. .							H	8
240	413N3616-3		. .							H	1
243	MS20253P2-3543		. . .							H	1
246	413N3508-4		. . .							H	4
249	413N3616-18		. . .							H	1
252	413N3616-40		. . .							H	1
255	413N3615-6SP										
258	413N3615-7SP										
261	NAS514P1032-6P		. .							H	4
264	413N3615-317SP		. .							H	1
267	NAS514P832-5		. .							H	4
270	NAS1836-08-12		. .							H	4
273	413N3211-183		. .							H	2
276	413N3211-185		. . .							H	1
279	413N3211-184		. . .							H	1
282	NAS514P632-9		. .							H	4
285	413N3215-41		. .							H	2
288	SAM222-11		. .							H	2
291	NAS514P1032-5		. .							H	4
294	SL2334-3A3		. .							H	4
297	413N3616-4		. .							H	1
300	MS20253P2-1543		. . .							H	1
303	413N3508-4		. . .							H	2
306	413N3616-19		. . .							H	2
309	413N3615-6SP										
312	413N3615-7SP										

-Item not Illustrated

**25-24-08**

ILLUSTRATED PARTS LIST

Page 1098.128

Jul 01/2007



## COMPONENT MAINTENANCE MANUAL

FIG/ ITEM	PART NUMBER	AIRLINE PART NUMBER	NOMENCLATURE							USAGE CODE	UNITS PER ASSY
			1	2	3	4	5	6	7		
4-											
315	NAS603-6P		.							H	8
318	BACB2D010D1D1TE		.							H	4
321	NAS514P832-6P		.							H	2
324	H2-1061-1		.							H	1
327	NAS603-6P		.							H	108
330	413N3211-320		.							H	1
333	413N3211-319		.							H	1
336	413N3215-43		.							H	1
339	413N3215-42		.							H	1
342	413T3167-3										
342A	413T3167-3SP		.							H	9
345	413N3214-185SP		.							H	1
348	SL2334-3A3		.	.						H	13
351	413N3214-73SP		.	.						H	1
354	413N3214-74SP		.	.						H	1
357	MS21207-6-10		.							H	4
360	A32009-1		.							H	2
363	413N3214-182SP		.							H	1
366	SL2334-08A3		.	.						H	2
369	SL2334-3A3		.	.						H	54
372	413N3214-73SP		.	.						H	1
375	413N3214-74SP		.	.						H	1
378	NAS514P1032-6P		.							H	5
381	413N3215-38		.							H	1
384	NAS603-7P		.							H	6
387	411N1133-3		.							H	1
390	NAS603-6P		.							H	90
393	413N3215-44		.							H	1

-Item not Illustrated

# 25-24-08

ILLUSTRATED PARTS LIST

Page 1098.129

Jul 01/2007



## COMPONENT MAINTENANCE MANUAL

FIG/ ITEM	PART NUMBER	AIRLINE PART NUMBER	NOMENCLATURE							USAGE CODE	UNITS PER ASSY
			1	2	3	4	5	6	7		
4-											
396	413T3167-2										
396A	413T3167-2SP									H	6
399	413T3167-3										
399A	413T3167-3SP									H	5
402	413T3167-1										
402A	413T3167-1SP									H	1
405	413N3214-183SP									H	1
408	SL2334-06A3									H	5
411	SL2334-3A3									H	76
414	413N3214-73SP									H	1
417	NAS603-6P									H	64
420	413T3167-3										
420A	413T3167-3SP									H	6
423	413T3167-2										
423A	413T3167-2SP									H	2
426	413T3167-1										
426A	413T3167-1SP									H	1
429	413N3214-189SP									H	1
432	SL2334-3A3									H	32
435	413N3214-73SP									H	1
438	MS21207-6-10									H	4
441	A32009-1									H	2
444	NAS603-6P									H	132
447	413T3167-3										
447A	413T3167-3SP									H	15
450	413T3167-2										
450A	413T3167-2SP									H	2
453	413N3214-188SP									H	1

-Item not Illustrated

# 25-24-08

ILLUSTRATED PARTS LIST

Page 1098.130

Jul 01/2007



## COMPONENT MAINTENANCE MANUAL

FIG/ ITEM	PART NUMBER	AIRLINE PART NUMBER	NOMENCLATURE							USAGE CODE	UNITS PER ASSY
			1	2	3	4	5	6	7		
4-											
456	SL2334-3A3		.	.	INSERT (V97393)					H	62
459	413N3214-73SP		.	.	COVER-DECORATIVE INTR					H	1
462	NAS603-6P		.		SCREW					H	70
465	413T3167-3				DELETED						
465A	413T3167-3SP		.		ANGLE-SCALLOPED					H	7
468	413T3167-2				DELETED						
468A	413T3167-2SP		.		ANGLE-SCALLOPED					H	1
471	413T3167-1				DELETED						
471A	413T3167-1SP		.		ANGLE-SCALLOPED					H	2
474	413N3214-184SP		.		PANEL ASSY-OUTBD					H	1
477	SL2334-3A3		.	.	INSERT (V97393)					H	41
480	413N3214-73SP		.	.	COVER-DECORATIVE					H	1
483	NAS514P1032-6P		.		SCREW					H	4
486	413N3215-37		.		PLATE-COVER					H	2
489	NAS603-9P		.		SCREW					H	20
492	413N3211-315		.		FITTING					H	1
495	413N3211-318		.		FITTING					H	1
498	NAS514P1032-6P		.		SCREW					H	8
501	329-26		.		SLIDER (V83508)					H	1
504	NAS603-6P		.		SCREW					H	42
507	413T3167-2				DELETED						
507A	413T3167-2SP		.		ANGLE-SCALLOPED					H	3
510	413T3167-3				DELETED						
510A	413T3167-3SP		.		ANGLE-SCALLOPED					H	3
513	413N3214-190SP		.		PANEL ASSY-FOOTWELL					H	1
516	SL2334-3A3		.	.	INSERT (V97393)					H	58
519	413N3214-73SP		.	.	COVER-DECORATIVE INTR					H	1
522	NAS514P1032-6P		.		SCREW					H	4
525	413N3215-36		.		PLATE-COVER					H	2

-Item not Illustrated

**25-24-08**

ILLUSTRATED PARTS LIST

Page 1098.131

Jul 01/2007



## COMPONENT MAINTENANCE MANUAL

FIG/ ITEM	PART NUMBER	AIRLINE PART NUMBER	NOMENCLATURE	USAGE CODE	UNITS PER ASSY
4-					
528	NAS603-9P		. SCREW	H	22
531	413N3211-317		. FITTING	H	1
534	413N3211-316		. FITTING	H	1
537	NAS603-6P		. SCREW	H	18
540	413T3167-2		DELETED		
540A	413T3167-2SP		. ANGLE-SCALLOPED	H	3
543	413N3214-180SP		. PANEL ASSY-FWD	H	1
546	SL2334-3A3		. . INSERT (V97393)	H	97
549	413N3214-73SP		. . COVER-DECORATIVE INTR	H	1
552	413N3214-76SP		. . COVER-DECORATIVE	H	1
555	NAS514P1032-6P		. SCREW	H	8
558	329-26		. SLIDER (V83508)	H	1
561	65C20092-37SP		. DRAWER ASSY	H	1
564	NAS603-5P		. . SCREW	H	88
567	413T3167-1		DELETED		
567A	413T3167-1SP		. . ANGLE-SCALLOPED	H	4
570	413T3167-2		DELETED		
570A	413T3167-2SP		. . ANGLE-SCALLOPED	H	12
573	65C20092-42SP		. . PANEL ASSY	H	1
576	SL2334-3A3		. . . INSERT (V97393)	H	1
579	65C20092-3SP		. . . COVER-DECORATIVE	H	2
582	65C20092-38SP		. . PANEL ASSY-BACK	H	1
585	SL2334-3A3		. . . INSERT (V97393)	H	13
588	65C20092-3SP		. . . COVER-DECORATIVE	H	2
591	65C20092-40SP		. . PANEL ASSY-SIDE	H	1
594	SL2334-3A3		. . . INSERT (V97393)	H	28
597	65C20092-3SP		. . . COVER-DECORATIVE	H	2
600	65C20092-39SP		. . PANEL ASSY-SIDE	H	2

-Item not Illustrated

# 25-24-08

ILLUSTRATED PARTS LIST

Page 1098.132

Jul 01/2007





## COMPONENT MAINTENANCE MANUAL

FIG/ ITEM	PART NUMBER	AIRLINE PART NUMBER	NOMENCLATURE							USAGE CODE	UNITS PER ASSY
			1	2	3	4	5	6	7		
4-											
603	SL2334-3A3		. . .	INSERT						H	33
				(V97393)							
606	65C20092-3SP		. . .	COVER-DECORATIVE						H	2
609	65C20092-41SP		. .	PANEL ASSY-FLOOR						H	1
612	SL2334-3A3		. . .	INSERT						H	24
				(V97393)							
615	65C20092-3SP		. . .	COVER-DECORATIVE						H	1
618	MS21207-6-10		.	SCREW						H	12
621	A32009-1		.	PLATE-STRIKE						H	6
				(V52607)							
624	413N3214-181SP		.	PANEL ASSY-DIVIDER						H	1
627	SL2334-3A3		. .	INSERT						H	108
				(V97393)							
630	SL2334-06A5		. .	INSERT						H	4
				(V97393)							
633	413N3214-73SP		. .	COVER-DECORATIVE INTR						H	2
636	GAR2002-3-075		.	FITTING-BASSINET						H	3
				(V62063)							
639	GAR2002-1-075		.	FITTING-BASSINET						H	3
				(V62063)							
642	AN960C1016		.	WASHER						H	3
645	413N3214-179SP		.	PANEL ASSY-AFT						H	1
648	SL2334-3A5		. .	INSERT						H	8
				(V97393)							
651	SL2334-3A3		. .	INSERT						H	64
				(V97393)							
654	413N3214-77SP		. .	COVER-DECORATIVE						H	1
657	413N3214-73SP		. .	COVER-DECORATIVE INTR						H	1
660	NAS514P1032-6P		.	SCREW						H	24
663	413N3215-32		.	TIE-SHEAR						H	1
666	413N3215-33		.	TIE-SHEAR						H	1
669	413N3215-34		.	TIE-SHEAR						H	1
672	413N3215-35		.	TIE-SHEAR						H	1
675	413N3214-187SP		.	PANEL ASSY-FLOOR						H	1

-Item not Illustrated

# 25-24-08

ILLUSTRATED PARTS LIST

Page 1098.133

Jul 01/2007



## COMPONENT MAINTENANCE MANUAL

FIG/ ITEM	PART NUMBER	AIRLINE PART NUMBER	NOMENCLATURE							USAGE CODE	UNITS PER ASSY	
			1	2	3	4	5	6	7			
4- 678	SL2334-3A3										H	68
681	413N3214-73SP										H	1
684	413N3214-186SP										H	1
687	SL2334-3A3										H	11
690	413N3214-74SP										H	1

-Item not Illustrated

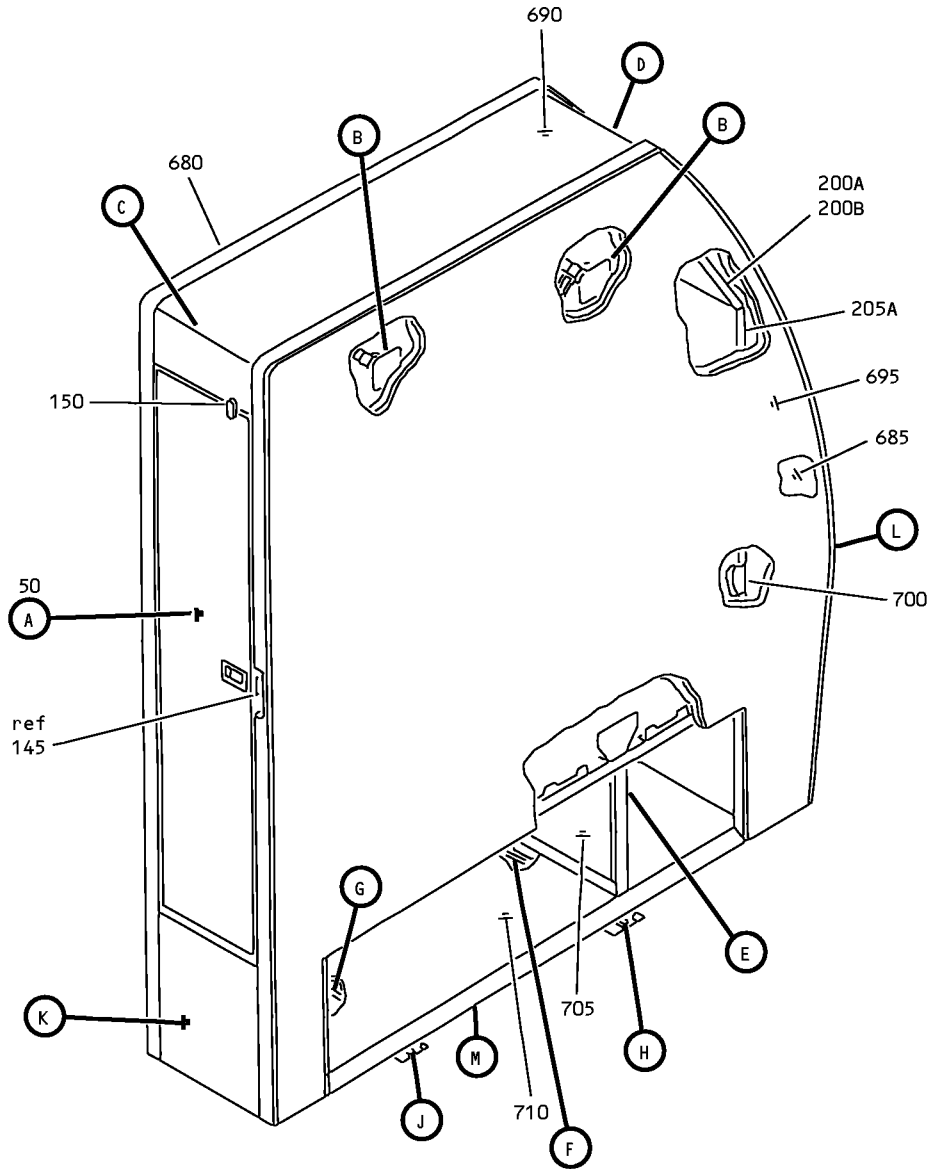
# 25-24-08

ILLUSTRATED PARTS LIST

Page 1098.134

Jul 01/2007

COMPONENT MAINTENANCE MANUAL



Forward Right Closet Assembly  
IPL Figure 5 (Sheet 1 of 8)

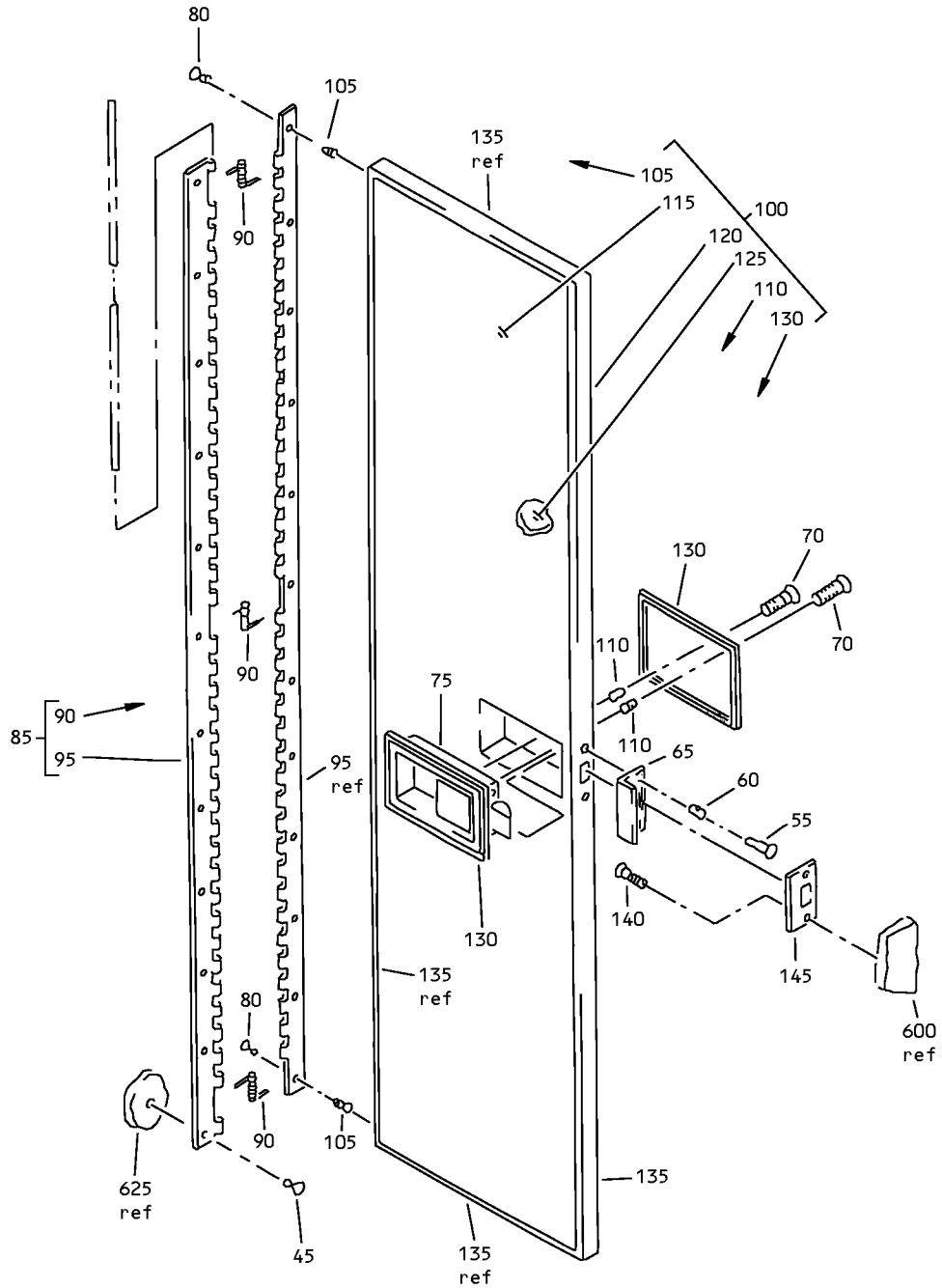
**25-24-08**

ILLUSTRATED PARTS LIST

Page 1098.135

Jul 01/2007

COMPONENT MAINTENANCE MANUAL



(A)

Forward Right Closet Assembly  
IPL Figure 5 (Sheet 2 of 8)

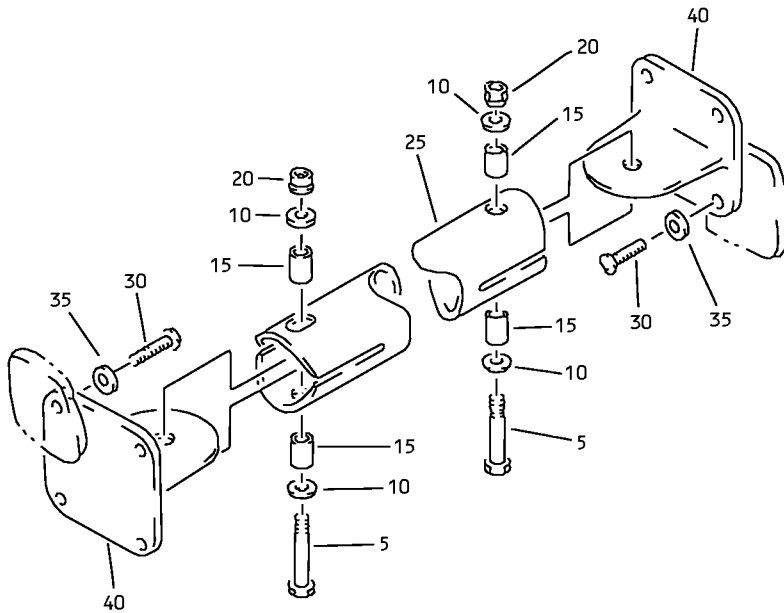
**25-24-08**

ILLUSTRATED PARTS LIST

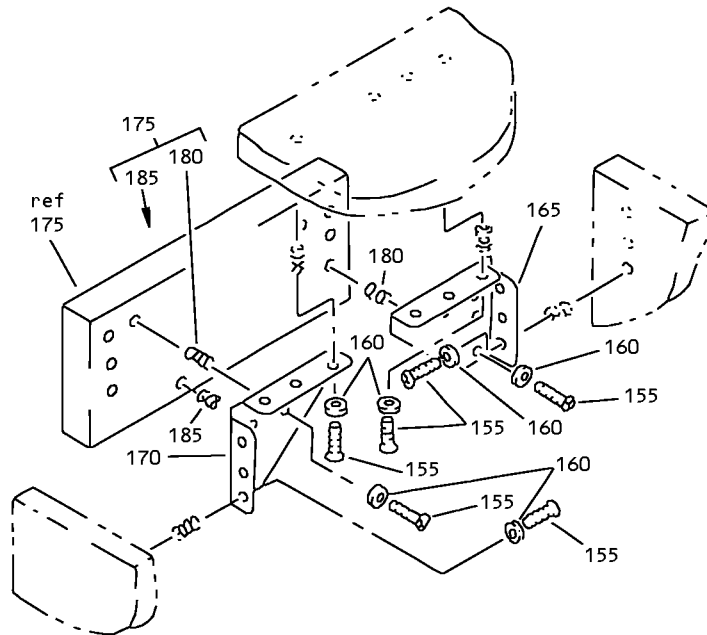
Page 1098.136

Jul 01/2007

COMPONENT MAINTENANCE MANUAL



(B)



(C)

Forward Right Closet Assembly  
IPL Figure 5 (Sheet 3 of 8)

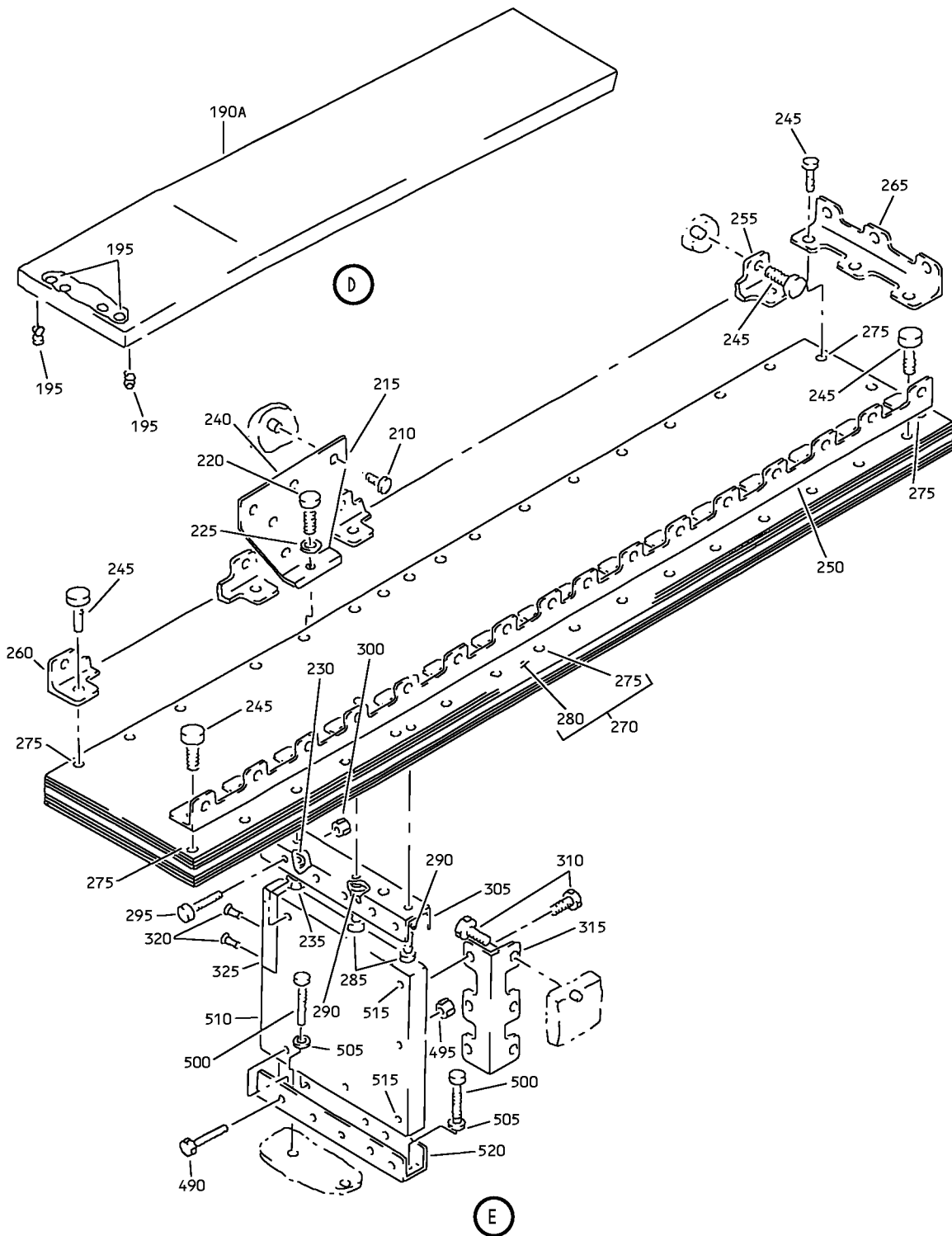
**25-24-08**

ILLUSTRATED PARTS LIST

Page 1098.137

Jul 01/2007

COMPONENT MAINTENANCE MANUAL



Forward Right Closet Assembly  
IPL Figure 5 (Sheet 4 of 8)

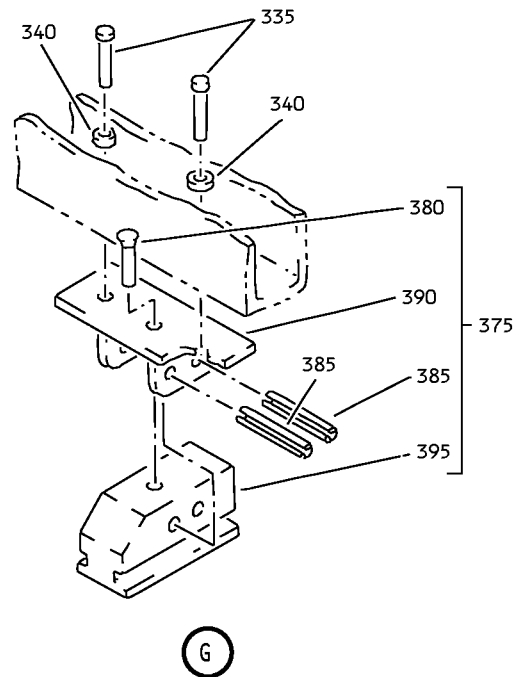
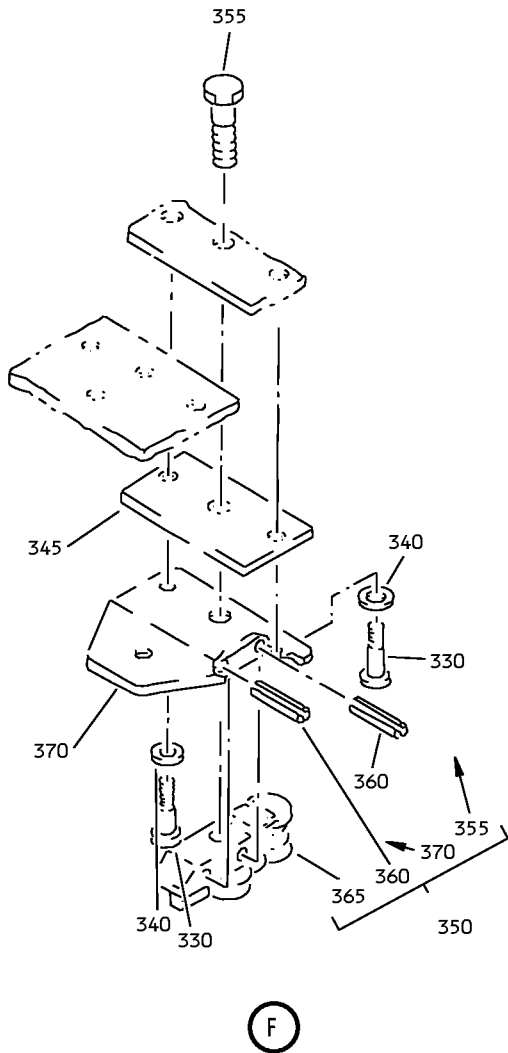
**25-24-08**

ILLUSTRATED PARTS LIST

Page 1098.138

Jul 01/2007

COMPONENT MAINTENANCE MANUAL



Forward Right Closet Assembly  
IPL Figure 5 (Sheet 5 of 8)

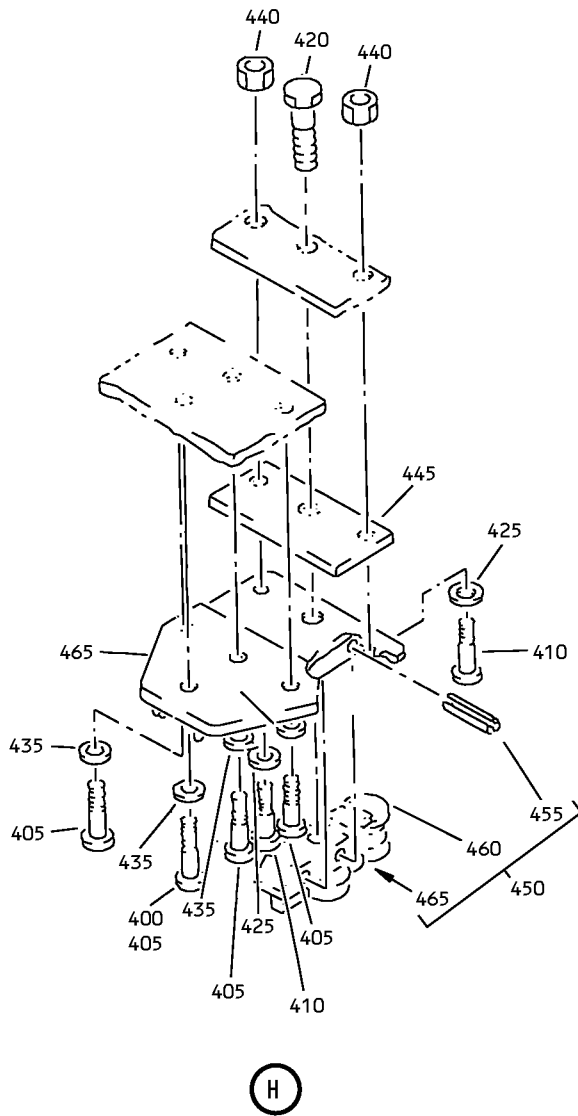
**25-24-08**

ILLUSTRATED PARTS LIST

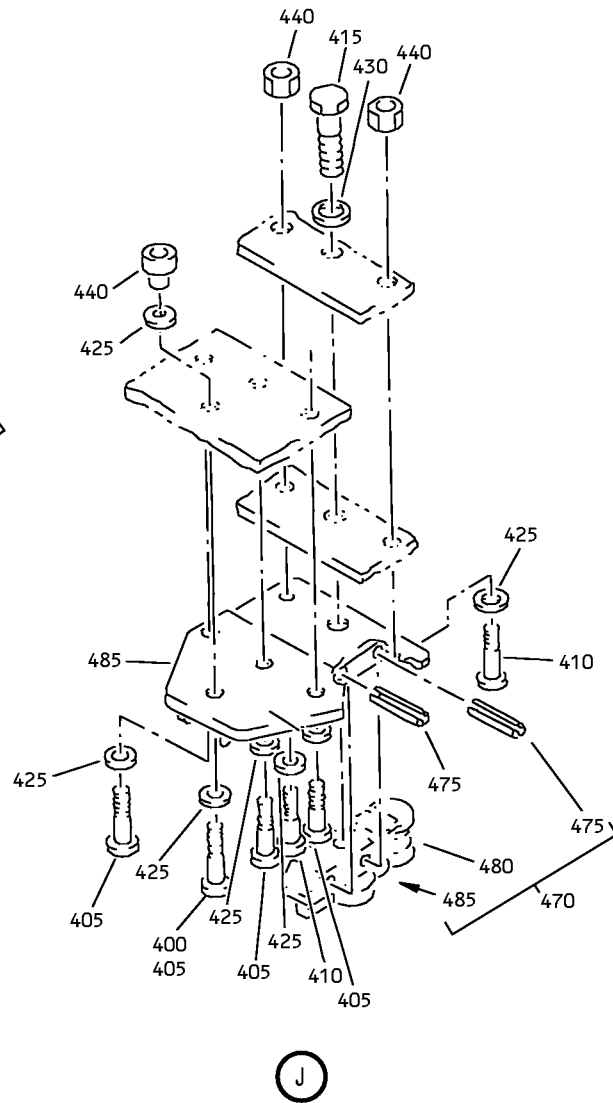
Page 1098.139

Jul 01/2007

COMPONENT MAINTENANCE MANUAL



H



J

Forward Right Closet Assembly  
IPL Figure 5 (Sheet 6 of 8)

**25-24-08**

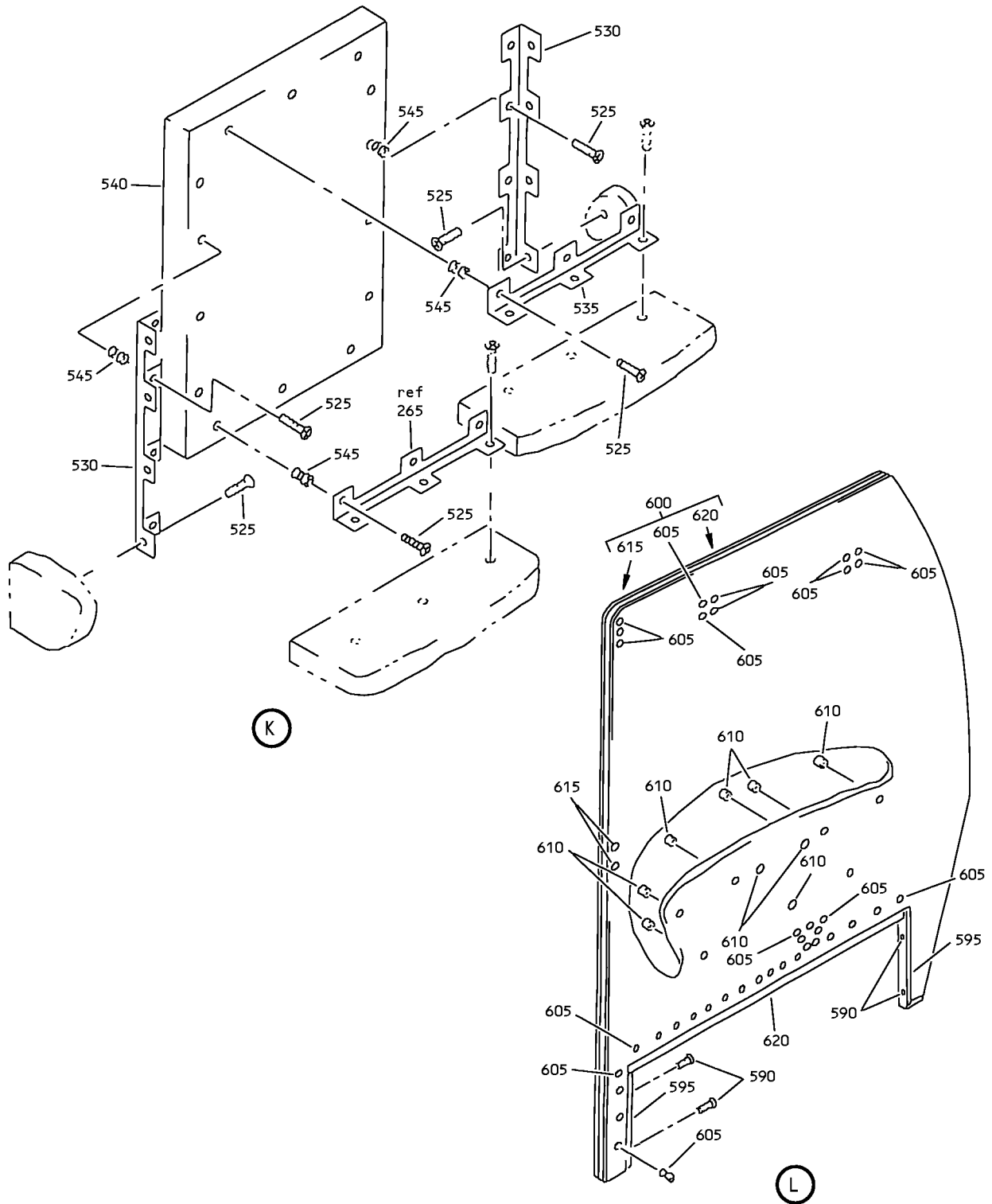
ILLUSTRATED PARTS LIST

Page 1098.140

Jul 01/2007



COMPONENT MAINTENANCE MANUAL



Forward Right Closet Assembly  
IPL Figure 5 (Sheet 7 of 8)

**25-24-08**

ILLUSTRATED PARTS LIST

Page 1098.141

Jul 01/2007





## COMPONENT MAINTENANCE MANUAL

FIG/ ITEM	PART NUMBER	AIRLINE PART NUMBER	NOMENCLATURE							USAGE CODE	UNITS PER ASSY
			1	2	3	4	5	6	7		
5-											
-1	413N3206-73SP									D	RF
-1A	413N3206-181SP										
-1B	413N3206-201SP										
-1C	413N3206-218SP										
5	BACB30NR4K21									D	4
10	AN960-416L									D	8
15	NAS43DD4-38									D	8
20	MS21042L4									D	4
25	65-88166-471									D	2
26	413U3165-42										
30	NAS603-6P									D	16
31	BACS12FA3K8										
35	AN960KD10L									D	16
-35A	AN960JD10LL										
40	69-17083-3									D	4
41	65B51689-3										
45	NAS514P1032-5									D	12
45A	BACS12ER08K5										
50	413N3615-188SP									D	1
-50A	413N3615-411SP										
55	NAS514P832-5									D	2
60	NAS1836-08-12									D	2
65	65C19715-310									D	1
70	NAS514P632-9									D	2
75	SAM222-11									D	1
80	NAS514P832-4									D	12
85	413N3615-189									D	1
90	69-56542-1									D	2
95	413N3615-175									D	1
100	413N3615-172SP									D	1

-Item not Illustrated

# 25-24-08

ILLUSTRATED PARTS LIST

Page 1098.143

Jul 01/2007



## COMPONENT MAINTENANCE MANUAL

FIG/ ITEM	PART NUMBER	AIRLINE PART NUMBER	NOMENCLATURE							USAGE CODE	UNITS PER ASSY
			1	2	3	4	5	6	7		
5-											
105	SL2334-08A3							. . . INSERT (V97393)	D	12	
110	NAS1836-08-12							. . . INSERT	D	2	
115	413N3615-6SP							DELETED			
120	413N3615-7SP							DELETED			
125	413N3615-173							. . . PANEL ASSY	D	1	
130	413N3615-118							. . . . PLATE	D	2	
135	413N3615-169							. . TRIM	D	1	
140	NAS514P632-5							. SCREW	D	2	
-140A	BACS12ER06K5							DELETED			
145	AR131							. PLATE-STRIKER (V80477)	D	1	
150	A35502-7							. RETAINER (V52607)	D	1	
155	NAS603-6P							. SCREW	D	20	
-155A	BACS12FA3K6							DELETED			
160	AN960KD10L							. WASHER	D	20	
-160A	AN960JD10LL							DELETED			
165	413N3215-14SP							. BRACKET-GUSSET	D	1	
170	413N3215-13SP							. BRACKET-GUSSET	D	1	
175	413N3206-81							. PANEL ASSY-HEADER	D	1	
-175A	413N3206-187							DELETED			
180	SL2334-3A3							. . INSERT (V97393)	D	8	
185	SL2334-3A5							. . INSERT (V97393)	D	1	
190	413N3215-82							DELETED			
190A	413N3206-82							. PANEL ASSY-TOP	D	1	
-190B	413N3206-188							DELETED			
195	SL2334-3A3							. . INSERT (V97393)	D	6	
200	413N3215-75							DELETED			
200A	413N3206-75							. PANEL ASSY-OUTBD	D	1	

-Item not Illustrated

**25-24-08**

ILLUSTRATED PARTS LIST

Page 1098.144

Jul 01/2007



## COMPONENT MAINTENANCE MANUAL

FIG/ ITEM	PART NUMBER	AIRLINE PART NUMBER	NOMENCLATURE							USAGE CODE	UNITS PER ASSY
			1	2	3	4	5	6	7		
5-											
200B	413N3206-182										
205	413N3215-77										
205A	413N3206-77								. PANEL ASSY-OUTBD	D	1
-205B	413N3206-184										
210	NAS603-6P								. SCREW	D	7
-210A	BACS12FA3K6										
215	AN960KD416L										
-215A	AN960JD10L										
-215B	AN960KD10L								. WASHER	D	7
220	NAS6604-22								. BOLT	D	1
-220A	BACS30NM4K22										
225	AN960KD416L								. WASHER	D	1
-225A	AN960JD416L										
-225B	NAS1149D0416H										
230	AN960KD416								. WASHER	D	1
-230A	AN960JD416										
-230B	NAS1149D0463J										
235	F42NKE048								. NUT (V72962) (SPEC BACN10R428) (OPT 42NKE048 (V72962)) (OPT 26C048 (V80539))	D	1
240	413N3211-66SP								. ANGLE-GUSSET	D	1
245	NAS514P1032-5								. SCREW	D	68
246	BACS12ER3K5										
247	BACS12FA3K5										
250	413N3211-108SP								. ANGLE	D	1
255	413N3211-109SP								. ANGLE	D	1
260	413N3211-110SP								. ANGLE	D	1
265	413N3211-111SP								. ANGLE	D	1
270	413N3206-78								. PANEL ASSY-SHELF	D	1
-270A	413N3206-185										

-Item not Illustrated

# 25-24-08

ILLUSTRATED PARTS LIST

Page 1098.145

Jul 01/2007



## COMPONENT MAINTENANCE MANUAL

FIG/ ITEM	PART NUMBER	AIRLINE PART NUMBER	NOMENCLATURE	USAGE CODE	UNITS PER ASSY
5-					
275	SL2334-3A3		. . INSERT (V97393)	D	37
280	413N3206-93		. . EDGING	D	1
285	NAS603-6P		. SCREW	D	3
-285A	BACS12FA3K6		DELETED		
290	AN960KD10L		. WASHER	D	3
295	NAS5141032-16		. SCREW	D	5
-295A	BACS12ER3K6		DELETED		
300	SL52-3		. NUT (V97393)	D	5
305	413N3211-105SP		. DIVIDER-CHANNEL	D	1
310	NAS514P1032-5		. SCREW	D	6
-310A	BACS12ER3K5		DELETED		
315	413N3211-111SP		. ANGLE	D	1
320	PK87XA8-12		. SCREW (V45722) (SPEC BACS12H8-12) (OPT SK145A8-12 (V73439))	D	2
325	413N3206-14		. TRIM	D	AR
330	NAS6603-3		. BOLT	D	2
335	NAS6603-2		. BOLT	D	2
340	AN960KD10L		. WASHER	D	4
-340A	AN960JD10LL		DELETED		
341	AN960JD10LL		DELETED		
342	NAS1149D0316J		DELETED		
345	BACF3F010G027NN		. FILLER	D	1
350	413N3211-101		. FITTING ASSY-SEAT TRACK	D	1
-350A	413N3211-647		DELETED		
355	BACB30VF5K2		. . BOLT	D	1
360	MS16562-38		. . PIN-SPR	D	2
365	45227-10		. . FITTING ASSY (V31272)	D	1
-365A	413N3211-648		DELETED		

-Item not Illustrated

# 25-24-08

ILLUSTRATED PARTS LIST

Page 1098.146

Jul 01/2007



## COMPONENT MAINTENANCE MANUAL

FIG/ ITEM	PART NUMBER	AIRLINE PART NUMBER	NOMENCLATURE							USAGE CODE	UNITS PER ASSY
			1	2	3	4	5	6	7		
5-											
370	413N3211-99								. . FITTING	D	1
375	413N3211-93								. FITTING ASSY-SEAT TRACK	D	1
380	BACB30VF5K2								. . BOLT	D	1
385	MS16562-37								. . PIN-SPR	D	2
390	45227-10								. . FITTING ASSY (V31272)	D	1
395	413N3211-65								. . FITTING	D	1
400	NAS6603-20								. BOLT	D	1
-400A	BACB30NM3K20								DELETED		
405	NAS6603-2								. BOLT	D	7
-405A	BACB30NM3K2								DELETED		
410	NAS514P1032-24								. SCREW	D	4
-410A	BACS12ER3K24								DELETED		
415	NAS6605-20								. BOLT	D	1
-415A	BACBNM5K20								DELETED		
420	BACB30VF5K17								. BOLT	D	1
425	AN960KD10L								. WASHER	D	9
-425A	AN960JD10LL								DELETED		
-425B	NAS1149D0316J								DELETED		
430	AN960KD516L								. WASHER	D	1
-430A	AN960JD516L								DELETED		
-430B	NAS1149D0516J								DELETED		
435	AN960KD10M								. WASHER	D	4
-435A	AN960JD10L								DELETED		
-435B	NAS1149D0332J								DELETED		
440	MS21042L3								. NUT	D	5
445	BACF3F022G027NN								. FILLER	D	1
450	413N3211-100								. FITTING ASSY-SEAT TRACK	D	1
455	MS16562-39								. . PIN-SPR	D	1
460	42911-11								. . FITTING ASSY (V31272)	D	1
465	413N3211-98								. . FITTING	D	1

-Item not Illustrated

**25-24-08**

ILLUSTRATED PARTS LIST

Page 1098.147

Jul 01/2007



## COMPONENT MAINTENANCE MANUAL

FIG/ ITEM	PART NUMBER	AIRLINE PART NUMBER	NOMENCLATURE							USAGE CODE	UNITS PER ASSY
			1	2	3	4	5	6	7		
5-											
470	413N3211-92		.							D	1
475	MS16562-37		.	.						D	2
480	43166-10		.	.						D	1
485	413N3211-64		.	.						D	1
490	NAS514P1032-16		.							D	5
-490A	BACS12ER3K6		DELETED								
495	SL52-3		.							D	5
500	NAS603-6P		.							D	3
-500A	BACS12FA3K6		DELETED								
505	AN960KD10L		.							D	3
510	413N3206-80		.							D	1
-510A	413N3224-329		DELETED								
515	SL2334-3A3		.	.						D	3
520	413N3211-104SP		.							D	1
525	NAS514P1032-5		.							D	25
-525A	BACS12ER3K6		DELETED								
530	413N3211-110SP		.							D	2
535	413N3211-111SP		.							D	1
540	413N3206-83		.							D	1
-540A	413N3206-189		DELETED								
545	SL2334-3A3		.	.						D	14
550	NAS514P1032-10		.							D	16
-550A	BACS12ER3K10		DELETED								
555	NAS603-6P		.							D	16
-555A	BACS12FA3K6		DELETED								
560	AN960KD10L		.							D	16
-560A	AN960JD10LL		DELETED								
565	413N3211-89		.							D	1
570	NAS514P1032-24		.							D	5

-Item not Illustrated

**25-24-08**

ILLUSTRATED PARTS LIST

Page 1098.148

Jul 01/2007





## COMPONENT MAINTENANCE MANUAL

FIG/ ITEM	PART NUMBER	AIRLINE PART NUMBER	NOMENCLATURE							USAGE CODE	UNITS PER ASSY
			1	2	3	4	5	6	7		
5-											
-570A	BACS12ER3K24										
575	AN960KD10L								. WASHER	D	5
-575A	AN960JD10LL								DELETED		
-575B	NAS1149D0316J								DELETED		
580	MS21042L3								. NUT	D	5
585	413N3211-102SP								. EXTRUSION-FOOTWELL	D	1
590	PK87XA8-12								. SCREW (V45722) (SPEC BACS12H8-12) (OPT SK145A8-12 (V73439))	D	4
595	413N3211-107								. TRIM	D	2
600	413N3206-85								. PANEL ASSY-AFT	D	1
-600A	413N3206-186								DELETED		
605	SL2334-3A3								. . INSERT (V97393)	D	37
610	SL2334-08A3								. . INSERT (V97393)	D	9
615	NAS183606-12								. . INSERT	D	2
620	413N3211-103								. . EXTRUSION-FOOTWELL	D	1
625	413N3206-76								. PANEL ASSY-FWD	D	1
-625A	413N3206-183								DELETED		
630	SL2334-3A3								. . INSERT (V97393)	D	34
635	SL854C3C7C								. . INSERT (V97393)	D	16
640	SL854C08C5C								. . INSERT (V97393)	D	12
645	413N3600-39								. . CHANNEL ASSY	D	1
650	413N3600-41								. . . CHANNEL	D	1
655	413N3600-40								. . CHANNEL ASSY	D	1
660	SL854C3C5C								. . . INSERT (V97393)	D	4
665	413N3600-42								. . . CHANNEL	D	1
670	413N3206-84								. PANEL ASSY-FLOOR	D	1

-Item not Illustrated

# 25-24-08

ILLUSTRATED PARTS LIST

Page 1098.149

Jul 01/2007



## COMPONENT MAINTENANCE MANUAL

FIG/ ITEM	PART NUMBER	AIRLINE PART NUMBER	NOMENCLATURE							USAGE CODE	UNITS PER ASSY
			1	2	3	4	5	6	7		
5-											
-670A	413N3206-190										
675	SL2334-3A3									D	29
680	413N3206-55SP									D	1
685	413N3206-58SP									D	1
690	413N3206-57SP									D	1
695	413N3206-56SP									D	1
700	413N3206-59SP									D	1
705	413N3206-97SP									D	1
710	413N3206-98SP									D	1

-Item not Illustrated

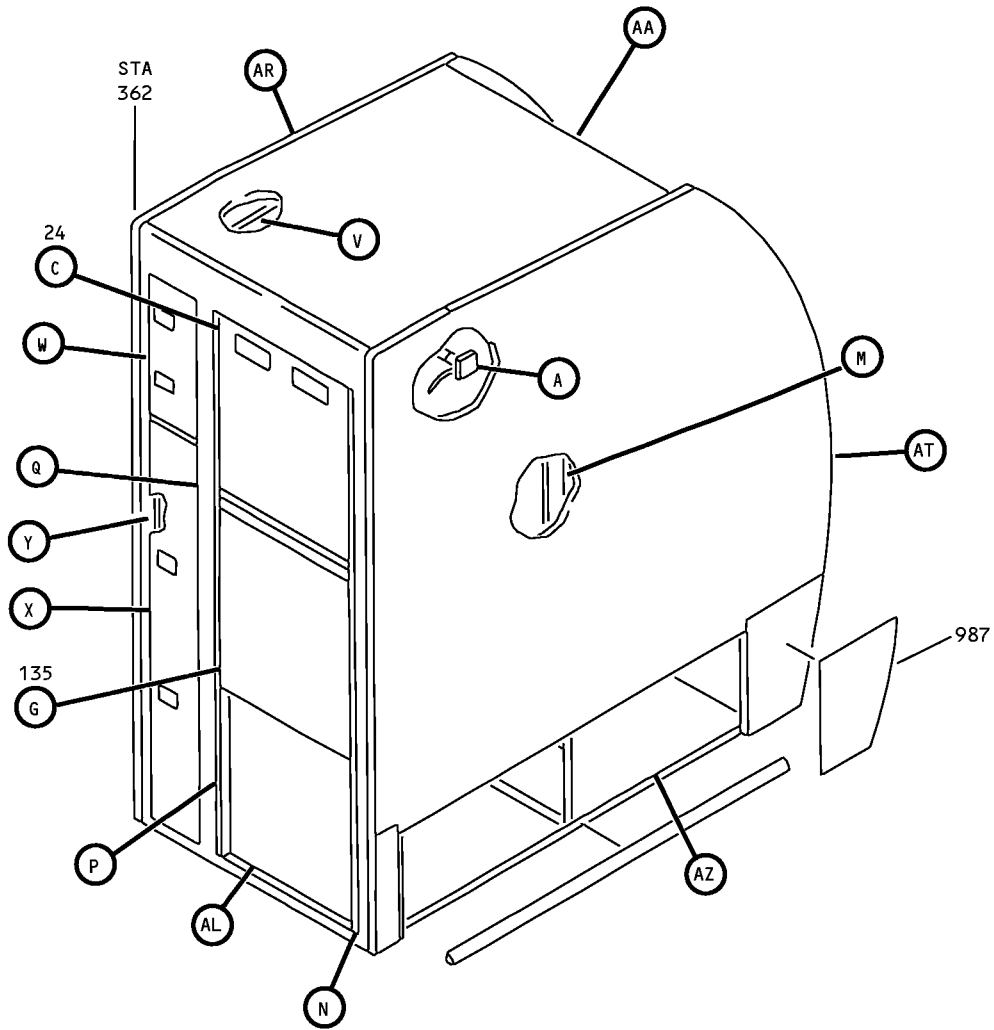
# 25-24-08

ILLUSTRATED PARTS LIST

Page 1098.150

Jul 01/2007

COMPONENT MAINTENANCE MANUAL



Forward Right Closet Assembly  
IPL Figure 6 (Sheet 1 of 35)

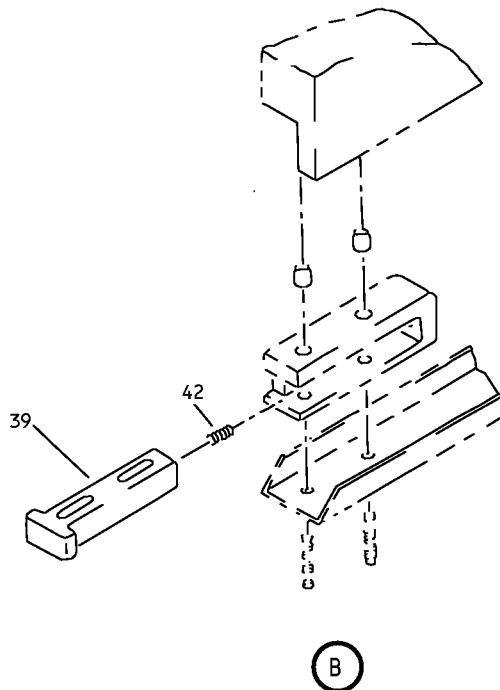
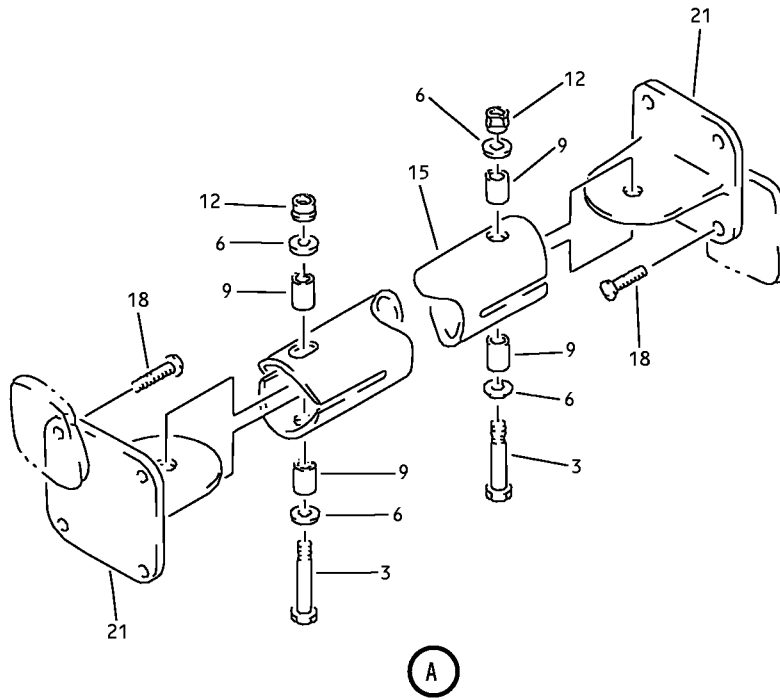
**25-24-08**

ILLUSTRATED PARTS LIST

Page 1098.151

Jul 01/2007

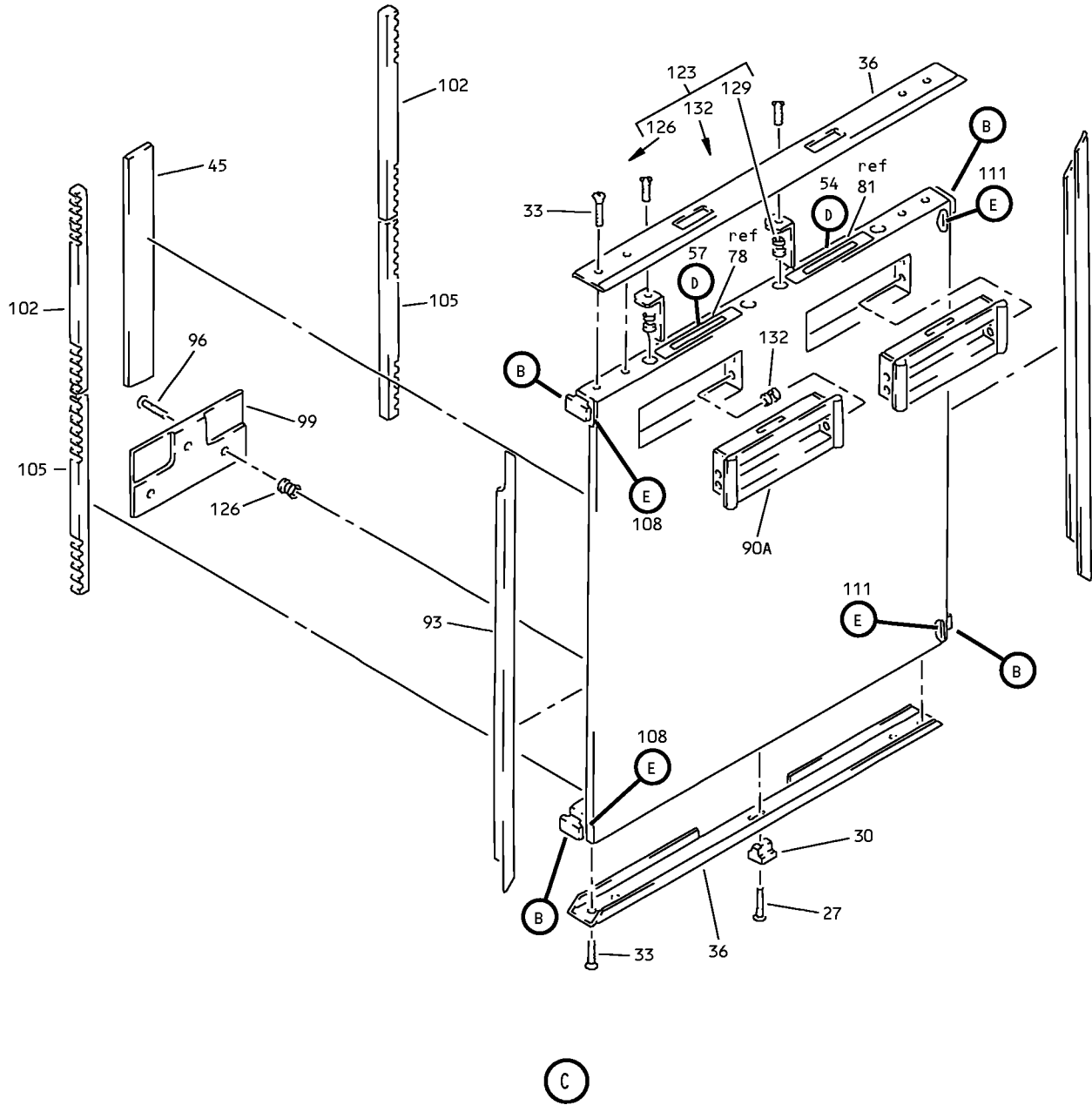
COMPONENT MAINTENANCE MANUAL



Forward Right Closet Assembly  
IPL Figure 6 (Sheet 2 of 35)

**25-24-08**  
ILLUSTRATED PARTS LIST  
Page 1098.152  
Jul 01/2007

COMPONENT MAINTENANCE MANUAL



Forward Right Closet Assembly  
IPL Figure 6 (Sheet 3 of 35)

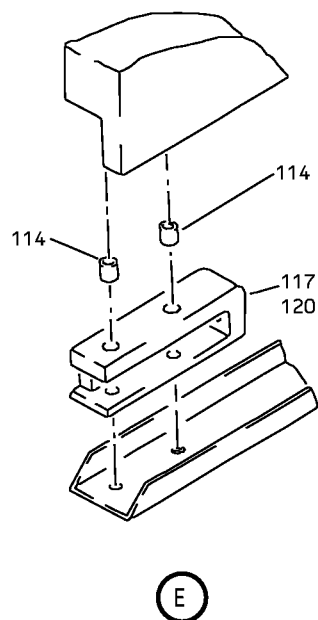
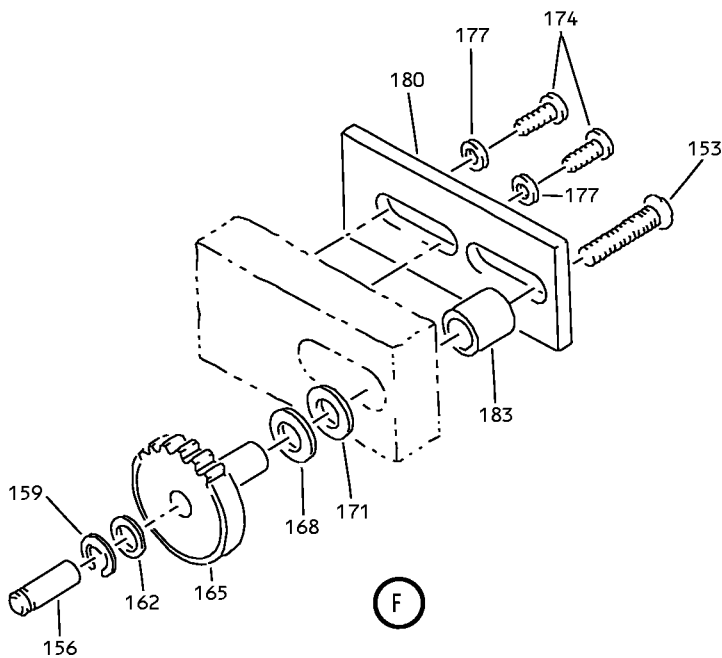
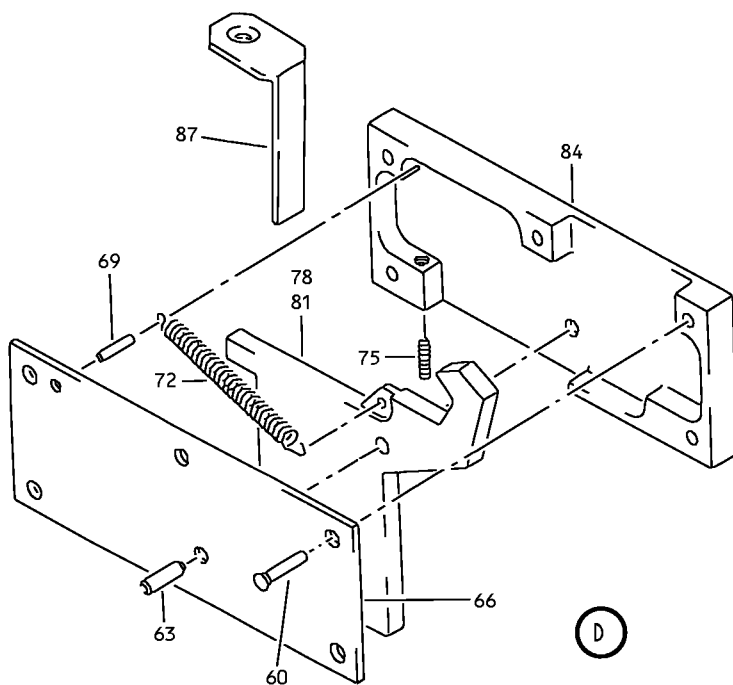
**25-24-08**

ILLUSTRATED PARTS LIST

Page 1098.153

Jul 01/2007

COMPONENT MAINTENANCE MANUAL



Forward Right Closet Assembly  
IPL Figure 6 (Sheet 4 of 35)

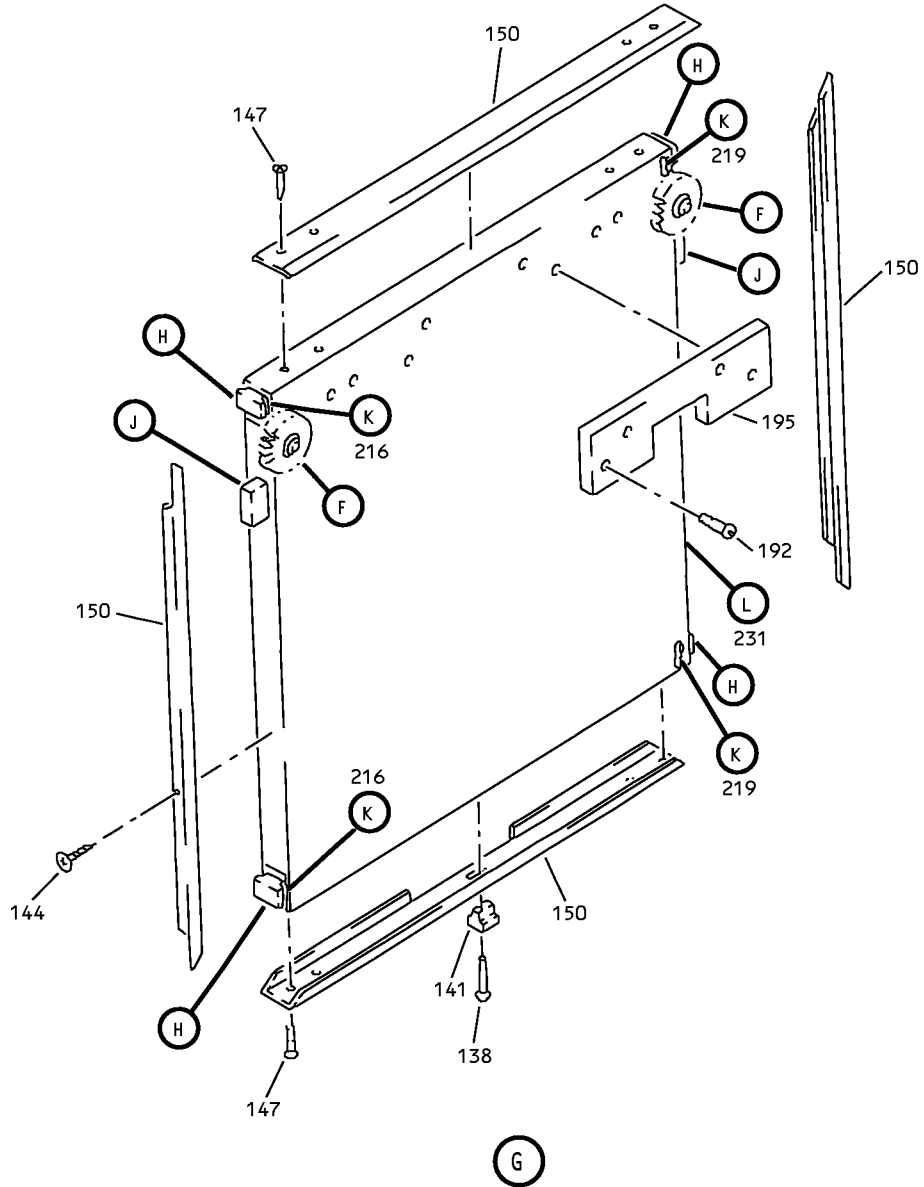
**25-24-08**

ILLUSTRATED PARTS LIST

Page 1098.154

Jul 01/2007

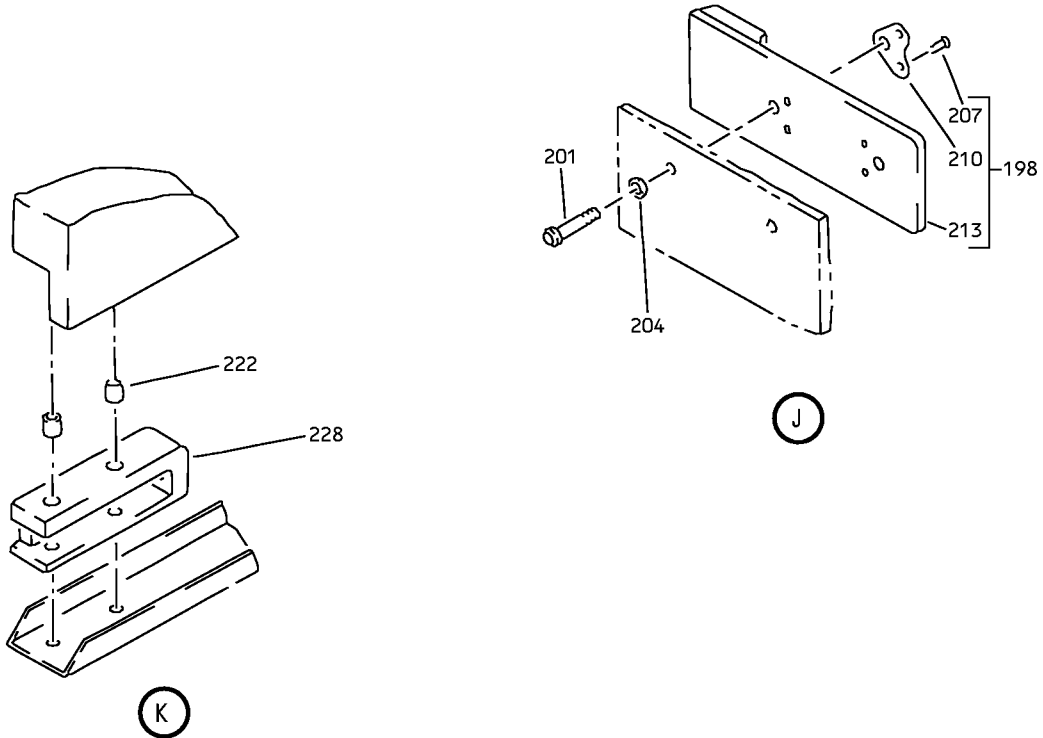
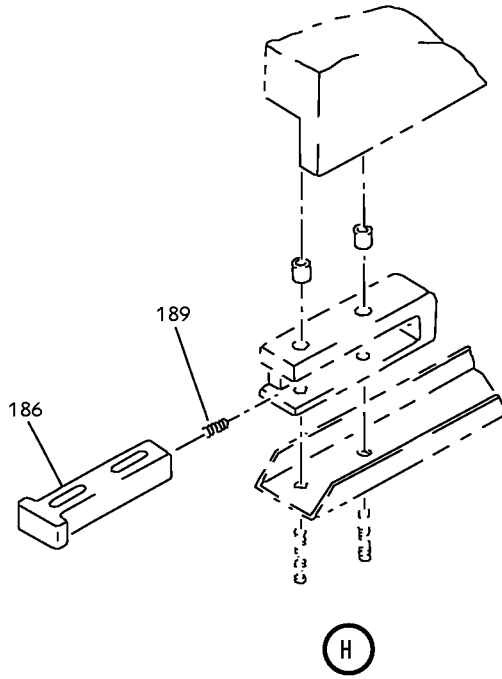
COMPONENT MAINTENANCE MANUAL



Forward Right Closet Assembly  
IPL Figure 6 (Sheet 5 of 35)

**25-24-08**  
ILLUSTRATED PARTS LIST  
Page 1098.155  
Jul 01/2007

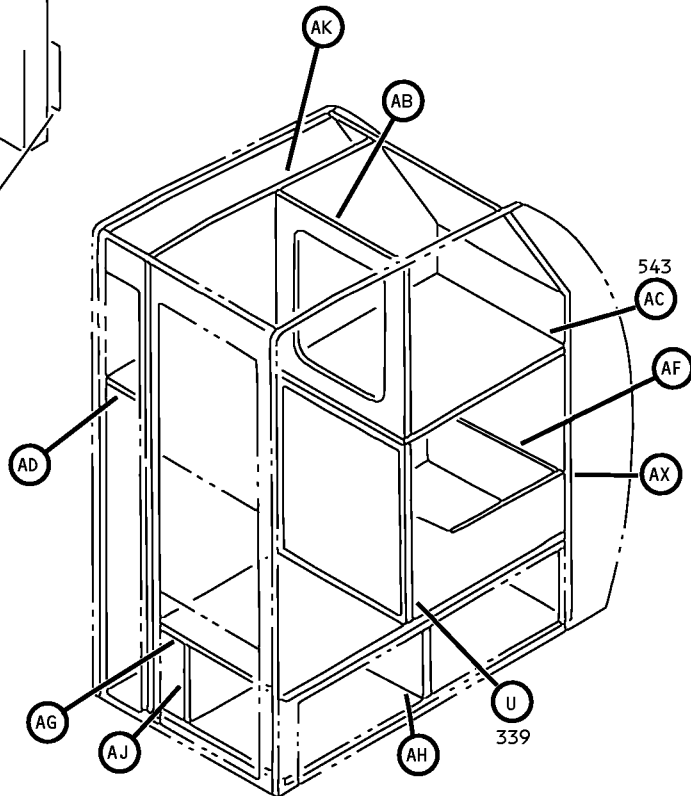
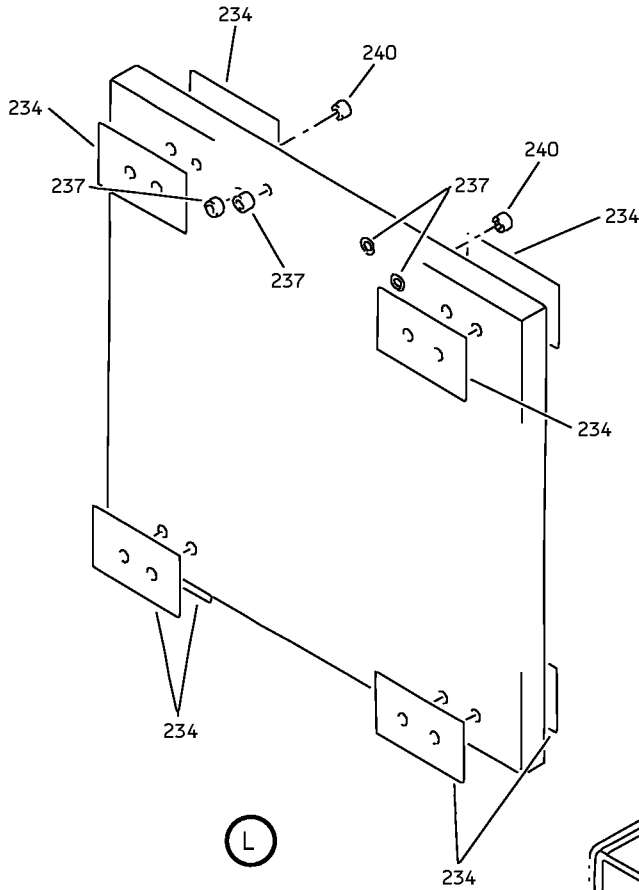
COMPONENT MAINTENANCE MANUAL



Forward Right Closet Assembly  
IPL Figure 6 (Sheet 6 of 35)



COMPONENT MAINTENANCE MANUAL



Forward Right Closet Assembly  
IPL Figure 6 (Sheet 7 of 35)

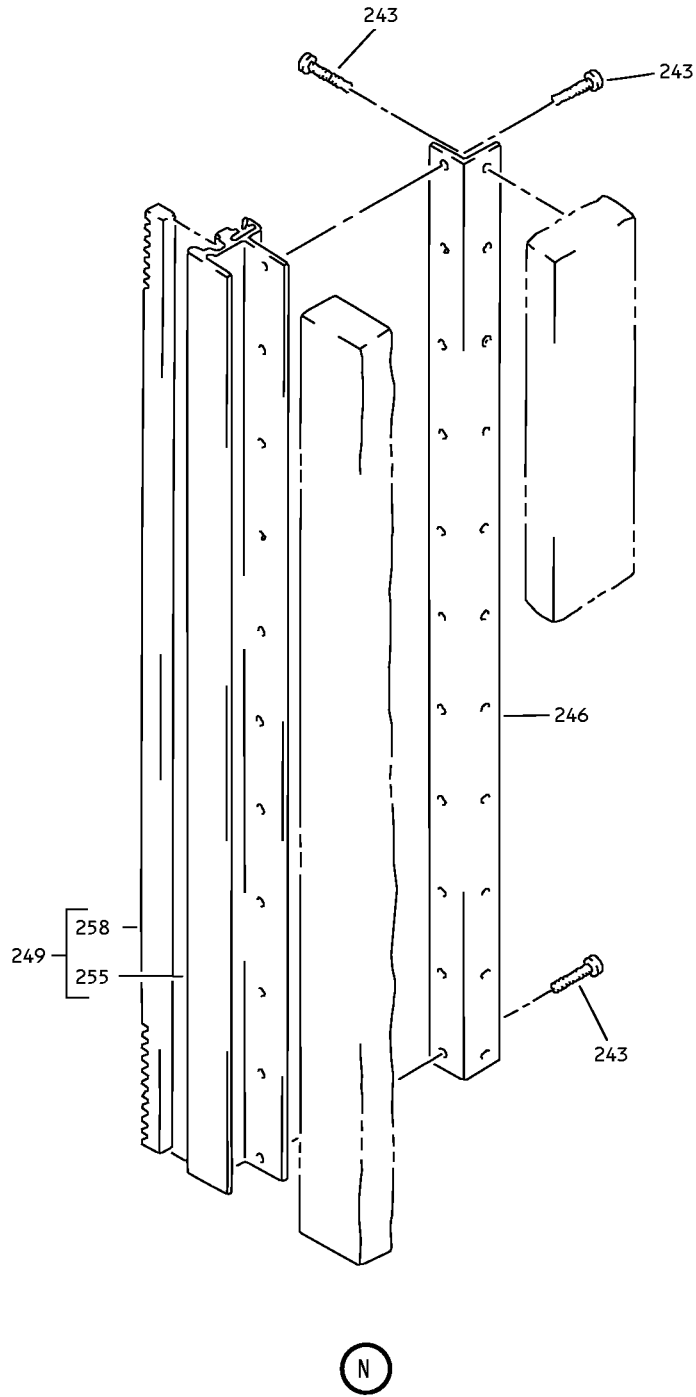
**25-24-08**

ILLUSTRATED PARTS LIST

Page 1098.157

Jul 01/2007

COMPONENT MAINTENANCE MANUAL



Forward Right Closet Assembly  
IPL Figure 6 (Sheet 8 of 35)

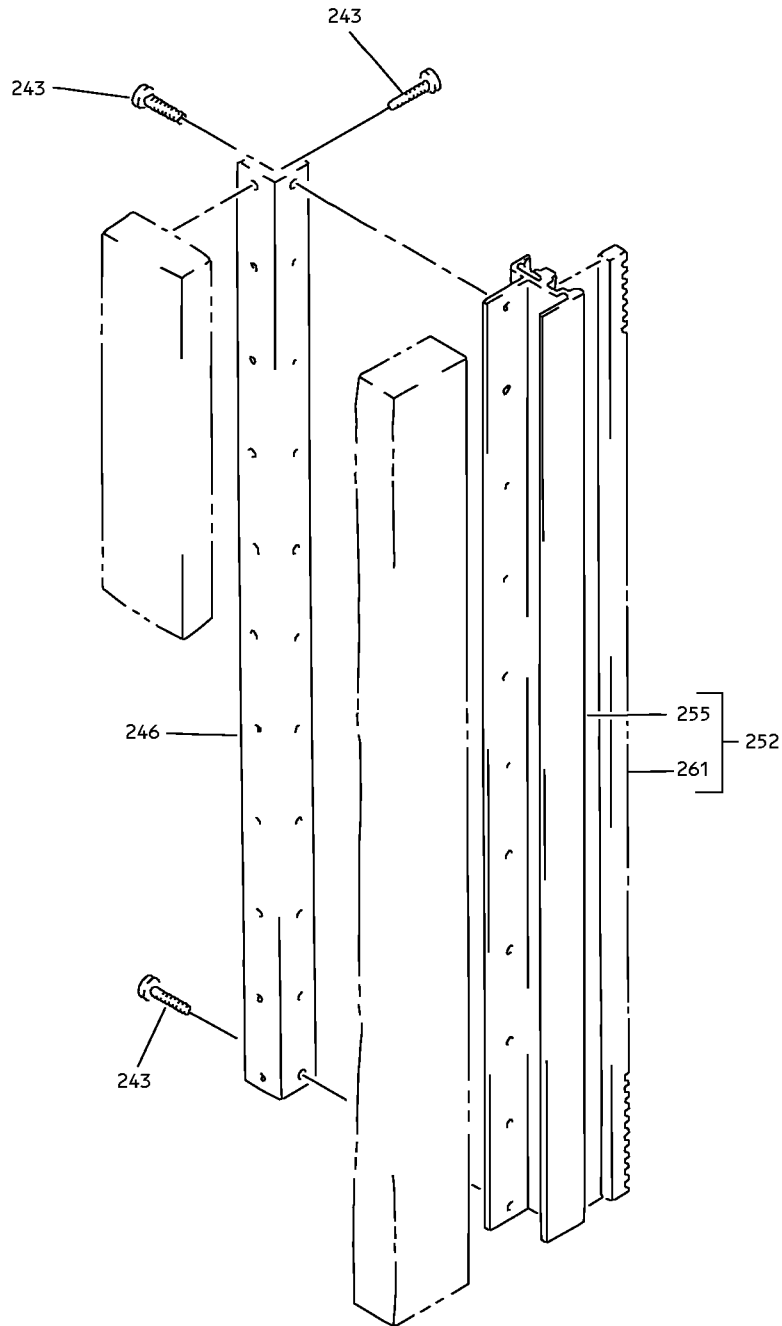
**25-24-08**

ILLUSTRATED PARTS LIST

Page 1098.158

Jul 01/2007

COMPONENT MAINTENANCE MANUAL



P

Forward Right Closet Assembly  
IPL Figure 6 (Sheet 9 of 35)

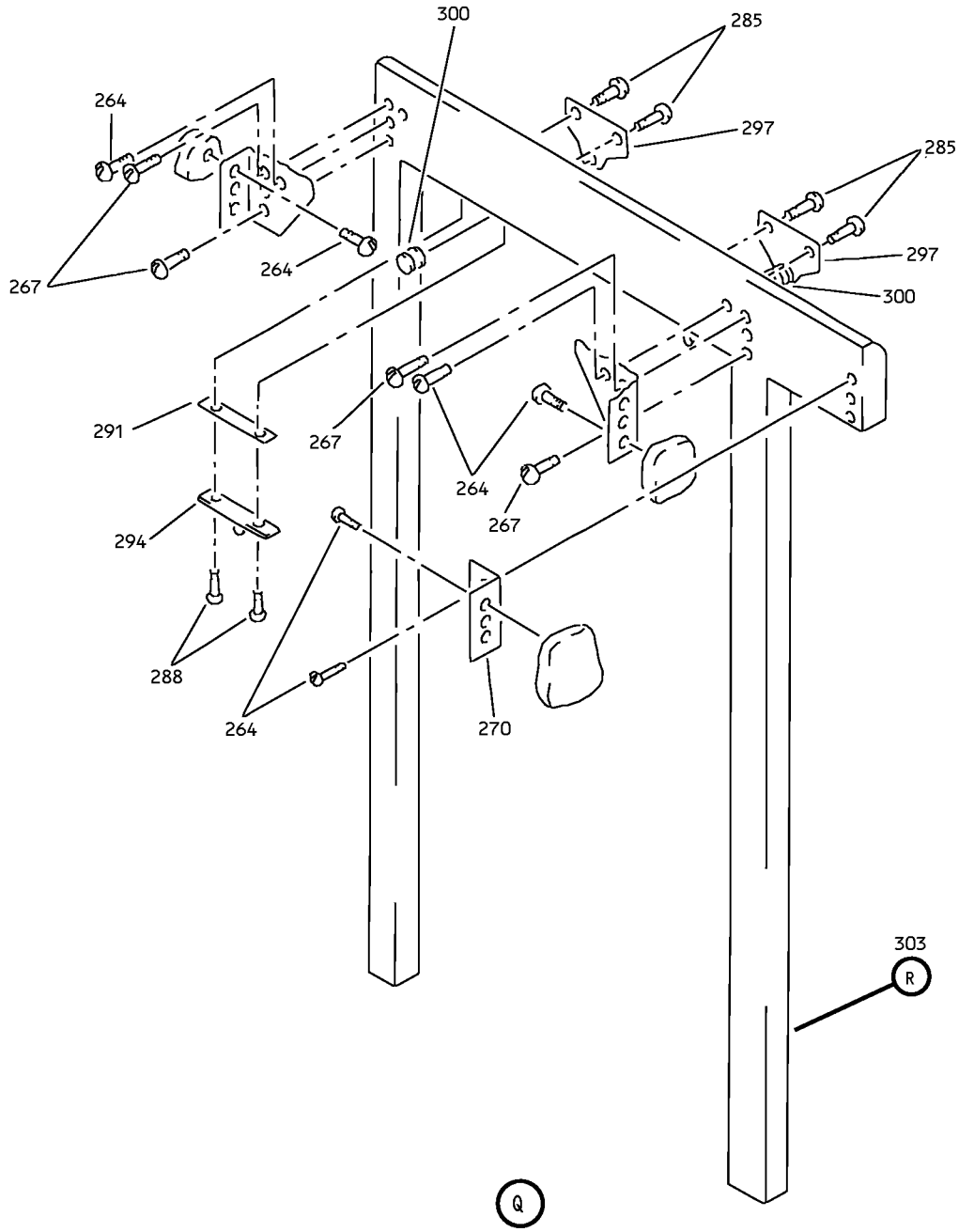
**25-24-08**

ILLUSTRATED PARTS LIST

Page 1098.159

Jul 01/2007

COMPONENT MAINTENANCE MANUAL



Forward Right Closet Assembly  
IPL Figure 6 (Sheet 10 of 35)

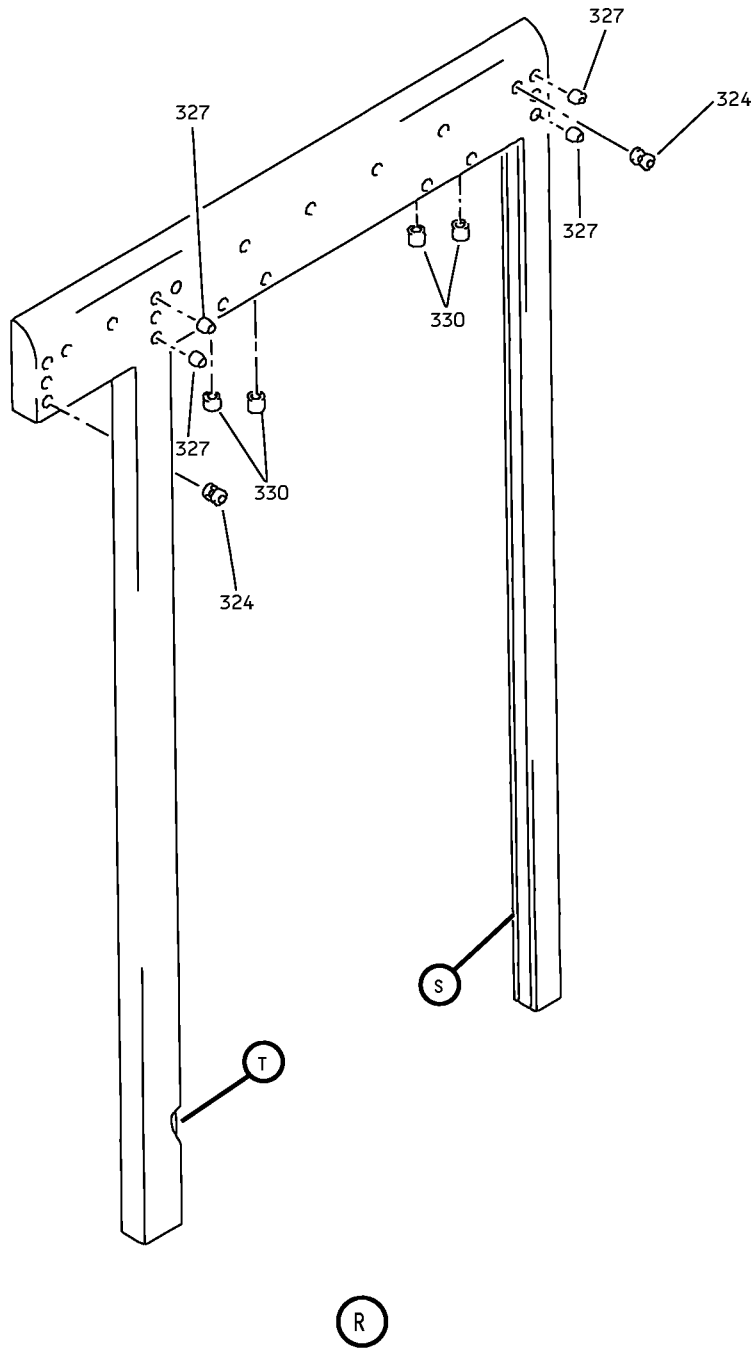
**25-24-08**

ILLUSTRATED PARTS LIST

Page 1098.160

Jul 01/2007

COMPONENT MAINTENANCE MANUAL



Forward Right Closet Assembly  
IPL Figure 6 (Sheet 11 of 35)

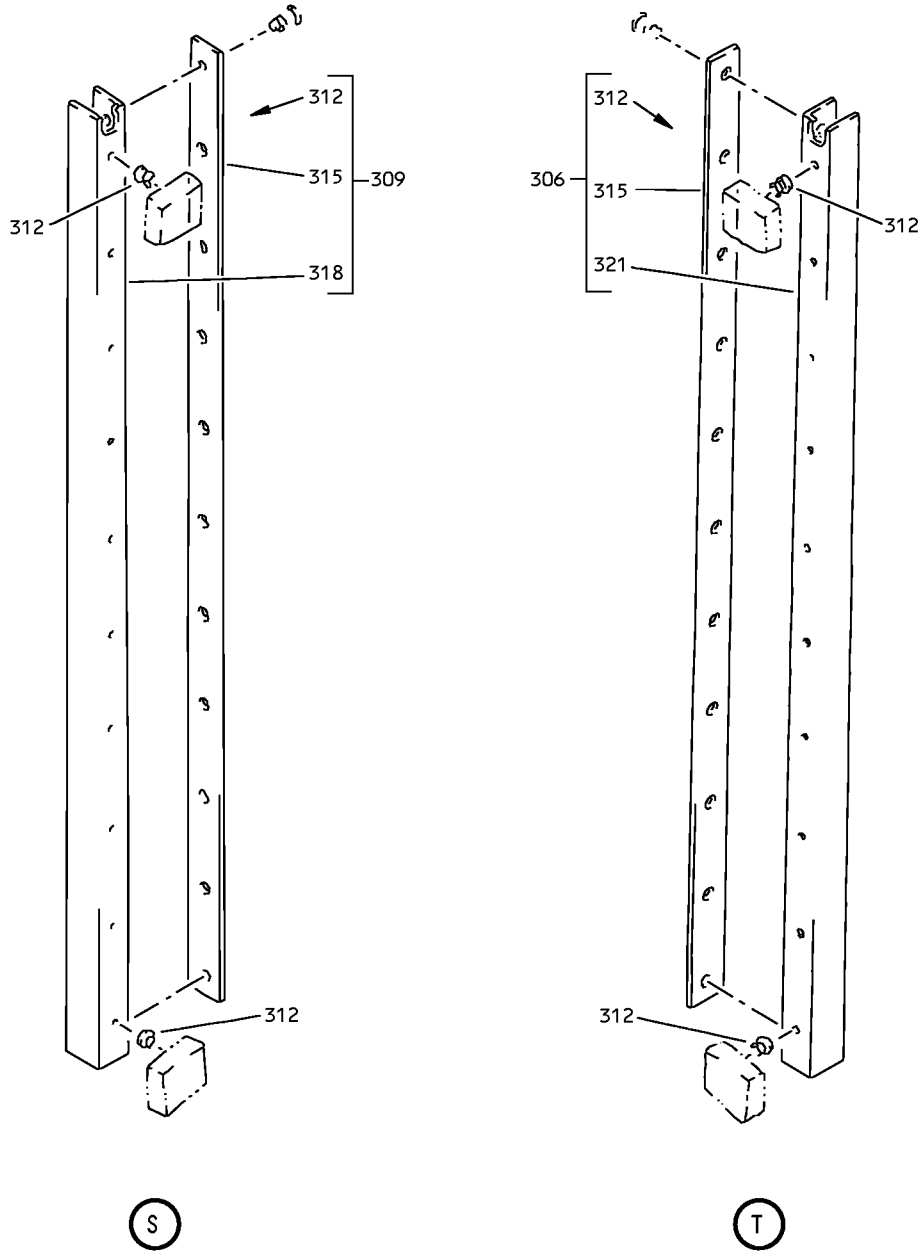
**25-24-08**

ILLUSTRATED PARTS LIST

Page 1098.161

Jul 01/2007

COMPONENT MAINTENANCE MANUAL



Forward Right Closet Assembly  
IPL Figure 6 (Sheet 12 of 35)

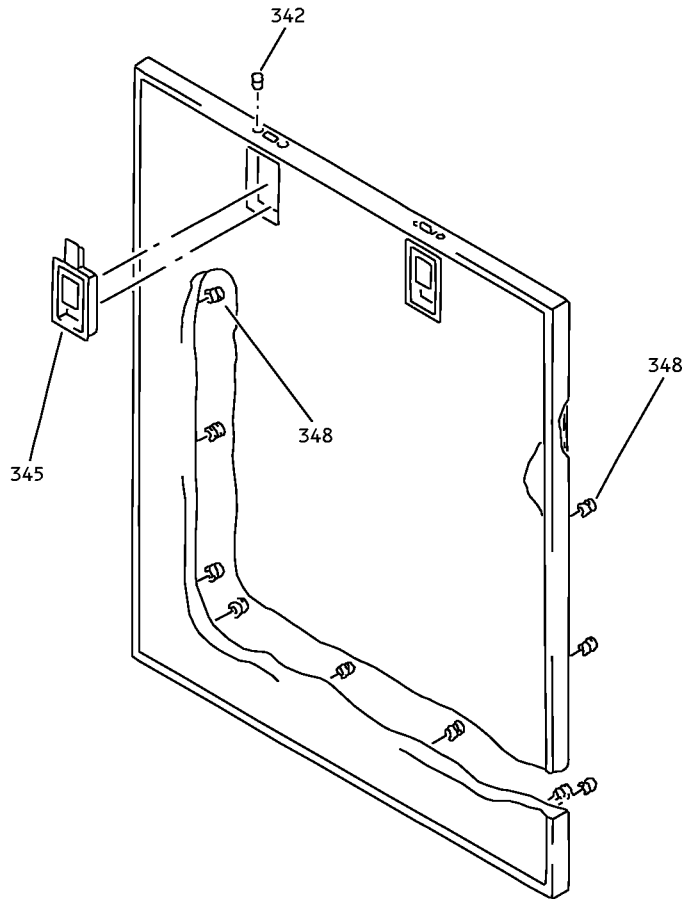
**25-24-08**

ILLUSTRATED PARTS LIST

Page 1098.162

Jul 01/2007

COMPONENT MAINTENANCE MANUAL



U

Forward Right Closet Assembly  
IPL Figure 6 (Sheet 13 of 35)

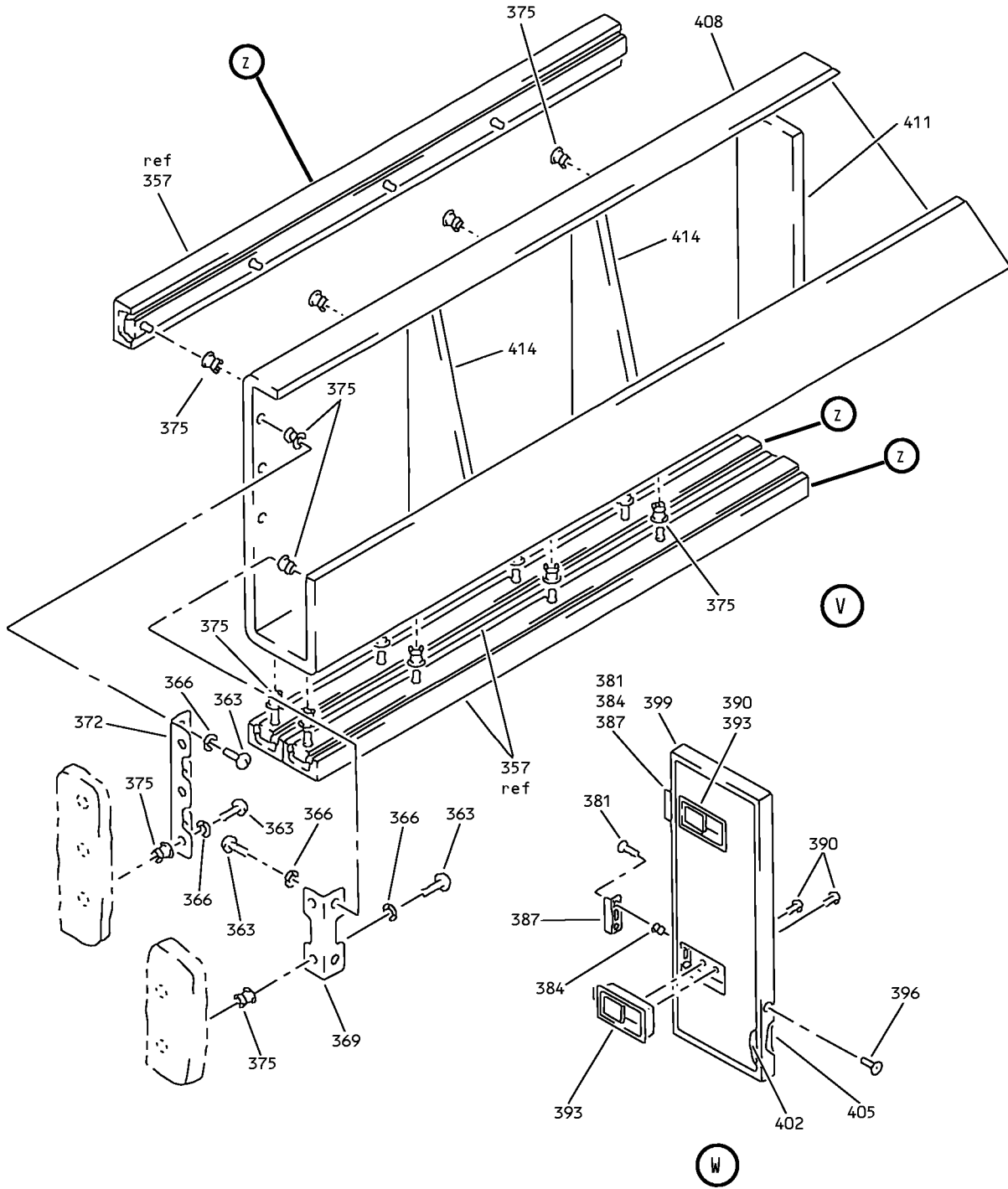
**25-24-08**

ILLUSTRATED PARTS LIST

Page 1098.163

Jul 01/2007

COMPONENT MAINTENANCE MANUAL



Forward Right Closet Assembly  
IPL Figure 6 (Sheet 14 of 35)

**25-24-08**

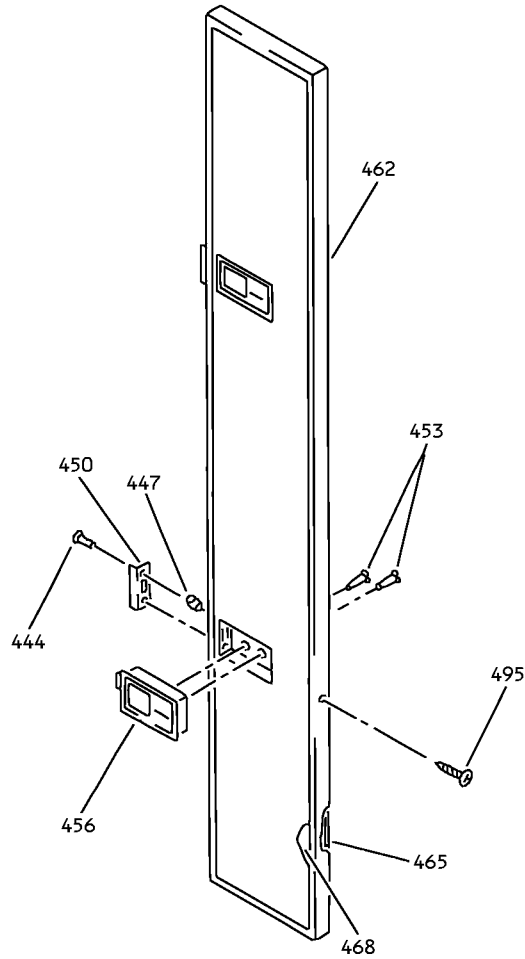
ILLUSTRATED PARTS LIST

Page 1098.164

Jul 01/2007



COMPONENT MAINTENANCE MANUAL



(X)

Forward Right Closet Assembly  
IPL Figure 6 (Sheet 15 of 35)

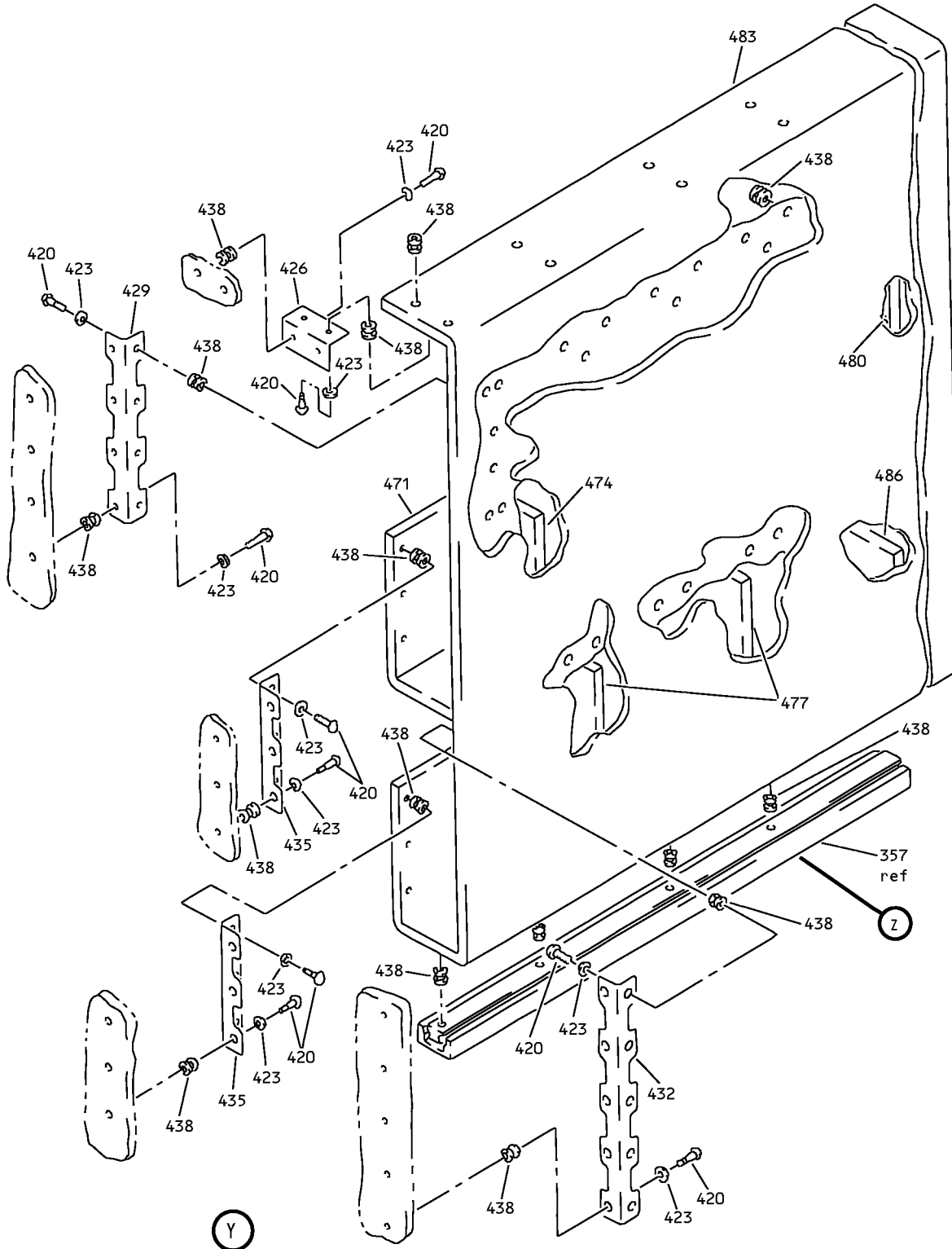
**25-24-08**

ILLUSTRATED PARTS LIST

Page 1098.165

Jul 01/2007

COMPONENT MAINTENANCE MANUAL



Forward Right Closet Assembly  
IPL Figure 6 (Sheet 16 of 35)

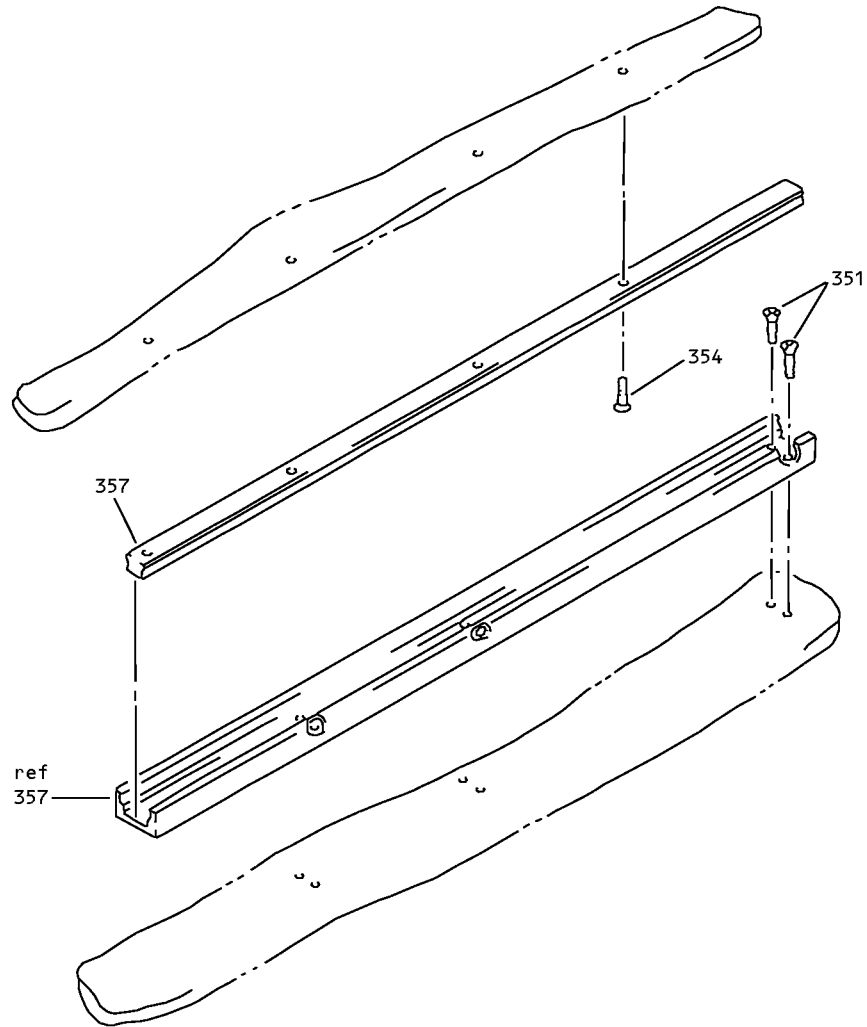
**25-24-08**

ILLUSTRATED PARTS LIST

Page 1098.166

Jul 01/2007

COMPONENT MAINTENANCE MANUAL



(Z)

Forward Right Closet Assembly  
IPL Figure 6 (Sheet 17 of 35)

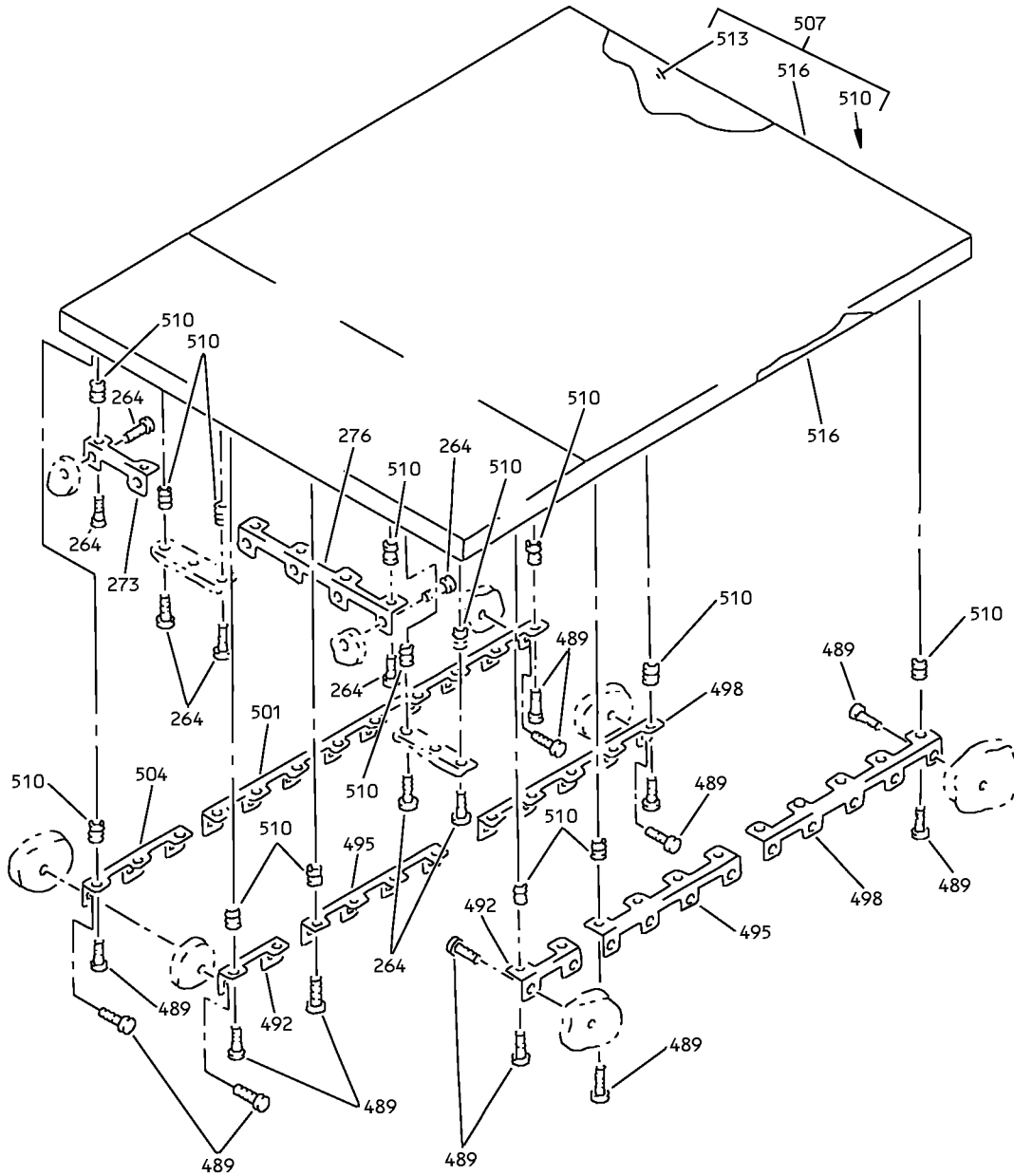
**25-24-08**

ILLUSTRATED PARTS LIST

Page 1098.167

Jul 01/2007

COMPONENT MAINTENANCE MANUAL



AA

Forward Right Closet Assembly  
IPL Figure 6 (Sheet 18 of 35)

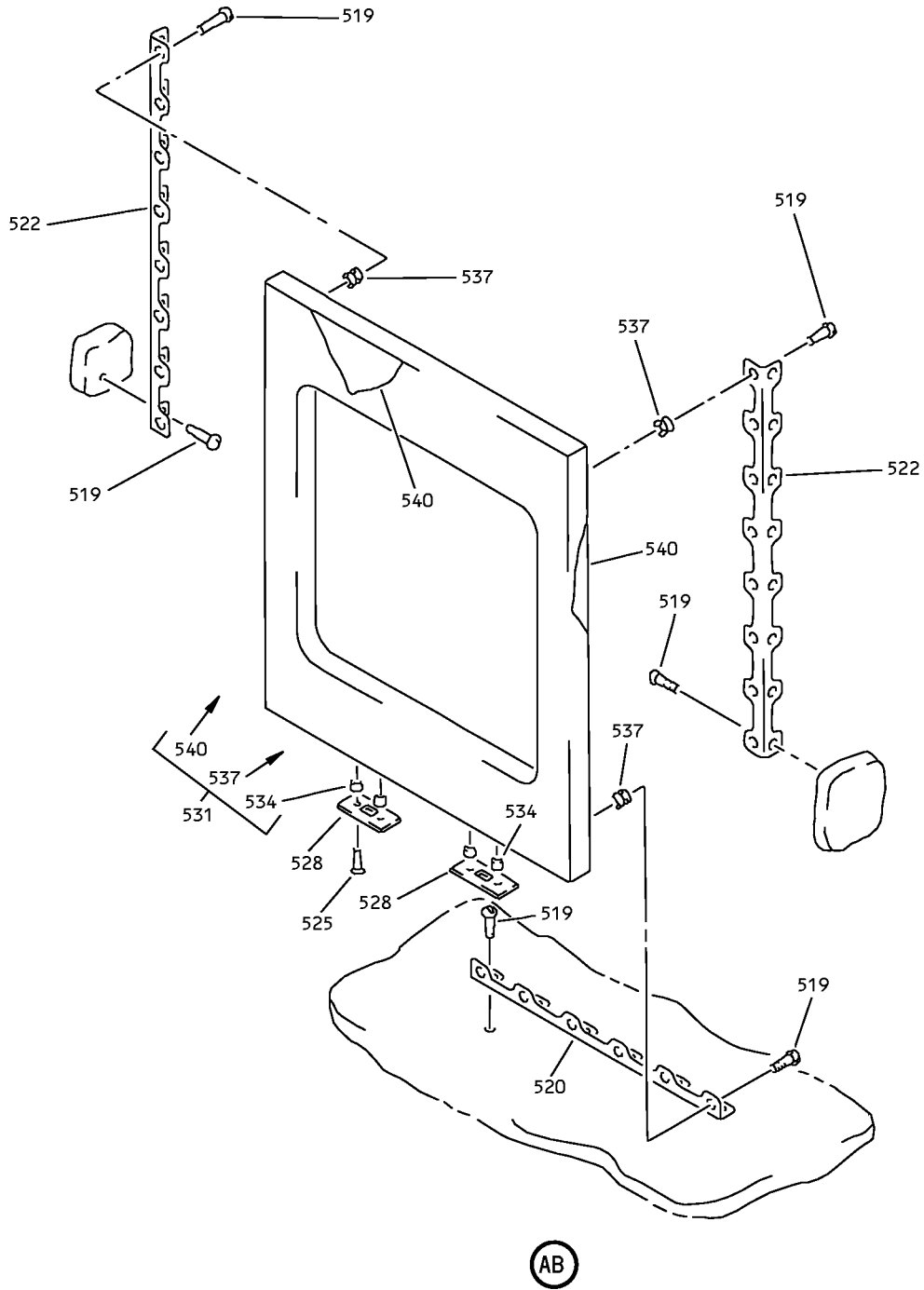
**25-24-08**

ILLUSTRATED PARTS LIST

Page 1098.168

Jul 01/2007

COMPONENT MAINTENANCE MANUAL



Forward Right Closet Assembly  
IPL Figure 6 (Sheet 19 of 35)

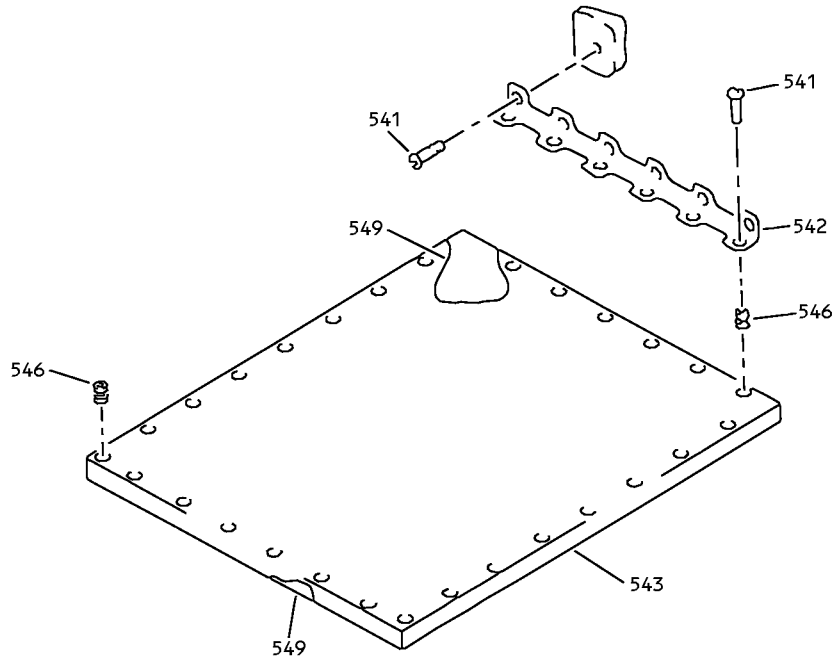
**25-24-08**

ILLUSTRATED PARTS LIST

Page 1098.169

Jul 01/2007

COMPONENT MAINTENANCE MANUAL



AC

Forward Right Closet Assembly  
IPL Figure 6 (Sheet 20 of 35)

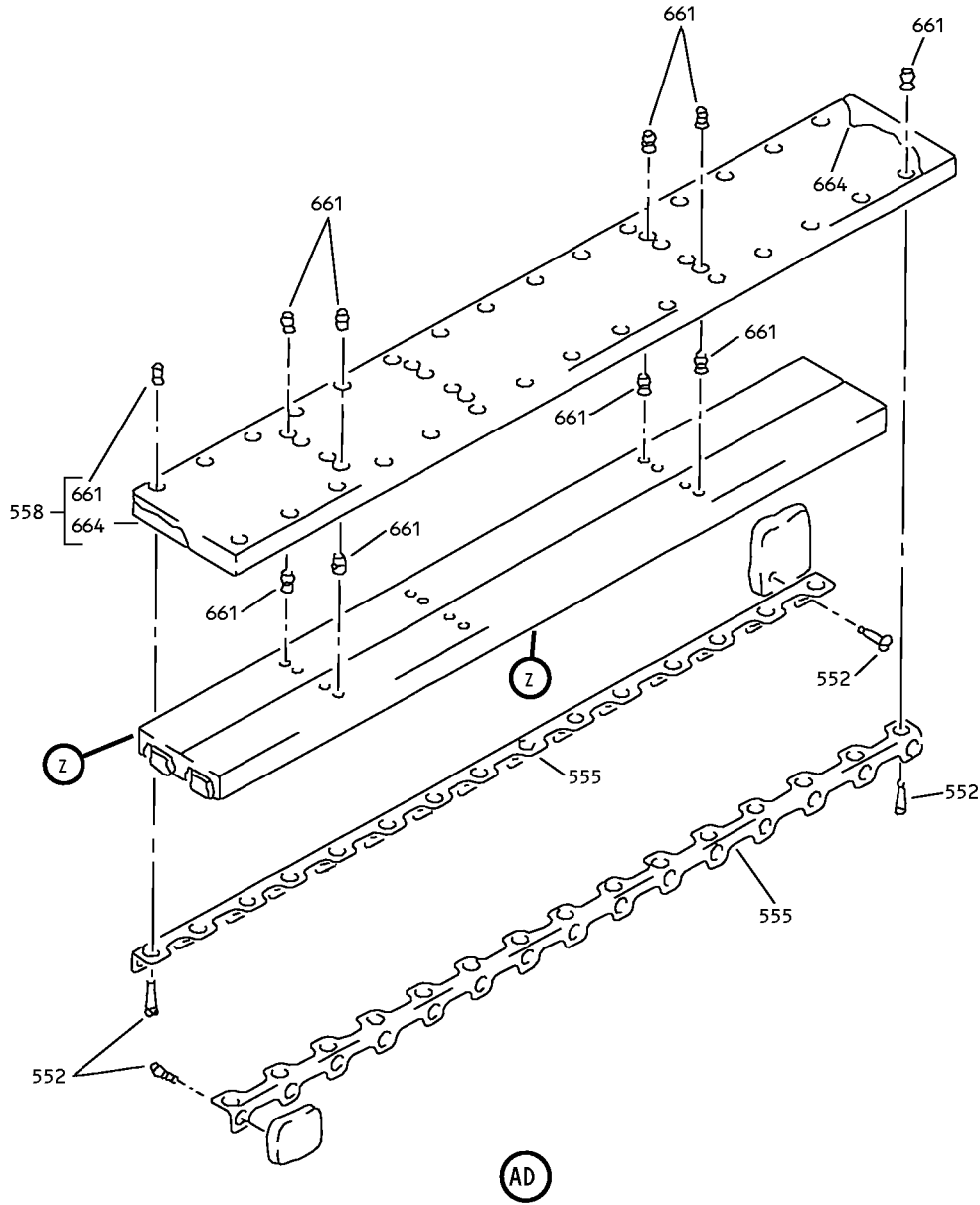
**25-24-08**

ILLUSTRATED PARTS LIST

Page 1098.170

Jul 01/2007

COMPONENT MAINTENANCE MANUAL



Forward Right Closet Assembly  
IPL Figure 6 (Sheet 21 of 35)

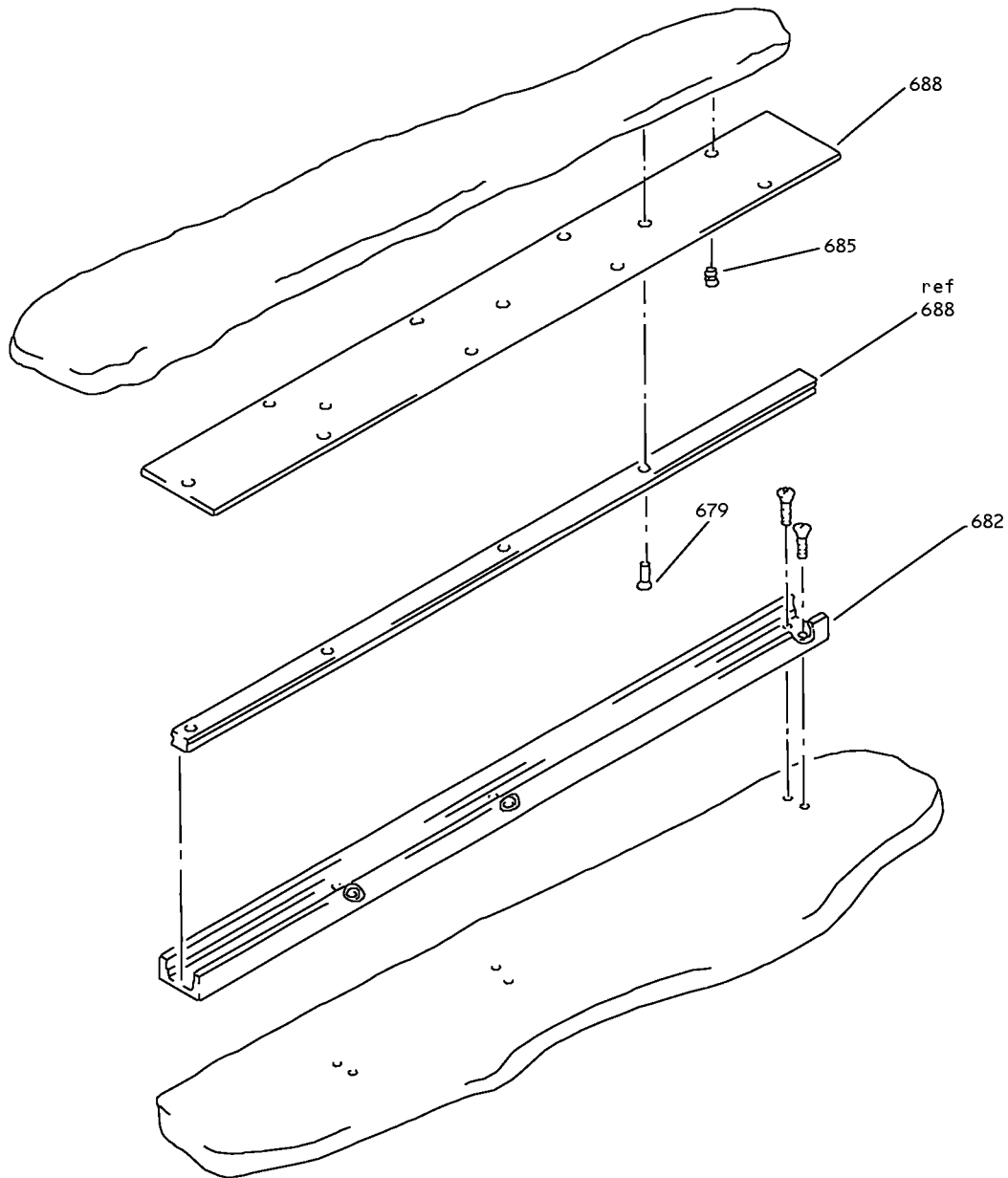
**25-24-08**

ILLUSTRATED PARTS LIST

Page 1098.171

Jul 01/2007

COMPONENT MAINTENANCE MANUAL



AE

Forward Right Closet Assembly  
IPL Figure 6 (Sheet 22 of 35)

**25-24-08**

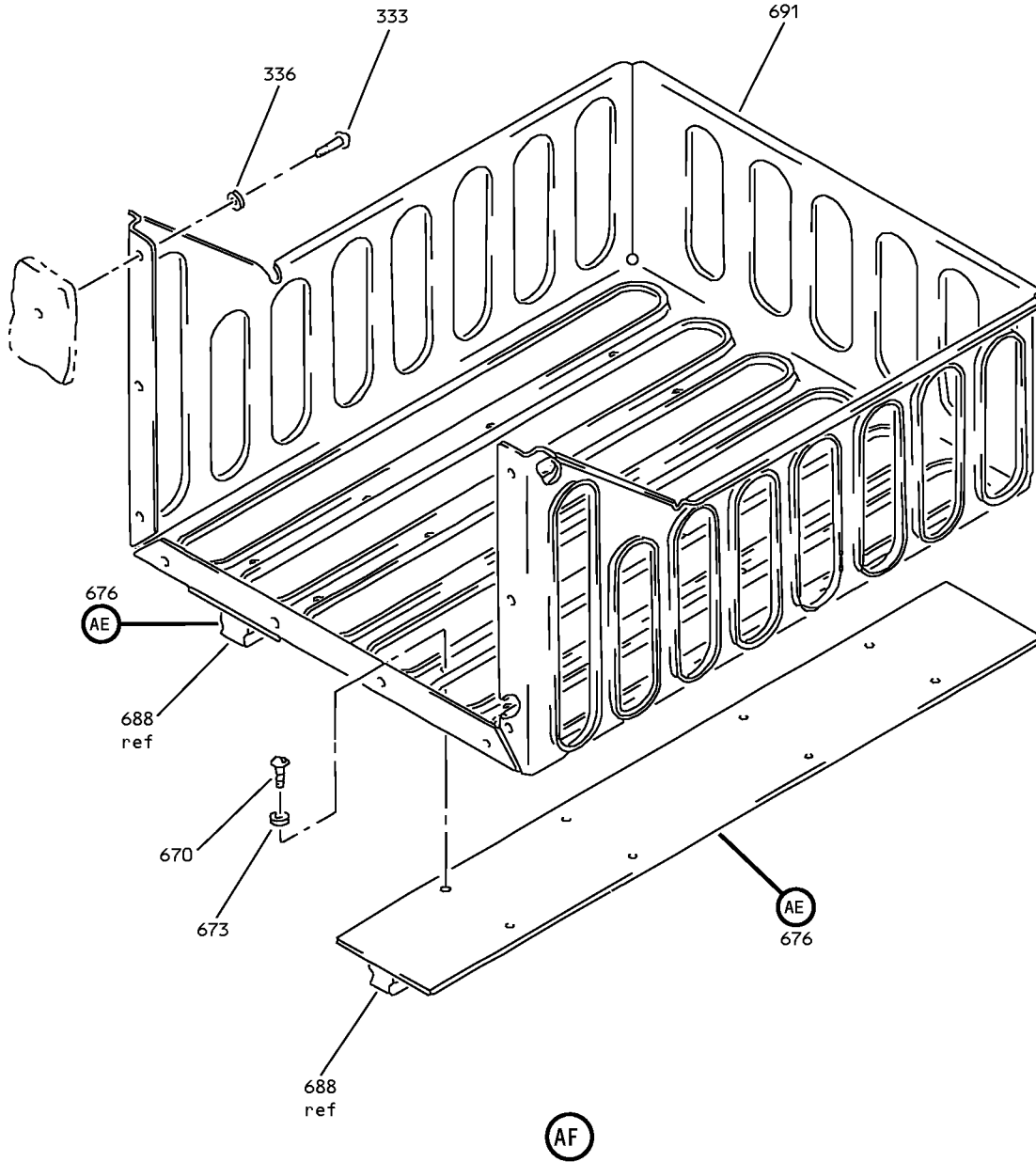
ILLUSTRATED PARTS LIST

Page 1098.172

Jul 01/2007



COMPONENT MAINTENANCE MANUAL



Forward Right Closet Assembly  
IPL Figure 6 (Sheet 23 of 35)

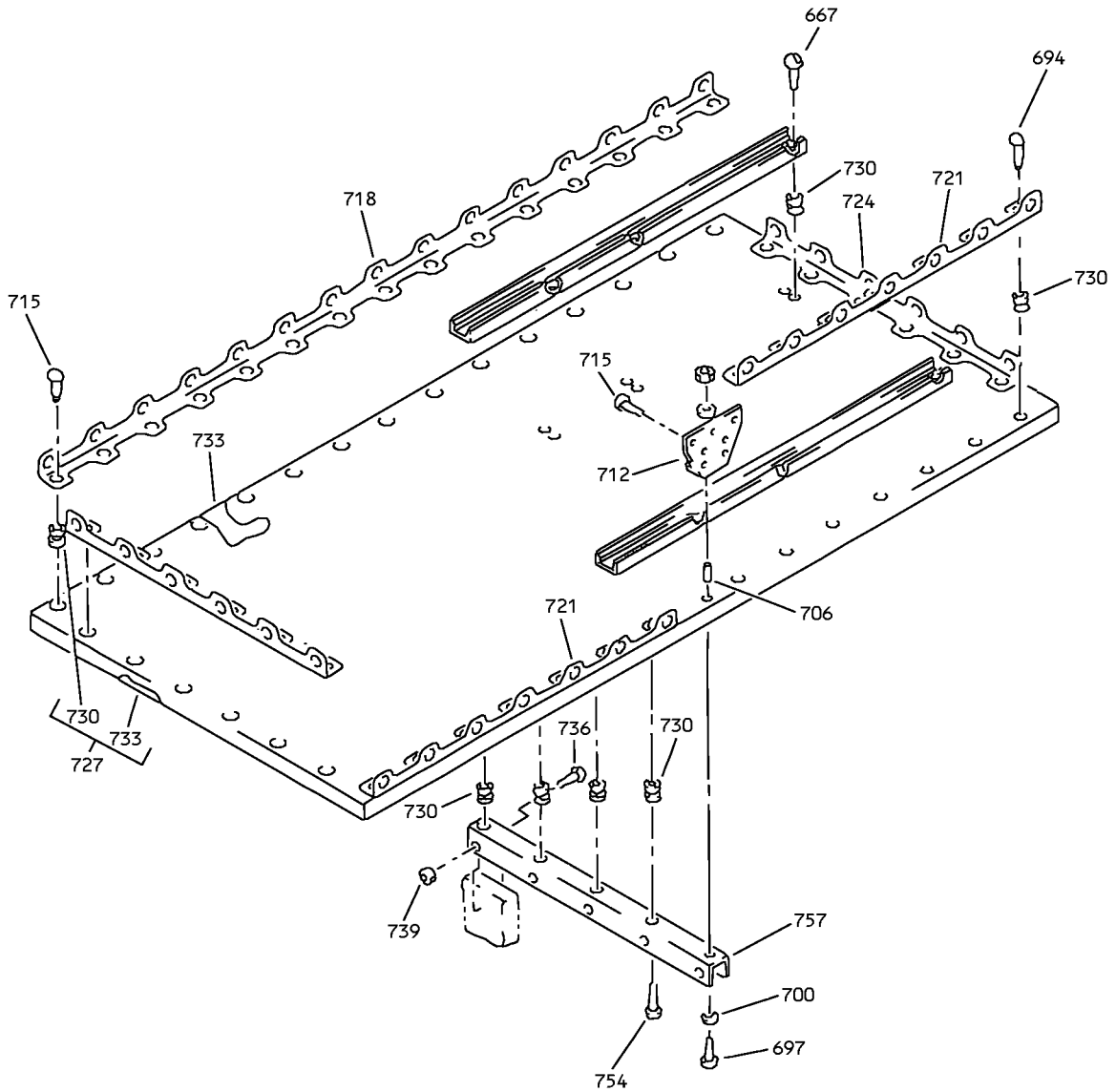
**25-24-08**

ILLUSTRATED PARTS LIST

Page 1098.173

Jul 01/2007

COMPONENT MAINTENANCE MANUAL



AG

Forward Right Closet Assembly  
IPL Figure 6 (Sheet 24 of 35)

**25-24-08**

ILLUSTRATED PARTS LIST

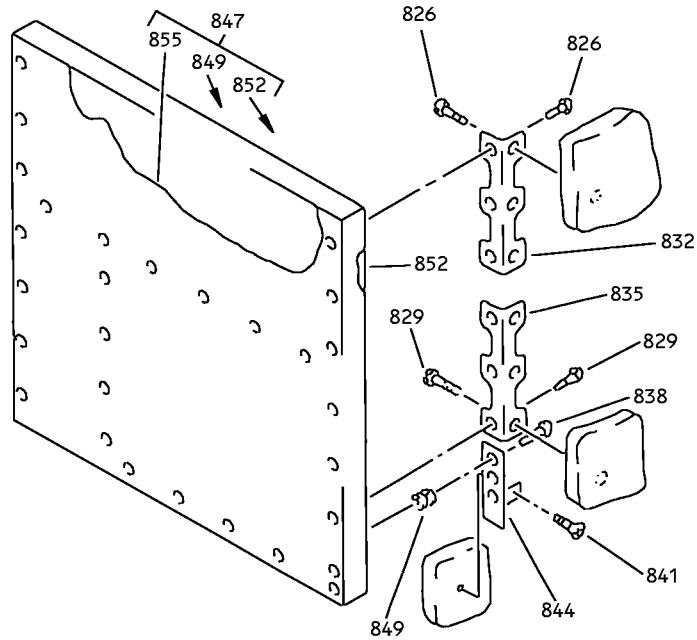
Page 1098.174

Jul 01/2007





# COMPONENT MAINTENANCE MANUAL



AL

Forward Right Closet Assembly  
IPL Figure 6 (Sheet 27 of 35)

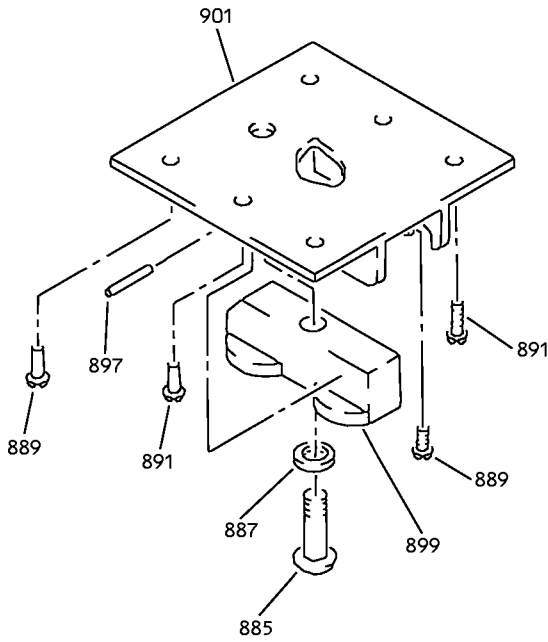
## 25-24-08

ILLUSTRATED PARTS LIST

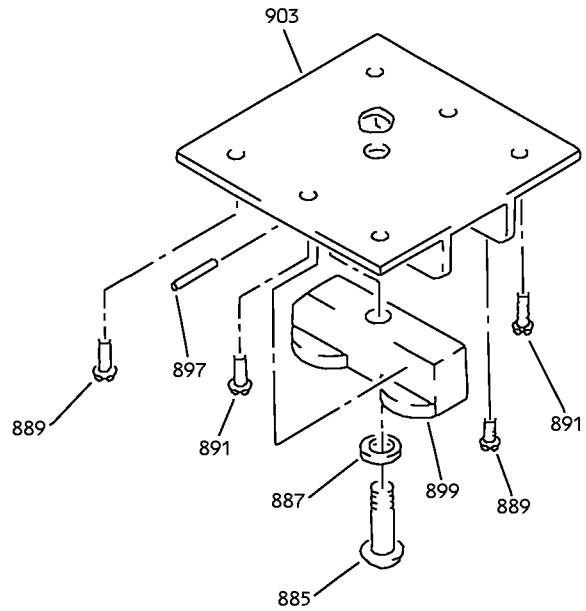
Page 1098.177

Jul 01/2007

COMPONENT MAINTENANCE MANUAL



AM



AN

Forward Right Closet Assembly  
IPL Figure 6 (Sheet 28 of 35)

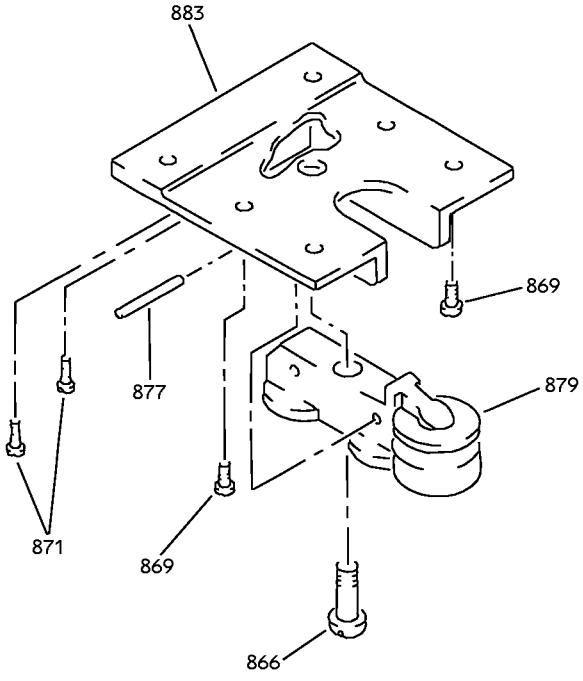
**25-24-08**

ILLUSTRATED PARTS LIST

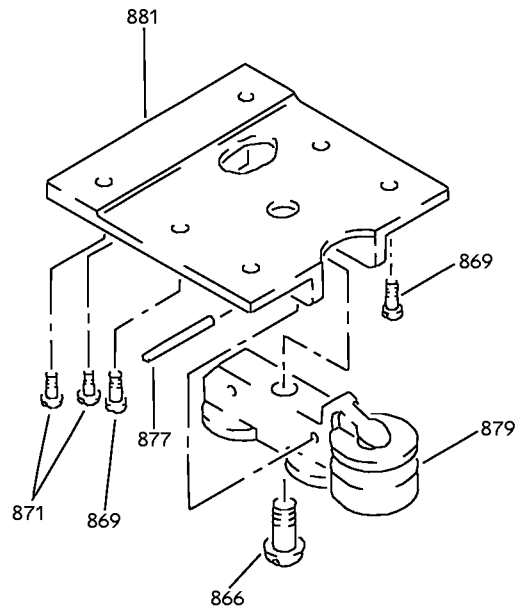
Page 1098.178

Jul 01/2007

COMPONENT MAINTENANCE MANUAL



AP



AQ

Forward Right Closet Assembly  
IPL Figure 6 (Sheet 29 of 35)

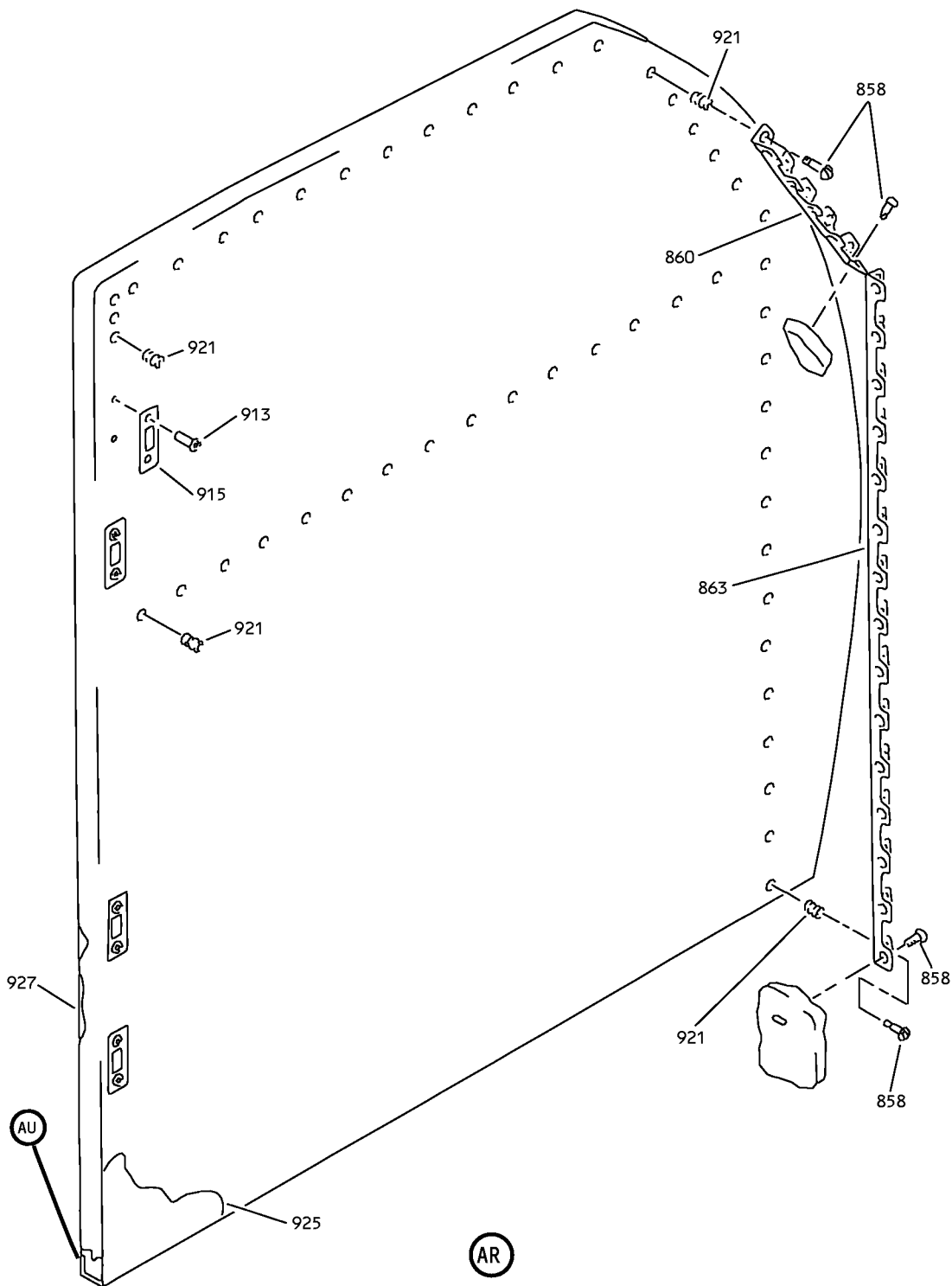
**25-24-08**

ILLUSTRATED PARTS LIST

Page 1098.179

Jul 01/2007

# COMPONENT MAINTENANCE MANUAL



Forward Right Closet Assembly  
IPL Figure 6 (Sheet 30 of 35)

## 25-24-08

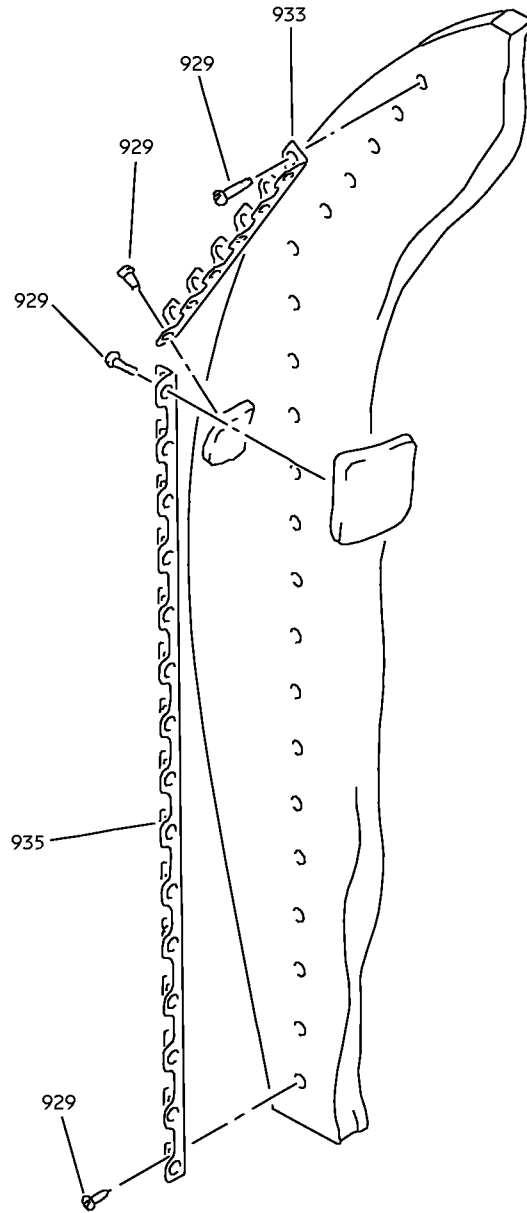
ILLUSTRATED PARTS LIST

Page 1098.180

Jul 01/2007



COMPONENT MAINTENANCE MANUAL



AS

Forward Right Closet Assembly  
IPL Figure 6 (Sheet 31 of 35)

**25-24-08**

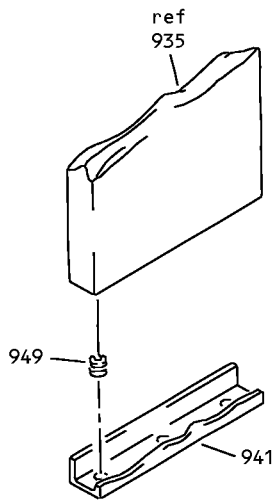
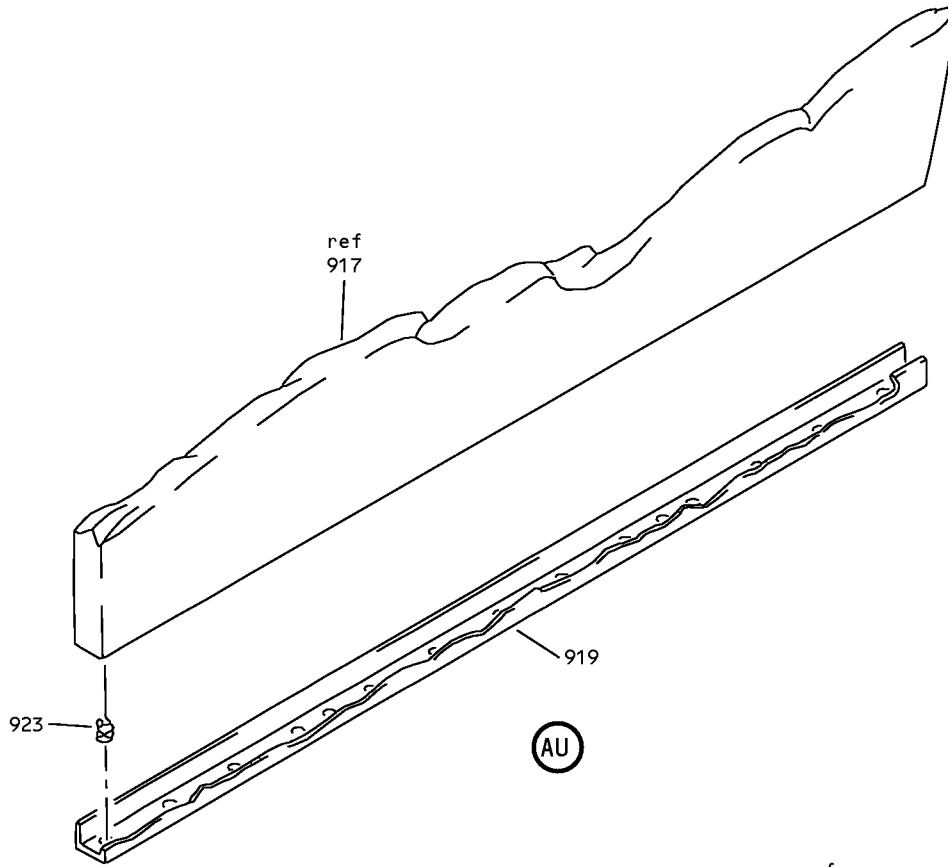
ILLUSTRATED PARTS LIST

Page 1098.181

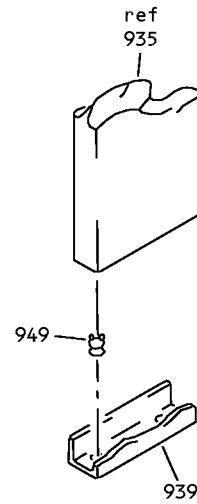
Jul 01/2007



COMPONENT MAINTENANCE MANUAL



AW



AV

Forward Right Closet Assembly  
IPL Figure 6 (Sheet 33 of 35)

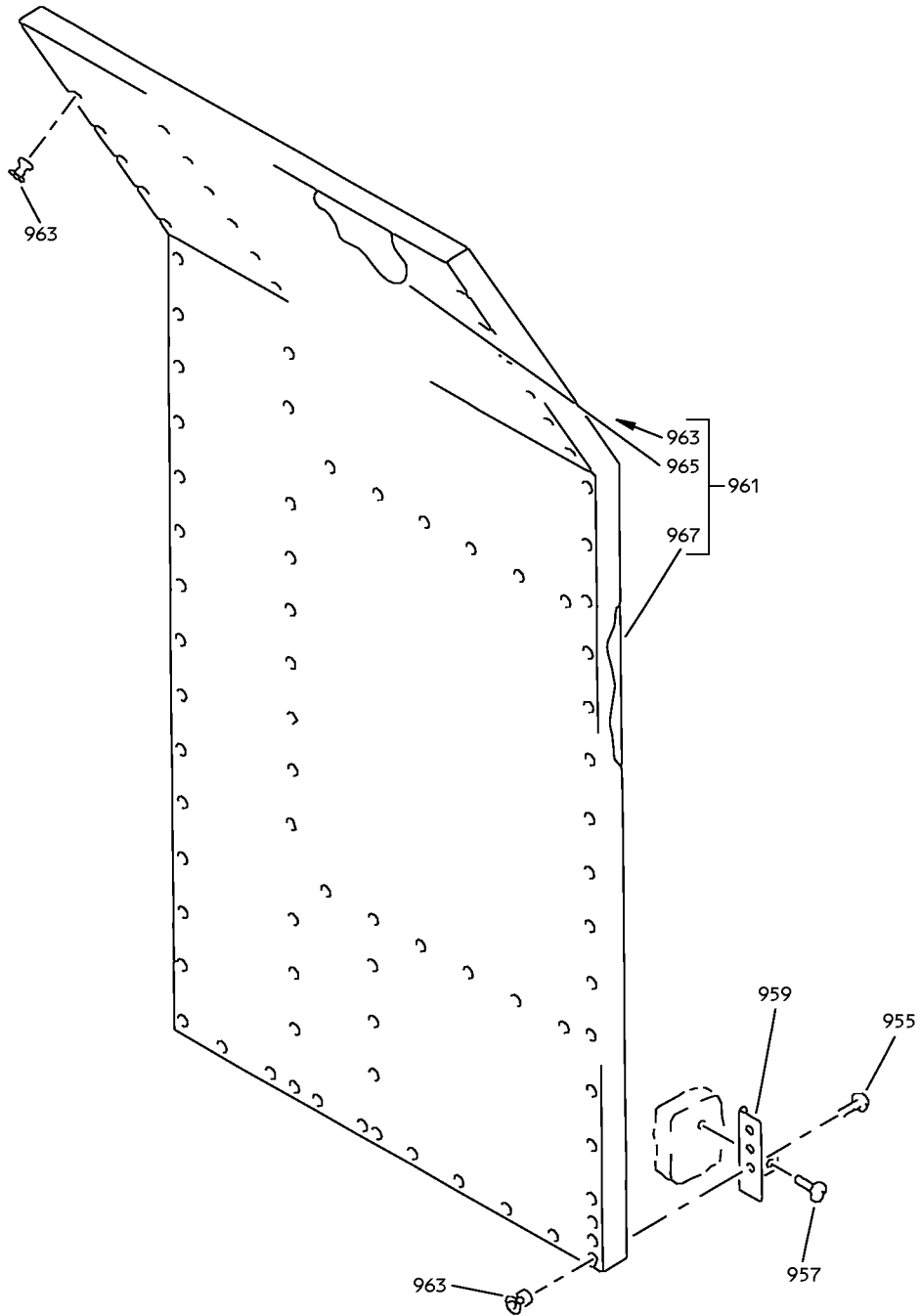
**25-24-08**

ILLUSTRATED PARTS LIST

Page 1098.183

Jul 01/2007

# COMPONENT MAINTENANCE MANUAL



AX

Forward Right Closet Assembly  
IPL Figure 6 (Sheet 34 of 35)

## 25-24-08

ILLUSTRATED PARTS LIST

Page 1098.184

Jul 01/2007





## COMPONENT MAINTENANCE MANUAL

FIG/ ITEM	PART NUMBER	AIRLINE PART NUMBER	NOMENCLATURE							USAGE CODE	UNITS PER ASSY
			1	2	3	4	5	6	7		
6-											
-1	413N3206-100SP									E	RF
3	BACB30NR4K21									E	2
6	AN960-416L									E	4
9	NAS43DD4-38									E	4
12	MS21042L4									E	2
15	65-88166-478									E	1
18	NAS603-6P									E	8
21	69-17083-3									E	2
24	413N3615-180SP									E	1
27	MS51862-17									E	1
30	705R									E	1
33	NAS514P632-8									E	8
36	413N3615-50									E	AR
39	413N3109-77									E	4
42	MS24585-1063									E	4
45	413N3615-103									E	AR
48	NAS514P632-3									E	4
51	NAS514P632-4									E	8
54	413N3109-78									E	1
57	413N3109-93									E	1
60	BACR15BA3D									E	5
63	69B51600-4									E	1
66	69B51600-2									E	1
69	69B51600-3									E	1
72	MS24586-525									E	1
75	MS18065-10									E	1
78	413N3109-79									E	1
81	413N3109-94									E	1

-Item not Illustrated

# 25-24-08

ILLUSTRATED PARTS LIST

Page 1098.186

Jul 01/2007



## COMPONENT MAINTENANCE MANUAL

FIG/ ITEM	PART NUMBER	AIRLINE PART NUMBER	NOMENCLATURE							USAGE CODE	UNITS PER ASSY
			1	2	3	4	5	6	7		
6-											
84	69B51629-1								. . . HOUSING	E	1
87	413N3109-80								. . . ANGLE	E	1
90	413T3004-40								DELETED		
90A	413T3004-9								. . PULL ASSY (OPT ITEM 90B)	E	2
-90B	413N3211-603								. . PULL ASSY (OPT ITEM 90A)	E	2
93	413N3211-14								. . TRIM	E	2
96	NAS514P1032-8								. . SCREW	E	3
99	413N3211-43								. . RETAINER	E	1
102	413N3615-82								. . RACK-MOLDED	E	2
105	1M12N24								. . RACK-MOLDED (V59706)	E	2
108	413T3046-3								. . RETAINER ASSY	E	2
111	413T3046-4								. . RETAINER ASSY	E	2
114	MS21269C0610								. . . INSERT	E	2
117	413T3046-5								. . . RETAINER-DOOR (USED ON ITEM 111)	E	1
120	413T3046-6								. . . RETAINER-DOOR (USED ON ITEM 114)	E	1
123	413N3615-182SP								. . PANEL ASSY	E	1
126	SL2334-3A3								. . . INSERT (V97393)	E	3
129	NAS1836-06-09								. . . INSERT	E	4
132	NAS1836-08-09								. . . INSERT	E	8
135	413N3615-181SP								. DOOR ASSY	E	1
138	MS51862-17								. . SCREW	E	1
141	705R								. . BUMPER (V75543)	E	1
144	MS51862-16C								. . SCREW	E	AR
147	NAS514P632-8								. . SCREW	E	8
150	413N3615-50								. . TRIM	E	AR
153	NAS514P832-8								. . SCREW	E	2
156	413T3046-7								. . POST-GEAR	E	2

-Item not Illustrated

**25-24-08**

ILLUSTRATED PARTS LIST

Page 1098.187

Jul 01/2007







## COMPONENT MAINTENANCE MANUAL

FIG/ ITEM	PART NUMBER	AIRLINE PART NUMBER	NOMENCLATURE	USAGE CODE	UNITS PER ASSY
6-					
228	413T3046-6		. . . RETAINER-DOOR GUIDE (USED ON ITEM 219)	E	1
231	413N3615-183SP		. . PANEL ASSY	E	1
234	BACF3F010B023NC		. . . FILLER	E	8
237	NAS1836-08-12		. . . INSERT	E	4
240	SL2334-3A2		. . . INSERT (V97393)	E	2
243	NAS514P1032-5		. SCREW	E	44
246	413N3211-26SP		. ANGLE	E	2
249	65C19715-449		. RAIL ASSY-DOOR	E	1
252	65C19715-450		. RAIL ASSY-DOOR	E	1
255	1M12N24		. . RACK-MOLDED (V59706)	E	2
258	65C19715-451		. . RAIL (USED ON ITEM 249)	E	1
261	65C19715-452		. . RAIL (USED ON ITEM 252)	E	1
264	NAS603-6P		. SCREW	E	32
267	NAS603-10P		. SCREW	E	6
270	413N3211-11SP		. ANGLE	E	1
273	413N3211-72SP		. ANGLE	E	1
276	413N3211-74SP		. ANGLE	E	1
279	413N3215-14SP		. BRACKET	E	1
282	413N3215-13SP		. BRACKET	E	1
285	NAS603-5P		. SCREW	E	4
288	NAS602-7P		. SCREW	E	4
291	BACS40R004F020F		. SHIM	E	2
294	69B51630-1		. STRIKE	E	2
297	413T3051-12A		. BRACKET	E	2
300	2055144		. RETAINER (V04169)	E	2
303	413N3214-57SP		. PANEL ASSY-AISLE	E	1
306	413N3211-49		. . CHANNEL ASSY	E	1

-Item not Illustrated

**25-24-08**

ILLUSTRATED PARTS LIST

Page 1098.189

Jul 01/2007



## COMPONENT MAINTENANCE MANUAL

FIG/ ITEM	PART NUMBER	AIRLINE PART NUMBER	NOMENCLATURE							USAGE CODE	UNITS PER ASSY
			1	2	3	4	5	6	7		
6-											
309	413N3211-50								. . CHANNEL ASSY	E	1
312	SL854-3C16C								. . . INSERT (V97393)	E	11
315	413N3211-53								. . . FILLER	E	1
318	413N3211-51								. . . CHANNEL (USED ON ITEM 306)	E	1
321	413N3211-52								. . . CHANNEL (USED ON ITEM 309)	E	1
324	SL2334-3A3								. . INSERT (V97393)	E	15
327	BACS13CJ3L180P								. . INSERT	E	6
330	NAS1836-08-12								. . INSERT	E	4
333	NAS603-6P								. SCREW	E	10
336	AN960JD10L								. WASHER	E	10
339	413N3615-231SP								. DOOR ASSY	E	1
342	NAS514P632-9								. . SCREW	E	4
345	SAM222-11								. . LATCH (V31845)	E	2
348	SL2334-3A3								. . INSERT (V97393)	E	10
351	NAS514P1032-5								. SCREW	E	36
354	NAS514P1032-16								. SCREW	E	16
357	82B32								. SLIDER (V83508)	E	6
360	65C20092-16SP								. DRAWER ASSY	E	1
363	NAS603-6P								. . SCREW	E	10
366	AN960KD10LL								. . WASHER	E	10
369	413N3211-72SP								. . ANGLE	E	1
372	413N3211-73SP								. . ANGLE	E	1
375	SL2334-3A3								. . INSERT (V97393)	E	22
378	413N3615-212SP								. . DOOR ASSY	E	1
381	NAS514P832-5								. . . SCREW	E	4
384	NAS1836-08-12								. . . INSERT	E	4

-Item not Illustrated

# 25-24-08

ILLUSTRATED PARTS LIST

Page 1098.190

Jul 01/2007



## COMPONENT MAINTENANCE MANUAL

FIG/ ITEM	PART NUMBER	AIRLINE PART NUMBER	NOMENCLATURE							USAGE CODE	UNITS PER ASSY	
			1	2	3	4	5	6	7			
6-												
387	65C19715-310								...	STOP	E	2
390	NAS514P632-9								...	SCREW	E	4
393	SAM222-11								...	LATCH (V31845)	E	2
396	PK87XA8-12								...	SCREW (V45722) (SPEC BACS12H8-12) (OPT SK145A8-12 (V73439))	E	AR
399	413N3615-169								...	TRIM	E	AR
402	413N3615-6SP									DELETED		
405	413N3615-7SP									DELETED		
408	65C20092-25SP								..	PANEL ASSY	E	1
411	65C20092-18SP								..	PANEL ASSY	E	1
414	65C20092-19SP								..	PANEL ASSY	E	2
417	65C20092-26SP								.	DRAWER ASSY	E	1
420	NAS603-6P								..	SCREW	E	34
423	AN960KD10LL								..	WASHER	E	34
426	413N3211-178SP								..	ANGLE	E	1
429	413N3211-74SP								..	ANGLE	E	1
432	413N3211-75SP								..	ANGLE	E	1
435	413N3211-73SP								..	ANGLE	E	2
438	SL2334-3A3								..	INSERT (V97393)	E	67
441	413N3615-209SP								..	DOOR ASSY	E	1
444	NAS514P832-5								...	SCREW	E	4
447	NAS51836-08-12								...	INSERT	E	4
450	65C19715-310								...	STOP	E	2
453	NAS514P632-9								...	SCREW	E	4
456	SAM222-11								...	LATCH (V31845)	E	2
459	PK87XA8-12								...	SCREW (V45722) (SPEC BACS12H8-12) (OPT SK145A8-12 (V73439))	E	AR

-Item not Illustrated

# 25-24-08

ILLUSTRATED PARTS LIST

Page 1098.191

Jul 01/2007



## COMPONENT MAINTENANCE MANUAL

FIG/ ITEM	PART NUMBER	AIRLINE PART NUMBER	NOMENCLATURE							USAGE CODE	UNITS PER ASSY
			1	2	3	4	5	6	7		
6-											
462	413N3615-169									E	AR
465	413N3615-6SP										
468	413N3615-7SP										
471	65C20092-12SP									E	1
474	65C20092-13SP									E	1
477	65C20092-15SP									E	2
480	65C20092-27SP									E	1
483	65C20092-28SP									E	1
486	65C20092-29SP									E	1
489	NAS603-6P									E	68
492	413N3211-72SP									E	2
495	413N3211-74SP									E	2
498	413N3211-75SP									E	2
501	413N3211-79SP									E	1
504	413N3211-73SP									E	1
507	413N3214-58SP									E	1
510	SL2334-3A3									E	46
513	413N3214-73SP									E	1
516	413N3214-75SP									E	1
519	NAS603-6P									E	44
520	412N3211-76SP									E	1
522	412N3211-78SP									E	2
525	NAS514P632-5									E	4
528	AR131									E	2
531	413N3214-66SP									E	1
534	NAS1836-06-12									E	4
537	SL2334-3A3									E	22
540	413N3214-73SP									E	2
541	NAS603-6P									E	12

-Item not Illustrated

**25-24-08**

ILLUSTRATED PARTS LIST

Page 1098.192

Jul 01/2007





## COMPONENT MAINTENANCE MANUAL

FIG/ ITEM	PART NUMBER	AIRLINE PART NUMBER	NOMENCLATURE							USAGE CODE	UNITS PER ASSY
			1	2	3	4	5	6	7		
6-											
718	413N3211-85SP		.							E	1
721	413N3211-77SP		.							E	2
724	413N3211-76SP		.							E	2
727	413N3214-63SP		.							E	1
730	SL2334-3A3		.	.						E	57
733	413N3214-73SP		.	.						E	2
736	NAS514P1032-16		.							E	10
739	SL52-3		.							E	10
742	NAS514P1032-5		.							E	6
745	413N3211-111SP		.							E	6
748	413N3214-33		.							E	1
751	SL2334-3A3		.	.						E	3
754	NAS603-6P		.							E	8
757	413N3211-125SP		.							E	1
760	413N3211-124SP		.							E	1
763	PK87XA8-12		.							E	4
766	413N3211-107		.							E	2
769	NAS603-6P		.							E	30
772	NAS514P1032-5		.							E	16
775	413N3211-85SP		.							E	1
778	413N3211-110SP		.							E	2
791	413N3214-62		.							E	1
794	SL2334-3A3		.	.						E	26
797	NAS603-6P		.							E	82
800	413N3211-73SP		.							E	1
803	413N3211-74SP		.							E	2
806	413N3211-76SP		.							E	1

-Item not Illustrated

**25-24-08**

ILLUSTRATED PARTS LIST

Page 1098.194

Jul 01/2007



## COMPONENT MAINTENANCE MANUAL

FIG/ ITEM	PART NUMBER	AIRLINE PART NUMBER	NOMENCLATURE							USAGE CODE	UNITS PER ASSY		
			1	2	3	4	5	6	7				
6-													
809	413N3211-77SP		.								ANGLE	E	1
811	413N3211-72SP		.								ANGLE	E	1
814	413N3211-85SP		.								ANGLE	E	1
817	413N3214-61SP		.								PANEL ASSY-INTR	E	1
820	SL2334-3A3		.	.							INSERT (V97393)	E	105
823	SL2334-3A7		.	.							INSERT (V97393)	E	11
826	NAS603-6P		.								SCREW	E	6
829	NAS514P1032-5		.								SCREW	E	6
832	413N3211-73SP		.								ANGLE	E	1
835	413N3211-111SP		.								ANGLE	E	1
838	NAS603-6P		.								SCREW	E	3
841	NAS604-6P		.								SCREW	E	2
844	413N3211-173SP		.								TIE	E	1
847	413N3214-67SP		.								PANEL ASSY-INBD	E	1
849	SL2334-3A3		.	.							INSERT (V97393)	E	30
852	413N3214-73SP		.	.							COVER-DECORATIVE INTR	E	1
855	413N3214-74SP		.	.							COVER-DECORATIVE	E	1
858	NAS603-6P		.								SCREW	E	40
860	413N3211-75SP		.								ANGLE	E	1
863	413N3211-85SP		.								ANGLE	E	1
866	BACB30VF5K20		.								BOLT (OPT ITEM 866A)	E	2
-866A	BACB30RFSP20		.								BOLT (OPT ITEM 866)	E	2
869	NAS603-7P		.								SCREW	E	8
871	NAS603-6P		.								SCREW	E	4
873	413N3211-196		.								FITTING ASSY-SEAT TRACK	E	1
875	413N3211-195		.								FITTING ASSY-SEAT TRACK	E	1
877	MS16562-29		.	.							PIN-SPR	E	2

-Item not Illustrated

# 25-24-08

ILLUSTRATED PARTS LIST

Page 1098.195

Jul 01/2007



## COMPONENT MAINTENANCE MANUAL

FIG/ ITEM	PART NUMBER	AIRLINE PART NUMBER	NOMENCLATURE							USAGE CODE	UNITS PER ASSY
			1	2	3	4	5	6	7		
6-											
879	43166-12		. .							E	1
881	413N3211-191		. .							E	1
883	413N3211-192		. .							E	1
885	NAS6605-18		. BOLT							E	2
887	AN960-516L		. WASHER							E	2
889	NAS603-6P		. SCREW							E	4
891	NAS603-7P		. SCREW							E	8
893	413N3211-121		. FITTING ASSY-SEAT TRACK							E	1
895	413N3211-120		. FITTING ASSY-SEAT TRACK							E	1
897	MS16562-29		. . PIN-SPR							E	2
899	45227-11		. . FITTING (V31272)							E	1
901	413N3211-116		. . FITTING (USED ON ITEM 895)							E	1
903	413N3211-117		. . FITTING (USED ON ITEM 893)							E	1
905	NAS603-6P		. SCREW							E	5
907	BACB30VF3K6		. BOLT							E	30
909	413N3211-134		. EXTRUSION-FOOTWELL							E	1
911	NAS603-6P		. SCREW							E	11
913	PK87XA6-10		. SCREW (V45722) (SPEC BACS12H6-10) (OPT SK145A6-10 (V73439)) (OPT ITEM 913A, 913B)							E	8
-913A	NAS514P632-5		. SCREW (OPT ITEM 913, 913B)							E	8
-913B	NAS1836-06-12		. INSERT (OPT ITEM 913, 913A)							E	8
915	AR131		. PLATE-STRIKE (V80477)							E	4
917	413N3214-56SP		. PANEL ASSY-FWD							E	1
919	413N3211-130		. . CHANNEL							E	1

-Item not Illustrated

# 25-24-08

ILLUSTRATED PARTS LIST

Page 1098.196

Jul 01/2007





## COMPONENT MAINTENANCE MANUAL

FIG/ ITEM	PART NUMBER	AIRLINE PART NUMBER	NOMENCLATURE							USAGE CODE	UNITS PER ASSY
			1	2	3	4	5	6	7		
6-											
921	SL2334-3A3		.	.	INSERT (V97393)					E	56
923	BACS13CJ3L080P		.	.	INSERT					E	15
925	413N3214-73SP		.	.	COVER-DECORATIVE INTR					E	1
927	413N3214-74SP		.	.	COVER-DECORATIVE					E	1
929	NAS603-6P		.		SCREW					E	40
931	413N3211-84SP		.		ANGLE					E	1
933	413N3211-76SP		.		ANGLE					E	1
935	413N3214-55SP		.		PANEL ASSY-AFT					E	1
937	413N3211-145		.	.	EXTRUSION-FOOTWELL					E	1
939	413N3211-127		.	.	CHANNEL					E	1
941	413N3211-128		.	.	CHANNEL					E	1
943	SL2334-3A3		.	.	INSERT (V97393)					E	91
945	SL2334-3A7		.	.	INSERT (V97393)					E	11
947	SL2334-08A3		.	.	INSERT (V97393)					E	6
949	BACS13CJ3L080P		.	.	INSERT					E	5
951	413N3214-73SP		.	.	COVER-DECORATIVE INTR					E	1
953	413N3214-77SP		.	.	COVER-DECORATIVE					E	1
955	NAS603-6P		.		SCREW					E	3
957	NAS604-6P		.		SCREW					E	2
959	413N3211-173SP		.		TIE					E	1
961	413N3214-60SP		.		PANEL ASSY-OUTBD					E	1
963	SL2334-3A3		.	.	INSERT (V97393)					E	86
965	413N3214-73SP		.	.	COVER-DECORATIVE INTR					E	1
967	413N3214-75SP		.	.	COVER-DECORATIVE					E	1
969	413N3214-68		.		PANEL ASSY-FLOOR					E	1
971	413N3211-137		.	.	EXTRUSION					E	1
973	413N3211-143		.	.	EXTRUSION					E	1
975	413N3211-202		.	.	EXTRUSION					E	1

-Item not Illustrated

**25-24-08**

ILLUSTRATED PARTS LIST

Page 1098.197

Jul 01/2007



## COMPONENT MAINTENANCE MANUAL

FIG/ ITEM	PART NUMBER	AIRLINE PART NUMBER	NOMENCLATURE							USAGE CODE	UNITS PER ASSY
			1	2	3	4	5	6	7		
6-											
977	413N3211-175									E	2
979	413N3211-177									E	2
981	SL2334-3A3									E	56
983	BACS13CJ3L080P									E	66
985	BACS13CJ4L080P									E	4
987	413N3206-123									E	1

-Item not Illustrated

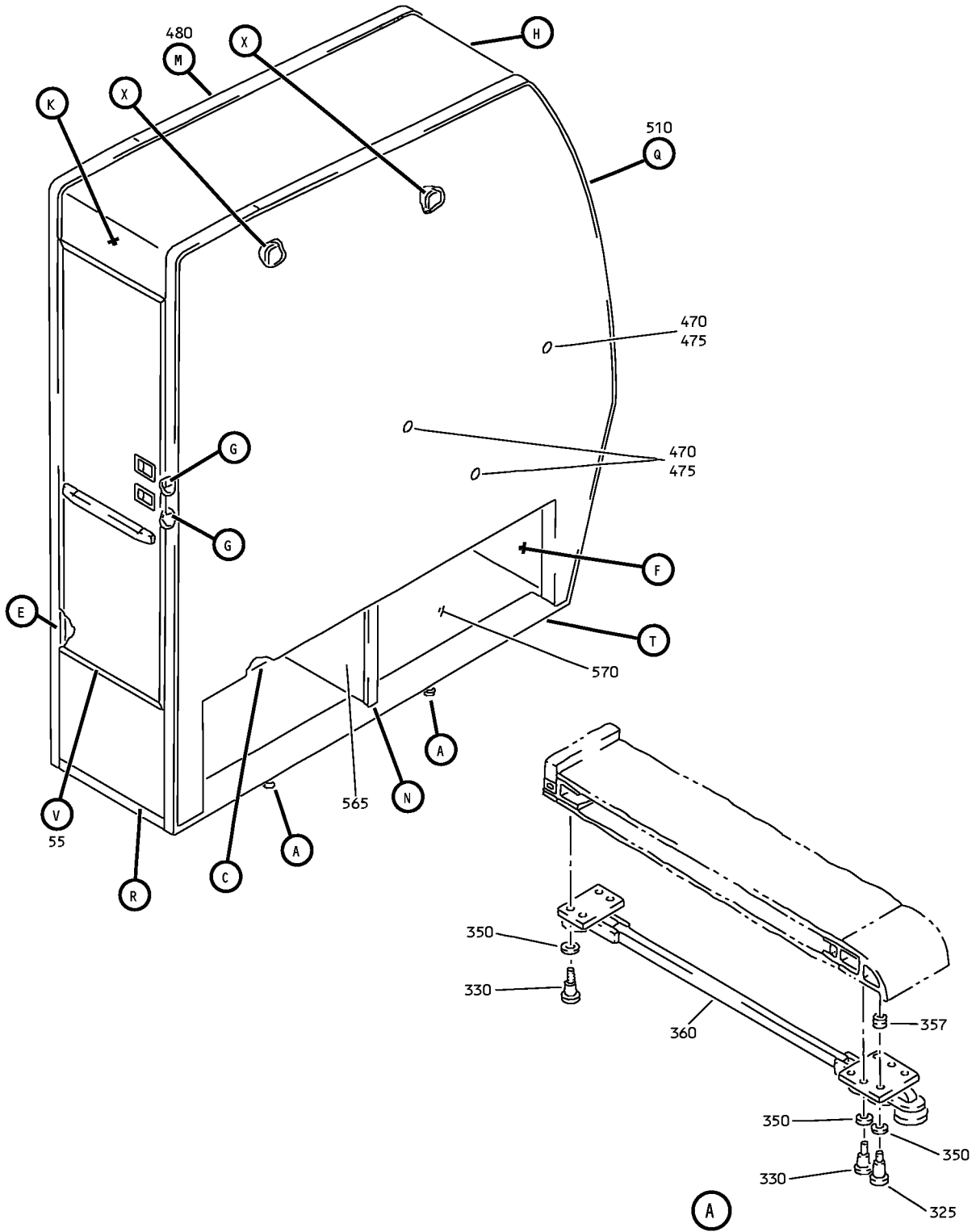
# 25-24-08

ILLUSTRATED PARTS LIST

Page 1098.198

Jul 01/2007

COMPONENT MAINTENANCE MANUAL



Forward Right Closet Assembly  
IPL Figure 7 (Sheet 1 of 12)

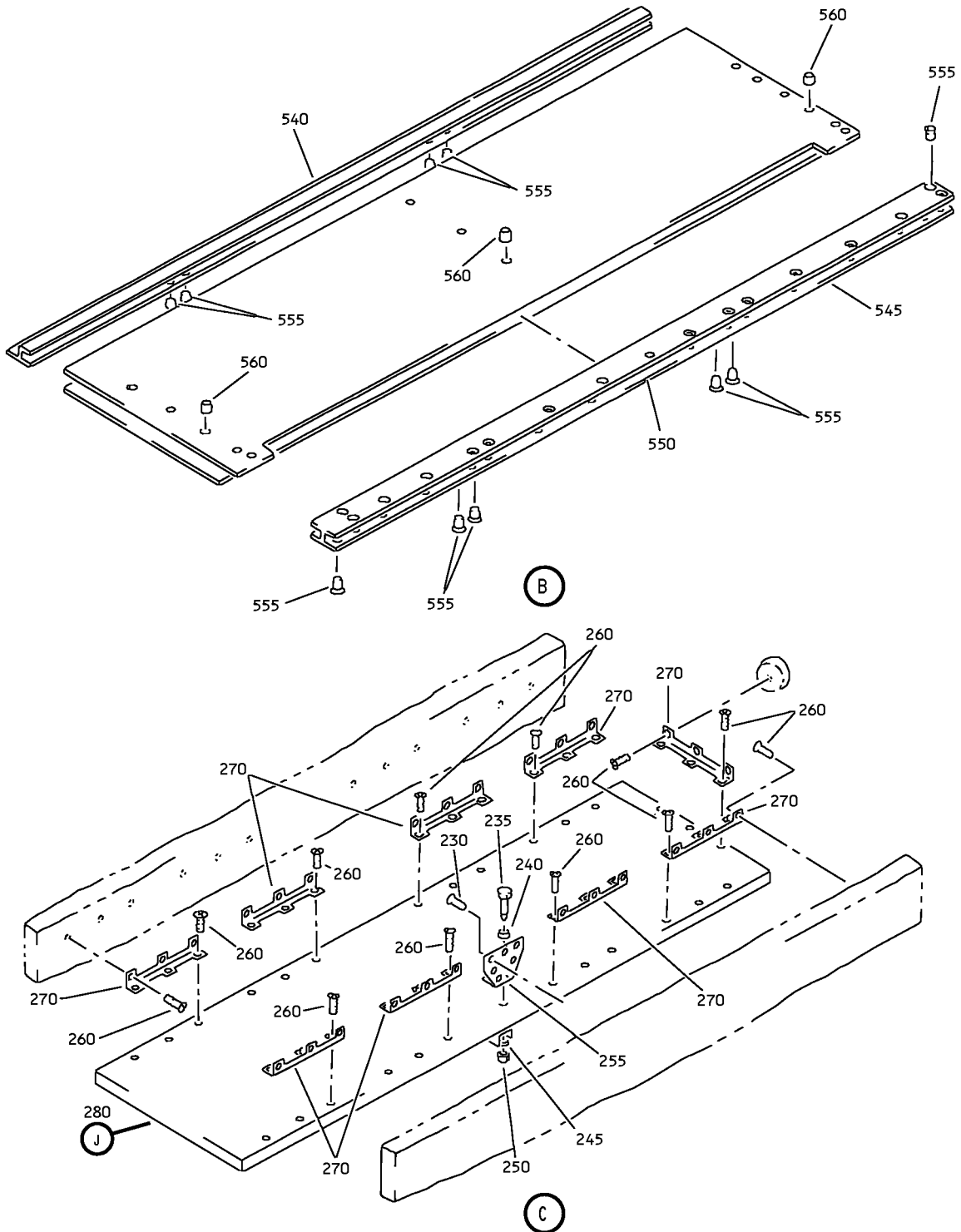
**25-24-08**

ILLUSTRATED PARTS LIST

Page 1098.199

Jul 01/2007

COMPONENT MAINTENANCE MANUAL



Forward Right Closet Assembly  
IPL Figure 7 (Sheet 2 of 12)

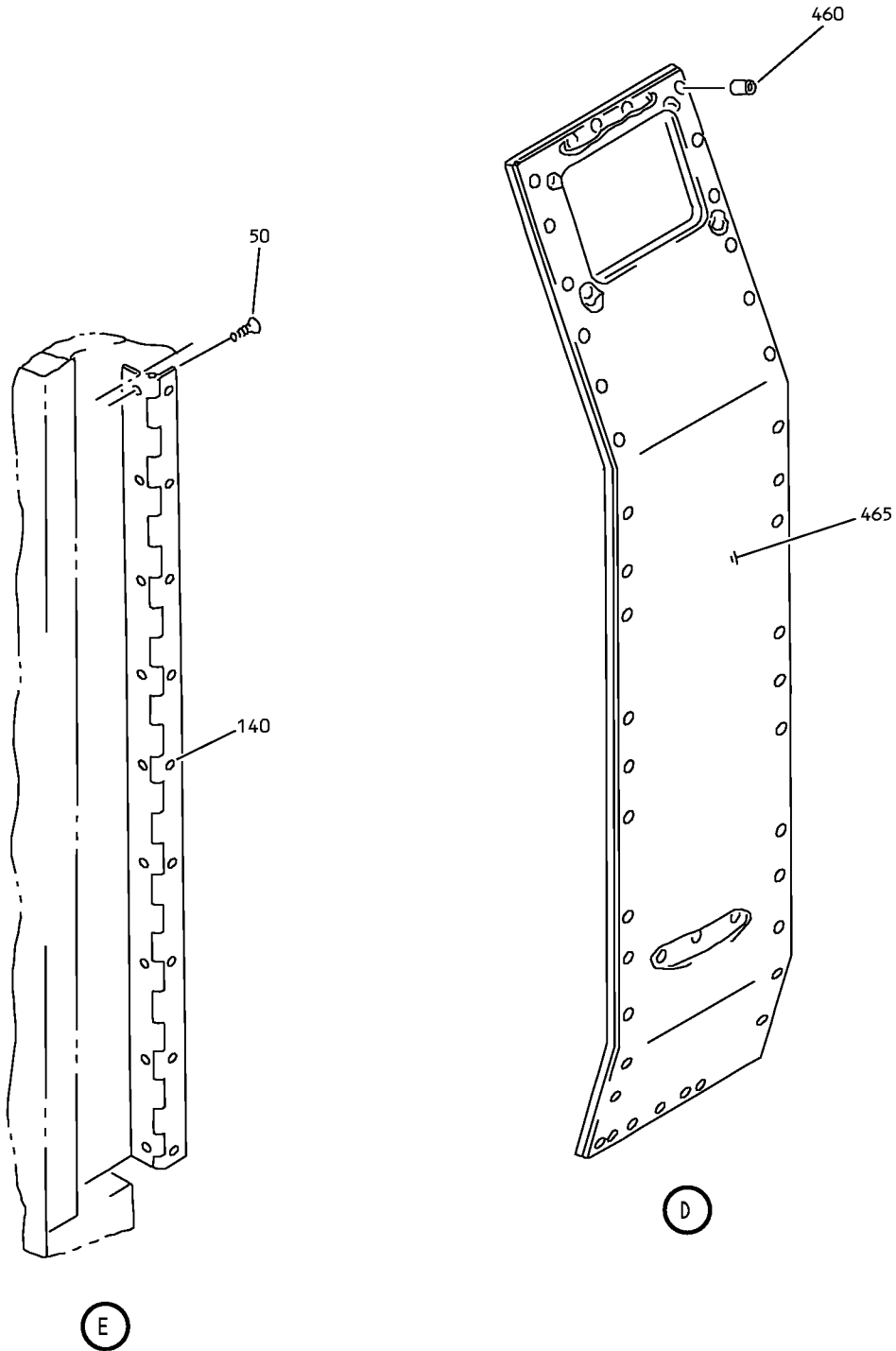
**25-24-08**

ILLUSTRATED PARTS LIST

Page 1098.200

Jul 01/2007

COMPONENT MAINTENANCE MANUAL



Forward Right Closet Assembly  
IPL Figure 7 (Sheet 3 of 12)

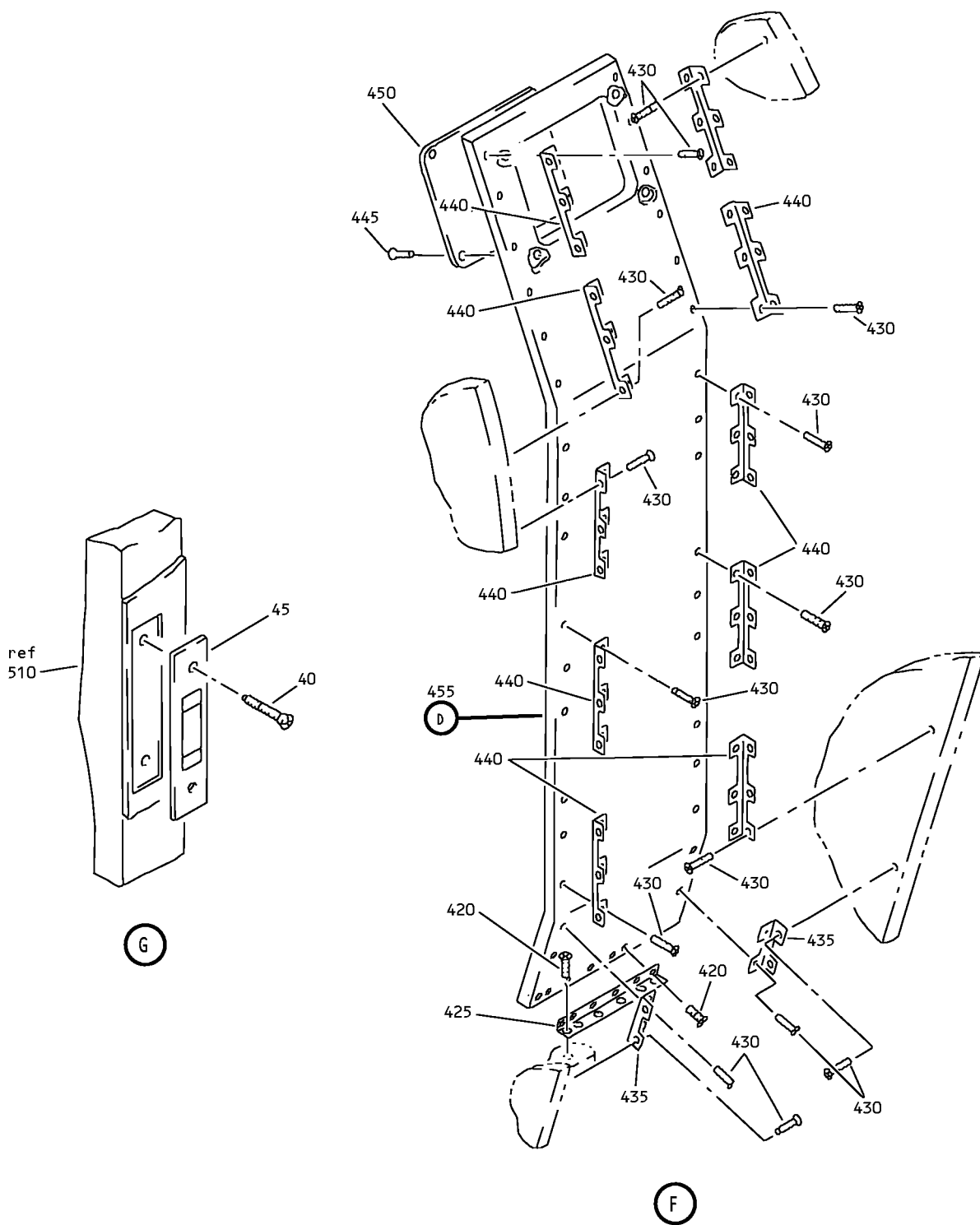
**25-24-08**

ILLUSTRATED PARTS LIST

Page 1098.201

Jul 01/2007

# COMPONENT MAINTENANCE MANUAL



Forward Right Closet Assembly  
IPL Figure 7 (Sheet 4 of 12)

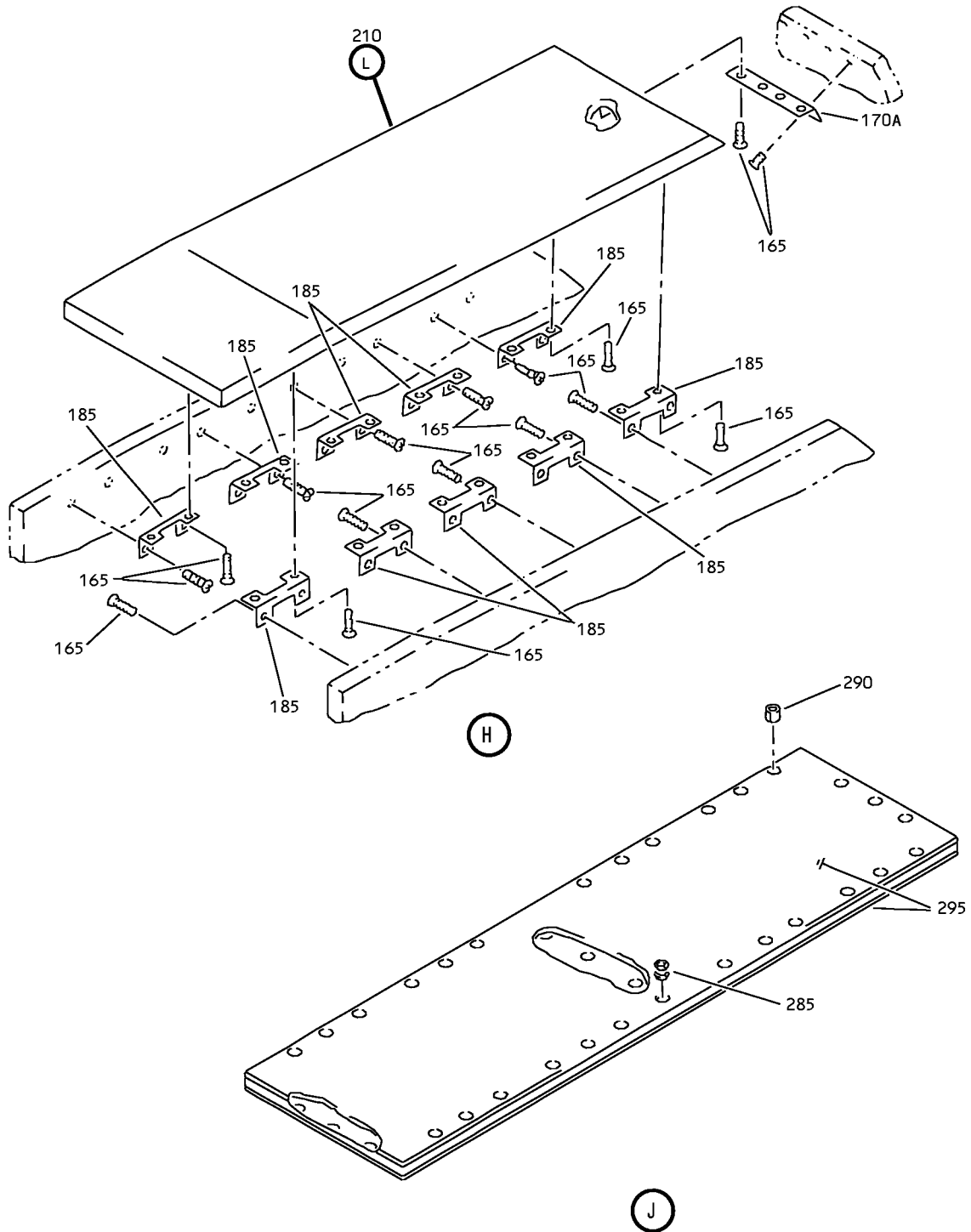
## 25-24-08

ILLUSTRATED PARTS LIST

Page 1098.202

Jul 01/2007

COMPONENT MAINTENANCE MANUAL



Forward Right Closet Assembly  
IPL Figure 7 (Sheet 5 of 12)

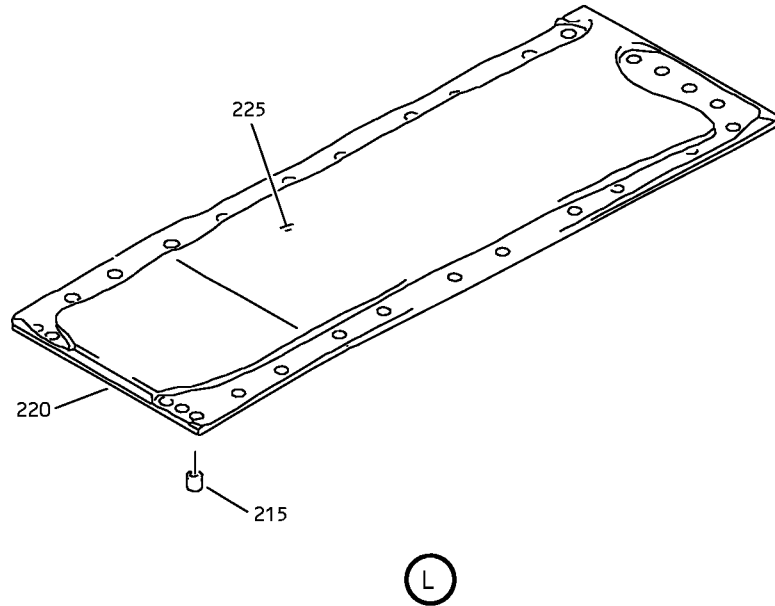
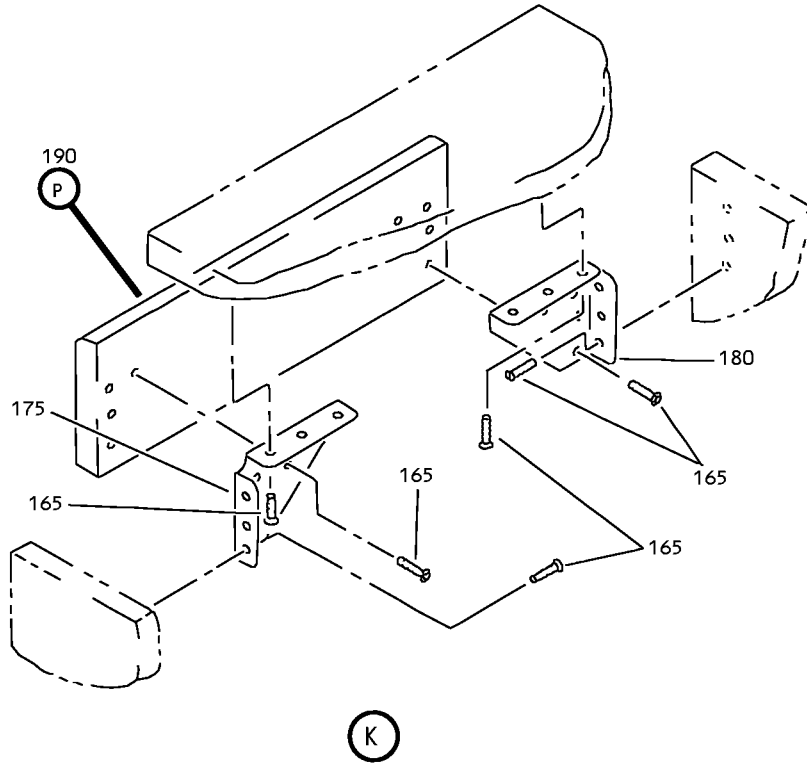
**25-24-08**

ILLUSTRATED PARTS LIST

Page 1098.203

Jul 01/2007

COMPONENT MAINTENANCE MANUAL



Forward Right Closet Assembly  
IPL Figure 7 (Sheet 6 of 12)

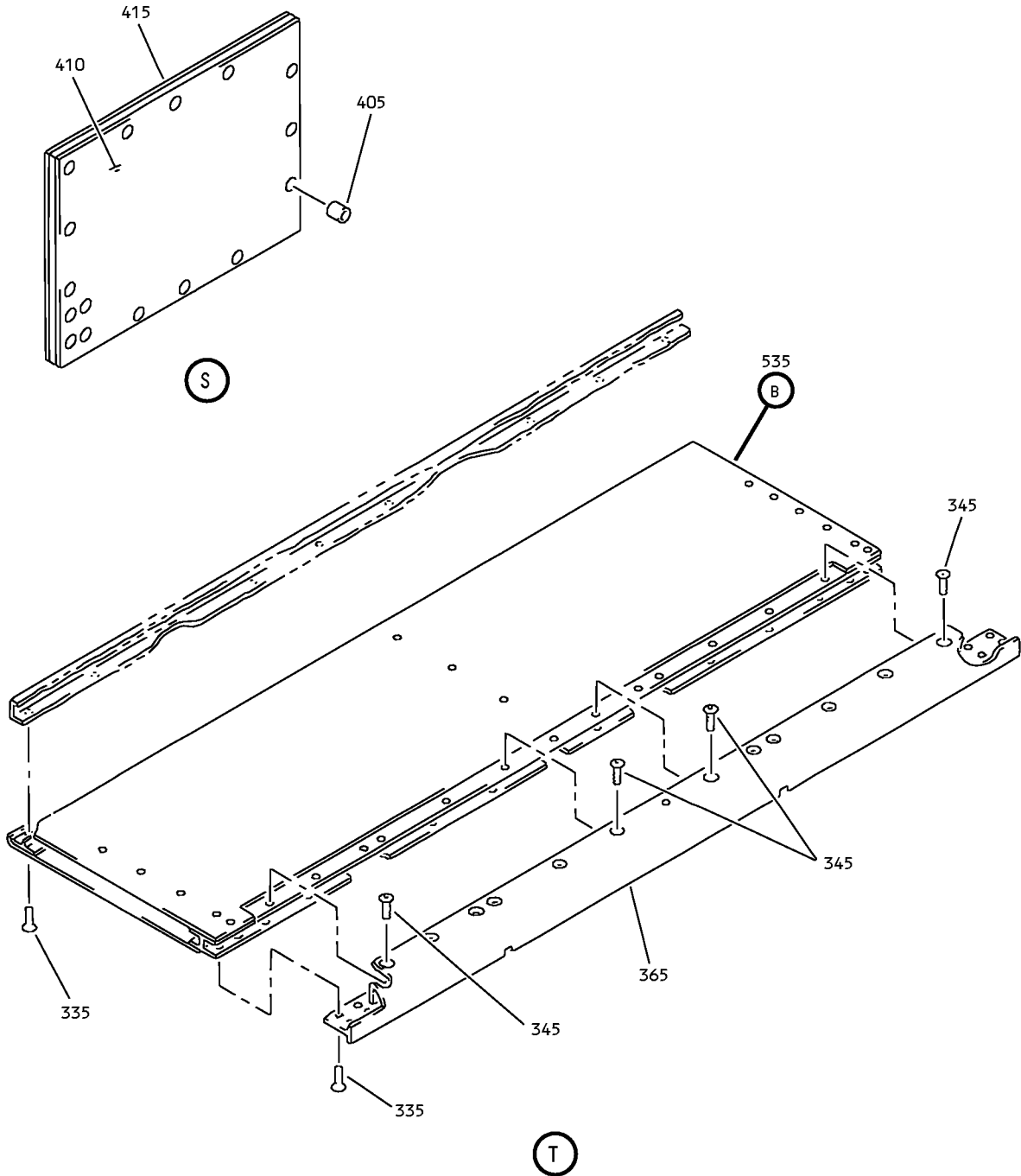
**25-24-08**  
ILLUSTRATED PARTS LIST  
Page 1098.204  
Jul 01/2007







COMPONENT MAINTENANCE MANUAL



Forward Right Closet Assembly  
IPL Figure 7 (Sheet 9 of 12)

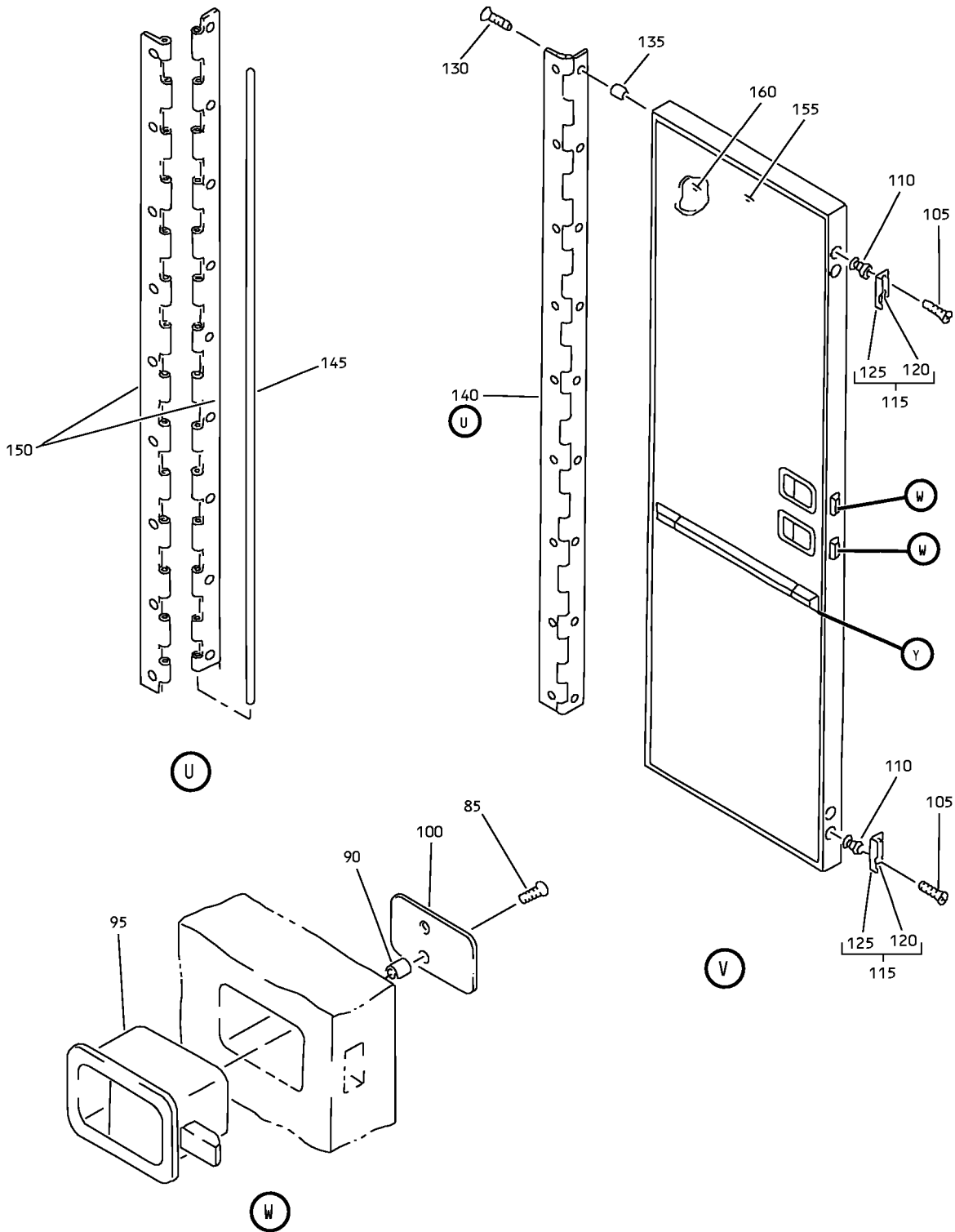
**25-24-08**

ILLUSTRATED PARTS LIST

Page 1098.207

Jul 01/2007

COMPONENT MAINTENANCE MANUAL



Forward Right Closet Assembly  
IPL Figure 7 (Sheet 10 of 12)

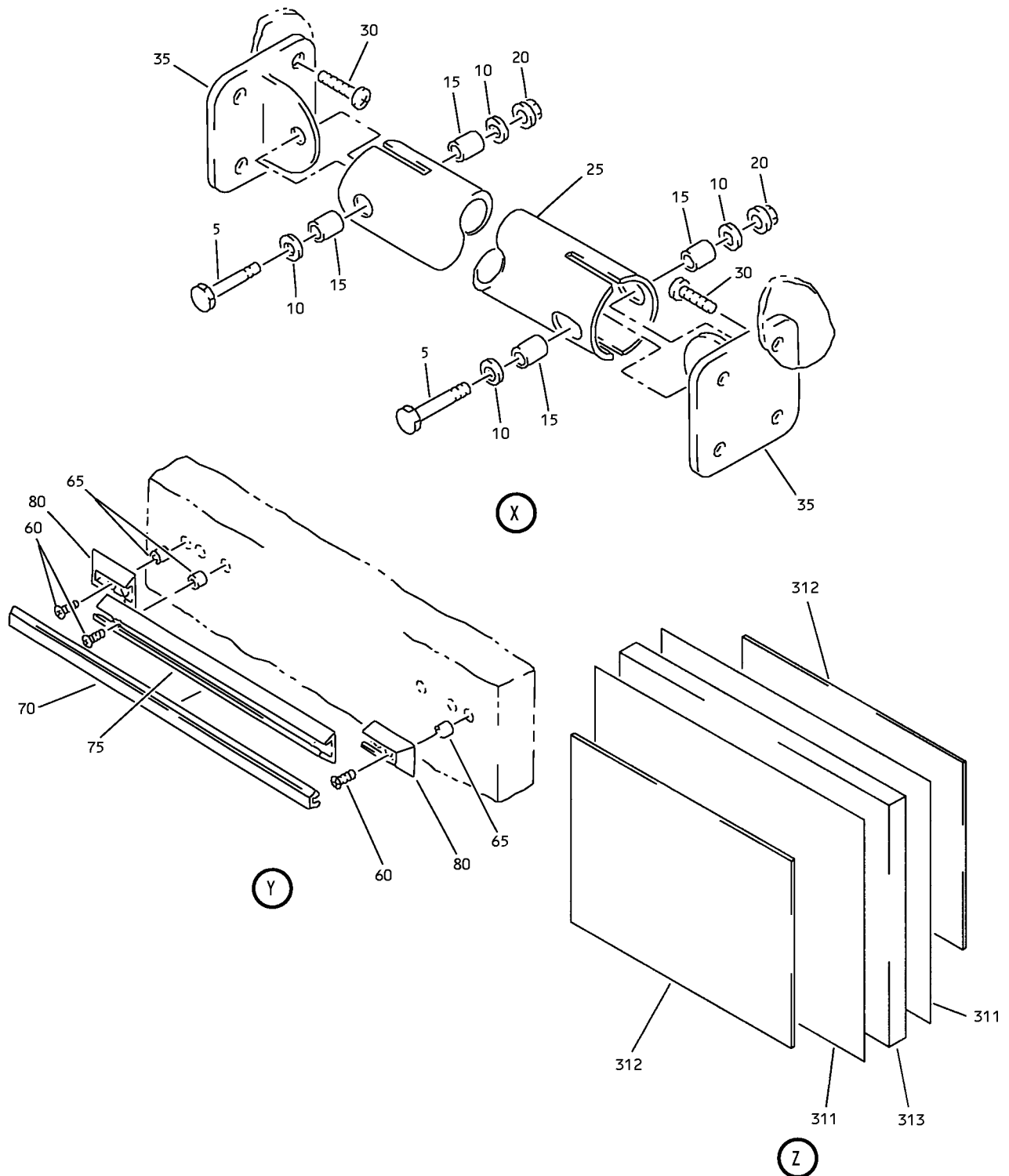
**25-24-08**

ILLUSTRATED PARTS LIST

Page 1098.208

Jul 01/2007

COMPONENT MAINTENANCE MANUAL



Forward Right Closet Assembly  
IPL Figure 7 (Sheet 11 of 12)

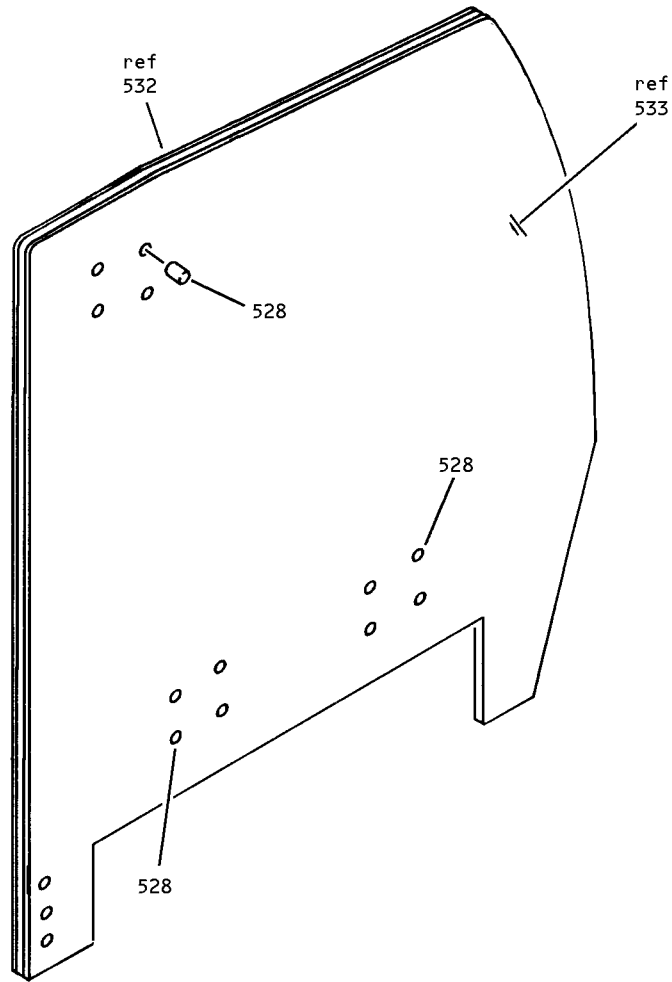
**25-24-08**

ILLUSTRATED PARTS LIST

Page 1098.209

Jul 01/2007

# COMPONENT MAINTENANCE MANUAL



AA

Forward Right Closet Assembly  
IPL Figure 7 (Sheet 12 of 12)

## 25-24-08

ILLUSTRATED PARTS LIST

Page 1098.210

Jul 01/2007



## COMPONENT MAINTENANCE MANUAL

FIG/ ITEM	PART NUMBER	AIRLINE PART NUMBER	NOMENCLATURE							USAGE CODE	UNITS PER ASSY
			1	2	3	4	5	6	7		
7-											
-1	413N3206-177SP									M	RF
-1A	413N3206-198SP									T	RF
-1B	413N3206-230SP									AR	RF
5	BACB30NR4K21									M, T, AR	4
10	AN960JD416L									M, T	8
-10A	NAS1149D0416J									AR	8
15	NAS43DD4-38									M, T, AR	8
20	MS21042L4									M, T, AR	4
25	65-88166-495									M, T, AR	2
30	NAS603-6P									M, T	16
-30A	BACS12FA3K6									AR	16
35	69-17083-3									M, T, AR	4
40	MS21207-6-10									M, T, AR	4
45	A32009-1									M, T, AR	2
50	NAS514P1032-5									M, T, AR	9
55	413N3615-387SP									M, T, AR	1
60	NAS603-6P									M, T, AR	6
65	SL2334-3A3									M, T, AR	6
70	414N3300-10SP									M, T, AR	1
75	414N3300-9SP									M, T, AR	1
80	414N3300-1SP									M, T, AR	2
85	NAS514P1032-10									M, T, AR	4
90	NAS43DD3-20N									M, T, AR	4
95	SAM223-11									M, T, AR	2
100	413N3215-61									M, T, AR	2
105	NAS514P832-5									M, T, AR	4
110	NAS1836-08-14									M, T, AR	4
115	413N3211-183									M, T, AR	2
120	413N3211-185									M, T, AR	1

-Item not Illustrated

# 25-24-08

ILLUSTRATED PARTS LIST

Page 1098.211

Jul 01/2007



## COMPONENT MAINTENANCE MANUAL

FIG/ ITEM	PART NUMBER	AIRLINE PART NUMBER	NOMENCLATURE							USAGE CODE	UNITS PER ASSY
			1	2	3	4	5	6	7		
7-											
125	413N3211-184								. . . STOP	M, T, AR	1
130	NAS514P1032-6								. . SCREW	M, T, AR	9
135	SL2334-3A3								. . INSERT (V97393)	M, T, AR	9
140	413N3616-106								. . HINGE ASSY	M, T, AR	1
145	MS20253P2-4459								. . . PIN	M, T, AR	1
150	413N3616-107								. . . HINGE-HALF	M, T, AR	2
155	413N3615-6SP								DELETED		
160	413N3615-7SP								DELETED		
165	NAS603-5P								. SCREW	M, T	68
-165A	BACS12FA3K5								. SCREW	AR	68
170	413N3211-465								DELETED		
170A	413N3211-602								. ANGLE	M, T	1
-170B	413N3211-602								. ANGLE (OPT ITEM 170C)	AR	1
-170C	413N3211-686SP								. ANGLE (OPT ITEM 170B)	AR	1
175	413N3215-13SP								. BRACKET-GUSSET	M, T, AR	1
180	413N3215-14SP								. BRACKET-GUSSET	M, T, AR	1
185	413T3167-1SP								. ANGLE	M, T, AR	10
190	413N3214-428SP								. PANEL ASSY-HEADER	M, T, AR	1
195	SL2334-3A3								. . INSERT (V97393)	M, T, AR	8
200	413N3214-73SP								. . COVER-DECORATIVE INTR	M, T, AR	1
205	413N3214-74SP								. . COVER-DECORATIVE	M, T, AR	1
210	413N3214-412SP								. PANEL ASSY-TOP	M, T, AR	1
215	SL2334-3A3								. . INSERT (V97393)	M, T, AR	30
220	413N3214-73SP								. . COVER-DECORATIVE INTR	M, T, AR	1
225	413N3214-75SP								. . COVER-DECORATIVE	M, T, AR	1
230	NAS603-5P								. SCREW	M, T	7
-230A	BACS12FA3K6								. SCREW	AR	7
235	NAS6603-20								. BOLT	M, T	1

-Item not Illustrated

# 25-24-08

ILLUSTRATED PARTS LIST

Page 1098.212

Jul 01/2007







## COMPONENT MAINTENANCE MANUAL

FIG/ ITEM	PART NUMBER	AIRLINE PART NUMBER	NOMENCLATURE							USAGE CODE	UNITS PER ASSY
			1	2	3	4	5	6	7		
7-											
315	NAS603-6P		.							M, T	3
-315A	BACS12FA3K5		.							AR	3
320	413N3211-480		.							M, T	1
-320A	413N3217-692		.							AR	1
325	NAS6603-2		.							M	4
-325A	BACB30NM3K2		.							AR	4
330	NAS6603-3		.							M, T	16
-330A	BACB30NM3K3		.							AR	16
335	NAS603-6P		.							M, T	24
-335A	BACS12FA3K6		.							AR	24
340	NAS6604-18		.							M, T	1
-340A	BACB30NM4K18		.							AR	1
345	NAS514P1032-6		.							M, T, AR	12
350	AN960JD10L		.							M, T	20
-350A	NAS1149D0332J		.							AR	20
355	MS21042L4		.							M, T, AR	1
357	BACS13CJ3L080P		.							M, T, AR	4
360	45927-14		.							M, T, AR	2
365	413N3211-479		.							M, T, AR	1
370	NAS603-6P		.							M, T	3
-370A	BACS12FA3K6		.							AR	3
375	413N3211-481		.							M, T	1
-375A	413N3217-691		.							AR	1
380	NAS603-5P		.							M, T	6
-380A	BACS12FA3K5		.							AR	6
385	413N3211-488		.							M, T, AR	1
390	NAS514P1032-5		.							M, T, AR	18
395	413N3211-111SP		.							M, T, AR	3
400	413N3214-415SP		.							M, AR	1
-400A	413N3214-494SP		.							T	1

-Item not Illustrated

# 25-24-08

ILLUSTRATED PARTS LIST

Page 1098.214

Jul 01/2007



## COMPONENT MAINTENANCE MANUAL

FIG/ ITEM	PART NUMBER	AIRLINE PART NUMBER	NOMENCLATURE							USAGE CODE	UNITS PER ASSY
			1	2	3	4	5	6	7		
7-											
405	SL2334-3A3		.	.	INSERT (V97393)					M, T, AR	16
410	413N3214-73SP		.	.	COVER-DECORATIVE INTR					M, T, AR	1
415	413N3214-74SP		.	.	COVER-DECORATIVE					M, T, AR	1
420	NAS1801-3-5		.		SCREW					M, T, AR	12
425	413N3211-482		.		ANGLE					M, T, AR	1
430	NAS603-5P		.		SCREW					M, T	68
-430A	BACS12FA3K5		.		SCREW					AR	68
435	413T3167-1SP		.		ANGLE					M, T, AR	2
440	413T3167-2SP		.		ANGLE					M, T, AR	10
445	NAS514P1032-5		.		SCREW					M, T, AR	4
450	413N3215-59		.		COVER					M, T	1
-450A	413N3214-493SP				DELETED						
-450B	413N3215-59		.		COVER (OPT ITEM 450C)					AR	1
-450C	413N3215-174SP		.		COVER (OPT ITEM 450B)					AR	1
455	413N3214-414SP		.		PANEL ASSY-OUTBD					M, AR	1
-455A	413N3214-493SP		.		PANEL ASSY-OUTBD					T	1
460	SL2334-3A3		.	.	INSERT (V97393)					M, T, AR	51
465	413N3214-73SP		.	.	COVER-DECORATIVE INTR					M, T, AR	1
470	GAR2002-1-085		.		FITTING (V62063)					M, T	3
475	GAR2002-2-090		.		FITTING (V62063)					M, T	3
477	413U3165-7		.		TRIM					M, T, AR	AR
480	413N3214-410SP		.		PANEL ASSY-FWD					M, AR	1
-480A	413N3214-492SP		.		PANEL ASSY-FWD					T	1
485	413N3211-489		.	.	TUBE					M, T, AR	1
490	SL2334-3A3		.	.	INSERT (V97393)					M, T, AR	62
495	BACS13CJ3L080P		.	.	INSERT					M, T, AR	12
500	413N3214-73SP		.	.	COVER-DECORATIVE INTR					M, T, AR	1

-Item not Illustrated

**25-24-08**

ILLUSTRATED PARTS LIST

Page 1098.215

Jul 01/2007



## COMPONENT MAINTENANCE MANUAL

FIG/ ITEM	PART NUMBER	AIRLINE PART NUMBER	NOMENCLATURE							USAGE CODE	UNITS PER ASSY
			1	2	3	4	5	6	7		
7-											
505	413N3214-75SP		.	.	COVER-DECORATIVE					M, AR	1
-505A	413N3214-76SP		.	.	COVER-DECORATIVE					T	1
506	413U3165-7		.		TRIM					M, T, AR	AR
506A	413U3165-1				DELETED						
507	413N3211-473		.		TRIM					M, T, AR	AR
508	413N3211-474		.		TRIM					M, T, AR	AR
510	413N3214-411SP		.		PANEL ASSY-AFT					M, T	1
-510A	413N3224-453SP		.		PANEL ASSY-AFT					AR	1
515	413N3211-469		.	.	TUBE					M, T, AR	2
520	SL2334-3A3		.	.	INSERT (V97393)					M, T, AR	53
523	SL2334-3A3		.	.	INSERT (V97393)					M, T	7
-523A	BACS13CJ3CD080P		.	.	INSERT					AR	7
525	SL2334-08A3		.	.	INSERT (V97393)					M, T	9
528	SL2334-3A3		.	.	INSERT (V97393)					AR	12
530	BACS13CJ3L080P		.	.	INSERT					M, T, AR	4
532	413N3214-73SP		.	.	COVER-DECORATIVE					M, T	1
-532A	413N3165-1SP		.	.	COVER-DECORATIVE					AR	1
533	413N3214-76SP		.	.	COVER-DECORATIVE					M, T	1
-533A	413N3165-4SP		.	.	COVER-DECORATIVE					AR	1
535	413N3214-413		.		PANEL ASSY-FLOOR					M, T, AR	1
540	413N3211-483		.	.	EXTRUSION					M, T, AR	1
545	413N3211-484		.	.	EXTRUSION					M, T, AR	1
550	413N3211-177		.	.	PLUG					M, T, AR	1
555	BACS13CJ3L080P		.	.	INSERT					M, T, AR	40
560	SL2334-3A3		.	.	INSERT (V97393)					M, T, AR	10
565	413N3206-123SP		.		COVER-DECORATIVE					M, T, AR	1
570	413N3206-147SP		.		COVER-DECORATIVE					M, T, AR	1

-Item not Illustrated

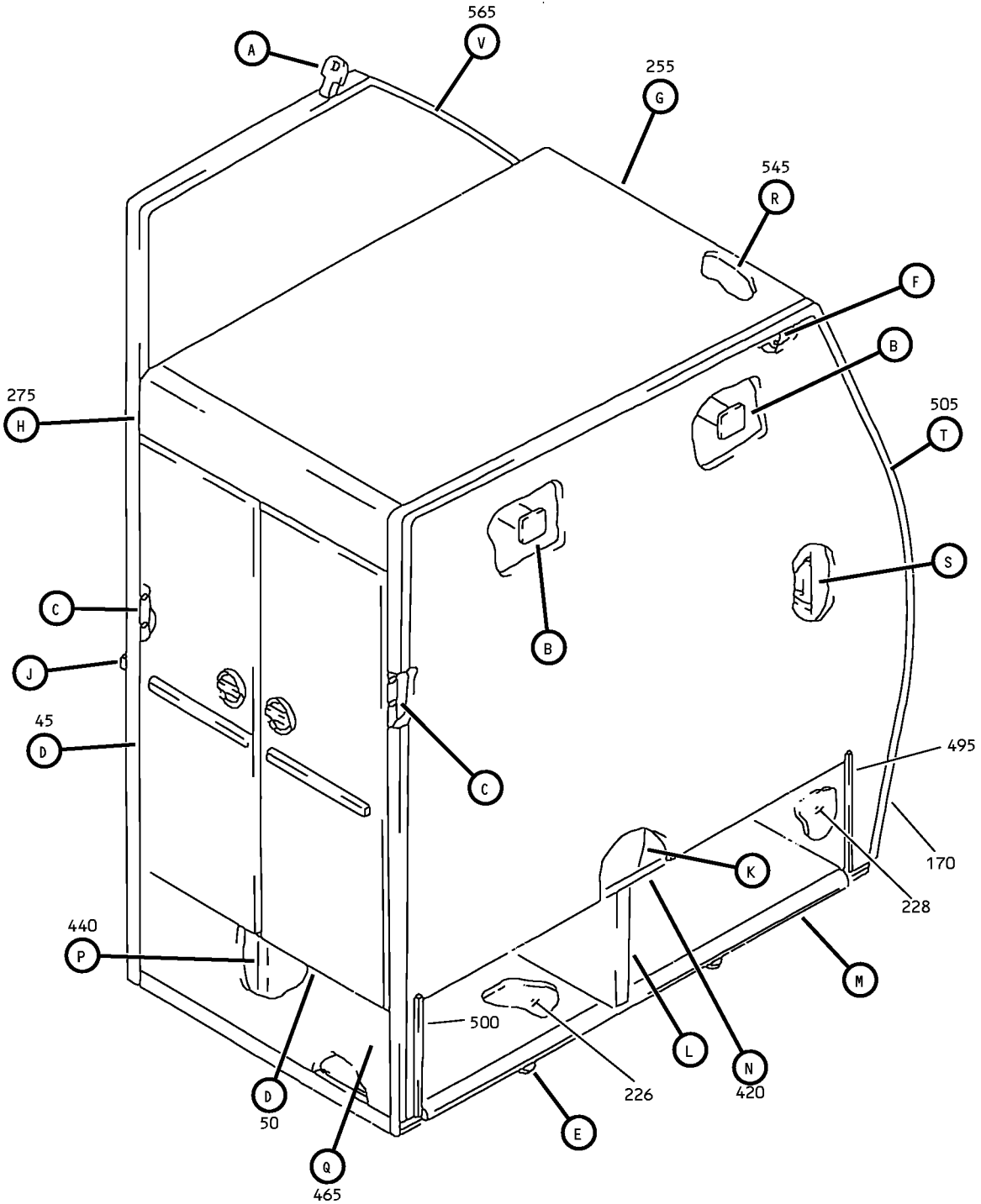
**25-24-08**

ILLUSTRATED PARTS LIST

Page 1098.216

Jul 01/2007

COMPONENT MAINTENANCE MANUAL



Forward Right Closet Assembly  
IPL Figure 8 (Sheet 1 of 15)

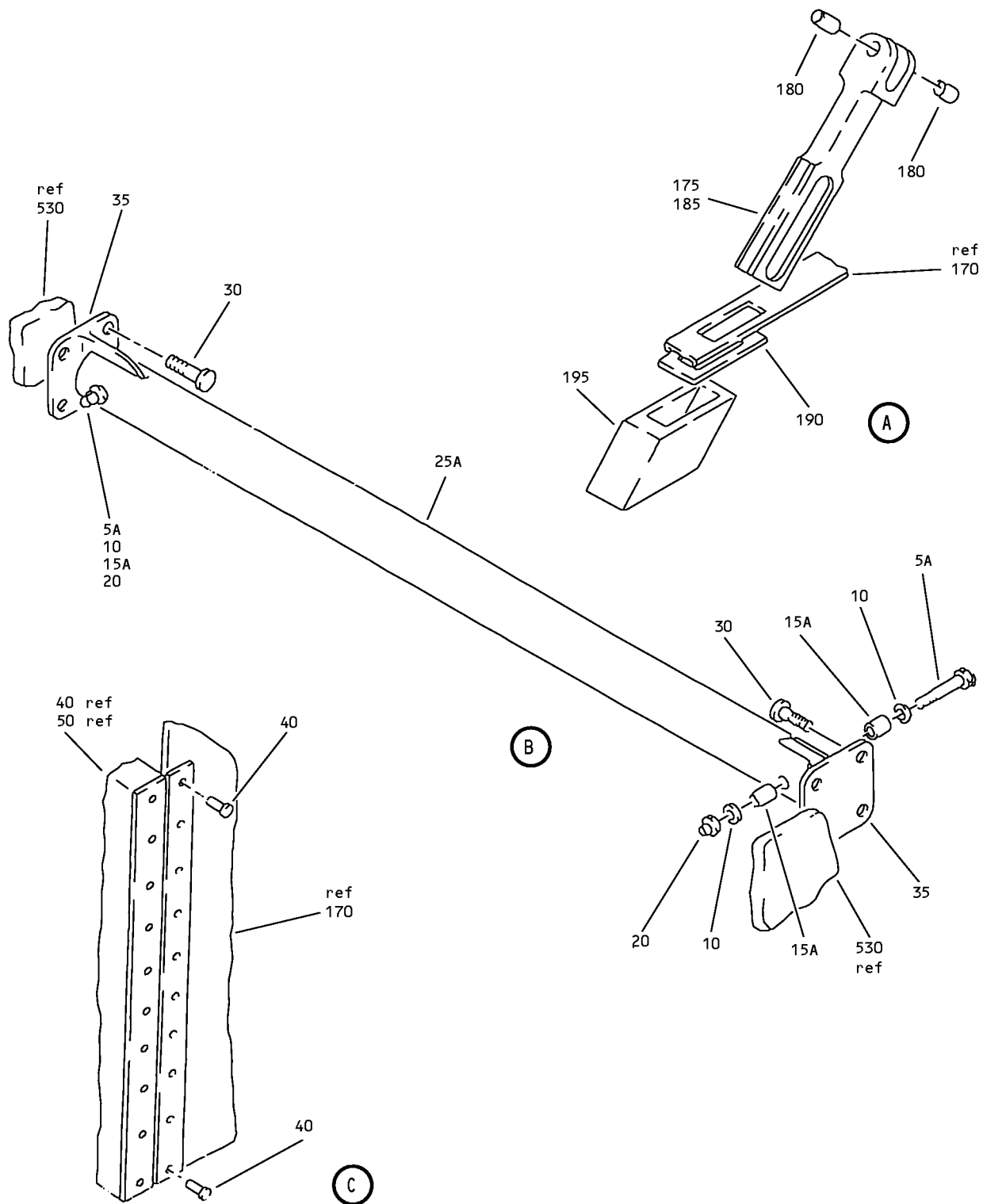
**25-24-08**

ILLUSTRATED PARTS LIST

Page 1098.217

Jul 01/2007

COMPONENT MAINTENANCE MANUAL



Forward Right Closet Assembly  
IPL Figure 8 (Sheet 2 of 15)

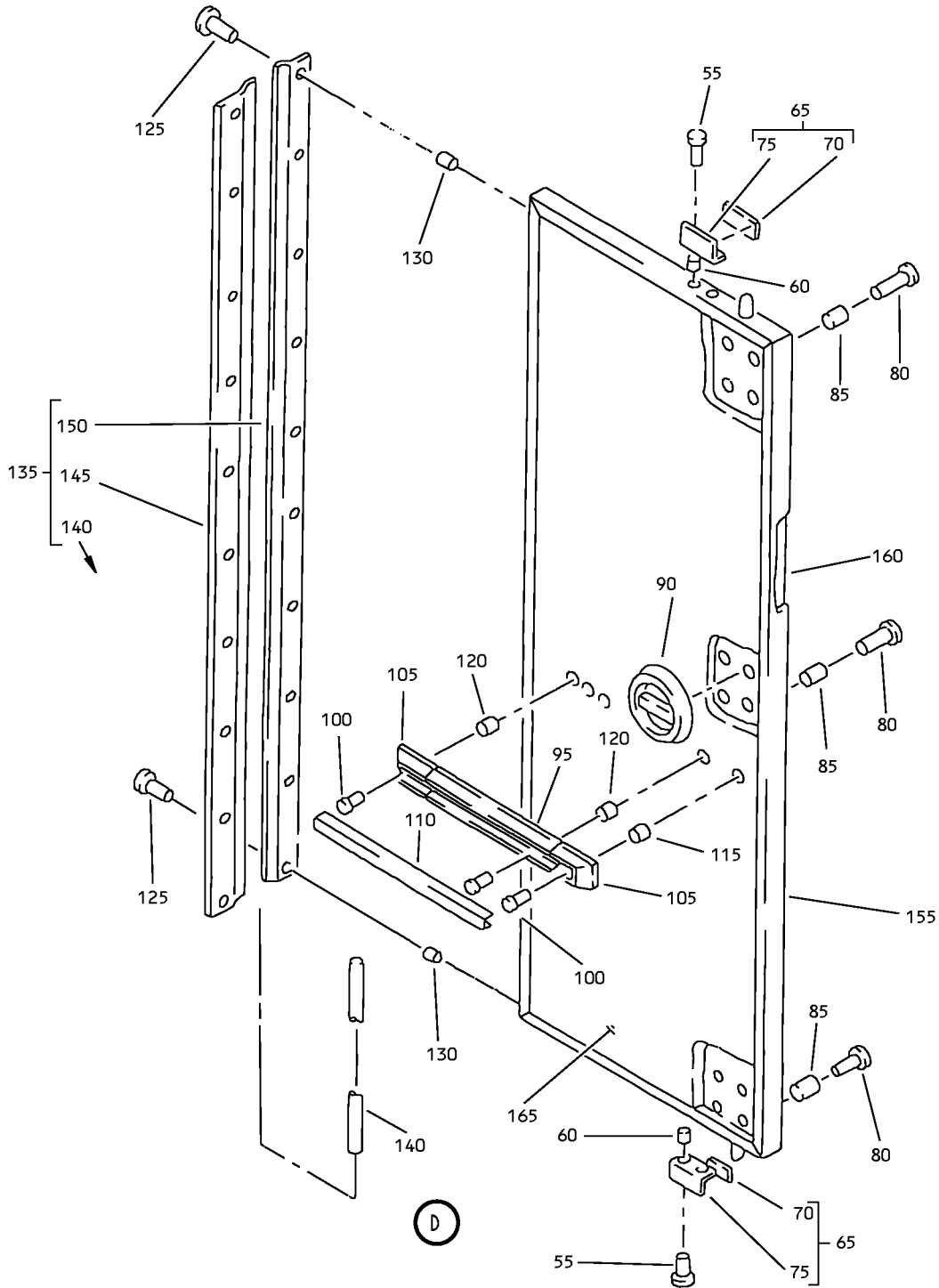
**25-24-08**

ILLUSTRATED PARTS LIST

Page 1098.218

Jul 01/2007

COMPONENT MAINTENANCE MANUAL



Forward Right Closet Assembly  
IPL Figure 8 (Sheet 3 of 15)

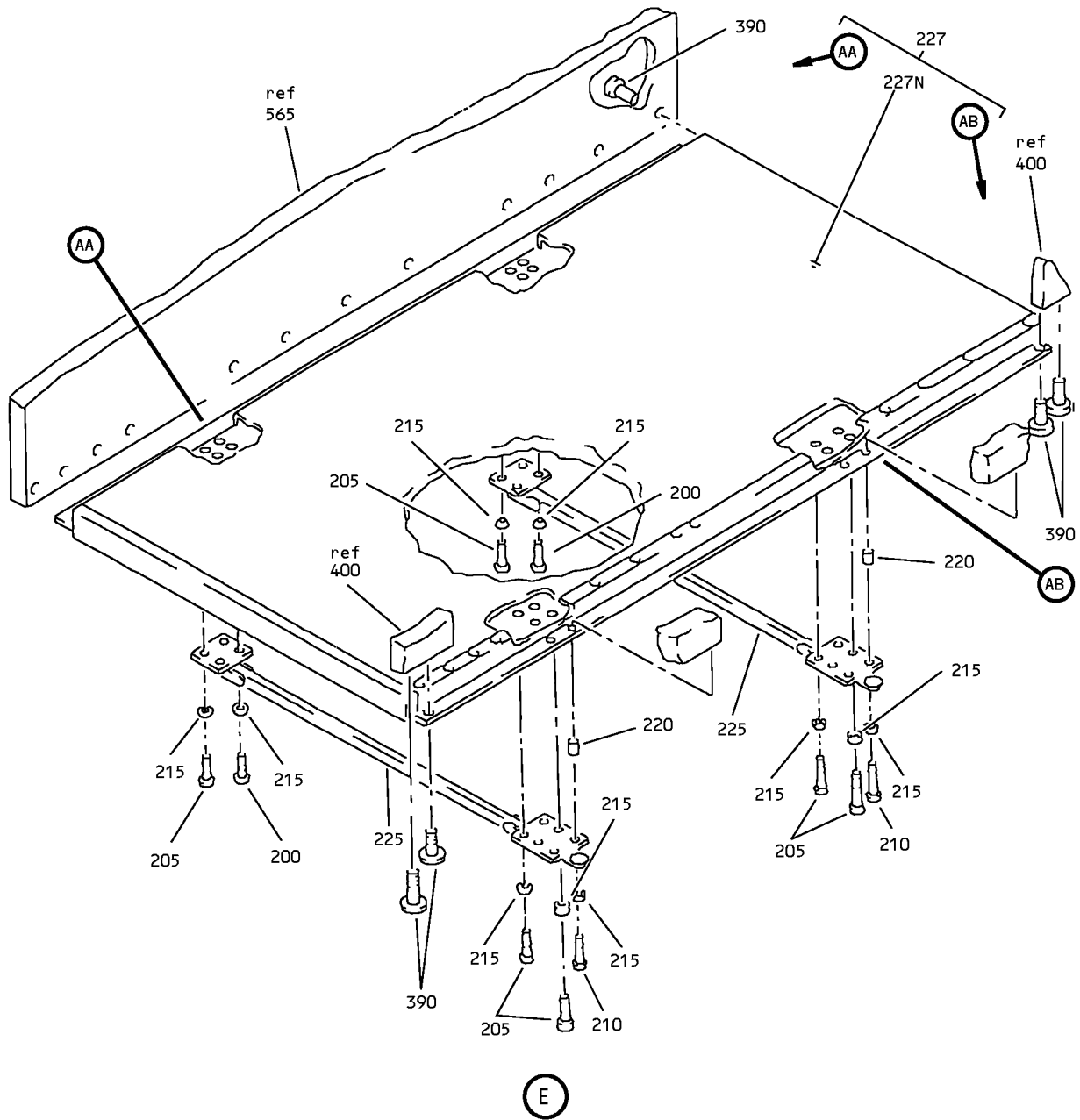
**25-24-08**

ILLUSTRATED PARTS LIST

Page 1098.219

Jul 01/2007

COMPONENT MAINTENANCE MANUAL



Forward Right Closet Assembly  
IPL Figure 8 (Sheet 4 of 15)

**25-24-08**

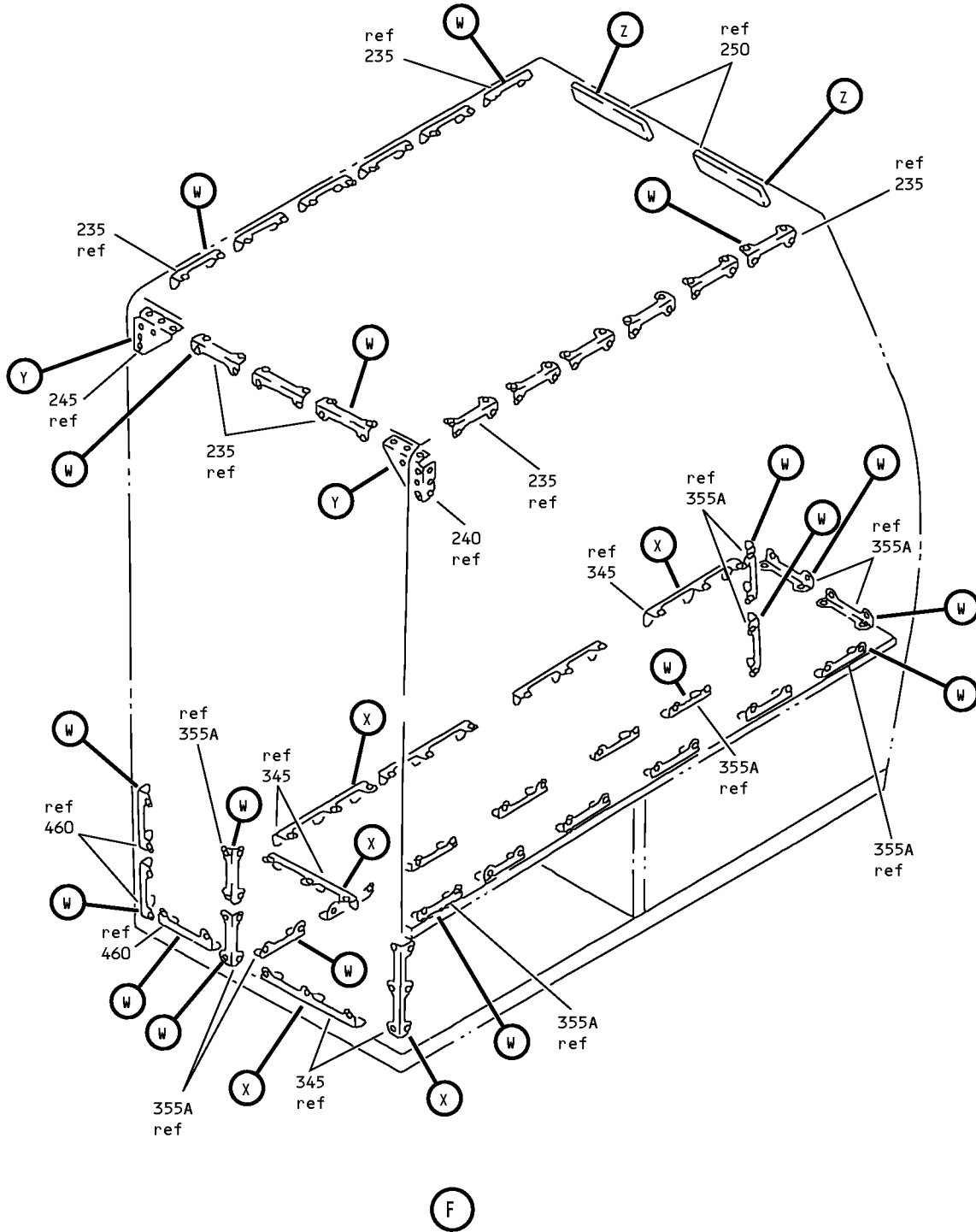
ILLUSTRATED PARTS LIST

Page 1098.220

Jul 01/2007



COMPONENT MAINTENANCE MANUAL



Forward Right Closet Assembly  
IPL Figure 8 (Sheet 5 of 15)

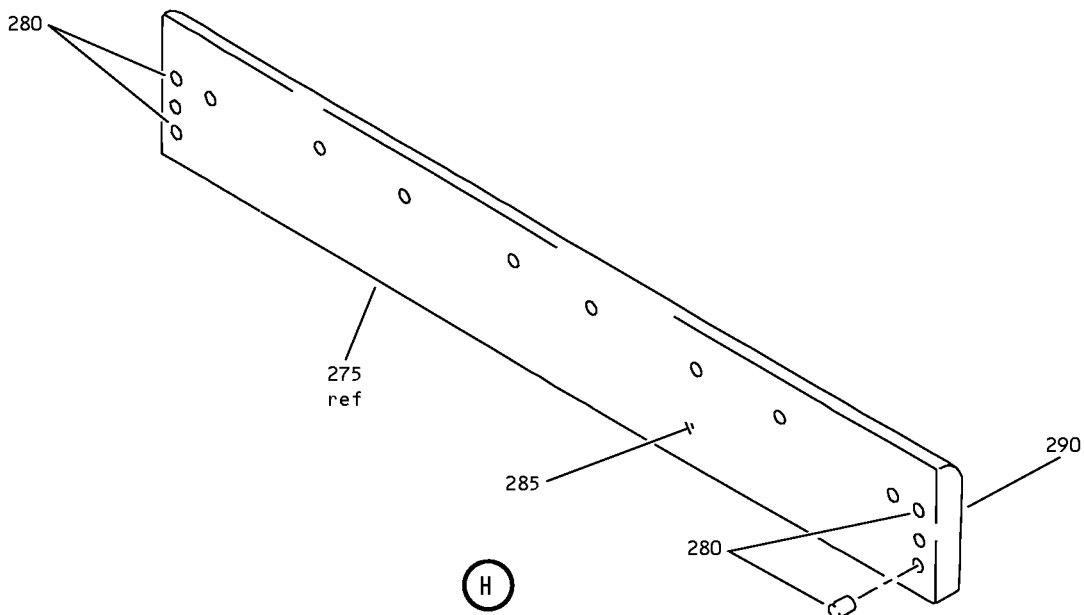
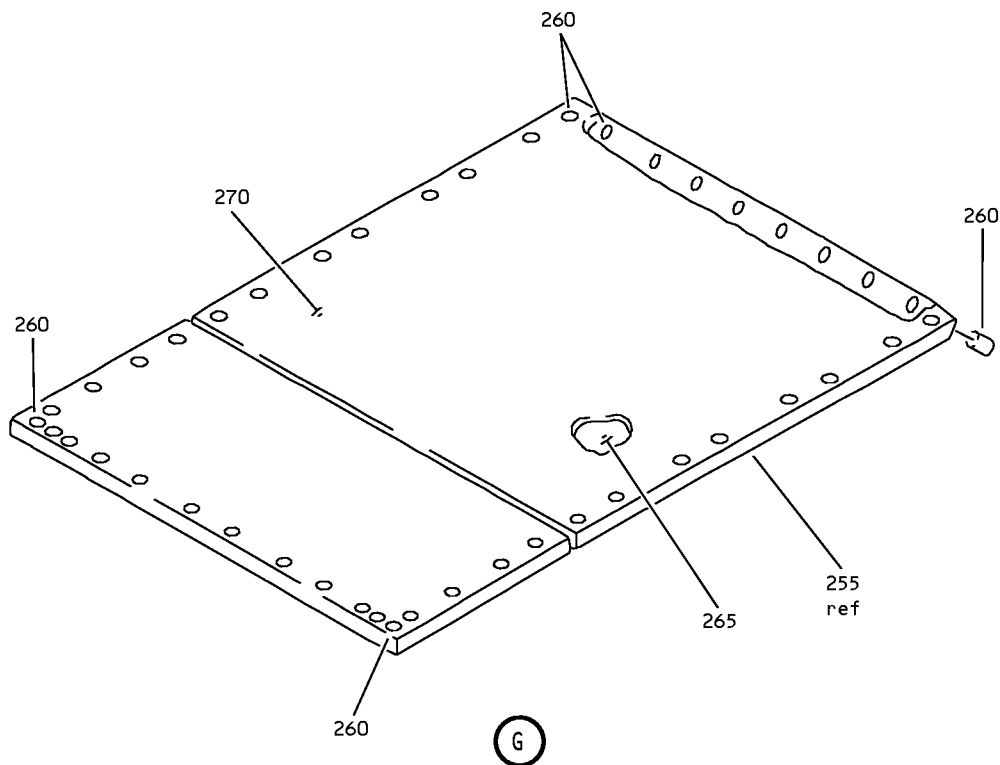
**25-24-08**

ILLUSTRATED PARTS LIST

Page 1098.221

Jul 01/2007

COMPONENT MAINTENANCE MANUAL



Forward Right Closet Assembly  
IPL Figure 8 (Sheet 6 of 15)

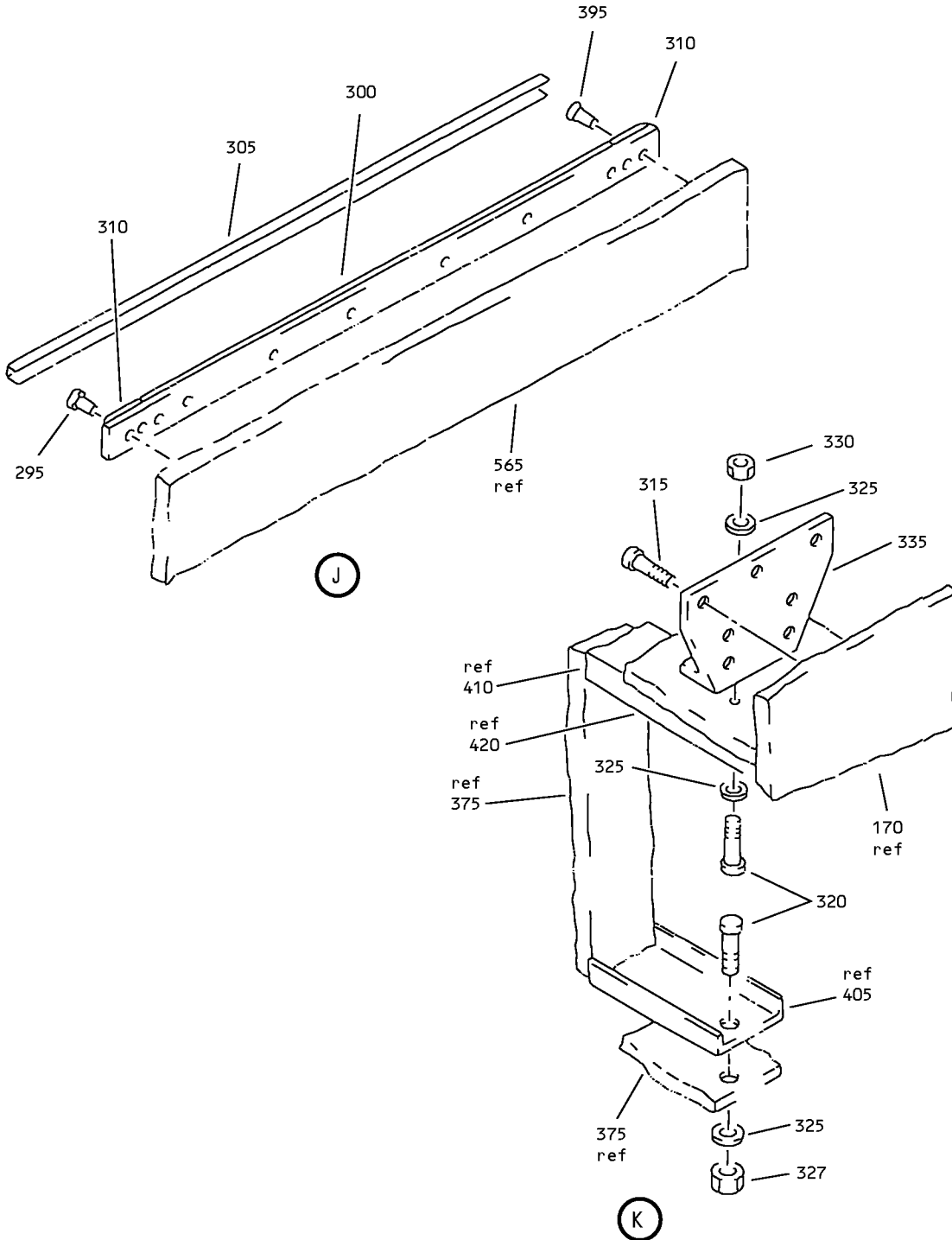
**25-24-08**

ILLUSTRATED PARTS LIST

Page 1098.222

Jul 01/2007

COMPONENT MAINTENANCE MANUAL



Forward Right Closet Assembly  
IPL Figure 8 (Sheet 7 of 15)

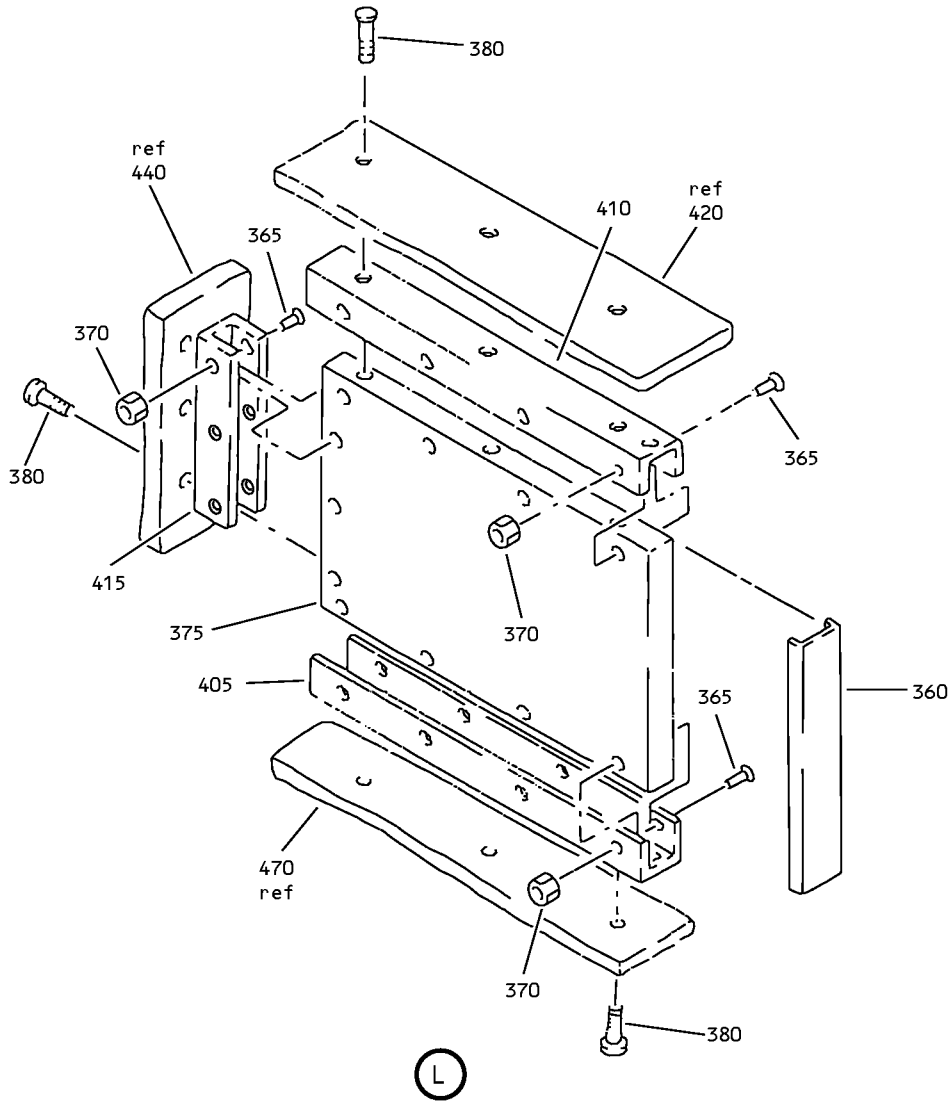
**25-24-08**

ILLUSTRATED PARTS LIST

Page 1098.223

Jul 01/2007

COMPONENT MAINTENANCE MANUAL



Forward Right Closet Assembly  
IPL Figure 8 (Sheet 8 of 15)

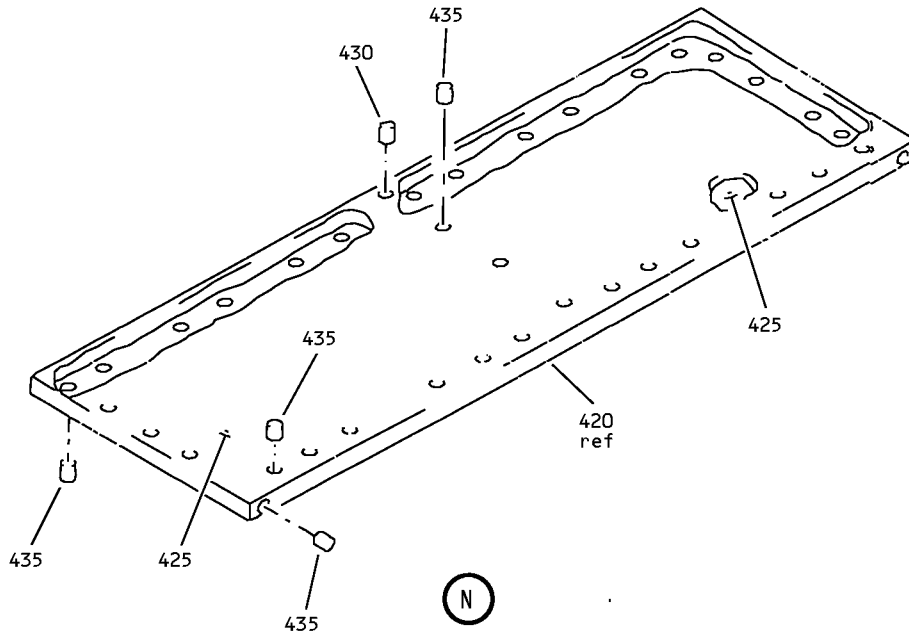
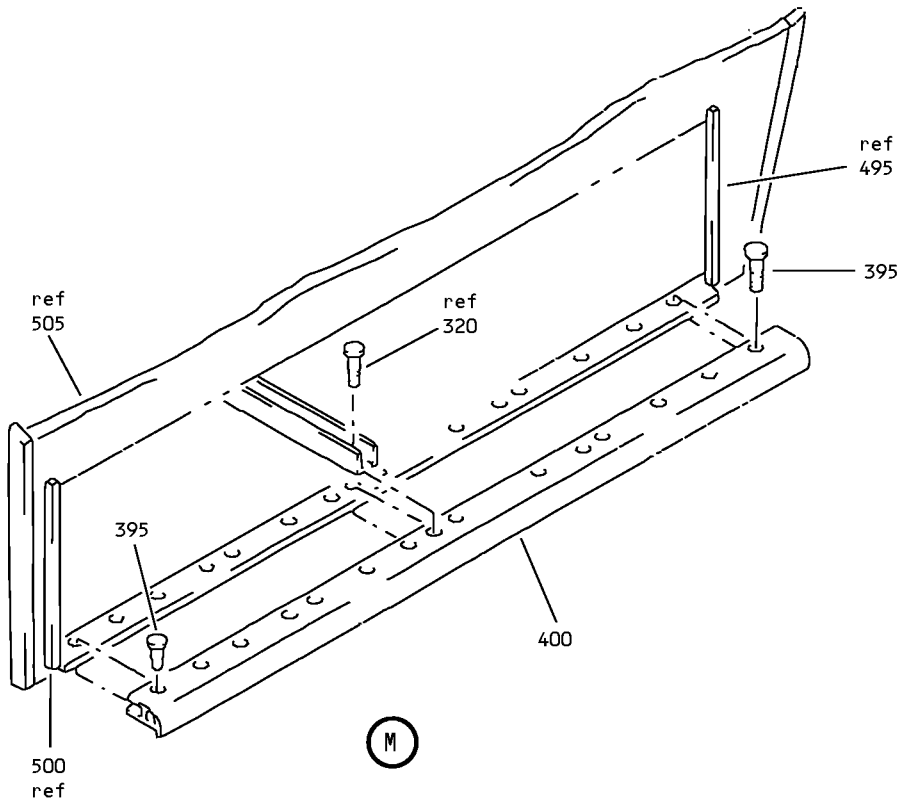
**25-24-08**

ILLUSTRATED PARTS LIST

Page 1098.224

Jul 01/2007

COMPONENT MAINTENANCE MANUAL



Forward Right Closet Assembly  
IPL Figure 8 (Sheet 9 of 15)

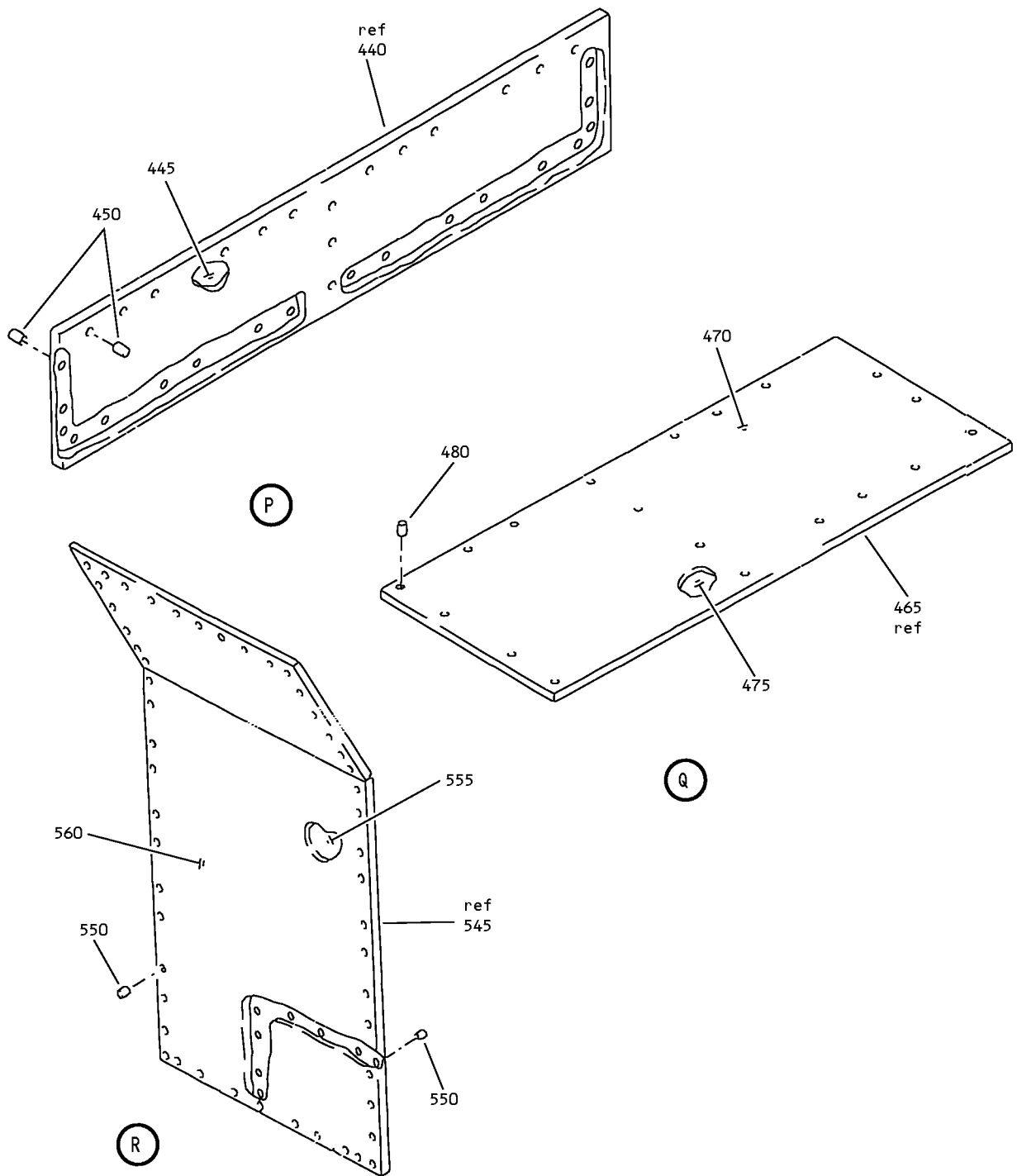
**25-24-08**

ILLUSTRATED PARTS LIST

Page 1098.225

Jul 01/2007

COMPONENT MAINTENANCE MANUAL



Forward Right Closet Assembly  
IPL Figure 8 (Sheet 10 of 15)

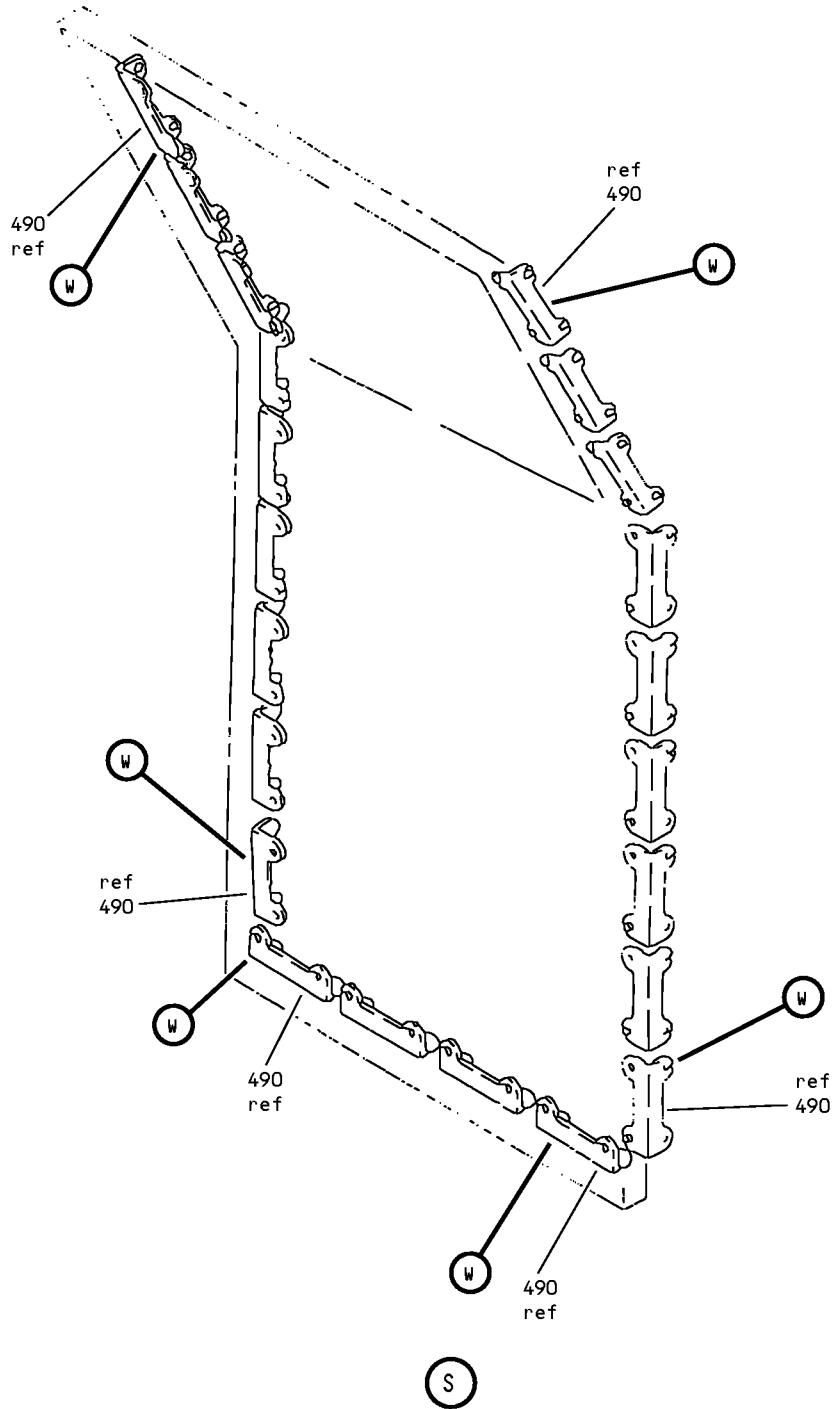
**25-24-08**

ILLUSTRATED PARTS LIST

Page 1098.226

Jul 01/2007

COMPONENT MAINTENANCE MANUAL



Forward Right Closet Assembly  
IPL Figure 8 (Sheet 11 of 15)

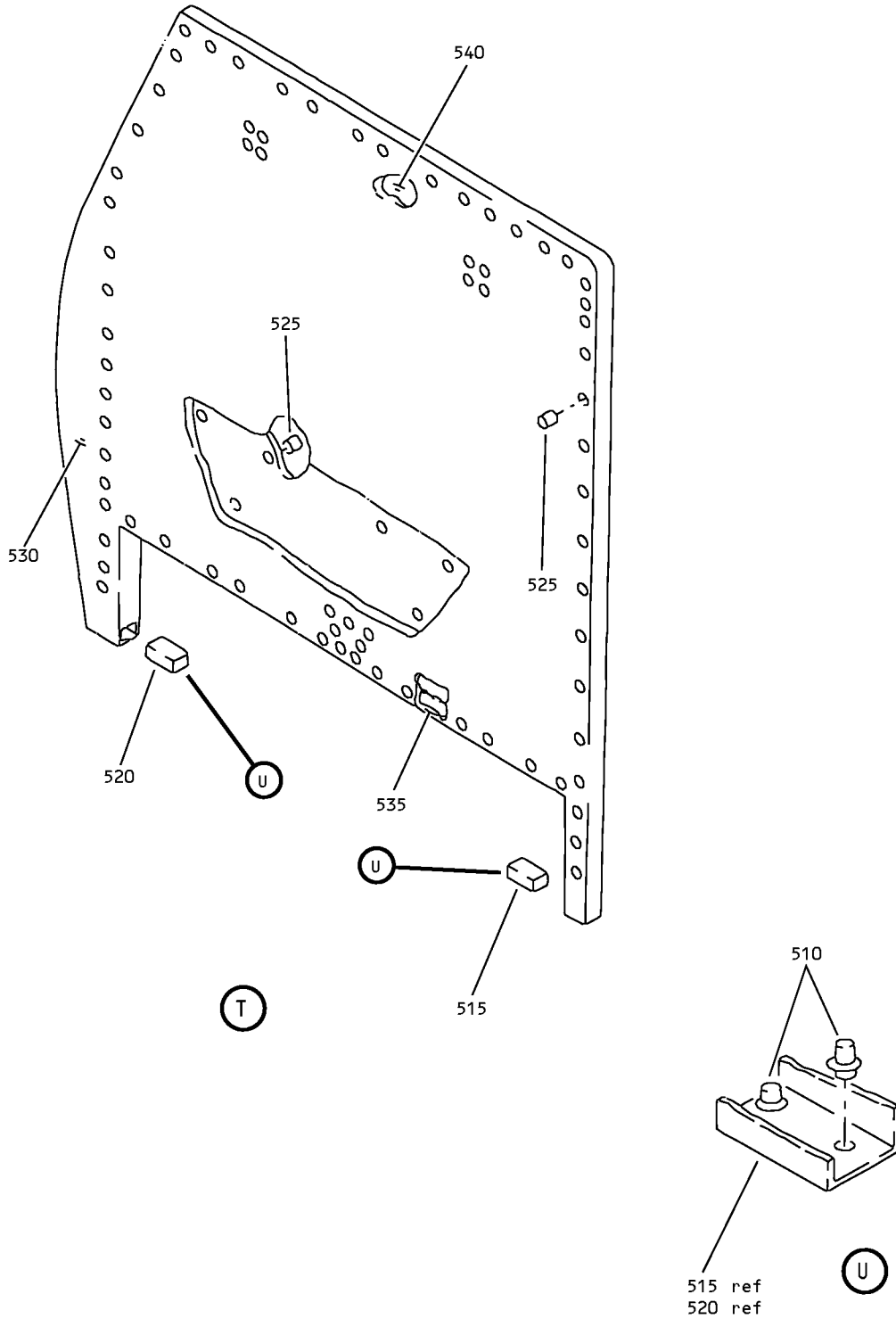
**25-24-08**

ILLUSTRATED PARTS LIST

Page 1098.227

Jul 01/2007

COMPONENT MAINTENANCE MANUAL



Forward Right Closet Assembly  
IPL Figure 8 (Sheet 12 of 15)

**25-24-08**

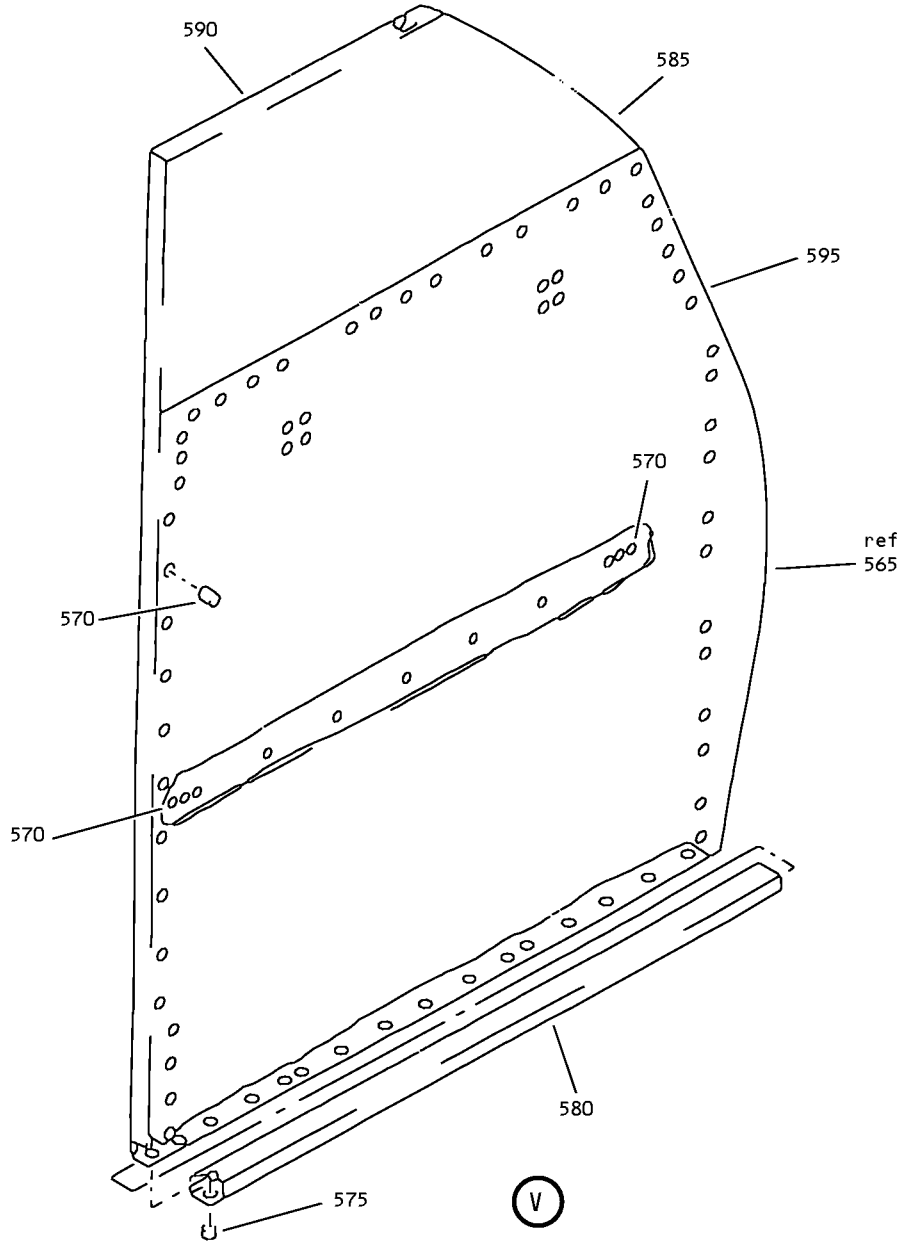
ILLUSTRATED PARTS LIST

Page 1098.228

Jul 01/2007



COMPONENT MAINTENANCE MANUAL



Forward Right Closet Assembly  
IPL Figure 8 (Sheet 13 of 15)

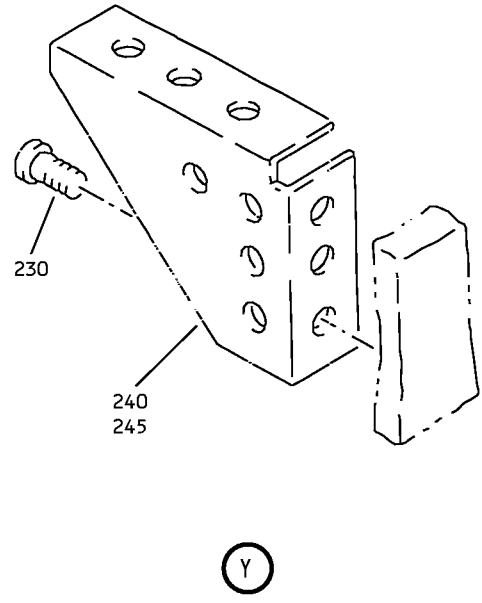
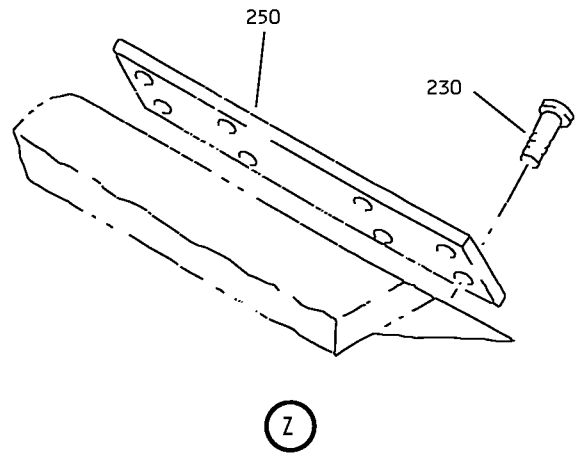
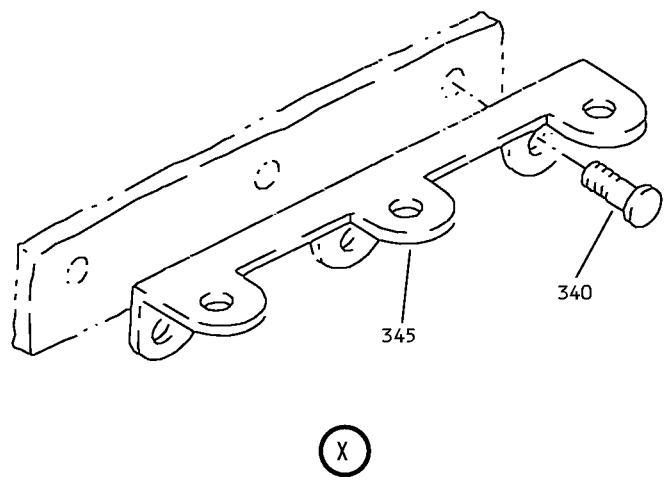
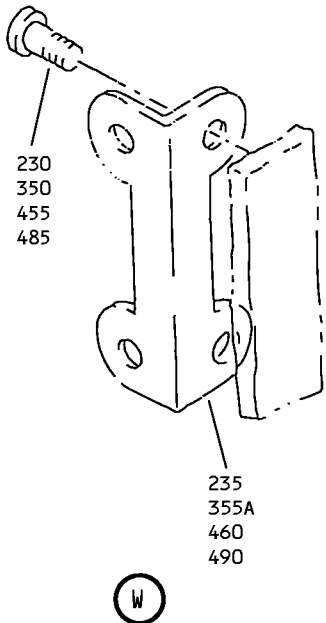
**25-24-08**

ILLUSTRATED PARTS LIST

Page 1098.229

Jul 01/2007

COMPONENT MAINTENANCE MANUAL



Forward Right Closet Assembly  
IPL Figure 8 (Sheet 14 of 15)

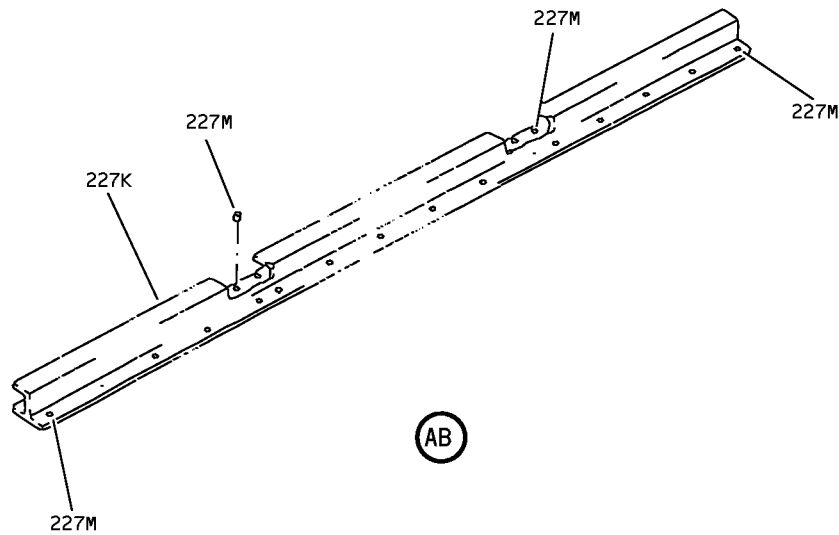
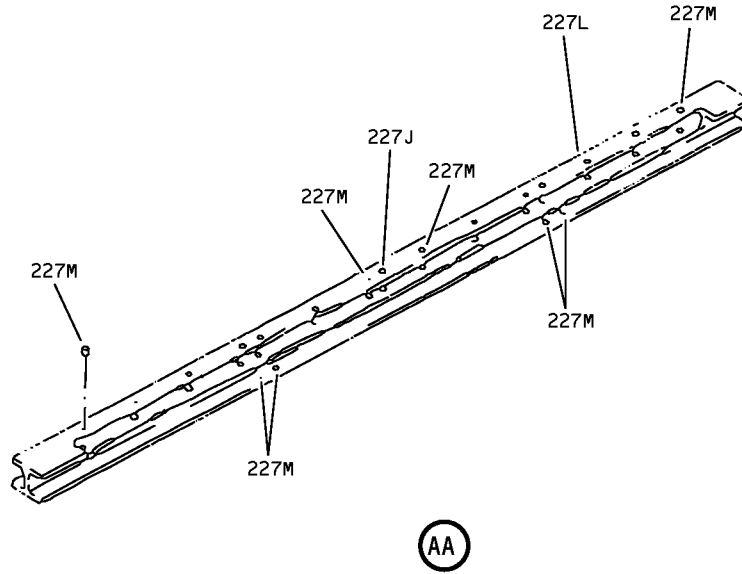
**25-24-08**

ILLUSTRATED PARTS LIST

Page 1098.230

Jul 01/2007

COMPONENT MAINTENANCE MANUAL



Forward Right Closet Assembly  
IPL Figure 8 (Sheet 15 of 15)

**25-24-08**

ILLUSTRATED PARTS LIST

Page 1098.231

Jul 01/2007



## COMPONENT MAINTENANCE MANUAL

FIG/ ITEM	PART NUMBER	AIRLINE PART NUMBER	NOMENCLATURE							USAGE CODE	UNITS PER ASSY
			1	2	3	4	5	6	7		
8-											
-1	413N3206-191SP									P	RF
-1A	413N3206-196SP									R	RF
-1B	413N3206-197SP									S	RF
5	BACB30NR4K1										
5A	BACB30NR4K21									P, R, S	4
10	AN960JD416L									P, R, S	8
15	NAS43DD4-38										
15A	NAS43DD4-38FC									P, R, S	8
20	MS21042L4									P, R, S	4
25	65-8816-600										
25A	65-88166-600									P, R, S	2
30	NAS603-6P									P, R, S	16
35	69-17083-3									P, R, S	4
40	NAS514P1032-5									P, R, S	20
45	413N3615-418SP									P, R, S	1
50	413N3615-419SP									P, R, S	1
55	NAS514P832-5									P, R, S	4
60	NAS1836-08-12									P, R, S	4
65	413N3211-183									P, R, S	2
70	413N3211-185									P, R, S	1
75	413N3211-184									P, R, S	1
80	NAS514P1032-5									P, R, S	12
85	SL2334-3A3									P, R, S	12
90	SAM261-2									P, R, S	1
95	414N3300-485SP									P, R, S	1
100	NAS603-6P									P, R, S	5
105	414N3300-1SP									P, R, S	2
110	414N3300-484SP									P, R, S	1
115	NAS1836-3-14									P, R, S	1

-Item not Illustrated

# 25-24-08

ILLUSTRATED PARTS LIST

Page 1098.232

Jul 01/2007



## COMPONENT MAINTENANCE MANUAL

FIG/ ITEM	PART NUMBER	AIRLINE PART NUMBER	NOMENCLATURE							USAGE CODE	UNITS PER ASSY
			1	2	3	4	5	6	7		
8-											
120	SL2334-3A3		. .							P, R, S	4
125	NAS514P1302-6P		. .							P, R, S	10
130	SL2334-3A3		. .							P, R, S	10
135	413N3616-103		. .							P, R, S	1
140	MS20253P2-4422		. . .							P, R, S	1
145	413N3616-104		. . .							P, R, S	1
150	413N3616-105		. . .							P, R, S	1
155	413U3165-25		. .							P, R, S	AR
160	413N3615-6SP										
165	413N3615-7SP										
170	413U3165-7		. TRIM							P, R, S	AR
175	65C19744-113		. SUPPORT ASSY							P, R, S	1
180	BACB28Y4D020		. . BUSHING							P, R, S	2
185	65C19744-114		. . SUPPORT							P, R, S	1
190	69-66077-97		. BUMPER							P, R, S	1
195	413N3206-194		. TAPE-HOOK							P, R, S	AR
200	NAS6603-2		. BOLT							P, R, S	4
205	NAS6603-4		. BOLT							P, R, S	12
210	NAS6603-3		. BOLT							P, R, S	4
215	AN960JD10L		. WASHER							P, R, S	20
220	BACS13CJ3L080P		. INSERT							P, R, S	4
225	45927-29		. FITTING-SEAT TRACK (V31272)							P, R, S	2
226	413N3206-147SP		. COVER-DECORATIVE							P, R, S	1
227	413N3224-55SP		. PANEL ASSY-FLOOR							P, R, S	1
227J	413N3211-177		. . PLUG							P, R, S	1
227K	413N3211-627		. . EXTRUSION							P, R, S	1
227L	413N3211-628		. . EXTRUSION							P, R, S	1
227M	BACS13CJ3L080P		. . INSERT							P, R, S	38
227N	413N3224-7SP		. . COVER-DECORATIVE INTR							P, R, S	1

-Item not Illustrated

# 25-24-08

ILLUSTRATED PARTS LIST

Page 1098.233

Jul 01/2007



## COMPONENT MAINTENANCE MANUAL

FIG/ ITEM	PART NUMBER	AIRLINE PART NUMBER	NOMENCLATURE							USAGE CODE	UNITS PER ASSY
			1	2	3	4	5	6	7		
8-											
228	413N3206-123SP		.							P, R, S	1
230	NAS603-5P		.							P, R, S	96
235	413T3167-1SP		.							P, R, S	15
240	413N3215-14SP		.							P, R, S	1
245	413N3215-13SP		.							P, R, S	1
250	413N3215-71		.							P, R, S	2
255	413N3224-54SP		.							P, R, S	1
260	SL2334-3A3		.	.						P, R, S	44
265	413N3224-7SP		.	.						P, R, S	1
270	413N3224-9SP		.	.						P, R, S	1
275	413N3224-50SP		.							P, R, S	1
280	SL2334-3A3		.	.						P, R, S	14
								(V97393)			
285	413N3224-7SP		.	.						P, R, S	1
290	413N3224-8SP		.	.						P, R, S	1
295	NAS603-6P		.							P, R, S	11
300	414N3300-78SP		.							P, R, S	1
305	414N3300-77SP		.							P, R, S	1
310	414N3300-1SP		.							P, R, S	2
315	NAS603-6P		.							P, R, S	7
320	NAS6603-20		.							P, R, S	2
325	AN960JD10L		.							P, R, S	3
330	F22K1-02		.							P, R, S	1
								(V72962)			
								(SPEC BACN10R10L)			
								(OPT 22K1-02 (V72962))			
								(OPT 26CL02 (V80539))			
335	413N3211-66SP		.							P, R, S	1
340	NAS514P1032-5		.							P, R, S	42
345	413N3211-111SP		.							P, R, S	7
350	NAS603-5P		.							P, R, S	72
355	413T3617-1SP										
355A	413T3167-1SP		.							P, R, S	18

-Item not Illustrated

**25-24-08**

ILLUSTRATED PARTS LIST

Page 1098.234

Jul 01/2007



## COMPONENT MAINTENANCE MANUAL

FIG/ ITEM	PART NUMBER	AIRLINE PART NUMBER	NOMENCLATURE							USAGE CODE	UNITS PER ASSY
			1	2	3	4	5	6	7		
8-											
360	413U3165-1SP		.	TRIM						P, R, S	AR
365	NAS514P1032-16		.	SCREW						P, R, S	11
370	SL52-3		.	NUT (V97393)						P, R, S	11
375	413N3214-473SP		.	PANEL ASSY						P, R, S	1
380	NAS603-6P		.	SCREW						P, R, S	9
385	NAS603-10P		.	SCREW						P, R, S	1
390	NAS603-5P		.	SCREW						P, R, S	28
395	NAS514P1032-8		.	SCREW						P, R, S	14
400	413N3211-624		.	THRESHOLD-EXTRUSION						P, R, S	1
405	413N3211-617		.	CHANNEL						P, R, S	1
410	413N3211-618		.	CHANNEL						P, R, S	1
415	413N3211-619		.	CHANNEL						P, R, S	1
420	413N3224-52SP		.	PANEL ASSY						P, R, S	1
425	412N3224-7SP		.	COVER-DECORATIVE						P, R, S	2
430	NAS1834-3-970		.	INSERT						P, R, S	1
435	SL2334-3A3		.	INSERT (V97393)						P, R, S	36
440	413N3224-56SP		.	PANEL ASSY-SHELF						P, R, S	1
445	413N3224-7SP		.	COVER-DECORATIVE						P, R, S	1
450	SL2334-3A3		.	INSERT (V97393)						P, R, S	33
455	NAS603-5P		.	SCREW						P, R, S	12
460	413T3167-1SP		.	ANGLE						P, R, S	3
465	413N3224-51SP		.	PANEL ASSY-AISLE						P, R	1
-465A	413N3224-70SP		.	PANEL ASSY-AISLE						S	1
470	413N3224-7SP		.	COVER-DECORATIVE						P, R, S	1
475	413N3224-8SP		.	COVER-DECORATIVE						P, R, S	1
480	SL2334-3A3		.	INSERT (V97393)						P, R, S	19
485	NAS603-5P		.	SCREW						P, R, S	88
490	413T3167-1SP		.	ANGLE						P, R, S	22
495	413N3211-473		.	TRIM						P, R, S	1

-Item not Illustrated

# 25-24-08

ILLUSTRATED PARTS LIST

Page 1098.235

Jul 01/2007



## COMPONENT MAINTENANCE MANUAL

FIG/ ITEM	PART NUMBER	AIRLINE PART NUMBER	NOMENCLATURE							USAGE CODE	UNITS PER ASSY
			1	2	3	4	5	6	7		
8-											
500	413N3211-474		.	TRIM						P, R, S	1
505	413N3224-48SP		.	PANEL ASSY						P, R, S	1
510	BACS13CJ3L080P		..	INSERT						P, R, S	4
515	413N3211-469		..	TUBE						P, R, S	1
520	413N3211-622		..	TUBE						P, R, S	1
525	SL2334-3A3		..	INSERT						P, R, S	79
530	413N3224-10SP		..	COVER-DECORATIVE						P, R, S	1
535	413N3211-621		..	SILL						P, R, S	1
540	413N3224-7SP		..	COVER-DECORATIVE						P, R, S	1
545	413N3224-49SP		.	PANEL ASSY						P, R	1
-545A	413N3224-69SP		.	PANEL ASSY						S	1
550	SL2334-3A3		..	INSERT (V97393)						P, R, S	60
555	413N3224-7SP		..	COVER-DECORATIVE						P, R, S	1
560	413N3224-42SP		..	COVER-DECORATIVE						P, R, S	1
565	413N3224-47SP		.	PANEL ASSY						P	1
-565A	413N3224-68SP		.	PANEL ASSY						R, S	1
570	SL2334-3A3		..	INSERT (V97393)						P, R, S	66
575	BACS13CJ3L080P		..	INSERT						P, R, S	16
580	413N3211-620		..	TUBE-SUPPORT						P	1
-580A	413N3211-635		..	TUBE-SUPPORT						R, S	1
585	413N3224-10SP		..	COVER						P, R, S	1
590	413N3224-11SP		..	COVER						P, R, S	1
595	413N3224-7SP		..	COVER						P, R, S	1

-Item not Illustrated

# 25-24-08

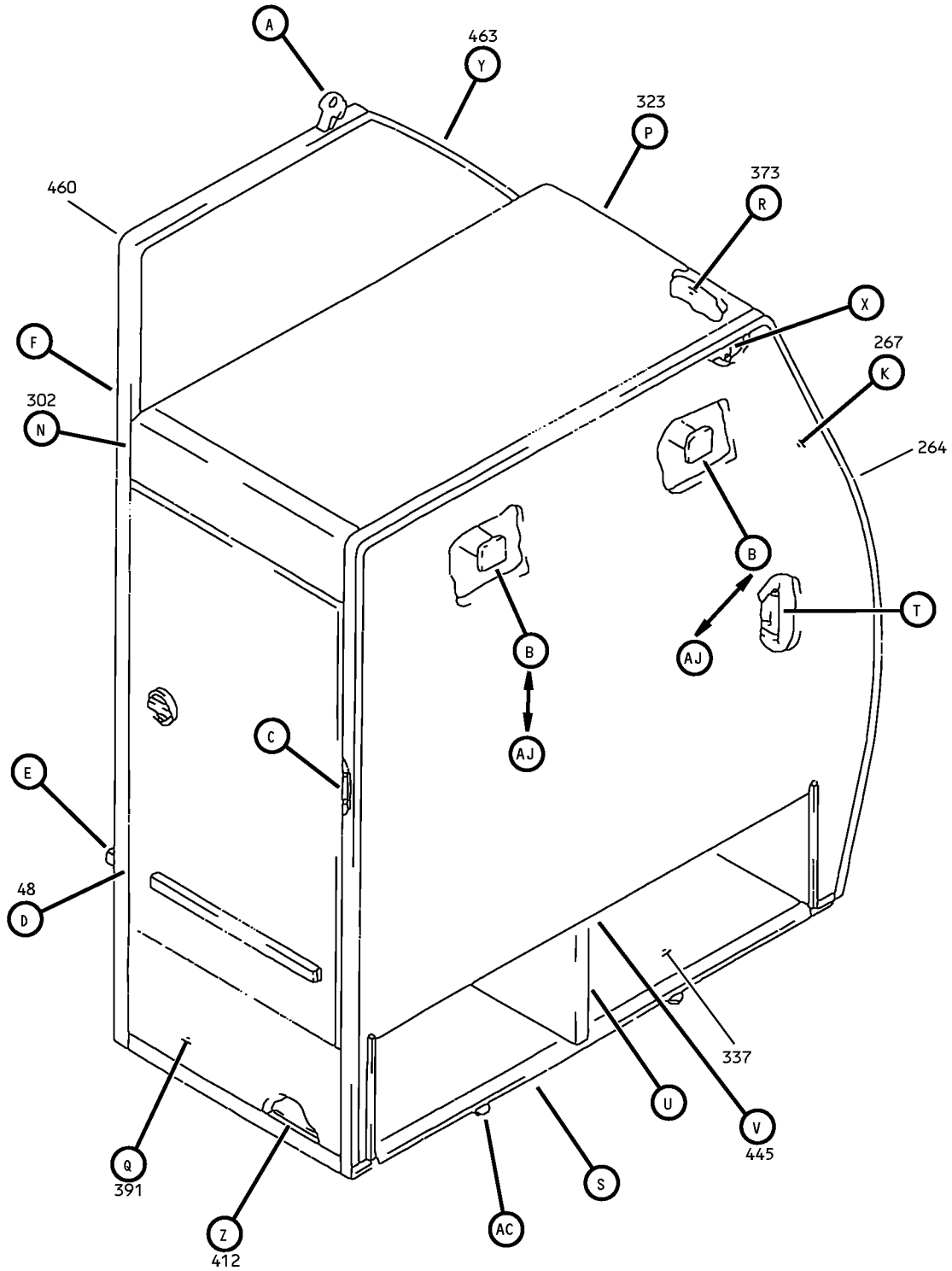
ILLUSTRATED PARTS LIST

Page 1098.236

Jul 01/2007



COMPONENT MAINTENANCE MANUAL



Forward Right Closet Assembly  
IPL Figure 9 (Sheet 1 of 20)

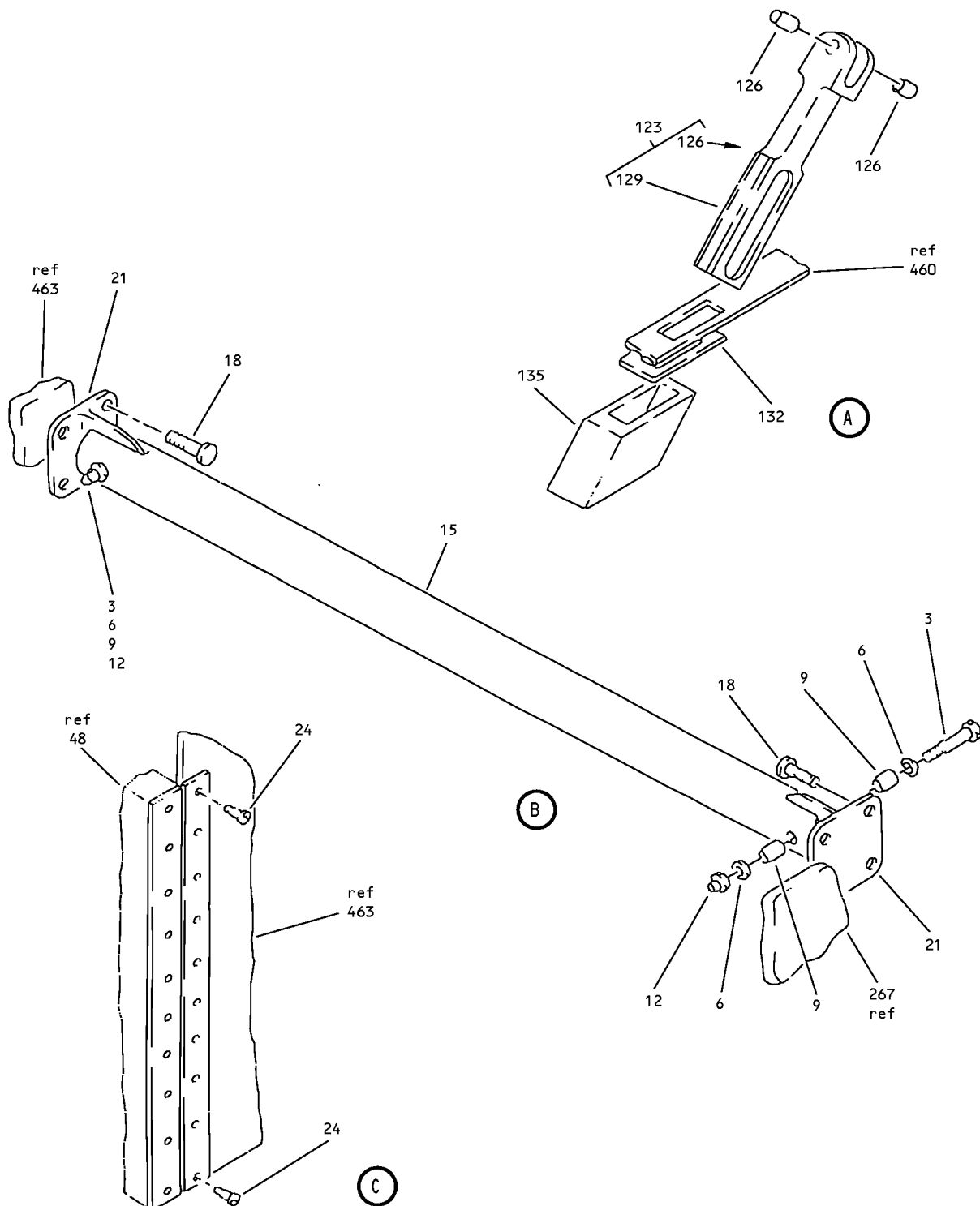
**25-24-08**

ILLUSTRATED PARTS LIST

Page 1098.237

Jul 01/2007

COMPONENT MAINTENANCE MANUAL



Forward Right Closet Assembly  
IPL Figure 9 (Sheet 2 of 20)

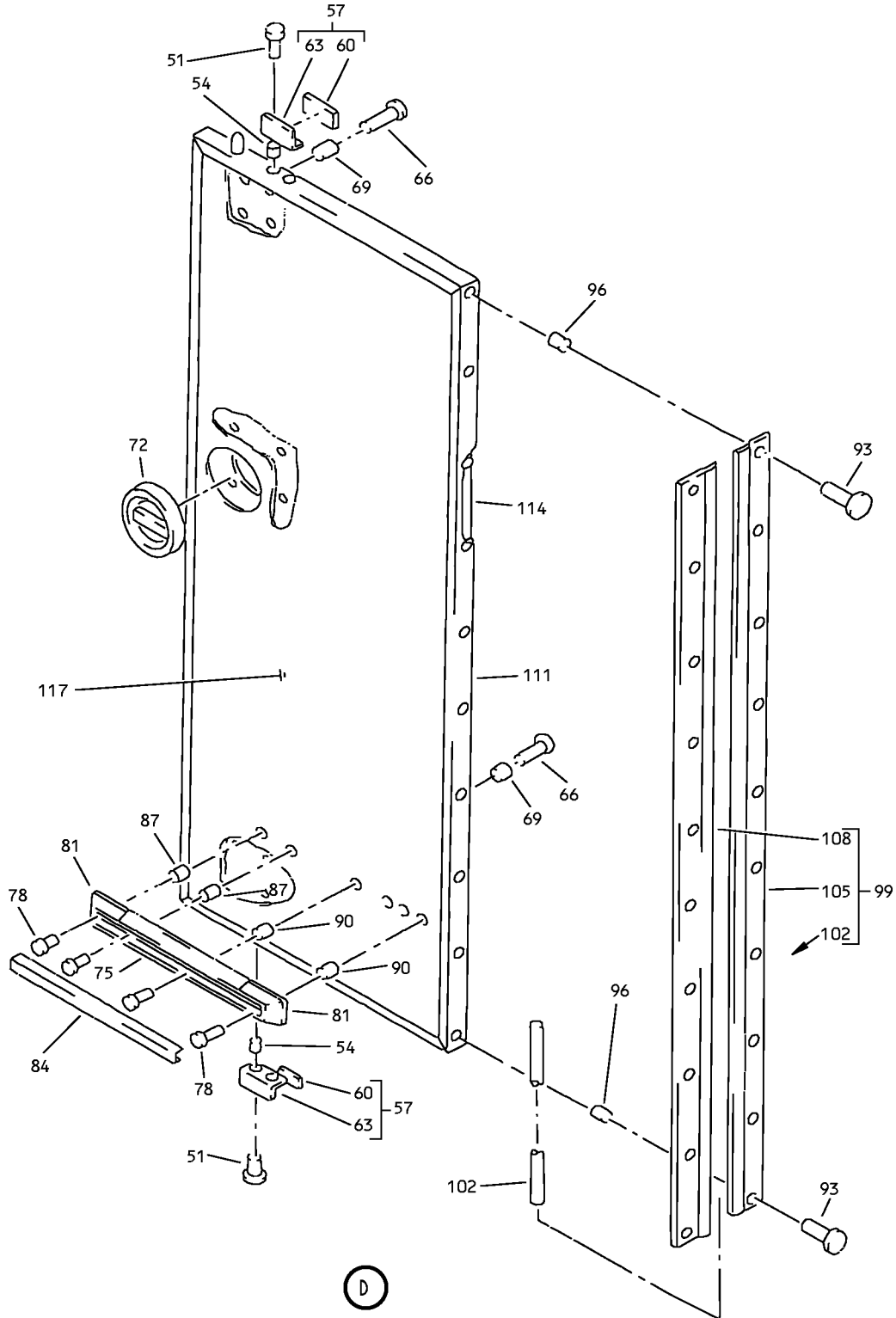
**25-24-08**

ILLUSTRATED PARTS LIST

Page 1098.238

Jul 01/2007

COMPONENT MAINTENANCE MANUAL



Forward Right Closet Assembly  
IPL Figure 9 (Sheet 3 of 20)

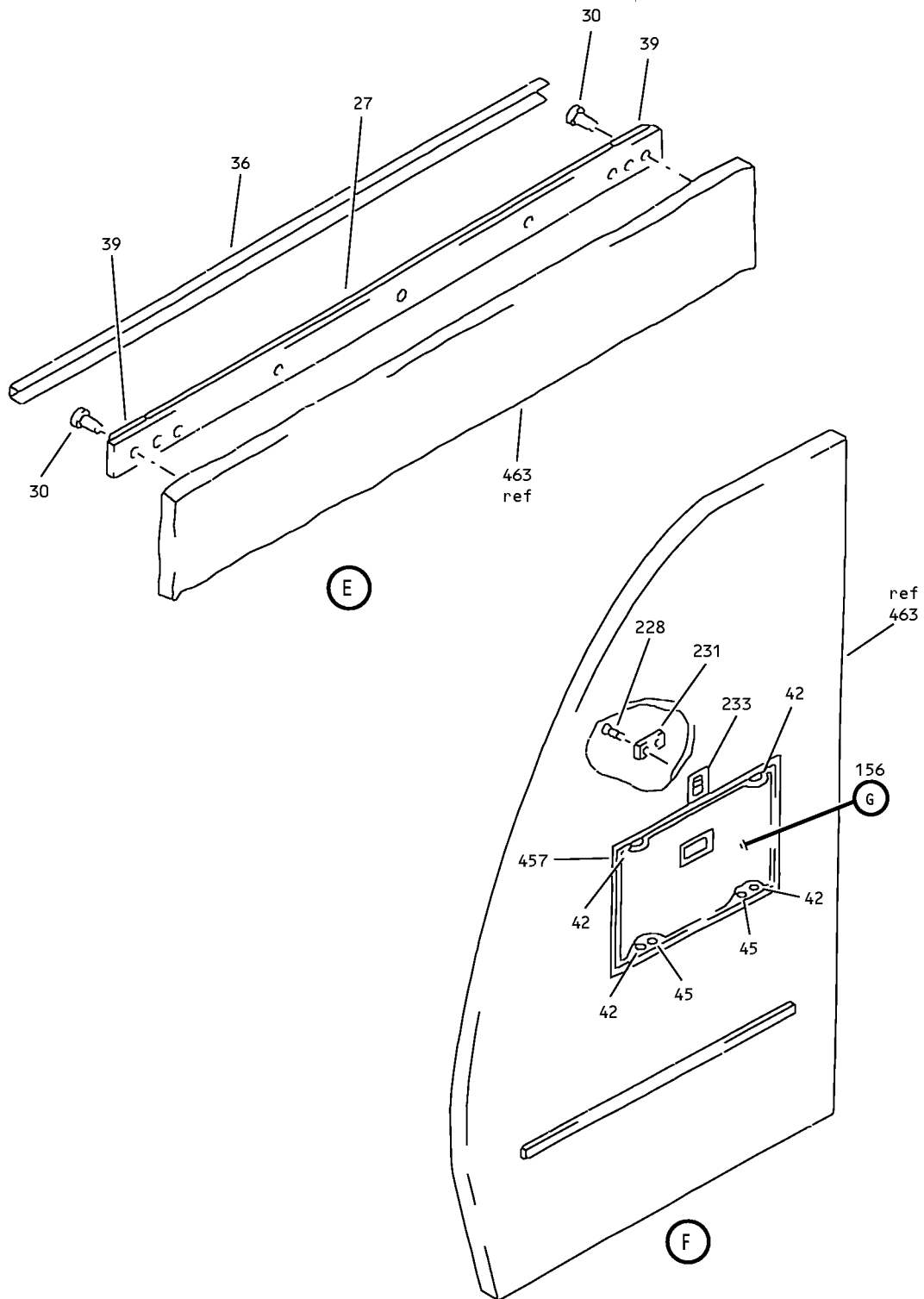
**25-24-08**

ILLUSTRATED PARTS LIST

Page 1098.239

Jul 01/2007

COMPONENT MAINTENANCE MANUAL



Forward Right Closet Assembly  
IPL Figure 9 (Sheet 4 of 20)

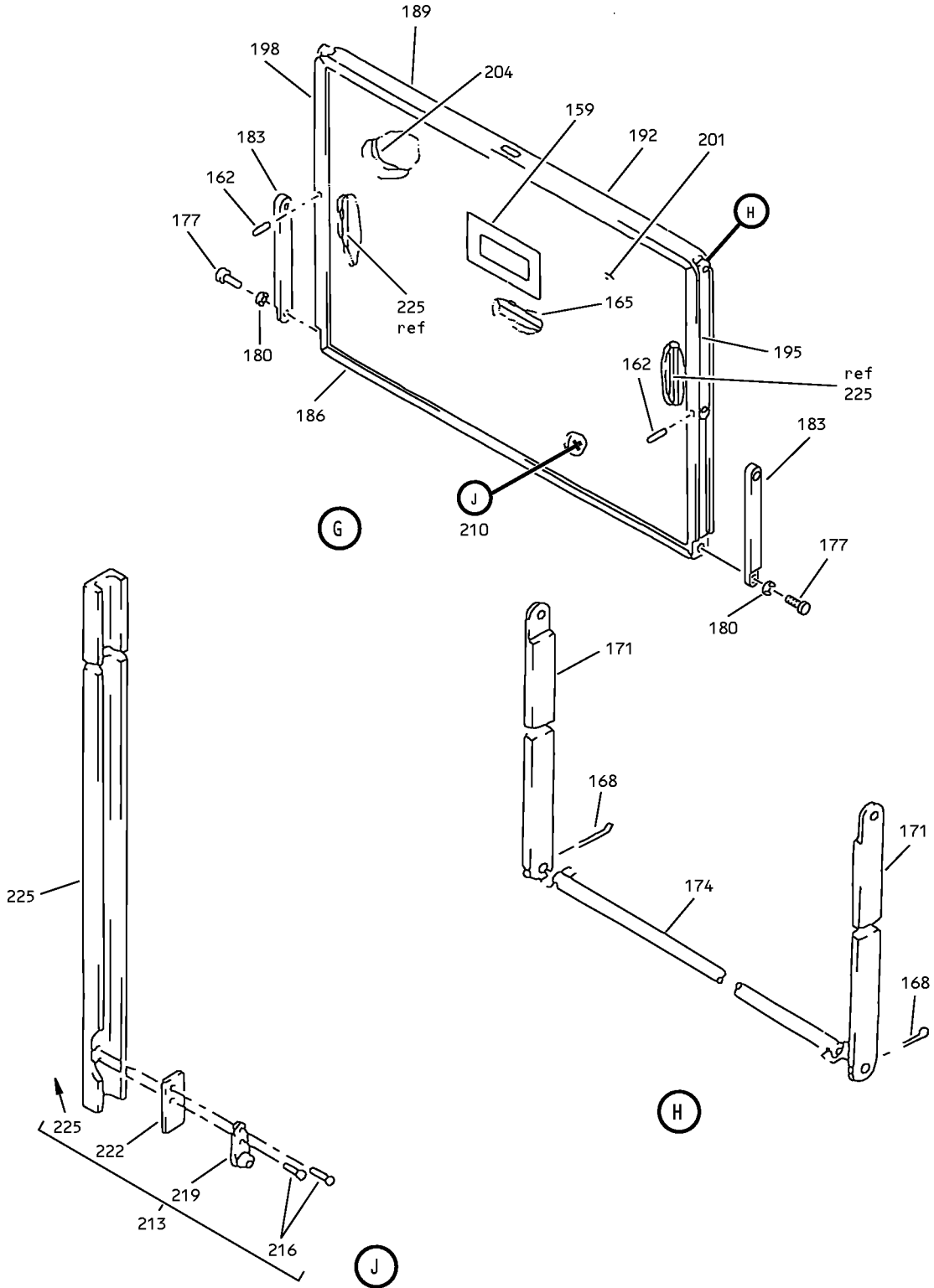
**25-24-08**

ILLUSTRATED PARTS LIST

Page 1098.240

Jul 01/2007

COMPONENT MAINTENANCE MANUAL



Forward Right Closet Assembly  
IPL Figure 9 (Sheet 5 of 20)

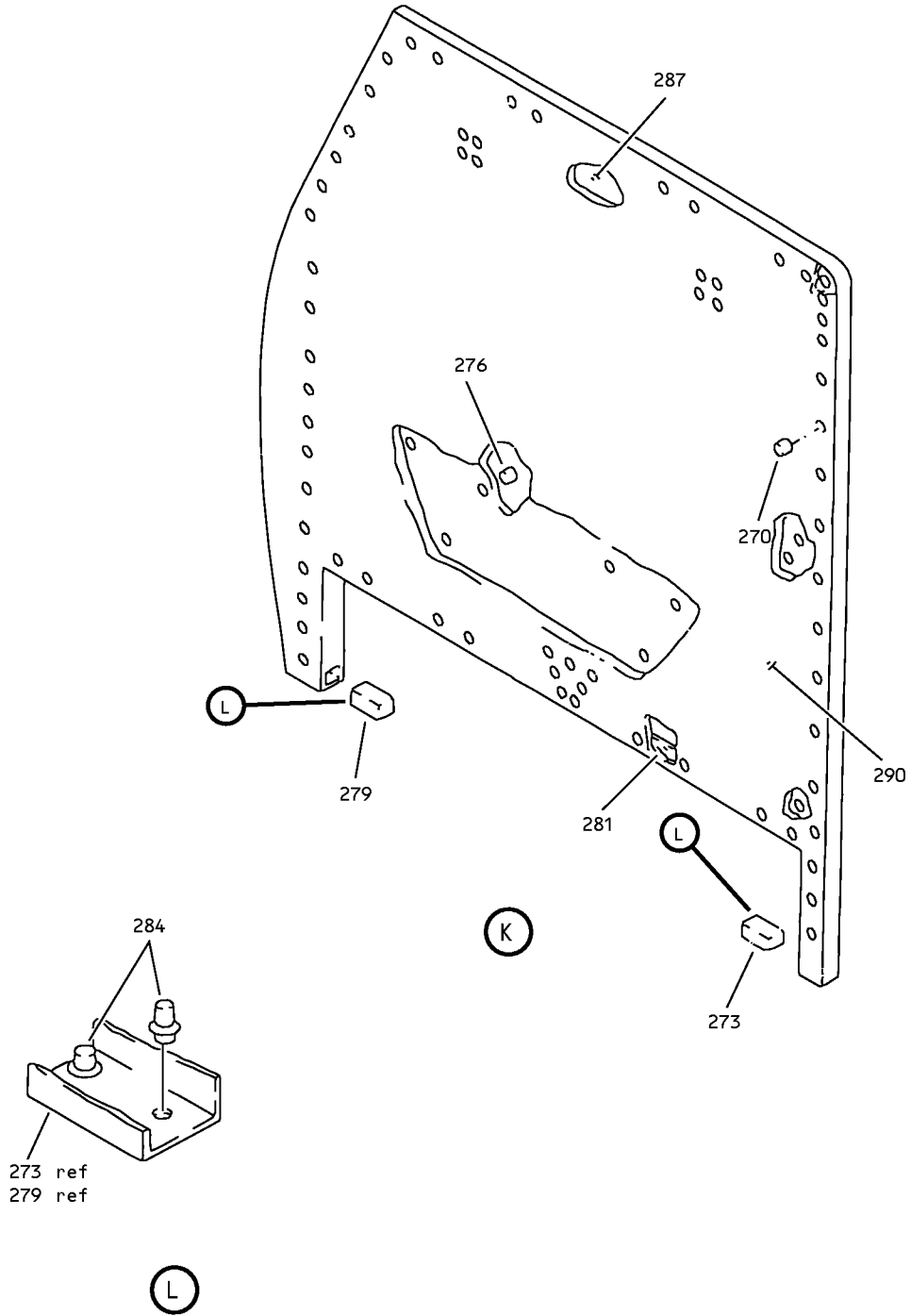
**25-24-08**

ILLUSTRATED PARTS LIST

Page 1098.241

Jul 01/2007

COMPONENT MAINTENANCE MANUAL



Forward Right Closet Assembly  
IPL Figure 9 (Sheet 6 of 20)

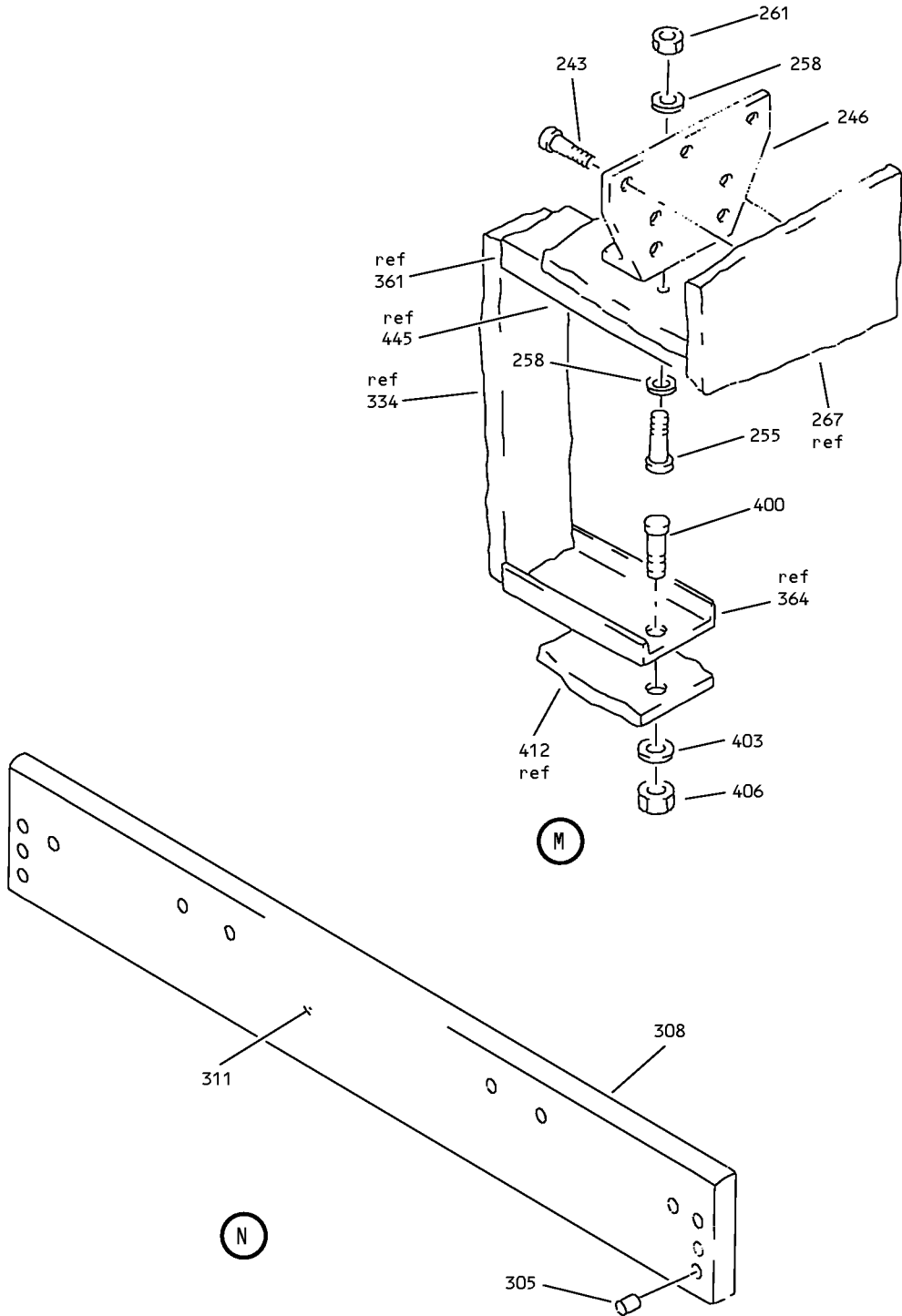
**25-24-08**

ILLUSTRATED PARTS LIST

Page 1098.242

Jul 01/2007

COMPONENT MAINTENANCE MANUAL



Forward Right Closet Assembly  
IPL Figure 9 (Sheet 7 of 20)

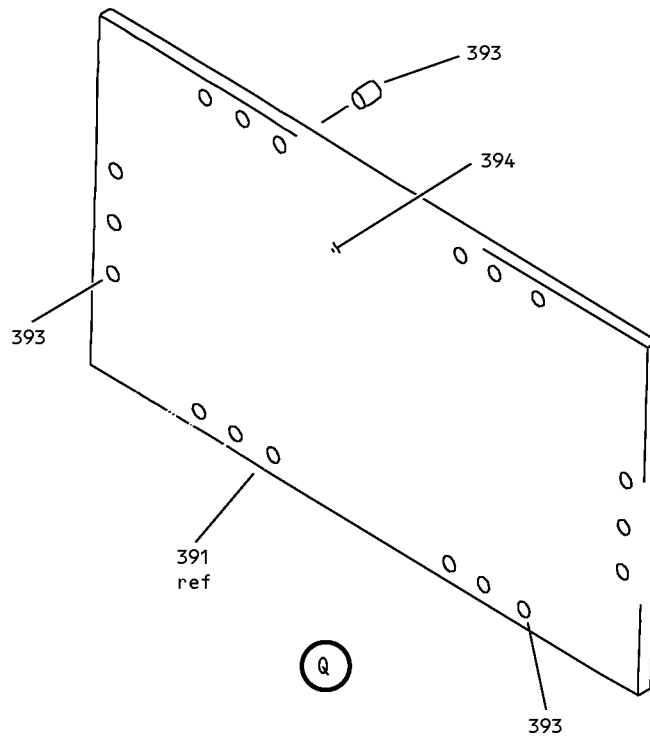
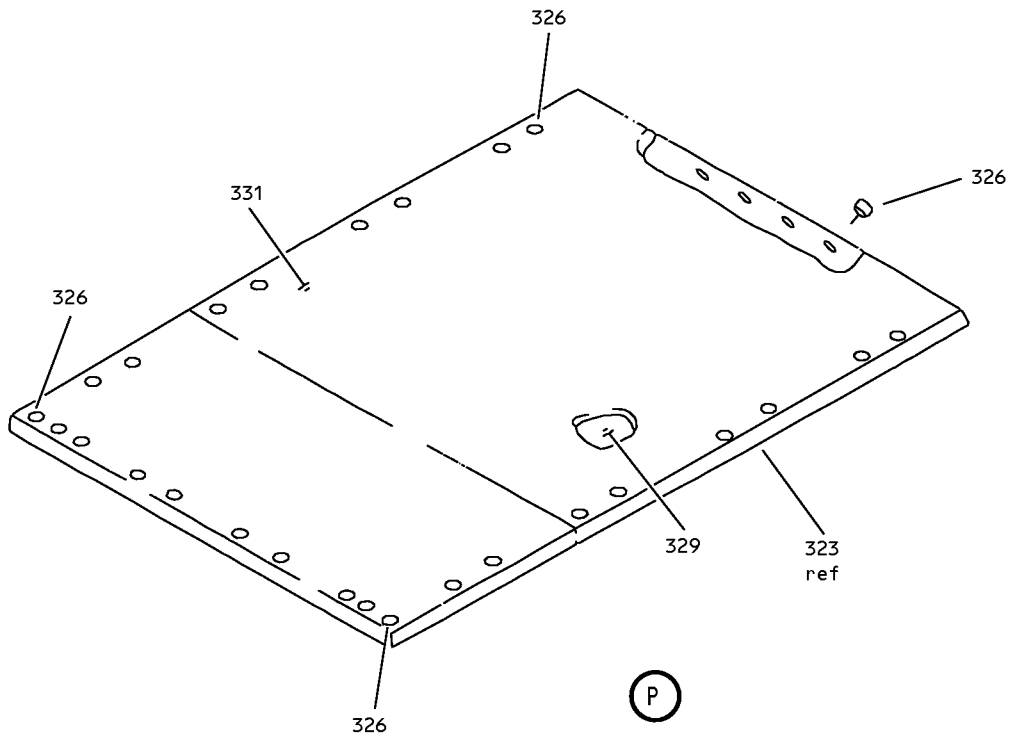
**25-24-08**

ILLUSTRATED PARTS LIST

Page 1098.243

Jul 01/2007

COMPONENT MAINTENANCE MANUAL



Forward Right Closet Assembly  
IPL Figure 9 (Sheet 8 of 20)

**25-24-08**

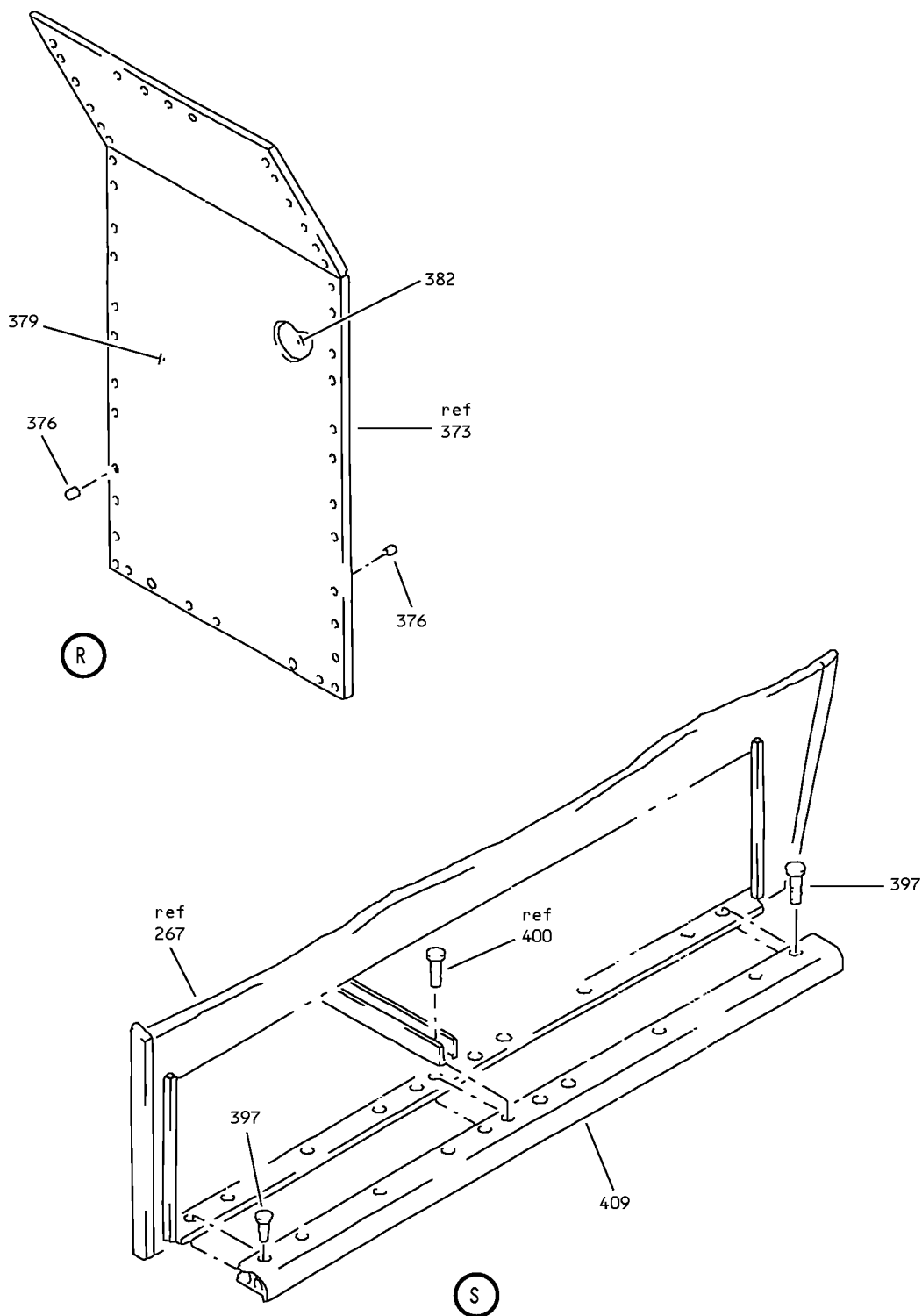
ILLUSTRATED PARTS LIST

Page 1098.244

Jul 01/2007



COMPONENT MAINTENANCE MANUAL



Forward Right Closet Assembly  
IPL Figure 9 (Sheet 9 of 20)

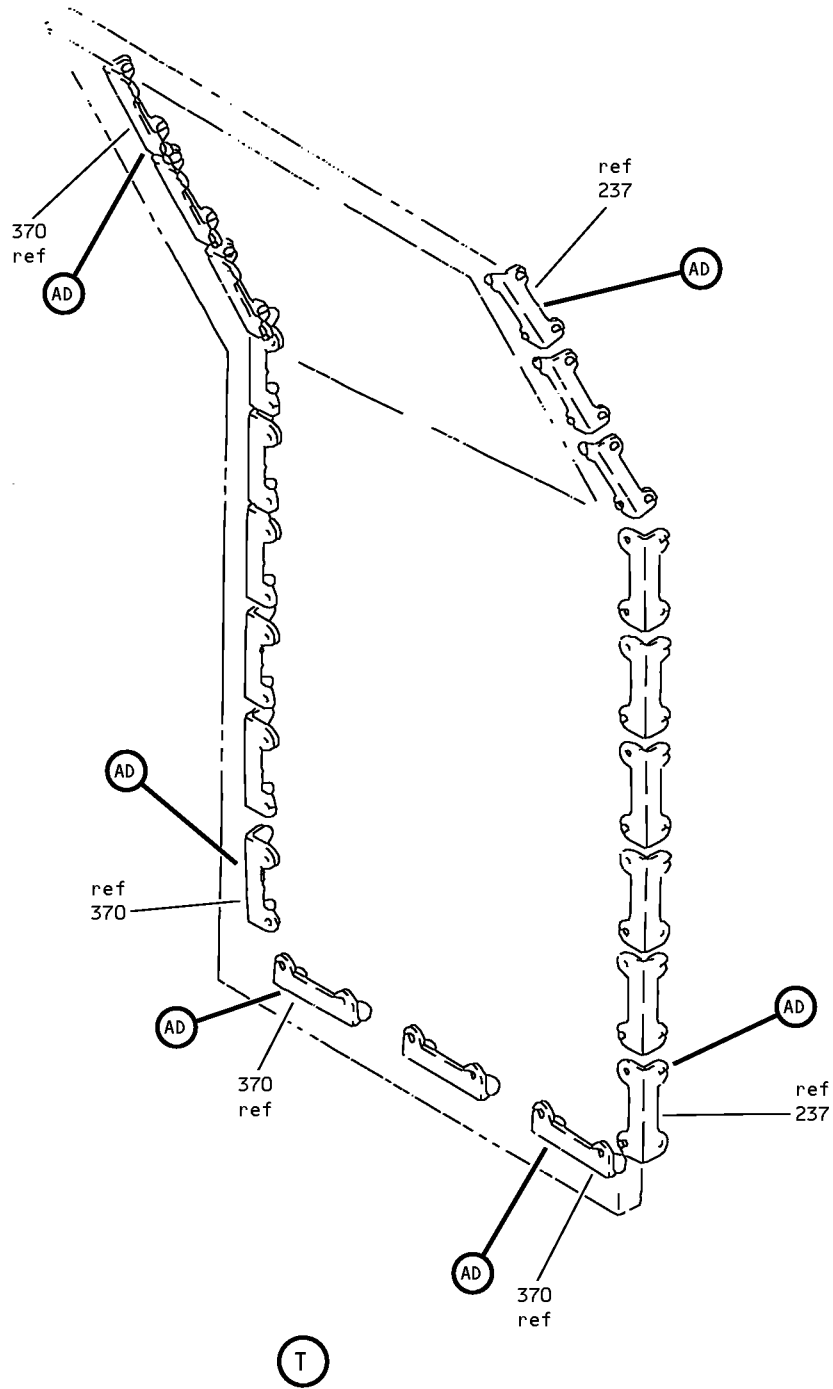
**25-24-08**

ILLUSTRATED PARTS LIST

Page 1098.245

Jul 01/2007

COMPONENT MAINTENANCE MANUAL



Forward Right Closet Assembly  
IPL Figure 9 (Sheet 10 of 20)

**25-24-08**

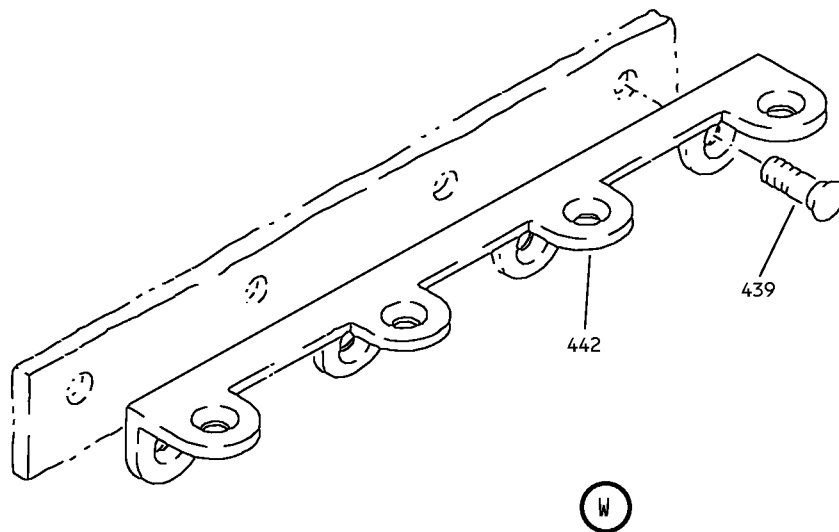
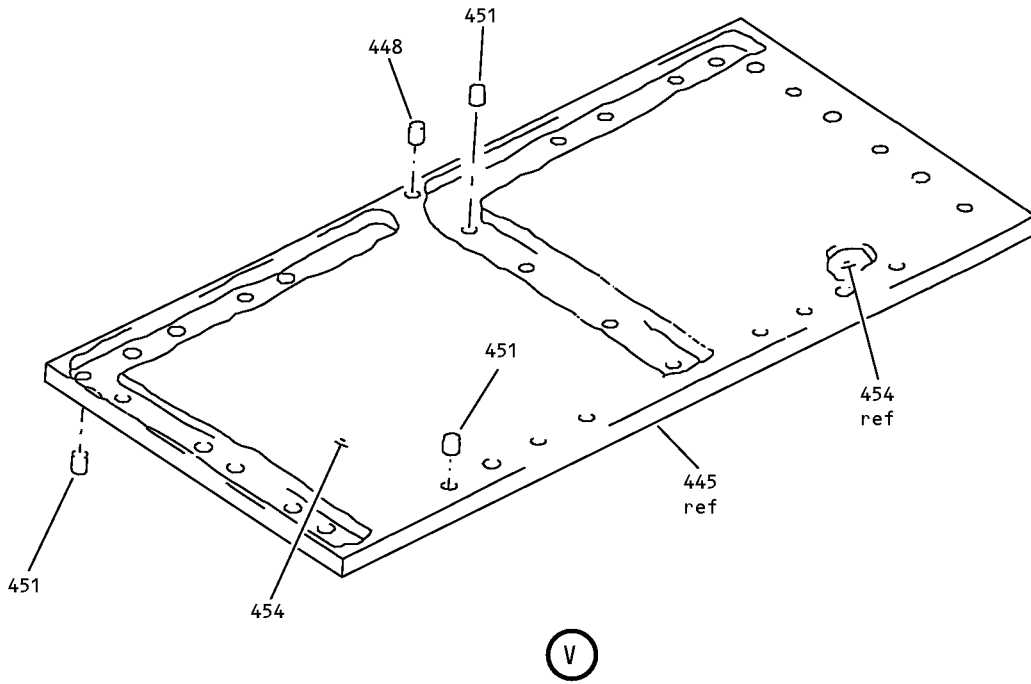
ILLUSTRATED PARTS LIST

Page 1098.246

Jul 01/2007



COMPONENT MAINTENANCE MANUAL



Forward Right Closet Assembly  
IPL Figure 9 (Sheet 12 of 20)

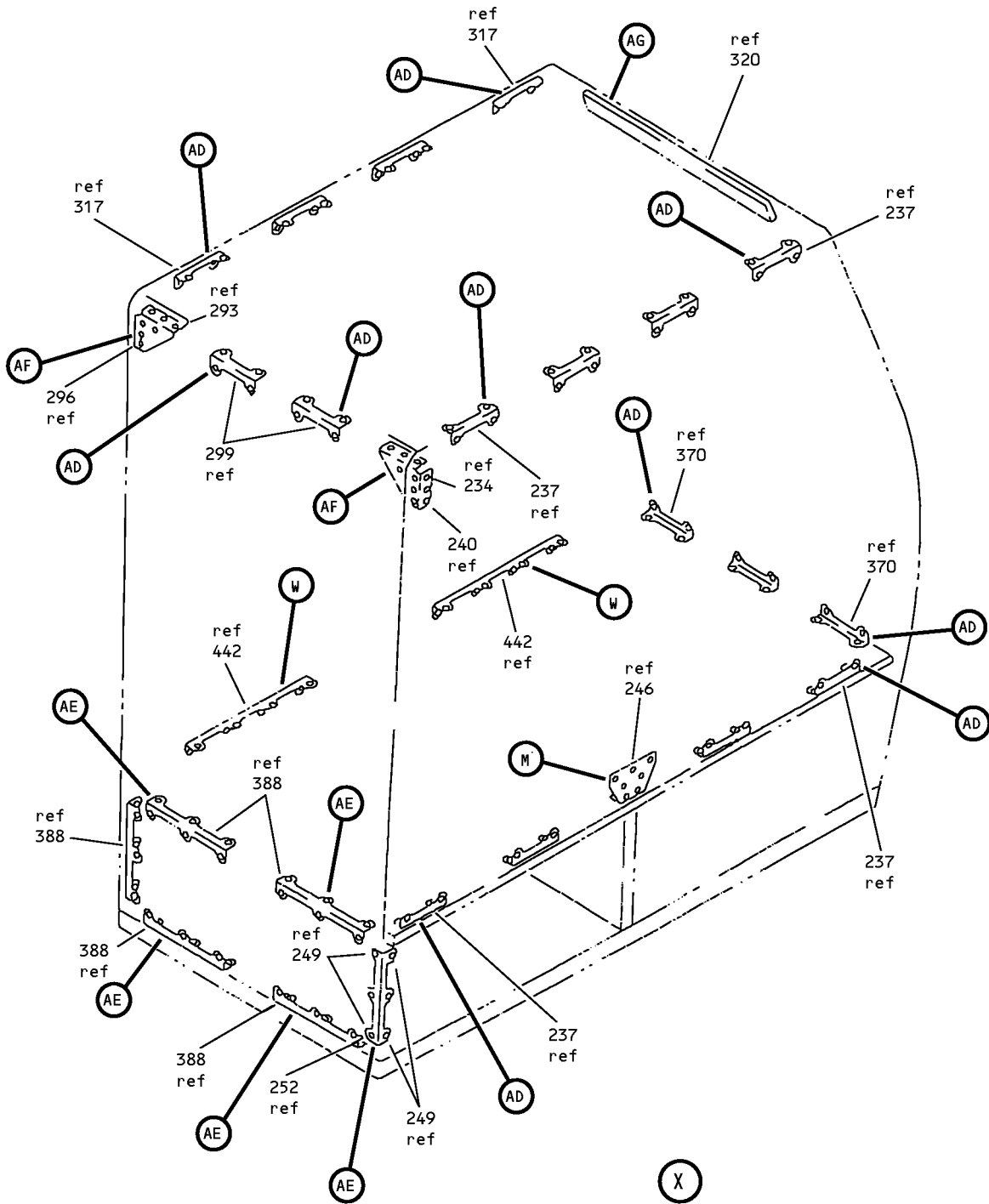
**25-24-08**

ILLUSTRATED PARTS LIST

Page 1098.248

Jul 01/2007

COMPONENT MAINTENANCE MANUAL



Forward Right Closet Assembly  
IPL Figure 9 (Sheet 13 of 20)

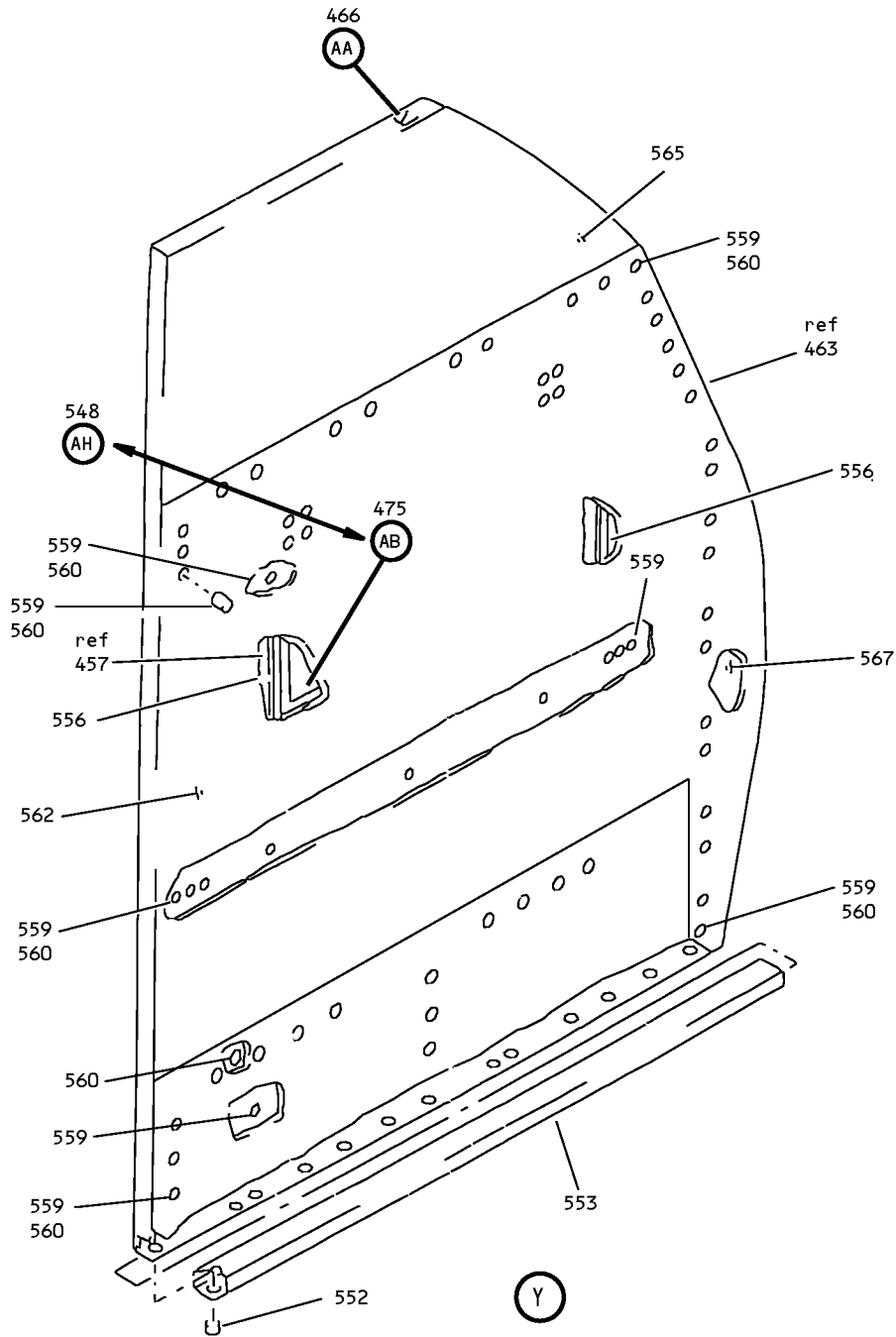
**25-24-08**

ILLUSTRATED PARTS LIST

Page 1098.249

Jul 01/2007

COMPONENT MAINTENANCE MANUAL



Forward Right Closet Assembly  
IPL Figure 9 (Sheet 14 of 20)

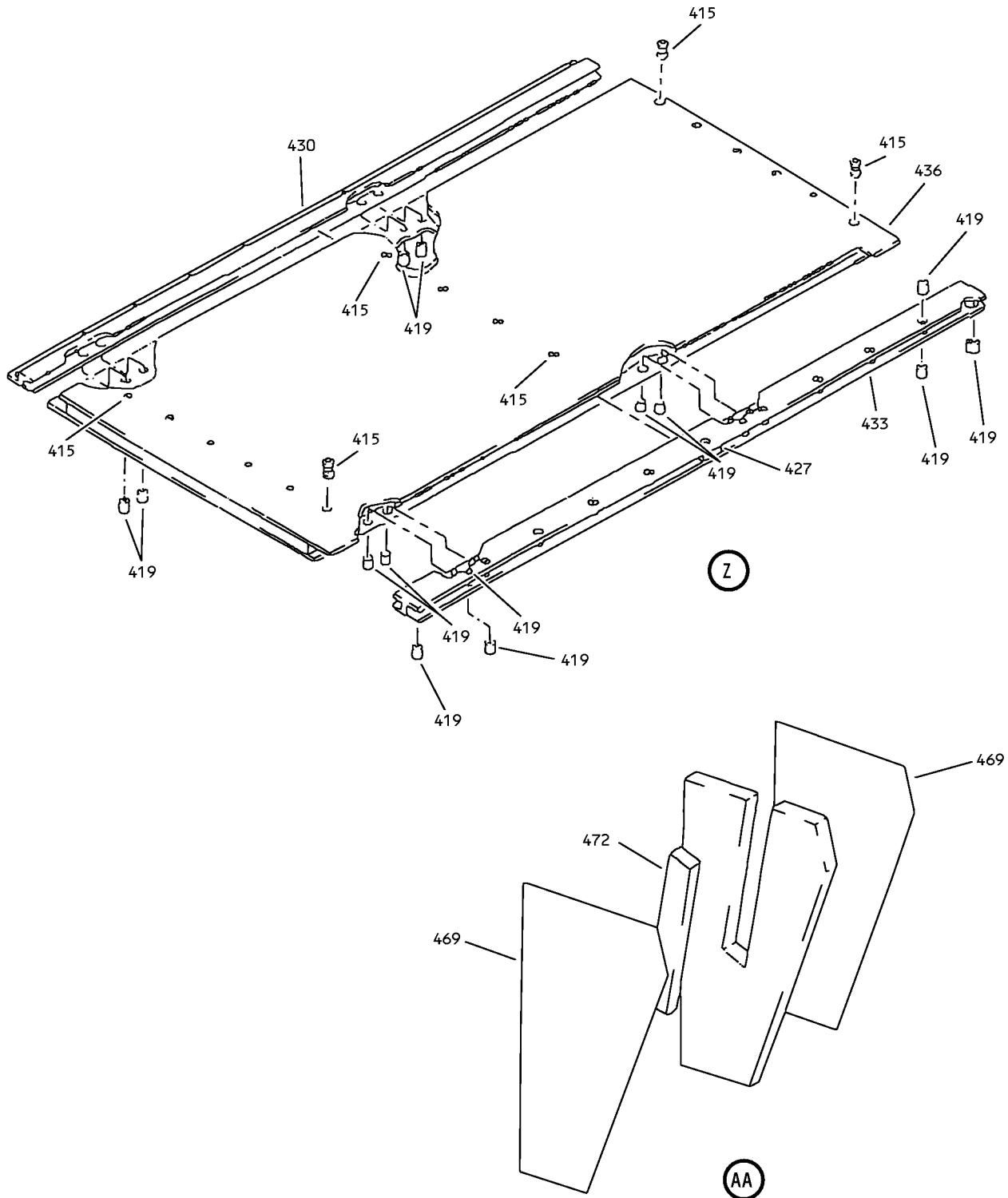
**25-24-08**

ILLUSTRATED PARTS LIST

Page 1098.250

Jul 01/2007

COMPONENT MAINTENANCE MANUAL



Forward Right Closet Assembly  
IPL Figure 9 (Sheet 15 of 20)

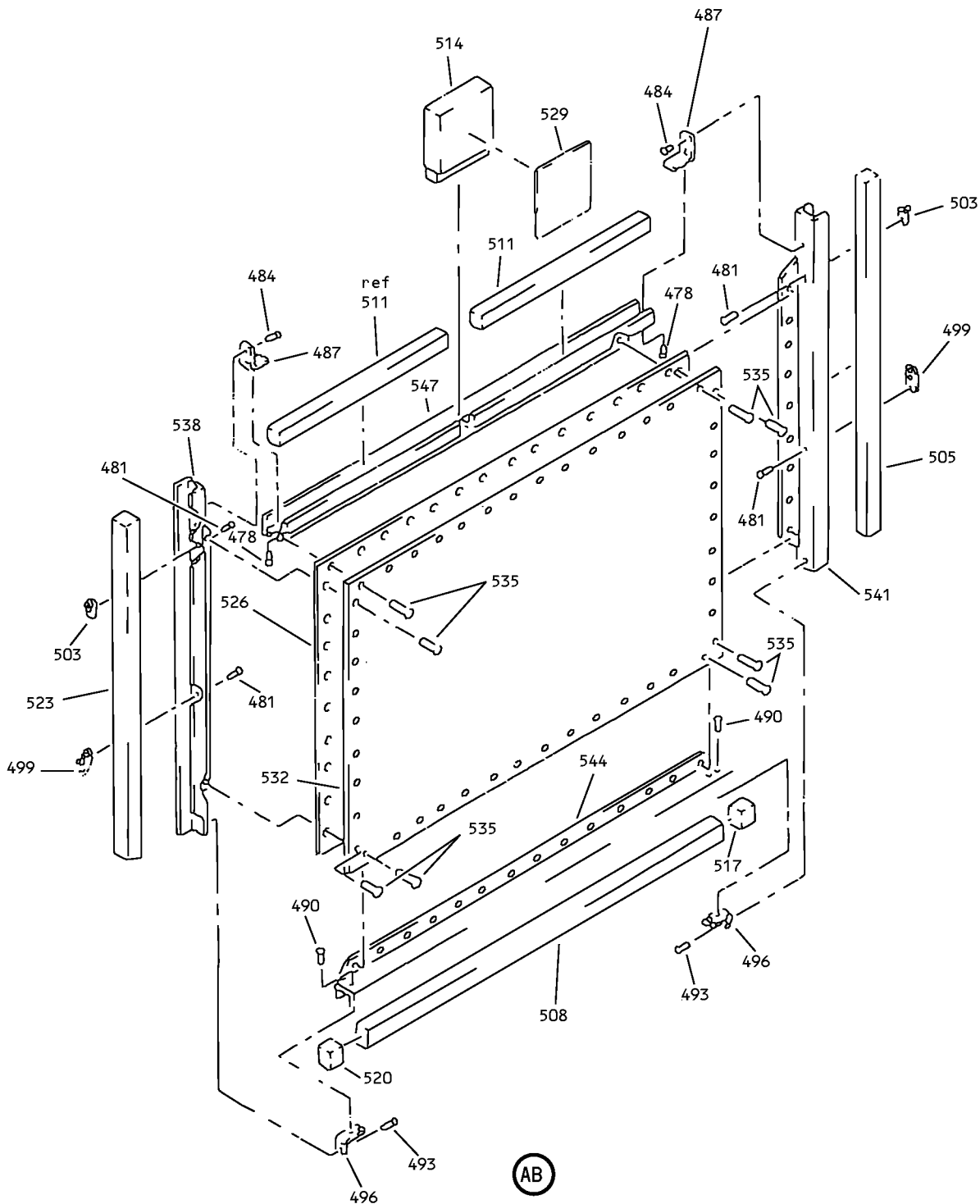
**25-24-08**

ILLUSTRATED PARTS LIST

Page 1098.251

Jul 01/2007

# COMPONENT MAINTENANCE MANUAL



Forward Right Closet Assembly  
IPL Figure 9 (Sheet 16 of 20)

## 25-24-08

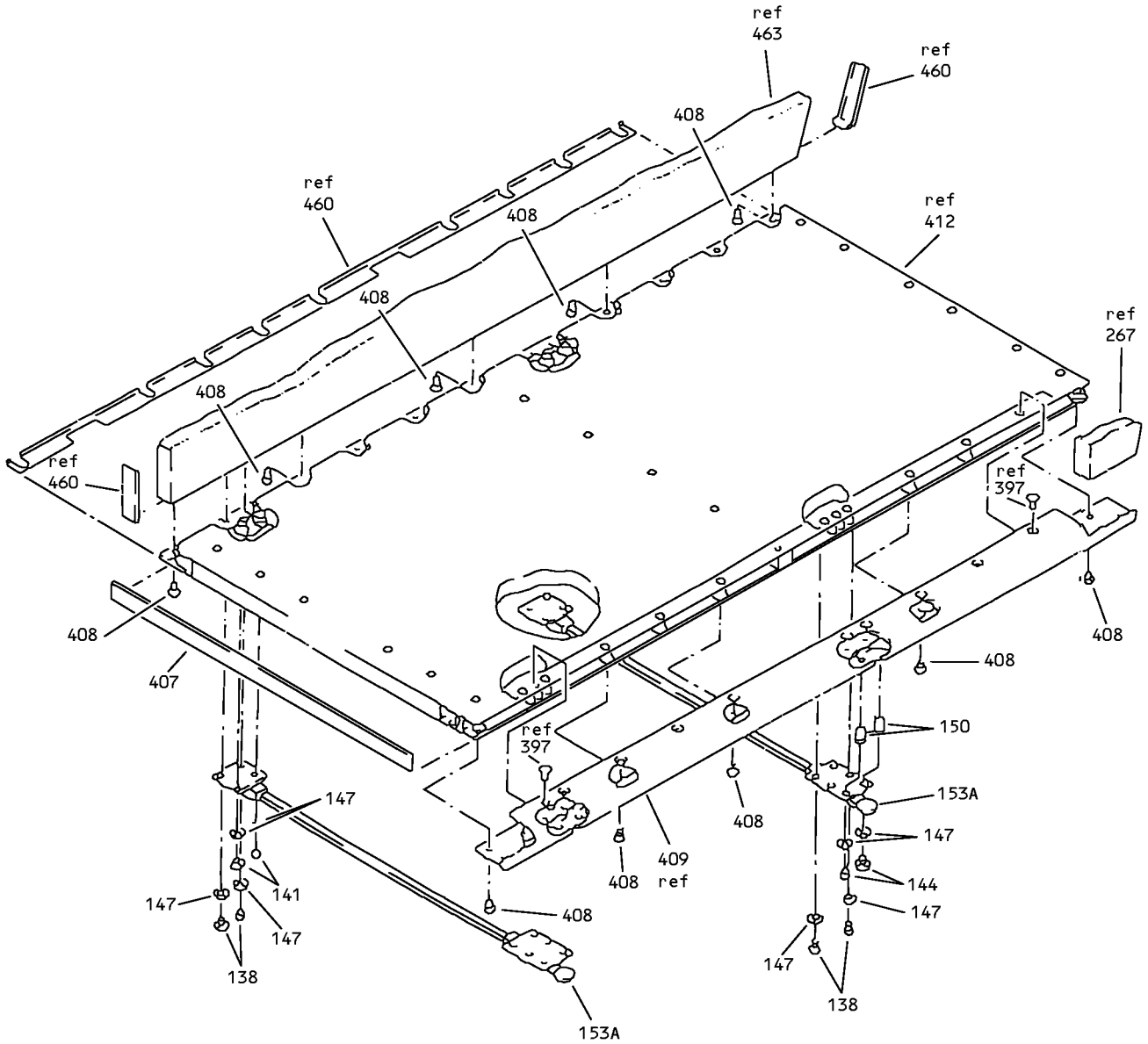
ILLUSTRATED PARTS LIST

Page 1098.252

Jul 01/2007



COMPONENT MAINTENANCE MANUAL



AC

Forward Right Closet Assembly  
IPL Figure 9 (Sheet 17 of 20)

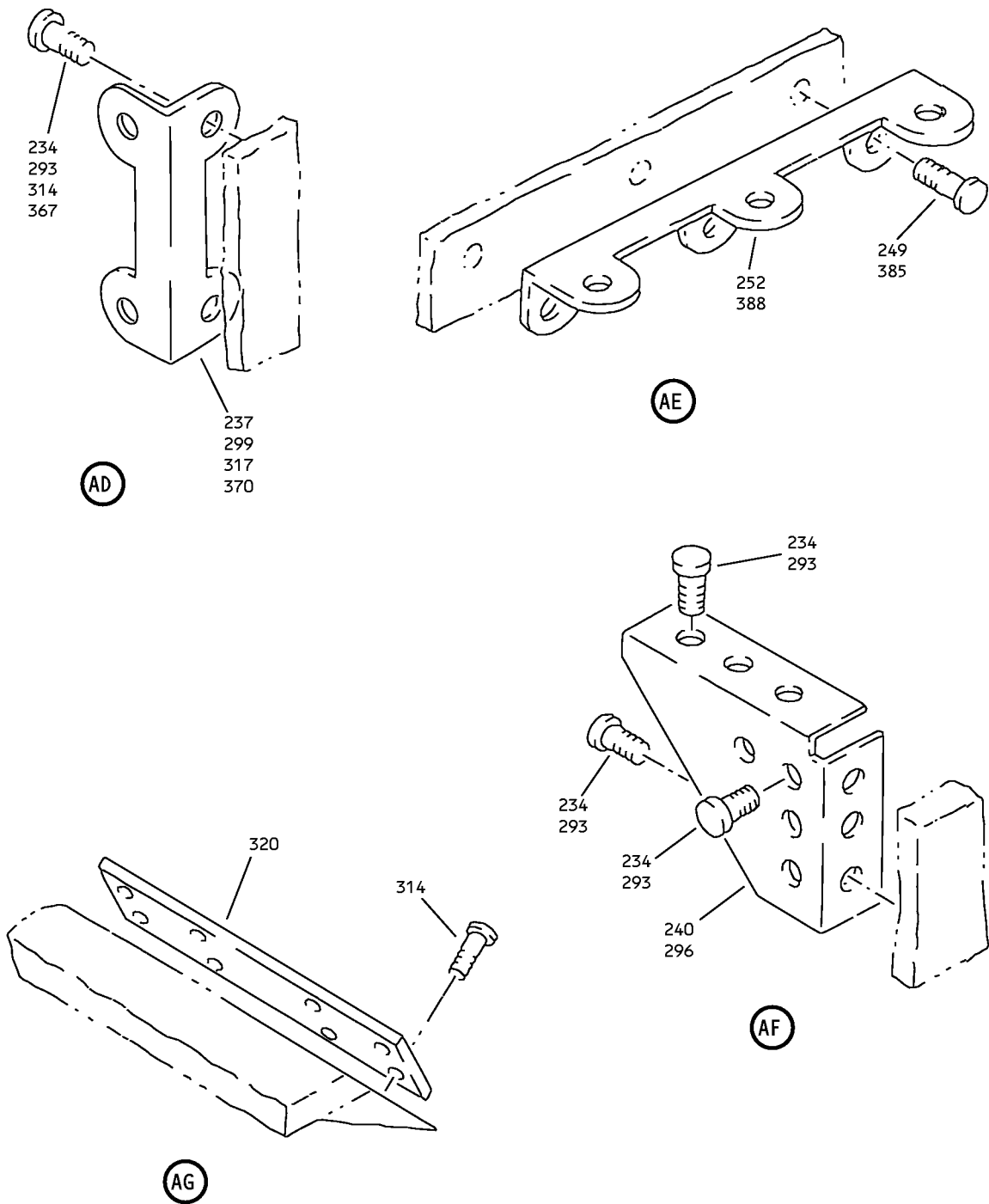
**25-24-08**

ILLUSTRATED PARTS LIST

Page 1098.253

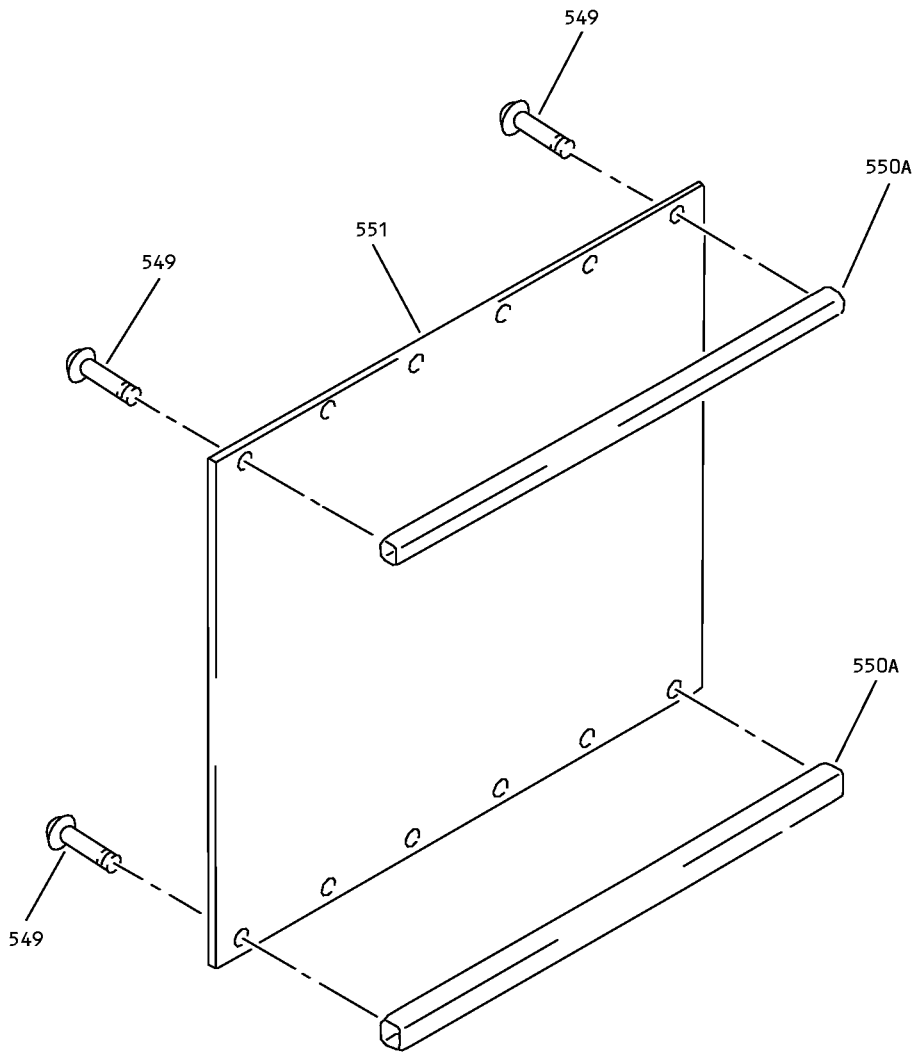
Jul 01/2007

COMPONENT MAINTENANCE MANUAL



Forward Right Closet Assembly  
IPL Figure 9 (Sheet 18 of 20)

COMPONENT MAINTENANCE MANUAL



(AH)

Forward Right Closet Assembly  
IPL Figure 9 (Sheet 19 of 20)

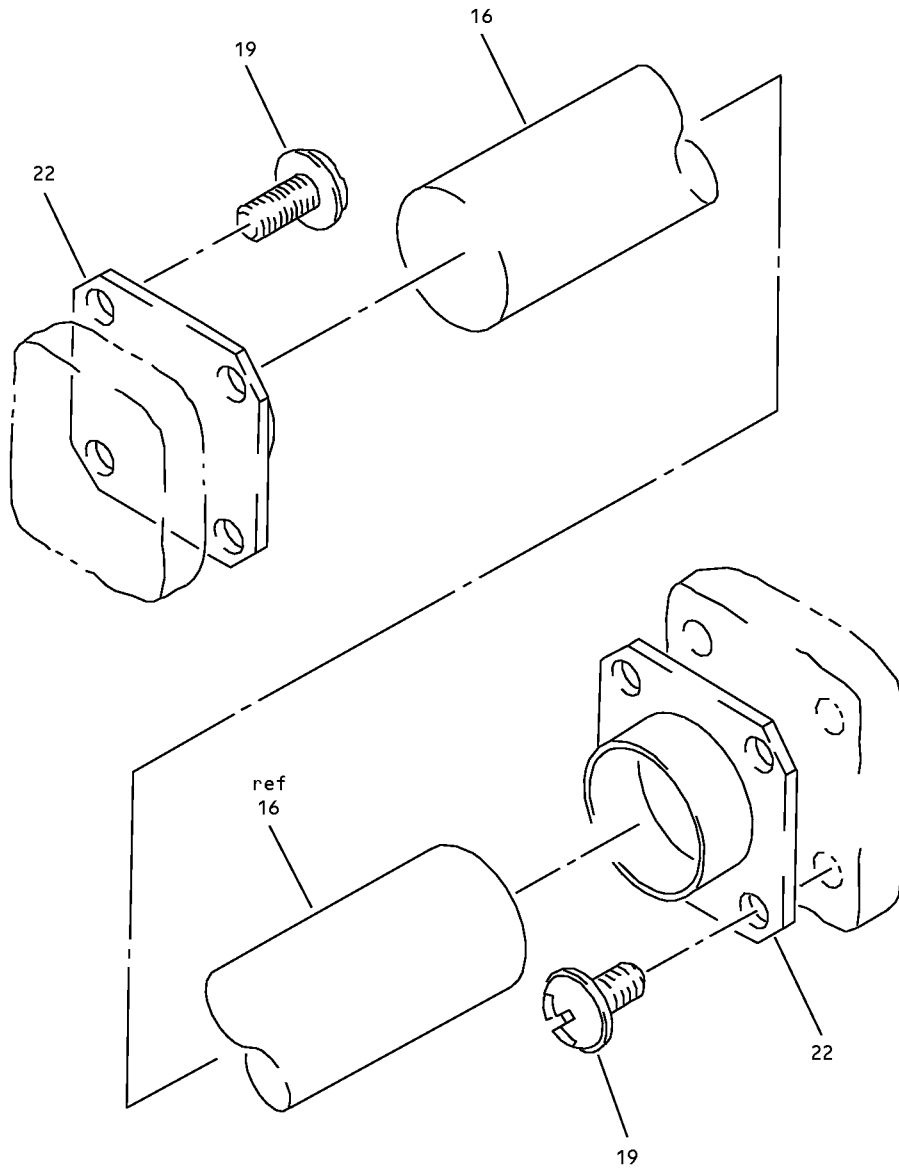
**25-24-08**

ILLUSTRATED PARTS LIST

Page 1098.255

Jul 01/2007

COMPONENT MAINTENANCE MANUAL



Forward Right Closet Assembly  
IPL Figure 9 (Sheet 20 of 20)

**25-24-08**

ILLUSTRATED PARTS LIST

Page 1098.256

Jul 01/2007



## COMPONENT MAINTENANCE MANUAL

FIG/ ITEM	PART NUMBER	AIRLINE PART NUMBER	NOMENCLATURE							USAGE CODE	UNITS PER ASSY
			1	2	3	4	5	6	7		
9-											
-1	413N3206-200SP									V	RF
-1A	413N3206-219SP									AK	RF
3	BACB30NR4K21									V	4
6	AN960JD416L									V	8
9	NAS43DD4-38FC										
12	MS21042L4									V	4
15	65-88166-601									V	2
16	413T3165-42									AK	2
18	NAS603-6P									V	16
19	BACS12FA3K8									AK	16
21	69-17083-3									V	4
22	69B51689-3									AK	4
24	NAS514P1032-5									V, AK	10
27	414N3300-49SP									V, AK	1
30	NAS603-6P									V	9
-30A	BACS12FA3K6									AK	9
36	414N3300-48SP									V, AK	1
39	414N3300-1SP									V, AK	2
42	65C13879-110									V, AK	4
45	H3-1242-3									V, AK	2
48	413N3615-424SP									V, AK	1
51	NAS514P832-5									V, AK	4
54	NAS1836-08-14									V, AK	4
57	413N3211-183									V, AK	2
60	413N3211-185									V, AK	1
63	413N3211-184									V, AK	1
66	NAS514P1032-5									V, AK	12

-Item not Illustrated

# 25-24-08

ILLUSTRATED PARTS LIST

Page 1098.257

Jul 01/2007



## COMPONENT MAINTENANCE MANUAL

FIG/ ITEM	PART NUMBER	AIRLINE PART NUMBER	NOMENCLATURE							USAGE CODE	UNITS PER ASSY
			1	2	3	4	5	6	7		
9-											
69	SL2334-3A3		. .	INSERT						V, AK	12
				(V97393)							
72	SAM261-2		. .	LATCH						V, AK	1
				(V31845)							
75	414N3300-487SP		. .	STRIP-RUB						V, AK	1
78	NAS603-6P		. .	SCREW						V, AK	6
81	414N3300-1SP		. .	CAP-END						V, AK	2
84	414N3300-486SP		. .	CAP-RUB STRIP						V, AK	1
87	NAS1836-3-14		. .	INSERT						V, AK	2
90	SL2334-3A3		. .	INSERT						V, AK	4
				(V97393)							
93	NAS514P1032-6P		. .	SCREW						V, AK	10
96	SL2334-3A3		. .	INSERT						V, AK	10
				(V97393)							
99	413N3616-103		. .	HINGE ASSY						V, AK	1
102	MS20253P2-4422		. . .	PIN						V, AK	1
105	413N3616-104		. . .	HINGE-HALF						V, AK	1
108	413N3616-105		. . .	HINGE-HALF						V, AK	1
111	413U3165-25		. .	TRIM						V, AK	AR
114	413N3615-65SP		. .	COVER-DECORATIVE						V, AK	1
117	413N2615-7SP		. .	COVER-DECORATIVE						V, AK	1
120	413U3165-7			DELETED							
123	65C19744-113		. .	SUPPORT ASSY						V, AK	1
126	BACB28Y4D020		. .	BUSHING						V, AK	2
129	65C19744-114		. .	SUPPORT						V, AK	1
132	413N3211-644		. .	PAD-BUMPER						V, AK	1
135	413N3206-194		. .	TAPE-HOOK						V, AK	AR
138	NAS6603-4		. .	BOLT						V, AK	12
141	NAS6603-2		. .	BOLT						V, AK	4
144	NAS6603-3		. .	BOLT						V, AK	4
147	AN960JD10L		. .	WASHER						V	20
-147A	NAS1149D0332J		. .	WASHER						AK	20
150	BACS13CJ3L080P		. .	INSERT						V, AK	4

-Item not Illustrated

# 25-24-08

ILLUSTRATED PARTS LIST

Page 1098.258

Jul 01/2007



## COMPONENT MAINTENANCE MANUAL

FIG/ ITEM	PART NUMBER	AIRLINE PART NUMBER	NOMENCLATURE							USAGE CODE	UNITS PER ASSY
			1	2	3	4	5	6	7		
9-											
153	45927-29										
153A	45927-21								. TRACK-SEAT TRACK (V31272)	V, AK	2
156	65-74227-91SP								. TABLE ASSY	V	1
-156A	413N3022-1SP								. TABLE ASSY	AK	1
159	69-19088-14B								. . PLATE ASSY	V, AK	1
162	MS16562-26								. . PIN-DOWEL	V, AK	2
165	69-50269-3								. . TUBE ASSY-TORQUE	V	1
-165A	69-50269-12								. . TUBE ASSY-TORQUE	V, AK	1
168	MS246655-285								. . PIN-COTTER	V, AK	2
171	69-50264-2								. . LINK	V	2
-171A	69-50264-7								. . LINK	AK	2
174	69-50269-4								. . TUBE	V, AK	1
177	69-50485-1								. . SCREW-STEPPED	V, AK	2
180	NAS549ML416								. . WASHER (OPT ITEM 180A)	V	2
-180A	BACW10P193G								. . WASHER (OPT ITEM 180)	V	2
-180B	BACW10P1936								. . WASHER	AK	2
183	69-50264-1								. . LINK	V	2
-183A	69-50264-6								. . LINK	AK	2
186	65-74227-23								. . TRIM	V, AK	AR
189	65-74227-32								. . TRIM	V, AK	AR
192	65-74227-33								. . TRIM	V, AK	AR
195	65-74227-36								. . TRIM	V, AK	AR
198	65-74227-37								. . TRIM	V, AK	AR
201	65-74227-24SP								. . COVER-DECORATIVE	V	1
-201A	413N3165-7								. . COVER-DECORATIVE	AK	1
204	65-74227-25SP								. . COVER-DECORATIVE	V	1
-204A	413N3165-8								. . COVER-DECORATIVE	AK	1
207	65-74227-27								DELETED		
210	65-74227-92								. . PANEL ASSY	V	1

-Item not Illustrated

**25-24-08**

ILLUSTRATED PARTS LIST

Page 1098.259

Jul 01/2007



## COMPONENT MAINTENANCE MANUAL

FIG/ ITEM	PART NUMBER	AIRLINE PART NUMBER	NOMENCLATURE							USAGE CODE	UNITS PER ASSY
			1	2	3	4	5	6	7		
9-											
-210A	413N3022-2		. .							AK	1
213	69-50267-1		. . .							V, AK	2
216	BACR15BA3D		. . . .							V, AK	2
219	BR1000A3		. . . .							V, AK	1
222	69-50266-1		. . . .							V, AK	1
225	69-50267-2		. . . .							V, AK	1
228	NAS603-14		. SCREW							V	2
-228A	NAS1801-3-2		. SCREW							AK	2
231	413T3030-70		. PLATE							V, AK	1
233	SAM223-1R		. LATCH (V31845)							V, AK	1
234	NAS603-5P		. SCREW							V	78
-234A	BACS12FA3K5		. SCREW							AK	78
237	413T3167-1SP		. ANGLE-SCALLOPED							V, AK	17
240	413N3215-13SP		. BRACKET-GUSSET							V, AK	1
243	NAS603-6P		. SCREW							V, AK	7
246	413N3211-66P		. BRACKET-GUSSET							V, AK	1
249	NAS514P1032-5		. SCREW							V, AK	6
252	413N3211-111SP		. ANGLE							V, AK	1
255	NAS6603-20		. BOLT							V, AK	1
258	AN960JD10L		. WASHER							V	2
-258A	NAS1149D0332J		. WASHER							AK	2
261	F22K1-02		. NUT (V72962) (SPEC BACN10R10L) (OPT 22K1-02 (V72962)) (OPT 26CL02 (V80539))							V, AK	1
264	413U3165-7		. TRIM							V, AK	AR

-Item not Illustrated

**25-24-08**

ILLUSTRATED PARTS LIST

Page 1098.260

Jul 01/2007





## COMPONENT MAINTENANCE MANUAL

FIG/ ITEM	PART NUMBER	AIRLINE PART NUMBER	NOMENCLATURE							USAGE CODE	UNITS PER ASSY
			1	2	3	4	5	6	7		
9-											
267	413N3224-73SP		.							V	1
-267A	413N3224-286SP		.							AK	1
270	SL2334-3A3		..							V, AK	69
273	413N3211-622		..							V, AK	1
276	SL2334-3A3		..							V, AK	6
279	413N3211-469		..							V, AK	1
281	413N3211-639		..							V, AK	1
284	BACS13CJ3L080P		..							V, AK	4
287	413N3224-7SP		..							V, AK	1
290	413N3224-87SP		..							V, AK	1
293	NAS603-5P		.							V	18
-293A	BACS12FA3K5		.							AK	18
296	413N3215-14SP		.							V, AK	1
299	413T3167-1SP		.							V, AK	2
302	413N3224-75SP		.							V, AK	1
305	SL2334-3A3		..							V, AK	12
308	413N3224-7SP		..							V, AK	1
311	413N3224-83SP		..							V, AK	1
314	NAS603-5P		.							V	24
-314A	BACS12FA3K5		.							AK	24
317	413T3167-1SP		.							V, AK	4
320	413N3215-71		.							V, AK	1
323	413N3224-78SP		.							V, AK	1
326	SL2334-3A3		..							V, AK	30
329	413N3224-7SP		..							V, AK	1
331	413N3224-84SP		..							V, AK	1
334	413N3206-123SP		.							V, AK	AR
337	413N3206-147SP		.							V, AK	AR
340	413U3165-6		.							V, AK	AR

-Item not Illustrated

# 25-24-08

ILLUSTRATED PARTS LIST

Page 1098.261

Jul 01/2007



## COMPONENT MAINTENANCE MANUAL

FIG/ ITEM	PART NUMBER	AIRLINE PART NUMBER	NOMENCLATURE							USAGE CODE	UNITS PER ASSY
			1	2	3	4	5	6	7		
9-											
343	NAS514P1032-16		.							V, AK	13
346	SL52-3		.							V, AK	13
349	413N3224-80SP										
349A	413N3224-80		.							V	1
-349B	413N3224-287		.							AK	1
352	NAS603-6P		.							V	3
-352A	BACS12FA3K8		.							AK	3
355	413N3211-619		.							V, AK	1
358	NAS603-6P		.							V	8
-358A	BACS12FA3K6		.							AK	8
361	413N3211-641		.							V, AK	1
364	413N3211-642		.							V, AK	1
367	NAS603-5P		.							V	60
-367A	BACS12FA3K5		.							AK	60
370	413T3167-1SP		.							V, AK	15
373	413N3224-74SP		.							V, AK	1
376	SL2334-3A3		.	.						V, AK	46
379	413N3224-7SP		.	.						V, AK	1
382	413N3224-83SP		.	.						V, AK	1
385	NAS514P1032-5		.							V, AK	30
388	413N3211-111SP		.							V, AK	5
391	413N3224-76SP		.							V, AK	1
393	SL2334-3A3		.	.						V, AK	18
394	413N3224-83SP		.	.						V, AK	1
397	NAS514P1032-8		.							V	10
400	NAS603-20		.							V, AK	1
403	AN960JD10L		.							V	1
-403A	NAS1149D0332J		.							AK	1
406	MS21042L3		.							V, AK	1

-Item not Illustrated

**25-24-08**

ILLUSTRATED PARTS LIST

Page 1098.262

Jul 01/2007



## COMPONENT MAINTENANCE MANUAL

FIG/ ITEM	PART NUMBER	AIRLINE PART NUMBER	NOMENCLATURE							USAGE CODE	UNITS PER ASSY
			1	2	3	4	5	6	7		
9-											
407	413U3165-7		.	TRIM						V, AK	AR
408	NAS603-5P		.	SCREW						V	17
-408A	BACS12FA3K5		.	SCREW						AK	17
409	413N3211-643		.	EXTRUSION-THRESHOLD						V, AK	1
412	413N3224-79SP		.	PANEL ASSY-FLOOR						V, AK	1
415	SL2334-3A3		..	INSERT (V97393)						V, AK	16
418	BACS13J3L080P			DELETED							
419	BACS13CJ3L080P		..	INSERT						V, AK	30
421	NAS603-5P			DELETED							
424	413U3165-7			DELETED							
427	413N3211-177		..	PLUG						V, AK	1
430	413N3211-637		..	EXTRUSION-FWD						V, AK	1
433	413N3211-638		..	EXTRUSION-AFT						V, AK	1
436	413N3224-7		..	COVER-DECORATIVE INTR						V, AK	1
439	NAS514P1032-5		.	SCREW						V, AK	16
442	413N3211-110SP		.	ANGLE						V, AK	2
445	413N3224-77SP		.	PANEL ASSY-SHELF						V, AK	1
448	NAS1834-3-970		..	INSERT						V, AK	1
451	SL2334-3A3		..	INSERT (V97393)						V, AK	32
454	413N3224-7SP		..	COVER-DECORATIVE INTR						V, AK	1
457	413U3165-1		.	TRIM						V, AK	AR
460	413U3165-8		.	TRIM						V, AK	AR
463	413N3224-72SP		.	PANEL ASSY-FWD						V	1
-463A	413N3224-285SP		.	PANEL ASSY-FWD						AK	1
466	69-66077-113		..	SUPPORT ASSY						V, AK	1
469	69-66077-114		...	DOUBLER						V, AK	2
472	413N3211-387		...	TUBE						V, AK	1
475	65-62776-65		..	FRAME ASSY						V	1
478	MS20426D4		...	RIVET						V	4
				(SIZE DETERMINED ON INST)							

-Item not Illustrated

**25-24-08**

ILLUSTRATED PARTS LIST

Page 1098.263

Jul 01/2007



## COMPONENT MAINTENANCE MANUAL

FIG/ ITEM	PART NUMBER	AIRLINE PART NUMBER	NOMENCLATURE							USAGE CODE	UNITS PER ASSY
			1	2	3	4	5	6	7		
9-											
481	MS20426D3		. . .	RIVET						V	8
				(SIZE DETERMINED ON INST)							
484	MS20470D4		. . .	RIVET						V	4
				(SIZE DETERMINED ON INST)							
487	65-62776-13		. . .	CLIP-MTG						V	2
490	BACR15BA4D		. . .	RIVET						V	4
				(SIZE DETERMINED ON INST)							
493	BACR15BB4D		. . .	RIVET						V	4
				(SIZE DETERMINED ON INST)							
496	65-62776-22		. . .	CLIP-MTG						V	2
499	K1000-3BAC		. . .	NUTPLATE						V	2
				(V15653)							
				(SPEC BACN10JR3)							
				(OPT NS103202-02 (V80539))							
				(OPT RMA9201-3 (V72962))							
				(OPT T8088S1032 (V11815))							
				(OPT VN102A1-02 (V92215))							
				(OPT BR2000A3 (V52828))							
				(OPT ITEM 499A)							
-499A	F5000-3BAC		. . .	NUTPLATE						V	2
				(V15653)							
				(SPEC BACN10JR3F)							
				(OPT NS103203-02 (V80539))							
				(OPT RMF9201-3 (V72962))							
				(OPT T8091S1032 (V11815))							
				(OPT VN152A1-02 (V92215))							
				(OPT BRF200A3 (V52828))							
				(OPT ITEM 499)							
502	BACN10KB			DELETED							
503	BR1000A3		. . .	NUTPLATE						V	2
				(V52828)							
				(SPEC BACN10KB3)							
				(OPT K2000-3 (V15653))							
				(OPT RMA9207-3 (V72962))							
				(OPT T8109S1032 (V11815))							
				(OPT VN101A1-02 (V92215))							
				(OPT K2000-3 (V15653))							
				(OPT ITEM 503A)							

-Item not Illustrated

# 25-24-08

ILLUSTRATED PARTS LIST

Page 1098.264

Jul 01/2007



## COMPONENT MAINTENANCE MANUAL

FIG/ ITEM	PART NUMBER	AIRLINE PART NUMBER	NOMENCLATURE	USAGE CODE	UNITS PER ASSY
9- -503A	BRF100A3		. . . NUTPLATE (V52828) (SPEC BACN10KB3F) (OPT F2000-3 (V15653)) (OPT RMF9207-3 (V72962)) (OPT T8114S1032S (V11815)) (OPT VN151A1-02 (V92215)) (OPT F2000-3 (V15653)) (OPT ITEM 503)	V	2
505	65-62776-23		. . . FILLER	V	1
508	65-62776-26		. . . FILLER	V	1
511	65-62776-27		. . . FILLER	V	1
514	65-62776-32		. . . FILLER	V	1
517	65-62776-63		. . . FILLER	V	1
520	65-62776-64		. . . FILLER	V	1
523	65-62776-75		. . . FILLER	V	1
526	65-62776-29		. . . PAD	V	1
529	65-62776-33		. . . PLATE	V	1
532	65-62776-55		. . . PLATE (OPT ITEM 532A)	V	1
-532A	65-62776-80		. . . PLATE (OPT ITEM 532)	V	1
535	BACR15BA5D		. . . RIVET (SIZE DETERMINED ON INST)	V	46
538	65-62776-67		. . . FRAME-VERT	V	1
541	65-62776-68		. . . FRAME-VERT	V	1
544	65-62776-53		. . . FRAME-HORIZ	V	1
547	65-62776-54		. . . FRAME-HORIZ	V	1
548	65-62776-86		. . FRAME ASSY	AK	1
549	MS90353U0603		. . . RIVET	AK	12
550	BACS13CJ3L080P		DELETED		
550A	65-62776-85		. . . TUBE	AK	2
551	65-62776-87		. . . PLATE	AK	1
552	BACS13CJ3L080P		. . INSERT	V, AK	13
553	413N3211-640		. . TUBE	V, AK	1

-Item not Illustrated

# 25-24-08

ILLUSTRATED PARTS LIST

Page 1098.265

Jul 01/2007



## COMPONENT MAINTENANCE MANUAL

FIG/ ITEM	PART NUMBER	AIRLINE PART NUMBER	NOMENCLATURE							USAGE CODE	UNITS PER ASSY
			1	2	3	4	5	6	7		
9-											
556	413N3211-615									V	2
559	SL2334-3A3									V	62
560	SL2334-3A3									AK	62
562	413N3224-7SP									V, AK	1
565	413N3224-89SP									V, AK	1
567	413N3224-88SP									V, AK	1

-Item not Illustrated

# 25-24-08

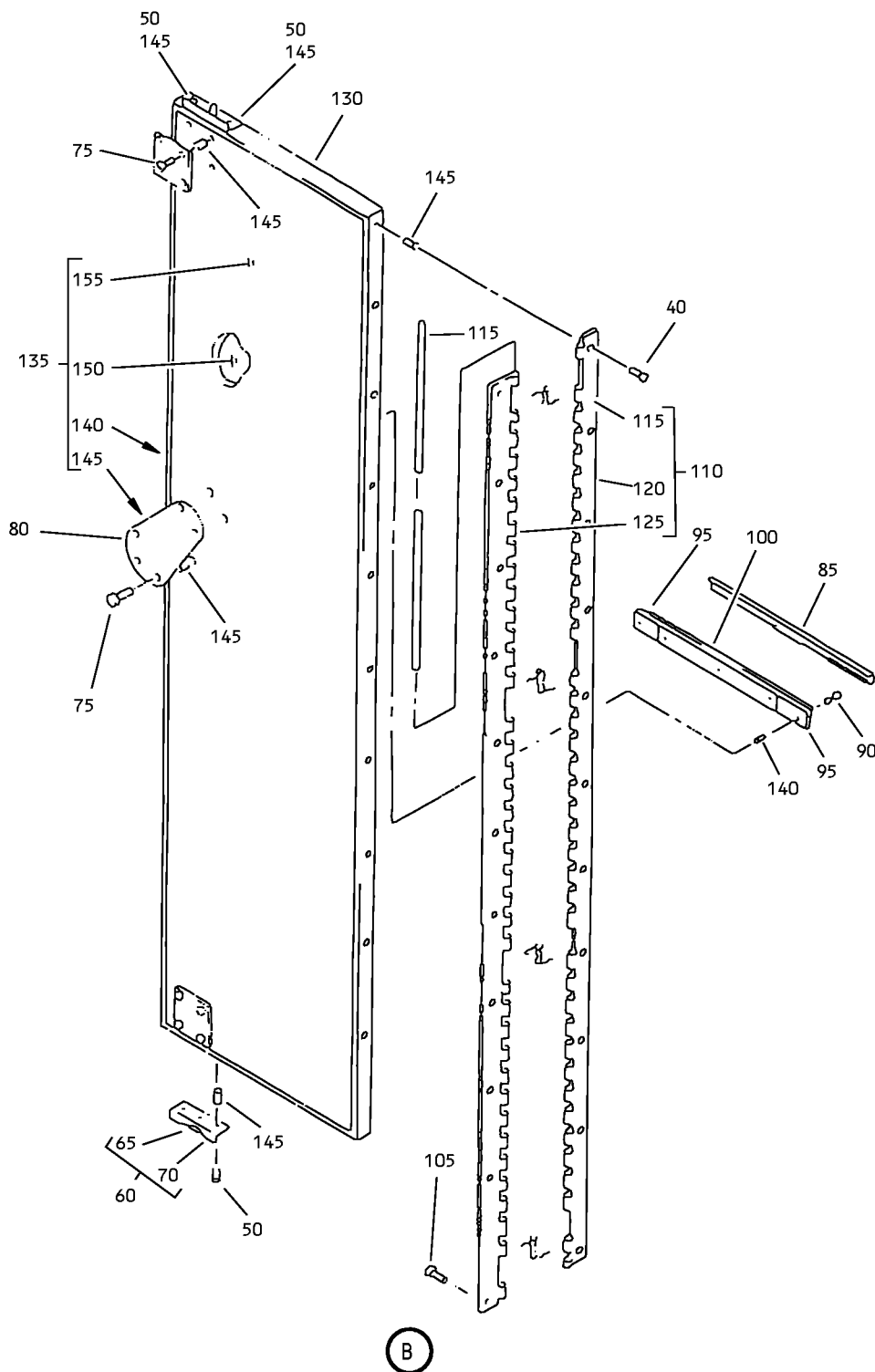
ILLUSTRATED PARTS LIST

Page 1098.266

Jul 01/2007



### COMPONENT MAINTENANCE MANUAL



Forward Right Closet Assembly  
IPL Figure 10 (Sheet 2 of 8)

# 25-24-08

ILLUSTRATED PARTS LIST

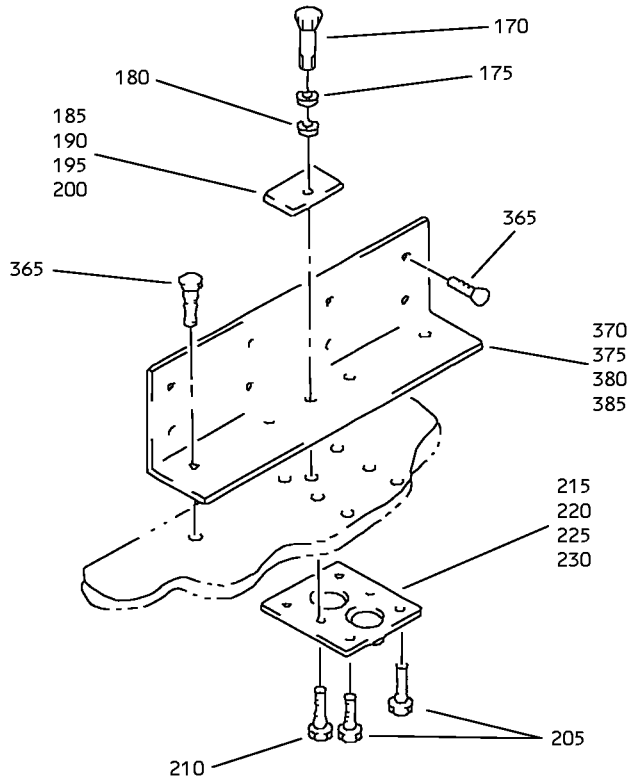
Page 1098.268

Jul 01/2007





COMPONENT MAINTENANCE MANUAL



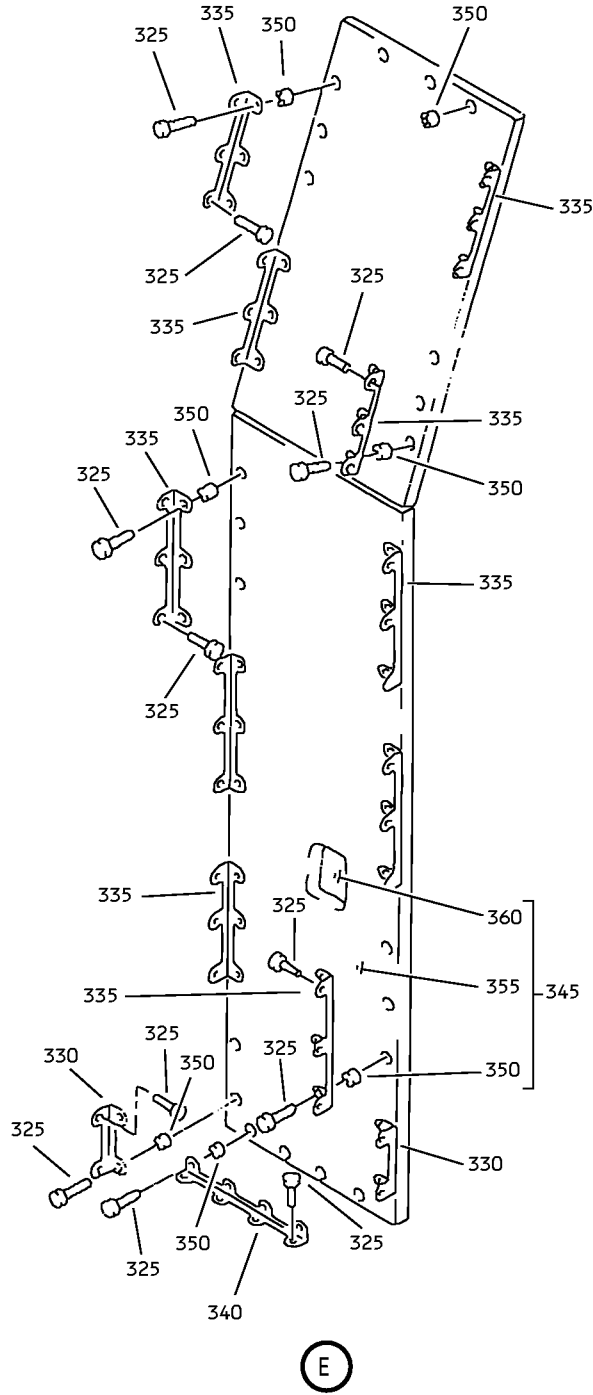
(C)

Forward Right Closet Assembly  
IPL Figure 10 (Sheet 3 of 8)

**25-24-08**  
ILLUSTRATED PARTS LIST  
Page 1098.269  
Jul 01/2007



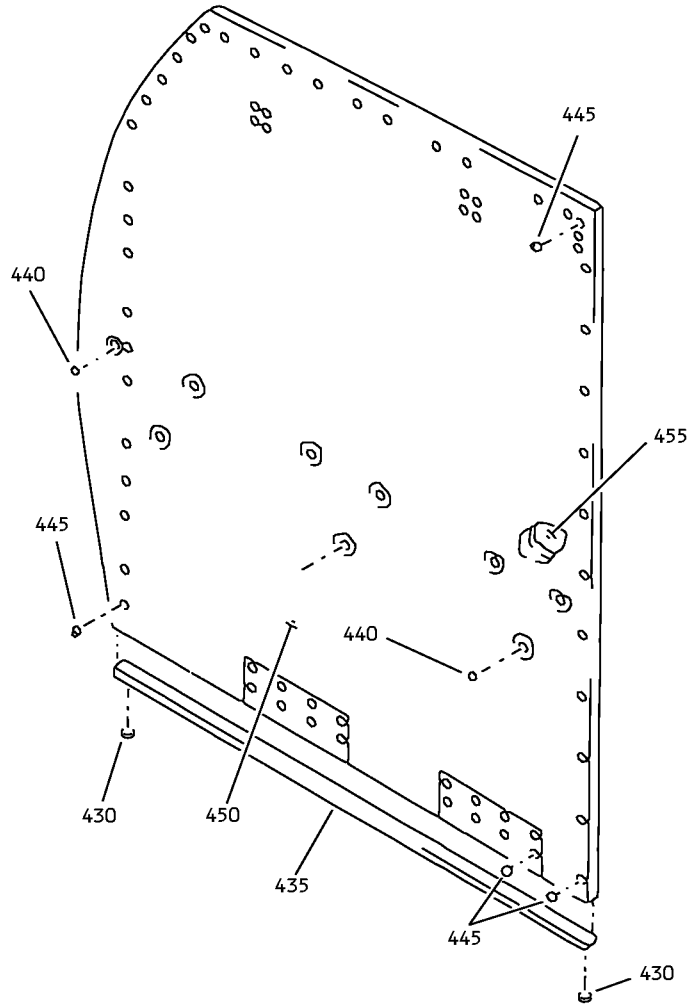
# COMPONENT MAINTENANCE MANUAL



Forward Right Closet Assembly  
IPL Figure 10 (Sheet 5 of 8)

**25-24-08**  
ILLUSTRATED PARTS LIST  
Page 1098.271  
Jul 01/2007

COMPONENT MAINTENANCE MANUAL



F

Forward Right Closet Assembly  
IPL Figure 10 (Sheet 6 of 8)

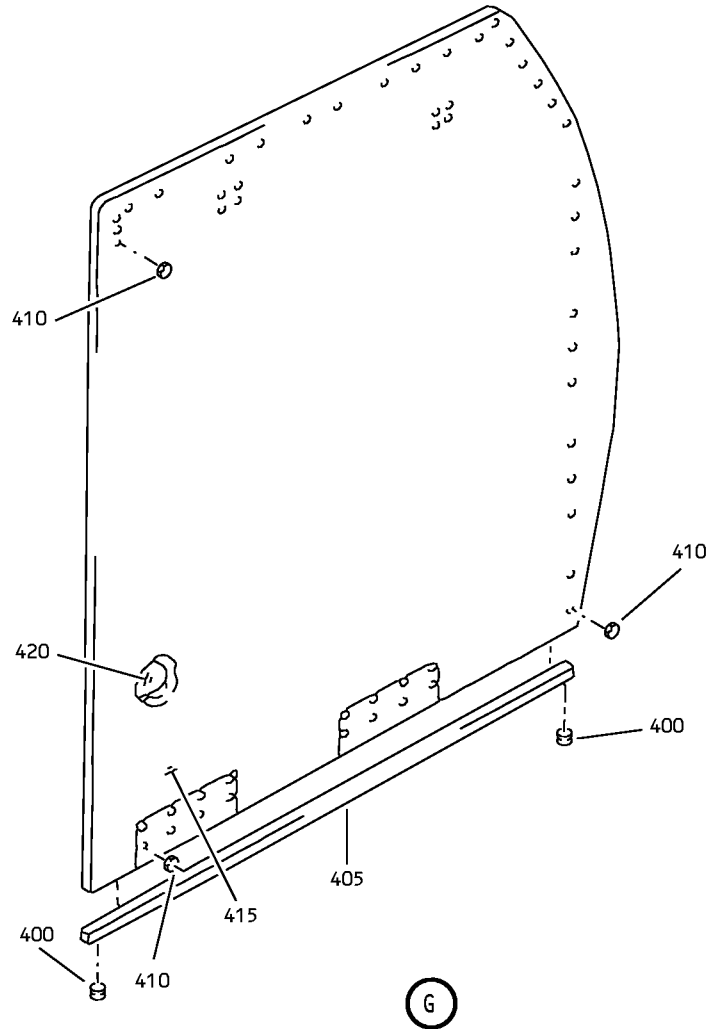
**25-24-08**

ILLUSTRATED PARTS LIST

Page 1098.272

Jul 01/2007

COMPONENT MAINTENANCE MANUAL



Forward Right Closet Assembly  
IPL Figure 10 (Sheet 7 of 8)

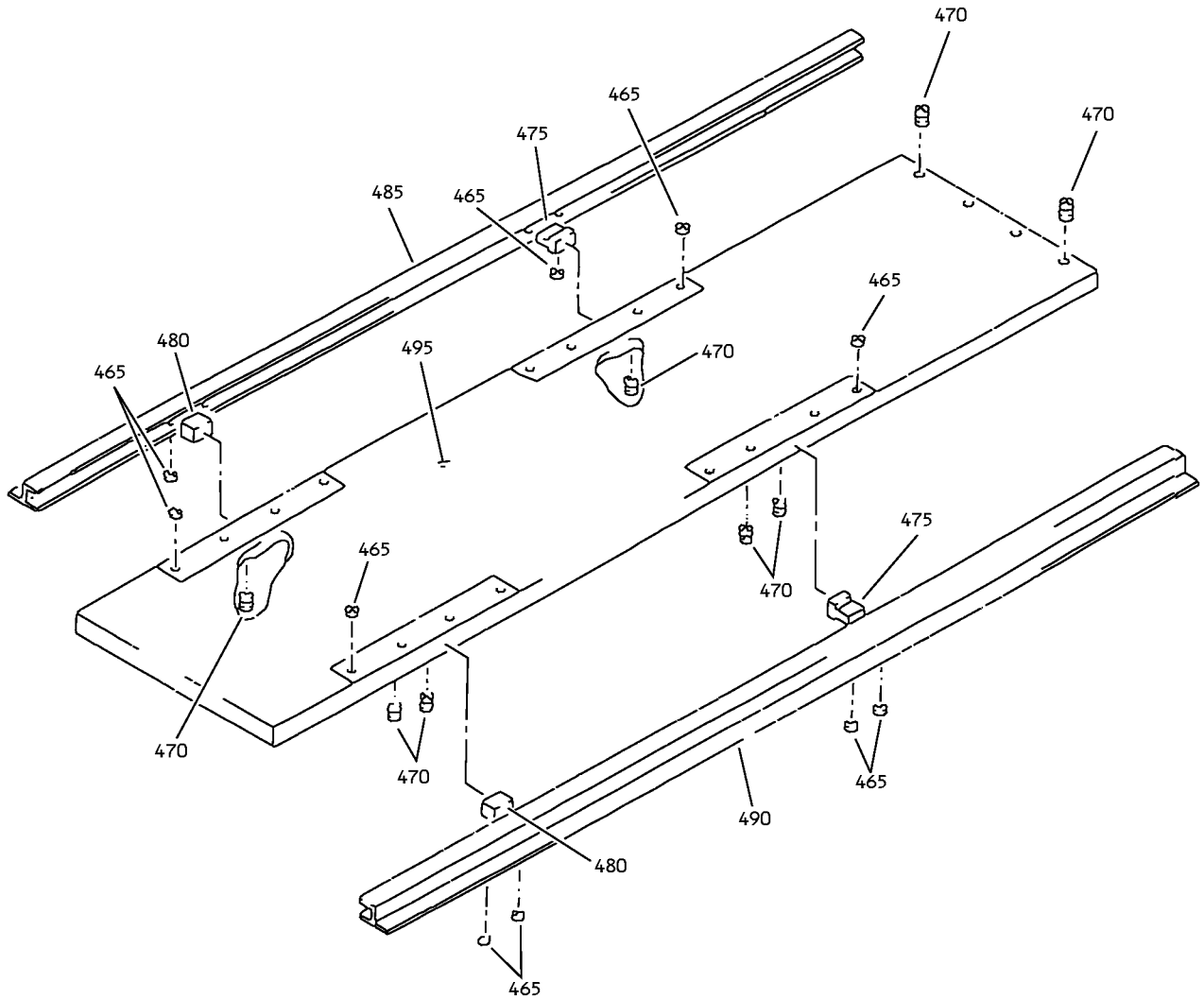
**25-24-08**

ILLUSTRATED PARTS LIST

Page 1098.273

Jul 01/2007

COMPONENT MAINTENANCE MANUAL



H

Forward Right Closet Assembly  
IPL Figure 10 (Sheet 8 of 8)

**25-24-08**

ILLUSTRATED PARTS LIST

Page 1098.274

Jul 01/2007



## COMPONENT MAINTENANCE MANUAL

FIG/ ITEM	PART NUMBER	AIRLINE PART NUMBER	NOMENCLATURE							USAGE CODE	UNITS PER ASSY
			1	2	3	4	5	6	7		
10-											
-1	413N3206-202SP									X	RF
-1A	413N3206-210SP									AB	RF
5	BACB30NR4K21									X, AB	4
10	AN960JD416L									X	8
-10A	NAS114D0416L									AB	8
15	NAS43DD4-38FC									X, AB	8
20	MS21042L4									X, AB	4
25	65-88166-602									X, AB	2
30	NAS8203A6									X, AB	16
35	69-17083-3									X, AB	4
40	BACS12ER3K7									X, AB	11
45	413N3615-428SP									X	1
-45A	413N3615-483SP									AB	1
50	BACB30VF08K1									X	4
-50A	BACS12ER08K6									AB	4
60	413N3211-183									X, AB	2
65	413N3211-185									X, AB	1
70	413N3211-184									X, AB	1
75	BACB30VF3K1									X	13
-75A	BACS12ER3K7									AB	13
80	SAM261-8									X, AB	1
										(V31845)	
85	414N3300-398SP									X, AB	1
90	BACB30NT3K1									X, AB	5
95	414N3300-1SP									X, AB	2
100	414N3300-397SP									X, AB	1
105	BACB30VF3K1									X	11
-105A	BACS12ER3K7									AB	11
110	413N3616-100									X, AB	1
115	MS20253P2-5565									X, AB	1
120	413N3616-101									X, AB	1

-Item not Illustrated

# 25-24-08

ILLUSTRATED PARTS LIST

Page 1098.275

Jul 01/2007



## COMPONENT MAINTENANCE MANUAL

FIG/ ITEM	PART NUMBER	AIRLINE PART NUMBER	NOMENCLATURE							USAGE CODE	UNITS PER ASSY
			1	2	3	4	5	6	7		
10-											
125	413N3616-102									X, AB	1
130	413U3165-25									X, AB	AR
135	413N3615-429SP									X	1
-135A	413N3615-484SP									AB	1
140	NAS1836-3-14									X, AB	5
145	SL2334-3A3									X, AB	28
150	413N3615-6SP										DELETED
155	413N3615-7SP										DELETED
157	413N3615-440									X	1
-157A	413N3615-485									AB	1
160	413N3206-67SP									X, AB	AR
165	413N3206-66SP									X, AB	1
170	BACB30NR5K25									X, AB	4
175	MS20002C5									X, AB	4
180	MS35340-45									X, AB	4
185	413N3217-114SP									X, AB	1
190	413N3217-115SP									X, AB	1
195	413N3217-116SP									X, AB	1
200	413N3217-117SP									X, AB	1
205	NAS8203A7									X, AB	8
210	NAS8203A8									X, AB	16
215	413N3217-5									X, AB	1
220	413N3217-7									X, AB	1
225	413N3217-9									X, AB	1
230	413N3217-11									X, AB	1
235	GAR2002-1-095									X, AB	3
240	GAR2002-2-095									X, AB	3
245	413N3224-147									X, AB	1
250	413U3165-7SP									X, AB	AR

-Item not Illustrated

# 25-24-08

ILLUSTRATED PARTS LIST

Page 1098.276

Jul 01/2007





## COMPONENT MAINTENANCE MANUAL

FIG/ ITEM	PART NUMBER	AIRLINE PART NUMBER	NOMENCLATURE							USAGE CODE	UNITS PER ASSY		
			1	2	3	4	5	6	7				
10-													
255	413U3165-172SP		.								TRIM	X, AB	AR
260	BACB30NT3K1		.								SCREW	X, AB	66
265	413N3215-66		.								BRACKET	X, AB	1
270	413T3167-1SP		.								ANGLE-SCALLOPED	X, AB	10
275	413N3215-13SP		.								BRACKET-GUSSET	X, AB	1
280	413N3215-14SP		.								BRACKET-GUSSET	X, AB	1
285	413N3224-95SP		.								PANEL ASSY-HEADER	X, AB	1
290	SL2334-3A3		.	.							INSERT (V97393)	X, AB	8
295	413N3224-7SP		.	.							COVER-DECORATIVE INTR	X, AB	1
300	413N3224-83SP		.	.							COVER-DECORATIVE EXTR	X, AB	1
305	413N3224-90SP		.								PANEL ASSY-TOP	X, AB	1
310	SL2334-3A3		.	.							INSERT (V97393)	X, AB	29
315	413N3224-7SP		.	.							COVER-DECORATIVE INTR	X, AB	1
320	413N3224-84SP		.	.							COVER-DECORATIVE EXTR	X, AB	1
325	BACB30NT3K1		.								SCREW	X, AB	76
330	413T3167-1SP		.								ANGLE-SCALLOPED	X, AB	2
335	413T3167-2SP		.								ANGLE-SCALLOPED	X, AB	10
340	413T3167-3SP		.								ANGLE-SCALLOPED	X, AB	1
345	413N3224-93SP		.								PANEL ASSY-OUTBOARD	X, AB	1
350	SL2334-3A3		.	.							INSERT (V97393)	X, AB	41
355	413N3224-7SP		.	.							COVER-DECORATIVE INTR	X, AB	1
360	413N3224-85SP		.	.							COVER-DECORATIVE INTR	X, AB	1
365	BACS12ER3K7		.								SCREW	X, AB	48
370	413N3217-110SP		.								BRACKET-ANGLE	X, AB	1
375	413N3217-111SP		.								BRACKET-ANGLE	X, AB	1
380	413N3217-112SP		.								BRACKET-ANGLE	X, AB	1
385	413N3217-113SP		.								BRACKET-ANGLE	X, AB	1
390	BACB30NT3K1		.								SCREW	X, AB	29
395	413N3224-91SP		.								PANEL ASSY-FWD	X, AB	1

-Item not Illustrated

# 25-24-08

ILLUSTRATED PARTS LIST

Page 1098.277

Jul 01/2007



## COMPONENT MAINTENANCE MANUAL

FIG/ ITEM	PART NUMBER	AIRLINE PART NUMBER	NOMENCLATURE							USAGE CODE	UNITS PER ASSY
			1	2	3	4	5	6	7		
10-											
400	BACS13CJ3L080P		.	.	INSERT					X, AB	18
405	413N3217-40		.	.	TUBE-SUPPORT FWD					X, AB	1
410	SL2334-3A3		.	.	INSERT (V97393)					X, AB	54
415	413N3224-7SP		.	.	COVER-DECORATIVE INTR					X, AB	1
420	413N3224-88SP		.	.	COVER-DECORATIVE EXTR					X, AB	1
425	413N3224-92SP		.		PANEL ASSY-AFT					X, AB	1
430	BACS13CJ3L080P		.	.	INSERT					X, AB	19
435	413N3217-42		.	.	TUBE-SUPPORT AFT					X, AB	1
440	SL2334-08A3		.	.	INSERT (V97393)					X, AB	9
445	SL2334-3A3		.	.	INSERT (V97393)					X, AB	54
450	413N3224-7SP		.	.	COVER-DECORATIVE INTR					X, AB	1
455	413N3224-87SP		.	.	COVER-DECORATIVE EXTR					X, AB	1
460	413N3224-94SP		.		PANEL ASSY-FLOOR					X, AB	1
465	BACS13CJ3L130P		.	.	INSERT					X, AB	24
470	SL2334-3A3		.	.	INSERT (V97393)					X, AB	12
475	412N3211-175		.	.	PLUG					X, AB	2
480	412N3211-177		.	.	PLUG					X, AB	2
485	413N3217-39		.	.	EXTRUSION					X, AB	1
490	413N3217-41		.	.	EXTRUSION					X, AB	1
495	413N3224-7SP		.	.	COVER-DECORATIVE INTR					X, AB	1

-Item not Illustrated

# 25-24-08

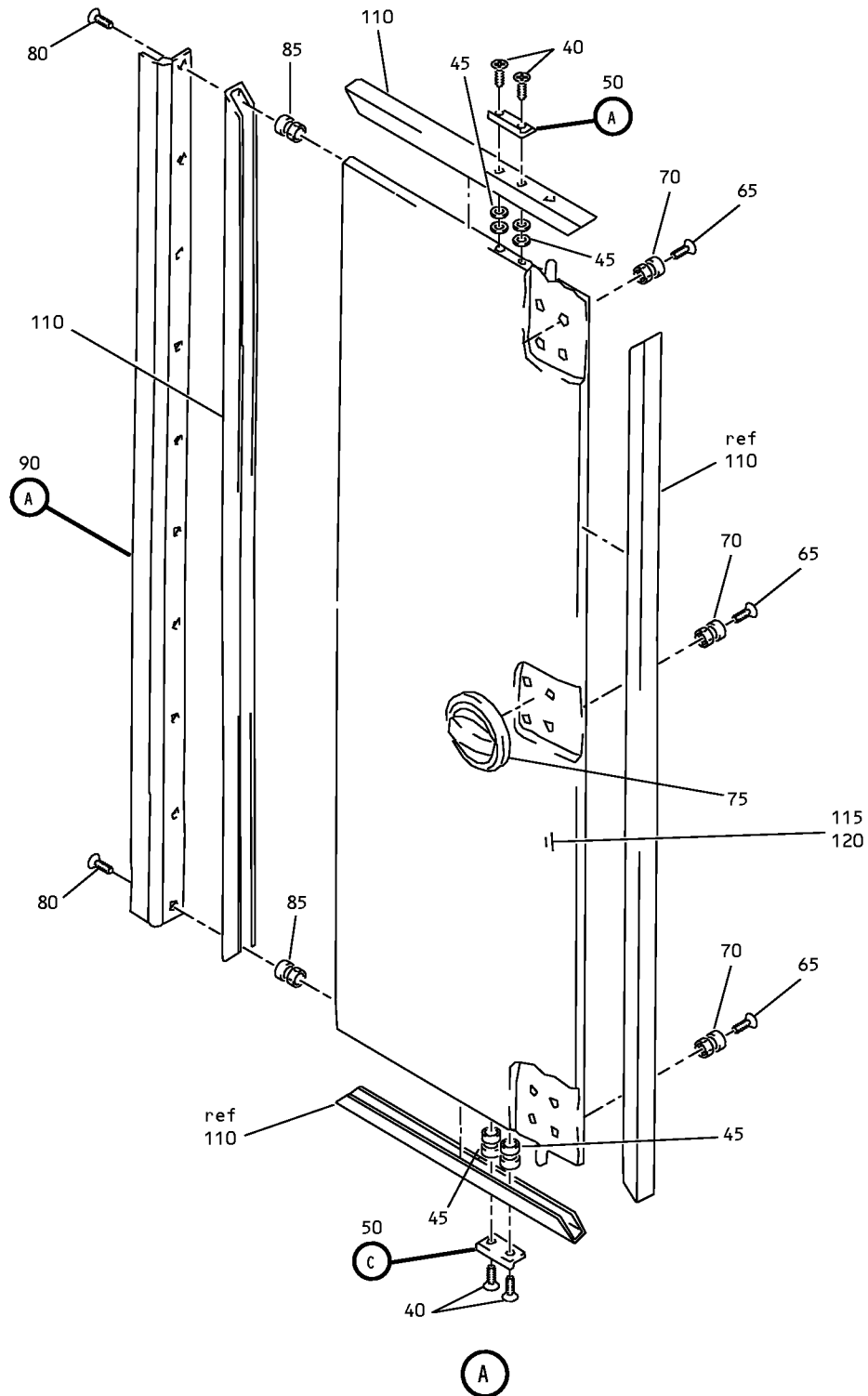
ILLUSTRATED PARTS LIST

Page 1098.278

Jul 01/2007



COMPONENT MAINTENANCE MANUAL



Forward Right Closet Assembly  
IPL Figure 11 (Sheet 2 of 23)

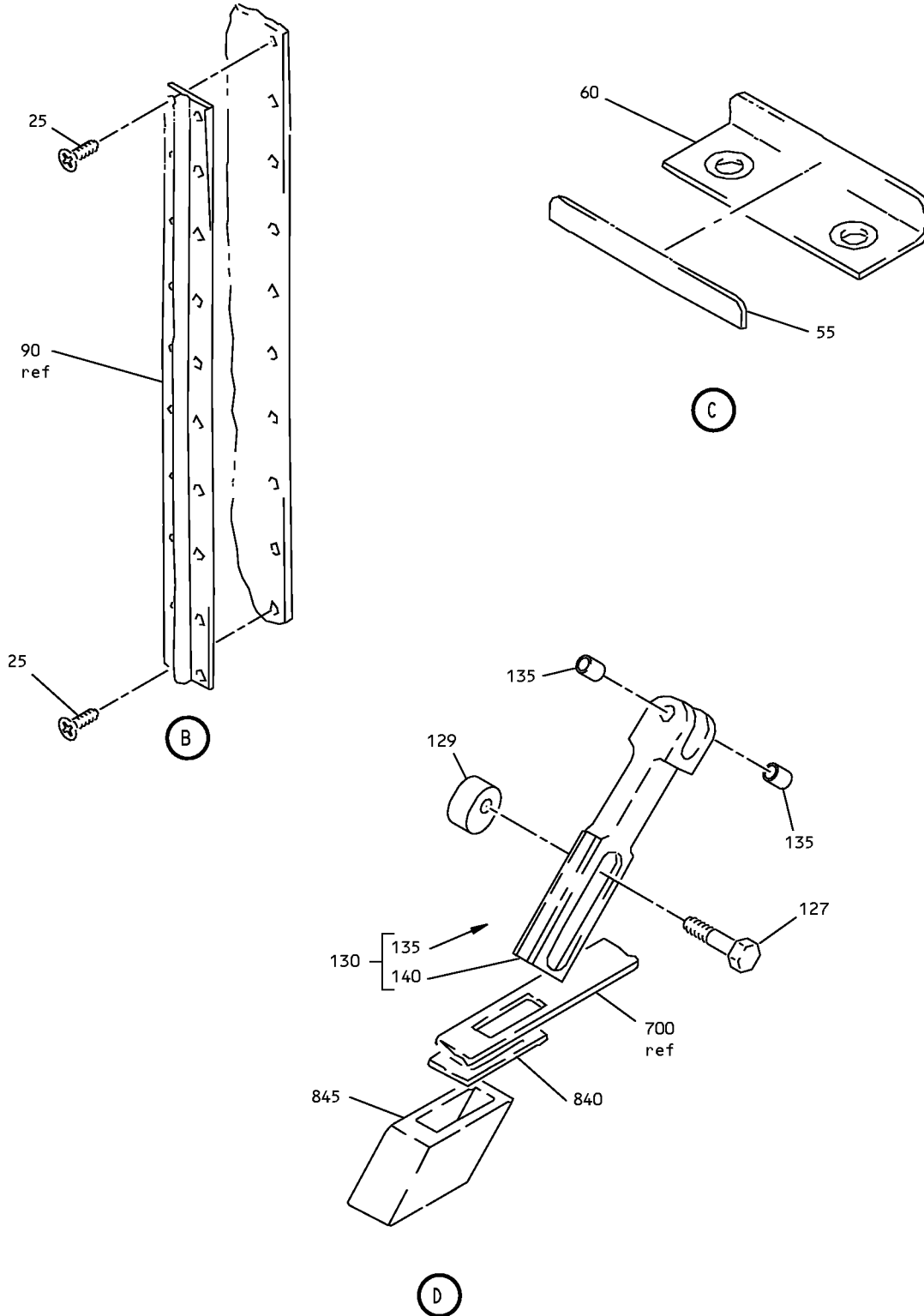
**25-24-08**

ILLUSTRATED PARTS LIST

Page 1098.280

Jul 01/2007

COMPONENT MAINTENANCE MANUAL



Forward Right Closet Assembly  
IPL Figure 11 (Sheet 3 of 23)

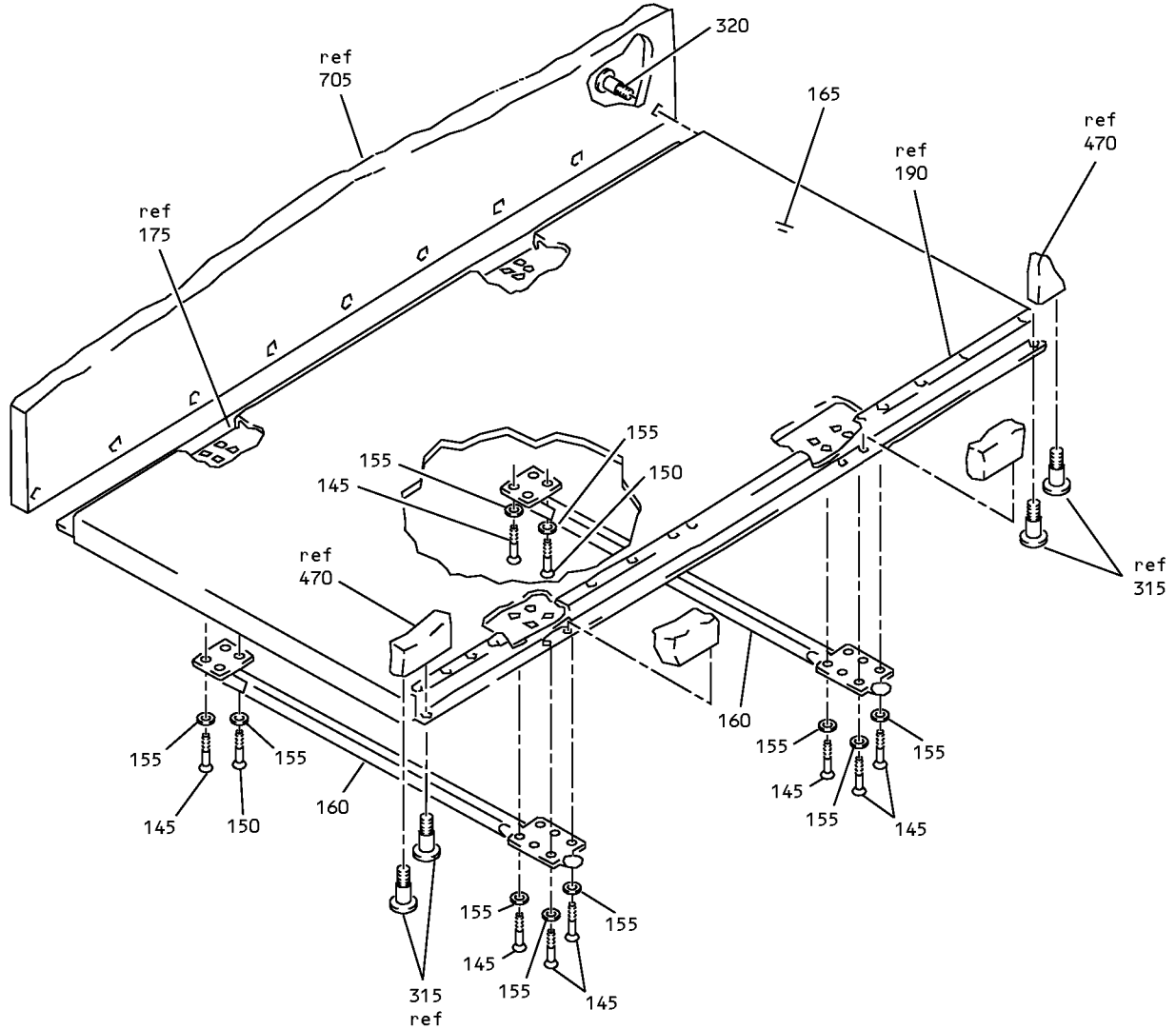
**25-24-08**

ILLUSTRATED PARTS LIST

Page 1098.281

Jul 01/2007

COMPONENT MAINTENANCE MANUAL



E

Forward Right Closet Assembly  
IPL Figure 11 (Sheet 4 of 23)

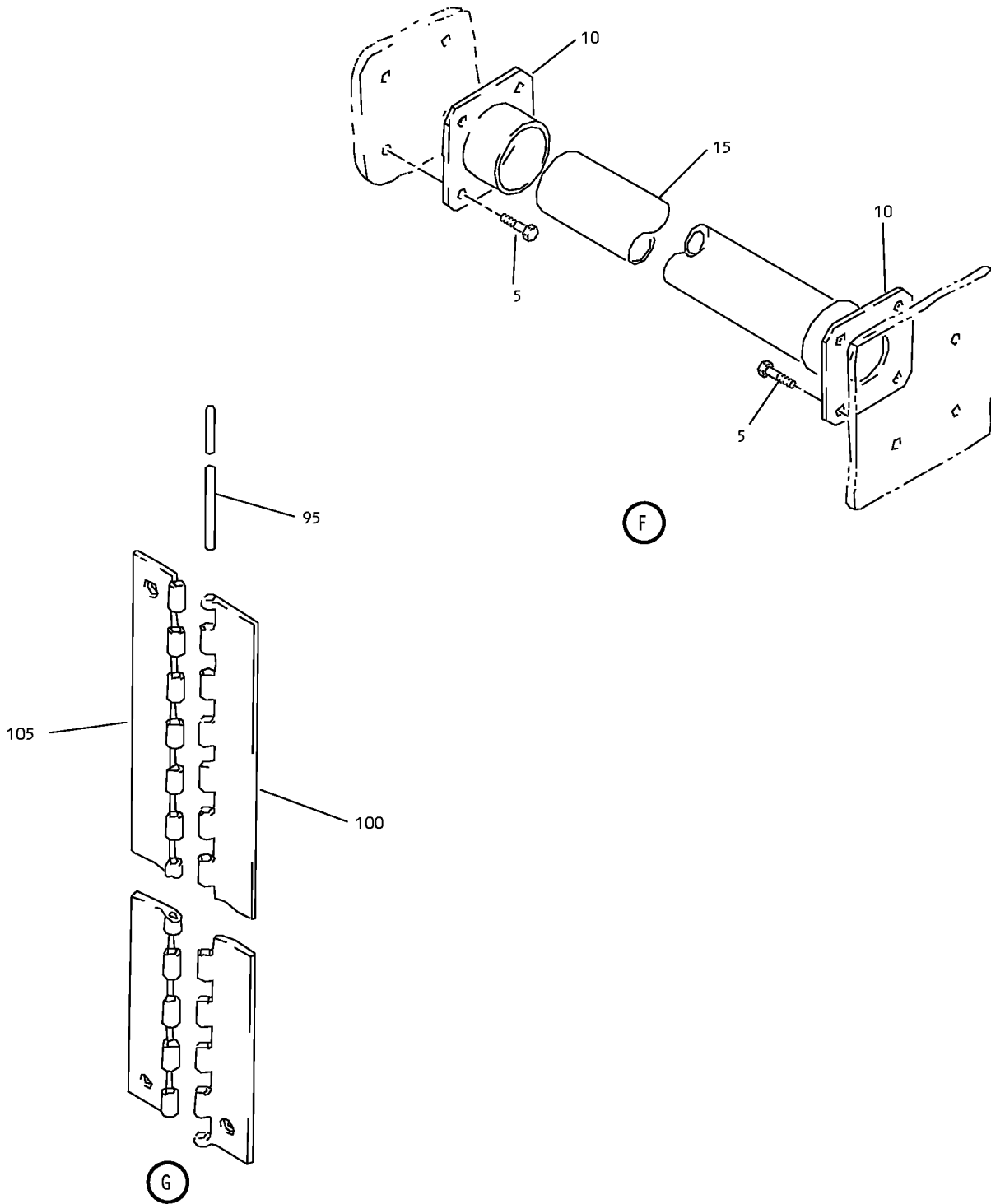
**25-24-08**

ILLUSTRATED PARTS LIST

Page 1098.282

Jul 01/2007

COMPONENT MAINTENANCE MANUAL



Forward Right Closet Assembly  
IPL Figure 11 (Sheet 5 of 23)

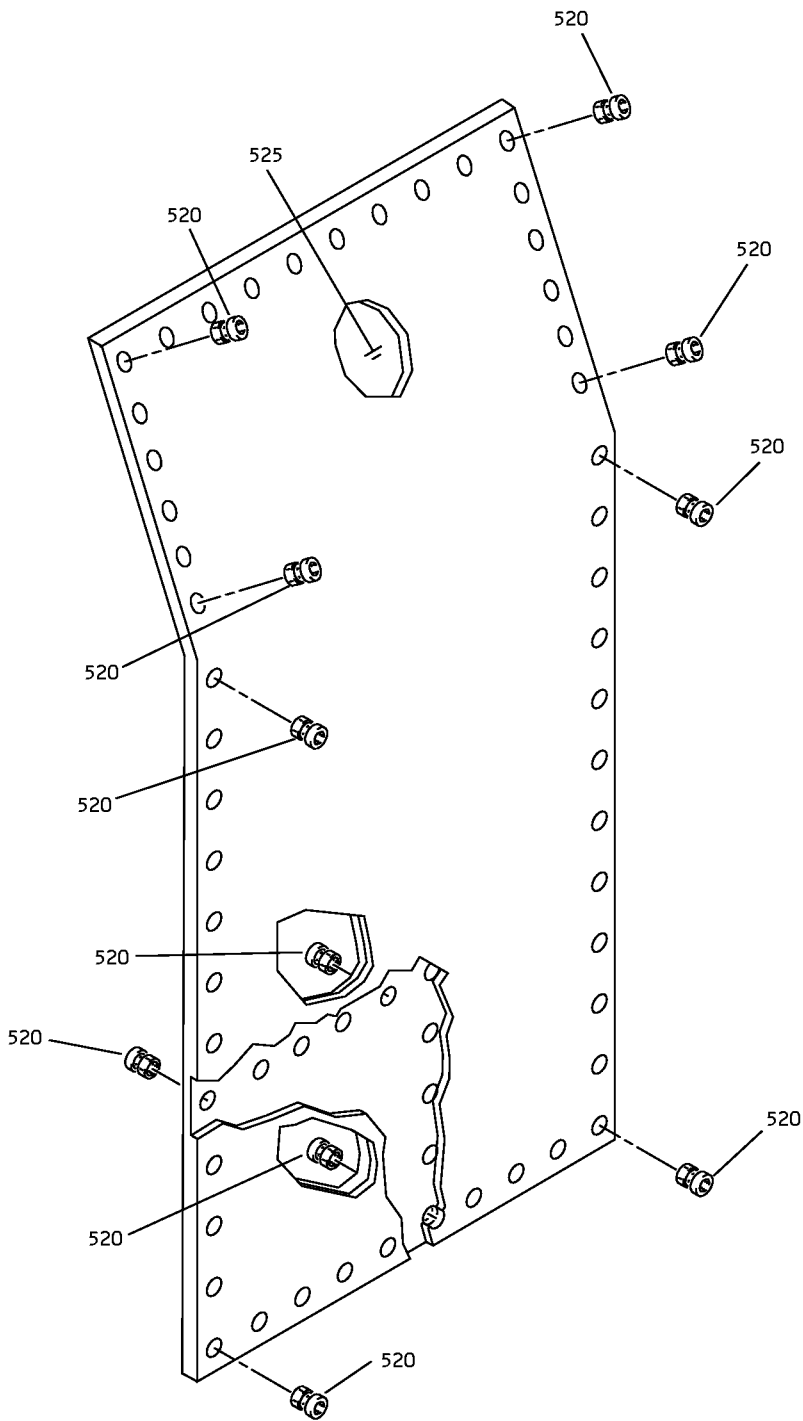
**25-24-08**

ILLUSTRATED PARTS LIST

Page 1098.283

Jul 01/2007

# COMPONENT MAINTENANCE MANUAL



(H)

Forward Right Closet Assembly  
IPL Figure 11 (Sheet 6 of 23)

## 25-24-08

ILLUSTRATED PARTS LIST

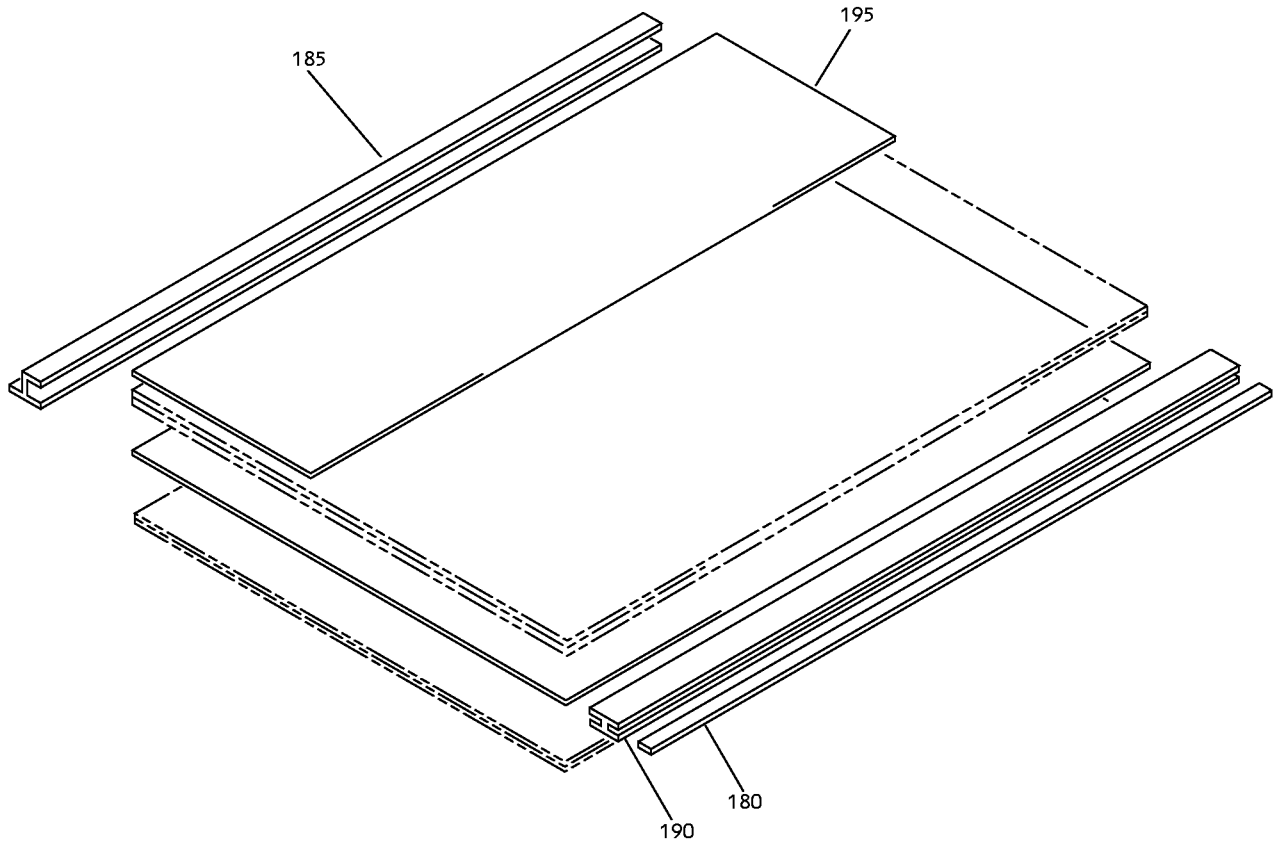
Page 1098.284

Jul 01/2007





COMPONENT MAINTENANCE MANUAL



J

Forward Right Closet Assembly  
IPL Figure 11 (Sheet 7 of 23)

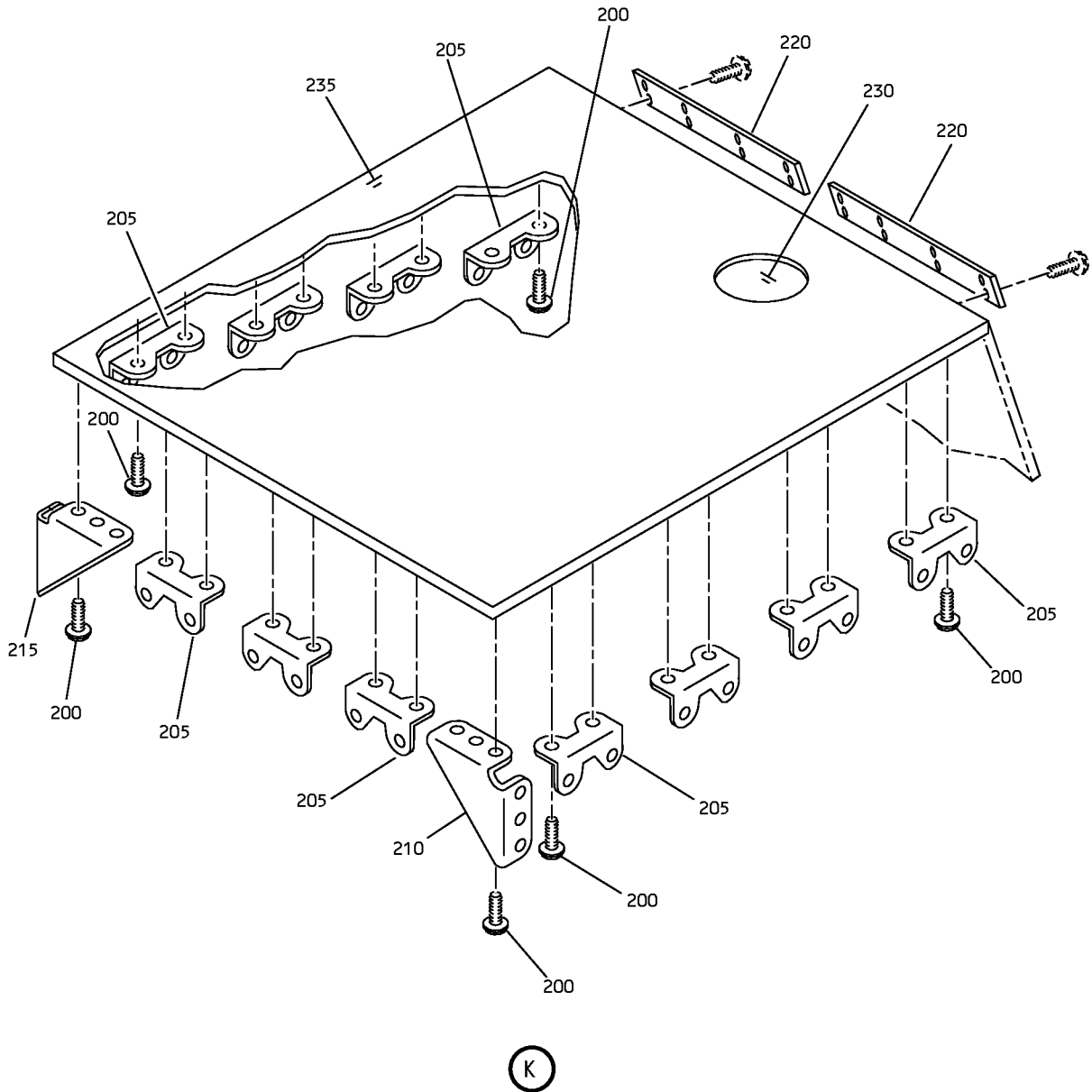
**25-24-08**

ILLUSTRATED PARTS LIST

Page 1098.285

Jul 01/2007

# COMPONENT MAINTENANCE MANUAL



Forward Right Closet Assembly  
IPL Figure 11 (Sheet 8 of 23)

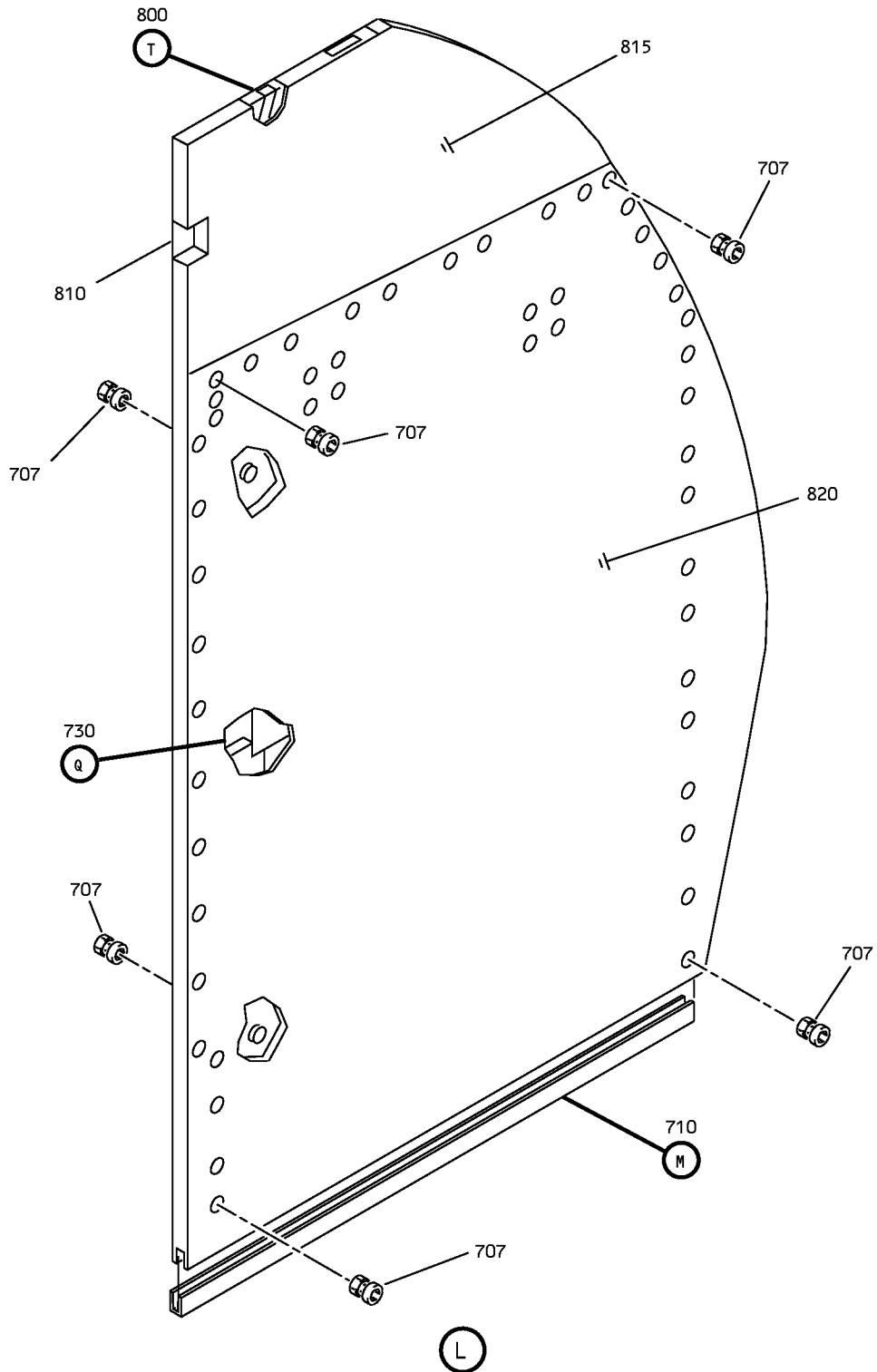
## 25-24-08

ILLUSTRATED PARTS LIST

Page 1098.286

Jul 01/2007

COMPONENT MAINTENANCE MANUAL



Forward Right Closet Assembly  
IPL Figure 11 (Sheet 9 of 23)

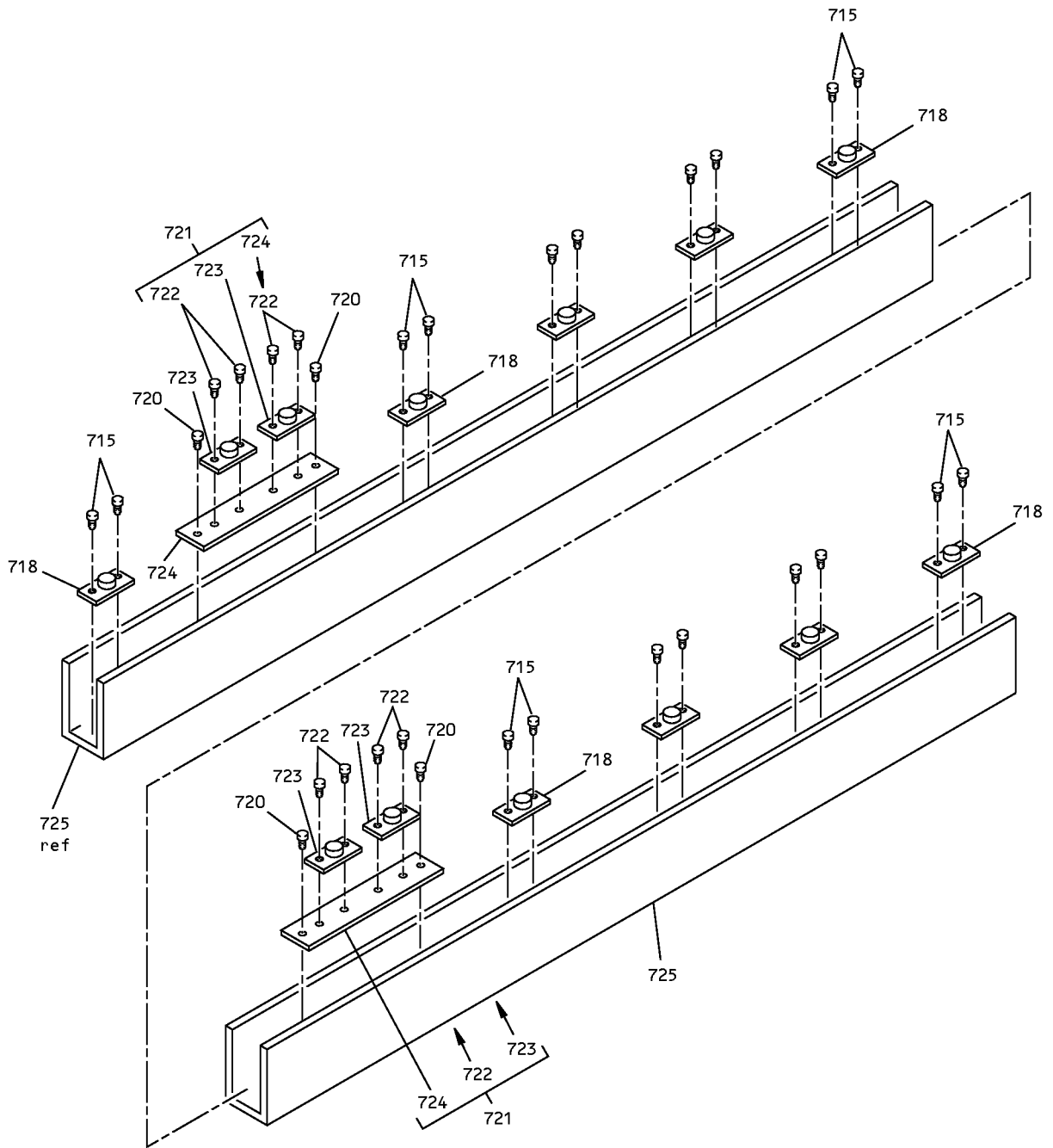
**25-24-08**

ILLUSTRATED PARTS LIST

Page 1098.287

Jul 01/2007

COMPONENT MAINTENANCE MANUAL



Forward Right Closet Assembly  
IPL Figure 11 (Sheet 10 of 23)

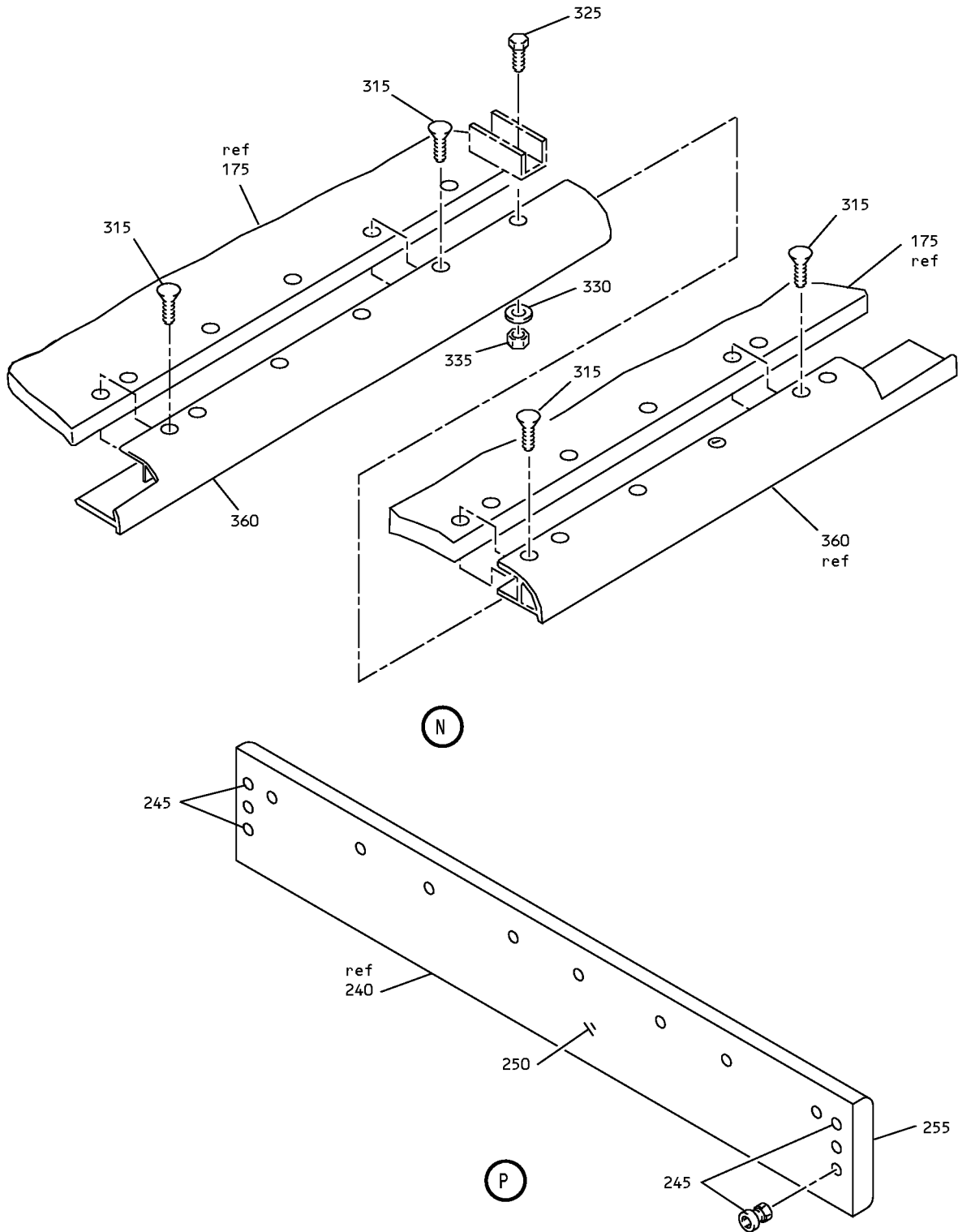
**25-24-08**

ILLUSTRATED PARTS LIST

Page 1098.288

Jul 01/2007

COMPONENT MAINTENANCE MANUAL



Forward Right Closet Assembly  
IPL Figure 11 (Sheet 11 of 23)

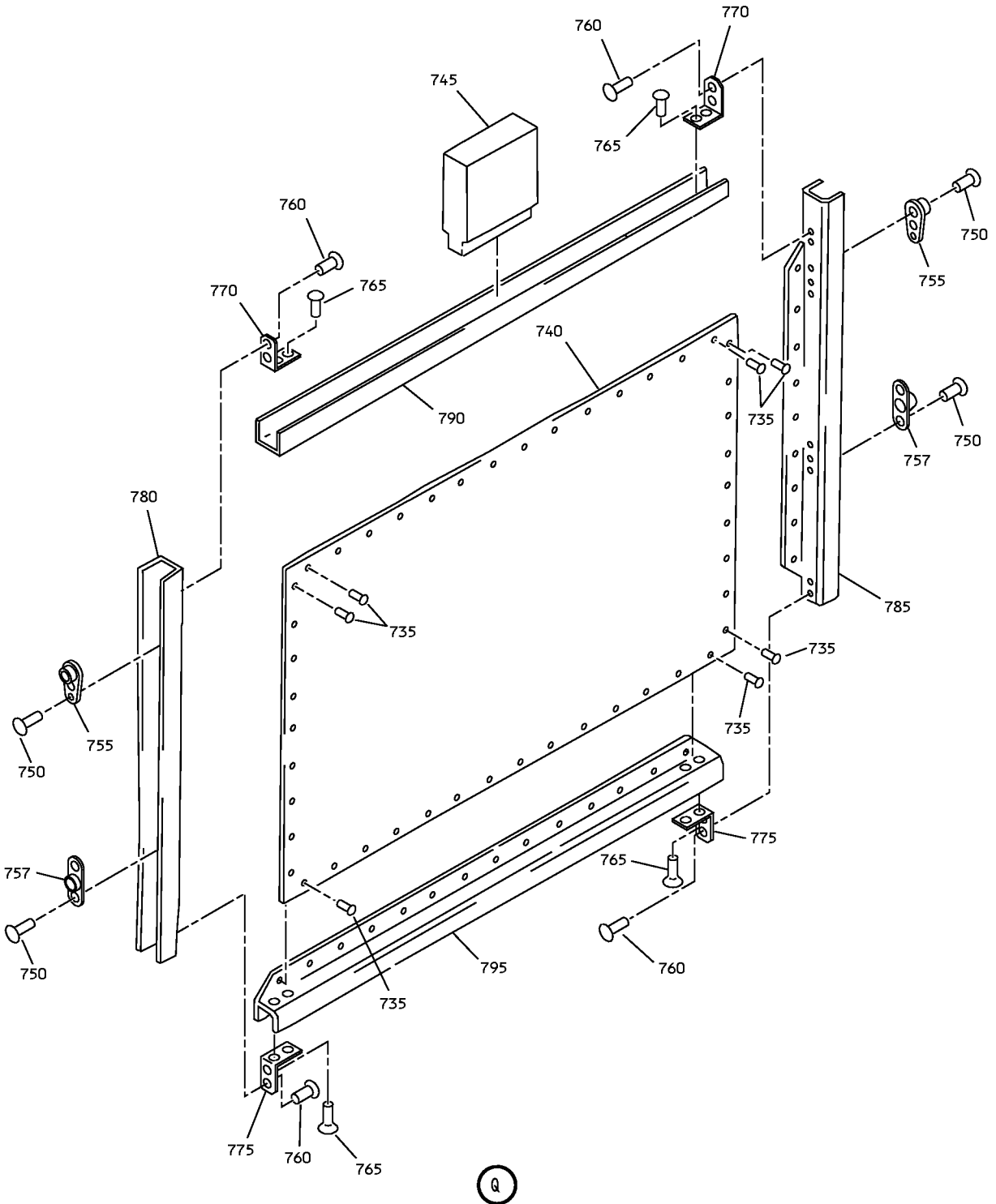
**25-24-08**

ILLUSTRATED PARTS LIST

Page 1098.289

Jul 01/2007

COMPONENT MAINTENANCE MANUAL



Forward Right Closet Assembly  
IPL Figure 11 (Sheet 12 of 23)

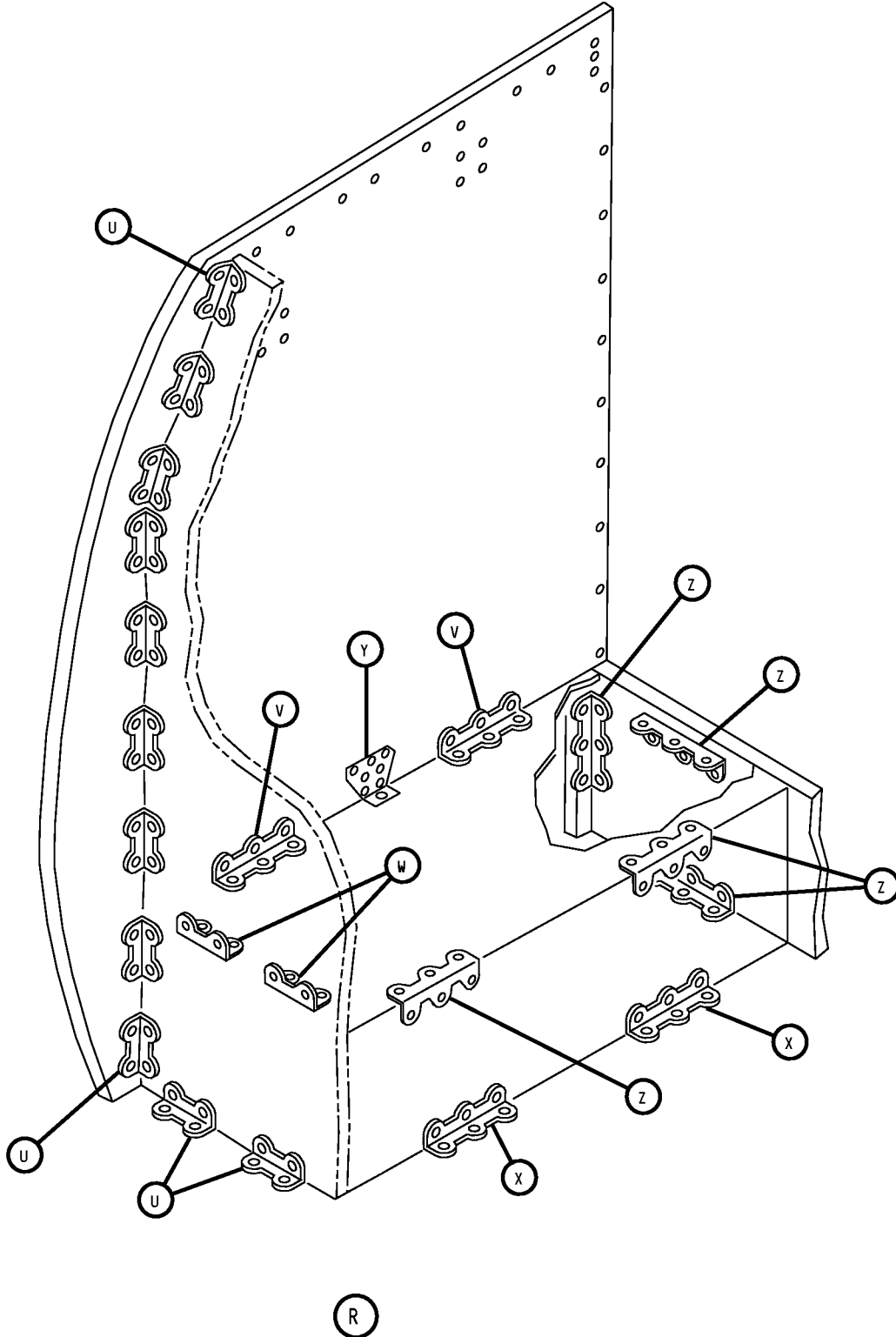
**25-24-08**

ILLUSTRATED PARTS LIST

Page 1098.290

Jul 01/2007

COMPONENT MAINTENANCE MANUAL



Forward Right Closet Assembly  
IPL Figure 11 (Sheet 13 of 23)

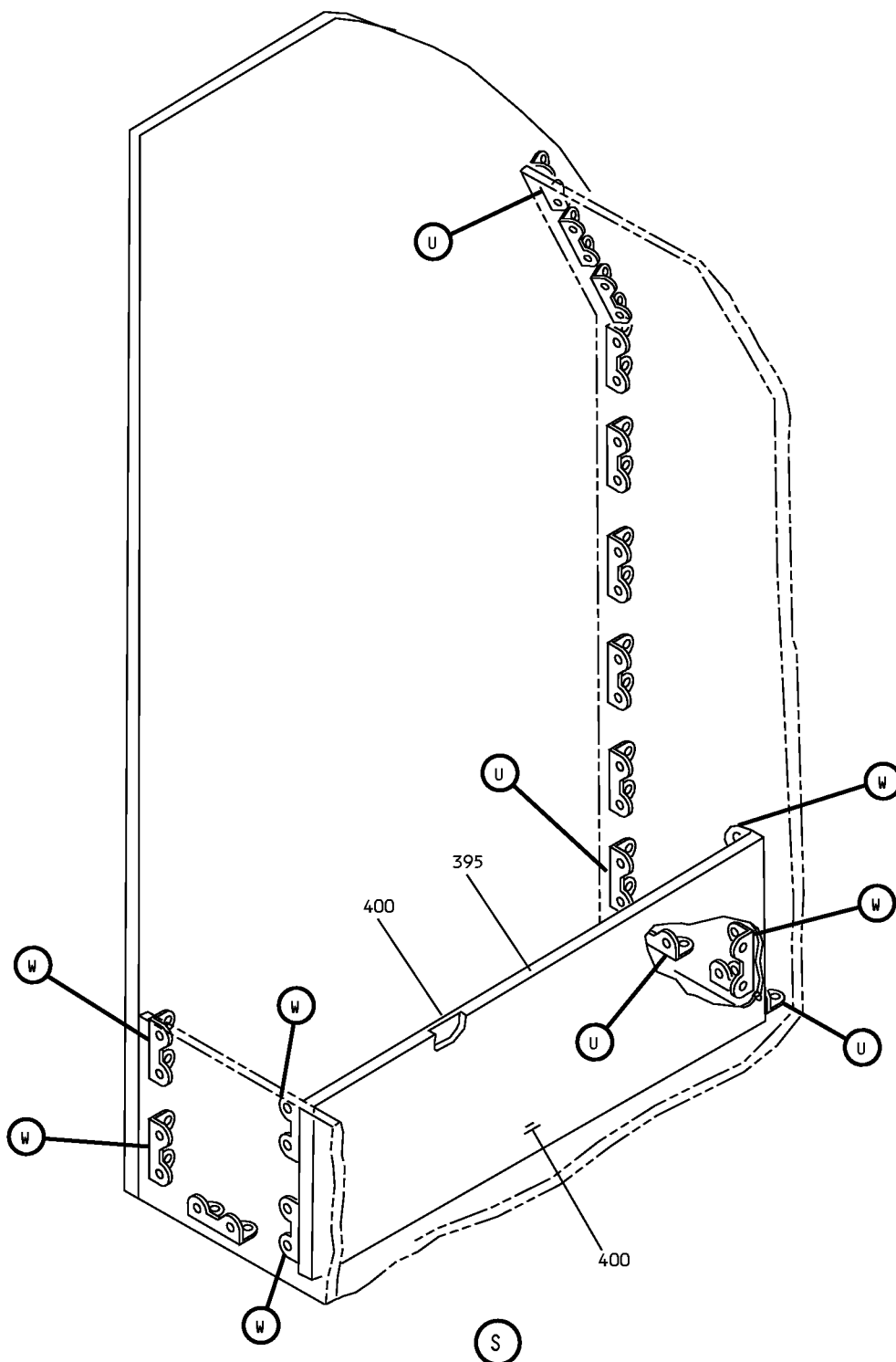
**25-24-08**

ILLUSTRATED PARTS LIST

Page 1098.291

Jul 01/2007

COMPONENT MAINTENANCE MANUAL



Forward Right Closet Assembly  
IPL Figure 11 (Sheet 14 of 23)

**25-24-08**

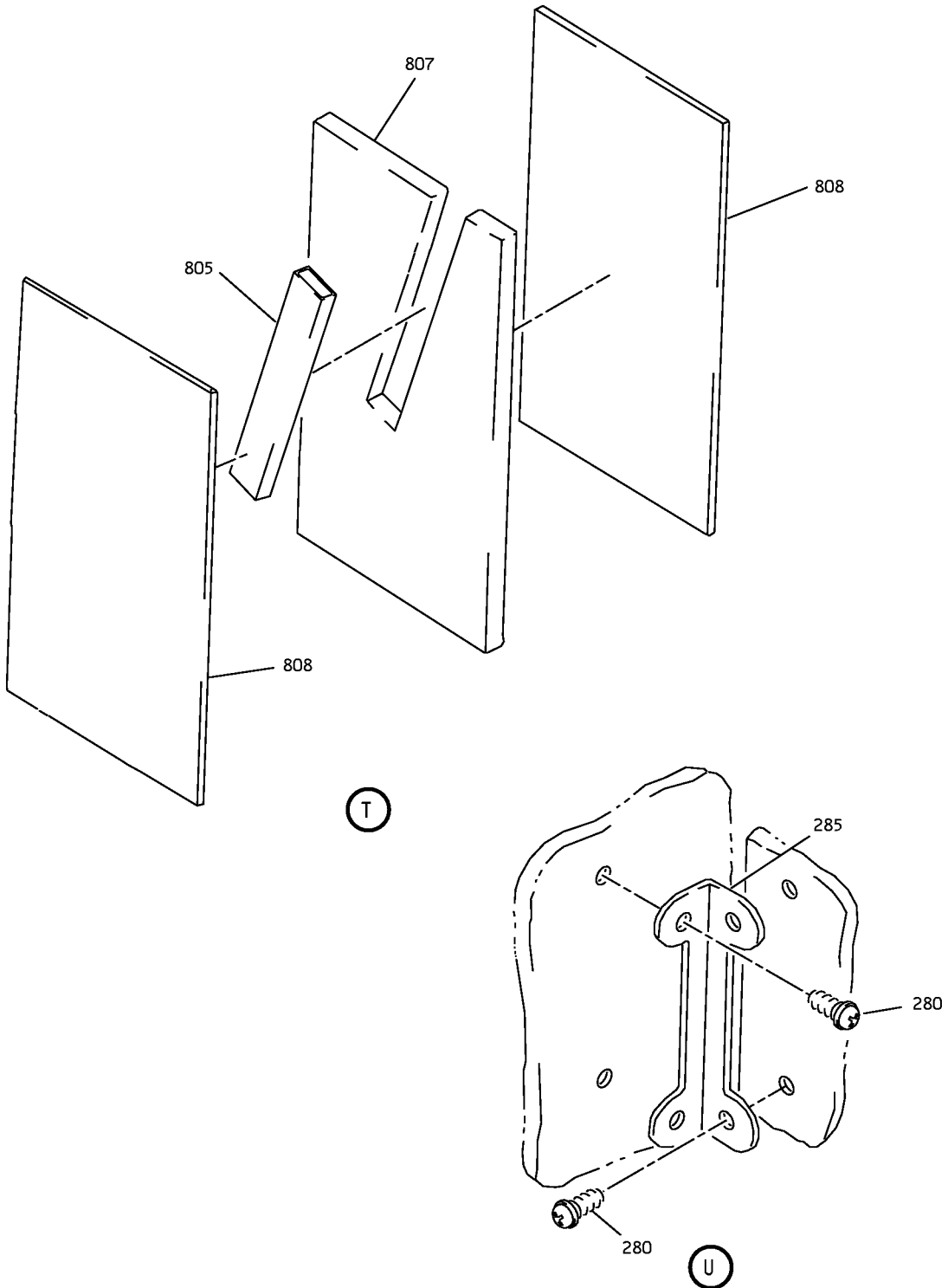
ILLUSTRATED PARTS LIST

Page 1098.292

Jul 01/2007



COMPONENT MAINTENANCE MANUAL



Forward Right Closet Assembly  
IPL Figure 11 (Sheet 15 of 23)

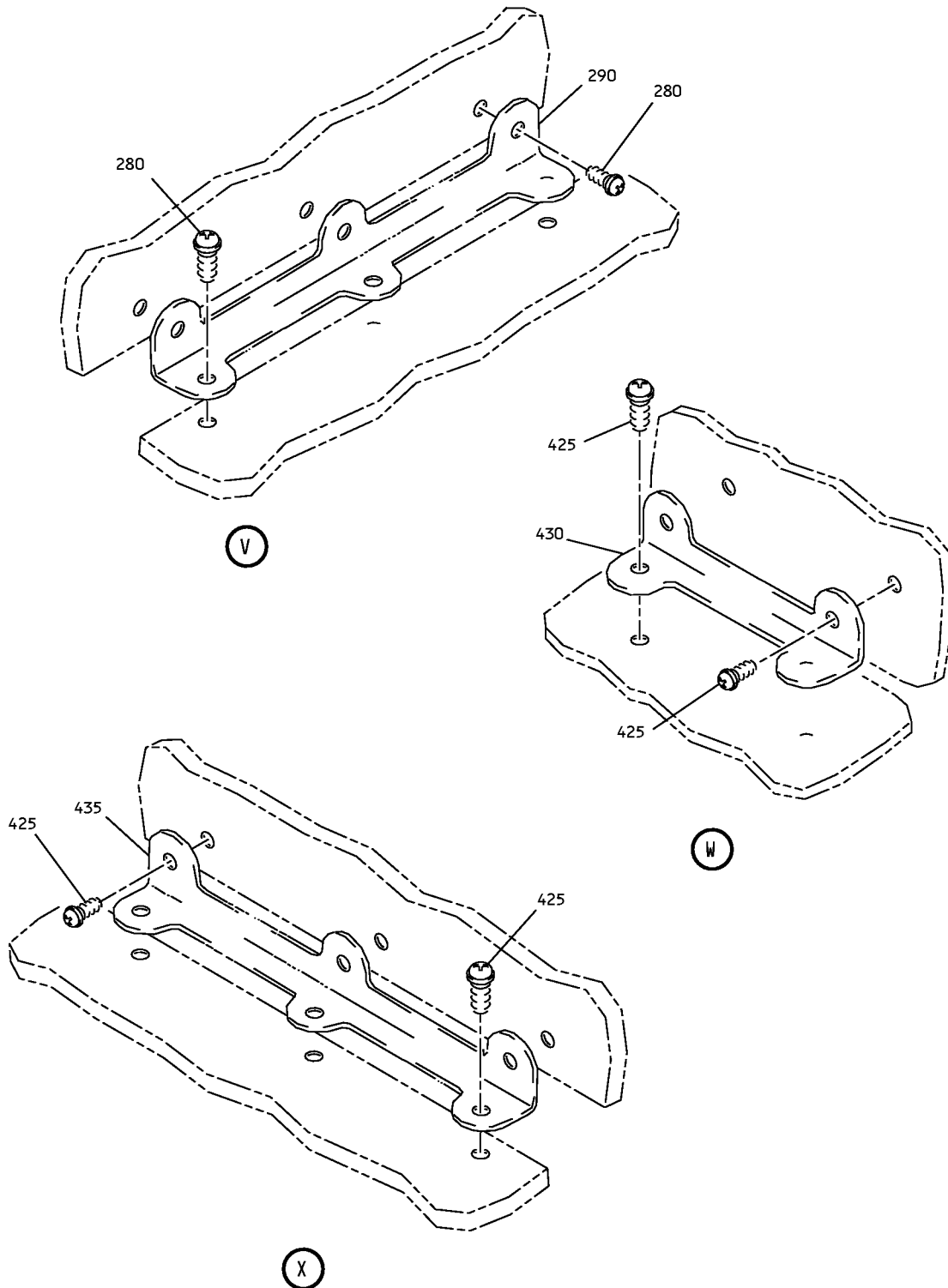
**25-24-08**

ILLUSTRATED PARTS LIST

Page 1098.293

Jul 01/2007

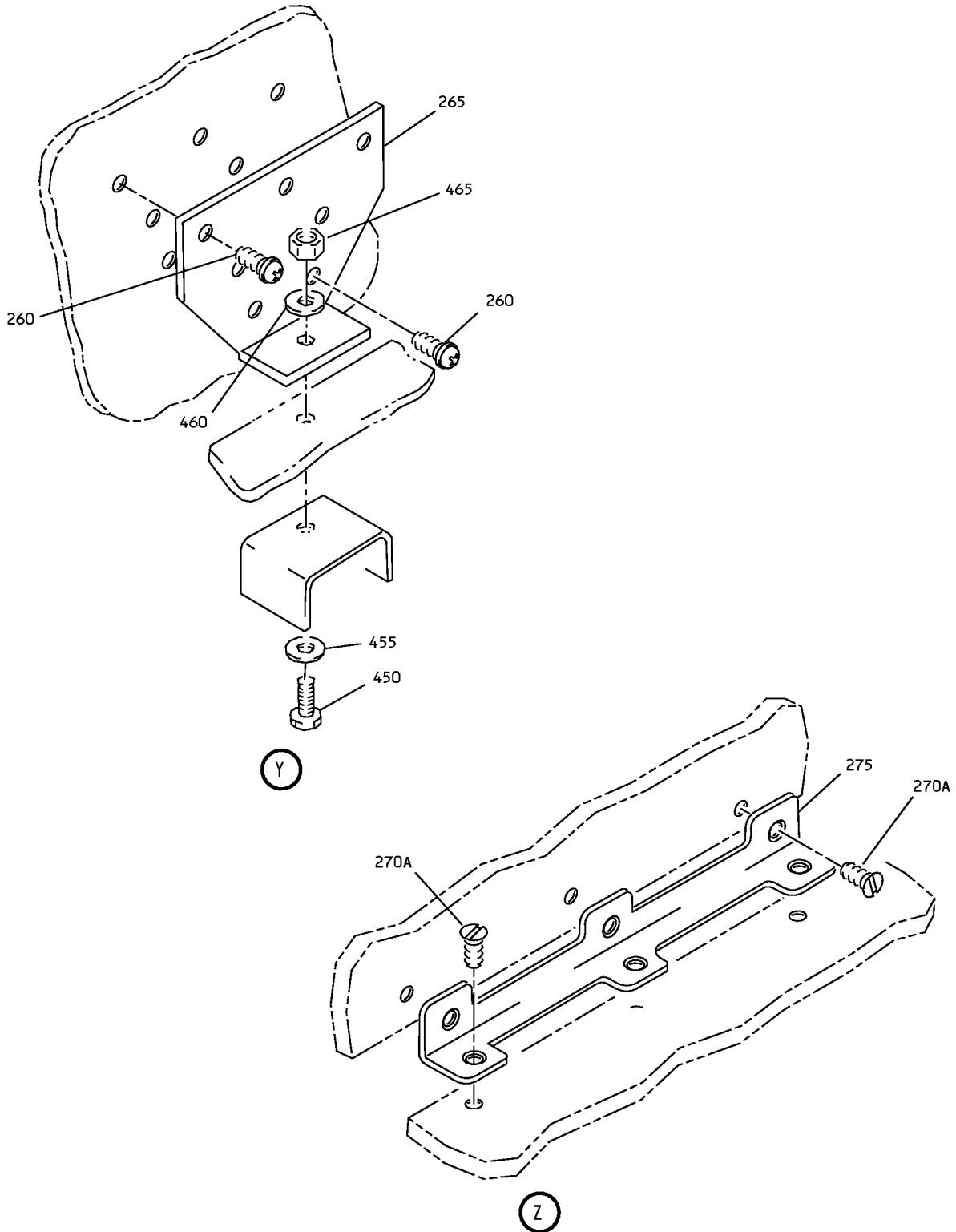
COMPONENT MAINTENANCE MANUAL



Forward Right Closet Assembly  
IPL Figure 11 (Sheet 16 of 23)

**25-24-08**  
ILLUSTRATED PARTS LIST  
Page 1098.294  
Jul 01/2007

COMPONENT MAINTENANCE MANUAL



Forward Right Closet Assembly  
 IPL Figure 11 (Sheet 17 of 23)

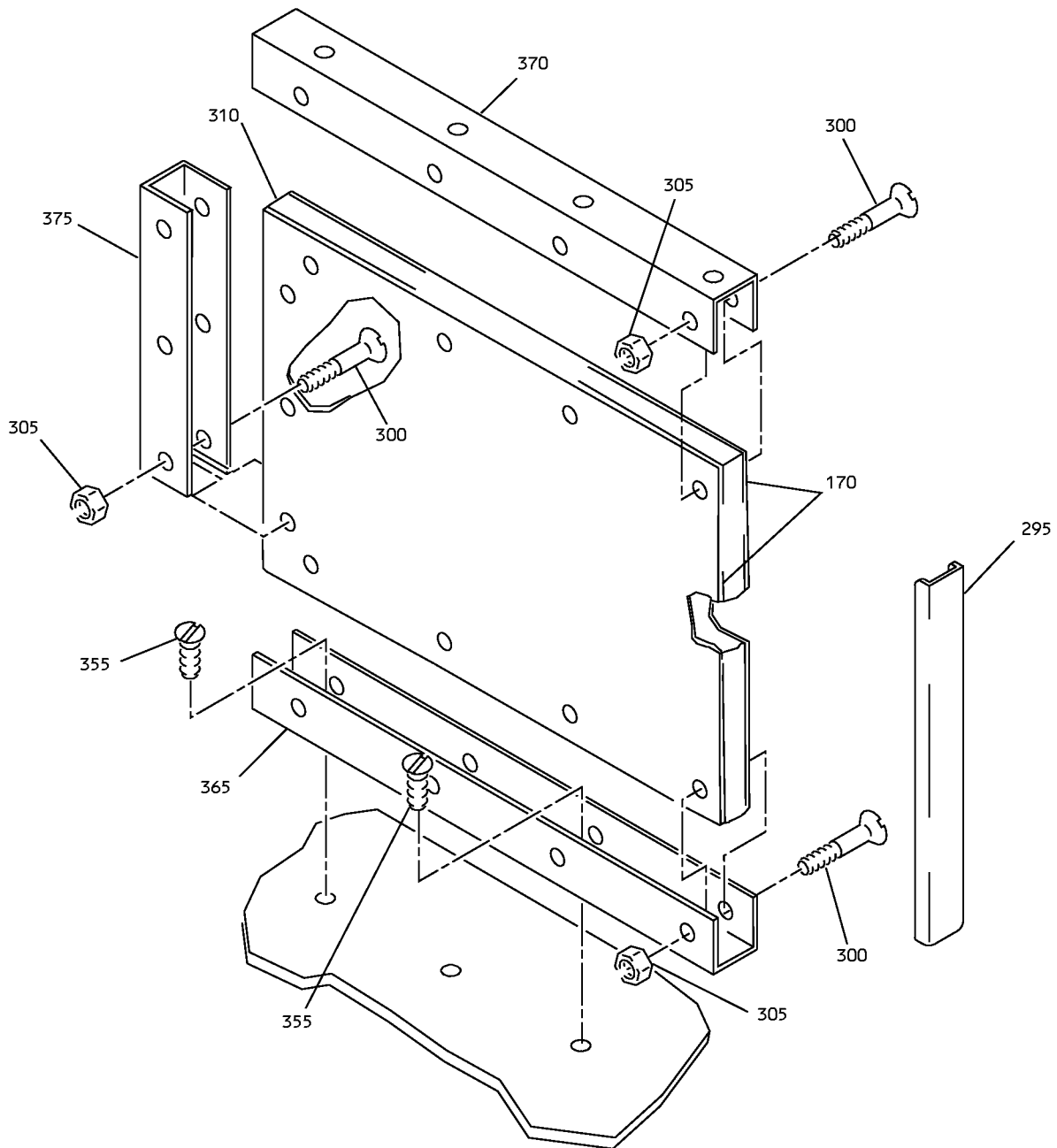
**25-24-08**

ILLUSTRATED PARTS LIST

Page 1098.295

Jul 01/2007

COMPONENT MAINTENANCE MANUAL



AA

Forward Right Closet Assembly  
IPL Figure 11 (Sheet 18 of 23)

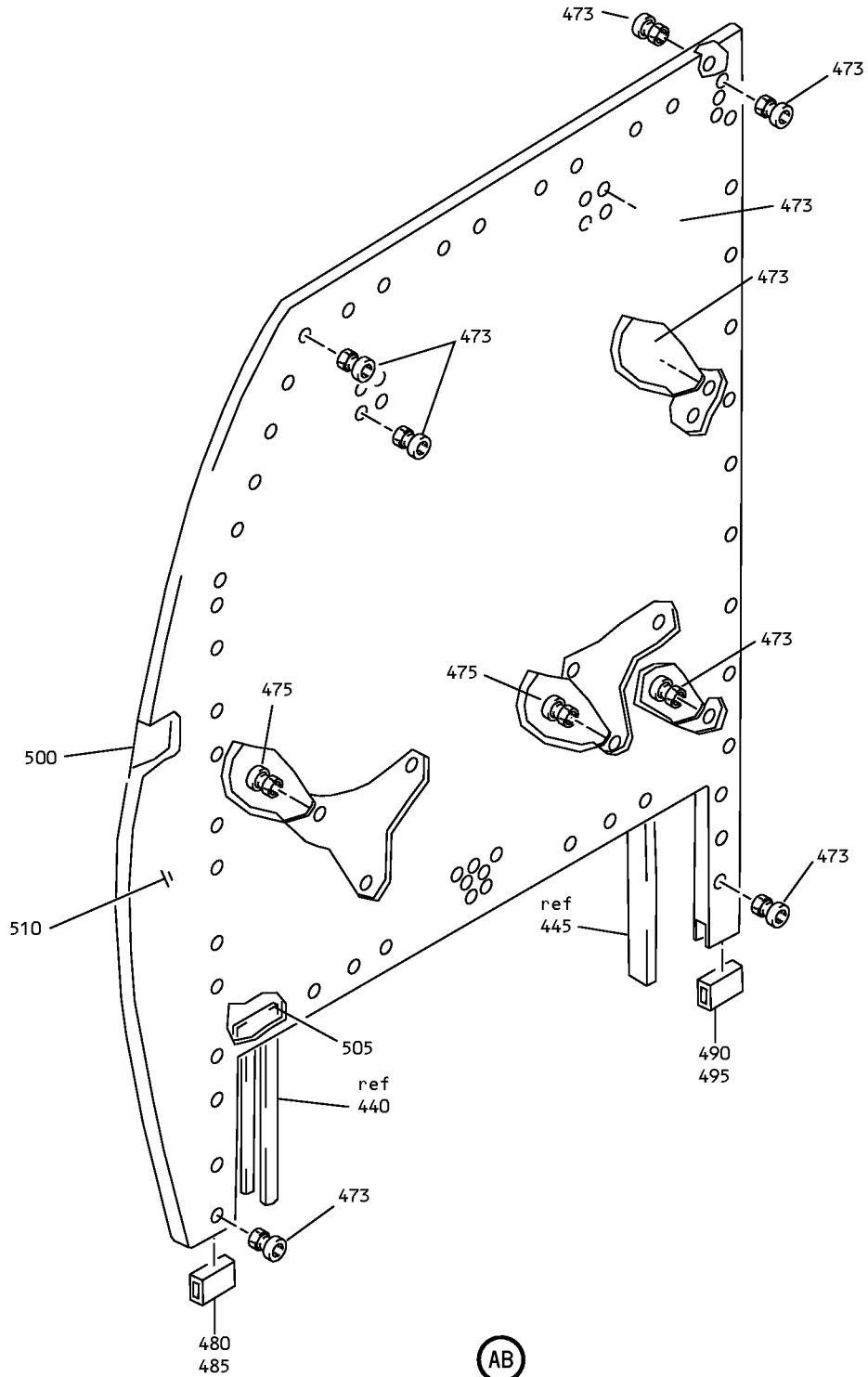
**25-24-08**

ILLUSTRATED PARTS LIST

Page 1098.296

Jul 01/2007

COMPONENT MAINTENANCE MANUAL



Forward Right Closet Assembly  
IPL Figure 11 (Sheet 19 of 23)

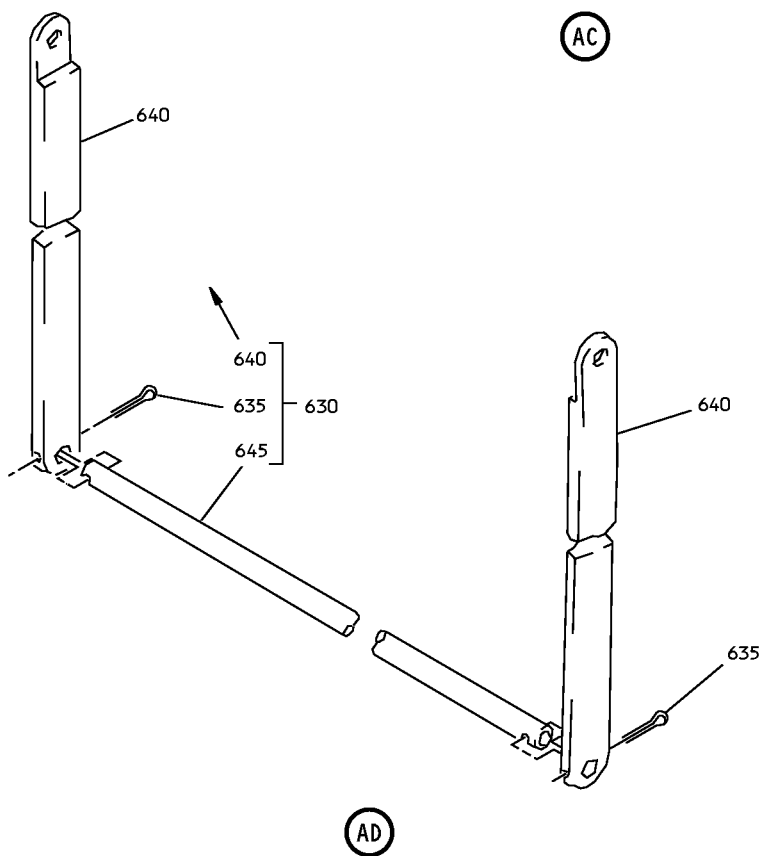
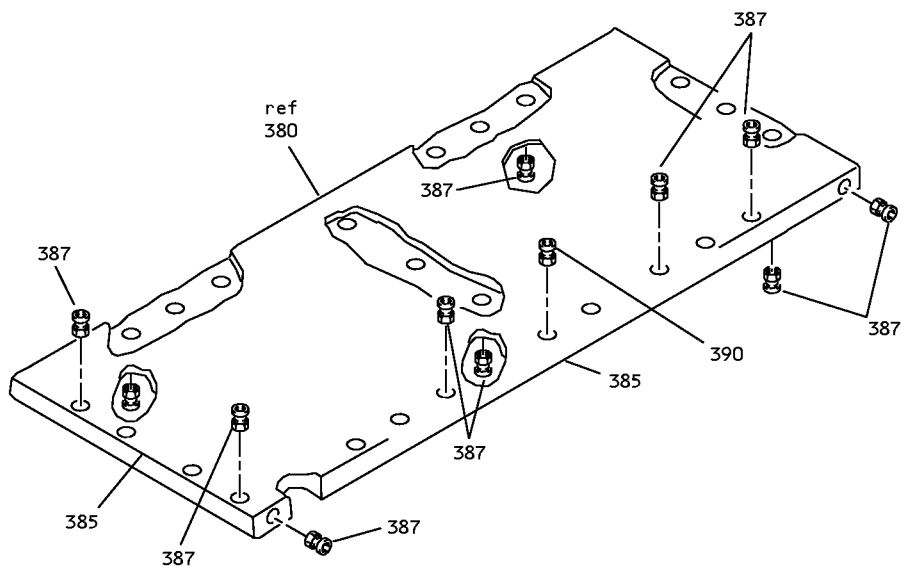
**25-24-08**

ILLUSTRATED PARTS LIST

Page 1098.297

Jul 01/2007

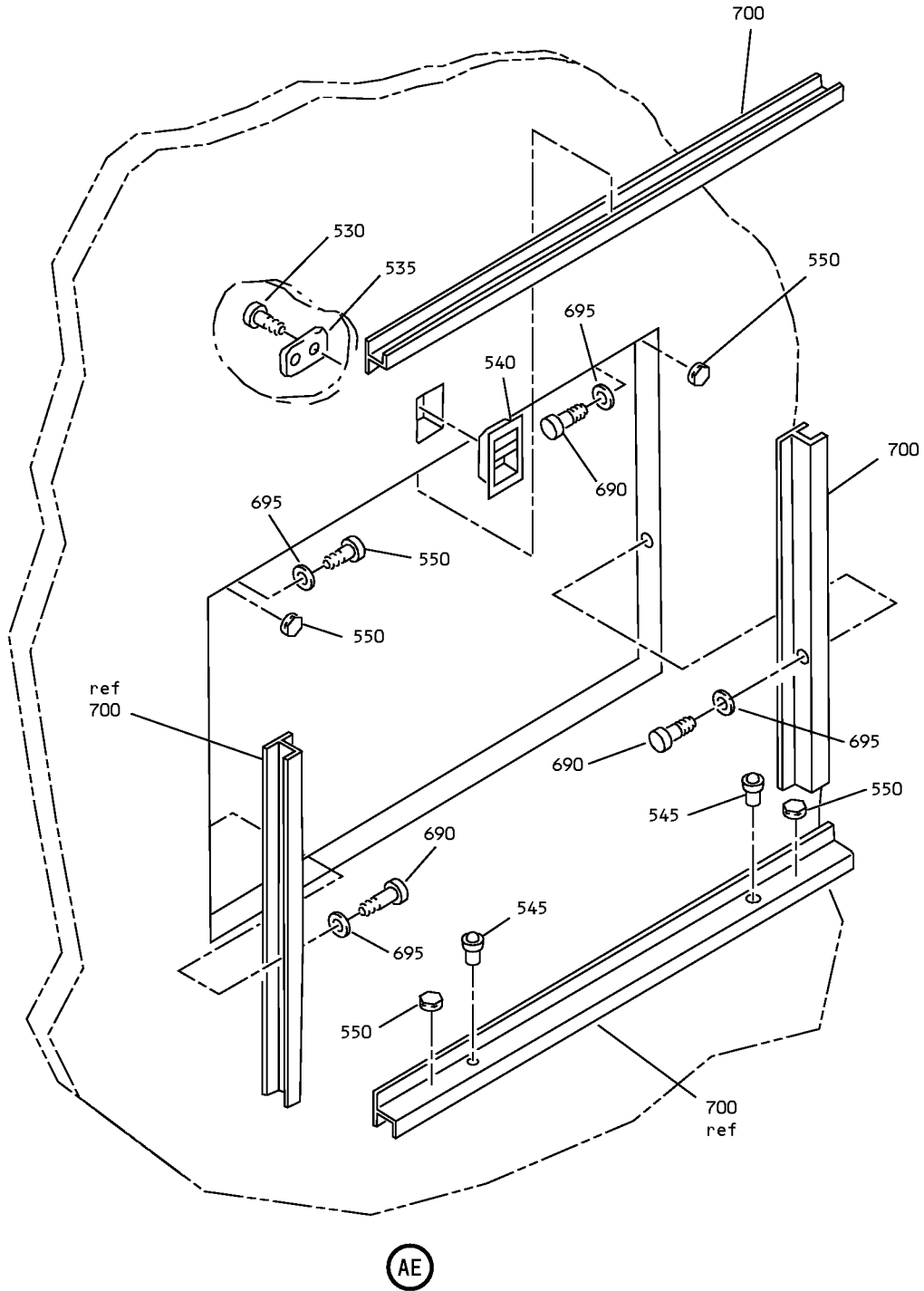
COMPONENT MAINTENANCE MANUAL



Forward Right Closet Assembly  
IPL Figure 11 (Sheet 20 of 23)

**25-24-08**  
ILLUSTRATED PARTS LIST  
Page 1098.298  
Jul 01/2007

COMPONENT MAINTENANCE MANUAL



Forward Right Closet Assembly  
IPL Figure 11 (Sheet 21 of 23)

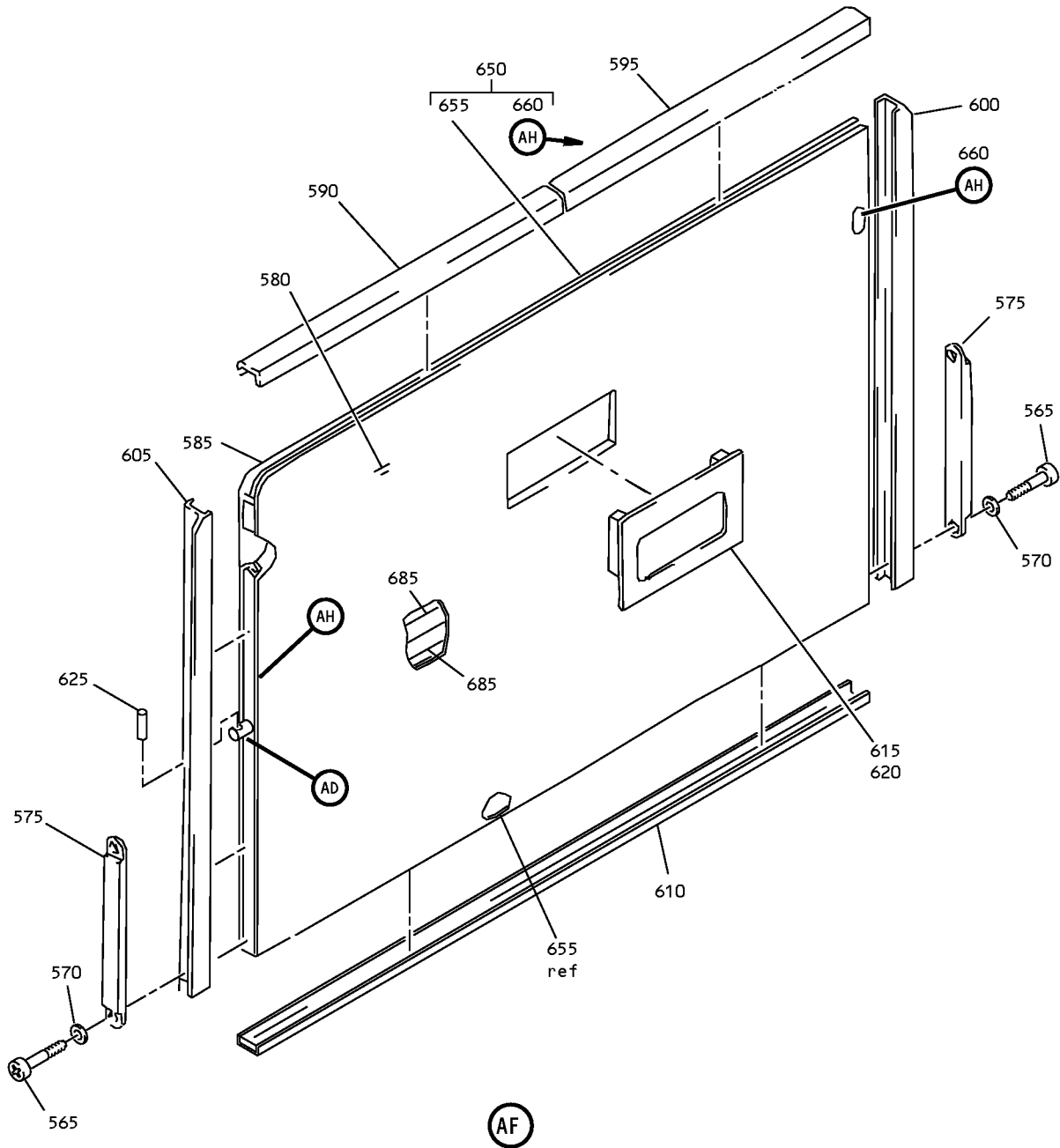
**25-24-08**

ILLUSTRATED PARTS LIST

Page 1098.299

Jul 01/2007

COMPONENT MAINTENANCE MANUAL



Forward Right Closet Assembly  
IPL Figure 11 (Sheet 22 of 23)

**25-24-08**

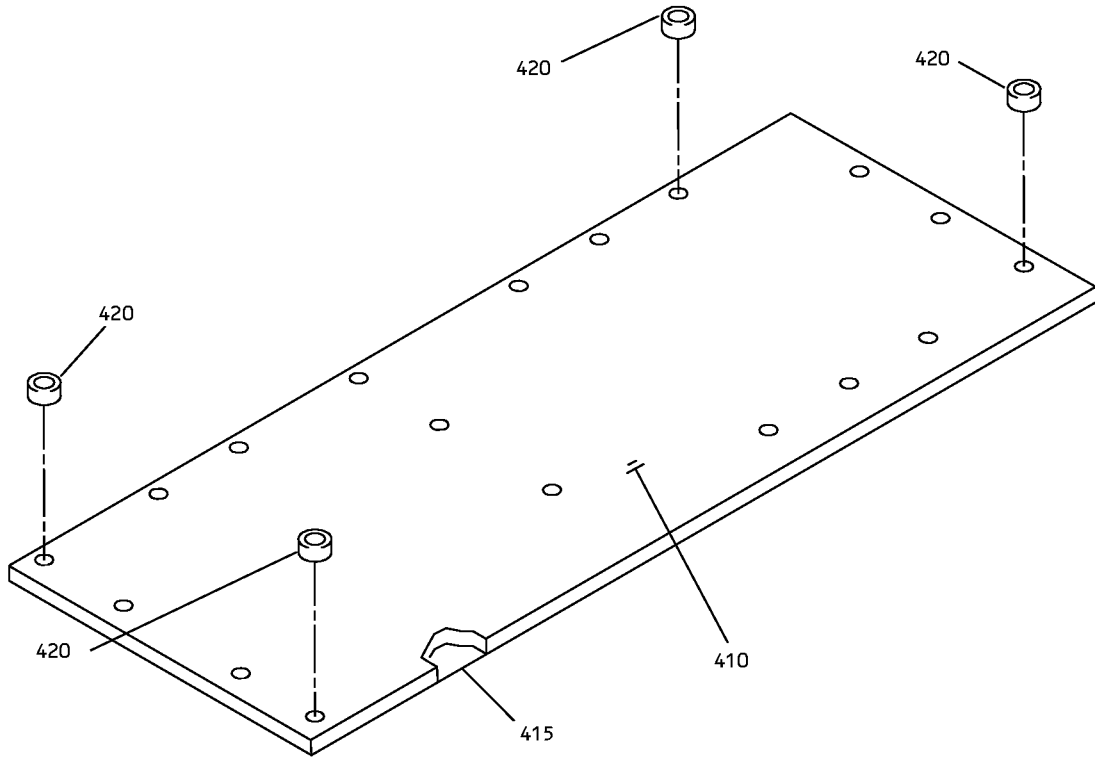
ILLUSTRATED PARTS LIST

Page 1098.300

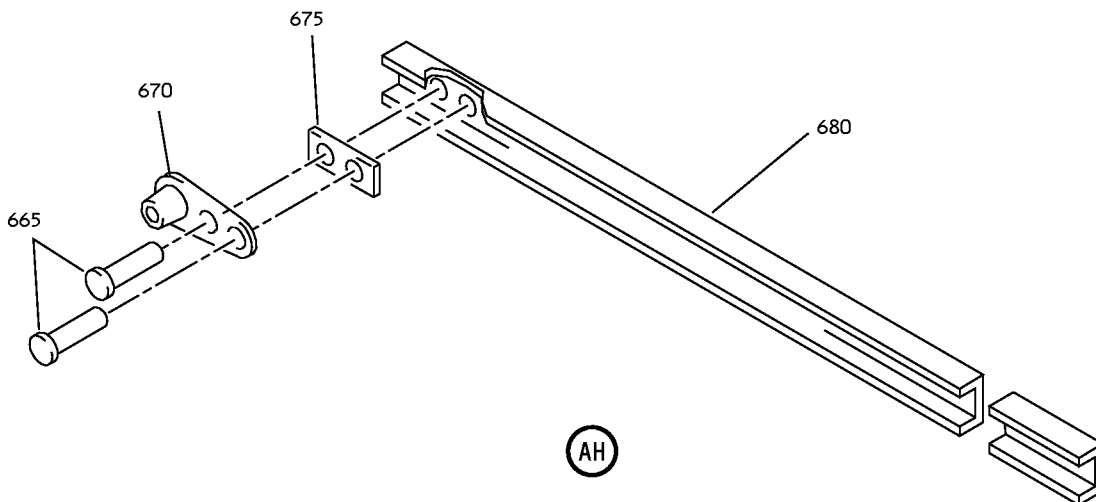
Jul 01/2007



COMPONENT MAINTENANCE MANUAL



AG



AH

Forward Right Closet Assembly  
IPL Figure 11 (Sheet 23 of 23)

**25-24-08**

ILLUSTRATED PARTS LIST

Page 1098.301

Jul 01/2007



## COMPONENT MAINTENANCE MANUAL

FIG/ ITEM	PART NUMBER	AIRLINE PART NUMBER	NOMENCLATURE							USAGE CODE	UNITS PER ASSY
			1	2	3	4	5	6	7		
11-											
-1A	413N3206-209SP									AG	RF
-1B	413N3206-224SP									AM	RF
5	BACS12FA3K6									AG, AM	16
10	69B51689-3									AG, AM	4
15	413U3165-42									AG, AM	2
20	413U3165-80									AG, AM	AR
25	BACS12ER3K5									AG, AM	20
30	413N3615-481SP									AG, AM	1
35	413N3615-482SP									AG, AM	1
40	BACS12ER08K6									AG, AM	4
45	NAS1836-08-12									AG, AM	4
50	413N3211-183									AG, AM	2
55	413N3211-185									AG, AM	1
60	413N3211-184									AG, AM	1
65	BACS12ER3K7									AG, AM	12
70	SL2334-3A3									AG, AM	12
75	SAM261-2									AG, AM	1
80	BACS12ER3K7									AG, AM	10
85	SL2334-3A3									AG, AM	10
90	413N3616-103									AG, AM	1
95	MS20253P2-4422									AG, AM	1
100	413N3616-104									AG, AM	1
105	413N3616-105									AG, AM	1
110	413U3165-25									AG, AM	AR
115	413N3615-6SP									DELETED	
120	413N3615-7SP									DELETED	
125	413U3165-7									AG, AM	AR
130	65C19744-113									AG, AM	1
135	BACB2844D020									AG, AM	2

-Item not Illustrated

# 25-24-08

ILLUSTRATED PARTS LIST

Page 1098.302

Jul 01/2007



## COMPONENT MAINTENANCE MANUAL

FIG/ ITEM	PART NUMBER	AIRLINE PART NUMBER	NOMENCLATURE							USAGE CODE	UNITS PER ASSY
			1	2	3	4	5	6	7		
11-											
140	65C19744-114		.	.	SUPPORT					AG, AM	1
145	BACB30NM3K7		.		BOLT					AG, AM	16
150	BACB30NM3K6		.		BOLT					AG, AM	4
155	BACW10BP3CD		.		WASHER					AG, AM	20
160	45927-29		.		FITTING-SEAT (V31272)					AG, AM	2
165	413N3206-147SP		.		COVER-DEC					AG, AM	1
170	413N3206-123SP		.		COVER-DEC					AG, AM	1
175	413N3224-303				DELETED						
175A	413N3224-303SP		.		PANEL ASSY					AG, AM	1
180	413N3211-177		.	.	PLUG					AG, AM	1
185	413N3217-194		.	.	EXTRUSION					AG, AM	1
190	413N3217-196		.	.	EXTRUSION					AG, AM	1
195	413N3224-7SP		.	.	COVER-DEC					AG, AM	1
200	BACS12FA3K5		.		SCREW					AG, AM	28
205	413T3167-1				DELETED						
205A	413T3167-1SP		.		ANGLE-SCALLOPED					AG, AM	11
210	413N3215-13SP		.		BRACKET					AG, AM	1
215	413N3215-14SP		.		BRACKET					AG, AM	1
220	413N3215-71		.		PLATE					AG, AM	2
225	413N3224-304SP		.		PANEL ASSY-TOP					AG, AM	1
230	413N3224-7SP		.	.	COVER-DEC					AG, AM	1
235	413N3224-84SP		.	.	COVER-DEC					AG, AM	1
240	413N3224-50SP		.		PANEL ASSY-HEADER					AG, AM	1
245	SL2334-3A3		.	.	INSERT (V97393)					AG, AM	14
250	413N3224-7SP		.	.	COVER-DEC					AG, AM	1
255	413N3224-8SP		.	.	COVER-DEC					AG, AM	1
260	BACS12FA3K6		.		SCREW					AG, AM	7
265	413N3211-66SP		.		ANGLE					AG, AM	1
270	BACS12FA3K6		.		SCREW					AG, AM	15
275	413N3211-111SP		.		ANGLE					AG, AM	5

-Item not Illustrated

# 25-24-08

ILLUSTRATED PARTS LIST

Page 1098.303

Jul 01/2007



## COMPONENT MAINTENANCE MANUAL

FIG/ ITEM	PART NUMBER	AIRLINE PART NUMBER	NOMENCLATURE							USAGE CODE	UNITS PER ASSY
			1	2	3	4	5	6	7		
11-											
280	BACS12FA3K5		.	SCREW						AG, AM	76
285	413T3167-1			DELETED							
285A	413T3167-1SP		.	ANGLE-SCALLOPED						AG, AM	35
290	413T3167-2			DELETED							
290A	413T3167-2SP		.	ANGLE-SCALLOPED						AG, AM	2
295	413T3165-1SP		.	TRIM						AG, AM	AR
300	BACS12ER3K16		.	SCREW						AG, AM	11
305	SL52-3		.	NUT (V97393)						AG, AM	11
310	413N3224-245		.	PANEL ASSY						AG, AM	1
315	BACS12FA3K7		.	SCREW						AG, AM	11
320	BACS12ER3K8		.	SCREW						AG, AM	10
325	BACB30NM3K20		.	BOLT						AG, AM	1
330	NAS1149C0332R		.	WASHER						AG, AM	1
335	MS21042L3		.	NUT						AG, AM	1
340	BACB30NT3K19		.	BOLT						AG, AM	2
345	NAS1149D0332J		.	WASHER						AG, AM	2
350	H10-3BAC		.	NUT (V15653) (SPEC BACN10JC3) (OPT NS202101-02 (V80539)) (OPT RMLH9075-3W (V72962)) (OPT T6S1032J (V71087)) (OPT VN303A02 (V92215)) (OPT 96-02 (V80539)) (OPT BRH10A3 (V52828))						AG, AM	2
355	BACS12FA3K6		.	SCREW						AG, AM	3
360	413N3217-192		.	EXTRUSION						AG, AM	1
365	413N3211-617		.	CHANNEL						AG, AM	1
370	413N3211-618		.	CHANNEL						AG, AM	1
375	413N3211-619		.	CHANNEL						AG, AM	1
380	413N3224-305SP		.	PANEL ASSY-SHELF						AG, AM	1
385	413N3224-7SP		.	COVER-DEC						AG, AM	2
390	NAS1834-3-970		.	INSERT-DEC						AG, AM	1

-Item not Illustrated

# 25-24-08

ILLUSTRATED PARTS LIST

Page 1098.304

Jul 01/2007



## COMPONENT MAINTENANCE MANUAL

FIG/ ITEM	PART NUMBER	AIRLINE PART NUMBER	NOMENCLATURE							USAGE CODE	UNITS PER ASSY
			1	2	3	4	5	6	7		
11-											
395	413N3224-306SP		.							AG, AM	1
400	413N3224-7SP		.	.						AG, AM	2
405	413N3224-70SP		.							AG, AM	1
410	413N3224-7SP		.	.						AG, AM	1
415	413N3224-8SP		.	.						AG, AM	1
420	SL2334-3A3		.	.						AG, AM	19
425	BACS12FA3K5		.							AG, AM	16
430	413T3167-1										
430A	413T3167-1SP		.							AG, AM	5
435	413T3167-2										
435A	413T3167-2SP		.							AG, AM	2
440	413T3211-473										
440A	413N3211-473		.							AG, AM	1
445	413T3211-474										
445A	413N3211-474		.							AG, AM	1
450	BACB30NM3K21		.							AG	1
455	BACW10BP3CD		.							AG, AM	1
460	NAS1149C0332R		.							AG, AM	1
465	26C02		.							AG, AM	1
470	413N3224-302SP		.							AG, AM	1
475	SL2334-08A3		.	.						AG, AM	6
480	413N3217-200		.	.						AG, AM	1
485	413N3217-201		.	.	.					AG, AM	1
490	413N3217-202		.	.						AG, AM	1
495	413N3217-203		.	.	.					AG, AM	1
500	413N3224-87SP		.	.						AG, AM	1
505	413N3217-206		.	.						AG, AM	1
510	413N3224-7SP		.	.						AG, AM	1
515	413N3224-314SP		.							AG, AM	1

-Item not Illustrated

**25-24-08**

ILLUSTRATED PARTS LIST

Page 1098.305

Jul 01/2007



## COMPONENT MAINTENANCE MANUAL

FIG/ ITEM	PART NUMBER	AIRLINE PART NUMBER	NOMENCLATURE							USAGE CODE	UNITS PER ASSY
			1	2	3	4	5	6	7		
11-											
520	SL2334-3A3								. . INSERT (V97393)	AG, AM	60
525	413N3224-7SP								. . COVER-DEC	AG, AM	1
530	BACS12ER3K14								. SCREW	AG, AM	2
535	413T3030-70								. PLATE	AG, AM	1
540	SAM223-1R								. LATCH (V31845)	AG, AM	1
545	H3-1242-3								. CATCH-BULLET (V34941) (SPEC BACC12C9) (OPT 500006 (V60119)) (OPT 3067CR1 (V14608))	AG, AM	2
550	65C13879-110								. BUMPER	AG, AM	4
560	65-74227-84								DELETED		
560A	65-74227-84SP								. TABLE ASSY	AG, AM	1
565	69-50485-1								. . SCREW	AG, AM	2
570	NAS549ML416								. . WASHER (OPT ITEM 570A)	AG, AM	2
-570A	BACW10P193G								. . WASHER (OPT ITEM 570)	AG, AM	2
575	69-50264-1								. . LINK	AG, AM	2
580	65-74227-24								DELETED		
580A	65-74227-24SP								. . COVER-DEC	AG, AM	1
585	65-74227-25								DELETED		
585A	65-74227-25SP								. . COVER-DEC	AG, AM	1
590	65-74227-32								. . TRIM	AG, AM	1
595	65-74227-33								. . TRIM	AG, AM	1
600	65-74227-36								. . TRIM	AG, AM	1
605	65-74227-37								. . TRIM	AG, AM	1
610	65-74227-23								. . TRIM	AG, AM	1
615	69-19088-14B								. . PLATE ASSY	AG, AM	1
620	69-19088-8								. . . PLATE	AG, AM	1
625	MS16562-26								. . PIN	AG, AM	2
630	69-50269-3								. . TUBE ASSY	AG, AM	1

-Item not Illustrated

# 25-24-08

ILLUSTRATED PARTS LIST

Page 1098.306

Jul 01/2007



## COMPONENT MAINTENANCE MANUAL

FIG/ ITEM	PART NUMBER	AIRLINE PART NUMBER	NOMENCLATURE							USAGE CODE	UNITS PER ASSY
			1	2	3	4	5	6	7		
11-											
635	MS24665-285		. . .	PIN-COTTER						AG, AM	2
640	69-50264-2		. . .	LINK						AG, AM	2
645	69-50269-4		. . .	TUBE						AG, AM	1
650	65-74227-27		. .	PANEL ASSY-TABLE						AG, AM	1
655	65-74227-14		. . .	EDGING						AG, AM	1
660	69-50267-1		. . .	CHANNEL ASSY						AG, AM	2
665	BACR15BA3D		. . . .	RIVET (SIZE DETERMINED ON INST)						AG, AM	2
670	BR1000A3		. . . .	NUTPLATE (V52828) (SPEC BACN10KB3) (OPT K2000-3 (V15653)) (OPT RMA9207-3 (V72962)) (OPT T8109S1032 (V11815)) (OPT VN101A1-02 (V92215)) (OPT K2000-3 (V15653))						AG, AM	1
675	69-50266-1		. . . .	RETAINER-NUTPLATE						AG, AM	1
680	69-50267-2		. . . .	CHANNEL						AG, AM	1
685	65-74227-13		. . .	SPACER						AG, AM	2
690	69-50485-1		.	SCREW						AG, AM	4
695	NAS59ML416			DELETED							
695A	NAS549ML416		.	WASHER						AG, AM	4
700	413U3165-1		.	TRIM						AG, AM	AR
705	413N3224-301SP		.	PANEL ASSY-FWD						AG	1
-705A	413N3224-387SP		.	PANEL ASSY-FWD						AM	1
710	413N3217-198		. .	CHANNEL ASSY						AG, AM	1
715	AF5141-3C3		. . .	RIVET (V53551) (SPEC BACR15DR3AC3) (OPT CCR264CS3-3IT (V11815)) (OPT RV541A3C3 (V98996))						AG, AM	18
720	AF5141-3C		. . .	RIVET (V53551) (SPEC BACR15DR3AC) (OPT CCR264CS3C (V11815)) (OPT RV541A3C (V98996)) (SIZE DETERMINED ON INST)						AG, AM	4

-Item not Illustrated

# 25-24-08

ILLUSTRATED PARTS LIST

Page 1098.307

Jul 01/2007



## COMPONENT MAINTENANCE MANUAL

FIG/ ITEM	PART NUMBER	AIRLINE PART NUMBER	NOMENCLATURE							USAGE CODE	UNITS PER ASSY
			1	2	3	4	5	6	7		
11-											
725	413N3217-199		. . .				CHANNEL			AG, AM	1
730	65-62776-79		. .				FRAME ASSY			AG, AM	1
735	BACR15CE4B		. . .				RIVET (SIZE DETERMINED ON INST)			AG, AM	46
740	65-62776-80		. . .				PLATE			AG, AM	1
745	65-62776-33		. . .				PLATE			AG	1
750	BACR15BA3D		. . .				RIVET (SIZE DETERMINED ON INST)			AG, AM	8
755	BR1000A3		. . .				NUTPLATE (V52828) (SPEC BACN10KB3) (OPT K2000-3 (V15653)) (OPT RMA9207-3 (V72962)) (OPT T8109S1032 (V11815)) (OPT VN101A1-02 (V92215)) (OPT K2000-3 (V15653))			AG, AM	4
760	MS21141U5P2		. . .				RIVET			AG, AM	8
765	BACR15BA4D		. . .				RIVET (SIZE DETERMINED ON INST)			AG, AM	8
770	65-62776-81		. . .				CLIP			AG, AM	2
775	65-62776-82		. . .				CLIP			AG, AM	2
780	65-62776-101		. . .				FRAME-VERT			AG, AM	1
785	65-62776-102		. . .				FRAME-VERT			AG, AM	1
790	65-62776-53		. . .				FRAME-HORIZ			AG, AM	1
795	65-62776-54		. . .				FRAME-HORIZ			AG, AM	1
800	69-66077-124		. .				SUPPORT ASSY			AG, AM	1
805	413N3211-387		. . .				TUBE-SPRT			AG, AM	1
810	413N3224-88SP		. .				COVER-DEC			AG, AM	1
815	413N3224-89SP		. .				COVER-DEC			AG, AM	1
820	413N3224-7SP		. .				COVER-DEC			AG, AM	1
825	BACS12FA3K11		.				SCREW			AG, AM	1
830	413N3217-210		.				LOCK ASSY			AG, AM	1
835	65C19744-113		.				SUPPORT ASSY			AG, AM	1
840	69-66077-97		.				BUMPER			AG, AM	1
845	413N3206-194		.				TAPE-HOOK			AG, AM	AR

-Item not Illustrated

# 25-24-08

ILLUSTRATED PARTS LIST

Page 1098.308

Jul 01/2007





## COMPONENT MAINTENANCE MANUAL

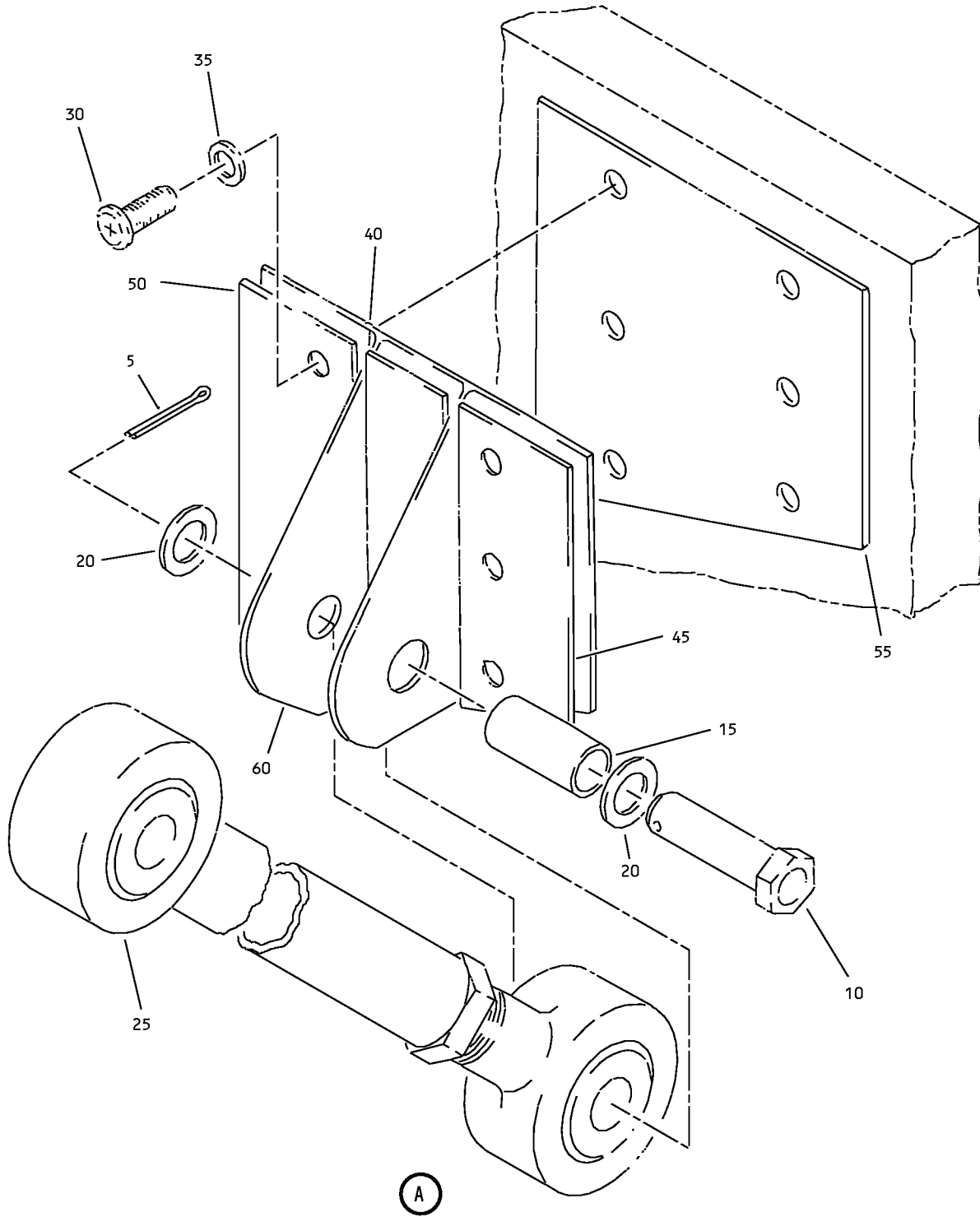
FIG/ ITEM	PART NUMBER	AIRLINE PART NUMBER	NOMENCLATURE							USAGE CODE	UNITS PER ASSY
			1	2	3	4	5	6	7		
11- 850	413U3165-172									AM	1

-Item not Illustrated

**25-24-08**  
 ILLUSTRATED PARTS LIST  
 Page 1098.309  
 Jul 01/2007



COMPONENT MAINTENANCE MANUAL



Forward Right Closet Assembly  
IPL Figure 12 (Sheet 2 of 40)

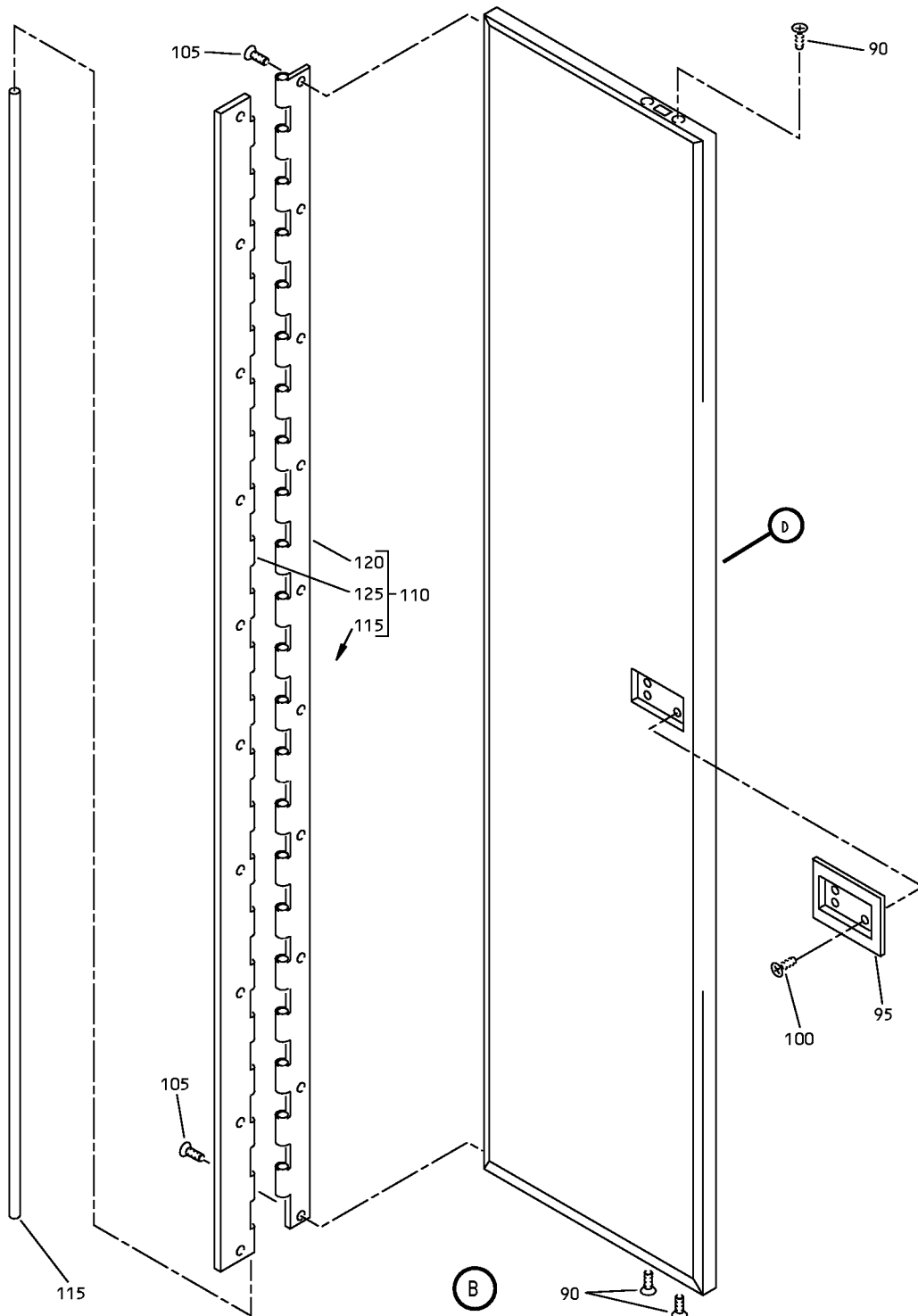
**25-24-08**

ILLUSTRATED PARTS LIST

Page 1098.311

Jul 01/2007

# COMPONENT MAINTENANCE MANUAL



Forward Right Closet Assembly  
IPL Figure 12 (Sheet 3 of 40)

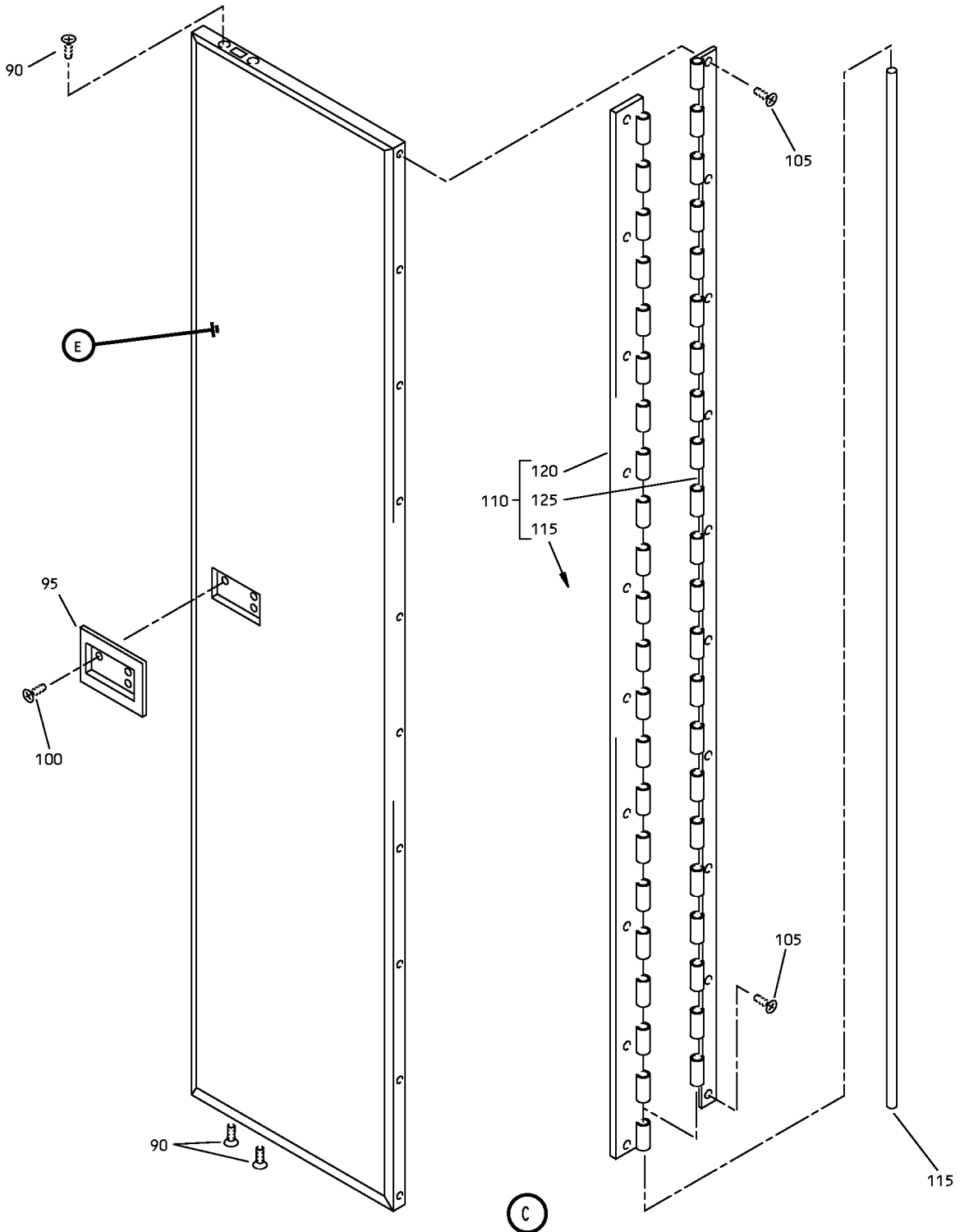
## 25-24-08

ILLUSTRATED PARTS LIST

Page 1098.312

Jul 01/2007

COMPONENT MAINTENANCE MANUAL



Forward Right Closet Assembly  
IPL Figure 12 (Sheet 4 of 40)

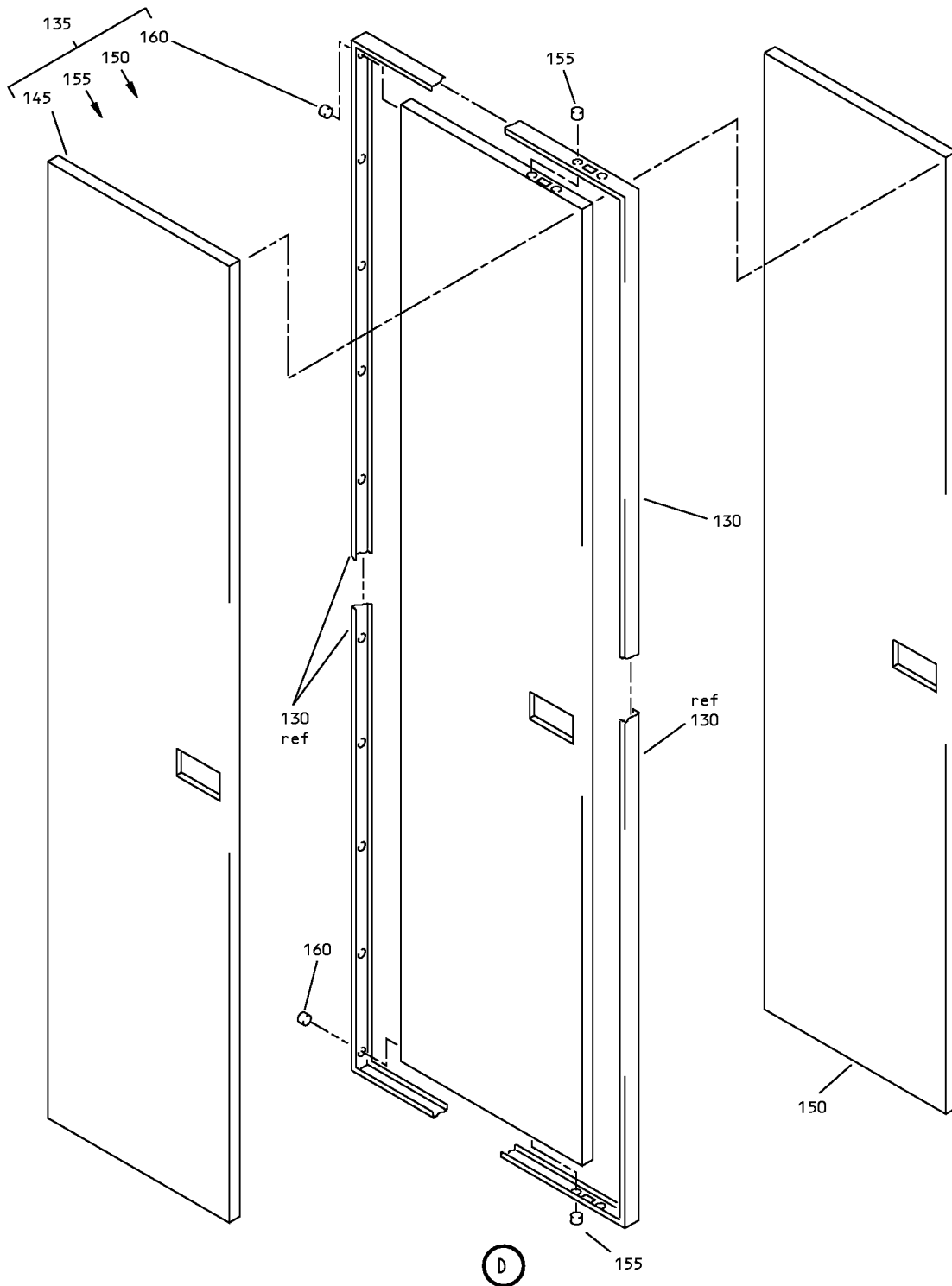
**25-24-08**

ILLUSTRATED PARTS LIST

Page 1098.313

Jul 01/2007

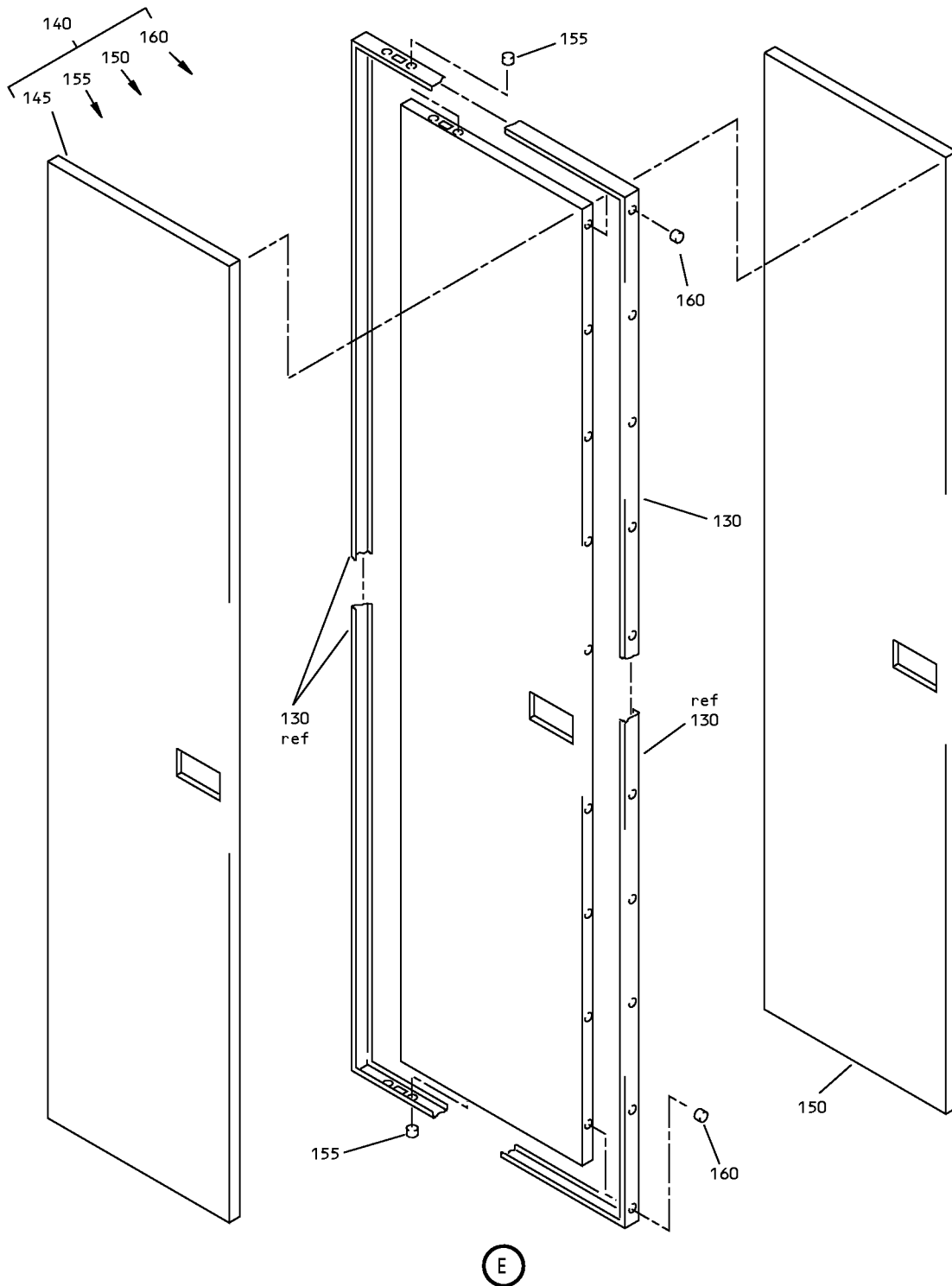
COMPONENT MAINTENANCE MANUAL



Forward Right Closet Assembly  
IPL Figure 12 (Sheet 5 of 40)

**25-24-08**  
ILLUSTRATED PARTS LIST  
Page 1098.314  
Jul 01/2007

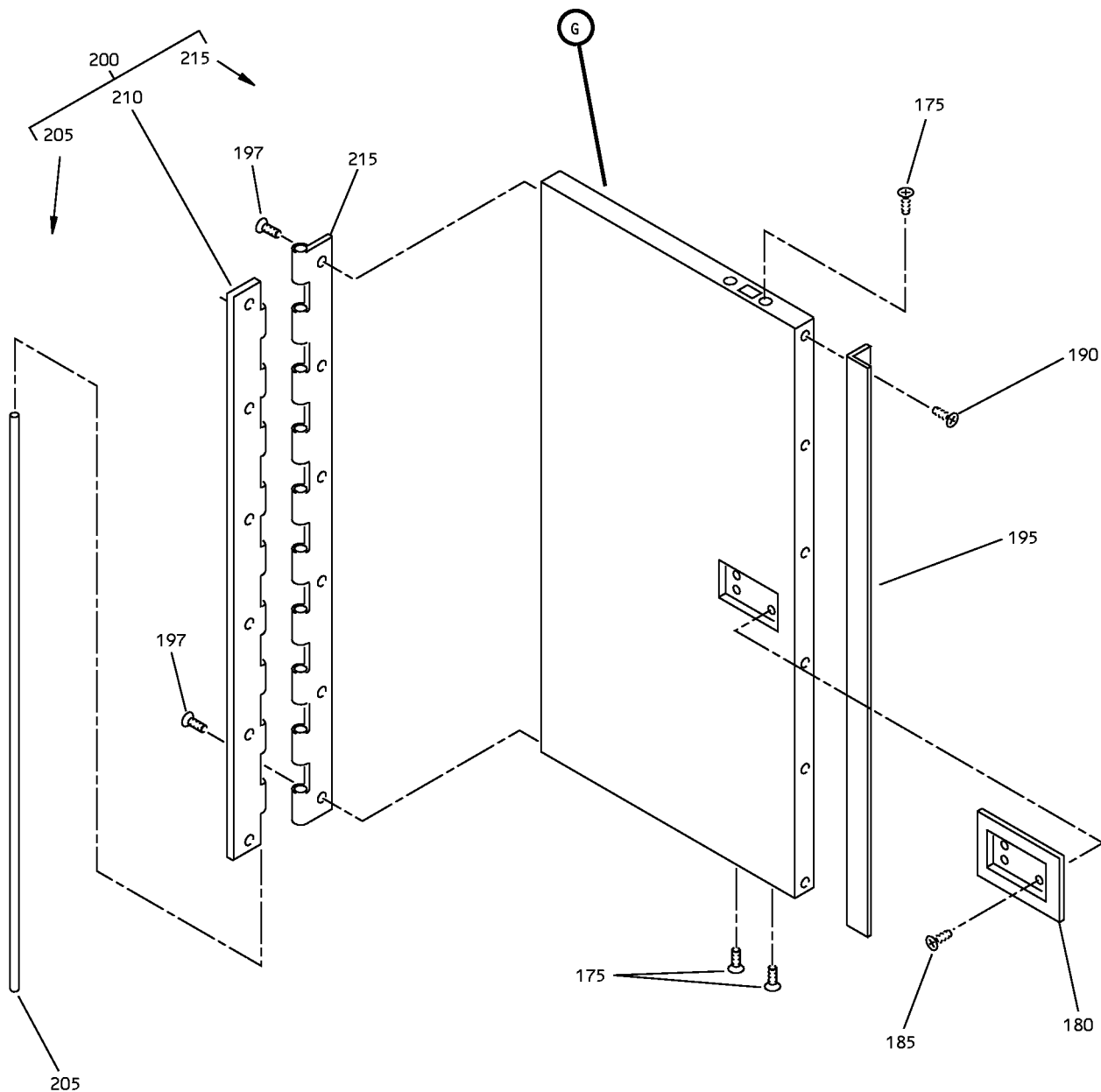
COMPONENT MAINTENANCE MANUAL



Forward Right Closet Assembly  
IPL Figure 12 (Sheet 6 of 40)

**25-24-08**  
ILLUSTRATED PARTS LIST  
Page 1098.315  
Jul 01/2007

COMPONENT MAINTENANCE MANUAL



F

Forward Right Closet Assembly  
IPL Figure 12 (Sheet 7 of 40)

**25-24-08**

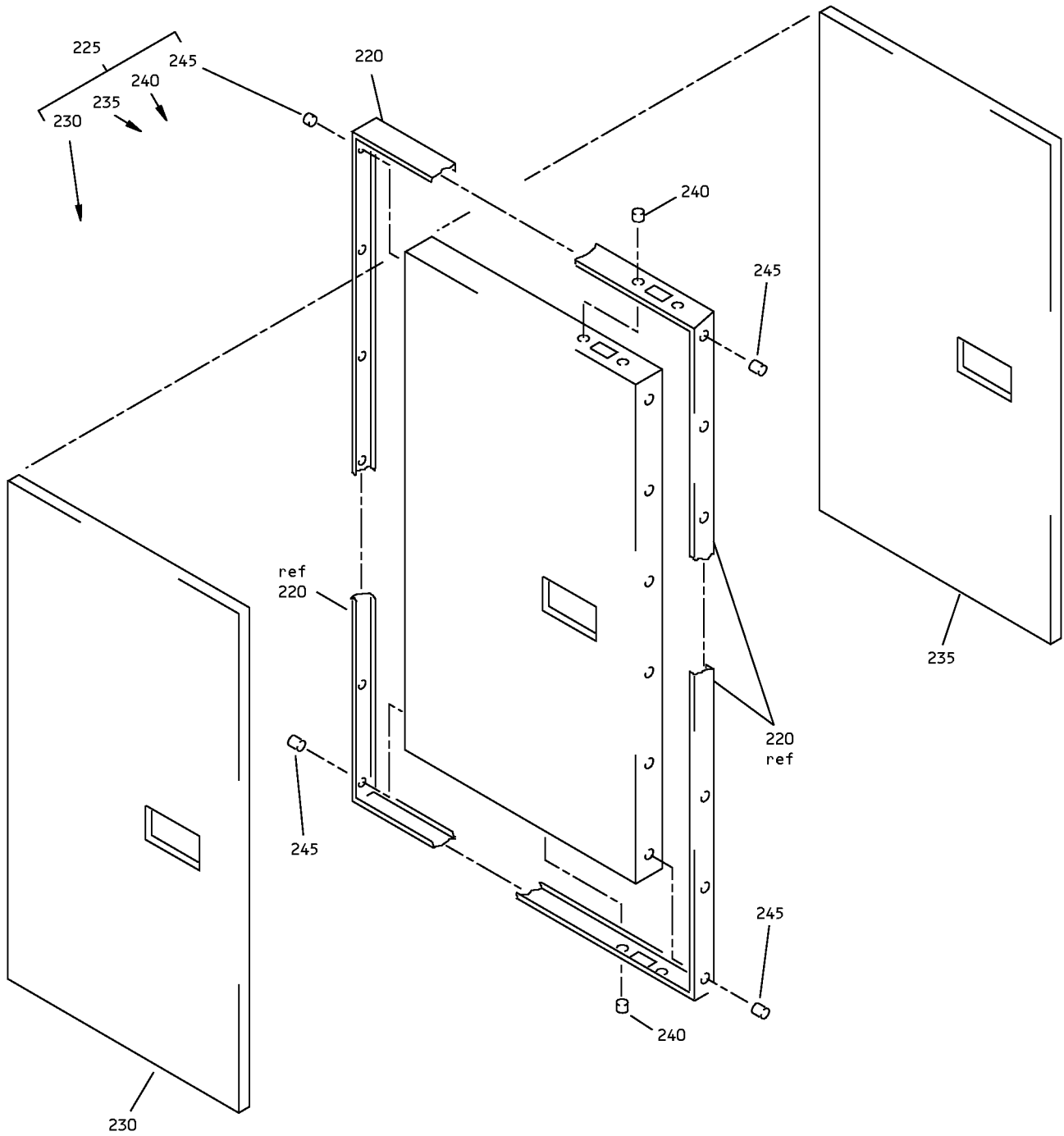
ILLUSTRATED PARTS LIST

Page 1098.316

Jul 01/2007



COMPONENT MAINTENANCE MANUAL



G

Forward Right Closet Assembly  
IPL Figure 12 (Sheet 8 of 40)

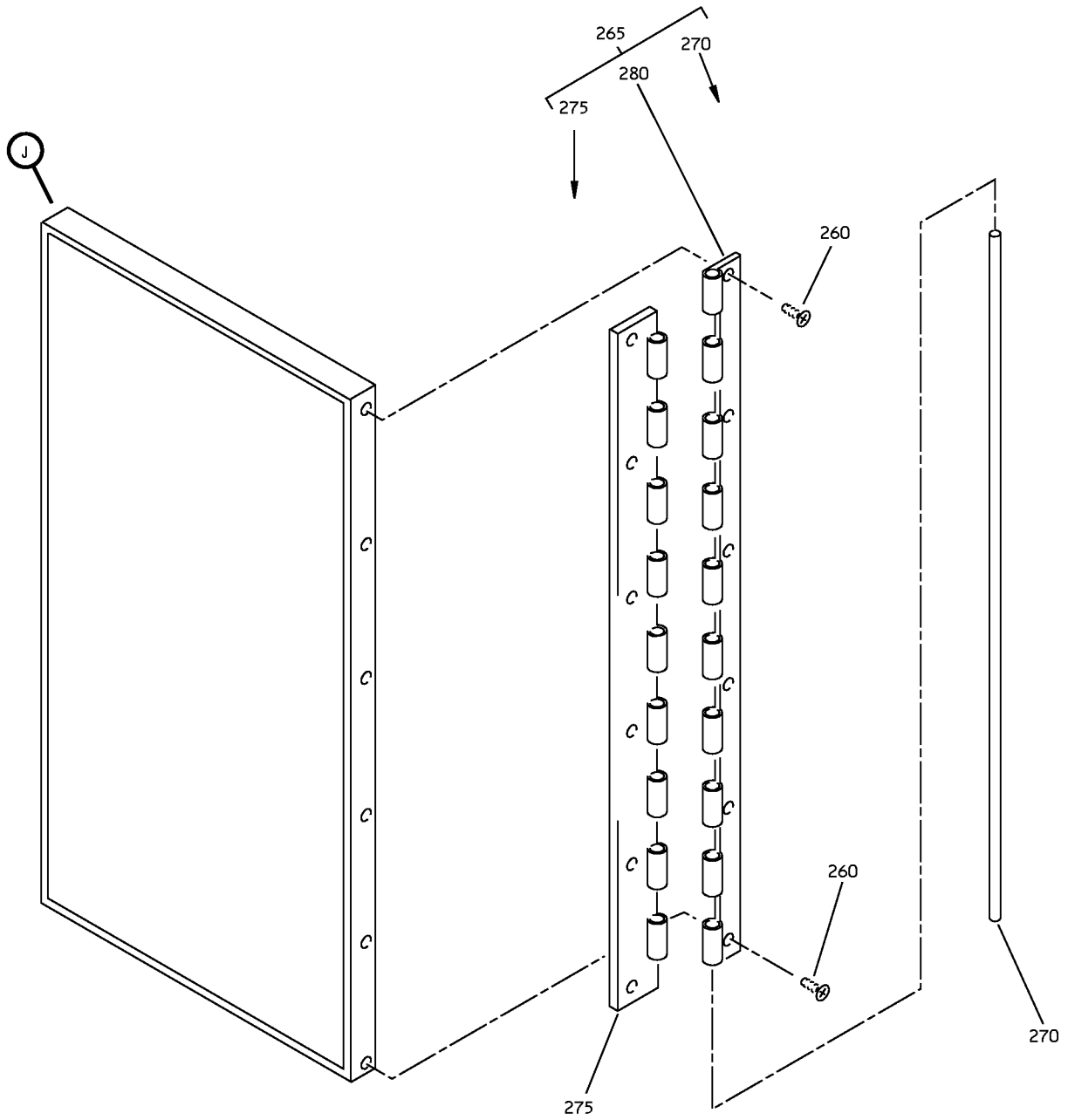
**25-24-08**

ILLUSTRATED PARTS LIST

Page 1098.317

Jul 01/2007

COMPONENT MAINTENANCE MANUAL



(H)

Forward Right Closet Assembly  
IPL Figure 12 (Sheet 9 of 40)

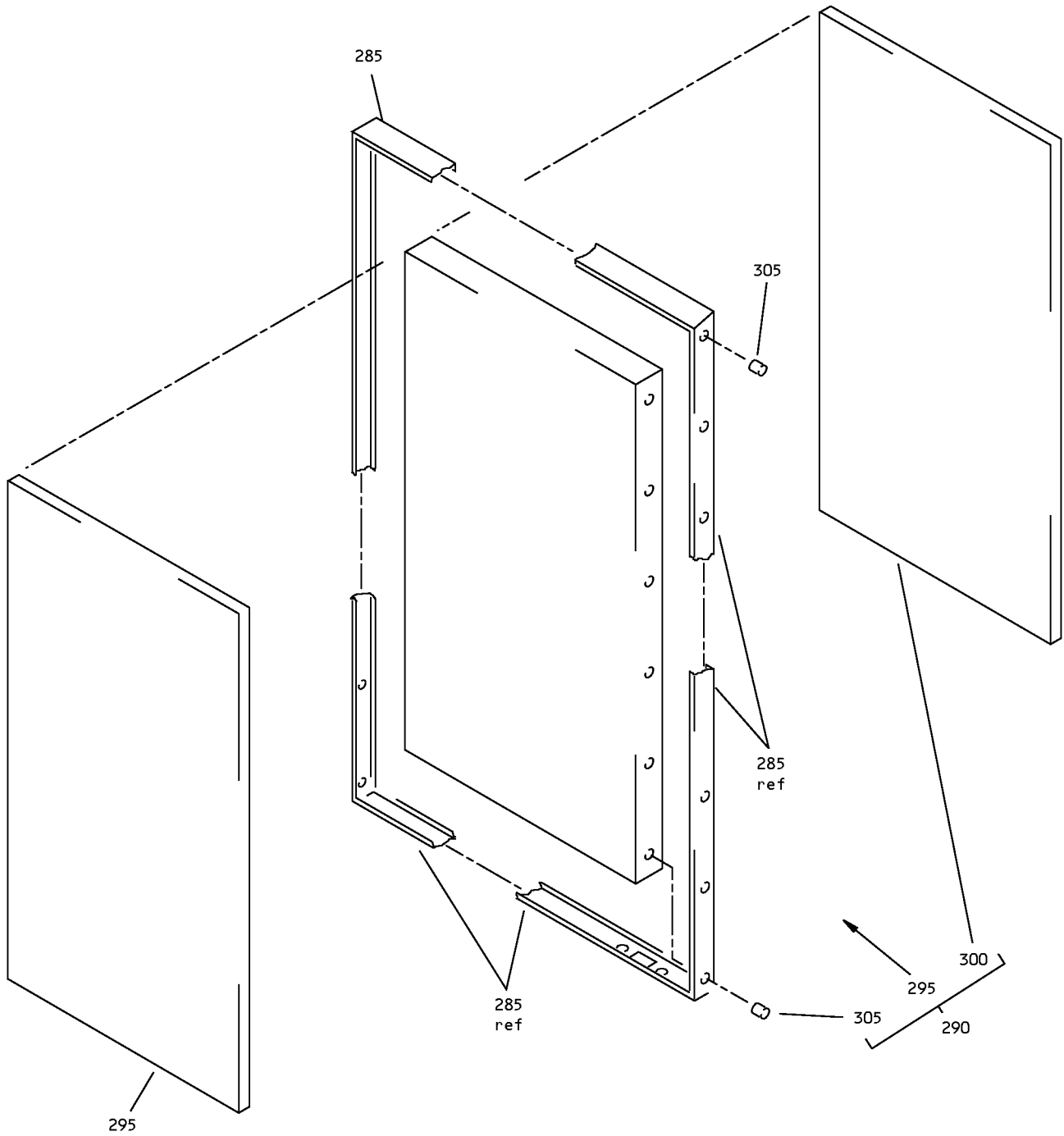
**25-24-08**

ILLUSTRATED PARTS LIST

Page 1098.318

Jul 01/2007

COMPONENT MAINTENANCE MANUAL



J

Forward Right Closet Assembly  
IPL Figure 12 (Sheet 10 of 40)

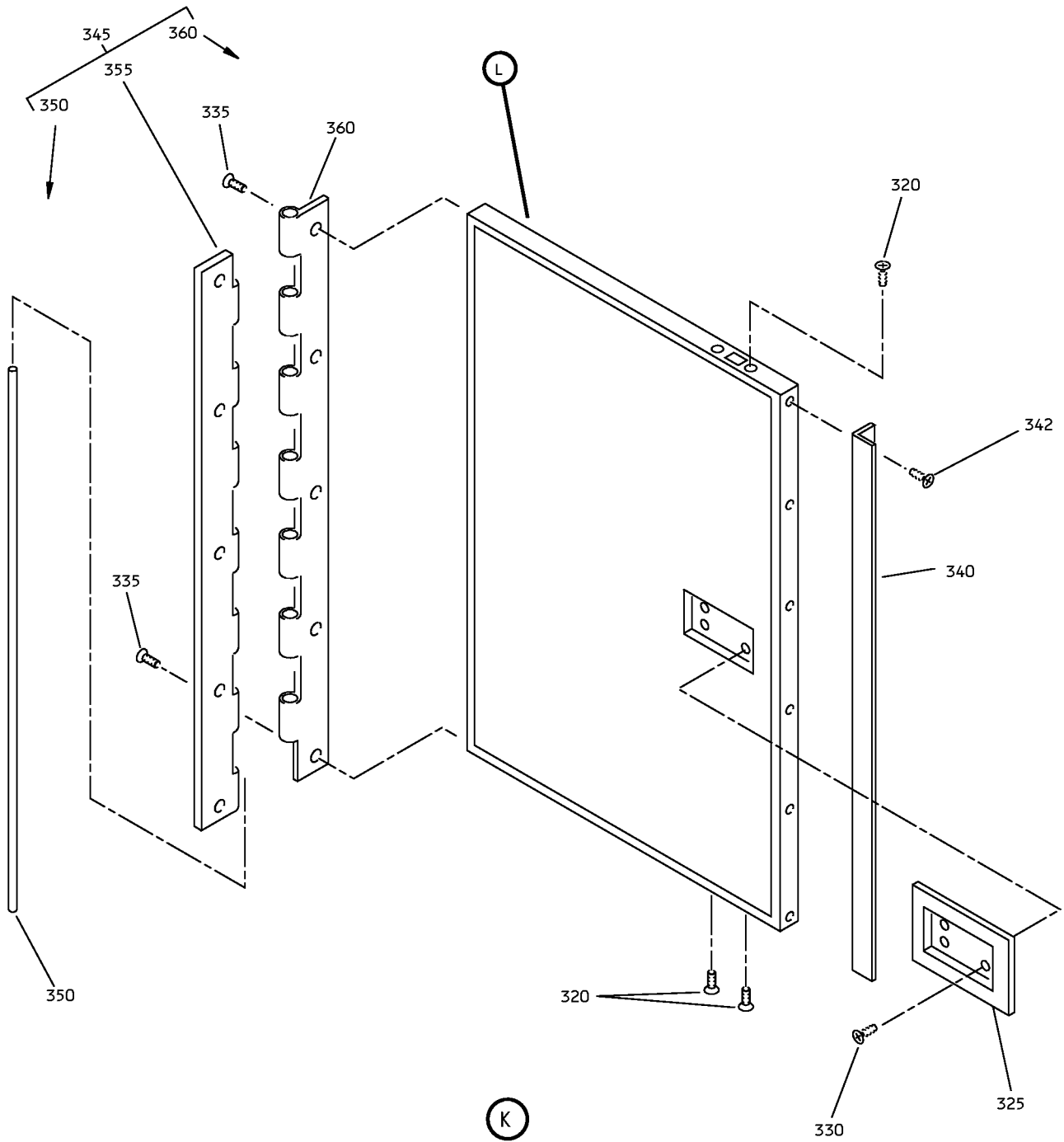
**25-24-08**

ILLUSTRATED PARTS LIST

Page 1098.319

Jul 01/2007

COMPONENT MAINTENANCE MANUAL



Forward Right Closet Assembly  
IPL Figure 12 (Sheet 11 of 40)

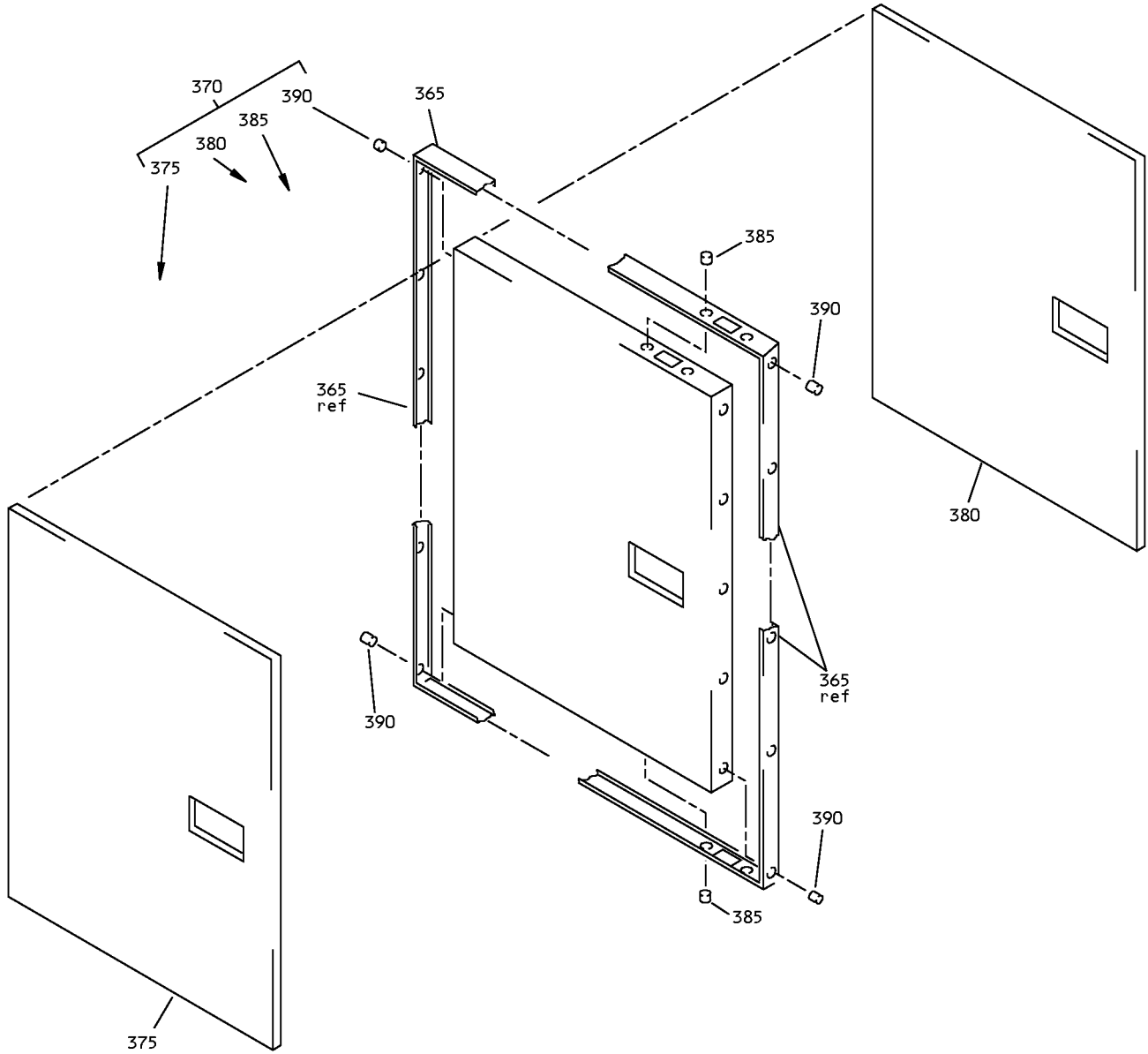
**25-24-08**

ILLUSTRATED PARTS LIST

Page 1098.320

Jul 01/2007

COMPONENT MAINTENANCE MANUAL



L

Forward Right Closet Assembly  
IPL Figure 12 (Sheet 12 of 40)

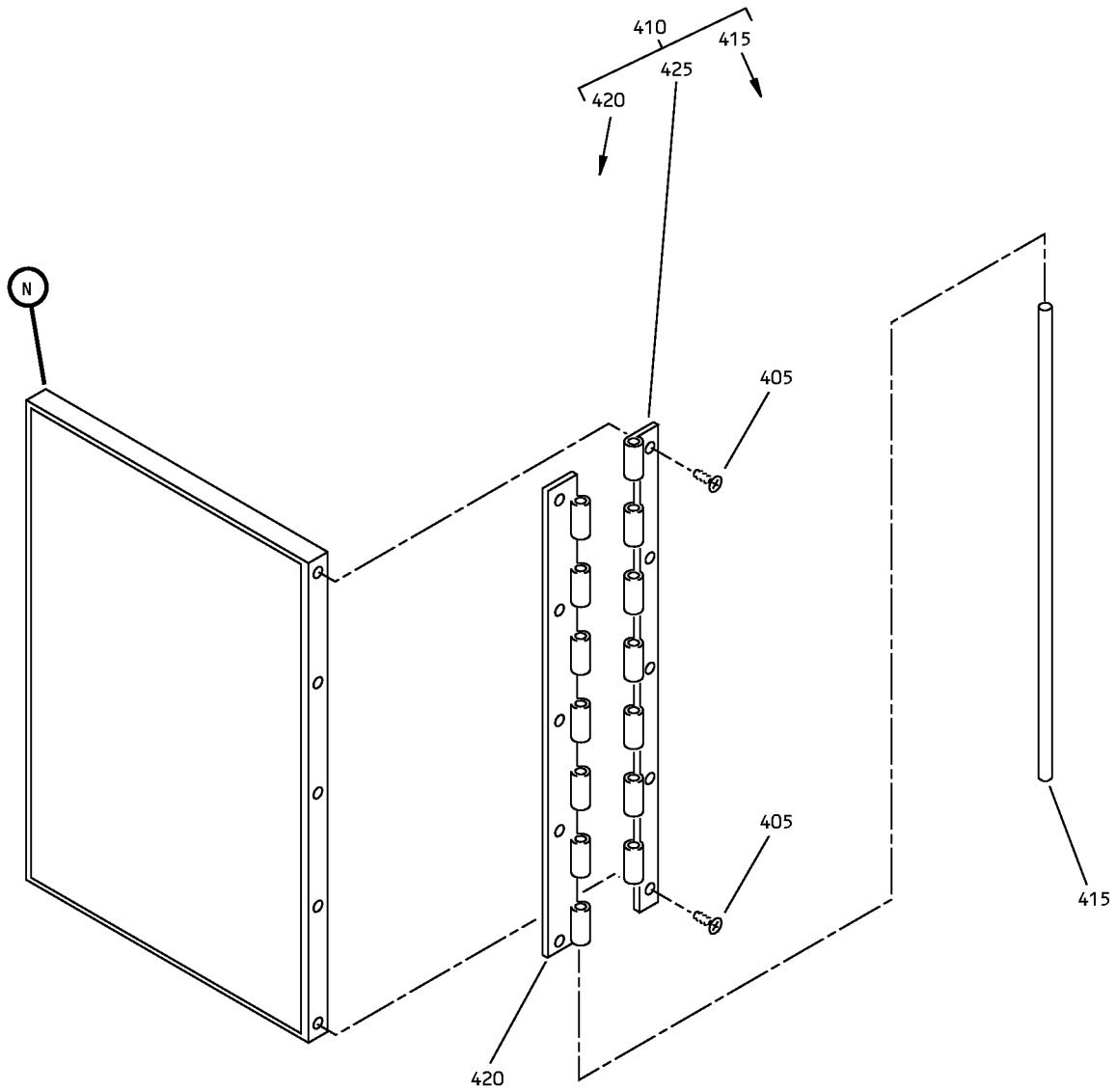
**25-24-08**

ILLUSTRATED PARTS LIST

Page 1098.321

Jul 01/2007

COMPONENT MAINTENANCE MANUAL



Forward Right Closet Assembly  
IPL Figure 12 (Sheet 13 of 40)

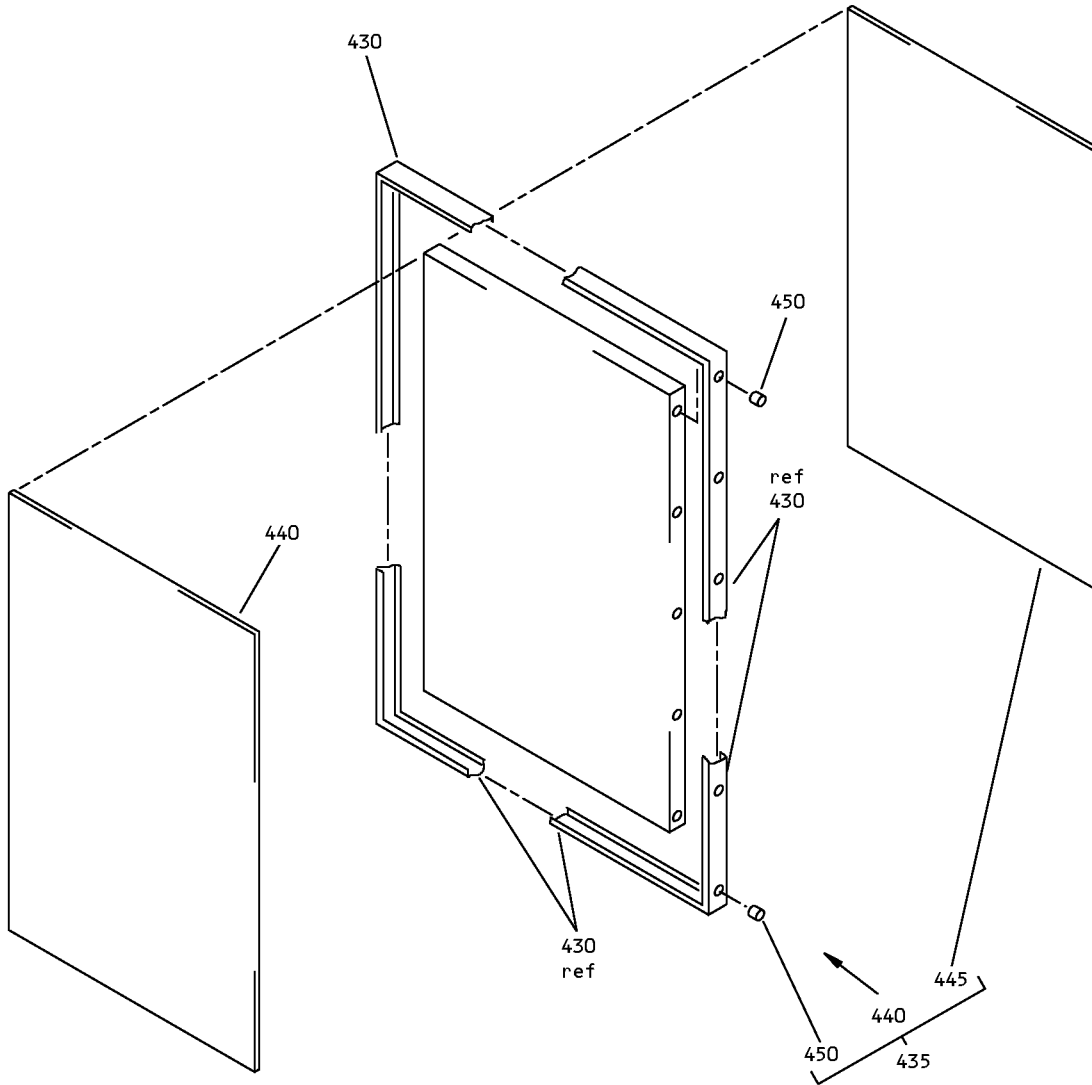
**25-24-08**

ILLUSTRATED PARTS LIST

Page 1098.322

Jul 01/2007

COMPONENT MAINTENANCE MANUAL



Forward Right Closet Assembly  
IPL Figure 12 (Sheet 14 of 40)

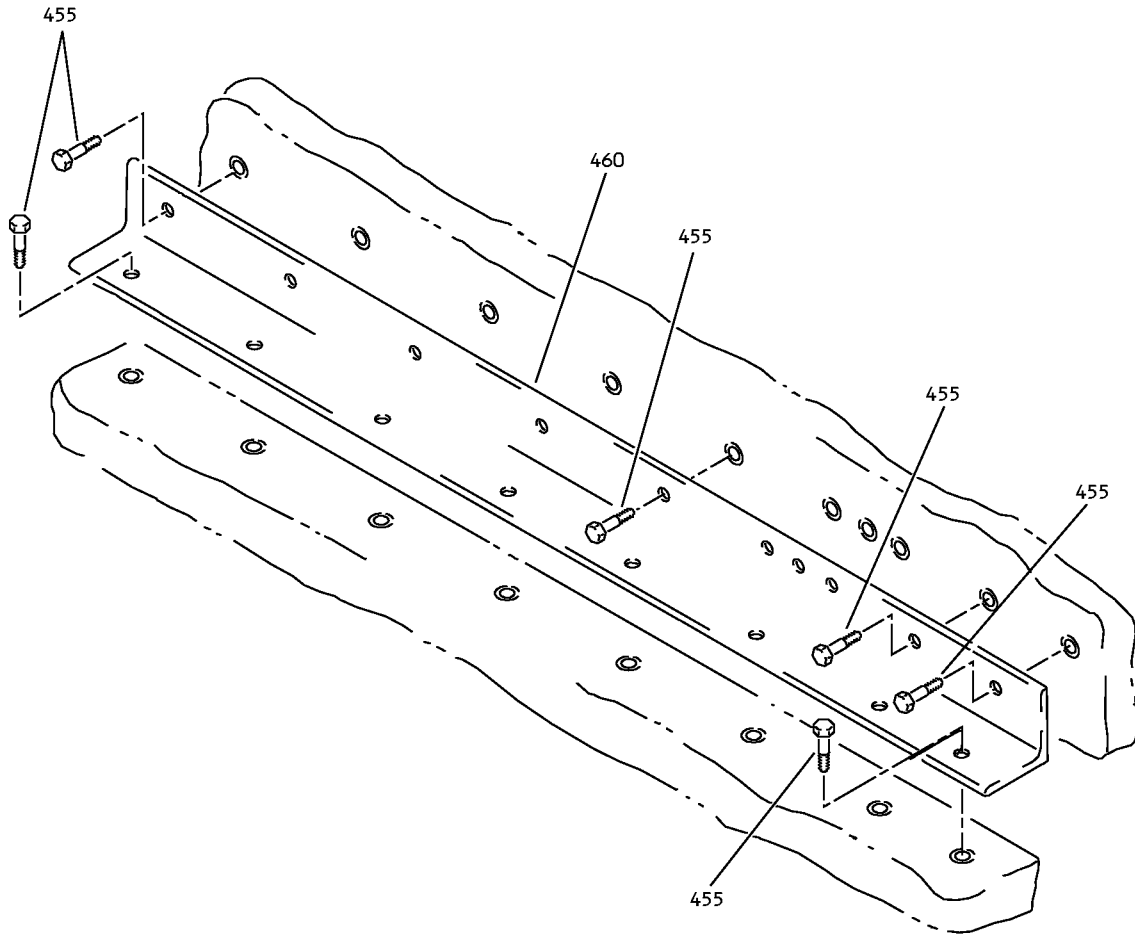
**25-24-08**

ILLUSTRATED PARTS LIST

Page 1098.323

Jul 01/2007

COMPONENT MAINTENANCE MANUAL



P

Forward Right Closet Assembly  
IPL Figure 12 (Sheet 15 of 40)

**25-24-08**

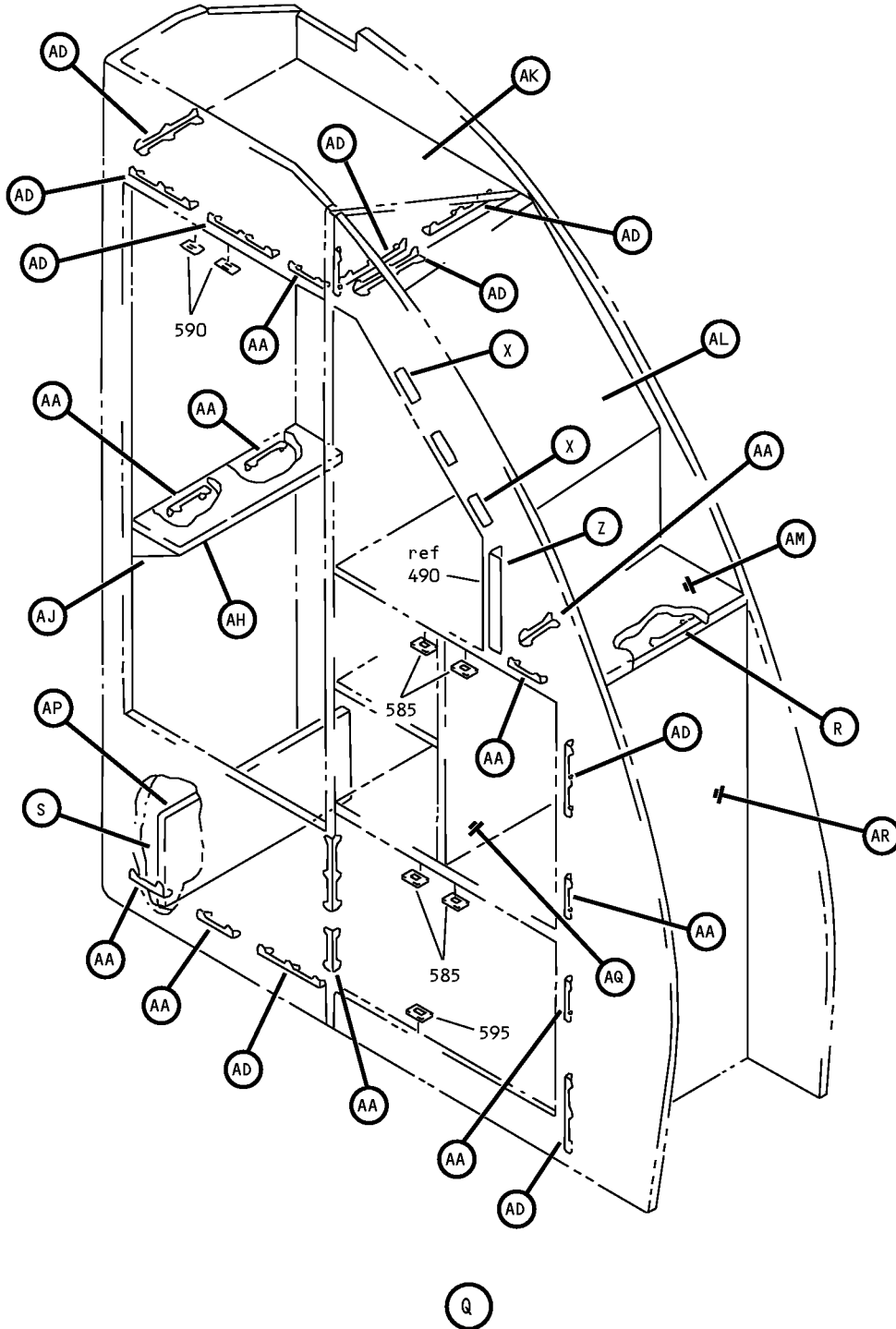
ILLUSTRATED PARTS LIST

Page 1098.324

Jul 01/2007



COMPONENT MAINTENANCE MANUAL



Forward Right Closet Assembly  
IPL Figure 12 (Sheet 16 of 40)

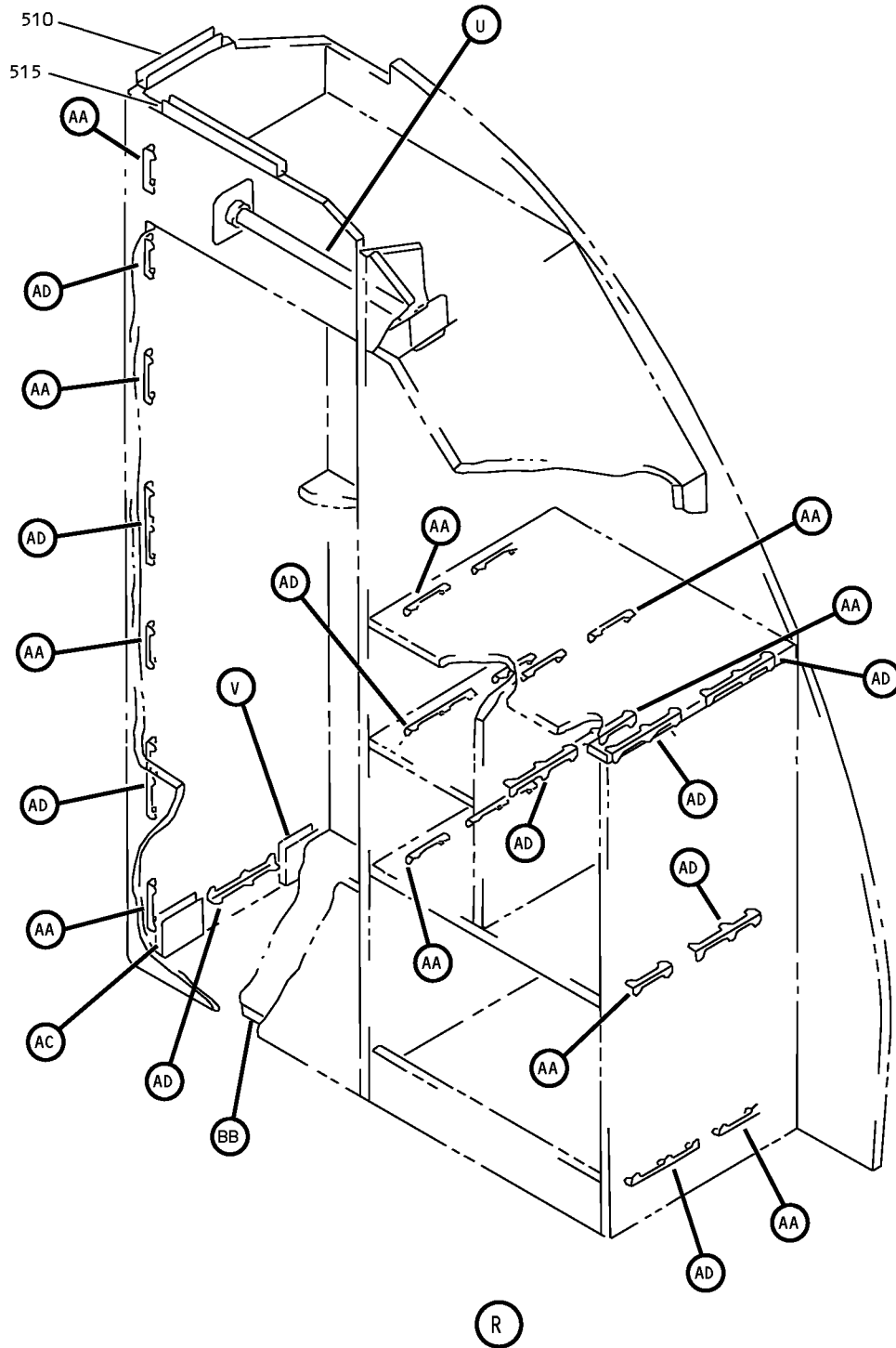
**25-24-08**

ILLUSTRATED PARTS LIST

Page 1098.325

Jul 01/2007

COMPONENT MAINTENANCE MANUAL



Forward Right Closet Assembly  
IPL Figure 12 (Sheet 17 of 40)

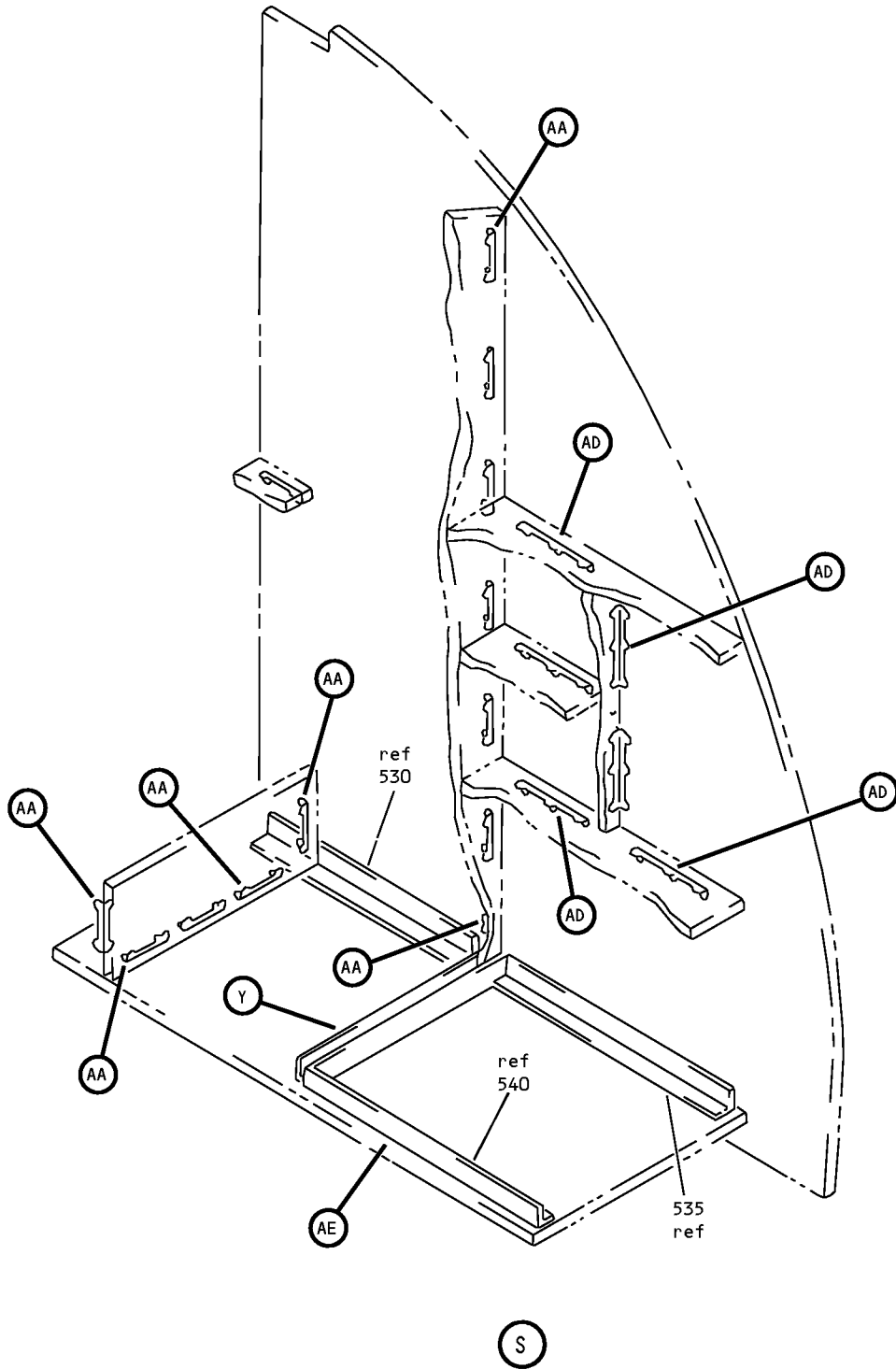
**25-24-08**

ILLUSTRATED PARTS LIST

Page 1098.326

Jul 01/2007

COMPONENT MAINTENANCE MANUAL



Forward Right Closet Assembly  
IPL Figure 12 (Sheet 18 of 40)

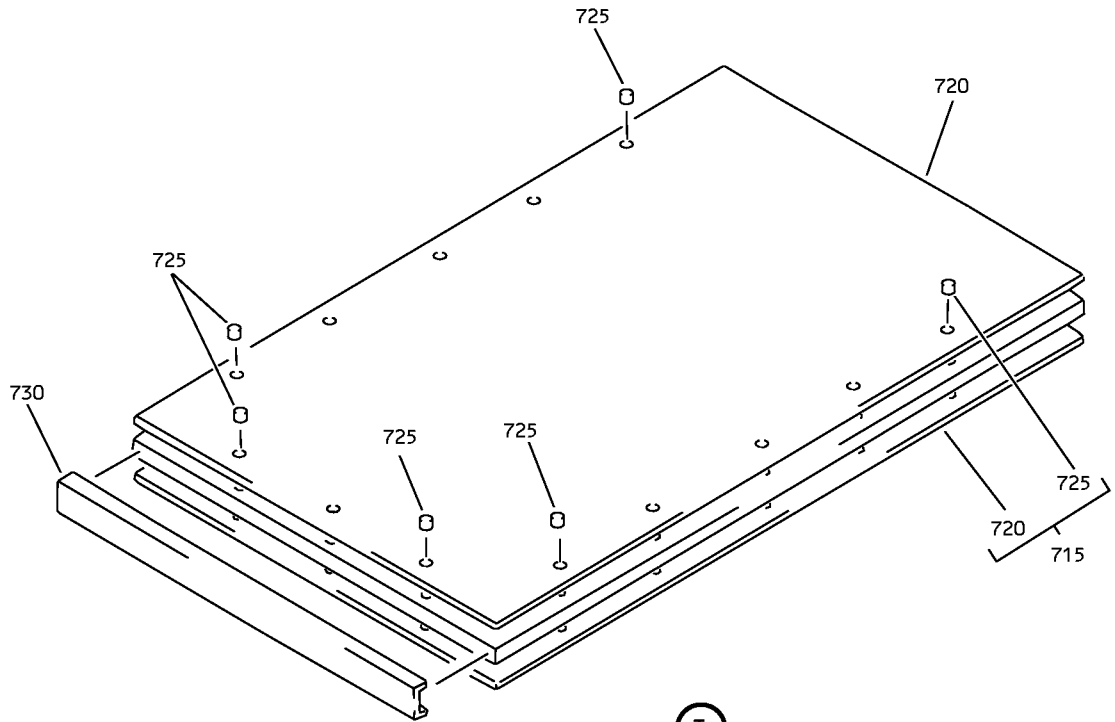
**25-24-08**

ILLUSTRATED PARTS LIST

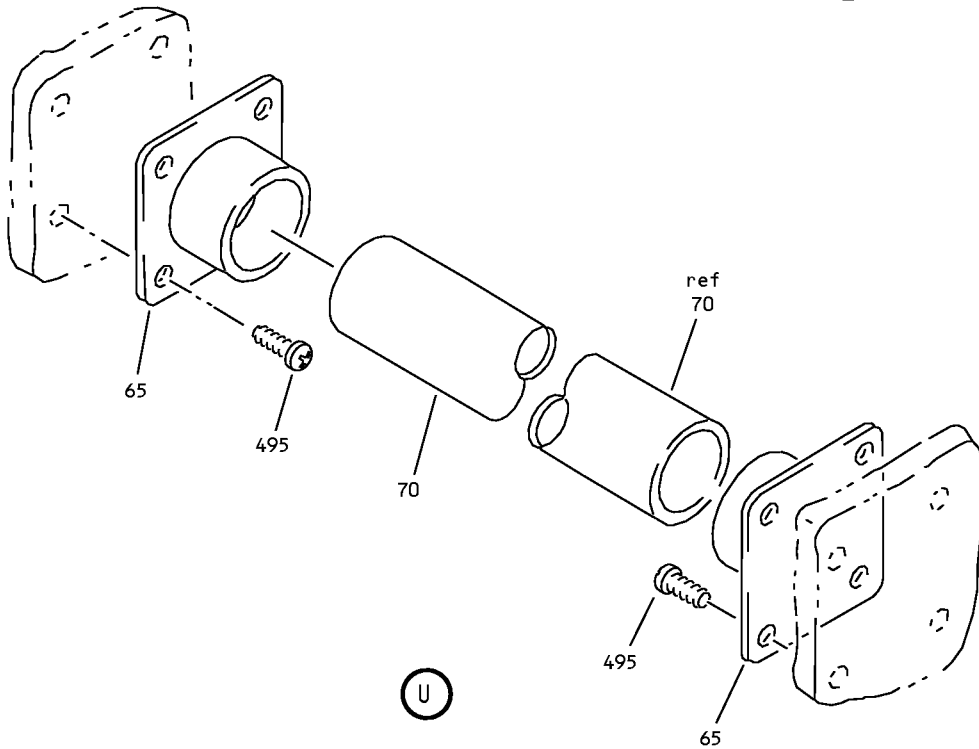
Page 1098.327

Jul 01/2007

COMPONENT MAINTENANCE MANUAL



(T)



(U)

Forward Right Closet Assembly  
IPL Figure 12 (Sheet 19 of 40)

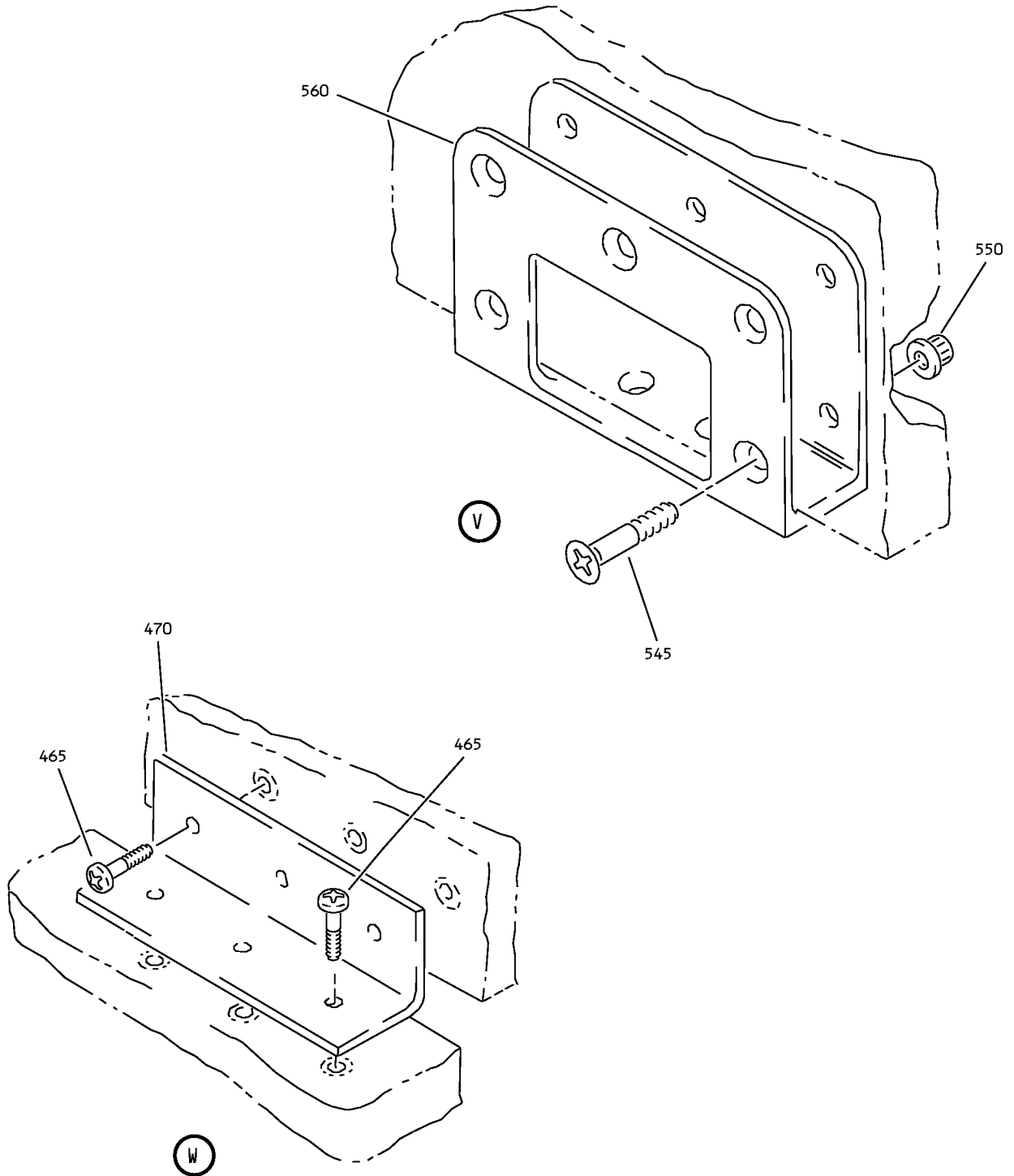
**25-24-08**

ILLUSTRATED PARTS LIST

Page 1098.328

Jul 01/2007

COMPONENT MAINTENANCE MANUAL



Forward Right Closet Assembly  
IPL Figure 12 (Sheet 20 of 40)

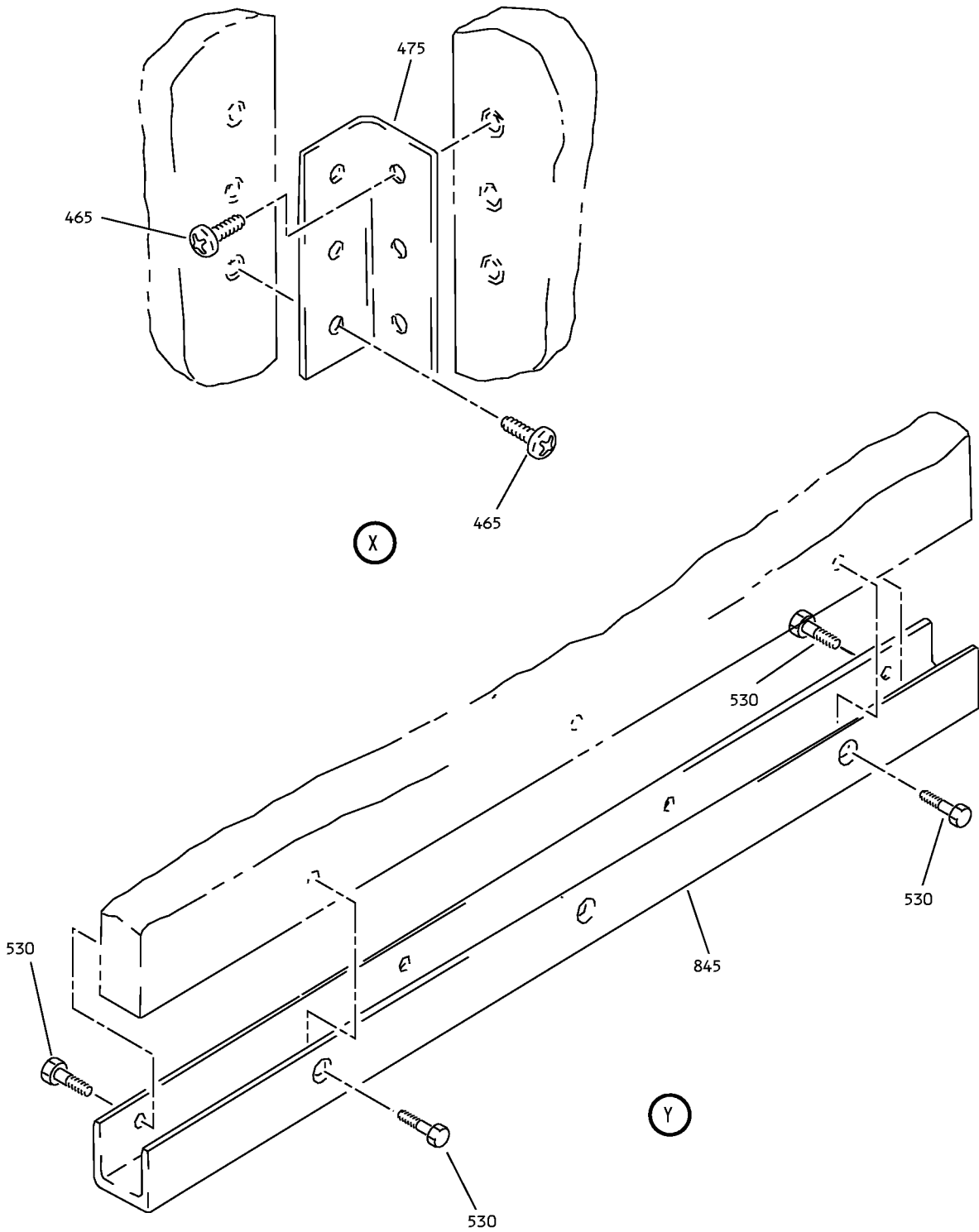
**25-24-08**

ILLUSTRATED PARTS LIST

Page 1098.329

Jul 01/2007

COMPONENT MAINTENANCE MANUAL



Forward Right Closet Assembly  
IPL Figure 12 (Sheet 21 of 40)

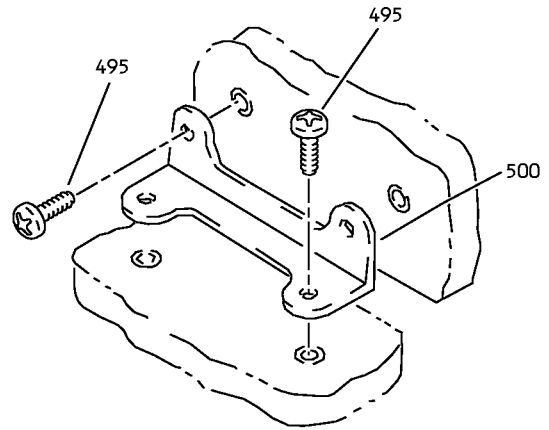
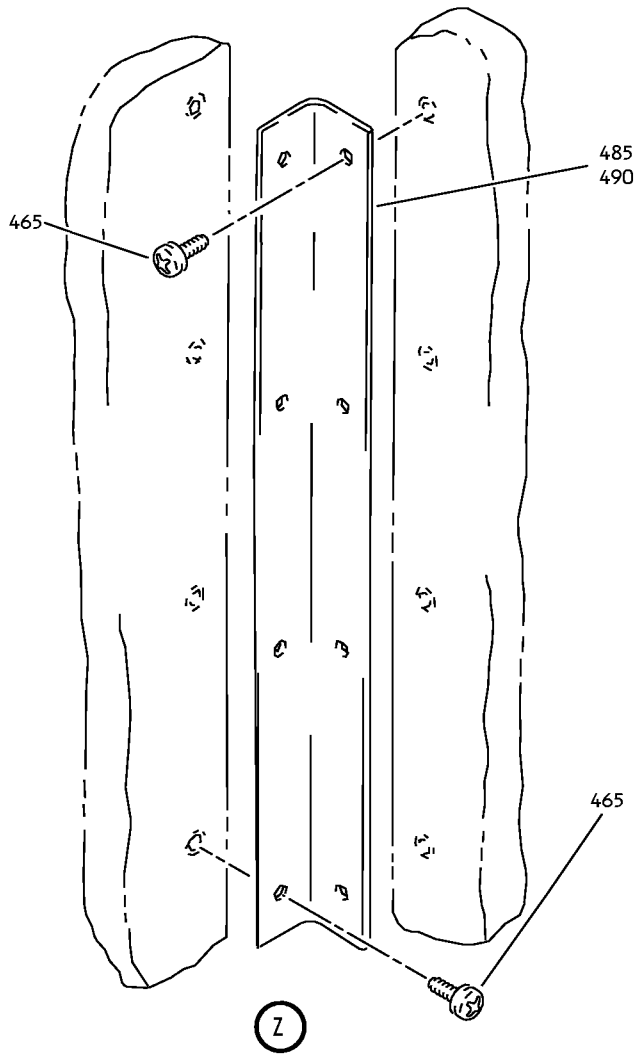
**25-24-08**

ILLUSTRATED PARTS LIST

Page 1098.330

Jul 01/2007

COMPONENT MAINTENANCE MANUAL



Forward Right Closet Assembly  
IPL Figure 12 (Sheet 22 of 40)

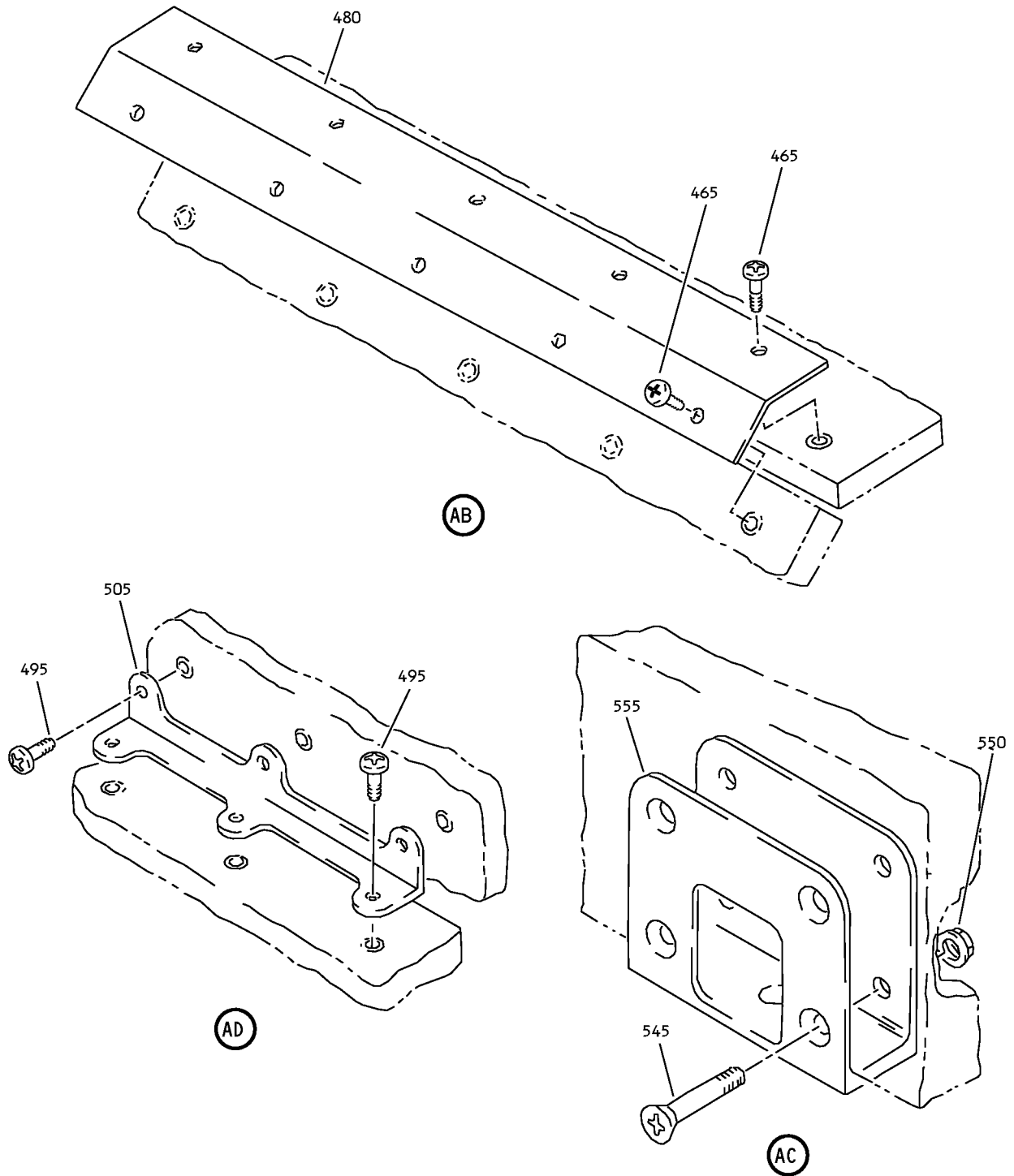
**25-24-08**

ILLUSTRATED PARTS LIST

Page 1098.331

Jul 01/2007

COMPONENT MAINTENANCE MANUAL



Forward Right Closet Assembly  
IPL Figure 12 (Sheet 23 of 40)

**25-24-08**

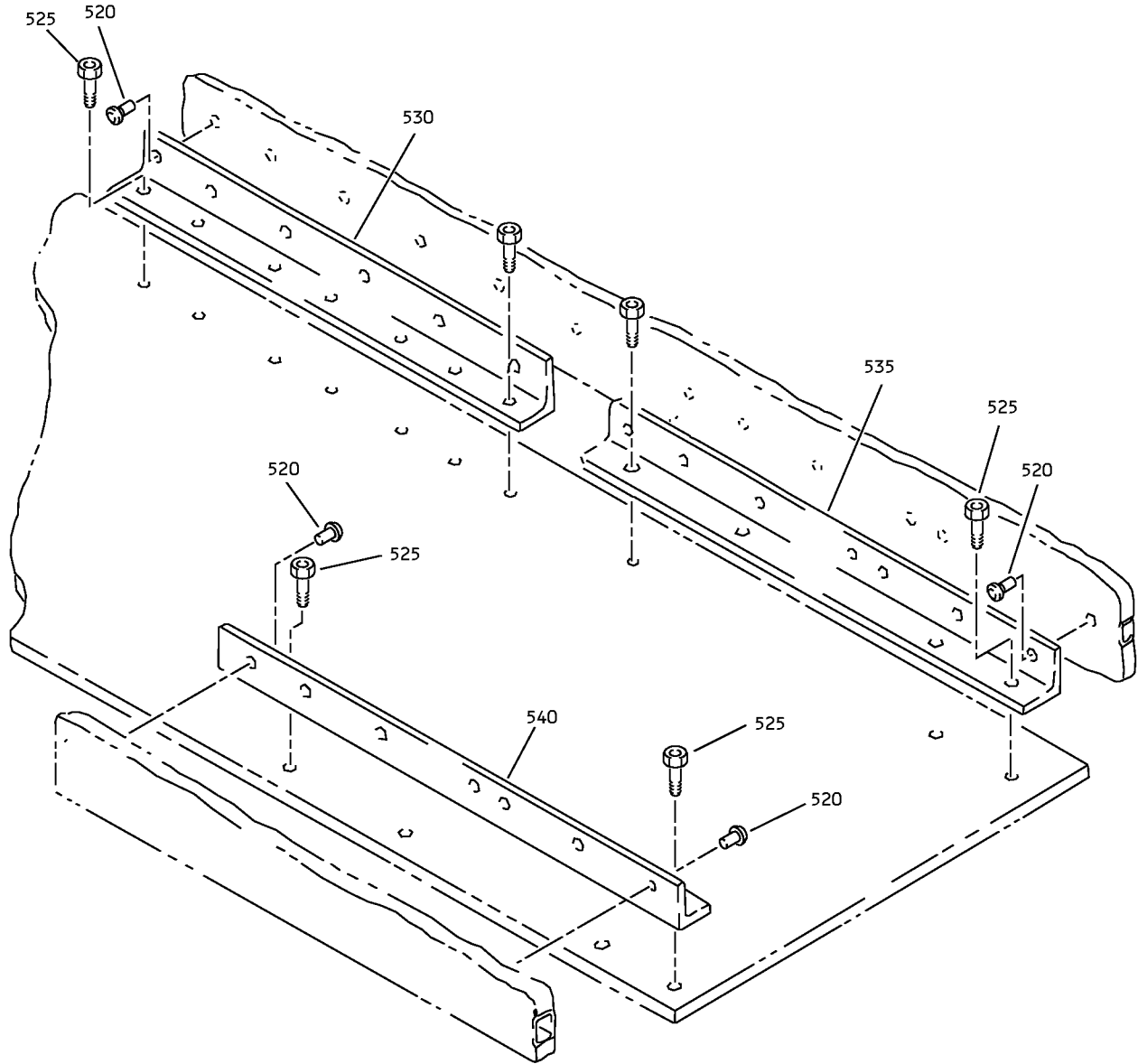
ILLUSTRATED PARTS LIST

Page 1098.332

Jul 01/2007



COMPONENT MAINTENANCE MANUAL



AE

Forward Right Closet Assembly  
IPL Figure 12 (Sheet 24 of 40)

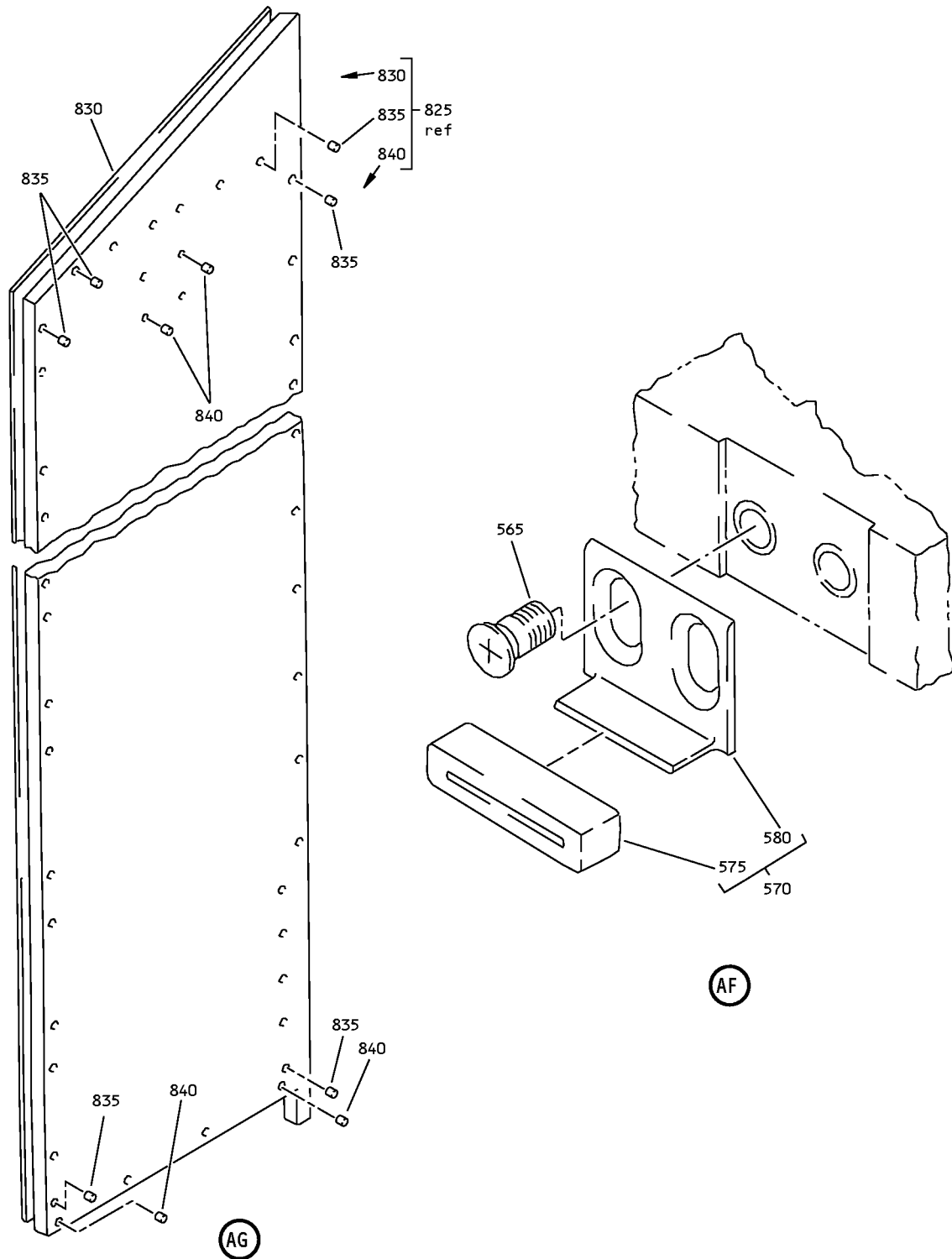
**25-24-08**

ILLUSTRATED PARTS LIST

Page 1098.333

Jul 01/2007

COMPONENT MAINTENANCE MANUAL



Forward Right Closet Assembly  
IPL Figure 12 (Sheet 25 of 40)

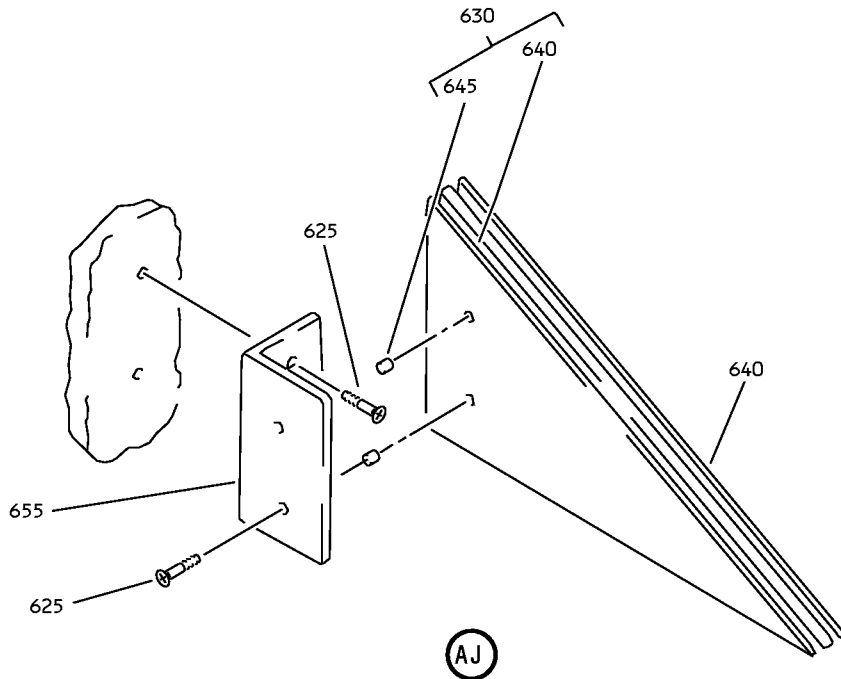
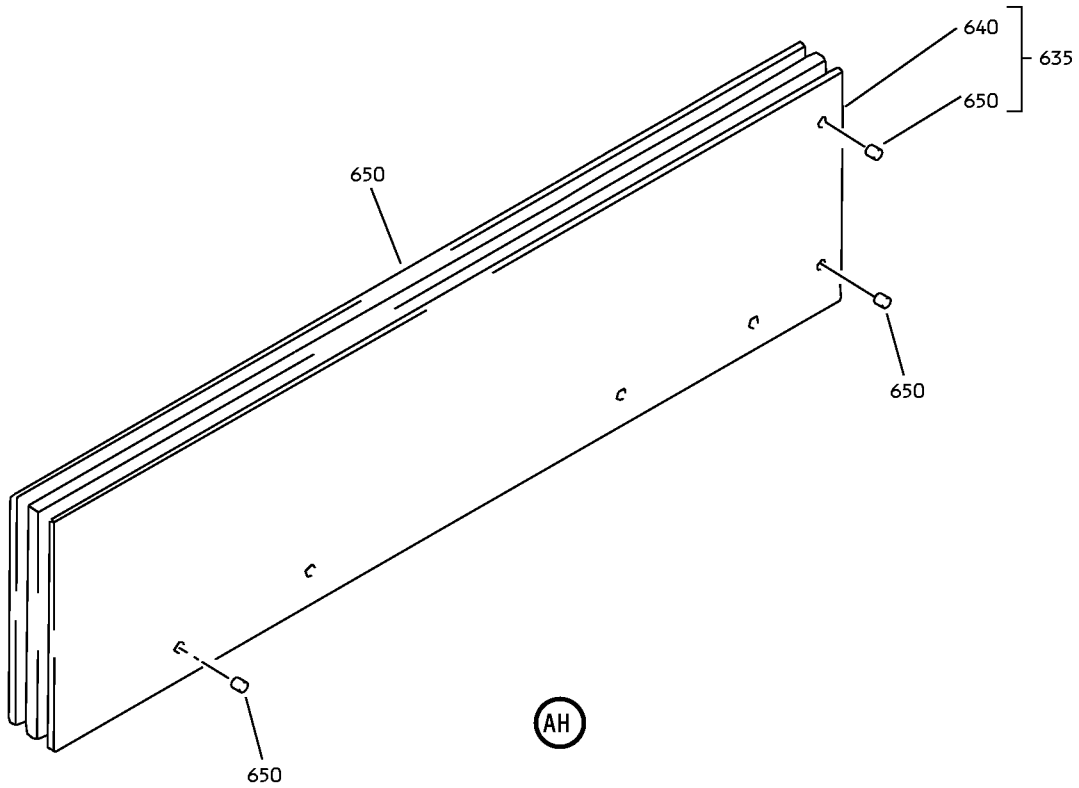
**25-24-08**

ILLUSTRATED PARTS LIST

Page 1098.334

Jul 01/2007

COMPONENT MAINTENANCE MANUAL



Forward Right Closet Assembly  
IPL Figure 12 (Sheet 26 of 40)

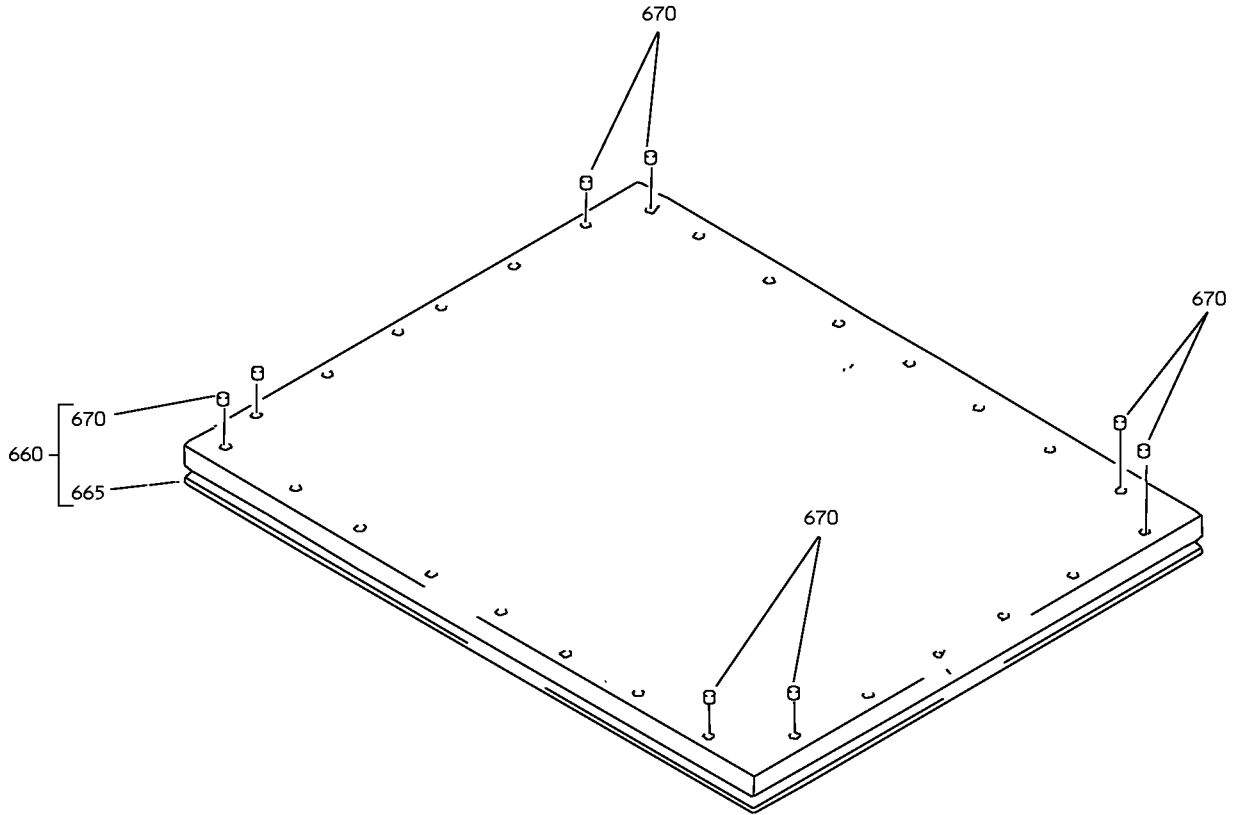
**25-24-08**

ILLUSTRATED PARTS LIST

Page 1098.335

Jul 01/2007

COMPONENT MAINTENANCE MANUAL



AK

Forward Right Closet Assembly  
IPL Figure 12 (Sheet 27 of 40)

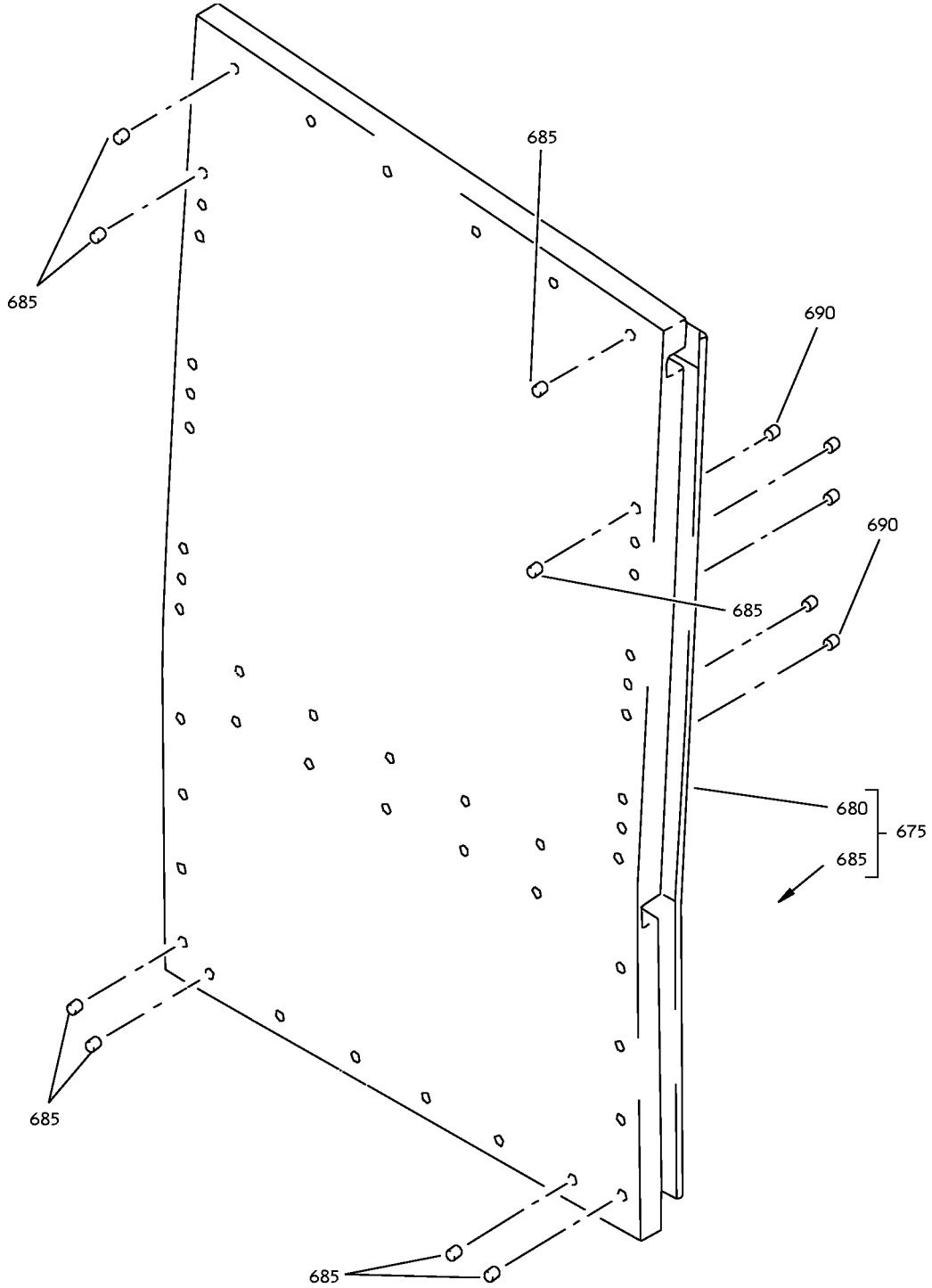
**25-24-08**

ILLUSTRATED PARTS LIST

Page 1098.336

Jul 01/2007

COMPONENT MAINTENANCE MANUAL



AL

Forward Right Closet Assembly  
IPL Figure 12 (Sheet 28 of 40)

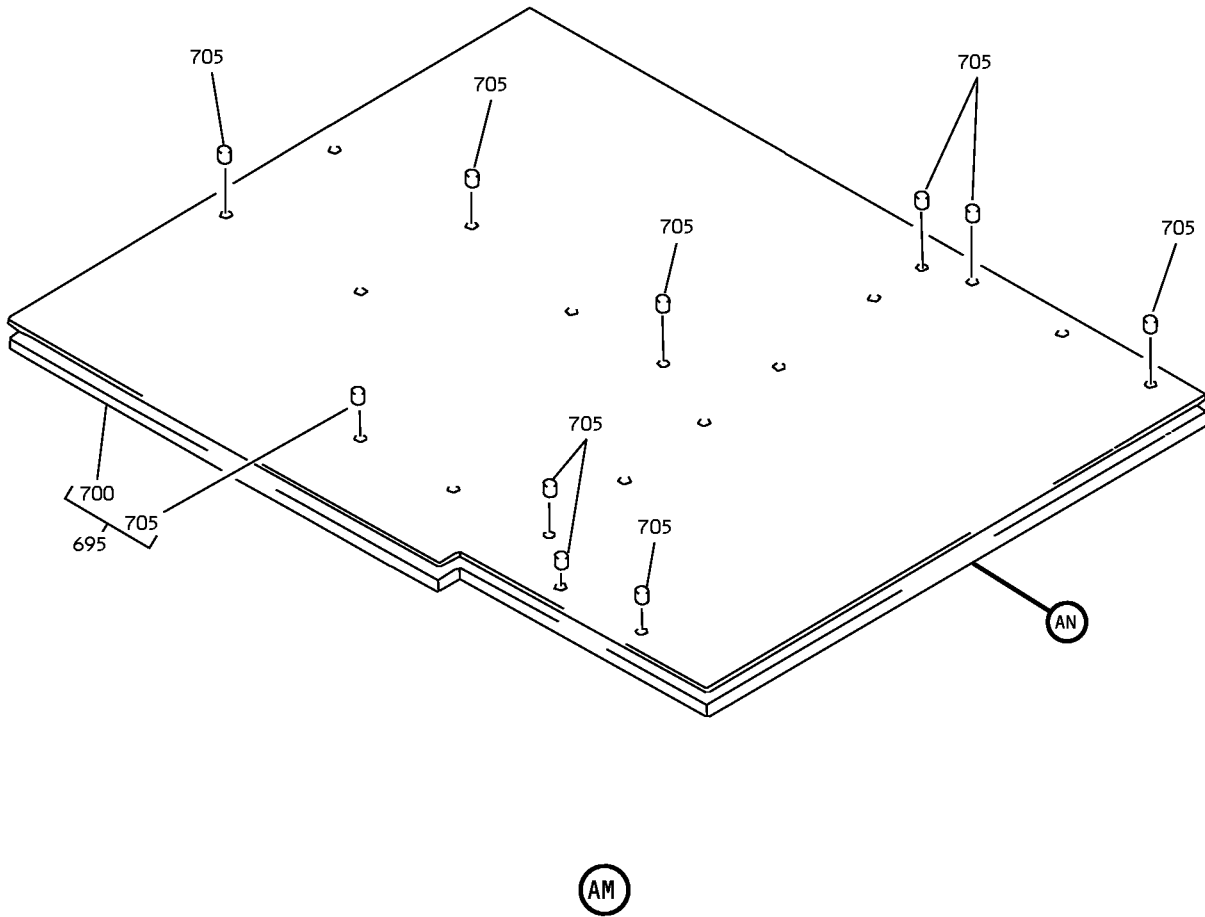
**25-24-08**

ILLUSTRATED PARTS LIST

Page 1098.337

Jul 01/2007

COMPONENT MAINTENANCE MANUAL



Forward Right Closet Assembly  
IPL Figure 12 (Sheet 29 of 40)

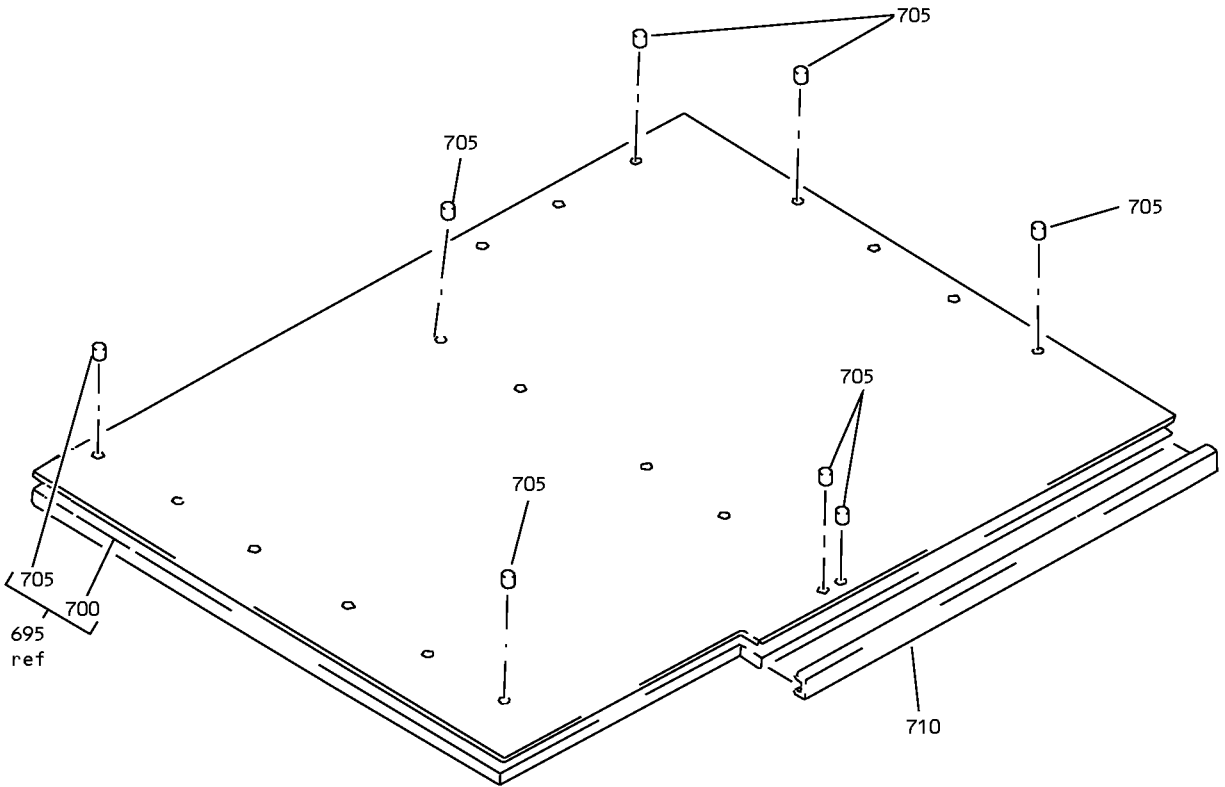
**25-24-08**

ILLUSTRATED PARTS LIST

Page 1098.338

Jul 01/2007

COMPONENT MAINTENANCE MANUAL



AN

Forward Right Closet Assembly  
IPL Figure 12 (Sheet 30 of 40)

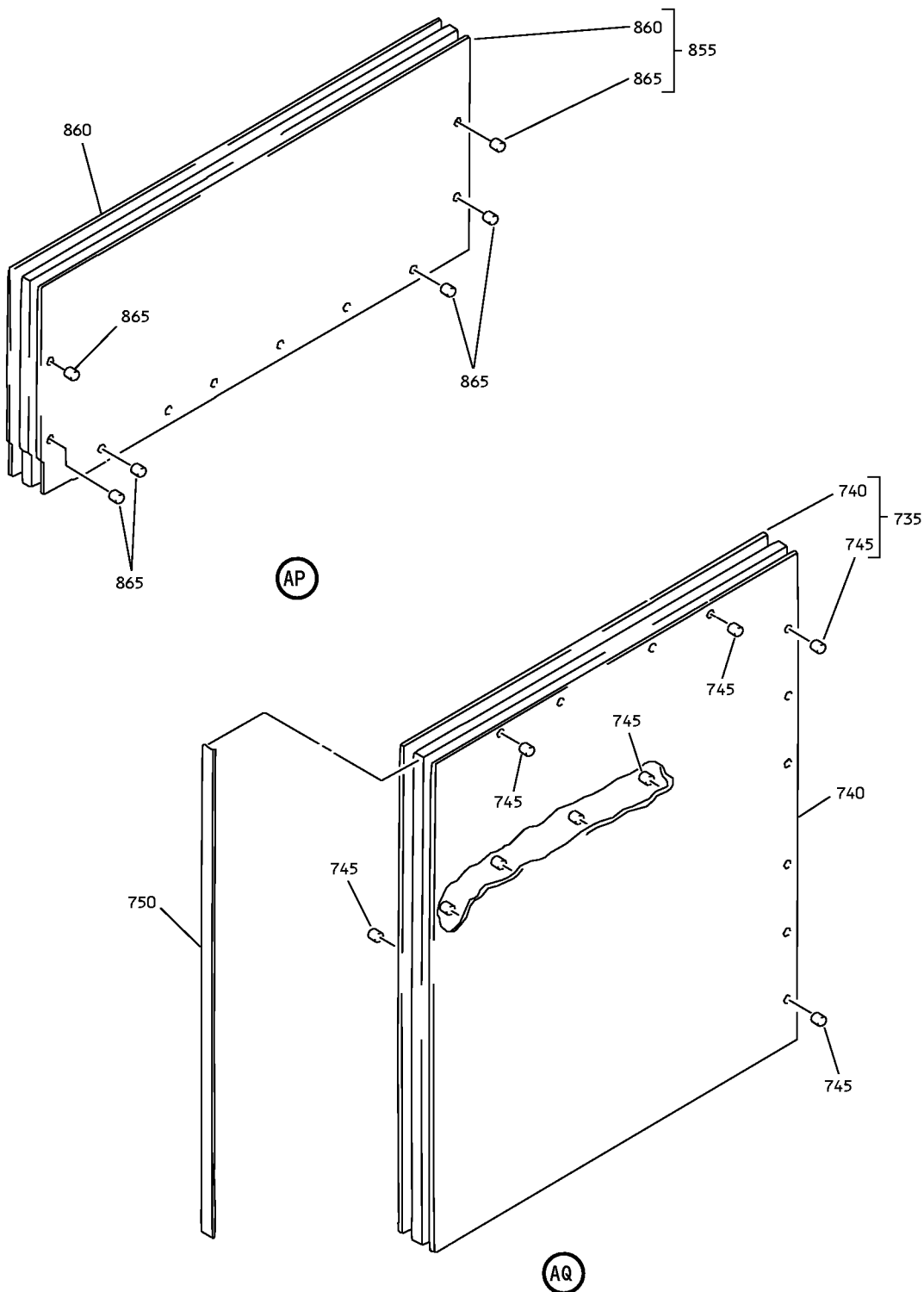
**25-24-08**

ILLUSTRATED PARTS LIST

Page 1098.339

Jul 01/2007

COMPONENT MAINTENANCE MANUAL



Forward Right Closet Assembly  
IPL Figure 12 (Sheet 31 of 40)

**25-24-08**

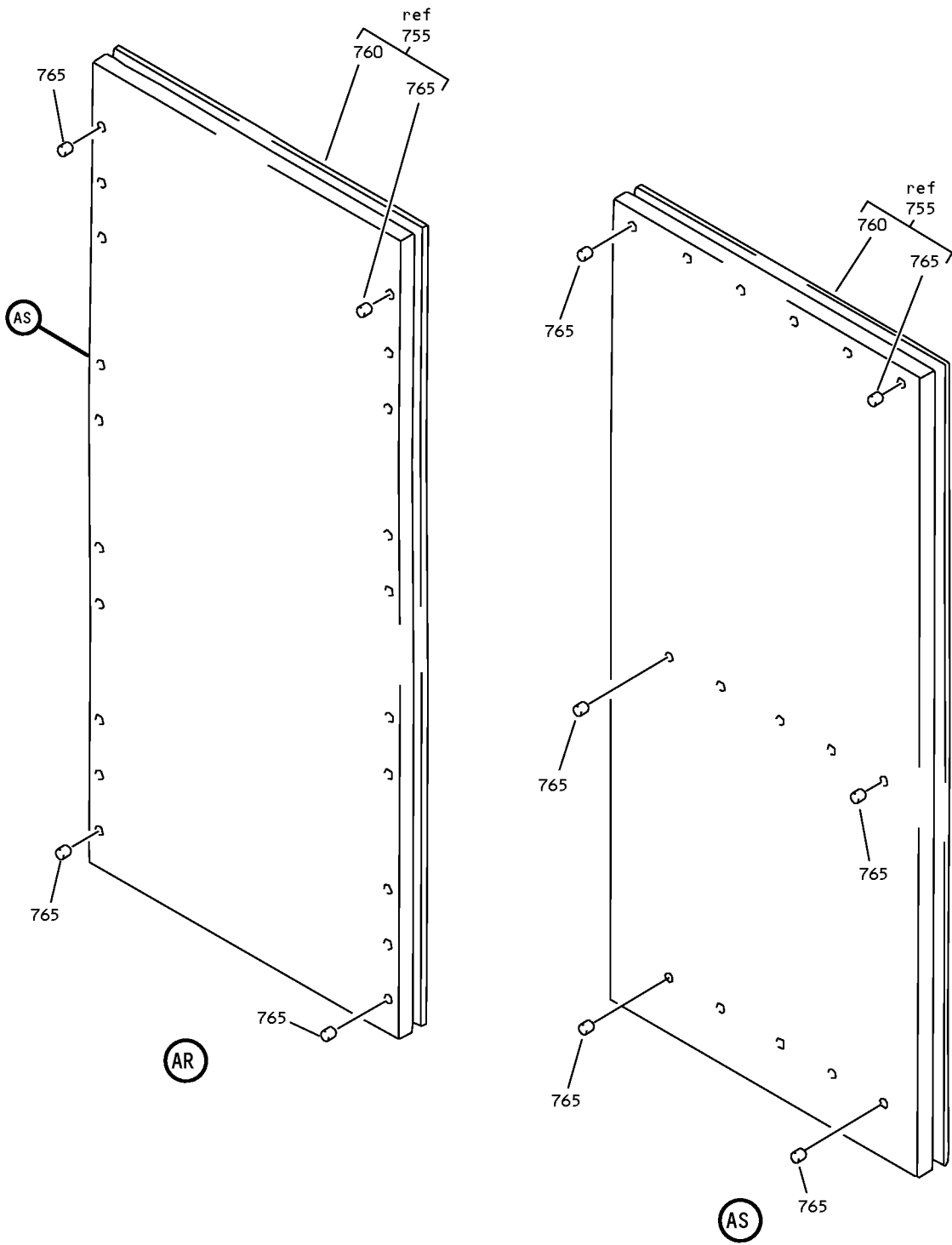
ILLUSTRATED PARTS LIST

Page 1098.340

Jul 01/2007



COMPONENT MAINTENANCE MANUAL



Forward Right Closet Assembly  
IPL Figure 12 (Sheet 32 of 40)

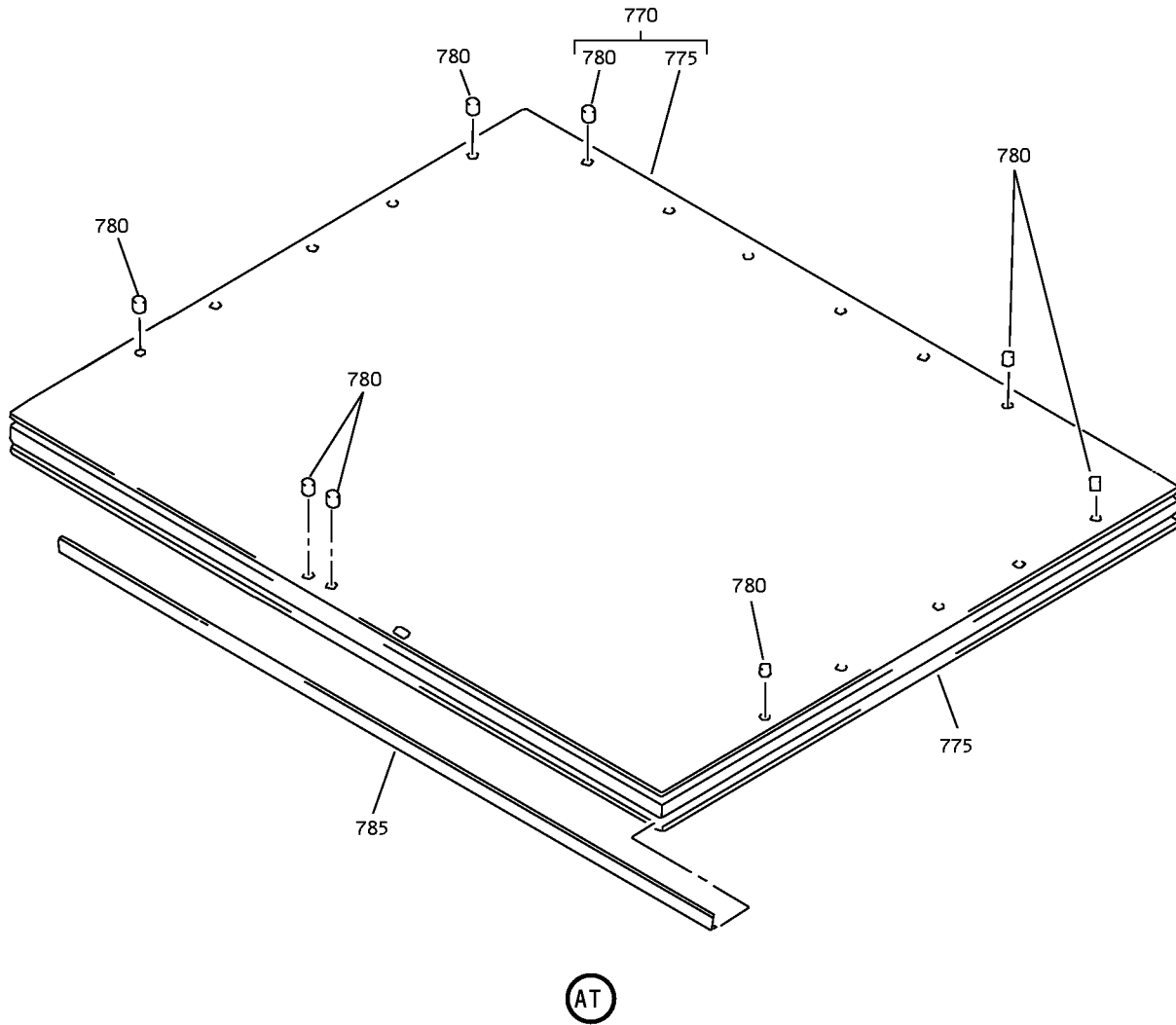
**25-24-08**

ILLUSTRATED PARTS LIST

Page 1098.341

Jul 01/2007

COMPONENT MAINTENANCE MANUAL



Forward Right Closet Assembly  
IPL Figure 12 (Sheet 33 of 40)

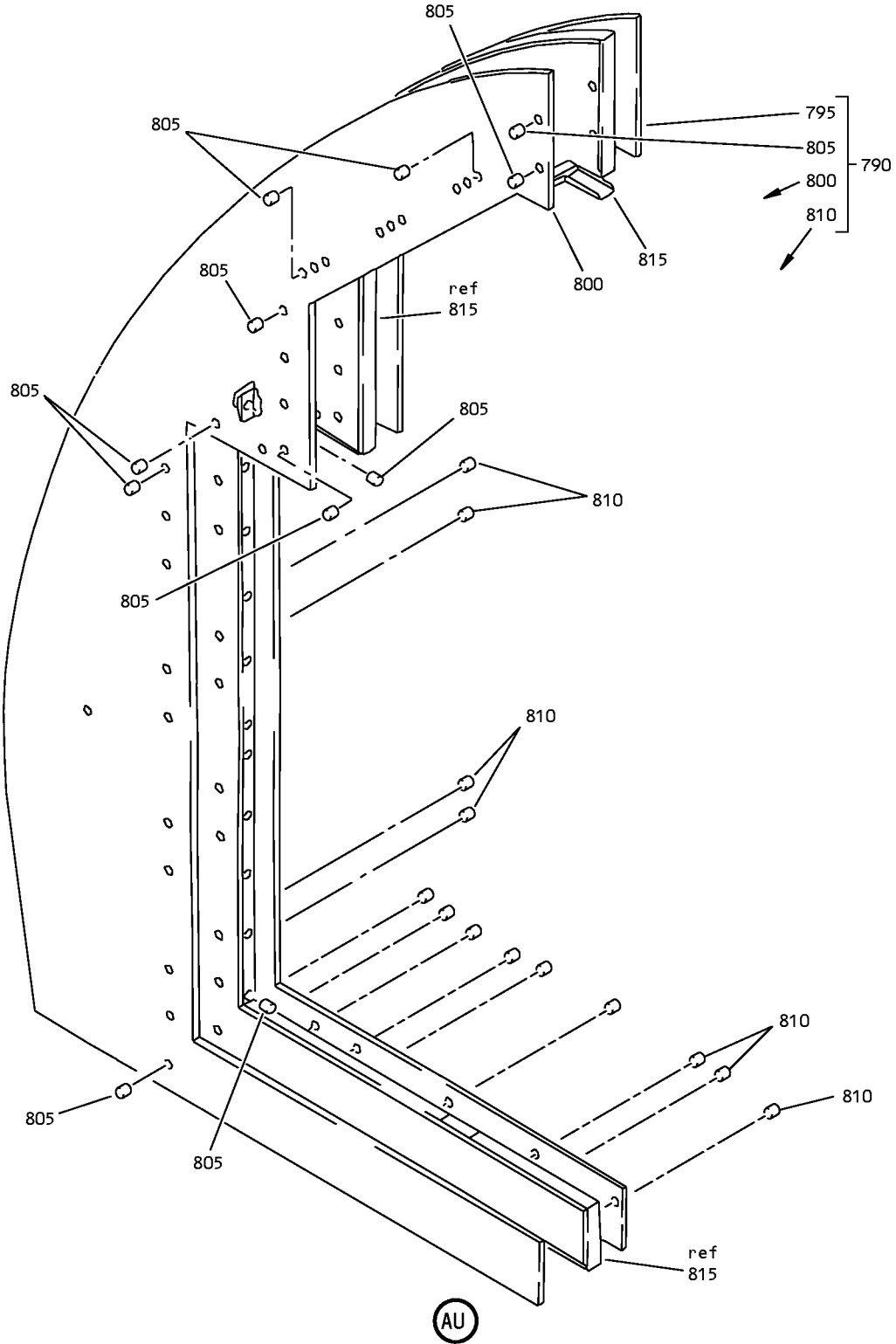
**25-24-08**

ILLUSTRATED PARTS LIST

Page 1098.342

Jul 01/2007

COMPONENT MAINTENANCE MANUAL



Forward Right Closet Assembly  
IPL Figure 12 (Sheet 34 of 40)

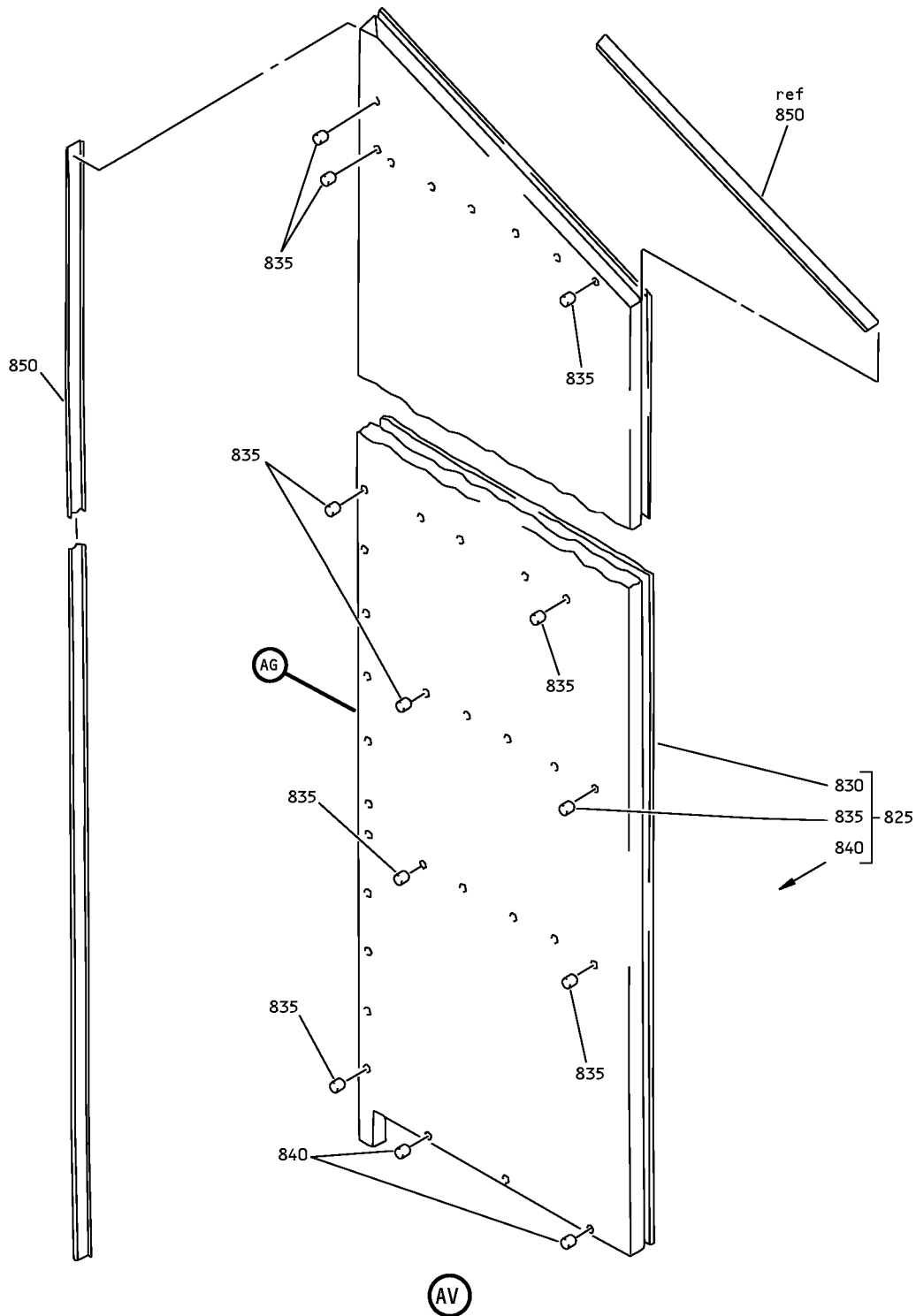
**25-24-08**

ILLUSTRATED PARTS LIST

Page 1098.343

Jul 01/2007

COMPONENT MAINTENANCE MANUAL



Forward Right Closet Assembly  
IPL Figure 12 (Sheet 35 of 40)

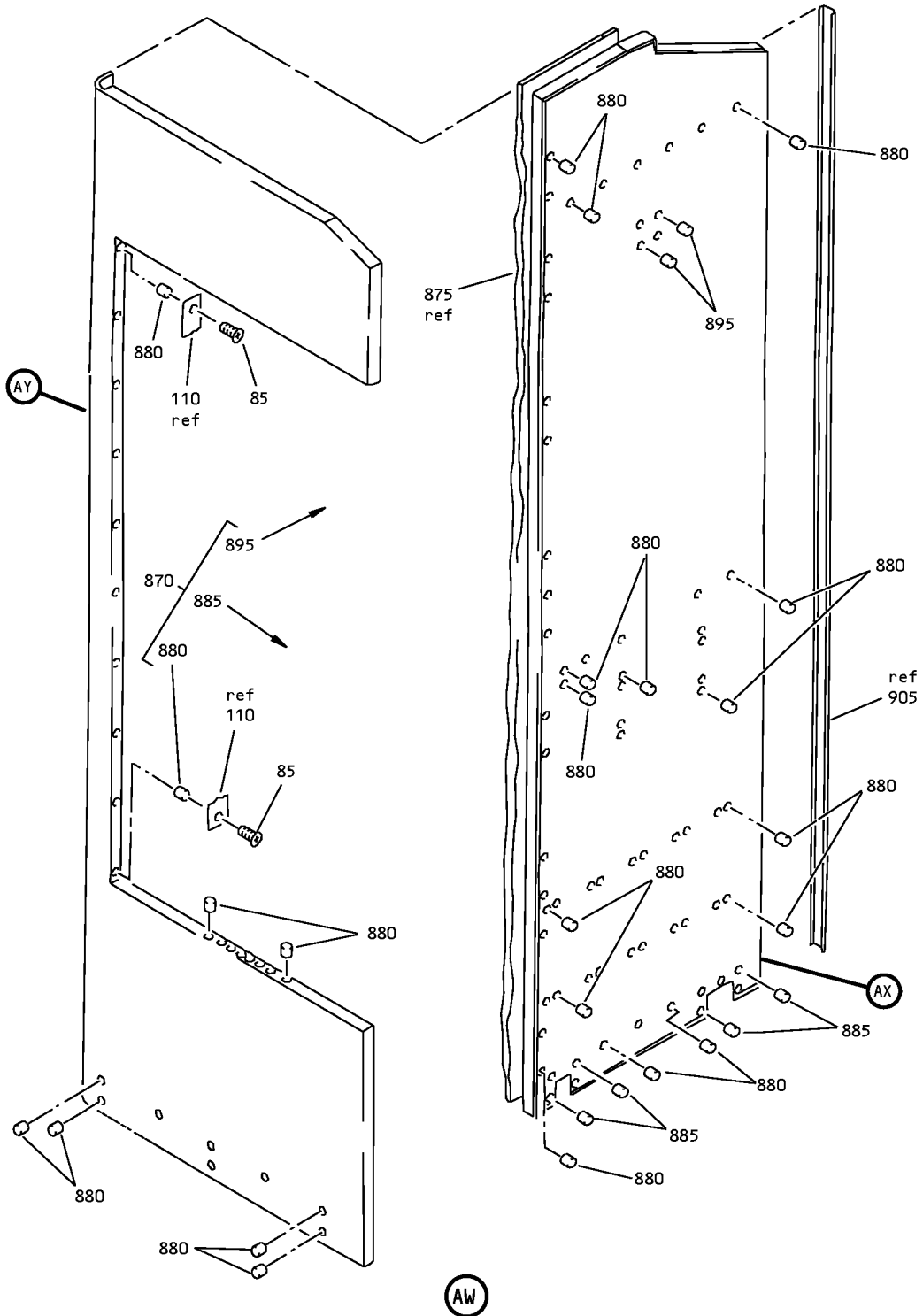
**25-24-08**

ILLUSTRATED PARTS LIST

Page 1098.344

Jul 01/2007

COMPONENT MAINTENANCE MANUAL



Forward Right Closet Assembly  
IPL Figure 12 (Sheet 36 of 40)

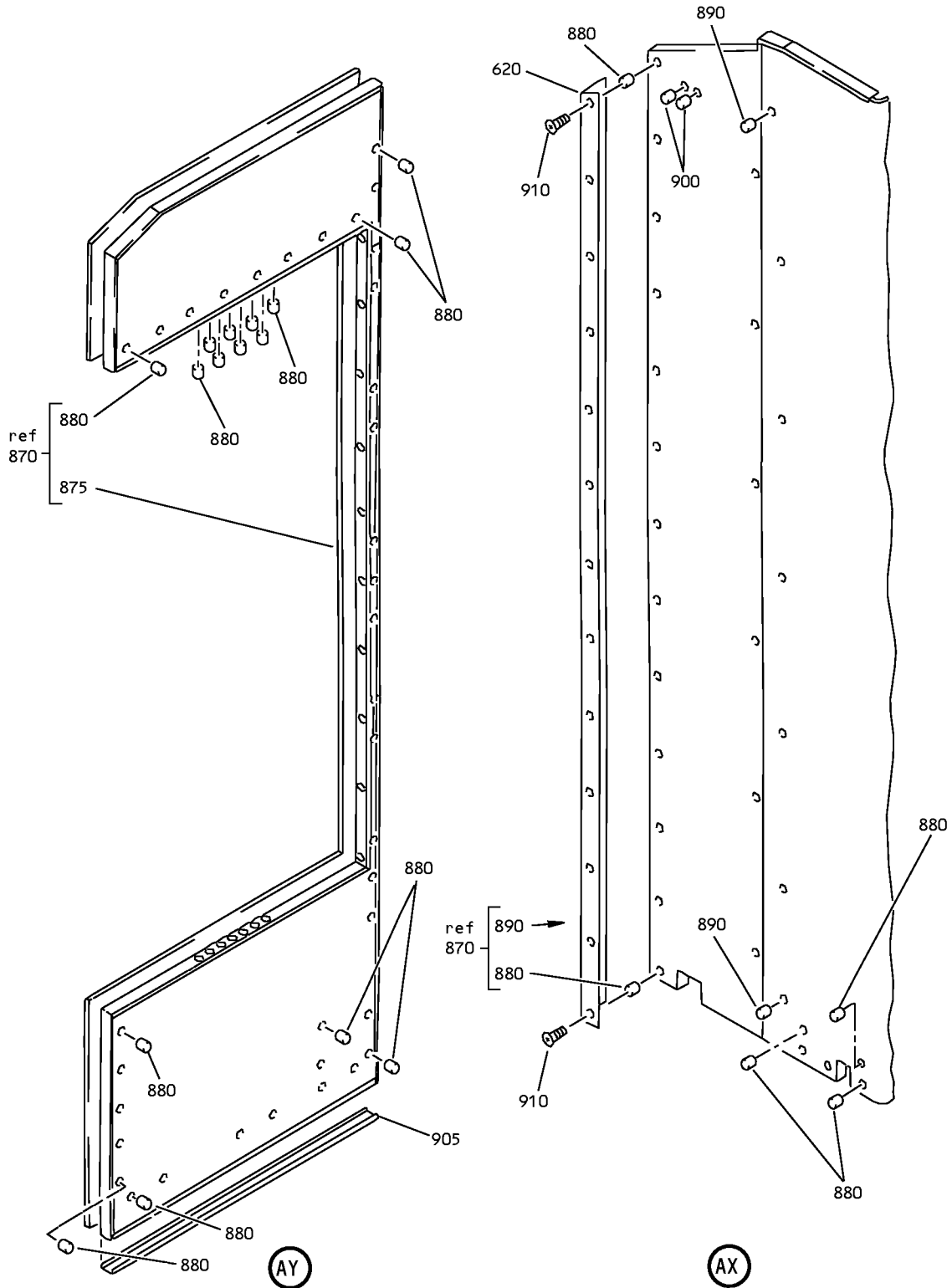
**25-24-08**

ILLUSTRATED PARTS LIST

Page 1098.345

Jul 01/2007

COMPONENT MAINTENANCE MANUAL



Forward Right Closet Assembly  
IPL Figure 12 (Sheet 37 of 40)

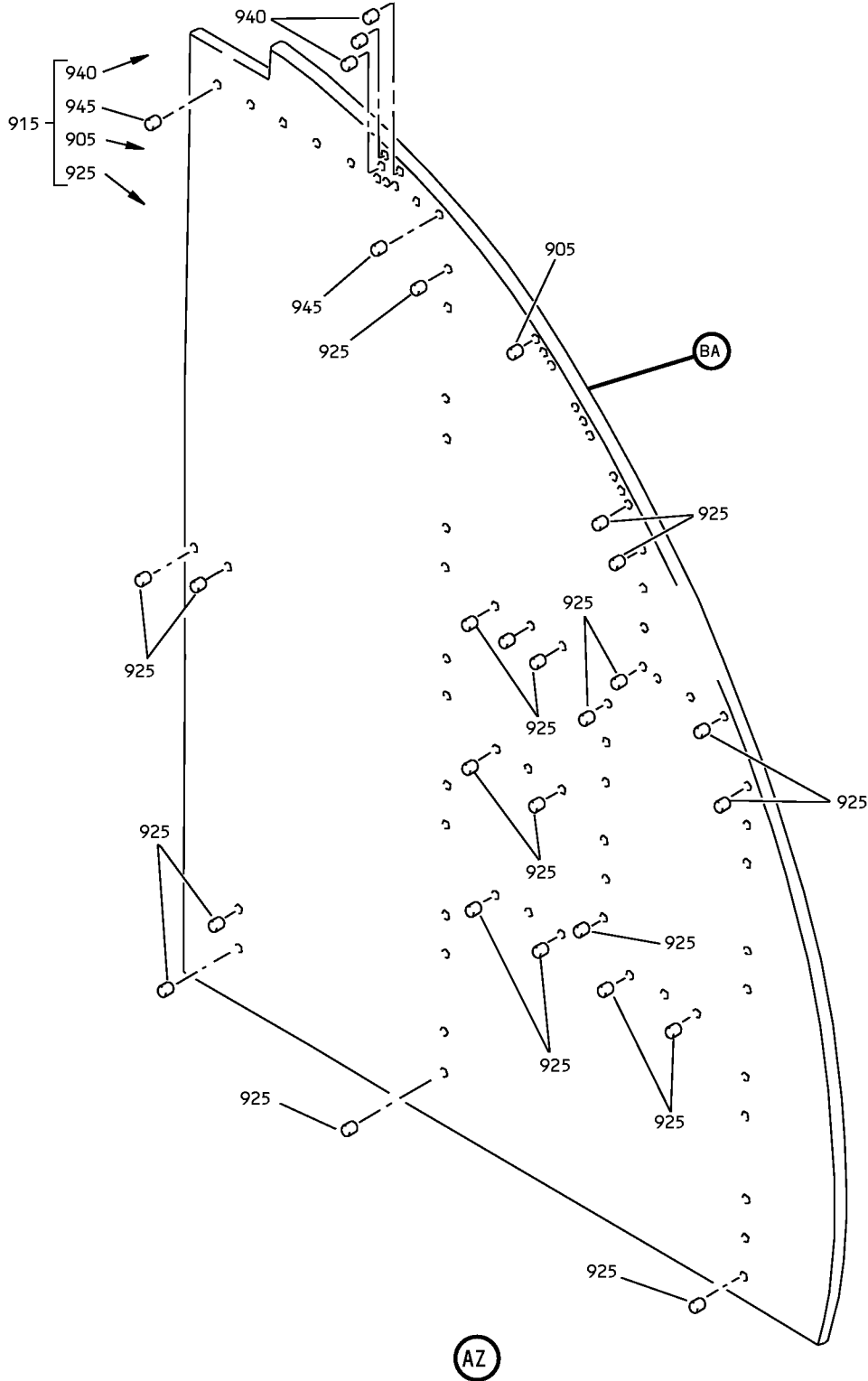
**25-24-08**

ILLUSTRATED PARTS LIST

Page 1098.346

Jul 01/2007

# COMPONENT MAINTENANCE MANUAL



Forward Right Closet Assembly  
IPL Figure 12 (Sheet 38 of 40)

## 25-24-08

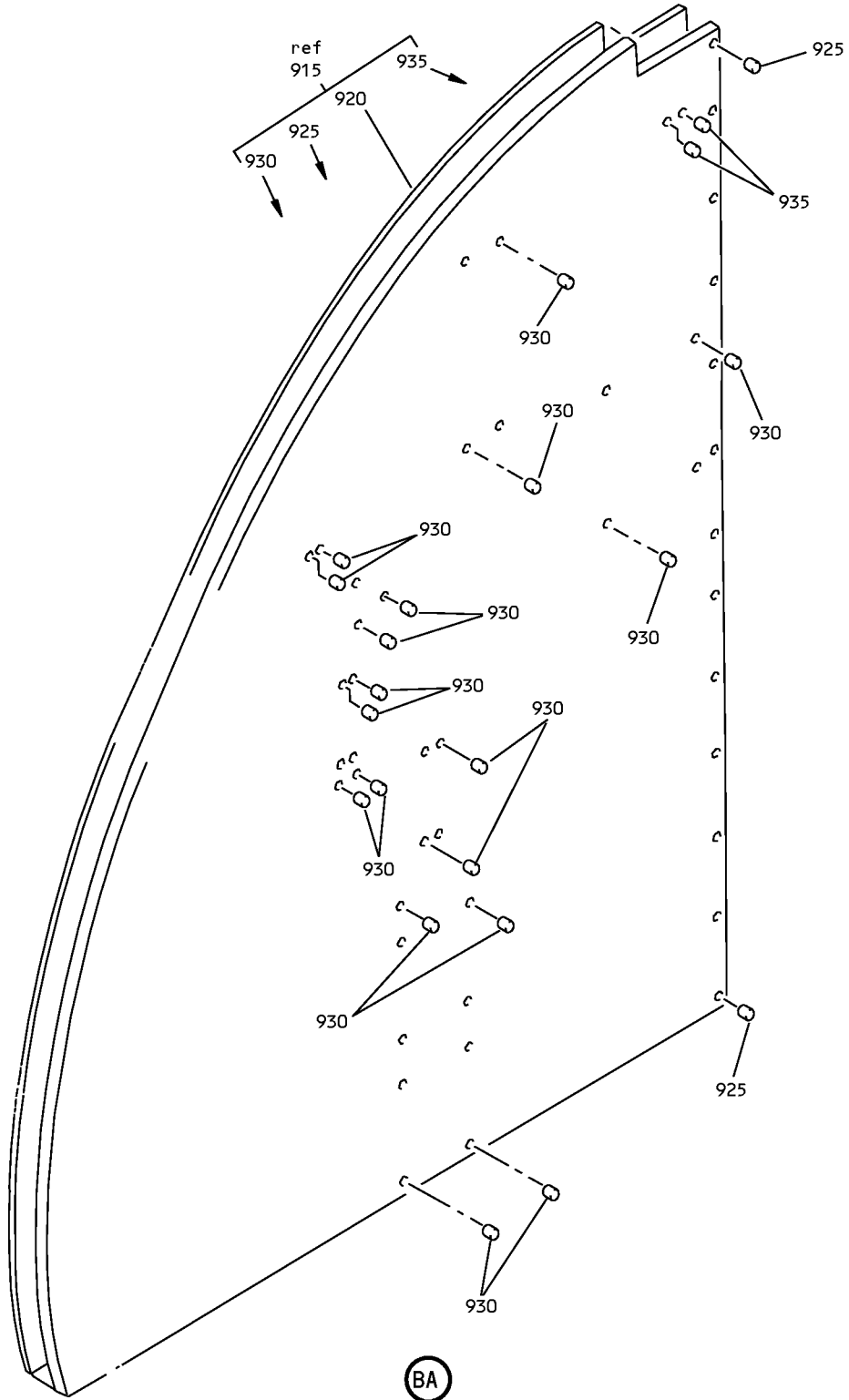
ILLUSTRATED PARTS LIST

Page 1098.347

Jul 01/2007



COMPONENT MAINTENANCE MANUAL



Forward Right Closet Assembly  
IPL Figure 12 (Sheet 39 of 40)

**25-24-08**

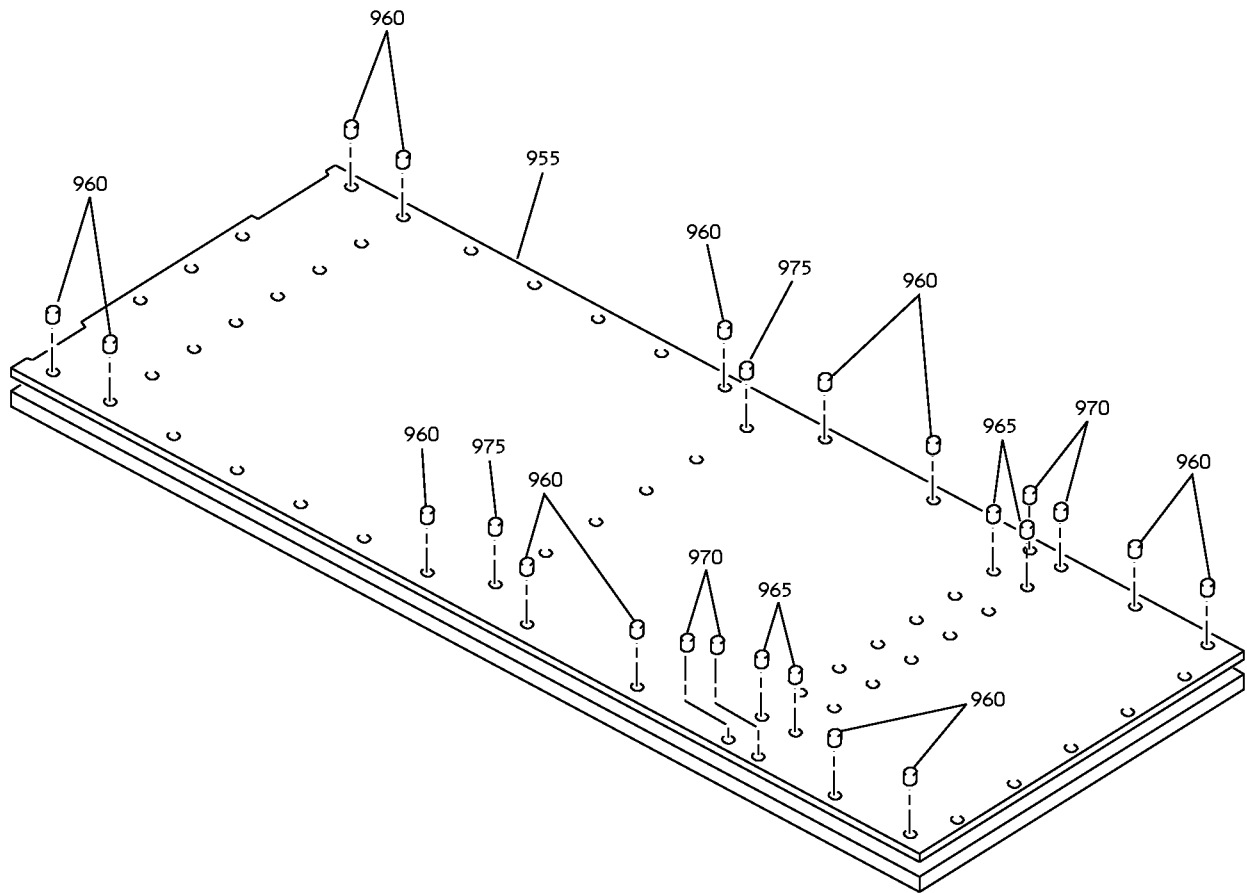
ILLUSTRATED PARTS LIST

Page 1098.348

Jul 01/2007



# COMPONENT MAINTENANCE MANUAL



BB

Forward Right Closet Assembly  
IPL Figure 12 (Sheet 40 of 40)

## 25-24-08

ILLUSTRATED PARTS LIST

Page 1098.349

Jul 01/2007



## COMPONENT MAINTENANCE MANUAL

FIG/ ITEM	PART NUMBER	AIRLINE PART NUMBER	NOMENCLATURE							USAGE CODE	UNITS PER ASSY
			1	2	3	4	5	6	7		
12-											
-1A	413N3206-213SP									AF	RF
-1B	413N3206-228SP									AQ	RF
-1C	413N3206-234SP									AU	RF
-1D	413N3206-236B									AW	RF
5	MS24665-300									AF, AQ, AU, AW	1
10	415N3007-2									AF, AQ, AU, AW	1
15	NAS43DD6-18FC									AF, AQ, AU, AW	1
20	NAS1149D0663K									AF, AQ, AU, AW	2
25	1042-35									AF, AQ, AU, AW	1
30	BACS12FA3K12									AF, AQ, AU, AW	3
31	BACS12FA3K12									AF, AQ, AU	2
31A	BACS12FA3K15									AW	2
32	BACS12FA3K12									DELETED	
32A	BACS12ER3K12									AF, AQ, AU, AW	1
35	NAS1149D0363J									AF, AQ, AU, AW	5
40	415N0017-159									AF, AQ, AU, AW	1
45	415N0017-139									AF, AQ, AU, AW	1
50	415N0017-138									AF, AQ, AU, AW	1
55	415N3217-354									DELETED	
55A	413N3217-354									AF, AQ, AU, AW	1
60	415N0017-32									AF, AQ, AU, AW	1

-Item not Illustrated

# 25-24-08

ILLUSTRATED PARTS LIST

Page 1098.350

Jul 01/2007



## COMPONENT MAINTENANCE MANUAL

FIG/ ITEM	PART NUMBER	AIRLINE PART NUMBER	NOMENCLATURE							USAGE CODE	UNITS PER ASSY
			1	2	3	4	5	6	7		
12-											
65	69B51689-3		.	BRACKET						AF, AQ, AU, AW	2
70	413U3165-42		.	ROD-COAT						AF, AQ, AU, AW	1
75	413N3615-605SP		.	DOOR ASSY						AF, AQ, AU	1
-75A	413N3615-851B		.	DOOR ASSY						AW	1
80	413N3615-606SP		.	DOOR ASSY						AF, AQ, AU	1
-80A	413N3615-852B		.	DOOR ASSY						AW	1
				ATTACHING PARTS							
85	BACS12ER3K5		.	SCREW						AF, AQ, AU, AW	20
				-----*							
90	BACS12ER08K5		..	SCREW						AF, AQ, AU	4
-90A	BACB30VF08K1		..	BOLT						AW	4
95	BCREF122479		..	LATCH (V80477) (AR2713-4-249-249)						AF, AQ, AU, AW	1
100	BACS12ER06K8		..	SCREW						AF, AQ, AU, AW	3
105	BACS12ER3K7		..	SCREW						AF, AQ, AU, AW	10
110	413N3616-177		..	HINGE ASSY						AF, AQ, AU, AW	1
115	MS20253P2-4921		...	PIN-HINGE						AF, AQ, AU, AW	1
120	413N3616-178		...	HINGE-HALFE						AF, AQ, AU, AW	1
125	413N3616-179		...	HINGE-HALF						AF, AQ, AU, AW	1
130	413U3165-25		..	TRIM						AF, AQ, AU, AW	AR
135	413N3615-607SP		..	PANEL ASSY (USED ON ITEM 75)						AF, AQ, AU	1

-Item not Illustrated

**25-24-08**

ILLUSTRATED PARTS LIST

Page 1098.351

Jul 01/2007



## COMPONENT MAINTENANCE MANUAL

FIG/ ITEM	PART NUMBER	AIRLINE PART NUMBER	NOMENCLATURE							USAGE CODE	UNITS PER ASSY
			1	2	3	4	5	6	7		
12-											
-135A	413N3615-607B		. .							AW	1
140	413N3615-608SP		. .							AF, AQ, AU	1
-140A	413N3615-608B		. .							AW	1
145	413N3615-6SP										
150	413N3615-7SP										
155	SL2334-08A3		. . .							AF, AQ, AU, AW	4
160	SL2334-3A3		. . .							AF, AQ, AU, AW	10
165	413N3615-613SP		. DOOR							AF, AQ, AU	1
-165A	413N3615-613B		. DOOR							AW	1
170	BACS12ER3K5		. SCREW							AF, AQ, AU, AW	6
175	BACS12ER08K5		. . SCREW							AF, AQ, AU, AW	4
180	BCREF122478		. . LATCH							AF, AQ, AU, AW	1
185	BACS12ER06K8		. . SCREW							AF, AQ, AU, AW	3
190	BACS12ER3K5		. . SCREW							AF, AQ, AU, AW	6
195	413N3217-317		. . TEE							AF, AQ, AU, AW	1
200	413N3616-183		. . HINGE							AF, AQ, AU, AW	1
205	MS20253P2-2121		. . . PIN-HINGE							AF, AQ, AU, AW	1
207	69-56542-1		. . . SPRING							AF, AQ, AU, AW	2

-Item not Illustrated

# 25-24-08

ILLUSTRATED PARTS LIST

Page 1098.352

Jul 01/2007



## COMPONENT MAINTENANCE MANUAL

FIG/ ITEM	PART NUMBER	AIRLINE PART NUMBER	NOMENCLATURE							USAGE CODE	UNITS PER ASSY	
			1	2	3	4	5	6	7			
12-												
210	413N3616-184		. . .				HINGE-HALF				AF, AQ, AU, AW	1
215	413N3616-185		. . .				HINGE-HALF				AF, AQ, AU, AW	1
220	413U3165-25		. .				TRIM				AF, AQ, AU, AW	AR
225	413N3615-614SP		. .				PANEL ASSY				AF, AQ, AU, AW	1
230	413N3615-6SP						DELETED					
235	413N3615-7SP						DELETED					
240	SL2334-08A3		. . .				INSERT (V97393)				AF, AQ, AU, AW	4
245	SL2334-3A3		. . .				INSERT (V97393)				AF, AQ, AU, AW	12
250	413N3615-616SP		. DOOR ASSY								AF, AQ, AU	1
-250A	413N3615-616B		. DOOR ASSY								AW	1
			ATTACHING PARTS									
255	BACS12ER3K5		. SCREW								AF, AQ, AU, AW	6
			----- *									
260	BACS12ER3K6		. . SCREW								AF, AQ, AU, AW	6
265	413N3616-183		. . HINGE ASSY								AF, AQ, AU, AW	1
270	MS20253P2-2121		. . . PIN-HINGE								AF, AQ, AU, AW	1
273	69-56542-1		. . . SPRING								AF, AQ, AU, AW	2
275	413N3616-184		. . . HINGE-HALF								AF, AQ, AU, AW	1
280	413N3616-185		. . . HINGE-HALF								AF, AQ, AU, AW	1
285	413U3165-25		. . TRIM								AF, AQ, AU, AW	AR
290	413N3615-617SP		. . PANEL ASSY								AF, AQ, AU, AW	1

-Item not Illustrated

**25-24-08**

ILLUSTRATED PARTS LIST

Page 1098.353

Jul 01/2007



## COMPONENT MAINTENANCE MANUAL

FIG/ ITEM	PART NUMBER	AIRLINE PART NUMBER	NOMENCLATURE							USAGE CODE	UNITS PER ASSY
			1	2	3	4	5	6	7		
12-											
295	413N3615-6SP										
300	413N3615-7SP										
305	SL2334-3A3									AF, AQ, AU, AW	6
310	413N3615-618SP									AF, AQ, AU	1
-310A	413N3615-618B									AW	1
315	BACS12ER3K5									AF, AQ, AU, AW	5
320	BACS12ER08K5									AF, AQ, AU, AW	4
325	BCREF122477									AF, AQ, AU, AW	1
330	BACS12ER06K8									AF, AQ, AU, AW	3
335	BACS12ER3K6									AF, AQ, AU, AW	5
340	413N3217-318									AF, AQ, AU, AW	1
345	413N3616-180									AF, AQ, AU, AW	1
350	MS20253P2-1585									AF, AQ, AU, AW	1
353	69-56542-1									AF, AQ, AU, AW	2
355	413N3616-184									AF, AQ, AU, AW	1
360	413N3616-185									AF, AQ, AU, AW	1
365	413U3165-25									AF, AQ, AU, AW	AR
370	413N3615-619SP									AF, AQ, AU, AW	1
375	413N3615-6SP										

-Item not Illustrated

**25-24-08**

ILLUSTRATED PARTS LIST

Page 1098.354

Jul 01/2007



## COMPONENT MAINTENANCE MANUAL

FIG/ ITEM	PART NUMBER	AIRLINE PART NUMBER	NOMENCLATURE							USAGE CODE	UNITS PER ASSY
			1	2	3	4	5	6	7		
12-											
380	413N3615-7SP										
385	SL2334-08A3									AF, AQ, AU, AW	4
390	SL2334-3A3									AF, AQ, AU, AW	10
395	413N3615-621SP									AF, AQ, AU	1
-395A	413N3615-621B									AW	1
400	BACS12ER3K5									AF, AQ, AU, AW	5
405	BACS12ER3K6									AF, AQ, AU, AW	5
410	413N3616-180									AF, AQ, AU, AW	1
415	MS20253P2-1585									AF, AQ, AU, AW	1
417	69-56542-1									AF, AQ, AU, AW	2
420	413N3616-184									AF, AQ, AU, AW	1
425	413N3616-185									AF, AQ, AU, AW	1
430	413U3616-25									AF, AQ, AU, AW	1
435	413N3615-622SP									AF, AQ, AU, AW	1
440	413N3615-6SP										
445	413N3615-7SP										
450	SL2334-3A3									AF, AQ, AU, AW	5
455	BACB30NM3K8									AF, AQ, AU	7
-455A	BACB30NM3K5									AW	7

-Item not Illustrated

**25-24-08**

ILLUSTRATED PARTS LIST

Page 1098.355

Jul 01/2007



## COMPONENT MAINTENANCE MANUAL

FIG/ ITEM	PART NUMBER	AIRLINE PART NUMBER	NOMENCLATURE							USAGE CODE	UNITS PER ASSY		
			1	2	3	4	5	6	7				
12- 457	BACB30NM3K3		.	B	O	L	T				AF, AQ, AU	8	
-457A 460	BACB30NM3K1 413N3217-310		.	B	O	L	T				AW	8	
465	BACS12FA3K6		.	A	N	G	L	E			AF, AQ, AU, AW	1	
470	413N3215-102		.	S	C	R	E	W			AF, AQ, AU, AW	62	
475	413N3215-102		.	B	R	A	C	K	E	T	AF, AQ, AU, AW	3	
475	413N3217-335SP			D	E	L	E	T	E	D			
475A 480	413N3217-335 413N3217-309		.	A	N	G	L	E			AF, AQ, AU, AW	3	
485	413N3217-307		.	A	N	G	L	E			AF, AQ, AU, AW	1	
490	413N3215-103		.	A	N	G	L	E			AF, AQ, AU, AW	1	
495	BACS12FA3K6		.	S	C	R	E	W			AF, AQ, AU, AW	366	
500	413T3167-1SP		.	A	N	G	L	E	-	S	C	A	L
-500A 505	413T3167-1B 413T3167-2SP		.	A	N	G	L	E	-	S	C	A	L
-505A 510	413T3167-2B 415N0017-146		.	A	N	G	L	E	-	S	C	A	L
515	415N0017-147		.	C	H	A	N	N	E	L	AF, AQ, AU, AW	1	
520	MS90354U0603		.	F	A	S	T	E	N	E	R	-	B
525	BACB30NM3K2		.	B	O	L	T				AF, AQ, AU, AW	20	
530	413N3217-370SP		.	A	N	G	L	E			AF, AQ, AU	15	
-530A	413N3217-370A		.	A	N	G	L	E			AW	1	

-Item not Illustrated

**25-24-08**

ILLUSTRATED PARTS LIST

Page 1098.356

Jul 01/2007





## COMPONENT MAINTENANCE MANUAL

FIG/ ITEM	PART NUMBER	AIRLINE PART NUMBER	NOMENCLATURE							USAGE CODE	UNITS PER ASSY
			1	2	3	4	5	6	7		
12-											
535	413N3217-311SP		.	ANGLE						AF, AQ, AU	1
-535A	413N3217-311A		.	ANGLE						AW	1
540	413N3217-312SP		.	ANGLE						AF, AQ, AU	1
-540A	413N3217-312S		.	ANGLE						AW	1
545	BACB30NN3K15			DELETED							
545A	BACB30NN3K17		.	BOLT						AF, AQ, AU, AW	9
550	MS21042L3		.	NUT						AF, AQ, AU, AW	9
555	413N3217-321SP		.	FITTING-AFT FLOOR						AF, AQ, AU	1
-555A	413N3217-321A		.	FITTING-AFT FLOOR						AW	1
560	413N3217-342SP		.	FITTING-FWD FLOOR						AF, AQ, AU	1
-560A	413N3217-342A		.	FITTING-FWD FLOOR						AW	1
565	BACS12ER3K6		.	SCREW						AF, AQ, AU, AW	20
570	413N3211-655		.	STOP ASSY						AF, AQ, AU, AW	8
575	413N3211-4		. .	BUMPER						AF, AQ, AU, AW	1
580	413N3211-661		. .	ANGLE						AF, AQ, AU, AW	1
585	413N0017-135			DELETED							
585A	415N0017-135		.	SHEET						AF, AQ, AU, AW	4
590	413N0017-136			DELETED							
590A	415N0017-136		.	SHEET						AF, AQ, AU, AW	3
595	413N3217-357		.	PLATE						AF, AQ, AU, AW	1
600	413U3165-7		.	TRIM						AF, AQ, AU	AR
-600A	413U3165-81		.	TRIM						AW	AR

-Item not Illustrated

**25-24-08**

ILLUSTRATED PARTS LIST

Page 1098.357

Jul 01/2007



## COMPONENT MAINTENANCE MANUAL

FIG/ ITEM	PART NUMBER	AIRLINE PART NUMBER	NOMENCLATURE							USAGE CODE	UNITS PER ASSY
			1	2	3	4	5	6	7		
12- 605	413U3165-4		.	TRIM						AF, AQ, AU, AW	AR
610	413U3165-25		.	TRIM						AF, AQ, AU	AR
-610A	413U3165-82		.	TRIM						AW	AR
615	NAS514P1032-5		.	SCREW						AF, AQ, AU, AW	2
620	413N3217-313		.	ANGLE						AF, AQ, AU, AW	1
625	BACS12FA3K6		.	SCREW						AF, AQ, AU, AW	4
630	413N3224-271SP		.	PANEL ASSY-SHELF						AF, AQ, AU	1
-630A	413N3224-271A		.	PANEL ASSY-SHELF						AW	1
635	413N3224-270SP		.	PANEL ASSY-SHELF						AF, AQ, AU	1
-635A	413N3224-270A		.	PANEL ASSY-SHELF						AW	1
640	413N3224-7SP			DELETED							
645	SL2334-3A3		.	INSERT (V97393) (USED ON ITEM 630)						AF, AQ, AU, AW	2
650	SL2334-3A3		.	INSERT (V97393) (USED ON ITEM 635)						AF, AQ, AU, AW	6
655	413N3211-390SP		.	ANGLE						AF, AQ, AU	1
-655A	413N3211-390B		.	ANGLE						AW	1
660	413N3224-261SP		.	PANEL ASSY-TOP						AF, AQ, AU	1
-660A	413N3224-261A		.	PANEL ASSY-TOP						AW	1
665	413N3224-7SP			DELETED							
670	SL2334-3A3		.	INSERT (V97393)						AF, AQ, AU, AW	28
675	413N3224-262SP		.	PANEL ASSY-TOP OUTBD						AF, AQ	1
-675A	413N3224-781SP		.	PANEL ASSY-TOP OUTBD						AU	1
-675B	413N3224-781B		.	PANEL ASSY-TOP OUTBD						AW	1

-Item not Illustrated

**25-24-08**

ILLUSTRATED PARTS LIST

Page 1098.358

Jul 01/2007



## COMPONENT MAINTENANCE MANUAL

FIG/ ITEM	PART NUMBER	AIRLINE PART NUMBER	NOMENCLATURE							USAGE CODE	UNITS PER ASSY
			1	2	3	4	5	6	7		
12-											
680	413N3224-7SP										
685	SL2334-3A3									AF, AQ, AU, AW	48
690	SL3224-3A5									AF, AQ, AU, AW	5
692	SL3224-3A5									AU, AW	2
695	413N3224-263SP									AF, AQ	1
700	413N3224-7SP										
705	SL2334-3A3									AF, AQ	38
710	413U3165-4										
710A	413N3224-782SP									AU	1
-710B	413N3224-782B									AW	1
712	SL2334-3A3									AU, AW	44
715	413N3224-266SP									AF, AQ, AU	1
-715A	413N3224-266A									AW	1
720	413N3224-7SP										
725	SL2334-3A3									AF, AQ, AU, AW	13
730	413U3165-4										
735	413N3224-265SP									AF, AQ, AU	1
-735A	413N3224-265A									AW	1
740	413N3224-7SP										
745	SL2334-3A3									AF, AQ, AU, AW	15
750	413U3165-4										
755	413N3224-274SP									AF, AQ, AU	1
-755A	413N3224-274A									AW	1
760	413N3224-7SP										

-Item not Illustrated

# 25-24-08

ILLUSTRATED PARTS LIST

Page 1098.359

Jul 01/2007



## COMPONENT MAINTENANCE MANUAL

FIG/ ITEM	PART NUMBER	AIRLINE PART NUMBER	NOMENCLATURE							USAGE CODE	UNITS PER ASSY	
			1	2	3	4	5	6	7			
12- 765	SL2334-3A3		.	.	INSERT (V97393)						AF, AQ, AU, AW	36
770	413N3224-272SP		.		PANEL ASSY-SHELF						AF, AQ, AU	1
-770A	413N3224-272A		.		PANEL ASSY-SHELF						AW	1
775	413N3224-7SP				DELETED							
780	SL2334-3A3		.	.	INSERT (V97393)						AF, AQ, AU, AW	18
785	413U3165-4				DELETED							
790	413N3224-260SP		.		PANEL ASSY-AFT						AF, AQ, AU	1
-790A	413N3224-260B		.		PANEL ASSY-AFT						AW	1
795	413N3224-7SP				DELETED							
800	413N3224-87SP				DELETED							
805	SL2334-3A3		.	.	INSERT (V97393)						AF, AQ, AU, AW	38
810	NAS1836-3-14		.	.	INSERT						AF, AQ, AU, AW	13
815	413U3165-25				DELETED							
820	BACS12ER3K10		.		SCREW						AF, AQ, AU, AW	2
825	413N3224-273SP		.		PANEL ASSY-DIVIDER						AF, AQ	1
-825A	413N3224-783SP		.		PANEL ASSY-DIVIDER						AU	1
-825B	413N3224-783B		.		PANEL ASSY-DIVIDER						AW	1
830	413N3224-7SP				DELETED							
835	SL2334-3A3		.	.	INSERT (V97393)						AF, AQ, AU, AW	70
837	SL2334-3A3		.	.	INSERT (V97393)						AU, AW	2
840	SL2334-3A8		.	.	INSERT (V97393)						AF, AQ, AU, AW	11
845	413N3217-315SP		.		CHANNEL						AF, AQ, AU	1
-845A	413N3217-315A		.		CHANNEL						AW	1
850	413U3165-7				DELETED							

-Item not Illustrated

# 25-24-08

ILLUSTRATED PARTS LIST

Page 1098.360

Jul 01/2007



## COMPONENT MAINTENANCE MANUAL

FIG/ ITEM	PART NUMBER	AIRLINE PART NUMBER	NOMENCLATURE							USAGE CODE	UNITS PER ASSY
			1	2	3	4	5	6	7		
12-											
855	413N3224-268SP		.							AF, AQ, AU	1
-855A	413N3224-268A		.							AW	1
860	413N3224-7SP									DELETED	
865	SL2334-3A3		.	.						AF, AQ, AU, AW (V97393)	10
870	413N3224-264SP		.							AF, AQ, AU	1
-870A	413N3234-50B		.							AW	1
875	413N3224-7SP									DELETED	
880	SL2334-3A3		.	.						AF, AQ, AU, AW (V97393)	126
881	SL2334-3A3		.	.						AF, AQ, AU (V97393)	26
885	NAS1834-3-980		.	.						AF, AQ, AU, AW	9
890	NAS1835A3		.	.						AF, AQ, AU, AW	13
895	SL2334-3A8		.	.						AF, AQ, AU, AW (V97393)	4
900	SL644-04-4		.	.						AF, AQ, AU, AW (V97393)	2
905	413U3165-7									DELETED	
910	BACS12ER3K5		.							AF, AQ, AU, AW	13
915	413N3224-267SP		.							AF	1
-915A	413N3224-447SP		.							AQ	1
-915B	413N3224-780SP		.							AU	1
-915C	413N3234-51B		.							AW	1
920	413N3224-7SP									DELETED	
925	SL2334-3A3		.	.						AF, AQ, AU, AW (V97393)	75
927	SL2334-3A3		.	.						AU, AW (V97393)	2
930	SL2334-3A4		.	.						AF, AQ, AU, AW (V97393)	30

-Item not Illustrated

**25-24-08**

ILLUSTRATED PARTS LIST

Page 1098.361

Jul 01/2007



## COMPONENT MAINTENANCE MANUAL

FIG/ ITEM	PART NUMBER	AIRLINE PART NUMBER	NOMENCLATURE							USAGE CODE	UNITS PER ASSY	
			1	2	3	4	5	6	7			
12- 931	SL2334-3A4		.	.	INSERT (V97393)						AQ, AU, AW	1
935	SL644-04-4		.	.	INSERT (V97393)						AF, AQ, AU, AW	2
940	SL2334-3A8		.	.	INSERT (V97393)						AF, AQ, AU, AW	3
945	BACS13CJ3L130P		.	.	INSERT						AF, AQ, AU, AW	10
947	NAS1836-3-14		.	.	INSERT						AF, AQ, AU, AW	2
950	413N3224-269SP		.		PANEL ASSY-FLOOR						AF, AQ, AU	1
-950A	413N3224-269A		.		PANEL ASSY-FLOOR						AW	1
955	413N3224-7SP				DELETED							
960	SL2334-3A3		.	.	INSERT (V97393)						AF, AQ, AU, AW	36
965	NAS1834-3-980		.	.	INSERT						AF, AQ, AU, AW	14
970	NAS1834-4-980		.	.	INSERT						AF, AQ, AU, AW	4
975	BACS13CJ3L180P		.	.	INSERT						AF, AQ, AU, AW	6

-Item not Illustrated

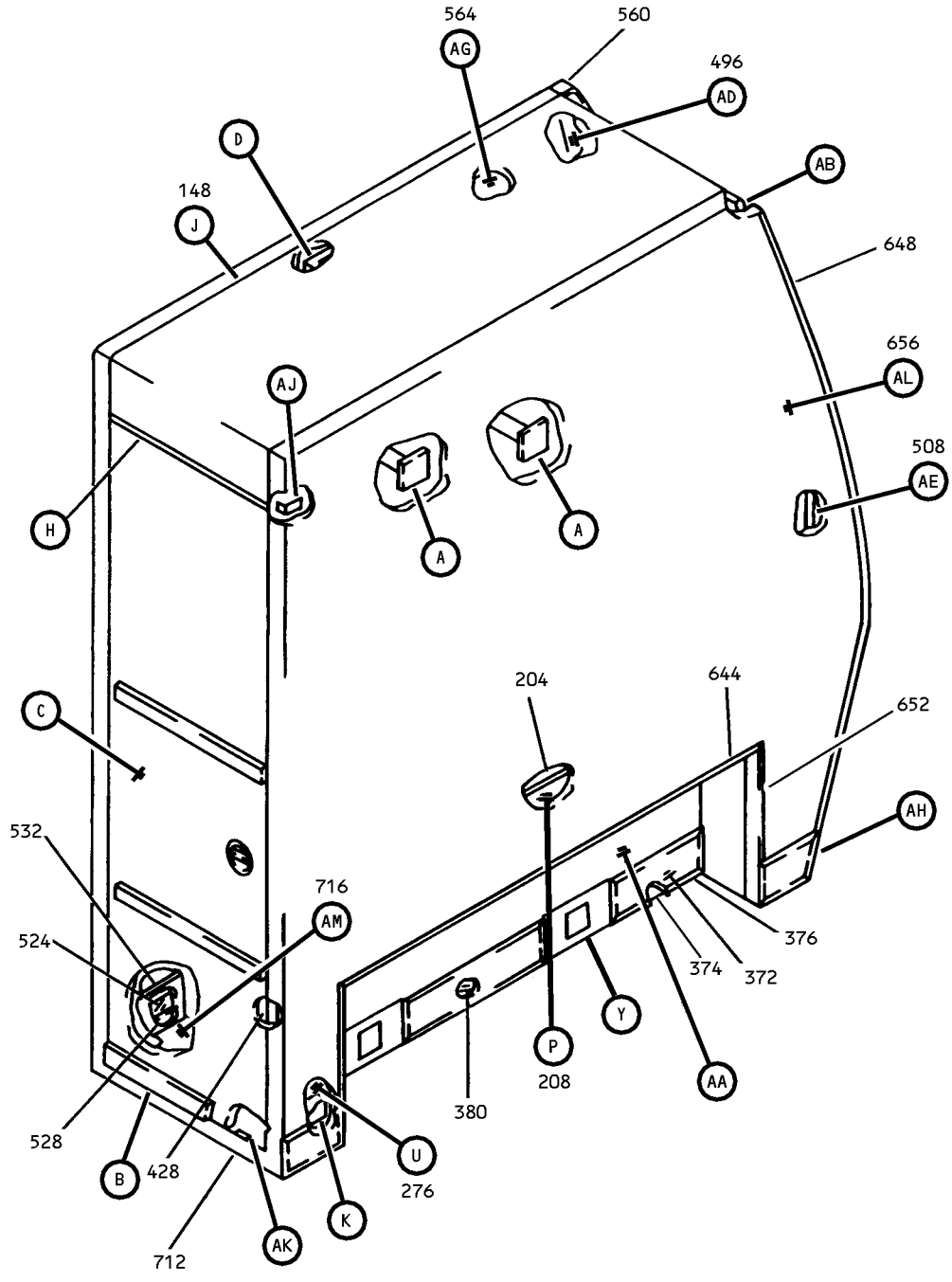
# 25-24-08

ILLUSTRATED PARTS LIST

Page 1098.362

Jul 01/2007

COMPONENT MAINTENANCE MANUAL

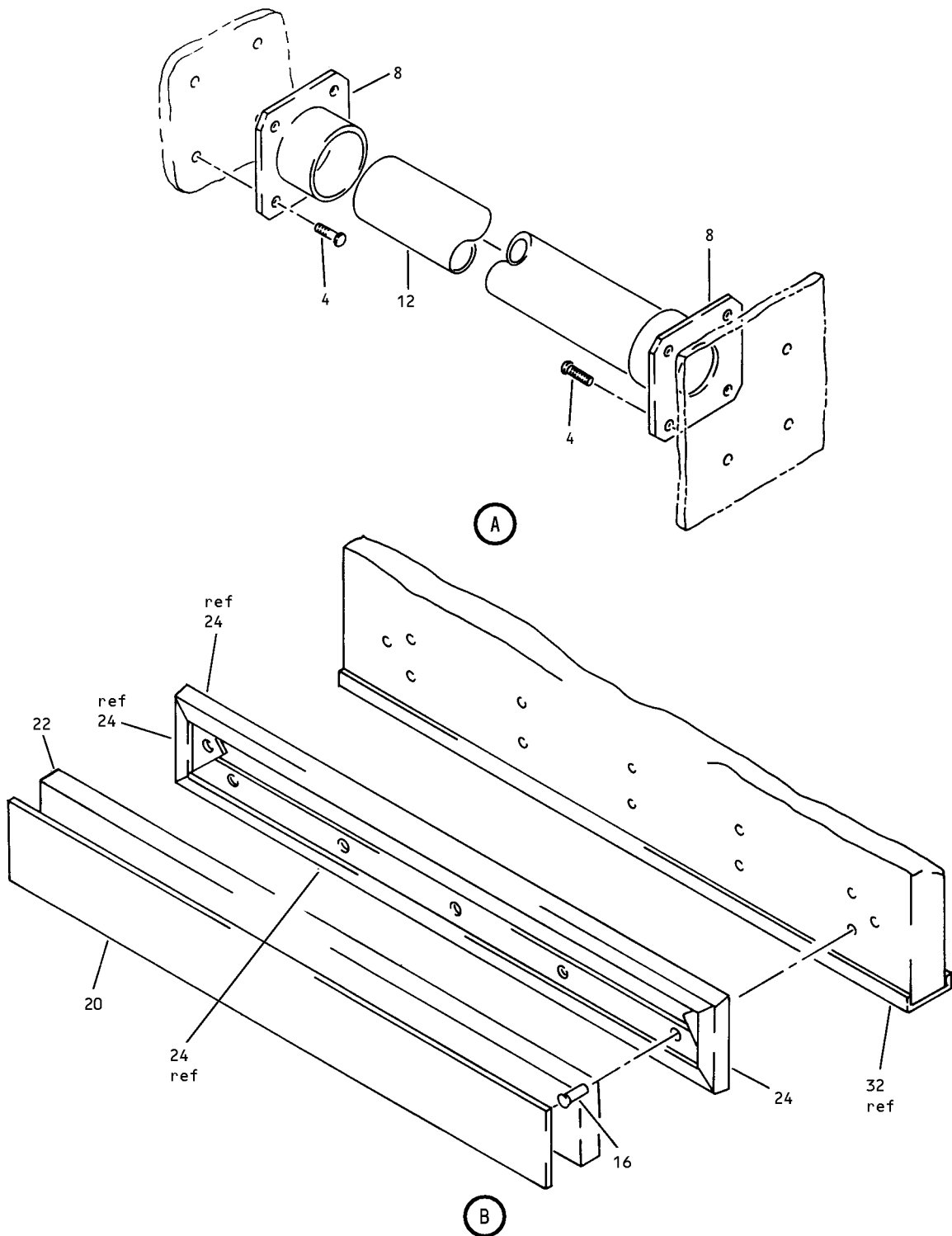


Forward Right Closet Assembly  
IPL Figure 13 (Sheet 1 of 21)

**25-24-08**

ILLUSTRATED PARTS LIST  
Page 1098.363  
Jul 01/2007

COMPONENT MAINTENANCE MANUAL



Forward Right Closet Assembly  
IPL Figure 13 (Sheet 2 of 21)

**25-24-08**

ILLUSTRATED PARTS LIST

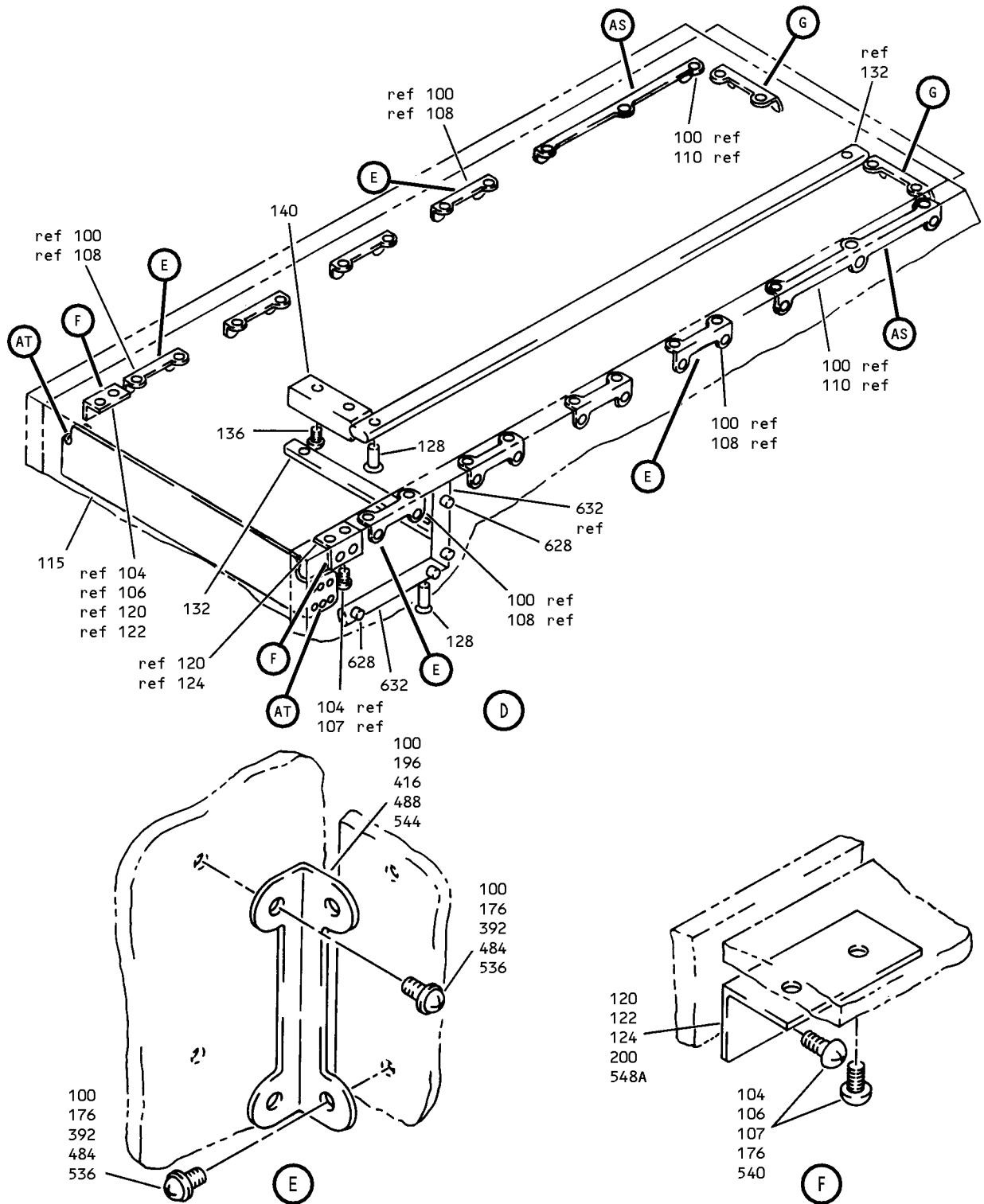
Page 1098.364

Jul 01/2007





COMPONENT MAINTENANCE MANUAL



Forward Right Closet Assembly  
IPL Figure 13 (Sheet 4 of 21)

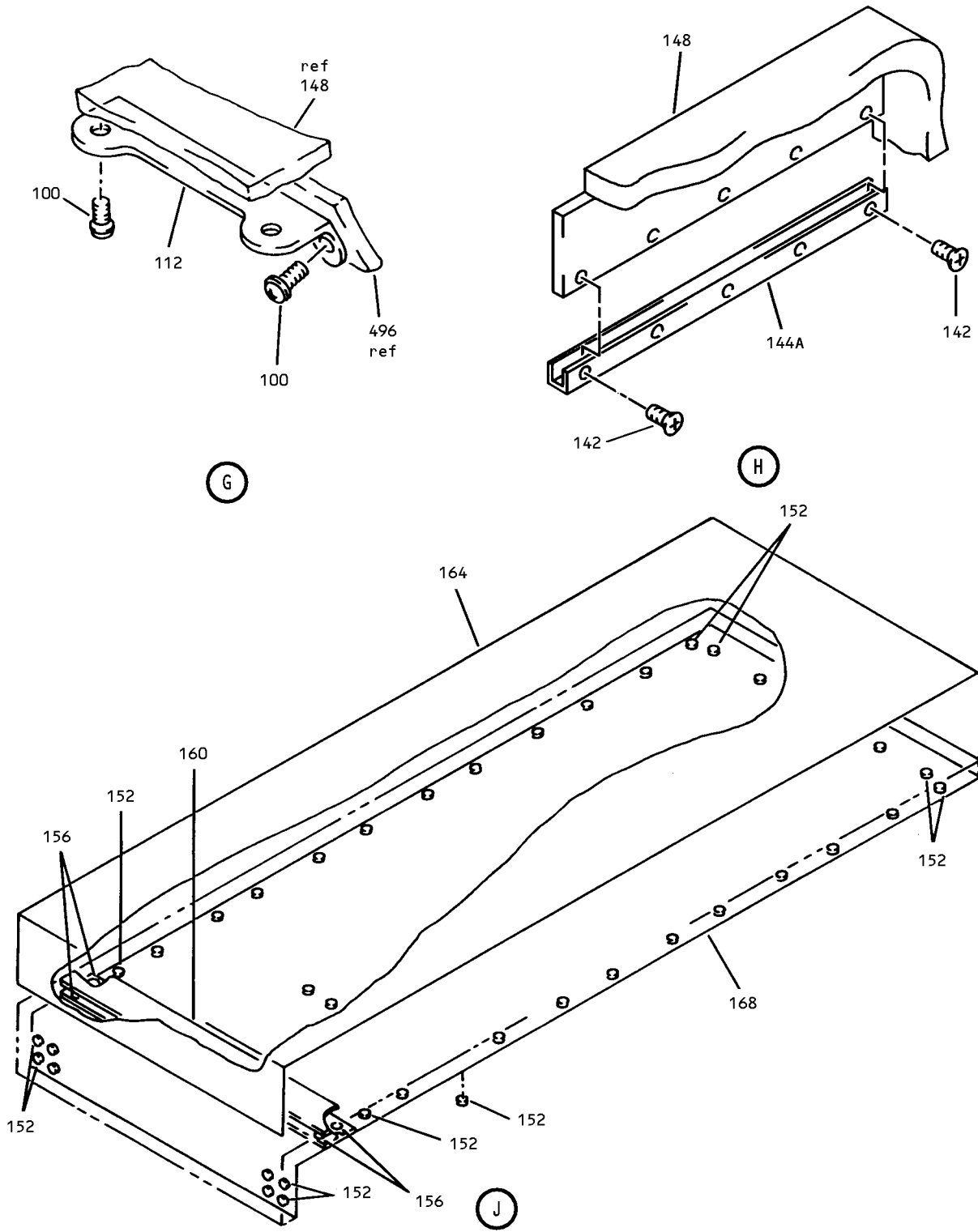
**25-24-08**

ILLUSTRATED PARTS LIST

Page 1098.366

Jul 01/2007

COMPONENT MAINTENANCE MANUAL



Forward Right Closet Assembly  
IPL Figure 13 (Sheet 5 of 21)

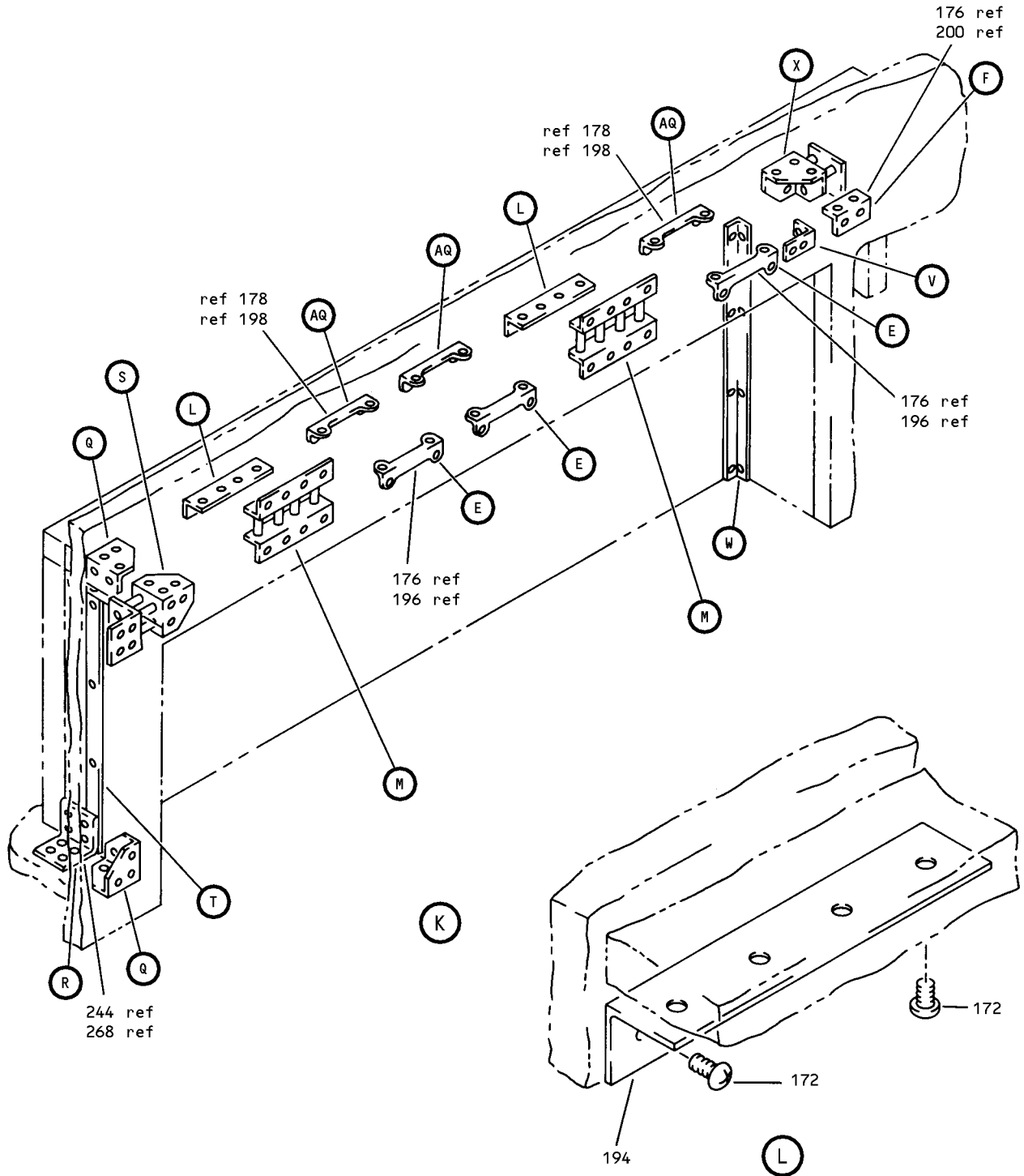
**25-24-08**

ILLUSTRATED PARTS LIST

Page 1098.367

Jul 01/2007

COMPONENT MAINTENANCE MANUAL



Forward Right Closet Assembly  
IPL Figure 13 (Sheet 6 of 21)

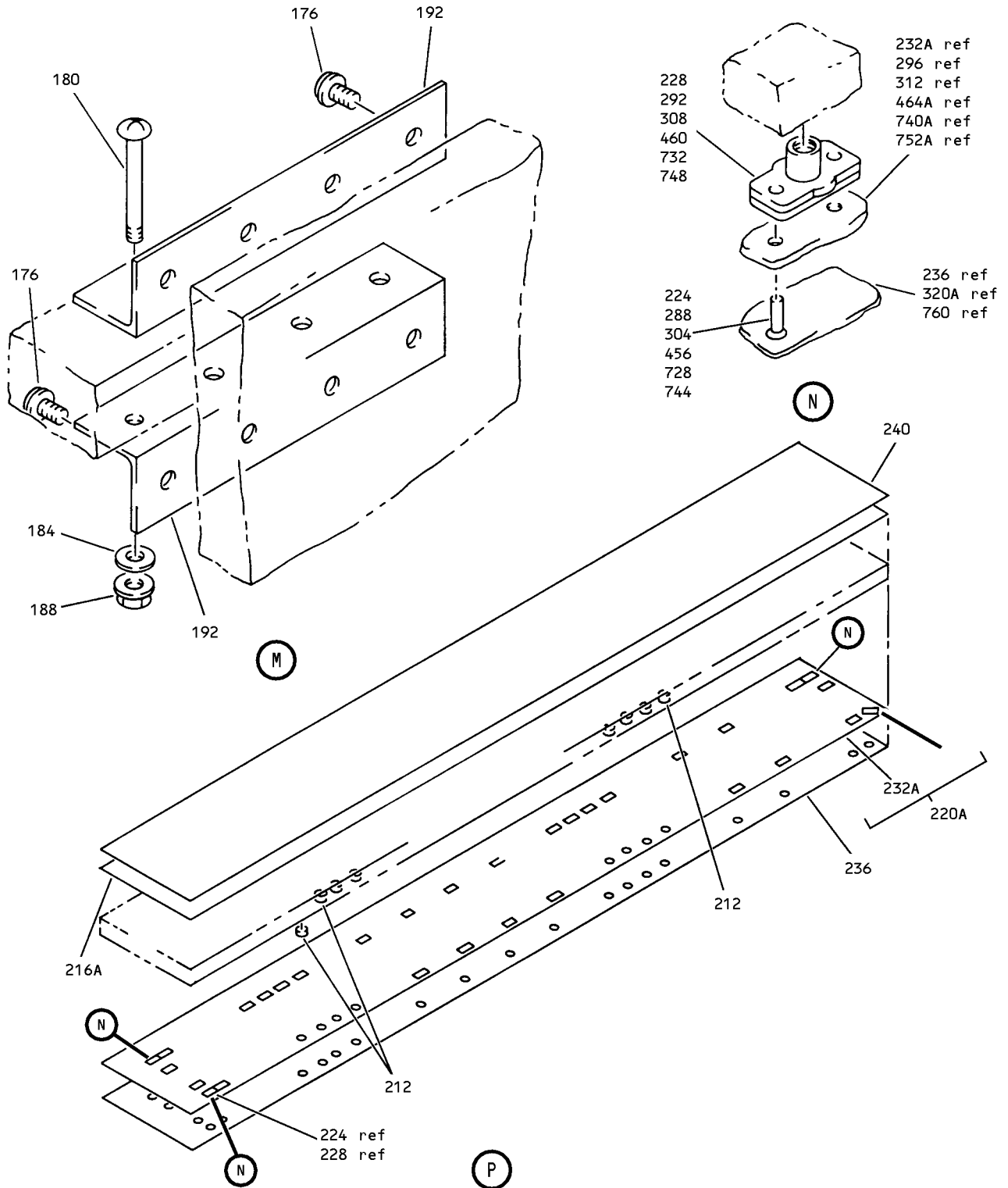
**25-24-08**

ILLUSTRATED PARTS LIST

Page 1098.368

Jul 01/2007

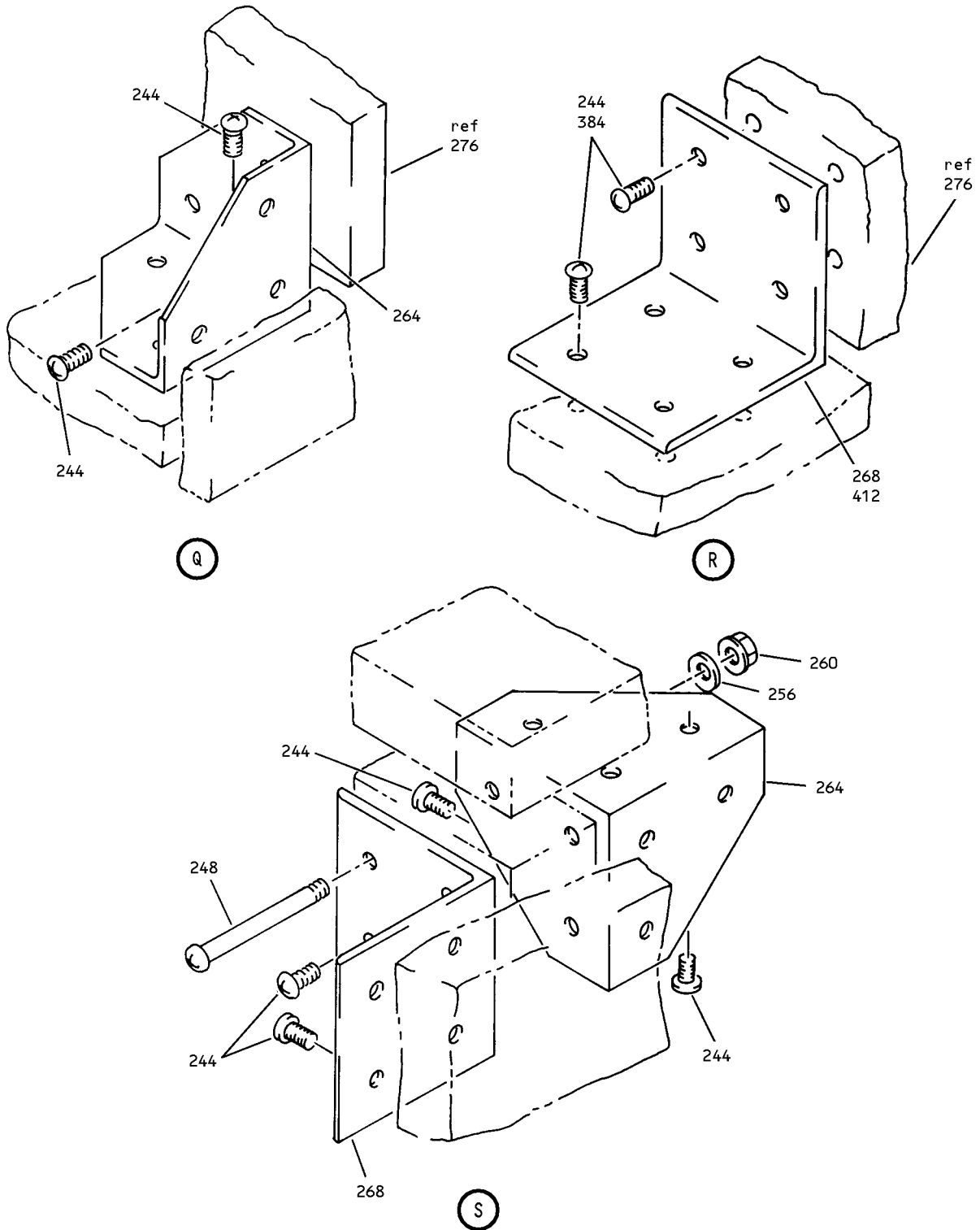
COMPONENT MAINTENANCE MANUAL



Forward Right Closet Assembly  
IPL Figure 13 (Sheet 7 of 21)

**25-24-08**  
ILLUSTRATED PARTS LIST  
Page 1098.369  
Jul 01/2007

COMPONENT MAINTENANCE MANUAL



Forward Right Closet Assembly  
IPL Figure 13 (Sheet 8 of 21)

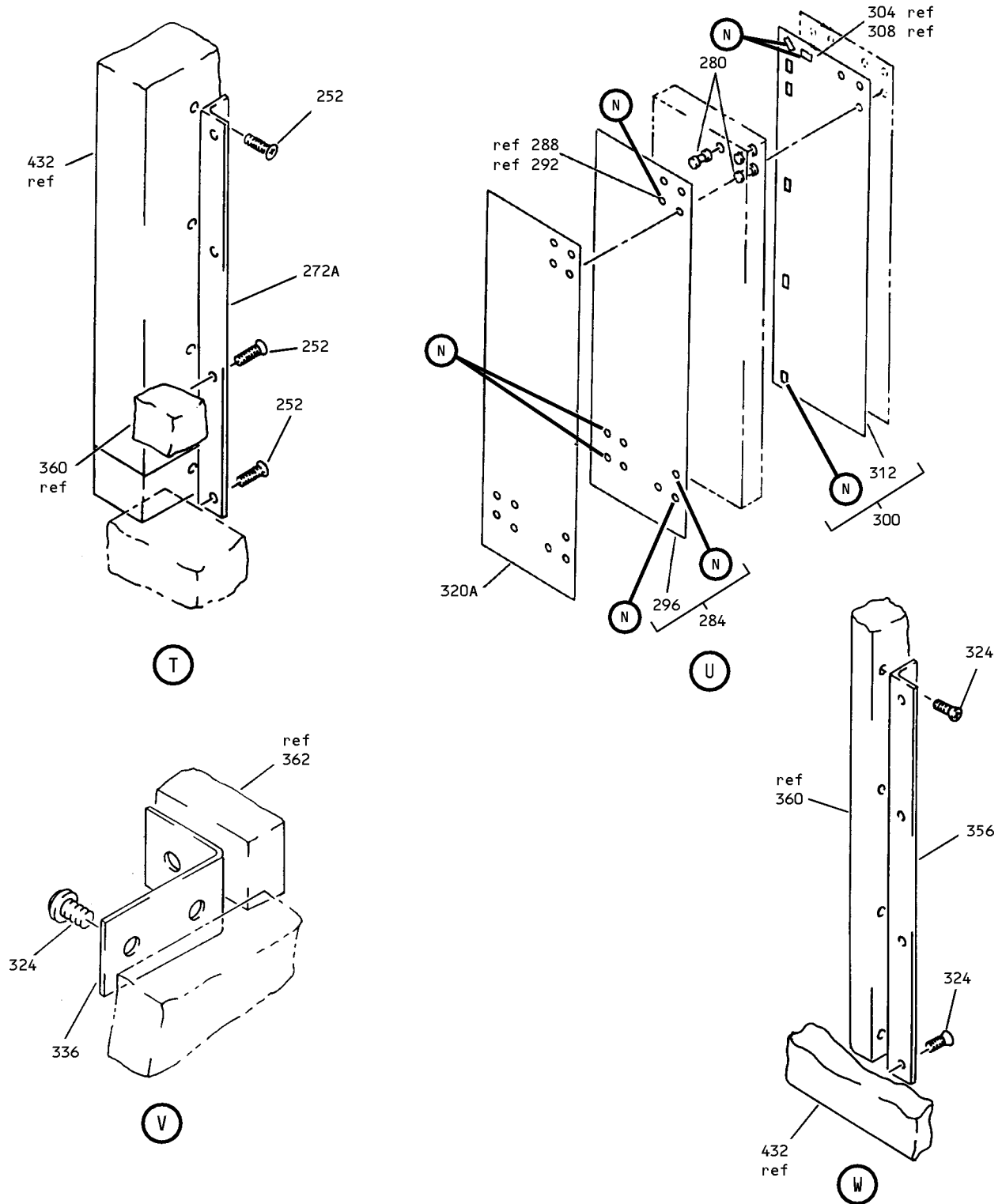
**25-24-08**

ILLUSTRATED PARTS LIST

Page 1098.370

Jul 01/2007

COMPONENT MAINTENANCE MANUAL



Forward Right Closet Assembly  
 IPL Figure 13 (Sheet 9 of 21)

**25-24-08**

ILLUSTRATED PARTS LIST

Page 1098.371

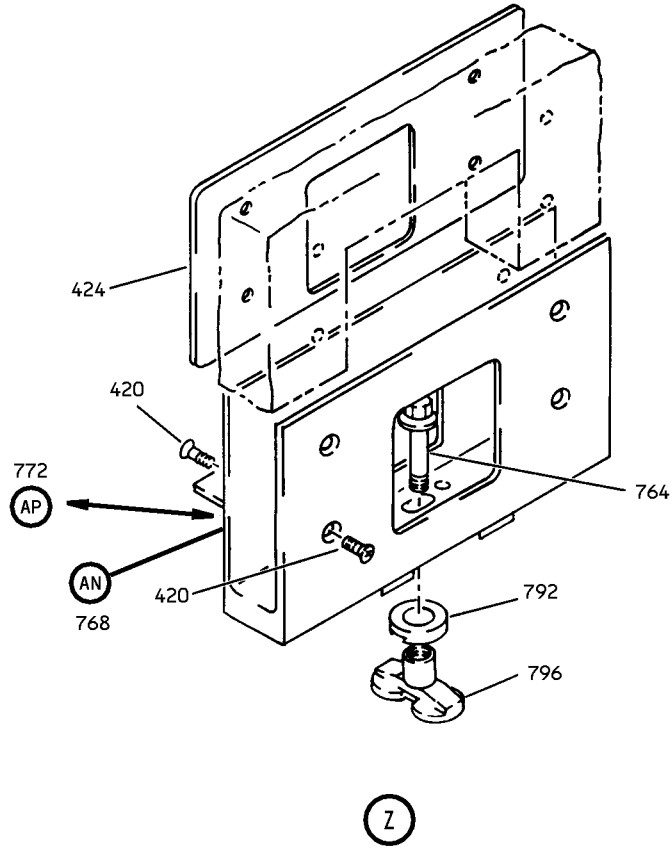
Jul 01/2007







COMPONENT MAINTENANCE MANUAL



Forward Right Closet Assembly  
IPL Figure 13 (Sheet 11 of 21)

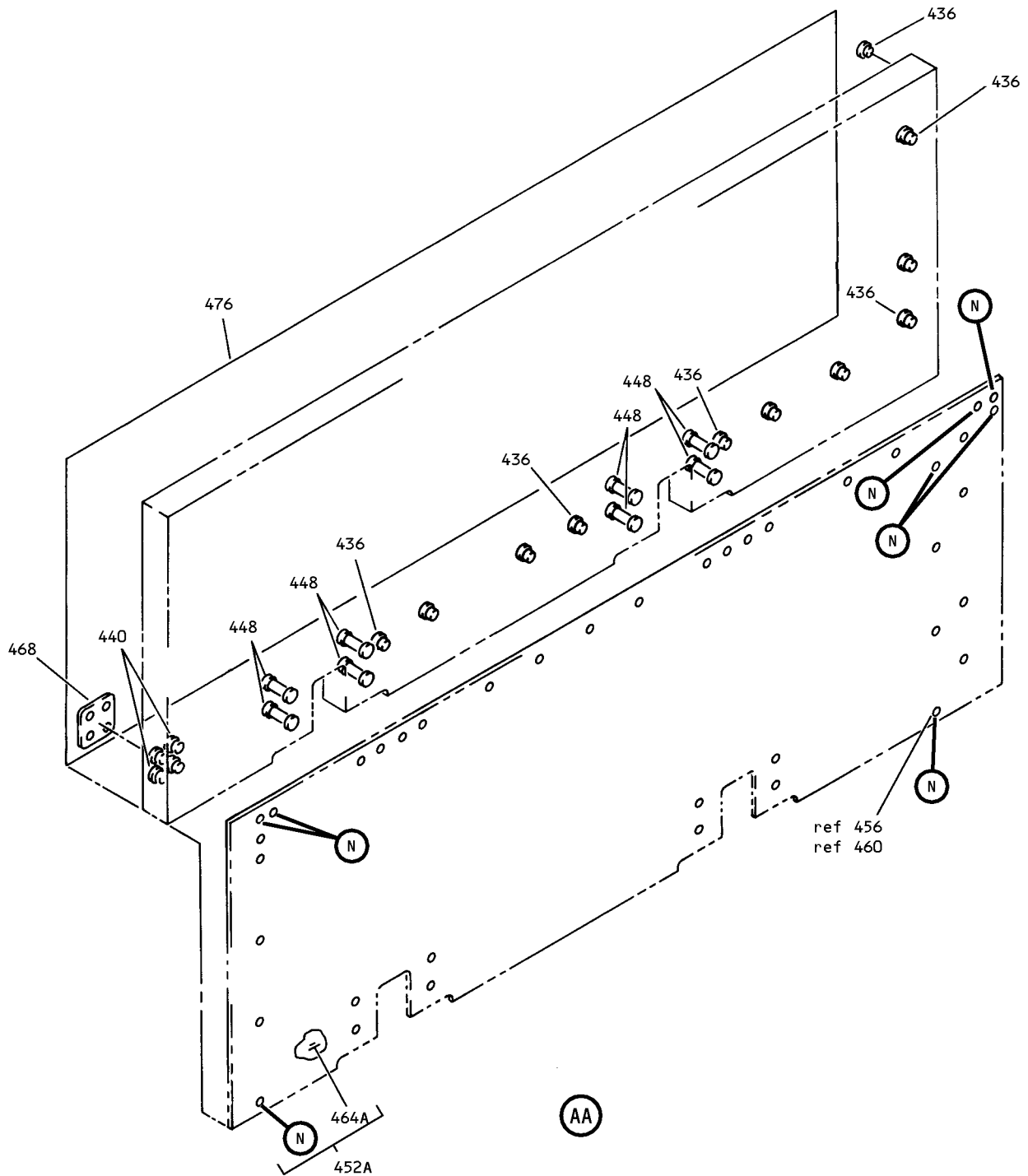
**25-24-08**

ILLUSTRATED PARTS LIST

Page 1098.373

Jul 01/2007

COMPONENT MAINTENANCE MANUAL



Forward Right Closet Assembly  
IPL Figure 13 (Sheet 12 of 21)

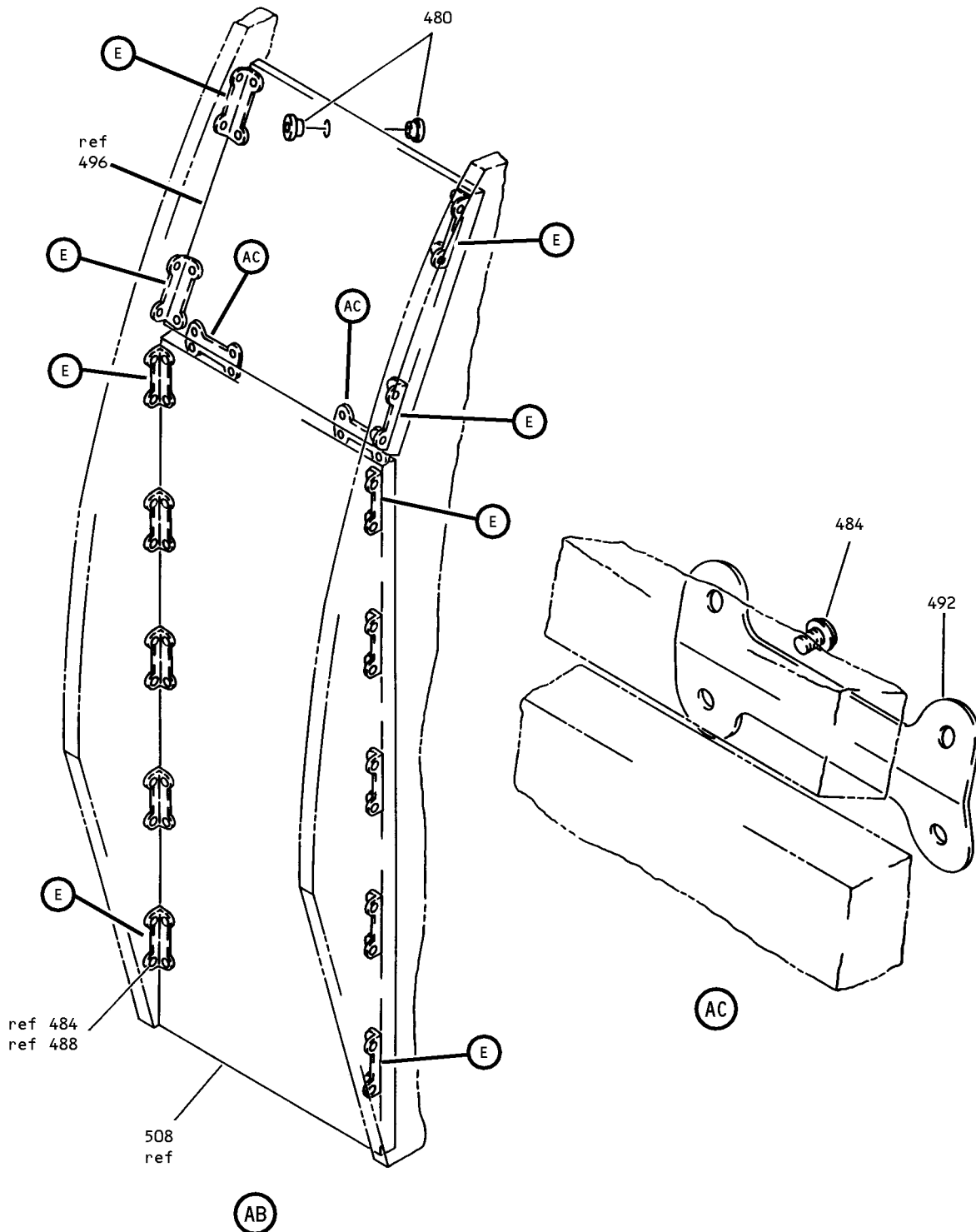
**25-24-08**

ILLUSTRATED PARTS LIST

Page 1098.374

Jul 01/2007

COMPONENT MAINTENANCE MANUAL



Forward Right Closet Assembly  
IPL Figure 13 (Sheet 13 of 21)

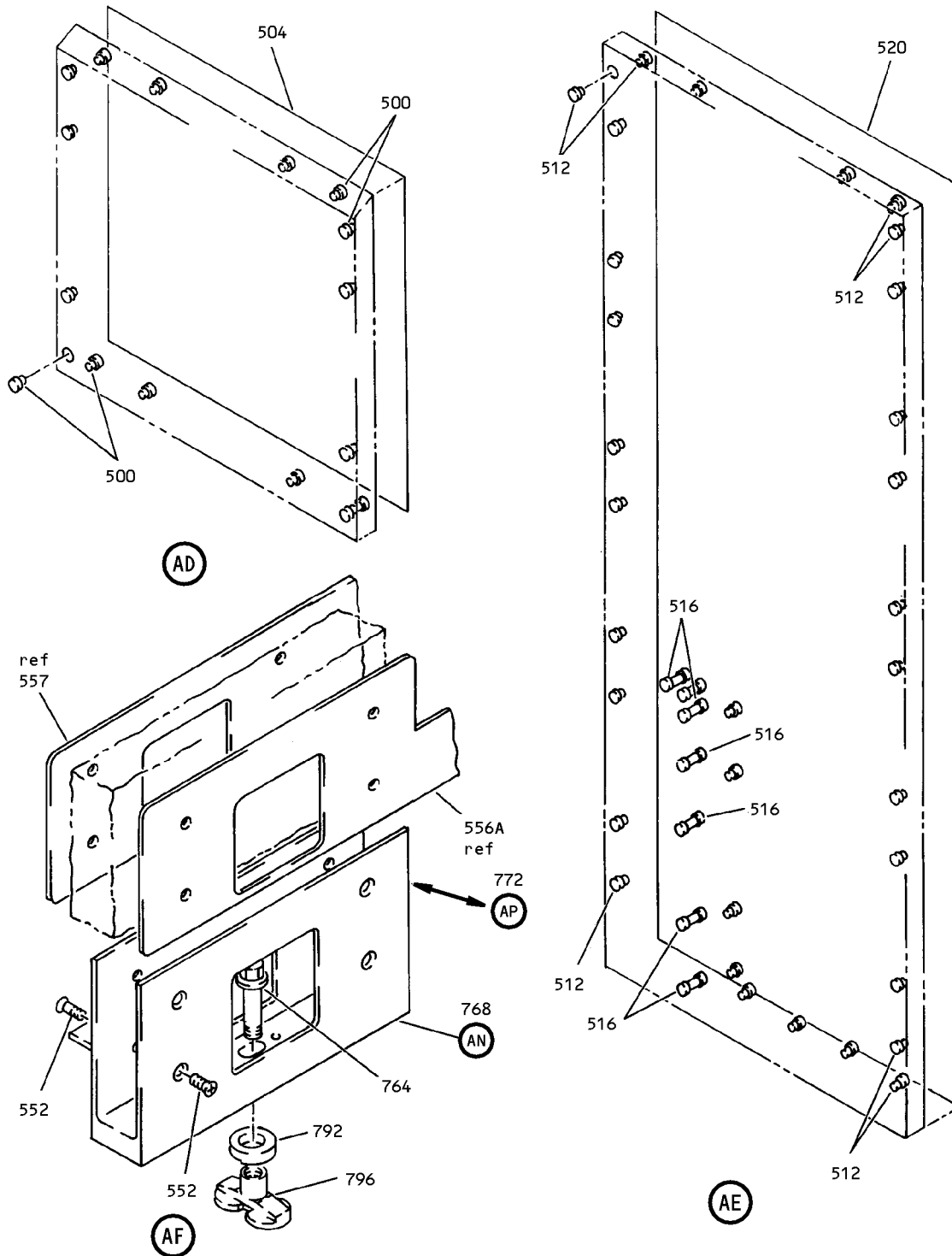
**25-24-08**

ILLUSTRATED PARTS LIST

Page 1098.375

Jul 01/2007

COMPONENT MAINTENANCE MANUAL



Forward Right Closet Assembly  
IPL Figure 13 (Sheet 14 of 21)

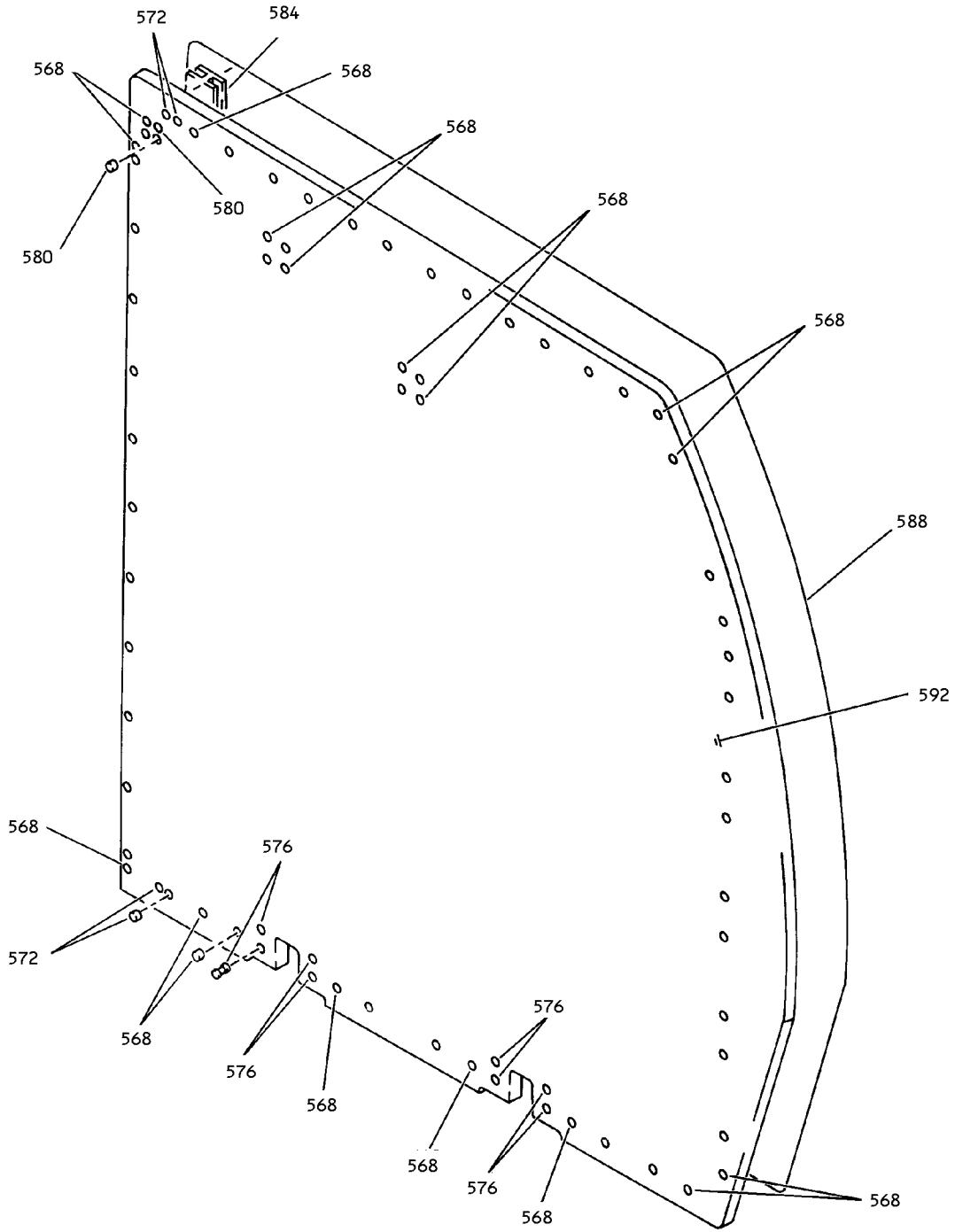
**25-24-08**

ILLUSTRATED PARTS LIST

Page 1098.376

Jul 01/2007

COMPONENT MAINTENANCE MANUAL



AG

Forward Right Closet Assembly  
IPL Figure 13 (Sheet 15 of 21)

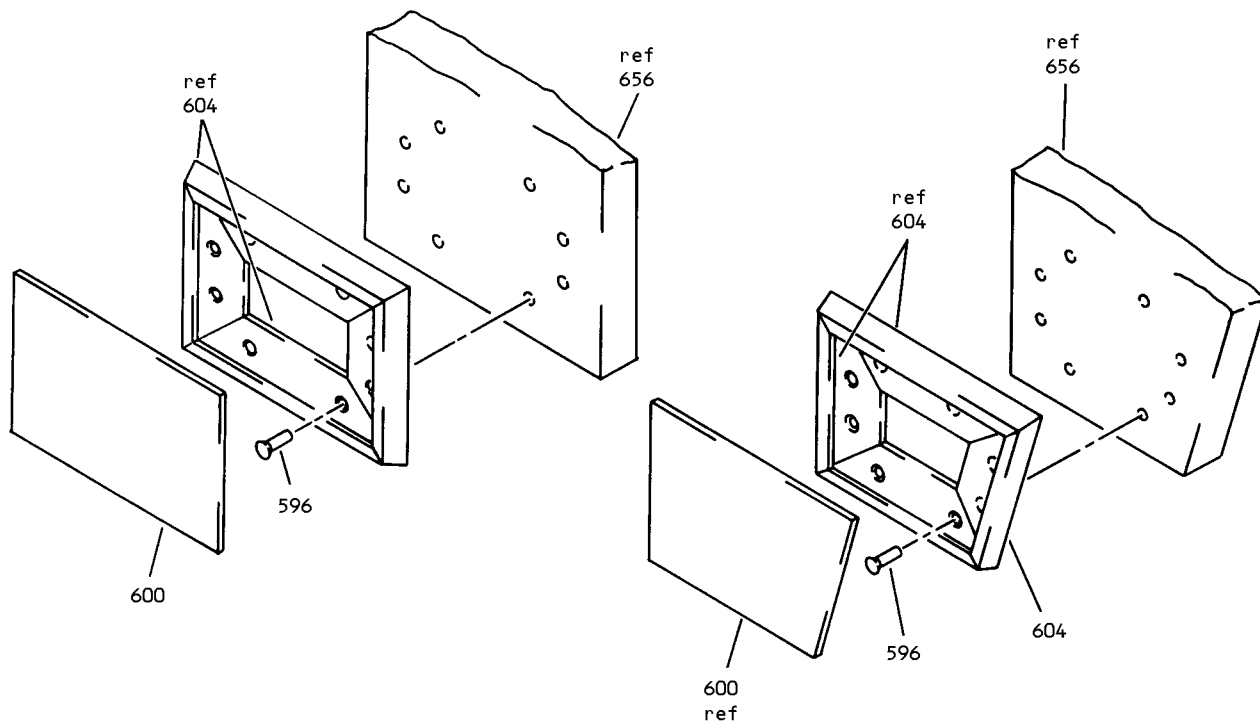
**25-24-08**

ILLUSTRATED PARTS LIST

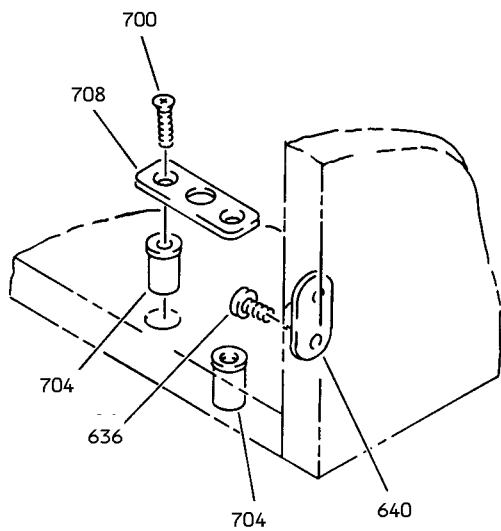
Page 1098.377

Jul 01/2007

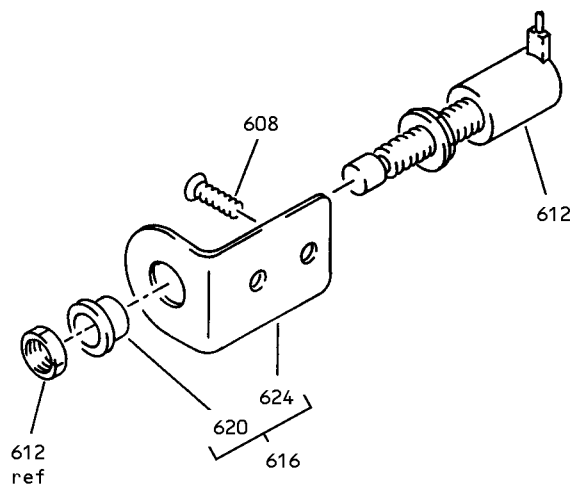
### COMPONENT MAINTENANCE MANUAL



AH



AK



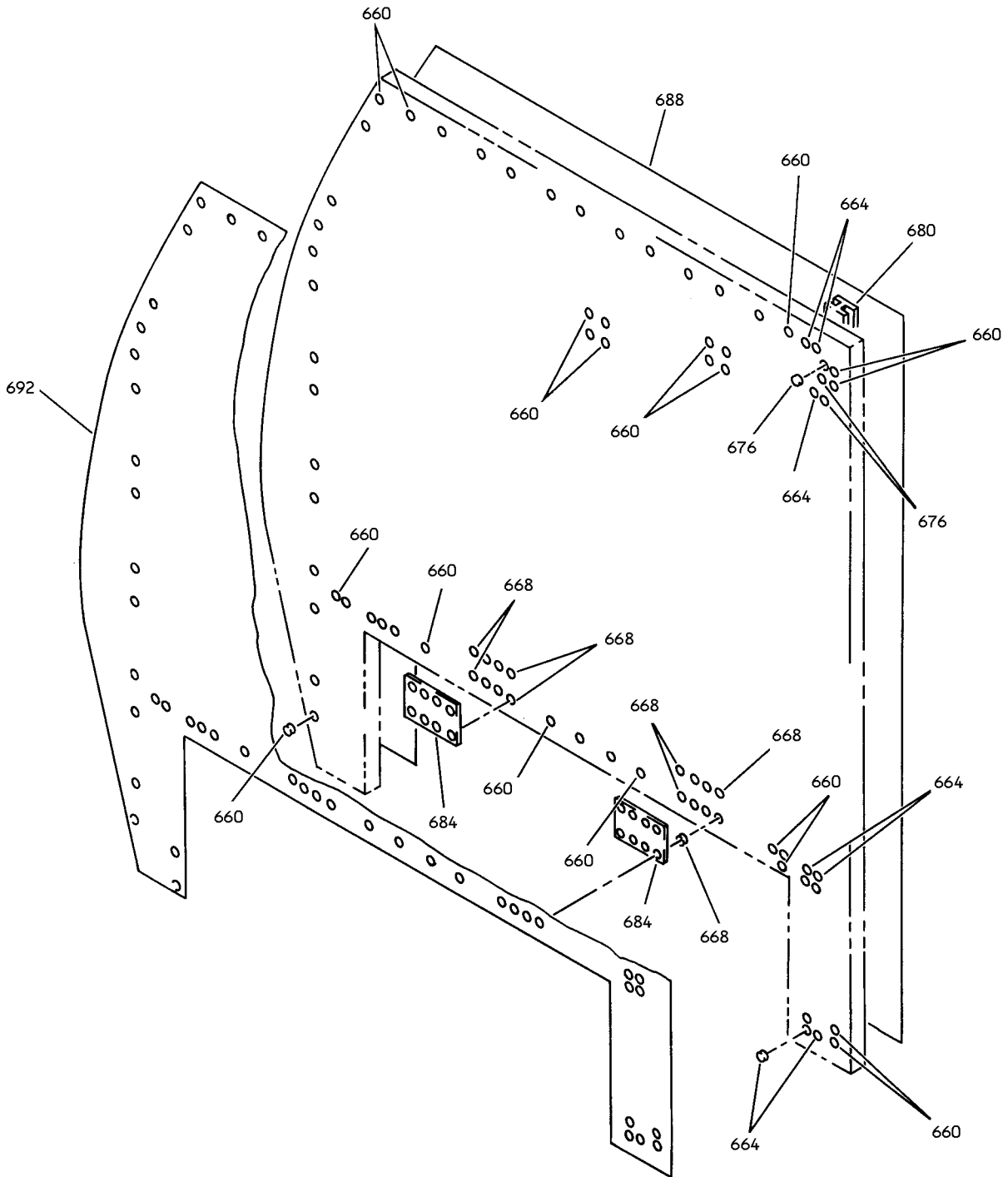
AJ

Forward Right Closet Assembly  
IPL Figure 13 (Sheet 16 of 21)

# 25-24-08

ILLUSTRATED PARTS LIST  
Page 1098.378  
Jul 01/2007

COMPONENT MAINTENANCE MANUAL



AL

Forward Right Closet Assembly  
IPL Figure 13 (Sheet 17 of 21)

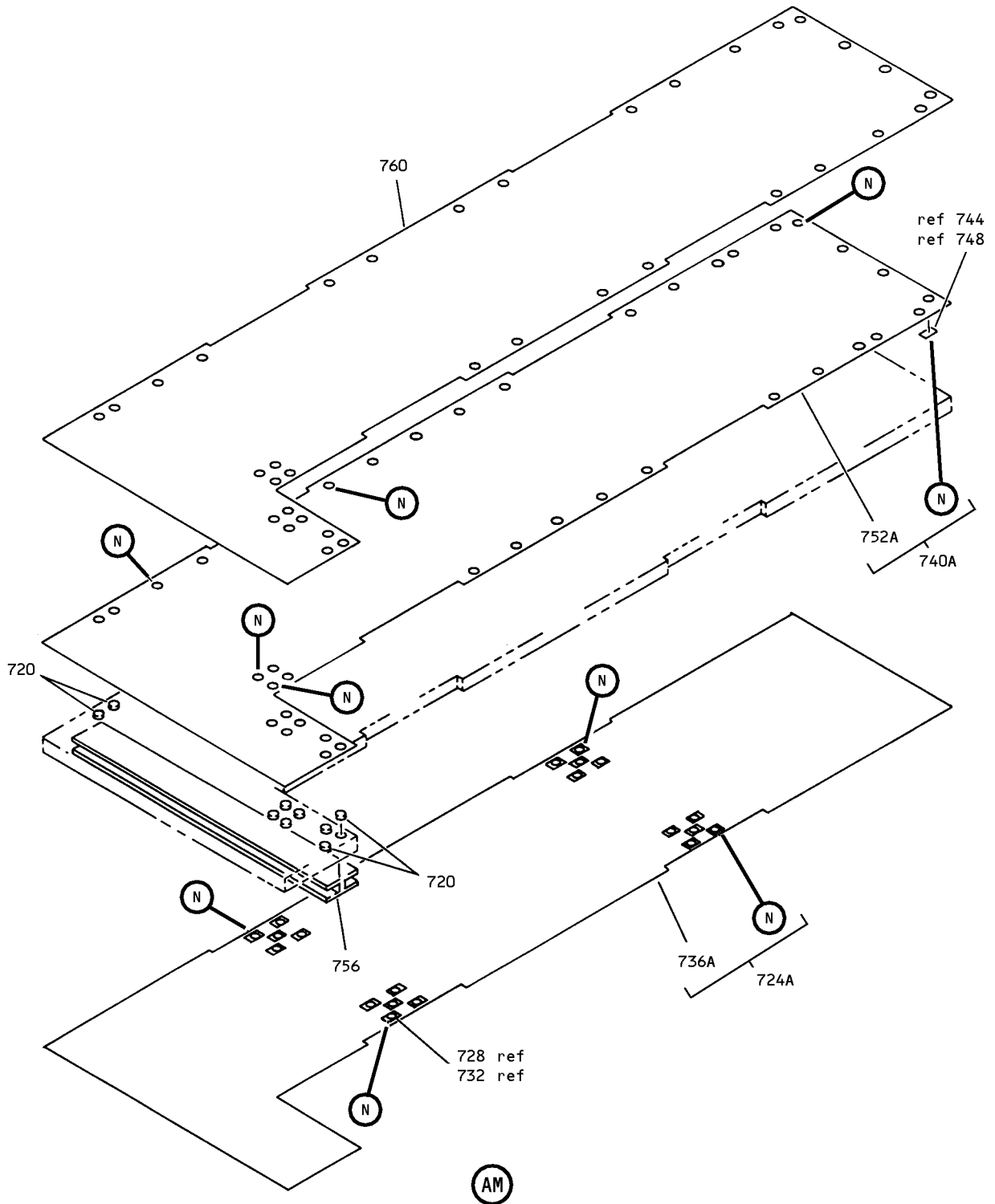
**25-24-08**

ILLUSTRATED PARTS LIST

Page 1098.379

Jul 01/2007

COMPONENT MAINTENANCE MANUAL



Forward Right Closet Assembly  
IPL Figure 13 (Sheet 18 of 21)

**25-24-08**

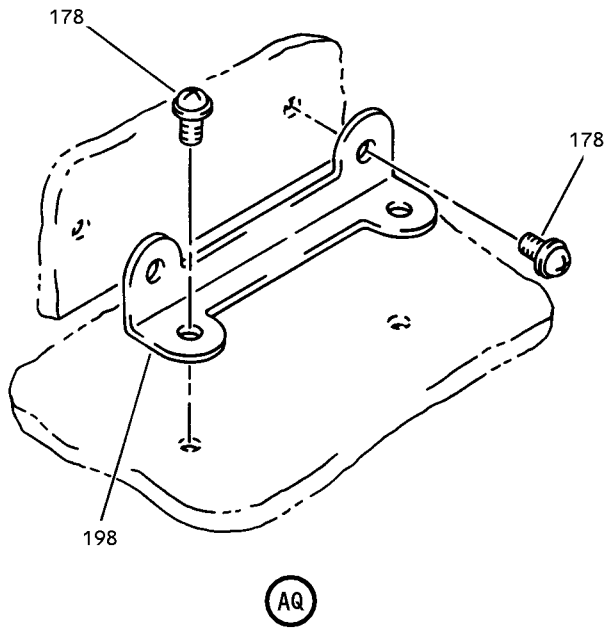
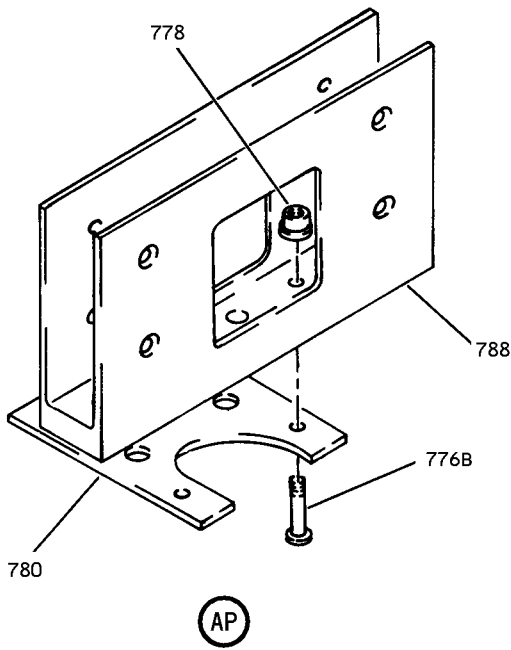
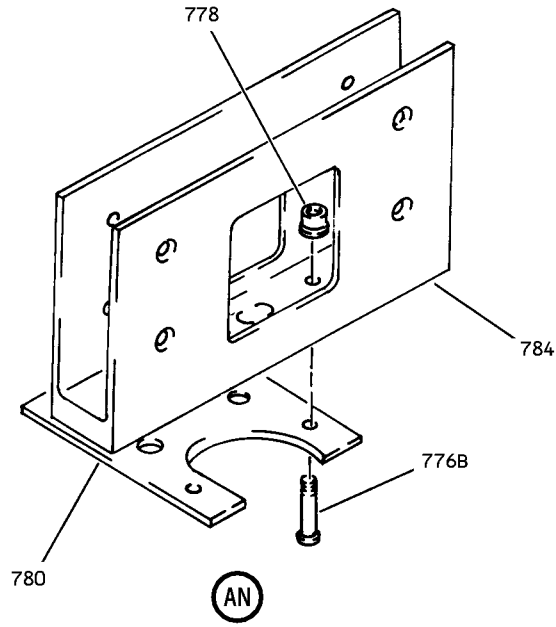
ILLUSTRATED PARTS LIST

Page 1098.380

Jul 01/2007



COMPONENT MAINTENANCE MANUAL



Forward Right Closet Assembly  
IPL Figure 13 (Sheet 19 of 21)

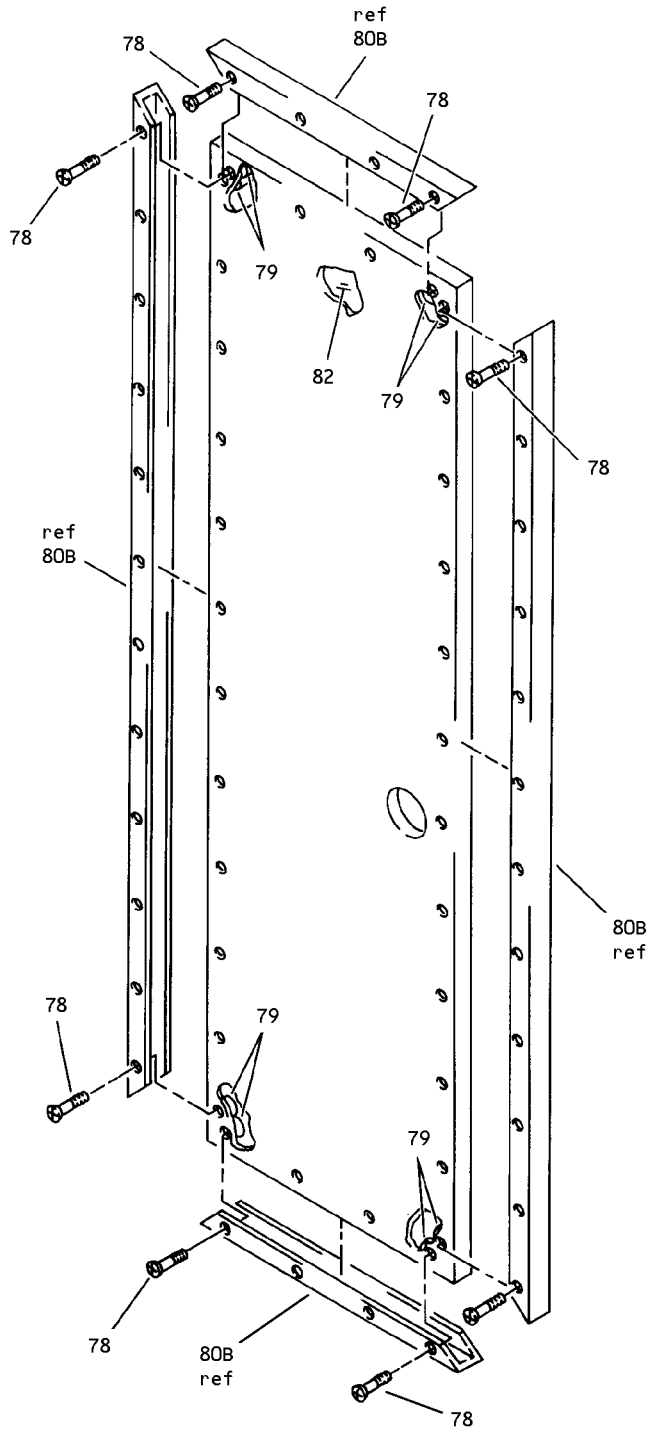
**25-24-08**

ILLUSTRATED PARTS LIST

Page 1098.381

Jul 01/2007

COMPONENT MAINTENANCE MANUAL



AR

Forward Right Closet Assembly  
IPL Figure 13 (Sheet 20 of 21)

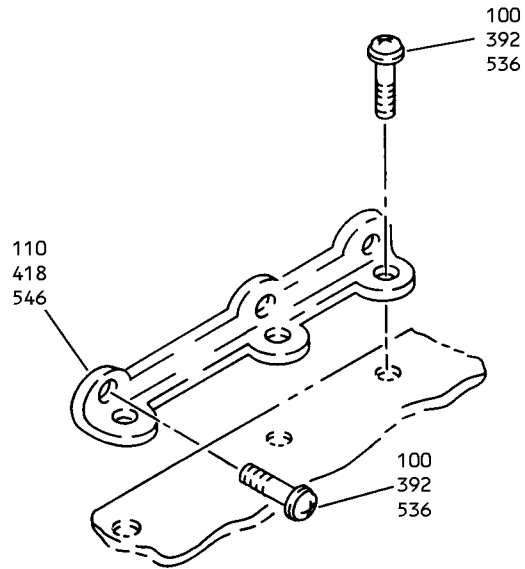
**25-24-08**

ILLUSTRATED PARTS LIST

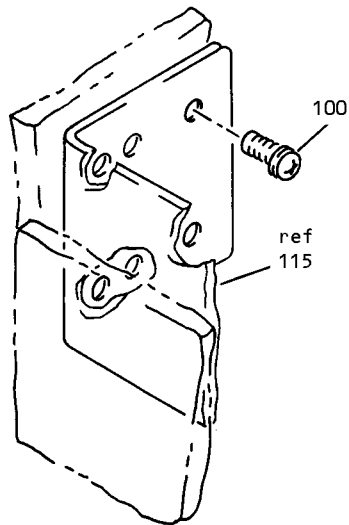
Page 1098.382

Jul 01/2007

COMPONENT MAINTENANCE MANUAL



AS



AT

Forward Right Closet Assembly  
IPL Figure 13 (Sheet 21 of 21)

**25-24-08**

ILLUSTRATED PARTS LIST

Page 1098.383

Jul 01/2007



## COMPONENT MAINTENANCE MANUAL

FIG/ ITEM	PART NUMBER	AIRLINE PART NUMBER	NOMENCLATURE							USAGE CODE	UNITS PER ASSY
			1	2	3	4	5	6	7		
13-											
-1A	413N3206-220SP									AL	RF
-1B	413N3206-227SP									AP	RF
4	BACS12FA3K6									AL, AP	16
8	69B51689-3									AL, AP	4
12	413U3165-42									AL, AP	2
16	BCREF9492									AL, AP	12
20	414N3235-190SP									AL, AP	1
22	413N3206-226									AL	1
24	413N3210-175SP									AL	1
28	NAS514P1032-6									AL, AP	13
32	413N3615-655SP									AL, AP	1
36	NAS603-6P									AL, AP	14
40	414N3300-619SP									AL, AP	2
44	414N3300-618SP									AL, AP	2
48	414N3300-195SP									AL, AP	4
52	NAS514P1032-7									AL, AP	12
56	SAM261-1									AL, AP	1
60	NAS514P1032-6									AL, AP	13
64	SL2334-3A3									AL, AP	13
68	413N3616-214									AL, AP	1
72	MS20253P2-1									AL, AP	1
76	413N3616-215									AL, AP	2
78	BACB30VF3K1									AL, AP	32
79	BACS13CJ3CD080P									AL, AP	32
80	413U3165-7SP									DELETED	
-80A	413U3165-6SP									DELETED	
80B	413U3165-128									AL, AP	2
81	413N3165-6SP									AL, AP	1

-Item not Illustrated

# 25-24-08

ILLUSTRATED PARTS LIST

Page 1098.384

Jul 01/2007



## COMPONENT MAINTENANCE MANUAL

FIG/ ITEM	PART NUMBER	AIRLINE PART NUMBER	NOMENCLATURE							USAGE CODE	UNITS PER ASSY
			1	2	3	4	5	6	7		
13-											
82	413N3217-490		.	.						AL, AP	1
84	413N3615-656SP		.	.						AL, AP	1
88	SL2334-3A3		.	.	.					AL, AP	26
											(V97393)
92	413N3165-3SP		.	.	.					AL, AP	1
											COVER-DECORATIVE EXT
96	413N3165-6SP										DELETED
100	BACS12FA3K6		.							AL, AP	68
											SCREW
104	NAS623-3-4		.							AL	8
											SCREW
106	NAS623-3-6		.							AP	4
											SCREW
107	NAS623-3-9		.							AP	4
											SCREW
108	413T3167-1SP		.							AL, AP	8
											ANGLE
110	413T3167-2SP		.							AL, AP	2
											ANGLE
112	413U3157-20SP		.							AL, AP	2
											ANGLE
115	413N3217-477SP		.							AL, AP	1
											BRACKET
-116	413N3217-429SP		.							AL, AP	2
											ANGLE
120	413N3217-427SP		.							AL	2
											ANGLE
122	413N3217-427SP		.							AP	1
											ANGLE
124	413N3217-439SP		.							AP	1
											ANGLE
128	201-120751-00-0		.							AL, AP	4
											RIVET
											(V02768)
											(SPEC BACR15BX6-3)
											(OPT 201-120751-00-0 (V02768))
132	413T3150-40		.							AL, AP	AR
											RACEWAY
136	BACS12FA3K6		.							AL, AP	2
											SCREW
140	10-0341-13		.							AL, AP	1
											LIGHT ASSY
											(V72914)
											(SPEC 60B50041-2)
142	BACB30VF3K1		.							AP	5
											BOLT
144	413U3165-80										DELETED
144A	413U3165-128		.							AL, AP	1
											TRIM
148	413N3224-359SP		.							AL, AP	1
											PANEL ASSY-CEILING
152	SL2334-3A3		.	.						AL, AP	38
											INSERT
											(V97393)
156	BACS13CJ3CD180P		.	.						AL, AP	4
											INSERT

-Item not Illustrated

**25-24-08**

ILLUSTRATED PARTS LIST

Page 1098.385

Jul 01/2007



## COMPONENT MAINTENANCE MANUAL

FIG/ ITEM	PART NUMBER	AIRLINE PART NUMBER	NOMENCLATURE							USAGE CODE	UNITS PER ASSY
			1	2	3	4	5	6	7		
13-											
160	413N3217-426		.	.	EXTRUSION					AL, AP	1
164	413N3165-3SP		.	.	COVER-DECORATIVE EXT					AL, AP	1
168	413N3165-1SP		.	.	COVER-DECORATIVE INT					AL, AP	1
172	NAS623-3-4		.		SCREW					AL, AP	16
176	BACS12FA3K6		.		SCREW					AL, AP	32
178	BACS12ER3K6		.		SCREW					AL, AP	12
180	NAS623-3-20		.		SCREW					AL, AP	8
184	NAS1149D0332J		.		WASHER					AL, AP	8
188	MS21042L3		.		NUT					AL, AP	8
192	413N3217-428SP		.		ANGLE					AL, AP	4
194	413N3217-476SP		.		ANGLE					AL, AP	2
196	413T3167-1SP		.		ANGLE					AL, AP	3
198	413T3167-10SP		.		ANGLE					AL, AP	3
200	413N3217-427SP		.		ANGLE					AL, AP	1
204	413U3165-49		.		TRIM					AL, AP	1
208	413N3224-363SP		.		PANEL ASSY-SHELF					AL, AP	1
212	NAS1834A3-1000		.	.	INSERT					AL, AP	8
216	413N3217-430				DELETED						
216A	413N3217-489		.	.	PLATE					AL, AP	1
220	413N3217-448				DELETED						
220A	413N3217-487		.	.	PLATE ASSY					AL, AP	1
224	MS20605B3		.	.	RIVET					AL, AP	62
					(SIZE DETERMINED ON INST)						
					(FOR NHA SEE 413N3217)						
228	BRFM20A3		.	.	NUTPLATE					AL, AP	31
					(V52828)						
					(SPEC BACN10JN3)						
					(OPT MF1000-3BAC (V15653))						
					(OPT NS103218-02 (V80539))						
					(OPT RMF9201M3 (V72962))						
					(OPT VN252A02 (V92215))						
					(OPT T8124S3S (V11815))						
					(OPT MF53049-3 (V15653))						
232	413N3217-455				DELETED						
232A	413N3217-488		.	.	PLATE					AL, AP	1

-Item not Illustrated

# 25-24-08

ILLUSTRATED PARTS LIST

Page 1098.386

Jul 01/2007



## COMPONENT MAINTENANCE MANUAL

FIG/ ITEM	PART NUMBER	AIRLINE PART NUMBER	NOMENCLATURE							USAGE CODE	UNITS PER ASSY	
			1	2	3	4	5	6	7			
13-												
236	413N3165-9SP		.	.						COVER-DECORATIVE EXT	AL, AP	1
240	413N3165-1SP		.	.						COVER-DECORATIVE INT	AL, AP	1
244	NAS623-3-4		.							SCREW	AL, AP	37
248	NAS623-3-20		.							SCREW	AL, AP	3
252	NAS514P1032-6		.							SCREW	AL, AP	8
256	NAS1149D0332J		.							WASHER	AL, AP	3
260	MS21042L3		.							NUT	AL, AP	3
264	413N3217-423SP		.							BRACKET	AL, AP	3
268	413N3217-436SP		.							ANGLE	AL, AP	2
272	413N3217-428									DELETED		
272A	413N3217-438		.							ANGLE	AL, AP	1
276	413N3224-361SP		.							PANEL ASSY-CLOSEOUT	AL, AP	1
280	NAS1834A3-1000		.	.						INSERT	AL, AP	3
284	413N3217-432		.	.						PLATE ASSY	AL, AP	1
288	MS20605B3		.	.	.					RIVET (SIZE DETERMINED ON INST) (FOR NHA SEE 413N3217)	AL, AP	16
292	BRFM20A3		.	.	.					NUTPLATE (V52828) (SPEC BACN10JN3) (OPT MF1000-3BAC (V15653)) (OPT NS103218-02 (V80539)) (OPT RMF9201M3 (V72962)) (OPT VN252A02 (V92215)) (OPT T8124S3S (V11815)) (OPT MF53049-3 (V15653))	AL, AP	8
296	413N3217-453		.	.	.					PLATE	AL, AP	1
300	413N3217-449		.	.						PLATE ASSY	AL, AP	1
304	MS20605B3		.	.	.					RIVET (SIZE DETERMINED ON INST) (FOR NHA SEE 413N3217)	AL, AP	14

-Item not Illustrated

# 25-24-08

ILLUSTRATED PARTS LIST

Page 1098.387

Jul 01/2007



## COMPONENT MAINTENANCE MANUAL

FIG/ ITEM	PART NUMBER	AIRLINE PART NUMBER	NOMENCLATURE							USAGE CODE	UNITS PER ASSY
			1	2	3	4	5	6	7		
13- 308	BRFM20A3		.	.	.	NUTPLATE (V52828) (SPEC BACN10JN3) (OPT MF1000-3BAC (V15653)) (OPT NS103218-02 (V80539)) (OPT RMF9201M3 (V72962)) (OPT VN252A02 (V92215)) (OPT T8124S3S (V11815)) (OPT MF53049-3 (V15653))				AL, AP	7
312	413N3217-456		.	.	.	PLATE				AL, AP	1
316	413N3217-9SP		DELETED								
320	413N3217-1SP		DELETED								
320A	413N3165-1SP		.	.	COVER-DECORATIVE INT					AL, AP	1
324	BACS12FA3K6		DELETED								
328	NAS514P1032-20		DELETED								
332	NAS514P1032-6		.	SCREW						AL, AP	8
336	413U2102-48SP		DELETED								
340	413T3167-6SP		DELETED								
344	BACR15BA3AD		DELETED								
348	NS103225-02		DELETED								
352	413T3167-1SP		DELETED								
356	413N3217-438		.	ANGLE						AL, AP	1
360	413N3224-362SP		DELETED								
364	SL2334-3A3		DELETED								
368	413N3165-9SP		DELETED								
372	414N3235-190SP		.	KICKSTRIP						AL, AP	1
374	413N3206-226		.	SHIM						AL	1
376	413N3210-175SP		.	KICKSTRIP						AL	1
380	413N3206-221		.	SPACER						AL, AP	1
384	NAS623-3-4		.	SCREW						AL, AP	14
388	NAS623-3-20		.	SCREW						AL, AP	3
392	BACS12FA3K6		.	SCREW						AL, AP	28
396	NAS1149D0332J		.	WASHER						AL, AP	3
400	MS21042L3		.	NUT						AL, AP	3

-Item not Illustrated

**25-24-08**

ILLUSTRATED PARTS LIST

Page 1098.388

Jul 01/2007





## COMPONENT MAINTENANCE MANUAL

FIG/ ITEM	PART NUMBER	AIRLINE PART NUMBER	NOMENCLATURE							USAGE CODE	UNITS PER ASSY
			1	2	3	4	5	6	7		
13-											
404	413N3217-423SP								. BRACKET	AL, AP	1
408	413N3217-475								DELETED		
408A	413N3217-478								. PLATE	AL, AP	1
412	413N3217-436SP								. ANGLE	AL, AP	1
416	413T3167-1SP								. ANGLE	AL, AP	4
418	413T3167-2SP								. ANGLE	AL, AP	2
420	BACB30LH3P2								. BOLT	AL, AP	16
424	413N3217-433								. PLATE	AL, AP	2
428	413U3165-49								. TRIM	AL, AP	1
432	413N3224-357SP								. PANEL ASSY-FOOTWELL	AL, AP	1
436	SL2334-3A3								. . INSERT (V97393)	AL, AP	12
440	BACS13CJ3CD080P								. . INSERT	AL, AP	4
444	NAS1834A3K1000								. . INSERT	AL, AP	4
448	SL2868A3-1000								. . INSERT (V97393)	AL, AP	8
452	413N3217-431								DELETED		
452A	413N3217-481								. . PLATE ASSY	AL, AP	1
456	MS20605B3								. . . RIVET (SIZE DETERMINED ON INST) (FOR NHA SEE 413N3217)	AL, AP	56
460	BRFM20A3								. . . NUTPLATE (V52828) (SPEC BACN10JN3) (OPT MF1000-3BAC (V15653)) (OPT NS103218-02 (V80539)) (OPT RMF9201M3 (V72962)) (OPT VN252A02 (V92215)) (OPT T8124S3S (V11815)) (OPT MF53049-3 (V15653))	AL, AP	28
464	413N3217-452								DELETED		
464A	413N3217-482								. . . PLATE	AL, AP	1
468	413N3217-437								. . BRACKET	AL, AP	1
472	413N3165-9SP								DELETED		
476	413N3165-1SP								. . COVER-DECORATIVE INT	AL, AP	1

-Item not Illustrated

**25-24-08**

ILLUSTRATED PARTS LIST

Page 1098.389

Jul 01/2007



## COMPONENT MAINTENANCE MANUAL

FIG/ ITEM	PART NUMBER	AIRLINE PART NUMBER	NOMENCLATURE							USAGE CODE	UNITS PER ASSY														
			1	2	3	4	5	6	7																
13-																									
480	NAS1368N8D		.	G	R	O	M	M	E	T	AL, AP	2													
484	BACS12FA3K6		.	S	C	R	E	W			AL, AP	72													
488	413T3167-1SP		.	A	N	G	L	E			AL, AP	16													
492	413U3157-57SP		.	B	R	A	C	K	E	T	AL, AP	2													
496	413N3224-358SP		.	P	A	N	E	L	A	S	S	Y	-	O	U	T	B	D	U	P	R	AL, AP	1		
500	SL2334-3A3		.	.	I	N	S	E	R	T	AL, AP	16													
				(	V	9	7	3	9	3	)														
504	413N3165-1SP		.	.	C	O	V	E	R	-	D	E	C	O	R	A	T	I	V	E	I	N	T	AL, AP	1
508	413N3224-364SP		.	P	A	N	E	L	A	S	S	Y	-	O	U	T	B	D	L	W	R	AL, AP	1		
512	SL2334-3A3		.	.	I	N	S	E	R	T	AL, AP	32													
				(	V	9	7	3	9	3	)														
516	NAS1834A3-1000		.	.	I	N	S	E	R	T	AL, AP	7													
520	413N3165-1SP		.	.	C	O	V	E	R	-	D	E	C	O	R	A	T	I	V	E	I	N	T	AL, AP	1
524	414N3235-190SP		.	K	I	C	K	S	T	R	I	P	AL, AP	1											
526	413N3206-226		.	S	H	I	M	AL, AP	1																
528	413N3210-175SP		.	K	I	C	K	S	T	R	I	P	AL, AP	1											
532	413N3206-221		.	S	P	A	C	E	R	AL, AP	1														
536	BACS12FA3K6		.	S	C	R	E	W	AL, AP	20															
540	NAS623-3-4		.	S	C	R	E	W	AL, AP	8															
544	412T3167-1SP		.	A	N	G	L	E	AL, AP	2															
546	412T3167-2SP		.	A	N	G	L	E	AL, AP	2															
548	412T3217-427SP		D	E	L	E	T	E	D																
548A	413N3217-427SP		.	A	N	G	L	E	AL, AP	2															
549	413N3217-427SP		D	E	L	E	T	E	D																
-549A	413N3217-439SP		D	E	L	E	T	E	D																
552	BACB30LH3P2		.	B	O	L	T	AL, AP	16																
556	413N3217-433		D	E	L	E	T	E	D																
556A	413N3217-479SP		.	P	L	A	T	E	AL, AP	2															
557	413N3217-480SP		.	P	L	A	T	E	AL, AP	2															
560	413U3165-81SP		.	T	R	I	M	AL, AP	1																
564	413N3224-355SP		.	P	A	N	E	L	A	S	S	Y	-	F	W	D	AL, AP	1							

-Item not Illustrated

# 25-24-08

ILLUSTRATED PARTS LIST

Page 1098.390

Jul 01/2007



## COMPONENT MAINTENANCE MANUAL

FIG/ ITEM	PART NUMBER	AIRLINE PART NUMBER	NOMENCLATURE							USAGE CODE	UNITS PER ASSY
			1	2	3	4	5	6	7		
13-											
568	SL2334-3A3		. .	INSERT						AL, AP	59
				(V97393)							
572	BACS13CJ3CD180P		. .	INSERT						AL, AP	4
576	SL2868A3-1000		. .	INSERT						AL, AP	8
				(V97393)							
580	NAS1836-3-12		. .	INSERT						AL, AP	2
584	413N3217-425		. .	BRACKET						AL, AP	1
588	413N3165-2SP		. .	COVER-DECORATIVE EXT						AL, AP	1
592	413N3165-1SP		. .	COVER-DECORATIVE INT						AL, AP	1
596	BCREF9492		.	RIVET-NYLON						AL, AP	16
				(V02768)							
				(201-120911-00-010)							
600	414N3235-190SP		.	KICKSTRIP						AL, AP	1
602	413N3206-226		.	SHIM						AL, AP	1
604	413N3210-175SP		.	KICKSTRIP						AL, AP	1
608	NAS514P1032-6		.	SCREW						AL, AP	2
612	413U3250-1		.	SWITCH ASSY						AL, AP	1
616	413U3192-9SP		.	ANGLE ASSY						AL, AP	1
620	NAS1368N8A		. .	GROMMET						AL, AP	1
624	413U3192-18SP		. .	ANGLE						AL, AP	1
628	201-120751-00-0		.	RIVET						AL, AP	4
				(V02768)							
				(SPEC BACR15BX6-3)							
				(OPT 201-120751-00-0 (V02768))							
632	413T3150-40		.	RACEWAY						AL, AP	AR
636	BACS12FA3K8		.	SCREW						AL, AP	2
640	H2-1061-1		.	SNUBBER-DOOR						AL, AP	1
				(V34941)							
644	413U3165-6		.	TRIM						AL, AP	1
648	413U3165-81		.	TRIM						AL, AP	1
652	413U3165-83		.	TRIM						AL, AP	1
656	413N3224-356SP		.	PANEL ASSY-AFT						AL, AP	1
660	SL2334-3A3		. .	INSERT						AL, AP	48
				(V97393)							

-Item not Illustrated

# 25-24-08

ILLUSTRATED PARTS LIST

Page 1098.391

Jul 01/2007





## COMPONENT MAINTENANCE MANUAL

FIG/ ITEM	PART NUMBER	AIRLINE PART NUMBER	NOMENCLATURE							USAGE CODE	UNITS PER ASSY
			1	2	3	4	5	6	7		
13- 744	MS20605B3		. . .	RIVET						AL, AP	60
				(SIZE DETERMINED ON INST)							
				(FOR NHA SEE 413N3217)							
748	BRFM20A3		. . .	NUTPLATE						AL, AP	30
				(V52828)							
				(SPEC BACN10JN3)							
				(OPT MF1000-3BAC (V15653))							
				(OPT NS103218-02 (V80539))							
				(OPT RMF9201M3 (V72962))							
				(OPT VN252A02 (V92215))							
				(OPT T8124S3S (V11815))							
				(OPT MF53049-3 (V15653))							
752	413N3217-454			DELETED							
752A	413N3217-486		. . .	PLATE						AL, AP	1
756	413N3217-424		. .	EXTRUSION						AL, AP	1
760	413N3165-1SP		. .	COVER-DECORATIVE INT						AL, AP	1
764	BACB30U55K4		.	BOLT						AL, AP	4
768	413N3217-419SP		.	SUPPORT ASSY-LWR						AL, AP	2
772	413N3217-421SP		.	SUPPORT ASSY-LWR						AL, AP	2
776	VL310AG5-6			DELETED							
-776A	HST10AG5-6			DELETED							
776B	VL310AG5-8		. .	BOLT						AL, AP	2
				(V06950)							
				(SPEC BACB30VT5HK8)							
				(OPT VL310AG5-8 (V9N513))							
				(OPT VL310AG5-8 (V97928))							
				(OPT ITEM 776C)							
-776C	HST10AG5-8		. .	BOLT						AL, AP	2
				(V0PTK6)							
				(SPEC BACB30VT5K8)							
				(OPT HST10AG5-8 (V06725))							
				(OPT HST10AG5-8 (V56878))							
				(OPT HST10AG5-8 (V73197))							
				(OPT ITEM 776B)							
778	HST79CY5		. .	COLLAR						AL, AP	2
				(V73197)							
				(SPEC BACC30BL5)							
				(OPT HST79-5 (V92215))							
				(OPT HST79-5 (V56878))							
				(OPT HST79-5 (V5M902))							

-Item not Illustrated

# 25-24-08

ILLUSTRATED PARTS LIST

Page 1098.393

Jul 01/2007



## COMPONENT MAINTENANCE MANUAL

FIG/ ITEM	PART NUMBER	AIRLINE PART NUMBER	NOMENCLATURE							USAGE CODE	UNITS PER ASSY
			1	2	3	4	5	6	7		
13-											
780	413N3217-417		.	.	PLATE-SHEAR					AL, AP	1
784	413N3217-420SP		.	.	FITTING-LWR SUPPORT (USED ON ITEM 768)					AL, AP	1
788	413N3217-422SP		.	.	FITTING-LWR SUPPORT (USED ON ITEM 772)					AL, AP	1
792	432W6523-1		.		FITTING					AL, AP	4
796	432W6521-1		.		FITTING-SEAT TRACK					AL, AP	4
-800	286N0626		.		WIRE BUNDLE					AL	1
-800A	288N0168-701		.		WIRE BUNDLE					AP	1
-805	286N0626-301		.	.	WIRE BUNDLE					AP	1

-Item not Illustrated

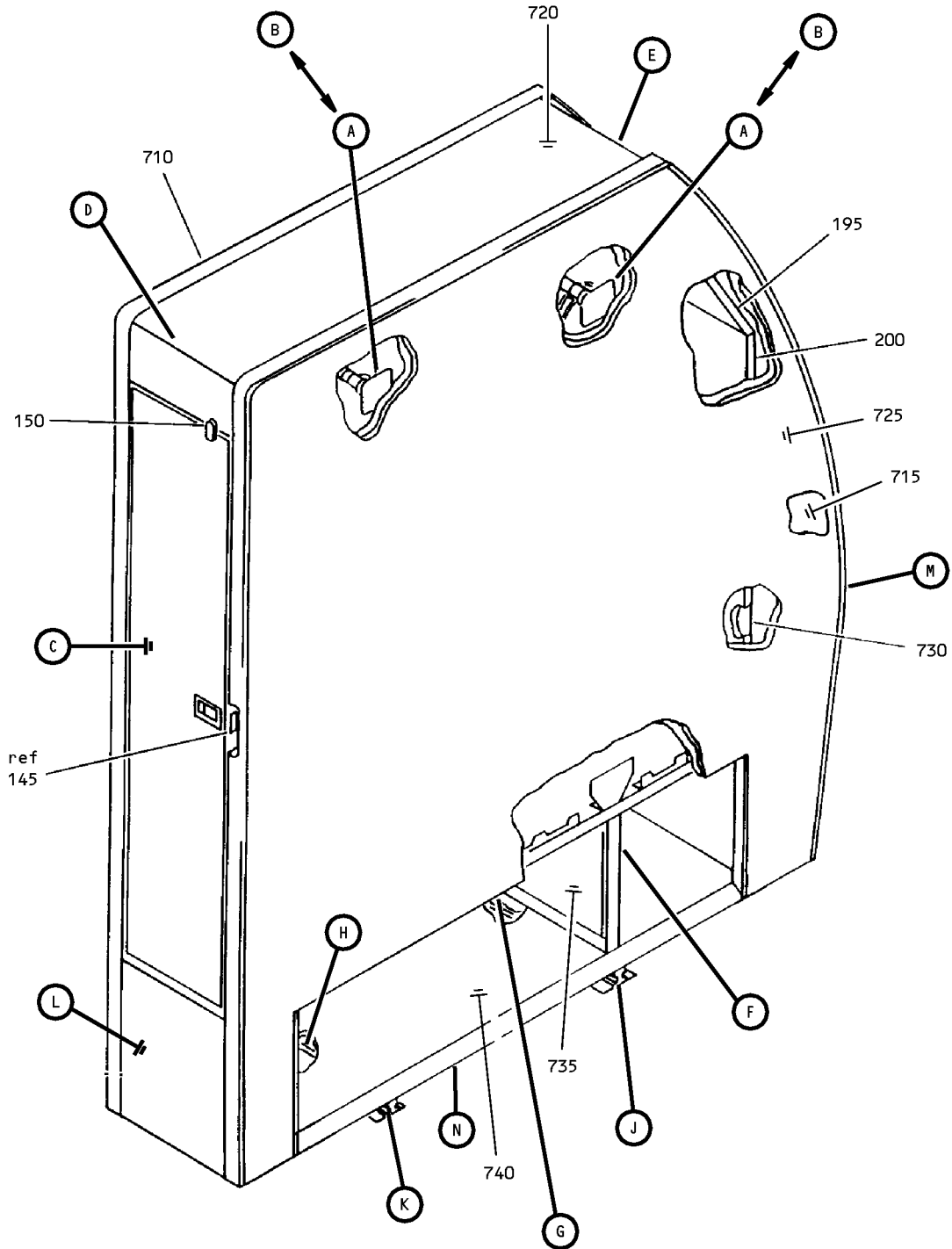
# 25-24-08

ILLUSTRATED PARTS LIST

Page 1098.394

Jul 01/2007

COMPONENT MAINTENANCE MANUAL



Forward Right Closet Assembly  
IPL Figure 14 (Sheet 1 of 9)

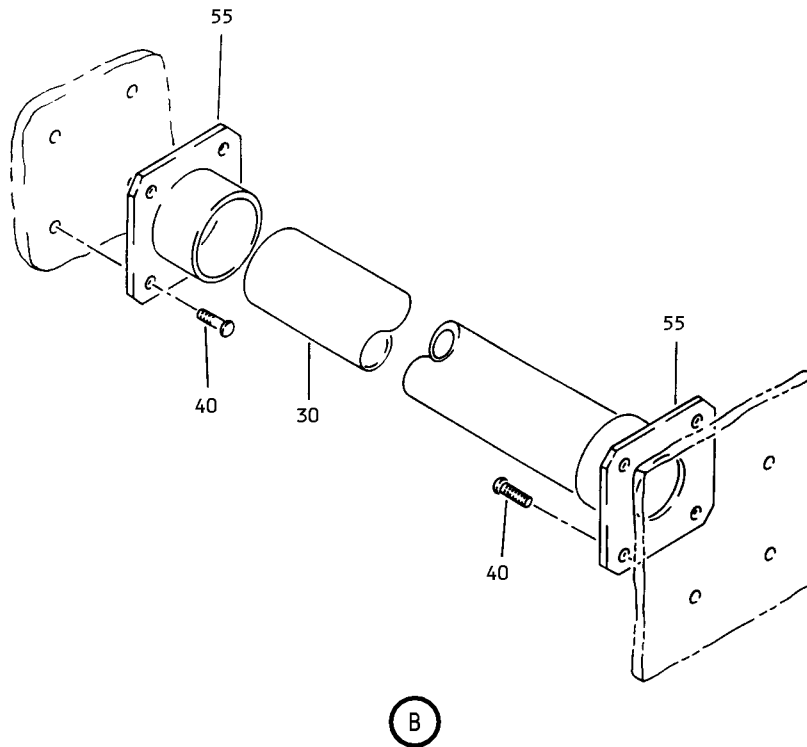
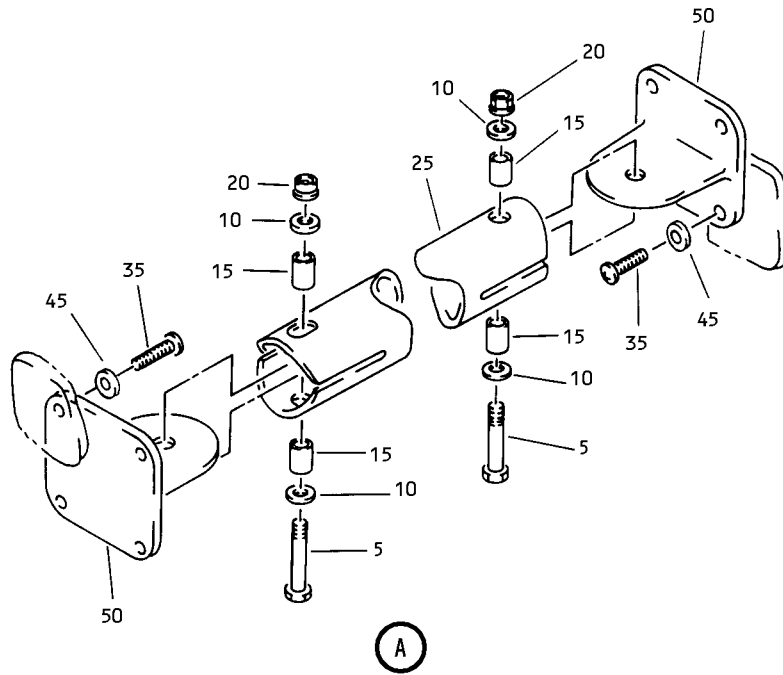
**25-24-08**

ILLUSTRATED PARTS LIST

Page 1098.395

Jul 01/2007

COMPONENT MAINTENANCE MANUAL



Forward Right Closet Assembly  
IPL Figure 14 (Sheet 2 of 9)

**25-24-08**

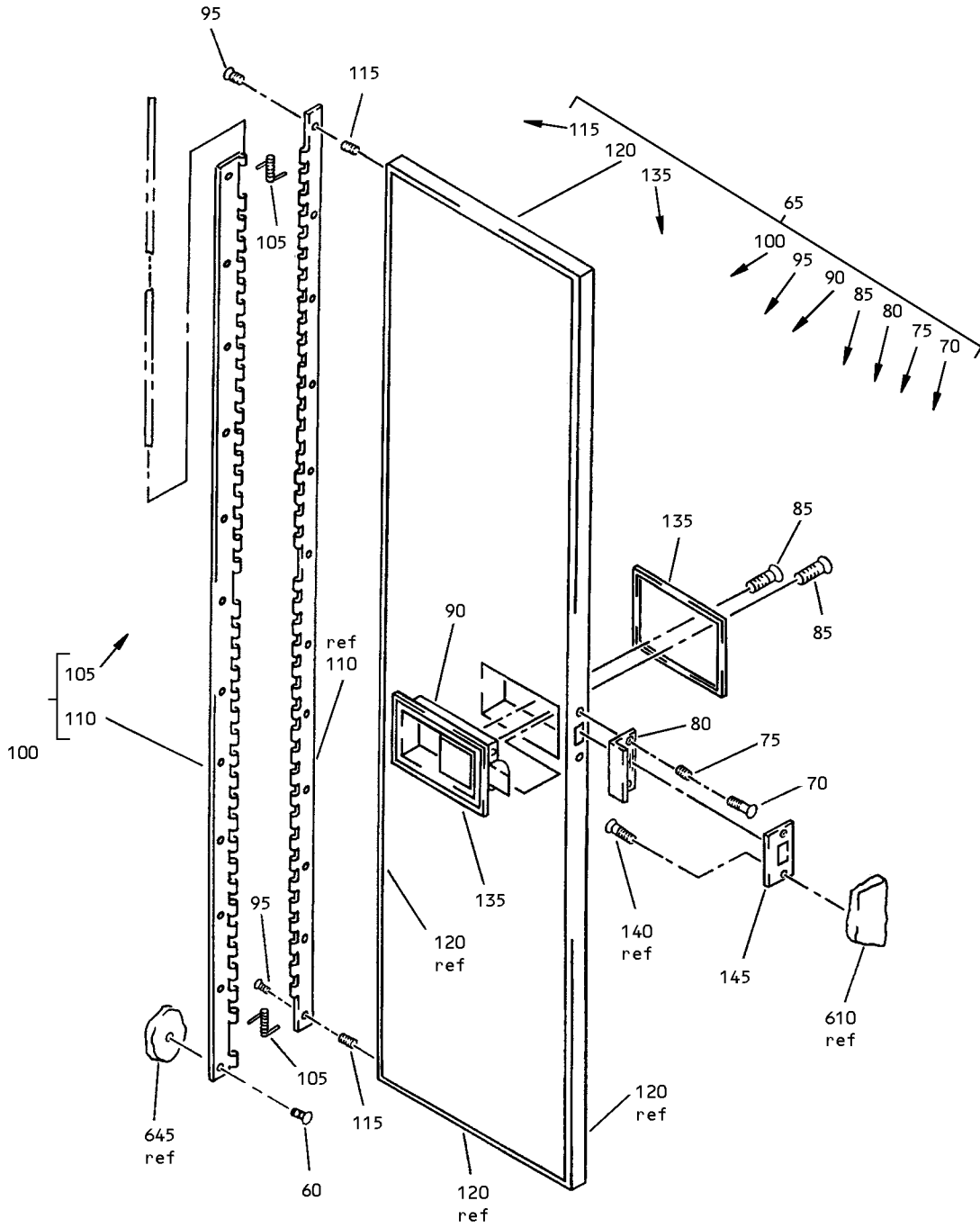
ILLUSTRATED PARTS LIST

Page 1098.396

Jul 01/2007



COMPONENT MAINTENANCE MANUAL



(C)

Forward Right Closet Assembly  
IPL Figure 14 (Sheet 3 of 9)

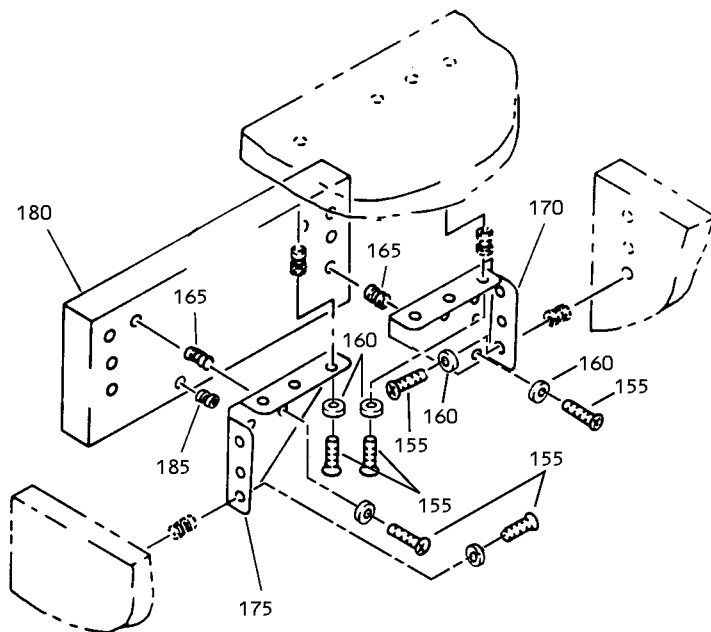
**25-24-08**

ILLUSTRATED PARTS LIST

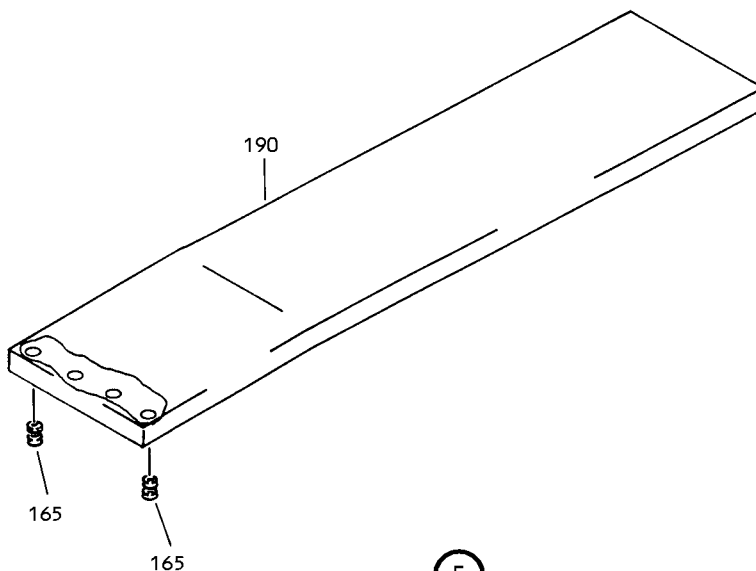
Page 1098.397

Jul 01/2007

COMPONENT MAINTENANCE MANUAL



D



E

Forward Right Closet Assembly  
IPL Figure 14 (Sheet 4 of 9)

**25-24-08**

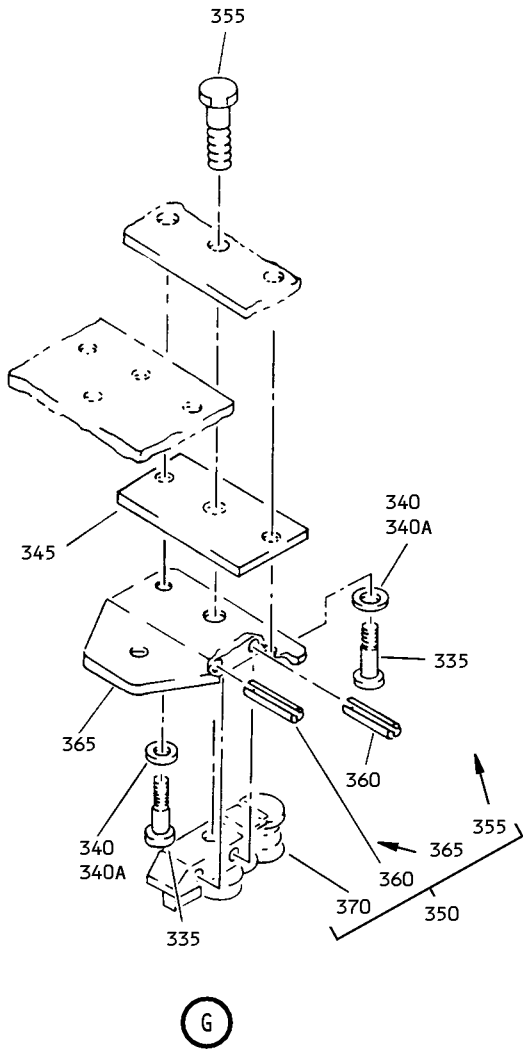
ILLUSTRATED PARTS LIST

Page 1098.398

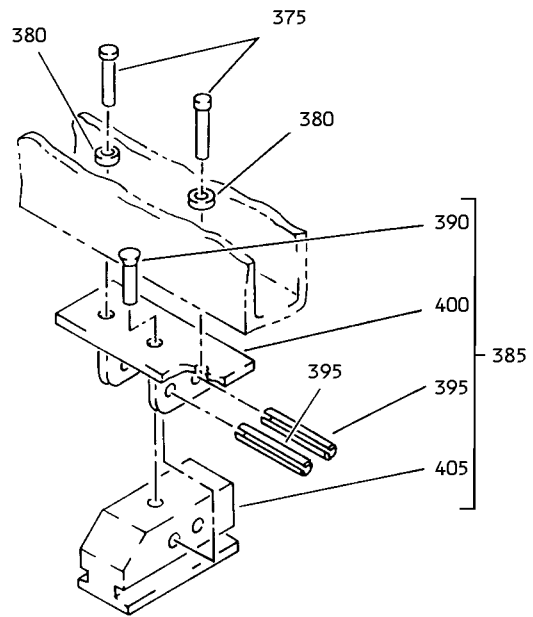
Jul 01/2007



COMPONENT MAINTENANCE MANUAL



(G)



(H)

Forward Right Closet Assembly  
IPL Figure 14 (Sheet 6 of 9)

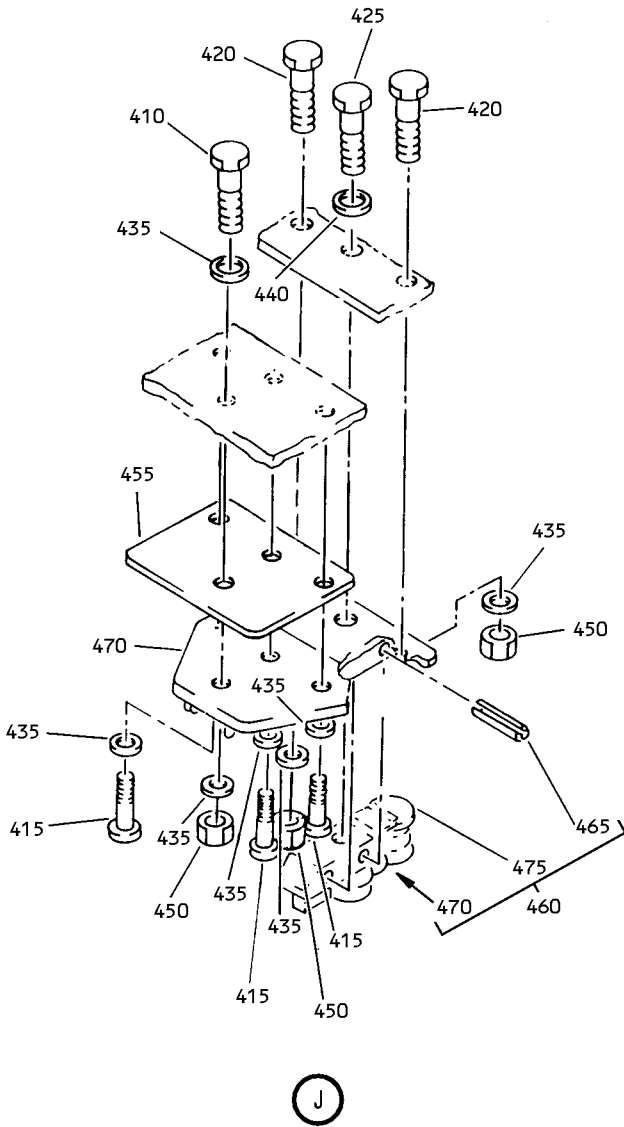
**25-24-08**

ILLUSTRATED PARTS LIST

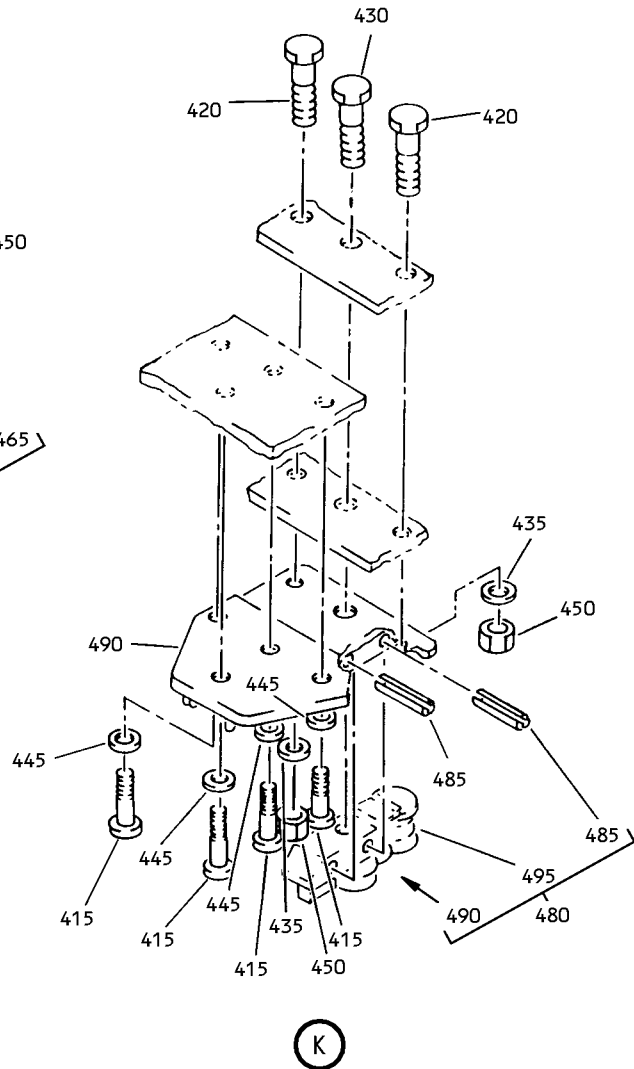
Page 1098.400

Jul 01/2007

COMPONENT MAINTENANCE MANUAL



J



K

Forward Right Closet Assembly  
IPL Figure 14 (Sheet 7 of 9)

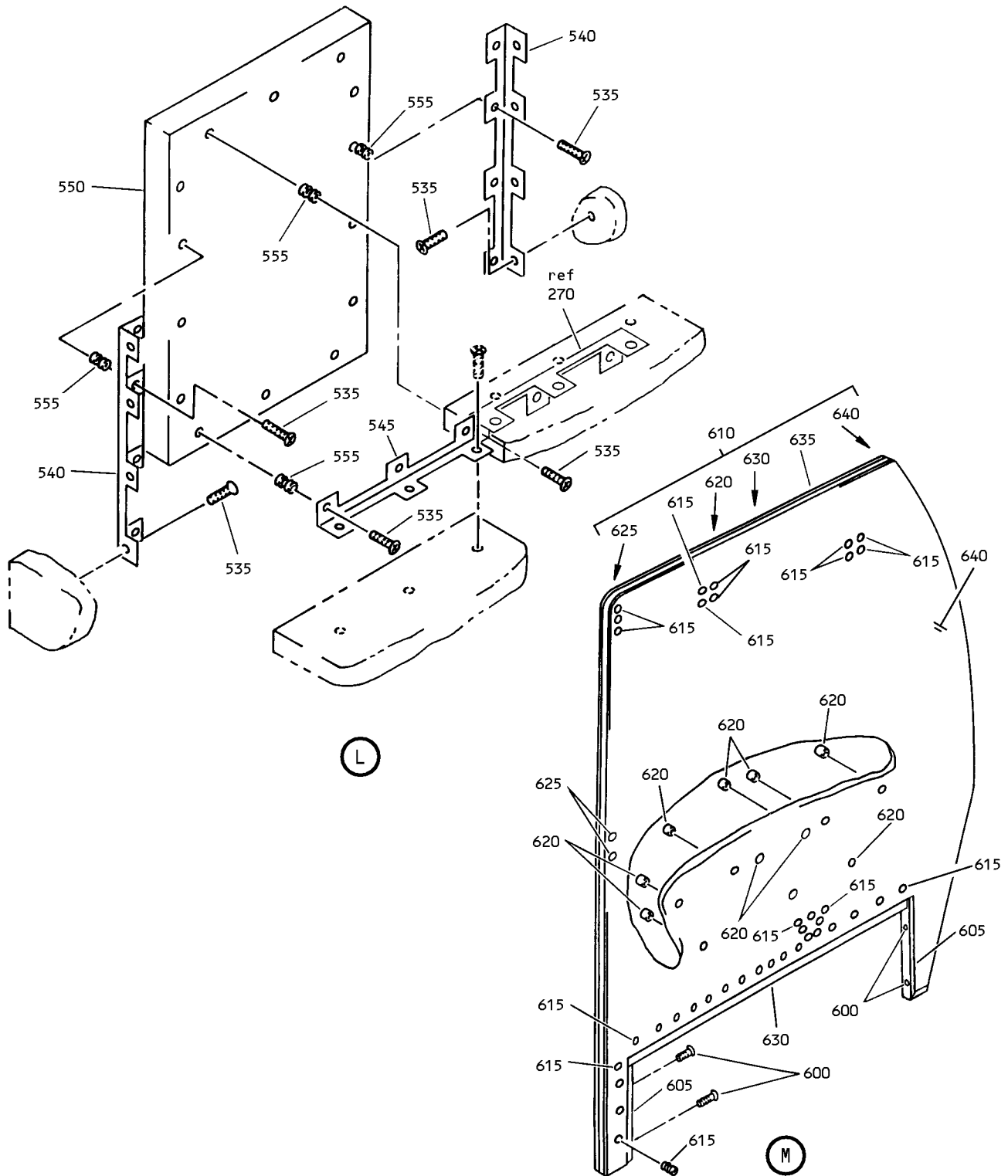
**25-24-08**

ILLUSTRATED PARTS LIST

Page 1098.401

Jul 01/2007

COMPONENT MAINTENANCE MANUAL



Forward Right Closet Assembly  
IPL Figure 14 (Sheet 8 of 9)

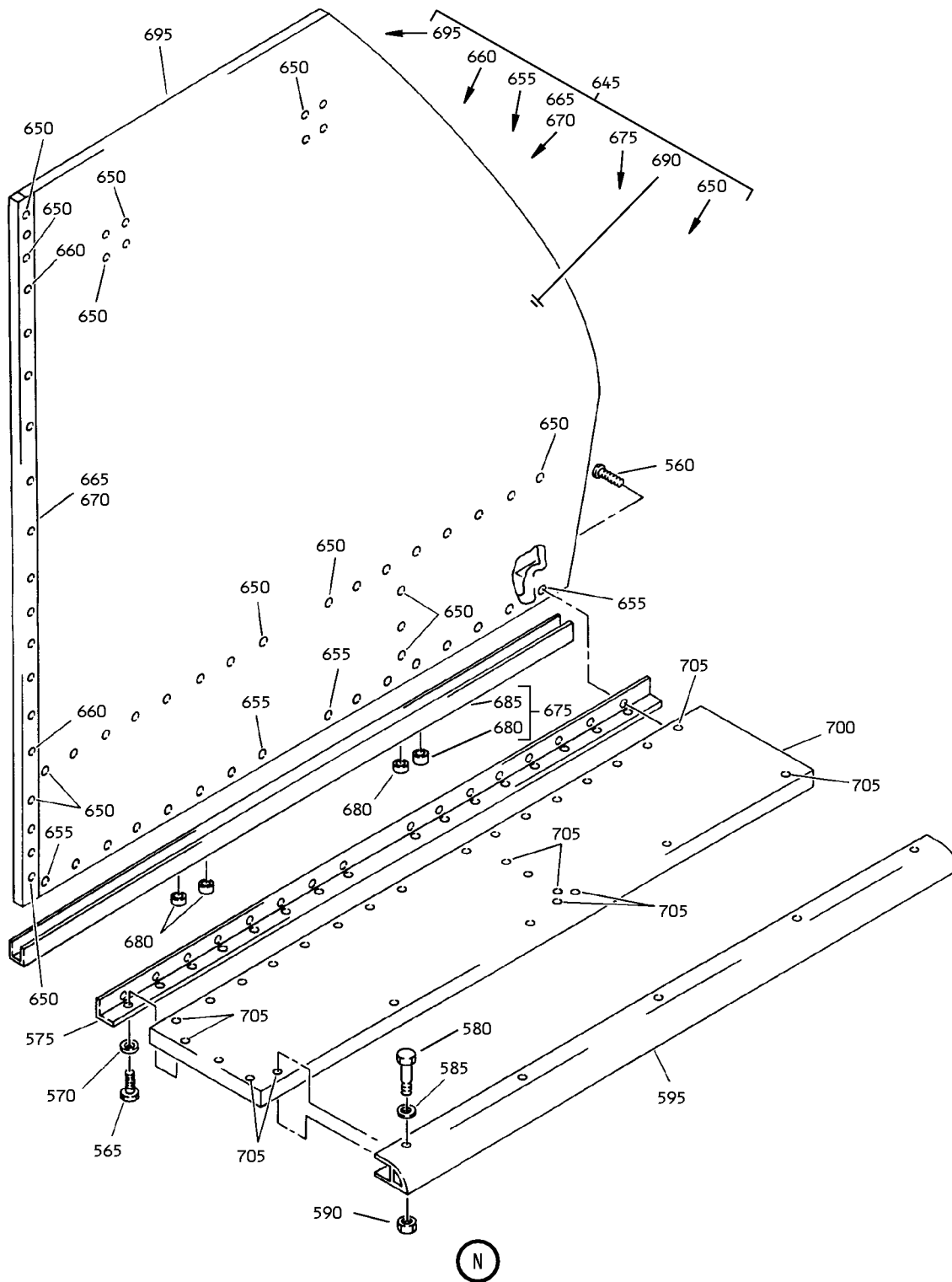
**25-24-08**

ILLUSTRATED PARTS LIST

Page 1098.402

Jul 01/2007

COMPONENT MAINTENANCE MANUAL



Forward Right Closet Assembly  
IPL Figure 14 (Sheet 9 of 9)

**25-24-08**

ILLUSTRATED PARTS LIST

Page 1098.403

Jul 01/2007



## COMPONENT MAINTENANCE MANUAL

FIG/ ITEM	PART NUMBER	AIRLINE PART NUMBER	NOMENCLATURE							USAGE CODE	UNITS PER ASSY
			1	2	3	4	5	6	7		
14-											
-1A	413N3206-181SP									N	RF
-1B	413N3206-201SP									W	RF
-1C	413N3206-218SP									AJ	RF
-1D	413N3206-223SP									AN	RF
5	BACB30NR4K21									N, W, AJ	4
10	AN960-416L									N, W	8
-10A	NAS1149D0432P									AJ	8
15	NAS43DD4-38									N, W, AJ	8
20	MS21042L4									N, W, AJ	4
25	65-88166-471									N, W, AJ	2
30	413U3165-42									AJ	2
35	NAS603-6P									N, W	16
-35A	BACS12FA3K6									AJ	16
40	BACS12FA3K8									AN	16
45	AN960JD10LL									N, W	16
-45A	NAS1149D0316J									AJ	16
50	69-17083-3									N, W, AJ	4
55	69B51689-3									AN	4
60	NAS514P1032-5									N, W	12
-60A	BACS12ER08K5									AJ, AN	12
65	413N3615-411SP									N, W, AJ, AN	1
70	NAS514P832-5									N, W, AJ, AN	2
75	NAS1836-08-12									N, W, AJ, AN	2
80	65C19715-310									N, W, AJ, AN	1
85	NAS514P632-9									N, W, AJ, AN	2
90	SAM222-11									N, W, AJ, AN	1

-Item not Illustrated

# 25-24-08

ILLUSTRATED PARTS LIST

Page 1098.404

Jul 01/2007





## COMPONENT MAINTENANCE MANUAL

FIG/ ITEM	PART NUMBER	AIRLINE PART NUMBER	NOMENCLATURE							USAGE CODE	UNITS PER ASSY
			1	2	3	4	5	6	7		
14-											
95	NAS514P832-4		.	.	SCREW					N, W, AJ, AN	12
100	413N3615-189		.	.	HINGE ASSY					N, W, AJ, AN	1
105	69-56542-1		.	.	SPRING					N, W, AJ, AN	2
110	413N3615-175		.	.	HINGE					N, W, AJ, AN	1
115	SL2334-08A3		.	.	INSERT (V97393)					N, W, AJ, AN	12
120	413N3615-169		.	.	TRIM					N, W, AJ, AN	1
125	413N3615-6SP				DELETED						
130	413N3615-7SP				DELETED						
135	413N3615-118		.	.	PLATE					N, W, AJ, AN	2
140	NAS514P632-5		.	.	SCREW					N, W	2
-140A	BACS12ER06K5		.	.	SCREW					AJ, AN	2
145	AR131		.	.	PLATE-STRIKER (V80477)					N, W, AJ, AN	1
150	A35502-7		.	.	RETAINER (V52607)					N, W, AJ, AN	1
155	NAS603-6P		.	.	SCREW					N, W	20
-155A	BACS12FA3K6		.	.	SCREW					AJ, AN	20
160	AN960JD10LL		.	.	WASHER					N, W	20
165	SL2334-3A3		.	.	INSERT					N, W	14
170	413N3215-14SP		.	.	BRACKET-GUSSET					N, W, AJ, AN	1
175	413N3215-13SP		.	.	BRACKET-GUSSET					N, W, AJ, AN	1
180	413N3206-187		.	.	PANEL ASSY-HEADER					N, W, AJ, AN	1
185	SL2334-3A5		.	.	INSERT (V97393)					N, W, AJ, AN	1
190	413N3206-188		.	.	PANEL ASSY-TOP					N, W, AJ, AN	1

-Item not Illustrated

**25-24-08**

ILLUSTRATED PARTS LIST

Page 1098.405

Jul 01/2007



## COMPONENT MAINTENANCE MANUAL

FIG/ ITEM	PART NUMBER	AIRLINE PART NUMBER	NOMENCLATURE							USAGE CODE	UNITS PER ASSY		
			1	2	3	4	5	6	7				
14-													
195	413N3206-182		.								PANEL ASSY-OUTBD	N, W, AJ, AN	1
200	413N3206-184		.								PANEL ASSY-OUTBD	N, W, AJ, AN	1
205	NAS603-6P		.								SCREW	N, W	7
-205A	BACS12FA3K6		.								SCREW	AJ, AN	7
210	AN960JD10L		.								WASHER	N, W	7
215	NAS6604-22		.								BOLT	N, W	1
-215A	BACS30NM4K22		.								SCREW	AJ, AN	1
220	AN960JD416L		.								WASHER	N, W	1
-220A	NAS1149D0416H		.								WASHER	AJ, AN	1
225	AN960JD416		.								WASHER	N, W	1
-225A	NAS1149D0463J		.								WASHER	AJ, AN	1
230	F42NKE048		.								NUT (V72962) (SPEC BACN10R428) (OPT 42NKE048 (V72962)) (OPT 26C048 (V80539))	N, W, AJ, AN	1
235	413N3211-66SP		.								ANGLE-GUSSET	N, W, AJ, AN	1
240	NAS514P1032-5		.								SCREW	N, W	68
245	BACS12FA3K5		.								SCREW	AJ, AN	34
250	BACS12ER3K5		.								SCREW	AJ, AN	34
255	413N3211-108SP		.								ANGLE	N, W, AJ, AN	1
260	413N3211-109SP		.								ANGLE	N, W, AJ, AN	1
265	413N3211-110SP		.								ANGLE	N, W, AJ, AN	1
270	413N3211-111SP		.								ANGLE	N, W, AJ, AN	1
275	413N3206-185		.								PANEL ASSY-SHELF	N, W, AJ, AN	1
280	SL2334-3A3		.	.							INSERT (V97393)	N, W, AJ, AN	37

-Item not Illustrated

# 25-24-08

ILLUSTRATED PARTS LIST

Page 1098.406

Jul 01/2007



## COMPONENT MAINTENANCE MANUAL

FIG/ ITEM	PART NUMBER	AIRLINE PART NUMBER	NOMENCLATURE							USAGE CODE	UNITS PER ASSY
			1	2	3	4	5	6	7		
14-											
285	413N3206-93		.	.	EDGING					N, W, AJ, AN	1
290	NAS603-6P		.		SCREW					N, W	3
-290A	BACS12FA3K6		.		SCREW					AJ, AN	3
295	AN960KD10L		.		WASHER					N	3
-295A	AN960JD10L		.		WASHER					W	3
300	NAS5141032-16		.		SCREW					N, W	5
-300A	BACS12ER3K6		.		SCREW					AJ, AN	5
305	SL52-3		.		NUT (V97393)					N, W, AJ, AN	5
310	413N3211-105SP		.		DIVIDER-CHANNEL					N, W, AJ, AN	1
315	NAS514P1032-5		.		SCREW					N, W	3
-315A	BACS12ER3K5		.		SCREW					AJ, AN	3
320	413N3211-111SP		.		ANGLE					N, W, AJ, AN	1
325	PK87XA8-12		.		SCREW (V45722) (SPEC BACS12H8-12) (OPT SK145A8-12 (V73439))					N, W, AJ, AN	2
330	413N3206-14		.		TRIM					N, W, AJ, AN	AR
335	NAS6603-3		.		BOLT					N, W, AJ, AN	2
340	AN960JD10LL		.		WASHER					N, W, AJ	2
340A	NAS1149D0316J		.		WASHER					AN	2
345	BACF3F010G027NN		.		FILLER					N, W, AJ, AN	1
350	413N3211-101		.		FITTING ASSY-SEAT TRACK					N	1
-350A	413N3211-647		.		FITTING ASSY-SEAT TRACK					W, AJ, AN	1
355	BACB30VF5K2		.	.	BOLT					N, W, AJ, AN	1
360	MS16562-38		.	.	PIN-SPR					N, W, AJ, AN	2

-Item not Illustrated

**25-24-08**

ILLUSTRATED PARTS LIST

Page 1098.407

Jul 01/2007



## COMPONENT MAINTENANCE MANUAL

FIG/ ITEM	PART NUMBER	AIRLINE PART NUMBER	NOMENCLATURE							USAGE CODE	UNITS PER ASSY
			1	2	3	4	5	6	7		
14-											
365	413N3211-99		.	.	FITTING					N, W, AJ, AN	1
370	45227-10		.	.	FITTING ASSY (V31272)					N	1
-370A	413N3211-648		.	.	FITTING ASSY					W, AJ, AN	1
375	NAS6603-2		.	BOLT						N, W, AJ, AN	2
380	AN960JD10LL		.	WASHER						N, W	2
-380A	NAS1149D0316J		.	WASHER						AJ, AN	9
385	413N3211-93		.	FITTING ASSY-SEAT TRACK						N, W, AJ, AN	1
390	BACB30VF5K2		.	BOLT						N, W, AJ, AN	1
395	MS16562-37		.	PIN-SPR						N, W, AJ, AN	2
400	413N3211-65		.	FITTING						N, W, AJ, AN	1
405	45227-10		.	FITTING ASSY (V31272)						N, W, AJ, AN	1
410	NAS6603-20		.	BOLT						N, W	1
-410A	BACB30NM3K20		.	BOLT						AJ, AN	1
415	NAS6603-2		.	BOLT						N, W	7
-415A	BACB30NM3K2		.	BOLT						AJ, AN	7
420	NAS514P1032-24		.	SCREW						N, W	4
-420A	BACS12ER3K24		.	SCREW						AJ, AN	4
425	NAS6605-20		.	BOLT						N, W	1
-425A	BACB30NM5K20		.	BOLT						AJ, AN	1
430	BACB30VF5K17		.	BOLT						N, W, AJ, AN	1
435	AN960JD10LL		.	WASHER						N, W	9
-435A	NAS1149D0316J		.	WASHER						AJ, AN	9
440	AN960JD516L		.	WASHER						N, W	1
-440A	NAS1149D0516J		.	WASHER						AJ, AN	1
445	AN960JD10L		.	WASHER						N, W	4

-Item not Illustrated

# 25-24-08

ILLUSTRATED PARTS LIST

Page 1098.408

Jul 01/2007



## COMPONENT MAINTENANCE MANUAL

FIG/ ITEM	PART NUMBER	AIRLINE PART NUMBER	NOMENCLATURE							USAGE CODE	UNITS PER ASSY
			1	2	3	4	5	6	7		
14-											
-445A	NAS1149D0332J		.	W	A	S	H	E	R	AJ, AN	4
450	MS21042L3		.	N	U	T				N, W, AJ, AN	5
455	BACF3F022G027NN		.	F	I	L	L	E	R	N, W, AJ, AN	1
460	413N3211-100		.	F	I	T	T	I	N	N, W, AJ, AN	1
465	MS16562-39		.	.	P	I	N	-	S	N, W, AJ, AN	1
470	413N3211-98		.	.	F	I	T	T	I	N, W, AJ, AN	1
475	42911-11		.	.	F	I	T	T	I	N, W, AJ, AN	1
480	413N3211-92		.	F	I	T	T	I	N	N, W, AJ, AN	1
485	MS16562-37		.	.	P	I	N	-	S	N, W, AJ, AN	2
490	413N3211-64		.	.	F	I	T	T	I	N, W, AJ, AN	1
495	43166-10		.	.	F	I	T	T	I	N, W, AJ, AN	1
500	NAS514P1032-16		.	S	C	R	E	W		N, W	5
-500A	BACS12ER3K6		.	S	C	R	E	W		AJ, AN	5
505	SL52-3		.	N	U	T				N, W, AJ, AN	5
510	NAS603-6P		.	S	C	R	E	W		N, W	3
-510A	BACS12FA3K6		.	S	C	R	E	W		AJ, AN	3
515	AN960JD10L		.	W	A	S	H	E	R	N, W	3
520	413N3206-80		.	P	A	N	E	L		N, W	1
-520A	413N3224-329		.	P	A	N	E	L		AJ, AN	1
525	SL2334-3A3		.	.	I	N	S	E	R	N, W, AJ, AN	3
530	413N3211-104SP		.	C	H	A	N	N	E	N, W, AJ, AN	1
535	NAS514P1032-5		.	S	C	R	E	W		N, W	22
-535A	BACS12ER3K5		.	S	C	R	E	W		AJ, AN	22

-Item not Illustrated

**25-24-08**

ILLUSTRATED PARTS LIST

Page 1098.409

Jul 01/2007



## COMPONENT MAINTENANCE MANUAL

FIG/ ITEM	PART NUMBER	AIRLINE PART NUMBER	NOMENCLATURE							USAGE CODE	UNITS PER ASSY
			1	2	3	4	5	6	7		
14-											
540	413N3211-110SP		.	ANGLE						N, W, AJ, AN	2
545	413N3211-111SP		.	ANGLE						N, W, AJ, AN	1
550	413N3206-189		.	PANEL ASSY-INBD						N, W, AJ, AN	1
555	SL2334-3A3		.	INSERT (V97393)						N, W, AJ, AN	14
560	NAS514P1032-10		.	SCREW						N, W	16
-560A	BACS12ER3K10		.	SCREW						AJ, AN	16
565	NAS603-6P		.	SCREW						N, W	16
-565A	BACS12FA3K6		.	SCREW						AJ, AN	16
570	AN960JD10LL		.	WASHER						N, W	16
575	413N3211-89		.	ANGLE						N, W, AJ, AN	1
580	NAS514P1032-24		.	SCREW						N, W	5
-580A	BACS12ER3K24		.	SCREW						AJ, AN	5
585	AN960JD10LL		.	WASHER						N, W	5
-585A	NAS1149D0316J		.	WASHER						AJ, AN	5
590	MS21042L3		.	NUT						N, W, AJ, AN	5
595	413N3211-102SP		.	EXTRUSION-FOOTWELL						N, W, AJ, AN	1
600	PK87XA8-12		.	SCREW (V45722) (SPEC BACS12H8-12) (OPT SK145A8-12 (V73439))						N, W, AJ, AN	4
605	413N3211-107		.	TRIM						N, W, AJ, AN	2
610	413N3206-186		.	PANEL ASSY-AFT						N, W, AJ	1
-610A	413N3206-386SP		.	PANEL ASSY-AFT						AN	1
615	SL2334-3A3		.	INSERT (V97393)						N, W, AJ, AN	37
620	SL2334-08A3		.	INSERT (V97393)						N, W, AJ, AN	9

-Item not Illustrated

**25-24-08**

ILLUSTRATED PARTS LIST

Page 1098.410

Jul 01/2007



## COMPONENT MAINTENANCE MANUAL

FIG/ ITEM	PART NUMBER	AIRLINE PART NUMBER	NOMENCLATURE							USAGE CODE	UNITS PER ASSY
			1	2	3	4	5	6	7		
14-											
625	NAS183606-12		.	.	INSERT					N, W, AJ, AN	2
630	413N3211-103		.	.	EXTRUSION-FOOTWELL					N, W, AJ, AN	1
635	413N3165-1SP		.	.	COVER-DECORATIVE INT					AN	1
640	413N3165-4SP		.	.	COVER-DECORATIVE EXT					AN	1
645	413N3206-183		.		PANEL ASSY-FWD					N, W, AJ	1
-645A	413N3206-383SP		.		PANEL ASSY-FWD					AN	1
650	SL2334-3A3		.	.	INSERT (V97393)					N, W, AJ, AN	34
655	SL854C3C7C		.	.	INSERT (V97393)					N, W, AJ, AN	16
660	SL854C08C5C		.	.	INSERT (V97393)					N, W, AJ, AN	12
665	413N3600-39		.	.	CHANNEL ASSY					N, W, AJ, AN	1
670	413N3600-41		.	.	CHANNEL					N, W, AJ, AN	1
675	413N3600-40		.	.	CHANNEL ASSY					N, W, AJ, AN	1
680	SL854C3C5C		.	.	INSERT (V97393)					N, W, AJ, AN	4
685	413N3600-42		.	.	CHANNEL					N, W, AJ, AN	1
690	413N3165-1SP		.	.	COVER-DECORATIVE INT					AN	1
695	413N3165-2SP		.	.	COVER-DECORATIVE EXT					AN	1
700	413N3206-190		.		PANEL ASSY-FLOOR					N, W, AJ, AN	1
705	SL2334-3A3		.	.	INSERT (V97393)					N, W, AJ, AN	29
710	413N3206-55SP		.		COVER-DECORATIVE					N, W, AJ	1
715	413N3206-58SP		.		COVER-DECORATIVE					N, W, AJ, AN	1
720	413N3206-57SP		.		COVER-DECORATIVE					N, W, AJ, AN	1
725	413N3206-56SP		.		COVER-DECORATIVE					N, W, AJ	1

-Item not Illustrated

**25-24-08**

ILLUSTRATED PARTS LIST

Page 1098.411

Jul 01/2007



## COMPONENT MAINTENANCE MANUAL

FIG/ ITEM	PART NUMBER	AIRLINE PART NUMBER	NOMENCLATURE							USAGE CODE	UNITS PER ASSY	
			1	2	3	4	5	6	7			
14- 730	413N3206-59SP		.								N, W, AJ, AN	1
735	413N3206-97SP		.								N, W, AJ, AN	1
740	413N3206-98SP		.								N, W, AJ, AN	1

-Item not Illustrated

# 25-24-08

ILLUSTRATED PARTS LIST

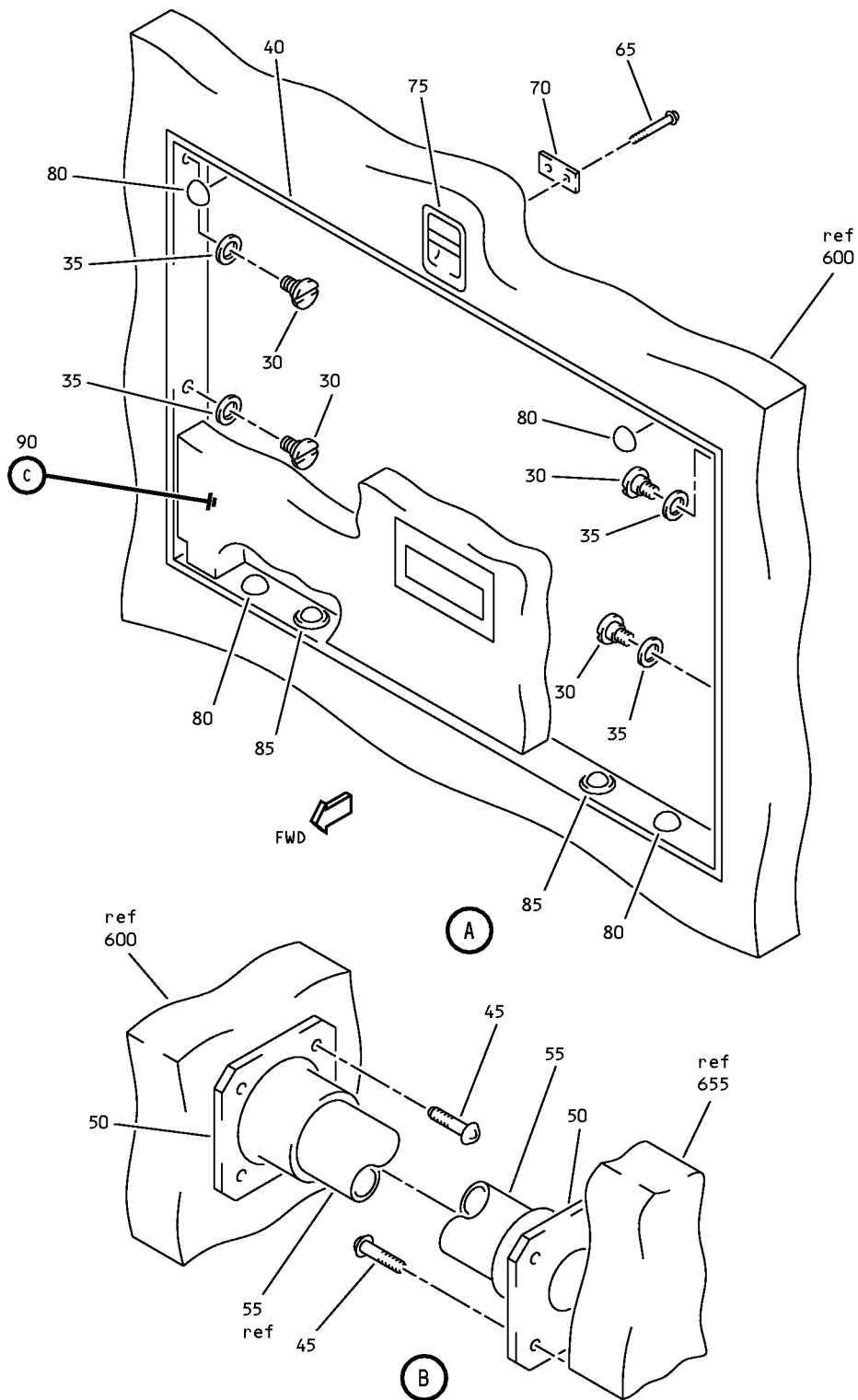
Page 1098.412

Jul 01/2007





COMPONENT MAINTENANCE MANUAL



Forward Right Closet Assembly  
IPL Figure 15 (Sheet 2 of 22)

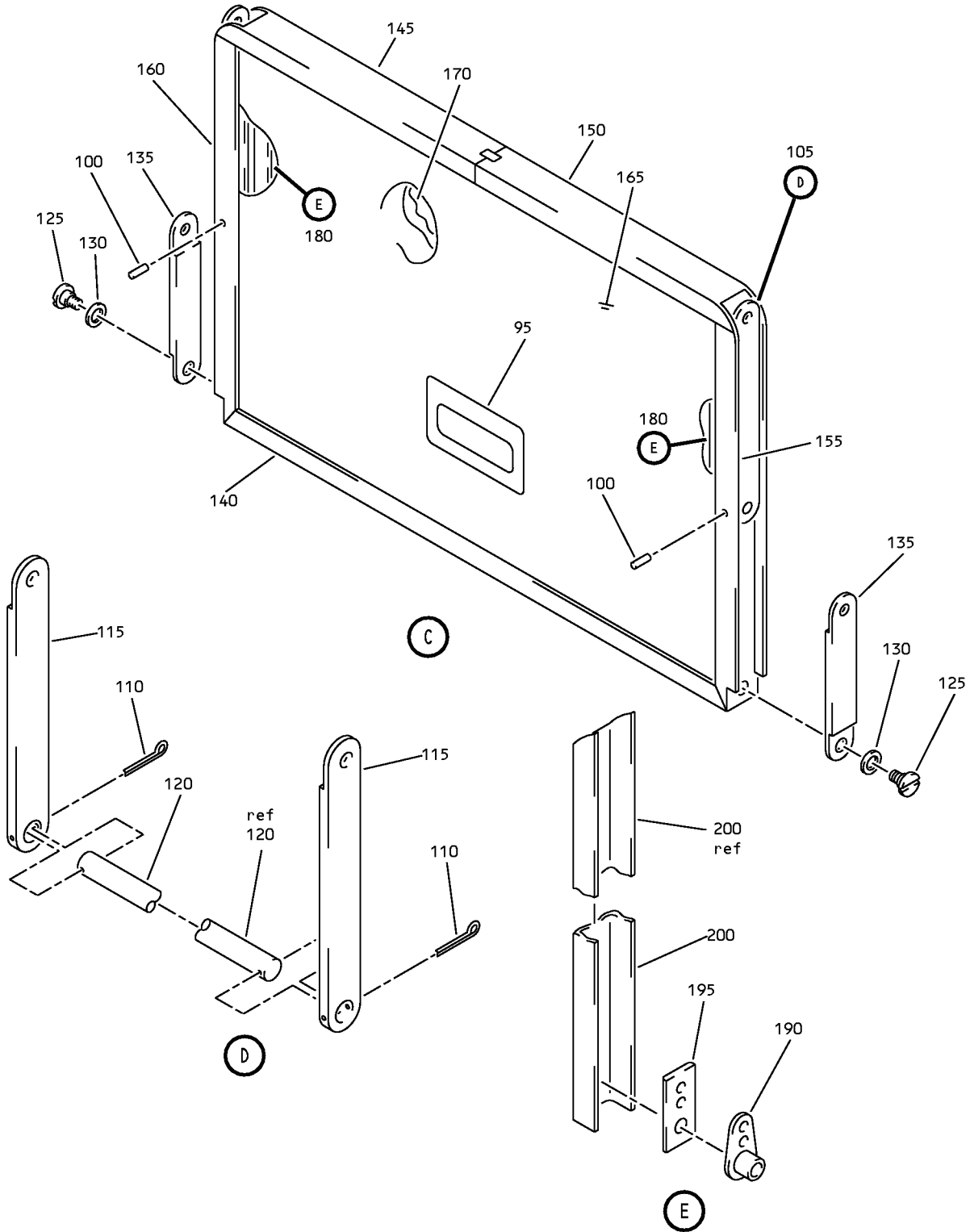
**25-24-08**

ILLUSTRATED PARTS LIST

Page 1098.414

Jul 01/2007

COMPONENT MAINTENANCE MANUAL



Forward Right Closet Assembly  
IPL Figure 15 (Sheet 3 of 22)

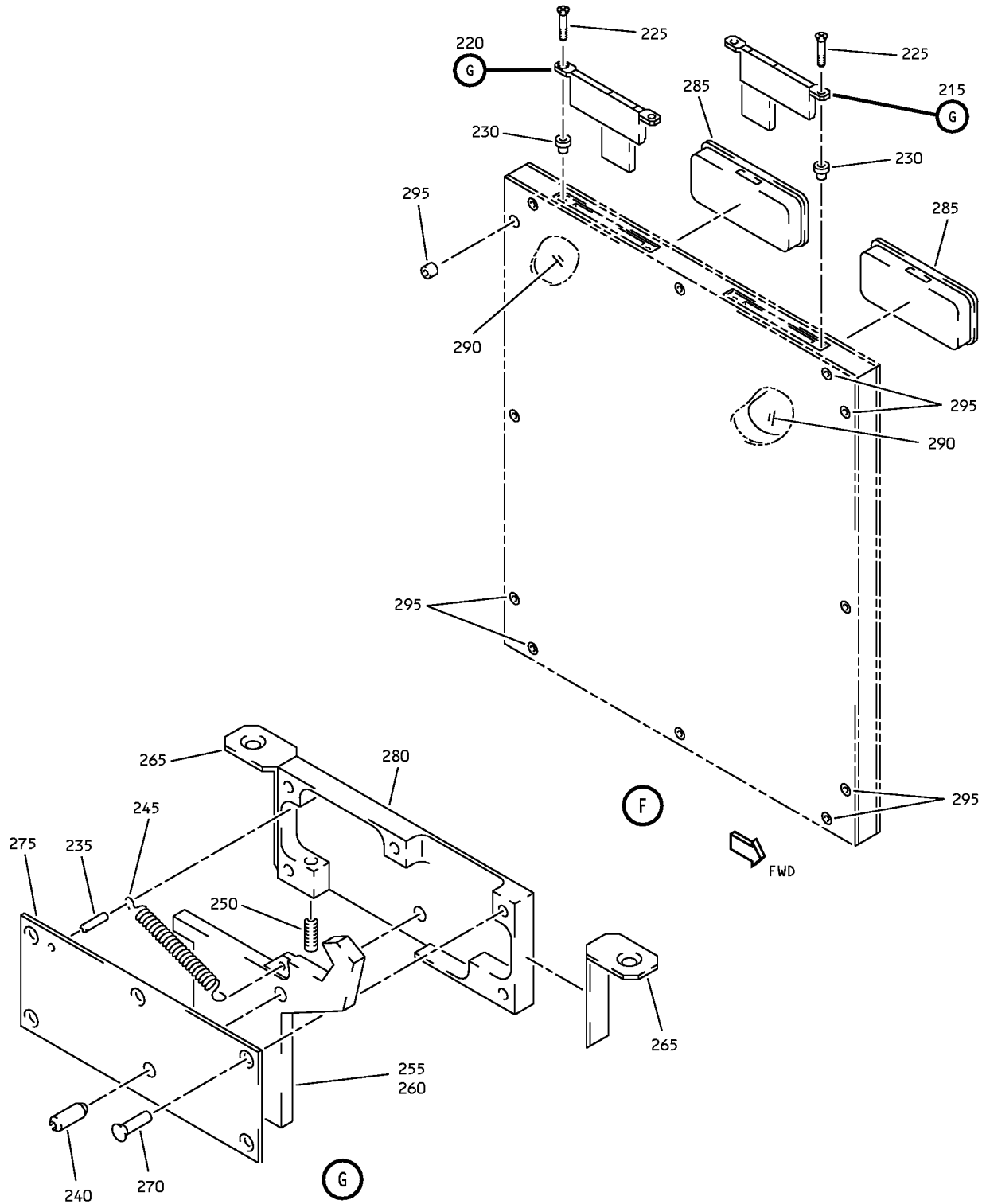
**25-24-08**

ILLUSTRATED PARTS LIST

Page 1098.415

Jul 01/2007

COMPONENT MAINTENANCE MANUAL



Forward Right Closet Assembly  
IPL Figure 15 (Sheet 4 of 22)

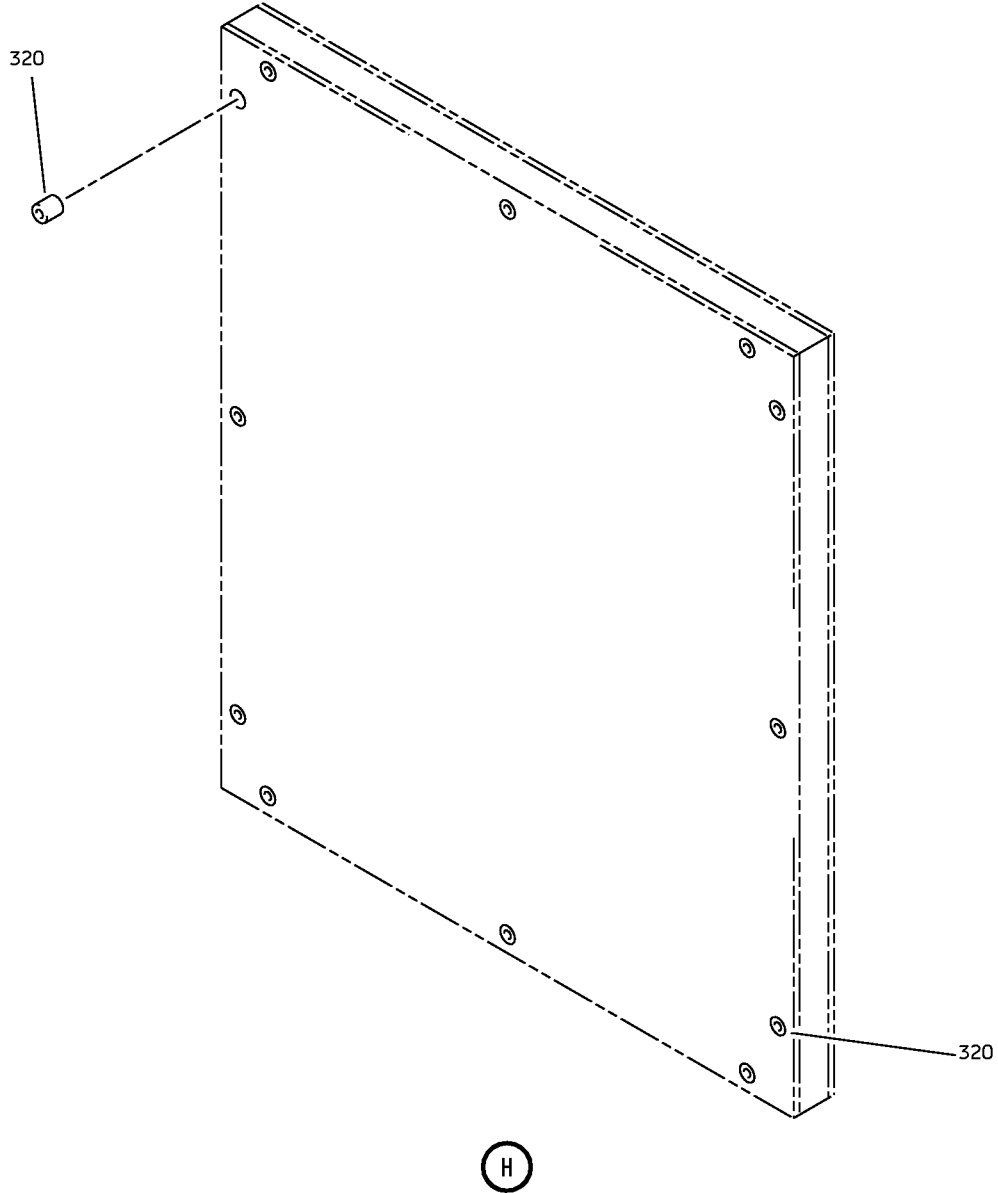
**25-24-08**

ILLUSTRATED PARTS LIST

Page 1098.416

Jul 01/2007

COMPONENT MAINTENANCE MANUAL



Forward Right Closet Assembly  
IPL Figure 15 (Sheet 5 of 22)

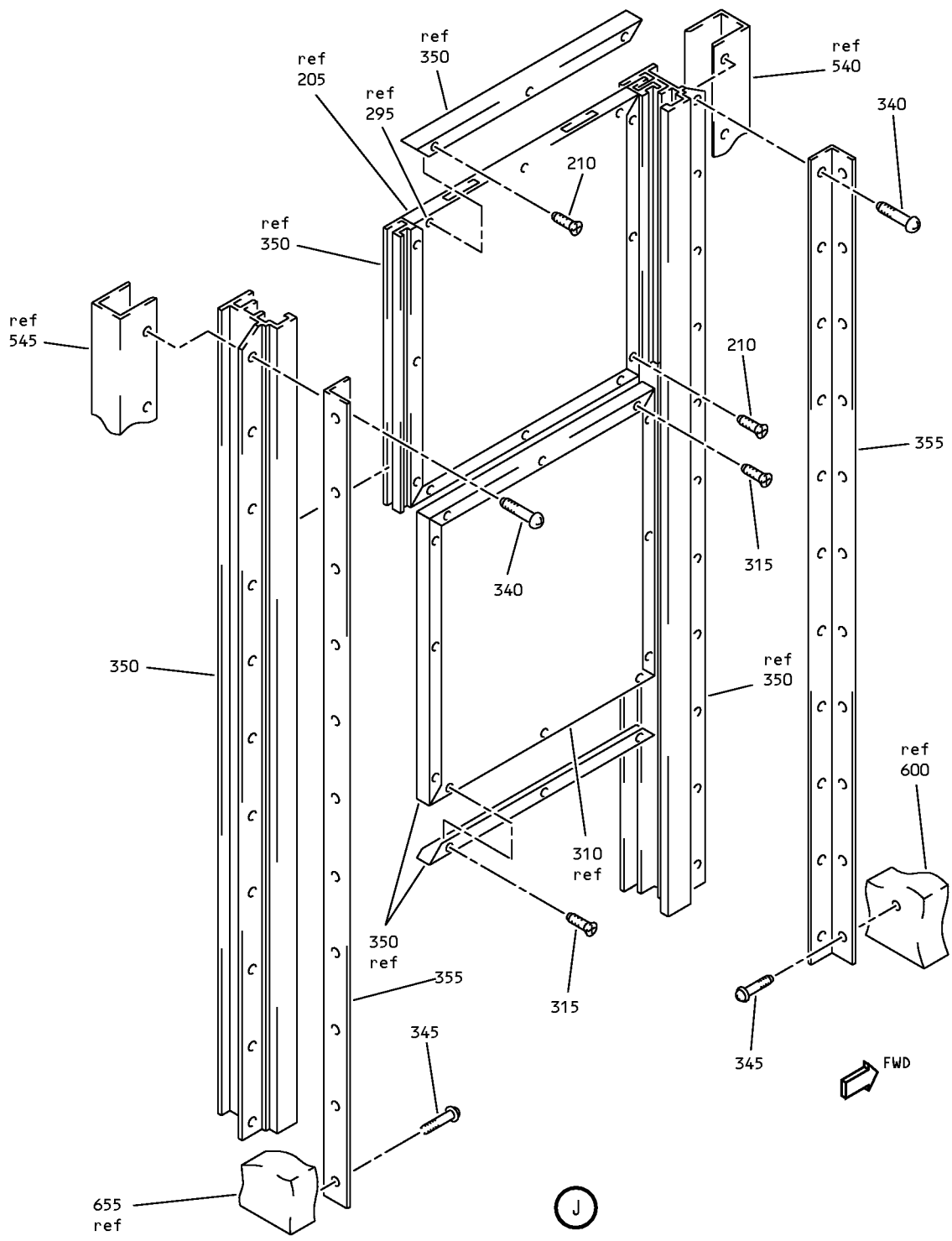
**25-24-08**

ILLUSTRATED PARTS LIST

Page 1098.417

Jul 01/2007

# COMPONENT MAINTENANCE MANUAL



Forward Right Closet Assembly  
IPL Figure 15 (Sheet 6 of 22)

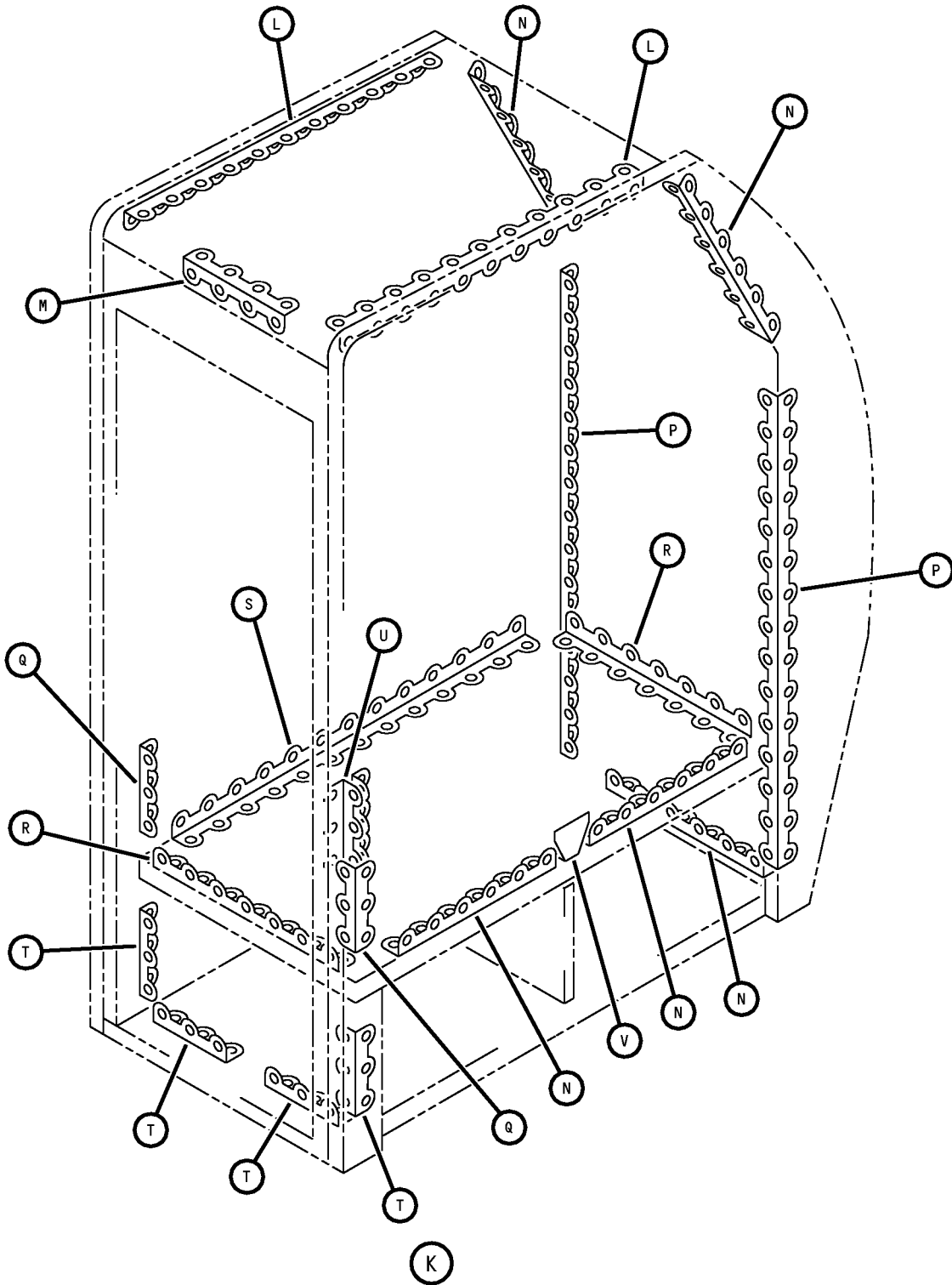
## 25-24-08

ILLUSTRATED PARTS LIST

Page 1098.418

Jul 01/2007

COMPONENT MAINTENANCE MANUAL



Forward Right Closet Assembly  
IPL Figure 15 (Sheet 7 of 22)

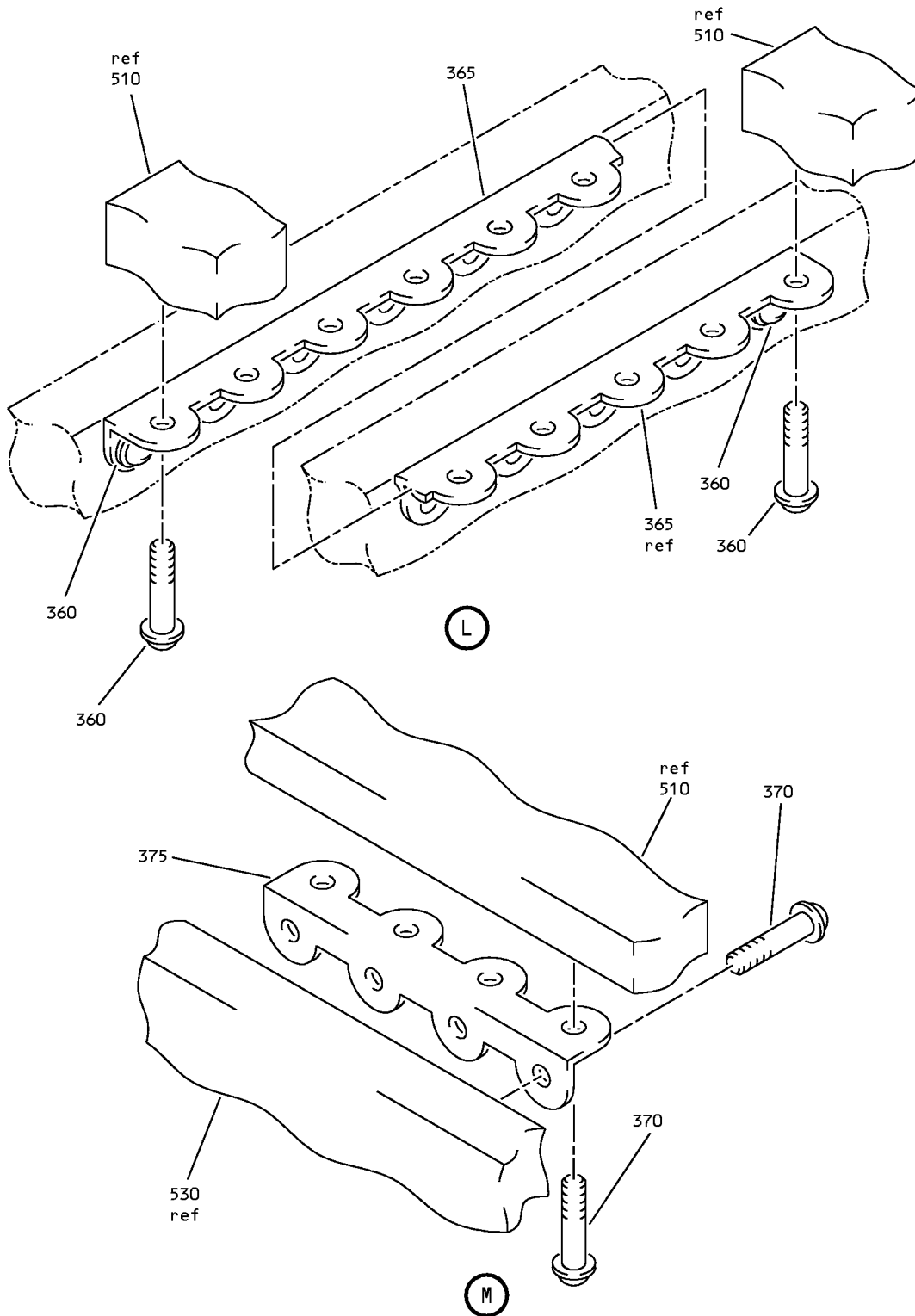
**25-24-08**

ILLUSTRATED PARTS LIST

Page 1098.419

Jul 01/2007

COMPONENT MAINTENANCE MANUAL



Forward Right Closet Assembly  
IPL Figure 15 (Sheet 8 of 22)

**25-24-08**

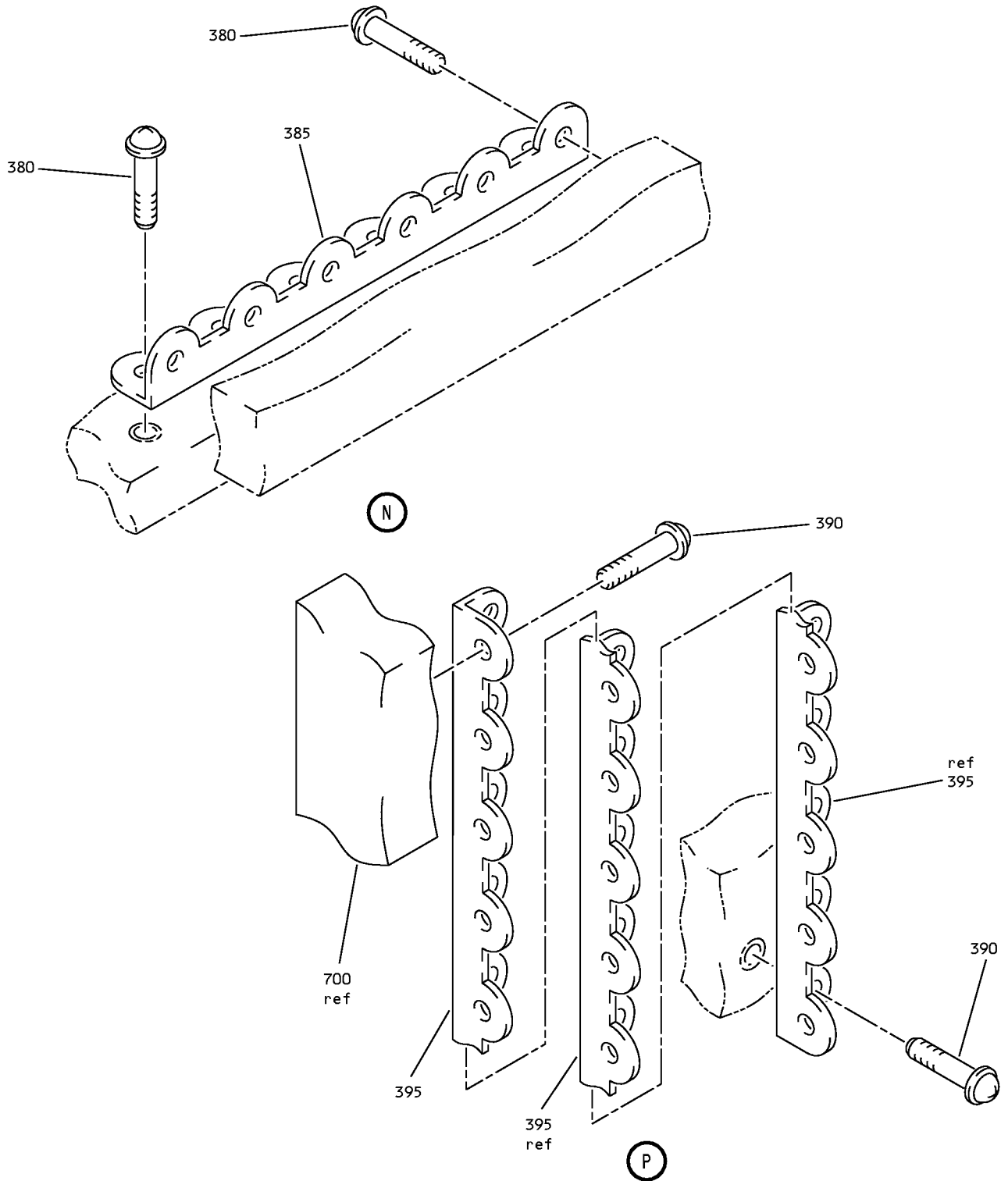
ILLUSTRATED PARTS LIST

Page 1098.420

Jul 01/2007



COMPONENT MAINTENANCE MANUAL



Forward Right Closet Assembly  
IPL Figure 15 (Sheet 9 of 22)

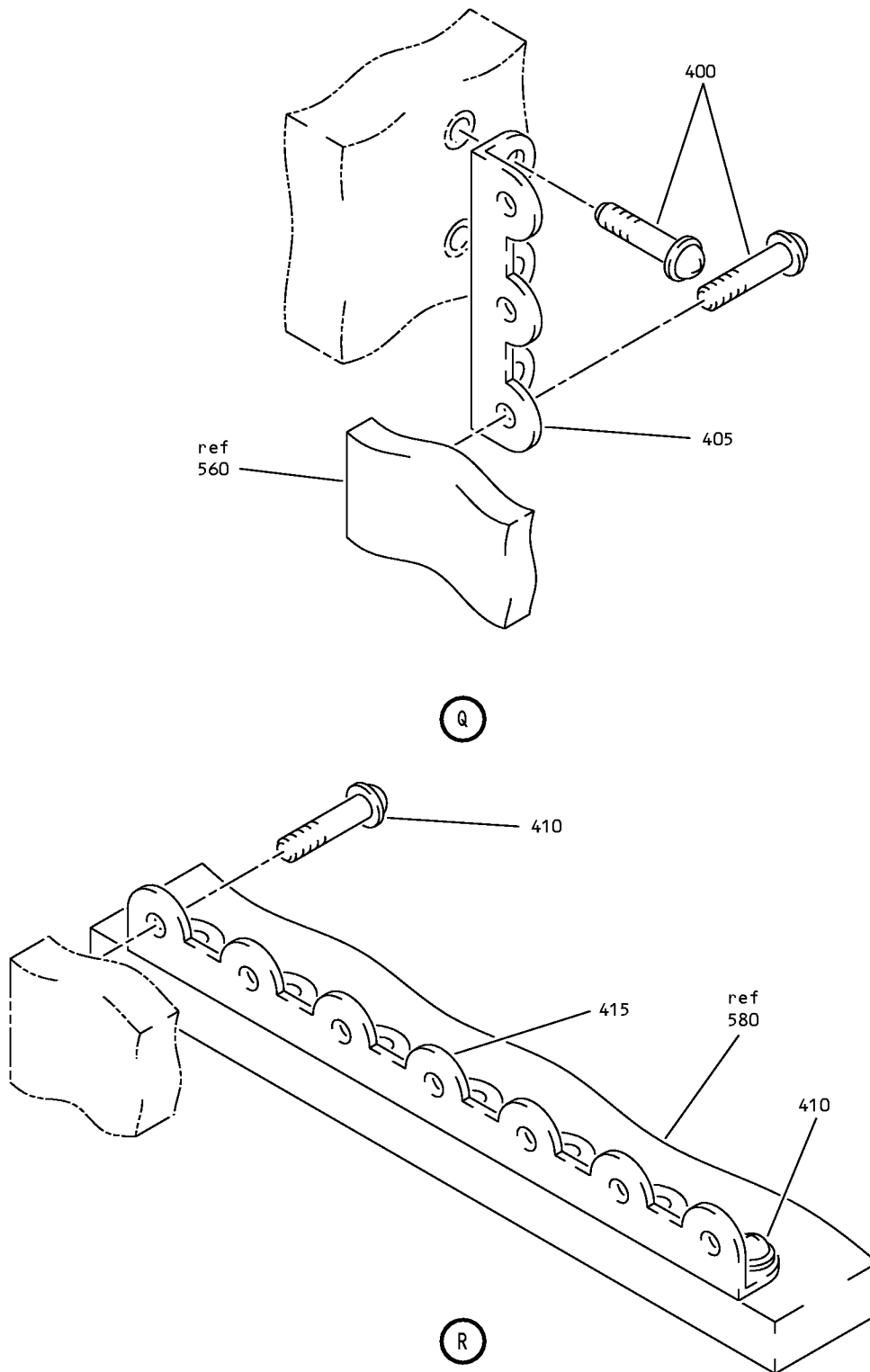
**25-24-08**

ILLUSTRATED PARTS LIST

Page 1098.421

Jul 01/2007

COMPONENT MAINTENANCE MANUAL



Forward Right Closet Assembly  
IPL Figure 15 (Sheet 10 of 22)

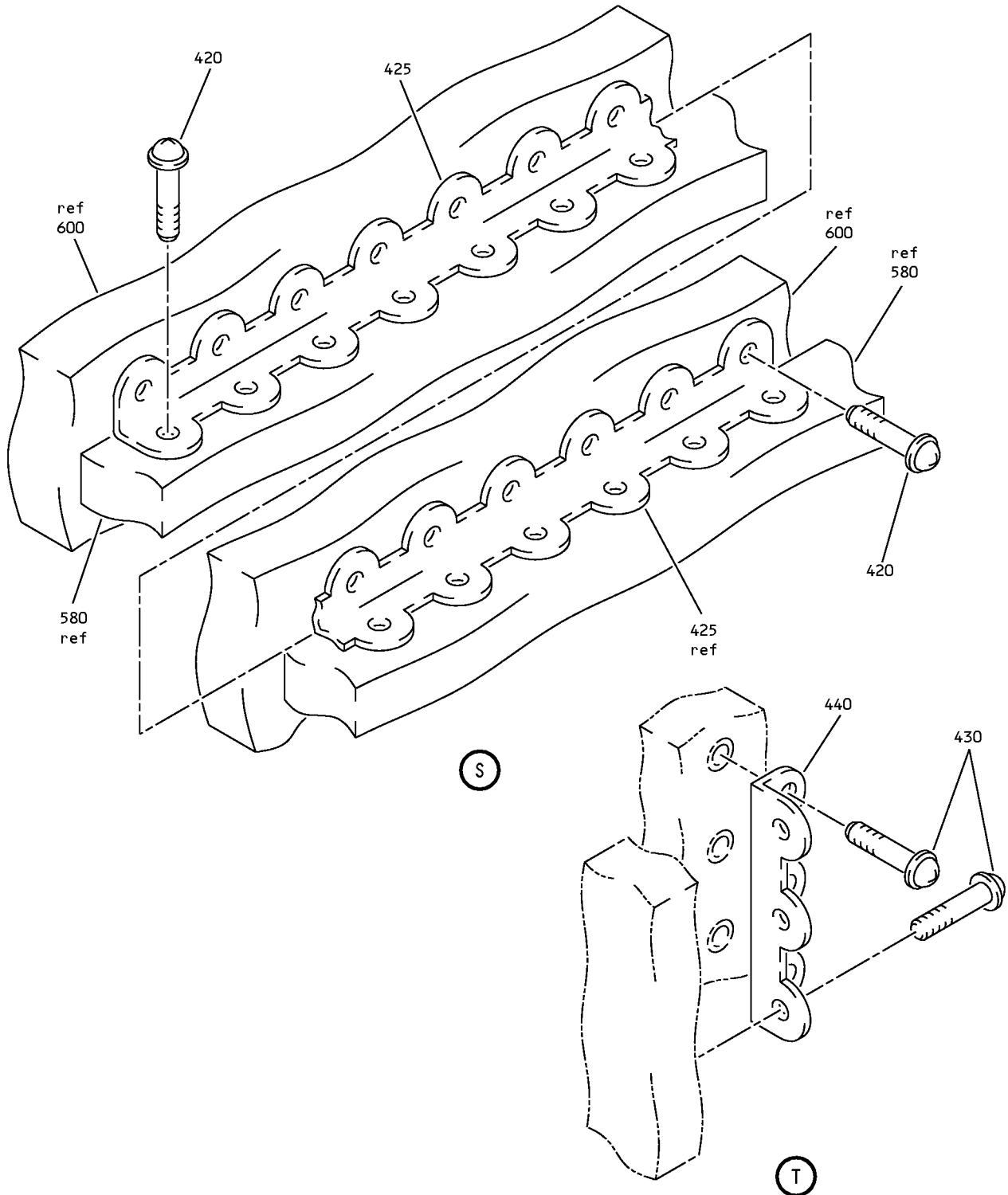
**25-24-08**

ILLUSTRATED PARTS LIST

Page 1098.422

Jul 01/2007

COMPONENT MAINTENANCE MANUAL



Forward Right Closet Assembly  
IPL Figure 15 (Sheet 11 of 22)

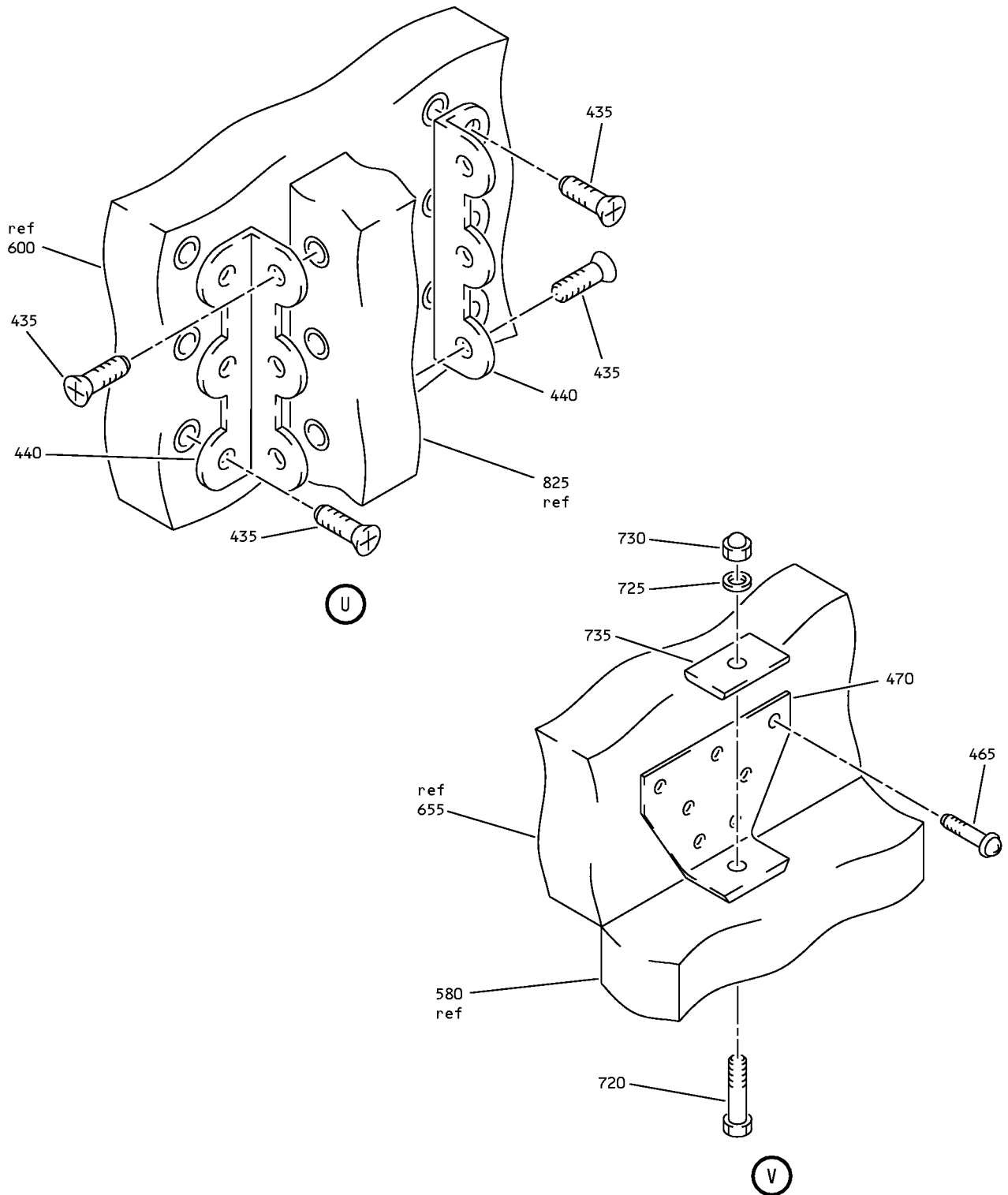
**25-24-08**

ILLUSTRATED PARTS LIST

Page 1098.423

Jul 01/2007

COMPONENT MAINTENANCE MANUAL



Forward Right Closet Assembly  
IPL Figure 15 (Sheet 12 of 22)

**25-24-08**

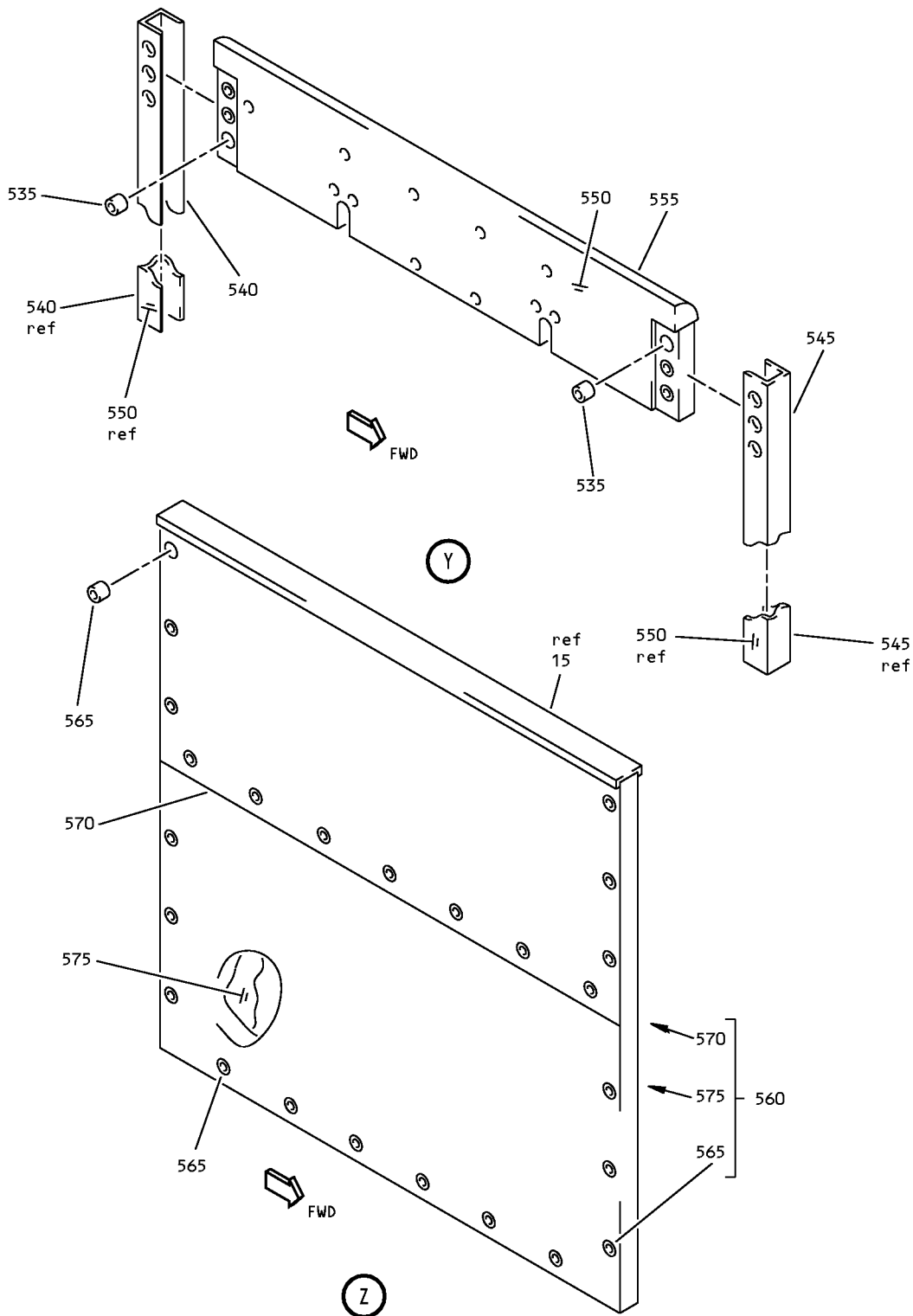
ILLUSTRATED PARTS LIST

Page 1098.424

Jul 01/2007



### COMPONENT MAINTENANCE MANUAL



Forward Right Closet Assembly  
IPL Figure 15 (Sheet 14 of 22)

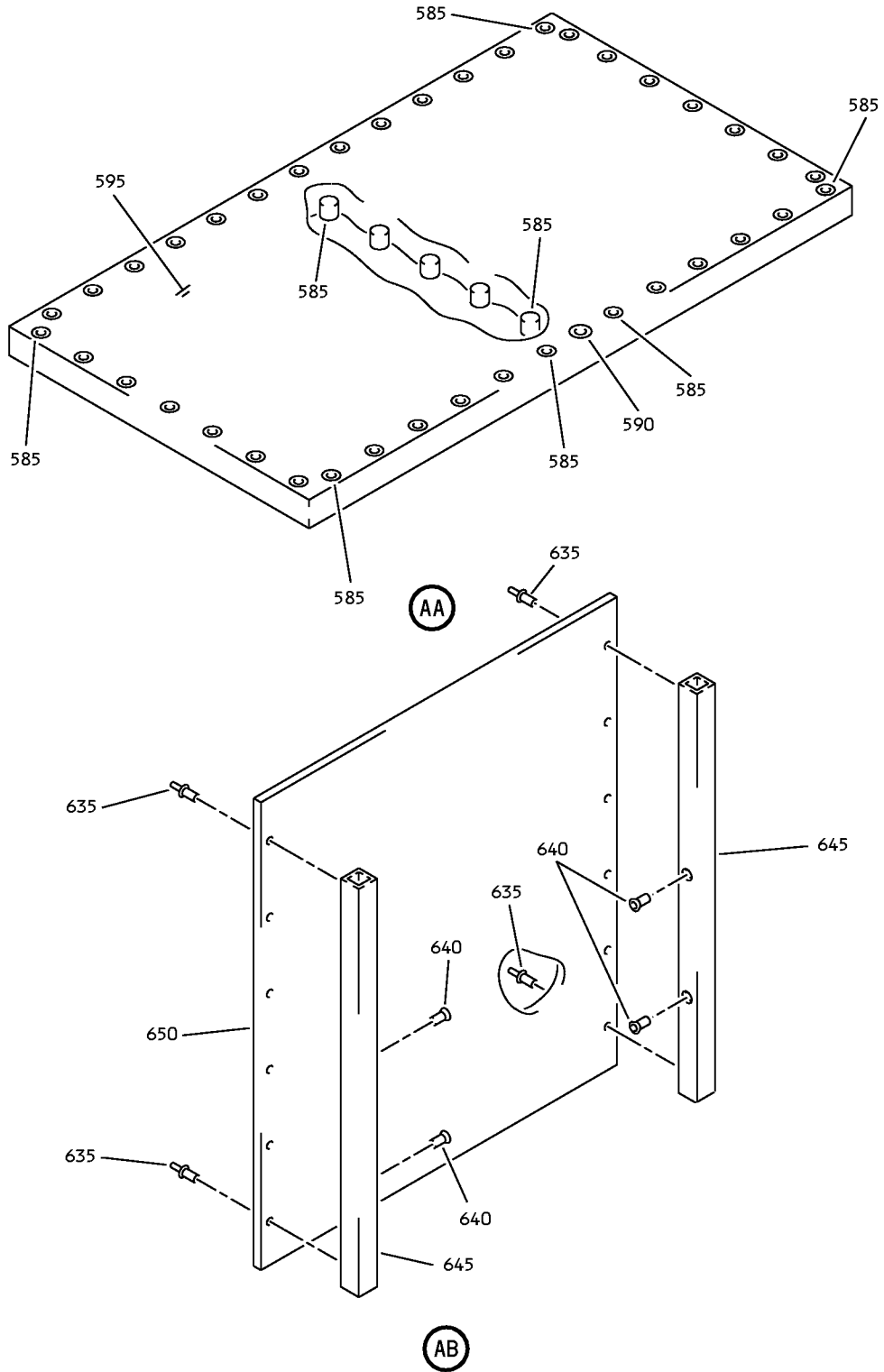
# 25-24-08

ILLUSTRATED PARTS LIST

Page 1098.426

Jul 01/2007

COMPONENT MAINTENANCE MANUAL



Forward Right Closet Assembly  
IPL Figure 15 (Sheet 15 of 22)

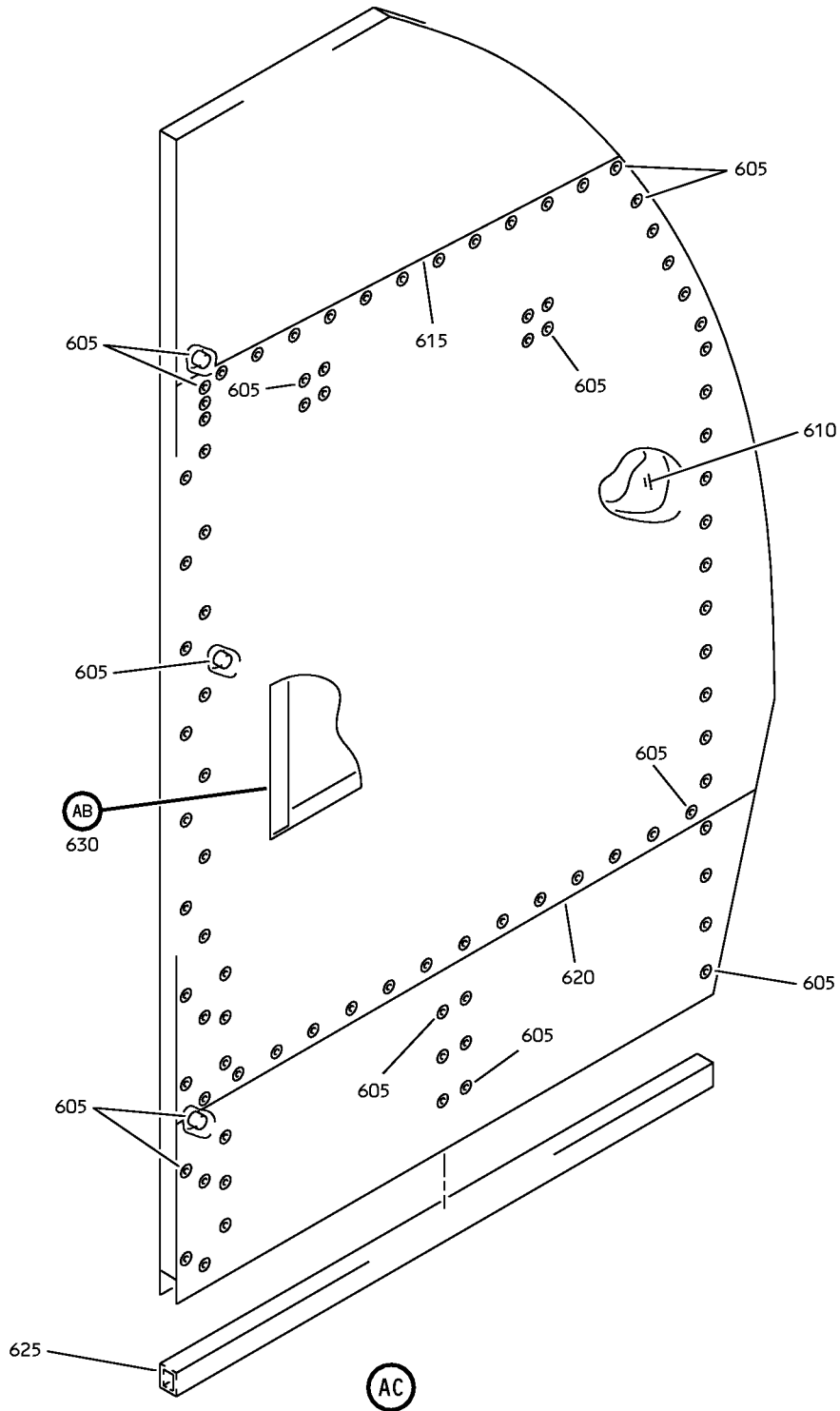
**25-24-08**

ILLUSTRATED PARTS LIST

Page 1098.427

Jul 01/2007

COMPONENT MAINTENANCE MANUAL



Forward Right Closet Assembly  
IPL Figure 15 (Sheet 16 of 22)

**25-24-08**

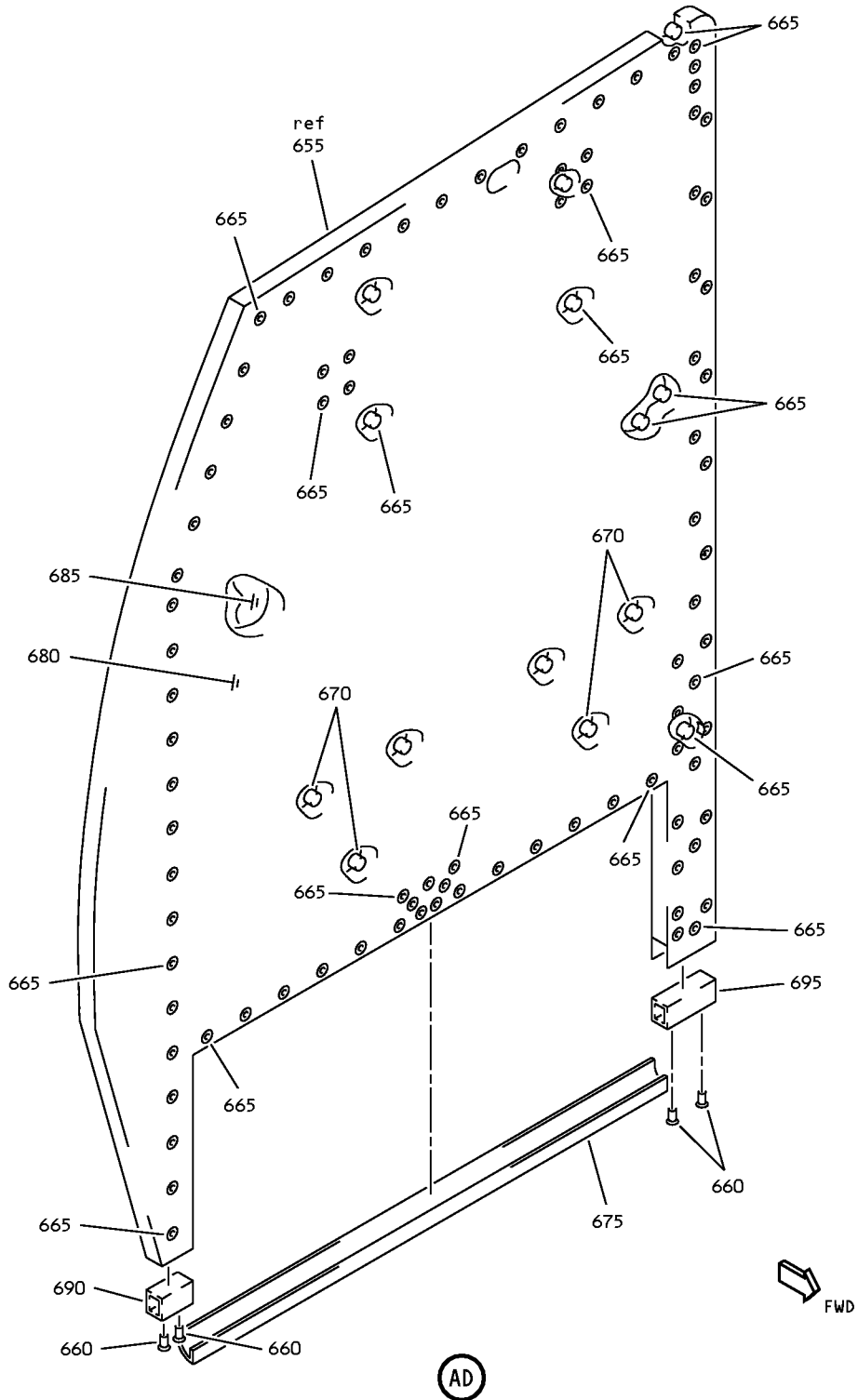
ILLUSTRATED PARTS LIST

Page 1098.428

Jul 01/2007



COMPONENT MAINTENANCE MANUAL



Forward Right Closet Assembly  
IPL Figure 15 (Sheet 17 of 22)

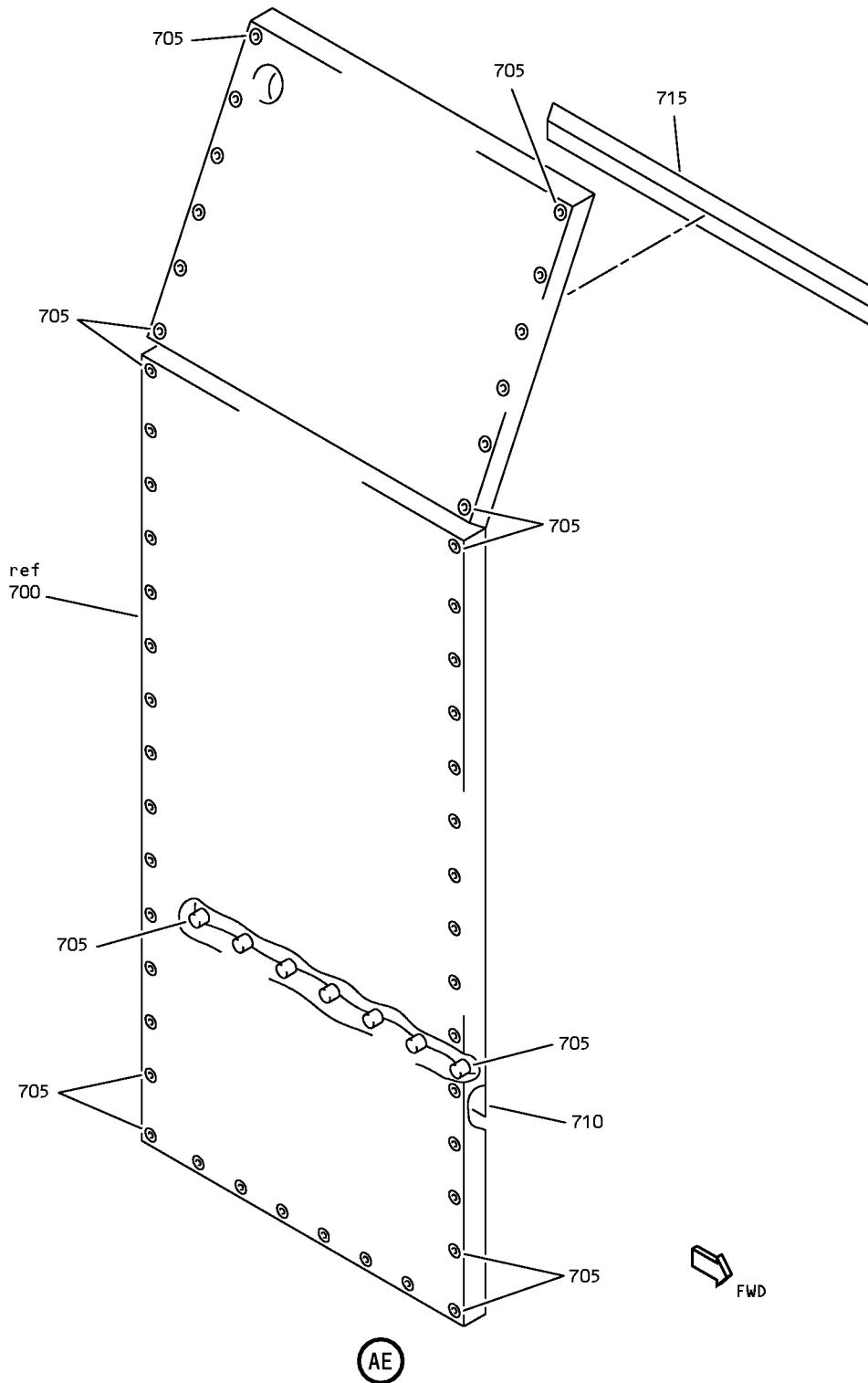
**25-24-08**

ILLUSTRATED PARTS LIST

Page 1098.429

Jul 01/2007

COMPONENT MAINTENANCE MANUAL



Forward Right Closet Assembly  
IPL Figure 15 (Sheet 18 of 22)

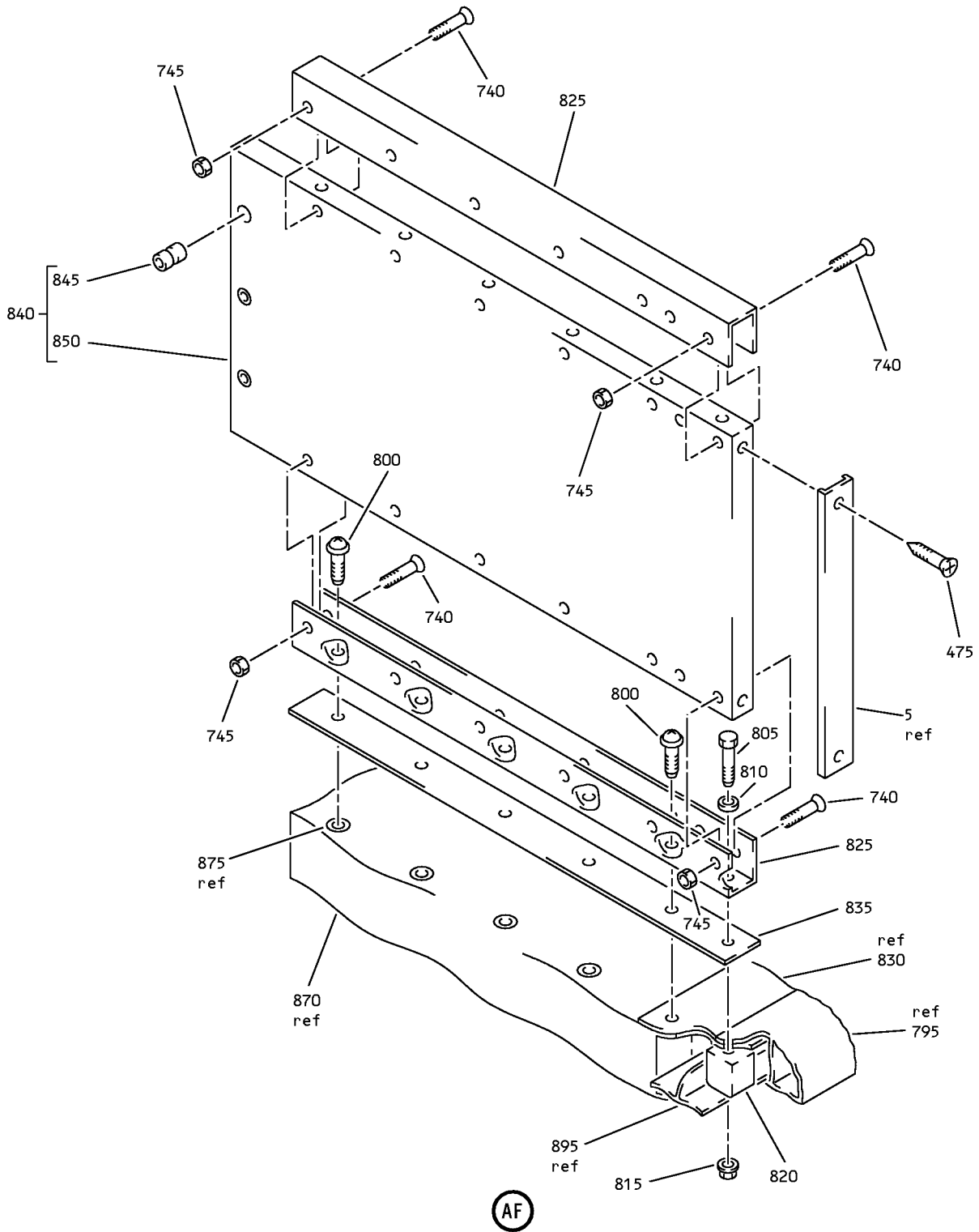
**25-24-08**

ILLUSTRATED PARTS LIST

Page 1098.430

Jul 01/2007

COMPONENT MAINTENANCE MANUAL



Forward Right Closet Assembly  
IPL Figure 15 (Sheet 19 of 22)

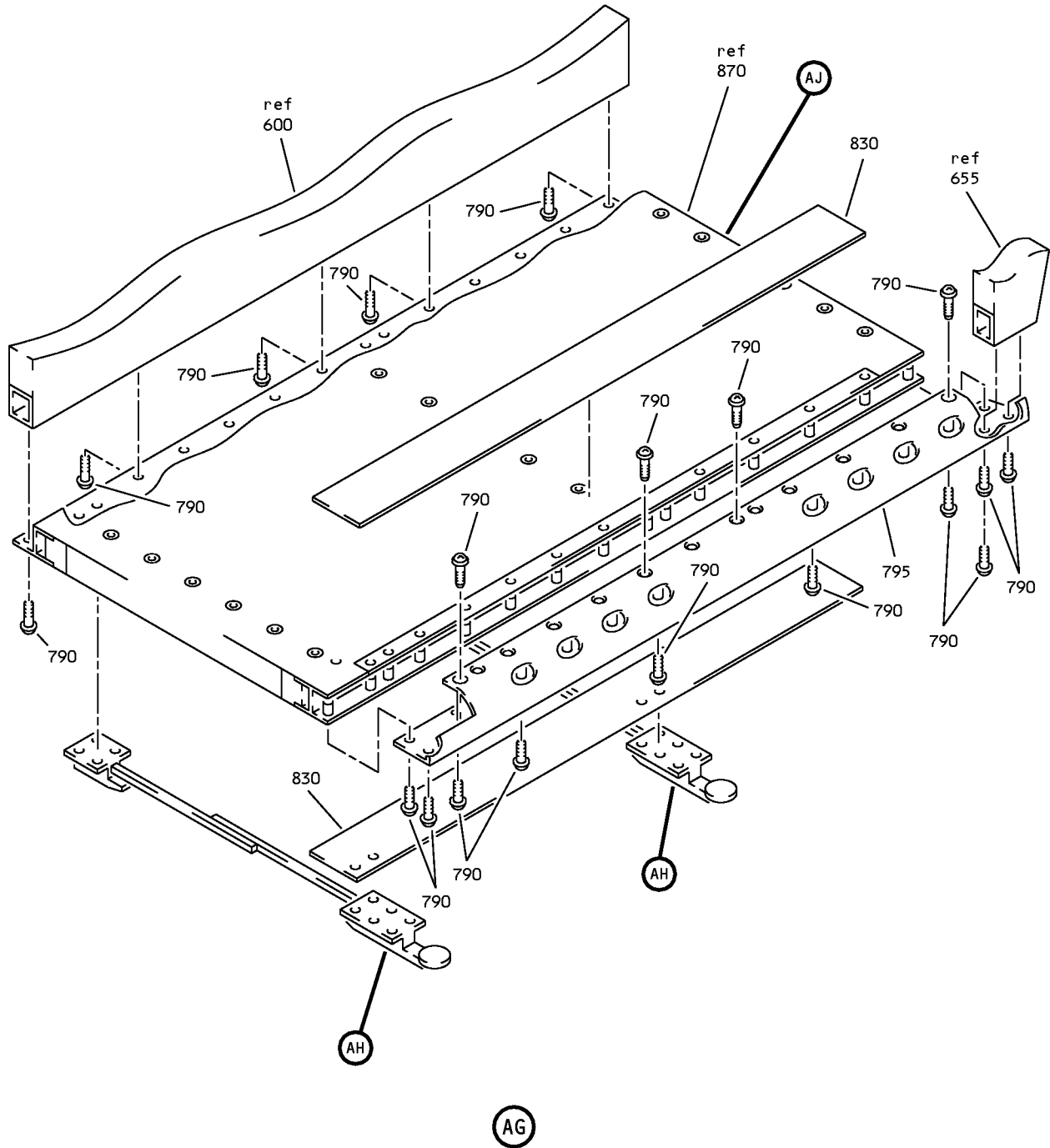
**25-24-08**

ILLUSTRATED PARTS LIST

Page 1098.431

Jul 01/2007

COMPONENT MAINTENANCE MANUAL



Forward Right Closet Assembly  
IPL Figure 15 (Sheet 20 of 22)

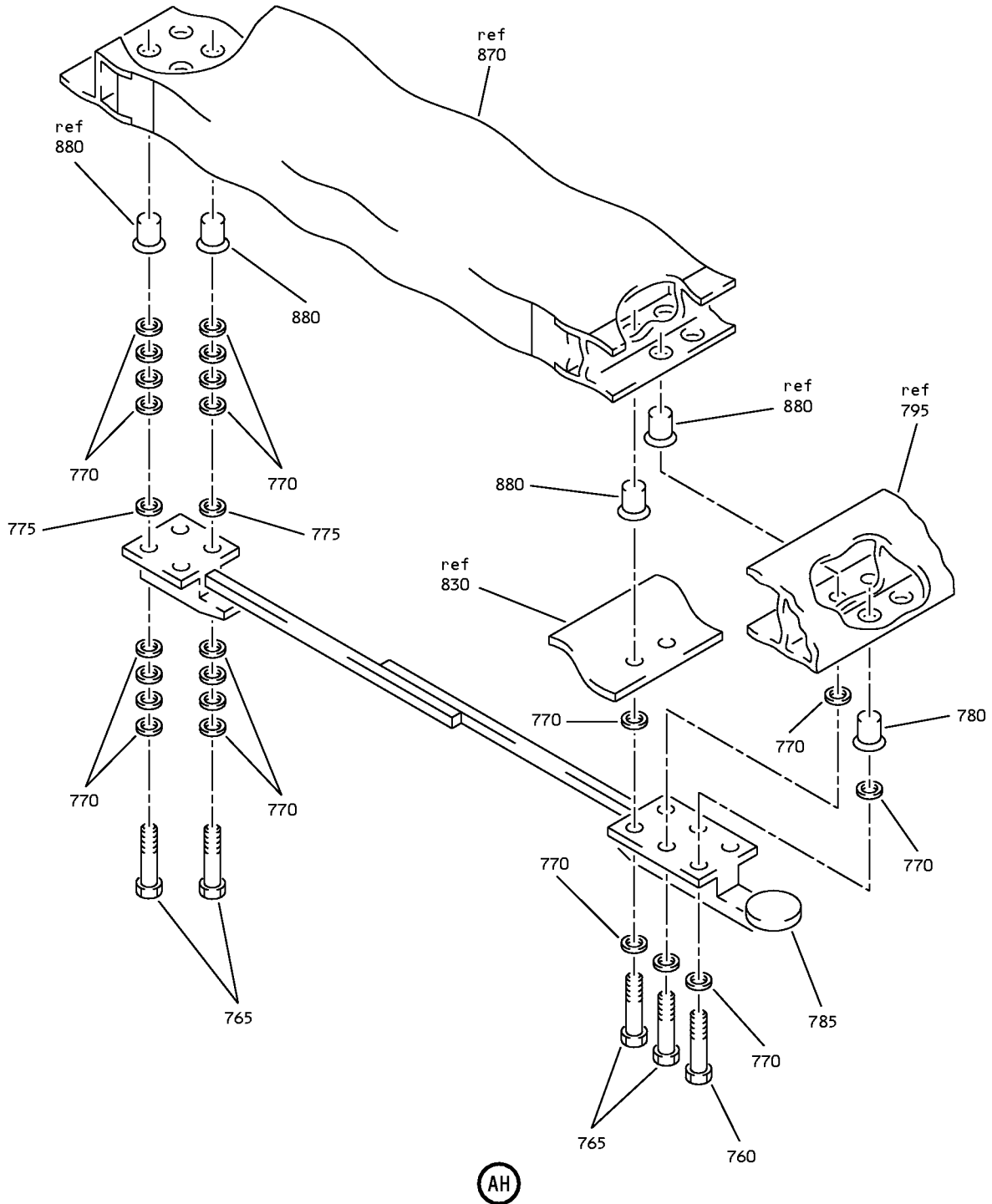
**25-24-08**

ILLUSTRATED PARTS LIST

Page 1098.432

Jul 01/2007

COMPONENT MAINTENANCE MANUAL



Forward Right Closet Assembly  
IPL Figure 15 (Sheet 21 of 22)

**25-24-08**

ILLUSTRATED PARTS LIST

Page 1098.433

Jul 01/2007





## COMPONENT MAINTENANCE MANUAL

FIG/ ITEM	PART NUMBER	AIRLINE PART NUMBER	NOMENCLATURE							USAGE CODE	UNITS PER ASSY
			1	2	3	4	5	6	7		
15-											
-1A	413N3206-232SP									AS	RF
-1B	413N3206-233SP									AT	RF
5	413U3165-1									AS, AT	1
10	413U3165-75									AS, AT	1
15	413U3165-4									AS, AT	1
20	413U3165-3									AS, AT	1
25	413U3165-11									AS, AT	1
30	69-50485-1									AS, AT	4
35	NAS549ML416									AS, AT	4
40	413U3165-82									AS, AT	1
45	BACS12FA3K8									AS, AT	16
50	69B51689-3									AS, AT	4
55	413U3165-42									AS, AT	AR
60	NAS1368N24K									AS, AT	2
65	BACS12FA3K14									AS, AT	2
70	413T3030-70									AS, AT	1
75	SAM223-1R									AS, AT	1
80	65C13879-110									AS, AT	4
85	H3-1242-3									AS, AT	2
90	65-74227-91									AS, AT	1
95	69-19088-14SP									AS, AT	1
100	MS16562-26									AS, AT	2
105	69-50269-3									AS, AT	1
110	MS24665-285									AS, AT	2
115	69-50264-2									AS, AT	2
120	69-50269-4									AS, AT	1
125	69-50485-1									AS, AT	2

-Item not Illustrated

# 25-24-08

ILLUSTRATED PARTS LIST

Page 1098.435

Jul 01/2007



## COMPONENT MAINTENANCE MANUAL

FIG/ ITEM	PART NUMBER	AIRLINE PART NUMBER	NOMENCLATURE							USAGE CODE	UNITS PER ASSY
			1	2	3	4	5	6	7		
15-											
130	NAS549ML416		. .	WASHER						AS, AT	2
				(OPT ITEM 130A)							
-130A	BACW10P193G		. .	WASHER						AS, AT	2
				(OPT ITEM 130)							
135	69-50264-1		. .	LINK						AS, AT	2
140	65-74227-23		. .	TRIM						AS, AT	1
145	65-74227-32		. .	TRIM						AS, AT	1
150	65-74227-33		. .	TRIM						AS, AT	1
155	65-74227-36		. .	TRIM						AS, AT	1
160	65-74227-37		. .	TRIM						AS, AT	1
165	65-74227-24SP		. .	COVER-DECORATIVE						AS, AT	1
170	65-74227-25SP		. .	COVER-DECORATIVE						AS, AT	1
-175	65-74227-92		. .	PANEL ASSY						AS, AT	1
180	69-50267-1		. . .	CHANNEL ASSY						AS, AT	2
190	BR1000A3		. . . .	NUTPLATE						AS, AT	1
				(V52828)							
				(SPEC BACN10KB3)							
				(OPT NS103184-02 (V80539))							
				(OPT RMA9207-3 (V72962))							
				(OPT T8109S1032 (V11815))							
				(OPT VN101A1-02 (V92215))							
				(OPT K2000-3 (V15653))							
195	69-50266-1		. . . .	RETAINER-NUTPLATE						AS, AT	1
200	69-50267-2		. . . .	CHANNEL						AS, AT	1
205	413N3615-340SP		. .	DOOR ASSY						AS, AT	1
				ATTACHING PARTS							
210	NAS514P632-6		. .	SCREW						AS, AT	12
				----- * -----							
215	413N3109-78		. .	LATCH ASSY						AS, AT	1
220	413N3109-93		. .	LATCH ASSY						AS, AT	1
				ATTACHING PARTS							
225	NAS514P632-3		. .	SCREW						AS, AT	4
230	NAS1836-06-09		. .	INSERT						AS, AT	4
				----- * -----							

-Item not Illustrated

# 25-24-08

ILLUSTRATED PARTS LIST

Page 1098.436

Jul 01/2007





## COMPONENT MAINTENANCE MANUAL

FIG/ ITEM	PART NUMBER	AIRLINE PART NUMBER	NOMENCLATURE							USAGE CODE	UNITS PER ASSY
			1	2	3	4	5	6	7		
15-											
-235	69B51600-3								. . . PIN	AS, AT	1
240	69B51600-4								. . . PIN	AS, AT	1
245	MS24586-525								. . . SPRING	AS, AT	1
250	MS18065-10								. . . SCREW	AS, AT	1
255	413N3109-79								. . . CATCH (USED ON ITEM 215)	AS, AT	1
260	413N3109-94								. . . CATCH (USED ON ITEM 220)	AS, AT	1
265	413N3109-80								. . . ANGLE	AS, AT	2
270	BACR15BA3D								. . . RIVET (SIZE DETERMINED ON INST) (FOR NHA SEE 413N3109)	AS, AT	5
275	69B51600-2								. . . COVER	AS, AT	1
280	69B51629-1								. . . HOUSING	AS, AT	1
285	413T3004-9								. . PULL ASSY (OPT ITEM 285A)	AS, AT	2
-285A	413N3211-603								. . PULL ASSY (OPT ITEM 285)	AS, AT	2
290	413N3615-187								. . PLATE	AS, AT	2
295	SL2334-06A3								. . INSERT (V97393)	AS, AT	12
300	413N3615-6SP								DELETED		
305	413N3615-7SP								DELETED		
310	413N3615-341SP								. DOOR ASSY  ATTACHING PARTS	AS, AT	1
315	NAS514P632-6								. SCREW  -----*	AS, AT	12
320	SL2334-06A3								. . INSERT (V97393)	AS, AT	12
325	413N3615-6SP								DELETED		
330	413N3615-7SP								DELETED		
335	S1124-2								. CAP-END, RACEWAY (V31845)	AS, AT	1
337	413T3150-41								. RACEWAY	AS, AT	1

-Item not Illustrated

# 25-24-08

ILLUSTRATED PARTS LIST

Page 1098.437

Jul 01/2009



## COMPONENT MAINTENANCE MANUAL

FIG/ ITEM	PART NUMBER	AIRLINE PART NUMBER	NOMENCLATURE							USAGE CODE	UNITS PER ASSY
			1	2	3	4	5	6	7		
15-											
340	BACS12FA3K8		.	SCREW						AS, AT	22
345	BACS12FA3K5		.	SCREW						AS, AT	22
350	GAR1003-1892		.	TRACK ASSY (V4N374)						AS, AT	1
355	413N3211-26SP		.	ANGLE						AS, AT	2
360	BACS12FA3K5		.	SCREW						AS, AT	44
365	413N3211-81SP		.	ANGLE						AS, AT	2
370	BACS12FA3K5		.	SCREW						AS, AT	8
375	413N3211-74SP		.	ANGLE						AS, AT	1
380	BACS12FA3K5		.	SCREW						AS, AT	60
385	413N3211-76SP		.	ANGLE						AS, AT	5
390	BACS12FA3K5		.	SCREW						AS, AT	60
395	413N3211-85SP		.	ANGLE						AS, AT	2
400	BACS12FA3K5		.	SCREW						AS, AT	12
405	413N3211-73SP		.	ANGLE						AS, AT	2
410	BACS12FA3K5		.	SCREW						AS, AT	28
415	413N3211-77SP		.	ANGLE						AS, AT	2
420	BACS12FA3K5		.	SCREW						AS, AT	26
425	413N3211-83SP		.	ANGLE						AS, AT	1
430	BACS12FA3K5		.	SCREW						AS, AT	24
435	NAS514P1032-5		.	SCREW						AS, AT	12
440	413N3211-111SP		.	ANGLE						AS, AT	6
445	BACS12FA3K5		.	SCREW						AS, AT	8
450	BACS12FA3K9		.	SCREW						AS, AT	6
455	413N3215-13SP		.	BRACKET-GUSSET						AS, AT	1
460	413N3215-14SP		.	BRACKET-GUSSET						AS, AT	1
465	BACS12FA3K5		.	SCREW						AS, AT	7
470	413N3211-66SP		.	ANGLE-GUSSET						AS, AT	1
475	PK87XA8-12		.	SCREW-TAPPING (V45722) (SPEC BACS12H8-12) (OPT SK145A8-12 (V73439))						AS, AT	2
480	BACS12FA3K5		.	SCREW						AS, AT	2

-Item not Illustrated

# 25-24-08

ILLUSTRATED PARTS LIST

Page 1098.438

Jul 01/2007



## COMPONENT MAINTENANCE MANUAL

FIG/ ITEM	PART NUMBER	AIRLINE PART NUMBER	NOMENCLATURE							USAGE CODE	UNITS PER ASSY
			1	2	3	4	5	6	7		
15-											
485	413T3051-12SP		.							AS, AT	1
490	2055144		.							AS, AT	1
495	BACB30NT3K2		.							AS, AT	4
500	413T3051-101		.							AS, AT	1
505	413T3051-102		.							AS, AT	1
510	413N3214-690SP		.							AS, AT	1
515	SL2334-3A3		.	.						AS, AT	32
520	413N3214-73SP		.	.						AS, AT	1
525	413N3214-75SP		.	.						AS, AT	1
530	413N3224-256SP		.							AS, AT	1
535	BACS13CJ3L180P		.	.						AS, AT	6
540	413N3211-49		.	.						AS, AT	1
545	413N3211-50		.	.						AS, AT	1
550	413N3224-7SP		.	.						AS, AT	1
555	413N3224-83SP		.	.						AS, AT	1
560	413N3214-497SP		.							AS, AT	1
565	SL2334-3A3		.	.						AS, AT	25
570	413N3214-73SP		.	.						AS, AT	1
575	413N3214-74SP		.	.						AS, AT	1
580	413N3214-689SP		.							AS, AT	1
585	SL2334-3A3		.	.						AS, AT	44
590	NAS1834-3-1000		.	.						AS, AT	1
595	413N3214-73SP		.	.						AS, AT	1
600	413N3214-682SP		.							AS, AT	1
605	SL2334-3A3		.	.						AS, AT	92
610	413N3214-76SP		.	.						AS, AT	1
615	413N3214-77SP		.	.						AS, AT	1
620	413N3214-73SP		.	.						AS, AT	1
625	413N3211-262		.	.						AS, AT	1

-Item not Illustrated

**25-24-08**

ILLUSTRATED PARTS LIST

Page 1098.439

Jul 01/2007



## COMPONENT MAINTENANCE MANUAL

FIG/ ITEM	PART NUMBER	AIRLINE PART NUMBER	NOMENCLATURE							USAGE CODE	UNITS PER ASSY
			1	2	3	4	5	6	7		
15-											
630	65-62776-86		. .							AS, AT	1
635	MS90353U0603		. . .							AS, AT	12
640	BACS13CJ3L080P		. . .							AS, AT	4
645	65-62776-85		. . .							AS, AT	2
650	65-62776-87		. . .							AS, AT	1
655	413N3214-683SP		. PANEL							AS	1
-655A	413N3214-691SP		. PANEL							AT	1
660	BACS13CJ3L130P		. .							AS, AT	4
665	SL2334-3A3		. .							AS, AT	90
670	SL2334-08A3		. .							AS, AT	6
675	413N3211-266		. .							AS, AT	1
680	413N3214-73SP		. .							AS, AT	1
685	413N3214-77SP		. .							AS, AT	1
690	413N3211-253		. .							AS, AT	1
695	413N3211-265		. .							AS, AT	1
700	413N3214-684SP		. PANEL							AS	1
-700A	413N3214-692SP		. PANEL							AT	1
705	SL2334-3A3		. .							AS, AT	55
710	413N3214-73SP		. .							AS, AT	1
715	413N3165-611		. .							AS, AT	1
720	BACB30NM3K22		. BOLT							AS, AT	1
725	NAS1149D0332J		. WASHER							AS, AT	1
730	F22K1-02		. NUT							AS, AT	1
			(V72962)								
			(SPEC BACN10R10L)								
			(OPT 22K1-02 (V72962))								
			(OPT 26CL02 (V80539))								
735	413A3008-403		. FILLER-RADIUS							AS, AT	1
740	BACS12ER3K16		. SCREW							AS, AT	14
745	SL52-3		. NUT							AS, AT	14
			(V97393)								
750	413N3206-123SP		. COVER-DECORATIVE CARPET							AS, AT	1

-Item not Illustrated

# 25-24-08

ILLUSTRATED PARTS LIST

Page 1098.440

Jul 01/2007



## COMPONENT MAINTENANCE MANUAL

FIG/ ITEM	PART NUMBER	AIRLINE PART NUMBER	NOMENCLATURE							USAGE CODE	UNITS PER ASSY	
			1	2	3	4	5	6	7			
15-												
755	413N3206-147SP		.							COVER-DECORATIVE CARPET	AS, AT	1
760	BACB30NM3K2		.							BOLT	AS, AT	4
765	BACB30NM3K3		.							BOLT	AS, AT	16
770	NAS1149D0332J		.							WASHER	AS, AT	76
775	NAS1149D0316J		.							WASHER	AS, AT	32
780	BACS13CJ3E080P		.							INSERT	AS, AT	4
785	45927-21		.							TRACK-SEAT FITTING (V31272)	AS, AT	2
790	BACS12FA3K6		.							SCREW	AS, AT	37
795	413N3211-294		.							EXTRUSION	AS, AT	1
800	BACS12FA3K5		.							SCREW	AS, AT	5
805	BACB30NM4K20		.							BOLT	AS, AT	1
810	NAS1149D0432J		.							WASHER	AS, AT	1
815	MS21042L4		.							NUT	AS, AT	1
820	413N3211-177		.							PLUG	AS, AT	1
825	413N3211-263		.							CHANNEL	AS, AT	2
830	413N3217-761		.							PLATE	AS, AT	2
835	413N3217-763		.							PLATE	AS, AT	1
840	413N3214-687		.							PANEL ASSY-DIVIDER	AS, AT	1
845	SL2868S3-800		.							INSERT (V97393)	AS, AT	3
850	437W8500-71		.							PANEL ASSY-ALUMINUM	AS, AT	1
855	413N3211-107		.							TRIM-CHANNEL	AS, AT	2
860	BACS12FA3K6		.							SCREW	AS, AT	3
865	413U2102-48SP		.							ANGLE	AS, AT	1
870	413N3214-688		.							PANEL ASSY-FLOOR	AS, AT	1
875	SL2334-3A3		.	.						INSERT (V97393)	AS, AT	17
880	BACS13CJ3L080P		.	.						INSERT	AS, AT	49
885	413N3217-363		.	.						EXTRUSION-FOAM	AS, AT	2
890	413N3217-293		.	.						EXTRUSION-FOAM	AS, AT	1
895	413N3217-362		.	.						EXTRUSION-FOAM	AS, AT	1

-Item not Illustrated

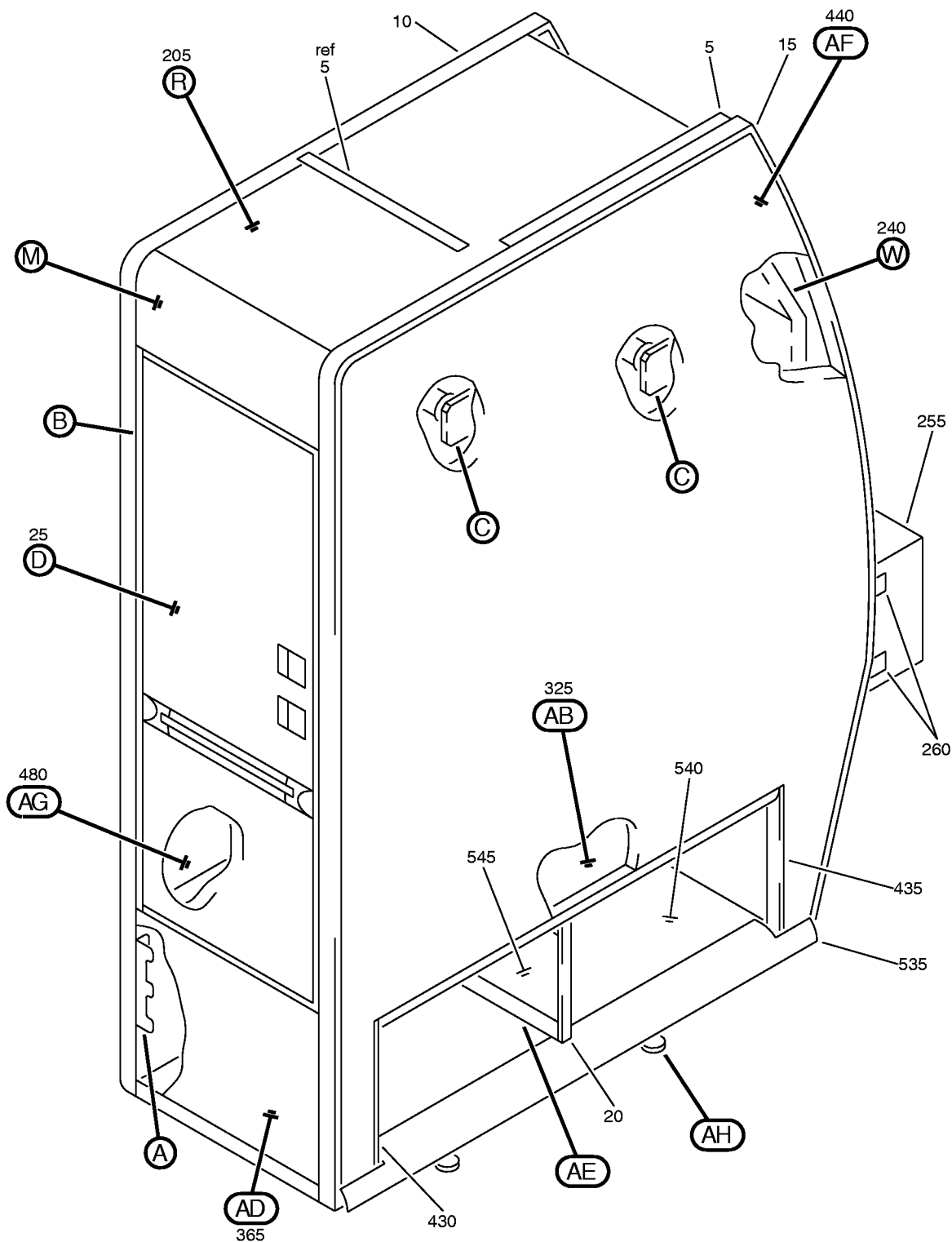
# 25-24-08

ILLUSTRATED PARTS LIST

Page 1098.441

Jul 01/2007

### COMPONENT MAINTENANCE MANUAL

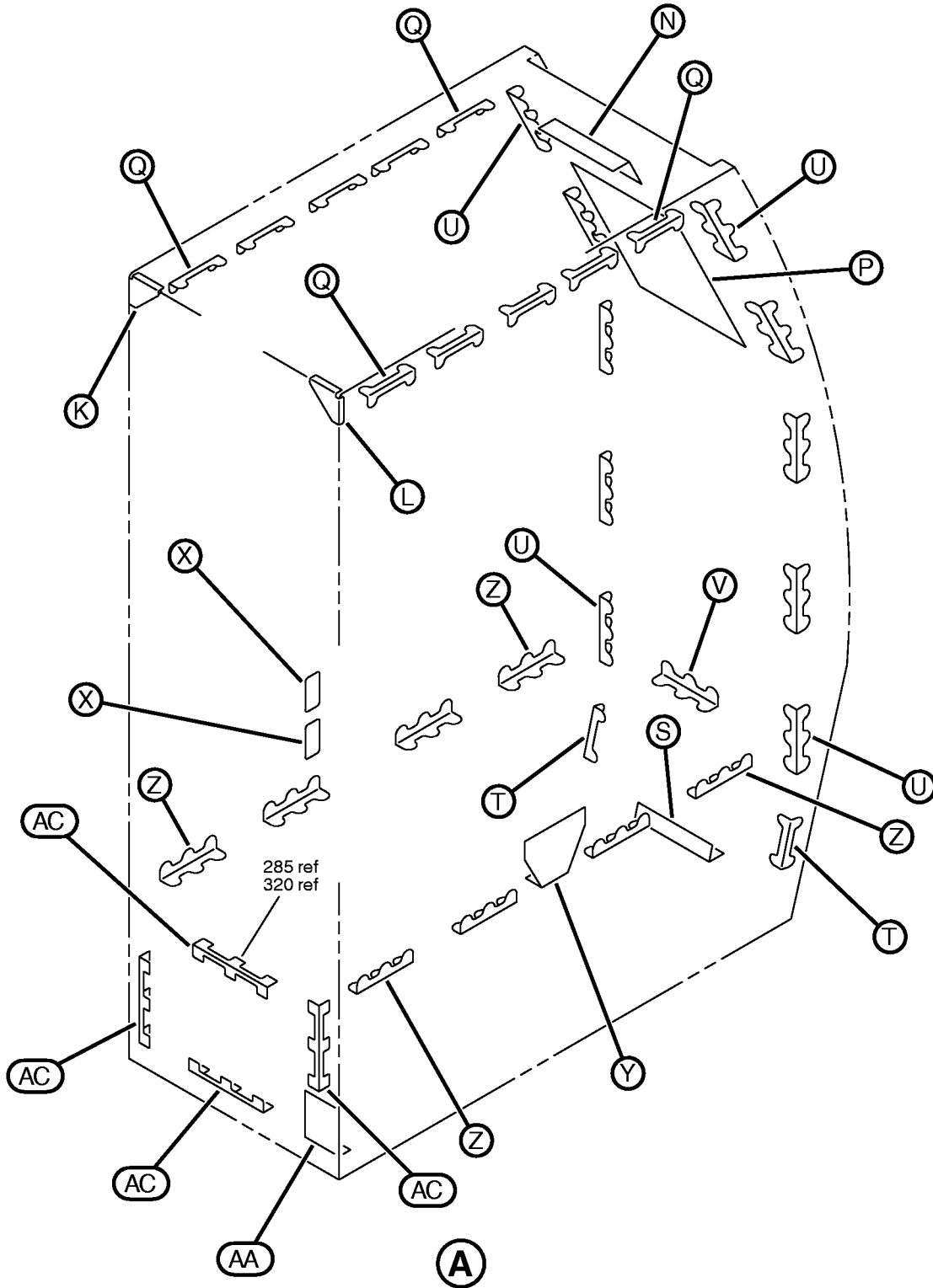


Forward Right Closet Assembly  
IPL Figure 16 (Sheet 1 of 24)

# 25-24-08

ILLUSTRATED PARTS LIST  
Page 1098.442  
Jul 01/2007

COMPONENT MAINTENANCE MANUAL



Forward Right Closet Assembly  
IPL Figure 16 (Sheet 2 of 24)

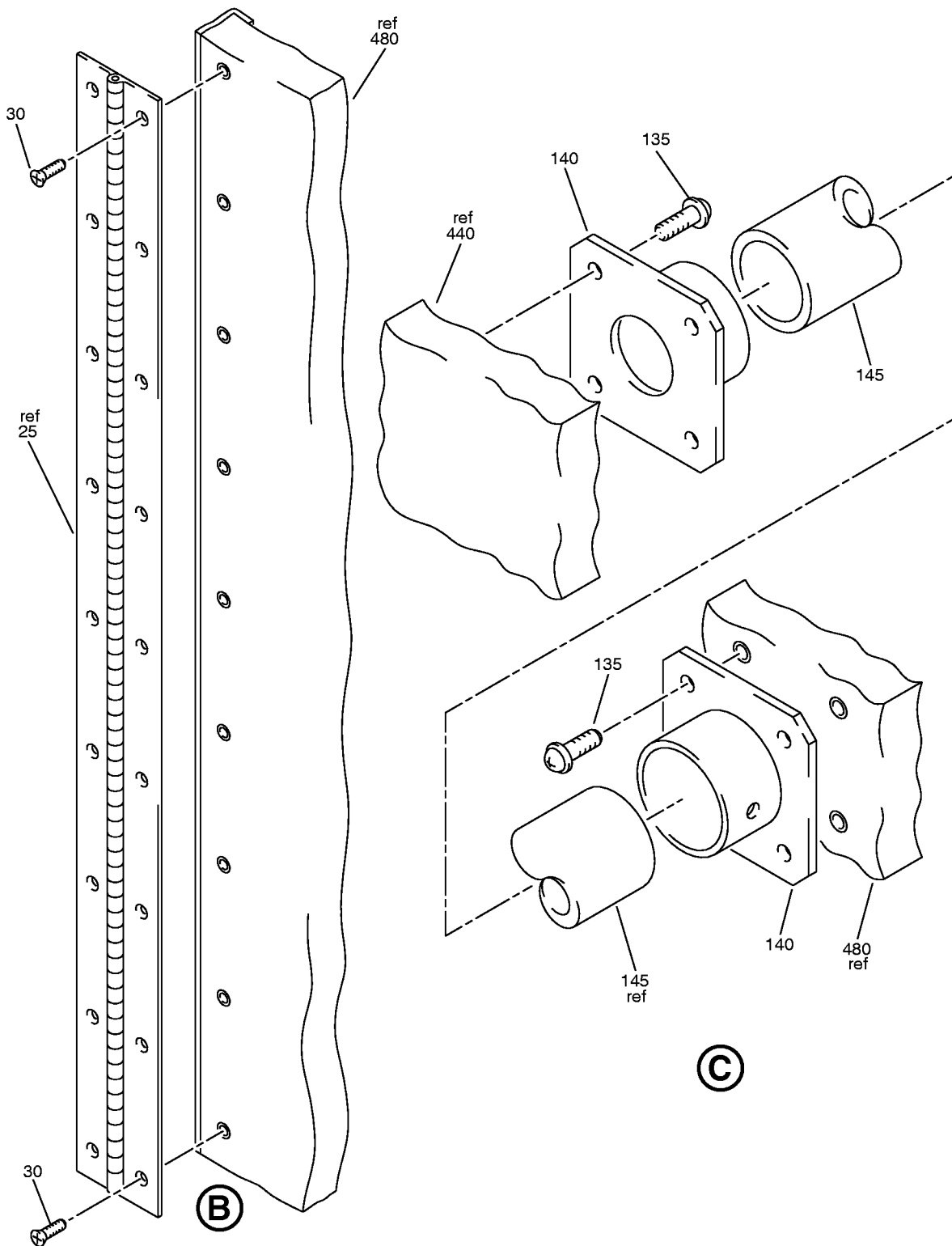
**25-24-08**

ILLUSTRATED PARTS LIST

Page 1098.443

Jul 01/2007

COMPONENT MAINTENANCE MANUAL

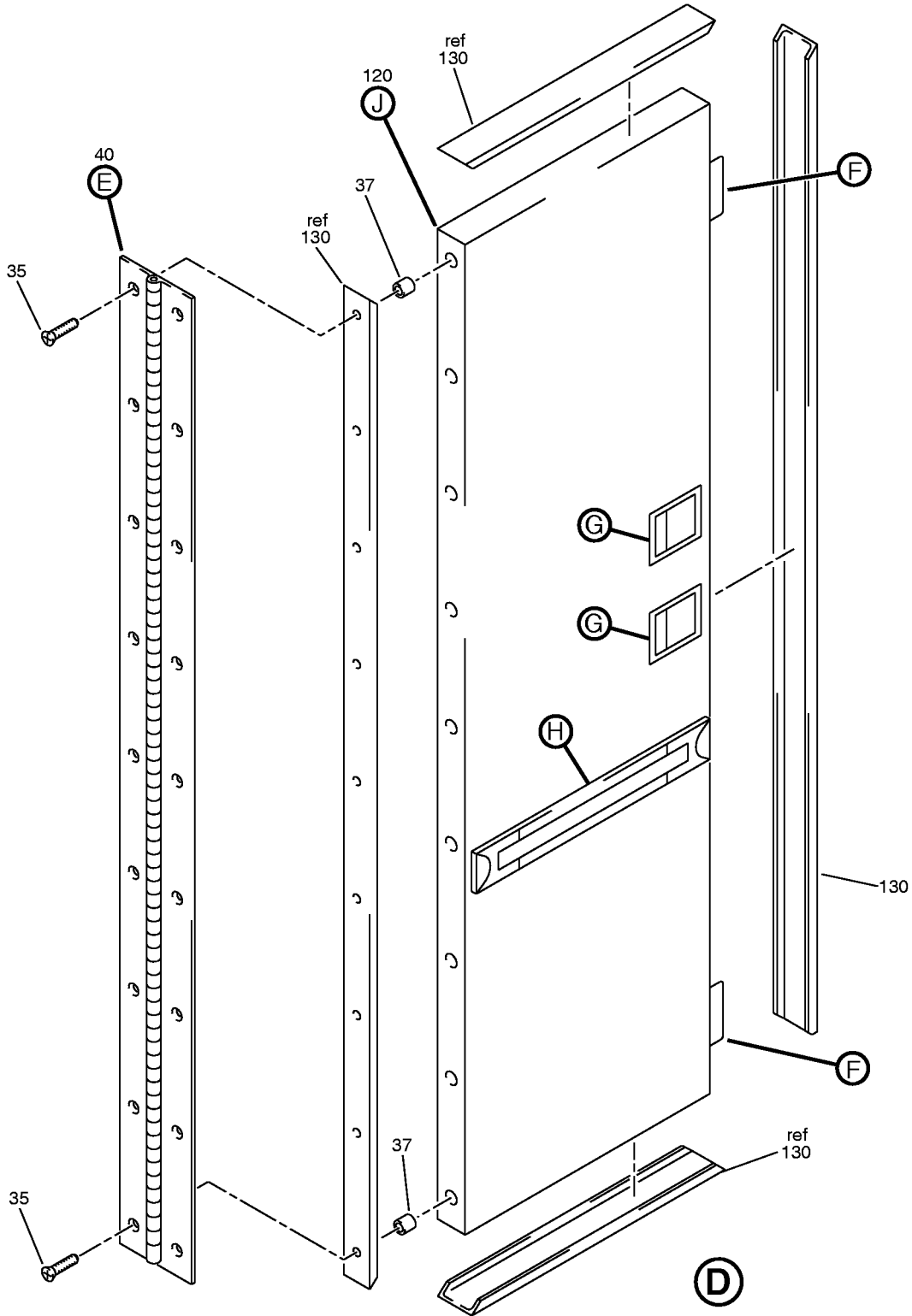


Forward Right Closet Assembly  
IPL Figure 16 (Sheet 3 of 24)

**25-24-08**  
ILLUSTRATED PARTS LIST  
Page 1098.444  
Jul 01/2007



COMPONENT MAINTENANCE MANUAL



Forward Right Closet Assembly  
IPL Figure 16 (Sheet 4 of 24)

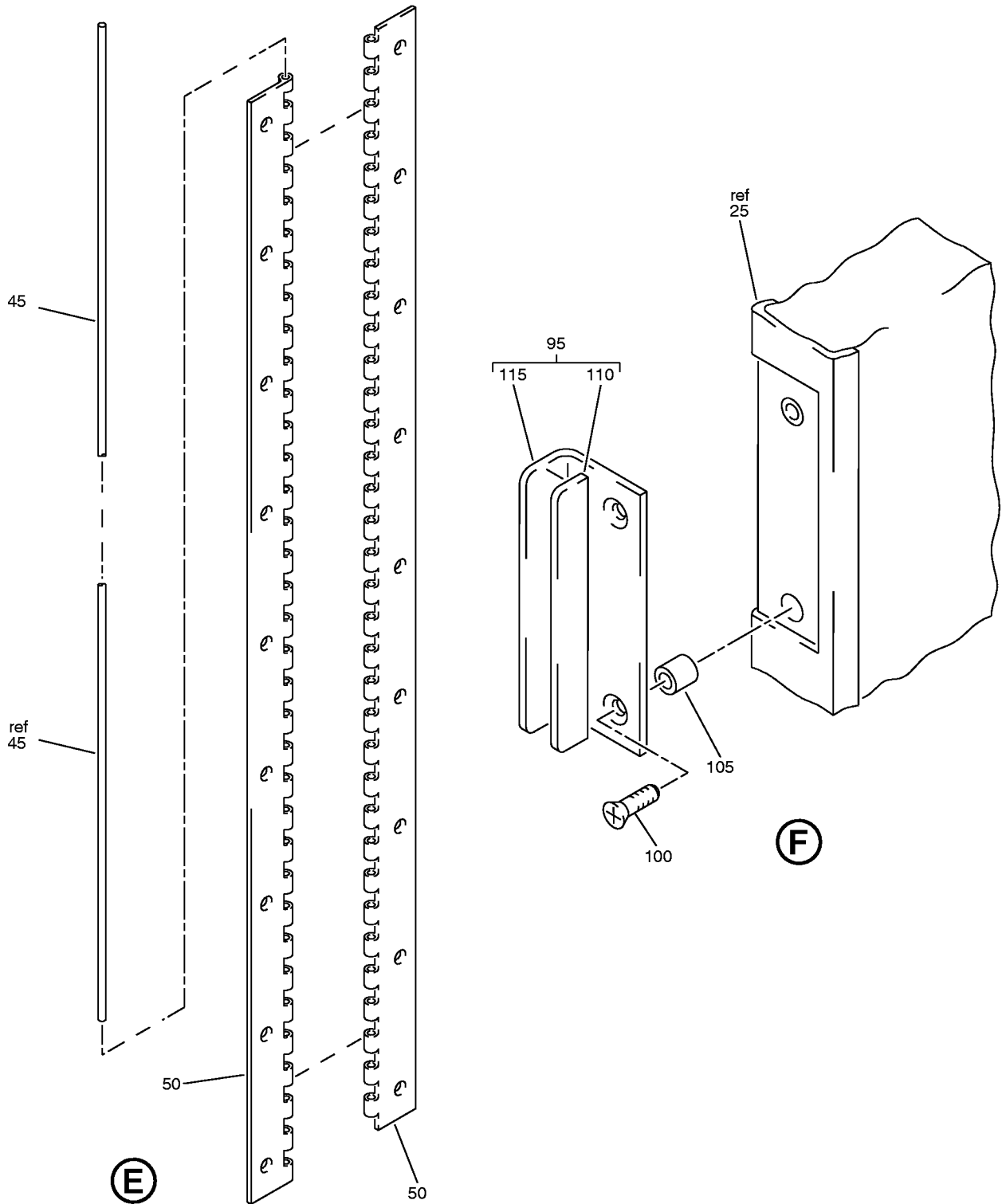
**25-24-08**

ILLUSTRATED PARTS LIST

Page 1098.445

Jul 01/2007

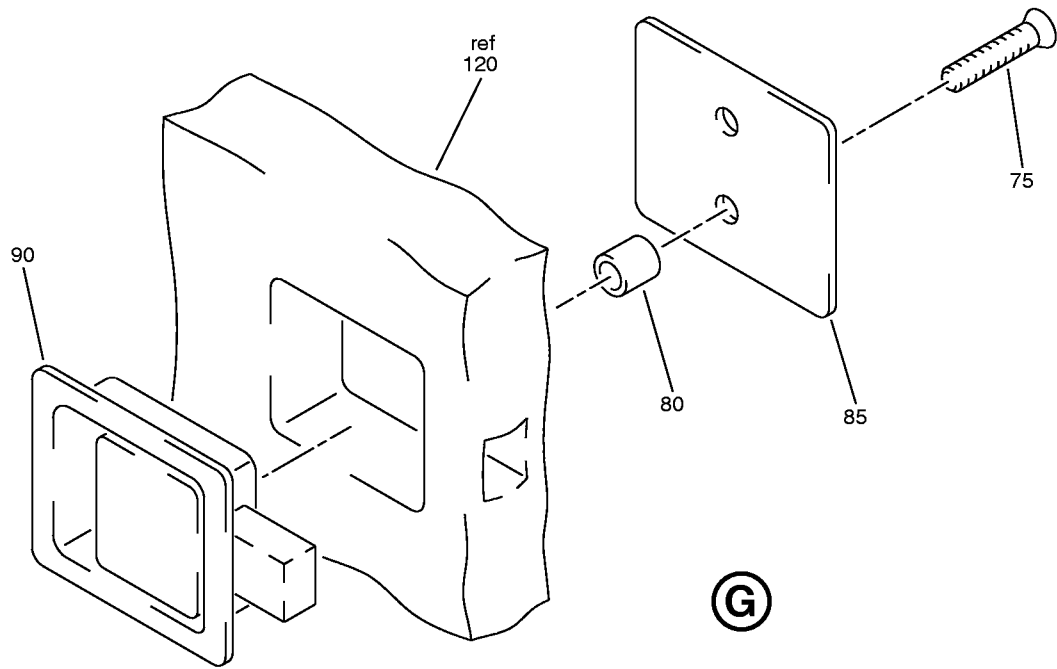
COMPONENT MAINTENANCE MANUAL



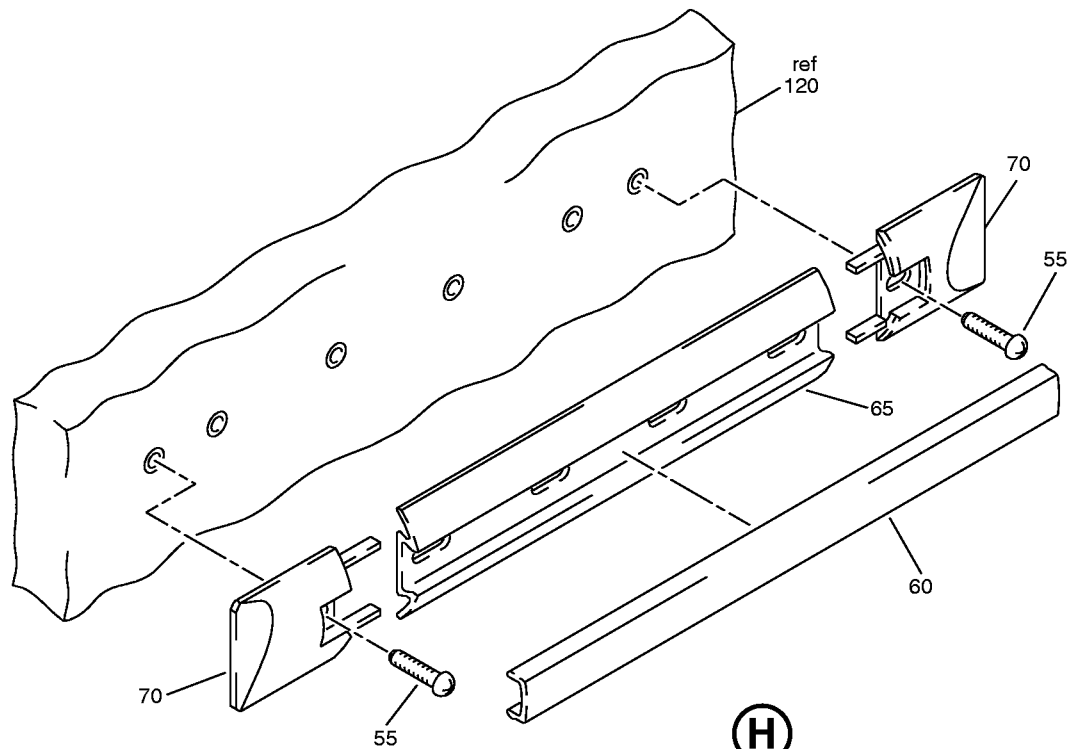
Forward Right Closet Assembly  
IPL Figure 16 (Sheet 5 of 24)

**25-24-08**  
ILLUSTRATED PARTS LIST  
Page 1098.446  
Jul 01/2007

COMPONENT MAINTENANCE MANUAL



(G)



(H)

Forward Right Closet Assembly  
IPL Figure 16 (Sheet 6 of 24)

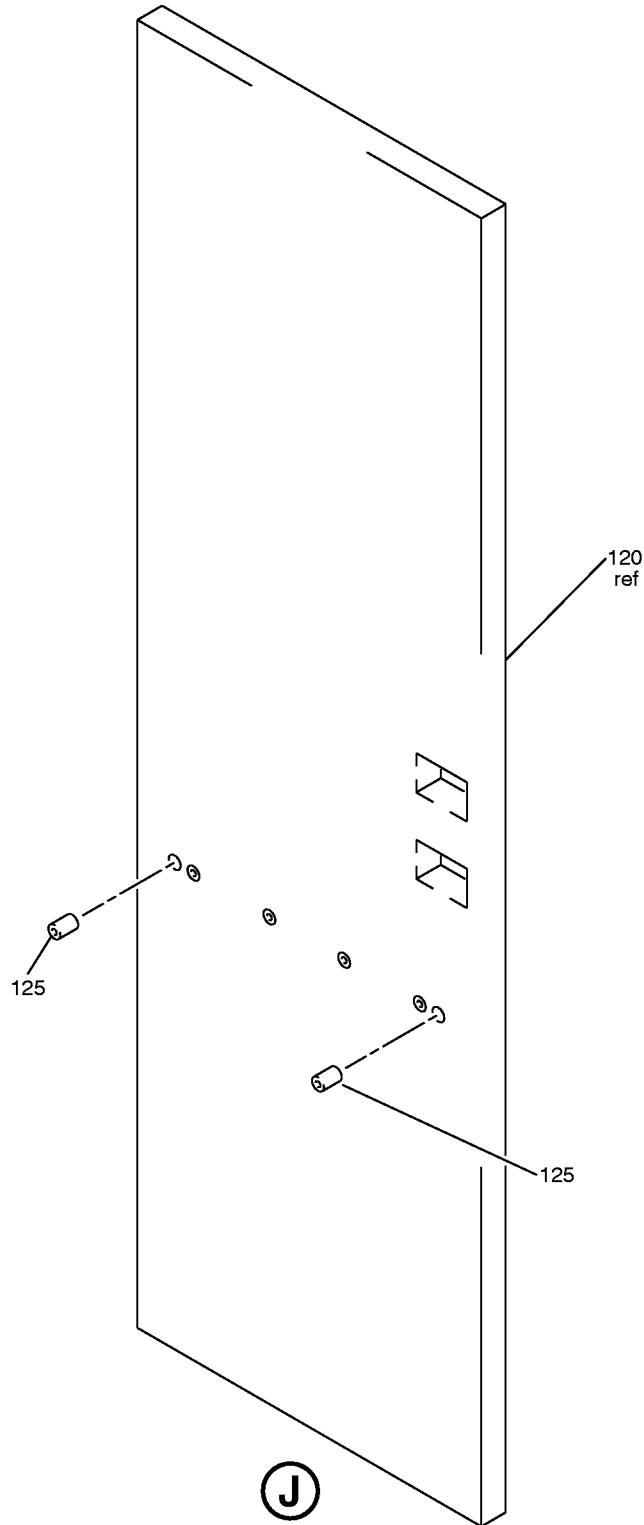
**25-24-08**

ILLUSTRATED PARTS LIST

Page 1098.447

Jul 01/2007

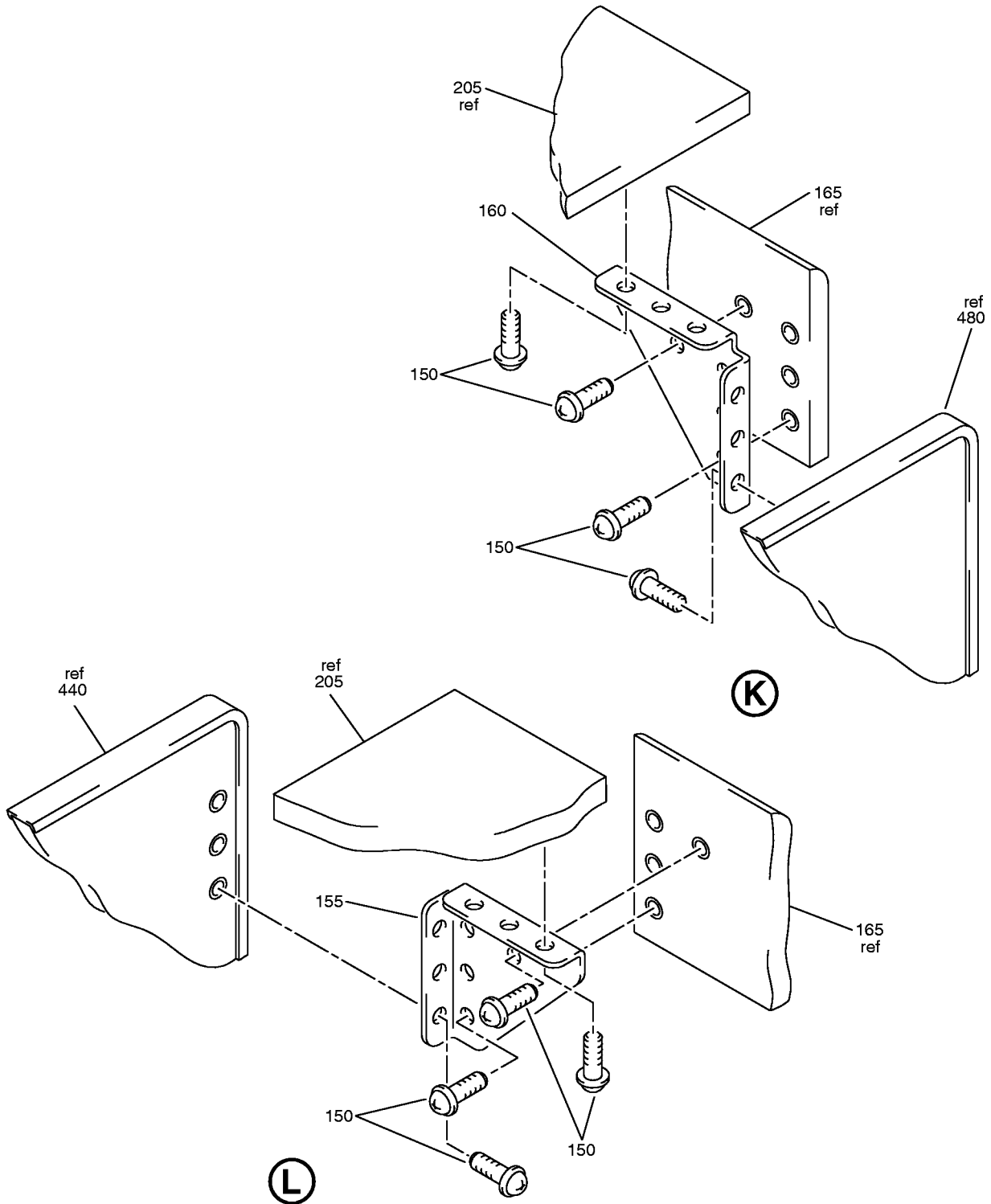
COMPONENT MAINTENANCE MANUAL



Forward Right Closet Assembly  
IPL Figure 16 (Sheet 7 of 24)

**25-24-08**  
ILLUSTRATED PARTS LIST  
Page 1098.448  
Jul 01/2007

COMPONENT MAINTENANCE MANUAL



Forward Right Closet Assembly  
IPL Figure 16 (Sheet 8 of 24)

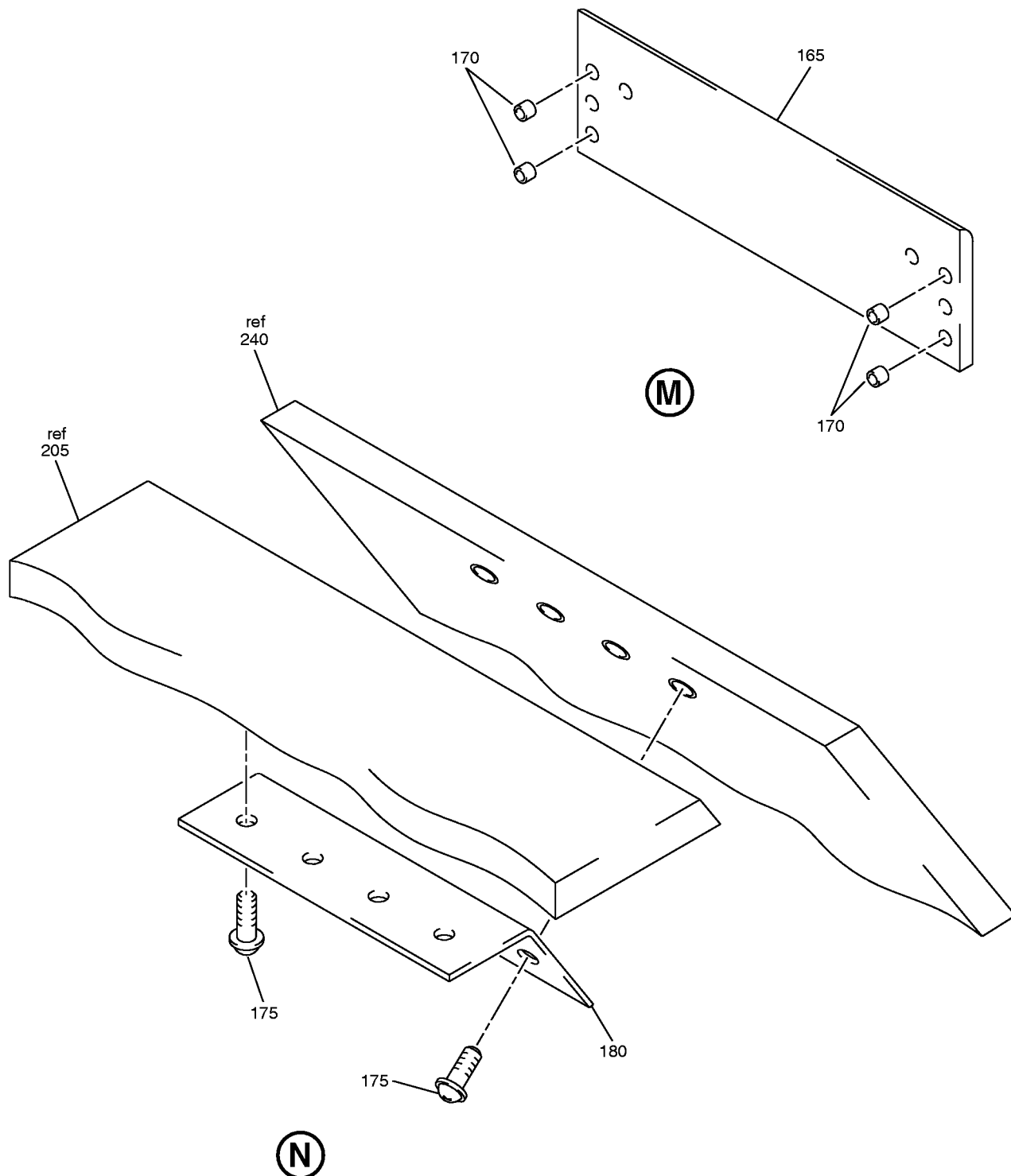
**25-24-08**

ILLUSTRATED PARTS LIST

Page 1098.449

Jul 01/2007

COMPONENT MAINTENANCE MANUAL



Forward Right Closet Assembly  
IPL Figure 16 (Sheet 9 of 24)

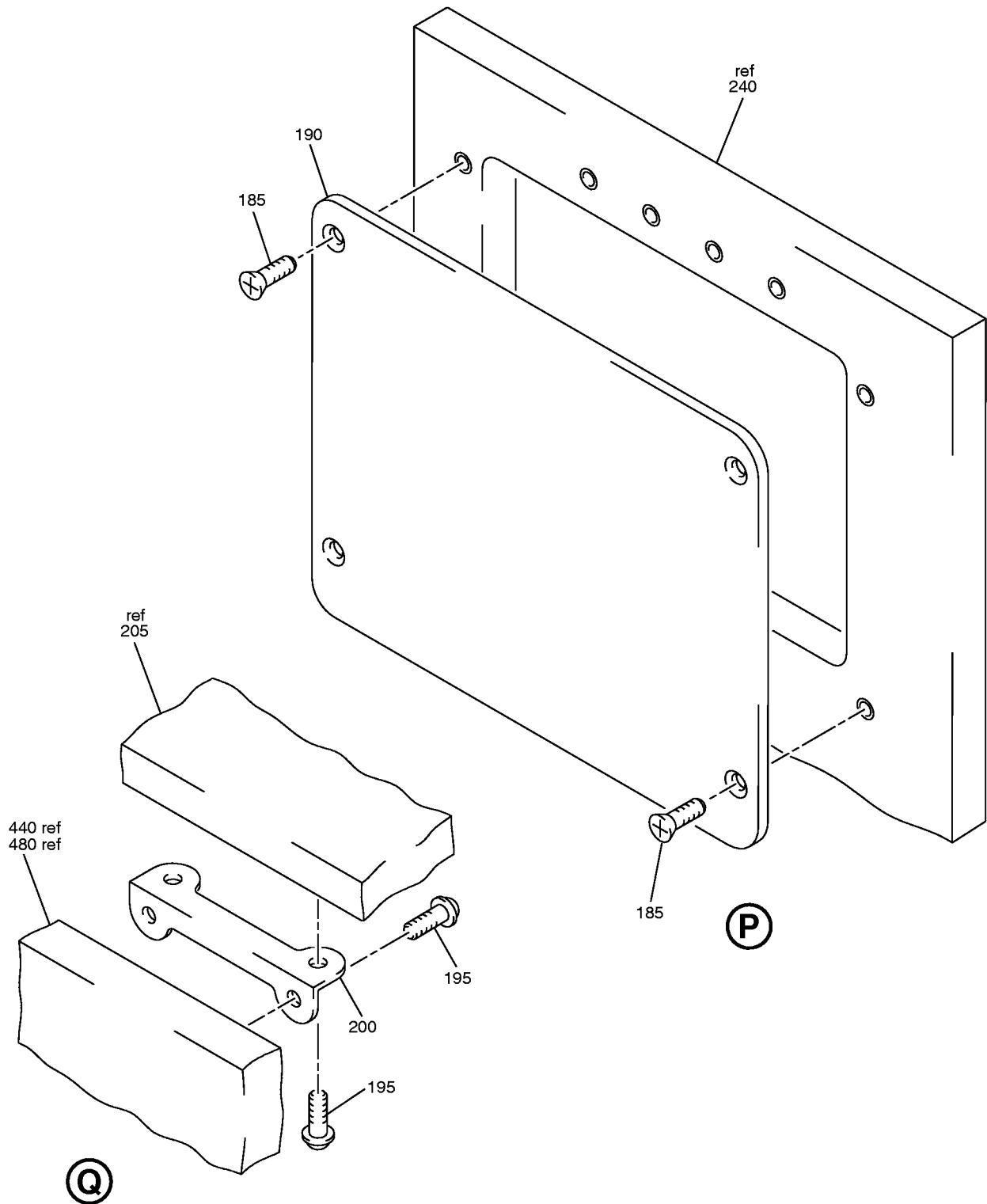
**25-24-08**

ILLUSTRATED PARTS LIST

Page 1098.450

Jul 01/2007

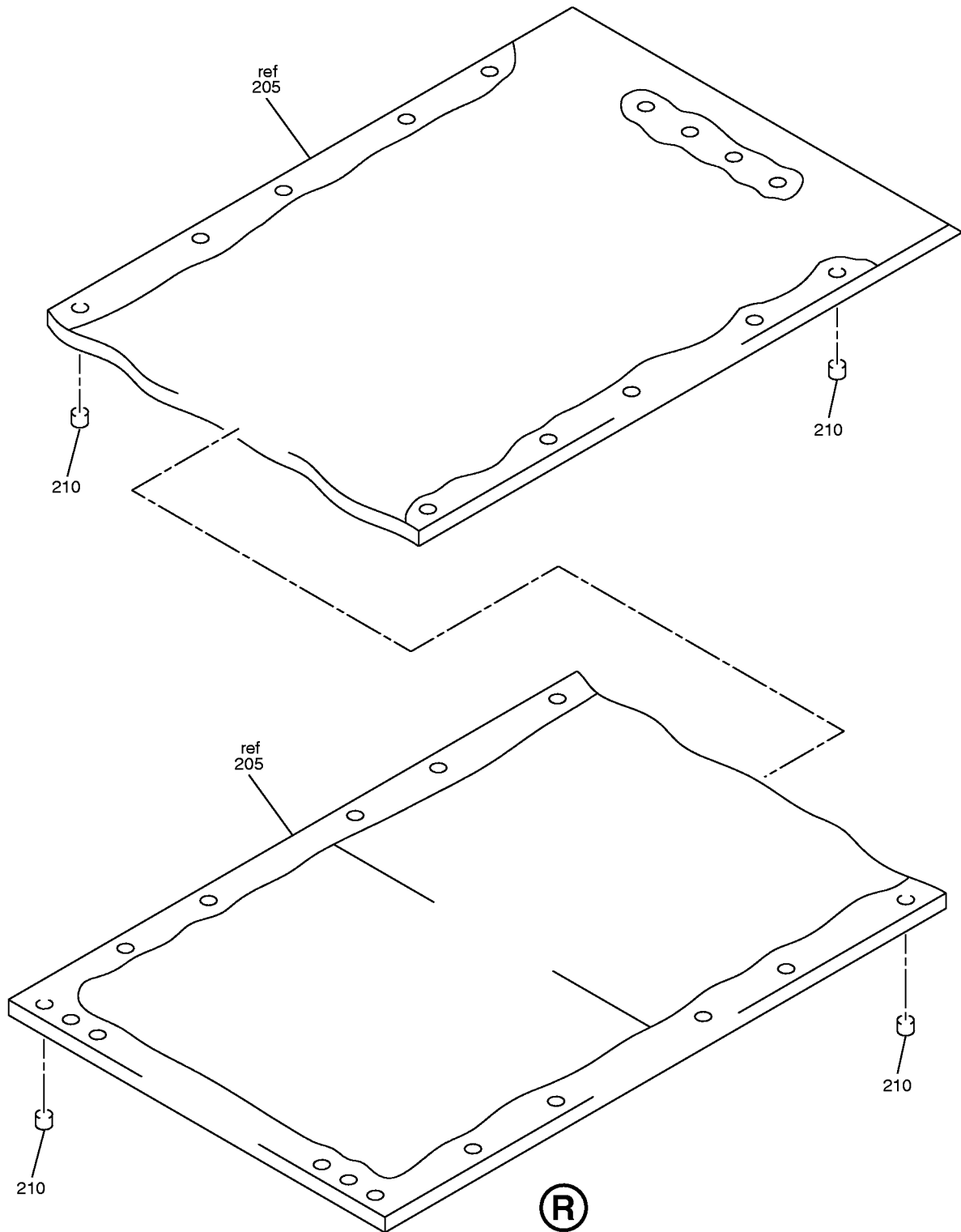
COMPONENT MAINTENANCE MANUAL



Forward Right Closet Assembly  
IPL Figure 16 (Sheet 10 of 24)

**25-24-08**  
ILLUSTRATED PARTS LIST  
Page 1098.451  
Jul 01/2007

COMPONENT MAINTENANCE MANUAL



Forward Right Closet Assembly  
IPL Figure 16 (Sheet 11 of 24)

**25-24-08**

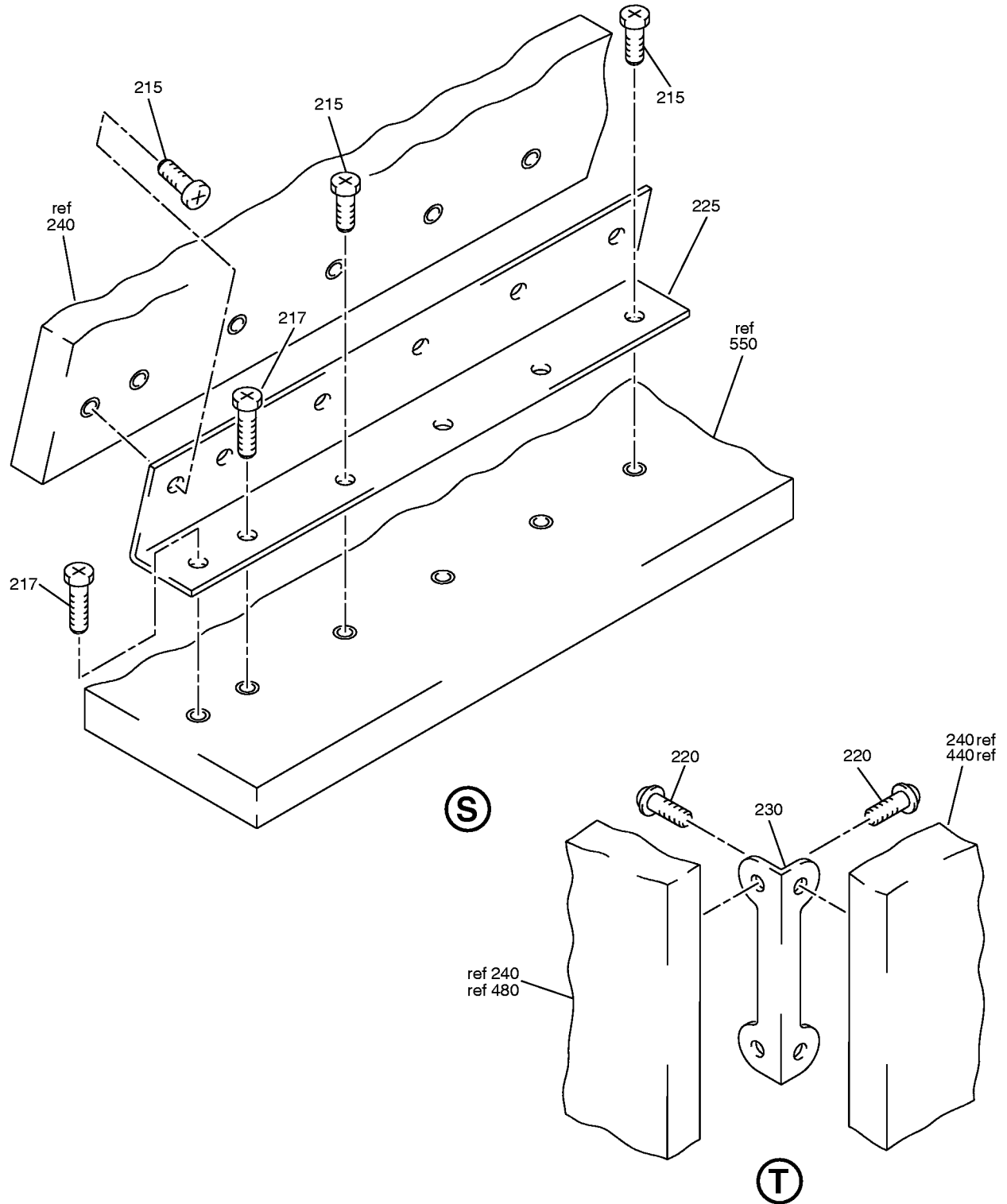
ILLUSTRATED PARTS LIST

Page 1098.452

Jul 01/2007



COMPONENT MAINTENANCE MANUAL



Forward Right Closet Assembly  
IPL Figure 16 (Sheet 12 of 24)

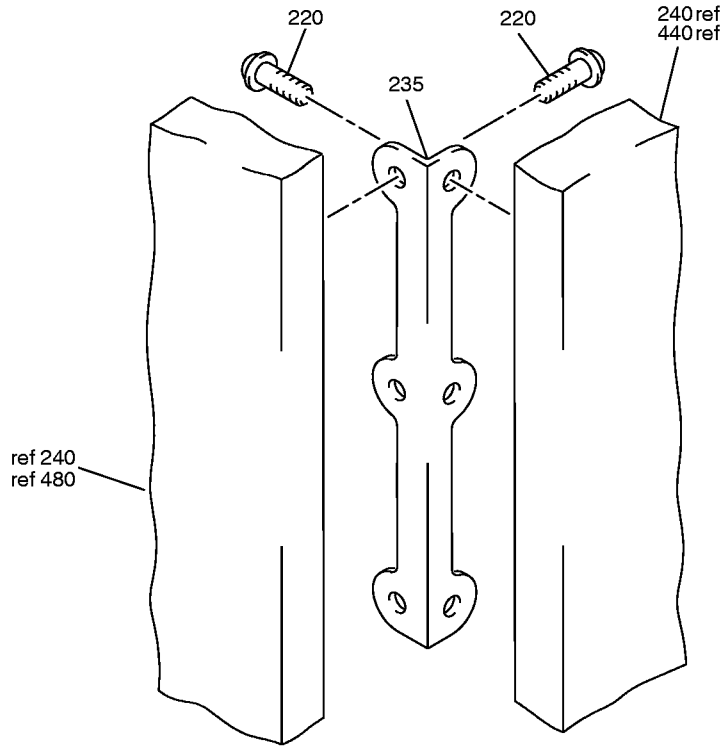
**25-24-08**

ILLUSTRATED PARTS LIST

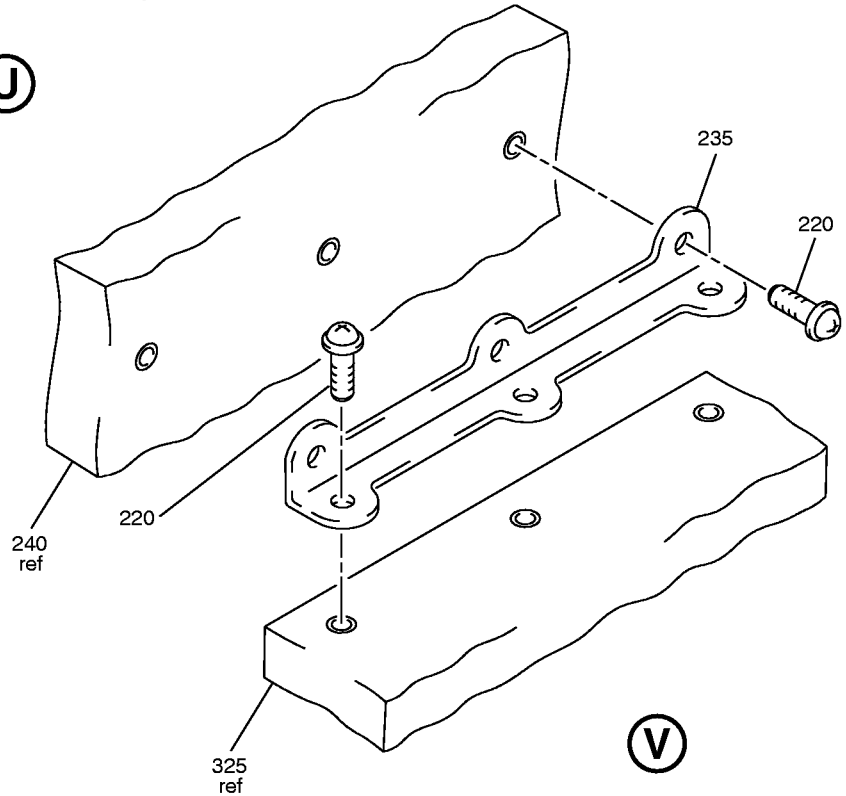
Page 1098.453

Jul 01/2007

COMPONENT MAINTENANCE MANUAL



U



Forward Right Closet Assembly  
IPL Figure 16 (Sheet 13 of 24)

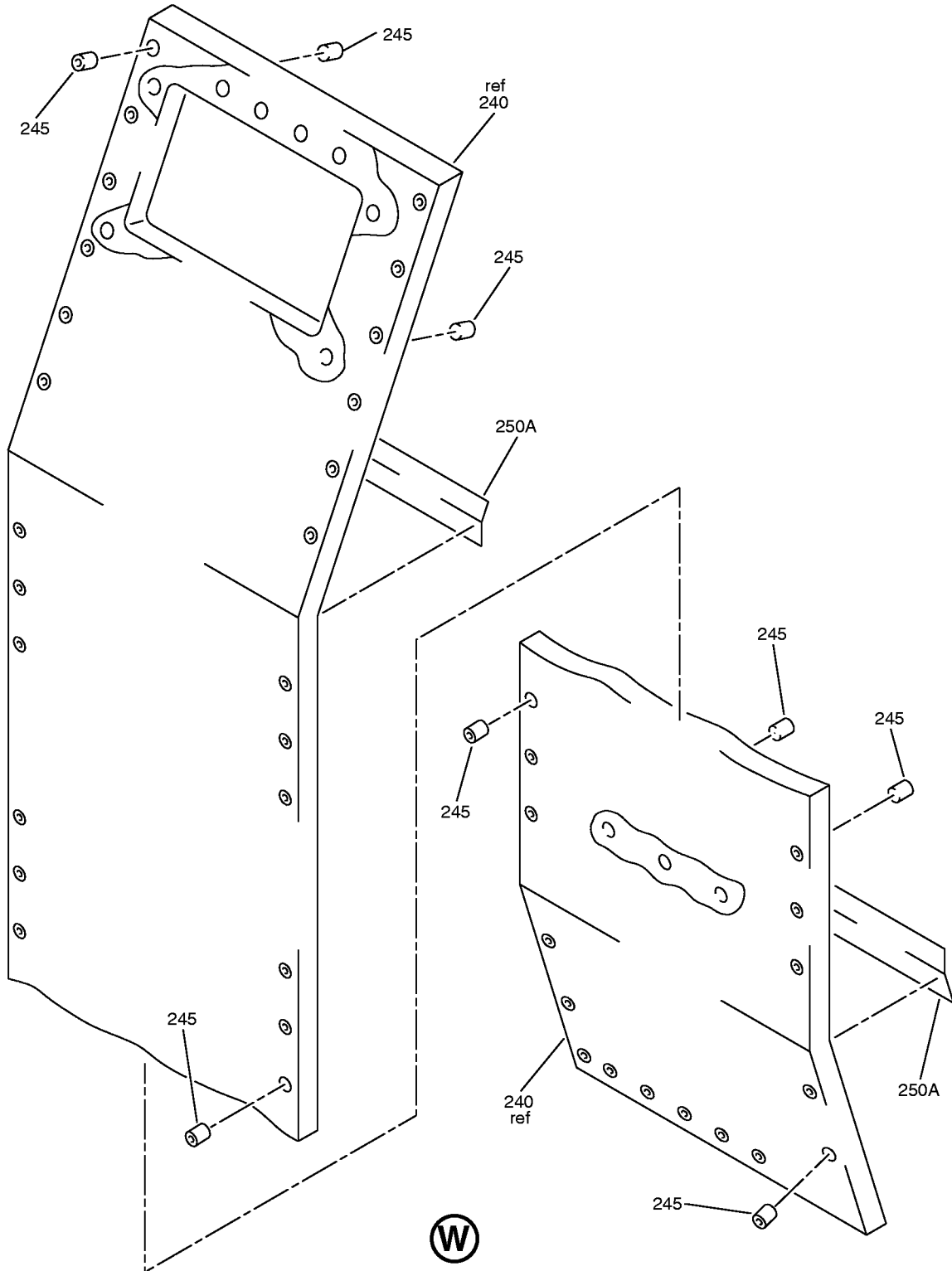
**25-24-08**

ILLUSTRATED PARTS LIST

Page 1098.454

Jul 01/2007

COMPONENT MAINTENANCE MANUAL



Forward Right Closet Assembly  
IPL Figure 16 (Sheet 14 of 24)

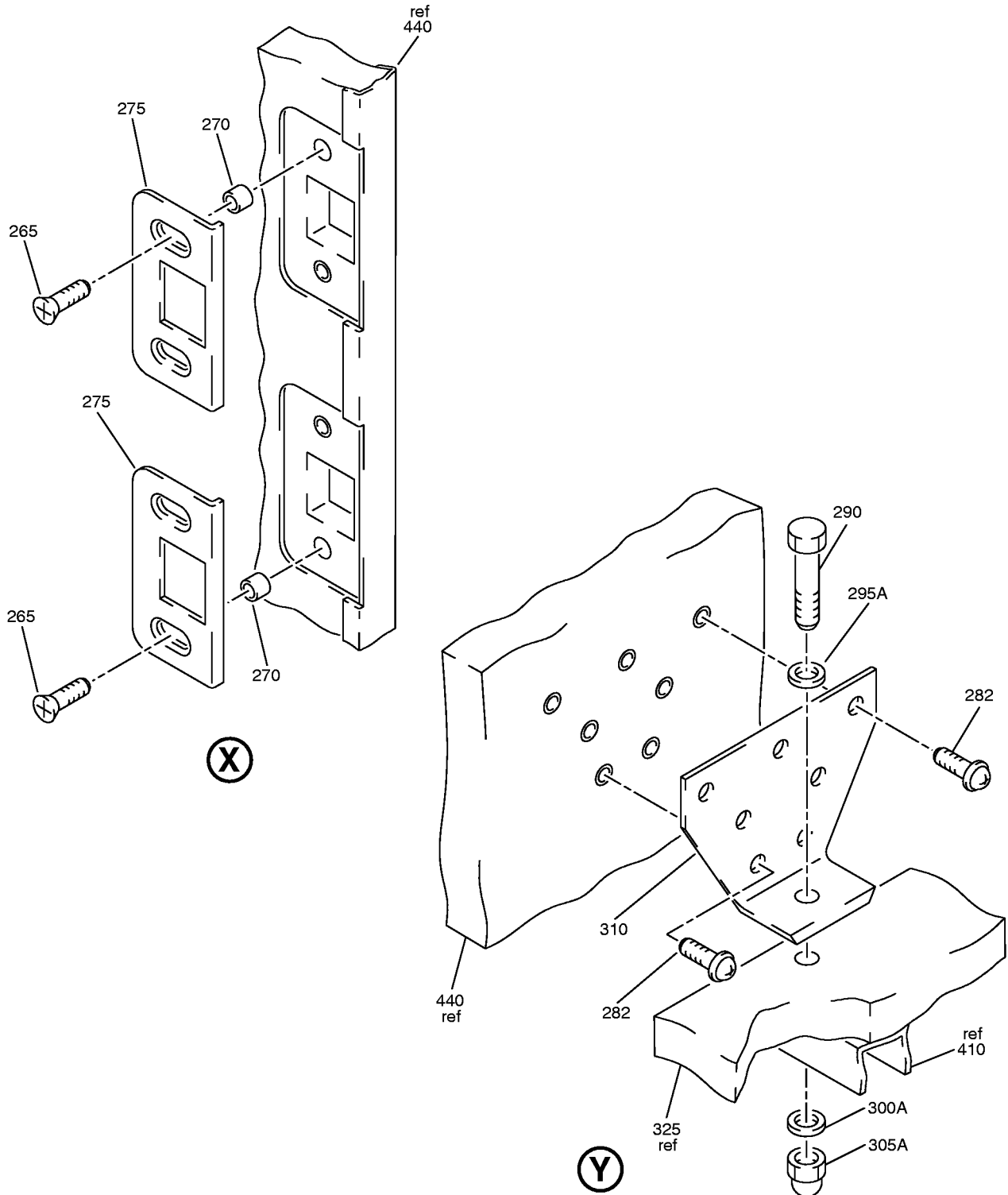
**25-24-08**

ILLUSTRATED PARTS LIST

Page 1098.455

Jul 01/2007

COMPONENT MAINTENANCE MANUAL



Forward Right Closet Assembly  
IPL Figure 16 (Sheet 15 of 24)

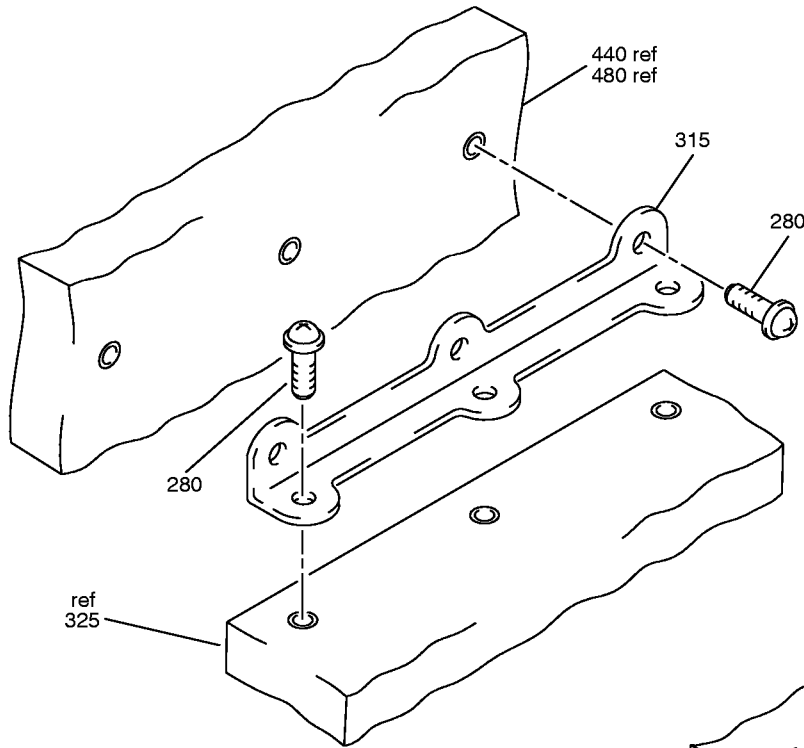
**25-24-08**

ILLUSTRATED PARTS LIST

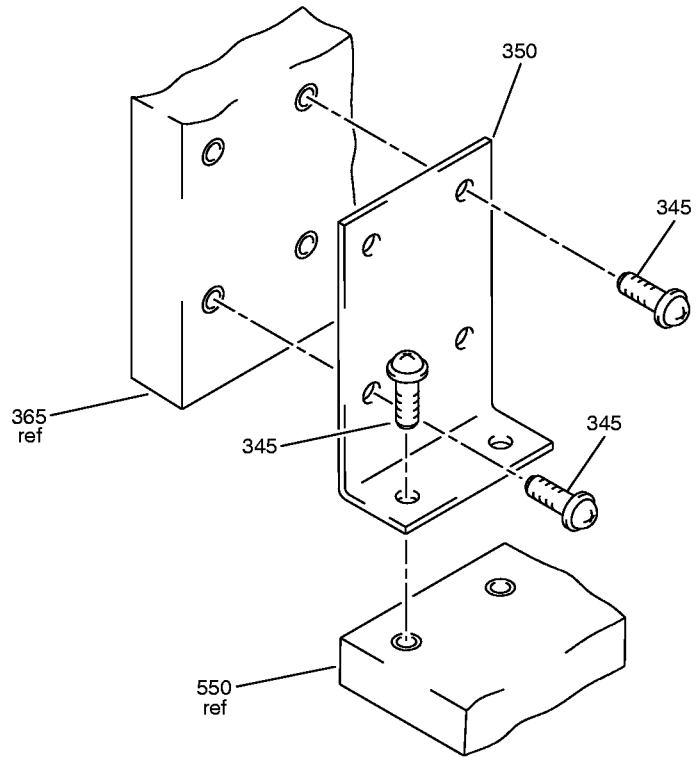
Page 1098.456

Jul 01/2007

COMPONENT MAINTENANCE MANUAL



**Z**



**AA**

Forward Right Closet Assembly  
IPL Figure 16 (Sheet 16 of 24)

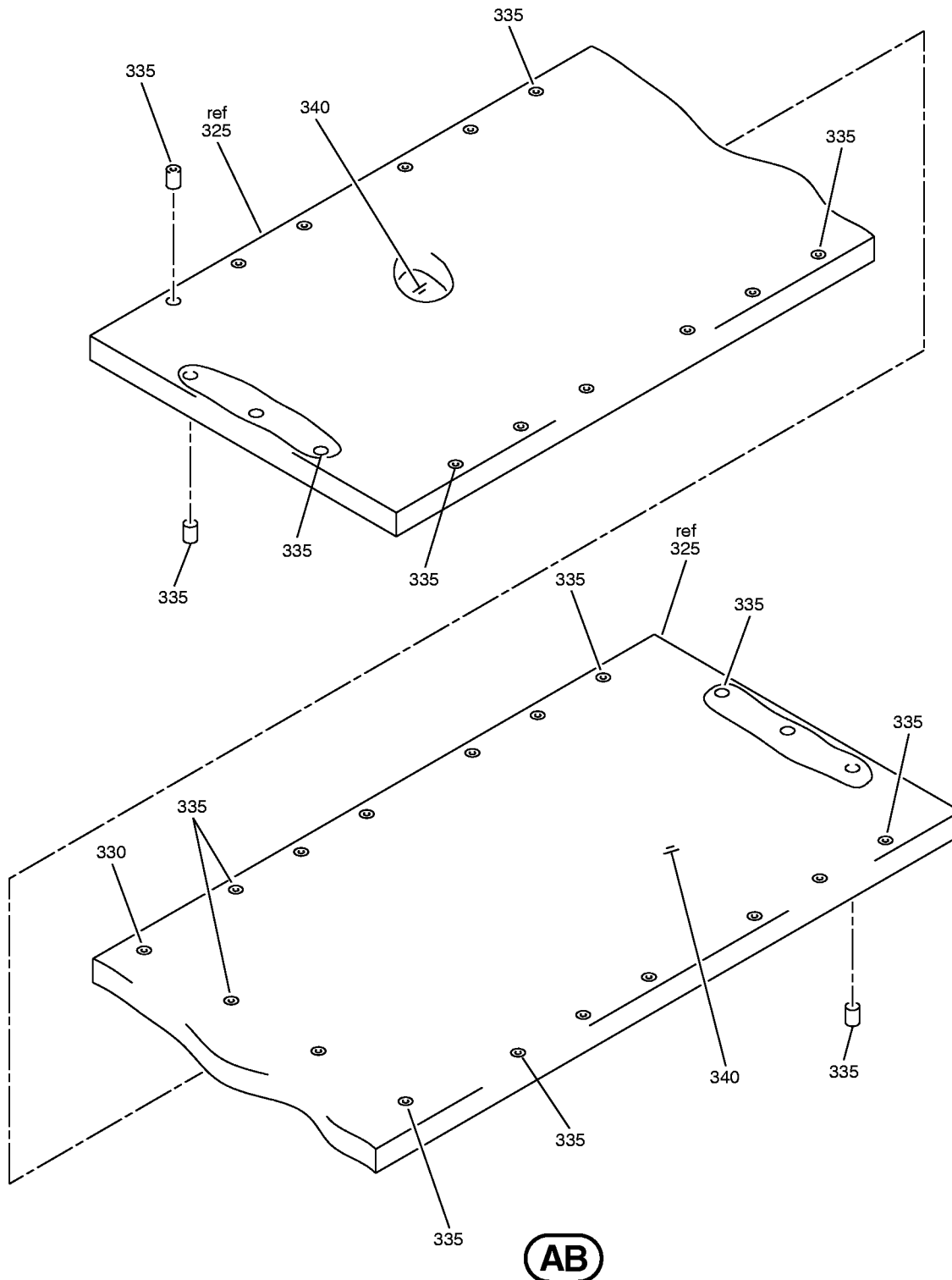
**25-24-08**

ILLUSTRATED PARTS LIST

Page 1098.457

Jul 01/2007

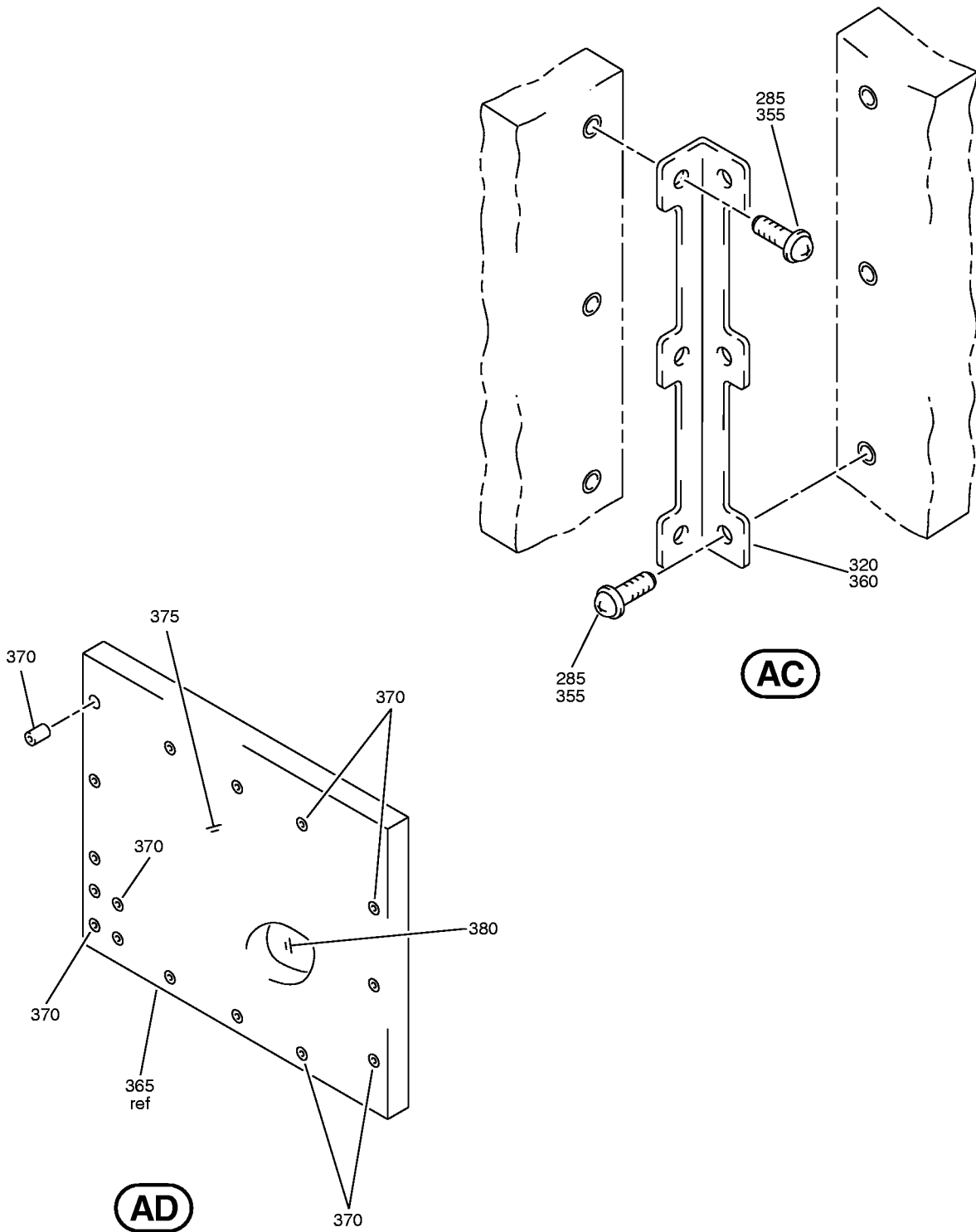
COMPONENT MAINTENANCE MANUAL



Forward Right Closet Assembly  
IPL Figure 16 (Sheet 17 of 24)

**25-24-08**  
ILLUSTRATED PARTS LIST  
Page 1098.458  
Jul 01/2007

COMPONENT MAINTENANCE MANUAL



Forward Right Closet Assembly  
IPL Figure 16 (Sheet 18 of 24)

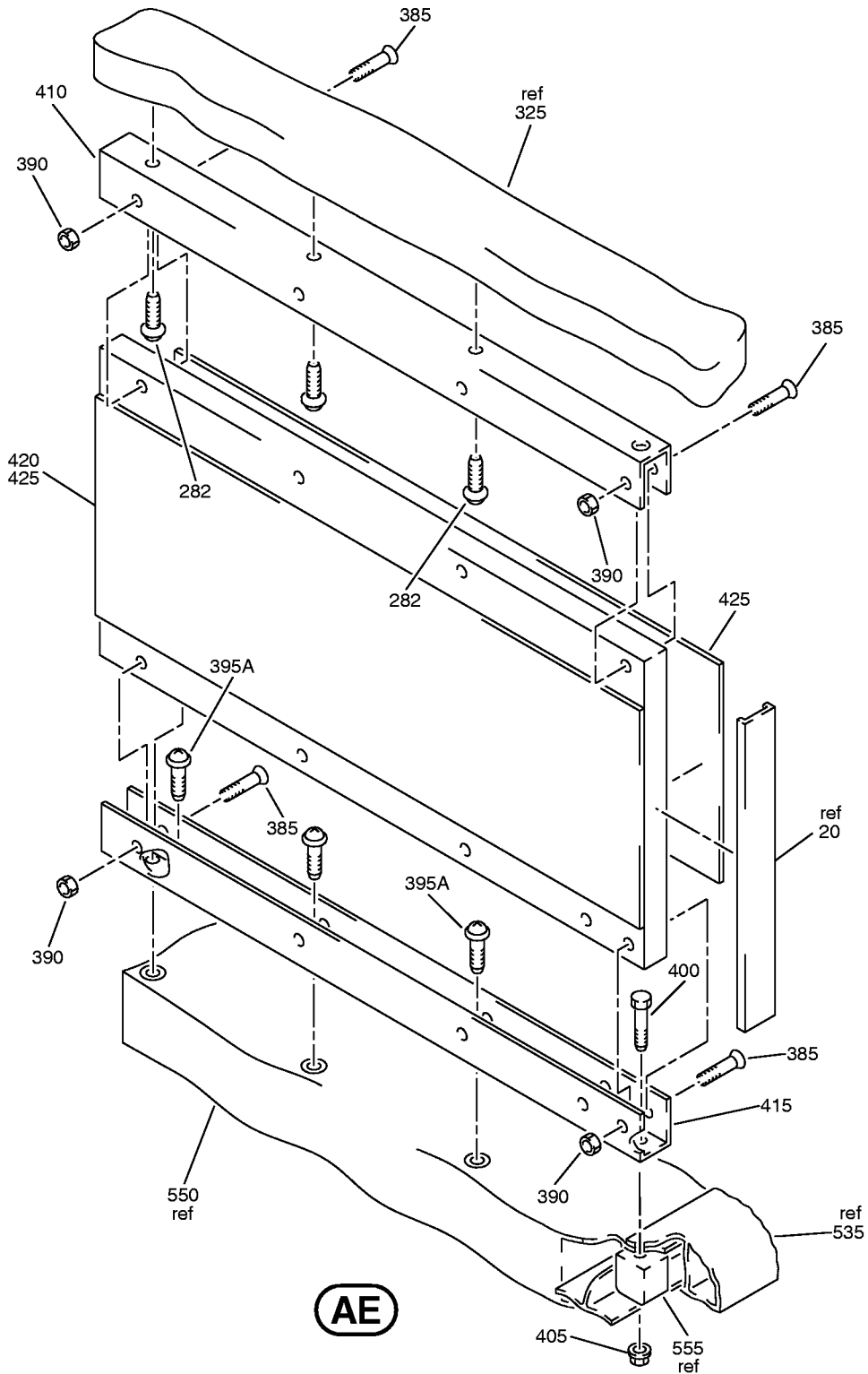
**25-24-08**

ILLUSTRATED PARTS LIST

Page 1098.459

Jul 01/2007

# COMPONENT MAINTENANCE MANUAL



Forward Right Closet Assembly  
IPL Figure 16 (Sheet 19 of 24)

## 25-24-08

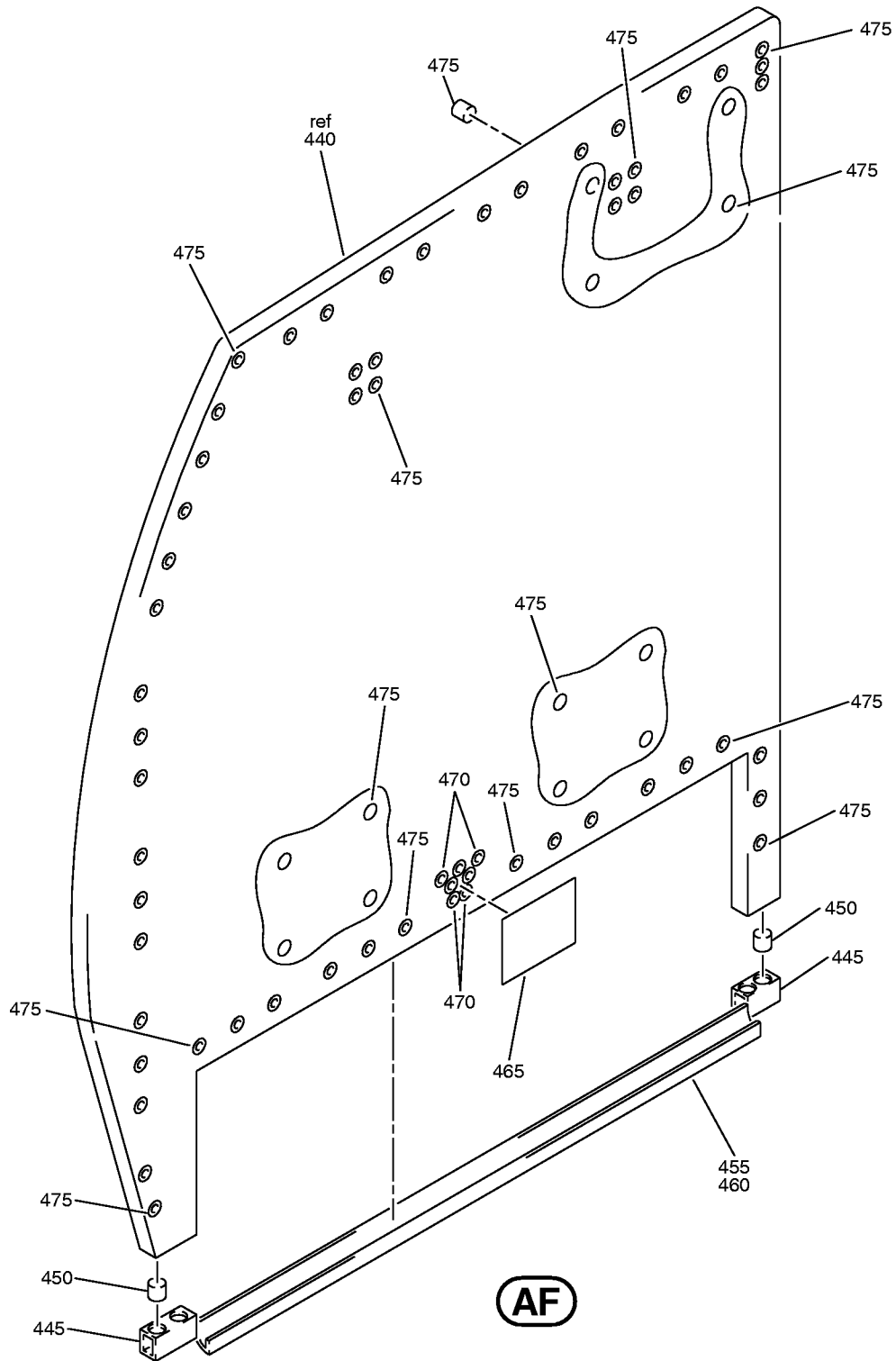
ILLUSTRATED PARTS LIST

Page 1098.460

Jul 01/2007



COMPONENT MAINTENANCE MANUAL



Forward Right Closet Assembly  
IPL Figure 16 (Sheet 20 of 24)

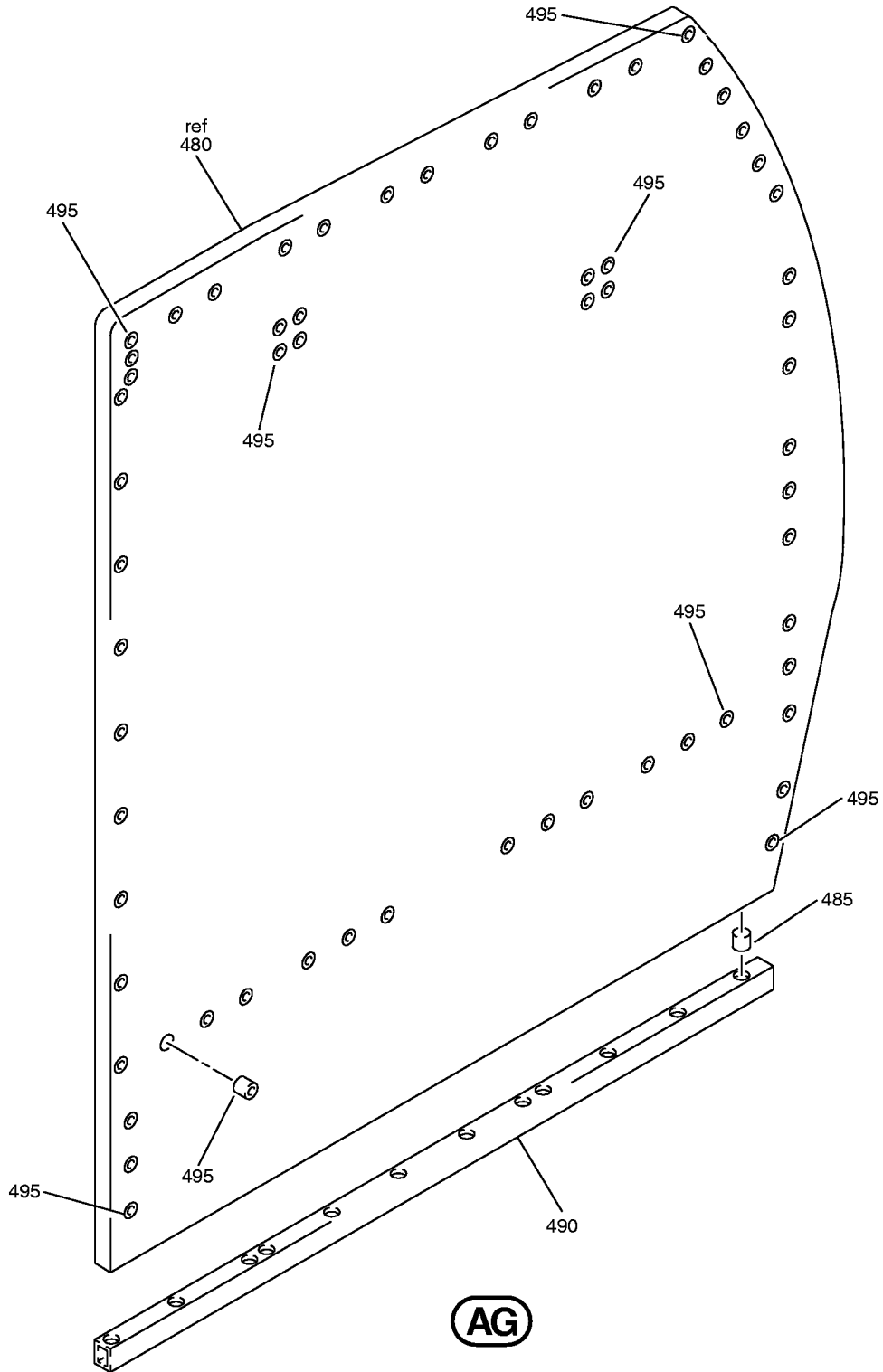
**25-24-08**

ILLUSTRATED PARTS LIST

Page 1098.461

Jul 01/2007

COMPONENT MAINTENANCE MANUAL



Forward Right Closet Assembly  
IPL Figure 16 (Sheet 21 of 24)

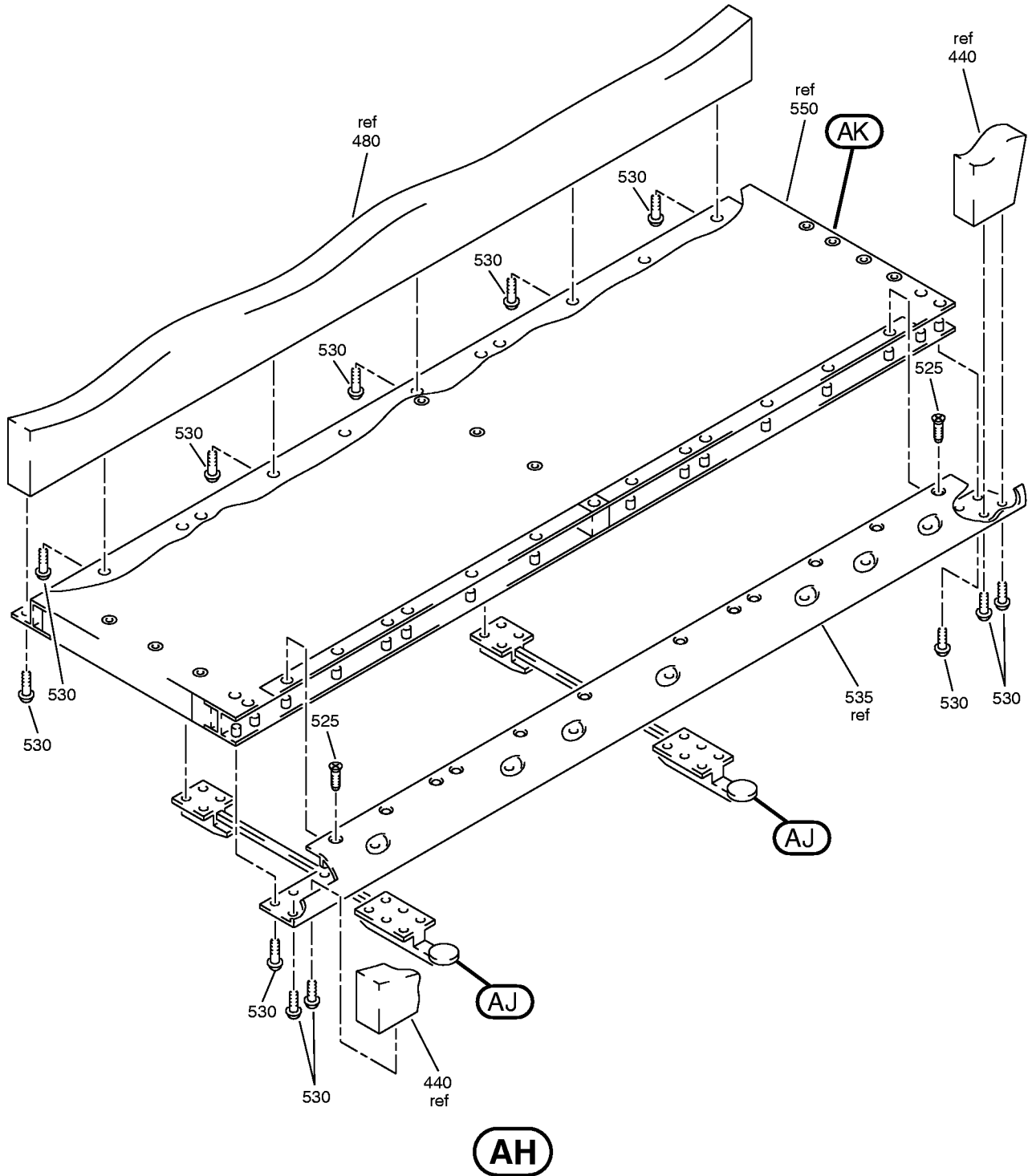
**25-24-08**

ILLUSTRATED PARTS LIST

Page 1098.462

Jul 01/2007

COMPONENT MAINTENANCE MANUAL



Forward Right Closet Assembly  
IPL Figure 16 (Sheet 22 of 24)

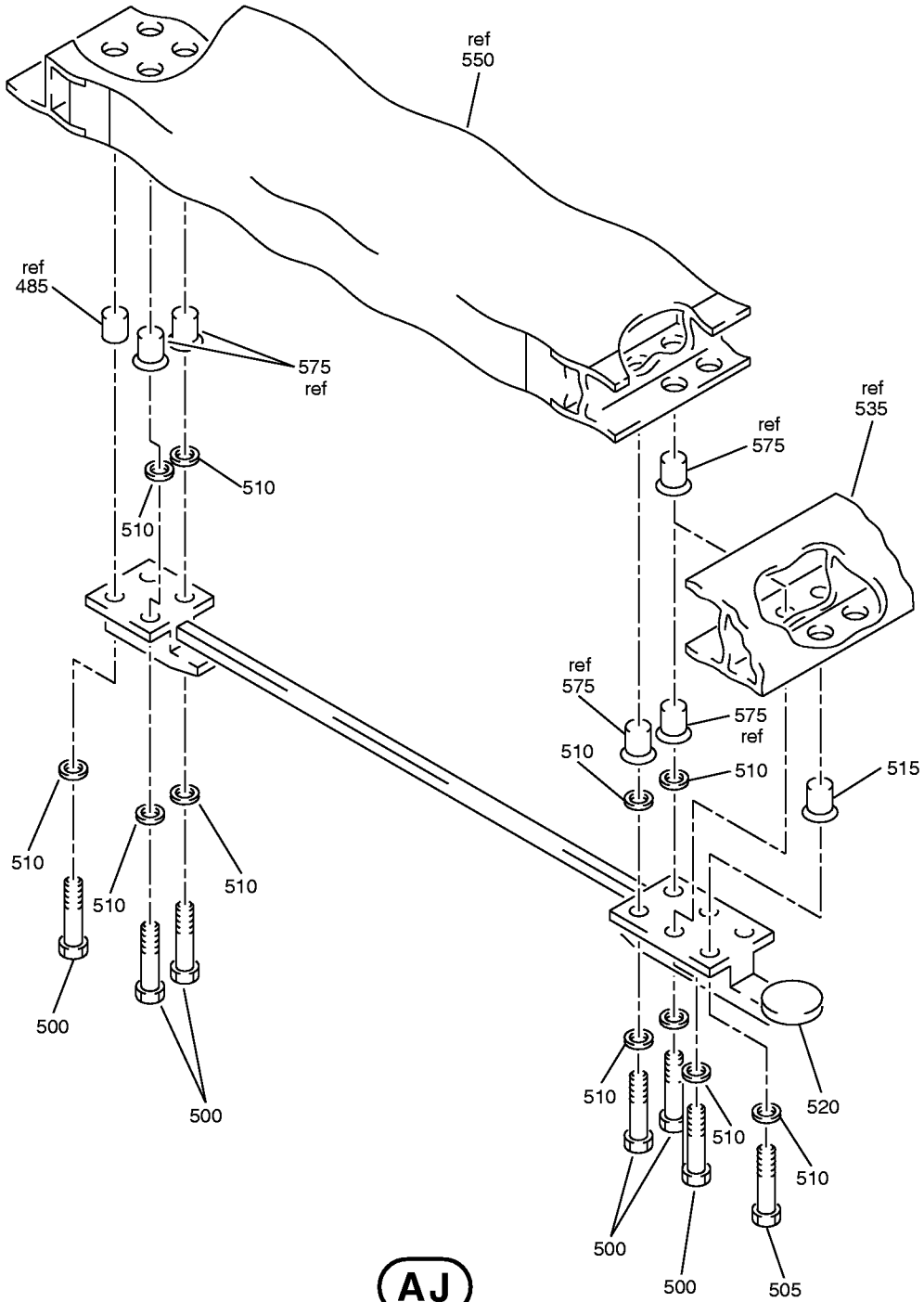
**25-24-08**

ILLUSTRATED PARTS LIST

Page 1098.463

Jul 01/2007

COMPONENT MAINTENANCE MANUAL



**AJ**

Forward Right Closet Assembly  
IPL Figure 16 (Sheet 23 of 24)

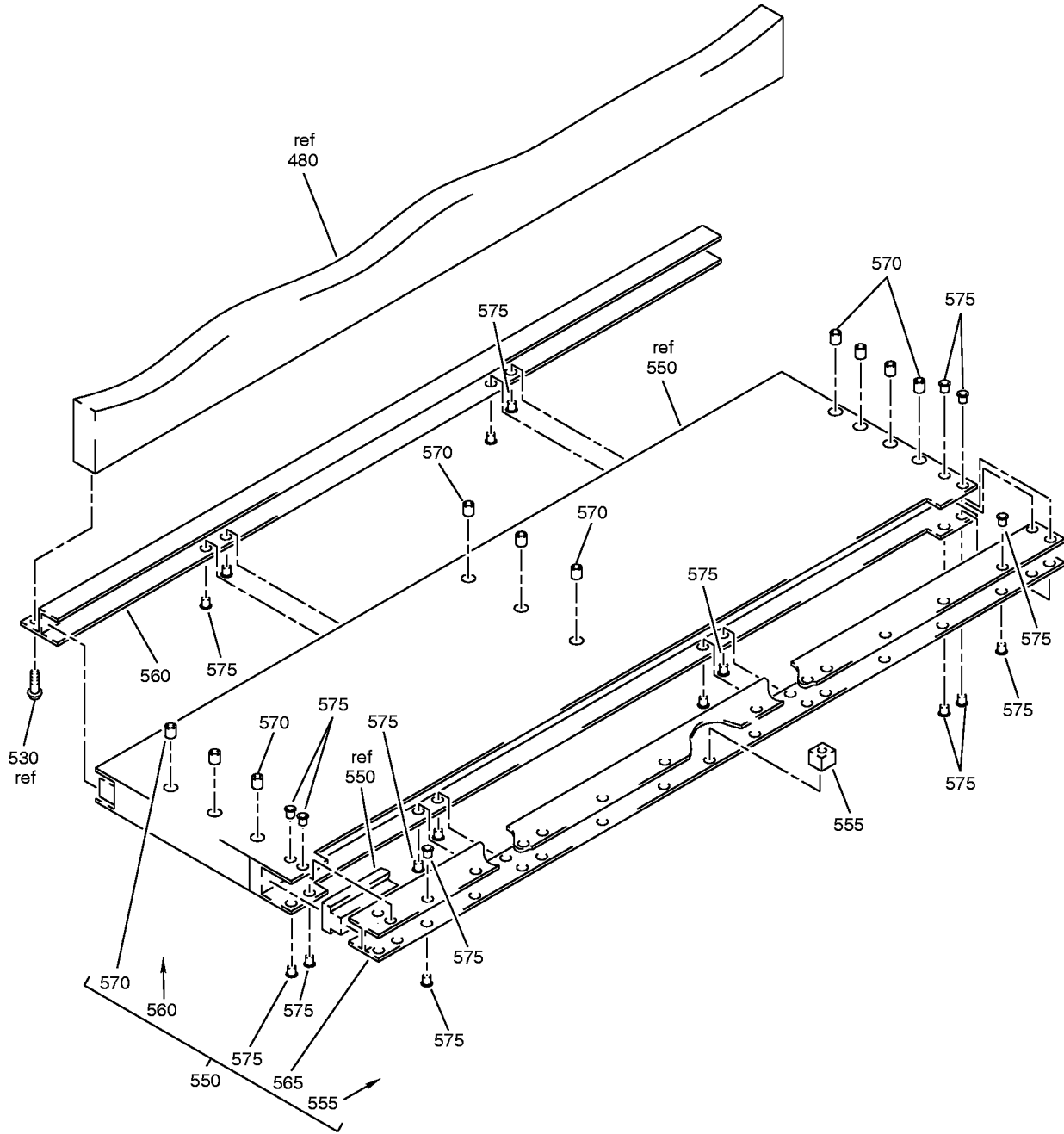
**25-24-08**

ILLUSTRATED PARTS LIST

Page 1098.464

Jul 01/2007

COMPONENT MAINTENANCE MANUAL



Forward Right Closet Assembly  
IPL Figure 16 (Sheet 24 of 24)

**25-24-08**

ILLUSTRATED PARTS LIST

Page 1098.465

Jul 01/2007



## COMPONENT MAINTENANCE MANUAL

FIG/ ITEM	PART NUMBER	AIRLINE PART NUMBER	NOMENCLATURE							USAGE CODE	UNITS PER ASSY
			1	2	3	4	5	6	7		
16-											
-1A	413N3206-235B									AV	RF
5	415U9010-101									AV	AR
10	413U3165-81									AV	AR
15	413U3165-7									AV	AR
-15A	413U3165-6									AV	AR
20	413U3165-1									AV	AR
25	413N3235-19B									AV	1
30	NAS514P1032-5									AV	9
35	NAS514P1032-8									AV	9
37	SL2334-3A4									AV	9
40	413N3616-106									AV	1
45	MS20253P2-4459									AV	1
50	413N3616-107									AV	2
55	NAS603-6P									AV	6
60	432W7100-2B									AV	AR
65	432W7100-1B									AV	AR
70	432W7101-6G									AV	2
75	NAS514P1032-10									AV	4
80	NAS43D03-20N									AV	4
85	413N3215-61									AV	2
90	SAM223-11									AV	2
95	413N3211-183									AV	2
100	NAS514P832-5									AV	4
105	NAS1836-08-14									AV	4

-Item not Illustrated

# 25-24-08

ILLUSTRATED PARTS LIST

Page 1098.466

Jul 01/2007



## COMPONENT MAINTENANCE MANUAL

FIG/ ITEM	PART NUMBER	AIRLINE PART NUMBER	NOMENCLATURE							USAGE CODE	UNITS PER ASSY
			1	2	3	4	5	6	7		
16-											
-110	413N3211-185								. . . PAD	AV	1
115	413N3211-184								. . . STOP	AV	1
120	413N3235-20								. . PANEL ASSY	AV	1
125	SL2334-3A3								. . INSERT (V97393)	AV	6
130	413U3165-25								. . TRIM	AV	AR
135	BACS12FA3K8								. SCREW	AV	16
140	69B51689-3								. BRACKET	AV	4
145	413U3165-42								. ROD-COAT	AV	AR
150	BACS12FA3K6								. SCREW	AV	20
155	413N3215-13C								. BRACKET	AV	1
160	413N3215-14C								. BRACKET	AV	1
165	413N3224-802B								. PANEL ASSY	AV	1
170	SL2334-3A3								. . INSERT (V97393)	AV	8
175	BACS12FA3K5								. SCREW	AV	8
180	413N3211-686B								. ANGLE	AV	1
185	NAS514P1032-5								. SCREW	AV	4
190	413N3215-174B								. PLATE-COVER	AV	1
195	BACS12FA3K6								. SCREW	AV	40
200	413T3167-1B								. ANGLE	AV	10
205	413N3224-804B								. PANEL ASSY-CEILING	AV	1
210	SL2334-3A3								. . INSERT (V97393)	AV	30
215	NAS1801-3-5								. SCREW	AV	10
217	NAS1801-3-9								. SCREW	AV	2
220	BACS12FA3K6								. SCREW	AV	74
225	413N3211-482								. ANGLE	AV	1
230	413T3167-1B								. ANGLE	AV	2
235	413T3167-2B								. ANGLE	AV	11
240	413N3224-803B								. PANEL ASSY-OUTBD	AV	1
245	SL2334-3A3								. . INSERT (V97393)	AV	51

-Item not Illustrated

# 25-24-08

ILLUSTRATED PARTS LIST

Page 1098.467

Jul 01/2009



## COMPONENT MAINTENANCE MANUAL

FIG/ ITEM	PART NUMBER	AIRLINE PART NUMBER	NOMENCLATURE							USAGE CODE	UNITS PER ASSY
			1	2	3	4	5	6	7		
16-											
250	413N3165-11										
250A	413N3165-611									AV	AR
255	439W3632-11									AV	1
260	439W3412-11									AV	2
265	BACB30VF3K2									AV	4
270	SL2334-3A3									AV	4
275	S1030-9									AV	2
280	BACS12FA3K6									AV	48
282	BACS12FA3K8									AV	10
285	NAS514P1032-5									AV	6
290	BACB30NM4K20									AV	1
295	NAS1149D0363J										
295A	NAS1149D0463J									AV	1
300	NAS1149D0332J										
300A	NAS1149D0432J									AV	1
305	F22K1-02										
305A	26C048									AV	1
310	413N3211-66D									AV	1
315	413T3167-2B									AV	8
320	413N3211-111B									AV	1
325	413N3214-416C									AV	1
330	NAS1834-4-970									AV	1
335	SL2334-3A3									AV	33
340	413N3214-73SP									AV	2
345	BACS12FA3K5									AV	6
350	413N3211-488									AV	1
355	NAS514P1032-5									AV	18
360	413N3211-111B									AV	3

-Item not Illustrated

**25-24-08**

ILLUSTRATED PARTS LIST

Page 1098.468

Jul 01/2007





## COMPONENT MAINTENANCE MANUAL

FIG/ ITEM	PART NUMBER	AIRLINE PART NUMBER	NOMENCLATURE							USAGE CODE	UNITS PER ASSY
			1	2	3	4	5	6	7		
16-											
365	413N3214-415C		.							AV	1
370	SL2334-3A3		.	.						AV	16
375	413N3214-73SP		.	.						AV	1
380	413N3214-74SP		.	.						AV	1
385	BACS12ER3K16		.							AV	9
390	SL52-3		.							AV	9
395	BACS12FA3K6										
395A	BACS12FA3K8		.							AV	3
400	BACB30NM4K18		.							AV	1
405	MS21042L4		.							AV	1
410	413N3217-692		.							AV	1
415	413N3217-691		.							AV	1
420	413N3214-417		.							AV	1
425	413N3215-69		.	.						AV	2
430	413N3211-474		.							AV	1
435	413N3211-473		.							AV	1
440	413N3224-800B		.							AV	1
445	413N3211-469		.	.						AV	2
450	BACS13CJ3L080P		.	.						AV	4
455	413N3211-485		.	.						AV	1
460	413N3214-418		.	.						AV	1
465	413N3217-690		.	.						AV	1
470	BACS13CJ3CD080P		.	.						AV	7
475	SL2334-3A3		.	.						AV	65
480	413N3224-801B		.							AV	1
485	BACS13CJ3L080P		.	.						AV	12
490	413N3211-489		.	.						AV	1
495	SL2334-3A3		.	.						AV	62
500	BACB30NM3K3		.							AV	16

-Item not Illustrated

# 25-24-08

ILLUSTRATED PARTS LIST

Page 1098.469

Jul 01/2007



## COMPONENT MAINTENANCE MANUAL

FIG/ ITEM	PART NUMBER	AIRLINE PART NUMBER	NOMENCLATURE							USAGE CODE	UNITS PER ASSY												
			1	2	3	4	5	6	7														
16-																							
505	BACB30NM3K2		.	B	O	L	T			AV	4												
510	NAS1149D0332J		.	W	A	S	H	E	R	AV	28												
515	BACS13CJ3L080P		.	I	N	S	E	R	T	AV	4												
520	45927-14		.	F	I	T	T	I	N	G	-	S	E	A	T	T	R	A	C	K		AV	2
525	NAS514P1032-6		.	S	C	R	E	W		AV	12												
530	BACS13FA3K6		.	S	C	R	E	W		AV	24												
535	413N3211-479		.	S	I	L	L	-	E	X	T		AV	1									
540	413N3206-147C		.	C	O	V	E	R	-	D	E	C	O	R	A	T	I	V	E		AV	AR	
545	BCREF16539		.	C	O	V	E	R	-	D	E	C	O	R	A	T	I	V	E		AV	AR	
550	413N3214-413		.	P	A	N	E	L		A	S	S	E	M	B	L	I			AV	1		
555	413N3211-177		.	.	P	L	U	G		AV	1												
560	413N3211-483		.	.	E	X	T	R	U	S	I	O	N		AV	1							
565	413N3211-484		.	.	E	X	T	R	U	S	I	O	N		AV	1							
570	SL2334-3A3		.	.	I	N	S	E	R	T		AV	10										
575	BACS13CJ3L080P		.	.	I	N	S	E	R	T		AV	40										

-Item not Illustrated

# 25-24-08

ILLUSTRATED PARTS LIST

Page 1098.470

Jul 01/2007