



# **COMPONENT MAINTENANCE MANUAL WITH ILLUSTRATED PARTS LIST**

## **OVERHEAD STOWAGE COMPARTMENT ASSEMBLY**

### **PART NUMBER**

**65C27006-103, -104, -112, -113, -117, -118, -124,  
-127, -128, -133, -137, -21, -22, -37, -43, -57, -61,  
-63, -65, -69, -72, -82, -83, -84, -93, -95, -96**

**BOEING PROPRIETARY, CONFIDENTIAL, AND/OR TRADE SECRET**

Copyright © 1995 The Boeing Company  
Unpublished Work - All Rights Reserved

Boeing claims copyright in each page of this document only to the extent that the page contains copyrightable subject matter. Boeing also claims copyright in this document as a compilation and/or collective work.

This document includes proprietary information owned by The Boeing Company and/or one or more third parties. Treatment of the document and the information it contains is governed by contract with Boeing. For more information, contact The Boeing Company, P.O. Box 3707, Seattle, Washington 98124.

Boeing, the Boeing signature, the Boeing symbol, 707, 717, 727, 737, 747, 757, 767, 777, 787, Dreamliner, BBJ, DC-8, DC-9, DC-10, KC-10, KDC-10, MD-10, MD-11, MD-80, MD-88, MD-90, P-8A, Poseidon and the Boeing livery are all trademarks owned by The Boeing Company; and no trademark license is granted in connection with this document unless provided in writing by Boeing.

PUBLISHED BY BOEING COMMERCIAL AIRPLANES GROUP, SEATTLE, WASHINGTON, USA  
A DIVISION OF THE BOEING COMPANY  
PAGE DATE: Jul 01/2009

**25-28-44**

Page 1  
Jul 01/2009



## COMPONENT MAINTENANCE MANUAL

Revision No. 9  
Jul 01/2009

To: All holders of OVERHEAD STOWAGE COMPARTMENT ASSEMBLY 25-28-44.

Attached is the current revision to this COMPONENT MAINTENANCE MANUAL

The COMPONENT MAINTENANCE MANUAL is furnished either as a printed manual, on microfilm, or digital products, or any combination of the three. This revision replaces all previous microfilm cartridges or digital products. All microfilm and digital products are reissued with all obsolete data deleted and all updated pages added.

For printed manuals, changes are indicated on the List of Effective Pages (LEP). The pages which are revised will be identified on the LEP by an R (Revised), A (Added), O (Overflow, i.e. changes to the document structure and/or page layout), or D (Deleted). Each page in the LEP is identified by Chapter-Section-Subject number, page number and page date.

Pages replaced or made obsolete by this revision should be removed and destroyed.

### ATTENTION

IF YOU RECEIVE PRINTED REVISIONS, PLEASE VERIFY THAT YOU HAVE RECEIVED AND FILED THE PREVIOUS REVISION. BOEING MUST BE NOTIFIED WITHIN 30 DAYS IF YOU HAVE NOT RECEIVED THE PREVIOUS REVISION. REQUESTS FOR REVISIONS OTHER THAN THE PREVIOUS REVISION WILL REQUIRE A COMPLETE MANUAL REPRINT SUBJECT TO REPRINT CHARGES SHOWN IN THE DATA AND SERVICES CATALOG.

# 25-28-44

TRANSMITTAL LETTER

Page 1

Jul 01/2009



## COMPONENT MAINTENANCE MANUAL

Location of Change

Description of Change

NO HIGHLIGHTS

**25-28-44**

HIGHLIGHTS

Page 1

Jul 01/2009



## COMPONENT MAINTENANCE MANUAL

Subject/Page	Date	Subject/Page	Date	Subject/Page	Date
TITLE PAGE		25-28-44 CLEANING (cont)		25-28-44 ILLUSTRATED PARTS LIST (cont)	
O 1	Jul 01/2009	402	BLANK	1005	Jul 01/2006
2	BLANK	25-28-44 CHECK		1006	Jul 01/2006
25-28-44 TRANSMITTAL LETTER		501	Mar 01/2006	1007	Jul 01/2006
O 1	Jul 01/2009	502	BLANK	1008	Mar 01/2006
2	BLANK	25-28-44 REPAIR - GENERAL		1009	Mar 01/2006
25-28-44 HIGHLIGHTS		601	Mar 01/2007	1010	Mar 01/2006
O 1	Jul 01/2009	602	BLANK	1011	Mar 01/2006
2	BLANK	25-28-44 REPAIR 1-1		1012	Mar 01/2006
25-28-44 EFFECTIVE PAGES		601	Mar 01/2006	1013	Mar 01/2006
1 thru 4	Jul 01/2009	602	BLANK	1014	Mar 01/2006
25-28-44 CONTENTS		25-28-44 REPAIR 2-1		1015	Mar 01/2006
1	Mar 01/2006	601	Mar 01/2006	1016	Mar 01/2006
2	BLANK	602	BLANK	1017	Mar 01/2006
25-28-44 TR AND SB RECORD		25-28-44 REPAIR 3-1		1018	Mar 01/2006
1	Mar 01/2006	601	Mar 01/2006	1019	Mar 01/2006
2	BLANK	602	BLANK	1020	Mar 01/2006
25-28-44 REVISION RECORD		25-28-44 REPAIR 4-1		1021	Mar 01/2006
1	Mar 01/2006	601	Mar 01/2006	1022	Mar 01/2006
2	Mar 01/2006	602	BLANK	1023	Mar 01/2006
25-28-44 RECORD OF TEMPORARY REVISIONS		25-28-44 REPAIR 5-1		1024	Mar 01/2006
1	Mar 01/2006	601	Mar 01/2007	1025	Mar 01/2006
2	Mar 01/2006	602	Mar 01/2007	1026	Mar 01/2006
25-28-44 INTRODUCTION		603	Mar 01/2007	1027	Mar 01/2006
1	Mar 01/2009	604	BLANK	1028	Mar 01/2006
2	BLANK	25-28-44 ASSEMBLY		1029	Mar 01/2006
25-28-44 DESCRIPTION AND OPERATION		701	Mar 01/2006	1030	Mar 01/2006
1	Mar 01/2006	702	BLANK	1031	Mar 01/2006
2	BLANK	25-28-44 FITS AND CLEARANCES		1032	Mar 01/2006
25-28-44 TESTING AND FAULT ISOLATION		801	Mar 01/2006	1033	Mar 01/2006
101	Mar 01/2006	802	BLANK	1034	Mar 01/2006
102	BLANK	25-28-44 SPECIAL TOOLS, FIXTURES, AND EQUIPMENT		1035	Mar 01/2006
25-28-44 DISASSEMBLY		901	Mar 01/2006	1036	Mar 01/2006
301	Mar 01/2006	902	BLANK	1037	Mar 01/2006
302	BLANK	25-28-44 ILLUSTRATED PARTS LIST		1038	Mar 01/2006
25-28-44 CLEANING		1001	Nov 01/2008	1039	Mar 01/2006
401	Mar 01/2006	1002	Jul 01/2006	1040	Mar 01/2006
		1003	Jul 01/2006	1041	Mar 01/2006
		1004	Nov 01/2006	1042	Mar 01/2006

A = Added, R = Revised, D = Deleted, O = Overflow

# 25-28-44

EFFECTIVE PAGES

Page 1

Jul 01/2009



## COMPONENT MAINTENANCE MANUAL

Subject/Page	Date	Subject/Page	Date	Subject/Page	Date
25-28-44 ILLUSTRATED PARTS LIST (cont)		25-28-44 ILLUSTRATED PARTS LIST (cont)		25-28-44 ILLUSTRATED PARTS LIST (cont)	
1043	Mar 01/2006	1081	Mar 01/2006	1098.21	Mar 01/2006
1044	Mar 01/2006	1082	Mar 01/2006	1098.22	Mar 01/2006
1045	Mar 01/2006	1083	Mar 01/2006	1098.23	Mar 01/2006
1046	Mar 01/2006	1084	Mar 01/2006	1098.24	Mar 01/2006
1047	Mar 01/2006	1085	Mar 01/2006	1098.25	Mar 01/2006
1048	Mar 01/2006	1086	Mar 01/2006	1098.26	Mar 01/2006
1049	Mar 01/2006	1087	Mar 01/2006	1098.27	Mar 01/2006
1050	Mar 01/2006	1088	Mar 01/2006	1098.28	Mar 01/2006
1051	Mar 01/2006	1089	Mar 01/2006	1098.29	Mar 01/2006
1052	Nov 01/2006	1090	Mar 01/2006	1098.30	Mar 01/2006
1053	Nov 01/2006	1091	Mar 01/2006	1098.31	Mar 01/2006
1054	Nov 01/2006	1092	Mar 01/2006	1098.32	Mar 01/2006
1055	Nov 01/2006	1093	Mar 01/2006	1098.33	Mar 01/2006
1056	Nov 01/2006	1094	Mar 01/2006	1098.34	Mar 01/2006
1057	Nov 01/2006	1095	Mar 01/2006	1098.35	Mar 01/2006
1058	Nov 01/2006	1096	Mar 01/2006	1098.36	Mar 01/2006
1059	Nov 01/2006	1097	Mar 01/2006	1098.37	Mar 01/2006
1060	Nov 01/2006	1098	Mar 01/2006	1098.38	Mar 01/2006
1061	Nov 01/2006	1098.1	Mar 01/2006	1098.39	Mar 01/2006
1062	Nov 01/2006	1098.2	Mar 01/2006	1098.40	Mar 01/2006
1063	Mar 01/2006	1098.3	Mar 01/2006	1098.41	Mar 01/2006
1064	Mar 01/2006	1098.4	Mar 01/2006	1098.42	Mar 01/2006
1065	Mar 01/2006	1098.5	Mar 01/2006	1098.43	Mar 01/2006
1066	Mar 01/2006	1098.6	Mar 01/2006	1098.44	Mar 01/2006
1067	Mar 01/2006	1098.7	Mar 01/2006	1098.45	Mar 01/2006
1068	Mar 01/2006	1098.8	Mar 01/2006	1098.46	Mar 01/2006
1069	Mar 01/2006	1098.9	Mar 01/2006	O 1098.47	Jul 01/2009
1070	Mar 01/2006	1098.10	Mar 01/2006	1098.48	Mar 01/2006
1071	Mar 01/2006	1098.11	Mar 01/2006	1098.49	Mar 01/2006
1072	Mar 01/2006	1098.12	Mar 01/2006	1098.50	Mar 01/2006
1073	Mar 01/2006	1098.13	Mar 01/2006	1098.51	Mar 01/2006
1074	Mar 01/2006	1098.14	Mar 01/2006	1098.52	Mar 01/2006
1075	Mar 01/2006	1098.15	Mar 01/2006	1098.53	Mar 01/2006
1076	Mar 01/2006	1098.16	Mar 01/2006	O 1098.54	Jul 01/2009
1077	Mar 01/2006	1098.17	Mar 01/2006	1098.55	Nov 01/2006
1078	Mar 01/2006	1098.18	Mar 01/2006	1098.56	Mar 01/2006
1079	Mar 01/2006	1098.19	Mar 01/2006	1098.57	Mar 01/2006
1080	Mar 01/2006	1098.20	Mar 01/2006	1098.58	Mar 01/2006

A = Added, R = Revised, D = Deleted, O = Overflow

# 25-28-44

EFFECTIVE PAGES

Page 2

Jul 01/2009



## COMPONENT MAINTENANCE MANUAL

Subject/Page	Date	Subject/Page	Date	Subject/Page	Date
25-28-44 ILLUSTRATED PARTS LIST (cont)		25-28-44 ILLUSTRATED PARTS LIST (cont)		25-28-44 ILLUSTRATED PARTS LIST (cont)	
1098.59	Mar 01/2006	1098.97	Mar 01/2006	1098.135	Mar 01/2006
1098.60	Mar 01/2006	1098.98	Mar 01/2006	1098.136	Mar 01/2006
1098.61	Mar 01/2006	1098.99	Mar 01/2006	1098.137	Mar 01/2006
1098.62	Mar 01/2006	1098.100	Mar 01/2006	1098.138	Mar 01/2006
1098.63	Mar 01/2006	1098.101	Mar 01/2006	1098.139	Mar 01/2006
1098.64	Mar 01/2006	1098.102	Mar 01/2006	1098.140	Mar 01/2006
1098.65	Mar 01/2006	1098.103	Mar 01/2006	1098.141	Mar 01/2006
1098.66	Mar 01/2006	1098.104	Mar 01/2006	1098.142	Mar 01/2006
1098.67	Mar 01/2006	1098.105	Mar 01/2006	1098.143	Mar 01/2006
1098.68	Mar 01/2006	1098.106	Mar 01/2006	1098.144	Mar 01/2006
1098.69	Mar 01/2006	1098.107	Mar 01/2006	1098.145	Mar 01/2006
1098.70	Mar 01/2006	1098.108	Mar 01/2006	1098.146	Mar 01/2006
1098.71	Mar 01/2006	1098.109	Mar 01/2006	1098.147	Mar 01/2006
1098.72	Mar 01/2006	1098.110	Mar 01/2006	1098.148	Mar 01/2006
1098.73	Mar 01/2006	1098.111	Mar 01/2006	1098.149	Mar 01/2006
1098.74	Mar 01/2006	1098.112	Mar 01/2006	1098.150	Mar 01/2006
1098.75	Mar 01/2006	1098.113	Mar 01/2006	1098.151	Mar 01/2006
1098.76	Mar 01/2006	1098.114	Mar 01/2006	1098.152	Mar 01/2006
1098.77	Mar 01/2006	1098.115	Mar 01/2006	1098.153	Mar 01/2006
1098.78	Mar 01/2006	1098.116	Mar 01/2006	1098.154	Mar 01/2006
1098.79	Mar 01/2006	1098.117	Mar 01/2006	1098.155	Mar 01/2006
1098.80	Mar 01/2006	1098.118	Mar 01/2006	1098.156	Mar 01/2006
1098.81	Mar 01/2006	1098.119	Mar 01/2006	1098.157	Mar 01/2006
1098.82	Mar 01/2006	1098.120	Mar 01/2006	1098.158	Mar 01/2006
1098.83	Mar 01/2006	1098.121	Mar 01/2006	1098.159	Mar 01/2006
1098.84	Mar 01/2006	1098.122	Mar 01/2006	1098.160	Mar 01/2006
1098.85	Mar 01/2006	1098.123	Mar 01/2006	1098.161	Mar 01/2006
1098.86	Mar 01/2006	1098.124	Mar 01/2006	1098.162	Mar 01/2006
1098.87	Mar 01/2006	1098.125	Mar 01/2006	1098.163	Mar 01/2006
1098.88	Mar 01/2006	1098.126	Mar 01/2006	1098.164	Mar 01/2006
1098.89	Mar 01/2006	1098.127	Mar 01/2006	1098.165	Mar 01/2006
1098.90	Mar 01/2006	1098.128	Mar 01/2006	1098.166	Mar 01/2006
1098.91	Mar 01/2006	1098.129	Mar 01/2006	1098.167	Mar 01/2006
1098.92	Mar 01/2006	1098.130	Mar 01/2006	1098.168	Mar 01/2006
1098.93	Mar 01/2006	1098.131	Mar 01/2006	1098.169	Mar 01/2006
1098.94	Mar 01/2006	1098.132	Mar 01/2006	1098.170	Mar 01/2006
1098.95	Mar 01/2006	1098.133	Mar 01/2006	1098.171	Mar 01/2006
1098.96	Mar 01/2006	1098.134	Mar 01/2006	1098.172	Mar 01/2006

A = Added, R = Revised, D = Deleted, O = Overflow

# 25-28-44

EFFECTIVE PAGES

Page 3

Jul 01/2009



## COMPONENT MAINTENANCE MANUAL

Subject/Page	Date	Subject/Page	Date	Subject/Page	Date
25-28-44	ILLUSTRATED PARTS LIST				
(cont)					
1098.173	Mar 01/2006				
1098.174	Mar 01/2006				
1098.175	Mar 01/2006				
1098.176	Mar 01/2006				
1098.177	Mar 01/2006				
1098.178	Mar 01/2006				
1098.179	Mar 01/2006				
1098.180	Mar 01/2006				
1098.181	Mar 01/2006				
1098.182	Mar 01/2006				
1098.183	Mar 01/2006				
1098.184	Mar 01/2006				
1098.185	Mar 01/2006				
1098.186	Mar 01/2006				
1098.187	Mar 01/2006				
1098.188	Mar 01/2006				
1098.189	Mar 01/2006				
1098.190	Mar 01/2006				
1098.191	Mar 01/2006				
1098.192	Mar 01/2006				
1098.193	Mar 01/2006				
1098.194	Mar 01/2006				
1098.195	Mar 01/2006				
1098.196	Mar 01/2006				
1098.197	Mar 01/2006				
1098.198	Mar 01/2006				
1098.199	Mar 01/2006				
1098.200	Mar 01/2006				
1098.201	Mar 01/2006				
1098.202	Mar 01/2006				
1098.203	Mar 01/2006				
1098.204	Mar 01/2006				
1098.205	Mar 01/2006				
1098.206	Mar 01/2006				
1098.207	Mar 01/2006				
1098.208	Mar 01/2006				
1098.209	Mar 01/2006				
1098.210	Mar 01/2006				

A = Added, R = Revised, D = Deleted, O = Overflow

# 25-28-44

EFFECTIVE PAGES

Page 4

Jul 01/2009

**COMPONENT MAINTENANCE MANUAL****TABLE OF CONTENTS**

<b><u>Paragraph Title</u></b>		<b><u>Page</u></b>
OVERHEAD STOWAGE COMPARTMENT ASSEMBLY - DESCRIPTION AND OPERATION		1
TESTING AND FAULT ISOLATION	(Not Applicable)	
DISASSEMBLY		301
CLEANING	(Not Applicable)	
CHECK	(Not Applicable)	
REPAIR		601
ASSEMBLY		701
FITS AND CLEARANCES		801
SPECIAL TOOLS, FIXTURES, AND EQUIPMENT	(Not Applicable)	
ILLUSTRATED PARTS LIST		1001

**25-28-44**

CONTENTS

Page 1

Mar 01/2006















## COMPONENT MAINTENANCE MANUAL

### INTRODUCTION

#### 1. General

- A. The instructions in this manual supply the data necessary to do the maintenance functions together with the test, fault isolation, repair, and replacement of the defective parts.
- B. This manual is divided into different parts:
  - (1) Title Page
  - (2) Transmittal Letter
  - (3) Highlights
  - (4) List of Effective Pages
  - (5) Table of Contents
  - (6) Temporary Revision & Service Bulletin Record
  - (7) Record of Revisions
  - (8) Record of Temporary Revisions
  - (9) Introduction
  - (10) Procedures & IPL Sections
- C. Components that can be repaired have a different repair number for each specified repair. To find the repair number location of a component, look in the Repair-General procedure at the beginning of the REPAIR section. The Repair-General procedure also has an explanation of the True Position Dimension symbols used.
- D. All dimensions, measures, quantities and weights included are in English units. When metric equivalents are given they will be in the parentheses that follow the English units.
- E. The introduction to the Illustrated Parts List (IPL) shows how the IPL data is used.
- F. Design changes, optional parts, configuration differences and Service Bulletin modifications may cause different part numbers. These part numbers are identified in the IPL with an alphabetical letter which is added to the end of the basic item number. This new item number is referred to as an alpha-variant. Throughout the manual, IPL basic item number references also apply to alpha-variants unless shown differently.
- G. The tool reference numbers found in the individual procedures and in the Special Tools, Fixtures, and Equipment section are used to identify if a tool is a standard tool (STD-XXXX), a commercial tool (COM-XXXX), or a Special Tool (SPL-XXXX). This reference number is also used to distinguish between tools with similar names in the same procedure. These reference numbers are for use in the documentation only. They are not to be used for ordering tools.

# 25-28-44

INTRODUCTION

Page 1

Mar 01/2009



## COMPONENT MAINTENANCE MANUAL

### OVERHEAD STOWAGE COMPARTMENT ASSEMBLY - DESCRIPTION AND OPERATION

#### 1. Description

A. The overhead stowage compartment is composed of a nomex honeycomb core body which supports a light assembly, bullnose and PSU supports, fittings and brackets, latches which mount on the bullnose extrusion of the body, and doors which connect to the body by four hinges with mechanical actuators.

#### 2. Operation

A. The door is restrained in the closed position by engagement of pawls on the latch with striker rollers on each end of the door. When force is applied to the latch handle, the pawls disengage from the striker rollers and actuator force opens and rotates the door upwards.

#### 3. Leading Particulars (approximate)

- A. Width – 28 inches Length
- B. Length – 60 inches
- C. Height – 14 inches
- D. Weight – 20-27 pounds

# 25-28-44

DESCRIPTION AND OPERATION

Page 1

Mar 01/2006



**COMPONENT MAINTENANCE MANUAL**

**TESTING AND FAULT ISOLATION**

**(NOT APPLICABLE)**

**25-28-44**

TESTING AND FAULT ISOLATION

Page 101

Mar 01/2006





## COMPONENT MAINTENANCE MANUAL

### DISASSEMBLY

#### 1. Disassembly

**CAUTION:** THE STOWAGE ASSEMBLY CONSISTS OF APPEARANCE ITEMS. SPECIAL CARE MUST BE TAKEN TO PREVENT MARRING VISIBLE SURFACES.

**NOTE:** Disassemble this component only as necessary to complete fault isolation, determine part serviceability, perform required repairs, and restore unit to serviceable condition.

A. No special instructions required. Use standard industry practices.

# 25-28-44

DISASSEMBLY

Page 301

Mar 01/2006



COMPONENT MAINTENANCE MANUAL

CLEANING

**(NOT APPLICABLE)**

**25-28-44**

CLEANING  
Page 401  
Mar 01/2006



COMPONENT MAINTENANCE MANUAL

CHECK

**(NOT APPLICABLE)**

**25-28-44**

CHECK  
Page 501  
Mar 01/2006



## COMPONENT MAINTENANCE MANUAL

### REPAIR

#### 1. Contents

A. Repair, refinish, and replacement procedures are included in separate repair sections as follows:

**Table 601:**

<b>P/N</b>	<b>Name</b>	<b>REPAIR</b>
412N1119	BRACKET ASSY	1-1
65C27006	COMPARTMENT ASSY	2-1
65C27009	MODULE ASSY	3-1
65C27017	BRACKET ASSY	4-1
- - -	MISC PARTS	5-1

#### 2. Standard Practices

A. Refer to the following standard practices, as applicable, for details in individual repairs.

- SOPM 20-30-02 Stripping of Protective Finishes
- SOPM 20-41-01 Decoding Table for Boeing Finish Codes
- SOPM 20-41-02 Application of Chemical and Solvent Resistant Finishes
- SOPM 20-41-04 Application and Repair of Interior Decorative Finishes
- SOPM 20-43-01 Chromic Acid Anodizing
- SOPM 20-50-03 Bearing Installation and Retention
- SOPM 20-50-12 Application of Adhesives

#### 3. Materials

**NOTE:** Equivalent substitutes may be used.

A. Adhesive –

- (1) Type 70 – adhesive, A00028
- (2) Type 71 – adhesive, A00279
- (3) Type 89 – urethane adhesive, A50055
- (4) Type 90 adhesive, A00016

B. Enamel – coating, C00040 BMS 10-83, Type 2

C. Primer –

- (1) primer, C00039 BMS 10-83, Type 1
- (2) primer, C00259 BMS10-11, Type 1

# 25-28-44

REPAIR - GENERAL

Page 601

Mar 01/2007



## COMPONENT MAINTENANCE MANUAL

### BRACKET ASSEMBLY - REPAIR 1-1

412N1119-48, -66

#### 1. General

- A. The procedure has the data necessary to repair and refinish the bracket assembly (IPL Figure 5, -70; IPL Figure 6, -75)
- B. Refer to REPAIR-GENERAL, Paragraph 2. for the Standard Overhaul Practices Manual (SOPM) subjects identified in this procedure.
- C. Refer to REPAIR-GENERAL, Paragraph 3. for the description of the consumable codes identified in this procedure.
- D. Refer to IPL Figure 5 and IPL Figure 6 for item numbers.

#### 2. Bushing Replacement

- A. Remove bushing (165, IPL Figure 5 and IPL Figure 6).
- B. Install new bushing per SOPM 20-50-03.
- C. Machine 0.250-0.254 inch hole through bushing.

#### 3. Refinish

- A. Plates (90, 95, 100, 105, 110, IPL Figure 5 and IPL Figure 6) - Chromic acid anodize and apply primer, C00259 (F-18.13).Material: Al alloy

# 25-28-44

REPAIR 1-1

Page 601

Mar 01/2006



## COMPONENT MAINTENANCE MANUAL

### COMPARTMENT ASSEMBLY - REPAIR 2-1

#### 65C27006 Series

#### 1. General

- A. The procedure has the data necessary to repair the compartment assembly.
- B. Refer to REPAIR-GENERAL, Paragraph 2. for the Standard Overhaul Practices Manual (SOPM) subjects identified in this procedure.
- C. Refer to REPAIR-GENERAL, Paragraph 3. for the description of the consumable codes identified in this procedure.
- D. Refer to IPL Figure 1 thru IPL Figure 6 for item numbers.

#### 2. Fitting Replacement

- A. Remove fitting (10, 159, 193, IPL Figure 1; 10, 159, 485, IPL Figure 2; 9, 160, IPL Figure 3; 10, 224, IPL Figure 4; 10, 180, IPL Figure 5; 10, 180, IPL Figure 6).
- B. Bond fitting to compartment using adhesive, A00028 or adhesive, A00279 per SOPM 20-50-12.

#### 3. Bracket and Shim Replacement

- A. Remove bracket (141, IPL Figure 1; 235 IPL Figure 2; 120, IPL Figure 3; 200, IPL Figure 4; 145, IPL Figure 5; 145, IPL Figure 6).
- B. Remove shim (156, IPL Figure 1; 260, IPL Figure 2; 145, IPL Figure 3; 220, IPL Figure 4; 170, 175, IPL Figure 5; 170, 175, IPL Figure 6).
- C. Bond shim and bracket to compartment using adhesive, A00028 or adhesive, A00279 per SOPM 20-50-12.

#### 4. Seal Replacement

- A. Remove seal (192, IPL Figure 1; 320,, IPL Figure 2; 200, IPL Figure 3; 260, IPL Figure 4; 620, IPL Figure 5; 620, IPL Figure 6).
- B. Bond seal to filler panel using adhesive adhesive, A00016 per SOPM 20-50-12.

#### 5. Trim Replacement

- A. Remove trim (186, IPL Figure 1; 310, IPL Figure 2; 190, IPL Figure 3; 256, IPL Figure 4; 615, IPL Figure 5; 615, IPL Figure 6).
- B. Bond trim to compartment using adhesive, A00028 or adhesive, A00279 per SOPM 20-50-12.

# 25-28-44

REPAIR 2-1

Page 601

Mar 01/2006



## COMPONENT MAINTENANCE MANUAL

### MODULE ASSEMBLY - REPAIR 3-1

#### 65C27009 Series

#### 1. General

- A. This procedure has the data necessary to repair the module assembly.
- B. Refer to REPAIR-GENERAL, Paragraph 2. for the Standard Overhaul Practices Manual (SOPM) subjects identified in this procedure.
- C. Refer to REPAIR-GENERAL, Paragraph 3. for the description of the consumable codes identified in this procedure.
- D. Refer to IPL Figure 1 thru IPL Figure 6 for item numbers.

#### 2. Fitting Replacement

- A. Remove fitting (805, IPL Figure 1; 945, IPL Figure 2; 945, IPL Figure 3; 725, IPL Figure 4).
- B. Bond fitting to module using adhesive adhesive, A00028 or adhesive, A00279.

#### 3. Support Replacement

- A. Remove support (820, IPL Figure 1; 980, IPL Figure 2; 980, IPL Figure 3; 745, IPL Figure 4; 1240, IPL Figure 5; 1240, IPL Figure 6).
- B. Bond support to module using adhesive adhesive, A00028 or adhesive, A00279.

#### 4. Foam Replacement

- A. Remove foam (126, IPL Figure 1; 190, IPL Figure 2; 230, IPL Figure 3; 160, IPL Figure 4; 575, IPL Figure 5; 575, IPL Figure 6).
- B. Bond foam to module using adhesive Type 90 or optional adhesive, A00016.

#### 5. Retainer Replacement

- A. Remove retainer (300, 303, IPL Figure 1; 505, 510, IPL Figure 2; 505, 510, IPL Figure 3; 378, 382, IPL Figure 4; 770, 775, IPL Figure 5; 770, 775, IPL Figure 6).
- B. Bond retainer to module using urethane adhesive, A50055, optional adhesive, A00028 or adhesive, A00279.

# 25-28-44

REPAIR 3-1

Page 601

Mar 01/2006



## COMPONENT MAINTENANCE MANUAL

### BRACKET ASSEMBLY - REPAIR 4-1

65C27017-5, -6, -21, -22, -25, -33

#### 1. General

- A. This procedure has the data necessary to refinish the bracket assembly (IPL Figure 1,-141; IPL Figure 2,-235; IPL Figure 3,-120; IPL Figure 4,-200; IPL Figure 5,-145; IPL Figure 6,-145).
- B. Refer to REPAIR-GENERAL, Paragraph 2. for the Standard Overhaul Practices Manual (SOPM) subjects identified in this procedure.
- C. Refer to REPAIR-GENERAL, Paragraph 3. for the description of the consumable codes identified in this procedure.
- D. Refer to IPL Figure 1 thru IPL Figure 6 for item numbers.

#### 2. Bushing Replacement

- A. Remove bushing (150, IPL Figure 1; 250, IPL Figure 2; 135, IPL Figure 3; 212, IPL Figure 4; 165, IPL Figure 5; 165, IPL Figure 6).
- B. Install new bushing per SOPM 20-50-03.
- C. Machine 0.375-0.380 inch hole through bushing.

#### 3. Refinish

- A. Bracket (141, IPL Figure 1; 235, IPL Figure 2; 120, IPL Figure 3; 200, IPL Figure 4; 145, IPL Figure 5; 145, IPL Figure 6) – Chemical treat and apply primer, C00259 (F-18.06). Material: Al alloy.

# 25-28-44

REPAIR 4-1

Page 601

Mar 01/2006





## COMPONENT MAINTENANCE MANUAL

### MISCELLANEOUS PARTS REFINISH - REPAIR 5-1

#### 1. Procedure

A. Repair of parts listed in REPAIR 5-1, Table 601 consists of restoration of original finish.

**Table 601:** Refinish Details

IPL FIG. & ITEM	MATERIAL	FINISH
Fig. 1		
Fitting (10,24,159, 194), Filler (27), Bracket (27)	Al alloy	Chromic acid anodize and apply primer, C00259 (F-18.13).
Bracket (13,90,93,102, 105,193,1092), Fitting (805)	Al alloy	Chemical treat and apply primer, C00259 (F-18.06).
Support (129)	Al alloy	Chemical treat and apply primer, C00259 (F-18-05).
Support (820)	Al alloy	Apply colorless alodine coating (F-14.05).
Support (885,885A, 885B)	Al alloy	Sulfuric acid anodize (F-14.2992).
Fitting (920)	4130 Steel HT 125-145 ksi	Sulfuric acid anodize and apply directional coarse grain buff satin finish (F-14.25).
Fitting (920A)	Al alloy	Apply clear baking enamel (F-14.26).
Pawl (930,932)	4130 Steel HT 125-145 ksi	Cadium plate to meet the requirements of QQ-P-416 type 11, Class 2 finish (F-15.06). Apply primer, C00259 to pawl assembly (931)(F-20.02).
Bracket (1083,1098, 1147,1160)	Al alloy	Chemical treat to meet the requirements of MIL-C-5541 (F-17.07).
Fig. 2		
Fitting (10,24,265, 490), Filler (13,27), Bracket (930)	Al alloy	Chromic acid anodize and apply primer, C00259 (F-18.13).
Bracket (12,90,93,102, 130,155,255,1209), Fitting (485,945)	Al alloy	Chemical treat and apply primer, C00259 (F-18.06).
Support (195)	Al alloy	Chemical treat and apply primer, C00259 (F-18.05).
Fitting (935)	Al alloy	Alodize to meet the requirements of MIL-A-8625 (F-17.05).
Support (980)	Al alloy	Apply colorless alodine coating (F-14.05).
Support (1015,1015A, 1015B,1015C)	Al alloy	Sulfuric acid anodize (F-14.2992).
Bracket (1200,1215, 1263,1275)	Al alloy	Chemical treat to meet the requirements of MIL-C-5541 (F-17.07).
Fig. 3		
Fitting (9,21,150, 490), Filler (22), Bracket (930)	Al alloy	Chromic acid anodize and apply primer, C00259 (F-18.13).

# 25-28-44

REPAIR 5-1

Page 601

Mar 01/2007



## COMPONENT MAINTENANCE MANUAL

**Table 601: Refinish Details (Continued)**

IPL FIG. & ITEM	MATERIAL	FINISH
Support (235), Fitting (945)	Al alloy	Chemical treat and apply primer, C00259 (F-18.05).
Fitting (935)	Al alloy	Alodize to meet the requirements of MIL-A-8625 (F-17.05).
Support (980)	Al alloy	Apply colorless alodine coating (F-14.05).
Support (1015,1015A, 1015B), Bracket (1045)	Al alloy	Sulfuric acid anodize (F-14.2992).
Fitting (1040)	Al alloy	Sulfuric acid anodize and apply directional coarse grain buff satin finish (F-14.25).
Pawl (1050)	4130 Steel HT 125-145 ksi	Cadmium plate to meet the requirements of QQ-P-416 type 11, class 2 (F-15.06).
Bracket (1185,1200, 1248,1260)	Al alloy	Chemical treat to meet the requirements of MIL-C-5541 (F-17.07).
Bracket (1194,1248, 1260)	Al alloy	Chemical treat and apply primer, C00259 (F-18.06).
Fig. 4		
Fitting (10,24,35, 224), Filler (26), Bracket (108,710)	Al alloy	Chromic acid anodize and apply primer, C00259 (F-18.13).
Bracket (101,104,116, 984), Fitting (725)	Al alloy	Chemical treat and apply primer, C00259 (F-18.06).
Support (164)	Al alloy	Chemical treat and apply primer, C00259 (F-18.05).
Fitting (715)	Al alloy	Alodize to meet the requirements of MIL-A-8625 (F-17.05).
Support (745)	Al alloy	Apply colorless alodine coating (F.14.05).
Support (795,795A,825)	Al alloy	Sulfuric acid anodize (F-14.2992).
Fitting (820)	Al alloy	Sulfuric acid anodize and apply directional coarse grain buff satin finish (F-14.25).
Pawl (830)	4130 Steel	Cadmium plate to meet the requirements of QQ-P-416 type 11 class 2 (F-15.06)
Bracket (975,990,1038, 1050)	Al alloy	Chemical treat to meet the requirements of MIL-C-5541 (F-17.07).
Fig. 5		
Fitting (10,600), Filler (925,930), Bracket (1205)	Al alloy	Chromic acid anodize and apply primer, C00259 (F-18.13).
Bracket (180,350,370, 395,415,420,425,1435), Fitting (1220)	Al alloy	Chromic acid anodize and apply primer, C00259 (F-18.06).
Support (580)	Al alloy	Chemical treat and apply primer, C00259 (F-18.05).

# 25-28-44

REPAIR 5-1  
Page 602  
Mar 01/2007



## COMPONENT MAINTENANCE MANUAL

**Table 601: Refinish Details (Continued)**

IPL FIG. & ITEM	MATERIAL	FINISH
Fitting (910), Bracket (915,920)	Al alloy	Chemical treat and apply primer, C00259 (F-18.03), then apply primer, C00039 and enamel coating, C00040 (F-22.05-80070).
Fitting (1210)	Al alloy	Alodize to meet the requirements of MIL-A-8625 (F-17.05).
Support (1240)	Al alloy	Apply colorless alodine coating (F-14.05).
Bracket (1426,1441, 1489,1501,1527)	Al alloy	Chemical treat to meet the requirements of MIL-C-5541 (F-17.07).
Fig. 6		
Fitting (10,110,600), Bracket (60,1205)	Al alloy	Chromic acid anodize and apply primer, C00259 (F-18-13).
Bracket (40,160,180, 350,370,395,415,415A, 420,420A,1469), Fitting (1220)	Al alloy	Chemical treat and apply primer, C00259 (F-18.06).
Fitting (1210)	Al alloy	Alodine to meet the requirements of MIL-A-8625 (F-17.05).
Support (1240,1240A)	Al alloy	Apply colorless alodine coating (F-14.05).
Support (1280,1285)	Al alloy	Sulfuric acid anodize (F-14.2992) (F-14.05).
Bracket (1460,1475, 1523,1535,1586)	Al alloy	Chemical treat to meet the requirements of MIL-C-5541 (F-17.07).
Bracket (1568)	Al alloy	Chemical treat and apply primer, C00259 (F-18.06) then apply enamel coating, C00040 F-22.06-80070).

# 25-28-44

REPAIR 5-1

Page 603

Mar 01/2007



## COMPONENT MAINTENANCE MANUAL

### ASSEMBLY

#### 1. ASSEMBLY

**CAUTION:** THE STOWAGE ASSEMBLY CONSISTS OF APPEARANCE ITEMS. SPECIAL CARE MUST BE TAKEN TO PREVENT MARRING VISIBLE SURFACES.

- A. No special instructions required. Use standard industry practices and the following instruction.
- B. Tighten bolt (371, IPL Figure 1; 623, IPL Figure 2, 3; 446, IPL Figure 4; 856A, IPL Figure 5; 855, IPL Figure 6) 5-6 pound-inches on hinge assemblies 412N1155-7, -8, -11, -12. Ensure that chassis is not crushed or deformed by the bolt.

# 25-28-44

ASSEMBLY

Page 701

Mar 01/2006



## COMPONENT MAINTENANCE MANUAL

### FITS AND CLEARANCES

FOR TORQUE VALUES OF STANDARD FASTENERS, REFER TO 20-50-01			
ITEM NO.	NAME	TORQUE	
		POUND-INCHES	POUND-FEET
371, IPL FIG. 1 623, IPL FIG. 2,3 446, IPL FIG. 4 856A, IPL FIG. 5 855, IPL FIG. 6	BOLT	5-6	

Torque Table  
Figure 801



**COMPONENT MAINTENANCE MANUAL**

**SPECIAL TOOLS, FIXTURES, AND EQUIPMENT**

**(NOT APPLICABLE)**

**25-28-44**

SPECIAL TOOLS, FIXTURES, AND EQUIPMENT

Page 901

Mar 01/2006



## COMPONENT MAINTENANCE MANUAL

### ILLUSTRATED PARTS LIST

#### 1. Introduction

- A. The Illustrated Parts List (IPL) contains an illustration and a list of component parts you can repair or replace. The Illustrated Parts Catalog (IPC) shows how to use the Boeing part number system.
- B. This shows how parts are related: The relation of each item to its next higher assembly (NHA) is shown in the NOMENCLATURE column. Use the indenture system that follows:

1	2	3	4	5	6	7
.	Assembly					
.	Attaching parts for assembly					
.	.	Detail parts for assembly				
.	.	Subassembly				
.	.	Attaching parts for subassembly				
.	.	.	Detail parts for subassembly			
.	.	.	Sub-subassembly			
.	.	.	Attaching parts for subassembly			
.	.	.	.	Details parts for sub-subassembly		
						Detail Installation Parts (Included only if installation parts may be sent to the shop as part of assembly)

- C. Each top assembly is given one use code letter (A, B, C, etc.) in the USAGE CODE column. All subsequent component parts in the list can have one or more of the use code letters to show effectivity to top assemblies. A component part without a use code applies to all top assemblies.
- D. An alphabetical letter is added after the item number for optional parts, parts changed by a Service Bulletin, configuration differences (except left-handed and right-handed parts), last engineering releases, and parts added between item numbers in a sequence. The alphabetical letter will not be shown on the illustration for equivalent parts of the same part number.
- E. Color-coded parts are identified with a single digit alpha following the dash number or with "SP" suffix. If the "SP" suffix is used, it represents consolidation of all color codes applicable for a given usage which are not separately listed. Orders for color-coded parts should include the registry number of the airplane for which the parts are ordered.
- F. If a part number is 15 characters long but will not fit in the part number column, the part number will be displayed with a "~" at the end of the line and will be continued on the next line. The "~" denotes that the part number continues on the next line.
- G. Parts changed by a Service Bulletin are shown by PRE SB XXXX and POST SB XXXX added to the NOMENCLATURE column.
- (1) When a new top assembly is added by a Service Bulletin, PRE SB XXXX and POST SB XXXX will be added at the top assembly level only. The configuration differences at the detail part level are shown by use code letters.
- (2) When the top assembly part number is not changed by the Service Bulletin, PRE SB XXXX and POST SB XXXX will be added at the detail level.
- H. Interchangeable Parts

# 25-28-44

ILLUSTRATED PARTS LIST

Page 1001

Nov 01/2008



## COMPONENT MAINTENANCE MANUAL

Optional (OPT)	The part is optional to and interchangeable with other parts that have the same item number.
Replaces, Replaced by and not interchangeable with (REPLACES, REPLACED BY AND NOT INTCHG/W)	The part replaces and is not interchangeable with the initial part.
Replaces, Replaced by (REPLACES, REPLACED BY)	The part replaces and is interchangeable with, or is an alternative to, the initial part.

### VENDOR CODES

<b>Code</b>	<b>Name</b>
01556	EMHART FASTENING SYSTEMS GROUP HELI-COIL DIV SHELTER ROCK LANE DANBURY, CONNECTICUT 06810 FORMERLY HELI-COIL DIV OF BLACK AND DECKER
04169	WESTERN SKY INDUSTRIES A DIVISION OF ATLAS CORPORATION 1280 SAN LUIS OBISPO STREET HAYWARD, CALIFORNIA 94544-7916 FORMERLY WESTERN SKY IND VB0008
05617	IDD AEROSPACE CORP 18225 NORTHEAST 76TH STREET PO BOX 97056 REDMOND, WASHINGTON 98073-9756 FORMERLY FARWEST ELEC INC; FORMERLY IN BELLEVUE, WA; FORMERLY BELL IND FARWEST MFG DIV; FORMERLY BELL IND ILLUMINATED DISPLAYS DIV
06034	NEWAGE INDUSTRIES INC. 2300 MARYLAND ROAD WILLOW GROVE, PENNSYLVANIA 19090-1709 FORMERLY IN JENKINTOWN, PENNSYLVANIA
06116	D AND WALES ENGINEERING INC TRUCK AND COACH HEATER MFG CO DIV 802 W BEARDSLEY ELKHART, IN 46514-2230 OBSOLETE RECORD
06710	LAMSON AND SESSIONS CO THE VALLEY-TODECO 12975 BRADLEY AVENUE SYLMAR, CALIFORNIA 91342-3830 FORMERLY VALLEY BOLT CORP VB0097 IN NORTH HOLLYWOOD, CA

# 25-28-44

ILLUSTRATED PARTS LIST

Page 1002

Jul 01/2006





## COMPONENT MAINTENANCE MANUAL

Code	Name
06725	AIR INDUSTRIES CORPORATION 12570 KNOTT STREET GARDEN GROVE, CALIFORNIA 92641-3932 FORMERLY AIR INDUSTRIES OF CALIF IN GARDENA, CALIF.
06950	SCREWCORP VSI AEROSPACE PRODUCTS DIV FAIRCHILD IND DIV 13001 EAST TEMPLE AVENUE PO BOX 730 CITY OF INDUSTRY, CALIFORNIA 91746-1417 FORMERLY VB0096 AND VSI CORP SCREWCORP DIV FORMERLY IN CULVER CITY, CALIFORNIA SCREW CORP SEE V.S.I. CORP SCREWCORP DIVISION
07170	Replaced: [V07170] SEE V80539 by Code: Name and Address below 80539: SPS TECHNOLOGIES INC DIV AERPSOACE - SANTA ANA 2701 SOUTH HARBOR BOULEVARD SANTA ANA, CALIFORNIA 92704-5803 FORMERLY NUTT-SHEL DIV OF SPC WESTERN CO V80539 AND STANDARD PRESSED STEEL WESTERN DIV V17279; V07170
0812B	Replaced: [V0812B] SEE CODE V60116 by Code: Name and Address below 60116: PSI WEST 255 SOUTH 7TH AVENUE CITY OF INDUSTRY, CALIFORNIA 91744-3079 FORMERLY V0812B
08524	Replaced: [V08524] DEUTSCH FASTENER CORP SEE CODE V97928 Replaced: [V97928] SEE V17446 HUCK INTL by Code: Name and Address below 17446: HUCK INTL INC AEROSPACE FASTENER DIV 900 WATSON CENTER ROAD CARSON, CALIFORNIA 90745-4201 FORMERLY V32134 REXNORD INC; FORMERLY V97928 HUCK INTL Referenced in FORMERLY line below [17419] DEUTSCH COMPANY THE WELLS FARGO BANK BLDG 2444 WILSHIRE BLVD #600 SANTA MONICA, CALIFORNIA 90403 FORMERLY DEUTSCH FASTENER CORP V08524 FORMERLY IN LOS ANGELES

# 25-28-44

ILLUSTRATED PARTS LIST

Page 1003

Jul 01/2006



## COMPONENT MAINTENANCE MANUAL

Code	Name
08805	GENERAL ELECTRIC 1975 NOBLE RD CLEVELAND, OHIO 44112-1719
08958	BROWN HOISTING MACHINERY CO BAY CITY, MI 48706 CANCELLED WITHOUT REPLACEMENT RECORD
0895B	ALL LOCK CO INC PO BOX 3042 NORTH BRUNSWICK, NEW JERSEY 07072 FORMERLY IN CARLSTADT, NEW JERSEY
10630	ANILLO INDUSTRIES, INCORPORATED 2090 NORTH GLASSELL ORANGE, CALIFORNIA 92667 FORMERLY WESTERN WASHER DIV OF SENG CO V87487
11815	CHERRY AEROSPACE FASTENERS DIV OF TEXTRON 1224 EAST WARNER AVENUE PO BOX 2157 SANTA ANA, CALIFORNIA 92707-0157 FORMERLY IN LOS ANGELES, CALIF , FORMERLY CHERRY FASTENERS TOWNSEND DIV OF TEXTRON INC V71087
13545	GENERAL ELECTRIC CO AVIATION SERVICES SEATTLE OF AVIATION SEATTLE, WASHINGTON 98168-1978 OBSOLETE RECORD
15438	AVIA MARINE TECHNOLOGY INC. DBA AVIA MARINE CO 6118 12TH AVE. S. SEATTLE, WASHINGTON 98108-2768 FORMERLY AVIA MARINE CO VB0084 AND VB0087
15653	ALCOA GLOBAL FASTENERS INC DIV KAYNAR PRODUCTS 800 S STATE COLLEGE BLVD FULLERTON, CALIFORNIA 92831-3001 FORMERLY VK6405 MICRODOT AEROSP LTD; FORMERLY KAYNAR TECH FORMERLY FAIRCHILD FASTENERS KAYNAR DIV

# 25-28-44

ILLUSTRATED PARTS LIST

Page 1004

Nov 01/2006



## COMPONENT MAINTENANCE MANUAL

Code	Name
17023	BRUCE INDUSTRIES, INCORPORATED 101 EVANS AVENUE PO BOX 1700 DAYTON, NEVADA 89403 FORMERLY IN GARDENA, CALIFORNIA
24984	HYDRAFLOW 1881 W MALVERN FULLERTON, CALIFORNIA 92833-2403 FORMERLY IN CERRITOS, CA
27624	PB FASTENERS DIV OF BRILES PAUL R 1700 WEST 132ND STREET GARDENA, CALIFORNIA 90249 FORMERLY PAUL R BRILES INC P.B. FASTENER DIV
29372	ALCOA GLOBAL FASTENERS INC DBA ALCOA FASTENERS SYSTEMS DIV 3000 WEST LOMITA BLVD TORRANCE CALIFORNIA 90505-5103 FORMERLY CALFAX INC V11907; NEWTON INSERT CO V98004; REXNORD INC SPECIALTY FASTENER DIV AND DELRON CO V82831; REXNORD INC TRIDAIR IND; FORMERLY FAIRCHAIDL IND INC
34252	GULF OIL CO USA DIV OF GULF OIL CORP PO BOX 1519 HOUSTON, TEXAS 77001
34941	HARPER ENGINEERING COMPANY 200 SOUTH TOBIN STREET RENTON, WASHINGTON 98055-1307
52607	ACTRON MANUFACTURING INC 3800 EAST MIRA LOMA AVENUE ANAHEIM, CALIFORNIA 92806-2108 FORMERLY V0493B IN FULLERTON, CALIFORNIA
52828	REPUBLIC FASTENER MFG CORP 1300 RANCHO CONEJO BLVD NEWBURY PARK, CALIFORNIA 91320-1405 FORMERLY IN SYLMAR, CALIFORNIA

# 25-28-44

ILLUSTRATED PARTS LIST

Page 1005

Jul 01/2006



## COMPONENT MAINTENANCE MANUAL

Code	Name
56878	SPS TECHNOLOGIES INC AEROSPACE AND INDUSTRIAL PRODUCTS DIV 301 HIGHLAND AVE JENKINTOWN, PENNSYLVANIA 19046 FORMERLY STANDARD PRESSED STEEL FORMERLY IN SALT LAKE, UTAH
60116	PSI WEST 255 SOUTH 7TH AVENUE CITY OF INDUSTRY, CALIFORNIA 91744-3079 FORMERLY V0812B
71087	Replaced: [V71087] BOOTS ACFT NUT DIV TOWNSEND CO SEE TEXTRON INC CHERRY FASTENER TOWNSEND DIV V11815 by Code: Name and Address below 11815: CHERRY AEROSPACE FASTENERS DIV OF TEXTRON 1224 EAST WARNER AVENUE PO BOX 2157 SANTA ANA, CALIFORNIA 92707-0157 FORMERLY IN LOS ANGELES, CALIF , FORMERLY CHERRY FASTENERS TOWNSEND DIV OF TEXTRON INC V71087
72962	HARVARD INDUSTRIES INC 3 WERNER WAY SUITE 210 LEBANON, NEW JERSEY 08833 FORMERLY ESNA V7A079 FORMERLY ELASTIC STOP NUT IN UNION, NJ
73197	HI-SHEAR TECHNOLOGY CORP 2600 SKYPARK DRIVE TORRANCE, CALIFORNIA 90509
80477	ADAMS RITE AEROSPACE INC 4141 N PALM ST FULLERTON, CALIFORNIA 92835-1025 FORMERLY V00163 REID METAL PARTS; FORMERLY ADAMS RITE SABRE INTL IN GLENDALE, CA
80539	SPS TECHNOLOGIES INC DIV AERPSOACE - SANTA ANA 2701 SOUTH HARBOR BOULEVARD SANTA ANA, CALIFORNIA 92704-5803 FORMERLY NUTT-SHEL DIV OF SPC WESTERN CO V80539 AND STANDARD PRESSED STEEL WESTERN DIV V17279

# 25-28-44

ILLUSTRATED PARTS LIST

Page 1006

Jul 01/2006

**COMPONENT MAINTENANCE MANUAL**

<b>Code</b>	<b>Name</b>
83014	HARTWELL CORPORATION 900 SOUTH RICHFIELD ROAD PLACENTIA, CALIFORNIA 92670-6732 FORMERLY V0532B IN LOS ANGELES, CALIFORNIA
92215	FAIRCHILD IND INC FAIRCHILD AEROSPACE FASTENER DIV 3010 W LOMITA BLVD TORRANCE, CALIFORNIA 90505-5102 FORMERLY VOI-SHAN IN CULVER CITY, CALIF
93907	TEXTRON INC CAMCAR DIV 600 18TH AVENUE ROCKFORD, ILLINOIS 61101
97393	SHUR-LOK CORPORATION 2541 WHITE ROAD PO BOX 19584 IRVINE, CALIFORNIA 92623-9584 FORMERLY SHUR LOK CORP VB0060 FORMERLY IN SANTA ANA, CALIFORNIA 92714
97928	Replaced: [V97928] SEE V17446 HUCK INTL by Code: Name and Address below 17446: HUCK INTL INC AEROSPACE FASTENER DIV 900 WATSON CENTER ROAD CARSON, CALIFORNIA 90745-4201 FORMERLY V32134 REXNORD INC; FORMERLY V97928 HUCK INTL

**25-28-44**

ILLUSTRATED PARTS LIST

Page 1007

Jul 01/2006



## COMPONENT MAINTENANCE MANUAL

### NUMERICAL INDEX

PART NUMBER	AIRLINE PART NUMBER	FIGURE	ITEM	UNITS PER ASSEMBLY
05939-15		5	285	9
05939-3		3	90	1
05939-5		1	66	1
		2	66	1
		5	295	1
		6	295	1
		3	54	1
05939-7		4	83	1
		5	290	1
		6	290	1
		2	88	1
1864		3	85	1
		4	89A	1
2055132		5	310A	2
		6	310A	2
		1	72	2
2055150		2	72	2
		3	60	2
		3	96	2
		4	89	2
		5	310	2
		6	310	2
		6	280	9
22K-02		1	63	3
22K1-02		2	63	3
		3	51	3
		3	87	3
		4	80	3
		5	280	9
26CL02		1	63	3
		2	63	3
		3	51	3
		3	87	3
	4	80	3	

# 25-28-44

ILLUSTRATED PARTS LIST

Page 1008

Mar 01/2006



## COMPONENT MAINTENANCE MANUAL

PART NUMBER	AIRLINE PART NUMBER	FIGURE	ITEM	UNITS PER ASSEMBLY
411N3134-1		5	280	9
		6	280	9
		3	107	2
		4	27	2
411N3142-28		1	39	2
		2	39	2
		3	33	2
		4	53	1
		5	225	3
		6	225	3
412N1113-7		1	765	1
		2	900	1
		3	900	2
		4	684	1
		5	1175	1
		6	1175	1
412N1113-8		1	770	1
		2	905	1
		3	905	2
		4	688	1
		5	1180	1
		6	1180	1
412N11156-3		6	1075	1
412N1116-110		4	1070A	1
412N1116-16		1	1110	1
		2	1287	2
		3	1275	2
		4	1065	2
412N1116-17		1	1175	1
		2	1227	1
		2	1279	1
		3	1212	1
		3	1266	1
		4	1056	1
412N1116-18		1	1166	1

# 25-28-44

ILLUSTRATED PARTS LIST

Page 1009

Mar 01/2006



## COMPONENT MAINTENANCE MANUAL

PART NUMBER	AIRLINE PART NUMBER	FIGURE	ITEM	UNITS PER ASSEMBLY
		4	1002	1
412N1116-29		4	1070	1
412N1116-30		3	1283	1
		4	1073	1
412N1116-47		2	1278	1
		3	1263	1
		4	1053	1
412N1116-48		1	1163	1
412N1116-49		1	1169	1
412N1116-50		2	1281	1
		3	1269	1
		4	1059	1
412N1116-73		6	1484	1
412N1116-74		5	1450	1
412N1116-75		2	1224	1
		3	1209	1
412N1116-76		1	1107	1
		4	999	1
412N1116-77		6	1556	1
412N1116-85		5	1504	1
		6	1538	1
412N1116-88		5	1510	1
		6	1544	1
		6	1559	1
412N1116-91		3	1280	1
412N1116-93		5	1516	2
		6	1487	1
		6	1550	1
412N1116-94		5	1453	1
		5	1507	1
412N1117-5		2	935	1
		3	935	1
412N1117-6		1	795	1
		4	715	1
		5	1210	1

# 25-28-44

ILLUSTRATED PARTS LIST

Page 1010

Mar 01/2006





## COMPONENT MAINTENANCE MANUAL

PART NUMBER	AIRLINE PART NUMBER	FIGURE	ITEM	UNITS PER ASSEMBLY
412N1117-7		6	1210	1
412N1118-1		5	770	2
412N1118-1SP		1	300	2
		2	505	2
		3	505	2
		4	378	2
		6	770	2
	412N1118-2		5	775
412N1118-2SP		1	303	2
		2	510	2
		3	510	2
		4	382	2
		6	775	2
	412N1118-3		6	1562
412N1119-12		1	194	1
		2	490	1
		3	490	2
		4	35	2
		5	600	2
		6	600	2
412N1119-13		1	10	1
412N1119-14		2	10	1
412N1119-27		1	920A	1
412N1119-28		1	931	1
		3	1051B	1
		4	831B	1
412N1119-29		1	932	1
412N1119-36		5	910	1
412N1119-41		1	159	1
		2	265	1
		3	150	1
		4	224	1
412N1119-45		4	10	1
412N1119-46		3	9	1
412N1119-47		5	10	2

# 25-28-44

ILLUSTRATED PARTS LIST

Page 1011

Mar 01/2006



## COMPONENT MAINTENANCE MANUAL

PART NUMBER	AIRLINE PART NUMBER	FIGURE	ITEM	UNITS PER ASSEMBLY
		6	10	2
412N1119-48		5	70	1
412N1119-49		5	90	1
		6	90	1
412N1119-50		5	95	1
		6	95	1
412N1119-51		5	100	1
		6	100	1
412N1119-52		5	105	1
		6	105	1
412N1119-53		5	110	1
412N1119-54		5	60	1
		6	60	1
412N1119-55		1	24	1
		2	24	1
412N1119-56		1	27	1
		2	27	1
412N1119-59		3	21	1
		4	24	1
412N1119-60		3	22	1
		4	26	1
412N1119-66		6	75	1
412N1119-68		6	110	1
412N1119-69		5	915	1
412N1119-70		5	920	1
412N1119-71		5	925	1
412N1119-72		5	930	1
412N1130-5		5	615	2
		6	615	2
412N1130-5SP		1	186	2
		2	310	2
		3	190	2
		4	256	2
412N1140-13		1	256	1
		2	455	1

# 25-28-44

ILLUSTRATED PARTS LIST

Page 1012

Mar 01/2006



## COMPONENT MAINTENANCE MANUAL

PART NUMBER	AIRLINE PART NUMBER	FIGURE	ITEM	UNITS PER ASSEMBLY
		3	455	1
		4	354	1
		5	730	1
		6	730	1
412N1140-17		1	241	1
		2	430	1
		3	430	1
		4	334	1
		5	705	1
		6	705	1
412N1140-2		1	274	1
412N1140-41		3	380	1
412N1140-41SP		1	212	1
		2	380	1
		4	294	1
		5	655	1
		6	660	1
412N1140-47SP		5	660	1
412N1140-58		1	250	1
		2	445	1
		3	445	1
		4	346	1
		5	720	1
		6	720	1
412N1140-62		1	253	1
		2	450	1
		3	450	1
		4	350	1
		5	725	1
		6	725	1
412N1140-66SP		2	385	1
412N1140-67SP		4	298	1
412N1140-69SP		1	215	1
412N1140-71SP		1	215A	1
412N1140-77		3	385	1

# 25-28-44

ILLUSTRATED PARTS LIST

Page 1013

Mar 01/2006



## COMPONENT MAINTENANCE MANUAL

PART NUMBER	AIRLINE PART NUMBER	FIGURE	ITEM	UNITS PER ASSEMBLY
412N1140-77SP		6	660A	1
412N1141-1		1	259	1
		2	460	1
		3	460	1
		4	358	1
		5	735	1
		6	735	1
412N1141-5		1	262	1
		2	465	1
		3	465	1
		4	362	1
		5	740	1
		6	740	1
412N1141-7		1	265	1
		2	470	1
		3	470	1
		4	366	1
		5	745	1
		6	745	1
412N1142-15		1	268	1
		2	475	1
		3	475	1
		4	370	1
		5	750	1
		6	750	1
412N1142-20		1	271	1
		2	480	1
		3	480	1
		4	374	1
		5	755	1
		6	755	1
412N1143-11		1	240	2
		2	425	2
		3	425	2
		4	330	2

# 25-28-44

ILLUSTRATED PARTS LIST

Page 1014

Mar 01/2006



## COMPONENT MAINTENANCE MANUAL

PART NUMBER	AIRLINE PART NUMBER	FIGURE	ITEM	UNITS PER ASSEMBLY
412N1143-13		5	700	2
		6	700	2
		1	243	1
		2	435	1
		3	435	1
		4	338	1
412N1143-14		5	710	1
		6	710	1
		1	247	1
		2	440	1
		3	440	1
		4	342	1
412N1145-29		5	715	1
		6	715	1
		1	90	4
		2	90	4
		3	260	4
		4	101	4
412N1145-30		5	415	4
		6	415	4
		6	415A	3
		2	102	1
		2	102A	2
		3	275	1
412N1145-33		4	116	1
		5	420	1
		6	420	1
		6	420A	2
		3	1289	5
		4	1079	1
412N1145-43		6	1568	5
		1	925	1
		2	1045	1
		3	1045	1
	4	825	1	

# 25-28-44

ILLUSTRATED PARTS LIST

Page 1015

Mar 01/2006



## COMPONENT MAINTENANCE MANUAL

PART NUMBER	AIRLINE PART NUMBER	FIGURE	ITEM	UNITS PER ASSEMBLY
		6	1315	1
412N1145-87		4	263	1
412N1145-88		4	266	1
412N1145-89		2	130	2
412N1145-92		2	155	2
412N1146-110		1	830	1
412N1146-111		2	985	1
		3	985	1
		6	1245	1
412N1146-112		1	835	1
		4	750A	1
		5	1245	1
412N1146-114		1	885	1
412N1146-115		2	1015	1
		3	1015	1
		6	1280	1
412N1146-116		1	885A	1
		5	1280	1
412N1146-135		4	750	1
412N1146-136		4	795	1
412N1146-18		2	985B	1
412N1146-38		2	1015B	1
412N1146-39		4	755	1
		5	1250	1
412N1146-42		5	1285	1
412N1146-50		3	985B	1
		3	1015B	1
		6	1250	1
412N1146-51		6	1285	1
412N1146-63		2	985C	1
412N1146-65		2	1015C	1
412N1146-75		2	985A	1
		3	985A	1
412N1146-76		3	1015A	1
412N1146-77		6	1250A	1

# 25-28-44

ILLUSTRATED PARTS LIST

Page 1016

Mar 01/2006



## COMPONENT MAINTENANCE MANUAL

PART NUMBER	AIRLINE PART NUMBER	FIGURE	ITEM	UNITS PER ASSEMBLY
412N1146-78		6	1285A	1
412N1146-80		1	840A	1
412N1146-82		1	885C	1
412N1146-87		1	840	1
412N1146-88		1	885B	1
412N1153-101		1	735	1
		2	855	1
		3	855	1
		4	660B	1
		5	1140	1
		6	1140	1
412N1153-111		1	735A	1
412N1153-116		4	660	1
		5	1145	1
412N1153-121		2	855A	1
		3	855A	1
		4	660A	1
412N1153-148		2	855B	1
412N1153-31		1	735B	1
412N1153-56		3	855B	1
		6	1145	1
412N1153-68		2	885C	1
412N1153-76		6	1145A	1
412N1154-1		2	530	1
		3	530	1
		6	785	1
412N1154-2		1	326	1
		4	398	1
		5	785	1
412N1154-3		1	320	2
		2	520	1
		3	520	1
		4	390	2
		5	790	2
		6	790	1

# 25-28-44

ILLUSTRATED PARTS LIST

Page 1017

Mar 01/2006



## COMPONENT MAINTENANCE MANUAL

PART NUMBER	AIRLINE PART NUMBER	FIGURE	ITEM	UNITS PER ASSEMBLY
412N1154-4		1	323	1
		2	525	2
		3	525	2
		4	394	1
		5	795	1
		6	795	2
412N1155-1		1	330	2
		2	550	1
		3	550	1
		4	402	2
		6	800	1
		412N1155-10		1
		4	530A	1
		5	980	1
412N1155-11		5	800A	2
412N1155-12		5	805A	1
412N1155-2		1	333	1
		2	560	2
		3	560	2
		4	406	1
		6	805	2
		412N1155-3		2
		3	690	1
		6	975	1
412N1155-4		1	455	1
		4	530	1
		5	975	1
412N1155-5		5	800	2
412N1155-6		5	805	1
412N1155-7		1	330A	2
		2	550A	1
		3	550A	1
		4	402A	2
		6	800A	1
		412N1155-8		1

# 25-28-44

ILLUSTRATED PARTS LIST

Page 1018

Mar 01/2006





## COMPONENT MAINTENANCE MANUAL

PART NUMBER	AIRLINE PART NUMBER	FIGURE	ITEM	UNITS PER ASSEMBLY
412N1155-9		2	560A	2
		3	560A	2
		4	406A	1
		6	805A	2
		2	690A	1
		3	690A	1
412N1156-1		6	980	1
		1	414	1
		2	656	1
		3	656	1
412N1156-13		4	490	1
		6	955	1
		1	417	1
		2	659	1
		3	659	1
		4	494	1
412N1156-14		6	955A	1
		1	423	1
		2	665	1
		3	665	1
		4	502	1
		6	955C	1
412N1156-15		1	433	1
		2	673	1
		3	673	1
		4	514	1
		5	965B	1
		6	965B	1
412N1156-16		1	440	1
		2	680	1
		3	680	1
		4	522	1
		5	965C	1
		6	965C	1
412N1156-17		5	955B	1

# 25-28-44

ILLUSTRATED PARTS LIST

Page 1019

Mar 01/2006



## COMPONENT MAINTENANCE MANUAL

PART NUMBER	AIRLINE PART NUMBER	FIGURE	ITEM	UNITS PER ASSEMBLY	
412N1156-18		5	955C	1	
412N1156-19		2	775	1	
		3	775	1	
		6	1065	1	
412N1156-2		1	420	1	
		2	662	1	
		3	662	1	
		4	498	1	
		6	955B	1	
	412N1156-20		1	630	1
		4	602	1	
		5	1065	1	
412N1156-25		2	790	1	
		3	790	1	
		6	1080	1	
412N1156-26		1	645	1	
		4	612	1	
		5	1080	1	
412N1156-3		1	430	1	
		2	671	1	
		2	785	1	
		3	671	1	
		3	785	1	
		4	510	1	
		5	965	1	
		6	965	1	
	412N1156-4		1	436	1
			1	640	1
		2	675	1	
		3	675	1	
		4	518	1	
		4	608	1	
		5	965A	1	
		5	1075	1	
		6	965A	1	

# 25-28-44

ILLUSTRATED PARTS LIST

Page 1020

Mar 01/2006



## COMPONENT MAINTENANCE MANUAL

PART NUMBER	AIRLINE PART NUMBER	FIGURE	ITEM	UNITS PER ASSEMBLY
412N1156-42		4	795A	1
412N1156-5		2	770	1
		3	770	1
		6	1060	1
412N1156-6		1	625	1
		4	598	1
		5	1060	1
412N1156-7		5	955	1
412N1156-76		2	1015A	1
412N1156-8		5	955A	1
412N1161-1		1	10A	1
412N1161-2		2	10A	1
412N1161-3		4	10A	1
412N1161-4		3	9B	1
412N1215-136		1	1178B	1
412N1215-28		3	1278	1
412N1215-29		4	1068	1
		5	1519	1
412N1215-5		1	1178	1
412N1215-58		6	1589	1
412N1215-6		2	1290	1
412N1215-62		3	1278A	1
412N1215-69		6	1589A	1
412N1216-13		4	1014	1
412N1216-14		3	1224	1
412N1216-25		6	1499	1
412N1216-26		5	1465	1
412N1216-27		1	1122	1
412N1216-28		2	1239	1
412N1217-19		1	1137	1
		2	1254	1
		3	1239	1
		4	1029	1
412N1217-20		1	1147	1
		2	1263	1

# 25-28-44

ILLUSTRATED PARTS LIST

Page 1021

Mar 01/2006



## COMPONENT MAINTENANCE MANUAL

PART NUMBER	AIRLINE PART NUMBER	FIGURE	ITEM	UNITS PER ASSEMBLY
		3	1248	1
		4	1038	1
412N1217-21		5	1480	1
		6	1514	1
412N1217-22		5	1489	1
		6	1523	1
412N1217-23		3	1251	1
		4	1041	1
412N1217-24		3	1260	1
		4	1050	1
412N1217-49		5	1492	1
		6	1526	1
412N1217-5		1	1092	1
		2	1209	1
		3	1194	1
		4	984	1
		5	1435	1
		6	1469	1
412N1217-50		5	1501	1
		6	1535	1
412N1217-57		6	1457	1
412N1217-58		5	1423	1
412N1217-59		6	1460	1
412N1217-60		5	1426	1
412N1217-61		1	1080	1
		4	972	1
412N1217-62		2	1197	1
		3	1182	1
412N1217-63		4	975	1
412N1217-631		1	1083	1
412N1217-64		2	1200	1
		3	1185	1
412N1217-65		5	1438	1
412N1217-66		6	1472	1
412N1217-67		5	1441	1

# 25-28-44

ILLUSTRATED PARTS LIST

Page 1022

Mar 01/2006



## COMPONENT MAINTENANCE MANUAL

PART NUMBER	AIRLINE PART NUMBER	FIGURE	ITEM	UNITS PER ASSEMBLY
412N1217-68		6	1475	1
412N1217-77		1	1095	1
		4	987	1
412N1217-78		2	1212	1
		3	1197	1
412N1217-79		1	1098	1
		4	990	1
412N1217-80		2	1215	1
		3	1200	1
412N1217-85		5	1522	1
		6	1577	1
412N1217-86		5	1531	1
		6	1586	1
412N1217-87		1	1150	1
		2	1266	1
412N1217-88		1	1160	1
		2	1275	1
412N1224-2		3	990	1
412N1224-3		2	990	1
412N1227-1		1	353	2
		1	463	1
		2	580	6
		2	695	1
		3	580	7
		3	695	1
		4	414	6
		4	538	1
		5	815	3
		5	985	1
		6	815	2
		6	985	1
412N1244-2		2	442	1
		3	442	1
		5	760	1
412N1245-1		1	233	2

# 25-28-44

ILLUSTRATED PARTS LIST

Page 1023

Mar 01/2006



## COMPONENT MAINTENANCE MANUAL

PART NUMBER	AIRLINE PART NUMBER	FIGURE	ITEM	UNITS PER ASSEMBLY
		2	415	2
		3	415	2
		4	322	2
		5	690	2
		6	690	2
417N5120-1		3	72A	1
417N5120-10		3	93	1
		4	86	1
417N5120-11		1	69	1
		2	69	1
		5	300	1
		6	300	1
417N5120-12		3	57	1
		4	86A	1
		5	305	1
		6	305	1
417N5120-14		3	72	1
		3	72B	1
417N5120-17		4	56	1
417N5120-20		3	36	1
		4	59	1
		4	59B	1
417N5120-23		1	42	1
417N5120-25		2	42	1
		6	230	1
417N5120-26		5	230	1
417N5120-38		5	235	1
		5	240A	1
417N5120-4		3	36B	1
417N5120-46		1	45	1
		2	45	1
417N5120-47		5	240	1
		6	240	1
417N5120-50		5	250	1
		6	250	1

# 25-28-44

ILLUSTRATED PARTS LIST

Page 1024

Mar 01/2006



## COMPONENT MAINTENANCE MANUAL

PART NUMBER	AIRLINE PART NUMBER	FIGURE	ITEM	UNITS PER ASSEMBLY
417N5120-7		3	36A	1
		4	59A	1
427N5120-41		5	245	1
50-3361-8629		1	13	2
		2	13	2
6041-3BRX225		1	427	2
		1	635	2
		2	668	2
		2	780	2
		3	668	2
		3	780	2
		4	506	2
		4	604	2
		5	960	2
		5	1070	2
		6	960	2
65C27-27-54SP		6	1070	2
		2	215A	1
65C27006-103SP		1	1S	RF
		2	2A	RF
65C27006-104SP		1	1T	RF
65C27006-112SP		1	1U	RF
		3	2	RF
65C27006-113SP		1	1V	RF
		4	2	RF
65C27006-117SP		1	1W	RF
		3	2A	RF
65C27006-118SP		1	1X	RF
		4	2A	RF
65C27006-12		1	192	1
		2	320	1
		3	200	1
		4	260	1
		5	620	1
		6	620	1

# 25-28-44

ILLUSTRATED PARTS LIST

Page 1025

Mar 01/2006



## COMPONENT MAINTENANCE MANUAL

PART NUMBER	AIRLINE PART NUMBER	FIGURE	ITEM	UNITS PER ASSEMBLY
65C27006-124SP		1	1Y	RF
65C27006-127SP		1	1Z	RF
		3	2B	RF
65C27006-128SP		1	2L	RF
		4	2B	RF
65C27006-131		6	625	1
65C27006-133SP		1	2M	RF
		3	2C	RF
65C27006-137SP		1	2N	RF
65C27006-21SP		1	1	RF
		2	1	RF
65C27006-22SP		1	1A	RF
65C27006-31SP		5	1	RF
65C27006-37SP		1	1C	RF
		3	1	RF
65C27006-43SP		1	1D	RF
		5	1A	RF
65C27006-57SP		1	1E	RF
65C27006-61SP		1	1F	RF
		6	1	RF
65C27006-63SP		1	1G	RF
		4	1	RF
65C27006-65SP		1	1H	RF
		3	1A	RF
65C27006-69SP		1	1J	RF
		2	1A	RF
65C27006-72SP		1	1K	RF
		6	1A	RF
65C27006-82SP		1	1L	RF
65C27006-83SP		1	1M	RF
		2	1B	RF
65C27006-84SP		1	1N	RF
65C27006-86		4	261	1
65C27006-93SP		1	1P	RF
		2	1C	RF

# 25-28-44

ILLUSTRATED PARTS LIST

Page 1026

Mar 01/2006





## COMPONENT MAINTENANCE MANUAL

PART NUMBER	AIRLINE PART NUMBER	FIGURE	ITEM	UNITS PER ASSEMBLY
65C27006-95SP		1	1R	RF
		3	1B	RF
65C27006-96SP		1	1Q	RF
		2	1D	RF
65C27009-103SP		2	350D	1
65C27009-112SP		3	350C	1
65C27009-113SP		4	280A	1
65C27009-117SP		3	350D	1
65C27009-118SP		4	280B	1
65C27009-124SP		1	200C	1
65C27009-127SP		3	350E	1
65C27009-128SP		4	280C	1
65C27009-133SP		3	350F	1
65C27009-137SP		1	200D	1
65C27009-21SP		2	350	1
65C27009-22SP		1	200	1
65C27009-32SP		5	630	1
65C27009-37SP		3	350	1
65C27009-43SP		5	630A	1
65C27009-57SP		1	200A	1
65C27009-6		1	315	2
		2	515	2
		3	515	2
		4	386	2
		5	635	2
		6	635	2
65C27009-61SP		6	630	1
65C27009-63SP		4	280	1
65C27009-65SP		3	350A	1
65C27009-69SP		2	350A	1
65C27009-72SP		6	630A	1
65C27009-84SP		1	200B	1
65C27009-93SP		2	350B	1
65C27009-95SP		3	350B	1
65C27009-96SP		2	350C	1

# 25-28-44

ILLUSTRATED PARTS LIST

Page 1027

Mar 01/2006



## COMPONENT MAINTENANCE MANUAL

PART NUMBER	AIRLINE PART NUMBER	FIGURE	ITEM	UNITS PER ASSEMBLY
65C27012-1		2	1055	1
65C27012-10		5	1290	1
65C27012-1018		2	1065	1
65C27012-1019		1	945	1
65C27012-1028		3	1070	1
65C27012-1029		4	840	1
		5	1300	1
65C27012-1041		6	1335	1
65C27012-1045		6	1345	19
65C27012-1101		2	1075	1
65C27012-1102		1	960	1
65C27012-1107		3	1080	1
65C27012-1108		5	1310	1
65C27012-1112		4	850	1
65C27012-1115		6	1355	1
65C27012-1205		3	1095	1
65C27012-1206		5	1325	1
65C27012-1209		1	975	1
65C27012-1210		2	1090	1
65C27012-1211		6	1370	1
65C27012-1212		4	865	1
65C27012-13		6	425	4
65C27012-1301		2	1105	1
65C27012-1302		1	990	1
65C27012-1309		5	1340	1
65C27012-1315		3	1110	1
65C27012-1316		4	880	1
65C27012-1324		6	1385	1
65C27012-1336		2	1105A	1
65C27012-17		3	1055	1
65C27012-18		4	835	1
65C27012-2		1	935	1
65C27012-2009		5	1355	1
65C27012-2015		3	1130	1
65C27012-2016		4	900	1

# 25-28-44

ILLUSTRATED PARTS LIST

Page 1028

Mar 01/2006



## COMPONENT MAINTENANCE MANUAL

PART NUMBER	AIRLINE PART NUMBER	FIGURE	ITEM	UNITS PER ASSEMBLY
65C27012-2023		6	1400	1
65C27012-2025		2	1130	1
65C27012-2026		1	1010	1
65C27012-2109		5	1365	1
65C27012-2113		3	1145	1
65C27012-2114		4	915	1
65C27012-2118		5	1380	1
65C27012-2121		6	1410	1
65C27012-2125		2	1140	1
65C27012-2126		1	1020	1
65C27012-2143		3	1151	1
65C27012-22		5	1295	1
65C27012-35		1	940	1
65C27012-39		6	1330	1
65C27012-4002		1	1030	1
65C27012-4006		2	1150	1
		3	1152	1
65C27012-4009		4	925	1
65C27012-4022		4	931	1
65C27012-4024		4	932	1
65C27012-4026		4	933	1
65C27012-41		3	1060	1
65C27012-4102		1	1040	1
65C27012-4106		2	1160	1
		3	1153	1
65C27012-4109		4	935	1
65C27012-4117		4	941	1
65C27012-43		2	1060	1
		6	425A	4
65C27012-46		6	1330A	1
65C27012-67		2	1060A	1
65C27012-76		4	835A	1
65C27012-7S		3	1060A	1
65C27012-8		1	995	1
		2	1110	1

# 25-28-44

ILLUSTRATED PARTS LIST

Page 1029

Mar 01/2006



## COMPONENT MAINTENANCE MANUAL

PART NUMBER	AIRLINE PART NUMBER	FIGURE	ITEM	UNITS PER ASSEMBLY
		3	1115	1
		4	885	1
65C27012-80		3	1060B	1
65C27012-81		4	835B	1
65C27012-86		1	940A	1
65C27012-89		4	835C	1
65C27012-90		3	1060C	1
65C27016-2		1	800	1
		2	940	1
		5	1215	1
65C27016-3		6	1215	1
65C27016-4		1	920	1
		2	1040	1
		3	1040	1
		4	820	1
		6	1310	1
65C27016-5		1	930	1
		2	1050	1
		3	1050	1
		4	830	1
		6	1320	1
65C27016-6		3	940	1
		4	720	1
65C27017-1		1	790	1
		4	710	1
		5	1205	1
65C27017-13		1	93	4
		3	265	4
		4	104A	4
65C27017-15		1	156	2
		2	260	2
		3	145	2
		4	220	2
		5	170	1
		6	170	1

# 25-28-44

ILLUSTRATED PARTS LIST

Page 1030

Mar 01/2006



## COMPONENT MAINTENANCE MANUAL

PART NUMBER	AIRLINE PART NUMBER	FIGURE	ITEM	UNITS PER ASSEMBLY
65C27017-19		2	12	1
65C27017-2		2	930	1
		3	930	1
		6	1205	1
65C27017-20		1	12	1
65C27017-21		3	120	1
65C27017-22		4	200	1
65C27017-23		3	140	1
65C27017-24		4	216	1
65C27017-25		5	145	1
65C27017-26		5	160	1
65C27017-27		5	180	1
65C27017-28		5	40	2
		6	40	2
65C27017-29		5	175	1
		6	175	1
65C27017-3		1	805	1
		2	945	1
		3	945	1
		4	725	1
		5	1220	1
		6	1220	1
65C27017-30		1	102	1
		1	105	2
65C27017-32		6	180	1
65C27017-33		6	145	1
65C27017-34		6	160	1
65C27017-36		2	93A	4
65C27017-4		1	193	1
		2	485	1
65C27017-43		1	93A	1
		2	93B	4
		3	265A	4
		4	104B	4
65C27017-5		1	141	1

# 25-28-44

ILLUSTRATED PARTS LIST

Page 1031

Mar 01/2006



## COMPONENT MAINTENANCE MANUAL

PART NUMBER	AIRLINE PART NUMBER	FIGURE	ITEM	UNITS PER ASSEMBLY
65C27017-6		2	235	1
65C27017-7		1	153	1
65C27017-8		2	255	1
65C27023-11		5	1240	1
65C27023-14		2	980	1
65C27023-19		3	980	1
65C27023-20		4	745	1
65C27023-30		6	1240	1
65C27023-36		6	1240A	1
65C27023-4		1	820	1
65C27023-44		4	745A	1
65C27023-59		1	820A	1
65C27026-22SP		1	180	1
65C27026-29		5	555	1
65C27026-30		2	295	1
65C27026-30SP		3	180B	1
65C27026-33SP		3	180	1
65C27026-34SP		4	248	1
65C27026-45SP		6	555	1
65C27026-48SP		3	180A	1
65C27026-49SP		6	555A	1
65C27026-57SP		4	248A	1
65C27027-11		2	180	1
		3	225	1
		6	570	1
65C27027-12		1	123	1
		4	152	1
		5	570	1
65C27027-13		1	126	1
		2	190	1
		3	230	1
		4	160	1
		5	575	1
		6	575	1
65C27027-14		1	129	1

# 25-28-44

ILLUSTRATED PARTS LIST

Page 1032

Mar 01/2006



## COMPONENT MAINTENANCE MANUAL

PART NUMBER	AIRLINE PART NUMBER	FIGURE	ITEM	UNITS PER ASSEMBLY
		2	195	1
		3	235	1
		4	164	1
		5	580	1
		6	580	1
65C27027-15		1	132A	1
65C27027-15SP		2	200B	1
65C27027-17		1	132	1
		4	168	1
		5	585	1
		6	585	1
65C27027-17SP		2	200	1
		3	240	1
65C27027-29SP		2	160A	1
65C27027-3		6	565	1
65C27027-30		1	132B	1
65C27027-30SP		2	200A	1
65C27027-31SP		1	120A	1
65C27027-32		1	123A	1
65C27027-33		1	135A	1
65C27027-38SP		1	120B	1
65C27027-3SP		2	160	1
		3	220	1
65C27027-4SP		1	120	1
		4	140	1
		5	565	1
65C27027-50SP		2	160B	1
65C27027-52		2	180A	1
65C27027-7		6	590	1
65C27027-7SP		2	215	1
		3	245	1
65C27027-8		1	135	1
		4	180	1
		5	590	1
65C27321-17		5	1395	1

# 25-28-44

ILLUSTRATED PARTS LIST

Page 1033

Mar 01/2006



## COMPONENT MAINTENANCE MANUAL

PART NUMBER	AIRLINE PART NUMBER	FIGURE	ITEM	UNITS PER ASSEMBLY
65C27327-1		1	1050	1
65C27327-118		3	1155B	1
65C27327-119		4	945A	1
65C27327-126		4	945B	1
65C27327-135		1	1050A	1
65C27327-2		2	1170	1
65C27327-25		3	1155	1
65C27327-26		4	945	1
65C27327-57		6	1425	1
65C27327-61		3	1155A	1
65C27327-68		6	1430	1
65C27481-24		5	345	1
65C27481-25		5	350	1
65C27481-28		5	390	1
		6	390	1
65C27481-29		5	395	1
		6	395	1
65C27481-34		5	365	1
65C27481-35		5	370	1
		6	370	1
65C27481-71		6	365	1
65C27481-72		6	345	1
65C27481-74		6	350	1
65C28117-3		1	54	1
		2	54	1
		3	44	1
		3	80	1
		4	70	1
		5	340	1
		6	340	1
65c27017-13		5	425	4
800000225-22		6	335	1
800000255-1		3	105	1
800000255-11		3	106	1
800000255-14		4	98	1

# 25-28-44

ILLUSTRATED PARTS LIST

Page 1034

Mar 01/2006





## COMPONENT MAINTENANCE MANUAL

PART NUMBER	AIRLINE PART NUMBER	FIGURE	ITEM	UNITS PER ASSEMBLY
800000255-17		80	1	RF
		3	70	1
		4	98A	1
		80	1A	RF
800000255-20		1	84	1
		80	1C	RF
800000255-21		5	335	1
		80	1B	RF
800000255-22		2	84	1
		80	1D	RF
800000255-32		1	87	1
		2	84A	1
800000255-35		5	335D	1
800000255-37		5	335C	1
800000255-42		5	335A	1
800000255-45		5	335B	1
800000255-7		3	69	1
		4	98B	1
		80	1E	RF
A2077-3		1	915A	1
		3	1036	1
		4	816	1
AC8400EKAPK625		1	915	1
		2	1035	1
		3	1035	1
		4	815	1
		6	1305	1
		1	353A	2
AIC1321-3-8		1	463A	1
		2	585	6
		2	700	1
		3	585	7
		3	700	1
		4	414A	6
		4	538A	1

# 25-28-44

ILLUSTRATED PARTS LIST

Page 1035

Mar 01/2006



## COMPONENT MAINTENANCE MANUAL

PART NUMBER	AIRLINE PART NUMBER	FIGURE	ITEM	UNITS PER ASSEMBLY
		5	815A	3
		5	990	1
		6	815A	2
		6	990	1
AM150		1	918A	1
		3	1051A	1
		4	831A	1
AM15CL4-78-56		1	915B	1
		3	1036A	1
AM15CL4078-56		4	816A	1
AN960C416L		1	111	1
		1	111A	2
		2	111	1
		2	111A	2
		3	285	1
		4	128	1
		5	440	1
		6	440	1
AN960JD10		1	6A	6
		1	8A	2
		1	21A	4
		1	147A	8
		1	196	8
		1	357	1
		1	715A	2
		2	6A	8
		2	8A	2
		2	22	4
		2	245A	8
		2	275A	4
		2	595	1
		2	840A	2
		3	6A	8
		3	18A	6
		3	117A	4

# 25-28-44

ILLUSTRATED PARTS LIST

Page 1036

Mar 01/2006



## COMPONENT MAINTENANCE MANUAL

PART NUMBER	AIRLINE PART NUMBER	FIGURE	ITEM	UNITS PER ASSEMBLY
AN960JD10L		3	130A	8
		3	840A	2
		4	6A	10
		4	23	6
		4	33A	4
		4	41A	8
		4	208A	8
		4	648A	2
		5	6A	4
		5	85A	2
		5	155A	7
		5	1125A	2
		6	6A	4
		6	85A	2
		6	155A	7
		6	1125A	2
		1	380A	1
		1	595A	1
		1	710A	2
		2	616	2
		2	631A	2
		2	740A	1
		2	835A	2
		2	1185	16
		3	631A	2
		3	740A	1
		3	835A	2
		3	1170	16
		4	458A	2
		4	574A	1
		4	644A	2
		5	200A	4
		5	265A	6
	5	1120A	2	
	5	1410	16	

# 25-28-44

ILLUSTRATED PARTS LIST

Page 1037

Mar 01/2006



## COMPONENT MAINTENANCE MANUAL

PART NUMBER	AIRLINE PART NUMBER	FIGURE	ITEM	UNITS PER ASSEMBLY
AN960JD10LL		6	200A	4
		6	265A	6
		6	870A	1
		6	1120A	2
		6	1445	16
		1	22	1
		1	51A	4
		1	165A	4
		1	171A	4
		1	655A	2
		1	1068	16
		2	21A	1
		2	51A	4
		2	285A	4
		3	42A	2
		3	78A	3
		3	160A	4
		3	170A	4
		4	22A	2
		4	67A	5
		4	232A	4
		4	240A	4
		4	960	16
		5	30A	4
		5	55A	6
		5	65A	24
		5	87	24
		5	130A	5
		5	190A	4
		6	30A	4
		6	55A	3
		6	70A	24
		6	130A	5
	6	190A	4	
AN960JD416LL		5	20A	4

# 25-28-44

ILLUSTRATED PARTS LIST

Page 1038

Mar 01/2006



## COMPONENT MAINTENANCE MANUAL

PART NUMBER	AIRLINE PART NUMBER	FIGURE	ITEM	UNITS PER ASSEMBLY
		6	20A	4
AN960JD8		1	695A	1
		1	872A	21
AN960KD10L		5	1030	1
		6	1030	1
AN960P10		4	422	1
AN960PD10		3	500	8
		5	610	8
		6	610	8
AN960PD10L		1	366	1
		1	367	2
		1	590	1
		2	615	3
		2	735	1
		2	805	2
		3	615	1
		3	616	2
		3	735	1
		3	805	2
		4	438	1
		4	440	2
		4	570	1
		4	620	2
		5	845	1
		5	846	1
		5	870	2
		5	940	2
		5	1025	1
		5	1090	2
		6	845	1
		6	846	2
		6	1025	1
		6	1090	2
AN960PD516L		1	910	1
		1	1131	16

# 25-28-44

ILLUSTRATED PARTS LIST

Page 1039

Mar 01/2006



## COMPONENT MAINTENANCE MANUAL

PART NUMBER	AIRLINE PART NUMBER	FIGURE	ITEM	UNITS PER ASSEMBLY
		2	1030	1
		2	1248	16
		3	1030	1
		3	1233	16
		4	810	1
		4	1023	16
		5	1474	16
		6	1300	1
		6	1508	16
AN960PD8		2	820	1
		2	970	21
		3	820	1
		3	970	21
		4	632	1
		4	775	21
		5	1105	1
		5	1260	22
		6	1105	1
		6	1260	22
AN970-3		5	825	1
		6	825	1
AN970JD10		2	500A	4
AR15		1	915C	1
		3	1036B	1
		4	816B	1
AR292		1	918	1
		3	1051	1
		4	831	1
BAC28C8-6		6	215	3
BACB20NM3K3		6	65	24
BACB2886-235P		6	165	2
BACB28B6-235P		1	150	1
		2	250	1
		3	135	1
		4	212	1

# 25-28-44

ILLUSTRATED PARTS LIST

Page 1040

Mar 01/2006



COMPONENT MAINTENANCE MANUAL

PART NUMBER	AIRLINE PART NUMBER	FIGURE	ITEM	UNITS PER ASSEMBLY	
BACB30LK3-18		5	165	2	
		1	350	1	
		1	466	1	
		2	570	3	
		2	705	1	
		3	570	3	
		3	705	1	
		4	410	3	
		4	546	1	
		5	810	1	
		5	995	1	
		6	810	1	
		6	995	1	
	BACB30LU3-14		5	856A	1
	BACB30NM3K1		1	3	6
		1	3	6	
		1	3	6	
		1	3	6	
		1	3	6	
		1	3	6	
		1	3	6	
		1	3	6	
		1	3	6	
		1	3	6	
		1	3	6	
		1	3	6	
		1	3	6	
		1	3	6	
		1	9	2	
		1	15	4	
		1	15	4	
	1	15	4		
	1	15	4		
	1	15	4		
	1	15	4		
	1	15	4		
	1	15	4		
	1	15	4		

**25-28-44**

ILLUSTRATED PARTS LIST

Page 1041

Mar 01/2006



## COMPONENT MAINTENANCE MANUAL

PART NUMBER	AIRLINE PART NUMBER	FIGURE	ITEM	UNITS PER ASSEMBLY
		1	15	4
		1	15	4
		1	15	4
		1	15	4
		1	144	8
		1	162	4
		1	195	8
		2	3	6
		2	3	6
		2	3	6
		2	3	6
		2	3	6
		2	3	6
		2	3	6
		2	3	6
		2	3	6
		2	3	6
		2	3	6
		2	3	6
		2	3	6
		2	3	6
		2	3	6
		2	9	2
		2	15	4
		2	15	4
		2	15	4
		2	15	4
		2	15	4
		2	15	4
		2	15	4
		2	15	4
		2	15	4
		2	15	4
		2	15	4
		2	15	4
		2	15	4
		2	15	4
		2	15	4
		2	240	8
		2	270	4
		2	495	4

# 25-28-44

ILLUSTRATED PARTS LIST

Page 1042

Mar 01/2006









## COMPONENT MAINTENANCE MANUAL

PART NUMBER	AIRLINE PART NUMBER	FIGURE	ITEM	UNITS PER ASSEMBLY
BACB30NM3K10		5	605	8
		6	50	3
		6	150	7
		6	185	4
		6	605	8
		1	18	1
		2	18	2
		3	15	2
		3	15	2
		3	15	2
		3	15	2
		3	15	2
		3	15	2
		3	15	2
		3	15	2
BACB30NM3K12		4	20	2
		5	75	2
		6	80	2
		1	371	1
		2	623	1
		3	623	1
BACB30NM3K2		4	446	1
		6	855	1
		1	650	1
		2	800	1
		3	800	1
BACB30NM3K3		4	616	1
		5	1085	1
		6	1085	1
		1	7	2
		1	168	2
		1	705	1
	2	7	2	

# 25-28-44

ILLUSTRATED PARTS LIST

Page 1045

Mar 01/2006





COMPONENT MAINTENANCE MANUAL

PART NUMBER	AIRLINE PART NUMBER	FIGURE	ITEM	UNITS PER ASSEMBLY
		2	1242	16
		2	1242	16
		2	1242	16
		2	1242	16
		2	1242	16
		2	1242	16
		2	1242	16
		2	1242	16
		2	1242	16
		3	1227	16
		3	1227	16
		3	1227	16
		3	1227	16
		3	1227	16
		3	1227	16
		3	1227	16
		3	1227	16
		3	1227	16
		3	1227	16
		3	1227	16
		3	1227	16
		3	1227	16
		4	1017	16
		4	1017	16
		4	1017	16
		4	1017	16
		4	1017	16
		4	1017	16
		4	1017	16
		4	1017	16
		4	1017	16
		4	1017	16
		4	1017	16
		4	1017	16
		4	1017	16
		4	1017	16
		4	1017	16
		5	1468	16
		5	1468	16
		5	1468	16

**25-28-44**

ILLUSTRATED PARTS LIST

Page 1047

Mar 01/2006





## COMPONENT MAINTENANCE MANUAL

PART NUMBER	AIRLINE PART NUMBER	FIGURE	ITEM	UNITS PER ASSEMBLY
BACB30PF4-3		1	108	1
		1	108A	2
		2	108	1
		2	108A	2
		3	280	1
		4	124	2
BACB39NM3K3		5	435	1
		6	435	1
BACN10JC06		6	195	2
		6	1115	1
BACN10JC08		5	135	5
		6	135	5
BACN10JC08		1	700	1
		1	873	21
		2	825	1
		2	975	21
		3	825	1
		3	975	21
		4	636	1
		4	780	21
		5	1110	1
		5	1265	22
		6	1110	1
		6	1265	22
BACN10JC3		1	725A	2
		5	205	2
		5	945	3
		6	35	4
		6	205	2
		6	205	2
BACN10JP08B		2	1010	2
		4	790	2
BACN10JP3A		1	1086	5
		1	1101	7
		1	1143	7
		1	1157	6

# 25-28-44

ILLUSTRATED PARTS LIST

Page 1049

Mar 01/2006



## COMPONENT MAINTENANCE MANUAL

PART NUMBER	AIRLINE PART NUMBER	FIGURE	ITEM	UNITS PER ASSEMBLY
		2	1203	5
		2	1218	7
		2	1260	7
		2	1272	6
		3	1188	5
		3	1203	7
		3	1245	7
		3	1257	6
		4	978	5
		4	993	7
		4	1035	7
		4	1047	6
		5	1429	4
		5	1444	6
		5	1486	6
		5	1498	5
		5	1528	6
		6	1463	4
		6	1478	6
		6	1520	6
		6	1532	5
		6	1583	1
BACN10JR3FR		5	355	1
		5	375	1
		5	400	1
		6	355	1
		6	375	1
		6	400	1
BACN10K08B		3	1010	2
BACN10KB08		1	880	2
		1	880	2
		3	1010	2
		5	1275	2
		5	1275	2
		6	1275	2

# 25-28-44

ILLUSTRATED PARTS LIST

Page 1050

Mar 01/2006





## COMPONENT MAINTENANCE MANUAL

PART NUMBER	AIRLINE PART NUMBER	FIGURE	ITEM	UNITS PER ASSEMBLY
		6	1275	2
BACN10KB3F		4	269	4
BACN10R10L		1	63	3
		2	63	3
		3	51	3
		3	87	3
		4	80	3
		5	280	9
		6	280	9
BACN10YD1		2	145	4
BACR15BA3AD		1	1140	14
		1	1153	12
		2	1257	14
		2	1269	12
		3	1242	14
		3	1254	12
		4	272	8
		4	1032	14
		4	1044	12
		5	1483	12
		5	1495	10
		5	1525	12
		6	1517	12
		6	1529	10
		6	1580	1
BACR15BA3B		5	360	2
		5	380	2
		5	405	2
		6	360	2
		6	380	2
		6	405	2
BACR15BA3D		1	1089	10
		1	1104	14
		2	1206	10
		2	1221	14

# 25-28-44

ILLUSTRATED PARTS LIST

Page 1051

Mar 01/2006



COMPONENT MAINTENANCE MANUAL

PART NUMBER	AIRLINE PART NUMBER	FIGURE	ITEM	UNITS PER ASSEMBLY
BACR15DR3		3	1191	10
		3	1206	14
		4	981	10
		4	996	14
		5	1432	8
		5	1447	12
		6	1466	10
		6	1481	12
		1	807	2
		1	875	4
		3	1005	4
		5	1270	4
		6	1270	4
		BACR15DR3P		2
3	950			2
4	730			2
5	1225			2
6	1225			2
BACS12ER06K8				1
		1	740	8
		1	740	8
		1	740	8
		1	740	8
		1	740	8
		1	740	8
		1	740	8
		1	740	8
		1	740	8
		1	740	8
		1	740	8
		1	740	8
		1	740	8
		1	740	8
		2	875	8
		2	875	8
		2	875	8
2	875	8		
2	875	8		
2	875	8		

**25-28-44**

ILLUSTRATED PARTS LIST

Page 1052

Nov 01/2006







COMPONENT MAINTENANCE MANUAL

PART NUMBER	AIRLINE PART NUMBER	FIGURE	ITEM	UNITS PER ASSEMBLY
		5	1255	22
		6	1255	22
		6	1255	22
		6	1255	22
		6	1255	22
		6	1255	22
		6	1255	22
		6	1255	22
		6	1255	22
		6	1255	22
		6	1255	22
		6	1255	22
		6	1255	22
		6	1255	22
BACS12ER08K14		1	690	1
		2	815	1
		3	815	1
		4	628	1
		5	1100	1
		6	1100	1
		6	1100	1
BACS12ER08K6		1	750	4
		1	750	4
		1	750	4
		1	750	4
		1	750	4
		1	750	4
		1	750	4
		1	750	4
		1	750	4
		1	750	4
		1	750	4
		1	750	4
		1	750	4
		1	750	4
		1	750	4
		1	750	4
		1	900	1
1	900	1		
2	885	4		
2	885	4		

**25-28-44**

ILLUSTRATED PARTS LIST

Page 1055

Nov 01/2006





COMPONENT MAINTENANCE MANUAL

PART NUMBER	AIRLINE PART NUMBER	FIGURE	ITEM	UNITS PER ASSEMBLY
BACS12ER3K6		4	672	4
		4	672	4
		4	800	1
		4	800	1
		5	1160	4
		6	1160	4
		6	1290	1
		6	1290	1
		1	57	3
		1	57	3
		1	57	3
		1	57	3
		1	57	3
		1	57	3
		1	57	3
		1	57	3
		1	57	3
		1	57	3
		1	57	3
		1	57	3
		1	57	3
		1	57	3
		1	57	3
		1	57	3
		2	57	3
		2	57	3
		2	57	3
		2	57	3
		2	57	3
		2	57	3
	2	57	3	
	2	57	3	
	2	57	3	
	2	57	3	
	2	57	3	
	3	45	2	
	3	45	2	
	3	45	2	

**25-28-44**

ILLUSTRATED PARTS LIST

Page 1057

Nov 01/2006



## COMPONENT MAINTENANCE MANUAL

PART NUMBER	AIRLINE PART NUMBER	FIGURE	ITEM	UNITS PER ASSEMBLY
		3	45	2
		3	45	2
		3	45	2
		3	45	2
		3	45	2
		3	45	2
		3	45	2
		3	45	2
		3	45	2
		3	81	3
		3	81	3
		3	81	3
		3	81	3
		3	81	3
		3	81	3
		3	81	3
		3	81	3
		3	81	3
		3	81	3
		3	81	3
		3	81	3
		3	81	3
		4	73	3
		4	73	3
		4	73	3
		4	73	3
		4	73	3
		4	73	3
		4	73	3
		4	73	3
		4	73	3
		4	73	3
		4	73	3
		4	73	3
		4	73	3
		4	73	3
		4	73	3
		4	73	3
		5	270	9
		6	270	9

# 25-28-44

ILLUSTRATED PARTS LIST

Page 1058

Nov 01/2006







COMPONENT MAINTENANCE MANUAL

PART NUMBER	AIRLINE PART NUMBER	FIGURE	ITEM	UNITS PER ASSEMBLY
		3	1221	13
		3	1221	13
		3	1221	13
		3	1221	13
		3	1221	13
		3	1221	13
		3	1221	13
		4	966	12
		4	1011	12
		4	1011	12
		4	1011	12
		4	1011	12
		4	1011	12
		4	1011	12
		4	1011	12
		4	1011	12
		4	1011	12
		4	1011	12
		4	1011	12
		4	1011	12
		4	1011	12
		4	1011	12
		5	1417	12
		5	1462	13
		5	1462	13
		5	1462	13
		5	1462	13
		5	1462	13
		5	1462	13
		5	1462	13
		5	1462	13
		5	1462	13
		5	1462	13
		5	1462	13
		5	1462	13
		5	1462	13
		5	1462	13
		5	1462	13
		6	1451	12
		6	1496	10

**25-28-44**

ILLUSTRATED PARTS LIST

Page 1060

Nov 01/2006



## COMPONENT MAINTENANCE MANUAL

PART NUMBER	AIRLINE PART NUMBER	FIGURE	ITEM	UNITS PER ASSEMBLY
BACS12FA3K15		6	1496	10
		6	1496	10
		6	1496	10
		6	1496	10
		6	1496	10
		6	1496	10
		6	1496	10
		6	1496	10
		6	1496	10
		6	1496	10
		1	815	2
		2	960	4
		3	960	4
BACS12FA3K4		4	740	2
		5	1235	4
		6	1235	4
		1	206	8
		2	370	8
		3	370	8
BACS12FA3K5		4	288	8
		5	410	8
		5	645	8
		6	645	8
		1	99	16
		1	785	8
		1	810	34
		1	1056	6
		2	99	17
		2	140	4
2	150	4		
2	925	8		
2	955	34		
2	1173	6		
3	270	17		

# 25-28-44

ILLUSTRATED PARTS LIST

Page 1061

Nov 01/2006



## COMPONENT MAINTENANCE MANUAL

PART NUMBER	AIRLINE PART NUMBER	FIGURE	ITEM	UNITS PER ASSEMBLY
		3	955	34
		3	1158	6
		4	112	17
		4	120	1
		4	705	8
		4	735	34
		4	948	6
		5	430	9
		5	1230	2
		5	1398	6
		6	410	9
		6	430	9
		6	1230	18
		6	1433	6
BACS12FA3K6		3	1291	10
		4	1082	10
BACS12FA3K9		4	278	4
BACS12H4-8		1	227	2
		2	405	2
		3	405	2
		4	314	2
		5	680	2
		6	680	2
BACS12W10-5		5	260	2
		6	260	2
BACS18C8-6		1	33	2
		2	33	2
		3	27	2
		4	47	1
		5	215	3
BACS18K10-20W		5	125	3
		6	125	3
BACS18K10-38W		5	120	2
		6	120	2
BACS1ER08K6		2	1020	1

# 25-28-44

ILLUSTRATED PARTS LIST

Page 1062

Nov 01/2006



## COMPONENT MAINTENANCE MANUAL

PART NUMBER	AIRLINE PART NUMBER	FIGURE	ITEM	UNITS PER ASSEMBLY		
BACS30NM3K8		1	585	1		
		2	730	1		
		3	730	1		
		4	566	1		
		5	1020	1		
		6	1020	1		
BACW10CT10		1	1128	16		
		1	1128	16		
		2	1245	16		
		2	1245	16		
		3	1230	16		
		3	1230	16		
		4	1020	16		
		4	1020	16		
		5	1471	16		
		5	1471	16		
		6	1505	16		
		6	1505	16		
		BACW10DM5		1	905	1
				2	1025	1
3	1025			1		
4	805			1		
6	1295			1		
BACW10F173AL				3	1037	1
		BACW10P136AL	1	356	3	
1	472		2			
1	472		2			
2	590		9			
2	715		2			
2	715		2			
3	590		9			
3	715		2			
3	715		2			
4	418		9			
4	554	2				

# 25-28-44

ILLUSTRATED PARTS LIST

Page 1063

Mar 01/2006



## COMPONENT MAINTENANCE MANUAL

PART NUMBER	AIRLINE PART NUMBER	FIGURE	ITEM	UNITS PER ASSEMBLY
		4	554	2
		5	820	3
		5	1008	2
		5	1008	2
		6	820	3
		6	1005	2
		6	1005	2
BACW10P173AL		1	917	1
		4	818	1
BACW10UD10		1	60	3
		2	60	3
		3	48	3
		3	84	3
		4	76	3
		5	275	9
		6	275	9
BRM1000A08		2	1010	2
		4	790	2
BRM200A3		1	1143	7
		1	1157	6
		2	1260	7
		2	1272	6
		3	1245	7
		3	1257	6
		4	1035	7
		4	1047	6
		5	1486	6
		5	1498	5
		5	1528	6
		6	1520	6
		6	1532	5
		6	1583	1
BV03112-03-33		80	5	2
BV03112-33		80	5A	2
F15T12WW		3	63	1

# 25-28-44

ILLUSTRATED PARTS LIST

Page 1064

Mar 01/2006



## COMPONENT MAINTENANCE MANUAL

PART NUMBER	AIRLINE PART NUMBER	FIGURE	ITEM	UNITS PER ASSEMBLY
F15T8WW		4	91A	1
		5	320A	1
		6	320A	1
F20T12WW		1	75	1
		2	77	1
		5	320	1
		6	320	1
F22K1-02		1	63	3
		2	63	3
		3	51	3
		3	87	3
		4	80	3
		5	280	9
		6	280	9
F40WW		3	99	1
		4	91	1
H10-08BAC		1	700	1
		2	825	1
		3	825	1
		4	636	1
		5	1110	1
		6	1110	1
H2948-1		1	408	1
		1	620	1
		2	650	1
		3	650	1
		4	482	1
		4	594	1
		5	905	1
		5	1055	1
		6	905	1
H2948-2		1	405	1
		2	646	1
		2	765	1
		3	646	1

# 25-28-44

ILLUSTRATED PARTS LIST

Page 1065

Mar 01/2006



## COMPONENT MAINTENANCE MANUAL

PART NUMBER	AIRLINE PART NUMBER	FIGURE	ITEM	UNITS PER ASSEMBLY
		3	765	1
		4	478	1
		5	900	1
		6	900	1
		6	1055	1
H3-1145-1-5760		4	696A	1
H3-1145-1-I-5760		2	910A	1
H3-1145-2-2360		4	692	1
		5	1190	1
H3-1145-2-I5760		3	910A	1
		5	1185	1
		6	1185	1
H3-1145-2-IL5760		1	780	1
H3-1145-3-1560		2	910	1
H3-1145-3-IL5760		3	910	1
H3-1145-IL5760		4	696	1
H3-1152-1		1	203	4
		2	365	4
		3	365	4
		4	284	4
		5	640	4
		6	640	4
KD121395-145		1	1134A	16
		2	1251A	16
		3	1236A	16
		4	1027	16
		5	1477A	16
		6	1511A	16
LP1610-18		3	66	1
		4	94A	1
		5	330	1
		6	330	1
LP1625-24		1	81	1
		2	81	1
		5	325	1

# 25-28-44

ILLUSTRATED PARTS LIST

Page 1066

Mar 01/2006





## COMPONENT MAINTENANCE MANUAL

PART NUMBER	AIRLINE PART NUMBER	FIGURE	ITEM	UNITS PER ASSEMBLY
LP1625-48		6	325	1
		3	102	1
		4	94	1
MK1000-3BAC		1	1143	7
		1	1157	6
		2	1260	7
		2	1272	6
		3	1245	7
		3	1257	6
		4	1035	7
		4	1047	6
		5	1486	6
		5	1498	5
		5	1528	6
		6	1520	6
		6	1532	5
		6	1583	1
MK2000-08BAC		2	1010	2
		3	1010	2
		4	790	2
MS1042L3		1	1071	16
		2	1188	16
		3	1173	16
		5	1413	16
		6	1448	16
MS20392-2C13		1	365	1
		2	610	1
		3	610	1
		4	434	1
		5	840	1
		6	840	1
MS21042-3		3	175A	2
MS2104263		1	725A	2
		4	656A	2
MS21042L3		1	174A	2

# 25-28-44

ILLUSTRATED PARTS LIST

Page 1067

Mar 01/2006



## COMPONENT MAINTENANCE MANUAL

PART NUMBER	AIRLINE PART NUMBER	FIGURE	ITEM	UNITS PER ASSEMBLY
		2	290A	2
		2	850A	2
		3	850A	2
		4	244A	2
		4	963A	16
		5	35A	4
		5	1135A	2
		6	1135A	2
MS24554-132		5	835	1
MS24585-1230		1	36	2
		2	36	2
		3	30	2
		4	50	1
		5	220	3
		6	220	3
MS24665-132		1	362	1
		2	605	1
		3	605	1
		4	430	1
		6	835	1
MS35206-323		80	10	4
MS35333-39		1	209	8
		1	221	8
		2	375	8
		2	395	8
		3	375	8
		3	395	8
		4	292	8
		4	306	8
		5	650	8
		5	670	8
		6	650	8
		6	670	8
MS39086-1		1	933	1
MS51862-4		1	237	2

# 25-28-44

ILLUSTRATED PARTS LIST

Page 1068

Mar 01/2006



## COMPONENT MAINTENANCE MANUAL

PART NUMBER	AIRLINE PART NUMBER	FIGURE	ITEM	UNITS PER ASSEMBLY
		2	420	2
		3	420	2
		4	326	2
		5	695	2
		6	695	2
N1152LGWUV1000		1	78	1
		2	78	1
NAS1398D4		5	362	2
		5	385	2
		6	362	2
		6	385	2
NAS1399D3		2	1005	4
		4	785	4
NAS1515F4H		1	114	1
		1	114A	1
		2	116	1
		3	290	1
		4	132	1
		5	445	1
		6	445	1
NAS1515F4N		2	116A	2
NAS1515M4L		1	117	1
		1	117A	2
		2	117	1
		2	117A	2
		3	295	1
		4	136	1
		5	450	1
		6	450	1
NAS1801-3-10		1	350A	1
		1	469	1
		2	575	3
		2	710	1
		3	575	3
		3	710	1

# 25-28-44

ILLUSTRATED PARTS LIST

Page 1069

Mar 01/2006



## COMPONENT MAINTENANCE MANUAL

PART NUMBER	AIRLINE PART NUMBER	FIGURE	ITEM	UNITS PER ASSEMBLY
NAS1801-3-11		4	410A	3
		4	550	1
		5	810A	1
		5	1000	1
		6	810A	1
		6	1000	1
		1	30	2
		2	30	2
		3	24	2
		4	44	1
		5	210	3
NAS1801-3-4		6	210	3
		1	218	8
		2	390	8
		3	390	8
		4	302	8
		5	665	8
NAS1801-3-5		6	665	8
		1	48	4
		2	48	4
		3	39	2
		3	75	3
		4	63	5
		5	255	6
		5	255A	4
NAS1804-3		6	255	6
		6	255A	4
		1	660	1
		2	810	1
		3	810	1
		4	624	1
NAS1833-3-400		5	1095	1
		6	1095	1
		1	359	3
		1	450	6

# 25-28-44

ILLUSTRATED PARTS LIST

Page 1070

Mar 01/2006



## COMPONENT MAINTENANCE MANUAL

PART NUMBER	AIRLINE PART NUMBER	FIGURE	ITEM	UNITS PER ASSEMBLY
		1	1035	6
		1	1045	10
		2	600	9
		2	685	6
		2	1155	6
		2	1165	10
		3	600	9
		3	685	6
		3	1153A	10
		3	1294	5
		4	426	9
		4	526	6
		4	930	3
		4	931A	3
		4	932A	11
		4	933A	5
		4	940	2
		4	941A	7
		4	1085	5
		5	830	3
		5	970	2
		6	830	3
		6	970	2
		6	1010	2
		6	1574	5
NAS1833-3-408		3	1152A	6
NAS1834-3-400		1	1077	12
		2	1194	12
		3	1179	12
		4	275	4
		4	969	12
		5	1420	12
		6	1454	12
NAS1834-4-400		1	1116	13
		2	1233	12

# 25-28-44

ILLUSTRATED PARTS LIST

Page 1071

Mar 01/2006



## COMPONENT MAINTENANCE MANUAL

PART NUMBER	AIRLINE PART NUMBER	FIGURE	ITEM	UNITS PER ASSEMBLY
		3	1218	13
		4	1008	12
		5	1459	13
		6	1493	10
NAS1834-5-400		2	1115	2
NAS1836-3-11		1	183	4
		1	950	18
		1	965	8
		1	980	4
		1	1000	12
		1	1015	8
		1	1025	6
		1	1059	3
		1	1113	5
		1	1172	2
		2	300	4
		2	1070	16
		2	1080	8
		2	1095	4
		2	1120	13
		2	1121	14
		2	1135	8
		2	1145	6
		2	1176	3
		2	1230	5
		2	1284	2
		3	185	4
		3	1075	18
		3	1085	8
		3	1100	4
		3	1120	17
		3	1135	4
		3	1150	7
		3	1151A	7
		3	1161	3

# 25-28-44

ILLUSTRATED PARTS LIST

Page 1072

Mar 01/2006



## COMPONENT MAINTENANCE MANUAL

PART NUMBER	AIRLINE PART NUMBER	FIGURE	ITEM	UNITS PER ASSEMBLY
		3	1215	5
		3	1272	2
		3	1286	7
		4	845	19
		4	855	8
		4	870	4
		4	890	17
		4	905	4
		4	920	6
		4	951	3
		4	1007	5
		4	1062	2
		4	1076	7
		5	560	4
		5	1305	19
		5	1315	8
		5	1330	4
		5	1345	1
		5	1360	8
		5	1370	6
		5	1385	6
		5	1401	3
		5	1456	5
		5	1513	2
		6	560	4
		6	1340	19
		6	1350	18
		6	1360	8
		6	1375	4
		6	1390	1
		6	1405	8
		6	1415	6
		6	1436	3
		6	1490	5
		6	1547	2

# 25-28-44

ILLUSTRATED PARTS LIST

Page 1073

Mar 01/2006



## COMPONENT MAINTENANCE MANUAL

PART NUMBER	AIRLINE PART NUMBER	FIGURE	ITEM	UNITS PER ASSEMBLY		
NAS1836-4-11		6	1565	7		
		1	970	2		
		2	1085	2		
		3	1090	2		
		4	860	2		
		5	1320	2		
NAS18833-3-400		6	1365	2		
		1	475	2		
		2	720	2		
		3	720	2		
		4	558	2		
		5	1010	2		
NAS2836-3-11		4	252	4		
NAS43DD3-3		1	387	1		
		1	615	1		
		2	637	1		
		2	760	1		
		3	637	1		
		3	760	1		
		4	466	1		
		4	590	1		
		5	880	1		
		5	1050	1		
		6	880	1		
		6	1050	1		
		NAS43DD3-5		1	383	1
				1	600	1
2	634			1		
2	745			1		
3	634			1		
3	745			1		
4	462			1		
4	578			1		
5	875			1		
5	1035			1		

# 25-28-44

ILLUSTRATED PARTS LIST

Page 1074

Mar 01/2006





## COMPONENT MAINTENANCE MANUAL

PART NUMBER	AIRLINE PART NUMBER	FIGURE	ITEM	UNITS PER ASSEMBLY		
NAS43DD3-6		6	875	1		
		1	391	1		
		1	610	1		
		2	640	1		
		2	755	1		
		3	640	1		
		3	755	1		
		4	470	1		
		4	586	1		
		5	885	1		
		5	1045	1		
		6	885	1		
		NAS43DD3-8		1	402	1
				1	605	1
2	643			1		
2	750			1		
3	643			1		
3	750			1		
4	474			1		
4	582			1		
5	890			1		
5	1040			1		
6	890			1		
6	1040			1		
NAS43DD3-L				6	1045	1
NAS43DD305				6	1035	1
NAS43DD4-36		5	25	4		
		6	25	4		
NAS514P1032-7		5	935	2		
NAS514P832-5		1	755	8		
		2	890	8		
		3	890	8		
		4	676	8		
		5	1165	8		
		6	1165	8		

# 25-28-44

ILLUSTRATED PARTS LIST

Page 1075

Mar 01/2006



## COMPONENT MAINTENANCE MANUAL

PART NUMBER	AIRLINE PART NUMBER	FIGURE	ITEM	UNITS PER ASSEMBLY		
NAS538B4P014		5	140	2		
		6	140	5		
NAS620A8L		1	230	2		
		2	410	2		
		3	410	2		
		4	318	2		
NAS620ABL		5	685	2		
		6	685	2		
NAS6703PU11		1	374	1		
		1	580	1		
		2	626	1		
		2	725	1		
		3	626	1		
		3	725	1		
		4	450	1		
		4	562	1		
		5	860	1		
		5	1015	1		
		6	860	1		
		6	1015	1		
		NAS6703PU15		1	368	1
				2	620	1
3	620			1		
4	442			1		
5	850			1		
NS103197-02		6	850	1		
		1	1143	7		
		1	1157	6		
		2	1260	7		
		2	1272	6		
		3	1245	7		
		3	1257	6		
		4	1035	7		
4	1047	6				
		5	1486	6		

# 25-28-44

ILLUSTRATED PARTS LIST

Page 1076

Mar 01/2006



## COMPONENT MAINTENANCE MANUAL

PART NUMBER	AIRLINE PART NUMBER	FIGURE	ITEM	UNITS PER ASSEMBLY
		5	1498	5
		5	1528	6
		6	1520	6
		6	1532	5
		6	1583	1
NS103198-82		2	1010	2
		3	1010	2
		4	790	2
RMA9207M82		2	1010	2
		3	1010	2
		4	790	2
S283N702-15		5	285	9
S283N702-3		3	90	1
S283N702-5		1	66	1
		2	66	1
		5	295	1
		6	295	1
S283N702-7		3	54	1
		4	83	1
		5	290	1
		6	290	1
S412N101-1		1	203	4
		2	365	4
		3	365	4
		4	284	4
		5	640	4
		6	640	4
S412N101-1060		1	780	1
		2	910A	1
		3	910A	1
		4	696A	1
		5	1185	1
		6	1185	1
S412N101-1160		3	910	1
		4	696	1

# 25-28-44

ILLUSTRATED PARTS LIST

Page 1077

Mar 01/2006



## COMPONENT MAINTENANCE MANUAL

PART NUMBER	AIRLINE PART NUMBER	FIGURE	ITEM	UNITS PER ASSEMBLY
S412N101-2021		1	775	1
S412N101-2026		4	692	1
		5	1190	1
S412N101-2121		1	782	1
		2	910C	1
		2	910C	1
S412N101-3018		2	910	1
S412N101-3026		3	910B	1
		6	1190	1
		6	1190	1
S412N101-3118		2	910B	1
		2	910B	1
		3	910B	1
S412N101-3126		6	1190A	1
		6	1190A	1
S412N102-1		1	408	1
		1	620	1
		2	650	1
		3	650	1
		4	482	1
		4	594	1
		5	900	1
		5	905	1
		5	1055	1
		6	905	1
		6	1055	1
S412N102-2		1	405	1
		2	646	1
		2	765	1
		3	646	1
		3	765	1
		4	478	1
		6	900	1
S412N104-1		1	411	1
		2	653	1

# 25-28-44

ILLUSTRATED PARTS LIST

Page 1078

Mar 01/2006



## COMPONENT MAINTENANCE MANUAL

PART NUMBER	AIRLINE PART NUMBER	FIGURE	ITEM	UNITS PER ASSEMBLY
		3	653	1
		5	950	1
		6	950	1
S417N507-1		3	105	1
S417N507-11		3	106	1
S417N507-14		4	98	1
		80	1	RF
S417N507-17		3	70	1
		4	98A	1
		80	1A	RF
S417N507-20		1	84	1
		80	1C	RF
S417N507-21		5	335	1
		80	1B	RF
S417N507-22		2	84	1
		6	335	1
		80	1D	RF
S417N507-32		1	87	1
		2	84A	1
S417N507-35		5	335D	1
		6	335D	1
		6	335D	1
S417N507-37		5	335C	1
		6	335C	1
		6	335C	1
S417N507-42		5	335A	1
S417N507-45		5	335B	1
S417N507-7		3	69	1
		4	98B	1
		80	1E	RF
SB113		1	411	1
		2	653	1
		3	653	1
		4	486	1
		5	950	1

# 25-28-44

ILLUSTRATED PARTS LIST

Page 1079

Mar 01/2006



## COMPONENT MAINTENANCE MANUAL

PART NUMBER	AIRLINE PART NUMBER	FIGURE	ITEM	UNITS PER ASSEMBLY
SL210-06-02		6	950	1
		5	1155	8
		6	1155	8
SL210-06-2		1	745	8
		2	880	8
		3	880	8
		4	668	8
SL210-08-1		1	760	8
		2	895	8
		3	895	8
		4	680	8
		5	1170	8
		6	1170	8
SL2334-3A2		1	138	9
		1	138A	10
		1	985	10
		1	1005	4
		2	225	9
		2	225A	10
		2	1100	10
		2	1125	4
		3	250	9
		3	1105	8
		3	1125	4
		3	1140	4
		4	192	9
		4	875	8
		4	895	4
		4	910	4
5	595	9		
5	1335	10		
5	1350	31		
5	1375	9		
5	1390	9		
6	595	9		

# 25-28-44

ILLUSTRATED PARTS LIST

Page 1080

Mar 01/2006



## COMPONENT MAINTENANCE MANUAL

PART NUMBER	AIRLINE PART NUMBER	FIGURE	ITEM	UNITS PER ASSEMBLY
SL3378-3-380		6	1380	10
		6	1395	31
		6	1420	9
		1	1065	16
		2	1182	16
		3	1167	16
		4	957	16
		5	1407	16
		6	1442	16
	SL5-3-145S		1	1134
		2	1251	16
		3	1236	16
		4	1026	16
		5	1477	16
		6	1511	16
SL618-3A		2	400A	8
		3	400	8
		5	675	8
		6	675	8
SL628-3A		1	224	8
		4	310	8
SPEC S412N101-2021 T8076S1032		1	775	1
		1	1143	7
		1	1143	7
		1	1157	6
		1	1157	6
		2	1260	7
		2	1260	7
		2	1272	6
		2	1272	6
		3	1245	7
		3	1245	7
		3	1257	6
		3	1257	6
		4	1035	7

# 25-28-44

ILLUSTRATED PARTS LIST

Page 1081

Mar 01/2006



## COMPONENT MAINTENANCE MANUAL

PART NUMBER	AIRLINE PART NUMBER	FIGURE	ITEM	UNITS PER ASSEMBLY
		4	1035	7
		4	1047	6
		4	1047	6
		5	1486	6
		5	1486	6
		5	1498	5
		5	1498	5
		5	1528	6
		5	1528	6
		6	1520	6
		6	1520	6
		6	1532	5
		6	1532	5
		6	1583	1
		6	1583	1
T8077S832		2	1010	2
		3	1010	2
		4	790	2
V060116		2	81	1
		4	94	1
		4	94A	1
VN201A1-82		2	1010	2
		3	1010	2
		4	790	2
VN202A1-02		1	1143	7
		1	1157	6
		2	1260	7
		2	1272	6
		3	1245	7
		3	1257	6
		4	1035	7
		4	1047	6
		5	1486	6
		5	1498	5
		5	1528	6

# 25-28-44

ILLUSTRATED PARTS LIST

Page 1082

Mar 01/2006



**COMPONENT MAINTENANCE MANUAL**

<b>PART NUMBER</b>	<b>AIRLINE PART NUMBER</b>	<b>FIGURE</b>	<b>ITEM</b>	<b>UNITS PER ASSEMBLY</b>
		6	1520	6
		6	1532	5
		6	1583	1

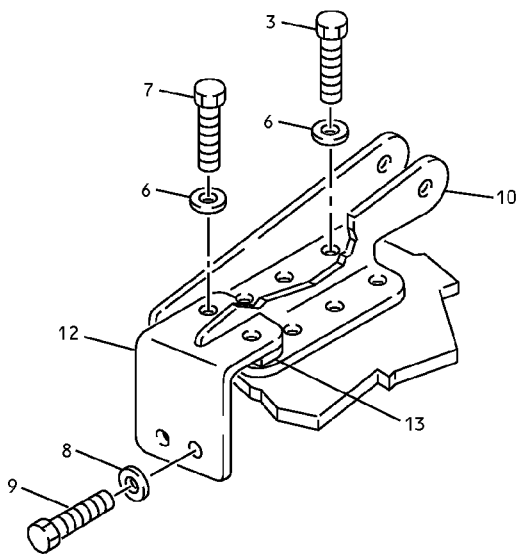
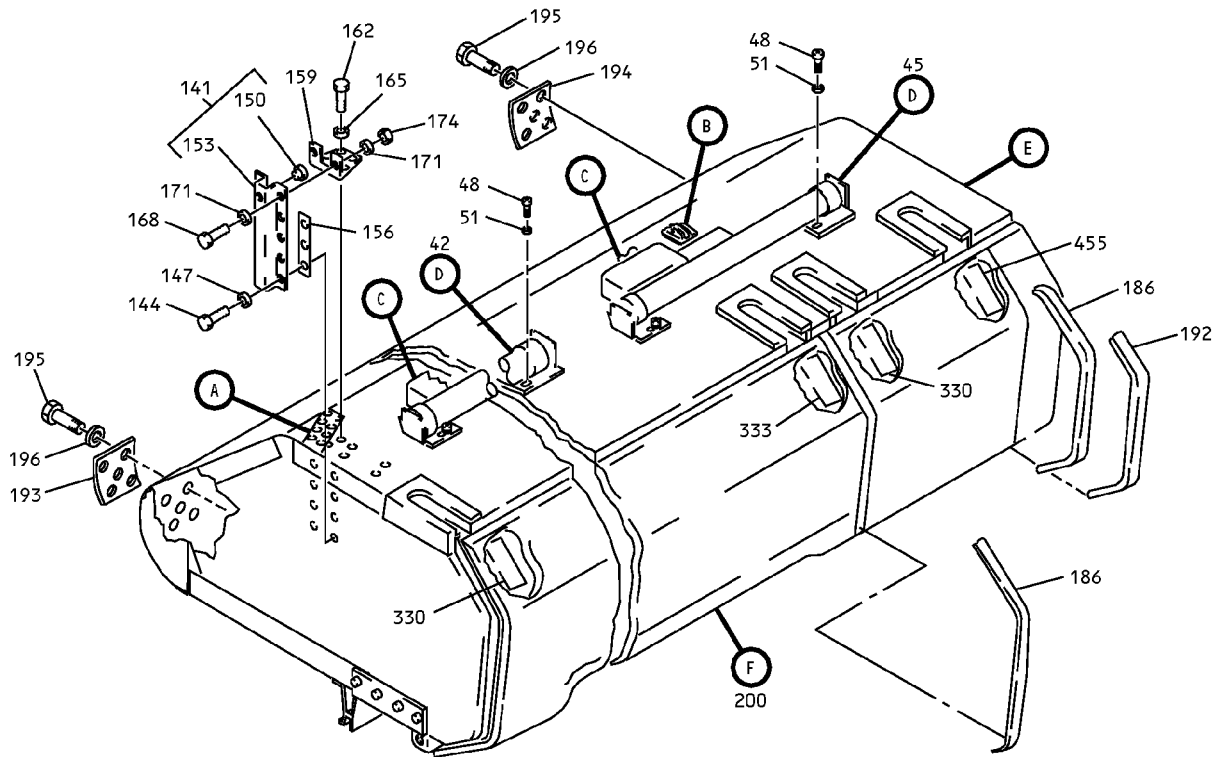
**25-28-44**

ILLUSTRATED PARTS LIST

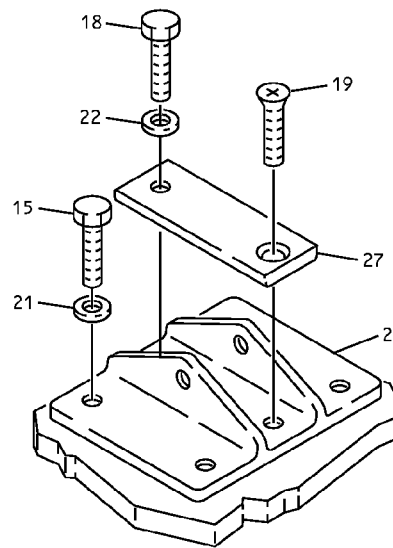
Page 1083

Mar 01/2006

COMPONENT MAINTENANCE MANUAL



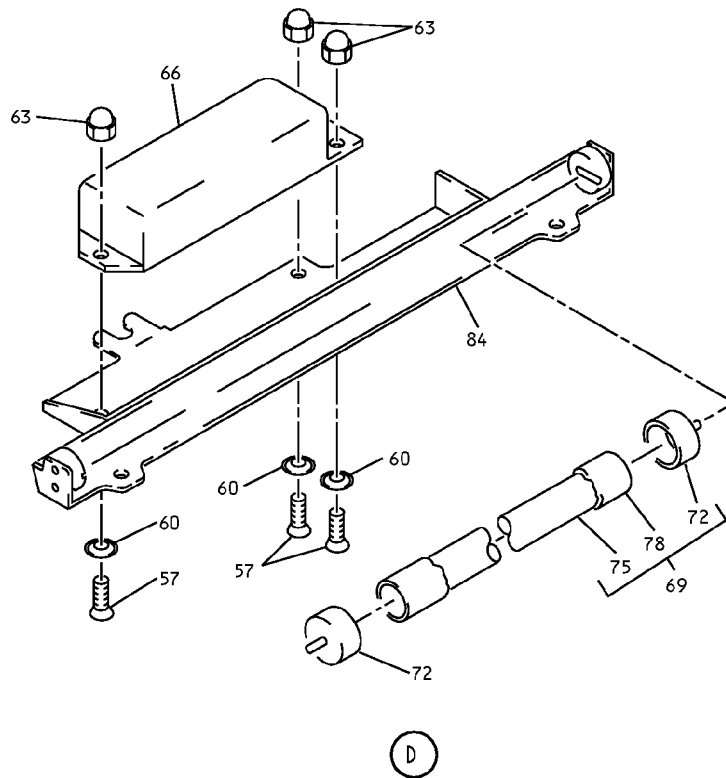
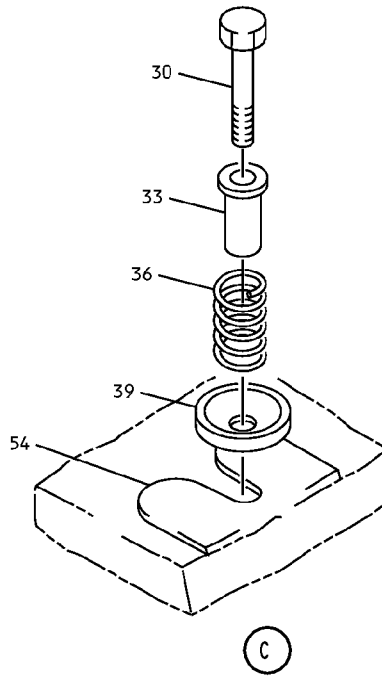
A



B

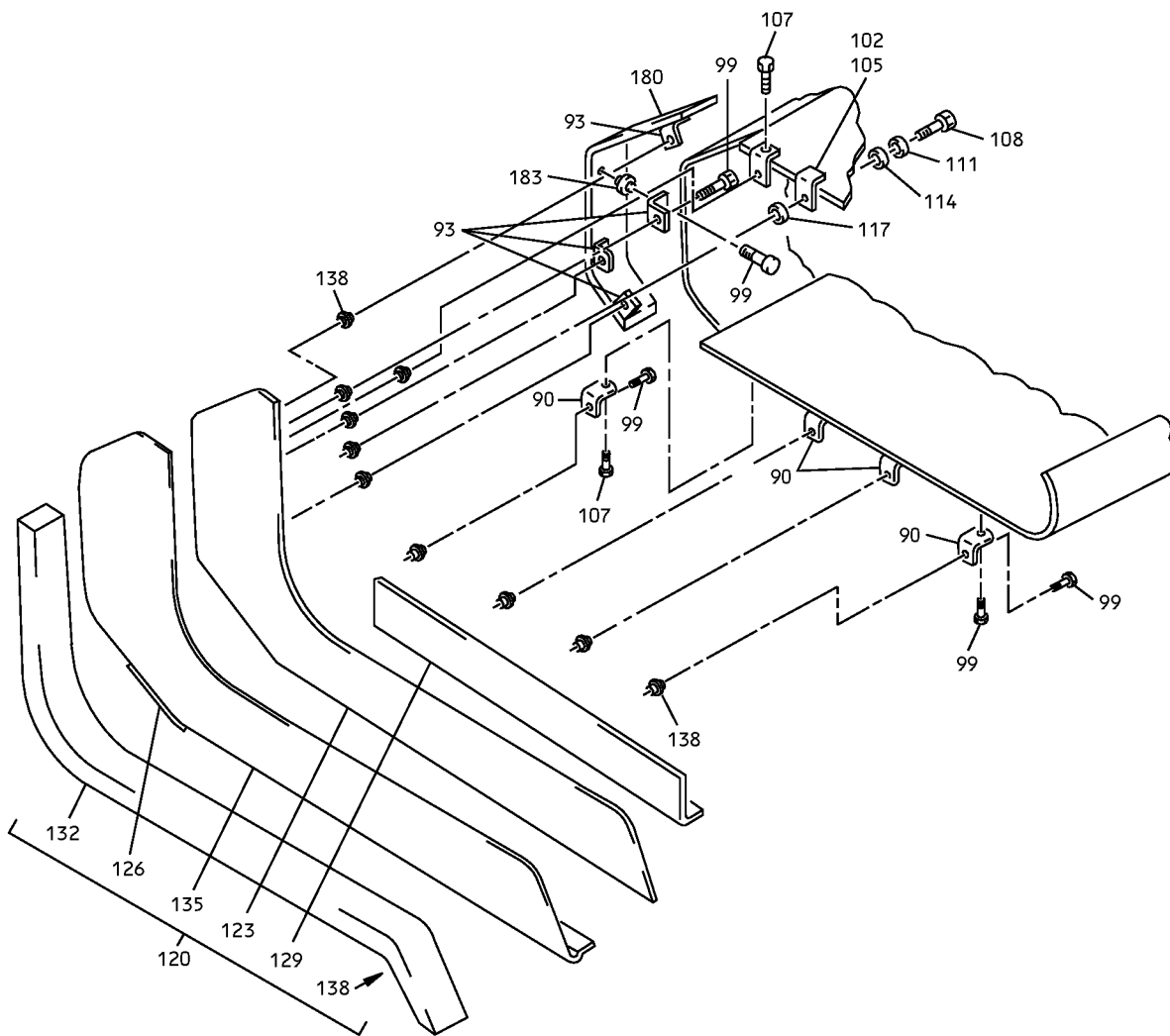
Overhead Stowage Compartment Assembly  
IPL Figure 1 (Sheet 1 of 18)

COMPONENT MAINTENANCE MANUAL



Overhead Stowage Compartment Assembly  
IPL Figure 1 (Sheet 2 of 18)

COMPONENT MAINTENANCE MANUAL

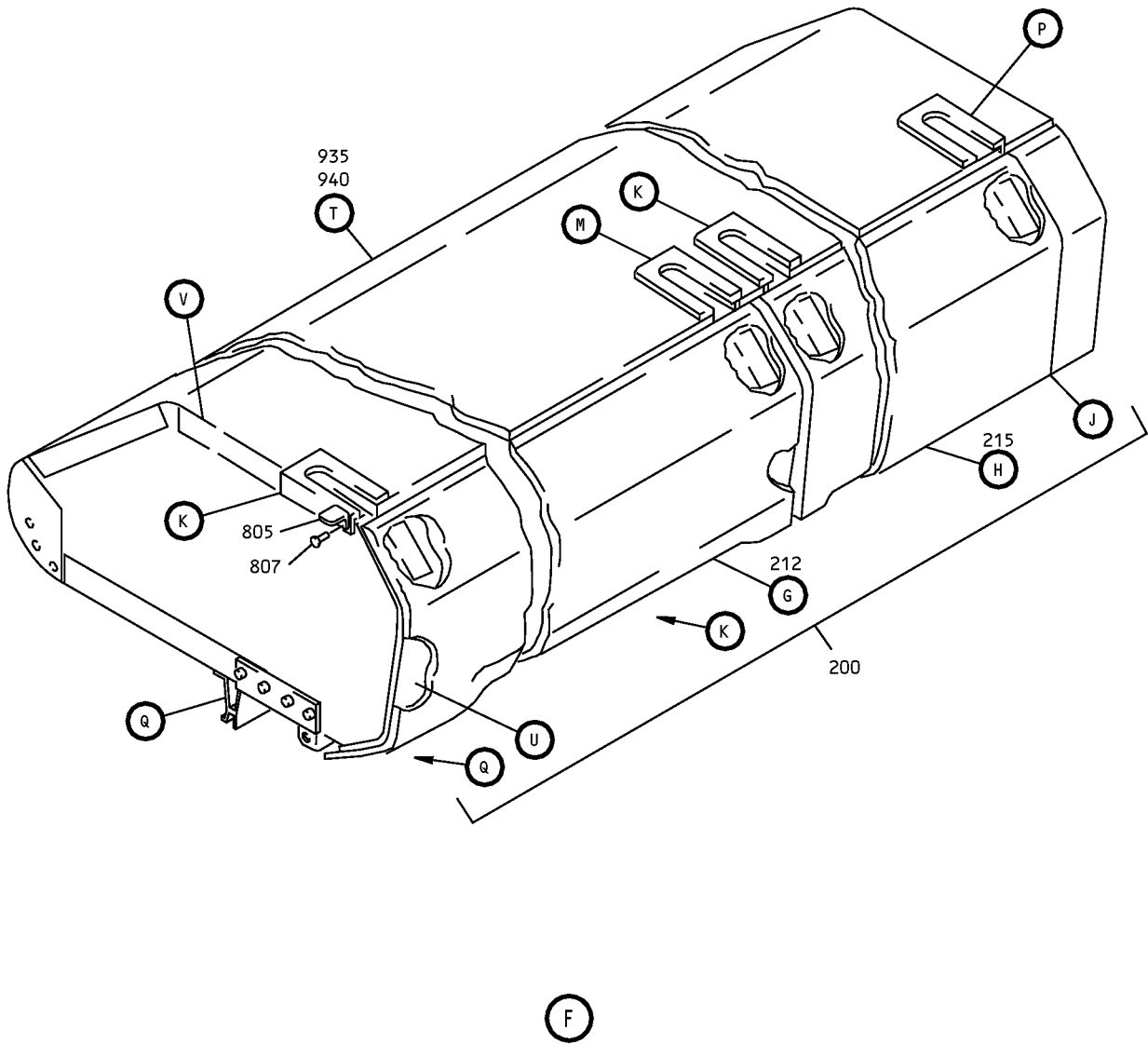


E

Overhead Stowage Compartment Assembly  
IPL Figure 1 (Sheet 3 of 18)

**25-28-44**  
ILLUSTRATED PARTS LIST  
Page 1086  
Mar 01/2006

COMPONENT MAINTENANCE MANUAL



Overhead Storage Compartment Assembly  
IPL Figure 1 (Sheet 4 of 18)

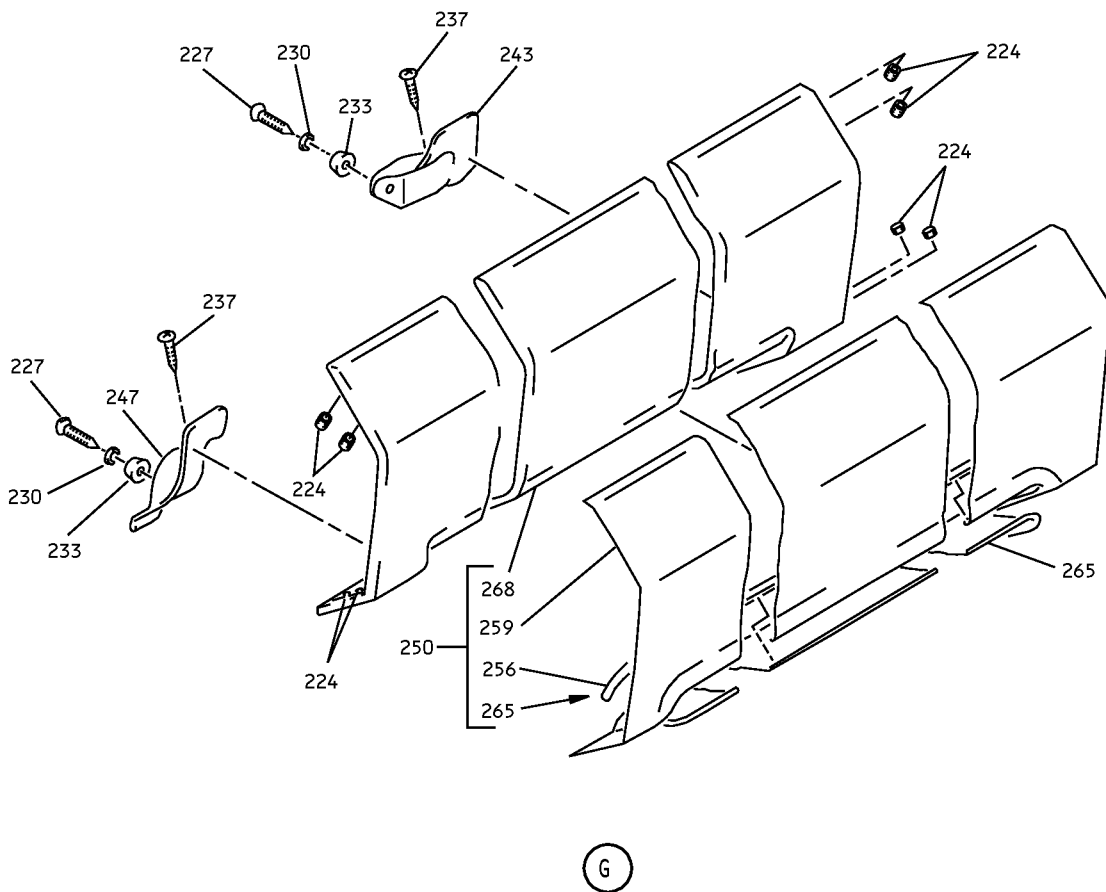
**25-28-44**

ILLUSTRATED PARTS LIST

Page 1087

Mar 01/2006

# COMPONENT MAINTENANCE MANUAL



Overhead Storage Compartment Assembly  
IPL Figure 1 (Sheet 5 of 18)

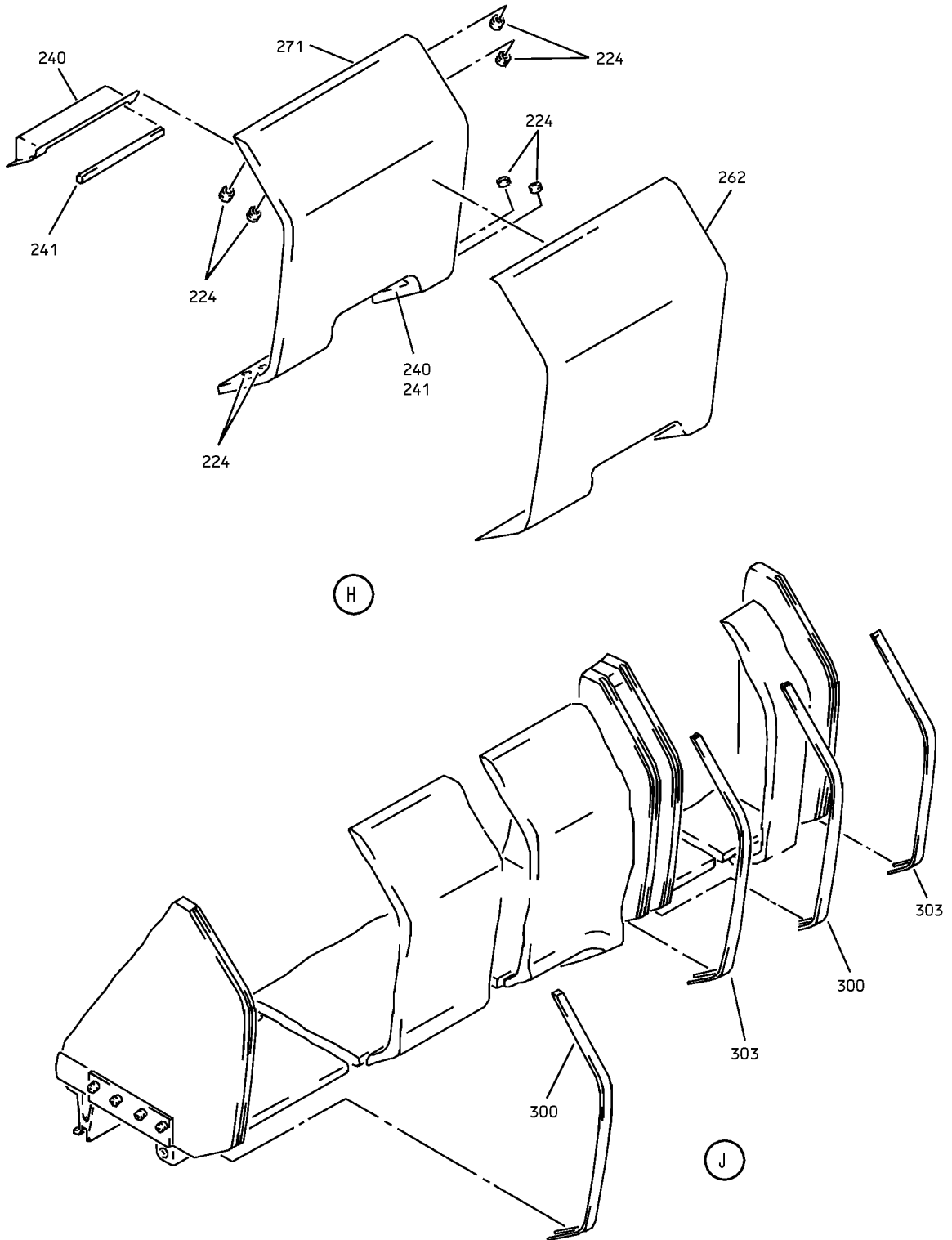
## 25-28-44

ILLUSTRATED PARTS LIST

Page 1088

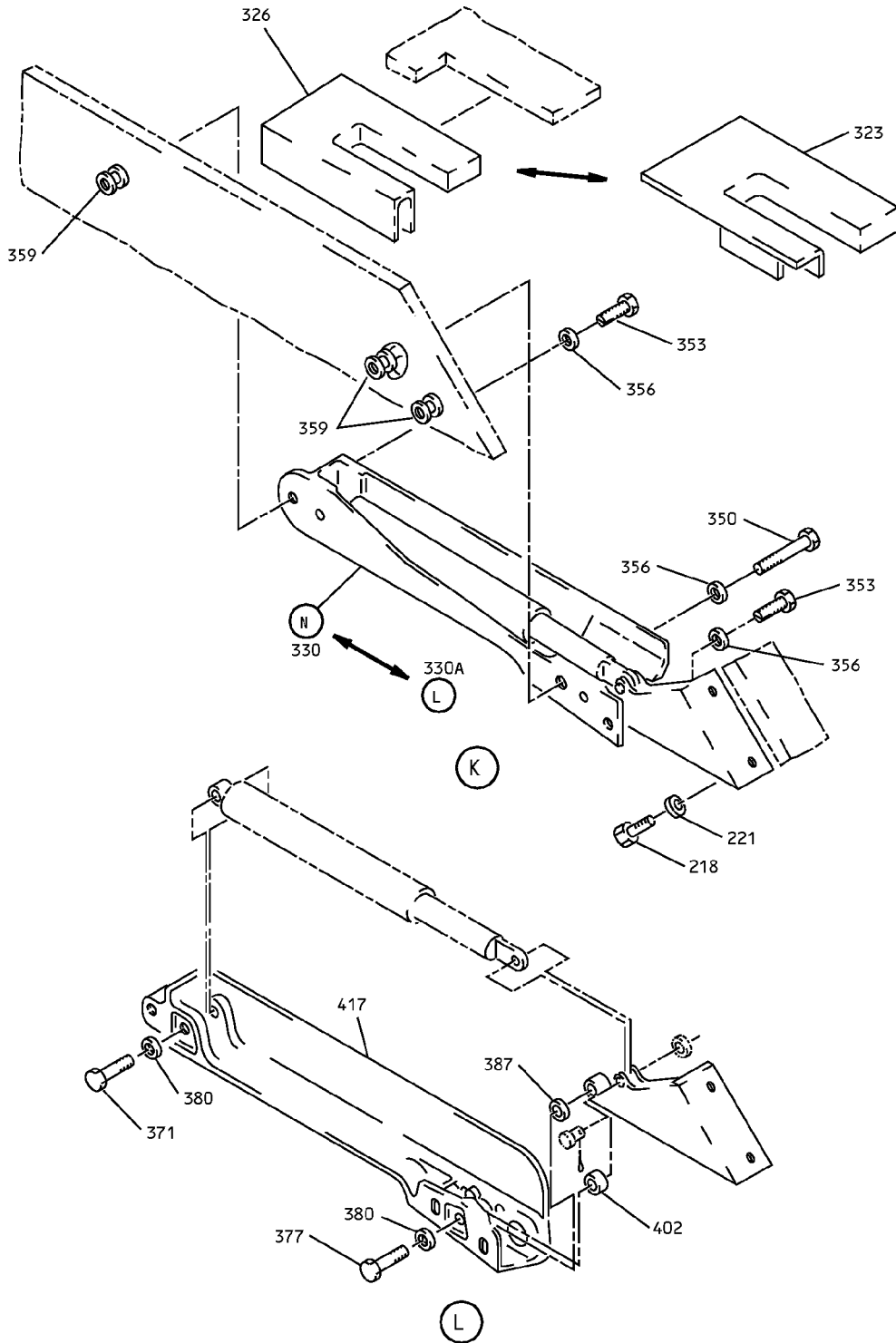
Mar 01/2006

COMPONENT MAINTENANCE MANUAL



Overhead Storage Compartment Assembly  
IPL Figure 1 (Sheet 6 of 18)

COMPONENT MAINTENANCE MANUAL



Overhead Stowage Compartment Assembly  
IPL Figure 1 (Sheet 7 of 18)

**25-28-44**

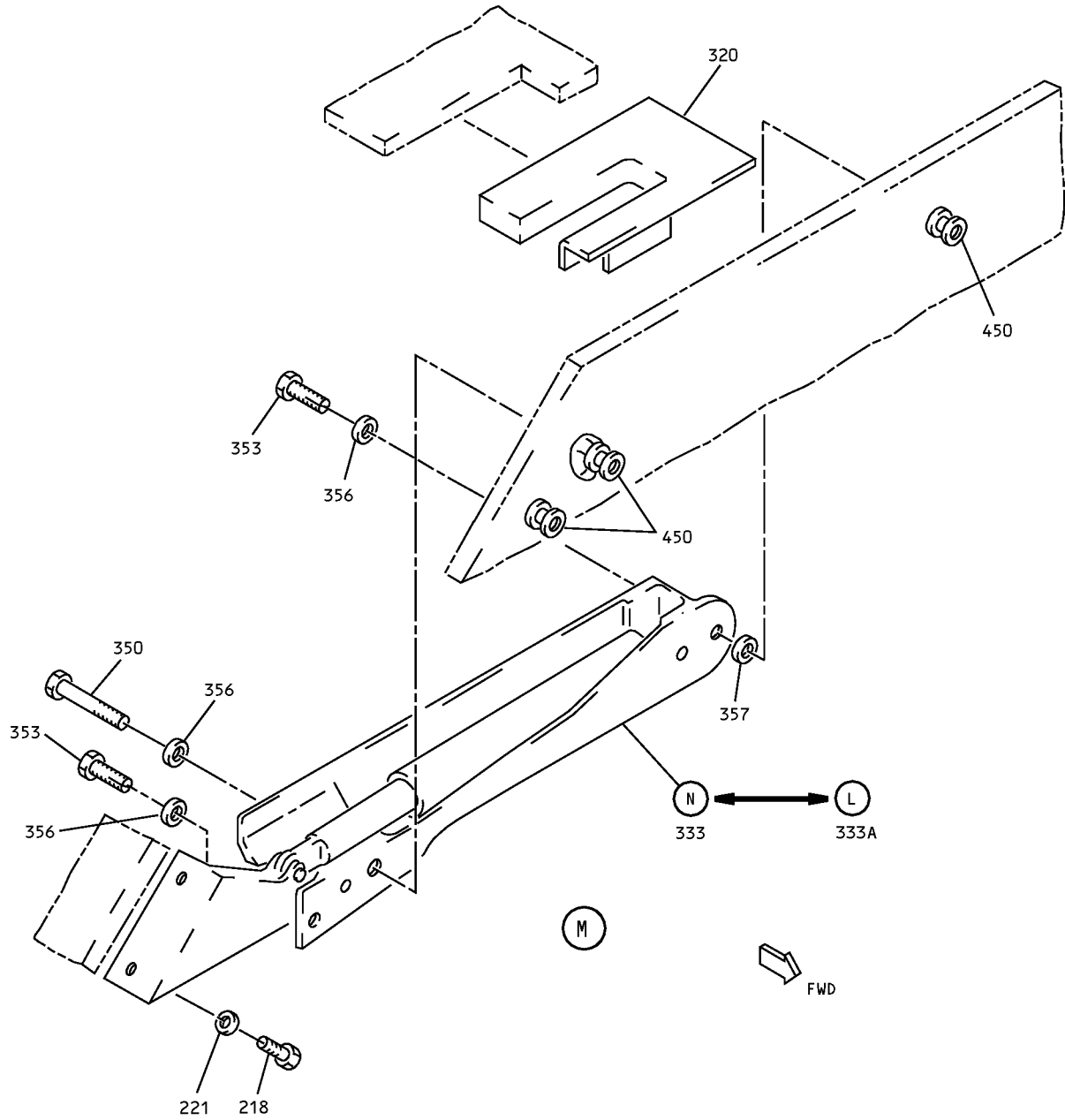
ILLUSTRATED PARTS LIST

Page 1090

Mar 01/2006



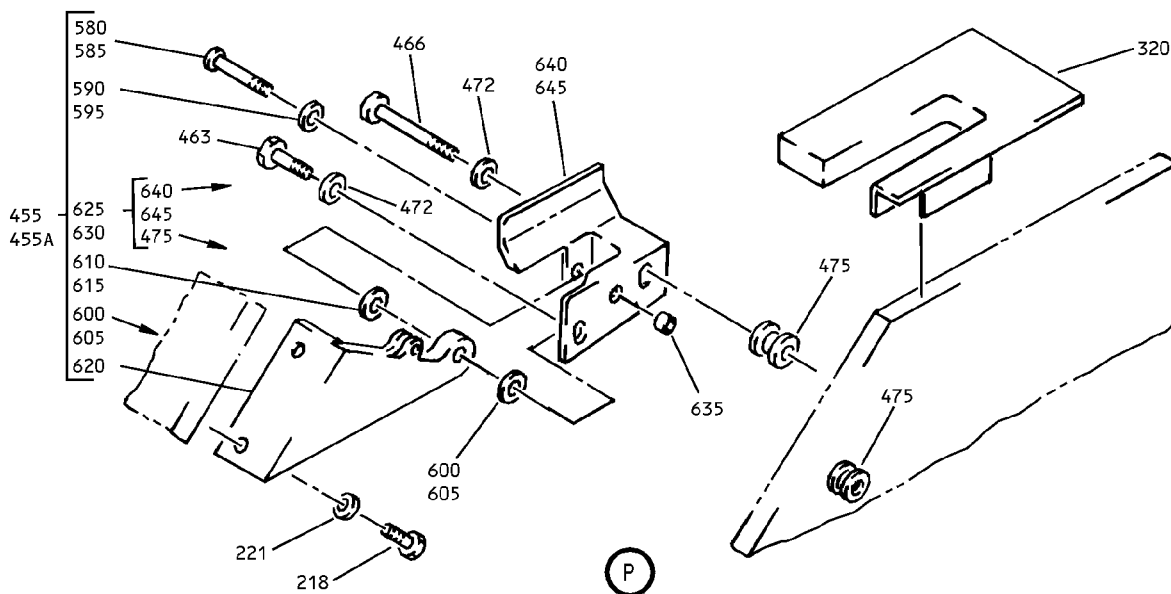
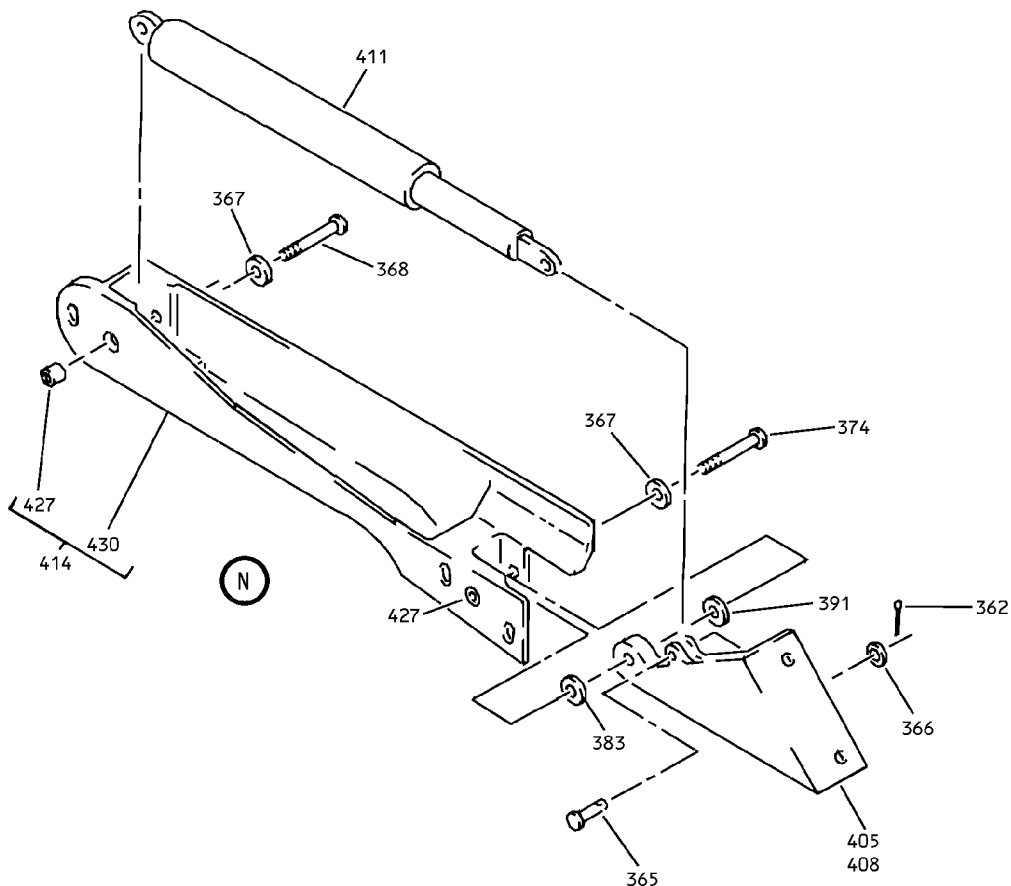
COMPONENT MAINTENANCE MANUAL



Overhead Stowage Compartment Assembly  
IPL Figure 1 (Sheet 8 of 18)

**25-28-44**  
ILLUSTRATED PARTS LIST  
Page 1091  
Mar 01/2006

### COMPONENT MAINTENANCE MANUAL



Overhead Storage Compartment Assembly  
IPL Figure 1 (Sheet 9 of 18)

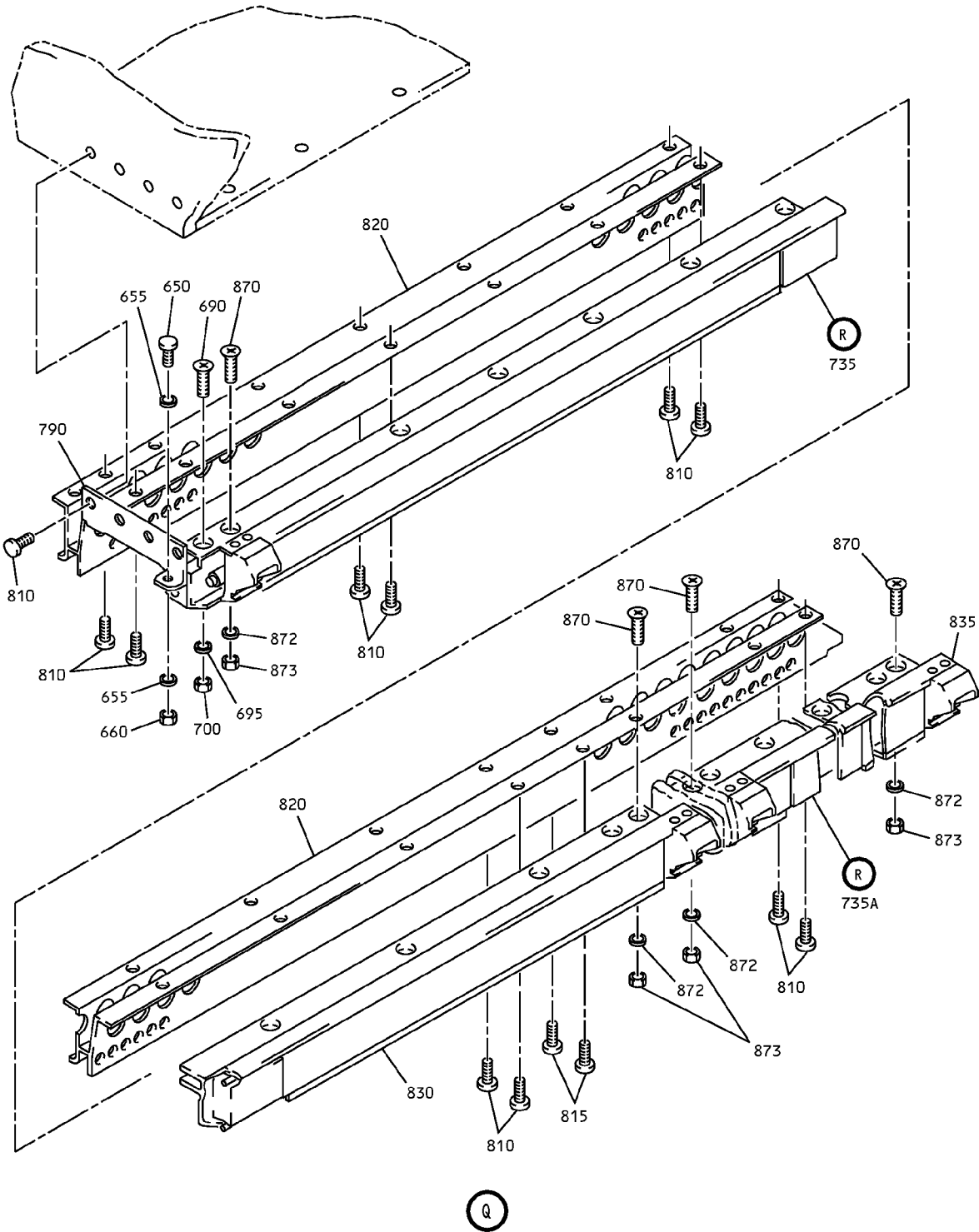
# 25-28-44

ILLUSTRATED PARTS LIST

Page 1092

Mar 01/2006

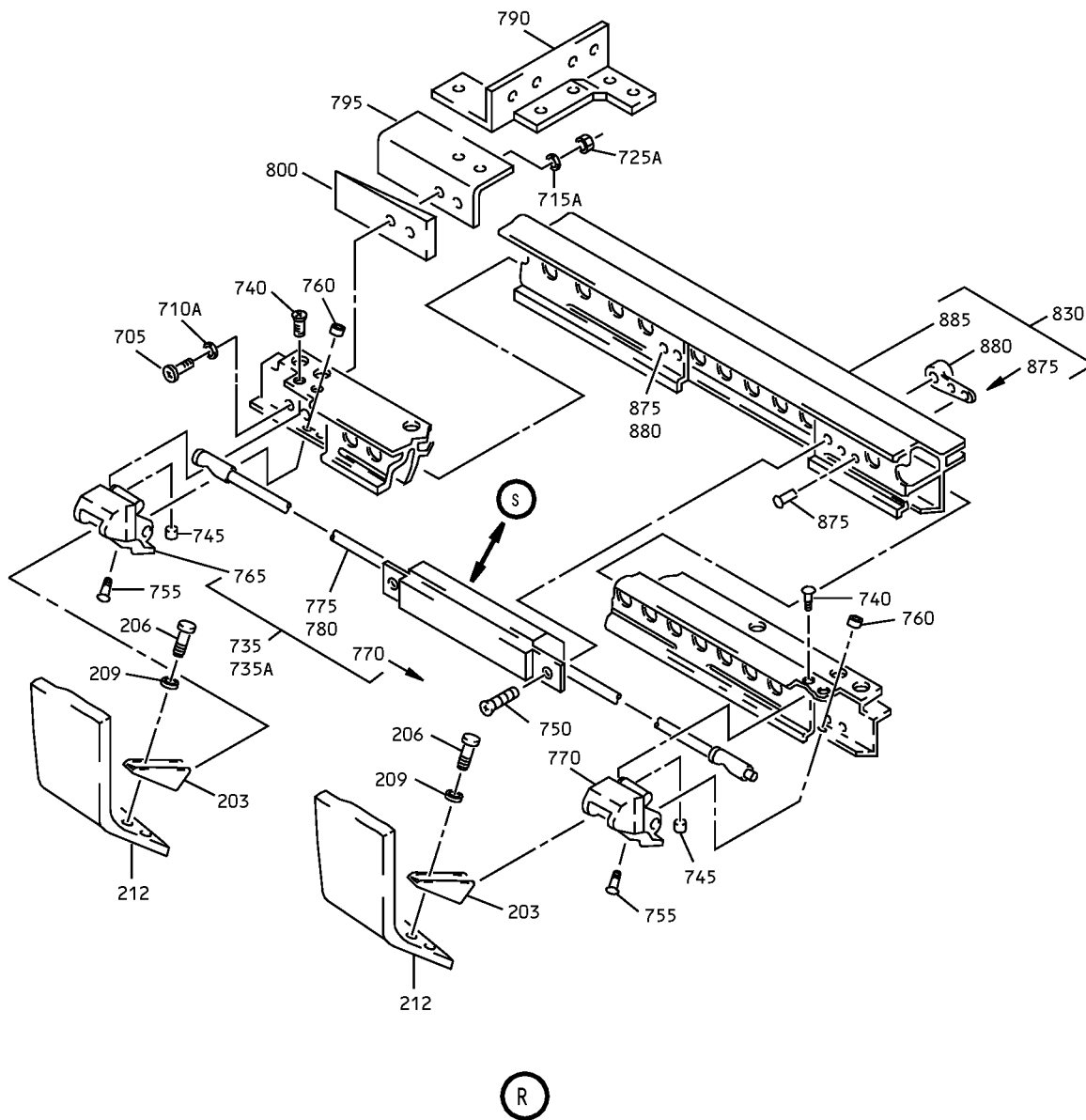
COMPONENT MAINTENANCE MANUAL



Overhead Storage Compartment Assembly  
IPL Figure 1 (Sheet 10 of 18)

**25-28-44**  
ILLUSTRATED PARTS LIST  
Page 1093  
Mar 01/2006

# COMPONENT MAINTENANCE MANUAL



Overhead Stowage Compartment Assembly  
IPL Figure 1 (Sheet 11 of 18)

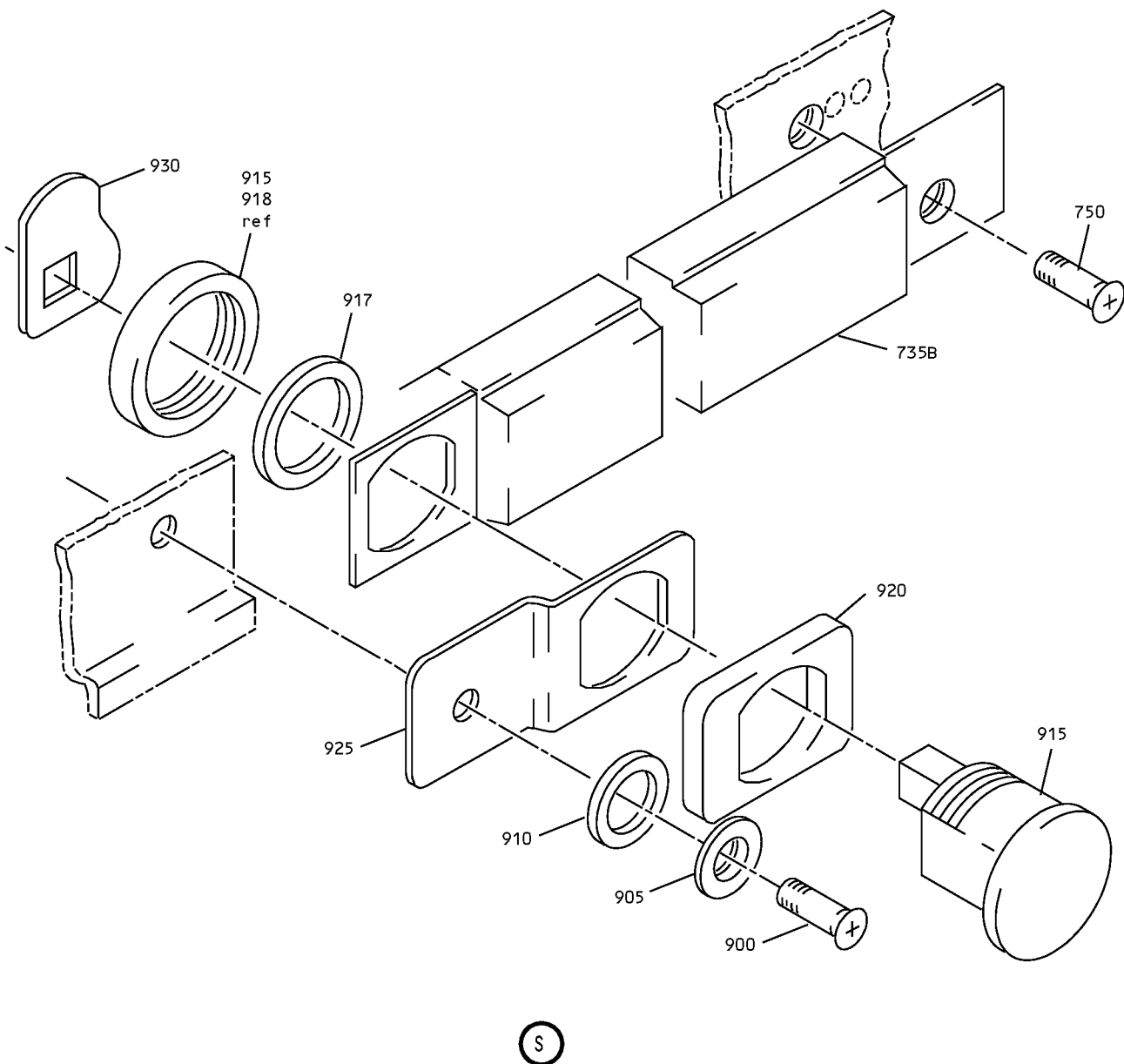
## 25-28-44

ILLUSTRATED PARTS LIST

Page 1094

Mar 01/2006

COMPONENT MAINTENANCE MANUAL

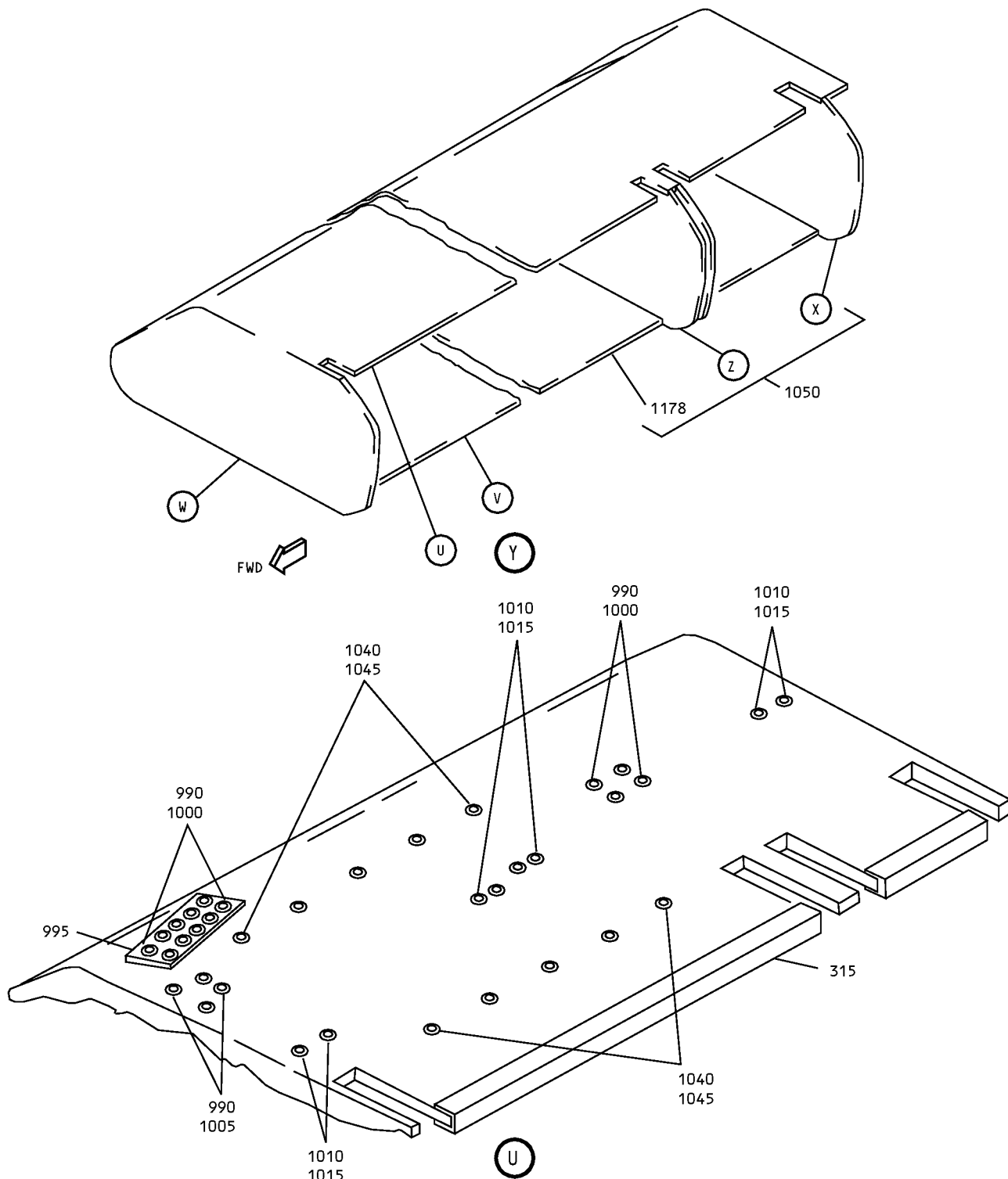


S

Overhead Stowage Compartment Assembly  
IPL Figure 1 (Sheet 12 of 18)

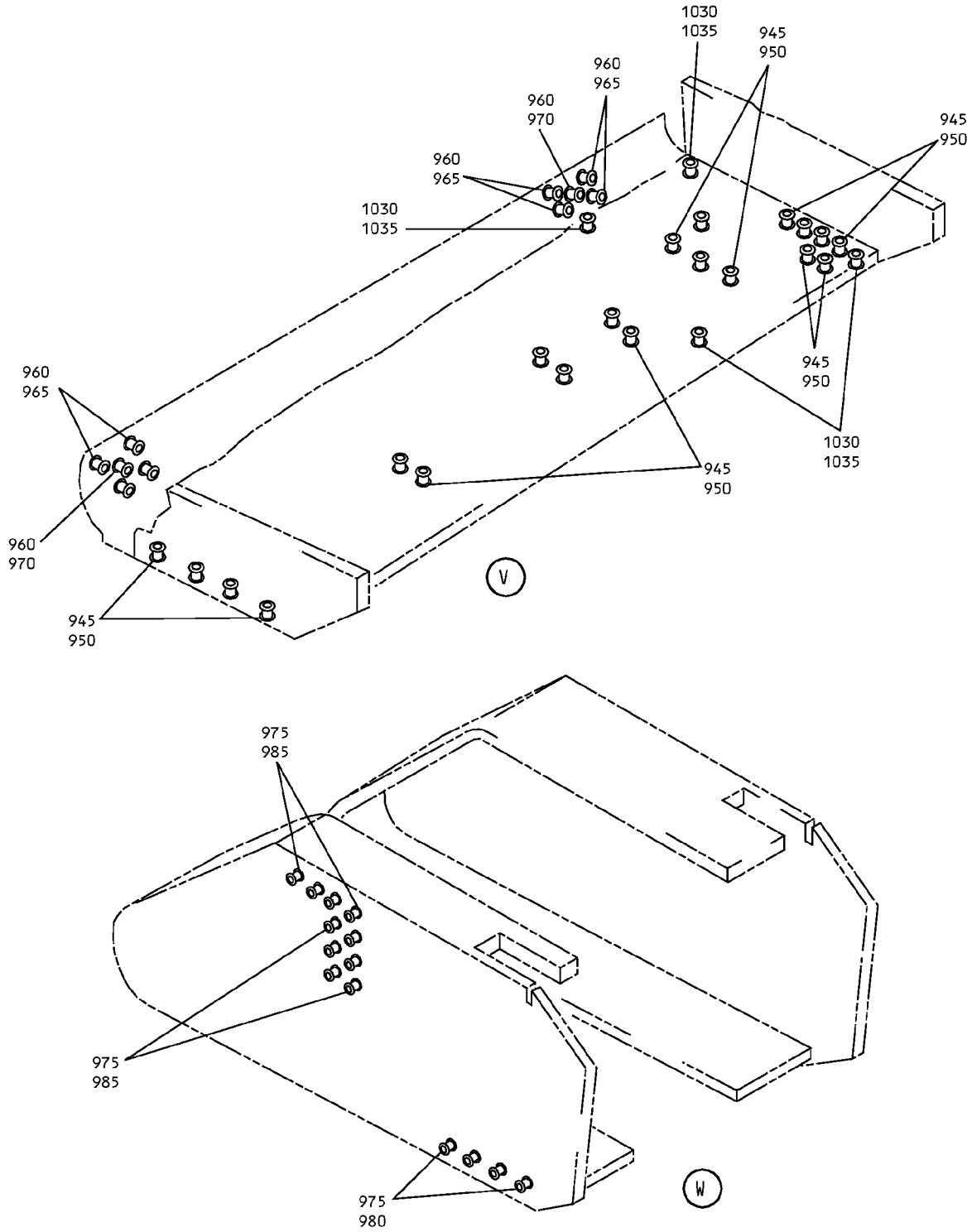
**25-28-44**  
ILLUSTRATED PARTS LIST  
Page 1095  
Mar 01/2006

# COMPONENT MAINTENANCE MANUAL



Overhead Stowage Compartment Assembly  
IPL Figure 1 (Sheet 13 of 18)

# COMPONENT MAINTENANCE MANUAL



Overhead Storage Compartment Assembly  
IPL Figure 1 (Sheet 14 of 18)

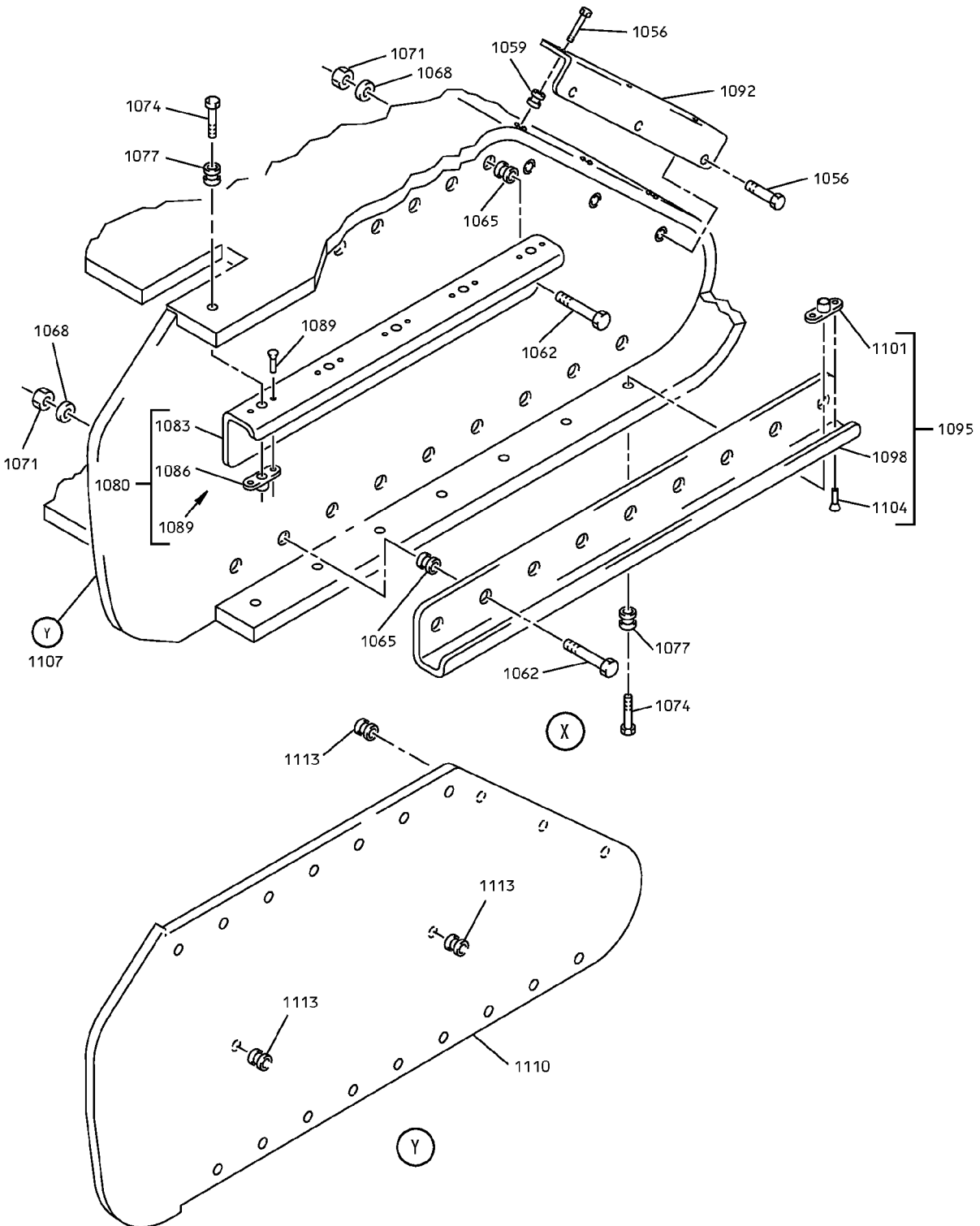
## 25-28-44

ILLUSTRATED PARTS LIST

Page 1097

Mar 01/2006

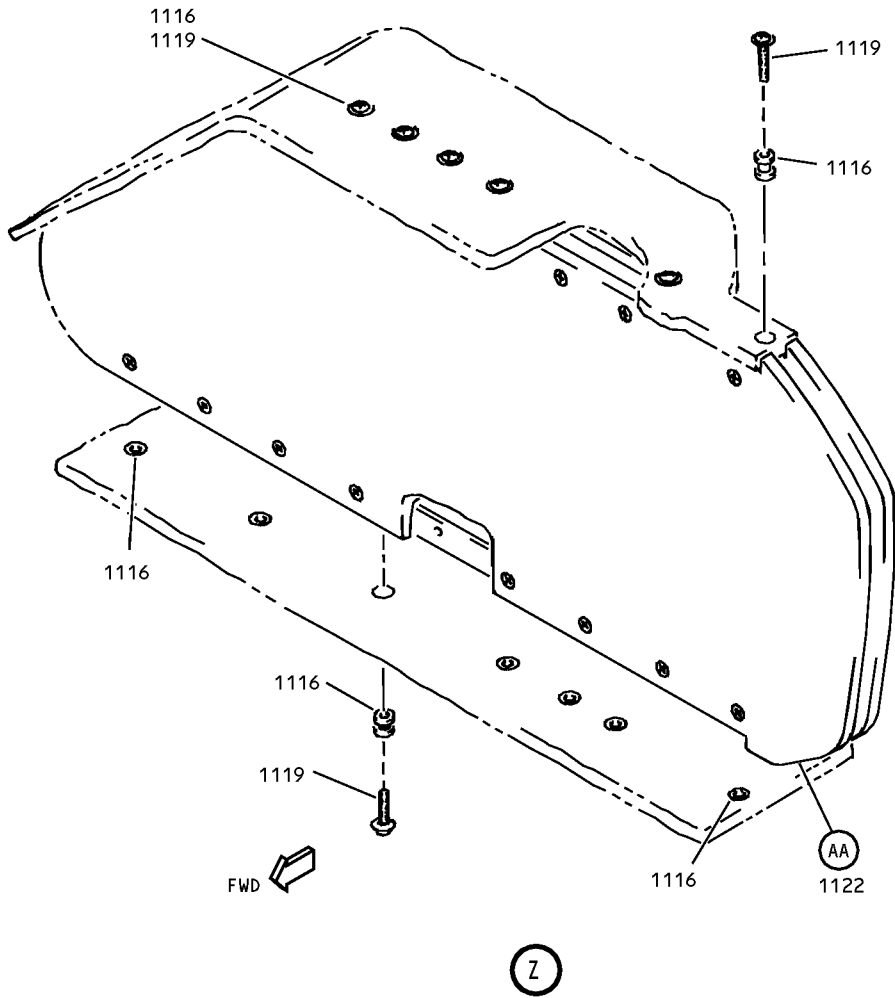
COMPONENT MAINTENANCE MANUAL



Overhead Stowage Compartment Assembly  
IPL Figure 1 (Sheet 15 of 18)



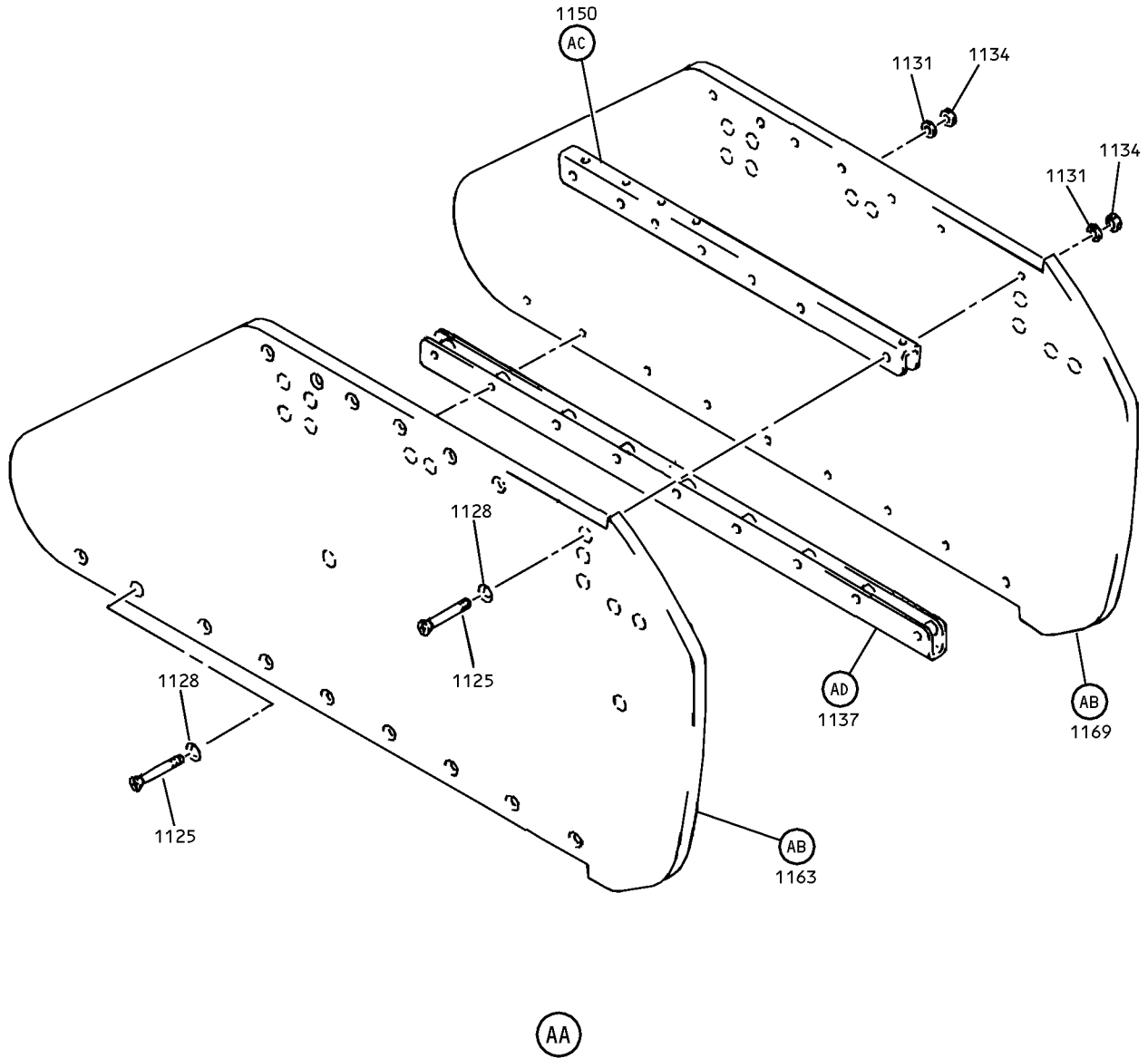
COMPONENT MAINTENANCE MANUAL



Overhead Stowage Compartment Assembly  
IPL Figure 1 (Sheet 16 of 18)

**25-28-44**  
ILLUSTRATED PARTS LIST  
Page 1098.1  
Mar 01/2006

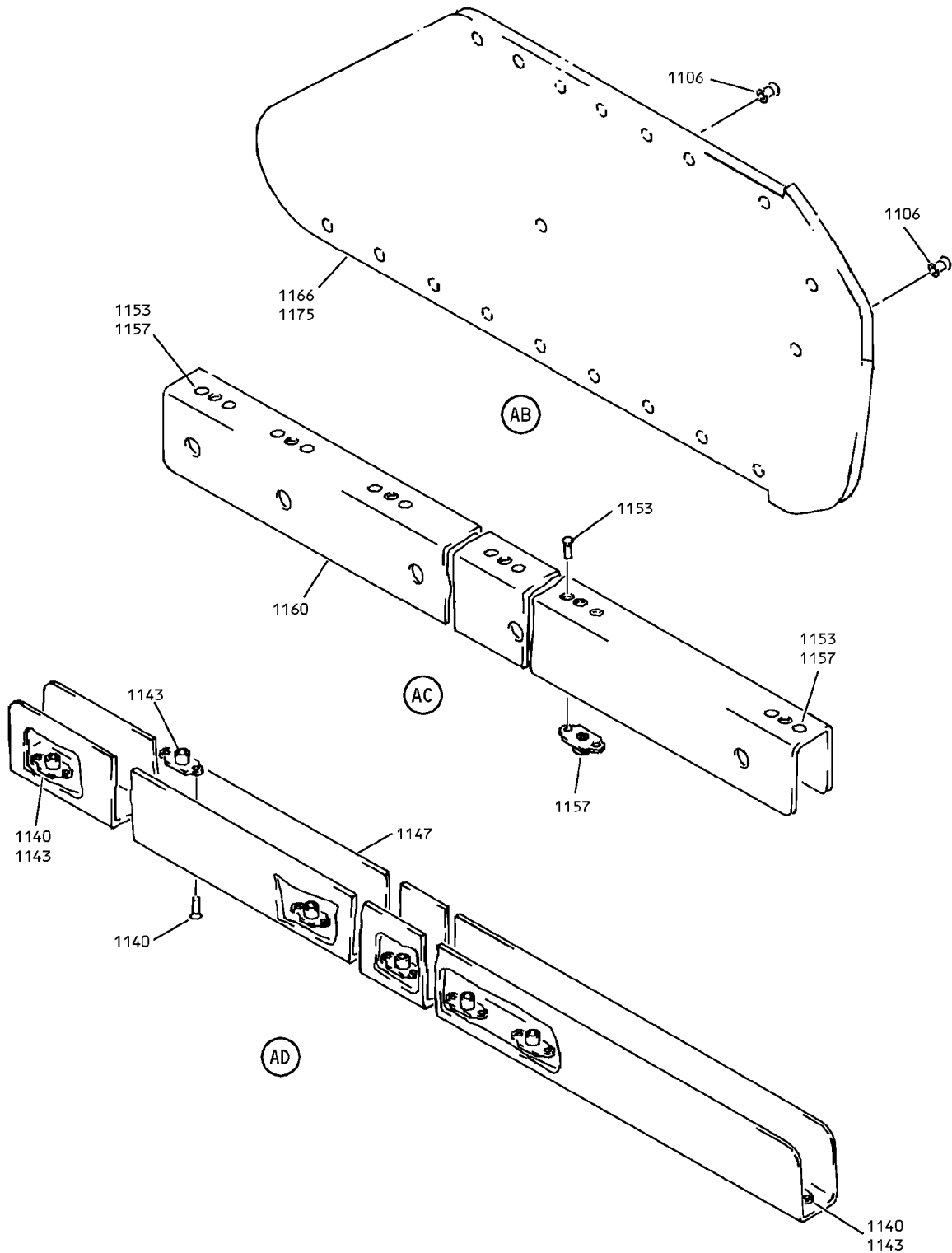
# COMPONENT MAINTENANCE MANUAL



Overhead Stowage Compartment Assembly  
IPL Figure 1 (Sheet 17 of 18)

**25-28-44**  
ILLUSTRATED PARTS LIST  
Page 1098.2  
Mar 01/2006

COMPONENT MAINTENANCE MANUAL



Overhead Storage Compartment Assembly  
IPL Figure 1 (Sheet 18 of 18)

**25-28-44**

ILLUSTRATED PARTS LIST

Page 1098.3

Mar 01/2006



## COMPONENT MAINTENANCE MANUAL

FIG/ ITEM	PART NUMBER	AIRLINE PART NUMBER	NOMENCLATURE							USAGE CODE	UNITS PER ASSY
			1	2	3	4	5	6	7		
1-											
-1	65C27006-21SP										RF
-1A	65C27006-22SP									A	RF
-1B	65C27006-31SP										
-1C	65C27006-37SP										RF
-1D	65C27006-43SP										RF
-1E	65C27006-57SP									B	RF
-1F	65C27006-61SP										RF
-1G	65C27006-63SP										RF
-1H	65C27006-65SP										RF
-1J	65C27006-69SP										RF
-1K	65C27006-72SP										RF
-1L	65C27006-82SP									C	RF
-1M	65C27006-83SP										RF
-1N	65C27006-84SP									D	RF
-1P	65C27006-93SP										RF

-Item not Illustrated

# 25-28-44

ILLUSTRATED PARTS LIST

Page 1098.4

Mar 01/2006



## COMPONENT MAINTENANCE MANUAL

FIG/ ITEM	PART NUMBER	AIRLINE PART NUMBER	NOMENCLATURE							USAGE CODE	UNITS PER ASSY
			1	2	3	4	5	6	7		
1-											
-1Q	65C27006-96SP										RF
-2	412N27006-95SP										
-2A	412N27006-103SP										
-2B	412N27006-104SP										
-2C	412N27006-112SP										
-2D	412N27006-113SP										
-2E	412N27006-117SP										
-2F	412N27006-118SP										
-2G	412N27006-124SP										
-2H	412N27006-127SP										
-2J	412N27006-128SP										
-2K	412N27006-133SP										
-1R	65C27006-95SP										RF
-1S	65C27006-103SP										RF
-1T	65C27006-104SP								E		RF
-1U	65C27006-112SP										RF
-1V	65C27006-113SP										RF
-1W	65C27006-117SP										RF
-1X	65C27006-118SP										RF
-1Y	65C27006-124SP								F		RF

-Item not Illustrated

# 25-28-44

ILLUSTRATED PARTS LIST

Page 1098.5

Mar 01/2006



## COMPONENT MAINTENANCE MANUAL

FIG/ ITEM	PART NUMBER	AIRLINE PART NUMBER	NOMENCLATURE							USAGE CODE	UNITS PER ASSY
			1	2	3	4	5	6	7		
1-											
-1Z	65C27006-127SP										RF
-2L	65C27006-128SP										RF
-2M	65C27006-133SP										RF
-2N	65C27006-137SP									G	RF
3	BACB30NM3K1										6
6	AN940PD10										
6A	AN960JD10										6
7	BACB30NM3K3										2
8	AN960PD10										
8A	AN960JD10										2
9	BACB30NM3K1										2
10	412N1119-13										1
-10A	412N1161-1										1
12	65C27017-20										1
13	50-3361-8629										2

-Item not Illustrated

# 25-28-44

ILLUSTRATED PARTS LIST

Page 1098.6

Mar 01/2006



COMPONENT MAINTENANCE MANUAL

FIG/ ITEM	PART NUMBER	AIRLINE PART NUMBER	NOMENCLATURE							USAGE CODE	UNITS PER ASSY	
			1	2	3	4	5	6	7			
1-												
15	BACB30NM3K1		.	B	O	L	T				4	
				(V06710)								
				(SPEC BACB30NM3K1)								
				(OPT BACB30NM3K1 (V06725))								
				(OPT BACB30NM3K1 (V06950))								
				(OPT BACB30NM3K1 (V08524))								
				(OPT BACB30NM3K1 (V27624))								
				(OPT BACB30NM3K1 (V56878))								
				(OPT BACB30NM3K1 (V73197))								
				(OPT BACB30NM3K1 (V80539))								
				(OPT BACB30NM3K1 (V92215))								
				(OPT BACB30NM3K1 (V93907))								
				(OPT BACB30NM3K1 (V97928))								
18	BACB30NM3K10		.	B	O	L	T				1	
19	BACB30NN3K10		.	B	O	L	T				1	
21	AN960PD10			D	E	L	E	T	E			
21A	AN960JD10		.	W	A	S	H	E	R		4	
22	AN960JD10LL		.	W	A	S	H	E	R		1	
24	412N1119-55		.	F	I	T	T	I	N	G	1	
27	412N1119-56		.	F	I	L	L	E	R		1	
30	NAS1801-3-11		.	S	C	R	E	W			2	
33	BACS18C8-6		.	S	P	A	C	E	R		2	
36	MS24585-1230		.	S	P	R	I	N	G		2	
39	411N3142-28		.	W	A	S	H	E	R	C	U	2
42	417N5120-23		.	L	I	G	H	T	A	S	S	1
45	417N5120-46		.	L	I	G	H	T	A	S	S	1
				A	T	T	A	C	H	I	N	G
				A	T	T	A	C	H	I	N	G
48	NAS1801-3-5		.	S	C	R	E	W			4	
51	AN960PD10L			D	E	L	E	T	E			
51A	AN960JD10LL		.	W	A	S	H	E	R		4	
				-	-	-	-	-	-	-		
				*								
54	65C28117-3		.	P	A	D					1	

-Item not Illustrated

**25-28-44**

ILLUSTRATED PARTS LIST  
Page 1098.7  
Mar 01/2006



## COMPONENT MAINTENANCE MANUAL

FIG/ ITEM	PART NUMBER	AIRLINE PART NUMBER	NOMENCLATURE							USAGE CODE	UNITS PER ASSY
			1	2	3	4	5	6	7		
1-											
57	BACS12ER3K6		. .	SCREW							3
				(V06710)							
				(SPEC BACS12ER3K6)							
				(OPT BACS12ER3K6 (V06725))							
				(OPT BACS12ER3K6 (V06950))							
				(OPT BACS12ER3K6 (V27624))							
				(OPT BACS12ER3K6 (V34252))							
				(OPT BACS12ER3K6 (V56878))							
				(OPT BACS12ER3K6 (V73197))							
				(OPT BACS12ER3K6 (V80539))							
				(OPT BACS12ER3K6 (V92215))							
				(OPT BACS12ER3K6 (V93907))							
				(OPT BACS12ER3K6 (V97928))							
60	BACW10UD10		. .	WASHER							3
63	F22K1-02		. .	NUT							3
				(V72962)							
				(SPEC BACN10R10L)							
				(OPT 22K1-02 (V72962))							
				(OPT 26CL02 (V80539))							
66	05939-5		. .	BALLAST							1
				(V17023)							
				(SPEC S283N702-5)							
69	417N5120-11		. .	LAMP ASSY							1
72	2055150		. . .	CAP-END							2
				(V04169)							
75	F20T12WW		. . .	LAMP-FLUOR							1
				(V08805)							
78	N1152LGWUV1000		. . .	TUBE-COVER							1
				(V06034)							
				(OPT ITEM 81)							
-81	LP1625-24		. . .	TUBE-COVER							1
				(V06116)							
				(OPT ITEM 78)							
84	800000255-20		. .	LIGHT ASSY-CLG							1
				(V05617)							
				(SPEC S417N507-20)							
				(USED ON ITEM 42)							
				(FOR DETAILS SEE FIG. 80)							

-Item not Illustrated

# 25-28-44

ILLUSTRATED PARTS LIST

Page 1098.8

Mar 01/2006





## COMPONENT MAINTENANCE MANUAL

FIG/ ITEM	PART NUMBER	AIRLINE PART NUMBER	NOMENCLATURE							USAGE CODE	UNITS PER ASSY
			1	2	3	4	5	6	7		
1-											
-87	800000255-32		.	.	LIGHT ASSY-CLG (V05617) (SPEC S417N507-32) (USED ON ITEM 45) (FOR DETAILS SEE FIG. 80)						1
90	412N1145-29		.		BRACKET						4
93	65C27017-13		.		BRACKET (OPT ITEM 93A)						4
-93A	65C27017-43		.		BRACKET (OPT ITEM 93)						1
96	65C27017-14				DELETED						
99	BACS12FA3K5		.		SCREW						16
102	65C27017-30		.		BRACKET				A, C-G		1
105	65C27017-30		.		BRACKET				B		2
107	BACS12FA3K12		.		BOLT						2
108	BACB30PF4-3		.		BOLT				A, C-G		1
-108A	BACB30PF4-3		.		BOLT				B		2
111	AN960C416L		.		WASHER				A, C-G		1
-111A	AN960C416L		.		WASHER				B		2
114	NAS1515F4H		.		WASHER				A, C-G		1
-114A	NAS1515F4H		.		WASHER				B		1
117	NAS1515M4L		.		WASHER				A, C-G		1
-117A	NAS1515M4L		.		WASHER				B		2
120	65C27027-4SP		.		END CAP ASSY				A, D-G		1
-120A	65C27027-31SP		.		END CAP ASSY				B		1
-120B	65C27027-38SP		.		END CAP ASSY				C		1
123	65C27027-12		.	.	PANEL ASSY				A, C, D		1
-123A	65C27027-32		.	.	PANEL ASSY				B		1
126	65C27027-13		.	.	FOAM						1
129	65C27027-14		.	.	ANGLE SUPPORT						1
132	65C27027-17		.	.	SEAL				A, D-G		1
-132A	65C27027-15		.	.	SEAL				B		1
-132B	65C27027-30		.	.	SEAL				C		1

-Item not Illustrated

# 25-28-44

ILLUSTRATED PARTS LIST

Page 1098.9

Mar 01/2006



## COMPONENT MAINTENANCE MANUAL

FIG/ ITEM	PART NUMBER	AIRLINE PART NUMBER	NOMENCLATURE							USAGE CODE	UNITS PER ASSY
			1	2	3	4	5	6	7		
1-											
135	65C27027-8		.	.	END	CAP				A, C-G	1
-135A	65C27027-33		.	.	END	CAP				B	1
138	SL2334-3A2		.	.	INSERT					A, C-G	9
-138A	SL2334-3A2		.	.	INSERT					B	10
141	65C27017-5		.		BRACKET	ASSY					1
					ATTACHING PARTS						
144	BACB30NM3K1		.		BOLT						8
147	AN960PD10				DELETED						
147A	AN960JD10		.		WASHER						8
					-----*						
150	BACB28B6-235P		.	.	BUSHING						1
153	65C27017-7		.	.	BRACKET						1
156	65C27017-15		.		SHIM						2
159	412N1119-41		.		FITTING						1
					ATTACHING PARTS						
162	BACB30NM3K1		.		BOLT						4
165	AN960PD10L				DELETED						
165A	AN960JD10LL		.		WASHER						4
					-----*						
168	BACB30NM3K3		.		BOLT						2
171	AN960PD10L				DELETED						
171A	AN960JD10LL		.		WASHER						4
174	BACN10JC3				DELETED						
174A	MS21042L3		.		NUT						2
180	65C27026-22SP		.		FILLER	PANEL	ASSY				1
-183	NAS1836-3-11		.	.	INSERT						4
186	412N1130-5SP		.		TRIM-VERTICAL						2
192	65C27006-12		.		SEAL						1
193	65C27017-4		.		FITTING						1
194	412N1119-12		.		FITTING						1
195	BACB30NM3K1		.		BOLT						8

-Item not Illustrated

**25-28-44**

ILLUSTRATED PARTS LIST

Page 1098.10

Mar 01/2006



## COMPONENT MAINTENANCE MANUAL

FIG/ ITEM	PART NUMBER	AIRLINE PART NUMBER	NOMENCLATURE							USAGE CODE	UNITS PER ASSY
			1	2	3	4	5	6	7		
1-											
196	AN960JD10										8
200	65C27009-22SP									A, C	1
-200A	65C27009-57SP									B, E	1
-200B	65C27009-84SP									D	1
-200C	65C27009-124SP									F	1
-200D	65C27009-137SP									G	1
203	H3-1152-1										4
206	BACS12FA3K4										8
209	MS35333-39										8
212	412N1140-41SP									A-G	1
215	412N1140-69SP									A-E, G	1
-215A	412N1140-71SP									F	1
218	NAS1801-3-4										8
221	MS35333-39										8
224	SL628-3A										8
227	BACS12H4-8										2
230	NAS620A8L										2
233	412N1245-1										2
237	MS51862-4										2
240	412N1143-11										2
241	412N1140-17										1

-Item not Illustrated

# 25-28-44

ILLUSTRATED PARTS LIST

Page 1098.11

Mar 01/2006



## COMPONENT MAINTENANCE MANUAL

FIG/ ITEM	PART NUMBER	AIRLINE PART NUMBER	NOMENCLATURE							USAGE CODE	UNITS PER ASSY
			1	2	3	4	5	6	7		
1-											
243	412N1143-13		. . .	COVER							1
				(USED ON ITEM 212)							
247	412N1143-14		. . .	COVER							1
				(USED ON ITEM 212)							
250	412N1140-58		. . .	PANEL ASSY-DOOR							1
				(USED ON ITEM 212)							
-253	412N1140-62		. . .	PANEL ASSY-DOOR							1
				(USED ON ITEMS 215,215A)							
256	412N1140-13		. . . .	STRIP RETAINER							1
				(USED ON ITEM 250)							
259	412N1141-1		. . . .	FACEPLATE							1
				(USED ON ITEM 250)							
262	412N1141-5		. . . .	FACEPLATE							1
				(USED ON ITEM 253)							
265	412N1141-7		. . . .	MARKER							1
				(USED ON ITEM 250)							
268	412N1142-15		. . . .	PANEL ASSY							1
				(USED ON ITEM 250)							
271	412N1142-20		. . . .	PANEL ASSY							1
				(USED ON ITEM 253)							
274	412N1140-2		. . .	DOUBLER							1
				(USED ON ITEMS 215,215A)							
280	65C27017-4			DELETED							
285	412N1119-12			DELETED							
290	BACB30NM3K1			DELETED							
293	AN960PD10			DELETED							
293A	AN960JD10			DELETED							
300	412N1118-1SP		. .	RETAINER TRIM							2
303	412N1118-2SP		. .	RETAINER TRIM							2
315	65C27009-6		. .	EDGE COVER							2
320	412N1154-3		. .	REINFORCEMENT-CORNER							2
323	412N1154-4		. .	REINFORCEMENT-CORNER							1
326	412N1154-2		. .	REINFORCEMENT-CORNER							1
330	412N1155-1		. .	HINGE ASSY							2
				(LIMITED USAGE)							
				(OPT ITEM 330A)							

-Item not Illustrated

# 25-28-44

ILLUSTRATED PARTS LIST

Page 1098.12

Mar 01/2006



## COMPONENT MAINTENANCE MANUAL

FIG/ ITEM	PART NUMBER	AIRLINE PART NUMBER	NOMENCLATURE							USAGE CODE	UNITS PER ASSY
			1	2	3	4	5	6	7		
1-											
330A	412N1155-7								. . HINGE ASSY (LIMITED USAGE) (OPT ITEM 330)		2
333	412N1155-2								. . HINGE ASSY (LIMITED USAGE) (OPT ITEM 333A)		1
333A	412N1155-8								. . HINGE ASSY (LIMITED USAGE) (OPT ITEM 333)		1
									ATTACHING PARTS		
350	BACB30LK3-18								. . BOLT (USED WITH ITEMS 330, 333)		1
-350A	NAS1801-3-10								. . BOLT (USED WITH ITEMS 330A, 333A)		1
353	412N1227-1								. . BOLT (OPT ITEM 353A)		2
353A	AIC1321-3-8								. . BOLT (OPT ITEM 353)		2
356	BACW10P136AL								. . WASHER		3
357	AN960JD10								. . WASHER		1
359	NAS1833-3-400								. . INSERT		3
									----- * -----		
362	MS24665-132								. . . PIN-COTTER		1
365	MS20392-2C13								. . . PIN-DRILLED SHANK		1
366	AN960PD10L								. . . WASHER		1
367	AN960PD10L								. . . WASHER (USED ON ITEMS 330,333)		2
368	NAS6703PU15								. . . BOLT (USED ON ITEMS 330,333)		1
371	BACB30NM3K12								. . . BOLT (USED ON ITEMS 330A,333A)		1
374	NAS6703PU11								. . . BOLT (USED ON ITEMS 330,333)		1
377	BACB30NM3K8								. . . BOLT (USED ON ITEMS 330A,333A)		1
380	NA960PD10L								DELETED		

-Item not Illustrated

# 25-28-44

ILLUSTRATED PARTS LIST

Page 1098.13

Mar 01/2006



## COMPONENT MAINTENANCE MANUAL

FIG/ ITEM	PART NUMBER	AIRLINE PART NUMBER	NOMENCLATURE							USAGE CODE	UNITS PER ASSY
			1	2	3	4	5	6	7		
1-											
380A	AN960JD10L								. . . WASHER (USED ON ITEMS 330A,333A)		1
383	NAS43DD3-5								. . . SPACER (USED ON ITEMS 330,333)		1
387	NAS43DD3-3								. . . SPACER (USED ON ITEMS 330A,333A)		1
391	NAS43DD3-6								. . . SPACER (USED ON ITEMS 330,333)		1
402	NAS43DD3-8								. . . SPACER (USED ON ITEMS 330A,333A)		1
405	H2948-2								. . . HINGE (SPEC S412N102-2) (USED ON ITEMS 330,333A)		1
408	H2948-1								. . . HINGE (V83014) (SPEC S412N102-1) (USED ON ITEMS 333,333A)		1
411	SB113								. . . ACTUATOR (V24984) (SPEC S412N104-1)		1
414	412N1156-1								. . . CHASSIS ASSY (USED ON ITEM 330)		1
417	412N1156-13								. . . CHASSIS ASSY (USED ON ITEM 330A)		1
-420	412N1156-2								. . . CHASSIS ASSY (USED ON ITEM 333)		1
-423	412N1156-14								. . . CHASSIS ASSY (USED ON ITEM 333A)		1
427	6041-3BRX225								. . . INSERT-DODGE (V01556)		2
430	412N1156-3								. . . CHASSIS (USED ON ITEM 414)		1
-433	412N1156-15								. . . CHASSIS (USED ON ITEM 417)		1
-436	412N1156-4								. . . CHASSIS (USED ON ITEM 420)		1
-440	412N1156-16								. . . CHASSIS (USED ON ITEM 423)		1
450	NAS1833-3-400								. . INSERT		6

-Item not Illustrated

# 25-28-44

ILLUSTRATED PARTS LIST

Page 1098.14

Mar 01/2006



## COMPONENT MAINTENANCE MANUAL

FIG/ ITEM	PART NUMBER	AIRLINE PART NUMBER	NOMENCLATURE							USAGE CODE	UNITS PER ASSY
			1	2	3	4	5	6	7		
1-											
455	412N1155-4								. . HINGE ASSY (LIMITED USAGE) (USED ON ITEM 455A)		1
455A	412N1155-10								. . HINGE ASSY (LIMITED USAGE) (OPT ITEM 455)		1
									ATTACHING PARTS		
463	412N1227-1								. . BOLT (OPT ITEM 463A)		1
-463A	AIC1321-3-8								. . BOLT (V06725) (OPT ITEM 463)		1
466	BACB30LK3-18								. . BOLT (USED ON ITEM 455)		1
-469	NAS1801-3-10								. . BOLT (USED ON ITEM 455A)		1
472	BACW10P136AL								. . WASHER (V10630) (SPEC BACW10P136AL)		2
475	NAS18833-3-400								. . INSERT  ----- * -----		2
580	NAS6703PU11								. . . BOLT (USED ON ITEM 455)		1
585	BACS30NM3K8								. . . BOLT (USED ON ITEM 455A)		1
590	AN960PD10L								. . . WASHER (USED ON ITEM 455)		1
595	AN960KD10L								DELETED		
595A	AN960JD10L								. . . WASHER (USED ON ITEM 455A)		1
600	NAS43DD3-5								. . . SPACER (USED ON ITEM 455)		1
605	NAS43DD3-8								. . . SPACER (USED ON ITEM 455A)		1
610	NAS43DD3-6								. . . SPACER (USED ON ITEM 455)		1
615	NAS43DD3-3								. . . SPACER (USED ON ITEM 455A)		1

-Item not Illustrated

# 25-28-44

ILLUSTRATED PARTS LIST

Page 1098.15

Mar 01/2006



## COMPONENT MAINTENANCE MANUAL

FIG/ ITEM	PART NUMBER	AIRLINE PART NUMBER	NOMENCLATURE							USAGE CODE	UNITS PER ASSY
			1	2	3	4	5	6	7		
1-											
620	H2948-1		. . .	HINGE							1
				(V83014)							
				(SPEC S412N102-1)							
				(USED ON ITEMS 455,455A)							
625	412N1156-6		. . .	CHASSIS ASSY							1
				(USED ON ITEM 455)							
630	412N1156-20		. . .	CHASSIS ASSY							1
				(USED ON ITEM 455A)							
635	6041-3BRX225		. . . .	INSERT-DODGE							2
				(V01556)							
640	412N1156-4		. . . .	CHASSIS							1
				(USED ON ITEM 625)							
645	412N1156-26		. . . .	CHASSIS							1
				(USED ON ITEM 630)							
650	BACB30NM3K2		. .	BOLT							1
655A	AN960JD10LL		. .	WASHER							2
655	AN960PD10L			DELETED							
660	NAS1804-3		. .	NUT							1
690	BACS12ER08K14		. .	BOLT							1
695	AN960PD8			DELETED							
695A	AN960JD8		. .	WASHER							1
700	H10-08BAC		. .	NUT							1
				(V15653)							
				(SPEC BACN10JC08)							
705	BACB30NM3K3		. .	BOLT							1
710	AN960PD10L			DELETED							
710A	AN960JD10L		. .	WASHER							2
715	BACW10CA3CVU			DELETED							
715A	AN960JD10		. .	WASHER							2
720	BACW10CA3CCU			DELETED							
725	H10-3BAC			DELETED							
725A	MS2104263		. .	NUT							2
				(V15653)							
				(SPEC BACN10JC3)							
735	412N1153-101		. .	LATCH ASSY							1

-Item not Illustrated

# 25-28-44

ILLUSTRATED PARTS LIST

Page 1098.16

Mar 01/2006





## COMPONENT MAINTENANCE MANUAL

FIG/ ITEM	PART NUMBER	AIRLINE PART NUMBER	NOMENCLATURE							USAGE CODE	UNITS PER ASSY
			1	2	3	4	5	6	7		
1-											
735A	412N1153-111		.	.	LATCH ASSY					A-C, G	1
735B	412N1153-31		.	.	LATCH ASSY					D, G	1
			ATTACHING PARTS								
740	BACS12ER06K8		.	.	SCREW						8
					(V06710)						
					(SPEC BACS12ER06K8)						
					(OPT BACS12ER06K8 (V06725))						
					(OPT BACS12ER06K8 (V06950))						
					(OPT BACS12ER06K8 (V27624))						
					(OPT BACS12ER06K8 (V34252))						
					(OPT BACS12ER06K8 (V56878))						
					(OPT BACS12ER06K8 (V73197))						
					(OPT BACS12ER06K8 (V80539))						
					(OPT BACS12ER06K8 (V92215))						
					(OPT BACS12ER06K8 (V93907))						
					(OPT BACS12ER06K8 (V97928))						
745	SL210-06-2		.	.	INSERT						8
					(V97393)						
750	BACS12ER08K6		.	.	SCREW						4
					(V06710)						
					(SPEC BACS12ER08K6)						
					(OPT BACS12ER08K6 (V06725))						
					(OPT BACS12ER08K6 (V06950))						
					(OPT BACS12ER08K6 (V27624))						
					(OPT BACS12ER08K6 (V34252))						
					(OPT BACS12ER08K6 (V56878))						
					(OPT BACS12ER08K6 (V73197))						
					(OPT BACS12ER08K6 (V80539))						
					(OPT BACS12ER08K6 (V92215))						
					(OPT BACS12ER08K6 (V93907))						
					(OPT BACS12ER08K6 (V97928))						
755	NAS514P832-5		.	.	SCREW						8
760	SL210-08-1		.	.	INSERT						8
					(V97393)						
			----- * -----								
765	412N1113-7		.	.	COVER						1
					(V01556)						
770	412N1113-8		.	.	COVER						1
775	S412N101-2021		.	.	LATCH ASSY						1
					(SPEC S412N101-2021)						
					(USED ON ITEM 735A)						

-Item not Illustrated

# 25-28-44

ILLUSTRATED PARTS LIST

Page 1098.17

Mar 01/2006



## COMPONENT MAINTENANCE MANUAL

FIG/ ITEM	PART NUMBER	AIRLINE PART NUMBER	NOMENCLATURE							USAGE CODE	UNITS PER ASSY
			1	2	3	4	5	6	7		
1-											
780	H3-1145-2-IL5760		. . .	LATCH ASSY							1
				(V34941)							
				(SPEC S412N101-1060)							
				(USED ON ITEM 735)							
782	S412N101-2121		. . .	LATCH ASSY							1
				(V34941)							
				(USED ON ITEM 735B)							
785	BACS12FA3K5		. .	SCREW							8
				(V06710)							
790	65C27017-1		. .	BRACKET							1
795	412N1117-6		. .	FITTING							1
800	65C27016-2		. .	FILLER FITTING-TAPERED							1
805	65C27017-3		. .	FITTING							1
807	BACR15DR3		. .	RIVET							2
				(SIZE DETERMINED ON INST)							
810	BACS12FA3K5		. .	SCREW							34
815	BACS12FA3K15		. .	SCREW							2
820	65C27023-4		. .	SUPPORT-PASS. SVCE UNIT					A-E		1
-820A	65C27023-59		. .	SUPPORT-PASS. SVCE UNIT					F		1
830	412N1146-110		. .	SUPPORT-PASS. BULLNOSE					A, B, C, E		1
-835	412N1146-112		. .	SUPPORT-PASS. BULLNOSE							1
-840	412N1146-87		. .	SUPPORT-PASS. BULLNOSE					D		1
-840A	412N1146-80		. .	SUPPORT-PASS. BULLNOSE					F		1
				ATTACHING PARTS							
870	BACS12ER08K12		. .	SCREW							21
				(V06710)							
				(SPEC BACS12ER08K12)							
				(OPT BACS12ER08K12 (V06725))							
				(OPT BACS12ER08K12 (V06950))							
				(OPT BACS12ER08K12 (V27624))							
				(OPT BACS12ER08K12 (V34252))							
				(OPT BACS12ER08K12 (V56878))							
				(OPT BACS12ER08K12 (V73197))							
				(OPT BACS12ER08K12 (V80539))							
				(OPT BACS12ER08K12 (V92215))							
				(OPT BACS12ER08K12 (V93907))							
				(OPT BACS12ER08K12 (V97928))							

-Item not Illustrated

# 25-28-44

ILLUSTRATED PARTS LIST

Page 1098.18

Mar 01/2006



## COMPONENT MAINTENANCE MANUAL

FIG/ ITEM	PART NUMBER	AIRLINE PART NUMBER	NOMENCLATURE							USAGE CODE	UNITS PER ASSY
			1	2	3	4	5	6	7		
1-											
872	AN960PD8								DELETED		
872A	AN960JD8								. . WASHER		21
873	BACN10JC08								. . NUT		21
									-----*		
875	BACR15DR3								. . . RIVET (SIZE DETERMINED ON INST)		4
880	BACN10KB08								. . . NUTPLATE (V52828) (SPEC BACN10KB08)		2
885	412N1146-114								. . . SUPPORT (USED ON ITEM 830)		1
-885A	412N1146-116								. . . SUPPORT (USED ON ITEM 835)		1
-885B	412N1146-88								. . . SUPPORT (USED ON ITEM 840)		1
-885C	412N1146-82								. . . SUPPORT (USED ON ITEM 840A)		1
900	BACS12ER08K6								. . SCREW (V06710) (SPEC BACS12ER08K6)	D	1
905	BACW10DM5								. . WASHER	D	1
910	AN960PD516L								. . WASHER	D	1
915	AC8400EKAPK625								. . LOCK ASSY (V08958)	D	1
-915A	A2077-3								. . LOCK ASSY (9F337)	G	1
-915B	AM15CL4-78-56								. . CAM LOCK CYLINDER (V15438) (OPT ITEM 915A)	G	1
-915C	AR15								. . LAZY CAM CYLINDER, TYPE II, (V80477) (OPT ITEM 915A WHEN USED WITH ITEM 930A)	G	1
917	BACW10P173AL								. . WASHER	G	1
918	AR292								. . CYLINDER NUT (V80477) (OPT ITEM 918A)	G	1

-Item not Illustrated

# 25-28-44

ILLUSTRATED PARTS LIST

Page 1098.19

Mar 01/2006





## COMPONENT MAINTENANCE MANUAL

FIG/ ITEM	PART NUMBER	AIRLINE PART NUMBER	NOMENCLATURE							USAGE CODE	UNITS PER ASSY	
			1	2	3	4	5	6	7			
1-												
1040	65C27012-4102											1
1045	NAS1833-3-400											10
1050	65C27327-1											1
1050A	65C27327-135											1
1056	BACS12FA3K5											6
1059	NAS1836-3-11											3
1062	BACB30NN3K6											16
1065	SL3378-3-380											16
1068	AN960JD10LL											16
1071	MS1042L3											16
1074	BACS12FA3K12											12
1077	NAS1834-3-400											12
1080	412N1217-61											1
1083	412N1217-631											1
1086	BACN10JP3A											5
1089	BACR15BA3D											10
1092	412N1217-5											1
1095	412N1217-77											1
1098	412N1217-79											1
1101	BACN10JP3A											7
1104	BACR15BA3D											14
1107	412N1116-76											1
1110	412N1116-16											1
1113	NAS1836-3-11											5
1116	NAS1834-4-400											13

-Item not Illustrated

# 25-28-44

ILLUSTRATED PARTS LIST

Page 1098.21

Mar 01/2006



## COMPONENT MAINTENANCE MANUAL

FIG/ ITEM	PART NUMBER	AIRLINE PART NUMBER	NOMENCLATURE							USAGE CODE	UNITS PER ASSY
			1	2	3	4	5	6	7		
1- 1119	BACS12FA3K12		. . . . SCREW (V06710) (SPEC BACS12FA3K12) (OPT BACS12FA3K12 (V06725)) (OPT BACS12FA3K12 (V06950)) (OPT BACS12FA3K12 (V27624)) (OPT BACS12FA3K12 (V34252)) (OPT BACS12FA3K12 (V56878)) (OPT BACS12FA3K12 (V73197)) (OPT BACS12FA3K12 (V80539)) (OPT BACS12FA3K12 (V92215)) (OPT BACS12FA3K12 (V93907)) (OPT BACS12FA3K12 (V97928))								13
1122	412N1216-27		. . . . PANEL ASSY-DIVIDER								1
1125	BACB30NN3K1		. . . . . BOLT (V06710) (SPEC BACB30NN3K1) (OPT BACB30NN3K1 (V06725)) (OPT BACB30NN3K1 (V06950)) (OPT BACB30NN3K1 (V08524)) (OPT BACB30NN3K1 (V27624)) (OPT BACB30NN3K1 (V56878)) (OPT BACB30NN3K1 (V73197)) (OPT BACB30NN3K1 (V80539)) (OPT BACB30NN3K1 (V92215)) (OPT BACB30NN3K1 (V93907)) (OPT BACB30NN3K1 (V97928))								16
1128	BACW10CT10		. . . . . WASHER (V10630) (SPEC BACW10CT10)								16
1131	AN960PD516L		. . . . . WASHER								16
1134	SL5-3-145S		. . . . . NUT (V97393) (OPT ITEM 1134A)								16
-1134A	KD121395-145		. . . . . NUT (V29372) (OPT ITEM 1134)								16
1137	412N1217-19		. . . . . BRACKET ASSY								1
1140	BACR15BA3AD		. . . . . RIVET (SIZE DETERMINED ON INST)								14

-Item not Illustrated

# 25-28-44

ILLUSTRATED PARTS LIST

Page 1098.22

Mar 01/2006



## COMPONENT MAINTENANCE MANUAL

FIG/ ITEM	PART NUMBER	AIRLINE PART NUMBER	NOMENCLATURE							USAGE CODE	UNITS PER ASSY
			1	2	3	4	5	6	7		
1-											
1143	BRM200A3										7
1147	412N1217-20										1
1150	412N1217-87										1
1153	BACR15BA3AD										12
1157	BRM200A3										6
1160	412N1217-88										1
1163	412N1116-48										1
1166	412N1116-18										1
1169	412N1116-49										1
1172	NAS1836-3-11										2
1175	412N1116-17										1
1178	412N1215-5										1
-1178A	412N125-5										
-1178B	412N1215-136										1

-Item not Illustrated

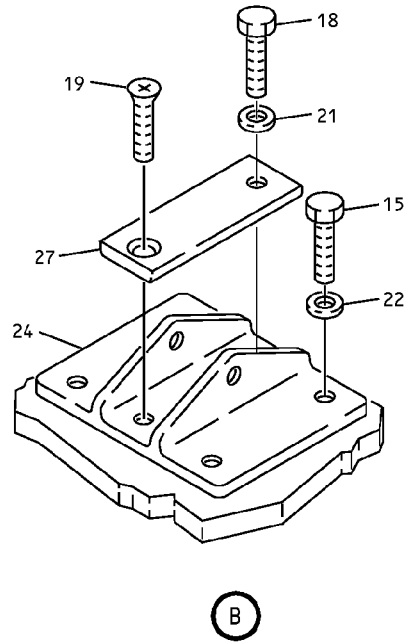
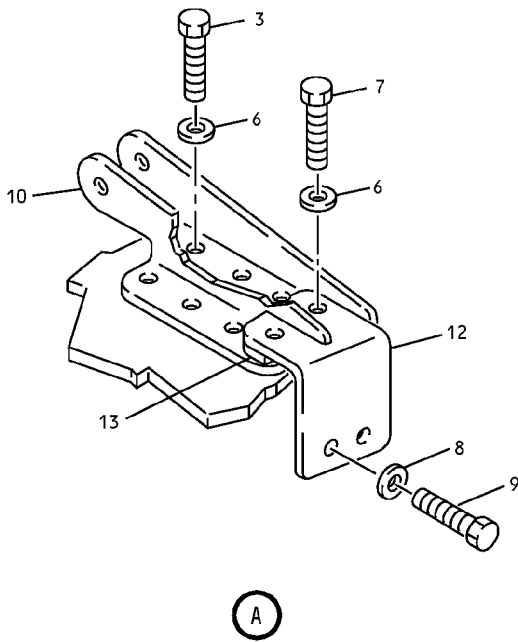
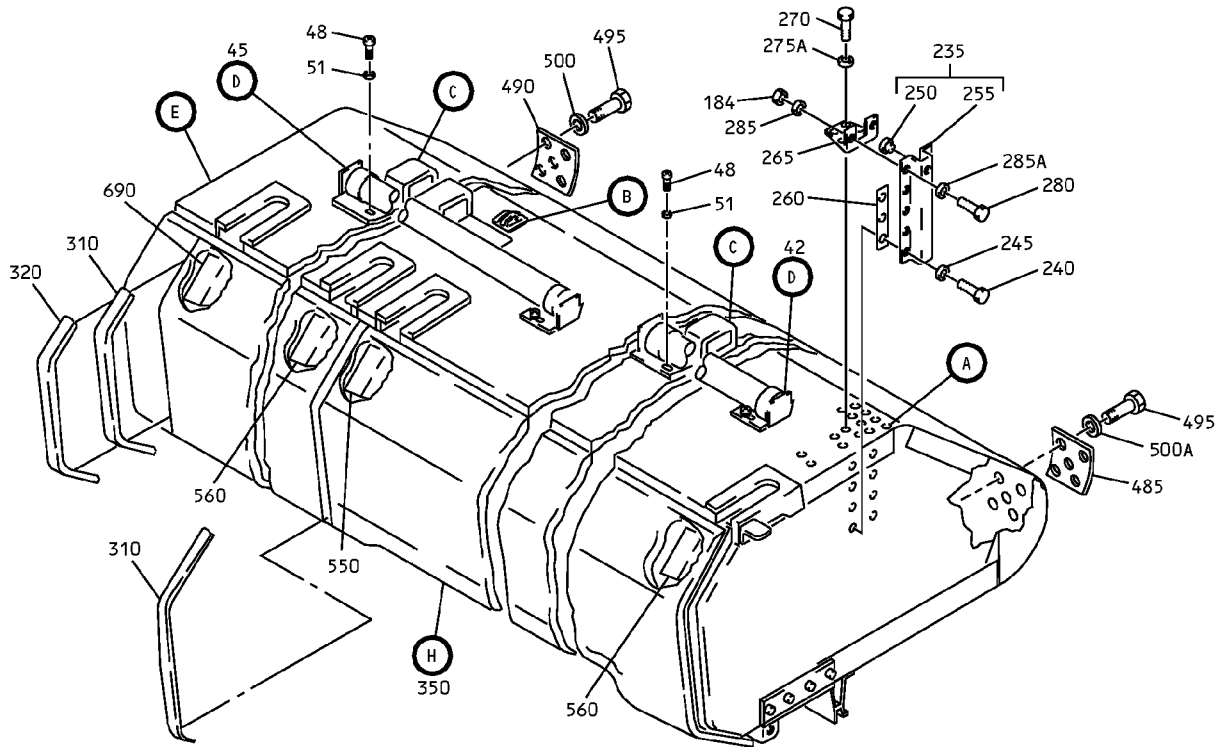
# 25-28-44

ILLUSTRATED PARTS LIST

Page 1098.23

Mar 01/2006

COMPONENT MAINTENANCE MANUAL



Overhead Storage Compartment Assembly  
IPL Figure 2 (Sheet 1 of 18)

**25-28-44**

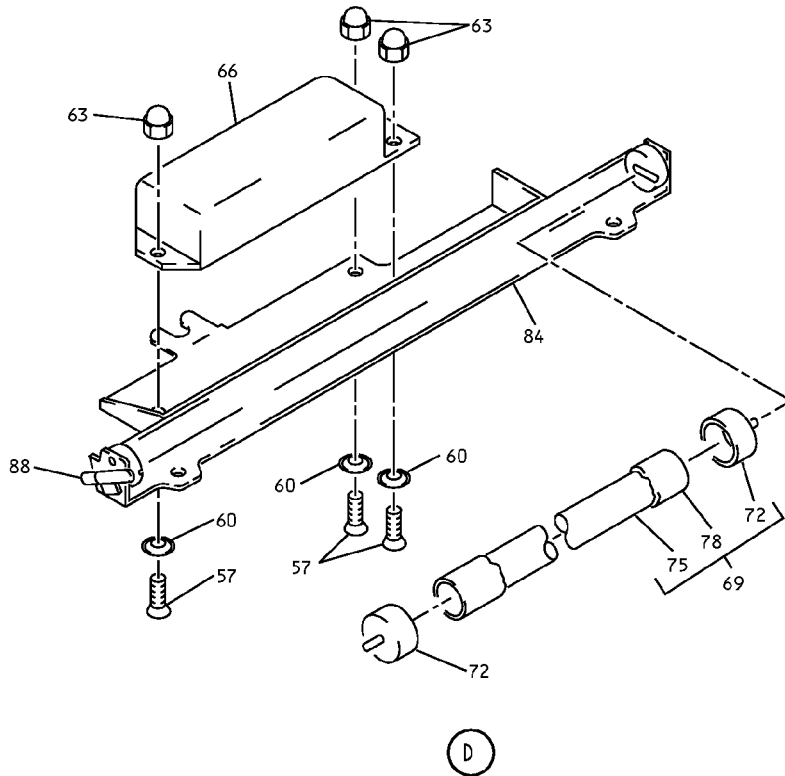
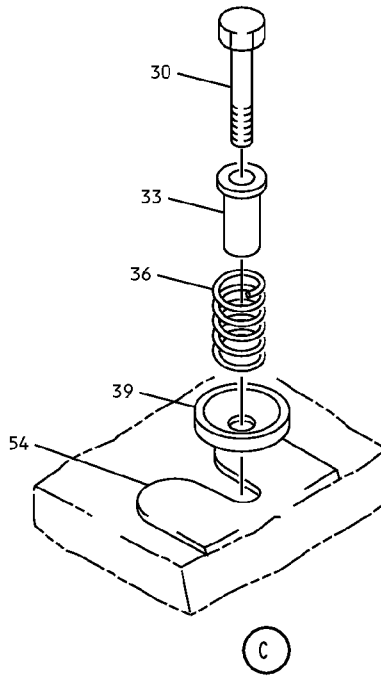
ILLUSTRATED PARTS LIST

Page 1098.24

Mar 01/2006

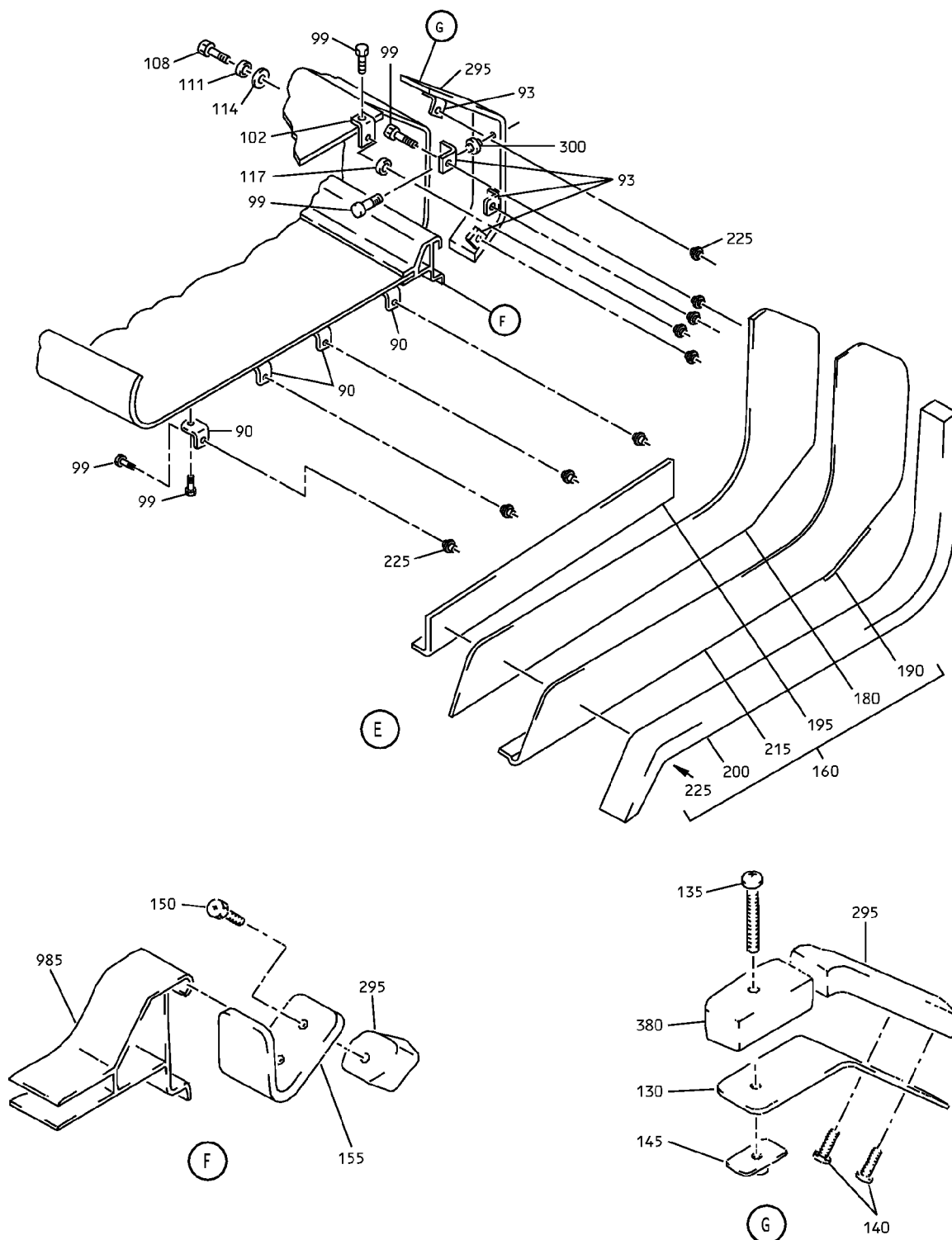


COMPONENT MAINTENANCE MANUAL



Overhead Stowage Compartment Assembly  
IPL Figure 2 (Sheet 2 of 18)

### COMPONENT MAINTENANCE MANUAL



Overhead Storage Compartment Assembly  
IPL Figure 2 (Sheet 3 of 18)

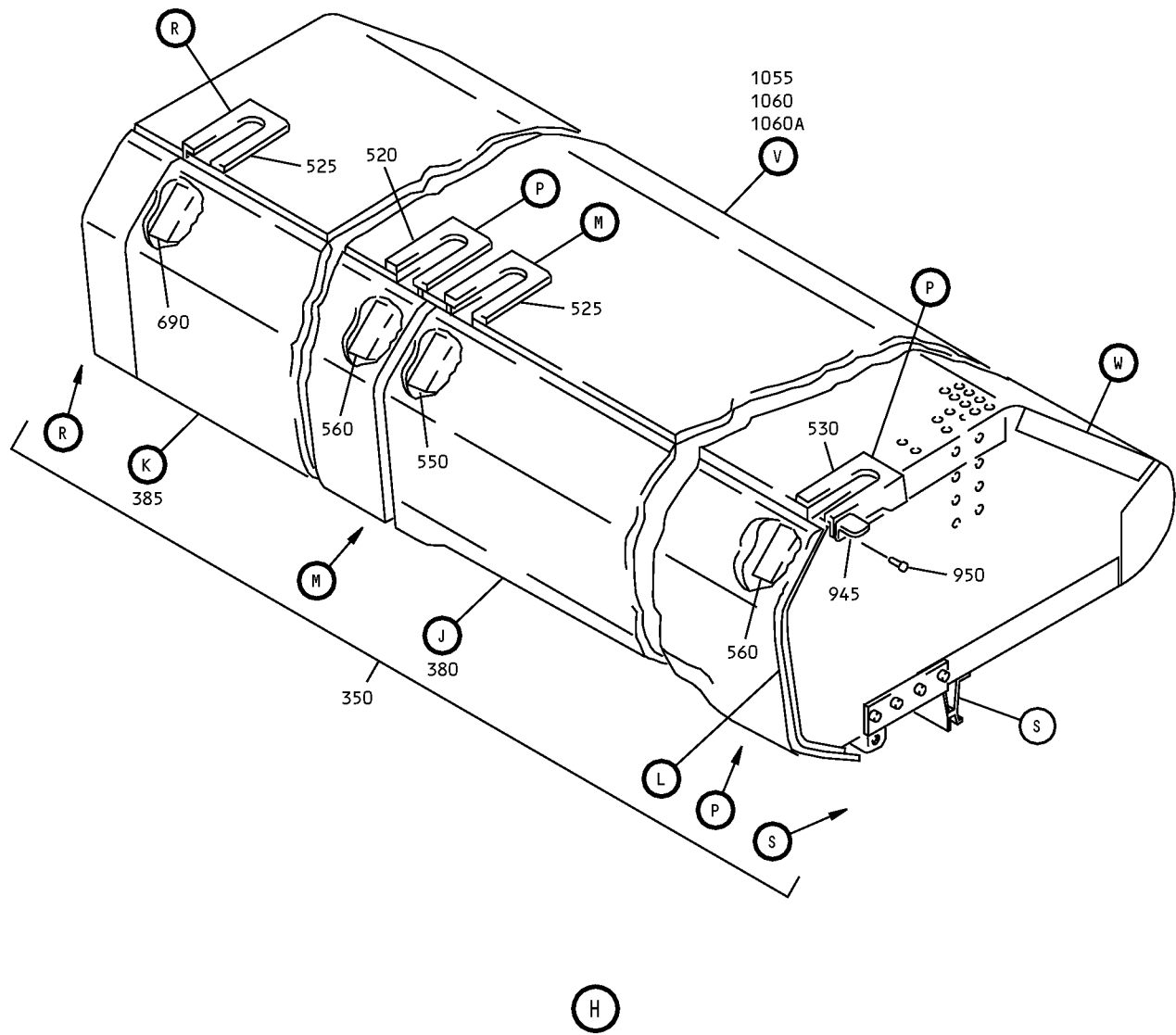
# 25-28-44

ILLUSTRATED PARTS LIST

Page 1098.26

Mar 01/2006

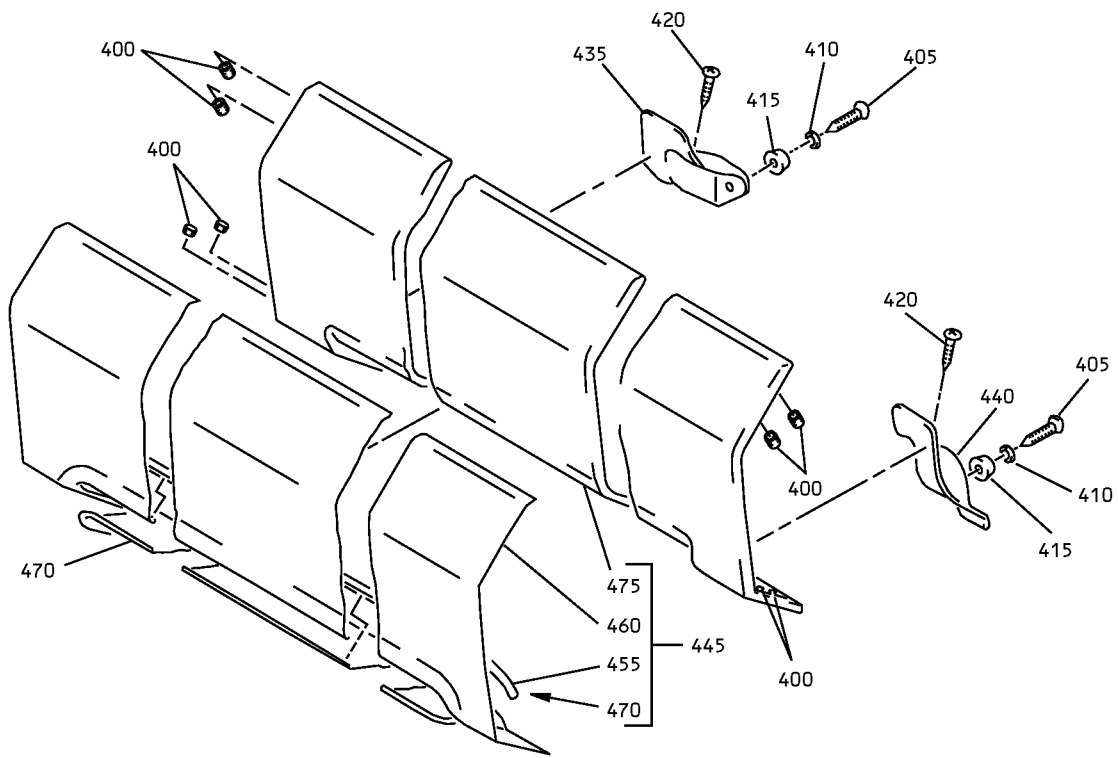
COMPONENT MAINTENANCE MANUAL



Overhead Storage Compartment Assembly  
IPL Figure 2 (Sheet 4 of 18)

**25-28-44**  
ILLUSTRATED PARTS LIST  
Page 1098.27  
Mar 01/2006

COMPONENT MAINTENANCE MANUAL



J

Overhead Stowage Compartment Assembly  
IPL Figure 2 (Sheet 5 of 18)

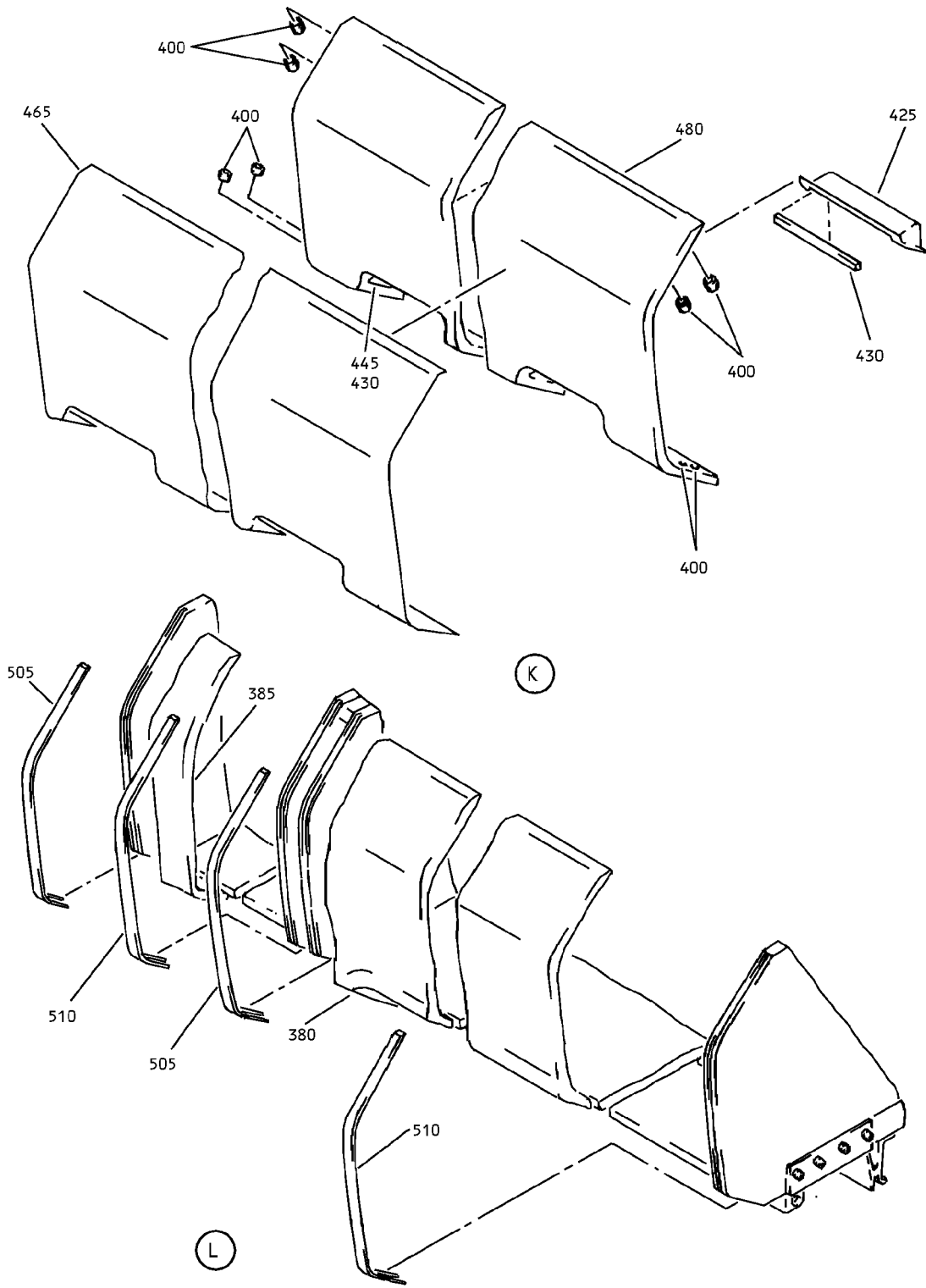
**25-28-44**

ILLUSTRATED PARTS LIST

Page 1098.28

Mar 01/2006

COMPONENT MAINTENANCE MANUAL



Overhead Storage Compartment Assembly  
IPL Figure 2 (Sheet 6 of 18)

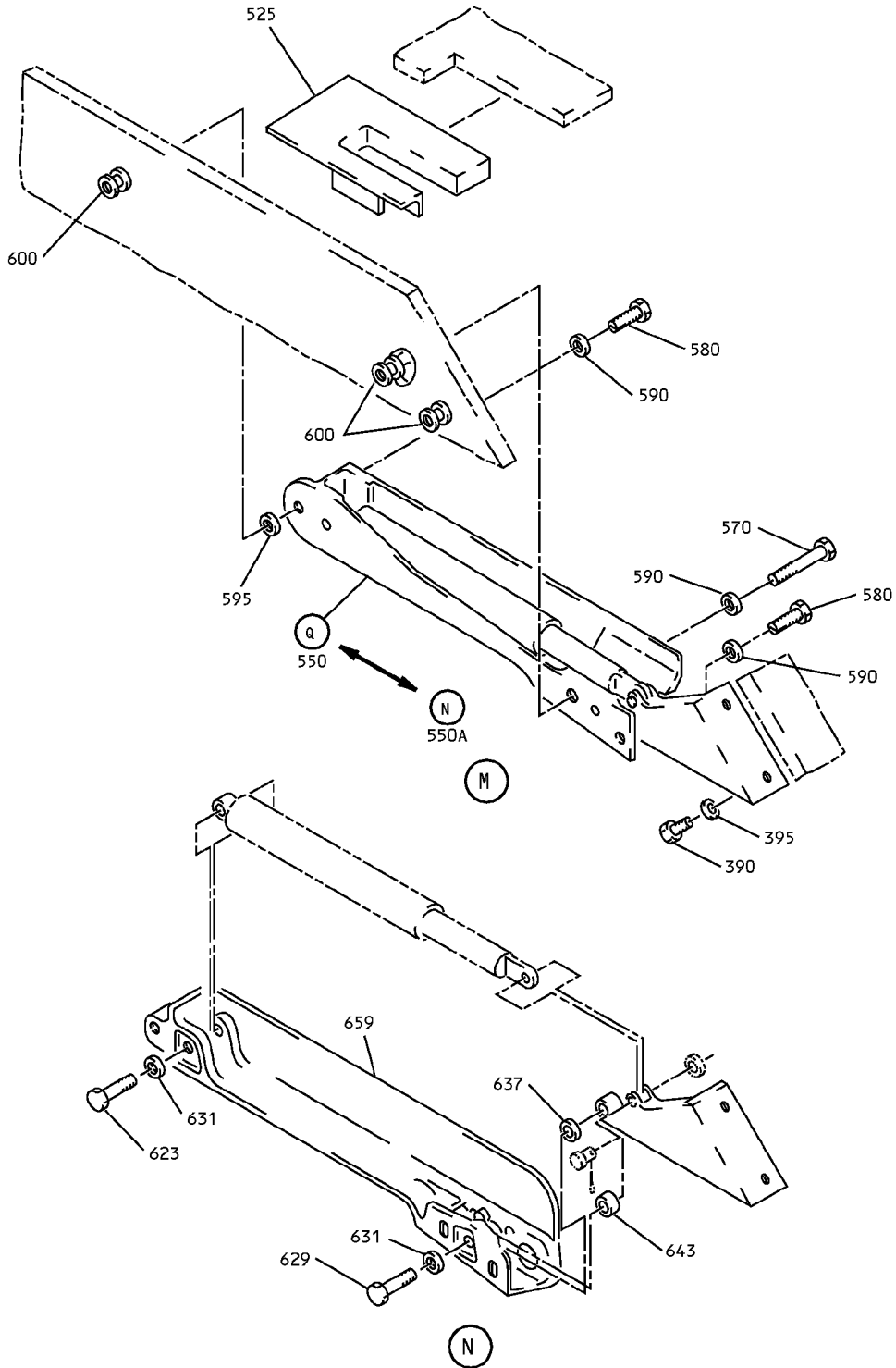
**25-28-44**

ILLUSTRATED PARTS LIST

Page 1098.29

Mar 01/2006

COMPONENT MAINTENANCE MANUAL



Overhead Storage Compartment Assembly  
IPL Figure 2 (Sheet 7 of 18)

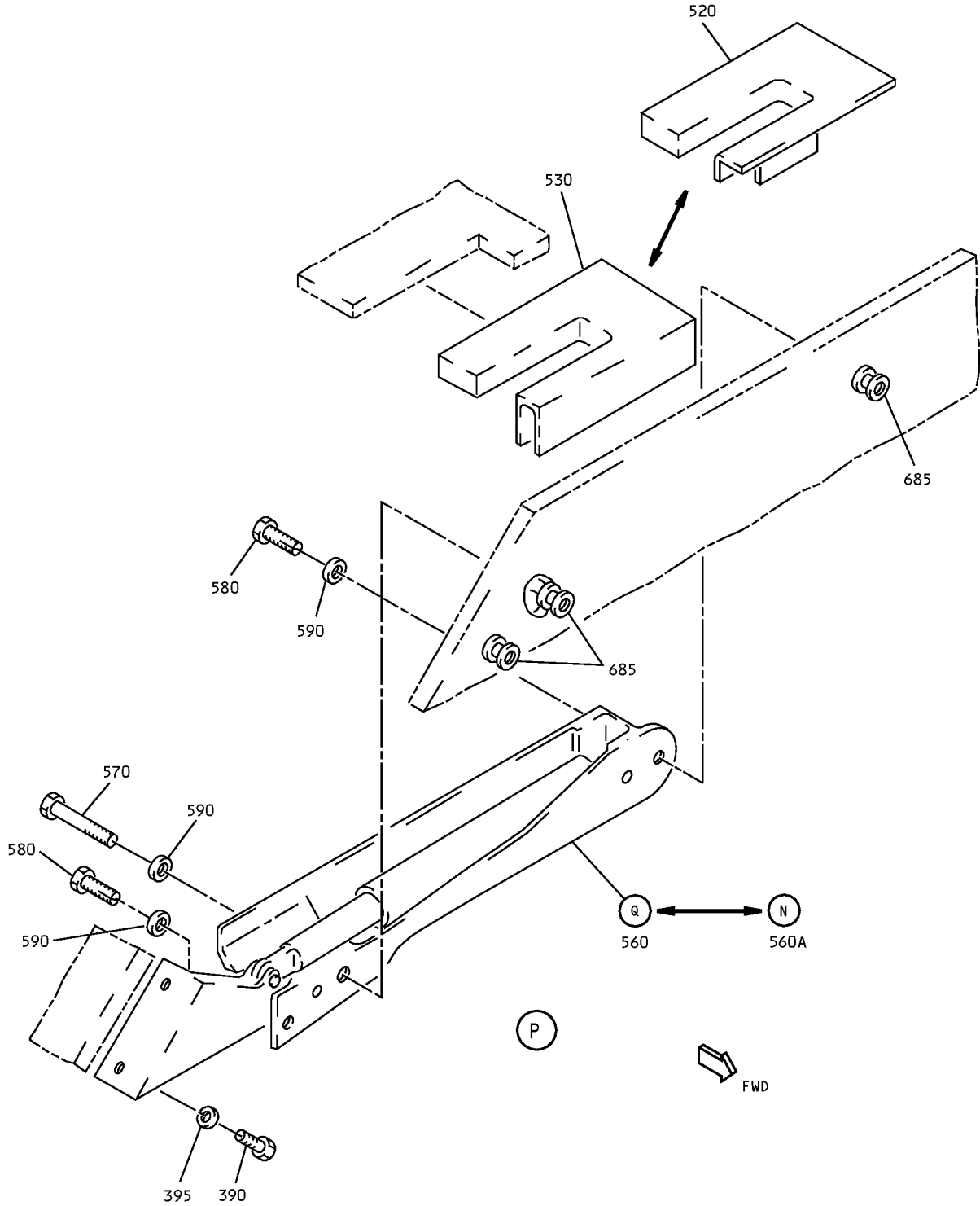
**25-28-44**

ILLUSTRATED PARTS LIST

Page 1098.30

Mar 01/2006

COMPONENT MAINTENANCE MANUAL



Overhead Stowage Compartment Assembly  
IPL Figure 2 (Sheet 8 of 18)

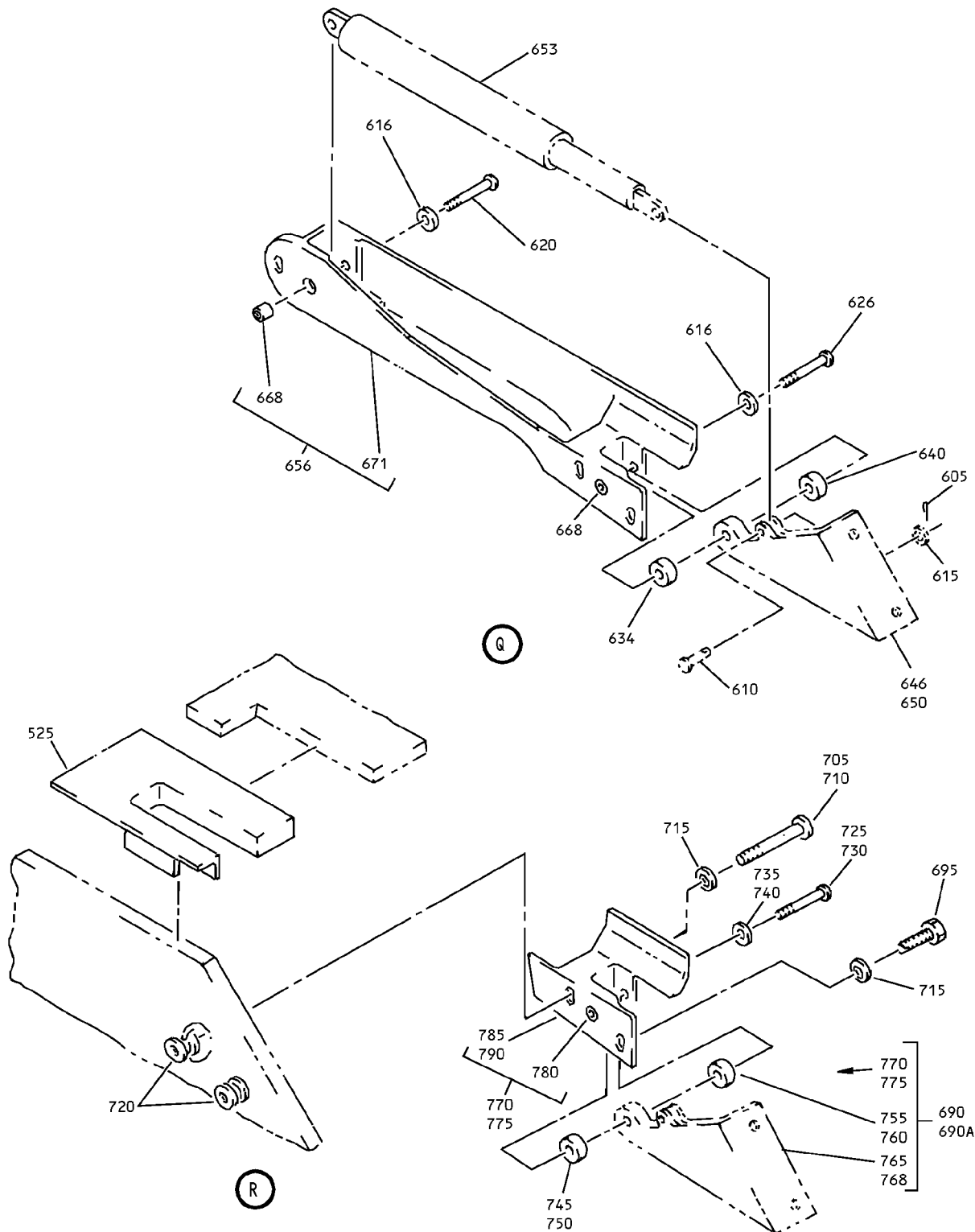
**25-28-44**

ILLUSTRATED PARTS LIST

Page 1098.31

Mar 01/2006

### COMPONENT MAINTENANCE MANUAL



Overhead Storage Compartment Assembly  
IPL Figure 2 (Sheet 9 of 18)

# 25-28-44

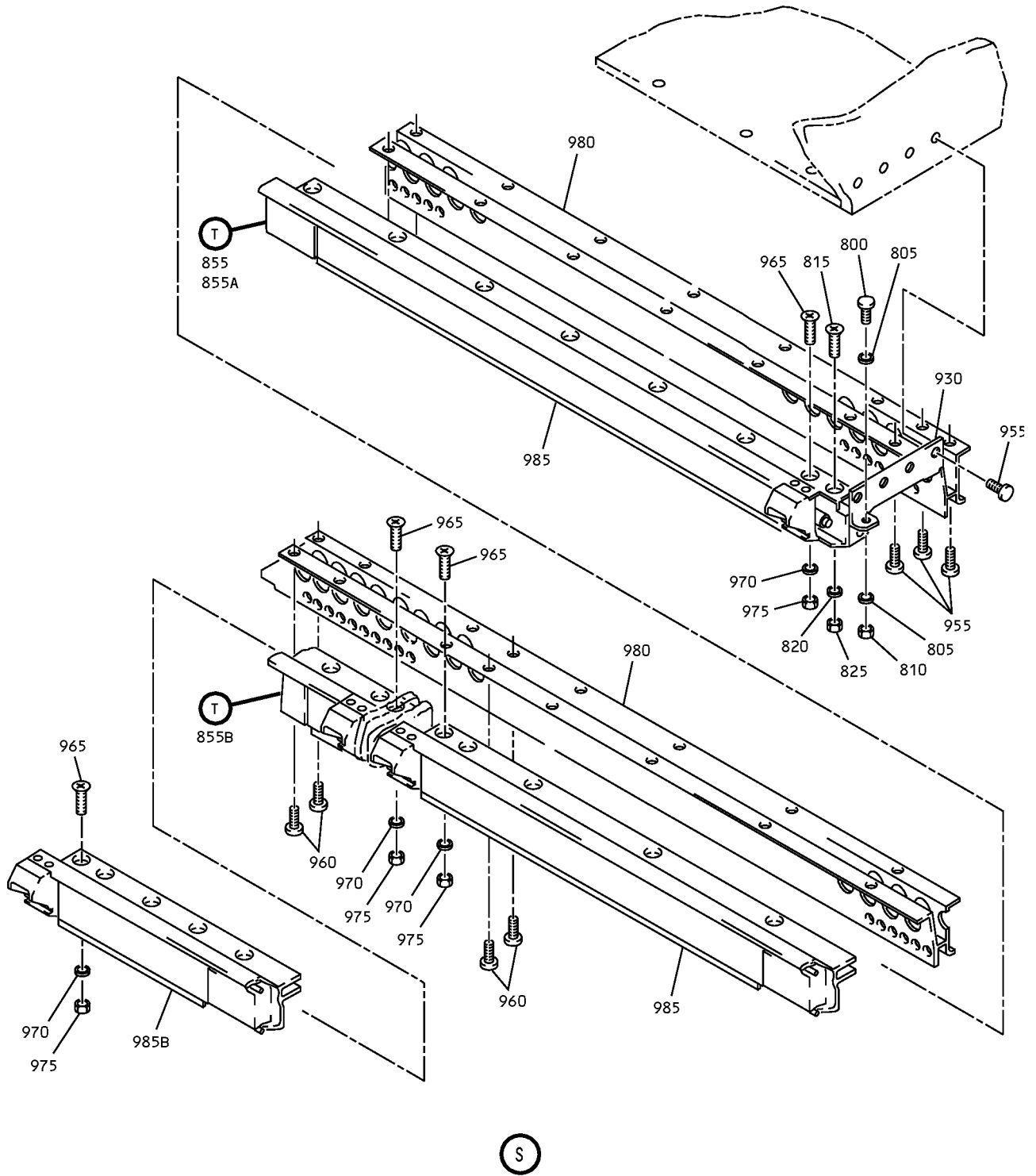
ILLUSTRATED PARTS LIST

Page 1098.32

Mar 01/2006



COMPONENT MAINTENANCE MANUAL



Overhead Storage Compartment Assembly  
IPL Figure 2 (Sheet 10 of 18)

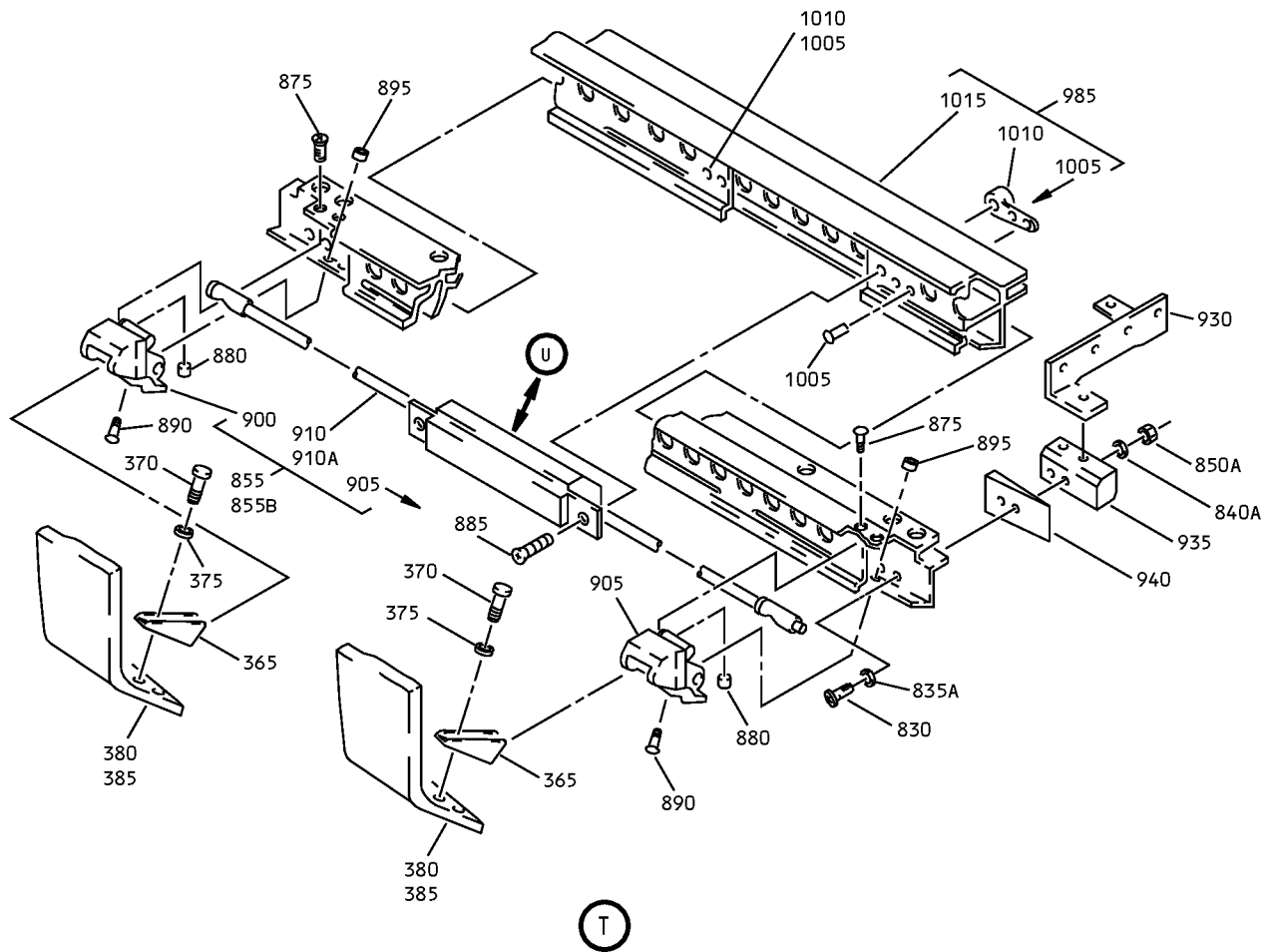
**25-28-44**

ILLUSTRATED PARTS LIST

Page 1098.33

Mar 01/2006

COMPONENT MAINTENANCE MANUAL



Overhead Stowage Compartment Assembly  
IPL Figure 2 (Sheet 11 of 18)

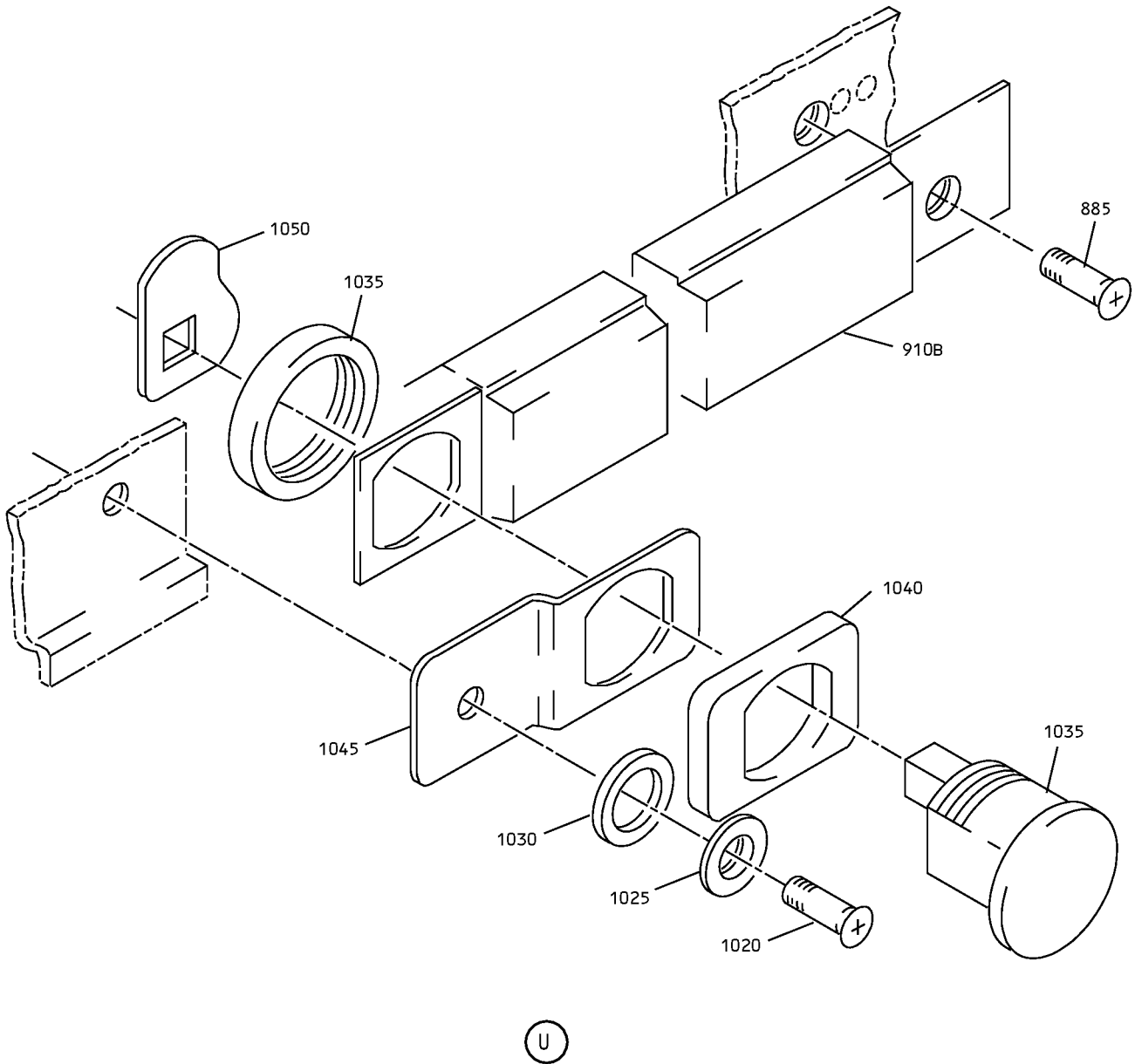
**25-28-44**

ILLUSTRATED PARTS LIST

Page 1098.34

Mar 01/2006

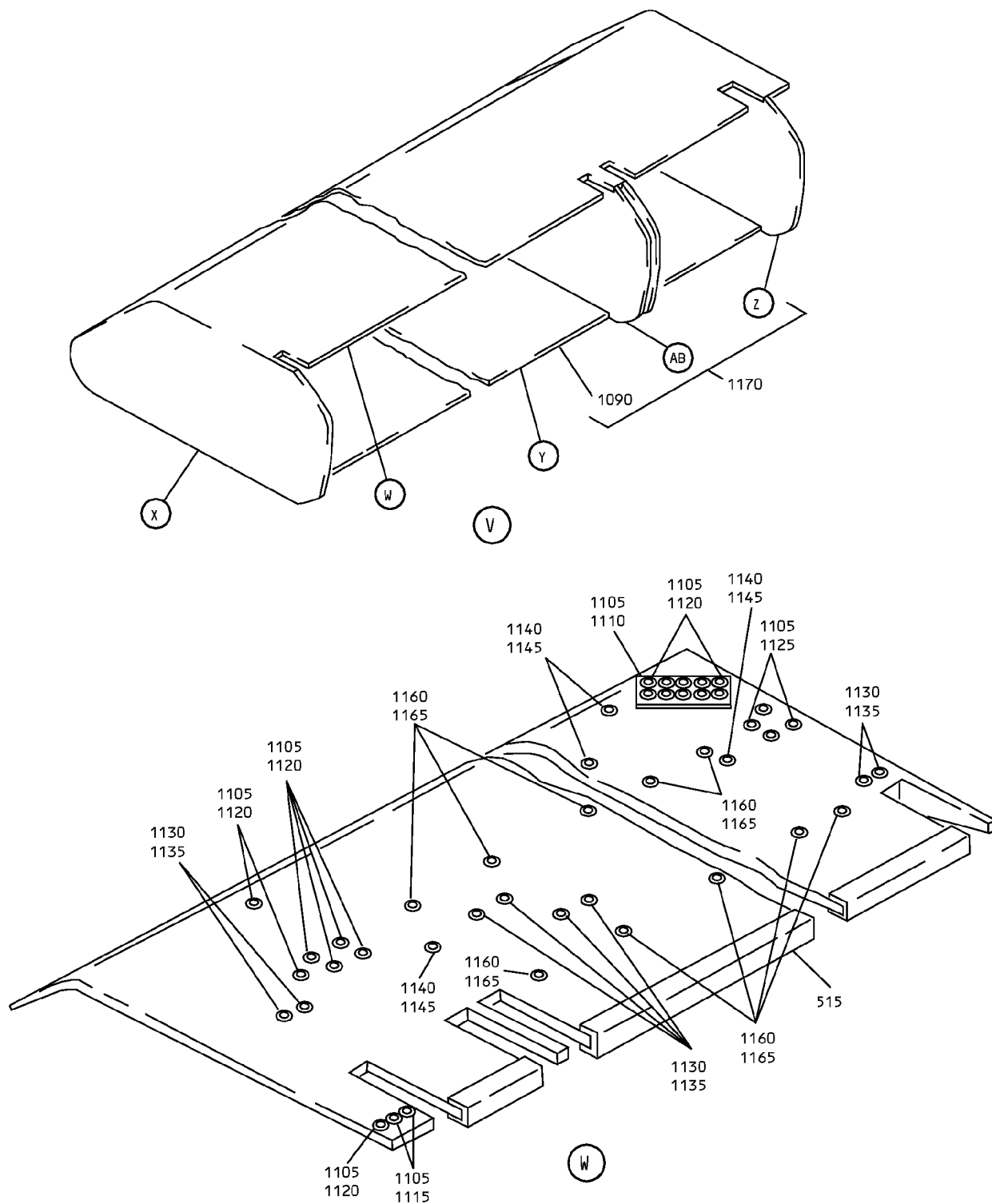
COMPONENT MAINTENANCE MANUAL



Overhead Storage Compartment Assembly  
IPL Figure 2 (Sheet 12 of 18)

**25-28-44**  
ILLUSTRATED PARTS LIST  
Page 1098.35  
Mar 01/2006

# COMPONENT MAINTENANCE MANUAL



Overhead Storage Compartment Assembly  
IPL Figure 2 (Sheet 13 of 18)

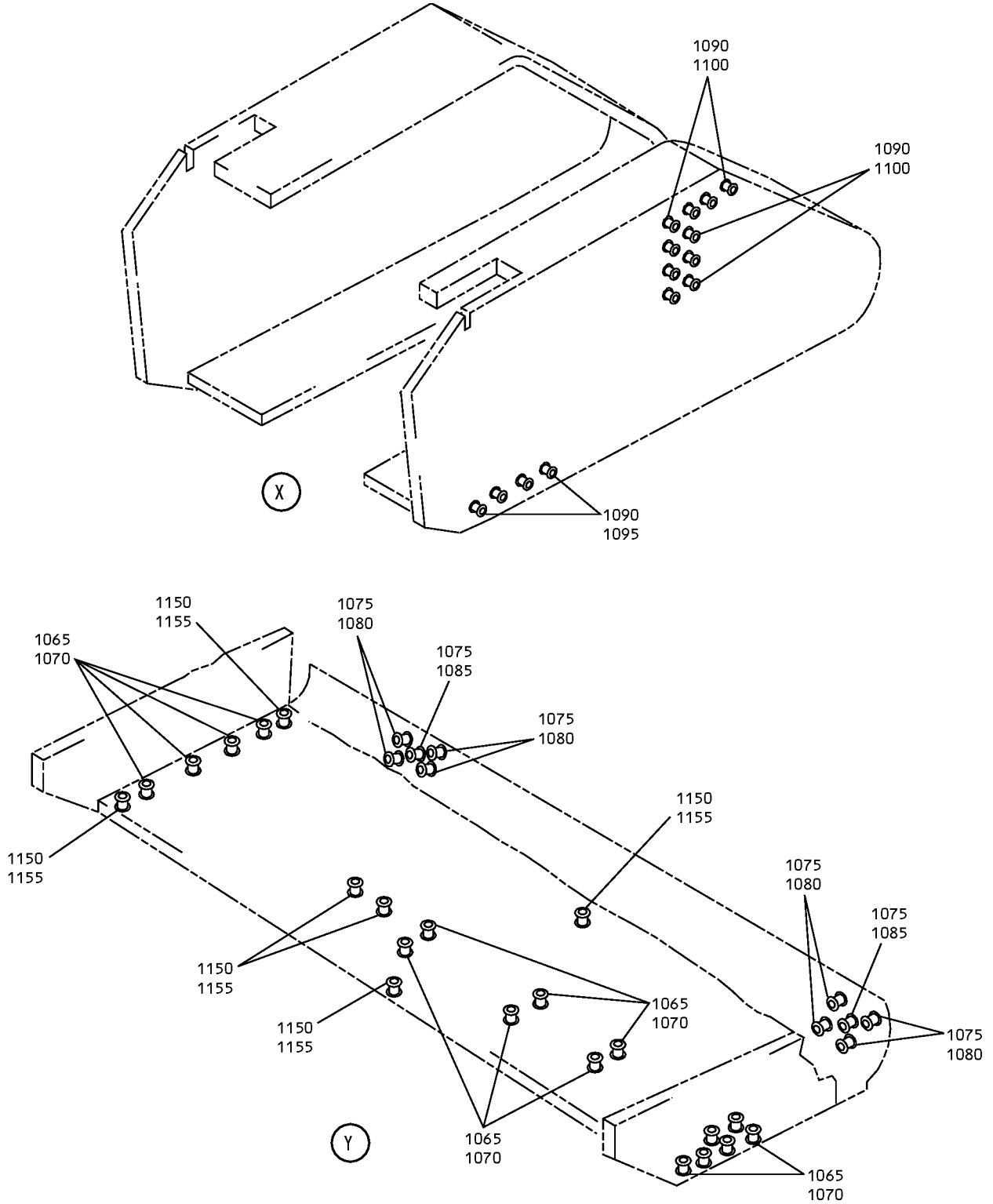
## 25-28-44

ILLUSTRATED PARTS LIST

Page 1098.36

Mar 01/2006

# COMPONENT MAINTENANCE MANUAL



Overhead Stowage Compartment Assembly  
IPL Figure 2 (Sheet 14 of 18)

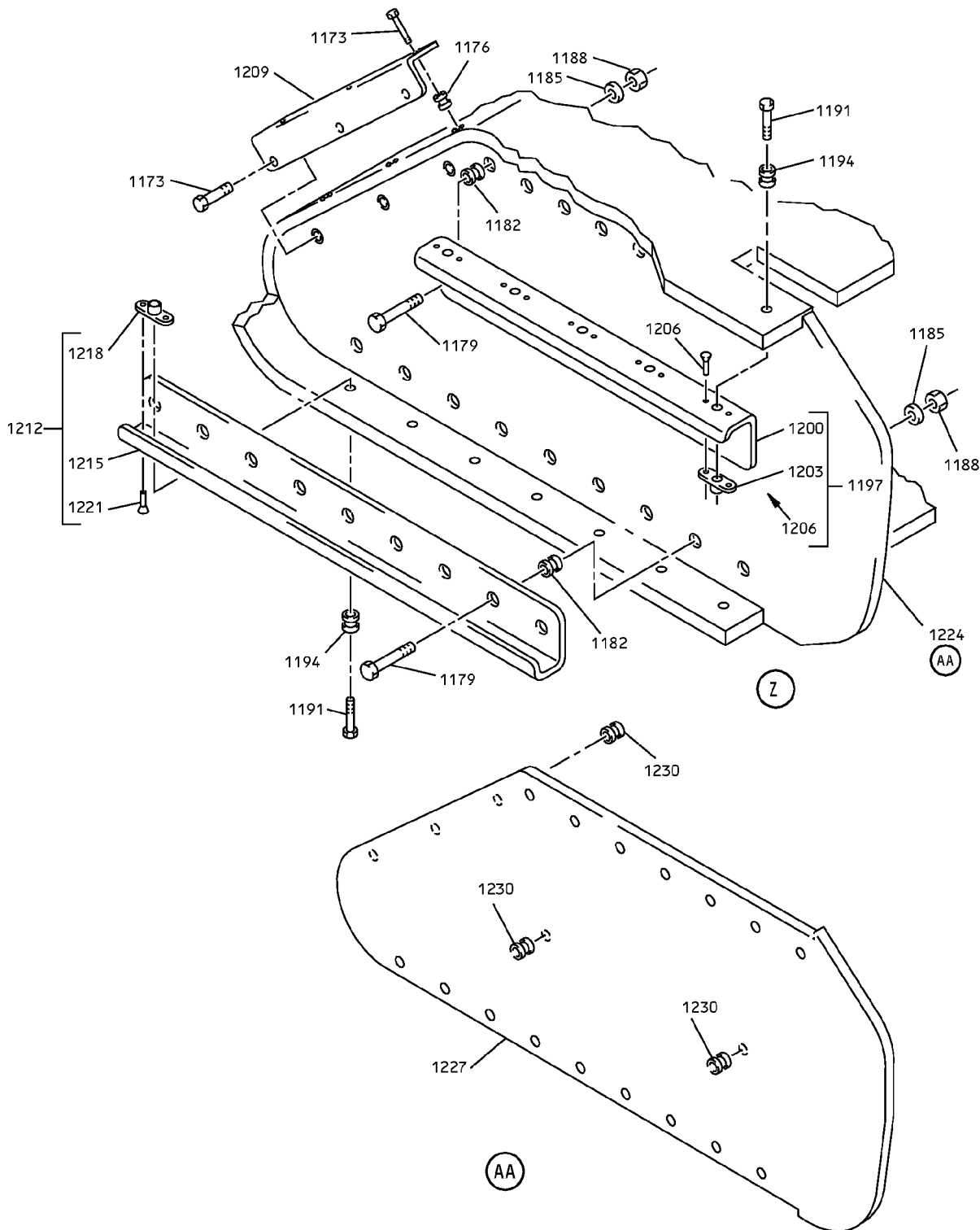
## 25-28-44

ILLUSTRATED PARTS LIST

Page 1098.37

Mar 01/2006

### COMPONENT MAINTENANCE MANUAL



Overhead Storage Compartment Assembly  
IPL Figure 2 (Sheet 15 of 18)

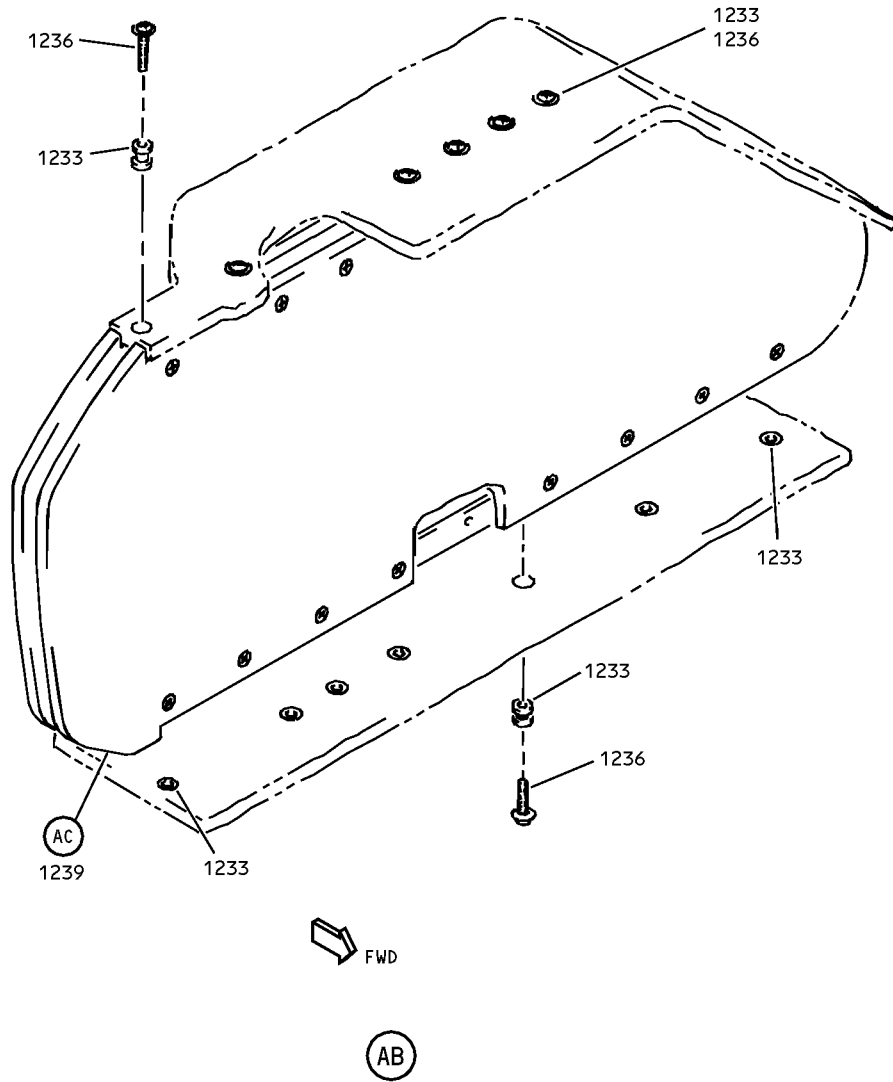
# 25-28-44

ILLUSTRATED PARTS LIST

Page 1098.38

Mar 01/2006

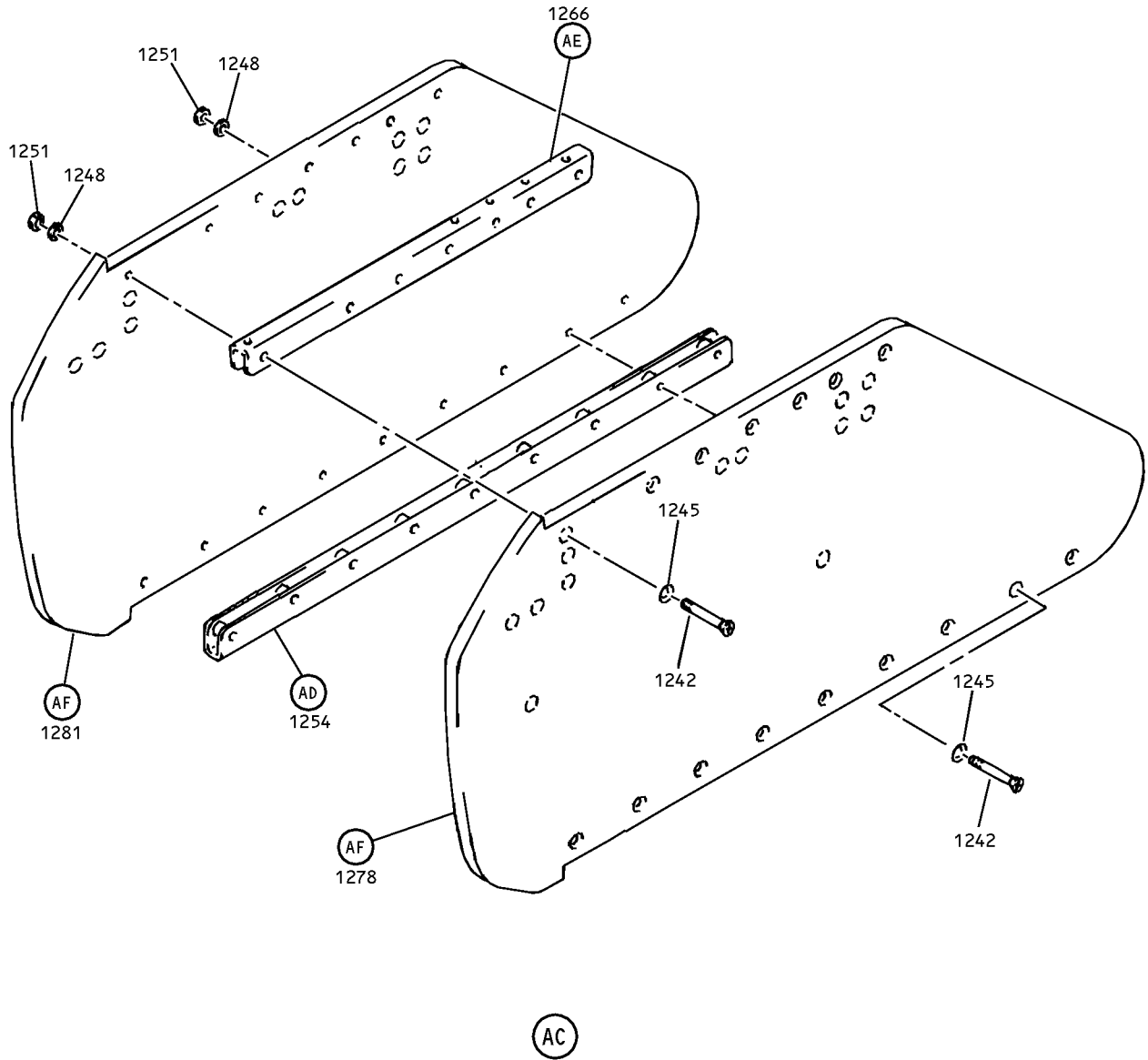
COMPONENT MAINTENANCE MANUAL



Overhead Stowage Compartment Assembly  
IPL Figure 2 (Sheet 16 of 18)

**25-28-44**  
ILLUSTRATED PARTS LIST  
Page 1098.39  
Mar 01/2006

COMPONENT MAINTENANCE MANUAL

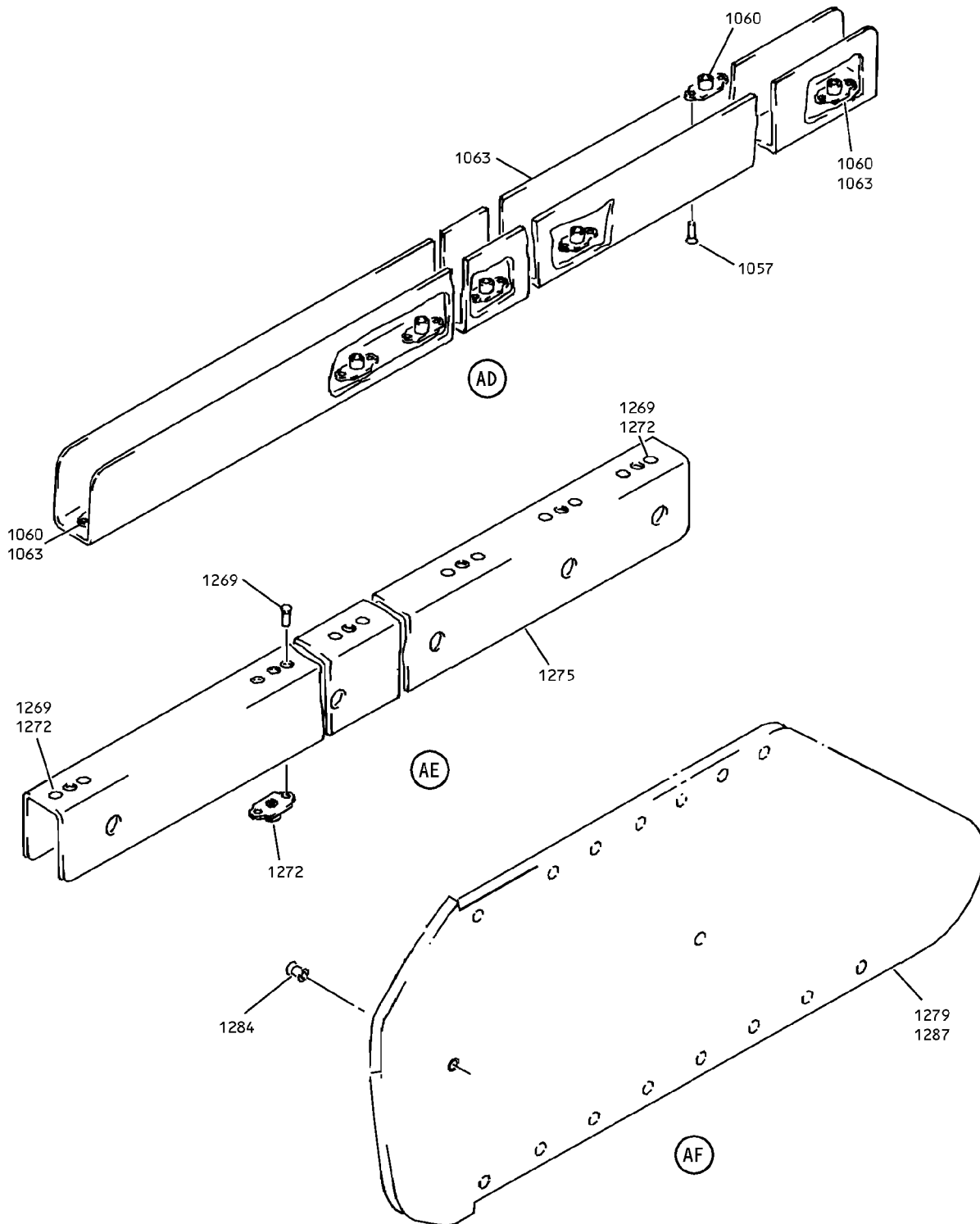


Overhead Stowage Compartment Assembly  
IPL Figure 2 (Sheet 17 of 18)

**25-28-44**  
ILLUSTRATED PARTS LIST  
Page 1098.40  
Mar 01/2006



COMPONENT MAINTENANCE MANUAL



Overhead Storage Compartment Assembly  
IPL Figure 2 (Sheet 18 of 18)

**25-28-44**

ILLUSTRATED PARTS LIST

Page 1098.41

Mar 01/2006



## COMPONENT MAINTENANCE MANUAL

FIG/ ITEM	PART NUMBER	AIRLINE PART NUMBER	NOMENCLATURE							USAGE CODE	UNITS PER ASSY
			1	2	3	4	5	6	7		
2-											
-1	65C27006-21SP									A	RF
-1A	65C27006-69SP									B	RF
-1B	65C27006-83SP									C	RF
-1C	65C27006-93SP									D	RF
-1D	65C27006-96SP									E	RF
-2A	65C27006-103SP									F	RF
3	BACB30NM3K1										6
6	AN940PD10										
6A	AN960JD10										8
7	BACB30NM3K3										2
8	AN960PD10										
8A	AN960JD10										2
9	BACB30NM3K1										2
10	412N1119-14										1
-10A	412N1161-2										1
12	65C27017-19										1
13	50-3361-8629										2

-Item not Illustrated

# 25-28-44

ILLUSTRATED PARTS LIST

Page 1098.42

Mar 01/2006



## COMPONENT MAINTENANCE MANUAL

FIG/ ITEM	PART NUMBER	AIRLINE PART NUMBER	NOMENCLATURE							USAGE CODE	UNITS PER ASSY
			1	2	3	4	5	6	7		
2-											
15	BACB30NM3K1		.	BOLT							4
				(V06710)							
				(SPEC BACB30NM3K1)							
				(OPT BACB30NM3K1 (V06725))							
				(OPT BACB30NM3K1 (V06950))							
				(OPT BACB30NM3K1 (V08524))							
				(OPT BACB30NM3K1 (V27624))							
				(OPT BACB30NM3K1 (V56878))							
				(OPT BACB30NM3K1 (V73197))							
				(OPT BACB30NM3K1 (V80539))							
				(OPT BACB30NM3K1 (V92215))							
				(OPT BACB30NM3K1 (V93907))							
				(OPT BACB30NM3K1 (V97928))							
18	BACB30NM3K10		.	BOLT							2
19	BACB30NN3K10		.	BOLT							1
21	AN960PD10			DELETED							
21A	AN960JD10LL		.	WASHER							1
22	AN960JD10		.	WASHER							4
24	412N1119-55		.	FITTING							1
27	412N1119-56		.	FILLER							1
30	NAS1801-3-11		.	SCREW							2
39	411N3142-28			DELETED							
33	BACS18C8-6		.	SPACER							2
36	MS24585-1230		.	SPRING							2
39	411N3142-28		.	WASHER CUPPED							2
42	417N5120-25		.	LIGHT ASSY							1
45	417N5120-46		.	LIGHT ASSY							1
48	NAS1801-3-5		.	SCREW							4
51	AN960PD10L			DELETED							
51A	AN960JD10LL		.	WASHER							4
54	65C28117-3		.	PAD							1

-Item not Illustrated

# 25-28-44

ILLUSTRATED PARTS LIST

Page 1098.43

Mar 01/2006



## COMPONENT MAINTENANCE MANUAL

FIG/ ITEM	PART NUMBER	AIRLINE PART NUMBER	NOMENCLATURE							USAGE CODE	UNITS PER ASSY
			1	2	3	4	5	6	7		
2-											
57	BACS12ER3K6		. .	SCREW							3
				(V06710)							
				(SPEC BACS12ER3K6)							
				(OPT BACS12ER3K6 (V06725))							
				(OPT BACS12ER3K6 (V06950))							
				(OPT BACS12ER3K6 (V27624))							
				(OPT BACS12ER3K6 (V34252))							
				(OPT BACS12ER3K6 (V56878))							
				(OPT BACS12ER3K6 (V73197))							
				(OPT BACS12ER3K6 (V80539))							
				(OPT BACS12ER3K6 (V92215))							
				(OPT BACS12ER3K6 (V93907))							
				(OPT BACS12ER3K6 (V97928))							
60	BACW10UD10		. .	WASHER							3
63	F22K1-02		. .	NUT							3
				(V72962)							
				(SPEC BACN10R10L)							
				(OPT 22K1-02 (V72962))							
				(OPT 26CL02 (V80539))							
66	05939-5		. .	BALLAST							1
				(V17023)							
				(SPEC S283N702-5)							
69	417N5120-11		. .	LAMP ASSY							1
72	2055150		. . .	CAP-END							2
				(V04169)							
77	F20T12WW		. . .	LAMP-FLUOR							1
				(V08805)							
78	N1152LGWUV1000		. . .	TUBE-COVER							1
				(V06034)							
				(OPT ITEM 81)							
-81	LP1625-24		. . .	TUBE-COVER							1
				(V060116)							
				(OPT ITEM 78)							
84	800000255-22		. .	LIGHT ASSY-CLG							1
				(V05617)							
				(SPEC S417N507-22)							
				(USED ON ITEM 42)							
				(FOR DETAILS SEE FIG. 80)							

-Item not Illustrated

# 25-28-44

ILLUSTRATED PARTS LIST

Page 1098.44

Mar 01/2006



## COMPONENT MAINTENANCE MANUAL

FIG/ ITEM	PART NUMBER	AIRLINE PART NUMBER	NOMENCLATURE							USAGE CODE	UNITS PER ASSY
			1	2	3	4	5	6	7		
2-											
-84A	800000255-32		.	.	LIGHT ASSY-CLG (V05617) (SPEC S417N507-32) (USED ON ITEM 45) (FOR DETAILS SEE FIG. 80)						1
88	1864		.	.	BULB-HIGH LIGHT (V08805) (USED ON ITEM 45)						1
90	412N1145-29		.		BRACKET						4
93	65C27019-36				DELETED						
93A	65C27017-36		.		BRACKET (OPT ITEM 93B)						4
-93B	65C27017-43		.		BRACKET (OPT ITEM 93A)						4
99	BACS12FA3K5		.		SCREW						17
102	412N1145-30		.		BRACKET				A-E		1
-102A	412N1145-30		.		BRACKET				F		2
108	BACB30PF4-3		.		BOLT				A-E		1
-108A	BACB30PF4-3		.		BOLT				F		2
111	AN960C416L		.		WASHER				A-E		1
-111A	AN960C416L		.		WASHER				F		2
116	NAS1515F4H		.		WASHER				A-E		1
-116A	NAS1515F4N		.		WASHER				F		2
117	NAS1515M4L		.		WASHER				A, C, D		1
-117A	NAS1515M4L		.		WASHER				F		2
130	412N1145-89		.		BRACKET						2
					ATTACHING PARTS						
135	BACS12FA3K12		.		SCREW						4
140	BACS12FA3K5		.		SCREW						4
145	BACN10YD1		.		NUTPLATE-CLIP-ON						
					----- * -----						
150	BACS12FA3K5		.		SCREW						4
155	412N1145-92		.		BRACKET						2

-Item not Illustrated

# 25-28-44

ILLUSTRATED PARTS LIST

Page 1098.45

Mar 01/2006



## COMPONENT MAINTENANCE MANUAL

FIG/ ITEM	PART NUMBER	AIRLINE PART NUMBER	NOMENCLATURE							USAGE CODE	UNITS PER ASSY	
			1	2	3	4	5	6	7			
2-												
160	65C27027-3SP		.							END CAP ASSY	A, B, D, E	1
-160A	65C27027-29SP		.							END CAP ASSY	C	1
-160B	65C27027-50SP		.							END PANEL ASSY	F	1
180	65C27027-11		.	.						PANEL ASSY	A-E	1
-180A	65C27027-52		.	.						PANEL	F	1
190	65C27027-13		.	.						FOAM		1
195	65C27027-14		.	.						ANGLE SUPPORT		1
200	65C27027-17SP		.	.						SEAL (USED ON ITEM 160)	A, B, D, E	1
-200A	65C27027-30SP		.	.						SEAL (USED ON ITEM 170)	C	1
-200B	65C27027-15SP		.	.						SEAL	F	1
215	65C27027-7SP		.	.						END CAP	A-E	1
-215A	65C27-27-54SP		.	.						END CAP	F	1
225	SL2334-3A2		.	.						INSERT	A-E	9
-225A	SL2334-3A2		.	.						INSERT	F	10
235	65C27017-6		.							BRACKET ASSY		1
										ATTACHING PARTS		
240	BACB30NM3K1		.							BOLT		8
245	AN960PD10									DELETED		
-245A	AN960JD10		.							WASHER		8
										-----*		
250	BACB28B6-235P		.	.						BUSHING		1
255	65C27017-8		.	.						BRACKET		1
260	65C27017-15		.							SHIM		2
265	412N1119-41		.							FITTING		1
										ATTACHING PARTS		
270	BACB30NM3K1		.							BOLT		4
275	AN960PD10L									DELETED		
275A	AN960JD10		.							WASHER		4
										-----*		

-Item not Illustrated

**25-28-44**

ILLUSTRATED PARTS LIST

Page 1098.46

Mar 01/2006



## COMPONENT MAINTENANCE MANUAL

FIG/ ITEM	PART NUMBER	AIRLINE PART NUMBER	NOMENCLATURE							USAGE CODE	UNITS PER ASSY
			1	2	3	4	5	6	7		
2-											
-280	BACB30NM3K3		.	BOLT							2
285	AN960PD10L			DELETED							
285A	AN960JD10LL		.	WASHER							4
290	BACN10JC3			DELETED							
290A	MS21042L3		.	NUT							2
295	65C27026-30		.	FILLER PANEL ASSY							1
300	NAS1836-3-11		.	INSERT							4
310	412N1130-5SP		.	TRIM-VERTICAL							2
320	65C27006-12		.	SEAL							1
350	65C27009-21SP		.	MODULE ASSY					A, C		1
-350A	65C27009-69SP		.	MODULE ASSY					B		1
-350B	65C27009-93SP		.	MODULE ASSY					D		1
-350C	65C27009-96SP		.	MODULE ASSY					E		1
-350D	65C27009-103SP		.	MODULE ASSY					F		
365	H3-1152-1		.	PLATE ASSY-STRIKER (V34941) (SPEC S412N101-1)							4
				ATTACHING PARTS							
370	BACS12FA3K4		.	SCREW							8
375	MS35333-39		.	WASHER							8
				----- * -----							
380	412N1140-41SP		.	DOOR ASSY							1
385	412N1140-66SP		.	DOOR ASSY							1
				ATTACHING PARTS							
390	NAS1801-3-4		.	SCREW							8
395	MS35333-39		.	WASHER							8
				----- * -----							
400	SL628-3A			DELETED							
400A	SL618-3A		.	INSERT (V97393)							8
405	BACS12H4-8		.	SCREW (USED ON ITEM 380)							2

-Item not Illustrated

# 25-28-44

ILLUSTRATED PARTS LIST

Page 1098.47

Jul 01/2009



## COMPONENT MAINTENANCE MANUAL

FIG/ ITEM	PART NUMBER	AIRLINE PART NUMBER	NOMENCLATURE							USAGE CODE	UNITS PER ASSY
			1	2	3	4	5	6	7		
2-											
410	NAS620A8L							. . . WASHER (USED ON ITEM 380)			2
415	412N1245-1							. . . BUMPER (USED ON ITEM 380)			2
420	MS51862-4							. . . SCREW (USED ON ITEM 380)			2
425	412N1143-11							. . . COVER (USED ON ITEM 385)			2
430	412N1140-17							. . . FILLER (USED ON ITEM 385)			1
435	412N1143-13							. . . COVER (USED ON ITEM 380)			1
440	412N1143-14							. . . COVER (USED ON ITEM 380)			1
-442	412N1244-2							. . . DOUBLER (USED ON ITEM 385)			1
445	412N1140-58							. . . PANEL ASSY-DOOR (USED ON ITEM 380)			1
-450	412N1140-62							. . . PANEL ASSY-DOOR (USED ON ITEM 385)			1
455	412N1140-13							. . . . STRIP RETAINER (USED ON ITEM 445)			1
460	412N1141-1							. . . . FACEPLATE (USED ON ITEM 445)			1
-465	412N1141-5							. . . . FACEPLATE (USED ON ITEM 450)			1
470	412N1141-7							. . . . MARKER (USED ON ITEM 445)			1
475	412N1142-15							. . . . PANEL ASSY (USED ON ITEM 445)			1
-480	412N1142-20							. . . . PANEL ASSY (USED ON ITEM 450)			1
485	65C27017-4							. FITTING			1
490	412N1119-12							. FITTING			1
495	BACB30NM3K1							. BOLT			4
500	AN960PD10							DELETED			4
500A	AN970JD10							. WASHER			4

-Item not Illustrated

# 25-28-44

ILLUSTRATED PARTS LIST

Page 1098.48

Mar 01/2006





COMPONENT MAINTENANCE MANUAL

FIG/ ITEM	PART NUMBER	AIRLINE PART NUMBER	NOMENCLATURE							USAGE CODE	UNITS PER ASSY		
			1	2	3	4	5	6	7				
2-													
505	412N1118-1SP											.. RETAINER TRIM	2
510	412N1118-2SP											.. RETAINER TRIM	2
515	65C27009-6											.. EDGE COVER	2
520	412N1154-3											.. REINFORCEMENT-CORNER	1
525	412N1154-4											.. REINFORCEMENT-CORNER	2
530	412N1154-1											.. REINFORCEMENT-CORNER	1
550	412N1155-1											.. HINGE ASSY (LIMITED USAGE) (OPT ITEM 550A)	1
550A	412N1155-7											.. HINGE ASSY (LIMITED USAGE) (OPT ITEM 550)	1
560	412N1155-2											.. HINGE ASSY (LIMITED USAGE) (OPT ITEM 560A)	2
560A	412N1155-8											.. HINGE ASSY (LIMITED USAGE) (OPT ITEM 560)	2
												ATTACHING PARTS	
570	BACB30LK3-18											.. BOLT (USED WITH ITEMS 550, 560)	3
-575	NAS1801-3-10											.. BOLT (USED WITH ITEMS 550A, 560A)	3
580	412N1227-1											.. BOLT (OPT ITEM 585)	6
-585	AIC1321-3-8											.. BOLT (OPT ITEM 580)	6
590	BACW10P136AL											.. WASHER	9
595	AN960JD10											.. WASHER	1
600	NAS1833-3-400											.. INSERT	9
												----- * -----	
605	MS24665-132											... PIN-COTTER	1
610	MS20392-2C13											... PIN-DRILLED SHANK	1
615	AN960PD10L											... WASHER	3
616	AN960JD10L											... WASHER (USED ON ITEMS 550, 560)	2

-Item not Illustrated

**25-28-44**

ILLUSTRATED PARTS LIST

Page 1098.49

Mar 01/2006



## COMPONENT MAINTENANCE MANUAL

FIG/ ITEM	PART NUMBER	AIRLINE PART NUMBER	NOMENCLATURE							USAGE CODE	UNITS PER ASSY
			1	2	3	4	5	6	7		
2-											
620	NAS6703PU15		. . .	BOLT							1
				(USED ON ITEMS 550, 560)							
623	BACB30NM3K12		. . .	BOLT							1
				(USED ON ITEMS 550A, 560A)							
626	NAS6703PU11		. . .	BOLT							1
				(USED ON ITEMS 550, 560)							
629	BACB30NM3K8		. . .	BOLT							1
				(USED ON ITEMS 550A, 560A)							
631	NA960PD10L			DELETED							
631A	AN960JD10L		. . .	WASHER							2
				(USED ON ITEMS 550A, 560A)							
634	NAS43DD3-5		. . .	SPACER							1
				(USED ON ITEMS 550, 560)							
637	NAS43DD3-3		. . .	SPACER							1
				(USED ON ITEMS 550A, 560A)							
640	NAS43DD3-6		. . .	SPACER							1
				(USED ON ITEMS 550, 560)							
643	NAS43DD3-8		. . .	SPACER							1
				(USED ON ITEMS 550A, 560A)							
646	H2948-2		. . .	HINGE							1
				(SPEC S412N102-2)							
				(USED ON ITEMS 550, 550A)							
650	H2948-1		. . .	HINGE							1
				(V83014)							
				(SPEC S412N102-1)							
				(USED ON ITEMS 560, 560A)							
653	SB113		. . .	ACTUATOR							1
				(V24984)							
				(SPEC S412N104-1)							
656	412N1156-1		. . .	CHASSIS ASSY							1
				(USED ON ITEM 550)							
659	412N1156-13		. . .	CHASSIS ASSY							1
				(USED ON ITEM 550A)							
662	412N1156-2		. . .	CHASSIS ASSY							1
				(USED ON ITEM 560)							
-665	412N1156-14		. . .	CHASSIS ASSY							1
				(USED ON ITEM 560A)							
668	6041-3BRX225		. . .	INSERT-DODGE							2
				(V01556)							

-Item not Illustrated

# 25-28-44

ILLUSTRATED PARTS LIST

Page 1098.50

Mar 01/2006



## COMPONENT MAINTENANCE MANUAL

FIG/ ITEM	PART NUMBER	AIRLINE PART NUMBER	NOMENCLATURE							USAGE CODE	UNITS PER ASSY
			1	2	3	4	5	6	7		
2-											
671	412N1156-3								. . . CHASSIS (USED ON ITEM 656)		1
-673	412N1156-15								. . . CHASSIS (USED ON ITEM 659)		1
-675	412N1156-4								. . . CHASSIS (USED ON ITEM 662)		1
-680	412N1156-16								. . . CHASSIS (USED ON ITEM 665)		1
685	NAS1833-3-400								. . INSERT		6
690	412N1155-3								. . HINGE ASSY (LIMITED USAGE) (USED ON ITEM 690A)		1
690A	412N1155-9								. . HINGE ASSY (LIMITED USAGE) (OPT ITEM 690)		1
									ATTACHING PARTS		
695	412N1227-1								. . BOLT (USED ON ITEM 700)		1
-700	AIC1321-3-8								. . BOLT (V06725) (OPT ITEM 695)		1
705	BACB30LK3-18								. . BOLT (USED ON ITEM 690)		1
-710	NAS1801-3-10								. . BOLT (USED ON ITEM 690A)		1
715	BACW10P136AL								. . WASHER (V10630) (SPEC BACW10P136AL)		2
720	NAS18833-3-400								. . INSERT  ----- * -----		2
725	NAS6703PU11								. . . BOLT (USED ON ITEM 690)		1
730	BACS30NM3K8								. . . BOLT (USED ON ITEM 690A)		1
735	AN960PD10L								. . . WASHER (USED ON ITEM 690)		1
740	AN960KD10L								DELETED		

-Item not Illustrated

# 25-28-44

ILLUSTRATED PARTS LIST

Page 1098.51

Mar 01/2006



## COMPONENT MAINTENANCE MANUAL

FIG/ ITEM	PART NUMBER	AIRLINE PART NUMBER	NOMENCLATURE							USAGE CODE	UNITS PER ASSY
			1	2	3	4	5	6	7		
2-											
740A	AN960JD10L								. . . WASHER (USED ON ITEM 690A)		1
745	NAS43DD3-5								. . . SPACER (USED ON ITEM 690)		1
750	NAS43DD3-8								. . . SPACER (USED ON ITEM 690A)		1
755	NAS43DD3-6								. . . SPACER (USED ON ITEM 690)		1
760	NAS43DD3-3								. . . SPACER (USED ON ITEM 690A)		1
765	H2948-2								. . . HINGE (V83014) (SPEC S412N102-2)		1
770	412N1156-5								. . . CHASSIS ASSY (USED ON ITEM 690)		1
775	412N1156-19								. . . CHASSIS ASSY (USED ON ITEM 690A)		1
780	6041-3BRX225								. . . . INSERT-DODGE (V01556)		2
785	412N1156-3								. . . . CHASSIS (USED ON ITEM 770)		1
790	412N1156-25								. . . . CHASSIS (USED ON ITEM 775)		1
800	BACB30NM3K2								. . BOLT		1
805	AN960PD10L								. . WASHER		2
810	NAS1804-3								. . NUT		1
815	BACS12ER08K14								. . BOLT		1
820	AN960PD8								. . WASHER		1
825	H10-08BAC								. . NUT (V15653) (SPEC BACN10JC08)		1
830	BACB30NM3K3								. . BOLT		2
835	AN960PD10L								DELETED		
835A	AN960JD10L								. . WASHER		2
840	BACW10CA3CVU								DELETED		
840A	AN960JD10								. . WASHER		2

-Item not Illustrated

# 25-28-44

ILLUSTRATED PARTS LIST

Page 1098.52

Mar 01/2006





## COMPONENT MAINTENANCE MANUAL

FIG/ ITEM	PART NUMBER	AIRLINE PART NUMBER	NOMENCLATURE							USAGE CODE	UNITS PER ASSY
			1	2	3	4	5	6	7		
2-											
-900	412N1113-7										1
905	412N1113-8										1
910	H3-1145-3-1560										1
-910A	H3-1145-1-I-5760										1
910B	S412N101-3118										1
-910C	S412N101-2121										1
925	BACS12FA3K5										8
930	65C27017-2										1
935	412N1117-5										1
940	65C27016-2										1
945	65C27017-3										1
950	BACR15DR3P										2
955	BACS12FA3K5										34
960	BACS12FA3K15										4
965	BACS12ER08K12										27
970	AN960PD8										21
975	BACN10JC08										21
980	65C27023-14										1
985	412N1146-111									A, B, C, E, F	1
-985A	412N1146-75									D	1
985B	412N1146-18									A, C, D, E, F	1

-Item not Illustrated

# 25-28-44

ILLUSTRATED PARTS LIST

Page 1098.54

Jul 01/2009



## COMPONENT MAINTENANCE MANUAL

FIG/ ITEM	PART NUMBER	AIRLINE PART NUMBER	NOMENCLATURE							USAGE CODE	UNITS PER ASSY	
			1	2	3	4	5	6	7			
2-												
-985C	412N1146-63								..	SUPPORT-PASS. BULLNOSE	B	1
990	412N1224-3								..	SUPPORT-PASS. BULLNOSE		1
1005	NAS1399D3								...	RIVET (SIZE DETERMINED ON INST)		4
1010	BRM1000A08								...	NUTPLATE (V52828) (SPEC BACN10JP08B) (OPT MK2000-08BAC (V15653)) (OPT NS103198-82 (V80539)) (OPT RMA9207M82 (V72962)) (OPT T8077S832 (V11815)) (OPT VN201A1-82 (V92215))		2
1015	412N1146-115								...	SUPPORT	A, B, C, E, F	1
1015A	412N1156-76								...	SUPPORT	D	1
1015B	412N1146-38								...	SUPPORT	A, C, D, E, F	1
1015C	412N1146-65								...	SUPPORT	B	1
1020	BACS1ER08K6								..	SCREW (V06710) (SPEC BACS12ER08K6)	B, D	1
1025	BACW10DM5								..	WASHER	B, D	1
1030	AN960PD516L								..	WASHER	B, D	1
1035	AC8400EKAPK625								..	LOCK ASSY (V0895B)	B, D	1
1040	65C27016-4								..	FITTING	B, D	1
1045	412N1145-43								..	BRACKET	B, D	1
1050	65C27016-5								..	PAWL	B, D	1
1055	65C27012-1								..	BODY ASSY	A, C, D	1
1060	65C27012-43								..	BODY ASSY	B, E	1
1060A	65C27012-67								..	BODY ASSY	F	1
1065	65C27012-1018								...	PATTERN ASSY-INSERT		1
1070	NAS1836-3-11								....	INSERT		16
1075	65C27012-1101								...	PATTERN ASSY-INSERT		1
1080	NAS1836-3-11								....	INSERT		8
1085	NAS1836-4-11								....	INSERT		2

-Item not illustrated

# 25-28-44

ILLUSTRATED PARTS LIST

Page 1098.55

Nov 01/2006



## COMPONENT MAINTENANCE MANUAL

FIG/ ITEM	PART NUMBER	AIRLINE PART NUMBER	NOMENCLATURE							USAGE CODE	UNITS PER ASSY
			1	2	3	4	5	6	7		
2-											
1090	65C27012-1210										1
1095	NAS1836-3-11										4
1100	SL2334-3A2										10
1105	65C27012-1301								A-E		1
1105A	65C27012-1336										1
1110	65C27012-8										1
1115	NAS1834-5-400										2
1120	NAS1836-3-11								A-E		13
-1121	NAS1836-3-11								F		14
1125	SL2334-3A2										4
1130	65C27012-2025										1
1135	NAS1836-3-11										8
1140	65C27012-2125										1
1145	NAS1836-3-11										6
1150	65C27012-4006								B, E		1
1155	NAS1833-3-400										6
1160	65C27012-4106								B, E		1
1165	NAS1833-3-400										10
1170	65C27327-2										1
1173	BACS12FA3K5										6
1176	NAS1836-3-11										3
1179	BACB30NN3K6										16
1182	SL3378-3-380										16
1185	AN960JD10L										16
1188	MS1042L3										16
1191	BACS12FA3K12										12
1194	NAS1834-3-400										12
1197	412N1217-62										1
1200	412N1217-64										1
1203	BACN10JP3A										5
1206	BACR15BA3D										10

-Item not Illustrated

**25-28-44**

ILLUSTRATED PARTS LIST

Page 1098.56

Mar 01/2006





COMPONENT MAINTENANCE MANUAL

FIG/ ITEM	PART NUMBER	AIRLINE PART NUMBER	NOMENCLATURE							USAGE CODE	UNITS PER ASSY
			1	2	3	4	5	6	7		
2-											
1209	412N1217-5								.... BRACKET		1
1212	412N1217-78								.... BRACKET ASSY		1
1215	412N1217-80								..... BRACKET		1
1218	BACN10JP3A								..... NUTPLATE		7
1221	BACR15BA3D								..... RIVET		14
1224	412N1116-75								.... PANEL ASSY-END		1
1227	412N1116-17								..... PANEL ASSY		1
1230	NAS1836-3-11								..... INSERT		5
1233	NAS1834-4-400								.... INSERT		12
1236	BACS12FA3K12								.... SCREW (V06710) (SPEC BACS12FA3K12) (OPT BACS12FA3K12 (V06725)) (OPT BACS12FA3K12 (V06950)) (OPT BACS12FA3K12 (V27624)) (OPT BACS12FA3K12 (V34252)) (OPT BACS12FA3K12 (V56878)) (OPT BACS12FA3K12 (V73197)) (OPT BACS12FA3K12 (V80539)) (OPT BACS12FA3K12 (V92215)) (OPT BACS12FA3K12 (V93907)) (OPT BACS12FA3K12 (V97928))		12
1239	412N1216-28								.... PANEL ASSY-DIVIDER		1
1242	BACB30NN3K1								..... BOLT (V06710) (SPEC BACB30NN3K1) (OPT BACB30NN3K1 (V06725)) (OPT BACB30NN3K1 (V06950)) (OPT BACB30NN3K1 (V08524)) (OPT BACB30NN3K1 (V27624)) (OPT BACB30NN3K1 (V56878)) (OPT BACB30NN3K1 (V73197)) (OPT BACB30NN3K1 (V80539)) (OPT BACB30NN3K1 (V92215)) (OPT BACB30NN3K1 (V93907)) (OPT BACB30NN3K1 (V97928))		16
1245	BACW10CT10								..... WASHER (V10630) (SPEC BACW10CT10)		16
1248	AN960PD516L								..... WASHER		16

-Item not Illustrated

**25-28-44**

ILLUSTRATED PARTS LIST

Page 1098.57

Mar 01/2006



## COMPONENT MAINTENANCE MANUAL

FIG/ ITEM	PART NUMBER	AIRLINE PART NUMBER	NOMENCLATURE							USAGE CODE	UNITS PER ASSY
			1	2	3	4	5	6	7		
2-											
1251	SL5-3-145S										16
-1251A	KD121395-145										16
1254	412N1217-19										1
1257	BACR15BA3AD										14
1260	BRM200A3										7
1263	412N1217-20										1
1266	412N1217-87										1
1269	BACR15BA3AD										12
1272	BRM200A3										6
1275	412N1217-88										1
1278	412N1116-47										1
1279	412N1116-17										1
1281	412N1116-50										1
1284	NAS1836-3-11										2
1287	412N1116-16										2
1290	412N1215-6										1

-Item not Illustrated

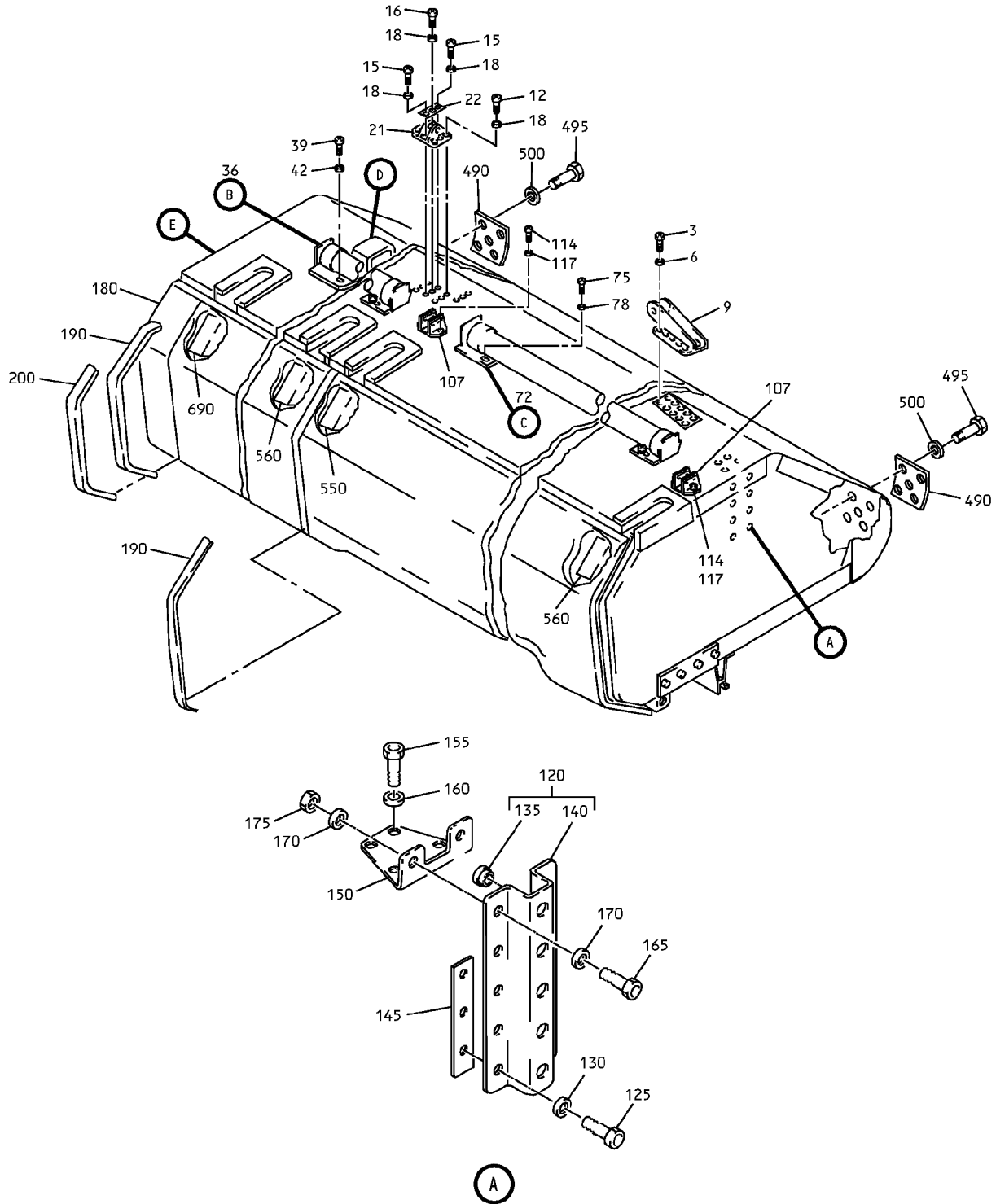
# 25-28-44

ILLUSTRATED PARTS LIST

Page 1098.58

Mar 01/2006

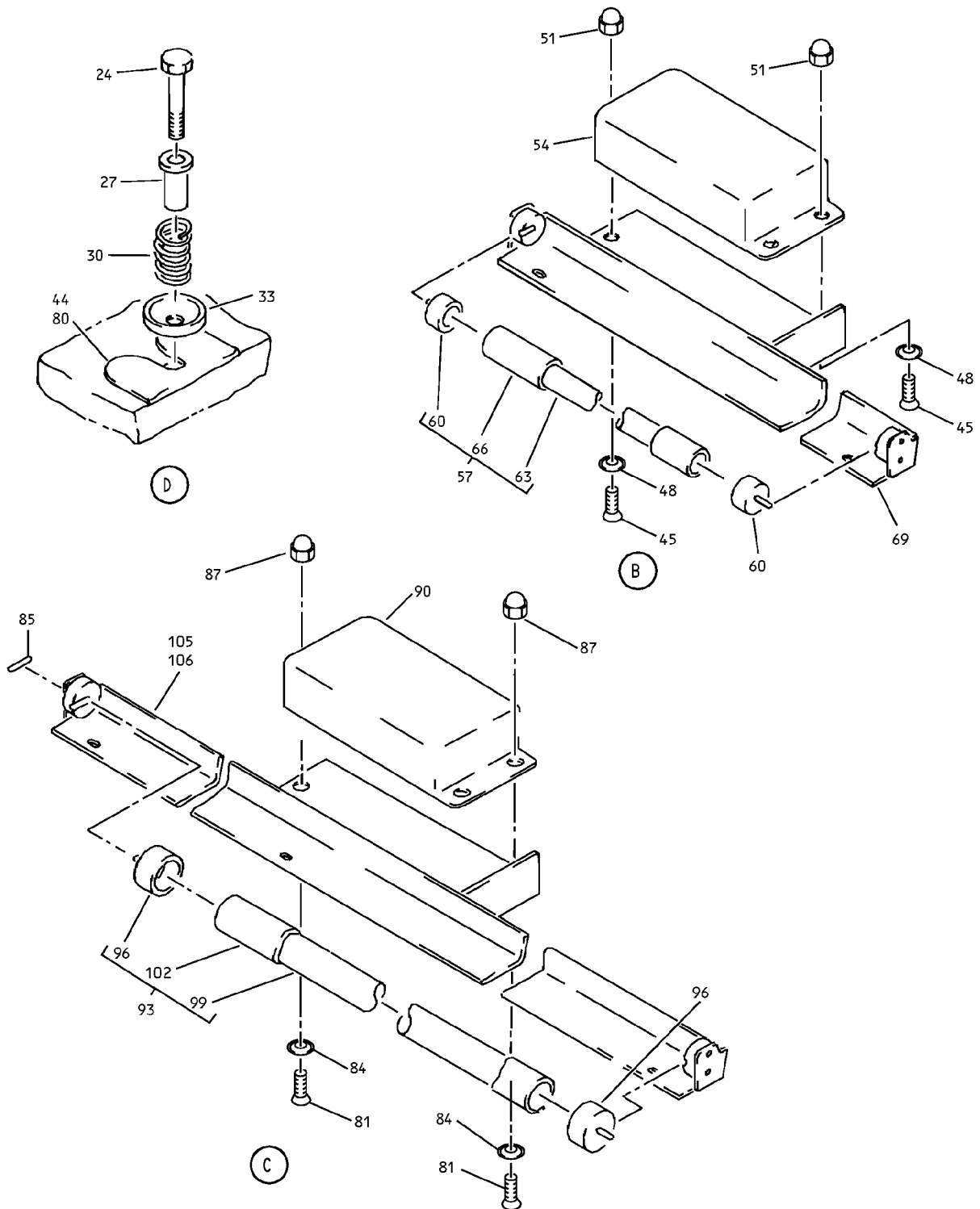
COMPONENT MAINTENANCE MANUAL



Overhead Stowage Compartment Assembly  
IPL Figure 3 (Sheet 1 of 19)

**25-28-44**  
ILLUSTRATED PARTS LIST  
Page 1098.59  
Mar 01/2006

COMPONENT MAINTENANCE MANUAL



Overhead Storage Compartment Assembly  
IPL Figure 3 (Sheet 2 of 19)

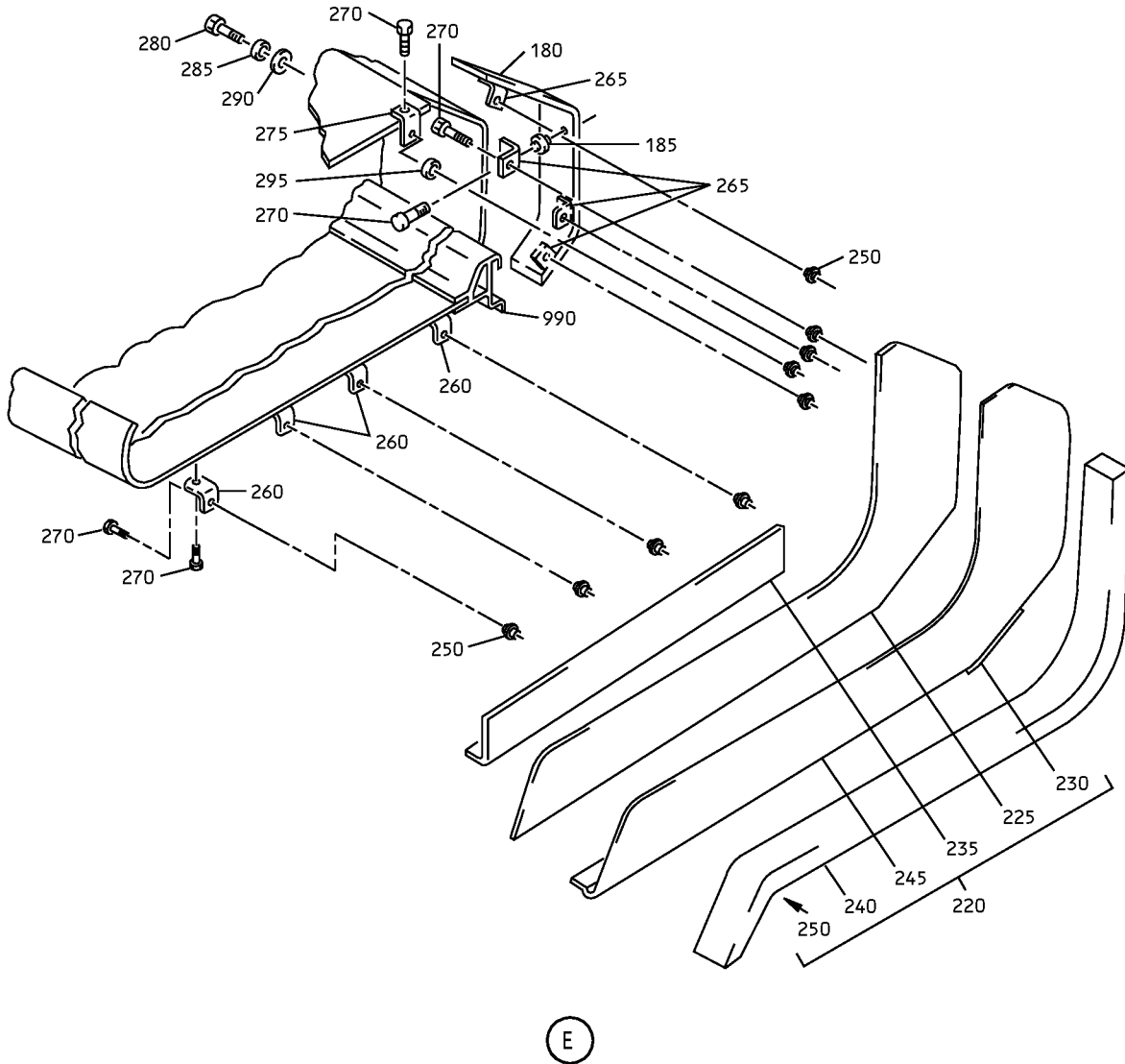
**25-28-44**

ILLUSTRATED PARTS LIST

Page 1098.60

Mar 01/2006

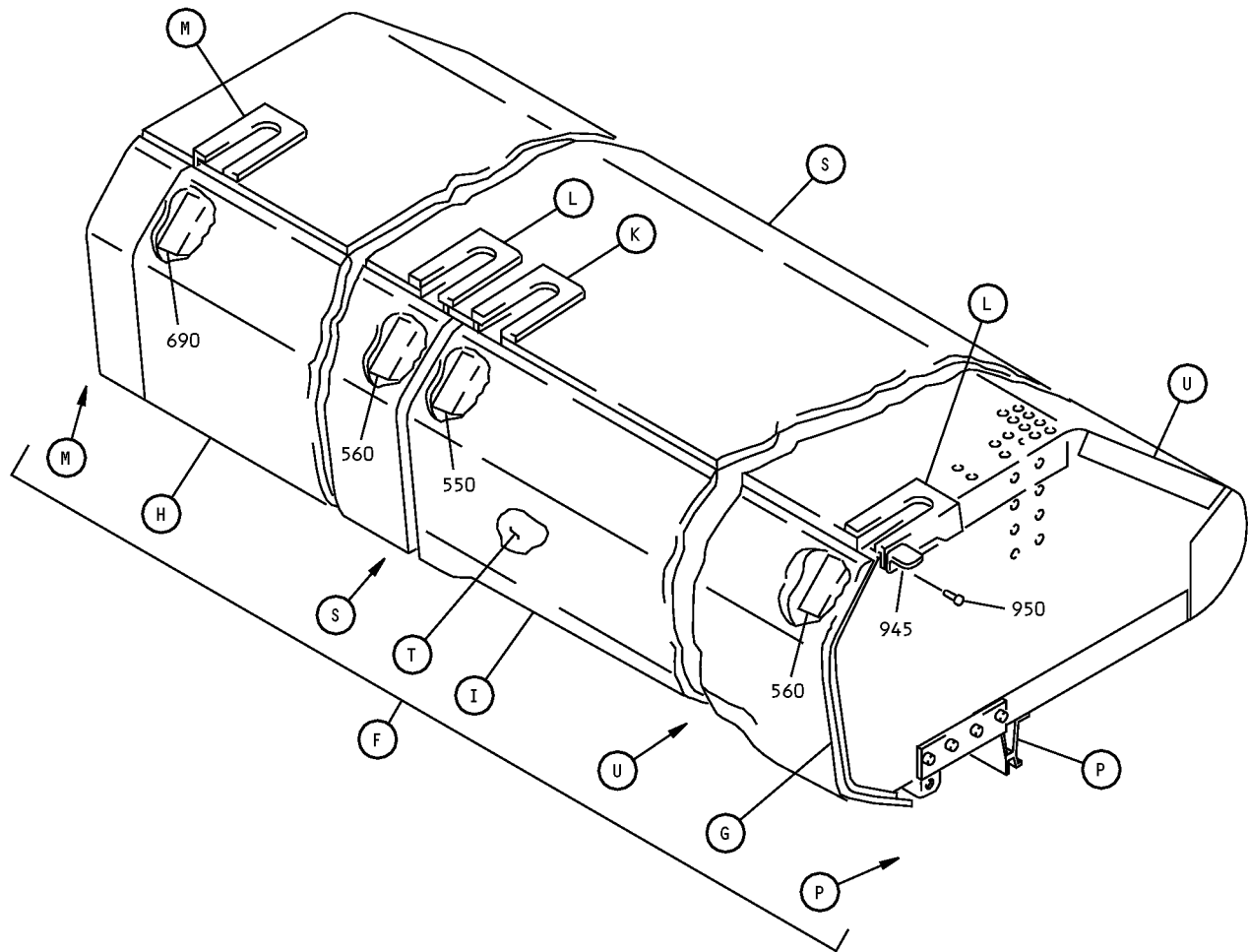
COMPONENT MAINTENANCE MANUAL



Overhead Storage Compartment Assembly  
IPL Figure 3 (Sheet 3 of 19)

**25-28-44**  
ILLUSTRATED PARTS LIST  
Page 1098.61  
Mar 01/2006

COMPONENT MAINTENANCE MANUAL



Overhead Stowage Compartment Assembly  
IPL Figure 3 (Sheet 4 of 19)

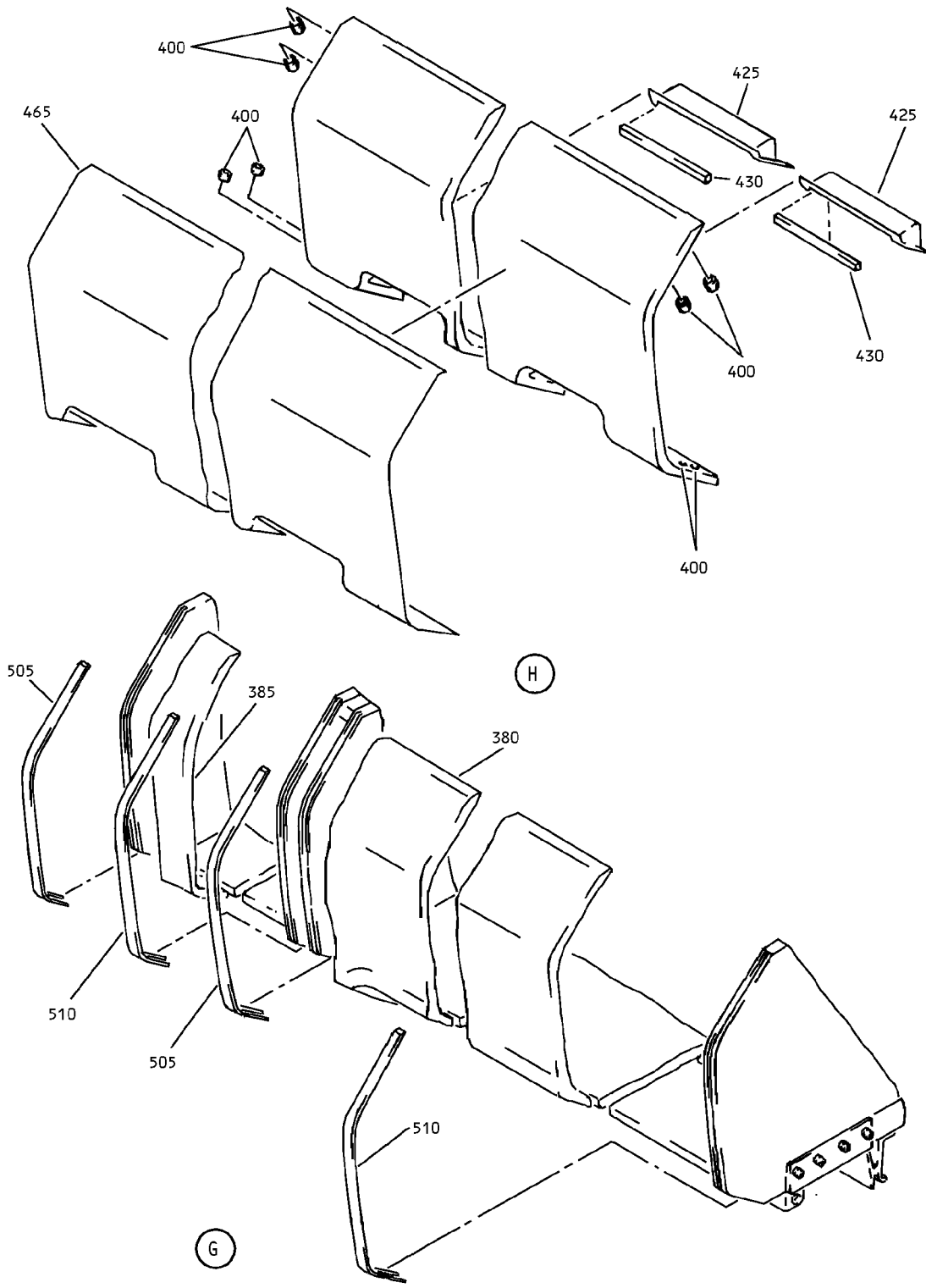
**25-28-44**

ILLUSTRATED PARTS LIST

Page 1098.62

Mar 01/2006

COMPONENT MAINTENANCE MANUAL



Overhead Storage Compartment Assembly  
IPL Figure 3 (Sheet 5 of 19)

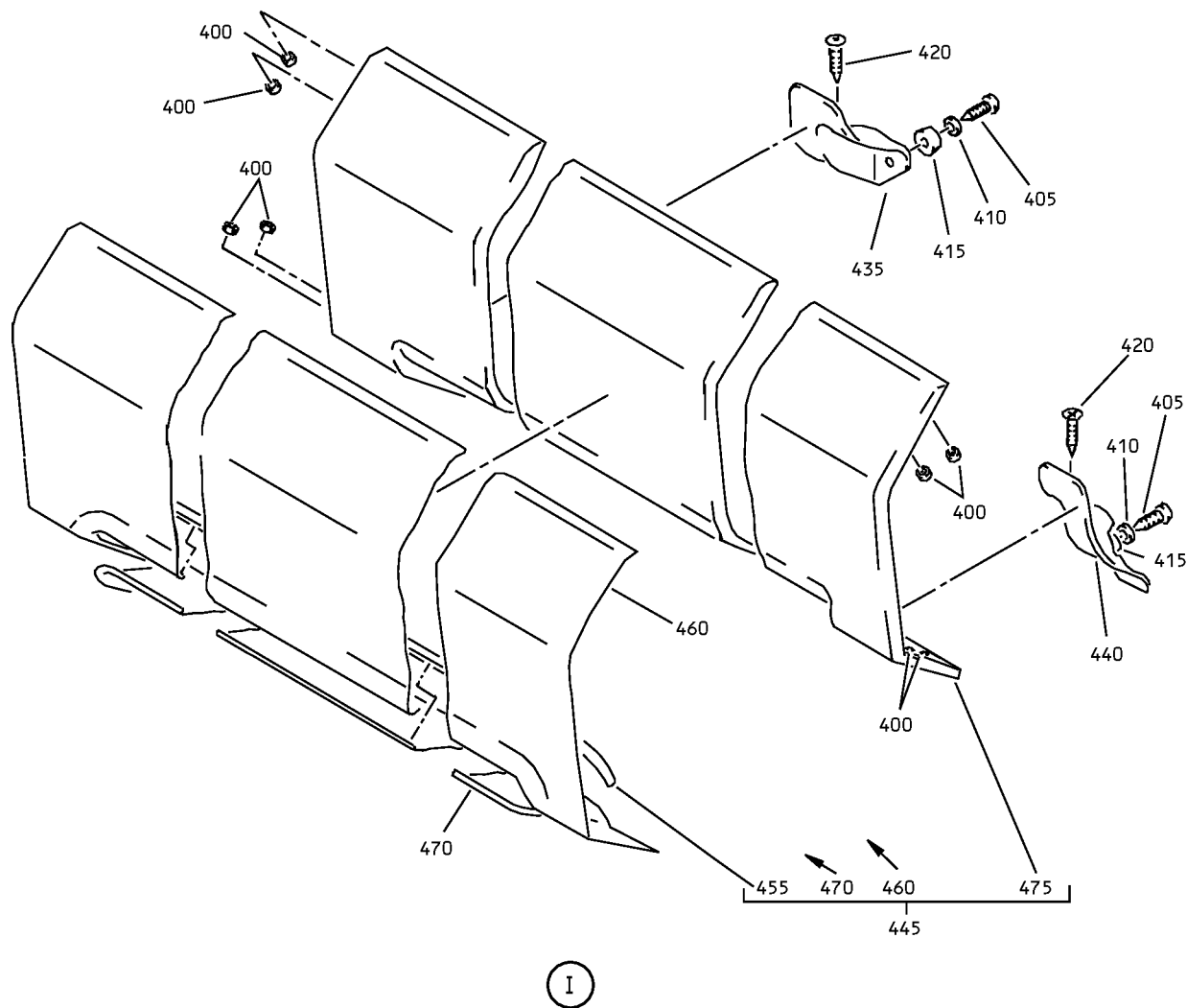
**25-28-44**

ILLUSTRATED PARTS LIST

Page 1098.63

Mar 01/2006

COMPONENT MAINTENANCE MANUAL



Overhead Storage Compartment Assembly  
IPL Figure 3 (Sheet 6 of 19)

**25-28-44**

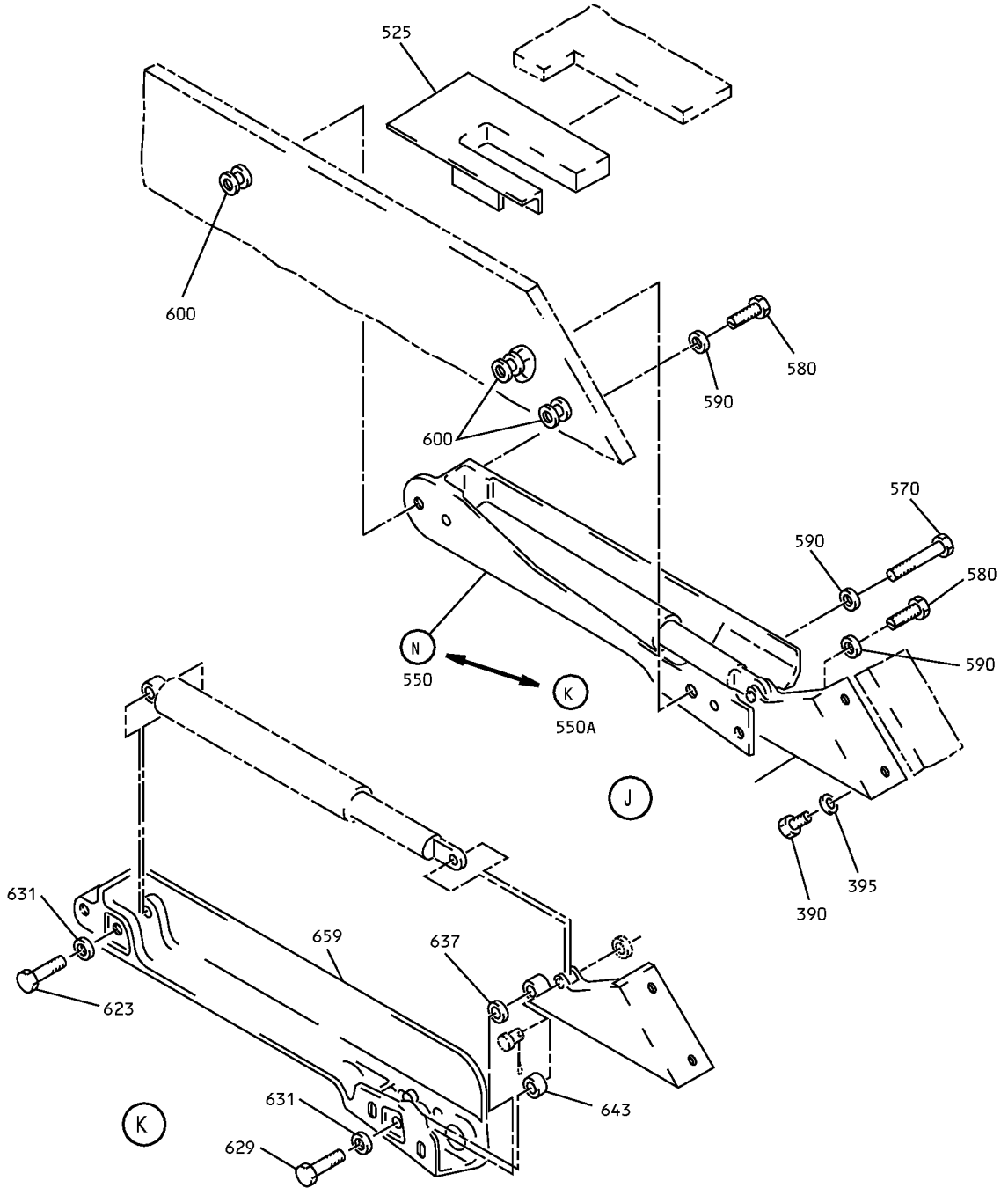
ILLUSTRATED PARTS LIST

Page 1098.64

Mar 01/2006



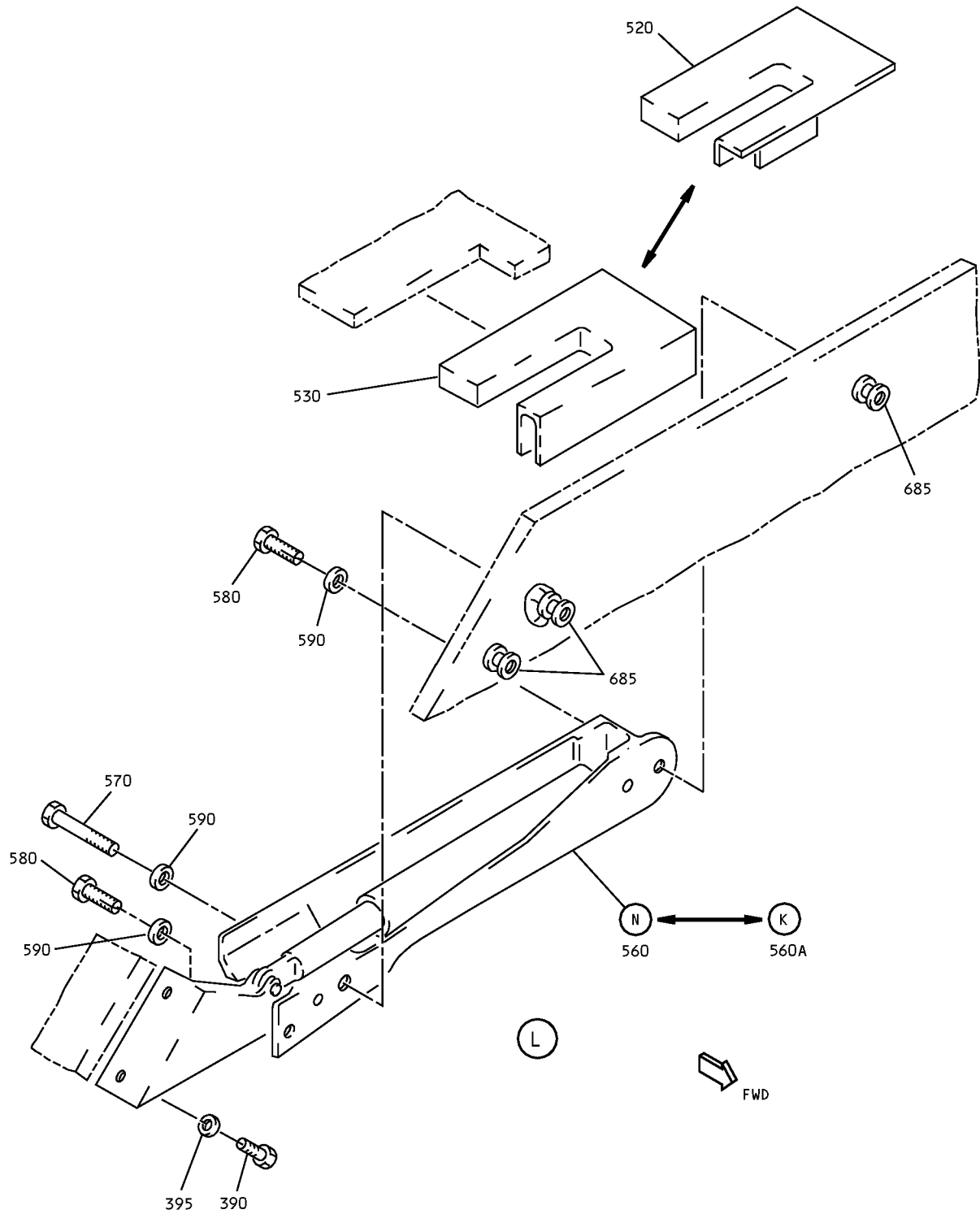
COMPONENT MAINTENANCE MANUAL



Overhead Stowage Compartment Assembly  
IPL Figure 3 (Sheet 7 of 19)

**25-28-44**  
ILLUSTRATED PARTS LIST  
Page 1098.65  
Mar 01/2006

COMPONENT MAINTENANCE MANUAL



Overhead Stowage Compartment Assembly  
IPL Figure 3 (Sheet 8 of 19)

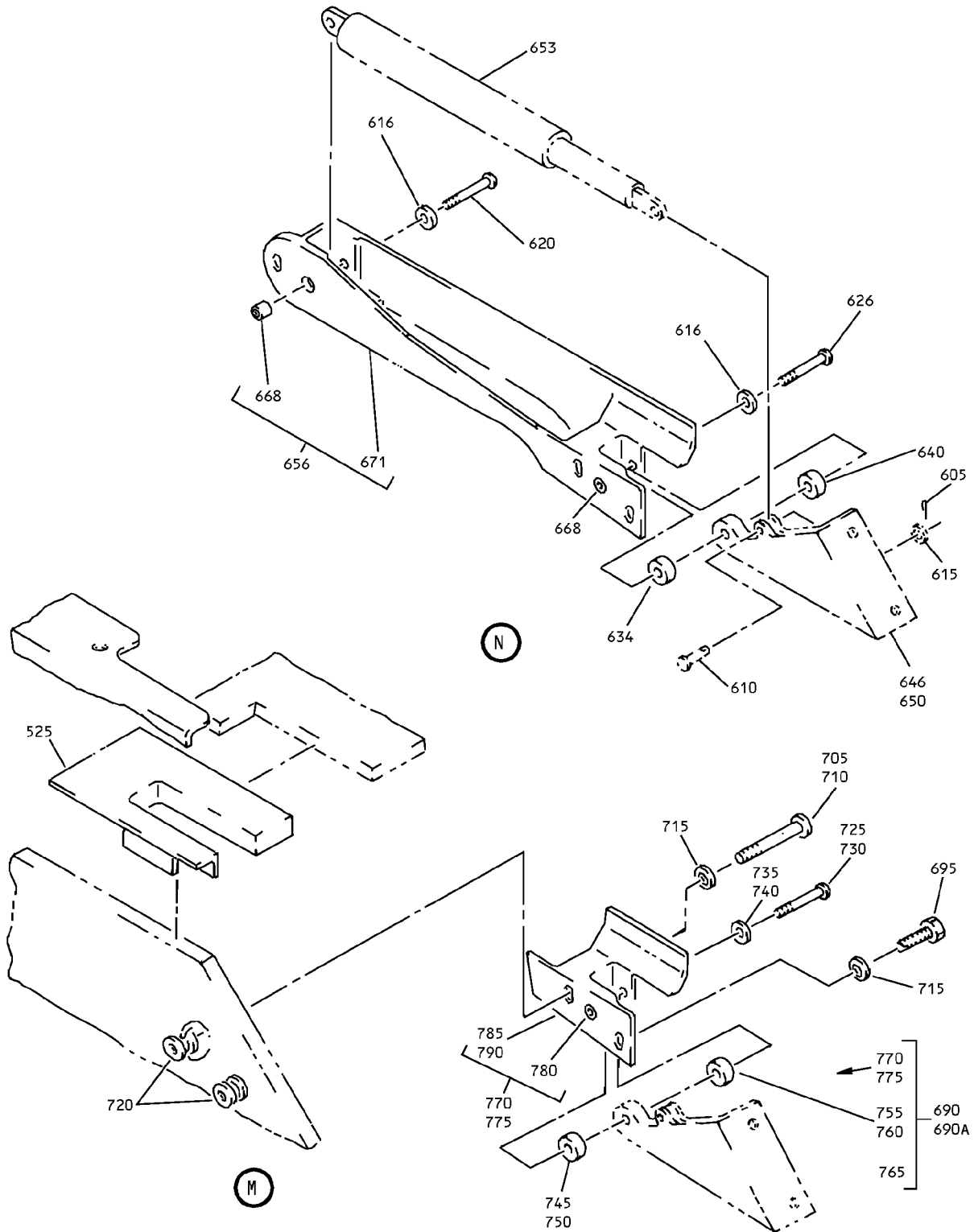
**25-28-44**

ILLUSTRATED PARTS LIST

Page 1098.66

Mar 01/2006

# COMPONENT MAINTENANCE MANUAL



Overhead Stowage Compartment Assembly  
IPL Figure 3 (Sheet 9 of 19)

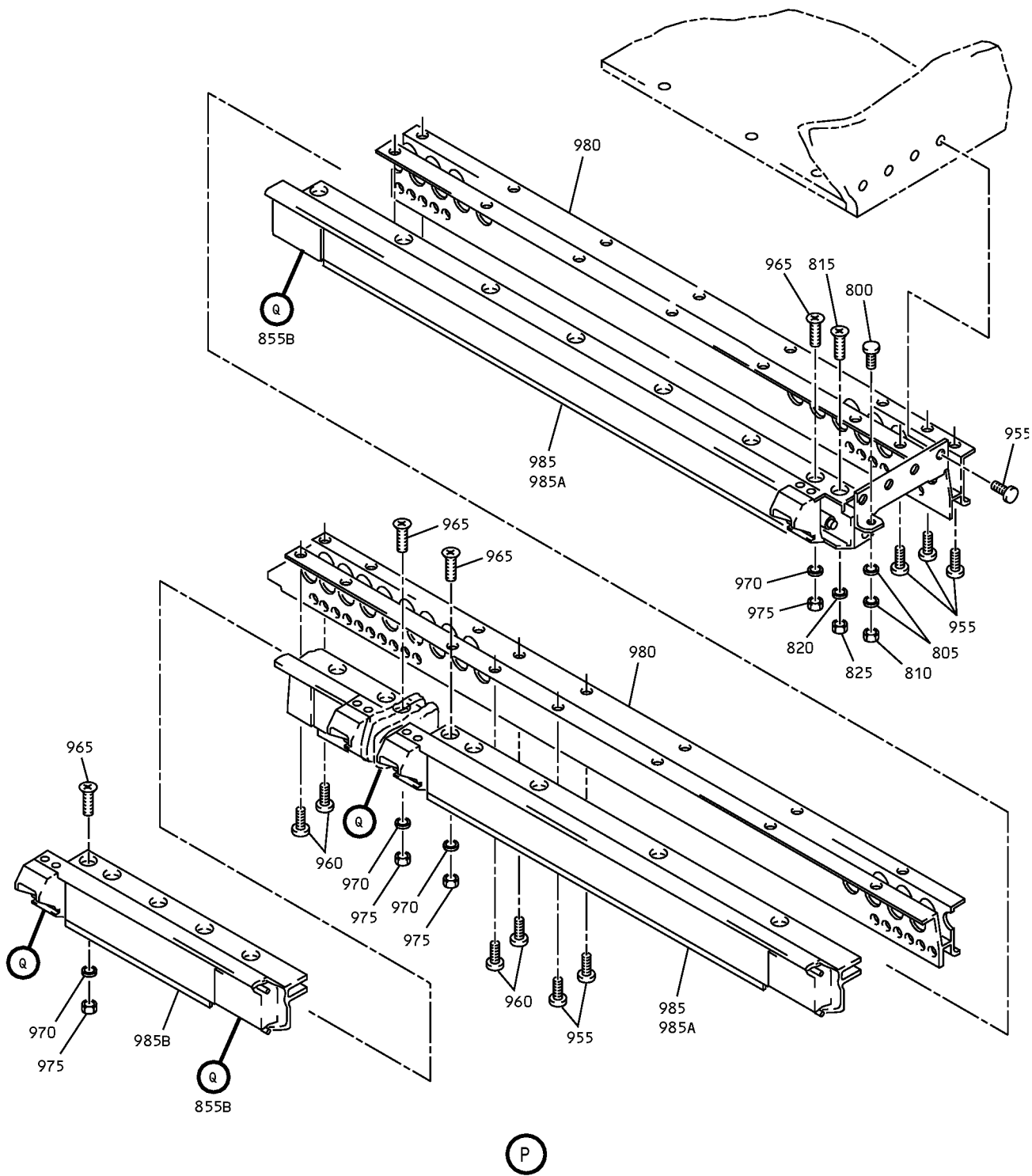
## 25-28-44

ILLUSTRATED PARTS LIST

Page 1098.67

Mar 01/2006

COMPONENT MAINTENANCE MANUAL



Overhead Storage Compartment Assembly  
IPL Figure 3 (Sheet 10 of 19)

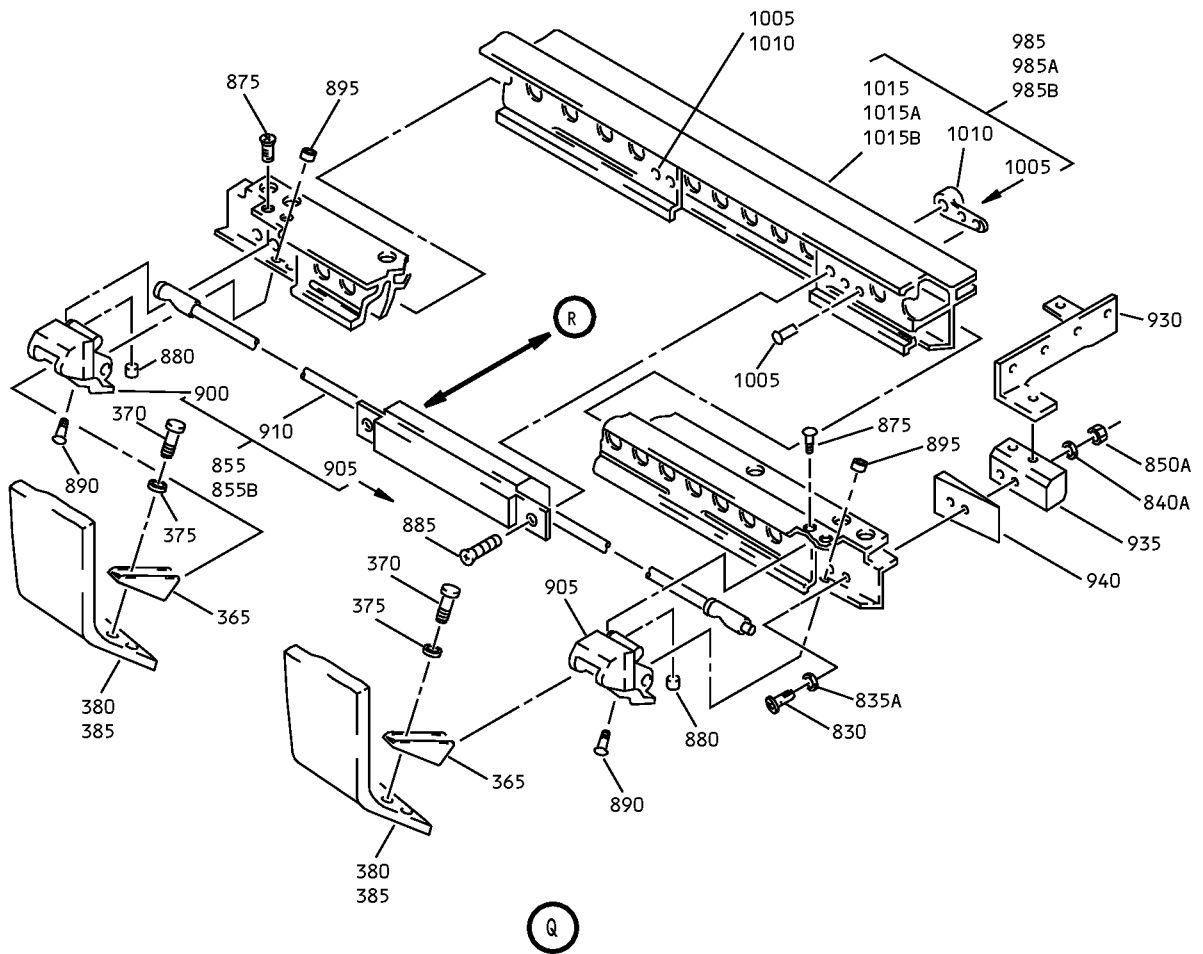
**25-28-44**

ILLUSTRATED PARTS LIST

Page 1098.68

Mar 01/2006

COMPONENT MAINTENANCE MANUAL



Overhead Stowage Compartment Assembly  
IPL Figure 3 (Sheet 11 of 19)

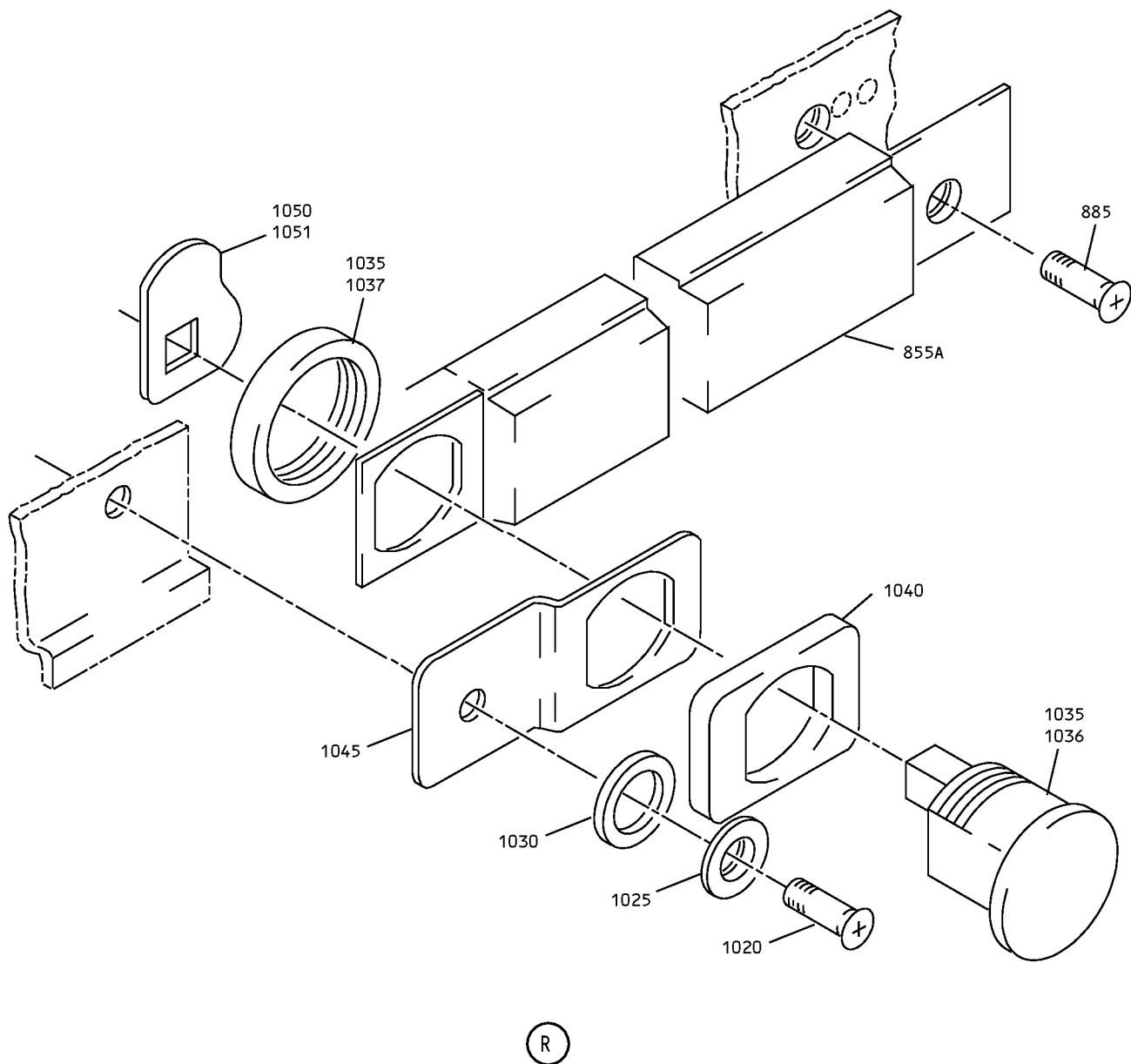
**25-28-44**

ILLUSTRATED PARTS LIST

Page 1098.69

Mar 01/2006

COMPONENT MAINTENANCE MANUAL

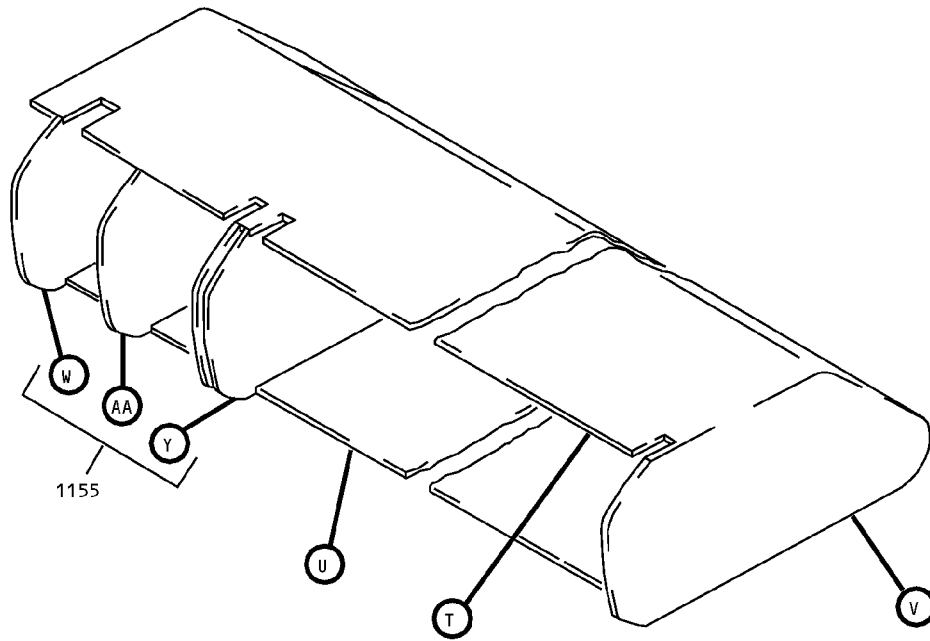


Overhead Stowage Compartment Assembly  
IPL Figure 3 (Sheet 12 of 19)

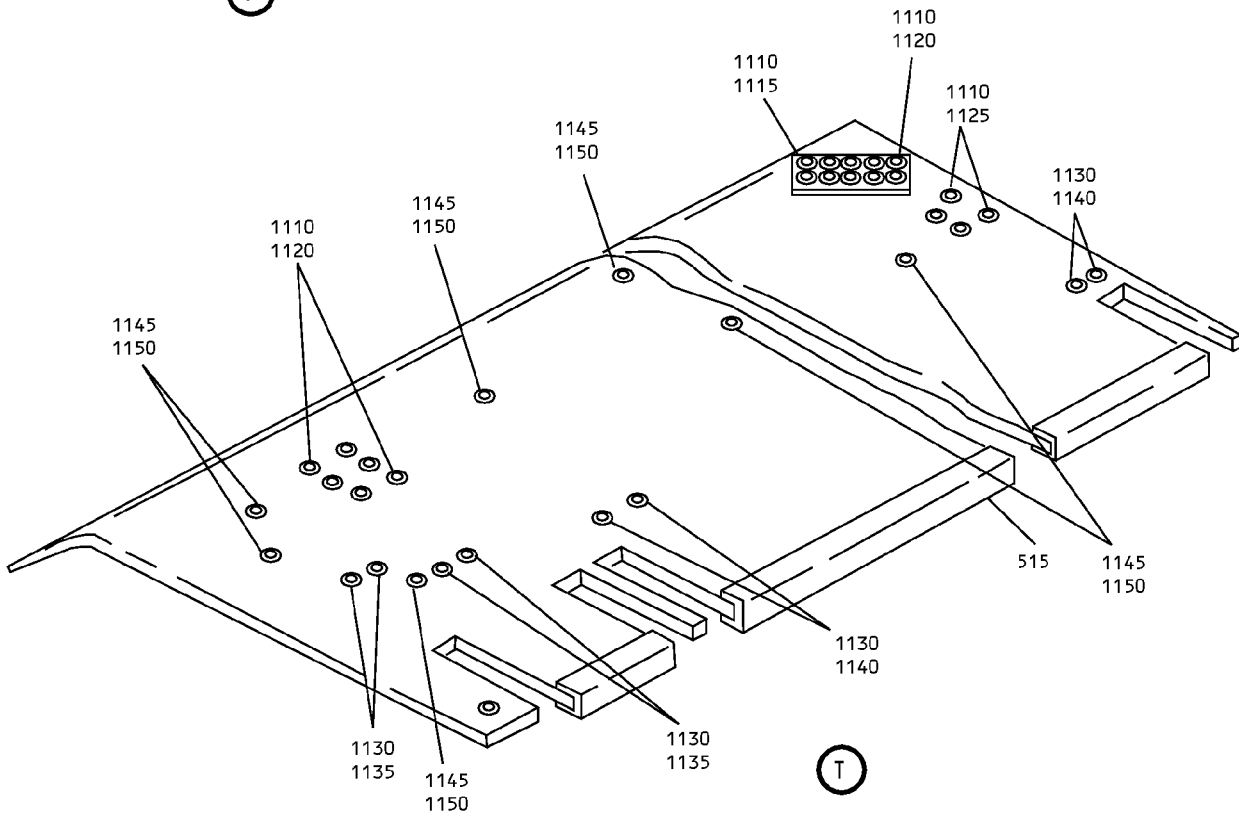
**25-28-44**

ILLUSTRATED PARTS LIST  
Page 1098.70  
Mar 01/2006

COMPONENT MAINTENANCE MANUAL



S



T

Overhead Stowage Compartment Assembly  
IPL Figure 3 (Sheet 13 of 19)

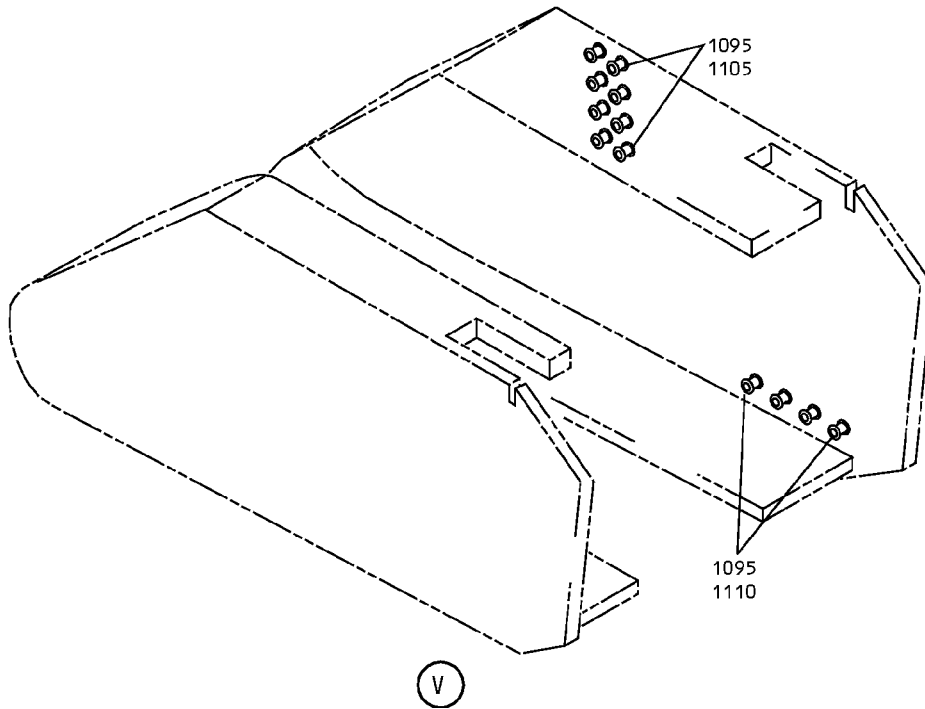
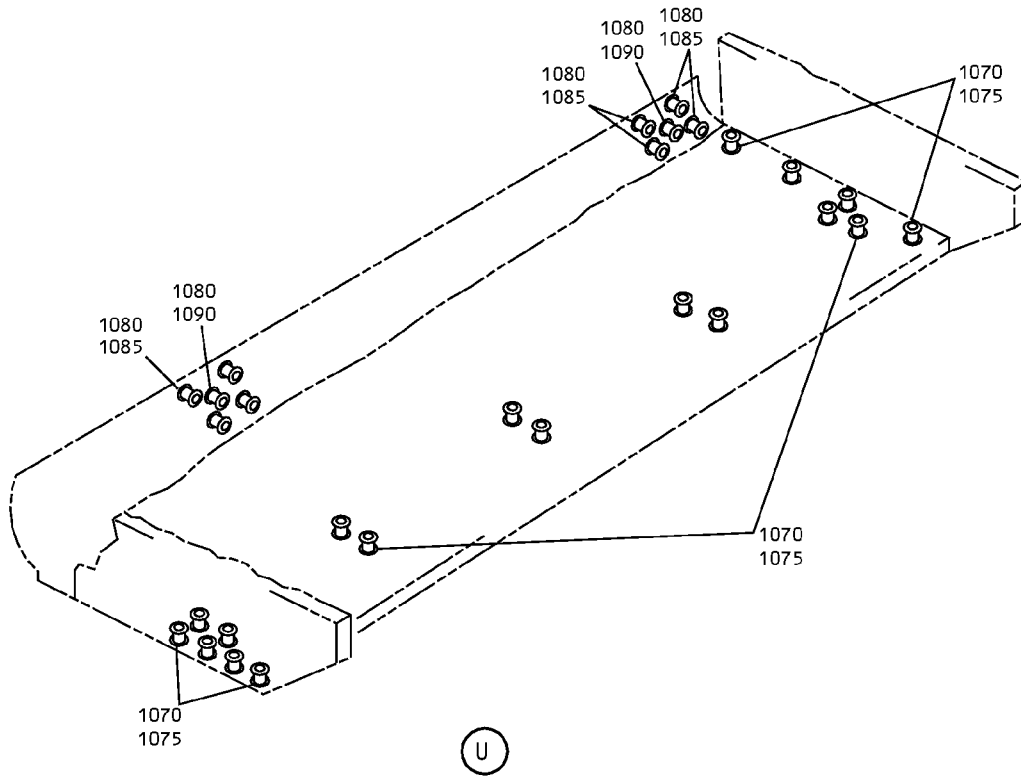
**25-28-44**

ILLUSTRATED PARTS LIST

Page 1098.71

Mar 01/2006

COMPONENT MAINTENANCE MANUAL



Overhead Storage Compartment Assembly  
IPL Figure 3 (Sheet 14 of 19)

**25-28-44**

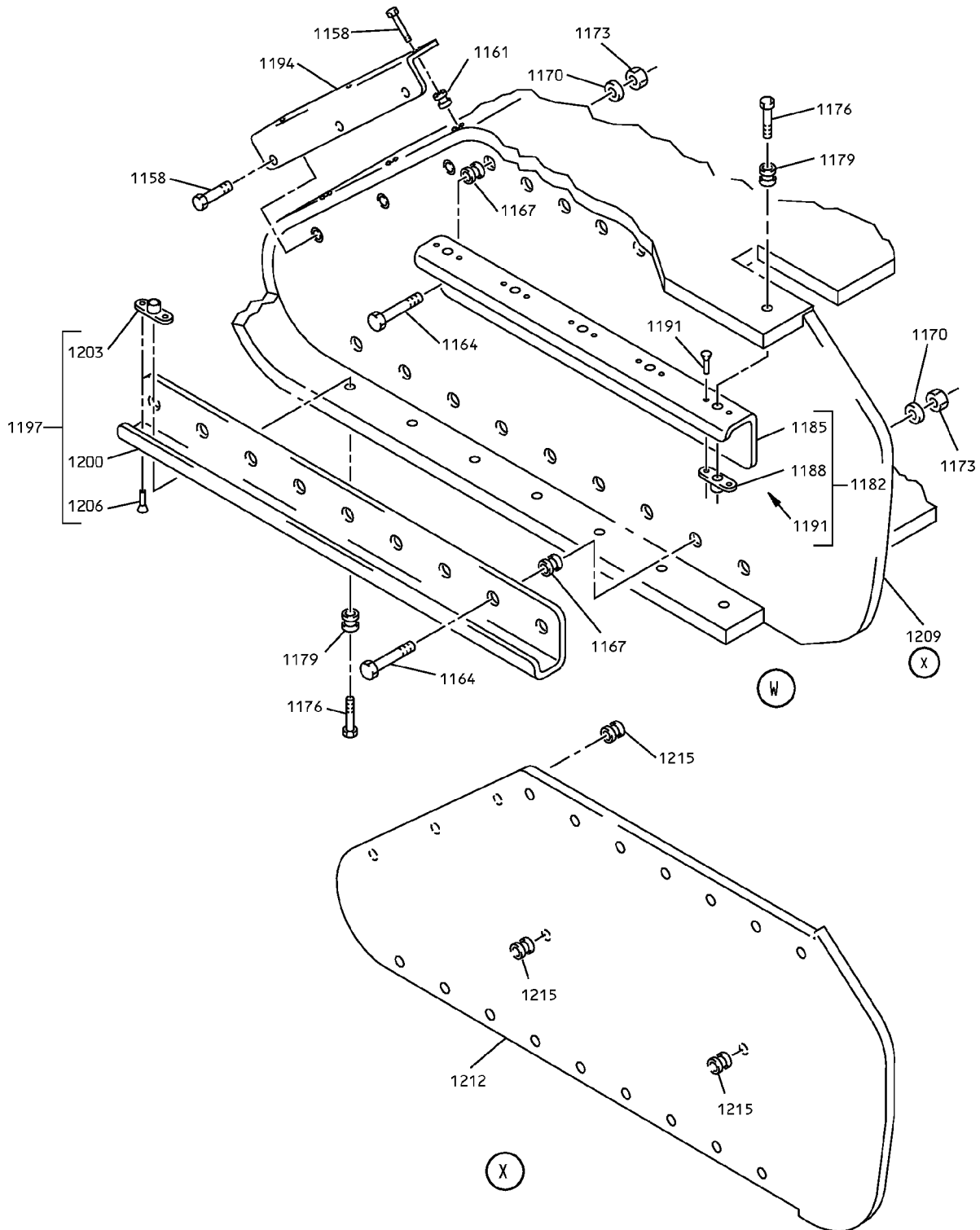
ILLUSTRATED PARTS LIST

Page 1098.72

Mar 01/2006



COMPONENT MAINTENANCE MANUAL



Overhead Storage Compartment Assembly  
IPL Figure 3 (Sheet 15 of 19)

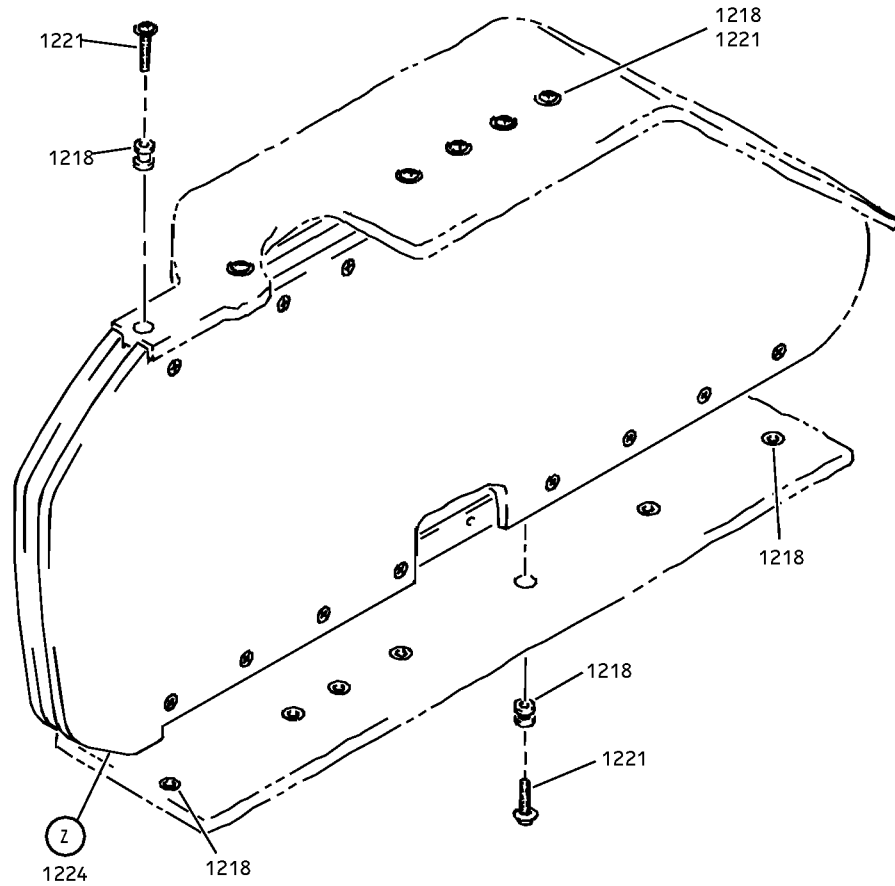
**25-28-44**

ILLUSTRATED PARTS LIST

Page 1098.73

Mar 01/2006

COMPONENT MAINTENANCE MANUAL

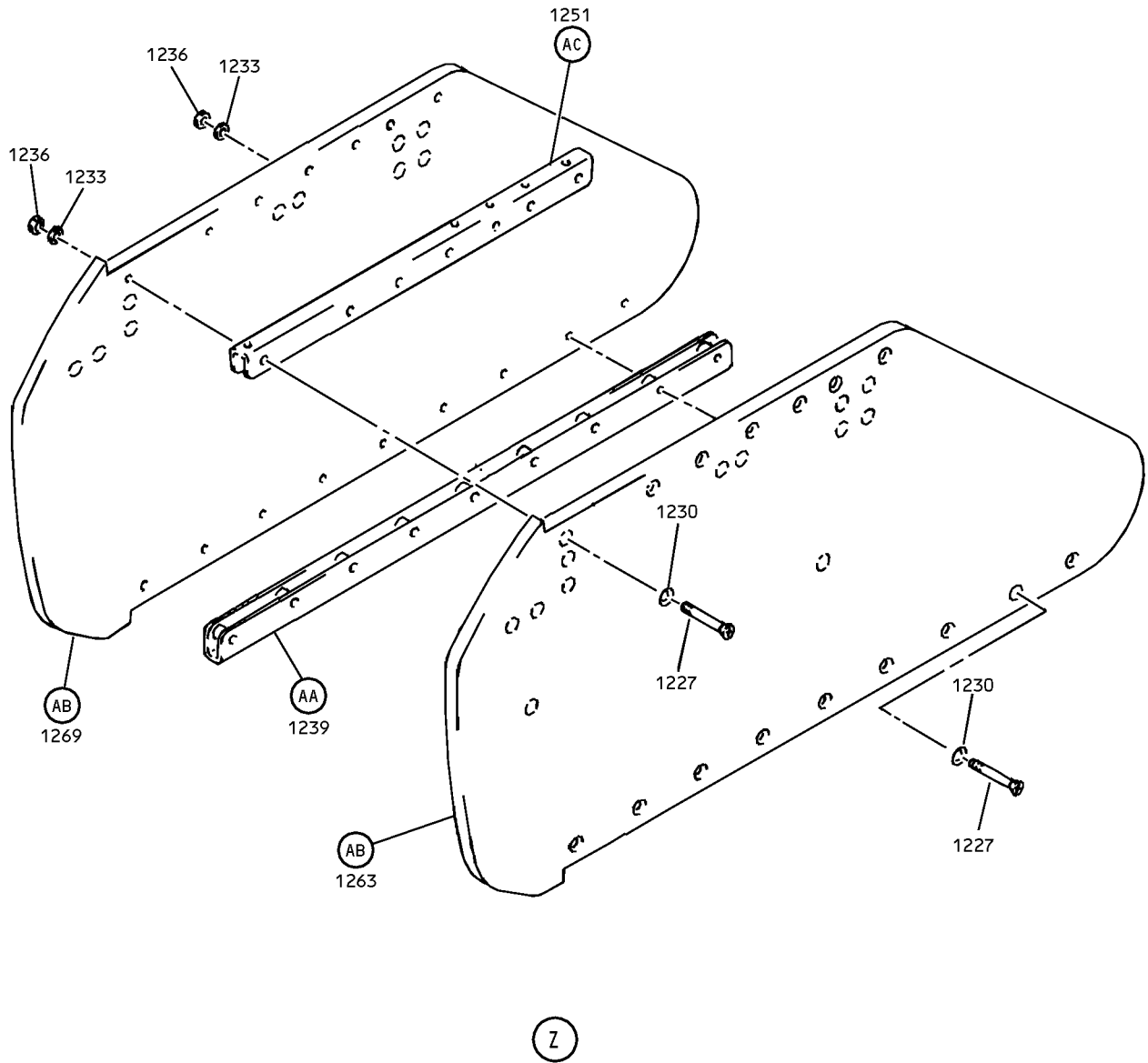


Y

Overhead Stowage Compartment Assembly  
IPL Figure 3 (Sheet 16 of 19)

**25-28-44**  
ILLUSTRATED PARTS LIST  
Page 1098.74  
Mar 01/2006

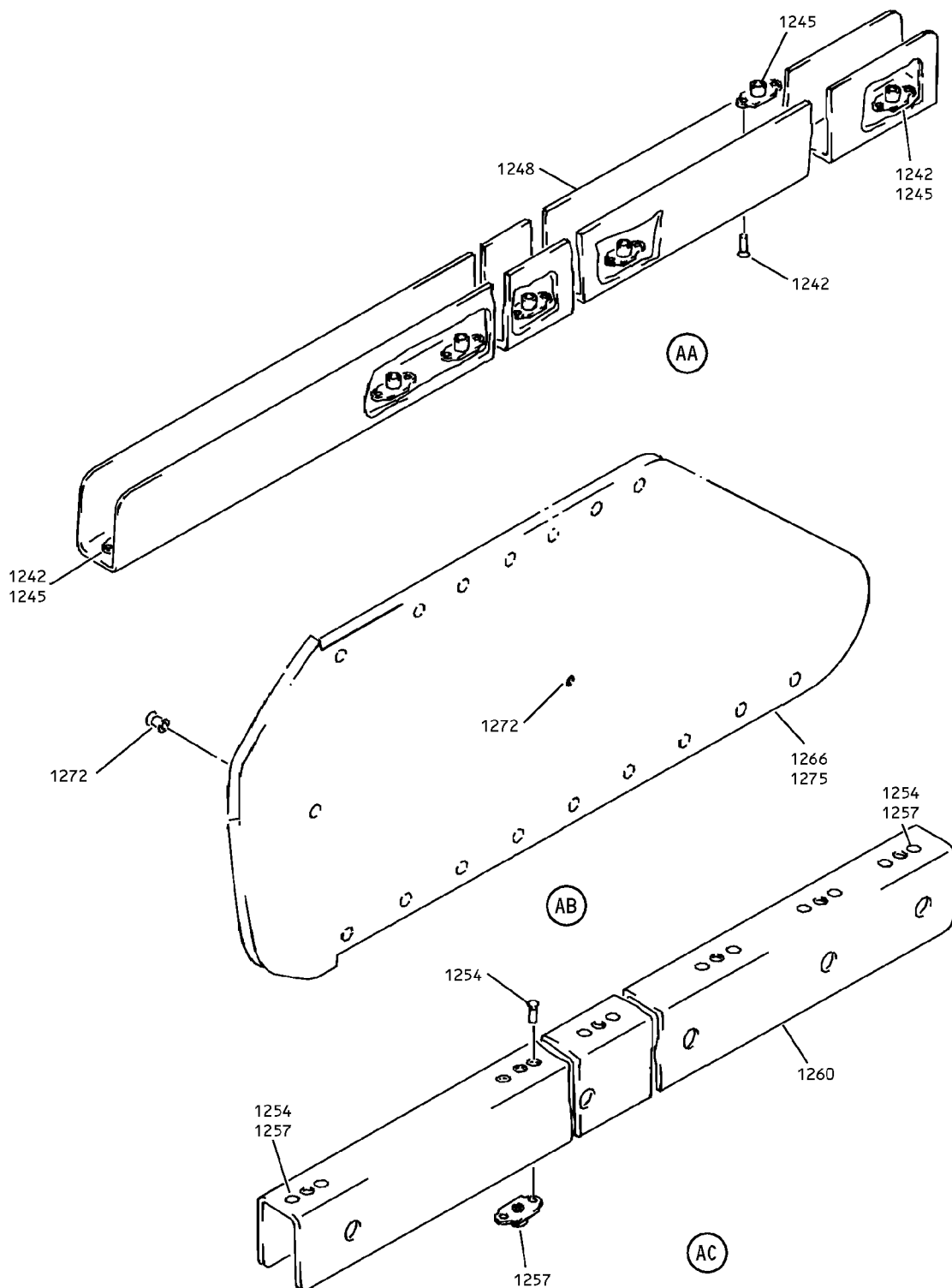
# COMPONENT MAINTENANCE MANUAL



Overhead Storage Compartment Assembly  
IPL Figure 3 (Sheet 17 of 19)

**25-28-44**  
ILLUSTRATED PARTS LIST  
Page 1098.75  
Mar 01/2006

COMPONENT MAINTENANCE MANUAL



Overhead Storage Compartment Assembly  
IPL Figure 3 (Sheet 18 of 19)

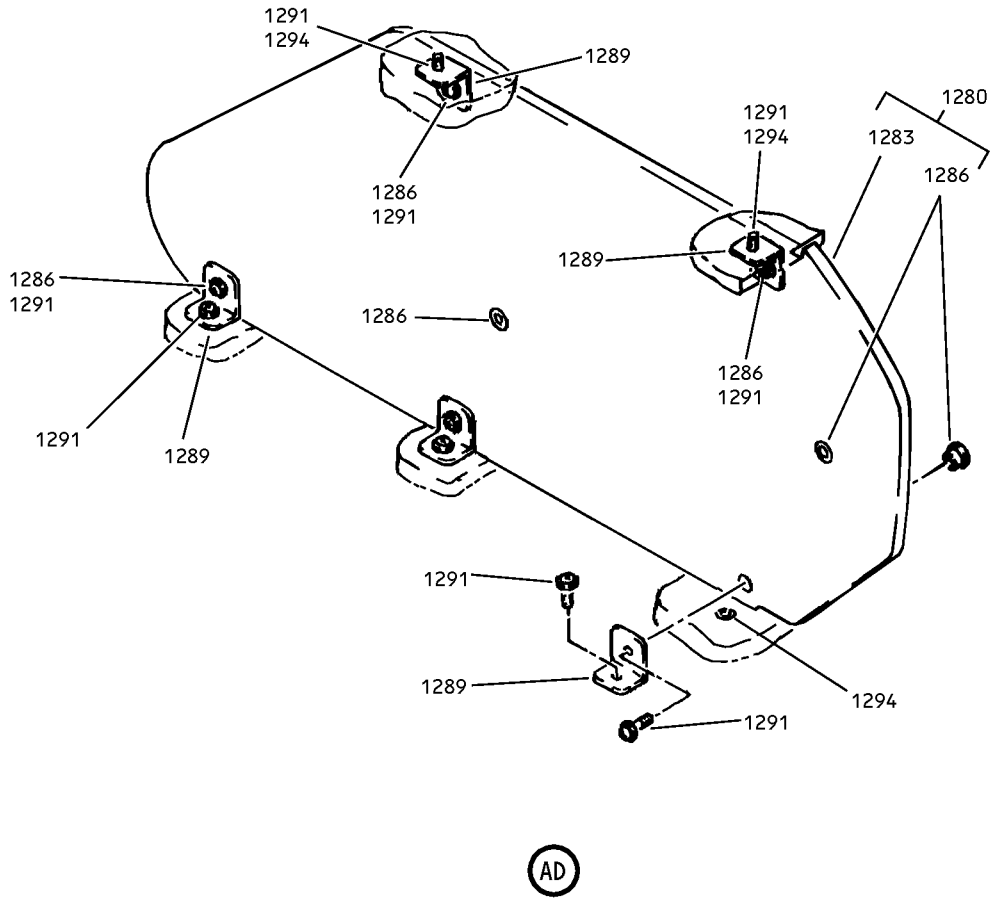
**25-28-44**

ILLUSTRATED PARTS LIST

Page 1098.76

Mar 01/2006

COMPONENT MAINTENANCE MANUAL



Overhead Stowage Compartment Assembly  
IPL Figure 3 (Sheet 19 of 19)

**25-28-44**  
ILLUSTRATED PARTS LIST  
Page 1098.77  
Mar 01/2006



## COMPONENT MAINTENANCE MANUAL

FIG/ ITEM	PART NUMBER	AIRLINE PART NUMBER	NOMENCLATURE							USAGE CODE	UNITS PER ASSY
			1	2	3	4	5	6	7		
3-											
-1	65C27006-37SP									A	RF
-1A	65C27006-65SP									B	RF
-1B	65C27006-95SP									C	RF
-2	65C27006-112SP									D	RF
-2A	65C27006-117SP									E	RF
-2B	65C27006-127SP									F	RF
-2C	65C27006-133SP									G	RF
3	BACB30NM3K1										6
6	AN940PD10										
6A	AN960JD10										
9	412N1119-46										
9A	412N1161-1										
-9B	412N1161-4										

-Item not Illustrated

# 25-28-44

ILLUSTRATED PARTS LIST

Page 1098.78

Mar 01/2006



## COMPONENT MAINTENANCE MANUAL

FIG/ ITEM	PART NUMBER	AIRLINE PART NUMBER	NOMENCLATURE							USAGE CODE	UNITS PER ASSY
			1	2	3	4	5	6	7		
3-											
12	BACB30NM3K1		.	BOLT							6
				(V06710)							
				(SPEC BACB30NM3K1)							
				(OPT BACB30NM3K1 (V06725))							
				(OPT BACB30NM3K1 (V06950))							
				(OPT BACB30NM3K1 (V08524))							
				(OPT BACB30NM3K1 (V27624))							
				(OPT BACB30NM3K1 (V56878))							
				(OPT BACB30NM3K1 (V73197))							
				(OPT BACB30NM3K1 (V80539))							
				(OPT BACB30NM3K1 (V92215))							
				(OPT BACB30NM3K1 (V93907))							
				(OPT BACB30NM3K1 (V97928))							
15	BACB30NM3K10		.	BOLT							2
				(V06710)							
				(SPEC BACB30NM3K10)							
				(OPT BACB30NM3K10 (V06725))							
				(OPT BACB30NM3K10 (V06950))							
				(OPT BACB30NM3K10 (V08524))							
				(OPT BACB30NM3K10 (V27624))							
				(OPT BACB30NM3K10 (V80539))							
				(OPT BACB30NM3K10 (V92215))							
				(OPT BACB30NM3K10 (V93907))							
				(OPT BACB30NM3K10 (V97928))							
16	BACB30NN3K10		.	BOLT							1
18	AN960PD10			DELETED							
18A	AN960JD10		.	WASHER							6
21	412N1119-59		.	FITTING							1
22	412N1119-60		.	FILLER							1
24	NAS1801-3-11		.	SCREW							2
27	BACS18C8-6		.	SPACER							2
30	MS24585-1230		.	SPRING							2
33	411N3142-28		.	WASHER CUPPED							2
36	417N5120-20		.	LIGHT ASSY					A-C		1
				(OPT ITEM 36A)							
-36A	417N5120-7		.	LIGHT ASSY					A-C		1
				(OPT ITEM 36)							
				ATTACHING PARTS							
-36B	417N5120-4		.	LIGHT ASSY					D-G		1
39	NAS1801-3-5		.	SCREW							2

-Item not Illustrated

# 25-28-44

ILLUSTRATED PARTS LIST

Page 1098.79

Mar 01/2006



## COMPONENT MAINTENANCE MANUAL

FIG/ ITEM	PART NUMBER	AIRLINE PART NUMBER	NOMENCLATURE							USAGE CODE	UNITS PER ASSY
			1	2	3	4	5	6	7		
3-											
42	AN960PD10L								DELETED		
42A	AN960JD10LL								. WASHER		2
									-----*		
44	65C28117-3								. . PAD		1
45	BACS12ER3K6								. . SCREW		2
									(V06710)		
									(SPEC BACS12ER3K6)		
									(OPT BACS12ER3K6 (V06725))		
									(OPT BACS12ER3K6 (V06950))		
									(OPT BACS12ER3K6 (V27624))		
									(OPT BACS12ER3K6 (V34252))		
									(OPT BACS12ER3K6 (V56878))		
									(OPT BACS12ER3K6 (V73197))		
									(OPT BACS12ER3K6 (V80539))		
									(OPT BACS12ER3K6 (V92215))		
									(OPT BACS12ER3K6 (V93907))		
									(OPT BACS12ER3K6 (V97928))		
48	BACW10UD10								. . WASHER		3
51	F22K1-02								. . NUT		3
									(V72962)		
									(SPEC BACN10R10L)		
									(OPT 22K1-02 (V72962))		
									(OPT 26CL02 (V80539))		
54	05939-7								. . BALLAST		1
									(V17023)		
									(SPEC S283N702-7)		
57	417N5120-12								. . LAMP ASSY		1
60	2055150								. . . CAP-END		2
									(V04169)		
63	F15T12WW								. . . LAMP-FLUOR		1
									(V08805)		
66	LP1610-18								. . . TUBE-COVER		1
									(V0812B)		
69	800000255-7								. . LIGHT ASSY		1
									(V13545)		
									(SPEC S417N507-7)		
-70	800000255-17								. . LIGHT ASSY		1
									(V05617)		
									(SPEC S417N507-17)		

-Item not Illustrated

# 25-28-44

ILLUSTRATED PARTS LIST

Page 1098.80

Mar 01/2006





### COMPONENT MAINTENANCE MANUAL

FIG/ ITEM	PART NUMBER	AIRLINE PART NUMBER	NOMENCLATURE							USAGE CODE	UNITS PER ASSY
			1	2	3	4	5	6	7		
3-											
72	417N5120-14								. LIGHT ASSY (OPT ITEM 72A)	A-C	1
-72A	417N5120-1								. LIGHT ASSY (OPT ITEM 72)	A-C	1
-72B	417N5120-14								. LIGHT ASSY  ATTACHING PARTS	D-G	1
75	NAS1801-3-5								. SCREW		3
78	AN960PD10L								DELETED		
78A	AN960JD10LL								. WASHER		3
									----- * -----		
80	65C28117-3								. . PAD		1
81	BACS12ER3K6								. . SCREW (V06710) (SPEC BACS12ER3K6) (OPT BACS12ER3K6 (V06725)) (OPT BACS12ER3K6 (V06950)) (OPT BACS12ER3K6 (V27624)) (OPT BACS12ER3K6 (V34252)) (OPT BACS12ER3K6 (V56878)) (OPT BACS12ER3K6 (V73197)) (OPT BACS12ER3K6 (V80539)) (OPT BACS12ER3K6 (V92215)) (OPT BACS12ER3K6 (V93907)) (OPT BACS12ER3K6 (V97928))		3
84	BACW10UD10								. . WASHER		3
85	1864								. . LIGHT-NIGHT		1
87	F22K1-02								. . NUT (V72962) (SPEC BACN10R10L) (OPT 22K1-02 (V72962)) (OPT 26CL02 (V80539))		3
90	05939-3								. . BALLAST (V17023) (SPEC S283N702-3)		1
93	417N5120-10								. . LAMP ASSY		1
96	2055150								. . . CAP-END (V04169)		2
99	F40WW								. . . LAMP-FLUOR (V08805)		1

-Item not Illustrated

## 25-28-44

ILLUSTRATED PARTS LIST

Page 1098.81

Mar 01/2006



## COMPONENT MAINTENANCE MANUAL

FIG/ ITEM	PART NUMBER	AIRLINE PART NUMBER	NOMENCLATURE							USAGE CODE	UNITS PER ASSY
			1	2	3	4	5	6	7		
3-											
102	LP1625-48										
105	800000255-1										
106	800000255-11										
107	411N3134-1								A-F		
114	BACB30NM3K1										
117	AN960PD10										
117A	AN960JD10										
120	65C27017-21										
125	BACB30NM3K1										
130	AN960PD10										
130A	AN960JD10										
135	BACB28B6-235P										
140	65C27017-23										
145	65C27017-15										
150	412N1119-41										

-Item not Illustrated

# 25-28-44

ILLUSTRATED PARTS LIST

Page 1098.82

Mar 01/2006



## COMPONENT MAINTENANCE MANUAL

FIG/ ITEM	PART NUMBER	AIRLINE PART NUMBER	NOMENCLATURE							USAGE CODE	UNITS PER ASSY
			1	2	3	4	5	6	7		
3-			ATTACHING PARTS								
155	BACB30NM3K1		. BOLT								4
160	AN960PD10L		DELETED								
160A	AN960JD10LL		. WASHER								4
			-----*								
165	BACB30NM3K3		. BOLT								2
170	AN960PD10L		DELETED								
170A	AN960JD10LL		. WASHER								4
175	BACN10JC3		DELETED								
175A	MS21042-3		. NUT								2
180	65C27026-33SP		. FILLER PANEL ASSY							A	1
-180A	65C27026-48SP		. FILLER PANEL ASSY							C-G	1
-180B	65C27026-30SP		. FILLER PANEL ASSY							B	1
185	NAS1836-3-11		. INSERT								4
190	412N1130-5SP		. TRIM-VERTICAL								2
200	65C27006-12		. SEAL								1
220	65C27027-3SP		. END CAP ASSY								1
225	65C27027-11		. . PANEL ASSY								1
230	65C27027-13		. . FOAM								1
235	65C27027-14		. . SUPPORT-ANGLE								1
240	65C27027-17SP		. . SEAL								1
245	65C27027-7SP		. . END CAP								1
250	SL2334-3A2		. . INSERT-FLOATING								9
260	412N1145-29		. BRACKET								4
265	65C27017-13		. BRACKET (OPT ITEM 265A)								4
-265A	65C27017-43		. BRACKET (OPT ITEM 265)								4
270	BACS12FA3K5		. SCREW								17
275	412N1145-30		. BRACKET								1
280	BACB30PF4-3		. BOLT								1
285	AN960C416L		. WASHER								1

-Item not Illustrated

**25-28-44**

ILLUSTRATED PARTS LIST

Page 1098.83

Mar 01/2006



## COMPONENT MAINTENANCE MANUAL

FIG/ ITEM	PART NUMBER	AIRLINE PART NUMBER	NOMENCLATURE							USAGE CODE	UNITS PER ASSY
			1	2	3	4	5	6	7		
3-											
290	NAS1515F4H										1
295	NAS1515M4L										1
350	65C27009-37SP								A		1
-350A	65C27009-65SP								B		1
-350B	65C27009-95SP								C		1
-350C	65C27009-112SP								D		
-350D	65C27009-117SP								E		
-350E	65C27009-127SP								F		
-350F	65C27009-133SP								G		
365	H3-1152-1										4
370	BACS12FA3K4										8
375	MS35333-39										8
380	412N1140-41										1
-385	412N1140-77										1
390	NAS1801-3-4										8
395	MS35333-39										8
400	SL618-3A										8
405	BACS12H4-8										2
410	NAS620A8L										2
415	412N1245-1										2
420	MS51862-4										2
425	412N1143-11										2

-Item not Illustrated

**25-28-44**

ILLUSTRATED PARTS LIST

Page 1098.84

Mar 01/2006



## COMPONENT MAINTENANCE MANUAL

FIG/ ITEM	PART NUMBER	AIRLINE PART NUMBER	NOMENCLATURE							USAGE CODE	UNITS PER ASSY
			1	2	3	4	5	6	7		
3-											
430	412N1140-17							. . . FILLER (USED ON ITEM 385)			1
435	412N1143-13							. . . COVER (USED ON ITEM 380)			1
440	412N1143-14							. . . COVER (USED ON ITEM 380)			1
-442	412N1244-2							. . . DOUBLER (USED ON ITEM 385)			1
445	412N1140-58							. . . PANEL ASSY-DOOR (USED ON ITEM 380)			1
-450	412N1140-62							. . . PANEL ASSY-DOOR (USED ON ITEM 385)			1
455	412N1140-13							. . . . STRIP RETAINER (USED ON ITEM 445)			1
460	412N1141-1							. . . . FACEPLATE (USED ON ITEM 445)			1
-465	412N1141-5							. . . . FACEPLATE (USED ON ITEM 450)			1
470	412N1141-7							. . . . MARKER (USED ON ITEM 445)			1
475	412N1142-15							. . . . PANEL ASSY (USED ON ITEM 445)			1
-480	412N1142-20							. . . . PANEL ASSY (USED ON ITEM 450)			1
490	412N1119-12							. FITTING			2
495	BACB30NM3K1							. BOLT			8
500	AN960PD10							. WASHER			8
505	412N1118-1SP							. . RETAINER TRIM			2
510	412N1118-2SP							. . RETAINER TRIM			2
515	65C27009-6							. . EDGE COVER			2
520	412N1154-3							. . REINFORCEMENT-CORNER			1
525	412N1154-4							. . REINFORCEMENT-CORNER			2
530	412N1154-1							. . REINFORCEMENT-CORNER			1
550	412N1155-1							. . HINGE ASSY (LIMITED USAGE) (OPT ITEM 550A)			1

-Item not Illustrated

# 25-28-44

ILLUSTRATED PARTS LIST

Page 1098.85

Mar 01/2006



## COMPONENT MAINTENANCE MANUAL

FIG/ ITEM	PART NUMBER	AIRLINE PART NUMBER	NOMENCLATURE							USAGE CODE	UNITS PER ASSY	
			1	2	3	4	5	6	7			
3-												
550A	412N1155-7											1
560	412N1155-2											2
560A	412N1155-8											2
570	BACB30LK3-18											3
-575	NAS1801-3-10											3
580	412N1227-1											7
-585	AIC1321-3-8											7
590	BACW10P136AL											9
600	NAS1833-3-400											9
605	MS24665-132											1
610	MS20392-2C13											1
615	AN960PD10L											1
616	AN960PD10L											2
620	NAS6703PU15											1
623	BACB30NM3K12											1
626	NAS6703PU11											1
629	BACB30NM3K8											1
631	AN960PD10L											DELETED

-Item not Illustrated

# 25-28-44

ILLUSTRATED PARTS LIST

Page 1098.86

Mar 01/2006



## COMPONENT MAINTENANCE MANUAL

FIG/ ITEM	PART NUMBER	AIRLINE PART NUMBER	NOMENCLATURE							USAGE CODE	UNITS PER ASSY
			1	2	3	4	5	6	7		
3-											
631A	AN960JD10L								. . WASHER (USED ON ITEMS 550A,560A)		2
634	NAS43DD3-5								. . . SPACER (USED ON ITEMS 550,560)		1
637	NAS43DD3-3								. . . SPACER (USED ON ITEMS 550A,560A)		1
640	NAS43DD3-6								. . . SPACER (USED ON ITEMS 550,560)		1
643	NAS43DD3-8								. . . SPACER (USED ON ITEMS 550A,560A)		1
646	H2948-2								. . . HINGE (SPEC S412N102-2) (USED ON ITEMS 550,550A)		1
650	H2948-1								. . . HINGE (V83014) (SPEC S412N102-1) (USED ON ITEMS 560,560A)		1
653	SB113								. . . ACTUATOR (V24984) (SPEC S412N104-1)		1
656	412N1156-1								. . . CHASSIS ASSY (USED ON ITEM 550)		1
659	412N1156-13								. . . CHASSIS ASSY (USED ON ITEM 550A)		1
662	412N1156-2								. . . CHASSIS ASSY (USED ON ITEM 560)		1
-665	412N1156-14								. . . CHASSIS ASSY (USED ON ITEM 560A)		1
668	6041-3BRX225								. . . INSERT-DODGE (V01556)		2
671	412N1156-3								. . . CHASSIS (USED ON ITEM 656)		1
673	412N1156-15								. . . CHASSIS (USED ON ITEM 659)		1
675	412N1156-4								. . . CHASSIS (USED ON ITEM 662)		1
680	412N1156-16								. . . CHASSIS (USED ON ITEM 665)		1
685	NAS1833-3-400								. . INSERT		6

-Item not Illustrated

# 25-28-44

ILLUSTRATED PARTS LIST

Page 1098.87

Mar 01/2006



## COMPONENT MAINTENANCE MANUAL

FIG/ ITEM	PART NUMBER	AIRLINE PART NUMBER	NOMENCLATURE							USAGE CODE	UNITS PER ASSY
			1	2	3	4	5	6	7		
3-											
690	412N1155-3								. . HINGE ASSY (LIMITED USAGE) (USED ON ITEM 690A)		1
690A	412N1155-9								. . HINGE ASSY (LIMITED USAGE) (OPT ITEM 690)		1
									ATTACHING PARTS		
695	412N1227-1								. . BOLT (OPT ITEM 700)		1
-700	AIC1321-3-8								. . BOLT (V06725) (OPT ITEM 695)		1
705	BACB30LK3-18								. . BOLT (USED ON ITEM 690)		1
-710	NAS1801-3-10								. . BOLT (USED ON ITEM 690A)		1
715	BACW10P136AL								. . WASHER (V10630) (SPEC BACW10P136AL)		2
720	NAS18833-3-400								. . INSERT  ----- * -----		2
725	NAS6703PU11								. . . BOLT (USED ON ITEM 690)		1
730	BACS30NM3K8								. . . BOLT (USED ON ITEM 690A)		1
735	AN960PD10L								. . . WASHER (USED ON ITEM 690)		1
740	AN960KD10L								DELETED		
740A	AN960JD10L								. . . WASHER (USED ON ITEM 690A)		1
745	NAS43DD3-5								. . . SPACER (USED ON ITEM 690)		1
750	NAS43DD3-8								. . . SPACER (USED ON ITEM 690A)		1
755	NAS43DD3-6								. . . SPACER (USED ON ITEM 690)		1
760	NAS43DD3-3								. . . SPACER (USED ON ITEM 690A)		1

-Item not Illustrated

# 25-28-44

ILLUSTRATED PARTS LIST

Page 1098.88

Mar 01/2006





## COMPONENT MAINTENANCE MANUAL

FIG/ ITEM	PART NUMBER	AIRLINE PART NUMBER	NOMENCLATURE							USAGE CODE	UNITS PER ASSY
			1	2	3	4	5	6	7		
3-											
765	H2948-2							. . . HINGE (V83014) (SPEC S412N102-2)			1
770	412N1156-5							. . . CHASSIS ASSY (USED ON ITEM 690)			1
775	412N1156-19							. . . CHASSIS ASSY (USED ON ITEM 690A)			1
780	6041-3BRX225							. . . . INSERT-DODGE (V01556)			2
785	412N1156-3							. . . . CHASSIS (USED ON ITEM 770)			1
790	412N1156-25							. . . . CHASSIS (USED ON ITEM 775)			1
800	BACB30NM3K2							. . BOLT			1
805	AN960PD10L							. . WASHER			2
810	NAS1804-3							. . NUT			1
815	BACS12ER08K14							. . BOLT			1
820	AN960PD8							. . WASHER			1
825	H10-08BAC							. . NUT (V15653) (SPEC BACN10JC08)			1
830	BACB30NM3K3							. . BOLT			1
835	AN960PD10L							DELETED			
835A	AN960JD10L							. . WASHER			2
840	BACW10CA3CVU							DELETED			
840A	AN960JD10							. . WASHER			2
845	BACW10CA3CCU							DELETED			
850	H10-3BAC							DELETED			
850A	MS21042L3							. . NUT			2
855	412N1153-101							. . LATCH ASSY-60 IN.	A, C, D, F, G		1
855A	412N1153-121							. . LATCH ASSY-60 IN.	B, E		1
855B	412N1153-56							. . LATCH ASSY-26 IN.			1

-Item not Illustrated

# 25-28-44

ILLUSTRATED PARTS LIST

Page 1098.89

Mar 01/2006



## COMPONENT MAINTENANCE MANUAL

FIG/ ITEM	PART NUMBER	AIRLINE PART NUMBER	NOMENCLATURE							USAGE CODE	UNITS PER ASSY	
			1	2	3	4	5	6	7			
3- 875	BACS12ER06K8		.	.	SCREW (V06710) (SPEC BACS12ER06K8) (OPT BACS12ER06K8 (V06725)) (OPT BACS12ER06K8 (V06950)) (OPT BACS12ER06K8 (V27624)) (OPT BACS12ER06K8 (V34252)) (OPT BACS12ER06K8 (V56878)) (OPT BACS12ER06K8 (V73197)) (OPT BACS12ER06K8 (V80539)) (OPT BACS12ER06K8 (V92215)) (OPT BACS12ER06K8 (V93907)) (OPT BACS12ER06K8 (V97928))							8
880	SL210-06-2		.	.	INSERT (V97393)							8
885	BACS12ER08K6		.	.	SCREW (V06710) (SPEC BACS12ER08K6) (OPT BACS12ER08K6 (V06725)) (OPT BACS12ER08K6 (V06950)) (OPT BACS12ER08K6 (V27624)) (OPT BACS12ER08K6 (V34252)) (OPT BACS12ER08K6 (V56878)) (OPT BACS12ER08K6 (V73197)) (OPT BACS12ER08K6 (V80539)) (OPT BACS12ER08K6 (V92215)) (OPT BACS12ER08K6 (V93907)) (OPT BACS12ER08K6 (V97928))						4	
890	NAS514P832-5		.	.	SCREW							8
895	SL210-08-1		.	.	INSERT (V97393)							8
900	412N1113-7		.	.	COVER							2
905	412N1113-8		.	.	COVER							2
910	H3-1145-3-IL5760		.	.	LATCH ASSY (V34941) (SPEC S412N101-1160) (USED ON ITEM 855A)							1
910A	H3-1145-2-I5760		.	.	LATCH ASSY (V34941) (SPEC S412N101-1060) (USED ON ITEM 855)							1

-Item not Illustrated

**25-28-44**

ILLUSTRATED PARTS LIST

Page 1098.90

Mar 01/2006



## COMPONENT MAINTENANCE MANUAL

FIG/ ITEM	PART NUMBER	AIRLINE PART NUMBER	NOMENCLATURE							USAGE CODE	UNITS PER ASSY
			1	2	3	4	5	6	7		
3-											
-910B	S412N101-3118		. . .	LATCH ASSY (V34941) (SPEC S412N101-3026) (USED ON ITEM 855B)							1
930	65C27017-2		. .	BRACKET							1
935	412N1117-5		. .	FITTING							1
940	65C27016-6		. .	FILLER FITTING-TAPERED							1
945	65C27017-3		. .	FITTING							1
950	BACR15DR3P		. .	RIVET (SIZE DETERMINED ON INST)							2
955	BACS12FA3K5		. .	SCREW (V06710)							34
960	BACS12FA3K15		. .	SCREW							4
965	BACS12ER08K12		. .	SCREW							27
970	AN960PD8		. .	WASHER							21
975	BACN10JC08		. .	NUT							21
980	65C27023-19		. .	SUPPORT-PASS. SVCE UNIT							1
985	412N1146-111		. .	SUPPORT-PASS. BULLNOSE					A, C, D, E, G		1
985A	412N1146-75		. .	SUPPORT-PASS. BULLNOSE					B, F		1
-985B	412N1146-50		. .	SUPPORT-PASS. BULLNOSE							1
990	412N1224-2		. .	SUPPORT-PASS. BULLNOSE							1
1005	BACR15DR3		. . .	RIVET (SIZE DETERMINED ON INST)							4
1010	BACN10KB08		. . .	NUTPLATE (V52828) (SPEC BACN10K08B) (OPT MK2000-08BAC (V15653)) (OPT NS103198-82 (V80539)) (OPT RMA9207M82 (V72962)) (OPT T8077S832 (V11815)) (OPT VN201A1-82 (V92215))							2
1015	412N1146-115		. . .	SUPPORT-BULLNOSE					A, C, D, E, G		1
1015A	412N1146-76		. . .	SUPPORT-BULLNOSE					B, F		1
1015B	412N1146-50		. . .	SUPPORT-BULLNOSE							1

-Item not Illustrated

**25-28-44**

ILLUSTRATED PARTS LIST

Page 1098.91

Mar 01/2006



## COMPONENT MAINTENANCE MANUAL

FIG/ ITEM	PART NUMBER	AIRLINE PART NUMBER	NOMENCLATURE							USAGE CODE	UNITS PER ASSY
			1	2	3	4	5	6	7		
3-											
1020	BACS12ER08K6		. .							B, F	1
1025	BACW10DM5		. .							B, F	1
1030	AN960PD516L		. .							B, F	1
1035	AC8400EKAPK625		. .							B, F	1
1036	A2077-3		. .							F	1
1036A	AM15CL4-78-56		. .							F	1
1036B	AR15		. .							F	1
1037	BACW10F173AL		. .							F	1
1040	65C27016-4		. .							B, F	1
1045	412N1145-43		. .							B, E	1
1050	65C27016-5		. .							B	1
1051	AR292		. .							F	1
1051A	AM150		. .							F	1
1051B	412N1119-28		. .							F	1
1055	65C27012-17		. .							A	1
1060	65C27012-41		. .							B, C, F	1
1060A	65C27012-7S		. .							D	1
1060B	65C27012-80		. .							E	1
1060C	65C27012-90		. .							G	1
1070	65C27012-1028		. . .								1
1075	NAS1836-3-11		. . . .								18
1080	65C27012-1107		. . .								1

-Item not Illustrated

# 25-28-44

ILLUSTRATED PARTS LIST

Page 1098.92

Mar 01/2006



## COMPONENT MAINTENANCE MANUAL

FIG/ ITEM	PART NUMBER	AIRLINE PART NUMBER	NOMENCLATURE							USAGE CODE	UNITS PER ASSY
			1	2	3	4	5	6	7		
3-											
1085	NAS1836-3-11										8
1090	NAS1836-4-11										2
1095	65C27012-1205										1
1100	NAS1836-3-11										4
1105	SL2334-3A2										8
1110	65C27012-1315										1
1115	65C27012-8										1
1120	NAS1836-3-11										17
1125	SL2334-3A2										4
1130	65C27012-2015										1
1135	NAS1836-3-11										4
1140	SL2334-3A2										4
1145	65C27012-2113										1
1150	NAS1836-3-11										7
1151	65C27012-2143								G		1
1151A	NAS1836-3-11										7
1152	65C27012-4006								E		1
1152A	NAS1833-3-408										6
1153	65C27012-4106								E		1
1153A	NAS1833-3-400										10
1155	65C27327-25								A		1
1155A	65C27327-61								B, C, E-G		1
1155B	65C27327-118								D		1
1158	BACS12FA3K5										6
1161	NAS1836-3-11										3
1164	BACB30NN3K6										16
1167	SL3378-3-380										16
1170	AN960JD10L										16
1173	MS1042L3										16
1176	BACS12FA3K12										12
1179	NAS1834-3-400										12

-Item not Illustrated

**25-28-44**

ILLUSTRATED PARTS LIST

Page 1098.93

Mar 01/2006



## COMPONENT MAINTENANCE MANUAL

FIG/ ITEM	PART NUMBER	AIRLINE PART NUMBER	NOMENCLATURE							USAGE CODE	UNITS PER ASSY
			1	2	3	4	5	6	7		
3-											
1182	412N1217-62								.... BRACKET ASSY		1
1185	412N1217-64								.... BRACKET		1
1188	BACN10JP3A								..... NUTPLATE		5
1191	BACR15BA3D								..... RIVET		10
1194	412N1217-5								.... BRACKET		1
1197	412N1217-78								.... BRACKET ASSY		1
1200	412N1217-80								..... BRACKET		1
1203	BACN10JP3A								..... NUTPLATE		7
1206	BACR15BA3D								..... RIVET		14
1209	412N1116-75								.... PANEL ASSY-END		1
1212	412N1116-17								..... PANEL ASSY		1
1215	NAS1836-3-11								..... INSERT		5
1218	NAS1834-4-400								.... INSERT		13
1221	BACS12FA3K12								.... SCREW (V06710) (SPEC BACS12FA3K12) (OPT BACS12FA3K12 (V06725)) (OPT BACS12FA3K12 (V06950)) (OPT BACS12FA3K12 (V27624)) (OPT BACS12FA3K12 (V34252)) (OPT BACS12FA3K12 (V56878)) (OPT BACS12FA3K12 (V73197)) (OPT BACS12FA3K12 (V80539)) (OPT BACS12FA3K12 (V92215)) (OPT BACS12FA3K12 (V93907)) (OPT BACS12FA3K12 (V97928))		13
1224	412N1216-14								.... PANEL ASSY-DIVIDER		1
1227	BACB30NN3K1								..... BOLT (V06710) (SPEC BACB30NN3K1) (OPT BACB30NN3K1 (V06725)) (OPT BACB30NN3K1 (V06950)) (OPT BACB30NN3K1 (V08524)) (OPT BACB30NN3K1 (V27624)) (OPT BACB30NN3K1 (V56878)) (OPT BACB30NN3K1 (V73197)) (OPT BACB30NN3K1 (V80539)) (OPT BACB30NN3K1 (V92215)) (OPT BACB30NN3K1 (V93907)) (OPT BACB30NN3K1 (V97928))		16

-Item not Illustrated

# 25-28-44

ILLUSTRATED PARTS LIST

Page 1098.94

Mar 01/2006



## COMPONENT MAINTENANCE MANUAL

FIG/ ITEM	PART NUMBER	AIRLINE PART NUMBER	NOMENCLATURE							USAGE CODE	UNITS PER ASSY
			1	2	3	4	5	6	7		
3-											
1230	BACW10CT10								..... WASHER (V10630) (SPEC BACW10CT10)		16
1233	AN960PD516L								..... WASHER		16
1236	SL5-3-145S								..... NUT (V97393) (OPT ITEM 1236A)		16
-1236A	KD121395-145								..... NUT (V29372) (OPT ITEM 1236)		16
1239	412N1217-19								..... BRACKET ASSY		1
1242	BACR15BA3AD								..... RIVET (SIZE DETERMINED ON INST)		14
1245	BRM200A3								..... NUTPLATE (V52828) (SPEC BACN10JP3A) (OPT MK1000-3BAC (V15653)) (OPT NS103197-02 (V80539)) (OPT T8076S1032 (V71087)) (OPT T8076S1032 (V11815)) (OPT VN202A1-02 (V92215))		7
1248	412N1217-20								..... BRACKET		1
1251	412N1217-23								..... BRACKET ASSY		1
1254	BACR15BA3AD								..... RIVET (SIZE DETERMINED ON INST)		12
1257	BRM200A3								..... NUTPLATE (V52828) (SPEC BACN10JP3A) (OPT MK1000-3BAC (V15653)) (OPT NS103197-02 (V80539)) (OPT T8076S1032 (V71087)) (OPT T8076S1032 (V11815)) (OPT VN202A1-02 (V92215))		6
1260	412N1217-24								..... BRACKET		1
1263	412N1116-47								..... PANEL ASSY-DIVIDER		1
1266	412N1116-17								..... PANEL ASSY		1
1269	412N1116-50								..... PANEL ASSY-DIVIDER		1
1272	NAS1836-3-11								..... INSERT		2
1275	412N1116-16								..... PANEL ASSY		2

-Item not illustrated

# 25-28-44

ILLUSTRATED PARTS LIST

Page 1098.95

Mar 01/2006



## COMPONENT MAINTENANCE MANUAL

FIG/ ITEM	PART NUMBER	AIRLINE PART NUMBER	NOMENCLATURE							USAGE CODE	UNITS PER ASSY
			1	2	3	4	5	6	7		
3-											
1278	412N1215-28										1
1278A	412N1215-62										1
1280	412N1116-91								D		1
1283	412N1116-30										1
1286	NAS1836-3-11										7
1289	412N1145-33										5
1291	BACS12FA3K6										10
1294	NAS1833-3-400										5

-Item not Illustrated

# 25-28-44

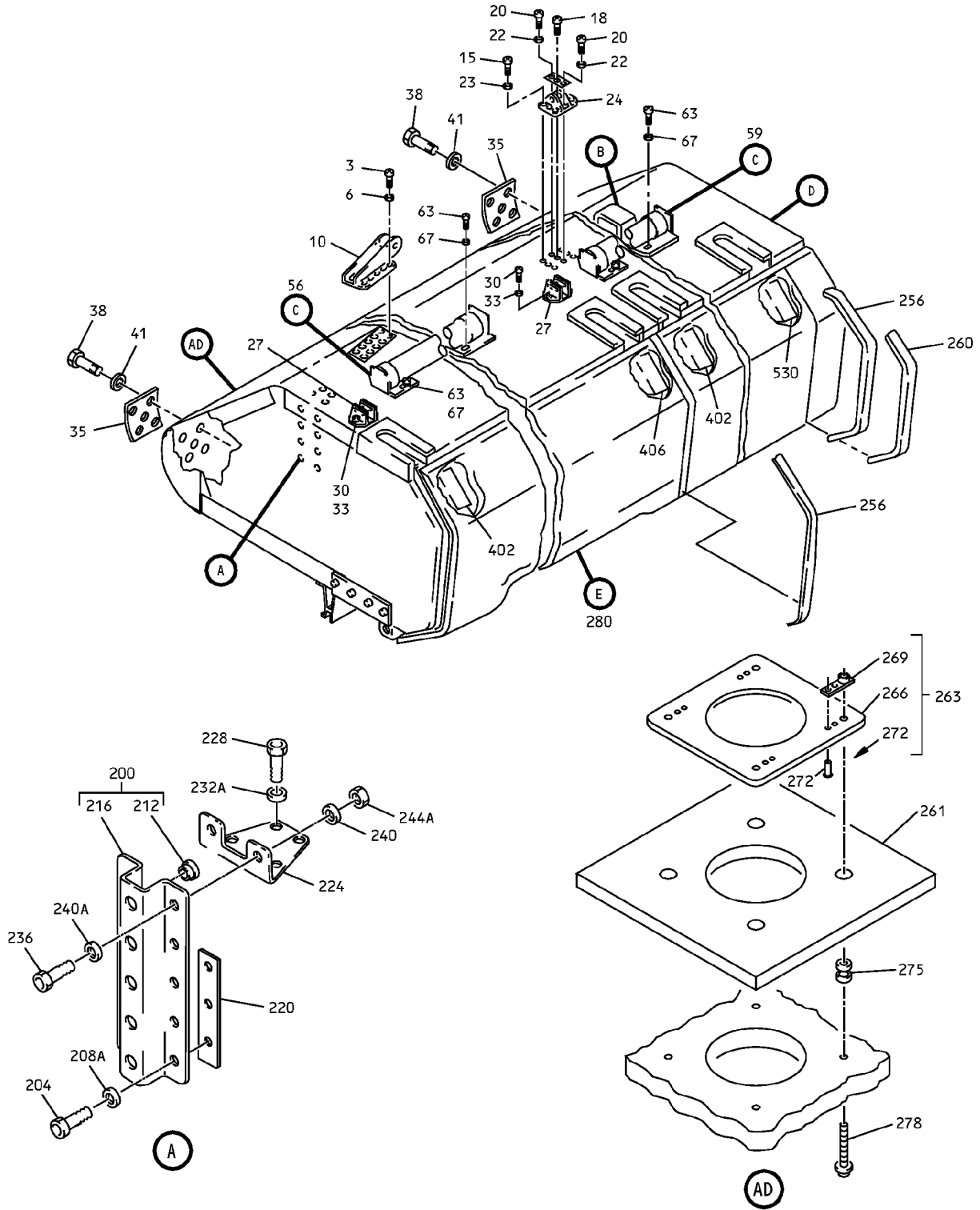
ILLUSTRATED PARTS LIST

Page 1098.96

Mar 01/2006



COMPONENT MAINTENANCE MANUAL



Overhead Storage Compartment Assembly  
IPL Figure 4 (Sheet 1 of 19)

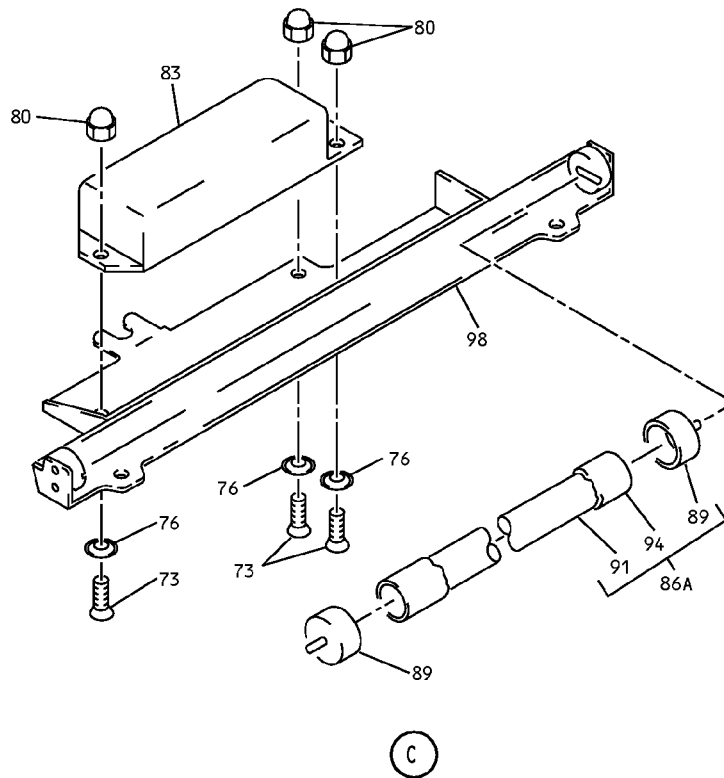
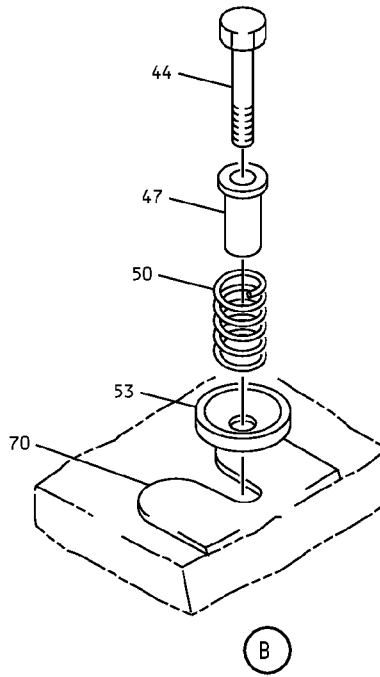
**25-28-44**

ILLUSTRATED PARTS LIST

Page 1098.97

Mar 01/2006

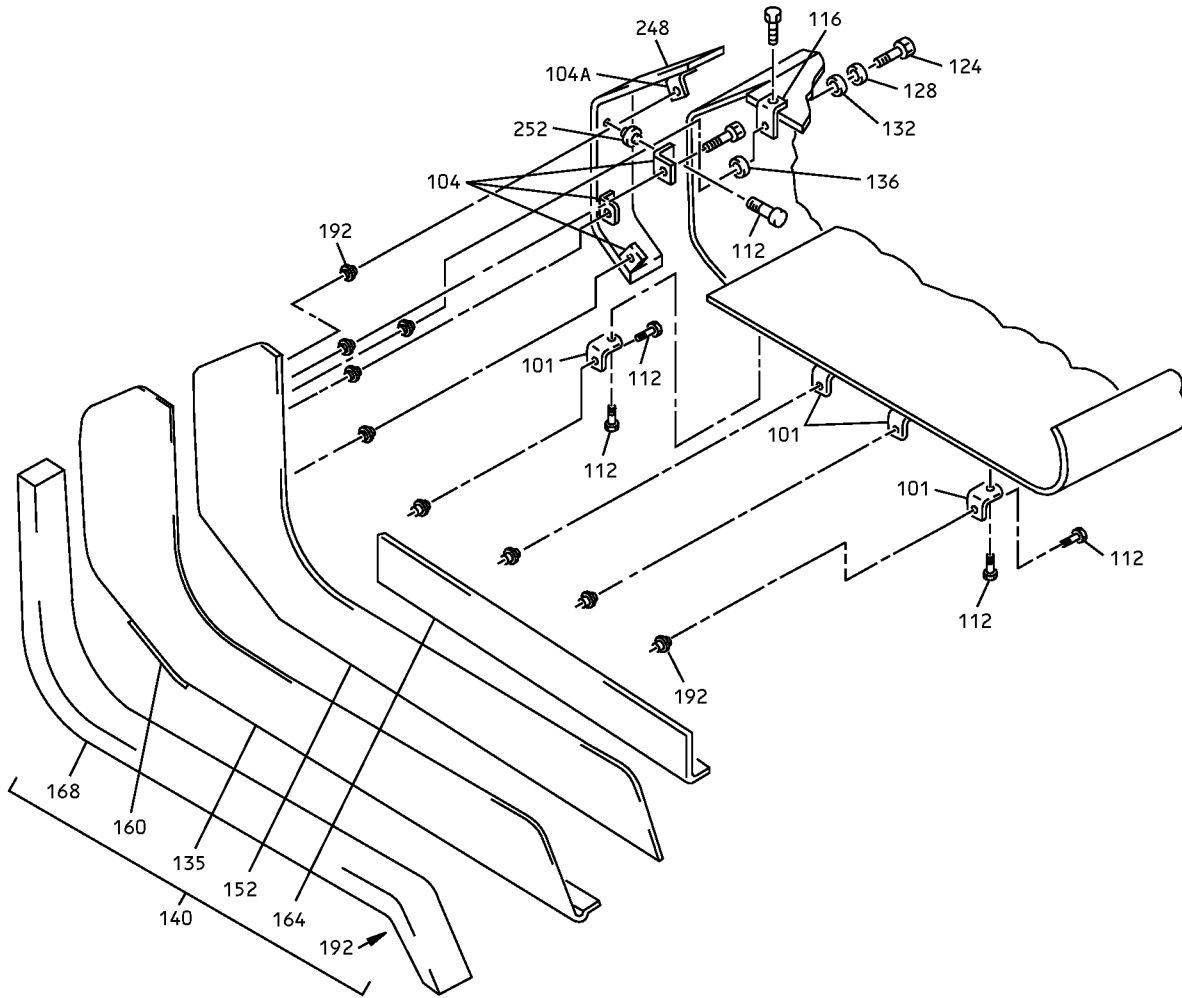
COMPONENT MAINTENANCE MANUAL



Overhead Stowage Compartment Assembly  
IPL Figure 4 (Sheet 2 of 19)

**25-28-44**  
ILLUSTRATED PARTS LIST  
Page 1098.98  
Mar 01/2006

COMPONENT MAINTENANCE MANUAL



D

Overhead Stowage Compartment Assembly  
IPL Figure 4 (Sheet 3 of 19)

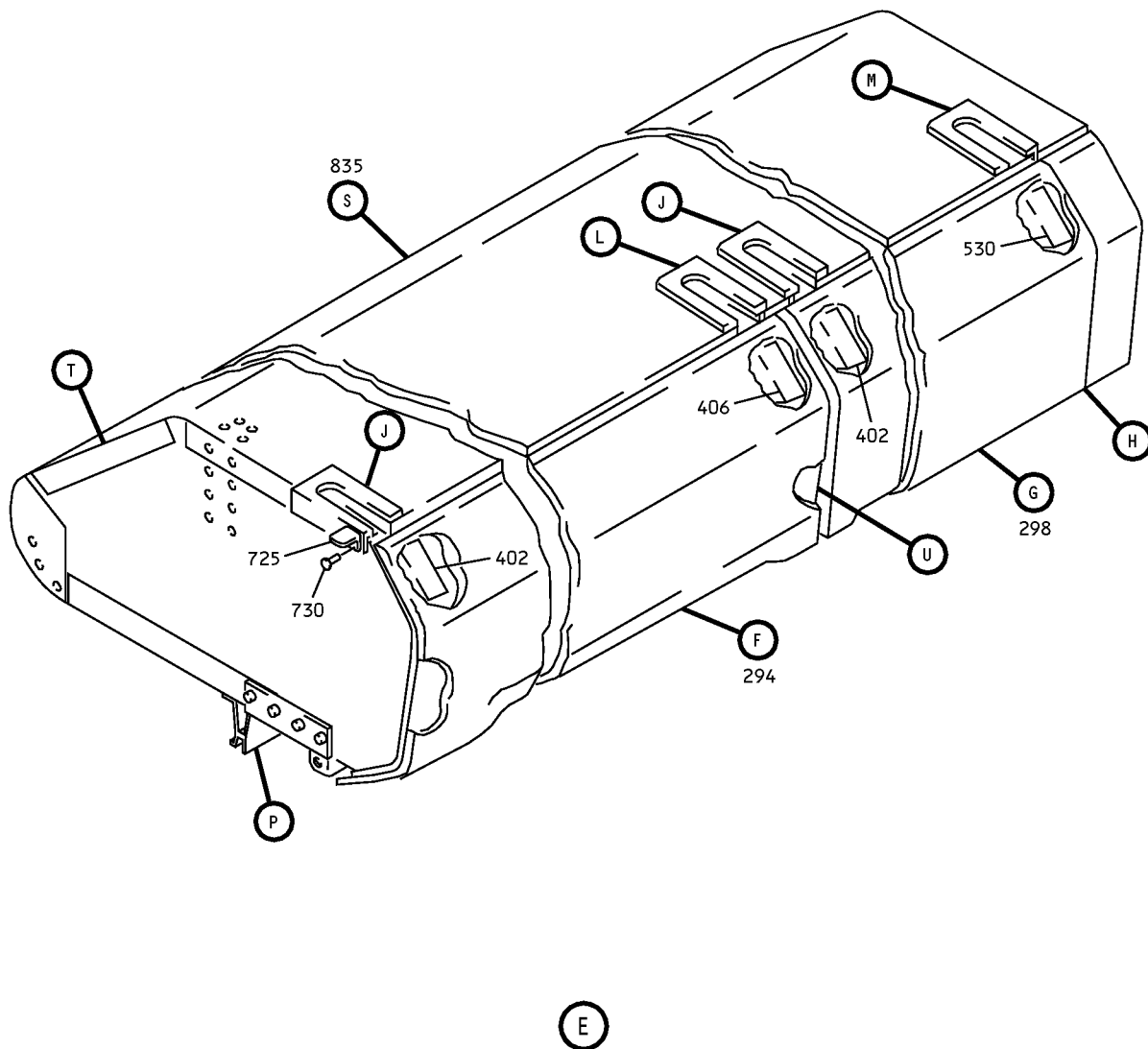
**25-28-44**

ILLUSTRATED PARTS LIST

Page 1098.99

Mar 01/2006

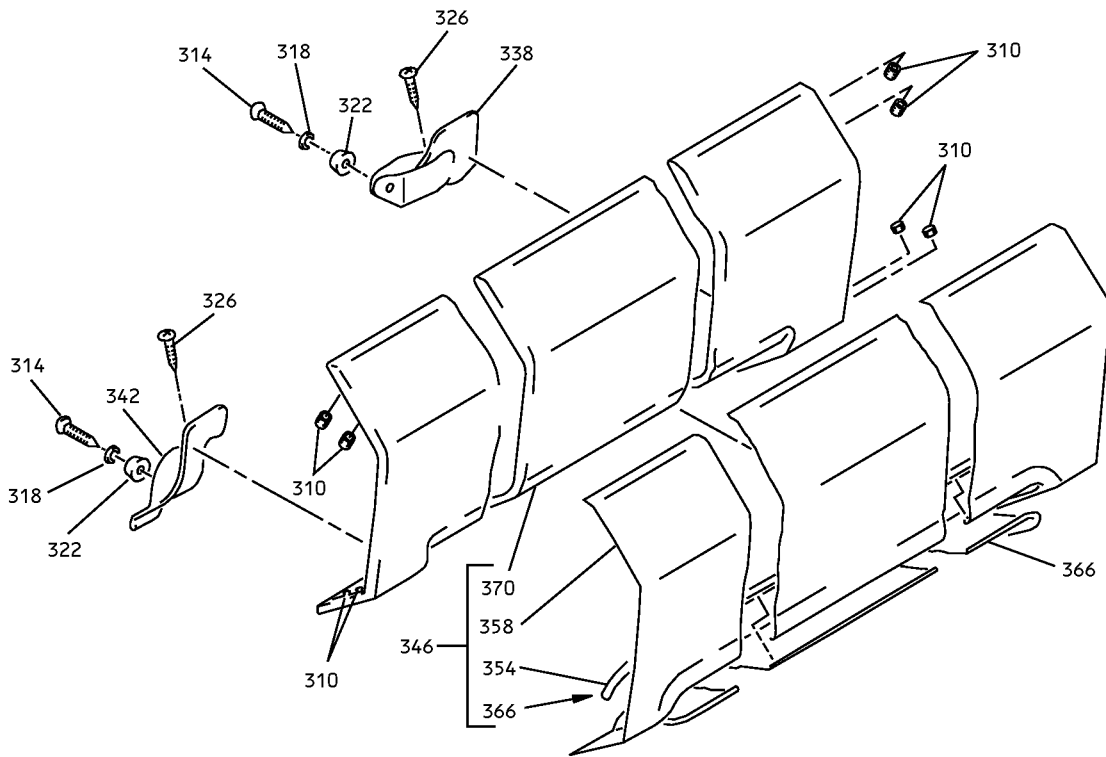
# COMPONENT MAINTENANCE MANUAL



Overhead Stowage Compartment Assembly  
IPL Figure 4 (Sheet 4 of 19)

**25-28-44**  
ILLUSTRATED PARTS LIST  
Page 1098.100  
Mar 01/2006

COMPONENT MAINTENANCE MANUAL



F

Overhead Stowage Compartment Assembly  
IPL Figure 4 (Sheet 5 of 19)

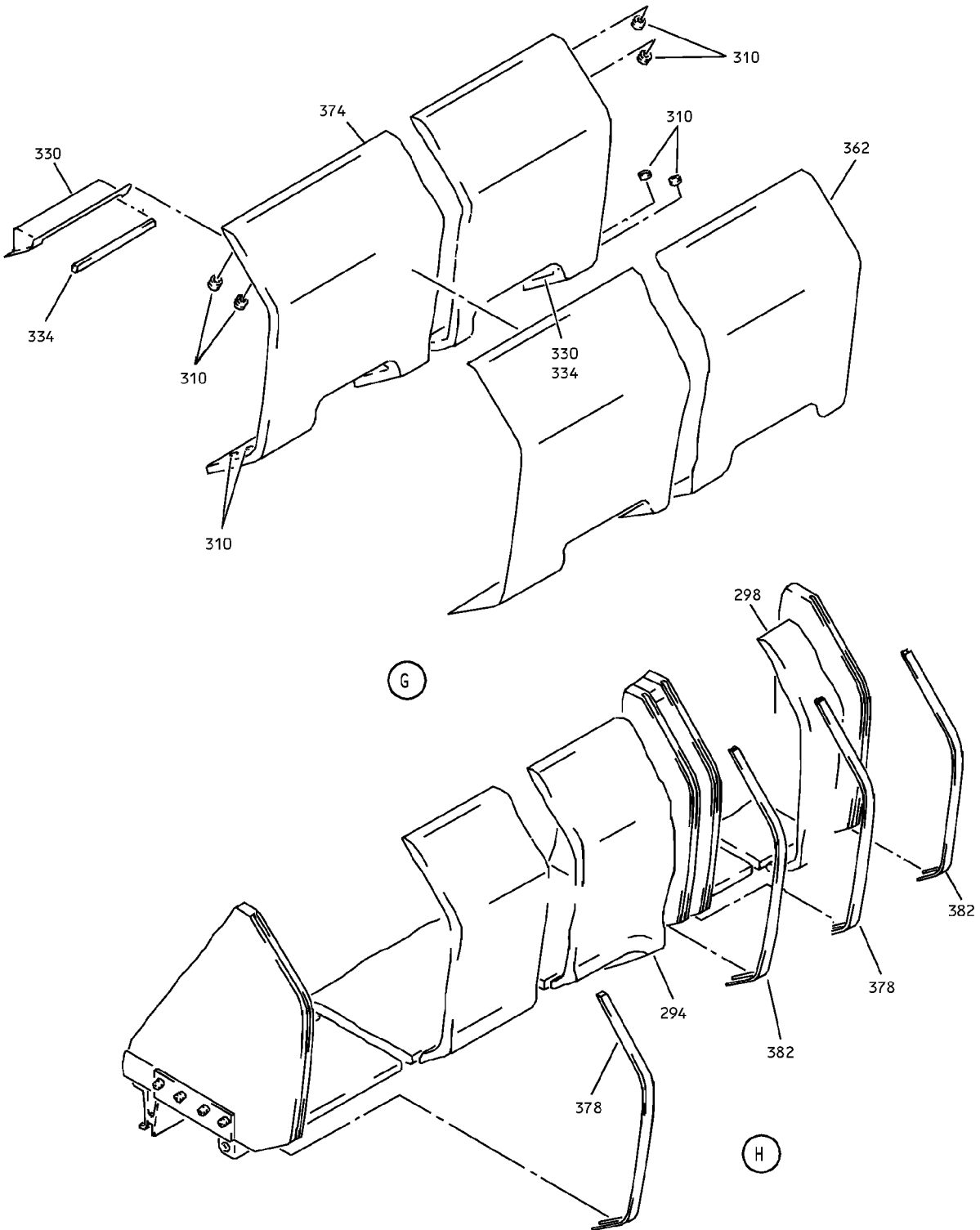
**25-28-44**

ILLUSTRATED PARTS LIST

Page 1098.101

Mar 01/2006

# COMPONENT MAINTENANCE MANUAL



Overhead Storage Compartment Assembly  
IPL Figure 4 (Sheet 6 of 19)

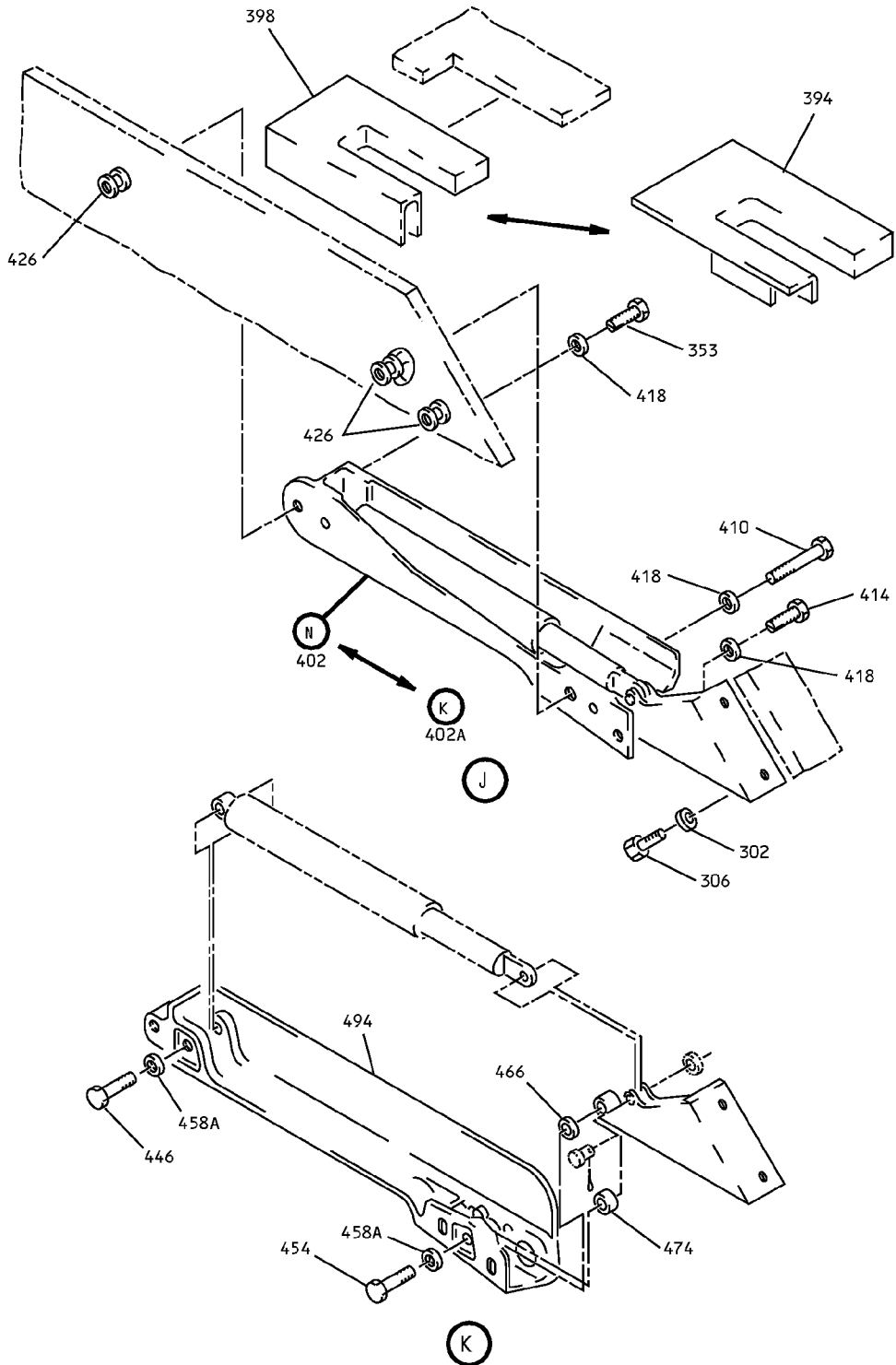
## 25-28-44

ILLUSTRATED PARTS LIST

Page 1098.102

Mar 01/2006

COMPONENT MAINTENANCE MANUAL



Overhead Storage Compartment Assembly  
IPL Figure 4 (Sheet 7 of 19)

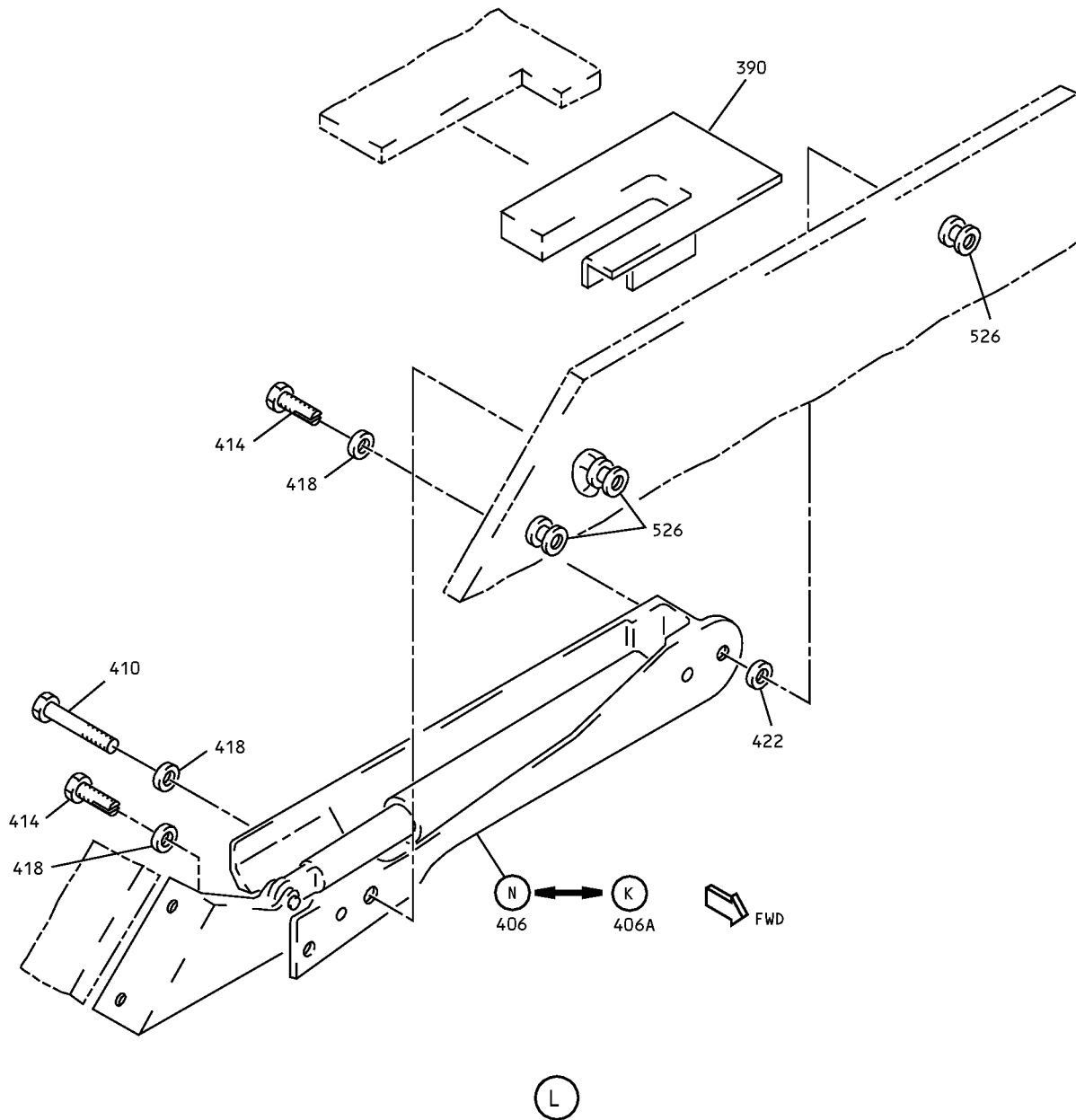
**25-28-44**

ILLUSTRATED PARTS LIST

Page 1098.103

Mar 01/2006

COMPONENT MAINTENANCE MANUAL

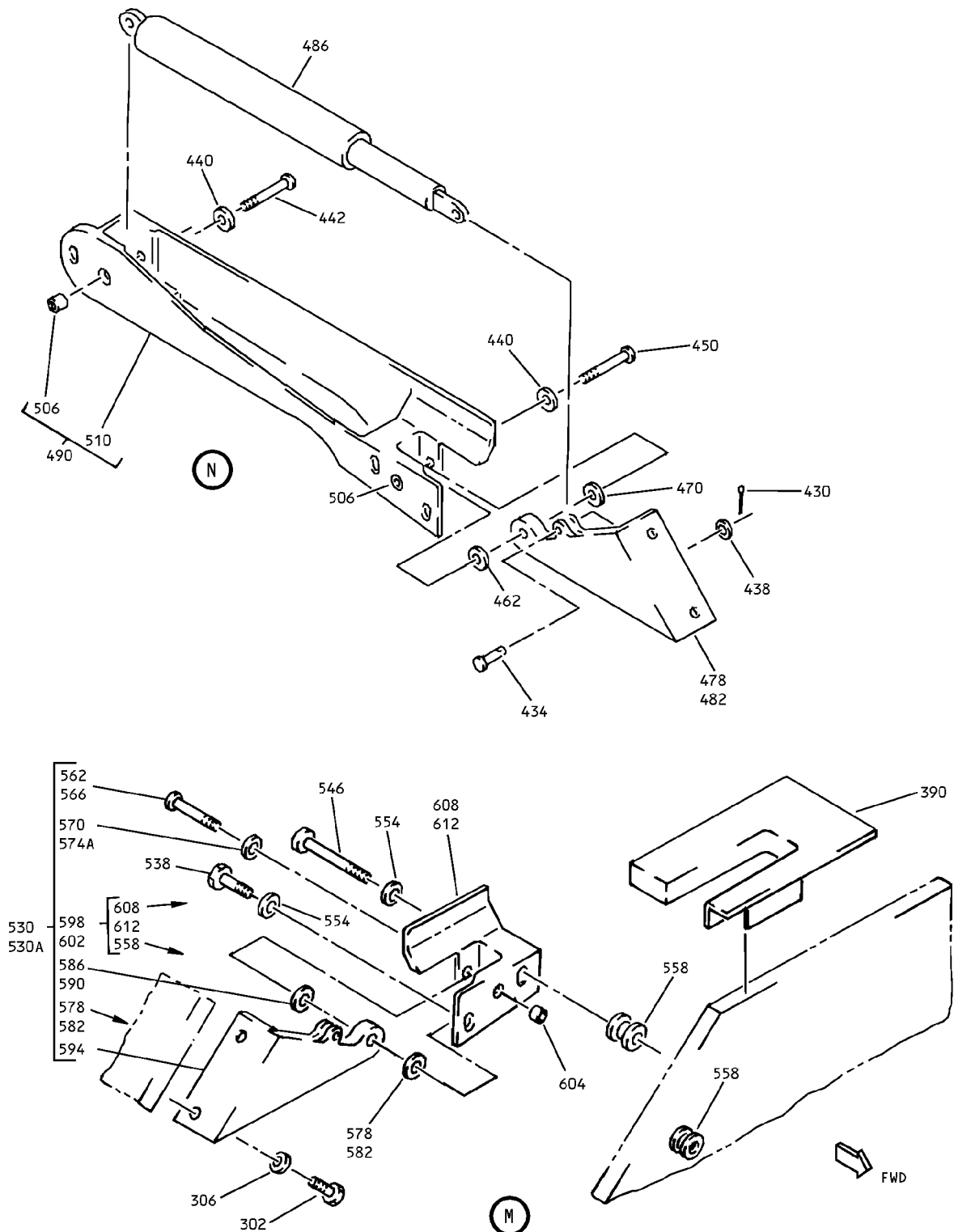


Overhead Stowage Compartment Assembly  
IPL Figure 4 (Sheet 8 of 19)

**25-28-44**  
ILLUSTRATED PARTS LIST  
Page 1098.104  
Mar 01/2006



### COMPONENT MAINTENANCE MANUAL

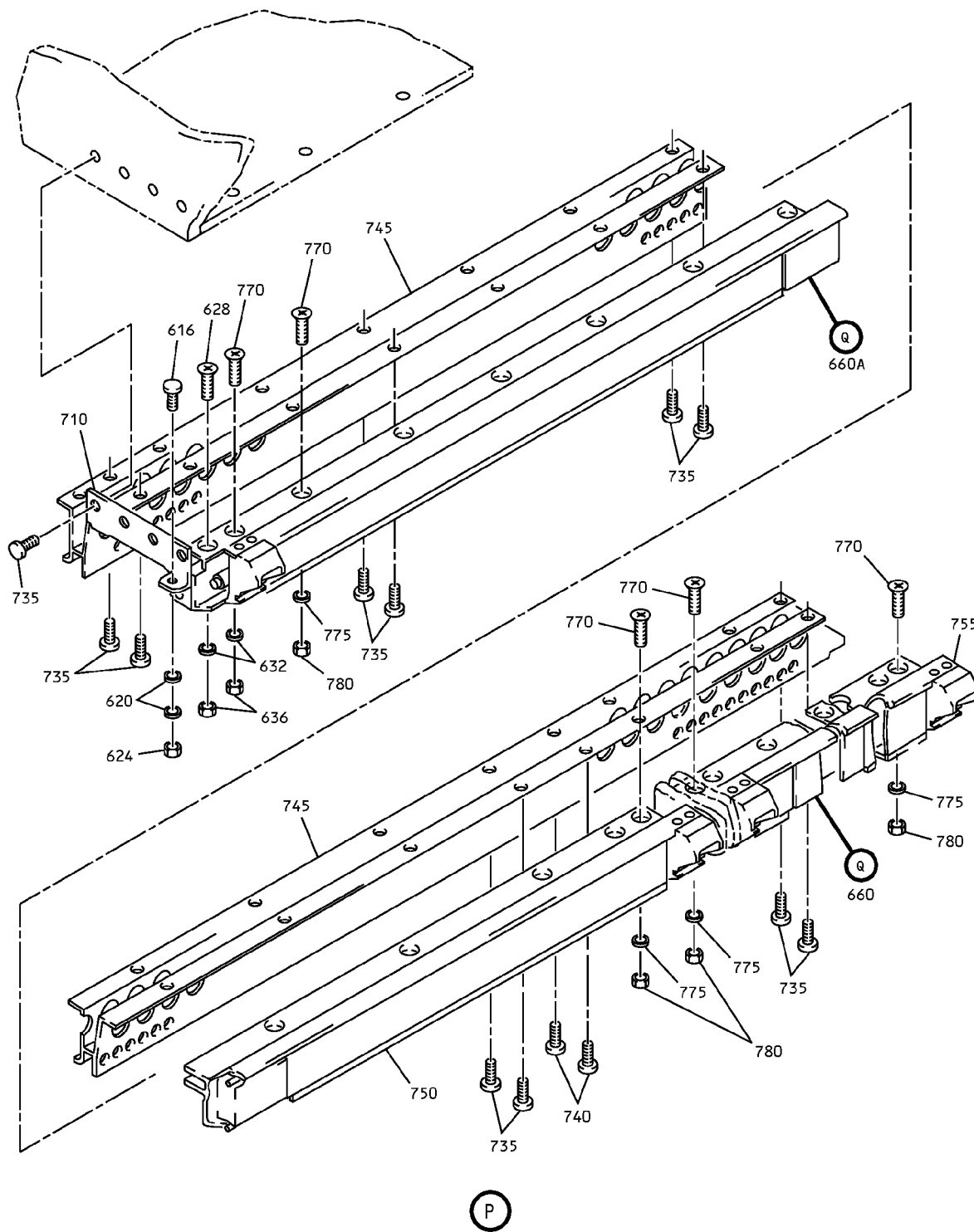


Overhead Storage Compartment Assembly  
IPL Figure 4 (Sheet 9 of 19)

# 25-28-44

ILLUSTRATED PARTS LIST  
Page 1098.105  
Mar 01/2006

# COMPONENT MAINTENANCE MANUAL



Overhead Storage Compartment Assembly  
IPL Figure 4 (Sheet 10 of 19)

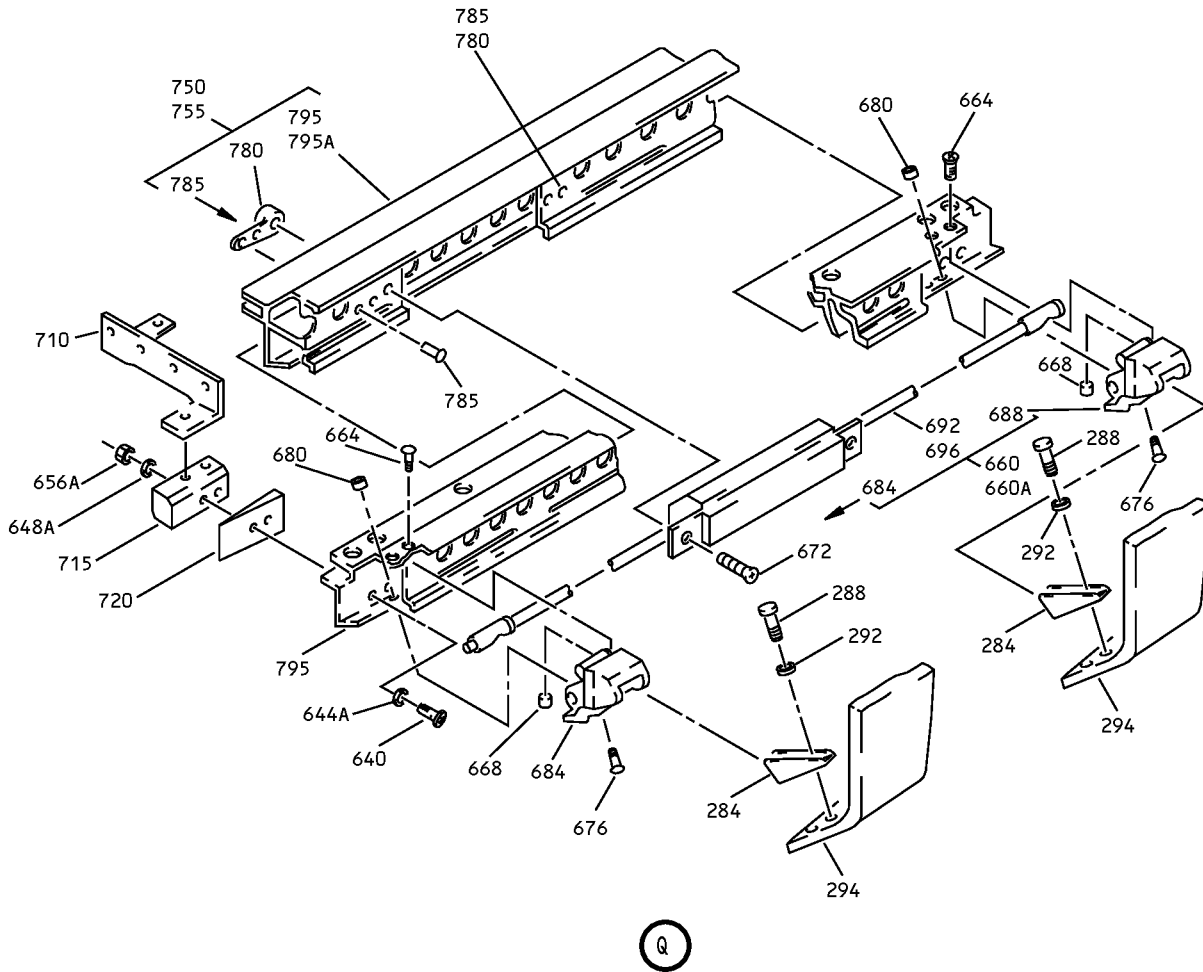
## 25-28-44

ILLUSTRATED PARTS LIST

Page 1098.106

Mar 01/2006

COMPONENT MAINTENANCE MANUAL



Overhead Storage Compartment Assembly  
IPL Figure 4 (Sheet 11 of 19)

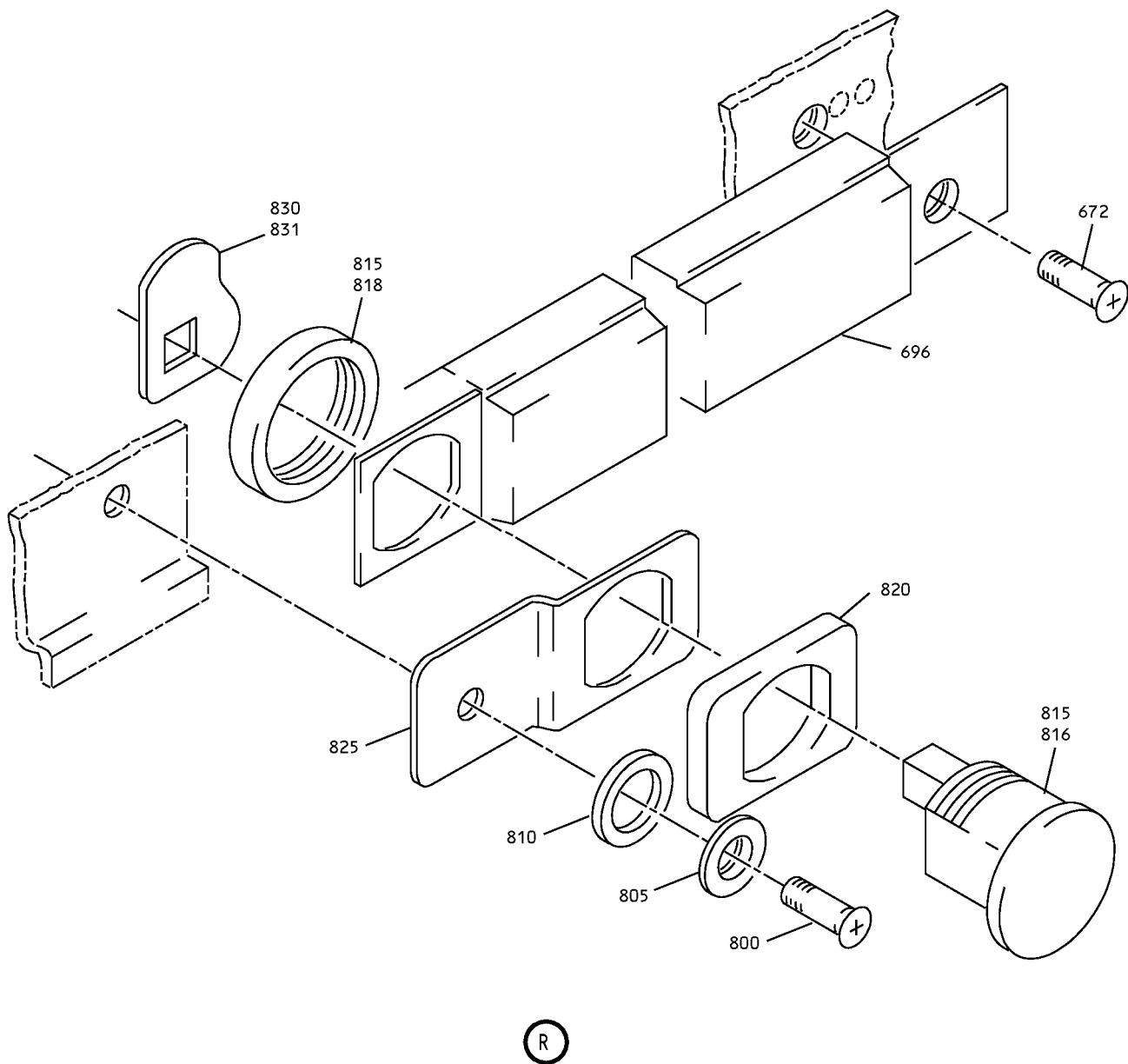
**25-28-44**

ILLUSTRATED PARTS LIST

Page 1098.107

Mar 01/2006

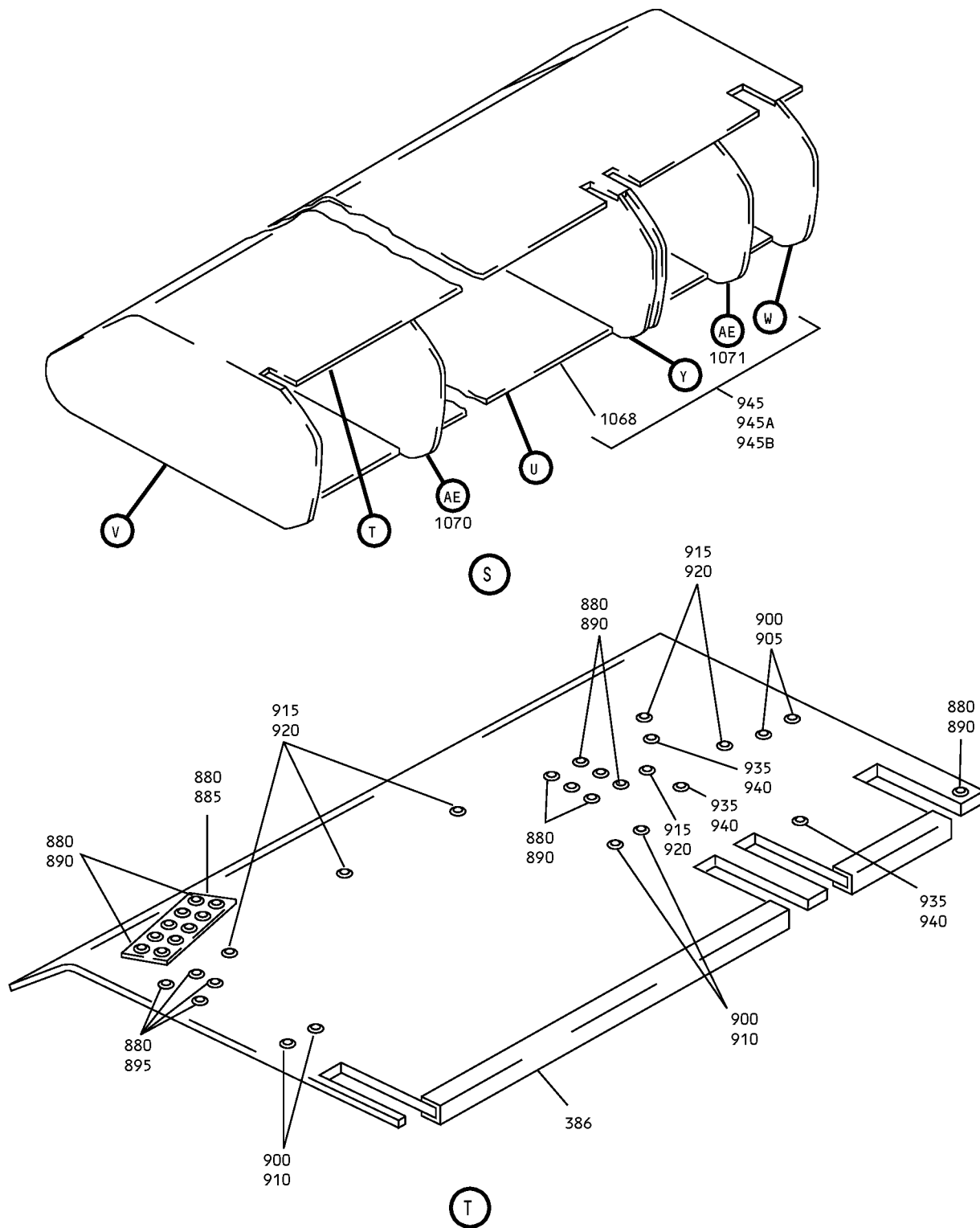
# COMPONENT MAINTENANCE MANUAL



Overhead Storage Compartment Assembly  
IPL Figure 4 (Sheet 12 of 19)

**25-28-44**  
ILLUSTRATED PARTS LIST  
Page 1098.108  
Mar 01/2006

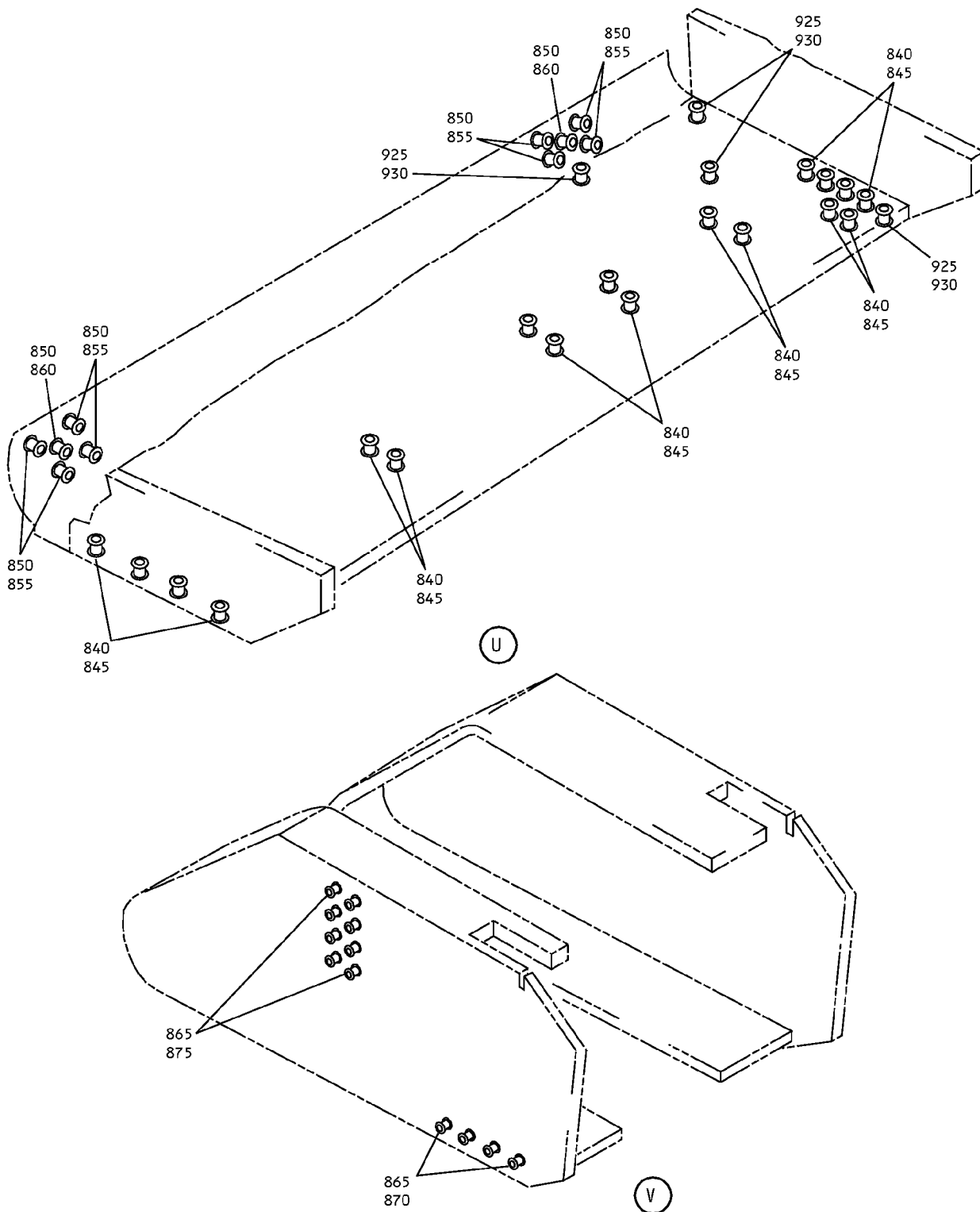
COMPONENT MAINTENANCE MANUAL



Overhead Stowage Compartment Assembly  
IPL Figure 4 (Sheet 13 of 19)

**25-28-44**  
ILLUSTRATED PARTS LIST  
Page 1098.109  
Mar 01/2006

# COMPONENT MAINTENANCE MANUAL



Overhead Storage Compartment Assembly  
IPL Figure 4 (Sheet 14 of 19)

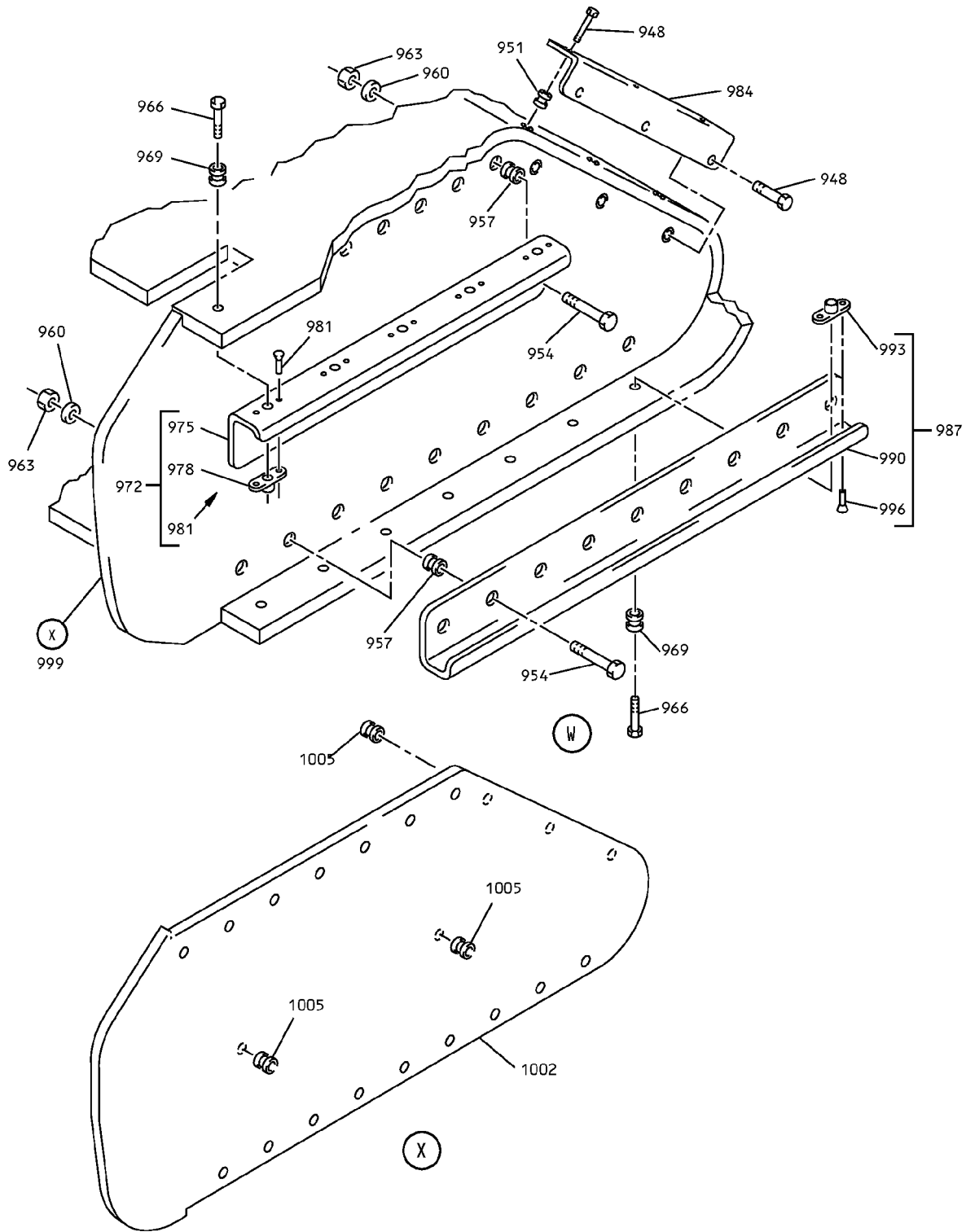
## 25-28-44

ILLUSTRATED PARTS LIST

Page 1098.110

Mar 01/2006

COMPONENT MAINTENANCE MANUAL



Overhead Stowage Compartment Assembly  
IPL Figure 4 (Sheet 15 of 19)

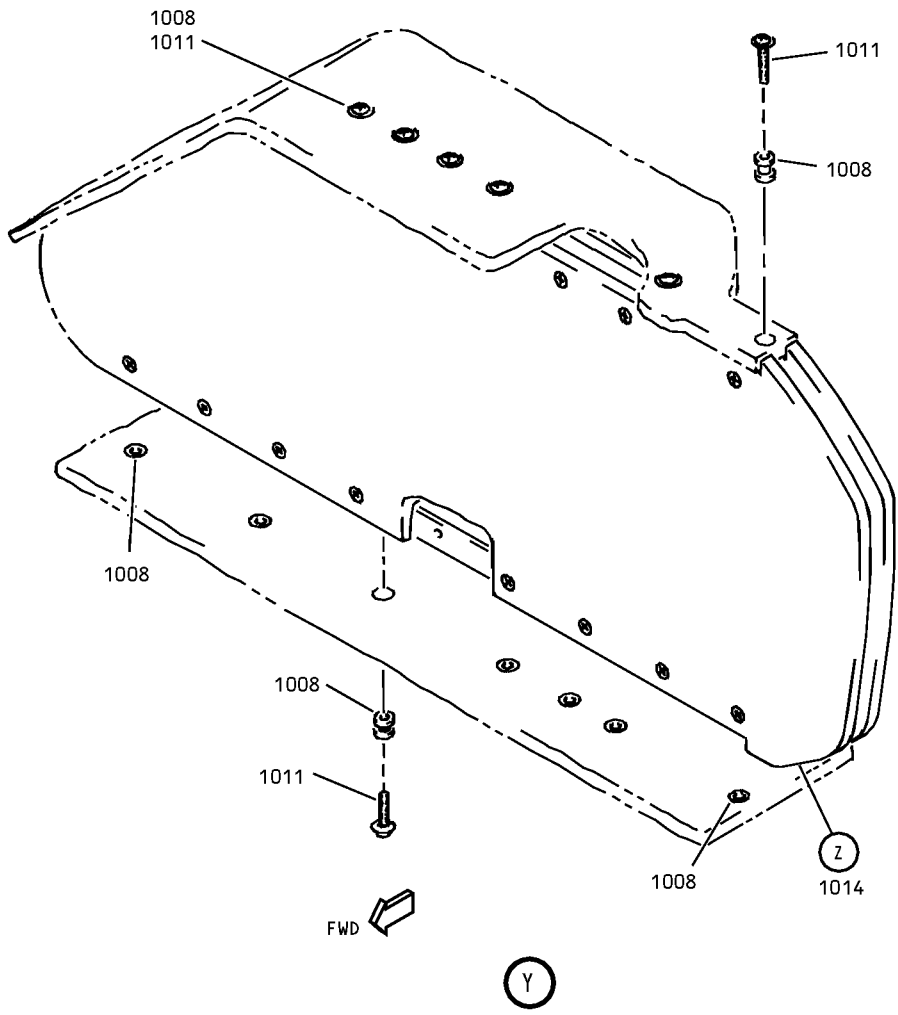
**25-28-44**

ILLUSTRATED PARTS LIST

Page 1098.111

Mar 01/2006

# COMPONENT MAINTENANCE MANUAL

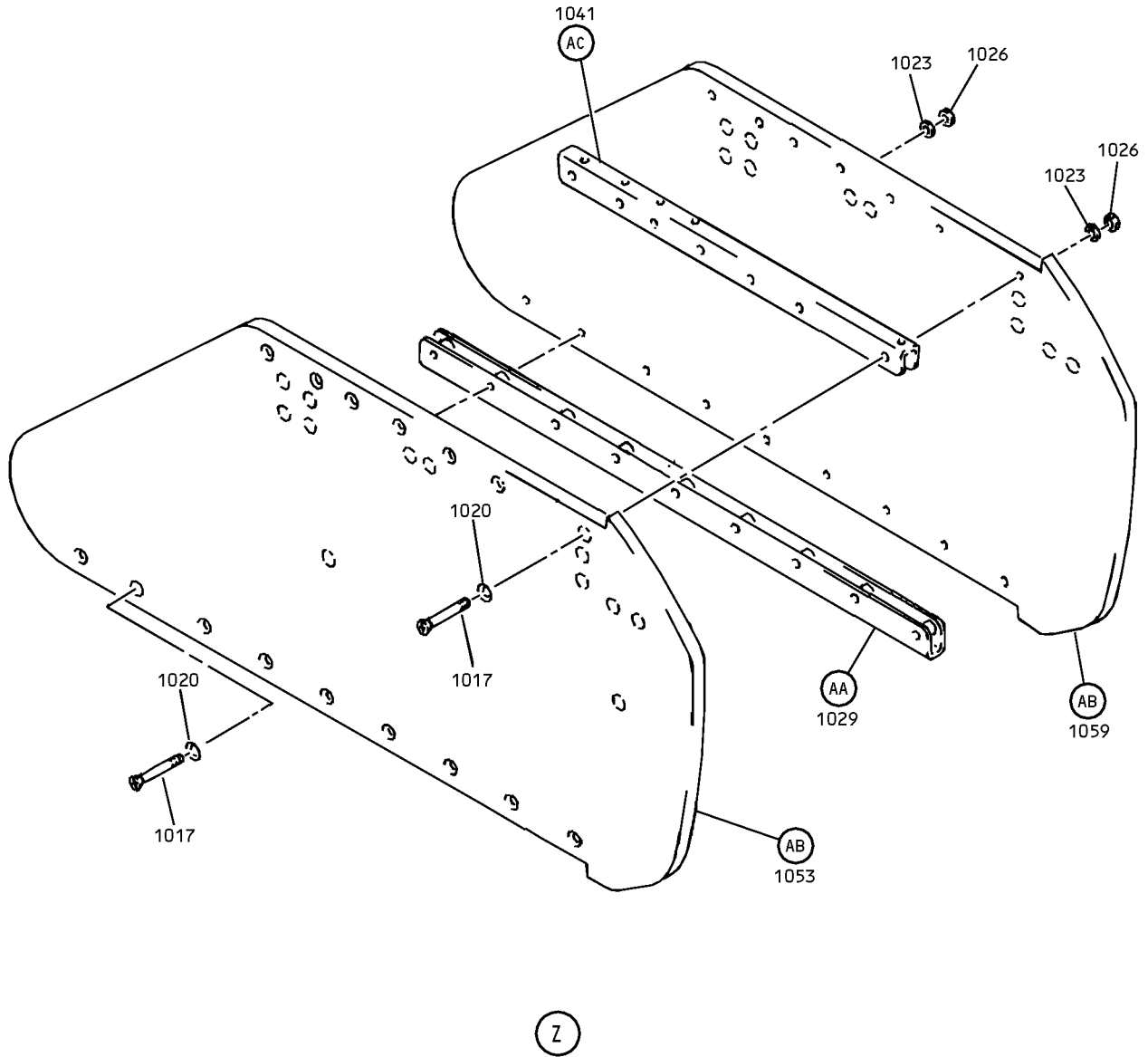


Overhead Storage Compartment Assembly  
IPL Figure 4 (Sheet 16 of 19)

**25-28-44**  
ILLUSTRATED PARTS LIST  
Page 1098.112  
Mar 01/2006



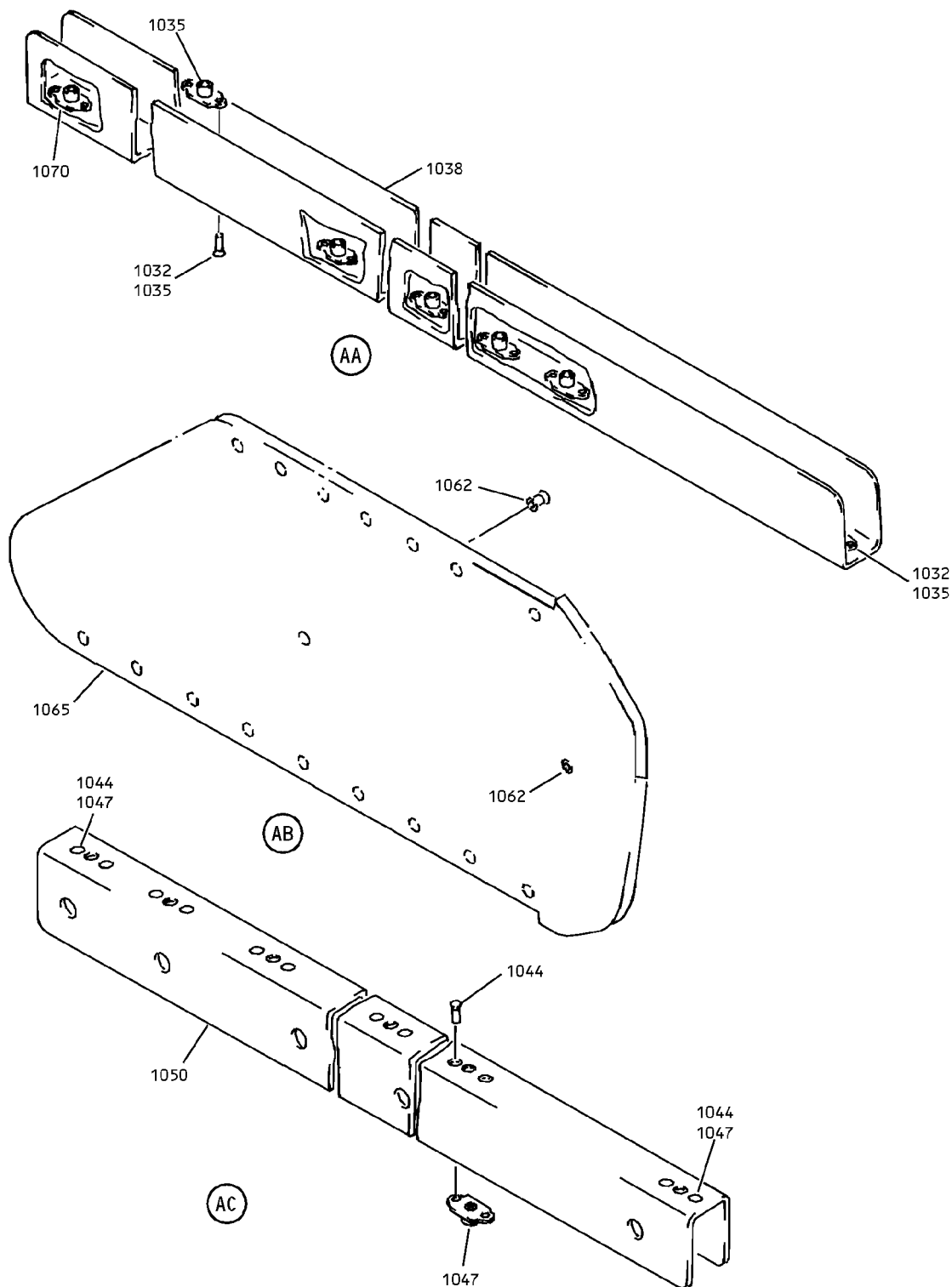
# COMPONENT MAINTENANCE MANUAL



Overhead Stowage Compartment Assembly  
IPL Figure 4 (Sheet 17 of 19)

**25-28-44**  
ILLUSTRATED PARTS LIST  
Page 1098.113  
Mar 01/2006

### COMPONENT MAINTENANCE MANUAL



Overhead Storage Compartment Assembly  
IPL Figure 4 (Sheet 18 of 19)

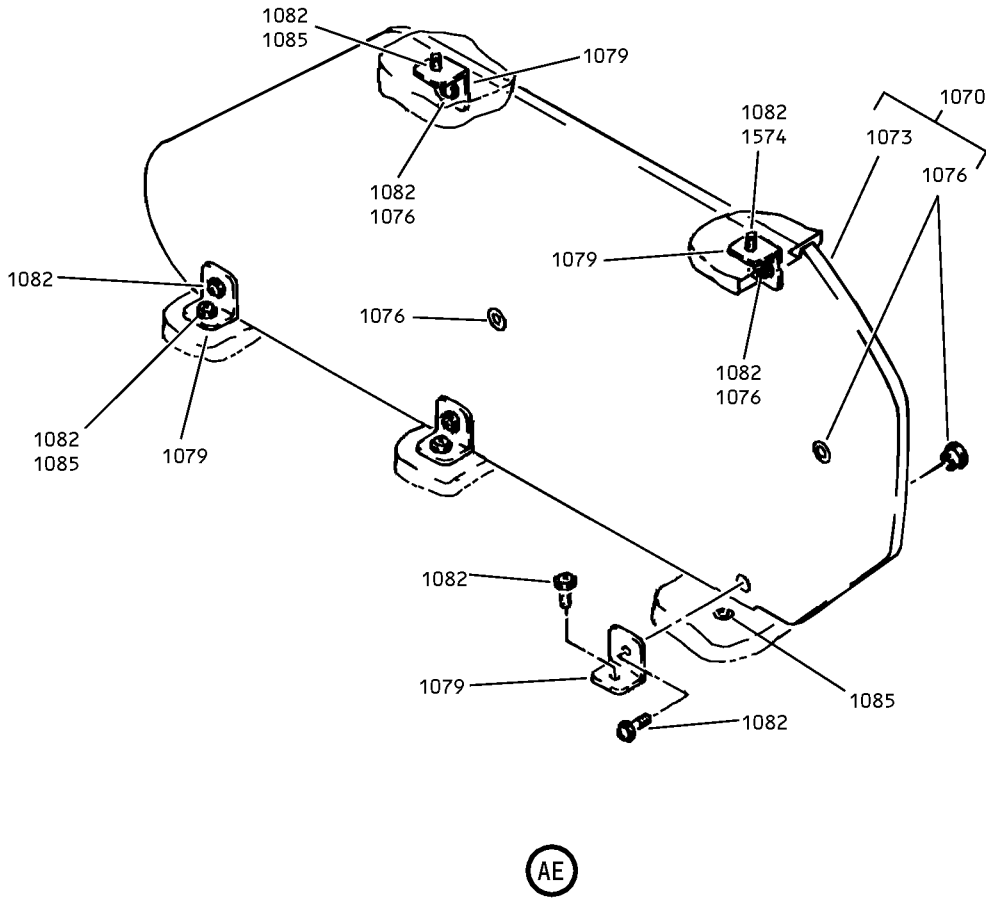
# 25-28-44

ILLUSTRATED PARTS LIST

Page 1098.114

Mar 01/2006

COMPONENT MAINTENANCE MANUAL



**NOTE:** 412N1116-29 SHOWN  
412N1116-110 OPPOSITE

Overhead Stowage Compartment Assembly  
IPL Figure 4 (Sheet 19 of 19)

**25-28-44**

ILLUSTRATED PARTS LIST

Page 1098.115

Mar 01/2006



COMPONENT MAINTENANCE MANUAL

FIG/ ITEM	PART NUMBER	AIRLINE PART NUMBER	NOMENCLATURE							USAGE CODE	UNITS PER ASSY
			1	2	3	4	5	6	7		
4-											
-1	65C27006-63SP									A	RF
-2	65C27006-113SP									B	RF
-2A	65C27006-118SP									C	RF
-2B	65C27006-128SP									D	RF
3	BACB30NM3K1										10
6	AN940PD10										
6A	AN960JD10										10
10	412N1119-45										1
10A	412N1161-3										1
15	BACB30NM3K1										6
18	BACB30NN3K10										1

-Item not Illustrated

**25-28-44**

ILLUSTRATED PARTS LIST

Page 1098.116

Mar 01/2006



## COMPONENT MAINTENANCE MANUAL

FIG/ ITEM	PART NUMBER	AIRLINE PART NUMBER	NOMENCLATURE							USAGE CODE	UNITS PER ASSY
			1	2	3	4	5	6	7		
4-											
20	BACB30NM3K10		.	B	O	L	T				2
22	AN960PD10		DELETED								
22A	AN960JD10LL		.	W	A	S	H	E	R		2
23	AN960JD10		.	W	A	S	H	E	R		6
24	412N1119-59		.	F	I	T	T	I	N	G	1
26	412N1119-60		.	F	I	L	L	E	R	-R	A
27	411N3134-1		.	S	L	I	D	E	B	R	A
30	BACB30NM3K1		.	B	O	L	T				4
33	AA960PD10		DELETED								
33A	AN960JD10		.	W	A	S	H	E	R		4
35	412N1119-12		.	F	I	T	T	I	N	G	2
38	BACB30NM3K1		.	B	O	L	T				8
41	AN960PD10		DELETED								8
41A	AN960JD10		.	W	A	S	H	E	R		8
44	NAS1801-3-11		.	S	C	R	E	W			1
47	BACS18C8-6		.	S	P	A	C	E	R		1
50	MS24585-1230		.	S	P	R	I	N	G		1
53	411N3142-28		.	W	A	S	H	E	R	C	
56	417N5120-17		.	L	I	G	H	T	A	S	S
59	417N5120-20		.	L	I	G	H	T	A	S	S
										(OPT ITEM 59A)	
-59A	417N5120-7		.	L	I	G	H	T	A	S	S
										(OPT ITEM 59)	
-59B	417N5120-20		.	L	I	G	H	T	A	S	S
										B-D	
63	NAS1801-3-5		.	S	C	R	E	W			5
67	AN960PD10L		DELETED								
67A	AN960JD10LL		.	W	A	S	H	E	R		5
70	65C28117-3		.	.	P	A	D				1

-Item not Illustrated

# 25-28-44

ILLUSTRATED PARTS LIST

Page 1098.117

Mar 01/2006



## COMPONENT MAINTENANCE MANUAL

FIG/ ITEM	PART NUMBER	AIRLINE PART NUMBER	NOMENCLATURE							USAGE CODE	UNITS PER ASSY
			1	2	3	4	5	6	7		
4- 73	BACS12ER3K6		. . SCREW (V06710) (SPEC BACS12ER3K6) (OPT BACS12ER3K6 (V06725)) (OPT BACS12ER3K6 (V06950)) (OPT BACS12ER3K6 (V27624)) (OPT BACS12ER3K6 (V34252)) (OPT BACS12ER3K6 (V56878)) (OPT BACS12ER3K6 (V73197)) (OPT BACS12ER3K6 (V80539)) (OPT BACS12ER3K6 (V92215)) (OPT BACS12ER3K6 (V93907)) (OPT BACS12ER3K6 (V97928))								3
76	BACW10UD10		. . WASHER								3
80	F22K1-02		. . NUT (V72962) (SPEC BACN10R10L) (OPT 22K1-02 (V72962)) (OPT 26CL02 (V80539))								3
83	05939-7		. . BALLAST (V17023) (SPEC S283N702-7) (USED ON ITEM 59,59A,59B)								1
86	417N5120-10		. . LAMP ASSY (USED ON ITEM 56)								1
-86A	417N5120-12		. . LAMP ASSY (USED ON ITEM 59,59A,59B)								1
89	2055150		. . CAP-END (V04169) (USED ON ITEM 86)								2
-89A	2055132		. . CAP-END (V04169) (USED ON ITEM 86A)								1
91	F40WW		. . . LAMP-FLUOR (V08805) (USED ON ITEM 86)								1
-91A	F15T8WW		. . . LAMP-FLUOR (V08805) (USED ON ITEM 86A)								1
94	LP1625-48		. . . TUBE-COVER (V060116) (USED ON ITEM 86)								1

-Item not Illustrated

# 25-28-44

ILLUSTRATED PARTS LIST

Page 1098.118

Mar 01/2006



## COMPONENT MAINTENANCE MANUAL

FIG/ ITEM	PART NUMBER	AIRLINE PART NUMBER	NOMENCLATURE							USAGE CODE	UNITS PER ASSY
			1	2	3	4	5	6	7		
4-											
-94A	LP1610-18								. . . TUBE-COVER (V060116) (OPT ITEM 86A)		1
98	800000255-14								. . LIGHT ASSY-CLG (V05617) (SPEC S417N507-14) (USED ON ITEM 56) (FOR DETAILS SEE FIG. 80)		1
98A	800000255-17								. . LIGHT ASSY-CLG (V05617) (SPEC S417N507-17) (USED ON ITEM 59) (FOR DETAILS SEE FIG. 80)		1
98B	800000255-7								. . LIGHT ASSY-CLG (V05617) (SPEC S417N507-7) (USED ON ITEM 59A) (FOR DETAILS SEE FIG. 80)		1
101	412N1145-29								. BRACKET		4
104	65C27019-13								DELETED		
104A	65C27017-13								. BRACKET (OPT ITEM 104B)		4
-104B	65C27017-43								. BRACKET (OPT ITEM 104A)		4
108	65C27017-14								DELETED		
112	BACS12FA3K5								. SCREW		17
116	412N1145-30								. BRACKET		1
120	BACS12FA3K5								. BOLT		1
124	BACB30PF4-3								. BOLT		2
128	AN960C416L								. WASHER		1
132	NAS1515F4H								. WASHER		1
136	NAS1515M4L								. WASHER		1
140	65C27027-4SP								. END CAP ASSY		1
152	65C27027-12								. . PANEL ASSY		1
160	65C27027-13								. . FOAM		1
164	65C27027-14								. . ANGLE SUPPORT		1
168	65C27027-17								. . SEAL		1

-Item not Illustrated

# 25-28-44

ILLUSTRATED PARTS LIST

Page 1098.119

Mar 01/2006



## COMPONENT MAINTENANCE MANUAL

FIG/ ITEM	PART NUMBER	AIRLINE PART NUMBER	NOMENCLATURE							USAGE CODE	UNITS PER ASSY
			1	2	3	4	5	6	7		
4-											
180	65C27027-8							. .	END CAP		1
192	SL2334-3A2							. .	INSERT		9
-196	SL2334-3A2								DELETED		
200	65C27017-22							. BRACKET ASSY			1
									ATTACHING PARTS		
204	BACB30NM3K1							. BOLT			8
208	AN960PD10								DELETED		
208A	AN960JD10							. WASHER			8
									----- * -----		
212	BACB28B6-235P							. .	BUSHING		1
216	65C27017-24							. .	BRACKET		1
220	65C27017-15							. SHIM			2
224	412N1119-41							. FITTING			1
									ATTACHING PARTS		
228	BACB30NM3K1							. BOLT			4
232	AN960PD10L								DELETED		
232A	AN960JD10LL							. WASHER			4
									----- * -----		
236	BACB30NM3K3							. BOLT			2
240	AN960PD10L								DELETED		
240A	AN960JD10LL							. WASHER			4
244	BACN10JC3								DELETED		
244A	MS21042L3							. NUT			2
248	65C27026-34SP							. FILLER PANEL ASSY		A	1
-248A	65C27026-57SP							. FILLER PANEL ASSY		B-D	1
252	NAS2836-3-11							. .	INSERT		4
256	412N1130-5SP							. TRIM-VERTICAL			2
260	65C27006-12							. SEAL			1
261	65C27006-86							. DOUBLER		A	1
263	412N1145-87							. BRACKET ASSY		A	1
266	412N1145-88							. .	BRACKET	A	1

-Item not Illustrated

**25-28-44**

ILLUSTRATED PARTS LIST

Page 1098.120

Mar 01/2006





## COMPONENT MAINTENANCE MANUAL

FIG/ ITEM	PART NUMBER	AIRLINE PART NUMBER	NOMENCLATURE							USAGE CODE	UNITS PER ASSY
			1	2	3	4	5	6	7		
4-											
269	BACN10KB3F		.	.						A	4
272	BACR15BA3AD		.	.						A	8
275	NAS1834-3-400		.							A	4
278	BACS12FA3K9		.							A	4
280	65C27009-63SP		.								1
-280A	65C27009-113SP		.							B	1
-280B	65C27009-118SP		.							C	1
-280C	65C27009-128SP		.							D	1
284	H3-1152-1		.	.							4
288	BACS12FA3K4		.	.							8
292	MS35333-39		.	.							8
294	412N1140-41SP		.	.							1
298	412N1140-67SP		.	.							1
302	NAS1801-3-4		.	.							8
306	MS35333-39		.	.							8
310	SL628-3A		.	.	.						8
314	BACS12H4-8		.	.	.						2
318	NAS620A8L		.	.	.						2
322	412N1245-1		.	.	.						2
326	MS51862-4		.	.	.						2
330	412N1143-11		.	.	.						2

-Item not Illustrated

# 25-28-44

ILLUSTRATED PARTS LIST

Page 1098.121

Mar 01/2006



## COMPONENT MAINTENANCE MANUAL

FIG/ ITEM	PART NUMBER	AIRLINE PART NUMBER	NOMENCLATURE							USAGE CODE	UNITS PER ASSY
			1	2	3	4	5	6	7		
4-											
334	412N1140-17								. . . FILLER (USED ON ITEM 298)		1
338	412N1143-13								. . . COVER (USED ON ITEM 294)		1
342	412N1143-14								. . . COVER (USED ON ITEM 294)		1
346	412N1140-58								. . . PANEL ASSY-DOOR (USED ON ITEM 294)		1
-350	412N1140-62								. . . PANEL ASSY-DOOR (USED ON ITEM 298)		1
354	412N1140-13								. . . . STRIP RETAINER (USED ON ITEM 346)		1
358	412N1141-1								. . . . FACE PLATE (USED ON ITEM 346)		1
362	412N1141-5								. . . . FACE PLATE (USED ON ITEM 350)		1
366	412N1141-7								. . . . MARKER (USED ON ITEM 346)		1
370	412N1142-15								. . . . PANEL ASSY (USED ON ITEM 346)		1
374	412N1142-20								. . . . PANEL ASSY (USED ON ITEM 350)		1
378	412N1118-1SP								. . RETAINER TRIM		2
382	412N1118-2SP								. . RETAINER TRIM		2
386	65C27009-6								. . EDGE COVER		2
390	412N1154-3								. . REINFORCEMENT-CORNER		2
394	412N1154-4								. . REINFORCEMENT-CORNER		1
398	412N1154-2								. . REINFORCEMENT-CORNER		1
402	412N1155-1								. . HINGE ASSY (LIMITED USAGE) (OPT ITEM 402A)		2
402A	412N1155-7								. . HINGE ASSY (LIMITED USAGE) (OPT ITEM 402)		2
406	412N1155-2								. . HINGE ASSY (LIMITED USAGE) (OPT ITEM 406A)		1

-Item not Illustrated

# 25-28-44

ILLUSTRATED PARTS LIST

Page 1098.122

Mar 01/2006



## COMPONENT MAINTENANCE MANUAL

FIG/ ITEM	PART NUMBER	AIRLINE PART NUMBER	NOMENCLATURE							USAGE CODE	UNITS PER ASSY
			1	2	3	4	5	6	7		
4-											
406A	412N1155-8								. . HINGE ASSY (LIMITED USAGE) (OPT ITEM 406)		1
410	BACB30LK3-18								. . BOLT (USED WITH ITEMS 402, 406)		3
-410A	NAS1801-3-10								. . BOLT (USED WITH ITEMS 402A, 406A)		3
414	412N1227-1								. . BOLT (OPT ITEM 414A)		6
-414A	AIC1321-3-8								. . BOLT (OPT ITEM 414)		6
418	BACW10P136AL								. . WASHER		9
422	AN960P10								. . WASHER		1
426	NAS1833-3-400								. . INSERT		9
430	MS24665-132								. . . PIN-COTTER		1
434	MS20392-2C13								. . . PIN-DRILLED SHANK		1
438	AN960PD10L								. . . WASHER		1
440	AN960PD10L								. . . WASHER (USED ON ITEM 402,406)		2
442	NAS6703PU15								. . . BOLT (USED ON ITEMS 402,406)		1
446	BACB30NM3K12								. . . BOLT (USED ON ITEMS 402A,406A)		1
450	NAS6703PU11								. . . BOLT (USED ON ITEMS 402,406)		1
454	BACB30NM3K8								. . . BOLT (USED ON ITEMS 402A,406A)		1
458	NA960PD10L								DELETED		
458A	AN960JD10L								. . . WASHER (USED ON ITEMS 402A,406A)		2
462	NAS43DD3-5								. . . SPACER (USED ON ITEMS 402,406)		1
466	NAS43DD3-3								. . . SPACER (USED ON ITEMS 402A,406A)		1
470	NAS43DD3-6								. . . SPACER (USED ON ITEMS 402,406)		1

-Item not Illustrated

# 25-28-44

ILLUSTRATED PARTS LIST

Page 1098.123

Mar 01/2006



## COMPONENT MAINTENANCE MANUAL

FIG/ ITEM	PART NUMBER	AIRLINE PART NUMBER	NOMENCLATURE							USAGE CODE	UNITS PER ASSY
			1	2	3	4	5	6	7		
4-											
474	NAS43DD3-8		. . .								1
478	H2948-2		. . .								1
482	H2948-1		. . .								1
486	SB113		. . .								
490	412N1156-1		. . .								1
494	412N1156-13		. . .								1
-498	412N1156-2		. . .								1
-502	412N1156-14		. . .								1
506	6041-3BRX225		. . .								2
510	412N1156-3		. . .								1
-514	412N1156-15		. . .								1
-518	412N1156-4		. . .								1
-522	412N1156-16		. . .								1
526	NAS1833-3-400		. .								6
530	412N1155-4		. .								1
530A	412N1155-10		. .								1
			ATTACHING PARTS								
538	412N1227-1		. .								1

-Item not Illustrated

# 25-28-44

ILLUSTRATED PARTS LIST

Page 1098.124

Mar 01/2006



## COMPONENT MAINTENANCE MANUAL

FIG/ ITEM	PART NUMBER	AIRLINE PART NUMBER	NOMENCLATURE							USAGE CODE	UNITS PER ASSY	
			1	2	3	4	5	6	7			
4-												
-538A	AIC1321-3-8											1
546	BACB30LK3-18											1
-550	NAS1801-3-10											1
554	BACW10P136AL											2
558	NAS18833-3-400											2
562	NAS6703PU11											1
566	BACS30NM3K8											1
570	AN960PD10L											1
574	AN960KD10L											
574A	AN960JD10L											1
578	NAS43DD3-5											1
582	NAS43DD3-8											1
586	NAS43DD3-6											1
590	NAS43DD3-3											1
594	H2948-1											1
598	412N1156-6											1
602	412N1156-20											1
604	6041-3BRX225											2

-Item not Illustrated

# 25-28-44

ILLUSTRATED PARTS LIST  
Page 1098.125  
Mar 01/2006



## COMPONENT MAINTENANCE MANUAL

FIG/ ITEM	PART NUMBER	AIRLINE PART NUMBER	NOMENCLATURE							USAGE CODE	UNITS PER ASSY
			1	2	3	4	5	6	7		
4-											
608	412N1156-4		. . . .					CHASSIS			1
								(USED ON ITEM 598)			
612	412N1156-26		. . . .					CHASSIS			1
								(USED ON ITEM 602)			
616	BACB30NM3K2		. .					BOLT			1
620	AN960PD10L		. .					WASHER			2
624	NAS1804-3		. .					NUT			1
628	BACS12ER08K14		. .					BOLT			1
632	AN960PD8		. .					WASHER			1
636	H10-08BAC		. .					NUT			1
								(V15653)			
								(SPEC BACN10JC08)			
640	BACB30NM3K3		. .					BOLT			1
644	AN960PD10L							DELETED			
644A	AN960JD10L		. .					WASHER			2
648	BACW10CA3CVU							DELETED			
648A	AN960JD10		. .					WASHER			2
652	BACW10CA3CCU							DELETED			
656	H10-3BAC							DELETED			
656A	MS2104263		. .					NUT			2
660	412N1153-116		. .					LATCH ASSY-26 IN.			1
660A	412N1153-121		. .					LATCH ASSY-60 IN.	A, B		1
660B	412N1153-101		. .					LATCH ASSY-60 IN.	C, D		1
								ATTACHING PARTS			
664	BACS12ER06K8		. .					SCREW			8
								(V06710)			
								(SPEC BACS12ER06K8)			
								(OPT BACS12ER06K8 (V06725))			
								(OPT BACS12ER06K8 (V06950))			
								(OPT BACS12ER06K8 (V27624))			
								(OPT BACS12ER06K8 (V34252))			
								(OPT BACS12ER06K8 (V56878))			
								(OPT BACS12ER06K8 (V73197))			
								(OPT BACS12ER06K8 (V80539))			
								(OPT BACS12ER06K8 (V92215))			
								(OPT BACS12ER06K8 (V93907))			
								(OPT BACS12ER06K8 (V97928))			

-Item not Illustrated

# 25-28-44

ILLUSTRATED PARTS LIST

Page 1098.126

Mar 01/2006



## COMPONENT MAINTENANCE MANUAL

FIG/ ITEM	PART NUMBER	AIRLINE PART NUMBER	NOMENCLATURE							USAGE CODE	UNITS PER ASSY
			1	2	3	4	5	6	7		
4-											
668	SL210-06-2								.. INSERT (V97393)		8
672	BACS12ER08K6								.. SCREW (V06710) (SPEC BACS12ER08K6) (OPT BACS12ER08K6 (V06725)) (OPT BACS12ER08K6 (V06950)) (OPT BACS12ER08K6 (V27624)) (OPT BACS12ER08K6 (V34252)) (OPT BACS12ER08K6 (V56878)) (OPT BACS12ER08K6 (V73197)) (OPT BACS12ER08K6 (V80539)) (OPT BACS12ER08K6 (V92215)) (OPT BACS12ER08K6 (V93907)) (OPT BACS12ER08K6 (V97928))		4
676	NAS514P832-5								.. SCREW		8
680	SL210-08-1								.. INSERT (V97393)		8
									----- * -----		
684	412N1113-7								... COVER (V01556)		1
688	412N1113-8								... COVER		1
692	H3-1145-2-2360								... LATCH ASSY (SPEC S412N101-2026) (USED ON ITEM 660)		1
696	H3-1145-IL5760								... LATCH ASSY (V34941) (SPEC S412N101-1160) (USED ON ITEM 660A)		1
-696A	H3-1145-1-5760								... LATCH ASSY (V34941) (SPEC S412N101-1060) (USED ON ITEM 660B)		1
700	S412N101-2121								DELETED		
705	BACS12FA3K5								.. SCREW (V06710)		8
710	65C27017-1								.. BRACKET		1
715	412N1117-6								.. FITTING		1
720	65C27016-6								.. FILLER FITTING-TAPERED		1
725	65C27017-3								.. FITTING		1

-Item not Illustrated

# 25-28-44

ILLUSTRATED PARTS LIST

Page 1098.127

Mar 01/2006







## COMPONENT MAINTENANCE MANUAL

FIG/ ITEM	PART NUMBER	AIRLINE PART NUMBER	NOMENCLATURE							USAGE CODE	UNITS PER ASSY
			1	2	3	4	5	6	7		
4-											
795A	412N1156-42								. . . SUPPORT (USED ON ITEM 755)	A, B	1
800	BACS12ER08K6								. . SCREW (V06710) (SPEC BACS12ER08K6)		1
805	BACW10DM5								. . WASHER	A, B	1
810	AN960PD516L								. . WASHER	A, B	1
815	AC8400EKAPK625								. . LOCK ASSY (V08958)	A	1
816	A2077-3								. . LOCK CYLINDER ASSY (V52607) (OPT ITEM 1036A,1036B)	B	1
-816A	AM15CL4078-56								. . CAM LOCK CYLINDER (V15438) (OPT ITEM 1036,1036B)	B	1
-816B	AR15								. . LAZY CAM CYLINDER (V80477) (OPT ITEM 1036,1036A)	B	1
818	BACW10P173AL								. . WASHER	B	1
820	65C27016-4								. . FITTING	A, B	1
825	412N1145-43								. . BRACKET	A, B	1
830	65C27016-5								. . PAWL	A	1
831	AR292								. . CYLINDER NUT (V80477) (OPT ITEM 1051A)	B	1
831A	AM150								. . NUT (V15438) (OPT ITEM 1051)	B	1
831B	412N1119-28								. . PAWL ASSY (USED WITH ITEM 1036A)	B	1
835	65C27012-18								. . BODY ASSY	A	1
-835A	65C27012-76								. . BODY ASSY	B	1
-835B	65C27012-81								. . BODY ASSY	C	1
-835C	65C27012-89								. . BODY ASSY	D	1
840	65C27012-1029								. . . PATTERN ASSY-INSERT		1
845	NAS1836-3-11								. . . . INSERT		19

-Item not Illustrated

# 25-28-44

ILLUSTRATED PARTS LIST

Page 1098.129

Mar 01/2006



## COMPONENT MAINTENANCE MANUAL

FIG/ ITEM	PART NUMBER	AIRLINE PART NUMBER	NOMENCLATURE							USAGE CODE	UNITS PER ASSY
			1	2	3	4	5	6	7		
4-											
850	65C27012-1112										1
855	NAS1836-3-11										8
860	NAS1836-4-11										2
865	65C27012-1212										1
870	NAS1836-3-11										4
875	SL2334-3A2										8
											(V97393)
880	65C27012-1316										1
885	65C27012-8										1
890	NAS1836-3-11										17
895	SL2334-3A2										4
											(V97393)
900	65C27012-2016										1
905	NAS1836-3-11										4
910	SL2334-3A2										4
											(V97393)
915	65C27012-2114										1
920	NAS1836-3-11										6
925	65C27012-4009										1
930	NAS1833-3-400										3
-931	65C27012-4022									B	1
-931A	NAS1833-3-400										3
-932	65C27012-4024									B	1
-932A	NAS1833-3-400										11
-933	65C27012-4026									D	1
-933A	NAS1833-3-400										5
935	65C27012-4109										1
940	NAS1833-3-400										2
-941	65C27012-4117									B	1
-941A	NAS1833-3-400										7
945	65C27327-26									A	1
-945A	65C27327-119									B	1

-Item not Illustrated

**25-28-44**

ILLUSTRATED PARTS LIST

Page 1098.130

Mar 01/2006



## COMPONENT MAINTENANCE MANUAL

FIG/ ITEM	PART NUMBER	AIRLINE PART NUMBER	NOMENCLATURE							USAGE CODE	UNITS PER ASSY
			1	2	3	4	5	6	7		
4-											
-945B	65C27327-126									C, D	1
948	BACS12FA3K5										6
951	NAS1836-3-11										3
954	BACB30NN3K6										16
957	SL3378-3-380										16
960	AN960JD10LL										16
963	MS21042L3										
963A	MS21042L3										16
966	BACS12FA3K12										12
969	NAS1834-3-400										12
972	412N1217-61										1
975	412N1217-63										1
978	BACN10JP3A										5
981	BACR15BA3D										10
984	412N1217-5										1
987	412N1217-77										1
990	412N1217-79										1
993	BACN10JP3A										7
996	BACR15BA3D										14
999	412N1116-76										1
1002	412N1116-18										1
1007	NAS1836-3-11										5
1008	NAS1834-4-400										12

-Item not Illustrated

**25-28-44**

ILLUSTRATED PARTS LIST

Page 1098.131

Mar 01/2006



## COMPONENT MAINTENANCE MANUAL

FIG/ ITEM	PART NUMBER	AIRLINE PART NUMBER	NOMENCLATURE							USAGE CODE	UNITS PER ASSY
			1	2	3	4	5	6	7		
4- 1011	BACS12FA3K12		. . . . SCREW (V06710) (SPEC BACS12FA3K12) (OPT BACS12FA3K12 (V06725)) (OPT BACS12FA3K12 (V06950)) (OPT BACS12FA3K12 (V27624)) (OPT BACS12FA3K12 (V34252)) (OPT BACS12FA3K12 (V56878)) (OPT BACS12FA3K12 (V73197)) (OPT BACS12FA3K12 (V80539)) (OPT BACS12FA3K12 (V92215)) (OPT BACS12FA3K12 (V93907)) (OPT BACS12FA3K12 (V97928))								12
1014	412N1216-13		. . . . PANEL ASSY-DIVIDER								1
1017	BACB30NN3K1		. . . . . BOLT (V06710) (SPEC BACB30NN3K1) (OPT BACB30NN3K1 (V06725)) (OPT BACB30NN3K1 (V06950)) (OPT BACB30NN3K1 (V08524)) (OPT BACB30NN3K1 (V27624)) (OPT BACB30NN3K1 (V56878)) (OPT BACB30NN3K1 (V73197)) (OPT BACB30NN3K1 (V80539)) (OPT BACB30NN3K1 (V92215)) (OPT BACB30NN3K1 (V93907)) (OPT BACB30NN3K1 (V97928))								16
1020	BACW10CT10		. . . . . WASHER (V10630) (V10630) (SPEC BACW10CT10)								16
1023	AN960PD516L		. . . . . WASHER								16
1026	SL5-3-145S		. . . . . NUT (V97393) (OPT ITEM 1027)								16
-1027	KD121395-145		. . . . . NUT (V29372) (OPT ITEM 1026)								16
1029	412N1217-19		. . . . . BRACKET ASSY								1
1032	BACR15BA3AD		. . . . . RIVET (SIZE DETERMINED ON INST)								14

-Item not Illustrated

# 25-28-44

ILLUSTRATED PARTS LIST

Page 1098.132

Mar 01/2006



## COMPONENT MAINTENANCE MANUAL

FIG/ ITEM	PART NUMBER	AIRLINE PART NUMBER	NOMENCLATURE							USAGE CODE	UNITS PER ASSY
			1	2	3	4	5	6	7		
4- 1035	BRM200A3		..... NUTPLATE (V52828) (SPEC BACN10JP3A) (OPT MK1000-3BAC (V15653)) (OPT NS103197-02 (V80539)) (OPT T8076S1032 (V71087)) (OPT T8076S1032 (V11815)) (OPT VN202A1-02 (V92215))								7
1038	412N1217-20		..... BRACKET								1
1041	412N1217-23		..... BRACKET ASSY								1
1044	BACR15BA3AD		..... RIVET (SIZE DETERMINED ON INST)								12
1047	BRM200A3		..... NUTPLATE (V52828) (SPEC BACN10JP3A) (OPT MK1000-3BAC (V15653)) (OPT NS103197-02 (V80539)) (OPT T8076S1032 (V71087)) (OPT T8076S1032 (V11815)) (OPT VN202A1-02 (V92215))								6
1050	412N1217-24		..... BRACKET								1
1053	412N1116-47		..... PANEL ASSY-DIVIDER								1
1056	412N1116-17		..... PANEL ASSY								1
1059	412N1116-50		..... PANEL ASSY-DIVIDER								1
1062	NAS1836-3-11		..... INSERT								2
1065	412N1116-16		..... PANEL ASSY								2
1068	412N1215-29		.... BODY								1
1070	412N1116-29		.... DIVIDER PANEL ASSY (USED ON ITEM 945A)								1
-1070A	412N1116-110		.... DIVIDER PANEL ASSY (USED ON ITEM 945B)								1
1073	412N1116-30		..... PANEL ASSY (USED ON ITEM 1069,1070)								1
1076	NAS1836-3-11		..... INSERT								7
1079	412N1145-33		.... BRACKET								1
1082	BACS12FA3K6		.... SCREW								10
1085	NAS1833-3-400		.... INSERT								5

-Item not Illustrated

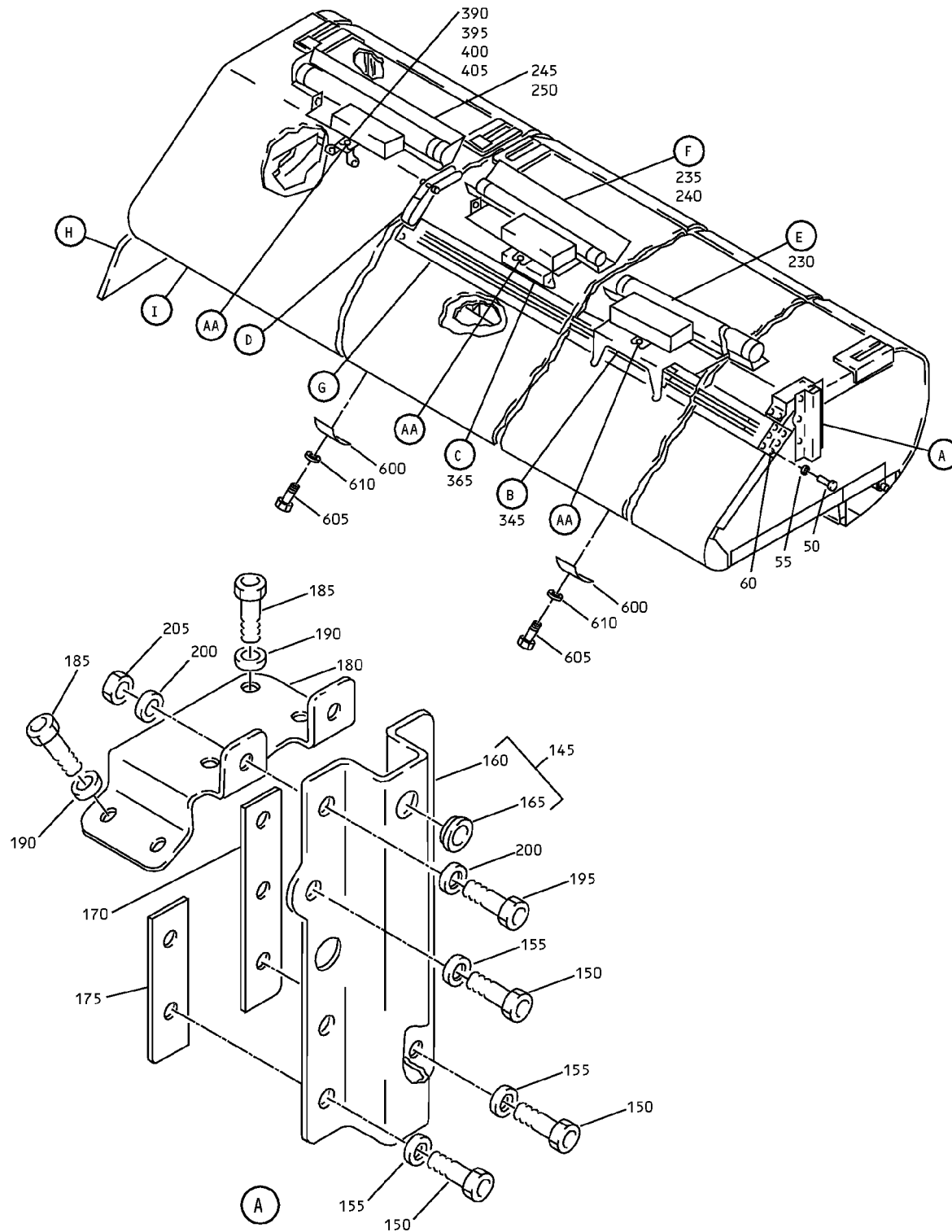
# 25-28-44

ILLUSTRATED PARTS LIST

Page 1098.133

Mar 01/2006

COMPONENT MAINTENANCE MANUAL

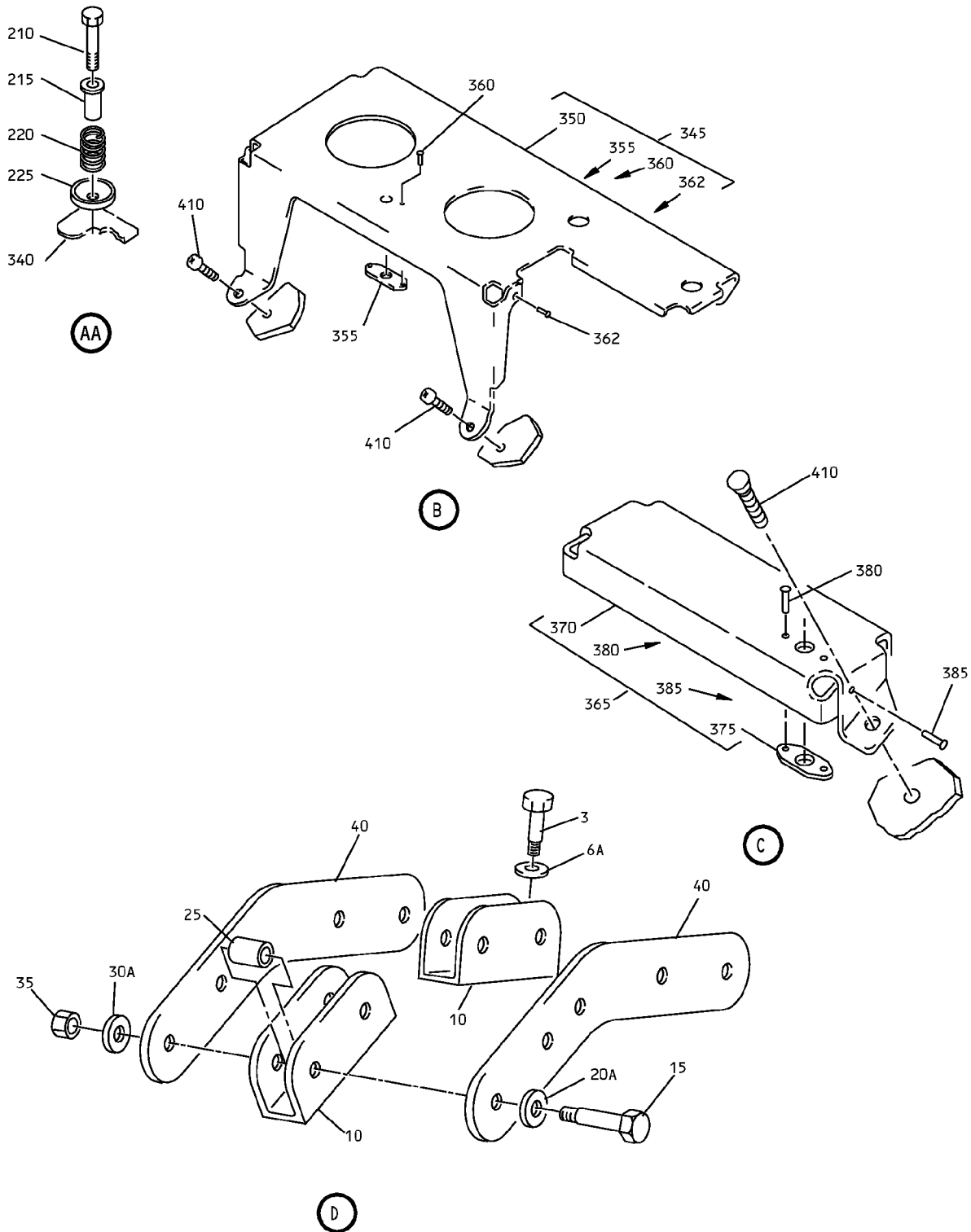


Overhead Stowage Compartment Assembly  
IPL Figure 5 (Sheet 1 of 19)

**25-28-44**

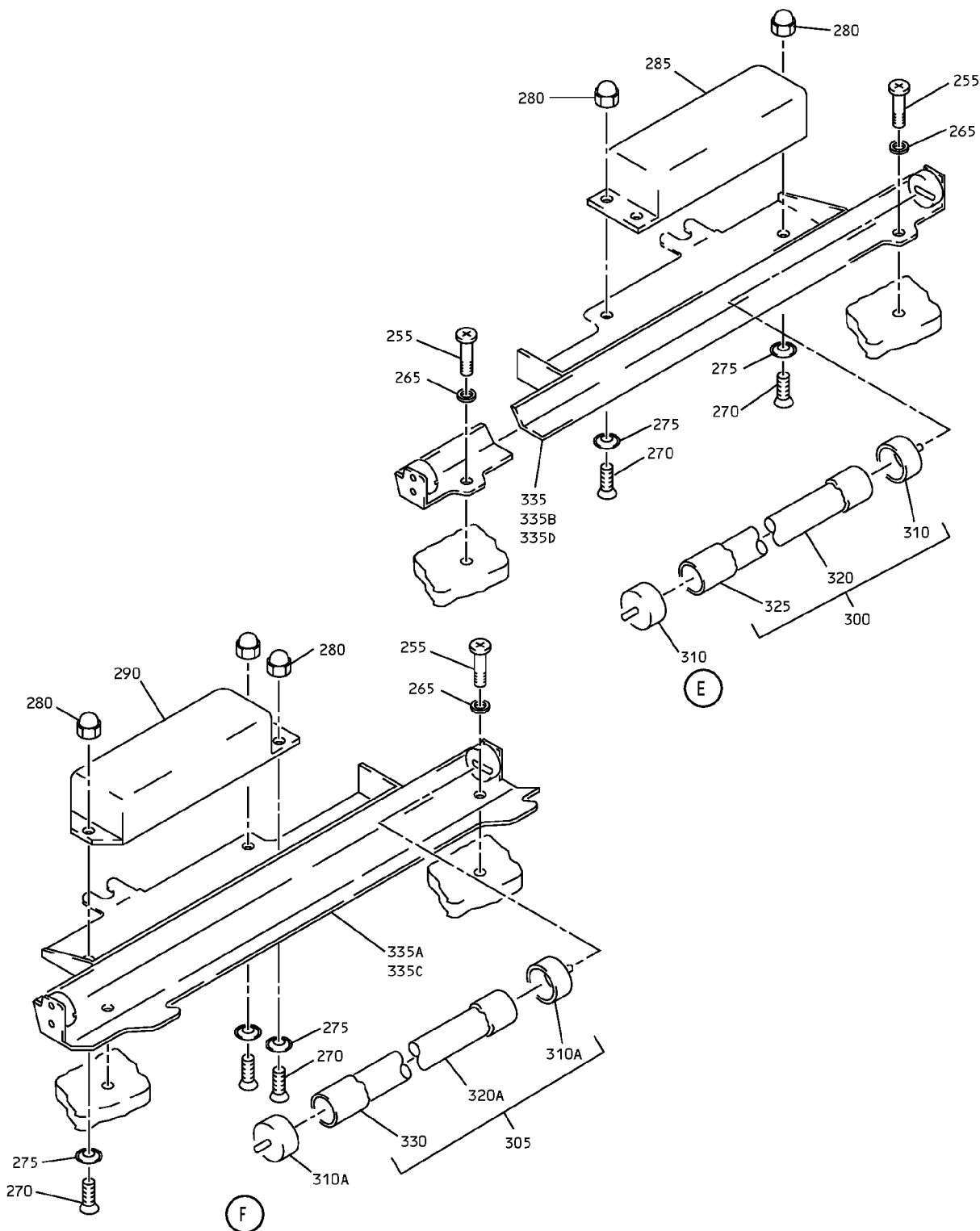
ILLUSTRATED PARTS LIST  
Page 1098.134  
Mar 01/2006

COMPONENT MAINTENANCE MANUAL



Overhead Storage Compartment Assembly  
IPL Figure 5 (Sheet 2 of 19)

COMPONENT MAINTENANCE MANUAL



Overhead Stowage Compartment Assembly  
IPL Figure 5 (Sheet 3 of 19)

**25-28-44**

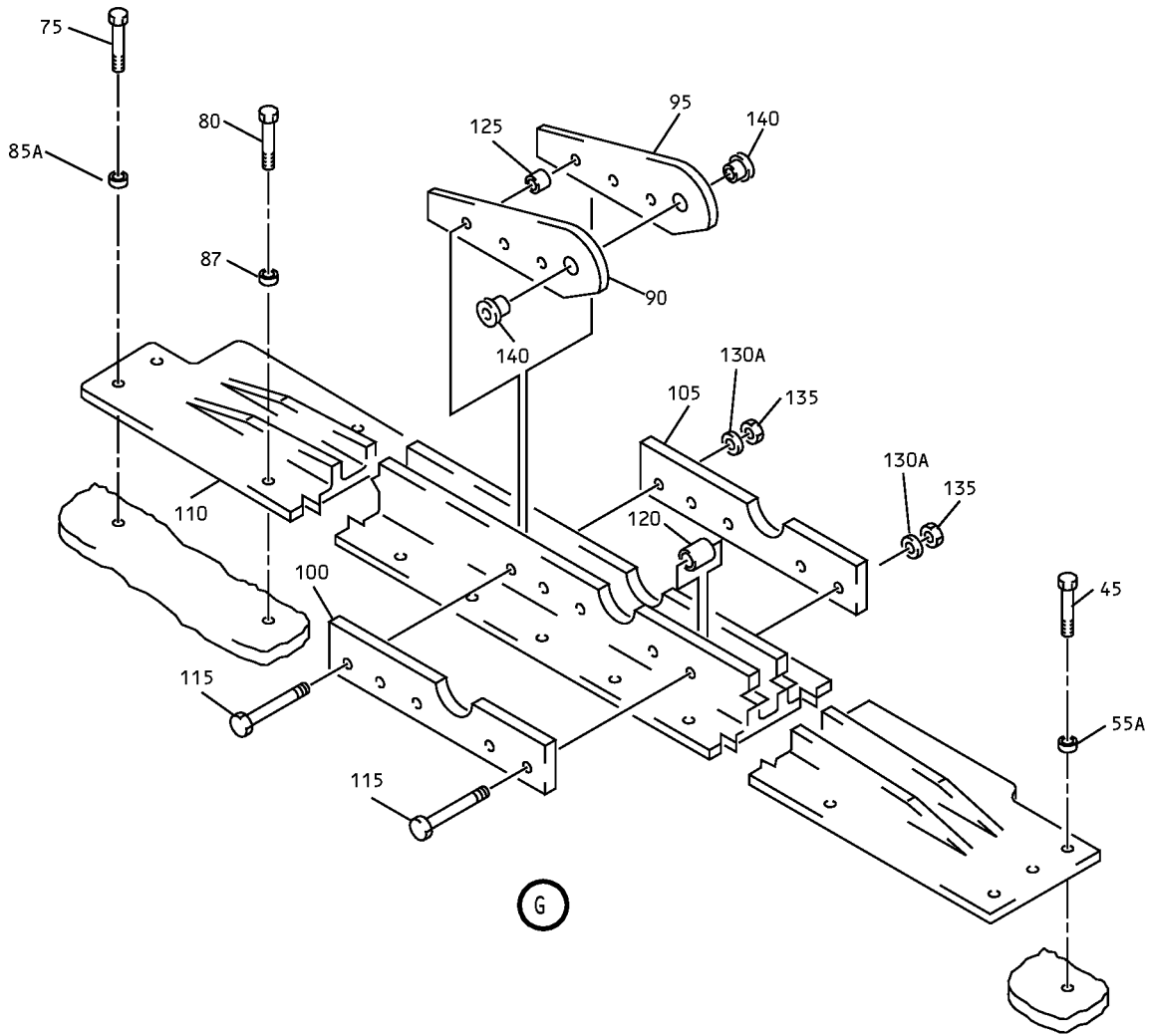
ILLUSTRATED PARTS LIST

Page 1098.136

Mar 01/2006



COMPONENT MAINTENANCE MANUAL



Overhead Stowage Compartment Assembly  
IPL Figure 5 (Sheet 4 of 19)

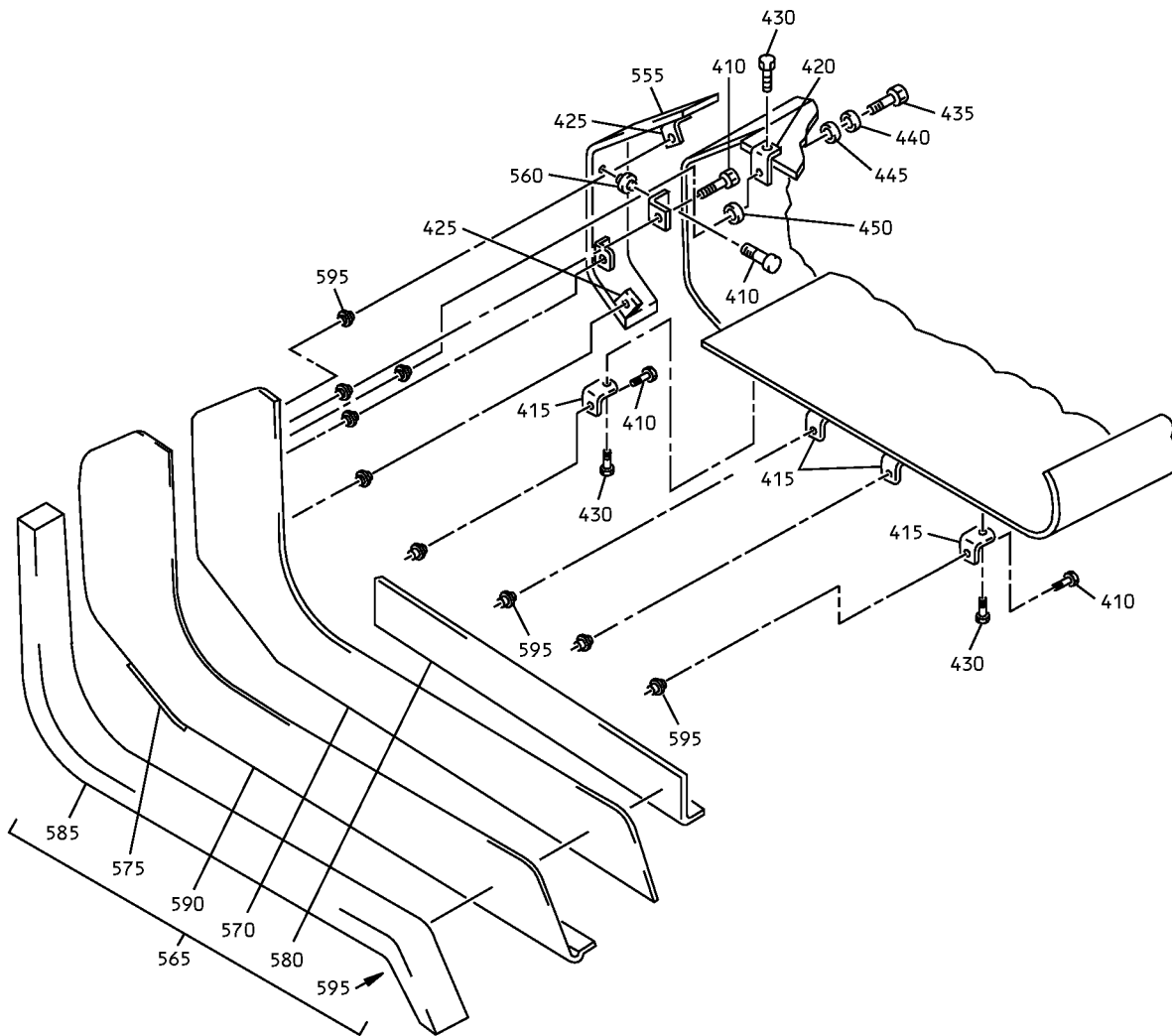
**25-28-44**

ILLUSTRATED PARTS LIST

Page 1098.137

Mar 01/2006

COMPONENT MAINTENANCE MANUAL



H

Overhead Stowage Compartment Assembly  
IPL Figure 5 (Sheet 5 of 19)

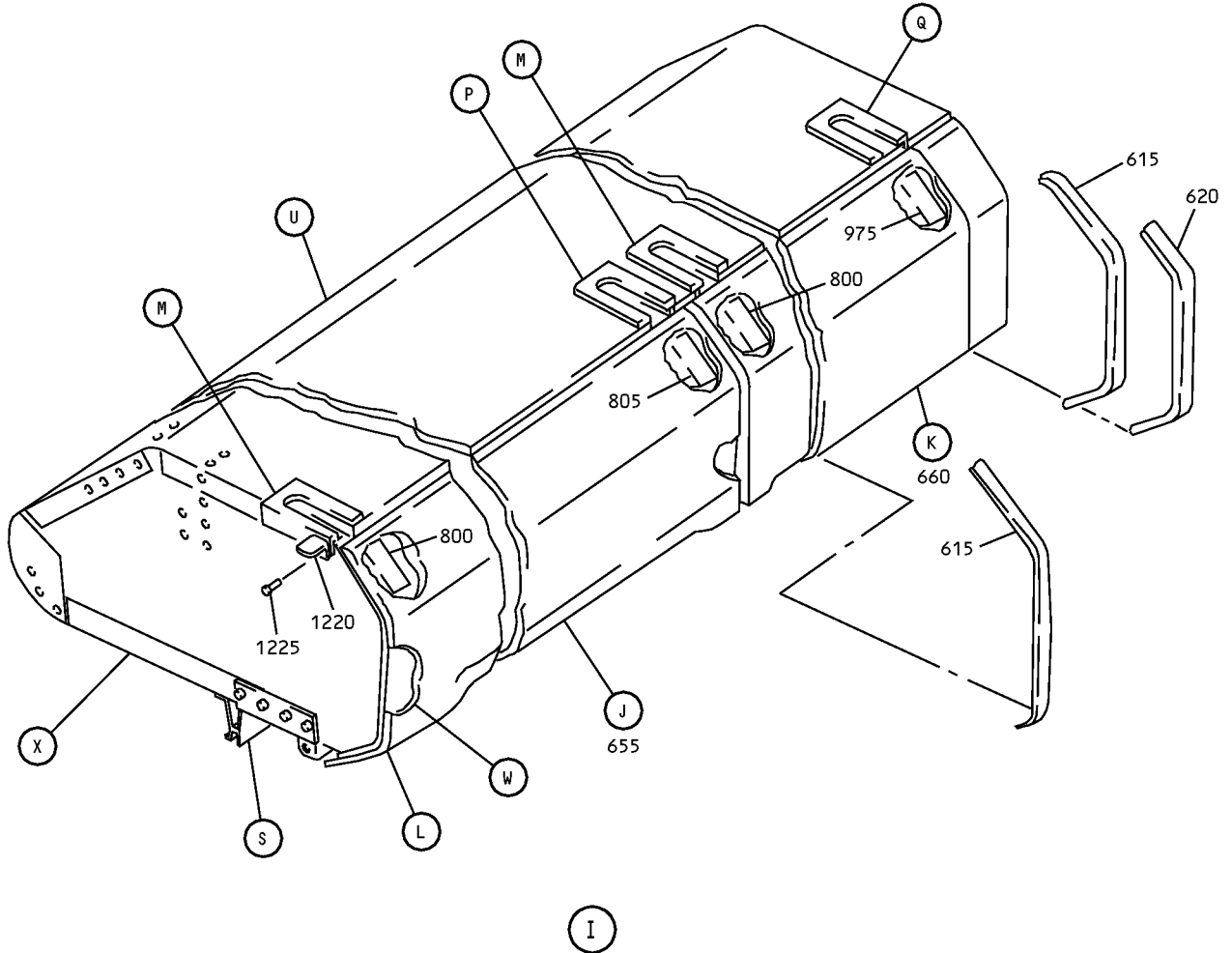
**25-28-44**

ILLUSTRATED PARTS LIST

Page 1098.138

Mar 01/2006

COMPONENT MAINTENANCE MANUAL



Overhead Storage Compartment Assembly  
IPL Figure 5 (Sheet 6 of 19)

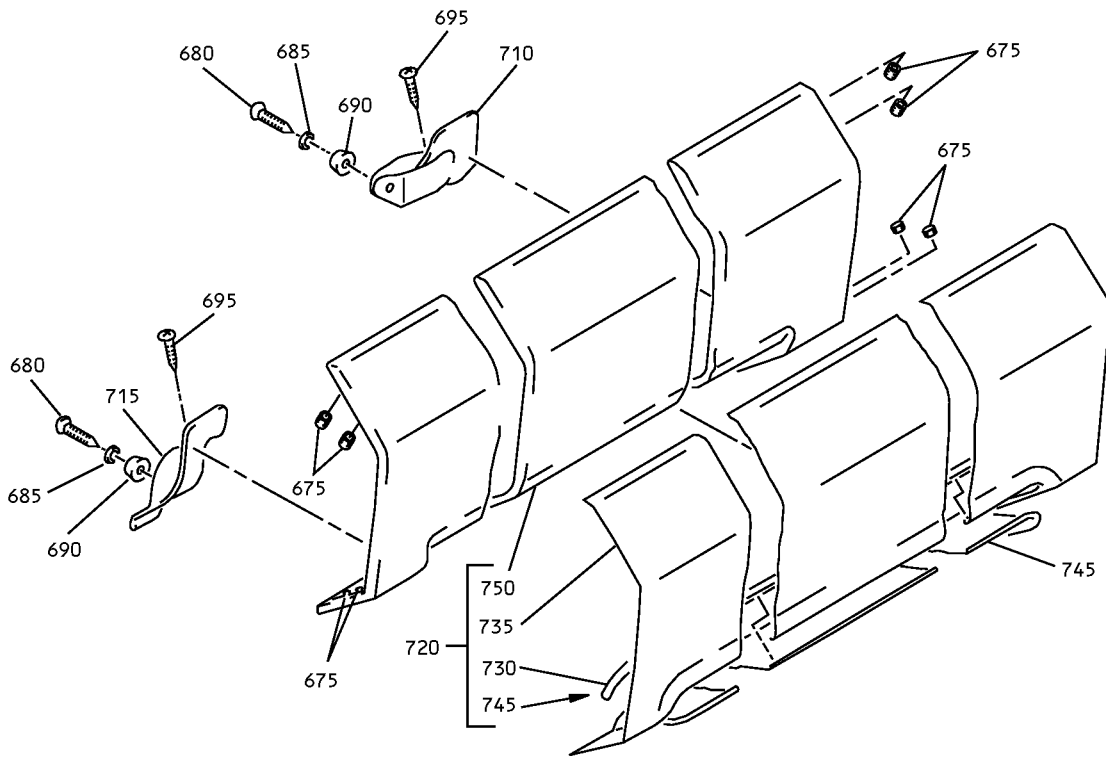
**25-28-44**

ILLUSTRATED PARTS LIST

Page 1098.139

Mar 01/2006

COMPONENT MAINTENANCE MANUAL



J

Overhead Storage Compartment Assembly  
IPL Figure 5 (Sheet 7 of 19)

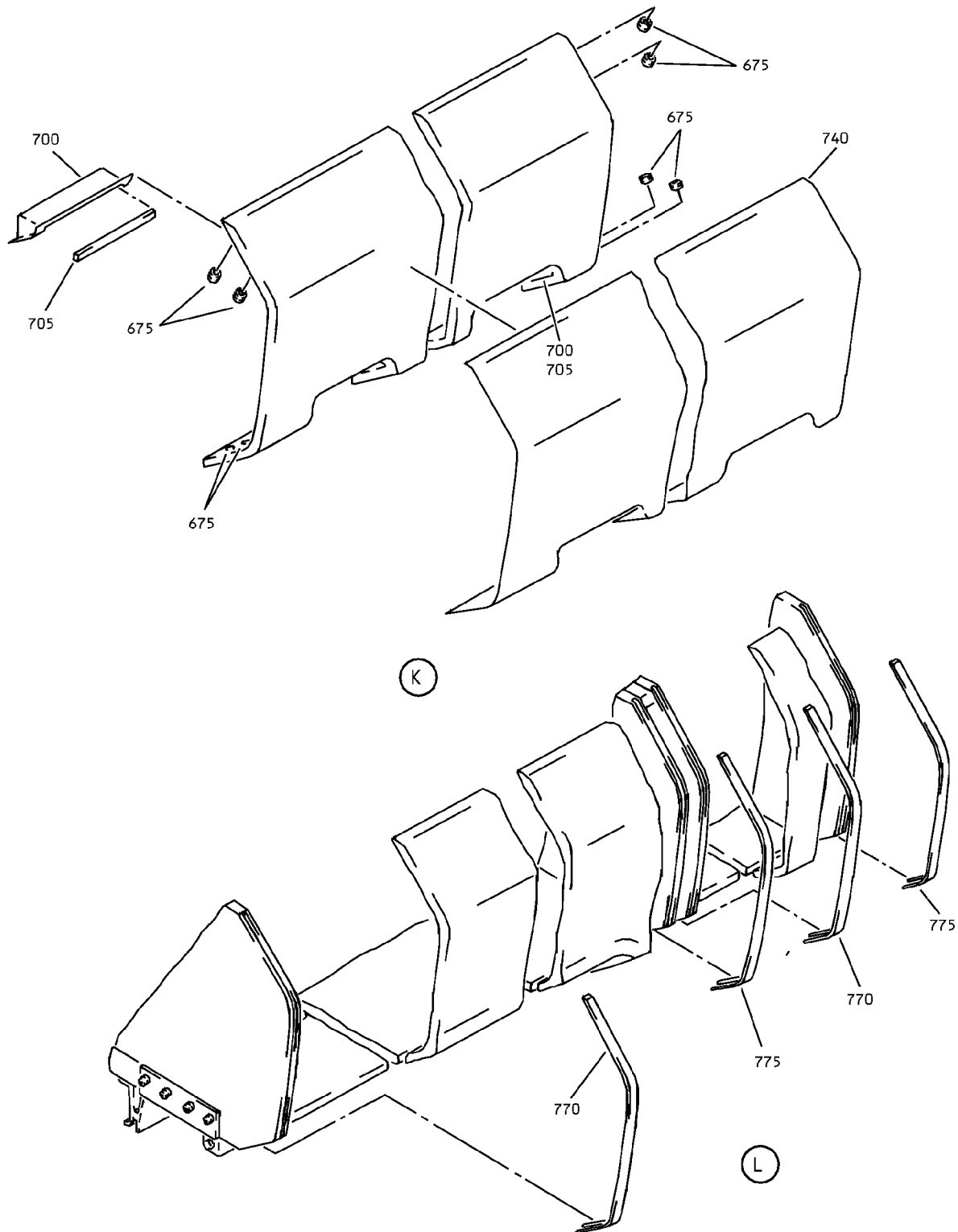
**25-28-44**

ILLUSTRATED PARTS LIST

Page 1098.140

Mar 01/2006

COMPONENT MAINTENANCE MANUAL



Overhead Stowage Compartment Assembly  
IPL Figure 5 (Sheet 8 of 19)

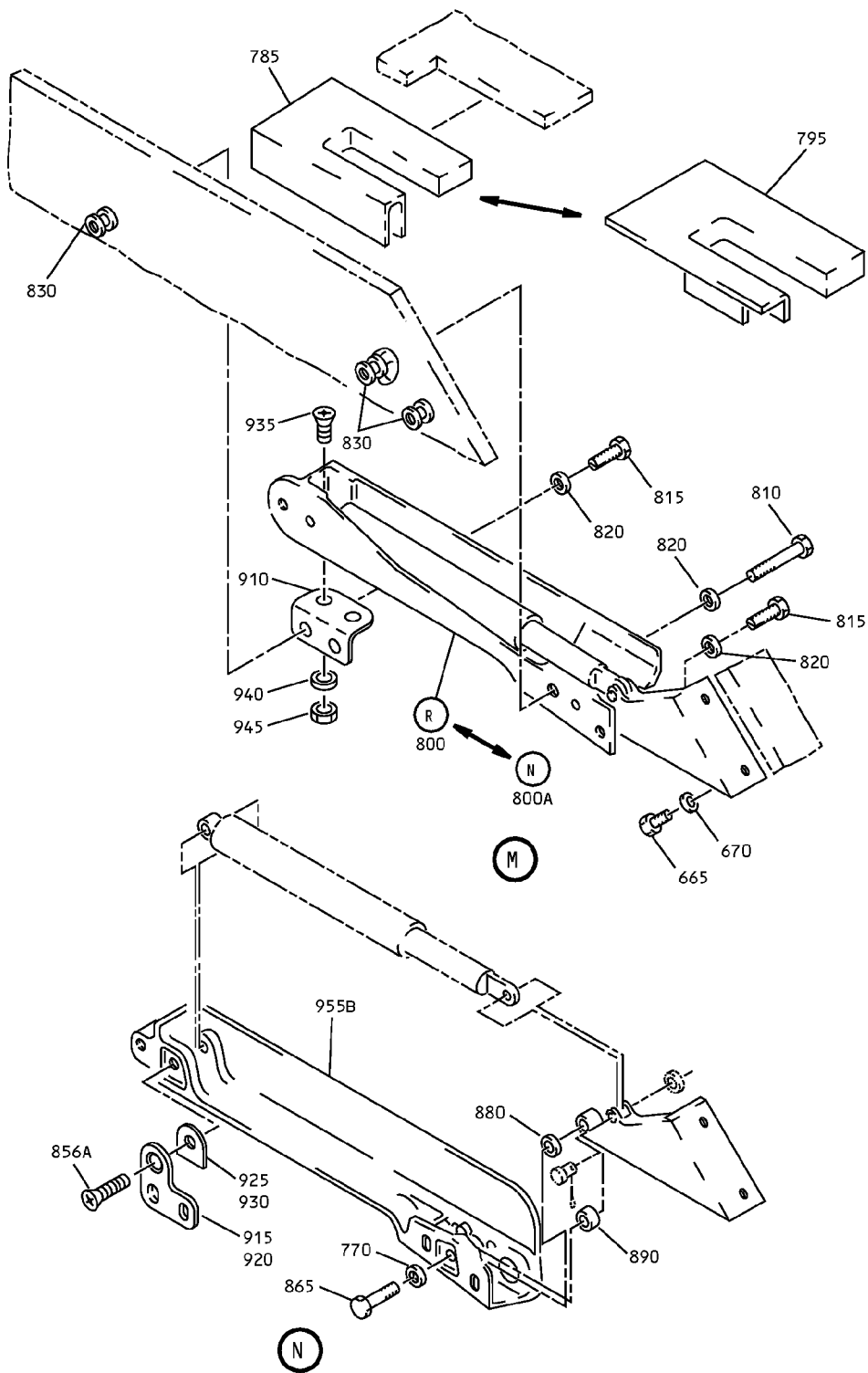
**25-28-44**

ILLUSTRATED PARTS LIST

Page 1098.141

Mar 01/2006

COMPONENT MAINTENANCE MANUAL



Overhead Storage Compartment Assembly  
IPL Figure 5 (Sheet 9 of 19)

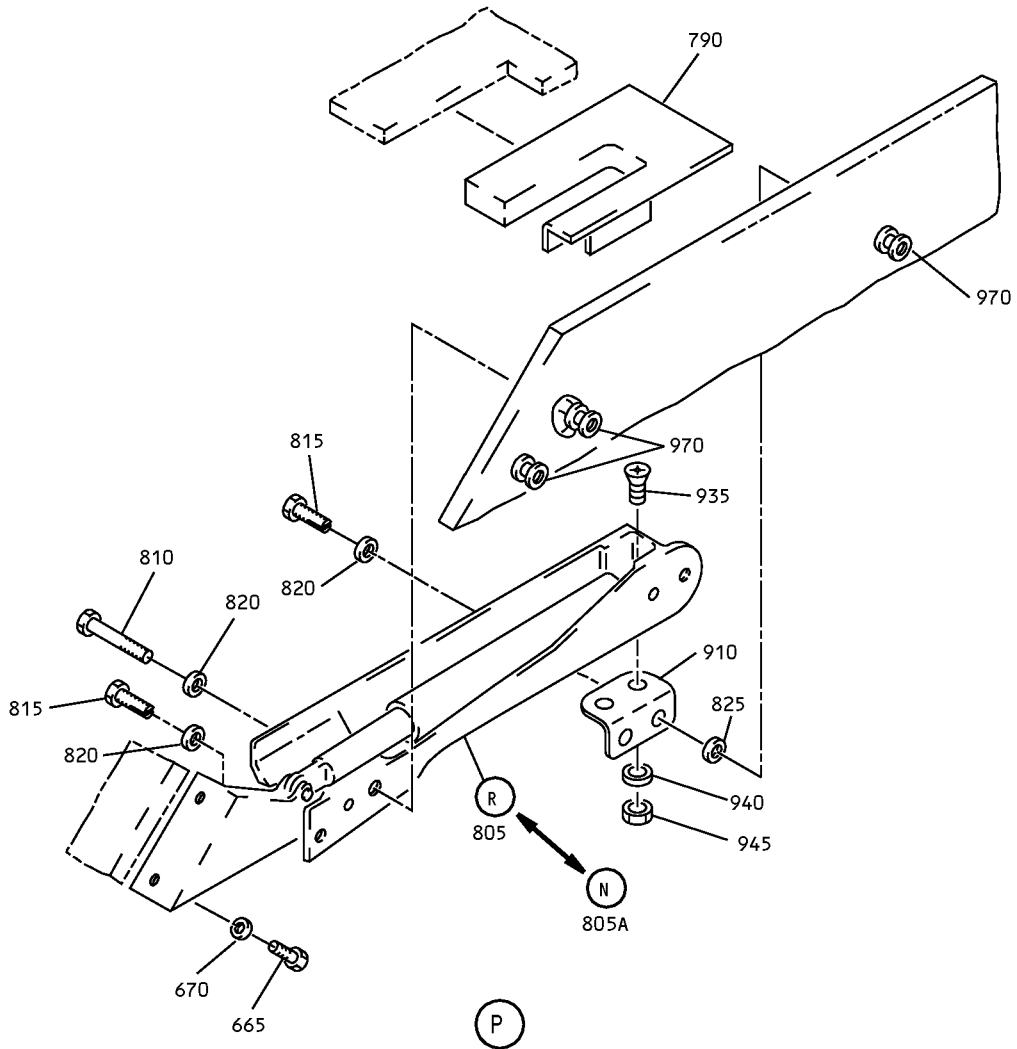
**25-28-44**

ILLUSTRATED PARTS LIST

Page 1098.142

Mar 01/2006

COMPONENT MAINTENANCE MANUAL



Overhead Stowage Compartment Assembly  
IPL Figure 5 (Sheet 10 of 19)

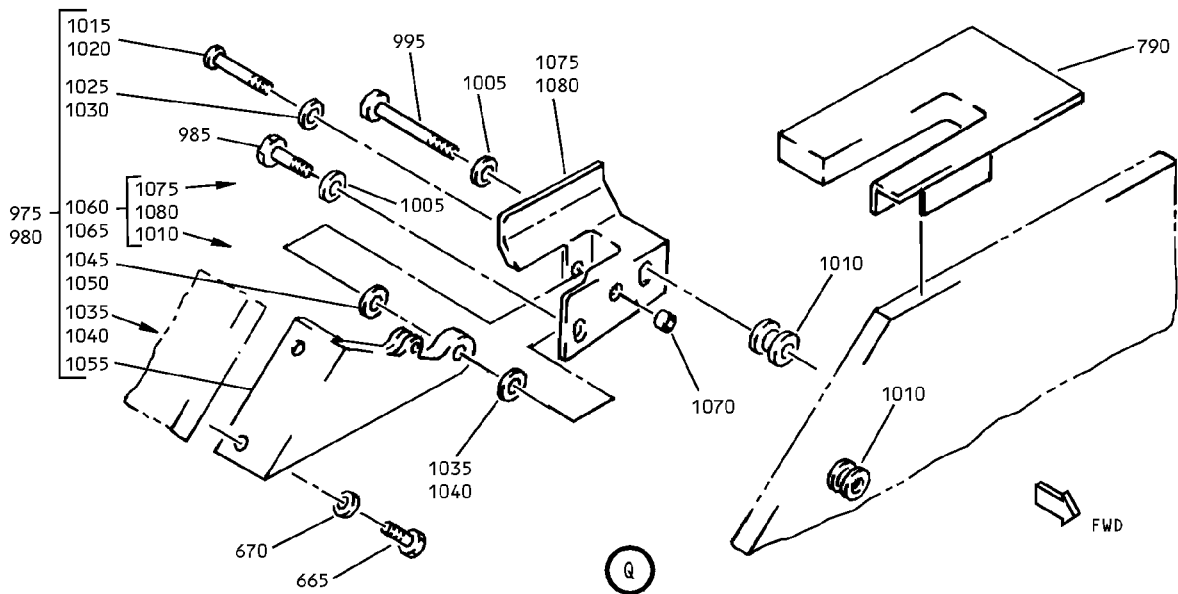
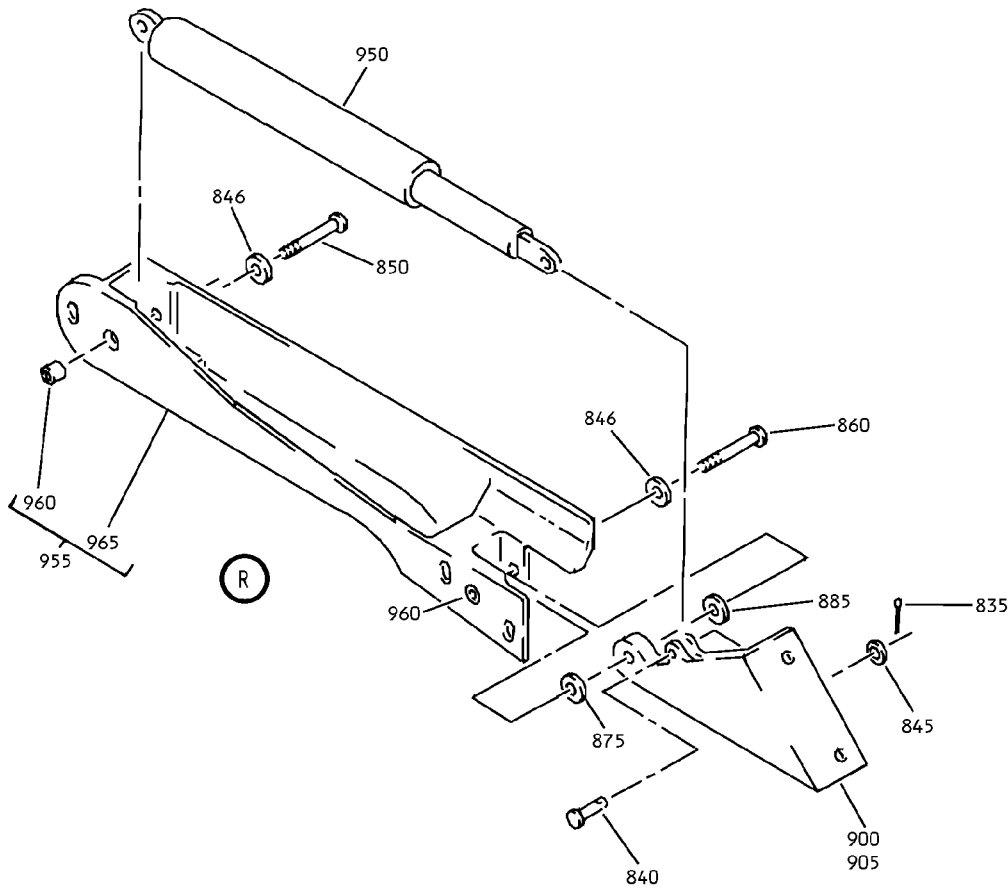
**25-28-44**

ILLUSTRATED PARTS LIST

Page 1098.143

Mar 01/2006

COMPONENT MAINTENANCE MANUAL



Overhead Storage Compartment Assembly  
IPL Figure 5 (Sheet 11 of 19)

**25-28-44**

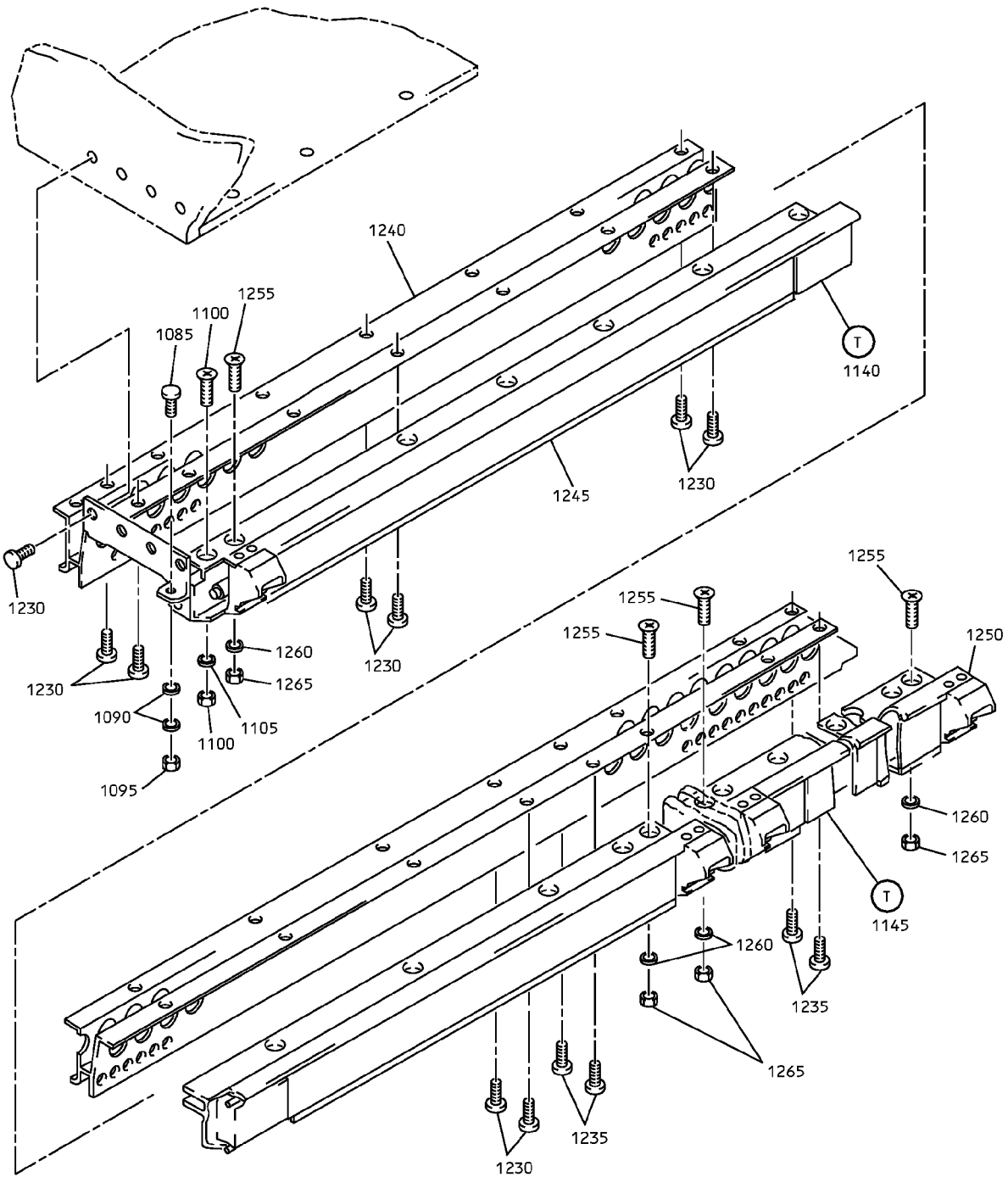
ILLUSTRATED PARTS LIST

Page 1098.144

Mar 01/2006



COMPONENT MAINTENANCE MANUAL



(S)

Overhead Storage Compartment Assembly  
IPL Figure 5 (Sheet 12 of 19)

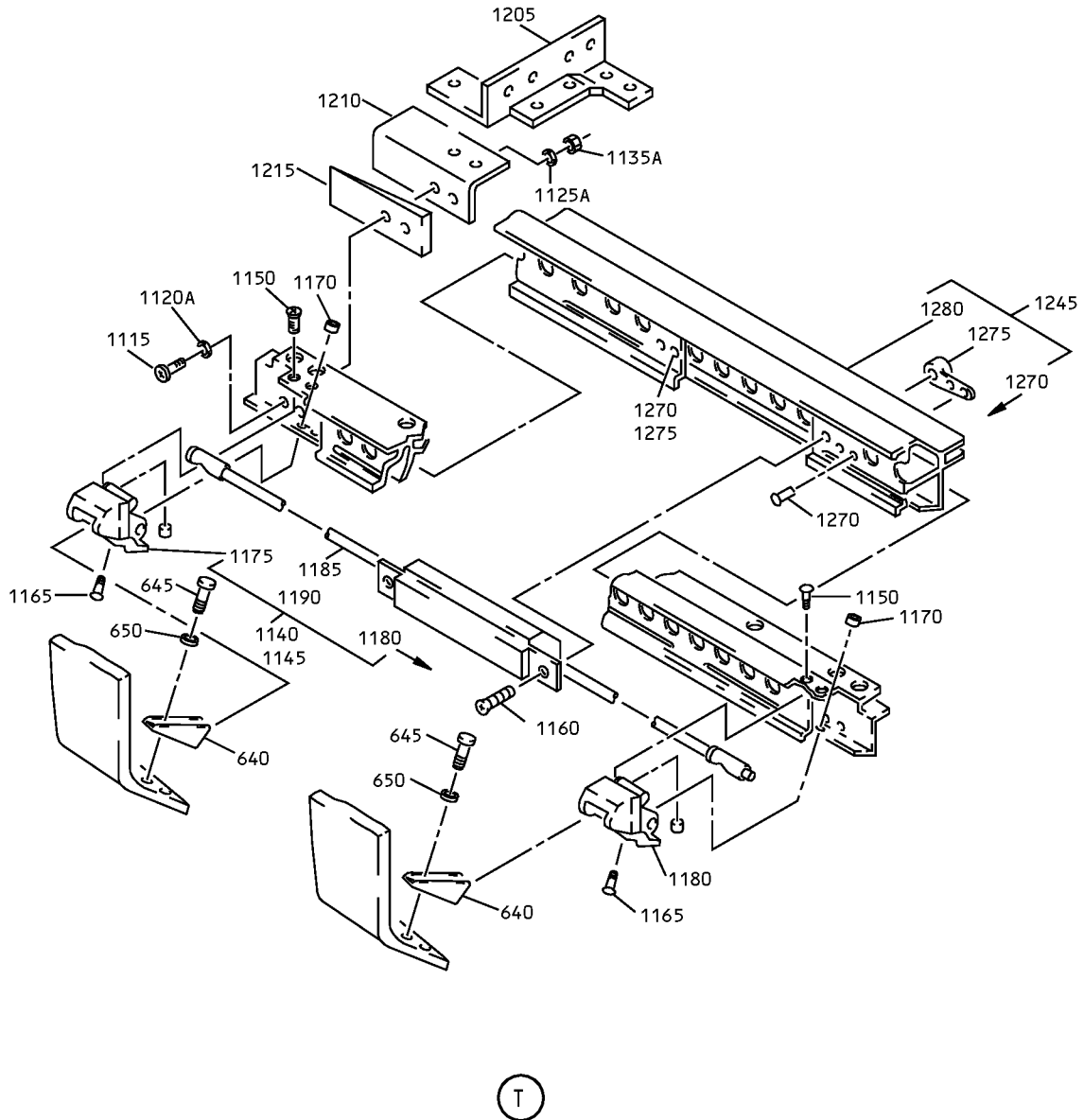
**25-28-44**

ILLUSTRATED PARTS LIST

Page 1098.145

Mar 01/2006

COMPONENT MAINTENANCE MANUAL



T

Overhead Stowage Compartment Assembly  
IPL Figure 5 (Sheet 13 of 19)

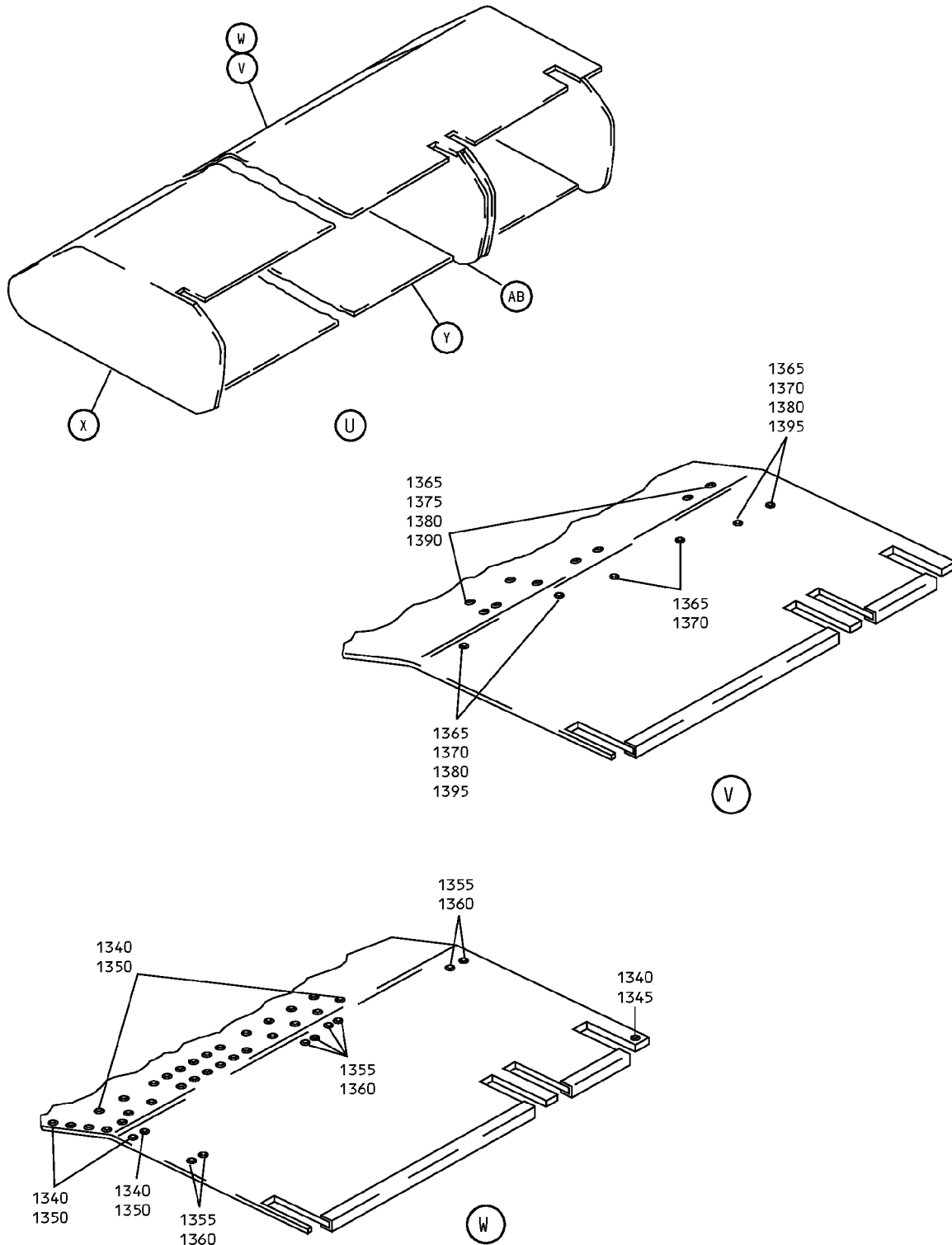
**25-28-44**

ILLUSTRATED PARTS LIST

Page 1098.146

Mar 01/2006

COMPONENT MAINTENANCE MANUAL



Overhead Stowage Compartment Assembly  
IPL Figure 5 (Sheet 14 of 19)

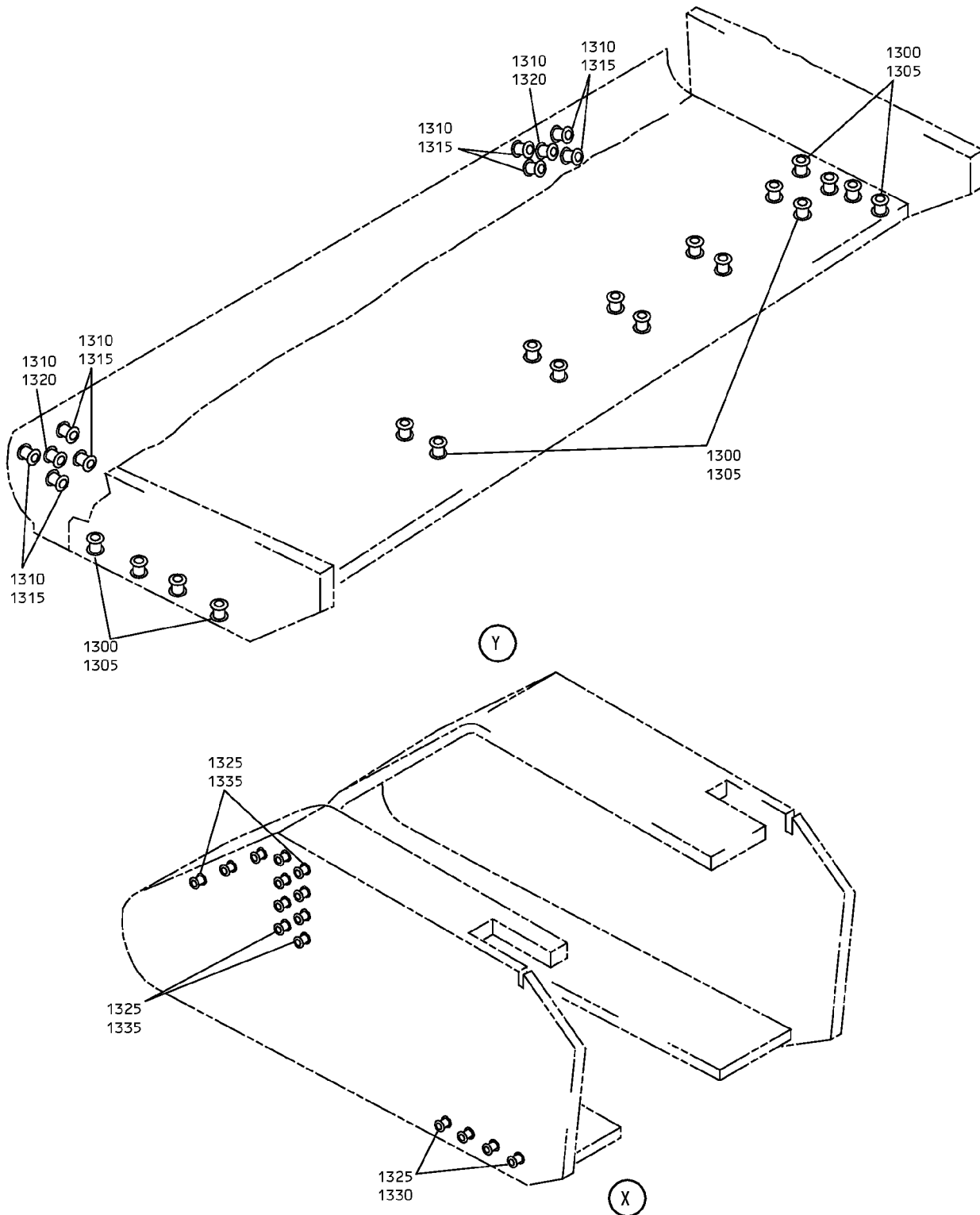
**25-28-44**

ILLUSTRATED PARTS LIST

Page 1098.147

Mar 01/2006

# COMPONENT MAINTENANCE MANUAL



Overhead Stowage Compartment Assembly  
IPL Figure 5 (Sheet 15 of 19)

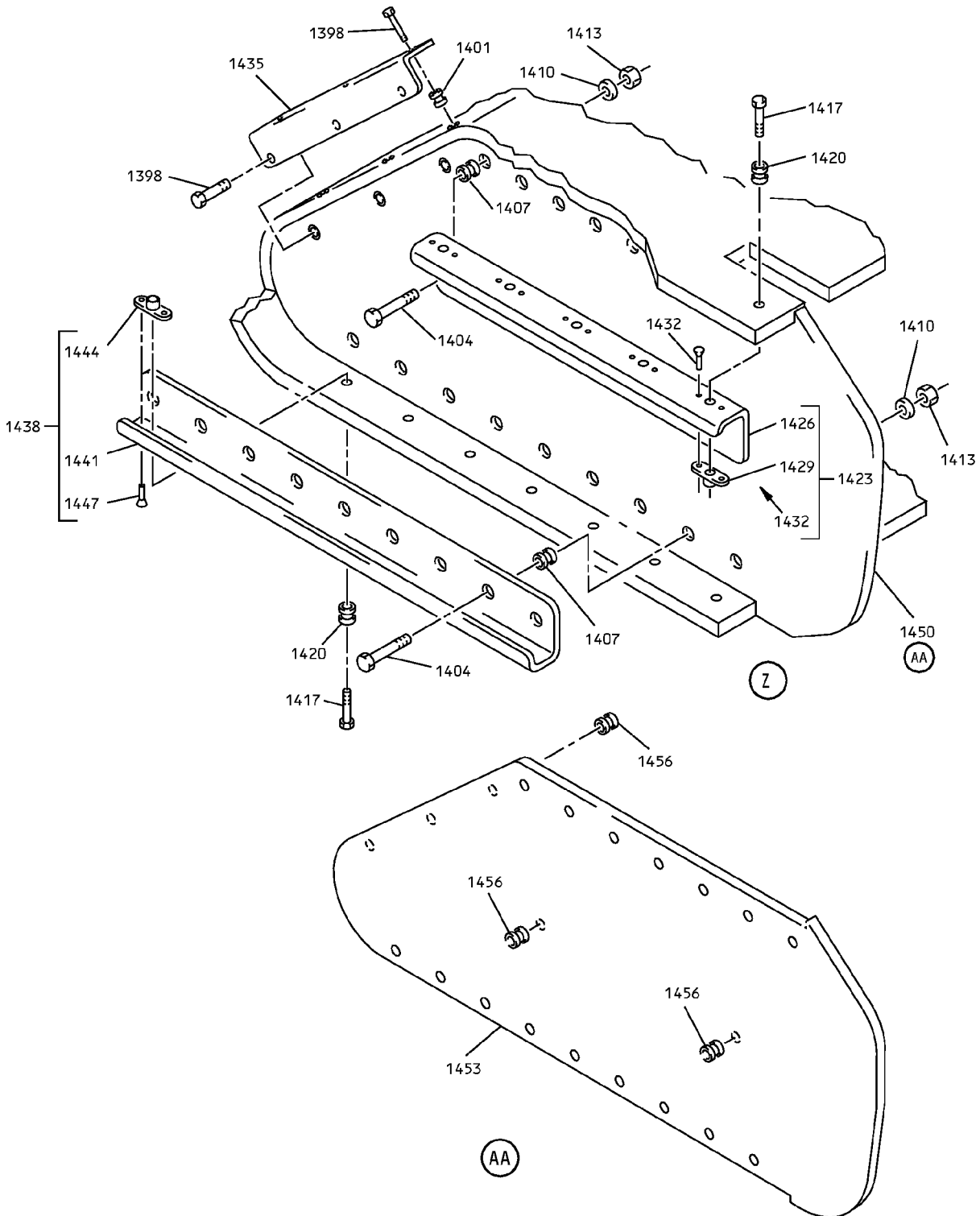
## 25-28-44

ILLUSTRATED PARTS LIST

Page 1098.148

Mar 01/2006

COMPONENT MAINTENANCE MANUAL



Overhead Storage Compartment Assembly  
IPL Figure 5 (Sheet 16 of 19)

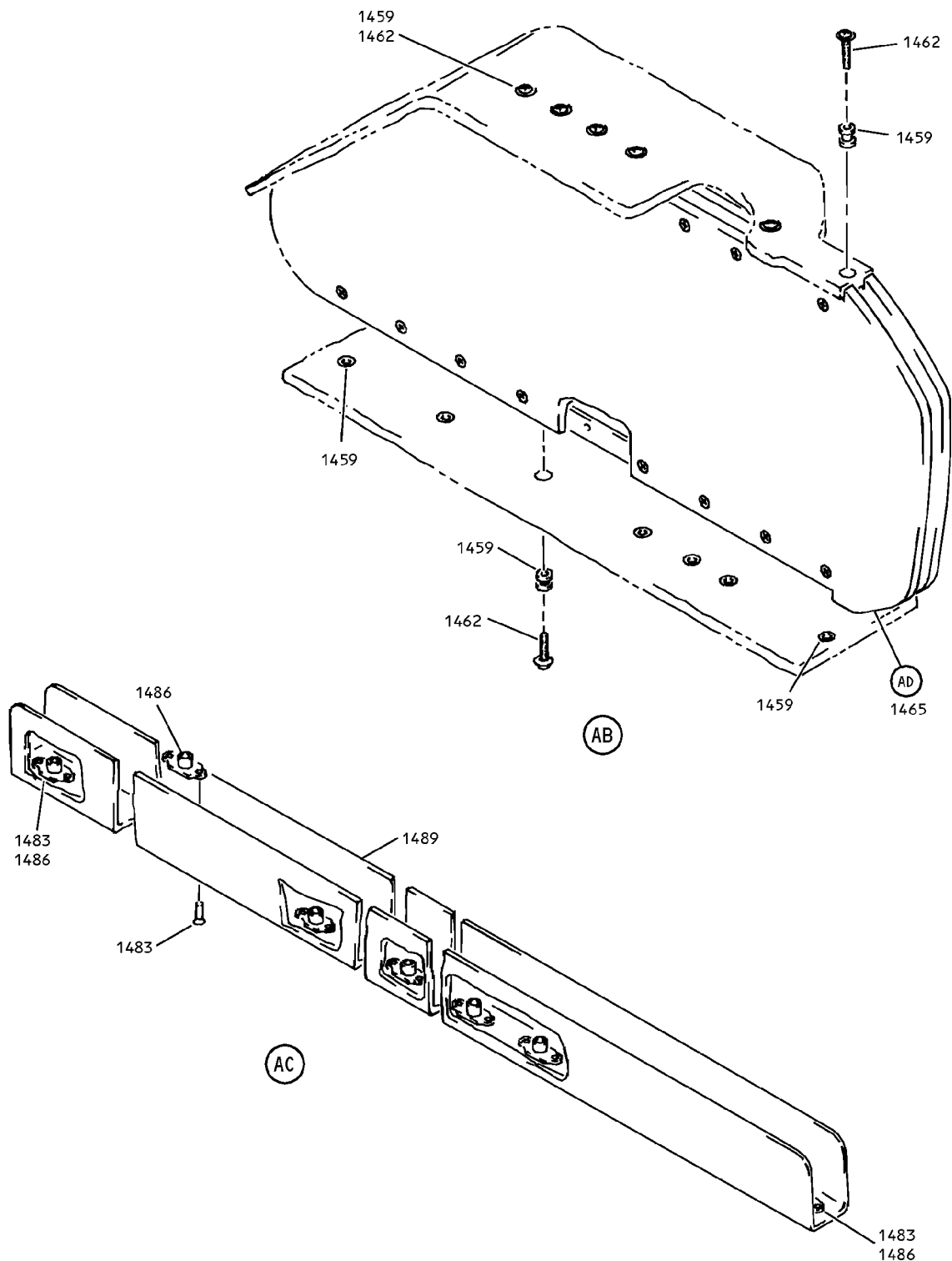
**25-28-44**

ILLUSTRATED PARTS LIST

Page 1098.149

Mar 01/2006

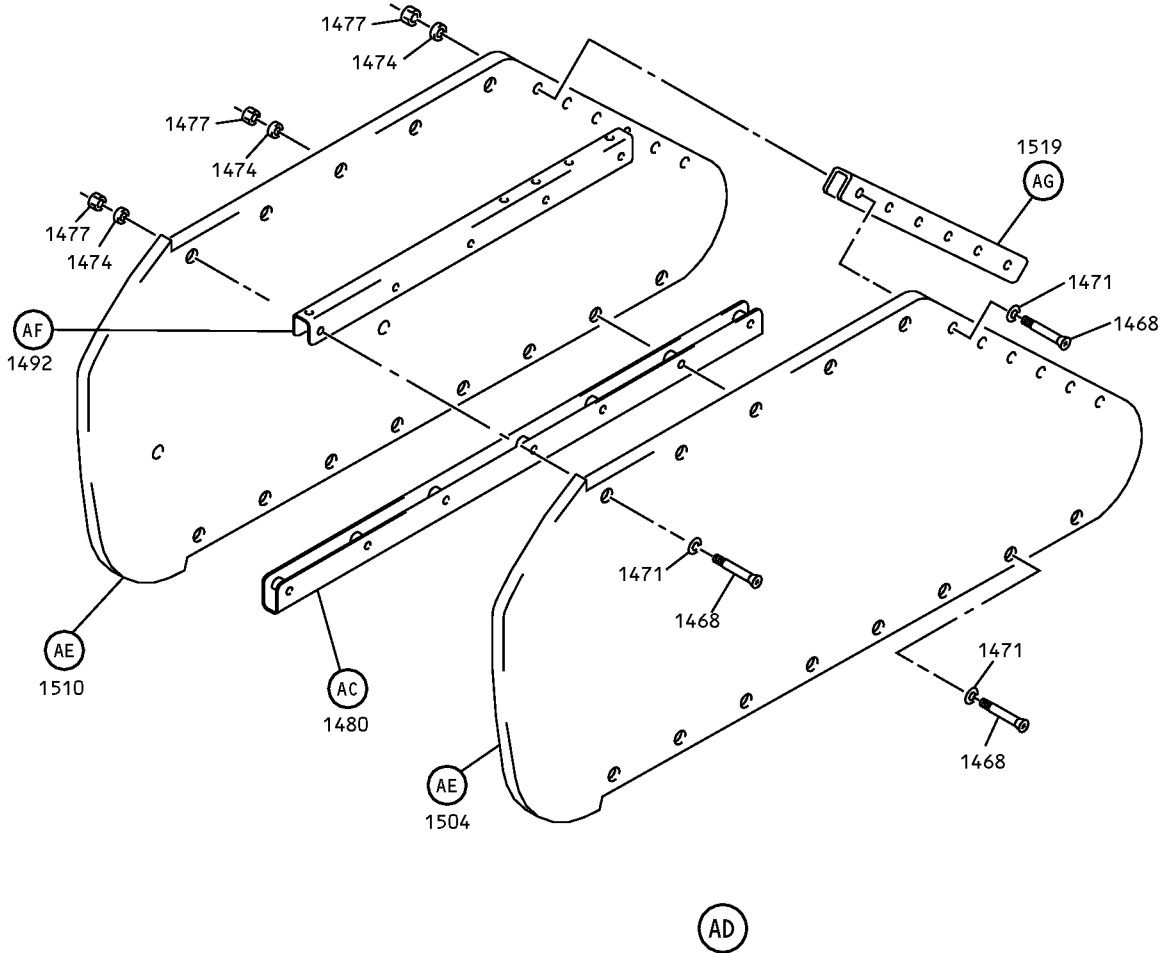
# COMPONENT MAINTENANCE MANUAL



Overhead Storage Compartment Assembly  
IPL Figure 5 (Sheet 17 of 19)

**25-28-44**  
ILLUSTRATED PARTS LIST  
Page 1098.150  
Mar 01/2006

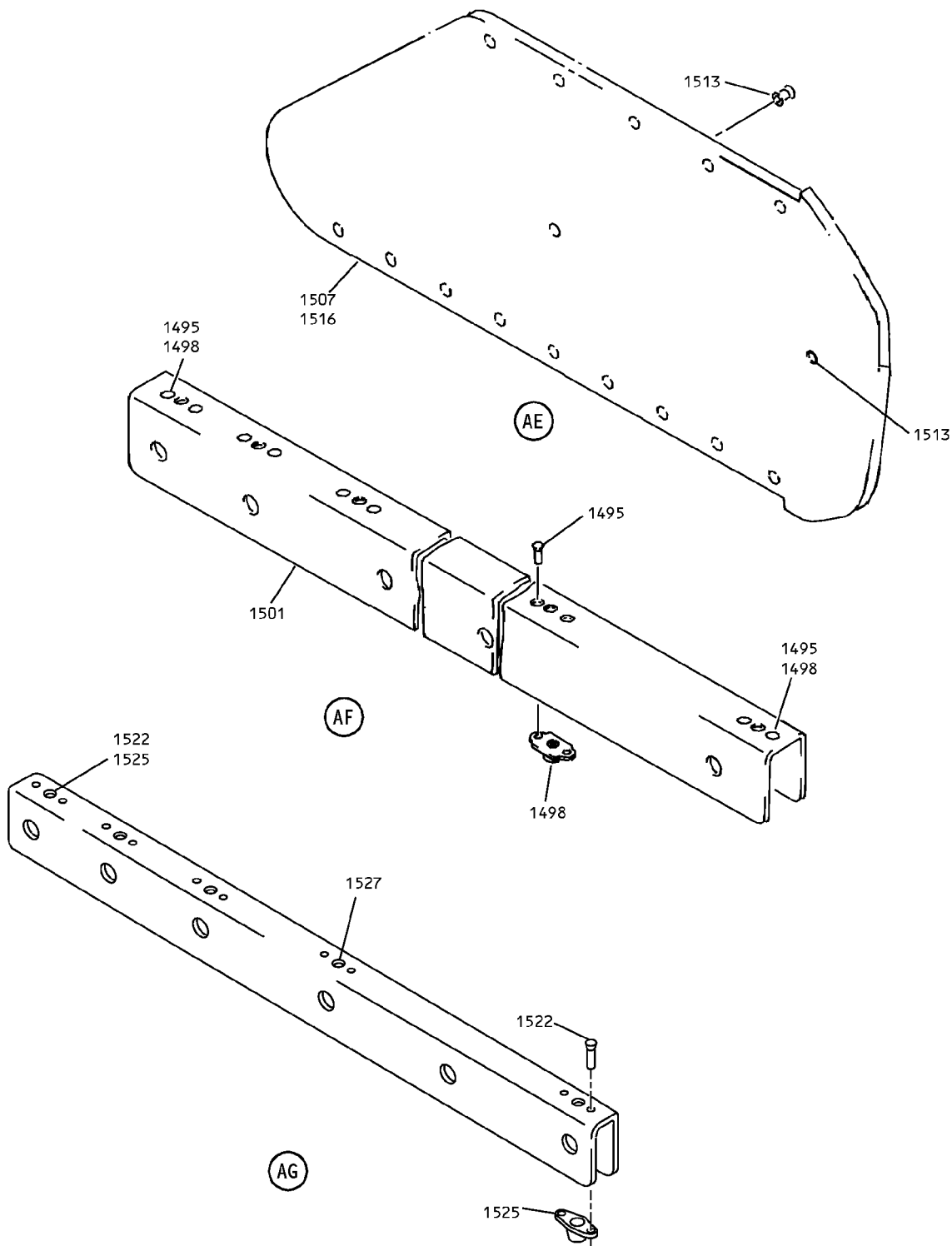
COMPONENT MAINTENANCE MANUAL



Overhead Stowage Compartment Assembly  
IPL Figure 5 (Sheet 18 of 19)

**25-28-44**  
ILLUSTRATED PARTS LIST  
Page 1098.151  
Mar 01/2006

COMPONENT MAINTENANCE MANUAL



Overhead Storage Compartment Assembly  
IPL Figure 5 (Sheet 19 of 19)

**25-28-44**

ILLUSTRATED PARTS LIST

Page 1098.152

Mar 01/2006





## COMPONENT MAINTENANCE MANUAL

FIG/ ITEM	PART NUMBER	AIRLINE PART NUMBER	NOMENCLATURE							USAGE CODE	UNITS PER ASSY
			1	2	3	4	5	6	7		
5-											
-1	65C27006-31SP									A	RF
-1A	65C27006-43SP									B	RF
3	BACB30NM3K9										4
6	AN96PD10										
6A	AN960JD10										4
10	412N1119-47										2
15	BACB30PF4-16										4
20	AN960PD416L										
20A	AN960JD416LL										4
25	NAS43DD4-36										4
30	AN96PD10L										
30A	AN960JD10LL										4
35	BACN10JC3										
35A	MS21042L3										4
40	65C27017-28										2
45	BACB30NM3K4										3
50	BACB30NM3K1										3
55	AN960PD10L										
55A	AN960JD10LL										6
60	412N1119-54										1
65	AN960PD10L										
65A	AN960JD10LL										24
70	412N1119-48										1
75	BACB30NM3K10										2
80	BACB30NM3K3										24
85	AN960PD10										
85A	AN960JD10										2
87	AN960JD10LL										24
90	412N1119-49										1

-Item not Illustrated

# 25-28-44

ILLUSTRATED PARTS LIST  
Page 1098.153  
Mar 01/2006



## COMPONENT MAINTENANCE MANUAL

FIG/ ITEM	PART NUMBER	AIRLINE PART NUMBER	NOMENCLATURE	USAGE CODE	UNITS PER ASSY
5-					
95	412N1119-50		. . PLATE-DIAG SPRT		1
100	412N1119-51		. . PLATE-DIAG SPRT		1
105	412N1119-52		. . PLATE-DIAG SPRT		1
110	412N1119-53		. . PLATE-DIAG SPRT		1
115	BACB30PF3-24		. . BOLT		5
120	BACS18K10-38W		. . SPACER		2
125	BACS18K10-20W		. . SPACER		3
130	AN960PD10L		DELETED		
130A	AN960JD10LL		. . WASHER		5
135	BACN10JC06		. . NUT		5
140	NAS538B4P014		. . BUSHING		2
145	65C27017-25		. BRACKET ASSY ATTACHING PARTS		1
150	BACB30NM3K1		. BOLT		7
155	AN960PD10		DELETED		
155A	AN960JD10		. WASHER -----*		7
160	65C27017-26		. . BRACKET		1
165	BACB28B6-235P		. . BUSHING		2
170	65C27017-15		. SHIM		1
175	65C27017-29		. SHIM		1
180	65C27017-27		. BRACKET ATTACHING PARTS		1
185	BACB30NM3K1		. BOLT		4
190	AN960PD10L		DELETED		
190A	AN960JD10LL		. WASHER -----*		4
195	BACB30NM3K3		. BOLT		2
200	AN960PD10L		DELETED		
200A	AN960JD10L		. WASHER		4
205	BACN10JC3		. NUT		2

-Item not Illustrated

**25-28-44**

ILLUSTRATED PARTS LIST

Page 1098.154

Mar 01/2006



## COMPONENT MAINTENANCE MANUAL

FIG/ ITEM	PART NUMBER	AIRLINE PART NUMBER	NOMENCLATURE							USAGE CODE	UNITS PER ASSY
			1	2	3	4	5	6	7		
5-											
210	NAS1801-3-11		.								3
215	BACS18C8-6		.								3
220	MS24585-1230		.								3
225	411N3142-28		.								3
230	417N5120-26		.								1
235	417N5120-38		.						A		1
240	417N5120-47		.						B		1
								(OPT ITEM 240A)			
-240A	417N5120-38		.						B		1
								(OPT ITEM 240)			
245	427N5120-41		.						A		1
250	417N5120-50		.						B		1
								ATTACHING PARTS			
255	NAS1801-3-5		.						A		6
255A	NAS1801-3-5		.						B		4
-260	BACS12W10-5		.						B		2
265	AN960PD10L							DELETED			
265A	AN960JD10L		.								6
								----- * -----			
270	BACS12ER3K6		..					SCREW			9
275	BACW10UD10		..					WASHER			9
280	F22K1-02		..					NUT			9
								(V72962)			
								(SPEC BACN10R10L)			
								(OPT 22K1-02 (V72962))			
								(OPT 26CL02 (V07170))			
285	05939-15		..					BALLAST			
								(V17023)			
								(SPEC S283N702-15)			
								(USED ON ITEM 230)			
290	05939-7		..					BALLAST			1
								(V17023)			
								(SPEC S283N702-7)			
								(USED ON ITEMS 235,240,240A)			

-Item not Illustrated

# 25-28-44

ILLUSTRATED PARTS LIST

Page 1098.155

Mar 01/2006



## COMPONENT MAINTENANCE MANUAL

FIG/ ITEM	PART NUMBER	AIRLINE PART NUMBER	NOMENCLATURE							USAGE CODE	UNITS PER ASSY
			1	2	3	4	5	6	7		
5-											
295	05939-5								. . BALLAST (V17023) (SPEC S283N702-5) (USED ON ITEMS 245,250)		1
300	417N5120-11								. . LAMP ASSY (USED ON ITEMS 230,245 250)		1
305	417N5120-12								. . LAMP ASSY (USED ON ITEMS 235,240 240A)		1
310	2055150								. . . CAP-END (USED ON ITEM 300)		2
310A	2055132								. . . CAP-END (USED ON ITEM 305)		2
320	F20T12WW								. . . LAMP-FLUOR. (USED ON ITEM 300)		1
320A	F15T8WW								. . . LAMP-FLUOR. (USED ON ITEM 305)		1
325	LP1625-24								. . . TUBE-COVER (V60116) (USED ON ITEM 300)		1
330	LP1610-18								. . . TUBE-COVER (V60116) (USED ON ITEM 305)		1
335	800000255-21								. . LIGHT ASSY (V05617) (SPEC S417N507-21) (USED ON ITEM 230) (FOR DETAILS SEE FIG. 80)		1
335A	800000255-42								. . LIGHT ASSY (V05617) (SPEC S417N507-42) (USED ON ITEMS 235,240A)		1
335B	800000255-45								. . LIGHT ASSY (V05617) (SPEC S417N507-45) (USED ON ITEMS 245)		1
335C	800000255-37								. . LIGHT ASSY (V05617) (SPEC S417N507-37) (USED ON ITEM 240)		1

-Item not Illustrated

# 25-28-44

ILLUSTRATED PARTS LIST

Page 1098.156

Mar 01/2006



## COMPONENT MAINTENANCE MANUAL

FIG/ ITEM	PART NUMBER	AIRLINE PART NUMBER	NOMENCLATURE							USAGE CODE	UNITS PER ASSY
			1	2	3	4	5	6	7		
5-											
335D	800000255-35		.	.	LIGHT ASSY (V05617) (SPEC S417N507-35) (USED ON ITEM 250)						1
340	65C28117-3		.	.	PAD						1
345	65C27481-24		.		BRACKET ASSY						1
350	65C27481-25		.	.	BRACKET						1
355	BACN10JR3FR		.	.	NUTPLATE						1
360	BACR15BA3B		.	.	RIVET (SIZE DETERMINED ON INST)						2
362	NAS1398D4		.	.	RIVET (SIZE DETERMINED ON INST)						2
365	65C27481-34		.		BRACKET ASSY						1
370	65C27481-35		.	.	BRACKET						1
375	BACN10JR3FR		.	.	NUTPLATE						1
380	BACR15BA3B		.	.	RIVET (SIZE DETERMINED ON INST)						2
385	NAS1398D4		.	.	RIVET (SIZE DETERMINED ON INST)						2
390	65C27481-28		.		BRACKET ASSY						1
395	65C27481-29		.	.	BRACKET						1
400	BACN10JR3FR		.	.	NUTPLATE						1
405	BACR15BA3B		.	.	RIVET (SIZE DETERMINED ON INST)						2
410	BACS12FA3K4		.		BOLT						8
415	412N1145-29		.		BRACKET						4
420	412N1145-30		.		BRACKET						1
425	65c27017-13		.		BRACKET						4
430	BACS12FA3K5		.		BOLT						9
435	BACB30PF4-3		.		BOLT						1
440	AN960C416L		.		WASHER						1
445	NAS1515F4H		.		WASHER						1
450	NAS1515M4L		.		WASHER						1
555	65C27026-29		.		FILLER PANEL ASSY						1

-Item not Illustrated

# 25-28-44

ILLUSTRATED PARTS LIST

Page 1098.157

Mar 01/2006



## COMPONENT MAINTENANCE MANUAL

FIG/ ITEM	PART NUMBER	AIRLINE PART NUMBER	NOMENCLATURE							USAGE CODE	UNITS PER ASSY	
			1	2	3	4	5	6	7			
5-												
560	NAS1836-3-11											4
565	65C27027-4SP											1
570	65C27027-12											1
575	65C27027-13											1
580	65C27027-14											1
585	65C27027-17											1
590	65C27027-8											1
595	SL2334-3A2											9
600	412N1119-12											2
605	BACB30NM3K1											8
610	AN960PD10											8
615	412N1130-5											2
620	65C27006-12											1
630	65C27009-32SP									A		1
-630A	65C27009-43SP									B		1
635	65C27009-6											2
640	H3-1152-1											4
645	BACS12FA3K4											8
650	MS35333-39											8
655	412N1140-41SP											1
660	412N1140-47SP											1
665	NAS1801-3-4											8
670	MS35333-39											8
675	SL618-3A											8
680	BACS12H4-8											2

-Item not Illustrated

**25-28-44**

ILLUSTRATED PARTS LIST

Page 1098.158

Mar 01/2006



## COMPONENT MAINTENANCE MANUAL

FIG/ ITEM	PART NUMBER	AIRLINE PART NUMBER	NOMENCLATURE							USAGE CODE	UNITS PER ASSY	
			1	2	3	4	5	6	7			
5-												
685	NAS620ABL											2
690	412N1245-1											2
695	MS51862-4											2
700	412N1143-11											2
705	412N1140-17											1
710	412N1143-13											1
715	412N1143-14											1
720	412N1140-58											1
-725	412N1140-62											1
730	412N1140-13											1
735	412N1141-1											1
740	412N1141-5											1
745	412N1141-7											1
-750	412N1142-15											1
-755	412N1142-20											1
-760	412N1244-2											1
770	412N1118-1											2
775	412N1118-2											2
785	412N1154-2											1
790	412N1154-3											2
795	412N1154-4											1

-Item not Illustrated

# 25-28-44

ILLUSTRATED PARTS LIST

Page 1098.159

Mar 01/2006



## COMPONENT MAINTENANCE MANUAL

FIG/ ITEM	PART NUMBER	AIRLINE PART NUMBER	NOMENCLATURE							USAGE CODE	UNITS PER ASSY
			1	2	3	4	5	6	7		
5-											
800	412N1155-5		. .								2
800A	412N1155-11		. .								2
805	412N1155-6		. .								1
805A	412N1155-12		. .								1
810	BACB30LK3-18		. .								1
-810A	NAS1801-3-10		. .								1
815	412N1227-1		. .								3
-815A	AIC1321-3-8		. .								3
820	BACW10P136AL		. .								3
825	AN970-3		. .								1
830	NAS1833-3-400		. .								3
835	MS24554-132		. . .								1
840	MS20392-2C13		. . .								1
845	AN960PD10L		. . .								1
846	AN960PD10L		. . .								1
850	NAS6703PU15		. . .								1
855	BACB30LU3-14		DELETED								
856	BACBLH3PU14		DELETED								
856A	BACB30LU3-14		. . .								1
860	NAS6703PU11		. . .								1

-Item not Illustrated

# 25-28-44

ILLUSTRATED PARTS LIST

Page 1098.160

Mar 01/2006





## COMPONENT MAINTENANCE MANUAL

FIG/ ITEM	PART NUMBER	AIRLINE PART NUMBER	NOMENCLATURE							USAGE CODE	UNITS PER ASSY
			1	2	3	4	5	6	7		
5-											
865	BACB30NM3K8		. . .	BOLT							1
				(USED ON ITEMS 800A,805A)							
870	AN960PD10L		. . .	WASHER							2
				(USED ON ITEMS 800A,805A)							
875	NAS43DD3-5		. . .	SPACER							1
				(USED ON ITEMS 800,805)							
880	NAS43DD3-3		. . .	SPACER							1
				(USED ON ITEMS 800A,805A)							
885	NAS43DD3-6		. . .	SPACER							1
				(USED ON ITEMS 800,805)							
890	NAS43DD3-8		. . .	SPACER							1
				(USED ON ITEMS 800A,805A)							
900	H2948-2		. . .	HINGE							1
				(V83014)							
				(SPEC S412N102-1)							
				(USED ON ITEMS 800,800A)							
905	H2948-1		. . .	HINGE							1
				(V83014)							
				(SPEC S412N102-1)							
				(USED ON ITEMS 805,805A)							
910	412N1119-36		. . .	FITTING							1
				(USED ON ITEMS 800,805)							
915	412N1119-69		. . .	BRACKET							1
				(USED ON ITEM 800A)							
920	412N1119-70		. . .	BRACKET							1
				(USED ON ITEM 805A)							
925	412N1119-71		. . .	FILLER							1
				(USED ON ITEM 800A)							
930	412N1119-72		. . .	FILLER							1
				(USED ON ITEM 805B)							
935	NAS514P1032-7		. . .	SCREW							2
				(USED ON ITEMS 800,805)							
940	AN960PD10L		. . .	WASHER							2
				(USED ON ITEMS 800,805)							
945	BACN10JC3		. . .	NUT							3
				(USED ON ITEMS 800,805)							
950	SB113		. . .	ACTUATOR							1
				(V24984)							
				(SPEC S412N104-1)							

-Item not Illustrated

# 25-28-44

ILLUSTRATED PARTS LIST

Page 1098.161

Mar 01/2006



## COMPONENT MAINTENANCE MANUAL

FIG/ ITEM	PART NUMBER	AIRLINE PART NUMBER	NOMENCLATURE							USAGE CODE	UNITS PER ASSY
			1	2	3	4	5	6	7		
5-											
955	412N1156-7								. . . CHASSIS ASSY (USED ON ITEM 800)		1
-955A	412N1156-8								. . . CHASSIS ASSY (USED ON ITEM 805)		1
955B	412N1156-17								. . . CHASSIS ASSY (USED ON ITEM 800A)		1
-955C	412N1156-18								. . . CHASSIS ASSY (USED ON ITEM 805A)		1
960	6041-3BRX225								. . . . INSERT-DODGE (V01556)		2
965	412N1156-3								. . . . CHASSIS (USED ON ITEM 955)		1
-965A	412N1156-4								. . . . CHASSIS (USED ON ITEM 955A)		1
-965B	412N1156-15								. . . . CHASSIS (USED ON ITEM 955B)		1
-965C	412N1156-16								. . . . CHASSIS (USED ON ITEM 955C)		1
970	NAS1833-3-400								. . . INSERT		2
975	412N1155-4								. . HINGE ASSY (LIMITED USAGE) (OPT ITEM 980)		1
980	412N1155-10								. . HINGE ASSY (LIMITED USAGE) (OPT ITEM 975)		1
									ATTACHING PARTS		
985	412N1227-1								. . BOLT (USED ON ITEM 990)		1
990	AIC1321-3-8								. . BOLT (V06725) (OPT ITEM 995)		1
995	BACB30LK3-18								. . BOLT (USED ON ITEM 975)		1
									----- * -----		
1000	NAS1801-3-10								. . BOLT (USED ON ITEM 980)		1

-Item not Illustrated

# 25-28-44

ILLUSTRATED PARTS LIST

Page 1098.162

Mar 01/2006



## COMPONENT MAINTENANCE MANUAL

FIG/ ITEM	PART NUMBER	AIRLINE PART NUMBER	NOMENCLATURE							USAGE CODE	UNITS PER ASSY	
			1	2	3	4	5	6	7			
5-												
1008	BACW10P136AL											2
1010	NAS18833-3-400											2
1015	NAS6703PU11											1
1020	BACS30NM3K8											1
1025	AN960PD10L											1
1030	AN960KD10L											1
1035	NAS43DD3-5											1
1040	NAS43DD3-8											1
1045	NAS43DD3-6											1
1050	NAS43DD3-3											1
1055	H2948-1											1
1060	412N1156-6											1
1065	412N1156-20											1
1070	6041-3BRX225											2
1075	412N1156-4											1
1080	412N1156-26											1
1085	BACB30NM3K2											1
1090	AN960PD10L											2
1095	NAS1804-3											1
1100	BACS12ER08K14											1

-Item not Illustrated

# 25-28-44

ILLUSTRATED PARTS LIST

Page 1098.163

Mar 01/2006



## COMPONENT MAINTENANCE MANUAL

FIG/ ITEM	PART NUMBER	AIRLINE PART NUMBER	NOMENCLATURE							USAGE CODE	UNITS PER ASSY
			1	2	3	4	5	6	7		
5-											
1105	AN960PD8								. . . WASHER		1
1110	H10-08BAC								. . NUT (V15653) (SPEC BACN10JC08)		1
1115	BACB30NM3K3								. . BOLT		1
1120	AN960PD10L								DELETED		
1120A	AN960JD10L								. . WASHER		2
1125	BACW10CA3CVU								DELETED		
1125A	AN960JD10								. . WASHER		2
1130	BACW10CA3CCU								DELETED		
1135	H10-3BAC								DELETED		
1135A	MS21042L3								. . NUT		2
1140	412N1153-101								. . LATCH ASSY-60 IN.		1
1145	412N1153-116								. . LATCH ASSY-60 IN.		1
									ATTACHING PARTS		
1150	BACS12ER06K8								. . SCREW (V06710) (SPEC BACS12ER06K8)		8
1155	SL210-06-02								. . INSERT (V06710)		8
1160	BACS12ER08K6								. . SCREW (V06710)		4
1165	NAS514P832-5								. . SCREW		8
1170	SL210-08-1								. . INSERT (V97393)		8
									-----*		
1175	412N1113-7								. . . COVER		1
1180	412N1113-8								. . . COVER		1
1185	H3-1145-2-I5760								. . . LATCH ASSY (SPEC S412N101-1060) (USED ON ITEM 1140)		1
1190	H3-1145-2-2360								. . . LATCH ASSY (V34941) (SPEC S412N101-2026) (USED ON ITEM 1145)		1

-Item not Illustrated

# 25-28-44

ILLUSTRATED PARTS LIST

Page 1098.164

Mar 01/2006



## COMPONENT MAINTENANCE MANUAL

FIG/ ITEM	PART NUMBER	AIRLINE PART NUMBER	NOMENCLATURE							USAGE CODE	UNITS PER ASSY
			1	2	3	4	5	6	7		
5-											
1205	65C27017-1								.. BRACKET		1
1210	412N1117-6								.. FITTING		1
1215	65C27016-2								.. FILLER FITTING-TAPERED		1
1220	65C27017-3								.. FITTING		1
1225	BACR15DR3P								.. RIVET (SIZE DETERMINED ON INST)		2
1230	BACS12FA3K5								.. SCREW		
1235	BACS12FA3K15								.. SCREW		4
1240	65C27023-11								.. SUPPORT-PASS SVCE UNIT		1
1245	412N1146-112								.. SUUPPORT-PASS BULLNOSE		1
-1250	412N1146-39								.. SUPPORT-PASS BULLNOSE		1
1255	BACS12ER08K12								.. SCREW (V06710) (SPEC BACS12ER08K12) (OPT BACS12ER08K12 (V06950)) (OPT BACS12ER08K12 (V27624)) (OPT BACS12ER08K12 (V27624)) (OPT BACS12ER08K12 (V34252)) (OPT BACS12ER08K12 (V56878)) (OPT BACS12ER08K12 (V73197)) (OPT BACS12ER08K12 (V80539)) (OPT BACS12ER08K12 (V92215)) (OPT BACS12ER08K12 (V93907)) (OPT BACS12ER08K12 (V97928))		22
1260	AN960PD8								.. WASHER		22
1265	BACN10JC08								.. NUT		22
1270	BACR15DR3								... RIVET (SIZE DETERMINED ON INST)		4
1275	BACN10KB08								... NUTPLATE (SPEC BACN10KB08)		2
1280	412N1146-116								... SUPPORT (USED ON ITEM 1245)		1
1285	412N1146-42								... SUPPORT (USED ON ITEM 1250)		1
1290	65C27012-10								.. BODY ASSY	A	1
1295	65C27012-22								.. BODY ASSY	B	1
1300	65C27012-1029								... PATTERN ASSY-INSERT		1

-Item not Illustrated

# 25-28-44

ILLUSTRATED PARTS LIST

Page 1098.165

Mar 01/2006



## COMPONENT MAINTENANCE MANUAL

FIG/ ITEM	PART NUMBER	AIRLINE PART NUMBER	NOMENCLATURE							USAGE CODE	UNITS PER ASSY	
			1	2	3	4	5	6	7			
5-												
1305	NAS1836-3-11											19
1310	65C27012-1108											1
1315	NAS1836-3-11											8
1320	NAS1836-4-11											2
1325	65C27012-1206											1
1330	NAS1836-3-11											4
1335	SL2334-3A2											10
												(V97393)
1340	65C27012-1309											1
1345	NAS1836-3-11											1
1350	SL2334-3A2											31
												(V97393)
1355	65C27012-2009											1
1360	NAS1836-3-11											8
1365	65C27012-2109									A		1
1370	NAS1836-3-11											6
1375	SL2334-3A2											9
												(V97393)
1380	65C27012-2118									B		1
1385	NAS1836-3-11											6
1390	SL2334-3A2											9
												(V97393)
1395	65C27321-17											1
1398	BACS12FA3K5											6
1401	NAS1836-3-11											3
1404	BACB30NN3K6											16
1407	SL3378-3-380											16
1410	AN960JD10L											16
1413	MS1042L3											16
1417	BACS12FA3K12											12
1420	NAS1834-3-400											12
1423	412N1217-58											1
1426	412N1217-60											1

-Item not Illustrated

**25-28-44**

ILLUSTRATED PARTS LIST

Page 1098.166

Mar 01/2006



COMPONENT MAINTENANCE MANUAL

FIG/ ITEM	PART NUMBER	AIRLINE PART NUMBER	NOMENCLATURE							USAGE CODE	UNITS PER ASSY
			1	2	3	4	5	6	7		
5-											
1429	BACN10JP3A								.....	NUTPLATE	4
1432	BACR15BA3D								.....	RIVET	8
1435	412N1217-5								....	BRACKET	1
1438	412N1217-65								....	BRACKET ASSY	1
1441	412N1217-67								.....	BRACKET	1
1444	BACN10JP3A								.....	NUTPLATE	6
1447	BACR15BA3D								.....	RIVET	12
1450	412N1116-74								....	PANEL ASSY-END	1
1453	412N1116-94								.....	PANEL ASSY	1
1456	NAS1836-3-11								.....	INSERT	5
1459	NAS1834-4-400								....	INSERT	13
1462	BACS12FA3K12								....	SCREW (V06710) (SPEC BACS12FA3K12) (OPT BACS12FA3K12 (V06725)) (OPT BACS12FA3K12 (V06950)) (OPT BACS12FA3K12 (V27624)) (OPT BACS12FA3K12 (V34252)) (OPT BACS12FA3K12 (V56878)) (OPT BACS12FA3K12 (V73197)) (OPT BACS12FA3K12 (V80539)) (OPT BACS12FA3K12 (V92215)) (OPT BACS12FA3K12 (V93907)) (OPT BACS12FA3K12 (V97928))	13
1465	412N1216-26								....	PANEL ASSY-DIVIDER	1
1468	BACB30NN3K1								.....	BOLT (V06710) (SPEC BACB30NN3K1) (OPT BACB30NN3K1 (V06725)) (OPT BACB30NN3K1 (V06950)) (OPT BACB30NN3K1 (V08524)) (OPT BACB30NN3K1 (V27624)) (OPT BACB30NN3K1 (V56878)) (OPT BACB30NN3K1 (V73197)) (OPT BACB30NN3K1 (V80539)) (OPT BACB30NN3K1 (V92215)) (OPT BACB30NN3K1 (V93907)) (OPT BACB30NN3K1 (V97928))	16

-Item not Illustrated

**25-28-44**

ILLUSTRATED PARTS LIST

Page 1098.167

Mar 01/2006



## COMPONENT MAINTENANCE MANUAL

FIG/ ITEM	PART NUMBER	AIRLINE PART NUMBER	NOMENCLATURE							USAGE CODE	UNITS PER ASSY
			1	2	3	4	5	6	7		
5-											
1471	BACW10CT10								..... WASHER (V10630) (SPEC BACW10CT10)		16
1474	AN960PD516L								..... WASHER		16
1477	SL5-3-145S								..... NUT (V97393) (OPT ITEM 1477A)		16
-1477A	KD121395-145								..... NUT (V29372) (OPT ITEM 1477)		16
1480	412N1217-21								..... BRACKET ASSY		1
1483	BACR15BA3AD								..... RIVET (SIZE DETERMINED ON INST)		12
1486	BRM200A3								..... NUTPLATE (V52828) (SPEC BACN10JP3A) (OPT MK1000-3BAC (V15653)) (OPT NS103197-02 (V80539)) (OPT T8076S1032 (V71087)) (OPT T8076S1032 (V11815)) (OPT VN202A1-02 (V92215))		6
1489	412N1217-22								.... BRACKET		1
1492	412N1217-49								... BRACKET ASSY		1
1495	BACR15BA3AD								..... RIVET (SIZE DETERMINED ON INST)		10
1498	BRM200A3								..... NUTPLATE (V52828) (SPEC BACN10JP3A) (OPT MK1000-3BAC (V15653)) (OPT NS103197-02 (V80539)) (OPT T8076S1032 (V71087)) (OPT T8076S1032 (V11815)) (OPT VN202A1-02 (V92215))		5
1501	412N1217-50								..... BRACKET		1
1504	412N1116-85								..... PANEL ASSY-DIVIDER		1
1507	412N1116-94								..... PANEL ASSY		1
1510	412N1116-88								..... PANEL ASSY-DIVIDER		1
1513	NAS1836-3-11								..... INSERT		2
1516	412N1116-93								..... PANEL ASSY		2

-Item not Illustrated

# 25-28-44

ILLUSTRATED PARTS LIST

Page 1098.168

Mar 01/2006





## COMPONENT MAINTENANCE MANUAL

FIG/ ITEM	PART NUMBER	AIRLINE PART NUMBER	NOMENCLATURE							USAGE CODE	UNITS PER ASSY	
			1	2	3	4	5	6	7			
5-												
1519	412N1215-29											1
1522	412N1217-85											1
1525	BACR15BA3AD											12
1528	BRM200A3											6
1531	412N1217-86											1

-Item not Illustrated

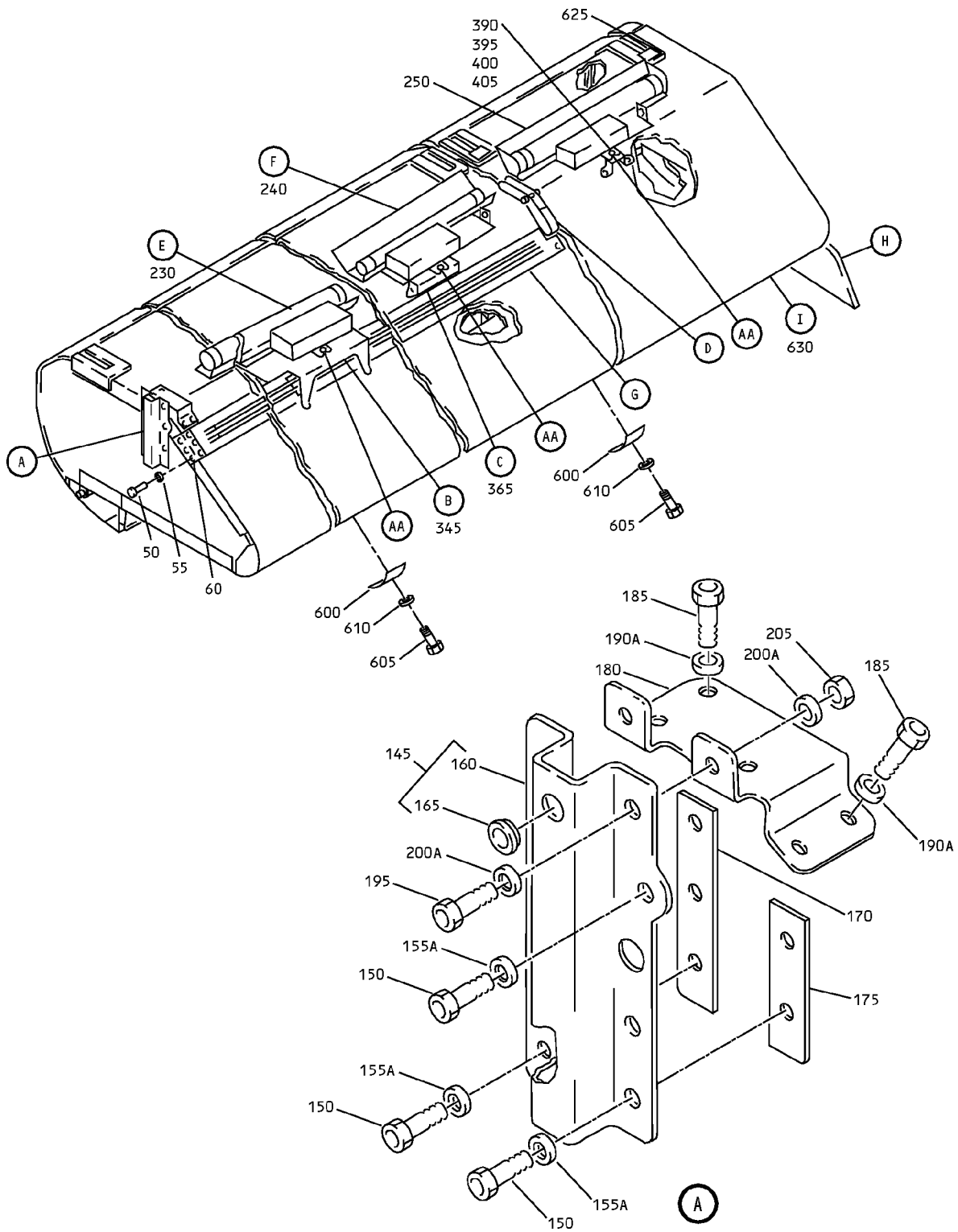
# 25-28-44

ILLUSTRATED PARTS LIST

Page 1098.169

Mar 01/2006

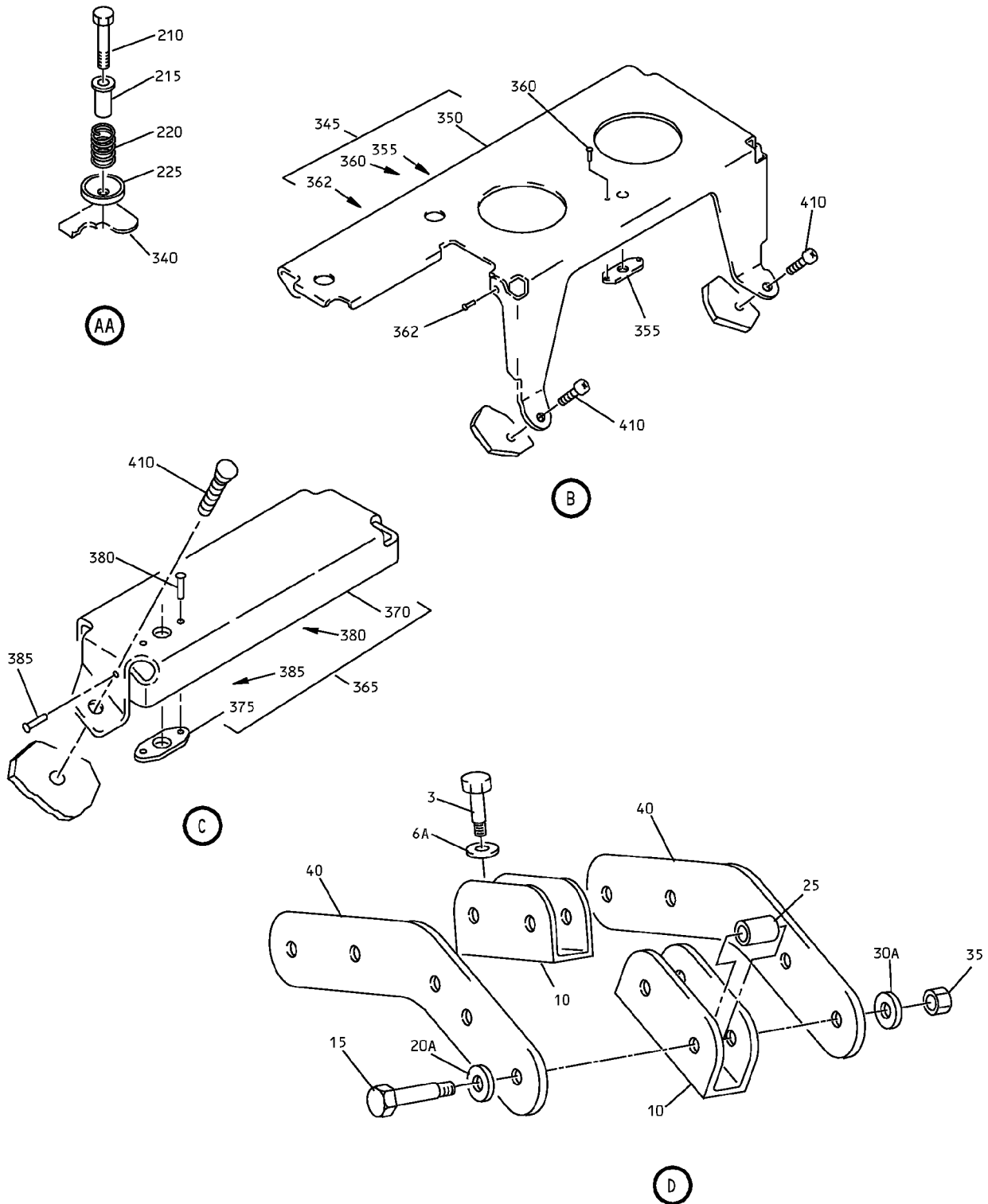
COMPONENT MAINTENANCE MANUAL



Overhead Stowage Compartment Assembly  
IPL Figure 6 (Sheet 1 of 21)

**25-28-44**  
ILLUSTRATED PARTS LIST  
Page 1098.170  
Mar 01/2006

COMPONENT MAINTENANCE MANUAL



Overhead Stowage Compartment Assembly  
IPL Figure 6 (Sheet 2 of 21)

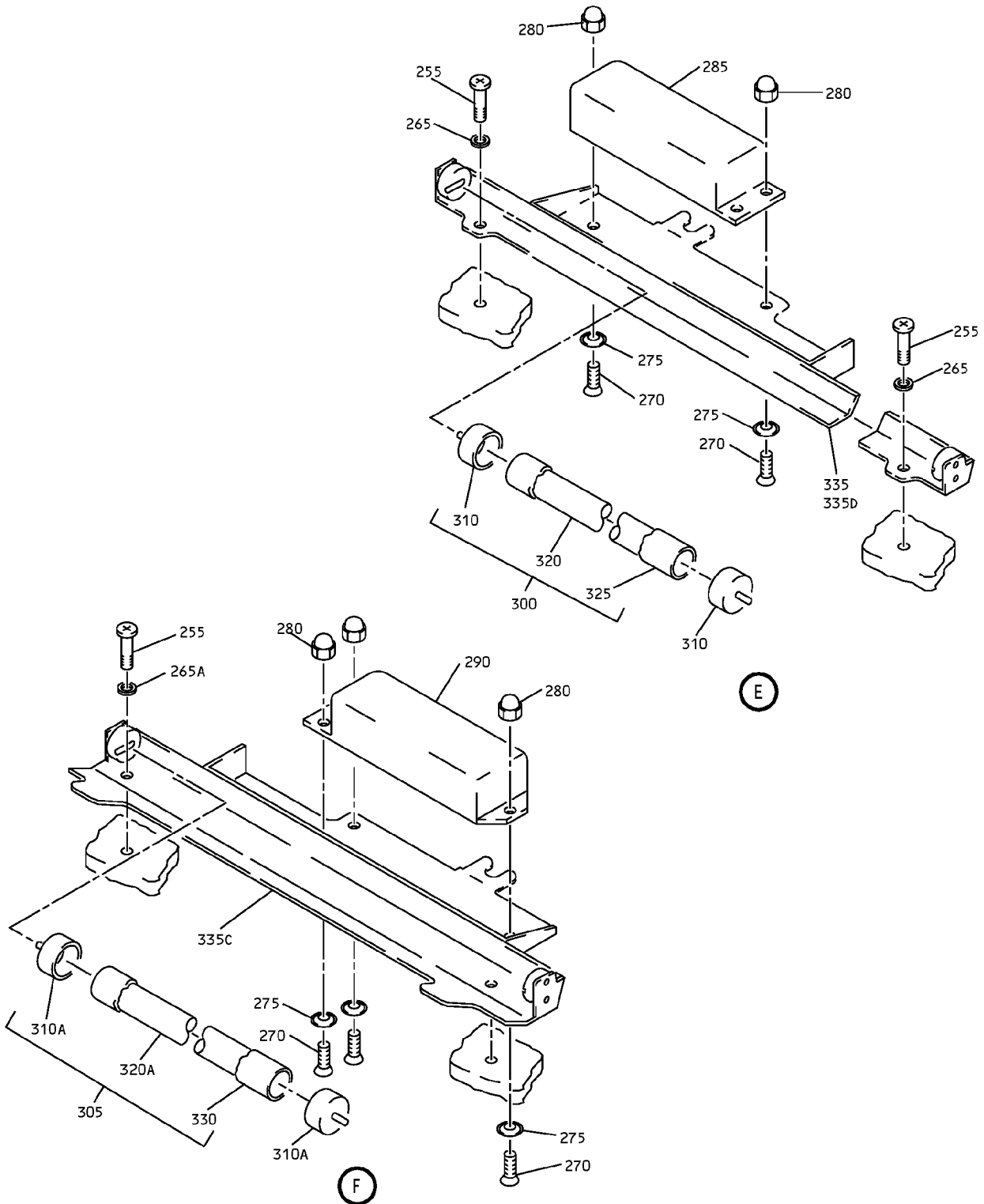
**25-28-44**

ILLUSTRATED PARTS LIST

Page 1098.171

Mar 01/2006

COMPONENT MAINTENANCE MANUAL



Overhead Storage Compartment Assembly  
IPL Figure 6 (Sheet 3 of 21)

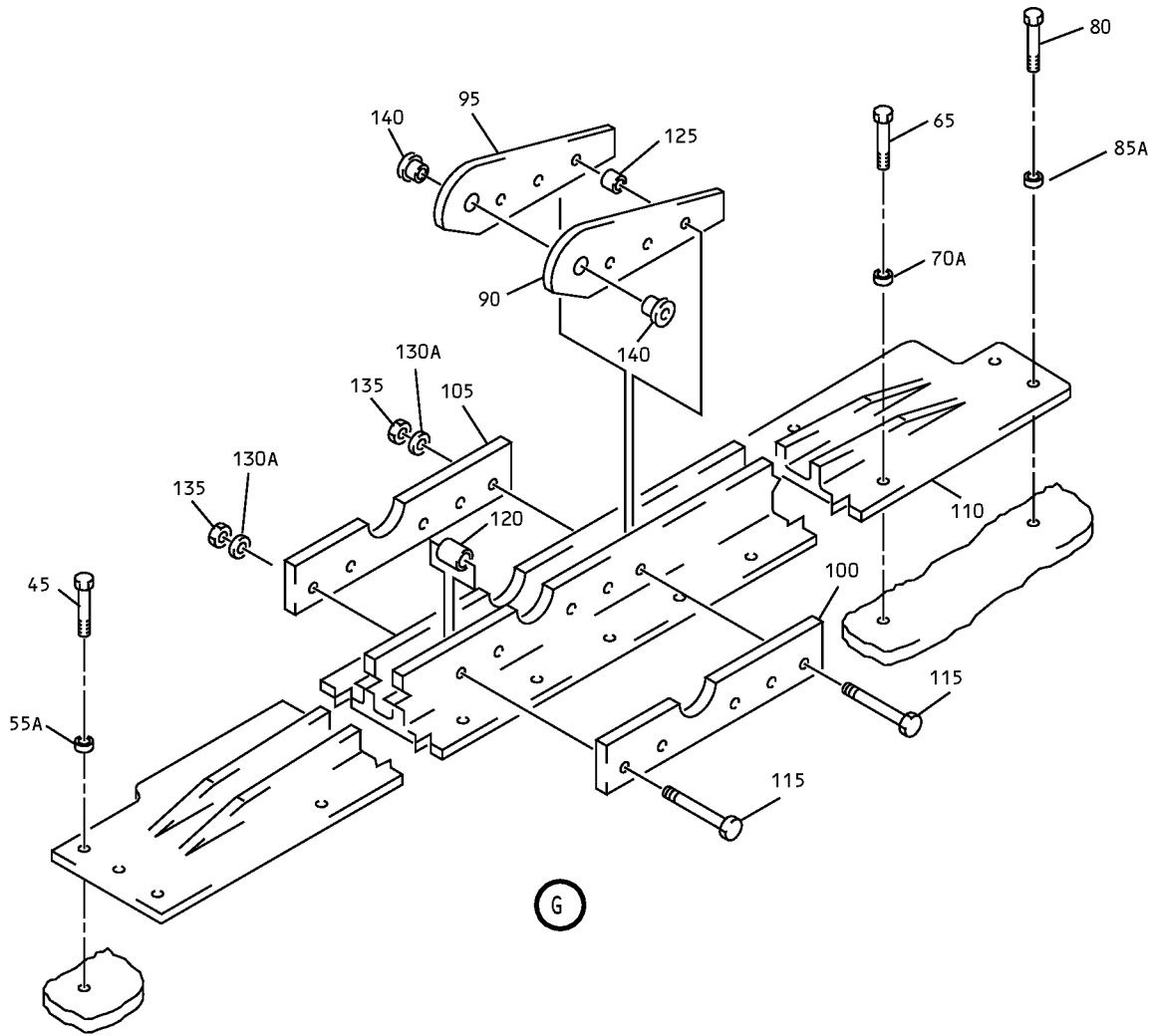
**25-28-44**

ILLUSTRATED PARTS LIST

Page 1098.172

Mar 01/2006

# COMPONENT MAINTENANCE MANUAL



Overhead Stowage Compartment Assembly  
IPL Figure 6 (Sheet 4 of 21)

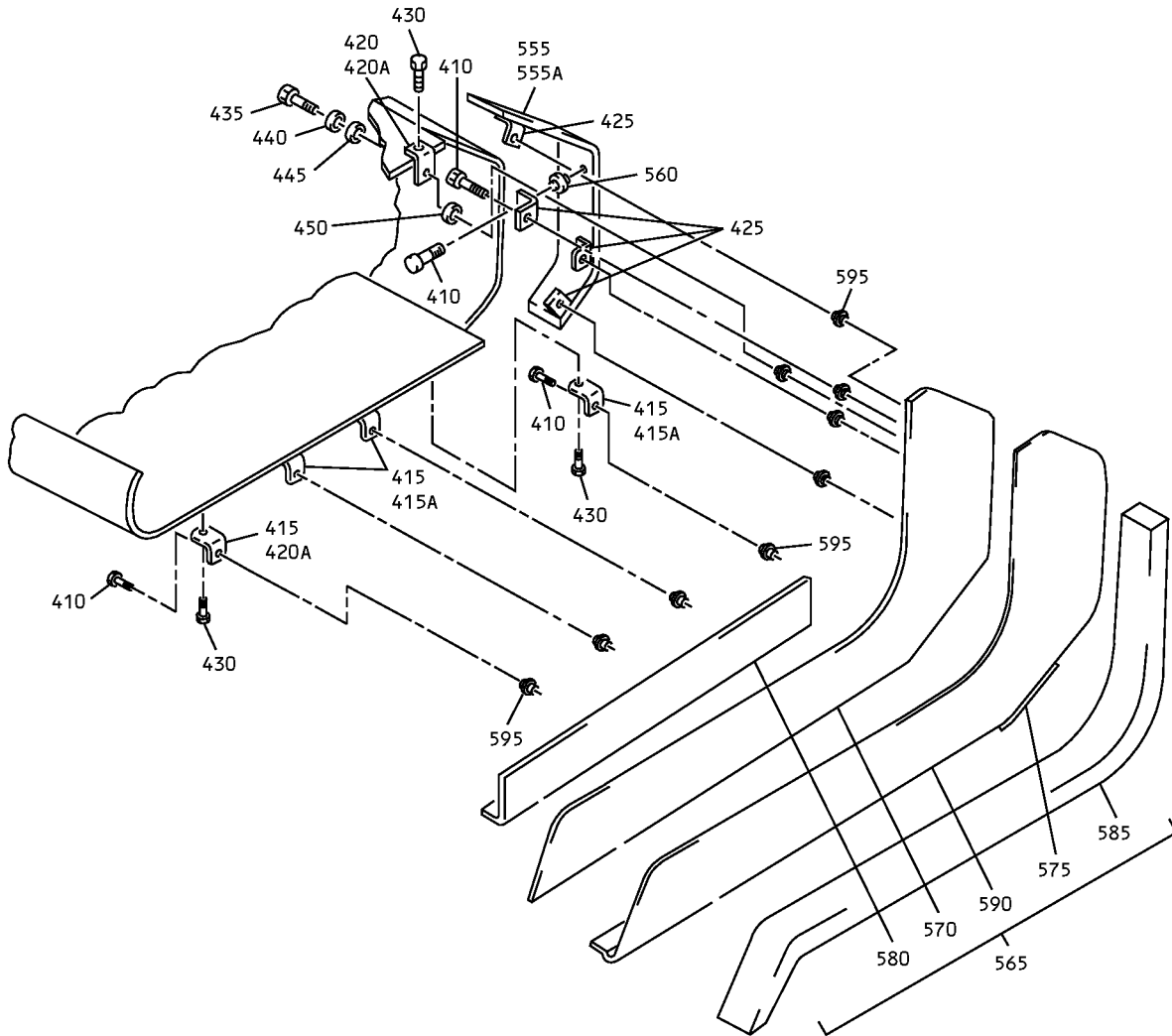
## 25-28-44

ILLUSTRATED PARTS LIST

Page 1098.173

Mar 01/2006

COMPONENT MAINTENANCE MANUAL



H

Overhead Storage Compartment Assembly  
IPL Figure 6 (Sheet 5 of 21)

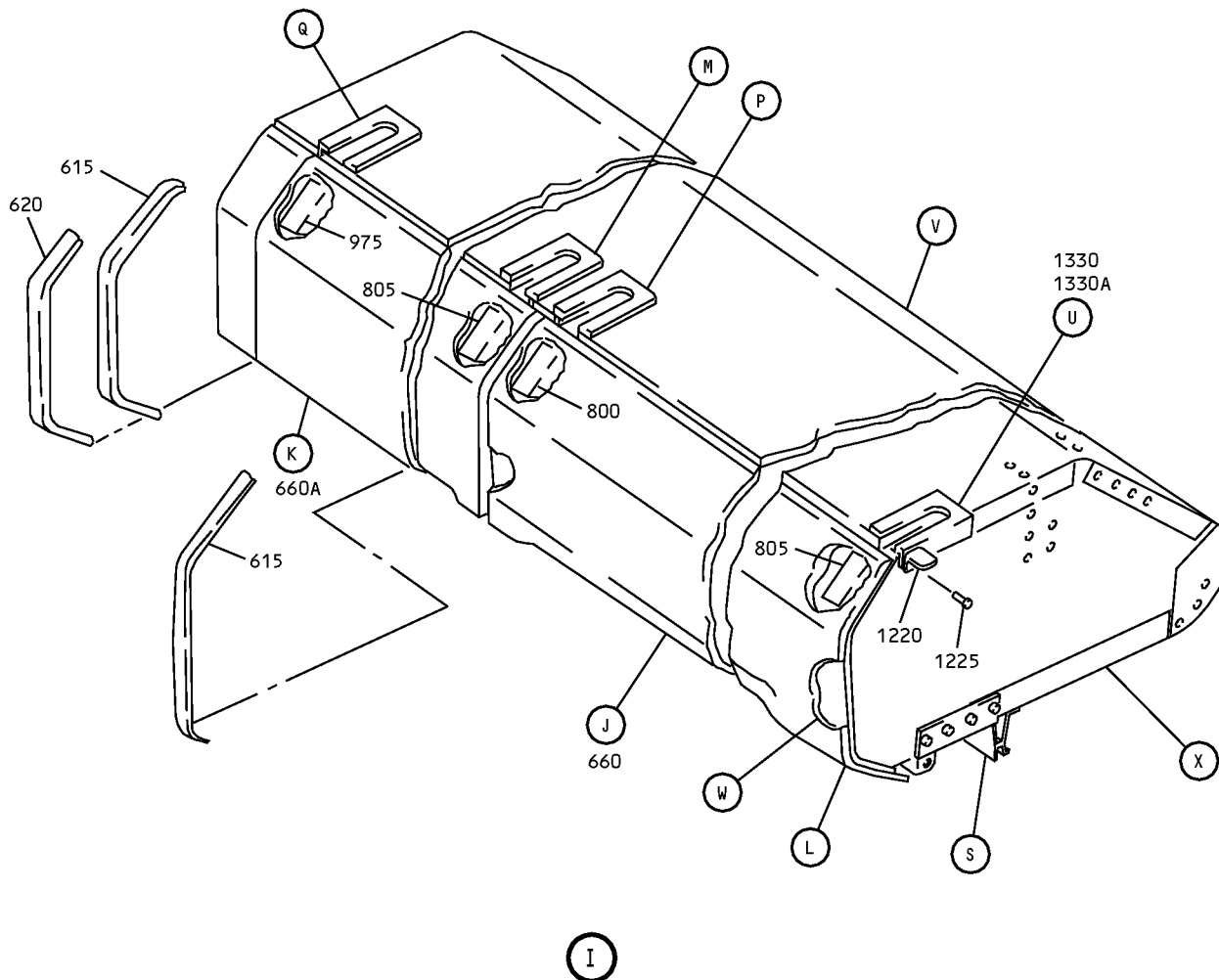
**25-28-44**

ILLUSTRATED PARTS LIST

Page 1098.174

Mar 01/2006

COMPONENT MAINTENANCE MANUAL



Overhead Stowage Compartment Assembly  
IPL Figure 6 (Sheet 6 of 21)

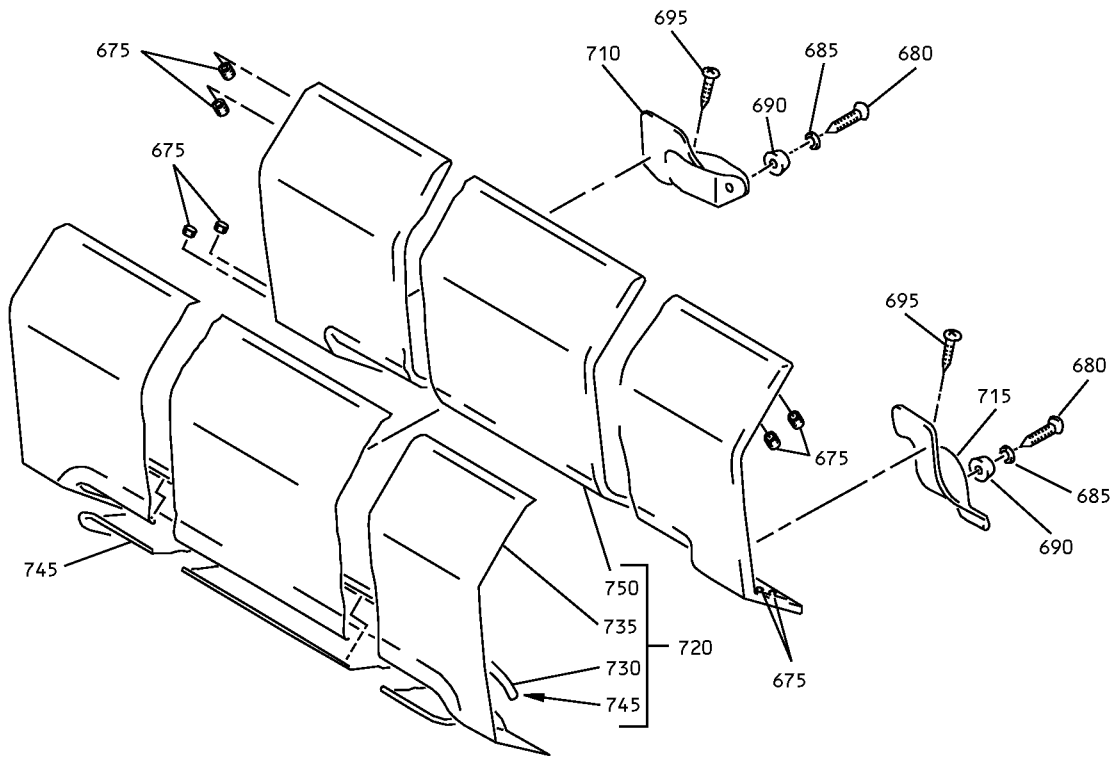
**25-28-44**

ILLUSTRATED PARTS LIST

Page 1098.175

Mar 01/2006

COMPONENT MAINTENANCE MANUAL



J

Overhead Stowage Compartment Assembly  
IPL Figure 6 (Sheet 7 of 21)

**25-28-44**

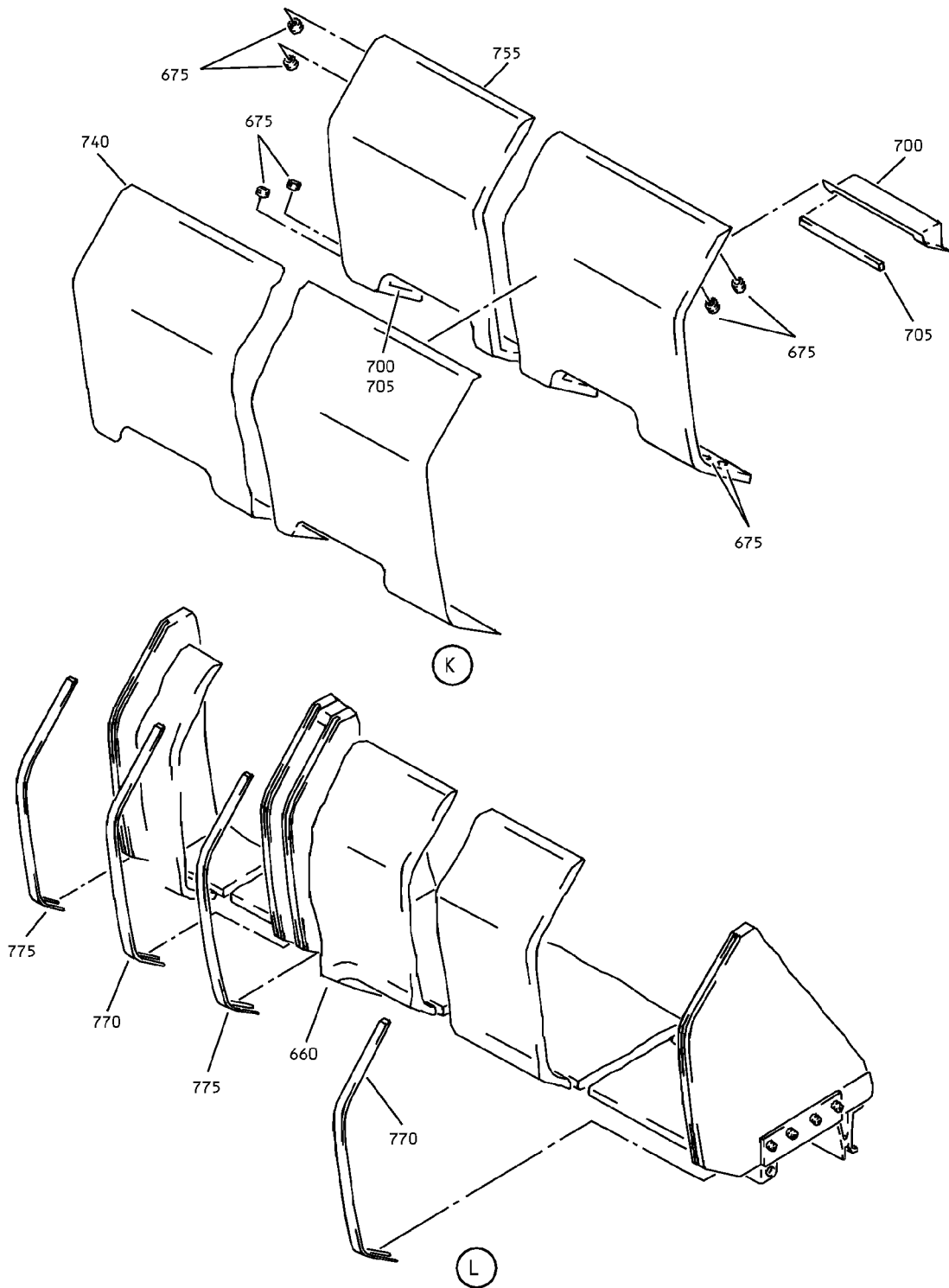
ILLUSTRATED PARTS LIST

Page 1098.176

Mar 01/2006



COMPONENT MAINTENANCE MANUAL



Overhead Storage Compartment Assembly  
IPL Figure 6 (Sheet 8 of 21)

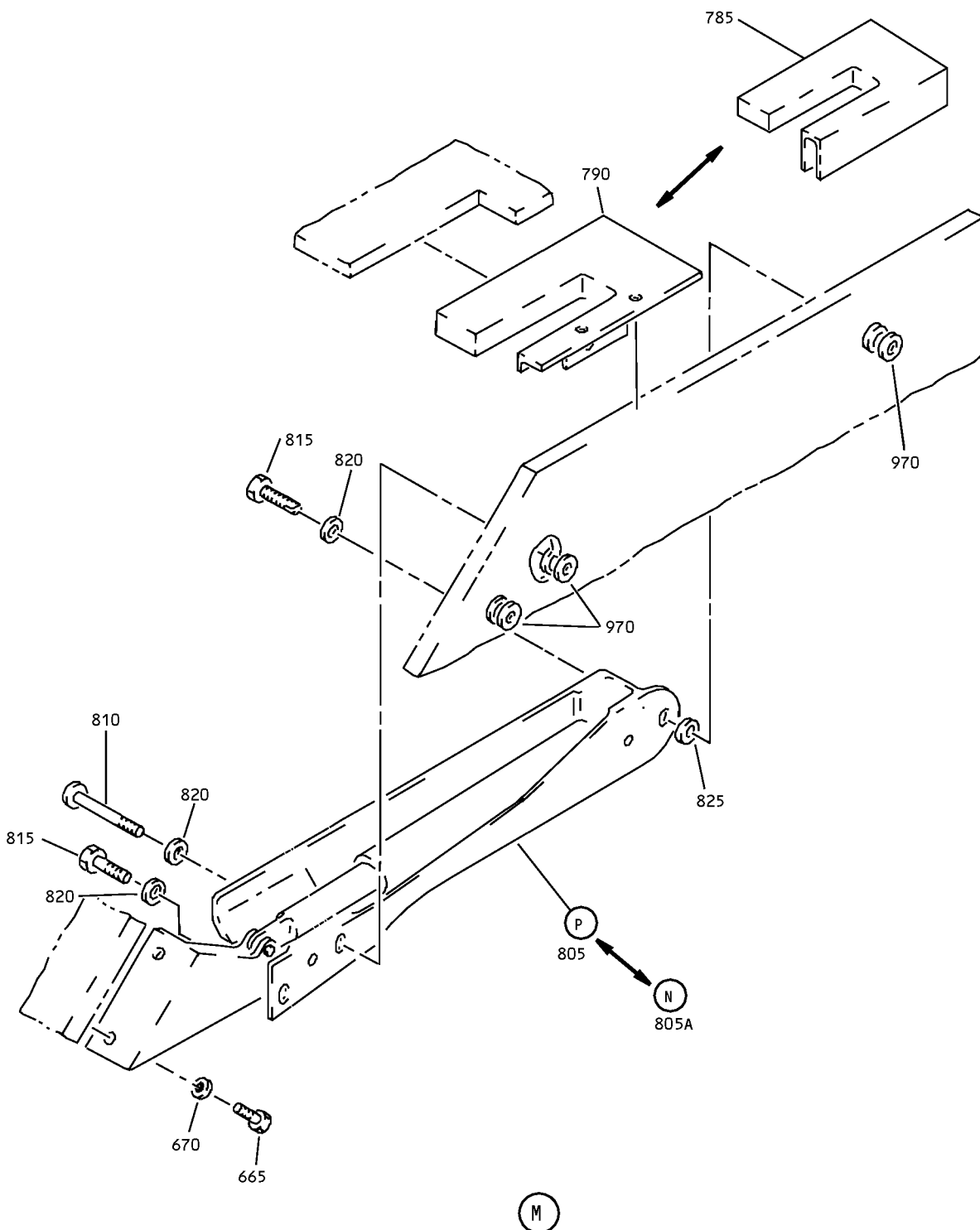
**25-28-44**

ILLUSTRATED PARTS LIST

Page 1098.177

Mar 01/2006

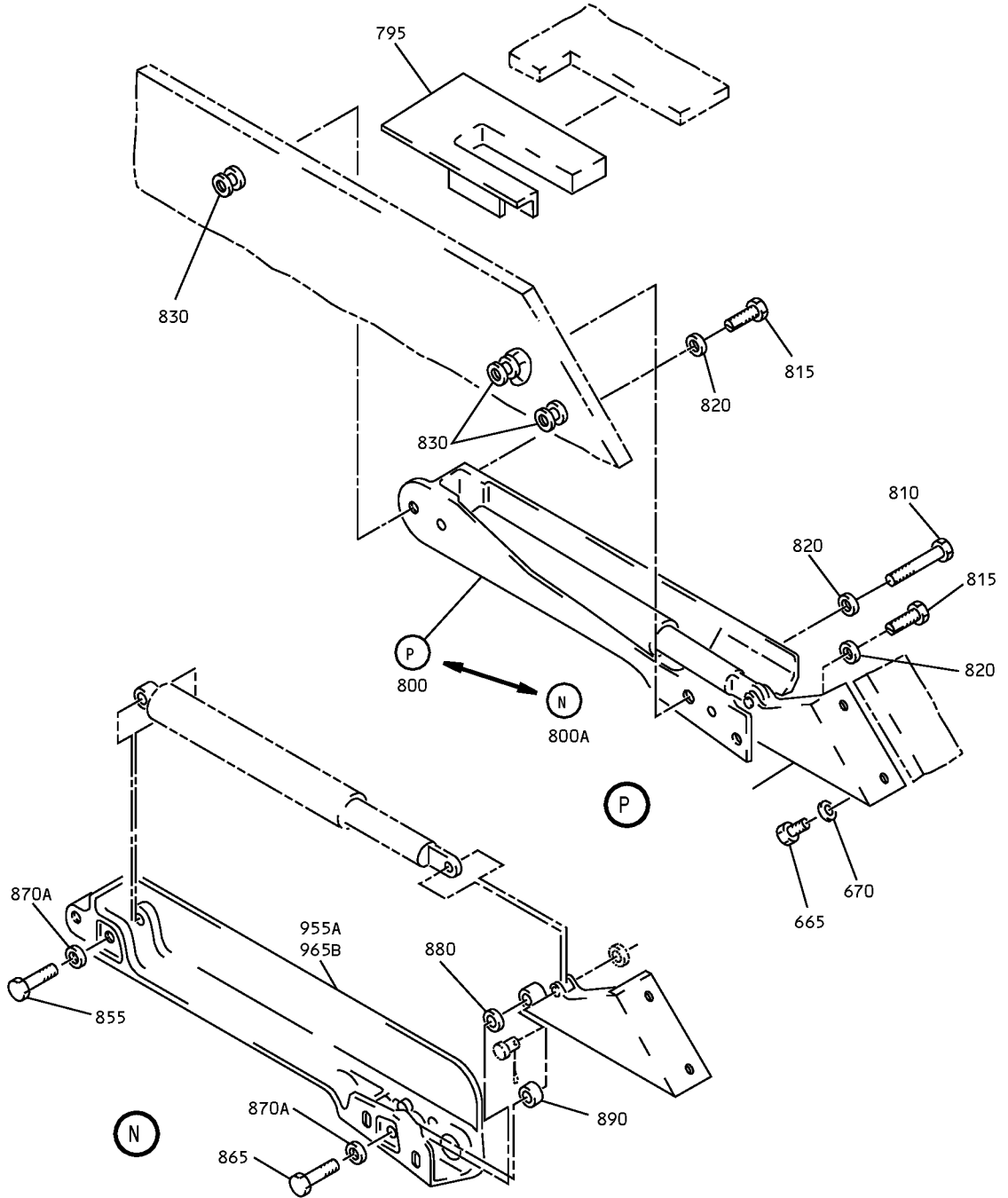
# COMPONENT MAINTENANCE MANUAL



Overhead Stowage Compartment Assembly  
IPL Figure 6 (Sheet 9 of 21)

**25-28-44**  
ILLUSTRATED PARTS LIST  
Page 1098.178  
Mar 01/2006

COMPONENT MAINTENANCE MANUAL



Overhead Stowage Compartment Assembly  
IPL Figure 6 (Sheet 10 of 21)

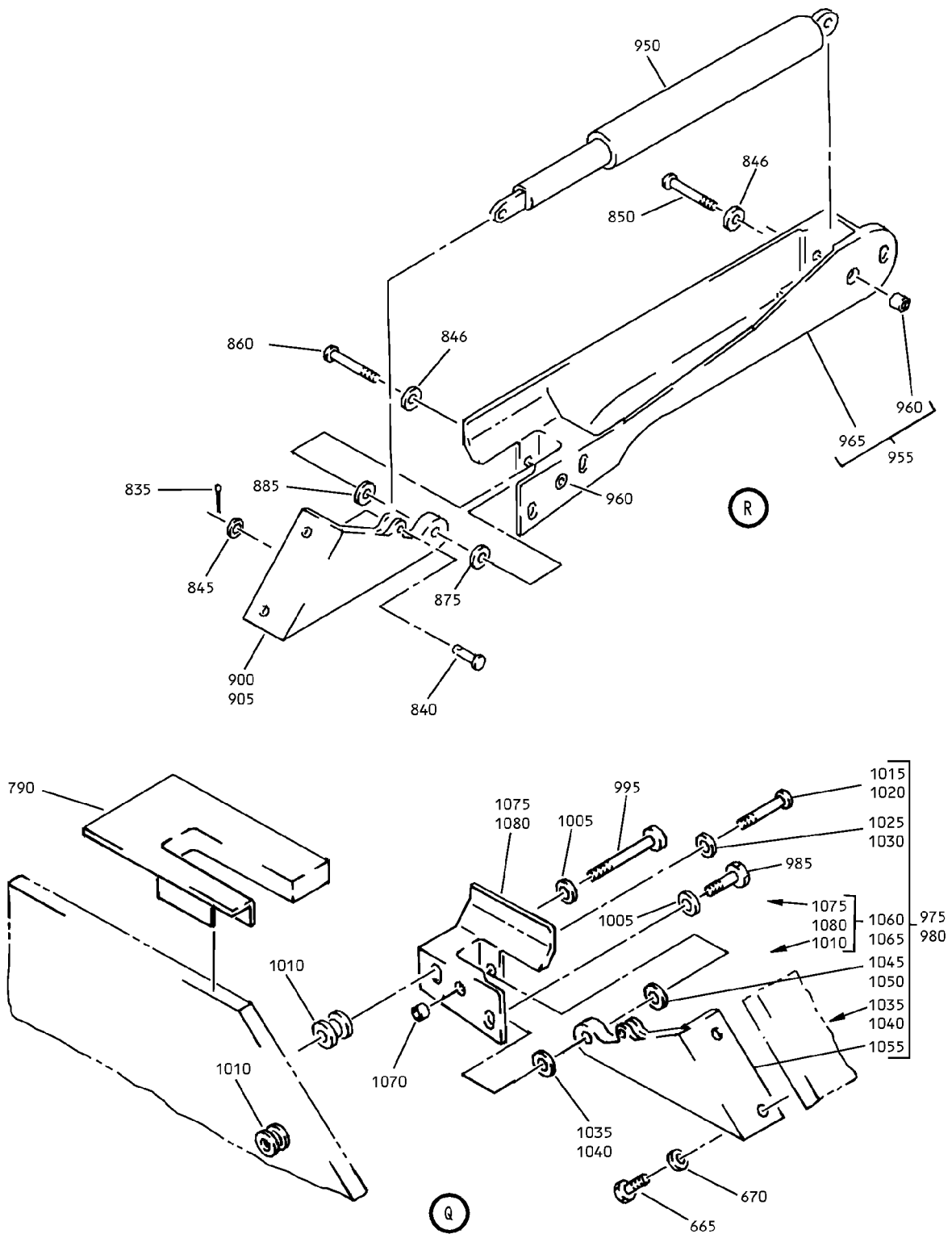
**25-28-44**

ILLUSTRATED PARTS LIST

Page 1098.179

Mar 01/2006

COMPONENT MAINTENANCE MANUAL



Overhead Storage Compartment Assembly  
IPL Figure 6 (Sheet 11 of 21)

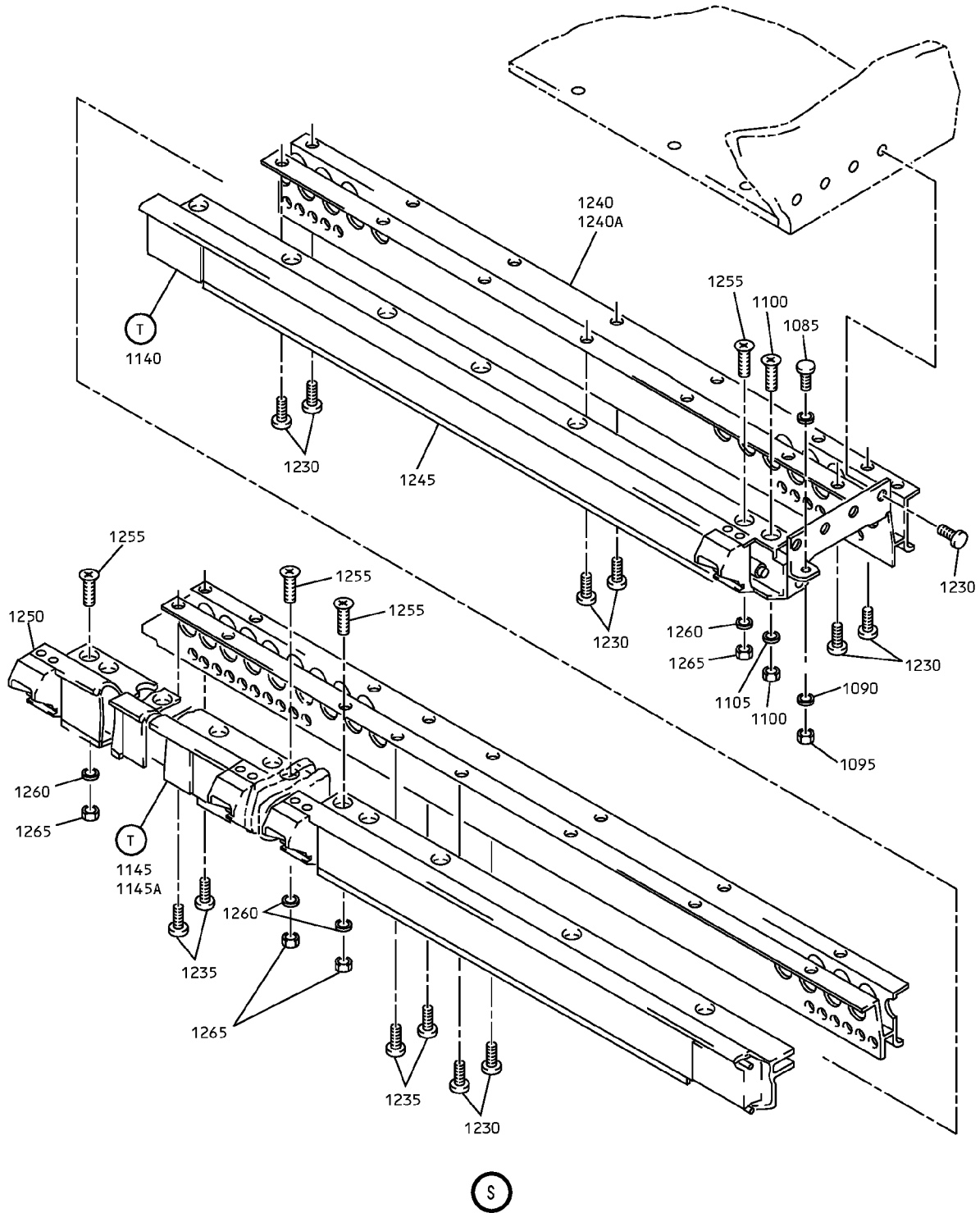
**25-28-44**

ILLUSTRATED PARTS LIST

Page 1098.180

Mar 01/2006

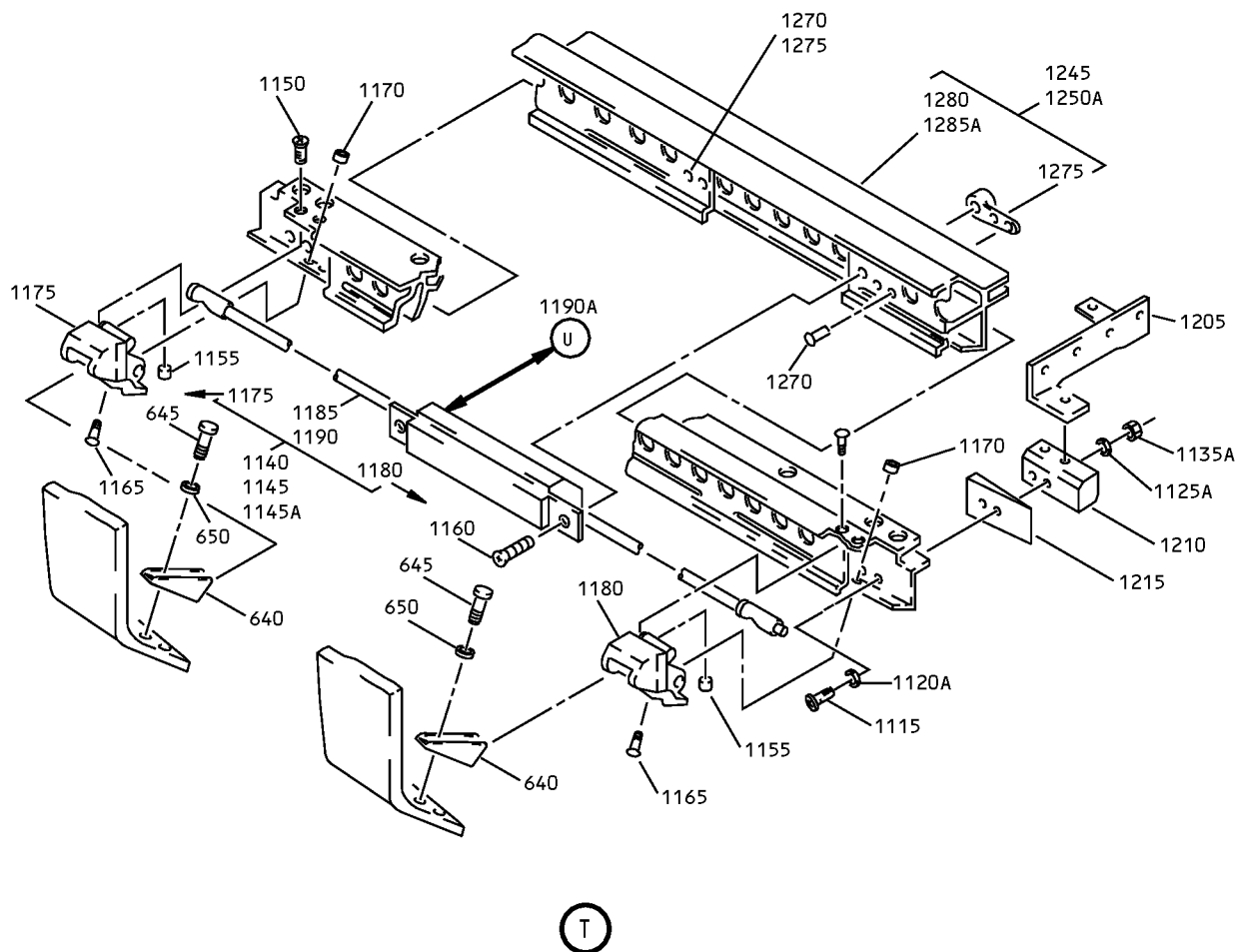
COMPONENT MAINTENANCE MANUAL



Overhead Storage Compartment Assembly  
IPL Figure 6 (Sheet 12 of 21)

**25-28-44**  
ILLUSTRATED PARTS LIST  
Page 1098.181  
Mar 01/2006

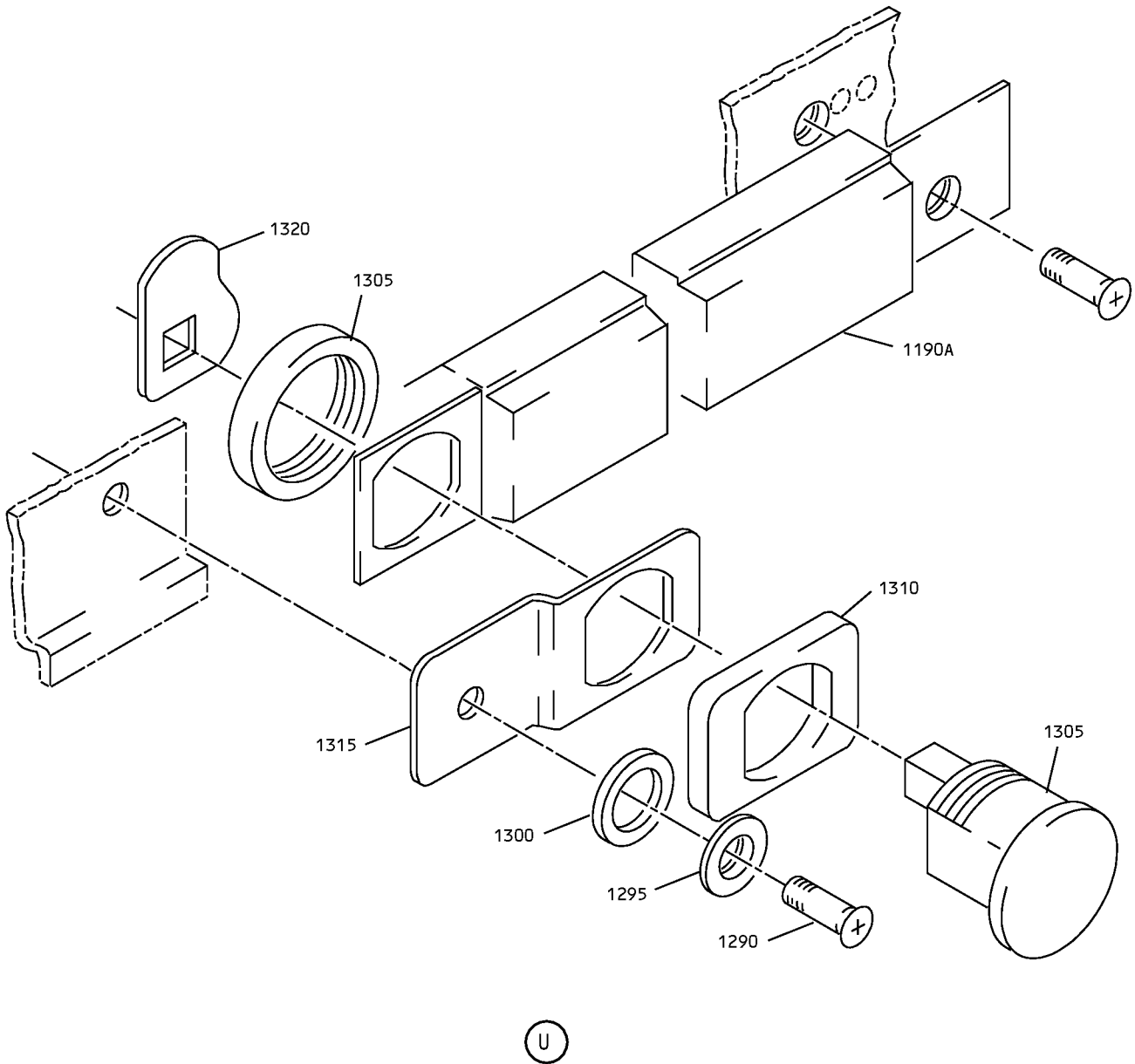
# COMPONENT MAINTENANCE MANUAL



Overhead Stowage Compartment Assembly  
IPL Figure 6 (Sheet 13 of 21)

**25-28-44**  
ILLUSTRATED PARTS LIST  
Page 1098.182  
Mar 01/2006

COMPONENT MAINTENANCE MANUAL



Overhead Storage Compartment Assembly  
IPL Figure 6 (Sheet 14 of 21)

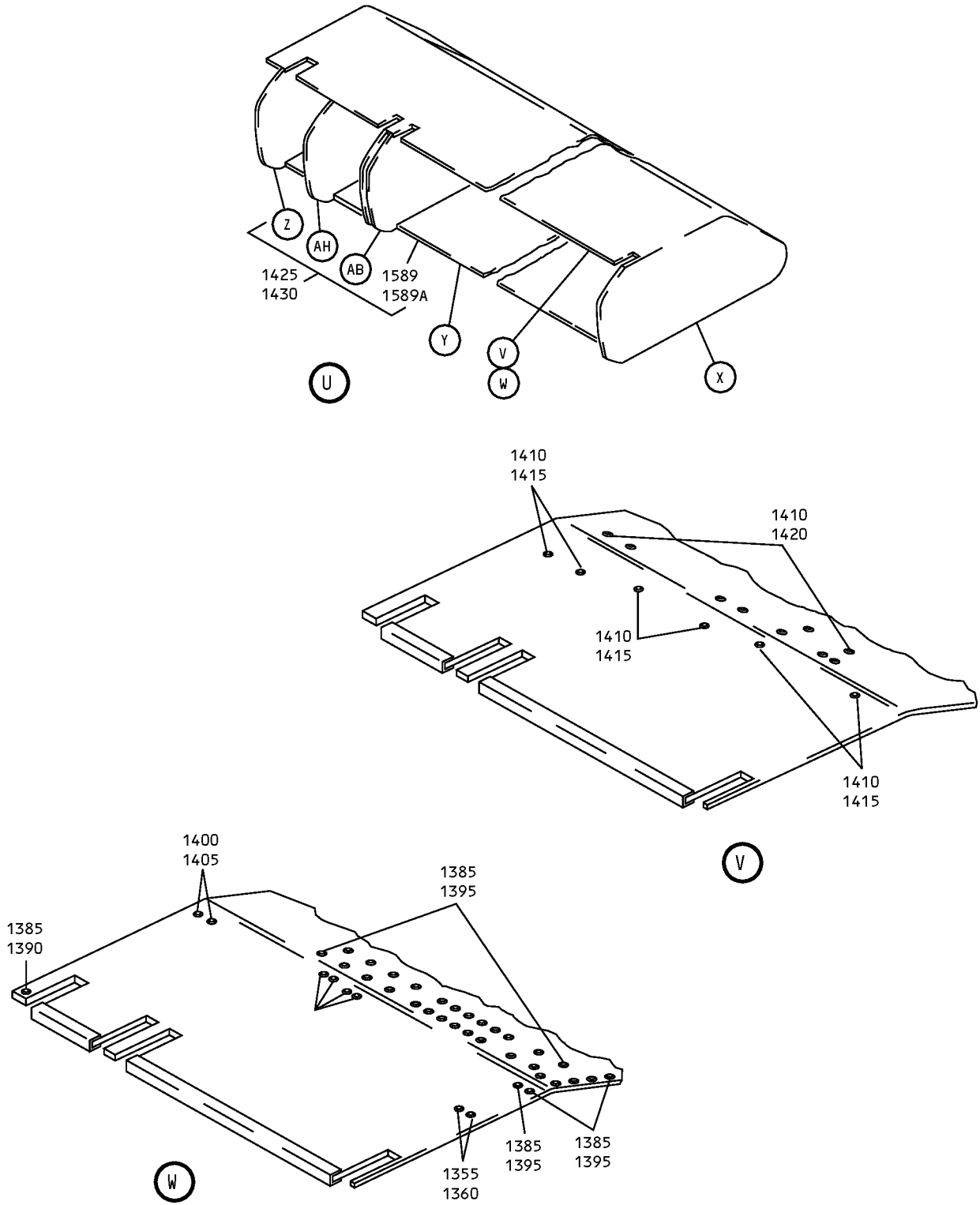
**25-28-44**

ILLUSTRATED PARTS LIST

Page 1098.183

Mar 01/2006

COMPONENT MAINTENANCE MANUAL



Overhead Storage Compartment Assembly  
IPL Figure 6 (Sheet 15 of 21)

**25-28-44**

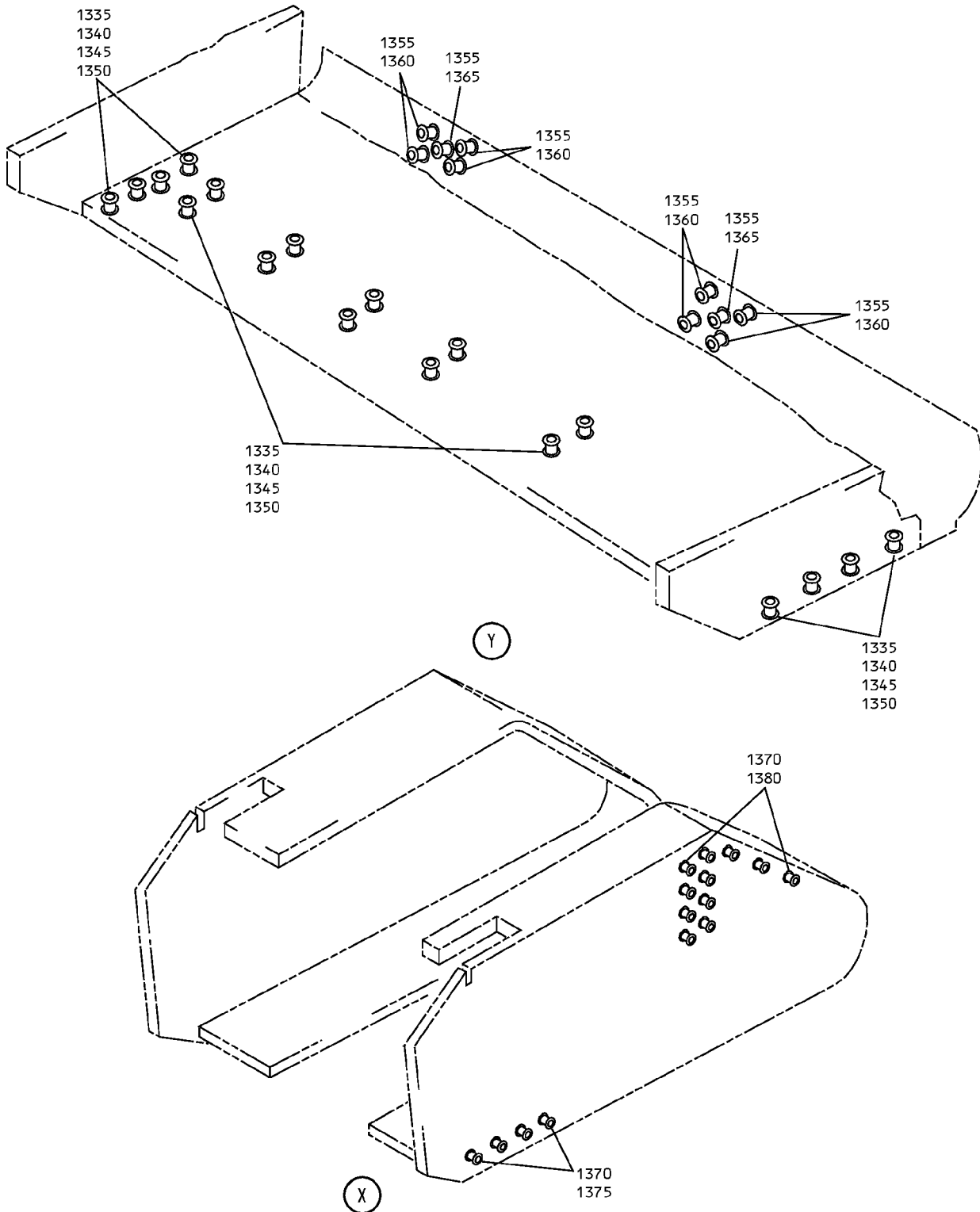
ILLUSTRATED PARTS LIST

Page 1098.184

Mar 01/2006



COMPONENT MAINTENANCE MANUAL



Overhead Stowage Compartment Assembly  
IPL Figure 6 (Sheet 16 of 21)

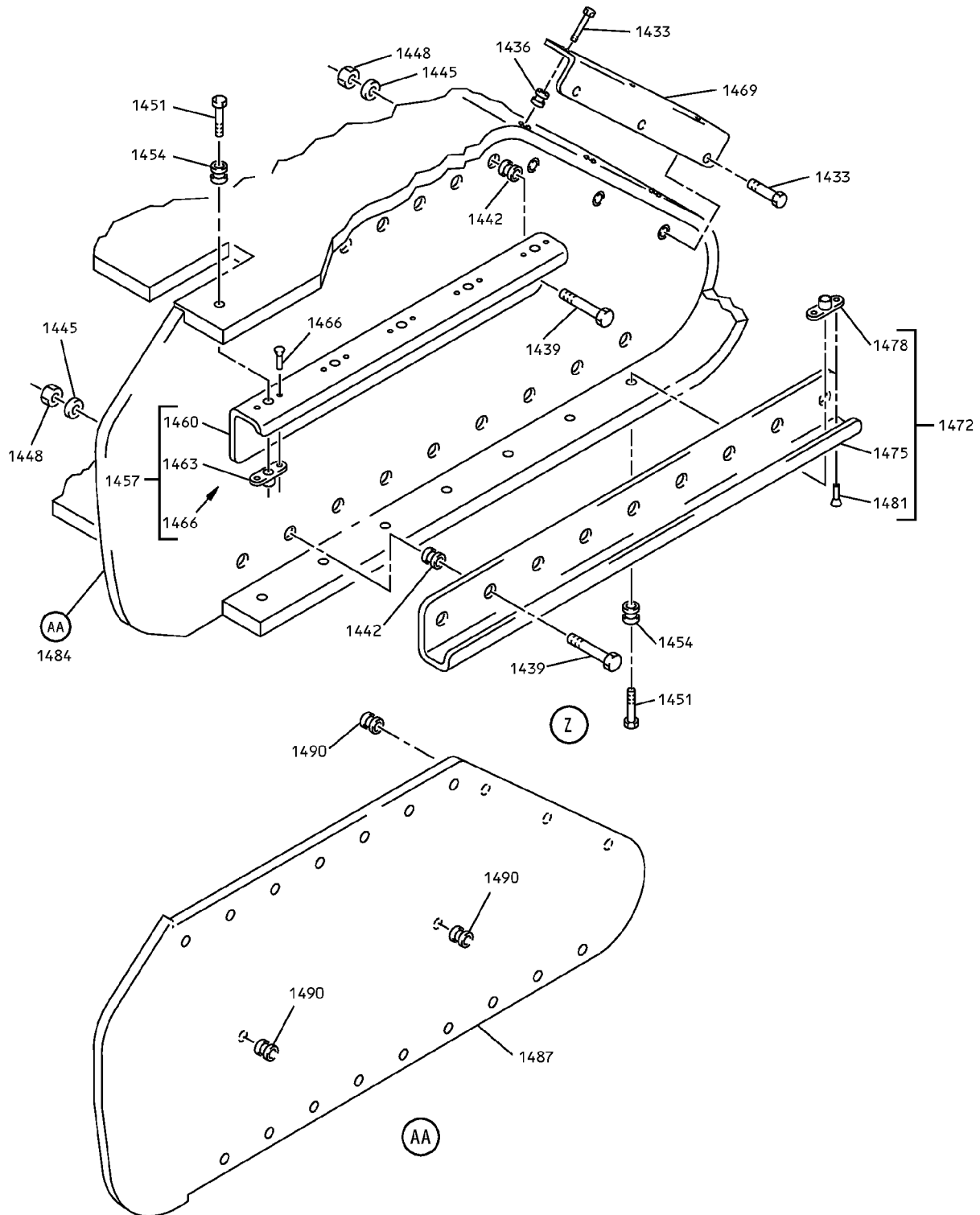
**25-28-44**

ILLUSTRATED PARTS LIST

Page 1098.185

Mar 01/2006

COMPONENT MAINTENANCE MANUAL



Overhead Stowage Compartment Assembly  
IPL Figure 6 (Sheet 17 of 21)

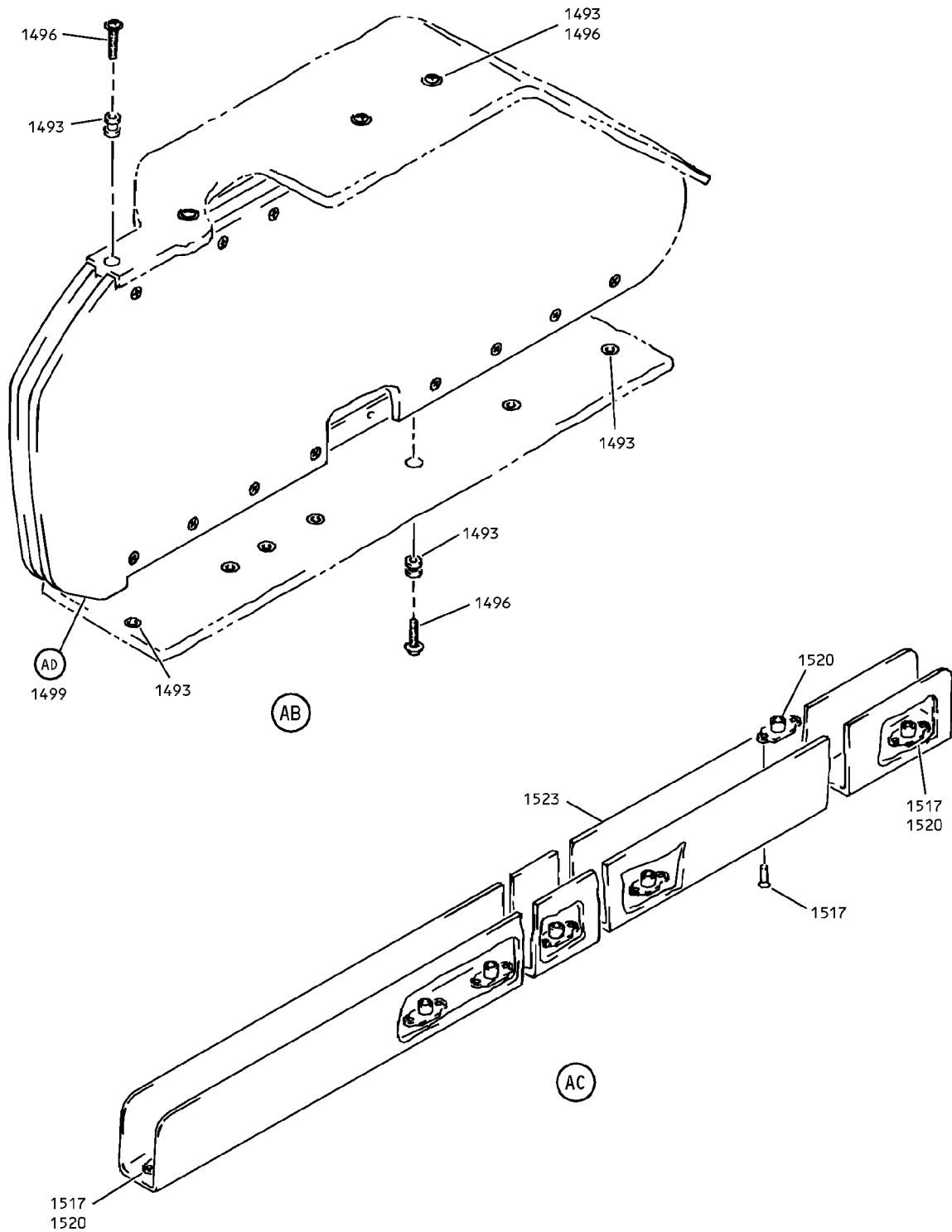
**25-28-44**

ILLUSTRATED PARTS LIST

Page 1098.186

Mar 01/2006

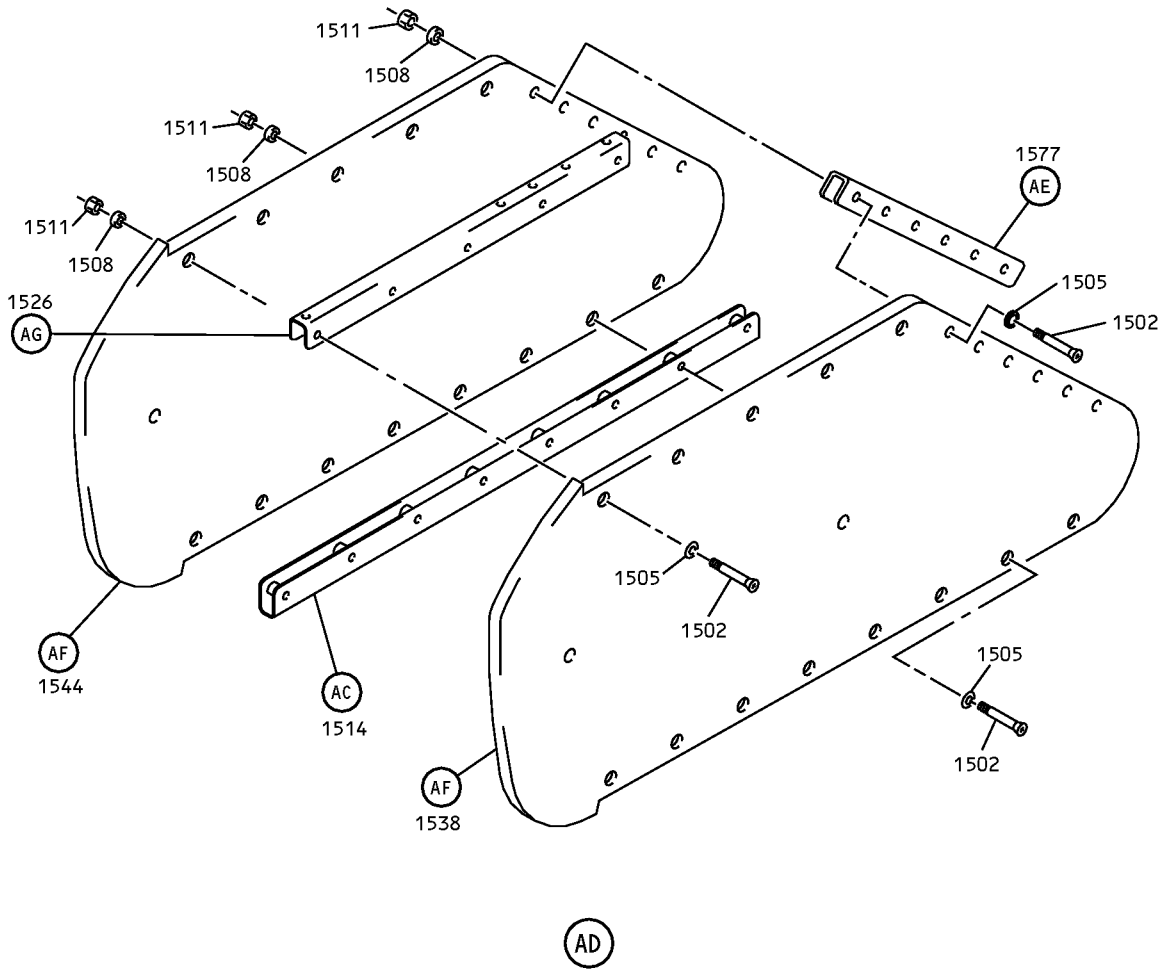
COMPONENT MAINTENANCE MANUAL



Overhead Storage Compartment Assembly  
IPL Figure 6 (Sheet 18 of 21)

**25-28-44**  
ILLUSTRATED PARTS LIST  
Page 1098.187  
Mar 01/2006

COMPONENT MAINTENANCE MANUAL



Overhead Stowage Compartment Assembly  
IPL Figure 6 (Sheet 19 of 21)

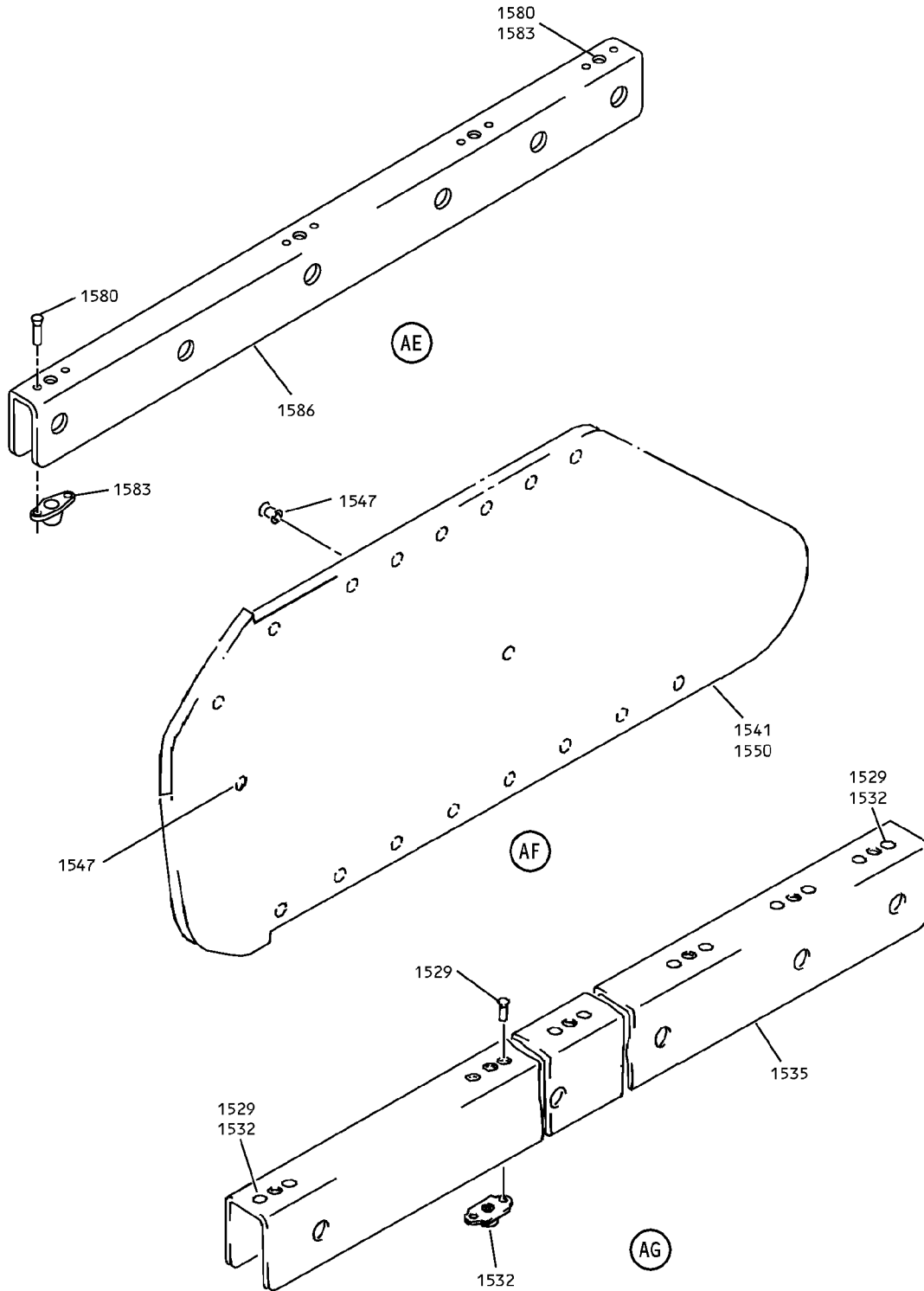
**25-28-44**

ILLUSTRATED PARTS LIST

Page 1098.188

Mar 01/2006

COMPONENT MAINTENANCE MANUAL



Overhead Storage Compartment Assembly  
IPL Figure 6 (Sheet 20 of 21)

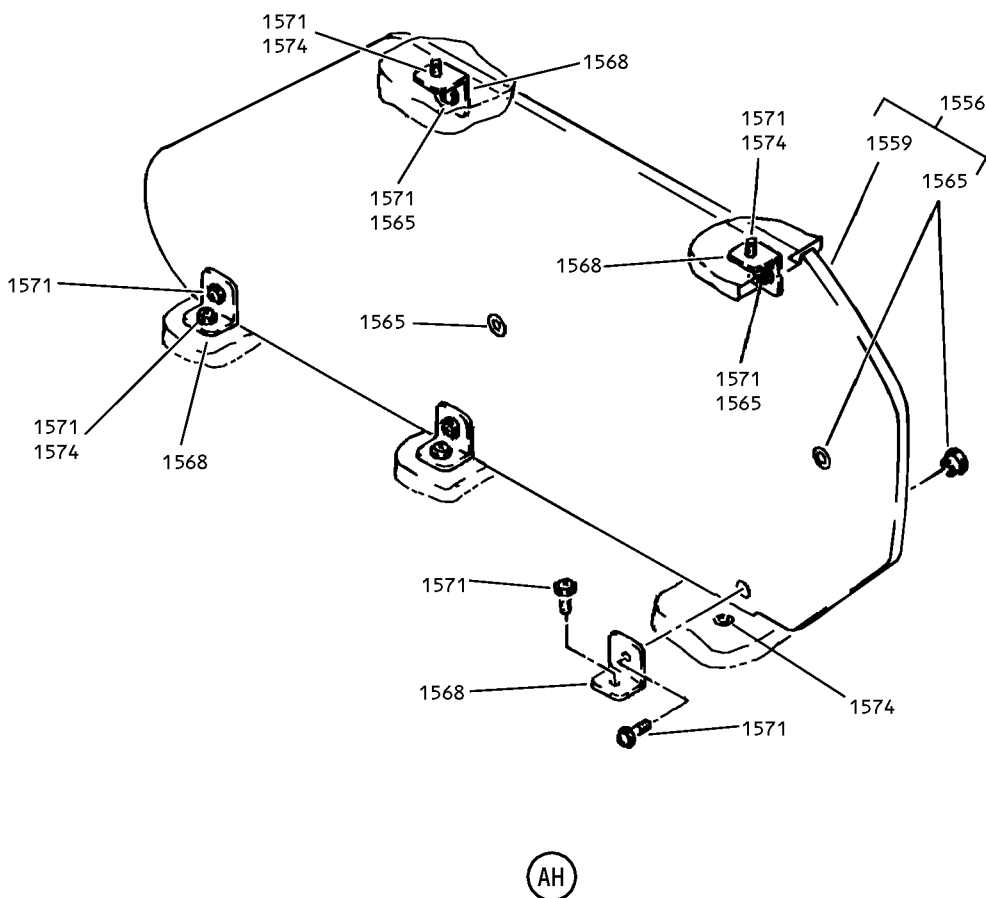
**25-28-44**

ILLUSTRATED PARTS LIST

Page 1098.189

Mar 01/2006

# COMPONENT MAINTENANCE MANUAL



Overhead Stowage Compartment Assembly  
IPL Figure 6 (Sheet 21 of 21)

**25-28-44**  
ILLUSTRATED PARTS LIST  
Page 1098.190  
Mar 01/2006



## COMPONENT MAINTENANCE MANUAL

FIG/ ITEM	PART NUMBER	AIRLINE PART NUMBER	NOMENCLATURE							USAGE CODE	UNITS PER ASSY
			1	2	3	4	5	6	7		
6-											
-1	65C27006-61SP									A	RF
-1A	65C27006-72SP									B	RF
3	BACB30NM3K9										4
6	AN960PD10										
6A	AN960JD10										4
10	412N1119-47										2
15	BACB30PF4-16										4
20	AN960PD416L										
20A	AN960JD416LL										4
25	NAS43DD4-36										4
30	AN960PD10L										
30A	AN960JD10LL										4
35	BACN10JC3										4
40	65C27017-28										2
45	BACB30NM3K4										3
50	BACB30NM3K1										3
55	AN960PD10L										
55A	AN960JD10LL										3
60	412N1119-54										1
65	BACB20NM3K3										24
70	AN960PD10L										
70A	AN960JD10LL										24
75	412N1119-66										1
80	BACB30NM3K10										2
85	AN960PD10										
85A	AN960JD10										2
90	412N1119-49										1
95	412N1119-50										1
100	412N1119-51										1
105	412N1119-52										1
110	412N1119-68										1

-Item not Illustrated

# 25-28-44

ILLUSTRATED PARTS LIST

Page 1098.191

Mar 01/2006



## COMPONENT MAINTENANCE MANUAL

FIG/ ITEM	PART NUMBER	AIRLINE PART NUMBER	NOMENCLATURE							USAGE CODE	UNITS PER ASSY
			1	2	3	4	5	6	7		
6-											
115	BACB30PF3-24		.	.	BOLT						5
120	BACS18K10-38W		.	.	SPACER						2
125	BACS18K10-20W		.	.	SPACER						3
130	AN960PD10L				DELETED						
130A	AN960JD10LL		.		WASHER						5
135	BACN10JC06		.	.	NUT						5
140	NAS538B4P014		.	.	BUSHING						5
145	65C27017-33		.		BRACKET ASSY						1
					ATTACHING PARTS						
150	BACB30NM3K1		.		BOLT						7
155	AN960PD10				DELETED						
155A	AN960JD10		.		WASHER						7
					-----*-----						
160	65C27017-34		.	.	BRACKET						1
165	BACB2886-235P		.	.	BUSHING						2
170	65C27017-15		.		SHIM						1
175	65C27017-29		.		SHIM						1
180	65C27017-32		.		BRACKET						1
					ATTACHING PARTS						
185	BACB30NM3K1		.		BOLT						4
190	AN960PD10L				DELETED						
190A	AN960JD10LL		.		WASHER						4
					-----*-----						
195	BACB39NM3K3		.		BOLT						2
200	AN960PD10L				DELETED						
200A	AN960JD10L		.		WASHER						4
205	BACN10JC3		.		NUT						2
210	NAS1801-3-11		.		SCREW						3
215	BAC28C8-6		.		SPACER						3
220	MS24585-1230		.		SPRING						3
225	411N3142-28		.		WASHER-CUPPED						3

-Item not Illustrated

**25-28-44**

ILLUSTRATED PARTS LIST

Page 1098.192

Mar 01/2006





## COMPONENT MAINTENANCE MANUAL

FIG/ ITEM	PART NUMBER	AIRLINE PART NUMBER	NOMENCLATURE							USAGE CODE	UNITS PER ASSY
			1	2	3	4	5	6	7		
6-											
230	417N5120-25										1
240	417N5120-47										1
250	417N5120-50										1
255	NAS1801-3-5									B	6
-255A	NAS1801-3-5									A	4
-260	BACS12W10-5									A	2
265	AN960PD10L										
265A	AN960JD10L										6
270	BACS12ER3K6										9
275	BACW10UD10										9
280	F22K1-02										9
290	05939-7										1
295	05939-5										1
300	417N5120-11										1
305	417N5120-12										1
310	2055150										2
310A	2055132										2
320	F20T12WW										1
320A	F15T8WW										1

-Item not Illustrated

**25-28-44**

ILLUSTRATED PARTS LIST

Page 1098.193

Mar 01/2006



## COMPONENT MAINTENANCE MANUAL

FIG/ ITEM	PART NUMBER	AIRLINE PART NUMBER	NOMENCLATURE							USAGE CODE	UNITS PER ASSY
			1	2	3	4	5	6	7		
6-											
325	LP1625-24							. . . TUBE-COVER (V60116) (USED ON ITEM 300)			1
330	LP1610-18							. . . TUBE-COVER (V60116) (USED ON ITEM 305)			1
335	800000225-22							. . LIGHT ASSY (V05617) (SPEC S417N507-22) (USED ON ITEM 230) (FOR DETAILS SEE FIG. 80)			1
335C	S417N507-37							. . LIGHT ASSY (SPEC S417N507-37) (USED ON ITEM 240)			1
-335D	S417N507-35							. . LIGHT ASSY (SPEC S417N507-35) (USED ON ITEM 250)			1
340	65C28117-3							. . PAD			1
345	65C27481-72							. BRACKET ASSY			1
350	65C27481-74							. . BRACKET			1
355	BACN10JR3FR							. . NUTPLATE			1
360	BACR15BA3B							. . RIVET (SIZE DETERMINED ON INST)			2
362	NAS1398D4							. . RIVET (SIZE DETERMINED ON INST)			2
365	65C27481-71							. BRACKET ASSY			1
370	65C27481-35							. . BRACKET			1
375	BACN10JR3FR							. . NUTPLATE			1
380	BACR15BA3B							. . RIVET (SIZE DETERMINED ON INST)			2
385	NAS1398D4							. . RIVET (SIZE DETERMINED ON INST)			2
390	65C27481-28							. BRACKET ASSY			1
395	65C27481-29							. . BRACKET			1
400	BACN10JR3FR							. . NUTPLATE			
405	BACR15BA3B							. . RIVET			2
410	BACS12FA3K5							. BOLT			9

-Item not illustrated

**25-28-44**

ILLUSTRATED PARTS LIST

Page 1098.194

Mar 01/2006



## COMPONENT MAINTENANCE MANUAL

FIG/ ITEM	PART NUMBER	AIRLINE PART NUMBER	NOMENCLATURE							USAGE CODE	UNITS PER ASSY
			1	2	3	4	5	6	7		
6-											
415	412N1145-29		.							A	4
415A	412N1145-29		.							B	3
420	412N1145-30		.							A	1
420A	412N1145-30		.							B	2
425	65C27012-13		.								4
											(OPT ITEM 425A)
425A	65C27012-43		.								4
											(OPT ITEM 425)
430	BACS12FA3K5		.								9
435	BACB30PF4-3		.								1
440	AN960C416L		.								1
445	NAS1515F4H		.								1
450	NAS1515M4L		.								1
555	65C27026-45SP		.							A	1
555A	65C27026-49SP		.							B	1
560	NAS1836-3-11		.	.							4
565	65C27027-3		.								1
570	65C27027-11		.	.							1
575	65C27027-13		.	.							1
580	65C27027-14		.	.							1
585	65C27027-17		.	.							1
590	65C27027-7		.	.							1
595	SL2334-3A2		.	.							9
600	412N1119-12		.								2
605	BACB30NM3K1		.								8
610	AN960PD10		.								8
615	412N1130-5		.								2
620	65C27006-12		.								1
625	65C27006-131		.								1
630	65C27009-61SP		.							A	1
630A	65C27009-72SP		.							B	1
635	65C27009-6		.	.							2

-Item not Illustrated

**25-28-44**

ILLUSTRATED PARTS LIST

Page 1098.195

Mar 01/2006



## COMPONENT MAINTENANCE MANUAL

FIG/ ITEM	PART NUMBER	AIRLINE PART NUMBER	NOMENCLATURE							USAGE CODE	UNITS PER ASSY
			1	2	3	4	5	6	7		
6-											
640	H3-1152-1								. . PLATE ASSY-STRIKER (V34941) (SPEC S412N101-1)		4
									ATTACHING PARTS		
645	BACS12FA3K4								. . SCREW		8
650	MS35333-39								. . WASHER		8
									-----*		
660	412N1140-41SP								. . DOOR ASSY		1
660A	412N1140-77SP								. . DOOR ASSY		1
									ATTACHING PARTS		
665	NAS1801-3-4								. . SCREW		8
670	MS35333-39								. . WASHER		8
									-----*		
675	SL618-3A								. . . INSERT (V97393)		8
680	BACS12H4-8								. . . SCREW (USED ON ITEM 660)		2
685	NAS620ABL								. . . WASHER (USED ON ITEM 660)		2
690	412N1245-1								. . . BUMPER (USED ON ITEM 660)		2
695	MS51862-4								. . . SCREW (USED ON ITEM 660)		2
700	412N1143-11								. . . COVER (USED ON ITEM 660A)		2
705	412N1140-17								. . . FILLER (USED ON ITEM 660A)		1
710	412N1143-13								. . . COVER (USED ON ITEM 660)		1
715	412N1143-14								. . . COVER (USED ON ITEM 660)		1
720	412N1140-58								. . . PANEL ASSY-DOOR (USED ON ITEM 660)		1
-725	412N1140-62								. . . PANEL ASSY-DOOR (USED ON ITEM 660A)		1

-Item not Illustrated

# 25-28-44

ILLUSTRATED PARTS LIST

Page 1098.196

Mar 01/2006



## COMPONENT MAINTENANCE MANUAL

FIG/ ITEM	PART NUMBER	AIRLINE PART NUMBER	NOMENCLATURE							USAGE CODE	UNITS PER ASSY	
			1	2	3	4	5	6	7			
6-												
730	412N1140-13											1
735	412N1141-1											1
740	412N1141-5											1
745	412N1141-7											1
750	412N1142-15											1
-755	412N1142-20											1
-760	412N1244-2											
770	412N1118-1SP											2
775	412N1118-2SP											2
785	412N1154-1											1
790	412N1154-3											1
795	412N1154-4											2
800	412N1155-1											1
800A	412N1155-7											1
805	412N1155-2											2
805A	412N1155-8											2
810	BACB30LK3-18											1
-810A	NAS1801-3-10											1
815	412N1227-1											2
-815A	AIC1321-3-8											2

-Item not Illustrated

# 25-28-44

ILLUSTRATED PARTS LIST

Page 1098.197

Mar 01/2006



## COMPONENT MAINTENANCE MANUAL

FIG/ ITEM	PART NUMBER	AIRLINE PART NUMBER	NOMENCLATURE							USAGE CODE	UNITS PER ASSY
			1	2	3	4	5	6	7		
6-											
820	BACW10P136AL								. . WASHER		3
825	AN970-3								. . WASHER		1
830	NAS1833-3-400								. . INSERT		3
835	MS24665-132								. . . PIN-COTTER		1
840	MS20392-2C13								. . . PIN-DRILLED SHANK		1
845	AN960PD10L								. . . WASHER		1
846	AN960PD10L								. . . WASHER (USED ON ITEMS 800,805)		2
850	NAS6703PU15								. . . BOLT (USED ON ITEMS 800,805)		1
855	BACB30NM3K12								. . . BOLT (USED ON ITEMS 800A,805A)		1
860	NAS6703PU11								. . . BOLT (USED ON ITEMS 800,805)		1
865	BACB30NM3K8								. . . BOLT (USED ON ITEM 800A,805A)		1
870	AN960PD10								DELETED		
870A	AN960JD10L								. . . BOLT (USED ON ITEMS 800A,805A)		1
875	NAS43DD3-5								. . . SPACER (USED ON ITEMS 800,805)		1
880	NAS43DD3-3								. . . SPACER (USED ON ITEMS 800A,805A)		1
885	NAS43DD3-6								. . . SPACER (USED ON ITEMS 800,805)		1
890	NAS43DD3-8								. . . SPACER (USED ON ITEMS 800A,805A)		1
900	H2948-2								. . . HINGE (V83014) (SPEC S412N102-2) (USED ON ITEM 800,800A)		1
905	H2948-1								. . . HINGE (V83014) (SPEC S412N102-1) (USED ON ITEMS 805,805A)		1
950	SB113								. . . ACTUATOR (V24984) (SPEC S412N104-1)		1

-Item not Illustrated

**25-28-44**

ILLUSTRATED PARTS LIST

Page 1098.198

Mar 01/2006



## COMPONENT MAINTENANCE MANUAL

FIG/ ITEM	PART NUMBER	AIRLINE PART NUMBER	NOMENCLATURE							USAGE CODE	UNITS PER ASSY
			1	2	3	4	5	6	7		
6-											
955	412N1156-1								. . . CHASSIS ASSY (USED ON ITEM 800)		1
955A	412N1156-13								. . . CHASSIS ASSY (USED ON ITEM 800A)		1
-955B	412N1156-2								. . . CHASSIS ASSY (USED ON ITEM 805)		1
-955C	412N1156-14								. . . CHASSIS ASSY (USED ON ITEM 805A)		1
960	6041-3BRX225								. . . . INSERT-DODGE (V01556)		2
965	412N1156-3								. . . CHASSIS ASSY (USED ON ITEM 955)		1
-965A	412N1156-4								. . . CHASSIS ASSY (USED ON ITEM 955B)		
965B	412N1156-15								. . . . CHASSIS (USED ON ITEM 955A)		1
-965C	412N1156-16								. . . CHASSIS (USED ON ITEM 955C)		1
970	NAS1833-3-400								. . INSERT		2
975	412N1155-3								. . HINGE ASSY (LIMITED USAGE) (OPT ITEM 980)		1
980	412N1155-9								. . HINGE ASSY (LIMITED USAGE) (OPT ITEM 975)		1
									ATTACHING PARTS		
985	412N1227-1								. . BOLT (OPT ITEM 990)		1
990	AIC1321-3-8								. . BOLT (OPT ITEM 985)		1
995	BACB30LK3-18								. . BOLT (USED ON ITEM 975)		1
1000	NAS1801-3-10								. . BOLT (USED ON ITEM 980)		1
1005	BACW10P136AL								. . WASHER (V10630) (SPEC BACW10P136AL)		2

-Item not Illustrated

# 25-28-44

ILLUSTRATED PARTS LIST

Page 1098.199

Mar 01/2006



## COMPONENT MAINTENANCE MANUAL

FIG/ ITEM	PART NUMBER	AIRLINE PART NUMBER	NOMENCLATURE							USAGE CODE	UNITS PER ASSY
			1	2	3	4	5	6	7		
6-											
1010	NAS1833-3-400										2
1015	NAS6703PU11										1
1020	BACS30NM3K8										1
1025	AN960PD10L										1
1030	AN960KD10L										1
1035	NAS43DD305										1
1040	NAS43DD3-8										1
1045	NAS43DD3-L										1
1050	NAS43DD3-3										1
1055	H2948-2										1
1060	412N1156-5										1
1065	412N1156-19										1
1070	6041-3BRX225										2
1075	412N11156-3										1
1080	412N1156-25										1
1085	BACB30NM3K2										1
1090	AN960PD10L										2
1095	NAS1804-3										1
1100	BACS12ER08K14										1
1105	AN960PD8										1

-Item not Illustrated

**25-28-44**

ILLUSTRATED PARTS LIST

Page 1098.200

Mar 01/2006





## COMPONENT MAINTENANCE MANUAL

FIG/ ITEM	PART NUMBER	AIRLINE PART NUMBER	NOMENCLATURE							USAGE CODE	UNITS PER ASSY
			1	2	3	4	5	6	7		
6-											
1110	H10-08BAC							. . NUT (V15653) (SPEC BACN10JC08)			1
1115	BACB39NM3K3							. . BOLT			1
1120	AN96PD10L							DELETED			
1120A	AN960JD10L							. . WASHER			2
1125	BACW10CA3CVU							DELETED			
1125A	AN960JD10							. . WASHER			2
1130	BACW10CA3CCU							DELETED			1
1135	H10-3BAC							DELETED			
1135A	MS21042L3							. . NUT			2
1140	412N1153-101							. . LATCH ASSY-60 IN.			1
1145	412N1153-56							. . LATCH ASSY-26 IN.	A		1
1145A	412N1153-76							. . LATCH ASSY-26 IN.	B		1
								ATTACHING PARTS			
1150	BACS12ER06K8							. . SCREW (V06710) (SPEC BACS12ER06K8)			8
1155	SL210-06-02							. . INSERT (V06710)			8
1160	BACS12ER08K6							. . SCREW (V06710)			4
1165	NAS514P832-5							. . SCREW			8
1170	SL210-08-1							. . INSERT (V97393)			8
								----- * -----			
1175	412N1113-7							. . . COVER			1
1180	412N1113-8							. . . COVER			1
1185	H3-1145-2-I5760							. . . LATCH ASSY (SPEC S412N101-1060) (USED ON ITEM 1140)			1
1190	S412N101-3026							. . . LATCH ASSY (V34941) (SPEC S412N101-3026) (USED ON ITEM 1145)			1

-Item not Illustrated

# 25-28-44

ILLUSTRATED PARTS LIST

Page 1098.201

Mar 01/2006



## COMPONENT MAINTENANCE MANUAL

FIG/ ITEM	PART NUMBER	AIRLINE PART NUMBER	NOMENCLATURE							USAGE CODE	UNITS PER ASSY
			1	2	3	4	5	6	7		
6-											
1190A	S412N101-3126										
1205	65C27017-2										
1210	412N1117-7										
1215	65C27016-3										
1220	65C27017-3										
1225	BACR15DR3P										
1230	BACS12FA3K5										
1235	BACS12FA3K15										
1240	65C27023-30								A		
1240A	65C27023-36								B		
1245	412N1146-111										
-1250	412N1146-50								A		
1250A	412N1146-77								B		
1255	BACS12ER08K12										
1260	AN960PD8										
1265	BACN10JC08										
1270	BACR15DR3										
1275	BACN10KB08										
1280	412N1146-115										

-Item not Illustrated

# 25-28-44

ILLUSTRATED PARTS LIST

Page 1098.202

Mar 01/2006



## COMPONENT MAINTENANCE MANUAL

FIG/ ITEM	PART NUMBER	AIRLINE PART NUMBER	NOMENCLATURE							USAGE CODE	UNITS PER ASSY
			1	2	3	4	5	6	7		
6-											
-1285	412N1146-51										1
1285A	412N1146-78										1
1290	BACS12ER08K6								B		1
1295	BACW10DM5								B		1
1300	AN960PD516L								B		1
1305	AC8400EKAPK625								B		1
1310	65C27016-4								B		1
1315	412N1145-43								B		1
1320	65C27016-5								B		1
1330	65C27012-39								A		1
1330A	65C27012-46								B		1
1335	65C27012-1041								A		1
1340	NAS1836-3-11										19
1345	65C27012-1045								B		
1350	NAS1836-3-11										18
1355	65C27012-1115										1
1360	NAS1836-3-11										8
1365	NAS1836-4-11										2
1370	65C27012-1211										1
1375	NAS1836-3-11										4
1380	SL2334-3A2										10
1385	65C27012-1324										1
1390	NAS1836-3-11										1
1395	SL2334-3A2										31
1400	65C27012-2023										1
1405	NAS1836-3-11										8
1410	65C27012-2121										1

-Item not Illustrated

# 25-28-44

ILLUSTRATED PARTS LIST  
Page 1098.203  
Mar 01/2006



## COMPONENT MAINTENANCE MANUAL

FIG/ ITEM	PART NUMBER	AIRLINE PART NUMBER	NOMENCLATURE							USAGE CODE	UNITS PER ASSY
			1	2	3	4	5	6	7		
6-											
1415	NAS1836-3-11										6
1420	SL2334-3A2										9
1425	65C27327-57								A		1
1430	65C27327-68								B		1
1433	BACS12FA3K5										6
1436	NAS1836-3-11										3
1439	BACB30NN3K6										16
1442	SL3378-3-380										16
1445	AN960JD10L										16
1448	MS1042L3										16
1451	BACS12FA3K12										12
1454	NAS1834-3-400										12
1457	412N1217-57										1
1460	412N1217-59										1
1463	BACN10JP3A										4
1466	BACR15BA3D										10
1469	412N1217-5										1
1472	412N1217-66										1
1475	412N1217-68										1
1478	BACN10JP3A										6
1481	BACR15BA3D										12
1484	412N1116-73										1
1487	412N1116-93										1
1490	NAS1836-3-11										5
1493	NAS1834-4-400										10

-Item not Illustrated

# 25-28-44

ILLUSTRATED PARTS LIST

Page 1098.204

Mar 01/2006



## COMPONENT MAINTENANCE MANUAL

FIG/ ITEM	PART NUMBER	AIRLINE PART NUMBER	NOMENCLATURE							USAGE CODE	UNITS PER ASSY
			1	2	3	4	5	6	7		
6- 1496	BACS12FA3K12		. . . . SCREW (V06710) (SPEC BACS12FA3K12) (OPT BACS12FA3K12 (V06725)) (OPT BACS12FA3K12 (V06950)) (OPT BACS12FA3K12 (V27624)) (OPT BACS12FA3K12 (V34252)) (OPT BACS12FA3K12 (V56878)) (OPT BACS12FA3K12 (V73197)) (OPT BACS12FA3K12 (V80539)) (OPT BACS12FA3K12 (V92215)) (OPT BACS12FA3K12 (V93907)) (OPT BACS12FA3K12 (V97928))								10
1499	412N1216-25		. . . . PANEL ASSY-DIVIDER								1
1502	BACB30NN3K1		. . . . . BOLT (V06710) (SPEC BACB30NN3K1) (OPT BACB30NN3K1 (V06725)) (OPT BACB30NN3K1 (V06950)) (OPT BACB30NN3K1 (V08524)) (OPT BACB30NN3K1 (V27624)) (OPT BACB30NN3K1 (V56878)) (OPT BACB30NN3K1 (V73197)) (OPT BACB30NN3K1 (V80539)) (OPT BACB30NN3K1 (V92215)) (OPT BACB30NN3K1 (V93907)) (OPT BACB30NN3K1 (V97928))								16
1505	BACW10CT10		. . . . . WASHER (V10630) (V10630) (SPEC BACW10CT10)								16
1508	AN960PD516L		. . . . . WASHER								16
1511	SL5-3-145S		. . . . . NUT (V97393) (OPT ITEM 1477A)								16
-1511A	KD121395-145		. . . . . NUT (V29372) (OPT ITEM 1477)								16
1514	412N1217-21		. . . . . BRACKET ASSY								1
1517	BACR15BA3AD		. . . . . RIVET (SIZE DETERMINED ON INST)								12

-Item not Illustrated

# 25-28-44

ILLUSTRATED PARTS LIST

Page 1098.205

Mar 01/2006





## COMPONENT MAINTENANCE MANUAL

FIG/ ITEM	PART NUMBER	AIRLINE PART NUMBER	NOMENCLATURE							USAGE CODE	UNITS PER ASSY
			1	2	3	4	5	6	7		
6- 1583	BRM200A3		.	.	.	.	.	.	NUTPLATE (V52828) (SPEC BACN10JP3A) (OPT MK1000-3BAC (V15653)) (OPT NS103197-02 (V80539)) (OPT T8076S1032 (V71087)) (OPT T8076S1032 (V11815)) (OPT VN202A1-02 (V92215))		
1586	412N1217-86		.	.	.	.	.	.	BRACKET		1
1589	412N1215-58		.	.	.	.	.	.	BODY	A	1
1589A	412N1215-69		.	.	.	.	.	.	BODY	B	1

-Item not Illustrated

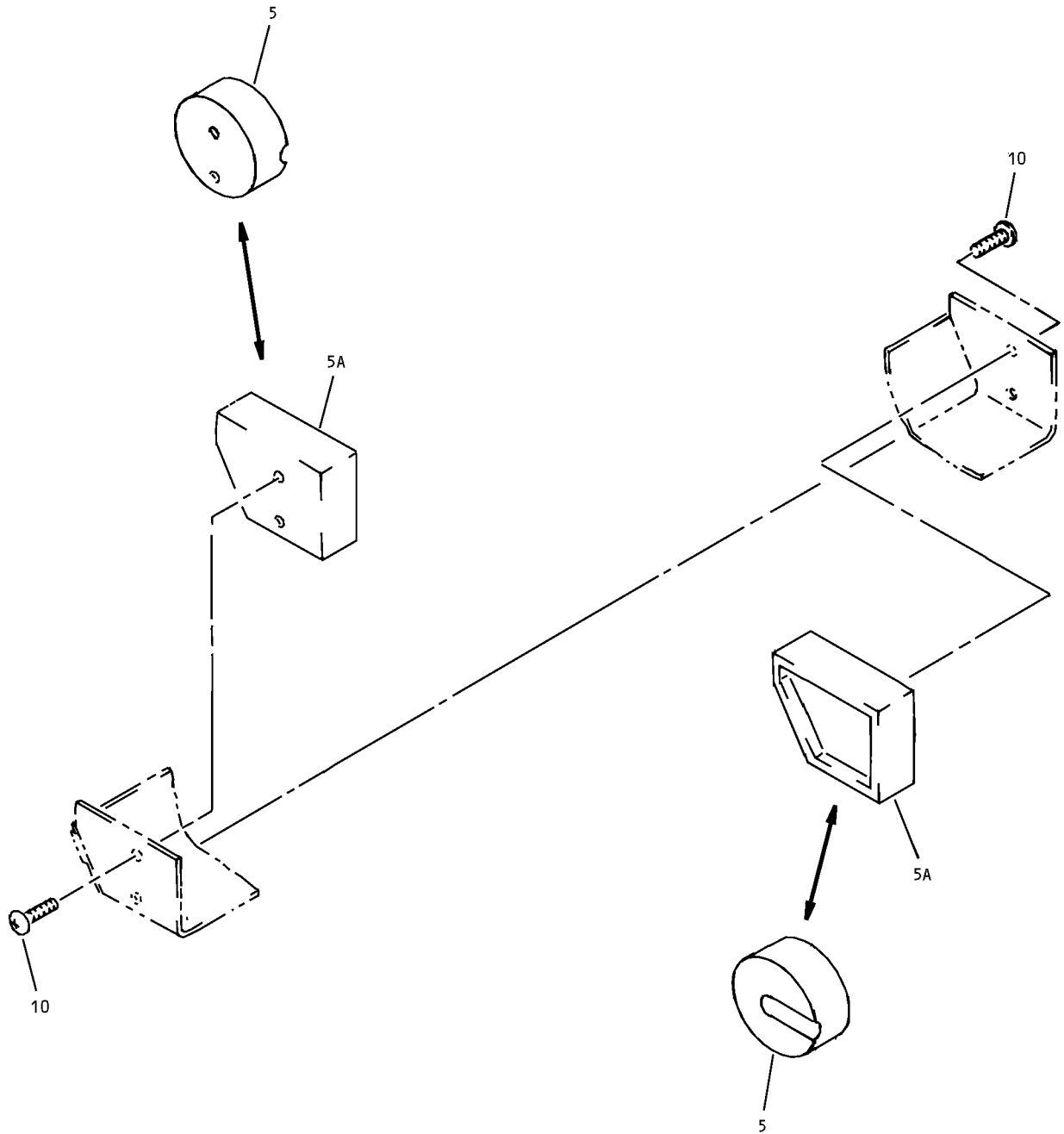
# 25-28-44

ILLUSTRATED PARTS LIST

Page 1098.207

Mar 01/2006

COMPONENT MAINTENANCE MANUAL



Ceiling Light Assembly  
IPL Figure 80

**25-28-44**

ILLUSTRATED PARTS LIST

Page 1098.208

Mar 01/2006





## COMPONENT MAINTENANCE MANUAL

FIG/ ITEM	PART NUMBER	AIRLINE PART NUMBER	NOMENCLATURE							USAGE CODE	UNITS PER ASSY
			1	2	3	4	5	6	7		
80- -1	800000255-14		LIGHT ASSY (V05617) (SPEC S417N507-14) (THIS ASSEMBLY IS NOT BOEING MANUFACTURED. PARTS BREAKDOWN FOR REFERENCE ONLY. CONSULT VENDOR FOR ANY ADDITONAL INFORMATION)								RF
-1A	800000255-17		LIGHT ASSY-CLG (V05617) (SPEC S417N507-17) (THIS ASSEMBLY IS NOT BOEING MANUFACTURED. PARTS BREAKDOWN FOR REFERENCE ONLY. CONSULT VENDOR FOR ANY ADDITONAL INFORMATION)								RF
-1B	800000255-21		LIGHT ASSY-CLG (V05617) (SPEC S417N507-21) (THIS ASSEMBLY IS NOT BOEING MANUFACTURED. PARTS BREAKDOWN FOR REFERENCE ONLY. CONSULT VENDOR FOR ANY ADDITONAL INFORMATION)								RF
-1C	800000255-20		LIGHT ASSY-CLG (V05617) (SPEC S417N507-20) (THIS ASSEMBLY IS NOT BOEING MANUFACTURED. PARTS BREAKDOWN FOR REFERENCE ONLY. CONSULT VENDOR FOR ANY ADDITONAL INFORMATION)								RF
-1D	800000255-22		LIGHT ASSY-CLG (V05617) (SPEC S417N507-22) (THIS ASSEMBLY IS NOT BOEING MANUFACTURED. PARTS BREAKDOWN FOR REFERENCE ONLY. CONSULT VENDOR FOR ANY ADDITONAL INFORMATION)								RF

-Item not Illustrated

# 25-28-44

ILLUSTRATED PARTS LIST

Page 1098.209

Mar 01/2006



## COMPONENT MAINTENANCE MANUAL

FIG/ ITEM	PART NUMBER	AIRLINE PART NUMBER	NOMENCLATURE							USAGE CODE	UNITS PER ASSY
			1	2	3	4	5	6	7		
80- -1E	800000255-7		LIGHT ASSY-CLG (V05617) (SPEC S417N507-7) (THIS ASSEMBLY IS NOT BOEING MANUFACTURED. PARTS BREAKDOWN FOR REFERENCE ONLY. CONSULT VENDOR FOR ANY ADDITONAL INFORMATION)								RF
5	BV03112-03-33		. HOLDER-BRUCE LAMP (V17023) (USED ON ITEM 1D)								2
5A	BV03112-33		. HOLDER-BRUCE LAMP (V17023) (USED ON ITEM 1E)								2
10	MS35206-323		. SCREW								4

-Item not Illustrated

# 25-28-44

ILLUSTRATED PARTS LIST

Page 1098.210

Mar 01/2006