



COMPONENT MAINTENANCE MANUAL WITH ILLUSTRATED PARTS LIST

OVERHEAD STOWAGE COMPARTMENT ASSEMBLY

PART NUMBER

**65C27006-107, -111, -115, -116, -121, -125, -135,
-136, -138, -23, -25, -26, -27, -33, -35, -39, -40, -41,
-44, -45, -46, -48, -49, -5, -53, -54, -6, -64, -66, -67,**

BOEING PROPRIETARY, CONFIDENTIAL, AND/OR TRADE SECRET

Copyright © 1995 The Boeing Company
Unpublished Work - All Rights Reserved

Boeing claims copyright in each page of this document only to the extent that the page contains copyrightable subject matter. Boeing also claims copyright in this document as a compilation and/or collective work.

This document includes proprietary information owned by The Boeing Company and/or one or more third parties. Treatment of the document and the information it contains is governed by contract with Boeing. For more information, contact The Boeing Company, P.O. Box 3707, Seattle, Washington 98124.

Boeing, the Boeing signature, the Boeing symbol, 707, 717, 727, 737, 747, 757, 767, 777, 787, Dreamliner, BBJ, DC-8, DC-9, DC-10, KC-10, KDC-10, MD-10, MD-11, MD-80, MD-88, MD-90, P-8A, Poseidon and the Boeing livery are all trademarks owned by The Boeing Company; and no trademark license is granted in connection with this document unless provided in writing by Boeing.

PUBLISHED BY BOEING COMMERCIAL AIRPLANES GROUP, SEATTLE, WASHINGTON, USA
A DIVISION OF THE BOEING COMPANY
PAGE DATE: Jul 01/2009

25-28-46

Page 1
Jul 01/2009



COMPONENT MAINTENANCE MANUAL

PART NUMBER (Cont.)

65C27006-68, -7, -71, -75, -8, -85, -89, -91, -92, -98, -99

25-28-46



COMPONENT MAINTENANCE MANUAL

Revision No. 10
Jul 01/2009

To: All holders of OVERHEAD STOWAGE COMPARTMENT ASSEMBLY 25-28-46.

Attached is the current revision to this COMPONENT MAINTENANCE MANUAL

The COMPONENT MAINTENANCE MANUAL is furnished either as a printed manual, on microfilm, or digital products, or any combination of the three. This revision replaces all previous microfilm cartridges or digital products. All microfilm and digital products are reissued with all obsolete data deleted and all updated pages added.

For printed manuals, changes are indicated on the List of Effective Pages (LEP). The pages which are revised will be identified on the LEP by an R (Revised), A (Added), O (Overflow, i.e. changes to the document structure and/or page layout), or D (Deleted). Each page in the LEP is identified by Chapter-Section-Subject number, page number and page date.

Pages replaced or made obsolete by this revision should be removed and destroyed.

ATTENTION

IF YOU RECEIVE PRINTED REVISIONS, PLEASE VERIFY THAT YOU HAVE RECEIVED AND FILED THE PREVIOUS REVISION. BOEING MUST BE NOTIFIED WITHIN 30 DAYS IF YOU HAVE NOT RECEIVED THE PREVIOUS REVISION. REQUESTS FOR REVISIONS OTHER THAN THE PREVIOUS REVISION WILL REQUIRE A COMPLETE MANUAL REPRINT SUBJECT TO REPRINT CHARGES SHOWN IN THE DATA AND SERVICES CATALOG.

25-28-46

TRANSMITTAL LETTER

Page 1

Jul 01/2009



COMPONENT MAINTENANCE MANUAL

Location of Change

Description of Change

NO HIGHLIGHTS

25-28-46

HIGHLIGHTS

Page 1

Jul 01/2009



COMPONENT MAINTENANCE MANUAL

Subject/Page	Date	Subject/Page	Date	Subject/Page	Date
TITLE PAGE		25-28-46 CLEANING (cont)		25-28-46 ILLUSTRATED PARTS LIST (cont)	
O 1	Jul 01/2009	402	BLANK	1002	Jul 01/2006
O 2	Jul 01/2009	25-28-46 CHECK		1003	Jul 01/2006
25-28-46 TRANSMITTAL LETTER		501	Mar 01/2006	1004	Nov 01/2006
O 1	Jul 01/2009	502	BLANK	1005	Jul 01/2006
2	BLANK	25-28-46 REPAIR - GENERAL		1006	Jul 01/2006
25-28-46 HIGHLIGHTS		601	Mar 01/2007	1007	Jul 01/2006
O 1	Jul 01/2009	602	BLANK	1008	Jul 01/2006
2	BLANK	25-28-46 REPAIR 1-1		1009	Jul 01/2006
25-28-46 EFFECTIVE PAGES		601	Nov 01/2006	1010	Jul 01/2006
1 thru 5	Jul 01/2009	602	BLANK	1011	Jul 01/2006
6	BLANK	25-28-46 REPAIR 2-1		1012	Jul 01/2006
25-28-46 CONTENTS		601	Nov 01/2006	1013	Jul 01/2006
1	Mar 01/2006	602	BLANK	1014	Jul 01/2006
2	BLANK	25-28-46 REPAIR 3-1		1015	Jul 01/2006
25-28-46 TR AND SB RECORD		601	Mar 01/2006	1016	Jul 01/2006
1	Mar 01/2006	602	BLANK	1017	Jul 01/2006
2	BLANK	25-28-46 REPAIR 4-1		1018	Jul 01/2006
25-28-46 REVISION RECORD		601	Mar 01/2006	1019	Jul 01/2006
1	Mar 01/2006	602	BLANK	1020	Jul 01/2006
2	Mar 01/2006	25-28-46 REPAIR 5-1		1021	Jul 01/2006
25-28-46 RECORD OF TEMPORARY REVISIONS		601	Mar 01/2006	1022	Jul 01/2006
1	Mar 01/2006	602	BLANK	1023	Jul 01/2006
2	Mar 01/2006	25-28-46 REPAIR 6-1		1024	Jul 01/2006
25-28-46 INTRODUCTION		601	Mar 01/2007	1025	Jul 01/2006
1	Mar 01/2009	602	Mar 01/2007	1026	Jul 01/2006
2	BLANK	603	Mar 01/2007	1027	Jul 01/2006
25-28-46 DESCRIPTION AND OPERATION		604	Mar 01/2007	1028	Jul 01/2006
1	Mar 01/2008	25-28-46 ASSEMBLY		1029	Jul 01/2006
2	BLANK	701	Mar 01/2006	1030	Jul 01/2006
25-28-46 TESTING AND FAULT ISOLATION		702	BLANK	1031	Jul 01/2006
101	Mar 01/2006	25-28-46 FITS AND CLEARANCES		1032	Jul 01/2006
102	BLANK	801	Mar 01/2006	1033	Jul 01/2006
25-28-46 DISASSEMBLY		802	BLANK	1034	Jul 01/2006
301	Mar 01/2006	25-28-46 SPECIAL TOOLS, FIXTURES, AND EQUIPMENT		1035	Jul 01/2006
302	BLANK	901	Mar 01/2006	1036	Jul 01/2006
25-28-46 CLEANING		902	BLANK	1037	Jul 01/2006
401	Mar 01/2006	25-28-46 ILLUSTRATED PARTS LIST		1038	Jul 01/2006
		1001	Nov 01/2008	1039	Jul 01/2006

A = Added, R = Revised, D = Deleted, O = Overflow

25-28-46

EFFECTIVE PAGES

Page 1

Jul 01/2009



COMPONENT MAINTENANCE MANUAL

Subject/Page	Date	Subject/Page	Date	Subject/Page	Date
25-28-46 ILLUSTRATED PARTS LIST (cont)		25-28-46 ILLUSTRATED PARTS LIST (cont)		25-28-46 ILLUSTRATED PARTS LIST (cont)	
1040	Jul 01/2006	1078	Jul 01/2006	1098.18	Jul 01/2006
1041	Jul 01/2006	1079	Jul 01/2006	1098.19	Jul 01/2006
1042	Jul 01/2006	1080	Jul 01/2006	1098.20	Jul 01/2006
1043	Jul 01/2006	1081	Jul 01/2006	1098.21	Jul 01/2006
1044	Jul 01/2006	1082	Jul 01/2006	1098.22	Jul 01/2006
1045	Jul 01/2006	1083	Jul 01/2006	1098.23	Jul 01/2006
1046	Jul 01/2006	1084	Jul 01/2006	1098.24	Jul 01/2006
1047	Jul 01/2006	1085	Jul 01/2006	1098.25	Jul 01/2006
1048	Jul 01/2006	1086	Jul 01/2006	1098.26	Jul 01/2006
1049	Jul 01/2006	1087	Jul 01/2006	1098.27	Jul 01/2006
1050	Jul 01/2006	1088	Jul 01/2006	1098.28	Jul 01/2006
1051	Jul 01/2006	1089	Jul 01/2006	1098.29	Jul 01/2006
1052	Jul 01/2006	1090	Jul 01/2006	1098.30	Jul 01/2006
1053	Jul 01/2006	1091	Jul 01/2006	1098.31	Jul 01/2006
1054	Jul 01/2006	1092	Jul 01/2006	1098.32	Jul 01/2006
1055	Jul 01/2006	1093	Jul 01/2006	1098.33	Jul 01/2006
1056	Jul 01/2006	1094	Jul 01/2006	1098.34	Jul 01/2006
1057	Jul 01/2006	1095	Jul 01/2006	1098.35	Jul 01/2006
1058	Jul 01/2006	1096	Jul 01/2006	1098.36	Jul 01/2006
1059	Jul 01/2006	1097	Jul 01/2006	1098.37	Jul 01/2006
1060	Jul 01/2006	1098	Jul 01/2006	1098.38	Jul 01/2006
1061	Jul 01/2006	1098.1	Jul 01/2006	1098.39	Jul 01/2006
1062	Jul 01/2006	1098.2	Jul 01/2006	1098.40	Jul 01/2006
1063	Jul 01/2006	1098.3	Jul 01/2006	1098.41	Jul 01/2006
1064	Jul 01/2006	1098.4	Jul 01/2006	1098.42	Jul 01/2006
1065	Jul 01/2006	1098.5	Jul 01/2006	1098.43	Jul 01/2006
1066	Jul 01/2006	1098.6	Jul 01/2006	1098.44	Jul 01/2006
1067	Jul 01/2006	1098.7	Jul 01/2006	1098.45	Jul 01/2006
1068	Jul 01/2006	1098.8	Jul 01/2006	1098.46	Jul 01/2006
1069	Jul 01/2006	1098.9	Jul 01/2006	1098.47	Jul 01/2006
1070	Jul 01/2006	1098.10	Jul 01/2006	1098.48	Jul 01/2006
1071	Jul 01/2006	1098.11	Jul 01/2006	1098.49	Jul 01/2006
1072	Jul 01/2006	1098.12	Jul 01/2006	1098.50	Jul 01/2006
1073	Jul 01/2006	1098.13	Jul 01/2006	1098.51	Jul 01/2006
1074	Jul 01/2006	1098.14	Jul 01/2006	1098.52	Jul 01/2006
1075	Jul 01/2006	1098.15	Jul 01/2006	1098.53	Jul 01/2006
1076	Jul 01/2006	1098.16	Jul 01/2006	1098.54	Jul 01/2006
1077	Jul 01/2006	1098.17	Jul 01/2006	1098.55	Jul 01/2006

A = Added, R = Revised, D = Deleted, O = Overflow

25-28-46

EFFECTIVE PAGES

Page 2

Jul 01/2009



COMPONENT MAINTENANCE MANUAL

Subject/Page	Date	Subject/Page	Date	Subject/Page	Date
25-28-46 ILLUSTRATED PARTS LIST (cont)		25-28-46 ILLUSTRATED PARTS LIST (cont)		25-28-46 ILLUSTRATED PARTS LIST (cont)	
1098.56	Jul 01/2006	1098.94	Jul 01/2006	1098.132	Jul 01/2006
1098.57	Jul 01/2006	1098.95	Jul 01/2006	1098.133	Jul 01/2006
1098.58	Jul 01/2006	1098.96	Jul 01/2006	1098.134	Jul 01/2006
1098.59	Jul 01/2006	1098.97	Jul 01/2006	1098.135	Jul 01/2006
O 1098.60	Jul 01/2009	1098.98	Jul 01/2006	1098.136	Jul 01/2006
1098.61	Jul 01/2006	1098.99	Jul 01/2006	1098.137	Jul 01/2006
1098.62	Jul 01/2006	1098.100	Jul 01/2006	1098.138	Jul 01/2006
1098.63	Jul 01/2006	1098.101	Jul 01/2006	1098.139	Jul 01/2006
1098.64	Jul 01/2006	1098.102	Jul 01/2006	1098.140	Jul 01/2006
1098.65	Jul 01/2006	1098.103	Jul 01/2006	1098.141	Jul 01/2006
1098.66	Jul 01/2006	O 1098.104	Jul 01/2009	1098.142	Jul 01/2006
1098.67	Jul 01/2006	1098.105	Jul 01/2006	1098.143	Jul 01/2006
1098.68	Jul 01/2006	1098.106	Jul 01/2006	1098.144	Jul 01/2006
1098.69	Jul 01/2006	1098.107	Jul 01/2006	1098.145	Jul 01/2006
1098.70	Jul 01/2006	1098.108	Jul 01/2006	1098.146	Jul 01/2006
1098.71	Jul 01/2006	1098.109	Jul 01/2006	1098.147	Jul 01/2006
1098.72	Jul 01/2006	1098.110	Jul 01/2006	1098.148	Jul 01/2006
1098.73	Jul 01/2006	1098.111	Jul 01/2006	1098.149	Jul 01/2006
1098.74	Jul 01/2006	1098.112	Jul 01/2006	1098.150	Jul 01/2006
1098.75	Jul 01/2006	1098.113	Jul 01/2006	1098.151	Jul 01/2006
1098.76	Jul 01/2006	1098.114	Jul 01/2006	1098.152	Jul 01/2006
1098.77	Jul 01/2006	1098.115	Jul 01/2006	1098.153	Jul 01/2006
1098.78	Jul 01/2006	1098.116	Jul 01/2006	1098.154	Jul 01/2006
1098.79	Jul 01/2006	1098.117	Jul 01/2006	1098.155	Jul 01/2006
1098.80	Jul 01/2006	1098.118	Jul 01/2006	1098.156	Jul 01/2006
1098.81	Jul 01/2006	1098.119	Jul 01/2006	1098.157	Jul 01/2006
1098.82	Jul 01/2006	1098.120	Jul 01/2006	1098.158	Jul 01/2006
1098.83	Jul 01/2006	1098.121	Jul 01/2006	1098.159	Jul 01/2006
1098.84	Jul 01/2006	1098.122	Jul 01/2006	1098.160	Jul 01/2006
1098.85	Jul 01/2006	1098.123	Jul 01/2006	1098.161	Jul 01/2006
1098.86	Jul 01/2006	1098.124	Jul 01/2006	1098.162	Jul 01/2006
1098.87	Jul 01/2006	1098.125	Jul 01/2006	1098.163	Jul 01/2006
1098.88	Jul 01/2006	1098.126	Jul 01/2006	1098.164	Jul 01/2006
1098.89	Jul 01/2006	1098.127	Jul 01/2006	1098.165	Jul 01/2006
1098.90	Jul 01/2006	1098.128	Jul 01/2006	1098.166	Jul 01/2006
1098.91	Jul 01/2006	1098.129	Jul 01/2006	1098.167	Jul 01/2006
1098.92	Jul 01/2006	1098.130	Jul 01/2006	1098.168	Jul 01/2006
1098.93	Jul 01/2006	1098.131	Jul 01/2006	1098.169	Jul 01/2006

A = Added, R = Revised, D = Deleted, O = Overflow

25-28-46

EFFECTIVE PAGES

Page 3

Jul 01/2009



COMPONENT MAINTENANCE MANUAL

Subject/Page	Date	Subject/Page	Date	Subject/Page	Date
25-28-46 ILLUSTRATED PARTS LIST (cont)		25-28-46 ILLUSTRATED PARTS LIST (cont)		25-28-46 ILLUSTRATED PARTS LIST (cont)	
1098.170	Jul 01/2006	1098.208	Jul 01/2006	1098.246	Jul 01/2006
1098.171	Jul 01/2006	1098.209	Jul 01/2006	1098.247	Jul 01/2006
1098.172	Jul 01/2006	1098.210	Jul 01/2006	1098.248	Jul 01/2006
1098.173	Jul 01/2006	1098.211	Jul 01/2006	1098.249	Jul 01/2006
1098.174	Jul 01/2006	1098.212	Jul 01/2006	1098.250	Jul 01/2006
1098.175	Jul 01/2006	1098.213	Jul 01/2006	1098.251	Jul 01/2006
1098.176	Jul 01/2006	1098.214	Jul 01/2006	1098.252	Jul 01/2006
1098.177	Jul 01/2006	1098.215	Jul 01/2006	1098.253	Jul 01/2006
1098.178	Jul 01/2006	1098.216	Jul 01/2006	1098.254	Jul 01/2006
1098.179	Jul 01/2006	1098.217	Jul 01/2006	1098.255	Jul 01/2006
1098.180	Jul 01/2006	1098.218	Jul 01/2006	1098.256	Jul 01/2006
1098.181	Jul 01/2006	1098.219	Jul 01/2006	1098.257	Jul 01/2006
1098.182	Jul 01/2006	1098.220	Jul 01/2006	1098.258	Jul 01/2006
1098.183	Jul 01/2006	1098.221	Jul 01/2006	1098.259	Jul 01/2006
1098.184	Jul 01/2006	1098.222	Jul 01/2006	1098.260	Jul 01/2006
1098.185	Jul 01/2006	1098.223	Jul 01/2006	1098.261	Jul 01/2006
1098.186	Jul 01/2006	1098.224	Jul 01/2006	1098.262	Jul 01/2006
1098.187	Jul 01/2006	1098.225	Jul 01/2006	1098.263	Jul 01/2006
1098.188	Jul 01/2006	1098.226	Jul 01/2006	1098.264	Jul 01/2006
1098.189	Jul 01/2006	1098.227	Jul 01/2006	1098.265	Jul 01/2006
1098.190	Jul 01/2006	1098.228	Jul 01/2006	1098.266	Jul 01/2006
1098.191	Jul 01/2006	1098.229	Jul 01/2006	1098.267	Jul 01/2006
1098.192	Jul 01/2006	1098.230	Jul 01/2006	1098.268	Jul 01/2006
1098.193	Jul 01/2006	1098.231	Jul 01/2006	1098.269	Jul 01/2006
1098.194	Jul 01/2006	1098.232	Jul 01/2006	1098.270	Jul 01/2006
1098.195	Jul 01/2006	1098.233	Jul 01/2006	1098.271	Jul 01/2006
1098.196	Jul 01/2006	1098.234	Jul 01/2006	O 1098.272	Jul 01/2009
1098.197	Jul 01/2006	1098.235	Jul 01/2006	1098.273	Jul 01/2006
1098.198	Jul 01/2006	1098.236	Jul 01/2006	1098.274	Jul 01/2006
1098.199	Jul 01/2006	1098.237	Jul 01/2006	1098.275	Jul 01/2006
1098.200	Jul 01/2006	1098.238	Jul 01/2006	1098.276	Jul 01/2006
1098.201	Jul 01/2006	1098.239	Jul 01/2006	1098.277	Jul 01/2006
1098.202	Jul 01/2006	1098.240	Jul 01/2006	1098.278	Jul 01/2006
1098.203	Jul 01/2006	1098.241	Jul 01/2006	1098.279	Jul 01/2006
1098.204	Jul 01/2006	1098.242	Jul 01/2006	1098.280	Jul 01/2006
1098.205	Jul 01/2006	1098.243	Jul 01/2006	1098.281	Jul 01/2006
1098.206	Jul 01/2006	1098.244	Jul 01/2006	1098.282	Jul 01/2006
1098.207	Jul 01/2006	1098.245	Jul 01/2006	1098.283	Jul 01/2006

A = Added, R = Revised, D = Deleted, O = Overflow

25-28-46

EFFECTIVE PAGES

Page 4

Jul 01/2009



COMPONENT MAINTENANCE MANUAL

Subject/Page	Date	Subject/Page	Date	Subject/Page	Date
25-28-46	ILLUSTRATED PARTS LIST				
(cont)					
1098.284	Jul 01/2006				
1098.285	Jul 01/2006				
1098.286	Jul 01/2006				
1098.287	Jul 01/2006				
1098.288	Jul 01/2006				
1098.289	Jul 01/2006				
1098.290	Jul 01/2006				
1098.291	Jul 01/2006				
1098.292	Jul 01/2006				
1098.293	Jul 01/2006				
1098.294	Jul 01/2006				
1098.295	Jul 01/2006				
1098.296	Jul 01/2006				
1098.297	Jul 01/2006				
1098.298	Jul 01/2006				
1098.299	Jul 01/2006				
1098.300	Jul 01/2006				
1098.301	Jul 01/2006				
1098.302	BLANK				

A = Added, R = Revised, D = Deleted, O = Overflow

25-28-46

EFFECTIVE PAGES

Page 5

Jul 01/2009

**COMPONENT MAINTENANCE MANUAL****TABLE OF CONTENTS**

<u>Paragraph Title</u>		<u>Page</u>
OVERHEAD STOWAGE COMPARTMENT ASSEMBLY - DESCRIPTION AND OPERATION		1
TESTING AND FAULT ISOLATION	(Not Applicable)	
DISASSEMBLY		301
CLEANING	(Not Applicable)	
CHECK	(Not Applicable)	
REPAIR		601
ASSEMBLY		701
FITS AND CLEARANCES		801
SPECIAL TOOLS, FIXTURES, AND EQUIPMENT	(Not Applicable)	
ILLUSTRATED PARTS LIST		1001

25-28-46

CONTENTS

Page 1

Mar 01/2006



COMPONENT MAINTENANCE MANUAL

TEMPORARY REVISION AND SERVICE BULLETIN RECORD

BOEING SERVICE BULLETIN	BOEING TEMPORARY REVISION	OTHER DIRECTIVE	DATE OF INCORPORATION INTO MANUAL
		PRR 33180-48	MAR 05/86
25A1283		PRR 35041-2R	SEP 05/92
25-1294		PRR 35041-2R	SEP 05/92



COMPONENT MAINTENANCE MANUAL

Revision		Filed		Revision		Filed	
Number	Date	Date	Initials	Number	Date	Date	Initials

25-28-46

REVISION RECORD

Page 2

Mar 01/2006



COMPONENT MAINTENANCE MANUAL

All temporary revisions to this manual will be accompanied by a cover sheet bearing the temporary revision number. Enter the temporary revision number in numerical order, together with the temporary revision date, the date the temporary revision is inserted and the initials of the person filing.

When the temporary revision is incorporated or cancelled, and the pages are removed, enter the date the pages are removed and the initials of the person who removed the temporary revision.

Temporary Revision		Inserted		Removed		Temporary Revision		Inserted		Removed	
Number	Date	Date	Initials	Date	Initials	Date	Initials	Number	Date	Date	Initials

25-28-46

RECORD OF TEMPORARY REVISION

Page 1

Mar 01/2006



COMPONENT MAINTENANCE MANUAL

INTRODUCTION

1. General

- A. The instructions in this manual supply the data necessary to do the maintenance functions together with the test, fault isolation, repair, and replacement of the defective parts.
- B. This manual is divided into different parts:
 - (1) Title Page
 - (2) Transmittal Letter
 - (3) Highlights
 - (4) List of Effective Pages
 - (5) Table of Contents
 - (6) Temporary Revision & Service Bulletin Record
 - (7) Record of Revisions
 - (8) Record of Temporary Revisions
 - (9) Introduction
 - (10) Procedures & IPL Sections
- C. Components that can be repaired have a different repair number for each specified repair. To find the repair number location of a component, look in the Repair-General procedure at the beginning of the REPAIR section. The Repair-General procedure also has an explanation of the True Position Dimension symbols used.
- D. All dimensions, measures, quantities and weights included are in English units. When metric equivalents are given they will be in the parentheses that follow the English units.
- E. The introduction to the Illustrated Parts List (IPL) shows how the IPL data is used.
- F. Design changes, optional parts, configuration differences and Service Bulletin modifications may cause different part numbers. These part numbers are identified in the IPL with an alphabetical letter which is added to the end of the basic item number. This new item number is referred to as an alpha-variant. Throughout the manual, IPL basic item number references also apply to alpha-variants unless shown differently.
- G. The tool reference numbers found in the individual procedures and in the Special Tools, Fixtures, and Equipment section are used to identify if a tool is a standard tool (STD-XXXX), a commercial tool (COM-XXXX), or a Special Tool (SPL-XXXX). This reference number is also used to distinguish between tools with similar names in the same procedure. These reference numbers are for use in the documentation only. They are not to be used for ordering tools.

25-28-46

INTRODUCTION

Page 1

Mar 01/2009



COMPONENT MAINTENANCE MANUAL

OVERHEAD STOWAGE COMPARTMENT ASSEMBLY - DESCRIPTION AND OPERATION

1.
 - A. The overhead stowage compartment is composed of a nomex honeycomb core body which supports a light assembly, bullnose and PSU supports, fittings and brackets, latches which mount on the bullnose extrusion of the body, and doors which connect to the body by four hinges with mechanical actuators.
2.
 - A. The door is restrained in the closed position by engagement of pawls on the latch with striker rollers on each end of the door. When force is applied to the latch handle, the pawls disengage from the striker rollers and actuator force opens and rotates the door upwards.
3. **Leading Particulars (approximate)**
 - A. Width – 25 inches Length – 40 inches Height – 14 inches Weight – 20-27 pounds

25-28-46

DESCRIPTION AND OPERATION

Page 1

Mar 01/2008



COMPONENT MAINTENANCE MANUAL

TESTING AND FAULT ISOLATION

(NOT APPLICABLE)

25-28-46

TESTING AND FAULT ISOLATION

Page 101

Mar 01/2006



COMPONENT MAINTENANCE MANUAL

DISASSEMBLY

1. Disassembly

CAUTION: THE STOWAGE ASSEMBLY CONSISTS OF APPEARANCE ITEMS. SPECIAL CARE MUST BE TAKEN TO PREVENT MARRING VISIBLE SURFACES.

NOTE: Disassemble this component only as necessary to complete fault isolation, determine part serviceability, perform required repairs, and restore unit to serviceable condition.

A. No special instructions required. Use standard industry practices.

25-28-46

DISASSEMBLY

Page 301

Mar 01/2006



COMPONENT MAINTENANCE MANUAL

CLEANING

(NOT APPLICABLE)

25-28-46

CLEANING
Page 401

Mar 01/2006



COMPONENT MAINTENANCE MANUAL

CHECK

(NOT APPLICABLE)

25-28-46

CHECK
Page 501
Mar 01/2006



COMPONENT MAINTENANCE MANUAL

REPAIR

1. Contents

A. Repair, refinish, and replacement procedures are included in separate repair sections as follows:

Table 601:

P/N	Name	REPAIR
412N1119-1	FITTING ASSY	1-1
412N1119-37,-38	FITTING ASSY	2-1
65C27006	COMPARTMENT ASSY	3-1
65C27009	MODULE ASSY	4-1
65C27017	BRACKET ASSY	5-1
- - -	MISC PARTS	6-1

2. Standard Practices

- A. Refer to the following standard practices, as applicable, for details in individual repairs.
- SOPM 20-30-02 Stripping of Protective Finishes
 - SOPM 20-41-01 Decoding Table for Boeing Finish Codes
 - SOPM 20-41-02 Application of Chemical and Solvent Resistant Finishes
 - SOPM 20-41-04 Application and Repair of Interior Decorative Finishes
 - SOPM 20-43-01 Chromic Acid Anodizing
 - SOPM 20-50-03 Bearing Installation and Retention
 - SOPM 20-50-12 Application of Adhesives

3. Materials

NOTE: Equivalent substitutes may be used.

- A. Adhesive – Types 70 adhesive, A00028 and Type 89 urethane adhesive, A50055
- B. Enamel – coating, C00040
- C. Primer – primer, C00259

25-28-46

REPAIR - GENERAL

Page 601

Mar 01/2007



COMPONENT MAINTENANCE MANUAL

FITTING ASSEMBLY - REPAIR 1-1

412N1119-1

1. General

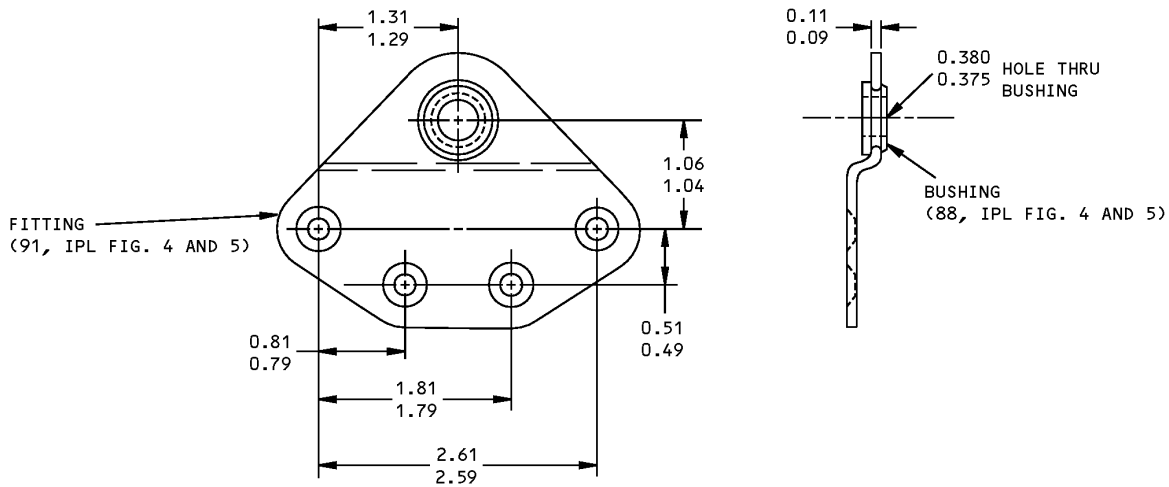
- A. The procedure has the data necessary to repair and refinish the fitting assembly (83, IPL Figure 4 and IPL Figure 5)
- B. Refer to REPAIR-GENERAL, Paragraph 2. for the Standard Overhaul Practices Manual (SOPM) subjects identified in this procedure.
- C. Refer to REPAIR-GENERAL, Paragraph 3. for the description of the consumable codes identified in this procedure.
- D. Refer to IPL Figure 4 and IPL Figure 5 for item numbers.

2. Bushing Replacement

- A. Remove bushing (88, IPL Figure 4 and IPL Figure 5).
- B. Install new bushing per SOPM 20-50-03.
- C. Machine 0.375-0.380-inch hole through bushing.

3. Refinish

- A. Fitting (91, IPL Figure 4 and IPL Figure 5) - Chromic acid anodize and apply primer, C00259 (F-18.13). Material: Al alloy



ALL DIMENSIONS ARE IN INCHES

Bushing Replacement
Figure 601

25-28-46

REPAIR 1-1

Page 601

Nov 01/2006



COMPONENT MAINTENANCE MANUAL

FITTING ASSEMBLY - REPAIR 2-1

412N1119-37, -38

1. General

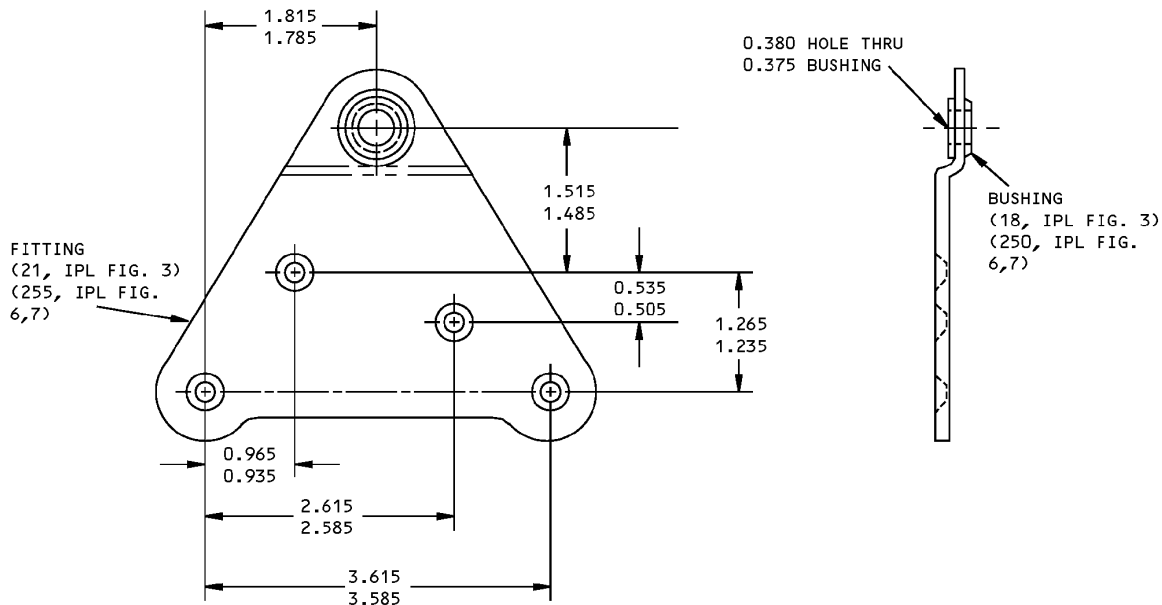
- A. The procedure has the data necessary to repair and refinish the fitting assembly (12, IPL Figure 3; 235, IPL Figure 6 and IPL Figure 7)
- B. Refer to REPAIR-GENERAL, Paragraph 2. for the Standard Overhaul Practices Manual (SOPM) subjects identified in this procedure.
- C. Refer to REPAIR-GENERAL, Paragraph 3. for the description of the consumable codes identified in this procedure.
- D. Refer to IPL Figure 3, IPL Figure 6 and IPL Figure 7 for item numbers.

2. Bushing Replacement

- A. Remove bushing (18, IPL Figure 3; 250, IPL Figure 6 and IPL Figure 7).
- B. Install new bushing per SOPM 20-50-03.
- C. Machine 0.375-0.380-inch hole through bushing.

3. Refinish

- A. Fitting (21, IPL Figure 3; 255, IPL Figure 6 and IPL Figure 7) - Chromic acid anodize and apply primer, C00259 (F-18.13). Material: Al alloy



Bushing Replacement
Figure 601

25-28-46

REPAIR 2-1

Page 601

Nov 01/2006



COMPONENT MAINTENANCE MANUAL

COMPARTMENT ASSEMBLY - REPAIR 3-1

65C27006 Series

1. General

- A. The procedure has the data necessary to repair the compartment assembly (IPL Figure 1 and IPL Figure 2)
- B. Refer to REPAIR-GENERAL, Paragraph 2. for the Standard Overhaul Practices Manual (SOPM) subjects identified in this procedure.
- C. Refer to REPAIR-GENERAL, Paragraph 3. for the description of the consumable codes identified in this procedure.
- D. Refer to IPL Figure 1 and IPL Figure 2 for item numbers.

2. Fitting Replacement

- A. Remove fittings (10, 15, 224; IPL Figure 1 and IPL Figure 2; 10, 12, IPL Figure 3; 11, 83, IPL Figure 4 and 10; 180, IPL Figure 6; 10, 235, IPL Figure 7; 269, IPL Figure 8).
- B. Bond fitting to compartment using type 70 adhesive, A00028 as specified in SOPM 20-50-12.

3. Shim Replacement

- A. Bond shim (24, IPL Figure 3; 260, IPL Figure 6 and IPL Figure 7) to compartment using type 70 adhesive, A00028 as specified in SOPM 20-50-12.

4. Bracket and Shim Replacement

- A. Bond shim (220, IPL Figure 1, 8; 145, IPL Figure 2) and bracket (200, IPL Figure 1, 8; 120, IPL Figure 2) as specified in SOPM 20-50-12.

5. Seal Replacement

- A. Bond seal (260, IPL Figure 1, 8; 200, IPL Figure 2; 123, IPL Figure 3; 162, IPL Figure 4 and 5; 320, IPL Figure 6) to filler panel using adhesive type 90, optional adhesive, A00016 as specified in SOPM 20-50-12.

NOTE: Do not apply adhesive over top of brackets when seal rides over bracket.

6. Trim Replacement

- A. Bond trim (256, IPL Figure 1, 8; 190, IPL Figure 2; 120, IPL Figure 3; 159, IPL Figure 4 and 5; 615, IPL Figure 6; 310, IPL Figure 7) to compartment using type 70 adhesive, A00028 as specified in SOPM 20-50-12.

25-28-46

REPAIR 3-1

Page 601

Mar 01/2006



COMPONENT MAINTENANCE MANUAL

MODULE ASSEMBLY - REPAIR 4-1

65C27009 Series

1. General

- A. The procedure has the data necessary to repair the module assembly (280, IPL Figure 1 and IPL Figure 8; 350, IPL Figure 2, IPL Figure 6 and IPL Figure 7; 171, IPL Figure 3; 165, IPL Figure 4 and IPL Figure 5)
- B. Refer to REPAIR-GENERAL, Paragraph 2. for the Standard Overhaul Practices Manual (SOPM) subjects identified in this procedure.
- C. Refer to REPAIR-GENERAL, Paragraph 3. for the description of the consumable codes identified in this procedure.
- D. Refer to IPL Figure 1, IPL Figure 2, IPL Figure 3, IPL Figure 4, IPL Figure 5, IPL Figure 6, IPL Figure 7 and IPL Figure 8 for item numbers.

2. Support Replacement

- A. Bond support (745, IPL Figure 1 and IPL Figure 8; 980, IPL Figure 2; 534, IPL Figure 3; 467, IPL Figure 4; 467, IPL Figure 5; 783, IPL Figure 6 and IPL Figure 7) to module using type 70 adhesive, A00028 per SOPM 20-50-12.
- B. Bond support to module using type 70 adhesive, A00028 as specified in SOPM 20-50-12.

3. Foam Replacement

- A. Bond seal (260, IPL Figure 1 and IPL Figure 8; 200, IPL Figure 2; 123, IPL Figure 3; 162, IPL Figure 4 and IPL Figure 5) to module using adhesive type 90, optional adhesive, A00016 as specified in SOPM 20-50-12.

4. Retainer Replacement

- A. Bond retainers (378, 382, IPL Figure 1 and IPL Figure 8; 505, 510, IPL Figure 2; 260, 263, IPL Figure 3; 243, 246, IPL Figure 4 and IPL Figure 5; 505, 510, IPL Figure 6 and IPL Figure 7) to module using Type 89 urethane adhesive, A50055, optional Type 70 adhesive, A00028 as specified in SOPM 20-50-12.

25-28-46

REPAIR 4-1

Page 601

Mar 01/2006



COMPONENT MAINTENANCE MANUAL

BRACKET ASSEMBLY - REPAIR 5-1

65C27017-5, -6, -21, -22, -25, -33

1. General

- A. The procedure has the data necessary to repair and refinish the bracket assembly (200, IPL Figure 4 and 120, IPL Figure 5)
- B. Refer to REPAIR-GENERAL, Paragraph 2. for the Standard Overhaul Practices Manual (SOPM) subjects identified in this procedure.
- C. Refer to REPAIR-GENERAL, Paragraph 3. for the description of the consumable codes identified in this procedure.
- D. Refer to IPL Figure 4 and IPL Figure 5 for item numbers.

2. Bushing Replacement

- A. Remove bushing (212, IPL Figure 1; 135, IPL Figure 2).
- B. Install new bushing as specified in SOPM 20-50-03.
- C. Machine 0.375-0.380 inch hole through bushing per Fig. 601.

3. Refinish

- A. Bracket (216, IPL Figure 1; 140, IPL Figure 2) – Chemical treat and apply (F-18.06). Material: Al alloy.

25-28-46

REPAIR 5-1

Page 601

Mar 01/2006



COMPONENT MAINTENANCE MANUAL

MISCELLANEOUS PARTS REFINISH - REPAIR 6-1

1. Procedure

A. Repair of parts listed in REPAIR 6-1, Table 601 consists of restoration of original finish.

Table 601: Refinish Details

IPL FIG. & ITEM	MATERIAL	FINISH
Fig. 1		
Fittings (10,10A,33, 224), Bracket (710)	Al alloy	Chromic acid anodize and apply primer, C00259 (F-18.13).
Brackets (101,104, 116), Fitting (35), Washer (53)	Al alloy	Chemical treat and apply primer, C00259 (F-18.06).
Support (164)	Al alloy	Chemical treat and apply primer, C00259 (F-18-05).
Support (745)	Al alloy	Apply colorless alodine coating (F-14.05).
Supports (795,795A)	Al alloy	Sulfuric acid anodize (F-14.2992).
Fitting (715)	Al alloy	Anodized to meet the requirement of MIL-L-8625 (F-17.05).
Fig. 2		
Fittings (10,10A,150, 490,930)	Al alloy	Chromic acid anodize and apply primer, C00259 (F-18.13).
Brackets (260,265, 275), Fitting (492), Washer (33)	Al alloy	Chemical treat and apply primer, C00259 (F-18.06).
Support (235)	Al alloy	Chemical treat and apply primer, C00259 (F-18.05).
Fitting (935)	Al alloy	Alodize to meet the requirements of MIL-A-8625 (F-17.05).
Support (980)	Al alloy	Apply colorless alodine coating (F-14.05).
Supports (1015,1015A)	Al alloy	Sulfuric acid anodize (F-14.2992).
Fig. 3		
Fittings (10,10A,27, 251)	Al alloy	Chromic acid anodize and apply primer, C00259 (F-18.13).
Support (135)	Al alloy	Chemical treat and apply primer, C00259 (F-18.05).
Fitting (516)	Al alloy	Anodized to meet the requirements of MIL-A-8625 (F-17.05).
Support (534)	Al alloy	Apply colorless alodine coating (F-14.05).
Supports (537,537A, 540,540A,540B,571)	Al alloy	Sulfuric acid anodize (F-14.2992).
Fitting (344), Brackets (347,350)	Al alloy	Chemical treat and apply primer, C00259 (F-18.03), then apply primer, C00039 and enamel coating, C00040 (F-22.05-80070).
Brackets (45,45A,66, 147,150,156,513)	Al alloy	Chemical treat and apply primer, C00259 (F-18.06).
Fitting (568)	4130 Steel HT 125-145 ksi	Sulfuric acid anodize and apply directional coarse grain buff satin finish (F-14.25).

25-28-46

REPAIR 6-1

Page 601

Mar 01/2007



COMPONENT MAINTENANCE MANUAL

Table 601: Refinish Details (Continued)

IPL FIG. & ITEM	MATERIAL	FINISH
Pawl (574)	4130 Steel HT 125-145 ksi	Cadmium plate to meet the requirements of QQ-P-416 type II, class 2 finish (F-15.06).
Fig. 4		
Fittings (11,11A,29, 30,150)	Al alloy	Chromic acid anodize and apply primer, C00259 (F-18.13).
Brackets (98,101,101A, 104,455), Washer (68)	Al alloy	Chemical treat and apply primer, C00259 (F-18.06).
Support (138)	Al alloy	Chemical treat and apply primer, C00259 (F-18-05).
Fitting (458)	Al alloy	Alodize to meet the requirements of MIL-A-8625 (F-17.05).
Supports (467,470)	Al alloy	Apply colorless alodine coating (F.14.05).
Supports (494,497, 497A)	Al alloy	Sulfuric acid anodize (F-14.2992).
Fig. 5		
Fittings (11,11A,29, 30,150)	Al alloy	Chromic acid anodize and apply primer, C00259 (F-18.13).
Brackets (98,101,104, 455), Washer (80)	Al alloy	Chromic acid anodize and apply primer, C00259 (F-18.06).
Support (138)	Al alloy	Chemical treat and apply primer, C00259 (F-18.05).
Fitting (458)	Al alloy	Anodize to meet the requirements of MIL-A-8625 (F-17.05).
Support (467)	Al alloy	Apply colorless alodine coating (F-14.05).
Supports (494,497)		Sulfuric acid anodize (F-14.2992).
Fig. 6		
Fittings (10,10A,24, 265), Fillers (662,665)	Al alloy	Chromic acid anodize and apply primer, C00259 (F-18.13).
Brackets (93,102,102A, 103,105,105A,130,155, 155A,760), Washer (39)	Al alloy	Chemical treat and apply primer, C00259 (F-18.06).
Support (195)	Al alloy	Chemical treat and apply primer, C00259 (F-18.05).
Fitting (653), Brackets (656,659)	Al alloy	Chemical treat and apply primer, C00259 (F-18.03), then apply primer, C00039 and enamel coating, C00040 (F-22.05-80070).
Fitting (763)		Anodize to meet the requirement of MIL-A-8625 (F-17.05).
Supports (783,783A, 783B)	Al alloy	Apply colorless alodine coating (F-14.05).
Supports (789,789A, 798,798A)	Al alloy	Sulfuric acid anodize (F-14.2992).
Fitting (813)	4130 Steel HT 125-145 ksi	Sulfuric acid anodize and apply directional coarse grain buff satin finish (F-14.25).

25-28-46

REPAIR 6-1

Page 602

Mar 01/2007



COMPONENT MAINTENANCE MANUAL

Table 601: Refinish Details (Continued)

IPL FIG. & ITEM	MATERIAL	FINISH
Pawl (820)	4130 Steel HT 125-145 ksi	Cadmium plate to meet the requirements of QQ-P-416, type II, class 2 finish (F-15.06).
Fig. 7		
Fittings (10,10A,24, 265), Fillers (662,665)	Al alloy	Chromic acid anodize and apply primer, C00259 (F-18.13).
Washer (39), Brackets (102,102A, 102B,105,108,108A,130, 155,760)	Al alloy	Chemical treat and apply one primer, C00259 (F-18.06).
Support (195)	Al alloy	Chemical treat and apply primer, C00259 (F-18.05).
Fitting (653), Brackets (656,659)	Al alloy	Chemical treat and apply primer, C00259 (F-18.03), then apply primer, C00039 and enamel coating, C00040 (F-22.05-80070).
Fitting (763)	Al alloy	Anodize to meet the requirement of MIL-A-8625 (F-17.05).
Supports (783,783A)	Al alloy	Apply colorless alodine coating (F-14.05).
Supports (798,801)	Al alloy	Sulfuric acid anodize (F-14.2992).
Fig. 8		
Fittings (10,33,224), Bracket (710)	Al alloy	Chromic acid anodize and apply primer, C00259 (F-18.13).
Brackets (101,104, 116), Washer (53)	Al alloy	Chemical treat and apply primer, C00259 (F-18.06).
Support (164)	Al alloy	Chemical treat and apply primer, C00259 (F-18.05).
Support (745)	Al alloy	Apply colorless alodine coating (F-14.05).
Supports (795)	Al alloy	Sulfuric acid anodize (F-14.2992).
Fitting (715)	Al alloy	Anodized to meet the requirements of MIL-L-8625 (F-17.05).
Fig. 11		
Bracket (120)	Al alloy	Apply primer, C00039 and enamel coating, C00040 (F-22.05- 80070).
Bracket (145)	Al alloy	Chemical treat and apply primer, C00259 (F-18.06).
Brackets (155,235,275)	Al alloy	Chemical treat all surfaces to meet the requirements of MIL-C-5541 (F-17.07).
Fig. 12		
Brackets (120,155)	Al alloy	Apply primer, C00039 and enamel coating, C00040 (F-22.05- 80070).
Bracket (145)	Al alloy	Chemical treat and apply primer, C00259 (F-18.06).
Brackets (235,275)	Al alloy	Chemical treat all surfaces to meet the requirements of MIL-C-5541 (F-17.07).
Fig. 13		

25-28-46

REPAIR 6-1
Page 603
Mar 01/2007



COMPONENT MAINTENANCE MANUAL

Table 601: Refinish Details (Continued)

IPL FIG. & ITEM	MATERIAL	FINISH
Bracket (151)	Al alloy	Apply primer, C00039 and enamel coating, C00040 (F-22.05- 80016).
Brackets (169,181,200, 262,274)	Al alloy	Chemical treat all surfaces to meet the requirements of MIL-C-5541 (F-17.07).
Brackets (191,194)	Al alloy	Chemical treat and apply primer, C00259 (F-18.06).
Fig. 14		
Brackets (170,195,275, 295)	Al alloy	Chemical treat all surfaces to meet the requirements of MIL-C-5541 (F-17.07).
Bracket (185)		
Fig. 15		
Brackets (170,195,275, 295)	Al alloy	Chemical treat all surfaces to meet the requirements of MIL-C-5541 (F-17.07).
Bracket (185)	Al alloy	Chemical treat and apply primer, C00259 (F-18.06).
Fig. 16		
Bracket (114)	Al alloy	Chemical treat and apply primer, C00259 (F-18.06), then apply enamel coating, C00040 (F-22.06-80070).
Brackets (150,174,201)	Al alloy	Chemical treat all surfaces to meet the requirements of MIL-C-5541 (F-17.01).
Fig. 17		
Bracket (99)	Al alloy	Chemical treat and apply primer, C00259 (F-18.06), then apply enamel coating, C00040 (F-22.06-80070).
Brackets (127,151,178)		Chemical treat all surfaces to meet the requirements of MIL-C-5541 (F-17.07).
Fig. 18		
Bracket (280)	Al alloy	Apply primer, C00039 and enamel coating, C00040 (F-22.05- 80070).
Bracket (305)	Al alloy	Chemical treat and apply primer, C00259(F-18.06).
Brackets (325,405,445)	Al alloy	Chemical treat all surfaces to meet the requirements of MIL-C-5541 (F-17.07).

25-28-46

REPAIR 6-1
Page 604
Mar 01/2007



COMPONENT MAINTENANCE MANUAL

ASSEMBLY

1. ASSEMBLY

CAUTION: THE STOWAGE ASSEMBLY CONSISTS OF APPEARANCE ITEMS. SPECIAL CARE MUST BE TAKEN TO PREVENT MARRING VISIBLE SURFACES.

- A. No special instructions required. Use standard industry practices and the following procedures.
- B. Tighten bolt (446, IPL Figure 1; 623, IPL Figure 2, 6, 7; 311, IPL Figure 3; 292, IPL Figure 4, 5; 446, IPL Figure 8) 5-6 pound-inches on hinge assemblies 412N1155-7, -8, -11, -12 and ensure that chassis are not crushed or deformed by the bolt.

25-28-46

ASSEMBLY

Page 701

Mar 01/2006



COMPONENT MAINTENANCE MANUAL

FITS AND CLEARANCES

FOR TORQUE VALUES OF STANDARD FASTENERS, REFER TO 20-50-01			
ITEM NO.	NAME	TORQUE	
		POUND-INCHES	POUND-FEET
446, IPL FIG. 1 623, IPL FIG. 2,6,7 311, IPL FIG. 3 292, IPL FIG. 4,5 446, IPL FIG. 8	BOLT	5-6	

Torque Table
Figure 801



COMPONENT MAINTENANCE MANUAL

SPECIAL TOOLS, FIXTURES, AND EQUIPMENT

(NOT APPLICABLE)

25-28-46

SPECIAL TOOLS, FIXTURES, AND EQUIPMENT

Page 901

Mar 01/2006



COMPONENT MAINTENANCE MANUAL

ILLUSTRATED PARTS LIST

1. Introduction

- A. The Illustrated Parts List (IPL) contains an illustration and a list of component parts you can repair or replace. The Illustrated Parts Catalog (IPC) shows how to use the Boeing part number system.
- B. This shows how parts are related: The relation of each item to its next higher assembly (NHA) is shown in the NOMENCLATURE column. Use the indenture system that follows:

1	2	3	4	5	6	7
.	Assembly					
.	Attaching parts for assembly					
.	.	Detail parts for assembly				
.	.	Subassembly				
.	.	Attaching parts for subassembly				
.	.	.	Detail parts for subassembly			
.	.	.	Sub-subassembly			
.	.	.	Attaching parts for subassembly			
.	.	.	.	Details parts for sub-subassembly		
						Detail Installation Parts (Included only if installation parts may be sent to the shop as part of assembly)

- C. Each top assembly is given one use code letter (A, B, C, etc.) in the USAGE CODE column. All subsequent component parts in the list can have one or more of the use code letters to show effectivity to top assemblies. A component part without a use code applies to all top assemblies.
- D. An alphabetical letter is added after the item number for optional parts, parts changed by a Service Bulletin, configuration differences (except left-handed and right-handed parts), last engineering releases, and parts added between item numbers in a sequence. The alphabetical letter will not be shown on the illustration for equivalent parts of the same part number.
- E. Color-coded parts are identified with a single digit alpha following the dash number or with "SP" suffix. If the "SP" suffix is used, it represents consolidation of all color codes applicable for a given usage which are not separately listed. Orders for color-coded parts should include the registry number of the airplane for which the parts are ordered.
- F. If a part number is 15 characters long but will not fit in the part number column, the part number will be displayed with a "~" at the end of the line and will be continued on the next line. The "~" denotes that the part number continues on the next line.
- G. Parts changed by a Service Bulletin are shown by PRE SB XXXX and POST SB XXXX added to the NOMENCLATURE column.
- (1) When a new top assembly is added by a Service Bulletin, PRE SB XXXX and POST SB XXXX will be added at the top assembly level only. The configuration differences at the detail part level are shown by use code letters.
- (2) When the top assembly part number is not changed by the Service Bulletin, PRE SB XXXX and POST SB XXXX will be added at the detail level.
- H. Interchangeable Parts

25-28-46

ILLUSTRATED PARTS LIST

Page 1001

Nov 01/2008



COMPONENT MAINTENANCE MANUAL

Optional (OPT)	The part is optional to and interchangeable with other parts that have the same item number.
Replaces, Replaced by and not interchangeable with (REPLACES, REPLACED BY AND NOT INTCHG/W)	The part replaces and is not interchangeable with the initial part.
Replaces, Replaced by (REPLACES, REPLACED BY)	The part replaces and is interchangeable with, or is an alternative to, the initial part.

VENDOR CODES

Code	Name
01556	EMHART FASTENING SYSTEMS GROUP HELI-COIL DIV SHELTER ROCK LANE DANBURY, CONNECTICUT 06810 FORMERLY HELI-COIL DIV OF BLACK AND DECKER
04169	WESTERN SKY INDUSTRIES A DIVISION OF ATLAS CORPORATION 1280 SAN LUIS OBISPO STREET HAYWARD, CALIFORNIA 94544-7916 FORMERLY WESTERN SKY IND VB0008
05617	IDD AEROSPACE CORP 18225 NORTHEAST 76TH STREET PO BOX 97056 REDMOND, WASHINGTON 98073-9756 FORMERLY FARWEST ELEC INC; FORMERY IN BELLEVUE, WA; FORMERLY BELL IND FARWEST MFG DIV; FORMERLY BELL IND ILLUMINATED DISPLAYS DIV
06034	NEWAGE INDUSTRIES INC. 2300 MARYLAND ROAD WILLOW GROVE, PENNSYLVANIA 19090-1709 FORMERLY IN JENKINTOWN, PENNSYLVANIA
06710	LAMSON AND SESSIONS CO THE VALLEY-TODECO 12975 BRADLEY AVENUE SYLMAR, CALIFORNIA 91342-3830 FORMERLY VALLEY BOLT CORP VB0097 IN NORTH HOLLYWOOD, CA
06725	AIR INDUSTRIES CORPORATION 12570 KNOTT STREET GARDEN GROVE, CALIFORNIA 92641-3932 FORMERLY AIR INDUSTRIES OF CALIF IN GARDENA, CALIF.

25-28-46

ILLUSTRATED PARTS LIST

Page 1002

Jul 01/2006



COMPONENT MAINTENANCE MANUAL

Code	Name
06950	SCREWCORP VSI AEROSPACE PRODUCTS DIV FAIRCHILD IND DIV 13001 EAST TEMPLE AVENUE PO BOX 730 CITY OF INDUSTRY, CALIFORNIA 91746-1417 FORMERLY VB0096 AND VSI CORP SCREWCORP DIV FORMERLY IN CULVER CITY, CALIFORNIA SCREW CORP SEE V.S.I. CORP SCREWCORP DIVISION
0812B	Replaced: [V0812B] SEE CODE V60116 by Code: Name and Address below 60116: PSI WEST 255 SOUTH 7TH AVENUE CITY OF INDUSTRY, CALIFORNIA 91744-3079 FORMERLY V0812B
08524	Replaced: [V08524] DEUTSCH FASTENER CORP SEE CODE V97928 Replaced: [V97928] SEE V17446 HUCK INTL by Code: Name and Address below 17446: HUCK INTL INC AEROSPACE FASTENER DIV 900 WATSON CENTER ROAD CARSON, CALIFORNIA 90745-4201 FORMERLY V32134 REXNORD INC; FORMERLY V97928 HUCK INTL Referenced in FORMERLY line below [17419] DEUTSCH COMPANY THE WELLS FARGO BANK BLDG 2444 WILSHIRE BLVD #600 SANTA MONICA, CALIFORNIA 90403 FORMERLY DEUTSCH FASTENER CORP V08524 FORMERLY IN LOS ANGELES
08805	GENERAL ELECTRIC 1975 NOBLE RD CLEVELAND, OHIO 44112-1719
08958	BROWN HOISTING MACHINERY CO BAY CITY, MI 48706 CANCELLED WITHOUT REPLACEMENT RECORD
0895B	ALL LOCK CO INC PO BOX 3042 NORTH BRUNSWICK, NEW JERSEY 07072 FORMERLY IN CARLSTADT, NEW JERSEY

25-28-46

ILLUSTRATED PARTS LIST

Page 1003

Jul 01/2006



COMPONENT MAINTENANCE MANUAL

Code	Name
10630	ANILLO INDUSTRIES, INCORPORATED 2090 NORTH GLASSELL ORANGE, CALIFORNIA 92667 FORMERLY WESTERN WASHER DIV OF SENG CO V87487
11815	CHERRY AEROSPACE FASTENERS DIV OF TEXTRON 1224 EAST WARNER AVENUE PO BOX 2157 SANTA ANA, CALIFORNIA 92707-0157 FORMERLY IN LOS ANGELES, CALIF , FORMERLY CHERRY FASTENERS TOWNSEND DIV OF TEXTRON INC V71087
13545	GENERAL ELECTRIC CO AVIATION SERVICES SEATTLE OF AVIATION SEATTLE, WASHINGTON 98168-1978 OBSOLETE RECORD
15438	AVIA MARINE TECHNOLOGY INC. DBA AVIA MARINE CO 6118 12TH AVE. S. SEATTLE, WASHINGTON 98108-2768 FORMERLY AVIA MARINE CO VB0084 AND VB0087
15653	ALCOA GLOBAL FASTENERS INC DIV KAYNAR PRODUCTS 800 S STATE COLLEGE BLVD FULLERTON, CALIFORNIA 92831-3001 FORMERLY VK6405 MICRODOT AEROSP LTD; FORMERLY KAYNAR TECH FORMERLY FAIRCHILD FASTENERS KAYNAR DIV
17023	BRUCE INDUSTRIES, INCORPORATED 101 EVANS AVENUE PO BOX 1700 DAYTON, NEVADA 89403 FORMERLY IN GARDENA, CALIFORNIA
24984	HYDRAFLOW 1881 W MALVERN FULLERTON, CALIFORNIA 92833-2403 FORMERLY IN CERRITOS, CA
27624	PB FASTENERS DIV OF BRILES PAUL R 1700 WEST 132ND STREET GARDENA, CALIFORNIA 90249 FORMERLY PAUL R BRILES INC P.B. FASTENER DIV

25-28-46

ILLUSTRATED PARTS LIST

Page 1004

Nov 01/2006



COMPONENT MAINTENANCE MANUAL

Code	Name
29372	ALCOA GLOBAL FASTENERS INC DBA ALCOA FASTENERS SYSTEMS DIV 3000 WEST LOMITA BLVD TORRANCE CALIFORNIA 90505-5103 FORMERLY CALFAX INC V11907; NEWTON INSERT CO V98004; REXNORD INC SPECIALTY FASTENER DIV AND DELRON CO V82831; REXNORD INC TRIDAIR IND; FORMERLY FAIRCHAIDL IND INC
34252	GULF OIL CO USA DIV OF GULF OIL CORP PO BOX 1519 HOUSTON, TEXAS 77001
34941	HARPER ENGINEERING COMPANY 200 SOUTH TOBIN STREET RENTON, WASHINGTON 98055-1307
52825	HOFFMAN CAMERA CORP 19 GRAND AVENUE FARMINGTON, NEW YORK 11735-6315
52828	REPUBLIC FASTENER MFG CORP 1300 RANCHO CONEJO BLVD NEWBURY PARK, CALIFORNIA 91320-1405 FORMERLY IN SYLMAR, CALIFORNIA
56878	SPS TECHNOLOGIES INC AEROSPACE AND INDUSTRIAL PRODUCTS DIV 301 HIGHLAND AVE JENKINTOWN, PENNSYLVANIA 19046 FORMERLY STANDARD PRESSED STEEL FORMERLY IN SALT LAKE, UTAH
60116	PSI WEST 255 SOUTH 7TH AVENUE CITY OF INDUSTRY, CALIFORNIA 91744-3079 FORMERLY V0812B

25-28-46

ILLUSTRATED PARTS LIST

Page 1005

Jul 01/2006



COMPONENT MAINTENANCE MANUAL

Code	Name
71087	<p>Replaced: [V71087] BOOTS ACFT NUT DIV TOWNSEND CO SEE TEXTRON INC CHERRY FASTENER TOWNSEND DIV V11815 by Code: Name and Address below 11815: CHERRY AEROSPACE FASTENERS DIV OF TEXTRON 1224 EAST WARNER AVENUE PO BOX 2157 SANTA ANA, CALIFORNIA 92707-0157 FORMERLY IN LOS ANGELES, CALIF , FORMERLY CHERRY FASTENERS TOWNSEND DIV OF TEXTRON INC V71087</p>
72962	<p>HARVARD INDUSTRIES INC 3 WERNER WAY SUITE 210 LEBANON, NEW JERSEY 08833 FORMERLY ESNA V7A079 FORMERLY ELASTIC STOP NUT IN UNION, NJ</p>
73197	<p>HI-SHEAR TECHNOLOGY CORP 2600 SKYPARK DRIVE TORRANCE, CALIFORNIA 90509</p>
80539	<p>SPS TECHNOLOGIES INC DIV AERPSOACE - SANTA ANA 2701 SOUTH HARBOR BOULEVARD SANTA ANA, CALIFORNIA 92704-5803 FORMERLY NUTT-SHEL DIV OF SPC WESTERN CO V80539 AND STANDARD PRESSED STEEL WESTERN DIV V17279</p>
83014	<p>HARTWELL CORPORATION 900 SOUTH RICHFIELD ROAD PLACENTIA, CALIFORNIA 92670-6732 FORMERLY V0532B IN LOS ANGELES, CALIFORNIA</p>
92215	<p>FAIRCHILD IND INC FAIRCHILD AEROSPACE FASTENER DIV 3010 W LOMITA BLVD TORRANCE, CALIFORNIA 90505-5102 FORMERLY VOI-SHAN IN CULVER CITY, CALIF</p>
93907	<p>TEXTRON INC CAMCAR DIV 600 18TH AVENUE ROCKFORD, ILLINOIS 61101</p>

25-28-46

ILLUSTRATED PARTS LIST

Page 1006

Jul 01/2006

**COMPONENT MAINTENANCE MANUAL**

Code	Name
97372	COON ENGINEERING CORP DENVER, CO 80201 CANCELLED WITHOUT REPLACEMENT RECORD
97393	SHUR-LOK CORPORATION 2541 WHITE ROAD PO BOX 19584 IRVINE, CALIFORNIA 92623-9584 FORMERLY SHUR LOK CORP VB0060 FORMERLY IN SANTA ANA, CALIFORNIA 92714
97928	Replaced: [V97928] SEE V17446 HUCK INTL by Code: Name and Address below 17446: HUCK INTL INC AEROSPACE FASTENER DIV 900 WATSON CENTER ROAD CARSON, CALIFORNIA 90745-4201 FORMERLY V32134 REXNORD INC; FORMERLY V97928 HUCK INTL

25-28-46

ILLUSTRATED PARTS LIST

Page 1007

Jul 01/2006



COMPONENT MAINTENANCE MANUAL

NUMERICAL INDEX

PART NUMBER	AIRLINE PART NUMBER	FIGURE	ITEM	UNITS PER ASSEMBLY
05937-5		1	83A	1
		8	83A	1
05939-14		3	90	1
05939-15		8	83	1
05939-4		4	50	1
		5	50	1
05939-5		2	102	1
		6	66	1
		7	66	1
05939-7		1	83	1
		2	66	1
1864		2	96	1
2055132		1	89A	2
2055150		1	89	2
		2	72	2
		2	108	2
		3	96	2
		4	56	2
		5	56	2
		6	72	2
		7	72	2
22K1-02		8	89	2
		1	80	3
		2	63	3
		2	99	3
		3	87	3
		4	47	3
		5	47	3
		6	63	3
26CL02		7	63	3
		8	80	3
		1	80	3
		2	63	3
		2	99	3

25-28-46

ILLUSTRATED PARTS LIST

Page 1008

Jul 01/2006



COMPONENT MAINTENANCE MANUAL

PART NUMBER	AIRLINE PART NUMBER	FIGURE	ITEM	UNITS PER ASSEMBLY
		3	87	3
		4	47	3
		5	47	3
		6	63	3
		8	80	3
26CL022		7	63	3
411N3142-28		1	53	2
		2	42	2
		3	66	2
		4	80	1
		5	80	2
		6	39	1
		7	39	1
		8	53	2
412N1113-11		6	743A	1
412N1113-12		6	747A	1
412N1113-7		1	684	1
		2	900	2
		3	501	2
		4	443	1
		5	443	1
		6	743	1
		7	743	1
		8	684	1
412N1113-8		1	688	1
		2	905	2
		3	504	2
		4	446	1
		5	446	1
		6	747	1
		7	747	1
		8	688	1
412N11156-3		4	398	1
		5	398	1
412N1116-102		13	212	1

25-28-46

ILLUSTRATED PARTS LIST

Page 1009

Jul 01/2006



COMPONENT MAINTENANCE MANUAL

PART NUMBER	AIRLINE PART NUMBER	FIGURE	ITEM	UNITS PER ASSEMBLY
412N1116-103		13	224	1
412N1116-111		18	345A	1
412N1116-112		18	345	1
412N1116-124		16	210A	1
412N1116-16		14	315	1
		15	315	1
412N1116-17		11	290	1
		12	290	1
		14	215	1
		14	303	1
412N1116-18		11	300	1
		12	300	1
		15	215	1
412N1116-19		18	350A	1
		18	460A	1
		18	470	1
412N1116-20		18	350	1
		18	460	1
412N1116-47		12	295	1
		14	300	1
412N1116-48		11	295	1
		15	300	1
412N1116-49		11	280	1
		15	305	1
412N1116-50		12	280	1
		14	305	1
412N1116-53		18	450A	1
412N1116-54		18	450	1
412N1116-55		18	465	1
412N1116-67		13	287	1
412N1116-70		13	277	1
412N1116-72		16	210	1
		17	305	1
412N1116-73		13	209	1
412N1116-75		14	210	1

25-28-46

ILLUSTRATED PARTS LIST

Page 1010

Jul 01/2006



COMPONENT MAINTENANCE MANUAL

PART NUMBER	AIRLINE PART NUMBER	FIGURE	ITEM	UNITS PER ASSEMBLY
412N1116-76		15	210	1
		17	90	1
412N1116-77		17	87	1
412N1116-78		16	108	1
412N1116-79		16	204	1
		17	300	1
412N1116-80		16	207	1
		17	215	1
		17	303	1
412N1116-81		12	175	1
412N1116-82		11	175	1
412N1116-83		12	177	1
412N1116-84		11	177	1
412N1116-93		13	215	1
		13	293	1
412N1116-94		13	283	1
		16	213	1
		17	307	1
412N1116-96		16	105	1
412N1116-97		17	210	1
412N1117-1		5	458	1
		6	763	1
412N1117-2		3	516	1
		4	458	1
		7	763	1
412N1117-5		2	935	1
412N1117-6		1	715	1
		8	715	1
412N1118-1SP		1	378	2
		2	505	2
		3	260	2
		4	243	2
		5	243	2
		6	505	2
		7	505	1

25-28-46

ILLUSTRATED PARTS LIST

Page 1011

Jul 01/2006



COMPONENT MAINTENANCE MANUAL

PART NUMBER	AIRLINE PART NUMBER	FIGURE	ITEM	UNITS PER ASSEMBLY		
412N1118-2SP		8	378	2		
		1	382	2		
		2	510	2		
		3	263	2		
		4	246	2		
		5	246	2		
		6	510	1		
		7	510	2		
412N1118-3		8	382	2		
412N1118-3		17	93	1		
412N1119-1		4	83	1		
412N1119-12		5	83	1		
		1	33	1		
		2	490	1		
		3	251	2		
		4	150	2		
		5	150	2		
		6	265	2		
		7	265	2		
412N1119-13		8	33	2		
		1	10A	1		
		3	10A	1		
		4	11A	1		
		7	10A	1		
		8	269C	1		
		412N1119-14		2	10A	1
		412N1119-14		5	11A	1
6	10A			1		
8	269A			1		
412N1119-2				4	91	1
412N1119-2		5	91	1		
		412N1119-26		3	27	1
412N1119-26		6	24	1		
		7	24	1		
		412N1119-27		7	813	1

25-28-46

ILLUSTRATED PARTS LIST

Page 1012

Jul 01/2006



COMPONENT MAINTENANCE MANUAL

PART NUMBER	AIRLINE PART NUMBER	FIGURE	ITEM	UNITS PER ASSEMBLY
412N1119-28		7	845	1
412N1119-36		3	344	1
		6	653	1
		7	653	1
412N1119-37		3	12	1
		7	235	1
412N1119-38		6	235	1
412N1119-39		3	21	1
		7	255	1
412N1119-40		6	255	1
412N1119-41		1	224	1
		2	150	1
		8	224	1
412N1119-42		1	15	1
		2	15	1
412N1119-55		4	30	1
		5	30	1
412N1119-56		4	29	1
		5	29	1
412N1119-58		7	25	1
412N1119-64		17	257	1
412N1119-69		3	347	1
		6	656	1
		7	656	1
412N1119-7		8	715A	1
412N1119-70		3	350	1
		6	659	1
		7	659	1
412N1119-71		3	353	1
		6	662	1
		7	662	1
412N1119-72		3	356	1
		6	665	1
		7	665	1
412N1119-86		8	10	5

25-28-46

ILLUSTRATED PARTS LIST

Page 1013

Jul 01/2006



COMPONENT MAINTENANCE MANUAL

PART NUMBER	AIRLINE PART NUMBER	FIGURE	ITEM	UNITS PER ASSEMBLY
412N1119-87		8	11	1
412N1130-5		1	256	2
		2	190	2
		5	159	2
		7	310	1
412N1130-5SP		3	120	2
		4	159	2
		6	310	1
		8	256	2
412N1140-13		1	354	1
		2	455A	1
		3	233	1
		4	225	1
		5	225	1
		6	455	1
		7	455A	1
		8	354	1
412N1140-15		1	354A	1
		2	455	1
		7	455	1
412N1140-17		1	334	1
		2	430	1
		3	215	2
		4	210	1
		5	210	1
		8	334	1
412N1140-20		1	346A	1
		2	445	1
412N1140-20SO		7	445	1
412N1140-22		1	350A	1
		2	445A	1
		2	450A	1
		3	230	1
412N1140-31		1	298A	1
412N1140-32SP		2	385	1

25-28-46

ILLUSTRATED PARTS LIST

Page 1014

Jul 01/2006



COMPONENT MAINTENANCE MANUAL

PART NUMBER	AIRLINE PART NUMBER	FIGURE	ITEM	UNITS PER ASSEMBLY
412N1140-3SP		1	294A	1
		2	380	1
		6	380A	1
		7	380	1
412N1140-43SP		1	294	1
		2	380A	1
		3	183	1
		4	180	1
		5	180	1
		6	380	1
		7	385	1
		8	294	1
412N1140-44SP		7	385A	1
412N1140-47SP		4	183	1
412N1140-48SP		4	183A	1
412N1140-58		4	219	1
412N1140-60		1	346	1
		3	227	1
		5	219	1
		6	445	1
		8	346	1
412N1140-60SP		7	450	1
412N1140-61SP		7	450A	1
412N1140-62		1	350	1
		2	450	1
		4	222	1
		5	222	1
		8	350	1
412N1140-64SP		3	187	1
412N1140-66SP		8	298A	1
412N1140-71SP		1	298	1
412N1140-72SP		2	385A	1
412N1140-79SP		4	183B	1
412N1140-80SP		8	298	1
412N1140-82SP		5	183	1

25-28-46

ILLUSTRATED PARTS LIST

Page 1015

Jul 01/2006



COMPONENT MAINTENANCE MANUAL

PART NUMBER	AIRLINE PART NUMBER	FIGURE	ITEM	UNITS PER ASSEMBLY
412N1141-1		4	228	1
412N1141-10		7	470A	1
412N1141-11		3	111	1
412N1141-3		1	358	1
		2	460	1
		3	236	1
		5	228	1
		6	460	1
		7	460	1
		8	358	1
412N1141-4		7	460A	1
412N1141-5		1	362	1
		2	465	1
		3	239	1
		4	231	1
		5	231	1
		8	362	1
412N1141-7		4	234	1
		5	234	1
412N1141-9		1	366	1
		2	470	1
		3	242	1
		6	470	1
		7	470	1
		8	366	1
412N1142-15		4	237	1
412N1142-17		1	370	1
		2	475	1
		3	245	1
		5	237	1
		6	475	1
		7	475	1
		8	370	1
412N1142-18		7	475A	1
412N1142-20		1	374	1

25-28-46

ILLUSTRATED PARTS LIST

Page 1016

Jul 01/2006



COMPONENT MAINTENANCE MANUAL

PART NUMBER	AIRLINE PART NUMBER	FIGURE	ITEM	UNITS PER ASSEMBLY
		2	480	1
		3	248	1
		4	240	1
		5	240	1
		8	374	1
412N1142-21		3	114	1
412N1143-11		1	330	2
		2	425	2
		3	212	2
		4	207	2
		5	207	2
		8	330	2
412N1143-13		1	338	1
		2	435	1
		3	218	1
		4	213	1
		5	213	1
		6	435	1
		8	338	1
412N1143-13SP		7	435	1
412N1143-14		1	342	1
		2	440	1
		3	221	1
		4	216	1
		5	216	1
		6	440	1
		8	342	1
412N1143-14SP		7	440	1
412N1145-21		3	158	1
		7	102C	1
412N1145-27		5	455	1
		6	760	1
		7	760	1
412N1145-28		3	513	1
		4	455	1

25-28-46

ILLUSTRATED PARTS LIST

Page 1017

Jul 01/2006



COMPONENT MAINTENANCE MANUAL

PART NUMBER	AIRLINE PART NUMBER	FIGURE	ITEM	UNITS PER ASSEMBLY
412N1145-29		1	101	4
		2	260	4
		3	147	3
		4	98	4
		5	98	4
		6	102	5
		6	102A	3
		7	102	4
		7	102A	3
		8	101	4
412N1145-30		8	101A	3
		1	116	1
		2	275	1
		3	156	3
		3	156A	2
		4	101	1
		6	111	3
		7	102B	1
		7	102D	1
		7	105	1
412N1145-33		8	116	1
		16	114	5
412N1145-43		17	99	5
		3	571	1
412N1145-75		6	817	1
		7	817	1
		7	102E	1
412N1145-89		6	130	2
		7	130	2
		7	130A	1
412N1145-92		6	155	2
		6	155A	1
		7	155	2
		7	155A	1
412N1146-117		2	985	1

25-28-46

ILLUSTRATED PARTS LIST

Page 1018

Jul 01/2006



COMPONENT MAINTENANCE MANUAL

PART NUMBER	AIRLINE PART NUMBER	FIGURE	ITEM	UNITS PER ASSEMBLY
412N1146-118		1	755	1
412N1146-119		2	1015A	1
412N1146-120		1	795A	1
412N1146-121		2	985A	1
		8	750A	1
412N1146-122		1	750	1
		8	750	1
412N1146-123		2	1015C	1
		8	795A	1
412N1146-124		1	795	1
		8	795	1
412N1146-125		3	537A	1
		6	786A	1
412N1146-126		3	550A	1
		6	798A	1
412N1146-14		3	540	1
412N1146-15		4	476A	1
412N1146-18		8	755A	1
412N1146-23		3	550	1
		4	494	1
		5	494	1
		6	798	1
		7	798	1
412N1146-24		7	801	1
412N1146-27		4	497	1
412N1146-3		3	537	1
		4	473	1
		5	473	1
		6	786	1
		7	786	1
412N1146-34		3	553	1
412N1146-35		4	497A	1
		4	497B	1
412N1146-38		8	795C	1
412N1146-57		3	540A	1

25-28-46

ILLUSTRATED PARTS LIST

Page 1019

Jul 01/2006



COMPONENT MAINTENANCE MANUAL

PART NUMBER	AIRLINE PART NUMBER	FIGURE	ITEM	UNITS PER ASSEMBLY
		4	476B	1
412N1146-58		8	755	1
412N1146-59		3	553A	1
412N1146-60		8	795B	1
412N1146-61		7	787	1
412N1146-62		7	802	1
412N1146-67		3	540B	1
412N1146-68		3	553B	1
412N1146-7		4	476	1
412N1146-73		5	476	1
412N1146-74		5	497	1
412N1146-79SP		3	187A	1
412N1153-103		1	660	1
		2	855	1
		3	480	1
		4	419	1
		5	419	1
		6	724	1
		7	724	1
		8	660	1
412N1153-110		1	660A	1
412N1153-123		3	480A	1
		6	724A	1
412N1153-14		5	422	1
412N1153-148		8	660A	1
412N1153-149		3	483	1
412N1153-150		2	855A	1
412N1153-152		4	425	1
		5	425	1
412N1153-153		4	422	1
412N1153-158		6	724B	1
412N1153-24		7	724A	1
412N1153-69		3	483B	1
412N1153-83		3	483A	1
		4	425A	1

25-28-46

ILLUSTRATED PARTS LIST

Page 1020

Jul 01/2006



COMPONENT MAINTENANCE MANUAL

PART NUMBER	AIRLINE PART NUMBER	FIGURE	ITEM	UNITS PER ASSEMBLY
412N1153-84		8	660B	1
412N1154-1		2	530	1
		3	275	1
		4	249	1
		7	520	1
		8	398A	1
412N1154-2		1	398	1
		5	249	1
		6	525	1
		8	398	1
412N1154-3		1	390	2
		2	520	1
		3	269	1
		4	252	1
		5	252	2
		6	520	1
		8	390	2
		8	390A	1
412N1154-4		1	394	1
		2	525	2
		3	272	2
		4	255	2
		5	255	1
		7	525	1
		8	394	1
		8	394A	2
412N1155-1		1	402	2
		1	402B	2
		2	550	1
		2	550B	1
		4	258	1
		5	258	2
		8	402	2
		8	402B	1
412N1155-10		1	530A	1

25-28-46

ILLUSTRATED PARTS LIST

Page 1021

Jul 01/2006



COMPONENT MAINTENANCE MANUAL

PART NUMBER	AIRLINE PART NUMBER	FIGURE	ITEM	UNITS PER ASSEMBLY
412N1155-11		5	337A	1
		8	530A	1
		3	278B	1
		6	550A	1
412N1155-12		7	550A	1
		3	281B	2
		6	560A	1
412N1155-2		7	560A	1
		1	406	1
		1	406B	1
		2	560	2
		2	560B	2
		4	261	2
		5	261	1
		8	406	1
		8	406B	2
		412N1155-3		2
2	690B			1
3	405			1
3	405B			1
4	337			1
8	530B			1
1	530			1
1	530B			1
412N1155-4		5	337	1
		8	530	1
		3	278	1
		3	278A	1
		6	550	1
412N1155-5		7	550	1
		3	281	2
		3	281A	2
412N1155-6		6	560	1
		7	560	1
		1	402A	2
		1	402A	2

25-28-46

ILLUSTRATED PARTS LIST

Page 1022

Jul 01/2006



COMPONENT MAINTENANCE MANUAL

PART NUMBER	AIRLINE PART NUMBER	FIGURE	ITEM	UNITS PER ASSEMBLY
412N1155-8		2	550A	1
		4	258A	1
		5	258A	2
		8	402A	2
		8	402C	1
		1	406A	1
		2	560A	2
		4	261A	2
		5	261A	1
		8	406A	1
412N1155-9		8	406C	2
		2	690A	1
		3	405A	1
		4	340	1
412N1156-1		8	530C	1
		1	490	1
		2	656	1
		4	325	1
		5	325	1
		7	680	1
		8	490	1
412N1156-13		1	494	1
		2	659	1
		4	325A	1
		5	325A	1
		8	494	1
412N1156-14		1	502	1
		2	665	1
		4	325C	1
		5	325C	1
		8	502	1
412N1156-15		1	514	1
		2	673	1
		3	396	1
		4	331B	1

25-28-46

ILLUSTRATED PARTS LIST

Page 1023

Jul 01/2006



COMPONENT MAINTENANCE MANUAL

PART NUMBER	AIRLINE PART NUMBER	FIGURE	ITEM	UNITS PER ASSEMBLY
412N1156-16		5	331B	1
		6	697	1
		7	697	1
		8	514	1
		1	522	1
		2	680	1
		3	399	1
		4	331C	1
412N1156-17		5	331C	1
		6	703	1
		7	703	1
		8	522	1
		3	374	1
		6	685	1
		7	685	1
		412N1156-18		3
412N1156-19		6	688	1
		7	688	1
		2	775	1
412N1156-2		3	453	1
		4	392	1
		5	392	1
		8	602A	1
		1	498	1
		2	662	1
		4	325B	1
		5	325B	1
412N1156-20		8	498	1
		1	602	1
412N1156-25		8	602	1
		2	790	1
		3	462	1
		4	401	1
		5	401	1
		8	612A	1

25-28-46

ILLUSTRATED PARTS LIST

Page 1024

Jul 01/2006



COMPONENT MAINTENANCE MANUAL

PART NUMBER	AIRLINE PART NUMBER	FIGURE	ITEM	UNITS PER ASSEMBLY
412N1156-26		1	612	1
		8	612	1
412N1156-3		1	510	1
		2	671	1
		2	785	1
		3	390	1
		3	459	1
		4	331	1
		5	331	1
		6	694	1
		7	694	1
		8	510	1
		8	608A	1
412N1156-4		1	518	1
		1	608	1
		2	675	1
		3	393	1
		4	331A	1
		5	331A	1
		6	700	1
		7	700	1
		8	518	1
		8	608	1
412N1156-5		2	770	1
		3	450	1
		4	389	1
		5	389	1
		8	598A	1
412N1156-6		1	598	1
		8	598	1
412N1156-7		3	368	1
		6	680	1
412N1156-8		3	368A	1
		6	683	1
		7	683	1

25-28-46

ILLUSTRATED PARTS LIST

Page 1025

Jul 01/2006



COMPONENT MAINTENANCE MANUAL

PART NUMBER	AIRLINE PART NUMBER	FIGURE	ITEM	UNITS PER ASSEMBLY
412N1161-1		1	10	1
		3	10	1
		4	11	1
		7	10	1
		8	269B	1
412N1161-2		2	10	1
		5	11	1
		6	10	1
		8	269	1
412N1215-123		18	490	1
412N1215-125		18	490A	1
412N1215-77		11	310	1
412N1216-11		18	360A	1
412N1216-12		18	360	1
412N1216-13		11	190	1
412N1216-14		12	190	1
412N1216-21		13	237	1
412N1216-23		16	123	1
412N1216-24		17	106	1
412N1216-27		15	235	1
412N1216-28		14	235	1
412N1216-38		17	106A	1
412N1216-43		16	123A	1
412N1217-100		13	151	1
412N1217-107		13	151A	1
412N1217-109		18	275	1
412N1217-110		18	275A	1
412N1217-111		18	280	1
412N1217-112		18	280A	1
412N1217-19		11	240	1
		12	240	1
		14	260	1
		15	260	1
		11	275	1
412N1217-20		12	275	1

25-28-46

ILLUSTRATED PARTS LIST

Page 1026

Jul 01/2006



COMPONENT MAINTENANCE MANUAL

PART NUMBER	AIRLINE PART NUMBER	FIGURE	ITEM	UNITS PER ASSEMBLY
412N1217-21		14	275	1
		15	275	1
		13	253	1
		16	153	1
		17	130	1
		18	410	1
412N1217-22		13	262	1
		16	174	1
		17	151	1
		18	445	1
412N1217-23		11	200	1
412N1217-24		12	200	1
		12	235	1
412N1217-49		14	295	1
		13	265	1
412N1217-5		16	129	1
		17	108	1
		11	145	1
		12	145	1
		13	191	1
		14	185	1
412N1217-50		15	185	1
		17	245	1
		18	305	1
		13	274	1
		16	150	1
412N1217-51		17	127	1
		16	177	1
		17	154	1
412N1217-52		16	201	1
		17	178	1
412N1217-53		12	115	1
412N1217-54		11	115	1
412N1217-55		12	120	1
412N1217-56		11	120	1

25-28-46

ILLUSTRATED PARTS LIST

Page 1027

Jul 01/2006



COMPONENT MAINTENANCE MANUAL

PART NUMBER	AIRLINE PART NUMBER	FIGURE	ITEM	UNITS PER ASSEMBLY
412N1217-57		13	166	1
412N1217-59		13	169	1
412N1217-61		15	165	1
412N1217-62		14	165	1
412N1217-63		15	170	1
412N1217-64		14	170	1
412N1217-65		18	320	1
412N1217-66		13	197	1
		17	250	1
		18	320A	1
412N1217-67		18	325	1
412N1217-68		13	200	1
		17	253	1
		18	325A	1
412N1217-71		18	370	1
412N1217-72		18	405	1
412N1217-77		15	190	1
412N1217-78		14	190	1
412N1217-79		15	195	1
412N1217-80		14	195	1
412N1217-81		12	150	1
412N1217-82		11	150	1
412N1217-83		12	155	1
412N1217-86		11	155	1
412N1217-87		14	280	1
		15	280	1
412N1217-88		11	235	1
		15	295	1
412N1217-91		17	108A	1
412N1217-92		17	127A	1
412N1217-93		17	237	1
412N1217-94		17	240	1
412N1217-97		13	178	1
412N1217-98		13	181	1
412N1217-99		13	194	1

25-28-46

ILLUSTRATED PARTS LIST

Page 1028

Jul 01/2006



COMPONENT MAINTENANCE MANUAL

PART NUMBER	AIRLINE PART NUMBER	FIGURE	ITEM	UNITS PER ASSEMBLY
412N1224-3		7	789A	1
412N1224-4		7	789	1
412N1224-6		6	789	1
412N1224-7		6	789A	1
412N1227-1		1	414	6
		1	538	1
		2	580	6
		2	695	1
		3	287	6
		3	408	1
		4	267	2
		4	343	1
		5	267	2
		5	343	1
		6	580	6
		7	580	6
		8	414	6
		8	538	1
412N1244-2		2	442	1
		3	224	1
		4	241	1
412N1245-1		1	322	2
		2	415	2
		3	205	2
		4	201	2
		5	201	2
		6	415	2
		7	415	2
		8	322	2
412N4119-63		7	11	1
417N5120-10		1	86	1
		3	93	1
		4	53	1
		5	53	1
417N5120-11		2	105	1

25-28-46

ILLUSTRATED PARTS LIST

Page 1029

Jul 01/2006



COMPONENT MAINTENANCE MANUAL

PART NUMBER	AIRLINE PART NUMBER	FIGURE	ITEM	UNITS PER ASSEMBLY
		6	69	1
		7	69	1
		8	86	1
417N5120-12		1	86A	1
		2	69	1
417N5120-16		4	32B	1
417N5120-20		1	59	1
		2	45	1
417N5120-21		5	32	1
417N5120-22		4	32	1
417N5120-23		1	56	1
417N5120-25		2	82	1
		8	56A	1
417N5120-26		8	56	1
417N5120-39		6	42	1
417N5120-41		7	42	1
417N5120-43		6	84	1
		6	84	1
417N5120-45		7	84	1
417N5120-45SP		7	84	1
417N5120-48		6	45	1
417N5120-49		3	69	1
417N5120-50		7	45	1
417N5120-51SP		7	46	1
417N5120-7		1	59A	1
		2	45A	1
417N5120-9		4	32A	1
		5	32A	1
50-3361-8629		1	13	2
		2	13	2
6041-3BRX225		1	506	2
		1	604	2
		2	668	2
		2	780	2
		3	387	2

25-28-46

ILLUSTRATED PARTS LIST

Page 1030

Jul 01/2006



COMPONENT MAINTENANCE MANUAL

PART NUMBER	AIRLINE PART NUMBER	FIGURE	ITEM	UNITS PER ASSEMBLY
		3	456	2
		4	328	2
		4	395	2
		5	328	2
		5	395	2
		6	691	2
		7	691	2
		8	506	2
		8	604	2
65C17016-35SP		7	280B	1
65C23727-117		13	299A	1
65C23727-60		13	299	1
65C23727-7		13	296	1
65C27006-107SP		1	2G	RF
		6	2K	RF
65C27006-111SP		1	2H	RF
		3	1F	RF
65C27006-115SP		1	2J	RF
		8	1	RF
65C27006-116SP		1	2K	RF
		8	1A	RF
65C27006-12		1	260	1
		2	200	1
		3	123	1
		4	162	1
		5	162	1
		6	320	1
		8	260	1
65C27006-121SP		1	2L	RF
		6	2L	RF
65C27006-125SP		1	2M	RF
		6	2M	RF
65C27006-129		8	263	1
65C27006-130		8	266	1
65C27006-131		3	169	1

25-28-46

ILLUSTRATED PARTS LIST

Page 1031

Jul 01/2006



COMPONENT MAINTENANCE MANUAL

PART NUMBER	AIRLINE PART NUMBER	FIGURE	ITEM	UNITS PER ASSEMBLY
		8	263A	1
65C27006-132		3	170	1
		8	266A	1
65C27006-135SP		1	2Q	RF
		6	2N	RF
65C27006-136SP		1	2R	RF
		7	1E	RF
65C27006-138SP		1	2S	RF
		7	1F	RF
65C27006-23SP		1	1D	RF
		6	1	RF
65C27006-25SP		1	1E	RF
		2	1A	RF
65C27006-26SP		1	1F	RF
65C27006-27SP		1	1G	RF
		7	1A	RF
65C27006-33SP		1	1H	RF
		4	1	RF
65C27006-35SP		1	1J	RF
		6	1A	RF
65C27006-39SP		1	1K	RF
		6	1B	RF
65C27006-40SP		1	1L	RF
		3	1	RF
65C27006-41SP		1	1M	RF
		7	1B	RF
65C27006-44SP		1	1N	RF
		7	1C	RF
65C27006-45SP		1	1P	RF
		4	1A	RF
65C27006-46SP		1	1Q	RF
		6	2A	RF
65C27006-48SP		1	1R	RF
		6	2B	RF
65C27006-49SP		1	1S	RF

25-28-46

ILLUSTRATED PARTS LIST

Page 1032

Jul 01/2006



COMPONENT MAINTENANCE MANUAL

PART NUMBER	AIRLINE PART NUMBER	FIGURE	ITEM	UNITS PER ASSEMBLY
		6	1C	RF
65C27006-53SP		1	1T	RF
		6	1D	RF
65C27006-54SP		1	1U	RF
		7	1D	RF
65C27006-55SP		1	1	RF
		2	1	RF
65C27006-64SP		1	1V	RF
		3	1A	RF
65C27006-66SP		1	1W	RF
		5	1	RF
65C27006-67SP		6	1E	RF
65C27006-68SP		1	1X	RF
		3	1B	RF
65C27006-6SP		1	1A	RF
65C27006-71SP		1	1Y	RF
		3	1C	RF
65C27006-75SP		1	1Z	RF
		6	2C	RF
65C27006-7SP		1	1B	RF
		7	1	RF
65C27006-85SP		1	2	RF
		6	1G	RF
65C27006-89SP		1	2A	RF
		4	1B	RF
65C27006-8SP		1	1C	RF
		6	1F	RF
65C27006-91SP		1	2B	RF
		6	2D	RF
65C27006-92SP		1	2C	RF
		3	1D	RF
65C27006-98SP		1	2D	RF
		6	2E	RF
65C27006-99SP		1	2N	RF
		4	1F	RF

25-28-46

ILLUSTRATED PARTS LIST

Page 1033

Jul 01/2006



COMPONENT MAINTENANCE MANUAL

PART NUMBER	AIRLINE PART NUMBER	FIGURE	ITEM	UNITS PER ASSEMBLY
65C27009-107SP		6	350K	1
65C27009-10SP		6	350E	1
65C27009-111SP		3	171E	1
65C27009-115SP		8	280	1
65C27009-116SP		8	280A	1
65C27009-121SP		6	350L	1
65C27009-123		6	515A	1
65C27009-125SP		6	350M	1
65C27009-135SP		6	350N	1
65C27009-136SP		7	350E	1
65C27009-138SP		7	350F	1
65C27009-23SP		6	350	1
65C27009-27SP		2	350A	1
65C27009-28SP		1	280A	1
65C27009-29SP		7	350A	1
65C27009-33SP		4	165	1
65C27009-35SP		6	350A	1
65C27009-39SP		6	350B	1
65C27009-40SP		3	171	1
65C27009-41SP		7	350B	1
65C27009-44SP		7	350C	1
65C27009-45SP		4	165A	1
65C27009-46SP		6	350H	1
65C27009-48SP		6	350G	1
65C27009-49SP		6	350C	1
65C27009-54SP		7	350D	1
65C27009-6		1	386	2
		2	515	2
		3	266	2
		4	168	2
		5	168	2
		6	515	1
		7	515	2
		8	386	2
65C27009-64SP		3	171A	1

25-28-46

ILLUSTRATED PARTS LIST

Page 1034

Jul 01/2006



COMPONENT MAINTENANCE MANUAL

PART NUMBER	AIRLINE PART NUMBER	FIGURE	ITEM	UNITS PER ASSEMBLY
65C27009-66SP		5	165	1
65C27009-67SP		6	350D	1
65C27009-68SP		3	171B	1
65C27009-71SP		3	171C	1
65C27009-7SP		2	350	1
65C27009-87SP		4	165B	1
65C27009-8SP		1	280	1
65C27009-91SP		6	350F	1
65C27009-92SP		3	171D	1
65C27009-98SP		6	350J	1
65C27009-99SP		4	165C	1
65C27009-9SP		7	350	1
65C27012-1020		13	5	1
65C27012-1021		16	3	1
65C27012-1022		17	3	1
65C27012-1023		17	9	1
65C27012-1026		14	5	1
65C27012-1031		11	5	1
65C27012-1032		14	15	1
65C27012-1033		16	9	1
65C27012-1034		12	5	1
65C27012-1037		17	610	1
65C27012-1043		15	5	1
65C27012-1055		14	21	1
65C27012-1058		16	13	1
65C27012-1059		18	5	1
65C27012-1060		18	15	1
65C27012-1103		16	15	1
		17	15	1
65C27012-1104		13	15	1
		17	24	1
65C27012-1105		12	15	1
65C27012-1106		11	15	1
65C27012-1109		14	25	1
65C27012-1111		15	15	1

25-28-46

ILLUSTRATED PARTS LIST

Page 1035

Jul 01/2006



COMPONENT MAINTENANCE MANUAL

PART NUMBER	AIRLINE PART NUMBER	FIGURE	ITEM	UNITS PER ASSEMBLY
65C27012-1113		17	615	1
65C27012-1118		18	25	1
65C27012-1119		18	40	1
65C27012-1203		16	24	1
65C27012-1204		13	30	1
		17	33	1
65C27012-1207		15	30	1
65C27012-1208		14	40	1
65C27012-1209		11	30	1
65C27012-1210		12	30	1
65C27012-1213		18	55	1
65C27012-1214		18	70	1
65C27012-13		4	500	1
		14	1	RF
65C27012-1303		12	45	1
65C27012-1304		11	45	1
65C27012-1305		16	33	1
65C27012-1310		14	55	1
65C27012-1311		15	45	1
65C27012-1312		13	45	1
		17	42	1
65C27012-1313		17	51	1
65C27012-1317		14	70	1
65C27012-1318		16	40	1
65C27012-1320		17	623	1
65C27012-1330		16	49	1
65C27012-1339		18	85	1
65C27012-1340		18	105	1
65C27012-15		6	823A	1
		16	1A	RF
65C27012-19		6	823B	1
		16	1B	RF
65C27012-20		3	577	1
		13	1	RF
65C27012-2003		16	58	1

25-28-46

ILLUSTRATED PARTS LIST

Page 1036

Jul 01/2006



COMPONENT MAINTENANCE MANUAL

PART NUMBER	AIRLINE PART NUMBER	FIGURE	ITEM	UNITS PER ASSEMBLY
65C27012-2004		13	60	1
65C27012-2007		17	60	1
65C27012-2010		14	85	1
65C27012-2013		12	65	1
65C27012-2014		11	65	1
65C27012-2019		17	630	1
65C27012-2027		15	60	1
65C27012-2029		13	70	1
65C27012-2039		14	91	1
65C27012-2043		18	125	1
65C27012-2044		18	135	1
65C27012-21		7	804A	1
		17	1A	RF
65C27012-2103		16	64	1
65C27012-2105		12	75	1
65C27012-2106		11	75	1
65C27012-2107		17	66	1
65C27012-2110		14	95	1
65C27012-2112		17	635	1
65C27012-2115		16	70	1
65C27012-2116		13	80	1
65C27012-2117		17	72	1
65C27012-2122		13	90	1
65C27012-2123		15	70	1
65C27012-2135		14	101	1
65C27012-2140		18	145	1
65C27012-2141		18	155	1
65C27012-23		7	804B	1
		17	1B	RF
65C27012-24		4	500A	1
		14	1A	RF
65C27012-25		6	823C	1
		16	1C	RF
65C27012-27		6	823D	1
		16	1D	RF

25-28-46

ILLUSTRATED PARTS LIST

Page 1037

Jul 01/2006



COMPONENT MAINTENANCE MANUAL

PART NUMBER	AIRLINE PART NUMBER	FIGURE	ITEM	UNITS PER ASSEMBLY
65C27012-28		6	823E	1
		16	1E	RF
65C27012-3		6	823	1
		16	1	RF
65C27012-32		7	804C	1
		17	1C	RF
65C27012-40		3	577A	1
		13	1A	RF
65C27012-4001		16	79	1
		18	165	1
65C27012-4004		13	100	1
65C27012-4010		15	80	1
65C27012-4012		14	105	1
65C27012-4021		16	83	1
65C27012-4023		13	116	1
65C27012-4027		16	83B	1
65C27012-4101		16	83D	1
65C27012-4104		13	110	1
65C27012-4110		15	90	1
		18	175	1
65C27012-4112		14	115	1
65C27012-4118		16	84	1
65C27012-42		5	500	1
		15	1	RF
65C27012-45		3	577B	1
		13	1B	RF
65C27012-5		2	1055	1
		12	1	RF
65C27012-50		7	804D	1
		17	1D	RF
65C27012-5001		18	185	1
65C27012-58		4	500B	1
		14	1B	RF
65C27012-6		1	835	1
		11	1	RF

25-28-46

ILLUSTRATED PARTS LIST

Page 1038

Jul 01/2006



COMPONENT MAINTENANCE MANUAL

PART NUMBER	AIRLINE PART NUMBER	FIGURE	ITEM	UNITS PER ASSEMBLY
65C27012-60		6	823F	1
		16	1F	RF
65C27012-63		4	500C	1
		14	1C	RF
65C27012-7		7	804	1
		17	1	RF
65C27012-70		6	823G	1
		16	1H	RF
65C27012-74		3	577C	1
		13	1D	RF
65C27012-78		8	835	1
		18	1	RF
65C27012-79		8	835A	1
		18	1A	RF
65C27012-8		11	50	1
		12	50	1
		13	50	1
		14	60	1
		14	75	1
		15	50	1
		17	45	1
		17	53	1
		18	90	1
		18	110	1
		65C27012-84		6
16	1J			RF
65C27012-87		6	823J	1
		16	1K	RF
65C27012-92		6	823K	1
		16	1L	RF
65C27012-93		7	804E	1
		17	1E	RF
65C27016-1		8	720	1
65C27016-2		1	720	1
		2	940	1

25-28-46

ILLUSTRATED PARTS LIST

Page 1039

Jul 01/2006



COMPONENT MAINTENANCE MANUAL

PART NUMBER	AIRLINE PART NUMBER	FIGURE	ITEM	UNITS PER ASSEMBLY
65C27016-3		8	720A	1
65C27016-4		3	568	1
		6	813	1
65C27016-5		3	574	1
		6	820	1
65C27017-1		1	710	1
		8	710	1
65C27017-10		8	216	1
65C27017-11		8	200A	1
65C27017-12		8	216A	1
65C27017-13		3	150	4
		4	104	4
		5	104	4
		6	105A	4
		7	108A	4
		8	104A	4
65C27017-15		1	220	2
		2	145	2
		8	220	2
65C27017-16		3	24	1
		6	260	1
		7	260	1
65C27017-17		1	104	4
		2	265	4
65C27017-19		2	12	1
65C27017-2		2	930	1
		8	710A	1
65C27017-20		1	12	1
65C27017-3		1	725	1
		2	945	1
		8	725	1
65C27017-30		4	101A	1
		5	101	1
65C27017-36		6	105	4
		7	108	4

25-28-46

ILLUSTRATED PARTS LIST

Page 1040

Jul 01/2006



COMPONENT MAINTENANCE MANUAL

PART NUMBER	AIRLINE PART NUMBER	FIGURE	ITEM	UNITS PER ASSEMBLY
65C27017-4		1	35	1
		2	492	1
65C27017-42		6	103	5
65C27017-43		3	150C	1
		4	104A	1
		6	104	4
		6	105B	4
		7	108B	4
		8	104	4
65C27017-5		1	200	1
65C27017-6		2	120	1
65C27017-7		1	216	1
65C27017-8		2	140	1
65C27017-9		8	200	1
65C27023-17		2	980	1
		4	467	1
65C27023-22		7	783A	1
65C27023-23		4	470	1
65C27023-24		6	783A	1
65C27023-26		7	783B	1
65C27023-34		5	467	1
65C27023-35		3	534A	1
		4	470A	1
65C27023-46		6	783B	1
65C27023-5		6	783	1
65C27023-55		8	745	1
65C27023-56		8	745A	1
65C27023-6		7	783	1
65C27023-8		1	745	1
65C27023-9		3	534	1
65C27026-23SP		3	108	1
65C27026-24SP		6	280	1
65C27026-25SP		2	180A	1
65C27026-26SP		1	248A	1
65C27026-27SP		7	280A	1

25-28-46

ILLUSTRATED PARTS LIST

Page 1041

Jul 01/2006



COMPONENT MAINTENANCE MANUAL

PART NUMBER	AIRLINE PART NUMBER	FIGURE	ITEM	UNITS PER ASSEMBLY
65C27026-28SP		4	123B	1
65C27026-3-11		6	300B	8
65C27026-31SP		4	123	1
65C27026-32SP		5	123	1
65C27026-36SP		4	123A	1
65C27026-37SP		6	280B	1
65C27026-42SP		7	280C	1
65C27026-47SP		3	108A	1
65C27026-4SP		6	280C	1
65C27026-54SP		7	280D	1
65C27026-58SP		6	280A	1
65C27026-5SP		2	180	1
65C27026-66SP		8	248A	1
65C27026-67SP		8	248	1
65C27026-6SP		1	248	1
65C27026-75SP		6	280D	1
65C27026-7SP		7	280	1
65C27027-10		3	129	1
65C27027-11		2	225	1
		4	132	1
		7	180	1
		8	152A	1
65C27027-12		1	152	1
		5	132	1
		8	152	1
65C27027-13		1	160	1
		2	230	1
		3	132	1
		4	135	1
		5	135	1
		6	190	1
		7	190	1
		8	160	1
65C27027-14		1	164	1
		2	235	1

25-28-46

ILLUSTRATED PARTS LIST

Page 1042

Jul 01/2006



COMPONENT MAINTENANCE MANUAL

PART NUMBER	AIRLINE PART NUMBER	FIGURE	ITEM	UNITS PER ASSEMBLY
		3	135	1
		4	138	1
		5	138	1
		6	195	1
		7	195	1
		8	164	1
65C27027-15		3	138	1
		6	200	1
65C27027-17		1	168	1
		2	240	1
		4	141	1
		5	141	1
		6	200A	1
		7	200	1
		8	168	1
65C27027-1SP		6	160	1
65C27027-23SP		6	160A	1
65C27027-24SP		6	160B	1
65C27027-25		6	215A	1
65C27027-26		6	180A	1
65C27027-27SP		6	160C	1
65C27027-29SP		7	160A	1
65C27027-2SP		3	126	1
65C27027-30		7	200A	1
65C27027-34SP		3	126A	1
65C27027-35		3	141A	1
65C27027-36		3	129A	1
65C27027-3SP		2	220	1
		4	129	1
		7	160	1
		8	140A	1
65C27027-49SP		6	160D	1
65C27027-4SP		1	140	1
		5	129	1
		8	140	1

25-28-46

ILLUSTRATED PARTS LIST

Page 1043

Jul 01/2006



COMPONENT MAINTENANCE MANUAL

PART NUMBER	AIRLINE PART NUMBER	FIGURE	ITEM	UNITS PER ASSEMBLY
65C27027-5		6	215	1
65C27027-55		6	160F	1
65C27027-56		6	160E	1
65C27027-58SP		6	160G	1
65C27027-6		3	141	1
65C27027-7		2	245	1
		4	144	1
		7	215	1
65C27027-8		1	180	1
		5	144	1
		8	180	1
65C27027-9		6	180	1
65C27327-10		11	85	1
65C27327-101		14	325A	1
65C27327-11		12	310	1
65C27327-116		13	125A	1
65C27327-122		18	230	1
65C27327-124		18	230A	1
65C27327-13		17	78	1
65C27327-131		16	94A	1
65C27327-14		17	405	1
65C27327-15		11	105	1
		12	105	1
65C27327-151		16	94B	1
65C27327-152		16	225C	1
65C27327-153		17	85A	1
65C27327-20		14	125	1
65C27327-21		14	320	1
65C27327-3		13	120	1
65C27327-30		17	81	1
65C27327-31		17	407	1
65C27327-32		14	125A	1
65C27327-33		14	325	1
65C27327-34		16	88	1
65C27327-35		16	225A	1

25-28-46

ILLUSTRATED PARTS LIST

Page 1044

Jul 01/2006



COMPONENT MAINTENANCE MANUAL

PART NUMBER	AIRLINE PART NUMBER	FIGURE	ITEM	UNITS PER ASSEMBLY
65C27327-38		16	91	1
65C27327-4		16	85	1
65C27327-49		17	84	1
65C27327-50		17	409	1
65C27327-59		13	125	1
65C27327-63		15	100	1
65C27327-64		15	320	1
65C27327-67		13	160	2
65C27327-76		17	85	1
65C27327-77		17	500	1
65C27327-8		16	225	1
65C27327-9		12	85	1
65C27327-92		16	94	1
65C27327-93		16	225B	1
65C27327-99		14	125C	1
65C27481-26		8	12	1
65C27481-27		8	24	1
65C27481-28		6	87	1
65C27481-29		6	93	1
65C27481-30		7	87	1
65C27481-31		7	93	1
65C27481-32		3	39	1
65C27481-33		3	45	1
65C27481-36		8	12A	1
65C27481-37		8	24A	1
65C27481-38		8	25	1
65C27481-76		3	39A	1
65C27481-77		3	45A	1
65C28117-3		1	70	1
		2	54	1
		2	88	1
		3	78	1
		4	68	1
		5	68	1
		6	54	1

25-28-46

ILLUSTRATED PARTS LIST

Page 1045

Jul 01/2006



COMPONENT MAINTENANCE MANUAL

PART NUMBER	AIRLINE PART NUMBER	FIGURE	ITEM	UNITS PER ASSEMBLY
		7	54	1
		8	70	1
800000255-13		4	65A	1
800000255-17		1	98A	1
		2	80	1
		80	1	RF
800000255-18		5	65	1
		80	1A	RF
800000255-19		4	65	1
		80	1B	RF
800000255-20		1	98	1
		80	1C	RF
800000255-21		8	98	1
800000255-22		2	117	1
		8	98A	1
		80	1D	RF
800000255-33		6	84A	1
800000255-34		3	105	1
800000255-35SP		7	84A	1
800000255-36A		7	84B	1
800000255-7		1	98B	1
		2	78	1
		80	1E	RF
A20773-3		7	810	1
AC8400EKAPK625		3	565	1
		6	810	1
AIC1321-3-8		1	414A	6
		1	538A	1
		2	585	6
		2	700	1
		3	287A	6
		3	408A	1
		4	267A	2
		4	347	1
		5	267A	2

25-28-46

ILLUSTRATED PARTS LIST

Page 1046

Jul 01/2006



COMPONENT MAINTENANCE MANUAL

PART NUMBER	AIRLINE PART NUMBER	FIGURE	ITEM	UNITS PER ASSEMBLY
		5	347	1
		6	585	6
		7	585	6
		8	414A	6
		8	538A	1
AM150		7	840A	1
AM15CL4-78-566		7	811	1
AN940JD10		4	8A	8
AN940PD10		5	8	8
AN960C416L		1	128	1
		2	285	1
		3	162	1
		4	113	1
		5	113	1
		6	117	2
		7	117	1
		8	128	1
AN960JD10		1	6	6
		1	8	2
		1	208A	8
		1	422	1
		1	648	2
		2	6	8
		2	8	2
		2	130A	8
		2	593	1
		2	840	1
		3	6A	8
		3	36A	6
		3	257A	8
		3	291	1
		4	26A	4
		4	156A	8
		4	273	1
		5	273	1

25-28-46

ILLUSTRATED PARTS LIST

Page 1047

Jul 01/2006



COMPONENT MAINTENANCE MANUAL

PART NUMBER	AIRLINE PART NUMBER	FIGURE	ITEM	UNITS PER ASSEMBLY
		6	6A	8
		6	21A	6
		6	275A	8
		7	6A	8
		7	21A	6
		8	6	5
		8	41	8
		8	208	8
		8	274	8
		8	422	1
		8	648	2
AN960JD10L		1	67	4
		1	458A	2
		2	25	5
		2	631A	2
		4	301A	2
		4	371A	1
		5	301A	1
		6	631A	2
		8	232	4
		15	145	16
AN960JD10LL		1	232A	4
		1	240A	4
		1	620	2
		1	644	2
		2	160A	4
		2	170A	4
		2	805A	2
		2	835A	1
		3	75A	3
		4	27A	1
		4	38A	3
		6	51	2
		6	51A	2
		7	51B	2

25-28-46

ILLUSTRATED PARTS LIST

Page 1048

Jul 01/2006



COMPONENT MAINTENANCE MANUAL

PART NUMBER	AIRLINE PART NUMBER	FIGURE	ITEM	UNITS PER ASSEMBLY
		8	67	2
		8	240	4
		8	620	2
		8	644	2
		13	139	13
		13	139A	12
		14	145	16
		17	233	2
		17	263	4
		18	260	14
AN960JD516L		7	830	1
AN960JD8		1	632	1
		2	820	1
		2	970	21
		3	468	2
		3	528	16
		4	407	2
		5	407	2
		6	712A	2
		7	712A	2
		8	632	1
		8	775	21
AN960KD10L		1	574	1
		2	740	1
		3	432	1
		5	371	1
		8	574	1
AN960PD10		1	41	8
		2	500	8
		4	287	2
		5	26	4
		5	156	8
AN960PD10L		1	25	5
		1	438	1
		1	439	2

25-28-46

ILLUSTRATED PARTS LIST

Page 1049

Jul 01/2006



COMPONENT MAINTENANCE MANUAL

PART NUMBER	AIRLINE PART NUMBER	FIGURE	ITEM	UNITS PER ASSEMBLY
		1	570	1
		2	51	2
		2	86	3
		2	615	1
		2	616	2
		2	735	1
		3	302	1
		3	303	2
		3	320	2
		3	362	2
		3	429	1
		4	286	1
		4	368	1
		5	27	1
		5	38	3
		5	286	1
		5	287	2
		5	368	1
		6	615	1
		6	616	2
		6	671	2
		7	275	4
		7	615	3
		7	671	2
		8	438	1
		8	439	2
		8	570	1
AN960PD4L		1	318A	2
		2	410A	2
AN960PD516		16	186	5
		17	163	5
AN960PD516L		3	562	1
		6	807	1
		11	215	9
		11	255	9

25-28-46

ILLUSTRATED PARTS LIST

Page 1050

Jul 01/2006



COMPONENT MAINTENANCE MANUAL

PART NUMBER	AIRLINE PART NUMBER	FIGURE	ITEM	UNITS PER ASSEMBLY
		12	215	9
		12	255	9
		13	247	13
		14	250	16
		15	250	16
		16	138	5
		16	162	9
		17	115	5
		17	139	8
		18	385	6
		18	425	8
AN960PD8		1	775	21
		4	482	21
		5	482	21
		6	777	21
		7	712	2
		7	777	21
AN970-3		6	595	1
		7	595A	2
AR15		7	812	1
AR292		7	840	1
BAC12W10-5		3	72A	3
BACB12FA3K5		13	154	12
		13	154A	14
BACB28B6-220P		3	18	1
		4	88	1
		5	88	1
		6	250	1
		7	250	1
BACB28B6-235P		1	212	1
		2	135	1
		8	212	1
BACB30LK3-18		1	410	3
		1	546	1
		2	570	3

25-28-46

ILLUSTRATED PARTS LIST

Page 1051

Jul 01/2006



COMPONENT MAINTENANCE MANUAL

PART NUMBER	AIRLINE PART NUMBER	FIGURE	ITEM	UNITS PER ASSEMBLY
		2	705	1
		3	284	3
		3	411	1
		4	264	1
		4	350	1
		5	264	1
		5	350	1
		6	570	3
		7	570	2
		8	410	3
		8	546	1
BACB30LU3-14		3	311	1
		6	623	1
		7	623	1
BACB30MY6K2		3	474	2
		4	413	1
		5	413	1
		6	718	2
BACB30MYLK2		7	718	12
BACB30NM3K1		1	3	6
		1	3	6
		1	3	6
		1	3	6
		1	3	6
		1	3	6
		1	3	6
		1	3	6
		1	3	6
		1	3	6
		1	3	6
		1	3	6
		1	3	6
		1	3	6
		1	3	6
		1	3	6
		1	3	6
		1	3	6
		1	9	2
		1	38	8
		1	204	8

25-28-46

ILLUSTRATED PARTS LIST

Page 1052

Jul 01/2006



COMPONENT MAINTENANCE MANUAL

PART NUMBER	AIRLINE PART NUMBER	FIGURE	ITEM	UNITS PER ASSEMBLY
		1	228	4
		2	3	6
		2	3	6
		2	3	6
		2	3	6
		2	3	6
		2	3	6
		2	3	6
		2	3	6
		2	3	6
		2	3	6
		2	3	6
		2	3	6
		2	3	6
		2	3	6
		2	9	2
		2	125	8
		2	155	4
		2	495	8
		3	3	8
		3	3	8
		3	3	8
		3	3	8
		3	3	8
		3	3	8
		3	3	8
		3	3	8
		3	3	8
		3	3	8
		3	3	8
		3	3	8
		3	3	8
		3	3	8
		3	3	8
		3	3	8
		3	3	8
		3	3	8
		3	3	8
		3	30	4
		4	5	8
		4	5	8
		4	5	8

25-28-46

ILLUSTRATED PARTS LIST

Page 1053

Jul 01/2006



COMPONENT MAINTENANCE MANUAL

PART NUMBER	AIRLINE PART NUMBER	FIGURE	ITEM	UNITS PER ASSEMBLY
		4	5	8
		4	5	8
		4	5	8
		4	5	8
		4	5	8
		4	5	8
		4	5	8
		4	5	8
		4	5	8
		4	5	8
		4	9	2
		4	23	4
		4	23	4
		4	23	4
		4	23	4
		4	23	4
		4	23	4
		4	23	4
		4	23	4
		4	23	4
		4	23	4
		4	23	4
		4	23	4
		4	23	4
		4	23	4
		4	23	4
		4	23	4
		4	23	4
		4	153	8
		5	5	8
		5	5	8
		5	5	8
		5	5	8
		5	5	8
		5	5	8
		5	5	8
		5	5	8
		5	5	8
		5	5	8
		5	5	8
		5	5	8
		5	5	8
		5	5	8
		5	5	8

25-28-46

ILLUSTRATED PARTS LIST

Page 1054

Jul 01/2006



COMPONENT MAINTENANCE MANUAL

PART NUMBER	AIRLINE PART NUMBER	FIGURE	ITEM	UNITS PER ASSEMBLY
		5	5	8
		5	5	8
		5	5	8
		5	9	2
		5	23	4
		5	23	4
		5	23	4
		5	23	4
		5	23	4
		5	23	4
		5	23	4
		5	23	4
		5	23	4
		5	23	4
		5	23	4
		5	23	4
		5	23	4
		5	23	4
		5	23	4
		5	23	4
		5	153	8
		6	3	8
		6	3	8
		6	3	8
		6	3	8
		6	3	8
		6	3	8
		6	3	8
		6	3	8
		6	3	8
		6	3	8
		6	3	8
		6	3	8
		6	3	8
		6	3	8
		6	3	8
		6	15	4
		6	15	4
		6	15	4
		6	15	4

25-28-46

ILLUSTRATED PARTS LIST

Page 1055

Jul 01/2006



COMPONENT MAINTENANCE MANUAL

PART NUMBER	AIRLINE PART NUMBER	FIGURE	ITEM	UNITS PER ASSEMBLY
		6	15	4
		6	15	4
		6	15	4
		6	15	4
		6	15	4
		6	15	4
		6	15	4
		6	15	4
		6	15	4
		6	15	4
		6	270	8
		7	3	8
		7	3	8
		7	3	8
		7	3	8
		7	3	8
		7	3	8
		7	3	8
		7	3	8
		7	3	8
		7	3	8
		7	3	8
		7	3	8
		7	3	8
		7	3	8
		7	3	8
		7	3	8
		7	3	8
		7	3	8
		7	3	8
		7	3	8
		7	3A	3
		7	3A	3
		7	3A	3
		7	3A	3
		7	3A	3
		7	3A	3
		7	3A	3
		7	3A	3
		7	3A	3
		7	3A	3
		7	3A	3
		7	3A	3
		7	3A	3
		7	3A	3
		7	3A	3
		7	3A	3

25-28-46

ILLUSTRATED PARTS LIST

Page 1056

Jul 01/2006



COMPONENT MAINTENANCE MANUAL

PART NUMBER	AIRLINE PART NUMBER	FIGURE	ITEM	UNITS PER ASSEMBLY
BACB30NM3K10		7	3A	3
		7	4	2
		7	15	4
		7	15	4
		7	15	4
		7	15	4
		7	15	4
		7	15	4
		7	15	4
		7	15	4
		7	15	4
		7	15	4
		7	15	4
		7	15	4
		7	15	4
		7	15	4
		7	15	4
		7	15	4
		7	15	4
		7	15	4
		7	15	4
		7	15	4
		7	15	4
		7	15	4
		7	270	4
		8	3	4
		8	3	4
		8	3	4
		8	3	4
		8	3	4
		8	3	4
		8	3	4
8	3	4		
8	3	4		
8	3	4		
8	3	4		
8	3	4		
8	3	4		
8	38	8		
8	228	4		
8	271	8		
4	15	1		
5	15	1		
8	7	1		

25-28-46

ILLUSTRATED PARTS LIST

Page 1057

Jul 01/2006



COMPONENT MAINTENANCE MANUAL

PART NUMBER	AIRLINE PART NUMBER	FIGURE	ITEM	UNITS PER ASSEMBLY
BACB30NM3K11		7	4	2
BACB30NM3K12		1	446	1
		2	623	1
		4	292	1
		5	292	1
		8	446	1
BACB30NM3K2		1	616	1
		2	800	1
		8	204	8
		8	616	1
BACB30NM3K3		1	7	2
		1	236	2
		1	640	1
		2	7	2
		2	165	2
		2	830	1
		8	236	2
		8	640	1
BACB30NM3K6		6	240	4
		7	240	4
BACB30NM3K8		1	454	1
		2	629	1
		3	317	1
		4	298	1
		5	298	1
		6	629	1
		7	629	1
		8	454	1
BACB30NM3K9		3	33	2
		6	18	2
		7	18	2
		7	18A	1
		7	19	1
		17	260	4
BACB30NM3KI		3	254	8

25-28-46

ILLUSTRATED PARTS LIST

Page 1058

Jul 01/2006



COMPONENT MAINTENANCE MANUAL

PART NUMBER	AIRLINE PART NUMBER	FIGURE	ITEM	UNITS PER ASSEMBLY
BACB30NN3K1		11	205	9
		11	205	9
		11	205	9
		11	205	9
		11	205	9
		11	205	9
		11	205	9
		11	205	9
		11	205	9
		11	205	9
		11	205	9
		11	205	9
		11	205	9
		11	205	9
		11	205	9
		11	205	9
		11	205	9
		11	205	9
		11	245	9
		11	245	9
		11	245	9
		11	245	9
		11	245	9
		11	245	9
		11	245	9
		11	245	9
		11	245	9
		11	245	9
		11	245	9
		11	245	9
11	245	9		
12	205	9		
12	205	9		
12	205	9		
12	205	9		
12	205	9		
12	205	9		
12	205	9		

25-28-46

ILLUSTRATED PARTS LIST

Page 1059

Jul 01/2006



COMPONENT MAINTENANCE MANUAL

PART NUMBER	AIRLINE PART NUMBER	FIGURE	ITEM	UNITS PER ASSEMBLY
		12	205	9
		12	245	9
		12	245	9
		12	245	9
		12	245	9
		12	245	9
		12	245	9
		12	245	9
		12	245	9
		12	245	9
		12	245	9
		12	245	9
		12	245	9
		13	240	13
		13	240	13
		13	240	13
		13	240	13
		13	240	13
		13	240	13
		13	240	13
		13	240	13
		13	240	13
		13	240	13
		13	240	13
		14	240	16
		14	240	16
		14	240	16
		14	240	16
		14	240	16
		14	240	16
		14	240	16
		14	240	16
		14	240	16
		14	240	16
		14	240	16

25-28-46

ILLUSTRATED PARTS LIST

Page 1060

Jul 01/2006



COMPONENT MAINTENANCE MANUAL

PART NUMBER	AIRLINE PART NUMBER	FIGURE	ITEM	UNITS PER ASSEMBLY
		14	240	16
		14	240	16
		15	240	16
		15	240	16
		15	240	16
		15	240	16
		15	240	16
		15	240	16
		15	240	16
		15	240	16
		15	240	16
		15	240	16
		15	240	16
		15	240	16
		15	240	16
		15	240	16
		15	240	16
		16	132	5
		16	132	5
		16	132	5
		16	132	5
		16	132	5
		16	132	5
		16	132	5
		16	132	5
		16	132	5
		16	132	5
		16	132	5
		16	132	5
		16	132	5
		16	132	5
		16	156	8
		16	156	8
		16	156	8
		16	156	8
		16	156	8
		16	156	8
		16	156	8
		16	156	8
		16	156	8
		16	156	8
		16	156	8
		16	156	8

25-28-46

ILLUSTRATED PARTS LIST

Page 1061

Jul 01/2006



COMPONENT MAINTENANCE MANUAL

PART NUMBER	AIRLINE PART NUMBER	FIGURE	ITEM	UNITS PER ASSEMBLY
		16	156	8
		16	156	8
		16	156	8
		16	180	5
		16	180	5
		16	180	5
		16	180	5
		16	180	5
		16	180	5
		16	180	5
		16	180	5
		16	180	5
		16	180	5
		16	180	5
		16	180	5
		16	180	5
		17	109	5
		17	109	5
		17	109	5
		17	109	5
		17	109	5
		17	109	5
		17	109	5
		17	109	5
		17	109	5
		17	109	5
		17	109	5
		17	109	5
		17	109	5
		17	109	5
		17	133	8
		17	133	8
		17	133	8
		17	133	8
		17	133	8
		17	133	8
		17	133	8
		17	133	8
		17	133	8

25-28-46

ILLUSTRATED PARTS LIST

Page 1062

Jul 01/2006



COMPONENT MAINTENANCE MANUAL

PART NUMBER	AIRLINE PART NUMBER	FIGURE	ITEM	UNITS PER ASSEMBLY
		17	133	8
		17	133	8
		17	133	8
		17	133	8
		17	157	5
		17	157	5
		17	157	5
		17	157	5
		17	157	5
		17	157	5
		17	157	5
		17	157	5
		17	157	5
		17	157	5
		17	157	5
		17	157	5
		17	157	5
		17	157	5
		18	375	6
		18	375	6
		18	375	6
		18	375	6
		18	375	6
		18	375	6
		18	375	6
		18	375	6
		18	375	6
		18	375	6
		18	375	6
		18	375	6
		18	375	6
		18	375	6
		18	415	8
		18	415	8
		18	415	8
		18	415	8
		18	415	8
		18	415	8
		18	415	8
		18	415	8
		18	415	8
		18	415	8

25-28-46

ILLUSTRATED PARTS LIST

Page 1063

Jul 01/2006



COMPONENT MAINTENANCE MANUAL

PART NUMBER	AIRLINE PART NUMBER	FIGURE	ITEM	UNITS PER ASSEMBLY
BACB30NN3K10		18	415	8
		18	415	8
		18	415	8
		1	18	5
		2	18	5
BACB30NN3K6		8	9	1
		11	95	15
		12	95	15
		13	133	13
		14	135	16
		15	135	16
BACB30NN3K9		18	255	14
		4	20	1
		5	20	1
BACB30NN3KL		13	133A	12
BACB30PF4-3		1	124	1
		2	280	1
		3	159	1
		4	110	1
		5	110	1
		6	114	2
		7	114	1
		8	124	1
		13	133	13
BACN10JC08		4	485	21
		5	485	21
		6	780	21
		7	715	2
		7	780	21
		7	780	21
BACN10JC3		1	30	5
		2	30	5
		6	674	3
		7	674	3
		7	721	2
BACN10JP08B		1	790	2
		3	547B	1

25-28-46

ILLUSTRATED PARTS LIST

Page 1064

Jul 01/2006



COMPONENT MAINTENANCE MANUAL

PART NUMBER	AIRLINE PART NUMBER	FIGURE	ITEM	UNITS PER ASSEMBLY
BACN10JP3A		8	790	2
		11	125	6
		11	160	7
		11	230	6
		11	270	7
		12	125	6
		12	160	7
		12	230	6
		12	270	7
		13	172	4
		13	184	3
		13	203	6
		13	259	7
		13	271	6
		14	175	5
		14	200	7
		14	270	7
		14	290	6
		15	175	5
		15	200	7
		15	270	7
		15	290	6
		16	147	5
		16	171	6
		16	198	3
		17	124	6
		17	148	7
	17	175	3	
	18	285	5	
	18	330	6	
	18	400	4	
	18	440	6	
BACN10JR3FR		3	48A	1
		6	96	1
		7	95	1

25-28-46

ILLUSTRATED PARTS LIST

Page 1065

Jul 01/2006



COMPONENT MAINTENANCE MANUAL

PART NUMBER	AIRLINE PART NUMBER	FIGURE	ITEM	UNITS PER ASSEMBLY
		8	18	1
BACN10K08B		2	1010	2
		2	1010	2
BACN10KB08		3	547	2
		3	547	2
		3	547A	1
		4	491	2
		4	491	2
		5	491	2
		5	491	2
		6	795	2
		6	795	2
		7	795	2
		7	795	2
		7	795A	1
		7	795A	1
BACN10KB3FR		3	48	1
BACN10R10L		1	80	3
		2	63	3
		2	99	3
		3	87	3
		3	365	3
		4	47	3
		5	47	3
		6	63	3
		7	63	3
		8	80	3
BACN10YD1		6	145	4
		7	145	4
BACN15BA3D		11	165	14
		12	165	14
		18	335	12
BACR150R3		6	792	4
BACR15BA3A		3	54	2
		6	99	2

25-28-46

ILLUSTRATED PARTS LIST

Page 1066

Jul 01/2006



COMPONENT MAINTENANCE MANUAL

PART NUMBER	AIRLINE PART NUMBER	FIGURE	ITEM	UNITS PER ASSEMBLY	
BACR15BA3AD		7	99	2	
		8	21	2	
		11	225	12	
		11	265	14	
		12	225	12	
		12	265	14	
		13	256	14	
		13	268	12	
		14	265	14	
		14	285	12	
		15	265	14	
		15	285	12	
		16	144	10	
		16	168	7	
		16	195	6	
		17	121	12	
		17	145	14	
		17	172	6	
	BACR15BA3D		18	395	8
			18	435	12
		11	130	12	
		12	130	12	
		13	175	8	
		13	187	6	
		13	206	12	
		14	180	10	
		14	205	14	
		15	180	10	
BACR15BA3DD		15	205	14	
		18	290	10	
BACR15DR3		3	54A	2	
		2	1005	4	
		3	543	4	
		4	488	4	
		5	488	4	

25-28-46

ILLUSTRATED PARTS LIST

Page 1067

Jul 01/2006



COMPONENT MAINTENANCE MANUAL

PART NUMBER	AIRLINE PART NUMBER	FIGURE	ITEM	UNITS PER ASSEMBLY
BACR15DR3P		7	792	4
		7	792A	2
		1	730	2
		2	950	2
		8	730	2
BACS12ER06K8		1	664	8
		1	664	8
		1	664	8
		1	664	8
		1	664	8
		1	664	8
		1	664	8
		1	664	8
		1	664	8
		1	664	8
		1	664	8
		1	664	8
		1	664	8
		1	664	8
		1	664	8
		1	664	8
		2	875	8
		2	875	8
		2	875	8
		2	875	8
		2	875	8
		2	875	8
		2	875	8
	2	875	8	
	2	875	8	
	2	875	8	
	2	875	8	
	3	486	8	
	3	486	8	
	3	486	8	
	3	486	8	
	3	486	8	
	3	486	8	

25-28-46

ILLUSTRATED PARTS LIST

Page 1068

Jul 01/2006



COMPONENT MAINTENANCE MANUAL

PART NUMBER	AIRLINE PART NUMBER	FIGURE	ITEM	UNITS PER ASSEMBLY
		3	486	8
		3	486	8
		3	486	8
		3	486	8
		3	486	8
		3	486	8
		4	428	8
		4	428	8
		6	727	4
		6	727	4
		6	727	4
		6	727	4
		6	727	4
		6	727	4
		6	727	4
		6	727	4
		6	727	4
		6	727	4
		6	727	4
		6	727	4
		6	727	4
		6	727	4
		7	727	4
		7	727	4
		7	727	4
		7	727	4
		7	727	4
		7	727	4
		7	727	4
		7	727	4
		7	727	4
		7	727	4
		7	727	4
		7	727	4
		7	727	4
		7	727	4
		8	664	8
		8	664	8
		8	664	8

25-28-46

ILLUSTRATED PARTS LIST
Page 1069
Jul 01/2006



COMPONENT MAINTENANCE MANUAL

PART NUMBER	AIRLINE PART NUMBER	FIGURE	ITEM	UNITS PER ASSEMBLY
BACS12ER08K12		8	664	8
		8	664	8
		8	664	8
		8	664	8
		8	664	8
		8	664	8
		8	664	8
		8	664	8
		8	664	8
		1	770	27
		1	770	27
		1	770	27
		1	770	27
		1	770	27
		1	770	27
		1	770	27
		1	770	27
		1	770	27
		1	770	27
		1	770	27
		1	770	27
		1	770	27
		1	770	27
		1	770	27
		2	965	27
		3	525	16
		4	479	21
		4	479	21
		4	479	21
		4	479	21
		4	479	21
	4	479	21	
	4	479	21	
	4	479	21	
	4	479	21	
	4	479	21	
	4	479	21	
	4	479	21	
	4	479	21	
	4	479	21	
	4	479	21	

25-28-46

ILLUSTRATED PARTS LIST

Page 1070

Jul 01/2006



COMPONENT MAINTENANCE MANUAL

PART NUMBER	AIRLINE PART NUMBER	FIGURE	ITEM	UNITS PER ASSEMBLY
BACS12ER08K14		5	479	21
		5	479	21
		5	479	21
		5	479	21
		5	479	21
		5	479	21
		5	479	21
		5	479	21
		5	479	21
		5	479	21
		5	479	21
		5	479	21
		5	479	21
		5	479	21
		5	479	21
		6	773	27
		7	773	7
		8	770	27
		8	770	27
		8	770	27
		8	770	27
		8	770	27
		8	770	27
		8	770	27
		8	770	27
		8	770	27
		8	770	27
8	770	27		
1	628	1		
2	815	1		
3	465	2		
4	404	2		
5	404	2		
6	709	1		
7	709	2		
8	628	1		
BACS12ER08K6		1	672	4

25-28-46

ILLUSTRATED PARTS LIST

Page 1071

Jul 01/2006



COMPONENT MAINTENANCE MANUAL

PART NUMBER	AIRLINE PART NUMBER	FIGURE	ITEM	UNITS PER ASSEMBLY
		1	672	4
		1	672	4
		1	672	4
		1	672	4
		1	672	4
		1	672	4
		1	672	4
		1	672	4
		1	672	4
		1	672	4
		1	672	4
		2	885	4
		2	885	4
		2	885	4
		2	885	4
		2	885	4
		2	885	4
		2	885	4
		2	885	4
		2	885	4
		2	885	4
		2	885	4
		2	885	4
		2	885	4
		2	885	4
		2	885	4
		3	492	8
		3	492	8
		3	492	8
		3	492	8
		3	492	8
		3	492	8
		3	492	8
		3	492	8
		3	492	8
		3	492	8
		3	492	8
		3	492	8
		3	492	8
		3	492	8

25-28-46

ILLUSTRATED PARTS LIST

Page 1072

Jul 01/2006



COMPONENT MAINTENANCE MANUAL

PART NUMBER	AIRLINE PART NUMBER	FIGURE	ITEM	UNITS PER ASSEMBLY
		3	556	1
		3	556	1
		4	434	4
		5	434	4
		6	733	2
		6	733	2
		6	733	2
		6	733	2
		6	733	2
		6	733	2
		6	733	2
		6	733	2
		6	733	2
		6	733	2
		6	733	2
		6	801	1
		6	801	1
		7	733	2
		7	733	2
		7	733	2
		7	733	2
		7	733	2
		7	733	2
		7	733	2
		7	733	2
		7	733	2
		7	733	2
		7	733	2
		7	733	2
		7	733	2
		7	733	2
		7	733	2
		7	733	2
		7	733	2
		8	672	4
		8	672	4
		8	672	4
		8	672	4
		8	672	4

25-28-46

ILLUSTRATED PARTS LIST

Page 1073

Jul 01/2006



COMPONENT MAINTENANCE MANUAL

PART NUMBER	AIRLINE PART NUMBER	FIGURE	ITEM	UNITS PER ASSEMBLY
BACS12ER3K6		8	672	4
		8	672	4
		8	672	4
		8	672	4
		8	672	4
		8	672	4
		8	672	4
		1	73	3
		1	73	3
		1	73	3
		1	73	3
		1	73	3
		1	73	3
		1	73	3
		1	73	3
		1	73	3
		1	73	3
		1	73	3
		1	73	3
		1	73	3
		1	73	3
		1	73	3
		2	57	2
		2	57	2
		2	57	2
		2	57	2
		2	57	2
		2	57	2
		2	57	2
		2	57	2
		2	57	2
		2	57	2
	2	57	2	
	2	90	3	
	2	90	3	
	2	90	3	
	2	90	3	

25-28-46

ILLUSTRATED PARTS LIST

Page 1074

Jul 01/2006



COMPONENT MAINTENANCE MANUAL

PART NUMBER	AIRLINE PART NUMBER	FIGURE	ITEM	UNITS PER ASSEMBLY
		2	90	3
		2	90	3
		2	90	3
		2	90	3
		2	90	3
		2	90	3
		2	90	3
		2	90	3
		2	90	3
		3	15	4
		3	81	2
		3	81	2
		3	81	2
		3	81	2
		3	81	2
		3	81	2
		3	81	2
		3	81	2
		3	81	2
		3	81	2
		3	81	2
		3	81	2
		3	81	2
		3	81	2
		3	81	2
		3	81	2
		4	41	3
		4	41	3
		4	41	3
		4	41	3
		4	41	3
		4	41	3
		4	41	3
		4	41	3
		4	41	3
		4	41	3
		4	41	3
		4	41	3
		4	41	3
		4	85	4
		4	85	4

25-28-46

ILLUSTRATED PARTS LIST

Page 1075

Jul 01/2006



COMPONENT MAINTENANCE MANUAL

PART NUMBER	AIRLINE PART NUMBER	FIGURE	ITEM	UNITS PER ASSEMBLY
		4	85	4
		4	85	4
		4	85	4
		4	85	4
		4	85	4
		4	85	4
		4	85	4
		4	85	4
		4	85	4
		4	85	4
		4	85	4
		5	41	3
		5	41	3
		5	41	3
		5	41	3
		5	41	3
		5	41	3
		5	41	3
		5	41	3
		5	41	3
		5	41	3
		5	41	3
		5	41	3
		5	41	3
		5	41	3
		5	41	3
		5	41	3
		5	85	4
		5	85	4
		5	85	4
		5	85	4
		5	85	4
		5	85	4
		5	85	4
		5	85	4
		5	85	4
		5	85	4
		5	85	4
		5	85	4
		5	85	4
		5	85	4
		5	85	4
		6	57	3

25-28-46

ILLUSTRATED PARTS LIST

Page 1076

Jul 01/2006



COMPONENT MAINTENANCE MANUAL

PART NUMBER	AIRLINE PART NUMBER	FIGURE	ITEM	UNITS PER ASSEMBLY
		6	57	3
		6	57	3
		6	57	3
		6	57	3
		6	57	3
		6	57	3
		6	57	3
		6	57	3
		6	57	3
		6	57	3
		6	57	3
		6	57	3
		7	57	3
		7	57	3
		7	57	3
		7	57	3
		7	57	3
		7	57	3
		7	57	3
		7	57	3
		7	57	3
		7	57	3
		7	57	3
		7	57	3
		7	57	3
		7	57	3
		7	57	3
		7	240A	4
		8	73	3
		8	73	3
		8	73	3
		8	73	3
		8	73	3
		8	73	3
		8	73	3
		8	73	3
		8	73	3
		8	73	3
		8	73	3
		8	73	3
		8	73	3
		8	73	3



COMPONENT MAINTENANCE MANUAL

PART NUMBER	AIRLINE PART NUMBER	FIGURE	ITEM	UNITS PER ASSEMBLY
		8	73	3
BACS12ERD8K6		7	820	1
BACS12FA3K12		7	135	4
		11	90	12
		11	90	12
		11	90	12
		11	90	12
		11	90	12
		11	90	12
		11	90	12
		11	90	12
		11	90	12
		11	90	12
		11	90	12
		11	90	12
		11	90	12
		11	195	13
		11	195	13
		11	195	13
		11	195	13
		11	195	13
		11	195	13
		11	195	13
		11	195	13
		11	195	13
		11	195	13
		11	195	13
		11	195	13
		11	195	13
		11	195	13
		11	195	13
		12	90	12
		12	90	12
		12	90	12
		12	90	12
		12	90	12
		12	90	12
		12	90	12

25-28-46

ILLUSTRATED PARTS LIST

Page 1078

Jul 01/2006



COMPONENT MAINTENANCE MANUAL

PART NUMBER	AIRLINE PART NUMBER	FIGURE	ITEM	UNITS PER ASSEMBLY
		12	90	12
		12	90	12
		12	90	12
		12	90	12
		12	90	12
		12	195	13
		12	195	13
		12	195	13
		12	195	13
		12	195	13
		12	195	13
		12	195	13
		12	195	13
		12	195	13
		12	195	13
		12	195	13
		12	195	13
		12	195	13
		12	195	13
		12	195	13
		12	195	13
		12	195	13
		13	145	10
		13	145A	9
		13	233	11
		13	233	11
		13	233	11
		13	233	11
		13	233	11
		13	233	11
		13	233	11
		13	233	11
		13	233	11
		13	233	11
		13	233	11
		13	233	11
		13	233	11
		13	233	11
		14	155	12
		14	230	13
		14	230	13

25-28-46

ILLUSTRATED PARTS LIST
 Page 1079
 Jul 01/2006



COMPONENT MAINTENANCE MANUAL

PART NUMBER	AIRLINE PART NUMBER	FIGURE	ITEM	UNITS PER ASSEMBLY
		14	230	13
		14	230	13
		14	230	13
		14	230	13
		14	230	13
		14	230	13
		14	230	13
		14	230	13
		14	230	13
		14	230	13
		14	230	13
		15	155	12
		15	230	13
		15	230	13
		15	230	13
		15	230	13
		15	230	13
		15	230	13
		15	230	13
		15	230	13
		15	230	13
		15	230	13
		15	230	13
		15	230	13
		15	230	13
		16	126	14
		16	126	14
		16	126	14
		16	126	14
		16	126	14
		16	126	14
		16	126	14
		16	126	14
		16	126	14
		16	126	14
		16	126	14
		16	126	14
		16	126	14
		16	126	14
		16	126	14
		16	126	14
		16	126	14
		16	126	14

25-28-46



COMPONENT MAINTENANCE MANUAL

PART NUMBER	AIRLINE PART NUMBER	FIGURE	ITEM	UNITS PER ASSEMBLY
		16	126	14
		17	107	14
		17	107	14
		17	107	14
		17	107	14
		17	107	14
		17	107	14
		17	107	14
		17	107	14
		17	107	14
		17	107	14
		17	107	14
		17	107	14
		17	107	14
		17	107	14
		17	107	14
		17	107	14
		17	107	14
		17	107	14
		17	107	14
		17	217	11
		17	217	11
		17	217	11
		17	217	11
		17	217	11
		17	217	11
		17	217	11
		17	217	11
		17	217	11
		17	217	11
		17	217	11
		17	217	11
		17	217	11
		17	217	11
		17	217	11
		17	217	11
		18	250	10
		18	250	10
		18	250	10
		18	250	10
		18	250	10
		18	250	10
		18	250	10
		18	250	10
		18	250	10
		18	250	10
		18	250	10

25-28-46

ILLUSTRATED PARTS LIST
Page 1081
Jul 01/2006



COMPONENT MAINTENANCE MANUAL

PART NUMBER	AIRLINE PART NUMBER	FIGURE	ITEM	UNITS PER ASSEMBLY	
BACS12FA3K15		18	250	10	
		18	250	10	
		18	250	10	
		18	250	10	
		18	310	1	
		18	500	11	
		1	740	2	
		2	960	4	
		3	522	4	
		4	464	4	
		5	464	4	
		6	770	2	
		7	770	4	
		8	740	2	
	BACS12FA3K4		1	288	8
		2	370	8	
		3	42	2	
		3	177	8	
		4	174	8	
		5	174	8	
		6	90	2	
		6	370	8	
		7	90	2	
		7	370	4	
		8	15	2	
		8	288	8	
BACS12FA3K5			1	112	13
			1	735	34
			2	270	17
		2	955	34	
		3	153	17	
		3	519	30	
		4	95	9	
		4	107	9	
		4	461	18	

25-28-46

ILLUSTRATED PARTS LIST

Page 1082

Jul 01/2006



COMPONENT MAINTENANCE MANUAL

PART NUMBER	AIRLINE PART NUMBER	FIGURE	ITEM	UNITS PER ASSEMBLY
		5	95	9
		5	107	9
		5	461	18
		6	108	14
		6	108A	17
		6	140	4
		6	150	4
		6	767	34
		7	111	17
		7	111A	14
		7	140	4
		7	150	4
		7	767	34
		8	112	13
		8	735	34
		11	135	6
		12	135	6
		13	130	6
		14	130	6
		15	130	6
		17	230	3
		17	230	3
		17	230	3
		17	230	3
		17	230	3
		17	230	3
		17	230	3
		17	230	3
		17	230	3
		17	230	3
		17	230	3
		17	230	3
		17	230	3
		17	230	3
		17	230	3
		17	230	3
		17	243	4
		17	247	3
		17	255	8

25-28-46

ILLUSTRATED PARTS LIST

Page 1083

Jul 01/2006



COMPONENT MAINTENANCE MANUAL

PART NUMBER	AIRLINE PART NUMBER	FIGURE	ITEM	UNITS PER ASSEMBLY		
BACS12FA3K6		18	295	6		
		16	117	10		
		17	102	10		
BACS12FA3K7		6	135	4		
BACS12H4-8		1	314	2		
		2	405	2		
		3	199	2		
		4	195	2		
		5	195	2		
		6	405	2		
		7	405	2		
		8	314	2		
BACS12W10-5		6	48A	2		
		7	48A	2		
BACS18C8-6		1	47	2		
		2	36	2		
		3	60	2		
		4	74	1		
		5	74	2		
		6	33	1		
		7	33	1		
		8	47	2		
BACS30NM3K8		1	566	1		
		2	730	1		
		3	420	1		
		4	365	1		
		5	365	1		
		8	566	1		
		BACW10CT10		1	20	5
				2	20	5
11	100			15		
11	210			9		
11	210			9		
11	250			9		
11	250			9		

25-28-46

ILLUSTRATED PARTS LIST

Page 1084

Jul 01/2006



COMPONENT MAINTENANCE MANUAL

PART NUMBER	AIRLINE PART NUMBER	FIGURE	ITEM	UNITS PER ASSEMBLY
		12	100	15
		12	210	9
		12	210	9
		12	250	9
		12	250	9
		13	244	13
		13	244	13
		14	245	16
		14	245	16
		15	245	16
		15	245	16
		16	135	5
		16	135	5
		16	159	9
		16	159	9
		16	183	5
		16	183	5
		17	112	5
		17	112	5
		17	136	8
		17	136	8
		17	160	5
		17	160	5
		18	380	6
		18	380	6
		18	420	8
		18	420	8
BACW10DM5		3	559	1
		6	804	1
		7	825	1
BACW10P136AL		1	418	9
		1	554	2
		1	554	2
		2	590	9
		2	715	2

25-28-46

ILLUSTRATED PARTS LIST

Page 1085

Jul 01/2006



COMPONENT MAINTENANCE MANUAL

PART NUMBER	AIRLINE PART NUMBER	FIGURE	ITEM	UNITS PER ASSEMBLY
		2	715	2
		3	290	9
		3	417	2
		3	417	2
		4	270	3
		4	356	2
		4	356	2
		5	270	3
		5	356	2
		5	356	2
		6	590	9
		7	590	8
		8	418	9
		8	554	2
		8	554	2
BACW10P173AL		7	835	1
BACW10P44AL		17	265	4
BACW10UD10		1	76	3
		2	60	3
		2	93	3
		3	84	3
		4	44	3
		5	44	3
		6	60	3
		7	60	3
		8	76	3
BRM1000A08		1	790	2
		8	790	2
BRM200A3		11	230	6
		11	270	7
		12	230	6
		12	270	7
		13	259	7
		13	271	6
		14	270	7

25-28-46

ILLUSTRATED PARTS LIST

Page 1086

Jul 01/2006



COMPONENT MAINTENANCE MANUAL

PART NUMBER	AIRLINE PART NUMBER	FIGURE	ITEM	UNITS PER ASSEMBLY
		14	290	6
		15	270	7
		15	290	6
		16	147	5
		16	171	6
		16	198	3
		17	124	6
		17	148	7
		17	175	3
		18	400	4
		18	440	6
BV03112-03-33		80	5	2
BV03112-33		80	5A	2
F15T12WW		2	74	1
F15T8WW		1	91A	1
F20T12WW		1	91	1
		2	111	1
		6	77	1
		7	77	1
		8	91	1
F22K1-02		1	80	3
		2	63	3
		2	99	3
		3	87	3
		4	47	3
		5	47	3
		6	63	3
		7	63	3
		8	80	3
F40WW		3	99	1
		4	59	1
		5	59	1
H10-08BAC		7	715	2
H10-3BAC		7	721	2
H2948-1		1	482	1

25-28-46

ILLUSTRATED PARTS LIST

Page 1087

Jul 01/2006



COMPONENT MAINTENANCE MANUAL

PART NUMBER	AIRLINE PART NUMBER	FIGURE	ITEM	UNITS PER ASSEMBLY
H2948-2		1	594	1
		2	650	1
		3	338	1
		4	319	1
		5	319	1
		5	386	1
		6	650	1
		7	650	1
		8	482	1
		8	594	1
		1	478	1
		2	646	1
		2	765	1
		3	335	1
		3	447	1
		4	316	1
		4	386	1
		5	316	1
		6	646	1
		7	646	1
8	478	1		
8	594A	1		
H3-1145-1-3760		1	692	1
		2	910	2
		3	507	1
		4	449	1
		5	449	1
		6	750	1
		7	750	1
		8	692	1
H3-1145-1960		4	452A	1
H3-1145-3-1560		8	696	1
H3-1145-3-1660		3	510	1
H3-1145-3-2069		4	452	1
H3-1145-3-2160		5	452	1

25-28-46

ILLUSTRATED PARTS LIST

Page 1088

Jul 01/2006



COMPONENT MAINTENANCE MANUAL

PART NUMBER	AIRLINE PART NUMBER	FIGURE	ITEM	UNITS PER ASSEMBLY
H3-1152-1		1	284	4
		2	365	4
		3	174	4
		4	171	4
		5	171	4
		6	365	2
		7	365	2
		8	284	4
K121D395-145		11	220A	9
		11	260A	9
		12	220A	9
		12	260A	9
		13	250A	13
		16	141A	7
		16	165A	9
		16	192	5
		17	118A	5
		17	142A	8
		17	169	5
		18	390A	6
		18	430A	8
KD121395-145		14	255A	16
		15	255A	16
LP1610-18		1	94A	1
		2	76	1
LP1625-24		1	94	1
		2	114	1
		6	81	1
		7	81	1
		8	94	1
		3	102	1
LP1625-48		4	62	1
		5	62	1
		11	230	6
MK1000-3BAC		11	230	6
		11	270	7

25-28-46

ILLUSTRATED PARTS LIST

Page 1089

Jul 01/2006



COMPONENT MAINTENANCE MANUAL

PART NUMBER	AIRLINE PART NUMBER	FIGURE	ITEM	UNITS PER ASSEMBLY
		12	230	6
		12	270	7
		13	259	7
		13	271	6
		14	270	7
		14	290	6
		15	270	7
		15	290	6
		16	147	5
		16	171	6
		16	198	3
		17	124	6
		17	148	7
		17	175	3
		18	400	4
		18	440	6
MK2000-08BAC		1	790	2
		2	1010	2
		6	795	2
		8	790	2
MS20392-2C13		1	434	1
		2	610	1
		3	299	1
		4	283	1
		5	283	1
		6	610	1
		7	610	1
		8	434	1
MS21042L08		1	636	1
		1	780	21
		2	825	1
		2	975	21
		3	471	2
		3	531	16
		4	410	2

25-28-46

ILLUSTRATED PARTS LIST

Page 1090

Jul 01/2006



COMPONENT MAINTENANCE MANUAL

PART NUMBER	AIRLINE PART NUMBER	FIGURE	ITEM	UNITS PER ASSEMBLY
MS21042L3		5	410	2
		6	715A	2
		6	721A	2
		7	715A	2
		8	636	1
		8	780	21
		1	244A	2
		1	656	2
		2	175A	2
		2	850	1
		3	477	2
		4	416	1
		5	416	1
		7	5	2
		8	244	2
		8	656	2
		13	142	13
		13	142A	12
		14	150	16
		15	150	16
	17	235	2	
	18	270	14	
MS2104L3		17	267	4
MS24585-1230		1	50	2
		2	39	2
		3	63	2
		4	77	1
		5	77	2
		6	36	2
		7	36	1
		8	50	2
MS24665-132		1	430	1
		2	605	1
		3	296	1
		4	280	1

25-28-46

ILLUSTRATED PARTS LIST

Page 1091

Jul 01/2006



COMPONENT MAINTENANCE MANUAL

PART NUMBER	AIRLINE PART NUMBER	FIGURE	ITEM	UNITS PER ASSEMBLY
		5	280	1
		6	605	1
		7	605	1
		8	430	1
MS35206-323		80	10	4
MS35333-39		1	292	8
		1	306	8
		2	375	8
		2	395	8
		3	180	8
		3	193	8
		4	177	8
		4	189	8
		5	177	8
		5	189	8
		6	375	8
		6	395	4
		7	375	4
		7	395	8
		8	292	8
		8	306	8
MS51861-15		1	314A	2
		2	405A	2
MS51862-4		1	326	2
		2	420	2
		3	208	2
		4	204	2
		5	204	2
		6	420	2
		7	420	2
		8	326	2
N1152LGWUV1000		6	78	1
		7	78	1
		8	94A	1
NAS1398D4		3	51	2

25-28-46

ILLUSTRATED PARTS LIST

Page 1092

Jul 01/2006



COMPONENT MAINTENANCE MANUAL

PART NUMBER	AIRLINE PART NUMBER	FIGURE	ITEM	UNITS PER ASSEMBLY
NAS1399D3		8	28	2
		1	785	4
		8	785	4
NAS1515F4H		1	132	1
		2	290	1
		3	165	1
		4	117	1
		5	117	1
		6	120	2
		7	120	1
		8	132	1
NAS1515M4L		1	136	1
		2	295	1
		3	168	1
		4	120	1
		5	120	1
		6	123	2
		7	123	1
		8	136	1
NAS1801-3-10		1	410A	3
		1	550	1
		2	575	3
		2	710	1
		3	284A	3
		3	414	1
		4	264A	1
		4	353	1
		5	264A	1
		5	353	1
		6	575	3
		7	575	2
		8	410A	3
		8	550	1
NAS1801-3-11		1	44	2
		2	33	2

25-28-46

ILLUSTRATED PARTS LIST

Page 1093

Jul 01/2006



COMPONENT MAINTENANCE MANUAL

PART NUMBER	AIRLINE PART NUMBER	FIGURE	ITEM	UNITS PER ASSEMBLY
		3	57	2
		4	71	1
		5	71	2
		6	30	2
		7	30	1
		8	44	2
NAS1801-3-4		1	302	8
		2	390	8
		3	190	8
		4	186	8
		5	186	8
		6	390	4
		7	390	8
		8	302	8
NAS1801-3-5		1	63	4
		2	48	2
		2	84	3
		3	72	3
		4	35	3
		5	35	3
		6	48	2
		6	48B	2
		7	48	2
		8	63	2
NAS1804-3		1	624	1
		2	810	1
		8	624	1
NAS1833-3-400		1	426	9
		1	526	6
		2	600	9
		2	685	6
		3	293	9
		3	402	6
		4	276	3
		4	334	2

25-28-46

ILLUSTRATED PARTS LIST

Page 1094

Jul 01/2006



COMPONENT MAINTENANCE MANUAL

PART NUMBER	AIRLINE PART NUMBER	FIGURE	ITEM	UNITS PER ASSEMBLY
		4	359	2
		5	276	3
		5	334	2
		5	359	2
		6	600	9
		6	706	6
		7	600	8
		8	426	9
		8	526	6
		13	105	6
		13	115	6
		13	117	3
		13	157	10
		13	157A	14
		14	110	6
		14	120	6
		15	85	6
		15	95	6
		16	43	3
		16	52	4
		16	82	6
		16	83A	3
		16	83C	4
		16	83E	6
		16	84A	4
		16	120	5
		17	105	5
		18	170	6
		18	180	6
NAS1834-3-375		17	273	1
		18	315	1
NAS1834-3-400		13	148	10
		13	148A	9
		14	160	12
		15	160	12

25-28-46

ILLUSTRATED PARTS LIST

Page 1095

Jul 01/2006



COMPONENT MAINTENANCE MANUAL

PART NUMBER	AIRLINE PART NUMBER	FIGURE	ITEM	UNITS PER ASSEMBLY
NAS1834-4-380		17	270	14
		13	231	1
		16	220	1
		17	403	1
NAS1834-4-400		11	305	13
		12	305	13
		13	230	10
		14	225	13
		15	225	13
		16	219	13
		17	309	14
		17	400	13
		17	613	9
		18	495	11
NAS1834-5-400		17	54	2
		17	625	8
		17	627	1
NAS1836-3-11		2	185	4
		3	117	4
		4	126	4
		5	126	4
		6	300	4
		6	300A	12
		7	300	4
		11	10	12
		11	20	8
		11	35	4
		11	55	10
		11	70	8
		11	80	6
		11	140	3
		11	180	3
11	185	17		
11	285	2		
12	10	10		

25-28-46

ILLUSTRATED PARTS LIST

Page 1096

Jul 01/2006



COMPONENT MAINTENANCE MANUAL

PART NUMBER	AIRLINE PART NUMBER	FIGURE	ITEM	UNITS PER ASSEMBLY
		12	20	8
		12	35	4
		12	55	10
		12	70	8
		12	80	6
		12	140	3
		12	180	3
		12	185	17
		12	285	2
		13	10	9
		13	20	8
		13	35	4
		13	55	14
		13	65	4
		13	75	4
		13	85	5
		13	95	5
		13	163	3
		13	218	5
		13	227	7
		13	280	2
		13	290	2
		14	10	12
		14	20	12
		14	22	10
		14	30	8
		14	45	4
		14	65	13
		14	80	12
		14	90	4
		14	92	4
		14	100	4
		14	102	4
		14	132	3
		14	220	5

25-28-46

ILLUSTRATED PARTS LIST

Page 1097

Jul 01/2006



COMPONENT MAINTENANCE MANUAL

PART NUMBER	AIRLINE PART NUMBER	FIGURE	ITEM	UNITS PER ASSEMBLY
		14	310	2
		15	10	12
		15	20	8
		15	35	4
		15	55	12
		15	65	4
		15	75	4
		15	132	3
		15	220	5
		15	310	2
		16	6	9
		16	12	9
		16	14	13
		16	18	8
		16	27	4
		16	37	14
		16	46	12
		16	55	12
		16	61	4
		16	67	4
		16	73	4
		16	111	7
		16	216	2
		17	6	9
		17	12	10
		17	18	8
		17	27	8
		17	36	4
		17	48	14
		17	57	14
		17	63	4
		17	69	4
		17	75	4
		17	96	7
		17	213	15

25-28-46

ILLUSTRATED PARTS LIST

Page 1098

Jul 01/2006



COMPONENT MAINTENANCE MANUAL

PART NUMBER	AIRLINE PART NUMBER	FIGURE	ITEM	UNITS PER ASSEMBLY
		17	275	3
		17	620	8
		17	633	4
		17	637	4
		18	10	11
		18	20	11
		18	30	8
		18	45	8
		18	60	4
		18	75	4
		18	95	13
		18	115	13
		18	130	8
		18	140	8
		18	150	4
		18	160	4
		18	190	4
		18	300	3
		18	355	5
		18	455	4
NAS1836-3-400		11	170	1
		12	170	1
		18	340	1
NAS1836-4-11		11	25	2
		12	25	2
		13	25	2
		14	35	2
		15	25	2
		16	21	2
		17	21	2
		17	30	2
		17	617	2
		18	35	2
		18	50	2
NAS1836-8-11		18	475	2

25-28-46

ILLUSTRATED PARTS LIST

Page 1098.1

Jul 01/2006



COMPONENT MAINTENANCE MANUAL

PART NUMBER	AIRLINE PART NUMBER	FIGURE	ITEM	UNITS PER ASSEMBLY
NAS18833-3-400		1	558	2
		2	720	2
		3	420	2
		8	558	2
NAS2836-3-11		1	252	4
		8	252	4
NAS43DD3-3		1	466	1
		1	590	1
		2	637	1
		2	760	1
		3	326	1
		3	444	1
		4	307	1
		4	383	1
		5	307	1
		5	383	1
		6	637	1
		7	637	1
		8	466	1
NAS43DD3-5		8	590	1
		1	462	1
		1	578	1
		2	634	1
		2	745	1
		3	323	1
		3	435	1
		4	304	1
		5	304	1
		6	634	1
		7	634	1
		8	462	1
		8	578	1
NAS43DD3-6		1	470	1
		1	586	1
		2	640	1

25-28-46

ILLUSTRATED PARTS LIST

Page 1098.2

Jul 01/2006



COMPONENT MAINTENANCE MANUAL

PART NUMBER	AIRLINE PART NUMBER	FIGURE	ITEM	UNITS PER ASSEMBLY
NAS43DD3-8		2	755	1
		3	329	1
		3	441	1
		4	310	1
		5	310	1
		6	640	1
		7	640	1
		8	470	1
		8	586	1
		1	474	1
		1	582	1
		2	643	1
		2	750	1
		3	332	1
		3	438	1
		4	313	1
		4	377	1
		5	313	1
		5	377	1
		6	643	1
	7	643	1	
	8	474	1	
	8	582	1	
NAS43DD3-L		4	380	1
		5	380	1
NAS43DD305		4	374	1
		5	374	1
NAS514P1032-7		3	359	2
		6	668	2
		7	668	2
NAS514P832-5		1	676	8
		2	890	8
		3	495	8
		4	437	8
		5	437	8

25-28-46

ILLUSTRATED PARTS LIST

Page 1098.3

Jul 01/2006



COMPONENT MAINTENANCE MANUAL

PART NUMBER	AIRLINE PART NUMBER	FIGURE	ITEM	UNITS PER ASSEMBLY
NAS620A8L		6	737	8
		7	737	4
		8	676	8
		1	318	2
		2	410	2
		3	202	2
		6	410	2
		7	410	2
NAS620ABL		8	318	2
		4	198	2
NAS6703PU11		5	198	2
		1	450	1
		1	562	1
		2	626	1
		2	725	1
		3	314	1
		3	423	1
		4	295	1
		4	362	1
		5	295	1
		5	362	1
		6	626	1
		7	626	1
		8	450	1
		8	562	1
		NAS6703PU15		1
2	620			1
3	305			1
4	289			1
5	289			1
6	620			1
7	620			1
8	442			1
NAS670KD10L		7	631	1
NAS960JD10L		8	458	1

25-28-46

ILLUSTRATED PARTS LIST

Page 1098.4

Jul 01/2006



COMPONENT MAINTENANCE MANUAL

PART NUMBER	AIRLINE PART NUMBER	FIGURE	ITEM	UNITS PER ASSEMBLY
NS103197-02		11	230	6
		11	270	7
		12	230	6
		12	270	7
		13	259	7
		13	271	6
		14	270	7
		14	290	6
		15	270	7
		15	290	6
		16	147	5
		16	171	6
		16	198	3
		17	124	6
		17	148	7
		17	175	3
		18	400	4
	NS103198-82		1	790
		2	1010	2
		6	795	2
		8	790	2
RMA9201M3		11	230	6
		11	270	7
		12	230	6
		12	270	7
		16	147	5
		16	171	6
		16	198	3
		17	124	6
		17	148	7
		17	175	3
RMA9207M82		18	400	4
		18	440	6
		1	790	2
		1	790	2

25-28-46

ILLUSTRATED PARTS LIST

Page 1098.5

Jul 01/2006



COMPONENT MAINTENANCE MANUAL

PART NUMBER	AIRLINE PART NUMBER	FIGURE	ITEM	UNITS PER ASSEMBLY
		2	1010	2
		6	795	2
		8	790	2
S283N702-14		3	90	1
S283N702-15		8	83	1
S283N702-4		4	50	1
		5	50	1
S283N702-5		1	83A	1
		2	102	1
		6	66	1
		7	66	1
		8	83A	1
S283N702-7		1	83	1
		2	66	1
S412N101-1		1	284	4
		2	365	4
		3	174	4
		4	171	4
		5	171	4
		6	365	2
		7	365	2
		8	284	4
S412N101-1040		1	692	1
		2	910	2
		3	507	1
		4	449	1
		5	449	1
		6	750	1
		7	750	1
		8	692	1
S412N101-1130		7	750A	1
		7	750A	1
S412N101-1140		3	507A	1
		3	507A	1
		6	753	1

25-28-46

ILLUSTRATED PARTS LIST

Page 1098.6

Jul 01/2006



COMPONENT MAINTENANCE MANUAL

PART NUMBER	AIRLINE PART NUMBER	FIGURE	ITEM	UNITS PER ASSEMBLY
		6	753	1
S412N101-2014		8	696A	1
S412N101-2020		1	696	1
		1	696	1
S412N101-2024		5	452	1
S412N101-3014		3	510A	1
		3	510A	1
		4	452B	1
S412N101-3018		8	696	1
S412N101-3019		3	510	1
S412N101-3020		2	910A	1
		2	910A	1
S412N101-3022		4	452A	1
S412N101-3023		4	452	1
S412N101-3119		3	510B	1
		3	510B	1
S412N102-1		1	482	1
		1	594	1
		2	650	1
		3	338	1
		4	319	1
		5	319	1
		6	650	1
		7	650	1
		8	482	1
		8	594	1
		8	594A	1
S412N102-2		1	478	1
		2	646	1
		2	765	1
		3	335	1
		3	447	1
		4	316	1
		4	386	1
		5	316	1

25-28-46

ILLUSTRATED PARTS LIST

Page 1098.7

Jul 01/2006



COMPONENT MAINTENANCE MANUAL

PART NUMBER	AIRLINE PART NUMBER	FIGURE	ITEM	UNITS PER ASSEMBLY
S412N104-1		5	386	1
		6	646	1
		7	646	1
		8	478	1
		1	486	1
		2	653	1
		3	341	1
		4	322	1
		5	322	1
		6	677	1
		7	677	1
		8	486	1
		S417N507-13		4
S417N507-17		1	98A	1
		2	80	1
S417N507-18		80	1	RF
		5	65	1
S417N507-19		80	1A	RF
		4	65	1
S417N507-20		80	1B	RF
		1	98	1
S417N507-21		80	1C	RF
		8	98	1
S417N507-22		2	117	1
		8	98A	1
S417N507-33		80	1D	RF
		6	84A	1
S417N507-34		3	105	1
S417N507-35		7	84A	1
S417N507-36		7	84B	1
S417N507-7		1	98B	1
		2	78	1
		80	1E	RF
SB113		1	486	1
		2	653	1

25-28-46

ILLUSTRATED PARTS LIST

Page 1098.8

Jul 01/2006



COMPONENT MAINTENANCE MANUAL

PART NUMBER	AIRLINE PART NUMBER	FIGURE	ITEM	UNITS PER ASSEMBLY
		3	341	1
		4	322	1
		5	322	1
		6	677	1
		7	677	1
		8	486	1
SL210-06-02		4	431	8
		5	431	8
SL210-06-2		1	668	8
		2	880	8
		3	489	8
		6	730	4
		7	730	4
		8	668	8
SL210-08-1		1	680	8
		2	895	8
		3	498	8
		4	440	8
		5	440	8
		6	740	8
		7	740	4
		8	680	8
SL2334-3A2		1	192	9
		2	250	9
		3	144	10
		4	147	9
		5	147	9
		6	225	10
		7	225	9
		8	192	9
		11	40	10
		11	60	4
		12	40	10
		12	60	4
		13	40	4

25-28-46

ILLUSTRATED PARTS LIST

Page 1098.9

Jul 01/2006



COMPONENT MAINTENANCE MANUAL

PART NUMBER	AIRLINE PART NUMBER	FIGURE	ITEM	UNITS PER ASSEMBLY		
SL3378-3-380		14	50	4		
		15	40	4		
		16	30	4		
		17	39	4		
		18	65	8		
		18	100	4		
		18	120	4		
		13	136	13		
		13	136A	12		
		14	140	16		
		15	140	16		
		18	265	14		
		SL42334-3A2		18	80	8
SL5-3-1455		11	260	9		
		12	260	9		
		16	165	9		
		17	142	8		
		18	430	8		
		SL5-3-145S		11	220	9
				12	220	9
				13	250	13
14	255			16		
15	255			16		
16	141			5		
16	189			5		
17	118			5		
SL618-3A		17	166	5		
		18	390	6		
		2	400	8		
		3	196	8		
		4	192	8		
		5	192	8		
		6	400	8		
		7	400	8		
SL628-3A		1	310	8		

25-28-46

ILLUSTRATED PARTS LIST

Page 1098.10

Jul 01/2006



COMPONENT MAINTENANCE MANUAL

PART NUMBER	AIRLINE PART NUMBER	FIGURE	ITEM	UNITS PER ASSEMBLY
T8076S1032		8	310	8
		11	230	6
		11	270	7
		12	230	6
		12	270	7
		13	259	7
		13	259	7
		13	271	6
		13	271	6
		14	270	7
		14	270	7
		14	290	6
		14	290	6
		15	270	7
		15	270	7
		15	290	6
		15	290	6
		16	147	5
		16	171	6
		16	198	3
17	124	6		
17	148	7		
17	175	3		
18	400	4		
18	440	6		
T8077S832		1	790	2
		2	1010	2
		6	795	2
		8	790	2
V060116		1	94	1
		1	94A	1
		6	81	1
		7	81	1
		8	94	1
VN201A1-82		1	790	2

25-28-46

ILLUSTRATED PARTS LIST

Page 1098.11

Jul 01/2006



COMPONENT MAINTENANCE MANUAL

PART NUMBER	AIRLINE PART NUMBER	FIGURE	ITEM	UNITS PER ASSEMBLY
VN202A1-02		2	1010	2
		6	795	2
		8	790	2
		11	230	6
		11	270	7
		12	230	6
		12	270	7
		13	259	7
		13	271	6
		14	270	7
		14	290	6
		15	270	7
		15	290	6
		16	147	5
		16	171	6
		16	198	3
		17	124	6
		17	148	7
		17	175	3
		18	400	4
18	440	6		

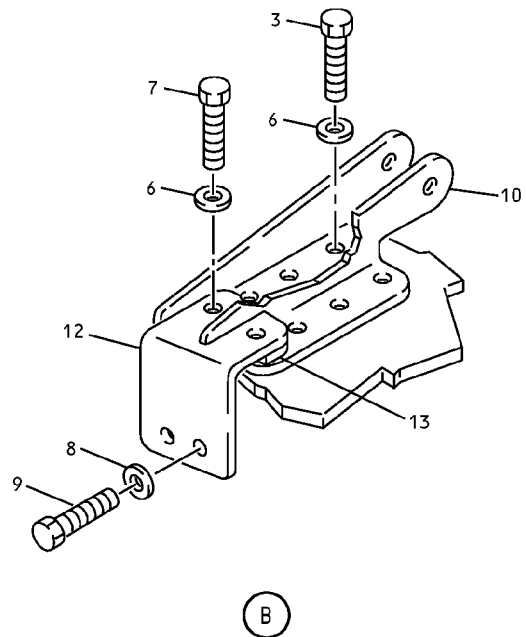
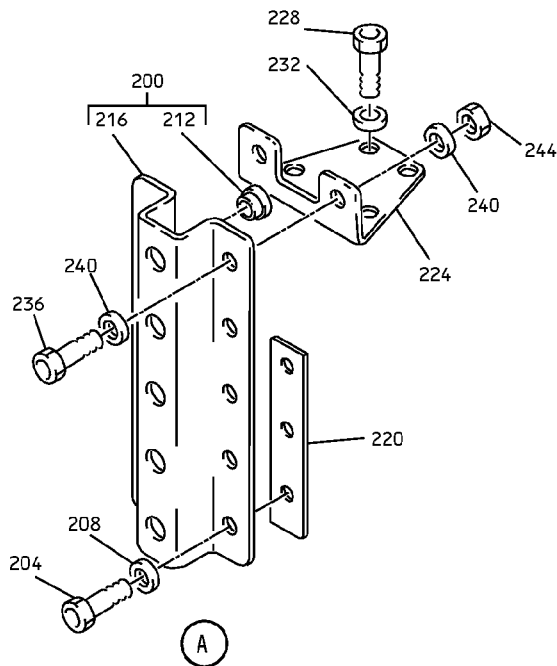
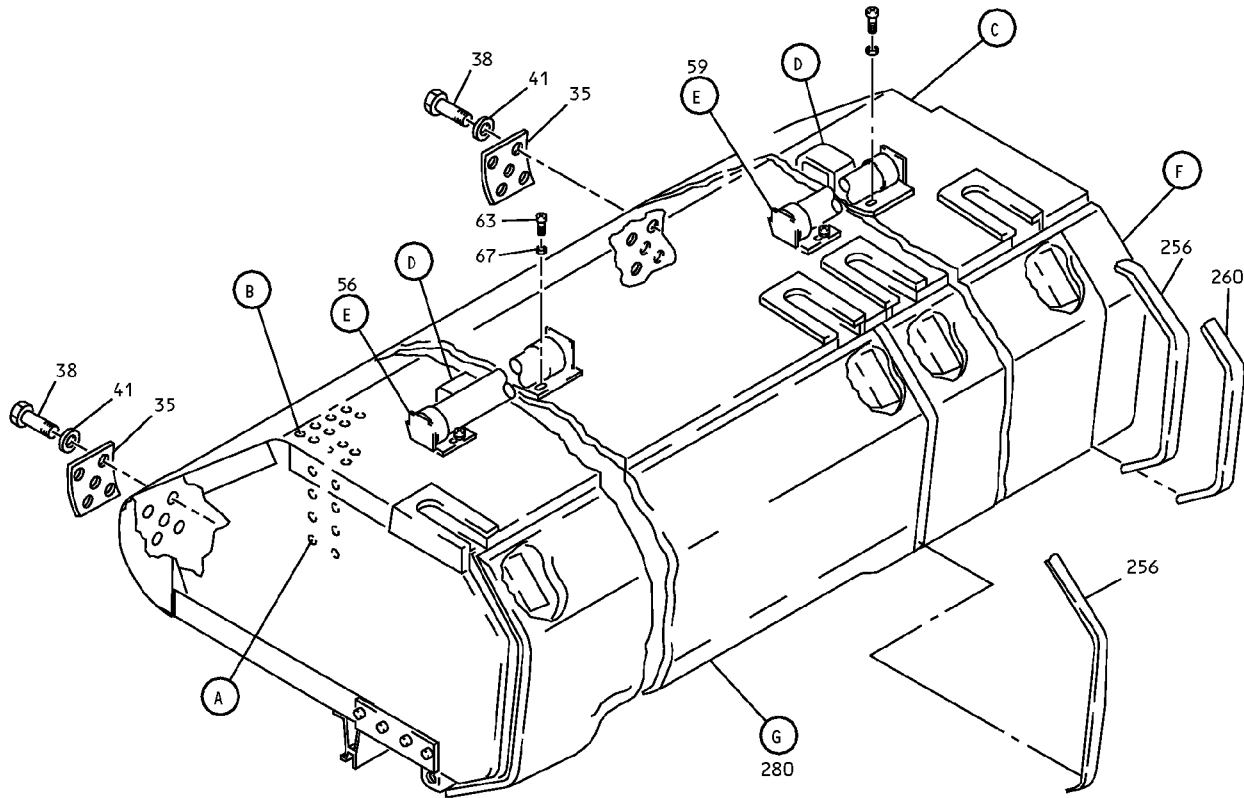
25-28-46

ILLUSTRATED PARTS LIST

Page 1098.12

Jul 01/2006

COMPONENT MAINTENANCE MANUAL



Overhead Storage Compartment Assembly
IPL Figure 1 (Sheet 1 of 11)

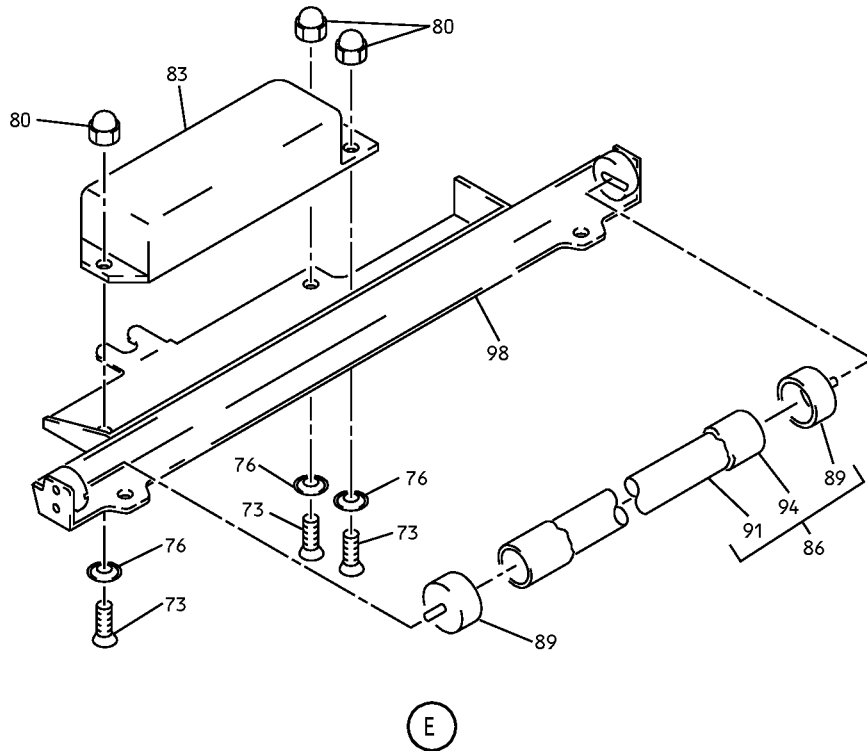
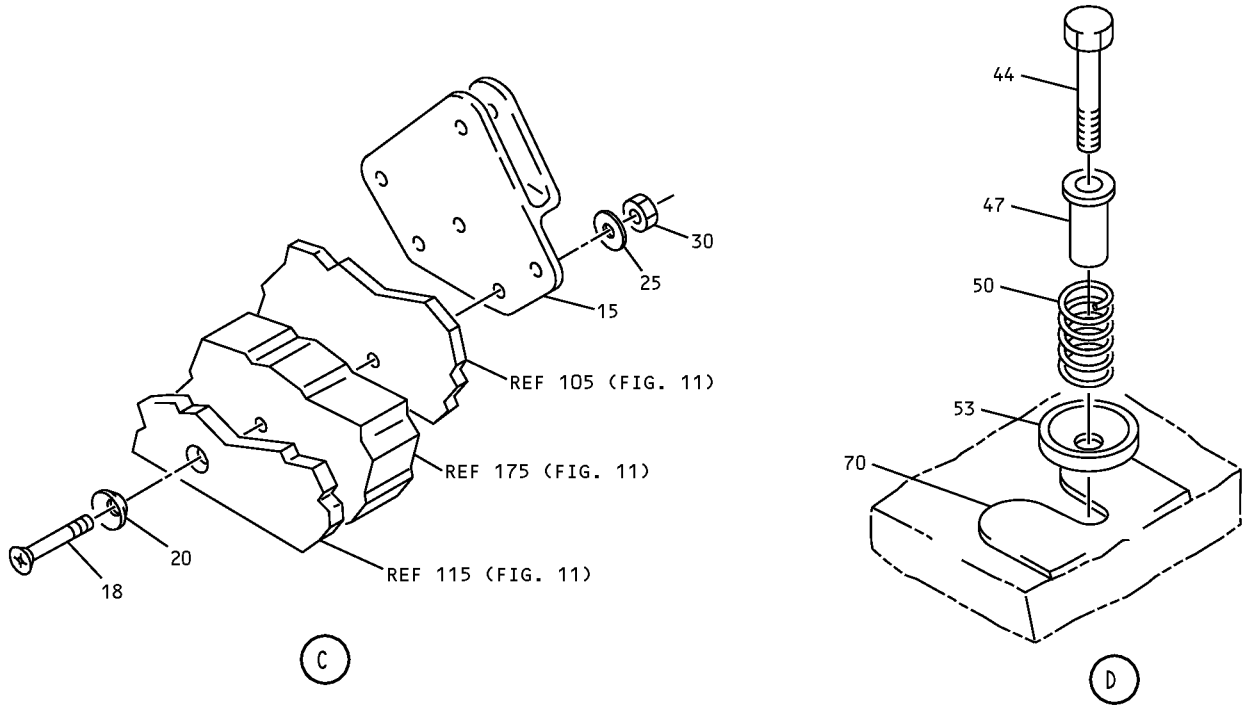
25-28-46

ILLUSTRATED PARTS LIST

Page 1098.13

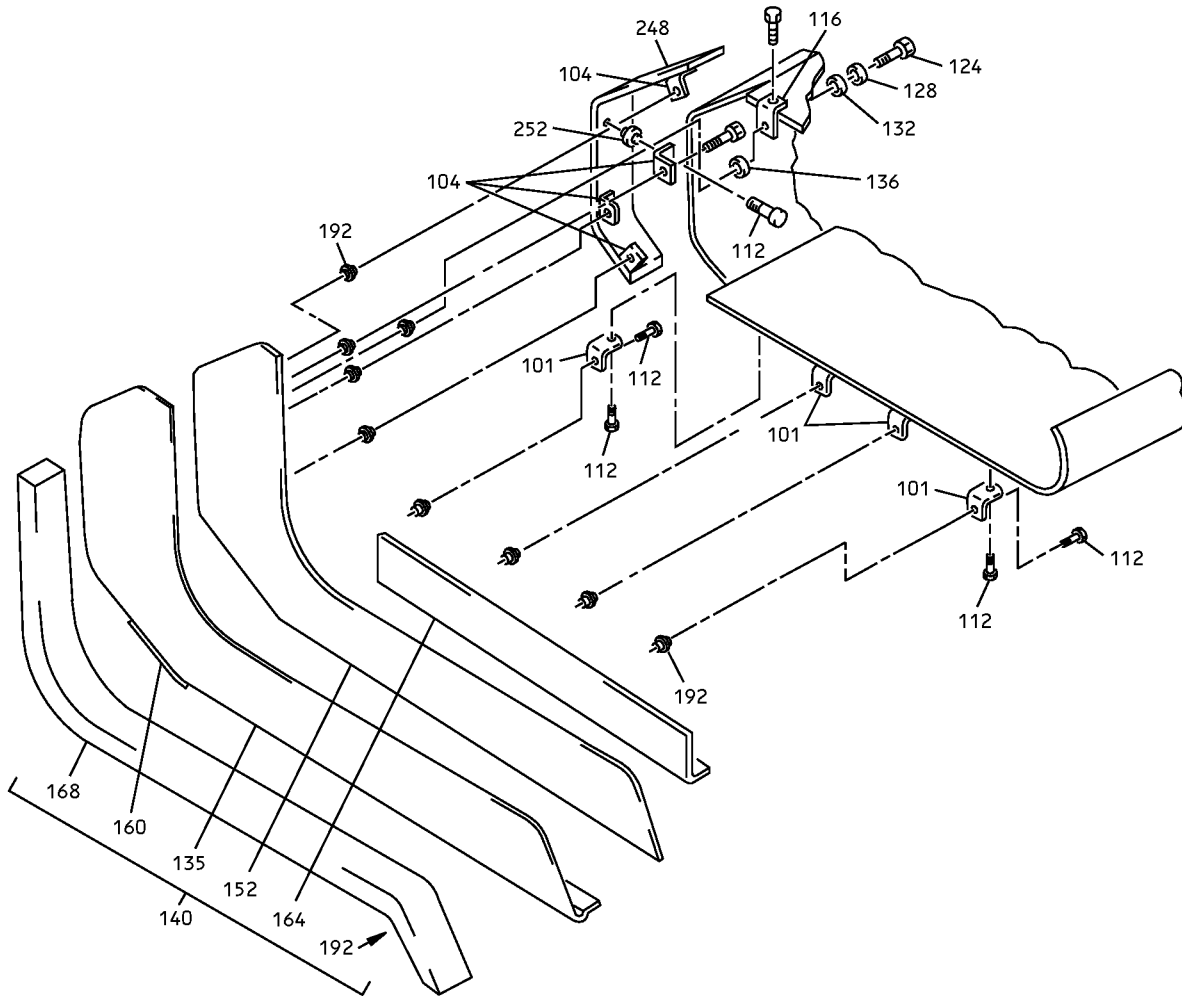
Jul 01/2006

COMPONENT MAINTENANCE MANUAL



Overhead Stowage Compartment Assembly
IPL Figure 1 (Sheet 2 of 11)

COMPONENT MAINTENANCE MANUAL



F

Overhead Stowage Compartment Assembly
IPL Figure 1 (Sheet 3 of 11)

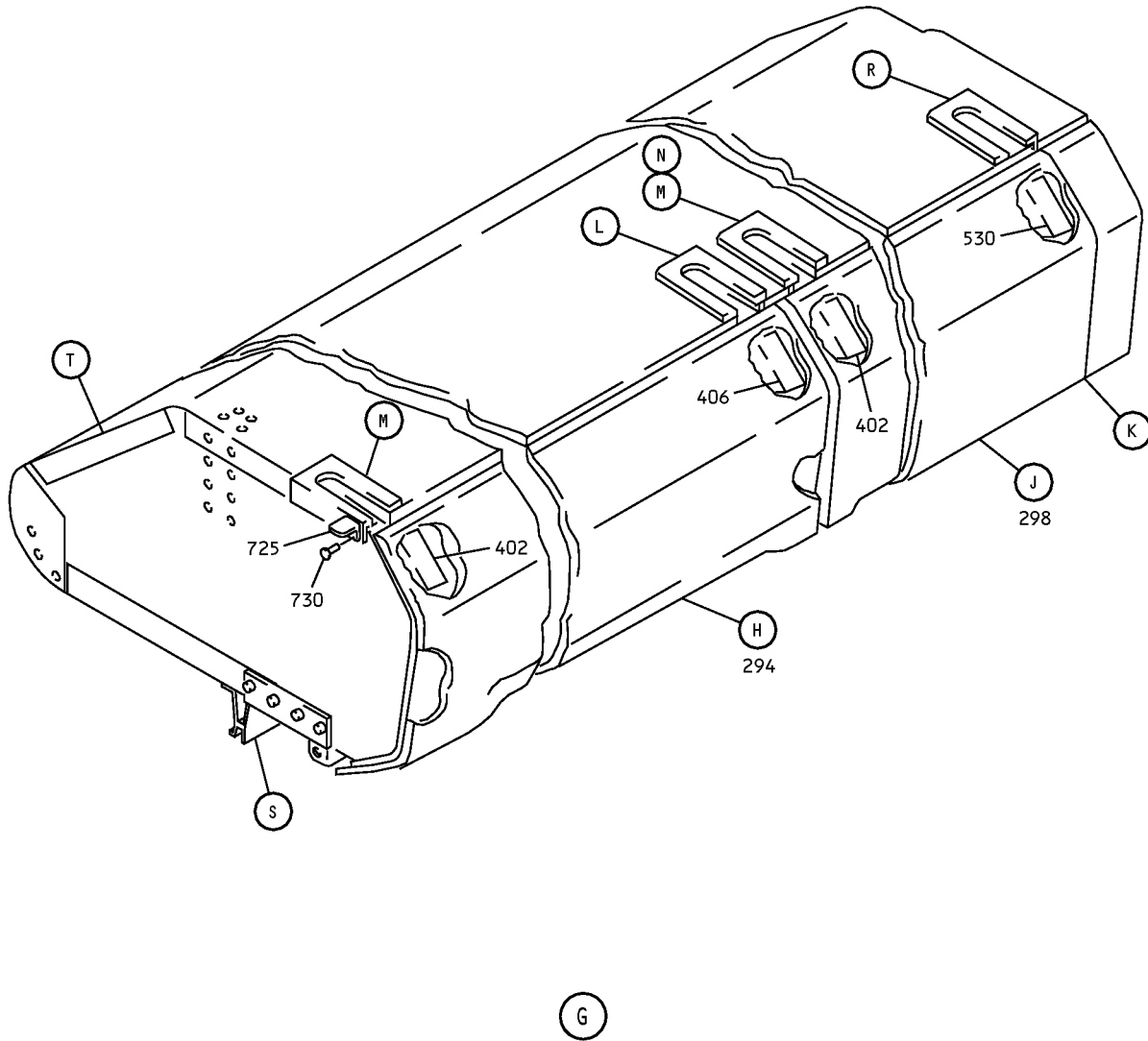
25-28-46

ILLUSTRATED PARTS LIST

Page 1098.15

Jul 01/2006

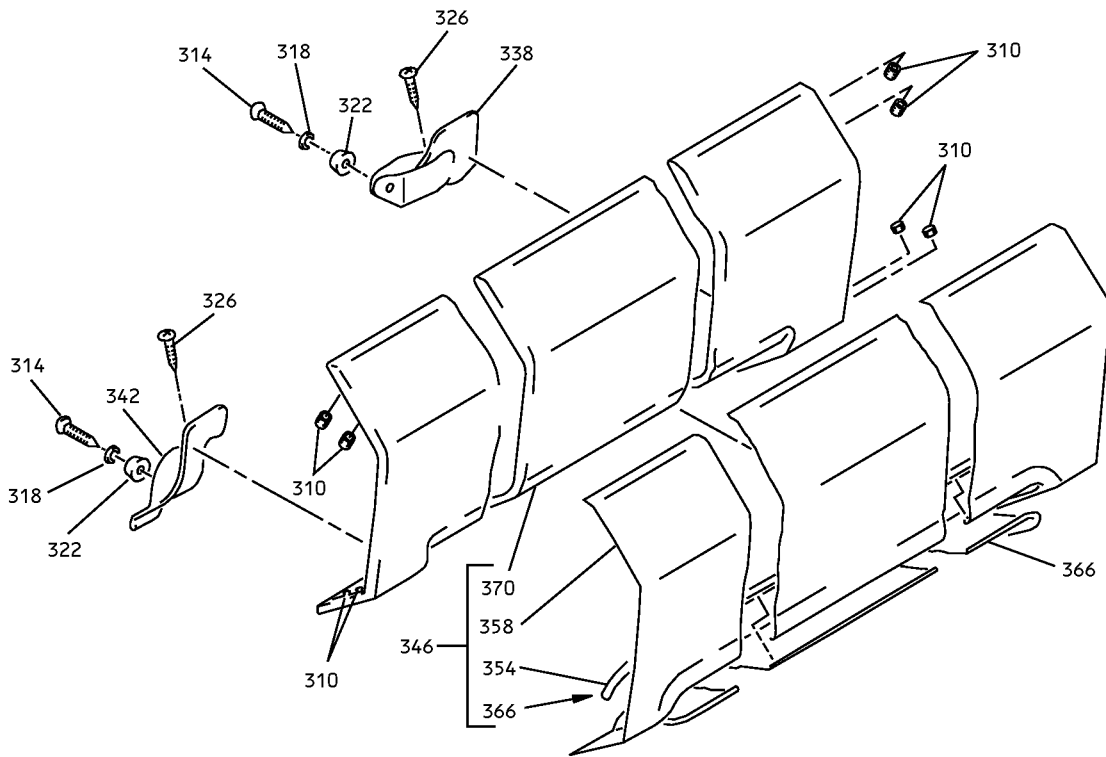
COMPONENT MAINTENANCE MANUAL



Overhead Storage Compartment Assembly
IPL Figure 1 (Sheet 4 of 11)

25-28-46
ILLUSTRATED PARTS LIST
Page 1098.16
Jul 01/2006

COMPONENT MAINTENANCE MANUAL



H

Overhead Stowage Compartment Assembly
IPL Figure 1 (Sheet 5 of 11)

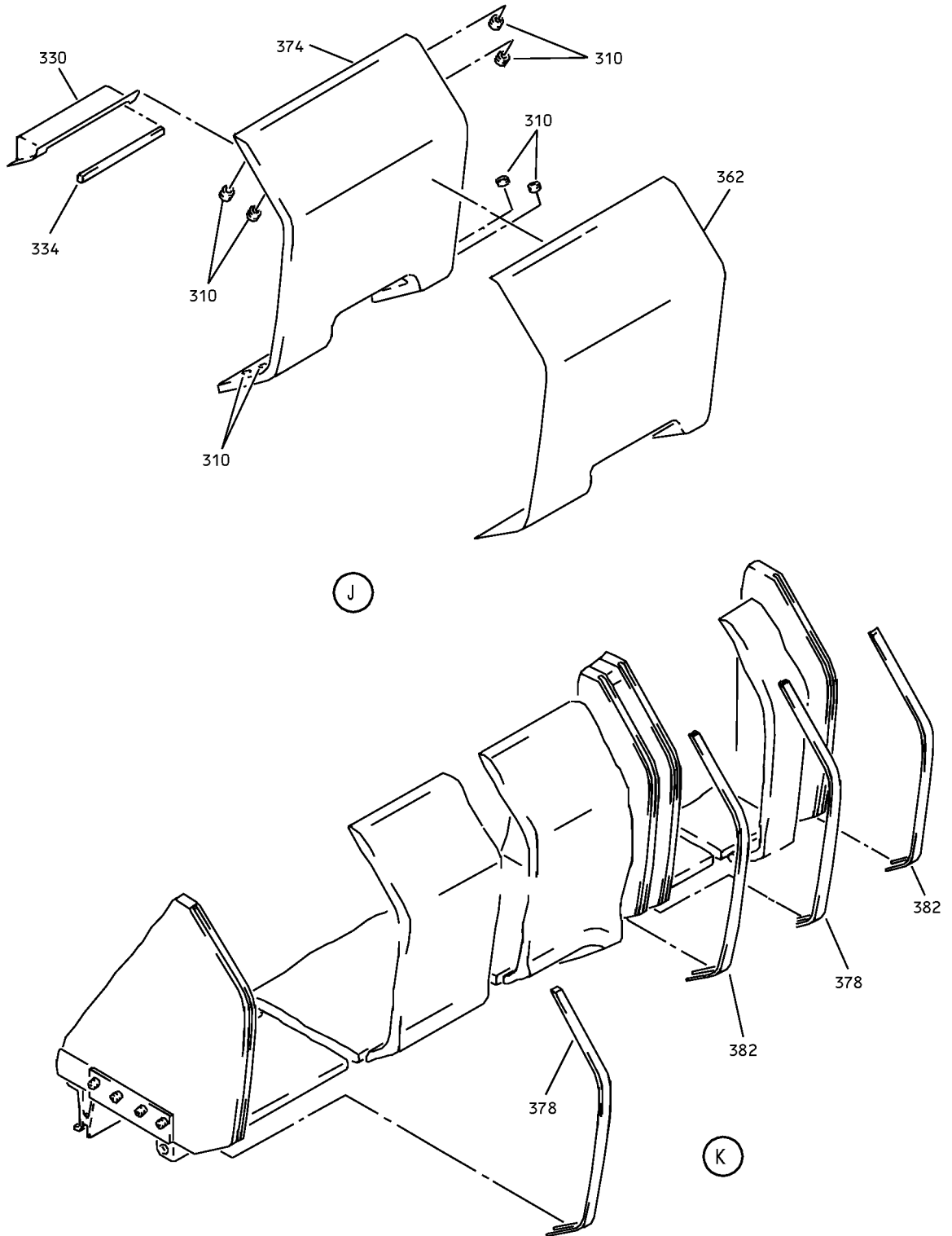
25-28-46

ILLUSTRATED PARTS LIST

Page 1098.17

Jul 01/2006

COMPONENT MAINTENANCE MANUAL



Overhead Storage Compartment Assembly
IPL Figure 1 (Sheet 6 of 11)

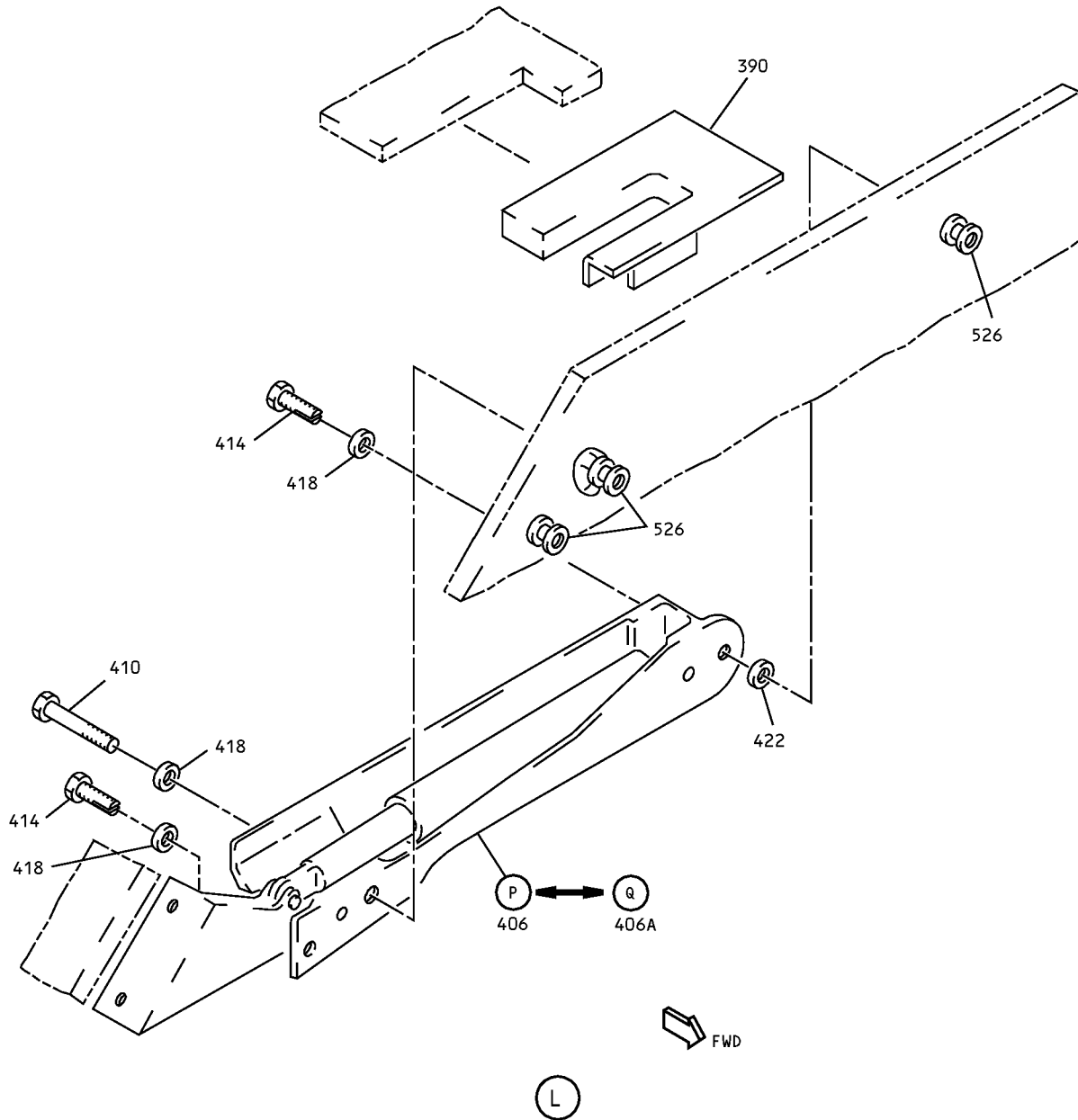
25-28-46

ILLUSTRATED PARTS LIST

Page 1098.18

Jul 01/2006

COMPONENT MAINTENANCE MANUAL



Overhead Storage Compartment Assembly
IPL Figure 1 (Sheet 7 of 11)

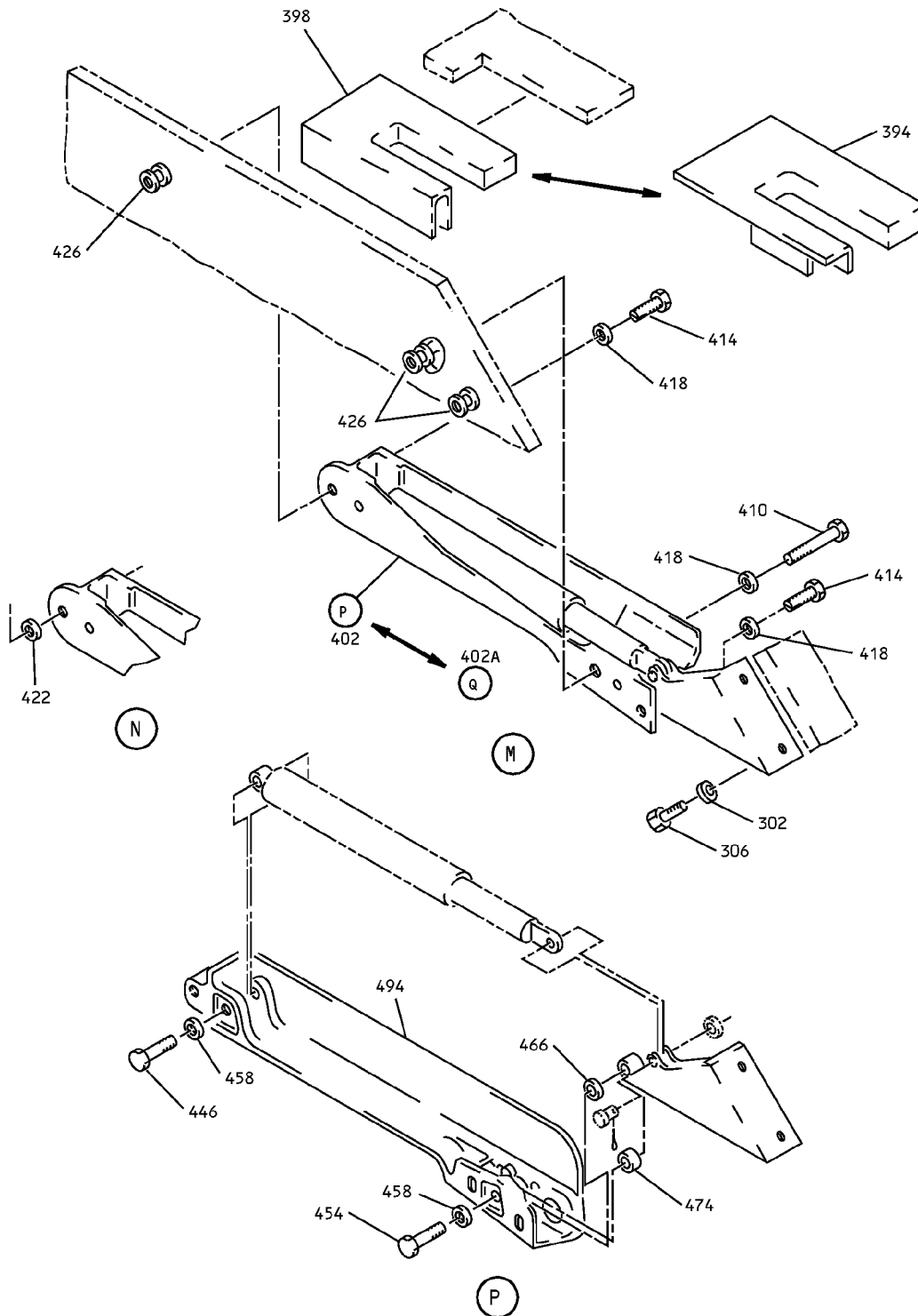
25-28-46

ILLUSTRATED PARTS LIST

Page 1098.19

Jul 01/2006

COMPONENT MAINTENANCE MANUAL



Overhead Storage Compartment Assembly
IPL Figure 1 (Sheet 8 of 11)

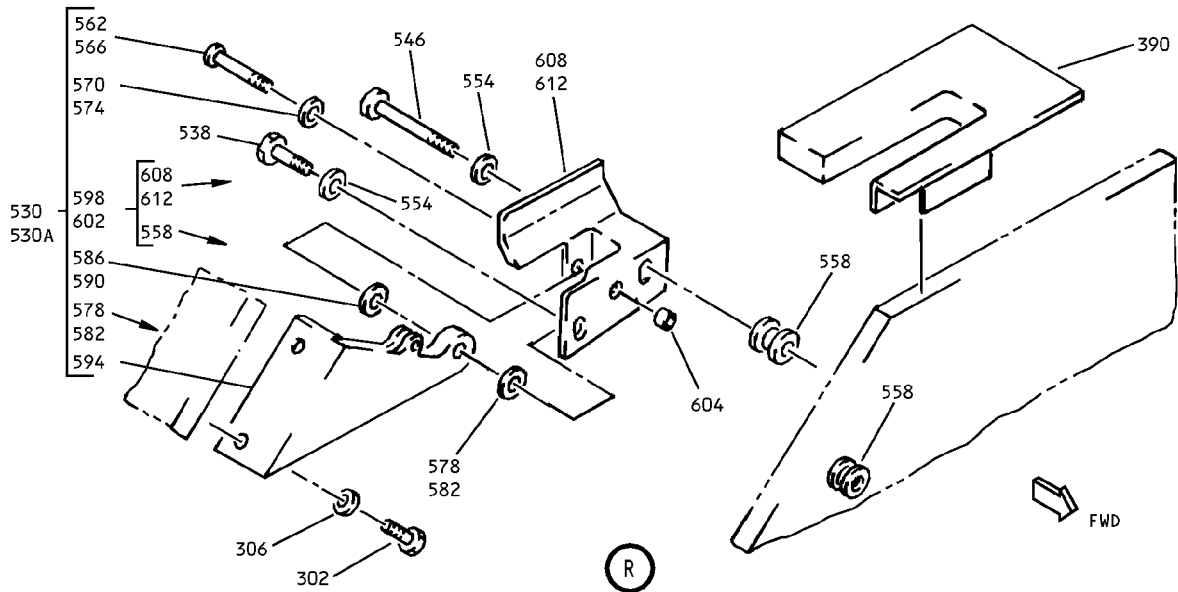
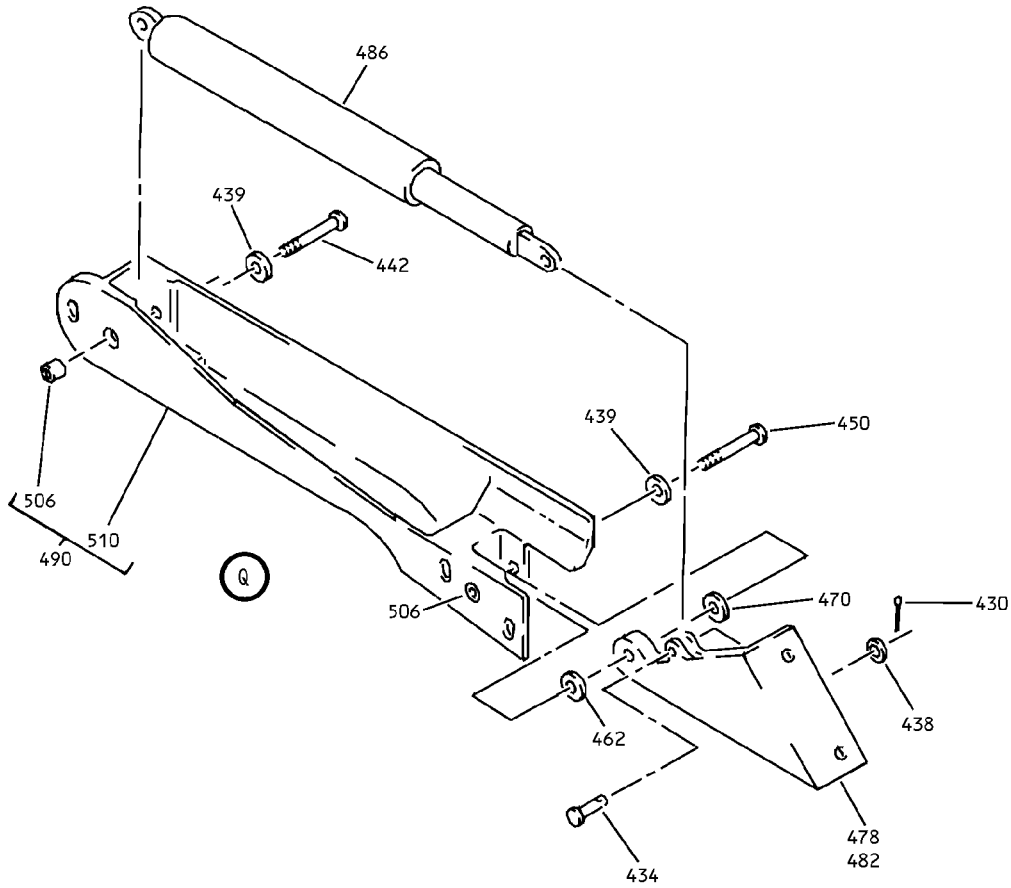
25-28-46

ILLUSTRATED PARTS LIST

Page 1098.20

Jul 01/2006

COMPONENT MAINTENANCE MANUAL



Overhead Storage Compartment Assembly
IPL Figure 1 (Sheet 9 of 11)

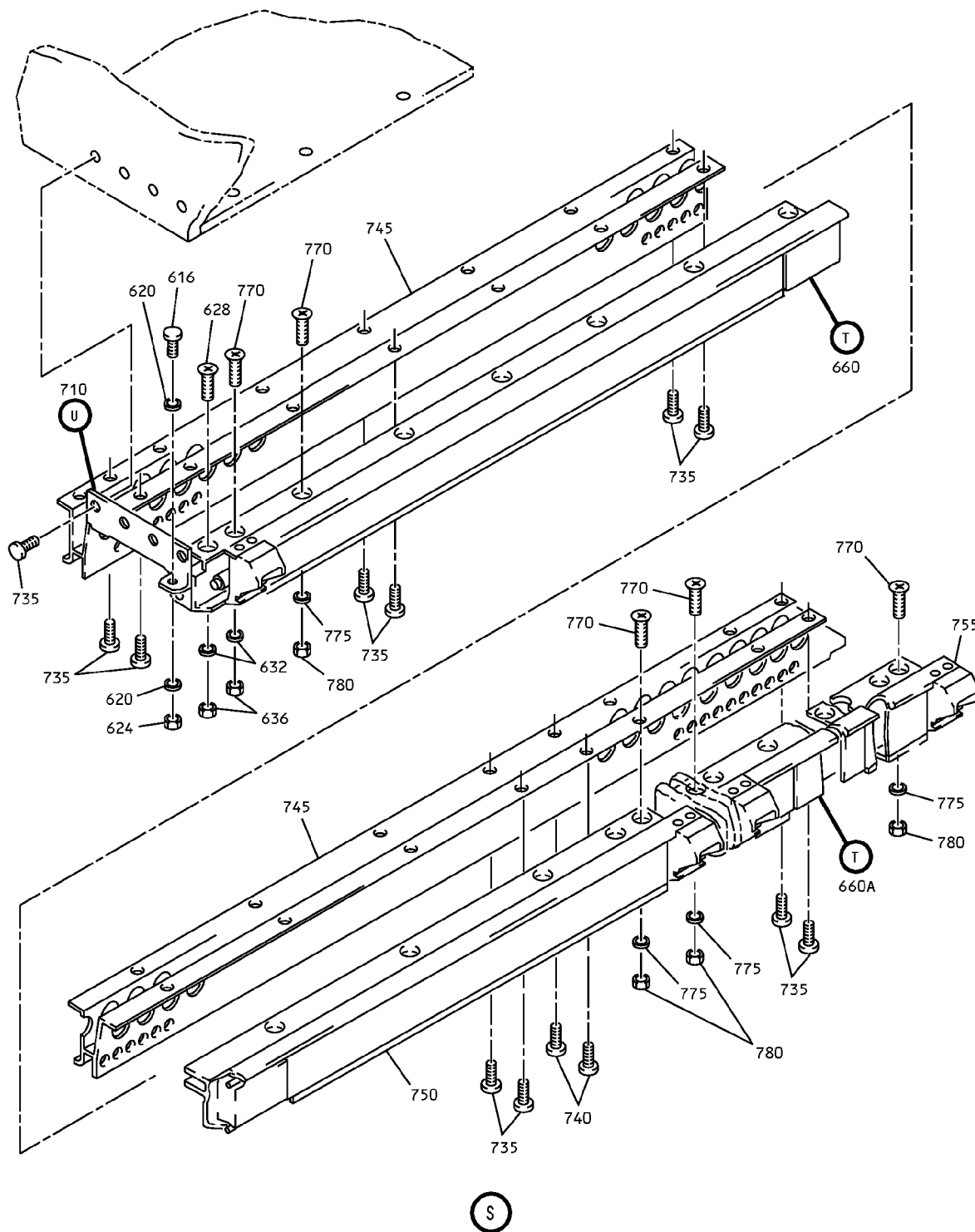
25-28-46

ILLUSTRATED PARTS LIST

Page 1098.21

Jul 01/2006

COMPONENT MAINTENANCE MANUAL



Overhead Storage Compartment Assembly
IPL Figure 1 (Sheet 10 of 11)

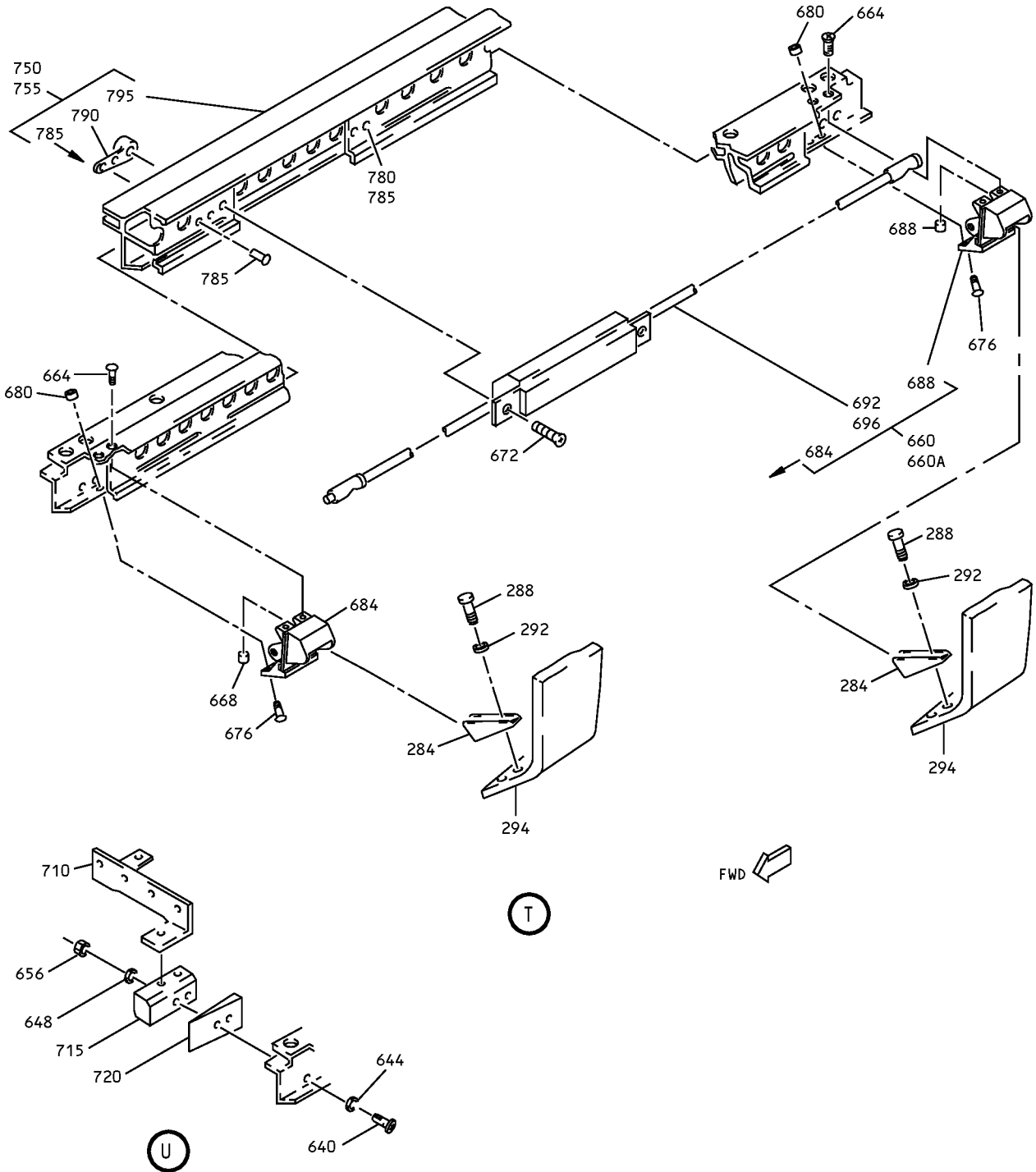
25-28-46

ILLUSTRATED PARTS LIST

Page 1098.22

Jul 01/2006

COMPONENT MAINTENANCE MANUAL



Overhead Storage Compartment Assembly
IPL Figure 1 (Sheet 11 of 11)

25-28-46

ILLUSTRATED PARTS LIST

Page 1098.23

Jul 01/2006



COMPONENT MAINTENANCE MANUAL

FIG/ ITEM	PART NUMBER	AIRLINE PART NUMBER	NOMENCLATURE							USAGE CODE	UNITS PER ASSY
			1	2	3	4	5	6	7		
1-											
-1	65C27006-5SP		COMPARTMENT ASSY-OVERHEAD STOWAGE (FOR DETAILS SEE FIG. 2) (REWORKED BY SB 737-25A128 (REWORKED BY SB 737-25-129 (NO EQUIVALENT BOEING REPLACEMENT PART NUMBER)								RF
-1A	65C27006-6SP		COMPARTMENT ASSY-OVERHEAD STOWAGE (REWORKED BY SB 737-25A128 (REWORKED BY SB 737-25-129 (NO EQUIVALENT BOEING REPLACEMENT PART NUMBER)							A	RF
-1B	65C27006-7SP		COMPARTMENT ASSY-OVERHEAD STOWAGE (FOR DETAILS SEE FIG. 7) (REWORKED BY SB 737-25A128 (REWORKED BY SB 737-25-129 (NO EQUIVALENT BOEING REPLACEMENT PART NUMBER)								RF
-1C	65C27006-8SP		COMPARTMENT ASSY-OVERHEAD STOWAGE (FOR DETAILS SEE FIG. 6) (REWORKED BY SB 737-25A128 (REWORKED BY SB 737-25-129 (NO EQUIVALENT BOEING REPLACEMENT PART NUMBER)								RF
-1D	65C27006-23SP		COMPARTMENT ASSY-OVERHEAD STOWAGE (FOR DETAILS SEE FIG. 6) (REWORKED BY SB 737-25A128 (REWORKED BY SB 737-25-129 (NO EQUIVALENT BOEING REPLACEMENT PART NUMBER)								RF
-1E	65C27006-25SP		COMPARTMENT ASSY-OVERHEAD STOWAGE (FOR DETAILS SEE FIG. 2) (REWORKED BY SB 737-25A128 (REWORKED BY SB 737-25-129 (NO EQUIVALENT BOEING REPLACEMENT PART NUMBER)								RF

-Item not Illustrated

25-28-46

ILLUSTRATED PARTS LIST

Page 1098.24

Jul 01/2006



COMPONENT MAINTENANCE MANUAL

FIG/ ITEM	PART NUMBER	AIRLINE PART NUMBER	NOMENCLATURE							USAGE CODE	UNITS PER ASSY
			1	2	3	4	5	6	7		
1- -1F	65C27006-26SP		COMPARTMENT ASSY-OVERHEAD STOWAGE (REWORKED BY SB 737-25A128 (REWORKED BY SB 737-25-129 (NO EQUIVALENT BOEING REPLACEMENT PART NUMBER)							B	RF
-1G	65C27006-27SP		COMPARTMENT ASSY-OVERHEAD STOWAGE (FOR DETAILS SEE FIG. 7) (REWORKED BY SB 737-25A128 (REWORKED BY SB 737-25-129 (NO EQUIVALENT BOEING REPLACEMENT PART NUMBER)								RF
-1H	65C27006-33SP		COMPARTMENT ASSY-OVERHEAD STOWAGE (FOR DETAILS SEE FIG. 4) (REWORKED BY SB 737-25A128 (REWORKED BY SB 737-25-129 (NO EQUIVALENT BOEING REPLACEMENT PART NUMBER)								RF
-1J	65C27006-35SP		COMPARTMENT ASSY-OVERHEAD STOWAGE (FOR DETAILS SEE FIG. 6) (REWORKED BY SB 737-25A128 (REWORKED BY SB 737-25-129 (NO EQUIVALENT BOEING REPLACEMENT PART NUMBER)								RF
-1K	65C27006-39SP		COMPARTMENT ASSY-OVERHEAD STOWAGE (FOR DETAILS SEE FIG. 6) (REWORKED BY SB 737-25A128 (REWORKED BY SB 737-25-129 (NO EQUIVALENT BOEING REPLACEMENT PART NUMBER)								RF
-1L	65C27006-40SP		COMPARTMENT ASSY-OVERHEAD STOWAGE (FOR DETAILS SEE FIG. 3) (REWORKED BY SB 737-25A128 (REWORKED BY SB 737-25-129 (NO EQUIVALENT BOEING REPLACEMENT PART NUMBER)								RF

-Item not Illustrated

25-28-46

ILLUSTRATED PARTS LIST

Page 1098.25

Jul 01/2006



COMPONENT MAINTENANCE MANUAL

FIG/ ITEM	PART NUMBER	AIRLINE PART NUMBER	NOMENCLATURE							USAGE CODE	UNITS PER ASSY
			1	2	3	4	5	6	7		
1- -1M	65C27006-41SP		COMPARTMENT ASSY-OVERHEAD STOWAGE (FOR DETAILS SEE FIG. 7) (REWORKED BY SB 737-25A128 (REWORKED BY SB 737-25-129 (NO EQUIVALENT BOEING REPLACEMENT PART NUMBER)								RF
-1N	65C27006-44SP		COMPARTMENT ASSY-OVERHEAD STOWAGE (FOR DETAILS SEE FIG. 7) (REWORKED BY SB 737-25A128 (REWORKED BY SB 737-25-129 (NO EQUIVALENT BOEING REPLACEMENT PART NUMBER)								RF
-1P	65C27006-45SP		COMPARTMENT ASSY-OVERHEAD STOWAGE (FOR DETAILS SEE FIG. 4) (REWORKED BY SB 737-25A128 (REWORKED BY SB 737-25-129 (NO EQUIVALENT BOEING REPLACEMENT PART NUMBER)								RF
-1Q	65C27006-46SP		COMPARTMENT ASSY-OVERHEAD STOWAGE (FOR DETAILS SEE FIG. 6) (REWORKED BY SB 737-25A128 (REWORKED BY SB 737-25-129 (NO EQUIVALENT BOEING REPLACEMENT PART NUMBER)								RF
-1R	65C27006-48SP		COMPARTMENT ASSY-OVERHEAD STOWAGE (FOR DETAILS SEE FIG. 6) (REWORKED BY SB 737-25A128 (REWORKED BY SB 737-25-129 (NO EQUIVALENT BOEING REPLACEMENT PART NUMBER)								RF
-1S	65C27006-49SP		COMPARTMENT ASSY-OVERHEAD STOWAGE (FOR DETAILS SEE FIG. 6) (REWORKED BY SB 737-25A128 (REWORKED BY SB 737-25-129 (NO EQUIVALENT BOEING REPLACEMENT PART NUMBER)								RF

-Item not Illustrated

25-28-46

ILLUSTRATED PARTS LIST

Page 1098.26

Jul 01/2006



COMPONENT MAINTENANCE MANUAL

FIG/ ITEM	PART NUMBER	AIRLINE PART NUMBER	NOMENCLATURE							USAGE CODE	UNITS PER ASSY
			1	2	3	4	5	6	7		
1- -1T	65C27006-53SP		COMPARTMENT ASSY-OVERHEAD STOWAGE (FOR DETAILS SEE FIG. 6) (REWORKED BY SB 737-25A128 (REWORKED BY SB 737-25-129 (NO EQUIVALENT BOEING REPLACEMENT PART NUMBER)								RF
-1U	65C27006-54SP		COMPARTMENT ASSY-OVERHEAD STOWAGE (FOR DETAILS SEE FIG. 7) (REWORKED BY SB 737-25A128 (REWORKED BY SB 737-25-129 (NO EQUIVALENT BOEING REPLACEMENT PART NUMBER)								RF
-1V	65C27006-64SP		COMPARTMENT ASSY-OVERHEAD STOWAGE (FOR DETAILS SEE FIG. 3) (REWORKED BY SB 737-25A128 (REWORKED BY SB 737-25-129 (NO EQUIVALENT BOEING REPLACEMENT PART NUMBER)								RF
-1W	65C27006-66SP		COMPARTMENT ASSY-OVERHEAD STOWAGE (FOR DETAILS SEE FIG. 5) (REWORKED BY SB 737-25A128 (REWORKED BY SB 737-25-129 (NO EQUIVALENT BOEING REPLACEMENT PART NUMBER)								RF
-1X	65C27006-68SP		COMPARTMENT ASSY-OVERHEAD STOWAGE (FOR DETAILS SEE FIG. 3) (REWORKED BY SB 737-25A128 (REWORKED BY SB 737-25-129 (NO EQUIVALENT BOEING REPLACEMENT PART NUMBER)								RF
-1Y	65C27006-71SP		COMPARTMENT ASSY-OVERHEAD STOWAGE (FOR DETAILS SEE FIG. 3) (REWORKED BY SB 737-25A128 (REWORKED BY SB 737-25-129 (NO EQUIVALENT BOEING REPLACEMENT PART NUMBER)								RF

-Item not Illustrated

25-28-46

ILLUSTRATED PARTS LIST

Page 1098.27

Jul 01/2006



COMPONENT MAINTENANCE MANUAL

FIG/ ITEM	PART NUMBER	AIRLINE PART NUMBER	NOMENCLATURE							USAGE CODE	UNITS PER ASSY
			1	2	3	4	5	6	7		
1- -1Z	65C27006-75SP		COMPARTMENT ASSY-OVERHEAD STOWAGE (FOR DETAILS SEE FIG. 6) (REWORKED BY SB 737-25A128 (REWORKED BY SB 737-25-129 (NO EQUIVALENT BOEING REPLACEMENT PART NUMBER)								RF
-2	65C27006-85SP		COMPARTMENT ASSY-OVERHEAD STOWAGE (FOR DETAILS SEE FIG. 6) (REWORKED BY SB 737-25A128 (REWORKED BY SB 737-25-129 (NO EQUIVALENT BOEING REPLACEMENT PART NUMBER)								RF
-2A	65C27006-89SP		COMPARTMENT ASSY-OVERHEAD STOWAGE (FOR DETAILS SEE FIG. 4) (REWORKED BY SB 737-25A128 (REWORKED BY SB 737-25-129 (NO EQUIVALENT BOEING REPLACEMENT PART NUMBER)								RF
-2B	65C27006-91SP		COMPARTMENT ASSY-OVERHEAD STOWAGE (FOR DETAILS SEE FIG. 6) (REWORKED BY SB 737-25A128 (REWORKED BY SB 737-25-129 (NO EQUIVALENT BOEING REPLACEMENT PART NUMBER)								RF
-2C	65C27006-92SP		COMPARTMENT ASSY-OVERHEAD STOWAGE (FOR DETAILS SEE FIG. 3) (REWORKED BY SB 737-25A128 (REWORKED BY SB 737-25-129 (NO EQUIVALENT BOEING REPLACEMENT PART NUMBER)								RF
-2D	65C27006-98SP		COMPARTMENT ASSY-OVERHEAD STOWAGE (FOR DETAILS SEE FIG. 6) (REWORKED BY SB 737-25A128 (REWORKED BY SB 737-25-129 (NO EQUIVALENT BOEING REPLACEMENT PART NUMBER)								RF

-Item not Illustrated

25-28-46

ILLUSTRATED PARTS LIST

Page 1098.28

Jul 01/2006



COMPONENT MAINTENANCE MANUAL

FIG/ ITEM	PART NUMBER	AIRLINE PART NUMBER	NOMENCLATURE							USAGE CODE	UNITS PER ASSY
			1	2	3	4	5	6	7		
1- -2G	65C27006-107SP		COMPARTMENT ASSY-OVERHEAD STOWAGE (FOR DETAILS SEE FIG. 6) (REWORKED BY SB 737-25A128 (REWORKED BY SB 737-25-129 (NO EQUIVALENT BOEING REPLACEMENT PART NUMBER)								RF
-2H	65C27006-111SP		COMPARTMENT ASSY-OVERHEAD STOWAGE (FOR DETAILS SEE FIG. 3) (REWORKED BY SB 737-25A128 (REWORKED BY SB 737-25-129 (NO EQUIVALENT BOEING REPLACEMENT PART NUMBER)								RF
-2J	65C27006-115SP		COMPARTMENT ASSY-OVERHEAD STOWAGE (FOR DETAILS SEE FIG. 8) (REWORKED BY SB 737-25A128 (REWORKED BY SB 737-25-129 (NO EQUIVALENT BOEING REPLACEMENT PART NUMBER)								RF
-2K	65C27006-116SP		COMPARTMENT ASSY-OVERHEAD STOWAGE (FOR DETAILS SEE FIG. 8) (REWORKED BY SB 737-25A128 (REWORKED BY SB 737-25-129 (NO EQUIVALENT BOEING REPLACEMENT PART NUMBER)								RF
-2L	65C27006-121SP		COMPARTMENT ASSY-OVERHEAD STOWAGE (FOR DETAILS SEE FIG. 6) (REWORKED BY SB 737-25A128 (REWORKED BY SB 737-25-129 (NO EQUIVALENT BOEING REPLACEMENT PART NUMBER)								RF
-2M	65C27006-125SP		COMPARTMENT ASSY-OVERHEAD STOWAGE (FOR DETAILS SEE FIG. 6) (REWORKED BY SB 737-25A128 (REWORKED BY SB 737-25-129 (NO EQUIVALENT BOEING REPLACEMENT PART NUMBER)								RF

-Item not Illustrated

25-28-46

ILLUSTRATED PARTS LIST

Page 1098.29

Jul 01/2006



COMPONENT MAINTENANCE MANUAL

FIG/ ITEM	PART NUMBER	AIRLINE PART NUMBER	NOMENCLATURE							USAGE CODE	UNITS PER ASSY
			1	2	3	4	5	6	7		
1- -2N	65C27006-99SP		COMPARTMENT ASSY-OVERHEAD STOWAGE (FOR DETAILS SEE FIG. 4) (REWORKED BY SB 737-25A128 (REWORKED BY SB 737-25-129 (NO EQUIVALENT BOEING REPLACEMENT PART NUMBER)								RF
-2Q	65C27006-135SP		COMPARTMENT ASSY-OVERHEAD STOWAGE (FOR DETAILS SEE FIG. 6) (REWORKED BY SB 737-25A128 (REWORKED BY SB 737-25-129 (NO EQUIVALENT BOEING REPLACEMENT PART NUMBER)								RF
-2R	65C27006-136SP		COMPARTMENT ASSY-OVERHEAD STOWAGE (FOR DETAILS SEE FIG. 7) (REWORKED BY SB 737-25A128 (REWORKED BY SB 737-25-129 (NO EQUIVALENT BOEING REPLACEMENT PART NUMBER)								RF
-2S	65C27006-138SP		COMPARTMENT ASSY-OVERHEAD STOWAGE (FOR DETAILS SEE FIG. 7) (REWORKED BY SB 737-25A128 (REWORKED BY SB 737-25-129 (NO EQUIVALENT BOEING REPLACEMENT PART NUMBER)								RF
3	BACB30NM3K1		. BOLT (V06710) (SPEC BACB30NM3K1) (OPT BACB30NM3K1 (V06725)) (OPT BACB30NM3K1 (V06950)) (OPT BACB30NM3K1 (V08524)) (OPT BACB30NM3K1 (V08524)) (OPT BACB30NM3K1 (V27624)) (OPT BACB30NM3K1 (V56878)) (OPT BACB30NM3K1 (V73197)) (OPT BACB30NM3K1 (V80539)) (OPT BACB30NM3K1 (V92215)) (OPT BACB30NM3K1 (V93907)) (OPT BACB30NM3K1 (V97928))								6
6	AN960JD10		. WASHER								6
7	BACB30NM3K3		. BOLT								2

-Item not Illustrated

25-28-46

ILLUSTRATED PARTS LIST

Page 1098.30

Jul 01/2006



COMPONENT MAINTENANCE MANUAL

FIG/ ITEM	PART NUMBER	AIRLINE PART NUMBER	NOMENCLATURE							USAGE CODE	UNITS PER ASSY
			1	2	3	4	5	6	7		
1-											
8	AN960JD10								. WASHER		2
9	BACB30NM3K1								. BOLT		2
10	412N1161-1								. FITTING (OPT ITEM 10A)		1
10A	412N1119-13								. FITTING (OPT ITEM 10)		1
12	65C27017-20								. BRACKET		1
13	50-3361-8629								. FILLER-RADIUS		2
15	412N1119-42								. FITTING ATTACHING PARTS		1
18	BACB30NN3K10								. BOLT		5
20	BACW10CT10								. WASHER		5
25	AN960PD10L								. WASHER		5
30	BACN10JC3								. NUT -----*		5
33	412N1119-12								. FITTING		1
35	65C27017-4								. FITTING		1
38	BACB30NM3K1								. BOLT		8
41	AN960PD10								. WASHER		8
44	NAS1801-3-11								. SCREW		2
47	BACS18C8-6								. SPACER		2
50	MS24585-1230								. SPRING		2
53	411N3142-28								. WASHER CUPPED		2
-56	417N5120-23								. LIGHT ASSY		1
59	417N5120-20								. LIGHT ASSY (OPT ITEM 59A)		1
-59A	417N5120-7								. LIGHT ASSY (OPT ITEM 59)		1
63	NAS1801-3-5								. SCREW		4
67	AN960JD10L								. WASHER		4
70	65C28117-3								. . PAD		1

-Item not Illustrated

25-28-46

ILLUSTRATED PARTS LIST

Page 1098.31

Jul 01/2006



COMPONENT MAINTENANCE MANUAL

FIG/ ITEM	PART NUMBER	AIRLINE PART NUMBER	NOMENCLATURE							USAGE CODE	UNITS PER ASSY
			1	2	3	4	5	6	7		
1- 73	BACS12ER3K6		. . SCREW (V06710) (SPEC BACS12ER3K6) (OPT BACS12ER3K6 (V06725)) (OPT BACS12ER3K6 (V06950)) (OPT BACS12ER3K6 (V27624)) (OPT BACS12ER3K6 (V34252)) (OPT BACS12ER3K6 (V56878)) (OPT BACS12ER3K6 (V73197)) (OPT BACS12ER3K6 (V80539)) (OPT BACS12ER3K6 (V92215)) (OPT BACS12ER3K6 (V93907)) (OPT BACS12ER3K6 (V97928))								3
76	BACW10UD10		. . WASHER								3
80	F22K1-02		. . NUT (V72962) (SPEC BACN10R10L) (OPT 22K1-02 (V72962)) (OPT 26CL02 (V80539))								3
83	05939-7		. . BALLAST (V17023) (SPEC S283N702-7) (USED ON ITEMS 59,59A)								1
-83A	05937-5		. . BALLAST (V17023) (SPEC S283N702-5) (USED ON ITEM 56)								1
86	417N5120-10		. . LAMP ASSY (USED ON ITEM 56)								1
-86A	417N5120-12		. . LAMP ASSY (USED ON ITEMS 59,59A)								1
89	2055150		. . CAP-END (V04169)								2
-89A	2055132		. . . CAP-END (V04169) (USED ON ITEM 86A)								2
91	F20T12WW		. . . LAMP-FLOUR (V08805) (USED ON ITEM 86)								1
-91A	F15T8WW		. . . LAMP-FLOUR (V08805) (USED ON ITEM 86A)								1

-Item not Illustrated

25-28-46

ILLUSTRATED PARTS LIST

Page 1098.32

Jul 01/2006



COMPONENT MAINTENANCE MANUAL

FIG/ ITEM	PART NUMBER	AIRLINE PART NUMBER	NOMENCLATURE							USAGE CODE	UNITS PER ASSY
			1	2	3	4	5	6	7		
1-											
94	LP1625-24							. . . TUBE-COVER (V060116) (USED ON ITEM 86)			1
-94A	LP1610-18							. . . TUBE-COVER (V060116) (OPT ITEM 86A)			1
98	800000255-20							. . LIGHT ASSY-CLG (V05617) (SPEC S417N507-20) (USED ON ITEM 56) (FOR DETAILS SEE FIG. 80)			1
98A	800000255-17							. . LIGHT ASSY-CLG (V05617) (SPEC S417N507-17) (USED ON ITEM 59) (FOR DETAILS SEE FIG. 80)			1
98B	800000255-7							. . LIGHT ASSY-CLG (V05617) (SPEC S417N507-7) (USED ON ITEM 59A) (FOR DETAILS SEE FIG. 80)			1
101	412N1145-29							. BRACKET			4
104	65C27017-17							. BRACKET			4
108	65C27017-14							DELETED			
112	BACS12FA3K5							. SCREW			13
116	412N1145-30							. BRACKET			1
120	BACS12FA3K5							DELETED			
124	BACB30PF4-3							. BOLT			1
128	AN960C416L							. WASHER			1
132	NAS1515F4H							. WASHER			1
136	NAS1515M4L							. WASHER			1
140	65C27027-4SP							. END CAP ASSY			1
152	65C27027-12							. . PANEL ASSY			1
160	65C27027-13							. . FOAM			1
164	65C27027-14							. . ANGLE SUPPORT			1
168	65C27027-17							. . SEAL			1
180	65C27027-8							. . END CAP			1

-Item not Illustrated

25-28-46

ILLUSTRATED PARTS LIST

Page 1098.33

Jul 01/2006



COMPONENT MAINTENANCE MANUAL

FIG/ ITEM	PART NUMBER	AIRLINE PART NUMBER	NOMENCLATURE							USAGE CODE	UNITS PER ASSY
			1	2	3	4	5	6	7		
1-											
192	SL2334-3A2							. .	INSERT		9
200	65C27017-5							. BRACKET ASSY			1
								ATTACHING PARTS			
204	BACB30NM3K1							. BOLT			8
208	AN960PD10							DELETED			
208A	AN960JD10							. WASHER			8
								-----*			
212	BACB28B6-235P							. . BUSHING			1
216	65C27017-7							. . BRACKET			1
220	65C27017-15							. SHIM			2
224	412N1119-41							. FITTING			1
								ATTACHING PARTS			
228	BACB30NM3K1							. BOLT			4
232	AN960PD10L							DELETED			
232A	AN960JD10LL							. WASHER			4
								-----*			
236	BACB30NM3K3							. BOLT			2
240	AN960PD10L							DELETED			
240A	AN960JD10LL							. WASHER			4
244	BACN10JC3							DELETED			
244A	MS21042L3							. NUT			2
248	65C27026-6SP							. FILLER PANEL ASSY	A		1
-248A	65C27026-26SP							. FILLER PANEL ASSY	B		1
252	NAS2836-3-11							. . INSERT			4
256	412N1130-5							. TRIM-VERTICAL			2
260	65C27006-12							. SEAL			1
280	65C27009-8SP							. MODULE ASSY	A		1
-280A	65C27009-28SP							. MODULE ASSY	B		1
284	H3-1152-1							. . PLATE ASSY-STRIKER (V34941) (SPEC S412N101-1)			4

-Item not Illustrated

25-28-46

ILLUSTRATED PARTS LIST

Page 1098.34

Jul 01/2006



COMPONENT MAINTENANCE MANUAL

FIG/ ITEM	PART NUMBER	AIRLINE PART NUMBER	NOMENCLATURE							USAGE CODE	UNITS PER ASSY
			1	2	3	4	5	6	7		
1-			ATTACHING PARTS								
288	BACS12FA3K4		. . SCREW								8
292	MS35333-39		. . WASHER								8
			-----*-----								
294	412N1140-43SP		. . DOOR ASSY							A	1
-294A	412N1140-3SP		. . DOOR ASSY							B	1
298	412N1140-71SP		. . DOOR ASSY							A	1
-298A	412N1140-31		. . DOOR ASSY							B	1
			ATTACHING PARTS								
302	NAS1801-3-4		. . SCREW								8
306	MS35333-39		. . WASHER								8
			-----*-----								
310	SL628-3A		. . . INSERT (V97393)								8
314	BACS12H4-8		. . . SCREW (USED ON ITEM 294)								2
314A	MS51861-15		. . . SCREW (USED ON ITEM 294A)								2
318	NAS620A8L		. . . WASHER (USED ON ITEM 294)								2
318A	AN960PD4L		. . . WASHER (USED ON ITEM 294A)								2
322	412N1245-1		. . . BUMPER (USED ON ITEM 294)								2
326	MS51862-4		. . . SCREW (USED ON ITEM 294)								2
330	412N1143-11		. . . COVER (USED ON ITEMS 298,298A)								2
334	412N1140-17		. . . FILLER (USED ON ITEMS 298,298A)								1
338	412N1143-13		. . . COVER (USED ON ITEM 294)								1
342	412N1143-14		. . . COVER (USED ON ITEM 294)								1

-Item not Illustrated

25-28-46

ILLUSTRATED PARTS LIST

Page 1098.35

Jul 01/2006



COMPONENT MAINTENANCE MANUAL

FIG/ ITEM	PART NUMBER	AIRLINE PART NUMBER	NOMENCLATURE							USAGE CODE	UNITS PER ASSY
			1	2	3	4	5	6	7		
1-											
346	412N1140-60								. . . PANEL ASSY-DOOR (USED ON ITEM 294)		1
346A	412N1140-20								. . . PANEL ASSY-DOOR (USED ON ITEM 294A)		1
-350	412N1140-62								. . . PANEL ASSY-DOOR (USED ON ITEM 298)		1
-350A	412N1140-22								. . . PANEL ASSY-DOOR (USED ON ITEM 298A)		1
354	412N1140-13							 STRIP RETAINER (USED ON ITEM 346)		1
-354A	412N1140-15							 STRIP RETAINER (USED ON ITEM 346A)		1
358	412N1141-3							 FACE PLATE (USED ON ITEMS 346,346A)		1
362	412N1141-5							 FACE PLATE (USED ON ITEMS 350,350A)		1
366	412N1141-9							 MARKER (USED ON ITEMS 346,346A)		1
370	412N1142-17							 PANEL ASSY (USED ON ITEMS 346,346A)		1
374	412N1142-20							 PANEL ASSY (USED ON ITEMS 350,350A)		1
378	412N1118-1SP								. . RETAINER TRIM		2
382	412N1118-2SP								. . RETAINER TRIM		2
386	65C27009-6								. . EDGE COVER		2
390	412N1154-3								. . REINFORCEMENT-CORNER		2
394	412N1154-4								. . REINFORCEMENT-CORNER		1
398	412N1154-2								. . REINFORCEMENT-CORNER		1
402	412N1155-1								. . HINGE ASSY (LIMITED USAGE) (OPT ITEM 402A)	A	2
402A	412N1155-7								. . HINGE ASSY (LIMITED USAGE) (OPT ITEM 402)		2
402B	412N1155-1								. . HINGE ASSY	B	2

-Item not Illustrated

25-28-46

ILLUSTRATED PARTS LIST

Page 1098.36

Jul 01/2006



COMPONENT MAINTENANCE MANUAL

FIG/ ITEM	PART NUMBER	AIRLINE PART NUMBER	NOMENCLATURE							USAGE CODE	UNITS PER ASSY
			1	2	3	4	5	6	7		
1-											
406	412N1155-2										1
406A	412N1155-8										1
406B	412N1155-2								B		1
410	BACB30LK3-18										3
-410A	NAS1801-3-10										3
414	412N1227-1										6
-414A	AIC1321-3-8										6
418	BACW10P136AL										9
422	AN960JD10										1
426	NAS1833-3-400										9
430	MS24665-132										1
434	MS20392-2C13										1
438	AN960PD10L										1
439	AN960PD10L										2
442	NAS6703PU15										1
446	BACB30NM3K12										1
450	NAS6703PU11										1
454	BACB30NM3K8										1
458	NAS960KD10L										DELETED

-Item not Illustrated

25-28-46

ILLUSTRATED PARTS LIST

Page 1098.37

Jul 01/2006



COMPONENT MAINTENANCE MANUAL

FIG/ ITEM	PART NUMBER	AIRLINE PART NUMBER	NOMENCLATURE							USAGE CODE	UNITS PER ASSY
			1	2	3	4	5	6	7		
1-											
458A	AN960JD10L								... WASHER (USED ON ITEMS 402A,406A)		2
462	NAS43DD3-5								... SPACER (USED ON ITEMS 402,402B,406,406B)		1
466	NAS43DD3-3								... SPACER (USED ON ITEMS 402A,406A)		1
470	NAS43DD3-6								... SPACER (USED ON ITEMS 402,402B,406,406B)		1
474	NAS43DD3-8								... SPACER (USED ON ITEMS 402A,406A)		1
478	H2948-2								... HINGE (V83014) (SPEC S412N102-2) (USED ON ITEMS 402,402A,402B)		1
482	H2948-1								... HINGE (V83014) (SPEC S412N102-1) (USED ON ITEMS 406,406A,406B)		1
486	SB113								... ACTUATOR (V24984) (SPEC S412N104-1)		1
490	412N1156-1								... CHASSIS ASSY (USED ON ITEMS 402,402B)		1
494	412N1156-13								... CHASSIS ASSY (USED ON ITEM 402A)		1
-498	412N1156-2								... CHASSIS ASSY (USED ON ITEMS 406,406B)		1
-502	412N1156-14								... CHASSIS ASSY (USED ON ITEM 406A)		1
506	6041-3BRX225								... INSERT-DODGE (V01556)		2
510	412N1156-3								... CHASSIS (USED ON ITEM 490)		1
-514	412N1156-15								... CHASSIS (USED ON ITEM 494)		1
-518	412N1156-4								... CHASSIS (USED ON ITEM 498)		1

-Item not Illustrated

25-28-46

ILLUSTRATED PARTS LIST

Page 1098.38

Jul 01/2006



COMPONENT MAINTENANCE MANUAL

FIG/ ITEM	PART NUMBER	AIRLINE PART NUMBER	NOMENCLATURE							USAGE CODE	UNITS PER ASSY
			1	2	3	4	5	6	7		
1-											
-522	412N1156-16										1
526	NAS1833-3-400										6
530	412N1155-4								A		1
530A	412N1155-10								A		1
530B	412N1155-4								B		1
538	412N1227-1										1
-538A	AIC1321-3-8										1
546	BACB30LK3-18										1
-550	NAS1801-3-10										1
554	BACW10P136AL										2
558	NAS18833-3-400										2
562	NAS6703PU11										1
566	BACS30NM3K8										1
570	AN960PD10L										1
574	AN960KD10L										1
578	NAS43DD3-5										1
582	NAS43DD3-8										1

-Item not Illustrated

25-28-46

ILLUSTRATED PARTS LIST

Page 1098.39

Jul 01/2006



COMPONENT MAINTENANCE MANUAL

FIG/ ITEM	PART NUMBER	AIRLINE PART NUMBER	NOMENCLATURE							USAGE CODE	UNITS PER ASSY
			1	2	3	4	5	6	7		
1-											
586	NAS43DD3-6		. . .	SPACER							1
				(USED ON ITEMS 530,530B)							
590	NAS43DD3-3		. . .	SPACER							1
				(USED ON ITEM 530A)							
594	H2948-1		. . .	HINGE							1
				(V83014)							
				(SPEC S412N102-1)							
598	412N1156-6		. . .	CHASSIS ASSY							1
				(USED ON ITEMS 530,530B)							
602	412N1156-20		. . .	CHASSIS ASSY							1
				(USED ON ITEM 530A)							
604	6041-3BRX225		INSERT-DODGE							2
				(V01556)							
608	412N1156-4		CHASSIS							1
				(USED ON ITEM 598)							
612	412N1156-26		CHASSIS							1
				(USED ON ITEM 602)							
616	BACB30NM3K2		. .	BOLT							1
620	AN960JD10LL		. .	WASHER							2
624	NAS1804-3		. .	NUT							1
628	BACS12ER08K14		. .	BOLT							1
632	AN960JD8		. .	WASHER							1
636	MS21042L08		. .	NUT							1
640	BACB30NM3K3		. .	BOLT							1
644	AN960JD10LL		. .	WASHER							2
648	AN960JD10		. .	WASHER							2
656	MS21042L3		. .	NUT							2
660	412N1153-103		. .	LATCH ASSY							1
660A	412N1153-110		. .	LATCH ASSY							1

-Item not Illustrated

25-28-46

ILLUSTRATED PARTS LIST

Page 1098.40

Jul 01/2006



COMPONENT MAINTENANCE MANUAL

FIG/ ITEM	PART NUMBER	AIRLINE PART NUMBER	NOMENCLATURE							USAGE CODE	UNITS PER ASSY
			1	2	3	4	5	6	7		
1-			ATTACHING PARTS								
664	BACS12ER06K8		. . SCREW (V06710) (SPEC BACS12ER06K8) (OPT BACS12ER06K8 (V06725)) (OPT BACS12ER06K8 (V06950)) (OPT BACS12ER06K8 (V27624)) (OPT BACS12ER06K8 (V34252)) (OPT BACS12ER06K8 (V56878)) (OPT BACS12ER06K8 (V73197)) (OPT BACS12ER06K8 (V80539)) (OPT BACS12ER06K8 (V92215)) (OPT BACS12ER06K8 (V93907)) (OPT BACS12ER06K8 (V97928))								8
668	SL210-06-2		. . INSERT (V97393)								8
672	BACS12ER08K6		. . SCREW (V06710) (SPEC BACS12ER08K6) (OPT BACS12ER08K6 (V06725)) (OPT BACS12ER08K6 (V06950)) (OPT BACS12ER08K6 (V27624)) (OPT BACS12ER08K6 (V34252)) (OPT BACS12ER08K6 (V56878)) (OPT BACS12ER08K6 (V73197)) (OPT BACS12ER08K6 (V80539)) (OPT BACS12ER08K6 (V92215)) (OPT BACS12ER08K6 (V93907)) (OPT BACS12ER08K6 (V97928))								4
676	NAS514P832-5		. . SCREW								8
680	SL210-08-1		. . INSERT (V97393)								8
			----- * -----								
684	412N1113-7		. . . COVER (V01556)								1
688	412N1113-8		. . . COVER								1
692	H3-1145-1-3760		. . . LATCH ASSY (SPEC S412N101-1040) (USED ON ITEM 660)								1

-Item not Illustrated

25-28-46

ILLUSTRATED PARTS LIST

Page 1098.41

Jul 01/2006



COMPONENT MAINTENANCE MANUAL

FIG/ ITEM	PART NUMBER	AIRLINE PART NUMBER	NOMENCLATURE							USAGE CODE	UNITS PER ASSY
			1	2	3	4	5	6	7		
1-											
696	S412N101-2020								. . . LATCH ASSY (V34941) (SPEC S412N101-2020) (USED ON ITEM 660A)		1
710	65C27017-1								. . BRACKET		1
715	412N1117-6								. . FITTING		1
720	65C27016-2								. . FILLER FITTING-TAPERED		1
725	65C27017-3								. . FITTING		1
730	BACR15DR3P								. . RIVET (SIZE DETERMINED ON INST)		2
735	BACS12FA3K5								. . SCREW		34
740	BACS12FA3K15								. . SCREW		2
745	65C27023-8								. . SUPPORT-PASS. SVCE UNIT		1
750	412N1146-122								. . SUPPORT-PASS. BULLNOSE		1
755	412N1146-118								. . SUPPORT-PASS. BULLNOSE		1
									ATTACHING PARTS		
770	BACS12ER08K12								. . SCREW (V06710) (SPEC BACS12ER08K12) (OPT BACS12ER08K12 (V06725)) (OPT BACS12ER08K12 (V06950)) (OPT BACS12ER08K12 (V27624)) (OPT BACS12ER08K12 (V34252)) (OPT BACS12ER08K12 (V56878)) (OPT BACS12ER08K12 (V73197)) (OPT BACS12ER08K12 (V80539)) (OPT BACS12ER08K12 (V92215)) (OPT BACS12ER08K12 (V93907)) (OPT BACS12ER08K12 (V97928))		27
775	AN960PD8								. . WASHER		21
780	MS21042L08								. . NUT		21
									----- *		
785	NAS1399D3								. . . RIVET (SIZE DETERMINED ON INST)		4

-Item not Illustrated

25-28-46

ILLUSTRATED PARTS LIST

Page 1098.42

Jul 01/2006



COMPONENT MAINTENANCE MANUAL

FIG/ ITEM	PART NUMBER	AIRLINE PART NUMBER	NOMENCLATURE							USAGE CODE	UNITS PER ASSY	
			1	2	3	4	5	6	7			
1- 790	BRM1000A08		.	.	.	NUTPLATE (V52828) (SPEC BACN10JP08B) (OPT MK2000-08BAC (V15653)) (OPT NS103198-82 (V80539)) (OPT RMA9207M82 (V72962)) (OPT T8077S832 (V11815)) (OPT VN201A1-82 (V92215))						2
795	412N1146-124		.	.	.	SUPPORT (USED ON ITEM 750)						1
-795A	412N1146-120		.	.	.	SUPPORT (USED ON ITEM 755)						1
835	65C27012-6		.	.	BODY ASSY (FOR DETAILS SEE FIG. 11)							1

-Item not Illustrated

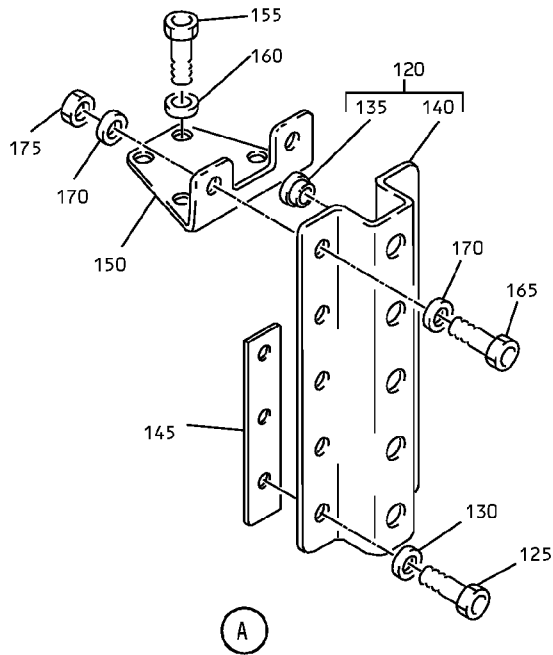
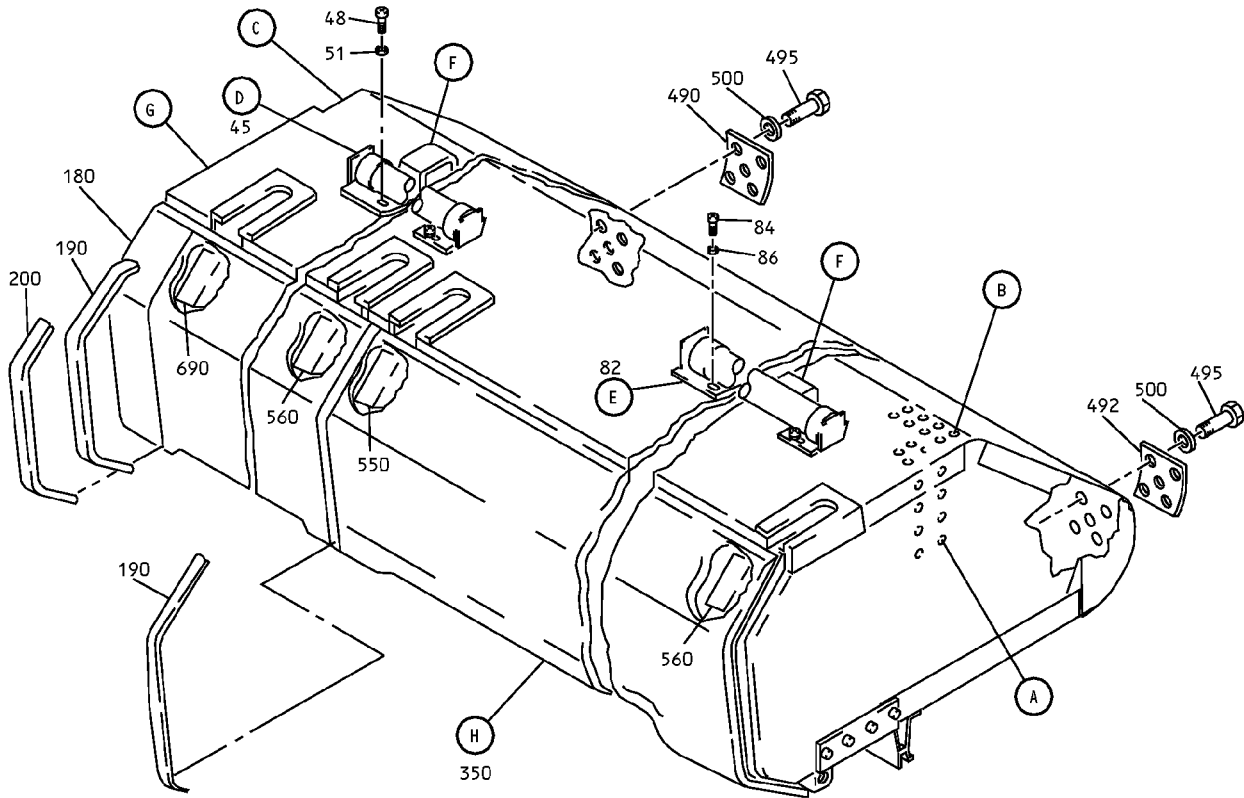
25-28-46

ILLUSTRATED PARTS LIST

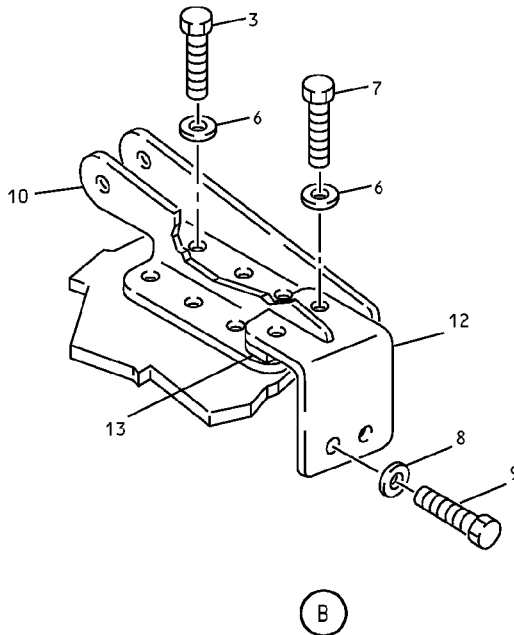
Page 1098.43

Jul 01/2006

COMPONENT MAINTENANCE MANUAL



A



B

Overhead Stowage Compartment Assembly
IPL Figure 2 (Sheet 1 of 11)

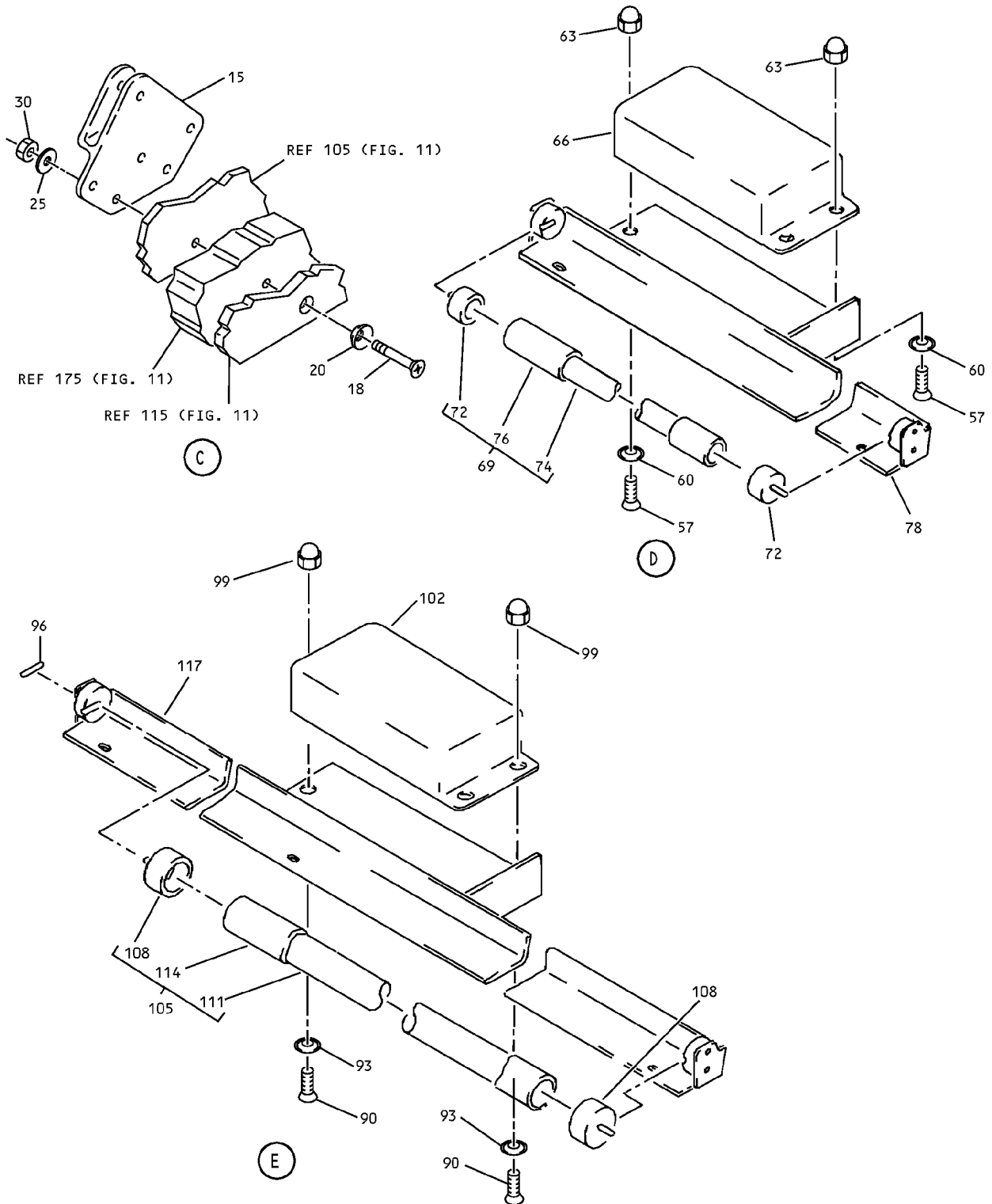
25-28-46

ILLUSTRATED PARTS LIST

Page 1098.44

Jul 01/2006

COMPONENT MAINTENANCE MANUAL



Overhead Storage Compartment Assembly
IPL Figure 2 (Sheet 2 of 11)

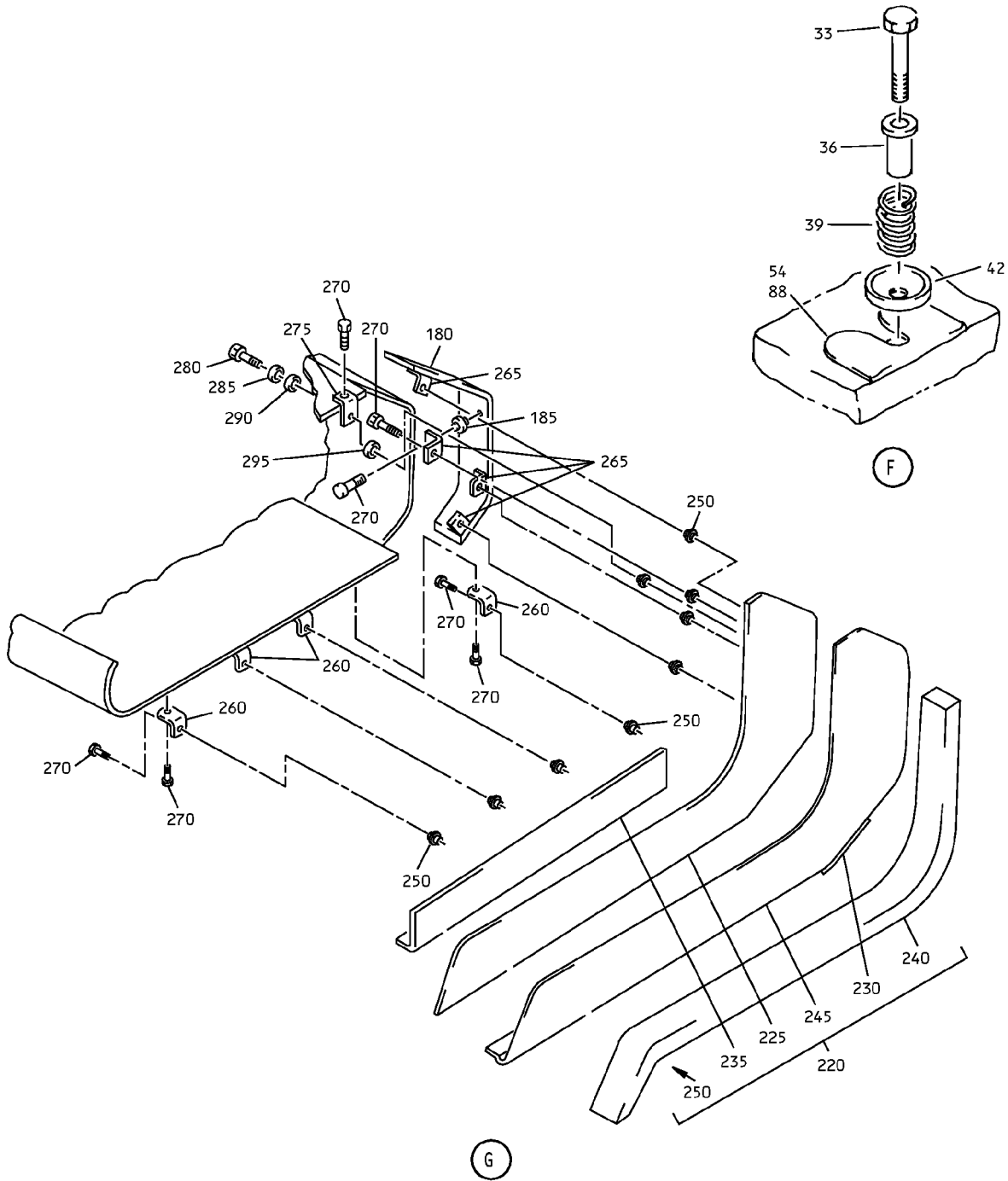
25-28-46

ILLUSTRATED PARTS LIST

Page 1098.45

Jul 01/2006

COMPONENT MAINTENANCE MANUAL



Overhead Storage Compartment Assembly
IPL Figure 2 (Sheet 3 of 11)

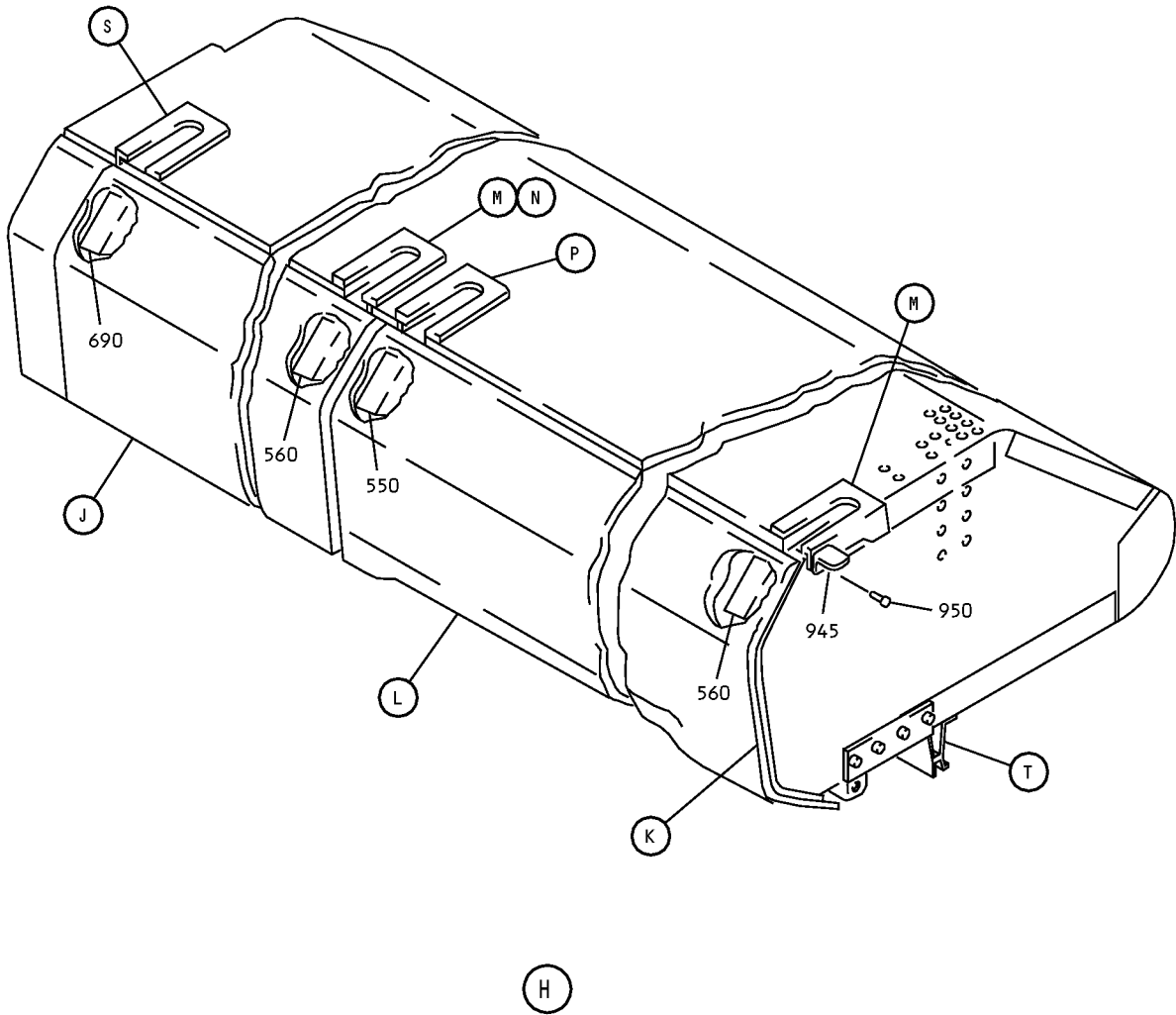
25-28-46

ILLUSTRATED PARTS LIST

Page 1098.46

Jul 01/2006

COMPONENT MAINTENANCE MANUAL



Overhead Stowage Compartment Assembly
IPL Figure 2 (Sheet 4 of 11)

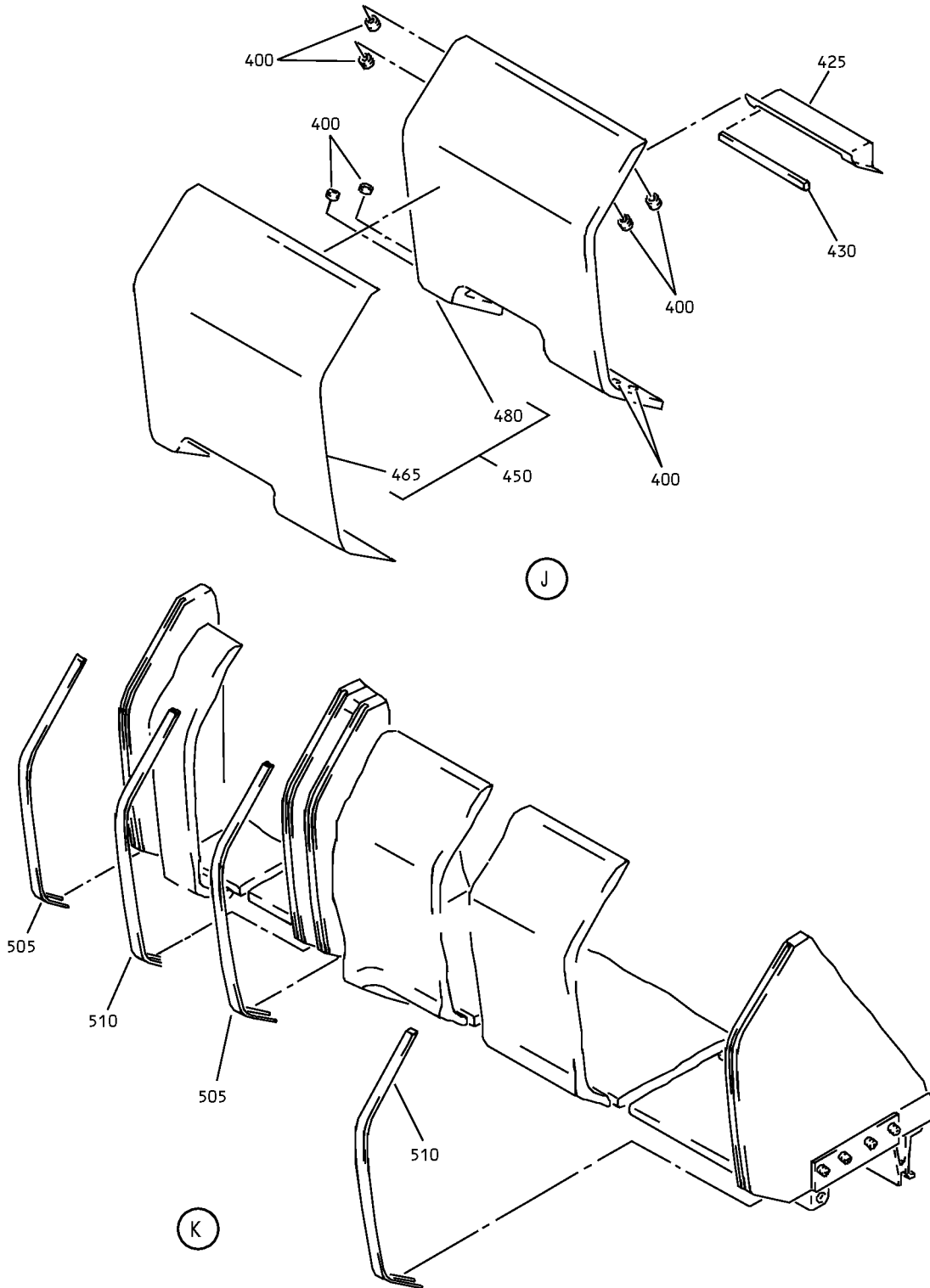
25-28-46

ILLUSTRATED PARTS LIST

Page 1098.47

Jul 01/2006

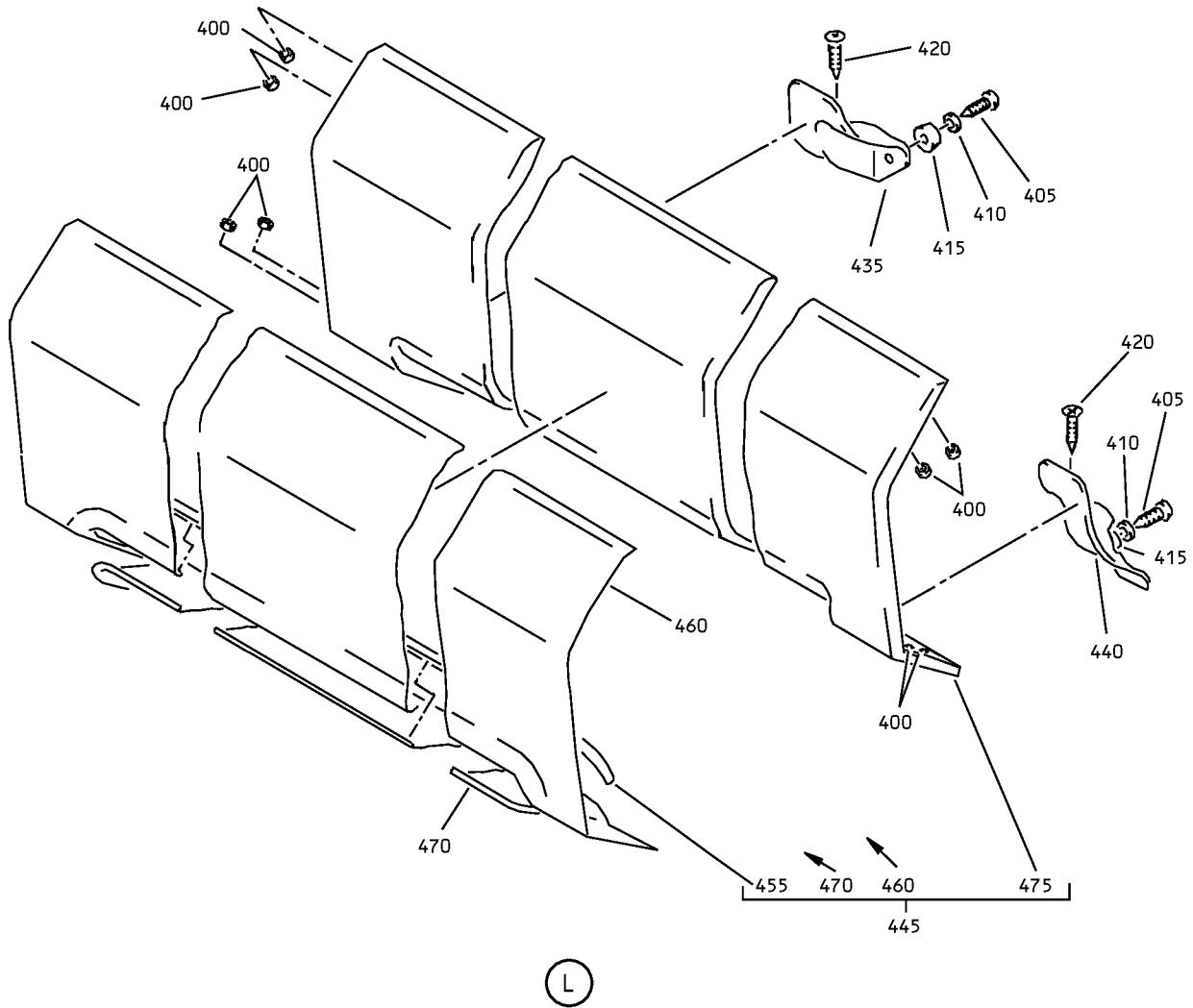
COMPONENT MAINTENANCE MANUAL



Overhead Stowage Compartment Assembly
IPL Figure 2 (Sheet 5 of 11)

25-28-46
ILLUSTRATED PARTS LIST
Page 1098.48
Jul 01/2006

COMPONENT MAINTENANCE MANUAL



Overhead Storage Compartment Assembly
IPL Figure 2 (Sheet 6 of 11)

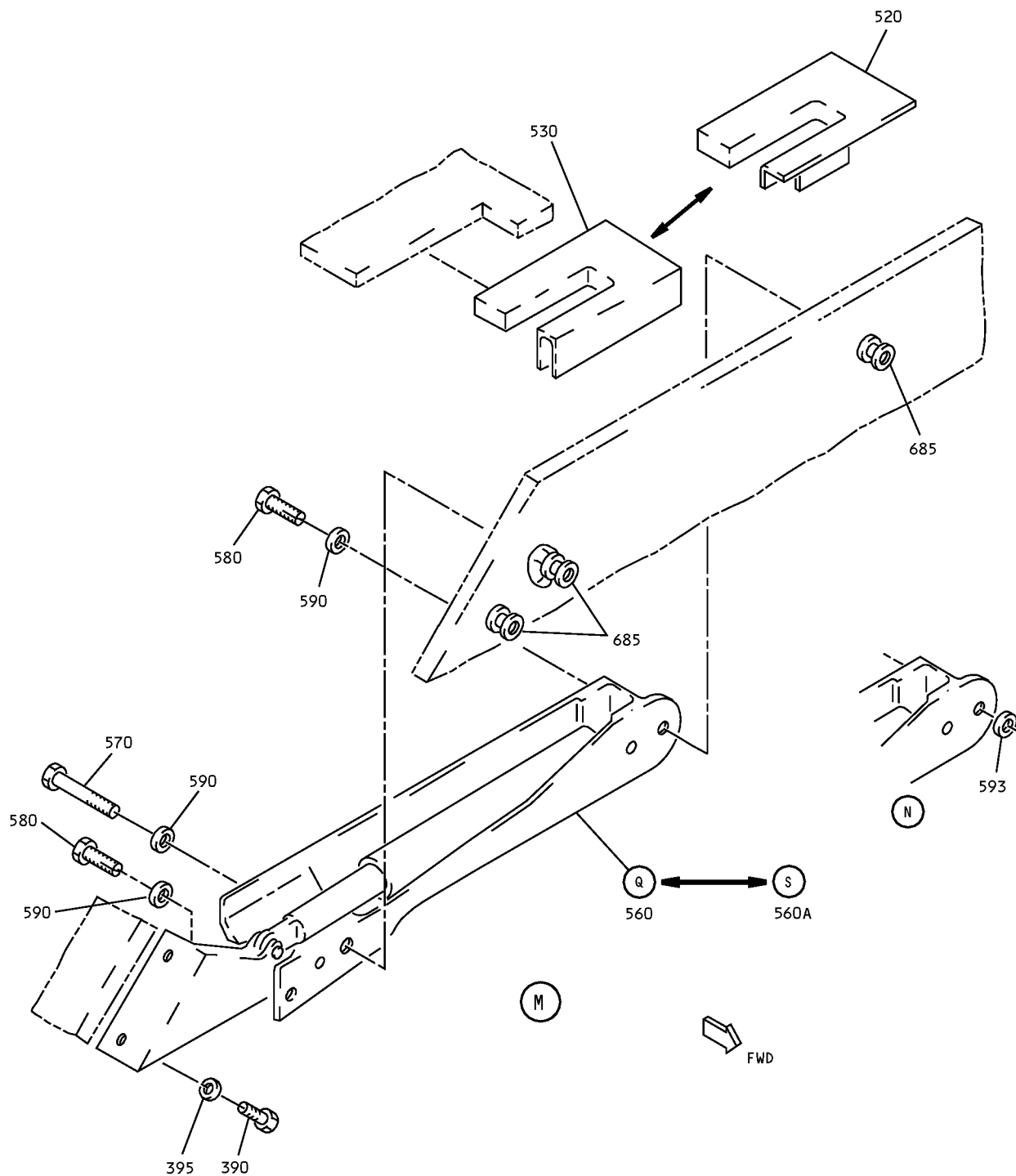
25-28-46

ILLUSTRATED PARTS LIST

Page 1098.49

Jul 01/2006

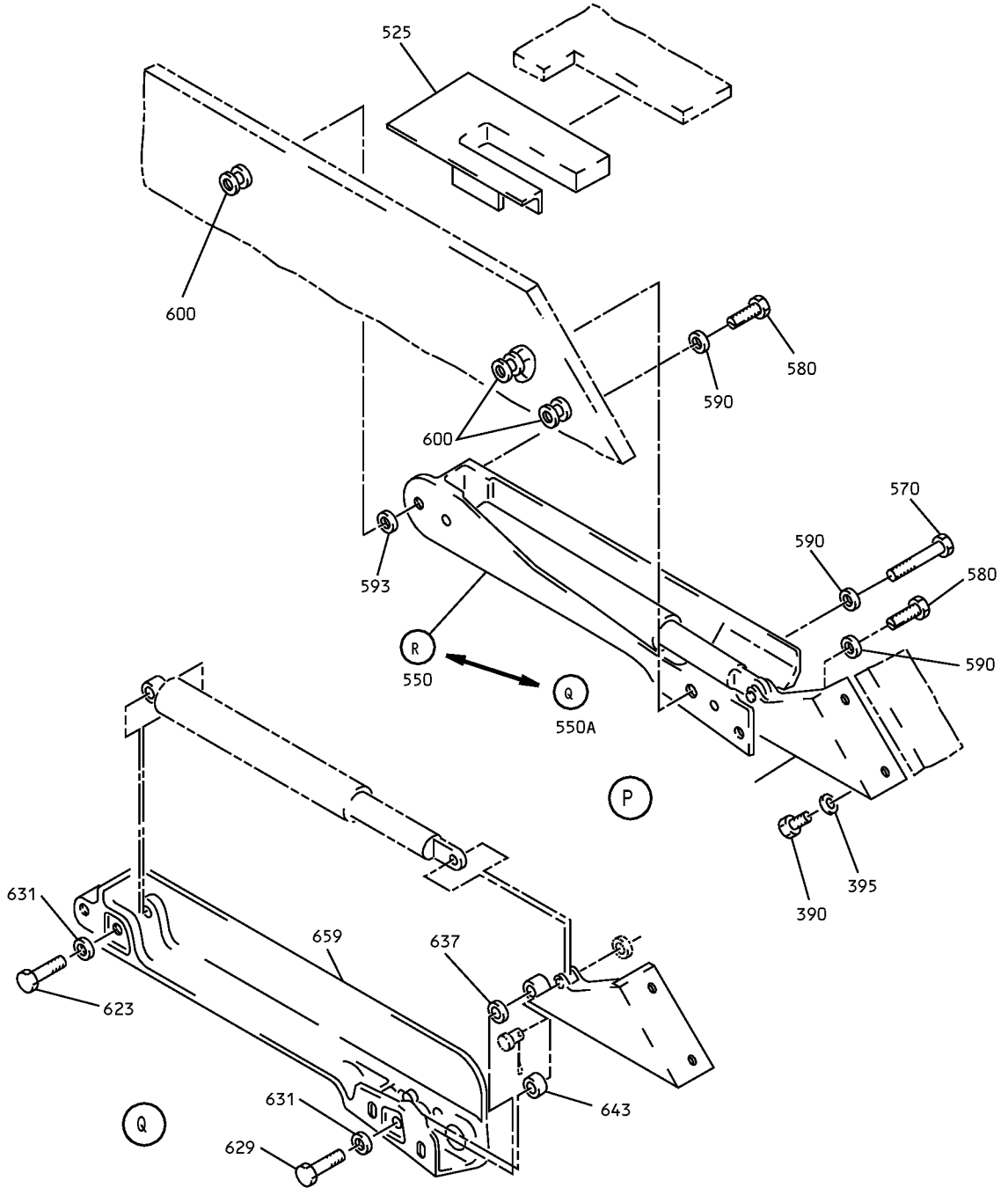
COMPONENT MAINTENANCE MANUAL



Overhead Stowage Compartment Assembly
IPL Figure 2 (Sheet 7 of 11)

25-28-46
ILLUSTRATED PARTS LIST
Page 1098.50
Jul 01/2006

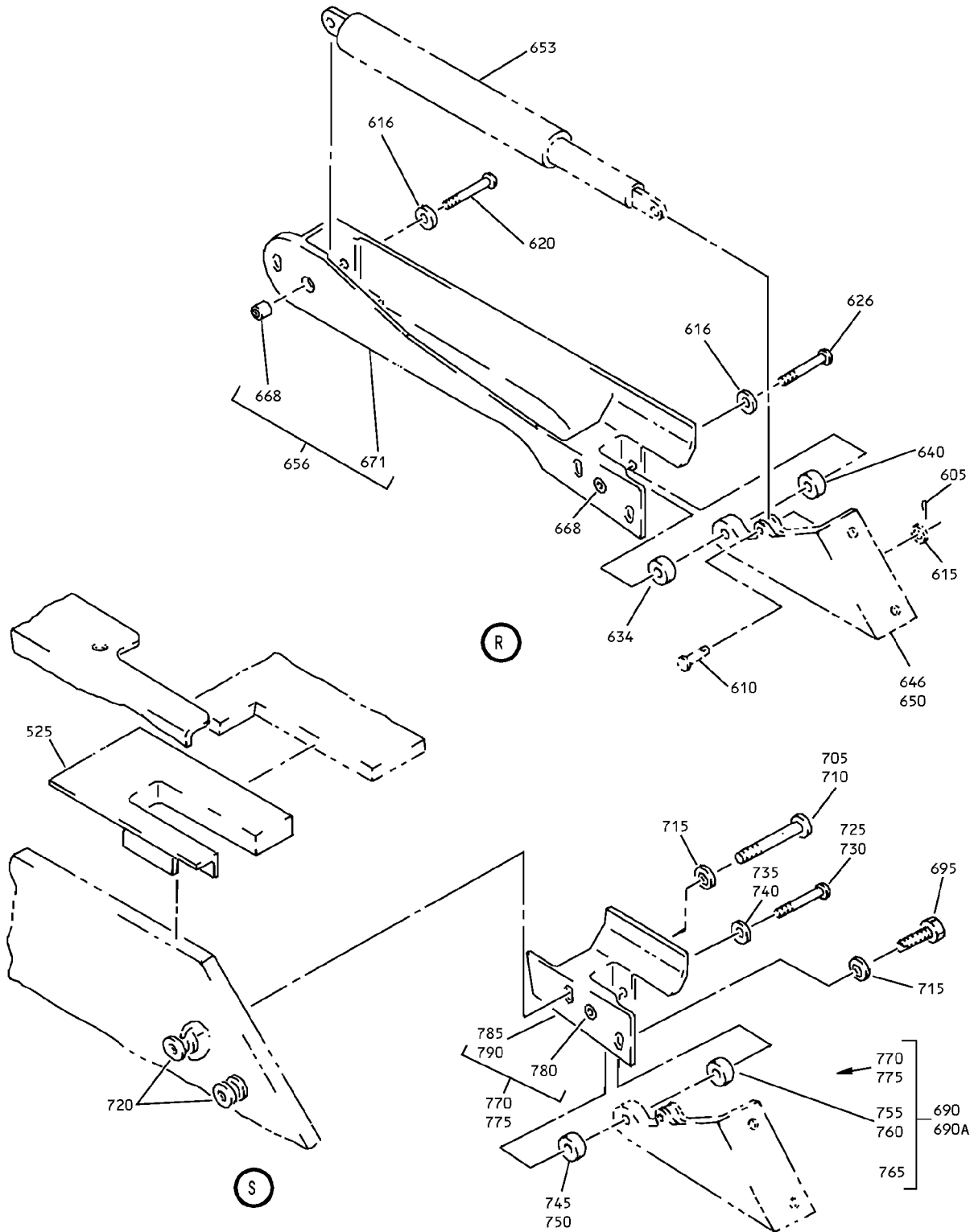
COMPONENT MAINTENANCE MANUAL



Overhead Storage Compartment Assembly
IPL Figure 2 (Sheet 8 of 11)

25-28-46
ILLUSTRATED PARTS LIST
Page 1098.51
Jul 01/2006

COMPONENT MAINTENANCE MANUAL



Overhead Storage Compartment Assembly
IPL Figure 2 (Sheet 9 of 11)

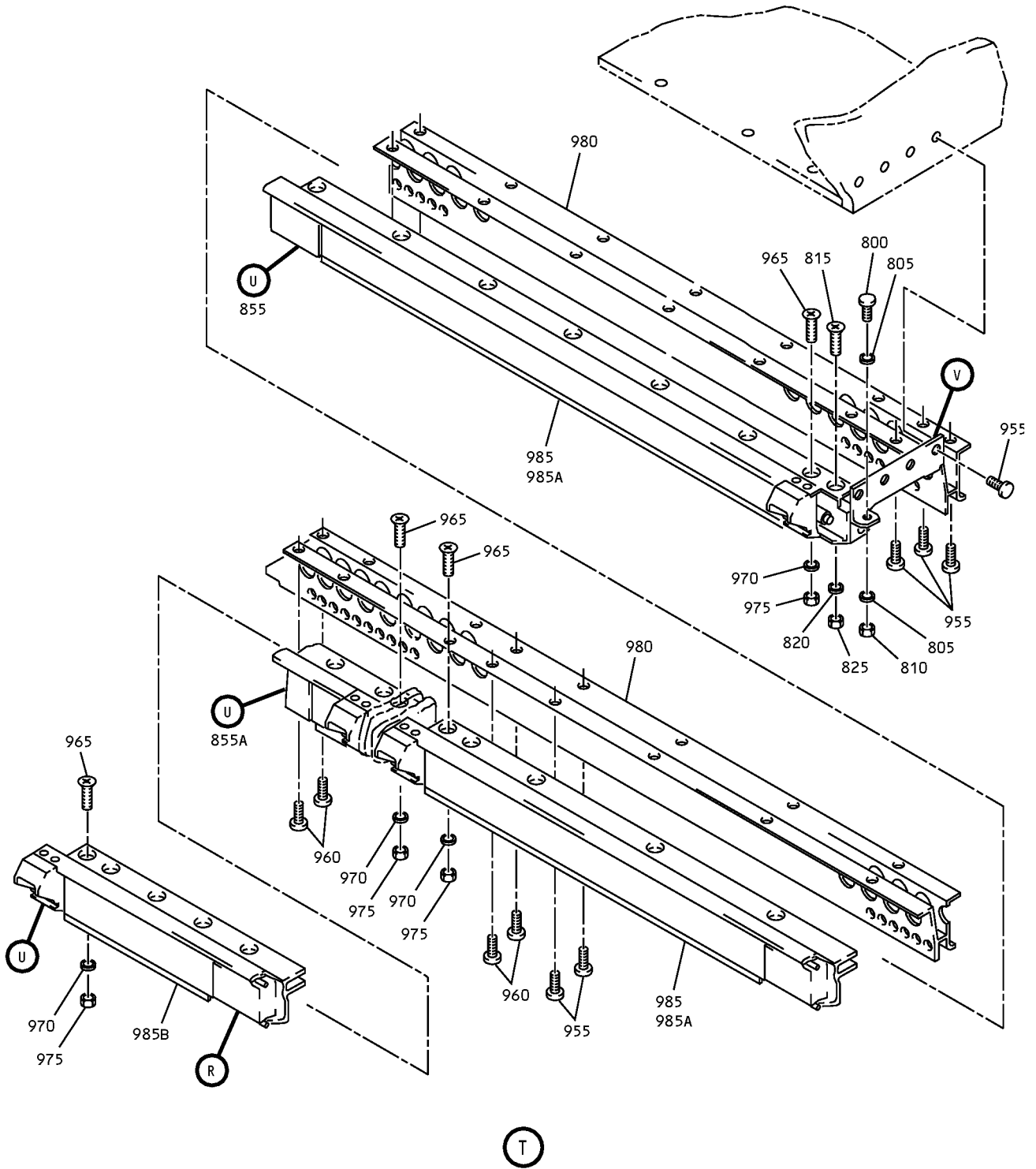
25-28-46

ILLUSTRATED PARTS LIST

Page 1098.52

Jul 01/2006

COMPONENT MAINTENANCE MANUAL



Overhead Stowage Compartment Assembly
IPL Figure 2 (Sheet 10 of 11)

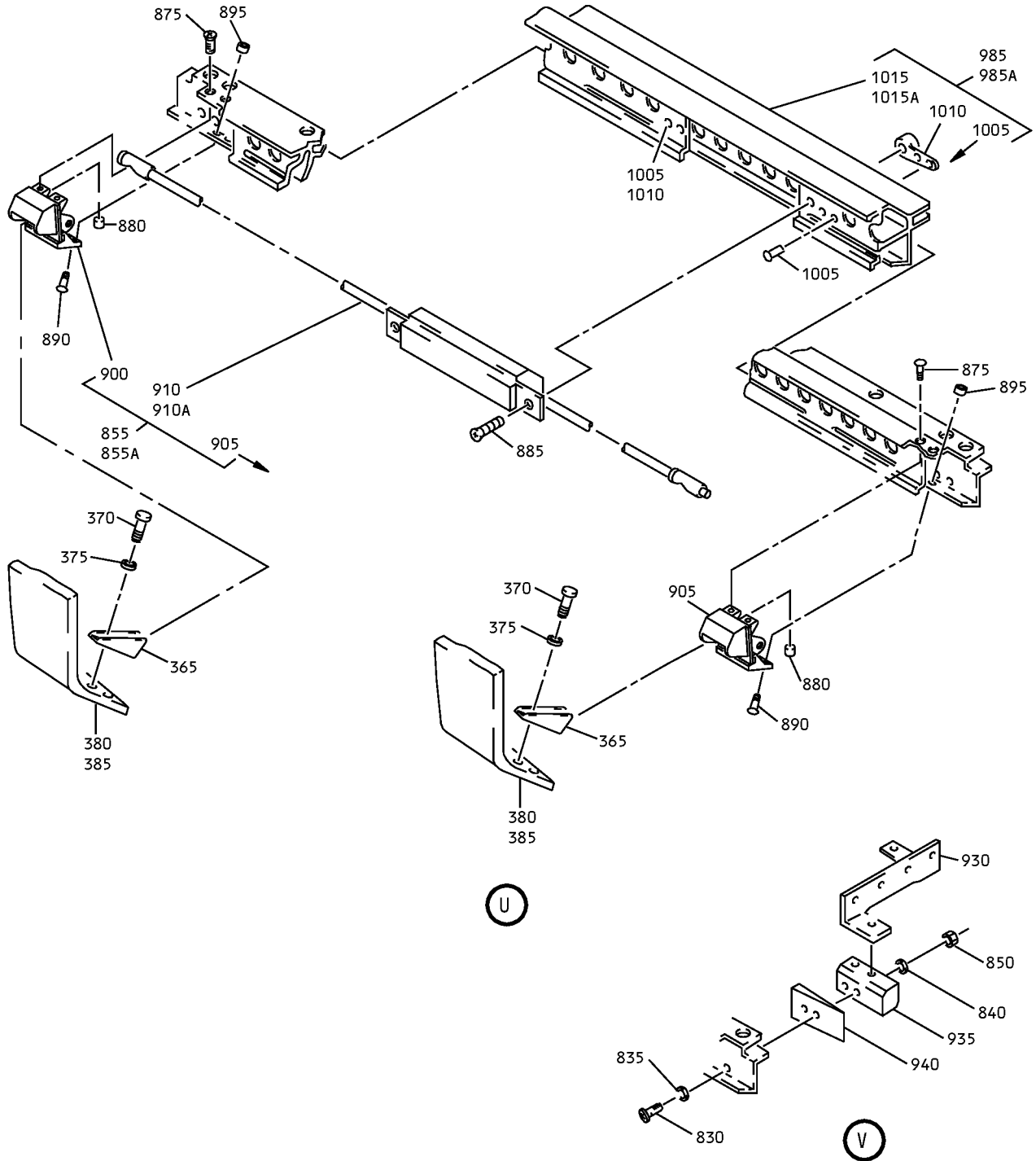
25-28-46

ILLUSTRATED PARTS LIST

Page 1098.53

Jul 01/2006

COMPONENT MAINTENANCE MANUAL



Overhead Storage Compartment Assembly
IPL Figure 2 (Sheet 11 of 11)

25-28-46

ILLUSTRATED PARTS LIST

Page 1098.54

Jul 01/2006



COMPONENT MAINTENANCE MANUAL

FIG/ ITEM	PART NUMBER	AIRLINE PART NUMBER	NOMENCLATURE							USAGE CODE	UNITS PER ASSY
			1	2	3	4	5	6	7		
2-											
-1	65C27006-5SP									A	RF
-1A	65C27006-25SP									B	RF
3	BACB30NM3K1										6
6	AN960JD10										8
7	BACB30NM3K3										2
8	AN960JD10										2
9	BACB30NM3K1										2
10	412N1161-2										1
-10A	412N1119-14										1
12	65C27017-19										1
13	50-3361-8629										2
15	412N1119-42										1
18	BACB30NN3K10										5
20	BACW10CT10										5
25	AN960JD10L										5
30	BACN10JC3										5
33	NAS1801-3-11										2

-Item not Illustrated

25-28-46

ILLUSTRATED PARTS LIST

Page 1098.55

Jul 01/2006



COMPONENT MAINTENANCE MANUAL

FIG/ ITEM	PART NUMBER	AIRLINE PART NUMBER	NOMENCLATURE							USAGE CODE	UNITS PER ASSY
			1	2	3	4	5	6	7		
2-											
36	BACS18C8-6								. SPACER		2
39	MS24585-1230								. SPRING		2
42	411N3142-28								. WASHER CUPPED		2
45	417N5120-20								. LIGHT ASSY (OPT ITEM 45A)		1
-45A	417N5120-7								. LIGHT ASSY (OPT ITEM 45)		1
									ATTACHING PARTS		
48	NAS1801-3-5								. SCREW		2
51	AN960PD10L								. WASHER		2
									-----*		
54	65C28117-3								. . PAD		1
57	BACS12ER3K6								. . SCREW (V06710) (SPEC BACS12ER3K6) (OPT BACS12ER3K6 (V06725)) (OPT BACS12ER3K6 (V06950)) (OPT BACS12ER3K6 (V27624)) (OPT BACS12ER3K6 (V34252)) (OPT BACS12ER3K6 (V56878)) (OPT BACS12ER3K6 (V73197)) (OPT BACS12ER3K6 (V80539)) (OPT BACS12ER3K6 (V92215)) (OPT BACS12ER3K6 (V93907)) (OPT BACS12ER3K6 (V97928))		2
60	BACW10UD10								. . WASHER		3
63	F22K1-02								. . NUT (V72962) (SPEC BACN10R10L) (OPT 22K1-02 (V72962)) (OPT 26CL02 (V80539))		3
66	05939-7								. . BALLAST (V17023) (SPEC S283N702-7)		1
69	417N5120-12								. . LAMP ASSY		1
72	2055150								. . . CAP-END (V04169)		2
74	F15T12WW								. . . LAMP-FLUOR. (V08805)		1

-Item not Illustrated

25-28-46

ILLUSTRATED PARTS LIST

Page 1098.56

Jul 01/2006



COMPONENT MAINTENANCE MANUAL

FIG/ ITEM	PART NUMBER	AIRLINE PART NUMBER	NOMENCLATURE							USAGE CODE	UNITS PER ASSY
			1	2	3	4	5	6	7		
2-											
76	LP1610-18								. . . TUBE-COVER (V0812B)		1
78	800000255-7								. . LIGHT ASSY (V13545) (SPEC S417N507-7)		1
-80	800000255-17								. . LIGHT ASSY (V05617) (SPEC S417N507-17)		1
82	417N5120-25								. LIGHT ASSY ATTACHING PARTS		1
84	NAS1801-3-5								. SCREW		3
86	AN960PD10L								. WASHER -----*		3
88	65C28117-3								. . PAD		1
90	BACS12ER3K6								. . SCREW (V06710) (SPEC BACS12ER3K6) (OPT BACS12ER3K6 (V06725)) (OPT BACS12ER3K6 (V06950)) (OPT BACS12ER3K6 (V27624)) (OPT BACS12ER3K6 (V34252)) (OPT BACS12ER3K6 (V56878)) (OPT BACS12ER3K6 (V73197)) (OPT BACS12ER3K6 (V80539)) (OPT BACS12ER3K6 (V92215)) (OPT BACS12ER3K6 (V93907)) (OPT BACS12ER3K6 (V97928))		3
93	BACW10UD10								. . WASHER		3
96	1864								. . LIGHT-NIGHT		1
99	F22K1-02								. . NUT (V72962) (SPEC BACN10R10L) (OPT 22K1-02 (V72962)) (OPT 26CL02 (V80539))		3
102	05939-5								. . BALLAST (V17023) (SPEC S283N702-5)		1
105	417N5120-11								. . LAMP ASSY		1
108	2055150								. . . CAP-END (V04169)		2

-Item not Illustrated

25-28-46

ILLUSTRATED PARTS LIST

Page 1098.57

Jul 01/2006



COMPONENT MAINTENANCE MANUAL

FIG/ ITEM	PART NUMBER	AIRLINE PART NUMBER	NOMENCLATURE							USAGE CODE	UNITS PER ASSY
			1	2	3	4	5	6	7		
2-											
111	F20T12WW							. . . LAMP-FLUOR. (V08805)			1
114	LP1625-24							. . . TUBE-COVER (V0812B)			1
117	800000255-22							. . LIGHT ASSY (V13545) (SPEC S417N507-22) (USED ON ITEM 72)			1
120	65C27017-6							. BRACKET ASSY ATTACHING PARTS			1
125	BACB30NM3K1							. BOLT			8
130	AN960PD10							DELETED			
130A	AN960JD10							. WASHER			8
								-----*-----			
135	BACB28B6-235P							. . BUSHING			1
140	65C27017-8							. . BRACKET			1
145	65C27017-15							. SHIM			2
150	412N1119-41							. FITTING ATTACHING PARTS			1
155	BACB30NM3K1							. BOLT			4
160	AN960PD10L							DELETED			
160A	AN960JD10LL							. WASHER			4
								-----*-----			
165	BACB30NM3K3							. BOLT			2
170	AN960PD10L							DELETED			
170A	AN960JD10LL							. WASHER			4
175	BACN10JC3							DELETED			2
175A	MS21042L3							. NUT			2
180	65C27026-5SP							. FILLER PANEL ASSY	A		1
-180A	65C27026-25SP							. FILLER PANEL ASSY	B		1
185	NAS1836-3-11							. INSERT			4
190	412N1130-5							. TRIM-VERTICAL			2
200	65C27006-12							. SEAL			1

-Item not Illustrated

25-28-46

ILLUSTRATED PARTS LIST

Page 1098.58

Jul 01/2006



COMPONENT MAINTENANCE MANUAL

FIG/ ITEM	PART NUMBER	AIRLINE PART NUMBER	NOMENCLATURE							USAGE CODE	UNITS PER ASSY
			1	2	3	4	5	6	7		
2-											
220	65C27027-3SP		. END								1
225	65C27027-11		. . PANEL								1
230	65C27027-13		. . FOAM								1
235	65C27027-14		. . SUPPORT-ANGLE								1
240	65C27027-17		. . SEAL								1
245	65C27027-7		. . END CAP								1
250	SL2334-3A2		. . INSERT-FLOATING								9
260	412N1145-29		. BRACKET								4
265	65C27017-17		. BRACKET								4
270	BACS12FA3K5		. SCREW								17
275	412N1145-30		. BRACKET								1
280	BACB30PF4-3		. BOLT								1
285	AN960C416L		. WASHER								1
290	NAS1515F4H		. WASHER								1
295	NAS1515M4L		. WASHER								1
350	65C27009-7SP		. MODULE ASSY						A		1
-350A	65C27009-27SP		. MODULE ASSY						B		1
365	H3-1152-1		. . PLATE ASSY-STRIKER (V34941) (SPEC S412N101-1)								4
			ATTACHING PARTS								
370	BACS12FA3K4		. . SCREW								8
375	MS35333-39		. . WASHER								8
			-----*-----								
380	412N1140-3SP		. . DOOR ASSY						A		1
-380A	412N1140-43SP		. . DOOR ASSY						B		1
-385	412N1140-32SP		. . DOOR ASSY						A		1
-385A	412N1140-72SP		. . DOOR ASSY						B		1
			ATTACHING PARTS								
390	NAS1801-3-4		. . SCREW								8
395	MS35333-39		. . WASHER								8
			-----*-----								

-Item not Illustrated

25-28-46

ILLUSTRATED PARTS LIST

Page 1098.59

Jul 01/2006



COMPONENT MAINTENANCE MANUAL

FIG/ ITEM	PART NUMBER	AIRLINE PART NUMBER	NOMENCLATURE							USAGE CODE	UNITS PER ASSY	
			1	2	3	4	5	6	7			
2-												
-400	SL618-3A											8
405	BACS12H4-8											2
-405A	MS51861-15											2
410	NAS620A8L											2
410A	AN960PD4L											2
415	412N1245-1											2
420	MS51862-4											2
425	412N1143-11											2
430	412N1140-17											1
435	412N1143-13											1
440	412N1143-14											1
-442	412N1244-2											1
445	412N1140-20											1
-445A	412N1140-22											1
-450	412N1140-62											1
-450A	412N1140-22											1
455	412N1140-15											1
-455A	412N1140-13											1
460	412N1141-3											1

-Item not Illustrated

25-28-46

ILLUSTRATED PARTS LIST

Page 1098.60

Jul 01/2009



COMPONENT MAINTENANCE MANUAL

FIG/ ITEM	PART NUMBER	AIRLINE PART NUMBER	NOMENCLATURE							USAGE CODE	UNITS PER ASSY
			1	2	3	4	5	6	7		
2-											
-465	412N1141-5						FACE PLATE (USED ON ITEMS 450,450A)			1
470	412N1141-9						MARKER (USED ON ITEMS 445,445A)			1
475	412N1142-17						PANEL ASSY (USED ON ITEMS 445,445A)			1
-480	412N1142-20						PANEL ASSY (USED ON ITEMS 450,450A)			1
490	412N1119-12		.					FITTING			1
492	65C27017-4		.					FITTING			1
495	BACB30NM3K1		.					BOLT			8
500	AN960PD10		.					WASHER			8
505	412N1118-1SP		. .					RETAINER TRIM			2
510	412N1118-2SP		. .					RETAINER TRIM			2
515	65C27009-6		. .					EDGE COVER			2
520	412N1154-3		. .					REINFORCEMENT-CORNER			1
525	412N1154-4		. .					REINFORCEMENT-CORNER			2
530	412N1154-1		. .					REINFORCEMENT-CORNER			1
550	412N1155-1		. .					HINGE ASSY (LIMITED USAGE) (OPT ITEM 550A)	B		1
550A	412N1155-7		. .					HINGE ASSY (LIMITED USAGE) (OPT ITEM 550)	B		1
550B	412N1155-1		. .					HINGE ASSY	A		1
560	412N1155-2		. .					HINGE ASSY (LIMITED USAGE) (OPT ITEM 560A)	B		2
560A	412N1155-8		. .					HINGE ASSY (LIMITED USAGE) (OPT ITEM 560)	B		2
560B	412N1155-2		. .					HINGE ASSY	A		2
								ATTACHING PARTS			
570	BACB30LK3-18		. .					BOLT (USED WITH ITEMS 550, 560)			3

-Item not Illustrated

25-28-46

ILLUSTRATED PARTS LIST

Page 1098.61

Jul 01/2006



COMPONENT MAINTENANCE MANUAL

FIG/ ITEM	PART NUMBER	AIRLINE PART NUMBER	NOMENCLATURE							USAGE CODE	UNITS PER ASSY
			1	2	3	4	5	6	7		
2-											
-575	NAS1801-3-10		. .								3
									(USED WITH ITEMS 550A, 560B)		
580	412N1227-1		. .								6
									(OPT ITEM 585)		
-585	AIC1321-3-8		. .								6
									(OPT ITEM 580)		
590	BACW10P136AL		. .								9
593	AN960JD10		. .								1
600	NAS1833-3-400		. .								9
									-----*		
605	MS24665-132		. . .								1
610	MS20392-2C13		. . .								1
615	AN960PD10L		. . .								1
616	AN960PD10L		. . .								2
									(USED ON ITEMS 550,550B,560,560B)		
620	NAS6703PU15		. . .								1
									(USED ON ITEMS 550,560)		
623	BACB30NM3K12		. . .								1
									(USED ON ITEMS 550A,560A)		
626	NAS6703PU11		. . .								1
									(USED ON ITEMS 550,550B,560,560B)		
629	BACB30NM3K8		. . .								1
									(USED ON ITEMS 550A,560A)		
631	AN960KD10L								DELETED		
631A	AN960JD10L		. . .								2
									(USED ON ITEMS 550A,560A)		
634	NAS43DD3-5		. . .								1
									(USED ON ITEMS 550,550B,560,560B)		
637	NAS43DD3-3		. . .								1
									(USED ON ITEMS 550A,560A)		
640	NAS43DD3-6		. . .								1
									(USED ON ITEMS 550,550B,560,560B)		

-Item not Illustrated

25-28-46

ILLUSTRATED PARTS LIST

Page 1098.62

Jul 01/2006



COMPONENT MAINTENANCE MANUAL

FIG/ ITEM	PART NUMBER	AIRLINE PART NUMBER	NOMENCLATURE							USAGE CODE	UNITS PER ASSY
			1	2	3	4	5	6	7		
2-											
643	NAS43DD3-8		. . .	SPACER							1
				(USED ON ITEMS 550A,560A)							
646	H2948-2		. . .	HINGE							1
				(SPEC S412N102-2)							
				(USED ON ITEMS 550,550A,550B)							
650	H2948-1		. . .	HINGE							1
				(V83014)							
				(SPEC S412N102-1)							
				(USED ON ITEMS 560,560A,560B)							
653	SB113		. . .	ACTUATOR							1
				(V24984)							
				(SPEC S412N104-1)							
656	412N1156-1		. . .	CHASSIS ASSY							1
				(USED ON ITEM 550)							
659	412N1156-13		. . .	CHASSIS ASSY							1
				(USED ON ITEM 550A)							
662	412N1156-2		. . .	CHASSIS ASSY							1
				(USED ON ITEM 560)							
-665	412N1156-14		. . .	CHASSIS ASSY							1
				(USED ON ITEM 560A)							
668	6041-3BRX225		. . .	INSERT-DODGE							2
				(V01556)							
671	412N1156-3		. . .	CHASSIS							1
				(USED ON ITEM 656)							
673	412N1156-15		. . .	CHASSIS							1
				(USED ON ITEM 659)							
675	412N1156-4		. . .	CHASSIS							1
				(USED ON ITEM 662)							
680	412N1156-16		. . .	CHASSIS							1
				(USED ON ITEM 665)							
685	NAS1833-3-400		. .	INSERT							6
690	412N1155-3		. .	HINGE ASSY					B		1
				(LIMITED USAGE)							
				(USED ON ITEM 690A)							
690A	412N1155-9		. .	HINGE ASSY					B		1
				(LIMITED USAGE)							
				(OPT ITEM 690)							
690B	412N1155-3		. .	HINGE ASSY					A		1

-Item not Illustrated

25-28-46

ILLUSTRATED PARTS LIST

Page 1098.63

Jul 01/2006



COMPONENT MAINTENANCE MANUAL

FIG/ ITEM	PART NUMBER	AIRLINE PART NUMBER	NOMENCLATURE							USAGE CODE	UNITS PER ASSY
			1	2	3	4	5	6	7		
2-			ATTACHING PARTS								
695	412N1227-1		. .								1
-700	AIC1321-3-8		. .								1
705	BACB30LK3-18		. .								1
-710	NAS1801-3-10		. .								1
715	BACW10P136AL		. .								2
720	NAS18833-3-400		. .								2
725	NAS6703PU11		. . .								1
730	BACS30NM3K8		. . .								1
735	AN960PD10L		. . .								1
740	AN960KD10L		. . .								1
745	NAS43DD3-5		. . .								1
750	NAS43DD3-8		. . .								1
755	NAS43DD3-6		. . .								1
760	NAS43DD3-3		. . .								1
765	H2948-2		. . .								1
770	412N1156-5		. . .								1
775	412N1156-19		. . .								1

-Item not Illustrated

25-28-46

ILLUSTRATED PARTS LIST

Page 1098.64

Jul 01/2006



COMPONENT MAINTENANCE MANUAL

FIG/ ITEM	PART NUMBER	AIRLINE PART NUMBER	NOMENCLATURE							USAGE CODE	UNITS PER ASSY
			1	2	3	4	5	6	7		
2-											
780	6041-3BRX225						 INSERT-DODGE- (V01556)			2
785	412N1156-3						 CHASSIS (USED ON ITEM 770)			1
790	412N1156-25						 CHASSIS (USED ON ITEM 775)			1
800	BACB30NM3K2							. . BOLT			1
805	AN960PD10L							DELETED			
805A	AN960JD10LL							. . WASHER			2
810	NAS1804-3							. . NUT			1
815	BACS12ER08K14							. . BOLT			1
820	AN960JD8							. . WASHER			1
825	MS21042L08							. . NUT			1
830	BACB30NM3K3							. . BOLT			1
835	AN960JD10L							DELETED			
835A	AN960JD10LL							. . WASHER			1
840	AN960JD10							. . WASHER			1
850	MS21042L3							. . NUT			1
855	412N1153-103							. . LATCH ASSY	A		1
855A	412N1153-150							. . LATCH ASSY	B		1
								ATTACHING PARTS			
875	BACS12ER06K8							. . SCREW (V06710) (SPEC BACS12ER06K8) (OPT BACS12ER06K8 (V06725)) (OPT BACS12ER06K8 (V06950)) (OPT BACS12ER06K8 (V27624)) (OPT BACS12ER06K8 (V34252)) (OPT BACS12ER06K8 (V56878)) (OPT BACS12ER06K8 (V73197)) (OPT BACS12ER06K8 (V80539)) (OPT BACS12ER06K8 (V92215)) (OPT BACS12ER06K8 (V93907)) (OPT BACS12ER06K8 (V97928))			8
880	SL210-06-2							. . INSERT (V97393)			8

-Item not Illustrated

25-28-46

ILLUSTRATED PARTS LIST

Page 1098.65

Jul 01/2006



COMPONENT MAINTENANCE MANUAL

FIG/ ITEM	PART NUMBER	AIRLINE PART NUMBER	NOMENCLATURE							USAGE CODE	UNITS PER ASSY
			1	2	3	4	5	6	7		
2- 885	BACS12ER08K6		. . SCREW (V06710) (SPEC BACS12ER08K6) (OPT BACS12ER08K6 (V06725)) (OPT BACS12ER08K6 (V06950)) (OPT BACS12ER08K6 (V27624)) (OPT BACS12ER08K6 (V34252)) (OPT BACS12ER08K6 (V56878)) (OPT BACS12ER08K6 (V73197)) (OPT BACS12ER08K6 (V80539)) (OPT BACS12ER08K6 (V92215)) (OPT BACS12ER08K6 (V93907)) (OPT BACS12ER08K6 (V97928))								4
890	NAS514P832-5		. . SCREW								8
895	SL210-08-1		. . INSERT (V97393)								8
-----*											
900	412N1113-7		. . . COVER								2
905	412N1113-8		. . . COVER								2
910	H3-1145-1-3760		. . . LATCH ASSY (V34941) (SPEC S412N101-1040) (USED ON ITEM 885)								
910A	S412N101-3020		. . . LATCH ASSY (V34941) (SPEC S412N101-3020) (USED ON ITEM 885A)								1
930	65C27017-2		. . BRACKET								1
935	412N1117-5		. . FITTING								1
940	65C27016-2		. . FILLER FITTING-TAPERED								1
945	65C27017-3		. . FITTING								1
950	BACR15DR3P		. . RIVET (SIZE DETERMINED ON INST)								2
955	BACS12FA3K5		. . SCREW (V06710)								34
960	BACS12FA3K15		. . SCREW								4
965	BACS12ER08K12		. . SCREW								27
970	AN960JD8		. . WASHER								21
975	MS21042L08		. . NUT								21

-Item not Illustrated

25-28-46

ILLUSTRATED PARTS LIST

Page 1098.66

Jul 01/2006



COMPONENT MAINTENANCE MANUAL

FIG/ ITEM	PART NUMBER	AIRLINE PART NUMBER	NOMENCLATURE							USAGE CODE	UNITS PER ASSY
			1	2	3	4	5	6	7		
2-											
980	65C27023-17								. . SUPPORT-PASS. SVCE UNIT		1
985	412N1146-117								. . SUPPORT-PASS. BULLNOSE		1
985A	412N1146-121								. . SUPPORT-PASS. BULLNOSE		1
1005	BACR15DR3								. . . RIVET (SIZE DETERMINED ON INST)		4
1010	BACN10K08B								. . . NUTPLATE (V52828) (SPEC BACN10K08B) (OPT MK2000-08BAC (V15653)) (OPT NS103198-82 (V80539)) (OPT RMA9207M82 (V72962)) (OPT T8077S832 (V11815)) (OPT VN201A1-82 (V92215))		2
1015	412N1156-119								DELETED		
1015A	412N1146-119								. . . SUPPORT-BULLNOSE (USED ON ITEM 985)		1
1015B	412N1156-123								DELETED		
1015C	412N1146-123								. . . SUPPORT-BULLNOSE (USED ON ITEM 985A)		1
1055	65C27012-5								. . BODY ASSY (FOR DETAILS SEE FIG. 12)	A	1

-Item not Illustrated

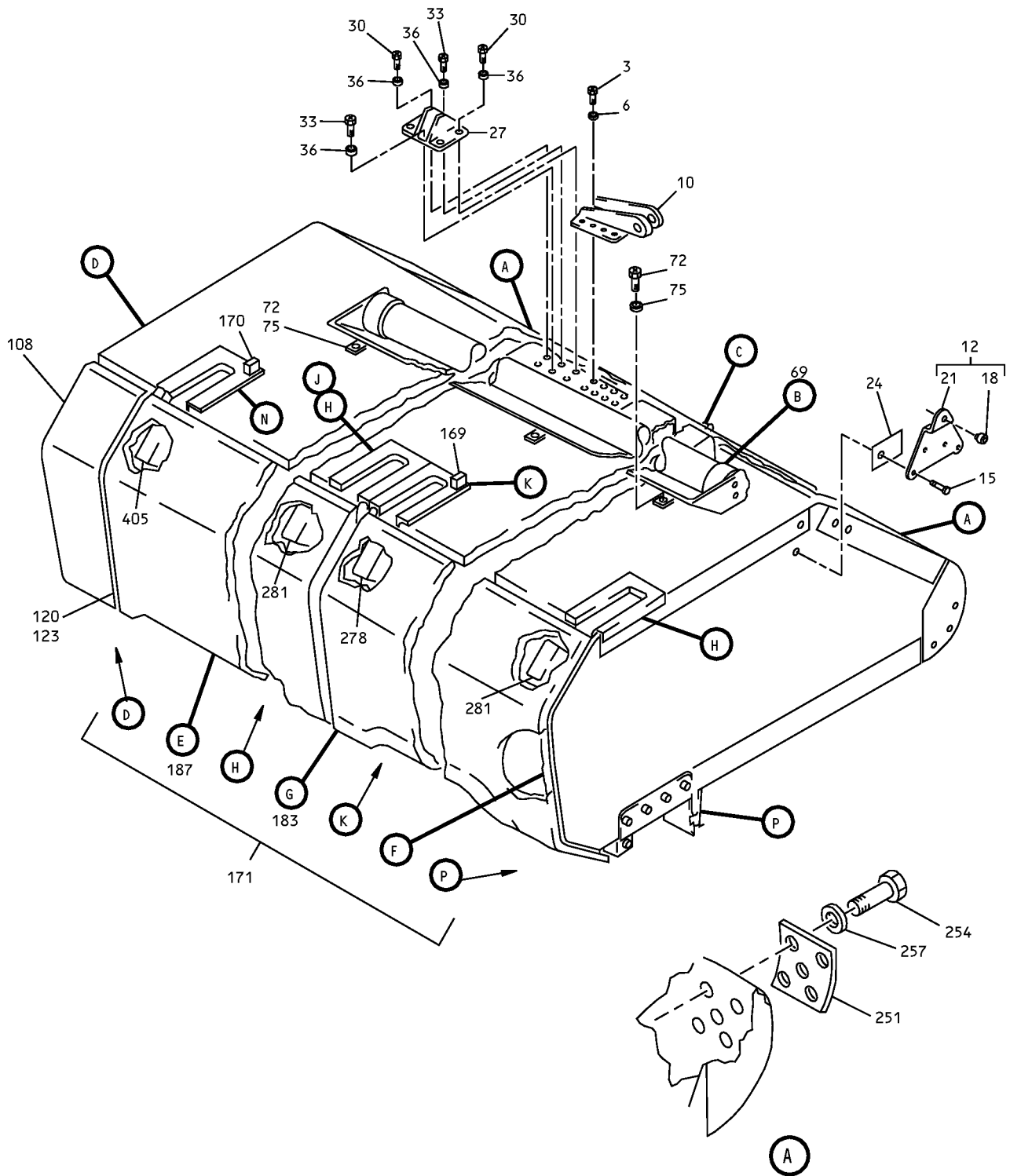
25-28-46

ILLUSTRATED PARTS LIST

Page 1098.67

Jul 01/2006

COMPONENT MAINTENANCE MANUAL



Overhead Stowage Compartment Assembly
IPL Figure 3 (Sheet 1 of 11)

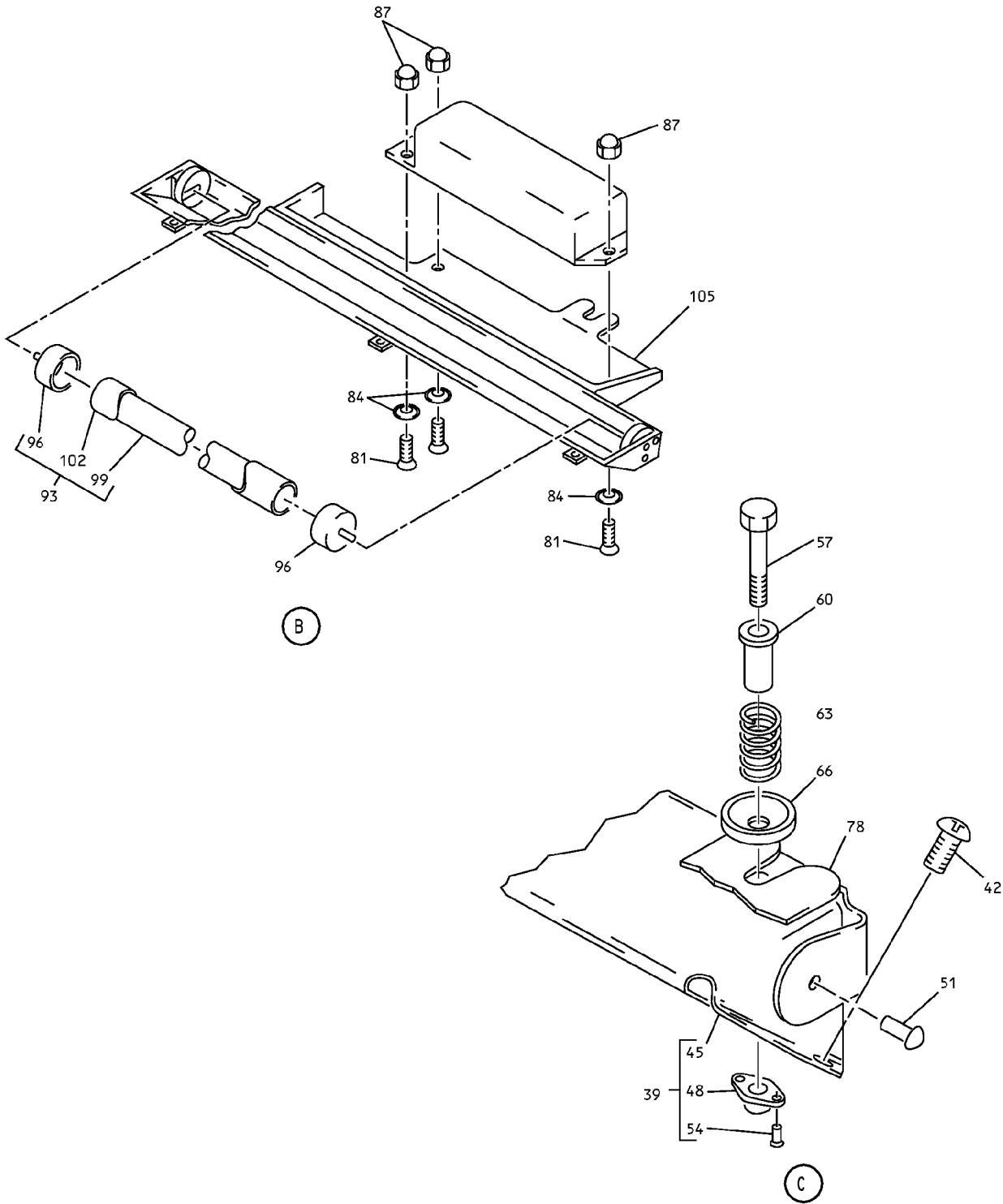
25-28-46

ILLUSTRATED PARTS LIST

Page 1098.68

Jul 01/2006

COMPONENT MAINTENANCE MANUAL



Overhead Storage Compartment Assembly
IPL Figure 3 (Sheet 2 of 11)

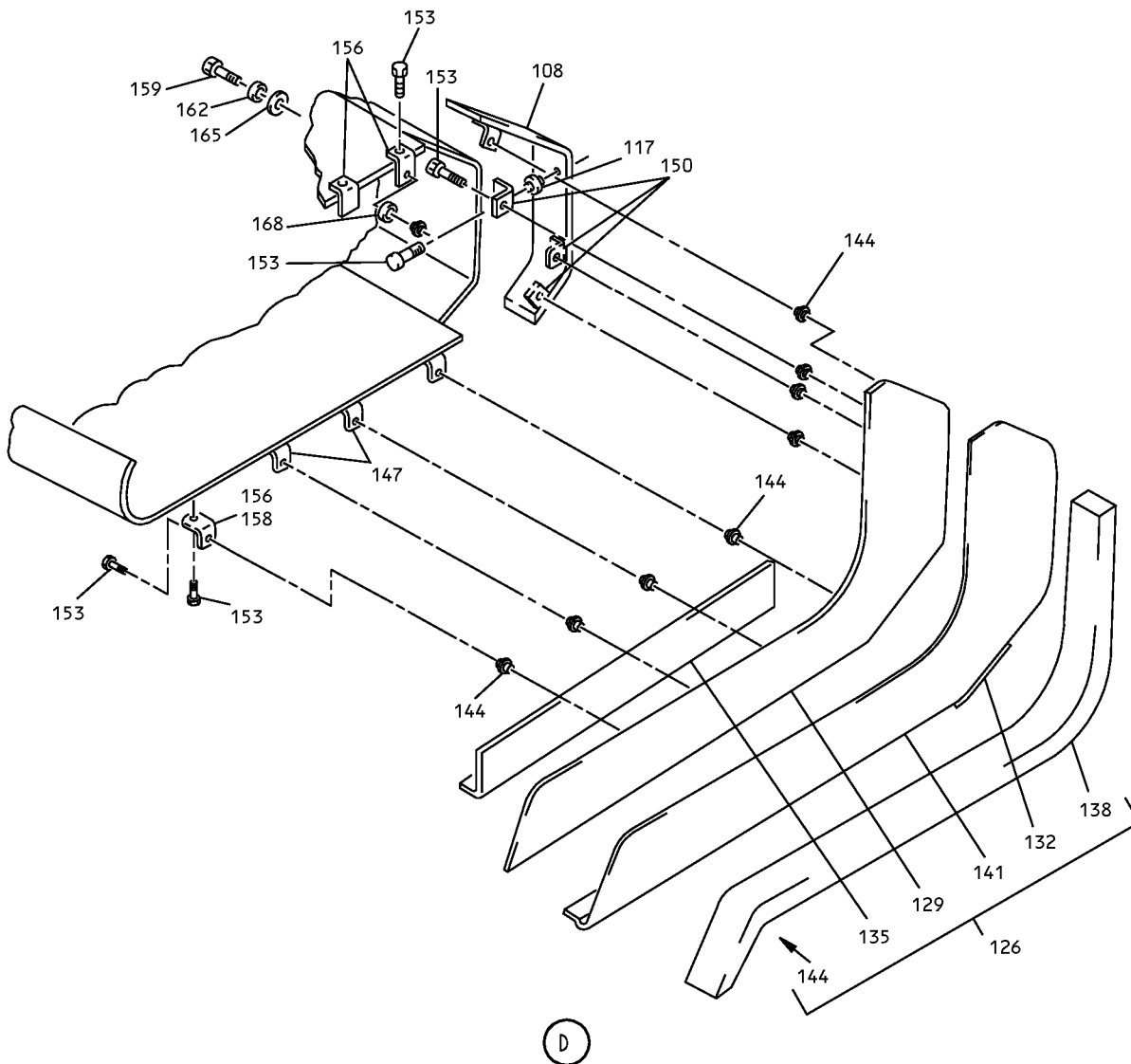
25-28-46

ILLUSTRATED PARTS LIST

Page 1098.69

Jul 01/2006

COMPONENT MAINTENANCE MANUAL



Overhead Storage Compartment Assembly
IPL Figure 3 (Sheet 3 of 11)

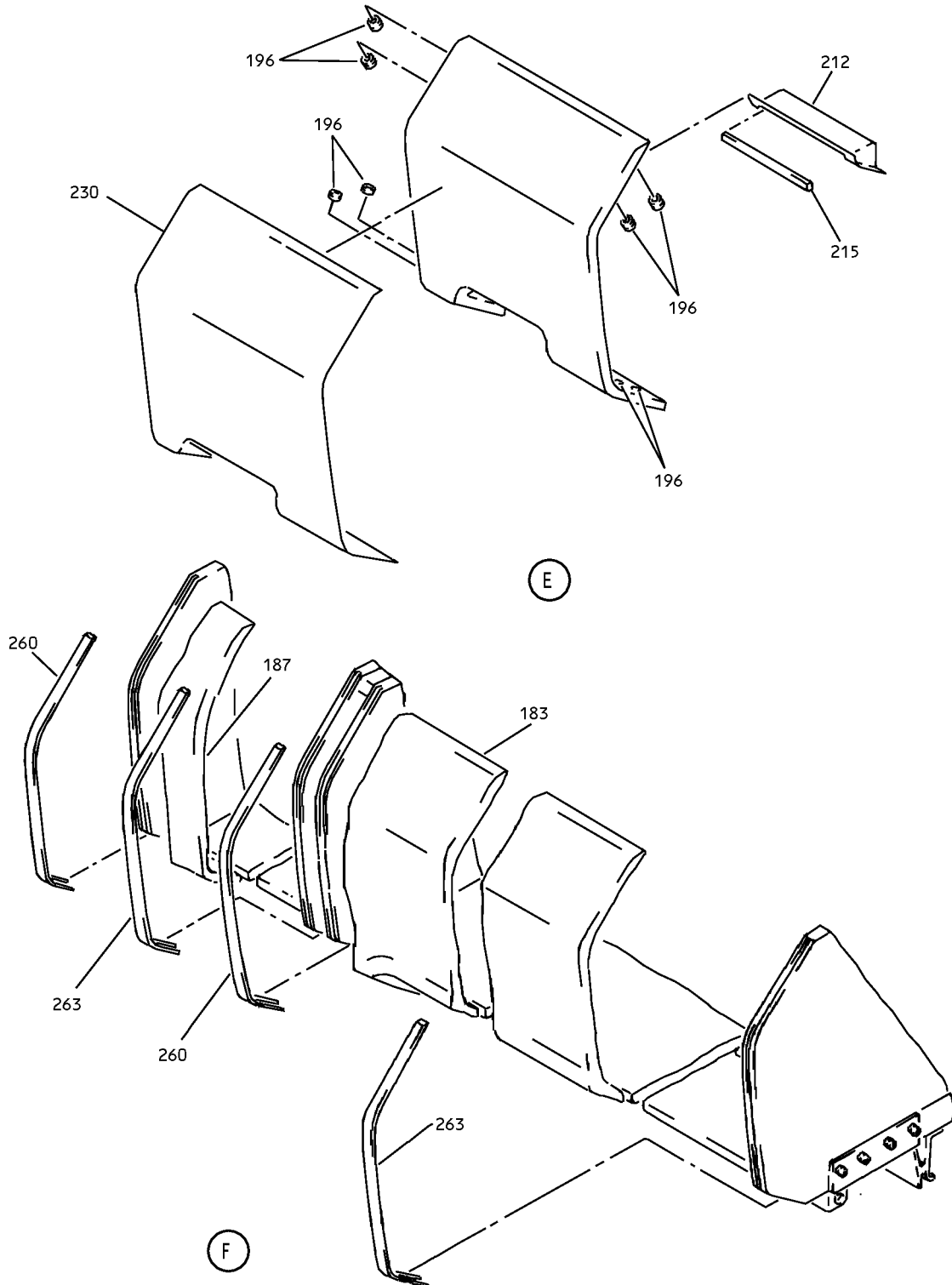
25-28-46

ILLUSTRATED PARTS LIST

Page 1098.70

Jul 01/2006

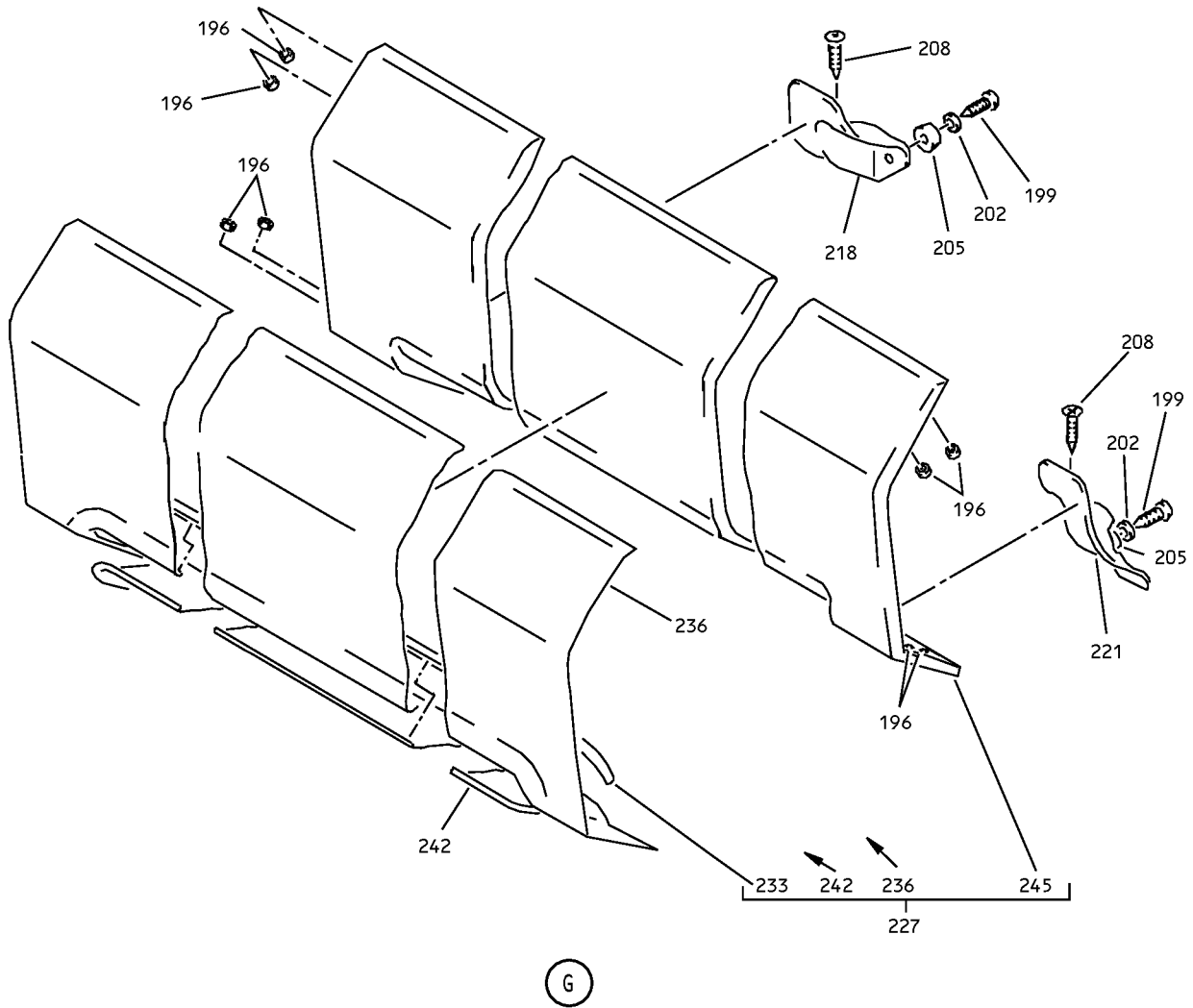
COMPONENT MAINTENANCE MANUAL



Overhead Storage Compartment Assembly
IPL Figure 3 (Sheet 4 of 11)

25-28-46
ILLUSTRATED PARTS LIST
Page 1098.71
Jul 01/2006

COMPONENT MAINTENANCE MANUAL



Overhead Storage Compartment Assembly
IPL Figure 3 (Sheet 5 of 11)

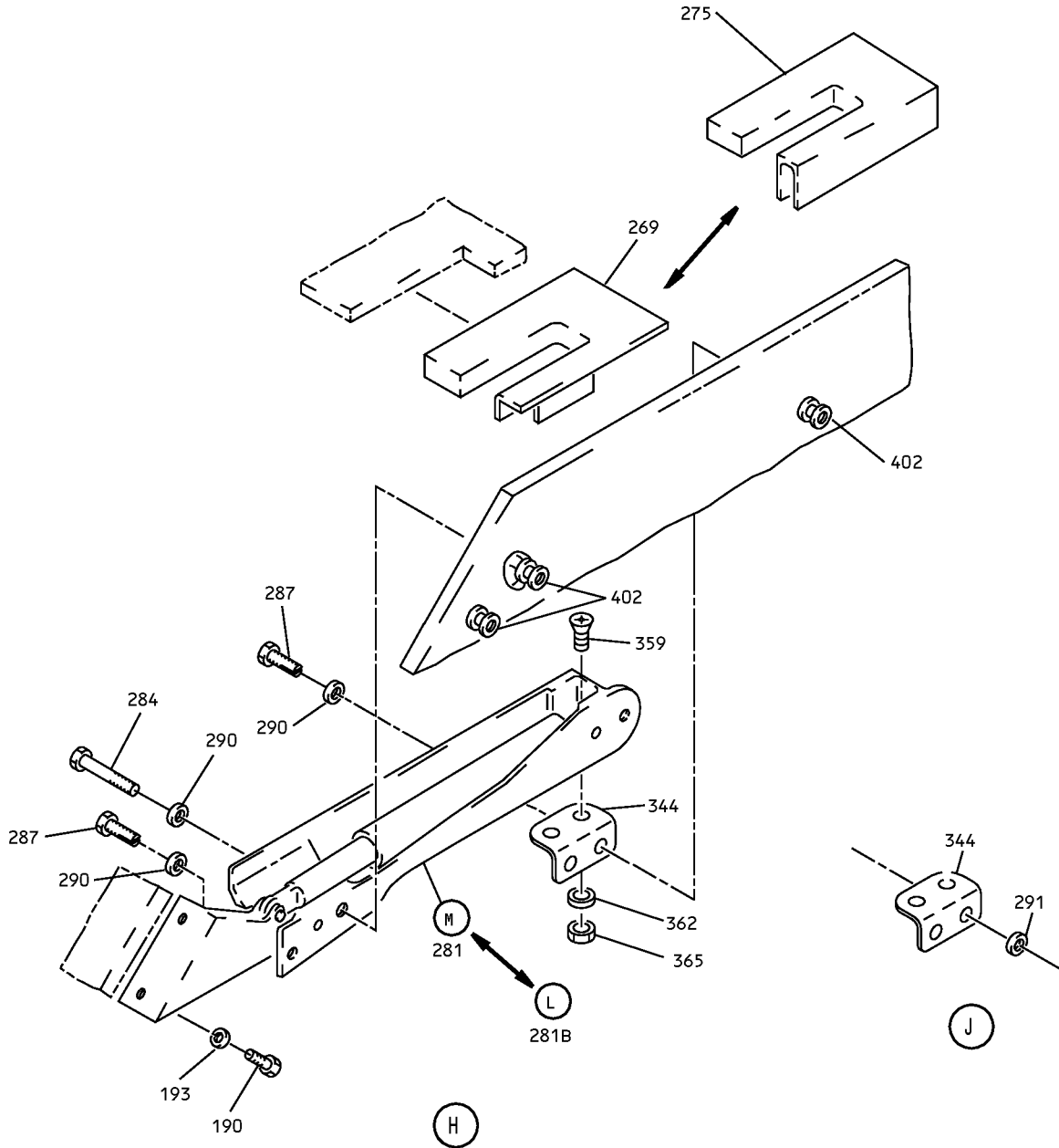
25-28-46

ILLUSTRATED PARTS LIST

Page 1098.72

Jul 01/2006

COMPONENT MAINTENANCE MANUAL



Overhead Stowage Compartment Assembly
IPL Figure 3 (Sheet 6 of 11)

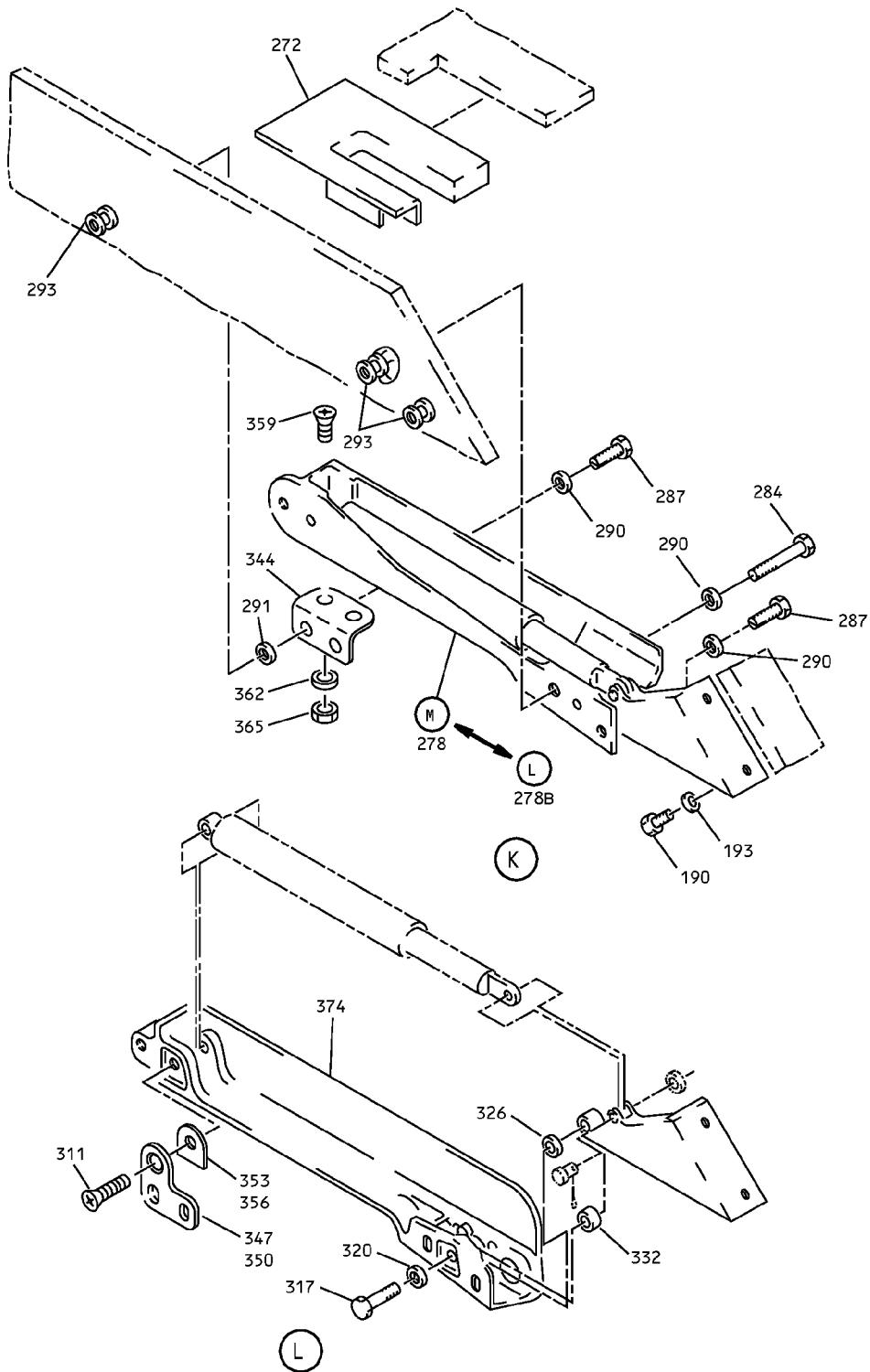
25-28-46

ILLUSTRATED PARTS LIST

Page 1098.73

Jul 01/2006

COMPONENT MAINTENANCE MANUAL



Overhead Storage Compartment Assembly
IPL Figure 3 (Sheet 7 of 11)

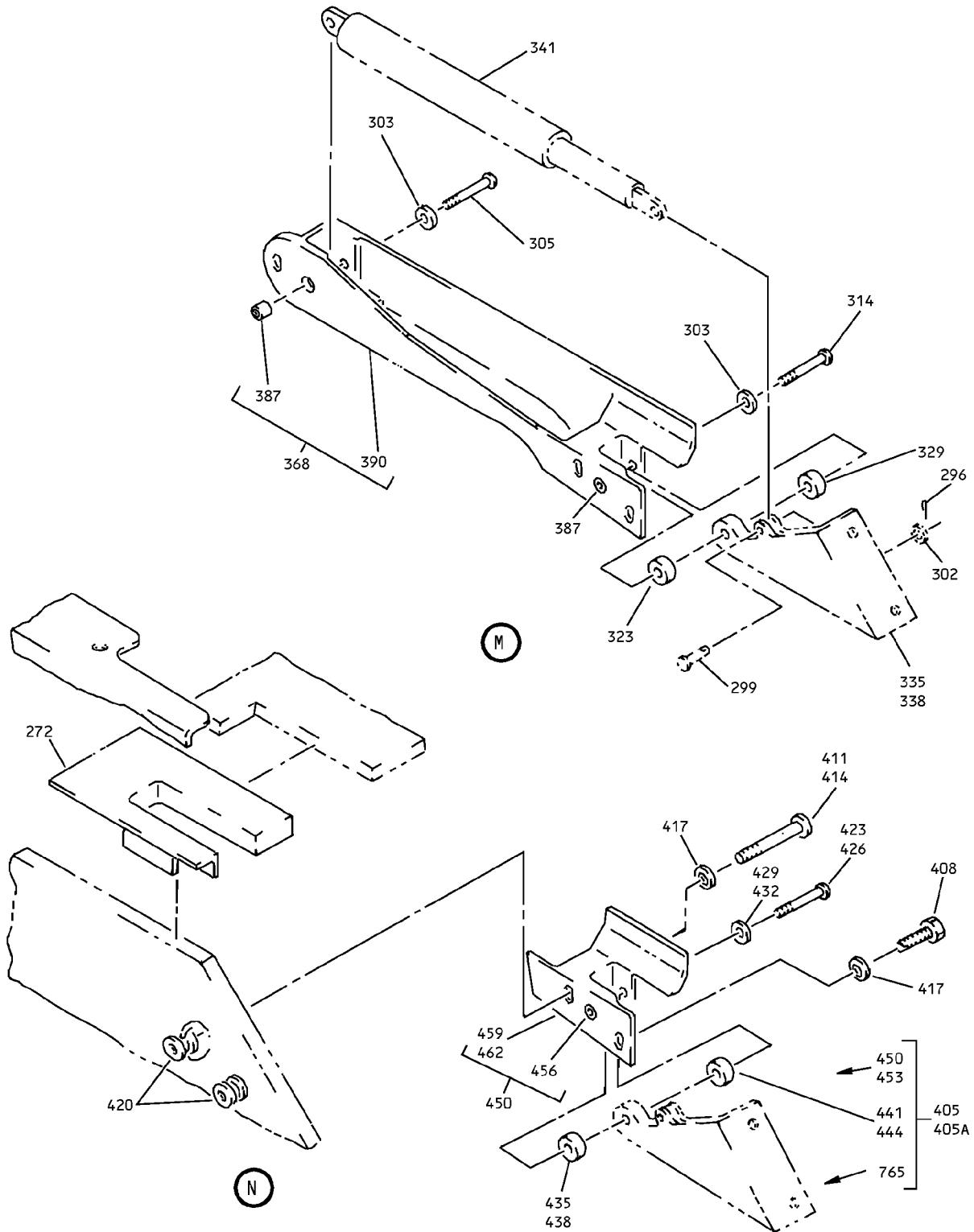
25-28-46

ILLUSTRATED PARTS LIST

Page 1098.74

Jul 01/2006

COMPONENT MAINTENANCE MANUAL



Overhead Storage Compartment Assembly
IPL Figure 3 (Sheet 8 of 11)

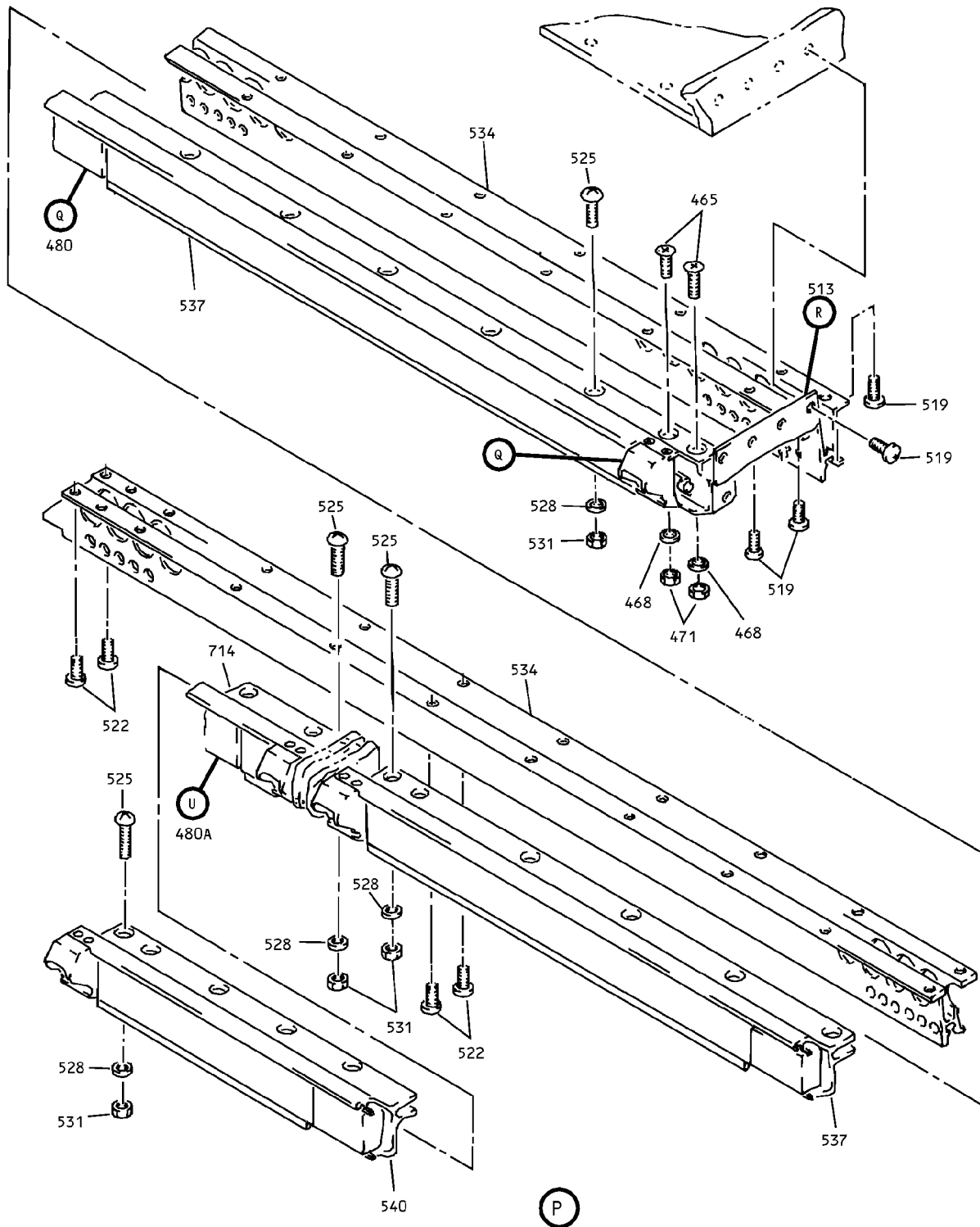
25-28-46

ILLUSTRATED PARTS LIST

Page 1098.75

Jul 01/2006

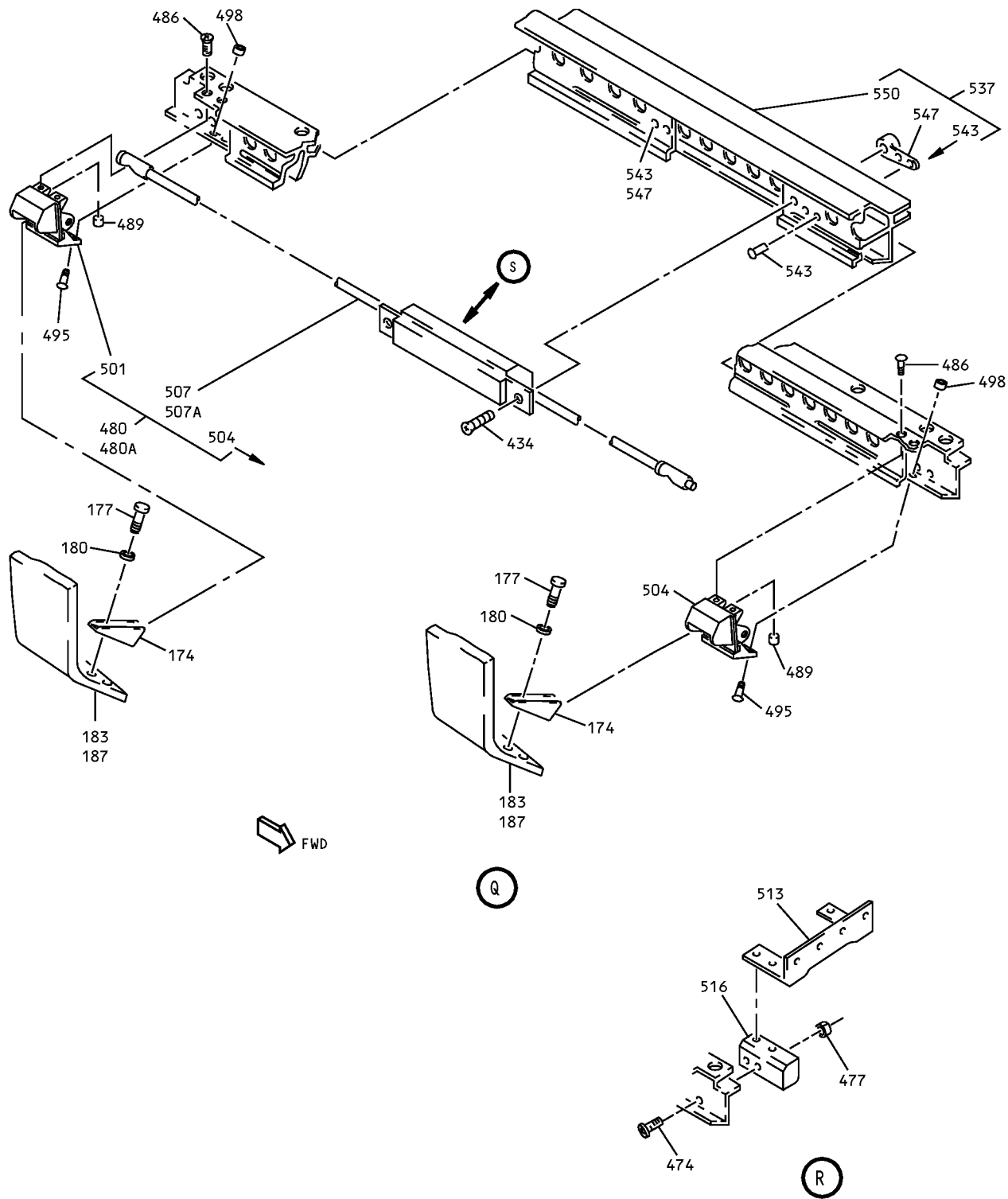
COMPONENT MAINTENANCE MANUAL



Overhead Storage Compartment Assembly
IPL Figure 3 (Sheet 9 of 11)

25-28-46
ILLUSTRATED PARTS LIST
Page 1098.76
Jul 01/2006

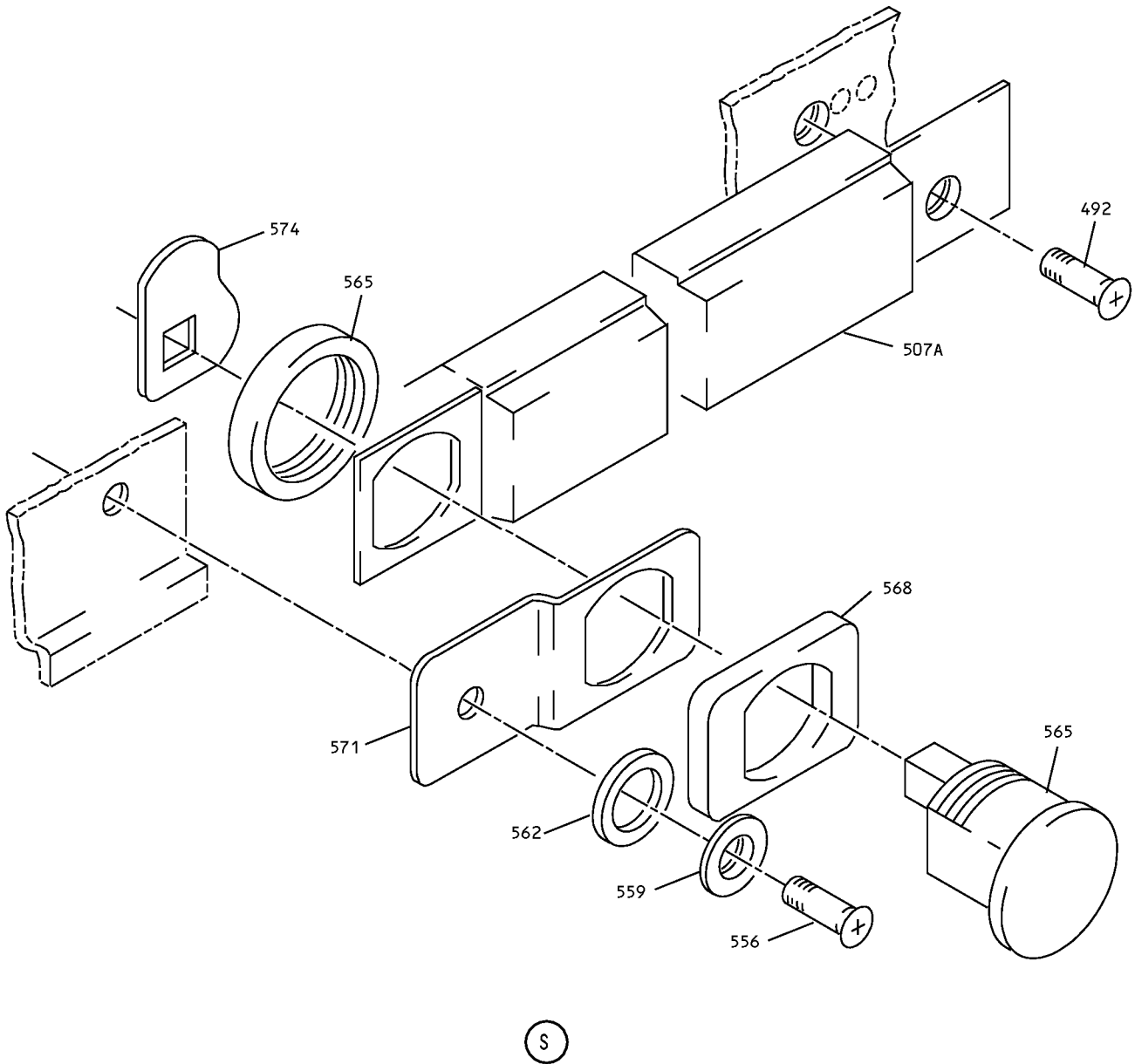
COMPONENT MAINTENANCE MANUAL



Overhead Storage Compartment Assembly
IPL Figure 3 (Sheet 10 of 11)

25-28-46
ILLUSTRATED PARTS LIST
Page 1098.77
Jul 01/2006

COMPONENT MAINTENANCE MANUAL



(S)

Overhead Stowage Compartment Assembly
IPL Figure 3 (Sheet 11 of 11)

25-28-46
ILLUSTRATED PARTS LIST
Page 1098.78
Jul 01/2006



COMPONENT MAINTENANCE MANUAL

FIG/ ITEM	PART NUMBER	AIRLINE PART NUMBER	NOMENCLATURE							USAGE CODE	UNITS PER ASSY
			1	2	3	4	5	6	7		
3-											
-1	65C27006-40SP									A	RF
-1A	65C27006-64SP									B	RF
-1B	65C27006-68SP									C	RF
-1C	65C27006-71SP									D	RF
-1D	65C27006-92SP									E	RF
-1F	65C27006-111SP									F	RF
3	BACB30NM3K1										8
6	AN940PD10										
6A	AN960JD10										8
10	412N1161-1										1
-10A	412N1119-13										1
12	412N1119-37										1
15	BACS12ER3K6										4
18	BACB28B6-220P										1
21	412N1119-39										1

-Item not Illustrated

25-28-46

ILLUSTRATED PARTS LIST

Page 1098.79

Jul 01/2006



COMPONENT MAINTENANCE MANUAL

FIG/ ITEM	PART NUMBER	AIRLINE PART NUMBER	NOMENCLATURE							USAGE CODE	UNITS PER ASSY
			1	2	3	4	5	6	7		
3-											
24	65C27017-16								. SHIM		1
27	412N1119-26								. FITTING		1
									ATTACHING PARTS		
30	BACB30NM3K1								. BOLT		4
33	BACB30NM3K9								. BOLT		2
36	AN960PD10								DELETED		
36A	AN960JD10								. WASHER		6
									----- * -----		
39	65C27481-32								. BRACKET ASSY	A, C-F	1
-39A	65C27481-76								. BRACKET ASSY	B	1
									ATTACHING PARTS		
42	BACS12FA3K4								. SCREW		2
									----- * -----		
45	65C27481-33								. . BRACKET (USED ON ITEM 39)		1
-45A	65C27481-77								. . BRACKET (USED ON ITEM 39A)		1
48	BACN10KB3FR								. . NUTPLATE (USED ON ITEM 39)		1
-48A	BACN10JR3FR								. . NUTPLATE (USED ON ITEM 39A)		1
51	NAS1398D4								. . RIVET (SIZE DETERMINED ON INST)		2
54	BACR15BA3A								. . RIVET (SIZE DETERMINED ON INST)		2
54A	BACR15BA3DD								. . RIVET (SIZE DETERMINED ON INST)		2
57	NAS1801-3-11								. SCREW		2
60	BACS18C8-6								. SPACER		2
63	MS24585-1230								. SPRING		2
66	411N3142-28								. WASHER CUPPED		2
69	417N5120-49								. LIGHT ASSY		1
									ATTACHING PARTS		
72	NAS1801-3-5								. SCREW	B-E	3

-Item not Illustrated

25-28-46

ILLUSTRATED PARTS LIST

Page 1098.80

Jul 01/2006



COMPONENT MAINTENANCE MANUAL

FIG/ ITEM	PART NUMBER	AIRLINE PART NUMBER	NOMENCLATURE							USAGE CODE	UNITS PER ASSY
			1	2	3	4	5	6	7		
3-											
72A	BAC12W10-5								. SCREW	A	3
75	AN960PD10L								DELETED		
75A	AN960JD10LL								. WASHER		3
									-----*		
78	65C28117-3								. . PAD		1
81	BACS12ER3K6								. . SCREW (V06710) (SPEC BACS12ER3K6) (OPT BACS12ER3K6 (V06725)) (OPT BACS12ER3K6 (V06950)) (OPT BACS12ER3K6 (V27624)) (OPT BACS12ER3K6 (V34252)) (OPT BACS12ER3K6 (V56878)) (OPT BACS12ER3K6 (V73197)) (OPT BACS12ER3K6 (V80539)) (OPT BACS12ER3K6 (V92215)) (OPT BACS12ER3K6 (V93907)) (OPT BACS12ER3K6 (V97928))		2
84	BACW10UD10								. . WASHER		3
87	F22K1-02								. . NUT (V72962) (SPEC BACN10R10L) (OPT 22K1-02 (V72962)) (OPT 26CL02 (V80539))		3
90	05939-14								. . BALLAST (V17023) (SPEC S283N702-14)		1
93	417N5120-10								. . LAMP ASSY		1
96	2055150								. . . CAP-END (V04169)		2
99	F40WW								. . . LAMP-FLUOR (V08805)		1
102	LP1625-48								. . . TUBE-COVER (V0812B)		1
105	800000255-34								. . LIGHT ASSY (V13545) (SPEC S417N507-34)		1
108	65C27026-23SP								. FILLER PANEL ASSY	A, C-F	1
-108A	65C27026-47SP								. FILLER PANEL ASSY	B	1

-Item not Illustrated

25-28-46

ILLUSTRATED PARTS LIST

Page 1098.81

Jul 01/2006



COMPONENT MAINTENANCE MANUAL

FIG/ ITEM	PART NUMBER	AIRLINE PART NUMBER	NOMENCLATURE							USAGE CODE	UNITS PER ASSY
			1	2	3	4	5	6	7		
3-											
-111	412N1141-11		.	.							1
-114	412N1142-21		.	.							1
117	NAS1836-3-11		.	.							4
120	412N1130-5SP		.								2
123	65C27006-12		.								1
126	65C27027-2SP		.						A, C-F		1
-126A	65C27027-34SP		.						B		1
129	65C27027-10		.	.					A, C-F		1
-129A	65C27027-36		.	.					B		1
132	65C27027-13		.	.							1
135	65C27027-14		.	.							1
138	65C27027-15		.	.							1
141	65C27027-6		.	.					A, C-F		1
-141A	65C27027-35		.	.					B		1
144	SL2334-3A2		.	.							10
147	412N1145-29		.								3
150	65C27017-13		.								4
-150C	65C27017-43		.								1
153	BACS12FA3K5		.								17
156	412N1145-30		.						A, C-E		3
-156A	412N1145-30		.						B		2
158	412N1145-21		.						B		1
159	BACB30PF4-3		.								1
162	AN960C416L		.								1
165	NAS1515F4H		.								1
168	NAS1515M4L		.								1
169	65C27006-131		.								1
170	65C27006-132		.								1
171	65C27009-40SP		.						A		1
-171A	65C27009-64SP		.						B		1
-171B	65C27009-68SP		.						C		1

-Item not Illustrated

25-28-46

ILLUSTRATED PARTS LIST

Page 1098.82

Jul 01/2006



COMPONENT MAINTENANCE MANUAL

FIG/ ITEM	PART NUMBER	AIRLINE PART NUMBER	NOMENCLATURE							USAGE CODE	UNITS PER ASSY
			1	2	3	4	5	6	7		
3-											
-171C	65C27009-71SP									D	1
-171D	65C27009-92SP									E	1
-171E	65C27009-111SP									F	1
174	H3-1152-1										4
177	BACS12FA3K4										8
180	MS35333-39										8
183	412N1140-43SP										1
187	412N1140-64SP									A, C-E	1
-187A	412N1146-79SP									B	1
190	NAS1801-3-4										8
193	MS35333-39										8
196	SL618-3A										8
199	BACS12H4-8										2
202	NAS620A8L										2
205	412N1245-1										2
208	MS51862-4										2
212	412N1143-11										2
215	412N1140-17										2
218	412N1143-13										1
221	412N1143-14										1

-Item not Illustrated

25-28-46

ILLUSTRATED PARTS LIST

Page 1098.83

Jul 01/2006



COMPONENT MAINTENANCE MANUAL

FIG/ ITEM	PART NUMBER	AIRLINE PART NUMBER	NOMENCLATURE							USAGE CODE	UNITS PER ASSY
			1	2	3	4	5	6	7		
3-											
-224	412N1244-2		. . .	DOUBLER							1
				(USED ON ITEMS 187,187A)							
227	412N1140-60		. . .	PANEL ASSY-DOOR							1
				(USED ON ITEM 183)							
230	412N1140-22		. . .	PANEL ASSY-DOOR							1
				(USED ON ITEMS 187,187A)							
233	412N1140-13		STRIP RETAINER							1
				(USED ON ITEM 227)							
236	412N1141-3		FACE PLATE							1
				(USED ON ITEM 227)							
-239	412N1141-5		FACE PLATE							1
				(USED ON ITEM 230)							
242	412N1141-9		MARKER							1
				(USED ON ITEM 227)							
245	412N1142-17		PANEL ASSY							1
				(USED ON ITEM 227)							
-248	412N1142-20		PANEL ASSY							1
				(USED ON ITEM 230)							
251	412N1119-12		.	FITTING							2
254	BACB30NM3KI		.	BOLT							8
257	AN960PD10			DELETED							
-257A	AN960JD10		.	WASHER							8
260	412N1118-1SP		. .	RETAINER TRIM							2
263	412N1118-2SP		. .	RETAINER TRIM							2
266	65C27009-6		. .	EDGE COVER							2
269	412N1154-3		. .	REINFORCEMENT-CORNER							1
272	412N1154-4		. .	REINFORCEMENT-CORNER							2
275	412N1154-1		. .	REINFORCEMENT-CORNER							1
278	412N1155-5		. .	HINGE ASSY							1
				(LIMITED USAGE)							
-278A	412N1155-5		. .	HINGE ASSY							1
				(LIMITED USAGE)							
				(OPT ITEM 278B)							
-278B	412N1155-11		. .	HINGE ASSY							1
				(LIMITED USAGE)							
				(OPT ITEM 278A)							

-Item not Illustrated

25-28-46

ILLUSTRATED PARTS LIST

Page 1098.84

Jul 01/2006



COMPONENT MAINTENANCE MANUAL

FIG/ ITEM	PART NUMBER	AIRLINE PART NUMBER	NOMENCLATURE							USAGE CODE	UNITS PER ASSY
			1	2	3	4	5	6	7		
3-											
281	412N1155-6				. .	HINGE ASSY (LIMITED USAGE)					2
-281A	412N1155-6				. .	HINGE ASSY (LIMITED USAGE) (OPT ITEM 281B)					2
-281B	412N1155-12				. .	HINGE ASSY (LIMITED USAGE) (OPT ITEM 281A)					2
						ATTACHING PARTS					
284	BACB30LK3-18				. .	BOLT (USED WITH ITEMS 278, 278A, 281, 281A)					3
-284A	NAS1801-3-10				. .	BOLT (USED WITH ITEMS 278B, 281B)					3
287	412N1227-1				. .	BOLT (OPT ITEM 287A)					6
-287A	AIC1321-3-8				. .	BOLT (OPT ITEM 287)					6
290	BACW10P136AL				. .	WASHER					9
291	AN960JD10				. .	WASHER					1
293	NAS1833-3-400				. .	INSERT					9
						----- * -----					
296	MS24665-132				. . .	PIN-COTTER					1
299	MS20392-2C13				. . .	PIN-DRILLED SHANK					1
302	AN960PD10L				. . .	WASHER					1
303	AN960PD10L				. . .	WASHER (USED ON ITEMS 278,281)					2
305	NAS6703PU15				. . .	BOLT (USED ON ITEMS 287,287A,281,281A)					1
311	BACB30LU3-14				. . .	BOLT (USED ON ITEMS 278B,281B)					1
314	NAS6703PU11				. . .	BOLT (USED ON ITEMS 278,278A,281,281A)					1
317	BACB30NM3K8				. . .	BOLT (USED ON ITEMS 278B,281B)					1

-Item not Illustrated

25-28-46

ILLUSTRATED PARTS LIST

Page 1098.85

Jul 01/2006



COMPONENT MAINTENANCE MANUAL

FIG/ ITEM	PART NUMBER	AIRLINE PART NUMBER	NOMENCLATURE							USAGE CODE	UNITS PER ASSY
			1	2	3	4	5	6	7		
3-											
320	AN960PD10L										2
323	NAS43DD3-5										1
326	NAS43DD3-3										1
329	NAS43DD3-6										1
332	NAS43DD3-8										1
335	H2948-2										1
338	H2948-1										1
341	SB113										1
344	412N1119-36										1
347	412N1119-69										1
350	412N1119-70										1
353	412N1119-71										1
356	412N1119-72										1
359	NAS514P1032-7										2
362	AN960PD10L										2

-Item not Illustrated

25-28-46

ILLUSTRATED PARTS LIST

Page 1098.86

Jul 01/2006



COMPONENT MAINTENANCE MANUAL

FIG/ ITEM	PART NUMBER	AIRLINE PART NUMBER	NOMENCLATURE							USAGE CODE	UNITS PER ASSY
			1	2	3	4	5	6	7		
3-											
365	BACN10R10L								. . . NUT (USED ON ITEMS 278,278A,281,281A)		3
368	412N1156-7								. . . CHASSIS ASSY (USED ON ITEMS 278,278A)		1
-368A	412N1156-8								. . . CHASSIS ASSY (USED ON ITEMS 281,281A)		1
374	412N1156-17								. . . CHASSIS ASSY (USED ON ITEM 278B)		1
-374A	412N1156-18								. . . CHASSIS ASSY (USED ON ITEM 281B)		1
387	6041-3BRX225								. . . INSERT-DODGE (V01556)		2
390	412N1156-3							 CHASSIS (USED ON ITEM 368)		1
-393	412N1156-4							 CHASSIS (USED ON ITEM 368A)		1
-396	412N1156-15							 CHASSIS (USED ON ITEM 374)		1
-399	412N1156-16							 CHASSIS (USED ON ITEM 374A)		1
402	NAS1833-3-400								. . INSERT		6
405	412N1155-3								. . HINGE ASSY (LIMITED USAGE) (OPT ITEM 405A)		1
405A	412N1155-9								. . HINGE ASSY (LIMITED USAGE) (OPT ITEM 405)		1
405B	412N1155-3								. . HINGE ASSY (LIMITED USAGE)		1
									ATTACHING PARTS		
408	412N1227-1								. . BOLT (OPT ITEM 408A)		1
-408A	AIC1321-3-8								. . BOLT (V06725) (OPT ITEM 408)		1
411	BACB30LK3-18								. . BOLT (USED ON ITEMS 405,405B)		1

-Item not Illustrated

25-28-46

ILLUSTRATED PARTS LIST

Page 1098.87

Jul 01/2006



COMPONENT MAINTENANCE MANUAL

FIG/ ITEM	PART NUMBER	AIRLINE PART NUMBER	NOMENCLATURE							USAGE CODE	UNITS PER ASSY
			1	2	3	4	5	6	7		
3-											
414	NAS1801-3-10										
417	BACW10P136AL										
420	NAS18833-3-400										
423	NAS6703PU11										
420	BACS30NM3K8										
429	AN960PD10L										
432	AN960KD10L										
435	NAS43DD3-5										
438	NAS43DD3-8										
441	NAS43DD3-6										
-444	NAS43DD3-3										
447	H2948-2										
450	412N1156-5										
-453	412N1156-19										
456	6041-3BRX225										
459	412N1156-3										
462	412N1156-25										
465	BACS12ER08K14										
468	AN960JD8										

-Item not Illustrated

25-28-46

ILLUSTRATED PARTS LIST

Page 1098.88

Jul 01/2006



COMPONENT MAINTENANCE MANUAL

FIG/ ITEM	PART NUMBER	AIRLINE PART NUMBER	NOMENCLATURE	USAGE CODE	UNITS PER ASSY
3-					
471	MS21042L08		. . NUT		2
474	BACB30MY6K2		. . BOLT		2
477	MS21042L3		. . NUT		2
480	412N1153-103		. . LATCH ASSY	A, C, D, F	1
-480A	412N1153-123		. . LATCH ASSY	B, E	1
483	412N1153-149		. . LATCH ASSY	A, D, E, F	1
-483A	412N1153-83		. . LATCH ASSY	B	1
-483B	412N1153-69		. . LATCH ASSY	C	1
486	BACS12ER06K8		. . SCREW (V06710) (SPEC BACS12ER06K8) (OPT BACS12ER06K8 (V06725)) (OPT BACS12ER06K8 (V06950)) (OPT BACS12ER06K8 (V27624)) (OPT BACS12ER06K8 (V34252)) (OPT BACS12ER06K8 (V56878)) (OPT BACS12ER06K8 (V73197)) (OPT BACS12ER06K8 (V80539)) (OPT BACS12ER06K8 (V92215)) (OPT BACS12ER06K8 (V93907)) (OPT BACS12ER06K8 (V97928))		8
489	SL210-06-2		. . INSERT (V97393)		8
492	BACS12ER08K6		. . SCREW (V06710) (SPEC BACS12ER08K6) (OPT BACS12ER08K6 (V06725)) (OPT BACS12ER08K6 (V06950)) (OPT BACS12ER08K6 (V27624)) (OPT BACS12ER08K6 (V34252)) (OPT BACS12ER08K6 (V56878)) (OPT BACS12ER08K6 (V73197)) (OPT BACS12ER08K6 (V80539)) (OPT BACS12ER08K6 (V92215)) (OPT BACS12ER08K6 (V93907)) (OPT BACS12ER08K6 (V97928))		8
495	NAS514P832-5		. . SCREW		8
498	SL210-08-1		. . INSERT (V97393)		8
501	412N1113-7		. . . COVER		2

-Item not illustrated

25-28-46

ILLUSTRATED PARTS LIST

Page 1098.89

Jul 01/2006



COMPONENT MAINTENANCE MANUAL

FIG/ ITEM	PART NUMBER	AIRLINE PART NUMBER	NOMENCLATURE							USAGE CODE	UNITS PER ASSY
			1	2	3	4	5	6	7		
3-											
504	412N1113-8								. . . COVER		2
507	H3-1145-1-3760								. . . LATCH ASSY (V34941) (SPEC S412N101-1040) (USED ON ITEM 480)		1
507A	S412N101-1140								. . . LATCH ASSY (V34941) (SPEC S412N101-1140) (USED ON ITEM 480A)		1
-510	H3-1145-3-1660								. . . LATCH ASSY (V34941) (SPEC S412N101-3019) (USED ON ITEM 483)		1
-510A	S412N101-3014								. . . LATCH ASSY (V34941) (SPEC S412N101-3014) (USED ON ITEM 483A)		1
-510B	S412N101-3119								. . . LATCH ASSY (V34941) (SPEC S412N101-3119) (USED ON ITEM 483B)		1
513	412N1145-28								. . BRACKET		1
516	412N1117-2								. . FITTING		1
519	BACS12FA3K5								. . SCREW (V06710)		30
522	BACS12FA3K15								. . SCREW		4
525	BACS12ER08K12								. . SCREW		16
528	AN960JD8								. . WASHER		16
531	MS21042L08								. . NUT		16
534	65C27023-9								. . SUPPORT-PASS. SVCE UNIT	A, C-E	1
-534A	65C27023-35								. . SUPPORT-PASS. SVCE UNIT	B	1
537	412N1146-3								. . SUPPORT-PASS. BULLNOSE	A, C, D, F	1
-537A	412N1146-125								. . SUPPORT-PASS. BULLNOSE	B, E	1
-540	412N1146-14								. . SUPPORT-PASS. BULLNOSE	A, D, E, F	1
-540A	412N1146-57								. . SUPPORT-PASS. BULLNOSE	B	1
-540B	412N1146-67								. . SUPPORT-PASS. BULLNOSE	C	1

-Item not Illustrated

25-28-46

ILLUSTRATED PARTS LIST

Page 1098.90

Jul 01/2006



COMPONENT MAINTENANCE MANUAL

FIG/ ITEM	PART NUMBER	AIRLINE PART NUMBER	NOMENCLATURE							USAGE CODE	UNITS PER ASSY
			1	2	3	4	5	6	7		
3-											
543	BACR15DR3								. . . RIVET (SIZE DETERMINED ON INST)		4
547	BACN10KB08								. . . NUTPLATE (V52828) (SPEC BACN10KB08)	A, B, D, E, F	2
-547A	BACN10KB08								. . . NUTPLATE	C	1
-547B	BACN10JP08B								. . . NUTPLATE	C	1
550	412N1146-23							 SUPPORT BULLNOSE	A, C, D, F	1
-550A	412N1146-126							 SUPPORT BULLNOSE	B, E	1
-553	412N1146-34							 SUPPORT BULLNOSE	A, D, E, F	1
-553A	412N1146-59							 SUPPORT BULLNOSE	B	1
-553B	412N1146-68							 SUPPORT BULLNOSE	C	1
556	BACS12ER08K6								. . SCREW (V06710) (SPEC BACS12ER08K6)	B, C, E	1
559	BACW10DM5								. . WASHER	B, C, E	1
562	AN960PD516L								. . WASHER	B, C, E	1
565	AC8400EKAPK625								. . LOCK ASSY (V0895B)	B, C, E	1
568	65C27016-4								. . FITTING	B, C, E	1
571	412N1145-43								. . BRACKET	B, C, E	1
574	65C27016-5								. . PAWL	B, C, E	1
577	65C27012-20								. . BODY ASSY (FOR DETAILS SEE FIG. 13)	A, C, E	1
577A	65C27012-40								. . BODY ASSY (FOR DETAILS SEE FIG. 13)	B	1
-577B	65C27012-45								. . BODY ASSY (FOR DETAILS SEE FIG. 13)	D	1
-577C	65C27012-74								. . BODY ASSY (FOR DETAILS SEE FIG. 13)	F	1

-Item not Illustrated

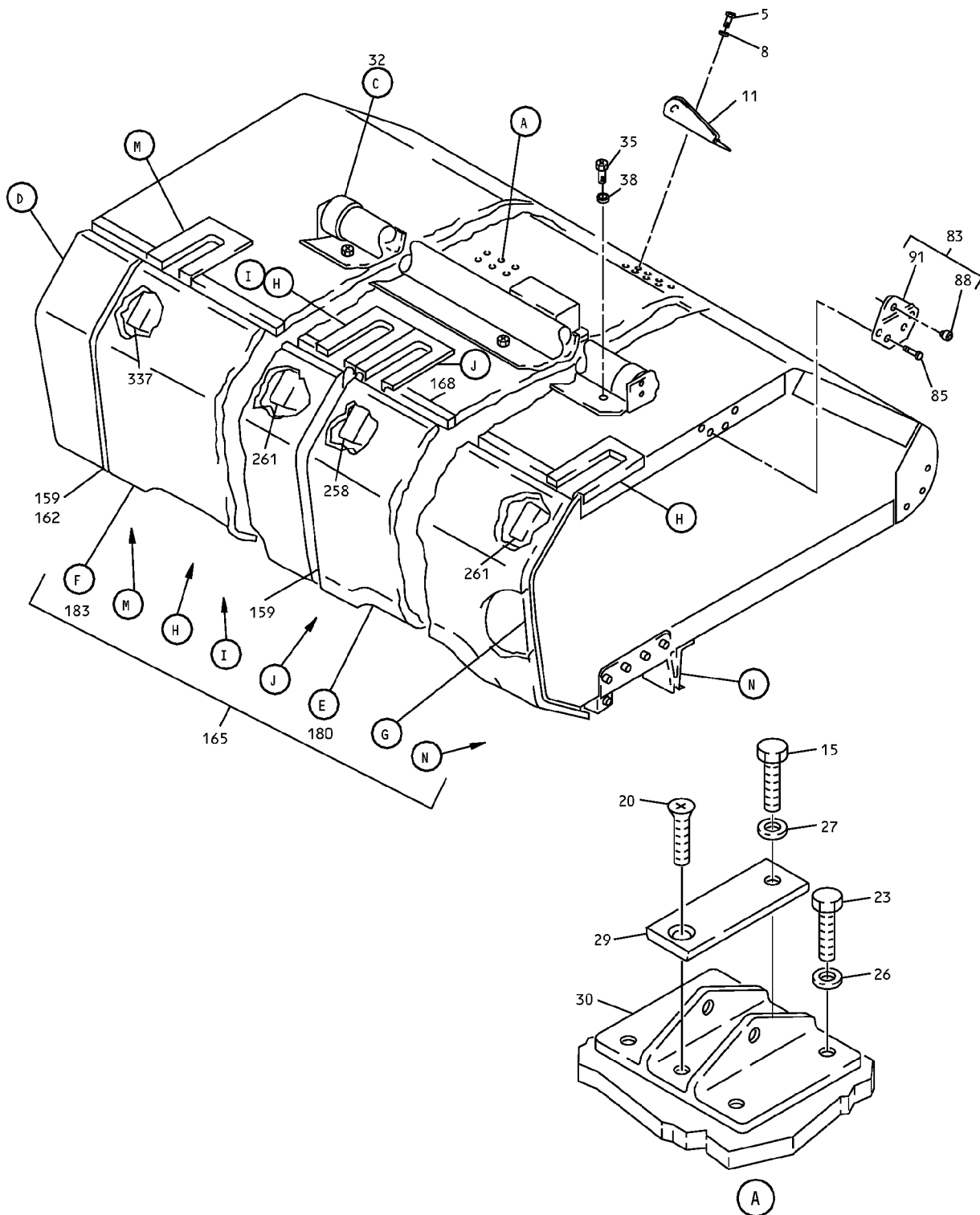
25-28-46

ILLUSTRATED PARTS LIST

Page 1098.91

Jul 01/2006

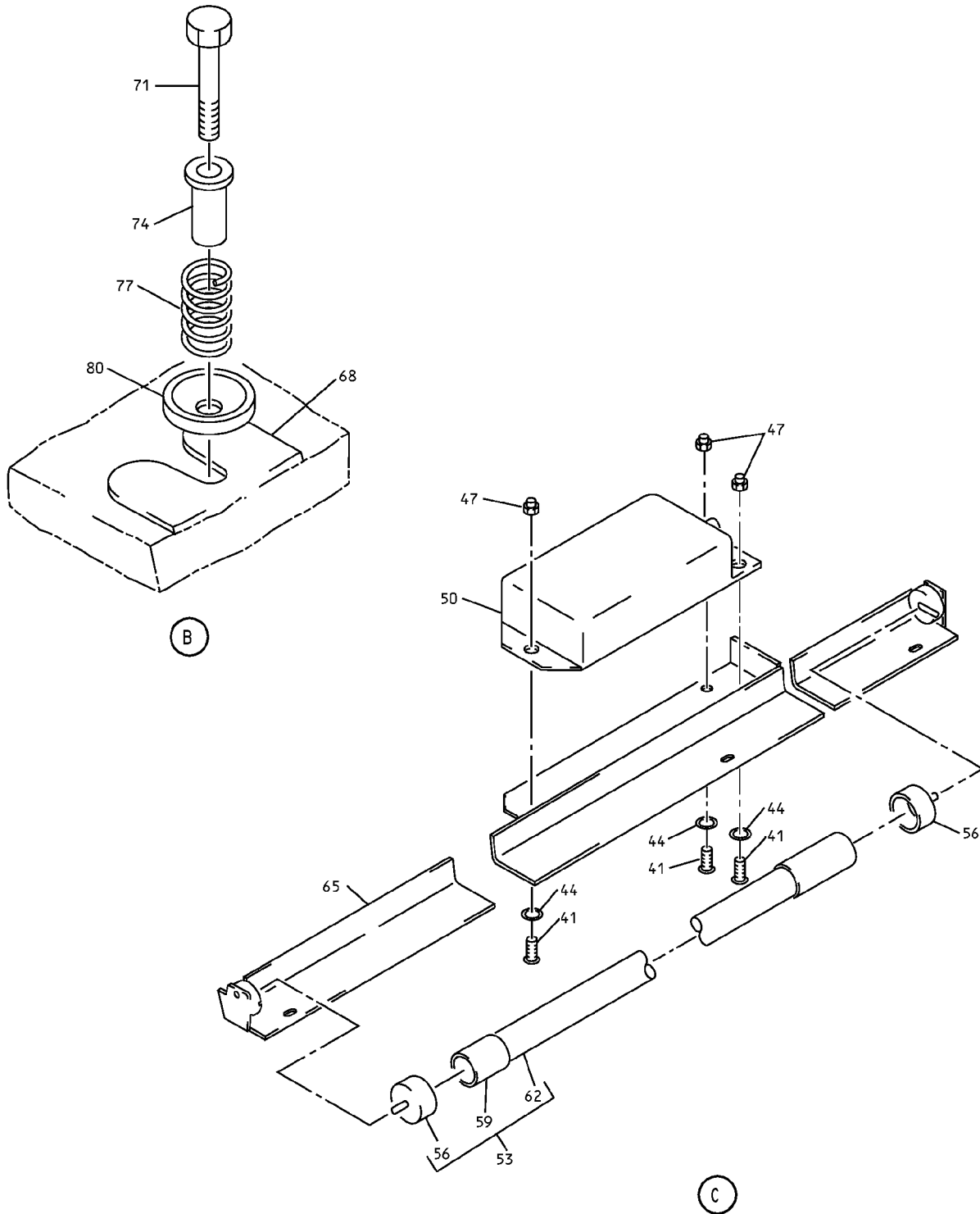
COMPONENT MAINTENANCE MANUAL



Overhead Stowage Compartment Assembly
IPL Figure 4 (Sheet 1 of 10)

25-28-46
 ILLUSTRATED PARTS LIST
 Page 1098.92
 Jul 01/2006

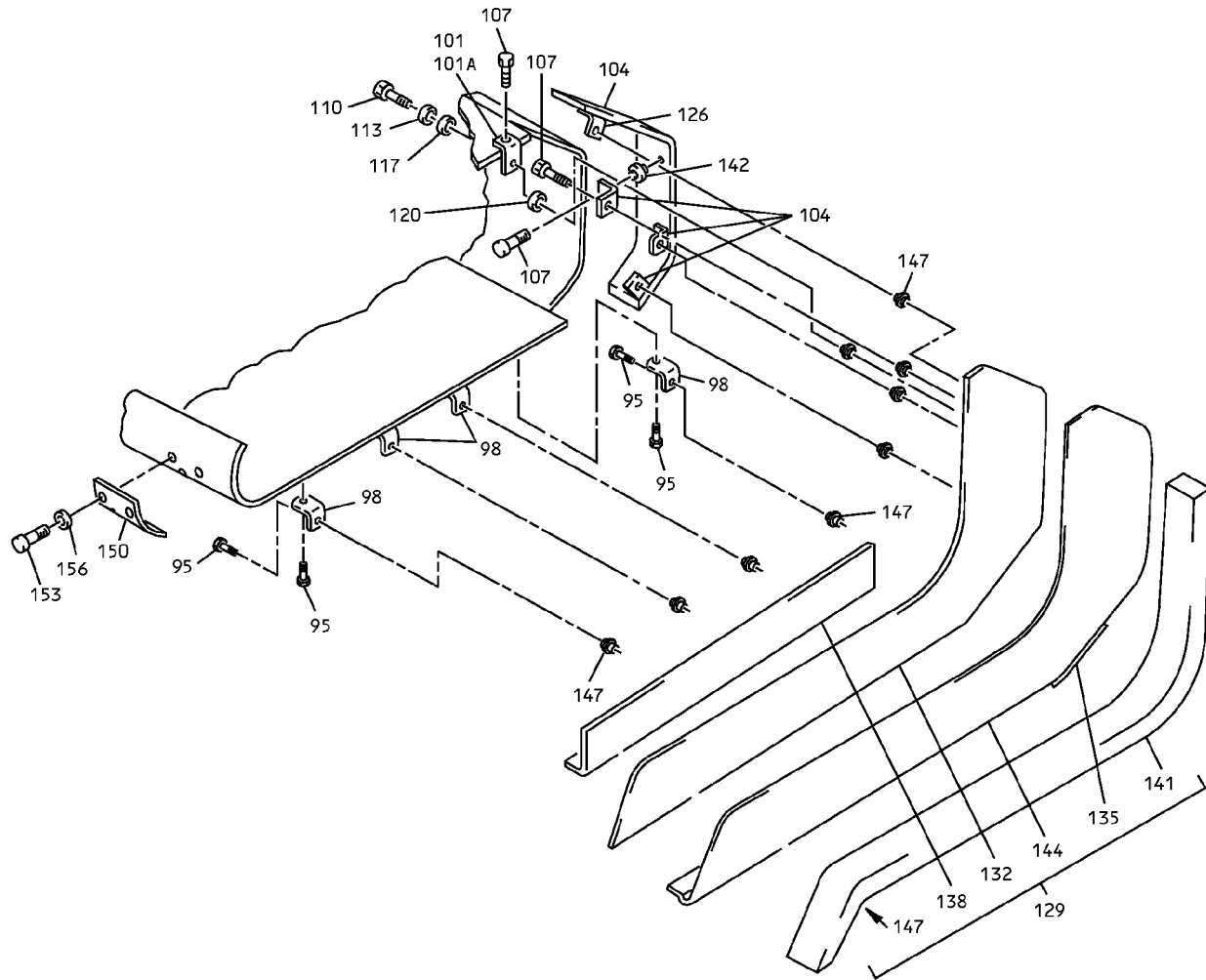
COMPONENT MAINTENANCE MANUAL



Overhead Stowage Compartment Assembly
IPL Figure 4 (Sheet 2 of 10)

25-28-46
ILLUSTRATED PARTS LIST
Page 1098.93
Jul 01/2006

COMPONENT MAINTENANCE MANUAL



D

Overhead Storage Compartment Assembly
IPL Figure 4 (Sheet 3 of 10)

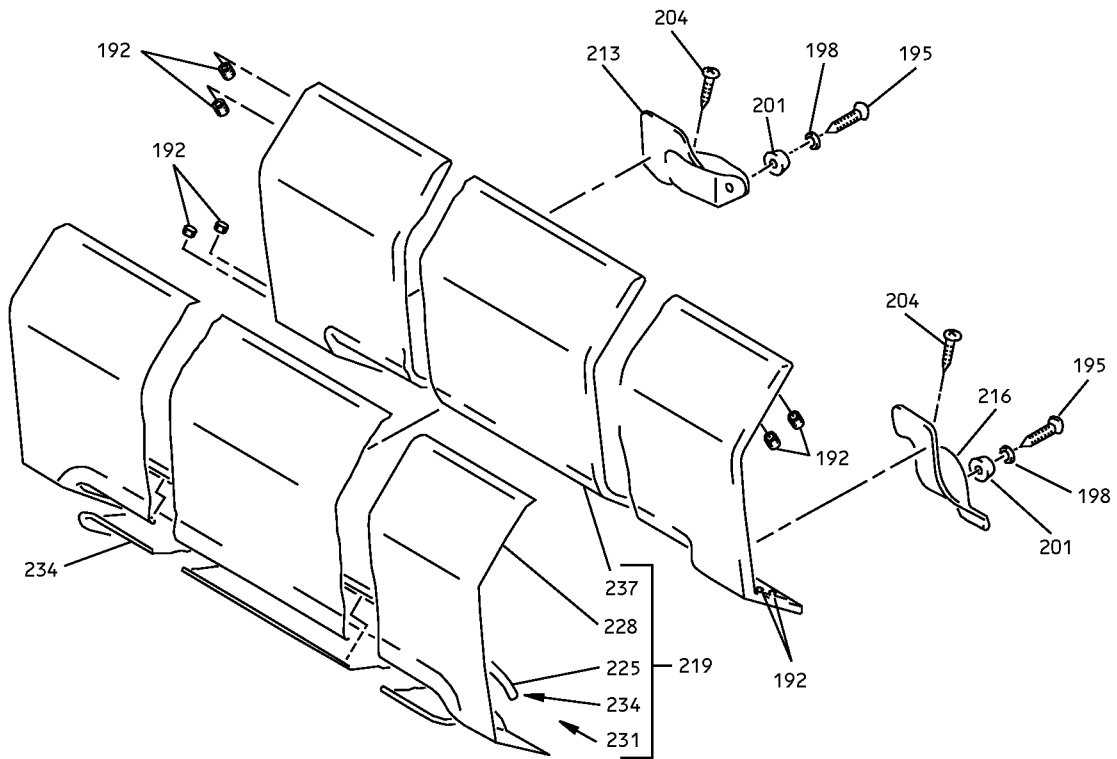
25-28-46

ILLUSTRATED PARTS LIST

Page 1098.94

Jul 01/2006

COMPONENT MAINTENANCE MANUAL



E

Overhead Stowage Compartment Assembly
IPL Figure 4 (Sheet 4 of 10)

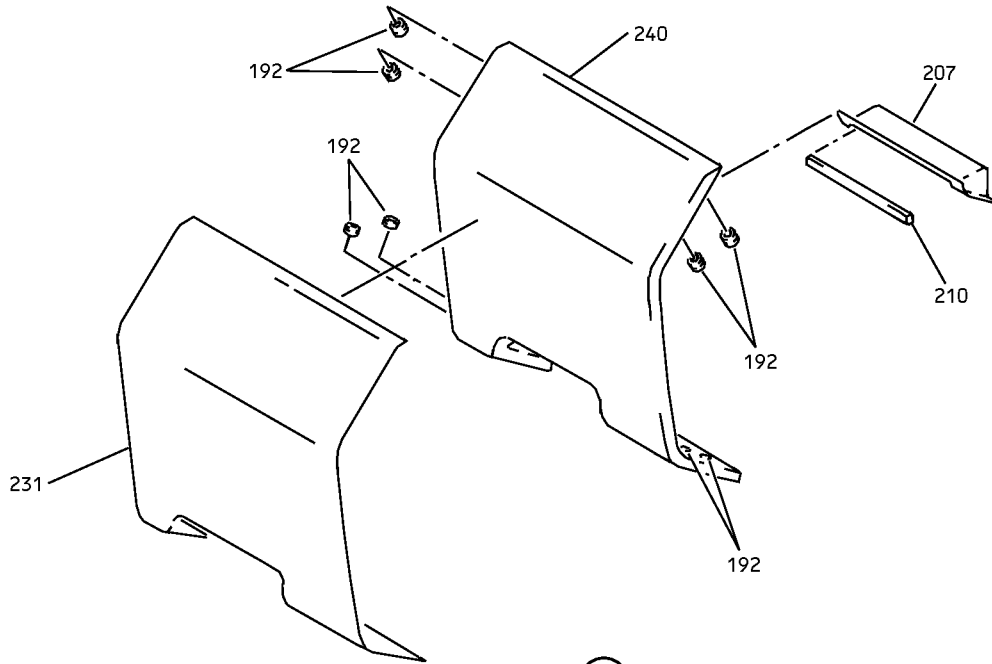
25-28-46

ILLUSTRATED PARTS LIST

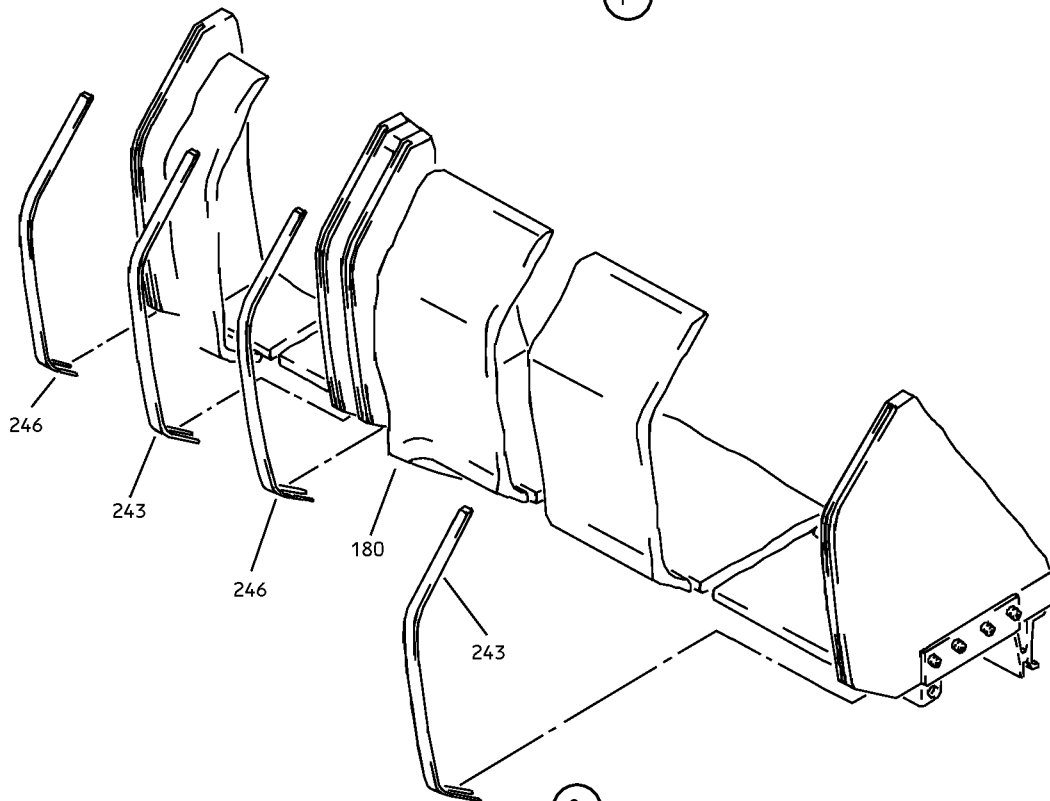
Page 1098.95

Jul 01/2006

COMPONENT MAINTENANCE MANUAL



F



G

Overhead Storage Compartment Assembly
IPL Figure 4 (Sheet 5 of 10)

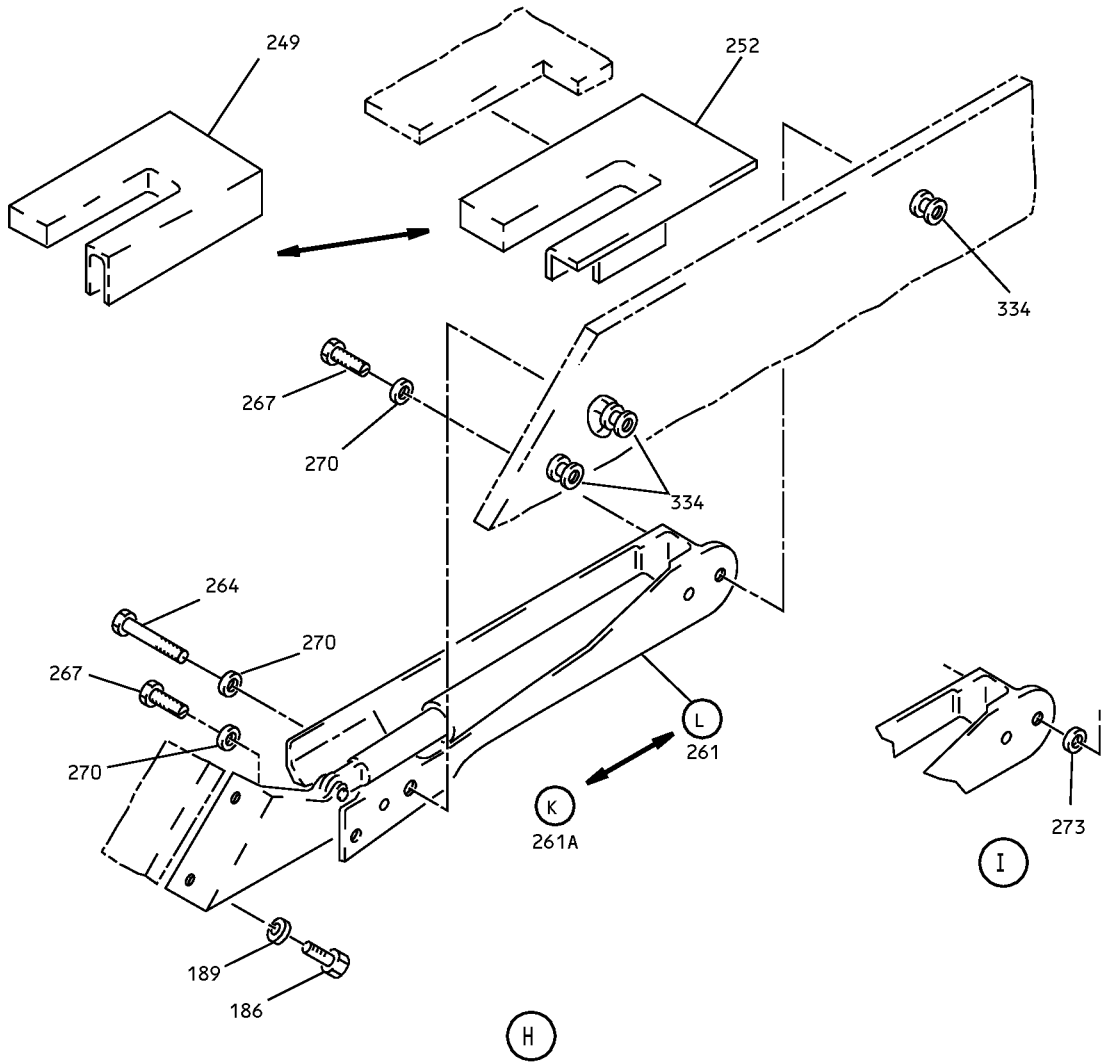
25-28-46

ILLUSTRATED PARTS LIST

Page 1098.96

Jul 01/2006

COMPONENT MAINTENANCE MANUAL



Overhead Stowage Compartment Assembly
IPL Figure 4 (Sheet 6 of 10)

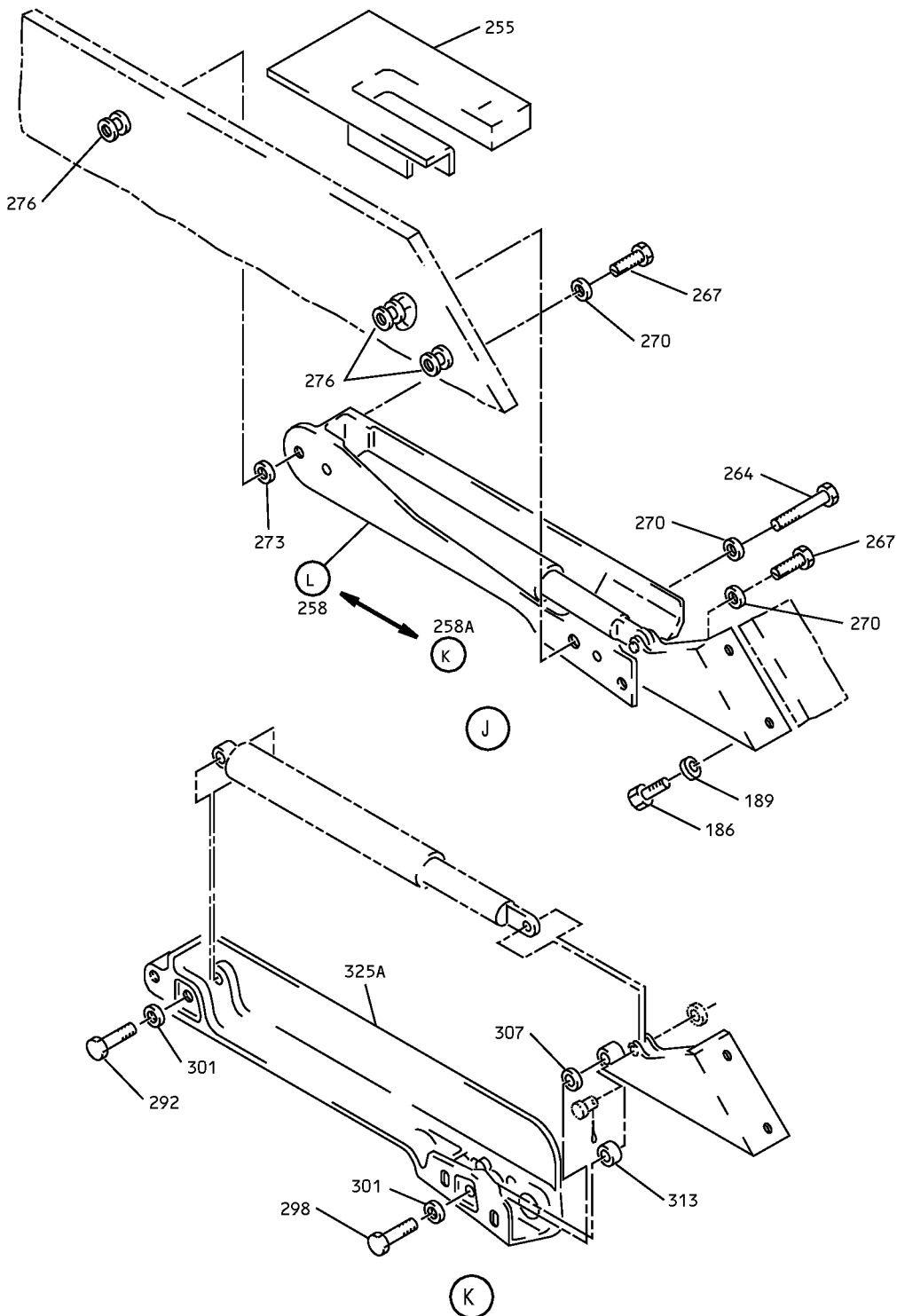
25-28-46

ILLUSTRATED PARTS LIST

Page 1098.97

Jul 01/2006

COMPONENT MAINTENANCE MANUAL



Overhead Stowage Compartment Assembly
IPL Figure 4 (Sheet 7 of 10)

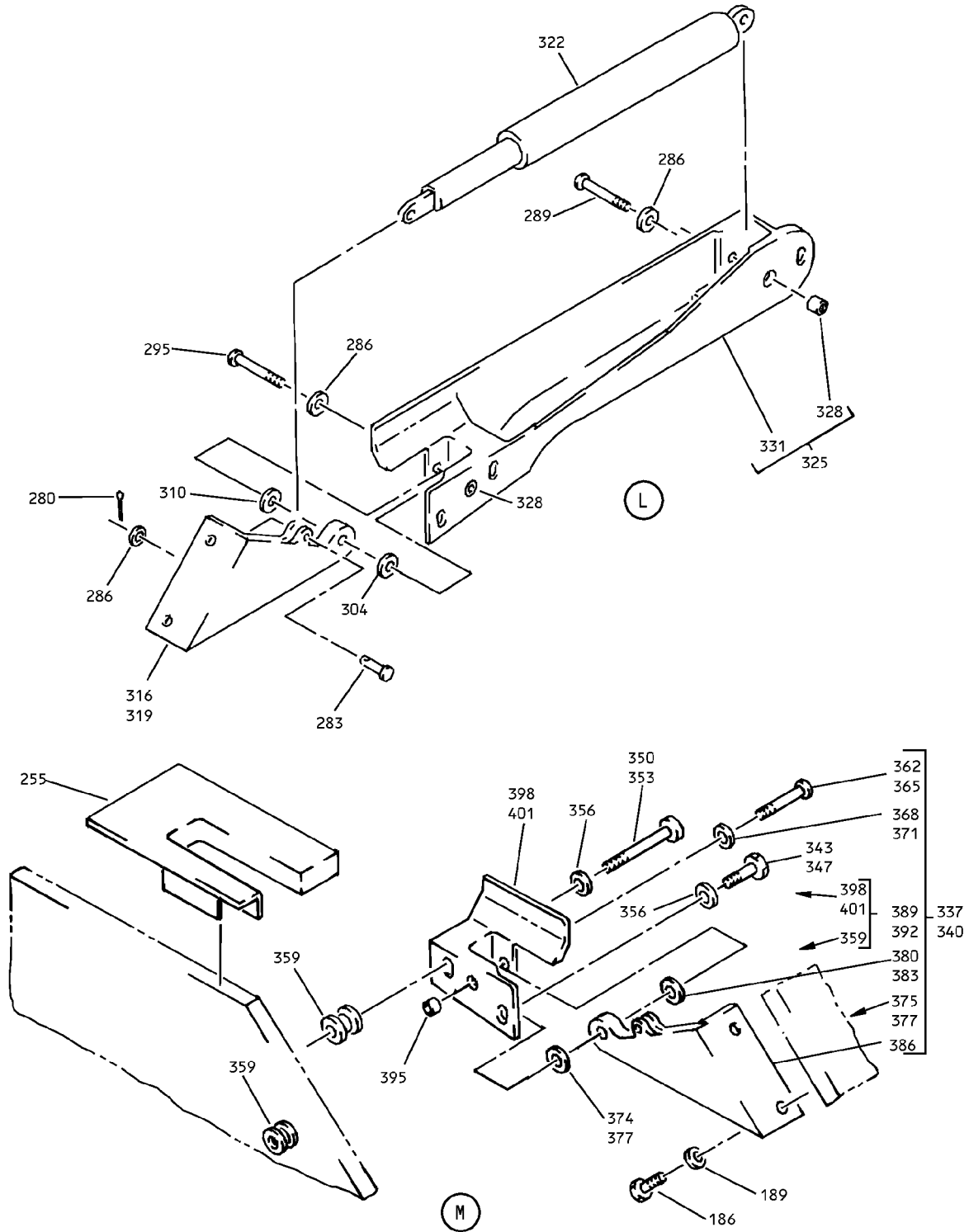
25-28-46

ILLUSTRATED PARTS LIST

Page 1098.98

Jul 01/2006

COMPONENT MAINTENANCE MANUAL



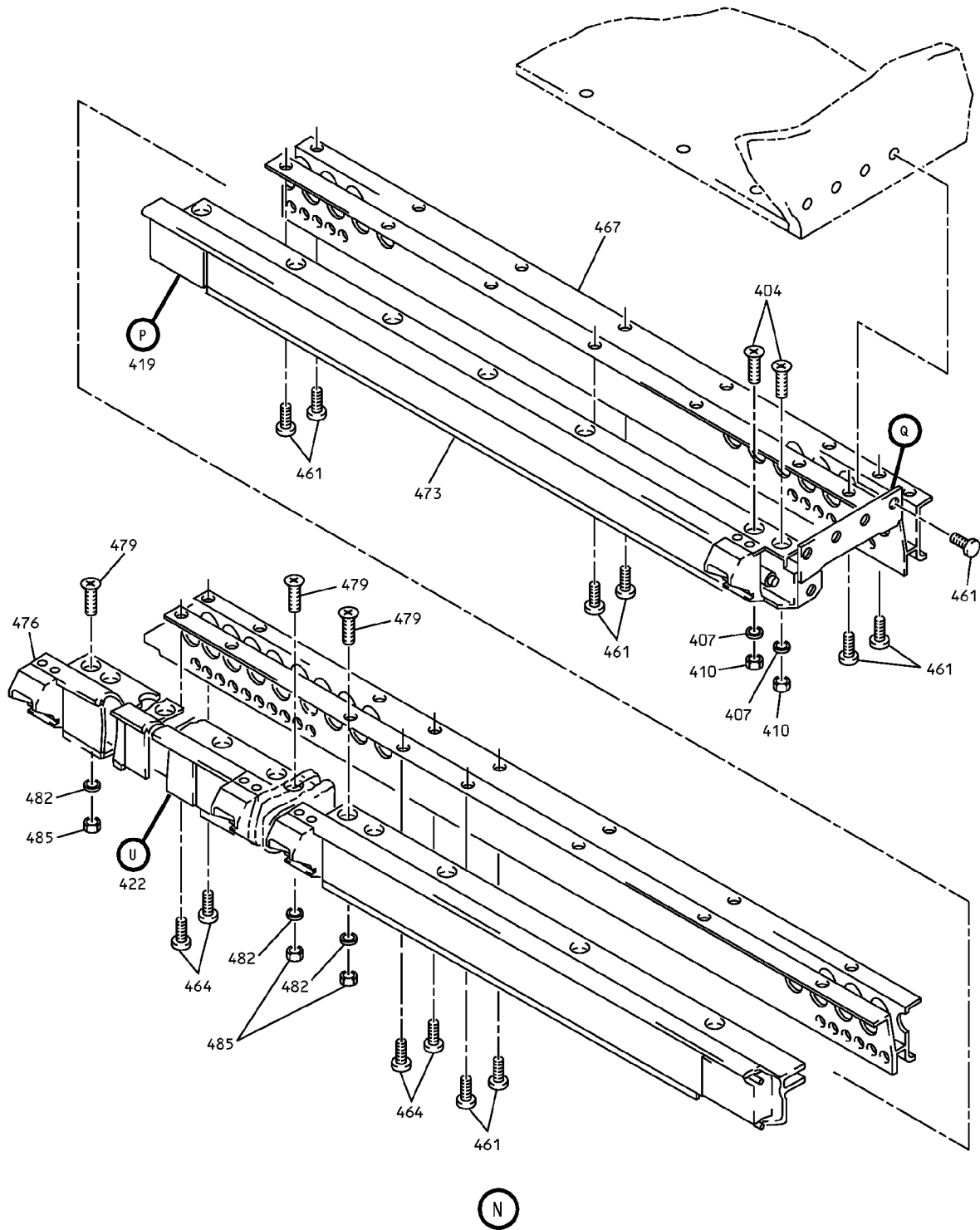
Overhead Storage Compartment Assembly
IPL Figure 4 (Sheet 8 of 10)

25-28-46

ILLUSTRATED PARTS LIST

Page 1098.99

Jul 01/2006

COMPONENT MAINTENANCE MANUAL

Overhead Storage Compartment Assembly
IPL Figure 4 (Sheet 9 of 10)

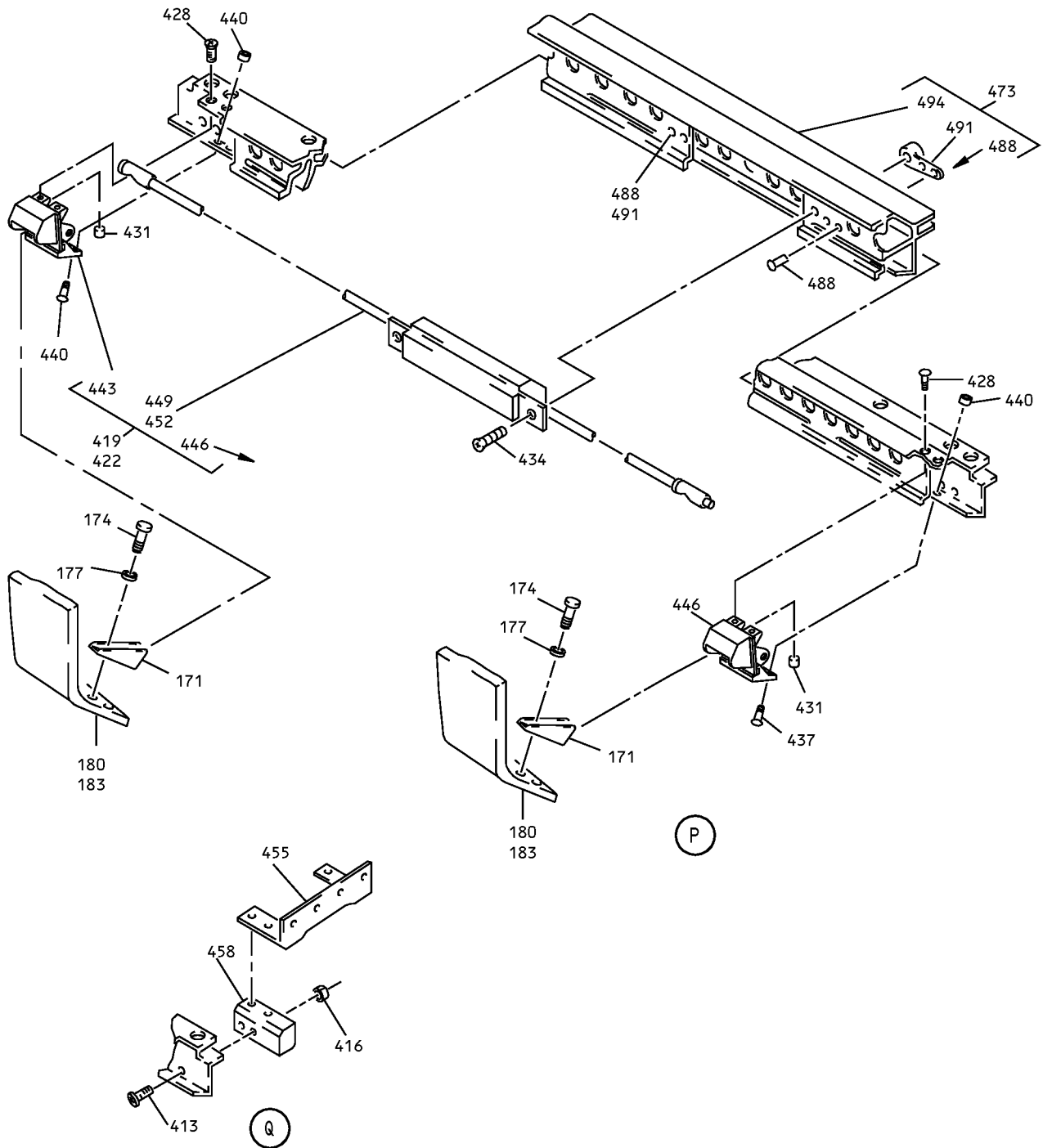
25-28-46

ILLUSTRATED PARTS LIST

Page 1098.100

Jul 01/2006

COMPONENT MAINTENANCE MANUAL



Overhead Stowage Compartment Assembly
IPL Figure 4 (Sheet 10 of 10)

25-28-46

ILLUSTRATED PARTS LIST

Page 1098.101

Jul 01/2006



COMPONENT MAINTENANCE MANUAL

FIG/ ITEM	PART NUMBER	AIRLINE PART NUMBER	NOMENCLATURE							USAGE CODE	UNITS PER ASSY
			1	2	3	4	5	6	7		
4-											
-1	65C27006-33SP									A	RF
-1A	65C27006-45SP									B	RF
-1B	65C27006-89SP									C	RF
-1F	65C27006-99SP									D	RF
5	BACB30NM3K1										8
8	AN940PD10										
8A	AN940JD10										8
9	BACB30NM3K1										2
11	412N1161-1										1
-11A	412N1119-13										1
15	BACB30NM3K10										1
20	BACB30NN3K9										1

-Item not Illustrated

25-28-46

ILLUSTRATED PARTS LIST

Page 1098.102

Jul 01/2006



COMPONENT MAINTENANCE MANUAL

FIG/ ITEM	PART NUMBER	AIRLINE PART NUMBER	NOMENCLATURE							USAGE CODE	UNITS PER ASSY					
			1	2	3	4	5	6	7							
4- 23	BACB30NM3K1		.	B	O	L	T					4				
				(V06710)	(SPEC BACB30NM3K1)	(OPT BACB30NM3K1 (V06725))	(OPT BACB30NM3K1 (V06950))	(OPT BACB30NM3K1 (V08524))	(OPT BACB30NM3K1 (V08524))	(OPT BACB30NM3K1 (V27624))	(OPT BACB30NM3K1 (V56878))	(OPT BACB30NM3K1 (V73197))	(OPT BACB30NM3K1 (V80539))	(OPT BACB30NM3K1 (V92215))	(OPT BACB30NM3K1 (V93907))	(OPT BACB30NM3K1 (V97928))
26	AN960PD10		DELETED													
26A	AN960JD10		.	W	A	S	H	E	R							4
27	AN960PD10L		DELETED													
27A	AN960JD10LL		.	W	A	S	H	E	R							1
29	412N1119-56		.	F	I	L	L	E	R							1
30	412N1119-55		.	F	I	T	T	I	N	G						1
32	417N5120-22		.	L	I	G	H	T	A	S	S	A	A	C		1
				(OPT ITEM 32A)												
-32A	417N5120-9		.	L	I	G	H	T	A	S	S	A	A	C		1
				(OPT ITEM 32)												
-32B	417N5120-16		.	L	I	G	H	T	A	S	S	A	D			1
			ATTACHING PARTS													
35	NAS1801-3-5		.	S	C	R	E	W								3
38	AN960PD10L		DELETED													
38A	AN960JD10LL		.	W	A	S	H	E	R							3
			-----*													

-Item not Illustrated

25-28-46

ILLUSTRATED PARTS LIST

Page 1098.103

Jul 01/2006



COMPONENT MAINTENANCE MANUAL

FIG/ ITEM	PART NUMBER	AIRLINE PART NUMBER	NOMENCLATURE							USAGE CODE	UNITS PER ASSY	
			1	2	3	4	5	6	7			
4- -41	BACS12ER3K6		. .	SCREW (V06710) (SPEC BACS12ER3K6) (OPT BACS12ER3K6 (V06725)) (OPT BACS12ER3K6 (V06950)) (OPT BACS12ER3K6 (V27624)) (OPT BACS12ER3K6 (V34252)) (OPT BACS12ER3K6 (V56878)) (OPT BACS12ER3K6 (V73197)) (OPT BACS12ER3K6 (V80539)) (OPT BACS12ER3K6 (V92215)) (OPT BACS12ER3K6 (V93907)) (OPT BACS12ER3K6 (V97928))								3
44	BACW10UD10		. .	WASHER								3
47	F22K1-02		. .	NUT (V72962) (SPEC BACN10R10L) (OPT 22K1-02 (V72962)) (OPT 26CL02 (V80539))								3
50	05939-4		. .	BALLAST (V17023) (SPEC S283N702-4)								1
53	417N5120-10		. .	LAMP ASSY								1
56	2055150		. . .	CAP-END (V04169)								2
59	F40WW		. . .	LAMP-FLOOR (V08805)								1
62	LP1625-48		. . .	TUBE-COVER (V60116) (OPT ITEM 81)								1
65	800000255-19		. .	LIGHT ASSY-CLG (V05617) (SPEC S417N507-19) (FOR DETAILS SEE FIG. 80)						A-C		1
65A	800000255-13		. .	LIGHT ASSY-CLG (V05617) (SPEC S417N507-13) (FOR DETAILS SEE FIG. 80)						D		1
68	65C28117-3		. .	PAD								1
71	NAS1801-3-11		. .	SCREW								1
74	BACS18C8-6		. .	SPACER								1

-Item not Illustrated

25-28-46

ILLUSTRATED PARTS LIST

Page 1098.104

Jul 01/2009



COMPONENT MAINTENANCE MANUAL

FIG/ ITEM	PART NUMBER	AIRLINE PART NUMBER	NOMENCLATURE							USAGE CODE	UNITS PER ASSY
			1	2	3	4	5	6	7		
4-											
77	MS24585-1230		.	SPRING							1
80	411N3142-28		.	WASHER-CUPPED							1
83	412N1119-1		.	FITTING ASSY							1
				ATTACHING PARTS							
85	BACS12ER3K6		.	SCREW							4
				(V06710)							
				(SPEC BACS12ER3K6)							
				(OPT BACS12ER3K6 (V06725))							
				(OPT BACS12ER3K6 (V06950))							
				(OPT BACS12ER3K6 (V27624))							
				(OPT BACS12ER3K6 (V34252))							
				(OPT BACS12ER3K6 (V56878))							
				(OPT BACS12ER3K6 (V73197))							
				(OPT BACS12ER3K6 (V80539))							
				(OPT BACS12ER3K6 (V92215))							
				(OPT BACS12ER3K6 (V93907))							
				(OPT BACS12ER3K6 (V97928))							
				-----*							
88	BACB28B6-220P		.	BUSHING							1
91	412N1119-2		.	FITTING							1
95	BACS12FA3K5		.	BOLT							9
98	412N1145-29		.	BRACKET							4
101	412N1145-30		.	BRACKET					A, C, D		1
101A	65C27017-30		.	BRACKET					B		1
104	65C27017-13		.	BRACKET							4
				(OPT ITEM 104A)							
-104A	65C27017-43		.	BRACKET							1
				(OPT ITEM 104)							
107	BACS12FA3K5		.	BOLT							9
110	BACB30PF4-3		.	BOLT							1
113	AN960C416L		.	WASHER							1
117	NAS1515F4H		.	WASHER							1
120	NAS1515M4L		.	WASHER							1
123	65C27026-31SP		.	FILLER PANEL ASSY					A, C		1
-123A	65C27026-36SP		.	FILLER PANEL ASSY					B		1
123B	65C27026-28SP		.	FILLER PANEL ASSY					D		1

-Item not Illustrated

25-28-46

ILLUSTRATED PARTS LIST

Page 1098.105

Jul 01/2006



COMPONENT MAINTENANCE MANUAL

FIG/ ITEM	PART NUMBER	AIRLINE PART NUMBER	NOMENCLATURE							USAGE CODE	UNITS PER ASSY
			1	2	3	4	5	6	7		
4-											
126	NAS1836-3-11		.	.	INSERT						4
129	65C27027-3SP		.		END CAP ASSY						1
132	65C27027-11		.	.	PANEL ASSY						1
135	65C27027-13		.	.	FOAM						1
138	65C27027-14		.	.	ANGLE SUPPORT						1
141	65C27027-17		.	.	SEAL						1
144	65C27027-7		.	.	END CAP						1
147	SL2334-3A2		.	.	INSERT						9
150	412N1119-12		.		FITTING						2
153	BACB30NM3K1		.		BOLT						8
156	AN960PD10				DELETED						
156A	AN960JD10		.		WASHER						8
159	412N1130-5SP		.		TRIM-VERTICAL						2
162	65C27006-12		.		SEAL						1
165	65C27009-33SP		.		MODULE ASSY				A		1
-165A	65C27009-45SP		.		MODULE ASSY				B		1
-165B	65C27009-87SP		.		MODULE ASSY				C		1
-165C	65C27009-99SP		.		MODULE ASSY				D		1
168	65C27009-6		.	.	EDGE COVER						2
171	H3-1152-1		.	.	PLATE ASSY-STRIKER (V34941) (SPEC S412N101-1)						4
					ATTACHING PARTS						
174	BACS12FA3K4		.	.	SCREW						8
177	MS35333-39		.	.	WASHER						8
					-----*-----						
180	412N1140-43SP		.	.	DOOR ASSY						1
183	412N1140-47SP		.	.	DOOR ASSY				B		1
-183A	412N1140-48SP		.	.	DOOR ASSY				A, C		1
-183B	412N1140-79SP		.	.	DOOR ASSY				D		1
					ATTACHING PARTS						
186	NAS1801-3-4		.	.	SCREW						8

-Item not Illustrated

25-28-46

ILLUSTRATED PARTS LIST

Page 1098.106

Jul 01/2006



COMPONENT MAINTENANCE MANUAL

FIG/ ITEM	PART NUMBER	AIRLINE PART NUMBER	NOMENCLATURE							USAGE CODE	UNITS PER ASSY	
			1	2	3	4	5	6	7			
4-												
189	MS35333-39											8
192	SL618-3A											8
195	BACS12H4-8											2
198	NAS620ABL											2
201	412N1245-1											2
204	MS51862-4											2
207	412N1143-11											2
210	412N1140-17											1
213	412N1143-13											1
216	412N1143-14											1
219	412N1140-58											1
222	412N1140-62											1
225	412N1140-13											1
228	412N1141-1											1
231	412N1141-5											1
234	412N1141-7											1
237	412N1142-15											1
-240	412N1142-20											1
-241	412N1244-2											1

-Item not Illustrated

25-28-46

ILLUSTRATED PARTS LIST

Page 1098.107

Jul 01/2006



COMPONENT MAINTENANCE MANUAL

FIG/ ITEM	PART NUMBER	AIRLINE PART NUMBER	NOMENCLATURE	USAGE	UNITS PER ASSY
				CODE	
			1 2 3 4 5 6 7		
4-					
243	412N1118-1SP		. . RETAINER		2
246	412N1118-2SP		. . RETAINER		2
249	412N1154-1		. . REINFORCEMENT-CORNER		1
252	412N1154-3		. . REINFORCEMENT-CORNER		1
255	412N1154-4		. . REINFORCEMENT-CORNER		2
258	412N1155-1		. . HINGE ASSY (LIMITED USAGE) (OPT ITEM 258A)		1
258A	412N1155-7		. . HINGE ASSY (OPT ITEM 258)		1
261	412N1155-2		. . HINGE ASSY (LIMITED USAGE) (OPT ITEM 261A)		2
261A	412N1155-8		. . HINGE ASSY (LIMITED USAGE) (OPT ITEM 261)		2
			ATTACHING PARTS		
264	BACB30LK3-18		. . BOLT (USED WITH ITEMS 258, 261)		1
-264A	NAS1801-3-10		. . BOLT (USED WITH ITEMS 258A, 261A)		1
267	412N1227-1		. . BOLT (OPT ITEM 267A)		2
-267A	AIC1321-3-8		. . BOLT (OPT ITEM 267)		2
270	BACW10P136AL		. . WASHER		3
273	AN960JD10		. . WASHER		1
276	NAS1833-3-400		. . INSERT		3
			----- * -----		
280	MS24665-132		. . . PIN-COTTER		1
283	MS20392-2C13		. . . PIN-DRILLED SHANK		1
286	AN960PD10L		. . . WASHER		1
287	AN960PD10		. . . WASHER (USED ON ITEMS 258,261)		2
289	NAS6703PU15		. . . BOLT (USED ON ITEMS 258,261)		1

-Item not Illustrated

25-28-46

ILLUSTRATED PARTS LIST

Page 1098.108

Jul 01/2006



COMPONENT MAINTENANCE MANUAL

FIG/ ITEM	PART NUMBER	AIRLINE PART NUMBER	NOMENCLATURE							USAGE CODE	UNITS PER ASSY
			1	2	3	4	5	6	7		
4-											
292	BACB30NM3K12		. . .	BOLT							1
				(USED ON ITEMS 258A,261A)							
295	NAS6703PU11		. . .	BOLT							1
				(USED ON ITEMS 258,261)							
298	BACB30NM3K8		. . .	BOLT							1
				(USED ON ITEMS 258A,261A)							
301	AN960PD10L			DELETED							
301A	AN960JD10L		. . .	WASHER							2
				(USED ON ITEMS 258A,261A)							
304	NAS43DD3-5		. . .	SPACER							1
				(USED ON ITEMS 258,261)							
307	NAS43DD3-3		. . .	SPACER							1
				(USED ON ITEMS 258A,261A)							
310	NAS43DD3-6		. . .	SPACER							1
				(USED ON ITEMS 258,261)							
313	NAS43DD3-8		. . .	SPACER							1
				(USED ON ITEMS 258A,258A)							
316	H2948-2		. . .	HINGE							1
				(V83014)							
				(SPEC S412N102-2)							
				(USED ON ITEMS 258,261)							
319	H2948-1		. . .	HINGE							1
				(V83014)							
				(SPEC S412N102-1)							
				(USED ON ITEMS 261,261A)							
322	SB113		. . .	ACTUATOR							1
				(V24984)							
				(SPEC S412N104-1)							
325	412N1156-1		. . .	CHASSIS ASSY							1
				(USED ON ITEM 258)							
-325A	412N1156-13		. . .	CHASSIS ASSY							1
				(USED ON ITEM 258)							
-325B	412N1156-2		. . .	CHASSIS ASSY							1
				(USED ON ITEM 261)							
-325C	412N1156-14		. . .	CHASSIS ASSY							1
				(USED ON ITEM 261A)							
328	6041-3BRX225		INSERT-DODGE							2
				(V01556)							

-Item not Illustrated

25-28-46

ILLUSTRATED PARTS LIST

Page 1098.109

Jul 01/2006



COMPONENT MAINTENANCE MANUAL

FIG/ ITEM	PART NUMBER	AIRLINE PART NUMBER	NOMENCLATURE	USAGE CODE	UNITS PER ASSY
4-					
331	412N1156-3		. . . CHASSIS ASSY (USED ON ITEM 325)		1
-331A	412N1156-4		. . . CHASSIS ASSY (USED ON ITEM 325B)		
-331B	412N1156-15	 CHASSIS (USED ON ITEM 325A)		1
-331C	412N1156-16		. . . CHASSIS (USED ON ITEM 325C)		1
334	NAS1833-3-400		. . INSERT		2
337	412N1155-3		. . HINGE ASSY (LIMITED USAGE) (OPT ITEM 340)		1
340	412N1155-9		. . HINGE ASSY (LIMITED USAGE) (OPT ITEM 337)		1
			ATTACHING PARTS		
343	412N1227-1		. . BOLT (OPT ITEM 347)		1
-347	AIC1321-3-8		. . BOLT (OPT ITEM 343)		1
350	BACB30LK3-18		. . BOLT (USED ON ITEM 337)		1
353	NAS1801-3-10		. . BOLT (USED ON ITEM 340)		1
356	BACW10P136AL		. . WASHER (V10630) (SPEC BACW10P136AL)		2
359	NAS1833-3-400		. . INSERT-----*----- -----*-----		2
362	NAS6703PU11		. . . BOLT (USED ON ITEM 337)		1
365	BACS30NM3K8		. . . BOLT (USED ON ITEM 340)		1
368	AN960PD10L		. . . WASHER (USED ON ITEM 337)		1
371	AN960KD10L		DELETED		
371A	AN960JD10L		. . . WASHER (USED ON ITEM 340)		1

-Item not Illustrated

25-28-46

ILLUSTRATED PARTS LIST

Page 1098.110

Jul 01/2006



COMPONENT MAINTENANCE MANUAL

FIG/ ITEM	PART NUMBER	AIRLINE PART NUMBER	NOMENCLATURE							USAGE CODE	UNITS PER ASSY	
			1	2	3	4	5	6	7			
4-												
374	NAS43DD305		. . .				SPACER					1
							(USED ON ITEM 338)					
377	NAS43DD3-8		. . .				SPACER					1
							(USED ON ITEM 340)					
380	NAS43DD3-L		. . .				SPACER					1
							(USED ON ITEM 337)					
383	NAS43DD3-3		. . .				SPACER					1
							(USED ON ITEM 340)					
386	H2948-2		. . .				HINGE					1
							(V83014)					
							(SPEC S412N102-2)					
389	412N1156-5		. . .				CHASSIS ASSY					1
							(USED ON ITEM 337)					
392	412N1156-19		. . .				CHASSIS ASSY					1
							(USED ON ITEM 340)					
395	6041-3BRX225					INSERT-DODGE					2
398	412N1156-3					CHASSIS					1
							(V01556)					
							(USED ON ITEM 389)					
401	412N1156-25					CHASSIS					1
							(USED ON ITEM 392)					
404	BACS12ER08K14		. .				BOLT					2
407	AN960JD8		. .				WASHER					2
410	MS21042L08		. .				NUT					2
413	BACB30MY6K2		. .				BOLT					1
416	MS21042L3		. .				NUT					1
419	412N1153-103		. .				LATCH ASSY					1
422	412N1153-153		. .				LATCH ASSY		A, C			1
-425	412N1153-152		. .				LATCH ASSY		B			1
-425A	412N1153-83		. .				LATCH ASSY		D			1
			ATTACHING PARTS									
428	BACS12ER06K8		. .				SCREW					8
							(V06710)					
							(SPEC BACS12ER06K8)					
431	SL210-06-02		. .				INSERT					8
							(V06710)					

-Item not Illustrated

25-28-46

ILLUSTRATED PARTS LIST

Page 1098.111

Jul 01/2006



COMPONENT MAINTENANCE MANUAL

FIG/ ITEM	PART NUMBER	AIRLINE PART NUMBER	NOMENCLATURE							USAGE CODE	UNITS PER ASSY
			1	2	3	4	5	6	7		
4-											
434	BACS12ER08K6								. . SCREW (V06710)		4
437	NAS514P832-5								. . SCREW		8
440	SL210-08-1								. . INSERT (V97393)		8
									-----*		
443	412N1113-7								. . . COVER		1
446	412N1113-8								. . . COVER		1
449	H3-1145-1-3760								. . . LATCH ASSY (SPEC S412N101-1040) (USED ON ITEM 419)		1
452	H3-1145-3-2069								. . . LATCH ASSY (V34941) (SPEC S412N101-3023) (USED ON ITEM 422)		1
-452A	H3-1145-1960								. . . LATCH ASSY (V34941) (SPEC S412N101-3022) (USED ON ITEM 425)		1
-452B	S412N101-3014								. . . LATCH ASSY (USED ON ITEM 425A)		1
455	412N1145-28								. . BRACKET		1
458	412N1117-2								. . FITTING		1
461	BACS12FA3K5								. . SCREW		18
464	BACS12FA3K15								. . SCREW		4
467	65C27023-17								. . SUPPORT-PASS SVCE UNIT	A, C	1
-470	65C27023-23								. . SUPPORT-PASS SVCE UNIT	B	1
-470A	65C27023-35								. . SUPPORT-PASS SVCE UNIT	D	1
473	412N1146-3								. . SUPPORT-PASS BULLNOSE		1
-476	412N1146-7								. . SUPPORT-PASS BULLNOSE	A, C	1
-476A	412N1146-15								. . SUPPORT-PASS BULLNOSE	B	1
-476B	412N1146-57								. . SUPPORT-PASS BULLNOSE	D	1

-Item not Illustrated

25-28-46

ILLUSTRATED PARTS LIST

Page 1098.112

Jul 01/2006



COMPONENT MAINTENANCE MANUAL

FIG/ ITEM	PART NUMBER	AIRLINE PART NUMBER	NOMENCLATURE							USAGE CODE	UNITS PER ASSY	
			1	2	3	4	5	6	7			
4- 479	BACS12ER08K12		. .	SCREW (V06710) (SPEC BACS12ER08K12) (OPT BACS12ER08K12 (V06725)) (OPT BACS12ER08K12 (V06950)) (OPT BACS12ER08K12 (V27624)) (OPT BACS12ER08K12 (V34252)) (OPT BACS12ER08K12 (V56878)) (OPT BACS12ER08K12 (V73197)) (OPT BACS12ER08K12 (V80539)) (OPT BACS12ER08K12 (V92215)) (OPT BACS12ER08K12 (V93907)) (OPT BACS12ER08K12 (V97928))								21
482	AN960PD8		. .	WASHER								21
485	BACN10JC08		. .	NUT								21
488	BACR15DR3		. .	RIVET (SIZE DETERMINED ON INST)								4
491	BACN10KB08		. . .	NUTPLATE (SPEC BACN10KB08)								2
494	412N1146-23		. . .	SUPPORT (USED ON ITEM 473)								1
-497	412N1146-27		. . .	SUPPORT (USED ON ITEM 476)								1
-497A	412N1146-35		. . .	SUPPORT (USED ON ITEM 476A)								1
-497B	412N1146-35		. . .	SUPPORT (USED ON ITEM 476B)								1
500	65C27012-13		. .	BODY ASSY (FOR DETAILS SEE FIG. 14)						A		1
-500A	65C27012-24		. .	BODY ASSY (FOR DETAILS SEE FIG. 14)						B		1
-500B	65C27012-58		. .	BODY ASSY (FOR DETAILS SEE FIG. 14)						C		1
-500C	65C27012-63		. .	BODY ASSY (FOR DETAILS SEE FIG. 14)						D		1

-Item not Illustrated

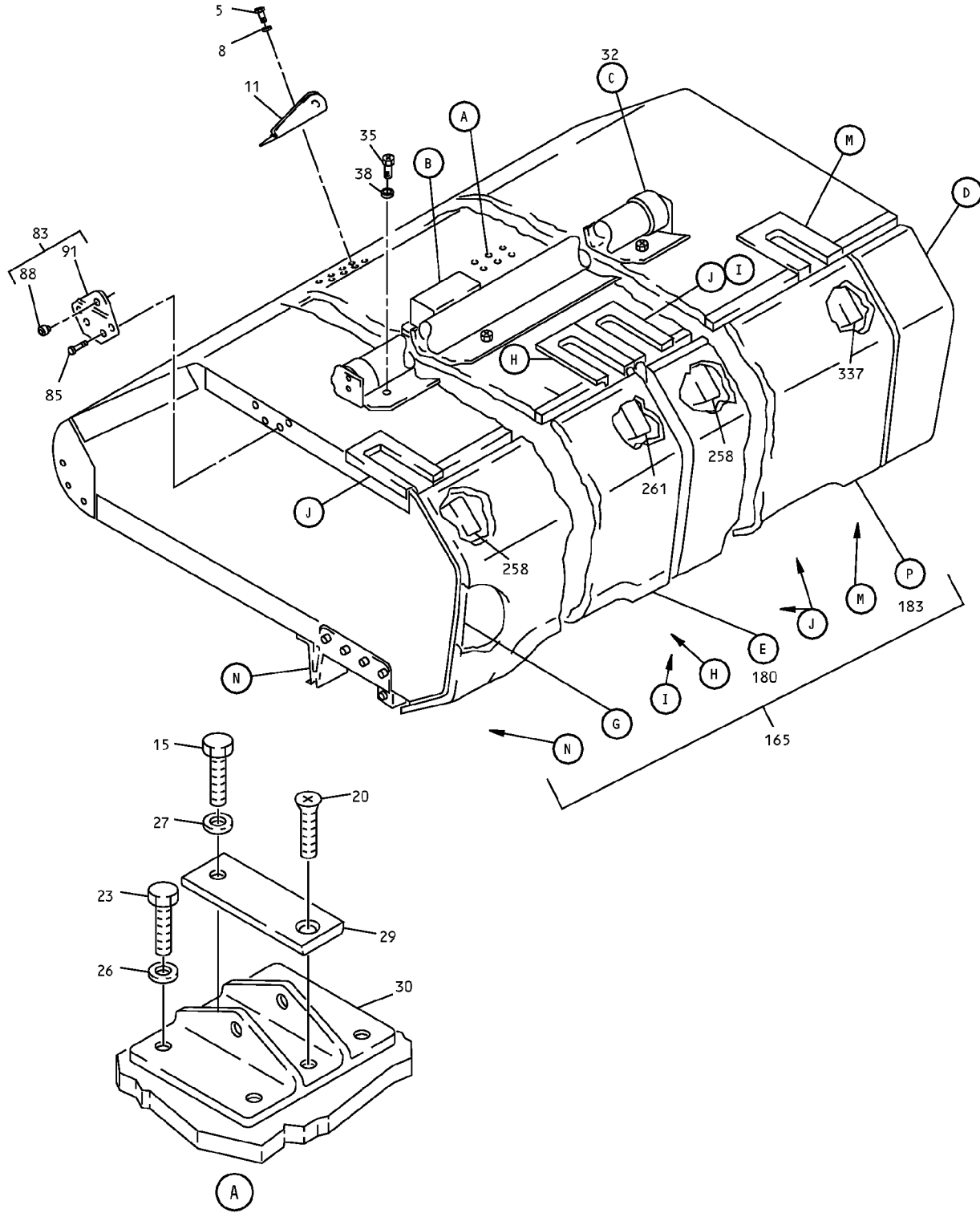
25-28-46

ILLUSTRATED PARTS LIST

Page 1098.113

Jul 01/2006

COMPONENT MAINTENANCE MANUAL



Overhead Stowage Compartment Assembly
IPL Figure 5 (Sheet 1 of 10)

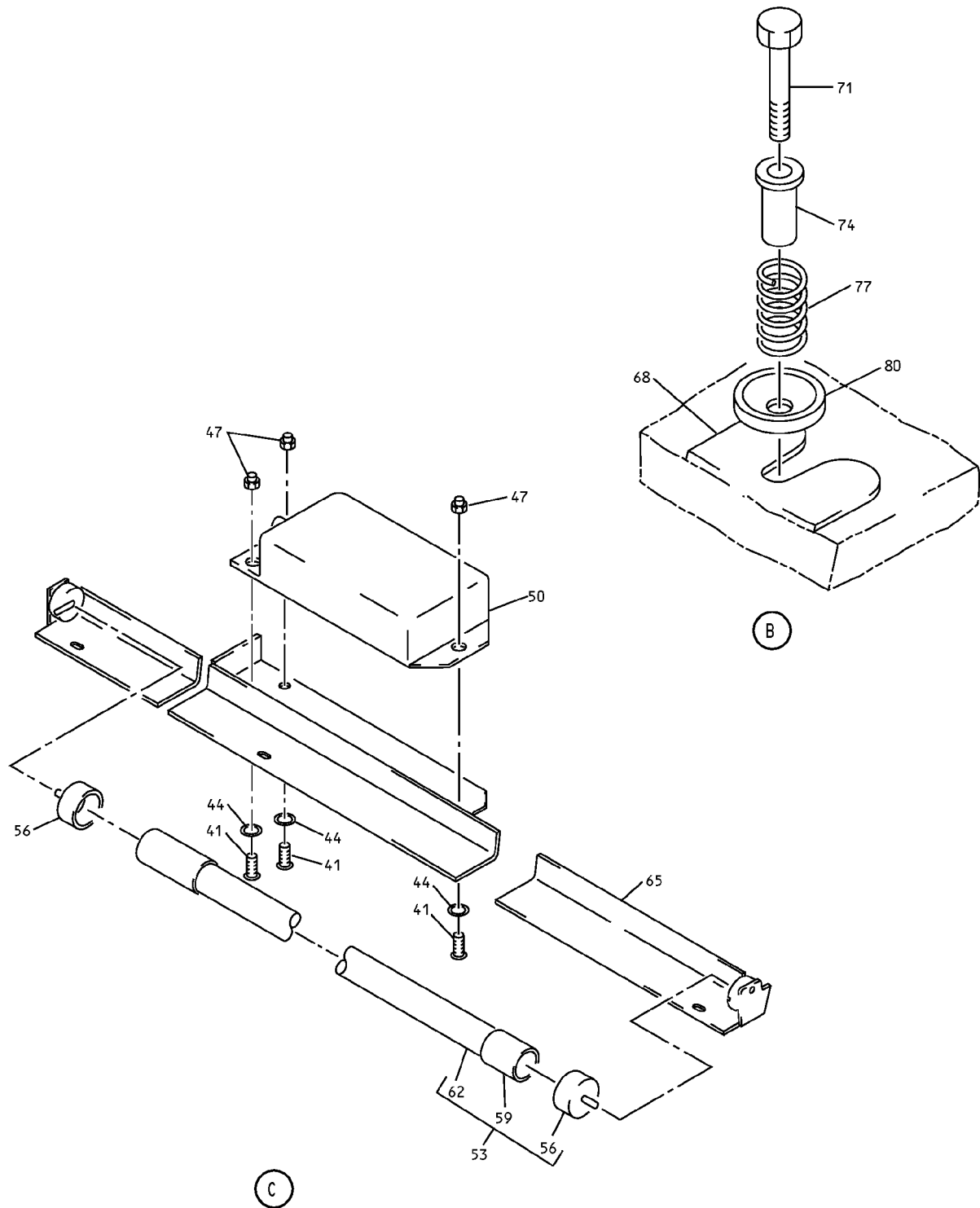
25-28-46

ILLUSTRATED PARTS LIST

Page 1098.114

Jul 01/2006

COMPONENT MAINTENANCE MANUAL



Overhead Storage Compartment Assembly
IPL Figure 5 (Sheet 2 of 10)

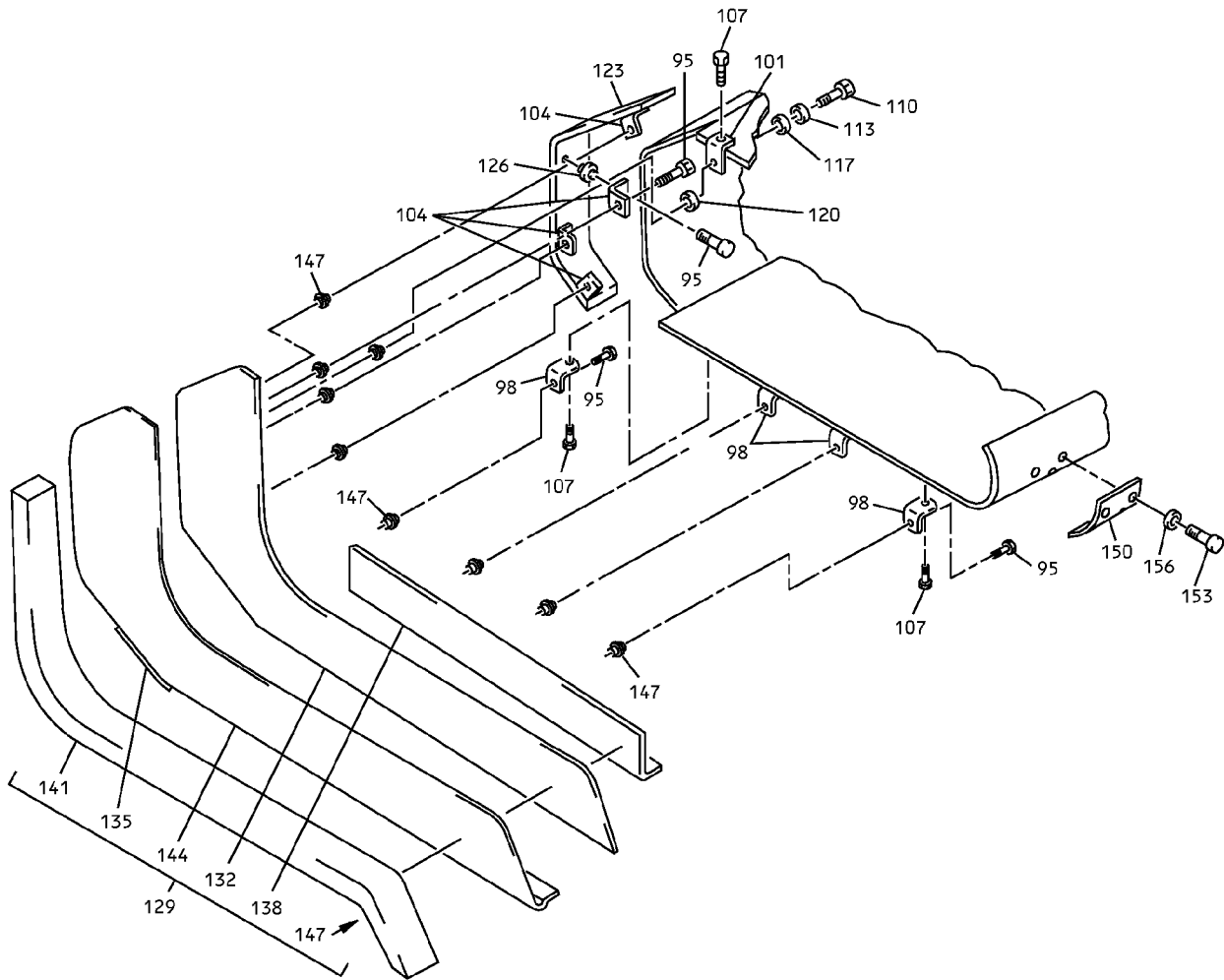
25-28-46

ILLUSTRATED PARTS LIST

Page 1098.115

Jul 01/2006

COMPONENT MAINTENANCE MANUAL



D

Overhead Stowage Compartment Assembly
IPL Figure 5 (Sheet 3 of 10)

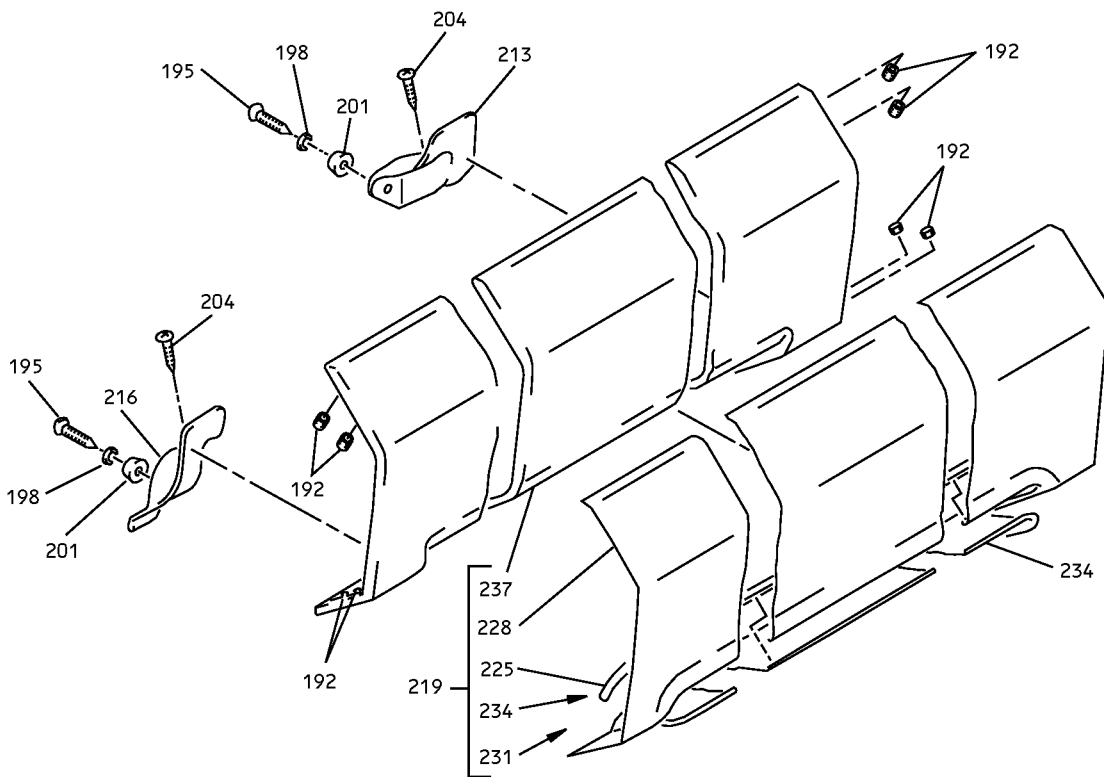
25-28-46

ILLUSTRATED PARTS LIST

Page 1098.116

Jul 01/2006

COMPONENT MAINTENANCE MANUAL



E

Overhead Stowage Compartment Assembly
IPL Figure 5 (Sheet 4 of 10)

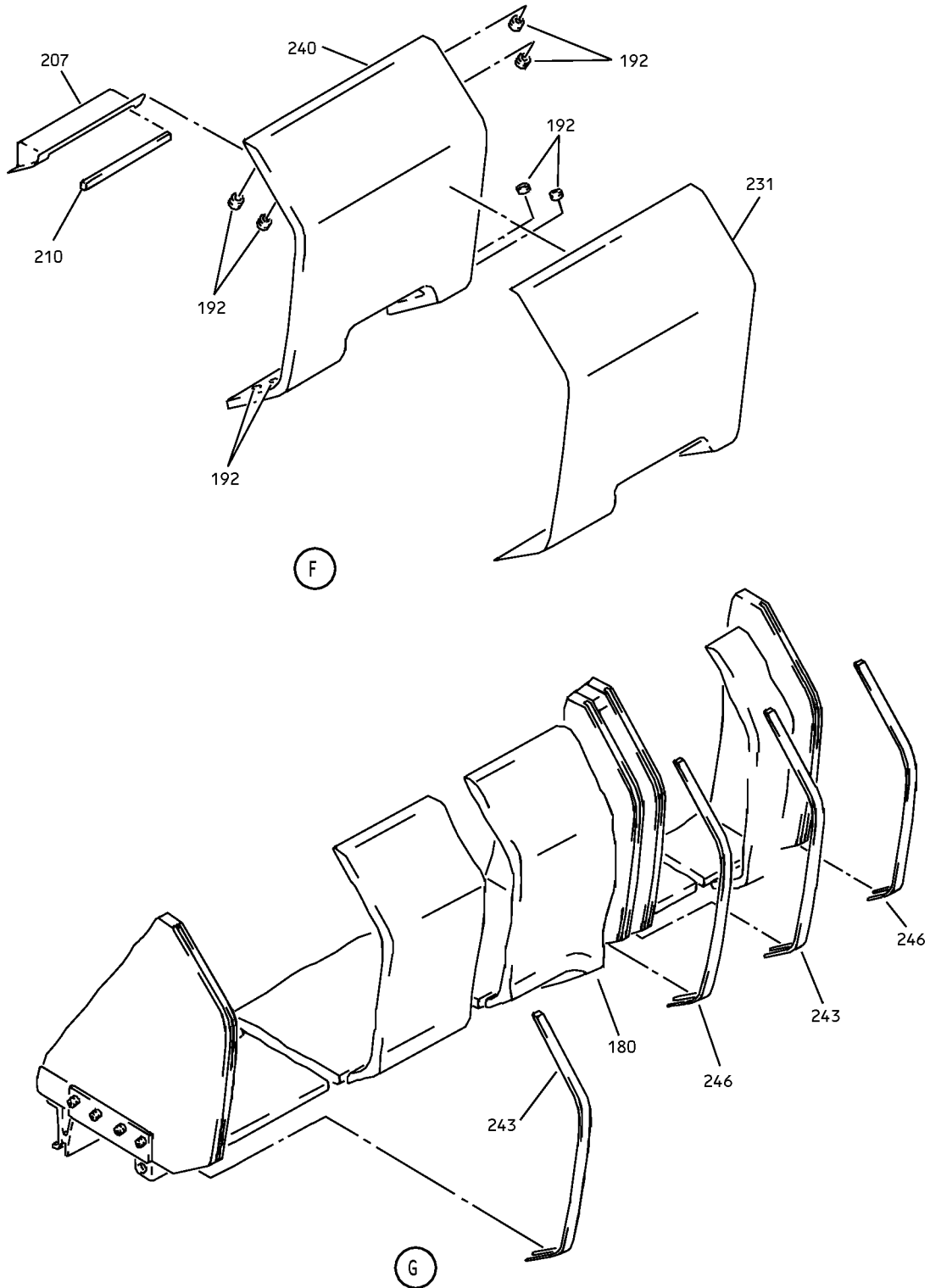
25-28-46

ILLUSTRATED PARTS LIST

Page 1098.117

Jul 01/2006

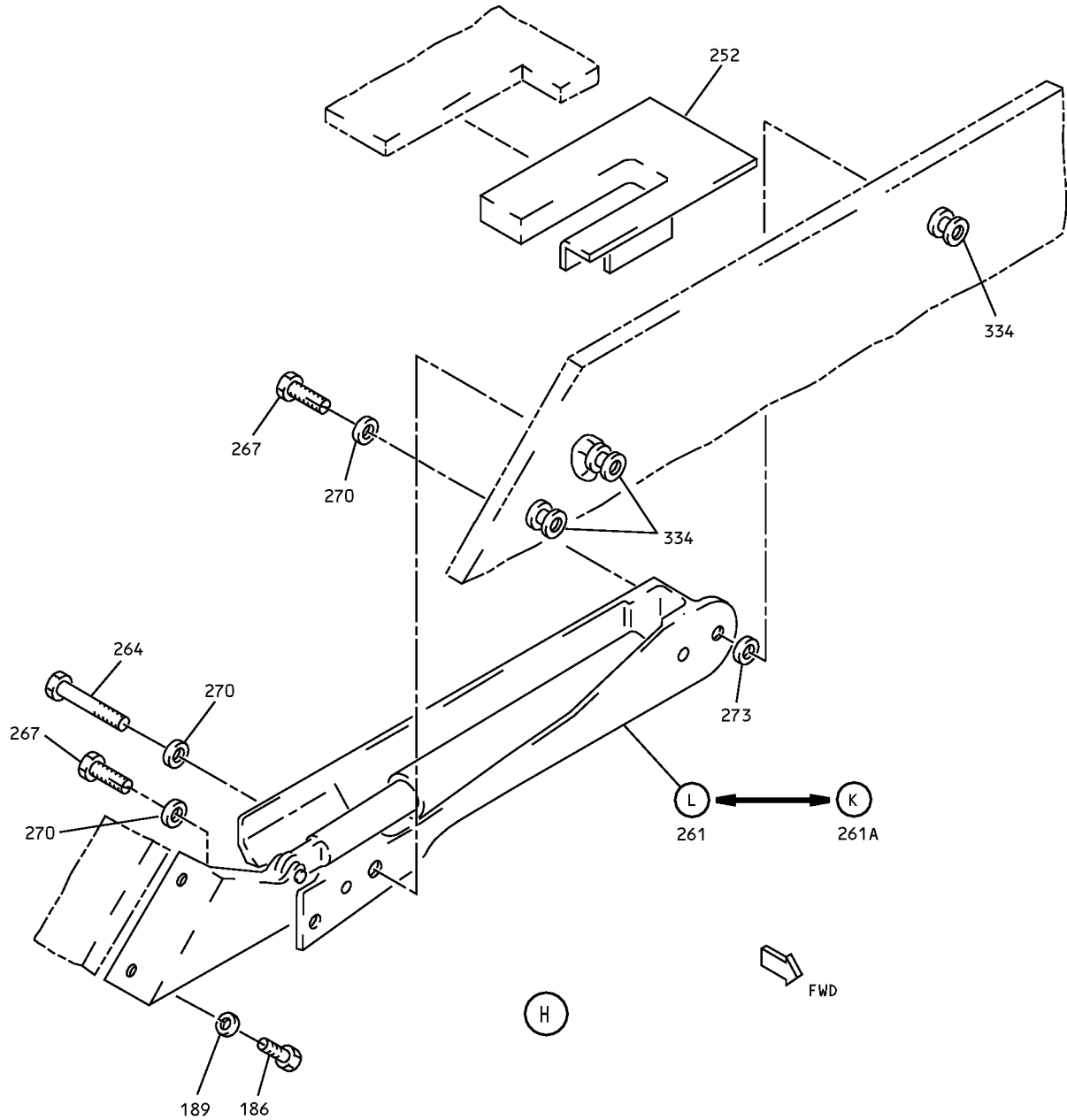
COMPONENT MAINTENANCE MANUAL



Overhead Storage Compartment Assembly
IPL Figure 5 (Sheet 5 of 10)

25-28-46
ILLUSTRATED PARTS LIST
Page 1098.118
Jul 01/2006

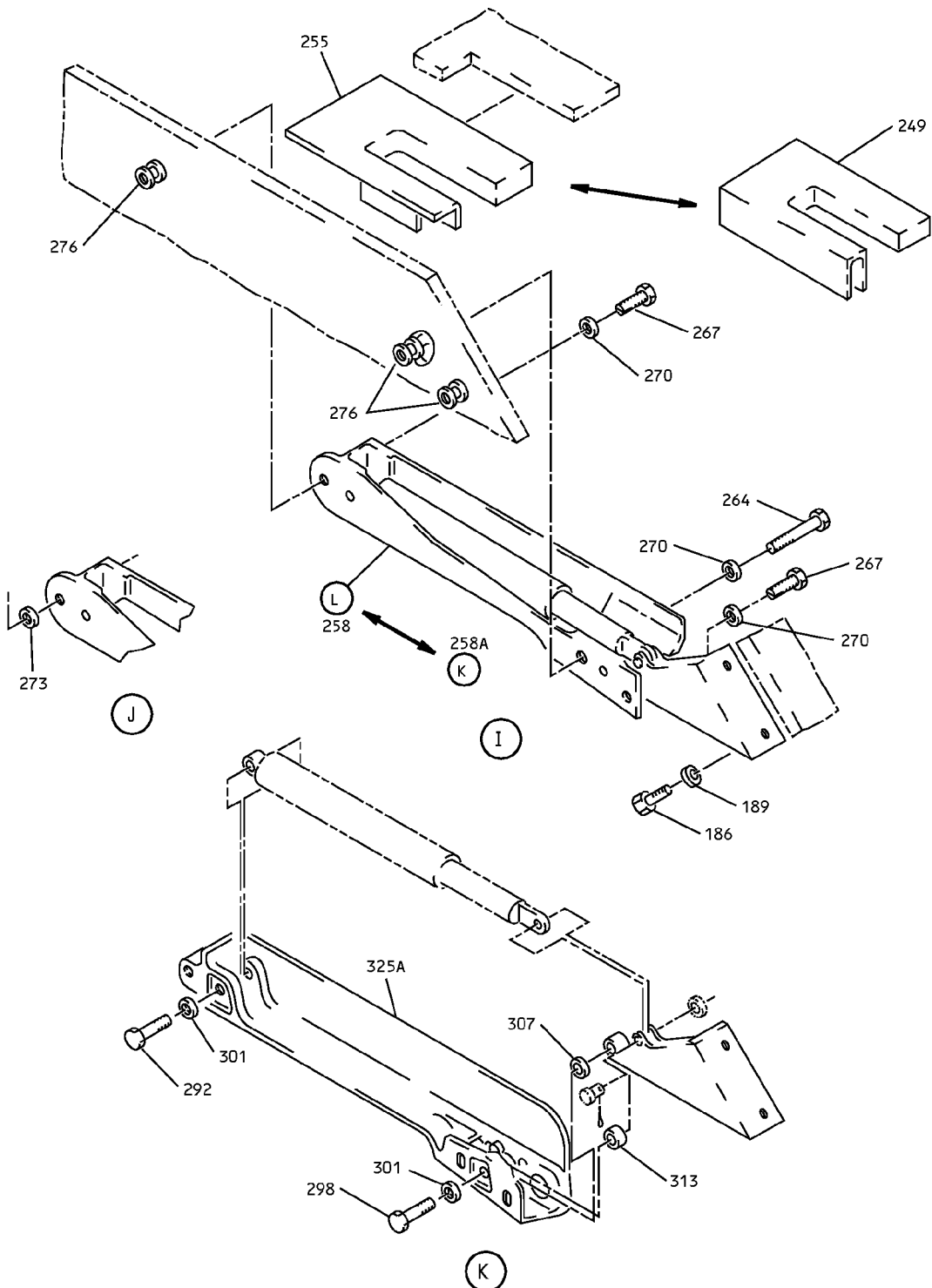
COMPONENT MAINTENANCE MANUAL



Overhead Stowage Compartment Assembly
IPL Figure 5 (Sheet 6 of 10)

25-28-46
ILLUSTRATED PARTS LIST
Page 1098.119
Jul 01/2006

COMPONENT MAINTENANCE MANUAL



Overhead Storage Compartment Assembly
IPL Figure 5 (Sheet 7 of 10)

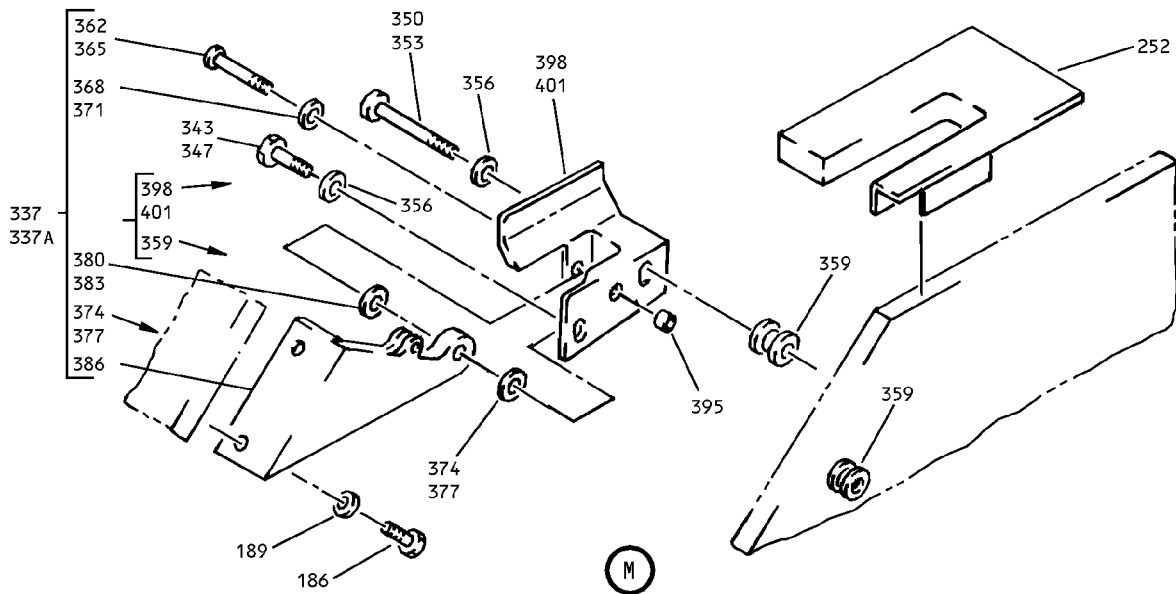
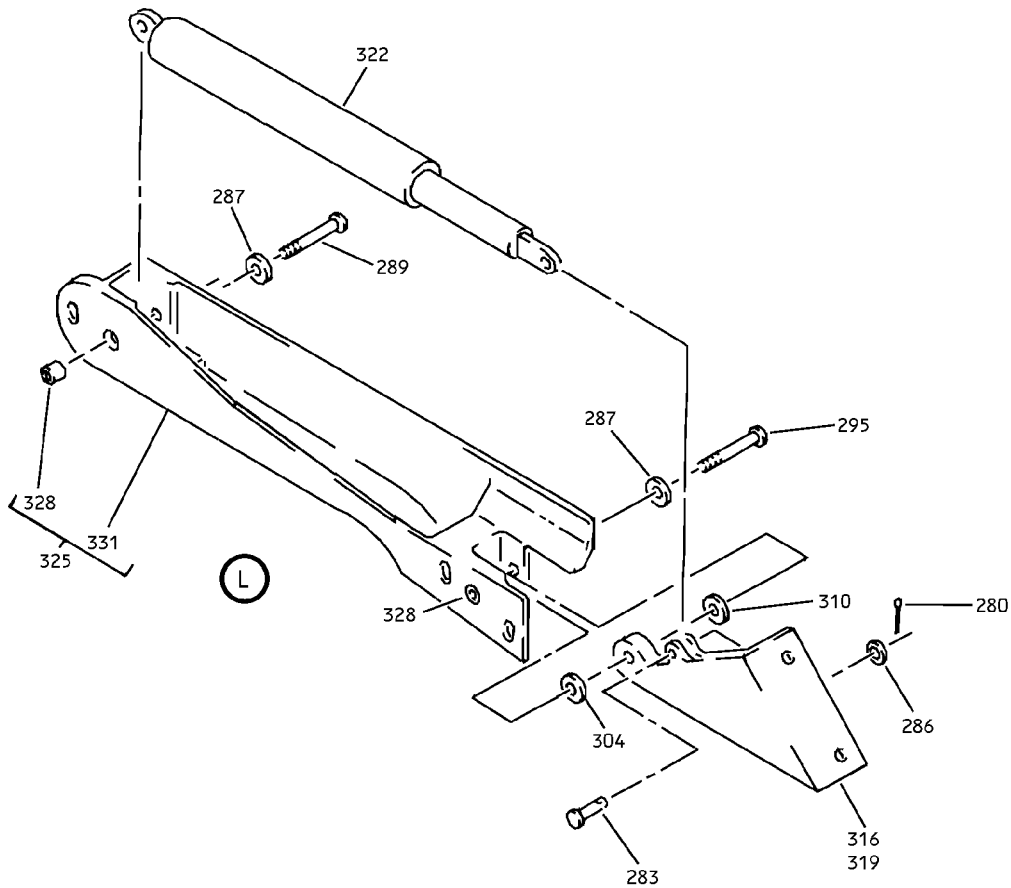
25-28-46

ILLUSTRATED PARTS LIST

Page 1098.120

Jul 01/2006

COMPONENT MAINTENANCE MANUAL



Overhead Storage Compartment Assembly
IPL Figure 5 (Sheet 8 of 10)

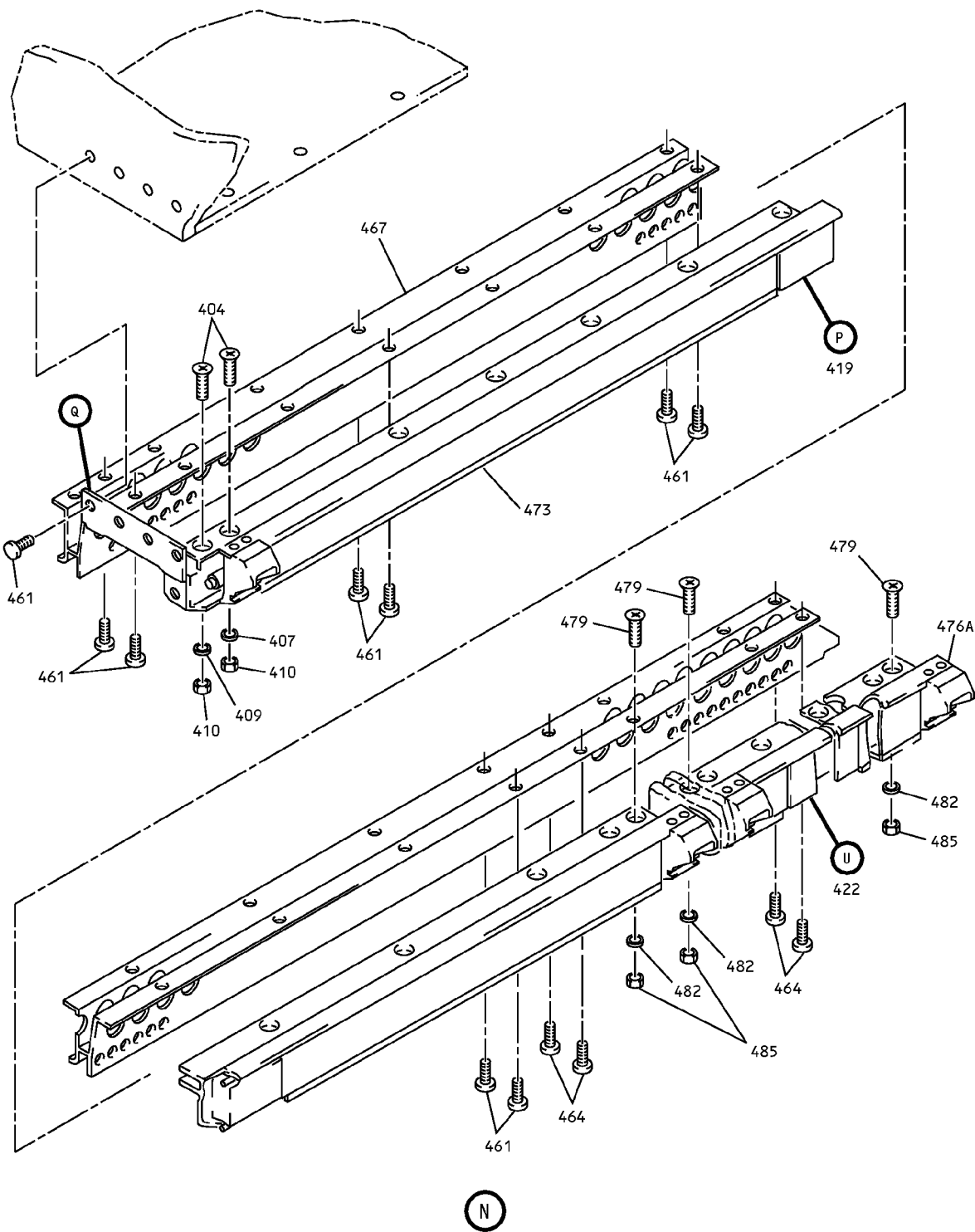
25-28-46

ILLUSTRATED PARTS LIST

Page 1098.121

Jul 01/2006

COMPONENT MAINTENANCE MANUAL



Overhead Storage Compartment Assembly
IPL Figure 5 (Sheet 9 of 10)

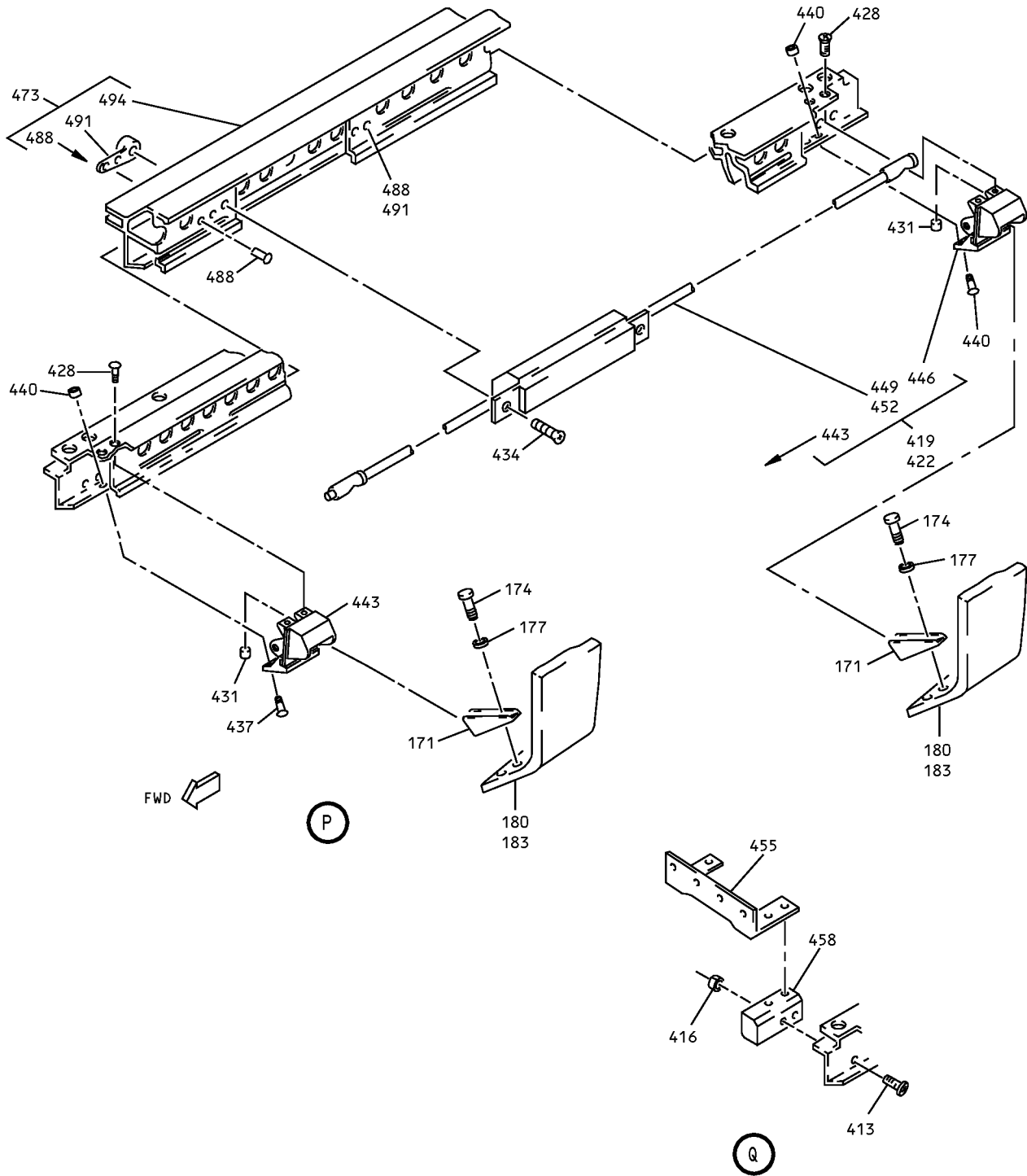
25-28-46

ILLUSTRATED PARTS LIST

Page 1098.122

Jul 01/2006

COMPONENT MAINTENANCE MANUAL



Overhead Storage Compartment Assembly
IPL Figure 5 (Sheet 10 of 10)

25-28-46

ILLUSTRATED PARTS LIST

Page 1098.123

Jul 01/2006



COMPONENT MAINTENANCE MANUAL

FIG/ ITEM	PART NUMBER	AIRLINE PART NUMBER	NOMENCLATURE							USAGE CODE	UNITS PER ASSY
			1	2	3	4	5	6	7		
5-											
-1	65C27006-66SP										RF
5	BACB30NM3K1										8
8	AN940PD10										8
9	BACB30NM3K1										2
11	412N1161-2										1
-11A	412N1119-14										1
15	BACB30NM3K10										1
20	BACB30NN3K9										1
23	BACB30NM3K1										4
26	AN960PD10										4
27	AN960PD10L										1

-Item not Illustrated

25-28-46

ILLUSTRATED PARTS LIST

Page 1098.124

Jul 01/2006



COMPONENT MAINTENANCE MANUAL

FIG/ ITEM	PART NUMBER	AIRLINE PART NUMBER	NOMENCLATURE							USAGE CODE	UNITS PER ASSY
			1	2	3	4	5	6	7		
5-											
29	412N1119-56								. FILLER		1
30	412N1119-55								. FITTING		1
32	417N5120-21								. LIGHT ASSY (OPT ITEM 32A)		1
-32A	417N5120-9								. LIGHT ASSY (OPT ITEM 32)		1
									ATTACHING PARTS		
35	NAS1801-3-5								. SCREW		3
38	AN960PD10L								. WASHER		3
									----- *		
41	BACS12ER3K6								. . SCREW (V06710) (SPEC BACS12ER3K6) (OPT BACS12ER3K6 (V06725)) (OPT BACS12ER3K6 (V06950)) (OPT BACS12ER3K6 (V27624)) (OPT BACS12ER3K6 (V34252)) (OPT BACS12ER3K6 (V56878)) (OPT BACS12ER3K6 (V73197)) (OPT BACS12ER3K6 (V80539)) (OPT BACS12ER3K6 (V92215)) (OPT BACS12ER3K6 (V93907)) (OPT BACS12ER3K6 (V97928))		3
44	BACW10UD10								. . WASHER		3
47	F22K1-02								. . NUT (V72962) (SPEC BACN10R10L) (OPT 22K1-02 (V72962)) (OPT 26CL02 (V80539))		3
50	05939-4								. . BALLAST (V17023) (SPEC S283N702-4)		1
53	417N5120-10								. . LAMP ASSY		1
56	2055150								. . . CAP-END (V04169)		2
59	F40WW								. . . LAMP-FLOOR (V08805)		1
62	LP1625-48								. . . TUBE-COVER (V60116)		1

-Item not Illustrated

25-28-46

ILLUSTRATED PARTS LIST

Page 1098.125

Jul 01/2006



COMPONENT MAINTENANCE MANUAL

FIG/ ITEM	PART NUMBER	AIRLINE PART NUMBER	NOMENCLATURE							USAGE CODE	UNITS PER ASSY
			1	2	3	4	5	6	7		
5-											
65	800000255-18		.	.	LIGHT ASSY-CLG (V05617) (SPEC S417N507-18) (FOR DETAILS SEE FIG. 80)						1
68	65C28117-3		.	.	PAD						1
71	NAS1801-3-11		.		SCREW						2
74	BACS18C8-6		.		SPACER						2
77	MS24585-1230		.		SPRING						2
80	411N3142-28		.		WASHER-CUPPED						2
83	412N1119-1		.		FITTING ASSY						1
					ATTACHING PARTS						
85	BACS12ER3K6		.		SCREW (V06710) (SPEC BACS12ER3K6) (OPT BACS12ER3K6 (V06725)) (OPT BACS12ER3K6 (V06950)) (OPT BACS12ER3K6 (V27624)) (OPT BACS12ER3K6 (V34252)) (OPT BACS12ER3K6 (V56878)) (OPT BACS12ER3K6 (V73197)) (OPT BACS12ER3K6 (V80539)) (OPT BACS12ER3K6 (V92215)) (OPT BACS12ER3K6 (V93907)) (OPT BACS12ER3K6 (V97928))						4
					----- * -----						
88	BACB28B6-220P		.	.	BUSHING						1
91	412N1119-2		.	.	FITTING						1
95	BACS12FA3K5		.		BOLT						9
98	412N1145-29		.		BRACKET						4
101	65C27017-30		.		BRACKET						1
104	65C27017-13		.		BRACKET						4
107	BACS12FA3K5		.		BOLT						9
110	BACB30PF4-3		.		BOLT						1
113	AN960C416L		.		WASHER						1
117	NAS1515F4H		.		WASHER						1
120	NAS1515M4L		.		WASHER						1

-Item not Illustrated

25-28-46

ILLUSTRATED PARTS LIST

Page 1098.126

Jul 01/2006



COMPONENT MAINTENANCE MANUAL

FIG/ ITEM	PART NUMBER	AIRLINE PART NUMBER	NOMENCLATURE							USAGE CODE	UNITS PER ASSY
			1	2	3	4	5	6	7		
5-											
123	65C27026-32SP								. FILLER PANEL ASSY		1
126	NAS1836-3-11								. . INSERT		4
129	65C27027-4SP								. END CAP ASSY		1
132	65C27027-12								. . PANEL ASSY		1
135	65C27027-13								. . FOAM		1
138	65C27027-14								. . ANGLE SUPPORT		1
141	65C27027-17								. . SEAL		1
144	65C27027-8								. . END CAP		1
147	SL2334-3A2								. . INSERT		9
150	412N1119-12								. FITTING		2
153	BACB30NM3K1								. BOLT		8
156	AN960PD10								. WASHER		8
159	412N1130-5								. TRIM-VERTICAL		2
162	65C27006-12								. SEAL		1
165	65C27009-66SP								. MODULE ASSY		1
168	65C27009-6								. . EDGE COVER		2
171	H3-1152-1								. . PLATE ASSY-STRIKER (V34941) (SPEC S412N101-1)		4
									ATTACHING PARTS		
174	BACS12FA3K4								. . SCREW		8
177	MS35333-39								. . WASHER		8
									----- * -----		
180	412N1140-43SP								. . DOOR ASSY		1
183	412N1140-82SP								. . DOOR ASSY		1
									ATTACHING PARTS		
186	NAS1801-3-4								. . SCREW		8
189	MS35333-39								. . WASHER		8
									----- * -----		
192	SL618-3A								. . . INSERT (V97393)		8
195	BACS12H4-8								. . . SCREW (USED ON ITEM 180)		2

-Item not Illustrated

25-28-46

ILLUSTRATED PARTS LIST

Page 1098.127

Jul 01/2006



COMPONENT MAINTENANCE MANUAL

FIG/ ITEM	PART NUMBER	AIRLINE PART NUMBER	NOMENCLATURE							USAGE CODE	UNITS PER ASSY
			1	2	3	4	5	6	7		
5-											
198	NAS620ABL								. . . WASHER (USED ON ITEM 180)		2
201	412N1245-1								. . . BUMPER (USED ON ITEM 180)		2
204	MS51862-4								. . . SCREW (USED ON ITEM 180)		2
207	412N1143-11								. . . COVER (USED ON ITEMS 183,183A)		2
210	412N1140-17								. . . FILLER (USED ON ITEMS 183,183A)		1
213	412N1143-13								. . . COVER (USED ON ITEM 180)		1
216	412N1143-14								. . . COVER (USED ON ITEM 180)		1
219	412N1140-60								. . . PANEL ASSY-DOOR (USED ON ITEM 180)		1
222	412N1140-62								. . . PANEL ASSY-DOOR (USED ON ITEMS 183,183A)		1
225	412N1140-13							 STRIP RETAINER (USED ON ITEM 219)		1
228	412N1141-3							 FACE PLATE (USED ON ITEM 219)		1
231	412N1141-5							 FACE PLATE (USED ON ITEM 222)		1
234	412N1141-7							 MARKER (USED ON ITEM 219)		1
237	412N1142-17							 PANEL ASSY (USED ON ITEM 219)		1
-240	412N1142-20							 PANEL ASSY (USED ON ITEM 222)		1
243	412N1118-1SP								. . RETAINER		2
246	412N1118-2SP								. . RETAINER		2
249	412N1154-2								. . REINFORCEMENT-CORNER		1
252	412N1154-3								. . REINFORCEMENT-CORNER		2
255	412N1154-4								. . REINFORCEMENT-CORNER		1

-Item not Illustrated

25-28-46

ILLUSTRATED PARTS LIST

Page 1098.128

Jul 01/2006



COMPONENT MAINTENANCE MANUAL

FIG/ ITEM	PART NUMBER	AIRLINE PART NUMBER	NOMENCLATURE							USAGE CODE	UNITS PER ASSY	
			1	2	3	4	5	6	7			
5-												
258	412N1155-1											2
258A	412N1155-7											2
261	412N1155-2											1
261A	412N1155-8											1
264	BACB30LK3-18											1
-264A	NAS1801-3-10											1
267	412N1227-1											2
-267A	AIC1321-3-8											2
270	BACW10P136AL											3
273	AN960JD10											1
276	NAS1833-3-400											3
280	MS24665-132											1
283	MS20392-2C13											1
286	AN960PD10L											1
287	AN960PD10L											2
289	NAS6703PU15											1
292	BACB30NM3K12											1
295	NAS6703PU11											1
298	BACB30NM3K8											1

-Item not Illustrated

25-28-46

ILLUSTRATED PARTS LIST

Page 1098.129

Jul 01/2006



COMPONENT MAINTENANCE MANUAL

FIG/ ITEM	PART NUMBER	AIRLINE PART NUMBER	NOMENCLATURE							USAGE CODE	UNITS PER ASSY
			1	2	3	4	5	6	7		
5-											
301	AN960KD10L										
301A	AN960JD10L										1
304	NAS43DD3-5										1
307	NAS43DD3-3										1
310	NAS43DD3-6										1
313	NAS43DD3-8										1
316	H2948-2										1
319	H2948-1										1
322	SB113										1
325	412N1156-1										1
-325A	412N1156-13										1
-325B	412N1156-2										1
-325C	412N1156-14										1
328	6041-3BRX225										2
331	412N1156-3										1
-331A	412N1156-4										1
-331B	412N1156-15										1

-Item not Illustrated

25-28-46

ILLUSTRATED PARTS LIST

Page 1098.130

Jul 01/2006



COMPONENT MAINTENANCE MANUAL

FIG/ ITEM	PART NUMBER	AIRLINE PART NUMBER	NOMENCLATURE							USAGE CODE	UNITS PER ASSY
			1	2	3	4	5	6	7		
5-											
-331C	412N1156-16								. . . CHASSIS (USED ON ITEM 325C)		1
334	NAS1833-3-400								. . INSERT		2
337	412N1155-4								. . HINGE ASSY (LIMITED USAGE) (OPT ITEM 337A)		1
337A	412N1155-10								. . HINGE ASSY (LIMITED USAGE) (OPT ITEM 337)		1
									ATTACHING PARTS		
343	412N1227-1								. . BOLT (OPT ITEM 347)		1
-347	AIC1321-3-8								. . BOLT (OPT ITEM 343)		1
350	BACB30LK3-18								. . BOLT (USED ON ITEM 337)		1
353	NAS1801-3-10								. . BOLT (USED ON ITEM 337A)		1
356	BACW10P136AL								. . WASHER (V10630) (SPEC BACW10P136AL)		2
359	NAS1833-3-400								. . INSERT ----- * -----		2
362	NAS6703PU11								. . . BOLT (USED ON ITEM 337)		1
365	BACS30NM3K8								. . . BOLT (USED ON ITEM 337A)		1
368	AN960PD10L								. . . WASHER (USED ON ITEM 337)		1
371	AN960KD10L								. . . WASHER (USED ON ITEM 337A)		1
374	NAS43DD305								. . . SPACER (USED ON ITEM 338)		1
377	NAS43DD3-8								. . . SPACER (USED ON ITEM 337A)		1
380	NAS43DD3-L								. . . SPACER (USED ON ITEM 337)		1

-Item not Illustrated

25-28-46

ILLUSTRATED PARTS LIST

Page 1098.131

Jul 01/2006



COMPONENT MAINTENANCE MANUAL

FIG/ ITEM	PART NUMBER	AIRLINE PART NUMBER	NOMENCLATURE							USAGE CODE	UNITS PER ASSY
			1	2	3	4	5	6	7		
5-											
383	NAS43DD3-3		. . .								1
386	H2948-1		. . .								1
389	412N1156-5		. . .								1
392	412N1156-19		. . .								1
395	6041-3BRX225									2
398	412N11156-3									1
401	412N1156-25									1
404	BACS12ER08K14		. .								2
407	AN960JD8		. .								2
410	MS21042L08		. .								2
413	BACB30MY6K2		. .								1
416	MS21042L3		. .								1
419	412N1153-103		. .								1
422	412N1153-14		. .								1
-425	412N1153-152		. .								1
			ATTACHING PARTS								
431	SL210-06-02		. .								8
434	BACS12ER08K6		. .								4
437	NAS514P832-5		. .								8
440	SL210-08-1		. .								8
			----- * -----								
443	412N1113-7		. . .								1
446	412N1113-8		. . .								1

-Item not Illustrated

25-28-46

ILLUSTRATED PARTS LIST

Page 1098.132

Jul 01/2006



COMPONENT MAINTENANCE MANUAL

FIG/ ITEM	PART NUMBER	AIRLINE PART NUMBER	NOMENCLATURE							USAGE CODE	UNITS PER ASSY
			1	2	3	4	5	6	7		
5- 449	H3-1145-1-3760		. . .	LATCH ASSY (SPEC S412N101-1040) (USED ON ITEM 419)							1
452	H3-1145-3-2160		. . .	LATCH ASSY (V34941) (SPEC S412N101-2024) (USED ON ITEM 422)							1
455	412N1145-27		. .	BRACKET							1
458	412N1117-1		. .	FITTING							1
461	BACS12FA3K5		. .	SCREW							18
464	BACS12FA3K15		. .	SCREW							4
467	65C27023-34		. .	SUPPORT-PASS SVCE UNIT							1
473	412N1146-3		. .	SUPPORT-PASS BULLNOSE							1
-476	412N1146-73		. .	SUPPORT-PASS BULLNOSE							1
479	BACS12ER08K12		. .	SCREW (V06710) (SPEC BACS12ER08K12) (OPT BACS12ER08K12 (V06725)) (OPT BACS12ER08K12 (V06950)) (OPT BACS12ER08K12 (V27624)) (OPT BACS12ER08K12 (V34252)) (OPT BACS12ER08K12 (V56878)) (OPT BACS12ER08K12 (V73197)) (OPT BACS12ER08K12 (V80539)) (OPT BACS12ER08K12 (V92215)) (OPT BACS12ER08K12 (V93907)) (OPT BACS12ER08K12 (V97928))							21
482	AN960PD8		. .	WASHER							21
485	BACN10JC08		. .	NUT							21
488	BACR15DR3		. .	RIVET (SIZE DETERMINED ON INST)							4
491	BACN10KB08		. . .	NUTPLATE (SPEC BACN10KB08)							2
494	412N1146-23		. . .	SUPPORT (USED ON ITEM 473)							1
-497	412N1146-74		. . .	SUPPORT (USED ON ITEM 476)							1
500	65C27012-42		. .	BODY ASSY (FOR DETAILS SEE FIG. 14)							1

-Item not Illustrated

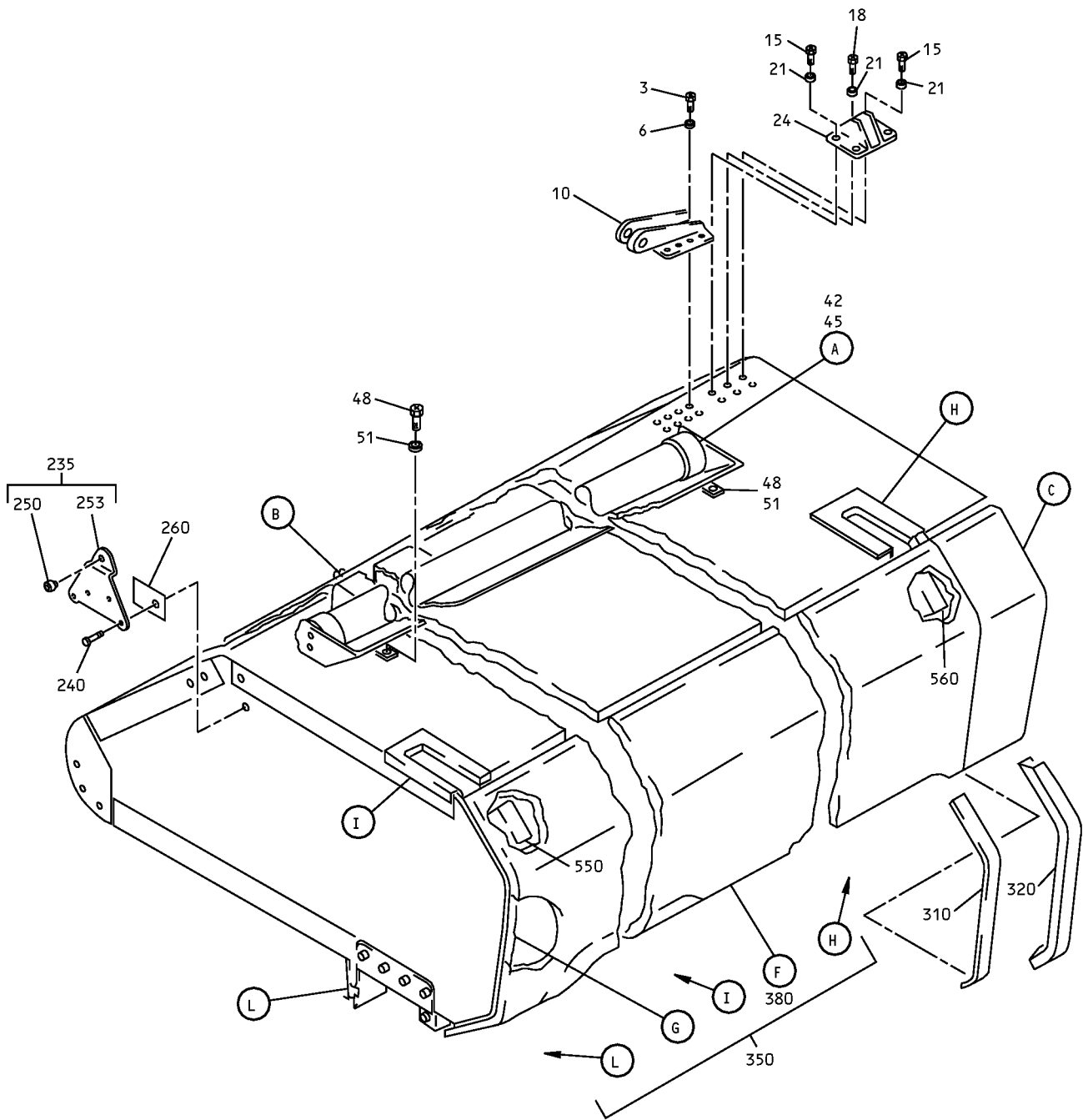
25-28-46

ILLUSTRATED PARTS LIST

Page 1098.133

Jul 01/2006

COMPONENT MAINTENANCE MANUAL



Overhead Storage Compartment Assembly
IPL Figure 6 (Sheet 1 of 10)

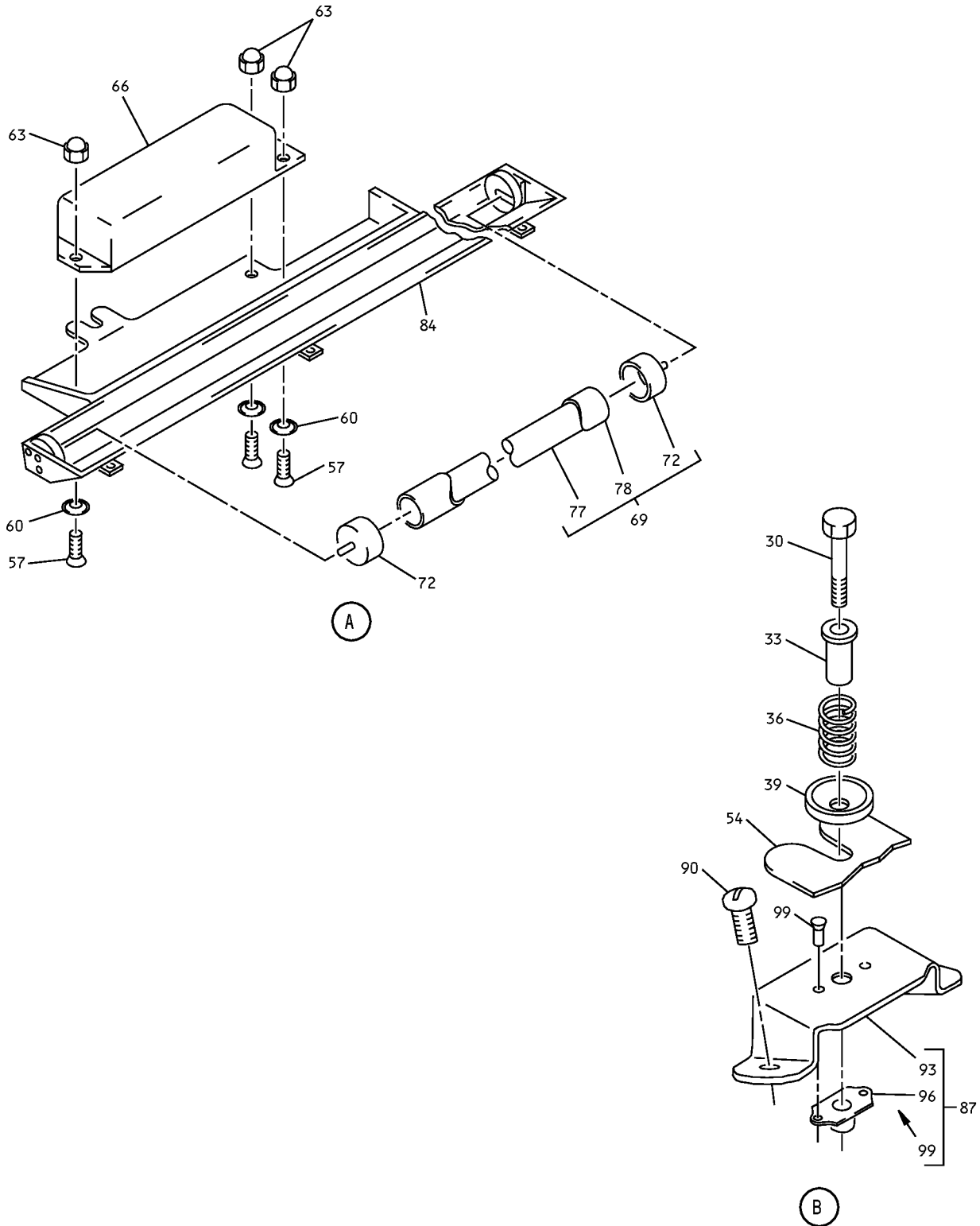
25-28-46

ILLUSTRATED PARTS LIST

Page 1098.134

Jul 01/2006

COMPONENT MAINTENANCE MANUAL



Overhead Storage Compartment Assembly
IPL Figure 6 (Sheet 2 of 10)

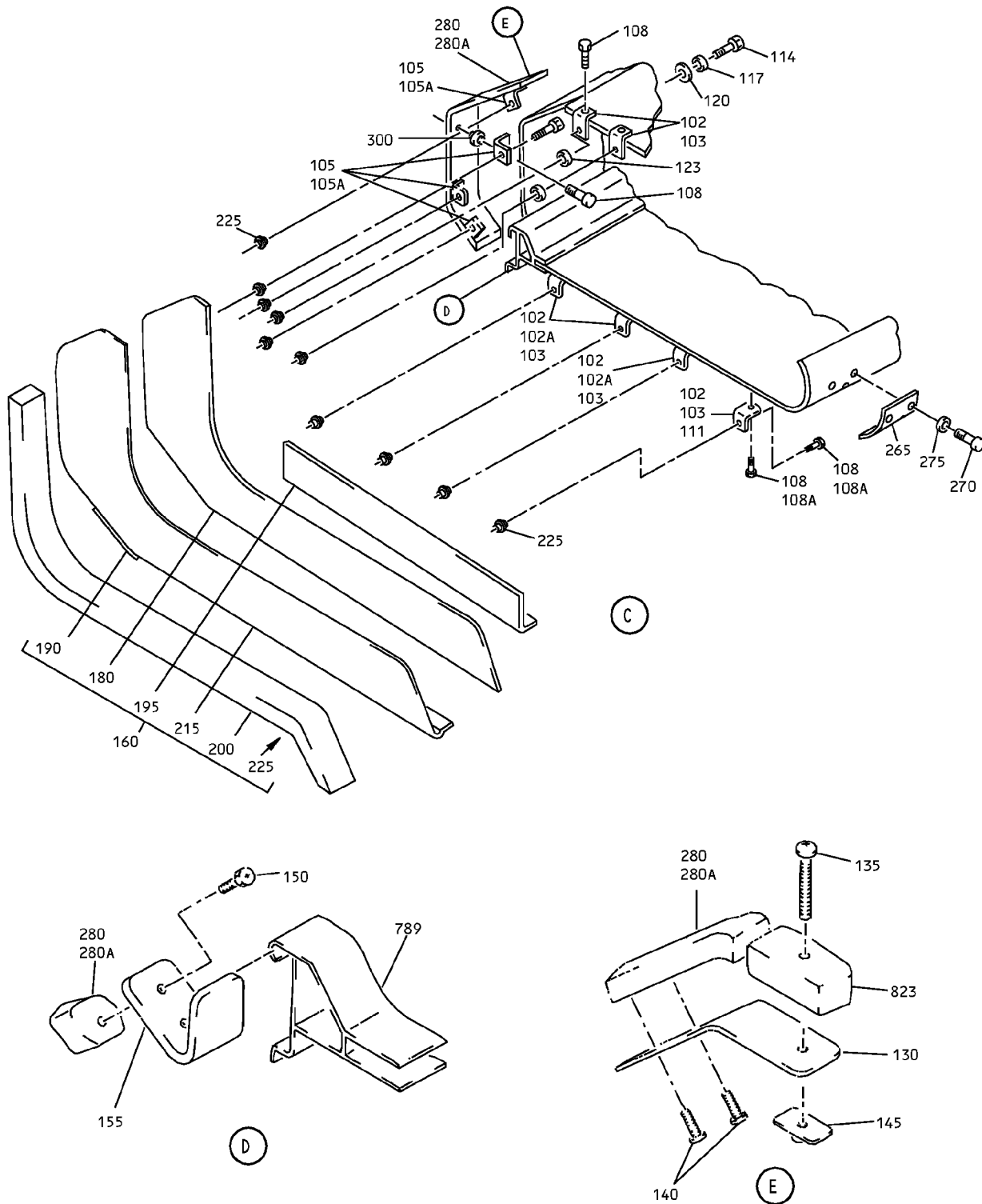
25-28-46

ILLUSTRATED PARTS LIST

Page 1098.135

Jul 01/2006

COMPONENT MAINTENANCE MANUAL



Overhead Storage Compartment Assembly
IPL Figure 6 (Sheet 3 of 10)

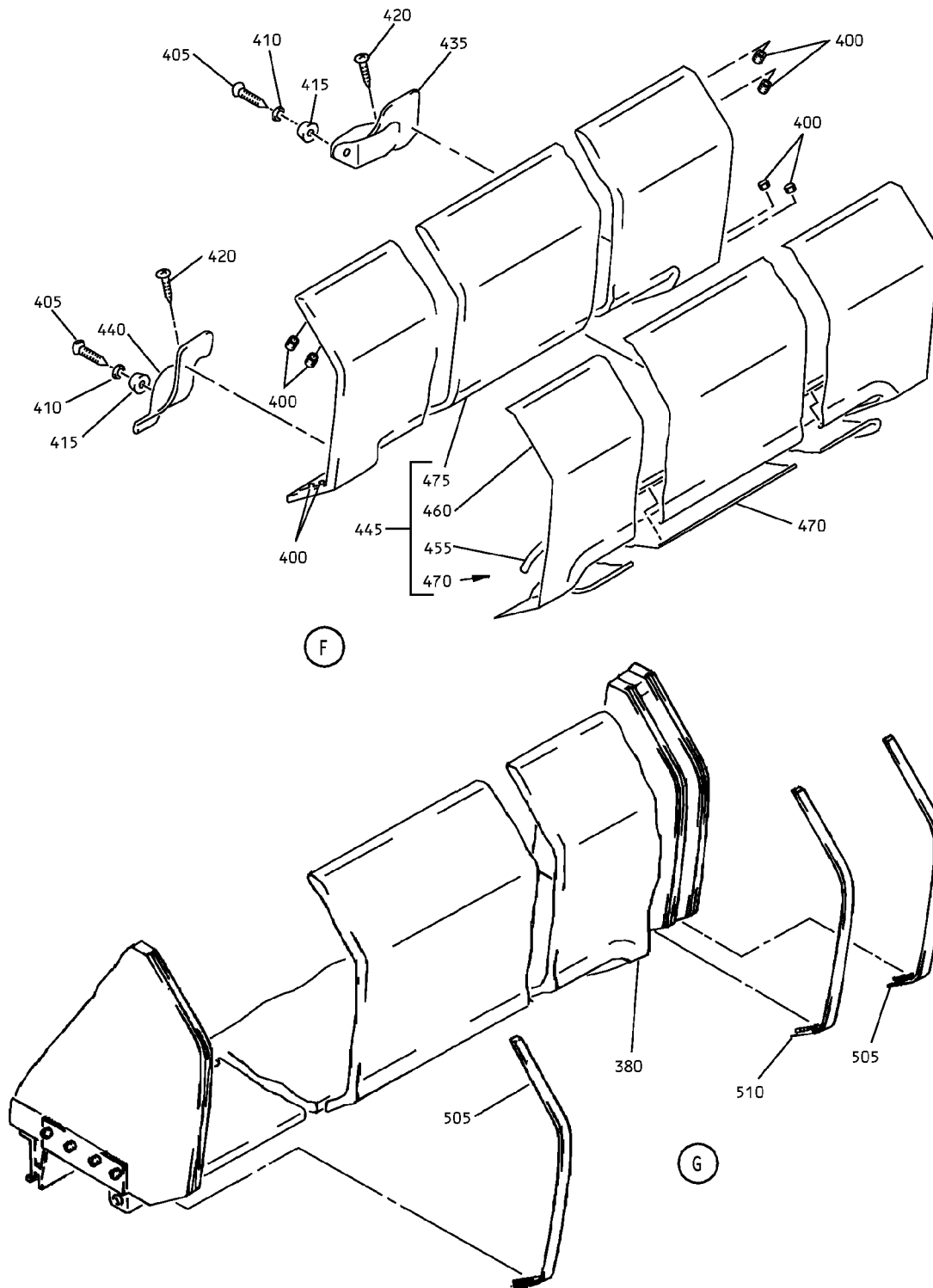
25-28-46

ILLUSTRATED PARTS LIST

Page 1098.136

Jul 01/2006

COMPONENT MAINTENANCE MANUAL



Overhead Storage Compartment Assembly
IPL Figure 6 (Sheet 4 of 10)

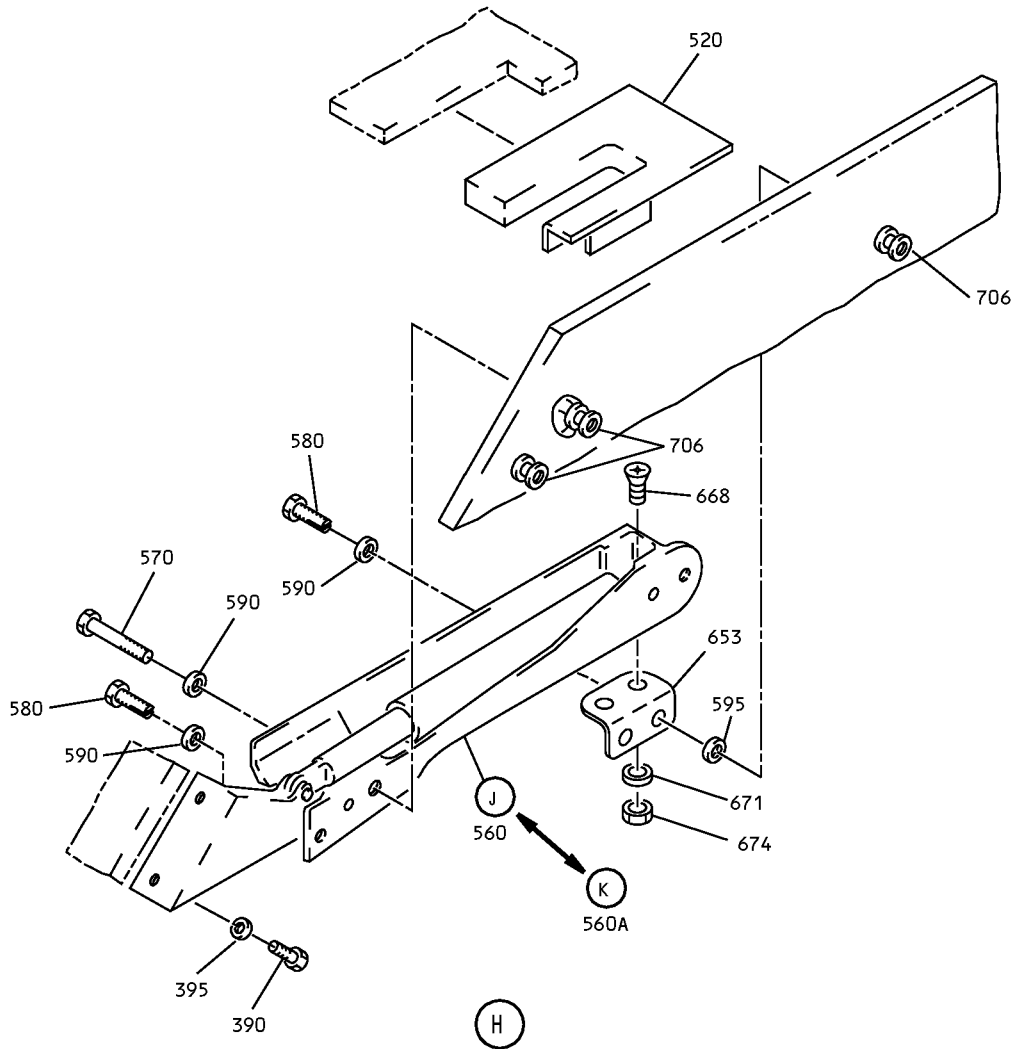
25-28-46

ILLUSTRATED PARTS LIST

Page 1098.137

Jul 01/2006

COMPONENT MAINTENANCE MANUAL



Overhead Stowage Compartment Assembly
IPL Figure 6 (Sheet 5 of 10)

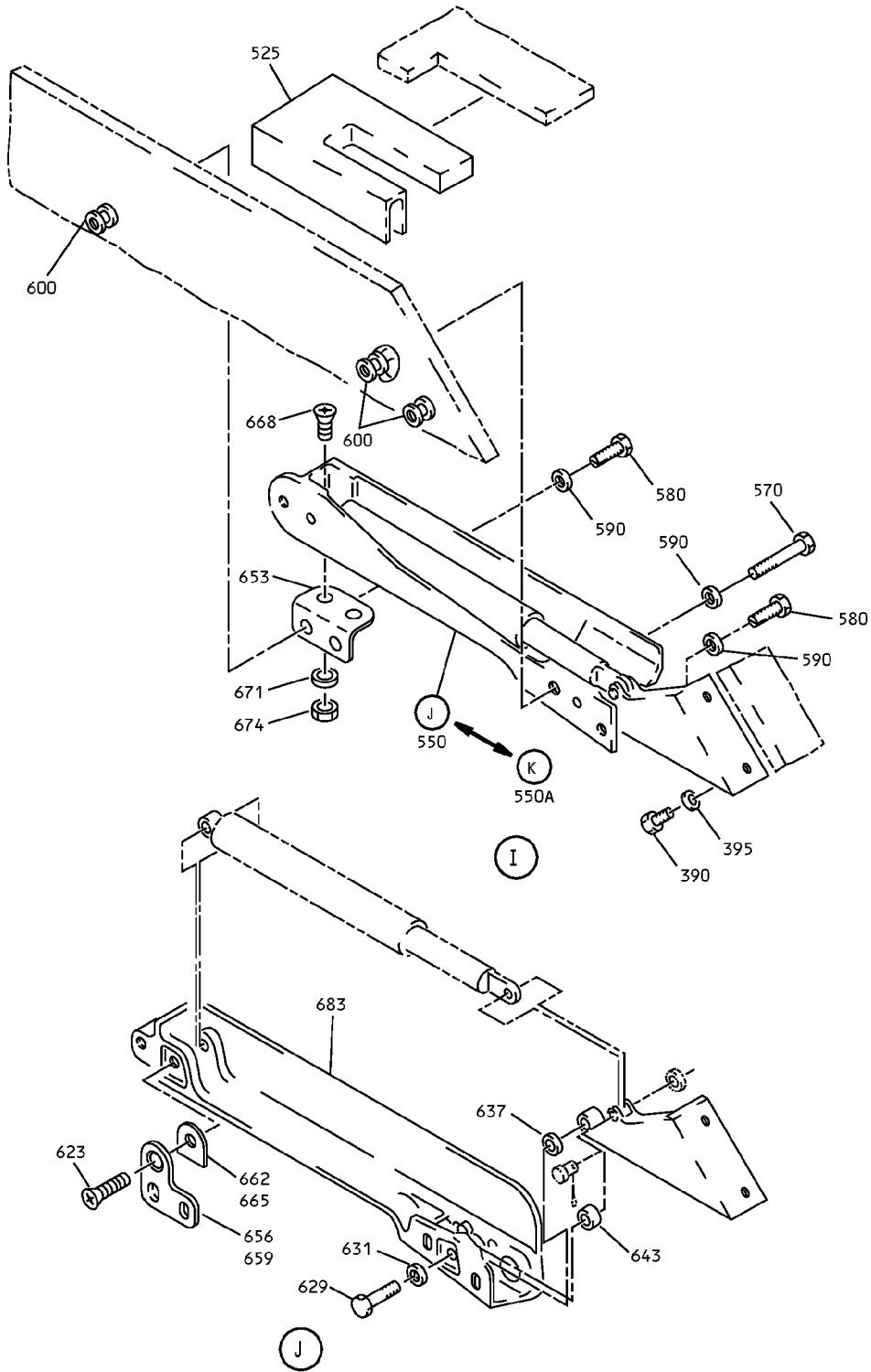
25-28-46

ILLUSTRATED PARTS LIST

Page 1098.138

Jul 01/2006

COMPONENT MAINTENANCE MANUAL



Overhead Storage Compartment Assembly
IPL Figure 6 (Sheet 6 of 10)

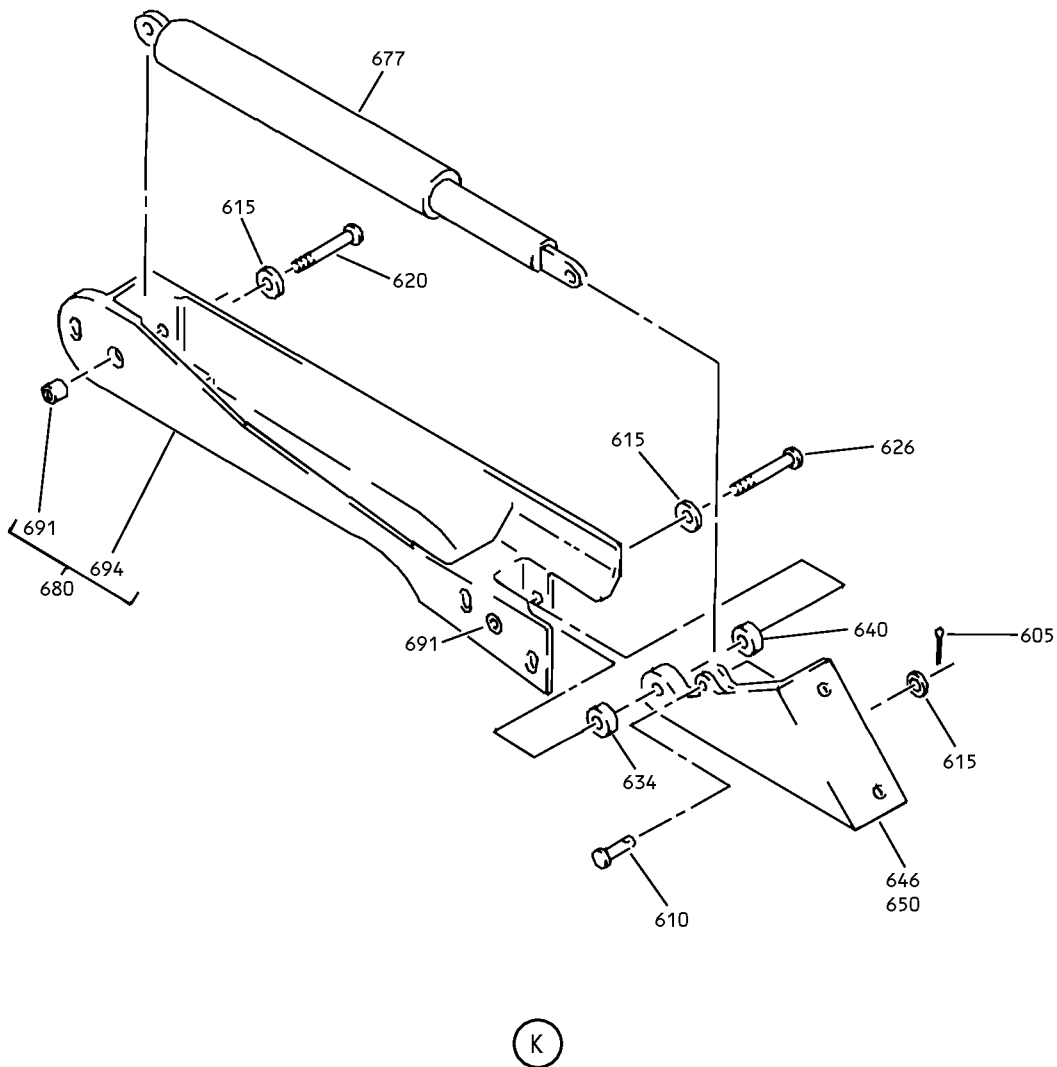
25-28-46

ILLUSTRATED PARTS LIST

Page 1098.139

Jul 01/2006

COMPONENT MAINTENANCE MANUAL



Overhead Storage Compartment Assembly
IPL Figure 6 (Sheet 7 of 10)

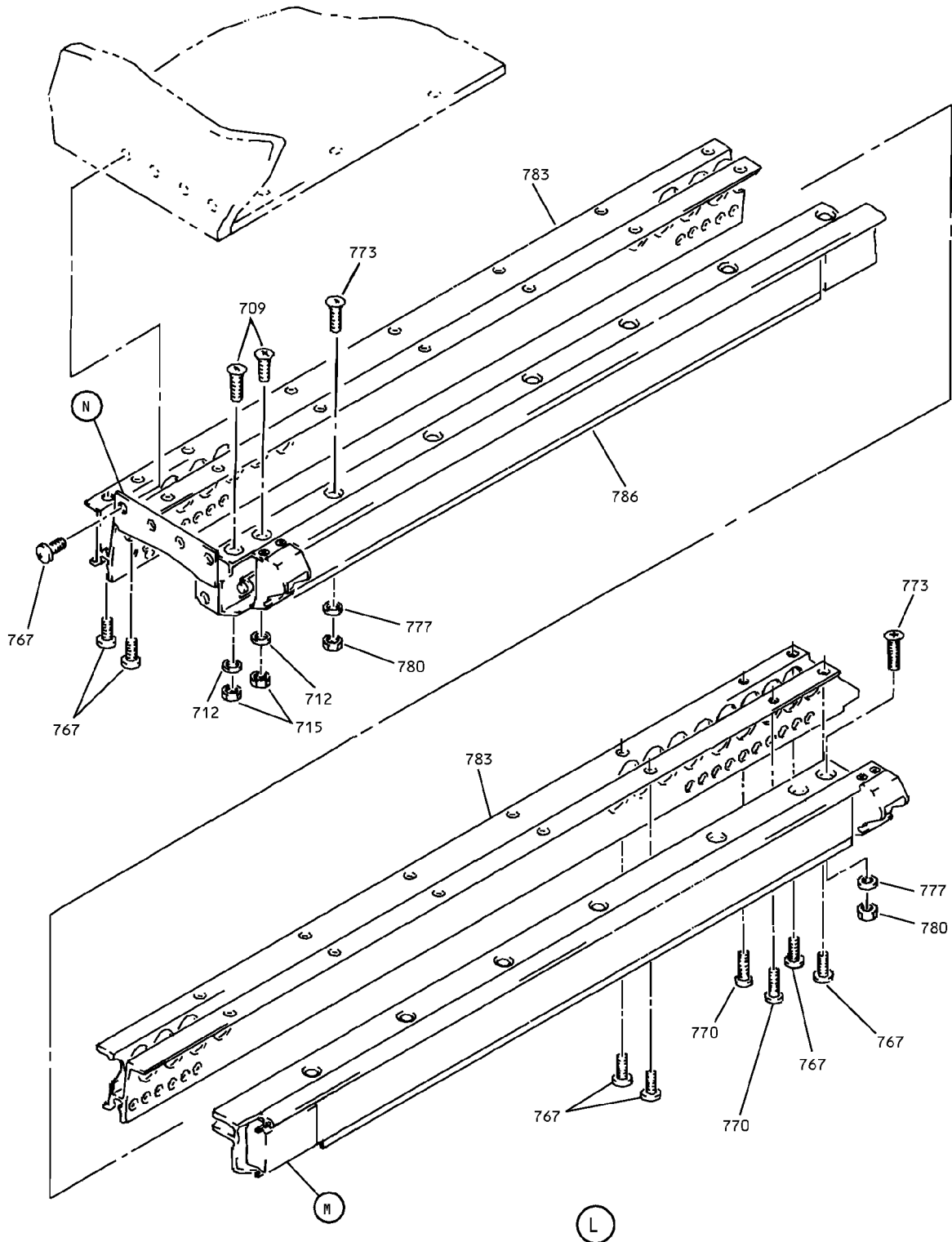
25-28-46

ILLUSTRATED PARTS LIST

Page 1098.140

Jul 01/2006

COMPONENT MAINTENANCE MANUAL



Overhead Stowage Compartment Assembly
IPL Figure 6 (Sheet 8 of 10)

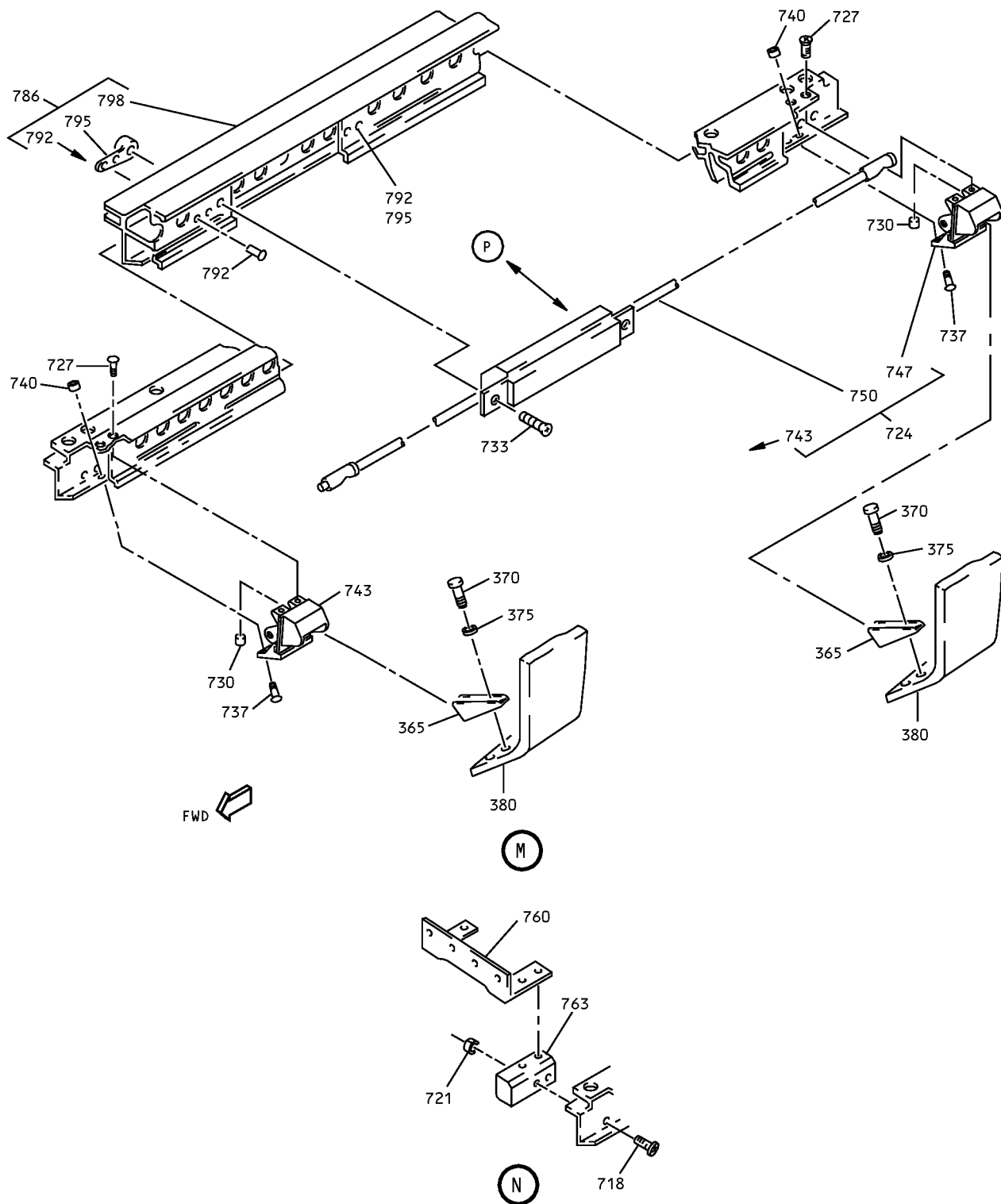
25-28-46

ILLUSTRATED PARTS LIST

Page 1098.141

Jul 01/2006

COMPONENT MAINTENANCE MANUAL



Overhead Storage Compartment Assembly
IPL Figure 6 (Sheet 9 of 10)

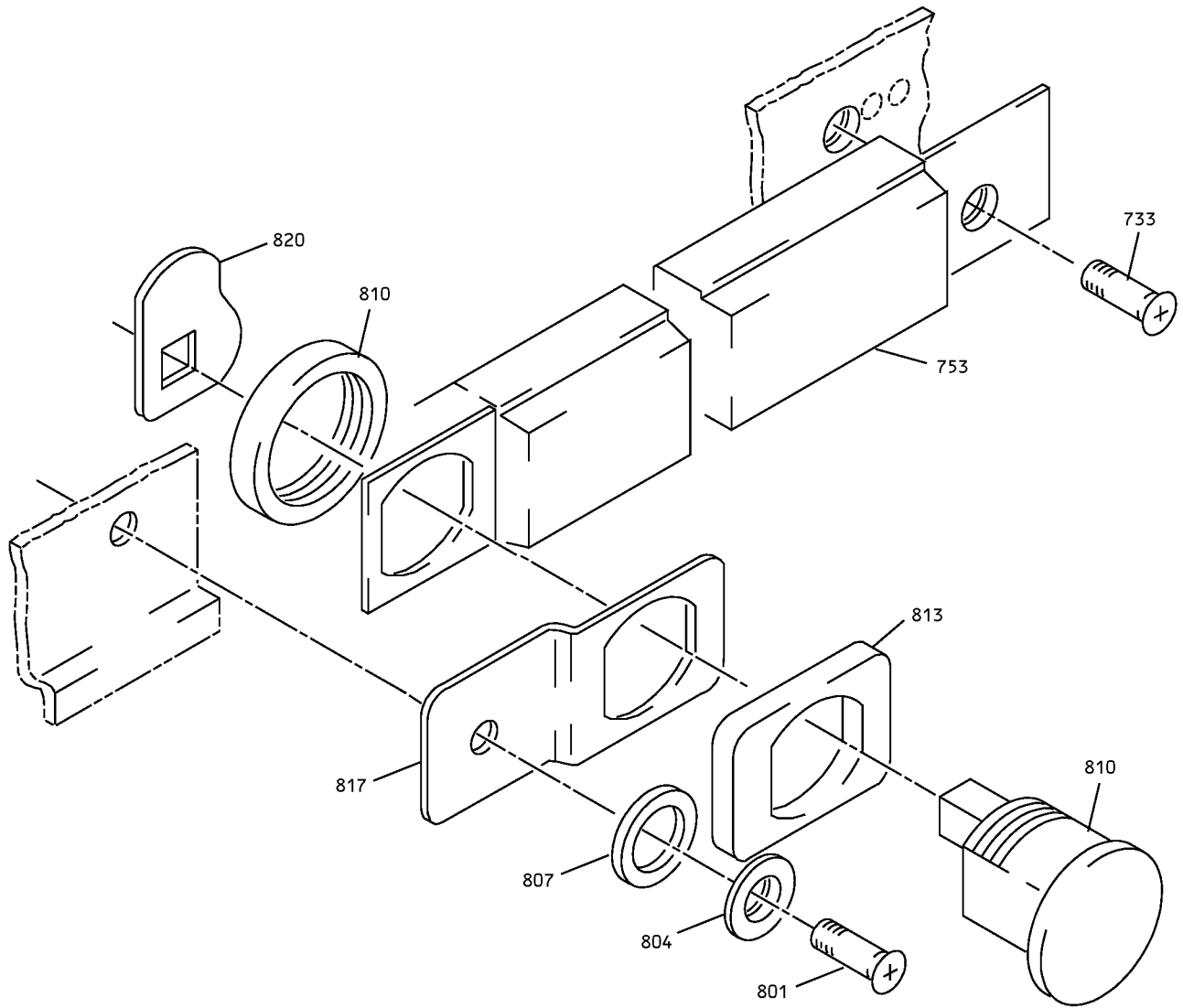
25-28-46

ILLUSTRATED PARTS LIST

Page 1098.142

Jul 01/2006

COMPONENT MAINTENANCE MANUAL



P

Overhead Stowage Compartment Assembly
IPL Figure 6 (Sheet 10 of 10)

25-28-46

ILLUSTRATED PARTS LIST

Page 1098.143

Jul 01/2006



COMPONENT MAINTENANCE MANUAL

FIG/ ITEM	PART NUMBER	AIRLINE PART NUMBER	NOMENCLATURE							USAGE CODE	UNITS PER ASSY
			1	2	3	4	5	6	7		
6-											
-1	65C27006-23SP									A	RF
-1A	65C27006-35SP									B	RF
-1B	65C27006-39SP									C	RF
-1C	65C27006-49SP									D	RF
-1D	65C27006-53SP									E	RF
-1E	65C27006-67SP									F	RF
-1F	65C27006-8SP									G	RF
-1G	65C27006-85SP									H	RF
-2A	65C27006-46SP									I	RF
-2B	65C27006-48SP									J	RF
-2C	65C27006-75SP									K	RF
-2D	65C27006-91SP									L	RF
-2E	65C27006-98SP									M	RF
-2K	65C27006-107SP									N	RF
-2L	65C27006-121SP									P	RF
-2M	65C27006-125SP									Q	RF
-2N	65C27006-135SP									R	RF

-Item not Illustrated

25-28-46

ILLUSTRATED PARTS LIST

Page 1098.144

Jul 01/2006



COMPONENT MAINTENANCE MANUAL

FIG/ ITEM	PART NUMBER	AIRLINE PART NUMBER	NOMENCLATURE							USAGE CODE	UNITS PER ASSY
			1	2	3	4	5	6	7		
6- 3	BACB30NM3K1		.	BOLT							8
				(V06710)							
				(SPEC BACB30NM3K1)							
				(OPT BACB30NM3K1 (V06725))							
				(OPT BACB30NM3K1 (V06950))							
				(OPT BACB30NM3K1 (V08524))							
				(OPT BACB30NM3K1 (V08524))							
				(OPT BACB30NM3K1 (V27624))							
				(OPT BACB30NM3K1 (V56878))							
				(OPT BACB30NM3K1 (V73197))							
				(OPT BACB30NM3K1 (V80539))							
				(OPT BACB30NM3K1 (V92215))							
				(OPT BACB30NM3K1 (V93907))							
				(OPT BACB30NM3K1 (V97928))							
6	AN940PD10			DELETED							
6A	AN960JD10		.	WASHER							8
10	412N1161-2		.	FITTING							1
				(OPT ITEM 10A)							
-10A	412N1119-14		.	FITTING							1
				(OPT ITEM 10)							
15	BACB30NM3K1		.	BOLT							4
				(V06710)							
				(SPEC BACB30NM3K1)							
				(OPT BACB30NM3K1 (V06725))							
				(OPT BACB30NM3K1 (V06950))							
				(OPT BACB30NM3K1 (V08524))							
				(OPT BACB30NM3K1 (V08524))							
				(OPT BACB30NM3K1 (V27624))							
				(OPT BACB30NM3K1 (V56878))							
				(OPT BACB30NM3K1 (V73197))							
				(OPT BACB30NM3K1 (V80539))							
				(OPT BACB30NM3K1 (V92215))							
				(OPT BACB30NM3K1 (V93907))							
				(OPT BACB30NM3K1 (V97928))							
18	BACB30NM3K9		.	BOLT							2
21	AN960PD10			DELETED							
21A	AN960JD10		.	WASHER							6
24	412N1119-26		.	FITTING							1
30	NAS1801-3-11		.	SCREW							2
33	BACS18C8-6		.	SPACER							1
36	MS24585-1230		.	SPRING							2

-Item not Illustrated

25-28-46

ILLUSTRATED PARTS LIST

Page 1098.145

Jul 01/2006



COMPONENT MAINTENANCE MANUAL

FIG/ ITEM	PART NUMBER	AIRLINE PART NUMBER	NOMENCLATURE							USAGE CODE	UNITS PER ASSY
			1	2	3	4	5	6	7		
6-											
39	411N3142-28				.	WASHER-CUPPED					1
42	417N5120-39			.	LIGHT ASSY				A, G		1
45	417N5120-48			.	LIGHT ASSY				B-F		1
48	NAS1801-3-5			.	SCREW				F, H, K, L		2
48A	BACS12W10-5			.	SCREW-WING				B-E, I, J		2
-48B	NAS1801-3-5			.	SCREW				A, G		2
51	AN960JD10LL			.	WASHER						2
-51A	AN960JD10LL			.	WASHER				A, G		2
54	65C28117-3			.	PAD						1
57	BACS12ER3K6			.	SCREW						3
					(V06710)						
					(SPEC BACS12ER3K6)						
					(OPT BACS12ER3K6 (V06725))						
					(OPT BACS12ER3K6 (V06950))						
					(OPT BACS12ER3K6 (V27624))						
					(OPT BACS12ER3K6 (V34252))						
					(OPT BACS12ER3K6 (V56878))						
					(OPT BACS12ER3K6 (V73197))						
					(OPT BACS12ER3K6 (V80539))						
					(OPT BACS12ER3K6 (V92215))						
					(OPT BACS12ER3K6 (V93907))						
					(OPT BACS12ER3K6 (V97928))						
60	BACW10UD10			.	WASHER						3
63	F22K1-02			.	NUT						3
					(V72962)						
					(SPEC BACN10R10L)						
					(OPT 22K1-02 (V72962))						
					(OPT 26CL02 (V80539))						
66	05939-5			.	BALLAST						1
					(V17023)						
					(SPEC S283N702-5)						
69	417N5120-11			.	LAMP ASSY						1
72	2055150			.	CAP-END						2
					(V04169)						
77	F20T12WW			.	LAMP-FLOOR						1
					(V08805)						
78	N1152LGWUV1000			.	TUBE-COVER						1
					(V06034)						
					(OPT ITEM 81)						

-Item not Illustrated

25-28-46

ILLUSTRATED PARTS LIST

Page 1098.146

Jul 01/2006



COMPONENT MAINTENANCE MANUAL

FIG/ ITEM	PART NUMBER	AIRLINE PART NUMBER	NOMENCLATURE							USAGE CODE	UNITS PER ASSY
			1	2	3	4	5	6	7		
6-											
-81	LP1625-24		. . .	TUBE-COVER							1
				(V060116)							
				(OPT ITEM 78)							
84	417N5120-43		. .	LIGHT ASSY-CLG							1
				(V05617)							
				(SPEC 417N5120-43)							
				(USED ON ITEM 42)							
-84A	800000255-33		. .	LIGHT ASSY-CLG							1
				(V05617)							
				(SPEC S417N507-33)							
				(USED ON ITEM 45)							
87	65C27481-28		. BRACKET ASSY								1
			ATTACHING PARTS								
90	BACS12FA3K4		. SCREW								2
			-----*								
93	65C27481-29		. . BRACKET								1
96	BACN10JR3FR		. . NUTPLATE								1
99	BACR15BA3A		. . RIVET								2
			(SIZE DETERMINED ON INST)								
102	412N1145-29		. BRACKET						I, M		5
102A	412N1145-29		. BRACKET						A-H, Q		3
103	65C27017-42		. BRACKET						J, K, L, N, P		5
-104	65C27017-43		. BRACKET						I-M, N, P		4
			(OPT ITEM 105)								
105	65C27017-36		. BRACKET						I-M, N, P		4
			(OPT ITEM 104)								
105A	65C27017-13		. BRACKET						A-H, Q		4
			(OPT ITEM 105B)								
-105B	65C27017-43		. BRACKET						A-H, Q		4
			(OPT ITEM 105A)								
108	BACS12FA3K5		. SCREW								14
108A	BACS12FA3K5		. SCREW						A-H, Q		17
111	412N1145-30		. BRACKET						A-H, Q		3
114	BACB30PF4-3		. BOLT								2
117	AN960C416L		. WASHER								2

-Item not illustrated

25-28-46

ILLUSTRATED PARTS LIST

Page 1098.147

Jul 01/2006



COMPONENT MAINTENANCE MANUAL

FIG/ ITEM	PART NUMBER	AIRLINE PART NUMBER	NOMENCLATURE							USAGE CODE	UNITS PER ASSY
			1	2	3	4	5	6	7		
6-											
120	NAS1515F4H										2
123	NAS1515M4L										2
130	412N1145-89								I-P		2
135	BACS12FA3K7										4
140	BACS12FA3K5										4
145	BACN10YD1										
150	BACS12FA3K5										4
155	412N1145-92								I, M		2
-155A	412N1145-92								J, K, L, N, P		1
160	65C27027-1SP								A, C, D, F, G, H, Q		1
-160A	65C27027-23SP								B, E		1
160B	65C27027-24SP								I		1
-160C	65C27027-27SP								J, K, M		1
-160D	65C27027-49SP								L		1
-160E	65C27027-56								N		1
-160F	65C27027-55								P		1
-160G	65C27027-58SP								R		1
180	65C27027-9										1
180A	65C27027-26										1
190	65C27027-13										1
195	65C27027-14										1
200	65C27027-15										1
200A	65C27027-17										1
215	65C27027-5										1

-Item not Illustrated

25-28-46

ILLUSTRATED PARTS LIST

Page 1098.148

Jul 01/2006



COMPONENT MAINTENANCE MANUAL

FIG/ ITEM	PART NUMBER	AIRLINE PART NUMBER	NOMENCLATURE							USAGE CODE	UNITS PER ASSY
			1	2	3	4	5	6	7		
6-											
215A	65C27027-25								. . END CAP (USED ON ITEMS 160B, 160C, 160D, 160E, 160F, 160G)		1
225	SL2334-3A2								. . INSERT		10
235	412N1119-38								. BRACKET ASSY		1
									ATTACHING PARTS		
240	BACB30NM3K6								. BOLT		4
									----- *		
250	BACB28B6-220P								. . BUSHING		1
255	412N1119-40								. . BRACKET		1
260	65C27017-16								. SHIM		1
265	412N1119-12								. FITTING		2
									ATTACHING PARTS		
270	BACB30NM3K1								. BOLT		8
275	AN960PD10								DELETED		8
275A	AN960JD10								. WASHER		8
									----- *		
280	65C27026-24SP								. FILLER PANEL ASSY	A-F, H, Q	1
280A	65C27026-58SP								. FILLER PANEL ASSY	I	1
-280B	65C27026-37SP								. FILLER PANEL ASSY	J-P	1
-280C	65C27026-4SP								. FILLER PANEL ASSY	G	1
-280D	65C27026-75SP								. FILLER PANEL ASSY	R	1
300	NAS1836-3-11								. . INSERT (USED ON ITEMS 280, 280C)		4
-300A	NAS1836-3-11								. . INSERT (USED ON ITEMS 280A, 280B)		12
-300B	65C27026-3-11								. . INSERT (USED ON ITEM 280D)	R	8
310	412N1130-5SP								. TRIM-VERTICAL		1
320	65C27006-12								. SEAL	R, S	1
350	65C27009-23SP								. MODULE ASSY	A	1
-350A	65C27009-35SP								. MODULE ASSY	B, H	1
-350B	65C27009-39SP								. MODULE ASSY	C, E	1

-Item not Illustrated

25-28-46

ILLUSTRATED PARTS LIST

Page 1098.149

Jul 01/2006



COMPONENT MAINTENANCE MANUAL

FIG/ ITEM	PART NUMBER	AIRLINE PART NUMBER	NOMENCLATURE							USAGE CODE	UNITS PER ASSY
			1	2	3	4	5	6	7		
6-											
-350C	65C27009-49SP		.							D	1
-350D	65C27009-67SP		.							F	1
-350E	65C27009-10SP		.							G	1
-350F	65C27009-91SP		.							I	1
-350G	65C27009-48SP		.							J	1
-350H	65C27009-46SP		.							K, L	1
-350J	65C27009-98SP		.							M	1
-350K	65C27009-107SP		.							N	1
-350L	65C27009-121SP		.							P	1
-350M	65C27009-125SP		.							Q	1
-350N	65C27009-135SP		.							R, S	1
365	H3-1152-1		.	.							2
370	BACS12FA3K4		.	.							8
375	MS35333-39		.	.							8
380	412N1140-43SP		.	.						A-F, H-R	1
-380A	412N1140-3SP		.	.						G	1
390	NAS1801-3-4		.	.							4
395	MS35333-39		.	.							4
400	SL618-3A		.	.	.						8
405	BACS12H4-8		.	.	.						2
410	NAS620A8L		.	.	.						2
415	412N1245-1		.	.	.						2
420	MS51862-4		.	.	.						2

-Item not Illustrated

25-28-46

ILLUSTRATED PARTS LIST

Page 1098.150

Jul 01/2006



COMPONENT MAINTENANCE MANUAL

FIG/ ITEM	PART NUMBER	AIRLINE PART NUMBER	NOMENCLATURE							USAGE CODE	UNITS PER ASSY
			1	2	3	4	5	6	7		
6-											
435	412N1143-13							. . . COVER (USED ON ITEM 380)			1
440	412N1143-14							. . . COVER (USED ON ITEM 380)			1
445	412N1140-60							. . . PANEL ASSY-DOOR (USED ON ITEM 380)			1
455	412N1140-13							. . . STRIP RETAINER (USED ON ITEM 445)			1
460	412N1141-3							. . . FACE PLATE (USED ON ITEM 445)			1
470	412N1141-9							. . . MARKER (USED ON ITEM 445)			1
475	412N1142-17							. . . PANEL ASSY (USED ON ITEM 445)			1
505	412N1118-1SP							. . RETAINER TRIM			2
510	412N1118-2SP							. . RETAINER TRIM			1
515	65C27009-6							. . EDGE COVER			1
-515A	65C27009-123							. . EDGE COVER (USED ON ITEM 350L)			1
520	412N1154-3							. . REINFORCEMENT-CORNER			1
525	412N1154-2							. . REINFORCEMENT-CORNER			1
550	412N1155-5							. . HINGE ASSY (LIMITED USAGE) (OPT ITEM 550A)			1
550A	412N1155-11							. . HINGE ASSY (LIMITED USAGE) (OPT ITEM 550)			1
560	412N1155-6							. . HINGE ASSY (LIMITED USAGE) (OPT ITEM 560A)			1
560A	412N1155-12							. . HINGE ASSY (LIMITED USAGE) (OPT ITEM 560)			1
								ATTACHING PARTS			
570	BACB30LK3-18							. . BOLT (USED WITH ITEMS 550, 560)			3
-575	NAS1801-3-10							. . BOLT (USED WITH ITEMS 550A, 560A)			3

-Item not Illustrated

25-28-46

ILLUSTRATED PARTS LIST

Page 1098.151

Jul 01/2006



COMPONENT MAINTENANCE MANUAL

FIG/ ITEM	PART NUMBER	AIRLINE PART NUMBER	NOMENCLATURE							USAGE CODE	UNITS PER ASSY
			1	2	3	4	5	6	7		
6-											
580	412N1227-1										6
-585	AIC1321-3-8										6
590	BACW10P136AL										9
595	AN970-3										1
600	NAS1833-3-400										9
605	MS24665-132										1
610	MS20392-2C13										1
615	AN960PD10L										1
616	AN960PD10L										2
620	NAS6703PU15										1
623	BACB30LU3-14										1
626	NAS6703PU11										1
629	BACB30NM3K8										1
631	AN960KD10L										
631A	AN960JD10L										2
634	NAS43DD3-5										1
637	NAS43DD3-3										1
640	NAS43DD3-6										1
643	NAS43DD3-8										1
646	H2948-2										1

-Item not Illustrated

25-28-46

ILLUSTRATED PARTS LIST

Page 1098.152

Jul 01/2006



COMPONENT MAINTENANCE MANUAL

FIG/ ITEM	PART NUMBER	AIRLINE PART NUMBER	NOMENCLATURE							USAGE CODE	UNITS PER ASSY
			1	2	3	4	5	6	7		
6-											
650	H2948-1								. . . HINGE (V83014) (SPEC S412N102-1) (USED ON ITEMS 560,560A)		1
653	412N1119-36								. . . FITTING (USED ON ITEMS 550,560)		1
656	412N1119-69								. . . BRACKET (USED ON ITEM 550A)		1
659	412N1119-70								. . . BRACKET (USED ON ITEM 560A)		1
662	412N1119-71								. . . FITTING (USED ON ITEM 550A)		1
665	412N1119-72								. . . FILLER (USED ON ITEM 560A)		1
668	NAS514P1032-7								. . . SCREW (USED ON ITEMS 550,560)		2
671	AN960PD10L								. . . WASHER (USED ON ITEMS 550,560)		2
674	BACN10JC3								. . . NUT (USED ON ITEMS 550,560)		3
677	SB113								. . . ACTUATOR (V24984) (SPEC S412N104-1)		1
680	412N1156-7								. . . CHASSIS ASSY (USED ON ITEM 550)		1
-683	412N1156-8								. . . CHASSIS ASSY (USED ON ITEM 550A)		1
685	412N1156-17								. . . CHASSIS ASSY (USED ON ITEM 560)		1
-688	412N1156-18								. . . CHASSIS ASSY (USED ON ITEM 560A)		1
691	6041-3BRX225								. . . INSERT-DODGE (V01556)		2
694	412N1156-3								. . . CHASSIS ASSY (USED ON ITEM 680)		1
-697	412N1156-15								. . . CHASSIS ASSY (USED ON ITEM 685)		1
-700	412N1156-4								. . . CHASSIS ASSY (USED ON ITEM 683)		1

-Item not Illustrated

25-28-46

ILLUSTRATED PARTS LIST

Page 1098.153

Jul 01/2006



COMPONENT MAINTENANCE MANUAL

FIG/ ITEM	PART NUMBER	AIRLINE PART NUMBER	NOMENCLATURE							USAGE CODE	UNITS PER ASSY
			1	2	3	4	5	6	7		
6- -703	412N1156-16		. . . CHASSIS ASSY (USED ON ITEM 688)								1
706	NAS1833-3-400		. . INSERT								6
709	BACS12ER08K14		. . BOLT								1
712	AN960PD8		DELETED								
712A	AN960JD8		. . WASHER								2
715	H10-08BAC		DELETED								
715A	MS21042L08		. . NUT								2
718	BACB30MY6K2		. . BOLT								2
721	H10-3BAC		DELETED								
721A	MS21042L08		. . NUT								2
724	412N1153-103		. . LATCH ASSY							A-E, R, H-L, N, Q	1
-724A	412N1153-123		. . LATCH ASSY							F, G, M	1
-724B	412N1153-158		. . LATCH ASSY							P	1
			ATTACHING PARTS								
727	BACS12ER06K8		. . SCREW (V06710) (SPEC BACS12ER06K8) (OPT BACS12ER06K8 (V06725)) (OPT BACS12ER06K8 (V06950)) (OPT BACS12ER06K8 (V27624)) (OPT BACS12ER06K8 (V34252)) (OPT BACS12ER06K8 (V56878)) (OPT BACS12ER06K8 (V73197)) (OPT BACS12ER06K8 (V80539)) (OPT BACS12ER06K8 (V92215)) (OPT BACS12ER06K8 (V93907)) (OPT BACS12ER06K8 (V97928))								4
730	SL210-06-2		. . INSERT (V97393)								4

-Item not Illustrated

25-28-46

ILLUSTRATED PARTS LIST

Page 1098.154

Jul 01/2006



COMPONENT MAINTENANCE MANUAL

FIG/ ITEM	PART NUMBER	AIRLINE PART NUMBER	NOMENCLATURE							USAGE CODE	UNITS PER ASSY
			1	2	3	4	5	6	7		
6- 733	BACS12ER08K6		. . SCREW (V06710) (SPEC BACS12ER08K6) (OPT BACS12ER08K6 (V06725)) (OPT BACS12ER08K6 (V06950)) (OPT BACS12ER08K6 (V27624)) (OPT BACS12ER08K6 (V34252)) (OPT BACS12ER08K6 (V56878)) (OPT BACS12ER08K6 (V73197)) (OPT BACS12ER08K6 (V80539)) (OPT BACS12ER08K6 (V92215)) (OPT BACS12ER08K6 (V93907)) (OPT BACS12ER08K6 (V97928))								2
737	NAS514P832-5		. . SCREW								8
740	SL210-08-1		. . INSERT (V97393)								8
-----*											
743	412N1113-7		. . . COVER							A-N, Q	1
-743A	412N1113-11		. . . COVER							P	1
747	412N1113-8		. . . COVER							A-N, Q	1
-747A	412N1113-12		. . . COVER							P	1
750	H3-1145-1-3760		. . . LATCH ASSY (V34941) (SPEC S412N101-1040) (USED ON ITEMS 724,724B)								1
753	S412N101-1140		. . . LATCH ASSY (V34941) (SPEC S412N101-1140) (USED ON ITEM 724A)								1
760	412N1145-27		. . BRACKET								1
763	412N1117-1		. . FITTING								1
767	BACS12FA3K5		. . SCREW (V06710)								34
770	BACS12FA3K15		. . SCREW								2
773	BACS12ER08K12		. . SCREW								27
777	AN960PD8		. . WASHER								21
780	BACN10JC08		. . NUT								21
783	65C27023-5		. . SUPPORT-PASS. SVCE UNIT							A-H, Q	1

-Item not Illustrated

25-28-46

ILLUSTRATED PARTS LIST

Page 1098.155

Jul 01/2006



COMPONENT MAINTENANCE MANUAL

FIG/ ITEM	PART NUMBER	AIRLINE PART NUMBER	NOMENCLATURE							USAGE CODE	UNITS PER ASSY	
			1	2	3	4	5	6	7			
6-												
-783A	65C27023-24		. .							SUPPORT-PASS. SVCE UNIT	J-M, P, R	1
-783B	65C27023-46		. .							SUPPORT-PASS. SVCE UNIT	I	1
786	412N1146-3		. .							SUPPORT-PASS. BULLNOSE	A-E, H, R, J-L	1
-786A	412N1146-125		. .							SUPPORT-PASS. BULLNOSE	F, G, I, M	1
789	412N1224-6		. .							SUPPORT-PASS. BULLNOSE	I	1
-789A	412N1224-7		. .							SUPPORT-PASS. BULLNOSE	J-P, R	1
792	BACR150R3		. . .							RIVET (SIZE DETERMINED ON INST)		4
795	BACN10KB08		. . .							NUTPLATE (V52828) (SPEC BACN10KB08) (OPT MK2000-08BAC (V15653)) (OPT NS103198-82 (V80539)) (OPT RMA9207M82 (V72962)) (OPT T8077S832 (V11815)) (OPT VN201A1-82 (V92215))		2
798	412N1146-23		. . .							SUPPORT (USED ON ITEM 786)		1
-798A	412N1146-126		. . .							SUPPORT (USED ON ITEM 786A)		1
801	BACS12ER08K6		. .							SCREW (V06710) (SPEC BACS12ER08K6)	F, G, M	1
804	BACW10DM5		. .							WASHER	F, G, M	1
807	AN960PD516L		. .							WASHER	F, G, M	1
810	AC8400EKAPK625		. .							LOCK ASSY (V08958)	F, G, M	1
813	65C27016-4		. .							FITTING	F, G, M	1
817	412N1145-43		. .							BRACKET	F, G, M	1
820	65C27016-5		. .							PAWL	F, G, M	1
823	65C27012-3		. .							BODY ASSY (FOR DETAILS SEE FIG. 16)	A, G	1
-823A	65C27012-15		. .							BODY ASSY (FOR DETAILS SEE FIG. 16)	B, H	1
-823B	65C27012-19		. .							BODY ASSY (FOR DETAILS SEE FIG. 16)	C, E, F	1

-Item not Illustrated

25-28-46

ILLUSTRATED PARTS LIST

Page 1098.156

Jul 01/2006



COMPONENT MAINTENANCE MANUAL

FIG/ ITEM	PART NUMBER	AIRLINE PART NUMBER	NOMENCLATURE							USAGE CODE	UNITS PER ASSY	
			1	2	3	4	5	6	7			
6- -823C	65C27012-25		.	.	BODY ASSY (FOR DETAILS SEE FIG. 16)						K, L	1
-823D	65C27012-27		.	.	BODY ASSY (FOR DETAILS SEE FIG. 16)						J, M	1
-823E	65C27012-28		.	.	BODY ASSY (FOR DETAILS SEE FIG. 16)						D	1
-823F	65C27012-60		.	.	BODY ASSY (FOR DETAILS SEE FIG. 16)						I	1
-823G	65C27012-70		.	.	BODY ASSY (FOR DETAILS SEE FIG. 16)						N	1
-823H	65C27012-84		.	.	BODY ASSY (FOR DETAILS SEE FIG. 16)						P	1
-823J	65C27012-87		.	.	BODY ASSY (FOR DETAILS SEE FIG. 16)						Q	1
-823K	65C27012-92		.	.	BODY ASSY (FOR DETAILS SEE FIG. 16)						R	1

-Item not Illustrated

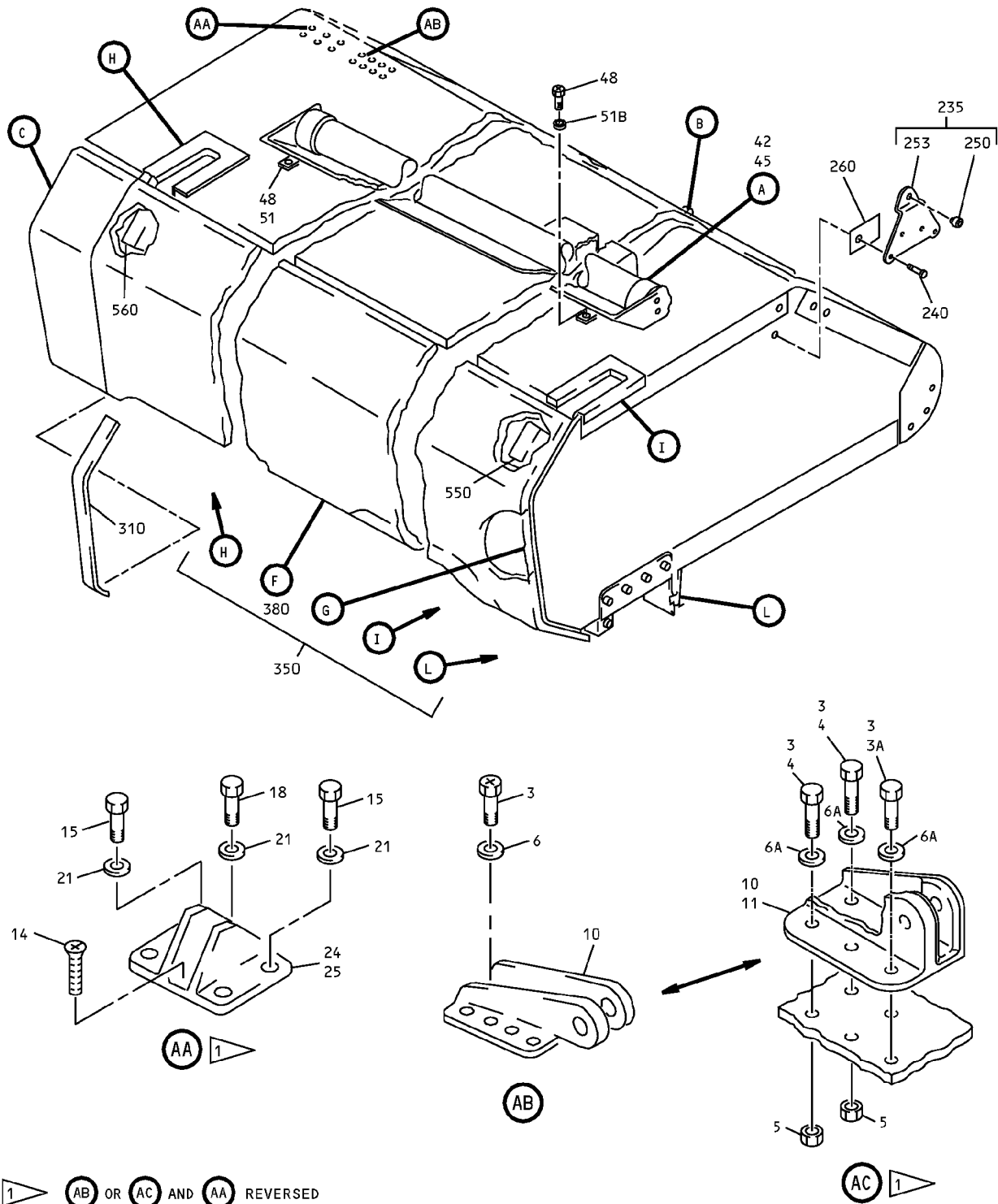
25-28-46

ILLUSTRATED PARTS LIST

Page 1098.157

Jul 01/2006

COMPONENT MAINTENANCE MANUAL

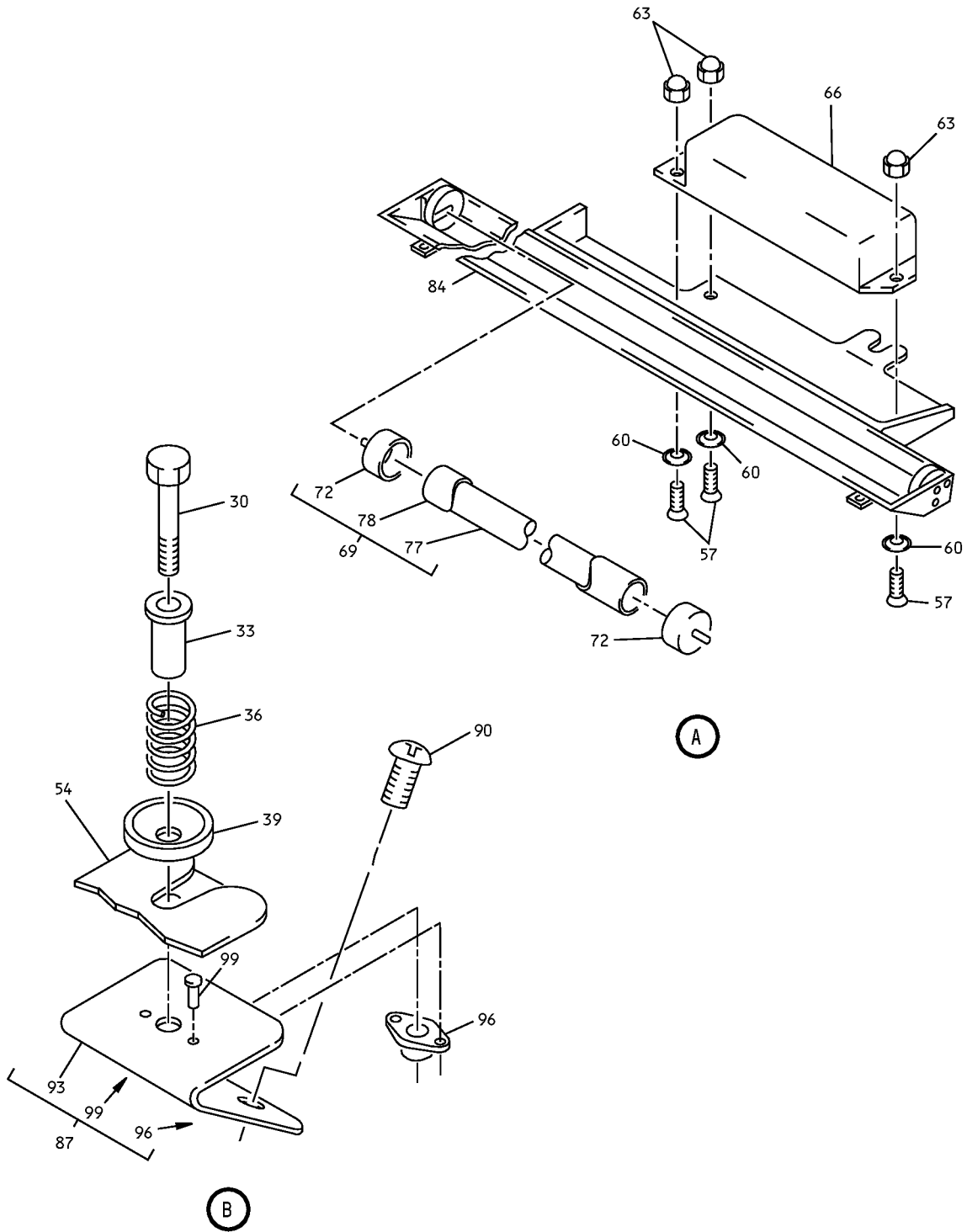


1 (AA) OR (AC) AND (AA) REVERSED
ON ASSEMBLY 65C27006-136

Overhead Stowage Compartment Assembly
IPL Figure 7 (Sheet 1 of 10)

25-28-46
ILLUSTRATED PARTS LIST
Page 1098.158
Jul 01/2006

COMPONENT MAINTENANCE MANUAL



Overhead Stowage Compartment Assembly
 IPL Figure 7 (Sheet 2 of 10)

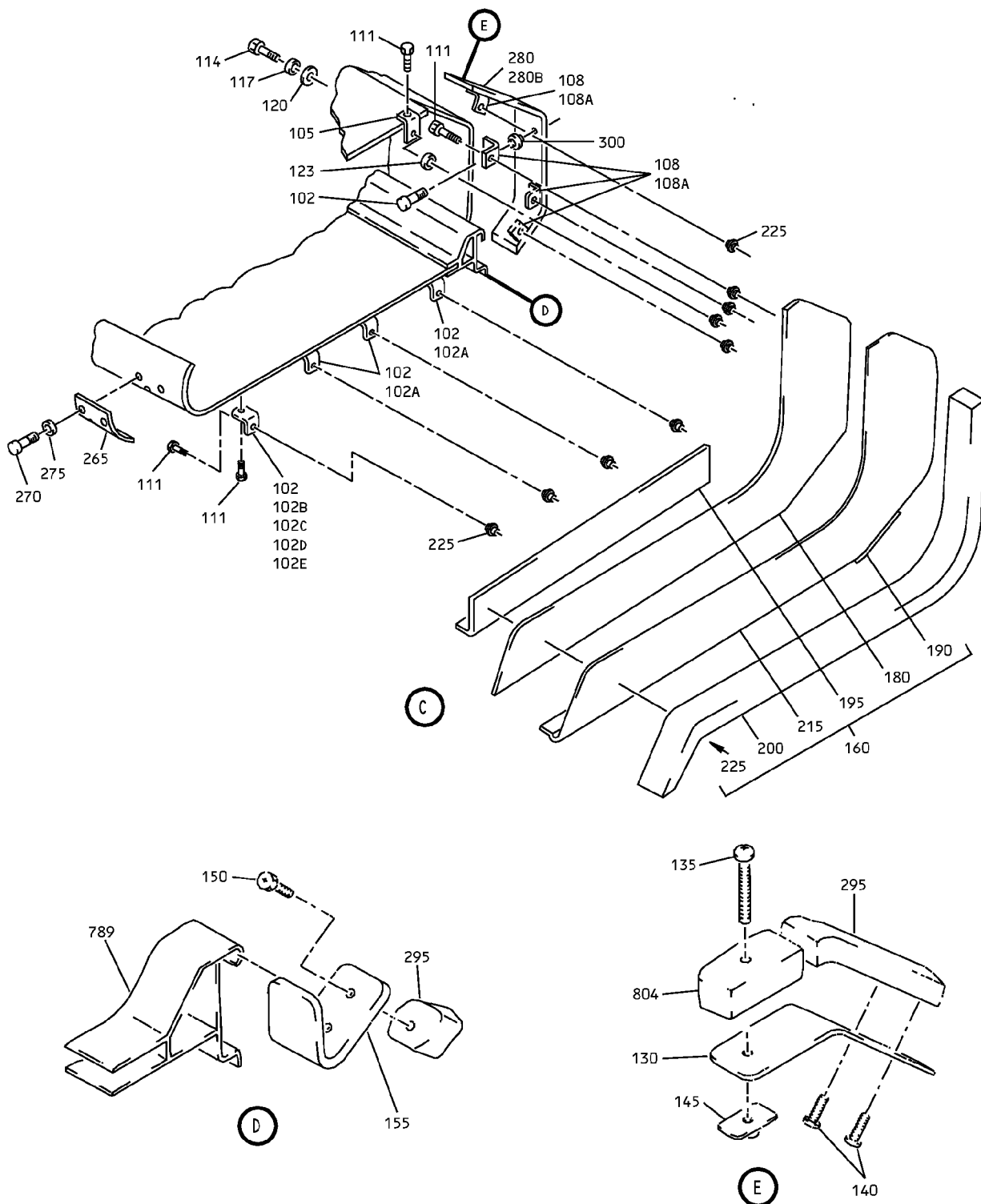
25-28-46

ILLUSTRATED PARTS LIST

Page 1098.159

Jul 01/2006

COMPONENT MAINTENANCE MANUAL



Overhead Storage Compartment Assembly
IPL Figure 7 (Sheet 3 of 10)

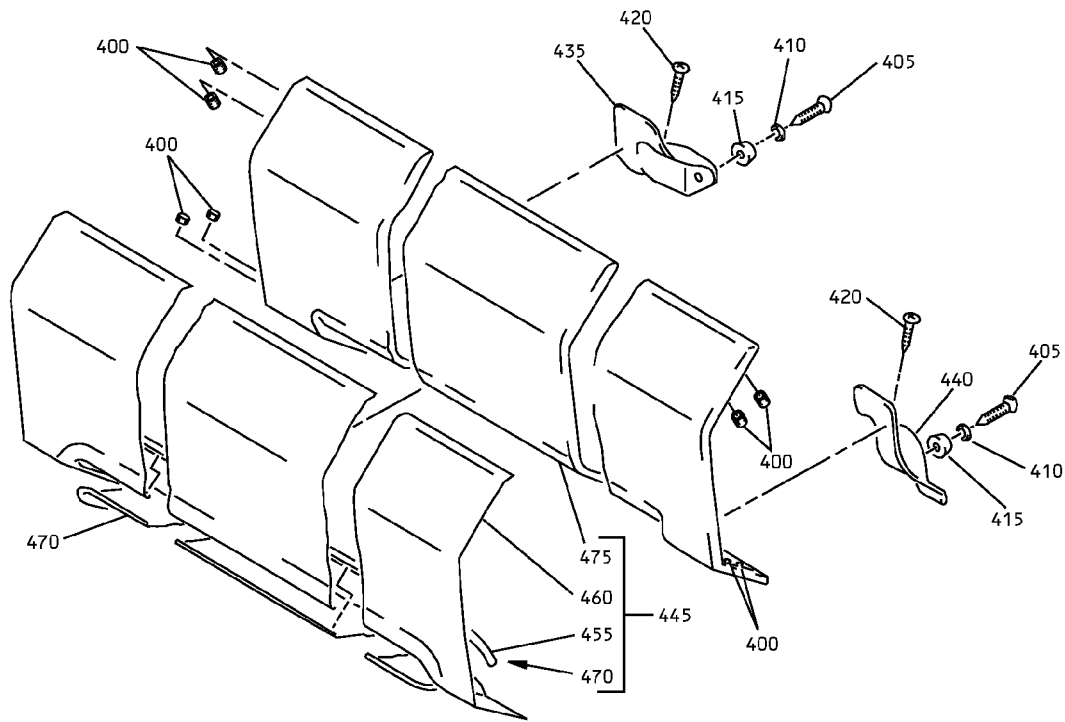
25-28-46

ILLUSTRATED PARTS LIST

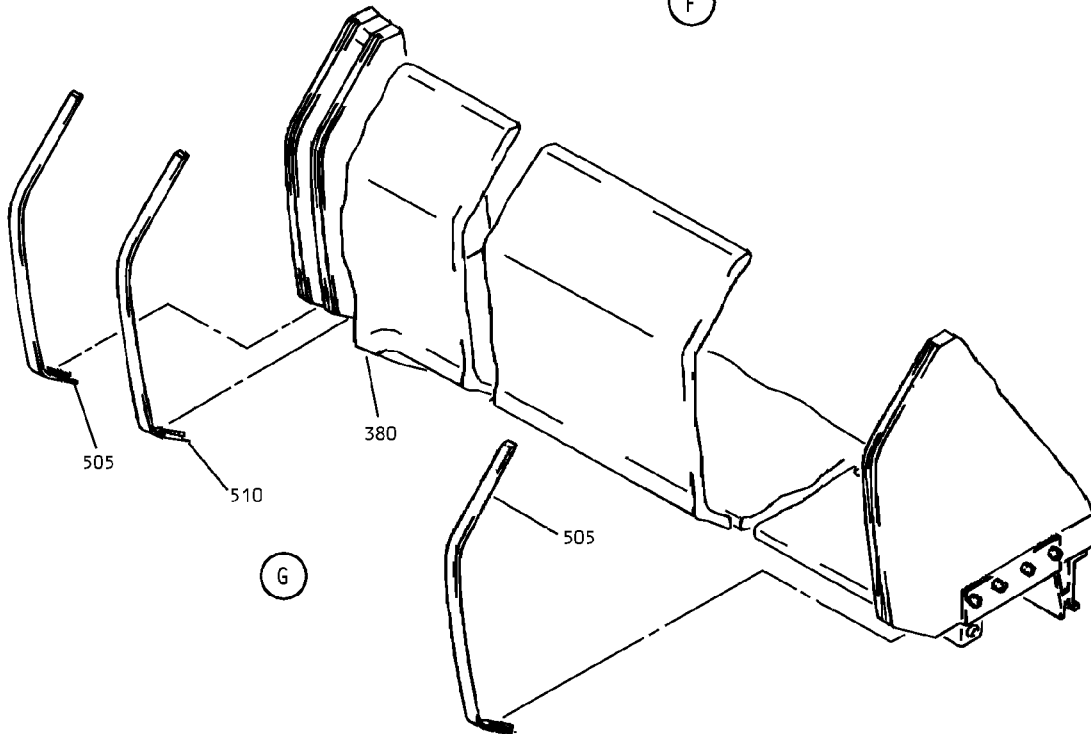
Page 1098.160

Jul 01/2006

COMPONENT MAINTENANCE MANUAL



F



G

Overhead Stowage Compartment Assembly
IPL Figure 7 (Sheet 4 of 10)

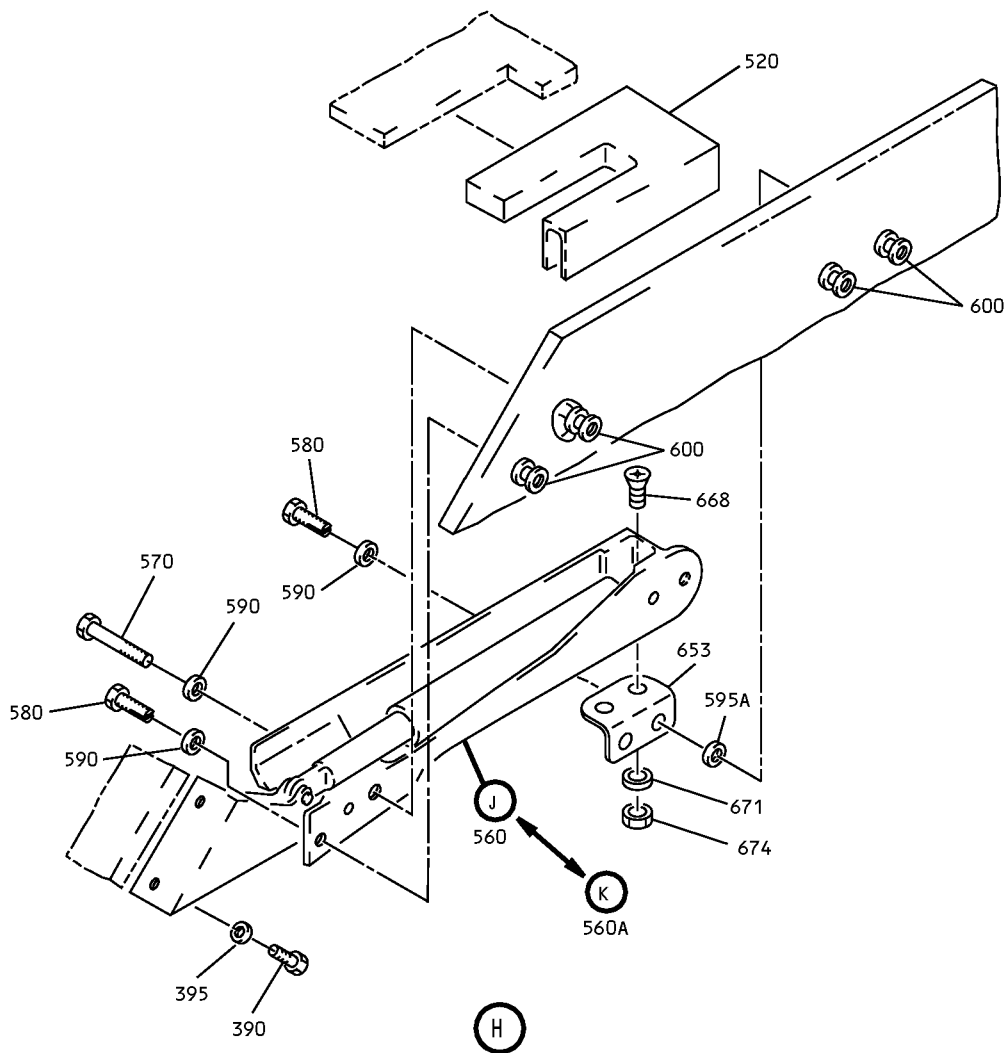
25-28-46

ILLUSTRATED PARTS LIST

Page 1098.161

Jul 01/2006

COMPONENT MAINTENANCE MANUAL



Overhead Stowage Compartment Assembly
IPL Figure 7 (Sheet 5 of 10)

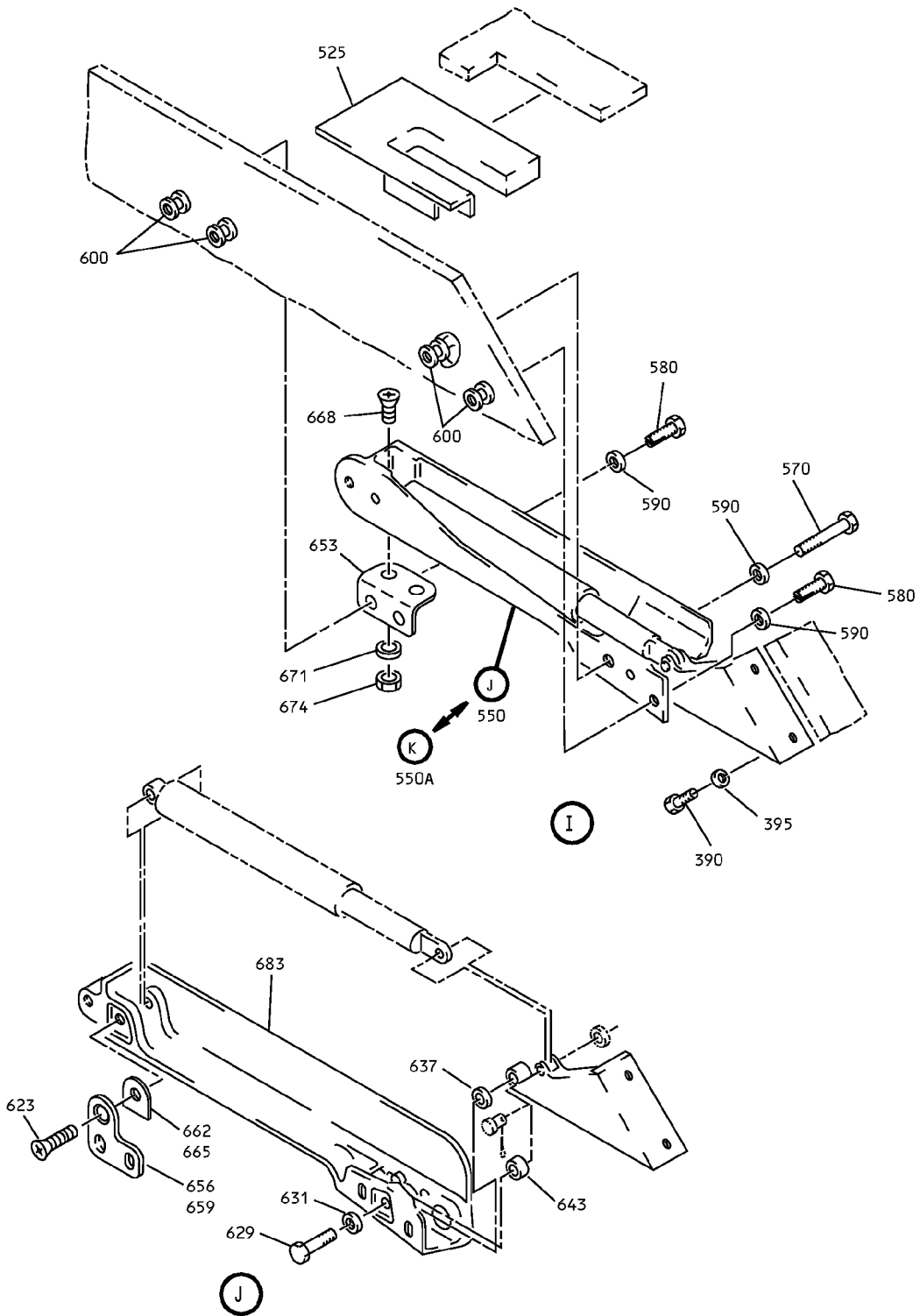
25-28-46

ILLUSTRATED PARTS LIST

Page 1098.162

Jul 01/2006

COMPONENT MAINTENANCE MANUAL



Overhead Storage Compartment Assembly
IPL Figure 7 (Sheet 6 of 10)

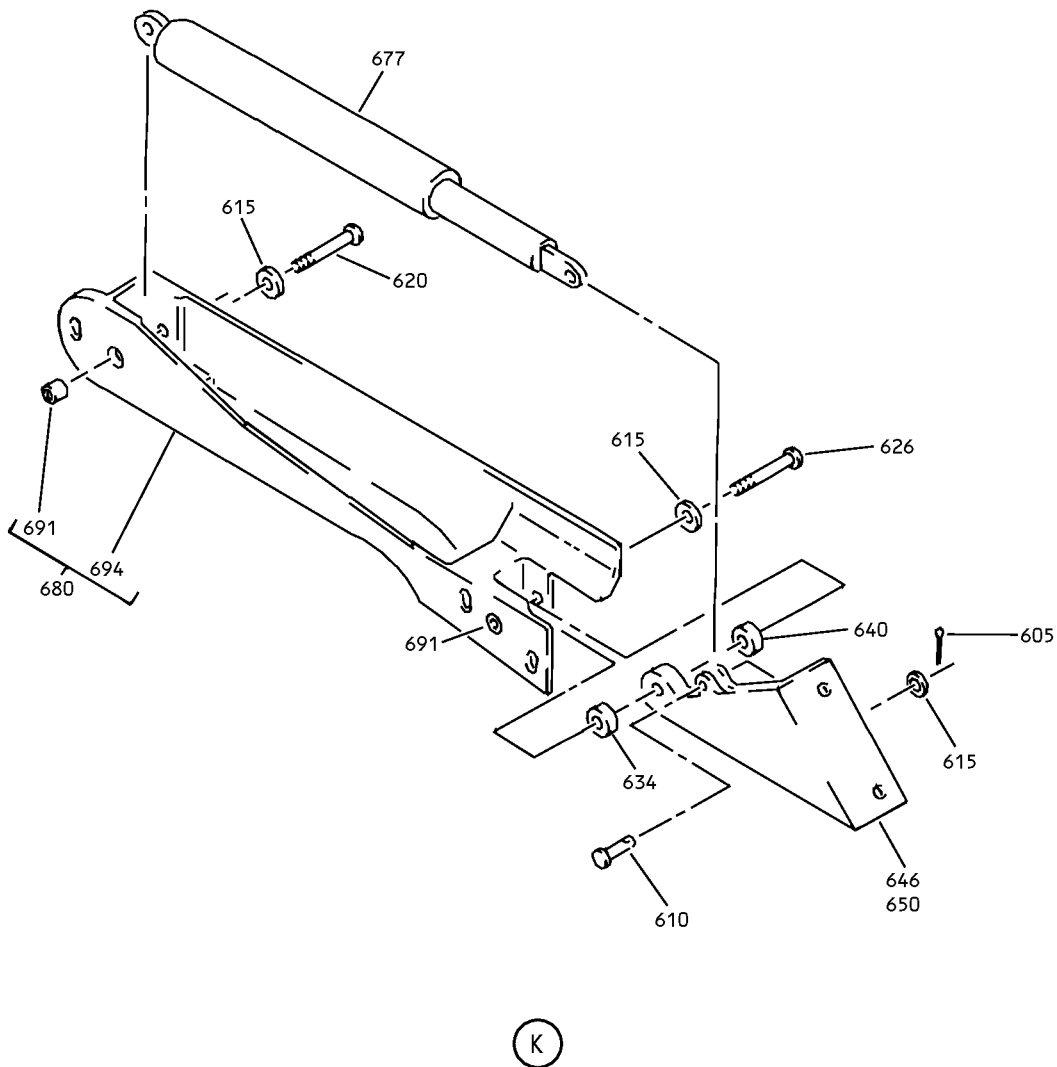
25-28-46

ILLUSTRATED PARTS LIST

Page 1098.163

Jul 01/2006

COMPONENT MAINTENANCE MANUAL

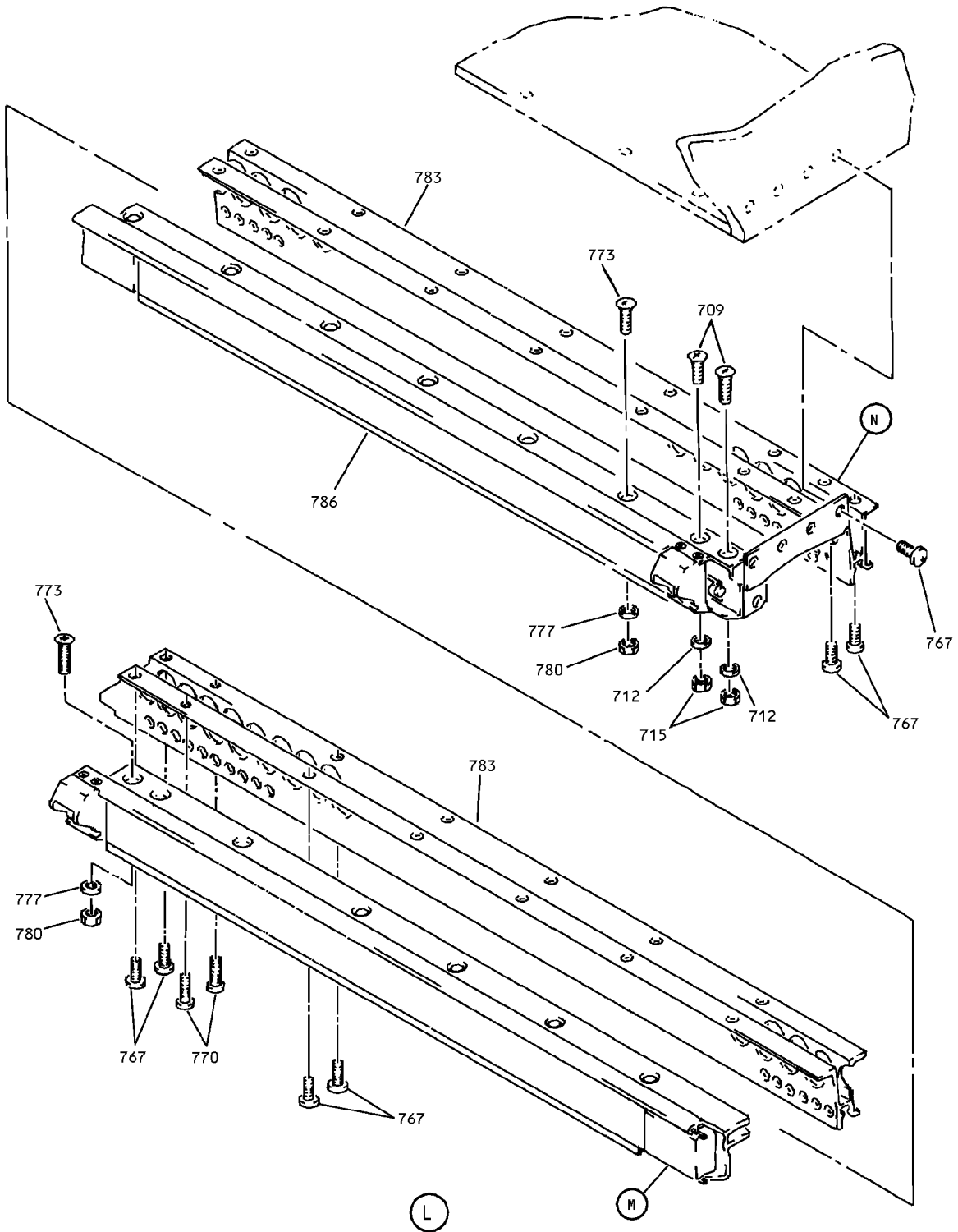


Overhead Stowage Compartment Assembly
IPL Figure 7 (Sheet 7 of 10)

25-28-46

ILLUSTRATED PARTS LIST
Page 1098.164
Jul 01/2006

COMPONENT MAINTENANCE MANUAL



Overhead Stowage Compartment Assembly
IPL Figure 7 (Sheet 8 of 10)

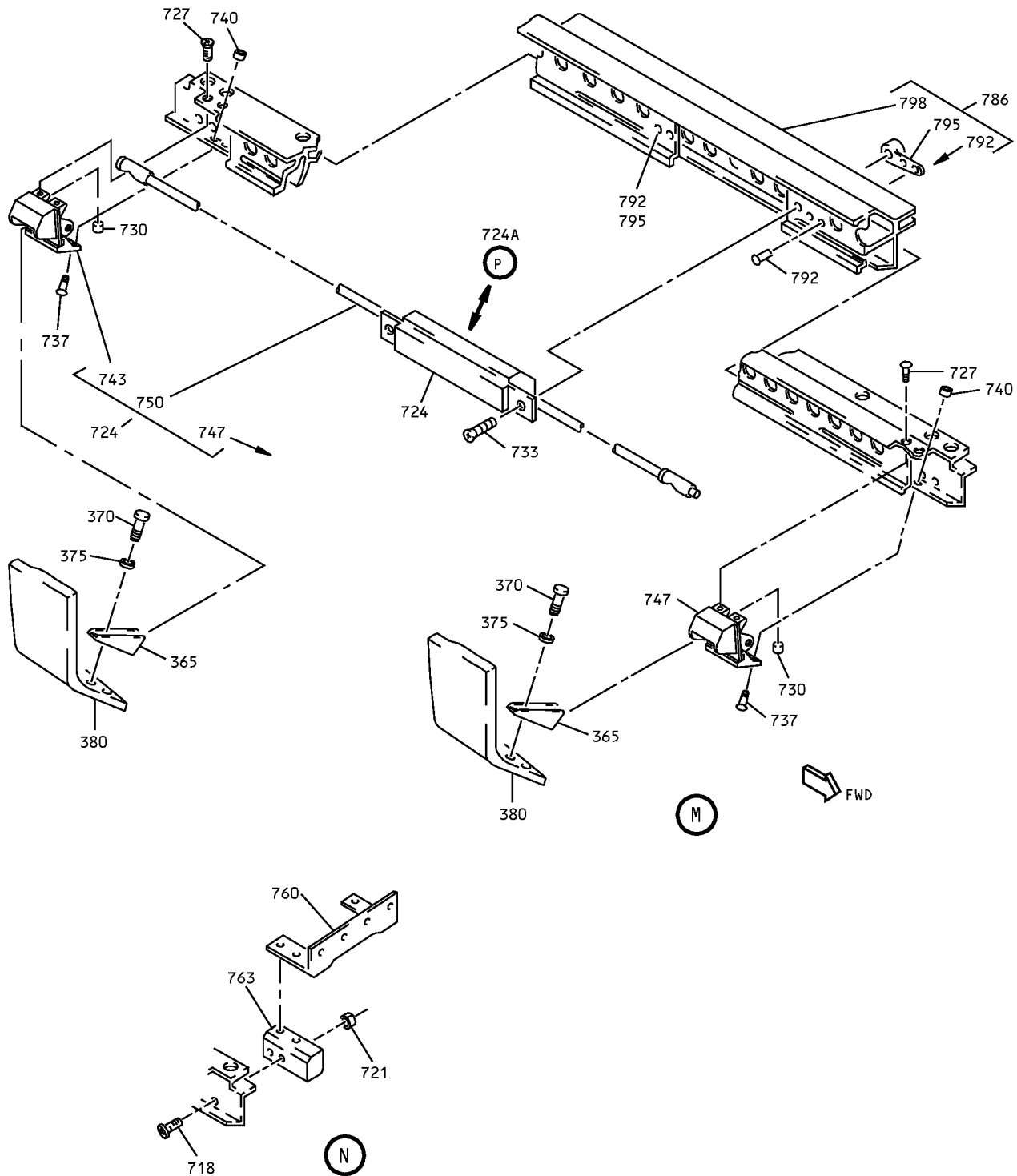
25-28-46

ILLUSTRATED PARTS LIST

Page 1098.165

Jul 01/2006

COMPONENT MAINTENANCE MANUAL



Overhead Stowage Compartment Assembly
IPL Figure 7 (Sheet 9 of 10)

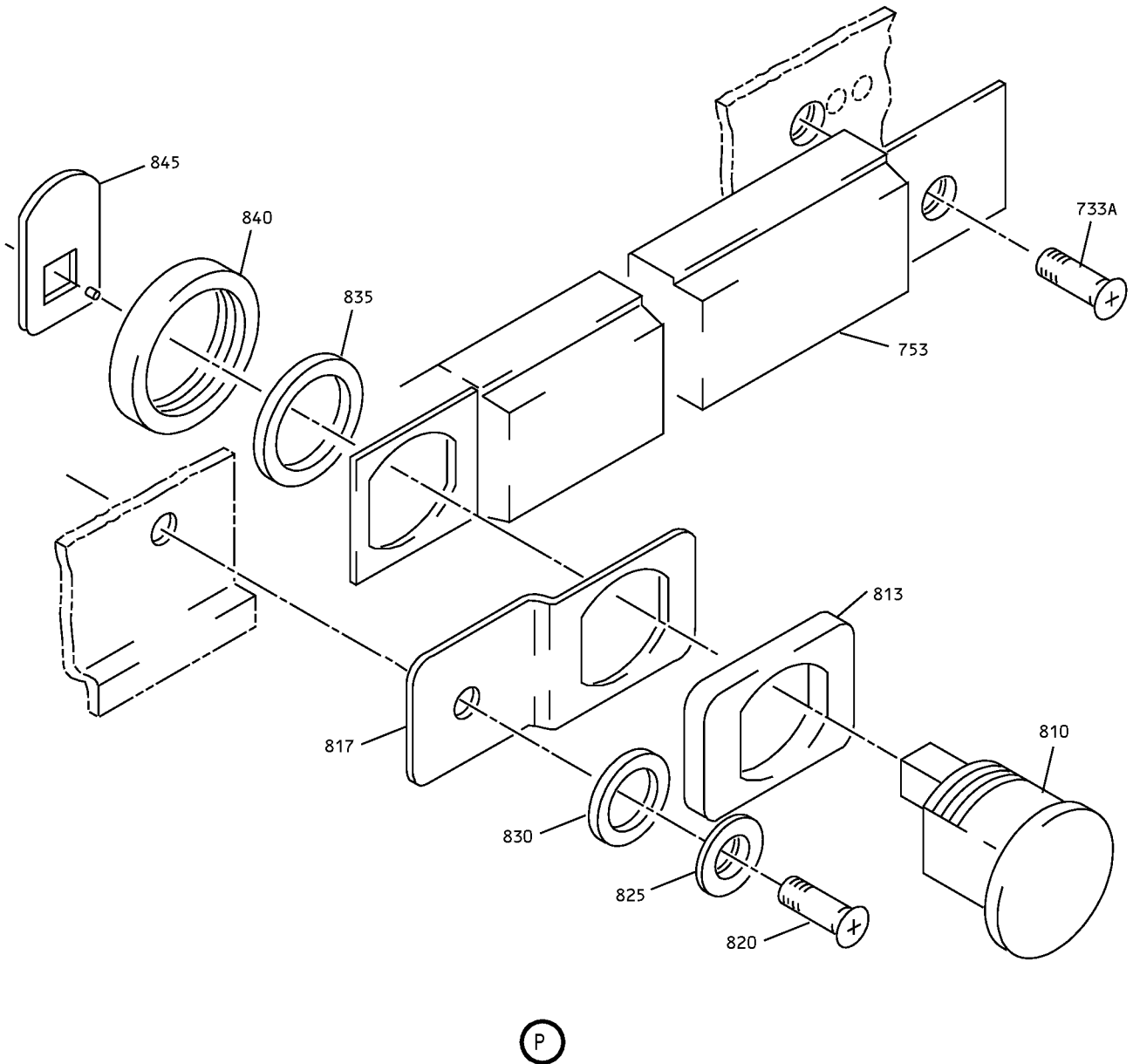
25-28-46

ILLUSTRATED PARTS LIST

Page 1098.166

Jul 01/2006

COMPONENT MAINTENANCE MANUAL



P

Overhead Stowage Compartment Assembly
IPL Figure 7 (Sheet 10 of 10)

25-28-46

ILLUSTRATED PARTS LIST

Page 1098.167

Jul 01/2006



COMPONENT MAINTENANCE MANUAL

FIG/ ITEM	PART NUMBER	AIRLINE PART NUMBER	NOMENCLATURE							USAGE CODE	UNITS PER ASSY
			1	2	3	4	5	6	7		
7-											
-1	65C27006-7SP									A	RF
-1A	65C27006-27SP									B	RF
-1B	65C27006-41SP									C	RF
-1C	65C27006-44SP									D	RF
-1D	65C27006-54SP									E	RF
-1E	65C27006-136SP									F	RF
-1F	65C27006-138SP									G	RF
3	BACB30NM3K1									A-E, G	8
3A	BACB30NM3K1									F	3

-Item not Illustrated

25-28-46

ILLUSTRATED PARTS LIST

Page 1098.168

Jul 01/2006



COMPONENT MAINTENANCE MANUAL

FIG/ ITEM	PART NUMBER	AIRLINE PART NUMBER	NOMENCLATURE							USAGE CODE	UNITS PER ASSY
			1	2	3	4	5	6	7		
7-											
4	BACB30NM3K11		.	BOLT						F	2
				(SPEC BACB30NM3K1)							
5	MS21042L3		.	NUT						F	2
6	AN940PD10			DELETED							
6A	AN960JD10		.	WASHER							8
10	412N1161-1		.	FITTING					A-E, G		1
				(OPT ITEM 10A)							
-10A	412N1119-13		.	FITTING					A-E, G		1
				(OPT ITEM 10)							
11	412N4119-63		.	FITTING					F		1
15	BACB30NM3K1		.	BOLT							4
				(V06710)							
				(SPEC BACB30NM3K1)							
				(OPT BACB30NM3K1 (V06725))							
				(OPT BACB30NM3K1 (V06950))							
				(OPT BACB30NM3K1 (V08524))							
				(OPT BACB30NM3K1 (V08524))							
				(OPT BACB30NM3K1 (V27624))							
				(OPT BACB30NM3K1 (V56878))							
				(OPT BACB30NM3K1 (V73197))							
				(OPT BACB30NM3K1 (V80539))							
				(OPT BACB30NM3K1 (V92215))							
				(OPT BACB30NM3K1 (V93907))							
				(OPT BACB30NM3K1 (V97928))							
18	BACB30NM3K9		.	BOLT					G, A-E		2
18A	BACB30NM3K9		.	BOLT					F		1
19	BACB30NM3K9		.	BOLT					F		1
21	AN960PD10			DELETED							
21A	AN960JD10		.	WASHER							6
24	412N1119-26		.	FITTING					A-E, G		1
25	412N1119-58		.	FITTING					F		1
30	NAS1801-3-11		.	SCREW							1
33	BACS18C8-6		.	SPACER							1
36	MS24585-1230		.	SPRING							1
39	411N3142-28		.	WASHER CUPPED							1
42	417N5120-41		.	LIGHT ASSY					AB		1
45	417N5120-50		.	LIGHT ASSY					C-E, G		1

-Item not Illustrated

25-28-46

ILLUSTRATED PARTS LIST

Page 1098.169

Jul 01/2006



COMPONENT MAINTENANCE MANUAL

FIG/ ITEM	PART NUMBER	AIRLINE PART NUMBER	NOMENCLATURE							USAGE CODE	UNITS PER ASSY
			1	2	3	4	5	6	7		
7-											
-46	417N5120-51SP		.	LIGHT	ASSY					F	1
48	NAS1801-3-5		.	SCREW						A, B, F, G	2
-48A	BACS12W10-5		.	SCREW-WING						C-E	2
51	AN960PD10L			DELETED							
-51A	AN960PD10L			DELETED							
51B	AN960JD10LL		.	WASHER							2
54	65C28117-3		..	PAD							1
57	BACS12ER3K6		..	SCREW							3
				(V06710)							
				(SPEC BACS12ER3K6)							
				(OPT BACS12ER3K6 (V06725))							
				(OPT BACS12ER3K6 (V06950))							
				(OPT BACS12ER3K6 (V27624))							
				(OPT BACS12ER3K6 (V34252))							
				(OPT BACS12ER3K6 (V56878))							
				(OPT BACS12ER3K6 (V73197))							
				(OPT BACS12ER3K6 (V80539))							
				(OPT BACS12ER3K6 (V92215))							
				(OPT BACS12ER3K6 (V93907))							
				(OPT BACS12ER3K6 (V97928))							
60	BACW10UD10		..	WASHER							3
63	F22K1-02		..	NUT							3
				(V72962)							
				(SPEC BACN10R10L)							
				(OPT 22K1-02 (V72962))							
				(OPT 26CL022 (V80539))							
66	05939-5		..	BALLAST							1
				(V17023)							
				(SPEC S283N702-5)							
69	417N5120-11		..	LAMP ASSY							1
72	2055150		...	CAP-END							2
				(V04169)							
77	F20T12WW		...	LAMP-FLOOR							1
				(V08805)							
78	N1152LGWUV1000		...	TUBE-COVER							1
				(V06034)							
				(OPT ITEM 81)							

-Item not Illustrated

25-28-46

ILLUSTRATED PARTS LIST

Page 1098.170

Jul 01/2006



COMPONENT MAINTENANCE MANUAL

FIG/ ITEM	PART NUMBER	AIRLINE PART NUMBER	NOMENCLATURE							USAGE CODE	UNITS PER ASSY
			1	2	3	4	5	6	7		
7-											
-81	LP1625-24		. . .	TUBE-COVER							1
				(V060116)							
				(OPT ITEM 78)							
84	417N5120-45SP		. .	LIGHT ASSY-CLG							1
				(V05617)							
				(SPEC 417N5120-45)							
				(USED ON ITEM 42)							
-84A	800000255-35SP		. .	LIGHT ASSY-CLG							1
				(V05617)							
				(SPEC S417N507-35)							
				(USED ON ITEM 45)							
-84B	800000255-36A		. .	LIGHT ASSY-CLG							1
				(V05617)							
				(SPEC S417N507-36)							
				(USED ON ITEM 46)							
87	65C27481-30		. BRACKET ASSY								1
90	BACS12FA3K4		. SCREW								2
93	65C27481-31		. . BRACKET								1
95	BACN10JR3FR		. . NUTPLATE								1
99	BACR15BA3A		. . RIVET								2
			(SIZE DETERMINED ON INST)								
102	412N1145-29		. BRACKET						A, B, C		4
102A	412N1145-29		. BRACKET						D, E, F, G		3
102B	412N1145-30		. BRACKET						D		1
102C	412N1145-21		. BRACKET						E		1
102D	412N1145-30		. BRACKET						G		1
102E	412N1145-75		. BRACKET						F		1
105	412N1145-30		. BRACKET								1
108	65C27017-36		. BRACKET						A-C		4
108A	65C27017-13		. BRACKET						D, E, F, G		4
			(OPT ITEM 108B)								
108B	65C27017-43		. BRACKET						D-G		4
			(OPT ITEM 108A)								
111	BACS12FA3K5		. SCREW						A-F		17
111A	BACS12FA3K5		. SCREW						G		14
114	BACB30PF4-3		. BOLT								1

-Item not Illustrated

25-28-46

ILLUSTRATED PARTS LIST

Page 1098.171

Jul 01/2006



COMPONENT MAINTENANCE MANUAL

FIG/ ITEM	PART NUMBER	AIRLINE PART NUMBER	NOMENCLATURE							USAGE CODE	UNITS PER ASSY
			1	2	3	4	5	6	7		
7-											
117	AN960C416L										1
120	NAS1515F4H										1
123	NAS1515M4L										1
130	412N1145-89									A, B, C	2
-130A	412N1145-89									F	1
135	BACS12FA3K12										4
140	BACS12FA3K5										4
145	BACN10YD1										
150	BACS12FA3K5									A, B, C	4
155	412N1145-92									A, B, C, F	2
-155A	412N1145-92									F	1
160	65C27027-3SP									A-D, F, G	1
-160A	65C27027-29SP									E	1
180	65C27027-11										1
190	65C27027-13										1
195	65C27027-14										1
200	65C27027-17									A-D	1
-200A	65C27027-30									E	1
215	65C27027-7										1
225	SL2334-3A2										9
235	412N1119-37										1
240	BACB30NM3K6									A, E	4
-240A	BACS12ER3K6									F	4
250	BACB28B6-220P										1
255	412N1119-39										1
260	65C27017-16										1

-Item not Illustrated

25-28-46

ILLUSTRATED PARTS LIST

Page 1098.172

Jul 01/2006



COMPONENT MAINTENANCE MANUAL

FIG/ ITEM	PART NUMBER	AIRLINE PART NUMBER	NOMENCLATURE							USAGE CODE	UNITS PER ASSY
			1	2	3	4	5	6	7		
7-											
265	412N1119-12								. FITTING		2
									ATTACHING PARTS		
270	BACB30NM3K1								. BOLT		4
275	AN960PD10L								. WASHER		4
									-----*		
280	65C27026-7SP								. FILLER PANEL ASSY	A	1
-280A	65C27026-27SP								. FILLER PANEL ASSY	B, C	1
280B	65C17016-35SP								. FILLER PANEL ASSY	D, G	1
-280C	65C27026-42SP								. FILLER PANEL ASSY	E	1
-280D	65C27026-54SP								. FILLER PANEL ASSY	F	1
300	NAS1836-3-11								. . INSERT		4
310	412N1130-5								. TRIM-VERTICAL		1
350	65C27009-9SP								. MODULE ASSY	A	1
-350A	65C27009-29SP								. MODULE ASSY	B	1
-350B	65C27009-41SP								. MODULE ASSY	C	1
-350C	65C27009-44SP								. MODULE ASSY	D	1
-350D	65C27009-54SP								. MODULE ASSY	E	1
-350E	65C27009-136SP								. MODULE ASSY	F	1
-350F	65C27009-138SP								. MODULE ASSY	G	1
365	H3-1152-1								. . PLATE ASSY-STRIKER (V34941) (SPEC S412N101-1)		2
									ATTACHING PARTS		
370	BACS12FA3K4								. . SCREW		4
375	MS35333-39								. . WASHER		4
									-----*		
380	412N1140-3SP								. . DOOR ASSY	A	1
-385	412N1140-43SP								. . DOOR ASSY	B-E, G	1
-385A	412N1140-44SP								. . DOOR ASSY	F	1
									ATTACHING PARTS		
390	NAS1801-3-4								. . SCREW		8

-Item not Illustrated

25-28-46

ILLUSTRATED PARTS LIST

Page 1098.173

Jul 01/2006



COMPONENT MAINTENANCE MANUAL

FIG/ ITEM	PART NUMBER	AIRLINE PART NUMBER	NOMENCLATURE							USAGE CODE	UNITS PER ASSY	
			1	2	3	4	5	6	7			
7-												
395	MS35333-39											8
400	SL618-3A											8
405	BACS12H4-8											2
410	NAS620A8L											2
415	412N1245-1											2
420	MS51862-4											2
435	412N1143-13SP											1
440	412N1143-14SP											1
445	412N1140-20SO											1
-450	412N1140-60SP											1
-450A	412N1140-61SP											1
455	412N1140-15											1
455A	412N1140-13											1
460	412N1141-3											1
-460A	412N1141-4											1
470	412N1141-9											1
-470A	412N1141-10											1
475	412N1142-17											1
-475A	412N1142-18											1
505	412N1118-1SP											1
510	412N1118-2SP											2
515	65C27009-6											2
520	412N1154-1											1

-Item not Illustrated

25-28-46

ILLUSTRATED PARTS LIST

Page 1098.174

Jul 01/2006



COMPONENT MAINTENANCE MANUAL

FIG/ ITEM	PART NUMBER	AIRLINE PART NUMBER	NOMENCLATURE							USAGE CODE	UNITS PER ASSY	
			1	2	3	4	5	6	7			
7-												
525	412N1154-4											1
550	412N1155-5											1
550A	412N1155-11											1
560	412N1155-6											1
560A	412N1155-12											1
570	BACB30LK3-18											2
-575	NAS1801-3-10											2
580	412N1227-1											6
-585	AIC1321-3-8											6
590	BACW10P136AL											8
595	AN960-3											
-595A	AN970-3									F		2
600	NAS1833-3-400											8
605	MS24665-132											1
610	MS20392-2C13											1
615	AN960PD10L											3
620	NAS6703PU15											1
623	BACB30LU3-14											1
626	NAS6703PU11											1

-Item not Illustrated

25-28-46

ILLUSTRATED PARTS LIST

Page 1098.175

Jul 01/2006



COMPONENT MAINTENANCE MANUAL

FIG/ ITEM	PART NUMBER	AIRLINE PART NUMBER	NOMENCLATURE							USAGE CODE	UNITS PER ASSY
			1	2	3	4	5	6	7		
7-											
629	BACB30NM3K8		. . .	BOLT							1
				(USED ON ITEMS 550A,560A)							
631	NAS670KD10L		. . .	WASHER							1
				(USED ON ITEMS 550A,560A)							
634	NAS43DD3-5		. . .	SPACER							1
				(USED ON ITEMS 550,560)							
637	NAS43DD3-3		. . .	SPACER							1
				(USED ON ITEMS 550A,560A)							
640	NAS43DD3-6		. . .	SPACER							1
				(USED ON ITEMS 550,560)							
643	NAS43DD3-8		. . .	SPACER							1
				(USED ON ITEMS 550A,560A)							
646	H2948-2		. . .	HINGE							1
				(SPEC S412N102-2)							
				(USED ON ITEMS 550,550A)							
650	H2948-1		. . .	HINGE							1
				(SPEC S412N102-1)							
				(USED ON ITEMS 560,560A)							
653	412N1119-36		. . .	FITTING							1
				(USED ON ITEMS 550,560)							
656	412N1119-69		. . .	BRACKET							1
				(USED ON ITEM 550A)							
659	412N1119-70		. . .	BRACKET							1
				(USED ON ITEM 560A)							
662	412N1119-71		. . .	FILLER							1
				(USED ON ITEM 550A)							
665	412N1119-72		. . .	FILLER							1
				(USED ON ITEM 560A)							
668	NAS514P1032-7		. . .	SCREW							2
				(USED ON ITEMS 550,560)							
671	AN960PD10L		. . .	WASHER							2
				(USED ON ITEMS 550,560)							
674	BACN10JC3		. . .	NUT							3
				(USED ON ITEMS 550,560)							
677	SB113		. . .	ACTUATOR							1
				(V24984)							
				(SPEC S412N104-1)							
680	412N1156-1		. . .	CHASSIS ASSY							1
				(USED ON ITEM 550)							

-Item not Illustrated

25-28-46

ILLUSTRATED PARTS LIST

Page 1098.176

Jul 01/2006



COMPONENT MAINTENANCE MANUAL

FIG/ ITEM	PART NUMBER	AIRLINE PART NUMBER	NOMENCLATURE							USAGE CODE	UNITS PER ASSY
			1	2	3	4	5	6	7		
7-											
-683	412N1156-8		. . .	CHASSIS ASSY (USED ON ITEM 550A)							1
685	412N1156-17		. . .	CHASSIS ASSY (USED ON ITEM 560)							1
688	412N1156-18		. . .	CHASSIS ASSY (USED ON ITEM 560A)							1
691	6041-3BRX225		. . .	INSERT-DODGE (V01556)							2
694	412N1156-3		. . .	CHASSIS ASSY (USED ON ITEM 656)							1
-697	412N1156-15		. . .	CHASSIS ASSY (USED ON ITEM 659)							1
-700	412N1156-4		. . .	CHASSIS ASSY (USED ON ITEM 662)							1
-703	412N1156-16		. . .	CHASSIS ASSY (USED ON ITEM 665)							1
706	NAS1833-3-400			DELETED							
709	BACS12ER08K14		. .	BOLT							2
712	AN960PD8		. .	WASHER							2
-712A	AN960JD8		. .	WASHER					F, G		2
715	H10-08BAC		. .	NUT (V15653) (SPEC BACN10JC08)							2
-715A	MS21042L08		. .	NUT					F, G		2
718	BACB30MYLK2		. .	BOLT							12
721	H10-3BAC		. .	NUT (V15653) (SPEC BACN10JC3)							2
724	412N1153-103		. .	LATCH ASSY					A-E, G		1
				ATTACHING PARTS							
724A	412N1153-24		. .	LATCH ASSY					F		1

-Item not Illustrated

25-28-46

ILLUSTRATED PARTS LIST

Page 1098.177

Jul 01/2006



COMPONENT MAINTENANCE MANUAL

FIG/ ITEM	PART NUMBER	AIRLINE PART NUMBER	NOMENCLATURE							USAGE CODE	UNITS PER ASSY
			1	2	3	4	5	6	7		
7- 727	BACS12ER06K8		. . SCREW (V06710) (SPEC BACS12ER06K8) (OPT BACS12ER06K8 (V06725)) (OPT BACS12ER06K8 (V06950)) (OPT BACS12ER06K8 (V27624)) (OPT BACS12ER06K8 (V34252)) (OPT BACS12ER06K8 (V56878)) (OPT BACS12ER06K8 (V73197)) (OPT BACS12ER06K8 (V80539)) (OPT BACS12ER06K8 (V92215)) (OPT BACS12ER06K8 (V93907)) (OPT BACS12ER06K8 (V97928))								4
730	SL210-06-2		. . INSERT (V97393)								4
733	BACS12ER08K6		. . SCREW (V06710) (SPEC BACS12ER08K6) (OPT BACS12ER08K6 (V06725)) (OPT BACS12ER08K6 (V06950)) (OPT BACS12ER08K6 (V27624)) (OPT BACS12ER08K6 (V34252)) (OPT BACS12ER08K6 (V56878)) (OPT BACS12ER08K6 (V73197)) (OPT BACS12ER08K6 (V80539)) (OPT BACS12ER08K6 (V92215)) (OPT BACS12ER08K6 (V93907)) (OPT BACS12ER08K6 (V97928))								2
737	NAS514P832-5		. . SCREW								4
740	SL210-08-1		. . INSERT (V97393)								4
			----- * -----								
743	412N1113-7		. . . COVER								1
747	412N1113-8		. . . COVER								1
750	H3-1145-1-3760		. . . LATCH ASSY (V34941) (SPEC S412N101-1040) (USED ON ITEM 724)							A-E, G	1
-750A	S412N101-1130		. . . LATCH ASSY (SPEC S412N101-1130) (USED ON ITEM 724A)							F	1
760	412N1145-27		. . BRACKET							A	1

-Item not Illustrated

25-28-46

ILLUSTRATED PARTS LIST

Page 1098.178

Jul 01/2006



COMPONENT MAINTENANCE MANUAL

FIG/ ITEM	PART NUMBER	AIRLINE PART NUMBER	NOMENCLATURE							USAGE CODE	UNITS PER ASSY
			1	2	3	4	5	6	7		
7-											
763	412N1117-2								. . FITTING		1
767	BACS12FA3K5								. . SCREW (V06710)		34
770	BACS12FA3K15								. . SCREW		4
773	BACS12ER08K12								. . SCREW		7
777	AN960PD8								. . WASHER		21
780	BACN10JC08								. . NUT		21
783	65C27023-6								. . SUPPORT-PASS. SVCE UNIT	A, B, C	1
-783A	65C27023-22								. . SUPPORT-PASS. SVCE UNIT	D, E, G	1
-783B	65C27023-26								. . SUPPORT-PASS. SVCE UNIT	F	1
786	412N1146-3								. . SUPPORT-PASS. BULLNOSE	A-E, G	1
787	412N1146-61								. . SUPPORT-PASS. BULLNOSE	F	1
-789	412N1224-4								. . SUPPORT-PASS. BULLNOSE	A, B, C	1
-789A	412N1224-3								. . SUPPORT-PASS. BULLNOSE	F	1
792	BACR15DR3								. . . RIVET (SIZE DETERMINED ON INST)		4
-792A	BACR15DR3								. . . RIVET	F	2
795	BACN10KB08								. . . NUTPLATE (V52828) (SPEC BACN10KB08)		2
-795A	BACN10KB08								. . . NUTPLATE (V52828) (SPEC BACN10KB08)	F	1
798	412N1146-23								. . . SUPPORT	A, E-G	1
801	412N1146-24								. . . SUPPORT	A, B, C	1
802	412N1146-62								. . . SUPPORT	F	1
804	65C27012-7								. . BODY ASSY (FOR DETAILS SEE FIG. 17)	A, B	1
-804A	65C27012-21								. . BODY ASSY (FOR DETAILS SEE FIG. 17)	C	1
-804B	65C27012-23								. . BODY ASSY (FOR DETAILS SEE FIG. 17)	D	1
-804C	65C27012-32								. . BODY ASSY (FOR DETAILS SEE FIG. 17)	E	1

-Item not Illustrated

25-28-46

ILLUSTRATED PARTS LIST

Page 1098.179

Jul 01/2006



COMPONENT MAINTENANCE MANUAL

FIG/ ITEM	PART NUMBER	AIRLINE PART NUMBER	NOMENCLATURE							USAGE CODE	UNITS PER ASSY
			1	2	3	4	5	6	7		
7-											
-804D	65C27012-50		. .							F	1
-804E	65C27012-93		. .							G	1
810	A20773-3		. .							F	1
-811	AM15CL4-78-566		. .							F	1
-812	AR15		. .							F	1
813	412N1119-27		. .							F	1
817	412N1145-43		. .							F	1
820	BACS12ERD8K6		. .							F	1
825	BACW10DM5		. .							F	1
830	AN960JD516L		. .							F	1
835	BACW10P173AL		. .							F	1
840	AR292		. .							F	1
-840A	AM150		. .							F	1
845	412N1119-28		. .							F	1

-Item not Illustrated

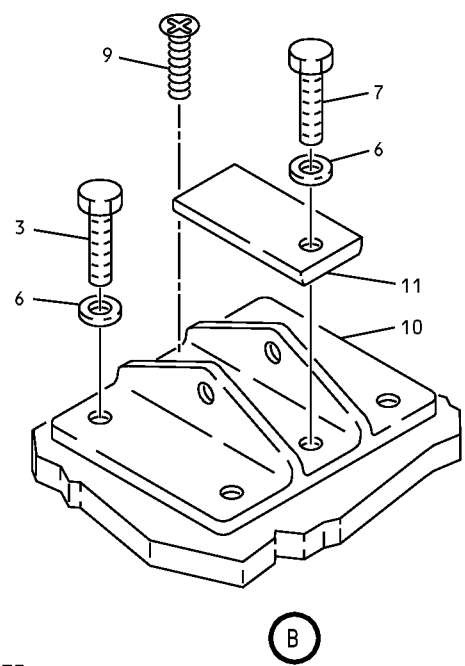
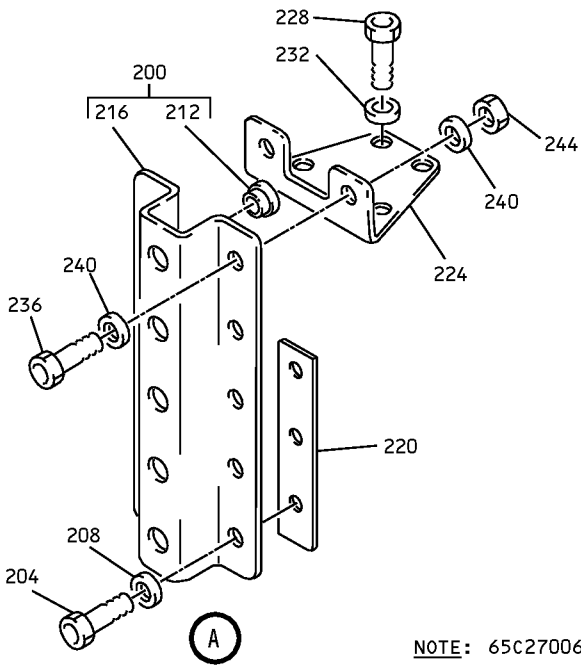
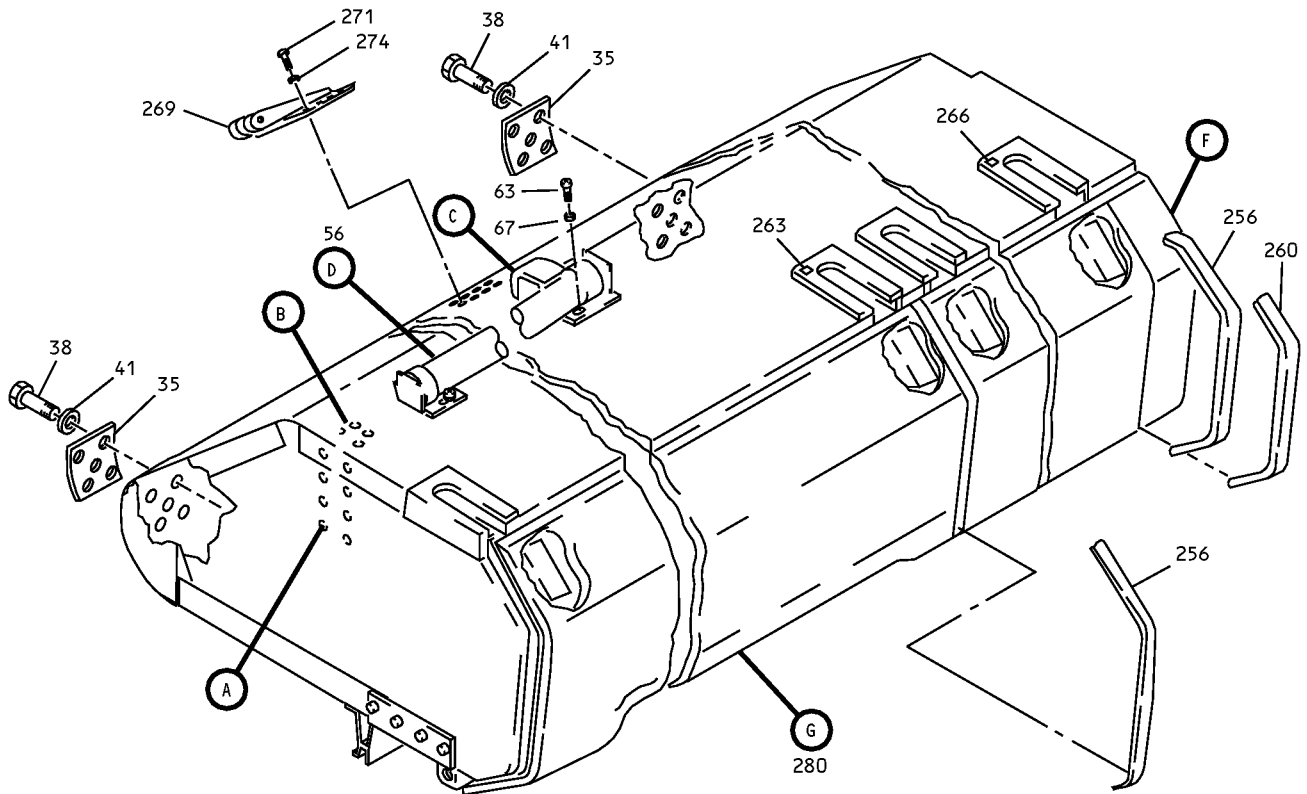
25-28-46

ILLUSTRATED PARTS LIST

Page 1098.180

Jul 01/2006

COMPONENT MAINTENANCE MANUAL



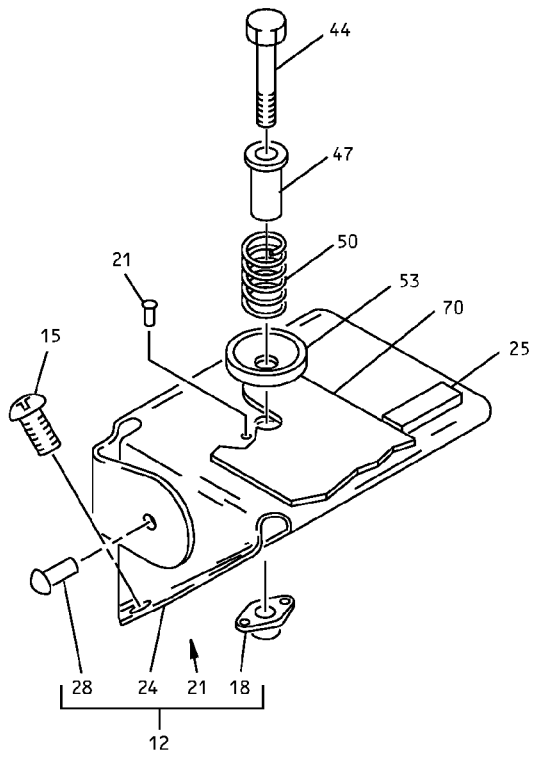
NOTE: 65C27006-115 SHOWN,
-116 OPPOSITE

Overhead Storage Compartment Assembly
IPL Figure 8 (Sheet 1 of 11)

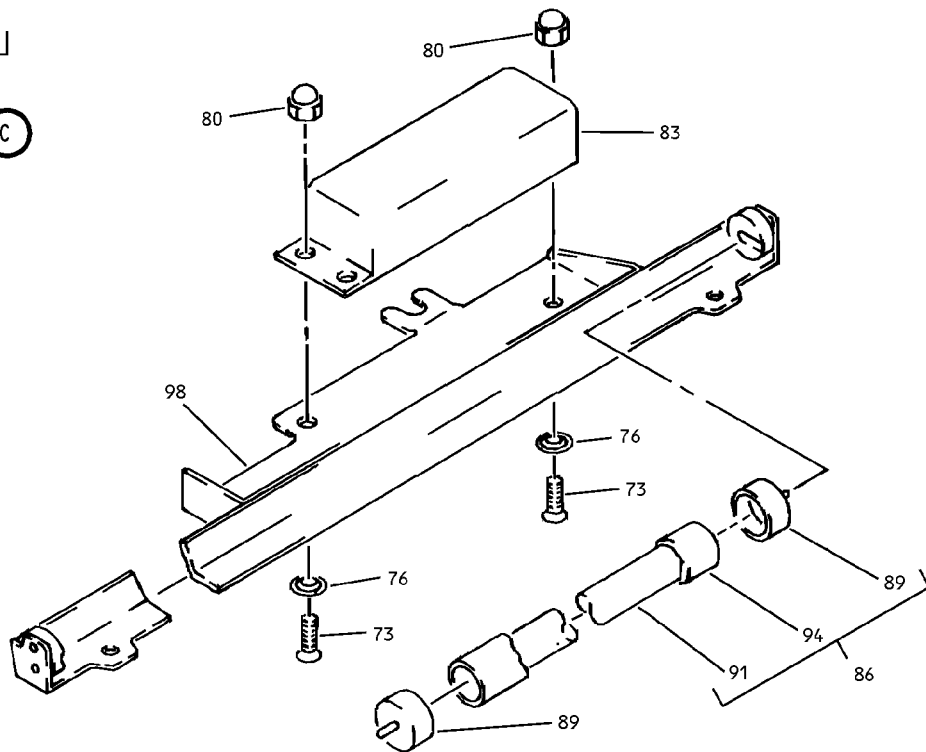
25-28-46

ILLUSTRATED PARTS LIST
Page 1098.181
Jul 01/2006

COMPONENT MAINTENANCE MANUAL



(C)



(D)

Overhead Stowage Compartment Assembly
IPL Figure 8 (Sheet 2 of 11)

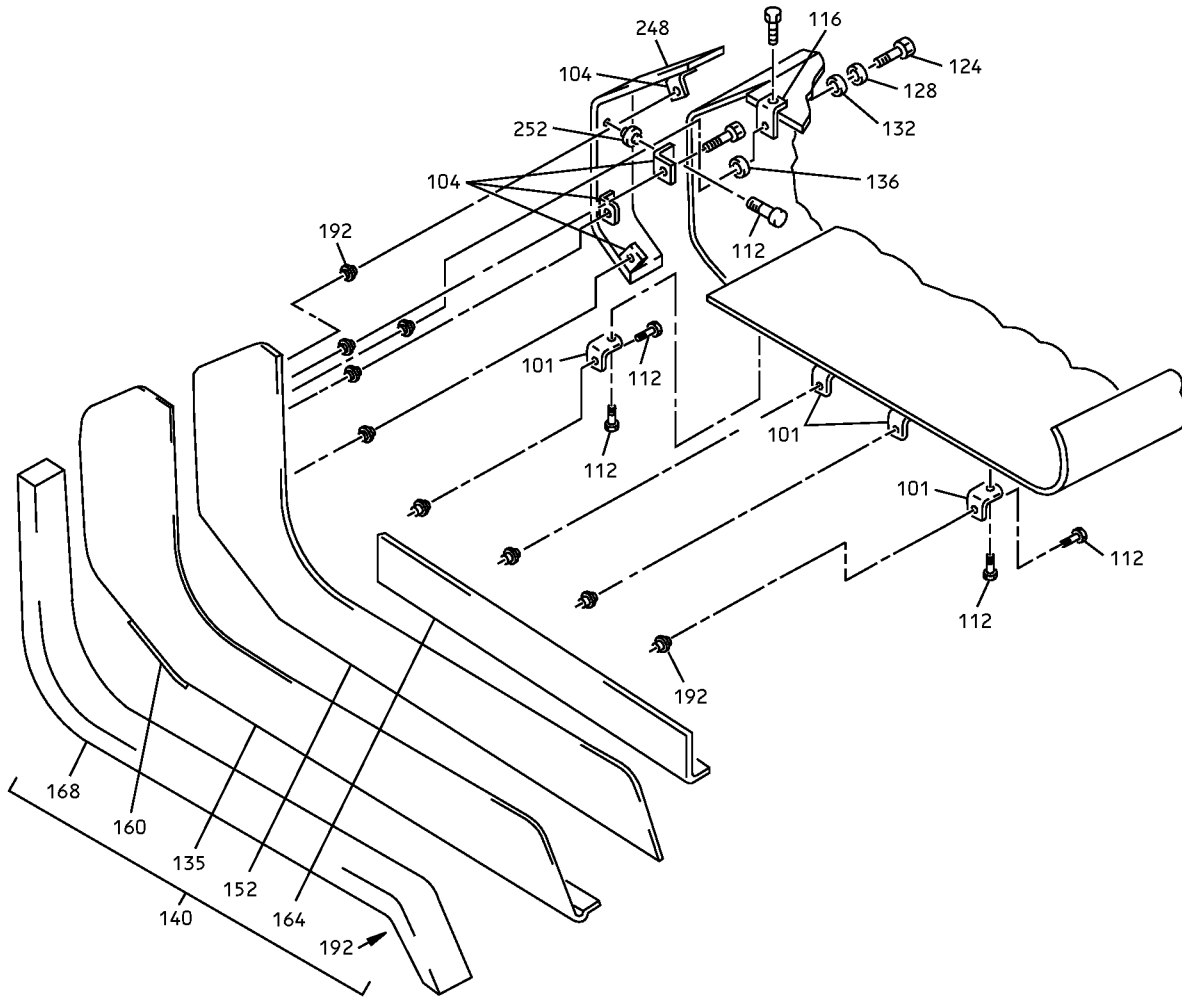
25-28-46

ILLUSTRATED PARTS LIST

Page 1098.182

Jul 01/2006

COMPONENT MAINTENANCE MANUAL



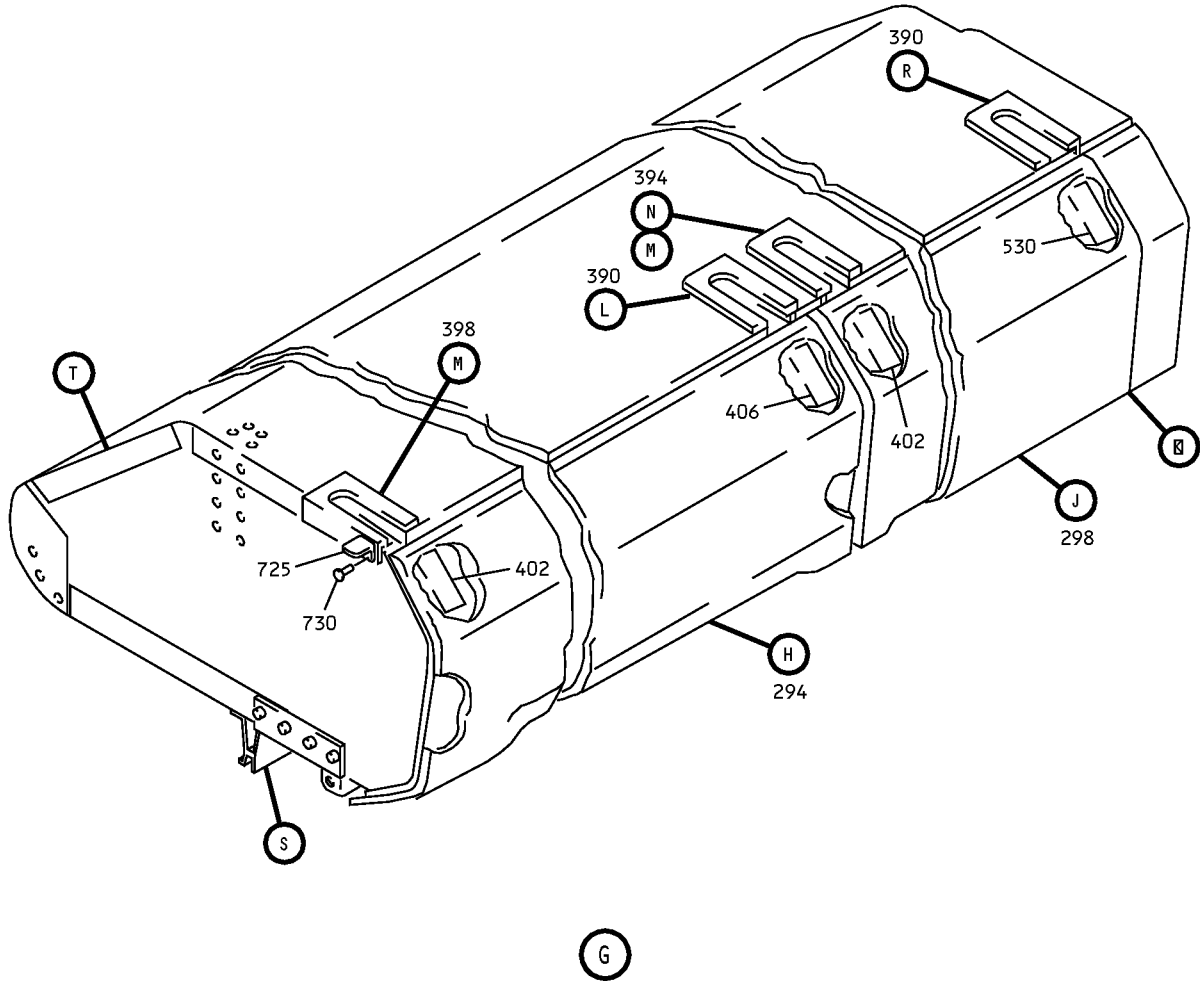
F

NOTE: ASSY 65C27006-115 SHOWN
 -116 OPPOSITE

Overhead Stowage Compartment Assembly
 IPL Figure 8 (Sheet 3 of 11)

25-28-46
 ILLUSTRATED PARTS LIST
 Page 1098.183
 Jul 01/2006

COMPONENT MAINTENANCE MANUAL

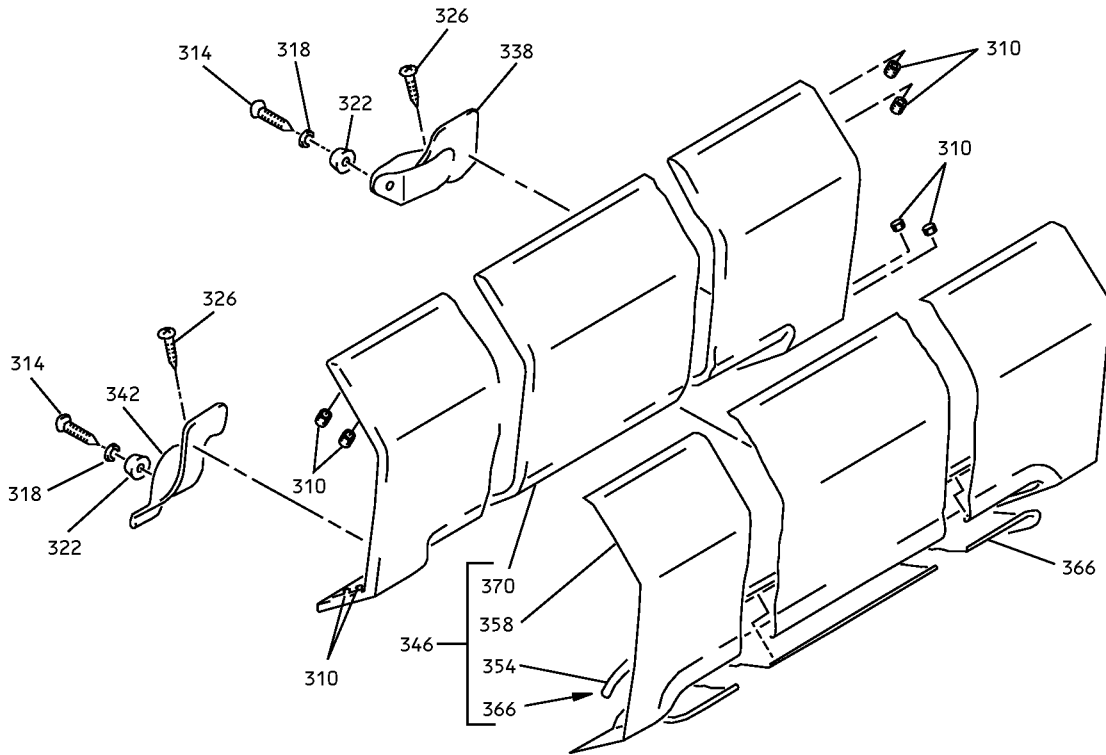


NOTE: 65C27005-115 SHOWN,
 -116 OPOSITE

Overhead Stowage Compartment Assembly
 IPL Figure 8 (Sheet 4 of 11)

25-28-46
 ILLUSTRATED PARTS LIST
 Page 1098.184
 Jul 01/2006

COMPONENT MAINTENANCE MANUAL



H

Overhead Stowage Compartment Assembly
IPL Figure 8 (Sheet 5 of 11)

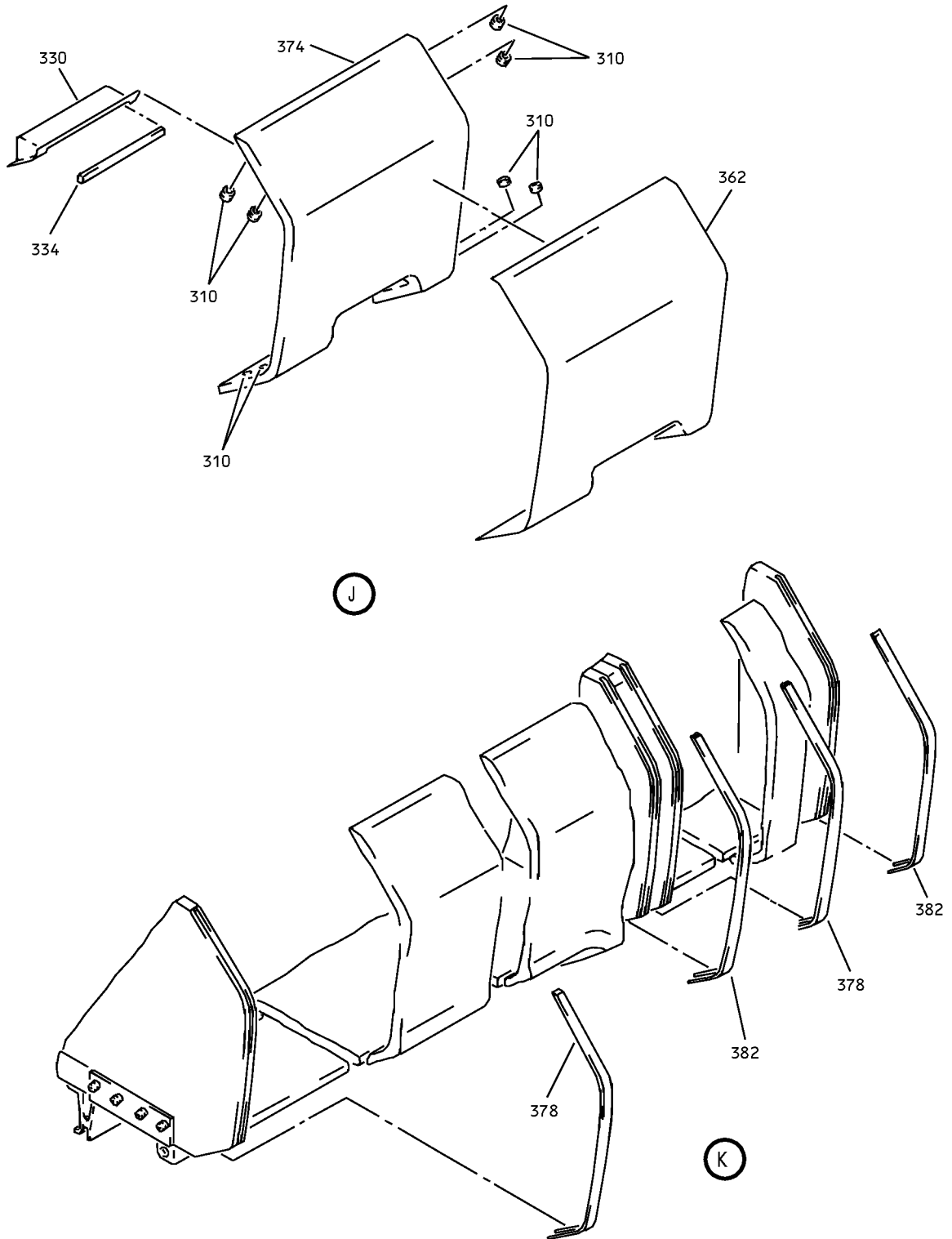
25-28-46

ILLUSTRATED PARTS LIST

Page 1098.185

Jul 01/2006

COMPONENT MAINTENANCE MANUAL



Overhead Storage Compartment Assembly
IPL Figure 8 (Sheet 6 of 11)

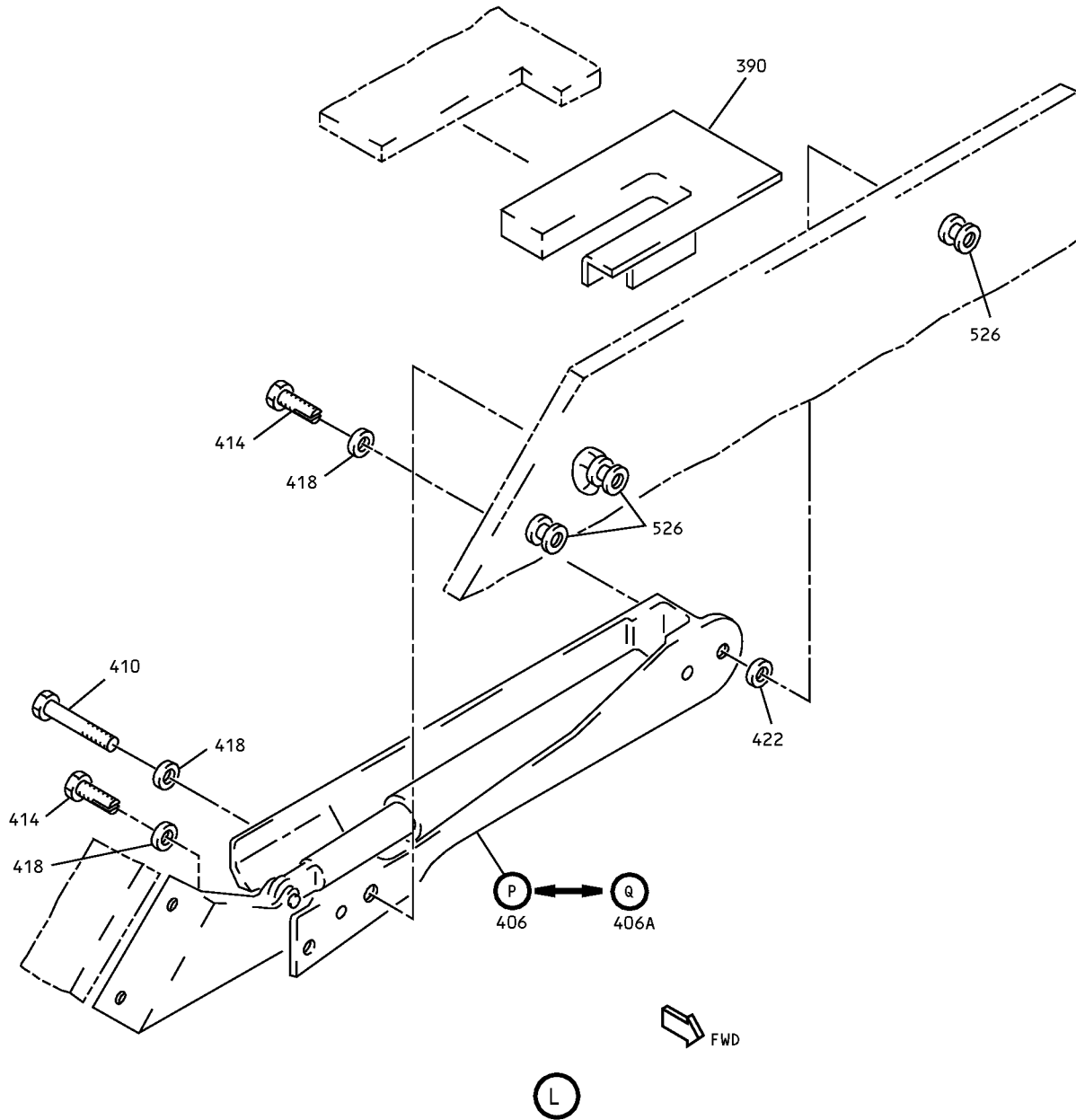
25-28-46

ILLUSTRATED PARTS LIST

Page 1098.186

Jul 01/2006

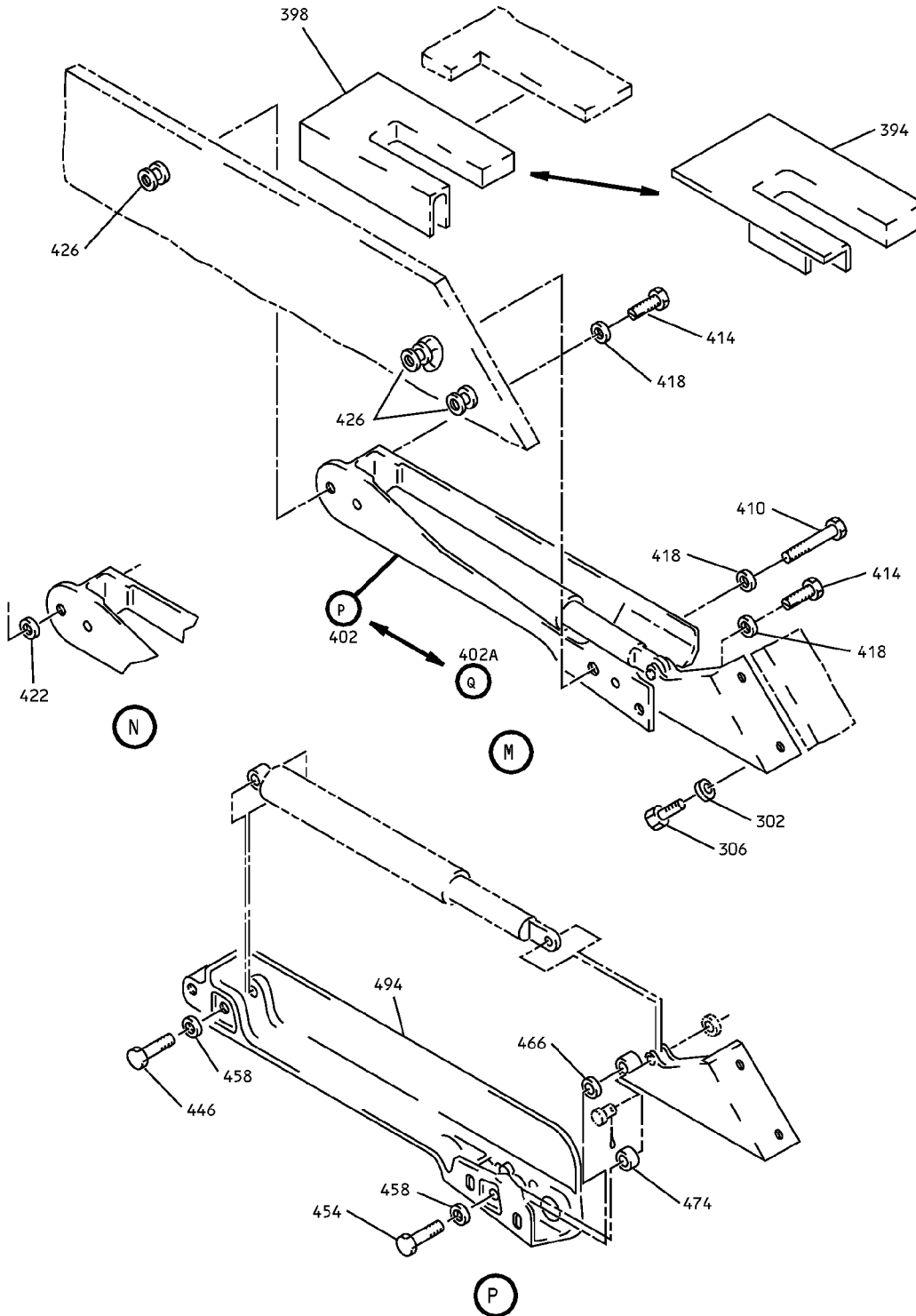
COMPONENT MAINTENANCE MANUAL



Overhead Stowage Compartment Assembly
IPL Figure 8 (Sheet 7 of 11)

25-28-46
ILLUSTRATED PARTS LIST
Page 1098.187
Jul 01/2006

COMPONENT MAINTENANCE MANUAL



Overhead Storage Compartment Assembly
IPL Figure 8 (Sheet 8 of 11)

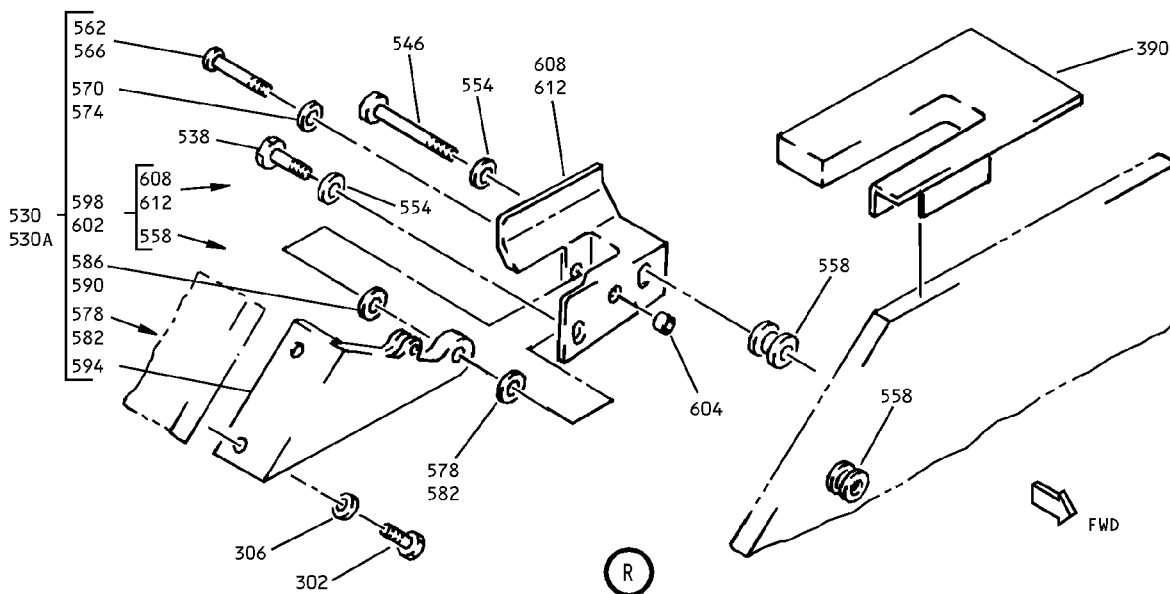
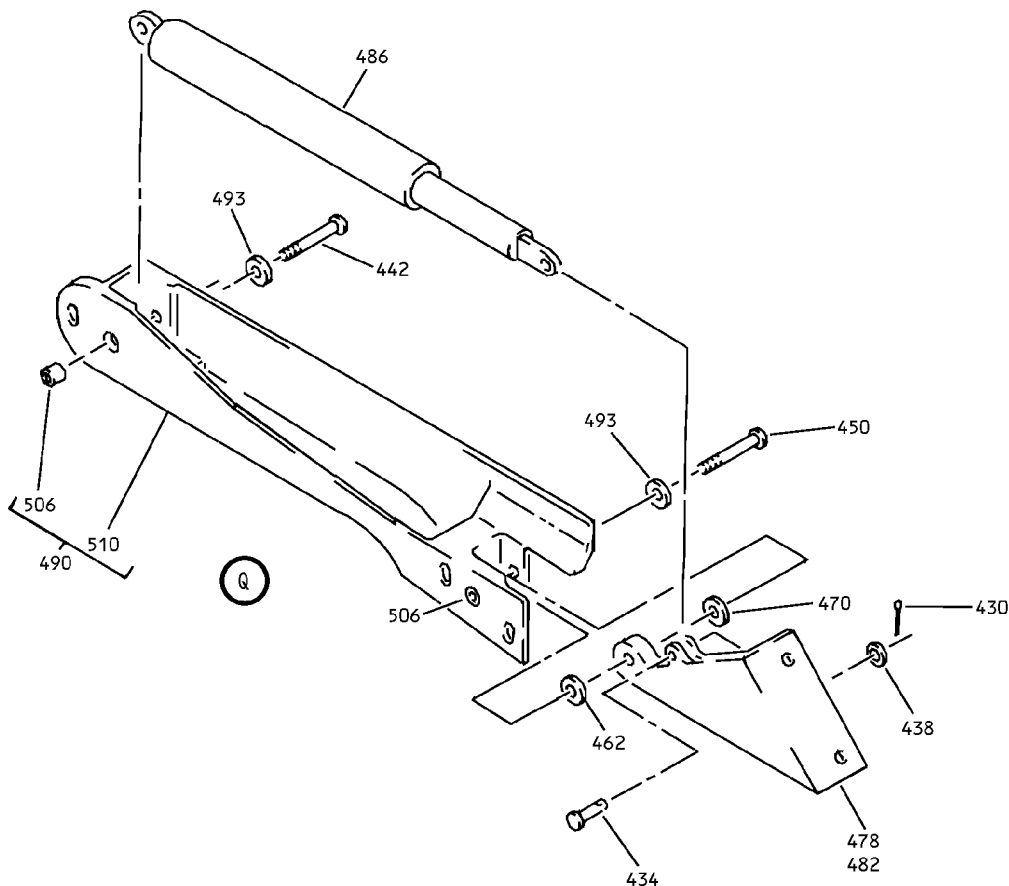
25-28-46

ILLUSTRATED PARTS LIST

Page 1098.188

Jul 01/2006

COMPONENT MAINTENANCE MANUAL



Overhead Storage Compartment Assembly
IPL Figure 8 (Sheet 9 of 11)

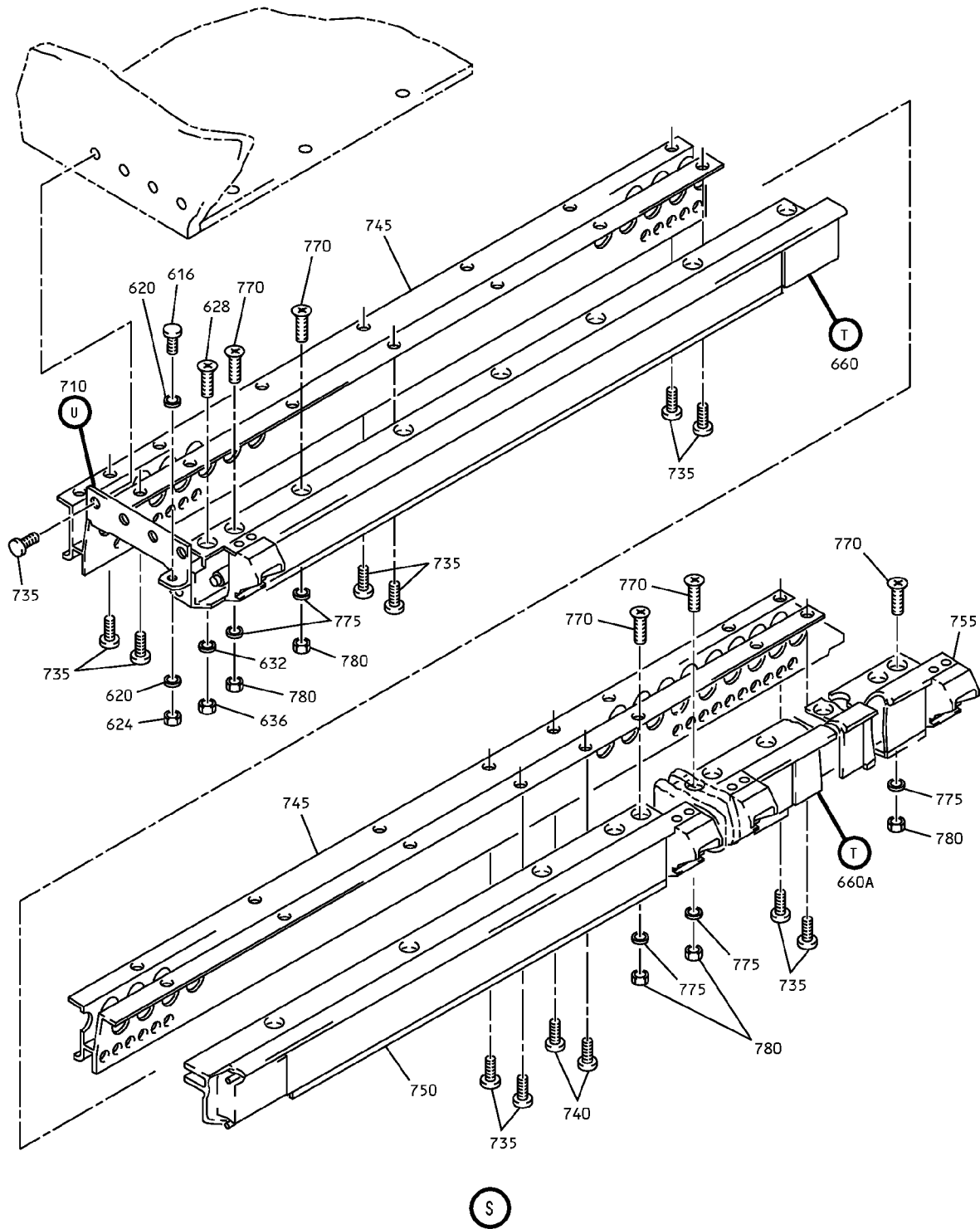
25-28-46

ILLUSTRATED PARTS LIST

Page 1098.189

Jul 01/2006

COMPONENT MAINTENANCE MANUAL



(S)

Overhead Storage Compartment Assembly
IPL Figure 8 (Sheet 10 of 11)

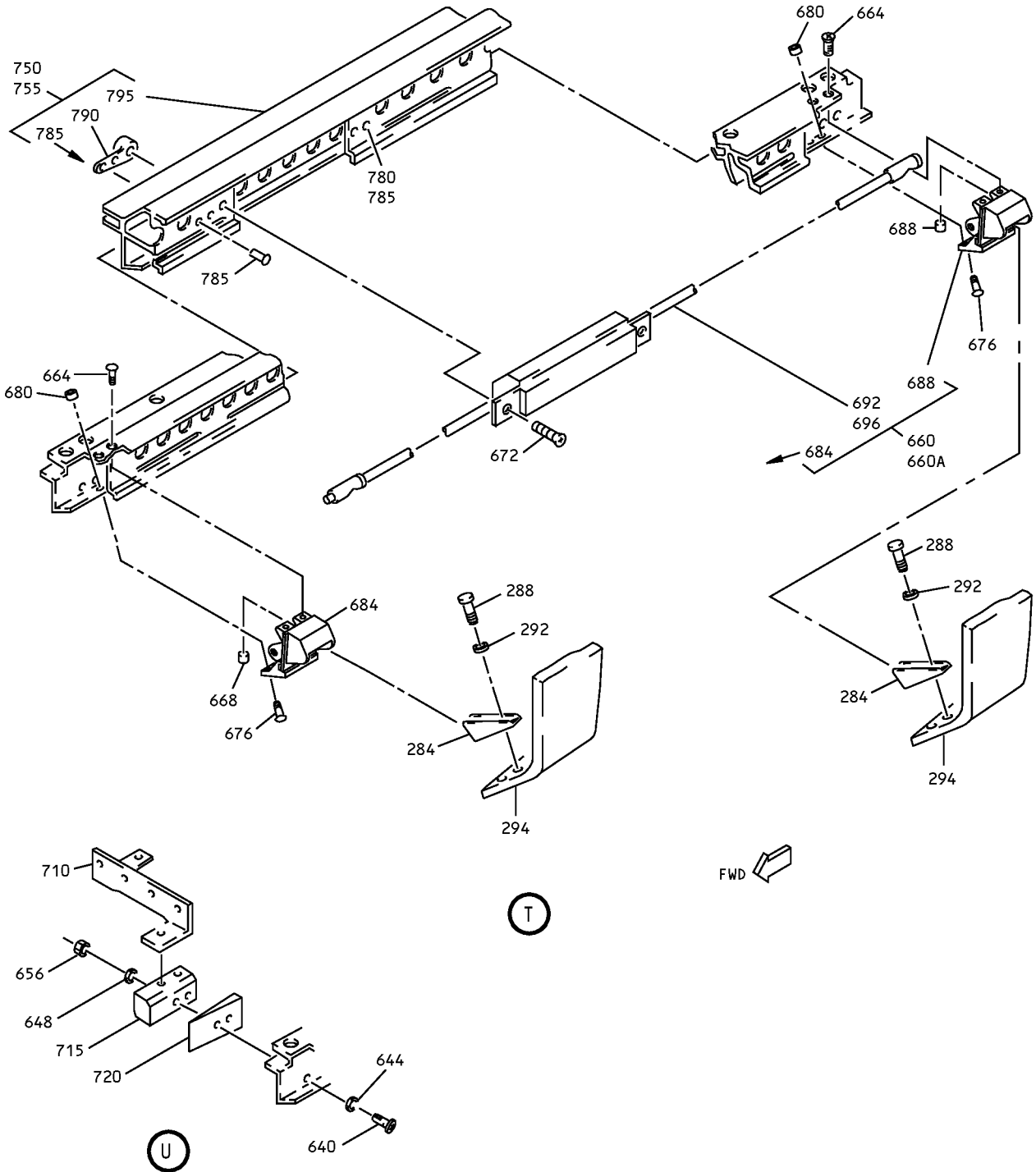
25-28-46

ILLUSTRATED PARTS LIST

Page 1098.190

Jul 01/2006

COMPONENT MAINTENANCE MANUAL



Overhead Storage Compartment Assembly
IPL Figure 8 (Sheet 11 of 11)

25-28-46

ILLUSTRATED PARTS LIST

Page 1098.191

Jul 01/2006



COMPONENT MAINTENANCE MANUAL

FIG/ ITEM	PART NUMBER	AIRLINE PART NUMBER	NOMENCLATURE							USAGE CODE	UNITS PER ASSY
			1	2	3	4	5	6	7		
8-											
-1	65C27006-115SP									A	RF
-1A	65C27006-116SP									B	RF
3	BACB30NM3K1										4
6	AN960JD10										5
7	BACB30NM3K10										1
9	BACB30NN3K10										1
10	412N1119-86										5
11	412N1119-87										1
12	65C27481-26									A	1
-12A	65C27481-36									B	1
15	BACS12FA3K4										2
18	BACN10JR3FR										1
21	BACR15BA3A										2
24	65C27481-27										1
-24A	65C27481-37										1
25	65C27481-38										1

-Item not Illustrated

25-28-46

ILLUSTRATED PARTS LIST

Page 1098.192

Jul 01/2006



COMPONENT MAINTENANCE MANUAL

FIG/ ITEM	PART NUMBER	AIRLINE PART NUMBER	NOMENCLATURE							USAGE CODE	UNITS PER ASSY
			1	2	3	4	5	6	7		
8-											
28	NAS1398D4		.	.	RIVET (SIZE DETERMINED ON INST)						2
33	412N1119-12		.		FITTING						2
38	BACB30NM3K1		.		BOLT						8
41	AN960JD10		.		WASHER						8
44	NAS1801-3-11		.		SCREW						2
47	BACS18C8-6		.		SPACER						2
50	MS24585-1230		.		SPRING						2
53	411N3142-28		.		WASHER CUPPED						2
56	417N5120-26		.		LIGHT ASSY				A		1
-56A	417N5120-25		.		LIGHT ASSY				B		1
63	NAS1801-3-5		.		SCREW						2
67	AN960JD10LL		.		WASHER						2
70	65C28117-3		.	.	PAD						1
73	BACS12ER3K6		.	.	SCREW (V06710) (SPEC BACS12ER3K6) (OPT BACS12ER3K6 (V06725)) (OPT BACS12ER3K6 (V06950)) (OPT BACS12ER3K6 (V27624)) (OPT BACS12ER3K6 (V34252)) (OPT BACS12ER3K6 (V56878)) (OPT BACS12ER3K6 (V73197)) (OPT BACS12ER3K6 (V80539)) (OPT BACS12ER3K6 (V92215)) (OPT BACS12ER3K6 (V93907)) (OPT BACS12ER3K6 (V97928))						3
76	BACW10UD10		.	.	WASHER						3
80	F22K1-02		.	.	NUT (V72962) (SPEC BACN10R10L) (OPT 22K1-02 (V72962)) (OPT 26CL02 (V80539))						3
83	05939-15		.	.	BALLAST (V17023) (SPEC S283N702-15) (USED ON ITEM 56)						1

-Item not Illustrated

25-28-46

ILLUSTRATED PARTS LIST

Page 1098.193

Jul 01/2006



COMPONENT MAINTENANCE MANUAL

FIG/ ITEM	PART NUMBER	AIRLINE PART NUMBER	NOMENCLATURE							USAGE CODE	UNITS PER ASSY
			1	2	3	4	5	6	7		
8-											
-83A	05937-5		. .								1
86	417N5120-11		. .								1
89	2055150		. . .								2
91	F20T12WW		. . .								1
94	LP1625-24		. . .								1
-94A	N1152LGWUV1000		. . .								1
98	800000255-21		. .								1
-98A	800000255-22		. .								1
101	412N1145-29		. BRACKET						A		4
-101A	412N1145-29		. BRACKET						B		3
104	65C27017-43		. BRACKET								4
104A	65C27017-13		. BRACKET								4
112	BACS12FA3K5		. SCREW								13
116	412N1145-30		. BRACKET								1
124	BACB30PF4-3		. BOLT								1
128	AN960C416L		. WASHER								1
132	NAS1515F4H		. WASHER								1
136	NAS1515M4L		. WASHER								1
140	65C27027-4SP		. END CAP ASSY						A		1

-Item not Illustrated

25-28-46

ILLUSTRATED PARTS LIST

Page 1098.194

Jul 01/2006



COMPONENT MAINTENANCE MANUAL

FIG/ ITEM	PART NUMBER	AIRLINE PART NUMBER	NOMENCLATURE							USAGE CODE	UNITS PER ASSY
			1	2	3	4	5	6	7		
8-											
-140A	65C27027-3SP									B	1
152	65C27027-12									A	1
152A	65C27027-11									B	1
160	65C27027-13										1
164	65C27027-14										1
168	65C27027-17										1
180	65C27027-8										1
192	SL2334-3A2										9
200	65C27017-9									A	1
-200A	65C27017-11									B	1
204	BACB30NM3K2										8
208	AN960JD10										8
212	BACB28B6-235P										1
216	65C27017-10									A	1
-216A	65C27017-12									B	1
220	65C27017-15										2
224	412N1119-41										1
228	BACB30NM3K1										4
232	AN960JD10L										4
236	BACB30NM3K3										2
240	AN960JD10LL										4
244	MS21042L3										2
248	65C27026-67SP									A	1
-248A	65C27026-66SP									B	1
252	NAS2836-3-11										4
256	412N1130-5SP										2
260	65C27006-12										1

-Item not Illustrated

25-28-46

ILLUSTRATED PARTS LIST

Page 1098.195

Jul 01/2006



COMPONENT MAINTENANCE MANUAL

FIG/ ITEM	PART NUMBER	AIRLINE PART NUMBER	NOMENCLATURE							USAGE CODE	UNITS PER ASSY
			1	2	3	4	5	6	7		
8-											
263	65C27006-129		.							A	1
-263A	65C27006-131		.							B	1
266	65C27006-130		.							A	1
-266A	65C27006-132		.							B	1
269	412N1161-2		.							A	1
-269A	412N1119-14		.							A	1
-269B	412N1161-1		.							B	1
-269C	412N1119-13		.							B	1
271	BACB30NM3K1		.								8
274	AN960JD10		.								8
280	65C27009-115SP		.							A	1
-280A	65C27009-116SP		.							B	1
284	H3-1152-1		.	.							4
288	BACS12FA3K4		.	.							8
292	MS35333-39		.	.							8
294	412N1140-43SP		.	.							1
298	412N1140-80SP		.	.						A	1
-298A	412N1140-66SP		.	.						B	1
302	NAS1801-3-4		.	.							8
306	MS35333-39		.	.							8
310	SL628-3A		.	.	.						8
314	BACS12H4-8		.	.	.						2

-Item not Illustrated

25-28-46

ILLUSTRATED PARTS LIST

Page 1098.196

Jul 01/2006



COMPONENT MAINTENANCE MANUAL

FIG/ ITEM	PART NUMBER	AIRLINE PART NUMBER	NOMENCLATURE							USAGE CODE	UNITS PER ASSY
			1	2	3	4	5	6	7		
8-											
318	NAS620A8L								... WASHER (USED ON ITEM 294)		2
322	412N1245-1								... BUMPER (USED ON ITEM 294)		2
326	MS51862-4								... SCREW (USED ON ITEM 294)		2
330	412N1143-11								... COVER (USED ON ITEMS 298,298A)		2
334	412N1140-17								... FILLER (USED ON ITEMS 298,298A)		1
338	412N1143-13								... COVER (USED ON ITEM 294)		1
342	412N1143-14								... COVER (USED ON ITEM 294)		1
346	412N1140-60								... PANEL ASSY-DOOR- (USED ON ITEM 294)		1
-350	412N1140-62								... PANEL ASSY-DOOR- (USED ON ITEMS 298,298A)		1
354	412N1140-13								... STRIP RETAINER (USED ON ITEM 346)		1
358	412N1141-3								... FACE PLATE (USED ON ITEMS 346)		1
362	412N1141-5								... FACE PLATE (USED ON ITEM 350)		1
366	412N1141-9								... MARKER (USED ON ITEM 346)		1
370	412N1142-17								... PANEL ASSY (USED ON ITEM 346)		1
374	412N1142-20								... PANEL ASSY (USED ON ITEM 350)		1
378	412N1118-1SP								.. RETAINER TRIM		2
382	412N1118-2SP								.. RETAINER TRIM		2
386	65C27009-6								.. EDGE COVER		2
390	412N1154-3								.. REINFORCEMENT-CORNER	A	2
-390A	412N1154-3								.. REINFORCEMENT-CORNER	B	1
394	412N1154-4								.. REINFORCEMENT-CORNER	A	1

-Item not Illustrated

25-28-46

ILLUSTRATED PARTS LIST

Page 1098.197

Jul 01/2006



COMPONENT MAINTENANCE MANUAL

FIG/ ITEM	PART NUMBER	AIRLINE PART NUMBER	NOMENCLATURE	USAGE CODE	UNITS PER ASSY
8-					
-394A	412N1154-4		. . REINFORCEMENT-CORNER	B	2
398	412N1154-2		. . REINFORCEMENT-CORNER	A	1
-398A	412N1154-1		. . REINFORCEMENT-CORNER	B	1
402	412N1155-1		. . HINGE ASSY (LIMITED USAGE) (OPT ITEM 402A)	A	2
402A	412N1155-7		. . HINGE ASSY (LIMITED USAGE) (OPT ITEM 402)		2
402B	412N1155-1		. . HINGE ASSY (OPT ITEM 402C)	B	1
-402C	412N1155-7		. . HINGE ASSY (OPT ITEM 402B)	B	1
406	412N1155-2		. . HINGE ASSY (OPT ITEM 406A)	A	1
406A	412N1155-8		. . HINGE ASSY (OPT ITEM 406)	A	1
406B	412N1155-2		. . HINGE ASSY (OPT ITEM 406C)	B	2
-406C	412N1155-8		. . HINGE ASSY (OPT ITEM 406B)	B	2
			ATTACHING PARTS		
410	BACB30LK3-18		. . BOLT (USED WITH ITEMS 402, 402B, 406, 406B)		3
410A	NAS1801-3-10		. . BOLT (USED WITH ITEMS 402A, 402C, 406A, 406C)		3
414	412N1227-1		. . BOLT (OPT ITEM 414A)		6
-414A	AIC1321-3-8		. . BOLT (OPT ITEM 414)		6
418	BACW10P136AL		. . WASHER		9
422	AN960JD10		. . WASHER		1
426	NAS1833-3-400		. . INSERT		9
			-----*		
430	MS24665-132		. . . PIN-COTTER		1

-Item not Illustrated

25-28-46

ILLUSTRATED PARTS LIST

Page 1098.198

Jul 01/2006



COMPONENT MAINTENANCE MANUAL

FIG/ ITEM	PART NUMBER	AIRLINE PART NUMBER	NOMENCLATURE							USAGE CODE	UNITS PER ASSY
			1	2	3	4	5	6	7		
8-											
434	MS20392-2C13										1
438	AN960PD10L										1
439	AN960PD10L										2
442	NAS6703PU15										1
446	BACB30NM3K12										1
450	NAS6703PU11										1
454	BACB30NM3K8										1
458	NAS960JD10L										1
462	NAS43DD3-5										1
466	NAS43DD3-3										1
470	NAS43DD3-6										1
474	NAS43DD3-8										1
478	H2948-2										1
482	H2948-1										1
486	SB113										1
490	412N1156-1										1

-Item not Illustrated

25-28-46

ILLUSTRATED PARTS LIST

Page 1098.199

Jul 01/2006



COMPONENT MAINTENANCE MANUAL

FIG/ ITEM	PART NUMBER	AIRLINE PART NUMBER	NOMENCLATURE							USAGE CODE	UNITS PER ASSY
			1	2	3	4	5	6	7		
8-											
494	412N1156-13		. . .	CHASSIS ASSY (USED ON ITEMS 402A,402C)							1
-498	412N1156-2		. . .	CHASSIS ASSY (USED ON ITEMS 406,406B)							1
-502	412N1156-14		. . .	CHASSIS ASSY (USED ON ITEMS 406A,406C)							1
506	6041-3BRX225		. . .	INSERT-DODGE (V01556)							2
510	412N1156-3		. . .	CHASSIS (USED ON ITEM 490)							1
-514	412N1156-15		. . .	CHASSIS (USED ON ITEM 494)							1
-518	412N1156-4		. . .	CHASSIS (USED ON ITEM 498)							1
-522	412N1156-16		. . .	CHASSIS (USED ON ITEM 502)							1
526	NAS1833-3-400		. .	INSERT							6
530	412N1155-4		. .	HINGE ASSY (OPT ITEM 530A)					A		1
530A	412N1155-10		. .	HINGE ASSY (OPT ITEM 530)					A		1
-530B	412N1155-3		. .	HINGE ASSY (OPT ITEM 530C)					B		1
-530C	412N1155-9		. .	HINGE ASSY (OPT ITEM 530B)					B		1
				ATTACHING PARTS							
538	412N1227-1		. .	BOLT (OPT ITEM 538A)							1
-538A	AIC1321-3-8		. .	BOLT (V06725) (OPT ITEM 538)							1
546	BACB30LK3-18		. .	BOLT (USED ON ITEMS 530,530B)							1
-550	NAS1801-3-10		. .	BOLT (USED ON ITEMS 530A,530C)							1
554	BACW10P136AL		. .	WASHER (V10630) (SPEC BACW10P136AL)							2

-Item not Illustrated

25-28-46

ILLUSTRATED PARTS LIST

Page 1098.200

Jul 01/2006



COMPONENT MAINTENANCE MANUAL

FIG/ ITEM	PART NUMBER	AIRLINE PART NUMBER	NOMENCLATURE							USAGE CODE	UNITS PER ASSY
			1	2	3	4	5	6	7		
8-											
558	NAS18833-3-400								. . INSERT		2
									-----*		
562	NAS6703PU11								. . . BOLT (USED ON ITEMS 530,530B)		1
566	BACS30NM3K8								. . . BOLT (USED ON ITEM 530A,530C)		1
570	AN960PD10L								. . . WASHER (USED ON ITEMS 530,530B)		1
574	AN960KD10L								. . . WASHER (USED ON ITEM 530A,530C)		1
578	NAS43DD3-5								. . . SPACER (USED ON ITEMS 530,530B)		1
582	NAS43DD3-8								. . . SPACER (USED ON ITEM 530A,530C)		1
586	NAS43DD3-6								. . . SPACER (USED ON ITEMS 530,530B)		1
590	NAS43DD3-3								. . . SPACER (USED ON ITEM 530A)		1
594	H2948-1								. . . HINGE (V83014) (SPEC S412N102-1) (USED ON ITEMS 530,530A)		1
-594A	H2948-2								. . . HINGE (V83014) (SPEC S412N102-1) (USED ON ITEMS 530B,530C)		1
598	412N1156-6								. . . CHASSIS ASSY (USED ON ITEM 530)		1
-598A	412N1156-5								. . . CHASSIS ASSY (USED ON ITEM 530B)		1
602	412N1156-20								. . . CHASSIS ASSY (USED ON ITEM 530A)		1
-602A	412N1156-19								. . . CHASSIS ASSY (USED ON ITEM 530C)		1
604	6041-3BRX225							 INSERT-DODGE (V01556)		2
608	412N1156-4							 CHASSIS (USED ON ITEM 598)		1

-Item not Illustrated

25-28-46

ILLUSTRATED PARTS LIST

Page 1098.201

Jul 01/2006



COMPONENT MAINTENANCE MANUAL

FIG/ ITEM	PART NUMBER	AIRLINE PART NUMBER	NOMENCLATURE	USAGE CODE	UNITS PER ASSY
8-					
-608A	412N1156-3	 CHASSIS (USED ON ITEM 598A)		1
612	412N1156-26	 CHASSIS (USED ON ITEM 602)		1
-612A	412N1156-25	 CHASSIS (USED ON ITEM 602A)		1
616	BACB30NM3K2		. . BOLT		1
620	AN960JD10LL		. . WASHER		2
624	NAS1804-3		. . NUT		1
628	BACS12ER08K14		. . BOLT		1
632	AN960JD8		. . WASHER		1
636	MS21042L08		. . NUT		1
640	BACB30NM3K3		. . BOLT		1
644	AN960JD10LL		. . WASHER		2
648	AN960JD10		. . WASHER		2
656	MS21042L3		. . NUT		2
660	412N1153-103		. . LATCH ASSY		1
660A	412N1153-148		. . LATCH ASSY	B	1
-660B	412N1153-84		. . LATCH ASSY	A	1
			ATTACHING PARTS		
664	BACS12ER06K8		. . SCREW (V06710) (SPEC BACS12ER06K8) (OPT BACS12ER06K8 (V06725)) (OPT BACS12ER06K8 (V06950)) (OPT BACS12ER06K8 (V27624)) (OPT BACS12ER06K8 (V34252)) (OPT BACS12ER06K8 (V56878)) (OPT BACS12ER06K8 (V73197)) (OPT BACS12ER06K8 (V80539)) (OPT BACS12ER06K8 (V92215)) (OPT BACS12ER06K8 (V93907)) (OPT BACS12ER06K8 (V97928))		8
668	SL210-06-2		. . INSERT (V97393)		8

-Item not Illustrated

25-28-46

ILLUSTRATED PARTS LIST
Page 1098.202
Jul 01/2006



COMPONENT MAINTENANCE MANUAL

FIG/ ITEM	PART NUMBER	AIRLINE PART NUMBER	NOMENCLATURE							USAGE CODE	UNITS PER ASSY
			1	2	3	4	5	6	7		
8- 672	BACS12ER08K6		. . SCREW (V06710) (SPEC BACS12ER08K6) (OPT BACS12ER08K6 (V06725)) (OPT BACS12ER08K6 (V06950)) (OPT BACS12ER08K6 (V27624)) (OPT BACS12ER08K6 (V34252)) (OPT BACS12ER08K6 (V56878)) (OPT BACS12ER08K6 (V73197)) (OPT BACS12ER08K6 (V80539)) (OPT BACS12ER08K6 (V92215)) (OPT BACS12ER08K6 (V93907)) (OPT BACS12ER08K6 (V97928))								4
676	NAS514P832-5		. . SCREW								8
680	SL210-08-1		. . INSERT (V97393)								8
-----*-----											
684	412N1113-7		. . . COVER (V01556)								1
688	412N1113-8		. . . COVER								1
692	H3-1145-1-3760		. . . LATCH ASSY (SPEC S412N101-1040) (USED ON ITEM 660)								1
696	H3-1145-3-1560		. . . LATCH ASSY (V34941) (SPEC S412N101-3018) (USED ON ITEM 660A)								1
-696A	S412N101-2014		. . . LATCH ASSY (V34941) (USED ON ITEM 660B)								1
710	65C27017-1		. . BRACKET							A	1
-710A	65C27017-2		. . BRACKET							B	1
715	412N1117-6		. . FITTING							A	1
-715A	412N1119-7		. . FITTING							B	1
720	65C27016-1		. . FILLER FITTING-TAPERED							A	1
-720A	65C27016-3		. . FILLER FITTING-TAPERED							B	1
725	65C27017-3		. . FITTING								1
730	BACR15DR3P		. . RIVET (SIZE DETERMINED ON INST)								2

-Item not Illustrated

25-28-46

ILLUSTRATED PARTS LIST

Page 1098.203

Jul 01/2006



COMPONENT MAINTENANCE MANUAL

FIG/ ITEM	PART NUMBER	AIRLINE PART NUMBER	NOMENCLATURE							USAGE CODE	UNITS PER ASSY	
			1	2	3	4	5	6	7			
8-												
735	BACS12FA3K5		.	.							SCREW	34
740	BACS12FA3K15		.	.							SCREW	2
745	65C27023-55		.	.						A	SUPPORT-PASS. SVCE UNIT	1
-745A	65C27023-56		.	.						B	SUPPORT-PASS. SVCE UNIT	1
750	412N1146-122		.	.						A	SUPPORT-PASS. BULLNOSE	1
-750A	412N1146-121		.	.						B	SUPPORT-PASS. BULLNOSE	1
755	412N1146-58		.	.						A	SUPPORT-PASS. BULLNOSE	1
-755A	412N1146-18		.	.						B	SUPPORT-PASS. BULLNOSE	1
			ATTACHING PARTS									
770	BACS12ER08K12		.	.							SCREW (V06710) (SPEC BACS12ER08K12) (OPT BACS12ER08K12 (V06725)) (OPT BACS12ER08K12 (V06950)) (OPT BACS12ER08K12 (V27624)) (OPT BACS12ER08K12 (V34252)) (OPT BACS12ER08K12 (V56878)) (OPT BACS12ER08K12 (V73197)) (OPT BACS12ER08K12 (V80539)) (OPT BACS12ER08K12 (V92215)) (OPT BACS12ER08K12 (V93907)) (OPT BACS12ER08K12 (V97928))	27
775	AN960JD8		.	.							WASHER	21
780	MS21042L08		.	.							NUT	21
			-----*-----									
785	NAS1399D3		.	.	.						RIVET (SIZE DETERMINED ON INST)	4
790	BRM1000A08		.	.	.						NUTPLATE (V52828) (SPEC BACN10JP08B) (OPT MK2000-08BAC (V15653)) (OPT NS103198-82 (V80539)) (OPT RMA9207M82 (V72962)) (OPT T8077S832 (V11815)) (OPT VN201A1-82 (V92215))	2
795	412N1146-124		.	.	.						SUPPORT (USED ON ITEM 750)	1
795A	412N1146-123		.	.	.						SUPPORT (USED ON ITEM 750A)	1

-Item not Illustrated

25-28-46

ILLUSTRATED PARTS LIST

Page 1098.204

Jul 01/2006



COMPONENT MAINTENANCE MANUAL

FIG/ ITEM	PART NUMBER	AIRLINE PART NUMBER	NOMENCLATURE							USAGE CODE	UNITS PER ASSY
			1	2	3	4	5	6	7		
8-											
795B	412N1146-60								. . . SUPPORT (USED ON ITEM 755)		1
795C	412N1146-38								. . . SUPPORT (USED ON ITEM 755A)		1
835	65C27012-78								. . BODY ASSY (FOR DETAILS SEE FIG. 18)	A	1
835A	65C27012-79								. . BODY ASSY (FOR DETAILS SEE FIG. 18)	B	1

-Item not Illustrated

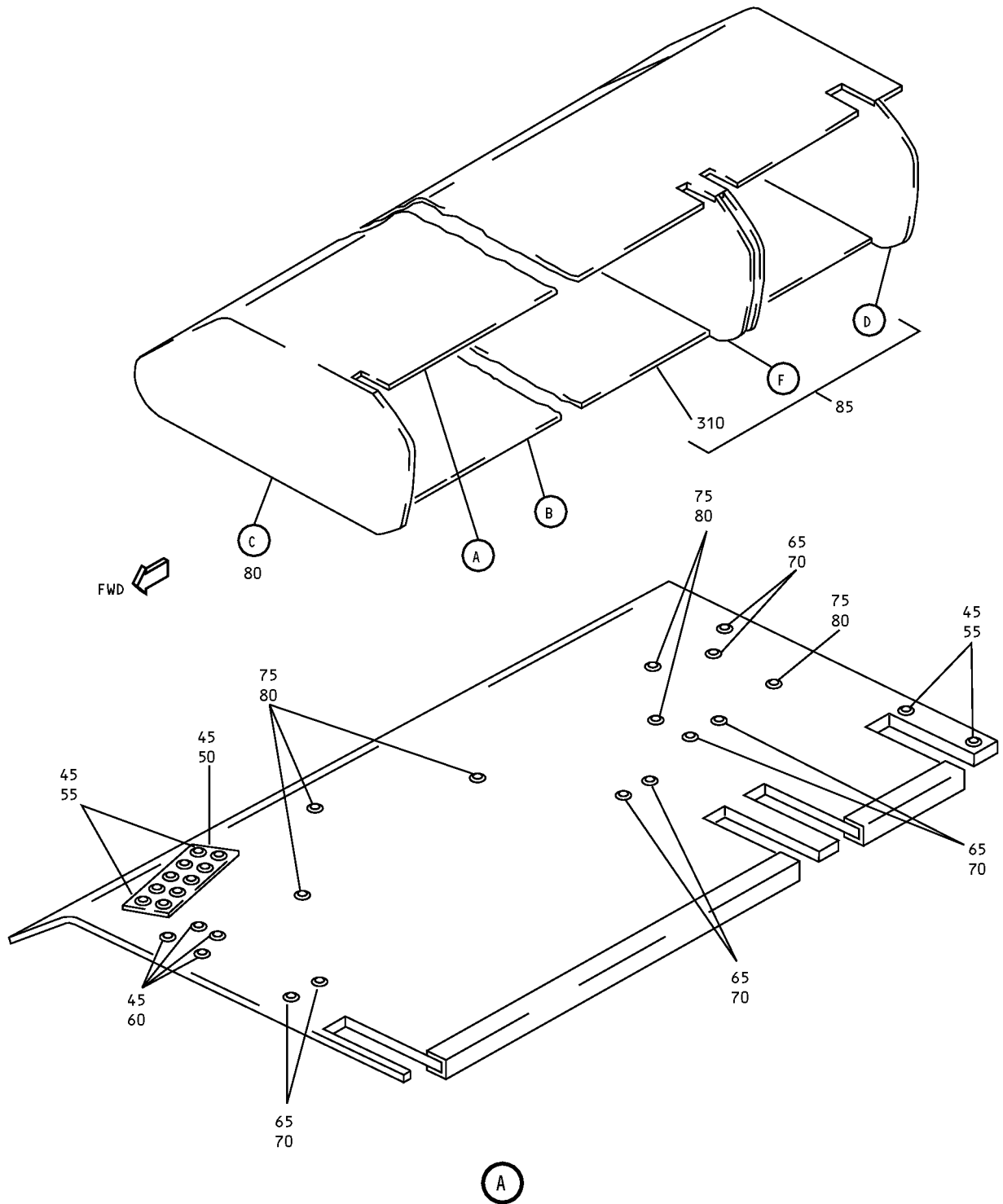
25-28-46

ILLUSTRATED PARTS LIST

Page 1098.205

Jul 01/2006

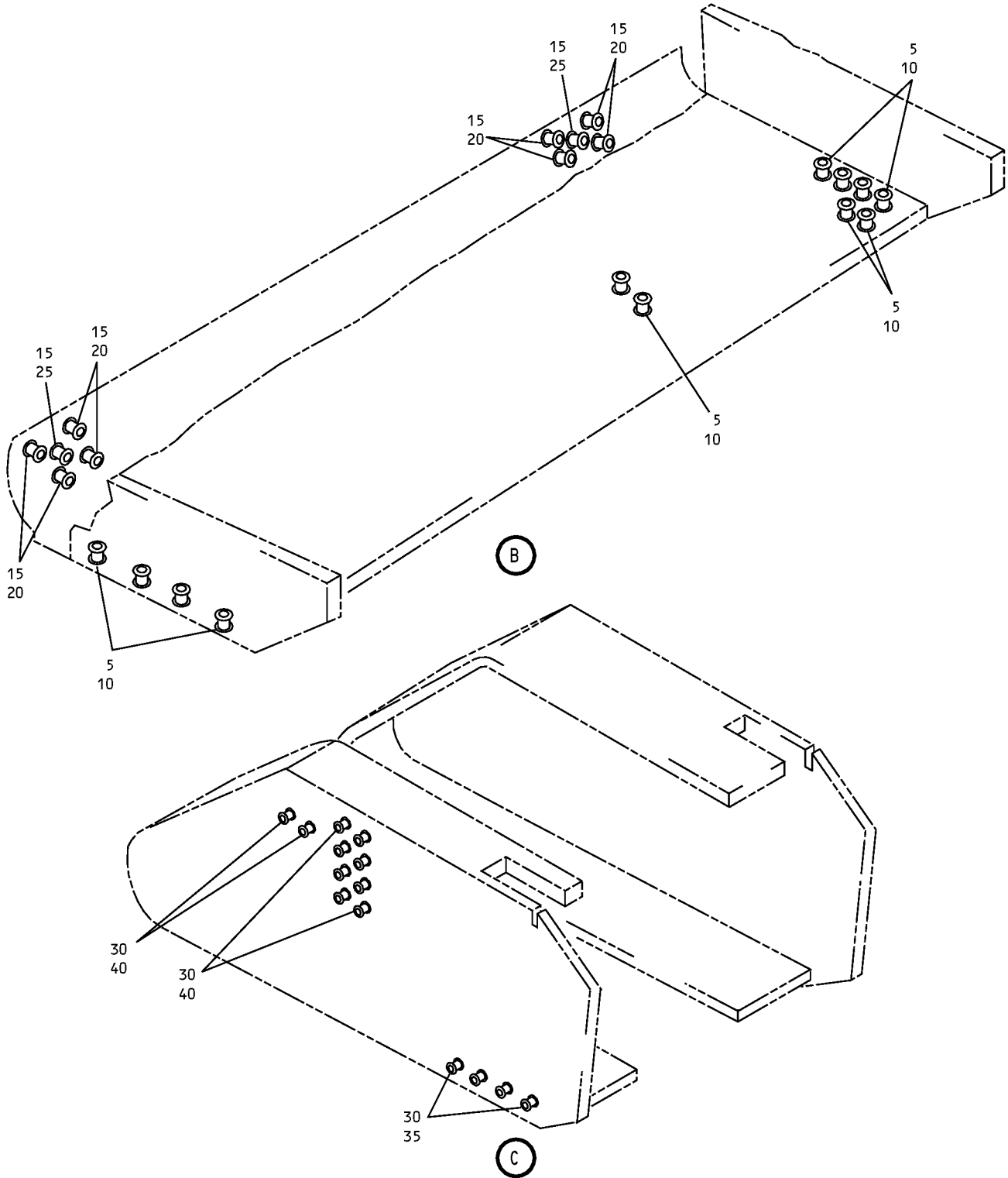
COMPONENT MAINTENANCE MANUAL



Overhead Stowage Compartment Assembly
IPL Figure 11 (Sheet 1 of 7)

25-28-46
ILLUSTRATED PARTS LIST
Page 1098.206
Jul 01/2006

COMPONENT MAINTENANCE MANUAL



Overhead Storage Compartment Assembly
IPL Figure 11 (Sheet 2 of 7)

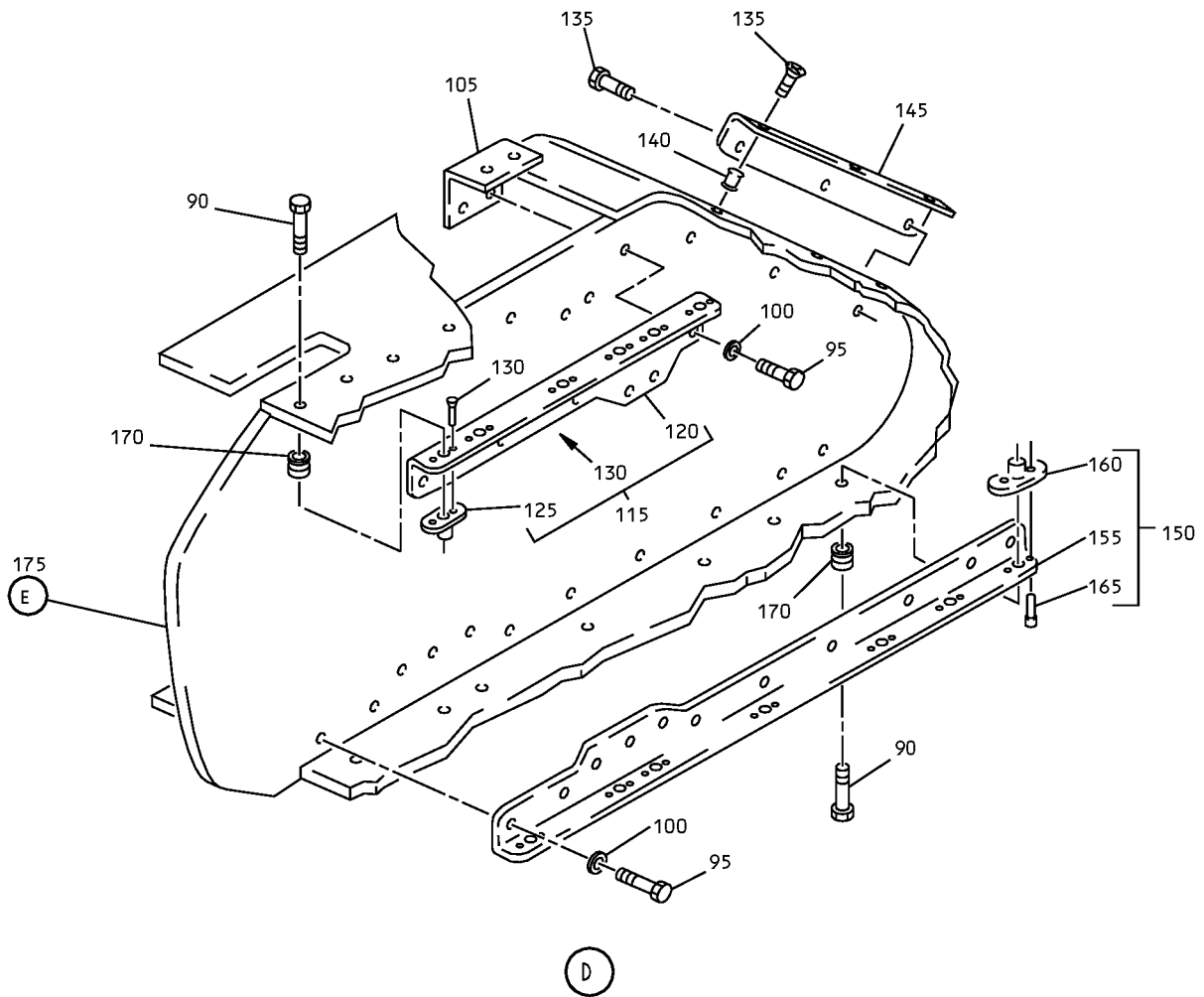
25-28-46

ILLUSTRATED PARTS LIST

Page 1098.207

Jul 01/2006

COMPONENT MAINTENANCE MANUAL



Overhead Storage Compartment Assembly
IPL Figure 11 (Sheet 3 of 7)

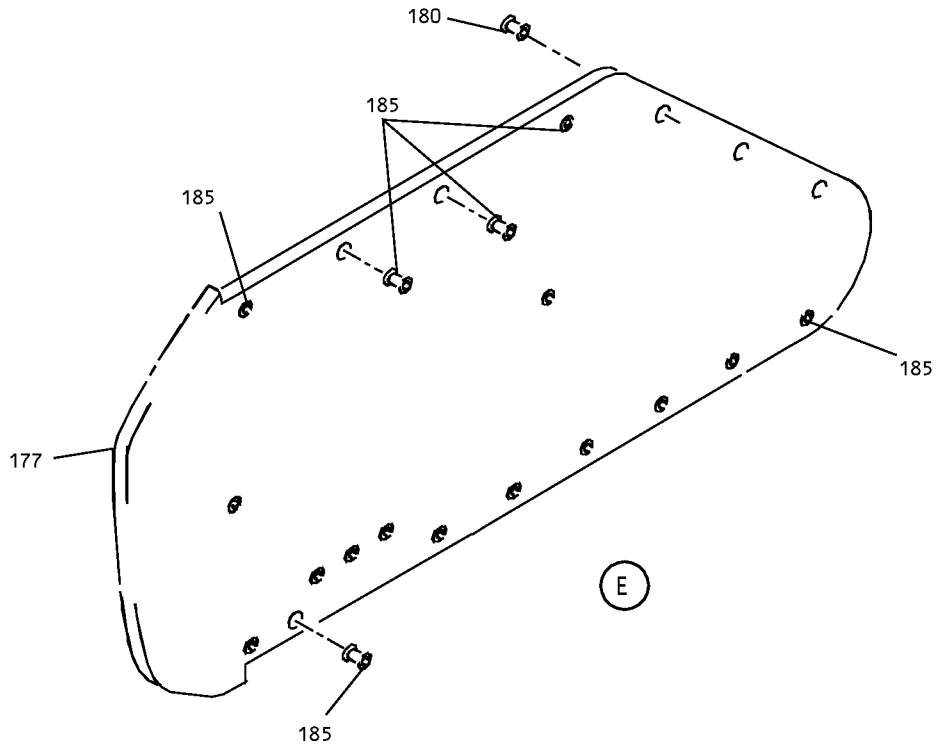
25-28-46

ILLUSTRATED PARTS LIST

Page 1098.208

Jul 01/2006

COMPONENT MAINTENANCE MANUAL



Overhead Stowage Compartment Assembly
IPL Figure 11 (Sheet 4 of 7)

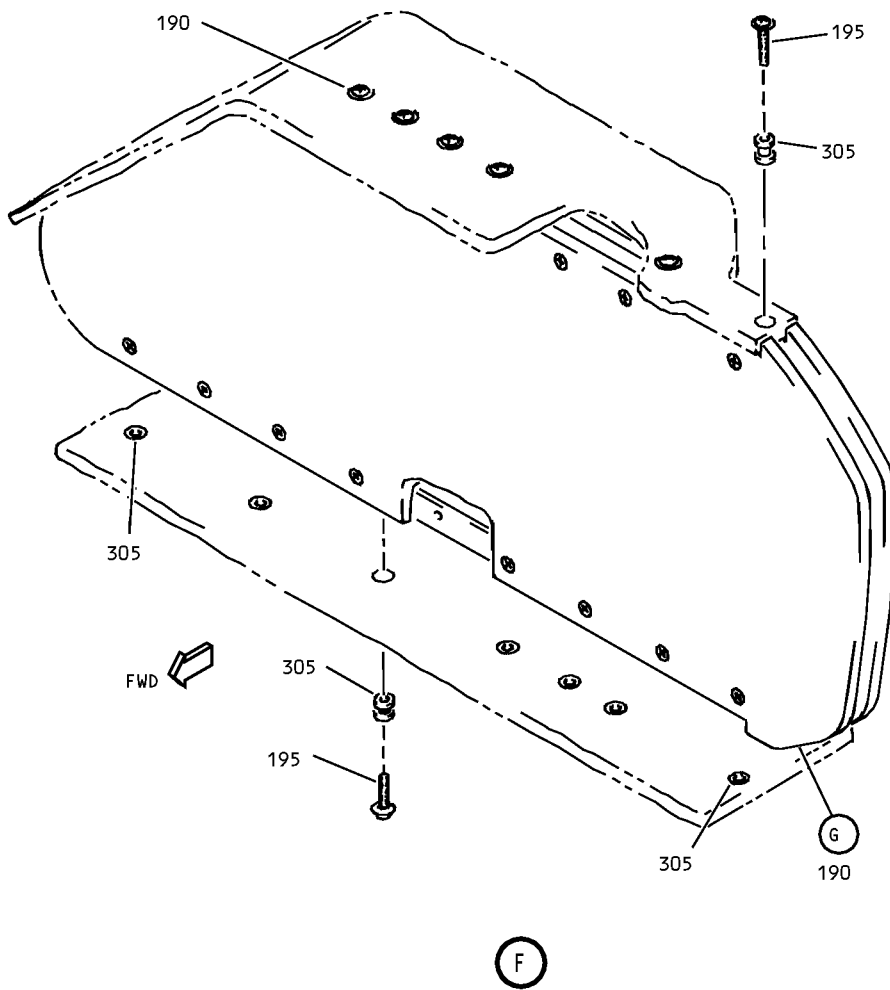
25-28-46

ILLUSTRATED PARTS LIST

Page 1098.209

Jul 01/2006

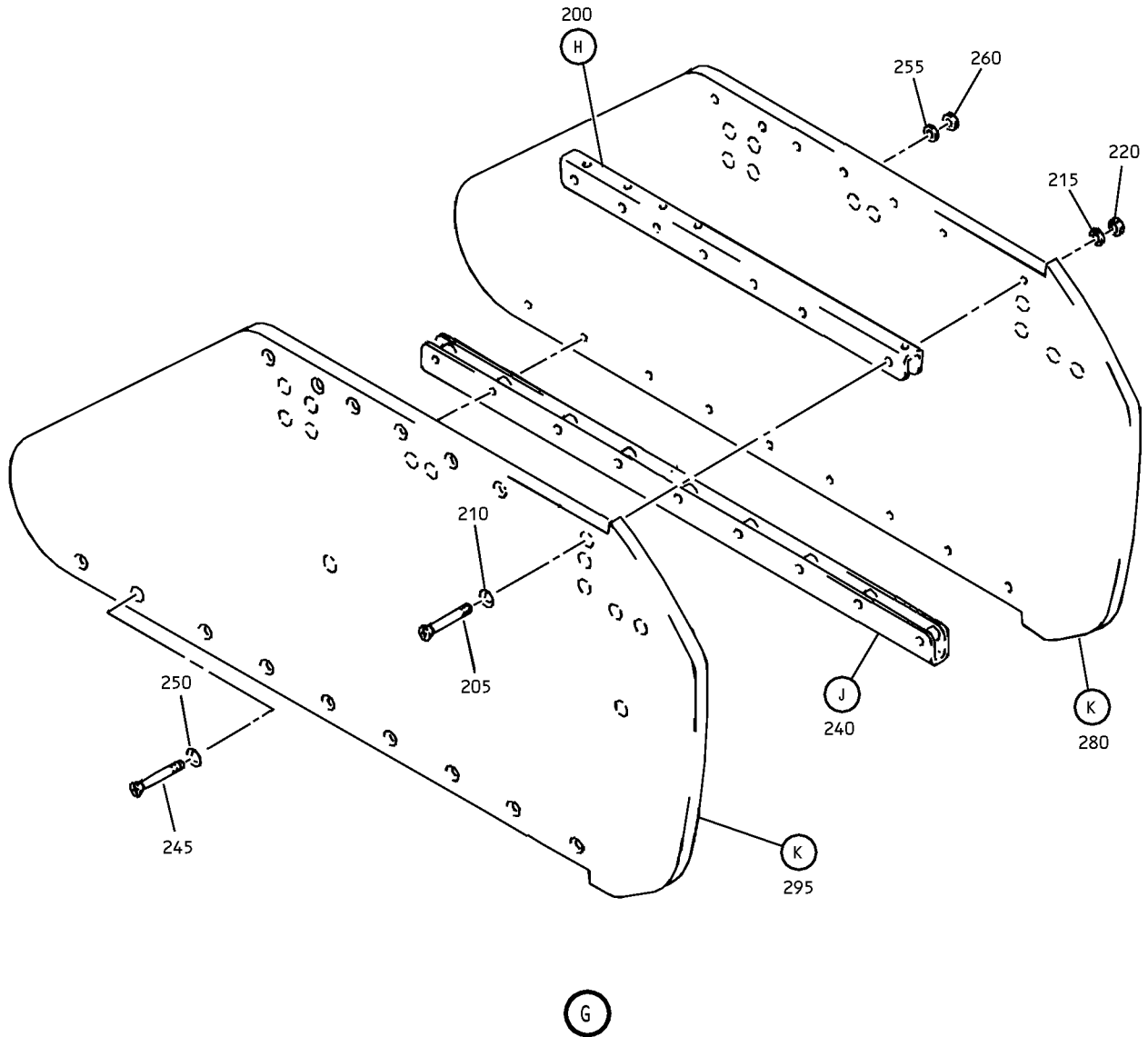
COMPONENT MAINTENANCE MANUAL



Overhead Storage Compartment Assembly
IPL Figure 11 (Sheet 5 of 7)

25-28-46
ILLUSTRATED PARTS LIST
Page 1098.210
Jul 01/2006

COMPONENT MAINTENANCE MANUAL



Overhead Stowage Compartment Assembly
IPL Figure 11 (Sheet 6 of 7)

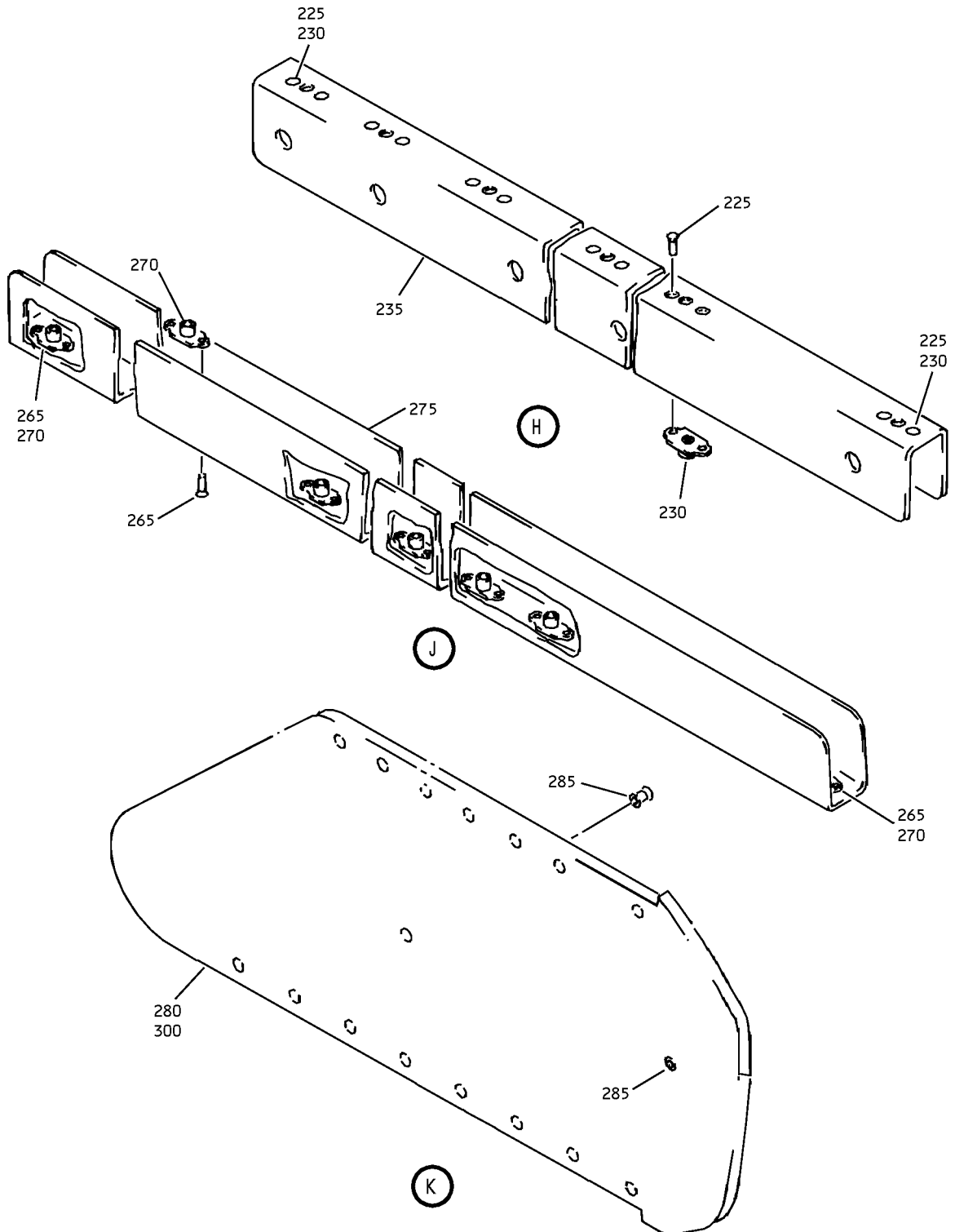
25-28-46

ILLUSTRATED PARTS LIST

Page 1098.211

Jul 01/2006

COMPONENT MAINTENANCE MANUAL



Overhead Storage Compartment Assembly
IPL Figure 11 (Sheet 7 of 7)

25-28-46

ILLUSTRATED PARTS LIST

Page 1098.212

Jul 01/2006



COMPONENT MAINTENANCE MANUAL

FIG/ ITEM	PART NUMBER	AIRLINE PART NUMBER	NOMENCLATURE							USAGE CODE	UNITS PER ASSY
			1	2	3	4	5	6	7		
11-											
-1	65C27012-6										RF
5	65C27012-1031										1
10	NAS1836-3-11										12
15	65C27012-1106										1
20	NAS1836-3-11										8
25	NAS1836-4-11										2
30	65C27012-1209										1
35	NAS1836-3-11										4
40	SL2334-3A2										10
											(V97393)
45	65C27012-1304										1
50	65C27012-8										1
55	NAS1836-3-11										10
60	SL2334-3A2										4
											(V97393)
65	65C27012-2014										1
70	NAS1836-3-11										8
75	65C27012-2106										1
80	NAS1836-3-11										6
85	65C27327-10										1
90	BACS12FA3K12										12
											(V06710)
											(SPEC BACS12FA3K12)
											(OPT BACS12FA3K12 (V06725))
											(OPT BACS12FA3K12 (V06950))
											(OPT BACS12FA3K12 (V27624))
											(OPT BACS12FA3K12 (V34252))
											(OPT BACS12FA3K12 (V56878))
											(OPT BACS12FA3K12 (V73197))
											(OPT BACS12FA3K12 (V80539))
											(OPT BACS12FA3K12 (V92215))
											(OPT BACS12FA3K12 (V93907))
											(OPT BACS12FA3K12 (V97928))
95	BACB30NN3K6										15
100	BACW10CT10										15

-Item not Illustrated

25-28-46

ILLUSTRATED PARTS LIST

Page 1098.213

Jul 01/2006



COMPONENT MAINTENANCE MANUAL

FIG/ ITEM	PART NUMBER	AIRLINE PART NUMBER	NOMENCLATURE							USAGE CODE	UNITS PER ASSY
			1	2	3	4	5	6	7		
11-											
105	65C27327-15										1
115	412N1217-54										1
120	412N1217-56										1
125	BACN10JP3A										6
130	BACR15BA3D										12
135	BACS12FA3K5										6
140	NAS1836-3-11										3
145	412N1217-5										1
150	412N1217-82										1
155	412N1217-86										1
160	BACN10JP3A										7
165	BACN15BA3D										14
170	NAS1836-3-400										1
175	412N1116-82										1
177	412N1116-84										1
180	NAS1836-3-11										3
185	NAS1836-3-11										17
190	412N1216-13										1
195	BACS12FA3K12										13
200	412N1217-23										1

-Item not Illustrated

25-28-46

ILLUSTRATED PARTS LIST

Page 1098.214

Jul 01/2006



COMPONENT MAINTENANCE MANUAL

FIG/ ITEM	PART NUMBER	AIRLINE PART NUMBER	NOMENCLATURE							USAGE CODE	UNITS PER ASSY
			1	2	3	4	5	6	7		
11-			ATTACHING PARTS								
205	BACB30NN3K1		. . . BOLT (V06710) (SPEC BACB30NN3K1) (OPT BACB30NN3K1 (V06725)) (OPT BACB30NN3K1 (V06950)) (OPT BACB30NN3K1 (V08524)) (OPT BACB30NN3K1 (V27624)) (OPT BACB30NN3K1 (V56878)) (OPT BACB30NN3K1 (V73197)) (OPT BACB30NN3K1 (V80539)) (OPT BACB30NN3K1 (V92215)) (OPT BACB30NN3K1 (V93907)) (OPT BACB30NN3K1 (V97928))								9
210	BACW10CT10		. . . WASHER (V10630) (SPEC BACW10CT10)								9
215	AN960PD516L		. . . WASHER								9
220	SL5-3-145S		. . . NUT (V97393) (OPT ITEM 220A)								9
-220A	K121D395-145		. . . NUT (V29372) (OPT ITEM 220)								9
			-----*-----								
225	BACR15BA3AD	 RIVET (SIZE DETERMINED ON INST)								12
230	BRM200A3	 NUTPLATE (V52828) (SPEC BACN10JP3A) (OPT MK1000-3BAC (V15653)) (OPT NS103197-02 (V80539)) (OPT RMA9201M3 (V72962)) (OPT T8076S1032 (V11815)) (OPT VN202A1-02 (V92215))								6
235	412N1217-88	 BRACKET								1
240	412N1217-19		. . . BRACKET ASSY								1

-Item not Illustrated

25-28-46

ILLUSTRATED PARTS LIST

Page 1098.215

Jul 01/2006



COMPONENT MAINTENANCE MANUAL

FIG/ ITEM	PART NUMBER	AIRLINE PART NUMBER	NOMENCLATURE							USAGE CODE	UNITS PER ASSY
			1	2	3	4	5	6	7		
11-			ATTACHING PARTS								
245	BACB30NN3K1		. . . BOLT (V06710) (SPEC BACB30NN3K1) (OPT BACB30NN3K1 (V06725)) (OPT BACB30NN3K1 (V06950)) (OPT BACB30NN3K1 (V08524)) (OPT BACB30NN3K1 (V27624)) (OPT BACB30NN3K1 (V56878)) (OPT BACB30NN3K1 (V73197)) (OPT BACB30NN3K1 (V80539)) (OPT BACB30NN3K1 (V92215)) (OPT BACB30NN3K1 (V93907)) (OPT BACB30NN3K1 (V97928))								9
250	BACW10CT10		. . . WASHER (V10630) (SPEC BACW10CT10)								9
255	AN960PD516L		. . . WASHER								9
260	SL5-3-1455		. . . NUT (V97393) (OPT ITEM 260A)								9
-260A	K121D395-145		. . . NUT (V29372) (OPT ITEM 260)								9
			-----*								
265	BACR15BA3AD	 RIVET (SIZE DETERMINED ON INST)								14
270	BRM200A3	 NUTPLATE (V52828) (SPEC BACN10JP3A) (OPT MK1000-3BAC (V15653)) (OPT NS103197-02 (V80539)) (OPT RMA9201M3 (V72962)) (OPT T8076S1032 (V11815)) (OPT VN202A1-02 (V92215))								7
275	412N1217-20	 BRACKET								1
280	412N1116-49		. . . PANEL ASSY								1
285	NAS1836-3-11	 INSERT								2
290	412N1116-17	 PANEL ASSY								1
295	412N1116-48		. . . PANEL ASSY								1

-Item not Illustrated

25-28-46

ILLUSTRATED PARTS LIST

Page 1098.216

Jul 01/2006



COMPONENT MAINTENANCE MANUAL

FIG/ ITEM	PART NUMBER	AIRLINE PART NUMBER	NOMENCLATURE							USAGE CODE	UNITS PER ASSY
			1	2	3	4	5	6	7		
11-											
300	412N1116-18										1
305	NAS1834-4-400										13
310	412N1215-77										1

-Item not Illustrated

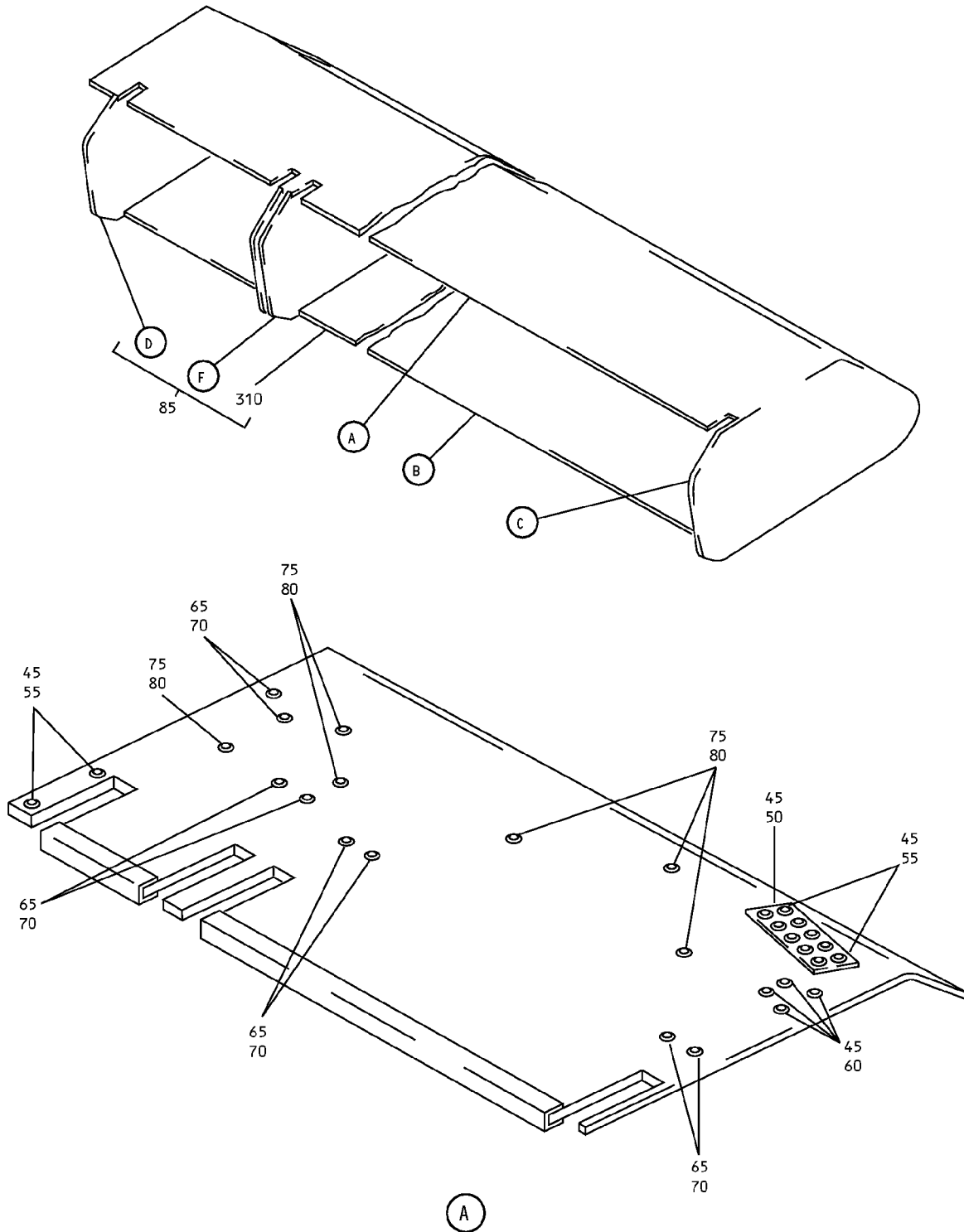
25-28-46

ILLUSTRATED PARTS LIST

Page 1098.217

Jul 01/2006

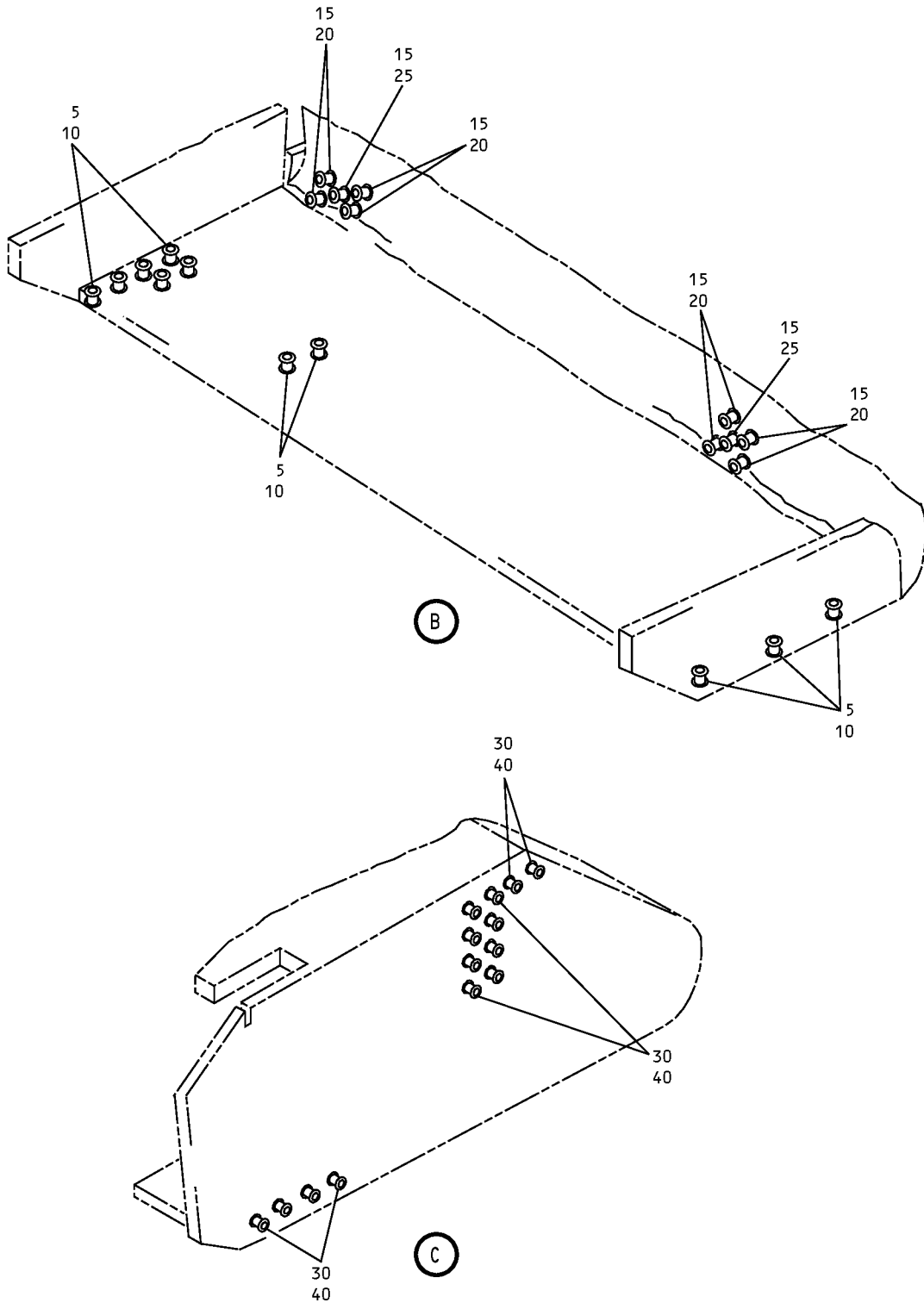
COMPONENT MAINTENANCE MANUAL



Overhead Stowage Compartment Assembly
IPL Figure 12 (Sheet 1 of 7)

25-28-46
ILLUSTRATED PARTS LIST
Page 1098.218
Jul 01/2006

COMPONENT MAINTENANCE MANUAL



Overhead Stowage Compartment Assembly
IPL Figure 12 (Sheet 2 of 7)

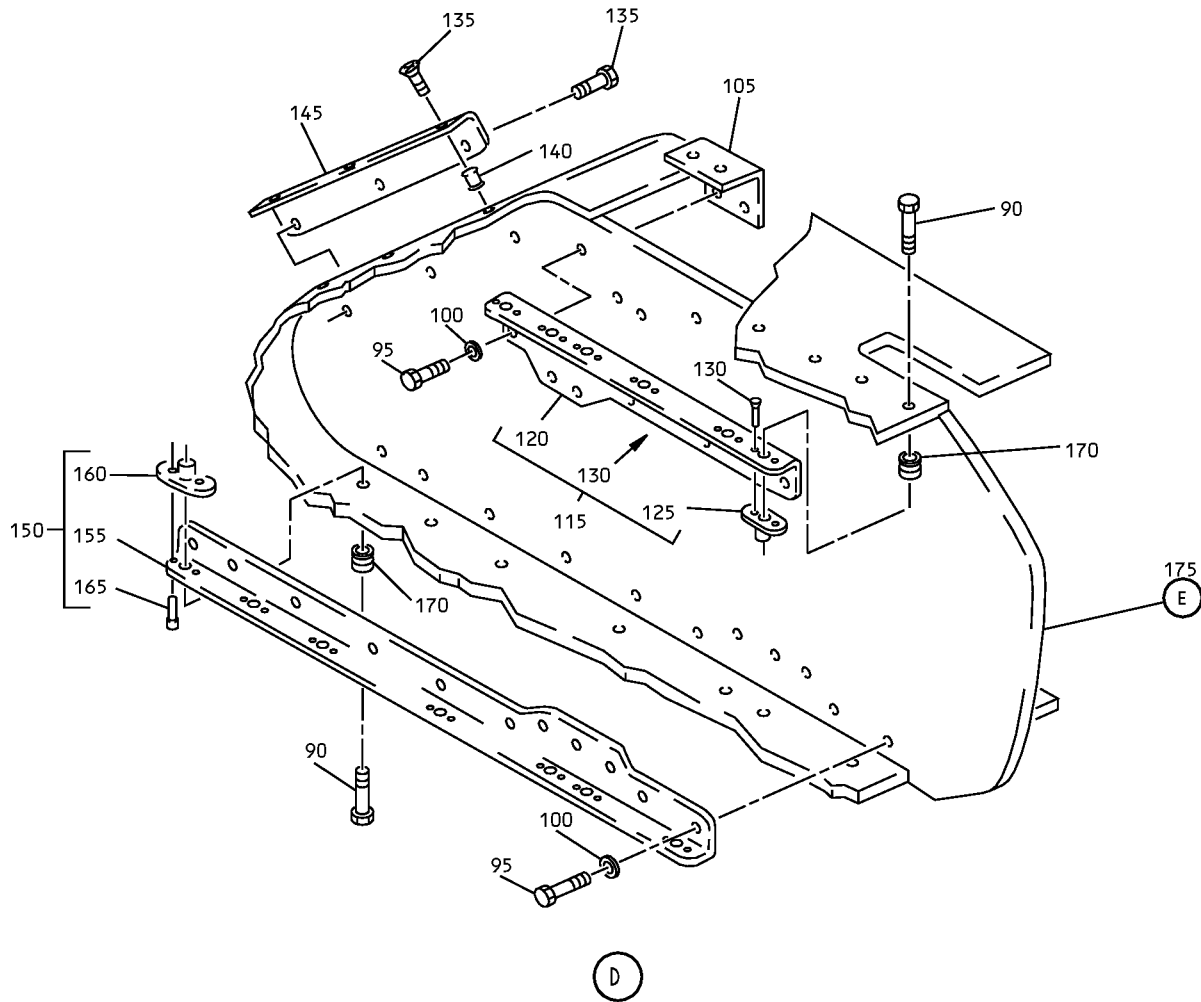
25-28-46

ILLUSTRATED PARTS LIST

Page 1098.219

Jul 01/2006

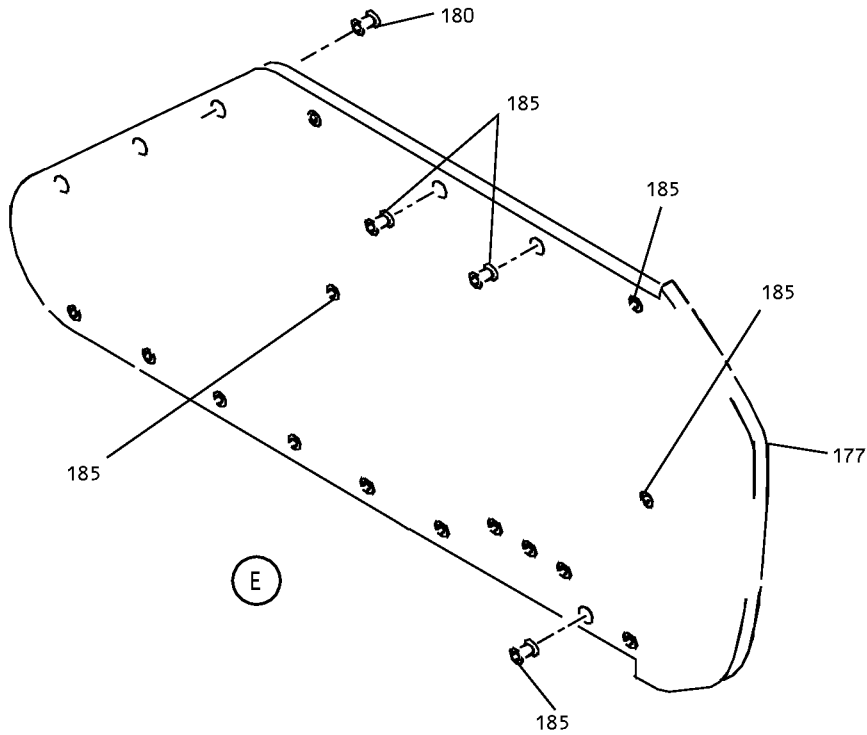
COMPONENT MAINTENANCE MANUAL



Overhead Storage Compartment Assembly
IPL Figure 12 (Sheet 3 of 7)

25-28-46
ILLUSTRATED PARTS LIST
Page 1098.220
Jul 01/2006

COMPONENT MAINTENANCE MANUAL



Overhead Stowage Compartment Assembly
IPL Figure 12 (Sheet 4 of 7)

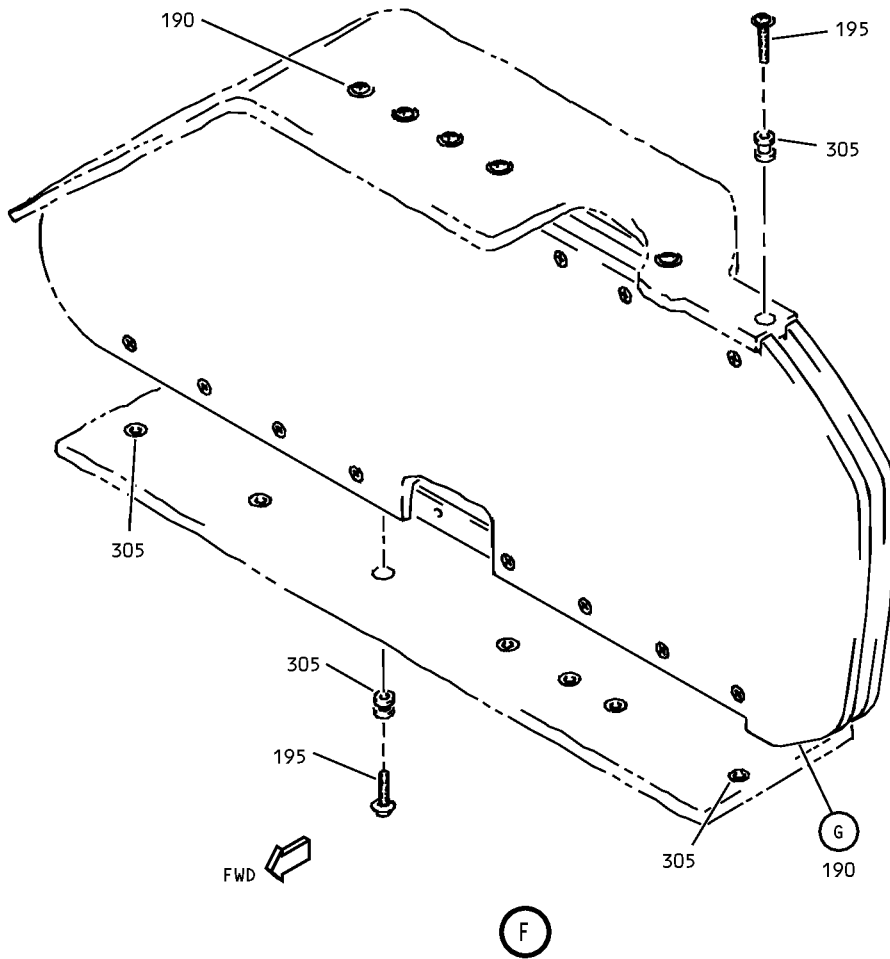
25-28-46

ILLUSTRATED PARTS LIST

Page 1098.221

Jul 01/2006

COMPONENT MAINTENANCE MANUAL



Overhead Stowage Compartment Assembly
IPL Figure 12 (Sheet 5 of 7)

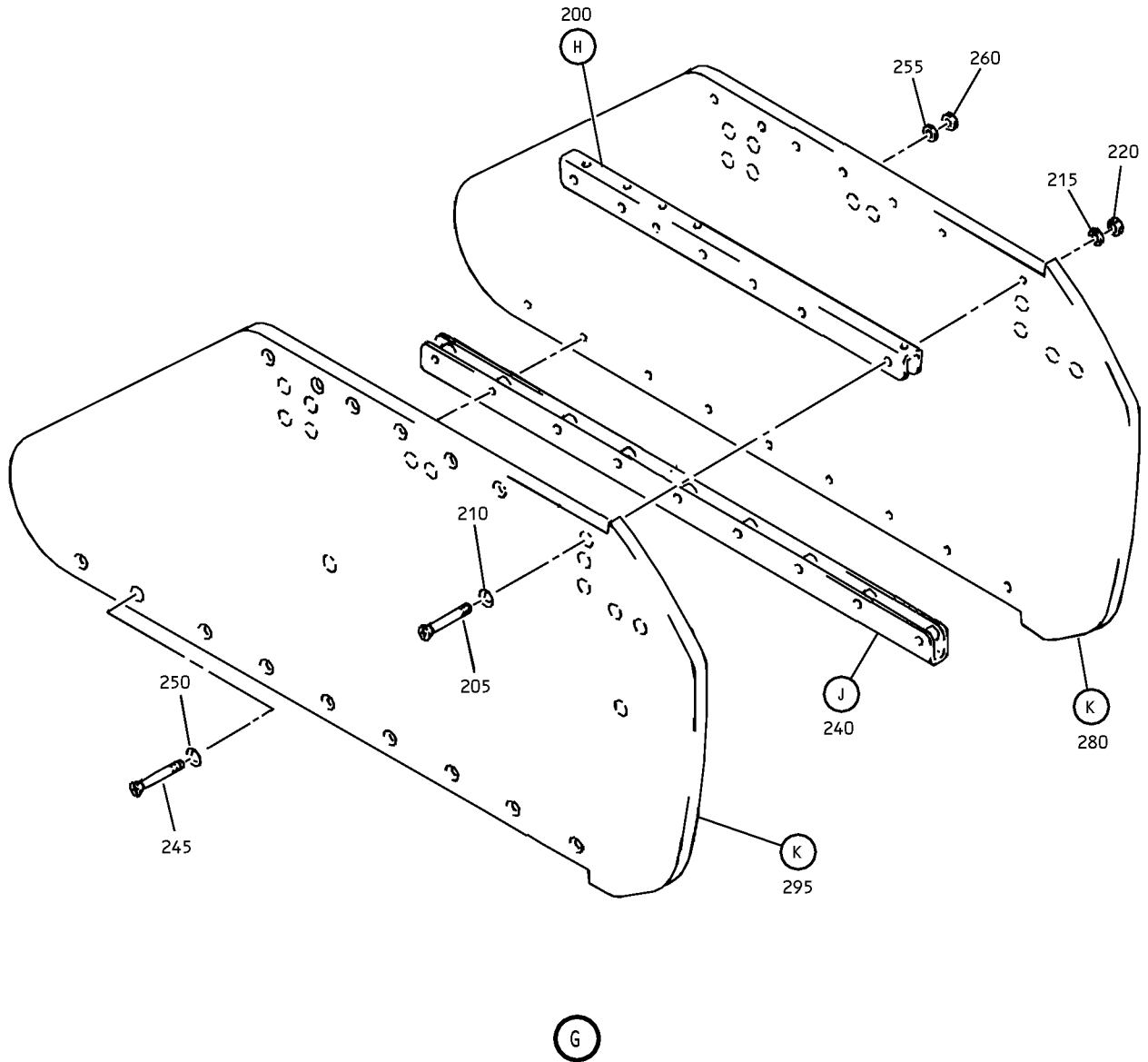
25-28-46

ILLUSTRATED PARTS LIST

Page 1098.222

Jul 01/2006

COMPONENT MAINTENANCE MANUAL



Overhead Storage Compartment Assembly
IPL Figure 12 (Sheet 6 of 7)

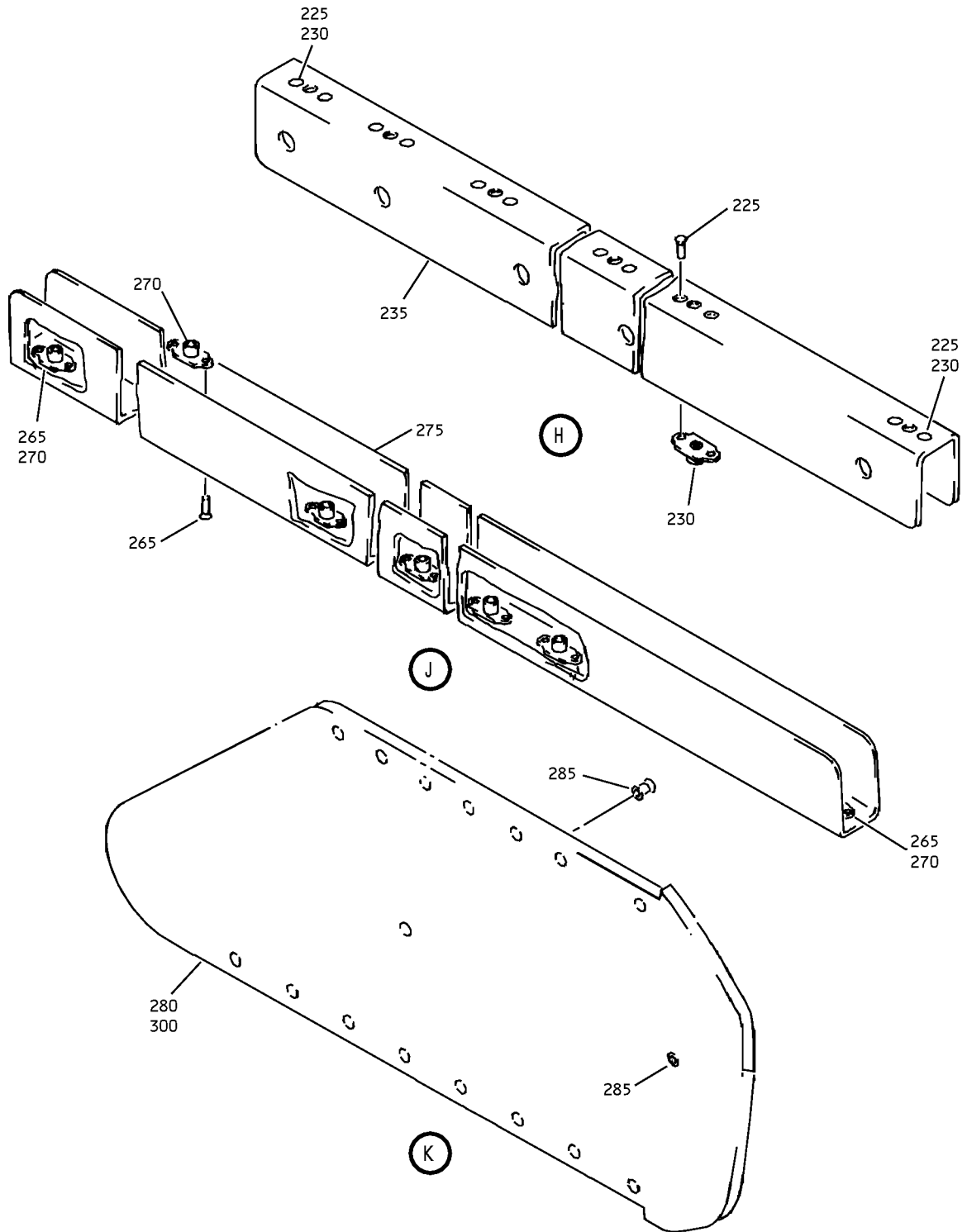
25-28-46

ILLUSTRATED PARTS LIST

Page 1098.223

Jul 01/2006

COMPONENT MAINTENANCE MANUAL



Overhead Storage Compartment Assembly
IPL Figure 12 (Sheet 7 of 7)

25-28-46

ILLUSTRATED PARTS LIST

Page 1098.224

Jul 01/2006



COMPONENT MAINTENANCE MANUAL

FIG/ ITEM	PART NUMBER	AIRLINE PART NUMBER	NOMENCLATURE							USAGE CODE	UNITS PER ASSY
			1	2	3	4	5	6	7		
12-											
-1	65C27012-5										RF
5	65C27012-1034										1
10	NAS1836-3-11										10
15	65C27012-1105										1
20	NAS1836-3-11										8
25	NAS1836-4-11										2
30	65C27012-1210										1
35	NAS1836-3-11										4
40	SL2334-3A2										10
											(V97393)
45	65C27012-1303										1
50	65C27012-8										1
55	NAS1836-3-11										10
60	SL2334-3A2										4
											(V97393)
65	65C27012-2013										1
70	NAS1836-3-11										8
75	65C27012-2105										1
80	NAS1836-3-11										6
85	65C27327-9										1
90	BACS12FA3K12										12
											(V06710)
											(SPEC BACS12FA3K12)
											(OPT BACS12FA3K12 (V06725))
											(OPT BACS12FA3K12 (V06950))
											(OPT BACS12FA3K12 (V27624))
											(OPT BACS12FA3K12 (V34252))
											(OPT BACS12FA3K12 (V56878))
											(OPT BACS12FA3K12 (V73197))
											(OPT BACS12FA3K12 (V80539))
											(OPT BACS12FA3K12 (V92215))
											(OPT BACS12FA3K12 (V93907))
											(OPT BACS12FA3K12 (V97928))
95	BACB30NN3K6										15
100	BACW10CT10										15

-Item not Illustrated

25-28-46

ILLUSTRATED PARTS LIST

Page 1098.225

Jul 01/2006



COMPONENT MAINTENANCE MANUAL

FIG/ ITEM	PART NUMBER	AIRLINE PART NUMBER	NOMENCLATURE							USAGE CODE	UNITS PER ASSY
			1	2	3	4	5	6	7		
12-											
105	65C27327-15							. . DOUBLER			1
115	412N1217-53							. . BRACKET ASSY			1
120	412N1217-55							. . . BRACKET			1
125	BACN10JP3A							. . . NUTPLATE			6
130	BACR15BA3D							. . . RIVET (SIZE DETERMINED ON INST)			12
135	BACS12FA3K5							. . SCREW			6
140	NAS1836-3-11							. . INSERT			3
145	412N1217-5							. . BRACKET			1
150	412N1217-81							. . BRACKET ASSY			1
155	412N1217-83							. . . BRACKET			1
160	BACN10JP3A							. . . NUTPLATE			7
165	BACN15BA3D							. . . RIVET			14
170	NAS1836-3-400							. . INSERT			1
175	412N1116-81							. . PANEL ASSY-END			1
177	412N1116-83							. . . PANEL ASSY			1
180	NAS1836-3-11							. . . INSERT			3
185	NAS1836-3-11							. . . INSERT			17
190	412N1216-14							. . PANEL ASSY-DIVIDER			1
195	BACS12FA3K12							. . SCREW (V06710) (SPEC BACS12FA3K12) (OPT BACS12FA3K12 (V06725)) (OPT BACS12FA3K12 (V06950)) (OPT BACS12FA3K12 (V27624)) (OPT BACS12FA3K12 (V27624)) (OPT BACS12FA3K12 (V34252)) (OPT BACS12FA3K12 (V56878)) (OPT BACS12FA3K12 (V73197)) (OPT BACS12FA3K12 (V80539)) (OPT BACS12FA3K12 (V92215)) (OPT BACS12FA3K12 (V93907)) (OPT BACS12FA3K12 (V97928))			13
200	412N1217-23							. . . BRACKET ASSY			1

-Item not Illustrated

25-28-46

ILLUSTRATED PARTS LIST

Page 1098.226

Jul 01/2006



COMPONENT MAINTENANCE MANUAL

FIG/ ITEM	PART NUMBER	AIRLINE PART NUMBER	NOMENCLATURE							USAGE CODE	UNITS PER ASSY
			1	2	3	4	5	6	7		
12-			ATTACHING PARTS								
205	BACB30NN3K1		. . . BOLT (V06710) (SPEC BACB30NN3K1) (OPT BACB30NN3K1 (V06725)) (OPT BACB30NN3K1 (V06950)) (OPT BACB30NN3K1 (V08524)) (OPT BACB30NN3K1 (V27624)) (OPT BACB30NN3K1 (V56878)) (OPT BACB30NN3K1 (V73197)) (OPT BACB30NN3K1 (V80539)) (OPT BACB30NN3K1 (V92215)) (OPT BACB30NN3K1 (V93907)) (OPT BACB30NN3K1 (V97928))								9
210	BACW10CT10		. . . WASHER (V10630) (SPEC BACW10CT10)								9
215	AN960PD516L		. . . WASHER								9
220	SL5-3-145S		. . . NUT (V97393) (OPT ITEM 220A)								9
-220A	K121D395-145		. . . NUT (V29372) (OPT ITEM 220)								9
			-----*-----								
225	BACR15BA3AD	 RIVET (SIZE DETERMINED ON INST)								12
230	BRM200A3	 NUTPLATE (V52828) (SPEC BACN10JP3A) (OPT MK1000-3BAC (V15653)) (OPT NS103197-02 (V80539)) (OPT RMA9201M3 (V72962)) (OPT T8076S1032 (V11815)) (OPT VN202A1-02 (V92215))								6
235	412N1217-24	 BRACKET								1
240	412N1217-19		. . . BRACKET ASSY								1

-Item not Illustrated

25-28-46

ILLUSTRATED PARTS LIST

Page 1098.227

Jul 01/2006



COMPONENT MAINTENANCE MANUAL

FIG/ ITEM	PART NUMBER	AIRLINE PART NUMBER	NOMENCLATURE							USAGE CODE	UNITS PER ASSY
			1	2	3	4	5	6	7		
12-			ATTACHING PARTS								
245	BACB30NN3K1		. . . BOLT (V06710) (SPEC BACB30NN3K1) (OPT BACB30NN3K1 (V06725)) (OPT BACB30NN3K1 (V06950)) (OPT BACB30NN3K1 (V08524)) (OPT BACB30NN3K1 (V27624)) (OPT BACB30NN3K1 (V56878)) (OPT BACB30NN3K1 (V73197)) (OPT BACB30NN3K1 (V80539)) (OPT BACB30NN3K1 (V92215)) (OPT BACB30NN3K1 (V93907)) (OPT BACB30NN3K1 (V97928))								9
250	BACW10CT10		. . . WASHER (V10630) (SPEC BACW10CT10)								9
255	AN960PD516L		. . . WASHER								9
260	SL5-3-1455		. . . NUT (V97393) (OPT ITEM 260A)								9
-260A	K121D395-145		. . . NUT (V29372) (OPT ITEM 260)								9
			-----*-----								
265	BACR15BA3AD	 RIVET (SIZE DETERMINED ON INST)								14
270	BRM200A3	 NUTPLATE (V52828) (SPEC BACN10JP3A) (OPT MK1000-3BAC (V15653)) (OPT NS103197-02 (V80539)) (OPT RMA9201M3 (V72962)) (OPT T8076S1032 (V11815)) (OPT VN202A1-02 (V92215))								7
275	412N1217-20	 BRACKET								1
280	412N1116-50		. . . PANEL ASSY								1
285	NAS1836-3-11	 INSERT								2
290	412N1116-17	 PANEL ASSY								1
295	412N1116-47		. . . PANEL ASSY								1

-Item not Illustrated

25-28-46

ILLUSTRATED PARTS LIST

Page 1098.228

Jul 01/2006



COMPONENT MAINTENANCE MANUAL

FIG/ ITEM	PART NUMBER	AIRLINE PART NUMBER	NOMENCLATURE							USAGE CODE	UNITS PER ASSY
			1	2	3	4	5	6	7		
12-											
300	412N1116-18										1
305	NAS1834-4-400										13
310	65C27327-11										1

-Item not Illustrated

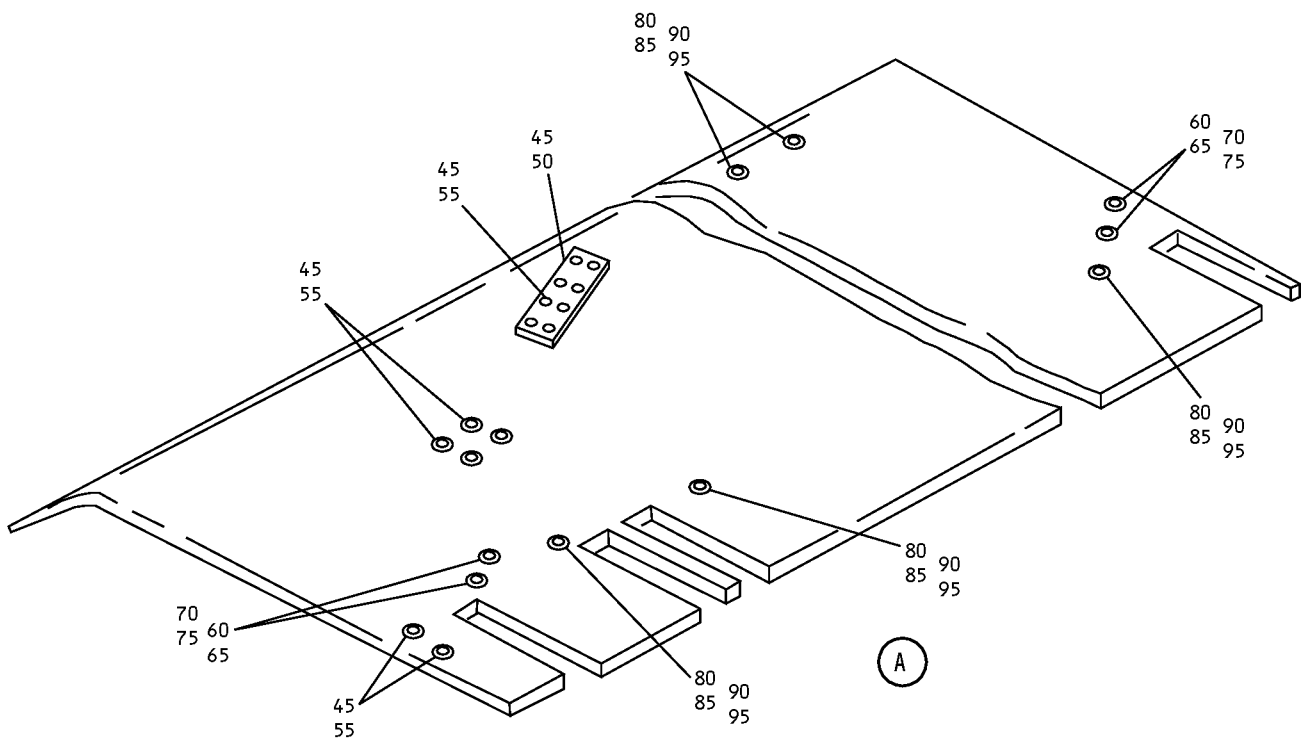
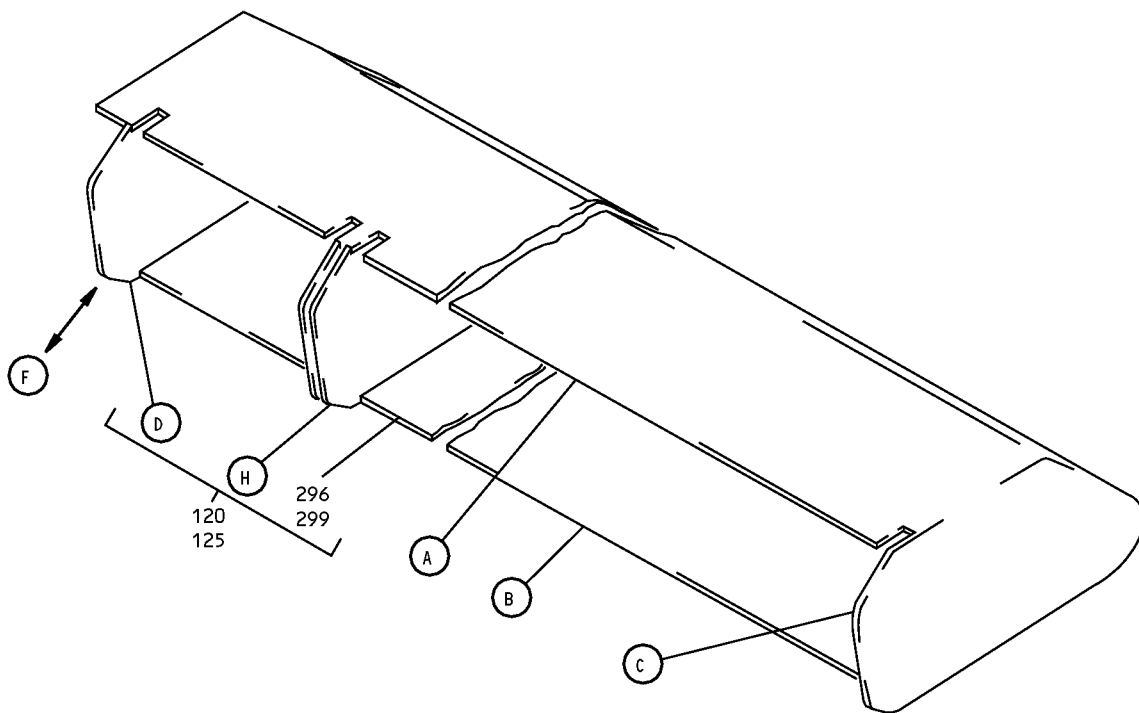
25-28-46

ILLUSTRATED PARTS LIST

Page 1098.229

Jul 01/2006

COMPONENT MAINTENANCE MANUAL



Overhead Stowage Compartment Assembly
IPL Figure 13 (Sheet 1 of 7)

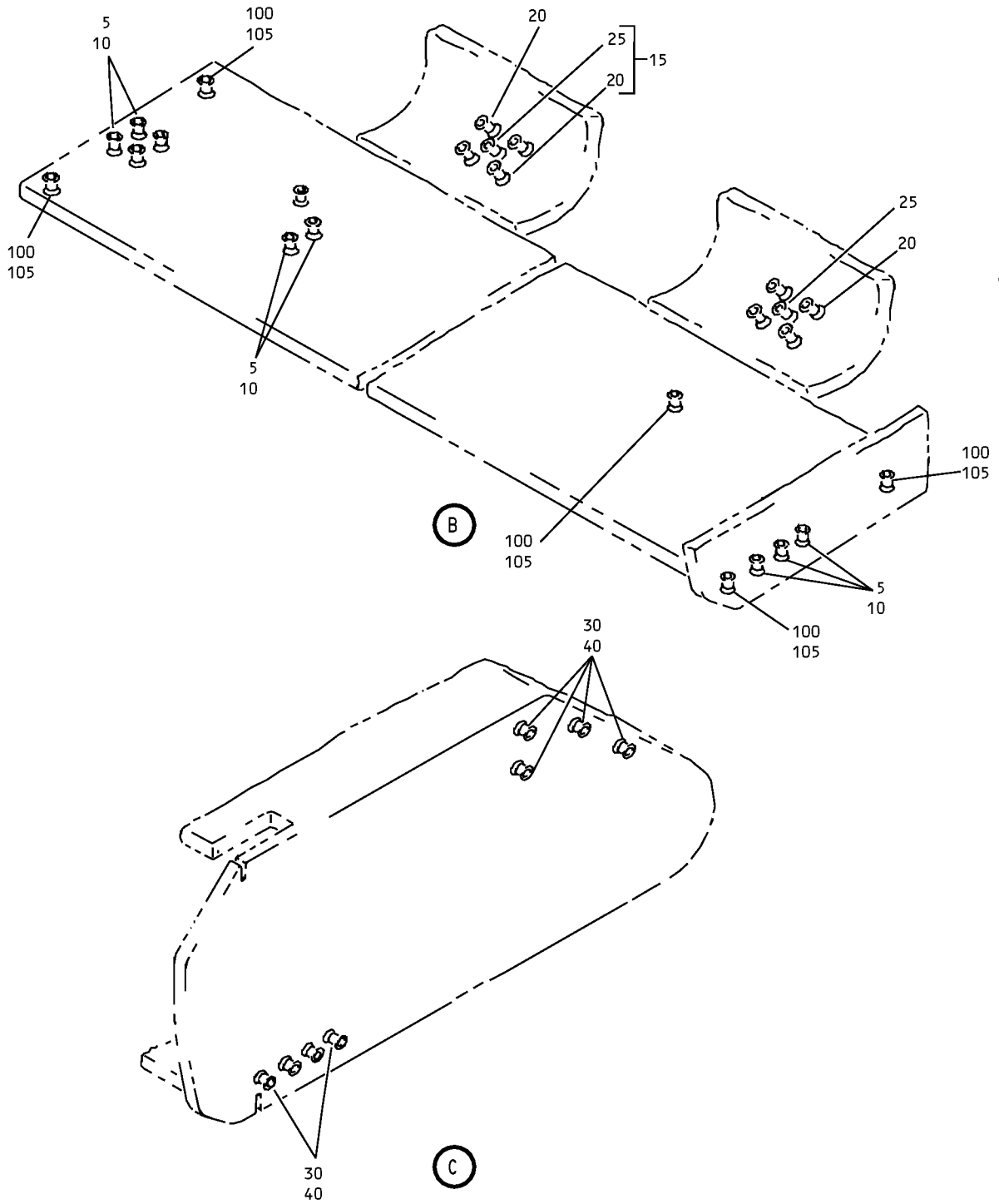
25-28-46

ILLUSTRATED PARTS LIST

Page 1098.230

Jul 01/2006

COMPONENT MAINTENANCE MANUAL



Overhead Stowage Compartment Assembly
IPL Figure 13 (Sheet 2 of 7)

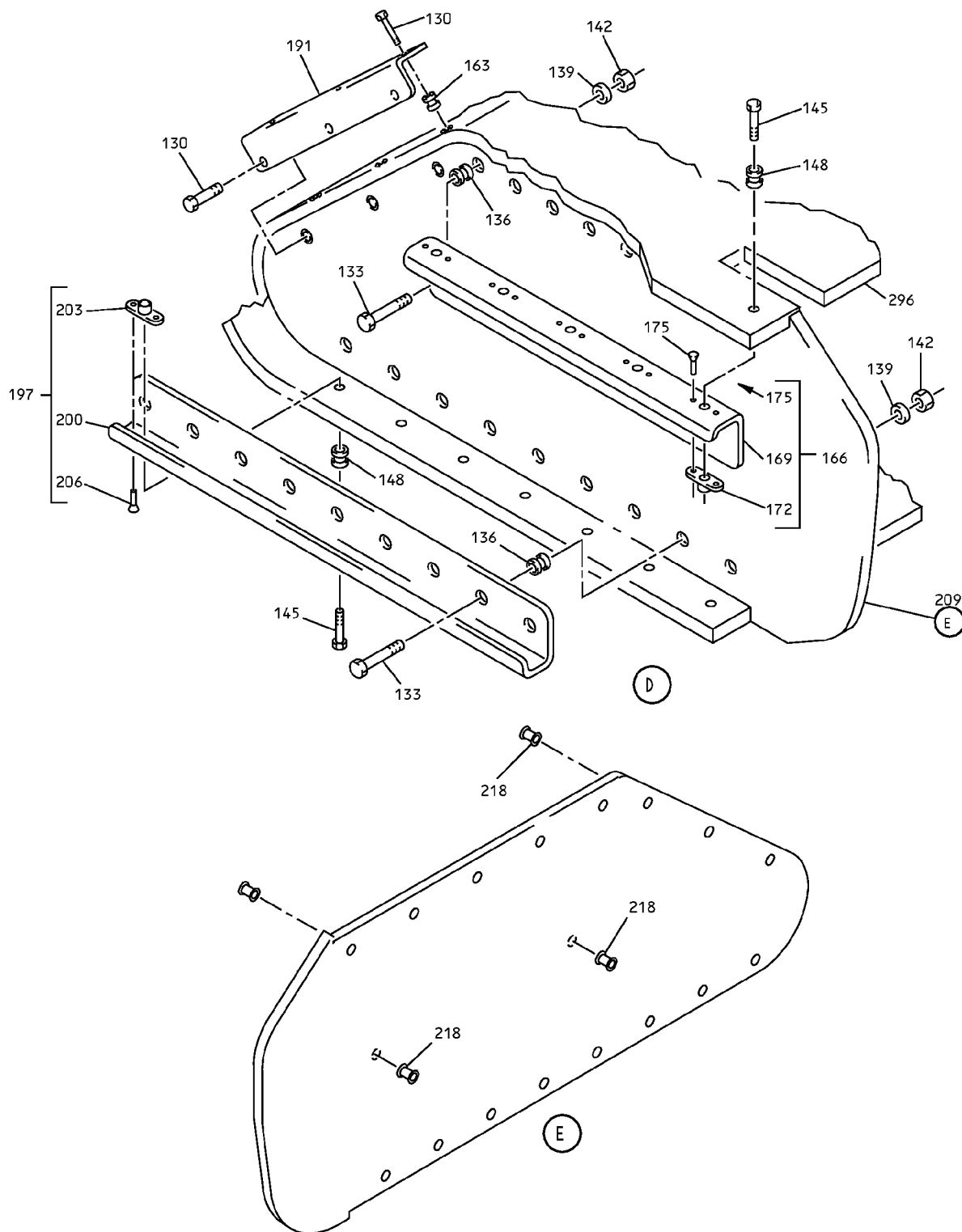
25-28-46

ILLUSTRATED PARTS LIST

Page 1098.231

Jul 01/2006

COMPONENT MAINTENANCE MANUAL



Overhead Stowage Compartment Assembly
IPL Figure 13 (Sheet 3 of 7)

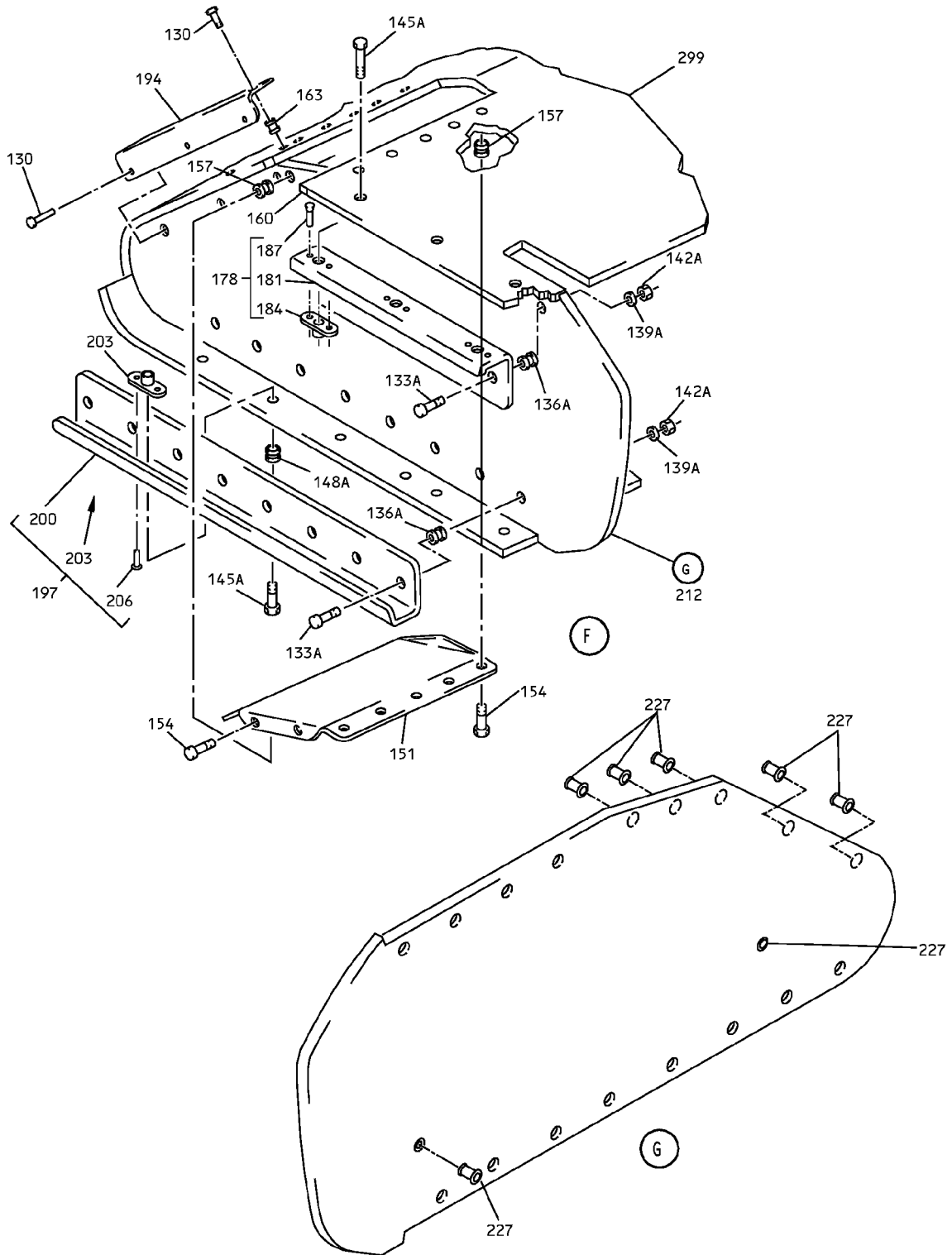
25-28-46

ILLUSTRATED PARTS LIST

Page 1098.232

Jul 01/2006

COMPONENT MAINTENANCE MANUAL



Overhead Stowage Compartment Assembly
IPL Figure 13 (Sheet 4 of 7)

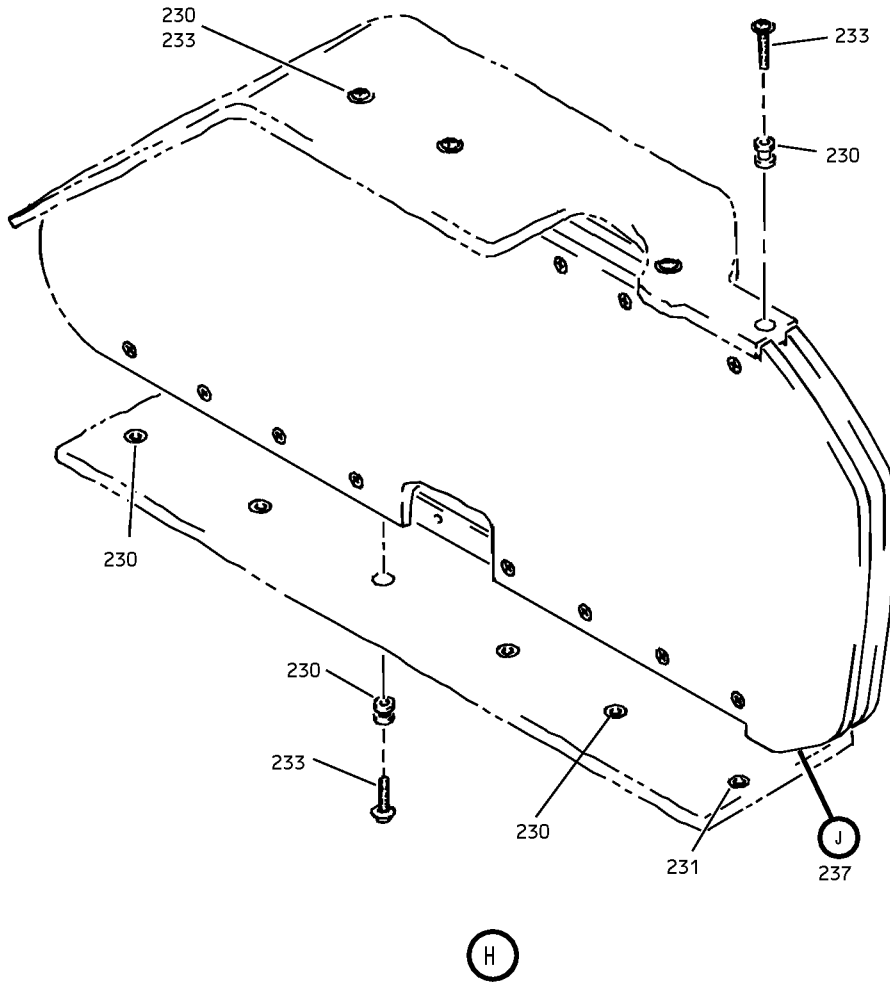
25-28-46

ILLUSTRATED PARTS LIST

Page 1098.233

Jul 01/2006

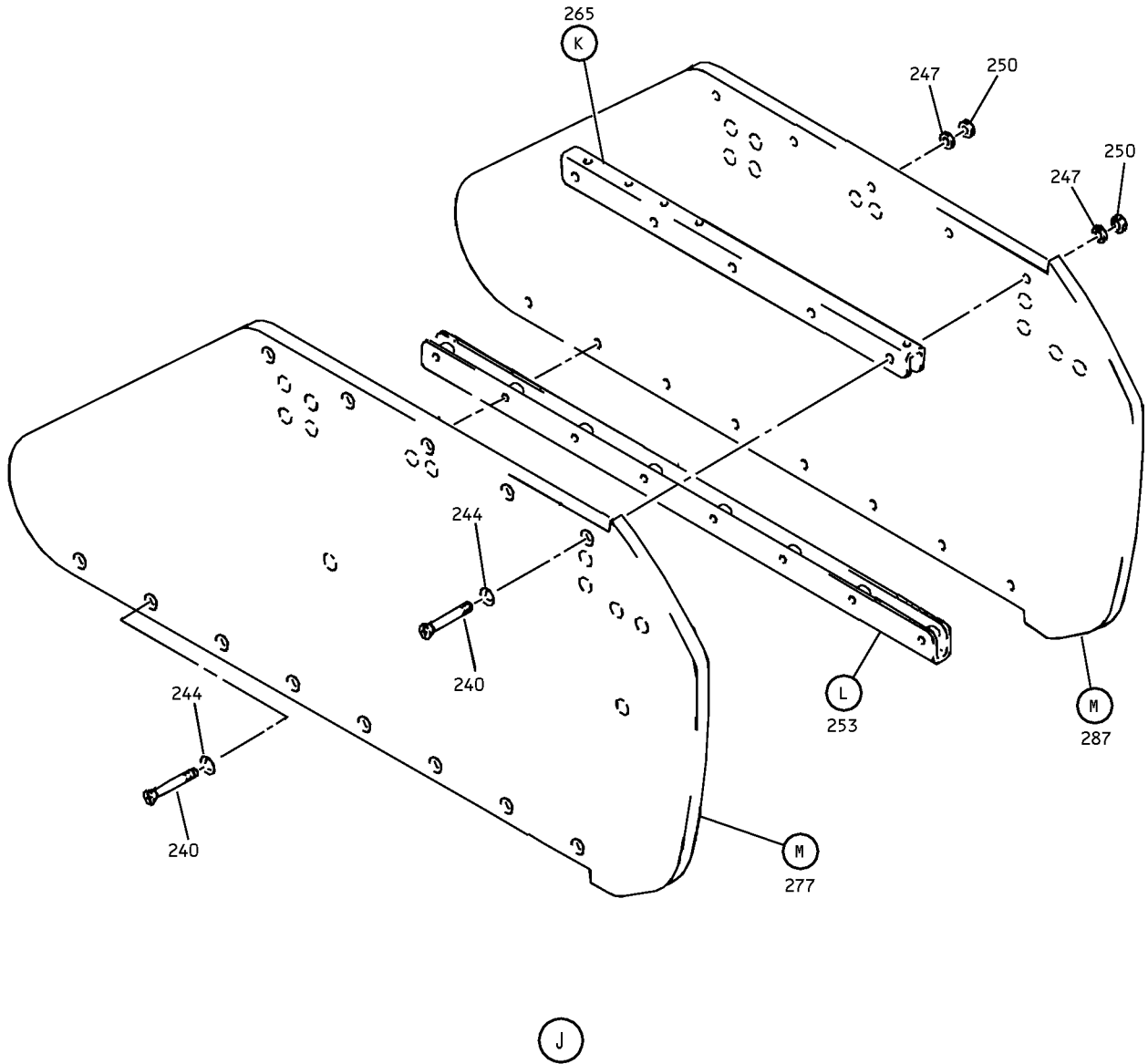
COMPONENT MAINTENANCE MANUAL



Overhead Storage Compartment Assembly
IPL Figure 13 (Sheet 5 of 7)

25-28-46
ILLUSTRATED PARTS LIST
Page 1098.234
Jul 01/2006

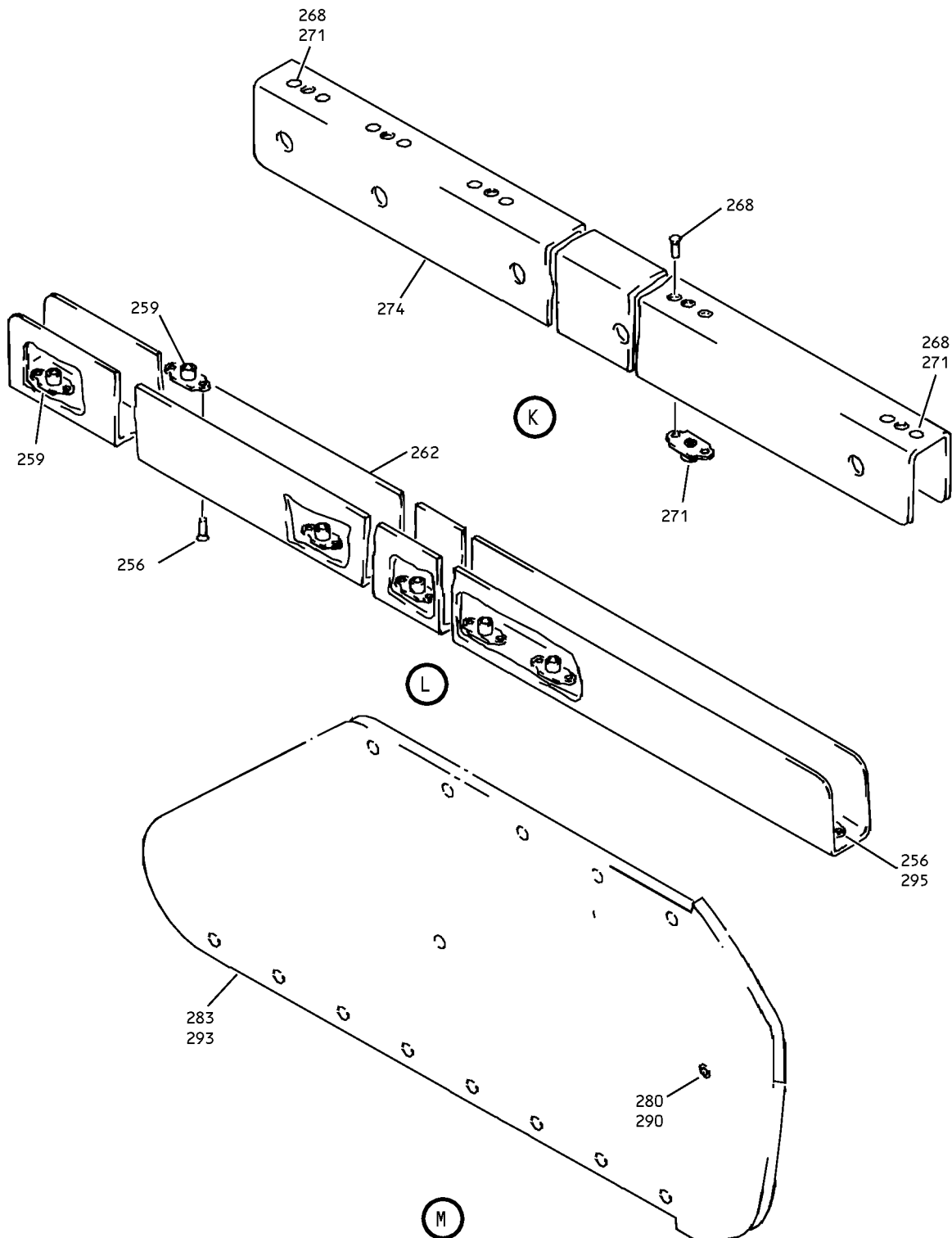
COMPONENT MAINTENANCE MANUAL



Overhead Stowage Compartment Assembly
IPL Figure 13 (Sheet 6 of 7)

25-28-46
ILLUSTRATED PARTS LIST
Page 1098.235
Jul 01/2006

COMPONENT MAINTENANCE MANUAL



Overhead Storage Compartment Assembly
IPL Figure 13 (Sheet 7 of 7)

25-28-46

ILLUSTRATED PARTS LIST

Page 1098.236

Jul 01/2006



COMPONENT MAINTENANCE MANUAL

FIG/ ITEM	PART NUMBER	AIRLINE PART NUMBER	NOMENCLATURE							USAGE CODE	UNITS PER ASSY
			1	2	3	4	5	6	7		
13-											
-1	65C27012-20									A	RF
-1A	65C27012-40									B	RF
-1B	65C27012-45									C	RF
-1D	65C27012-74									D	RF
5	65C27012-1020										1
10	NAS1836-3-11										9
15	65C27012-1104										1
20	NAS1836-3-11										8
25	NAS1836-4-11										2
30	65C27012-1204										1
35	NAS1836-3-11										4
40	SL2334-3A2										4
											(V97393)
45	65C27012-1312										1
50	65C27012-8										1
55	NAS1836-3-11										14
60	65C27012-2004									A, C, D	1
65	NAS1836-3-11										4
70	65C27012-2029									B	1
75	NAS1836-3-11										4
80	65C27012-2116									A, C, D	1
85	NAS1836-3-11										5
90	65C27012-2122									B	1
95	NAS1836-3-11										5
100	65C27012-4004									C	1
105	NAS1833-3-400										6
110	65C27012-4104									C	1
115	NAS1833-3-400										6
116	65C27012-4023									D	1
-117	NAS1833-3-400										3
120	65C27327-3									AC	1

-Item not Illustrated

25-28-46

ILLUSTRATED PARTS LIST

Page 1098.237

Jul 01/2006



COMPONENT MAINTENANCE MANUAL

FIG/ ITEM	PART NUMBER	AIRLINE PART NUMBER	NOMENCLATURE							USAGE CODE	UNITS PER ASSY
			1	2	3	4	5	6	7		
13-											
125	65C27327-59		.	BODY	ASSY					B	1
-125A	65C27327-116		.	BODY	ASSY					D	1
130	BACS12FA3K5		..	SCREW							6
133	BACB30NN3K6		..	SCREW						A, C	13
133A	BACB30NN3KL		..	SCREW						B, D	12
136	SL3378-3-380		..	SPACER						A, C	13
136A	SL3378-3-380		..	SPACER						B, D	12
139	AN960JD10LL		..	WASHER						A, C	13
-139A	AN960JD10LL		..	WASHER						B, D	12
142	MS21042L3		..	NUT						A, C	13
-142A	MS21042L3		..	NUT						B, D	12
145	BACS12FA3K12		..	BOLT						A, C	10
-145A	BACS12FA3K12		..	BOLT						B, D	9
148	NAS1834-3-400		..	INSERT						A, C	10
-148A	NAS1834-3-400		..	INSERT						B, D	9
151	412N1217-100		..	BRACKET						B	1
-151A	412N1217-107		..	BRACKET						D	1
154	BACB12FA3K5		..	BOLT						B	12
-154A	BACB12FA3K5		..	BOLT						D	14
157	NAS1833-3-400		..	INSERT						B	10
-157A	NAS1833-3-400		..	INSERT						D	14
160	65C27327-67		..	EDGING						B, D	2
163	NAS1836-3-11		..	INSERT							3
166	412N1217-57		..	BRACKET	ASSY					A, C	1
169	412N1217-59		...	BRACKET							1
172	BACN10JP3A		...	NUTPLATE							4
175	BACR15BA3D		...	RIVET							8
178	412N1217-97		..	BRACKET	ASSY					B, D	1
181	412N1217-98		...	BRACKET							1
184	BACN10JP3A		...	NUTPLATE							3
187	BACR15BA3D		...	RIVET							6

(SIZE DETERMINED ON INST)

-Item not Illustrated

25-28-46

ILLUSTRATED PARTS LIST

Page 1098.238

Jul 01/2006



COMPONENT MAINTENANCE MANUAL

FIG/ ITEM	PART NUMBER	AIRLINE PART NUMBER	NOMENCLATURE							USAGE CODE	UNITS PER ASSY
			1	2	3	4	5	6	7		
13-											
191	412N1217-5		.	.						A, C	1
194	412N1217-99		.	.						B, D	1
197	412N1217-66		.	.							1
200	412N1217-68		.	.	.						1
203	BACN10JP3A		.	.	.						6
206	BACR15BA3D		.	.	.						12
209	412N1116-73		.	.						A, C	1
212	412N1116-102		.	.						B, D	1
215	412N1116-93		.	.	.					A, C	1
218	NAS1836-3-11		.	.	.					A, C	5
224	412N1116-103		.	.	.					B, D	1
227	NAS1836-3-11		.	.	.					B, D	7
230	NAS1834-4-400		.	.							10
231	NAS1834-4-380		.	.							1
233	BACS12FA3K12		.	.							11
237	412N1216-21		.	.							1

-Item not Illustrated

25-28-46

ILLUSTRATED PARTS LIST

Page 1098.239

Jul 01/2006



COMPONENT MAINTENANCE MANUAL

FIG/ ITEM	PART NUMBER	AIRLINE PART NUMBER	NOMENCLATURE							USAGE CODE	UNITS PER ASSY
			1	2	3	4	5	6	7		
13- 240	BACB30NN3K1		. . .	BOLT							13
				(V06710)							
				(SPEC BACB30NN3K1)							
				(OPT BACB30NN3K1 (V06725))							
				(OPT BACB30NN3K1 (V06950))							
				(OPT BACB30NN3K1 (V08524))							
				(OPT BACB30NN3K1 (V27624))							
				(OPT BACB30NN3K1 (V56878))							
				(OPT BACB30NN3K1 (V73197))							
				(OPT BACB30NN3K1 (V80539))							
				(OPT BACB30NN3K1 (V92215))							
				(OPT BACB30NN3K1 (V93907))							
				(OPT BACB30NN3K1 (V97928))							
244	BACW10CT10		. . .	WASHER							13
				(V10630)							
				(SPEC BACW10CT10)							
247	AN960PD516L		. . .	WASHER							13
250	SL5-3-145S		. . .	NUT							13
				(V97393)							
				(OPT ITEM 250A)							
-250A	K121D395-145		. . .	NUT							13
				(V29372)							
				(OPT ITEM 250)							
253	412N1217-21		. . .	BRACKET ASSY							1
256	BACR15BA3AD		RIVET							14
				(SIZE DETERMINED ON INST)							
259	BRM200A3		NUTPLATE							7
				(V52828)							
				(SPEC BACN10JP3A)							
				(OPT MK1000-3BAC (V15653))							
				(OPT NS103197-02 (V80539))							
				(OPT T8076S1032 (V71087))							
				(OPT T8076S1032 (V11815))							
				(OPT VN202A1-02 (V92215))							
262	412N1217-22		BRACKET ASSY							1
265	412N1217-49		. . .	BRACKET ASSY							1
268	BACR15BA3AD		RIVET							12
				(SIZE DETERMINED ON INST)							

-Item not Illustrated

25-28-46

ILLUSTRATED PARTS LIST

Page 1098.240

Jul 01/2006



COMPONENT MAINTENANCE MANUAL

FIG/ ITEM	PART NUMBER	AIRLINE PART NUMBER	NOMENCLATURE							USAGE CODE	UNITS PER ASSY
			1	2	3	4	5	6	7		
13- 271	BRM200A3	 NUTPLATE (V52828) (SPEC BACN10JP3A) (OPT MK1000-3BAC (V15653)) (OPT NS103197-02 (V80539)) (OPT T8076S1032 (V71087)) (OPT T8076S1032 (V11815)) (OPT VN202A1-02 (V92215))								6
274	412N1217-50	 BRACKET								1
277	412N1116-70		. . . PANEL ASSY-DIVIDER								1
280	NAS1836-3-11	 INSERT								2
283	412N1116-94	 PANEL ASSY								1
287	412N1116-67		. . . PANEL ASSY-DIVIDER								1
290	NAS1836-3-11	 INSERT								2
293	412N1116-93	 PANEL ASSY								1
296	65C23727-7		. . BODY							A, C	1
299	65C23727-60		. . BODY							B	1
-299A	65C23727-117		. . BODY							D	1

-Item not Illustrated

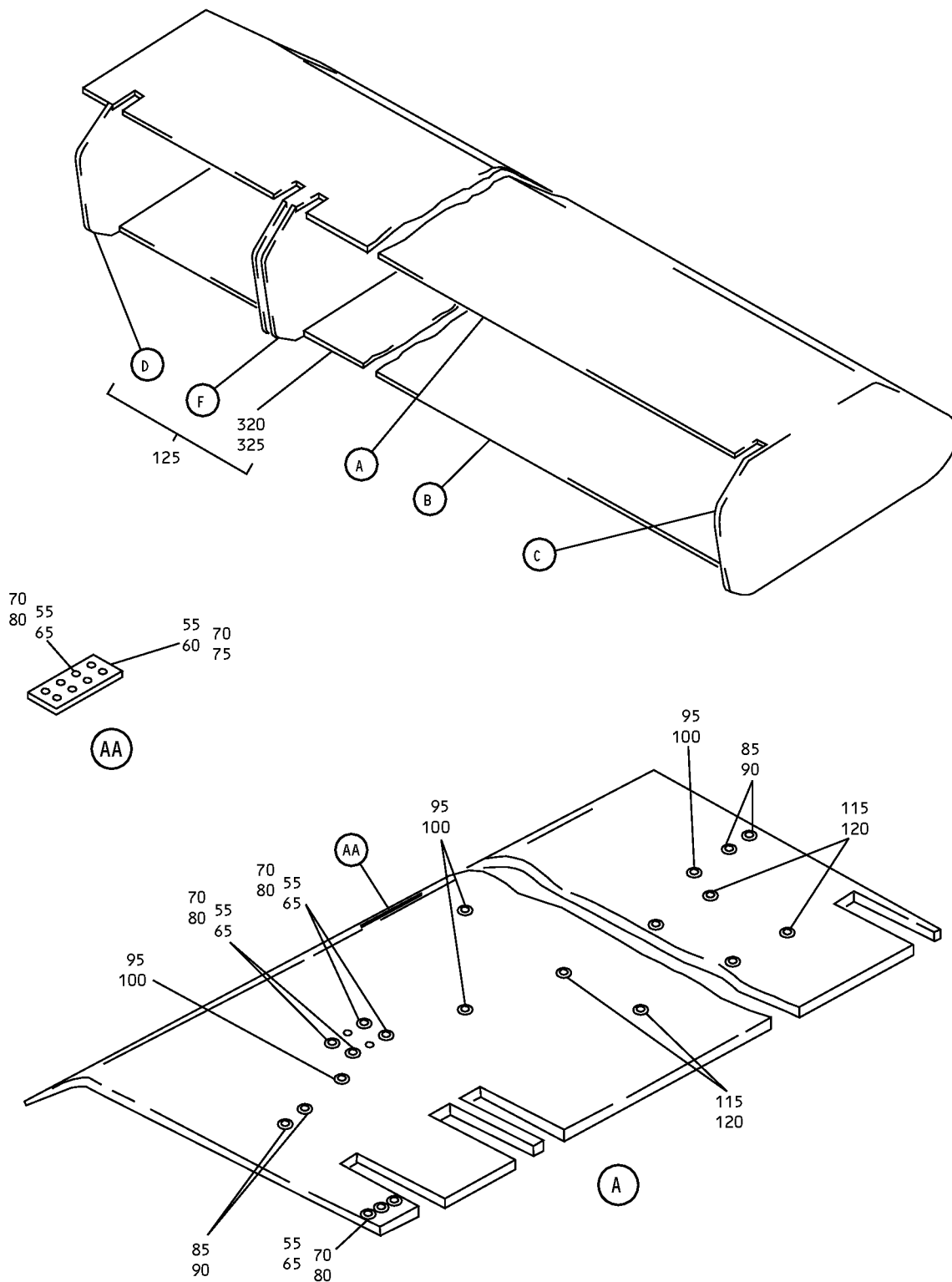
25-28-46

ILLUSTRATED PARTS LIST

Page 1098.241

Jul 01/2006

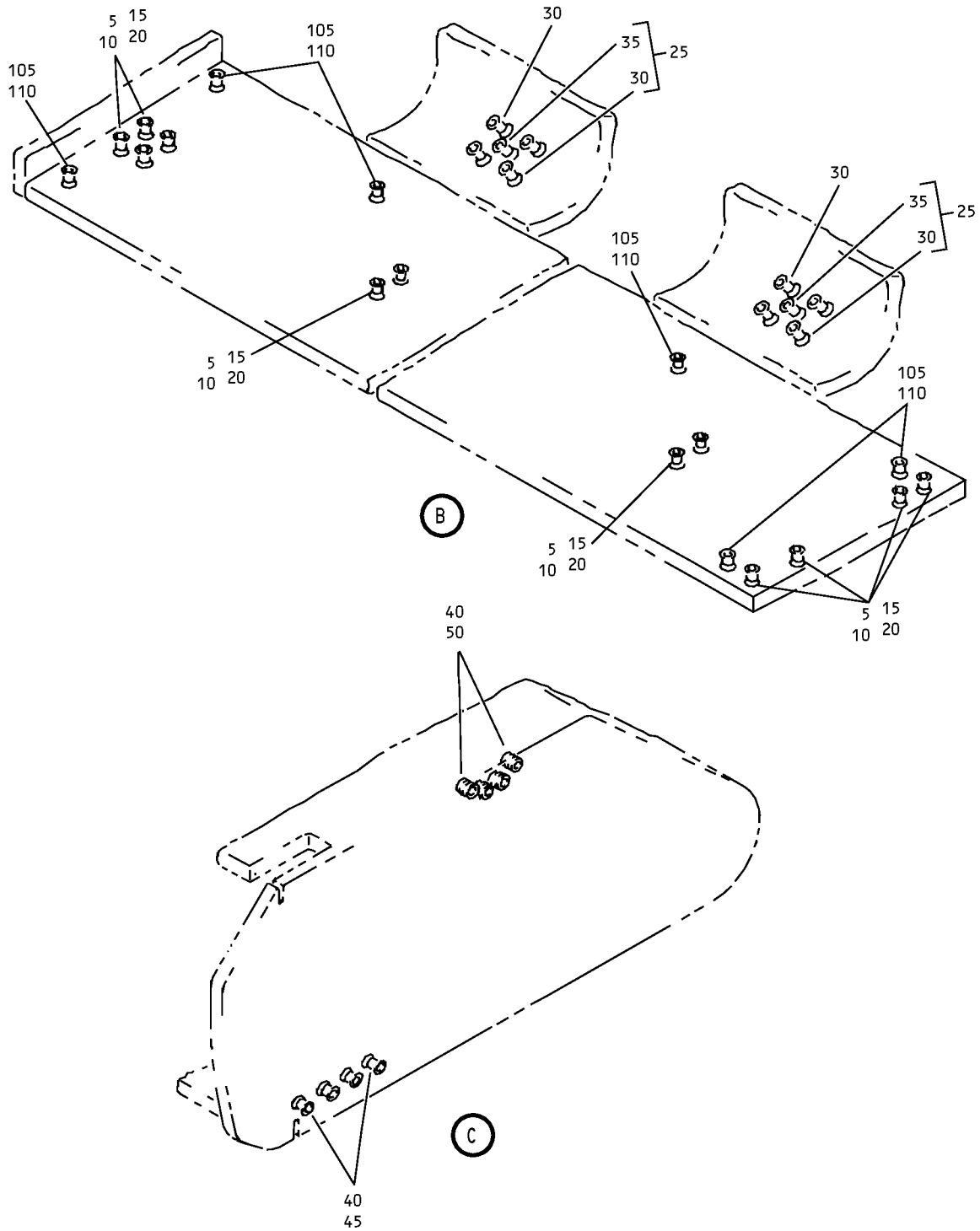
COMPONENT MAINTENANCE MANUAL



Overhead Stowage Compartment Assembly
IPL Figure 14 (Sheet 1 of 6)

25-28-46
ILLUSTRATED PARTS LIST
Page 1098.242
Jul 01/2006

COMPONENT MAINTENANCE MANUAL



Overhead Storage Compartment Assembly
IPL Figure 14 (Sheet 2 of 6)

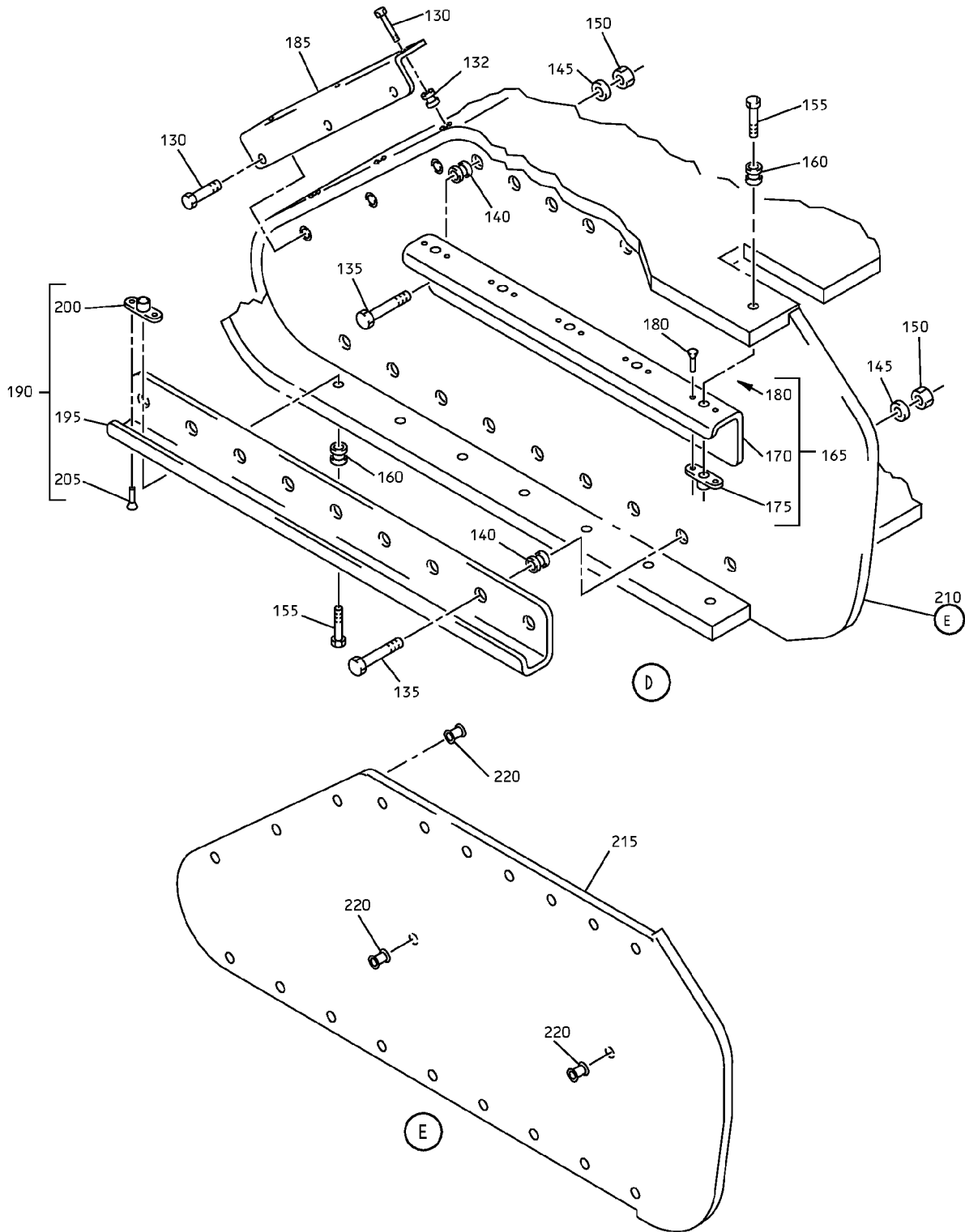
25-28-46

ILLUSTRATED PARTS LIST

Page 1098.243

Jul 01/2006

COMPONENT MAINTENANCE MANUAL



Overhead Storage Compartment Assembly
IPL Figure 14 (Sheet 3 of 6)

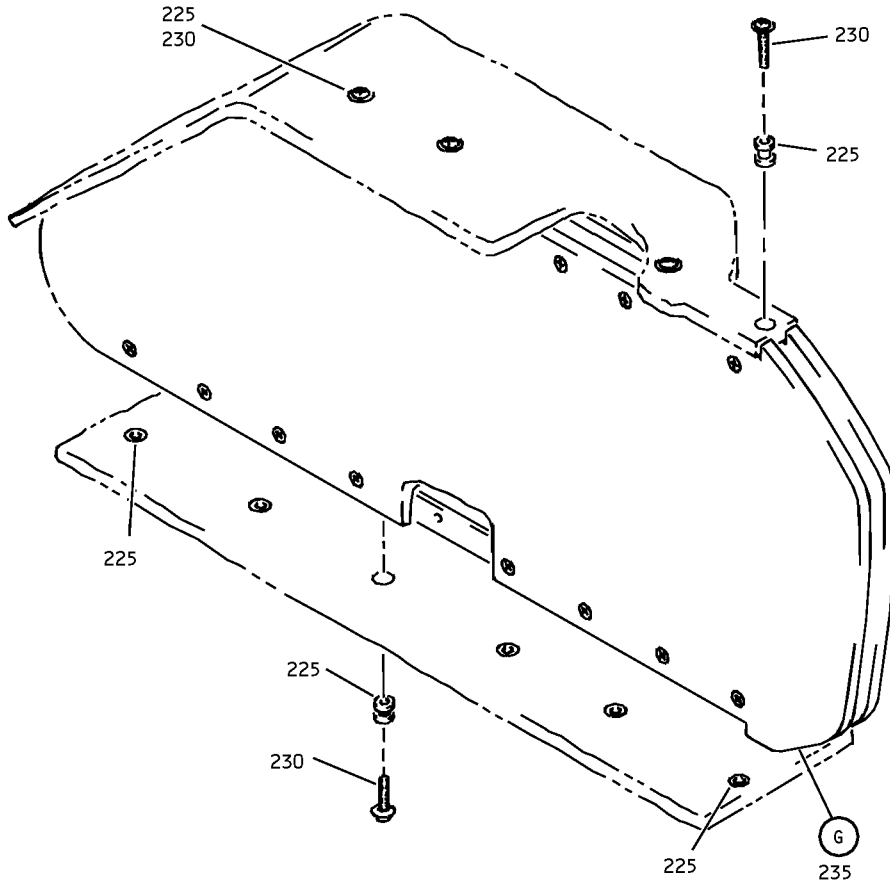
25-28-46

ILLUSTRATED PARTS LIST

Page 1098.244

Jul 01/2006

COMPONENT MAINTENANCE MANUAL



F

Overhead Stowage Compartment Assembly
IPL Figure 14 (Sheet 4 of 6)

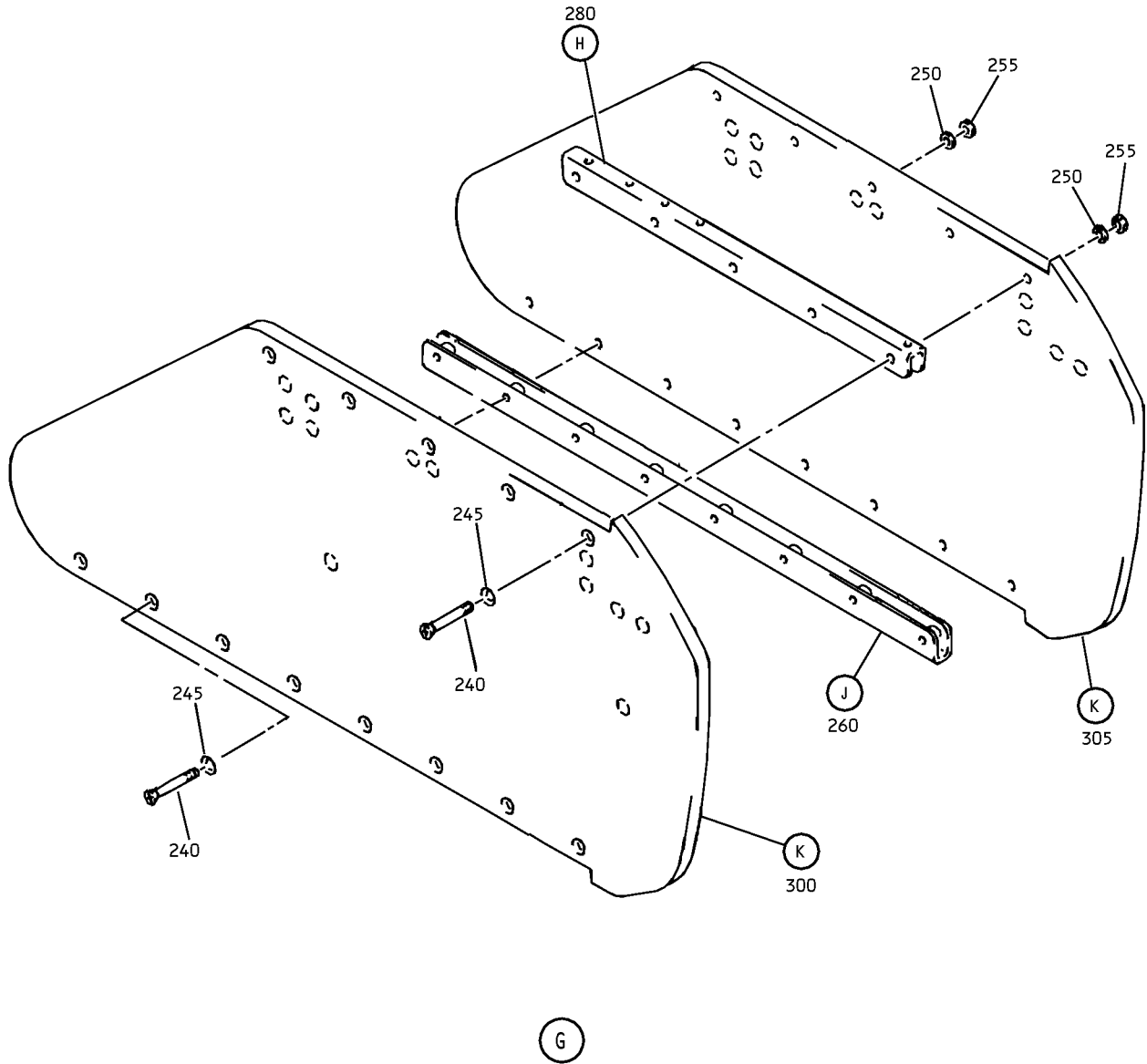
25-28-46

ILLUSTRATED PARTS LIST

Page 1098.245

Jul 01/2006

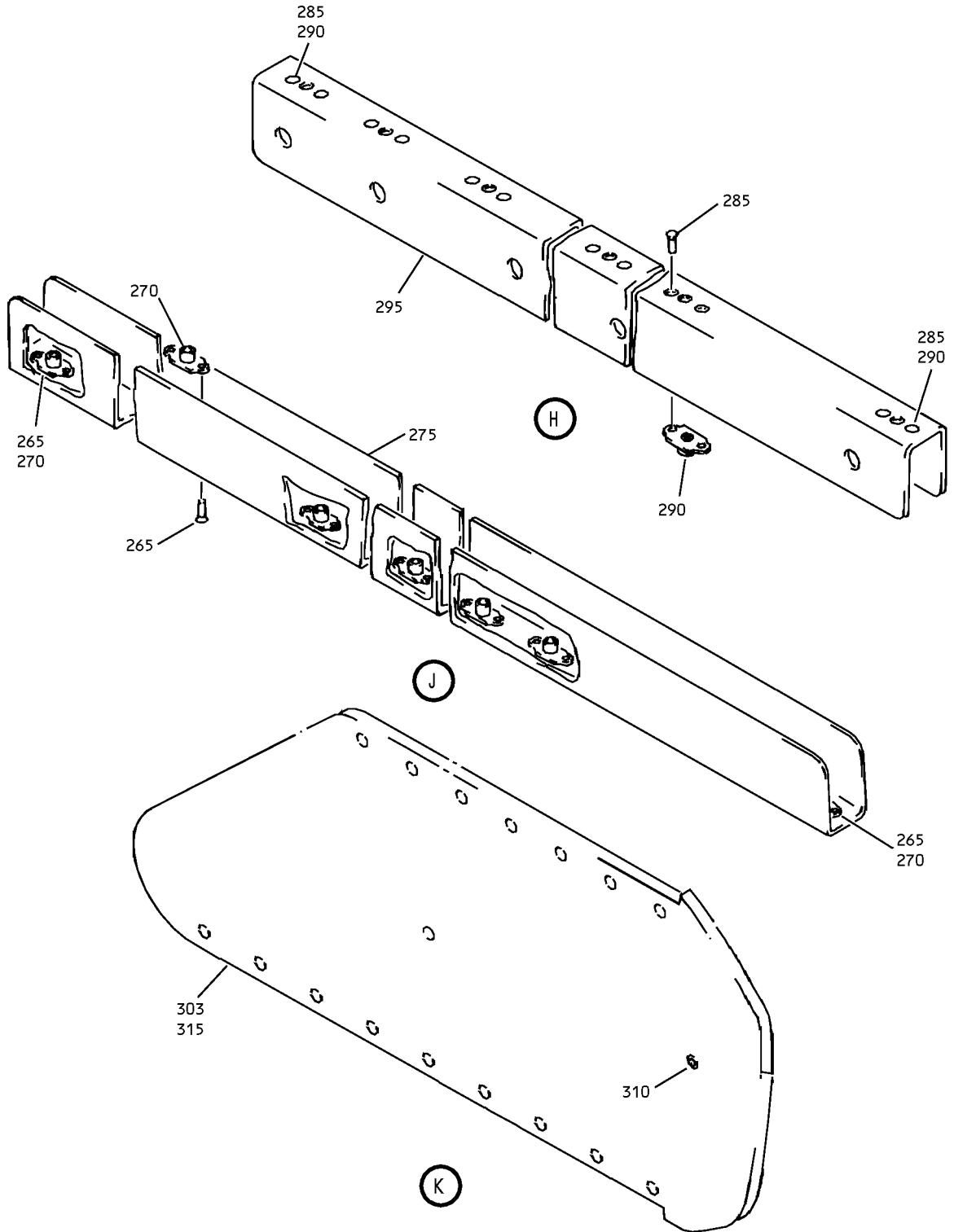
COMPONENT MAINTENANCE MANUAL



Overhead Stowage Compartment Assembly
IPL Figure 14 (Sheet 5 of 6)

25-28-46
ILLUSTRATED PARTS LIST
Page 1098.246
Jul 01/2006

COMPONENT MAINTENANCE MANUAL



Overhead Storage Compartment Assembly
IPL Figure 14 (Sheet 6 of 6)

25-28-46

ILLUSTRATED PARTS LIST

Page 1098.247

Jul 01/2006



COMPONENT MAINTENANCE MANUAL

FIG/ ITEM	PART NUMBER	AIRLINE PART NUMBER	NOMENCLATURE							USAGE CODE	UNITS PER ASSY
			1	2	3	4	5	6	7		
14-											
-1	65C27012-13									A	RF
-1A	65C27012-24									B	RF
-1B	65C27012-58									C	RF
-1C	65C27012-63									D	RF
5	65C27012-1026									A, C	1
10	NAS1836-3-11										12
15	65C27012-1032									B	1
20	NAS1836-3-11										12
-21	65C27012-1055									D	1
-22	NAS1836-3-11										10
25	65C27012-1109										1
30	NAS1836-3-11										8
35	NAS1836-4-11										2
40	65C27012-1208										1
45	NAS1836-3-11										4
50	SL2334-3A2										4
											(V97393)
55	65C27012-1310									A, C, D	1
60	65C27012-8										1
65	NAS1836-3-11										13
70	65C27012-1317									B	1
75	65C27012-8										1
80	NAS1836-3-11										12
85	65C27012-2010										1
90	NAS1836-3-11										4
-91	65C27012-2039									D	1
-92	NAS1836-3-11										4
95	65C27012-2110										1
100	NAS1836-3-11										4
-101	65C27012-2135									D	1
-102	NAS1836-3-11										4

-Item not Illustrated

25-28-46

ILLUSTRATED PARTS LIST

Page 1098.248

Jul 01/2006



COMPONENT MAINTENANCE MANUAL

FIG/ ITEM	PART NUMBER	AIRLINE PART NUMBER	NOMENCLATURE							USAGE CODE	UNITS PER ASSY
			1	2	3	4	5	6	7		
14-											
105	65C27012-4012		C	1
110	NAS1833-3-400			6
115	65C27012-4112		C	1
120	NAS1833-3-400			6
125	65C27327-20		A, C	1
-125A	65C27327-32		B	1
-125C	65C27327-99		D	1
130	BACS12FA3K5			6
132	NAS1836-3-11			3
135	BACB30NN3K6			16
140	SL3378-3-380			16
145	AN960JD10LL			16
150	MS21042L3			16
155	BACS12FA3K12			12
160	NAS1834-3-400			12
165	412N1217-62			1
170	412N1217-64			1
175	BACN10JP3A			5
180	BACR15BA3D			10
185	412N1217-5			1
190	412N1217-78			1
195	412N1217-80			1
200	BACN10JP3A			7
205	BACR15BA3D			14
210	412N1116-75			1
215	412N1116-17			1
220	NAS1836-3-11			5
225	NAS1834-4-400			13

-Item not Illustrated

25-28-46

ILLUSTRATED PARTS LIST

Page 1098.249

Jul 01/2006



COMPONENT MAINTENANCE MANUAL

FIG/ ITEM	PART NUMBER	AIRLINE PART NUMBER	NOMENCLATURE							USAGE CODE	UNITS PER ASSY
			1	2	3	4	5	6	7		
14- 230	BACS12FA3K12		. . SCREW (V06710) (SPEC BACS12FA3K12) (OPT BACS12FA3K12 (V06725)) (OPT BACS12FA3K12 (V06950)) (OPT BACS12FA3K12 (V27624)) (OPT BACS12FA3K12 (V34252)) (OPT BACS12FA3K12 (V56878)) (OPT BACS12FA3K12 (V73197)) (OPT BACS12FA3K12 (V80539)) (OPT BACS12FA3K12 (V92215)) (OPT BACS12FA3K12 (V93907)) (OPT BACS12FA3K12 (V97928))								13
235	412N1216-28		. . . PANEL ASSY-DIVIDER								1
240	BACB30NN3K1		. . . BOLT (V06710) (SPEC BACB30NN3K1) (OPT BACB30NN3K1 (V06725)) (OPT BACB30NN3K1 (V06950)) (OPT BACB30NN3K1 (V08524)) (OPT BACB30NN3K1 (V27624)) (OPT BACB30NN3K1 (V56878)) (OPT BACB30NN3K1 (V73197)) (OPT BACB30NN3K1 (V80539)) (OPT BACB30NN3K1 (V92215)) (OPT BACB30NN3K1 (V93907)) (OPT BACB30NN3K1 (V97928))								16
245	BACW10CT10		. . . WASHER (V10630) (SPEC BACW10CT10)								16
250	AN960PD516L		. . . WASHER								16
255	SL5-3-145S		. . . NUT (V97393) (OPT ITEM 275A)								16
-255A	KD121395-145		. . . NUT (V29372) (OPT ITEM 275)								16
260	412N1217-19		. . . BRACKET ASSY								1
265	BACR15BA3AD	 RIVET (SIZE DETERMINED ON INST)								14

-Item not Illustrated

25-28-46

ILLUSTRATED PARTS LIST

Page 1098.250

Jul 01/2006



COMPONENT MAINTENANCE MANUAL

FIG/ ITEM	PART NUMBER	AIRLINE PART NUMBER	NOMENCLATURE							USAGE CODE	UNITS PER ASSY
			1	2	3	4	5	6	7		
14-											
270	BRM200A3							 NUTPLATE (V52828) (SPEC BACN10JP3A) (OPT MK1000-3BAC (V15653)) (OPT NS103197-02 (V80539)) (OPT T8076S1032 (V71087)) (OPT T8076S1032 (V11815)) (OPT VN202A1-02 (V92215))		7
275	412N1217-20							 BRACKET		1
280	412N1217-87								. . . BRACKET ASSY		1
285	BACR15BA3AD							 RIVET (SIZE DETERMINED ON INST)		12
290	BRM200A3							 NUTPLATE (V52828) (SPEC BACN10JP3A) (OPT MK1000-3BAC (V15653)) (OPT NS103197-02 (V80539)) (OPT T8076S1032 (V71087)) (OPT T8076S1032 (V11815)) (OPT VN202A1-02 (V92215))		6
295	412N1217-24							 BRACKET		1
300	412N1116-47								. . . PANEL ASSY-DIVIDER		1
303	412N1116-17							 PANEL ASSY		1
305	412N1116-50								. . . PANEL ASSY-DIVIDER		1
310	NAS1836-3-11							 INSERT		2
315	412N1116-16							 PANEL ASSY		1
320	65C27327-21								. . BODY	A, C	1
325	65C27327-33								. . BODY	B	1
-325A	65C27327-101								. . BODY	D	1

-Item not Illustrated

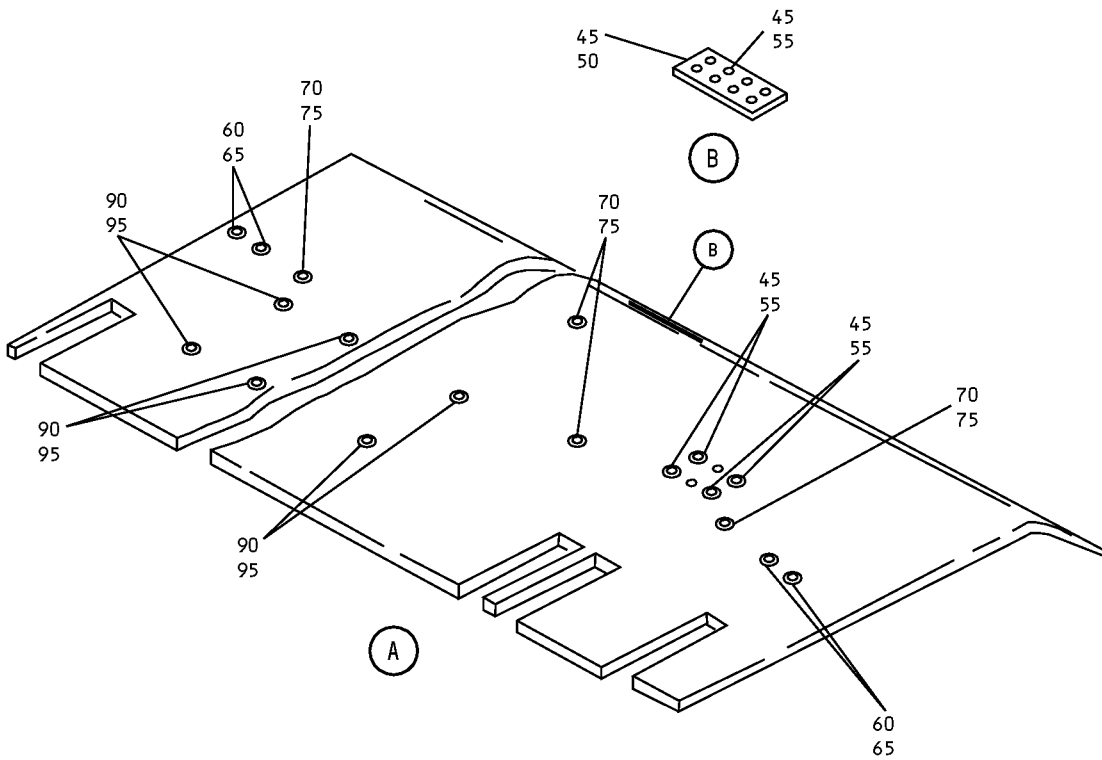
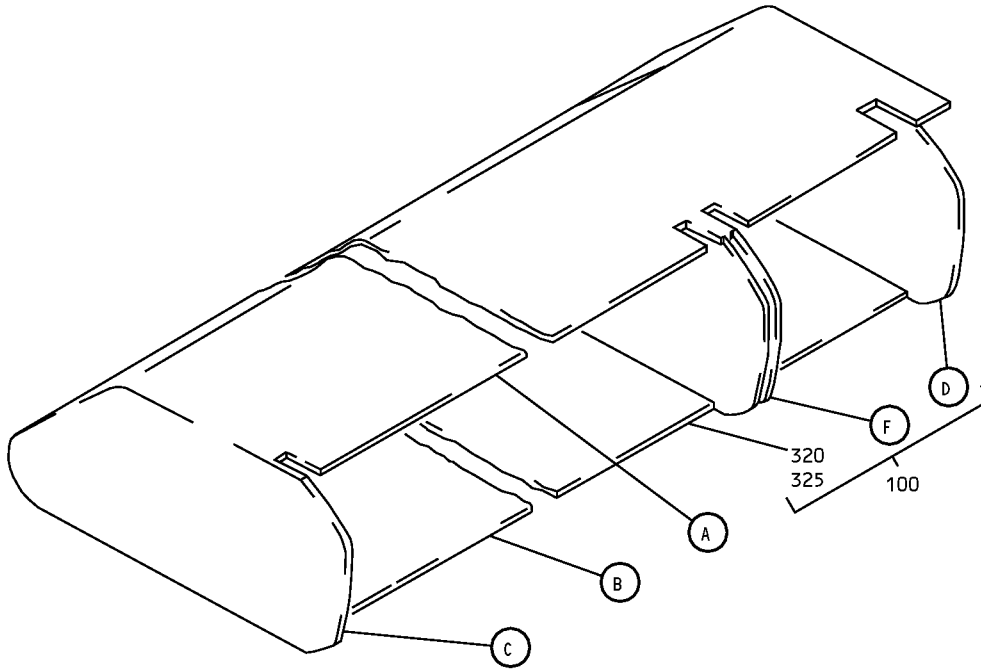
25-28-46

ILLUSTRATED PARTS LIST

Page 1098.251

Jul 01/2006

COMPONENT MAINTENANCE MANUAL



Overhead Stowage Compartment Assembly
IPL Figure 15 (Sheet 1 of 6)

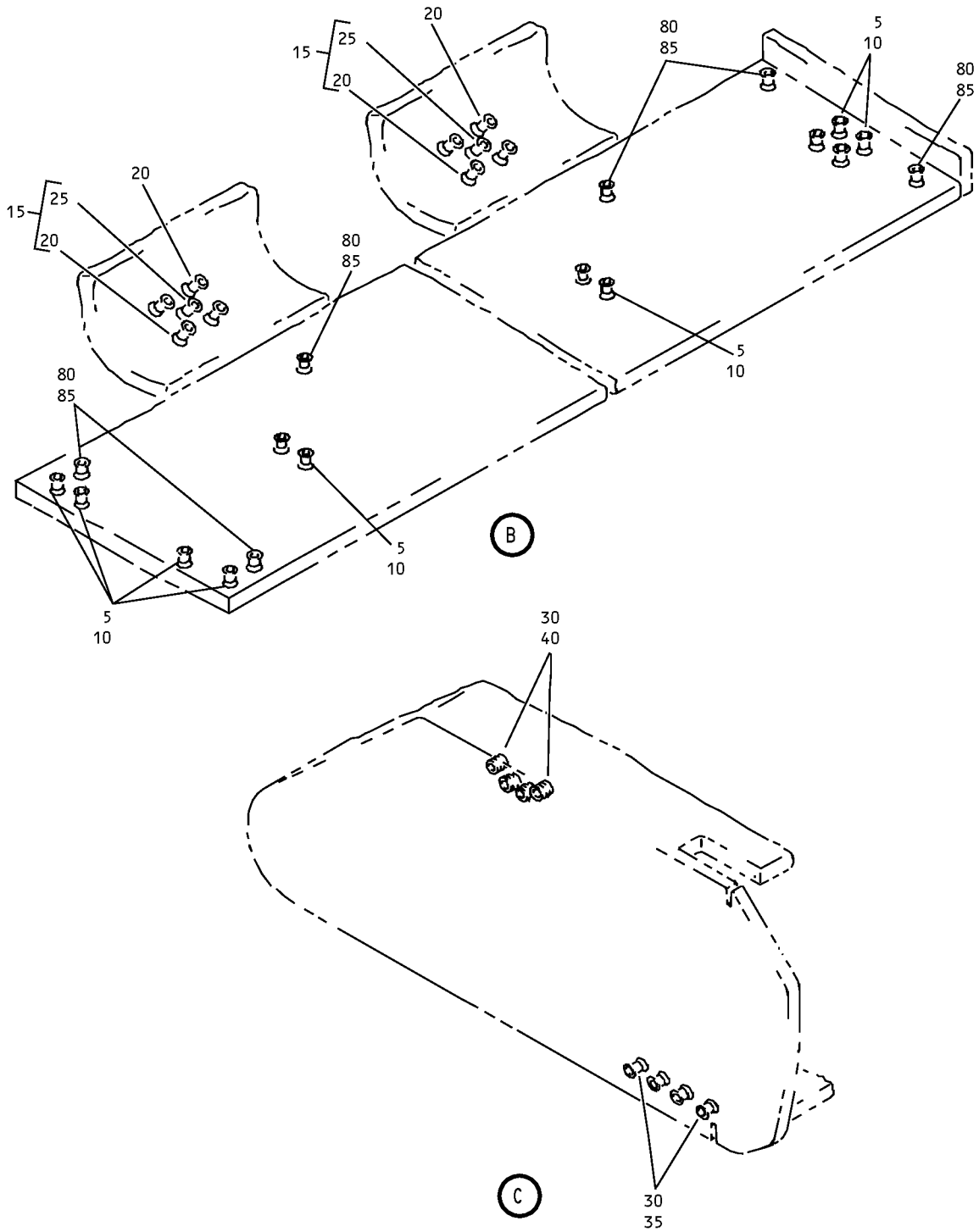
25-28-46

ILLUSTRATED PARTS LIST

Page 1098.252

Jul 01/2006

COMPONENT MAINTENANCE MANUAL



Overhead Stowage Compartment Assembly
IPL Figure 15 (Sheet 2 of 6)

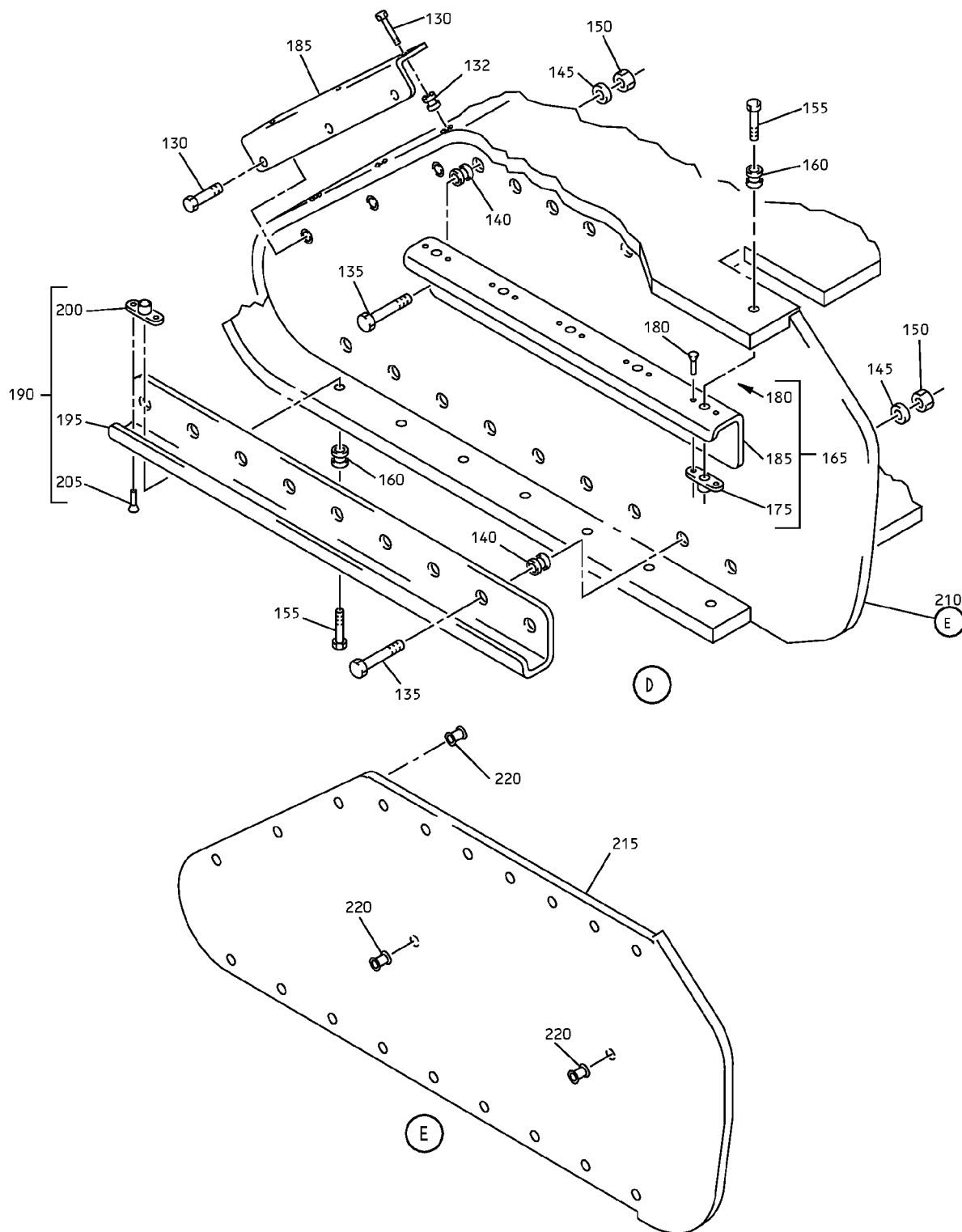
25-28-46

ILLUSTRATED PARTS LIST

Page 1098.253

Jul 01/2006

COMPONENT MAINTENANCE MANUAL



Overhead Storage Compartment Assembly
IPL Figure 15 (Sheet 3 of 6)

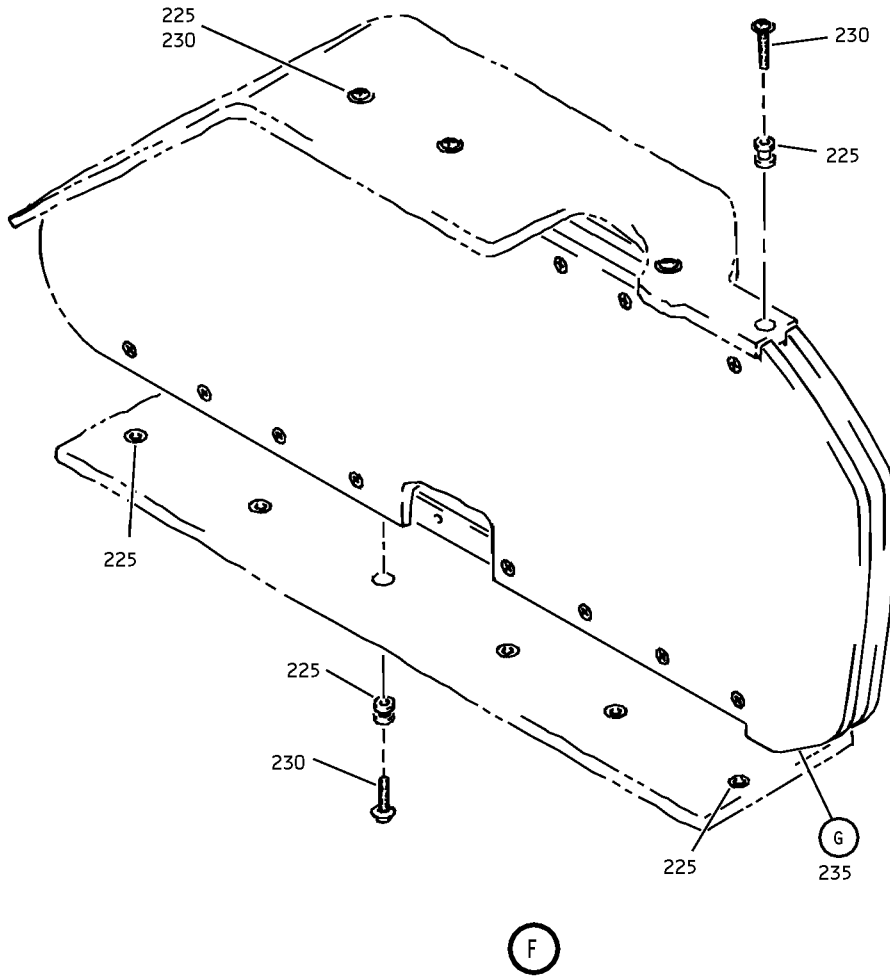
25-28-46

ILLUSTRATED PARTS LIST

Page 1098.254

Jul 01/2006

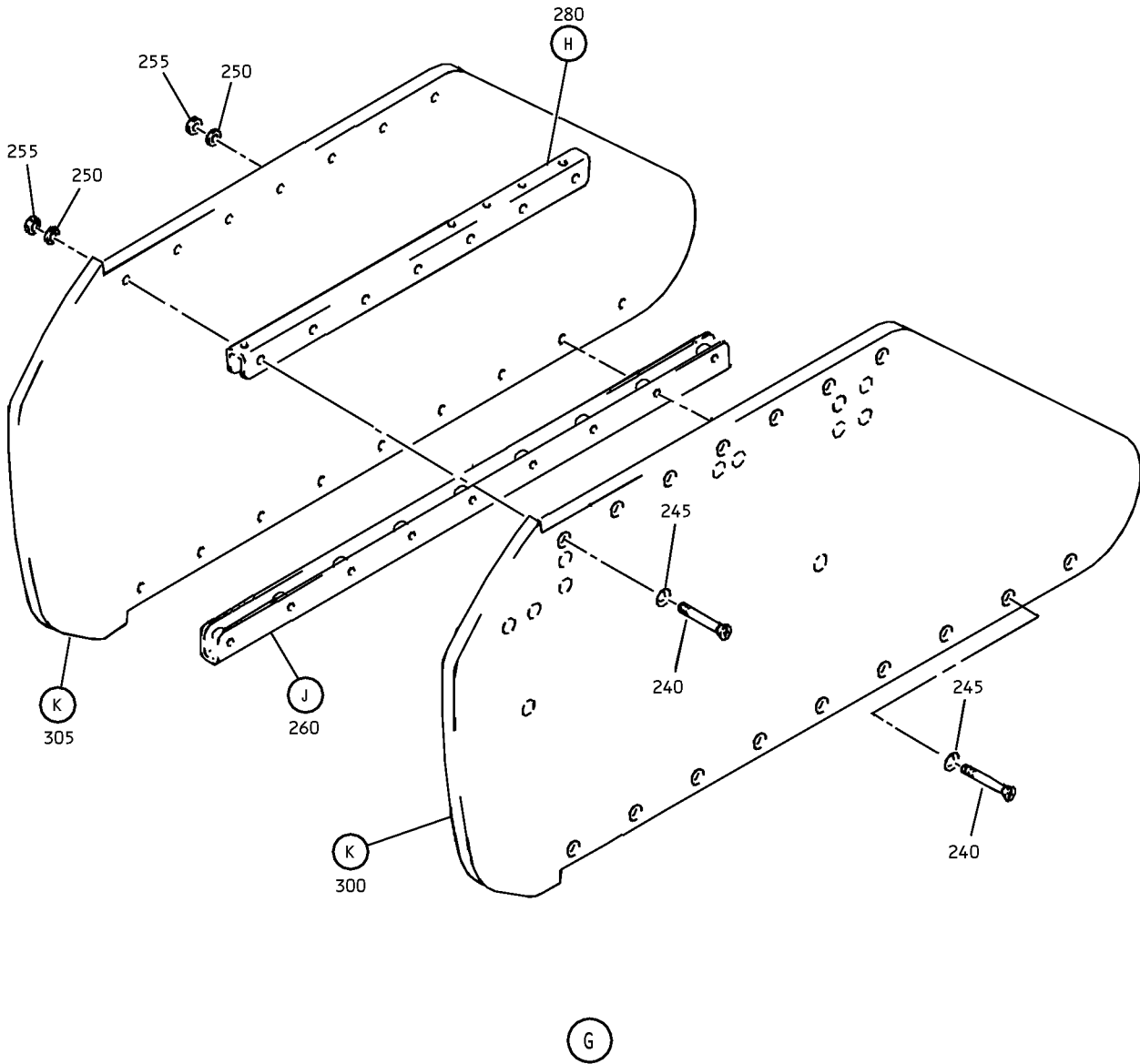
COMPONENT MAINTENANCE MANUAL



Overhead Storage Compartment Assembly
IPL Figure 15 (Sheet 4 of 6)

25-28-46
ILLUSTRATED PARTS LIST
Page 1098.255
Jul 01/2006

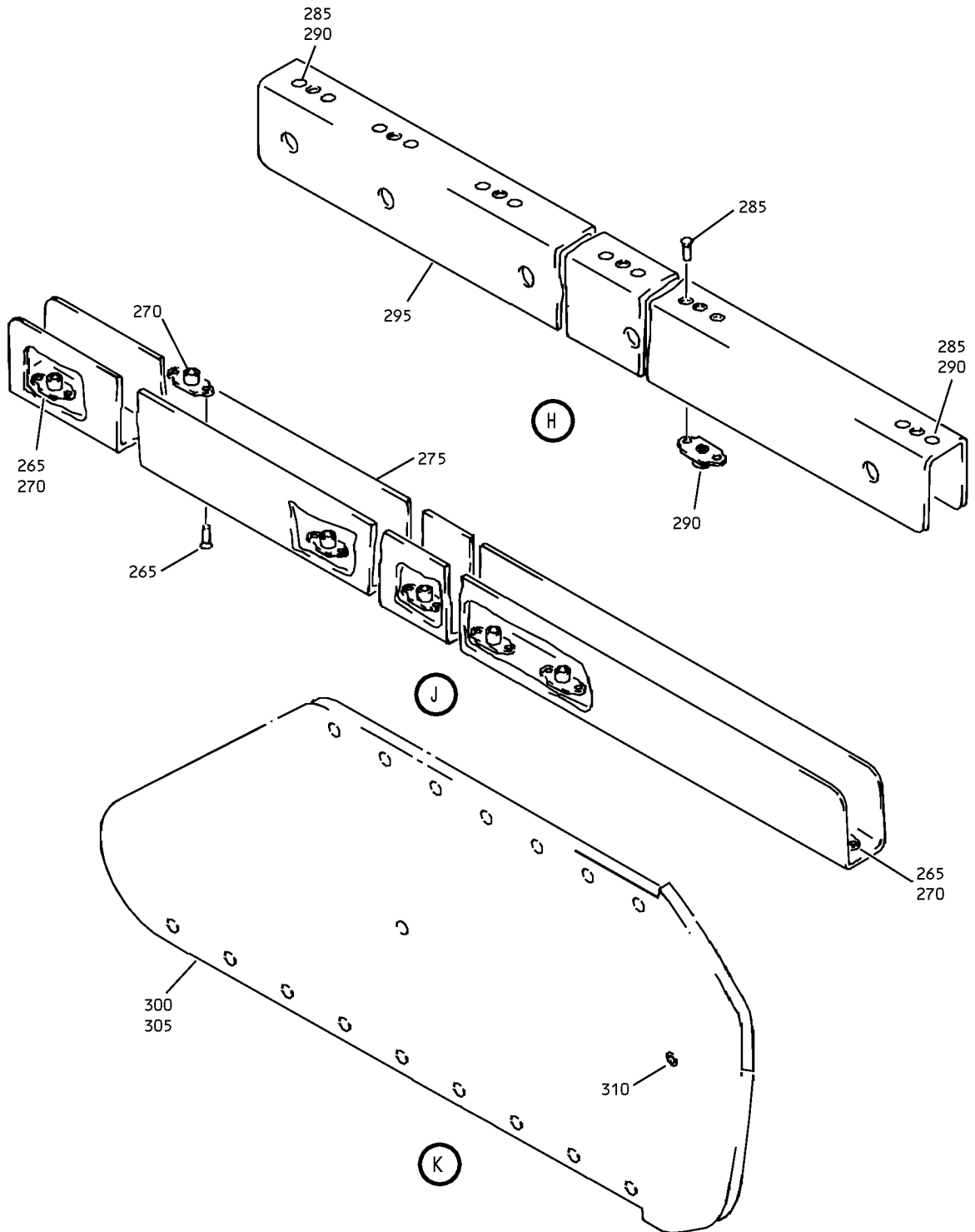
COMPONENT MAINTENANCE MANUAL



Overhead Storage Compartment Assembly
IPL Figure 15 (Sheet 5 of 6)

25-28-46
ILLUSTRATED PARTS LIST
Page 1098.256
Jul 01/2006

COMPONENT MAINTENANCE MANUAL



Overhead Storage Compartment Assembly
IPL Figure 15 (Sheet 6 of 6)

25-28-46

ILLUSTRATED PARTS LIST

Page 1098.257

Jul 01/2006



COMPONENT MAINTENANCE MANUAL

FIG/ ITEM	PART NUMBER	AIRLINE PART NUMBER	NOMENCLATURE							USAGE CODE	UNITS PER ASSY
			1	2	3	4	5	6	7		
15-											
-1	65C27012-42										RF
5	65C27012-1043										1
10	NAS1836-3-11										12
15	65C27012-1111										1
20	NAS1836-3-11										8
25	NAS1836-4-11										2
30	65C27012-1207										1
35	NAS1836-3-11										4
40	SL2334-3A2										4
											(V97393)
45	65C27012-1311										1
50	65C27012-8										1
55	NAS1836-3-11										12
60	65C27012-2027										1
65	NAS1836-3-11										4
70	65C27012-2123										1
75	NAS1836-3-11										4
80	65C27012-4010										1
85	NAS1833-3-400										6
90	65C27012-4110										1
95	NAS1833-3-400										6
100	65C27327-63										1
130	BACS12FA3K5										6
132	NAS1836-3-11										3
135	BACB30NN3K6										16
140	SL3378-3-380										16
145	AN960JD10L										16
150	MS21042L3										16
155	BACS12FA3K12										12
160	NAS1834-3-400										12
165	412N1217-61										1

-Item not Illustrated

25-28-46

ILLUSTRATED PARTS LIST

Page 1098.258

Jul 01/2006



COMPONENT MAINTENANCE MANUAL

FIG/ ITEM	PART NUMBER	AIRLINE PART NUMBER	NOMENCLATURE							USAGE CODE	UNITS PER ASSY	
			1	2	3	4	5	6	7			
15-												
170	412N1217-63								...	BRACKET		1
175	BACN10JP3A								...	NUTPLATE		5
180	BACR15BA3D								...	RIVET		10
185	412N1217-5								..	BRACKET		1
190	412N1217-77								..	BRACKET ASSY		1
195	412N1217-79								...	BRACKET		1
200	BACN10JP3A								...	NUTPLATE		7
205	BACR15BA3D								...	RIVET		14
210	412N1116-76								..	PANEL ASSY-END		1
215	412N1116-18								...	PANEL ASSY		1
220	NAS1836-3-11								...	INSERT		5
225	NAS1834-4-400								..	INSERT		13
230	BACS12FA3K12								..	SCREW (V06710) (SPEC BACS12FA3K12) (OPT BACS12FA3K12 (V06725)) (OPT BACS12FA3K12 (V06950)) (OPT BACS12FA3K12 (V27624)) (OPT BACS12FA3K12 (V34252)) (OPT BACS12FA3K12 (V56878)) (OPT BACS12FA3K12 (V73197)) (OPT BACS12FA3K12 (V80539)) (OPT BACS12FA3K12 (V92215)) (OPT BACS12FA3K12 (V93907)) (OPT BACS12FA3K12 (V97928))		13
235	412N1216-27								..	PANEL ASSY-DIVIDER		1
240	BACB30NN3K1								...	BOLT (V06710) (SPEC BACB30NN3K1) (OPT BACB30NN3K1 (V06725)) (OPT BACB30NN3K1 (V06950)) (OPT BACB30NN3K1 (V08524)) (OPT BACB30NN3K1 (V27624)) (OPT BACB30NN3K1 (V56878)) (OPT BACB30NN3K1 (V73197)) (OPT BACB30NN3K1 (V80539)) (OPT BACB30NN3K1 (V92215)) (OPT BACB30NN3K1 (V93907)) (OPT BACB30NN3K1 (V97928))		16

-Item not Illustrated

25-28-46

ILLUSTRATED PARTS LIST

Page 1098.259

Jul 01/2006



COMPONENT MAINTENANCE MANUAL

FIG/ ITEM	PART NUMBER	AIRLINE PART NUMBER	NOMENCLATURE							USAGE CODE	UNITS PER ASSY
			1	2	3	4	5	6	7		
15-											
245	BACW10CT10		. . .	WASHER							16
				(V10630)							
				(SPEC BACW10CT10)							
250	AN960PD516L		. . .	WASHER							16
255	SL5-3-145S		. . .	NUT							16
				(V97393)							
				(OPT ITEM 275A)							
-255A	KD121395-145		. . .	NUT							16
				(V29372)							
				(OPT ITEM 275)							
260	412N1217-19		. . .	BRACKET ASSY							1
265	BACR15BA3AD		RIVET							14
				(SIZE DETERMINED ON INST)							
270	BRM200A3		NUTPLATE							7
				(V52828)							
				(SPEC BACN10JP3A)							
				(OPT MK1000-3BAC (V15653))							
				(OPT NS103197-02 (V80539))							
				(OPT T8076S1032 (V71087))							
				(OPT T8076S1032 (V11815))							
				(OPT VN202A1-02 (V92215))							
275	412N1217-20		BRACKET							1
280	412N1217-87		. . .	BRACKET ASSY							1
285	BACR15BA3AD		RIVET							12
				(SIZE DETERMINED ON INST)							
290	BRM200A3		NUTPLATE							6
				(V52828)							
				(SPEC BACN10JP3A)							
				(OPT MK1000-3BAC (V15653))							
				(OPT NS103197-02 (V80539))							
				(OPT T8076S1032 (V71087))							
				(OPT T8076S1032 (V11815))							
				(OPT VN202A1-02 (V92215))							
295	412N1217-88		BRACKET							1
300	412N1116-48		. . .	PANEL ASSY-DIVIDER							1
305	412N1116-49		. . .	PANEL ASSY-DIVIDER							1
310	NAS1836-3-11		INSERT							2
315	412N1116-16		PANEL ASSY							1
320	65C27327-64		. .	BODY							1

-Item not Illustrated

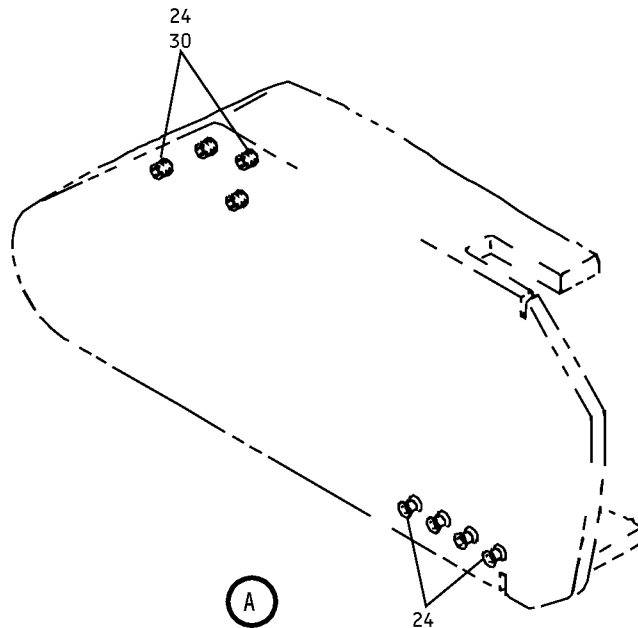
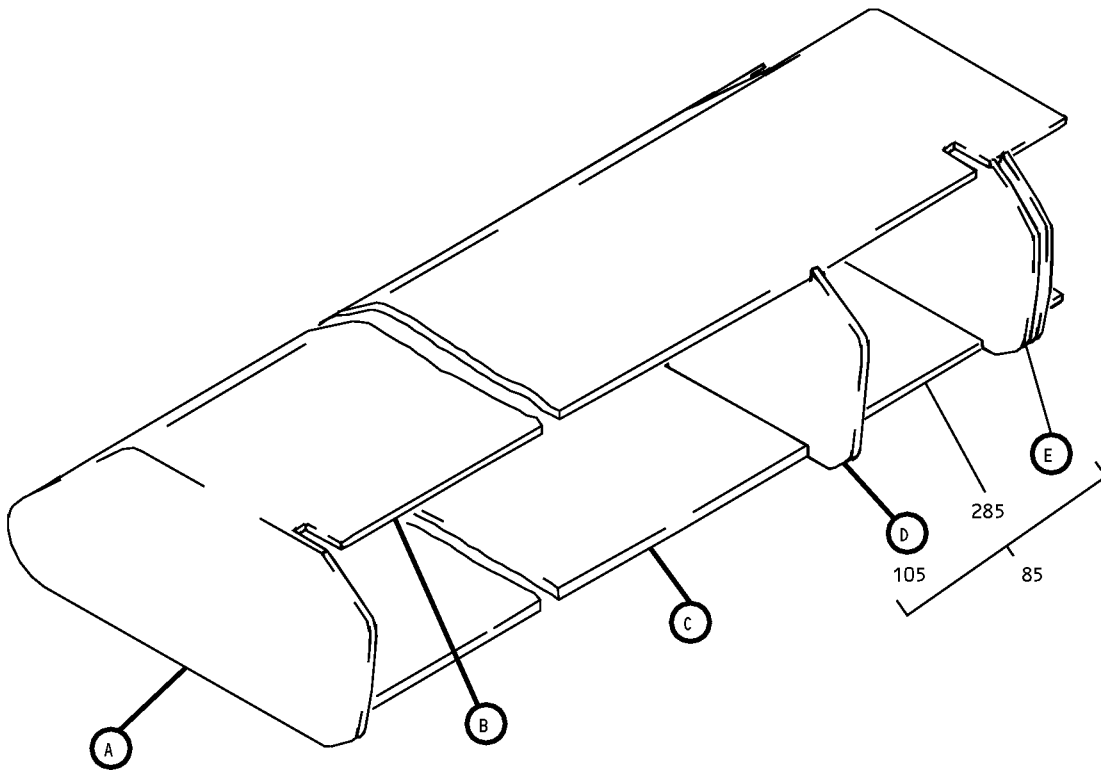
25-28-46

ILLUSTRATED PARTS LIST

Page 1098.260

Jul 01/2006

COMPONENT MAINTENANCE MANUAL



Overhead Stowage Compartment Assembly
IPL Figure 16 (Sheet 1 of 7)

25-28-46

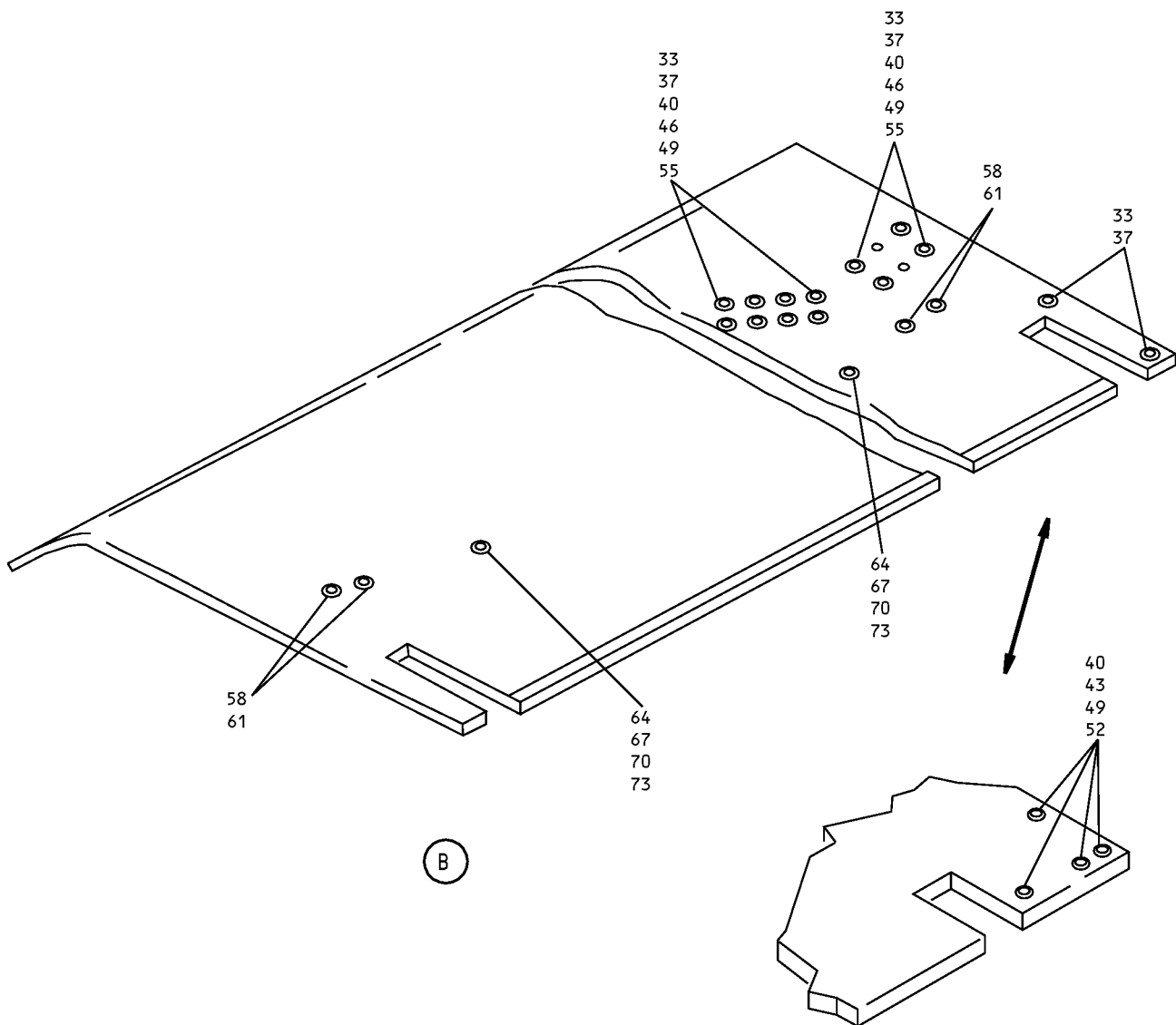
ILLUSTRATED PARTS LIST

Page 1098.261

Jul 01/2006



COMPONENT MAINTENANCE MANUAL



Overhead Stowage Compartment Assembly
IPL Figure 16 (Sheet 2 of 7)

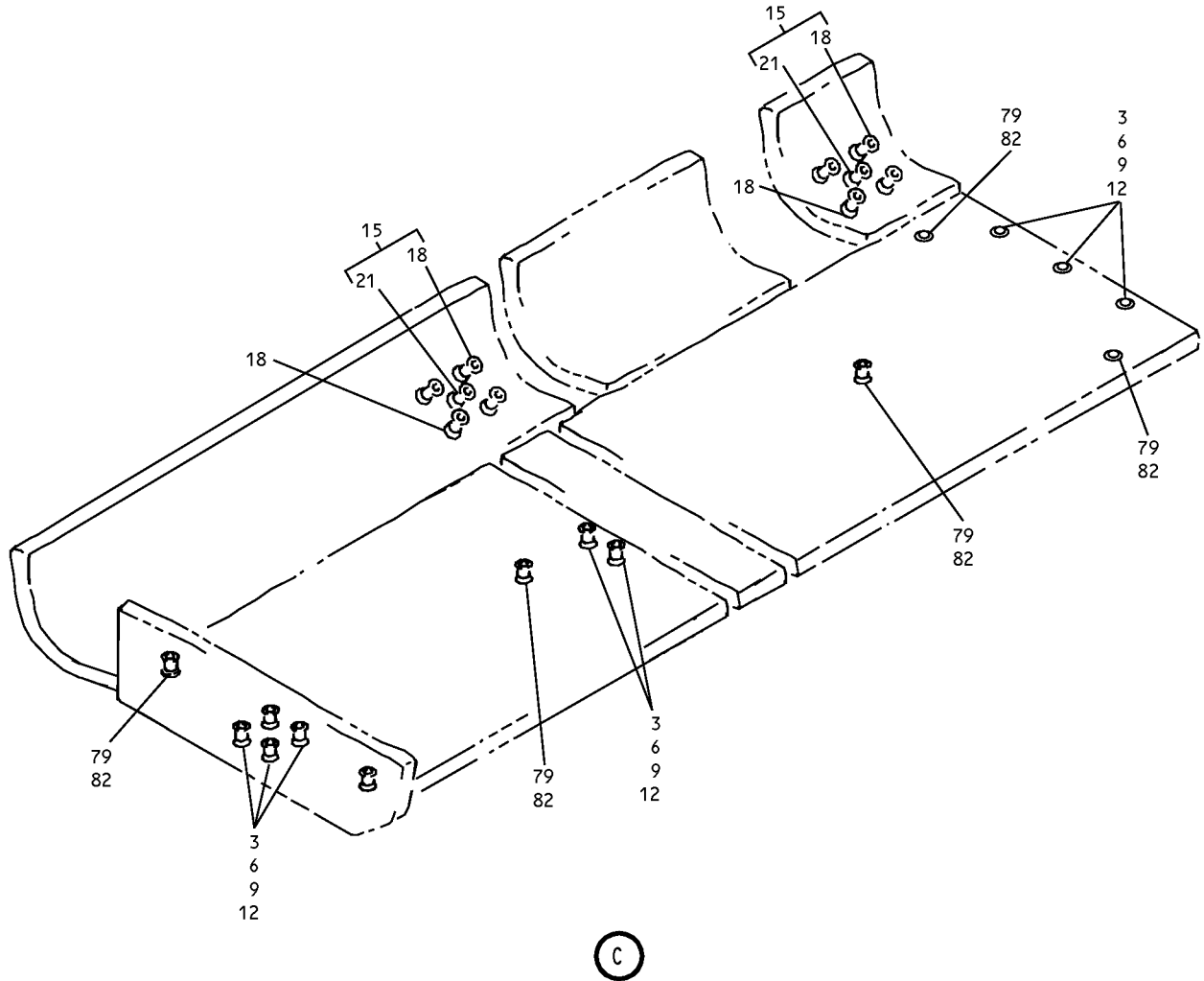
25-28-46

ILLUSTRATED PARTS LIST

Page 1098.262

Jul 01/2006

COMPONENT MAINTENANCE MANUAL



Overhead Stowage Compartment Assembly
IPL Figure 16 (Sheet 3 of 7)

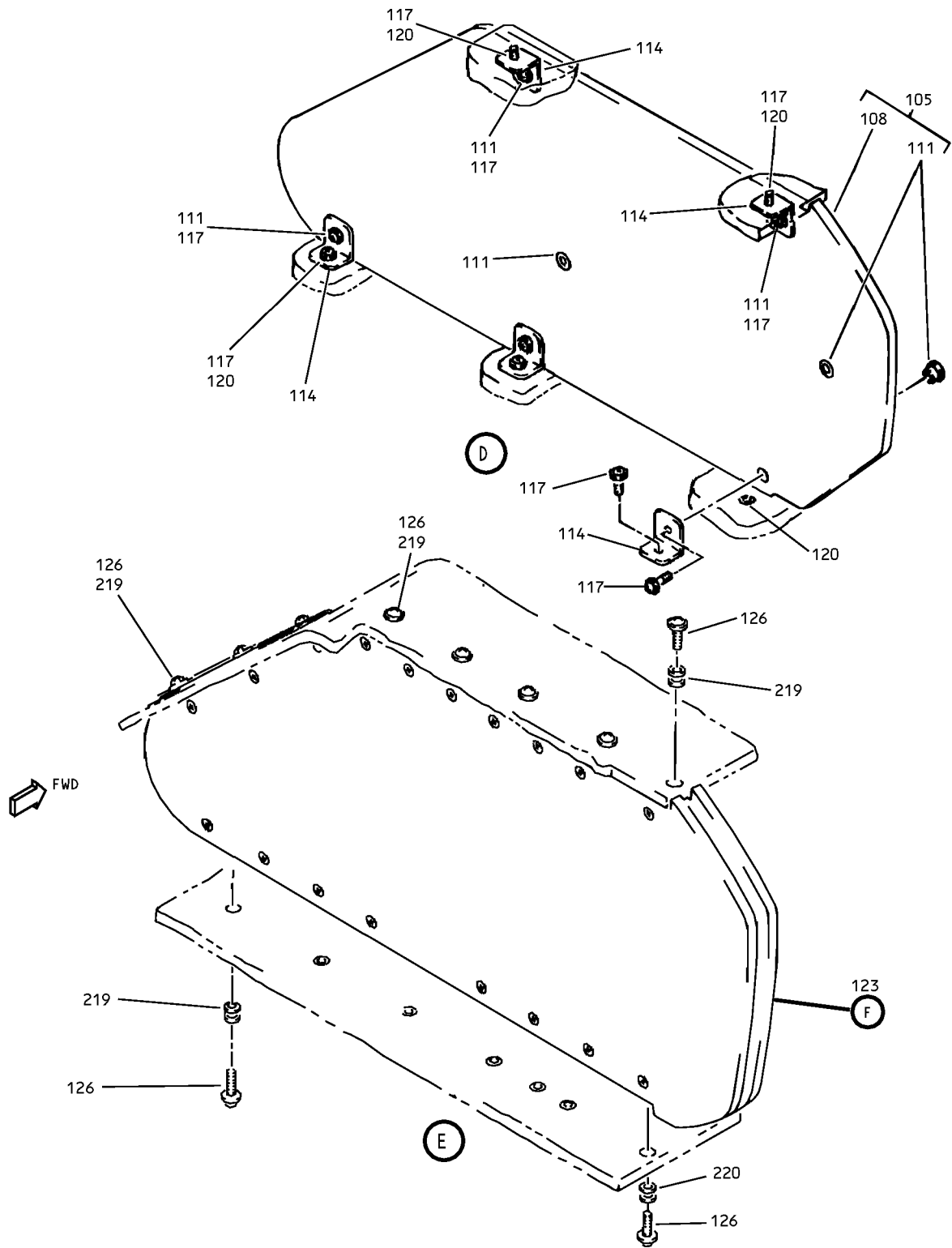
25-28-46

ILLUSTRATED PARTS LIST

Page 1098.263

Jul 01/2006

COMPONENT MAINTENANCE MANUAL



Overhead Storage Compartment Assembly
IPL Figure 16 (Sheet 4 of 7)

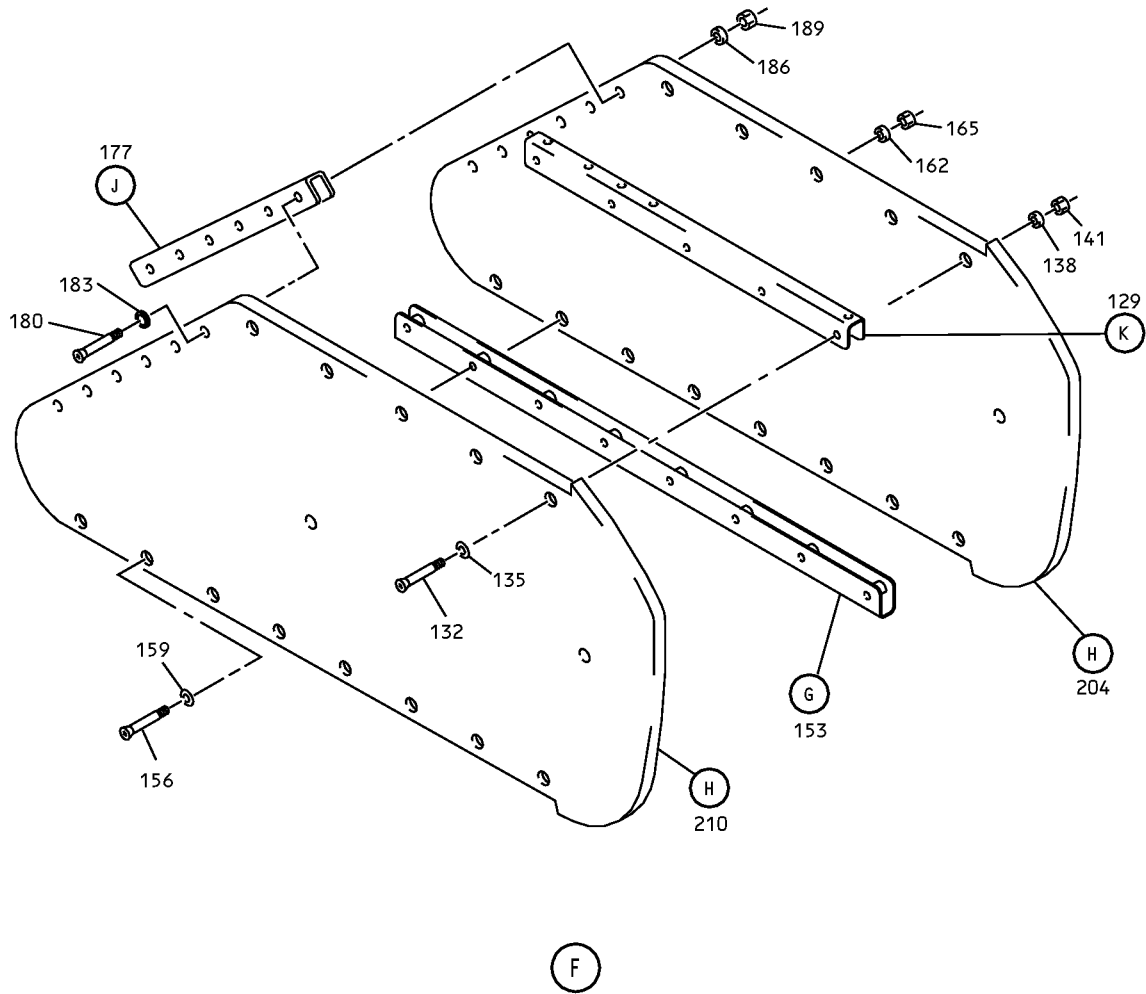
25-28-46

ILLUSTRATED PARTS LIST

Page 1098.264

Jul 01/2006

COMPONENT MAINTENANCE MANUAL



Overhead Stowage Compartment Assembly
IPL Figure 16 (Sheet 5 of 7)

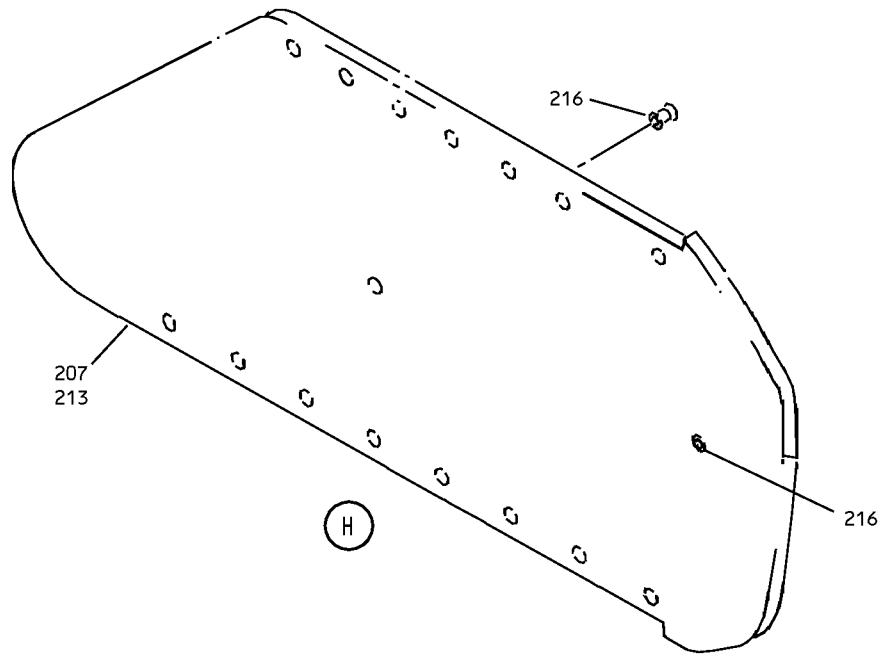
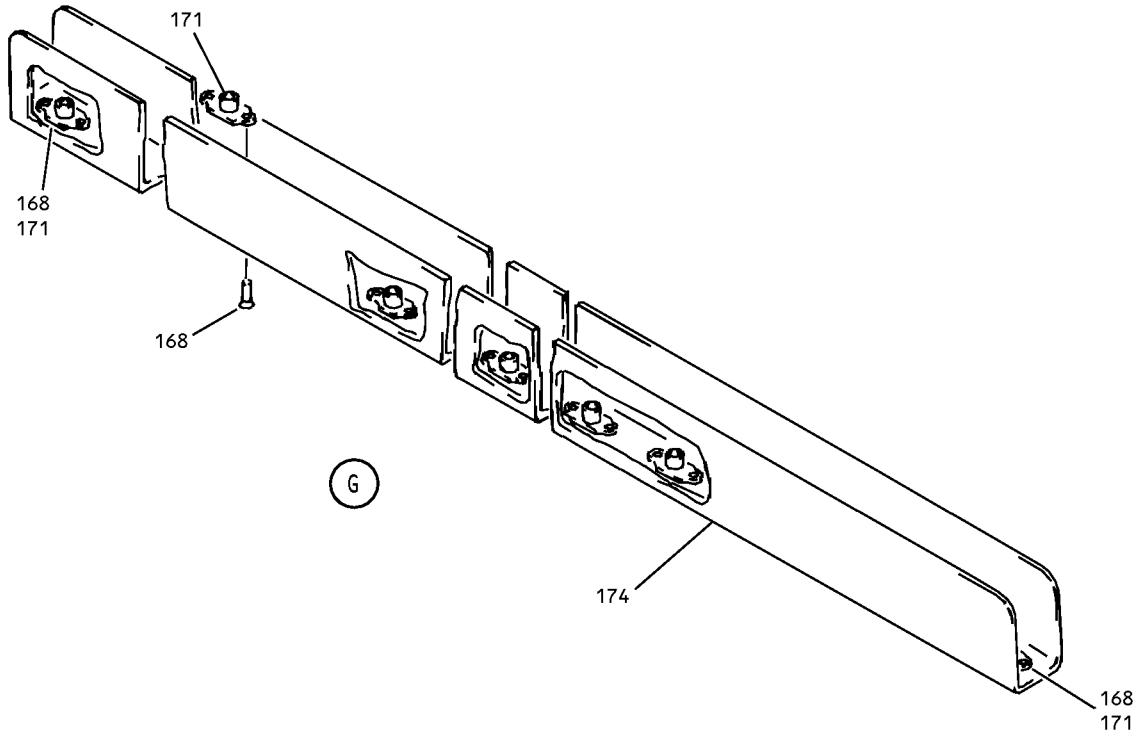
25-28-46

ILLUSTRATED PARTS LIST

Page 1098.265

Jul 01/2006

COMPONENT MAINTENANCE MANUAL



Overhead Stowage Compartment Assembly
IPL Figure 16 (Sheet 6 of 7)

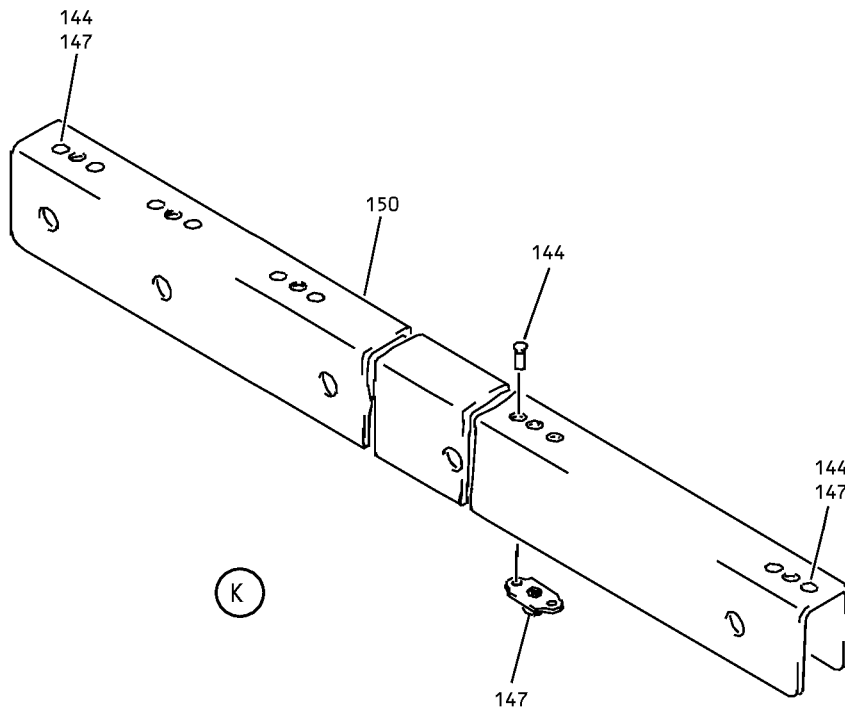
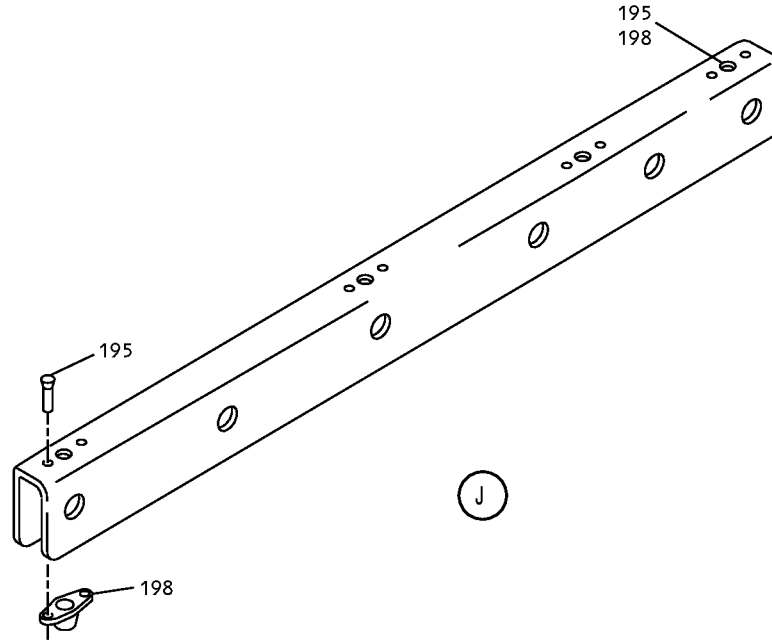
25-28-46

ILLUSTRATED PARTS LIST

Page 1098.266

Jul 01/2006

COMPONENT MAINTENANCE MANUAL



Overhead Stowage Compartment Assembly
IPL Figure 16 (Sheet 7 of 7)

25-28-46

ILLUSTRATED PARTS LIST

Page 1098.267

Jul 01/2006



COMPONENT MAINTENANCE MANUAL

FIG/ ITEM	PART NUMBER	AIRLINE PART NUMBER	NOMENCLATURE							USAGE CODE	UNITS PER ASSY
			1	2	3	4	5	6	7		
16-											
-1	65C27012-3									A	RF
-1A	65C27012-15									B	RF
-1B	65C27012-19									C	RF
-1C	65C27012-25									D	RF
-1D	65C27012-27									E	RF
-1E	65C27012-28									F	RF
-1F	65C27012-60									G	RF
-1H	65C27012-70									H	RF
-1J	65C27012-84									I	RF
-1K	65C27012-87									J	RF
-1L	65C27012-92									K	RF
3	65C27012-1021									A, B, C, F, J	1
6	NAS1836-3-11										9
9	65C27012-1033									D, E, G, I	1
12	NAS1836-3-11										9
-13	65C27012-1058									H, K	1
-14	NAS1836-3-11										13
15	65C27012-1103									A-J, K	1
18	NAS1836-3-11										8
21	NAS1836-4-11										2
24	65C27012-1203									A-J, K	1
27	NAS1836-3-11										4
30	SL2334-3A2										4
											(V97393)
33	65C27012-1305									A, B, C, F, J	1
37	NAS1836-3-11										14
40	65C27012-1318									D, E, H, I, K	1
43	NAS1833-3-400										3
46	NAS1836-3-11										12

-Item not Illustrated

25-28-46

ILLUSTRATED PARTS LIST

Page 1098.268

Jul 01/2006



COMPONENT MAINTENANCE MANUAL

FIG/ ITEM	PART NUMBER	AIRLINE PART NUMBER	NOMENCLATURE							USAGE CODE	UNITS PER ASSY
			1	2	3	4	5	6	7		
16-											
49	65C27012-1330		.							G	1
52	NAS1833-3-400		.	.							4
55	NAS1836-3-11		.	.							12
58	65C27012-2003		.							A-J, K	1
61	NAS1836-3-11		.	.							4
64	65C27012-2103		.							A	1
67	NAS1836-3-11		.	.							4
70	65C27012-2115		.							B-J, K	1
73	NAS1836-3-11		.	.							4
79	65C27012-4001		.							B, D, G, H	1
82	NAS1833-3-400		.	.							6
-83	65C27012-4021		.							I	1
-83A	NAS1833-3-400		.	.							3
-83B	65C27012-4027		.							J	1
-83C	NAS1833-3-400		.	.							4
-83D	65C27012-4101		.							H	1
-83E	NAS1833-3-400		.	.							6
-84	65C27012-4118		.							I	1
-84A	NAS1833-3-400		.	.							4
85	65C27327-4		.							A, B, C, J	1
-88	65C27327-34		.							D, E, H	1
-91	65C27327-38		.							F	1
-94	65C27327-92		.							G	1
-94A	65C27327-131		.							I	1
-94B	65C27327-151		.							K	1
105	412N1116-96		.	.						F	1
108	412N1116-78		.	.	.						1
111	NAS1836-3-11		.	.	.						7
114	412N1145-33		.	.						F	5
117	BACS12FA3K6		.	.						F	10
120	NAS1833-3-400		.	.						F	5

-Item not Illustrated

25-28-46

ILLUSTRATED PARTS LIST

Page 1098.269

Jul 01/2006



COMPONENT MAINTENANCE MANUAL

FIG/ ITEM	PART NUMBER	AIRLINE PART NUMBER	NOMENCLATURE							USAGE CODE	UNITS PER ASSY	
			1	2	3	4	5	6	7			
16- 123	412N1216-23		.	.							A-E, G, H, K	1
-123A 126	412N1216-43 BACS12FA3K12		.	.							I	1 14
			.	.								
			(V06710)									
			(SPEC BACS12FA3K12)									
			(OPT BACS12FA3K12 (V06725))									
			(OPT BACS12FA3K12 (V06950))									
			(OPT BACS12FA3K12 (V27624))									
			(OPT BACS12FA3K12 (V27624))									
			(OPT BACS12FA3K12 (V34252))									
			(OPT BACS12FA3K12 (V56878))									
			(OPT BACS12FA3K12 (V73197))									
			(OPT BACS12FA3K12 (V80539))									
			(OPT BACS12FA3K12 (V92215))									
			(OPT BACS12FA3K12 (V93907))									
			(OPT BACS12FA3K12 (V97928))									
129	412N1217-49		.	.	.						A-E, G, H	1
			ATTACHING PARTS									
132	BACB30NN3K1		.	.	.							5
			(V06710)									
			(SPEC BACB30NN3K1)									
			(OPT BACB30NN3K1 (V06725))									
			(OPT BACB30NN3K1 (V06950))									
			(OPT BACB30NN3K1 (V08524))									
			(OPT BACB30NN3K1 (V27624))									
			(OPT BACB30NN3K1 (V56878))									
			(OPT BACB30NN3K1 (V73197))									
			(OPT BACB30NN3K1 (V80539))									
			(OPT BACB30NN3K1 (V92215))									
			(OPT BACB30NN3K1 (V93907))									
			(OPT BACB30NN3K1 (V97928))									
135	BACW10CT10		.	.	.							5
			(V10630)									
			(SPEC BACW10CT10)									
138	AN960PD516L		.	.	.							5
141	SL5-3-145S		.	.	.							5
			(V97393)									
			(OPT ITEM 141A)									

-Item not Illustrated

25-28-46

ILLUSTRATED PARTS LIST

Page 1098.270

Jul 01/2006



COMPONENT MAINTENANCE MANUAL

FIG/ ITEM	PART NUMBER	AIRLINE PART NUMBER	NOMENCLATURE							USAGE CODE	UNITS PER ASSY	
			1	2	3	4	5	6	7			
16- -141A	K121D395-145		. . .									7
144	BACR15BA3AD										10
147	BRM200A3										5
150	412N1217-50										1
153	412N1217-21		. . .									1
156	BACB30NN3K1		. . .									8
159	BACW10CT10		. . .									9
162	AN960PD516L		. . .									9
165	SL5-3-1455		. . .									9
-165A	K121D395-145		. . .									9

-Item not Illustrated

25-28-46

ILLUSTRATED PARTS LIST

Page 1098.271

Jul 01/2006



COMPONENT MAINTENANCE MANUAL

FIG/ ITEM	PART NUMBER	AIRLINE PART NUMBER	NOMENCLATURE							USAGE CODE	UNITS PER ASSY
			1	2	3	4	5	6	7		
16-											
-168	BACR15BA3AD										
171	BRM200A3										
174	412N1217-22										
177	412N1217-51										
180	BACB30NN3K1										
183	BACW10CT10										
186	AN960PD516										
189	SL5-3-145S										
-192	K121D395-145										
195	BACR15BA3AD										

-Item not Illustrated

25-28-46

ILLUSTRATED PARTS LIST

Page 1098.272

Jul 01/2009



COMPONENT MAINTENANCE MANUAL

FIG/ ITEM	PART NUMBER	AIRLINE PART NUMBER	NOMENCLATURE							USAGE CODE	UNITS PER ASSY
			1	2	3	4	5	6	7		
16- 198	BRM200A3									3
201	412N1217-52									1
204	412N1116-79		. . .								1
207	412N1116-80									1
210	412N1116-72		. . .								1
-210A	412N1116-124		. . .								1
213	412N1116-94									1
216	NAS1836-3-11									2
219	NAS1834-4-400		. .								13
220	NAS1834-4-380		. .								1
225	65C27327-8		. .						A, B, C, F		1
-225A	65C27327-35		. .						D, E		1
-225B	65C27327-93		. .						G		1
-225C	65C27327-152		. .						K		1

-Item not Illustrated

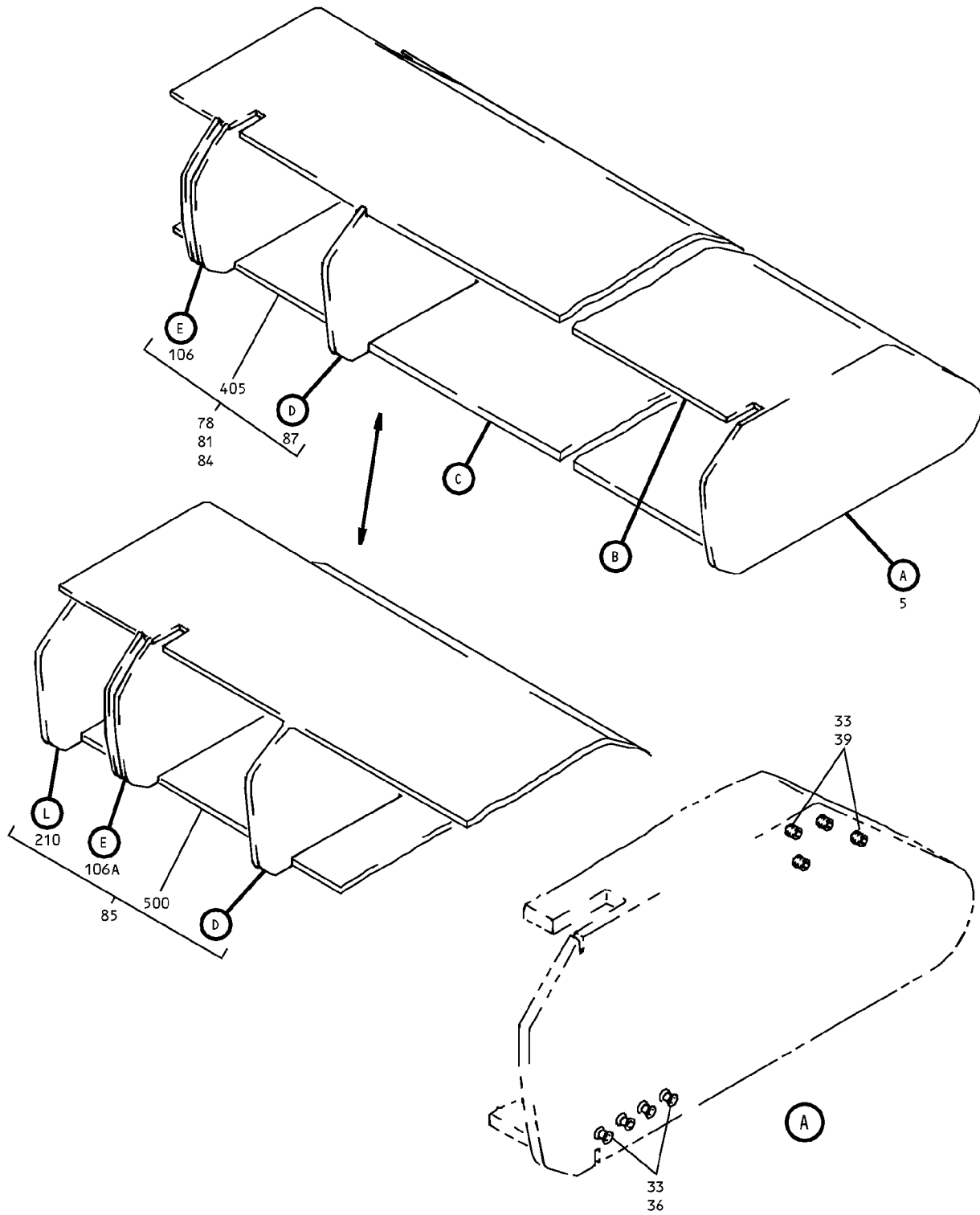
25-28-46

ILLUSTRATED PARTS LIST

Page 1098.273

Jul 01/2006

COMPONENT MAINTENANCE MANUAL



Overhead Stowage Compartment Assembly
IPL Figure 17 (Sheet 1 of 7)

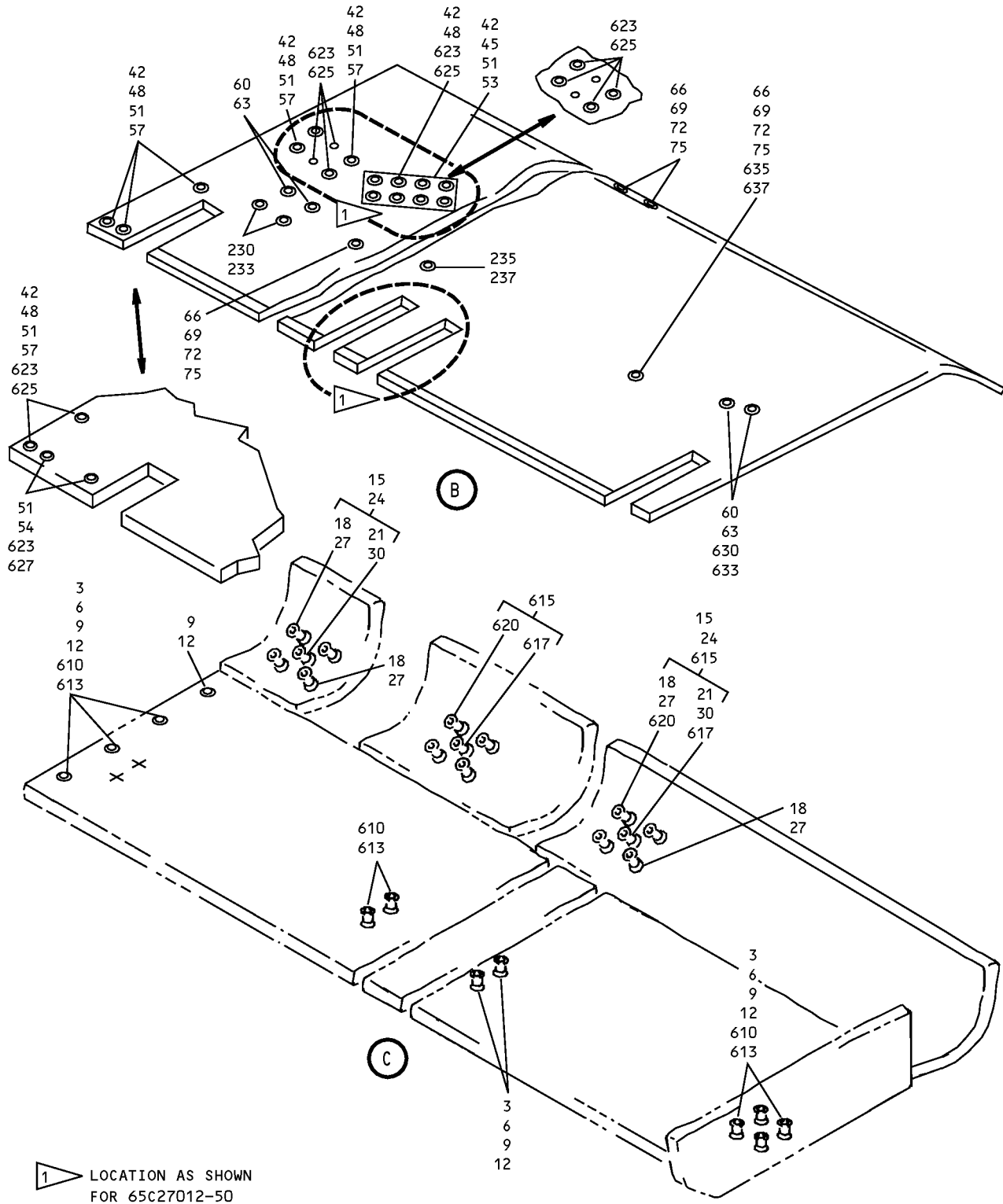
25-28-46

ILLUSTRATED PARTS LIST

Page 1098.274

Jul 01/2006

COMPONENT MAINTENANCE MANUAL



Overhead Storage Compartment Assembly
IPL Figure 17 (Sheet 2 of 7)

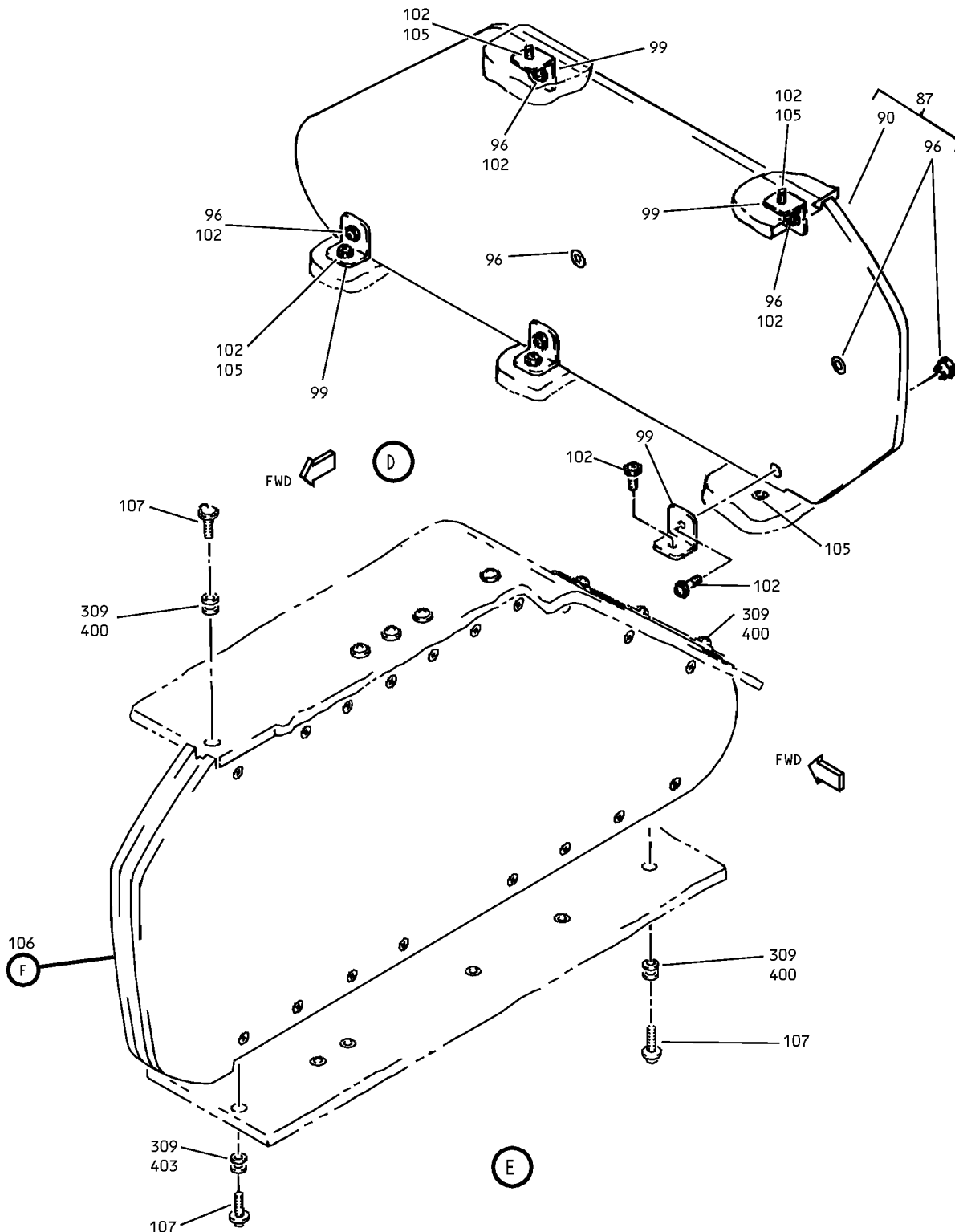
25-28-46

ILLUSTRATED PARTS LIST

Page 1098.275

Jul 01/2006

COMPONENT MAINTENANCE MANUAL



Overhead Stowage Compartment Assembly
IPL Figure 17 (Sheet 3 of 7)

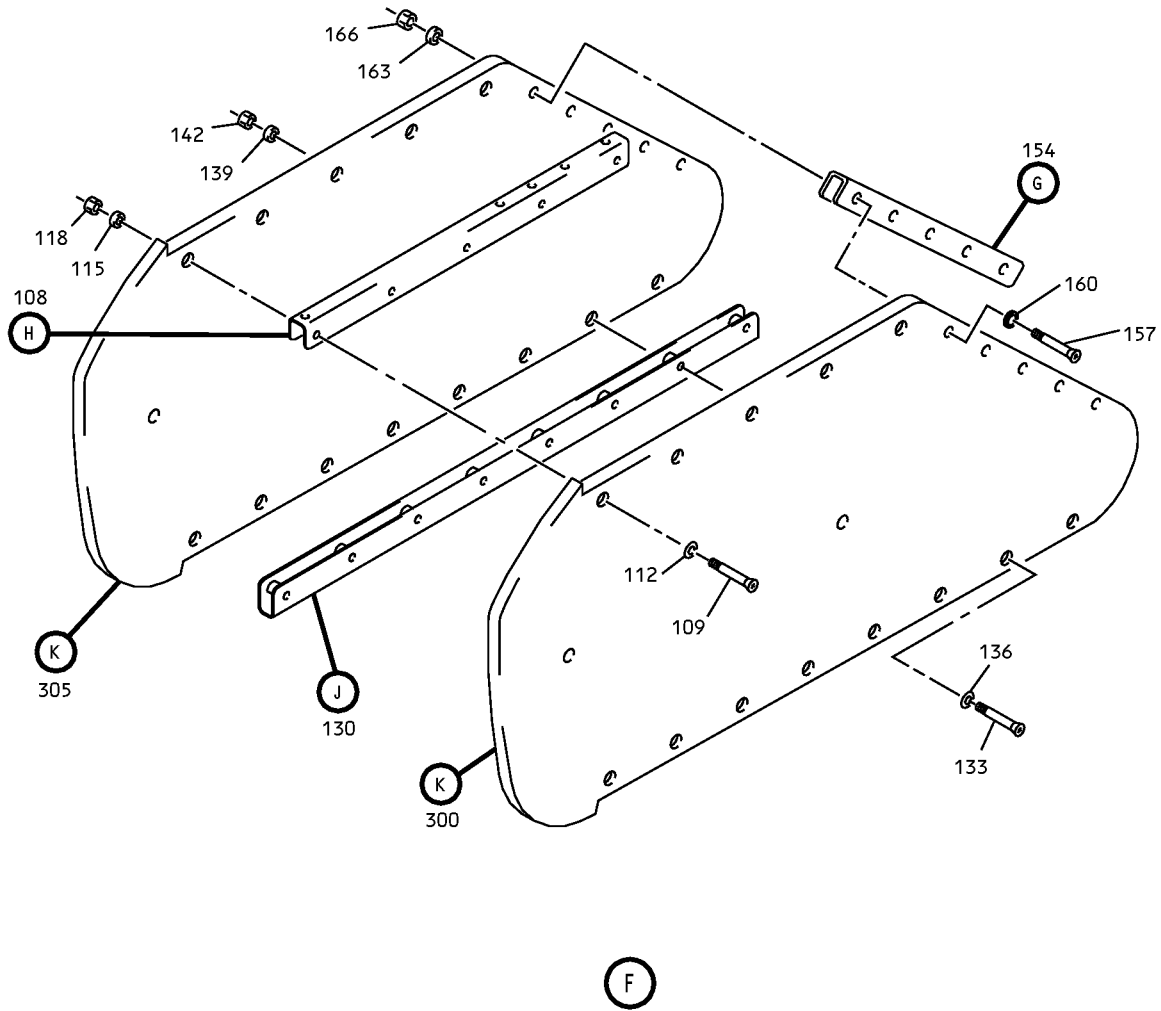
25-28-46

ILLUSTRATED PARTS LIST

Page 1098.276

Jul 01/2006

COMPONENT MAINTENANCE MANUAL



Overhead Stowage Compartment Assembly
IPL Figure 17 (Sheet 4 of 7)

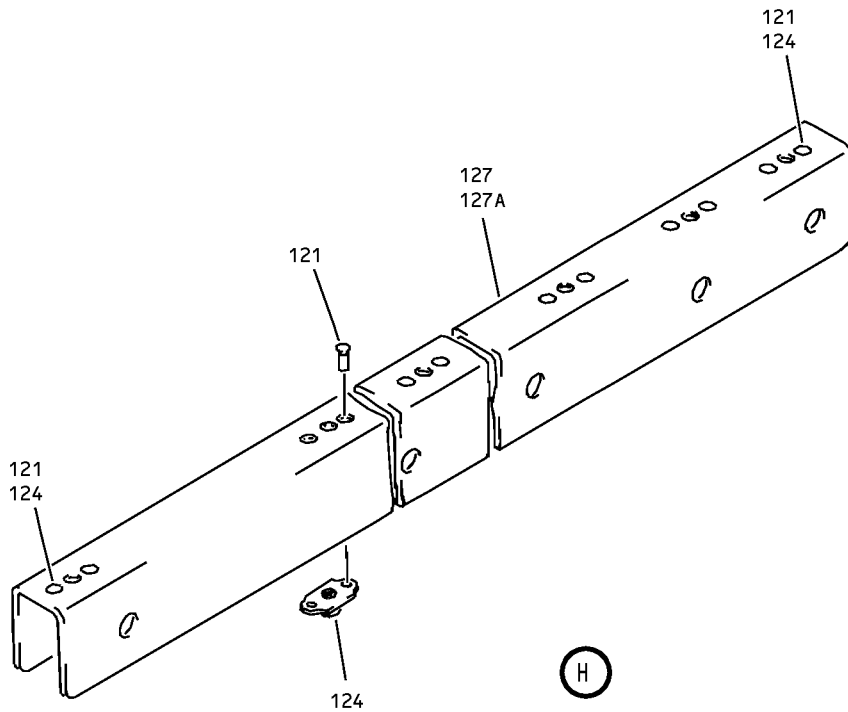
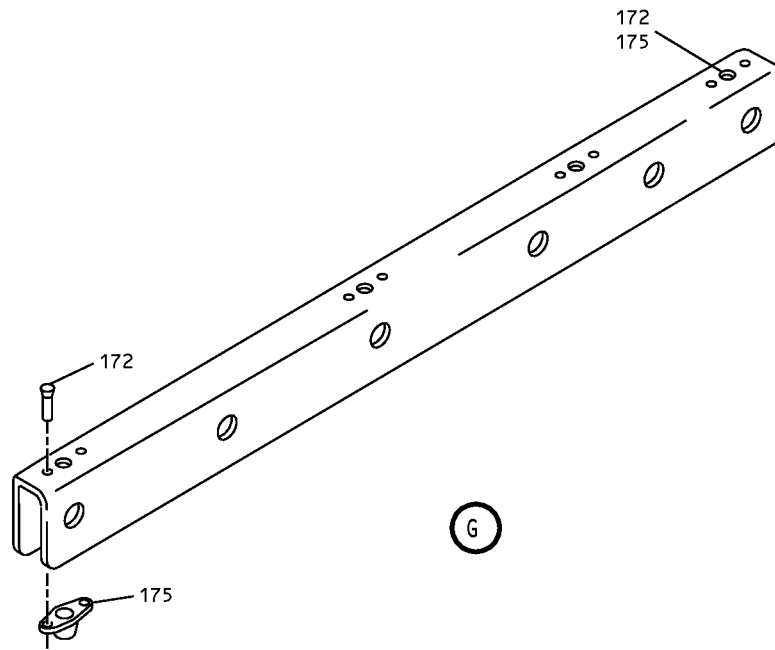
25-28-46

ILLUSTRATED PARTS LIST

Page 1098.277

Jul 01/2006

COMPONENT MAINTENANCE MANUAL



Overhead Stowage Compartment Assembly
IPL Figure 17 (Sheet 5 of 7)

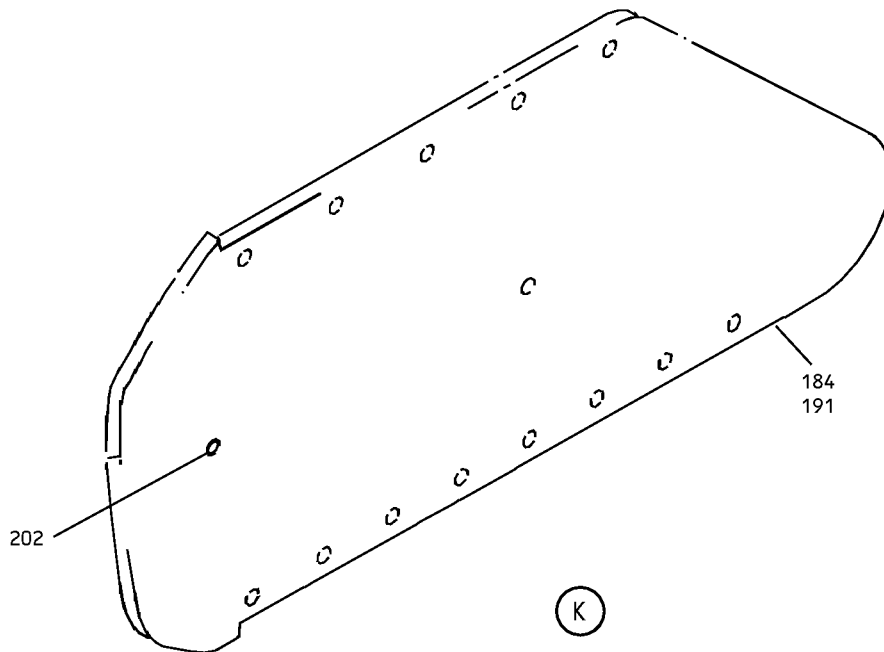
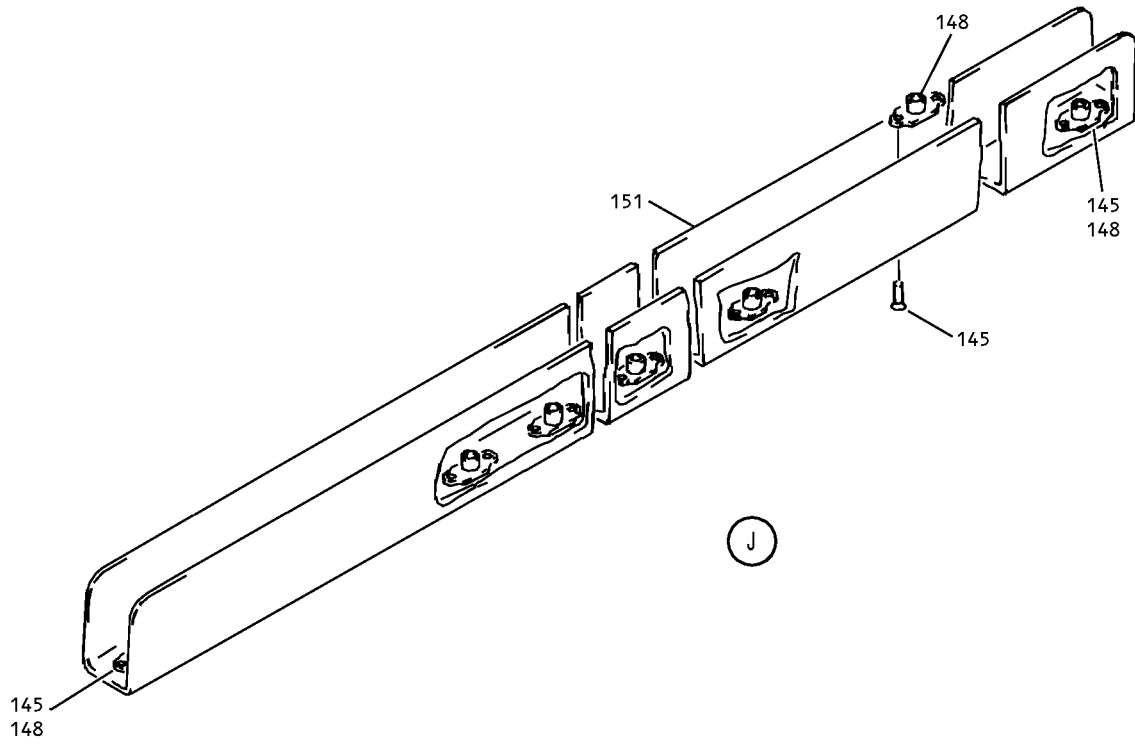
25-28-46

ILLUSTRATED PARTS LIST

Page 1098.278

Jul 01/2006

COMPONENT MAINTENANCE MANUAL



Overhead Stowage Compartment Assembly
IPL Figure 17 (Sheet 6 of 7)

25-28-46

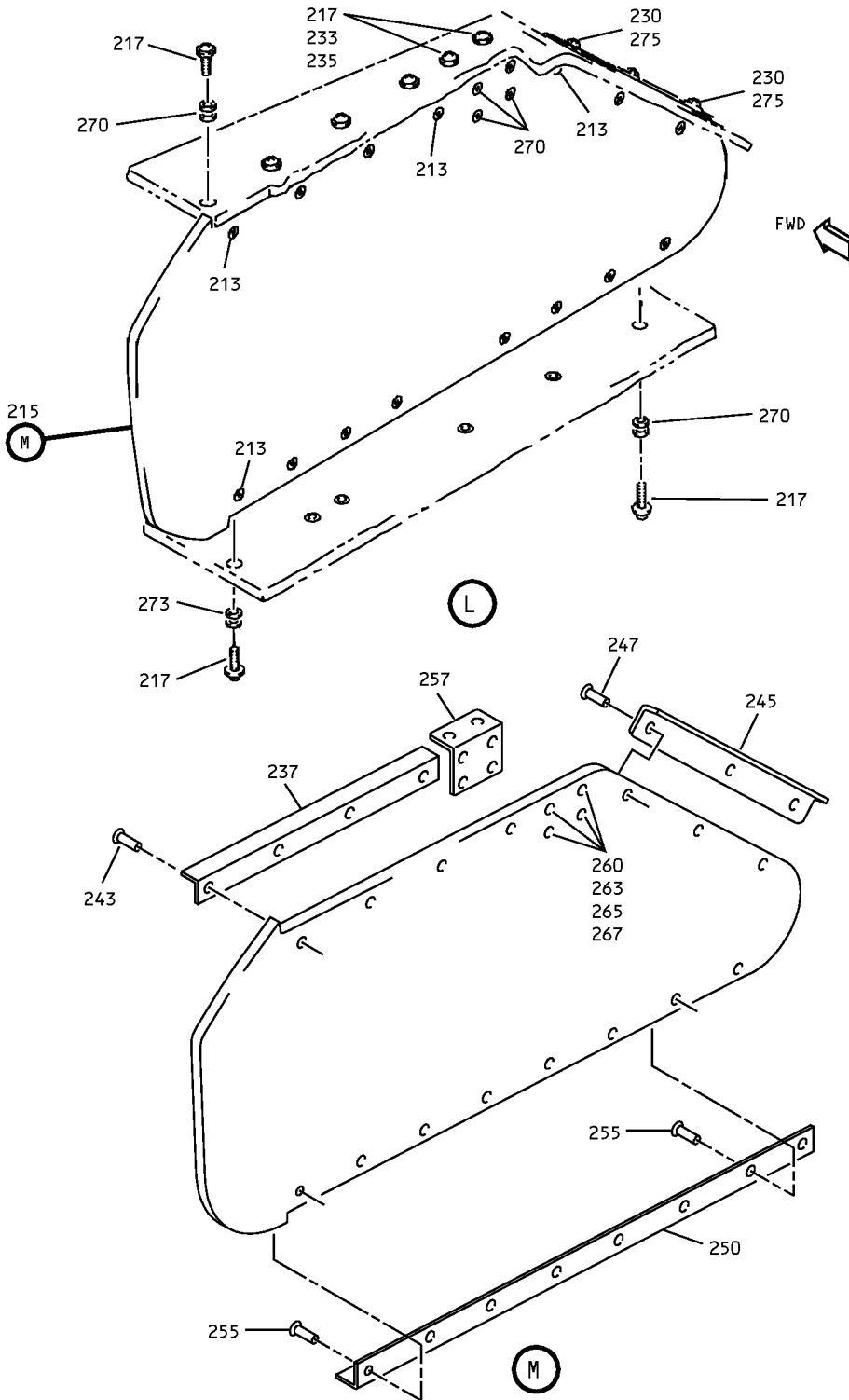
ILLUSTRATED PARTS LIST

Page 1098.279

Jul 01/2006



COMPONENT MAINTENANCE MANUAL



Overhead Storage Compartment Assembly
IPL Figure 17 (Sheet 7 of 7)

25-28-46
ILLUSTRATED PARTS LIST
Page 1098.280
Jul 01/2006



COMPONENT MAINTENANCE MANUAL

FIG/ ITEM	PART NUMBER	AIRLINE PART NUMBER	NOMENCLATURE							USAGE CODE	UNITS PER ASSY
			1	2	3	4	5	6	7		
17-											
-1	65C27012-7									A	RF
-1A	65C27012-21									B	RF
-1B	65C27012-23									C	RF
-1C	65C27012-32									D	RF
-1D	65C27012-50									E	RF
-1E	65C27012-93									F	RF
3	65C27012-1022									C, D, F	1
6	NAS1836-3-11										9
9	65C27012-1023									A, B	1
12	NAS1836-3-11										10
15	65C27012-1103									D	1
18	NAS1836-3-11										8
21	NAS1836-4-11										2
24	65C27012-1104									A-D, F	1
27	NAS1836-3-11										8
30	NAS1836-4-11										2
33	65C27012-1204										1
36	NAS1836-3-11										4
39	SL2334-3A2										4
42	65C27012-1312									C, D, F	1
45	65C27012-8										1
48	NAS1836-3-11										14
51	65C27012-1313									A, B	1
53	65C27012-8										1
54	NAS1834-5-400										2
57	NAS1836-3-11										14
60	65C27012-2007									A-D, F	1
63	NAS1836-3-11										4
66	65C27012-2107									A	1
69	NAS1836-3-11										4

-Item not Illustrated

25-28-46

ILLUSTRATED PARTS LIST

Page 1098.281

Jul 01/2006



COMPONENT MAINTENANCE MANUAL

FIG/ ITEM	PART NUMBER	AIRLINE PART NUMBER	NOMENCLATURE							USAGE CODE	UNITS PER ASSY												
			1	2	3	4	5	6	7														
17-																							
72	65C27012-2117		.	P	A	T	T	E	R	N	A	S	S	I	N	E	R	B, C, D, F	1				
75	NAS1836-3-11		.	.	I	N	S	E	R	T								4					
78	65C27327-13		.	B	O	D	I	E	S	S		A, B						1					
81	65C27327-30		.	B	O	D	I	E	S	S		C						1					
84	65C27327-49		.	B	O	D	I	E	S	S		D						1					
85	65C27327-76		.	B	O	D	I	E	S	S		E						1					
-85A	65C27327-153		.	B	O	D	I	E	S	S		F						1					
87	412N1116-77		.	.	D	I	V	I	D	E	R	P	A	N	E	L	A	S	S	A	D	1	
90	412N1116-76		.	.	.	P	A	N	E	L	A	S	S									1	
-93	412N1118-3		.	.	.	T	R	I	M													1	
96	NAS1836-3-11		.	.	.	I	N	S	E	R	T											7	
99	412N1145-33		.	.	B	R	A	C	K	E	T		A-D, E									5	
102	BACS12FA3K6		.	.	S	C	R	E	W			A-D, E										10	
105	NAS1833-3-400		.	.	I	N	S	E	R	T		A-D, E										5	
106	412N1216-24		.	.	P	A	N	E	L	A	S	S	A	D	I	V	E	R					1
-106A	412N1216-38		.	.	P	A	N	E	L	A	S	S	A	D	I	V	E	R				E	1
107	BACS12FA3K12		.	.	S	C	R	E	W													14	
					(V06710)																		
					(SPEC BACS12FA3K12)																		
					(OPT BACS12FA3K12 (V06725))																		
					(OPT BACS12FA3K12 (V06950))																		
					(OPT BACS12FA3K12 (V27624))																		
					(OPT BACS12FA3K12 (V27624))																		
					(OPT BACS12FA3K12 (V34252))																		
					(OPT BACS12FA3K12 (V56878))																		
					(OPT BACS12FA3K12 (V73197))																		
					(OPT BACS12FA3K12 (V80539))																		
					(OPT BACS12FA3K12 (V92215))																		
					(OPT BACS12FA3K12 (V93907))																		
					(OPT BACS12FA3K12 (V97928))																		
108	412N1217-49		.	.	.	B	R	A	C	K	E	T	A	S	S						A-D, E	1	
-108A	412N1217-91		.	.	.	B	R	A	C	K	E	T	A	S	S							E	1

-Item not Illustrated

25-28-46

ILLUSTRATED PARTS LIST

Page 1098.282

Jul 01/2006



COMPONENT MAINTENANCE MANUAL

FIG/ ITEM	PART NUMBER	AIRLINE PART NUMBER	NOMENCLATURE							USAGE CODE	UNITS PER ASSY
			1	2	3	4	5	6	7		
17-			ATTACHING PARTS								
109	BACB30NN3K1		. . . BOLT (V06710) (SPEC BACB30NN3K1) (OPT BACB30NN3K1 (V06725)) (OPT BACB30NN3K1 (V06950)) (OPT BACB30NN3K1 (V08524)) (OPT BACB30NN3K1 (V27624)) (OPT BACB30NN3K1 (V56878)) (OPT BACB30NN3K1 (V73197)) (OPT BACB30NN3K1 (V80539)) (OPT BACB30NN3K1 (V92215)) (OPT BACB30NN3K1 (V93907)) (OPT BACB30NN3K1 (V97928))								5
112	BACW10CT10		. . . WASHER (V10630) (SPEC BACW10CT10)								5
115	AN960PD516L		. . . WASHER								5
118	SL5-3-145S		. . . NUT (V97393) (OPT ITEM 118A)								5
-118A	K121D395-145		. . . NUT (V29372) (OPT ITEM 118)								5
			-----*-----								
121	BACR15BA3AD	 RIVET (SIZE DETERMINED ON INST)								12
124	BRM200A3	 NUTPLATE (V52828) (SPEC BACN10JP3A) (OPT MK1000-3BAC (V15653)) (OPT NS103197-02 (V80539)) (OPT RMA9201M3 (V72962)) (OPT T8076S1032 (V11815)) (OPT VN202A1-02 (V92215))								6
127	412N1217-50	 BRACKET							A-D, E	1
-127A	412N1217-92	 BRACKET							E	1
130	412N1217-21		. . . BRACKET ASSY								1

-Item not Illustrated

25-28-46

ILLUSTRATED PARTS LIST

Page 1098.283

Jul 01/2006



COMPONENT MAINTENANCE MANUAL

FIG/ ITEM	PART NUMBER	AIRLINE PART NUMBER	NOMENCLATURE							USAGE CODE	UNITS PER ASSY
			1	2	3	4	5	6	7		
17-			ATTACHING PARTS								
133	BACB30NN3K1		. . . BOLT (V06710) (SPEC BACB30NN3K1) (OPT BACB30NN3K1 (V06725)) (OPT BACB30NN3K1 (V06950)) (OPT BACB30NN3K1 (V08524)) (OPT BACB30NN3K1 (V27624)) (OPT BACB30NN3K1 (V56878)) (OPT BACB30NN3K1 (V73197)) (OPT BACB30NN3K1 (V80539)) (OPT BACB30NN3K1 (V92215)) (OPT BACB30NN3K1 (V93907)) (OPT BACB30NN3K1 (V97928))								8
136	BACW10CT10		. . . WASHER (V10630) (SPEC BACW10CT10)								8
139	AN960PD516L		. . . WASHER								8
142	SL5-3-1455		. . . NUT (V97393) (OPT ITEM 142A)								8
-142A	K121D395-145		. . . NUT (V29372) (OPT ITEM 142)								8
			-----*-----								
145	BACR15BA3AD	 RIVET (SIZE DETERMINED ON INST)								14
148	BRM200A3	 NUTPLATE (V52828) (SPEC BACN10JP3A) (OPT MK1000-3BAC (V15653)) (OPT NS103197-02 (V80539)) (OPT RMA9201M3 (V72962)) (OPT T8076S1032 (V11815)) (OPT VN202A1-02 (V92215))								7
151	412N1217-22	 BRACKET								1
154	412N1217-51		. . . BRACKET ASSY								1

-Item not Illustrated

25-28-46

ILLUSTRATED PARTS LIST

Page 1098.284

Jul 01/2006



COMPONENT MAINTENANCE MANUAL

FIG/ ITEM	PART NUMBER	AIRLINE PART NUMBER	NOMENCLATURE							USAGE CODE	UNITS PER ASSY
			1	2	3	4	5	6	7		
17-			ATTACHING PARTS								
157	BACB30NN3K1		. . . BOLT (V06710) (SPEC BACB30NN3K1) (OPT BACB30NN3K1 (V06725)) (OPT BACB30NN3K1 (V06950)) (OPT BACB30NN3K1 (V08524)) (OPT BACB30NN3K1 (V27624)) (OPT BACB30NN3K1 (V56878)) (OPT BACB30NN3K1 (V73197)) (OPT BACB30NN3K1 (V80539)) (OPT BACB30NN3K1 (V92215)) (OPT BACB30NN3K1 (V93907)) (OPT BACB30NN3K1 (V97928))								5
160	BACW10CT10		. . . WASHER (V10630) (SPEC BACW10CT10)								5
163	AN960PD516		. . . WASHER								5
166	SL5-3-145S		. . . NUT (V97393) (OPT ITEM 169)								5
-169	K121D395-145		. . . NUT (V97372) (OPT ITEM 166)								5
			-----*-----								
172	BACR15BA3AD	 RIVET (SIZE DETERMINED ON INST)								6
175	BRM200A3	 NUTPLATE (V52825) (SPEC BACN10JP3A) (OPT MK1000-3BAC (V15653)) (OPT NS103197-02 (V80539)) (OPT RMA9201M3 (V72962)) (OPT T8076S1032 (V11815)) (OPT VN202A1-02 (V92215))								3
178	412N1217-52	 BRACKET								1
181	412N1116-79		DELETED								
184	412N1116-80		DELETED								
187	412N1116-71		DELETED								
191	412N1116-93		DELETED								

-Item not Illustrated

25-28-46

ILLUSTRATED PARTS LIST

Page 1098.285

Jul 01/2006



COMPONENT MAINTENANCE MANUAL

FIG/ ITEM	PART NUMBER	AIRLINE PART NUMBER	NOMENCLATURE							USAGE CODE	UNITS PER ASSY		
			1	2	3	4	5	6	7				
17-													
202	NAS1836-3-11										DELETED		
205	NAS1834-4-400										DELETED		
208	65C27327-14										DELETED		
-208A	65C27327-31										DELETED		
-208B	65C27327-50										DELETED		
210	412N1116-97									E	1		
213	NAS1836-3-11									E	15		
215	412N1116-80									E	1		
217	BACS12FA3K12									E	11		
											. . SCREW (V06710) (SPEC BACS12FA3K12) (OPT BACS12FA3K12 (V06725)) (OPT BACS12FA3K12 (V06950)) (OPT BACS12FA3K12 (V27624)) (OPT BACS12FA3K12 (V27624)) (OPT BACS12FA3K12 (V34252)) (OPT BACS12FA3K12 (V56878)) (OPT BACS12FA3K12 (V73197)) (OPT BACS12FA3K12 (V80539)) (OPT BACS12FA3K12 (V92215)) (OPT BACS12FA3K12 (V93907)) (OPT BACS12FA3K12 (V97928))		
230	BACS12FA3K5									E	3		
											. . SCREW (V06710) (SPEC BACS12FA3K5) (OPT BACS12FA3K5 (V06725)) (OPT BACS12FA3K5 (V06950)) (OPT BACS12FA3K5 (V27624)) (OPT BACS12FA3K5 (V34252)) (OPT BACS12FA3K5 (V56878)) (OPT BACS12FA3K5 (V73197)) (OPT BACS12FA3K5 (V80539)) (OPT BACS12FA3K5 (V92215)) (OPT BACS12FA3K5 (V93907)) (OPT BACS12FA3K5 (V97928))		
233	AN960JD10LL									E	2		
235	MS21042L3									E	2		
237	412N1217-93									E	1		
-240	412N1217-94									E	1		
											. . . BRACKET		

-Item not Illustrated

25-28-46

ILLUSTRATED PARTS LIST

Page 1098.286

Jul 01/2006



COMPONENT MAINTENANCE MANUAL

FIG/ ITEM	PART NUMBER	AIRLINE PART NUMBER	NOMENCLATURE							USAGE CODE	UNITS PER ASSY
			1	2	3	4	5	6	7		
17-			ATTACHING PARTS								
243	BACS12FA3K5		. . SCREW							E	4
			-----*								
245	412N1217-5		. . BRACKET							E	1
			ATTACHING PARTS								
247	BACS12FA3K5		. . SCREW							E	3
			-----*								
250	412N1217-66		. . BRACKET ASSY							E	1
-253	412N1217-68		. . . BRACKET							E	1
			ATTACHING PARTS								
255	BACS12FA3K5		. . SCREW							E	8
			-----*								
257	412N1119-64		. . FITTING							E	1
			ATTACHING PARTS								
260	BACB30NM3K9		. . BOLT							E	4
263	AN960JD10LL		. . WASHER							E	4
265	BACW10P44AL		. . WASHER							E	4
267	MS2104L3		. . NUT							E	4
			-----*								
270	NAS1834-3-400		. . INSERT							E	14
273	NAS1834-3-375		. . INSERT							E	1
275	NAS1836-3-11		. . INSERT							E	3
300	412N1116-79		. . . PANEL ASSY								1
-303	412N1116-80		. . . PANEL ASSY								1
305	412N1116-72		. . . PANEL ASSY								1
-307	412N1116-94		. . . PANEL ASSY								1
309	NAS1834-4-400		. . INSERT							A-D	14
400	NAS1834-4-400		. . INSERT							E, F	13
403	NAS1834-4-380		. . INSERT							E, F	1
405	65C27327-14		. . BODY							A, B	1
-407	65C27327-31		. . BODY							C, F	1

-Item not Illustrated

25-28-46

ILLUSTRATED PARTS LIST

Page 1098.287

Jul 01/2006



COMPONENT MAINTENANCE MANUAL

FIG/ ITEM	PART NUMBER	AIRLINE PART NUMBER	NOMENCLATURE							USAGE CODE	UNITS PER ASSY
			1	2	3	4	5	6	7		
17-											
-409	65C27327-50		.	.	BODY					D	1
500	65C27327-77		.	.	BODY					E	1
610	65C27012-1037		.		PATTERN ASSY-INSERT					E	1
613	NAS1834-4-400		.	.	INSERT					E	9
615	65C27012-1113		.		PATTERN ASSY-INSERT					E	1
617	NAS1836-4-11		.	.	INSERT					E	2
620	NAS1836-3-11		.	.	INSERT					E	8
623	65C27012-1320		.		PATTERN ASSY-INSERT					E	1
625	NAS1834-5-400		.	.	INSERT					E	8
627	NAS1834-5-400		.	.	INSERT					E	1
630	65C27012-2019		.		PATTERN ASSY-INSERT					E	1
633	NAS1836-3-11		.	.	INSERT					E	4
635	65C27012-2112		.		PATTERN ASSY-INSERT					E	1
637	NAS1836-3-11		.	.	INSERT					E	4

-Item not Illustrated

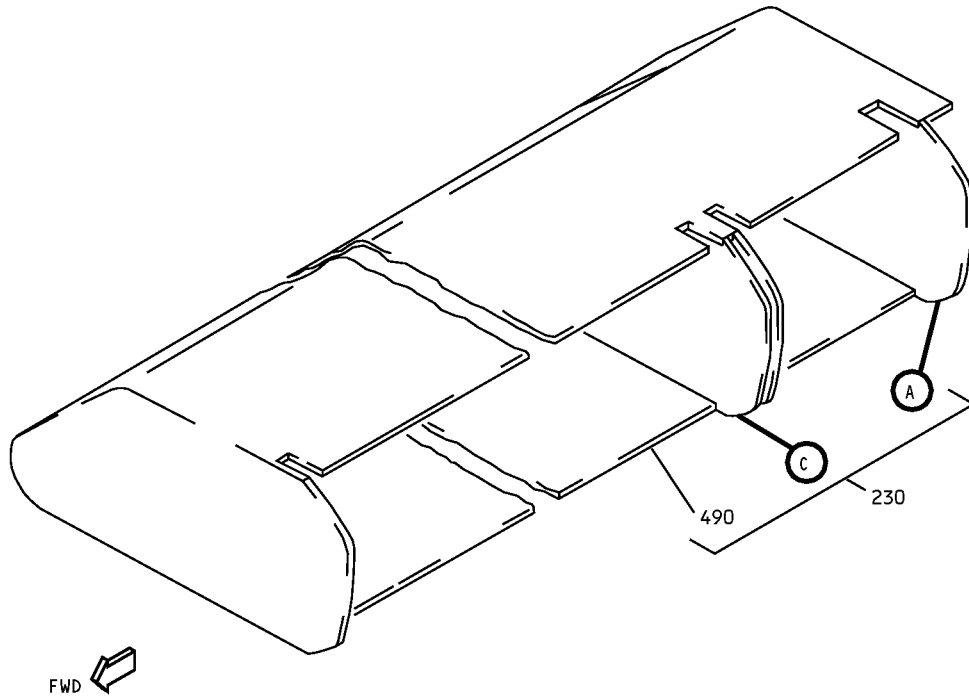
25-28-46

ILLUSTRATED PARTS LIST

Page 1098.288

Jul 01/2006

COMPONENT MAINTENANCE MANUAL

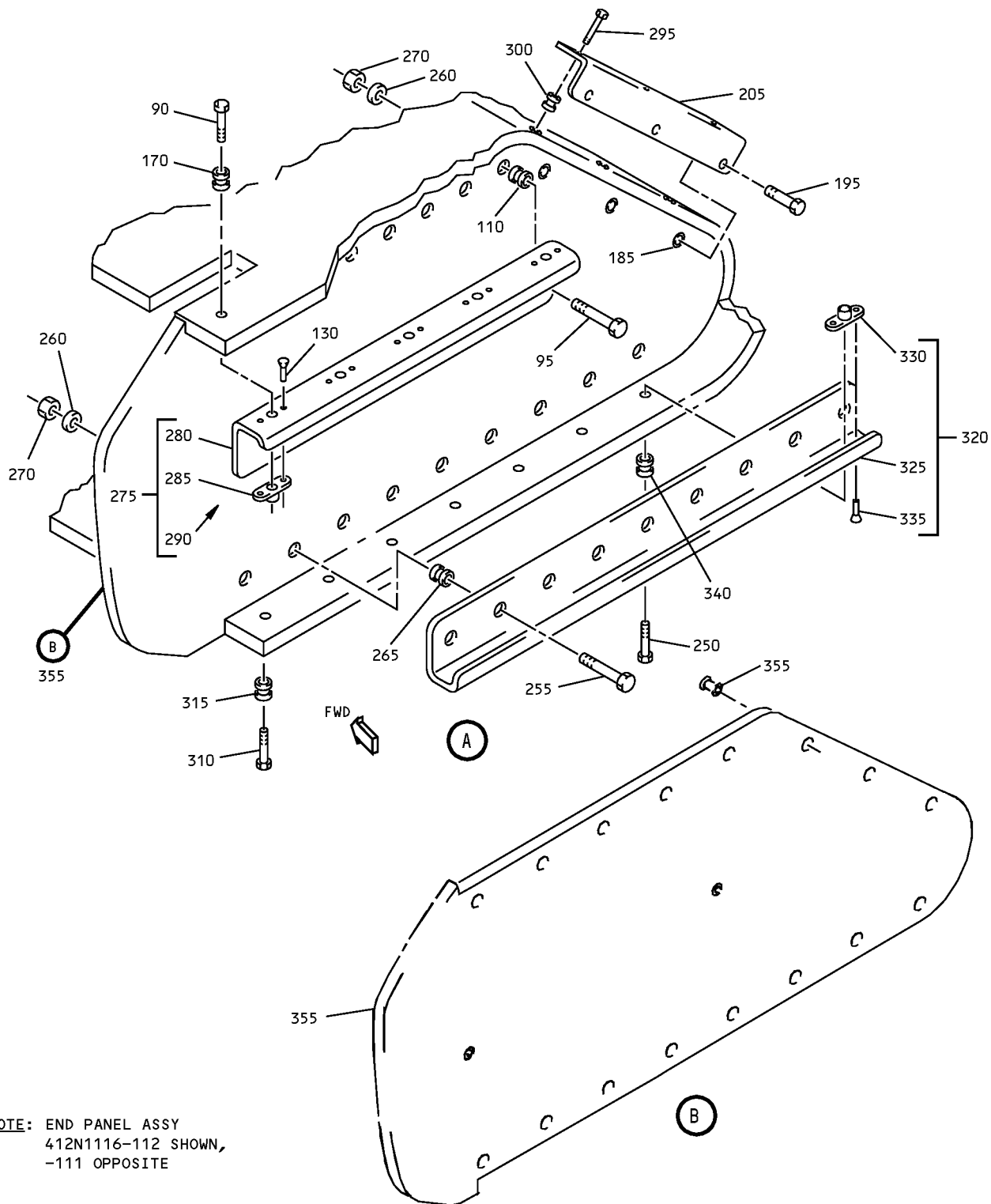


NOTE: BODY ASSY 65C27012-78
SHOWN, -79 OPPOSITE

Overhead Stowage Compartment Assembly
IPL Figure 18 (Sheet 1 of 5)

25-28-46
ILLUSTRATED PARTS LIST
Page 1098.289
Jul 01/2006

COMPONENT MAINTENANCE MANUAL

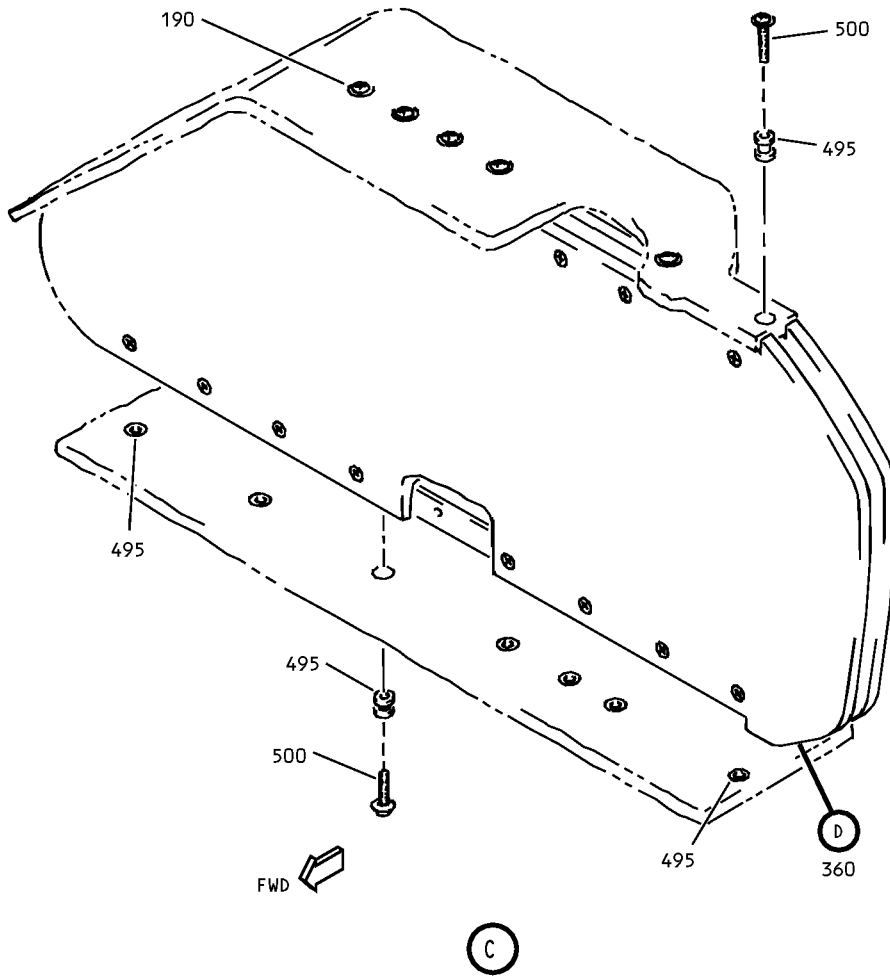


NOTE: END PANEL ASSY
412N1116-112 SHOWN,
-111 OPPOSITE

Overhead Stowage Compartment Assembly
IPL Figure 18 (Sheet 2 of 5)

25-28-46
ILLUSTRATED PARTS LIST
Page 1098.290
Jul 01/2006

COMPONENT MAINTENANCE MANUAL

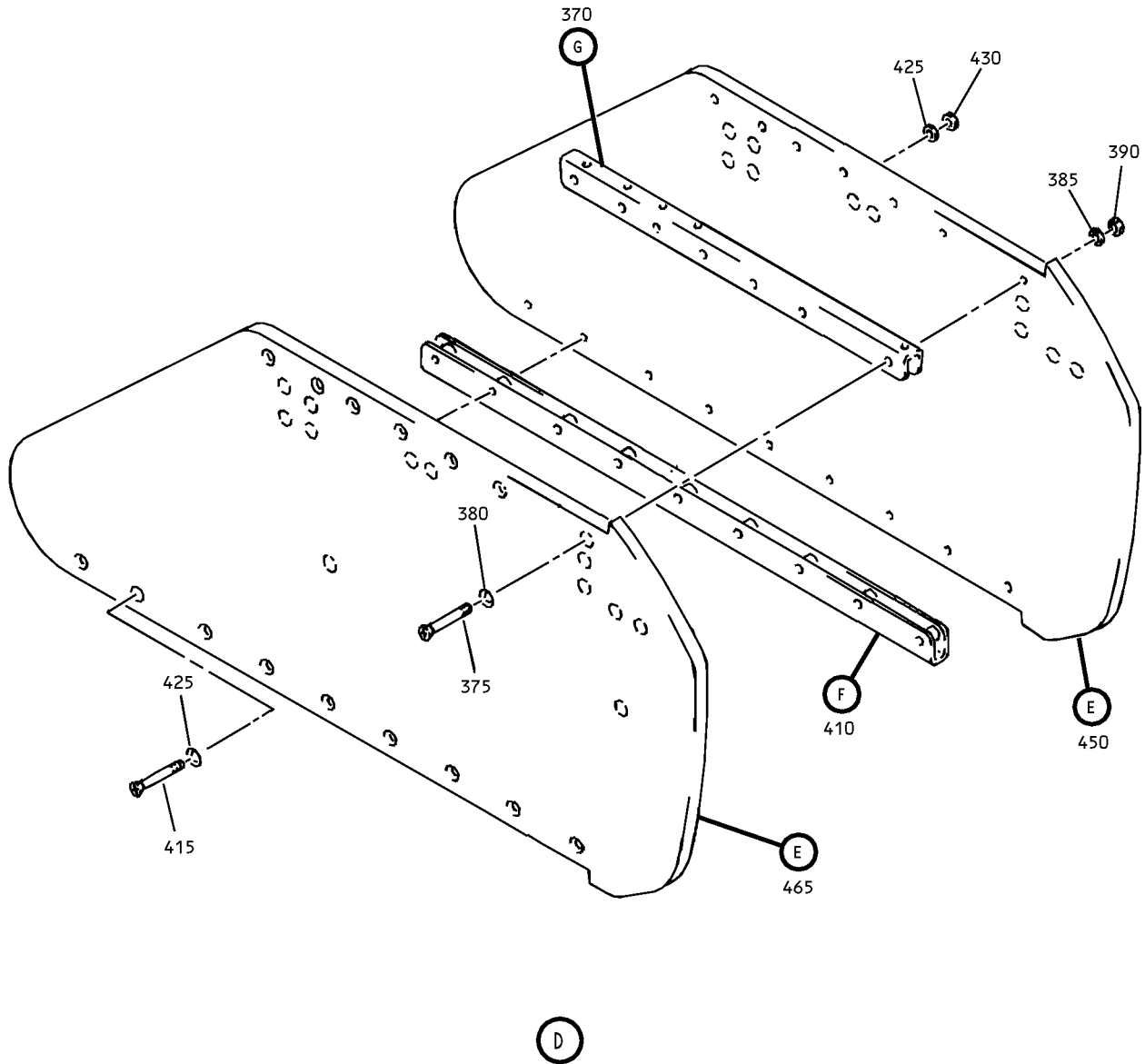


NOTE: DIVIDER PANEL ASSY
 412N1216-12 SHOWN,
 -11 OPPOSITE

Overhead Storage Compartment Assembly
 IPL Figure 18 (Sheet 3 of 5)

25-28-46
 ILLUSTRATED PARTS LIST
 Page 1098.291
 Jul 01/2006

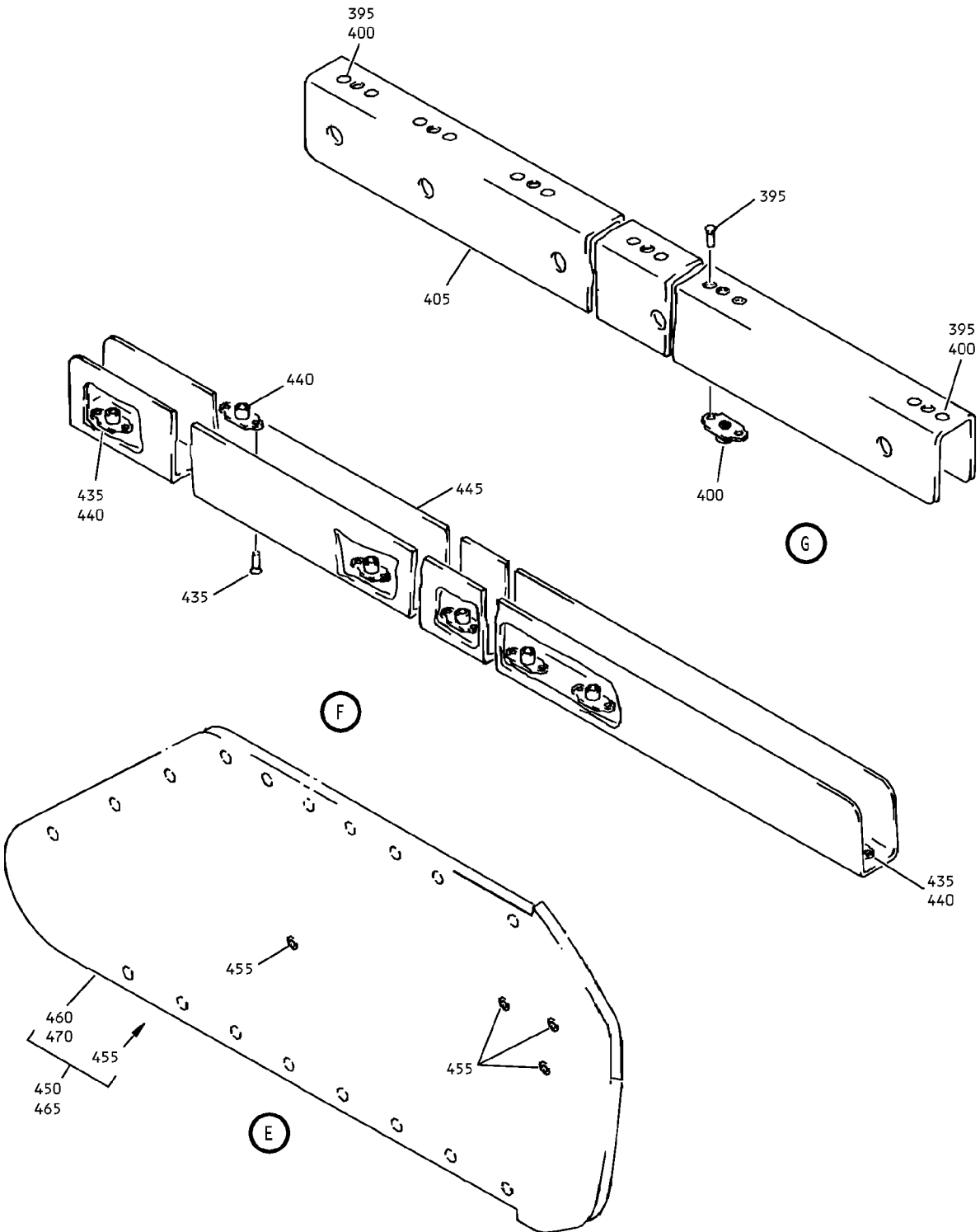
COMPONENT MAINTENANCE MANUAL



Overhead Stowage Compartment Assembly
IPL Figure 18 (Sheet 4 of 5)

25-28-46
ILLUSTRATED PARTS LIST
Page 1098.292
Jul 01/2006

COMPONENT MAINTENANCE MANUAL



Overhead Storage Compartment Assembly
IPL Figure 18 (Sheet 5 of 5)

25-28-46

ILLUSTRATED PARTS LIST

Page 1098.293

Jul 01/2006



COMPONENT MAINTENANCE MANUAL

FIG/ ITEM	PART NUMBER	AIRLINE PART NUMBER	NOMENCLATURE							USAGE CODE	UNITS PER ASSY
			1	2	3	4	5	6	7		
18-											
-1	65C27012-78									A	RF
-1A	65C27012-79									B	RF
-5	65C27012-1059									A	1
-10	NAS1836-3-11										11
-15	65C27012-1060									B	1
-20	NAS1836-3-11										11
-25	65C27012-1118									B	1
-30	NAS1836-3-11										8
-35	NAS1836-4-11										2
-40	65C27012-1119									A	1
-45	NAS1836-3-11										8
-50	NAS1836-4-11										2
-55	65C27012-1213									A	1
-60	NAS1836-3-11										4
-65	SL2334-3A2										8
-70	65C27012-1214									B	1
-75	NAS1836-3-11										4
-80	SL42334-3A2										8
-85	65C27012-1339									A	1
-90	65C27012-8										1
-95	NAS1836-3-11										13
-100	SL2334-3A2										4
-105	65C27012-1340									B	1
-110	65C27012-8										1
-115	NAS1836-3-11										13
-120	SL2334-3A2										4
-125	65C27012-2043									A	1
-130	NAS1836-3-11										8
-135	65C27012-2044									B	1

-Item not Illustrated

25-28-46

ILLUSTRATED PARTS LIST

Page 1098.294

Jul 01/2006



COMPONENT MAINTENANCE MANUAL

FIG/ ITEM	PART NUMBER	AIRLINE PART NUMBER	NOMENCLATURE							USAGE CODE	UNITS PER ASSY
			1	2	3	4	5	6	7		
18-											
-140	NAS1836-3-11		.	.	INSERT						8
-145	65C27012-2140		.		PATTERN ASSY-INSERT				B		1
-150	NAS1836-3-11		.	.	INSERT						4
-155	65C27012-2141		.		PATTERN ASSY-INSERT				A		1
-160	NAS1836-3-11		.	.	INSERT						4
-165	65C27012-4001		.		PATTERN ASSY-INSERT				A		1
-170	NAS1833-3-400		.	.	INSERT						6
-175	65C27012-4110		.		PATTERN ASSY-INSERT				A		1
-180	NAS1833-3-400		.	.	INSERT						6
-185	65C27012-5001		.		PATTERN ASSY-INSERT				B		1
-190	NAS1836-3-11		.	.	INSERT						4
230	65C27327-122		.		BODY ASSY				A		1
-230A	65C27327-124		.		BODY ASSY				B		1
250	BACS12FA3K12		.	.	SCREW						10
					(V06710)						
					(SPEC BACS12FA3K12)						
					(OPT BACS12FA3K12 (V06725))						
					(OPT BACS12FA3K12 (V06950))						
					(OPT BACS12FA3K12 (V27624))						
					(OPT BACS12FA3K12 (V34252))						
					(OPT BACS12FA3K12 (V56878))						
					(OPT BACS12FA3K12 (V73197))						
					(OPT BACS12FA3K12 (V80539))						
					(OPT BACS12FA3K12 (V92215))						
					(OPT BACS12FA3K12 (V93907))						
					(OPT BACS12FA3K12 (V97928))						
255	BACB30NN3K6		.	.	SCREW						14
260	AN960JD10LL		.	.	WASHER						14
265	SL3378-3-380		.	.	SPACER						14
270	MS21042L3		.	.	NUT						14
275	412N1217-109		.	.	BRACKET ASSY				A		1
-275A	412N1217-110		.	.	BRACKET ASSY				B		1
280	412N1217-111		.	.	BRACKET				A		1
-280A	412N1217-112		.	.	BRACKET				B		1
285	BACN10JP3A		.	.	NUTPLATE						5

-Item not Illustrated

25-28-46

ILLUSTRATED PARTS LIST

Page 1098.295

Jul 01/2006



COMPONENT MAINTENANCE MANUAL

FIG/ ITEM	PART NUMBER	AIRLINE PART NUMBER	NOMENCLATURE							USAGE CODE	UNITS PER ASSY
			1	2	3	4	5	6	7		
18-											
380	BACW10CT10								...	WASHER (V10630) (SPEC BACW10CT10)	6
385	AN960PD516L								...	WASHER	6
390	SL5-3-145S								...	NUT (V97393) (OPT ITEM 390A)	6
-390A	K121D395-145								...	NUT (V29372) (OPT ITEM 390)	6
									-----*		
395	BACR15BA3AD								RIVET (SIZE DETERMINED ON INST)	8
400	BRM200A3								NUTPLATE (V52828) (SPEC BACN10JP3A) (OPT MK1000-3BAC (V15653)) (OPT NS103197-02 (V80539)) (OPT RMA9201M3 (V72962)) (OPT T8076S1032 (V11815)) (OPT VN202A1-02 (V92215))	4
405	412N1217-72								BRACKET	1
410	412N1217-21								...	BRACKET ASSY	1
									ATTACHING PARTS		
415	BACB30NN3K1								...	BOLT (V06710) (SPEC BACB30NN3K1) (OPT BACB30NN3K1 (V06725)) (OPT BACB30NN3K1 (V06950)) (OPT BACB30NN3K1 (V08524)) (OPT BACB30NN3K1 (V27624)) (OPT BACB30NN3K1 (V56878)) (OPT BACB30NN3K1 (V73197)) (OPT BACB30NN3K1 (V80539)) (OPT BACB30NN3K1 (V92215)) (OPT BACB30NN3K1 (V93907)) (OPT BACB30NN3K1 (V97928))	8
420	BACW10CT10								...	WASHER (V10630) (SPEC BACW10CT10)	8
425	AN960PD516L								...	WASHER	8

-Item not Illustrated

25-28-46

ILLUSTRATED PARTS LIST

Page 1098.297

Jul 01/2006



COMPONENT MAINTENANCE MANUAL

FIG/ ITEM	PART NUMBER	AIRLINE PART NUMBER	NOMENCLATURE							USAGE CODE	UNITS PER ASSY	
			1	2	3	4	5	6	7			
18- 430	SL5-3-1455		. . .									8
-430A	K121D395-145		. . .									8
			----- * -----									
435	BACR15BA3AD										12
440	BRM200A3										6
445	412N1217-22										1
450	412N1116-54		. . .									1
450A	412N1116-53		. . .									1
455	NAS1836-3-11										4
460	412N1116-20										1
460A	412N1116-19										1
-465	412N1116-55		. . .									1
-470	412N1116-19										1
-475	NAS1836-8-11										2
490	412N1215-123		. .							A		1
-490A	412N1215-125		. .							B		1
495	NAS1834-4-400		. .									11
500	BACS12FA3K12		. .									11

-Item not Illustrated

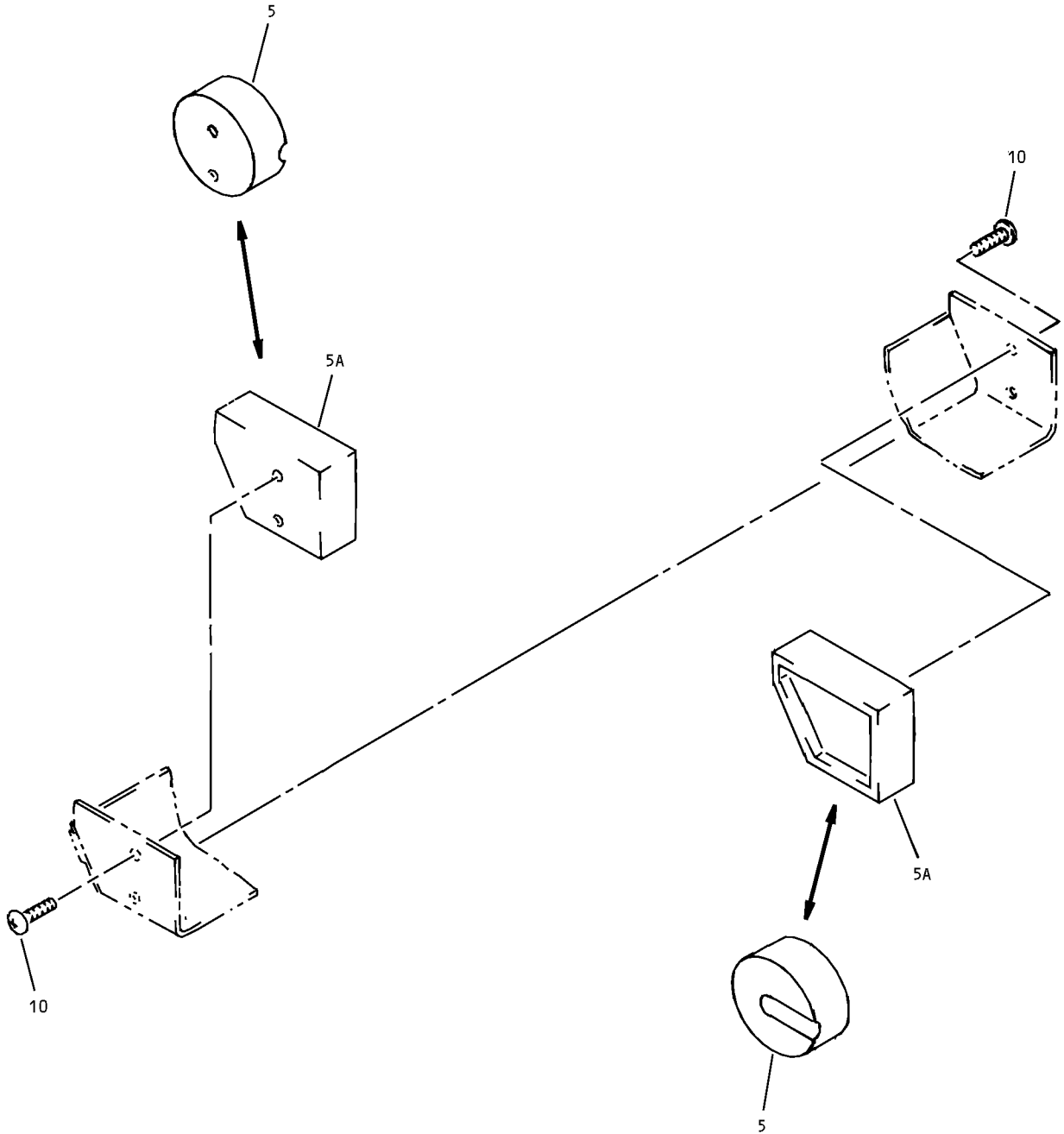
25-28-46

ILLUSTRATED PARTS LIST

Page 1098.298

Jul 01/2006

COMPONENT MAINTENANCE MANUAL



Ceiling Light Assembly
IPL Figure 80

25-28-46

ILLUSTRATED PARTS LIST

Page 1098.299

Jul 01/2006



COMPONENT MAINTENANCE MANUAL

FIG/ ITEM	PART NUMBER	AIRLINE PART NUMBER	NOMENCLATURE							USAGE CODE	UNITS PER ASSY
			1	2	3	4	5	6	7		
80- -1	800000255-17		LIGHT ASSY-CLG (V05617) (SPEC S417N507-17) (THIS ASSEMBLY IS NOT BOEING MANUFACTURED. PARTS BREAKDOWN FOR REFERENCE ONLY. CONSULT VENDOR FOR ANY ADDITONAL INFORMATION)							A	RF
-1A	800000255-18		LIGHT ASSY-CLG (V05617) (SPEC S417N507-18) (THIS ASSEMBLY IS NOT BOEING MANUFACTURED. PARTS BREAKDOWN FOR REFERENCE ONLY. CONSULT VENDOR FOR ANY ADDITONAL INFORMATION)							B	RF
-1B	800000255-19		LIGHT ASSY-CLG (V05617) (SPEC S417N507-19) (THIS ASSEMBLY IS NOT BOEING MANUFACTURED. PARTS BREAKDOWN FOR REFERENCE ONLY. CONSULT VENDOR FOR ANY ADDITONAL INFORMATION)							C	RF
-1C	800000255-20		LIGHT ASSY-CLG (V05617) (SPEC S417N507-20) (THIS ASSEMBLY IS NOT BOEING MANUFACTURED. PARTS BREAKDOWN FOR REFERENCE ONLY. CONSULT VENDOR FOR ANY ADDITONAL INFORMATION)							D	RF
-1D	800000255-22		LIGHT ASSY-CLG (V05617) (SPEC S417N507-22) (THIS ASSEMBLY IS NOT BOEING MANUFACTURED. PARTS BREAKDOWN FOR REFERENCE ONLY. CONSULT VENDOR FOR ANY ADDITONAL INFORMATION)							E	RF

-Item not Illustrated

25-28-46

ILLUSTRATED PARTS LIST

Page 1098.300

Jul 01/2006



COMPONENT MAINTENANCE MANUAL

FIG/ ITEM	PART NUMBER	AIRLINE PART NUMBER	NOMENCLATURE							USAGE CODE	UNITS PER ASSY
			1	2	3	4	5	6	7		
80- -1E	800000255-7		LIGHT ASSY-CLG (V05617) (SPEC S417N507-7) (THIS ASSEMBLY IS NOT BOEING MANUFACTURED. PARTS BREAKDOWN FOR REFERENCE ONLY. CONSULT VENDOR FOR ANY ADDITONAL INFORMATION)							F	RF
5	BV03112-03-33		. HOLDER-BRUCE LAMP (V17023) (USED ON ITEMS 1,1A,1B,1C,1D)								2
-5A	BV03112-33		. HOLDER-BRUCE LAMP (V17023) (USED ON ITEM 1E)								2
10	MS35206-323		. SCREW								4

-Item not Illustrated

25-28-46

ILLUSTRATED PARTS LIST

Page 1098.301

Jul 01/2006