



# **COMPONENT MAINTENANCE MANUAL WITH ILLUSTRATED PARTS LIST**

## **OVERHEAD STOWAGE COMPARTMENT ASSEMBLY**

### **PART NUMBER**

**65C27006-101, -102, -106, -108, -109, -110, -114,  
-120, -122, -134, -139, -50, -51, -52, -55, -56, -59,  
-60, -62, -70, -73, -74, -76, -77, -78, -79, -80, -81,**

**BOEING PROPRIETARY, CONFIDENTIAL, AND/OR TRADE SECRET**

Copyright © 1995 The Boeing Company  
Unpublished Work - All Rights Reserved

Boeing claims copyright in each page of this document only to the extent that the page contains copyrightable subject matter. Boeing also claims copyright in this document as a compilation and/or collective work.

This document includes proprietary information owned by The Boeing Company and/or one or more third parties. Treatment of the document and the information it contains is governed by contract with Boeing. For more information, contact The Boeing Company, P.O. Box 3707, Seattle, Washington 98124.

Boeing, the Boeing signature, the Boeing symbol, 707, 717, 727, 737, 747, 757, 767, 777, 787, Dreamliner, BBJ, DC-8, DC-9, DC-10, KC-10, KDC-10, MD-10, MD-11, MD-80, MD-88, MD-90, P-8A, Poseidon and the Boeing livery are all trademarks owned by The Boeing Company; and no trademark license is granted in connection with this document unless provided in writing by Boeing.

PUBLISHED BY BOEING COMMERCIAL AIRPLANES GROUP, SEATTLE, WASHINGTON, USA  
A DIVISION OF THE BOEING COMPANY  
PAGE DATE: Jul 01/2009

**25-28-47**

Page 1  
Jul 01/2009



**COMPONENT MAINTENANCE MANUAL**

**PART NUMBER (Cont.)**

65C27006-88, -90, -97

**25-28-47**



## COMPONENT MAINTENANCE MANUAL

Revision No. 10  
Jul 01/2009

To: All holders of OVERHEAD STOWAGE COMPARTMENT ASSEMBLY 25-28-47.

Attached is the current revision to this COMPONENT MAINTENANCE MANUAL

The COMPONENT MAINTENANCE MANUAL is furnished either as a printed manual, on microfilm, or digital products, or any combination of the three. This revision replaces all previous microfilm cartridges or digital products. All microfilm and digital products are reissued with all obsolete data deleted and all updated pages added.

For printed manuals, changes are indicated on the List of Effective Pages (LEP). The pages which are revised will be identified on the LEP by an R (Revised), A (Added), O (Overflow, i.e. changes to the document structure and/or page layout), or D (Deleted). Each page in the LEP is identified by Chapter-Section-Subject number, page number and page date.

Pages replaced or made obsolete by this revision should be removed and destroyed.

### ATTENTION

IF YOU RECEIVE PRINTED REVISIONS, PLEASE VERIFY THAT YOU HAVE RECEIVED AND FILED THE PREVIOUS REVISION. BOEING MUST BE NOTIFIED WITHIN 30 DAYS IF YOU HAVE NOT RECEIVED THE PREVIOUS REVISION. REQUESTS FOR REVISIONS OTHER THAN THE PREVIOUS REVISION WILL REQUIRE A COMPLETE MANUAL REPRINT SUBJECT TO REPRINT CHARGES SHOWN IN THE DATA AND SERVICES CATALOG.

# 25-28-47

TRANSMITTAL LETTER

Page 1

Jul 01/2009



**COMPONENT MAINTENANCE MANUAL**

Location of Change

Description of Change

NO HIGHLIGHTS

**25-28-47**

HIGHLIGHTS

Page 1

Jul 01/2009



## COMPONENT MAINTENANCE MANUAL

Subject/Page	Date	Subject/Page	Date	Subject/Page	Date
TITLE PAGE		25-28-47 CLEANING (cont)		25-28-47 ILLUSTRATED PARTS LIST (cont)	
O 1	Jul 01/2009	402	BLANK	1002	Jul 01/2006
O 2	Jul 01/2009	25-28-47 CHECK		1003	Jul 01/2006
25-28-47 TRANSMITTAL LETTER		501	Mar 01/2006	1004	Nov 01/2006
O 1	Jul 01/2009	502	BLANK	1005	Jul 01/2006
2	BLANK	25-28-47 REPAIR - GENERAL		1006	Jul 01/2006
25-28-47 HIGHLIGHTS		601	Mar 01/2007	1007	Jul 01/2006
O 1	Jul 01/2009	602	BLANK	1008	Mar 01/2006
2	BLANK	25-28-47 REPAIR 1-1		1009	Mar 01/2006
25-28-47 EFFECTIVE PAGES		601	Nov 01/2006	1010	Mar 01/2006
1 thru 5	Jul 01/2009	602	BLANK	1011	Mar 01/2006
6	BLANK	25-28-47 REPAIR 2-1		1012	Mar 01/2006
25-28-47 CONTENTS		601	Nov 01/2006	1013	Mar 01/2006
1	Mar 01/2006	602	BLANK	1014	Mar 01/2006
2	BLANK	25-28-47 REPAIR 3-1		1015	Mar 01/2006
25-28-47 TR AND SB RECORD		601	Mar 01/2006	1016	Mar 01/2006
1	Mar 01/2006	602	BLANK	1017	Mar 01/2006
2	BLANK	25-28-47 REPAIR 4-1		1018	Mar 01/2006
25-28-47 REVISION RECORD		601	Mar 01/2006	1019	Mar 01/2006
1	Mar 01/2006	602	BLANK	1020	Mar 01/2006
2	Mar 01/2006	25-28-47 REPAIR 5-1		1021	Mar 01/2006
25-28-47 RECORD OF TEMPORARY REVISIONS		601	Mar 01/2006	1022	Mar 01/2006
1	Mar 01/2006	602	BLANK	1023	Mar 01/2006
2	Mar 01/2006	25-28-47 REPAIR 6-1		1024	Mar 01/2006
25-28-47 INTRODUCTION		601	Mar 01/2007	1025	Mar 01/2006
1	Mar 01/2009	602	Mar 01/2007	1026	Mar 01/2006
2	BLANK	603	Mar 01/2007	1027	Mar 01/2006
25-28-47 DESCRIPTION AND OPERATION		604	Mar 01/2007	1028	Mar 01/2006
1	Mar 01/2008	25-28-47 ASSEMBLY		1029	Mar 01/2006
2	BLANK	701	Mar 01/2006	1030	Mar 01/2006
25-28-47 TESTING AND FAULT ISOLATION		702	BLANK	1031	Mar 01/2006
101	Mar 01/2006	25-28-47 FITS AND CLEARANCES		1032	Mar 01/2006
102	BLANK	801	Mar 01/2006	1033	Mar 01/2006
25-28-47 DISASSEMBLY		802	BLANK	1034	Mar 01/2006
301	Mar 01/2006	25-28-47 SPECIAL TOOLS, FIXTURES, AND EQUIPMENT		1035	Mar 01/2006
302	BLANK	901	Mar 01/2006	1036	Mar 01/2006
25-28-47 CLEANING		902	BLANK	1037	Mar 01/2006
401	Mar 01/2006	25-28-47 ILLUSTRATED PARTS LIST		1038	Mar 01/2006
		1001	Nov 01/2008	1039	Mar 01/2006

A = Added, R = Revised, D = Deleted, O = Overflow

# 25-28-47

EFFECTIVE PAGES

Page 1

Jul 01/2009



## COMPONENT MAINTENANCE MANUAL

Subject/Page	Date	Subject/Page	Date	Subject/Page	Date
25-28-47 ILLUSTRATED PARTS LIST (cont)		25-28-47 ILLUSTRATED PARTS LIST (cont)		25-28-47 ILLUSTRATED PARTS LIST (cont)	
1040	Mar 01/2006	1078	Mar 01/2006	1098.18	Mar 01/2006
1041	Mar 01/2006	1079	Mar 01/2006	1098.19	Mar 01/2006
1042	Mar 01/2006	1080	Mar 01/2006	1098.20	Mar 01/2006
1043	Mar 01/2006	1081	Mar 01/2006	1098.21	Mar 01/2006
1044	Mar 01/2006	1082	Mar 01/2006	1098.22	Mar 01/2006
1045	Mar 01/2006	1083	Mar 01/2006	1098.23	Mar 01/2006
1046	Mar 01/2006	1084	Mar 01/2006	1098.24	Mar 01/2006
1047	Mar 01/2006	1085	Mar 01/2006	1098.25	Mar 01/2006
1048	Mar 01/2006	1086	Mar 01/2006	1098.26	Mar 01/2006
1049	Mar 01/2006	1087	Mar 01/2006	1098.27	Mar 01/2006
1050	Mar 01/2006	1088	Mar 01/2006	1098.28	Mar 01/2006
1051	Mar 01/2006	1089	Mar 01/2006	1098.29	Mar 01/2006
1052	Mar 01/2006	1090	Mar 01/2006	1098.30	Mar 01/2006
1053	Mar 01/2006	1091	Mar 01/2006	1098.31	Mar 01/2006
1054	Mar 01/2006	1092	Mar 01/2006	1098.32	Mar 01/2006
1055	Mar 01/2006	1093	Mar 01/2006	1098.33	Mar 01/2006
1056	Mar 01/2006	1094	Mar 01/2006	1098.34	Mar 01/2006
1057	Mar 01/2006	1095	Mar 01/2006	1098.35	Mar 01/2006
1058	Mar 01/2006	1096	Mar 01/2006	1098.36	Mar 01/2006
1059	Mar 01/2006	1097	Mar 01/2006	1098.37	Mar 01/2006
1060	Mar 01/2006	1098	Mar 01/2006	1098.38	Mar 01/2006
1061	Mar 01/2006	1098.1	Mar 01/2006	1098.39	Mar 01/2006
1062	Mar 01/2006	1098.2	Mar 01/2006	1098.40	Mar 01/2006
1063	Mar 01/2006	1098.3	Mar 01/2006	1098.41	Mar 01/2006
1064	Mar 01/2006	1098.4	Mar 01/2006	1098.42	Mar 01/2006
1065	Mar 01/2006	1098.5	Mar 01/2006	1098.43	Mar 01/2006
1066	Mar 01/2006	1098.6	Mar 01/2006	1098.44	Mar 01/2006
1067	Mar 01/2006	1098.7	Mar 01/2006	1098.45	Mar 01/2006
1068	Mar 01/2006	1098.8	Mar 01/2006	1098.46	Mar 01/2006
1069	Mar 01/2006	1098.9	Mar 01/2006	1098.47	Mar 01/2006
1070	Mar 01/2006	1098.10	Mar 01/2006	1098.48	Mar 01/2006
1071	Mar 01/2006	1098.11	Mar 01/2006	1098.49	Mar 01/2006
1072	Mar 01/2006	1098.12	Mar 01/2006	1098.50	Mar 01/2006
1073	Mar 01/2006	1098.13	Mar 01/2006	1098.51	Mar 01/2006
1074	Mar 01/2006	1098.14	Mar 01/2006	1098.52	Mar 01/2006
1075	Mar 01/2006	1098.15	Mar 01/2006	1098.53	Mar 01/2006
1076	Mar 01/2006	1098.16	Mar 01/2006	1098.54	Mar 01/2006
1077	Mar 01/2006	1098.17	Mar 01/2006	1098.55	Mar 01/2006

A = Added, R = Revised, D = Deleted, O = Overflow

# 25-28-47

EFFECTIVE PAGES

Page 2

Jul 01/2009



## COMPONENT MAINTENANCE MANUAL

Subject/Page	Date	Subject/Page	Date	Subject/Page	Date
25-28-47 ILLUSTRATED PARTS LIST (cont)		25-28-47 ILLUSTRATED PARTS LIST (cont)		25-28-47 ILLUSTRATED PARTS LIST (cont)	
1098.56	Mar 01/2006	1098.94	Mar 01/2006	1098.132	Mar 01/2006
1098.57	Mar 01/2006	1098.95	Mar 01/2006	1098.133	Mar 01/2006
1098.58	Mar 01/2006	1098.96	Mar 01/2006	1098.134	Mar 01/2006
1098.59	Mar 01/2006	1098.97	Mar 01/2006	1098.135	Mar 01/2006
1098.60	Mar 01/2006	1098.98	Mar 01/2006	1098.136	Mar 01/2006
1098.61	Mar 01/2006	1098.99	Mar 01/2006	1098.137	Mar 01/2006
1098.62	Mar 01/2006	1098.100	Mar 01/2006	1098.138	Mar 01/2006
1098.63	Mar 01/2006	1098.101	Mar 01/2006	1098.139	Mar 01/2006
1098.64	Mar 01/2006	1098.102	Mar 01/2006	1098.140	Mar 01/2006
1098.65	Mar 01/2006	1098.103	Mar 01/2006	1098.141	Mar 01/2006
1098.66	Mar 01/2006	1098.104	Mar 01/2006	1098.142	Mar 01/2006
1098.67	Mar 01/2006	1098.105	Mar 01/2006	1098.143	Mar 01/2006
1098.68	Mar 01/2006	1098.106	Mar 01/2006	1098.144	Mar 01/2006
1098.69	Mar 01/2006	1098.107	Mar 01/2006	1098.145	Mar 01/2006
1098.70	Mar 01/2006	1098.108	Mar 01/2006	1098.146	Mar 01/2006
1098.71	Mar 01/2006	1098.109	Mar 01/2006	1098.147	Mar 01/2006
1098.72	Mar 01/2006	1098.110	Mar 01/2006	1098.148	Mar 01/2006
1098.73	Mar 01/2006	1098.111	Mar 01/2006	1098.149	Mar 01/2006
1098.74	Mar 01/2006	1098.112	Mar 01/2006	1098.150	Mar 01/2006
1098.75	Mar 01/2006	1098.113	Mar 01/2006	1098.151	Mar 01/2006
1098.76	Mar 01/2006	1098.114	Mar 01/2006	1098.152	Mar 01/2006
1098.77	Mar 01/2006	1098.115	Mar 01/2006	1098.153	Mar 01/2006
1098.78	Mar 01/2006	1098.116	Mar 01/2006	1098.154	Mar 01/2006
1098.79	Mar 01/2006	1098.117	Mar 01/2006	1098.155	Mar 01/2006
1098.80	Mar 01/2006	1098.118	Mar 01/2006	1098.156	Mar 01/2006
1098.81	Mar 01/2006	1098.119	Mar 01/2006	1098.157	Mar 01/2006
1098.82	Mar 01/2006	1098.120	Mar 01/2006	1098.158	Mar 01/2006
1098.83	Mar 01/2006	1098.121	Mar 01/2006	1098.159	Mar 01/2006
1098.84	Mar 01/2006	1098.122	Mar 01/2006	1098.160	Mar 01/2006
1098.85	Mar 01/2006	1098.123	Mar 01/2006	1098.161	Mar 01/2006
1098.86	Mar 01/2006	1098.124	Mar 01/2006	1098.162	Mar 01/2006
1098.87	Mar 01/2006	1098.125	Mar 01/2006	1098.163	Mar 01/2006
1098.88	Mar 01/2006	1098.126	Mar 01/2006	1098.164	Mar 01/2006
1098.89	Mar 01/2006	1098.127	Mar 01/2006	1098.165	Mar 01/2006
1098.90	Mar 01/2006	1098.128	Mar 01/2006	1098.166	Mar 01/2006
1098.91	Mar 01/2006	1098.129	Mar 01/2006	1098.167	Mar 01/2006
1098.92	Mar 01/2006	1098.130	Mar 01/2006	1098.168	Mar 01/2006
1098.93	Mar 01/2006	1098.131	Mar 01/2006	1098.169	Mar 01/2006

A = Added, R = Revised, D = Deleted, O = Overflow

# 25-28-47

EFFECTIVE PAGES

Page 3

Jul 01/2009



## COMPONENT MAINTENANCE MANUAL

Subject/Page	Date	Subject/Page	Date	Subject/Page	Date
25-28-47 ILLUSTRATED PARTS LIST (cont)		25-28-47 ILLUSTRATED PARTS LIST (cont)		25-28-47 ILLUSTRATED PARTS LIST (cont)	
1098.170	Mar 01/2006	1098.208	Mar 01/2006	1098.246	Mar 01/2006
1098.171	Mar 01/2006	1098.209	Mar 01/2006	1098.247	Mar 01/2006
1098.172	Mar 01/2006	1098.210	Mar 01/2006	1098.248	Mar 01/2006
1098.173	Mar 01/2006	1098.211	Mar 01/2006	1098.249	Mar 01/2006
1098.174	Mar 01/2006	1098.212	Mar 01/2006	1098.250	Mar 01/2006
1098.175	Mar 01/2006	1098.213	Mar 01/2006	1098.251	Mar 01/2006
1098.176	Mar 01/2006	1098.214	Mar 01/2006	1098.252	Mar 01/2006
1098.177	Mar 01/2006	1098.215	Mar 01/2006	1098.253	Mar 01/2006
1098.178	Mar 01/2006	1098.216	Mar 01/2006	1098.254	Mar 01/2006
1098.179	Mar 01/2006	1098.217	Mar 01/2006	1098.255	Mar 01/2006
1098.180	Mar 01/2006	1098.218	Mar 01/2006	1098.256	Mar 01/2006
1098.181	Mar 01/2006	1098.219	Mar 01/2006	1098.257	Mar 01/2006
1098.182	Mar 01/2006	1098.220	Mar 01/2006	1098.258	Mar 01/2006
1098.183	Mar 01/2006	1098.221	Mar 01/2006	1098.259	Mar 01/2006
1098.184	Mar 01/2006	1098.222	Mar 01/2006	1098.260	Mar 01/2006
1098.185	Mar 01/2006	1098.223	Mar 01/2006	1098.261	Mar 01/2006
O 1098.186	Jul 01/2009	1098.224	Mar 01/2006	1098.262	Mar 01/2006
1098.187	Mar 01/2006	1098.225	Mar 01/2006	1098.263	Mar 01/2006
1098.188	Mar 01/2006	1098.226	Mar 01/2006	1098.264	Mar 01/2006
1098.189	Mar 01/2006	1098.227	Mar 01/2006	1098.265	Mar 01/2006
1098.190	Mar 01/2006	1098.228	Mar 01/2006	1098.266	Mar 01/2006
1098.191	Mar 01/2006	1098.229	Mar 01/2006	1098.267	Mar 01/2006
1098.192	Mar 01/2006	1098.230	Mar 01/2006	1098.268	Mar 01/2006
1098.193	Mar 01/2006	1098.231	Mar 01/2006	1098.269	Mar 01/2006
1098.194	Mar 01/2006	1098.232	Mar 01/2006	1098.270	Mar 01/2006
1098.195	Mar 01/2006	1098.233	Mar 01/2006	1098.271	Mar 01/2006
1098.196	Mar 01/2006	1098.234	Mar 01/2006	1098.272	Mar 01/2006
1098.197	Mar 01/2006	1098.235	Mar 01/2006	1098.273	Mar 01/2006
1098.198	Mar 01/2006	1098.236	Mar 01/2006	1098.274	Mar 01/2006
1098.199	Mar 01/2006	1098.237	Mar 01/2006	1098.275	Mar 01/2006
1098.200	Mar 01/2006	1098.238	Mar 01/2006	1098.276	Mar 01/2006
1098.201	Mar 01/2006	1098.239	Mar 01/2006	1098.277	Mar 01/2006
1098.202	Mar 01/2006	1098.240	Mar 01/2006	1098.278	Mar 01/2006
1098.203	Mar 01/2006	1098.241	Mar 01/2006	1098.279	Mar 01/2006
1098.204	Mar 01/2006	1098.242	Mar 01/2006	1098.280	Mar 01/2006
1098.205	Mar 01/2006	1098.243	Mar 01/2006	1098.281	Mar 01/2006
1098.206	Mar 01/2006	1098.244	Mar 01/2006	1098.282	Mar 01/2006
1098.207	Mar 01/2006	1098.245	Mar 01/2006	1098.283	Mar 01/2006

A = Added, R = Revised, D = Deleted, O = Overflow

# 25-28-47

EFFECTIVE PAGES

Page 4

Jul 01/2009





## COMPONENT MAINTENANCE MANUAL

Subject/Page	Date	Subject/Page	Date	Subject/Page	Date
25-28-47 ILLUSTRATED PARTS LIST (cont)		25-28-47 ILLUSTRATED PARTS LIST (cont)			
1098.284	Mar 01/2006	1098.322	Mar 01/2006		
1098.285	Mar 01/2006	1098.323	Mar 01/2006		
1098.286	Mar 01/2006	1098.324	Mar 01/2006		
1098.287	Mar 01/2006	1098.325	Mar 01/2006		
1098.288	Mar 01/2006	1098.326	Mar 01/2006		
1098.289	Mar 01/2006	1098.327	Mar 01/2006		
1098.290	Mar 01/2006	1098.328	Mar 01/2006		
1098.291	Mar 01/2006	1098.329	Mar 01/2006		
1098.292	Mar 01/2006	1098.330	Mar 01/2006		
1098.293	Mar 01/2006	1098.331	Mar 01/2006		
1098.294	Mar 01/2006	1098.332	Mar 01/2006		
1098.295	Mar 01/2006	1098.333	Mar 01/2006		
1098.296	Mar 01/2006	1098.334	Mar 01/2006		
1098.297	Mar 01/2006	1098.335	Mar 01/2006		
1098.298	Mar 01/2006	1098.336	Mar 01/2006		
1098.299	Mar 01/2006	1098.337	Mar 01/2006		
1098.300	Mar 01/2006	1098.338	Mar 01/2006		
1098.301	Mar 01/2006	1098.339	Mar 01/2006		
1098.302	Mar 01/2006	1098.340	Mar 01/2006		
1098.303	Mar 01/2006	1098.341	Mar 01/2006		
1098.304	Mar 01/2006	1098.342	Mar 01/2006		
1098.305	Mar 01/2006	1098.343	Mar 01/2006		
1098.306	Mar 01/2006	1098.344	Mar 01/2006		
1098.307	Mar 01/2006	1098.345	Mar 01/2006		
1098.308	Mar 01/2006	1098.346	Mar 01/2006		
1098.309	Mar 01/2006	1098.347	Mar 01/2006		
1098.310	Mar 01/2006	1098.348	Mar 01/2006		
1098.311	Mar 01/2006	1098.349	Mar 01/2006		
1098.312	Mar 01/2006	1098.350	Mar 01/2006		
1098.313	Mar 01/2006	1098.351	Mar 01/2006		
1098.314	Mar 01/2006	1098.352	Mar 01/2006		
1098.315	Mar 01/2006	1098.353	Mar 01/2006		
1098.316	Mar 01/2006	1098.354	Mar 01/2006		
1098.317	Mar 01/2006	1098.355	Mar 01/2006		
1098.318	Mar 01/2006	1098.356	Mar 01/2006		
1098.319	Mar 01/2006	1098.357	Mar 01/2006		
1098.320	Mar 01/2006	1098.358	BLANK		
1098.321	Mar 01/2006				

A = Added, R = Revised, D = Deleted, O = Overflow

# 25-28-47

EFFECTIVE PAGES

Page 5

Jul 01/2009

**COMPONENT MAINTENANCE MANUAL****TABLE OF CONTENTS**

<b><u>Paragraph Title</u></b>		<b><u>Page</u></b>
OVERHEAD STOWAGE COMPARTMENT ASSEMBLY - DESCRIPTION AND OPERATION		1
TESTING AND FAULT ISOLATION	(Not Applicable)	
DISASSEMBLY		301
CLEANING	(Not Applicable)	
CHECK	(Not Applicable)	
REPAIR		601
ASSEMBLY		701
FITS AND CLEARANCES		801
SPECIAL TOOLS, FIXTURES, AND EQUIPMENT	(Not Applicable)	
ILLUSTRATED PARTS LIST		1001

**25-28-47**

CONTENTS

Page 1

Mar 01/2006



**COMPONENT MAINTENANCE MANUAL**

**TEMPORARY REVISION AND SERVICE BULLETIN RECORD**

<b>BOEING SERVICE BULLETIN</b>	<b>BOEING TEMPORARY REVISION</b>	<b>OTHER DIRECTIVE</b>	<b>DATE OF INCORPORATION INTO MANUAL</b>
		PRR 33180-48	MAR 05/86
		PRR 33878	DEC 05/86
25A1283		PRR 35041-2R	SEP 05/92
25-1294		PRR 35041-2R	SEP 05/92

**25-28-47**

TR AND SB RECORD

Page 1

Mar 01/2006





# COMPONENT MAINTENANCE MANUAL

Revision		Filed		Revision		Filed	
Number	Date	Date	Initials	Number	Date	Date	Initials

**25-28-47**  
REVISION RECORD  
Page 2  
Mar 01/2006



### COMPONENT MAINTENANCE MANUAL

All temporary revisions to this manual will be accompanied by a cover sheet bearing the temporary revision number. Enter the temporary revision number in numerical order, together with the temporary revision date, the date the temporary revision is inserted and the initials of the person filing. When the temporary revision is incorporated or cancelled, and the pages are removed, enter the date the pages are removed and the initials of the person who removed the temporary revision.

Temporary Revision		Inserted		Removed		Temporary Revision		Inserted		Removed	
Number	Date	Date	Initials	Date	Initials	Date	Initials	Number	Date	Date	Initials



## COMPONENT MAINTENANCE MANUAL

Temporary Revision		Inserted		Removed		Temporary Revision		Inserted		Removed	
Number	Date	Date	Initials	Date	Initials	Date	Initials	Number	Date	Date	Initials

**25-28-47**

RECORD OF TEMPORARY REVISION

Page 2

Mar 01/2006



## COMPONENT MAINTENANCE MANUAL

### INTRODUCTION

#### 1. General

- A. The instructions in this manual supply the data necessary to do the maintenance functions together with the test, fault isolation, repair, and replacement of the defective parts.
- B. This manual is divided into different parts:
  - (1) Title Page
  - (2) Transmittal Letter
  - (3) Highlights
  - (4) List of Effective Pages
  - (5) Table of Contents
  - (6) Temporary Revision & Service Bulletin Record
  - (7) Record of Revisions
  - (8) Record of Temporary Revisions
  - (9) Introduction
  - (10) Procedures & IPL Sections
- C. Components that can be repaired have a different repair number for each specified repair. To find the repair number location of a component, look in the Repair-General procedure at the beginning of the REPAIR section. The Repair-General procedure also has an explanation of the True Position Dimension symbols used.
- D. All dimensions, measures, quantities and weights included are in English units. When metric equivalents are given they will be in the parentheses that follow the English units.
- E. The introduction to the Illustrated Parts List (IPL) shows how the IPL data is used.
- F. Design changes, optional parts, configuration differences and Service Bulletin modifications may cause different part numbers. These part numbers are identified in the IPL with an alphabetical letter which is added to the end of the basic item number. This new item number is referred to as an alpha-variant. Throughout the manual, IPL basic item number references also apply to alpha-variants unless shown differently.
- G. The tool reference numbers found in the individual procedures and in the Special Tools, Fixtures, and Equipment section are used to identify if a tool is a standard tool (STD-XXXX), a commercial tool (COM-XXXX), or a Special Tool (SPL-XXXX). This reference number is also used to distinguish between tools with similar names in the same procedure. These reference numbers are for use in the documentation only. They are not to be used for ordering tools.

# 25-28-47

INTRODUCTION

Page 1

Mar 01/2009





## COMPONENT MAINTENANCE MANUAL

### OVERHEAD STOWAGE COMPARTMENT ASSEMBLY - DESCRIPTION AND OPERATION

1. 

A. The overhead stowage compartment is composed of a nomex honeycomb core body which supports a light assembly, bullnose and PSU supports, fittings and brackets, latches which mount on the bullnose extrusion of the body, and doors which connect to the body by four hinges with mechanical actuators.
2. 

A. The door is restrained in the closed position by engagement of pawls on the latch with striker rollers on each end of the door. When force is applied to the latch handle, the pawls disengage from the striker rollers and actuator force opens and rotates the door upwards.
3. **Leading Particulars (approximate)**
  - A. Width – 28 inches Length – 30-60 inches Height – 14 inches Weight – 20-27 pounds

# 25-28-47

DESCRIPTION AND OPERATION

Page 1

Mar 01/2008



**COMPONENT MAINTENANCE MANUAL**

**TESTING AND FAULT ISOLATION**

**(NOT APPLICABLE)**

**25-28-47**

TESTING AND FAULT ISOLATION

Page 101

Mar 01/2006



## COMPONENT MAINTENANCE MANUAL

### DISASSEMBLY

#### 1. Disassembly

**CAUTION:** THE STOWAGE ASSEMBLY CONSISTS OF APPEARANCE ITEMS. SPECIAL CARE MUST BE TAKEN TO PREVENT MARRING VISIBLE SURFACES.

**NOTE:** Disassemble this component only as necessary to complete fault isolation, determine part serviceability, perform required repairs, and restore unit to serviceable condition.

A. No special instructions required. Use standard industry practices.

# 25-28-47

DISASSEMBLY

Page 301

Mar 01/2006



COMPONENT MAINTENANCE MANUAL

CLEANING

**(NOT APPLICABLE)**

**25-28-47**

CLEANING

Page 401

Mar 01/2006



COMPONENT MAINTENANCE MANUAL

CHECK

**(NOT APPLICABLE)**

**25-28-47**

CHECK  
Page 501  
Mar 01/2006



## COMPONENT MAINTENANCE MANUAL

### REPAIR

#### 1. Contents

A. Repair, refinish, and replacement procedures are included in separate repair sections as follows:

**Table 601:**

<b>P/N</b>	<b>Name</b>	<b>REPAIR</b>
412N1119-1	FITTING ASSY	1-1
412N1119-37,-38	FITTING ASSY	2-1
65C27006	COMPARTMENT ASSY	3-1
65C27009	MODULE ASSY	4-1
65C27017	BRACKET ASSY	5-1
- - -	MISC PARTS REFINISH	6-1

#### 2. Standard Practices

- A. Refer to the following standard practices, as applicable, for details in individual repairs.
- SOPM 20-30-02 Stripping of Protective Finishes
  - SOPM 20-41-01 Decoding Table for Boeing Finish Codes
  - SOPM 20-41-02 Application of Chemical and Solvent Resistant Finishes
  - SOPM 20-41-04 Application and Repair of Interior Decorative Finishes
  - SOPM 20-43-01 Chromic Acid Anodizing
  - SOPM 20-50-03 Bearing Installation and Retention
  - SOPM 20-50-12 Application of Adhesives

#### 3. Materials

**NOTE:** Equivalent substitutes may be used.

- A. Adhesive –
- (1) Type 70 adhesive, A00028
  - (2) Type 89 urethane adhesive, A50055
- B. Enamel – coating, C00040 (SOPM 20-60-02)
- C. Primer – primer, C00259 (SOPM 20-60-02)

# 25-28-47

REPAIR - GENERAL

Page 601

Mar 01/2007



## COMPONENT MAINTENANCE MANUAL

### FITTING ASSEMBLY - REPAIR 1-1

412N1119-1

#### 1. General

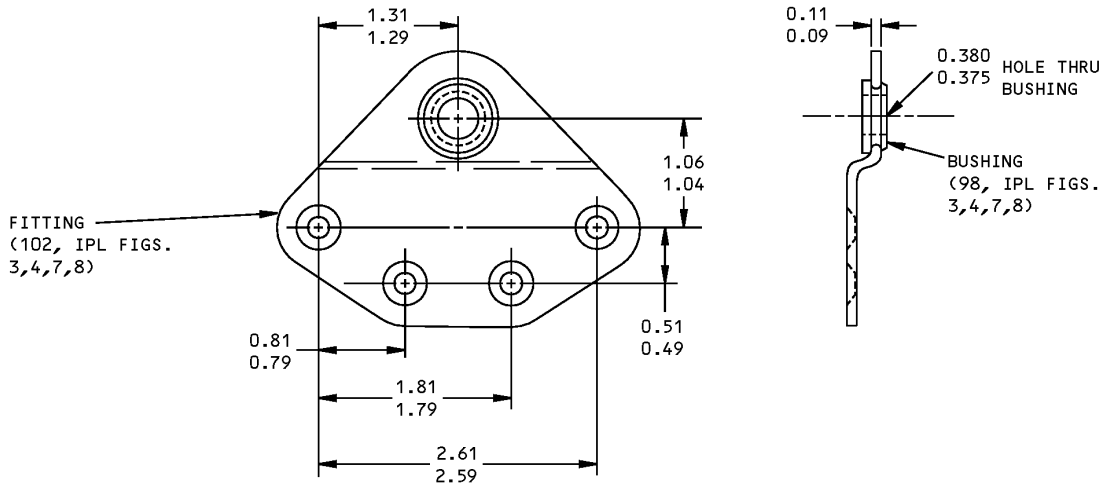
- A. The procedure has the data necessary to repair and refinish the fitting assembly.
- B. Refer to REPAIR-GENERAL, Paragraph 2. for the Standard Overhaul Practice Manual (SOPM) subjects identified in this procedure.
- C. Refer to REPAIR-GENERAL, Paragraph 3. for the description of the consumable codes identified in this procedure.
- D. Refer to IPL Figure 1 for item numbers.

#### 2. Bushing Replacement

- A. Remove bushing (98, IPL Figure 3, IPL Figure 4, IPL Figure 7 and IPL Figure 8).
- B. Install new bushing per SOPM 20-50-03.
- C. Machine 0.375-0.380 inch hole through bushing.

#### 3. Refinish

- A. Fitting (102, IPL Figure 3, IPL Figure 4, IPL Figure 7 and IPL Figure 8) – Chromic acid anodize and apply primer, C00259 (F-18.13), Material: Al alloy.



ALL DIMENSIONS ARE IN INCHES

Bushing Replacement  
Figure 601

# 25-28-47

REPAIR 1-1

Page 601

Nov 01/2006

## COMPONENT MAINTENANCE MANUAL

### FITTING ASSEMBLY - REPAIR 2-1

412N1119-37, -38

#### 1. General

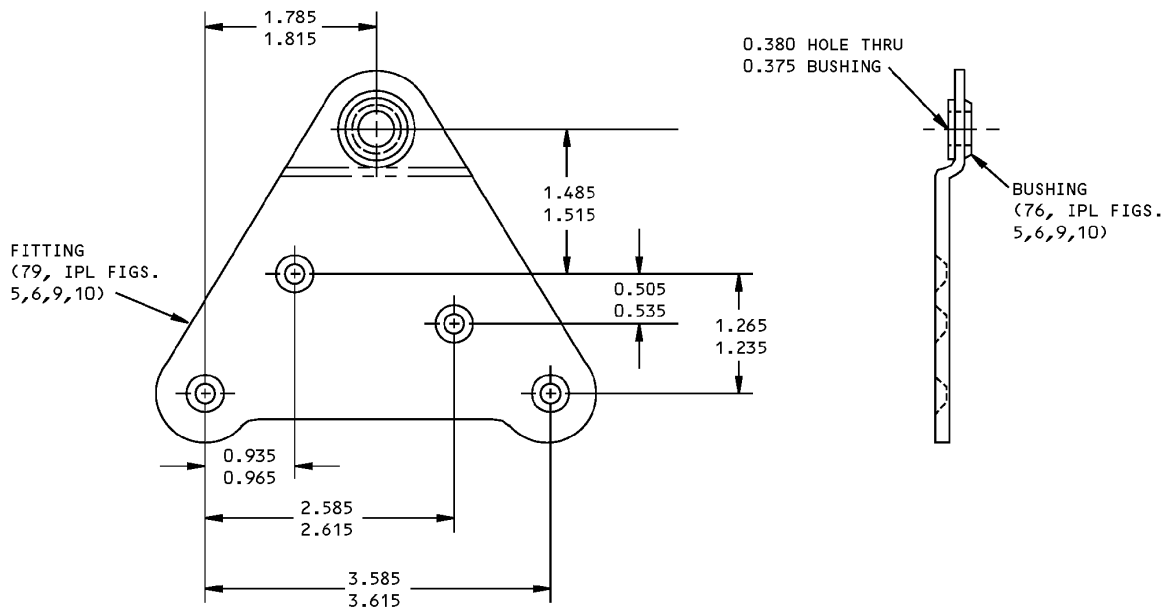
- A. The procedure has the data necessary to repair and refinish the fitting assembly.
- B. Refer to REPAIR-GENERAL, Paragraph 2. for the Standard Overhaul Practice Manual (SOPM) subjects identified in this procedure.
- C. Refer to REPAIR-GENERAL, Paragraph 3. for the description of the consumable codes identified in this procedure.
- D. Refer to IPL Figure 5, IPL Figure 6, IPL Figure 9 and IPL Figure 10 for item numbers.

#### 2. Bushing Replacement

- A. Remove bushing (76, IPL Figure 5, IPL Figure 6, IPL Figure 9 and IPL Figure 10).
- B. Install new bushing per SOPM 20-50-03.
- C. Machine 0.375-0.380 inch hole through bushing.

#### 3. Refinish

- A. Fitting (79, IPL Figure 5, IPL Figure 6, IPL Figure 9 and IPL Figure 10) - Chromic acid anodize and apply primer, C00259 (F-18.13). Material: Al alloy.



Bushing Replacement  
Figure 601

# 25-28-47

REPAIR 2-1

Page 601

Nov 01/2006





## COMPONENT MAINTENANCE MANUAL

### COMPARTMENT ASSEMBLY - REPAIR 3-1

#### 65C27006 Series

#### 1. General

- A. The procedure has the data necessary to repair the compartment assembly.
- B. Refer to REPAIR-GENERAL, Paragraph 2. for the Standard Overhaul Practice Manual (SOPM) subjects identified in this procedure.
- C. Refer to REPAIR-GENERAL, Paragraph 3. for the description of the consumable codes identified in this procedure.
- D. Refer to IPL Figure 1 thru IPL Figure 10 for item numbers.

#### 2. Fitting Replacement

- A. Bond fitting (10, 159, 189, IPL Figure 1; 10, 159, 189, IPL Figure 2; 102, 114, 114A, 114B, IPL Figure 3; 102, 111, IPL Figure 4; 85, IPL Figure 5; 85, IPL Figure 6; 102, 111, IPL Figure 7; 102, 111, IPL Figure 8; 85, 85A, IPL Figure 9; 85, 85A, IPL Figure 10) to compartment using adhesive, A00028 as specified in SOPM 20-50-12.

#### 3. Fitting Assembly and Shim

- A. Bond fitting (70, IPL Figure 5, IPL Figure 6, IPL Figure 9 and IPL Figure 10) and shim (82, IPL Figure 5, IPL Figure 6, IPL Figure 9 and IPL Figure 10) to compartment using adhesive, A00028 SOPM 20-50-12.

#### 4. Bracket and Shim Replacement

- A. Bond shim (156, IPL Figure 1 and IPL Figure 2) and bracket (141, IPL Figure 1 and IPL Figure 2) to compartment using adhesive, A00028 SOPM 20-50-12

#### 5. Seal Replacement

- A. Bond seal (187, IPL Figure 1; 199, IPL Figure 2; 199, IPL Figure 3; 221, IPL Figure 4; 183, IPL Figure 5; 206, IPL Figure 6; 221, IPL Figure 7; 221, IPL Figure 8; 168, IPL Figure 9; 168, IPL Figure 10) to filler panel using adhesive type 90, optional adhesive, A00016 as specified in SOPM 20-50-12.

# 25-28-47

REPAIR 3-1

Page 601

Mar 01/2006



## COMPONENT MAINTENANCE MANUAL

### MODULE ASSEMBLY - REPAIR 4-1

#### 65C27009 Series

#### 1. General

- A. The procedure has the data necessary to repair the module assembly.
- B. Refer to REPAIR-GENERAL, Paragraph 2. for the Standard Overhaul Practice Manual (SOPM) subjects identified in this procedure.
- C. Refer to REPAIR-GENERAL, Paragraph 3. for the description of the consumable codes identified in this procedure.
- D. Refer to IPL Figure 1 thru IPL Figure 10 for item numbers.

#### 2. Fitting Replacement

- A. Bond fitting (805, IPL Figure 1 and IPL Figure 2) to module using adhesive, A00028 as specified in SOPM 20-50-12.

#### 3. Support Replacement

- A. Bond support (820, IPL Figure 1; 820, IPL Figure 2; 541, IPL Figure 3; 462, IPL Figure 4; 440, IPL Figure 5; 467, IPL Figure 6; 541, IPL Figure 7; 541, IPL Figure 8; 577, IPL Figure 9; 577, IPL Figure 10) to module using adhesive, A00028 as specified in SOPM 20-50-12.

#### 4. Foam Replacement

- A. Bond foam (126, IPL Figure 1; 126, IPL Figure 2; 191, IPL Figure 3; 191, IPL Figure 4; 158, IPL Figure 5; 163, IPL Figure 6; 191, IPL Figure 7; 191, IPL Figure 8; 158, IPL Figure 9; 158, IPL Figure 10) to module using adhesive type 90, optional adhesive, A00016 as specified in SOPM 20-50-12.

#### 5. Retainer Replacement

- A. Bond retainer (300, 303, IPL Figure 1; 300, 303, IPL Figure 2; 296, 299, IPL Figure 3; 248, 251, IPL Figure 4; 248, 251, IPL Figure 5; 275, 278, IPL Figure 6; 296, 299, IPL Figure 7; 296, 299, IPL Figure 8; 347, 350, IPL Figure 9; 347, 350, IPL Figure 10) to module using urethane adhesive, A50055, optional adhesive, A00028 per SOPM 20-50-12.

#### 6. Bracket Replacement

- A. Bond bracket (790, IPL Figure 1, 2; 526, IPL Figure 3; 449, IPL Figure 4; 428, IPL Figure 5; 455, IPL Figure 6; 526, IPL Figure 7; 526, IPL Figure 8; 565, IPL Figure 9, IPL Figure 10) to module using adhesive, A00028 as specified in SOPM 20-50-12.

# 25-28-47

REPAIR 4-1

Page 601

Mar 01/2006



## COMPONENT MAINTENANCE MANUAL

### BRACKET ASSEMBLY - REPAIR 5-1

65C27017-5, -6, -21, -22, -25, -33

#### 1. General

- A. The procedure has the data necessary to repair and refinish the bracket assembly.
- B. Refer to REPAIR-GENERAL, Paragraph 2. for the Standard Overhaul Practice Manual (SOPM) subjects identified in this procedure.
- C. Refer to REPAIR-GENERAL, Paragraph 3. for the description of the consumable codes identified in this procedure.
- D. Refer to IPL Figure 1 and IPL Figure 2 for item numbers.

#### 2. Bushing Replacement

- A. Remove bushing (150, IPL Figure 1 and IPL Figure 2).
- B. Install new bushing as specified in SOPM 20-50-03.
- C. Machine 0.375-0.380 inch hole through bushing.

#### 3. Refinish

- A. Bracket (153, IPL Figure 1 and IPL Figure 2) – Chemical treat and apply primer, C00259 (F-18.06).  
Material: Al alloy.

# 25-28-47

REPAIR 5-1

Page 601

Mar 01/2006



## COMPONENT MAINTENANCE MANUAL

### MISCELLANEOUS PARTS REFINISH - REPAIR 6-1

#### 1. Procedure

A. Repair of parts listed in REPAIR 6-1, Table 601 consists of restoration of original finish.

**Table 601:** Refinish Details

IPL FIG. & ITEM	MATERIAL	FINISH
Fig. 1		
Fitting (10,24,159, 192), Filler (27)	Al alloy	Chromic acid anodize and apply (F-18.13).
Bracket (12,90,93, 102,1027), Fitting (189,805), Washer (39)	Al alloy	Chemical treat and apply primer, C00259 (F-18.06).
Support (129)	Al alloy	Chemical treat and apply primer, C00259 (F-18.05).
Support (820), Bracket (925)	Al alloy	Apply colorless alodine coating (F-14.05).
Support (885)	Al alloy	Sulfuric acid anodize (F-14.2992).
Fitting (920)	4130 Steel HT 125-145 ksi	Sulfuric acid anodize and apply directional coarse grain buff satin finish (F-14.25).
Pawl (930)	4130 Steel HT 125-145 ksi	Cadium plate to meet the requirements of QQ-P-416, type 11, class 2 finish (F-15.06).
Fitting (795)	Al alloy	Anodize to meet the requirements of MIL-A-8625, type 1 or 2 (F-17.05).
Bracket (1018,1027, 1033,1083,1094)	Al alloy	Chemical treat all surfaces to meet the requirements of MIL-C-5541 (F-17.07).
Fig. 2		
Fitting (10,24,159, 192), Filler (27)	Al alloy	Chromic acid anodize and apply primer, C00259 (F-18.13).
Bracket (12,39,90,93, 102), Fitting (189,805), Washer (39)	Al alloy	Chemical treat and apply primer, C00259 (F-18.06).
Support (129)	Al alloy	Chemical treat and apply primer, C00259 (F-18.05).
Fitting (795)	Al alloy	Alodize to meet the requirements of MIL-A-8625 (F.17-05).
Support (820)	Al alloy	Apply colorless alodine coating (F-14.05).
Support (885) Bracket (1018,1027, 1033,1083,1094)	Al alloy Al alloy	Sulfuric acid anodize (F-14.2992). Chemical treat all surfaces to meet the requirements of MIL-C-5541 (F-17.07).
Fig. 3		
Fitting (15,114,123, 843,846), Filler (18)	Al alloy	Chromic acid anodize and apply primer, C00259 (F-18.13).

# 25-28-47

REPAIR 6-1

Page 601

Mar 01/2007



## COMPONENT MAINTENANCE MANUAL

**Table 601: Refinish Details (Continued)**

IPL FIG. & ITEM	MATERIAL	FINISH
Support (235), Fitting (945)	Al alloy	Chemical treat and apply primer, C00259 (F-18.05).
Fitting (529)	Al alloy	Alodize to meet the requirements of MIL-A-8625 (F-17.05).
Support (541)	Al alloy	Apply colorless alodine coating (F-14.05).
Support (564), Bracket (582)	Al alloy	Sulfuric acid anodize (F-14.2992).
Fitting (579)	Al alloy	Sulfuric acid anodize and apply directional coarse grain buff satin finish (F-14.25).
Pawl (585)	4130 Steel HT 125-145 ksi	Cadmium plate to meet the requirements of QQ-P-416, type 11, class 2 (F-15.06).
Bracket (129,132,135, 147,165,168,171,187, 212), Washer (26)	Al alloy	Chemical treat and apply primer, C00259 (F-18.06).
Bracket (810,822,843, 846,879)	Al alloy	Chemical treat all surfaces to meet the requirements of MIL-C-5541 (F-17.07).
<b>Fig. 4</b>		
Fitting (15,111,123), Filler (18)	Al alloy	Chromic acid anodize and apply one coat BMS 10-11 type 1 primer, C00259 (F-18.13).
Bracket (129,147,165, 168,171,449), Washer (26), Support (187)	Al alloy	Chemical treat and apply one coat BMS 10-11 type 1 primer, C00259 (F-18.06).
Fitting (453)	Al alloy	Alodize to meet the requirements of MIL-A-8625 (F-17.05).
Support (462)	Al alloy	Apply colorless alodine coating (F-14.05).
Support (483)	Al alloy	Sulfuric acid anodize (F-14.2992).
Bracket (619,630,659)	Al alloy	Chemical treat all surfaces to meet the requirements of MIL-C-5541 (F-17.07).
Bracket (679)	Al alloy	Chemical treat and apply primer, C00259 (F-18.06) then apply enamel coating, C00040 (F-22.06-80070).
<b>Fig. 5</b>		
Fitting (17,85,109, 554)	Al alloy	Chromic acid anodize and apply primer, C00259 (F-18.13).
Bracket (118,121,124, 170,428), Washer (23), Support (155)	Al alloy	Chromic acid anodize and apply primer, C00259 (F-18.06).
Fitting (359), Bracket (362,365,368), Filler (371)	Al alloy	Chemical treat and apply primer, C00259 (F-18.03). then apply primer, C00039 and enamel coating, C00040 (F-22.05-80070).
Fitting (431)	Al alloy	Alodize to meet the requirements of MIL-A-8625 (F-17.05).
Support (440)	Al alloy	Apply colorless alodine coating (F-14.05).
Support (446,464)	Al alloy	Sulfuric acid anodize (F-14.2992).

# 25-28-47

REPAIR 6-1  
Page 602  
Mar 01/2007



## COMPONENT MAINTENANCE MANUAL

**Table 601: Refinish Details (Continued)**

IPL FIG. & ITEM	MATERIAL	FINISH
Bracket (530,545,611, 623,650)	Al alloy	Chemical treat all surfaces to meet the requirements of MIL-C-5541 (F-17.07).
Fig. 6		
Fitting (17,85,109, 583)	Al alloy	Chromic acid anodize and apply primer, C00259 (F-18.13).
Bracket (118,121,124, 127,130,172,196,202, 455 539), Washer (23), Support (160)	Al alloy	Chemical treat and apply primer, C00259 (F-18.06).
Fitting (458)	Al alloy	Alodine to meet the requirements of MIL-A-8625 (F-17.05).
Support (467)	Al alloy	Apply colorless alodine coating (F-14.05).
Support (491)	Al alloy	Sulfuric acid anodize (F-14.2992).
Fitting (386), Bracket (389,392,685), Filler (395,398)	Al alloy	Chemical treat and apply primer, C00259 (F-18.06) then apply enamel coating, C00040 (F-22.06-80070).
Bracket (568,577,583, 640,652,697)	Al alloy	Chemical treat all surfaces to meet the requirements of MIL-C-5541 (F-17.07).
Fig. 7		
Fitting (15,111,123), Filler (18)	Al alloy	Chromic acid anodize and apply primer, C00259 (F-18.13).
Bracket (129,168,171, 526,696), Washer (26), Support (187)	Al alloy	Chemical treat and apply primer, C00259 (F-18.06).
Fitting (529)	Al alloy	Alodine to meet the requirements of MIL-A-8625 (F-17.05).
Support (541)	Al alloy	Apply colorless alodine coating (F-14.05).
Support (564)	Al alloy	Sulfuric acid anodize (F-14.2992).
Bracket (687,602,750, 762)	Al alloy Refinish Details	Chemical treat all surfaces to meet the requirements of MIL-C-5541 (F-17.07).
Fig. 8		
Fitting (15,111,123), Filler (18)	Al alloy	Chromic acid anodize and apply primer, C00259 (F-18.13).
Bracket (129,168,171, 526,654), Washer (26), Support (187)	Al alloy	Chemical treat and apply primer, C00259 (F-18.06).
Fitting (529)	Al alloy	Alodine to meet the requirements of MIL-A-8625 (F-17.05).
Support (541)	Al alloy	Apply colorless alodine coating (F-14.05).
Support (564)	Al alloy	Sulfuric acid anodize (F-14.2992).

# 25-28-47

REPAIR 6-1

Page 603

Mar 01/2007



## COMPONENT MAINTENANCE MANUAL

**Table 601: Refinish Details (Continued)**

IPL FIG. & ITEM	MATERIAL	FINISH
Bracket (645,660,708, 720)	Al alloy	Chemical treat all surfaces to meet the requirements of MIL-C-5541 (F-17.07).
Fig. 9		
Fitting (17,85,123)	Al alloy	Chromic acid anodize and apply primer, C00259 (F-18.13).
Bracket (118,121,124, 565,715), Washer (23), Support (155)	Al alloy	Chemical treat and apply primer, C00259 (F-18.06).
Fitting (568)	Al alloy	Alodine to meet the requirements of MIL-A-8625 (F-17.05).
Support (577)	Al alloy	Apply colorless alodine coating (F-14.05).
Support (598), Bracket (616)	Al alloy	Sulfuric acid anodize (F-14.2992).
Bracket (706,721,769, 781)	Al alloy	Chemical treat all surfaces to meet the requirements of MIL-C-5541 (F-17.07).
Fitting (613)	4130 Steel HT 125-145 ksi	Sulfuric acid anodize and apply directional coarse grain buff satin finish (F-14.25).
Pawl (619)	4130 Steel HT 125-145 ksi	Cadmium plate to meet the requirements of QQ-P-416, type II, class 2 finish (F-15.06).
Fig. 10		
Fitting (17,85,100)	Al alloy	Chromic acid anodize and apply primer, C00259 (F-18.13).
Bracket (118,121,124, 565,662), Support (155)	Al alloy	Chemical treat and apply primer, C00259 (F-18.06).
Fitting (568)	Al alloy	Alodine to meet the requirements of MIL-A-8625 (F-17.05).
Support (577)	Al alloy	Apply colorless alodine coating (F-14.05).
Support (598)	Al alloy	Sulfuric acid anodize (F-14.2992).
Bracket (653,668,728, 740)	Al alloy	Chemical all surfaces to meet the requirements of MIL-C-5541 (F-17.07).
Bracket (686)	Al alloy	Chemical treat and apply primer, C00259 (F-18.06) then apply primer, C00039 and enamel coating, C00040 (F-22.05-80016).

# 25-28-47

REPAIR 6-1

Page 604

Mar 01/2007



## COMPONENT MAINTENANCE MANUAL

### ASSEMBLY

#### 1. ASSEMBLY

**CAUTION:** THE STOWAGE ASSEMBLY CONSISTS OF APPEARANCE ITEMS. SPECIAL CARE MUST BE TAKEN TO PREVENT MARRING VISIBLE SURFACES.

- A. No special instructions required. Use standard industry practices and the following procedures.
- B. Tighten bolt (371, IPL Figure 1, 2; 344, IPL Figure 3, 4; 296, IPL Figure 5; 323, IPL Figure 6; 344, IPL Figure 7, 8; 398, IPL Figure 9, 10) 5-6 pound-inches on hinge assemblies 412N1155-7, -8, -11, -12, -13, -14, -17, 18 and ensure that chassis are not crushed or deformed.

# 25-28-47

ASSEMBLY

Page 701

Mar 01/2006





## COMPONENT MAINTENANCE MANUAL

### FITS AND CLEARANCES

FOR TORQUE VALUES OF STANDARD FASTENERS, REFER TO 20-50-01			
ITEM NO.	NAME	TORQUE	
		POUND-INCHES	POUND-FEET
371, IPL FIG. 1,2 344, IPL FIG. 3,4 296, IPL FIG. 5 323, IPL FIG. 6 344, IPL FIG. 7,8 398, IPL FIG. 9,10	BOLT	5-6	

Torque Table  
Figure 801



COMPONENT MAINTENANCE MANUAL

SPECIAL TOOLS, FIXTURES, AND EQUIPMENT

**(NOT APPLICABLE)**

**25-28-47**

SPECIAL TOOLS, FIXTURES, AND EQUIPMENT

Page 901

Mar 01/2006



## COMPONENT MAINTENANCE MANUAL

### ILLUSTRATED PARTS LIST

#### 1. Introduction

- A. The Illustrated Parts List (IPL) contains an illustration and a list of component parts you can repair or replace. The Illustrated Parts Catalog (IPC) shows how to use the Boeing part number system.
- B. This shows how parts are related: The relation of each item to its next higher assembly (NHA) is shown in the NOMENCLATURE column. Use the indenture system that follows:

1	2	3	4	5	6	7
.	Assembly					
.	Attaching parts for assembly					
.	.	Detail parts for assembly				
.	.	Subassembly				
.	.	Attaching parts for subassembly				
.	.	.	Detail parts for subassembly			
.	.	.	Sub-subassembly			
.	.	.	Attaching parts for subassembly			
.	.	.	.	Details parts for sub-subassembly		
						Detail Installation Parts (Included only if installation parts may be sent to the shop as part of assembly)

- C. Each top assembly is given one use code letter (A, B, C, etc.) in the USAGE CODE column. All subsequent component parts in the list can have one or more of the use code letters to show effectivity to top assemblies. A component part without a use code applies to all top assemblies.
- D. An alphabetical letter is added after the item number for optional parts, parts changed by a Service Bulletin, configuration differences (except left-handed and right-handed parts), last engineering releases, and parts added between item numbers in a sequence. The alphabetical letter will not be shown on the illustration for equivalent parts of the same part number.
- E. Color-coded parts are identified with a single digit alpha following the dash number or with "SP" suffix. If the "SP" suffix is used, it represents consolidation of all color codes applicable for a given usage which are not separately listed. Orders for color-coded parts should include the registry number of the airplane for which the parts are ordered.
- F. If a part number is 15 characters long but will not fit in the part number column, the part number will be displayed with a "~" at the end of the line and will be continued on the next line. The "~" denotes that the part number continues on the next line.
- G. Parts changed by a Service Bulletin are shown by PRE SB XXXX and POST SB XXXX added to the NOMENCLATURE column.
- (1) When a new top assembly is added by a Service Bulletin, PRE SB XXXX and POST SB XXXX will be added at the top assembly level only. The configuration differences at the detail part level are shown by use code letters.
- (2) When the top assembly part number is not changed by the Service Bulletin, PRE SB XXXX and POST SB XXXX will be added at the detail level.
- H. Interchangeable Parts

# 25-28-47

ILLUSTRATED PARTS LIST

Page 1001

Nov 01/2008



## COMPONENT MAINTENANCE MANUAL

Optional (OPT)	The part is optional to and interchangeable with other parts that have the same item number.
Replaces, Replaced by and not interchangeable with (REPLACES, REPLACED BY AND NOT INTCHG/W)	The part replaces and is not interchangeable with the initial part.
Replaces, Replaced by (REPLACES, REPLACED BY)	The part replaces and is interchangeable with, or is an alternative to, the initial part.

### VENDOR CODES

<b>Code</b>	<b>Name</b>
01556	EMHART FASTENING SYSTEMS GROUP HELI-COIL DIV SHELTER ROCK LANE DANBURY, CONNECTICUT 06810 FORMERLY HELI-COIL DIV OF BLACK AND DECKER
04169	WESTERN SKY INDUSTRIES A DIVISION OF ATLAS CORPORATION 1280 SAN LUIS OBISPO STREET HAYWARD, CALIFORNIA 94544-7916 FORMERLY WESTERN SKY IND VB0008
05617	IDD AEROSPACE CORP 18225 NORTHEAST 76TH STREET PO BOX 97056 REDMOND, WASHINGTON 98073-9756 FORMERLY FARWEST ELEC INC;FORMERY IN BELLEVUE, WA; FORMERLY BELL IND FARWEST MFG DIV;FORMERLY BELL IND ILLUMINATED DISPLAYS DIV
06034	NEWAGE INDUSTRIES INC. 2300 MARYLAND ROAD WILLOW GROVE, PENNSYLVANIA 19090-1709 FORMERLY IN JENKINTOWN, PENNSYLVANIA
06116	D AND WALES ENGINEERING INC TRUCK AND COACH HEATER MFG CO DIV 802 W BEARDSLEY ELKHART, IN 46514-2230 OBSOLETE RECORD
06710	LAMSON AND SESSIONS CO THE VALLEY-TODECO 12975 BRADLEY AVENUE SYLMAR, CALIFORNIA 91342-3830 FORMERLY VALLEY BOLT CORP VB0097 IN NORTH HOLLYWOOD, CA

# 25-28-47

ILLUSTRATED PARTS LIST

Page 1002

Jul 01/2006



## COMPONENT MAINTENANCE MANUAL

Code	Name
06725	AIR INDUSTRIES CORPORATION 12570 KNOTT STREET GARDEN GROVE, CALIFORNIA 92641-3932 FORMERLY AIR INDUSTRIES OF CALIF IN GARDENA, CALIF.
06950	SCREWCORP VSI AEROSPACE PRODUCTS DIV FAIRCHILD IND DIV 13001 EAST TEMPLE AVENUE PO BOX 730 CITY OF INDUSTRY, CALIFORNIA 91746-1417 FORMERLY VB0096 AND VSI CORP SCREWCORP DIV FORMERLY IN CULVER CITY, CALIFORNIA SCREW CORP SEE V.S.I. CORP SCREWCORP DIVISION
08524	Replaced: [V08524] DEUTSCH FASTENER CORP SEE CODE V97928 Replaced: [V97928] SEE V17446 HUCK INTL by Code: Name and Address below 17446: HUCK INTL INC AEROSPACE FASTENER DIV 900 WATSON CENTER ROAD CARSON, CALIFORNIA 90745-4201 FORMERLY V32134 REXNORD INC; FORMERLY V97928 HUCK INTL Referenced in FORMERLY line below [17419] DEUTSCH COMPANY THE WELLS FARGO BANK BLDG 2444 WILSHIRE BLVD #600 SANTA MONICA, CALIFORNIA 90403 FORMERLY DEUTSCH FASTENER CORP V08524 FORMERLY IN LOS ANGELES
08805	GENERAL ELECTRIC 1975 NOBLE RD CLEVELAND, OHIO 44112-1719
08806	GENERAL ELECTRIC CO MINIATURE LAMP PRODUCTS DEPT NELA PARK CLEVELAND, OHIO 44112
08958	BROWN HOISTING MACHINERY CO BAY CITY, MI 48706 CANCELLED WITHOUT REPLACEMENT RECORD
10630	ANILLO INDUSTRIES, INCORPORATED 2090 NORTH GLASSELL ORANGE, CALIFORNIA 92667 FORMERLY WESTERN WASHER DIV OF SENG CO V87487

# 25-28-47

ILLUSTRATED PARTS LIST

Page 1003

Jul 01/2006



## COMPONENT MAINTENANCE MANUAL

Code	Name
11815	CHERRY AEROSPACE FASTENERS DIV OF TEXTRON 1224 EAST WARNER AVENUE PO BOX 2157 SANTA ANA, CALIFORNIA 92707-0157 FORMERLY IN LOS ANGELES, CALIF , FORMERLY CHERRY FASTENERS TOWNSEND DIV OF TEXTRON INC V71087
15438	AVIA MARINE TECHNOLOGY INC. DBA AVIA MARINE CO 6118 12TH AVE. S. SEATTLE, WASHINGTON 98108-2768 FORMERLY AVIA MARINE CO VB0084 AND VB0087
15653	ALCOA GLOBAL FASTENERS INC DIV KAYNAR PRODUCTS 800 S STATE COLLEGE BLVD FULLERTON, CALIFORNIA 92831-3001 FORMERLY VK6405 MICRODOT AEROSP LTD; FORMERLY KAYNAR TECH FORMERLY FAIRCHILD FASTENERS KAYNAR DIV
17023	BRUCE INDUSTRIES, INCORPORATED 101 EVANS AVENUE PO BOX 1700 DAYTON, NEVADA 89403 FORMERLY IN GARDENA, CALIFORNIA
24984	HYDRAFLOW 1881 W MALVERN FULLERTON, CALIFORNIA 92833-2403 FORMERLY IN CERRITOS, CA
27624	PB FASTENERS DIV OF BRILES PAUL R 1700 WEST 132ND STREET GARDENA, CALIFORNIA 90249 FORMERLY PAUL R BRILES INC P.B. FASTENER DIV
29372	ALCOA GLOBAL FASTENERS INC DBA ALCOA FASTENERS SYSTEMS DIV 3000 WEST LOMITA BLVD TORRANCE CALIFORNIA 90505-5103 FORMERLY CALFAX INC V11907; NEWTON INSERT CO V98004;REXNORD INC SPECIALTY FASTERNER DIV AND DELRON CO V82831; REXNORD INC TRIDAIR IND; FORMERLY FAIRCHAIDL IND INC

# 25-28-47

ILLUSTRATED PARTS LIST

Page 1004

Nov 01/2006



## COMPONENT MAINTENANCE MANUAL

Code	Name
34252	GULF OIL CO USA DIV OF GULF OIL CORP PO BOX 1519 HOUSTON, TEXAS 77001
34941	HARPER ENGINEERING COMPANY 200 SOUTH TOBIN STREET RENTON, WASHINGTON 98055-1307
52828	REPUBLIC FASTENER MFG CORP 1300 RANCHO CONEJO BLVD NEWBURY PARK, CALIFORNIA 91320-1405 FORMERLY IN SYLMAR, CALIFORNIA
56878	SPS TECHNOLOGIES INC AEROSPACE AND INDUSTRIAL PRODUCTS DIV 301 HIGHLAND AVE JENKINTOWN, PENNSYLVANIA 19046 FORMERLY STANDARD PRESSED STEEL FORMERLY IN SALT LAKE, UTAH
60116	PSI WEST 255 SOUTH 7TH AVENUE CITY OF INDUSTRY, CALIFORNIA 91744-3079 FORMERLY V0812B
71087	Replaced: [V71087] BOOTS ACFT NUT DIV TOWNSEND CO SEE TEXTRON INC CHERRY FASTENER TOWNSEND DIV V11815 by Code: Name and Address below 11815: CHERRY AEROSPACE FASTENERS DIV OF TEXTRON 1224 EAST WARNER AVENUE PO BOX 2157 SANTA ANA, CALIFORNIA 92707-0157 FORMERLY IN LOS ANGELES, CALIF , FORMERLY CHERRY FASTENERS TOWNSEND DIV OF TEXTRON INC V71087
72962	HARVARD INDUSTRIES INC 3 WERNER WAY SUITE 210 LEBANON, NEW JERSEY 08833 FORMERLY ESNA V7A079 FORMERLY ELASTIC STOP NUT IN UNION, NJ

# 25-28-47

ILLUSTRATED PARTS LIST

Page 1005

Jul 01/2006



## COMPONENT MAINTENANCE MANUAL

Code	Name
73197	HI-SHEAR TECHNOLOGY CORP 2600 SKYPARK DRIVE TORRANCE, CALIFORNIA 90509
76530	Replaced: [V76530] CINCH-MONADNOCK DIV TRW SEE TRW ELECTRONIC COMP MONADNOCK MILLS SEE CINCH-MONADNOCK DIV OF UNITED CARR TRW INC TRW ELECTRONIC COMPONENTS CINCH-MONADNOCK DIV SEE MONADNOCK CO THE V60119 by Code: Name and Address below 60119: MONADNOCK CO THE 18301 ARENTH AVENUE PO BOX 1222 CITY OF INDUSTRY, CALIFORNIA 91749 FORMERLY UNITED CARR FASTENER CORP VB0051 VB0056 VB0076 FORMERLY TRW ELECTRONIC COMPONENTS CINCH-MONADNOCK DIV FORMERLY CINCH-MONADNOCK DIV OF TRW INC V76530
80477	ADAMS RITE AEROSPACE INC 4141 N PALM ST FULLERTON, CALIFORNIA 92835-1025 FORMERLY V00163 REID METAL PARTS; FORMERLY ADAMS RITE SABRE INTL IN GLENDALE, CA
80539	SPS TECHNOLOGIES INC DIV AERPSOACE - SANTA ANA 2701 SOUTH HARBOR BOULEVARD SANTA ANA, CALIFORNIA 92704-5803 FORMERLY NUTT-SHEL DIV OF SPC WESTERN CO V80539 AND STANDARD PRESSED STEEL WESTERN DIV V17279
83014	HARTWELL CORPORATION 900 SOUTH RICHFIELD ROAD PLACENTIA, CALIFORNIA 92670-6732 FORMERLY V0532B IN LOS ANGELES, CALIFORNIA
92215	FAIRCHILD IND INC FAIRCHILD AEROSPACE FASTENER DIV 3010 W LOMITA BLVD TORRANCE, CALIFORNIA 90505-5102 FORMERLY VOI-SHAN IN CULVER CITY, CALIF
93907	TEXTRON INC CAMCAR DIV 600 18TH AVENUE ROCKFORD, ILLINOIS 61101

# 25-28-47

ILLUSTRATED PARTS LIST

Page 1006

Jul 01/2006



**COMPONENT MAINTENANCE MANUAL**

<b>Code</b>	<b>Name</b>
97393	SHUR-LOK CORPORATION 2541 WHITE ROAD PO BOX 19584 IRVINE, CALIFORNIA 92623-9584 FORMERLY SHUR LOK CORP VB0060 FORMERLY IN SANTA ANA, CALIFORNIA 92714
97928	Replaced: [V97928] SEE V17446 HUCK INTL by Code: Name and Address below 17446: HUCK INTL INC AEROSPACE FASTENER DIV 900 WATSON CENTER ROAD CARSON, CALIFORNIA 90745-4201 FORMERLY V32134 REXNORD INC; FORMERLY V97928 HUCK INTL

**25-28-47**

ILLUSTRATED PARTS LIST

Page 1007

Jul 01/2006



## COMPONENT MAINTENANCE MANUAL

### NUMERICAL INDEX

PART NUMBER	AIRLINE PART NUMBER	FIGURE	ITEM	UNITS PER ASSEMBLY
05939-5		1	66	1
		2	66	1
		3	86	1
		4	86	1
		5	67	1
		6	67	1
		7	86	1
		8	86	1
		9	67	1
05939-7		3	86A	1
130120		3	144	2
		4	144	2
13020		6	193	2
1864		2	87	1
2055132		3	54A	2
		6	46A	2
2055150		1	72	2
		2	72	2
		3	54	2
		4	54	2
		5	46	2
		6	46	2
		7	54	2
		8	54	2
		9	46	2
		10	46	2
22K1-02		1	63	3
		2	63	3
		3	82	3
		4	82	3
		5	64	3
		6	64	3
		7	82	3
		8	82	3

# 25-28-47

ILLUSTRATED PARTS LIST

Page 1008

Mar 01/2006



## COMPONENT MAINTENANCE MANUAL

PART NUMBER	AIRLINE PART NUMBER	FIGURE	ITEM	UNITS PER ASSEMBLY
26CL02		9	64	3
		1	63	3
		2	63	3
		3	82	3
		4	82	3
		5	64	3
		6	64	3
		7	82	3
		8	82	3
411N3142-28		9	64	3
		1	39	2
		2	39	2
		3	26	6
		4	26	1
		5	23	1
		6	23	1
		7	26	1
		8	26	1
412N101-2122		1	775	1
412N1113-11		6	443A	1
		7	514A	1
412N1113-12		6	446A	1
		7	517A	1
412N1113-7		1	765	1
		2	765	1
		3	514	1
		4	437	1
		5	416	1
		6	443	1
		7	514	1
		8	514	1
		9	556	1
		10	556	1
412N1113-8		1	770	1

# 25-28-47

ILLUSTRATED PARTS LIST

Page 1009

Mar 01/2006



## COMPONENT MAINTENANCE MANUAL

PART NUMBER	AIRLINE PART NUMBER	FIGURE	ITEM	UNITS PER ASSEMBLY
		2	770	1
		3	517	1
		4	440	1
		5	419	1
		6	446	1
		7	517	1
		8	517	1
		9	559	1
		10	559	1
412N1116-100		3	833	1
412N1116-101		3	830	1
		4	638	1
412N1116-104		4	641A	1
412N1116-105		5	572	1
412N1116-107		4	670A	1
412N1116-110		4	670B	1
412N1116-118		7	765A	1
412N1116-119		7	771A	1
412N1116-124		6	661A	1
		7	777A	1
412N1116-126		7	711A	1
412N1116-128		7	714A	1
		7	768A	1
412N1116-130		6	667A	1
412N1116-16		1	1046	1
		2	1109	1
412N1116-17		1	1109	1
		2	1046	1
		2	1100	1
		3	840	1
		4	647	1
		7	777	1
		8	672	1
		8	725	1
412N1116-18		1	1100	1

# 25-28-47

ILLUSTRATED PARTS LIST

Page 1010

Mar 01/2006



## COMPONENT MAINTENANCE MANUAL

PART NUMBER	AIRLINE PART NUMBER	FIGURE	ITEM	UNITS PER ASSEMBLY
		7	714	1
		7	768	1
		8	734	1
412N1116-30		4	673	1
412N1116-47		2	1197	1
		8	723	1
412N1116-48		1	1097	1
		7	765	1
412N1116-49		1	1103	1
		7	771	1
412N1116-50		2	1103	1
		8	728	1
412N1116-67		9	793	1
		10	793	1
412N1116-70		9	784	1
		10	784	1
412N1116-71		6	661	1
412N1116-72		5	632	1
412N1116-73		9	730	1
		10	715	1
412N1116-75		2	1043	1
		8	669	1
412N1116-76		1	1043	1
		7	711	1
412N1116-77		6	670	1
412N1116-78		6	673	1
412N1116-79		5	626	1
		6	655	1
412N1116-80		5	575	1
		5	629	1
		6	604	1
		6	658	1
412N1116-91		4	670	1
		4	670C	1
412N1116-93		6	667	1

# 25-28-47

ILLUSTRATED PARTS LIST

Page 1011

Mar 01/2006



## COMPONENT MAINTENANCE MANUAL

PART NUMBER	AIRLINE PART NUMBER	FIGURE	ITEM	UNITS PER ASSEMBLY
		9	733	1
		9	796	1
		10	718	1
		10	796	1
412N1116-94		5	638	1
		9	790	1
		10	790	1
412N1116-96		6	671	1
412N1116-97		6	601	1
412N1116-98		3	825	1
		4	635	1
412N1116-99		3	836	1
		4	641	1
412N1117-1		3	529	1
		5	431	1
		7	529	1
412N1117-2		4	453	1
		6	458	1
		8	529	1
		9	568	1
		10	568	1
412N1117-5		2	795	1
412N1117-6		1	795	1
412N1118-1		1	300	2
412N1118-1SP		2	300	2
		3	296	2
		4	296	2
		5	248	2
		6	275	1
		7	296	2
		8	296	2
		9	347	2
		10	347	2
412N1118-2		1	303	2
412N1118-2SP		2	303	2

# 25-28-47

ILLUSTRATED PARTS LIST

Page 1012

Mar 01/2006



## COMPONENT MAINTENANCE MANUAL

PART NUMBER	AIRLINE PART NUMBER	FIGURE	ITEM	UNITS PER ASSEMBLY		
412N1119-1		3	299	1		
		4	299	1		
		5	251	1		
		6	278	2		
		7	296A	2		
		8	299	2		
		9	350	2		
		10	350	2		
		412N1119-12		3	90	1
				4	90	1
7	90			1		
8	90			1		
412N1119-13		1	192	1		
		2	192	1		
		3	123	1		
		4	123	2		
		5	109	1		
		6	109	2		
		7	123	2		
		8	123	1		
		9	100	1		
		10	100	1		
412N1119-14		1	10A	1		
		4	111A	1		
		8	111A	1		
		9	85A	1		
412N1119-2		2	10A	1		
		3	114A	1		
		7	111A	1		
		10	85A	1		
412N1119-26		3	102	1		
		4	102	1		
		7	102	1		
		8	102	1		
		10	17	1		

# 25-28-47

ILLUSTRATED PARTS LIST

Page 1013

Mar 01/2006



## COMPONENT MAINTENANCE MANUAL

PART NUMBER	AIRLINE PART NUMBER	FIGURE	ITEM	UNITS PER ASSEMBLY
412N1119-27		6	892	1
412N1119-36		5	359	1
		6	386	1
		9	459	1
		10	459	1
412N1119-37		6	70	1
		9	70	1
		10	70	1
412N1119-38		5	70	1
412N1119-39		6	79	1
		9	79	1
		10	79	1
412N1119-40		5	79	1
412N1119-41		1	159	1
		2	159	1
412N1119-43		1	24	1
		2	24	1
412N1119-55		3	15	1
		4	15	1
		7	15	1
		8	15	1
412N1119-56		3	18	1
		4	18	1
		7	18	1
		8	18	1
412N1119-58		5	17	1
		6	17	1
		9	17	1
412N1119-63		6	85	1
412N1119-64		6	591	1
412N1119-69		5	362	1
		6	389	1
		9	460	1
		10	460	1
412N1119-70		5	365	1

# 25-28-47

ILLUSTRATED PARTS LIST

Page 1014

Mar 01/2006





## COMPONENT MAINTENANCE MANUAL

PART NUMBER	AIRLINE PART NUMBER	FIGURE	ITEM	UNITS PER ASSEMBLY		
412N1119-71		6	392	1		
		9	461	1		
		10	461	1		
		5	368	1		
		6	395	1		
		9	462	1		
412N1119-72		10	462	1		
		5	371	1		
		6	398	1		
		9	463	1		
412N1119-74		10	463	1		
		5	554	1		
412N1119-76		5	85	1		
		6	85A	1		
412N1119-79		3	114B	1		
412N1119-80		3	843	1		
412N1119-81		1	27	1		
		2	27	1		
412N1119-84		3	846	1		
412N1119-89		6	389A	1		
412N1119-90		6	392A	1		
412N1130-5		1	186	2		
		3	220	1		
		4	220	1		
		5	181	1		
		8	220	2		
		9	167	1		
		10	167	1		
		412N1130-5SP		2	186	2
				6	205	1
		412N1140-13		7	220	2
1	256			1		
2	256			1		
3	276			1		
		4	276	1		

# 25-28-47

ILLUSTRATED PARTS LIST

Page 1015

Mar 01/2006



## COMPONENT MAINTENANCE MANUAL

PART NUMBER	AIRLINE PART NUMBER	FIGURE	ITEM	UNITS PER ASSEMBLY
412N1140-17		5	236	1
		6	263	1
		7	276	1
		8	276	1
		9	326	1
		10	326	1
		1	241	1
		2	241	1
		3	261	1
		6	258	2
412N1140-41		7	261	1
		8	261	1
		9	311	1
		10	311	1
412N1140-44		6	230	1
412N1140-44SP		1	212	1
		10	182	1
		2	212	1
		3	234	1
		4	234	1
		5	202	1
		6	230B	1
		7	234	1
		8	234	1
		9	182	1
412N1140-48SP		6	230A	1
412N1140-58		6	260	1
		8	270	1
412N1140-60		3	270	1
		4	270	1
		7	270	1
412N1140-61		1	250	1
		2	250	1
		5	233	1
		6	260A	1

# 25-28-47

ILLUSTRATED PARTS LIST

Page 1016

Mar 01/2006



## COMPONENT MAINTENANCE MANUAL

PART NUMBER	AIRLINE PART NUMBER	FIGURE	ITEM	UNITS PER ASSEMBLY
412N1140-62		9	320	1
		10	320	1
		1	253	1
		2	253	1
		3	273	1
		6	260B	1
		7	273	1
		8	273	1
		9	323	1
		10	323	1
412N1140-65		1	215	1
412N1140-66		10	185	1
412N1140-67SP		3	235	1
412N1140-68SP		8	235A	1
412N1140-72SP		2	215	1
412N1140-73SP		7	235A	1
412N1140-76SP		9	185	1
412N1140-77SP		3	235A	1
412N1140-79SP		8	235	1
412N1140-80SP		7	235	1
412N1140-81SP		7	235B	1
412N1140-86SP		7	235C	1
412N1141-1		1	259	1
		2	259	1
		5	239	1
		8	279	1
		9	329	1
		10	329	1
412N1141-10		1	265	1
		2	265	1
412N1141-10SP		6	269A	1
412N1141-1SP		6	266	1
412N1141-3		3	279	1
		4	279	1
		7	279A	1

# 25-28-47

ILLUSTRATED PARTS LIST

Page 1017

Mar 01/2006



## COMPONENT MAINTENANCE MANUAL

PART NUMBER	AIRLINE PART NUMBER	FIGURE	ITEM	UNITS PER ASSEMBLY
412N1141-4SP		6	266B	1
412N1141-5		1	262	1
		2	262	1
		3	281	1
		7	281	1
		8	281	1
		9	332	1
		10	332	1
412N1141-55SP		6	266A	1
412N1141-7		5	242	1
		6	269	1
		8	284	1
		9	335	1
		10	335	1
412N1141-9		3	284	1
		4	284	1
		7	284A	1
412N1142-15		5	245	1
		6	272	1
		8	287	1
		9	338	1
		10	338	1
412N1142-17		3	287	1
		4	287	1
		7	287A	1
412N1142-18		1	268	1
		2	268	1
412N1142-20		1	271	1
		2	271	1
		3	290	1
		7	290	1
		8	290	1
		9	341	1
		10	341	1
412N1143-11		1	240	2

# 25-28-47

ILLUSTRATED PARTS LIST

Page 1018

Mar 01/2006



## COMPONENT MAINTENANCE MANUAL

PART NUMBER	AIRLINE PART NUMBER	FIGURE	ITEM	UNITS PER ASSEMBLY
412N1143-13		2	240	2
		3	258	1
		6	257A	2
		7	258	1
		8	258	1
		9	209	2
		10	209	2
		1	243	1
		2	243	1
		3	264	1
412N1143-14		4	264	1
		5	227	1
		6	254	1
		7	264	1
		8	264	1
		9	314	1
		10	314	1
		1	247	1
		2	247	1
		3	267	1
412N1145-27		4	267	1
		5	230	1
		6	257	1
412N1145-28		7	267	1
		8	267	1
		9	317	1
412N1145-27		10	317	1
		3	526A	1
		5	428	1
412N1145-28		7	526	1
		3	526B	1
		4	449	1
	6	455	1	
	8	526	1	
	9	565	1	

# 25-28-47

ILLUSTRATED PARTS LIST

Page 1019

Mar 01/2006



## COMPONENT MAINTENANCE MANUAL

PART NUMBER	AIRLINE PART NUMBER	FIGURE	ITEM	UNITS PER ASSEMBLY
412N1145-29		10	565	1
		1	90	4
		2	90A	4
		3	129	4
		3	132	3
		4	129	4
		5	121	3
		6	121	3
		6	124	4
		7	129	4
412N1145-30		8	129	4
		9	121	3
		10	121	4
		2	90	4
		2	102A	1
		5	118	2
412N1145-33		6	127	1
		9	118	2
		10	118	1
		4	679	5
412N1145-43		6	685	5
		1	925	1
412N1145-73		3	582	1
		6	895	1
		9	616	1
412N1145-75		3	135A	1
412N1145-87		3	135	1
		6	118	1
412N1145-88		3	211	1
412N1145-89		3	212	1
		3	147	2
		4	147	2
412N1145-92		6	196	1
		3	165	2
		4	165	2

# 25-28-47

ILLUSTRATED PARTS LIST

Page 1020

Mar 01/2006



## COMPONENT MAINTENANCE MANUAL

PART NUMBER	AIRLINE PART NUMBER	FIGURE	ITEM	UNITS PER ASSEMBLY
		6	202	1
412N1146-109		2	835A	1
412N1146-113		2	885B	1
412N1146-131		7	544B	1
412N1146-132		7	564B	1
412N1146-138		7	544D	1
412N1146-140		7	564D	1
412N1146-16		1	845	1
412N1146-18		10	580A	1
412N1146-23		10	598	1
412N1146-24		3	564A	1
		4	483	1
		5	464	1
		6	491	1
		7	564	1
		8	564	1
412N1146-3		10	580	1
412N1146-36		1	885C	1
412N1146-38		10	598A	1
412N1146-39		3	544B	1
412N1146-4		3	544A	1
		4	465	1
		5	443	1
		6	470	1
		7	544	1
		8	544	1
412N1146-40		8	544B	1
412N1146-43		8	564B	1
412N1146-50		3	544C	1
412N1146-51		3	564B	1
412N1146-52		9	580A	1
412N1146-53		9	598A	1
412N1146-57		8	544A	1
412N1146-58		7	544A	1
412N1146-59		8	564A	1

# 25-28-47

ILLUSTRATED PARTS LIST

Page 1021

Mar 01/2006



## COMPONENT MAINTENANCE MANUAL

PART NUMBER	AIRLINE PART NUMBER	FIGURE	ITEM	UNITS PER ASSEMBLY
412N1146-60		7	564A	1
412N1146-61		3	544	1
		6	470B	1
		9	580	1
412N1146-62		3	564	1
		9	598	1
412N1146-64		7	544C	1
412N1146-66		7	564C	1
412N1146-69		1	835	1
412N1146-70		1	885A	1
412N1146-71		1	830	1
		6	470A	1
412N1146-72		1	885	1
412N1146-79		2	835	1
412N1146-81		2	885A	1
412N1146-83		1	840	1
412N1146-84		2	830	1
412N1146-85		1	885B	1
412N1146-86		2	885	1
412N1153-103		4	419A	1
412N1153-104		1	738	1
		2	735	1
		3	494A	1
		4	419	1
		5	398	1
		6	425	1
		7	494	1
		8	494	1
		10	538	1
412N1153-105		7	495A	1
412N1153-112		1	738A	1
412N1153-116		3	494B	1
412N1153-146		8	494B	1
412N1153-148		10	538A	1
412N1153-150		2	735A	1

# 25-28-47

ILLUSTRATED PARTS LIST

Page 1022

Mar 01/2006





## COMPONENT MAINTENANCE MANUAL

PART NUMBER	AIRLINE PART NUMBER	FIGURE	ITEM	UNITS PER ASSEMBLY
412N1153-151		2	735B	1
412N1153-153		6	425A	1
412N1153-159		6	425C	1
		7	494A	1
412N1153-160		7	495C	1
412N1153-24		1	735	1
		3	494	1
		6	425B	1
		9	538	1
412N1153-32		1	735A	1
412N1153-45		9	538A	1
412N1153-56		3	494C	1
412N1153-6		7	495B	1
412N1153-83		8	494A	1
412N1153-84		7	495	1
412N1154-1		2	326	1
		4	305	1
		6	284	1
		8	308	1
		9	362	1
		10	362	1
412N1154-2		1	326	1
		3	308	1
		5	257	1
		7	308	1
412N1154-3		1	320	2
		2	320	1
		3	305	1
		5	260	1
		7	305	2
		8	305	1
		9	356	1
		10	356	1
412N1154-4		1	323	1
		2	323	2

# 25-28-47

ILLUSTRATED PARTS LIST

Page 1023

Mar 01/2006



## COMPONENT MAINTENANCE MANUAL

PART NUMBER	AIRLINE PART NUMBER	FIGURE	ITEM	UNITS PER ASSEMBLY
		4	308	1
		6	287	1
		7	307	1
		8	307	2
		9	359	2
		10	359	2
412N1154-5		6	284A	1
412N1154-6		7	308A	1
412N1154-7		7	305A	2
412N1154-8		6	287A	1
		7	307A	1
412N1155-1		1	330	2
		2	330	1
		3	311	2
		4	311	2
		7	311	2
		8	311	1
412N1155-10		1	455A	1
		3	404A	1
		7	404A	1
412N1155-11		5	263A	2
		6	290A	2
		9	365A	1
		10	365A	1
412N1155-12		5	266A	1
		6	293A	1
		9	368A	2
		10	368A	2
412N1155-13		7	311B	2
		7	314B	1
412N1155-16		7	404B	1
412N1155-17		6	290B	1
412N1155-18		6	293B	1
412N1155-2		1	333	1
		2	333	2

# 25-28-47

ILLUSTRATED PARTS LIST

Page 1024

Mar 01/2006



## COMPONENT MAINTENANCE MANUAL

PART NUMBER	AIRLINE PART NUMBER	FIGURE	ITEM	UNITS PER ASSEMBLY
412N1155-3		3	314	1
		4	314	1
		7	314	1
		8	314	2
		2	455	1
		3	407	1
		6	800	1
		8	404	1
		9	467	1
		10	467	1
412N1155-4		1	455	1
		3	404	1
		7	404	1
412N1155-5		5	263	2
		6	290	2
		9	365	1
		10	365	1
412N1155-6		5	266	1
		6	293	1
		9	368	2
		10	368	2
412N1155-7		1	330A	2
		2	330A	1
		3	311A	2
		4	311A	2
		7	311A	2
		8	311A	1
412N1155-8		1	333A	1
		2	333A	2
		3	314A	1
		4	314A	1
		7	314A	1
		8	314A	2
412N1155-9		2	455A	1
		3	407A	1

# 25-28-47

ILLUSTRATED PARTS LIST

Page 1025

Mar 01/2006



## COMPONENT MAINTENANCE MANUAL

PART NUMBER	AIRLINE PART NUMBER	FIGURE	ITEM	UNITS PER ASSEMBLY
412N1156-1		6	800A	1
		8	404A	1
		9	467A	1
		10	467A	1
		1	414	1
		2	414	1
		3	377	1
		4	377	1
		7	377	1
		8	377	1
412N1156-13		9	431	1
		10	431	1
		1	417	1
		2	417	1
		2	921	12
		3	380	1
		4	380	1
		7	380	1
		8	380	1
		9	434	1
412N1156-14		10	434	1
		1	423	1
		2	423	1
		3	386	1
		4	386	1
		7	386	1
		8	386	1
		9	440	1
		10	440	1
		412N1156-15		1
2	433			1
3	392			1
4	392			1
5	347			1
6	374			1

# 25-28-47

ILLUSTRATED PARTS LIST

Page 1026

Mar 01/2006



## COMPONENT MAINTENANCE MANUAL

PART NUMBER	AIRLINE PART NUMBER	FIGURE	ITEM	UNITS PER ASSEMBLY	
412N1156-16		7	392	1	
		8	392	1	
		9	449	1	
		10	449	1	
		1	440	1	
		2	440	1	
		3	398	1	
		4	398	1	
		5	353	1	
		6	380	1	
412N1156-17		7	398	1	
		8	398	1	
		9	455	1	
		10	455	1	
		5	335	1	
		6	359	1	
	412N1156-18		5	341	1
			6	365	1
	412N1156-19		2	630	1
			3	458A	1
		6	848	1	
		8	458	1	
412N1156-2		1	420	1	
		2	420	1	
		3	383	1	
		4	383	1	
		7	383	1	
		8	383	1	
		9	437	1	
		10	437	1	
	412N1156-20		1	630	1
			3	458	1
		7	458	1	
		9	511	1	
		10	511	1	

# 25-28-47

ILLUSTRATED PARTS LIST

Page 1027

Mar 01/2006



## COMPONENT MAINTENANCE MANUAL

PART NUMBER	AIRLINE PART NUMBER	FIGURE	ITEM	UNITS PER ASSEMBLY
412N1156-21		7	368A	1
412N1156-22		7	368B	1
412N1156-23		6	380A	1
		7	401A	1
412N1156-24		6	380B	1
		7	401B	1
412N1156-25		2	645	1
		3	467A	1
		6	858	1
		8	467	1
		9	520	1
412N1156-26		1	645	1
		3	467	1
		7	467	1
		10	520	1
412N1156-27		6	365A	1
412N1156-28		6	365B	1
412N1156-3		1	430	1
		2	430	1
		2	640	1
		3	389	1
		3	464A	1
		4	389	1
		5	344	1
		6	371	1
		6	854	1
		7	389	1
		8	389	1
		8	464	1
		9	446	1
		9	517	1
		10	446	1
412N1156-30		7	458A	1
412N1156-32		7	467A	1
412N1156-4		1	436	1

# 25-28-47

ILLUSTRATED PARTS LIST

Page 1028

Mar 01/2006



## COMPONENT MAINTENANCE MANUAL

PART NUMBER	AIRLINE PART NUMBER	FIGURE	ITEM	UNITS PER ASSEMBLY
412N1156-5		1	640	1
		2	436	1
		3	395	1
		3	464	1
		4	395	1
		5	350	1
		6	377	1
		7	395	1
		7	464	1
		8	395	1
412N1156-6		9	452	1
		10	452	1
		10	517	1
		2	625	1
		3	455A	1
		6	845	1
		8	455	1
		9	508	1
		10	508	1
		1	625	1
412N1156-7		3	455	1
		7	455	1
		5	332	1
412N1156-8		6	356	1
		5	338	1
412N1161-1		6	362	1
		1	10	1
		4	111	1
		6	170	1
412N1161-2		8	111	1
		9	85	1
		2	10	1
		3	114	1
		7	111	1
		10	85	1

# 25-28-47

ILLUSTRATED PARTS LIST

Page 1029

Mar 01/2006



## COMPONENT MAINTENANCE MANUAL

PART NUMBER	AIRLINE PART NUMBER	FIGURE	ITEM	UNITS PER ASSEMBLY
412N1215-27		9	799	1
412N1216-13		1	1058	1
412N1216-14		2	1058	1
412N1216-27		7	726	1
412N1216-28		8	684	1
412N1216-31		9	745	1
		10	742	1
412N1216-33		3	786A	1
		4	596B	1
412N1216-34		3	786	1
412N1216-35		4	596A	1
412N1216-37		5	587	1
412N1216-38		6	616	1
412N1216-41		7	726A	1
412N1216-43		6	616A	1
412N1217-101		5	527	1
412N1217-102		5	530	1
412N1217-19		1	1074	1
		2	1074	1
		3	801	1
		4	610	1
		7	741	1
		8	699	1
412N1217-20		1	1083	1
		2	1083	1
		3	810	1
		4	619	1
		7	750	1
		8	708	1
412N1217-21		5	602	1
		6	631	1
		9	760	1
		10	760	1
412N1217-22		5	611	1
		6	640	1

# 25-28-47

ILLUSTRATED PARTS LIST

Page 1030

Mar 01/2006





## COMPONENT MAINTENANCE MANUAL

PART NUMBER	AIRLINE PART NUMBER	FIGURE	ITEM	UNITS PER ASSEMBLY
		9	769	1
		10	769	1
412N1217-23		1	1085	1
		2	1085	1
412N1217-24		1	1094	1
		2	1194	1
412N1217-5		1	1027	1
		2	1027	1
		5	539	1
		6	577	1
		7	696	1
		8	654	1
		9	715	1
		10	700	1
412N1217-51		5	641	1
		6	688	1
412N1217-52		5	650	1
		6	697	1
412N1217-57		9	703	1
		10	689	1
412N1217-59		9	706	1
		10	691	1
412N1217-61		1	1015	1
		7	684	1
412N1217-62		2	1015	1
412N1217-63		1	1018	1
		2	1018	1
		7	687	1
		8	642	1
412N1217-64		8	645	1
412N1217-65		5	542	1
412N1217-66		6	580	1
		9	718	1
		10	703	1
412N1217-67		5	545	1

# 25-28-47

ILLUSTRATED PARTS LIST

Page 1031

Mar 01/2006



## COMPONENT MAINTENANCE MANUAL

PART NUMBER	AIRLINE PART NUMBER	FIGURE	ITEM	UNITS PER ASSEMBLY
412N1217-68		6	583	1
		9	721	1
		10	706	1
412N1217-77		1	1030	1
		7	699	1
412N1217-78		2	1030	1
		8	657	1
412N1217-79		1	1033	1
		7	702	1
412N1217-80		2	1033	1
		8	660	1
412N1217-87		3	813	1
		4	622	1
		7	753	1
		8	711	1
412N1217-88		3	822	1
		4	630	1
		7	762	1
		8	720	1
412N1217-91		5	614	1
		6	643	1
		9	772	1
		10	772	1
412N1217-92		5	623	1
		6	652	1
		9	781	1
		10	781	1
412N1217-93		6	565	1
412N1217-94		6	568	1
412N1217-95		3	870	1
		4	650	1
412N1217-96		3	879	1
		4	659	1
412N1224-3		3	547B	1
		4	466A	1

# 25-28-47

ILLUSTRATED PARTS LIST

Page 1032

Mar 01/2006



## COMPONENT MAINTENANCE MANUAL

PART NUMBER	AIRLINE PART NUMBER	FIGURE	ITEM	UNITS PER ASSEMBLY
		5	446	1
		6	473	1
412N1224-5		3	547	1
		4	466	1
412N1224-6		3	547A	1
412N1227-1		1	353	2
		1	463	1
		2	353	2
		2	463	1
		3	320	2
		3	410	1
		4	320	2
		5	272	2
		6	299	2
		6	803	1
		7	320	2
		7	410	1
		8	320	2
		8	410	1
		9	374	2
		9	468	1
		10	374	2
		10	468	1
412N1244-18		6	272B	1
412N1244-2		1	254	2
		2	254	2
		3	293	2
		6	270	2
		7	293	1
		8	293	1
		9	344	1
		10	344	1
412N1244-20		6	272A	1
412N1245-1		1	233	2
		2	233	2

# 25-28-47

ILLUSTRATED PARTS LIST

Page 1033

Mar 01/2006



## COMPONENT MAINTENANCE MANUAL

PART NUMBER	AIRLINE PART NUMBER	FIGURE	ITEM	UNITS PER ASSEMBLY
		3	252	2
		4	252	2
		5	220	2
		6	248	2
		7	252	2
		8	252	2
		9	203	2
		10	203	2
417N1145-30		3	171	1
		4	171	1
		7	171	1
		8	171	1
417N5120-11		1	69	1
		2	69	1
		3	50	1
		4	50	1
		5	43	1
		6	43	1
		7	50	1
		8	50	1
		9	43	1
		10	43	1
417N5120-12		3	50A	1
		6	43A	1
417N5120-19		3	38	1
		3	38C	1
		4	38	1
		4	38B	1
		7	38	1
		7	38B	1
		8	38	1
417N5120-20		3	38B	1
417N5120-23		1	42	1
417N5120-25		2	42	1
417N5120-33		10	31	1

# 25-28-47

ILLUSTRATED PARTS LIST

Page 1034

Mar 01/2006



## COMPONENT MAINTENANCE MANUAL

PART NUMBER	AIRLINE PART NUMBER	FIGURE	ITEM	UNITS PER ASSEMBLY
417N5120-47SP		6	31A	1
417N5120-48		5	31	1
417N5120-51		9	31	1
417N5120-51SP		6	31	1
		6	31B	1
417N5120-6		3	38A	1
		4	38A	1
		7	38A	1
		8	38A	1
50-3361-8629		1	13	2
		2	13	2
6041-3BRX225		1	427	2
		1	635	2
		2	427	2
		2	635	2
		3	461	2
		5	343	2
		6	368	2
		6	851	2
		7	461	2
		8	461	2
		9	443	2
		9	514	2
		10	443	2
		10	514	2
65C27006-016SP		3	1G	RF
65C27006-101SP		1	1X	RF
		10	1	RF
65C27006-102SP		1	1Y	RF
		3	1E	RF
65C27006-106SP		1	2	RF
65C27006-108SP		1	2B	RF
		6	1B	RF
65C27006-109SP		1	2C	RF
		4	1G	RF

# 25-28-47

ILLUSTRATED PARTS LIST

Page 1035

Mar 01/2006



## COMPONENT MAINTENANCE MANUAL

PART NUMBER	AIRLINE PART NUMBER	FIGURE	ITEM	UNITS PER ASSEMBLY
65C27006-110SP		1	2D	RF
		3	1H	RF
65C27006-114SP		1	2E	RF
		6	1C	RF
65C27006-12		1	187	1
		2	199	1
		3	221	1
		4	221	1
		5	183	1
		6	206	1
		7	221	1
		8	221	1
		9	168	1
		10	168	1
65C27006-120SP		1	2G	RF
		7	1F	RF
65C27006-122SP		1	2H	RF
		6	1D	RF
65C27006-131		6	83	1
65C27006-134SP		1	2K	RF
		4	1H	RF
65C27006-139SP		1	2L	RF
		2	1B	RF
65C27006-50SP		1	1A	RF
		6	1	RF
65C27006-51SP		1	1B	RF
		8	1	RF
65C27006-52SP		1	1C	RF
		7	1	RF
65C27006-55SP		1	1D	RF
		4	1	RF
65C27006-56SP		1	1E	RF
		3	1	RF
65C27006-59SP		1	1G	RF
		8	1A	RF

# 25-28-47

ILLUSTRATED PARTS LIST

Page 1036

Mar 01/2006



## COMPONENT MAINTENANCE MANUAL

PART NUMBER	AIRLINE PART NUMBER	FIGURE	ITEM	UNITS PER ASSEMBLY
65C27006-60SP		1	1H	RF
		7	1B	RF
65C27006-62SP		1	1J	RF
		9	1	RF
65C27006-73SP		4	1A	RF
65C27006-74SP		3	1A	RF
65C27006-77SP		2	1A	RF
65C27006-78SP		6	1A	RF
65C27006-79SP		5	1	RF
65C27006-80SP		3	1B	RF
65C27006-81SP		4	1B	RF
65C27006-86		3	209	1
65C27006-88SP		7	1C	RF
65C27006-90SP		1	1V	RF
		3	1C	RF
65C27006-97SP		1	1W	RF
		3	1D	RF
65C27009-101SP		10	170	1
65C27009-102SP		3	223E	1
65C27009-106SP		3	223F	1
65C27009-108SP		6	208B	1
65C27009-109SP		4	223C	1
65C27009-110SP		3	223G	1
65C27009-114SP		6	208C	1
65C27009-120SP		7	223C	1
65C27009-122SP		6	208D	1
65C27009-123		7	302A	1
65C27009-134SP		4	223D	1
65C27009-139SP		2	200A	1
65C27009-50SP		6	208	1
65C27009-51SP		8	223	1
65C27009-52SP		7	223	1
65C27009-55SP		4	223	1
65C27009-56SP		3	223	1
65C27009-59SP		8	223A	1

# 25-28-47

ILLUSTRATED PARTS LIST

Page 1037

Mar 01/2006



## COMPONENT MAINTENANCE MANUAL

PART NUMBER	AIRLINE PART NUMBER	FIGURE	ITEM	UNITS PER ASSEMBLY
65C27009-6		1	315	2
		2	315	2
		3	302	1
		4	302	1
		5	254	1
		6	281	1
		7	302	1
		8	302	2
		9	353	2
		10	353	2
65C27009-60SP		7	223B	1
65C27009-62SP		9	170	1
65C27009-70		1	200	1
65C27009-70SP		1	1K	RF
65C27009-73SP		1	1L	RF
		4	223A	1
65C27009-74SP		1	1M	RF
		3	223A	1
65C27009-76		1	200A	1
65C27009-76SP		1	1N	RF
65C27009-77		2	200	1
65C27009-77SP		1	1P	RF
65C27009-78SP		1	1Q	RF
		6	208A	1
65C27009-79SP		1	1R	RF
		5	190	1
65C27009-80SP		1	1S	RF
		3	223B	1
65C27009-81SP		1	1T	RF
		4	223B	1
65C27009-88SP		1	1U	RF
		7	223D	1
65C27009-90SP		3	223C	1
65C27009-97SP		3	223D	1
65C27012-1027		7	600	1

# 25-28-47

ILLUSTRATED PARTS LIST

Page 1038

Mar 01/2006





## COMPONENT MAINTENANCE MANUAL

PART NUMBER	AIRLINE PART NUMBER	FIGURE	ITEM	UNITS PER ASSEMBLY
65C27012-1030		9	628	1
65C27012-1035		8	570	1
65C27012-1036		7	606	1
65C27012-1037		6	497	1
65C27012-1038		8	576	1
65C27012-1039		4	490	1
65C27012-1040		3	600	1
65C27012-1042		1	943	1
65C27012-1044		4	496	1
65C27012-1046		2	891	1
65C27012-1047		5	470	1
65C27012-1048		3	606	1
65C27012-1049		4	502	1
65C27012-1050		3	612	1
65C27012-1052		3	618	1
65C27012-1053		3	624	1
		6	501	1
65C27012-1054		10	604	1
65C27012-1061		6	502	1
65C27012-1062		2	949	1
65C27012-1104		9	634	1
		10	610	1
65C27012-1105		2	897	1
65C27012-1106		1	949	1
65C27012-1110		3	630	1
		7	612	1
		8	582	1
65C27012-1113		6	503	1
65C27012-1114		3	639	1
		4	508	1
65C27012-1116		5	475	1
65C27012-1203		5	482	1
65C27012-1204		6	512	1
		9	643	1
		10	620	1

# 25-28-47

ILLUSTRATED PARTS LIST

Page 1039

Mar 01/2006



## COMPONENT MAINTENANCE MANUAL

PART NUMBER	AIRLINE PART NUMBER	FIGURE	ITEM	UNITS PER ASSEMBLY
65C27012-1207		3	648	1
		7	621	1
65C27012-1208		3	657	1
		4	517	1
		8	588	1
65C27012-1209		1	958	1
65C27012-1210		2	906	1
65C27012-1310		4	526	1
65C27012-1311		3	664	1
		7	630	1
65C27012-1314		9	653	1
		10	629	1
65C27012-1317		8	597	1
65C27012-1320		6	521	1
65C27012-1321		4	535	1
65C27012-1322		3	666	1
65C27012-1328		5	491	1
65C27012-1329		3	675	1
65C27012-1331		2	915	1
65C27012-1332		1	967	1
65C27012-1333		3	681	1
		7	637	1
65C27012-1335		3	687	1
65C27012-1338		6	528	1
65C27012-1341		6	529	1
65C27012-16		9	625	1
65C27012-2007		9	662	1
		10	638	1
65C27012-2011		7	639	1
65C27012-2018		8	606	1
65C27012-2019		6	530	1
65C27012-2021		4	547	1
65C27012-2022		3	696	1
65C27012-2028		1	976	1
65C27012-2030		4	553	1

# 25-28-47

ILLUSTRATED PARTS LIST

Page 1040

Mar 01/2006



## COMPONENT MAINTENANCE MANUAL

PART NUMBER	AIRLINE PART NUMBER	FIGURE	ITEM	UNITS PER ASSEMBLY
65C27012-2031		2	927A	1
65C27012-2032		5	500	1
65C27012-2035		3	702	1
65C27012-2036		3	708	1
65C27012-2038		3	714	1
65C27012-2042		6	534	1
65C27012-2045		6	535	1
65C27012-2111		3	720	1
		7	645	1
65C27012-2112		6	536	1
		9	668	1
65C27012-2120		4	559	1
		8	612	1
65C27012-2124		1	982	1
65C27012-2127		4	565	1
65C27012-2128		2	933	1
65C27012-2129		5	506	1
65C27012-2131		3	725	1
65C27012-2132		3	731	1
65C27012-2134		10	644	1
65C27012-2139		6	540	1
65C27012-2142		6	541	1
65C27012-29		6	494	1
65C27012-30		8	567	1
65C27012-31		7	597	1
65C27012-3202		4	569	1
		6	541B	1
65C27012-33		4	486	1
65C27012-34		3	588	1
65C27012-37		8	567A	1
65C27012-38		7	597B	1
65C27012-4003		2	939	1
		4	571	1
65C27012-4008		7	649	1
65C27012-4014		10	650	1

# 25-28-47

ILLUSTRATED PARTS LIST

Page 1041

Mar 01/2006



## COMPONENT MAINTENANCE MANUAL

PART NUMBER	AIRLINE PART NUMBER	FIGURE	ITEM	UNITS PER ASSEMBLY
65C27012-4017		4	575	1
65C27012-4020		7	650	1
65C27012-4025		3	754	1
65C27012-4103		2	945	1
		4	577	1
65C27012-4108		7	650B	1
65C27012-4114		10	656	1
65C27012-44		1	940	1
65C27012-47		4	486A	1
65C27012-48		3	588A	1
65C27012-49		2	888	1
65C27012-50		6	494A	1
65C27012-51		5	467	1
65C27012-54		4	486B	1
65C27012-55		3	588B	1
65C27012-57		7	597C	1
65C27012-59		3	588C	1
65C27012-62		3	588D	1
65C27012-65		10	601	1
65C27012-66		3	588E	1
65C27012-71		6	494B	1
65C27012-72		4	494C	1
65C27012-77		6	494C	1
65C27012-8		1	968	1
		2	918	1
		3	664A	1
		3	690	1
		4	529	1
		4	538	1
		7	633	1
		8	600	1
		9	656	1
		10	632	1
65C27012-83		7	597D	1
65C27012-85		6	494D	1

# 25-28-47

ILLUSTRATED PARTS LIST

Page 1042

Mar 01/2006



## COMPONENT MAINTENANCE MANUAL

PART NUMBER	AIRLINE PART NUMBER	FIGURE	ITEM	UNITS PER ASSEMBLY
65C27012-91		4	494D	1
65C27012-94		2	888A	1
65C27016-2		1	800	1
		2	800	1
65C27016-4		1	920	1
		3	579	1
		9	613	1
65C27016-5		1	930	1
		3	585	1
		9	619	1
65C27017-1		1	790	1
65C27017-13		1	93	4
		2	93	4
		3	168A	4
		4	168A	4
		5	124	4
		6	130	4
		7	168	4
		8	168	4
		9	124	4
		10	124	4
65C27017-15		1	156	2
		2	156	2
65C27017-16		5	82	1
		6	82	1
		9	82	1
		10	82	1
65C27017-17		3	168B	4
		7	168A	4
		8	168A	4
65C27017-19		2	12	1
65C27017-2		2	790	1
65C27017-20		1	12	1
65C27017-2137		3	737	1
65C27017-3		1	805	1

# 25-28-47

ILLUSTRATED PARTS LIST

Page 1043

Mar 01/2006



## COMPONENT MAINTENANCE MANUAL

PART NUMBER	AIRLINE PART NUMBER	FIGURE	ITEM	UNITS PER ASSEMBLY
		2	805	1
65C27017-30		1	102	1
		2	102	1
		3	172	1
65C27017-36		3	168	4
		4	168	4
65C27017-4		1	189	1
		2	189	1
65C27017-4008		3	743	1
65C27017-4011		3	750	1
65C27017-41		10	724	1
65C27017-4108		3	756	1
65C27017-4113		3	762	1
65C27017-43		2	93A	4
		3	168C	1
		4	168B	1
		6	130A	4
		7	168B	1
65C27017-5		1	141	1
65C27017-6		2	141	1
65C27017-7		1	153	1
		2	153	1
65C27023-18		7	541A	1
65C27023-21		9	577	1
65C27023-26		4	462	1
		6	467	1
65C27023-27		8	541	1
65C27023-28		7	541	1
65C27023-29		3	541	1
65C27023-31		8	541A	1
65C27023-32		7	541B	1
65C27023-33		1	820	1
65C27023-37		4	462A	1
65C27023-38		2	820	1
65C27023-39		4	462B	1

# 25-28-47

ILLUSTRATED PARTS LIST

Page 1044

Mar 01/2006



## COMPONENT MAINTENANCE MANUAL

PART NUMBER	AIRLINE PART NUMBER	FIGURE	ITEM	UNITS PER ASSEMBLY
65C27023-40		3	541A	1
65C27023-41		5	440	1
65C27023-45		3	541B	1
65C27023-49		3	541C	1
65C27023-51		10	577	1
65C27023-52		3	541D	1
65C27023-53		6	467A	1
65C27023-54		3	541E	1
65C27023-58		7	541C	1
65C27023-64		2	820A	1
65C27026-23		9	139	1
65C27026-28SP		2	180A	1
65C27026-32SP		7	203A	1
65C27026-36		8	203A	1
65C27026-39		8	203	1
65C27026-40SP		7	203	1
65C27026-41SP		6	145	1
65C27026-43SP		4	203	1
65C27026-44SP		3	203	1
65C27026-46		1	180	1
65C27026-48SP		3	203E	1
65C27026-50SP		4	203A	1
65C27026-51SP		3	203A	1
65C27026-52SP		2	180	1
65C27026-53		5	139	1
65C27026-55SP		4	203B	1
65C27026-56SP		3	203B	1
65C27026-57SP		3	203C	1
65C27026-59SP		3	203D	1
65C27026-60		10	139	1
65C27026-63SP		3	203F	1
65C27026-64SP		6	145A	1
65C27026-65SP		3	203G	1
65C27026-68SP		6	145B	1
65C27026-70SP		7	203B	1

# 25-28-47

ILLUSTRATED PARTS LIST

Page 1045

Mar 01/2006



## COMPONENT MAINTENANCE MANUAL

PART NUMBER	AIRLINE PART NUMBER	FIGURE	ITEM	UNITS PER ASSEMBLY	
65C27026-72		4	203C	1	
65C27027-11		2	123	1	
		3	183	1	
		4	180	1	
		6	157	1	
		8	180	1	
		9	152	1	
		10	152	1	
	65C27027-12		1	123	1
			3	180	1
			5	152	1
		7	180	1	
65C27027-13		1	126	1	
		2	126	1	
		3	191	1	
		4	191	1	
		5	158	1	
		6	163	1	
		7	191	1	
		8	191	1	
		9	158	1	
		10	158	1	
65C27027-14		1	129	1	
		2	129	1	
		3	187	1	
		4	187	1	
		5	155	1	
		6	160	1	
		7	187	1	
		8	187	1	
		9	155	1	
		10	155	1	
65C27027-17		1	132	1	
		2	132	1	
		3	177	1	

# 25-28-47

ILLUSTRATED PARTS LIST

Page 1046

Mar 01/2006





## COMPONENT MAINTENANCE MANUAL

PART NUMBER	AIRLINE PART NUMBER	FIGURE	ITEM	UNITS PER ASSEMBLY
		4	177	1
		5	149	1
		6	154	1
		7	177	1
		8	177	1
		9	149	1
		10	149	1
65C27027-3		8	174	1
65C27027-3SP		2	120	1
		3	174A	1
		4	174	1
		6	151	1
		9	146	1
		10	146	1
65C27027-4SP		1	120	1
		3	174	1
		5	146	1
		7	174	1
65C27027-7		2	135	1
		3	200	1
		4	197	1
		6	169	1
		8	197	1
		9	164	1
		10	164	1
65C27027-8		1	135	1
		3	197	1
		5	164	1
		7	197	1
65C27327-103		10	799	1
65C27327-104		3	773A	1
65C27327-106		3	882E	1
65C27327-109		3	773B	1
65C27327-110		3	882F	1
65C27327-111		6	545A	1

# 25-28-47

ILLUSTRATED PARTS LIST

Page 1047

Mar 01/2006



## COMPONENT MAINTENANCE MANUAL

PART NUMBER	AIRLINE PART NUMBER	FIGURE	ITEM	UNITS PER ASSEMBLY
65C27327-113		4	583C	1
65C27327-114		3	773C	1
65C27327-115		3	882G	1
65C27327-121		6	545B	1
65C27327-128		7	651C	1
65C27327-130		7	780C	1
65C27327-133		6	545C	1
65C27327-139		4	583D	1
65C27327-140		4	662E	1
65C27327-154		2	1115	1
65C27327-24		9	674	1
65C27327-39		6	542	1
65C27327-40		6	700	1
65C27327-41		8	615	1
65C27327-42		8	737	1
65C27327-43		7	651	1
65C27327-44		7	780	1
65C27327-45		4	583	1
65C27327-46		3	770	1
65C27327-47		4	662	1
65C27327-48		3	882	1
65C27327-51		7	651A	1
65C27327-52		7	780A	1
65C27327-53		8	615A	1
65C27327-54		7	651B	1
65C27327-55		8	740	1
65C27327-56		7	780B	1
65C27327-65		1	988	1
65C27327-66		1	1112	1
65C27327-67		10	733	2
65C27327-70		4	583A	1
65C27327-71		4	662A	1
		4	662D	1
65C27327-72		3	770A	1
65C27327-73		3	882A	1

# 25-28-47

ILLUSTRATED PARTS LIST

Page 1048

Mar 01/2006



## COMPONENT MAINTENANCE MANUAL

PART NUMBER	AIRLINE PART NUMBER	FIGURE	ITEM	UNITS PER ASSEMBLY
65C27327-74		2	951	1
65C27327-75		2	1112	1
65C27327-76		6	545	1
65C27327-77		6	700A	1
65C27327-78		5	512	1
65C27327-79		5	653	1
65C27327-84		4	583B	1
65C27327-85		4	662C	1
65C27327-86		3	770B	1
65C27327-87		3	882B	1
65C27327-90		3	773	1
65C27327-91		3	882D	1
65C27327-96		3	770C	1
65C27327-97		3	882C	1
65C27327-98		10	662	1
65C27481-28		5	167	1
65C27481-29		5	170	1
65C27481-30		6	172	1
		9	38	1
65C27481-31		6	175	1
		9	41	1
65C28117-3		1	54	1
		2	54	1
		3	48	1
		4	40	1
		5	40	1
		6	40	1
		7	40	1
		8	40	1
800000255-16		3	71A	1
		4	71A	1
		7	71A	1
		8	71A	1
		80	1	RF
800000255-17		3	71B	1

# 25-28-47

ILLUSTRATED PARTS LIST

Page 1049

Mar 01/2006



## COMPONENT MAINTENANCE MANUAL

PART NUMBER	AIRLINE PART NUMBER	FIGURE	ITEM	UNITS PER ASSEMBLY
800000255-20		1	84	1
		80	1A	RF
800000255-22		2	84	1
		80	1B	RF
800000255-29		10	55	1
		80	1C	RF
800000255-33		5	55	1
800000255-36		6	55	1
		9	55	1
		6	55A	1
800000255-38		6	55B	1
800000255-6		3	70	1
		4	70	1
		7	70	1
		8	70	1
		80	1D	RF
		3	320A	2
		5	272A	2
		6	299A	2
A1C1321-3-8		7	320A	2
		8	320A	2
		9	374A	2
		10	374A	2
		1	915	1
		3	576	1
		9	610	1
AC8400EKAPK625		1	353A	2
		1	463A	1
		2	353A	2
		2	463A	1
		3	413	1
		4	320A	2
		6	803A	1
		7	413	1
AIC1321-3-8		8	413	1

# 25-28-47

ILLUSTRATED PARTS LIST

Page 1050

Mar 01/2006



## COMPONENT MAINTENANCE MANUAL

PART NUMBER	AIRLINE PART NUMBER	FIGURE	ITEM	UNITS PER ASSEMBLY
		9	468A	1
		10	468A	1
AM150		6	901A	1
AM15CL4-78-56A		6	889	1
AN960C416L		1	111	1
		2	111	1
		3	153	1
		4	153	1
		5	130	1
		6	136	1
		7	153	1
		8	153	1
		9	130	1
		10	130	1
AN960JD10		1	6	6
		1	8	2
		1	21	6
		1	147	8
		1	198	8
		1	357	1
		1	715	2
		2	6	6
		2	8	2
		2	21	6
		2	147	8
		2	198	8
		2	357	1
		2	715	2
		3	9	4
		3	108	8
		3	108B	8
		3	120	8
		3	867	4
		4	9	4
		4	108	8

# 25-28-47

ILLUSTRATED PARTS LIST

Page 1051

Mar 01/2006



## COMPONENT MAINTENANCE MANUAL

PART NUMBER	AIRLINE PART NUMBER	FIGURE	ITEM	UNITS PER ASSEMBLY
AN960JD10L		4	120	4
		5	11	5
		5	91	3
		5	97	4
		5	106	4
		5	278	1
		6	11	5
		6	91	3
		6	97	4
		6	97A	6
		6	106	4
		6	171A	8
		6	305	1
		7	9	4
		7	108	8
		7	120	8
		7	326	1
		8	9	4
		8	108	8
		8	120	4
		8	326	1
		9	91	8
		9	97	4
		9	380	1
		10	91	8
		10	380	1
		1	51	2
		1	165	4
		1	171	4
		1	710	2
		1	1003	16
		2	51	2
	2	171	4	
	2	655	2	
	2	710	2	

# 25-28-47

ILLUSTRATED PARTS LIST

Page 1052

Mar 01/2006



## COMPONENT MAINTENANCE MANUAL

PART NUMBER	AIRLINE PART NUMBER	FIGURE	ITEM	UNITS PER ASSEMBLY
		2	1003	16
		3	46	2
		3	437A	1
		3	855	2
		4	12	1
		4	46	2
		4	353A	1
		5	37	2
		6	317	3
		6	594	4
		7	46	2
		7	672	16
		8	12	1
		8	46	2
		8	630	16
		9	392	3
		9	691	13
		10	392	3
		10	677	13
AN960JD10LL		2	165A	4
		2	655A	2
		2	710A	2
		3	12	1
		5	563	6
		6	37	2
		7	12	1
AN960JD5166		6	886	1
AN960JD8		1	695	1
		2	695	1
		2	872	21
		3	473	2
		4	407	2
		4	471	21
		6	413	2
		6	479	21

# 25-28-47

ILLUSTRATED PARTS LIST

Page 1053

Mar 01/2006



## COMPONENT MAINTENANCE MANUAL

PART NUMBER	AIRLINE PART NUMBER	FIGURE	ITEM	UNITS PER ASSEMBLY
		7	473	2
		7	552	21
		8	473	2
		9	526	2
		9	586	21
		10	526	2
		10	586	21
AN960KD10L		1	595	1
		2	595	1
		6	827	1
		8	437	1
		9	490	1
		10	490	1
AN960KJD0L		7	437	1
AN960PD10		9	11	6
		10	11	6
		10	97	4
AN960PD10L		1	366	3
		1	590	1
		1	655	2
		2	366	3
		2	590	1
		3	338	1
		3	339	2
		3	434A	1
		4	338	1
		4	339	2
		5	290	3
		5	377	2
		6	404	2
		6	824	1
		7	338	1
		7	339	2
		7	434	1
		8	338	3

# 25-28-47

ILLUSTRATED PARTS LIST

Page 1054

Mar 01/2006





## COMPONENT MAINTENANCE MANUAL

PART NUMBER	AIRLINE PART NUMBER	FIGURE	ITEM	UNITS PER ASSEMBLY		
AN960PD516L		8	434	1		
		9	37	2		
		9	465	2		
		9	487	1		
		10	37	2		
		10	465	2		
		10	487	1		
		1	910	1		
		1	1067	16		
		3	573	1		
		3	795	21		
		4	605	16		
		5	596	18		
		6	625	18		
		7	735	16		
		8	693	16		
		9	607	1		
9	754	13				
10	751	13				
AN960PD8		1	872	21		
		3	552	21		
		5	386	2		
		5	452	21		
		8	552	21		
AN970JD10		3	326	1		
AR292		6	901	1		
BACB28B6-220P		3	98	1		
		4	98	1		
		5	76	1		
		6	76	1		
		7	98	1		
		8	98	1		
		9	76	1		
		10	76	1		
		BACB28B6-235P		1	150	1

# 25-28-47

ILLUSTRATED PARTS LIST

Page 1055

Mar 01/2006



## COMPONENT MAINTENANCE MANUAL

PART NUMBER	AIRLINE PART NUMBER	FIGURE	ITEM	UNITS PER ASSEMBLY	
BACB30LK3-18		2	150	1	
		1	350	1	
		1	466	1	
		2	350	1	
		2	466	1	
		3	317	1	
		3	416	1	
		4	317	1	
		5	269	1	
		6	296	1	
		6	806	1	
		7	317	1	
		7	416	1	
		8	317	1	
		8	416	1	
		9	371	1	
		9	469	1	
		10	371	1	
		10	469	1	
	BACB30LU3-14		5	296	1
		6	323	1	
		9	398A	1	
		10	398A	1	
BACB30MY5K2		4	413	2	
BACB30MY6K2		3	479	2	
		5	392	2	
		6	419	1	
		7	479	2	
		8	479	2	
		9	532	2	
		10	532	2	
	BACB30NM3K1		1	3	6
			1	3	6
			1	3	6
		1	3	6	

# 25-28-47

ILLUSTRATED PARTS LIST

Page 1056

Mar 01/2006







COMPONENT MAINTENANCE MANUAL

PART NUMBER	AIRLINE PART NUMBER	FIGURE	ITEM	UNITS PER ASSEMBLY
		3	105	8
		3	105	8
		3	105	8
		3	105	8
		3	105	8
		3	105	8
		3	105A	6
		3	117	8
		3	117	8
		3	117	8
		3	117	8
		3	117	8
		3	117	8
		3	117	8
		3	117	8
		3	117	8
		3	117	8
		3	117	8
		3	117	8
		3	117	8
		3	117	8
		3	117	8
		3	117	8
		3	864	4
		4	3	4
		4	3	4
		4	3	4
		4	3	4
		4	3	4
		4	3	4
		4	3	4
		4	3	4
		4	3	4
		4	3	4
		4	3	4
		4	3	4
		4	3	4
		4	3	4
		4	3	4
		4	3	4
		4	105	8
		4	105	8
		4	105	8

**25-28-47**

ILLUSTRATED PARTS LIST

Page 1059

Mar 01/2006











COMPONENT MAINTENANCE MANUAL

PART NUMBER	AIRLINE PART NUMBER	FIGURE	ITEM	UNITS PER ASSEMBLY
		7	3	4
		7	3	4
		7	105	8
		7	105	8
		7	105	8
		7	105	8
		7	105	8
		7	105	8
		7	105	8
		7	105	8
		7	105	8
		7	105	8
		7	105	8
		7	105	8
		7	105	8
		7	117	8
		7	117	8
		7	117	8
		7	117	8
		7	117	8
		7	117	8
		7	117	8
		7	117	8
		7	117	8
		7	117	8
		7	117	8
		7	117	8
		7	117	8
		7	117	8
		8	3	4
		8	3	4
		8	3	4
		8	3	4
		8	3	4
		8	3	4
		8	3	4
		8	3	4
		8	3	4
		8	3	4
		8	3	4
		8	3	4
		8	3	4

**25-28-47**

ILLUSTRATED PARTS LIST

Page 1063

Mar 01/2006



COMPONENT MAINTENANCE MANUAL

PART NUMBER	AIRLINE PART NUMBER	FIGURE	ITEM	UNITS PER ASSEMBLY
		8	3	4
		8	3	4
		8	3	4
		8	105	8
		8	105	8
		8	105	8
		8	105	8
		8	105	8
		8	105	8
		8	105	8
		8	105	8
		8	105	8
		8	105	8
		8	105	8
		8	105	8
		8	105	8
		8	117	4
		8	117	4
		8	117	4
		8	117	4
		8	117	4
		8	117	4
		8	117	4
		8	117	4
		8	117	4
		8	117	4
		8	117	4
		8	117	4
		8	117	4
		8	117	4
		9	5	4
		9	5	4
		9	5	4
		9	5	4
		9	5	4
		9	5	4
		9	5	4
		9	5	4
		9	5	4

**25-28-47**

ILLUSTRATED PARTS LIST

Page 1064

Mar 01/2006



COMPONENT MAINTENANCE MANUAL

PART NUMBER	AIRLINE PART NUMBER	FIGURE	ITEM	UNITS PER ASSEMBLY
		9	5	4
		9	5	4
		9	5	4
		9	5	4
		9	88	8
		9	88	8
		9	88	8
		9	88	8
		9	88	8
		9	88	8
		9	88	8
		9	88	8
		9	88	8
		9	88	8
		9	88	8
		9	88	8
		9	88	8
		9	94	4
		9	94	4
		9	94	4
		9	94	4
		9	94	4
		9	94	4
		9	94	4
		9	94	4
		9	94	4
		9	94	4
		9	94	4
		9	94	4
		9	94	4
		10	5	4
		10	5	4
		10	5	4
		10	5	4
		10	5	4
		10	5	4
		10	5	4

**25-28-47**

ILLUSTRATED PARTS LIST

Page 1065

Mar 01/2006





## COMPONENT MAINTENANCE MANUAL

PART NUMBER	AIRLINE PART NUMBER	FIGURE	ITEM	UNITS PER ASSEMBLY
BACB30NM3K11		5	94	2
		6	94	2
BACB30NM3K12		1	371	1
		2	371	1
		3	344	1
		4	344	1
		7	344	1
		8	344	1
		BACB30NM3K2		1
		2	650	1
BACB30NM3K3		1	7	2
		1	168	2
		1	705	2
		2	7	2
		2	168	2
		2	705	2
		BACB30NM3K8		1
		2	377	1
		3	350	1
		4	350	1
		5	305	1
		6	329	1
		7	350	1
		8	350	1
		9	404	1
		10	404	1
BACB30NM3K9		5	8	1
		5	8	1
		5	8	1
		5	8	1
		5	8	1
		5	8	1
		5	8	1
		5	8	1
		5	8	1

# 25-28-47

ILLUSTRATED PARTS LIST

Page 1067

Mar 01/2006



COMPONENT MAINTENANCE MANUAL

PART NUMBER	AIRLINE PART NUMBER	FIGURE	ITEM	UNITS PER ASSEMBLY
		5	8	1
		5	560	4
		6	8	1
		6	8	1
		6	8	1
		6	8	1
		6	8	1
		6	8	1
		6	8	1
		6	8	1
		6	8	1
		6	8	1
		6	8	1
		6	593	4
		9	8	2
		9	8	2
		9	8	2
		9	8	2
		9	8	2
		9	8	2
		9	8	2
		9	8	2
		9	8	2
		9	8	2
		9	8	2
		9	8	2
		9	8	2
		9	8	2
		10	8	2
		10	8	2
		10	8	2
		10	8	2
		10	8	2
		10	8	2
		10	8	2
		10	8	2
		10	8	2
		10	8	2
		10	8	2
		10	8	2
		10	8	2
		10	8	2
BACB30NN3K1		1	1061	16
		1	1061	16

**25-28-47**

ILLUSTRATED PARTS LIST  
Page 1068  
Mar 01/2006



### COMPONENT MAINTENANCE MANUAL

PART NUMBER	AIRLINE PART NUMBER	FIGURE	ITEM	UNITS PER ASSEMBLY
		1	1061	16
		1	1061	16
		1	1061	16
		1	1061	16
		1	1061	16
		1	1061	16
		1	1061	16
		1	1061	16
		1	1061	16
		1	1061	16
		2	1061	16
		2	1061	16
		2	1061	16
		2	1061	16
		2	1061	16
		2	1061	16
		2	1061	16
		2	1061	16
		2	1061	16
		2	1061	16
		2	1061	16
		2	1061	16
		2	1061	16
		2	1061	16
		3	789	21
		3	789	21
		3	789	21
		3	789	21
		3	789	21
		3	789	21
		3	789	21
		3	789	21
		3	789	21
		3	789	21
		3	789	21
		3	789	21
		3	789	21
		4	599	16

## 25-28-47

ILLUSTRATED PARTS LIST

Page 1069

Mar 01/2006



### COMPONENT MAINTENANCE MANUAL

PART NUMBER	AIRLINE PART NUMBER	FIGURE	ITEM	UNITS PER ASSEMBLY
		4	599	16
		4	599	16
		4	599	16
		4	599	16
		4	599	16
		4	599	16
		4	599	16
		4	599	16
		4	599	16
		4	599	16
		4	599	16
		5	590	18
		5	590	18
		5	590	18
		5	590	18
		5	590	18
		5	590	18
		5	590	18
		5	590	18
		5	590	18
		5	590	18
		5	590	18
		6	619	18
		6	619	18
		6	619	18
		6	619	18
		6	619	18
		6	619	18
		6	619	18
		6	619	18
		6	619	18
		6	619	18
		6	619	18
		6	619	18
		6	619	18

# 25-28-47

ILLUSTRATED PARTS LIST

Page 1070

Mar 01/2006





COMPONENT MAINTENANCE MANUAL

PART NUMBER	AIRLINE PART NUMBER	FIGURE	ITEM	UNITS PER ASSEMBLY
		7	729	16
		7	729	16
		7	729	16
		7	729	16
		7	729	16
		7	729	16
		7	729	16
		7	729	16
		7	729	16
		7	729	16
		7	729	16
		7	729	16
		8	687	16
		8	687	16
		8	687	16
		8	687	16
		8	687	16
		8	687	16
		8	687	16
		8	687	16
		8	687	16
		8	687	16
		8	687	16
		8	687	16
		9	748	13
		9	748	13
		9	748	13
		9	748	13
		9	748	13
		9	748	13
		9	748	13
		9	748	13
		9	748	13
		9	748	13
		9	748	13

**25-28-47**

ILLUSTRATED PARTS LIST

Page 1071

Mar 01/2006



## COMPONENT MAINTENANCE MANUAL

PART NUMBER	AIRLINE PART NUMBER	FIGURE	ITEM	UNITS PER ASSEMBLY
		9	748	13
		10	745	13
		10	745	13
		10	745	13
		10	745	13
		10	745	13
		10	745	13
		10	745	13
		10	745	13
		10	745	13
		10	745	13
		10	745	13
		10	745	13
BACB30NN3K10		1	19	1
		2	19	1
		3	21	1
		4	6	1
		4	21	1
		7	21	1
		8	21	1
BACB30NN3K6		1	997	16
		2	997	16
		6	556	16
		7	666	16
		8	624	16
		9	685	13
		10	671	13
BACB30NN3K9		5	14	1
		6	14	1
		9	14	1
		10	14	1
BACB30PF4-3		1	108	1
		2	108	1
		3	150	1
		4	150	1

# 25-28-47

ILLUSTRATED PARTS LIST

Page 1072

Mar 01/2006



## COMPONENT MAINTENANCE MANUAL

PART NUMBER	AIRLINE PART NUMBER	FIGURE	ITEM	UNITS PER ASSEMBLY
BACN10JC08		5	127	1
		6	133	1
		7	150	1
		8	150	1
		9	127	1
		10	127	1
		1	700	1
		1	873	21
		2	700	1
		2	873	21
BACN10JC3		3	476	2
		5	389	2
		5	455	21
		1	725	2
		2	725	2
		5	380	3
		5	395	2
		6	407	3
		6	422	1
		9	466	3
BACN10JP3A		10	466	3
		1	1021	5
		1	1037	7
		1	1080	7
		1	1091	6
		2	1021	5
		2	1037	7
		2	1080	7
		2	1091	6
		3	807	7
		3	819	6
		3	876	3
		4	616	7
		4	627	6
		4	656	3

# 25-28-47

ILLUSTRATED PARTS LIST

Page 1073

Mar 01/2006



## COMPONENT MAINTENANCE MANUAL

PART NUMBER	AIRLINE PART NUMBER	FIGURE	ITEM	UNITS PER ASSEMBLY
		5	533	3
		5	548	6
		5	608	6
		5	620	5
		5	647	3
		6	571	3
		6	586	6
		6	637	6
		6	649	5
		6	694	3
		7	690	3
		7	705	7
		7	747	6
		7	759	6
		8	648	5
		8	663	7
		8	705	7
		8	717	6
		9	709	3
		9	724	6
		9	766	6
		9	778	5
		10	694	5
		10	709	6
		10	766	6
		10	778	5
BACN10JR3FR		5	173	1
		6	178	1
		9	40	1
BACN10KB08		1	880	2
		1	880	2
		2	880	2
		2	880	2
		3	561	2
		3	561	2

# 25-28-47

ILLUSTRATED PARTS LIST

Page 1074

Mar 01/2006



## COMPONENT MAINTENANCE MANUAL

PART NUMBER	AIRLINE PART NUMBER	FIGURE	ITEM	UNITS PER ASSEMBLY
		4	480	2
		4	480	2
		5	461	2
		5	461	2
		6	488	2
		6	488	2
		7	561	2
		7	561	2
		8	561	2
		8	561	2
		9	595	2
		9	595	2
		10	595	2
		10	595	2
BACN10KB3F		3	213	4
BACN10R10L		1	63	3
		2	63	3
		3	82	3
		4	82	3
		5	64	3
		6	64	3
		7	82	3
		8	82	3
		9	64	3
BACN10YD1		3	144	2
		4	144	2
		6	193	2
BACR15BA3A		5	175	2
		6	181	1
		9	39	2
BACR15BA3AD		1	1077	14
		1	1088	12
		2	1077	14
		2	1088	12
		3	804	14

# 25-28-47

ILLUSTRATED PARTS LIST

Page 1075

Mar 01/2006



## COMPONENT MAINTENANCE MANUAL

PART NUMBER	AIRLINE PART NUMBER	FIGURE	ITEM	UNITS PER ASSEMBLY
BACR15BA3D		3	816	12
		3	873	6
		4	613	14
		4	625	12
		4	653	6
		5	605	12
		5	617	12
		5	644	6
		6	634	12
		6	646	10
		6	691	6
		7	744	12
		7	756	12
		8	702	14
		8	714	12
		9	763	12
		9	775	10
		10	763	12
		10	775	10
		1	1024	10
		1	1040	14
		2	1024	10
		2	1040	14
		5	536	6
		5	551	12
		6	574	6
		6	589	12
		7	693	6
		7	708	14
		8	651	10
	8	666	14	
	9	712	6	
	9	727	12	
	10	697	10	
	10	712	12	

# 25-28-47

ILLUSTRATED PARTS LIST

Page 1076

Mar 01/2006



**COMPONENT MAINTENANCE MANUAL**

PART NUMBER	AIRLINE PART NUMBER	FIGURE	ITEM	UNITS PER ASSEMBLY
BACR15BA3DD		3	213A	8
BACR15DR3		1	807	2
		1	875	4
		2	875	4
		3	558	4
		4	477	4
		5	458	4
		6	485	4
		7	558	4
		8	558	4
		9	592	4
		10	592	4
BACR15DR3P3		2	807	2
BACS12ER06K8		1	740	8
		1	740	8
		1	740	8
		1	740	8
		1	740	8
		1	740	8
		1	740	8
		1	740	8
		1	740	8
		1	740	8
		1	740	8
		1	740	8
		1	740	8
		2	740	8
		2	740	8
		2	740	8
		2	740	8
		2	740	8
		2	740	8
		2	740	8
		2	740	8
		2	740	8
		2	740	8

**25-28-47**

ILLUSTRATED PARTS LIST

Page 1077

Mar 01/2006



COMPONENT MAINTENANCE MANUAL

PART NUMBER	AIRLINE PART NUMBER	FIGURE	ITEM	UNITS PER ASSEMBLY
		2	740	8
		2	740	8
		3	497	4
		3	497	4
		3	497	4
		3	497	4
		3	497	4
		3	497	4
		3	497	4
		3	497	4
		3	497	4
		3	497	4
		3	497	4
		3	497	4
		3	497	4
		3	497	4
		4	422	4
		4	422	4
		4	422	4
		4	422	4
		4	422	4
		4	422	4
		4	422	4
		4	422	4
		4	422	4
		4	422	4
		4	422	4
		4	422	4
		4	422	4
		4	422	4
		5	401	4
		5	401	4
		5	401	4
		5	401	4
		5	401	4
		5	401	4
		5	401	4
		5	401	4
		5	401	4
		5	401	4
		5	401	4

**25-28-47**

ILLUSTRATED PARTS LIST

Page 1078

Mar 01/2006





COMPONENT MAINTENANCE MANUAL

PART NUMBER	AIRLINE PART NUMBER	FIGURE	ITEM	UNITS PER ASSEMBLY
		5	401	4
		5	401	4
		5	401	4
		6	428	8
		6	428	8
		6	428	8
		6	428	8
		6	428	8
		6	428	8
		6	428	8
		6	428	8
		6	428	8
		6	428	8
		6	428	8
		6	428	8
		6	428	8
		7	497	4
		7	497	4
		7	497	4
		7	497	4
		7	497	4
		7	497	4
		7	497	4
		7	497	4
		7	497	4
		7	497	4
		7	497	4
		7	497	4
		7	497	4
		7	497	4
		7	497	4
		7	497	4
		8	497	8
		8	497	8
		8	497	8
		8	497	8
		8	497	8
		8	497	8
		8	497	8
		8	497	8
		8	497	8

**25-28-47**

ILLUSTRATED PARTS LIST

Page 1079

Mar 01/2006



## COMPONENT MAINTENANCE MANUAL

PART NUMBER	AIRLINE PART NUMBER	FIGURE	ITEM	UNITS PER ASSEMBLY
BACS12ER08K12		8	497	8
		8	497	8
		8	497	8
		8	497	8
		9	541	4
		9	541	4
		9	541	4
		9	541	4
		9	541	4
		9	541	4
		9	541	4
		9	541	4
		9	541	4
		9	541	4
		9	541	4
		9	541	4
		9	541	4
		9	541	4
		10	541	8
		10	541	8
		10	541	8
		10	541	8
		10	541	8
		10	541	8
		10	541	8
		10	541	8
		10	541	8
		10	541	8
		10	541	8
		10	541	8
		1	870	21
	1	870	21	
	1	870	21	
	1	870	21	
	1	870	21	
	1	870	21	
	1	870	21	

# 25-28-47

ILLUSTRATED PARTS LIST

Page 1080

Mar 01/2006



**COMPONENT MAINTENANCE MANUAL**

PART NUMBER	AIRLINE PART NUMBER	FIGURE	ITEM	UNITS PER ASSEMBLY
		1	870	21
		1	870	21
		1	870	21
		1	870	21
		1	870	21
		2	870	21
		2	870	21
		2	870	21
		2	870	21
		2	870	21
		2	870	21
		2	870	21
		2	870	21
		2	870	21
		2	870	21
		2	870	21
		2	870	21
		3	550	21
		3	550	21
		3	550	21
		3	550	21
		3	550	21
		3	550	21
		3	550	21
		3	550	21
		3	550	21
		3	550	21
		3	550	21
		3	550	21
		3	550	21
		4	468	21
		4	468	21
		4	468	21
		4	468	21
		4	468	21
		4	468	21

**25-28-47**

ILLUSTRATED PARTS LIST

Page 1081

Mar 01/2006



## COMPONENT MAINTENANCE MANUAL

PART NUMBER	AIRLINE PART NUMBER	FIGURE	ITEM	UNITS PER ASSEMBLY
		4	468	21
		4	468	21
		4	468	21
		4	468	21
		4	468	21
		4	468	21
		5	449	21
		5	449	21
		5	449	21
		5	449	21
		5	449	21
		5	449	21
		5	449	21
		5	449	21
		5	449	21
		5	449	21
		5	449	21
		5	449	21
		5	449	21
		6	476	21
		6	476	21
		6	476	21
		6	476	21
		6	476	21
		6	476	21
		6	476	21
		6	476	21
		6	476	21
		6	476	21
		6	476	21
		6	476	21
		6	476	21
		6	476	21
		7	550	21
		7	550	21
		7	550	21
		7	550	21
		7	550	21

# 25-28-47

ILLUSTRATED PARTS LIST

Page 1082

Mar 01/2006



COMPONENT MAINTENANCE MANUAL

PART NUMBER	AIRLINE PART NUMBER	FIGURE	ITEM	UNITS PER ASSEMBLY
		7	550	21
		7	550	21
		7	550	21
		7	550	21
		7	550	21
		7	550	21
		7	550	21
		8	550	21
		8	550	21
		8	550	21
		8	550	21
		8	550	21
		8	550	21
		8	550	21
		8	550	21
		8	550	21
		8	550	21
		8	550	21
		8	550	21
		8	550	21
		9	583	21
		9	583	21
		9	583	21
		9	583	21
		9	583	21
		9	583	21
		9	583	21
		9	583	21
		9	583	21
		9	583	21
		9	583	21
		9	583	21
		10	583	21
		10	583	21
		10	583	21
		10	583	21

**25-28-47**

ILLUSTRATED PARTS LIST

Page 1083

Mar 01/2006



COMPONENT MAINTENANCE MANUAL

PART NUMBER	AIRLINE PART NUMBER	FIGURE	ITEM	UNITS PER ASSEMBLY
BACS12ER08K14		10	583	21
		10	583	21
		10	583	21
		10	583	21
		10	583	21
		10	583	21
		10	583	21
		10	583	21
		10	583	21
		1	690	1
		2	690	1
		3	470	2
		4	404	2
		5	383	2
		6	410	2
		7	470	2
		8	470	2
		9	523	2
		BACS12ER08K6		10
1	750			4
1	750			4
1	750			4
1	750			4
1	750			4
1	750			4
1	750			4
1	750			4
1	750			4
1	750			4
1	750			4
1	750			4
1	750			4
1	750			4
1	900			1
1	900			1
2	750			8
2	750			8
2	750	8		

**25-28-47**

ILLUSTRATED PARTS LIST

Page 1084

Mar 01/2006



COMPONENT MAINTENANCE MANUAL

PART NUMBER	AIRLINE PART NUMBER	FIGURE	ITEM	UNITS PER ASSEMBLY
		2	750	8
		2	750	8
		2	750	8
		2	750	8
		2	750	8
		2	750	8
		2	750	8
		2	750	8
		2	750	8
		2	750	8
		3	505	2
		3	505	2
		3	505	2
		3	505	2
		3	505	2
		3	505	2
		3	505	2
		3	505	2
		3	505	2
		3	505	2
		3	505	2
		3	505	2
		3	505	2
		3	505	2
		3	505	2
		3	567	1
		3	567	1
		3	567	1
		3	567	1
		3	567	1
		3	567	1
		3	567	1
		3	567	1
		3	567	1
		3	567	1
		3	567	1
		3	567	1
		4	428	2
		4	428	2

**25-28-47**

ILLUSTRATED PARTS LIST

Page 1085

Mar 01/2006



COMPONENT MAINTENANCE MANUAL

PART NUMBER	AIRLINE PART NUMBER	FIGURE	ITEM	UNITS PER ASSEMBLY
		4	428	2
		4	428	2
		4	428	2
		4	428	2
		4	428	2
		4	428	2
		4	428	2
		4	428	2
		4	428	2
		4	428	2
		4	428	2
		5	407	4
		5	407	4
		5	407	4
		5	407	4
		5	407	4
		5	407	4
		5	407	4
		5	407	4
		5	407	4
		5	407	4
		5	407	4
		5	407	4
		5	407	4
		5	407	4
		5	407	4
		6	434	4
		6	434	4
		6	434	4
		6	434	4
		6	434	4
		6	434	4
		6	434	4
		6	434	4
		6	434	4
		6	434	4
		6	434	4
		6	434	4
		6	880	1

**25-28-47**

ILLUSTRATED PARTS LIST

Page 1086

Mar 01/2006





**COMPONENT MAINTENANCE MANUAL**

PART NUMBER	AIRLINE PART NUMBER	FIGURE	ITEM	UNITS PER ASSEMBLY
		7	505	2
		7	505	2
		7	505	2
		7	505	2
		7	505	2
		7	505	2
		7	505	2
		7	505	2
		7	505	2
		7	505	2
		7	505	2
		7	505	2
		7	505	2
		8	505	4
		8	505	4
		8	505	4
		8	505	4
		8	505	4
		8	505	4
		8	505	4
		8	505	4
		8	505	4
		8	505	4
		8	505	4
		8	505	4
		8	505	4
		8	505	4
		8	505	4
		8	505	4
		9	547	4
		9	547	4
		9	547	4
		9	547	4
		9	547	4
		9	547	4
		9	547	4
		9	547	4
		9	547	4
		9	547	4
		9	547	4
		9	547	4
		9	547	4

**25-28-47**

ILLUSTRATED PARTS LIST  
 Page 1087  
 Mar 01/2006



COMPONENT MAINTENANCE MANUAL

PART NUMBER	AIRLINE PART NUMBER	FIGURE	ITEM	UNITS PER ASSEMBLY
BACS12ER3K6		9	547	4
		9	601	1
		9	601	1
		9	601	1
		9	601	1
		9	601	1
		9	601	1
		9	601	1
		9	601	1
		9	601	1
		9	601	1
		9	601	1
		9	601	1
		9	601	1
		10	547	4
		10	547	4
		10	547	4
		10	547	4
		10	547	4
		10	547	4
		10	547	4
		10	547	4
		10	547	4
		10	547	4
		10	547	4
		10	547	4
		1	57	3
		1	57	3
		1	57	3
		1	57	3
	1	57	3	
	1	57	3	
	1	57	3	
	1	57	3	
	1	57	3	
	1	57	3	

**25-28-47**

ILLUSTRATED PARTS LIST

Page 1088

Mar 01/2006



COMPONENT MAINTENANCE MANUAL

PART NUMBER	AIRLINE PART NUMBER	FIGURE	ITEM	UNITS PER ASSEMBLY
		1	57	3
		1	57	3
		2	57	3
		2	57	3
		2	57	3
		2	57	3
		2	57	3
		2	57	3
		2	57	3
		2	57	3
		2	57	3
		2	57	3
		2	57	3
		2	57	3
		2	57	3
		3	74	3
		3	74	3
		3	74	3
		3	74	3
		3	74	3
		3	74	3
		3	74	3
		3	74	3
		3	74	3
		3	74	3
		3	74	3
		3	74	3
		3	94	4
		3	94	4
		3	94	4
		3	94	4
		3	94	4
		3	94	4
		3	94	4
		3	94	4
		3	94	4
		3	94	4
		3	94	4
		3	94	4

**25-28-47**

ILLUSTRATED PARTS LIST

Page 1089

Mar 01/2006



### COMPONENT MAINTENANCE MANUAL

PART NUMBER	AIRLINE PART NUMBER	FIGURE	ITEM	UNITS PER ASSEMBLY
		3	94	4
		3	94	4
		3	94	4
		4	74	3
		4	74	3
		4	74	3
		4	74	3
		4	74	3
		4	74	3
		4	74	3
		4	74	3
		4	74	3
		4	74	3
		4	74	3
		4	74	3
		4	94	4
		4	94	4
		4	94	4
		4	94	4
		4	94	4
		4	94	4
		4	94	4
		4	94	4
		4	94	4
		4	94	4
		4	94	4
		4	94	4
		5	58	3
		5	58	3
		5	58	3
		5	58	3
		5	58	3
		5	58	3
		5	58	3
		5	58	3
		5	58	3
		5	58	3
		5	58	3

BOEING PROPRIETARY - Copyright © Unpublished Work - See title page for details



## COMPONENT MAINTENANCE MANUAL

PART NUMBER	AIRLINE PART NUMBER	FIGURE	ITEM	UNITS PER ASSEMBLY
		5	58	3
		5	58	3
		5	58	3
		5	58	3
		5	73	4
		5	73	4
		5	73	4
		5	73	4
		5	73	4
		5	73	4
		5	73	4
		5	73	4
		5	73	4
		5	73	4
		5	73	4
		5	73	4
		5	73	4
		5	73	4
		6	58	3
		6	58	3
		6	58	3
		6	58	3
		6	58	3
		6	58	3
		6	58	3
		6	58	3
		6	58	3
		6	58	3
		6	58	3
		6	73	4
		6	73	4
		6	73	4
		6	73	4
		6	73	4
		6	73	4
		6	73	4
		6	73	4
		6	73	4
		6	73	4

# 25-28-47

ILLUSTRATED PARTS LIST

Page 1091

Mar 01/2006



COMPONENT MAINTENANCE MANUAL

PART NUMBER	AIRLINE PART NUMBER	FIGURE	ITEM	UNITS PER ASSEMBLY
		6	73	4
		6	73	4
		6	73	4
		6	73	4
		6	73	4
		7	74	3
		7	74	3
		7	74	3
		7	74	3
		7	74	3
		7	74	3
		7	74	3
		7	74	3
		7	74	3
		7	74	3
		7	74	3
		7	74	3
		7	74	3
		7	74	3
		7	94	4
		7	94	4
		7	94	4
		7	94	4
		7	94	4
		7	94	4
		7	94	4
		7	94	4
		7	94	4
		7	94	4
		7	94	4
		7	94	4
		7	94	4
		7	94	4
		8	74	3
		8	74	3
		8	74	3
		8	74	3
		8	74	3
		8	74	3



COMPONENT MAINTENANCE MANUAL

PART NUMBER	AIRLINE PART NUMBER	FIGURE	ITEM	UNITS PER ASSEMBLY
		8	74	3
		8	74	3
		8	74	3
		8	74	3
		8	74	3
		8	74	3
		8	94	4
		8	94	4
		8	94	4
		8	94	4
		8	94	4
		8	94	4
		8	94	4
		8	94	4
		8	94	4
		8	94	4
		8	94	4
		8	94	4
		8	94	4
		9	58	3
		9	58	3
		9	58	3
		9	58	3
		9	58	3
		9	58	3
		9	58	3
		9	58	3
		9	58	3
		9	58	3
		9	58	3
		9	58	3
		9	58	3
		9	58	3
		9	73	4
		9	73	4
		9	73	4
		9	73	4
		9	73	4

**25-28-47**

ILLUSTRATED PARTS LIST

Page 1093

Mar 01/2006



COMPONENT MAINTENANCE MANUAL

PART NUMBER	AIRLINE PART NUMBER	FIGURE	ITEM	UNITS PER ASSEMBLY
BACS12FA3K12		9	73	4
		9	73	4
		9	73	4
		9	73	4
		9	73	4
		9	73	4
		9	73	4
		10	73	4
		10	73	4
		10	73	4
		10	73	4
		10	73	4
		10	73	4
		10	73	4
		10	73	4
		10	73	4
		10	73	4
		10	73	4
		10	73	4
		10	73	4
		10	73	4
		1	107	2
		1	1009	12
		1	1055	13
		1	1055	13
		1	1055	13
		1	1055	13
		1	1055	13
		1	1055	13
		1	1055	13
		1	1055	13
		1	1055	13
	1	1055	13	
	1	1055	13	
	2	107	2	
	2	1009	12	

**25-28-47**

ILLUSTRATED PARTS LIST

Page 1094

Mar 01/2006





COMPONENT MAINTENANCE MANUAL

PART NUMBER	AIRLINE PART NUMBER	FIGURE	ITEM	UNITS PER ASSEMBLY
		2	1055	13
		2	1055	13
		2	1055	13
		2	1055	13
		2	1055	13
		2	1055	13
		2	1055	13
		2	1055	13
		2	1055	13
		2	1055	13
		2	1055	13
		2	1055	13
		2	1055	13
		3	138	2
		3	783	16
		3	783	16
		3	783	16
		3	783	16
		3	783	16
		3	783	16
		3	783	16
		3	783	16
		3	783	16
		3	783	16
		3	783	16
		3	783	16
		3	783	16
		3	852	2
		4	138	2
		4	593	16
		4	593	16
		4	593	16
		4	593	16
		4	593	16
		4	593	16
		4	593	16
		4	593	16
		4	593	16
		4	593	16
		4	593	16
		4	593	16
		4	593	16
		4	593	16
		4	593	16



COMPONENT MAINTENANCE MANUAL

PART NUMBER	AIRLINE PART NUMBER	FIGURE	ITEM	UNITS PER ASSEMBLY
		4	593	16
		4	593	16
		4	593	16
		4	593	16
		5	115	1
		5	521	9
		5	570	2
		5	584	14
		5	584	14
		5	584	14
		5	584	14
		5	584	14
		5	584	14
		5	584	14
		5	584	14
		5	584	14
		5	584	14
		5	584	14
		5	584	14
		5	584	14
		5	584	14
		6	115	1
		6	187	2
		6	559	12
		6	599	2
		6	613	14
		6	613	14
		6	613	14
		6	613	14
		6	613	14
		6	613	14
		6	613	14
		6	613	14
		6	613	14
		6	613	14
		6	613	14
		6	613	14
		6	613	14
		6	613	14
		6	613	14
		6	613	14

**25-28-47**

ILLUSTRATED PARTS LIST

Page 1096

Mar 01/2006



COMPONENT MAINTENANCE MANUAL

PART NUMBER	AIRLINE PART NUMBER	FIGURE	ITEM	UNITS PER ASSEMBLY
		7	678	12
		7	723	12
		7	723	12
		7	723	12
		7	723	12
		7	723	12
		7	723	12
		7	723	12
		7	723	12
		7	723	12
		7	723	12
		7	723	12
		7	723	12
		7	723	12
		8	636	12
		8	681	13
		8	681	13
		8	681	13
		8	681	13
		8	681	13
		8	681	13
		8	681	13
		8	681	13
		8	681	13
		8	681	13
		8	681	13
		8	681	13
		8	681	13
		8	681	13
		9	115	1
		9	697	10
		9	742	13
		9	742	13
		9	742	13
		9	742	13
		9	742	13
		9	742	13
		9	742	13
		9	742	13
		9	742	13
		9	742	13

**25-28-47**

ILLUSTRATED PARTS LIST

Page 1097

Mar 01/2006



# COMPONENT MAINTENANCE MANUAL

PART NUMBER	AIRLINE PART NUMBER	FIGURE	ITEM	UNITS PER ASSEMBLY
BACS12FA3K15		9	742	13
		9	742	13
		9	742	13
		9	742	13
		9	742	13
		10	683	10
		10	739	13
		10	739	13
		10	739	13
		10	739	13
		10	739	13
		10	739	13
		10	739	13
		10	739	13
		10	739	13
		10	739	13
		10	739	13
		10	739	13
		10	739	13
		BACS12FA3K4		1
2	815			2
3	538			2
4	459			2
5	437			2
6	464			2
7	538			2
8	538			2
9	574			2
10	574			2
1	206			8
2	206			8
3	228			8
4	228			8
5	178	2		
5	196	8		
6	184	2		

## 25-28-47



## COMPONENT MAINTENANCE MANUAL

PART NUMBER	AIRLINE PART NUMBER	FIGURE	ITEM	UNITS PER ASSEMBLY
BACS12FA3K5		6	214	8
		7	228	8
		8	228	8
		9	19	2
		9	176	8
		10	176	8
		1	99	17
		1	785	8
		1	810	34
		1	991	6
		2	99	17
		2	785	8
		2	810	34
		2	991	6
		3	126	17
		3	141	4
		3	162	4
		3	535	12
		4	126	17
		4	141	4
		4	162	4
		4	456	34
		5	112	16
		5	425	8
		5	434	34
		5	515	6
		5	520	12
		6	112	16
		6	190	4
		6	199	4
	6	461	34	
	6	550	6	
	7	126	16	
	7	535	34	
	7	660	6	

# 25-28-47

ILLUSTRATED PARTS LIST

Page 1098.1

Mar 01/2006



## COMPONENT MAINTENANCE MANUAL

PART NUMBER	AIRLINE PART NUMBER	FIGURE	ITEM	UNITS PER ASSEMBLY
		8	126	11
		8	535	34
		8	618	6
		9	112	16
		9	571	24
		9	680	6
		10	112	17
		10	571	34
		10	665	6
		10	727	6
BACS12FA3K6		4	682	10
		6	682	10
BACS12FA3K9		3	217	4
BACS12H4-8		1	227	2
		2	227	2
		3	246	2
		4	246	2
		5	214	2
		6	242	2
		7	246	2
		8	246	2
		9	197	2
		10	197	2
BACS12W10-5		6	34A	2
BACS18C8-6		1	33	2
		2	33	2
		3	30	1
		4	30	1
		5	26	1
		6	26	1
		7	30	1
		8	30	1
		9	26	1
BACS30NM3K8		1	585	1
		2	585	1

# 25-28-47

ILLUSTRATED PARTS LIST

Page 1098.2

Mar 01/2006



## COMPONENT MAINTENANCE MANUAL

PART NUMBER	AIRLINE PART NUMBER	FIGURE	ITEM	UNITS PER ASSEMBLY	
BACW10CT10		3	431	1	
		6	821	1	
		7	431	1	
		8	431	1	
		9	484	1	
		10	484	1	
		1	1064	16	
		1	1064	16	
		3	792	21	
		3	792	21	
		4	602	16	
		4	602	16	
		5	593	18	
		5	593	18	
		6	622	18	
		6	622	18	
		7	732	16	
		7	732	16	
	BACW10DM5		8	690	16
			8	690	16
		9	751	13	
		9	751	13	
		10	748	13	
		10	748	13	
		1	905	1	
		3	570	1	
		6	883	1	
		9	604	1	
BACW10P136AL		1	356	3	
		1	472	2	
		1	472	2	
		2	356	3	
		2	472	2	
		2	472	2	
		3	323	3	

# 25-28-47

ILLUSTRATED PARTS LIST

Page 1098.3

Mar 01/2006



## COMPONENT MAINTENANCE MANUAL

PART NUMBER	AIRLINE PART NUMBER	FIGURE	ITEM	UNITS PER ASSEMBLY
		3	422	2
		3	422	2
		4	323	2
		5	275	3
		6	302	3
		6	812	2
		6	812	2
		7	323	3
		7	422	2
		7	422	2
		8	323	3
		8	422	2
		8	422	2
		9	377	3
		9	475	2
		9	475	2
		10	377	3
		10	475	2
		10	475	2
BACW10P173AL		6	898	1
BACW10P44AL		5	566	4
		6	595	4
BACW10UD10		1	60	3
		2	60	3
		3	78	3
		4	78	3
		5	61	3
		6	61	3
		7	78	3
		8	78	3
		9	61	3
BRM200A3		1	1080	7
		1	1091	6
		2	1080	7
		2	1091	6

# 25-28-47

ILLUSTRATED PARTS LIST

Page 1098.4

Mar 01/2006





## COMPONENT MAINTENANCE MANUAL

PART NUMBER	AIRLINE PART NUMBER	FIGURE	ITEM	UNITS PER ASSEMBLY
		3	807	7
		3	819	6
		3	876	3
		4	616	7
		4	627	6
		4	656	3
		5	608	6
		5	620	5
		5	647	3
		6	637	6
		6	649	5
		6	694	3
		7	747	6
		7	759	6
		8	705	7
		8	717	6
		9	766	6
		9	778	5
		10	766	6
		10	778	5
BV03112-03-33		80	5	2
BV03112-33		80	5A	2
F15T8WW		6	49A	1
F20T12WW		1	75	1
		2	75	1
		3	58	1
		4	58	1
		5	49	1
		6	49	1
		7	58	1
		8	58	1
		9	49	1
		10	49	1
F22K1-02		1	63	3
		2	63	3

# 25-28-47

ILLUSTRATED PARTS LIST

Page 1098.5

Mar 01/2006



## COMPONENT MAINTENANCE MANUAL

PART NUMBER	AIRLINE PART NUMBER	FIGURE	ITEM	UNITS PER ASSEMBLY
H10-08BAC		3	82	3
		4	82	3
		5	64	3
		6	64	3
		7	82	3
		8	82	3
		9	64	3
		1	700	1
		2	700	1
H10-3BAC		5	389	2
		5	455	21
		6	482	21
H2948-1		5	395	2
		6	422	1
H2948-2		1	408	1
		1	620	1
		2	408	1
		3	371	1
		3	452	1
		4	371	1
		5	326	1
		6	350	1
		7	371	1
		7	452	1
		8	371	1
		9	425	1
		10	425	1
		1	405	1
	2	405	1	
	2	620	1	
	3	368	1	
	3	452A	1	
	4	368	1	
	5	323	1	
	6	347	1	

# 25-28-47

ILLUSTRATED PARTS LIST

Page 1098.6

Mar 01/2006



## COMPONENT MAINTENANCE MANUAL

PART NUMBER	AIRLINE PART NUMBER	FIGURE	ITEM	UNITS PER ASSEMBLY
		6	842	1
		7	368	1
		8	368	1
		8	452	1
		9	422	1
		9	505	1
		10	422	1
		10	505	1
H3-1145-1-2760		2	780	1
		5	422	1
		6	449	1
		7	520B	1
		9	562	1
		10	562	1
H3-1145-1-3760		7	520A	1
H3-1145-2-2360		3	520A	1
H3-1145-2-I-3760		4	443A	1
H3-1145-3-1560		10	562A	1
H3-1145-3-2060		6	449A	1
H3-1152-1		1	203	4
		2	203	4
		3	225	4
		4	225	4
		5	193	4
		6	211	4
		7	225	4
		8	225	4
		9	173	4
		10	173	4
KD121395-145		1	1071	16
		2	1071	16
		3	798A	21
		4	607A	16
		5	599A	18
		6	628A	16

# 25-28-47

ILLUSTRATED PARTS LIST

Page 1098.7

Mar 01/2006



## COMPONENT MAINTENANCE MANUAL

PART NUMBER	AIRLINE PART NUMBER	FIGURE	ITEM	UNITS PER ASSEMBLY		
LP1610-18		7	738A	16		
		8	696A	16		
		9	757A	13		
		10	757	13		
		3	66B	1		
		6	52B	1		
		LP1625-24		1	81	1
				2	81	1
				3	66	1
				4	66	1
5	52			1		
6	52			1		
7	66			1		
8	66			1		
9	52			1		
10	52			1		
MK1000-3BAC		1	1080	7		
		1	1091	6		
		2	1080	7		
		2	1091	6		
		3	807	7		
		3	819	6		
		3	876	3		
		4	616	7		
		4	627	6		
		4	656	3		
		5	608	6		
		5	620	5		
		6	637	6		
		6	649	5		
		7	747	6		
		7	759	6		
		8	705	7		
		8	717	6		
		9	766	6		

# 25-28-47

ILLUSTRATED PARTS LIST

Page 1098.8

Mar 01/2006



## COMPONENT MAINTENANCE MANUAL

PART NUMBER	AIRLINE PART NUMBER	FIGURE	ITEM	UNITS PER ASSEMBLY
MS1042L3		9	778	5
		10	766	6
		10	778	5
		1	1006	16
		2	1006	16
		7	675	16
		8	633	16
		9	694	13
		10	680	13
	MS20392-2C13		1	365
		2	365	1
		3	335	1
		4	335	1
		5	287	1
		6	314	1
		7	335	1
		8	335	1
		9	389	1
		10	389	1
MS21042L08		2	700A	1
		3	476	2
		3	555	21
		4	410	2
		4	474	21
		6	416A	2
		6	482A	21
		7	476	2
		7	555	21
		8	476	2
		8	555	21
		9	529	2
		9	589	21
		10	529	2
MS21042L3		1	174	2
		1	725	2

# 25-28-47

ILLUSTRATED PARTS LIST

Page 1098.9

Mar 01/2006



## COMPONENT MAINTENANCE MANUAL

PART NUMBER	AIRLINE PART NUMBER	FIGURE	ITEM	UNITS PER ASSEMBLY
		2	174	2
		2	725	2
		3	111	2
		3	858	2
		5	100	2
		5	569	4
		6	100	2
		6	598	4
		10	535	2
MS21042L8		10	589	21
MS21043L3		3	482	2
		4	416	2
		7	482	2
		8	482	2
		9	535	2
MS24585-1230		1	36	2
		2	36	2
		3	34	1
		4	34	1
		5	29	1
		6	29	1
		7	34	1
		8	34	1
		9	29	1
MS24665-132		1	362	1
		2	362	1
		3	332	1
		4	332	1
		5	284	1
		6	311	1
		7	332	1
		8	332	1
		9	386	1
		10	386	1
MS35206-323		80	10	4

# 25-28-47

ILLUSTRATED PARTS LIST

Page 1098.10

Mar 01/2006



## COMPONENT MAINTENANCE MANUAL

PART NUMBER	AIRLINE PART NUMBER	FIGURE	ITEM	UNITS PER ASSEMBLY
MS35333-39		1	209	8
		1	221	8
		2	209	8
		2	221	8
		3	231	8
		3	240	8
		4	231	8
		4	240	8
		5	199	8
		5	208	8
		6	217	8
		6	236	8
		7	231	8
		7	240	8
		8	231	8
		8	240	8
		9	179	8
		9	191	8
		10	179	8
		10	191	8
MS51862-4		1	237	2
		2	237	2
		3	255	2
		4	255	2
		5	223	2
		6	251	2
		7	255	1
		8	255	2
		9	206	2
		10	206	2
N1060LGWUV1000		3	66C	1
		6	52C	1
N1152LGWUV1000		1	78	1
		2	78	1
		3	66A	1

# 25-28-47

ILLUSTRATED PARTS LIST

Page 1098.11

Mar 01/2006



## COMPONENT MAINTENANCE MANUAL

PART NUMBER	AIRLINE PART NUMBER	FIGURE	ITEM	UNITS PER ASSEMBLY
NA960JD10L		6	332	1
NA960KD10L		1	380	1
		2	380	1
		3	353A	2
		5	308	1
		7	353	1
		8	353	1
		9	407	1
		10	407	1
NAAS1515F4H		4	156	1
NAS1515F4H		1	114	1
		2	114	1
		3	156	1
		5	133	1
		6	139	1
		7	156	1
		8	156	1
		9	133	1
		10	133	1
NAS1515M4L		1	117	1
		2	117	1
		3	159	1
		4	159	1
		5	136	1
		6	142	1
		7	159	1
		8	159	1
		9	136	1
		10	136	1
NAS1801-3-10		1	350A	1
		1	469	1
		2	350A	1
		2	469	1
		3	317A	1
		3	419	1

# 25-28-47

ILLUSTRATED PARTS LIST

Page 1098.12

Mar 01/2006





## COMPONENT MAINTENANCE MANUAL

PART NUMBER	AIRLINE PART NUMBER	FIGURE	ITEM	UNITS PER ASSEMBLY
NAS1801-3-11		4	317A	1
		5	269A	1
		6	296A	1
		6	809	1
		7	317A	1
		7	419	1
		8	317A	1
		8	419	1
		9	371A	1
		9	472	1
		10	371A	1
		10	472	1
		1	30	2
		2	30	2
		3	22	1
		4	22	1
		5	20	1
	NAS1801-3-4		6	20
		7	22	1
		8	22	1
		9	20	1
		1	218	8
		2	218	8
		3	237	8
		4	237	8
		5	205	8
		6	233	8
NAS1801-3-5		7	237	8
		8	237	8
		9	188	8
		10	188	8
		1	48	2
		2	48	2
		3	42	2
		4	42	2

# 25-28-47

ILLUSTRATED PARTS LIST

Page 1098.13

Mar 01/2006



## COMPONENT MAINTENANCE MANUAL

PART NUMBER	AIRLINE PART NUMBER	FIGURE	ITEM	UNITS PER ASSEMBLY
		5	34	2
		6	34	2
		7	42	2
		8	42	2
		9	34	2
		10	34	2
NAS1804-3		1	660	1
		2	660	1
NAS1833-3-400		1	359	3
		1	450	6
		2	359	3
		2	450	3
		2	475	2
		2	942	6
		2	948	4
		3	329	3
		3	388	3
		3	401	6
		3	747	6
		3	753	9
		3	754A	3
		3	759	4
		3	765	7
		4	329	2
		4	401	6
		4	569A	2
		4	574	6
		4	575A	3
		4	580	4
		4	685	5
		5	281	3
		5	356	6
		6	308	3
		6	383	6
		6	541C	2

# 25-28-47

ILLUSTRATED PARTS LIST

Page 1098.14

Mar 01/2006



## COMPONENT MAINTENANCE MANUAL

PART NUMBER	AIRLINE PART NUMBER	FIGURE	ITEM	UNITS PER ASSEMBLY
		6	679	5
		6	815	2
		7	329	3
		7	388	3
		7	401	6
		7	649A	6
		7	650A	3
		7	650C	4
		8	329	3
		8	388	3
		8	401	6
		9	383	3
		9	458	6
		10	383	3
		10	458	6
		10	653	6
		10	659	4
		10	730	6
NAS1833-400		4	388	3
NAS1834-3-375		5	525	1
NAS1834-3-400		1	1012	12
		2	1012	12
		3	214	4
		3	849	2
		5	524	9
		5	557	6
		6	562	12
		6	592	4
		7	681	12
		8	639	12
		9	700	12
		10	686	10
NAS1834-3-475		6	563	1
NAS1834-4-380		4	591	1
NAS1834-4-400		1	1052	13

# 25-28-47

ILLUSTRATED PARTS LIST

Page 1098.15

Mar 01/2006



## COMPONENT MAINTENANCE MANUAL

PART NUMBER	AIRLINE PART NUMBER	FIGURE	ITEM	UNITS PER ASSEMBLY
		2	1052	13
		3	780	16
		4	590	15
		5	581	14
		6	610	14
		7	720	12
		8	678	13
		9	739	13
		10	736	13
NAS1834-5-400		3	669	2
		4	541	2
		5	494	1
		6	524	1
NAS1836-3-11		1	183	4
		1	946	14
		1	952	8
		1	961	4
		1	970	13
		1	979	8
		1	985	3
		1	994	3
		1	1049	5
		1	1106	2
		2	183	4
		2	894	14
		2	900	8
		2	909	4
		2	930	8
		2	936	3
		2	950	12
		2	994	3
		2	1049	5
		2	1106	2
		3	206	12
		3	206A	4

# 25-28-47

ILLUSTRATED PARTS LIST

Page 1098.16

Mar 01/2006



## COMPONENT MAINTENANCE MANUAL

PART NUMBER	AIRLINE PART NUMBER	FIGURE	ITEM	UNITS PER ASSEMBLY
		3	603	12
		3	609	10
		3	615	10
		3	621	9
		3	627	10
		3	633	8
		3	642	8
		3	651	4
		3	660	4
		3	664B	12
		3	672	13
		3	678	11
		3	684	13
		3	693	13
		3	699	4
		3	705	4
		3	711	4
		3	717	4
		3	723	3
		3	728	3
		3	734	3
		3	740	3
		3	861	4
		4	206	4
		4	206A	12
		4	493	12
		4	499	10
		4	505	10
		4	511	8
		4	520	4
		4	532	13
		4	544	13
		4	550	4
		4	556	4
		4	562	3

# 25-28-47

ILLUSTRATED PARTS LIST

Page 1098.17

Mar 01/2006



## COMPONENT MAINTENANCE MANUAL

PART NUMBER	AIRLINE PART NUMBER	FIGURE	ITEM	UNITS PER ASSEMBLY
		4	568	3
		4	644	2
		4	676	7
		4	676A	9
		5	142	8
		5	473	9
		5	476	8
		5	485	4
		5	497	8
		5	503	4
		5	509	4
		5	518	3
		5	578	15
		5	635	2
		6	148	8
		6	500	9
		6	501A	10
		6	502A	12
		6	506	8
		6	515	4
		6	527	8
		6	528A	10
		6	529B	13
		6	533	4
		6	534A	2
		6	535A	2
		6	539	4
		6	540A	4
		6	541A	2
		6	553	3
		6	607	15
		6	664	5
		6	676	7
		7	206	4
		7	603	10

# 25-28-47

ILLUSTRATED PARTS LIST

Page 1098.18

Mar 01/2006



## COMPONENT MAINTENANCE MANUAL

PART NUMBER	AIRLINE PART NUMBER	FIGURE	ITEM	UNITS PER ASSEMBLY
		7	609	10
		7	615	8
		7	624	4
		7	636	12
		7	637A	13
		7	642	4
		7	648	3
		7	663	3
		7	717	5
		7	774	2
		8	206	4
		8	573	10
		8	579	10
		8	585	10
		8	591	4
		8	603	12
		8	609	4
		8	621	3
		8	675	5
		8	731	2
		9	142	4
		9	631	9
		9	637	8
		9	647	4
		9	659	13
		9	665	4
		9	671	4
		9	683	3
		9	736	5
		9	787	2
		10	142	4
		10	607	10
		10	613	8
		10	623	4
		10	635	13

# 25-28-47

ILLUSTRATED PARTS LIST

Page 1098.19

Mar 01/2006



## COMPONENT MAINTENANCE MANUAL

PART NUMBER	AIRLINE PART NUMBER	FIGURE	ITEM	UNITS PER ASSEMBLY
NAS1836-4-11		10	641	4
		10	647	2
		10	668	3
		10	721	5
		10	787	2
		1	955	2
		2	903	2
		3	627	2
		3	627	2
		4	514	2
		5	479	2
		6	509	2
		7	618	2
		9	640	2
		10	617	2
NAS1836-5-400		6	529A	1
NAS18833-3-400		1	475	2
		3	425	2
		7	425	2
		8	425	2
		9	478	2
		10	478	2
		NAS43DD3-3		1
1	615			1
2	387			1
2	615			1
3	359			1
3	449			1
4	359			1
5	314			1
6	338			1
6	839			1
7	359			1
7	449			1
8	359			1

# 25-28-47

ILLUSTRATED PARTS LIST

Page 1098.20

Mar 01/2006





## COMPONENT MAINTENANCE MANUAL

PART NUMBER	AIRLINE PART NUMBER	FIGURE	ITEM	UNITS PER ASSEMBLY
NAS43DD3-5		8	449	1
		9	413	1
		9	502	1
		10	413	1
		10	502	1
		1	383	1
		1	600	1
		2	383	1
		2	600	1
		3	356	1
		3	440	1
		4	356	1
		5	311	1
		6	335	1
		6	830	1
		7	356	1
		7	440	1
		8	356	1
		8	440	1
	NAS43DD3-6		9	410
		9	493	1
		10	410	1
		10	493	1
		1	391	1
		1	610	1
		2	391	1
		2	610	1
		3	362	1
		3	446	1
		4	362	1
		5	317	1
		6	341	1
		6	836	1
		7	362	1
	7	446	1	

# 25-28-47

ILLUSTRATED PARTS LIST

Page 1098.21

Mar 01/2006



## COMPONENT MAINTENANCE MANUAL

PART NUMBER	AIRLINE PART NUMBER	FIGURE	ITEM	UNITS PER ASSEMBLY
NAS43DD3-8		8	362	1
		8	446	1
		9	416	1
		9	499	1
		10	416	1
		10	499	1
		1	402	1
		1	605	1
		2	402	1
		2	605	1
		3	365	1
		3	443	1
		4	365	1
		5	320	1
		6	344	1
		6	833	1
		7	365	1
		7	443	1
		8	365	1
		8	443	1
	9	419	1	
	9	496	1	
	10	419	1	
	10	496	1	
NAS514P1032-7		5	374	2
		6	401	2
		9	464	2
		10	464	2
NAS514P832-5		1	755	8
		2	755	8
		3	508	8
		4	431	4
		5	410	4
		6	437	4
		7	508	8

# 25-28-47

ILLUSTRATED PARTS LIST

Page 1098.22

Mar 01/2006



## COMPONENT MAINTENANCE MANUAL

PART NUMBER	AIRLINE PART NUMBER	FIGURE	ITEM	UNITS PER ASSEMBLY
NAS620A8L		8	508	8
		9	550	4
		10	550	8
		1	230	2
		2	230	2
		3	249	2
		4	249	2
		5	217	2
		7	249	2
		8	249	2
NAS620ABL		9	200	2
NAS6703PU11		10	200	2
		6	245	2
		1	374	1
		1	580	1
		2	374	1
		2	580	1
		3	347	1
		3	428	1
		4	347	1
		5	302	1
		6	326	1
		6	818	1
		7	347	1
		7	428	1
		8	347	1
		8	428	1
		9	401	1
		9	481	1
		10	401	1
		10	481	1
NAS6703PU15		1	368	1
		2	368	1
		3	341	3
		4	341	1

# 25-28-47

ILLUSTRATED PARTS LIST

Page 1098.23

Mar 01/2006



## COMPONENT MAINTENANCE MANUAL

PART NUMBER	AIRLINE PART NUMBER	FIGURE	ITEM	UNITS PER ASSEMBLY
NI152LGWUV1000		5	293	1
		6	320	1
		7	341	1
		8	341	1
		9	395	1
		10	395	1
		4	66A	1
		5	52A	1
		6	52A	1
		7	66A	1
NS103197-02		8	66A	1
		9	52A	1
		10	52A	1
		1	1080	7
		1	1091	6
		2	1080	7
		2	1091	6
		3	807	7
		3	819	6
		3	876	3
		4	616	7
		4	627	6
		4	656	3
		5	608	6
		5	620	5
		6	637	6
		6	649	5
		7	747	6
		7	759	6
		8	705	7
	8	717	6	
	9	766	6	
	9	778	5	
	10	766	6	
	10	778	5	

# 25-28-47

ILLUSTRATED PARTS LIST

Page 1098.24

Mar 01/2006



## COMPONENT MAINTENANCE MANUAL

PART NUMBER	AIRLINE PART NUMBER	FIGURE	ITEM	UNITS PER ASSEMBLY
S283N702-5		1	66	1
		2	66	1
		3	86	1
		4	86	1
		5	67	1
		6	67	1
		7	86	1
		8	86	1
		9	67	1
S283N702-7		3	86A	1
S412N101-1		1	203	4
		2	203	4
		3	225	4
		4	225	4
		5	193	4
		6	211	4
		7	225	4
		8	225	4
		9	173	4
		10	173	4
S412N101-1030		2	780	1
		5	422	1
		6	449	1
		7	520B	1
		10	562	1
S412N101-1031		3	520B	1
		3	520B	1
		4	443	1
		4	443	1
		8	520	1
		8	520	1
S412N101-1035		1	782	1
S412N101-1040		4	443A	1
		7	520A	1
S412N101-1130		1	780	1

# 25-28-47

ILLUSTRATED PARTS LIST

Page 1098.25

Mar 01/2006



## COMPONENT MAINTENANCE MANUAL

PART NUMBER	AIRLINE PART NUMBER	FIGURE	ITEM	UNITS PER ASSEMBLY
		1	780	1
		3	520	1
		3	520	1
		6	449B	1
		9	562	1
S412N101-2014		7	521	1
S412N101-2015		7	521A	1
S412N101-2016		7	521B	1
S412N101-2017		7	521C	1
S412N101-2021		2	775	1
S412N101-2022		1	784	1
		1	784	1
S412N101-2026		3	520A	1
S412N101-2122		1	775	1
S412N101-3014		8	520A	1
		8	520A	1
S412N101-3015		9	562A	1
		9	562A	1
S412N101-3016		8	520B	1
		8	520B	1
S412N101-3018		10	562A	1
S412N101-3020		2	775	1
S412N101-3021		2	781	1
S412N101-3023		6	449A	1
S412N101-3026		3	520C	1
S412N102-1		1	408	1
		1	620	1
		2	408	1
		2	620	1
		3	371	1
		3	452	1
		4	371	1
		5	326	1
		6	350	1
		6	842	1

# 25-28-47

ILLUSTRATED PARTS LIST

Page 1098.26

Mar 01/2006



## COMPONENT MAINTENANCE MANUAL

PART NUMBER	AIRLINE PART NUMBER	FIGURE	ITEM	UNITS PER ASSEMBLY
		7	371	1
		7	452	1
		8	371	1
		9	425	1
		9	505	1
		10	425	1
		10	505	1
S412N102-15		7	374A	1
S412N102-16		7	368A	1
S412N102-17		6	347A	1
S412N102-18		6	350A	1
S412N102-2		1	405	1
		2	405	1
		3	368	1
		3	452A	1
		4	368	1
		5	323	1
		6	347	1
		7	368	1
		8	368	1
		8	452	1
		9	422	1
		10	422	1
S412N104-1		1	411	1
		2	411	1
		3	374	1
		4	374	1
		5	329	1
		6	353	1
		7	374	1
		8	374	1
		9	428	1
		10	428	1
S417N507-16		3	71A	1
		4	71A	1

# 25-28-47

ILLUSTRATED PARTS LIST

Page 1098.27

Mar 01/2006



## COMPONENT MAINTENANCE MANUAL

PART NUMBER	AIRLINE PART NUMBER	FIGURE	ITEM	UNITS PER ASSEMBLY
		7	71A	1
		8	71A	1
		80	1	RF
S417N507-17		3	71B	1
S417N507-20		1	84	1
		80	1A	RF
S417N507-22		2	84	1
		80	1B	RF
S417N507-29		10	55	1
		80	1C	RF
S417N507-33		5	55	1
S417N507-36		6	55	1
		9	55	1
S417N507-37		6	55A	1
S417N507-38		6	55B	1
S417N507-6		3	70	1
		4	70	1
		7	70	1
		8	70	1
		80	1D	RF
SB113		1	411	1
		2	411	1
		3	374	1
		4	374	1
		5	329	1
		6	353	1
		7	374	1
		8	374	1
		9	428	1
		10	428	1
SL210-06-2		1	745	8
		2	745	8
		3	500	4
		4	425	4
		5	404	4

# 25-28-47

ILLUSTRATED PARTS LIST

Page 1098.28

Mar 01/2006





## COMPONENT MAINTENANCE MANUAL

PART NUMBER	AIRLINE PART NUMBER	FIGURE	ITEM	UNITS PER ASSEMBLY
SL210-08-1		6	431	4
		7	500	8
		8	500	8
		9	544	4
		10	544	8
		1	760	8
		2	760	8
		3	511	8
		4	434	4
		5	413	4
SL2334-3A2		6	440	4
		7	511	8
		8	511	8
		9	553	4
		10	553	8
		1	138	9
		1	964	10
		1	973	4
		2	138	9
		2	912	10
		2	924	4
		3	194	9
		3	654	4
		3	663	4
		4	194	9
		4	523	4
		5	161	9
		5	488	4
		6	166	9
		6	518	4
	7	194	9	
	7	627	4	
	8	194	9	
	8	594	4	
	9	161	9	

# 25-28-47

ILLUSTRATED PARTS LIST

Page 1098.29

Mar 01/2006



## COMPONENT MAINTENANCE MANUAL

PART NUMBER	AIRLINE PART NUMBER	FIGURE	ITEM	UNITS PER ASSEMBLY
SL3378-3-380		9	650	4
		10	161	9
		10	626	4
		1	1000	16
		2	1000	16
		7	669	16
		8	627	16
		9	688	13
		10	674	13
		SL5-3-145S		1
2	1070			16
3	798			21
4	607			16
5	599			18
6	628			16
7	738			16
8	696			16
9	757			13
10	754			13
SL628-3A		1	224	8
		2	224	8
		3	243	8
		4	243	8
		5	211	8
		6	239	8
		7	243	8
		8	243	8
		9	194	8
		10	194	8
T8076S1032		1	1080	7
		1	1080	7
		1	1091	6
		1	1091	6
		2	1080	7
		2	1080	7

# 25-28-47

ILLUSTRATED PARTS LIST

Page 1098.30

Mar 01/2006



## COMPONENT MAINTENANCE MANUAL

PART NUMBER	AIRLINE PART NUMBER	FIGURE	ITEM	UNITS PER ASSEMBLY
		2	1091	6
		2	1091	6
		3	807	7
		3	807	7
		3	819	6
		3	819	6
		3	876	3
		3	876	3
		4	616	7
		4	616	7
		4	627	6
		4	627	6
		4	656	3
		4	656	3
		5	608	6
		5	608	6
		5	620	5
		5	620	5
		6	637	6
		6	637	6
		6	649	5
		6	649	5
		7	747	6
		7	747	6
		7	759	6
		7	759	6
		8	705	7
		8	705	7
		8	717	6
		8	717	6
		9	766	6
		9	766	6
		9	778	5
		9	778	5
		10	766	6

# 25-28-47

ILLUSTRATED PARTS LIST

Page 1098.31

Mar 01/2006



## COMPONENT MAINTENANCE MANUAL

PART NUMBER	AIRLINE PART NUMBER	FIGURE	ITEM	UNITS PER ASSEMBLY
V060116 VN202A1-02		10	766	6
		10	778	5
		10	778	5
		2	81	1
		1	1080	7
		1	1091	6
		2	1080	7
		2	1091	6
		3	807	7
		3	819	6
		3	876	3
		4	616	7
		4	627	6
		4	656	3
		5	608	6
		5	620	5
		6	637	6
		6	649	5
		7	747	6
		7	759	6
	8	705	7	
	8	717	6	
	9	766	6	
	9	778	5	
	10	766	6	
	10	778	5	

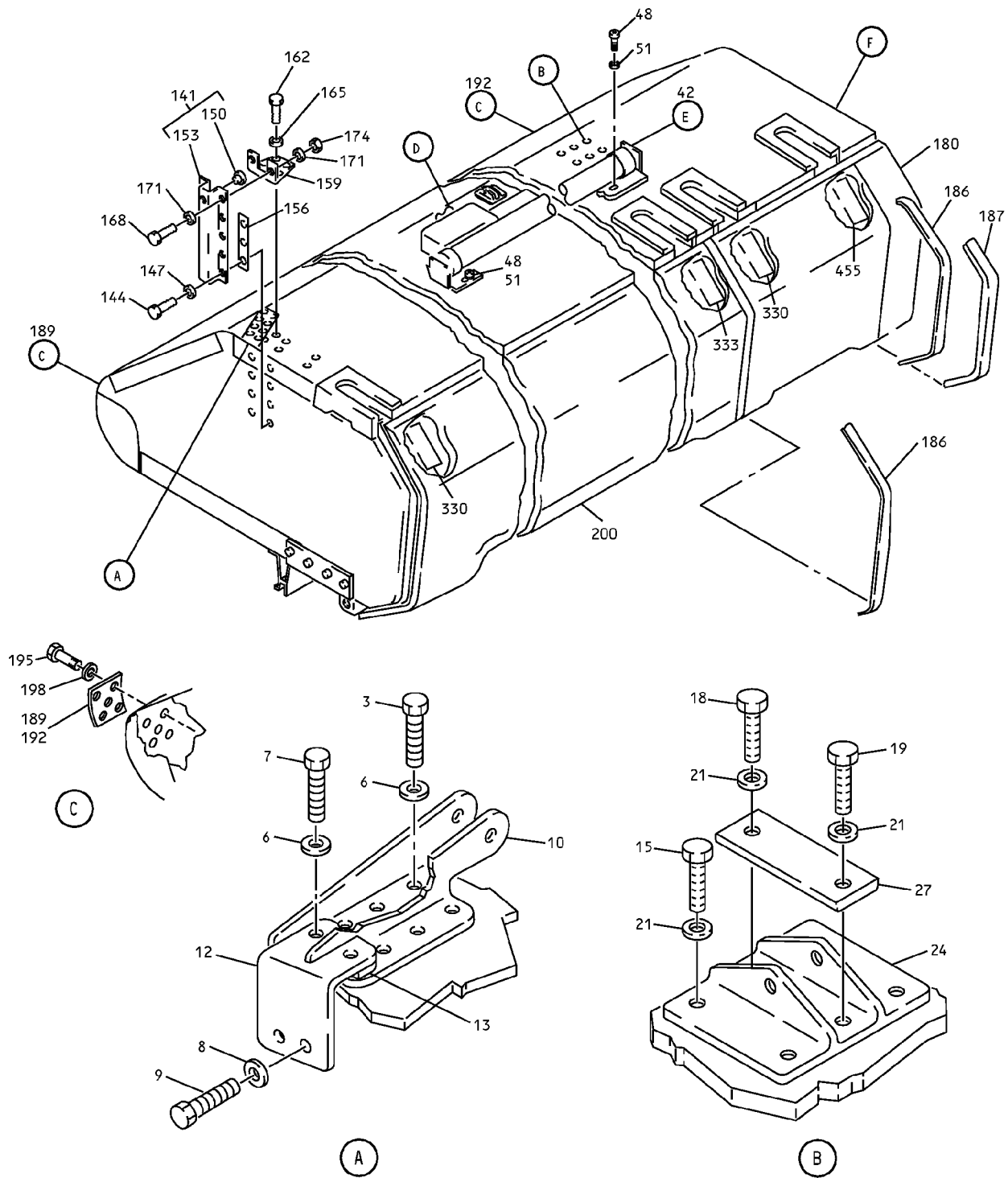
# 25-28-47

ILLUSTRATED PARTS LIST

Page 1098.32

Mar 01/2006

COMPONENT MAINTENANCE MANUAL



Overhead Storage Compartment Assembly  
IPL Figure 1 (Sheet 1 of 18)

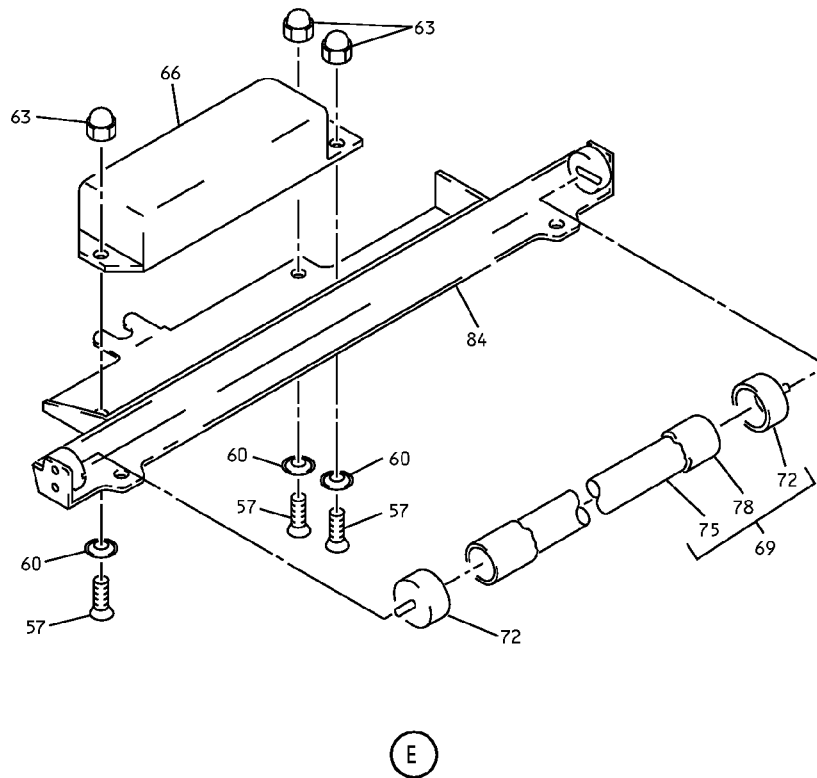
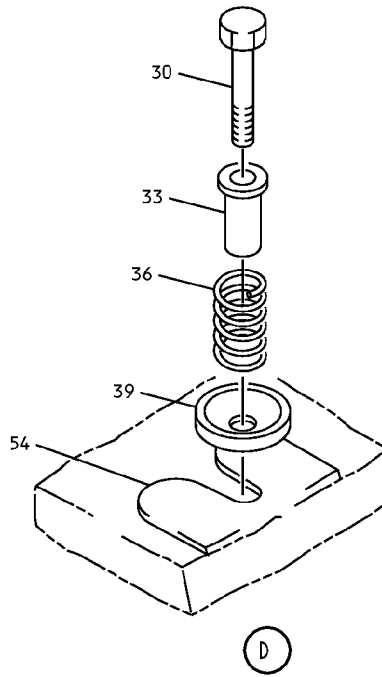
**25-28-47**

ILLUSTRATED PARTS LIST

Page 1098.33

Mar 01/2006

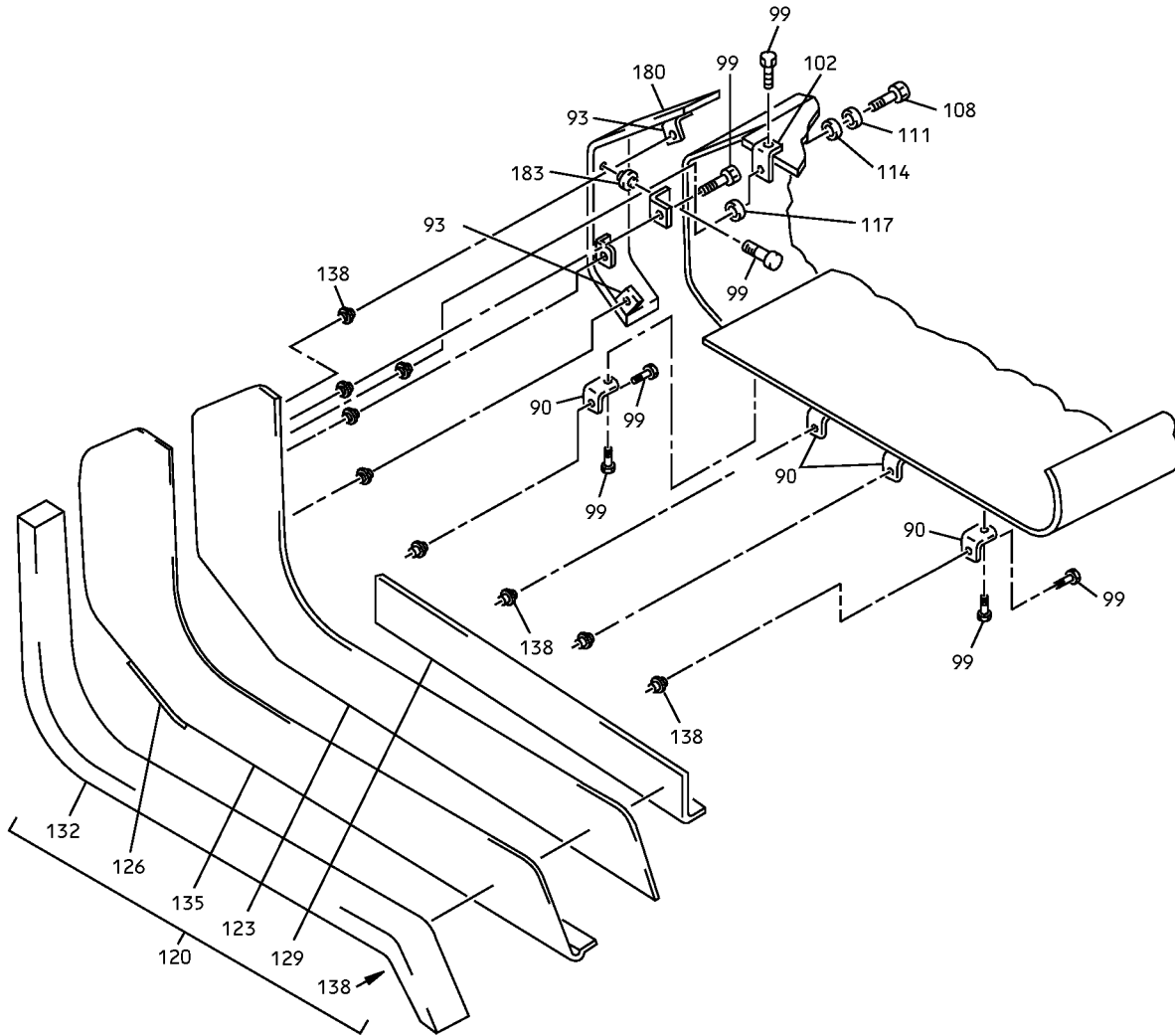
COMPONENT MAINTENANCE MANUAL



Overhead Stowage Compartment Assembly  
IPL Figure 1 (Sheet 2 of 18)

**25-28-47**  
ILLUSTRATED PARTS LIST  
Page 1098.34  
Mar 01/2006

COMPONENT MAINTENANCE MANUAL



F

Overhead Stowage Compartment Assembly  
IPL Figure 1 (Sheet 3 of 18)

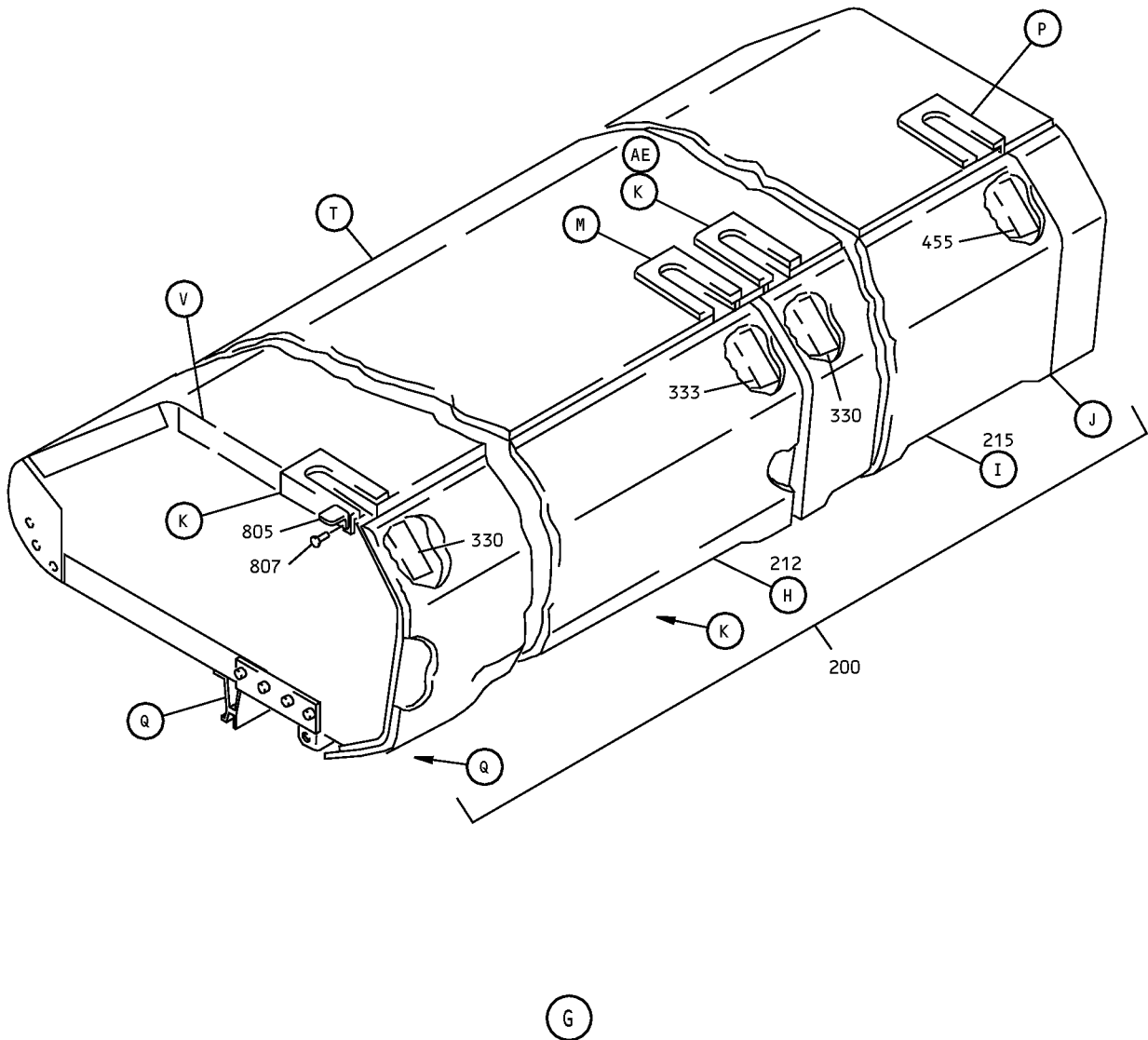
**25-28-47**

ILLUSTRATED PARTS LIST

Page 1098.35

Mar 01/2006

COMPONENT MAINTENANCE MANUAL

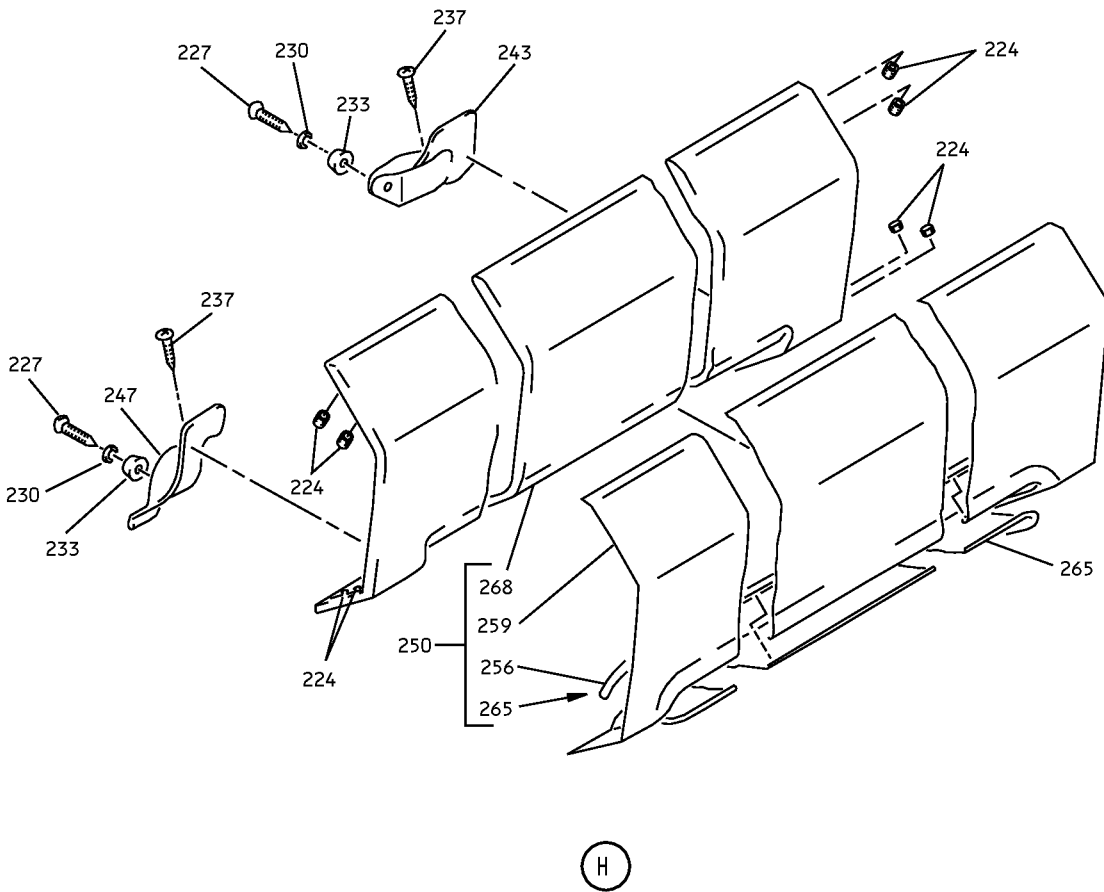


Overhead Stowage Compartment Assembly  
IPL Figure 1 (Sheet 4 of 18)

**25-28-47**  
ILLUSTRATED PARTS LIST  
Page 1098.36  
Mar 01/2006



COMPONENT MAINTENANCE MANUAL



Overhead Storage Compartment Assembly  
IPL Figure 1 (Sheet 5 of 18)

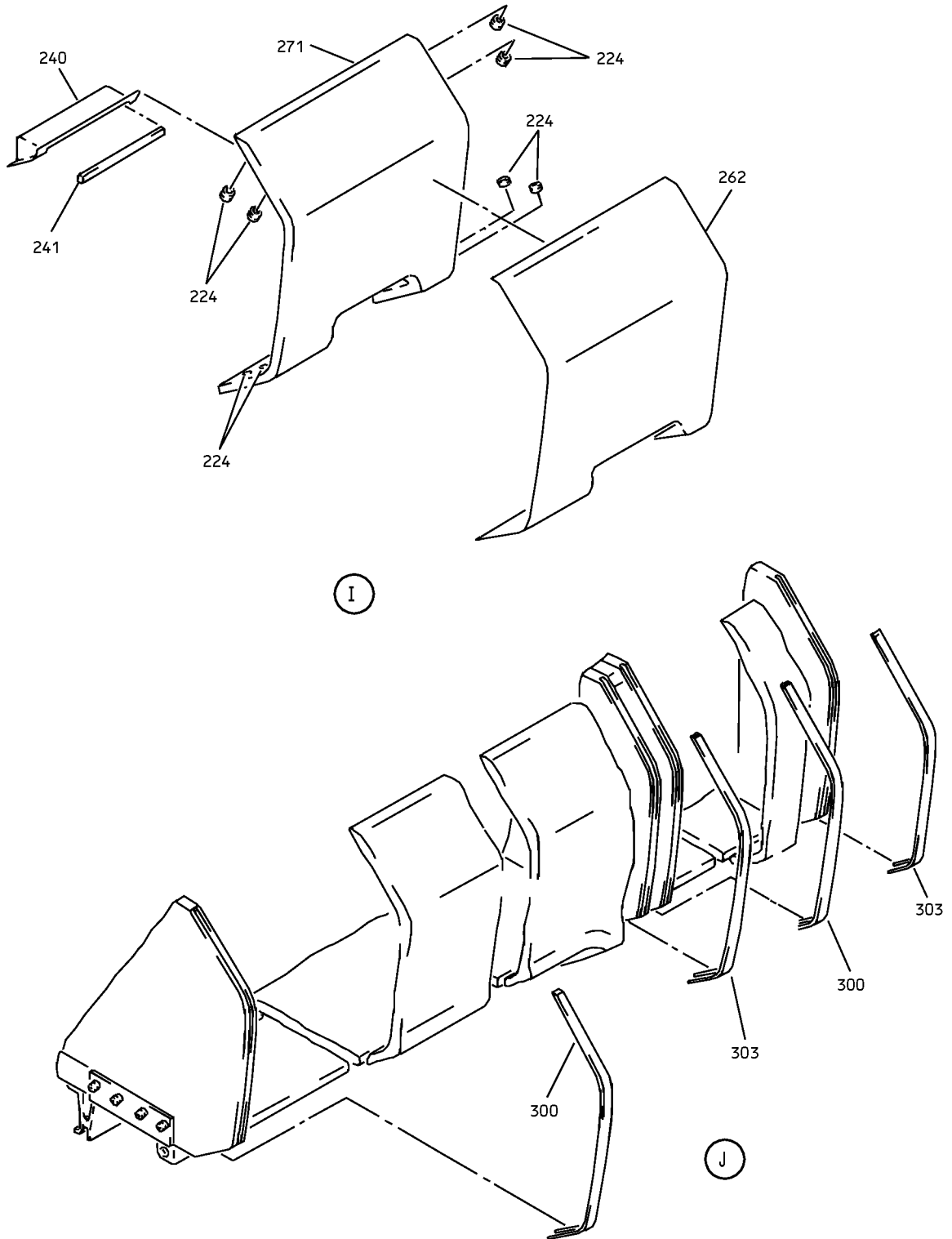
**25-28-47**

ILLUSTRATED PARTS LIST

Page 1098.37

Mar 01/2006

COMPONENT MAINTENANCE MANUAL



Overhead Storage Compartment Assembly  
IPL Figure 1 (Sheet 6 of 18)

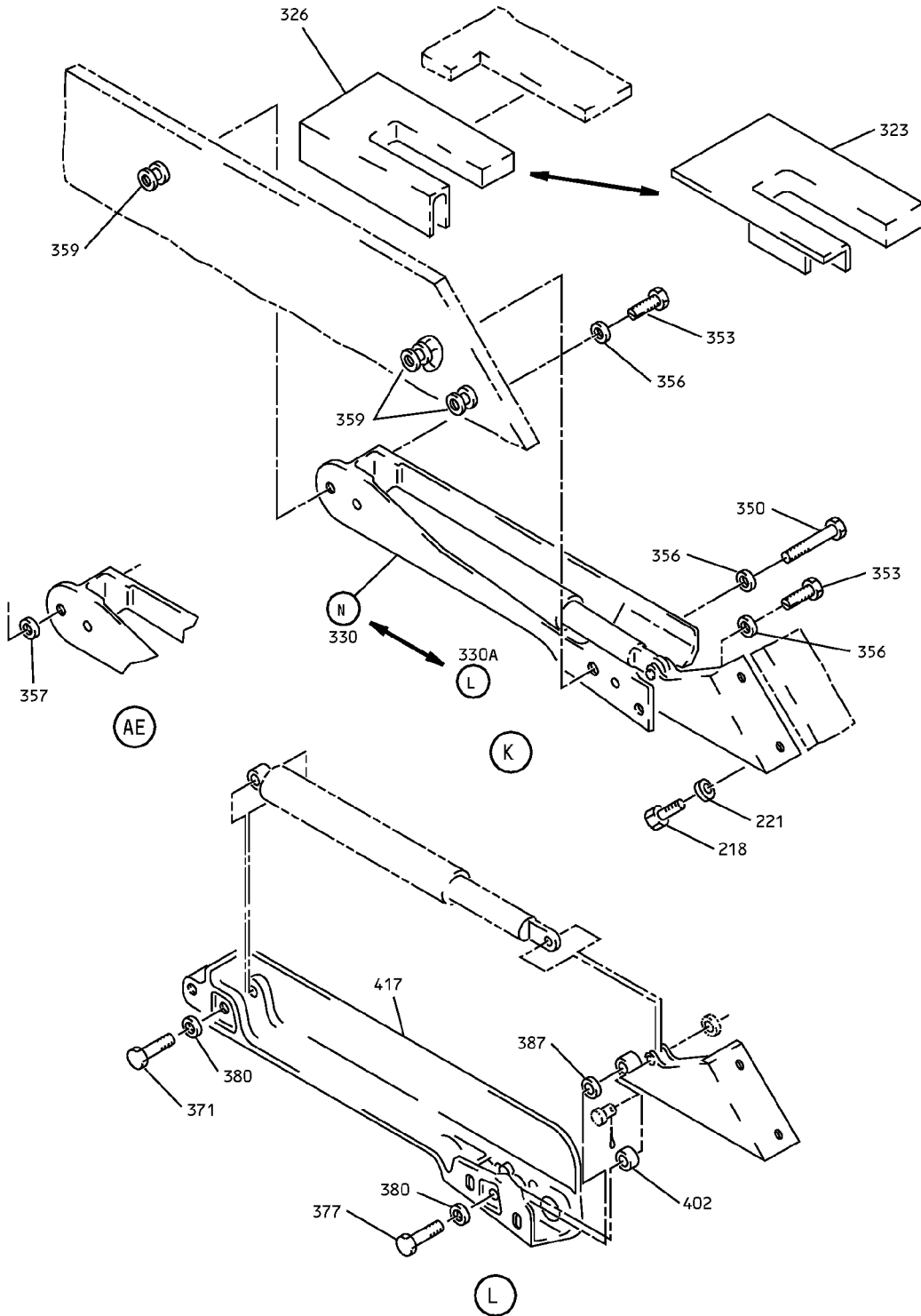
**25-28-47**

ILLUSTRATED PARTS LIST

Page 1098.38

Mar 01/2006

COMPONENT MAINTENANCE MANUAL



Overhead Stowage Compartment Assembly  
IPL Figure 1 (Sheet 7 of 18)

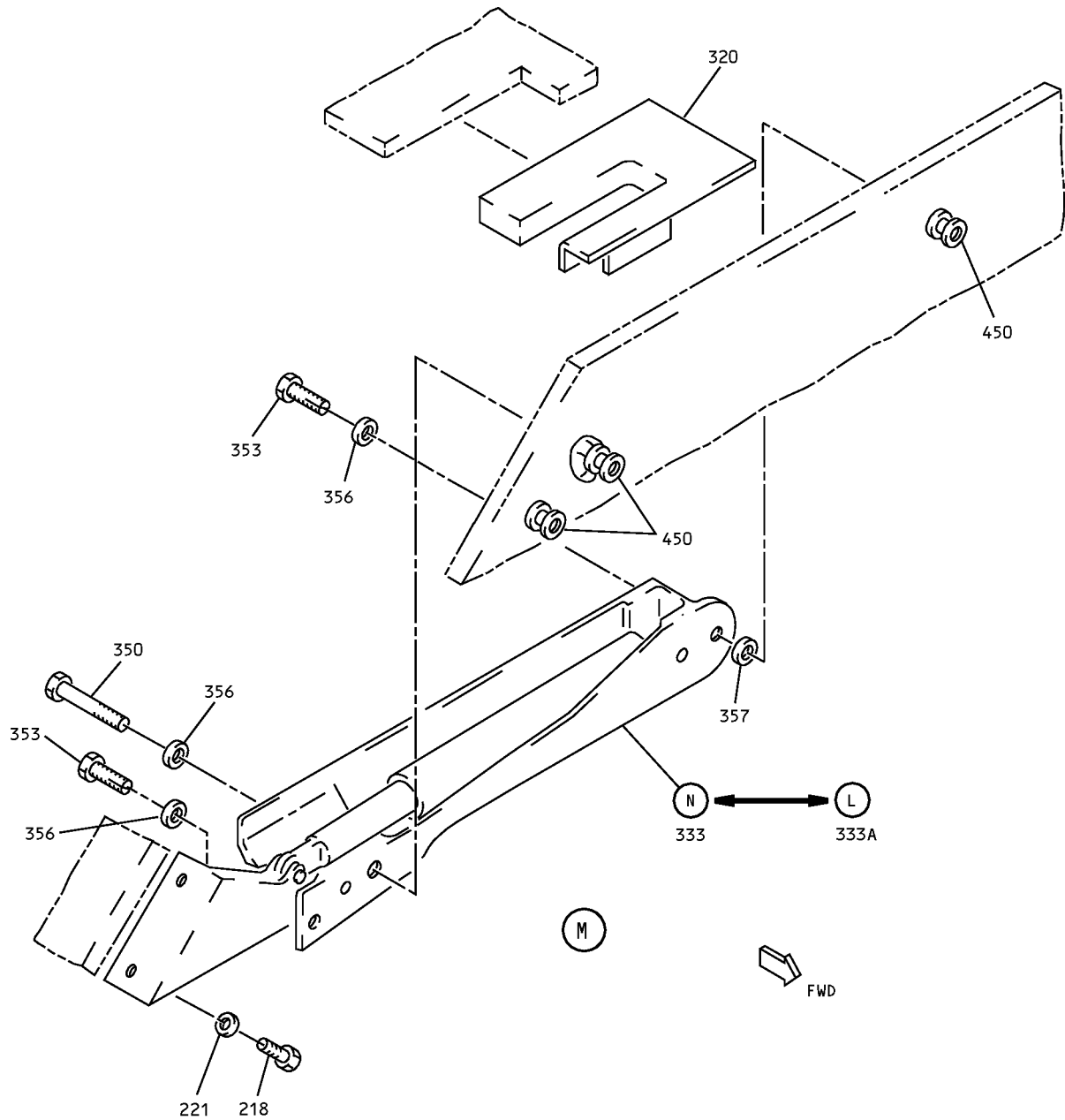
**25-28-47**

ILLUSTRATED PARTS LIST

Page 1098.39

Mar 01/2006

COMPONENT MAINTENANCE MANUAL



Overhead Stowage Compartment Assembly  
IPL Figure 1 (Sheet 8 of 18)

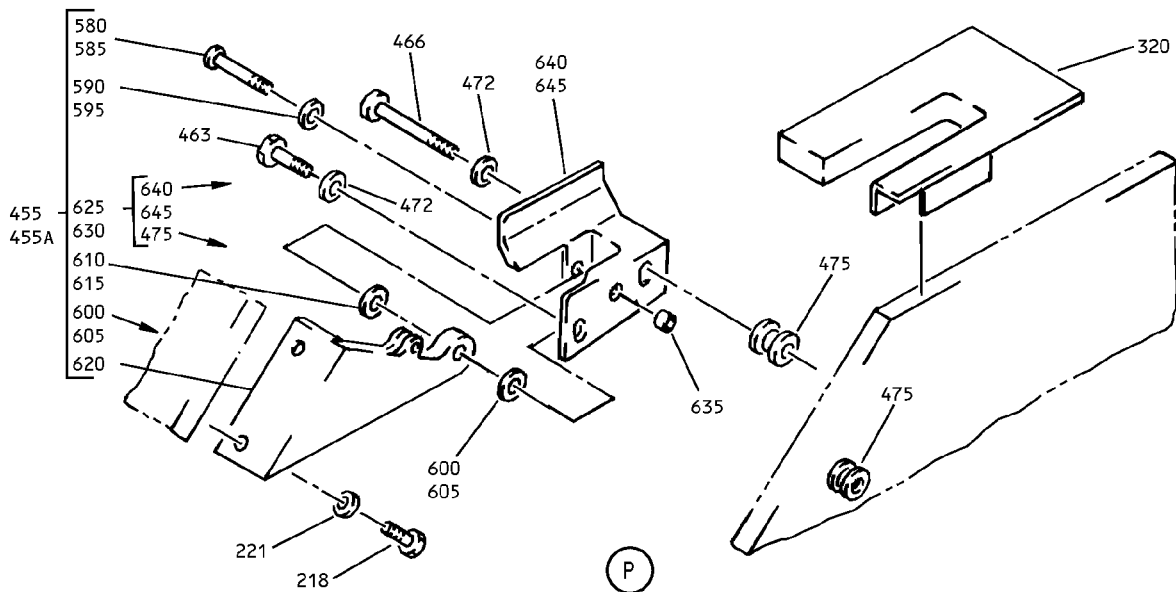
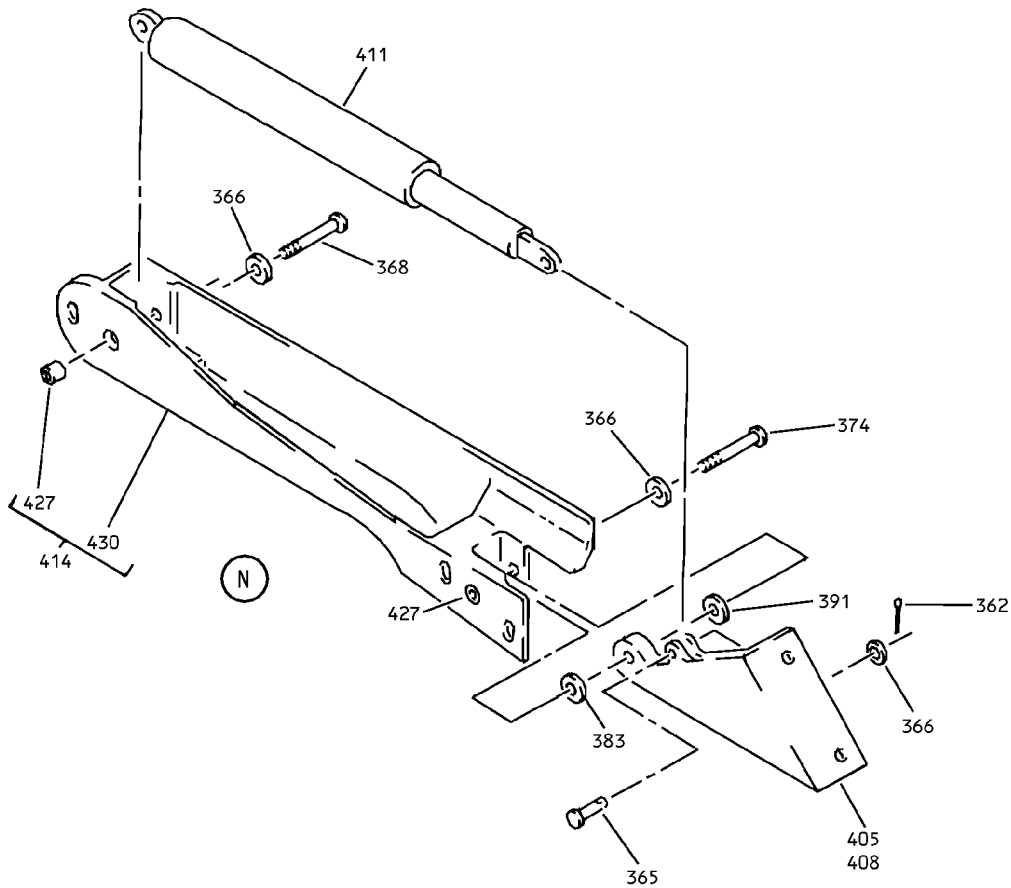
**25-28-47**

ILLUSTRATED PARTS LIST

Page 1098.40

Mar 01/2006

COMPONENT MAINTENANCE MANUAL



Overhead Storage Compartment Assembly  
IPL Figure 1 (Sheet 9 of 18)

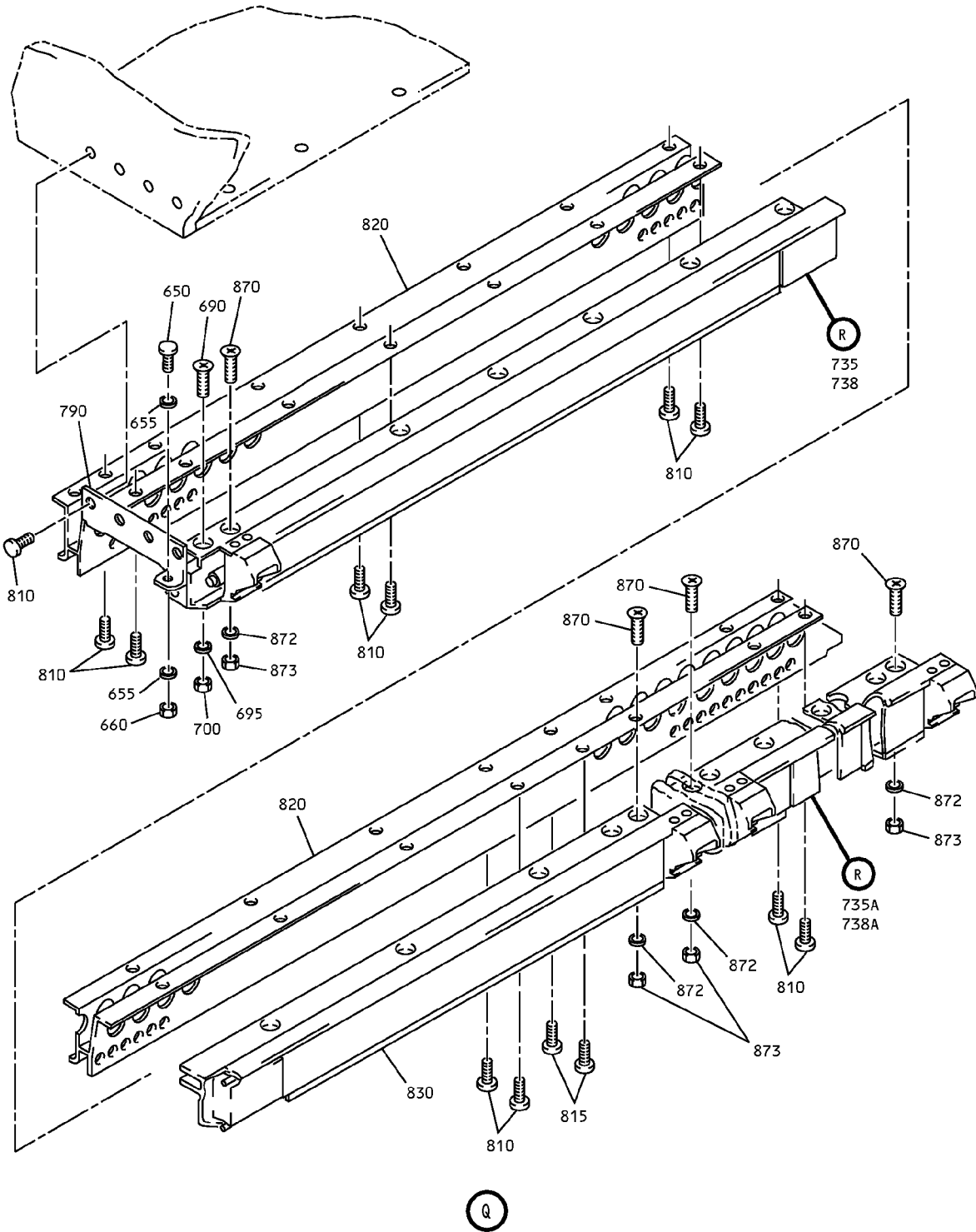
**25-28-47**

ILLUSTRATED PARTS LIST

Page 1098.41

Mar 01/2006

# COMPONENT MAINTENANCE MANUAL



Overhead Stowage Compartment Assembly  
IPL Figure 1 (Sheet 10 of 18)

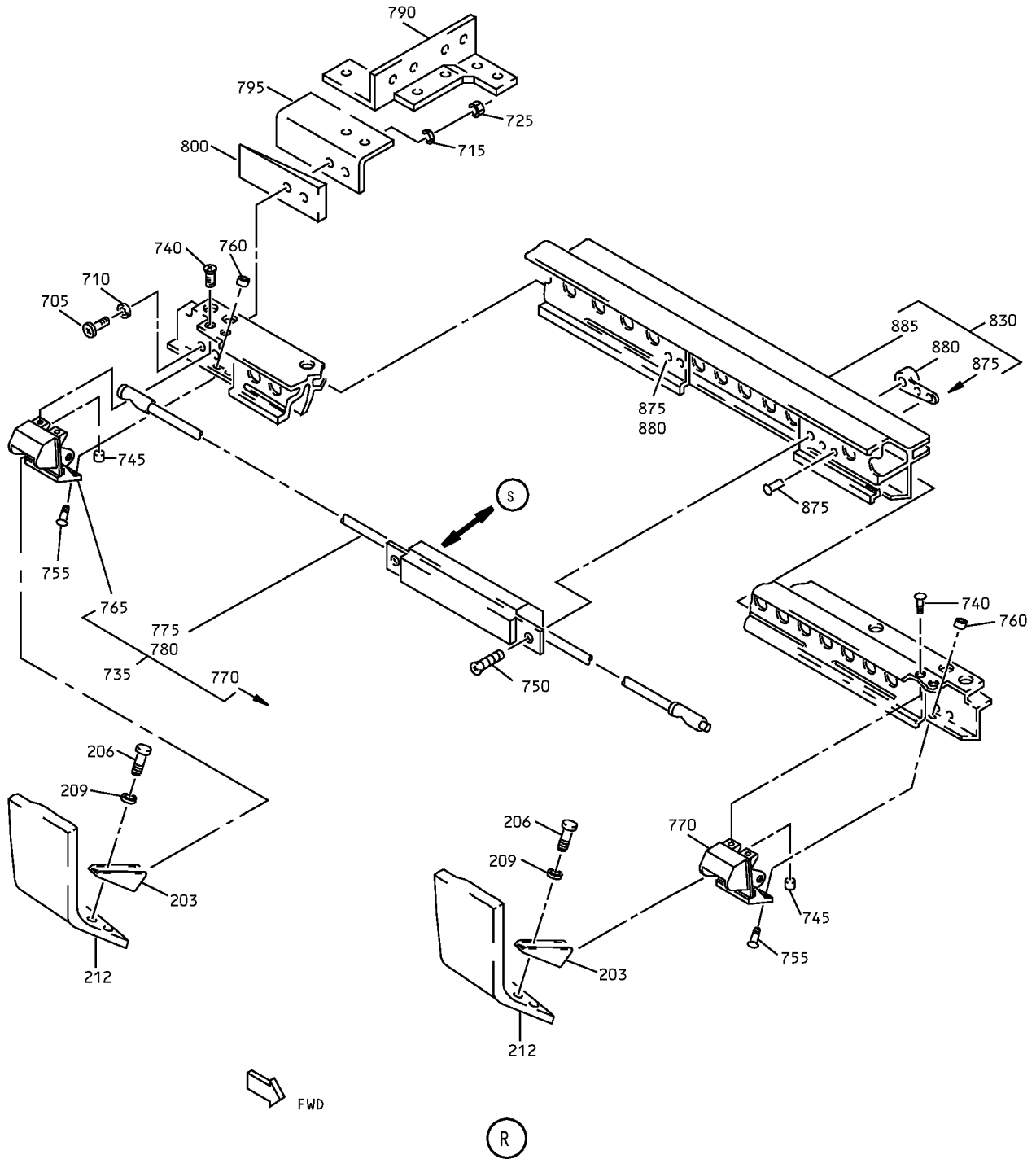
## 25-28-47

ILLUSTRATED PARTS LIST

Page 1098.42

Mar 01/2006

COMPONENT MAINTENANCE MANUAL



Overhead Storage Compartment Assembly  
IPL Figure 1 (Sheet 11 of 18)

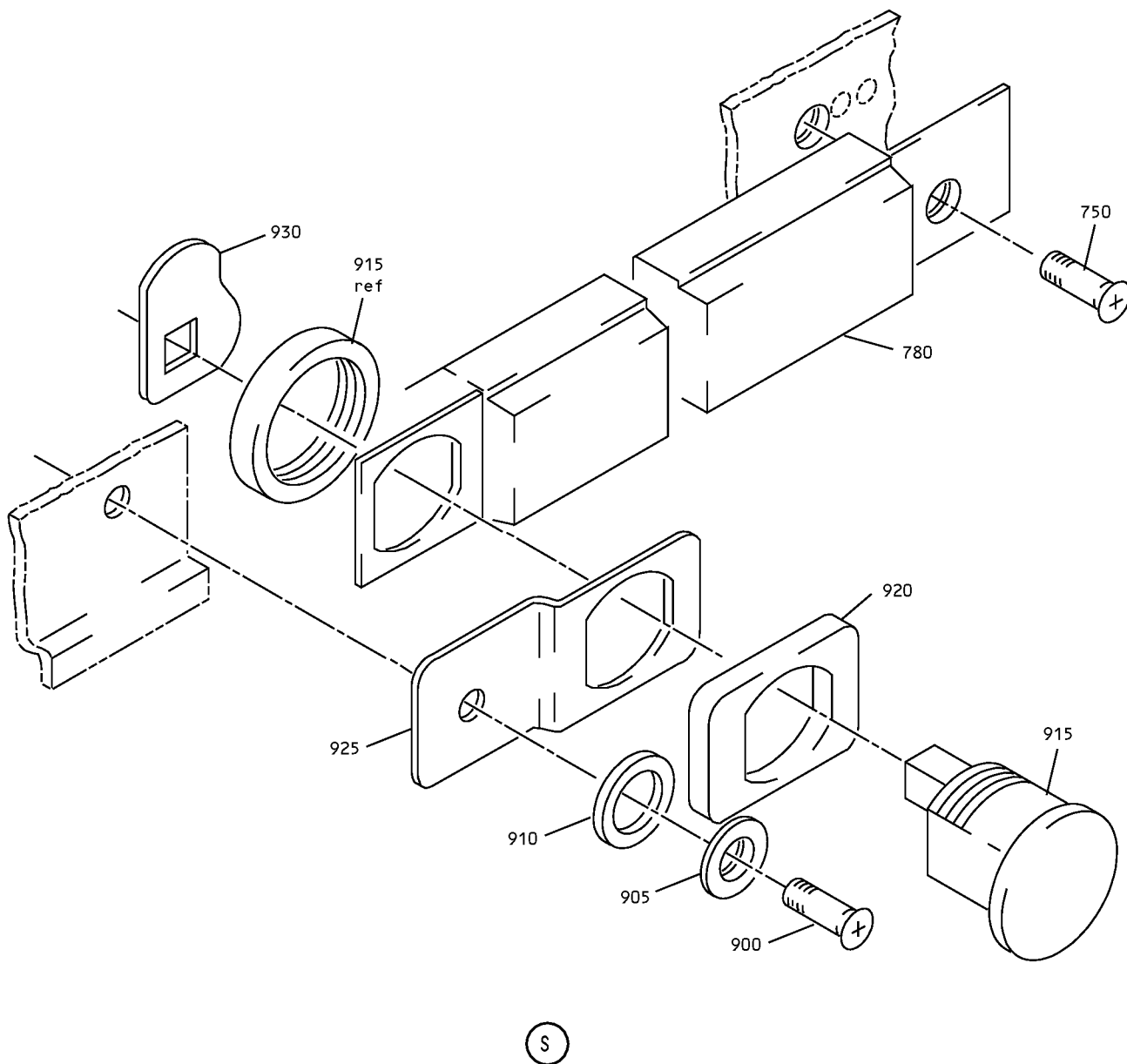
**25-28-47**

ILLUSTRATED PARTS LIST

Page 1098.43

Mar 01/2006

COMPONENT MAINTENANCE MANUAL



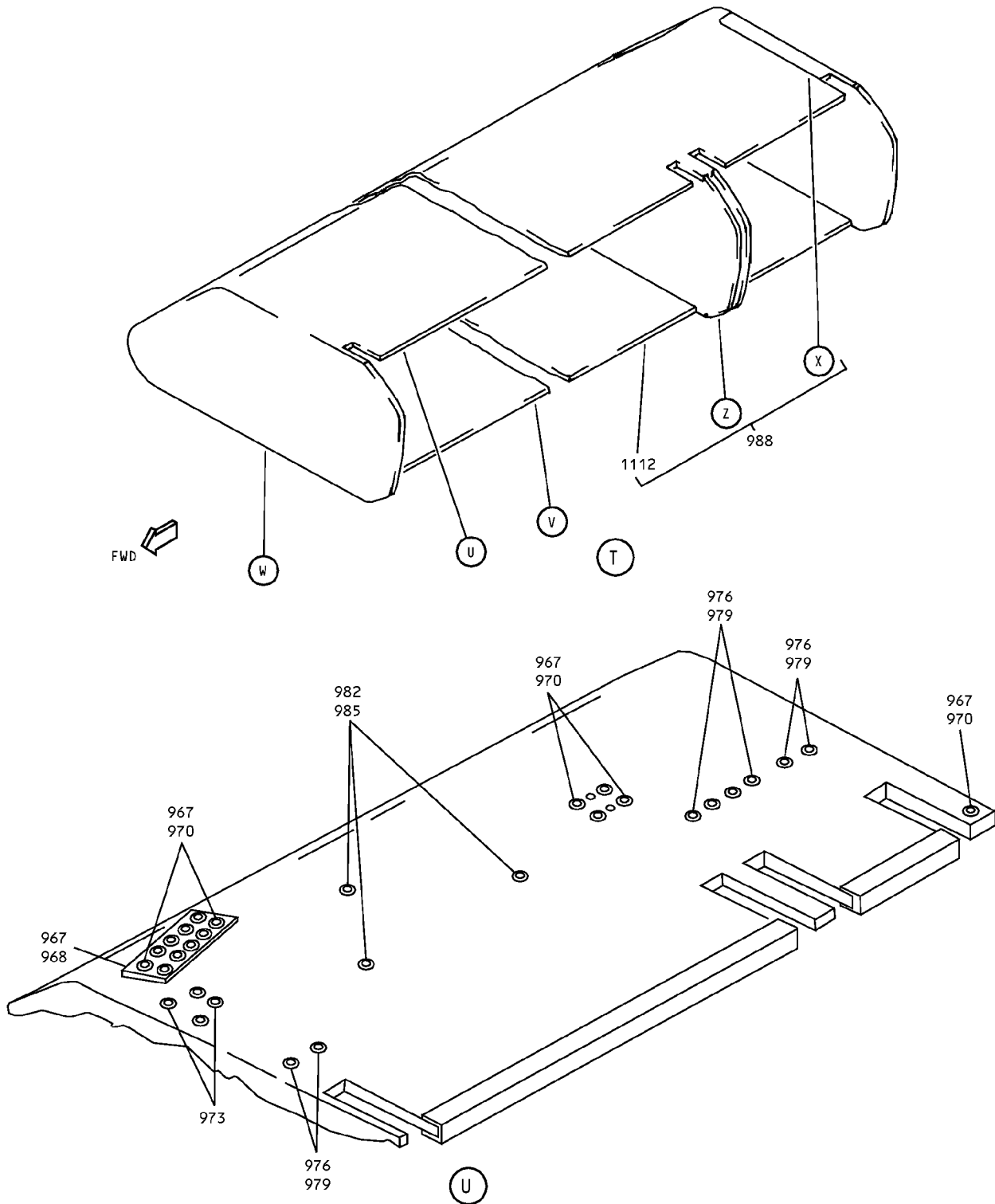
(S)

Overhead Stowage Compartment Assembly  
IPL Figure 1 (Sheet 12 of 18)

**25-28-47**  
ILLUSTRATED PARTS LIST  
Page 1098.44  
Mar 01/2006



# COMPONENT MAINTENANCE MANUAL



Overhead Storage Compartment Assembly  
IPL Figure 1 (Sheet 13 of 18)

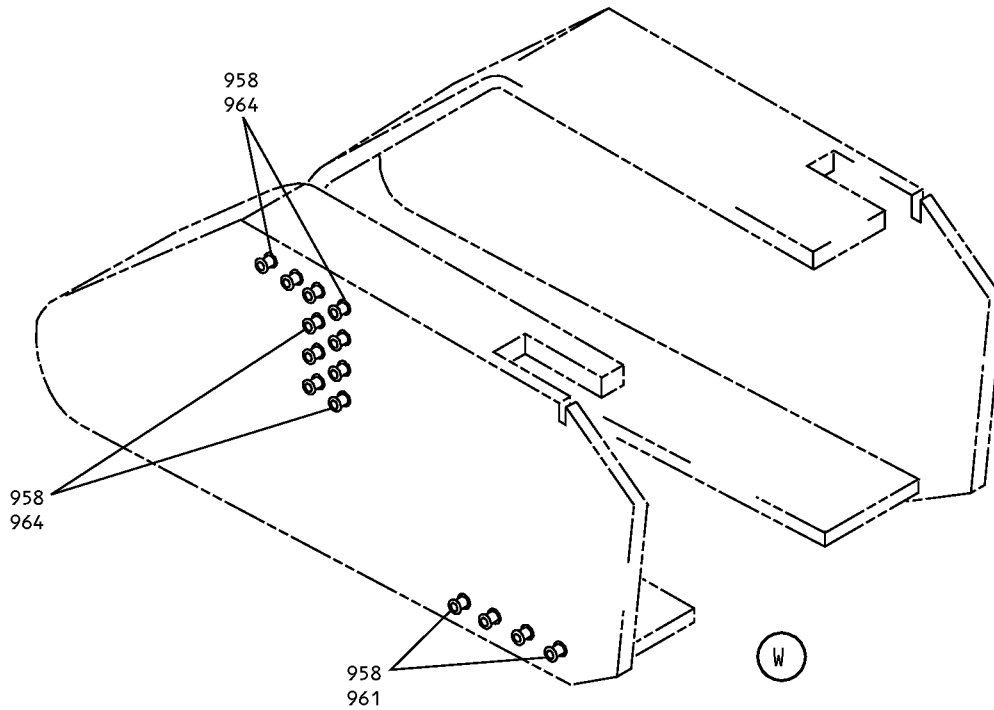
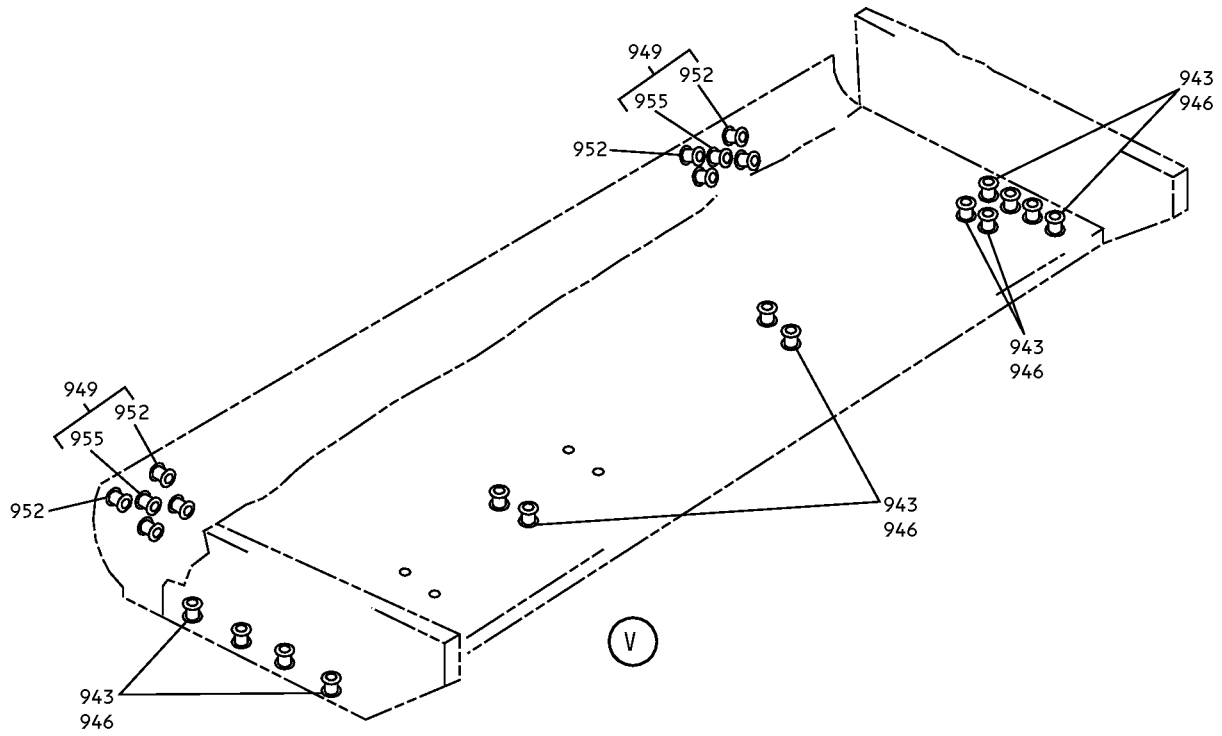
## 25-28-47

ILLUSTRATED PARTS LIST

Page 1098.45

Mar 01/2006

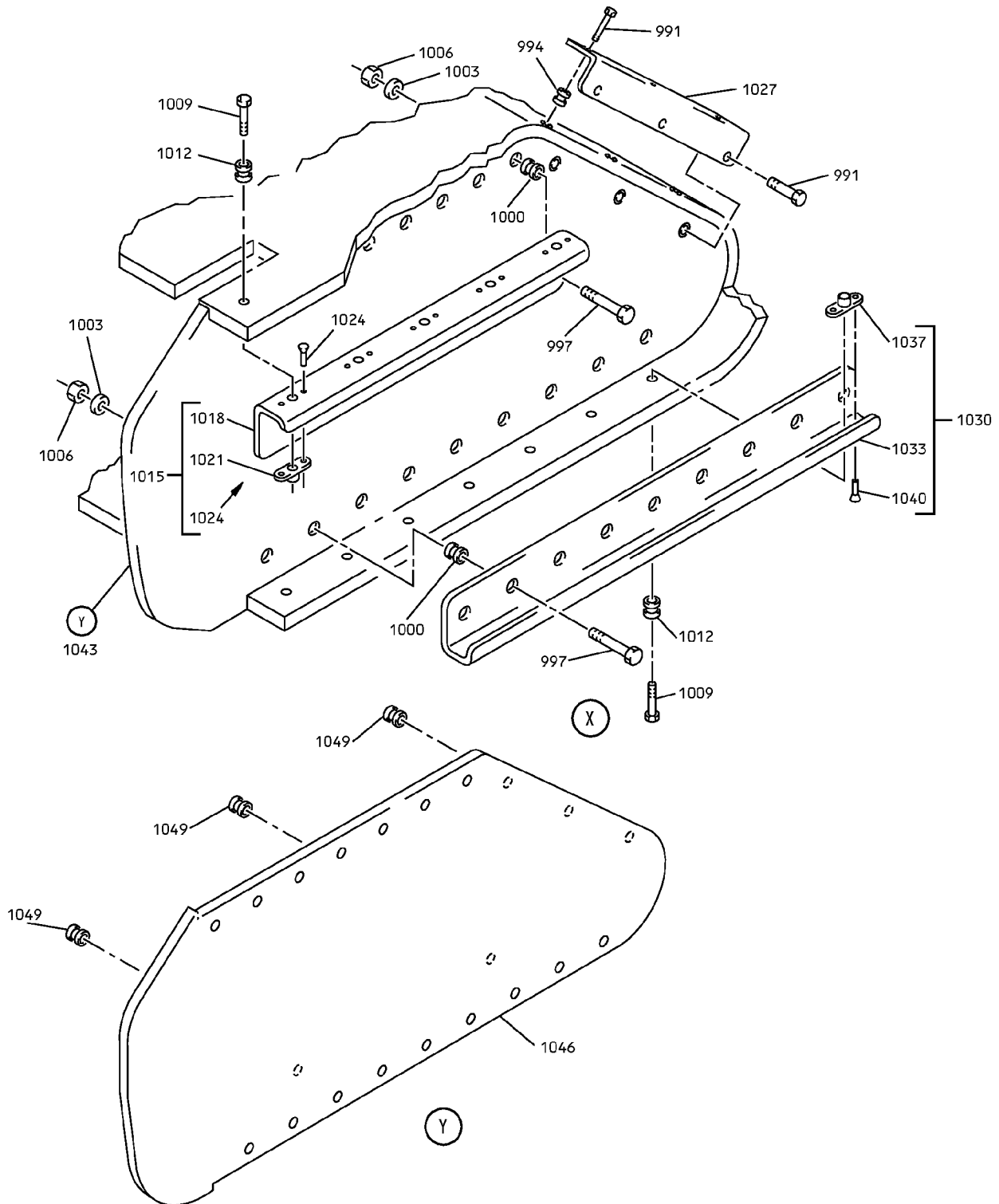
# COMPONENT MAINTENANCE MANUAL



Overhead Storage Compartment Assembly  
IPL Figure 1 (Sheet 14 of 18)

**25-28-47**  
ILLUSTRATED PARTS LIST  
Page 1098.46  
Mar 01/2006

COMPONENT MAINTENANCE MANUAL



Overhead Stowage Compartment Assembly  
IPL Figure 1 (Sheet 15 of 18)

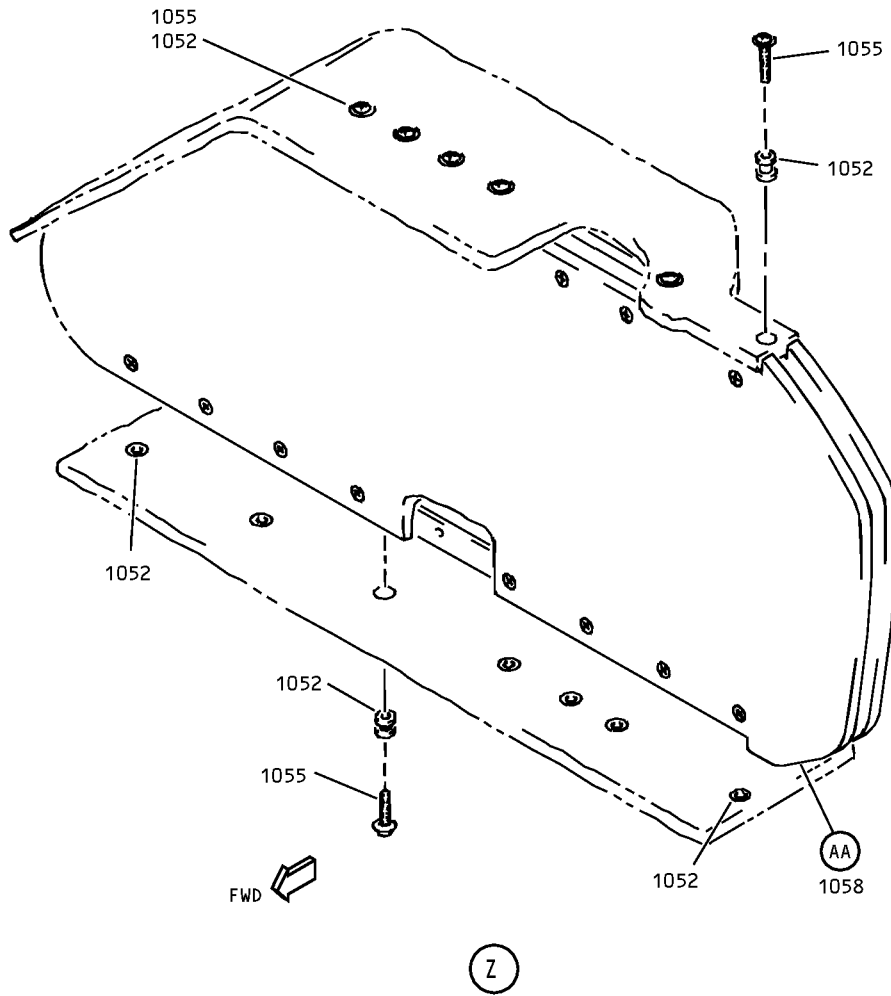
**25-28-47**

ILLUSTRATED PARTS LIST

Page 1098.47

Mar 01/2006

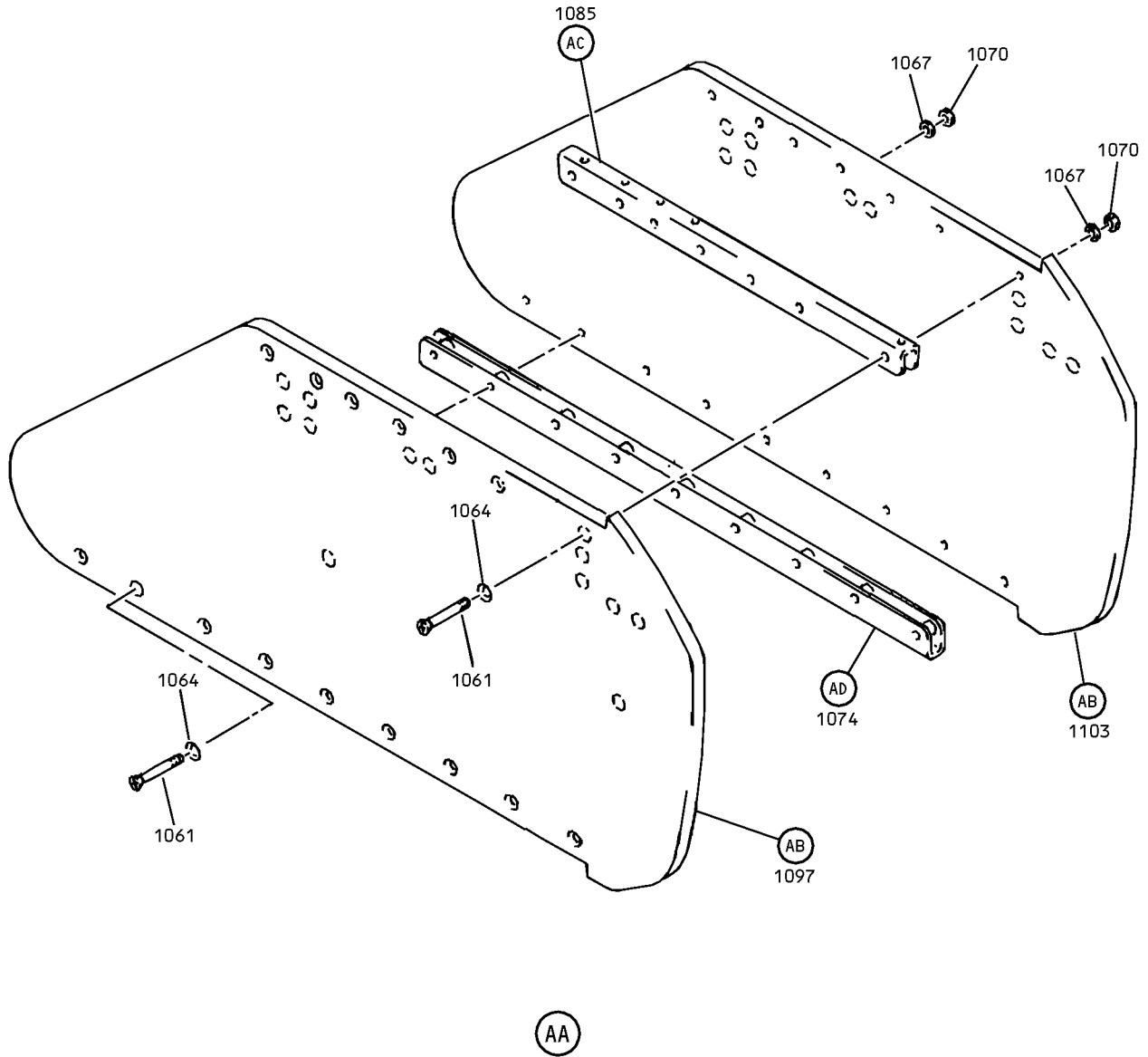
COMPONENT MAINTENANCE MANUAL



Overhead Storage Compartment Assembly  
IPL Figure 1 (Sheet 16 of 18)

**25-28-47**  
ILLUSTRATED PARTS LIST  
Page 1098.48  
Mar 01/2006

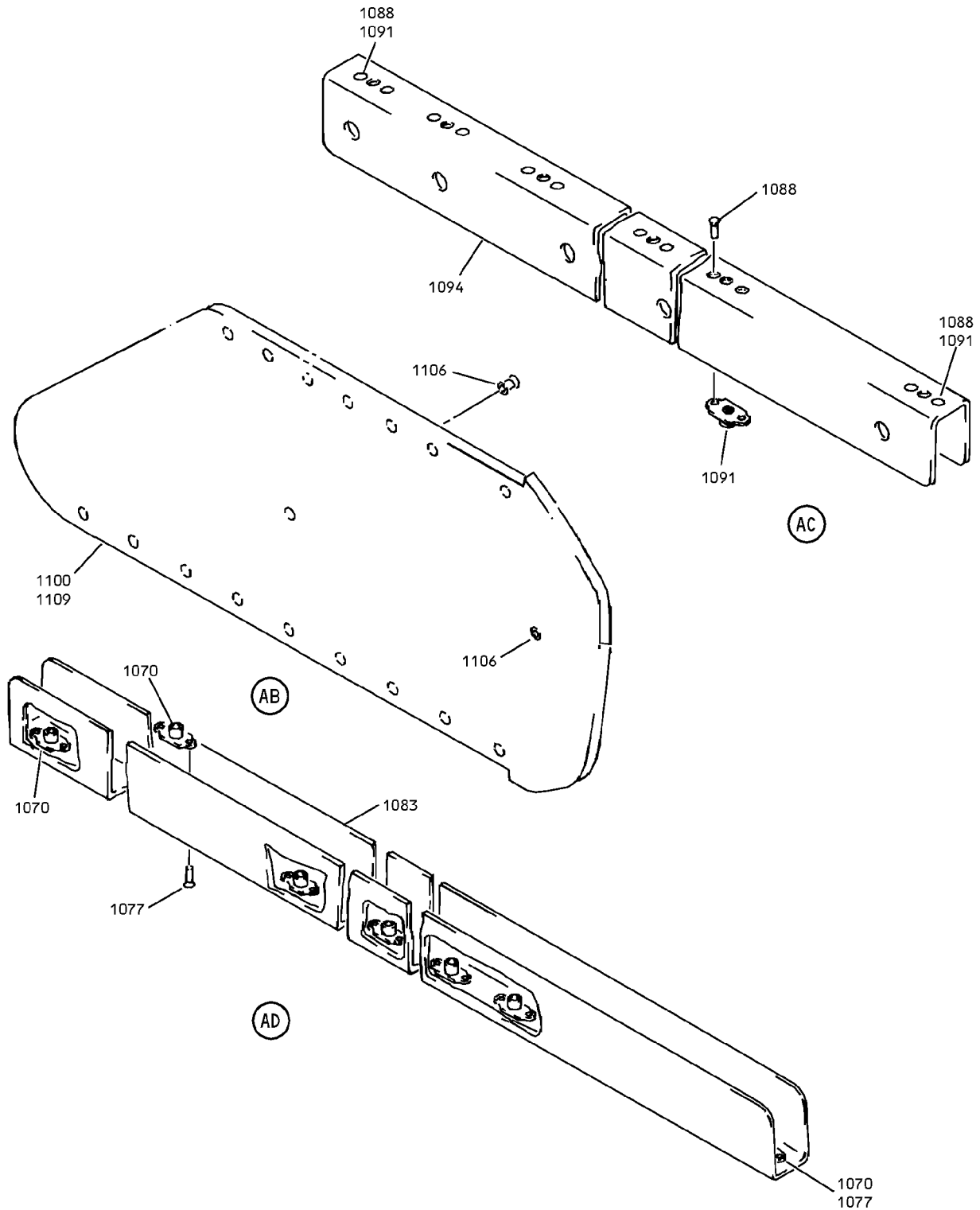
COMPONENT MAINTENANCE MANUAL



Overhead Stowage Compartment Assembly  
IPL Figure 1 (Sheet 17 of 18)

**25-28-47**  
ILLUSTRATED PARTS LIST  
Page 1098.49  
Mar 01/2006

COMPONENT MAINTENANCE MANUAL



Overhead Storage Compartment Assembly  
IPL Figure 1 (Sheet 18 of 18)

**25-28-47**

ILLUSTRATED PARTS LIST

Page 1098.50

Mar 01/2006



## COMPONENT MAINTENANCE MANUAL

FIG/ ITEM	PART NUMBER	AIRLINE PART NUMBER	NOMENCLATURE							USAGE CODE	UNITS PER ASSY
			1	2	3	4	5	6	7		
1-											
-1A	65C27006-50SP										RF
-1B	65C27006-51SP										
-1C	65C27006-52SP										
-1D	65C27006-55SP										
-1E	65C27006-56SP										
-1F	65C27006-58SP										

-Item not Illustrated

# 25-28-47

ILLUSTRATED PARTS LIST

Page 1098.51

Mar 01/2006



## COMPONENT MAINTENANCE MANUAL

FIG/ ITEM	PART NUMBER	AIRLINE PART NUMBER	NOMENCLATURE							USAGE CODE	UNITS PER ASSY
			1	2	3	4	5	6	7		
1- -1G	65C27006-59SP		COMPARTMENT ASSY-OVERHEAD STOWAGE (FOR DETAILS SEE FIG. 8) (REWORKED BY ALERT SB 737- 25A1283) (REWORKED BY SB 737-25-1294) (NO EQUIVALENT BOEING REPLACEMENT PART NUMBER)								
-1H	65C27006-60SP		COMPARTMENT ASSY-OVERHEAD STOWAGE (FOR DETAILS SEE FIG. 7) (REWORKED BY ALERT SB 737- 25A1283) (REWORKED BY SB 737-25-1294) (NO EQUIVALENT BOEING REPLACEMENT PART NUMBER)								
-1J	65C27006-62SP		COMPARTMENT ASSY-OVERHEAD STOWAGE (FOR DETAILS SEE FIG. 9) (REWORKED BY ALERT SB 737- 25A1283) (REWORKED BY SB 737-25-1294) (NO EQUIVALENT BOEING REPLACEMENT PART NUMBER)								
1K	65C27009-70SP		COMPARTMENT ASSY-OVERHEAD STOWAGE							A	RF
-1L	65C27009-73SP		COMPARTMENT ASSY-OVERHEAD STOWAGE (FOR DETAILS SEE FIG. 4)								
-1M	65C27009-74SP		COMPARTMENT ASSY-OVERHEAD STOWAGE (FOR DETAILS SEE FIG. 3)								
1N	65C27009-76SP		COMPARTMENT ASSY-OVERHEAD STOWAGE							B	RF
-1P	65C27009-77SP		COMPARTMENT ASSY-OVERHEAD STOWAGE (FOR DETAILS SEE FIG. 2)								RF
-1Q	65C27009-78SP		COMPARTMENT ASSY-OVERHEAD STOWAGE (FOR DETAILS SEE FIG. 6)								
-1R	65C27009-79SP		COMPARTMENT ASSY-OVERHEAD STOWAGE (FOR DETAILS SEE FIG. 5)								

-Item not Illustrated

# 25-28-47

ILLUSTRATED PARTS LIST

Page 1098.52

Mar 01/2006





## COMPONENT MAINTENANCE MANUAL

FIG/ ITEM	PART NUMBER	AIRLINE PART NUMBER	NOMENCLATURE							USAGE CODE	UNITS PER ASSY
			1	2	3	4	5	6	7		
1-											
-1S	65C27009-80SP										
-1T	65C27009-81SP										
-1U	65C27009-88SP										
-1V	65C27006-90SP										
-1W	65C27006-97SP										
-1X	65C27006-101SP										
-1Y	65C27006-102SP										

-Item not Illustrated

# 25-28-47

ILLUSTRATED PARTS LIST

Page 1098.53

Mar 01/2006



## COMPONENT MAINTENANCE MANUAL

FIG/ ITEM	PART NUMBER	AIRLINE PART NUMBER	NOMENCLATURE							USAGE CODE	UNITS PER ASSY
			1	2	3	4	5	6	7		
1- -2	65C27006-106SP		COMPARTMENT ASSY-OVERHEAD STOWAGE (FOR DETAILS SEE FIG. 3) (REWORKED BY ALERT SB 737- 25A1283) (REWORKED BY SB 737-25-1294) (NO EQUIVALENT BOEING REPLACEMENT PART NUMBER)								RF
-2B	65C27006-108SP		COMPARTMENT ASSY-OVERHEAD STOWAGE (FOR DETAILS SEE FIG. 6) (REWORKED BY ALERT SB 737- 25A1283) (REWORKED BY SB 737-25-1294) (NO EQUIVALENT BOEING REPLACEMENT PART NUMBER)								RF
-2C	65C27006-109SP		COMPARTMENT ASSY-OVERHEAD STOWAGE (FOR DETAILS SEE FIG. 4) (REWORKED BY ALERT SB 737- 25A1283) (REWORKED BY SB 737-25-1294) (NO EQUIVALENT BOEING REPLACEMENT PART NUMBER)								RF
-2D	65C27006-110SP		COMPARTMENT ASSY-OVERHEAD STOWAGE (FOR DETAILS SEE FIG. 3) (REWORKED BY ALERT SB 737- 25A1283) (REWORKED BY SB 737-25-1294) (NO EQUIVALENT BOEING REPLACEMENT PART NUMBER)								
-2E	65C27006-114SP		COMPARTMENT ASSY-OVERHEAD STOWAGE (FOR DETAILS SEE FIG. 6) (REWORKED BY ALERT SB 737- 25A1283) (REWORKED BY SB 737-25-1294) (NO EQUIVALENT BOEING REPLACEMENT PART NUMBER)								RF

-Item not Illustrated

# 25-28-47

ILLUSTRATED PARTS LIST

Page 1098.54

Mar 01/2006



## COMPONENT MAINTENANCE MANUAL

FIG/ ITEM	PART NUMBER	AIRLINE PART NUMBER	NOMENCLATURE							USAGE CODE	UNITS PER ASSY
			1	2	3	4	5	6	7		
1- -2G	65C27006-120SP		COMPARTMENT ASSY-OVERHEAD STOWAGE (FOR DETAILS SEE FIG. 7) (REWORKED BY ALERT SB 737- 25A1283) (REWORKED BY SB 737-25-1294) (NO EQUIVALENT BOEING REPLACEMENT PART NUMBER)								RF
-2H	65C27006-122SP		COMPARTMENT ASSY-OVERHEAD STOWAGE (FOR DETAILS SEE FIG. 6) (REWORKED BY ALERT SB 737- 25A1283) (REWORKED BY SB 737-25-1294) (NO EQUIVALENT BOEING REPLACEMENT PART NUMBER)								RF
-2K	65C27006-134SP		COMPARTMENT ASSY-OVERHEAD STOWAGE (FOR DETAILS SEE FIG. 4) (REWORKED BY ALERT SB 737- 25A1283) (REWORKED BY SB 737-25-1294) (NO EQUIVALENT BOEING REPLACEMENT PART NUMBER)								RF
-2L	65C27006-139SP		COMPARTMENT ASSY-OVERHEAD STOWAGE (FOR DETAILS SEE FIG. 2) (REWORKED BY ALERT SB 737- 25A1283) (REWORKED BY SB 737-25-1294) (NO EQUIVALENT BOEING REPLACEMENT PART NUMBER)								RF
3	BACB30NM3K1		. BOLT (V06710) (SPEC BACB30NM3K1) (OPT BACB30NM3K1 (V06725)) (OPT BACB30NM3K1 (V06950)) (OPT BACB30NM3K1 (V08524)) (OPT BACB30NM3K1 (V27624)) (OPT BACB30NM3K1 (V56878)) (OPT BACB30NM3K1 (V73197)) (OPT BACB30NM3K1 (V80539)) (OPT BACB30NM3K1 (V92215)) (OPT BACB30NM3K1 (V93907)) (OPT BACB30NM3K1 (V97928))								6

-Item not Illustrated

# 25-28-47

ILLUSTRATED PARTS LIST

Page 1098.55

Mar 01/2006



## COMPONENT MAINTENANCE MANUAL

FIG/ ITEM	PART NUMBER	AIRLINE PART NUMBER	NOMENCLATURE							USAGE CODE	UNITS PER ASSY
			1	2	3	4	5	6	7		
1-											
6	AN960JD10						.	WASHER			6
7	BACB30NM3K3						.	BOLT			2
8	AN960JD10						.	WASHER			2
9	BACB30NM3K1						.	BOLT			2
10	412N1161-1						.	FITTING (OPT ITEM 10A)			1
10A	412N1119-13						.	FITTING (OPT ITEM 10)			1
12	65C27017-20						.	BRACKET			1
13	50-3361-8629						.	FILLER, RADIUS			2
15	BACB30NM3K1						.	BOLT (V06710) (SPEC BACB30NM3K1) (OPT BACB30NM3K1 (V06725)) (OPT BACB30NM3K1 (V06950)) (OPT BACB30NM3K1 (V08524)) (OPT BACB30NM3K1 (V27624)) (OPT BACB30NM3K1 (V56878)) (OPT BACB30NM3K1 (V73197)) (OPT BACB30NM3K1 (V80539)) (OPT BACB30NM3K1 (V92215)) (OPT BACB30NM3K1 (V93907)) (OPT BACB30NM3K1 (V97928))			4
18	BACB30NM3K10						.	BOLT			1
19	BACB30NM3K10						.	BOLT			1
21	AN960JD10						.	WASHER			6
24	412N1119-43						.	FITTING			1
27	412N1119-81						.	FILLER			1
30	NAS1801-3-11						.	SCREW			2
33	BACS18C8-6						.	SPACER			2
36	MS24585-1230						.	SPRING			2
39	411N3142-28						.	WASHER CUPPED			2
42	417N5120-23						.	LIGHT ASSY			1
								ATTACHING PARTS			
48	NAS1801-3-5						.	SCREW			2

-Item not Illustrated



## COMPONENT MAINTENANCE MANUAL

FIG/ ITEM	PART NUMBER	AIRLINE PART NUMBER	NOMENCLATURE							USAGE CODE	UNITS PER ASSY
			1	2	3	4	5	6	7		
1-											
51	AN960JD10L								. WASHER		2
									-----*		
54	65C28117-3								. . PAD		1
57	BACS12ER3K6								. . SCREW		3
									(V06710)		
									(SPEC BACS12ER3K6)		
									(OPT BACS12ER3K6 (V06725))		
									(OPT BACS12ER3K6 (V06950))		
									(OPT BACS12ER3K6 (V08524))		
									(OPT BACS12ER3K6 (V27624))		
									(OPT BACS12ER3K6 (V56878))		
									(OPT BACS12ER3K6 (V73197))		
									(OPT BACS12ER3K6 (V80539))		
									(OPT BACS12ER3K6 (V92215))		
									(OPT BACS12ER3K6 (V93907))		
									(OPT BACS12ER3K6 (V97928))		
60	BACW10UD10								. . WASHER		3
63	F22K1-02								. . NUT		3
									(V72962)		
									(SPEC BACN10R10L)		
									(OPT 22K1-02 (V72962))		
									(OPT 26CL02 (V80539))		
66	05939-5								. . BALLAST		1
									(V17023)		
									(SPEC S283N702-5)		
69	417N5120-11								. . LAMP ASSY		1
72	2055150								. . . CAP-END-		2
									(V04169)		
75	F20T12WW								. . . LAMP-FLOOR-		1
									(V08805)		
78	N1152LGWUV1000								. . . TUBE-COVER-		1
									(V06034)		
									(OPT ITEM 81)		
-81	LP1625-24								. . . TUBE-COVER-		1
									(V06116)		
									(OPT ITEM 78)		
84	800000255-20								. . LIGHT ASSY-CLG-		1
									(V05617)		
									(SPEC S417N507-20)		
									(USED ON ITEM 42)		
									(FOR DETAILS SEE FIG. 80)		

-Item not illustrated

# 25-28-47

ILLUSTRATED PARTS LIST

Page 1098.57

Mar 01/2006



## COMPONENT MAINTENANCE MANUAL

FIG/ ITEM	PART NUMBER	AIRLINE PART NUMBER	NOMENCLATURE							USAGE CODE	UNITS PER ASSY
			1	2	3	4	5	6	7		
1-											
90	412N1145-29		.								4
93	65C27017-13		.								4
99	BACS12FA3K5		.								17
102	65C27017-30		.								1
107	BACS12FA3K12		.								2
108	BACB30PF4-3		.								1
111	AN960C416L		.								1
114	NAS1515F4H		.								1
117	NAS1515M4L		.								1
120	65C27027-4SP		.								1
123	65C27027-12		.	.							1
126	65C27027-13		.	.							1
129	65C27027-14		.	.							1
132	65C27027-17		.	.							1
135	65C27027-8		.	.							1
138	SL2334-3A2		.	.							9
141	65C27017-5		.								1
			ATTACHING PARTS								
144	BACB30NM3K1		.								8
147	AN960JD10		.								8
			----- * -----								
150	BACB28B6-235P		.	.							1
153	65C27017-7		.	.							1
156	65C27017-15		.								2
159	412N1119-41		.								1
			ATTACHING PARTS								
162	BACB30NM3K1		.								4
165	AN960JD10L		.								4
			----- * -----								
168	BACB30NM3K3		.								2
171	AN960JD10L		.								4

-Item not Illustrated

**25-28-47**

ILLUSTRATED PARTS LIST

Page 1098.58

Mar 01/2006



COMPONENT MAINTENANCE MANUAL

FIG/ ITEM	PART NUMBER	AIRLINE PART NUMBER	NOMENCLATURE							USAGE CODE	UNITS PER ASSY
			1	2	3	4	5	6	7		
1-											
174	MS21042L3		.	NUT							2
180	65C27026-46		.	FILLER PANEL ASSY							1
-183	NAS1836-3-11		..	INSERT							4
186	412N1130-5		.	TRIM-VERTICAL							2
187	65C27006-12		.	SEAL							1
189	65C27017-4		.	FITTING							1
192	412N1119-12		.	FITTING							1
195	BACB30NM3K1		.	BOLT							8
198	AN960JD10		.	WASHER							8
200	65C27009-70		.	MODULE ASSY					A		1
-200A	65C27009-76		.	MODULE ASSY					B		1
203	H3-1152-1		..	PLATE ASSY-STRIKER- (V34941) (SPEC S412N101-1)							4
				ATTACHING PARTS							
206	BACS12FA3K4		..	SCREW							8
209	MS35333-39		..	WASHER							8
				-----*							
212	412N1140-44		..	DOOR ASSY							1
215	412N1140-65		..	DOOR ASSY							1
				ATTACHING PARTS							
218	NAS1801-3-4		..	SCREW							8
221	MS35333-39		..	WASHER							8
				-----*							
224	SL628-3A		...	INSERT (V97393)							8
227	BACS12H4-8		...	SCREW (USED ON ITEM 212)							2
230	NAS620A8L		...	WASHER (USED ON ITEM 212)							2
233	412N1245-1		...	BUMPER (USED ON ITEM 212)							2
237	MS51862-4		...	SCREW (USED ON ITEM 212)							2

-Item not Illustrated

**25-28-47**

ILLUSTRATED PARTS LIST

Page 1098.59

Mar 01/2006



## COMPONENT MAINTENANCE MANUAL

FIG/ ITEM	PART NUMBER	AIRLINE PART NUMBER	NOMENCLATURE							USAGE CODE	UNITS PER ASSY
			1	2	3	4	5	6	7		
1-											
240	412N1143-11								. . . COVER (USED ON ITEM 215)		2
241	412N1140-17								. . . FILLER (USED ON ITEM 215)		1
243	412N1143-13								. . . COVER (USED ON ITEM 212)		1
247	412N1143-14								. . . COVER (USED ON ITEM 212)		1
250	412N1140-61								. . . PANEL ASSY-DOOR- (USED ON ITEM 212)		1
-253	412N1140-62								. . . PANEL ASSY-DOOR- (USED ON ITEM 215)		1
-254	412N1244-2								. . . DOUBLER (USED ON ITEM 215)		2
256	412N1140-13								. . . . STRIP RETAINER (USED ON ITEM 250)		1
259	412N1141-1								. . . . FACE PLATE (USED ON ITEM 250)		1
262	412N1141-5								. . . . FACE PLATE (USED ON ITEM 253)		1
265	412N1141-10								. . . . MARKER (USED ON ITEM 250)		1
268	412N1142-18								. . . . PANEL ASSY (USED ON ITEM 250)		1
271	412N1142-20								. . . . PANEL ASSY (USED ON ITEM 253)		1
300	412N1118-1								. . RETAINER TRIM		2
303	412N1118-2								. . RETAINER TRIM		2
315	65C27009-6								. . EDGE COVER		2
320	412N1154-3								. . REINFORCEMENT-CORNER		2
323	412N1154-4								. . REINFORCEMENT-CORNER		1
326	412N1154-2								. . REINFORCEMENT-CORNER		1
330	412N1155-1								. . HINGE ASSY (LIMITED USAGE) (OPT ITEM 330A)		2

-Item not Illustrated

# 25-28-47

ILLUSTRATED PARTS LIST

Page 1098.60

Mar 01/2006





## COMPONENT MAINTENANCE MANUAL

FIG/ ITEM	PART NUMBER	AIRLINE PART NUMBER	NOMENCLATURE							USAGE CODE	UNITS PER ASSY
			1	2	3	4	5	6	7		
1-											
330A	412N1155-7								. . HINGE ASSY (LIMITED USAGE) (OPT ITEM 330)		2
333	412N1155-2								. . HINGE ASSY (LIMITED USAGE) (OPT ITEM 333A)		1
333A	412N1155-8								. . HINGE ASSY (LIMITED USAGE) (OPT ITEM 333)		1
350	BACB30LK3-18								. . BOLT (USED WITH ITEMS 330, 333)		1
-350A	NAS1801-3-10								. . BOLT (USED WITH ITEMS 330A, 333A)		1
353	412N1227-1								. . BOLT (OPT ITEM 353A)		2
353A	AIC1321-3-8								. . BOLT (OPT ITEM 353)		2
356	BACW10P136AL								. . WASHER		3
357	AN960JD10								. . WASHER		1
359	NAS1833-3-400								. . INSERT		3
362	MS24665-132								. . . PIN-COTTER		1
365	MS20392-2C13								. . . PIN-DRILLED SHANK		1
366	AN960PD10L								. . . WASHER		3
368	NAS6703PU15								. . . BOLT (USED ON ITEMS 330,333)		1
371	BACB30NM3K12								. . . BOLT (USED ON ITEMS 330A,333A)		1
374	NAS6703PU11								. . . BOLT (USED ON ITEMS 330,333)		1
377	BACB30NM3K8								. . . BOLT (USED ON ITEMS 330A,333A)		1
380	NA960KD10L								. . . WASHER (USED ON ITEMS 330A,333A)		1
383	NAS43DD3-5								. . . SPACER (USED ON ITEMS 330,333)		1
387	NAS43DD3-3								. . . SPACER (USED ON ITEMS 330A,333A)		1

-Item not Illustrated

# 25-28-47

ILLUSTRATED PARTS LIST

Page 1098.61

Mar 01/2006



## COMPONENT MAINTENANCE MANUAL

FIG/ ITEM	PART NUMBER	AIRLINE PART NUMBER	NOMENCLATURE							USAGE CODE	UNITS PER ASSY
			1	2	3	4	5	6	7		
1-											
391	NAS43DD3-6		. . .								1
402	NAS43DD3-8		. . .								1
405	H2948-2		. . .								1
408	H2948-1		. . .								1
411	SB113		. . .								1
414	412N1156-1		. . .								1
417	412N1156-13		. . .								1
-420	412N1156-2		. . .								1
-423	412N1156-14		. . .								1
427	6041-3BRX225		. . .								2
430	412N1156-3		. . .								1
-433	412N1156-15		. . .								1
-436	412N1156-4		. . .								1
-440	412N1156-16		. . .								1
450	NAS1833-3-400		. .								6
455	412N1155-4		. .								1
455A	412N1155-10		. .								1

-Item not Illustrated

# 25-28-47

ILLUSTRATED PARTS LIST

Page 1098.62

Mar 01/2006



## COMPONENT MAINTENANCE MANUAL

FIG/ ITEM	PART NUMBER	AIRLINE PART NUMBER	NOMENCLATURE							USAGE CODE	UNITS PER ASSY
			1	2	3	4	5	6	7		
1-			ATTACHING PARTS								
463	412N1227-1		. .								1
-463A	AIC1321-3-8		. .								1
466	BACB30LK3-18		. .								1
-469	NAS1801-3-10		. .								1
472	BACW10P136AL		. .								2
475	NAS18833-3-400		. .								2
			-----*-----								
580	NAS6703PU11		. . .								1
585	BACS30NM3K8		. . .								1
590	AN960PD10L		. . .								1
595	AN960KD10L		. . .								1
600	NAS43DD3-5		. . .								1
605	NAS43DD3-8		. . .								1
610	NAS43DD3-6		. . .								1
615	NAS43DD3-3		. . .								1
620	H2948-1		. . .								1
625	412N1156-6		. . .								1
630	412N1156-20		. . .								1

-Item not Illustrated

# 25-28-47

ILLUSTRATED PARTS LIST

Page 1098.63

Mar 01/2006



## COMPONENT MAINTENANCE MANUAL

FIG/ ITEM	PART NUMBER	AIRLINE PART NUMBER	NOMENCLATURE							USAGE CODE	UNITS PER ASSY
			1	2	3	4	5	6	7		
1-											
635	6041-3BRX225								. . . . INSERT-DODGE- (V01556)		2
640	412N1156-4								. . . . CHASSIS (USED ON ITEM 625)		1
645	412N1156-26								. . . . CHASSIS (USED ON ITEM 630)		1
650	BACB30NM3K2								. . BOLT		1
655	AN960PD10L								. . WASHER		2
660	NAS1804-3								. . NUT		1
690	BACS12ER08K14								. . BOLT		1
695	AN960JD8								. . WASHER		1
700	H10-08BAC								. . NUT (V15653) (SPEC BACN10JC08)		1
705	BACB30NM3K3								. . BOLT		2
710	AN960JD10L								. . WASHER		2
715	AN960JD10								. . WASHER		2
725	MS21042L3								. . NUT (V15653) (SPEC BACN10JC3)		2
735	412N1153-24								. . LATCH ASSY-30 IN.	A	1
735A	412N1153-32								. . LATCH ASSY-22 IN.	A	1
738	412N1153-104								. . LATCH ASSY-30 IN.	B	1
738A	412N1153-112								. . LATCH ASSY-22 IN.	B	1
									ATTACHING PARTS		
740	BACS12ER06K8								. . SCREW (V06710) (SPEC BACS12ER06K8) (OPT BACS12ER06K8 (V06725)) (OPT BACS12ER06K8 (V06950)) (OPT BACS12ER06K8 (V27624)) (OPT BACS12ER06K8 (V34252)) (OPT BACS12ER06K8 (V56878)) (OPT BACS12ER06K8 (V73197)) (OPT BACS12ER06K8 (V80539)) (OPT BACS12ER06K8 (V92215)) (OPT BACS12ER06K8 (V93907)) (OPT BACS12ER06K8 (V97928))		8

-Item not Illustrated

# 25-28-47

ILLUSTRATED PARTS LIST

Page 1098.64

Mar 01/2006



## COMPONENT MAINTENANCE MANUAL

FIG/ ITEM	PART NUMBER	AIRLINE PART NUMBER	NOMENCLATURE							USAGE CODE	UNITS PER ASSY
			1	2	3	4	5	6	7		
1-											
745	SL210-06-2								. . INSERT (V97393)		8
750	BACS12ER08K6								. . SCREW (V06710) (SPEC BACS12ER08K6) (OPT BACS12ER08K6 (V06725)) (OPT BACS12ER08K6 (V06950)) (OPT BACS12ER08K6 (V27624)) (OPT BACS12ER08K6 (V34252)) (OPT BACS12ER08K6 (V56878)) (OPT BACS12ER08K6 (V73197)) (OPT BACS12ER08K6 (V80539)) (OPT BACS12ER08K6 (V92215)) (OPT BACS12ER08K6 (V93907)) (OPT BACS12ER08K6 (V97928))		4
755	NAS514P832-5								. . SCREW		8
760	SL210-08-1								. . INSERT (V97393)		8
									----- * -----		
765	412N1113-7								. . . COVER (V01556)		1
770	412N1113-8								. . . COVER		1
775	S412N101-2122								. . . LATCH ASSY (SPEC 412N101-2122) (USED ON ITEM 735A)		1
780	S412N101-1130								. . . LATCH ASSY (V34941) (SPEC S412N101-1130) (USED ON ITEM 735)		1
-782	S412N101-1035								. . . LATCH ASSY (V34941) (USED ON ITEM 738)		1
-784	S412N101-2022								. . . LATCH ASSY (SPEC S412N101-2022) (USED ON ITEM 738A)		1
785	BACS12FA3K5								. . SCREW (V06710)		8
790	65C27017-1								. . BRACKET		1
795	412N1117-6								. . FITTING		1
800	65C27016-2								. . FILLER FITTING-TAPERED		1

-Item not Illustrated

# 25-28-47

ILLUSTRATED PARTS LIST

Page 1098.65

Mar 01/2006



**COMPONENT MAINTENANCE MANUAL**

FIG/ ITEM	PART NUMBER	AIRLINE PART NUMBER	NOMENCLATURE	USAGE CODE	UNITS PER ASSY
1-					
805	65C27017-3		. . FITTING		1
807	BACR15DR3		. . RIVET (SIZE DETERMINED ON INST)		2
810	BACS12FA3K5		. . SCREW		34
815	BACS12FA3K15		. . SCREW		2
820	65C27023-33		. . SUPPORT-PASS. SVCE UNIT		1
830	412N1146-71		. . SUPPORT-PASS. BULLNOSE	A	1
-835	412N1146-69		. . SUPPORT-PASS. BULLNOSE	A	1
-840	412N1146-83		. . SUPPORT-PASS. BULLNOSE	B	1
-845	412N1146-16		. . SUPPORT-PASS. BULLNOSE	B	1
ATTACHING PARTS					
870	BACS12ER08K12		. . SCREW (V06710) (SPEC BACS12ER08K12) (OPT BACS12ER08K12 (V06725)) (OPT BACS12ER08K12 (V06950)) (OPT BACS12ER08K12 (V27624)) (OPT BACS12ER08K12 (V34252)) (OPT BACS12ER08K12 (V56878)) (OPT BACS12ER08K12 (V73197)) (OPT BACS12ER08K12 (V80539)) (OPT BACS12ER08K12 (V92215)) (OPT BACS12ER08K12 (V93907)) (OPT BACS12ER08K12 (V97928))		21
872	AN960PD8		. . WASHER		21
873	BACN10JC08		. . NUT		21
-----*-----					
875	BACR15DR3		. . . RIVET (SIZE DETERMINED ON INST)		4
880	BACN10KB08		. . . NUTPLATE (V52828) (SPEC BACN10KB08)		2
885	412N1146-72		. . . SUPPORT (USED ON ITEM 830)		1
-885A	412N1146-70		. . . SUPPORT (USED ON ITEM 835)		1
-885B	412N1146-85		. . . SUPPORT (USED ON ITEM 840)		1

-Item not Illustrated

**25-28-47**



## COMPONENT MAINTENANCE MANUAL

FIG/ ITEM	PART NUMBER	AIRLINE PART NUMBER	NOMENCLATURE							USAGE CODE	UNITS PER ASSY
			1	2	3	4	5	6	7		
1-											
-885C	412N1146-36										1
900	BACS12ER08K6										1
905	BACW10DM5								A		1
910	AN960PD516L								A		1
915	AC8400EKAPK625								A		1
920	65C27016-4								A		1
925	412N1145-43								A		1
930	65C27016-5								A		1
940	65C27012-44										1
943	65C27012-1042										1
946	NAS1836-3-11										14
949	65C27012-1106										1
952	NAS1836-3-11										8
955	NAS1836-4-11										2
958	65C27012-1209										1
961	NAS1836-3-11										4
964	SL2334-3A2										10
967	65C27012-1332										1
968	65C27012-8										1
970	NAS1836-3-11										13
973	SL2334-3A2										4
976	65C27012-2028										1
979	NAS1836-3-11										8
982	65C27012-2124										1
985	NAS1836-3-11										3
988	65C27327-65										1
991	BACS12FA3K5										6
994	NAS1836-3-11										3
997	BACB30NN3K6										16

-Item not Illustrated

# 25-28-47

ILLUSTRATED PARTS LIST

Page 1098.67

Mar 01/2006



## COMPONENT MAINTENANCE MANUAL

FIG/ ITEM	PART NUMBER	AIRLINE PART NUMBER	NOMENCLATURE							USAGE CODE	UNITS PER ASSY
			1	2	3	4	5	6	7		
1-											
1000	SL3378-3-380								. . SPACER		16
1003	AN960JD10L								. . WASHER		16
1006	MS1042L3								. . NUT		16
1009	BACS12FA3K12								. . BOLT		12
1012	NAS1834-3-400								. . INSERT		12
1015	412N1217-61								. . BRACKET ASSY		1
1018	412N1217-63								. . . BRACKET		1
1021	BACN10JP3A								. . . NUTPLATE		5
1024	BACR15BA3D								. . . RIVET		10
1027	412N1217-5								. . BRACKET		1
1030	412N1217-77								. . BRACKET ASSY		1
1033	412N1217-79								. . BRACKET		1
1037	BACN10JP3A								. . . NUTPLATE		7
1040	BACR15BA3D								. . . NUTPLATE		14
1043	412N1116-76								. . . RIVET		1
1046	412N1116-16								. . BRACKET		1
1049	NAS1836-3-11								. . BRACKET ASSY		5
1052	NAS1834-4-400								. . INSERT		13
1055	BACS12FA3K12								. . SCREW (V06710) (SPEC BACS12FA3K12) (OPT BACS12FA3K12 (V06725)) (OPT BACS12FA3K12 (V06950)) (OPT BACS12FA3K12 (V27624)) (OPT BACS12FA3K12 (V34252)) (OPT BACS12FA3K12 (V56878)) (OPT BACS12FA3K12 (V73197)) (OPT BACS12FA3K12 (V80539)) (OPT BACS12FA3K12 (V92215)) (OPT BACS12FA3K12 (V93907)) (OPT BACS12FA3K12 (V97928))		13
1058	412N1216-13								. . PANEL ASSY-DIVIDER		1

-Item not Illustrated

# 25-28-47

ILLUSTRATED PARTS LIST

Page 1098.68

Mar 01/2006





## COMPONENT MAINTENANCE MANUAL

FIG/ ITEM	PART NUMBER	AIRLINE PART NUMBER	NOMENCLATURE							USAGE CODE	UNITS PER ASSY
			1	2	3	4	5	6	7		
1-											
1061	BACB30NN3K1								. . . BOLT (V06710) (SPEC BACB30NN3K1) (OPT BACB30NN3K1 (V06725)) (OPT BACB30NN3K1 (V06950)) (OPT BACB30NN3K1 (V08524)) (OPT BACB30NN3K1 (V27624)) (OPT BACB30NN3K1 (V56878)) (OPT BACB30NN3K1 (V73197)) (OPT BACB30NN3K1 (V80539)) (OPT BACB30NN3K1 (V92215)) (OPT BACB30NN3K1 (V93907)) (OPT BACB30NN3K1 (V97928))		16
1064	BACW10CT10								. . . WASHER (V10630) (SPEC BACW10CT10)		16
1067	AN960PD516L								. . . WASHER		16
1070	SL5-3-145S								. . . NUT (V97393) (OPT ITEM 1071)		16
-1071	KD121395-145								. . . NUT (V29372) (OPT ITEM 1070)		16
1074	412N1217-19								. . . BRACKET ASSY		1
1077	BACR15BA3AD								. . . . RIVET (SIZE DETERMINED ON INST)		14
1080	BRM200A3								. . . . NUTPLATE (V52828) (SPEC BACN10JP3A) (OPT MK1000-3BAC (V15653)) (OPT NS103197-02 (V80539)) (OPT T8076S1032 (V71087)) (OPT T8076S1032 (V11815)) (OPT VN202A1-02 (V92215))		7
1083	412N1217-20								. . . . BRACKET		1
1085	412N1217-23								. . . BRACKET ASSY		1
1088	BACR15BA3AD								. . . . RIVET (SIZE DETERMINED ON INST)		12

-Item not Illustrated

# 25-28-47

ILLUSTRATED PARTS LIST

Page 1098.69

Mar 01/2006



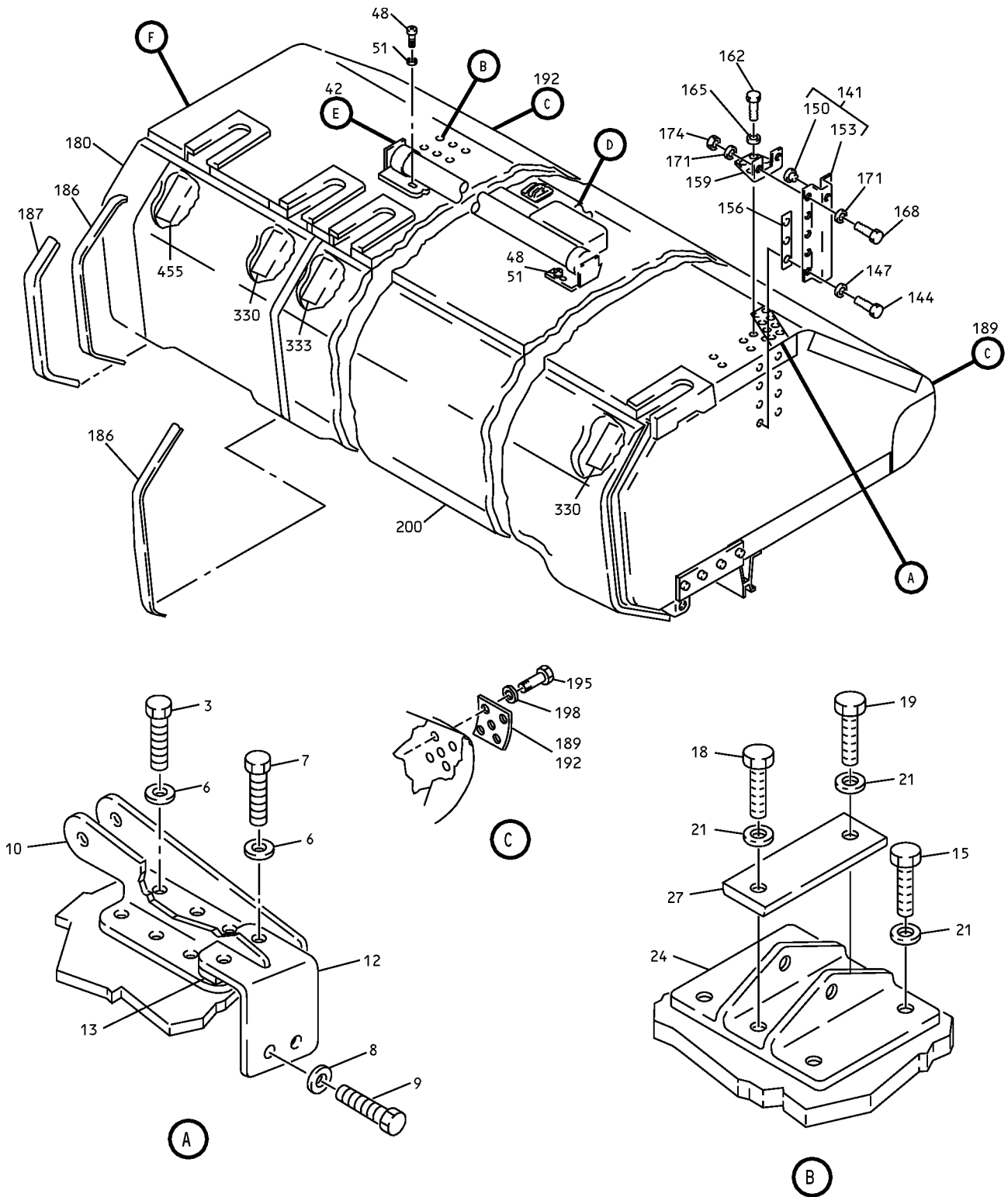
## COMPONENT MAINTENANCE MANUAL

FIG/ ITEM	PART NUMBER	AIRLINE PART NUMBER	NOMENCLATURE							USAGE CODE	UNITS PER ASSY	
			1	2	3	4	5	6	7			
1- 1091	BRM200A3		. . . .									6
1094	412N1217-24		. . . .									1
1097	412N1116-48		. . .									1
1100	412N1116-18		. . . .									1
1103	412N1116-49		. . .									1
1106	NAS1836-3-11		. . . .									2
1109	412N1116-17		. . . .									1
1112	65C27327-66		. .									1

-Item not Illustrated

**25-28-47**  
ILLUSTRATED PARTS LIST  
Page 1098.70  
Mar 01/2006

COMPONENT MAINTENANCE MANUAL



Overhead Storage Compartment Assembly  
IPL Figure 2 (Sheet 1 of 17)

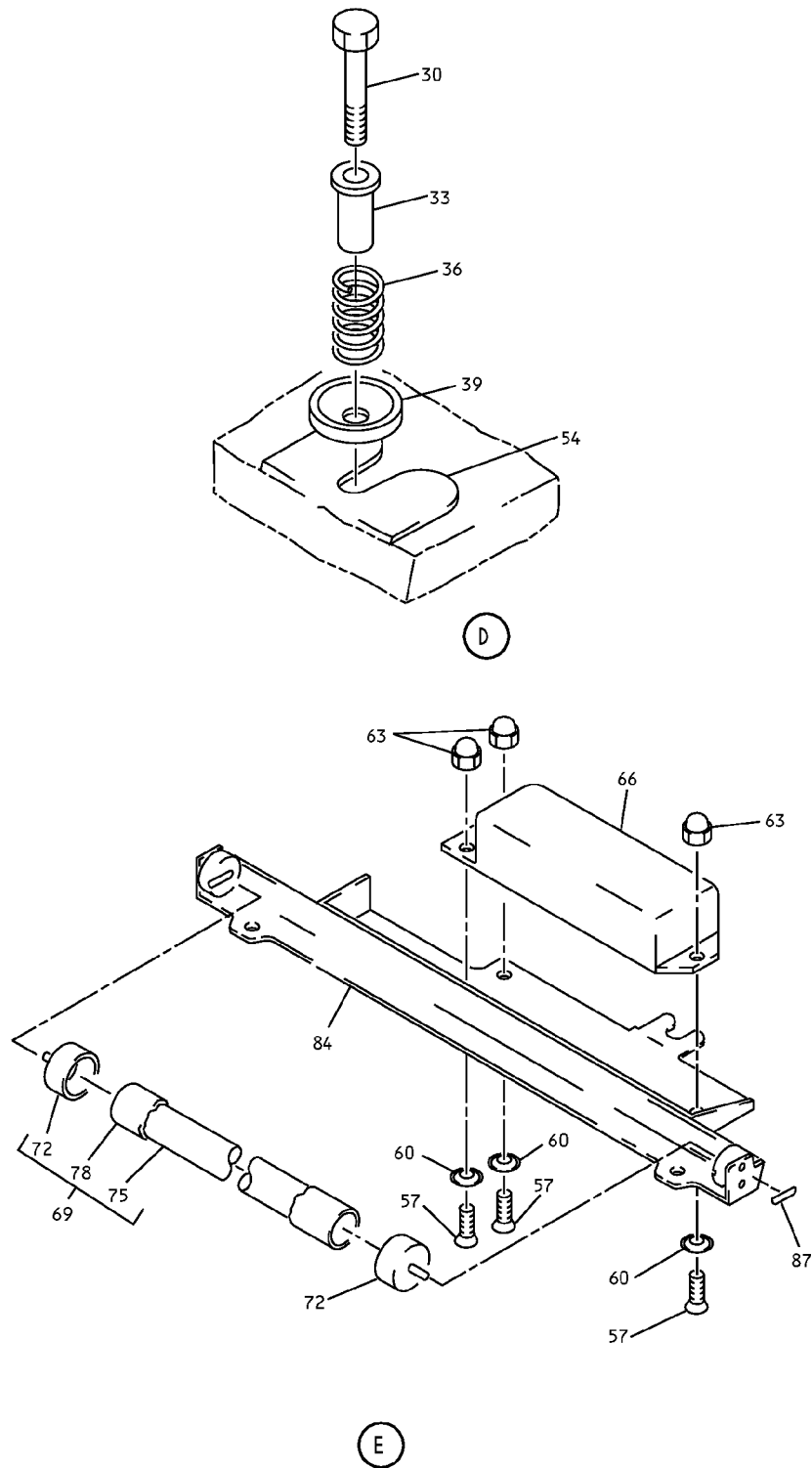
**25-28-47**

ILLUSTRATED PARTS LIST

Page 1098.71

Mar 01/2006

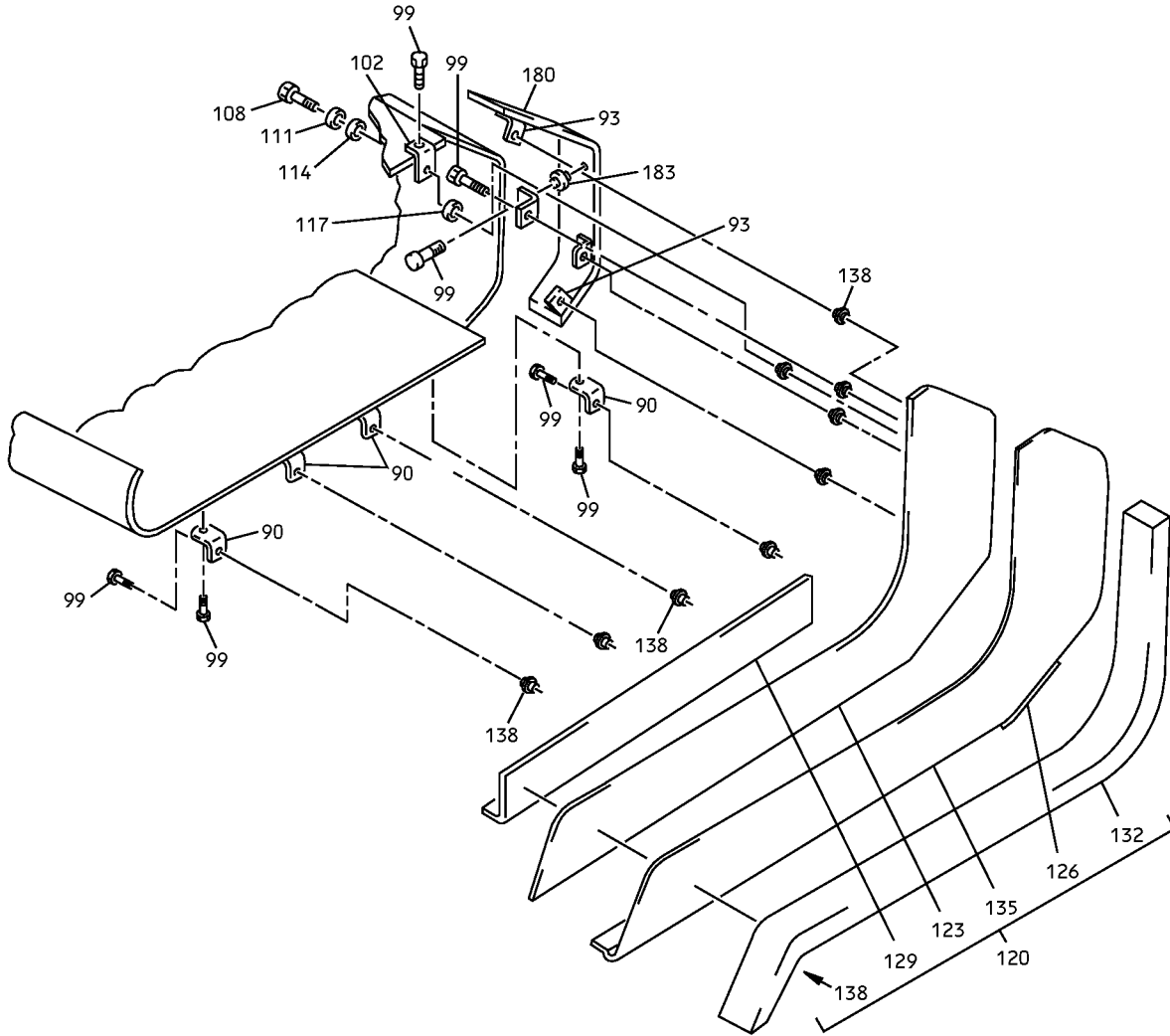
COMPONENT MAINTENANCE MANUAL



Overhead Stowage Compartment Assembly  
IPL Figure 2 (Sheet 2 of 17)

**25-28-47**  
ILLUSTRATED PARTS LIST  
Page 1098.72  
Mar 01/2006

COMPONENT MAINTENANCE MANUAL



F

Overhead Storage Compartment Assembly  
IPL Figure 2 (Sheet 3 of 17)

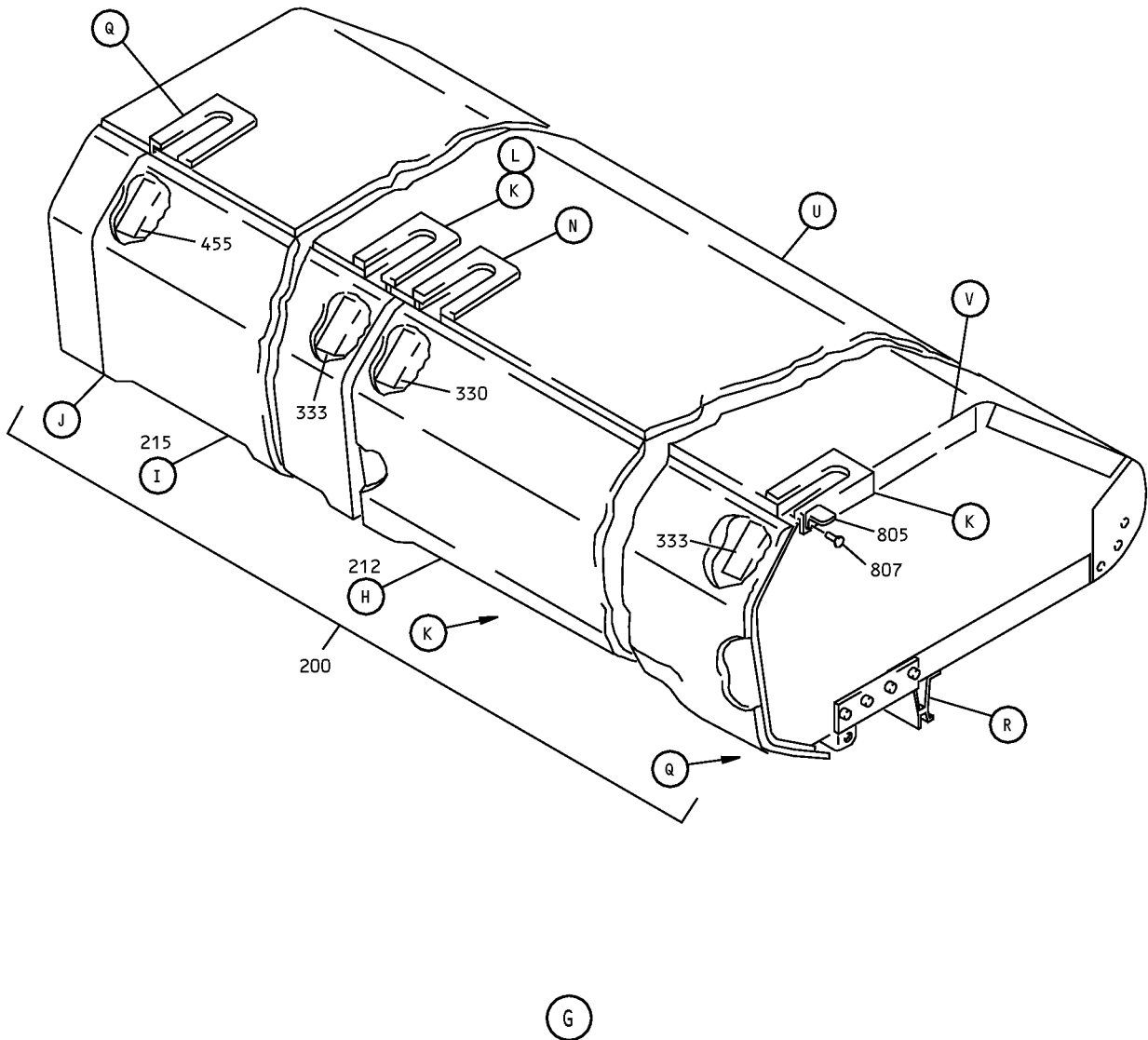
**25-28-47**

ILLUSTRATED PARTS LIST

Page 1098.73

Mar 01/2006

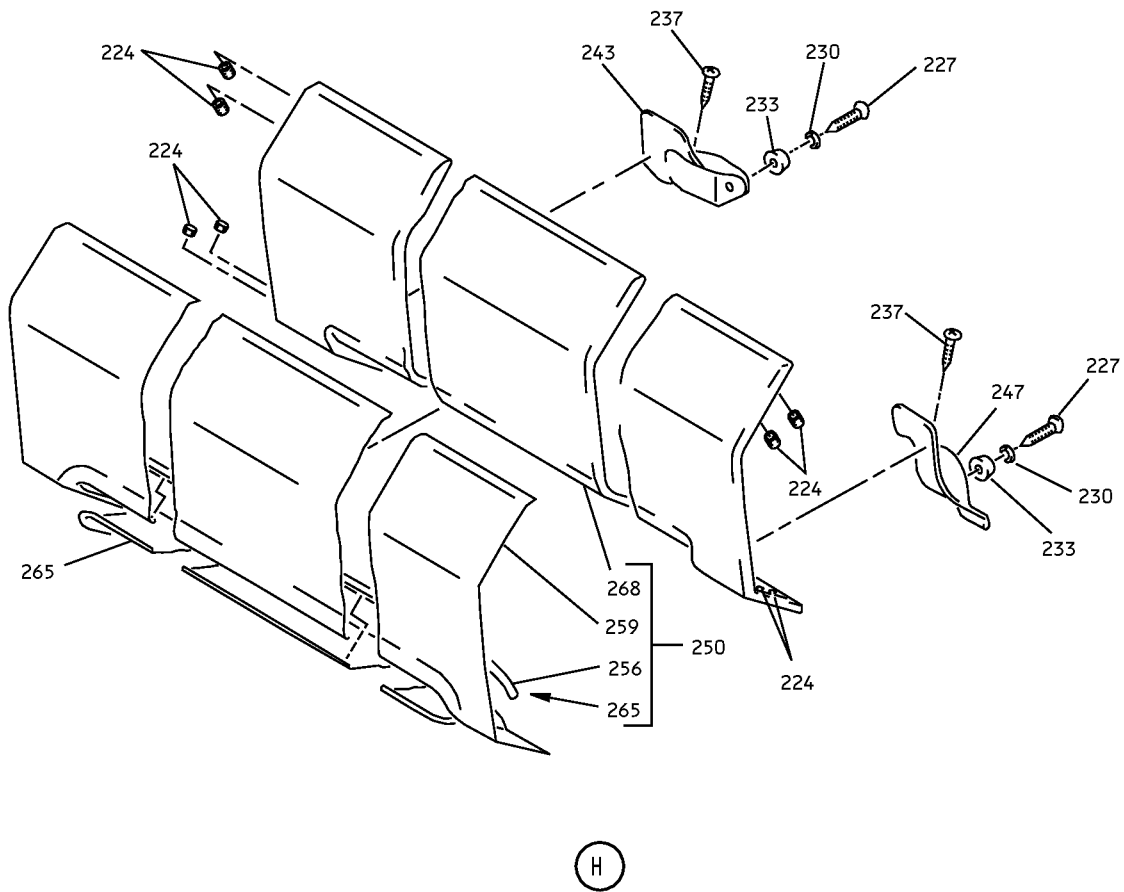
COMPONENT MAINTENANCE MANUAL



Overhead Storage Compartment Assembly  
IPL Figure 2 (Sheet 4 of 17)

**25-28-47**  
ILLUSTRATED PARTS LIST  
Page 1098.74  
Mar 01/2006

COMPONENT MAINTENANCE MANUAL

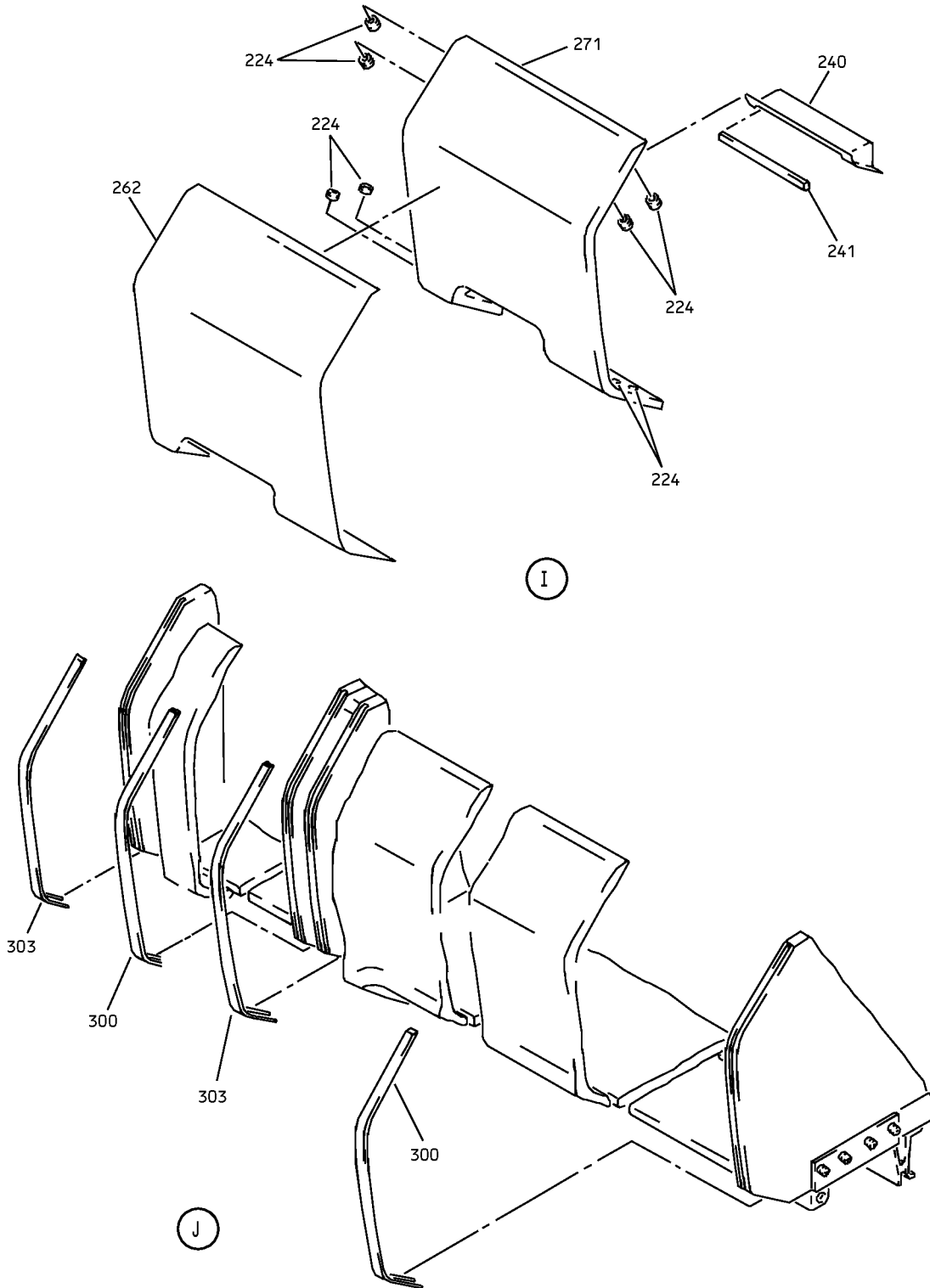


H

Overhead Stowage Compartment Assembly  
IPL Figure 2 (Sheet 5 of 17)

**25-28-47**  
ILLUSTRATED PARTS LIST  
Page 1098.75  
Mar 01/2006

COMPONENT MAINTENANCE MANUAL



Overhead Storage Compartment Assembly  
IPL Figure 2 (Sheet 6 of 17)

**25-28-47**

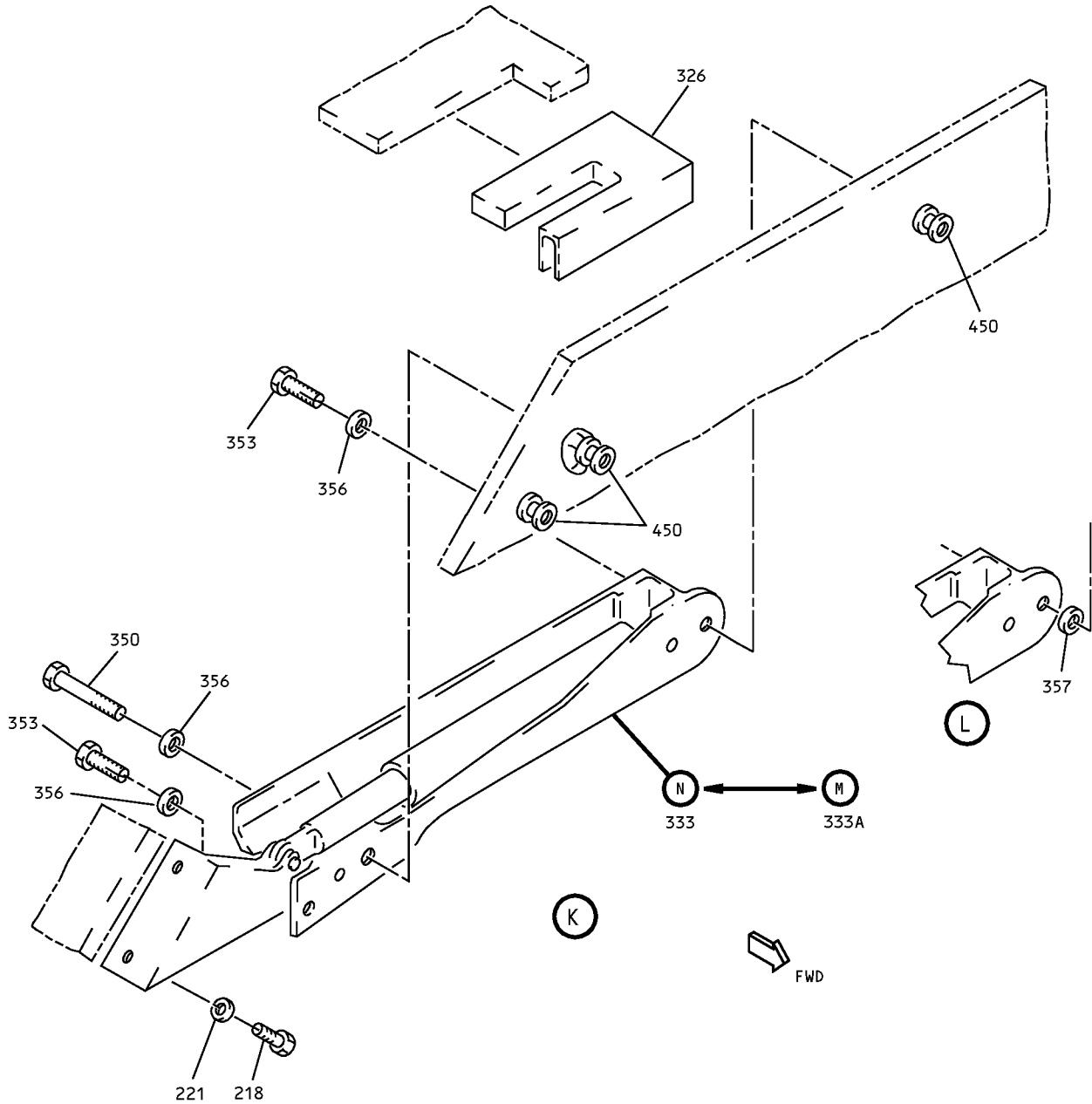
ILLUSTRATED PARTS LIST

Page 1098.76

Mar 01/2006



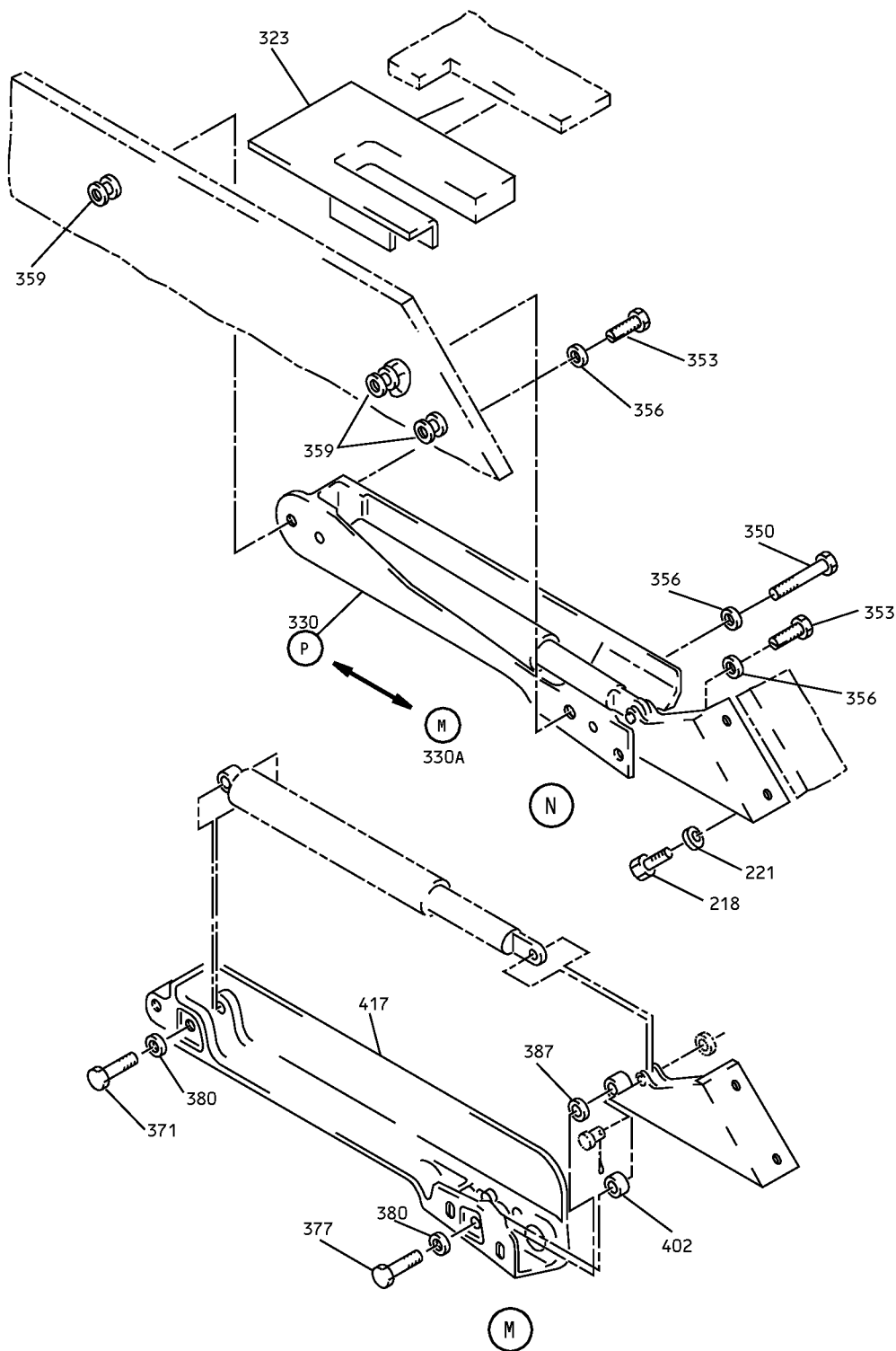
COMPONENT MAINTENANCE MANUAL



Overhead Stowage Compartment Assembly  
IPL Figure 2 (Sheet 7 of 17)

**25-28-47**  
ILLUSTRATED PARTS LIST  
Page 1098.77  
Mar 01/2006

COMPONENT MAINTENANCE MANUAL



Overhead Stowage Compartment Assembly  
IPL Figure 2 (Sheet 8 of 17)

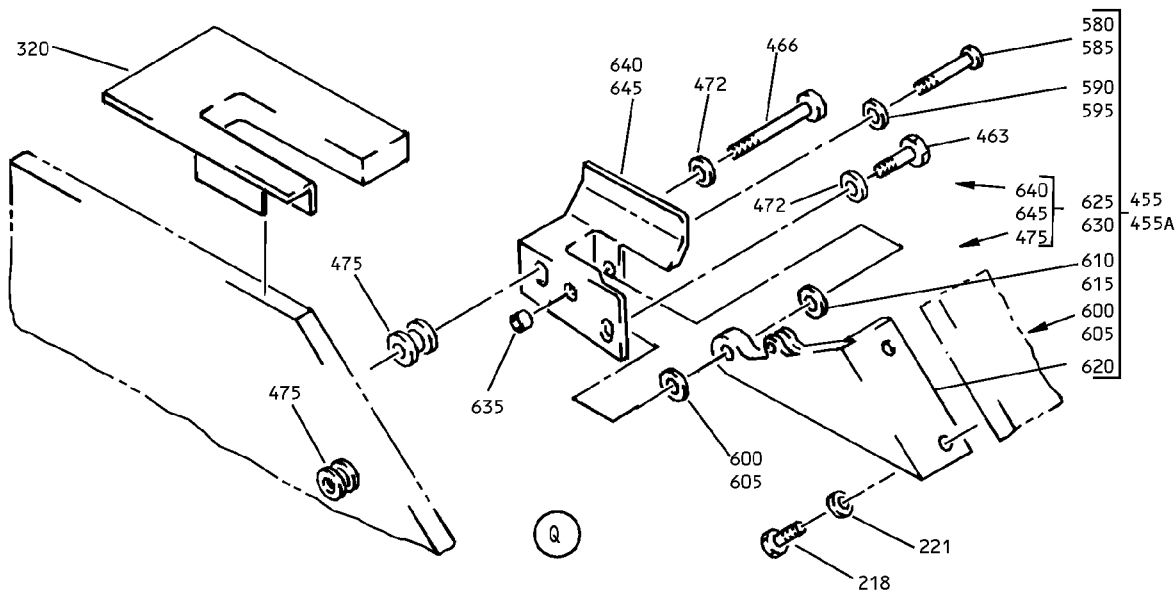
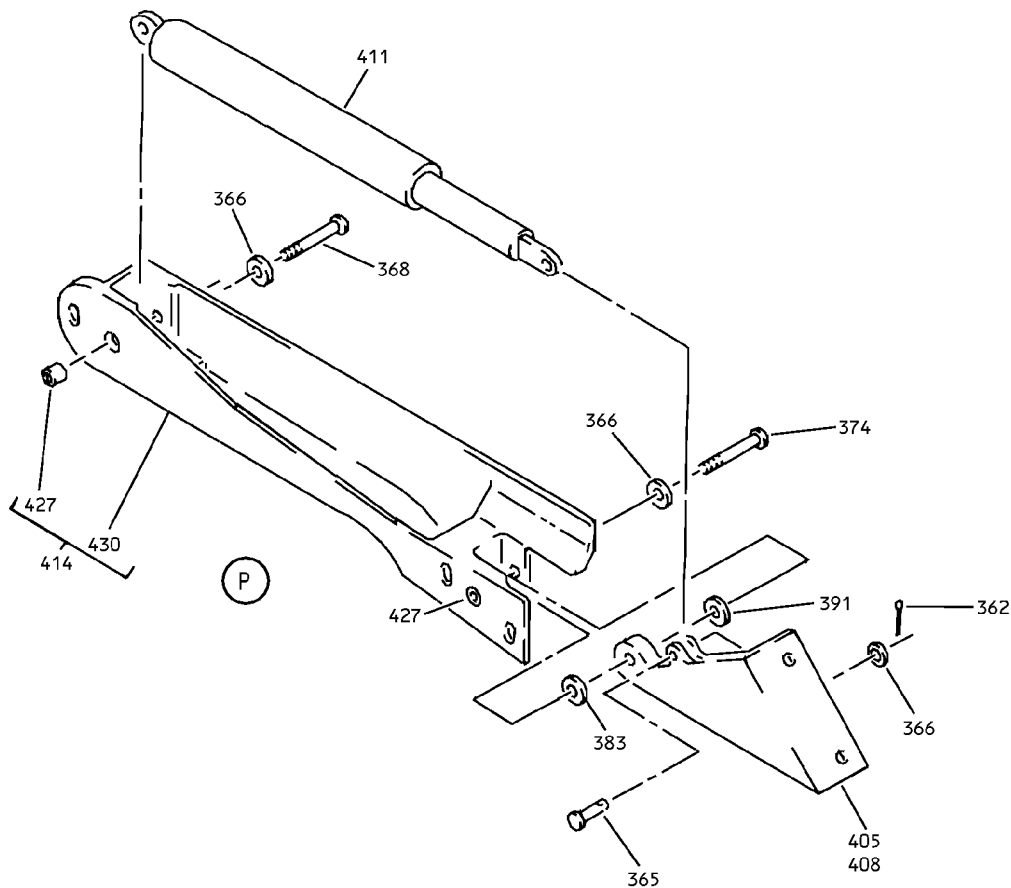
**25-28-47**

ILLUSTRATED PARTS LIST

Page 1098.78

Mar 01/2006

COMPONENT MAINTENANCE MANUAL



Overhead Storage Compartment Assembly  
IPL Figure 2 (Sheet 9 of 17)

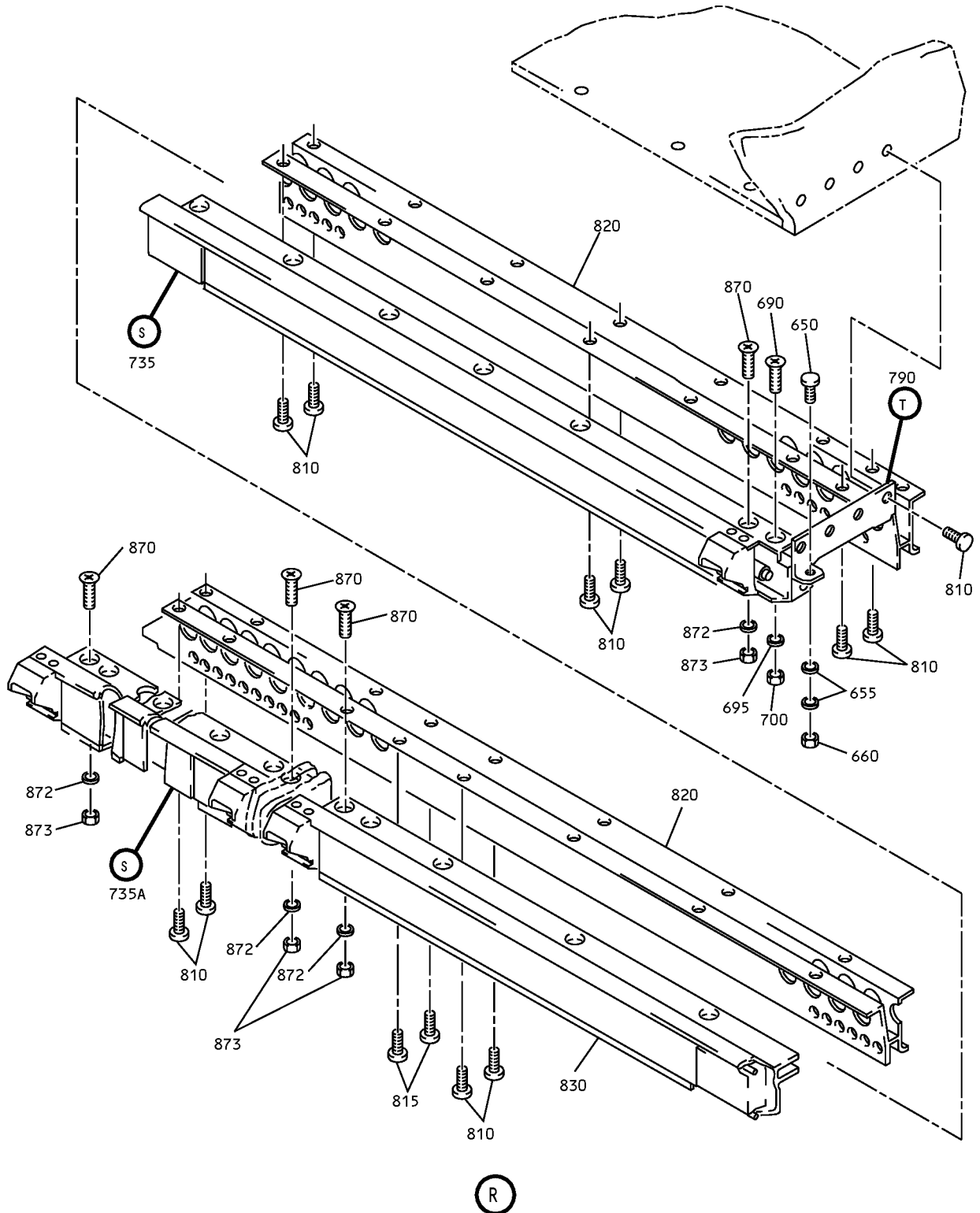
**25-28-47**

ILLUSTRATED PARTS LIST

Page 1098.79

Mar 01/2006

COMPONENT MAINTENANCE MANUAL



Overhead Storage Compartment Assembly  
IPL Figure 2 (Sheet 10 of 17)

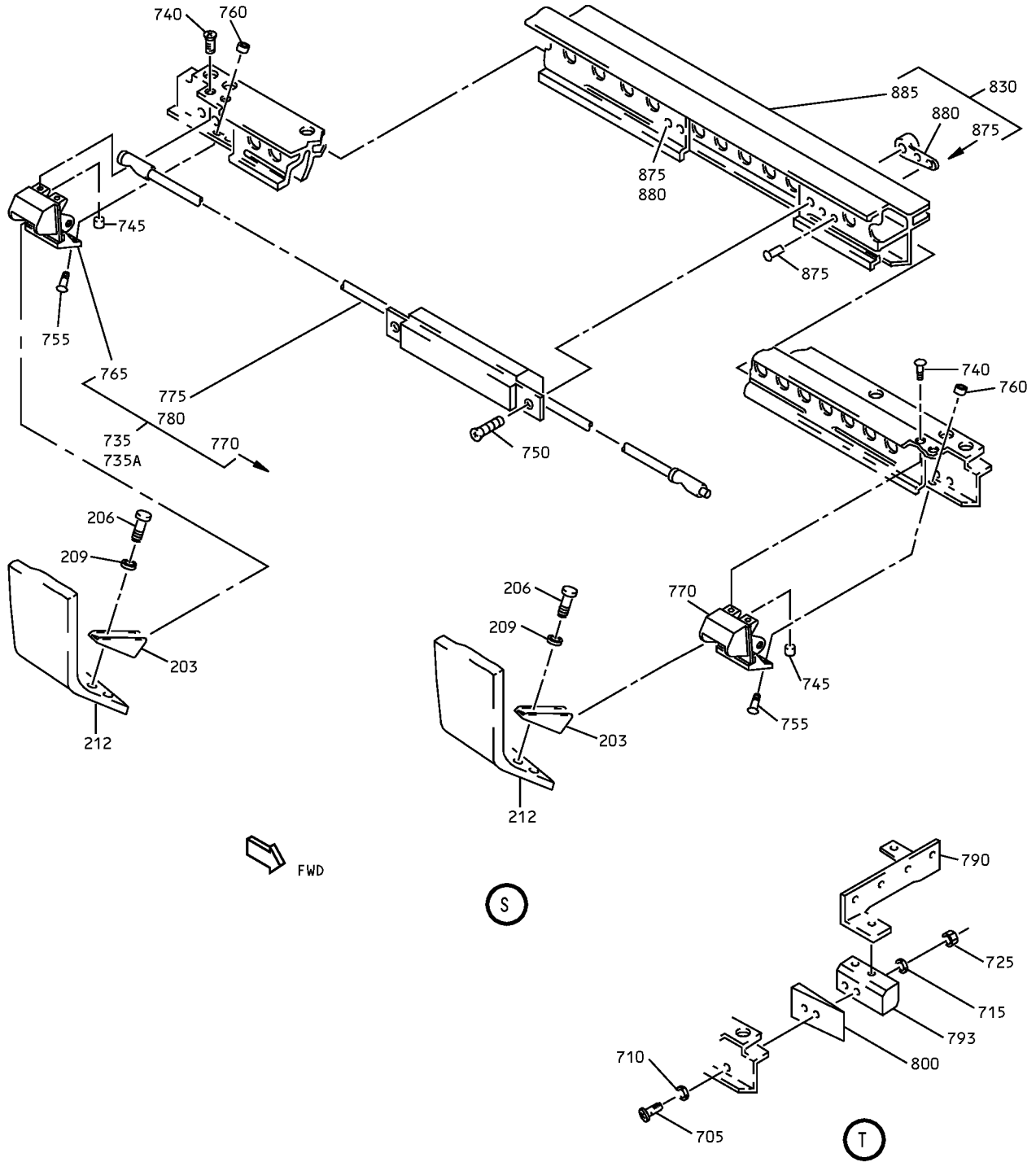
**25-28-47**

ILLUSTRATED PARTS LIST

Page 1098.80

Mar 01/2006

COMPONENT MAINTENANCE MANUAL



Overhead Storage Compartment Assembly  
IPL Figure 2 (Sheet 11 of 17)

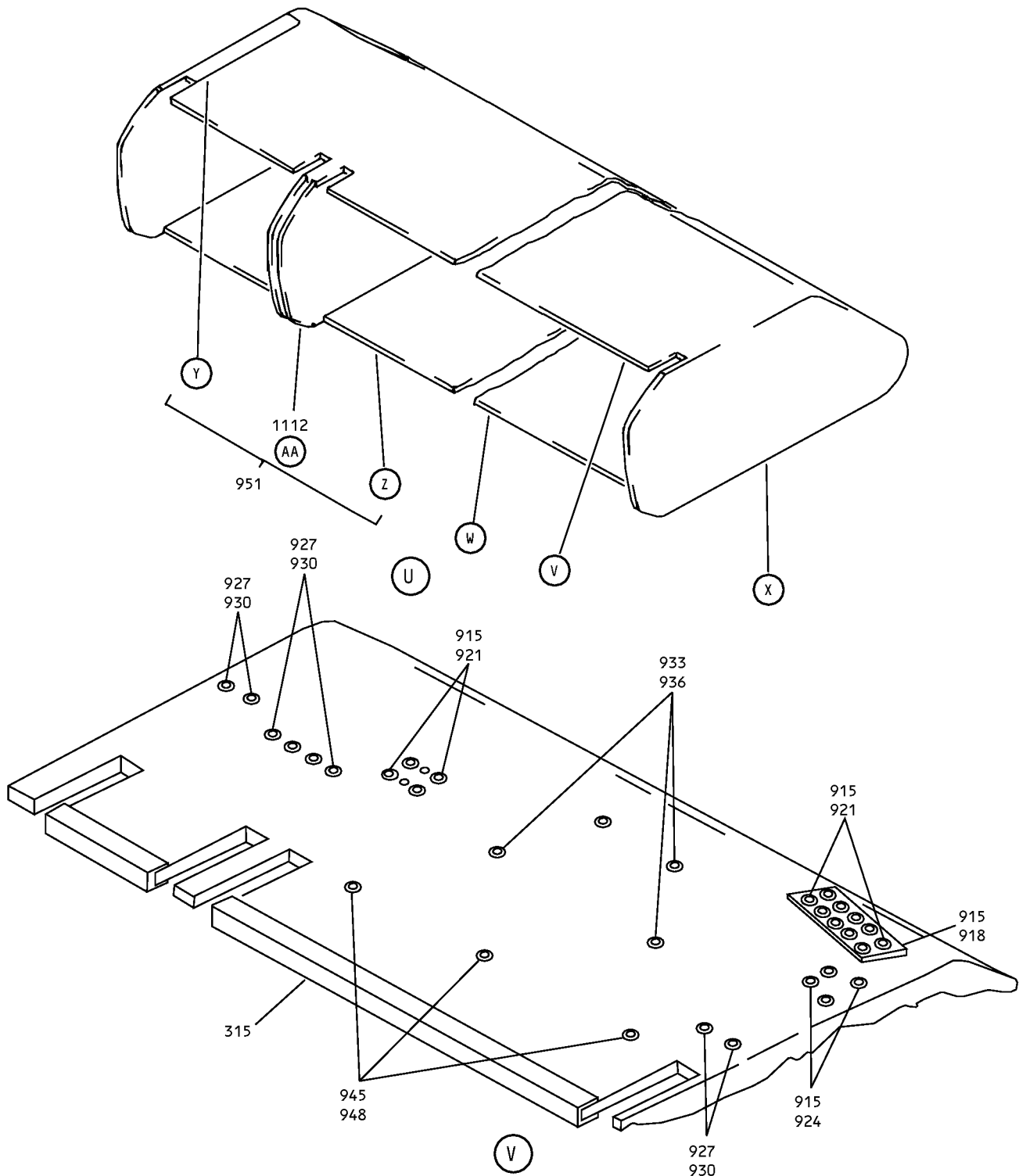
**25-28-47**

ILLUSTRATED PARTS LIST

Page 1098.81

Mar 01/2006

# COMPONENT MAINTENANCE MANUAL

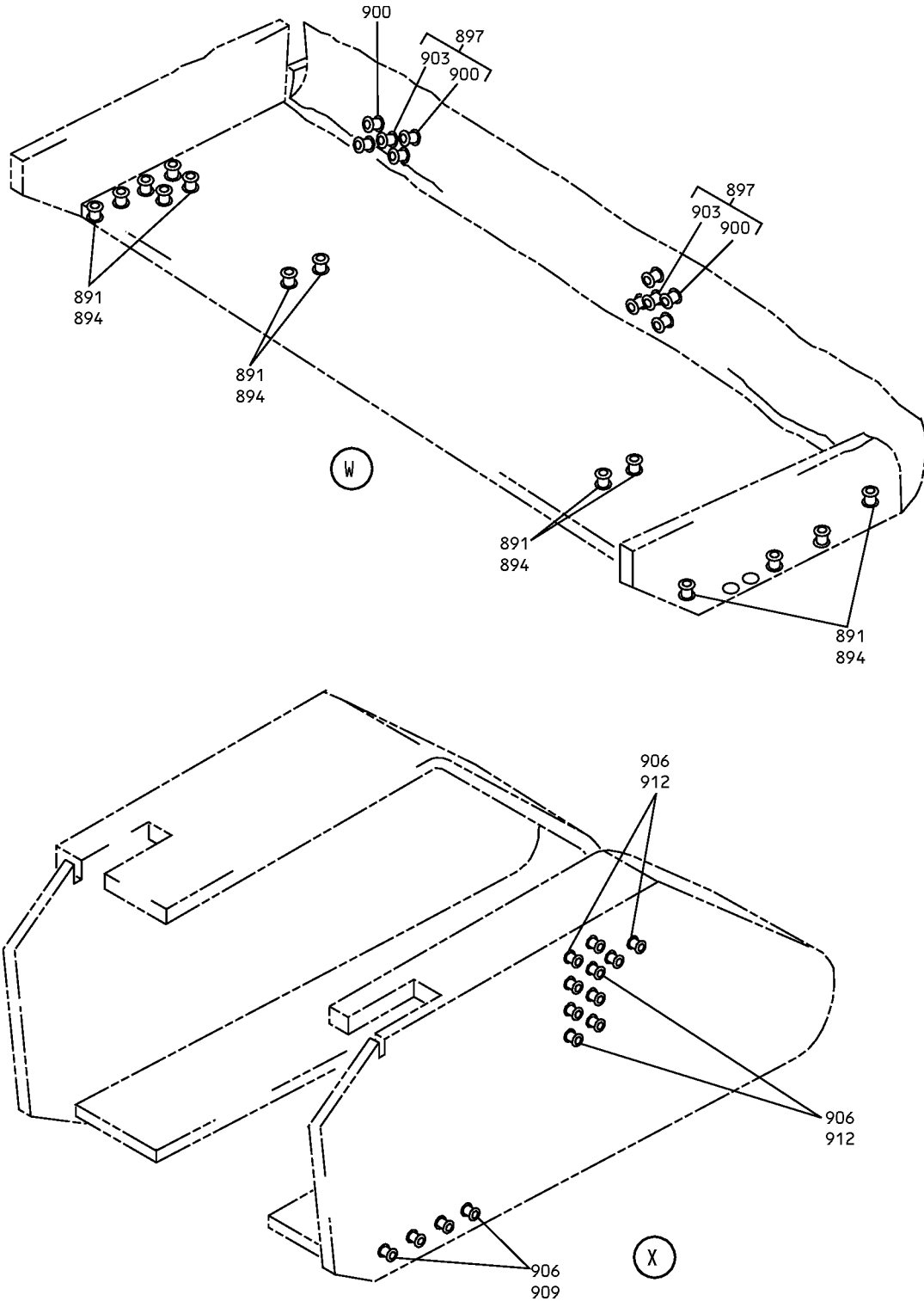


Overhead Storage Compartment Assembly  
IPL Figure 2 (Sheet 12 of 17)

## 25-28-47

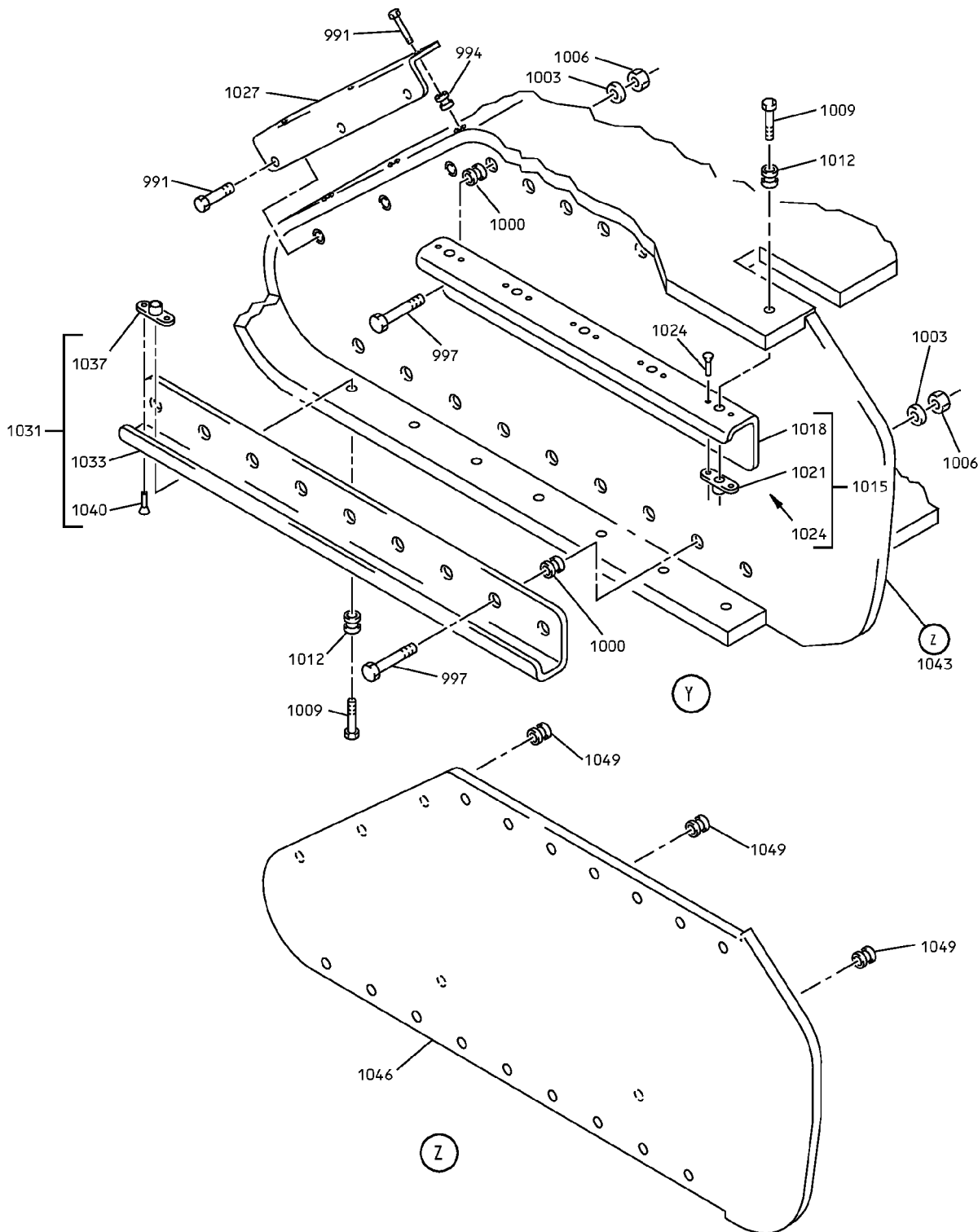
ILLUSTRATED PARTS LIST  
Page 1098.82  
Mar 01/2006

COMPONENT MAINTENANCE MANUAL



Overhead Storage Compartment Assembly  
IPL Figure 2 (Sheet 13 of 17)

### COMPONENT MAINTENANCE MANUAL



Overhead Storage Compartment Assembly  
IPL Figure 2 (Sheet 14 of 17)

# 25-28-47

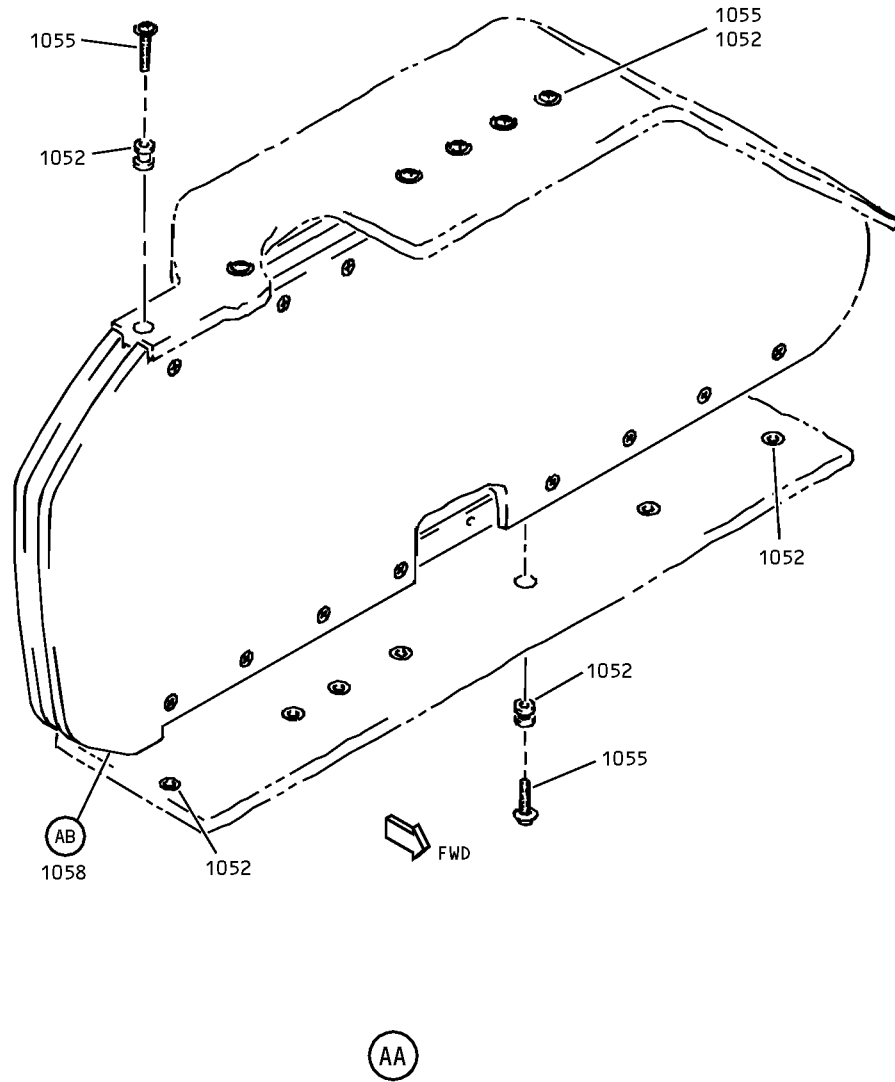
ILLUSTRATED PARTS LIST

Page 1098.84

Mar 01/2006



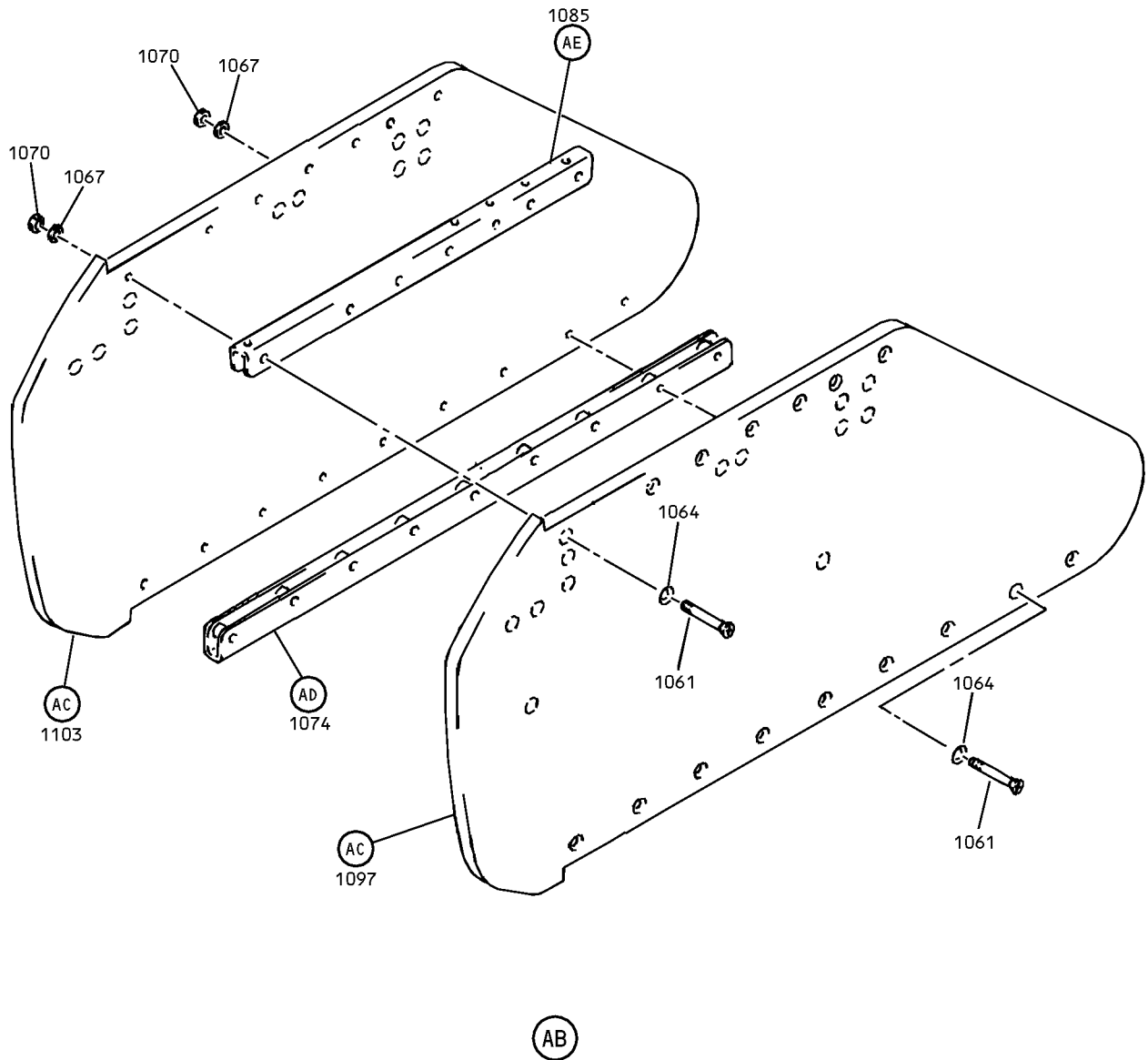
COMPONENT MAINTENANCE MANUAL



Overhead Stowage Compartment Assembly  
IPL Figure 2 (Sheet 15 of 17)

**25-28-47**  
ILLUSTRATED PARTS LIST  
Page 1098.85  
Mar 01/2006

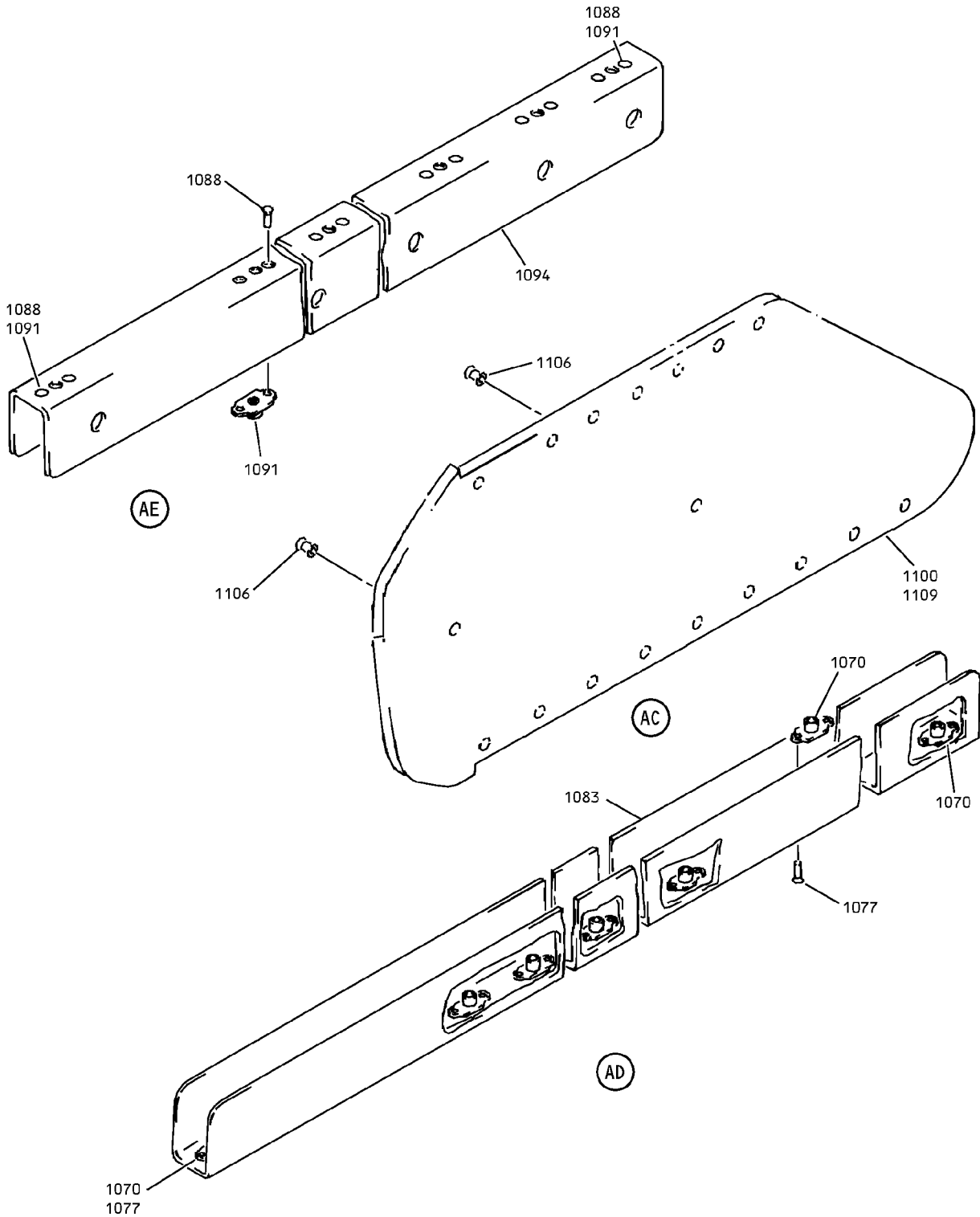
# COMPONENT MAINTENANCE MANUAL



Overhead Stowage Compartment Assembly  
IPL Figure 2 (Sheet 16 of 17)

**25-28-47**  
ILLUSTRATED PARTS LIST  
Page 1098.86  
Mar 01/2006

COMPONENT MAINTENANCE MANUAL



Overhead Stowage Compartment Assembly  
IPL Figure 2 (Sheet 17 of 17)

**25-28-47**

ILLUSTRATED PARTS LIST

Page 1098.87

Mar 01/2006



## COMPONENT MAINTENANCE MANUAL

FIG/ ITEM	PART NUMBER	AIRLINE PART NUMBER	NOMENCLATURE							USAGE CODE	UNITS PER ASSY
			1	2	3	4	5	6	7		
2-											
1A	65C27006-77SP									A	RF
1B	65C27006-139SP									B	RF
3	BACB30NM3K1										6
6	AN960JD10										6
7	BACB30NM3K3										2
8	AN960JD10										2
9	BACB30NM3K1										2
10	412N1161-2										1
-10A	412N1119-14										1
12	65C27017-19										1
13	50-3361-8629										2
15	BACB30NM3K1										4

-Item not Illustrated

# 25-28-47

ILLUSTRATED PARTS LIST

Page 1098.88

Mar 01/2006



## COMPONENT MAINTENANCE MANUAL

FIG/ ITEM	PART NUMBER	AIRLINE PART NUMBER	NOMENCLATURE							USAGE CODE	UNITS PER ASSY
			1	2	3	4	5	6	7		
2-											
18	BACB30NM3K10		.	BOLT							1
19	BACB30NN3K10		.	BOLT							1
21	AN960JD10		.	WASHER							6
24	412N1119-43		.	FITTING							1
27	412N1119-81		.	FILLER							1
30	NAS1801-3-11		.	SCREW							2
33	BACS18C8-6		.	SPACER							2
36	MS24585-1230		.	SPRING							2
39	411N3142-28		.	WASHER CUPPED							2
42	417N5120-25		.	LIGHT ASSY							1
48	NAS1801-3-5		.	SCREW							2
51	AN960JD10L		.	WASHER							2
54	65C28117-3		..	PAD							1
57	BACS12ER3K6		..	SCREW							3
				(V06710)							
				(SPEC BACS12ER3K6)							
				(OPT BACS12ER3K6 (V06725))							
				(OPT BACS12ER3K6 (V06950))							
				(OPT BACS12ER3K6 (V27624))							
				(OPT BACS12ER3K6 (V34252))							
				(OPT BACS12ER3K6 (V56878))							
				(OPT BACS12ER3K6 (V73197))							
				(OPT BACS12ER3K6 (V80539))							
				(OPT BACS12ER3K6 (V92215))							
				(OPT BACS12ER3K6 (V93907))							
				(OPT BACS12ER3K6 (V97928))							
60	BACW10UD10		..	WASHER							3
63	F22K1-02		..	NUT							3
				(V72962)							
				(SPEC BACN10R10L)							
				(OPT 22K1-02 (V72962))							
				(OPT 26CL02 (V80539))							
66	05939-5		..	BALLAST							1
				(V17023)							
				(SPEC S283N702-5)							
69	417N5120-11		..	LAMP ASSY							1
72	2055150		...	CAP-END-							2
				(V04169)							

-Item not Illustrated

# 25-28-47

ILLUSTRATED PARTS LIST

Page 1098.89

Mar 01/2006



## COMPONENT MAINTENANCE MANUAL

FIG/ ITEM	PART NUMBER	AIRLINE PART NUMBER	NOMENCLATURE							USAGE CODE	UNITS PER ASSY
			1	2	3	4	5	6	7		
2-											
75	F20T12WW		.	.	.	LAMP-FLOOR-					1
						(V08805)					
78	N1152LGWUV1000		.	.	.	TUBE-COVER-					1
						(V06034)					
						(OPT ITEM 81)					
-81	LP1625-24		.	.	.	TUBE-COVER-					1
						(V060116)					
						(OPT ITEM 78)					
84	800000255-22		.	.	LIGHT ASSY-CLG-						1
						(V05617)					
						(SPEC S417N507-22)					
						(USED ON ITEM 42)					
						(FOR DETAILS SEE FIG. 80)					
87	1864		.	BULB-NIGHT LIGHT-							1
				(V08806)							
90	412N1145-30		.	BRACKET				A			4
-90A	412N1145-29		.	BRACKET				B			4
93	65C27017-13		.	BRACKET							4
				(OPT ITEM 93A)							
-93A	65C27017-43		.	BRACKET				B			4
				(OPT ITEM 93)							
99	BACS12FA3K5		.	SCREW							17
102	65C27017-30		.	BRACKET				A			1
-102A	412N1145-30		.	BRACKET				B			1
107	BACS12FA3K12		.	BOLT							2
108	BACB30PF4-3		.	BOLT							1
111	AN960C416L		.	WASHER							1
114	NAS1515F4H		.	WASHER							1
117	NAS1515M4L		.	WASHER							1
120	65C27027-3SP		.	END CAP ASSY							1
123	65C27027-11		.	PANEL ASSY							1
126	65C27027-13		.	FOAM							1
129	65C27027-14		.	ANGLE SUPPORT							1
132	65C27027-17		.	SEAL							1
135	65C27027-7		.	END CAP							1

-Item not Illustrated

**25-28-47**

ILLUSTRATED PARTS LIST

Page 1098.90

Mar 01/2006



## COMPONENT MAINTENANCE MANUAL

FIG/ ITEM	PART NUMBER	AIRLINE PART NUMBER	NOMENCLATURE							USAGE CODE	UNITS PER ASSY
			1	2	3	4	5	6	7		
2-											
138	SL2334-3A2							. . INSERT			9
141	65C27017-6							. BRACKET ASSY			1
								ATTACHING PARTS			
144	BACB30NM3K1							. BOLT			8
147	AN960JD10							. WASHER			8
								-----*			
150	BACB28B6-235P							. . BUSHING			1
153	65C27017-7							. . BRACKET			1
156	65C27017-15							. SHIM			2
159	412N1119-41							. FITTING			1
								ATTACHING PARTS			
162	BACB30NM3K1							. BOLT			4
165	AN960JD10L							DELETED			
165A	AN960JD10LL							. WASHER			4
								-----*			
168	BACB30NM3K3							. BOLT			2
171	AN960JD10L							. WASHER			4
174	MS21042L3							. NUT			2
180	65C27026-52SP							. FILLER PANEL ASSY	A		1
-180A	65C27026-28SP							. FILLER PANEL ASSY	B		1
-183	NAS1836-3-11							. . INSERT			4
186	412N1130-5SP							. TRIM-VERTICAL			2
189	65C27017-4							. FITTING			1
192	412N1119-12							. FITTING			1
195	BACB30NM3K1							. BOLT			8
198	AN960JD10							. WASHER			8
199	65C27006-12							. SEAL			1
200	65C27009-77							. MODULE ASSY	A		1
-200A	65C27009-139SP							. MODULE ASSY	B		1
203	H3-1152-1							. . PLATE ASSY-STRIKER- (V34941) (SPEC S412N101-1)			4

-Item not Illustrated

# 25-28-47

ILLUSTRATED PARTS LIST

Page 1098.91

Mar 01/2006



## COMPONENT MAINTENANCE MANUAL

FIG/ ITEM	PART NUMBER	AIRLINE PART NUMBER	NOMENCLATURE							USAGE CODE	UNITS PER ASSY
			1	2	3	4	5	6	7		
2-			ATTACHING PARTS								
206	BACS12FA3K4		. . SCREW								8
209	MS35333-39		. . WASHER								8
			-----*-----								
212	412N1140-44SP		. . DOOR ASSY								1
215	412N1140-72SP		. . DOOR ASSY								1
			ATTACHING PARTS								
218	NAS1801-3-4		. . SCREW								8
221	MS35333-39		. . WASHER								8
			-----*-----								
224	SL628-3A		. . . INSERT (V97393)								8
227	BACS12H4-8		. . . SCREW (USED ON ITEM 212)								2
230	NAS620A8L		. . . WASHER (USED ON ITEM 212)								2
233	412N1245-1		. . . BUMPER (USED ON ITEM 212)								2
237	MS51862-4		. . . SCREW (USED ON ITEM 212)								2
240	412N1143-11		. . . COVER (USED ON ITEM 215)								2
241	412N1140-17		. . . FILLER (USED ON ITEM 215)								1
243	412N1143-13		. . . COVER (USED ON ITEM 212)								1
247	412N1143-14		. . . COVER (USED ON ITEM 212)								1
250	412N1140-61		. . . PANEL ASSY-DOOR- (USED ON ITEM 212)								1
-253	412N1140-62		. . . PANEL ASSY-DOOR- (USED ON ITEM 215)								1
-254	412N1244-2		. . . DOUBLER (USED ON ITEM 215)								2
256	412N1140-13		. . . . STRAP RETAINER (USED ON ITEM 250)								1

-Item not Illustrated

**25-28-47**

ILLUSTRATED PARTS LIST

Page 1098.92

Mar 01/2006





## COMPONENT MAINTENANCE MANUAL

FIG/ ITEM	PART NUMBER	AIRLINE PART NUMBER	NOMENCLATURE							USAGE CODE	UNITS PER ASSY	
			1	2	3	4	5	6	7			
2-												
259	412N1141-1											1
262	412N1141-5											1
265	412N1141-10											1
268	412N1142-18											1
271	412N1142-20											1
300	412N1118-1SP											2
303	412N1118-2SP											2
315	65C27009-6											2
320	412N1154-3											1
323	412N1154-4											2
326	412N1154-1											1
330	412N1155-1											1
330A	412N1155-7											1
333	412N1155-2											2
333A	412N1155-8											2
350	BACB30LK3-18											1
-350A	NAS1801-3-10											1
353	412N1227-1											2
353A	AIC1321-3-8											2
356	BACW10P136AL											3

-Item not Illustrated

# 25-28-47

ILLUSTRATED PARTS LIST

Page 1098.93

Mar 01/2006



## COMPONENT MAINTENANCE MANUAL

FIG/ ITEM	PART NUMBER	AIRLINE PART NUMBER	NOMENCLATURE							USAGE CODE	UNITS PER ASSY
			1	2	3	4	5	6	7		
2-											
357	AN960JD10										1
359	NAS1833-3-400										3
362	MS24665-132										1
365	MS20392-2C13										1
366	AN960PD10L										3
368	NAS6703PU15										1
											(USED ON ITEMS 330,333)
371	BACB30NM3K12										1
											(USED ON ITEMS 330A,333A)
374	NAS6703PU11										1
											(USED ON ITEMS 330,333)
377	BACB30NM3K8										1
											(USED ON ITEMS 330A,333A)
380	NA960KD10L										1
											(USED ON ITEMS 330A,333A)
383	NAS43DD3-5										1
											(USED ON ITEMS 330,333)
387	NAS43DD3-3										1
											(USED ON ITEMS 330A,333A)
391	NAS43DD3-6										1
											(USED ON ITEMS 330,333)
402	NAS43DD3-8										1
											(USED ON ITEMS 330A,333A)
405	H2948-2										1
											(SPEC S412N102-2)
											(USED ON ITEMS 330,333A)
408	H2948-1										1
											(V83014)
											(SPEC S412N102-1)
											(USED ON ITEMS 333,333A)
411	SB113										1
											(V24984)
											(SPEC S412N104-1)
414	412N1156-1										1
											(USED ON ITEM 330)
417	412N1156-13										1
											(USED ON ITEM 330A)

-Item not Illustrated

# 25-28-47

ILLUSTRATED PARTS LIST

Page 1098.94

Mar 01/2006



## COMPONENT MAINTENANCE MANUAL

FIG/ ITEM	PART NUMBER	AIRLINE PART NUMBER	NOMENCLATURE							USAGE CODE	UNITS PER ASSY
			1	2	3	4	5	6	7		
2-											
-420	412N1156-2		. . .	CHASSIS ASSY (USED ON ITEM 333)							1
-423	412N1156-14		. . .	CHASSIS ASSY (USED ON ITEM 333A)							1
427	6041-3BRX225		. . .	INSERT-DODGE- (V01556)							2
430	412N1156-3		. . .	CHASSIS (USED ON ITEM 414)							1
-433	412N1156-15		. . .	CHASSIS (USED ON ITEM 417)							1
-436	412N1156-4		. . .	CHASSIS (USED ON ITEM 420)							1
-440	412N1156-16		. . .	CHASSIS (USED ON ITEM 423)							1
450	NAS1833-3-400		. .	INSERT							3
455	412N1155-3		. .	HINGE ASSY (LIMITED USAGE) (OPT ITEM 455A)							1
455A	412N1155-9		. .	HINGE ASSY (LIMITED USAGE) (OPT ITEM 455)							1
				ATTACHING PARTS							
463	412N1227-1		. .	BOLT (OPT ITEM 463A)							1
-463A	AIC1321-3-8		. .	BOLT (V06725) (OPT ITEM 463)							1
466	BACB30LK3-18		. .	BOLT (USED ON ITEM 455)							1
-469	NAS1801-3-10		. .	BOLT (USED ON ITEM 455A)							1
472	BACW10P136AL		. .	WASHER (V10630) (SPEC BACW10P136AL)							2
475	NAS1833-3-400		. .	INSERT							2
				-----*							
580	NAS6703PU11		. . .	BOLT (USED ON ITEM 455)							1

-Item not Illustrated

# 25-28-47

ILLUSTRATED PARTS LIST

Page 1098.95

Mar 01/2006



## COMPONENT MAINTENANCE MANUAL

FIG/ ITEM	PART NUMBER	AIRLINE PART NUMBER	NOMENCLATURE							USAGE CODE	UNITS PER ASSY
			1	2	3	4	5	6	7		
2-											
585	BACS30NM3K8		. . .	BOLT							1
				(USED ON ITEM 455A)							
590	AN960PD10L		. . .	WASHER							1
				(USED ON ITEM 455)							
595	AN960KD10L		. . .	WASHER							1
				(USED ON ITEM 455A)							
600	NAS43DD3-5		. . .	SPACER							1
				(USED ON ITEM 455)							
605	NAS43DD3-8		. . .	SPACER							1
				(USED ON ITEM 455A)							
610	NAS43DD3-6		. . .	SPACER							1
				(USED ON ITEM 455)							
615	NAS43DD3-3		. . .	SPACER							1
				(USED ON ITEM 455A)							
620	H2948-2		. . .	HINGE							1
				(V83014)							
				(SPEC S412N102-1)							
625	412N1156-5		. . .	CHASSIS ASSY							1
				(USED ON ITEM 455)							
630	412N1156-19		. . .	CHASSIS ASSY							1
				(USED ON ITEM 455A)							
635	6041-3BRX225		. . . .	INSERT-DODGE-							2
				(V01556)							
640	412N1156-3		. . . .	CHASSIS							1
				(USED ON ITEM 625)							
645	412N1156-25		. . . .	CHASSIS							1
				(USED ON ITEM 630)							
650	BACB30NM3K2		. .	BOLT							1
655	AN960JD10L		. .	WASHER					A		2
-655A	AN960JD10LL		. .	WASHER					B		2
660	NAS1804-3		. .	NUT							1
690	BACS12ER08K14		. .	BOLT							1
695	AN960JD8		. .	WASHER							1
700	H10-08BAC		. .	NUT					A		1
				(V15653)							
				(SPEC BACN10JC08)							
-700A	MS21042L08		. .	NUT					B		1

-Item not Illustrated

# 25-28-47

ILLUSTRATED PARTS LIST

Page 1098.96

Mar 01/2006



**COMPONENT MAINTENANCE MANUAL**

FIG/ ITEM	PART NUMBER	AIRLINE PART NUMBER	NOMENCLATURE							USAGE CODE	UNITS PER ASSY
			1	2	3	4	5	6	7		
2-											
705	BACB30NM3K3		.	.	BOLT						2
710	AN960JD10L		.	.	WASHER				A		2
-710A	AN960JD10LL		.	.	WASHER				B		2
715	AN960JD10		.	.	WASHER						2
725	MS21042L3		.	.	NUT						2
					(V15653)						
					(SPEC BACN10JC3)						
735	412N1153-104		.	.	LATCH ASSY-30 IN.						1
735A	412N1153-150		.	.	LATCH ASSY-22 IN.				A		1
-735B	412N1153-151		.	.	LATCH ASSY				B		1
740	BACS12ER06K8		.	.	SCREW						8
					(V06710)						
					(SPEC BACS12ER06K8)						
					(OPT BACS12ER06K8 (V06725))						
					(OPT BACS12ER06K8 (V06950))						
					(OPT BACS12ER06K8 (V27624))						
					(OPT BACS12ER06K8 (V34252))						
					(OPT BACS12ER06K8 (V56878))						
					(OPT BACS12ER06K8 (V73197))						
					(OPT BACS12ER06K8 (V80539))						
					(OPT BACS12ER06K8 (V92215))						
					(OPT BACS12ER06K8 (V93907))						
					(OPT BACS12ER06K8 (V97928))						
745	SL210-06-2		.	.	INSERT						8
					(V97393)						
750	BACS12ER08K6		.	.	SCREW						8
					(V06710)						
					(SPEC BACS12ER08K6)						
					(OPT BACS12ER08K6 (V06725))						
					(OPT BACS12ER08K6 (V06950))						
					(OPT BACS12ER08K6 (V27624))						
					(OPT BACS12ER08K6 (V34252))						
					(OPT BACS12ER08K6 (V56878))						
					(OPT BACS12ER08K6 (V73197))						
					(OPT BACS12ER08K6 (V80539))						
					(OPT BACS12ER08K6 (V92215))						
					(OPT BACS12ER08K6 (V93907))						
					(OPT BACS12ER08K6 (V97928))						
755	NAS514P832-5		.	.	SCREW						8
760	SL210-08-1		.	.	INSERT						8
					(V97393)						

-Item not illustrated

# 25-28-47

ILLUSTRATED PARTS LIST

Page 1098.97

Mar 01/2006



## COMPONENT MAINTENANCE MANUAL

FIG/ ITEM	PART NUMBER	AIRLINE PART NUMBER	NOMENCLATURE							USAGE CODE	UNITS PER ASSY
			1	2	3	4	5	6	7		
2-											
765	412N1113-7		. . .	COVER							1
				(V01556)							
770	412N1113-8		. . .	COVER							1
775	S412N101-2021		. . .	LATCH ASSY							1
				(SPEC S412N101-3020)							
				(USED ON ITEM 735A)							
780	H3-1145-1-2760		. . .	LATCH ASSY							1
				(V34941)							
				(SPEC S412N101-1030)							
				(USED ON ITEM 735)							
-781	S412N101-3021		. . .	LATCH ASSY					B		1
785	BACS12FA3K5		. .	SCREW							8
				(V06710)							
790	65C27017-2		. .	BRACKET							1
795	412N1117-5		. .	FITTING							1
800	65C27016-2		. .	FILLER FITTING-TAPERED							1
805	65C27017-3		. .	FITTING							1
807	BACR15DR3P3		. .	RIVET							2
				(SIZE DETERMINED ON INST)							
810	BACS12FA3K5		. .	SCREW							34
815	BACS12FA3K15		. .	SCREW							2
820	65C27023-38		. .	SUPPORT-PASS. SVCE UNIT					A		1
-820A	65C27023-64		. .	SUPPORT-PASS. CYCLE UNIT					B		1
830	412N1146-84		. .	SUPPORT-PASS. BULLNOSE							1
835	412N1146-79		. .	SUPPORT-PASS. BULLNOSE					A		1
-835A	412N1146-109		. .	SUPPORT-PASS. BULLNOSE					B		1

-Item not Illustrated

# 25-28-47

ILLUSTRATED PARTS LIST

Page 1098.98

Mar 01/2006



## COMPONENT MAINTENANCE MANUAL

FIG/ ITEM	PART NUMBER	AIRLINE PART NUMBER	NOMENCLATURE							USAGE CODE	UNITS PER ASSY
			1	2	3	4	5	6	7		
2-			ATTACHING PARTS								
870	BACS12ER08K12		. . SCREW (V06710) (SPEC BACS12ER08K12) (OPT BACS12ER08K12 (V06725)) (OPT BACS12ER08K12 (V06950)) (OPT BACS12ER08K12 (V27624)) (OPT BACS12ER08K12 (V34252)) (OPT BACS12ER08K12 (V56878)) (OPT BACS12ER08K12 (V73197)) (OPT BACS12ER08K12 (V80539)) (OPT BACS12ER08K12 (V92215)) (OPT BACS12ER08K12 (V93907)) (OPT BACS12ER08K12 (V97928))								21
872	AN960JD8		. . WASHER								21
873	BACN10JC08		. . NUT								21
			-----*								
875	BACR15DR3		. . . RIVET (SIZE DETERMINED ON INST)								4
880	BACN10KB08		. . . NUTPLATE (V52828) (SPEC BACN10KB08)								2
885	412N1146-86		. . . SUPPORT (USED ON ITEM 830)								1
-885A	412N1146-81		. . . SUPPORT (USED ON ITEM 835)								1
-885B	412N1146-113		. . . SUPPORT-PASS BULLNOSE (USED ON ITEM 835A)								1
888	65C27012-49		. . BODY ASSY							A	1
-888A	65C27012-94		. . BODY ASSY							B	1
891	65C27012-1046		. . . PATTERN ASSY-INSERT							A	1
894	NAS1836-3-11		. . . . INSERT								14
897	65C27012-1105		. . . PATTERN ASSY-INSERT								1
900	NAS1836-3-11		. . . . INSERT								8
903	NAS1836-4-11		. . . . INSERT								2
906	65C27012-1210		. . . PATTERN ASSY-INSERT								1
909	NAS1836-3-11		. . . . INSERT								4

-Item not Illustrated

# 25-28-47

ILLUSTRATED PARTS LIST

Page 1098.99

Mar 01/2006



## COMPONENT MAINTENANCE MANUAL

FIG/ ITEM	PART NUMBER	AIRLINE PART NUMBER	NOMENCLATURE							USAGE CODE	UNITS PER ASSY
			1	2	3	4	5	6	7		
2-											
912	SL2334-3A2										10
915	65C27012-1331										1
918	65C27012-8										1
921	412N1156-13										12
924	SL2334-3A2										4
927	412N1156-2										
927A	65C27012-2031										1
930	NAS1836-3-11										8
933	65C27012-2128										1
936	NAS1836-3-11										3
939	65C27012-4003								A		1
942	NAS1833-3-400										6
945	65C27012-4103								A		1
948	NAS1833-3-400										4
949	65C27012-1062								B		1
950	NAS1836-3-11								B		12
951	65C27327-74										1
991	BACS12FA3K5										6
994	NAS1836-3-11										3
997	BACB30NN3K6										16
1000	SL3378-3-380										16
1003	AN960JD10L										16
1006	MS1042L3										16
1009	BACS12FA3K12										12
1012	NAS1834-3-400										12
1015	412N1217-62										1
1018	412N1217-63										1
1021	BACN10JP3A										5
1024	BACR15BA3D										10
1027	412N1217-5										1

-Item not Illustrated

# 25-28-47

ILLUSTRATED PARTS LIST

Page 1098.100

Mar 01/2006





## COMPONENT MAINTENANCE MANUAL

FIG/ ITEM	PART NUMBER	AIRLINE PART NUMBER	NOMENCLATURE							USAGE CODE	UNITS PER ASSY
			1	2	3	4	5	6	7		
2-											
1030	412N1217-78								.. BRACKET ASSY		1
1033	412N1217-80								... BRACKET		1
1037	BACN10JP3A								... NUTPLATE		7
1040	BACR15BA3D								... RIVET		14
1043	412N1116-75								.. PANEL ASSY-END		1
1046	412N1116-17								... PANEL ASSY		1
1049	NAS1836-3-11								... INSERT		5
1052	NAS1834-4-400								.. INSERT		13
1055	BACS12FA3K12								.. SCREW (V06710) (SPEC BACS12FA3K12) (OPT BACS12FA3K12 (V06725)) (OPT BACS12FA3K12 (V06950)) (OPT BACS12FA3K12 (V27624)) (OPT BACS12FA3K12 (V34252)) (OPT BACS12FA3K12 (V56878)) (OPT BACS12FA3K12 (V73197)) (OPT BACS12FA3K12 (V80539)) (OPT BACS12FA3K12 (V92215)) (OPT BACS12FA3K12 (V93907)) (OPT BACS12FA3K12 (V97928))		13
1058	412N1216-14								.. PANEL ASSY-DIVIDER		1
1061	BACB30NN3K1								... BOLT (V06710) (SPEC BACB30NN3K1) (OPT BACB30NN3K1 (V06725)) (OPT BACB30NN3K1 (V06950)) (OPT BACB30NN3K1 (V08524)) (OPT BACB30NN3K1 (V27624)) (OPT BACB30NN3K1 (V56878)) (OPT BACB30NN3K1 (V73197)) (OPT BACB30NN3K1 (V80539)) (OPT BACB30NN3K1 (V92215)) (OPT BACB30NN3K1 (V93907)) (OPT BACB30NN3K1 (V97928))		16
1070	SL5-3-145S								... NUT (V97393) (OPT ITEM 1134A)		16
1071	KD121395-145								... NUT (V29372) (OPT ITEM 1134)		16

-Item not Illustrated

# 25-28-47

ILLUSTRATED PARTS LIST

Page 1098.101

Mar 01/2006



## COMPONENT MAINTENANCE MANUAL

FIG/ ITEM	PART NUMBER	AIRLINE PART NUMBER	NOMENCLATURE							USAGE CODE	UNITS PER ASSY
			1	2	3	4	5	6	7		
2-											
1074	412N1217-19								. . . BRACKET ASSY		1
1077	BACR15BA3AD								. . . . RIVET (SIZE DETERMINED ON INST)		14
1080	BRM200A3								. . . . NUTPLATE (V52828) (SPEC BACN10JP3A) (OPT MK1000-3BAC (V15653)) (OPT NS103197-02 (V80539)) (OPT T8076S1032 (V71087)) (OPT T8076S1032 (V11815)) (OPT VN202A1-02 (V92215))		7
1083	412N1217-20								. . . . BRACKET		1
1085	412N1217-23								. . . BRACKET ASSY		1
1088	BACR15BA3AD								. . . . RIVET (SIZE DETERMINED ON INST)		12
1091	BRM200A3								. . . . NUTPLATE (V52828) (SPEC BACN10JP3A) (OPT MK1000-3BAC (V15653)) (OPT NS103197-02 (V80539)) (OPT T8076S1032 (V71087)) (OPT T8076S1032 (V11815)) (OPT VN202A1-02 (V92215))		6
1194	412N1217-24								. . . . BRACKET		1
1197	412N1116-47								. . . PANEL ASSY-DIVIDER		1
1100	412N1116-17								. . . . PANEL ASSY		1
1103	412N1116-50								. . . PANEL ASSY-DIVIDER		1
1106	NAS1836-3-11								. . . . INSERT		2
1109	412N1116-16								. . . . PANEL ASSY		1
1112	65C27327-75								. . BODY	A	1
1115	65C27327-154								. . BODY	B	1

-Item not Illustrated

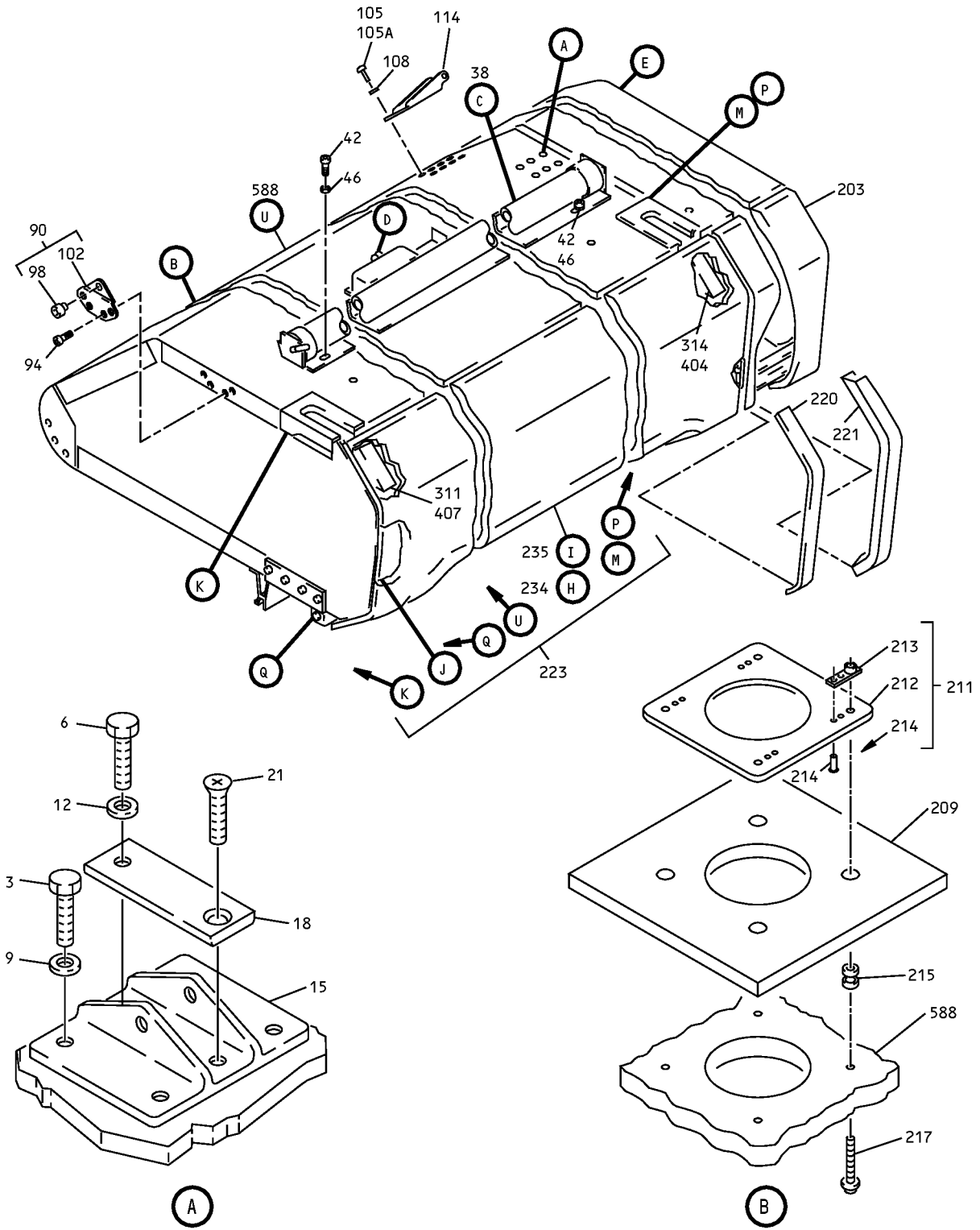
# 25-28-47

ILLUSTRATED PARTS LIST

Page 1098.102

Mar 01/2006

COMPONENT MAINTENANCE MANUAL



Overhead Storage Compartment Assembly  
IPL Figure 3 (Sheet 1 of 15)

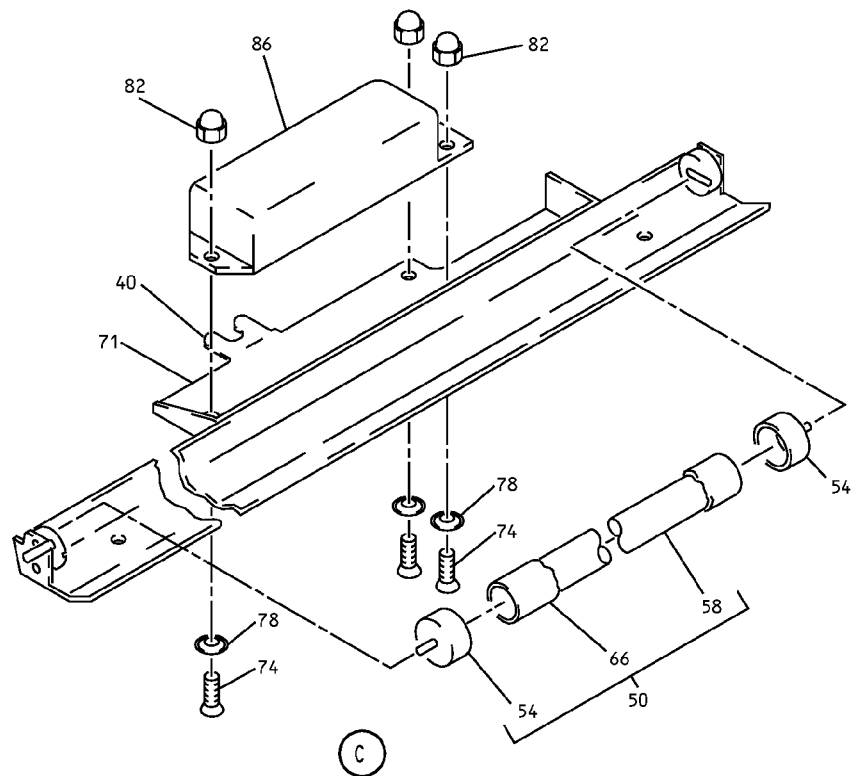
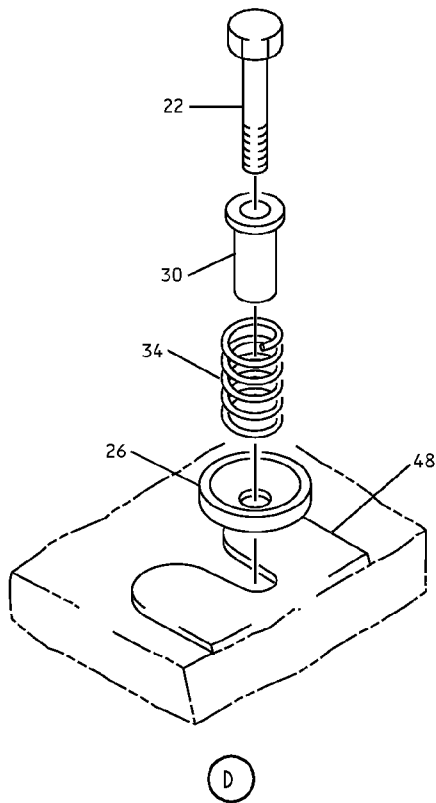
**25-28-47**

ILLUSTRATED PARTS LIST

Page 1098.103

Mar 01/2006

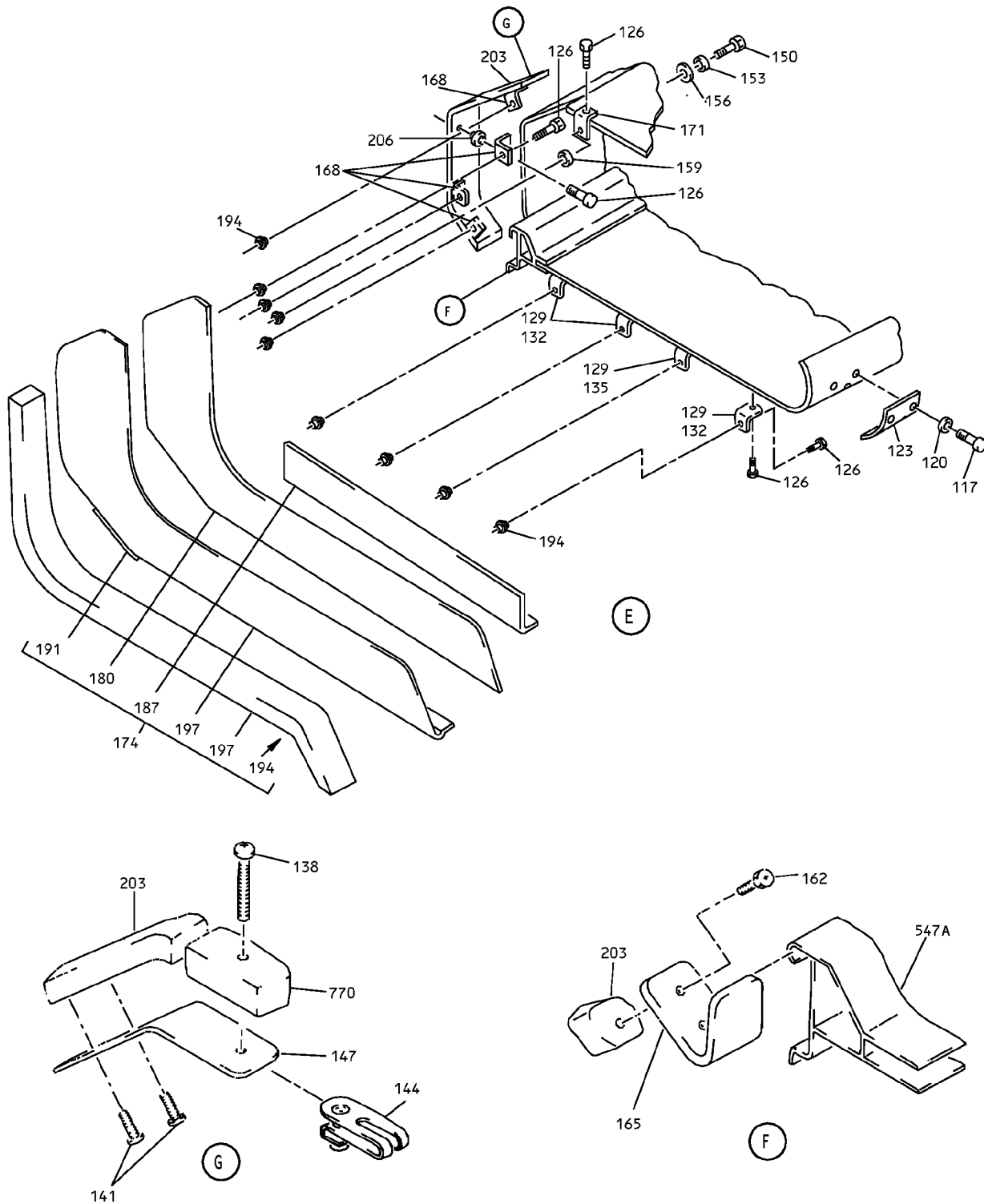
COMPONENT MAINTENANCE MANUAL



Overhead Storage Compartment Assembly  
IPL Figure 3 (Sheet 2 of 15)

**25-28-47**  
ILLUSTRATED PARTS LIST  
Page 1098.104  
Mar 01/2006

COMPONENT MAINTENANCE MANUAL



Overhead Storage Compartment Assembly  
IPL Figure 3 (Sheet 3 of 15)

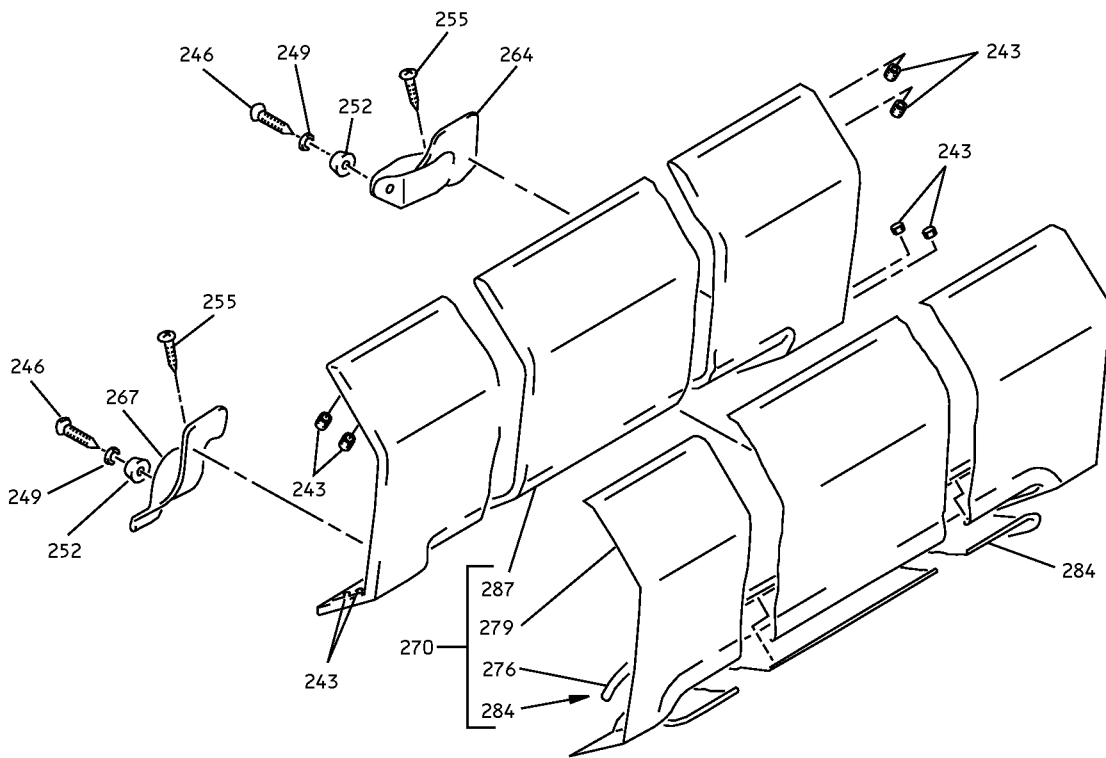
**25-28-47**

ILLUSTRATED PARTS LIST

Page 1098.105

Mar 01/2006

COMPONENT MAINTENANCE MANUAL



H

Overhead Storage Compartment Assembly  
IPL Figure 3 (Sheet 4 of 15)

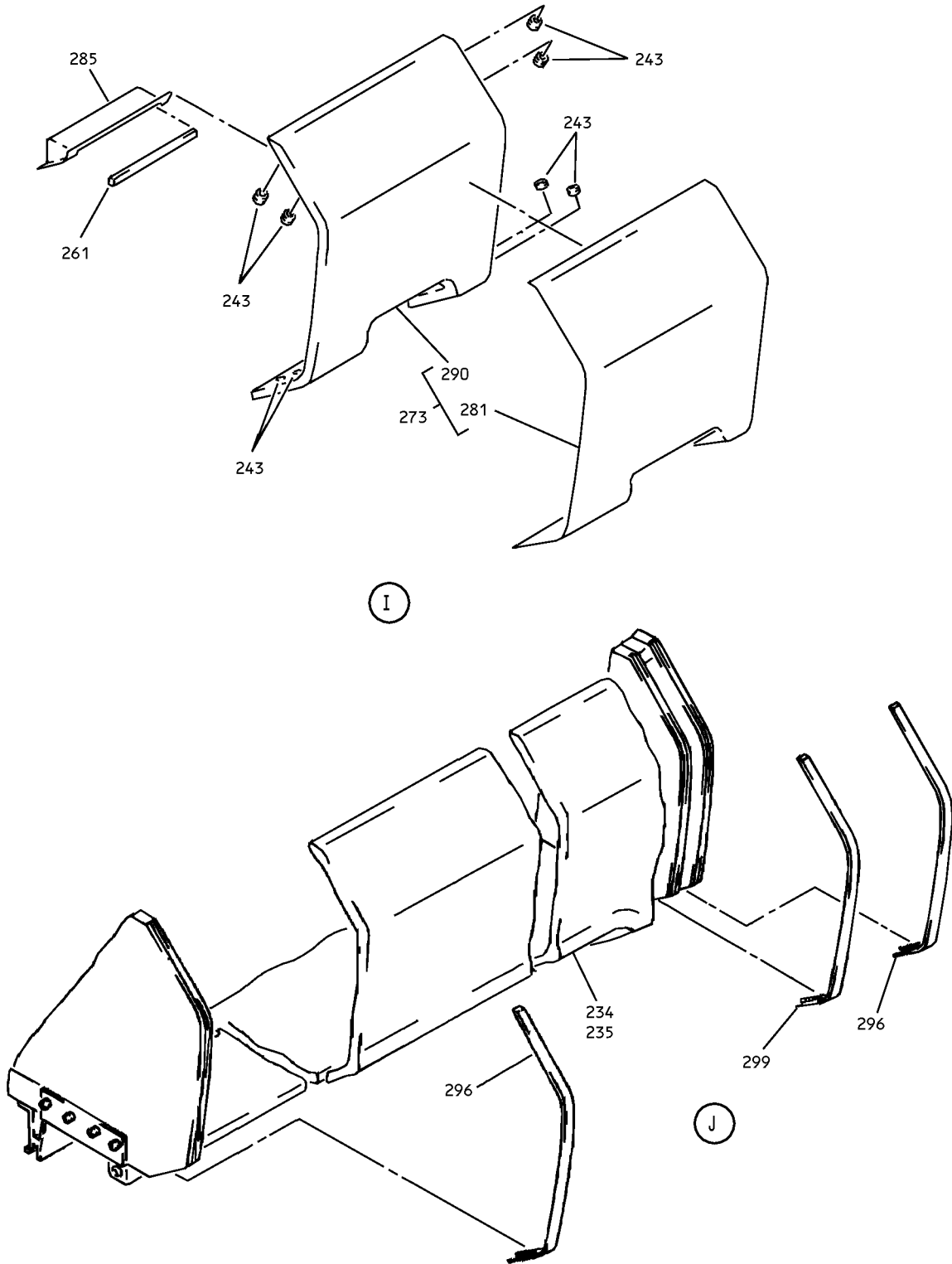
**25-28-47**

ILLUSTRATED PARTS LIST

Page 1098.106

Mar 01/2006

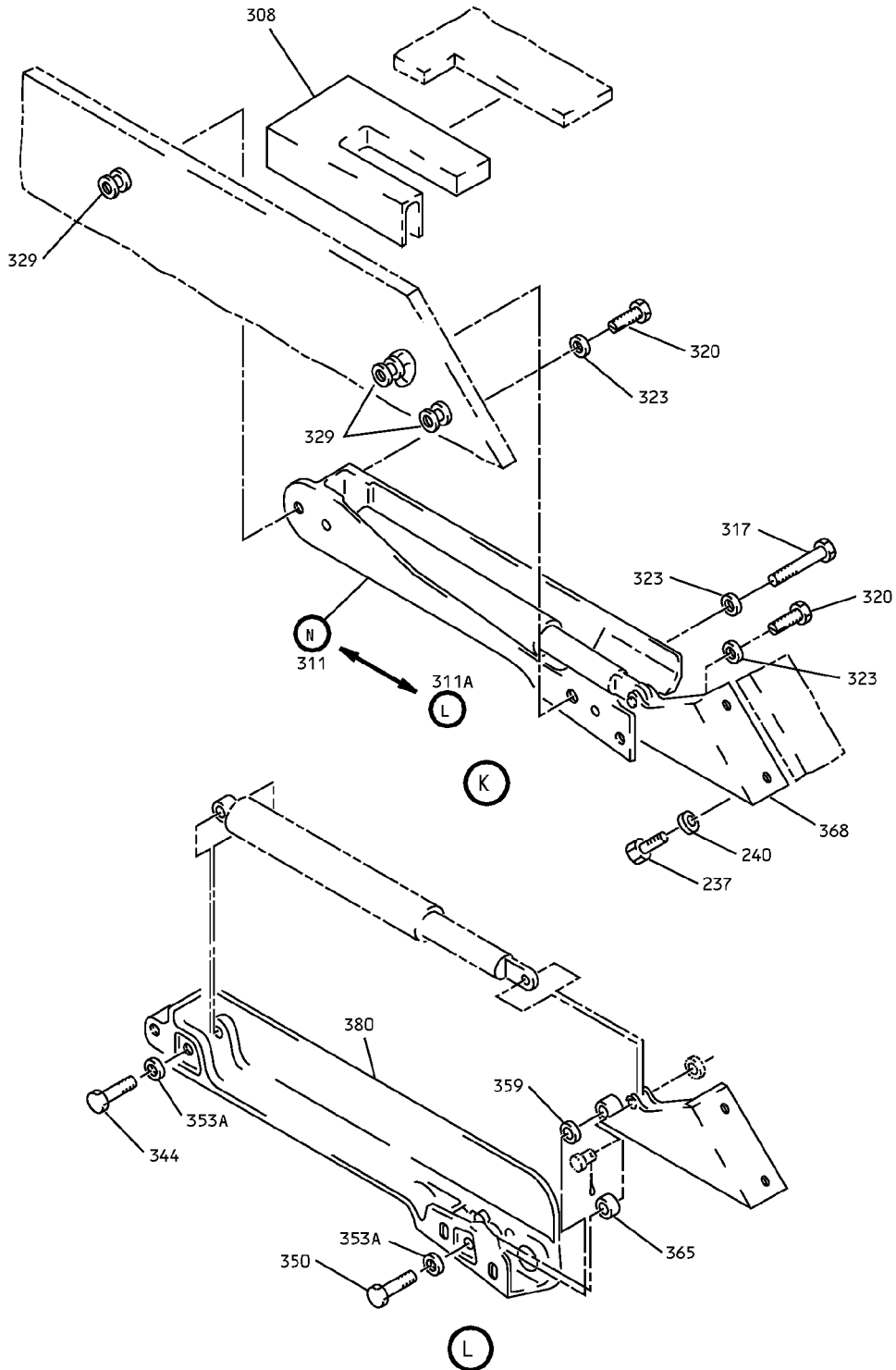
COMPONENT MAINTENANCE MANUAL



Overhead Storage Compartment Assembly  
IPL Figure 3 (Sheet 5 of 15)

**25-28-47**  
ILLUSTRATED PARTS LIST  
Page 1098.107  
Mar 01/2006

COMPONENT MAINTENANCE MANUAL



Overhead Stowage Compartment Assembly  
IPL Figure 3 (Sheet 6 of 15)

**25-28-47**

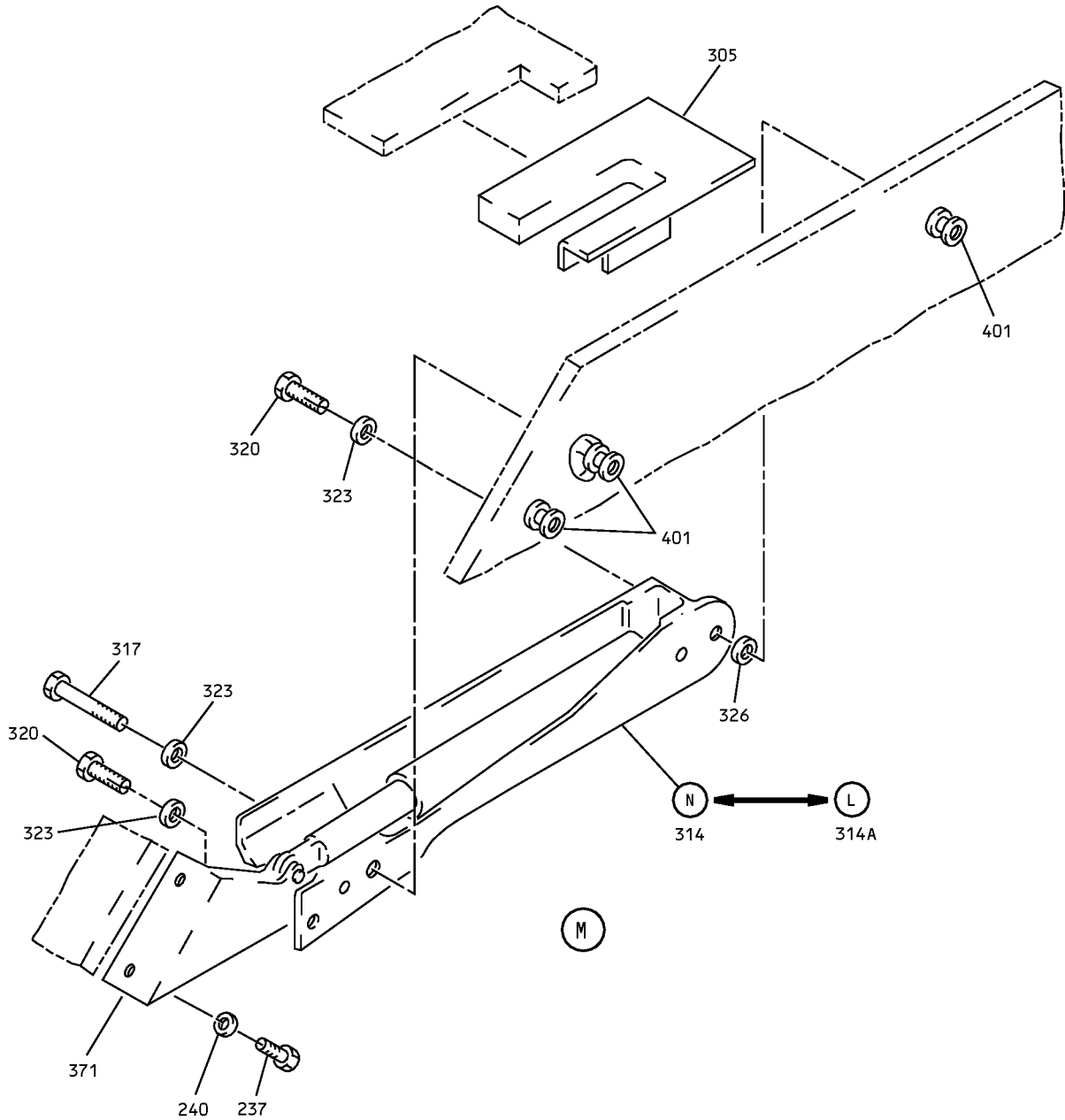
ILLUSTRATED PARTS LIST

Page 1098.108

Mar 01/2006



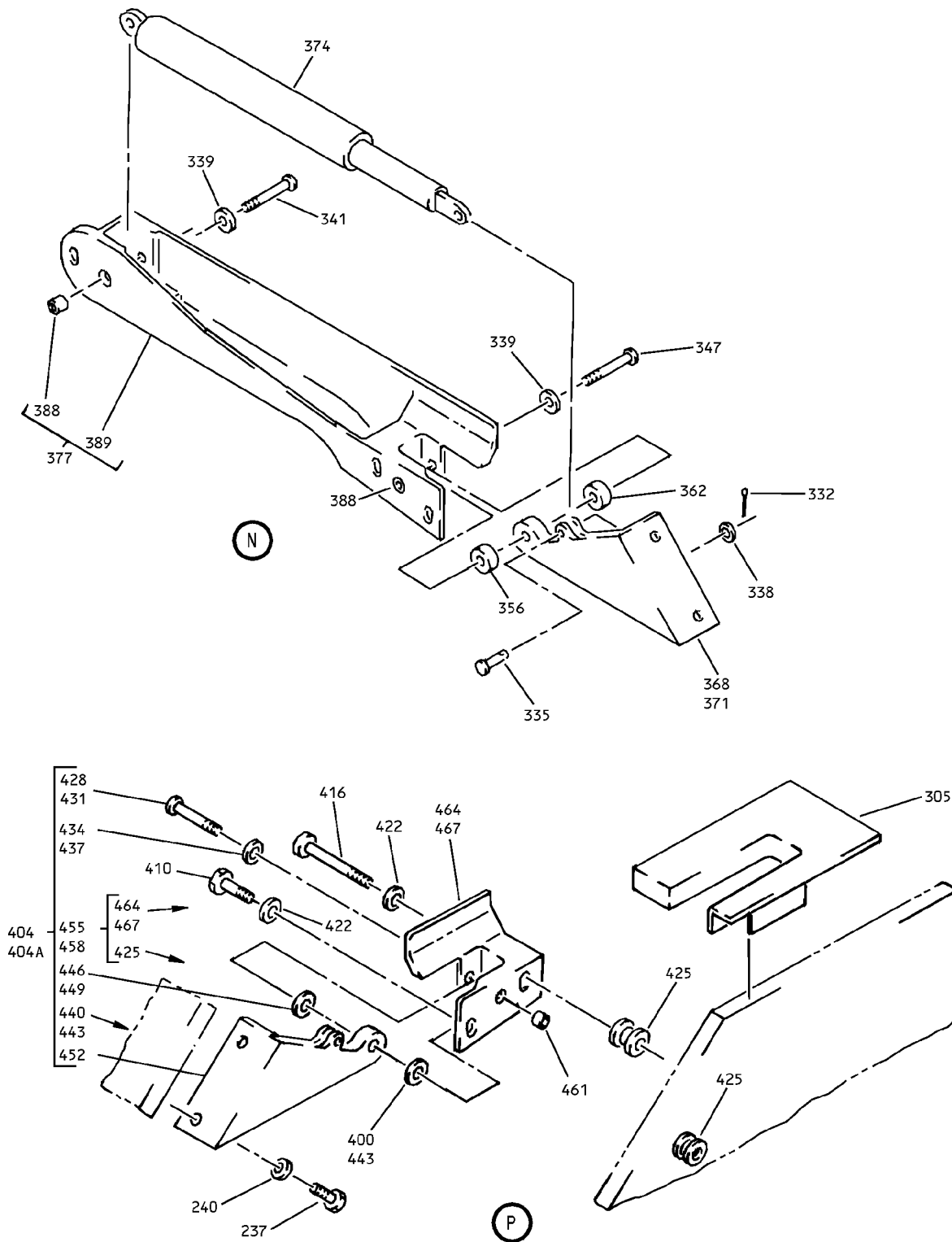
COMPONENT MAINTENANCE MANUAL



Overhead Stowage Compartment Assembly  
IPL Figure 3 (Sheet 7 of 15)

**25-28-47**  
ILLUSTRATED PARTS LIST  
Page 1098.109  
Mar 01/2006

### COMPONENT MAINTENANCE MANUAL

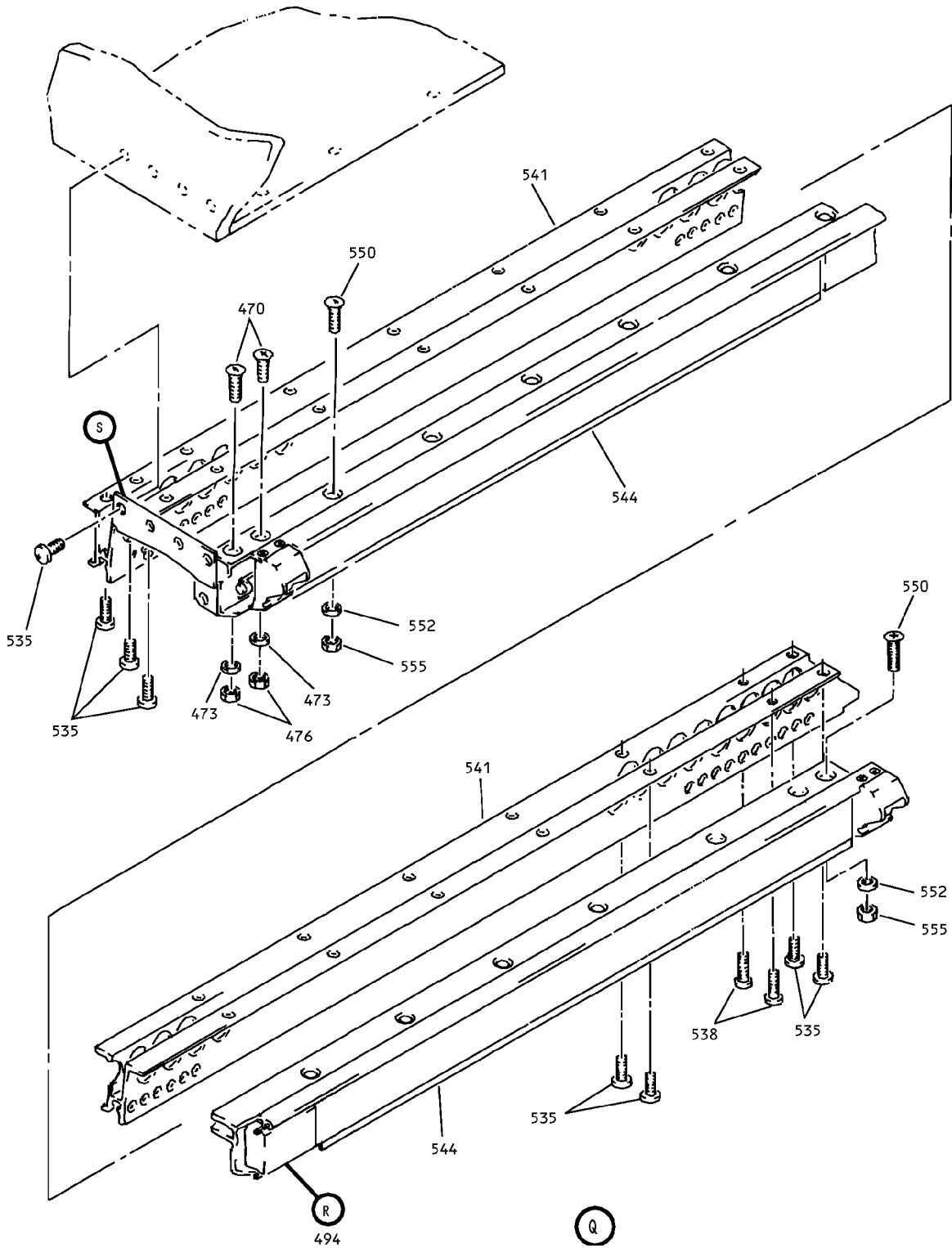


Overhead Storage Compartment Assembly  
IPL Figure 3 (Sheet 8 of 15)

# 25-28-47

ILLUSTRATED PARTS LIST  
Page 1098.110  
Mar 01/2006

COMPONENT MAINTENANCE MANUAL



Overhead Storage Compartment Assembly  
IPL Figure 3 (Sheet 9 of 15)

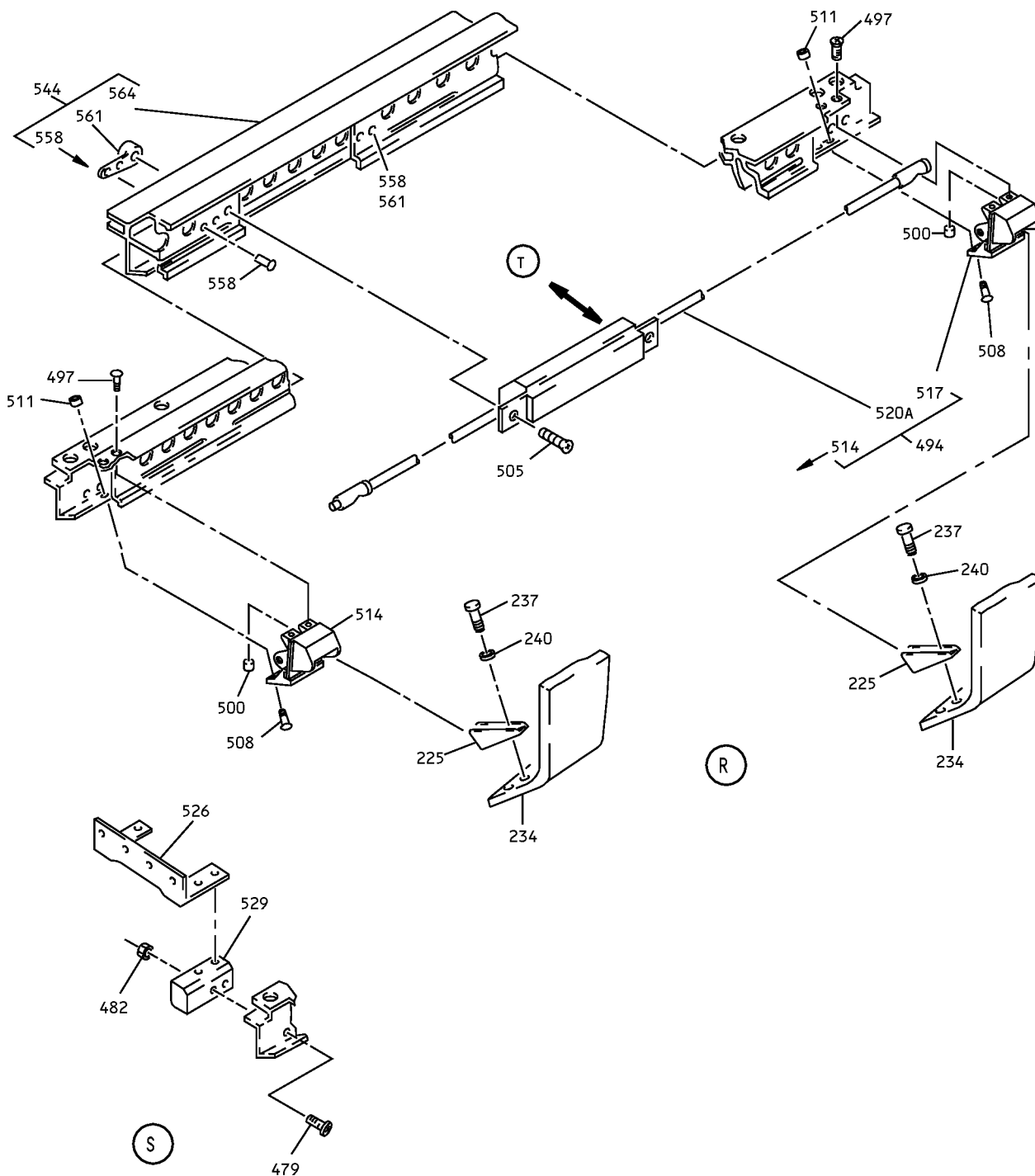
**25-28-47**

ILLUSTRATED PARTS LIST

Page 1098.111

Mar 01/2006

# COMPONENT MAINTENANCE MANUAL

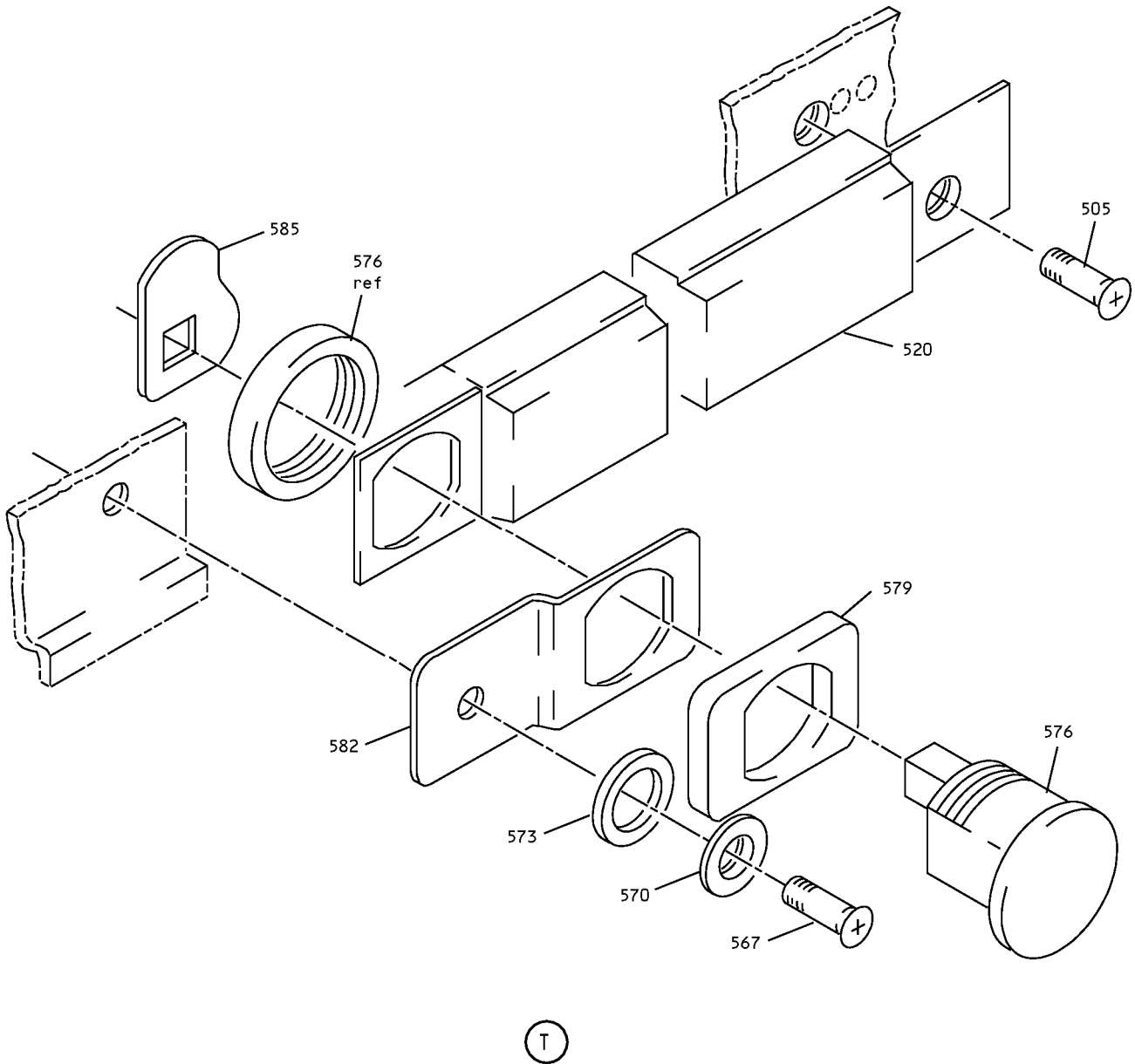


Overhead Storage Compartment Assembly  
IPL Figure 3 (Sheet 10 of 15)

## 25-28-47

ILLUSTRATED PARTS LIST  
Page 1098.112  
Mar 01/2006

COMPONENT MAINTENANCE MANUAL



(T)

Overhead Stowage Compartment Assembly  
IPL Figure 3 (Sheet 11 of 15)

**25-28-47**

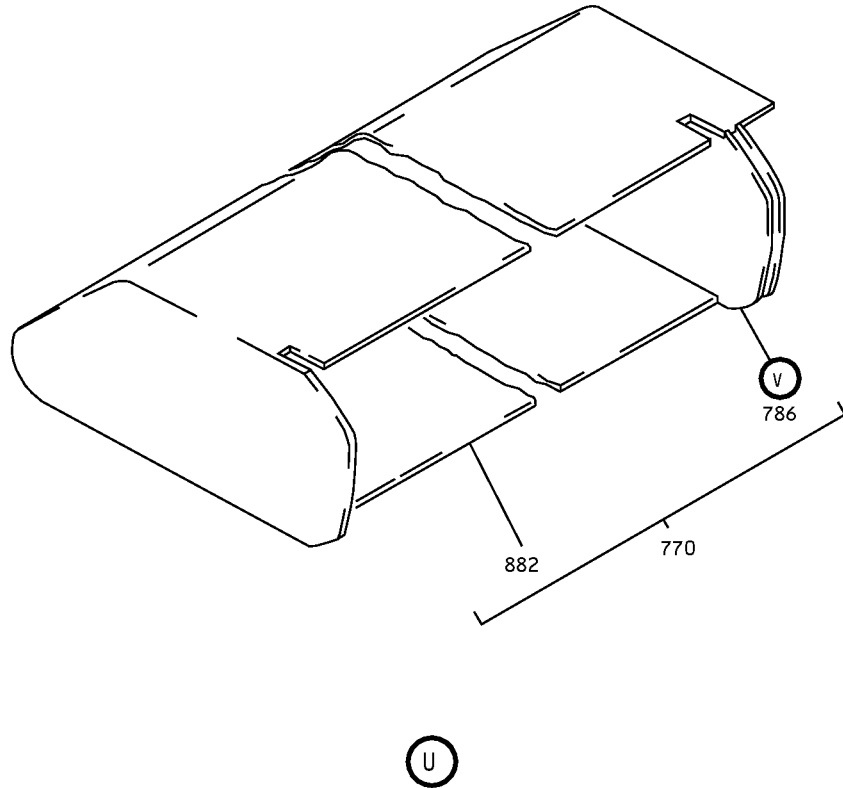
ILLUSTRATED PARTS LIST

Page 1098.113

Mar 01/2006



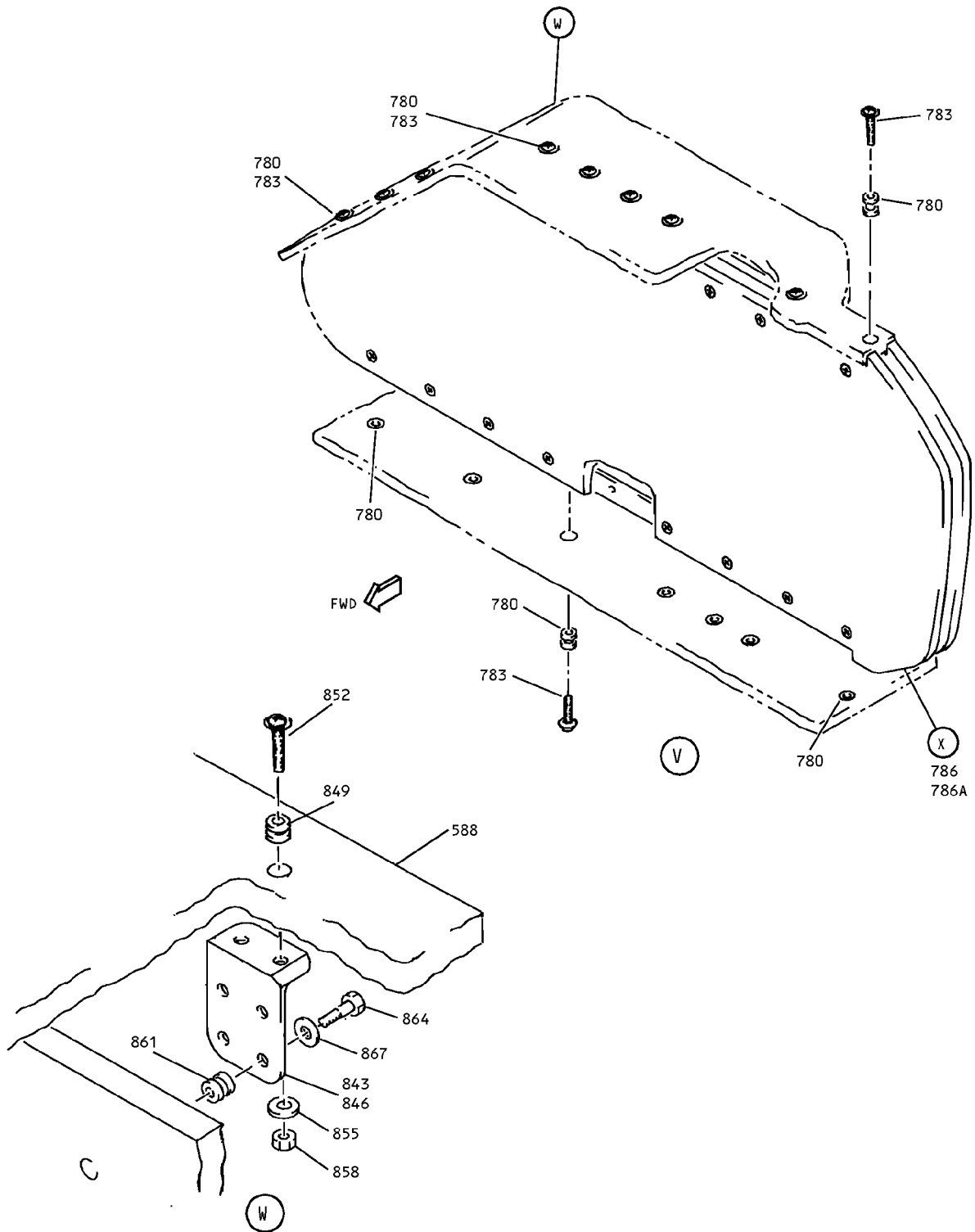
COMPONENT MAINTENANCE MANUAL



Overhead Storage Compartment Assembly  
IPL Figure 3 (Sheet 12 of 15)

**25-28-47**  
ILLUSTRATED PARTS LIST  
Page 1098.114  
Mar 01/2006

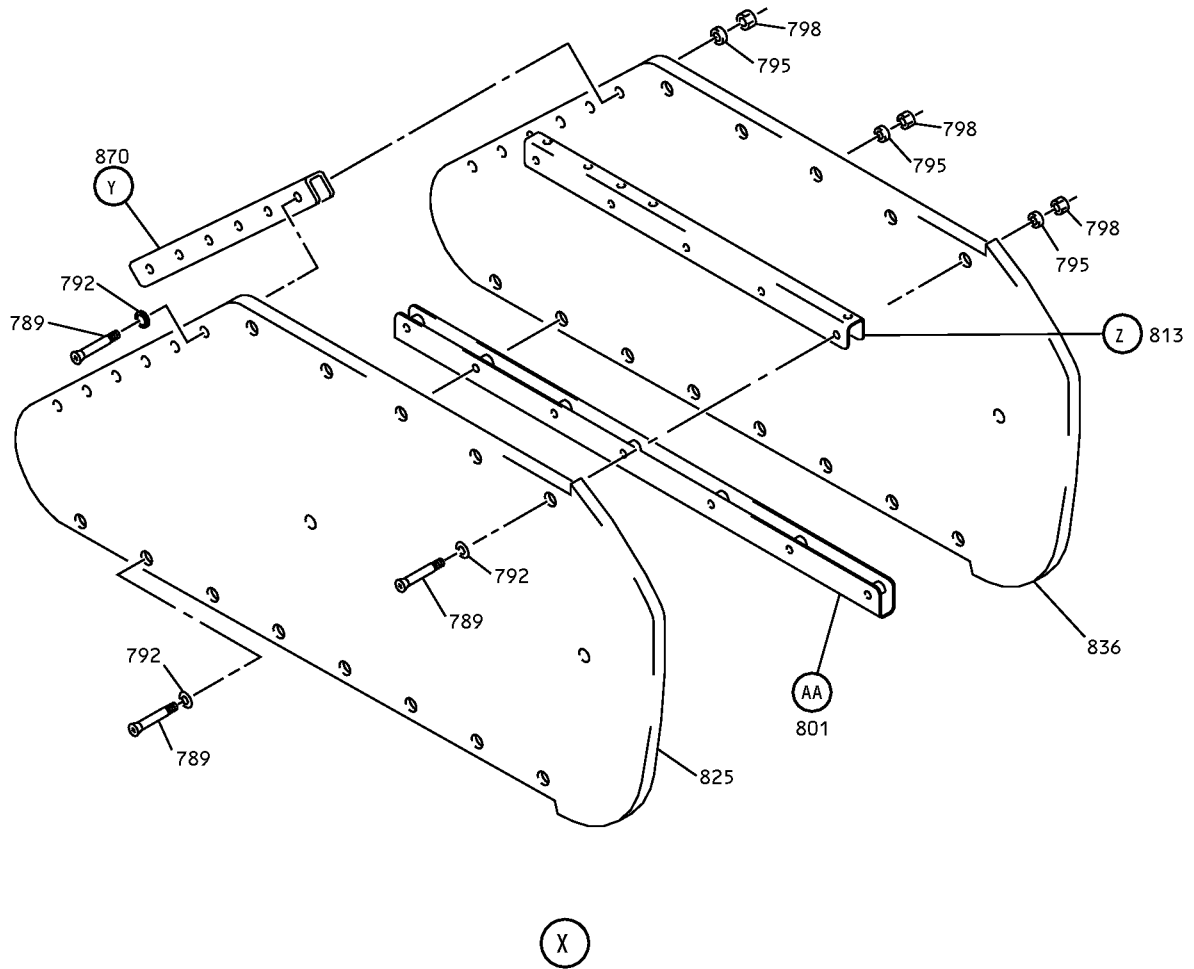
COMPONENT MAINTENANCE MANUAL



Overhead Storage Compartment Assembly  
IPL Figure 3 (Sheet 13 of 15)

**25-28-47**  
ILLUSTRATED PARTS LIST  
Page 1098.115  
Mar 01/2006

# COMPONENT MAINTENANCE MANUAL

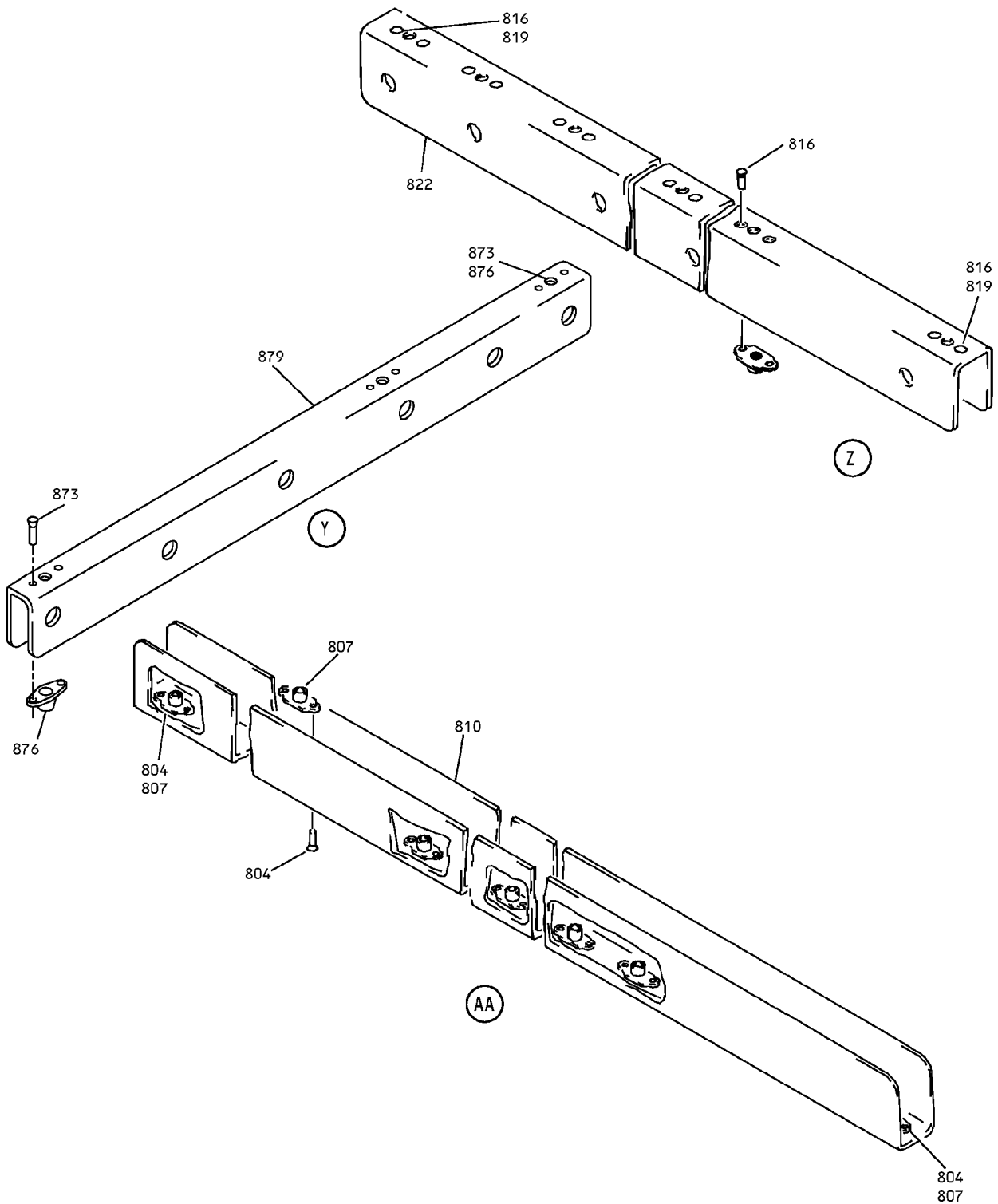


Overhead Stowage Compartment Assembly  
IPL Figure 3 (Sheet 14 of 15)

**25-28-47**  
ILLUSTRATED PARTS LIST  
Page 1098.116  
Mar 01/2006



COMPONENT MAINTENANCE MANUAL



Overhead Stowage Compartment Assembly  
IPL Figure 3 (Sheet 15 of 15)

**25-28-47**

ILLUSTRATED PARTS LIST

Page 1098.117

Mar 01/2006



## COMPONENT MAINTENANCE MANUAL

FIG/ ITEM	PART NUMBER	AIRLINE PART NUMBER	NOMENCLATURE							USAGE CODE	UNITS PER ASSY
			1	2	3	4	5	6	7		
3-											
1	65C27006-56SP									A	RF
-1A	65C27006-74SP									B	RF
-1B	65C27006-80SP									C	RF
-1C	65C27006-90SP									D	RF
-1D	65C27006-97SP									E	RF
-1E	65C27006-102SP									F	RF
-1G	65C27006-016SP									G	RF
-1H	65C27006-110SP									H	RF
3	BACB30NM3K1										4
6	BACB30NM3K10										1
9	AN960JD10										4
12	AN960JD10LL										1
15	412N1119-55										1
18	412N1119-56										1
21	BACB30NN3K10										1
22	NAS1801-3-11										1
26	411N3142-28										6

-Item not Illustrated

# 25-28-47

ILLUSTRATED PARTS LIST

Page 1098.118

Mar 01/2006



## COMPONENT MAINTENANCE MANUAL

FIG/ ITEM	PART NUMBER	AIRLINE PART NUMBER	NOMENCLATURE							USAGE CODE	UNITS PER ASSY
			1	2	3	4	5	6	7		
3-											
30	BACS18C8-6		.								1
34	MS24585-1230		.								1
38	417N5120-19		.							A-F	1
-38A	417N5120-6		.								1
-38B	417N5120-20		.							G	1
-38C	417N5120-19		.							H	1
42	NAS1801-3-5		.								2
46	AN960JD10L		.								2
48	65C28117-3		.	.							1
50	417N5120-11		.	.							1
-50A	417N5120-12		.	.							
54	2055150		.	.	.						2
54A	2055132		.	.	.						2
58	F20T12WW		.	.	.						1
66	LP1625-24		.	.	.						1
-66A	N1152LGWUV1000		.	.	.						1
-66B	LP1610-18		.	.	.						1
-66C	N1060LGWUV1000		.	.	.						1
-70	800000255-6		.	.							1

-Item not Illustrated

# 25-28-47

ILLUSTRATED PARTS LIST

Page 1098.119

Mar 01/2006



## COMPONENT MAINTENANCE MANUAL

FIG/ ITEM	PART NUMBER	AIRLINE PART NUMBER	NOMENCLATURE							USAGE CODE	UNITS PER ASSY	
			1	2	3	4	5	6	7			
3- -71A	800000255-16		.	.	LIGHT ASSY-CLG- (V05617) (SPEC S417N507-16) (USED ON ITEM 38,38C) (FOR DETAILS SEE FIG. 80)							1
-71B	800000255-17		.	.	LIGHT ASSY-CLG- (V05617) (SPEC S417N507-17) (USED ON ITEM 38B)							1
74	BACS12ER3K6		.	.	SCREW (V06710) (SPEC BACS12ER3K6) (OPT BACS12ER3K6 (V06725)) (OPT BACS12ER3K6 (V06950)) (OPT BACS12ER3K6 (V27624)) (OPT BACS12ER3K6 (V34252)) (OPT BACS12ER3K6 (V56878)) (OPT BACS12ER3K6 (V73197)) (OPT BACS12ER3K6 (V80539)) (OPT BACS12ER3K6 (V92215)) (OPT BACS12ER3K6 (V93907)) (OPT BACS12ER3K6 (V97928))							3
78	BACW10UD10		.	.	WASHER							3
82	F22K1-02		.	.	NUT (V72962) (SPEC BACN10R10L) (OPT 22K1-02 (V72962)) (OPT 26CL02 (V80539))							3
86	05939-5		.	.	BALLAST (V17023) (SPEC S283N702-5) (USED ON ITEMS 38,38A,38C)							1
-86A	05939-7		.	.	BALLAST (V17023) (SPEC S283N702-7) (USED ON ITEM 38B)							1
90	412N1119-1		.	.	FITTING ASSY							1

-Item not Illustrated

# 25-28-47

ILLUSTRATED PARTS LIST

Page 1098.120

Mar 01/2006



## COMPONENT MAINTENANCE MANUAL

FIG/ ITEM	PART NUMBER	AIRLINE PART NUMBER	NOMENCLATURE							USAGE CODE	UNITS PER ASSY
			1	2	3	4	5	6	7		
3-			ATTACHING PARTS								
94	BACS12ER3K6		. SCREW (V06710) (SPEC BACS12ER3K6) (OPT BACS12ER3K6 (V06725)) (OPT BACS12ER3K6 (V06950)) (OPT BACS12ER3K6 (V27624)) (OPT BACS12ER3K6 (V34252)) (OPT BACS12ER3K6 (V56878)) (OPT BACS12ER3K6 (V73197)) (OPT BACS12ER3K6 (V80539)) (OPT BACS12ER3K6 (V92215)) (OPT BACS12ER3K6 (V93907)) (OPT BACS12ER3K6 (V97928))								4
98	BACB28B6-220P		. . BUSHING								1
102	412N1119-2		. . FITTING								1
105	BACB30NM3K1		. BOLT (V06710) (SPEC BACB30NM3K1) (OPT BACB30NM3K1 (V06725)) (OPT BACB30NM3K1 (V06950)) (OPT BACB30NM3K1 (V08524)) (OPT BACB30NM3K1 (V27624)) (OPT BACB30NM3K1 (V56878)) (OPT BACB30NM3K1 (V73197)) (OPT BACB30NM3K1 (V80539)) (OPT BACB30NM3K1 (V92215)) (OPT BACB30NM3K1 (V93907)) (OPT BACB30NM3K1 (V97928))							A-C, E, G, H	8
105A	BACB30NM3K1		. BOLT							D, F	6
105B	BACB30NM3K10		. BOLT							D, F	2
108	AN960JD10		. WASHER							A-C, E, G, H	8
-108B	AN960JD10		. WASHER							D, F	8
-111	MS21042L3		. NUT							D, F	2
114	412N1161-2		. FITTING (OPT ITEM 114A)							A-C, E, G, H	1
-114A	412N1119-14		. FITTING (OPT ITEM 114)							A-C, E, G, H	1
-114B	412N1119-79		. FITTING							D, F	1

-Item not Illustrated

**25-28-47**

ILLUSTRATED PARTS LIST

Page 1098.121

Mar 01/2006



## COMPONENT MAINTENANCE MANUAL

FIG/ ITEM	PART NUMBER	AIRLINE PART NUMBER	NOMENCLATURE							USAGE CODE	UNITS PER ASSY				
			1	2	3	4	5	6	7						
3- 117	BACB30NM3K1		.	B	O	L	T					8			
				(V06710)	(SPEC BACB30NM3K1)	(OPT BACB30NM3K1 (V06725))	(OPT BACB30NM3K1 (V06950))	(OPT BACB30NM3K1 (V08524))	(OPT BACB30NM3K1 (V27624))	(OPT BACB30NM3K1 (V56878))	(OPT BACB30NM3K1 (V73197))	(OPT BACB30NM3K1 (V80539))	(OPT BACB30NM3K1 (V92215))	(OPT BACB30NM3K1 (V93907))	(OPT BACB30NM3K1 (V97928))
120	AN960JD10		.	W	A	S	H					8			
123	412N1119-12		.	F	I	T	T					1			
126	BACS12FA3K5		.	S	C	R	E					17			
129	412N1145-29		.	B	R	A	C		A-D, F, H			4			
132	412N1145-29		.	B	R	A	C		E, G			3			
135	412N1145-75		.	B	R	A	C		E			1			
-135A	412N1145-73		.	B	R	A	C		G			1			
138	BACS12FA3K12		.	S	C	R	E		A-C			2			
141	BACS12FA3K5		.	S	C	R	E		A-C			4			
144	130120		.	N	U	T			A-C			2			
				(V76530)	(SPEC BACN10YD1)										
147	412N1145-89		.	B	R	A	C		A-C			2			
150	BACB30PF4-3		.	S	C	R	E					1			
153	AN960C416L		.	W	A	S	H					1			
156	NAS1515F4H		.	W	A	S	H					1			
159	NAS1515M4L		.	W	A	S	H					1			
162	BACS12FA3K5		.	S	C	R	E		A-C			4			
165	412N1145-92		.	B	R	A	C		A-C			2			
168	65C27017-36		.	B	R	A	C		A-C			4			
-168A	65C27017-13		.	B	R	A	C		D, F, H			4			
				(OPT ITEM 168C)											
-168B	65C27017-17		.	B	R	A	C		E, G			4			

-Item not Illustrated

# 25-28-47

ILLUSTRATED PARTS LIST

Page 1098.122

Mar 01/2006



## COMPONENT MAINTENANCE MANUAL

FIG/ ITEM	PART NUMBER	AIRLINE PART NUMBER	NOMENCLATURE							USAGE CODE	UNITS PER ASSY
			1	2	3	4	5	6	7		
3-											
-168C	65C27017-43		.	BRACKET						D, F, H	1
				(OPT ITEM 168A)							
171	417N1145-30		.	BRACKET						A-F, H	1
-172	65C27017-30		.	BRACKET						G	1
174	65C27027-4SP		.	CAP ASSY-END						A-E, G, H	1
-174A	65C27027-3SP		.	CAP ASSY-END						F	1
177	65C27027-17		.	FOAM							1
180	65C27027-12		.	PANEL ASSY						A-E	1
-183	65C27027-11		.	PANEL ASSY						F	1
187	65C27027-14		.	SUPPORT-ANGLE							1
191	65C27027-13		.	SEAL							1
194	SL2334-3A2		.	INSERT							9
				(V97393)							
197	65C27027-8		.	END CAP						A-E	1
-200	65C27027-7		.	END CAP						F	1
203	65C27026-44SP		.	PANEL ASSY-FILLER						A	1
-203A	65C27026-51SP		.	PANEL ASSY-FILLER						B	1
-203B	65C27026-56SP		.	PANEL ASSY-FILLER						C	1
-203C	65C27026-57SP		.	PANEL ASSY-FILLER						D	1
-203D	65C27026-59SP		.	PANEL ASSY-FILLER						E	1
-203E	65C27026-48SP		.	PANEL ASSY-FILLER						F	1
-203F	65C27026-63SP		.	PANEL ASSY-FILLER						G	1
-203G	65C27026-65SP		.	PANEL ASSY-FILLER						H	1
206	NAS1836-3-11		.	INSERT						A, B, C	12
-206A	NAS1836-3-11		.	INSERT						D-H	4
209	65C27006-86		.	DOUBLER						A	1
211	412N1145-87		.	BRACKET ASSY						A	1
-212	412N1145-88		.	BRACKET						A	1
213	BACN10KB3F		.	NUTPLATE						A	4
-213A	BACR15BA3DD		.	RIVET						A	8
214	NAS1834-3-400		.	INSERT						A	4
217	BACS12FA3K9		.	SCREW						A	4

-Item not Illustrated

**25-28-47**

ILLUSTRATED PARTS LIST

Page 1098.123

Mar 01/2006



## COMPONENT MAINTENANCE MANUAL

FIG/ ITEM	PART NUMBER	AIRLINE PART NUMBER	NOMENCLATURE							USAGE CODE	UNITS PER ASSY
			1	2	3	4	5	6	7		
3-											
220	412N1130-5		.								1
221	65C27006-12		.								1
223	65C27009-56SP		.						A		1
-223A	65C27009-74SP		.						B		1
-223B	65C27009-80SP		.						C		1
-223C	65C27009-90SP		.						D		1
-223D	65C27009-97SP		.						E		1
-223E	65C27009-102SP		.						F		1
-223F	65C27009-106SP		.						G		1
-223G	65C27009-110SP		.						H		1
225	H3-1152-1		.	.							4
228	BACS12FA3K4		.	.							8
231	MS35333-39		.	.							8
234	412N1140-44SP		.	.					A-C, E, G, H		1
235	412N1140-67SP		.	.					D		1
-235A	412N1140-77SP		.	.					F		1
237	NAS1801-3-4		.	.							8
240	MS35333-39		.	.							8
243	SL628-3A		.	.	.						8
246	BACS12H4-8		.	.	.						2
249	NAS620A8L		.	.	.						2
252	412N1245-1		.	.	.						2
255	MS51862-4		.	.	.						2

-Item not Illustrated

**25-28-47**

ILLUSTRATED PARTS LIST

Page 1098.124

Mar 01/2006





## COMPONENT MAINTENANCE MANUAL

FIG/ ITEM	PART NUMBER	AIRLINE PART NUMBER	NOMENCLATURE							USAGE CODE	UNITS PER ASSY
			1	2	3	4	5	6	7		
3-											
258	412N1143-11								. . . COVER (USED ON ITEMS 235,235A)		1
261	412N1140-17								. . . FILLER (USED ON ITEMS 235,235A)		1
264	412N1143-13								. . . COVER (USED ON ITEM 234)		1
267	412N1143-14								. . . COVER (USED ON ITEM 234)		1
270	412N1140-60								. . . PANEL ASSY-DOOR- (USED ON ITEM 234)		1
273	412N1140-62								. . . PANEL ASSY-DOOR- (USED ON ITEMS 235,235A)		1
276	412N1140-13								. . . . STRIP RETAINER (USED ON ITEM 270)		1
279	412N1141-3								. . . . FACE PLATE (USED ON ITEM 270)		1
281	412N1141-5								. . . . FACE PLATE (USED ON ITEM 273)		1
284	412N1141-9								. . . . MARKER (USED ON ITEM 270)		1
287	412N1142-17								. . . . PANEL ASSY (USED ON ITEM 270)		1
290	412N1142-20								. . . . PANEL ASSY (USED ON ITEM 273)		1
-293	412N1244-2								. . . DOUBLER (USED ON ITEM 235,235A)		2
296	412N1118-1SP								. . RETAINER TRIM		2
299	412N1118-2SP								. . RETAINER TRIM		1
302	65C27009-6								. . EDGE COVER		1
305	412N1154-3								. . REINFORCEMENT-CORNER		1
308	412N1154-2								. . REINFORCEMENT-CORNER		1
311	412N1155-1								. . HINGE ASSY (LIMITED USAGE) (OPT ITEM 311A)	A-E, G, H	2
311A	412N1155-7								. . HINGE ASSY (LIMITED USAGE) (OPT ITEM 311)	A-E, G, H	2

-Item not Illustrated

# 25-28-47

ILLUSTRATED PARTS LIST

Page 1098.125

Mar 01/2006



## COMPONENT MAINTENANCE MANUAL

FIG/ ITEM	PART NUMBER	AIRLINE PART NUMBER	NOMENCLATURE							USAGE CODE	UNITS PER ASSY
			1	2	3	4	5	6	7		
3-											
314	412N1155-2		. .							A-C, E-H	1
314A	412N1155-8		. .							A-C, E-H	1
317	BACB30LK3-18		. .								1
-317A	NAS1801-3-10		. .								1
320	412N1227-1		. .								2
-320A	A1C1321-3-8		. .								2
323	BACW10P136AL		. .								3
326	AN970JD10		. .								1
329	NAS1833-3-400		. .								3
332	MS24665-132		. . .								1
335	MS20392-2C13		. . .								1
338	AN960PD10L		. . .								1
339	AN960PD10L		. . .								2
341	NAS6703PU15		. . .								3
344	BACB30NM3K12		. . .								1
347	NAS6703PU11		. . .								1
350	BACB30NM3K8		. . .								1
353	NA960KD10L		DELETED								
353A	NA960KD10L		. . .								2
356	NAS43DD3-5		. . .								1
359	NAS43DD3-3		. . .								1

-Item not Illustrated

# 25-28-47

ILLUSTRATED PARTS LIST

Page 1098.126

Mar 01/2006



## COMPONENT MAINTENANCE MANUAL

FIG/ ITEM	PART NUMBER	AIRLINE PART NUMBER	NOMENCLATURE							USAGE CODE	UNITS PER ASSY
			1	2	3	4	5	6	7		
3-											
362	NAS43DD3-6		. . .								1
365	NAS43DD3-8		. . .								1
368	H2948-2		. . .								1
371	H2948-1		. . .								1
374	SB113		. . .								1
377	412N1156-1		. . .								1
380	412N1156-13		. . .								1
-383	412N1156-2		. . .								1
-386	412N1156-14		. . .								1
388	NAS1833-3-400		. . .								3
389	412N1156-3		. . .								1
-392	412N1156-15		. . .								1
-395	412N1156-4		. . .								1
-398	412N1156-16		. . .								1
401	NAS1833-3-400		. .								6
404	412N1155-4		. .							D	1
404A	412N1155-10		. .							D	1

-Item not Illustrated

# 25-28-47

ILLUSTRATED PARTS LIST

Page 1098.127

Mar 01/2006



## COMPONENT MAINTENANCE MANUAL

FIG/ ITEM	PART NUMBER	AIRLINE PART NUMBER	NOMENCLATURE							USAGE CODE	UNITS PER ASSY
			1	2	3	4	5	6	7		
3-											
-407	412N1155-3		. .							F	1
-407A	412N1155-9		. .							F	1
410	412N1227-1		. .								1
-413	AIC1321-3-8		. .								1
416	BACB30LK3-18		. .								1
-419	NAS1801-3-10		. .								1
422	BACW10P136AL		. .								2
425	NAS18833-3-400		. .								2
428	NAS6703PU11		. . .								1
431	BACS30NM3K8		. . .								1
434	AN960PD10L										
434A	AN960PD10L		. . .								1
437	AN960KD10L										
437A	AN960JD10L		. . .								1
440	NAS43DD3-5		. . .								1
443	NAS43DD3-8		. . .								1
446	NAS43DD3-6		. . .								1

-Item not Illustrated

# 25-28-47

ILLUSTRATED PARTS LIST

Page 1098.128

Mar 01/2006



## COMPONENT MAINTENANCE MANUAL

FIG/ ITEM	PART NUMBER	AIRLINE PART NUMBER	NOMENCLATURE							USAGE CODE	UNITS PER ASSY
			1	2	3	4	5	6	7		
3-											
449	NAS43DD3-3		. . .	SPACER							1
				(USED ON ITEMS 404A,407A)							
452	H2948-1		. . .	HINGE					D		1
				(V83014)							
				(SPEC S412N102-1)							
452A	H2948-2		. . .	HINGE					F		1
				(V83014)							
				(SPEC S412N102-2)							
455	412N1156-6		. . .	CHASSIS ASSY					D		1
				(USED ON ITEM 404)							
455A	412N1156-5		. . .	CHASSIS ASSY							1
				(USED ON ITEM 407)							
458	412N1156-20		. . .	CHASSIS ASSY							1
				(USED ON ITEM 404A)							
458A	412N1156-19		. . .	CHASSIS ASSY							1
				(USED ON ITEM 407A)							
461	6041-3BRX225		. . . .	INSERT-DODGE-							2
				(V01556)							
464	412N1156-4		. . . .	CHASSIS							1
				(USED ON ITEM 455)							
464A	412N1156-3		. . . .	CHASSIS							1
				(USED ON ITEM 455A)							
467	412N1156-26		. . . .	CHASSIS							1
				(USED ON ITEM 458)							
467A	412N1156-25		. . . .	CHASSIS							1
				(USED ON ITEM 458A)							
470	BACS12ER08K14		. .	BOLT							2
473	AN960JD8		. .	WASHER							2
476	MS21042L08		. .	NUT							2
				(V15653)							
				(SPEC BACN10JC08)							
479	BACB30MY6K2		. .	BOLT							2
482	MS21043L3		. .	WASHER							2
494	412N1153-24		. .	LATCH ASSY-30 IN.					A, B		1
-494A	412N1153-104		. .	LATCH ASSY-30 IN.					C, E, G, H		1
-494B	412N1153-116		. .	LATCH ASSY-26 IN.					D		1

-Item not Illustrated

# 25-28-47

ILLUSTRATED PARTS LIST

Page 1098.129

Mar 01/2006



## COMPONENT MAINTENANCE MANUAL

FIG/ ITEM	PART NUMBER	AIRLINE PART NUMBER	NOMENCLATURE							USAGE CODE	UNITS PER ASSY
			1	2	3	4	5	6	7		
3- -494C	412N1153-56		. . LATCH ASSY-26 IN.							F	1
			ATTACHING PARTS								
497	BACS12ER06K8		. . SCREW								4
			(V06710)								
			(SPEC BACS12ER06K8)								
			(OPT BACS12ER06K8 (V06725))								
			(OPT BACS12ER06K8 (V06950))								
			(OPT BACS12ER06K8 (V27624))								
			(OPT BACS12ER06K8 (V34252))								
			(OPT BACS12ER06K8 (V56878))								
			(OPT BACS12ER06K8 (V73197))								
			(OPT BACS12ER06K8 (V80539))								
			(OPT BACS12ER06K8 (V92215))								
			(OPT BACS12ER06K8 (V93907))								
			(OPT BACS12ER06K8 (V97928))								
500	SL210-06-2		. . INSERT								4
			(V97393)								
505	BACS12ER08K6		. . SCREW								2
			(V06710)								
			(SPEC BACS12ER08K6)								
			(OPT BACS12ER08K6 (V06725))								
			(OPT BACS12ER08K6 (V06950))								
			(OPT BACS12ER08K6 (V27624))								
			(OPT BACS12ER08K6 (V34252))								
			(OPT BACS12ER08K6 (V56878))								
			(OPT BACS12ER08K6 (V73197))								
			(OPT BACS12ER08K6 (V80539))								
			(OPT BACS12ER08K6 (V92215))								
			(OPT BACS12ER08K6 (V93907))								
			(OPT BACS12ER08K6 (V97928))								
508	NAS514P832-5		. . SCREW								8
511	SL210-08-1		. . INSERT								8
			(V97393)								
			----- * -----								
514	412N1113-7		. . . COVER								1
			(V01556)								
517	412N1113-8		. . . COVER								1
520	S412N101-1130		. . . LATCH ASSY								1
			(SPEC S412N101-1130)								
			(USED ON ITEM 494)								

-Item not Illustrated

# 25-28-47

ILLUSTRATED PARTS LIST

Page 1098.130

Mar 01/2006



**COMPONENT MAINTENANCE MANUAL**

FIG/ ITEM	PART NUMBER	AIRLINE PART NUMBER	NOMENCLATURE							USAGE CODE	UNITS PER ASSY
			1	2	3	4	5	6	7		
3-											
-520A	H3-1145-2-2360		. . .	LATCH ASSY (V34941) (SPEC S412N101-2026) (USED ON ITEM 494B)							1
-520B	S412N101-1031		. . .	LATCH ASSY (V34941) (SPEC S412N101-1031) (USED ON ITEM 494A)							1
-520C	S412N101-3026		. . .	LATCH ASSY (V34941)					F		1
526	65C27017-1			DELETED							
526A	412N1145-27		. .	BRACKET					A-E, G, H		1
526B	412N1145-28		. .	BRACKET					F		1
529	412N1117-1		. .	FITTING							1
535	BACS12FA3K5		. .	SCREW							12
538	BACS12FA3K15		. .	SCREW							2
541	65C27023-29		. .	SUPPORT-PASS. SVCE UNIT					A, B		1
-541A	65C27023-40		. .	SUPPORT-PASS. SVCE UNIT					C		1
-541B	65C27023-45		. .	SUPPORT-PASS. SVCE UNIT					D		1
-541C	65C27023-49		. .	SUPPORT-PASS. SVCE UNIT					E, G		1
-541D	65C27023-52		. .	SUPPORT-PASS. SVCE UNIT					F		1
-541E	65C27023-54		. .	SUPPORT-PASS. SVCE UNIT					H		1
544	412N1146-61		. .	SUPPORT-PASS. BULLNOSE					A, B		1
-544A	412N1146-4		. .	SUPPORT-PASS. BULLNOSE					C, E, G, H		1
-544B	412N1146-39		. .	SUPPORT-PASS. BULLNOSE					D		1
-544C	412N1146-50		. .	SUPPORT-PASS. BULLNOSE					F		1
-547	412N1224-5		. .	SUPPORT-PASS. BULLNOSE					A		1
547A	412N1224-6		. .	SUPPORT-PASS. BULLNOSE					B		1
-547B	412N1224-3		. .	SUPPORT-PASS. BULLNOSE					C		1

-Item not Illustrated

**25-28-47**

ILLUSTRATED PARTS LIST

Page 1098.131

Mar 01/2006



## COMPONENT MAINTENANCE MANUAL

FIG/ ITEM	PART NUMBER	AIRLINE PART NUMBER	NOMENCLATURE							USAGE CODE	UNITS PER ASSY
			1	2	3	4	5	6	7		
3-			ATTACHING PARTS								
550	BACS12ER08K12		. . SCREW (V06710) (SPEC BACS12ER08K12) (OPT BACS12ER08K12 (V06725)) (OPT BACS12ER08K12 (V06950)) (OPT BACS12ER08K12 (V27624)) (OPT BACS12ER08K12 (V34252)) (OPT BACS12ER08K12 (V56878)) (OPT BACS12ER08K12 (V73197)) (OPT BACS12ER08K12 (V80539)) (OPT BACS12ER08K12 (V92215)) (OPT BACS12ER08K12 (V93907)) (OPT BACS12ER08K12 (V97928))								21
552	AN960PD8		. . WASHER								21
555	MS21042L08		. . NUT								21
			-----*								
558	BACR15DR3		. . . RIVET (SIZE DETERMINED ON INST)								4
561	BACN10KB08		. . . NUTPLATE (V52828) (SPEC BACN10KB08)								2
564	412N1146-62		. . . SUPPORT							A, B	1
-564A	412N1146-24		. . . SUPPORT							C-E	1
-564B	412N1146-51		. . . SUPPORT							F	1
567	BACS12ER08K6		. . SCREW (V06710) (SPEC BACS12ER08K6) (OPT BACS12ER08K6 (V06725)) (OPT BACS12ER08K6 (V06950)) (OPT BACS12ER08K6 (V27624)) (OPT BACS12ER08K6 (V34252)) (OPT BACS12ER08K6 (V56878)) (OPT BACS12ER08K6 (V73197)) (OPT BACS12ER08K6 (V80539)) (OPT BACS12ER08K6 (V92215)) (OPT BACS12ER08K6 (V93907)) (OPT BACS12ER08K6 (V97928))							A, B	1
570	BACW10DM5		. . WASHER							A, B	1
573	AN960PD516L		. . WASHER							A, B	1

-Item not Illustrated

# 25-28-47

ILLUSTRATED PARTS LIST

Page 1098.132

Mar 01/2006





## COMPONENT MAINTENANCE MANUAL

FIG/ ITEM	PART NUMBER	AIRLINE PART NUMBER	NOMENCLATURE							USAGE CODE	UNITS PER ASSY
			1	2	3	4	5	6	7		
3-											
576	AC8400EKAPK625									A, B	1
579	65C27016-4									A, B	1
582	412N1145-43									A, B	1
585	65C27016-5									A, B	1
588	65C27012-34									A	1
-588A	65C27012-48									B	1
-588B	65C27012-55									C	1
-588C	65C27012-59									D	1
-588D	65C27012-62									E	1
-588E	65C27012-66									F	1
-600	65C27012-1040									A, B	1
-603	NAS1836-3-11										12
-606	65C27012-1048									D	1
-609	NAS1836-3-11										10
-612	65C27012-1050									C	1
-615	NAS1836-3-11										10
-618	65C27012-1052									E	1
-621	NAS1836-3-11										9
-624	65C27012-1053									F	1
-627	NAS1836-3-11										10
-630	65C27012-1110									A-E	1
-633	NAS1836-3-11										8
-627	NAS1836-4-11										2
-639	65C27012-1114									F	1
-642	NAS1836-3-11										8
-627	NAS1836-4-11										2
-648	65C27012-1207									A-E	1
-651	NAS1836-3-11									G, H	4
-654	SL2334-3A2										4
-657	65C27012-1208									F	1
-660	NAS1836-3-11										4

-Item not Illustrated

**25-28-47**

ILLUSTRATED PARTS LIST

Page 1098.133

Mar 01/2006



## COMPONENT MAINTENANCE MANUAL

FIG/ ITEM	PART NUMBER	AIRLINE PART NUMBER	NOMENCLATURE							USAGE CODE	UNITS PER ASSY
			1	2	3	4	5	6	7		
3-											
-663	SL2334-3A2										4
-664	65C27012-1311									G	1
-664A	65C27012-8										1
-664B	NAS1836-3-11										12
-666	65C27012-1322									A-C	1
-669	NAS1834-5-400										2
-672	NAS1836-3-11										13
-675	65C27012-1329									D	1
-678	NAS1836-3-11										11
-681	65C27012-1333									E, H	1
-684	NAS1836-3-11										13
-687	65C27012-1335									F	1
-690	65C27012-8										1
-693	NAS1836-3-11										13
-696	65C27012-2022									A, B	1
-699	NAS1836-3-11										4
-702	65C27012-2035									D, E, G	1
-705	NAS1836-3-11										4
-708	65C27012-2036									C, H	1
-711	NAS1836-3-11										4
-714	65C27012-2038									F	1
-717	NAS1836-3-11										4
-720	65C27012-2111									A, B	1
-723	NAS1836-3-11										3
-725	65C27012-2131									C, H	1
-728	NAS1836-3-11										3
-731	65C27012-2132									D, E, G	1
-734	NAS1836-3-11										3
-737	65C27017-2137									F	1
-740	NAS1836-3-11										3
-743	65C27017-4008									C	1

-Item not Illustrated

# 25-28-47

ILLUSTRATED PARTS LIST

Page 1098.134

Mar 01/2006



# COMPONENT MAINTENANCE MANUAL

FIG/ ITEM	PART NUMBER	AIRLINE PART NUMBER	NOMENCLATURE							USAGE CODE	UNITS PER ASSY	
			1	2	3	4	5	6	7			
3-												
-747	NAS1833-3-400											
-750	65C27017-4011									A	1	6
-753	NAS1833-3-400										9	
-754	65C27012-4025									H	1	
-754A	NAS1833-3-400										3	
-756	65C27017-4108									C	1	
-759	NAS1833-3-400										4	
-762	65C27017-4113									A	1	
-765	NAS1833-3-400										7	
770	65C27327-46									A	1	
-770A	65C27327-72									B	1	
-770B	65C27327-86									C	1	
-770C	65C27327-96									D	1	
-773	65C27327-90									E	1	
-773A	65C27327-104									F	1	
-773B	65C27327-109									G	1	
-773C	65C27327-114									H	1	
-780	NAS1834-4-400										16	
-783	BACS12FA3K12										16	
786	412N1216-34									A-E, G, H	1	
-786A	412N1216-33									F	1	

-Item not Illustrated



## COMPONENT MAINTENANCE MANUAL

FIG/ ITEM	PART NUMBER	AIRLINE PART NUMBER	NOMENCLATURE							USAGE CODE	UNITS PER ASSY
			1	2	3	4	5	6	7		
3- 789	BACB30NN3K1		.	.	.	.	.	.	BOLT (V06710) (SPEC BACB30NN3K1) (OPT BACB30NN3K1 (V06725)) (OPT BACB30NN3K1 (V06950)) (OPT BACB30NN3K1 (V08524)) (OPT BACB30NN3K1 (V27624)) (OPT BACB30NN3K1 (V56878)) (OPT BACB30NN3K1 (V73197)) (OPT BACB30NN3K1 (V80539)) (OPT BACB30NN3K1 (V92215)) (OPT BACB30NN3K1 (V93907)) (OPT BACB30NN3K1 (V97928))		21
792	BACW10CT10		.	.	.	.	.	.	WASHER (V10630) (SPEC BACW10CT10)		21
795	AN960PD516L		.	.	.	.	.	.	WASHER		21
798	SL5-3-145S		.	.	.	.	.	.	NUT (V97393) (OPT ITEM 798A)		21
-798A	KD121395-145		.	.	.	.	.	.	NUT (V29372) (OPT ITEM 798)		21
801	412N1217-19		.	.	.	.	.	.	BRACKET ASSY		1
804	BACR15BA3AD		.	.	.	.	.	.	RIVET (SIZE DETERMINED ON INST)		14
807	BRM200A3		.	.	.	.	.	.	NUTPLATE (V52828) (SPEC BACN10JP3A) (OPT MK1000-3BAC (V15653)) (OPT NS103197-02 (V80539)) (OPT T8076S1032 (V71087)) (OPT T8076S1032 (V11815)) (OPT VN202A1-02 (V92215))		7
810	412N1217-20		.	.	.	.	.	.	BRACKET		1
813	412N1217-87		.	.	.	.	.	.	BRACKET ASSY		1
816	BACR15BA3AD		.	.	.	.	.	.	RIVET (SIZE DETERMINED ON INST)		12

-Item not Illustrated

# 25-28-47

ILLUSTRATED PARTS LIST

Page 1098.136

Mar 01/2006



## COMPONENT MAINTENANCE MANUAL

FIG/ ITEM	PART NUMBER	AIRLINE PART NUMBER	NOMENCLATURE							USAGE CODE	UNITS PER ASSY
			1	2	3	4	5	6	7		
3-											
819	BRM200A3										6
822	412N1217-88										1
825	412N1116-98										1
830	412N1116-101										1
833	412N1116-100										1
836	412N1116-99										1
840	412N1116-17										1
843	412N1119-80								D		1
846	412N1119-84								F		1
849	NAS1834-3-400								D, F		2
852	BACS12FA3K12								D, F		2
855	AN960JD10L								D, F		2
858	MS21042L3								D, F		2
861	NAS1836-3-11								D, F		4
864	BACB30NM3K1								D, F		4
867	AN960JD10								D, F		4
870	412N1217-95										1
873	BACR15BA3AD										6
876	BRM200A3										3
879	412N1217-96										1

-Item not Illustrated

# 25-28-47

ILLUSTRATED PARTS LIST

Page 1098.137

Mar 01/2006



## COMPONENT MAINTENANCE MANUAL

FIG/ ITEM	PART NUMBER	AIRLINE PART NUMBER	NOMENCLATURE							USAGE CODE	UNITS PER ASSY
			1	2	3	4	5	6	7		
3-											
882	65C27327-48									A	1
-882A	65C27327-73									B	1
-882B	65C27327-87									C	1
-882C	65C27327-97									D	1
-882D	65C27327-91									E	1
-882E	65C27327-106									F	1
-882F	65C27327-110									G	1
-882G	65C27327-115									H	1

-Item not Illustrated

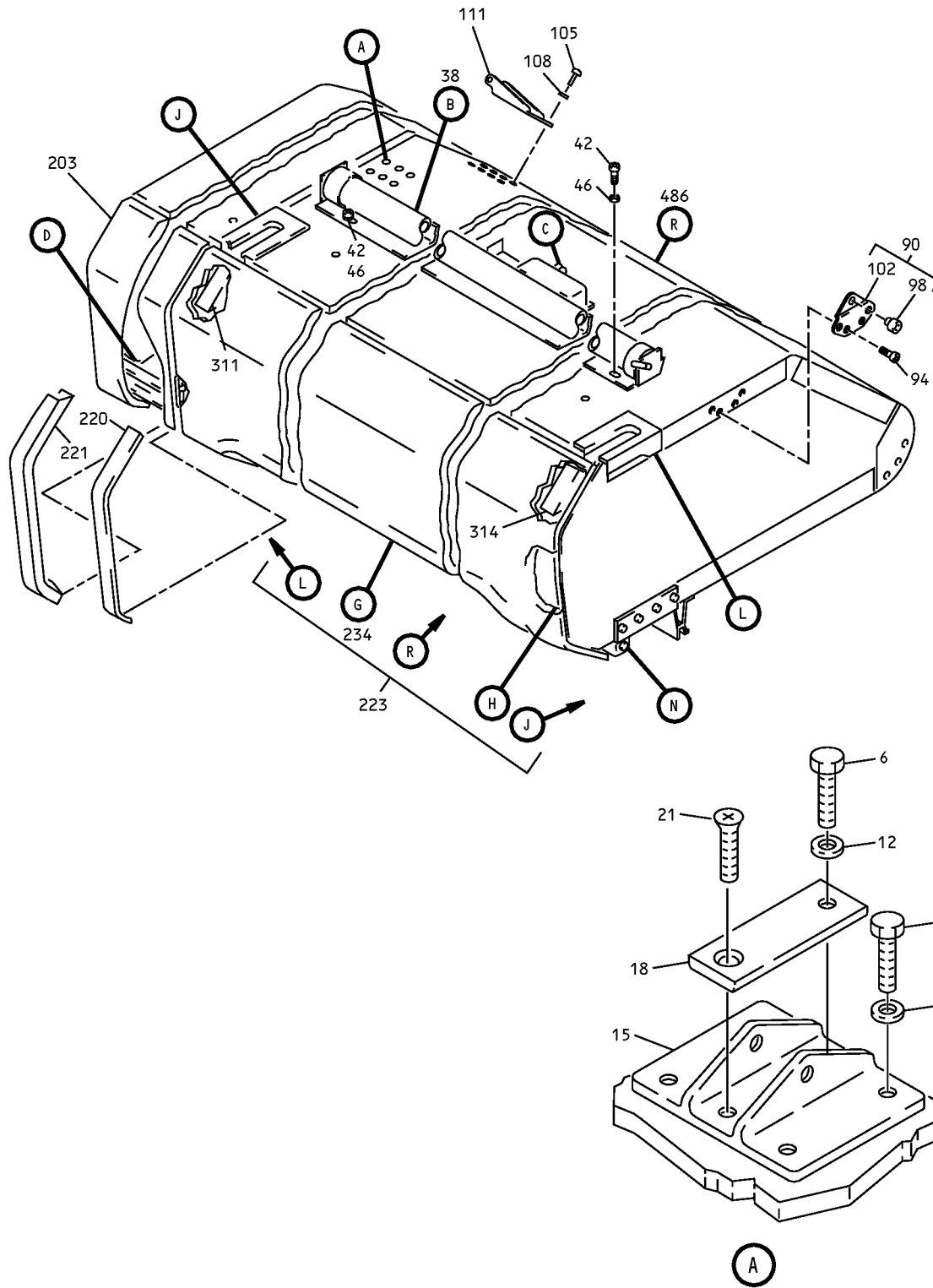
# 25-28-47

ILLUSTRATED PARTS LIST

Page 1098.138

Mar 01/2006

COMPONENT MAINTENANCE MANUAL

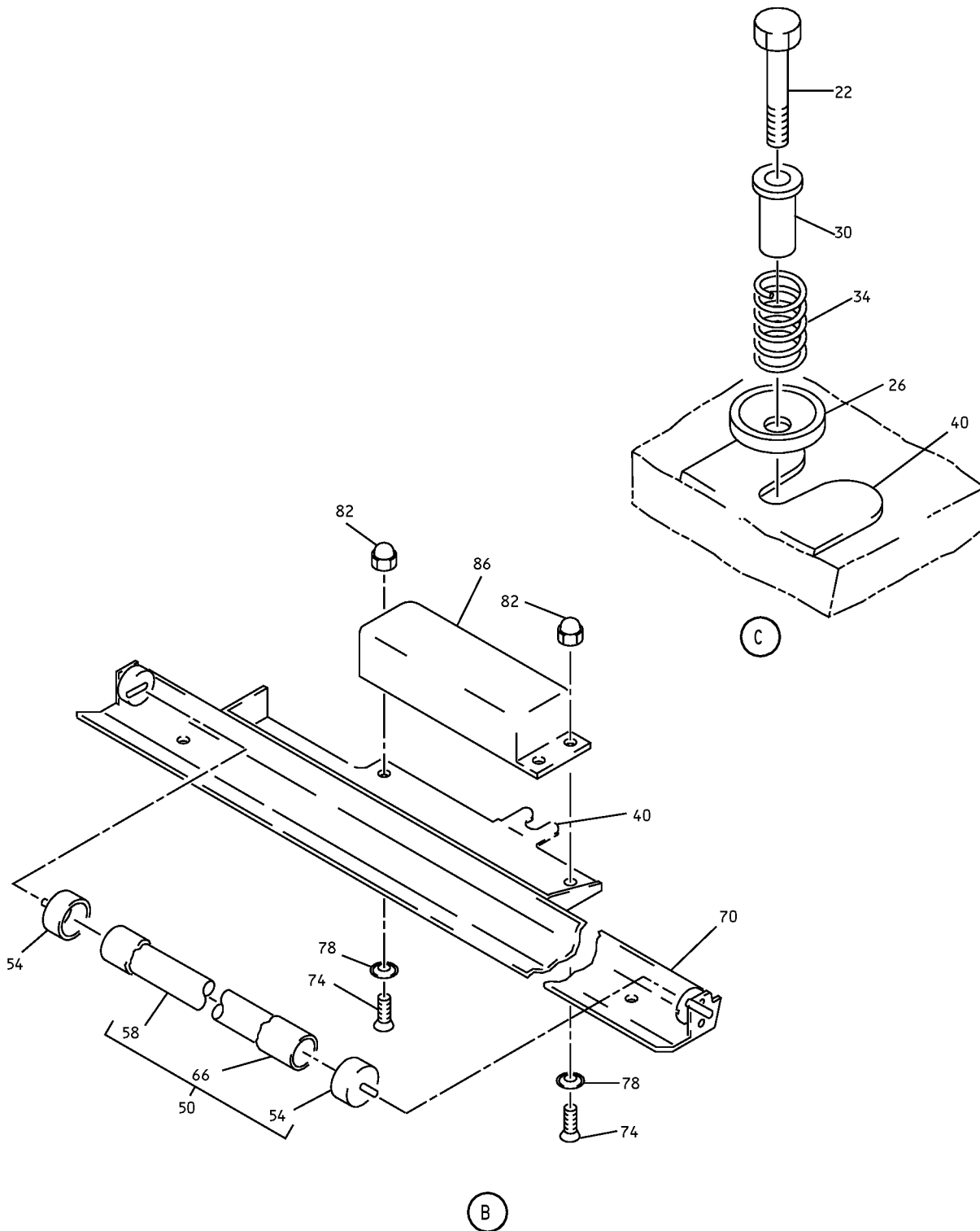


Overhead Storage Compartment Assembly  
IPL Figure 4 (Sheet 1 of 14)

**25-28-47**  
ILLUSTRATED PARTS LIST  
Page 1098.139  
Mar 01/2006



COMPONENT MAINTENANCE MANUAL

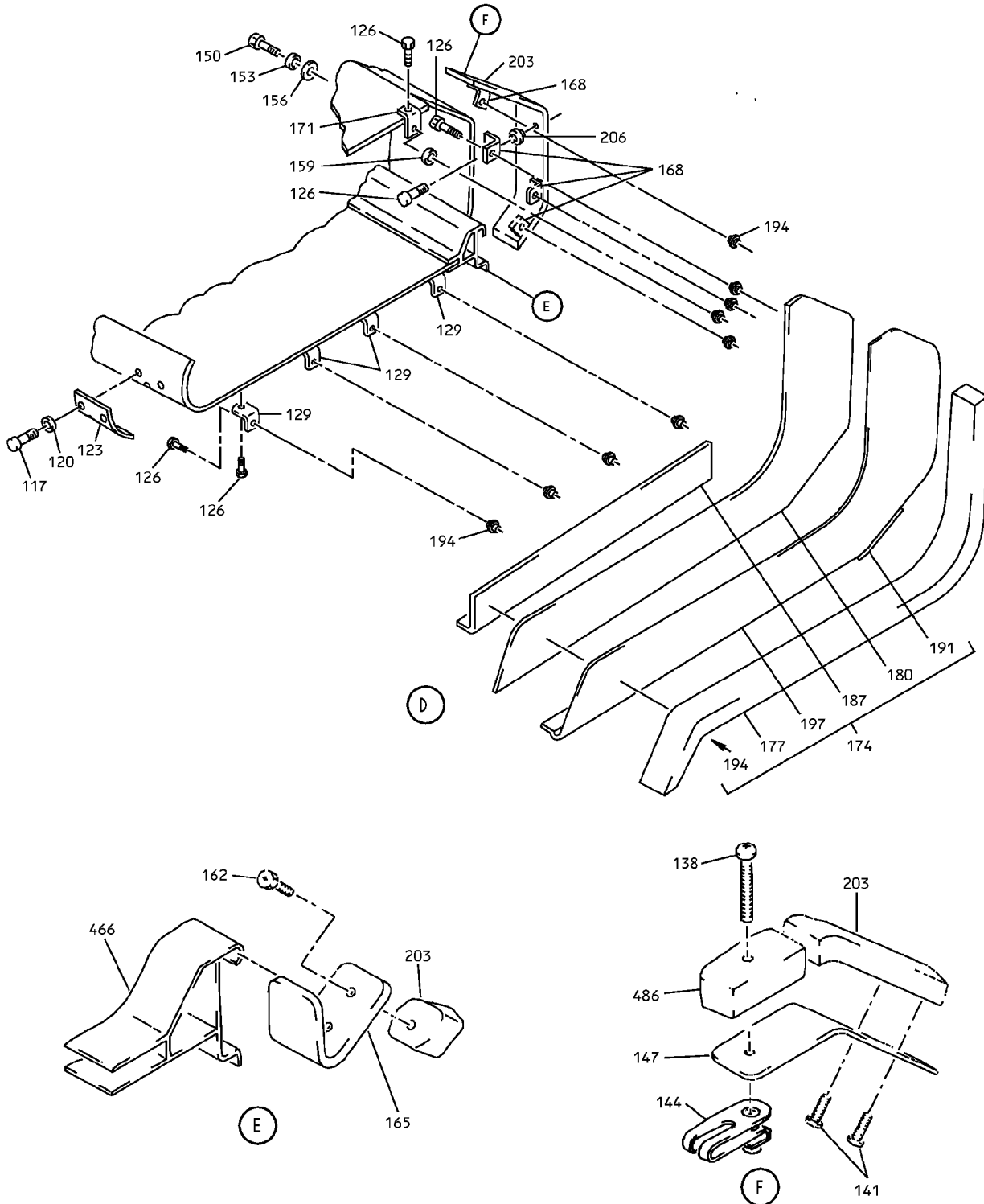


Overhead Storage Compartment Assembly  
IPL Figure 4 (Sheet 2 of 14)

**25-28-47**  
ILLUSTRATED PARTS LIST  
Page 1098.140  
Mar 01/2006



COMPONENT MAINTENANCE MANUAL



Overhead Storage Compartment Assembly  
IPL Figure 4 (Sheet 3 of 14)

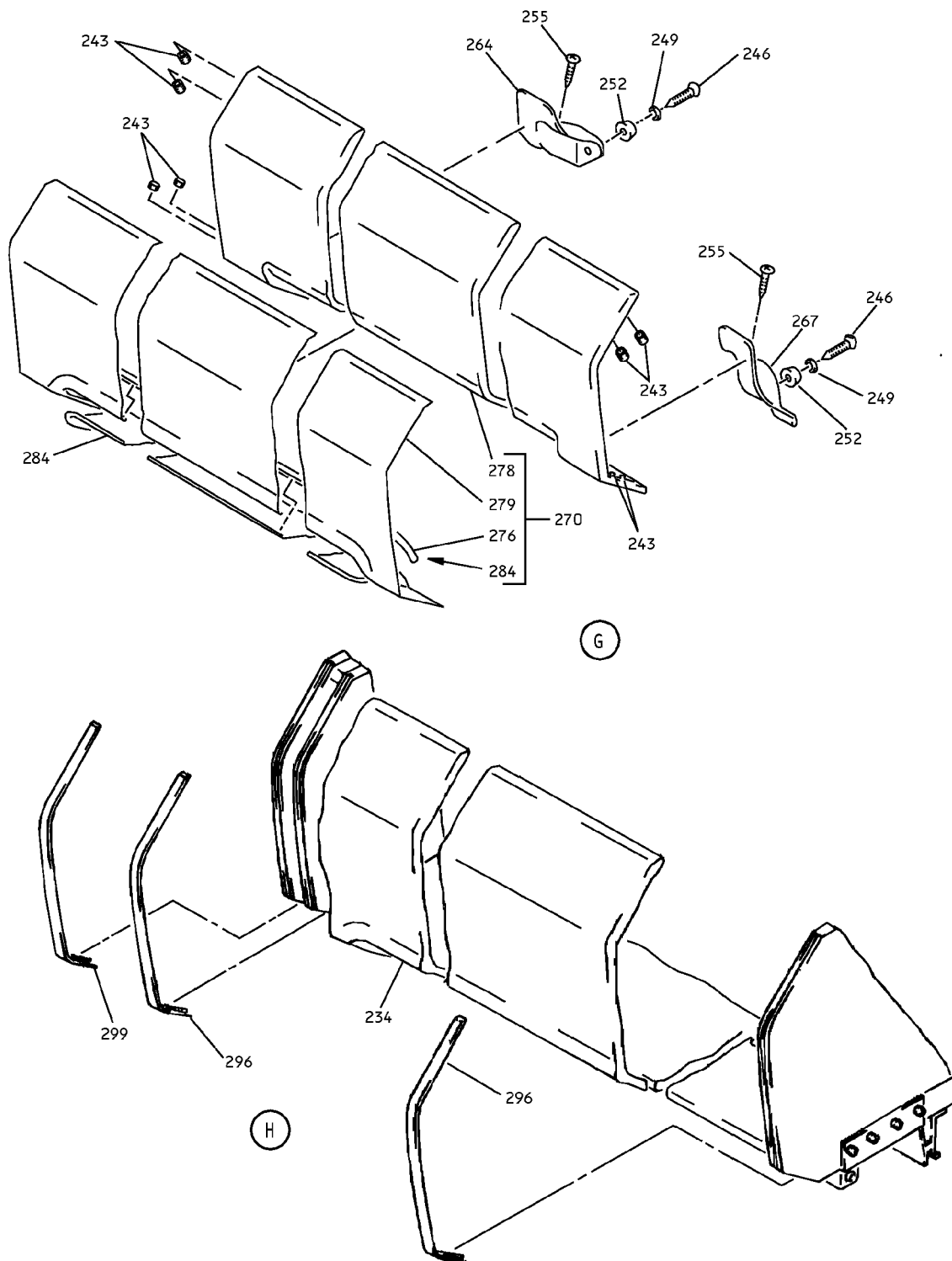
**25-28-47**

ILLUSTRATED PARTS LIST

Page 1098.141

Mar 01/2006

# COMPONENT MAINTENANCE MANUAL



Overhead Stowage Compartment Assembly  
IPL Figure 4 (Sheet 4 of 14)

## 25-28-47

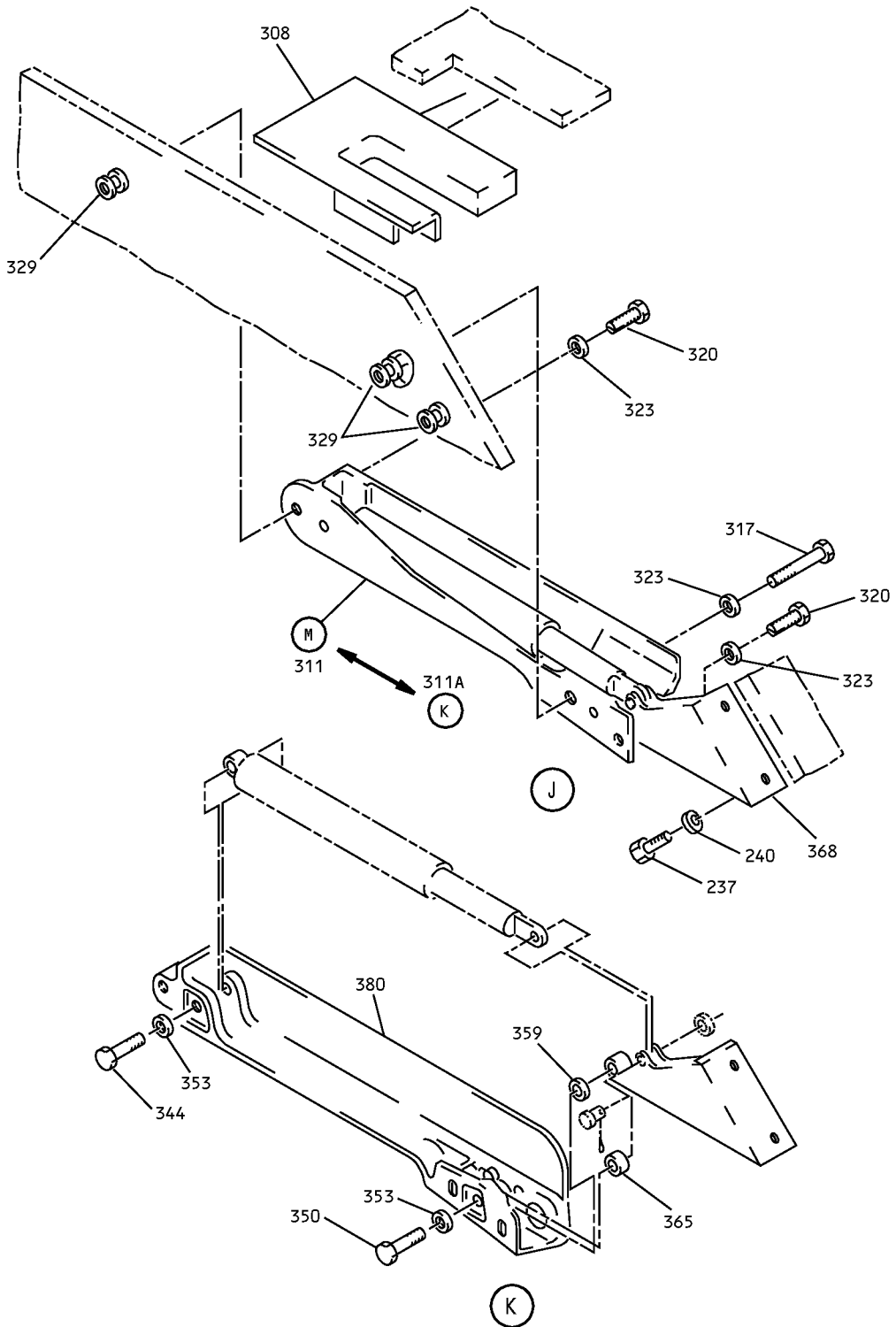
ILLUSTRATED PARTS LIST

Page 1098.142

Mar 01/2006



COMPONENT MAINTENANCE MANUAL



Overhead Storage Compartment Assembly  
IPL Figure 4 (Sheet 5 of 14)

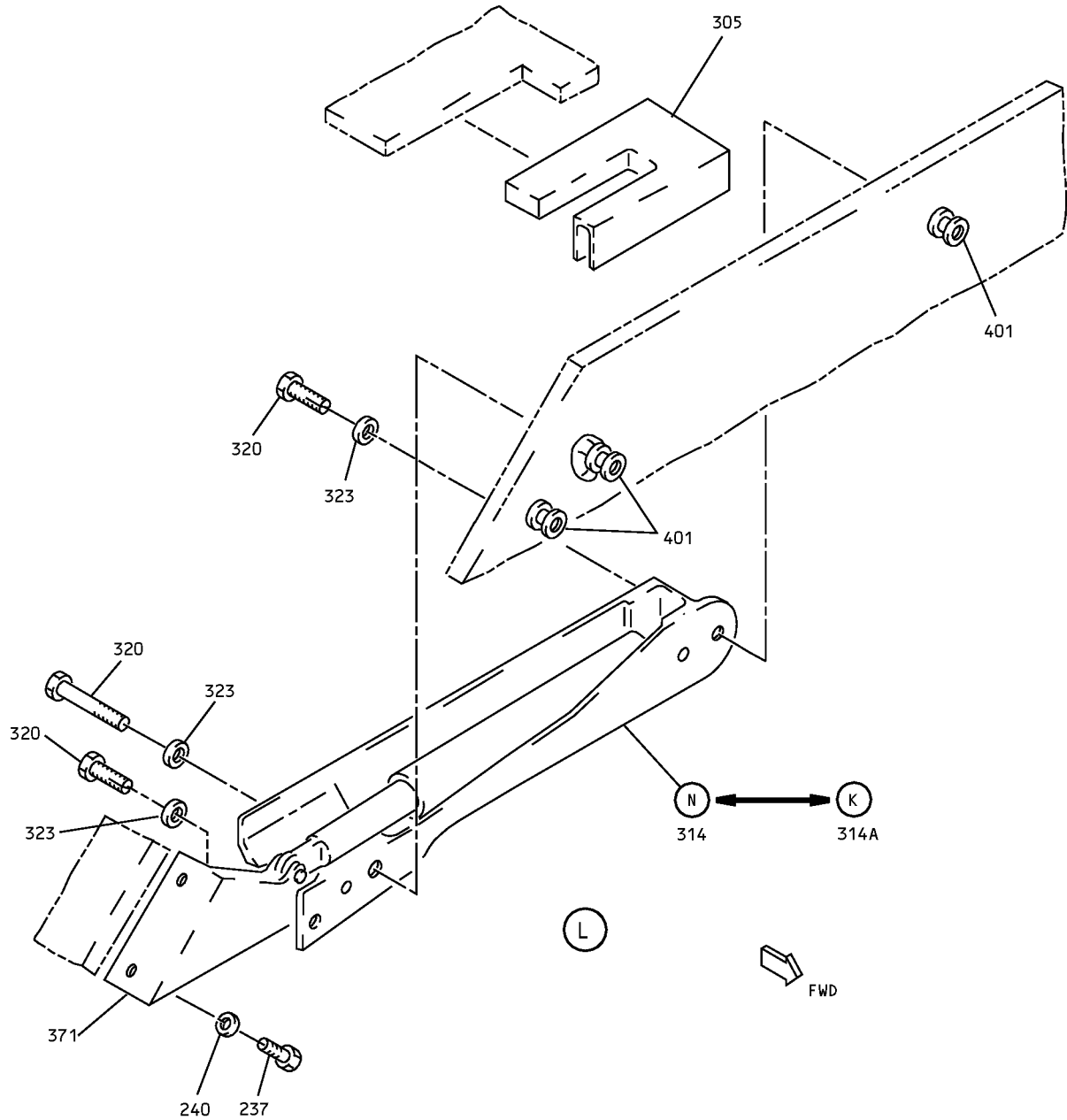
**25-28-47**

ILLUSTRATED PARTS LIST

Page 1098.143

Mar 01/2006

COMPONENT MAINTENANCE MANUAL



Overhead Stowage Compartment Assembly  
IPL Figure 4 (Sheet 6 of 14)

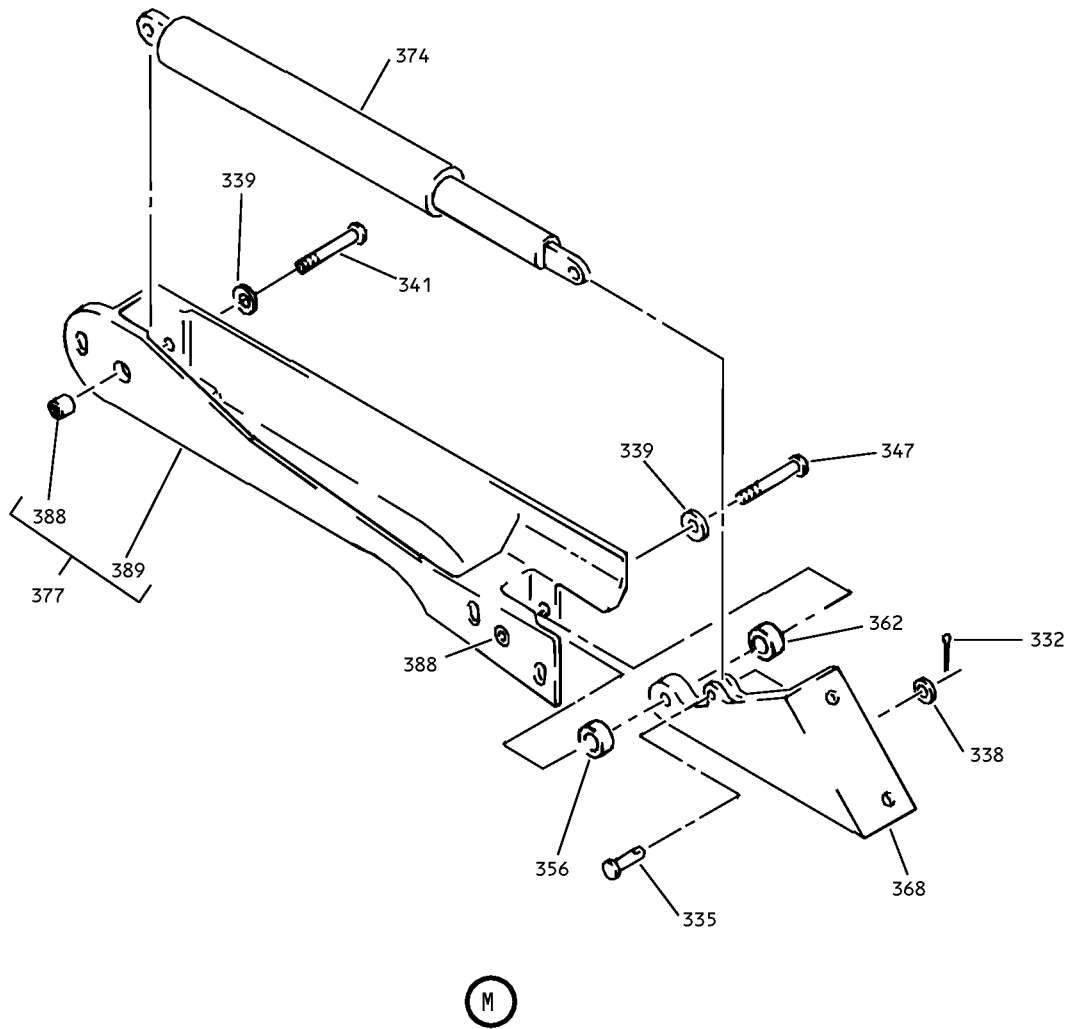
**25-28-47**

ILLUSTRATED PARTS LIST

Page 1098.144

Mar 01/2006

COMPONENT MAINTENANCE MANUAL



Overhead Storage Compartment Assembly  
IPL Figure 4 (Sheet 7 of 14)

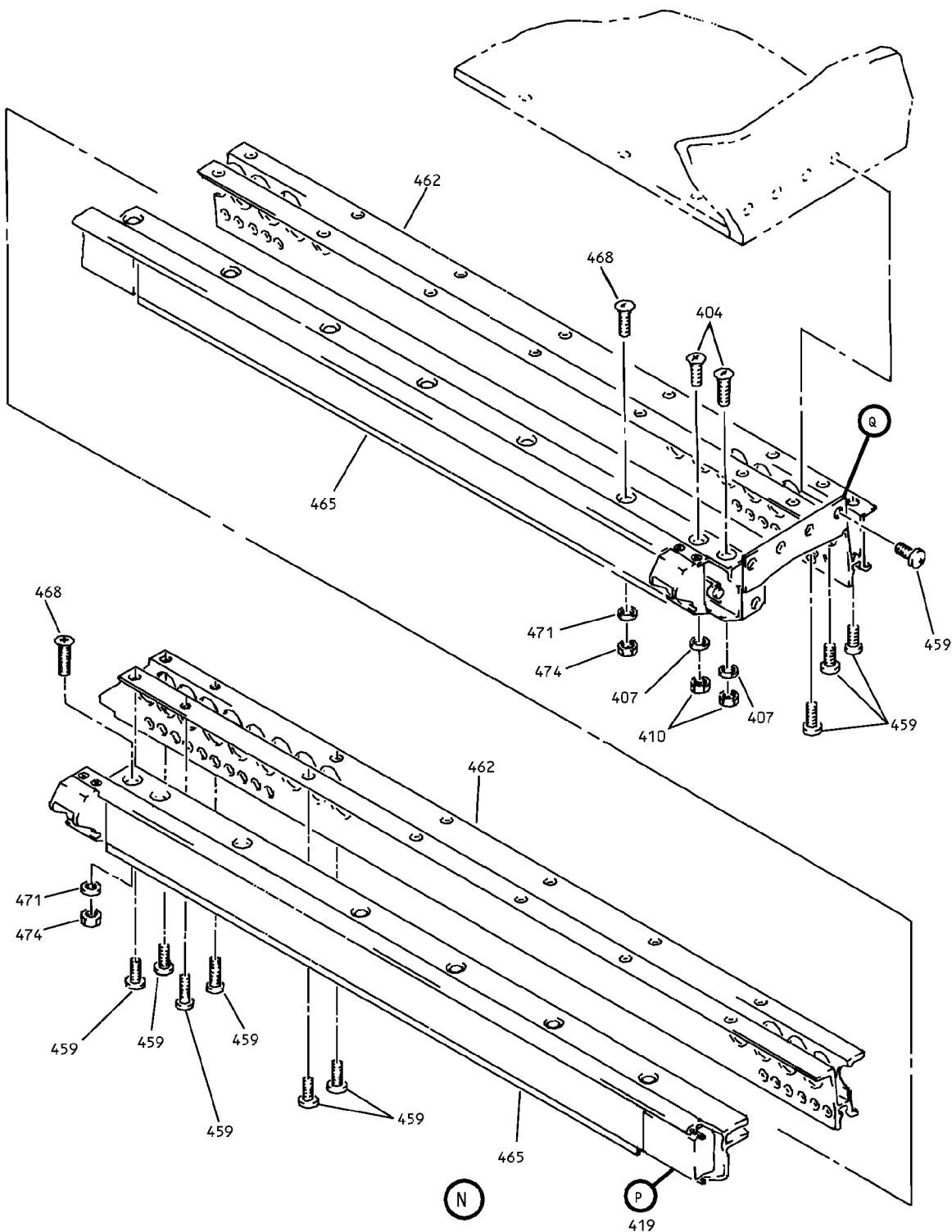
**25-28-47**

ILLUSTRATED PARTS LIST

Page 1098.145

Mar 01/2006

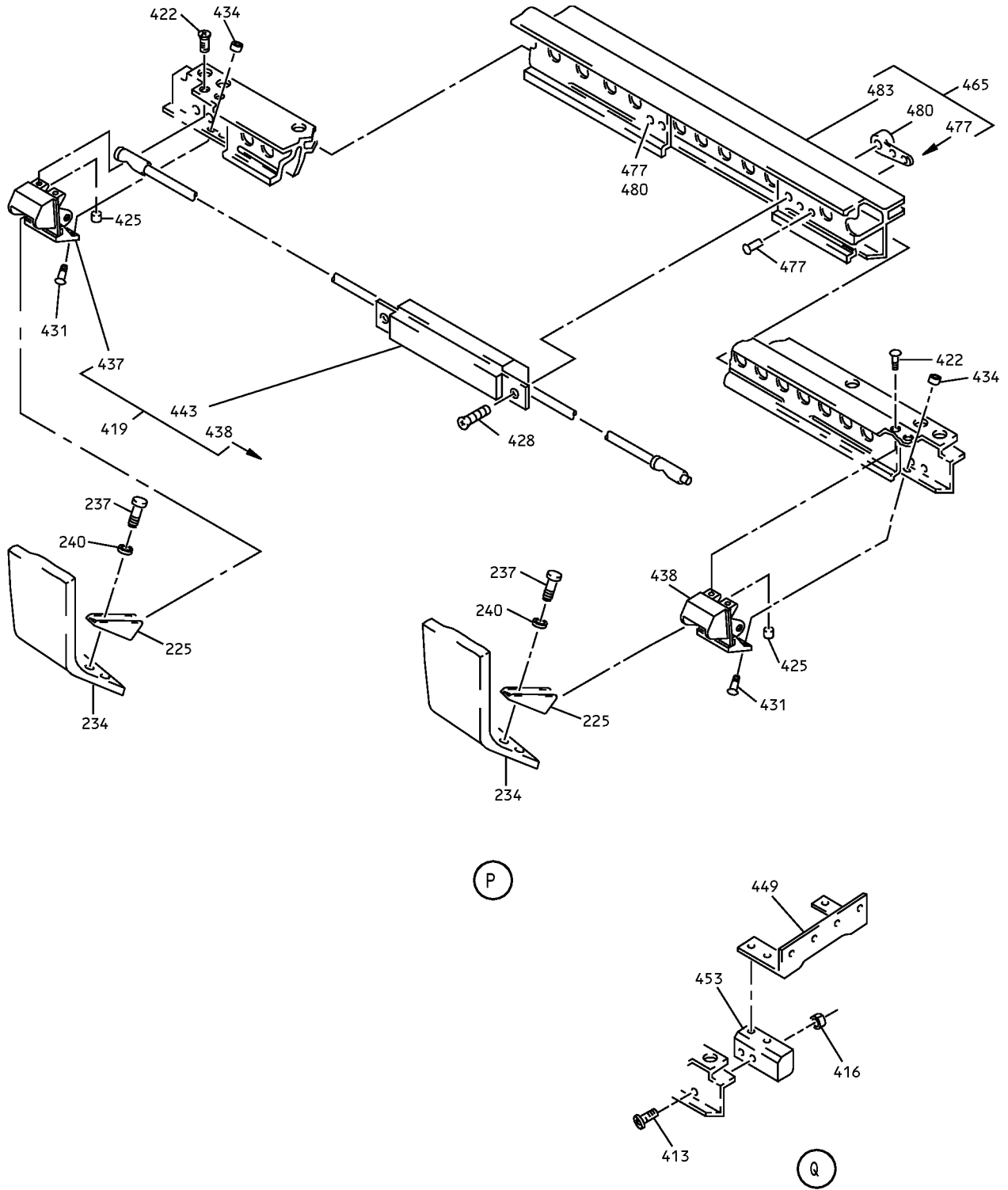
COMPONENT MAINTENANCE MANUAL



Overhead Storage Compartment Assembly  
IPL Figure 4 (Sheet 8 of 14)

**25-28-47**  
ILLUSTRATED PARTS LIST  
Page 1098.146  
Mar 01/2006

COMPONENT MAINTENANCE MANUAL



Overhead Storage Compartment Assembly  
IPL Figure 4 (Sheet 9 of 14)

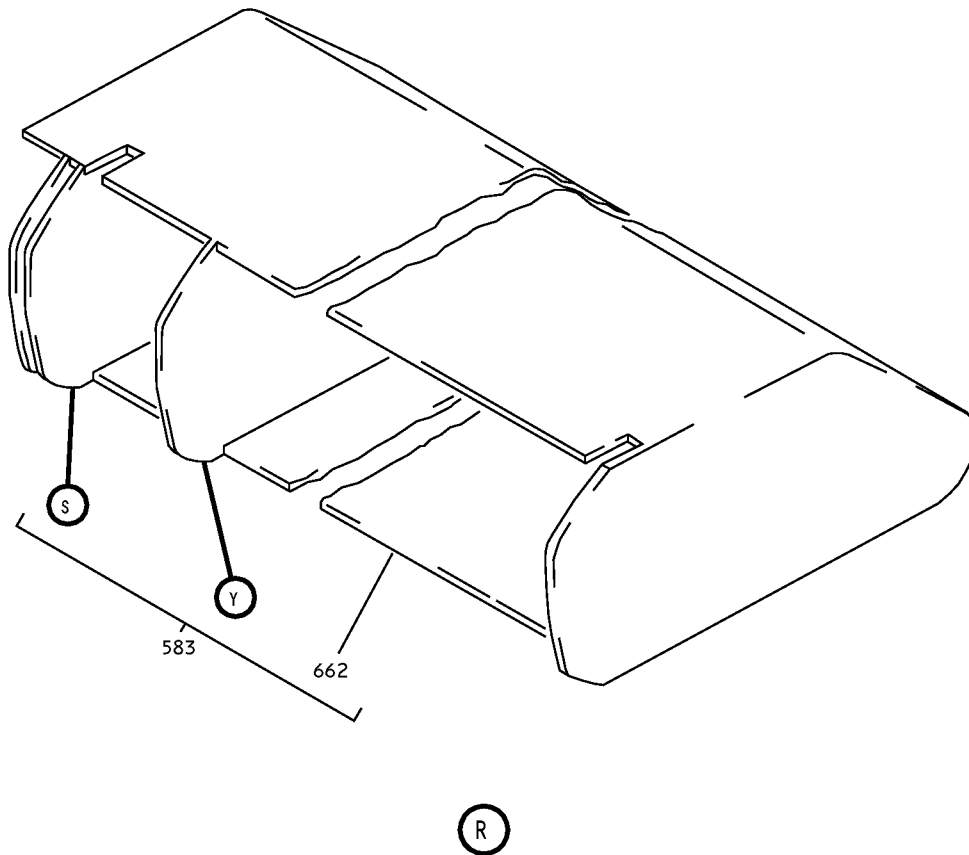
**25-28-47**

ILLUSTRATED PARTS LIST

Page 1098.147

Mar 01/2006

COMPONENT MAINTENANCE MANUAL



Overhead Storage Compartment Assembly  
IPL Figure 4 (Sheet 10 of 14)

**25-28-47**

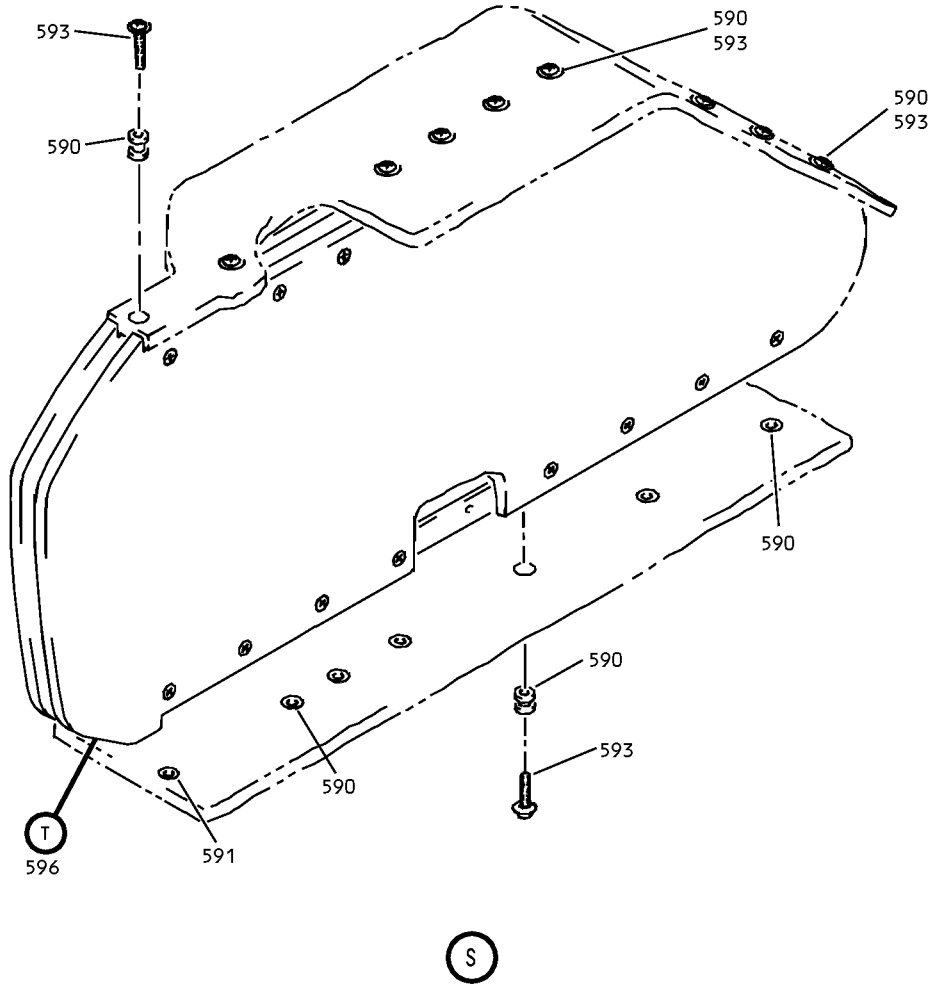
ILLUSTRATED PARTS LIST

Page 1098.148

Mar 01/2006



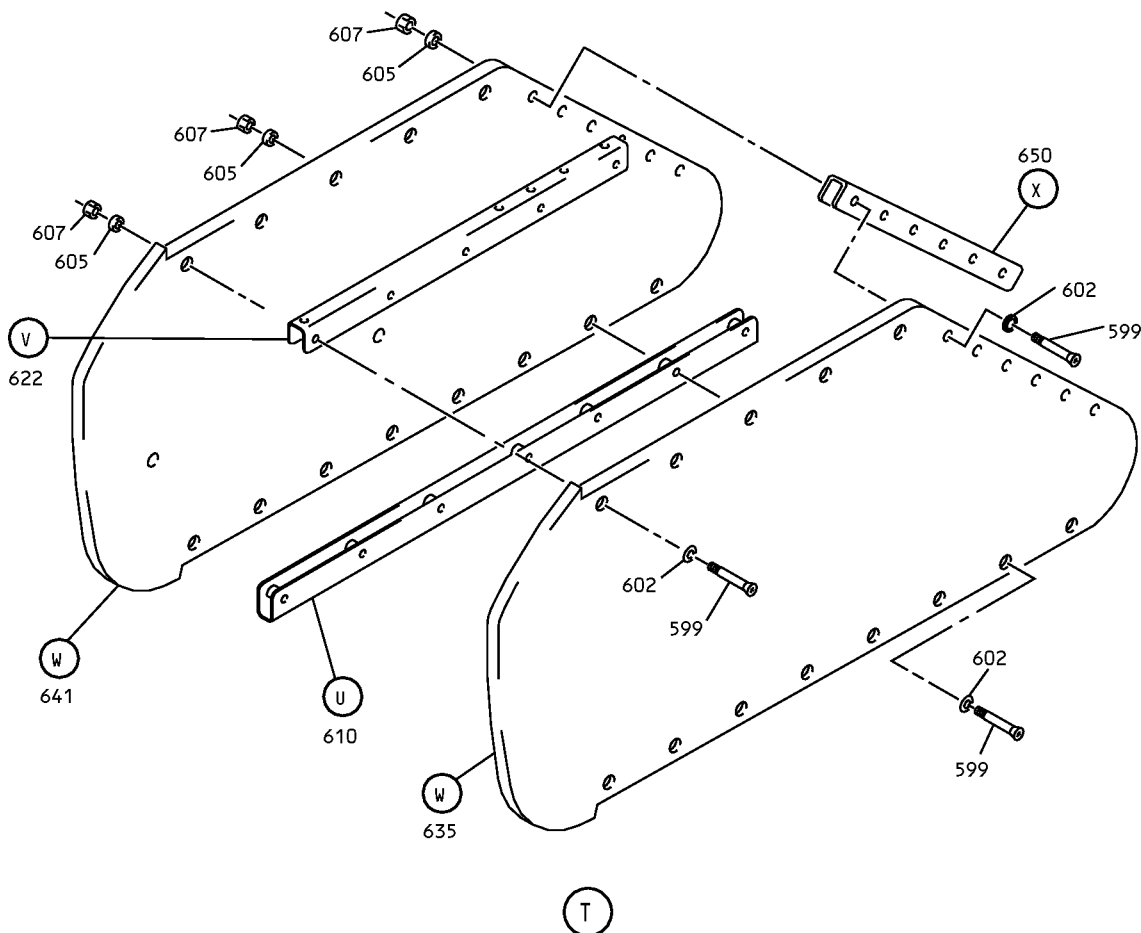
COMPONENT MAINTENANCE MANUAL



Overhead Stowage Compartment Assembly  
IPL Figure 4 (Sheet 11 of 14)

**25-28-47**  
ILLUSTRATED PARTS LIST  
Page 1098.149  
Mar 01/2006

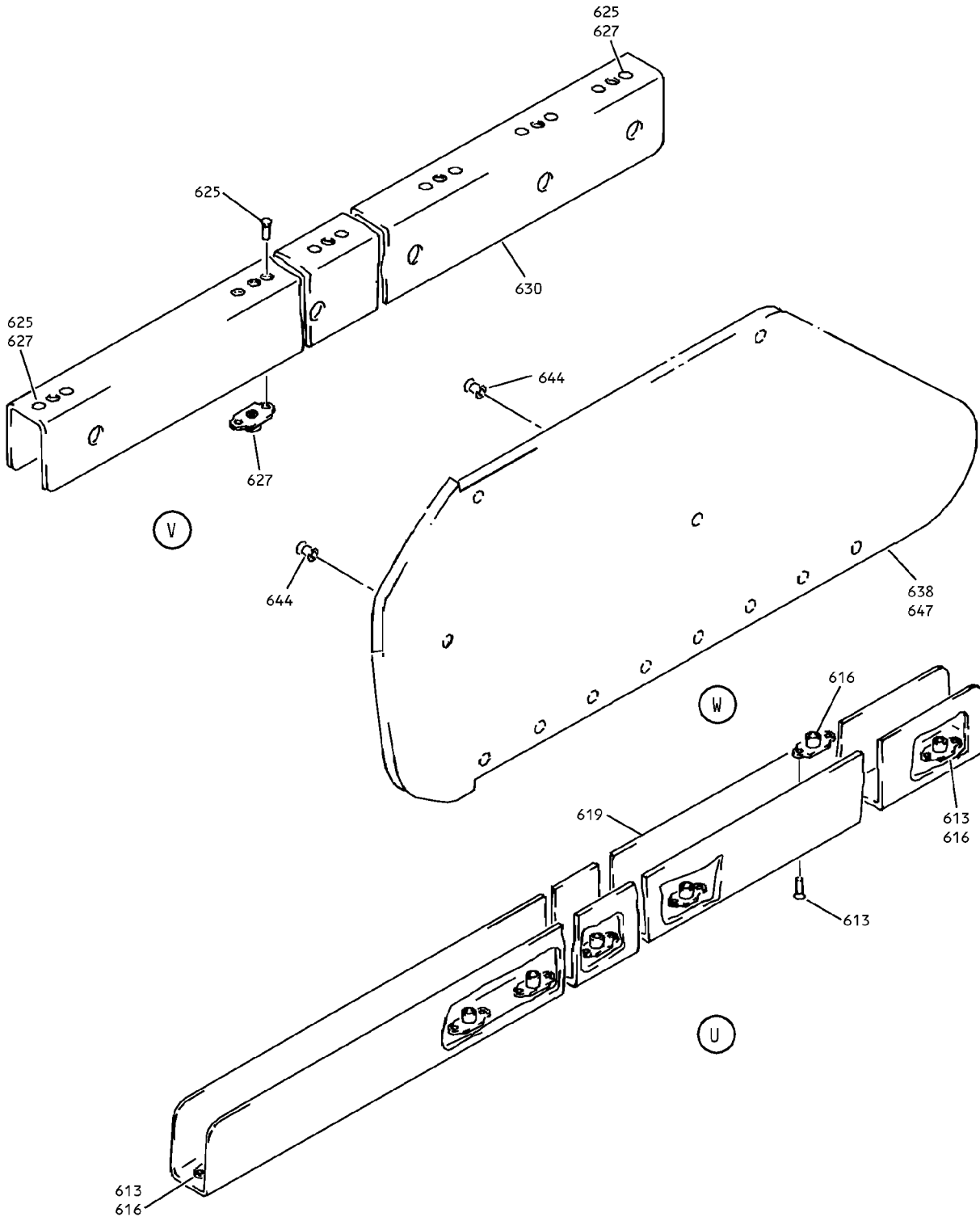
COMPONENT MAINTENANCE MANUAL



Overhead Stowage Compartment Assembly  
IPL Figure 4 (Sheet 12 of 14)

**25-28-47**  
ILLUSTRATED PARTS LIST  
Page 1098.150  
Mar 01/2006

COMPONENT MAINTENANCE MANUAL



Overhead Storage Compartment Assembly  
IPL Figure 4 (Sheet 13 of 14)

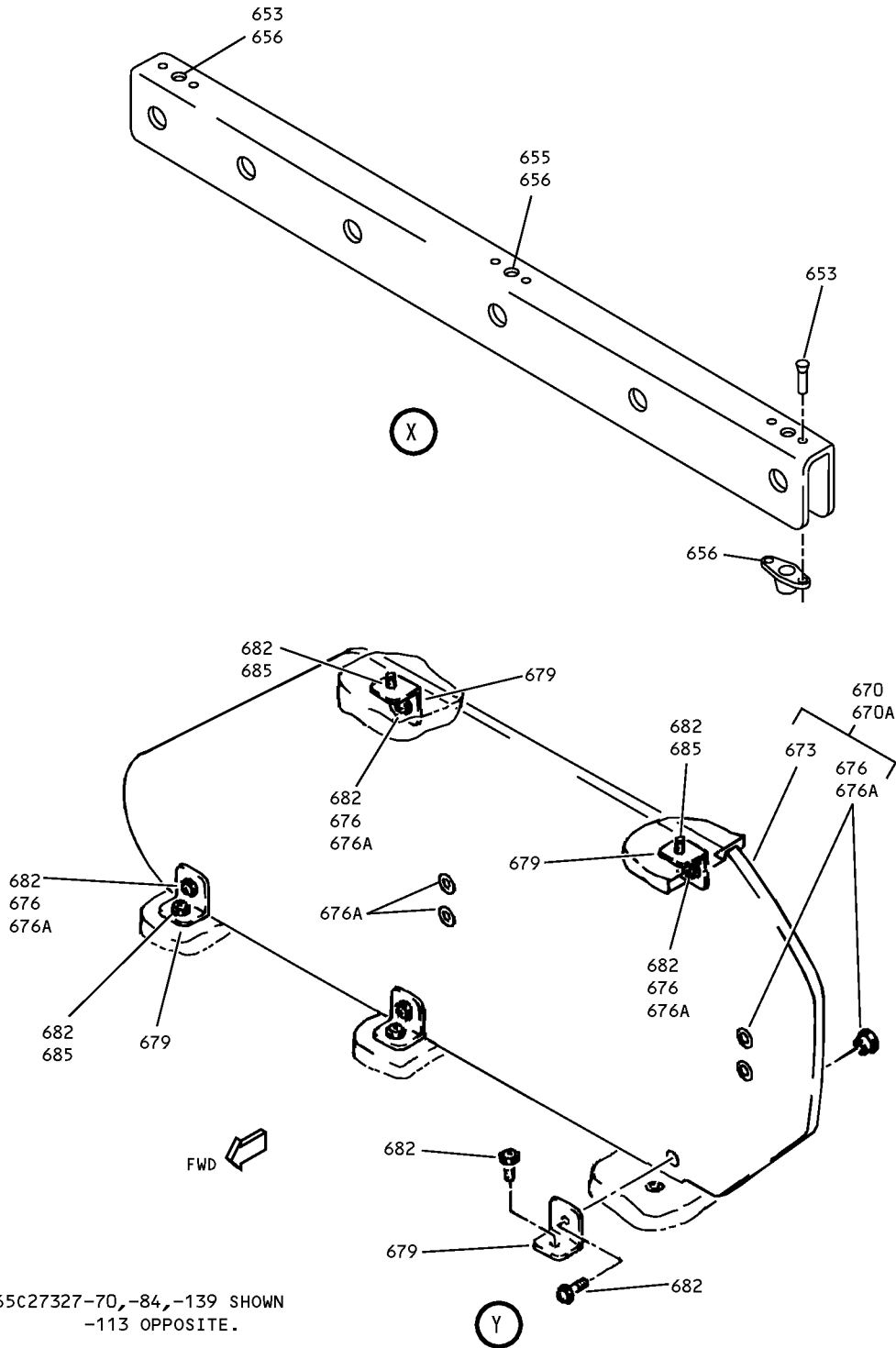
**25-28-47**

ILLUSTRATED PARTS LIST

Page 1098.151

Mar 01/2006

COMPONENT MAINTENANCE MANUAL



NOTE: 65C27327-70,-84,-139 SHOWN  
-113 OPPOSITE.

Overhead Stowage Compartment Assembly  
IPL Figure 4 (Sheet 14 of 14)

**25-28-47**

ILLUSTRATED PARTS LIST

Page 1098.152

Mar 01/2006



## COMPONENT MAINTENANCE MANUAL

FIG/ ITEM	PART NUMBER	AIRLINE PART NUMBER	NOMENCLATURE							USAGE CODE	UNITS PER ASSY
			1	2	3	4	5	6	7		
4-											
1	65C27006-55SP									A	RF
-1A	65C27006-73SP									B	RF
-1B	65C27006-81SP									C	RF
-1G	65C27006-109SP									D	RF
-1H	65C27006-134SP									E	RF
3	BACB30NM3K1										4
6	BACB30NN3K10										1
9	AN960JD10										4
12	AN960JD10L										1
15	412N1119-55										1
18	412N1119-56										1
21	BACB30NN3K10										1
22	NAS1801-3-11										1
26	411N3142-28										1
30	BACS18C8-6										1
34	MS24585-1230										1
38	417N5120-19									A-C	1
38A	417N5120-6										1

-Item not Illustrated

# 25-28-47

ILLUSTRATED PARTS LIST

Page 1098.153

Mar 01/2006



## COMPONENT MAINTENANCE MANUAL

FIG/ ITEM	PART NUMBER	AIRLINE PART NUMBER	NOMENCLATURE							USAGE CODE	UNITS PER ASSY
			1	2	3	4	5	6	7		
4-											
38B	417N5120-19									D, E	1
40	65C28117-3										1
42	NAS1801-3-5										2
46	AN960JD10L										2
50	417N5120-11										1
54	2055150										2
58	F20T12WW										1
66	LP1625-24										1
-66A	NI152LGWUV1000										1
70	800000255-6										1
-71A	800000255-16										1
74	BACS12ER3K6										3
78	BACW10UD10										3

-Item not Illustrated

# 25-28-47

ILLUSTRATED PARTS LIST

Page 1098.154

Mar 01/2006



COMPONENT MAINTENANCE MANUAL

FIG/ ITEM	PART NUMBER	AIRLINE PART NUMBER	NOMENCLATURE							USAGE CODE	UNITS PER ASSY
			1	2	3	4	5	6	7		
4-											
82	F22K1-02		. .	NUT							3
				(V72962)							
				(SPEC BACN10R10L)							
				(OPT 22K1-02 (V72962))							
				(OPT 26CL02 (V80539))							
86	05939-5		. .	BALLAST							1
				(V17023)							
				(SPEC S283N702-5)							
90	412N1119-1		.	FITTING ASSY							1
				ATTACHING PARTS							
94	BACS12ER3K6		.	SCREW							4
				(V06710)							
				(SPEC BACS12ER3K6)							
				(OPT BACS12ER3K6 (V06725))							
				(OPT BACS12ER3K6 (V06950))							
				(OPT BACS12ER3K6 (V27624))							
				(OPT BACS12ER3K6 (V34252))							
				(OPT BACS12ER3K6 (V56878))							
				(OPT BACS12ER3K6 (V73197))							
				(OPT BACS12ER3K6 (V80539))							
				(OPT BACS12ER3K6 (V92215))							
				(OPT BACS12ER3K6 (V93907))							
				(OPT BACS12ER3K6 (V97928))							
				----- * -----							
98	BACB28B6-220P		. .	BUSHING							1
102	412N1119-2		. .	FITTING							1
105	BACB30NM3K1		.	BOLT							8
				(V06710)							
				(SPEC BACB30NM3K1)							
				(OPT BACB30NM3K1 (V06725))							
				(OPT BACB30NM3K1 (V06950))							
				(OPT BACB30NM3K1 (V08524))							
				(OPT BACB30NM3K1 (V27624))							
				(OPT BACB30NM3K1 (V56878))							
				(OPT BACB30NM3K1 (V73197))							
				(OPT BACB30NM3K1 (V80539))							
				(OPT BACB30NM3K1 (V92215))							
				(OPT BACB30NM3K1 (V93907))							
				(OPT BACB30NM3K1 (V97928))							
108	AN960JD10		.	WASHER							8
111	412N1161-1		.	FITTING							1
				(OPT ITEM 111A)							

-Item not Illustrated

**25-28-47**

ILLUSTRATED PARTS LIST

Page 1098.155

Mar 01/2006



## COMPONENT MAINTENANCE MANUAL

FIG/ ITEM	PART NUMBER	AIRLINE PART NUMBER	NOMENCLATURE							USAGE CODE	UNITS PER ASSY
			1	2	3	4	5	6	7		
4-											
-111A	412N1119-13		.	FITTING							1
				(OPT ITEM 111)							
117	BACB30NM3K1		.	BOLT							4
				(V06710)							
				(SPEC BACB30NM3K1)							
				(OPT BACB30NM3K1 (V06725))							
				(OPT BACB30NM3K1 (V06950))							
				(OPT BACB30NM3K1 (V08524))							
				(OPT BACB30NM3K1 (V27624))							
				(OPT BACB30NM3K1 (V56878))							
				(OPT BACB30NM3K1 (V73197))							
				(OPT BACB30NM3K1 (V80539))							
				(OPT BACB30NM3K1 (V92215))							
				(OPT BACB30NM3K1 (V93907))							
				(OPT BACB30NM3K1 (V97928))							
120	AN960JD10		.	WASHER							4
123	412N1119-12		.	FITTING							2
126	BACS12FA3K5		.	SCREW							17
129	412N1145-29		.	BRACKET							4
138	BACS12FA3K12		.	SCREW					A, C		2
141	BACS12FA3K5		.	SCREW					A, C		4
144	130120		.	NUT					A, C		2
				(V76530)							
				(SPEC BACN10YD1)							
147	412N1145-89		.	BRACKET					A, C		2
150	BACB30PF4-3		.	SCREW							1
153	AN960C416L		.	WASHER							1
156	NAAS1515F4H		.	WASHER							1
159	NAS1515M4L		.	WASHER							1
162	BACS12FA3K5		.	SCREW					A, C		4
165	412N1145-92		.	BRACKET					A, C		2
168	65C27017-36		.	BRACKET					A, C		4
-168A	65C27017-13		.	BRACKET					B, D, E		4
				(OPT ITEM 168B)							
-168B	65C27017-43		.	BRACKET					B, D, E		1
				(OPT ITEM 168)							
171	417N1145-30		.	BRACKET							1

-Item not Illustrated

# 25-28-47

ILLUSTRATED PARTS LIST

Page 1098.156

Mar 01/2006





## COMPONENT MAINTENANCE MANUAL

FIG/ ITEM	PART NUMBER	AIRLINE PART NUMBER	NOMENCLATURE							USAGE CODE	UNITS PER ASSY
			1	2	3	4	5	6	7		
4-											
174	65C27027-3SP										1
177	65C27027-17										1
180	65C27027-11										1
187	65C27027-14										1
191	65C27027-13										1
194	SL2334-3A2										9
197	65C27027-7										1
203	65C27026-43SP								A		1
-203A	65C27026-50SP								B, D		1
-203B	65C27026-55SP								C		1
-203C	65C27026-72								E		1
206	NAS1836-3-11								B, D		4
-206A	NAS1836-3-11								A, C		12
220	412N1130-5										1
221	65C27006-12										1
223	65C27009-55SP								A		1
-223A	65C27009-73SP								B		1
-223B	65C27009-81SP								C		1
-223C	65C27009-109SP								D		1
-223D	65C27009-134SP								E		1
225	H3-1152-1										4
228	BACS12FA3K4										8
231	MS35333-39										8
234	412N1140-44SP										1
237	NAS1801-3-4										8

-Item not Illustrated

# 25-28-47

ILLUSTRATED PARTS LIST

Page 1098.157

Mar 01/2006



## COMPONENT MAINTENANCE MANUAL

FIG/ ITEM	PART NUMBER	AIRLINE PART NUMBER	NOMENCLATURE							USAGE CODE	UNITS PER ASSY	
			1	2	3	4	5	6	7			
4-												
240	MS35333-39											8
243	SL628-3A											8
246	BACS12H4-8											2
249	NAS620A8L											2
252	412N1245-1											2
255	MS51862-4											2
264	412N1143-13											1
267	412N1143-14											1
270	412N1140-60											1
276	412N1140-13											1
279	412N1141-3											1
284	412N1141-9											1
287	412N1142-17											1
296	412N1118-1SP											2
299	412N1118-2SP											1
302	65C27009-6											1
305	412N1154-1											1
308	412N1154-4											1
311	412N1155-1											2
311A	412N1155-7											2
314	412N1155-2											1
314A	412N1155-8											1
317	BACB30LK3-18											1

-Item not Illustrated

# 25-28-47

ILLUSTRATED PARTS LIST

Page 1098.158

Mar 01/2006



## COMPONENT MAINTENANCE MANUAL

FIG/ ITEM	PART NUMBER	AIRLINE PART NUMBER	NOMENCLATURE							USAGE CODE	UNITS PER ASSY
			1	2	3	4	5	6	7		
4-											
-317A	NAS1801-3-10								. . BOLT (USED WITH ITEMS 311A, 314A)		1
320	412N1227-1								. . BOLT (OPT ITEM 320A)		2
-320A	AIC1321-3-8								. . BOLT (OPT ITEM 320)		2
323	BACW10P136AL								. . WASHER		2
329	NAS1833-3-400								. . INSERT		2
332	MS24665-132								. . . PIN-COTTER		1
335	MS20392-2C13								. . . PIN-DRILLED SHANK		1
338	AN960PD10L								. . . WASHER		1
339	AN960PD10L								. . . WASHER (USED ON ITEMS 311,314)		2
341	NAS6703PU15								. . . BOLT (USED ON ITEMS 311,314)		1
344	BACB30NM3K12								. . . BOLT (USED ON ITEMS 311A,314A)		1
347	NAS6703PU11								. . . BOLT (USED ON ITEMS 311,314)		1
350	BACB30NM3K8								. . . BOLT (USED ON ITEMS 311A,314A)		1
353	NA960KD10L								DELETED		
353A	AN960JD10L								. . . WASHER (USED ON ITEMS 311A,314A)		1
356	NAS43DD3-5								. . . SPACER (USED ON ITEMS 311,314)		1
359	NAS43DD3-3								. . . SPACER (USED ON ITEMS 311A,314A)		1
362	NAS43DD3-6								. . . SPACER (USED ON ITEMS 311,314)		1
365	NAS43DD3-8								. . . SPACER (USED ON ITEMS 311A,314A)		1
368	H2948-2								. . . HINGE (SPEC S412N102-2) (USED ON ITEMS 311,311A)		1

-Item not Illustrated

# 25-28-47

ILLUSTRATED PARTS LIST

Page 1098.159

Mar 01/2006



## COMPONENT MAINTENANCE MANUAL

FIG/ ITEM	PART NUMBER	AIRLINE PART NUMBER	NOMENCLATURE							USAGE CODE	UNITS PER ASSY
			1	2	3	4	5	6	7		
4-											
371	H2948-1							. . . HINGE (V83014) (SPEC S412N102-1) (USED ON ITEMS 314,314A)			1
374	SB113							. . . ACTUATOR (V24984) (SPEC S412N104-1)			1
377	412N1156-1							. . . CHASSIS ASSY (USED ON ITEM 311)			1
380	412N1156-13							. . . CHASSIS ASSY (USED ON ITEM 311A)			1
-383	412N1156-2							. . . CHASSIS ASSY (USED ON ITEM 333)			1
-386	412N1156-14							. . . CHASSIS ASSY (USED ON ITEM 333A)			1
388	NAS1833-400							. . INSERT (V01556)			3
389	412N1156-3							. . . CHASSIS (USED ON ITEM 414)			1
-392	412N1156-15							. . . CHASSIS (USED ON ITEM 417)			1
-395	412N1156-4							. . . CHASSIS (USED ON ITEM 420)			1
-398	412N1156-16							. . . CHASSIS (USED ON ITEM 423)			1
401	NAS1833-3-400							. . INSERT			6
404	BACS12ER08K14							. . BOLT			2
407	AN960JD8							. . WASHER			2
410	MS21042L08							. . NUT			2
413	BACB30MY5K2							. . BOLT			2
416	MS21043L3							. . NUT			2
419	412N1153-104							. . LATCH ASSY-30 IN.	A, B, D, E		1
419A	412N1153-103							. . LATCH ASSY-40 IN.	C		1

-Item not Illustrated

# 25-28-47

ILLUSTRATED PARTS LIST

Page 1098.160

Mar 01/2006



## COMPONENT MAINTENANCE MANUAL

FIG/ ITEM	PART NUMBER	AIRLINE PART NUMBER	NOMENCLATURE							USAGE CODE	UNITS PER ASSY
			1	2	3	4	5	6	7		
4-			ATTACHING PARTS								
422	BACS12ER06K8		. . SCREW (V06710) (SPEC BACS12ER06K8) (OPT BACS12ER06K8 (V06725)) (OPT BACS12ER06K8 (V06950)) (OPT BACS12ER06K8 (V27624)) (OPT BACS12ER06K8 (V34252)) (OPT BACS12ER06K8 (V56878)) (OPT BACS12ER06K8 (V73197)) (OPT BACS12ER06K8 (V80539)) (OPT BACS12ER06K8 (V92215)) (OPT BACS12ER06K8 (V93907)) (OPT BACS12ER06K8 (V97928))								4
425	SL210-06-2		. . INSERT (V97393)								4
428	BACS12ER08K6		. . SCREW (V06710) (SPEC BACS12ER08K6) (OPT BACS12ER08K6 (V06725)) (OPT BACS12ER08K6 (V06950)) (OPT BACS12ER08K6 (V27624)) (OPT BACS12ER08K6 (V34252)) (OPT BACS12ER08K6 (V56878)) (OPT BACS12ER08K6 (V73197)) (OPT BACS12ER08K6 (V80539)) (OPT BACS12ER08K6 (V92215)) (OPT BACS12ER08K6 (V93907)) (OPT BACS12ER08K6 (V97928))								2
431	NAS514P832-5		. . SCREW								4
434	SL210-08-1		. . INSERT (V97393)								4
			----- * -----								
437	412N1113-7		. . . COVER (V01556)								1
440	412N1113-8		. . . COVER								1
443	S412N101-1031		. . . LATCH ASSY (SPEC S412N101-1031)							A, B, D, E	1
-443A	H3-1145-2-I-3760		. . . LATCH ASSY (V34941) (SPEC S412N101-1040)							C	1
449	412N1145-28		. . BRACKET								1

-Item not Illustrated

# 25-28-47

ILLUSTRATED PARTS LIST

Page 1098.161

Mar 01/2006



## COMPONENT MAINTENANCE MANUAL

FIG/ ITEM	PART NUMBER	AIRLINE PART NUMBER	NOMENCLATURE							USAGE CODE	UNITS PER ASSY
			1	2	3	4	5	6	7		
4-											
453	412N1117-2		. .								1
456	BACS12FA3K5		. .								34
459	BACS12FA3K15		. .								2
462	65C27023-26		. .						A		1
462A	65C27023-37		. .						B, D		1
462B	65C27023-39		. .						C, E		1
465	412N1146-4		. .								1
466	412N1224-5		. .						A		1
466A	412N1224-3		. .						C		1
			ATTACHING PARTS								
468	BACS12ER08K12		. .								21
471	AN960JD8		. .								21
474	MS21042L08		. .								21
477	BACR15DR3		. . .								4
480	BACN10KB08		. . .								2
483	412N1146-24		. . .								1
486	65C27012-33		. .						A		1
-486A	65C27012-47		. .						B		1
-486B	65C27012-54		. .						C		1
-494C	65C27012-72		. .						D		1

-Item not Illustrated

**25-28-47**

ILLUSTRATED PARTS LIST

Page 1098.162

Mar 01/2006



## COMPONENT MAINTENANCE MANUAL

FIG/ ITEM	PART NUMBER	AIRLINE PART NUMBER	NOMENCLATURE							USAGE CODE	UNITS PER ASSY
			1	2	3	4	5	6	7		
4-											
-494D	65C27012-91									E	1
490	65C27012-1039									A	1
493	NAS1836-3-11										12
494	65C27012-29										
494A	65C27012-50										
496	65C27012-1044									B, D	1
499	NAS1836-3-11										10
502	65C27012-1049									C, E	1
505	NAS1836-3-11										10
508	65C27012-1114										1
511	NAS1836-3-11										8
514	NAS1836-4-11										2
517	65C27012-1208										1
520	NAS1836-3-11										4
523	SL2334-3A2										4
526	65C27012-1310									B, D, E	1
529	65C27012-8										1
532	NAS1836-3-11										13
535	65C27012-1321									A	1
538	65C27012-8										1
541	NAS1834-5-400										2
544	NAS1836-3-11										13
547	65C27012-2021									A	1
550	NAS1836-3-11										4
553	65C27012-2030									B, C, D, E	1
556	NAS1836-3-11										4
559	65C27012-2120									A	1
562	NAS1836-3-11										3
565	65C27012-2127									B, C, D, E	1
568	NAS1836-3-11										3

-Item not Illustrated

**25-28-47**

ILLUSTRATED PARTS LIST

Page 1098.163

Mar 01/2006



## COMPONENT MAINTENANCE MANUAL

FIG/ ITEM	PART NUMBER	AIRLINE PART NUMBER	NOMENCLATURE							USAGE CODE	UNITS PER ASSY
			1	2	3	4	5	6	7		
4-											
-569	65C27012-3202									D	1
-569A	NAS1833-3-400										2
571	65C27012-4003									A	1
574	NAS1833-3-400										6
-575	65C27012-4017									D	1
-575A	NAS1833-3-400										3
577	65C27012-4103									C	1
580	NAS1833-3-400										4
-583	65C27327-45									A	1
-583A	65C27327-70									B	1
-583B	65C27327-84									C	1
-583C	65C27327-113									D	1
-583D	65C27327-139									E	1
590	NAS1834-4-400										15
591	NAS1834-4-380										1
593	BACS12FA3K12										16
											(V06710)
											(SPEC BACS12FA3K12)
											(OPT BACS12FA3K12 (V06725))
											(OPT BACS12FA3K12 (V06950))
											(OPT BACS12FA3K12 (V27624))
											(OPT BACS12FA3K12 (V34252))
											(OPT BACS12FA3K12 (V56878))
											(OPT BACS12FA3K12 (V73197))
											(OPT BACS12FA3K12 (V80539))
											(OPT BACS12FA3K12 (V92215))
											(OPT BACS12FA3K12 (V93907))
											(OPT BACS12FA3K12 (V97928))
596	412N1216-3										DELETED
596A	412N1216-35									B, C, E	1
-596B	412N1216-33									A, D	1

-Item not Illustrated

**25-28-47**

ILLUSTRATED PARTS LIST

Page 1098.164

Mar 01/2006





COMPONENT MAINTENANCE MANUAL

FIG/ ITEM	PART NUMBER	AIRLINE PART NUMBER	NOMENCLATURE							USAGE CODE	UNITS PER ASSY
			1	2	3	4	5	6	7		
4- 599	BACB30NN3K1		. . . . BOLT (V06710) (SPEC BACB30NN3K1) (OPT BACB30NN3K1 (V06725)) (OPT BACB30NN3K1 (V06950)) (OPT BACB30NN3K1 (V08524)) (OPT BACB30NN3K1 (V27624)) (OPT BACB30NN3K1 (V56878)) (OPT BACB30NN3K1 (V73197)) (OPT BACB30NN3K1 (V80539)) (OPT BACB30NN3K1 (V92215)) (OPT BACB30NN3K1 (V93907)) (OPT BACB30NN3K1 (V97928))								16
602	BACW10CT10		. . . . WASHER (V10630) (SPEC BACW10CT10)								16
605	AN960PD516L		. . . . WASHER								16
607	SL5-3-145S		. . . . NUT (V97393) (OPT ITEM 275A)								16
-607A	KD121395-145		. . . . NUT (V29372) (OPT ITEM 275)								16
610	412N1217-19		. . . . . BRACKET ASSY								1
613	BACR15BA3AD		. . . . . RIVET (SIZE DETERMINED ON INST)								14
616	BRM200A3		. . . . . NUTPLATE (V52828) (SPEC BACN10JP3A) (OPT MK1000-3BAC (V15653)) (OPT NS103197-02 (V80539)) (OPT T8076S1032 (V71087)) (OPT T8076S1032 (V11815)) (OPT VN202A1-02 (V92215))								7
619	412N1217-20		. . . . . BRACKET								1
622	412N1217-87		. . . . . BRACKET ASSY								1
625	BACR15BA3AD		. . . . . RIVET (SIZE DETERMINED ON INST)								12

-Item not Illustrated

**25-28-47**

ILLUSTRATED PARTS LIST

Page 1098.165

Mar 01/2006



## COMPONENT MAINTENANCE MANUAL

FIG/ ITEM	PART NUMBER	AIRLINE PART NUMBER	NOMENCLATURE							USAGE CODE	UNITS PER ASSY
			1	2	3	4	5	6	7		
4-											
627	BRM200A3										6
630	412N1217-88										1
635	412N1116-98										1
-638	412N1116-101										1
641	412N1116-99										1
-641A	412N1116-104										1
-644	NAS1836-3-11										2
-647	412N1116-17										1
650	412N1217-95										1
653	BACR15BA3AD										6
656	BRM200A3										3
659	412N1217-96										1
662	65C27327-47								A		1
-662A	65C27327-71								B		1
-662B	65C27327-81										
-662C	65C27327-85								C		1
-662D	65C27327-71								D		1
-662E	65C27327-140								E		1
670	412N1116-91								B		1
-670A	412N1116-107								C		1

-Item not Illustrated

# 25-28-47

ILLUSTRATED PARTS LIST

Page 1098.166

Mar 01/2006



## COMPONENT MAINTENANCE MANUAL

FIG/ ITEM	PART NUMBER	AIRLINE PART NUMBER	NOMENCLATURE							USAGE CODE	UNITS PER ASSY
			1	2	3	4	5	6	7		
4-											
-670B	412N1116-110									D	1
-670C	412N1116-91									E	1
673	412N1116-30										1
676	NAS1836-3-11									B, D, E	7
676A	NAS1836-3-11									C	9
679	412N1145-33									B-E	5
682	BACS12FA3K6										10
685	NAS1833-3-400										5

-Item not Illustrated

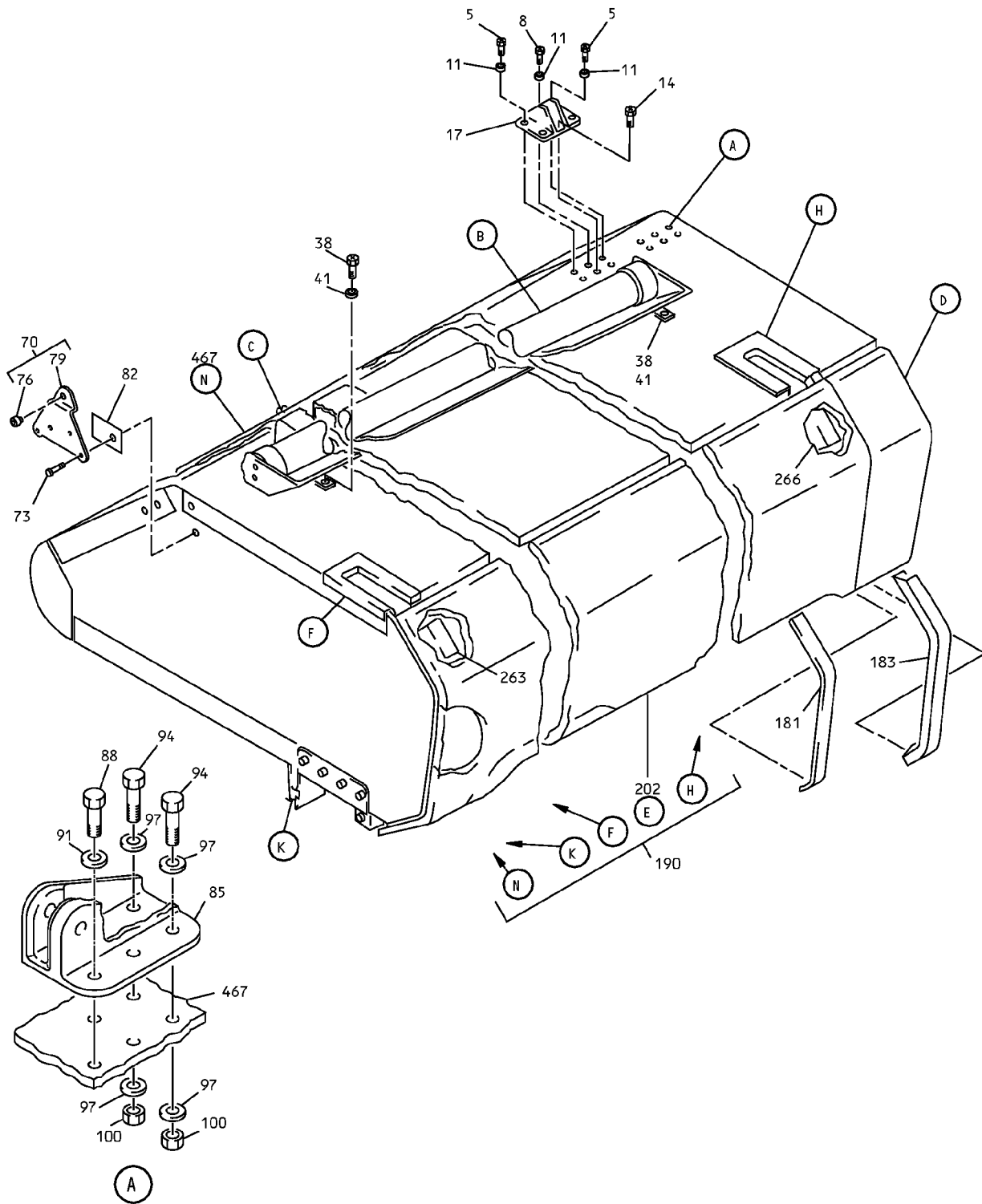
# 25-28-47

ILLUSTRATED PARTS LIST

Page 1098.167

Mar 01/2006

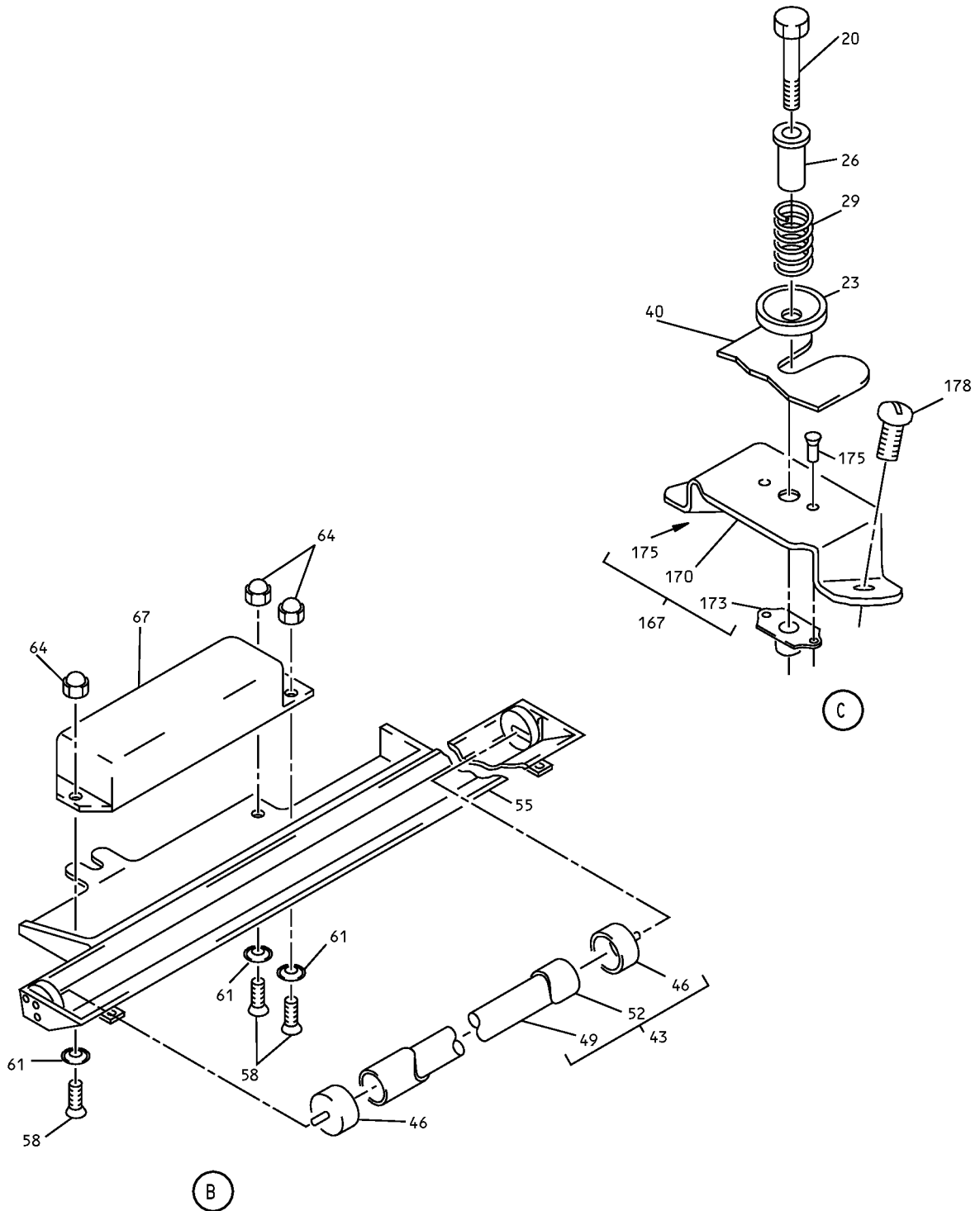
COMPONENT MAINTENANCE MANUAL



Overhead Stowage Compartment Assembly  
IPL Figure 5 (Sheet 1 of 15)

**25-28-47**  
ILLUSTRATED PARTS LIST  
Page 1098.168  
Mar 01/2006

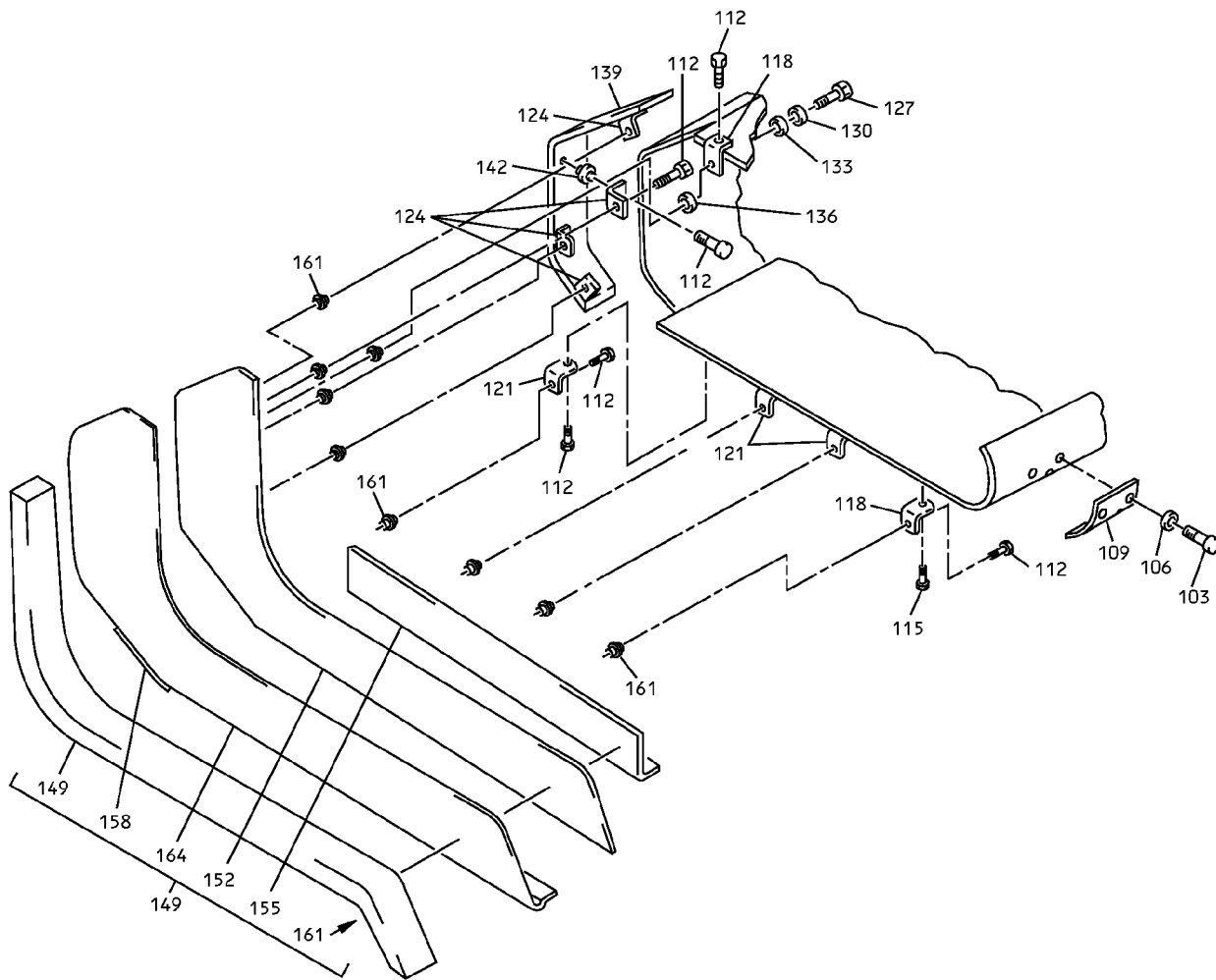
COMPONENT MAINTENANCE MANUAL



Overhead Storage Compartment Assembly  
IPL Figure 5 (Sheet 2 of 15)

**25-28-47**  
ILLUSTRATED PARTS LIST  
Page 1098.169  
Mar 01/2006

# COMPONENT MAINTENANCE MANUAL



D

Overhead Stowage Compartment Assembly  
IPL Figure 5 (Sheet 3 of 15)

## 25-28-47

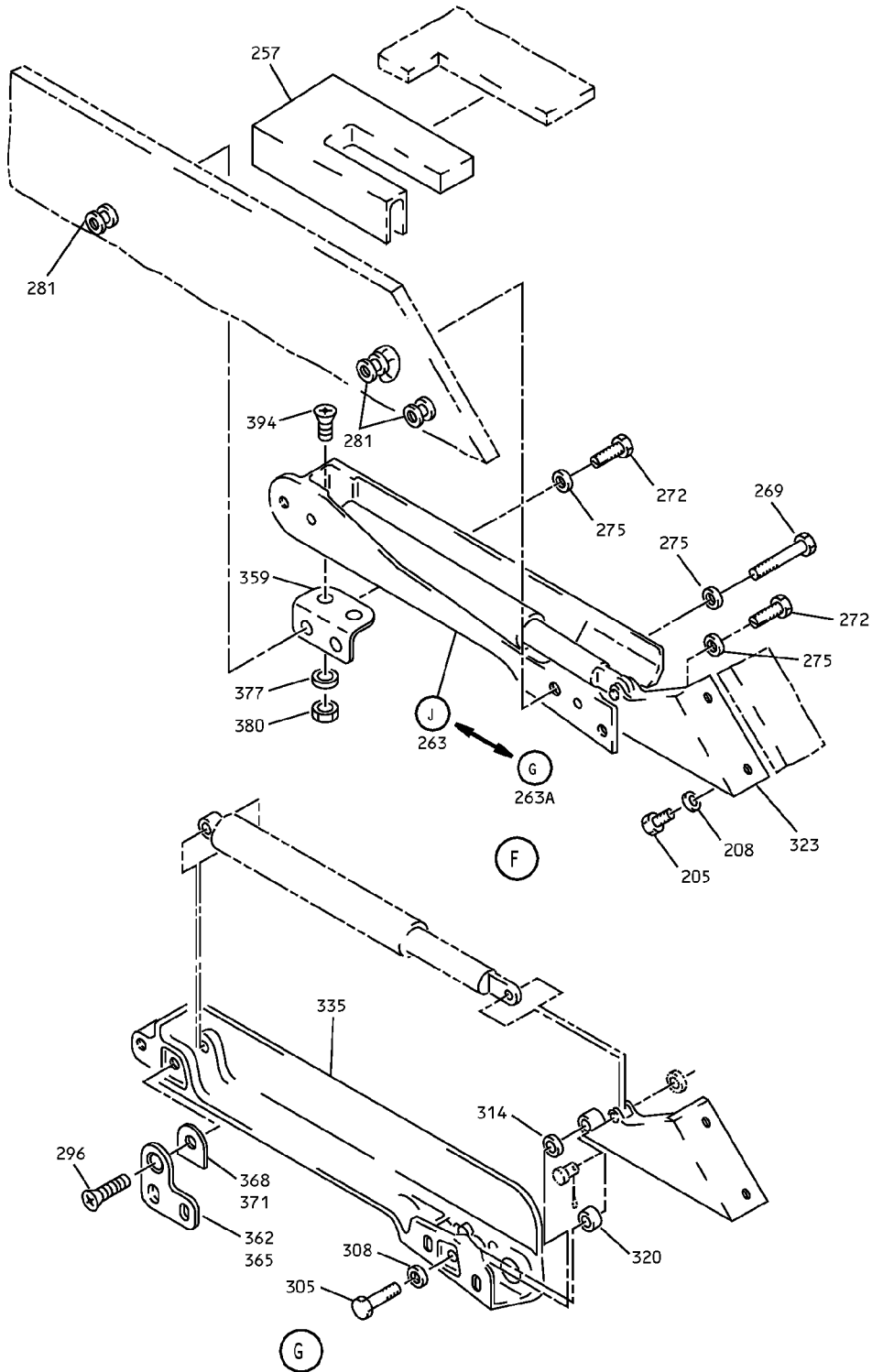
ILLUSTRATED PARTS LIST

Page 1098.170

Mar 01/2006



COMPONENT MAINTENANCE MANUAL



Overhead Storage Compartment Assembly  
IPL Figure 5 (Sheet 5 of 15)

**25-28-47**

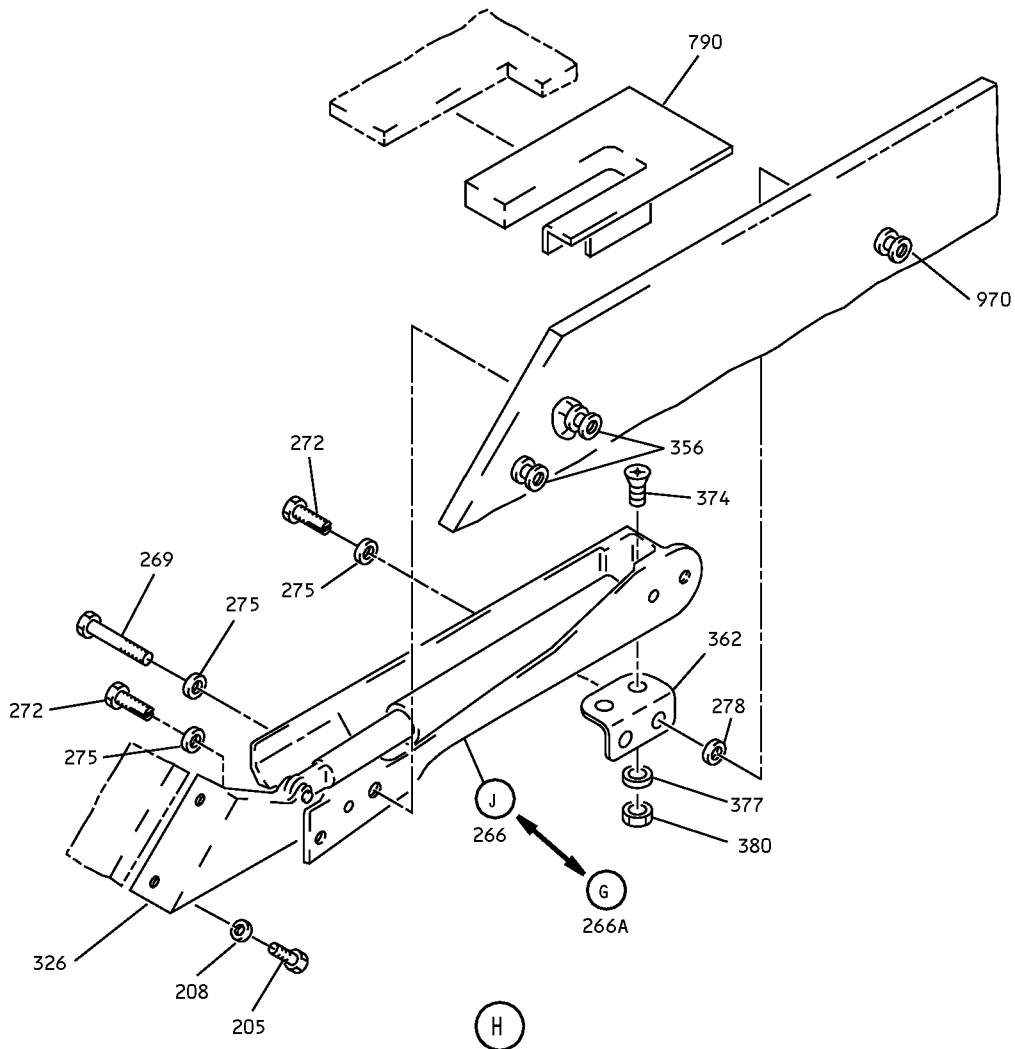
ILLUSTRATED PARTS LIST

Page 1098.172

Mar 01/2006



# COMPONENT MAINTENANCE MANUAL



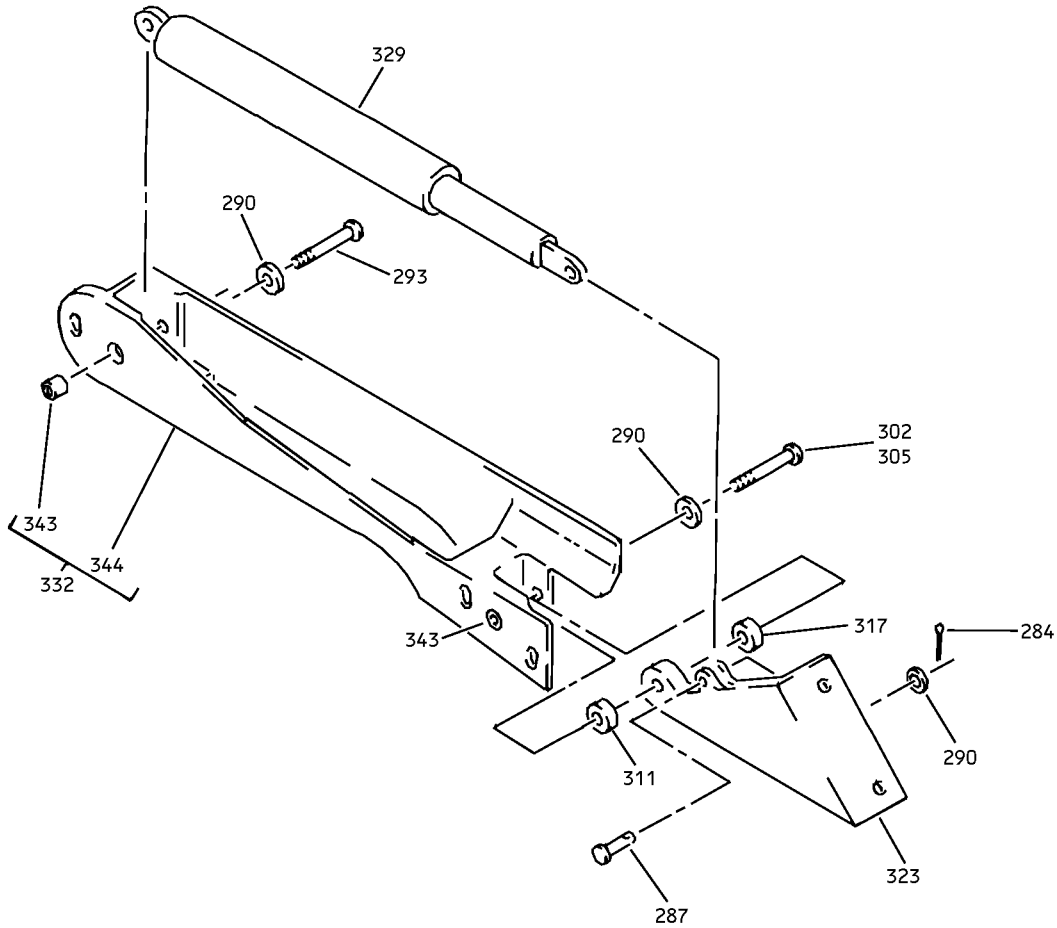
Overhead Stowage Compartment Assembly  
IPL Figure 5 (Sheet 6 of 15)

## 25-28-47

ILLUSTRATED PARTS LIST

Page 1098.173

Mar 01/2006

**COMPONENT MAINTENANCE MANUAL**


( J )

Overhead Stowage Compartment Assembly  
IPL Figure 5 (Sheet 7 of 15)

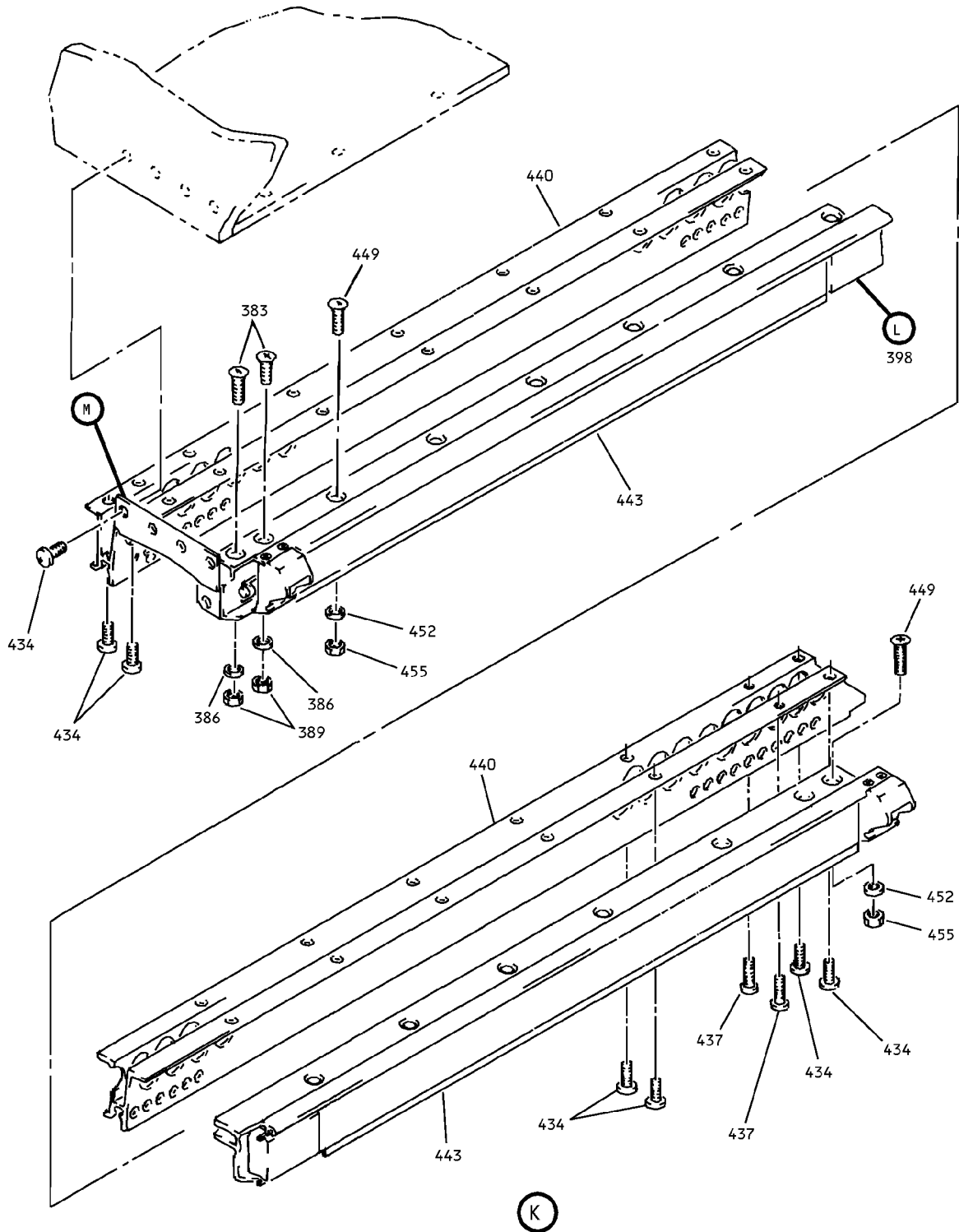
# 25-28-47

ILLUSTRATED PARTS LIST

Page 1098.174

Mar 01/2006

COMPONENT MAINTENANCE MANUAL



Overhead Stowage Compartment Assembly  
IPL Figure 5 (Sheet 8 of 15)

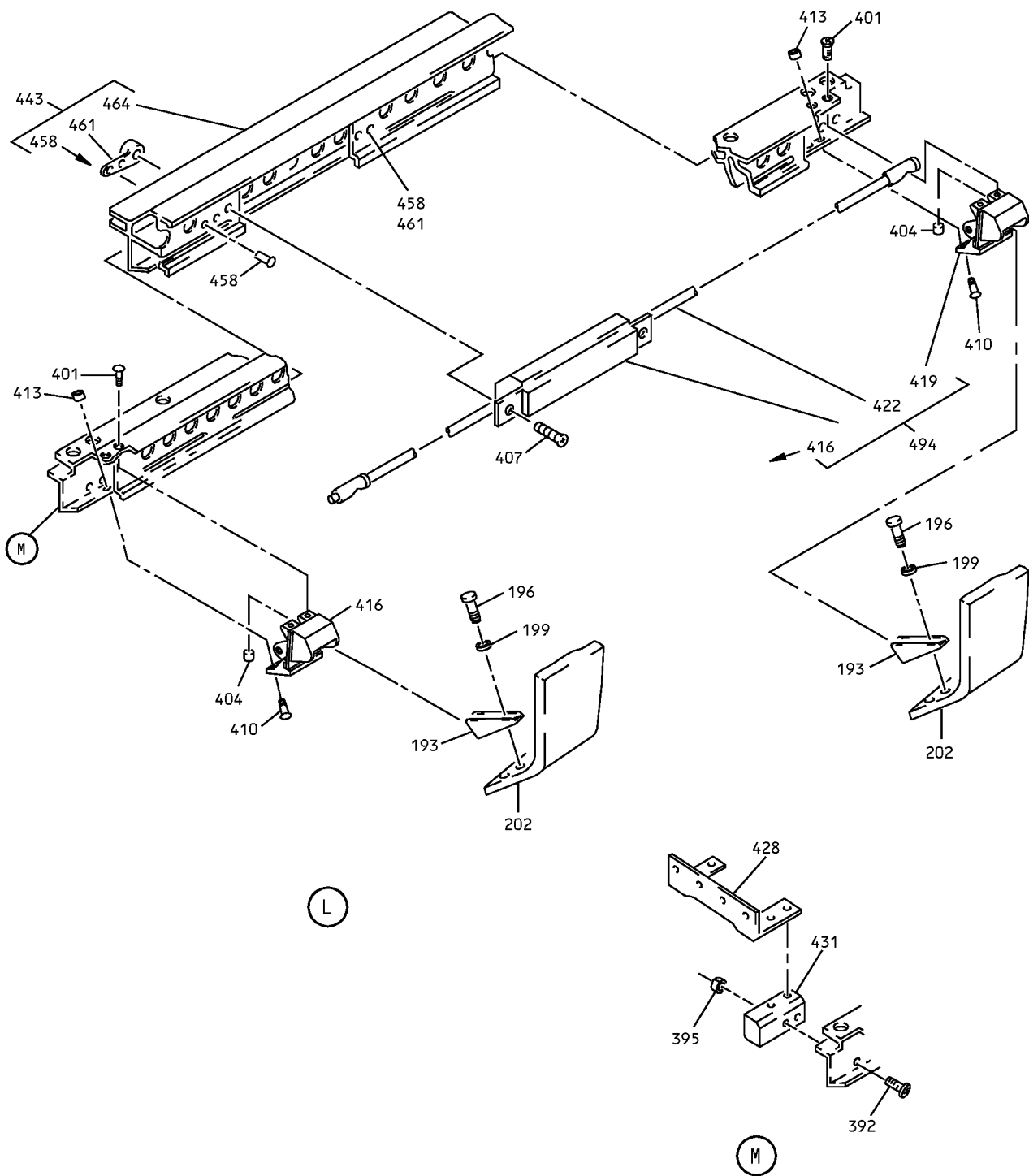
**25-28-47**

ILLUSTRATED PARTS LIST

Page 1098.175

Mar 01/2006

COMPONENT MAINTENANCE MANUAL

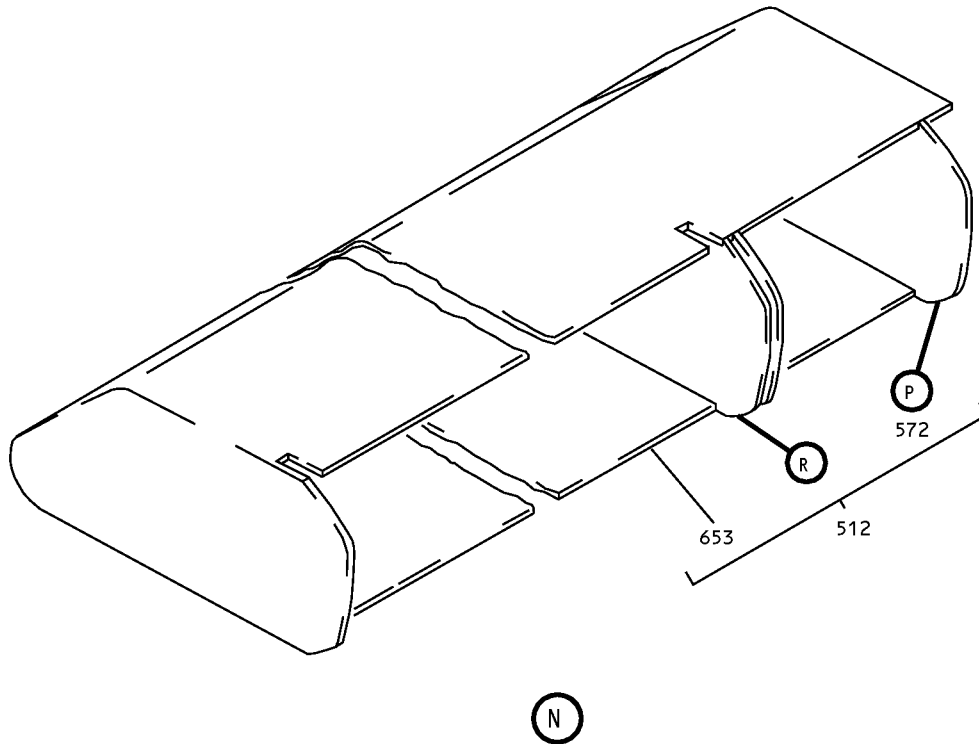


Overhead Storage Compartment Assembly  
IPL Figure 5 (Sheet 9 of 15)

**25-28-47**  
ILLUSTRATED PARTS LIST  
Page 1098.176  
Mar 01/2006



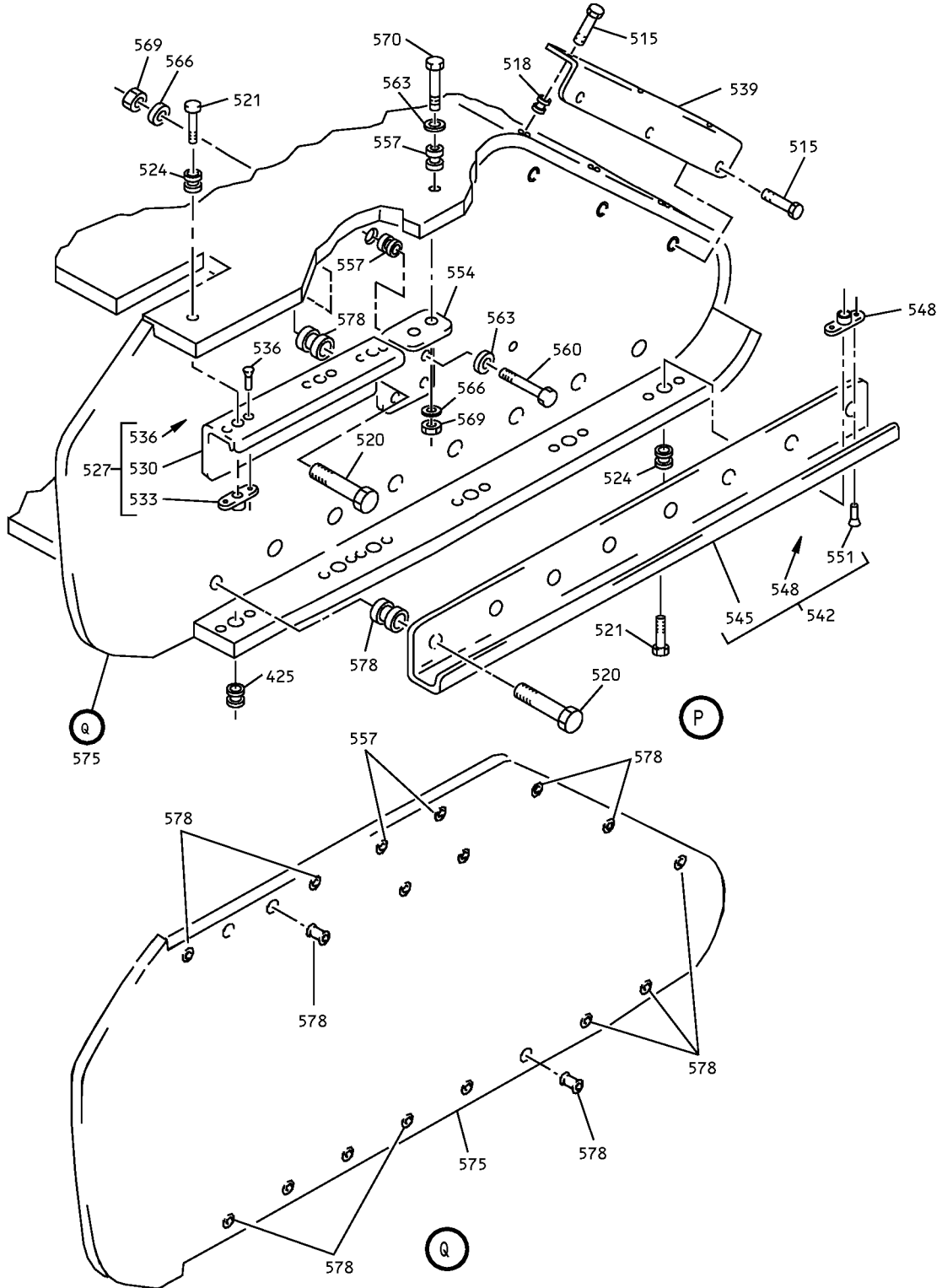
COMPONENT MAINTENANCE MANUAL



Overhead Stowage Compartment Assembly  
IPL Figure 5 (Sheet 10 of 15)

**25-28-47**  
ILLUSTRATED PARTS LIST  
Page 1098.177  
Mar 01/2006

COMPONENT MAINTENANCE MANUAL



Overhead Storage Compartment Assembly  
IPL Figure 5 (Sheet 11 of 15)

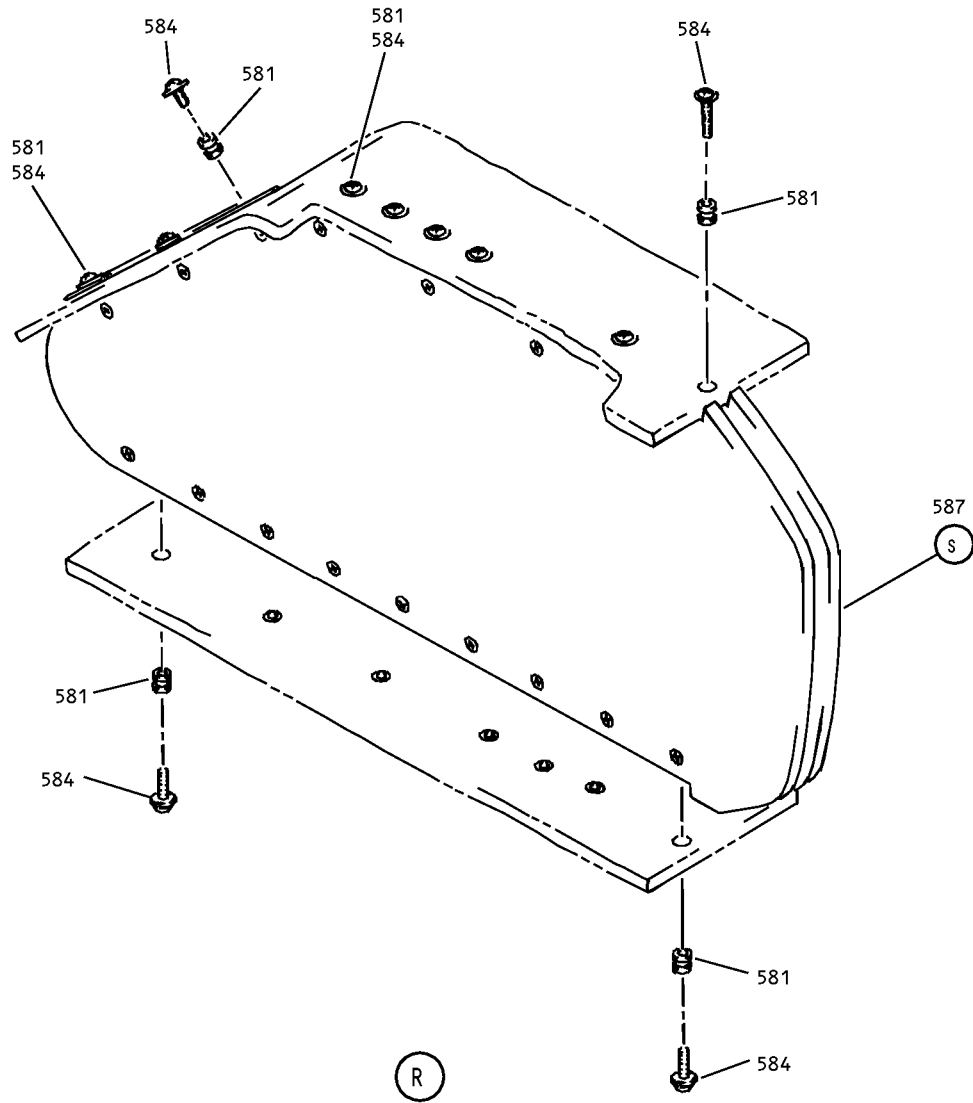
**25-28-47**

ILLUSTRATED PARTS LIST

Page 1098.178

Mar 01/2006

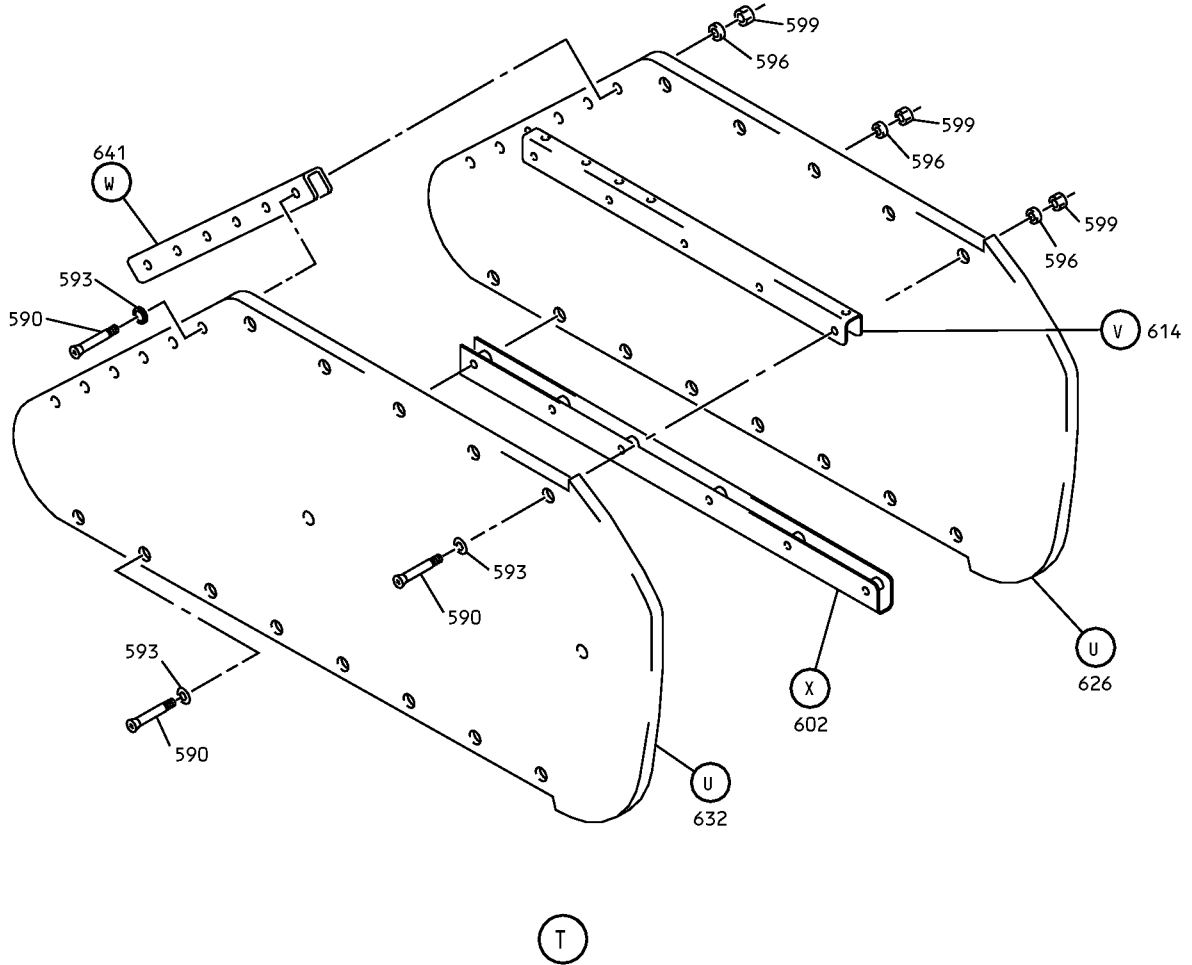
COMPONENT MAINTENANCE MANUAL



Overhead Stowage Compartment Assembly  
IPL Figure 5 (Sheet 12 of 15)

**25-28-47**  
ILLUSTRATED PARTS LIST  
Page 1098.179  
Mar 01/2006

COMPONENT MAINTENANCE MANUAL



Overhead Stowage Compartment Assembly  
IPL Figure 5 (Sheet 13 of 15)

**25-28-47**

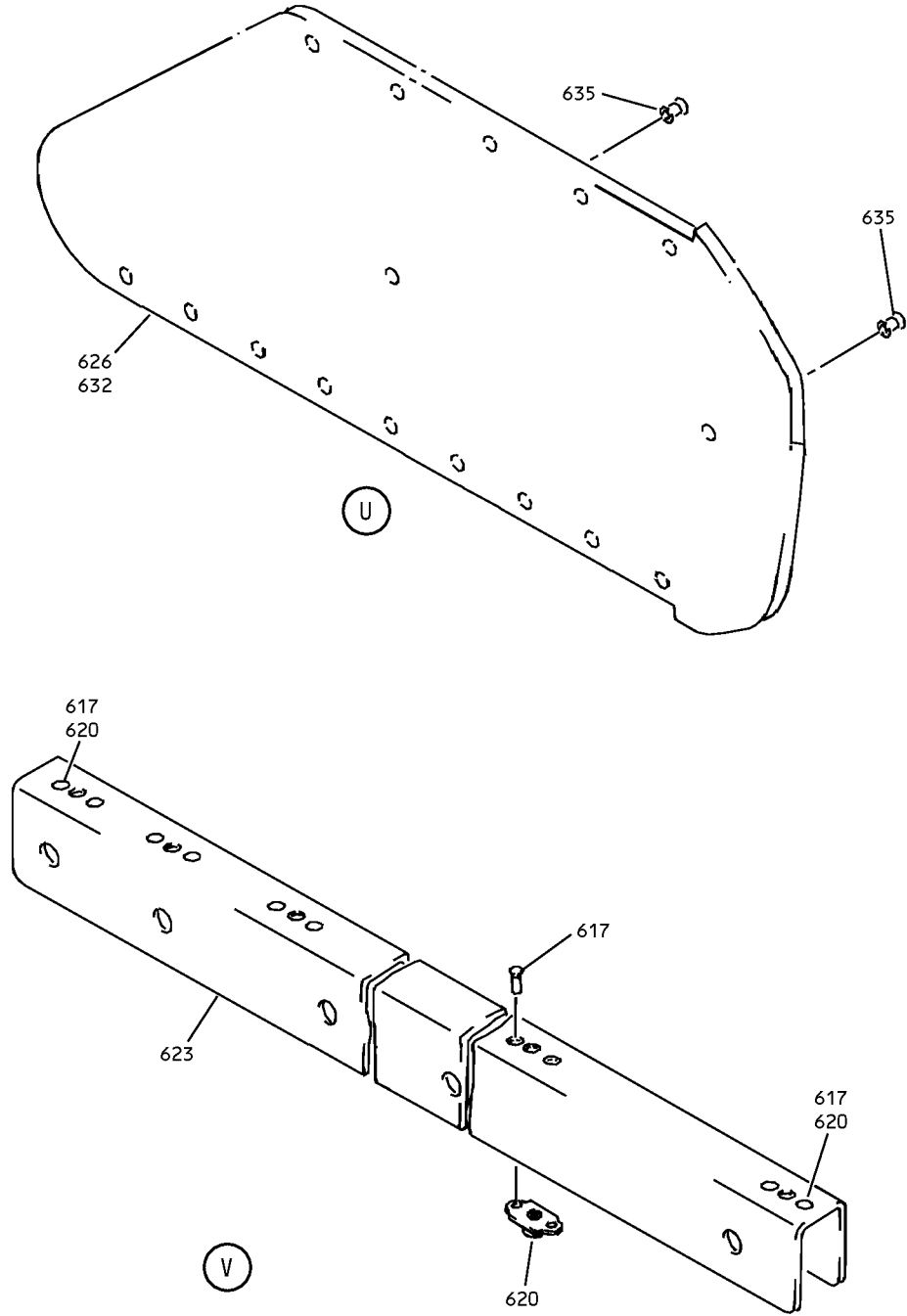
ILLUSTRATED PARTS LIST

Page 1098.180

Mar 01/2006



COMPONENT MAINTENANCE MANUAL



Overhead Stowage Compartment Assembly  
IPL Figure 5 (Sheet 14 of 15)

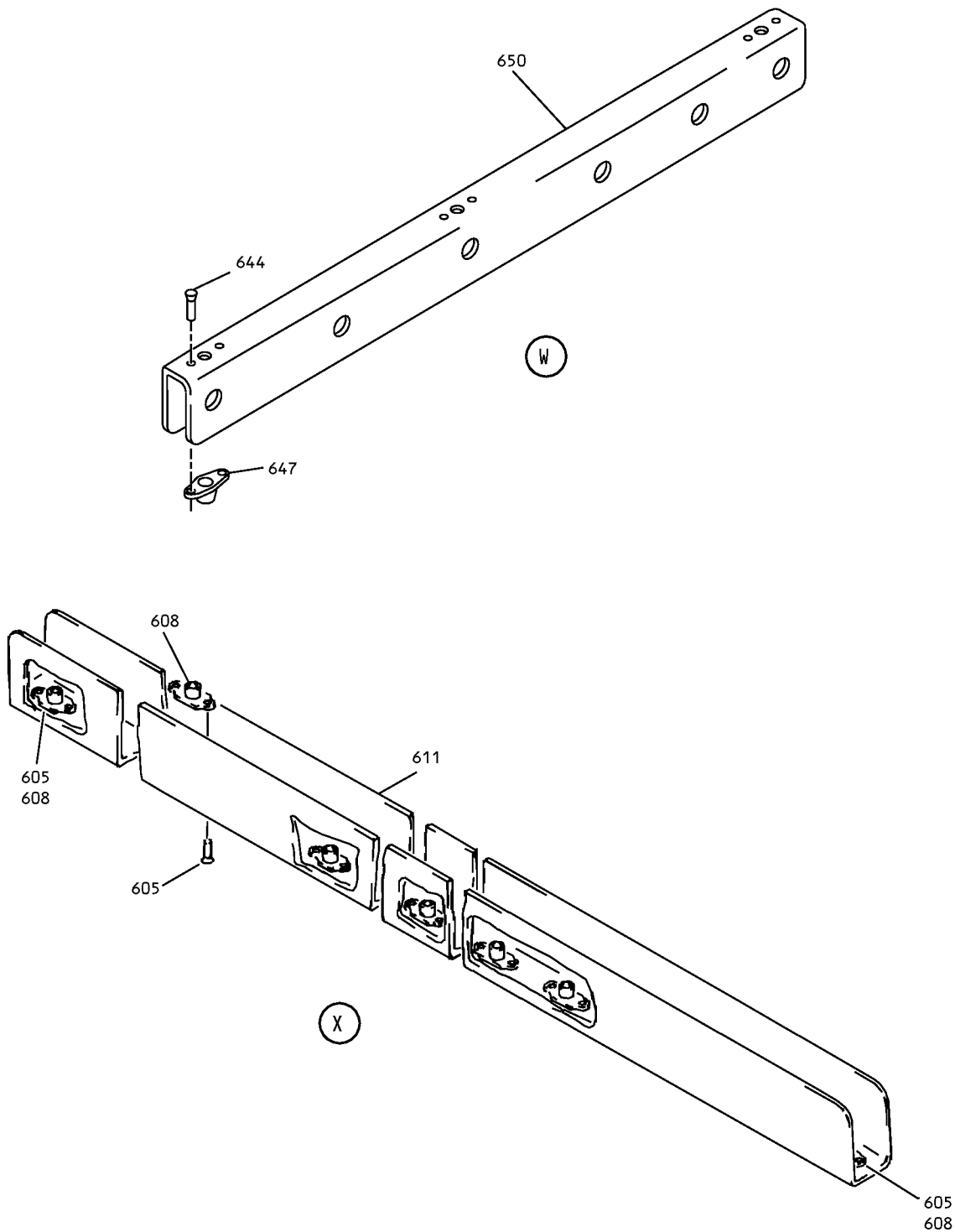
**25-28-47**

ILLUSTRATED PARTS LIST

Page 1098.181

Mar 01/2006

COMPONENT MAINTENANCE MANUAL



Overhead Storage Compartment Assembly  
IPL Figure 5 (Sheet 15 of 15)



## COMPONENT MAINTENANCE MANUAL

FIG/ ITEM	PART NUMBER	AIRLINE PART NUMBER	NOMENCLATURE							USAGE CODE	UNITS PER ASSY
			1	2	3	4	5	6	7		
5-											
1	65C27006-79SP									A	RF
5	BACB30NM3K1										4
8	BACB30NM3K9										1
11	AN960JD10										5
14	BACB30NN3K9										1
17	412N1119-58										1
20	NAS1801-3-11										1
23	411N3142-28										1
26	BACS18C8-6										1
29	MS24585-1230										1
31	417N5120-48										1
34	NAS1801-3-5										2
37	AN960JD10L										2
40	65C28117-3										1
43	417N5120-11										1

-Item not Illustrated

# 25-28-47

ILLUSTRATED PARTS LIST

Page 1098.183

Mar 01/2006



## COMPONENT MAINTENANCE MANUAL

FIG/ ITEM	PART NUMBER	AIRLINE PART NUMBER	NOMENCLATURE							USAGE CODE	UNITS PER ASSY	
			1	2	3	4	5	6	7			
5-												
46	2055150							. . . CAP-END-				2
								(V04169)				
49	F20T12WW							. . . LAMP-FLUOR.-				1
								(V08805)				
52	LP1625-24							. . . TUBE-COVER-				1
								(V60116)				
								(OPT ITEM 66A)				
-52A	NI152LGWUV1000							. . . TUBE-COVER-				1
								(V06034)				
								(OPT ITEM 66)				
55	800000255-33							. . LIGHT ASSY				1
								(V05617)				
								(SPEC S417N507-33)				
								(USED ON ITEM)				
58	BACS12ER3K6							. . SCREW				3
								(V06710)				
								(SPEC BACS12ER3K6)				
								(OPT BACS12ER3K6 (V06725))				
								(OPT BACS12ER3K6 (V06950))				
								(OPT BACS12ER3K6 (V27624))				
								(OPT BACS12ER3K6 (V34252))				
								(OPT BACS12ER3K6 (V56878))				
								(OPT BACS12ER3K6 (V73197))				
								(OPT BACS12ER3K6 (V80539))				
								(OPT BACS12ER3K6 (V92215))				
								(OPT BACS12ER3K6 (V93907))				
								(OPT BACS12ER3K6 (V97928))				
61	BACW10UD10							. . WASHER				3
64	F22K1-02							. . NUT				3
								(V72962)				
								(SPEC BACN10R10L)				
								(OPT 22K1-02 (V72962))				
								(OPT 26CL02 (V80539))				
67	05939-5							. . BALLAST				1
								(V17023)				
								(SPEC S283N702-5)				
70	412N1119-38							. FITTING ASSY				1

-Item not Illustrated

# 25-28-47

ILLUSTRATED PARTS LIST

Page 1098.184

Mar 01/2006



## COMPONENT MAINTENANCE MANUAL

FIG/ ITEM	PART NUMBER	AIRLINE PART NUMBER	NOMENCLATURE							USAGE CODE	UNITS PER ASSY
			1	2	3	4	5	6	7		
5-			ATTACHING PARTS								
73	BACS12ER3K6		. SCREW (V06710) (SPEC BACS12ER3K6) (OPT BACS12ER3K6 (V06725)) (OPT BACS12ER3K6 (V06950)) (OPT BACS12ER3K6 (V27624)) (OPT BACS12ER3K6 (V34252)) (OPT BACS12ER3K6 (V56878)) (OPT BACS12ER3K6 (V73197)) (OPT BACS12ER3K6 (V80539)) (OPT BACS12ER3K6 (V92215)) (OPT BACS12ER3K6 (V93907)) (OPT BACS12ER3K6 (V97928))								4
76	BACB28B6-220P		. . BUSHING								1
79	412N1119-40		. . FITTING								1
82	65C27017-16		. SHIM								1
85	412N1119-76		. FITTING ASSY								1
88	BACB30NM3K1		ATTACHING PARTS . BOLT (V06710) (SPEC BACB30NM3K1) (OPT BACB30NM3K1 (V06725)) (OPT BACB30NM3K1 (V06950)) (OPT BACB30NM3K1 (V08524)) (OPT BACB30NM3K1 (V27624)) (OPT BACB30NM3K1 (V56878)) (OPT BACB30NM3K1 (V73197)) (OPT BACB30NM3K1 (V80539)) (OPT BACB30NM3K1 (V92215)) (OPT BACB30NM3K1 (V93907)) (OPT BACB30NM3K1 (V97928))								3
91	AN960JD10		. WASHER								3
94	BACB30NM3K11		. BOLT								2
97	AN960JD10		. WASHER								4
100	MS21042L3		. NUT								2
			-----*-----								

-Item not Illustrated

# 25-28-47

ILLUSTRATED PARTS LIST

Page 1098.185

Mar 01/2006



## COMPONENT MAINTENANCE MANUAL

FIG/ ITEM	PART NUMBER	AIRLINE PART NUMBER	NOMENCLATURE							USAGE CODE	UNITS PER ASSY
			1	2	3	4	5	6	7		
5-											
103	BACB30NM3K1		.	BOLT							4
				(V06710)							
				(SPEC BACB30NM3K1)							
				(OPT BACB30NM3K1 (V06725))							
				(OPT BACB30NM3K1 (V06950))							
				(OPT BACB30NM3K1 (V08524))							
				(OPT BACB30NM3K1 (V27624))							
				(OPT BACB30NM3K1 (V56878))							
				(OPT BACB30NM3K1 (V73197))							
				(OPT BACB30NM3K1 (V80539))							
				(OPT BACB30NM3K1 (V92215))							
				(OPT BACB30NM3K1 (V93907))							
				(OPT BACB30NM3K1 (V97928))							
106	AN960JD10		.	WASHER							4
109	412N1119-12		.	FITTING							1
112	BACS12FA3K5		.	BOLT							16
115	BACS12FA3K12		.	BOLT							1
118	412N1145-30		.	BRACKET							2
121	412N1145-29		.	BRACKET							3
124	65C27017-13		.	BRACKET							4
127	BACB30PF4-3		.	SCREW							1
130	AN960C416L		.	WASHER							1
133	NAS1515F4H		.	WASHER							1
136	NAS1515M4L		.	WASHER							1
139	65C27026-53		.	PANEL-FILLER							1
142	NAS1836-3-11		. .	INSERT							8
146	65C27027-4SP		. .	CAP ASSY-END							1
149	65C27027-17		. .	SEAL							1
152	65C27027-12		. .	PANEL ASSY							1
155	65C27027-14		. .	SUPPORT,ANGLE							1
158	65C27027-13		. .	FOAM							1
161	SL2334-3A2		. .	INSERT							9
				(V97393)							
164	65C27027-8		. .	CAP, END							1
167	65C27481-28		. .	BRACKET ASSY							1
170	65C27481-29		. .	BRACKET							1

-Item not Illustrated

# 25-28-47

ILLUSTRATED PARTS LIST

Page 1098.186

Jul 01/2009



## COMPONENT MAINTENANCE MANUAL

FIG/ ITEM	PART NUMBER	AIRLINE PART NUMBER	NOMENCLATURE							USAGE CODE	UNITS PER ASSY	
			1	2	3	4	5	6	7			
5-												
173	BACN10JR3FR											1
175	BACR15BA3A											2
												(SIZE DETERMINED ON INST)
178	BACS12FA3K4											2
181	412N1130-5											1
183	65C27006-12											1
190	65C27009-79SP									A, C		1
193	H3-1152-1											4
												(V34941)
												(SPEC S412N101-1)
												ATTACHING PARTS
196	BACS12FA3K4											8
199	MS35333-39											8
												-----*-----
202	412N1140-44SP											1
												ATTACHING PARTS
205	NAS1801-3-4											8
208	MS35333-39											8
												-----*-----
211	SL628-3A											8
												(V97393)
214	BACS12H4-8											2
217	NAS620A8L											2
220	412N1245-1											2
223	MS51862-4											2
227	412N1143-13											1
230	412N1143-14											1
233	412N1140-61											1
236	412N1140-13											1
239	412N1141-1											1
242	412N1141-7											1
245	412N1142-15											1
248	412N1118-1SP											2

-Item not Illustrated

# 25-28-47

ILLUSTRATED PARTS LIST

Page 1098.187

Mar 01/2006



## COMPONENT MAINTENANCE MANUAL

FIG/ ITEM	PART NUMBER	AIRLINE PART NUMBER	NOMENCLATURE							USAGE CODE	UNITS PER ASSY	
			1	2	3	4	5	6	7			
5-												
251	412N1118-2SP											1
254	65C27009-6											1
257	412N1154-2											1
260	412N1154-3											1
263	412N1155-5											2
263A	412N1155-11											2
266	412N1155-6											1
266A	412N1155-12											1
269	BACB30LK3-18											1
-269A	NAS1801-3-10											1
272	412N1227-1											2
-272A	A1C1321-3-8											2
275	BACW10P136AL											3
278	AN960JD10											1
281	NAS1833-3-400											3
284	MS24665-132											1
287	MS20392-2C13											1
290	AN960PD10L											3
293	NAS6703PU15											1
296	BACB30LU3-14											1
302	NAS6703PU11											1

-Item not Illustrated

# 25-28-47

ILLUSTRATED PARTS LIST

Page 1098.188

Mar 01/2006





## COMPONENT MAINTENANCE MANUAL

FIG/ ITEM	PART NUMBER	AIRLINE PART NUMBER	NOMENCLATURE							USAGE CODE	UNITS PER ASSY
			1	2	3	4	5	6	7		
5-											
305	BACB30NM3K8								. . . BOLT (USED ON ITEMS 263A,266A)		1
308	NA960KD10L								. . . WASHER (USED ON ITEMS 263A,266A)		1
311	NAS43DD3-5								. . . SPACER (USED ON ITEMS 263,266)		1
314	NAS43DD3-3								. . . SPACER (USED ON ITEMS 263A,266A)		1
317	NAS43DD3-6								. . . SPACER (USED ON ITEMS 263,266)		1
320	NAS43DD3-8								. . . SPACER (USED ON ITEMS 263A,266A)		1
323	H2948-2								. . . HINGE (SPEC S412N102-2) (USED ON ITEMS 263,263A)		1
326	H2948-1								. . . HINGE (V83014) (SPEC S412N102-1) (USED ON ITEMS 266,266A)		1
329	SB113								. . . ACTUATOR (V24984) (SPEC S412N104-1)		1
332	412N1156-7								. . . CHASSIS ASSY (USED ON ITEM 263)		1
335	412N1156-17								. . . CHASSIS ASSY (USED ON ITEM 263A)		1
-338	412N1156-8								. . . CHASSIS ASSY (USED ON ITEM 266)		1
-341	412N1156-18								. . . CHASSIS ASSY (USED ON ITEM 266A)		1
343	6041-3BRX225								. . . . INSERT-DODGE- (V01556)		2
344	412N1156-3								. . . . CHASSIS (USED ON ITEM 332)		1
-347	412N1156-15								. . . . CHASSIS (USED ON ITEM 335)		1
-350	412N1156-4								. . . . CHASSIS (USED ON ITEM 338)		1

-Item not Illustrated

# 25-28-47

ILLUSTRATED PARTS LIST

Page 1098.189

Mar 01/2006



## COMPONENT MAINTENANCE MANUAL

FIG/ ITEM	PART NUMBER	AIRLINE PART NUMBER	NOMENCLATURE							USAGE CODE	UNITS PER ASSY
			1	2	3	4	5	6	7		
5-											
-353	412N1156-16								. . . . CHASSIS (USED ON ITEM 341)		1
356	NAS1833-3-400								. . . INSERT		6
359	412N1119-36								. . . FITTING (USED ON ITEMS 263,266)		1
362	412N1119-69								. . . BRACKET (USED ON ITEM 263A)		1
365	412N1119-70								. . . BRACKET (USED ON ITEM 266A)		1
368	412N1119-71								. . . FILLER (USED ON ITEM 263A)		1
371	412N1119-72								. . . FILLER (USED ON ITEM 266B)		1
374	NAS514P1032-7								. . . SCREW (USED ON ITEMS 263,266)		2
377	AN960PD10L								. . . WASHER (USED ON ITEMS 263,266)		2
380	BACN10JC3								. . . NUT (USED ON ITEMS 263,266)		3
383	BACS12ER08K14								. . BOLT		2
386	AN960PD8								. . WASHER		2
389	H10-08BAC								. . NUT (V15653) (SPEC BACN10JC08)		2
392	BACB30MY6K2								. . BOLT		2
395	H10-3BAC								. . NUT (V15653) (SPEC BACN10JC3)		2
398	412N1153-104								. . LATCH ASSY-30 INCH		1

-Item not Illustrated

# 25-28-47

ILLUSTRATED PARTS LIST

Page 1098.190

Mar 01/2006



## COMPONENT MAINTENANCE MANUAL

FIG/ ITEM	PART NUMBER	AIRLINE PART NUMBER	NOMENCLATURE							USAGE CODE	UNITS PER ASSY
			1	2	3	4	5	6	7		
5-			ATTACHING PARTS								
401	BACS12ER06K8		. . SCREW (V06710) (SPEC BACS12ER06K8) (OPT BACS12ER06K8 (V06725)) (OPT BACS12ER06K8 (V06950)) (OPT BACS12ER06K8 (V27624)) (OPT BACS12ER06K8 (V34252)) (OPT BACS12ER06K8 (V56878)) (OPT BACS12ER06K8 (V73197)) (OPT BACS12ER06K8 (V80539)) (OPT BACS12ER06K8 (V92215)) (OPT BACS12ER06K8 (V93907)) (OPT BACS12ER06K8 (V97928))								4
404	SL210-06-2		. . INSERT (V97393)								4
407	BACS12ER08K6		. . SCREW (V06710) (SPEC BACS12ER08K6) (OPT BACS12ER08K6 (V06725)) (OPT BACS12ER08K6 (V06950)) (OPT BACS12ER08K6 (V27624)) (OPT BACS12ER08K6 (V34252)) (OPT BACS12ER08K6 (V56878)) (OPT BACS12ER08K6 (V73197)) (OPT BACS12ER08K6 (V80539)) (OPT BACS12ER08K6 (V92215)) (OPT BACS12ER08K6 (V93907)) (OPT BACS12ER08K6 (V97928))								4
410	NAS514P832-5		. . SCREW								4
413	SL210-08-1		. . INSERT (V97393)								4
			----- * -----								
416	412N1113-7		. . . COVER (V01556)								1
419	412N1113-8		. . . COVER								1
422	H3-1145-1-2760		. . . LATCH ASSY (V34941) (SPEC S412N101-1030) (USED ON ITEM 735A)								1
425	BACS12FA3K5		. . SCREW (V06710)								8

-Item not Illustrated

# 25-28-47

ILLUSTRATED PARTS LIST

Page 1098.191

Mar 01/2006



## COMPONENT MAINTENANCE MANUAL

FIG/ ITEM	PART NUMBER	AIRLINE PART NUMBER	NOMENCLATURE							USAGE CODE	UNITS PER ASSY
			1	2	3	4	5	6	7		
5-											
428	412N1145-27								.. BRACKET		1
431	412N1117-1								.. FITTING		1
434	BACS12FA3K5								.. SCREW		34
437	BACS12FA3K15								.. SCREW		2
440	65C27023-41								.. SUPPORT-PASS. SVCE UNIT		1
443	412N1146-4								.. SUPPORT-PASS. BULLNOSE		1
446	412N1224-3								.. SUPPORT-PASS. BULLNOSE		1
									ATTACHING PARTS		
449	BACS12ER08K12								.. SCREW (V06710) (SPEC BACS12ER08K12) (OPT BACS12ER08K12 (V06725)) (OPT BACS12ER08K12 (V06950)) (OPT BACS12ER08K12 (V27624)) (OPT BACS12ER08K12 (V34252)) (OPT BACS12ER08K12 (V56878)) (OPT BACS12ER08K12 (V73197)) (OPT BACS12ER08K12 (V80539)) (OPT BACS12ER08K12 (V92215)) (OPT BACS12ER08K12 (V93907)) (OPT BACS12ER08K12 (V97928))		21
452	AN960PD8								.. WASHER		21
455	H10-08BAC								.. NUT (V15653) (SPEC BACN10JC08)		21
									-----*-----		
458	BACR15DR3								... RIVET (SIZE DETERMINED ON INST)		4
461	BACN10KB08								... NUTPLATE (V52828) (SPEC BACN10KB08)		2
464	412N1146-24								... SUPPORT (USED ON ITEM 443)		1
467	65C27012-51								.. BODY ASSY		1
-470	65C27012-1047								... PATTERN ASSY-INSERT		1
-473	NAS1836-3-11								.... INSERT		9
-475	65C27012-1116								... PATTERN ASSY-INSERT		1
-476	NAS1836-3-11								.... INSERT		8

-Item not Illustrated

# 25-28-47

ILLUSTRATED PARTS LIST

Page 1098.192

Mar 01/2006



## COMPONENT MAINTENANCE MANUAL

FIG/ ITEM	PART NUMBER	AIRLINE PART NUMBER	NOMENCLATURE							USAGE CODE	UNITS PER ASSY
			1	2	3	4	5	6	7		
5-											
-479	NAS1836-4-11										2
-482	65C27012-1203										1
-485	NAS1836-3-11										4
-488	SL2334-3A2										4
-491	65C27012-1328										1
-494	NAS1834-5-400										1
-497	NAS1836-3-11										8
-500	65C27012-2032										1
-503	NAS1836-3-11										4
-506	65C27012-2129										1
-509	NAS1836-3-11										4
512	65C27327-78										1
515	BACS12FA3K5										6
518	NAS1836-3-11										3
520	BACS12FA3K5										12
521	BACS12FA3K12										9
524	NAS1834-3-400										9
525	NAS1834-3-375										1
527	412N1217-101										1
530	412N1217-102										1
533	BACN10JP3A										3
536	BACR15BA3D										6
539	412N1217-5										1
542	412N1217-65										1
545	412N1217-67										1
548	BACN10JP3A										6
551	BACR15BA3D										12
554	412N1119-74										1
557	NAS1834-3-400										6
560	BACB30NM3K9										4
563	AN960JD10LL										6

-Item not Illustrated

**25-28-47**

ILLUSTRATED PARTS LIST

Page 1098.193

Mar 01/2006



## COMPONENT MAINTENANCE MANUAL

FIG/ ITEM	PART NUMBER	AIRLINE PART NUMBER	NOMENCLATURE							USAGE CODE	UNITS PER ASSY
			1	2	3	4	5	6	7		
5-											
566	BACW10P44AL								.... WASHER		4
569	MS21042L3								.... NUT		4
570	BACS12FA3K12								.... BOLT		2
572	412N1116-105								.... PANEL ASSY-END		1
575	412N1116-80								..... PANEL ASSY		1
578	NAS1836-3-11								..... INSERT		15
581	NAS1834-4-400								.... INSERT		14
584	BACS12FA3K12								.... SCREW (V06710) (SPEC BACS12FA3K12) (OPT BACS12FA3K12 (V06725)) (OPT BACS12FA3K12 (V06950)) (OPT BACS12FA3K12 (V27624)) (OPT BACS12FA3K12 (V34252)) (OPT BACS12FA3K12 (V56878)) (OPT BACS12FA3K12 (V73197)) (OPT BACS12FA3K12 (V80539)) (OPT BACS12FA3K12 (V92215)) (OPT BACS12FA3K12 (V93907)) (OPT BACS12FA3K12 (V97928))		14
587	412N1216-37								.... PANEL ASSY-DIVIDER		1
590	BACB30NN3K1								.... BOLT (V06710) (SPEC BACB30NN3K1) (OPT BACB30NN3K1 (V06725)) (OPT BACB30NN3K1 (V06950)) (OPT BACB30NN3K1 (V08524)) (OPT BACB30NN3K1 (V27624)) (OPT BACB30NN3K1 (V56878)) (OPT BACB30NN3K1 (V73197)) (OPT BACB30NN3K1 (V80539)) (OPT BACB30NN3K1 (V92215)) (OPT BACB30NN3K1 (V93907)) (OPT BACB30NN3K1 (V97928))		18
593	BACW10CT10								.... WASHER (V10630) (SPEC BACW10CT10)		18
596	AN960PD516L								.... WASHER		18
599	SL5-3-145S								.... NUT (V97393) (OPT ITEM 599A)		18

-Item not Illustrated

# 25-28-47

ILLUSTRATED PARTS LIST

Page 1098.194

Mar 01/2006



## COMPONENT MAINTENANCE MANUAL

FIG/ ITEM	PART NUMBER	AIRLINE PART NUMBER	NOMENCLATURE							USAGE CODE	UNITS PER ASSY
			1	2	3	4	5	6	7		
5-											
-599A	KD121395-145										
602	412N1217-21										
605	BACR15BA3AD										
608	BRM200A3										
611	412N1217-22										
614	412N1217-91										
617	BACR15BA3AD										
620	BRM200A3										
623	412N1217-92										
626	412N1116-79										
629	412N1116-80										
632	412N1116-72										
635	NAS1836-3-11										
638	412N1116-94										
641	412N1217-51										
644	BACR15BA3AD										
647	BRM200A3										
650	412N1217-52										

-Item not Illustrated

# 25-28-47

ILLUSTRATED PARTS LIST

Page 1098.195

Mar 01/2006



## COMPONENT MAINTENANCE MANUAL

FIG/ ITEM	PART NUMBER	AIRLINE PART NUMBER	NOMENCLATURE							USAGE CODE	UNITS PER ASSY
			1	2	3	4	5	6	7		
5- 653	65C27327-79										1

-Item not Illustrated

# 25-28-47

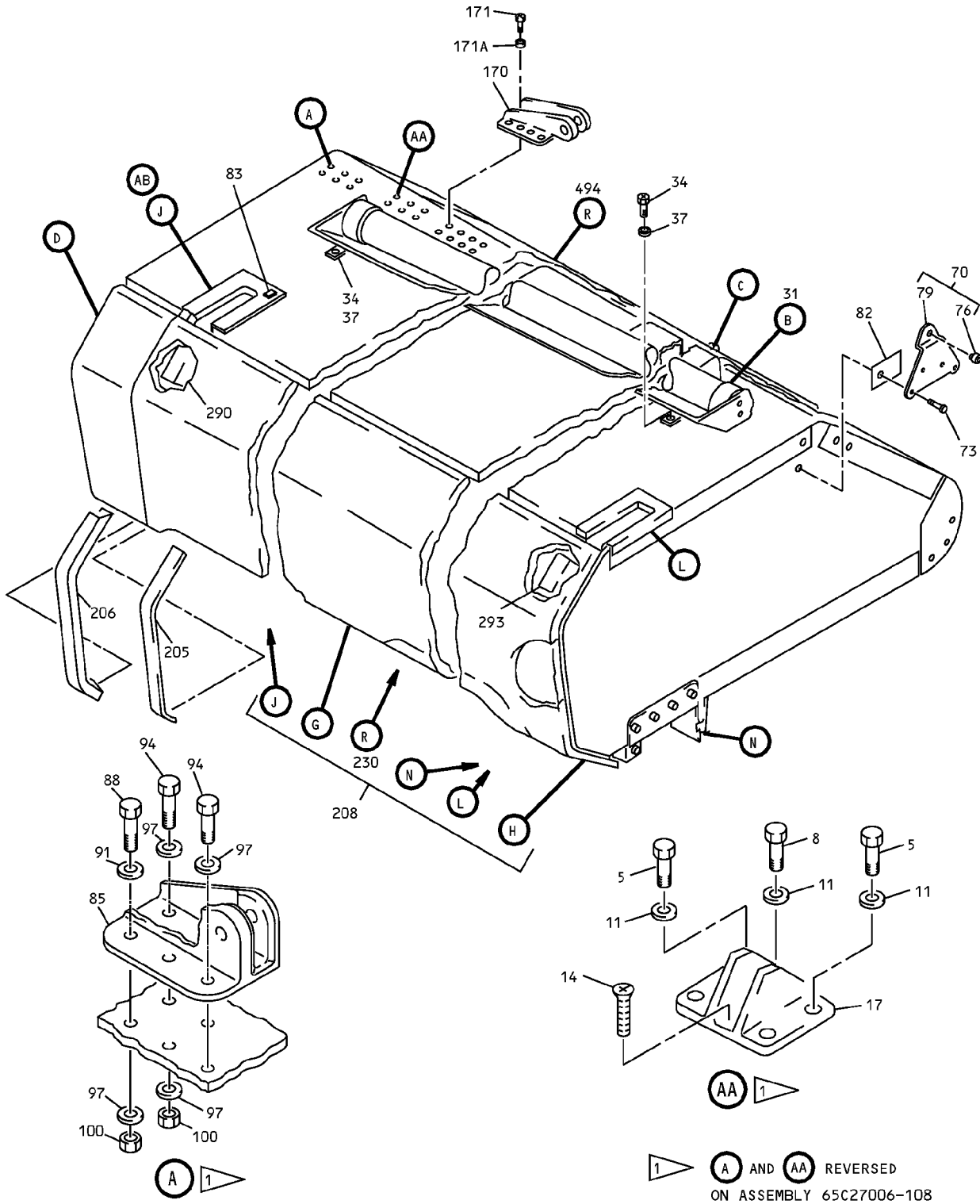
ILLUSTRATED PARTS LIST

Page 1098.196

Mar 01/2006



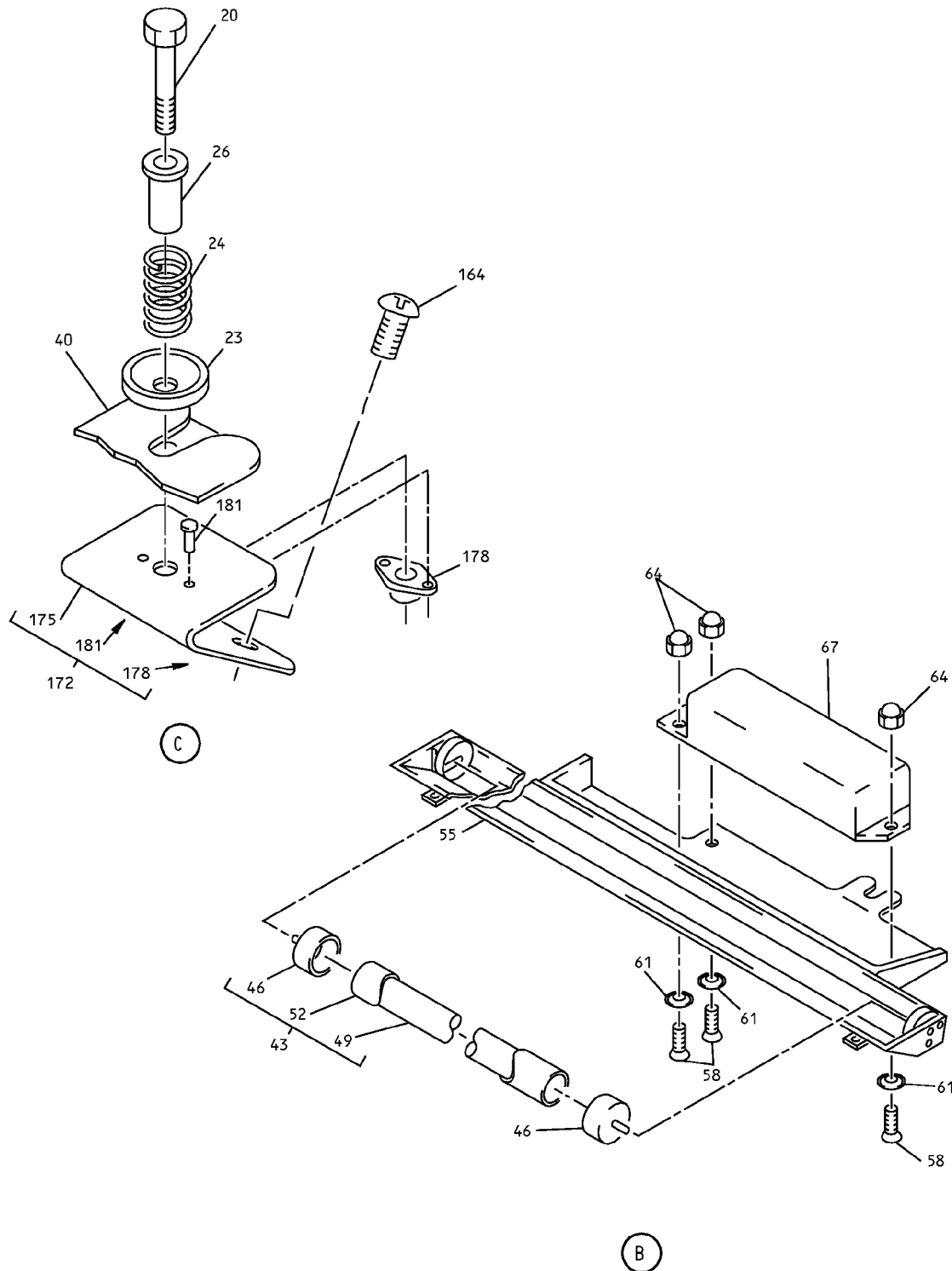
COMPONENT MAINTENANCE MANUAL



Overhead Stowage Compartment Assembly  
IPL Figure 6 (Sheet 1 of 16)

**25-28-47**  
ILLUSTRATED PARTS LIST  
Page 1098.197  
Mar 01/2006

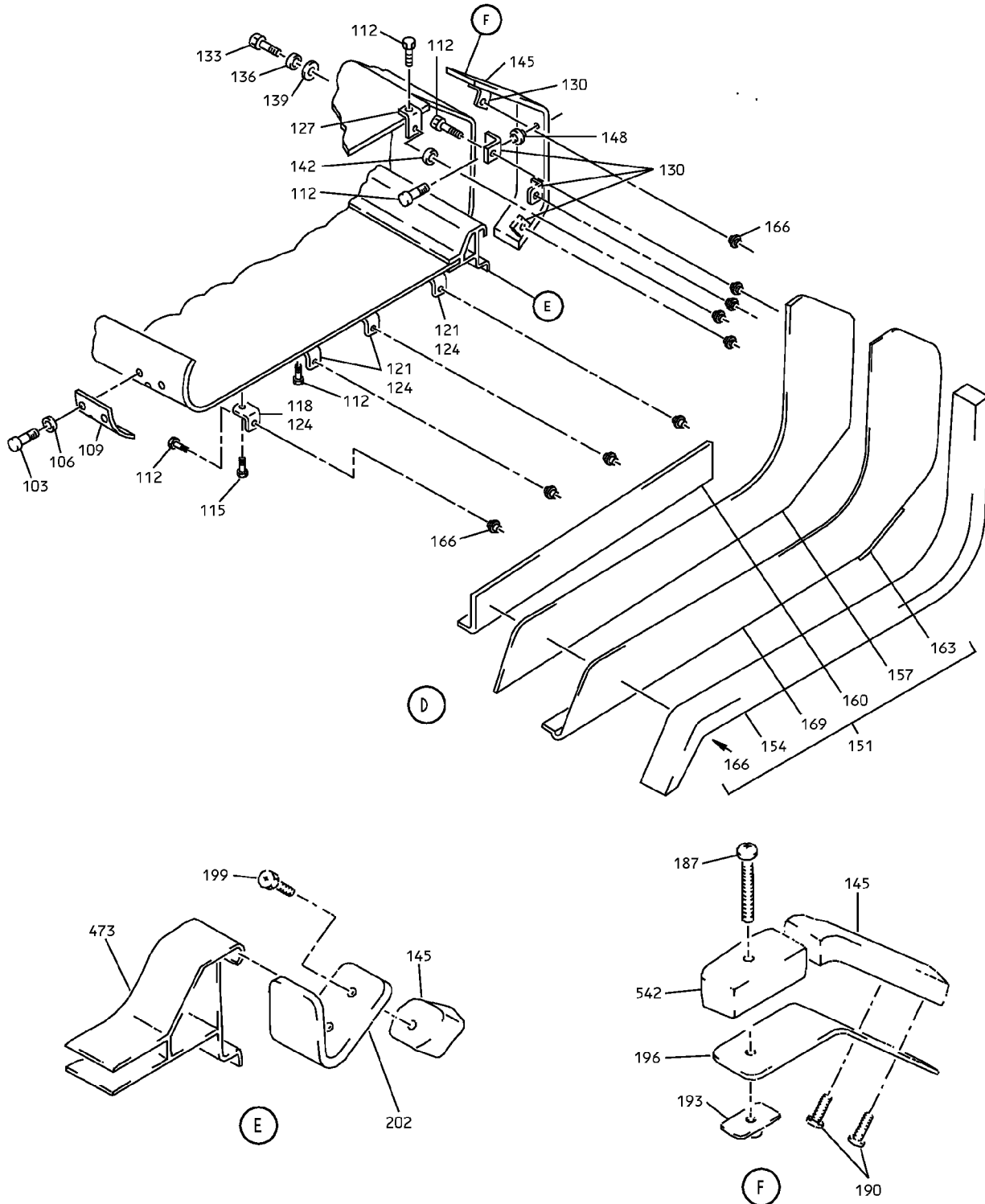
COMPONENT MAINTENANCE MANUAL



Overhead Stowage Compartment Assembly  
IPL Figure 6 (Sheet 2 of 16)

**25-28-47**  
ILLUSTRATED PARTS LIST  
Page 1098.198  
Mar 01/2006

COMPONENT MAINTENANCE MANUAL



Overhead Storage Compartment Assembly  
IPL Figure 6 (Sheet 3 of 16)

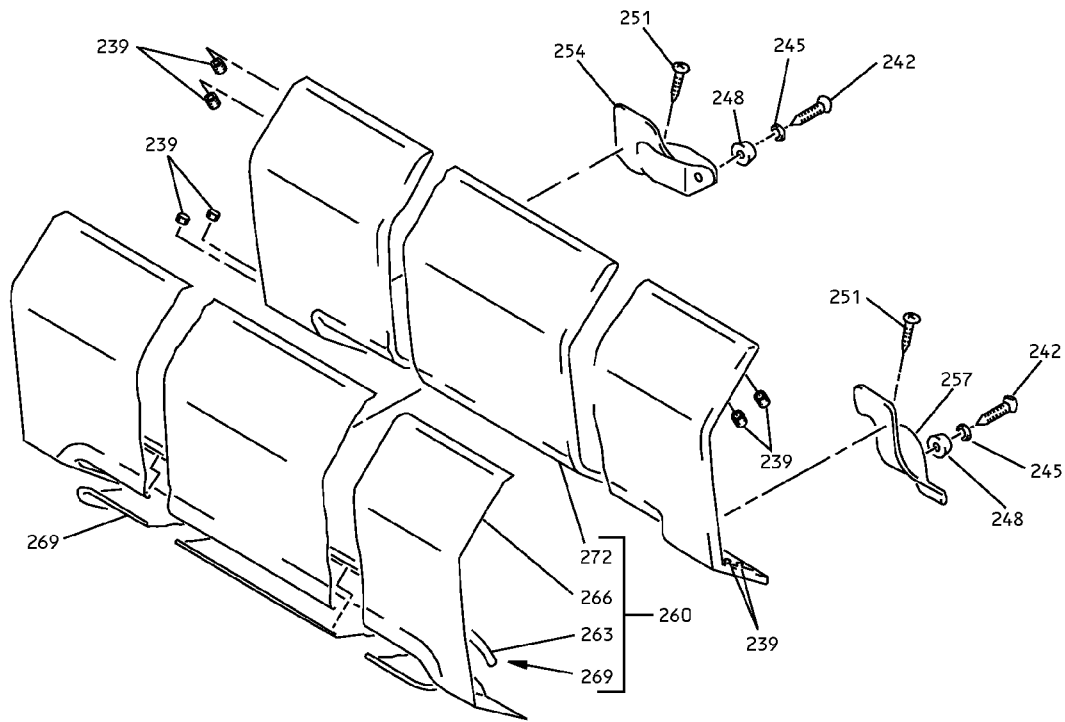
**25-28-47**

ILLUSTRATED PARTS LIST

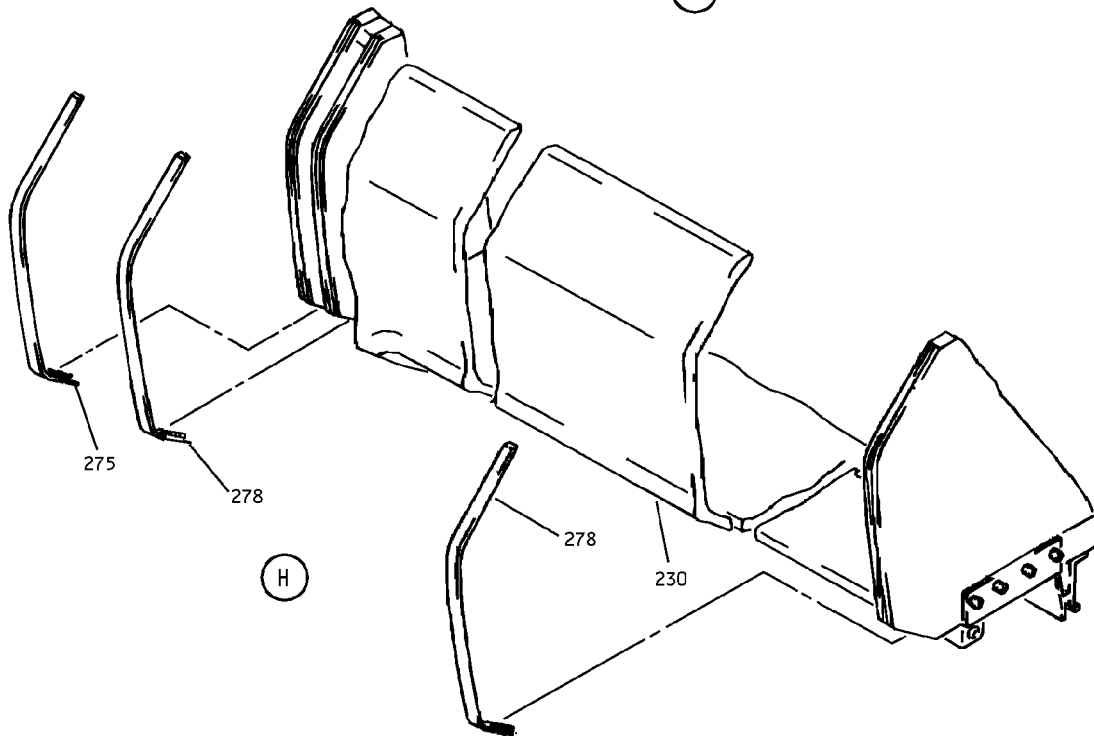
Page 1098.199

Mar 01/2006

COMPONENT MAINTENANCE MANUAL



G



H

Overhead Storage Compartment Assembly  
IPL Figure 6 (Sheet 4 of 16)

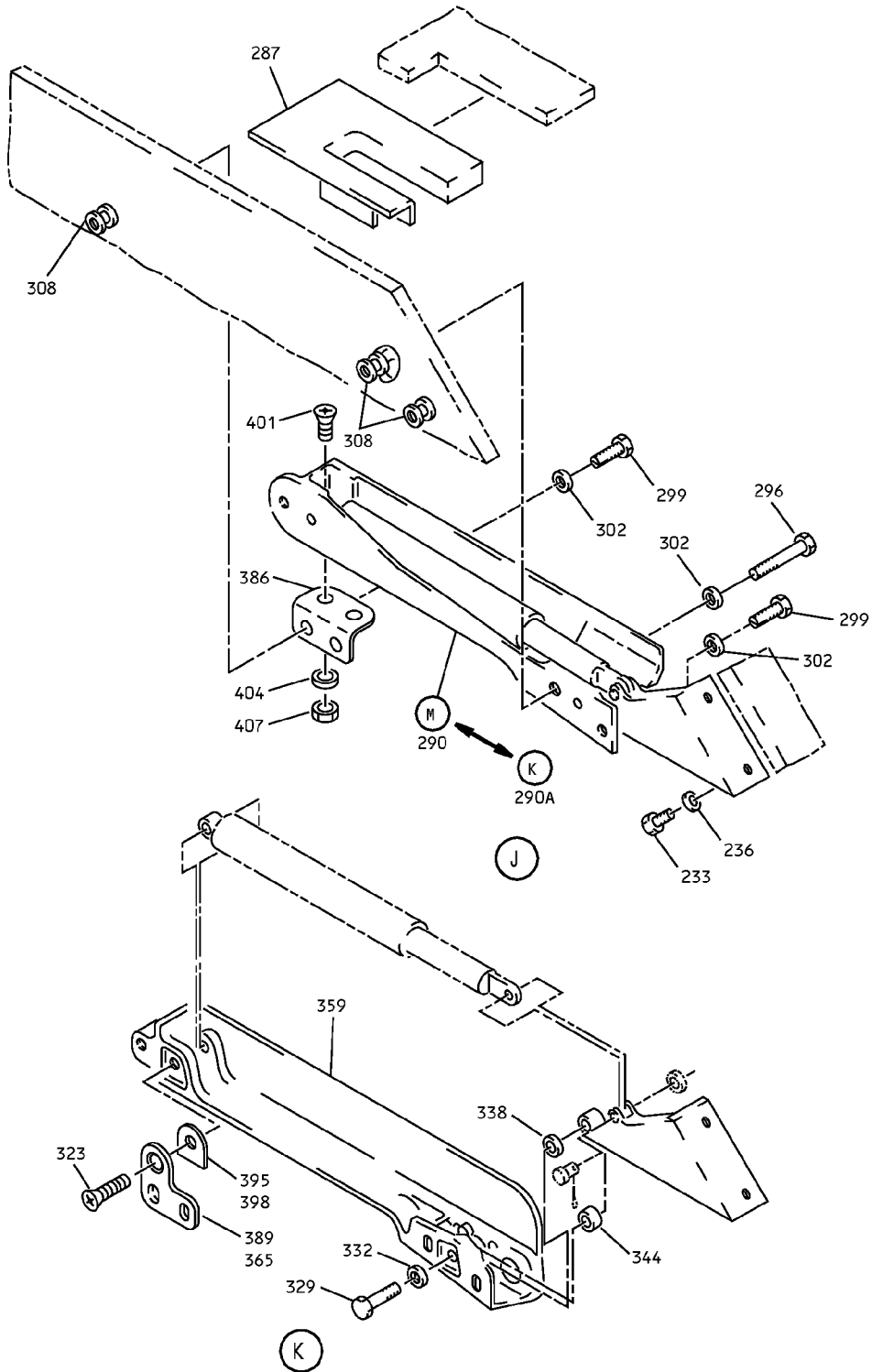
**25-28-47**

ILLUSTRATED PARTS LIST

Page 1098.200

Mar 01/2006

COMPONENT MAINTENANCE MANUAL



Overhead Storage Compartment Assembly  
IPL Figure 6 (Sheet 5 of 16)

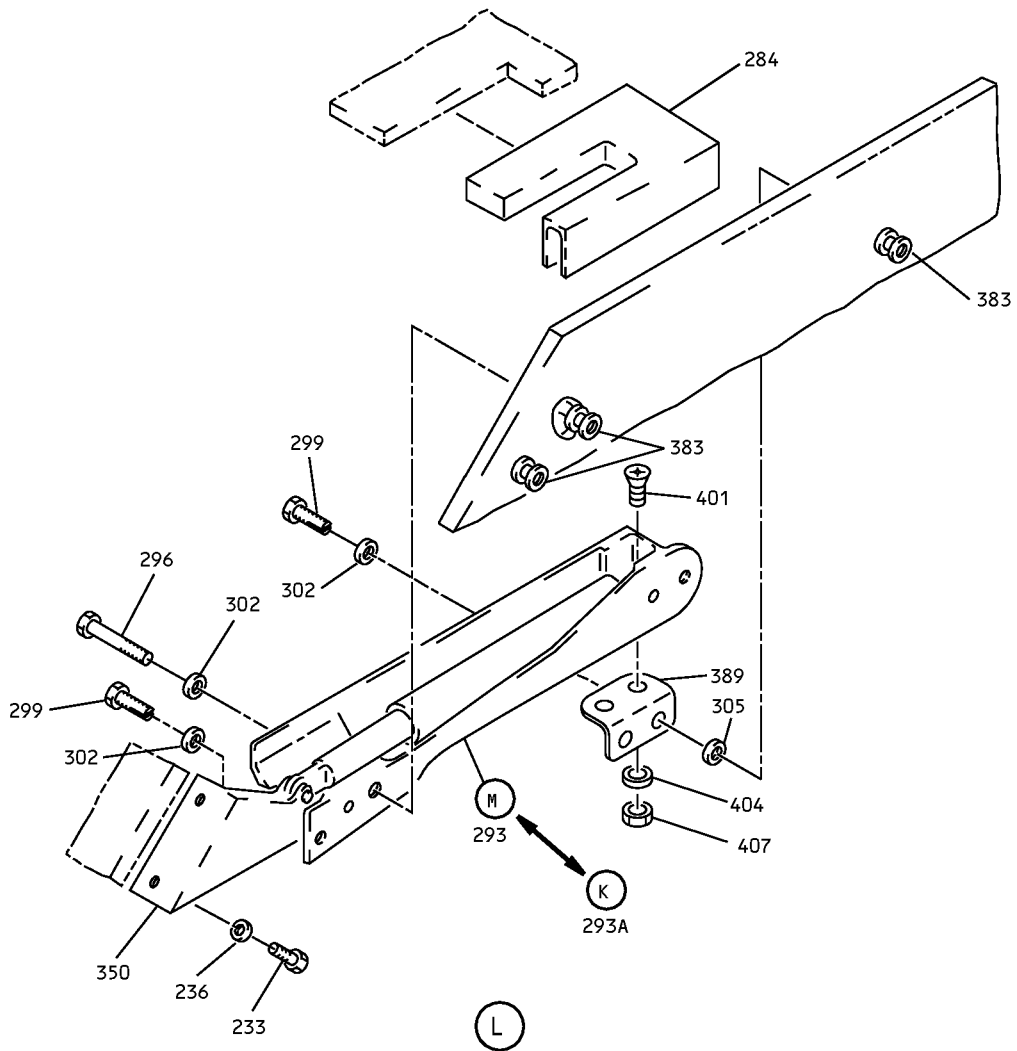
**25-28-47**

ILLUSTRATED PARTS LIST

Page 1098.201

Mar 01/2006

COMPONENT MAINTENANCE MANUAL



Overhead Stowage Compartment Assembly  
IPL Figure 6 (Sheet 6 of 16)

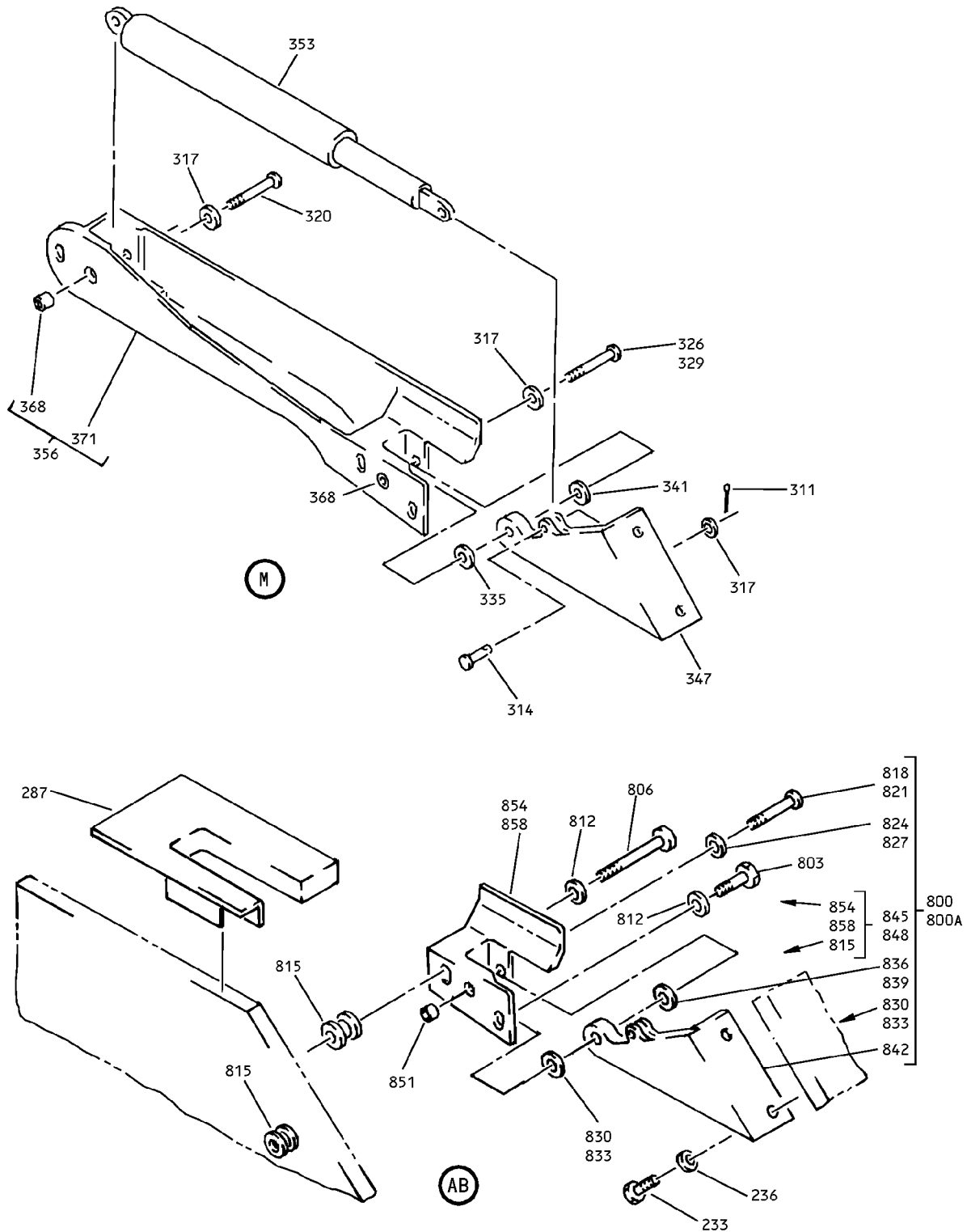
**25-28-47**

ILLUSTRATED PARTS LIST

Page 1098.202

Mar 01/2006

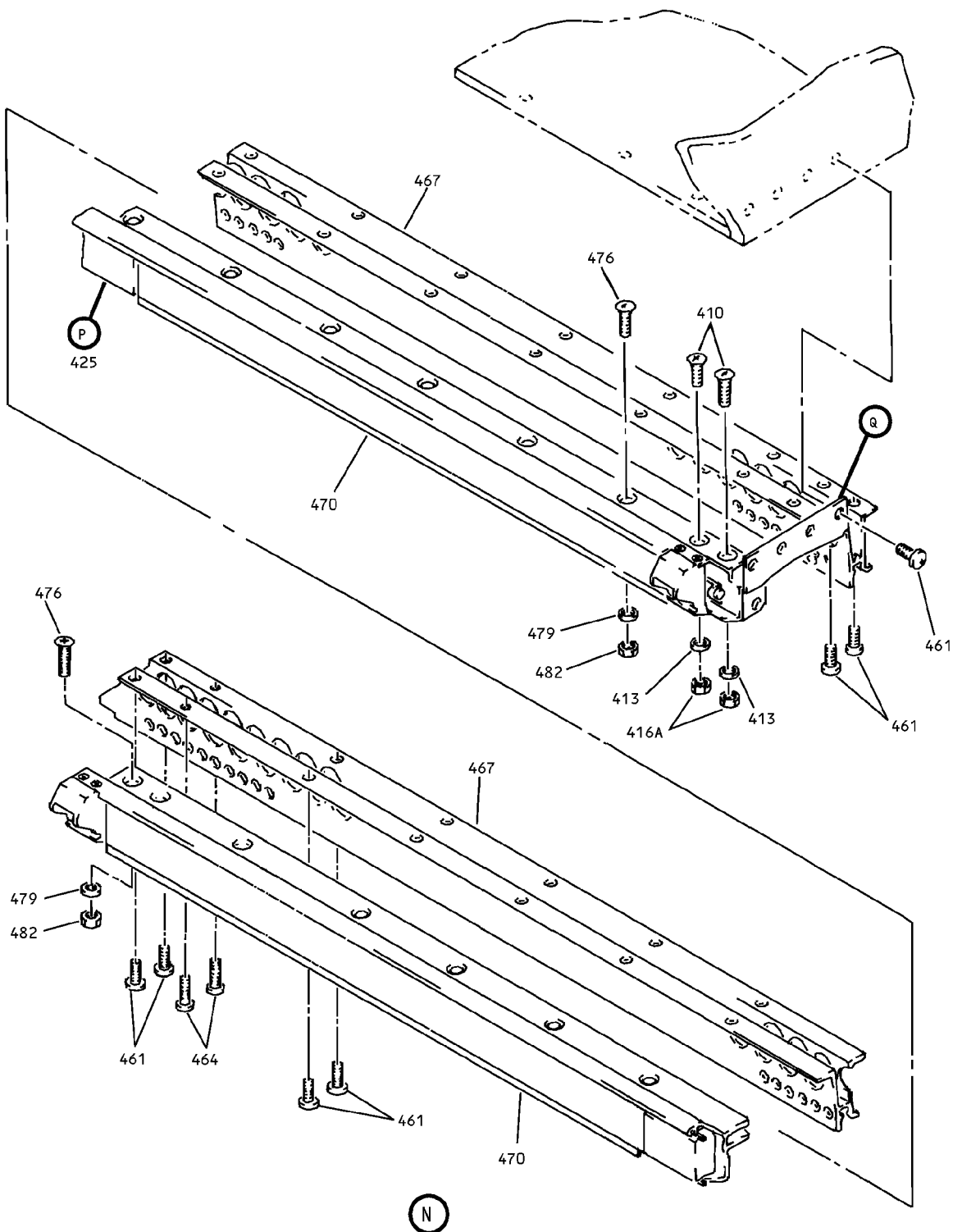
COMPONENT MAINTENANCE MANUAL



Overhead Storage Compartment Assembly  
IPL Figure 6 (Sheet 7 of 16)

**25-28-47**  
ILLUSTRATED PARTS LIST  
Page 1098.203  
Mar 01/2006

COMPONENT MAINTENANCE MANUAL

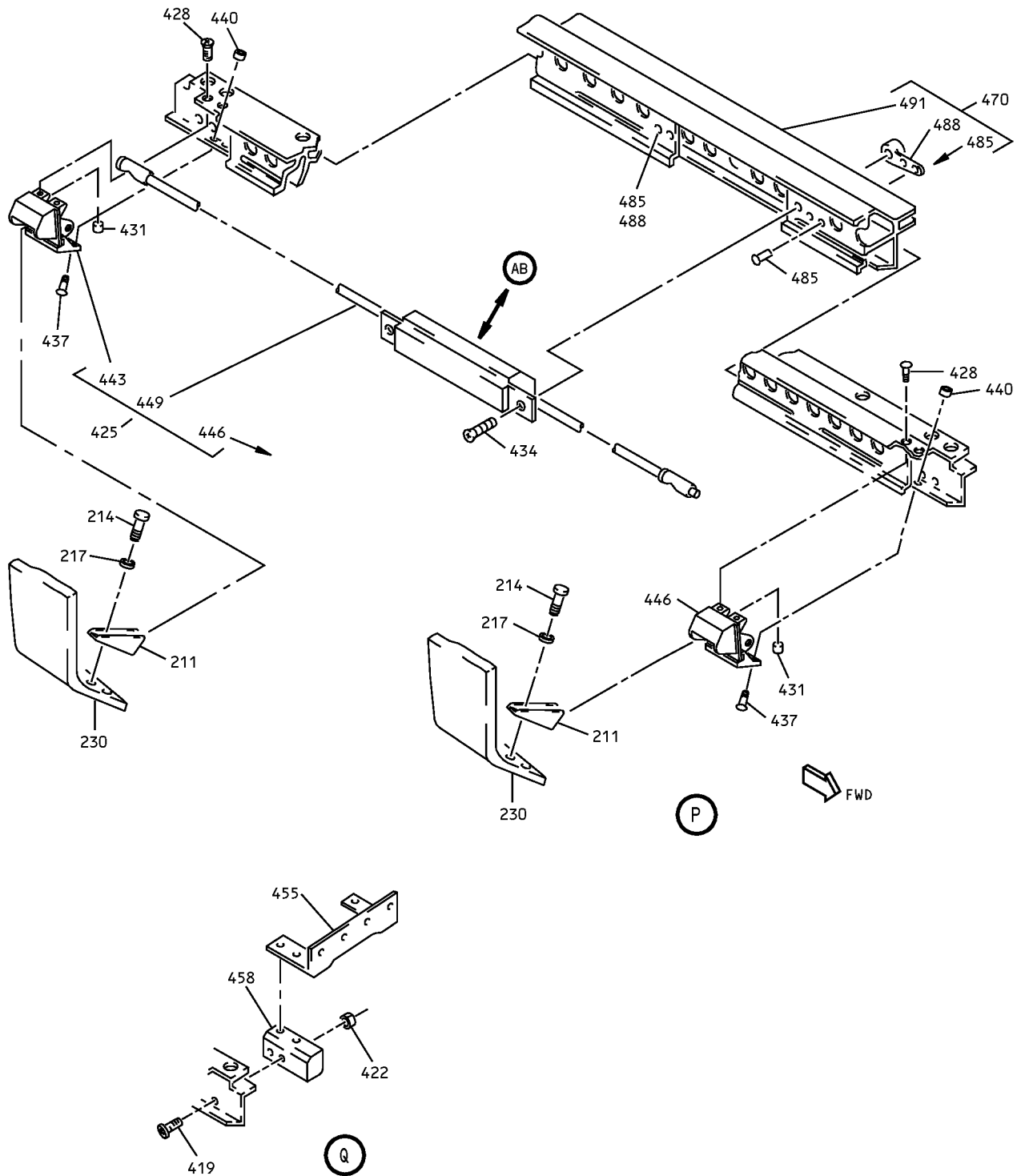


Overhead Storage Compartment Assembly  
IPL Figure 6 (Sheet 8 of 16)

**25-28-47**  
ILLUSTRATED PARTS LIST  
Page 1098.204  
Mar 01/2006



COMPONENT MAINTENANCE MANUAL



Overhead Storage Compartment Assembly  
IPL Figure 6 (Sheet 9 of 16)

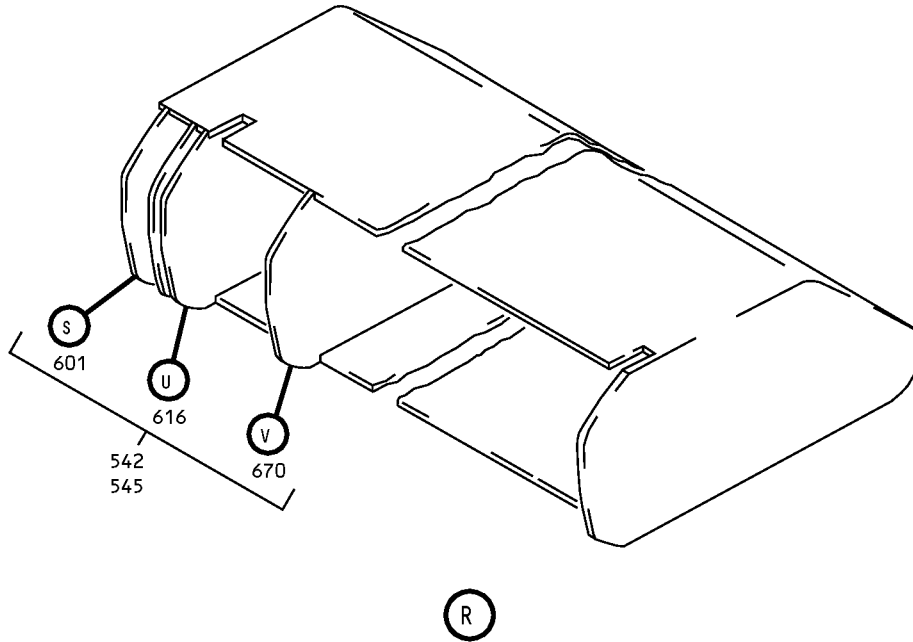
**25-28-47**

ILLUSTRATED PARTS LIST

Page 1098.205

Mar 01/2006

COMPONENT MAINTENANCE MANUAL



Overhead Stowage Compartment Assembly  
IPL Figure 6 (Sheet 10 of 16)

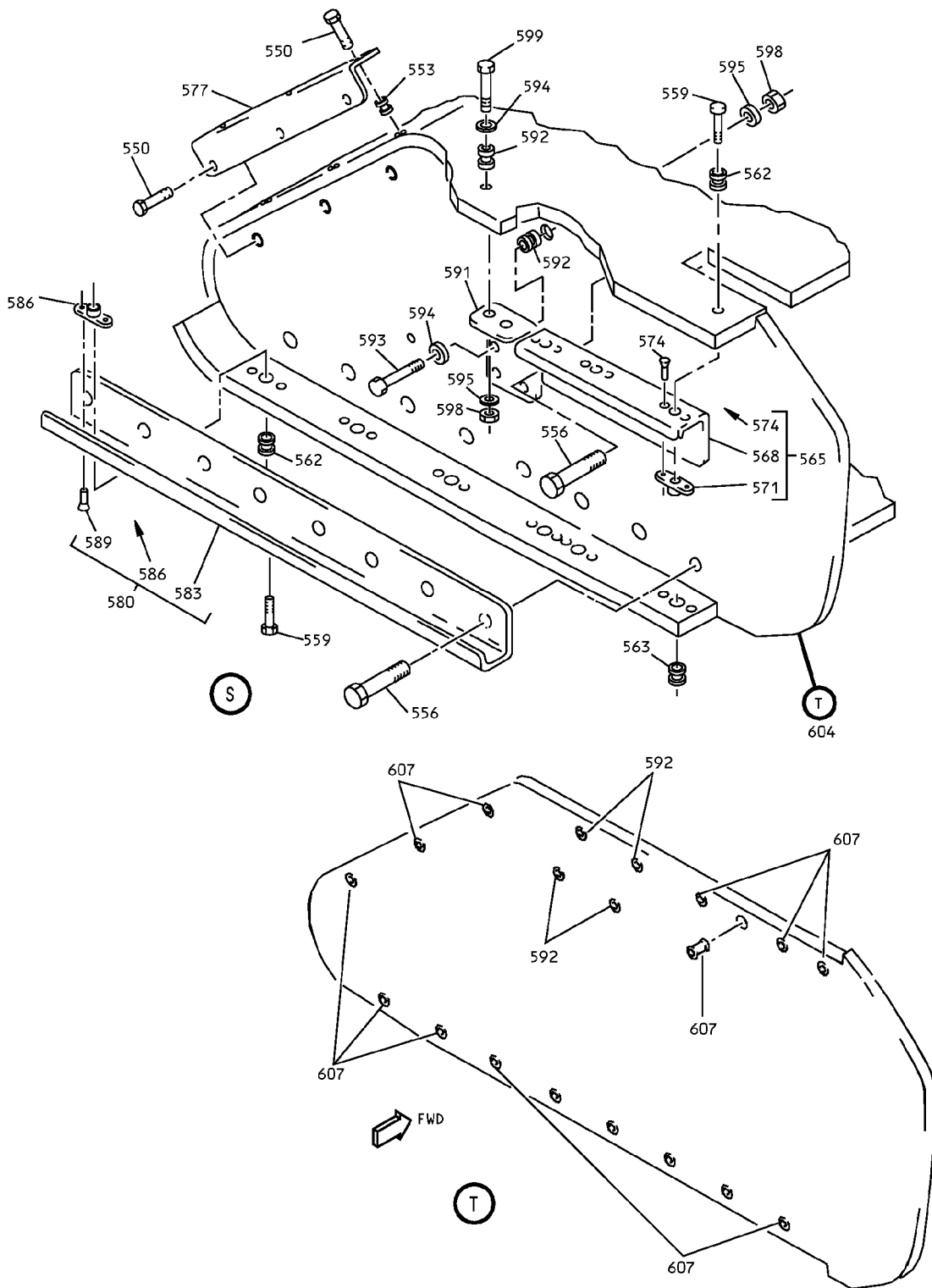
**25-28-47**

ILLUSTRATED PARTS LIST

Page 1098.206

Mar 01/2006

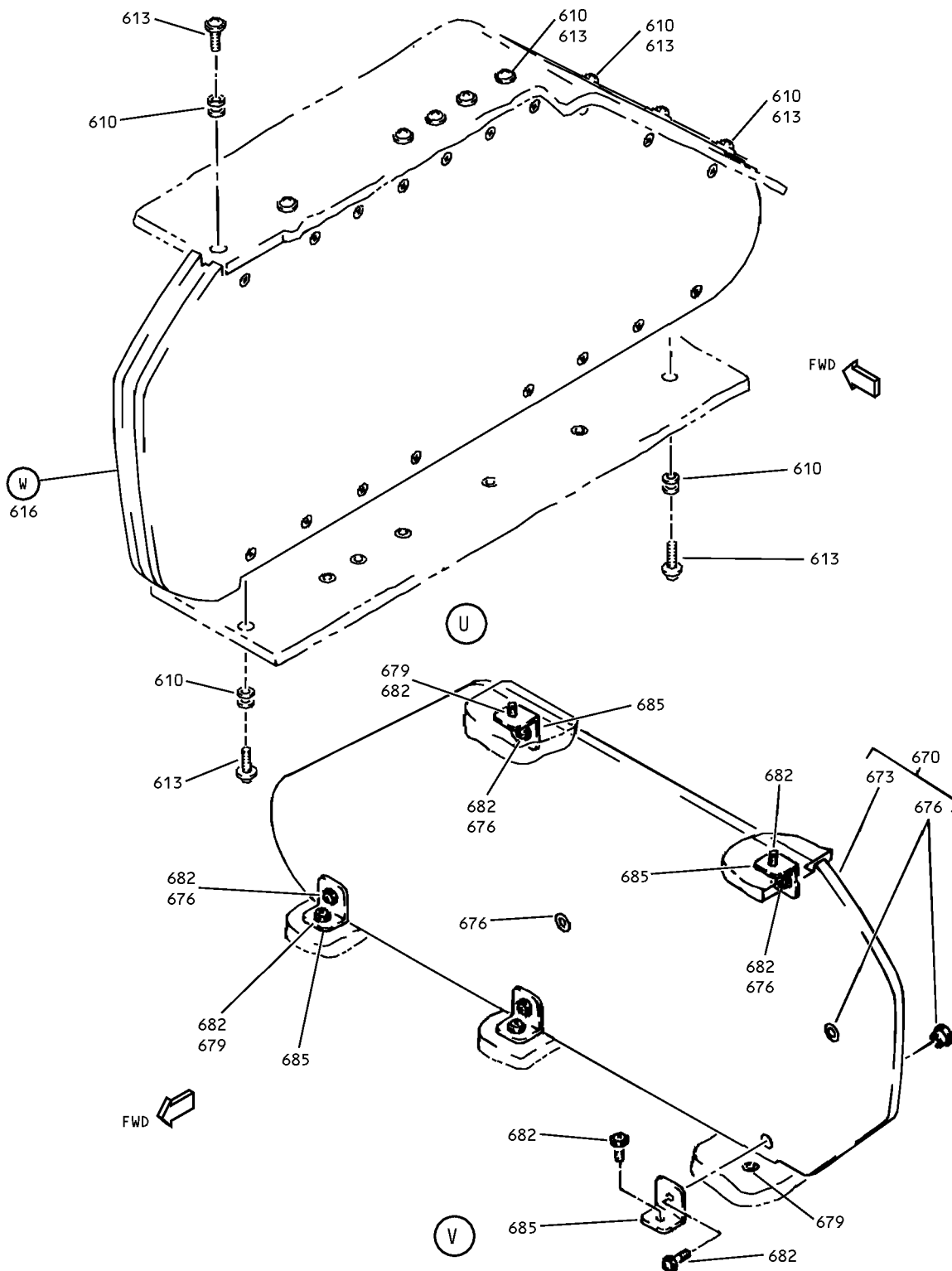
### COMPONENT MAINTENANCE MANUAL



Overhead Storage Compartment Assembly  
IPL Figure 6 (Sheet 11 of 16)

**25-28-47**  
ILLUSTRATED PARTS LIST  
Page 1098.207  
Mar 01/2006

### COMPONENT MAINTENANCE MANUAL



Overhead Storage Compartment Assembly  
IPL Figure 6 (Sheet 12 of 16)

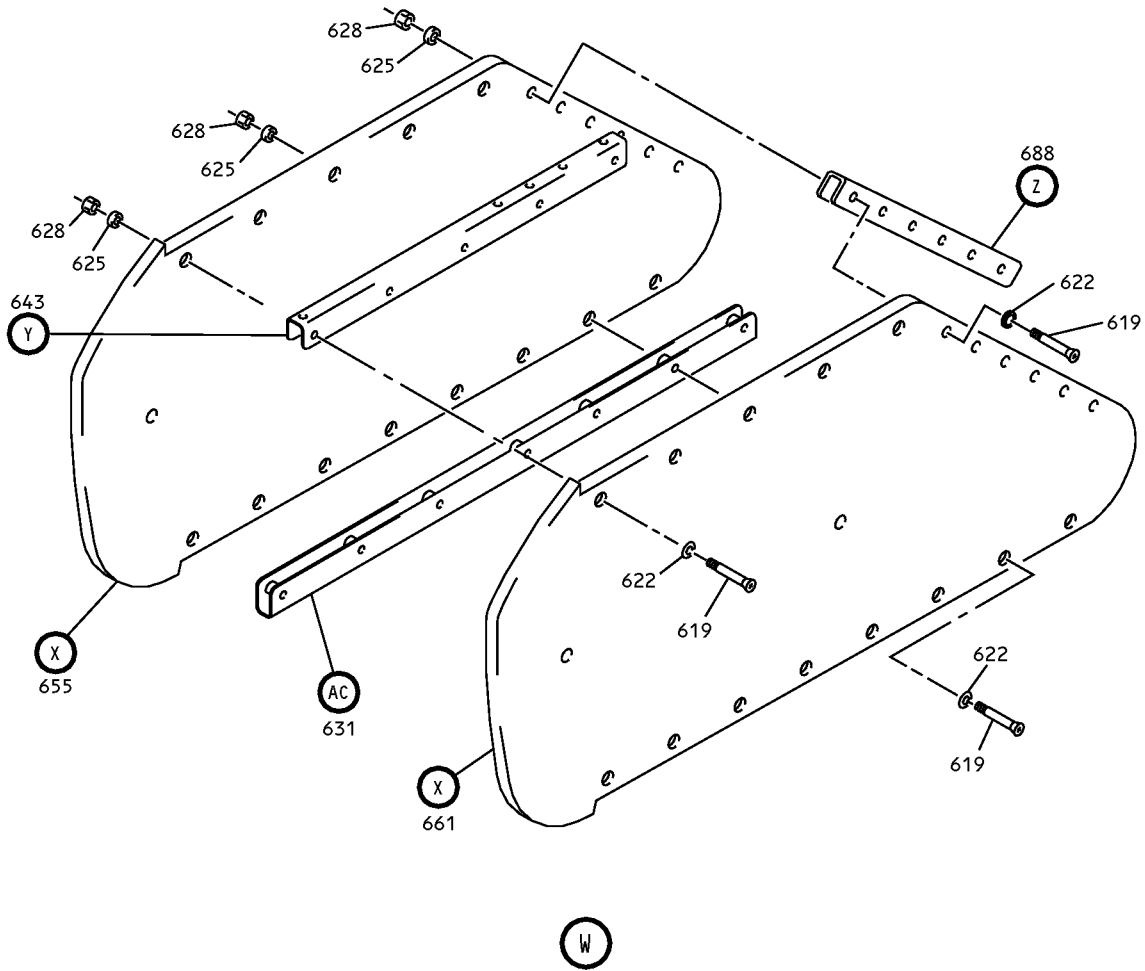
# 25-28-47

ILLUSTRATED PARTS LIST

Page 1098.208

Mar 01/2006

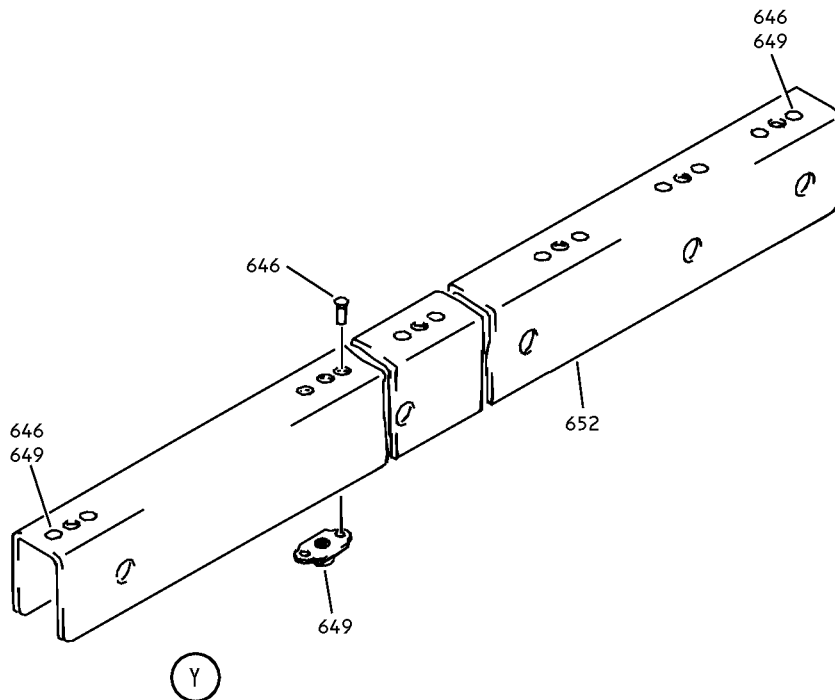
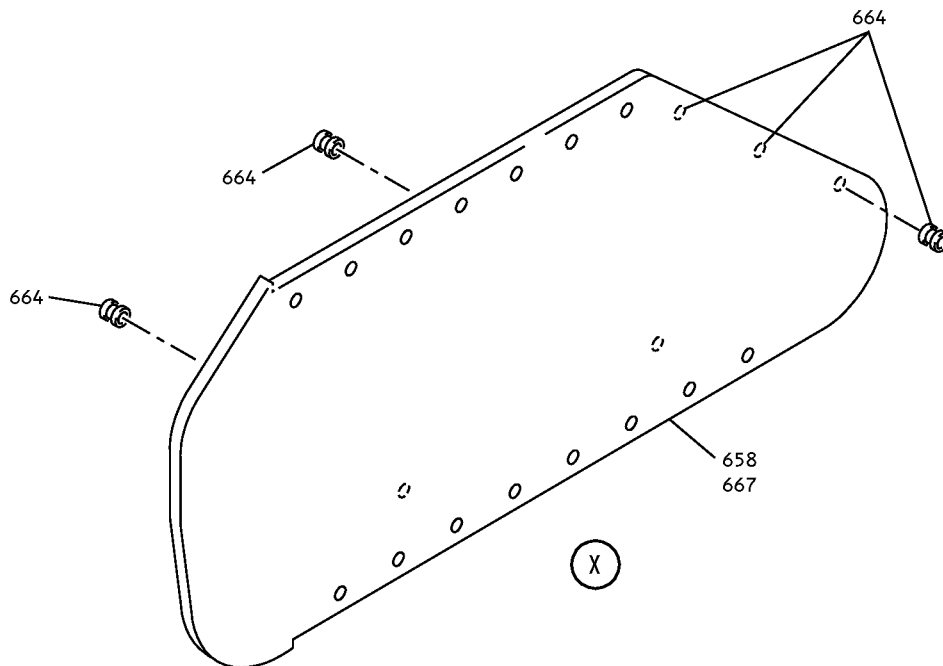
COMPONENT MAINTENANCE MANUAL



Overhead Stowage Compartment Assembly  
IPL Figure 6 (Sheet 13 of 16)

**25-28-47**  
ILLUSTRATED PARTS LIST  
Page 1098.209  
Mar 01/2006

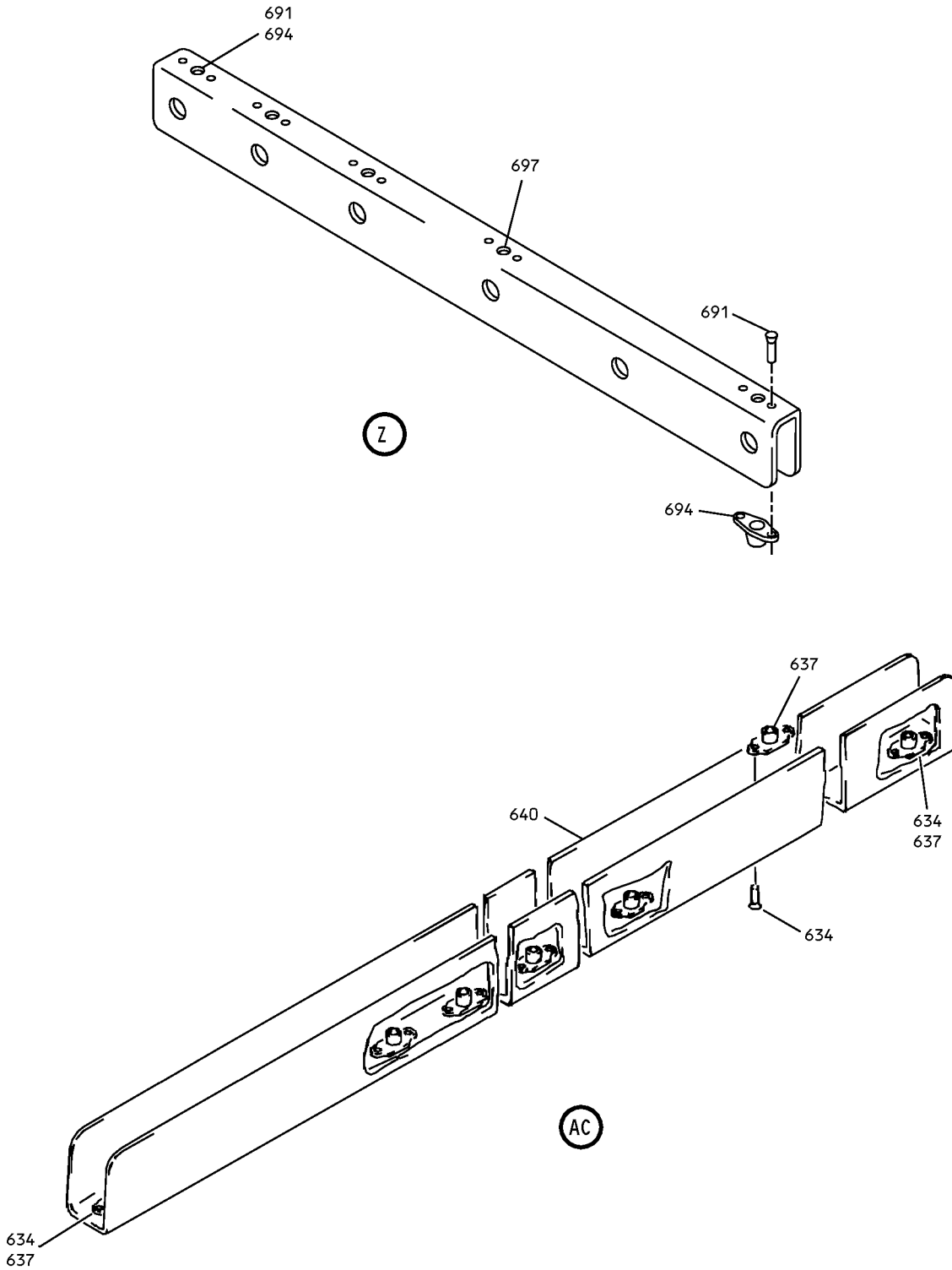
COMPONENT MAINTENANCE MANUAL



Overhead Stowage Compartment Assembly  
IPL Figure 6 (Sheet 14 of 16)

**25-28-47**  
ILLUSTRATED PARTS LIST  
Page 1098.210  
Mar 01/2006

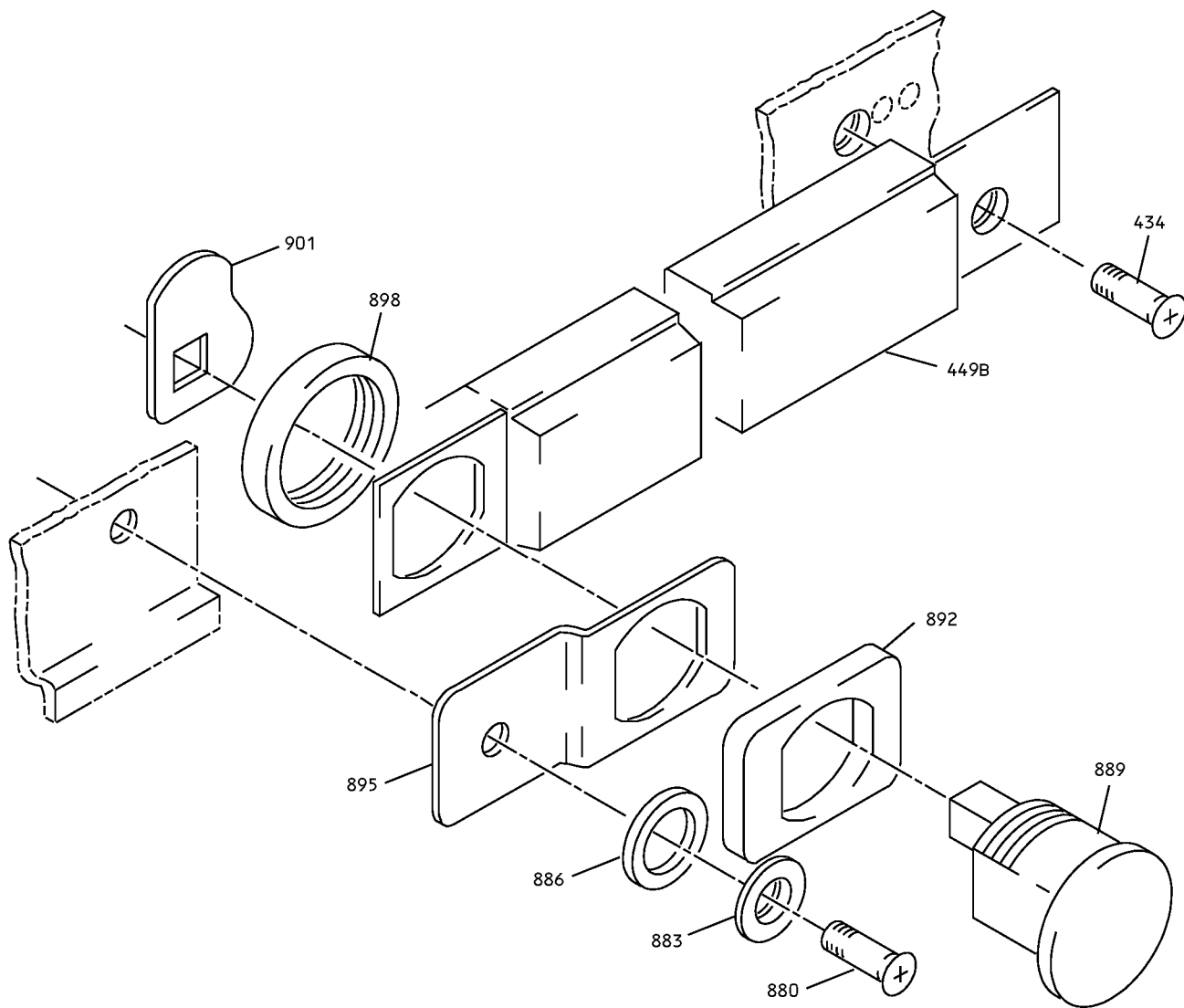
COMPONENT MAINTENANCE MANUAL



Overhead Storage Compartment Assembly  
IPL Figure 6 (Sheet 15 of 16)

**25-28-47**  
ILLUSTRATED PARTS LIST  
Page 1098.211  
Mar 01/2006

# COMPONENT MAINTENANCE MANUAL



AD

Overhead Storage Compartment Assembly  
IPL Figure 6 (Sheet 16 of 16)

**25-28-47**  
ILLUSTRATED PARTS LIST  
Page 1098.212  
Mar 01/2006





## COMPONENT MAINTENANCE MANUAL

FIG/ ITEM	PART NUMBER	AIRLINE PART NUMBER	NOMENCLATURE							USAGE CODE	UNITS PER ASSY	
			1	2	3	4	5	6	7			
6-												
1	65C27006-50SP										A	RF
-1A	65C27006-78SP										B	RF
-1B	65C27006-108SP										C	RF
-1C	65C27006-114SP										D	RF
-1D	65C27006-122SP										E	RF
5	BACB30NM3K1											4
8	BACB30NM3K9											1
11	AN960JD10											5
14	BACB30NN3K9											1
17	412N1119-58											1
20	NAS1801-3-11									A-D		1
23	411N3142-28									A-D		1
26	BACS18C8-6									A-D		1

-Item not Illustrated

# 25-28-47

ILLUSTRATED PARTS LIST

Page 1098.213

Mar 01/2006



## COMPONENT MAINTENANCE MANUAL

FIG/ ITEM	PART NUMBER	AIRLINE PART NUMBER	NOMENCLATURE							USAGE CODE	UNITS PER ASSY
			1	2	3	4	5	6	7		
6-											
29	MS24585-1230		.	SPRING						A-D	1
31	417N5120-51SP		.	LIGHT ASSY						A, B, D	1
-31A	417N5120-47SP		.	LIGHT ASSY						C	1
-31B	417N5120-51SP		.	LIGHT ASSY						E	1
34	NAS1801-3-5		.	SCREW						B-E	2
-34A	BACS12W10-5		.	SCREW						A	2
37	AN960JD10LL		.	WASHER							2
40	65C28117-3		.	PAD						A-D	1
43	417N5120-11		..	LAMP ASSY						A, B, D, E	1
-43A	417N5120-12		..	LAMP ASSY						C	1
46	2055150		...	CAP-END- (V04169)						A, B, D, E	2
46A	2055132		...	CAP-END						C	2
49	F20T12WW		...	LAMP-FLUOR.- (V08805)						A, B, D, E	1
49A	F15T8WW		...	LAMP-FLUOR.						C	1
52	LP1625-24		...	TUBE-COVER- (V60116) (OPT ITEM 66A)							1
-52A	NI152LGWUV1000		...	TUBE-COVER- (V06034) (OPT ITEM 66)							1
-52B	LP1610-18		...	TUBE-COVER- (USED ON ITEM 43A)							1
-52C	N1060LGWUV1000		...	TUBE-COVER- (OPT ITEM 52B)							1
55	800000255-36		..	HOUSING (V05617) (SPEC S417N507-36) (USED ON ITEM 31)							1
-55A	800000255-37		..	HOUSING (V05617) (SPEC S417N507-37) (USED ON ITEM 31A)							1

-Item not Illustrated

# 25-28-47

ILLUSTRATED PARTS LIST

Page 1098.214

Mar 01/2006



COMPONENT MAINTENANCE MANUAL

FIG/ ITEM	PART NUMBER	AIRLINE PART NUMBER	NOMENCLATURE							USAGE CODE	UNITS PER ASSY
			1	2	3	4	5	6	7		
6- -55B	800000255-38		. . HOUSING (V05617) (SPEC S417N507-38) (USED ON ITEM 31B)								1
58	BACS12ER3K6		. . SCREW (V06710) (SPEC BACS12ER3K6) (OPT BACS12ER3K6 (V06725)) (OPT BACS12ER3K6 (V06950)) (OPT BACS12ER3K6 (V27624)) (OPT BACS12ER3K6 (V34252)) (OPT BACS12ER3K6 (V56878)) (OPT BACS12ER3K6 (V73197)) (OPT BACS12ER3K6 (V80539)) (OPT BACS12ER3K6 (V92215)) (OPT BACS12ER3K6 (V93907)) (OPT BACS12ER3K6 (V97928))							A-D	3
61	BACW10UD10		. . WASHER							A-D	3
64	F22K1-02		. . NUT (V72962) (SPEC BACN10R10L) (OPT 22K1-02 (V72962)) (OPT 26CL02 (V80539))							A-D	3
67	05939-5		. . BALLAST (V17023) (SPEC S283N702-5)							A-D	1
70	412N1119-37		. FITTING ASSY								1
73	BACS12ER3K6		ATTACHING PARTS . SCREW (V06710) (SPEC BACS12ER3K6) (OPT BACS12ER3K6 (V06725)) (OPT BACS12ER3K6 (V06950)) (OPT BACS12ER3K6 (V27624)) (OPT BACS12ER3K6 (V34252)) (OPT BACS12ER3K6 (V56878)) (OPT BACS12ER3K6 (V73197)) (OPT BACS12ER3K6 (V80539)) (OPT BACS12ER3K6 (V92215)) (OPT BACS12ER3K6 (V93907)) (OPT BACS12ER3K6 (V97928))								4
76	BACB28B6-220P		----- * ----- . . BUSHING								1

-Item not Illustrated

**25-28-47**

ILLUSTRATED PARTS LIST

Page 1098.215

Mar 01/2006



## COMPONENT MAINTENANCE MANUAL

FIG/ ITEM	PART NUMBER	AIRLINE PART NUMBER	NOMENCLATURE							USAGE CODE	UNITS PER ASSY
			1	2	3	4	5	6	7		
6-											
79	412N1119-39		.	.	FITTING						1
82	65C27017-16		.		SHIM						1
83	65C27006-131		.		SHIM						1
85	412N1119-63		.		FITTING				A, B, D		1
-85A	412N1119-76		.		FITTING				C		1
			ATTACHING PARTS								
88	BACB30NM3K1		.		BOLT				A, B, D		3
					(V06710)						
					(SPEC BACB30NM3K1)						
					(OPT BACB30NM3K1 (V06725))						
					(OPT BACB30NM3K1 (V06950))						
					(OPT BACB30NM3K1 (V08524))						
					(OPT BACB30NM3K1 (V27624))						
					(OPT BACB30NM3K1 (V56878))						
					(OPT BACB30NM3K1 (V73197))						
					(OPT BACB30NM3K1 (V80539))						
					(OPT BACB30NM3K1 (V92215))						
					(OPT BACB30NM3K1 (V93907))						
					(OPT BACB30NM3K1 (V97928))						
-88A	BACB30NM3K1		.		BOLT				C		6
91	AN960JD10		.		WASHER				A, B, D		3
94	BACB30NM3K11		.		BOLT				A, B, D		2
97	AN960JD10		.		WASHER				A, B, D		4
97A	AN960JD10		.		WASHER				C		6
100	MS21042L3		.		NUT				A, B, D		2
			-----*-----								
103	BACB30NM3K1		.		BOLT						4
					(V06710)						
					(SPEC BACB30NM3K1)						
					(OPT BACB30NM3K1 (V06725))						
					(OPT BACB30NM3K1 (V06950))						
					(OPT BACB30NM3K1 (V08524))						
					(OPT BACB30NM3K1 (V27624))						
					(OPT BACB30NM3K1 (V56878))						
					(OPT BACB30NM3K1 (V73197))						
					(OPT BACB30NM3K1 (V80539))						
					(OPT BACB30NM3K1 (V92215))						
					(OPT BACB30NM3K1 (V93907))						
					(OPT BACB30NM3K1 (V97928))						
106	AN960JD10		.		WASHER						4

-Item not Illustrated

# 25-28-47

ILLUSTRATED PARTS LIST

Page 1098.216

Mar 01/2006



## COMPONENT MAINTENANCE MANUAL

FIG/ ITEM	PART NUMBER	AIRLINE PART NUMBER	NOMENCLATURE							USAGE CODE	UNITS PER ASSY
			1	2	3	4	5	6	7		
6-											
109	412N1119-12		.								2
112	BACS12FA3K5		.								16
115	BACS12FA3K12		.								1
118	412N1145-75		.						B		1
121	412N1145-29		.						B		3
124	412N1145-29		.						A, C-E		4
127	412N1145-30		.								1
130	65C27017-13		.								4
130A	65C27017-43		.								4
133	BACB30PF4-3		.								1
136	AN960C416L		.								1
139	NAS1515F4H		.								1
142	NAS1515M4L		.								1
145	65C27026-41SP		.						A, B, D		1
-145A	65C27026-64SP		.						C		1
-145B	65C27026-68SP		.						E		1
148	NAS1836-3-11		.	.							8
151	65C27027-3SP		.	.							1
154	65C27027-17		.	.							1
157	65C27027-11		.	.							1
160	65C27027-14		.	.							1
163	65C27027-13		.	.							1
166	SL2334-3A2		.	.							9
169	65C27027-7		.	.							1
170	412N1161-1		.						E		1
171	BACB30NM3K1		.						E		8
171A	AN960JD10		.						E		8
172	65C27481-30		.								1
175	65C27481-31		.	.							1

-Item not Illustrated

**25-28-47**

ILLUSTRATED PARTS LIST

Page 1098.217

Mar 01/2006



## COMPONENT MAINTENANCE MANUAL

FIG/ ITEM	PART NUMBER	AIRLINE PART NUMBER	NOMENCLATURE							USAGE CODE	UNITS PER ASSY
			1	2	3	4	5	6	7		
6-											
178	BACN10JR3FR										1
181	BACR15BA3A										1
184	BACS12FA3K4										2
187	BACS12FA3K12										2
190	BACS12FA3K5										4
193	13020										2
196	412N1145-89									A, B, D, E	1
199	BACS12FA3K5									A, B, D, E	4
202	412N1145-92										1
205	412N1130-5SP										1
206	65C27006-12										1
208	65C27009-50SP									A	1
-208A	65C27009-78SP									B	1
-208B	65C27009-108SP									C	1
-208C	65C27009-114SP									D	1
-208D	65C27009-122SP									E	1
211	H3-1152-1										4
214	BACS12FA3K4										8
217	MS35333-39										8
230	412N1140-41										1
-230A	412N1140-48SP									C	1
-230B	412N1140-44SP									D, E	1
233	NAS1801-3-4										8

-Item not Illustrated

**25-28-47**

ILLUSTRATED PARTS LIST

Page 1098.218

Mar 01/2006



## COMPONENT MAINTENANCE MANUAL

FIG/ ITEM	PART NUMBER	AIRLINE PART NUMBER	NOMENCLATURE							USAGE CODE	UNITS PER ASSY
			1	2	3	4	5	6	7		
6-											
236	MS35333-39								. . WASHER		8
									----- * -----		
239	SL628-3A								. . . INSERT (V97393)		8
242	BACS12H4-8								. . . SCREW	A, B, D, E	2
245	NAS620ABL								. . . WASHER	A, B, D, E	2
248	412N1245-1								. . . BUMPER	A, B, D, E	2
251	MS51862-4								. . . SCREW	A, B, D, E	2
254	412N1143-13								. . . COVER	A, B, D, E	1
257	412N1143-14								. . . COVER	A, B, D, E	1
-257A	412N1143-11								. . . COVER	C	2
-258	412N1140-17								. . . FILLER	C	2
260	412N1140-58								. . . PANEL ASSY-DOOR	A, B	1
-260A	412N1140-61								. . . PANEL ASSY	D, E	1
-260B	412N1140-62								. . . PANEL ASSY	C	1
263	412N1140-13								. . . . STRIP RETAINER	A, B, D, E	1
266	412N1141-1SP								. . . . FACE PLATE	A, B	1
-266A	412N1141-55SP								. . . . FACE PLATE	C	1
-266B	412N1141-4SP								. . . . FACE PLATE	D, E	1
269	412N1141-7								. . . . MARKER	A, B	1
-269A	412N1141-10SP								. . . . MARKER	D, E	1
-270	412N1244-2								. . . . DOUBLER	C	2
272	412N1142-15								. . . . PANEL ASSY	A, B	1
-272A	412N1244-20								. . . . PANEL ASSY	C	1
-272B	412N1244-18								. . . . PANEL ASSY	D, E	1
275	412N1118-1SP								. . RETAINER TRIM		1
278	412N1118-2SP								. . RETAINER TRIM		2

-Item not Illustrated

**25-28-47**

ILLUSTRATED PARTS LIST

Page 1098.219

Mar 01/2006



## COMPONENT MAINTENANCE MANUAL

FIG/ ITEM	PART NUMBER	AIRLINE PART NUMBER	NOMENCLATURE							USAGE CODE	UNITS PER ASSY			
			1	2	3	4	5	6	7					
6-														
281	65C27009-6											. . EDGE COVER		1
284	412N1154-1											. . REINFORCEMENT-CORNER	A-D	1
-284A	412N1154-5											. . REINFORCEMENT-CORNER	E	1
287	412N1154-4											. . REINFORCEMENT-CORNER	A-D	1
-287A	412N1154-8											. . REINFORCEMENT-CORNER	E	1
290	412N1155-5											. . HINGE ASSY (LIMITED USAGE) (OPT ITEM 290A)	A, B, D	2
290A	412N1155-11											. . HINGE ASSY (LIMITED USAGE) (OPT ITEM 290)	A, B, D	2
-290B	412N1155-17											. . HINGE ASSY	E	1
293	412N1155-6											. . HINGE ASSY (LIMITED USAGE) (OPT ITEM 293A)	A-D	1
293A	412N1155-12											. . HINGE ASSY (LIMITED USAGE) (OPT ITEM 293)	A-D	1
-293B	412N1155-18											. . HINGE ASSY	E	1
296	BACB30LK3-18											. . BOLT (USED WITH ITEMS 290, 293)		1
-296A	NAS1801-3-10											. . BOLT (USED WITH ITEMS 290A, 290B,293A,293B)		1
299	412N1227-1											. . BOLT (OPT ITEM 299A)		2
-299A	A1C1321-3-8											. . BOLT (OPT ITEM 299)		2
302	BACW10P136AL											. . WASHER		3
305	AN960JD10											. . WASHER		1
308	NAS1833-3-400											. . INSERT		3
311	MS24665-132											. . . PIN-COTTER		1
314	MS20392-2C13											. . . PIN-DRILLED SHANK		1
317	AN960JD10L											. . . WASHER		3
320	NAS6703PU15											. . . BOLT (USED ON ITEMS 290,293)		1

-Item not Illustrated

# 25-28-47

ILLUSTRATED PARTS LIST

Page 1098.220

Mar 01/2006





## COMPONENT MAINTENANCE MANUAL

FIG/ ITEM	PART NUMBER	AIRLINE PART NUMBER	NOMENCLATURE							USAGE CODE	UNITS PER ASSY
			1	2	3	4	5	6	7		
6-											
323	BACB30LU3-14								. . . BOLT (USED ON ITEMS 290A,290B,293A,293B)		1
326	NAS6703PU11								. . . BOLT (USED ON ITEMS 290,293)		1
329	BACB30NM3K8								. . . BOLT (USED ON ITEMS 290A,290B,293A,293B)		1
332	NA960JD10L								. . . WASHER (USED ON ITEMS 290A,293A)		1
335	NAS43DD3-5								. . . SPACER (USED ON ITEMS 290,293)		1
338	NAS43DD3-3								. . . SPACER (USED ON ITEMS 290A,290B,293A,293B)		1
341	NAS43DD3-6								. . . SPACER (USED ON ITEMS 290,293)		1
344	NAS43DD3-8								. . . SPACER (USED ON ITEMS 290A,290B,293A,293B)		1
347	H2948-2								. . . HINGE (SPEC S412N102-2) (USED ON ITEMS 290,290A)		1
-347A	S412N102-17								. . . HINGE (USED ON ITEM 290B)		1
350	H2948-1								. . . HINGE (V83014) (SPEC S412N102-1) (USED ON ITEMS 293,293A)		1
-350A	S412N102-18								. . . HINGE (USED ON ITEM 293B)		1
353	SB113								. . . ACTUATOR (V24984) (SPEC S412N104-1)		1
356	412N1156-7								. . . CHASSIS ASSY (USED ON ITEM 290)		1
359	412N1156-17								. . . CHASSIS ASSY (USED ON ITEM 290A)		1
-362	412N1156-8								. . . CHASSIS ASSY (USED ON ITEM 293)		1

-Item not Illustrated

# 25-28-47

ILLUSTRATED PARTS LIST

Page 1098.221

Mar 01/2006





## COMPONENT MAINTENANCE MANUAL

FIG/ ITEM	PART NUMBER	AIRLINE PART NUMBER	NOMENCLATURE							USAGE CODE	UNITS PER ASSY
			1	2	3	4	5	6	7		
6-											
404	AN960PD10L								. . . WASHER (USED ON ITEMS 290,293)		2
407	BACN10JC3								. . . NUT (USED ON ITEMS 290,293)		3
410	BACS12ER08K14								. . BOLT		2
413	AN960JD8								. . WASHER		2
416	H10-08BAC								DELETED		
416A	MS21042L08								. . NUT		2
419	BACB30MY6K2								. . BOLT		1
422	H10-3BAC								. . NUT (V15653) (SPEC BACN10JC3)		1
425	412N1153-104								. . LATCH ASSY-30 INCH	A, B	1
-425A	412N1153-153								. . LATCH ASSY-30 INCH	C	1
-425B	412N1153-24								. . LATCH ASSY-30 INCH	D	1
-425C	412N1153-159								. . LATCH ASSY-30 INCH	E	1
									ATTACHING PARTS		
428	BACS12ER06K8								. . SCREW (V06710) (SPEC BACS12ER06K8) (OPT BACS12ER06K8 (V06725)) (OPT BACS12ER06K8 (V06950)) (OPT BACS12ER06K8 (V27624)) (OPT BACS12ER06K8 (V34252)) (OPT BACS12ER06K8 (V56878)) (OPT BACS12ER06K8 (V73197)) (OPT BACS12ER06K8 (V80539)) (OPT BACS12ER06K8 (V92215)) (OPT BACS12ER06K8 (V93907)) (OPT BACS12ER06K8 (V97928))		8
431	SL210-06-2								. . INSERT (V97393)		4

-Item not Illustrated

# 25-28-47

ILLUSTRATED PARTS LIST

Page 1098.223

Mar 01/2006



## COMPONENT MAINTENANCE MANUAL

FIG/ ITEM	PART NUMBER	AIRLINE PART NUMBER	NOMENCLATURE							USAGE CODE	UNITS PER ASSY	
			1	2	3	4	5	6	7			
6- 434	BACS12ER08K6		. .	SCREW (V06710) (SPEC BACS12ER08K6) (OPT BACS12ER08K6 (V06725)) (OPT BACS12ER08K6 (V06950)) (OPT BACS12ER08K6 (V27624)) (OPT BACS12ER08K6 (V34252)) (OPT BACS12ER08K6 (V56878)) (OPT BACS12ER08K6 (V73197)) (OPT BACS12ER08K6 (V80539)) (OPT BACS12ER08K6 (V92215)) (OPT BACS12ER08K6 (V93907)) (OPT BACS12ER08K6 (V97928))								4
437	NAS514P832-5		. .	SCREW							4	
440	SL210-08-1		. .	INSERT (V97393)							4	
			-----*									
443	412N1113-7		. . .	COVER (V01556)					A-D		1	
443A	412N1113-11		. . .	COVER (V01556)					E		1	
446	412N1113-8		. . .	COVER					A-D		1	
446A	412N1113-12		. . .	COVER					E		1	
449	H3-1145-1-2760		. . .	LATCH ASSY (V34941) (SPEC S412N101-1030) (USED ON ITEM 425)					A, B, E		1	
-449A	H3-1145-3-2060		. . .	LATCH ASSY (V34941) (SPEC S412N101-3023) (USED ON ITEM 425A)							1	
-449B	S412N101-1130		. . .	LATCH ASSY (USED ON ITEM 425B)							1	
455	412N1145-28		. .	BRACKET							1	
458	412N1117-2		. .	FITTING							1	
461	BACS12FA3K5		. .	SCREW							34	
464	BACS12FA3K15		. .	SCREW							2	
467	65C27023-26		. .	SUPPORT-PASS. SVCE UNIT					A, B, D, E		1	

-Item not Illustrated

**25-28-47**

ILLUSTRATED PARTS LIST

Page 1098.224

Mar 01/2006





## COMPONENT MAINTENANCE MANUAL

FIG/ ITEM	PART NUMBER	AIRLINE PART NUMBER	NOMENCLATURE							USAGE CODE	UNITS PER ASSY
			1	2	3	4	5	6	7		
6-											
-501	65C27012-1053									C	1
-501A	NAS1836-3-11										10
-502	65C27012-1061									E	1
-502A	NAS1836-3-11										12
-503	65C27012-1113										1
-506	NAS1836-3-11										8
-509	NAS1836-4-11										2
-512	65C27012-1204										1
-515	NAS1836-3-11										4
-518	SL2334-3A2										4
											(V97393)
-521	65C27012-1320									A, B, D	1
-524	NAS1834-5-400										1
-527	NAS1836-3-11										8
-528	65C27012-1338									C	1
-528A	NAS1836-3-11										10
-529	65C27012-1341									E	1
-529A	NAS1836-5-400										1
-529B	NAS1836-3-11										13
-530	65C27012-2019									A, B, D	1
-533	NAS1836-3-11										4
-534	65C27012-2042									C	1
-534A	NAS1836-3-11										2
-535	65C27012-2045									E	1
-535A	NAS1836-3-11										2
-536	65C27012-2112									A, B, D	1
-539	NAS1836-3-11										4
-540	65C27012-2139									C	1
-540A	NAS1836-3-11										4
-541	65C27012-2142									E	1
-541A	NAS1836-3-11										2
-541B	65C27012-3202									C	1

-Item not Illustrated

# 25-28-47

ILLUSTRATED PARTS LIST

Page 1098.226

Mar 01/2006



## COMPONENT MAINTENANCE MANUAL

FIG/ ITEM	PART NUMBER	AIRLINE PART NUMBER	NOMENCLATURE							USAGE CODE	UNITS PER ASSY
			1	2	3	4	5	6	7		
6-											
-541C	NAS1833-3-400										2
542	65C27327-39									A	1
-545	65C27327-76									B	
-545A	65C27327-111									C	1
-545B	65C27327-121									D	1
-545C	65C27327-133									E	1
550	BACS12FA3K5										6
553	NAS1836-3-11										3
556	BACB30NN3K6										16
559	BACS12FA3K12										12
562	NAS1834-3-400										12
563	NAS1834-3-475										1
565	412N1217-93									A, B, D	1
568	412N1217-94										1
571	BACN10JP3A										3
574	BACR15BA3D										6
577	412N1217-5									A, B, D	1
580	412N1217-66									A, B, D	1
583	412N1217-68										1
586	BACN10JP3A										6
589	BACR15BA3D										12
591	412N1119-64									A, B, D	1
592	NAS1834-3-400										4
593	BACB30NM3K9										4
594	AN960JD10L										4
595	BACW10P44AL										4
598	MS21042L3										4
599	BACS12FA3K12										2
601	412N1116-97									A, B, D	1
604	412N1116-80										1
607	NAS1836-3-11										15

-Item not Illustrated

# 25-28-47

ILLUSTRATED PARTS LIST

Page 1098.227

Mar 01/2006



## COMPONENT MAINTENANCE MANUAL

FIG/ ITEM	PART NUMBER	AIRLINE PART NUMBER	NOMENCLATURE							USAGE CODE	UNITS PER ASSY	
			1	2	3	4	5	6	7			
6-												
610	NAS1834-4-400								....	INSERT		14
613	BACS12FA3K12								....	SCREW (V06710) (SPEC BACS12FA3K12) (OPT BACS12FA3K12 (V06725)) (OPT BACS12FA3K12 (V06950)) (OPT BACS12FA3K12 (V27624)) (OPT BACS12FA3K12 (V34252)) (OPT BACS12FA3K12 (V56878)) (OPT BACS12FA3K12 (V73197)) (OPT BACS12FA3K12 (V80539)) (OPT BACS12FA3K12 (V92215)) (OPT BACS12FA3K12 (V93907)) (OPT BACS12FA3K12 (V97928))		14
616	412N1216-38								....	PANEL ASSY-DIVIDER		1
-616A	412N1216-43								....	PANEL ASSY-DIVIDER	E	1
619	BACB30NN3K1								....	BOLT (V06710) (SPEC BACB30NN3K1) (OPT BACB30NN3K1 (V06725)) (OPT BACB30NN3K1 (V06950)) (OPT BACB30NN3K1 (V08524)) (OPT BACB30NN3K1 (V27624)) (OPT BACB30NN3K1 (V56878)) (OPT BACB30NN3K1 (V73197)) (OPT BACB30NN3K1 (V80539)) (OPT BACB30NN3K1 (V92215)) (OPT BACB30NN3K1 (V93907)) (OPT BACB30NN3K1 (V97928))		18
622	BACW10CT10								....	WASHER (V10630) (SPEC BACW10CT10)		18
625	AN960PD516L								....	WASHER		18
628	SL5-3-145S								....	NUT (V97393) (OPT ITEM 599A)		16
-628A	KD121395-145								....	NUT (V29372) (OPT ITEM 599)		16
631	412N1217-21								.....	BRACKET ASSY	A-D	1
634	BACR15BA3AD								.....	RIVET (SIZE DETERMINED ON INST)		12

-Item not Illustrated

# 25-28-47

ILLUSTRATED PARTS LIST

Page 1098.228

Mar 01/2006





## COMPONENT MAINTENANCE MANUAL

FIG/ ITEM	PART NUMBER	AIRLINE PART NUMBER	NOMENCLATURE							USAGE CODE	UNITS PER ASSY
			1	2	3	4	5	6	7		
6-											
637	BRM200A3										6
640	412N1217-22										1
643	412N1217-91								A-D		1
646	BACR15BA3AD										10
649	BRM200A3										5
652	412N1217-92								A-D		1
655	412N1116-79										1
658	412N1116-80								A-D		1
661	412N1116-71										1
661A	412N1116-124								E		1
664	NAS1836-3-11										5
667	412N1116-93										1
667A	412N1116-130										1
670	412N1116-77								B, D		1
671	412N1116-96								C		1
673	412N1116-78								B, C		1
676	NAS1836-3-11								B, C		7
679	NAS1833-3-400								B		5
682	BACS12FA3K6								B		10
685	412N1145-33								B-D		5

-Item not Illustrated

# 25-28-47

ILLUSTRATED PARTS LIST

Page 1098.229

Mar 01/2006



## COMPONENT MAINTENANCE MANUAL

FIG/ ITEM	PART NUMBER	AIRLINE PART NUMBER	NOMENCLATURE							USAGE CODE	UNITS PER ASSY
			1	2	3	4	5	6	7		
6-											
688	412N1217-51									A-D	1
691	BACR15BA3AD										6
694	BRM200A3										3
697	412N1217-52										1
700	65C27327-40									A	1
700A	65C27327-77									B	1
800	412N1155-3									C	1
800A	412N1155-9									C	1
803	412N1227-1									C	1
803A	AIC1321-3-8									C	1
806	BACB30LK3-18									C	1
-809	NAS1801-3-10									C	1
812	BACW10P136AL									C	2
815	NAS1833-3-400									C	2
818	NAS6703PU11										1
821	BACS30NM3K8										1
824	AN960PD10L										1
827	AN960KD10L										1

-Item not Illustrated

**25-28-47**

ILLUSTRATED PARTS LIST

Page 1098.230

Mar 01/2006



## COMPONENT MAINTENANCE MANUAL

FIG/ ITEM	PART NUMBER	AIRLINE PART NUMBER	NOMENCLATURE							USAGE CODE	UNITS PER ASSY
			1	2	3	4	5	6	7		
6-											
830	NAS43DD3-5		. . .								1
833	NAS43DD3-8		. . .								1
836	NAS43DD3-6		. . .								1
839	NAS43DD3-3		. . .								1
842	H2948-2		. . .								1
845	412N1156-5		. . .								1
848	412N1156-19		. . .								1
851	6041-3BRX225		. . . .								2
854	412N1156-3		. . . .								1
858	412N1156-25		. . . .								1
880	BACS12ER08K6		. .							D	1
883	BACW10DM5		. .							D	1
886	AN960JD5166		. .							D	1
889	AM15CL4-78-56A		. .							D	1
892	412N1119-27		. .							D	1
895	412N1145-43		. .							D	1
898	BACW10P173AL		. .							D	1
901	AR292		. .							D	1
901A	AM150		. .							D	1

-Item not Illustrated

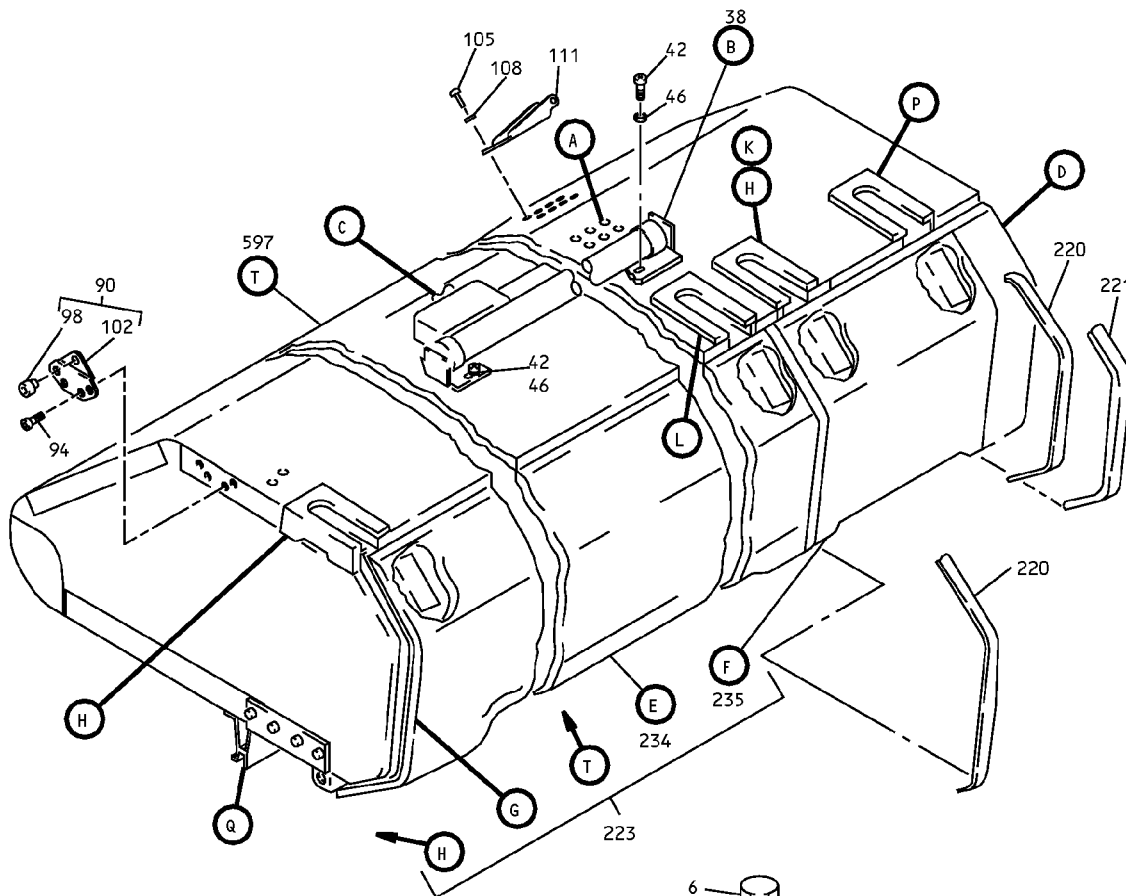
# 25-28-47

ILLUSTRATED PARTS LIST

Page 1098.231

Mar 01/2006

COMPONENT MAINTENANCE MANUAL

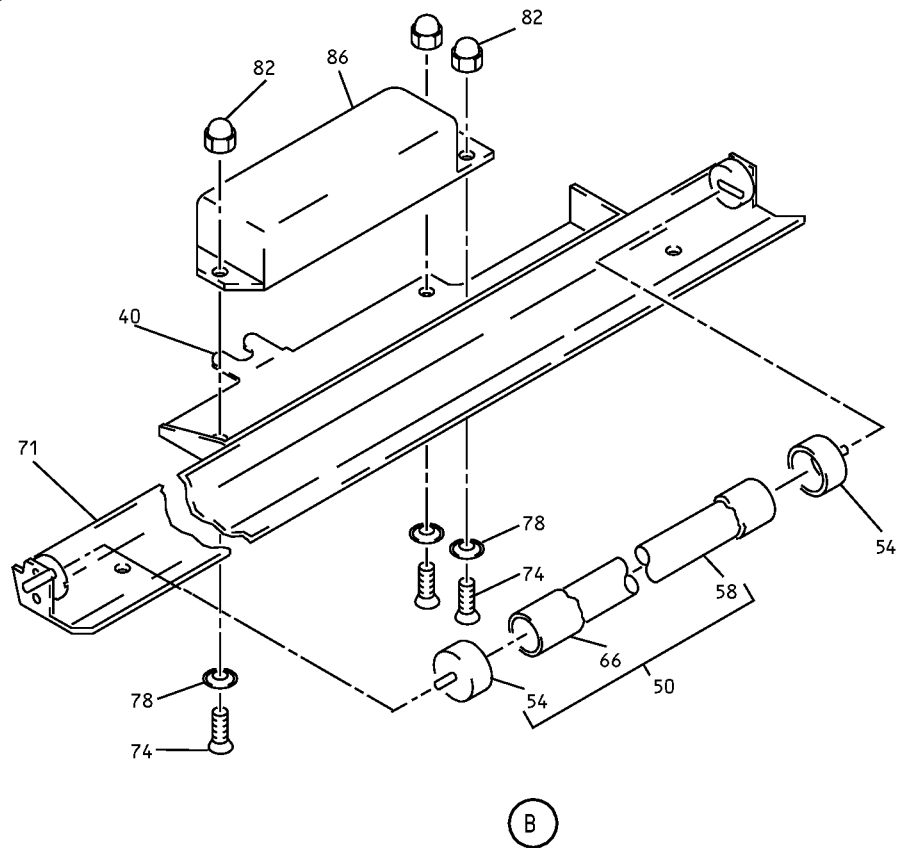
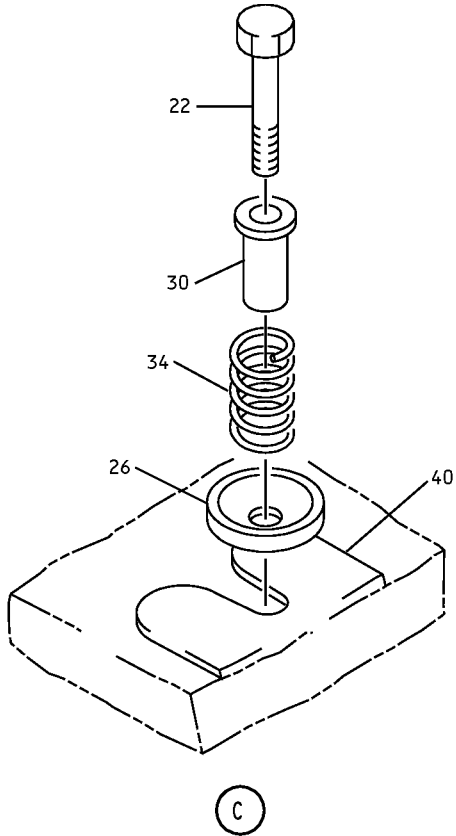


A

Overhead Storage Compartment Assembly  
IPL Figure 7 (Sheet 1 of 15)

**25-28-47**  
ILLUSTRATED PARTS LIST  
Page 1098.232  
Mar 01/2006

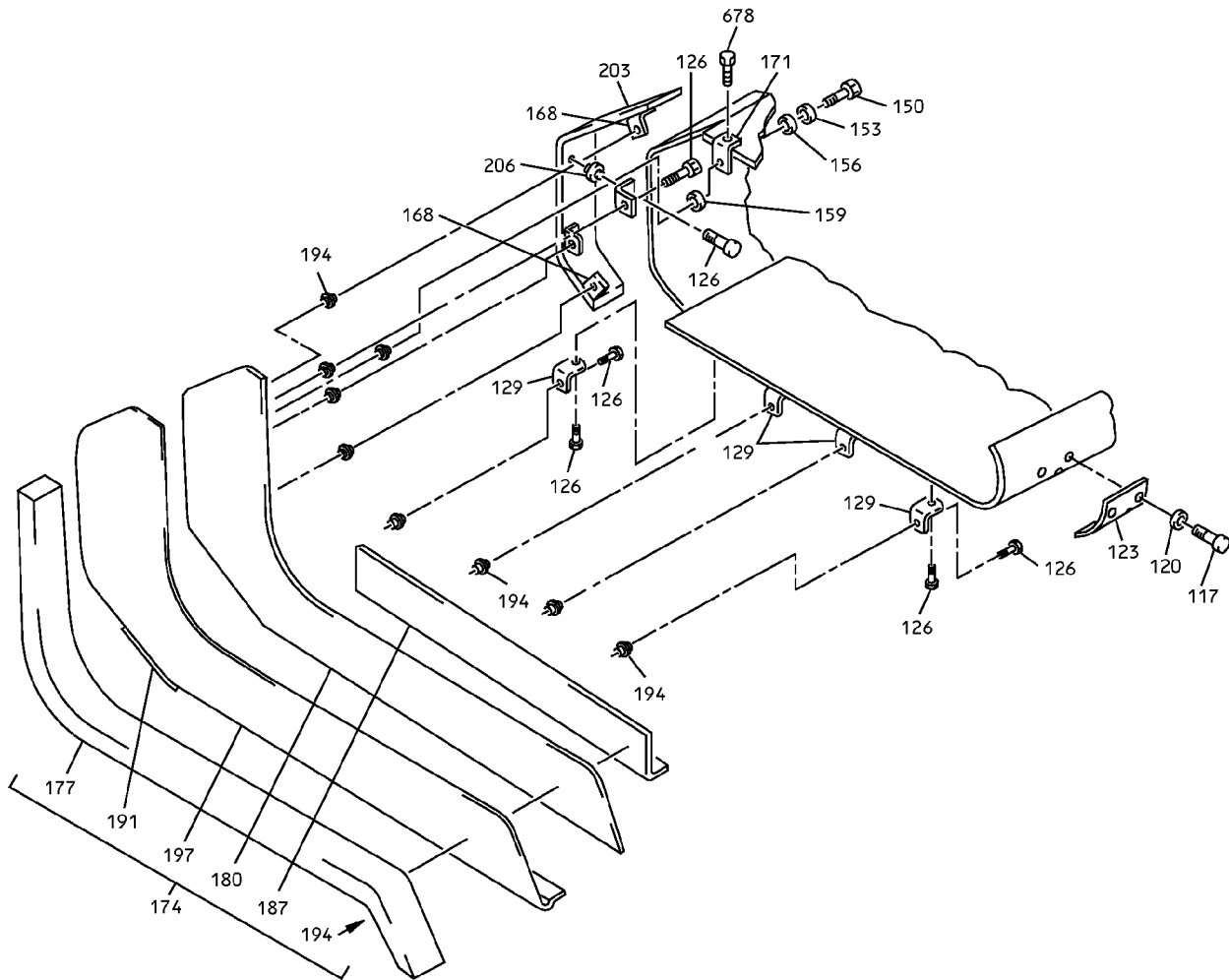
COMPONENT MAINTENANCE MANUAL



Overhead Stowage Compartment Assembly  
IPL Figure 7 (Sheet 2 of 15)

**25-28-47**  
ILLUSTRATED PARTS LIST  
Page 1098.233  
Mar 01/2006

# COMPONENT MAINTENANCE MANUAL



D

Overhead Storage Compartment Assembly  
IPL Figure 7 (Sheet 3 of 15)

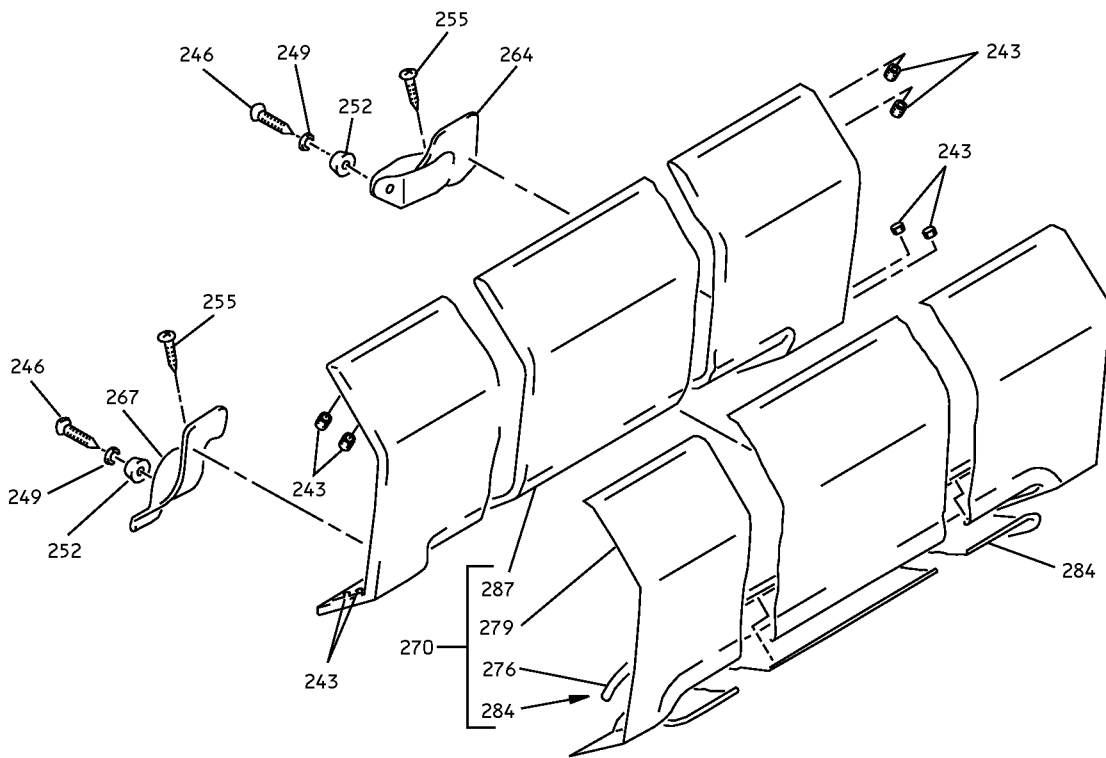
## 25-28-47

ILLUSTRATED PARTS LIST

Page 1098.234

Mar 01/2006

# COMPONENT MAINTENANCE MANUAL



E

Overhead Stowage Compartment Assembly  
IPL Figure 7 (Sheet 4 of 15)

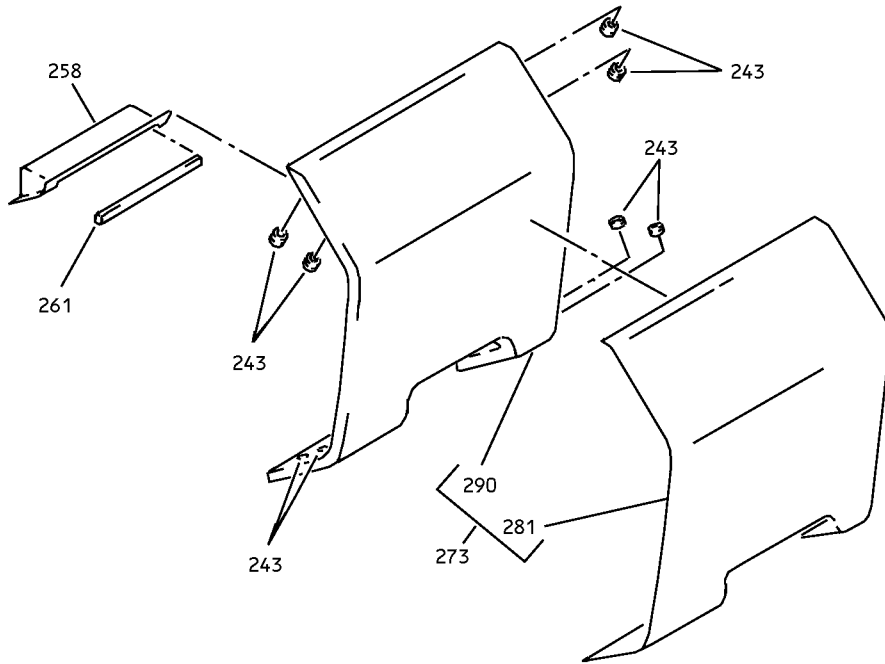
## 25-28-47

ILLUSTRATED PARTS LIST

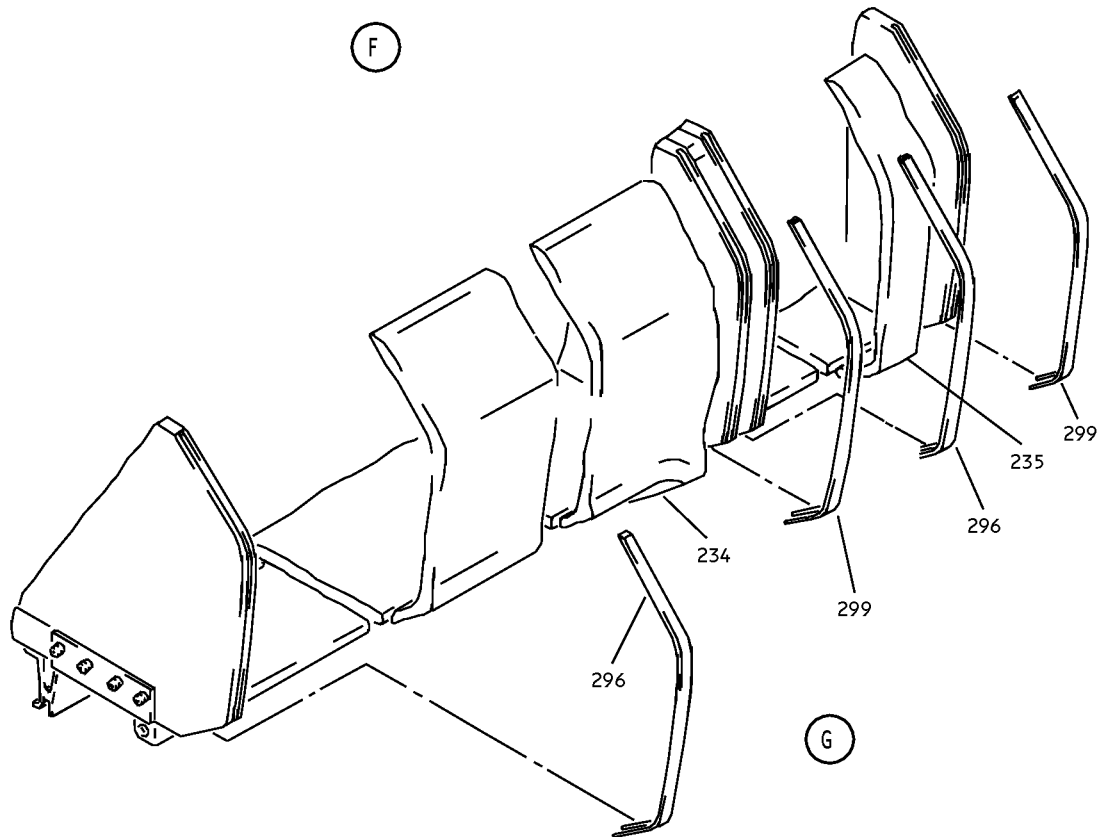
Page 1098.235

Mar 01/2006

# COMPONENT MAINTENANCE MANUAL



F



G

Overhead Stowage Compartment Assembly  
IPL Figure 7 (Sheet 5 of 15)

## 25-28-47

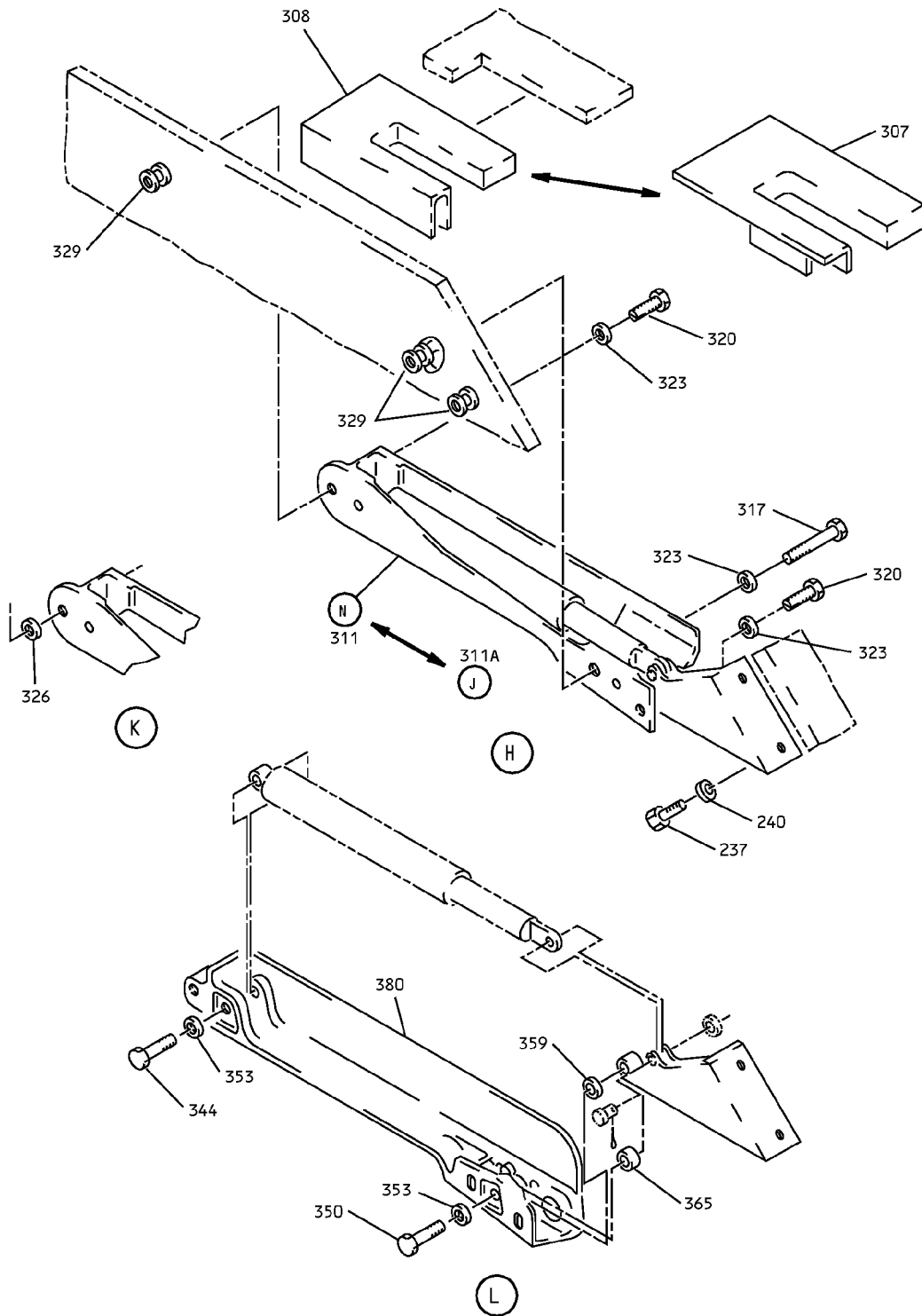
ILLUSTRATED PARTS LIST

Page 1098.236

Mar 01/2006



COMPONENT MAINTENANCE MANUAL



Overhead Stowage Compartment Assembly  
IPL Figure 7 (Sheet 6 of 15)

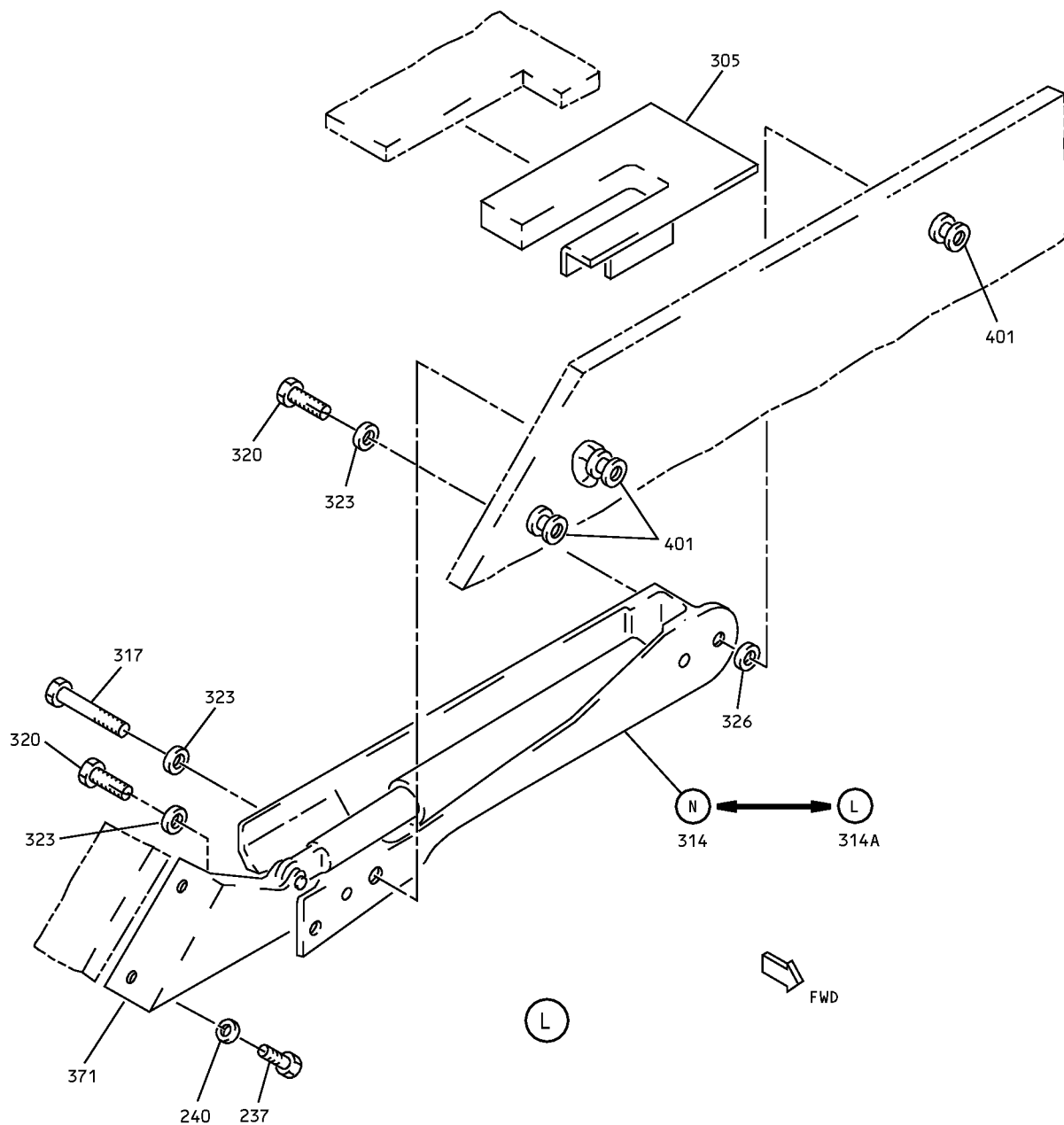
**25-28-47**

ILLUSTRATED PARTS LIST

Page 1098.237

Mar 01/2006

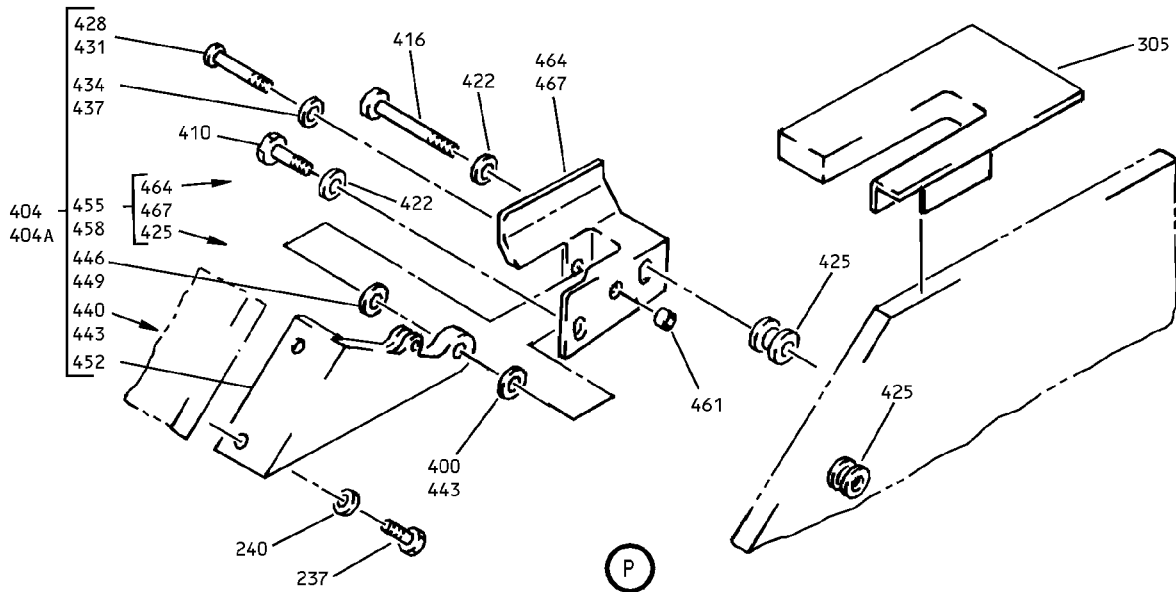
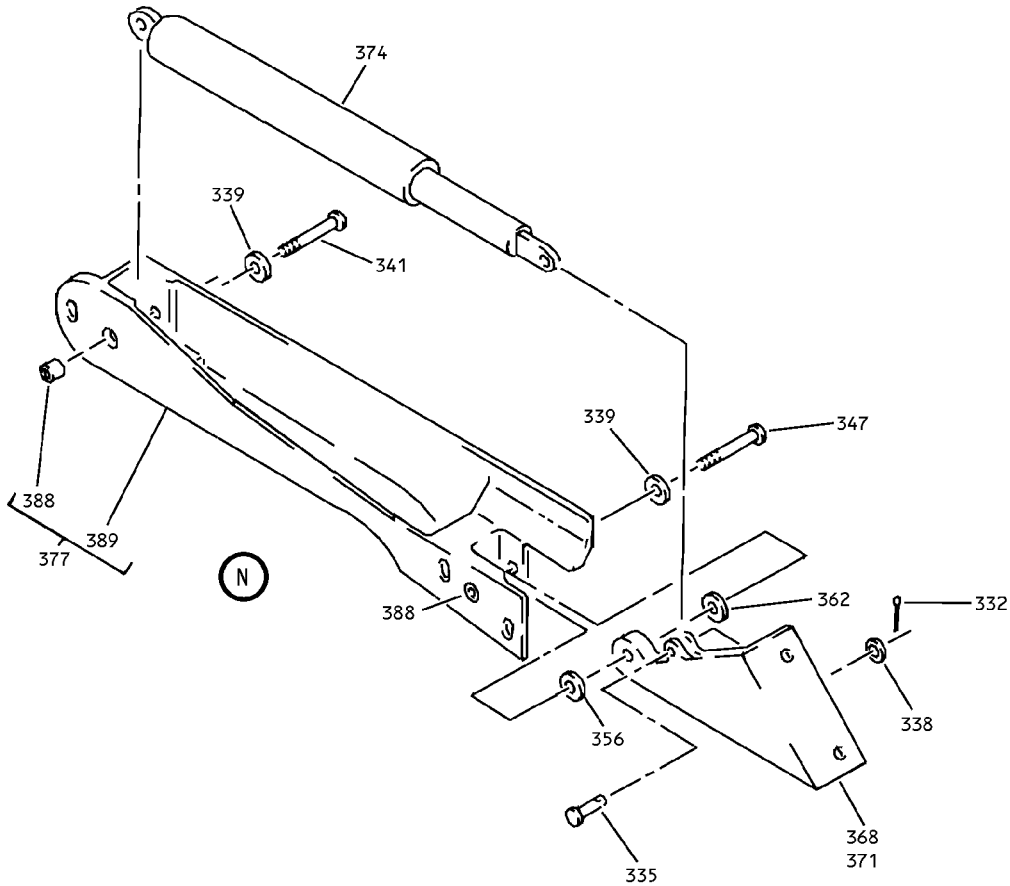
# COMPONENT MAINTENANCE MANUAL



Overhead Stowage Compartment Assembly  
IPL Figure 7 (Sheet 7 of 15)

**25-28-47**  
ILLUSTRATED PARTS LIST  
Page 1098.238  
Mar 01/2006

COMPONENT MAINTENANCE MANUAL



Overhead Stowage Compartment Assembly  
IPL Figure 7 (Sheet 8 of 15)

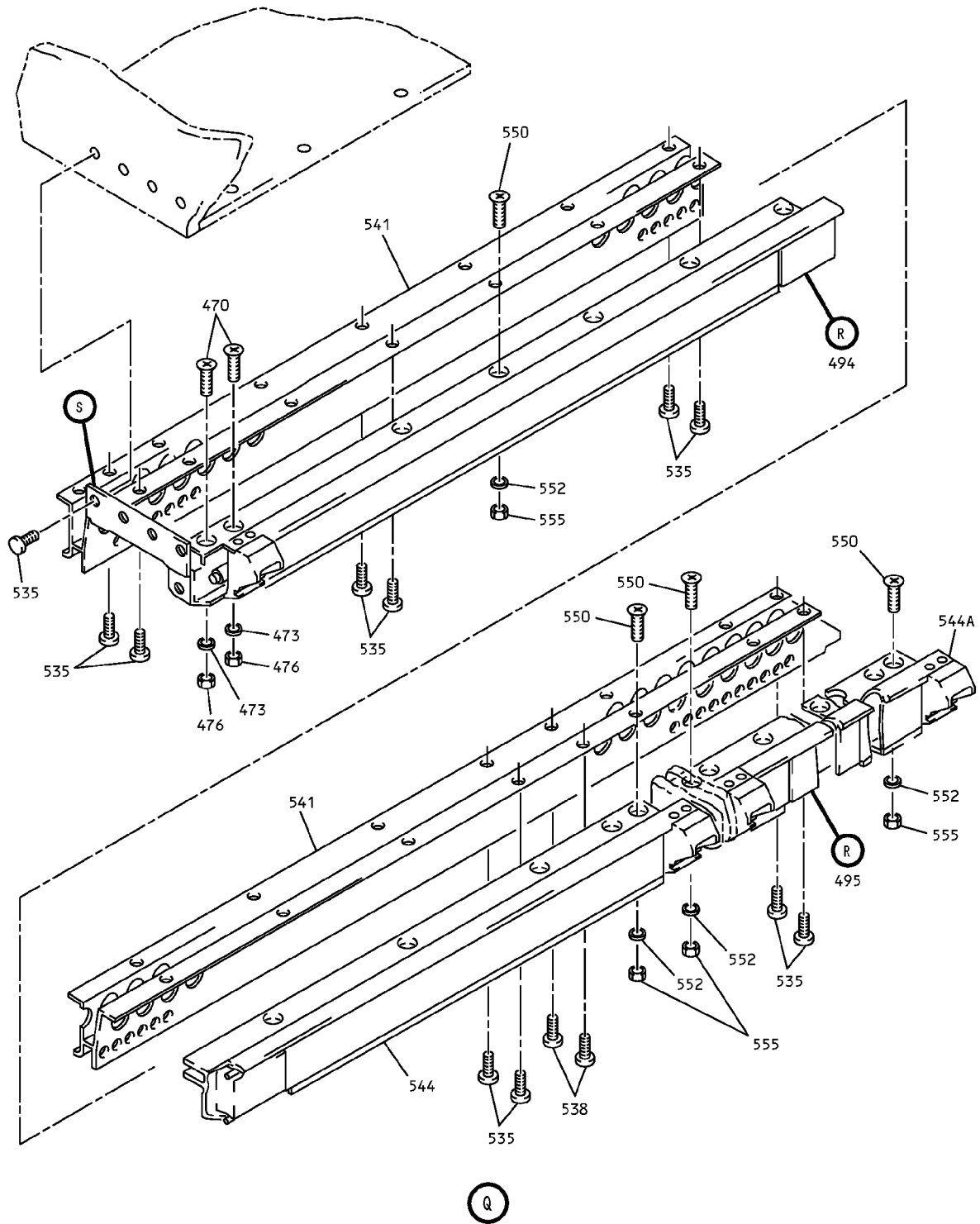
**25-28-47**

ILLUSTRATED PARTS LIST

Page 1098.239

Mar 01/2006

COMPONENT MAINTENANCE MANUAL



Overhead Storage Compartment Assembly  
IPL Figure 7 (Sheet 9 of 15)

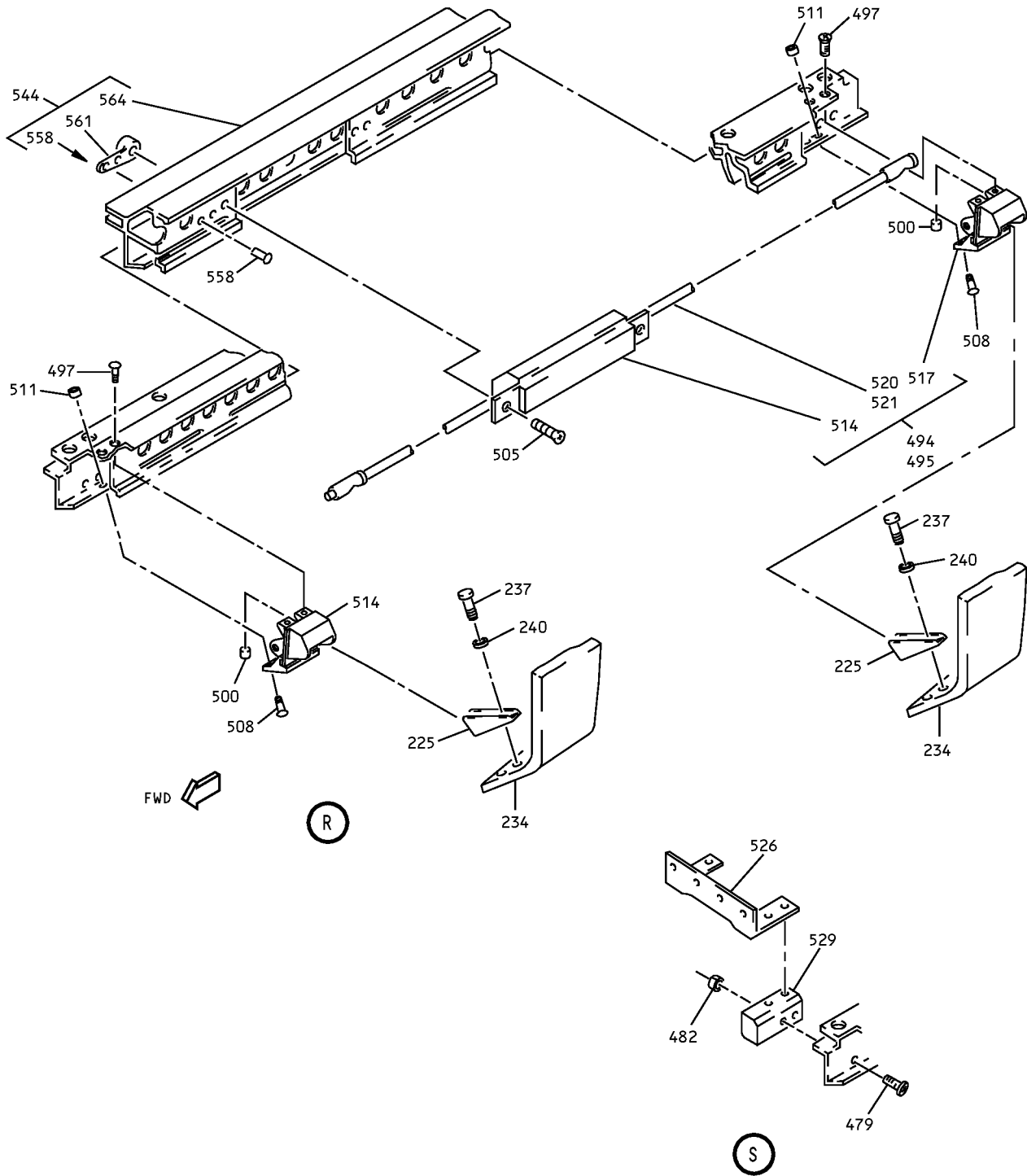
**25-28-47**

ILLUSTRATED PARTS LIST

Page 1098.240

Mar 01/2006

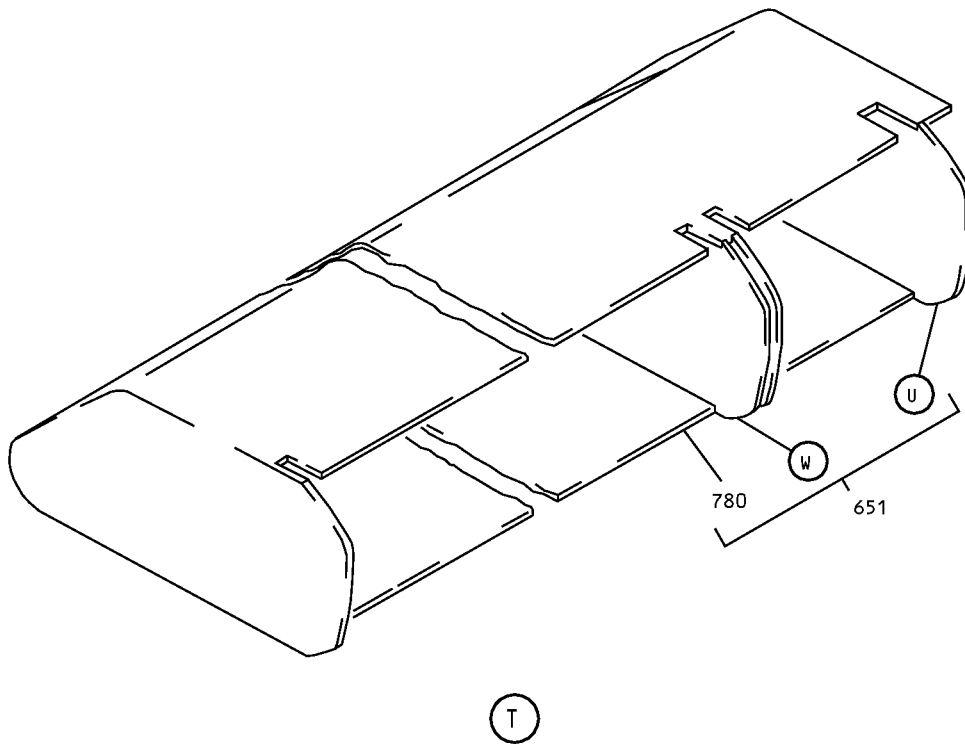
COMPONENT MAINTENANCE MANUAL



Overhead Storage Compartment Assembly  
IPL Figure 7 (Sheet 10 of 15)

**25-28-47**  
ILLUSTRATED PARTS LIST  
Page 1098.241  
Mar 01/2006

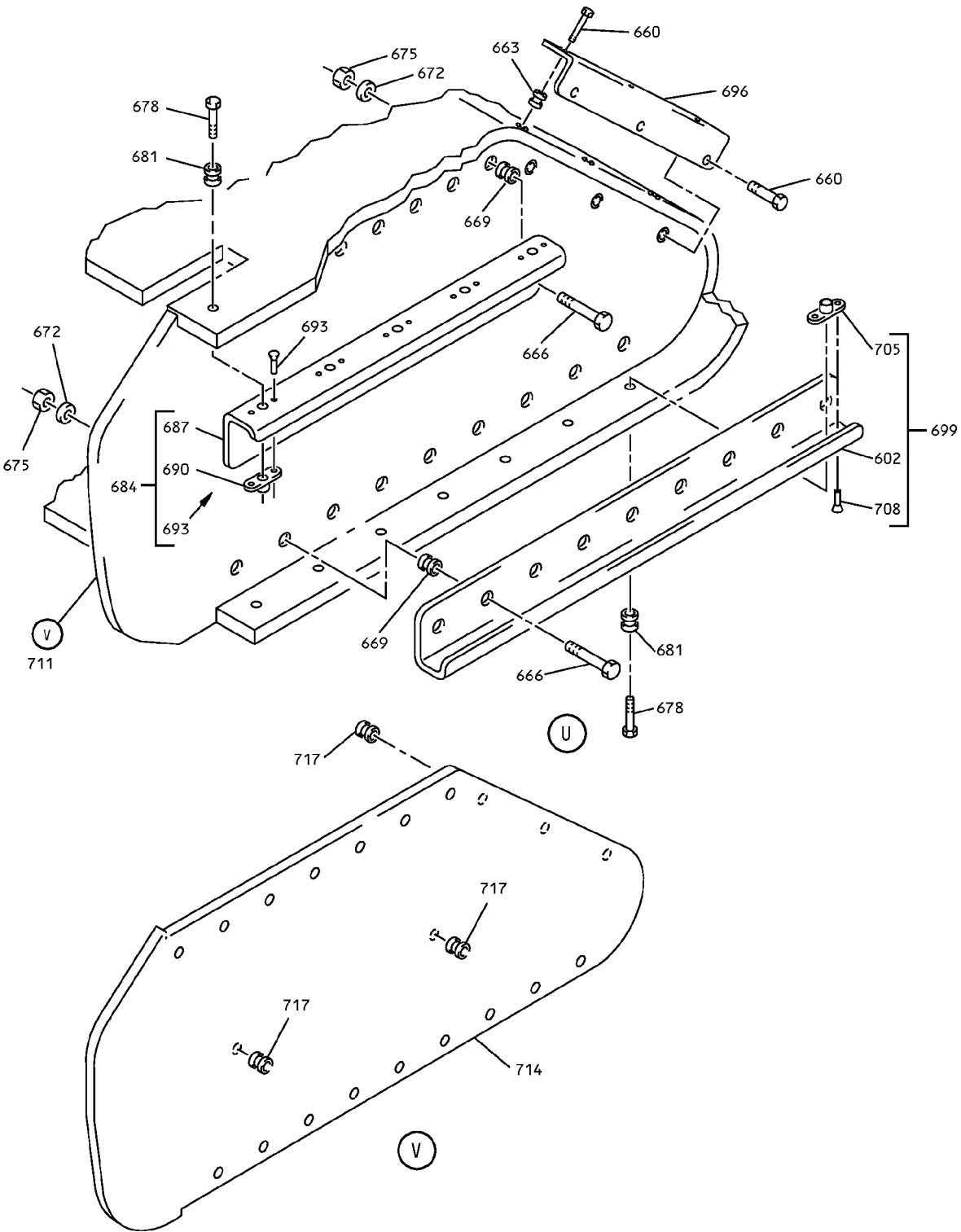
COMPONENT MAINTENANCE MANUAL



Overhead Storage Compartment Assembly  
IPL Figure 7 (Sheet 11 of 15)

**25-28-47**  
ILLUSTRATED PARTS LIST  
Page 1098.242  
Mar 01/2006

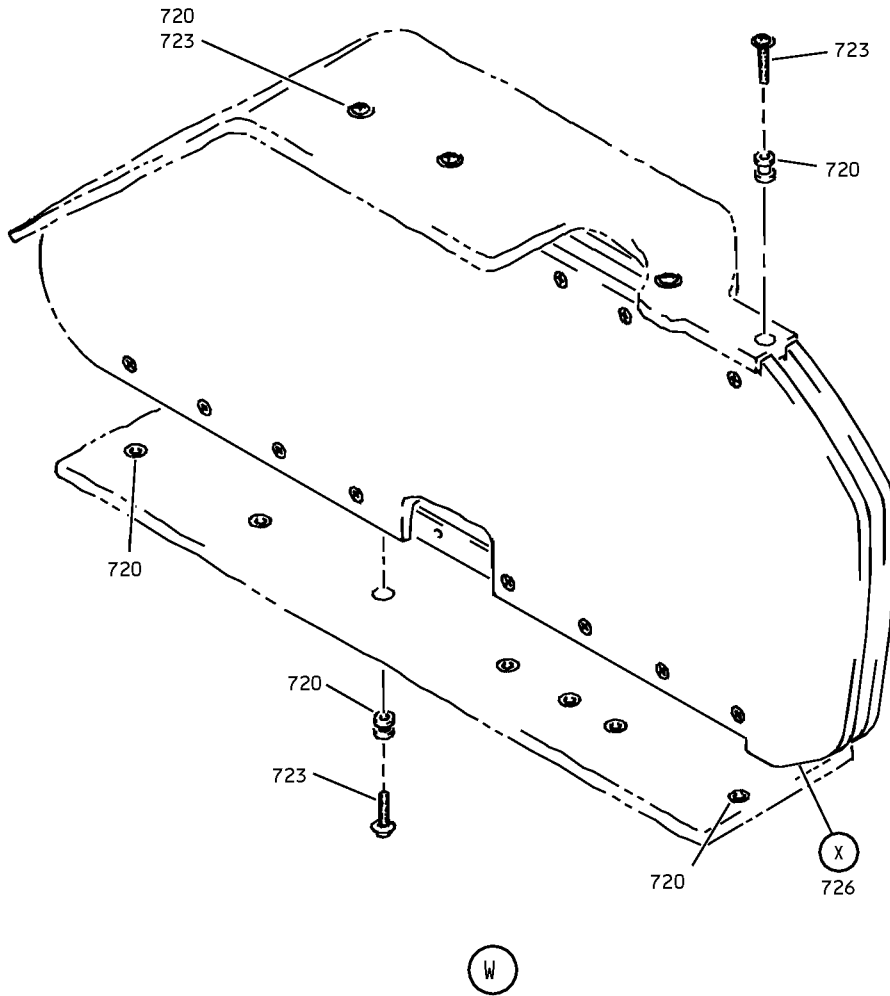
COMPONENT MAINTENANCE MANUAL



Overhead Stowage Compartment Assembly  
IPL Figure 7 (Sheet 12 of 15)

**25-28-47**  
ILLUSTRATED PARTS LIST  
Page 1098.243  
Mar 01/2006

COMPONENT MAINTENANCE MANUAL

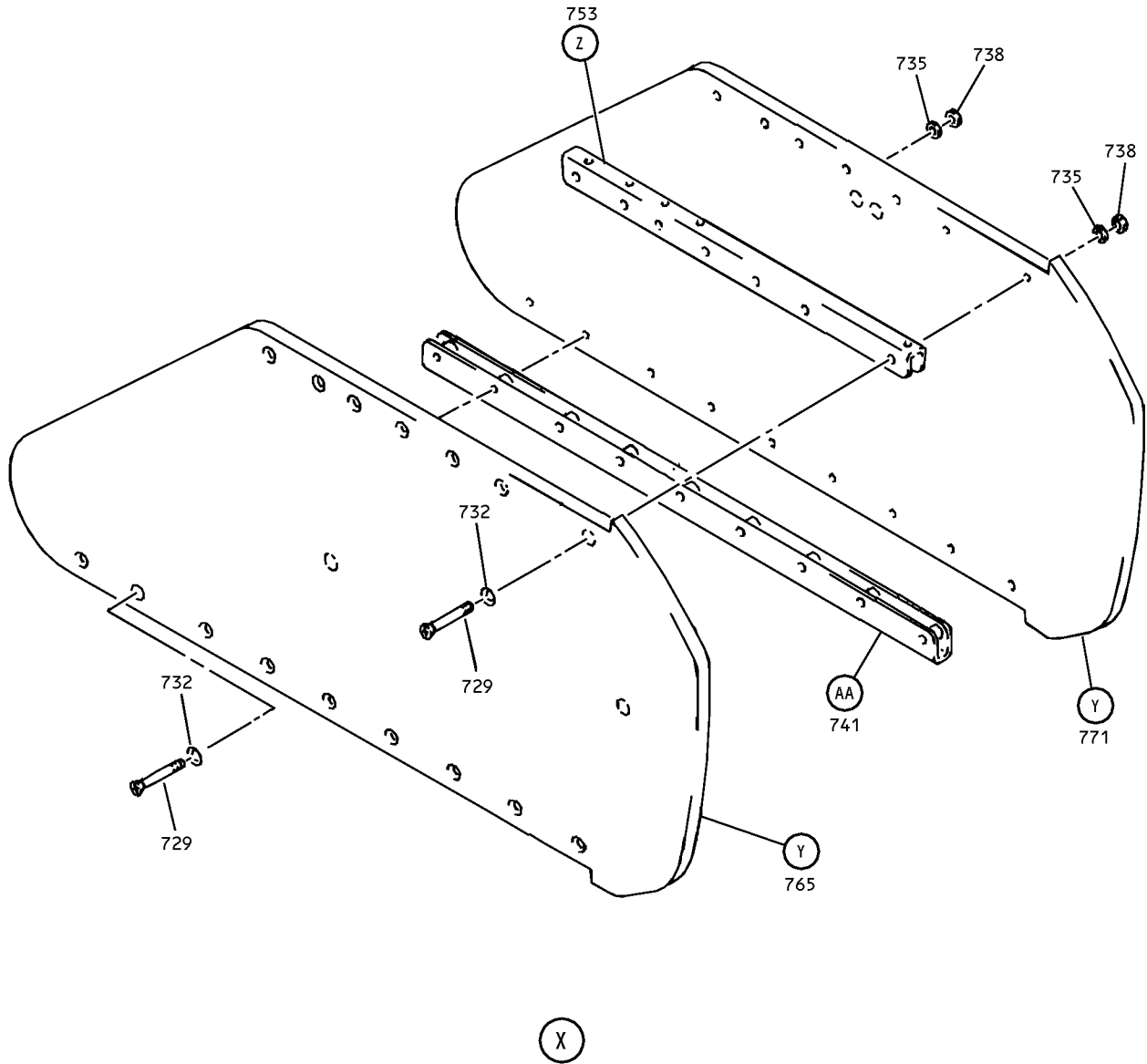


Overhead Storage Compartment Assembly  
IPL Figure 7 (Sheet 13 of 15)

**25-28-47**  
ILLUSTRATED PARTS LIST  
Page 1098.244  
Mar 01/2006



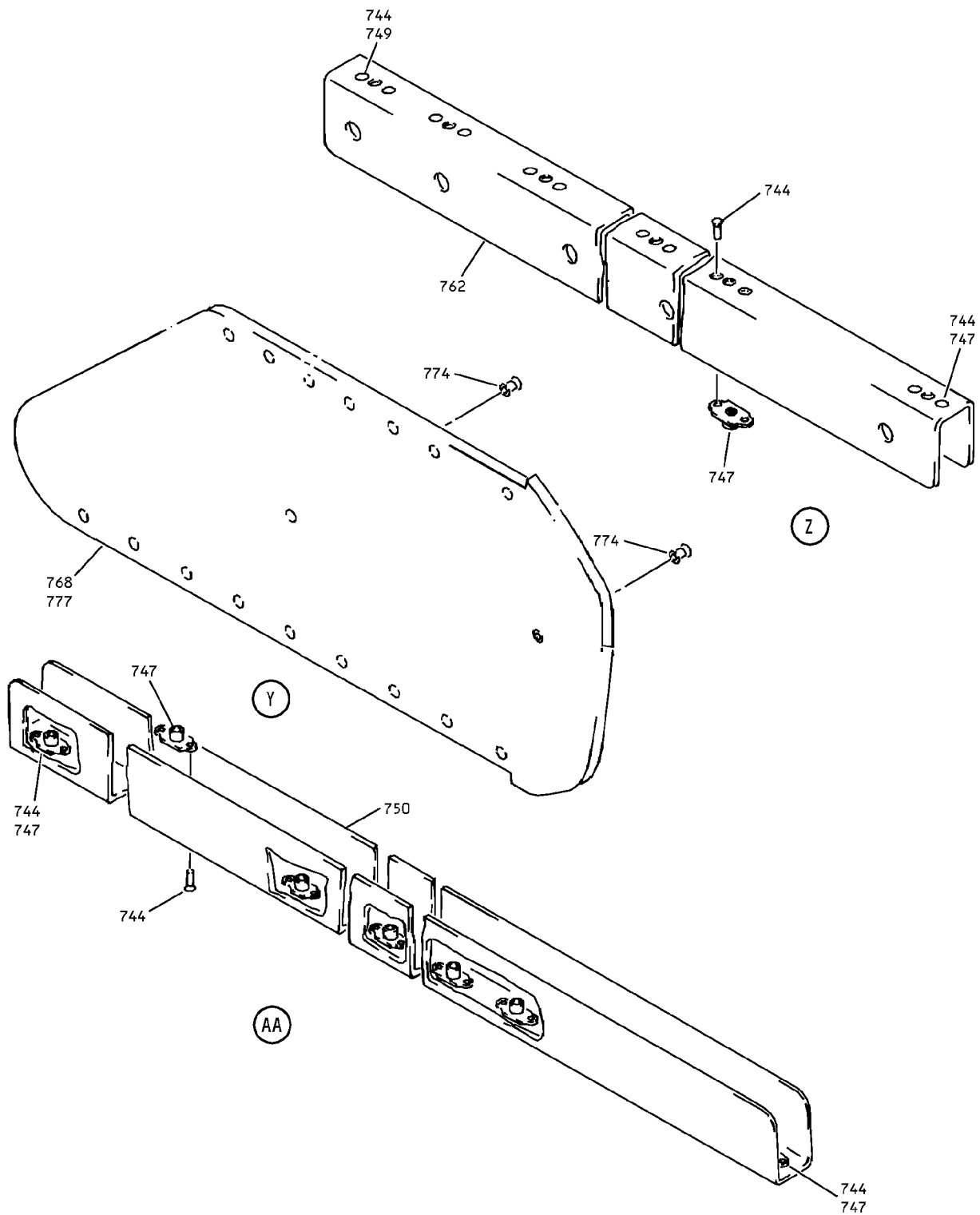
COMPONENT MAINTENANCE MANUAL



Overhead Stowage Compartment Assembly  
IPL Figure 7 (Sheet 14 of 15)

**25-28-47**  
ILLUSTRATED PARTS LIST  
Page 1098.245  
Mar 01/2006

COMPONENT MAINTENANCE MANUAL



Overhead Storage Compartment Assembly  
IPL Figure 7 (Sheet 15 of 15)

**25-28-47**

ILLUSTRATED PARTS LIST

Page 1098.246

Mar 01/2006



## COMPONENT MAINTENANCE MANUAL

FIG/ ITEM	PART NUMBER	AIRLINE PART NUMBER	NOMENCLATURE							USAGE CODE	UNITS PER ASSY
			1	2	3	4	5	6	7		
7-											
1	65C27006-52SP									A	RF
-1A	65C27006-58SP										
-1B	65C27006-60SP									C	RF
-1C	65C27006-88SP									D	RF
-1F	65C27006-120SP									E	RF
3	BACB30NM3K1										4
6	BACB30NM3K10										1
9	AN960JD10										4
12	AN960JD10LL										1
15	412N1119-55										1
18	412N1119-56										1
21	BACB30NN3K10										1
22	NAS1801-3-11										1
26	411N3142-28										1
30	BACS18C8-6										1
34	MS24585-1230										1
38	417N5120-19									A-D	1
-38A	417N5120-6									A-D	1
-38B	417N5120-19									E	1

-Item not Illustrated

# 25-28-47

ILLUSTRATED PARTS LIST

Page 1098.247

Mar 01/2006



## COMPONENT MAINTENANCE MANUAL

FIG/ ITEM	PART NUMBER	AIRLINE PART NUMBER	NOMENCLATURE							USAGE CODE	UNITS PER ASSY	
			1	2	3	4	5	6	7			
7-												
40	65C28117-3								. .	PAD		1
42	NAS1801-3-5								.	SCREW		2
46	AN960JD10L								.	WASHER		2
50	417N5120-11								. .	LAMP ASSY		1
54	2055150								. . .	CAP-END- (V04169)		2
58	F20T12WW								. . .	LAMP-FLUOR.- (V08805)		1
66	LP1625-24								. . .	TUBE-COVER- (V60116) (OPT ITEM 66A)		1
-66A	NI152LGWUV1000								. . .	TUBE-COVER- (V06034) (OPT ITEM 66)		1
70	800000255-6								. .	LIGHT-ASSY- (V05617) (SPEC S417N507-6) (USED ON ITEM 38A)		1
-71A	800000255-16								. .	LIGHT ASSY-CLG- (V05617) (SPEC S417N507-16) (USED ON ITEM 38,38B) (FOR DETAILS SEE FIG. 80)		1
74	BACS12ER3K6								. .	SCREW (V06710) (SPEC BACS12ER3K6) (OPT BACS12ER3K6 (V06725)) (OPT BACS12ER3K6 (V06950)) (OPT BACS12ER3K6 (V27624)) (OPT BACS12ER3K6 (V34252)) (OPT BACS12ER3K6 (V56878)) (OPT BACS12ER3K6 (V73197)) (OPT BACS12ER3K6 (V80539)) (OPT BACS12ER3K6 (V92215)) (OPT BACS12ER3K6 (V93907)) (OPT BACS12ER3K6 (V97928))		3
78	BACW10UD10								. .	WASHER		3

-Item not Illustrated

# 25-28-47

ILLUSTRATED PARTS LIST

Page 1098.248

Mar 01/2006



COMPONENT MAINTENANCE MANUAL

FIG/ ITEM	PART NUMBER	AIRLINE PART NUMBER	NOMENCLATURE							USAGE CODE	UNITS PER ASSY
			1	2	3	4	5	6	7		
7-											
82	F22K1-02		. .	NUT							3
				(V72962)							
				(SPEC BACN10R10L)							
				(OPT 22K1-02 (V72962))							
				(OPT 26CL02 (V80539))							
86	05939-5		. .	BALLAST							1
				(V17023)							
				(SPEC S283N702-5)							
90	412N1119-1		.	FITTING ASSY							1
				ATTACHING PARTS							
94	BACS12ER3K6		.	SCREW							4
				(V06710)							
				(SPEC BACS12ER3K6)							
				(OPT BACS12ER3K6 (V06725))							
				(OPT BACS12ER3K6 (V06950))							
				(OPT BACS12ER3K6 (V27624))							
				(OPT BACS12ER3K6 (V34252))							
				(OPT BACS12ER3K6 (V56878))							
				(OPT BACS12ER3K6 (V73197))							
				(OPT BACS12ER3K6 (V80539))							
				(OPT BACS12ER3K6 (V92215))							
				(OPT BACS12ER3K6 (V93907))							
				(OPT BACS12ER3K6 (V97928))							
				----- * -----							
98	BACB28B6-220P		. .	BUSHING							1
102	412N1119-2		. .	FITTING							1
105	BACB30NM3K1		.	BOLT							8
				(V06710)							
				(SPEC BACB30NM3K1)							
				(OPT BACB30NM3K1 (V06725))							
				(OPT BACB30NM3K1 (V06950))							
				(OPT BACB30NM3K1 (V08524))							
				(OPT BACB30NM3K1 (V27624))							
				(OPT BACB30NM3K1 (V56878))							
				(OPT BACB30NM3K1 (V73197))							
				(OPT BACB30NM3K1 (V80539))							
				(OPT BACB30NM3K1 (V92215))							
				(OPT BACB30NM3K1 (V93907))							
				(OPT BACB30NM3K1 (V97928))							
108	AN960JD10		.	WASHER							8
111	412N1161-2		.	FITTING							1
				(OPT ITEM 111A)							

-Item not Illustrated

**25-28-47**

ILLUSTRATED PARTS LIST

Page 1098.249

Mar 01/2006



## COMPONENT MAINTENANCE MANUAL

FIG/ ITEM	PART NUMBER	AIRLINE PART NUMBER	NOMENCLATURE							USAGE CODE	UNITS PER ASSY
			1	2	3	4	5	6	7		
7-											
111A	412N1119-14		.								1
117	BACB30NM3K1		.								8
120	AN960JD10		.								8
123	412N1119-12		.								2
126	BACS12FA3K5		.								16
129	412N1145-29		.								4
150	BACB30PF4-3		.								1
153	AN960C416L		.								1
156	NAS1515F4H		.								1
159	NAS1515M4L		.								1
168	65C27017-13		.							C, E	4
-168A	65C27017-17		.							A, B, D	4
-168B	65C27017-43		.							C, E	1
171	417N1145-30		.								1
174	65C27027-4SP		.							A-C, E	1
177	65C27027-17		.	.							1
180	65C27027-12		.	.							1
187	65C27027-14		.	.							1
191	65C27027-13		.	.							1
194	SL2334-3A2		.	.							9
197	65C27027-8		.	.							1

-Item not Illustrated

# 25-28-47

ILLUSTRATED PARTS LIST

Page 1098.250

Mar 01/2006



## COMPONENT MAINTENANCE MANUAL

FIG/ ITEM	PART NUMBER	AIRLINE PART NUMBER	NOMENCLATURE							USAGE CODE	UNITS PER ASSY
			1	2	3	4	5	6	7		
7-											
203	65C27026-40SP		.							A	1
-203A	65C27026-32SP		.							C, D	1
-203B	65C27026-70SP		.							E	1
206	NAS1836-3-11		.	.							4
220	412N1130-5SP		.								2
221	65C27006-12		.								1
223	65C27009-52SP		.							A	1
-223A	65C27009-58SP										DELETED
-223B	65C27009-60SP		.							C	1
-223C	65C27009-120SP		.							E	1
-223D	65C27009-88SP		.							D	1
225	H3-1152-1		.	.							4
											(V34941) (SPEC S412N101-1)
											ATTACHING PARTS
228	BACS12FA3K4		.	.							8
231	MS35333-39		.	.							8
											-----*
234	412N1140-44SP		.	.							1
235	412N1140-80SP		.	.						A	1
-235A	412N1140-73SP		.	.						D	1
-235B	412N1140-81SP		.	.						C	1
-235C	412N1140-86SP		.	.						E	1
											ATTACHING PARTS
237	NAS1801-3-4		.	.							8
240	MS35333-39		.	.							8
											-----*
243	SL628-3A		.	.	.						8
											(V97393)
246	BACS12H4-8		.	.	.						2
											(USED ON ITEM 234)
249	NAS620A8L		.	.	.						2
											(USED ON ITEM 234)

-Item not Illustrated

# 25-28-47

ILLUSTRATED PARTS LIST

Page 1098.251

Mar 01/2006



## COMPONENT MAINTENANCE MANUAL

FIG/ ITEM	PART NUMBER	AIRLINE PART NUMBER	NOMENCLATURE							USAGE CODE	UNITS PER ASSY
			1	2	3	4	5	6	7		
7-											
252	412N1245-1										2
255	MS51862-4										1
258	412N1143-11										1
261	412N1140-17										1
264	412N1143-13										1
267	412N1143-14										1
270	412N1140-60										1
273	412N1140-62										1
276	412N1140-13										1
279	412N1141-1										
279A	412N1141-3										1
281	412N1141-5										1
284	412N1141-7										
284A	412N1141-9										1
287	412N1142-15										
287A	412N1142-17										1
290	412N1142-20										1
-293	412N1244-2										1
296	412N1118-1SP										2
296A	412N1118-2SP										2

-Item not Illustrated

# 25-28-47

ILLUSTRATED PARTS LIST

Page 1098.252

Mar 01/2006





## COMPONENT MAINTENANCE MANUAL

FIG/ ITEM	PART NUMBER	AIRLINE PART NUMBER	NOMENCLATURE	USAGE CODE	UNITS PER ASSY
7-					
302	65C27009-6		. . EDGE COVER	A-D	1
302A	65C27009-123		. . EDGE COVER	E	1
305	412N1154-3		. . REINFORCEMENT-CORNER	A-D	2
-305A	412N1154-7		. . REINFORCEMENT-CORNER	E	2
307	412N1154-4		. . REINFORCEMENT-CORNER	A-D	1
-307A	412N1154-8		. . REINFORCEMENT-CORNER	E	1
308	412N1154-2		. . REINFORCEMENT-CORNER	A-D	1
-308A	412N1154-6		. . REINFORCEMENT-CORNER	E	1
311	412N1155-1		. . HINGE ASSY (LIMITED USAGE) (OPT ITEM 311A)	A-D	2
311A	412N1155-7		. . HINGE ASSY (LIMITED USAGE) (OPT ITEM 311)	A-D	2
-311B	412N1155-13		. . HINGE ASSY	E	2
314	412N1155-2		. . HINGE ASSY (LIMITED USAGE) (OPT ITEM 314A)	A-D	1
314A	412N1155-8		. . HINGE ASSY (LIMITED USAGE) (OPT ITEM 314)	A-D	1
-314B	412N1155-13		. . HINGE ASSY	E	1
317	BACB30LK3-18		. . BOLT *[1] (USED WITH ITEMS 311, 314)		1
-317A	NAS1801-3-10		. . BOLT *[2] (USED WITH ITEMS 311A, 311B, 314A, 314B)		1
320	412N1227-1		. . BOLT (OPT ITEM 320A)		2
-320A	A1C1321-3-8		. . BOLT (OPT ITEM 320)		2
323	BACW10P136AL		. . WASHER		3
326	AN960JD10		. . WASHER		1
329	NAS1833-3-400		. . INSERT		3
332	MS24665-132		. . . PIN-COTTER		1
335	MS20392-2C13		. . . PIN-DRILLED SHANK		1

-Item not Illustrated

# 25-28-47

ILLUSTRATED PARTS LIST

Page 1098.253

Mar 01/2006



## COMPONENT MAINTENANCE MANUAL

FIG/ ITEM	PART NUMBER	AIRLINE PART NUMBER	NOMENCLATURE							USAGE CODE	UNITS PER ASSY	
			1	2	3	4	5	6	7			
7-												
338	AN960PD10L								...	WASHER		1
339	AN960PD10L								...	WASHER (USED ON ITEMS 311,314)		2
341	NAS6703PU15								...	BOLT (USED ON ITEMS 311,314)		1
344	BACB30NM3K12								...	BOLT (USED ON ITEMS 311A,311B,314A,314B)		1
347	NAS6703PU11								...	BOLT (USED ON ITEMS 311,314)		1
350	BACB30NM3K8								...	BOLT (USED ON ITEMS 311A,311B,314A,314B)		1
353	NA960KD10L								...	WASHER (USED ON ITEMS 311A,311B,314A,314B)		1
356	NAS43DD3-5								...	SPACER (USED ON ITEMS 311,314)		1
359	NAS43DD3-3								...	SPACER (USED ON ITEMS 311A,311B,314A,314B)		1
362	NAS43DD3-6								...	SPACER (USED ON ITEMS 311,314)		1
365	NAS43DD3-8								...	SPACER (USED ON ITEMS 311A,311B,314A,314B)		1
368	H2948-2								...	HINGE (SPEC S412N102-2) (USED ON ITEMS 311,311A)		1
-368A	S412N102-16								...	HINGE (USED ON ITEM 311B)		1
371	H2948-1								...	HINGE (V83014) (SPEC S412N102-1) (USED ON ITEMS 314,314A)		1
374	SB113								...	ACTUATOR (V24984) (SPEC S412N104-1)		1
-374A	S412N102-15								...	HINGE (USED ON ITEM 314B)		1

-Item not Illustrated

# 25-28-47

ILLUSTRATED PARTS LIST

Page 1098.254

Mar 01/2006



## COMPONENT MAINTENANCE MANUAL

FIG/ ITEM	PART NUMBER	AIRLINE PART NUMBER	NOMENCLATURE							USAGE CODE	UNITS PER ASSY
			1	2	3	4	5	6	7		
7-											
377	412N1156-1		. . .								1
380	412N1156-13		. . .								1
-383	412N1156-2		. . .								1
-386	412N1156-14		. . .								1
-368A	412N1156-21		. . .								1
-368B	412N1156-22		. . .								1
388	NAS1833-3-400		. . .								3
389	412N1156-3		. . .								1
-392	412N1156-15		. . .								1
-395	412N1156-4		. . .								1
-398	412N1156-16		. . .								1
401	NAS1833-3-400		. .								6
-401A	412N1156-23		. . .								1
-401B	412N1156-24		. . .								1
404	412N1155-4		. .						A-D		1
404A	412N1155-10		. .						A-D		1
-404B	412N1155-16		. .						E		1
410	412N1227-1		. .								1

-Item not Illustrated

# 25-28-47

ILLUSTRATED PARTS LIST

Page 1098.255

Mar 01/2006



## COMPONENT MAINTENANCE MANUAL

FIG/ ITEM	PART NUMBER	AIRLINE PART NUMBER	NOMENCLATURE							USAGE CODE	UNITS PER ASSY
			1	2	3	4	5	6	7		
7-											
-413	AIC1321-3-8		. .	BOLT							1
				(V06725)							
				(OPT ITEM 410)							
416	BACB30LK3-18		. .	BOLT							1
				(USED ON ITEM 404)							
-419	NAS1801-3-10		. .	BOLT							1
				(USED ON ITEM 404A,404B)							
422	BACW10P136AL		. .	WASHER							2
				(V10630)							
				(SPEC BACW10P136AL)							
425	NAS18833-3-400		. .	INSERT							2
428	NAS6703PU11		. . .	BOLT							1
				(USED ON ITEM 404)							
431	BACS30NM3K8		. . .	BOLT							1
				(USED ON ITEM 404A,404B)							
434	AN960PD10L		. . .	WASHER							1
				(USED ON ITEM 404)							
437	AN960KJD0L		. . .	WASHER							1
				(USED ON ITEM 404A,404B)							
440	NAS43DD3-5		. . .	SPACER							1
				(USED ON ITEM 404)							
443	NAS43DD3-8		. . .	SPACER							1
				(USED ON ITEM 404A,404B)							
446	NAS43DD3-6		. . .	SPACER							1
				(USED ON ITEM 404)							
449	NAS43DD3-3		. . .	SPACER							1
				(USED ON ITEM 404A,404B)							
452	H2948-1		. . .	HINGE							1
				(V83014)							
				(SPEC S412N102-1)							
455	412N1156-6		. . .	CHASSIS ASSY							1
				(USED ON ITEM 404)							
458	412N1156-20		. . .	CHASSIS ASSY							1
				(USED ON ITEM 404A)							
-458A	412N1156-30		. . .	CHASSIS ASSY							1
				(USED ON ITEM 404B)							
461	6041-3BRX225		. . . .	INSERT-DODGE-							2
				(V01556)							

-Item not Illustrated

# 25-28-47

ILLUSTRATED PARTS LIST

Page 1098.256

Mar 01/2006



## COMPONENT MAINTENANCE MANUAL

FIG/ ITEM	PART NUMBER	AIRLINE PART NUMBER	NOMENCLATURE							USAGE CODE	UNITS PER ASSY
			1	2	3	4	5	6	7		
7-											
464	412N1156-4								.... CHASSIS (USED ON ITEM 455)		1
467	412N1156-26								.... CHASSIS (USED ON ITEM 458)		1
-467A	412N1156-32								.... CHASSIS (USED ON ITEM 458A)		1
470	BACS12ER08K14								.. BOLT		2
473	AN960JD8								.. WASHER		2
476	MS21042L08								.. NUT		2
479	BACB30MY6K2								.. BOLT		2
482	MS21043L3								.. WASHER		2
494	412N1153-104								.. LATCH ASSY-30 IN.	A-D	1
494A	412N1153-159								.. LATCH ASSY-30 IN.	E	1
495	412N1153-84								.. LATCH ASSY-14 IN.	A	1
495A	412N1153-105								.. LATCH ASSY-15 IN.	D	1
495B	412N1153-6								.. LATCH ASSY-16 IN.	C	1
495C	412N1153-160								.. LATCH ASSY-17 IN.	E	1
497	BACS12ER06K8								.. SCREW (V06710) (SPEC BACS12ER06K8) (OPT BACS12ER06K8 (V06725)) (OPT BACS12ER06K8 (V06950)) (OPT BACS12ER06K8 (V27624)) (OPT BACS12ER06K8 (V34252)) (OPT BACS12ER06K8 (V56878)) (OPT BACS12ER06K8 (V73197)) (OPT BACS12ER06K8 (V80539)) (OPT BACS12ER06K8 (V92215)) (OPT BACS12ER06K8 (V93907)) (OPT BACS12ER06K8 (V97928))		4
500	SL210-06-2								.. INSERT (V97393)		8

-Item not Illustrated

**25-28-47**  
ILLUSTRATED PARTS LIST  
Page 1098.257  
Mar 01/2006



## COMPONENT MAINTENANCE MANUAL

FIG/ ITEM	PART NUMBER	AIRLINE PART NUMBER	NOMENCLATURE							USAGE CODE	UNITS PER ASSY
			1	2	3	4	5	6	7		
7-											
505	BACS12ER08K6								. . SCREW (V06710) (SPEC BACS12ER08K6) (OPT BACS12ER08K6 (V06725)) (OPT BACS12ER08K6 (V06950)) (OPT BACS12ER08K6 (V27624)) (OPT BACS12ER08K6 (V34252)) (OPT BACS12ER08K6 (V56878)) (OPT BACS12ER08K6 (V73197)) (OPT BACS12ER08K6 (V80539)) (OPT BACS12ER08K6 (V92215)) (OPT BACS12ER08K6 (V93907)) (OPT BACS12ER08K6 (V97928))		2
508	NAS514P832-5								. . SCREW		8
511	SL210-08-1								. . INSERT (V97393)		8
514	412N1113-7								. . . COVER (USED ON ITEMS 494,495,495A,495B)		1
-514A	412N1113-11								. . . COVER (USED ON ITEMS 494A,495C)		1
517	412N1113-8								. . . COVER (USED ON ITEMS 494,495,495A,495B)		1
-517A	412N1113-12								. . . COVER (USED ON ITEMS 494A,495C)		1
520	S412N101-1031								DELETED		
-520A	H3-1145-1-3760								. . . LATCH (SPEC S412N101-1040) (USED ON ITEM 494) (V34941)		1
-520B	H3-1145-1-2760								. . . LATCH (SPEC S412N101-1030) (USED ON ITEM 494) (V34941)		1
521	S412N101-2014								. . . LATCH (USED ON ITEM 495)		1
-521A	S412N101-2015								. . . LATCH (USED ON ITEM 495A)		1
-521B	S412N101-2016								. . . LATCH (USED ON ITEM 495B)		1

-Item not Illustrated

# 25-28-47

ILLUSTRATED PARTS LIST

Page 1098.258

Mar 01/2006



## COMPONENT MAINTENANCE MANUAL

FIG/ ITEM	PART NUMBER	AIRLINE PART NUMBER	NOMENCLATURE							USAGE CODE	UNITS PER ASSY
			1	2	3	4	5	6	7		
7-											
-521C	S412N101-2017						. . .	LATCH (USED ON ITEM 495C)			1
526	412N1145-27						. .	BRACKET			1
529	412N1117-1						. .	FITTING			1
535	BACS12FA3K5						. .	SCREW			34
538	BACS12FA3K15						. .	SCREW			2
541	65C27023-28						. .	SUPPORT-PASS. SVCE UNIT	A		1
-541A	65C27023-18						. .	SUPPORT-PASS. SVCE UNIT	D		1
-541B	65C27023-32						. .	SUPPORT-PASS. SVCE UNIT	C		1
-541C	65C27023-58						. .	SUPPORT-PASS. SVCE UNIT	E		1
544	412N1146-4						. .	SUPPORT-PASS. BULLNOSE			1
-544A	412N1146-58						. .	SUPPORT-PASS. BULLNOSE	A		1
-544B	412N1146-131						. .	SUPPORT-PASS. BULLNOSE	D		1
-544C	412N1146-64						. .	SUPPORT-PASS. BULLNOSE	C		1
-544D	412N1146-138						. .	SUPPORT-PASS. BULLNOSE	E		1
							ATTACHING PARTS				
550	BACS12ER08K12						. .	SCREW (V06710) (SPEC BACS12ER08K12) (OPT BACS12ER08K12 (V06725)) (OPT BACS12ER08K12 (V06950)) (OPT BACS12ER08K12 (V27624)) (OPT BACS12ER08K12 (V34252)) (OPT BACS12ER08K12 (V56878)) (OPT BACS12ER08K12 (V73197)) (OPT BACS12ER08K12 (V80539)) (OPT BACS12ER08K12 (V92215)) (OPT BACS12ER08K12 (V93907)) (OPT BACS12ER08K12 (V97928))			21
552	AN960JD8						. .	WASHER			21
555	MS21042L08						. .	NUT			21
							----- * -----				
558	BACR15DR3						. . .	RIVET (SIZE DETERMINED ON INST)			4
561	BACN10KB08						. . .	NUTPLATE (V52828) (SPEC BACN10KB08)			2

-Item not Illustrated

# 25-28-47

ILLUSTRATED PARTS LIST

Page 1098.259

Mar 01/2006



## COMPONENT MAINTENANCE MANUAL

FIG/ ITEM	PART NUMBER	AIRLINE PART NUMBER	NOMENCLATURE							USAGE CODE	UNITS PER ASSY
			1	2	3	4	5	6	7		
7-											
564	412N1146-24		. . .	SUPPORT							1
				(USED ON ITEM 544)							
-564A	412N1146-60		. . .	SUPPORT							1
				(USED ON ITEM 544A)							
-564B	412N1146-132		. . .	SUPPORT							1
				(USED ON ITEM 544B)							
-564C	412N1146-66		. . .	SUPPORT							1
				(USED ON ITEM 544C)							
-564D	412N1146-140		. . .	SUPPORT							1
				(USED ON ITEM 544D)							
597	65C27012-31		. .	BODY ASSY					A		1
597A	65C27012-36		DELETED								
-597B	65C27012-38		. .	BODY ASSY					C		1
-597C	65C27012-57		. .	BODY ASSY					D		1
-597D	65C27012-83		. .	BODY ASSY					E		1
-600	65C27012-1027		. . .	PATTERN ASSY-INSERT					C		1
-603	NAS1836-3-11		. . . .	INSERT							10
-606	65C27012-1036		. . .	PATTERN ASSY-INSERT					A, B		1
-609	NAS1836-3-11		. . . .	INSERT							10
-612	65C27012-1110		. . .	PATTERN ASSY-INSERT							1
-615	NAS1836-3-11		. . . .	INSERT							8
-618	NAS1836-4-11		. . . .	INSERT							2
-621	65C27012-1207		. . .	PATTERN ASSY-INSERT							1
-624	NAS1836-3-11		. . . .	INSERT							4
-627	SL2334-3A2		. . . .	INSERT							4
				(V97393)							
-630	65C27012-1311		. . .	PATTERN ASSY-INSERT					A-D		1
-633	65C27012-8		. . . .	DOUBLER							1
-636	NAS1836-3-11		. . . .	INSERT							12
-637	65C27012-1333		. . .	PATTERN ASSY-INSERT					E		1
-637A	NAS1836-3-11		. . . .	INSERT							13
-639	65C27012-2011		. . .	PATTERN ASSY-INSERT							1
-642	NAS1836-3-11		. . . .	INSERT							4

-Item not Illustrated

**25-28-47**

ILLUSTRATED PARTS LIST

Page 1098.260

Mar 01/2006





## COMPONENT MAINTENANCE MANUAL

FIG/ ITEM	PART NUMBER	AIRLINE PART NUMBER	NOMENCLATURE							USAGE CODE	UNITS PER ASSY
			1	2	3	4	5	6	7		
7-											
-645	65C27012-2111										1
648	NAS1836-3-11										3
-649	65C27012-4008								D		1
-649A	NAS1833-3-400										6
-650	65C27012-4020								E		1
-650A	NAS1833-3-400										3
-650B	65C27012-4108								D		1
-650C	NAS1833-3-400										4
651	65C27327-43								A		1
-651A	65C27327-51								B		1
-651B	65C27327-54								C		1
-651C	65C27327-128								E		1
660	BACS12FA3K5										6
663	NAS1836-3-11										3
666	BACB30NN3K6										16
669	SL3378-3-380										16
672	AN960JD10L										16
675	MS1042L3										16
678	BACS12FA3K12										12
681	NAS1834-3-400										12
684	412N1217-61										1
687	412N1217-63										1
690	BACN10JP3A										3
693	BACR15BA3D										6
696	412N1217-5										1
699	412N1217-77										1
702	412N1217-79										1
705	BACN10JP3A										7
708	BACR15BA3D										14
711	412N1116-76								A-D		1
-711A	412N1116-126								E		1

-Item not Illustrated

**25-28-47**

ILLUSTRATED PARTS LIST

Page 1098.261

Mar 01/2006



## COMPONENT MAINTENANCE MANUAL

FIG/ ITEM	PART NUMBER	AIRLINE PART NUMBER	NOMENCLATURE							USAGE CODE	UNITS PER ASSY	
			1	2	3	4	5	6	7			
7-												
714	412N1116-18								.....	PANEL ASSY	A-D	1
714A	412N1116-128								.....	PANEL ASSY	E	1
717	NAS1836-3-11								.....	INSERT		5
720	NAS1834-4-400								....	INSERT		12
723	BACS12FA3K12								....	SCREW (V06710) (SPEC BACS12FA3K12) (OPT BACS12FA3K12 (V06725)) (OPT BACS12FA3K12 (V06950)) (OPT BACS12FA3K12 (V27624)) (OPT BACS12FA3K12 (V34252)) (OPT BACS12FA3K12 (V56878)) (OPT BACS12FA3K12 (V73197)) (OPT BACS12FA3K12 (V80539)) (OPT BACS12FA3K12 (V92215)) (OPT BACS12FA3K12 (V93907)) (OPT BACS12FA3K12 (V97928))		12
726	412N1216-27								....	PANEL ASSY-DIVIDER	A-D	1
-726A	412N1216-41								....	PANEL ASSY-DIVIDER	E	1
729	BACB30NN3K1								.....	BOLT (V06710) (SPEC BACB30NN3K1) (OPT BACB30NN3K1 (V06725)) (OPT BACB30NN3K1 (V06950)) (OPT BACB30NN3K1 (V08524)) (OPT BACB30NN3K1 (V27624)) (OPT BACB30NN3K1 (V56878)) (OPT BACB30NN3K1 (V73197)) (OPT BACB30NN3K1 (V80539)) (OPT BACB30NN3K1 (V92215)) (OPT BACB30NN3K1 (V93907)) (OPT BACB30NN3K1 (V97928))		16
732	BACW10CT10								.....	WASHER (V10630) (SPEC BACW10CT10)		16
735	AN960PD516L								.....	WASHER		16
738	SL5-3-145S								.....	NUT (V97393) (OPT ITEM 783A)		16
-738A	KD121395-145								.....	NUT (V29372) (OPT ITEM 783)		16

-Item not Illustrated

# 25-28-47

ILLUSTRATED PARTS LIST

Page 1098.262

Mar 01/2006



## COMPONENT MAINTENANCE MANUAL

FIG/ ITEM	PART NUMBER	AIRLINE PART NUMBER	NOMENCLATURE							USAGE CODE	UNITS PER ASSY
			1	2	3	4	5	6	7		
7-											
741	412N1217-19										1
744	BACR15BA3AD										12
747	BRM200A3										6
750	412N1217-20										1
753	412N1217-87										1
756	BACR15BA3AD										12
759	BRM200A3										6
762	412N1217-88										1
765	412N1116-48								E		1
-765A	412N1116-118								A-D		1
768	412N1116-18										1
-768A	412N1116-128								E		1
771	412N1116-49										1
-771A	412N1116-119								E		1
774	NAS1836-3-11										2
777	412N1116-17										1
-777A	412N1116-124								E		1
780	65C27327-44								A		1
780A	65C27327-52								D		1
780B	65C27327-56								C		1
-780C	65C27327-130								E		1

-Item not Illustrated

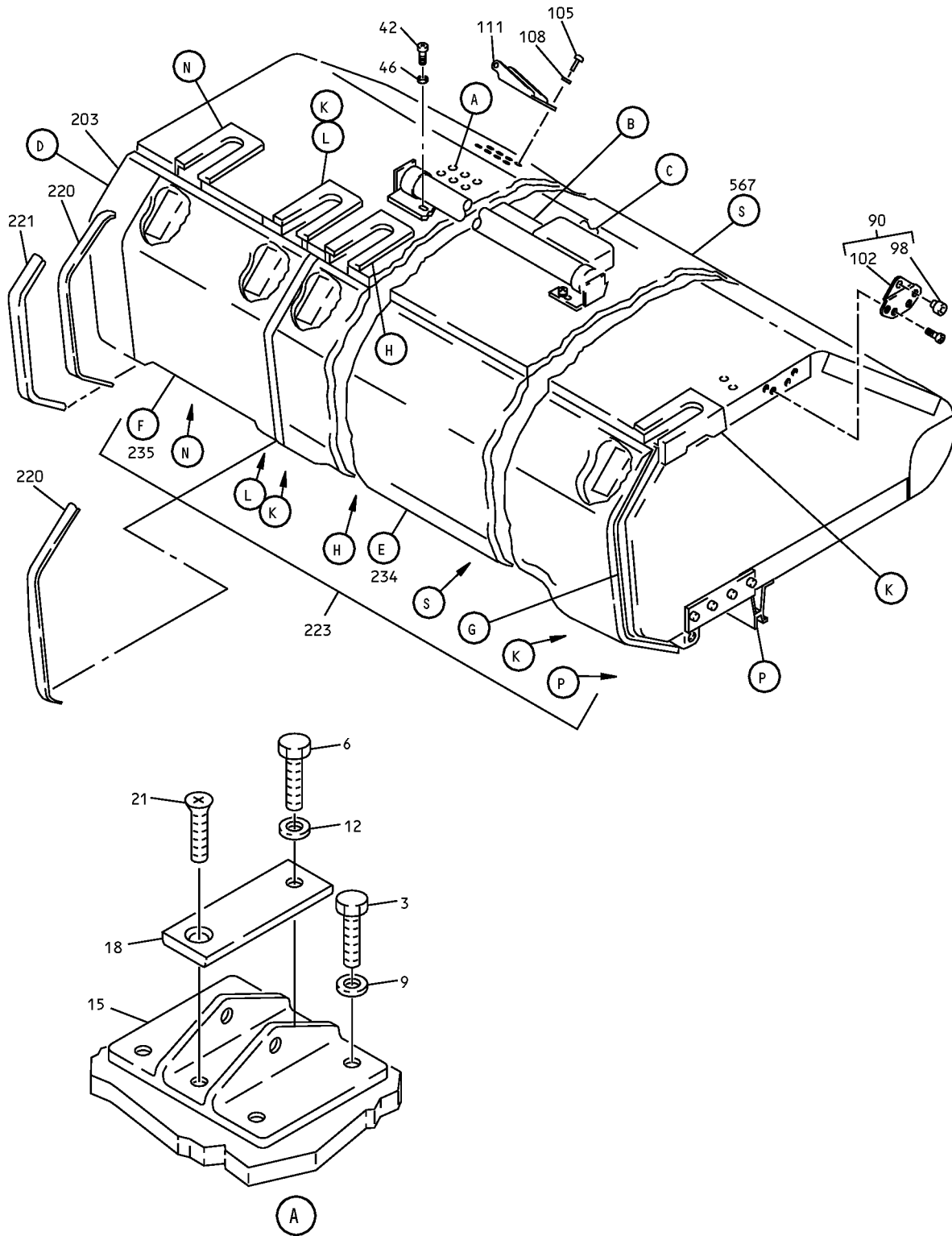
# 25-28-47

ILLUSTRATED PARTS LIST

Page 1098.263

Mar 01/2006

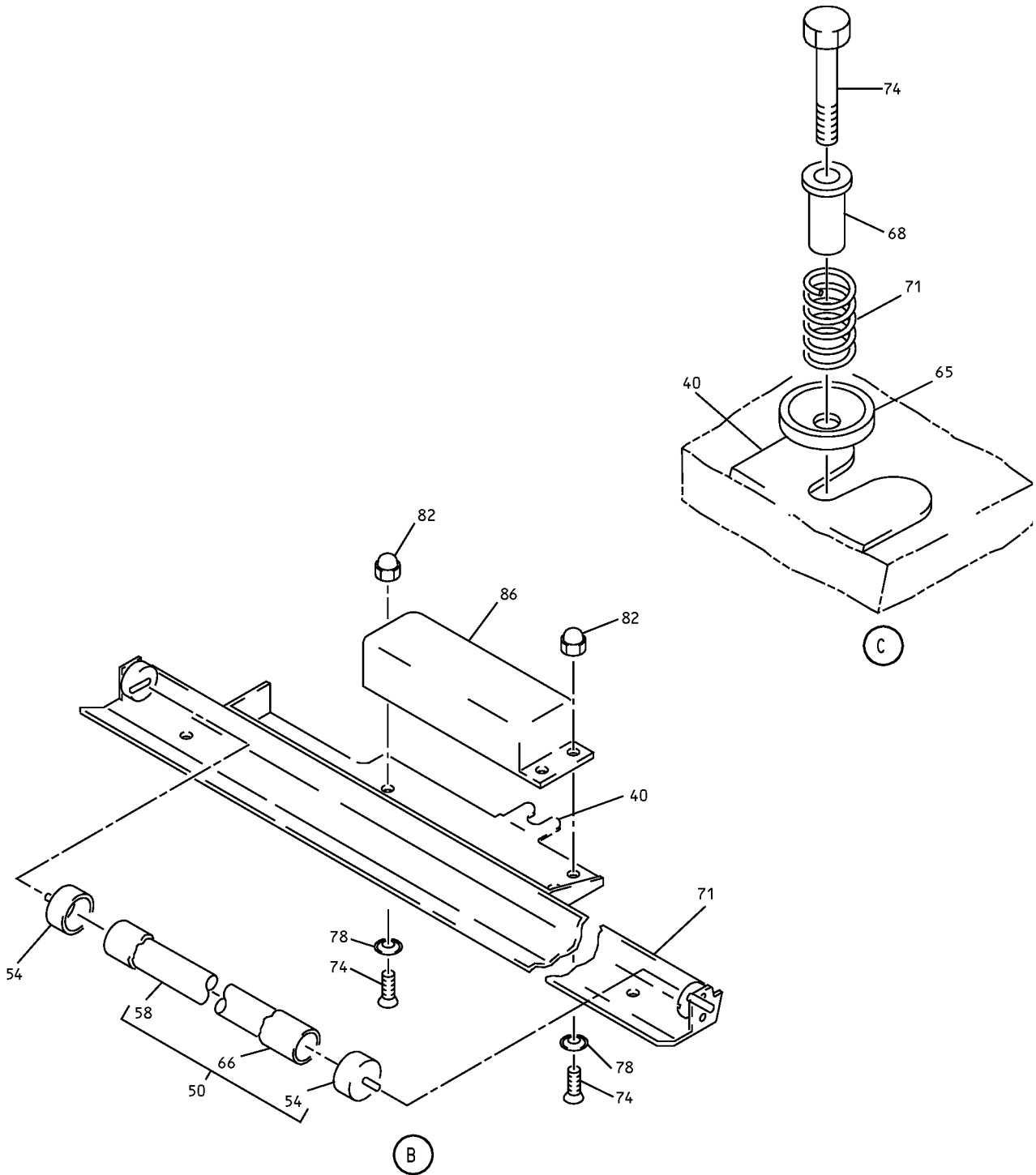
COMPONENT MAINTENANCE MANUAL



Overhead Stowage Compartment Assembly  
IPL Figure 8 (Sheet 1 of 15)

**25-28-47**  
ILLUSTRATED PARTS LIST  
Page 1098.264  
Mar 01/2006

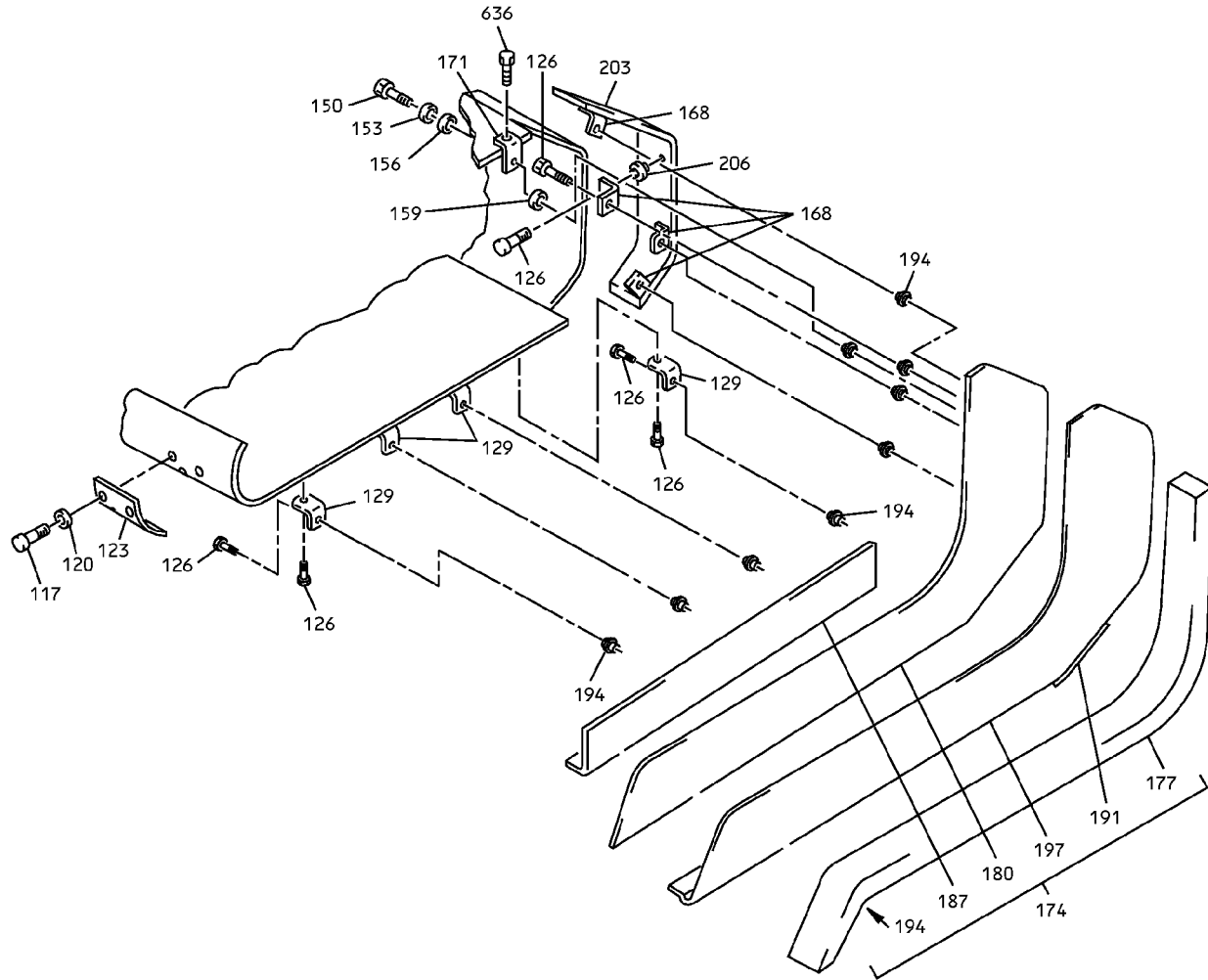
COMPONENT MAINTENANCE MANUAL



Overhead Storage Compartment Assembly  
IPL Figure 8 (Sheet 2 of 15)

**25-28-47**  
ILLUSTRATED PARTS LIST  
Page 1098.265  
Mar 01/2006

COMPONENT MAINTENANCE MANUAL



D

Overhead Storage Compartment Assembly  
IPL Figure 8 (Sheet 3 of 15)

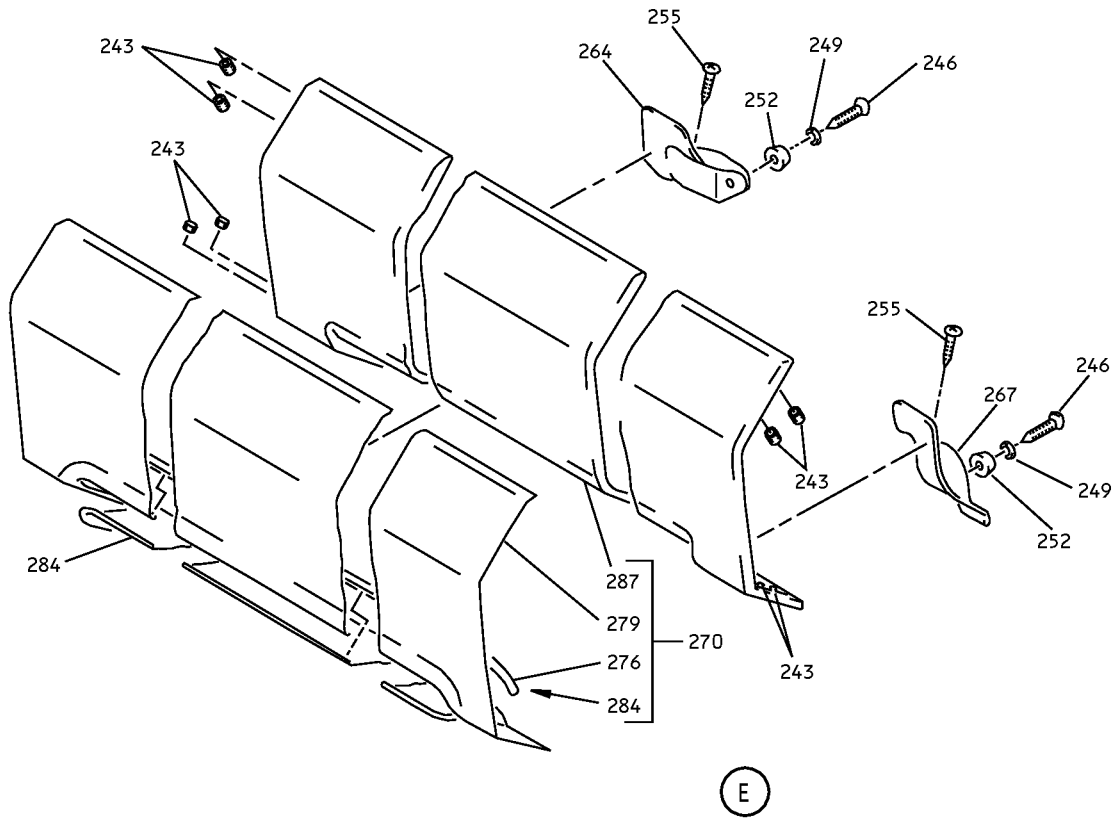
**25-28-47**

ILLUSTRATED PARTS LIST

Page 1098.266

Mar 01/2006

COMPONENT MAINTENANCE MANUAL



Overhead Stowage Compartment Assembly  
IPL Figure 8 (Sheet 4 of 15)

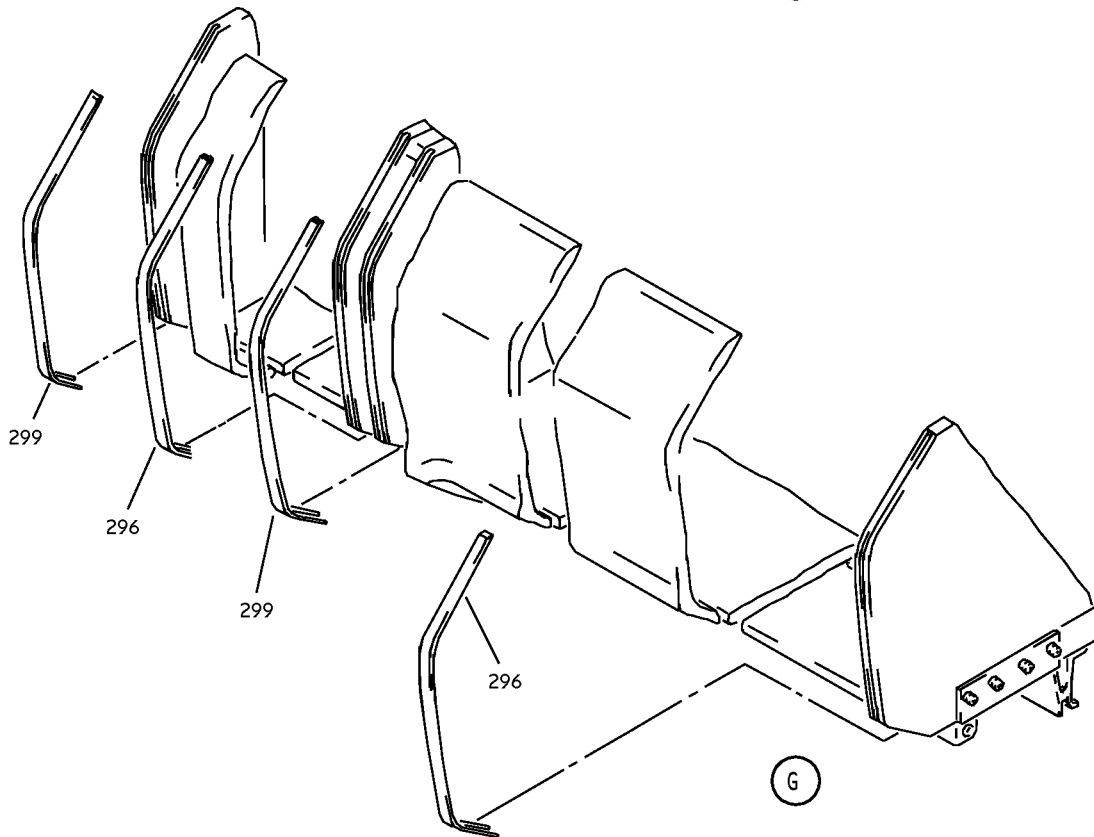
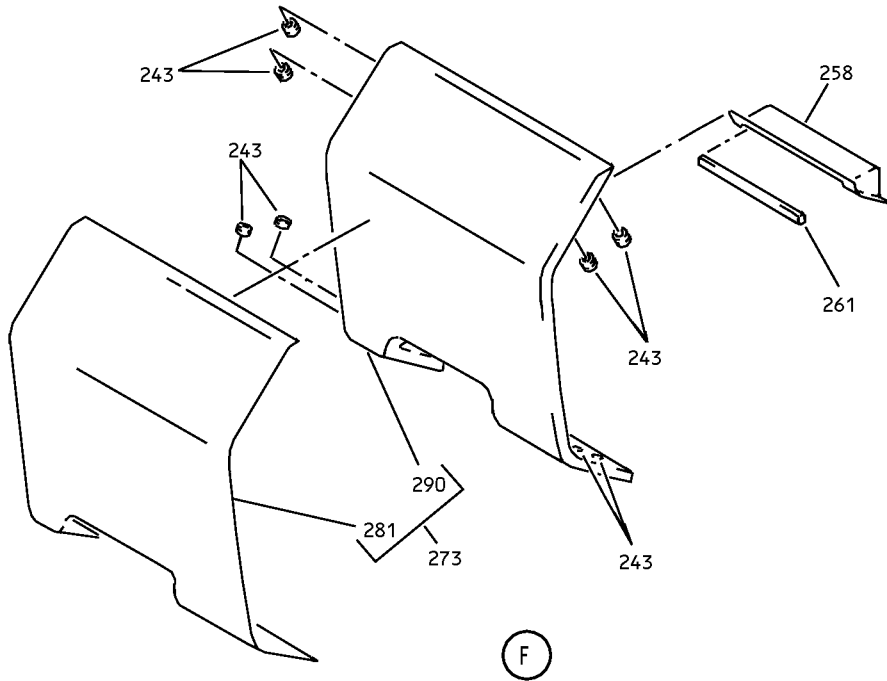
**25-28-47**

ILLUSTRATED PARTS LIST

Page 1098.267

Mar 01/2006

# COMPONENT MAINTENANCE MANUAL



Overhead Storage Compartment Assembly  
IPL Figure 8 (Sheet 5 of 15)

## 25-28-47

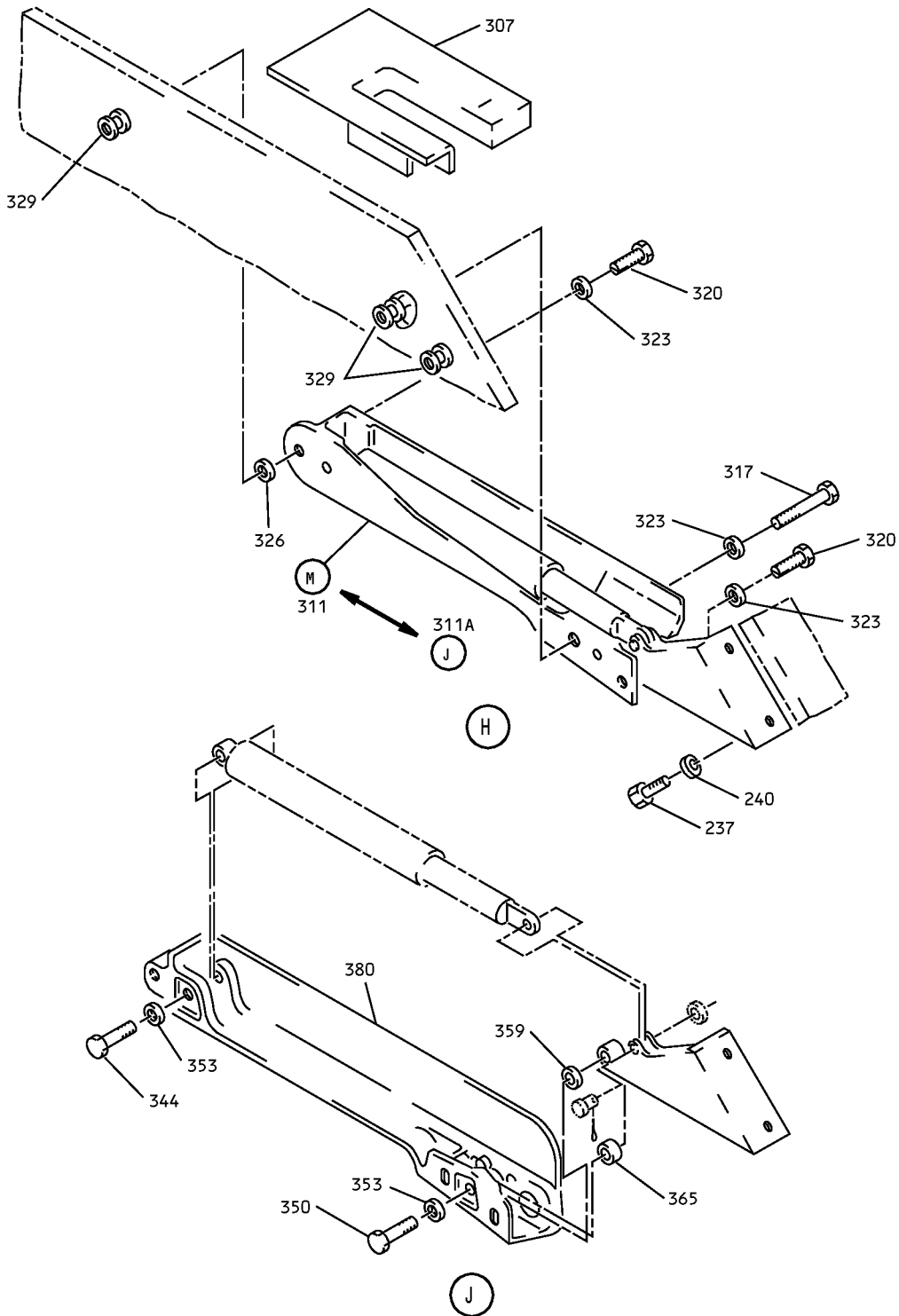
ILLUSTRATED PARTS LIST

Page 1098.268

Mar 01/2006



COMPONENT MAINTENANCE MANUAL



Overhead Stowage Compartment Assembly  
IPL Figure 8 (Sheet 6 of 15)

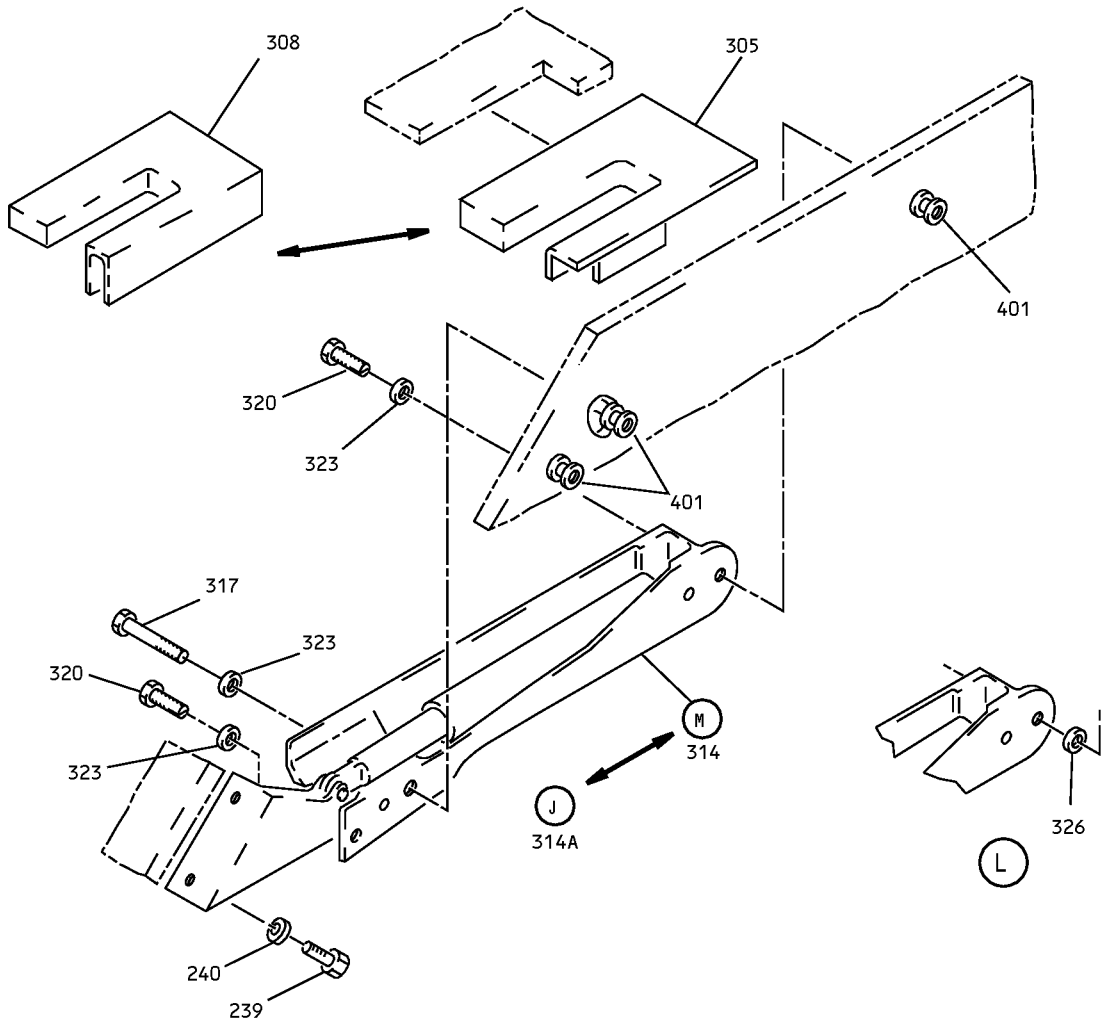
**25-28-47**

ILLUSTRATED PARTS LIST

Page 1098.269

Mar 01/2006

COMPONENT MAINTENANCE MANUAL



Overhead Stowage Compartment Assembly  
IPL Figure 8 (Sheet 7 of 15)

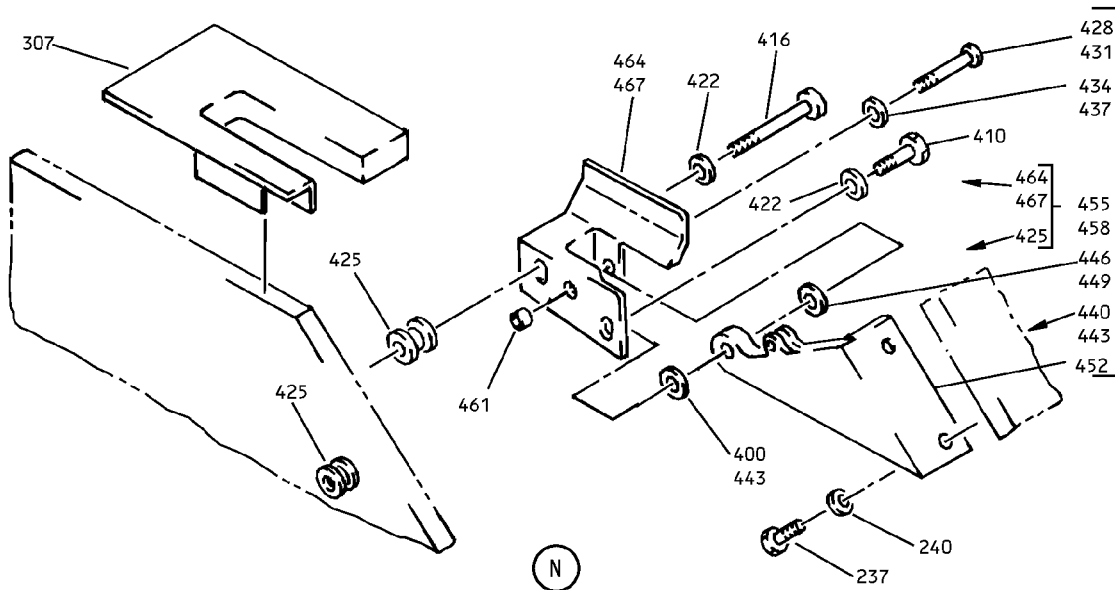
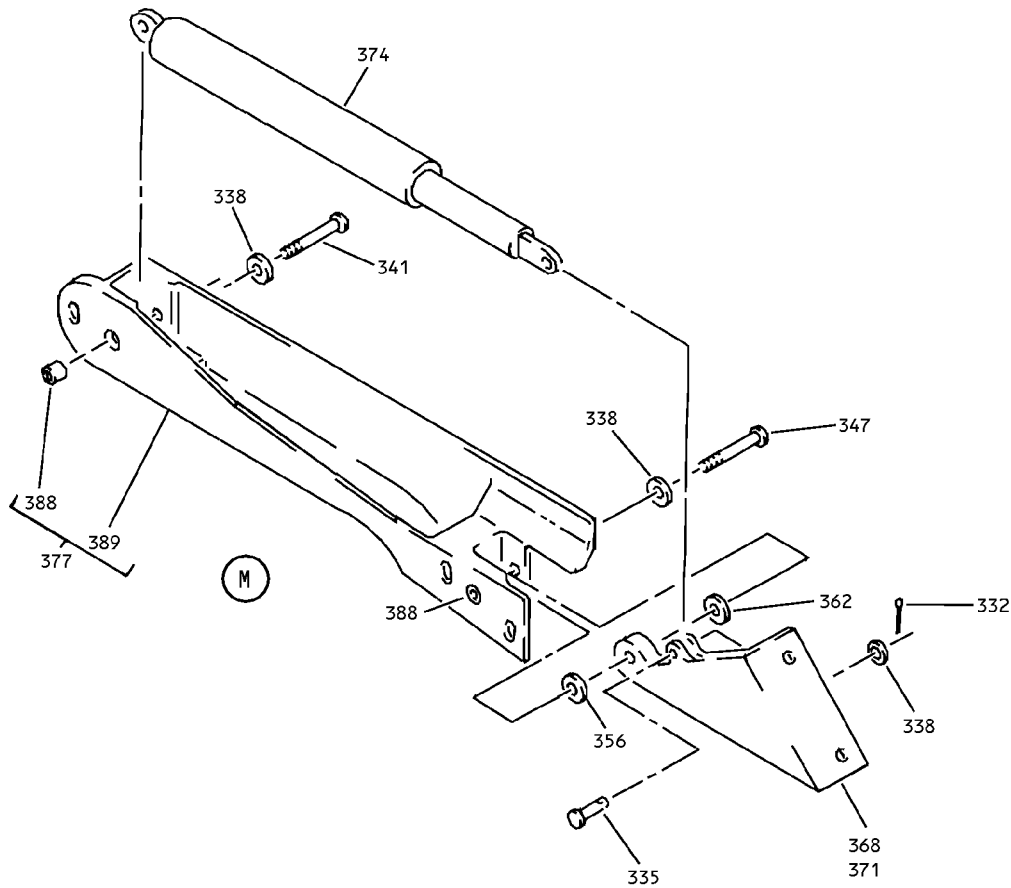
**25-28-47**

ILLUSTRATED PARTS LIST

Page 1098.270

Mar 01/2006

COMPONENT MAINTENANCE MANUAL



Overhead Storage Compartment Assembly  
IPL Figure 8 (Sheet 8 of 15)

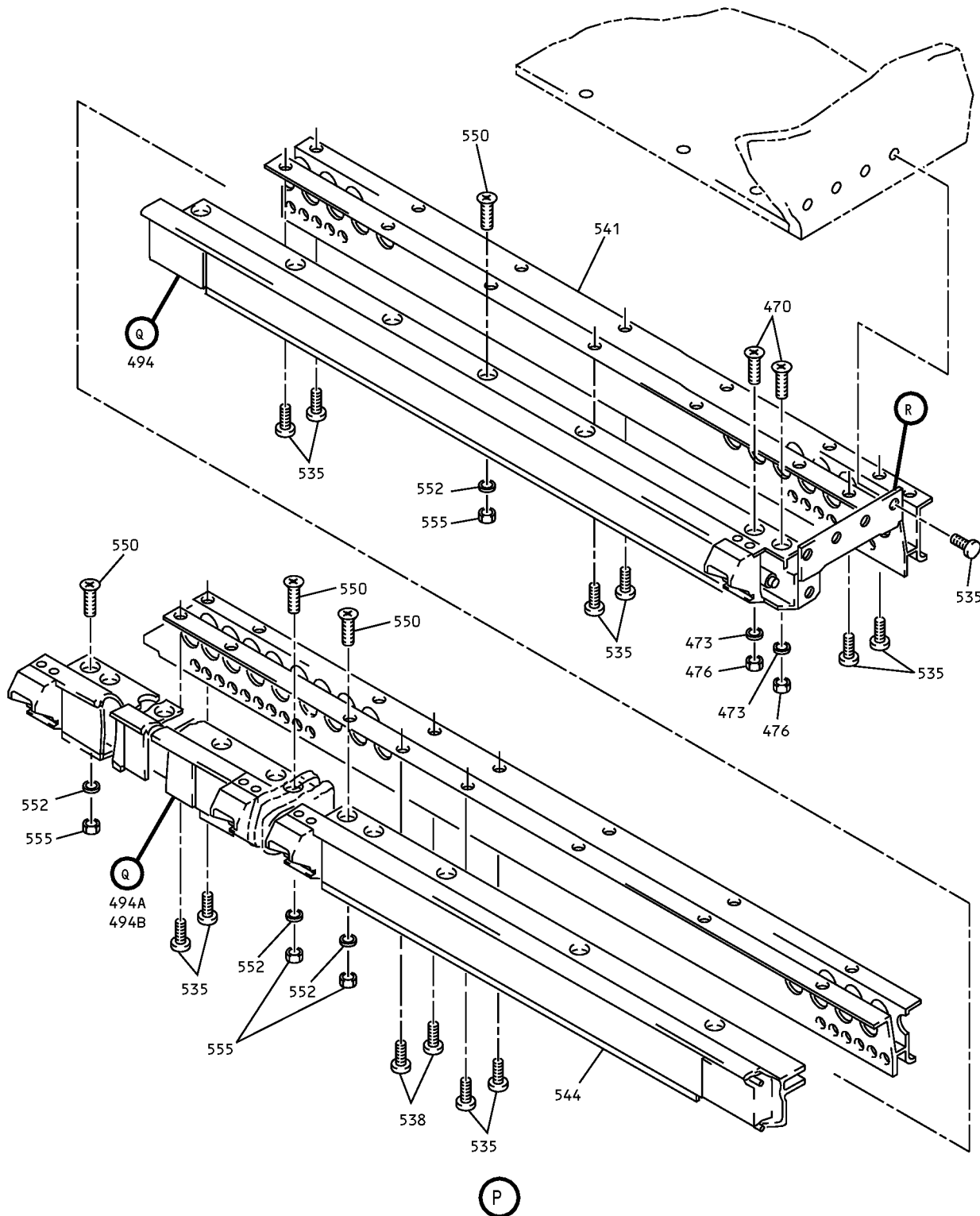
**25-28-47**

ILLUSTRATED PARTS LIST

Page 1098.271

Mar 01/2006

COMPONENT MAINTENANCE MANUAL



Overhead Storage Compartment Assembly  
IPL Figure 8 (Sheet 9 of 15)

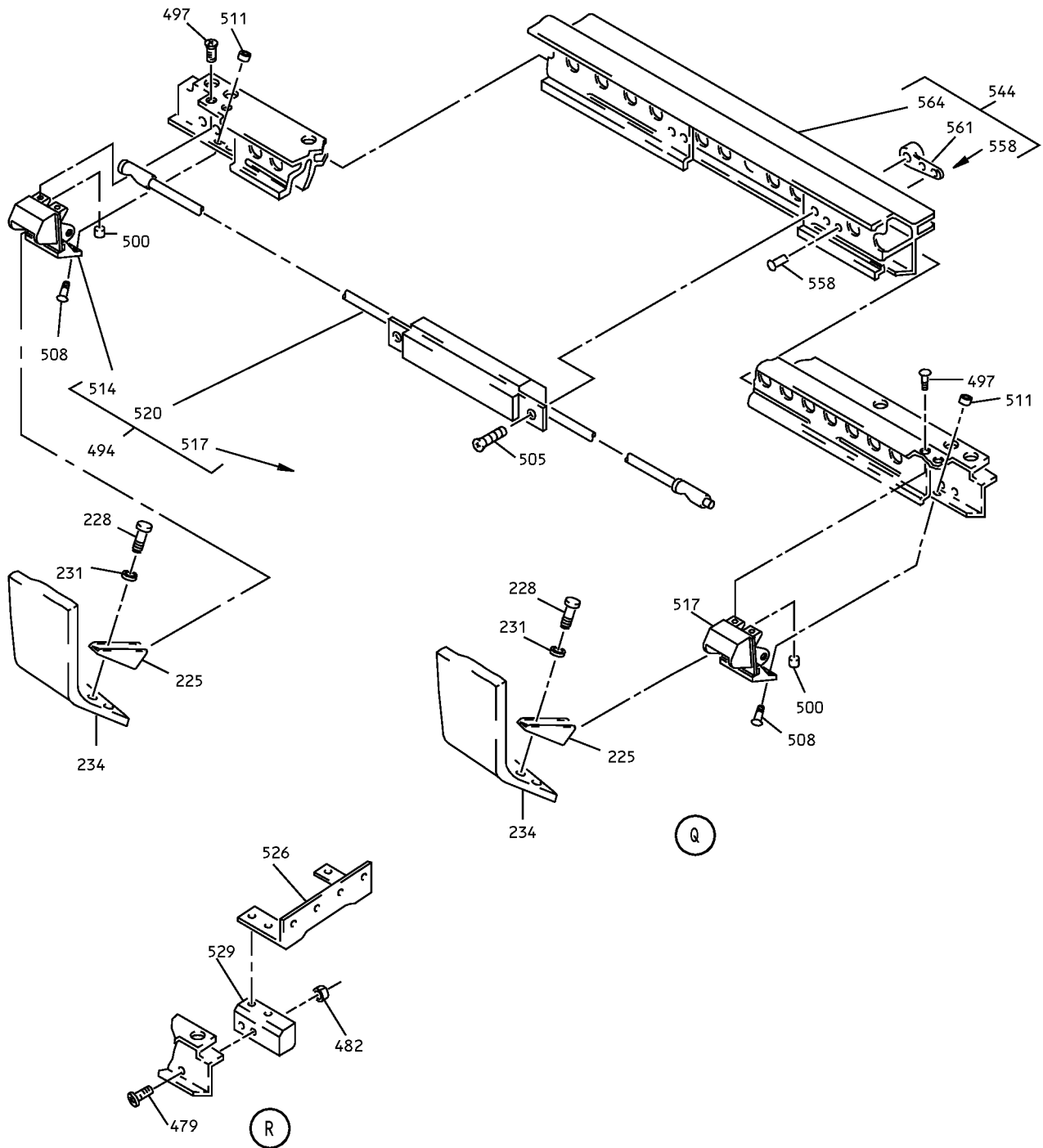
**25-28-47**

ILLUSTRATED PARTS LIST

Page 1098.272

Mar 01/2006

COMPONENT MAINTENANCE MANUAL



Overhead Stowage Compartment Assembly  
IPL Figure 8 (Sheet 10 of 15)

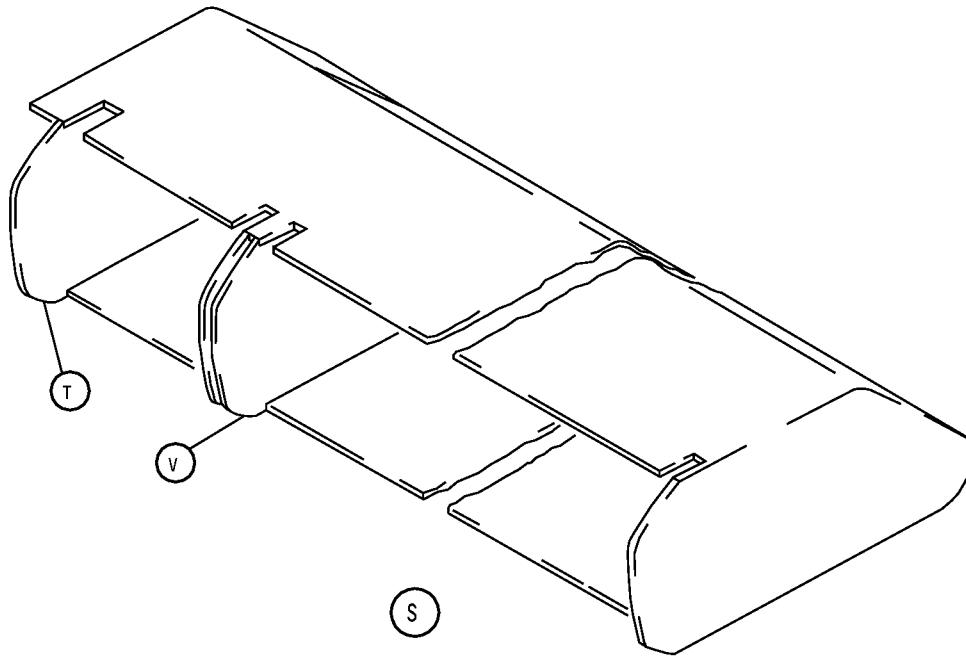
**25-28-47**

ILLUSTRATED PARTS LIST

Page 1098.273

Mar 01/2006

COMPONENT MAINTENANCE MANUAL



Overhead Storage Compartment Assembly  
IPL Figure 8 (Sheet 11 of 15)

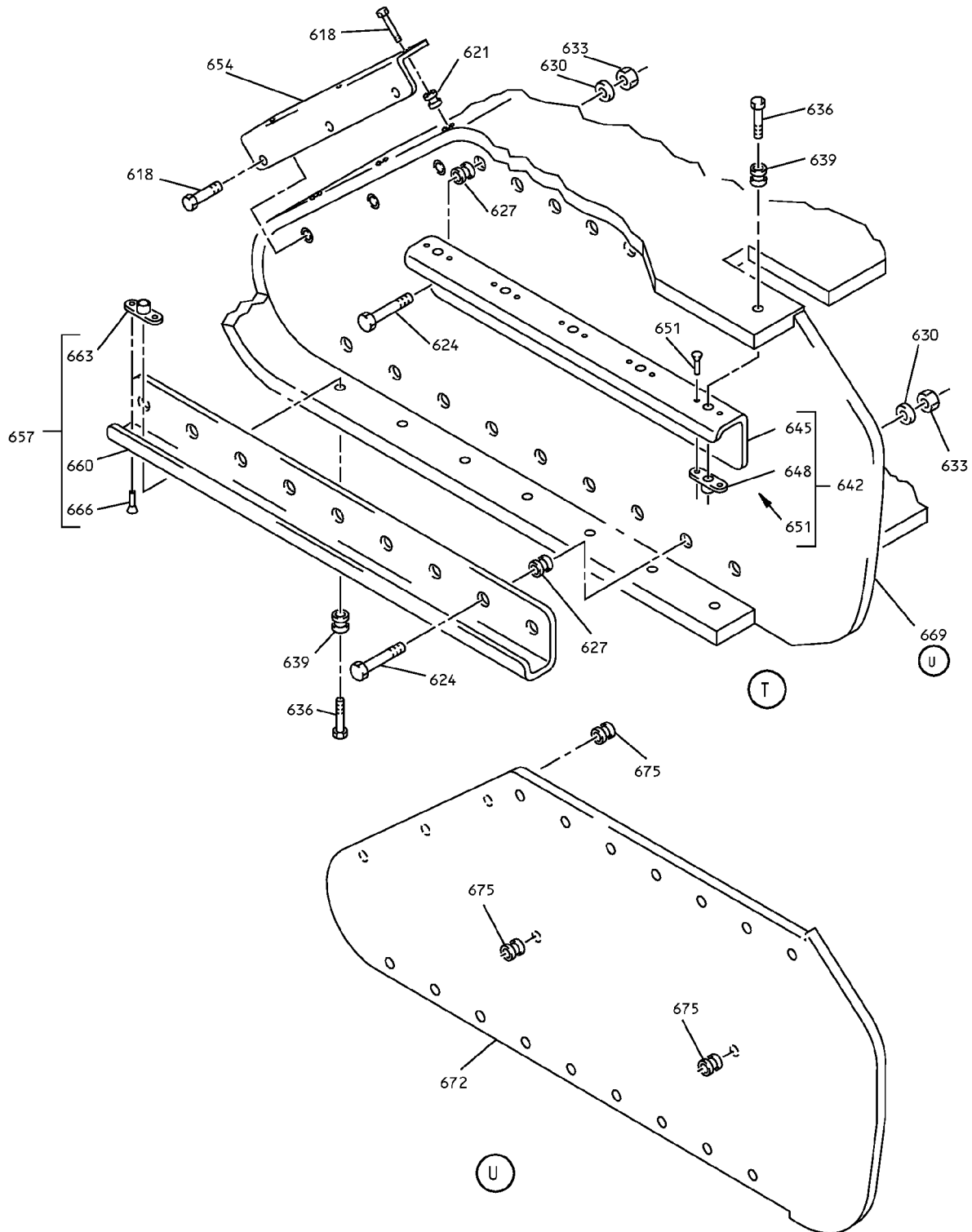
**25-28-47**

ILLUSTRATED PARTS LIST

Page 1098.274

Mar 01/2006

COMPONENT MAINTENANCE MANUAL



Overhead Storage Compartment Assembly  
IPL Figure 8 (Sheet 12 of 15)

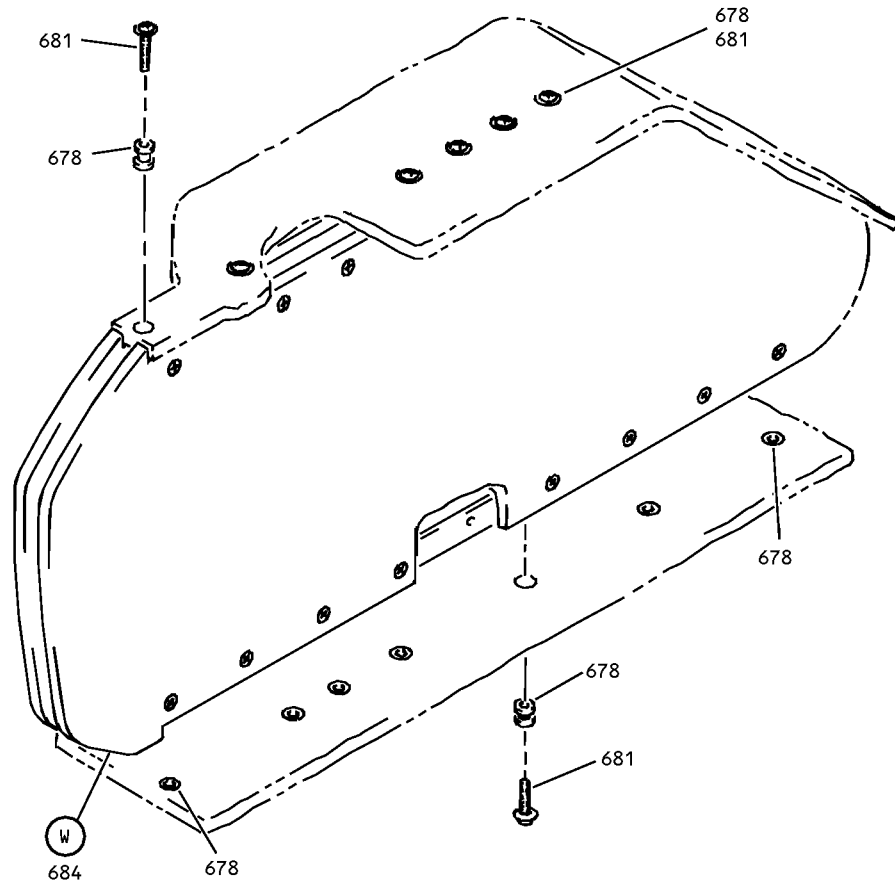
**25-28-47**

ILLUSTRATED PARTS LIST

Page 1098.275

Mar 01/2006

COMPONENT MAINTENANCE MANUAL

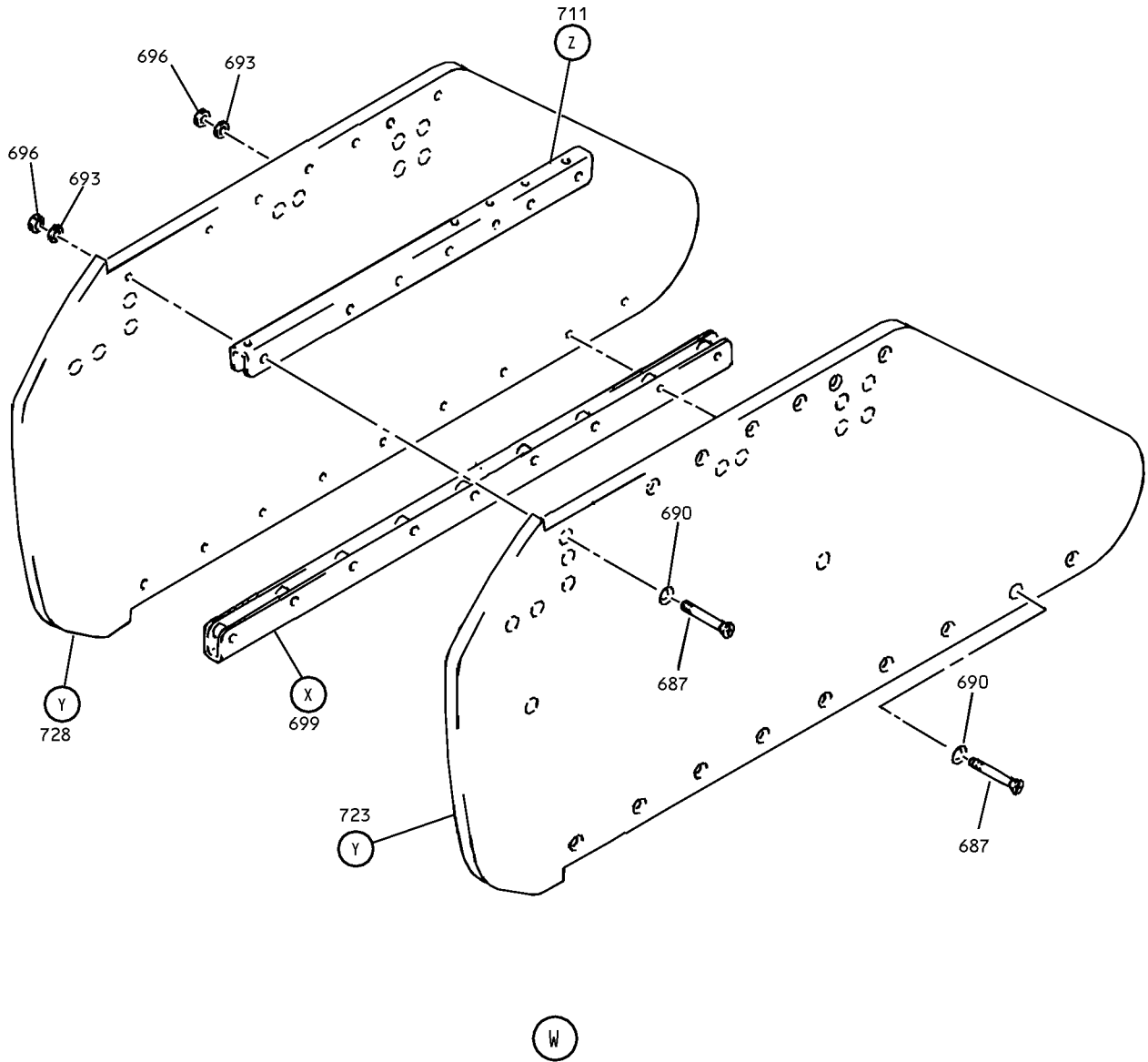


Overhead Stowage Compartment Assembly  
IPL Figure 8 (Sheet 13 of 15)

**25-28-47**  
ILLUSTRATED PARTS LIST  
Page 1098.276  
Mar 01/2006



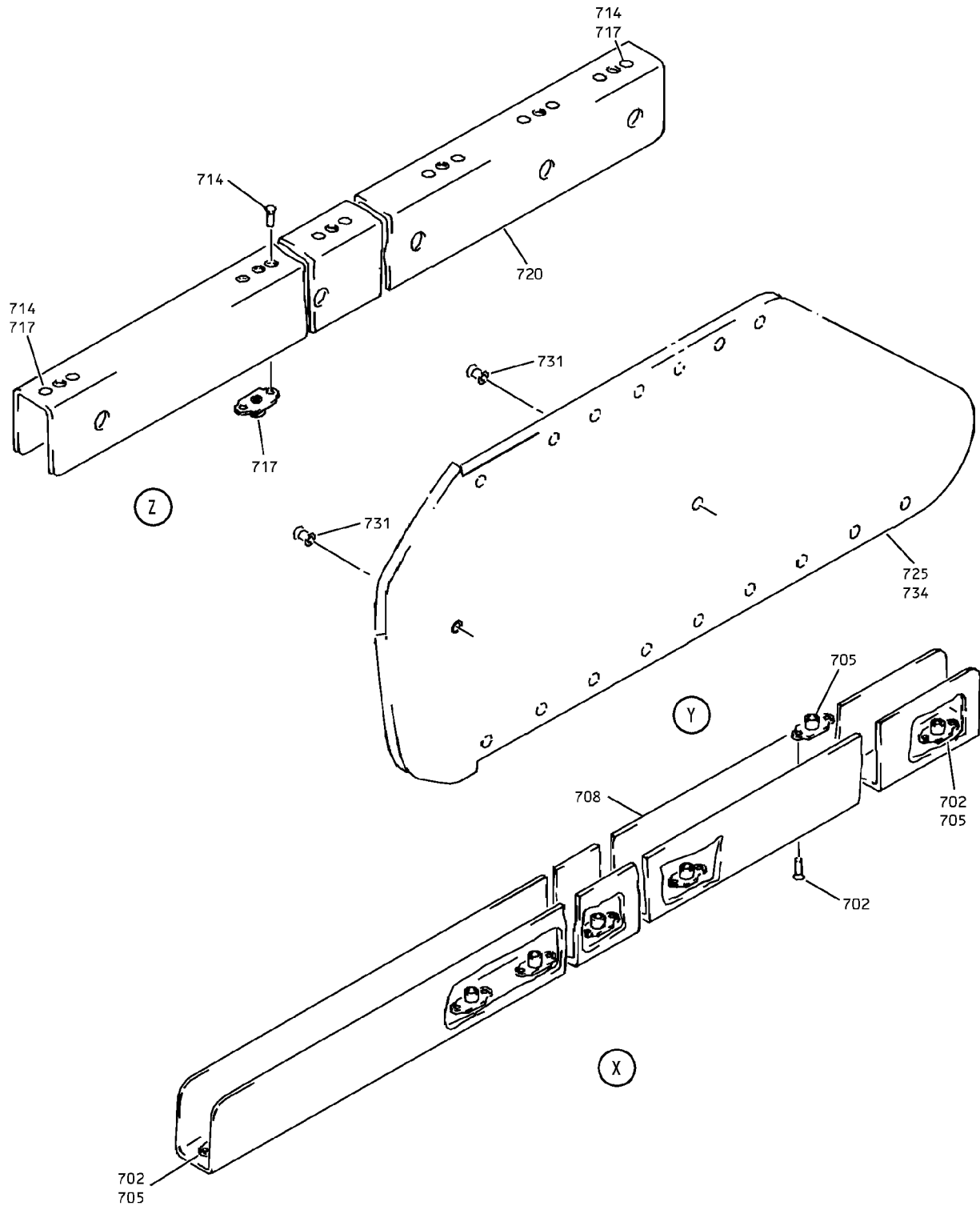
COMPONENT MAINTENANCE MANUAL



Overhead Storage Compartment Assembly  
IPL Figure 8 (Sheet 14 of 15)

**25-28-47**  
ILLUSTRATED PARTS LIST  
Page 1098.277  
Mar 01/2006

# COMPONENT MAINTENANCE MANUAL



Overhead Storage Compartment Assembly  
IPL Figure 8 (Sheet 15 of 15)

## 25-28-47

ILLUSTRATED PARTS LIST

Page 1098.278

Mar 01/2006



## COMPONENT MAINTENANCE MANUAL

FIG/ ITEM	PART NUMBER	AIRLINE PART NUMBER	NOMENCLATURE							USAGE CODE	UNITS PER ASSY
			1	2	3	4	5	6	7		
8-											
1	65C27006-51SP									A	RF
1A	65C27006-59SP									B	RF
3	BACB30NM3K1										4
6	BACB30NM3K10										1
9	AN960JD10										4
12	AN960JD10L										1
15	412N1119-55										1
18	412N1119-56										1
21	BACB30NN3K10										1
22	NAS1801-3-11										1
26	411N3142-28										1
30	BACS18C8-6										1
34	MS24585-1230										1
38	417N5120-19										1
38A	417N5120-6										1
40	65C28117-3										1
42	NAS1801-3-5										2
46	AN960JD10L										2
50	417N5120-11										1

-Item not Illustrated

# 25-28-47

ILLUSTRATED PARTS LIST

Page 1098.279

Mar 01/2006



## COMPONENT MAINTENANCE MANUAL

FIG/ ITEM	PART NUMBER	AIRLINE PART NUMBER	NOMENCLATURE							USAGE CODE	UNITS PER ASSY
			1	2	3	4	5	6	7		
8-											
54	2055150										2
58	F20T12WW										1
66	LP1625-24										1
-66A	NI152LGWUV1000										1
70	800000255-6										1
-71A	800000255-16								B		1
74	BACS12ER3K6										3
78	BACW10UD10										3
82	F22K1-02										3
86	05939-5										1
90	412N1119-1										1

-Item not Illustrated

# 25-28-47

ILLUSTRATED PARTS LIST

Page 1098.280

Mar 01/2006



## COMPONENT MAINTENANCE MANUAL

FIG/ ITEM	PART NUMBER	AIRLINE PART NUMBER	NOMENCLATURE 1 2 3 4 5 6 7	USAGE CODE	UNITS PER ASSY
8-			ATTACHING PARTS		
94	BACS12ER3K6		. SCREW (V06710) (SPEC BACS12ER3K6) (OPT BACS12ER3K6 (V06725)) (OPT BACS12ER3K6 (V06950)) (OPT BACS12ER3K6 (V27624)) (OPT BACS12ER3K6 (V34252)) (OPT BACS12ER3K6 (V56878)) (OPT BACS12ER3K6 (V73197)) (OPT BACS12ER3K6 (V80539)) (OPT BACS12ER3K6 (V92215)) (OPT BACS12ER3K6 (V93907)) (OPT BACS12ER3K6 (V97928))		4
98	BACB28B6-220P		-----*----- . . BUSHING		1
102	412N1119-2		. . FITTING		1
105	BACB30NM3K1		. BOLT (V06710) (SPEC BACB30NM3K1) (OPT BACB30NM3K1 (V06725)) (OPT BACB30NM3K1 (V06950)) (OPT BACB30NM3K1 (V08524)) (OPT BACB30NM3K1 (V27624)) (OPT BACB30NM3K1 (V56878)) (OPT BACB30NM3K1 (V73197)) (OPT BACB30NM3K1 (V80539)) (OPT BACB30NM3K1 (V92215)) (OPT BACB30NM3K1 (V93907)) (OPT BACB30NM3K1 (V97928))		8
108	AN960JD10		. WASHER		8
111	412N1161-1		. FITTING (OPT ITEM 111A)		1
-111A	412N1119-13		. FITTING (OPT ITEM 111)		1

-Item not Illustrated

# 25-28-47

ILLUSTRATED PARTS LIST

Page 1098.281

Mar 01/2006



## COMPONENT MAINTENANCE MANUAL

FIG/ ITEM	PART NUMBER	AIRLINE PART NUMBER	NOMENCLATURE							USAGE CODE	UNITS PER ASSY		
			1	2	3	4	5	6	7				
8- 117	BACB30NM3K1		.	B	O	L	T					4	
					(V06710)								
					(SPEC BACB30NM3K1)								
					(OPT BACB30NM3K1 (V06725))								
					(OPT BACB30NM3K1 (V06950))								
					(OPT BACB30NM3K1 (V08524))								
					(OPT BACB30NM3K1 (V27624))								
					(OPT BACB30NM3K1 (V56878))								
					(OPT BACB30NM3K1 (V73197))								
					(OPT BACB30NM3K1 (V80539))								
					(OPT BACB30NM3K1 (V92215))								
					(OPT BACB30NM3K1 (V93907))								
					(OPT BACB30NM3K1 (V97928))								
120	AN960JD10		.	W	A	S	H	E	R			4	
123	412N1119-12		.	F	I	T	T	I	N	G		1	
126	BACS12FA3K5		.	S	C	R	E	W				11	
129	412N1145-29		.	B	R	A	C	K	E	T		4	
150	BACB30PF4-3		.	S	C	R	E	W				1	
153	AN960C416L		.	W	A	S	H	E	R			1	
156	NAS1515F4H		.	W	A	S	H	E	R			1	
159	NAS1515M4L		.	W	A	S	H	E	R			1	
168	65C27017-13		.	B	R	A	C	K	E	T		4	
-168A	65C27017-17		.	B	R	A	C	K	E	T		4	
171	417N1145-30		.	B	R	A	C	K	E	T		1	
174	65C27027-3		.	C	A	P	A	S	S	Y	-	E	1
177	65C27027-17		.	.	S	E	A	L				1	
180	65C27027-11		.	.	P	A	N	E	L	A	S	S	1
187	65C27027-14		.	.	S	U	P	P	O	R	T	,A	1
191	65C27027-13		.	.	F	O	A	M					
194	SL2334-3A2		.	.	I	N	S	E	R			9	
					(V97393)								
197	65C27027-7		.	.	E	N	D	C	A	P		1	
203	65C27026-39		.	P	A	N	E	L	A	S	S	A	1
										A			
-203A	65C27026-36		.	P	A	N	E	L	A	S	S	A	1
										B			
206	NAS1836-3-11		.	.	I	N	S	E	R			4	
220	412N1130-5		.	T	R	I	M	,V	E	R	T	I	2

-Item not Illustrated

**25-28-47**

ILLUSTRATED PARTS LIST

Page 1098.282

Mar 01/2006



## COMPONENT MAINTENANCE MANUAL

FIG/ ITEM	PART NUMBER	AIRLINE PART NUMBER	NOMENCLATURE							USAGE CODE	UNITS PER ASSY
			1	2	3	4	5	6	7		
8-											
221	65C27006-12										1
223	65C27009-51SP									A	1
-223A	65C27009-59SP									B	1
225	H3-1152-1										4
228	BACS12FA3K4										8
231	MS35333-39										8
234	412N1140-44SP										1
235	412N1140-79SP									A	1
-235A	412N1140-68SP									B	1
237	NAS1801-3-4										8
240	MS35333-39										8
243	SL628-3A										8
246	BACS12H4-8										2
249	NAS620A8L										2
252	412N1245-1										2
255	MS51862-4										2
258	412N1143-11										1
261	412N1140-17										1
264	412N1143-13										1
267	412N1143-14										1

-Item not Illustrated

# 25-28-47

ILLUSTRATED PARTS LIST

Page 1098.283

Mar 01/2006



## COMPONENT MAINTENANCE MANUAL

FIG/ ITEM	PART NUMBER	AIRLINE PART NUMBER	NOMENCLATURE							USAGE CODE	UNITS PER ASSY	
			1	2	3	4	5	6	7			
8-												
270	412N1140-58											1
273	412N1140-62											1
276	412N1140-13											1
279	412N1141-1											1
281	412N1141-5											1
284	412N1141-7											1
287	412N1142-15											1
290	412N1142-20											1
-293	412N1244-2											1
296	412N1118-1SP											2
299	412N1118-2SP											2
302	65C27009-6											2
305	412N1154-3											1
307	412N1154-4											2
308	412N1154-1											1
311	412N1155-1											1
311A	412N1155-7											1
314	412N1155-2											2
314A	412N1155-8											2
317	BACB30LK3-18											1

-Item not Illustrated

# 25-28-47

ILLUSTRATED PARTS LIST

Page 1098.284

Mar 01/2006





## COMPONENT MAINTENANCE MANUAL

FIG/ ITEM	PART NUMBER	AIRLINE PART NUMBER	NOMENCLATURE							USAGE CODE	UNITS PER ASSY
			1	2	3	4	5	6	7		
8-											
-317A	NAS1801-3-10								.. BOLT (USED WITH ITEMS 311A, 314A)		1
320	412N1227-1								.. BOLT (OPT ITEM 320A)		2
-320A	A1C1321-3-8								.. BOLT (OPT ITEM 320)		2
323	BACW10P136AL								.. WASHER		3
326	AN960JD10								.. WASHER		1
329	NAS1833-3-400								.. INSERT		3
332	MS24665-132								... PIN-COTTER		1
335	MS20392-2C13								... PIN-DRILLED SHANK		1
338	AN960PD10L								... WASHER		3
341	NAS6703PU15								... BOLT (USED ON ITEMS 311,314)		1
344	BACB30NM3K12								... BOLT (USED ON ITEMS 311A,314A)		1
347	NAS6703PU11								... BOLT (USED ON ITEMS 311,314)		1
350	BACB30NM3K8								... BOLT (USED ON ITEMS 311A,314A)		1
353	NA960KD10L								... WASHER (USED ON ITEMS 311A,314A)		1
356	NAS43DD3-5								... SPACER (USED ON ITEMS 311,314)		1
359	NAS43DD3-3								... SPACER (USED ON ITEMS 311A,314A)		1
362	NAS43DD3-6								... SPACER (USED ON ITEMS 311,314)		1
365	NAS43DD3-8								... SPACER (USED ON ITEMS 311A,314A)		1
368	H2948-2								... HINGE (SPEC S412N102-2) (USED ON ITEMS 311,311A)		1
371	H2948-1								... HINGE (V83014) (SPEC S412N102-1) (USED ON ITEMS 314,314A)		1

-Item not Illustrated

# 25-28-47

ILLUSTRATED PARTS LIST

Page 1098.285

Mar 01/2006



## COMPONENT MAINTENANCE MANUAL

FIG/ ITEM	PART NUMBER	AIRLINE PART NUMBER	NOMENCLATURE							USAGE CODE	UNITS PER ASSY	
			1	2	3	4	5	6	7			
8- 374	SB113		. . .				ACTUATOR (V24984) (SPEC S412N104-1)					1
377	412N1156-1		. . .				CHASSIS ASSY (USED ON ITEM 311)					1
380	412N1156-13		. . .				CHASSIS ASSY (USED ON ITEM 311A)					1
-383	412N1156-2		. . .				CHASSIS ASSY (USED ON ITEM 314)					1
-386	412N1156-14		. . .				CHASSIS ASSY (USED ON ITEM 314A)					1
388	NAS1833-3-400		. . .				INSERT (V01556)					3
389	412N1156-3		. . .				CHASSIS (USED ON ITEM 377)					1
-392	412N1156-15		. . .				CHASSIS (USED ON ITEM 380)					1
-395	412N1156-4		. . .				CHASSIS (USED ON ITEM 383)					1
-398	412N1156-16		. . .				CHASSIS (USED ON ITEM 386)					1
401	NAS1833-3-400		. .				INSERT					6
404	412N1155-3		. .				HINGE ASSY (LIMITED USAGE) (OPT ITEM 404A)					1
404A	412N1155-9		. .				HINGE ASSY (LIMITED USAGE) (OPT ITEM 404)					1
							ATTACHING PARTS					
410	412N1227-1		. .				BOLT (OPT ITEM 413)					1
-413	AIC1321-3-8		. .				BOLT (V06725) (OPT ITEM 410)					1
416	BACB30LK3-18		. .				BOLT (USED ON ITEM 404)					1
-419	NAS1801-3-10		. .				BOLT (USED ON ITEM 404A)					1

-Item not Illustrated

# 25-28-47

ILLUSTRATED PARTS LIST

Page 1098.286

Mar 01/2006



## COMPONENT MAINTENANCE MANUAL

FIG/ ITEM	PART NUMBER	AIRLINE PART NUMBER	NOMENCLATURE							USAGE CODE	UNITS PER ASSY
			1	2	3	4	5	6	7		
8-											
422	BACW10P136AL								. . WASHER (V10630) (SPEC BACW10P136AL)		2
425	NAS18833-3-400								. . INSERT		2
									-----*		
428	NAS6703PU11								. . . BOLT (USED ON ITEM 404)		1
431	BACS30NM3K8								. . . BOLT (USED ON ITEM 404A)		1
434	AN960PD10L								. . . WASHER (USED ON ITEM 404)		1
437	AN960KD10L								. . . WASHER (USED ON ITEM 404A)		1
440	NAS43DD3-5								. . . SPACER (USED ON ITEM 404)		1
443	NAS43DD3-8								. . . SPACER (USED ON ITEM 404A)		1
446	NAS43DD3-6								. . . SPACER (USED ON ITEM 404)		1
449	NAS43DD3-3								. . . SPACER (USED ON ITEM 404A)		1
452	H2948-2								. . . HINGE (V83014) (SPEC S412N102-2)		1
455	412N1156-5								. . . CHASSIS ASSY (USED ON ITEM 404)		1
458	412N1156-19								. . . CHASSIS ASSY (USED ON ITEM 404A)		1
461	6041-3BRX225								. . . . INSERT-DODGE (V01556)		2
464	412N1156-3								. . . . CHASSIS (USED ON ITEM 455)		1
467	412N1156-25								. . . . CHASSIS (USED ON ITEM 458)		1
470	BACS12ER08K14								. . BOLT		2
473	AN960JD8								. . WASHER		2
476	MS21042L08								. . NUT		2

-Item not Illustrated

# 25-28-47

ILLUSTRATED PARTS LIST

Page 1098.287

Mar 01/2006





COMPONENT MAINTENANCE MANUAL

FIG/ ITEM	PART NUMBER	AIRLINE PART NUMBER	NOMENCLATURE							USAGE CODE	UNITS PER ASSY
			1	2	3	4	5	6	7		
8-											
520	S412N101-1031		. . .	LATCH ASSY							1
				(SPEC S412N101-1031)							
				(USED ON ITEM 494)							
-520A	S412N101-3014		. . .	LATCH ASSY							1
				(V34941)							
				(SPEC S412N101-3014)							
				(USED ON ITEM 494A)							
-520B	S412N101-3016		. . .	LATCH ASSY							1
				(V34941)							
				(SPEC S412N101-3016)							
				(USED ON ITEM 494B)							
526	412N1145-28		. .	BRACKET							1
529	412N1117-2		. .	FITTING							1
535	BACS12FA3K5		. .	SCREW							34
538	BACS12FA3K15		. .	SCREW							2
541	65C27023-27		. .	SUPPORT-PASS. SVCE UNIT					A		1
-541A	65C27023-31		. .	SUPPORT-PASS. SVCE UNIT					B		1
544	412N1146-4		. .	SUPPORT-PASS. BULLNOSE							1
-544A	412N1146-57		. .	SUPPORT-PASS. BULLNOSE					A		1
-544B	412N1146-40		. .	SUPPORT-PASS. BULLNOSE					B		1
				ATTACHING PARTS							
550	BACS12ER08K12		. .	SCREW							21
				(V06710)							
				(SPEC BACS12ER08K12)							
				(OPT BACS12ER08K12 (V06725))							
				(OPT BACS12ER08K12 (V06950))							
				(OPT BACS12ER08K12 (V27624))							
				(OPT BACS12ER08K12 (V34252))							
				(OPT BACS12ER08K12 (V56878))							
				(OPT BACS12ER08K12 (V73197))							
				(OPT BACS12ER08K12 (V80539))							
				(OPT BACS12ER08K12 (V92215))							
				(OPT BACS12ER08K12 (V93907))							
				(OPT BACS12ER08K12 (V97928))							
552	AN960PD8		. .	WASHER							21
555	MS21042L08		. .	NUT							21
				-----*							
558	BACR15DR3		. . .	RIVET							4
				(SIZE DETERMINED ON INST)							

-Item not Illustrated

**25-28-47**

ILLUSTRATED PARTS LIST

Page 1098.289

Mar 01/2006



## COMPONENT MAINTENANCE MANUAL

FIG/ ITEM	PART NUMBER	AIRLINE PART NUMBER	NOMENCLATURE							USAGE CODE	UNITS PER ASSY
			1	2	3	4	5	6	7		
8-											
561	BACN10KB08										2
564	412N1146-24									A	1
-564A	412N1146-59									B	1
-564B	412N1146-43									C	1
567	65C27012-30									A	1
-567A	65C27012-37									B	1
-570	65C27012-1035									A	1
-573	NAS1836-3-11										10
-576	65C27012-1038									B	1
-579	NAS1836-3-11										10
-582	65C27012-1110										1
-585	NAS1836-3-11										10
-588	65C27012-1208										1
-591	NAS1836-3-11										4
-594	SL2334-3A2										4
-597	65C27012-1317										1
-600	65C27012-8										1
-603	NAS1836-3-11										12
-606	65C27012-2018										1
-609	NAS1836-3-11										4
-612	65C27012-2120										1
-615	65C27327-41									A	1
-615A	65C27327-53									B	1
618	BACS12FA3K5										6
621	NAS1836-3-11										3
624	BACB30NN3K6										16
627	SL3378-3-380										16
630	AN960JD10L										16
633	MS1042L3										16

-Item not Illustrated

**25-28-47**

ILLUSTRATED PARTS LIST

Page 1098.290

Mar 01/2006



## COMPONENT MAINTENANCE MANUAL

FIG/ ITEM	PART NUMBER	AIRLINE PART NUMBER	NOMENCLATURE							USAGE CODE	UNITS PER ASSY
			1	2	3	4	5	6	7		
8-											
636	BACS12FA3K12								.... BOLT		12
639	NAS1834-3-400								.... INSERT		12
642	412N1217-63								.... BRACKET ASSY		1
645	412N1217-64								..... BRACKET		1
648	BACN10JP3A								..... NUTPLATE		5
651	BACR15BA3D								..... RIVET		10
654	412N1217-5								.... BRACKET		1
657	412N1217-78								.... BRACKET ASSY		1
660	412N1217-80								..... BRACKET		1
663	BACN10JP3A								..... NUTPLATE		7
666	BACR15BA3D								..... RIVET		14
669	412N1116-75								.... PANEL ASSY-END		1
672	412N1116-17								..... PANEL ASSY		1
675	NAS1836-3-11								..... INSERT		5
678	NAS1834-4-400								.... INSERT		13
681	BACS12FA3K12								.... SCREW (V06710) (SPEC BACS12FA3K12) (OPT BACS12FA3K12 (V06725)) (OPT BACS12FA3K12 (V06950)) (OPT BACS12FA3K12 (V27624)) (OPT BACS12FA3K12 (V34252)) (OPT BACS12FA3K12 (V56878)) (OPT BACS12FA3K12 (V73197)) (OPT BACS12FA3K12 (V80539)) (OPT BACS12FA3K12 (V92215)) (OPT BACS12FA3K12 (V93907)) (OPT BACS12FA3K12 (V97928))		13
684	412N1216-28								.... PANEL ASSY-DIVIDER		1

-Item not Illustrated

# 25-28-47

ILLUSTRATED PARTS LIST

Page 1098.291

Mar 01/2006



## COMPONENT MAINTENANCE MANUAL

FIG/ ITEM	PART NUMBER	AIRLINE PART NUMBER	NOMENCLATURE							USAGE CODE	UNITS PER ASSY
			1	2	3	4	5	6	7		
8- 687	BACB30NN3K1		.	.	.	.	.	.	BOLT (V06710) (SPEC BACB30NN3K1) (OPT BACB30NN3K1 (V06725)) (OPT BACB30NN3K1 (V06950)) (OPT BACB30NN3K1 (V08524)) (OPT BACB30NN3K1 (V27624)) (OPT BACB30NN3K1 (V56878)) (OPT BACB30NN3K1 (V73197)) (OPT BACB30NN3K1 (V80539)) (OPT BACB30NN3K1 (V92215)) (OPT BACB30NN3K1 (V93907)) (OPT BACB30NN3K1 (V97928))		16
690	BACW10CT10		.	.	.	.	.	.	WASHER (V10630) (SPEC BACW10CT10)		16
693	AN960PD516L		.	.	.	.	.	.	WASHER		16
696	SL5-3-145S		.	.	.	.	.	.	NUT (V97393) (OPT ITEM 696A)		16
-696A	KD121395-145		.	.	.	.	.	.	NUT (V29372) (OPT ITEM 696)		16
699	412N1217-19		.	.	.	.	.	.	BRACKET ASSY		1
702	BACR15BA3AD		.	.	.	.	.	.	RIVET (SIZE DETERMINED ON INST)		14
705	BRM200A3		.	.	.	.	.	.	NUTPLATE (V52828) (SPEC BACN10JP3A) (OPT MK1000-3BAC (V15653)) (OPT NS103197-02 (V80539)) (OPT T8076S1032 (V71087)) (OPT T8076S1032 (V11815)) (OPT VN202A1-02 (V92215))		7
708	412N1217-20		.	.	.	.	.	.	BRACKET		1
711	412N1217-87		.	.	.	.	.	.	BRACKET ASSY		1
714	BACR15BA3AD		.	.	.	.	.	.	RIVET (SIZE DETERMINED ON INST)		12

-Item not Illustrated

# 25-28-47

ILLUSTRATED PARTS LIST

Page 1098.292

Mar 01/2006





## COMPONENT MAINTENANCE MANUAL

FIG/ ITEM	PART NUMBER	AIRLINE PART NUMBER	NOMENCLATURE							USAGE CODE	UNITS PER ASSY
			1	2	3	4	5	6	7		
8- 717	BRM200A3		..... NUTPLATE (V52828) (SPEC BACN10JP3A) (OPT MK1000-3BAC (V15653)) (OPT NS103197-02 (V80539)) (OPT T8076S1032 (V71087)) (OPT T8076S1032 (V11815)) (OPT VN202A1-02 (V92215))								6
720	412N1217-88		..... BRACKET								1
723	412N1116-47		..... PANEL ASSY-DIVIDER								1
725	412N1116-17		..... PANEL ASSY								1
728	412N1116-50		..... PANEL ASSY-DIVIDER								1
731	NAS1836-3-11		..... INSERT								2
734	412N1116-18		..... PANEL ASSY								1
737	65C27327-42		.... BODY							A	1
740	65C27327-55		.... BODY							B	1

-Item not Illustrated

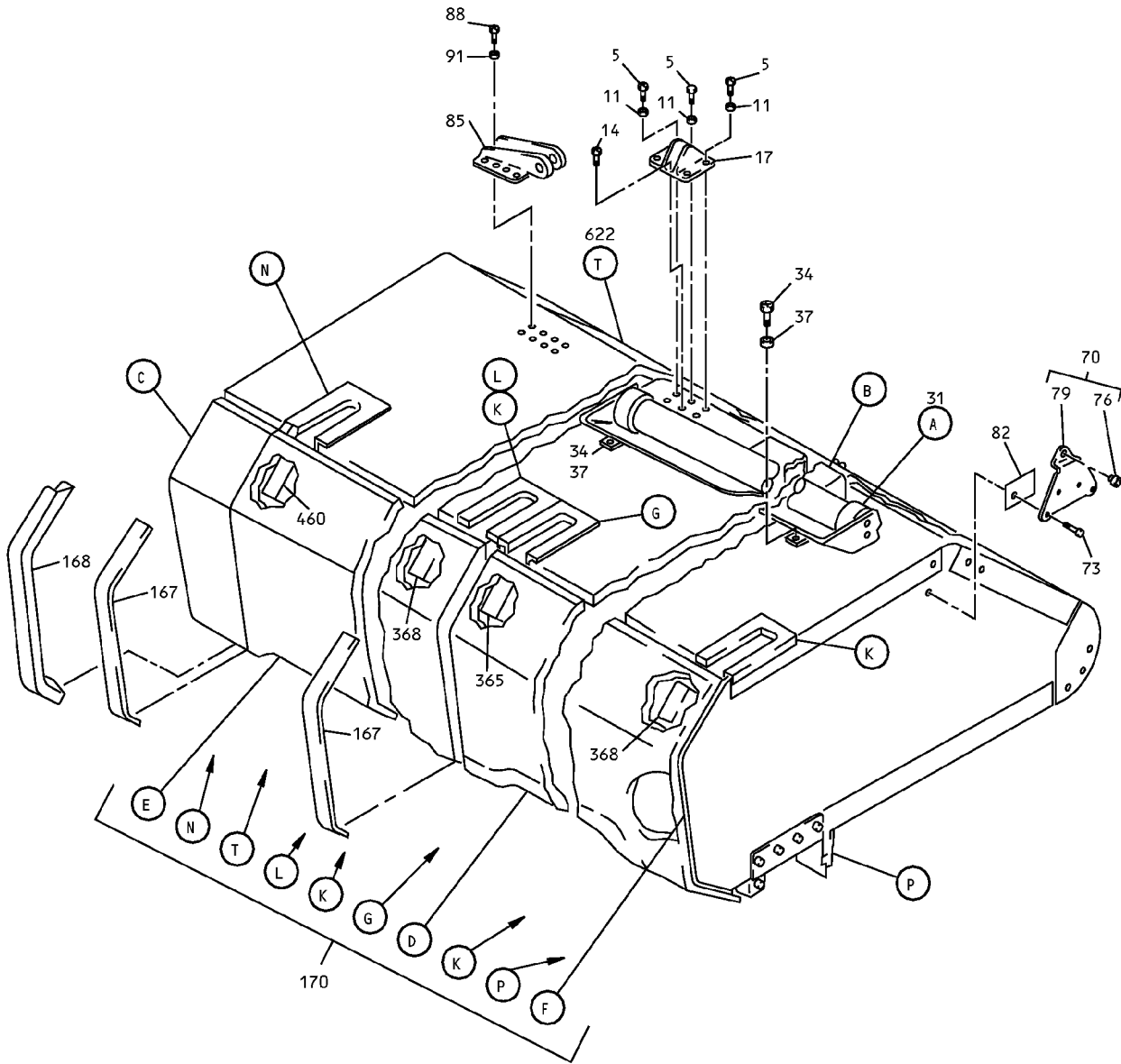
# 25-28-47

ILLUSTRATED PARTS LIST

Page 1098.293

Mar 01/2006

COMPONENT MAINTENANCE MANUAL



Overhead Stowage Compartment Assembly  
IPL Figure 9 (Sheet 1 of 16)

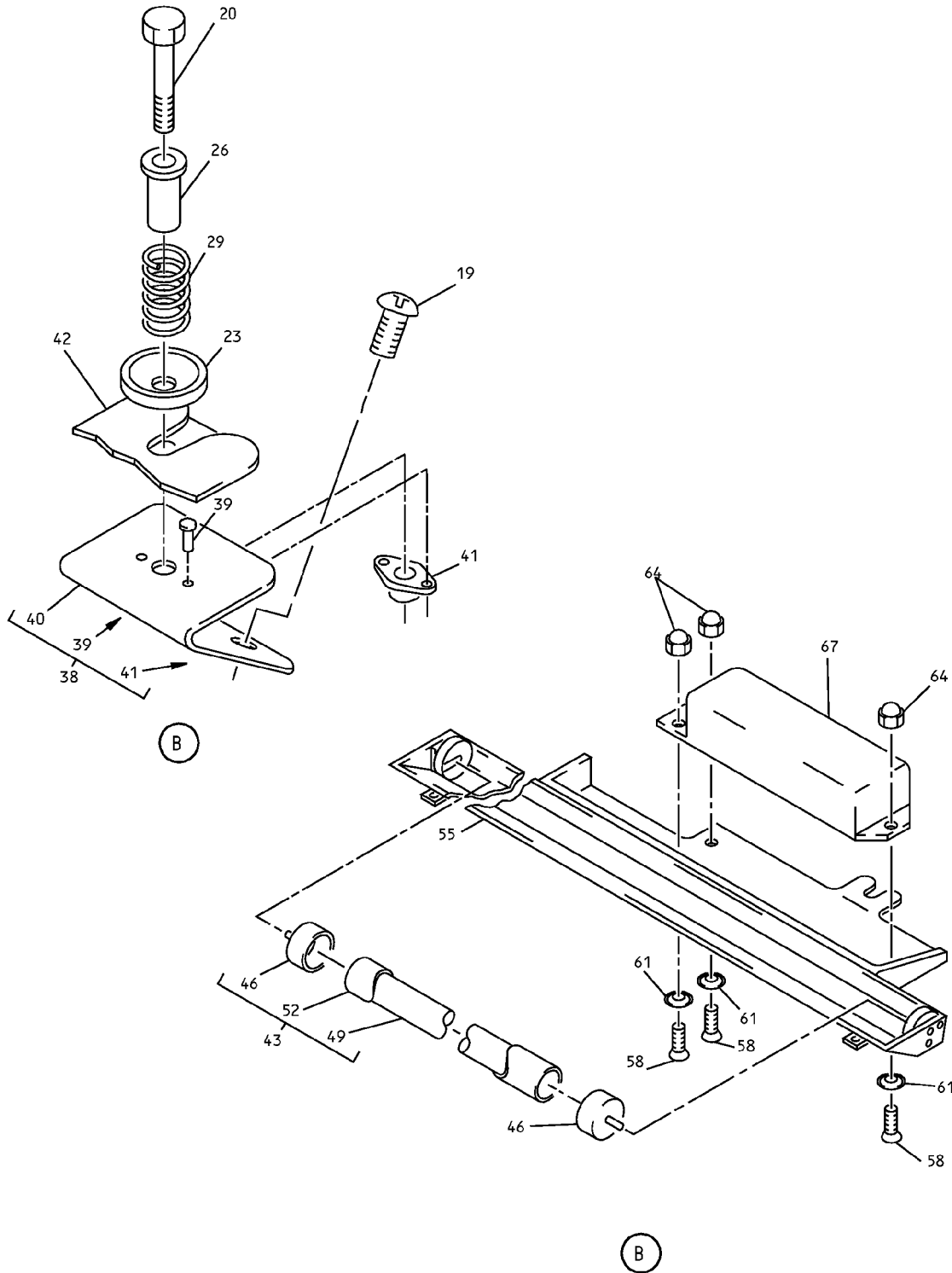
**25-28-47**

ILLUSTRATED PARTS LIST

Page 1098.294

Mar 01/2006

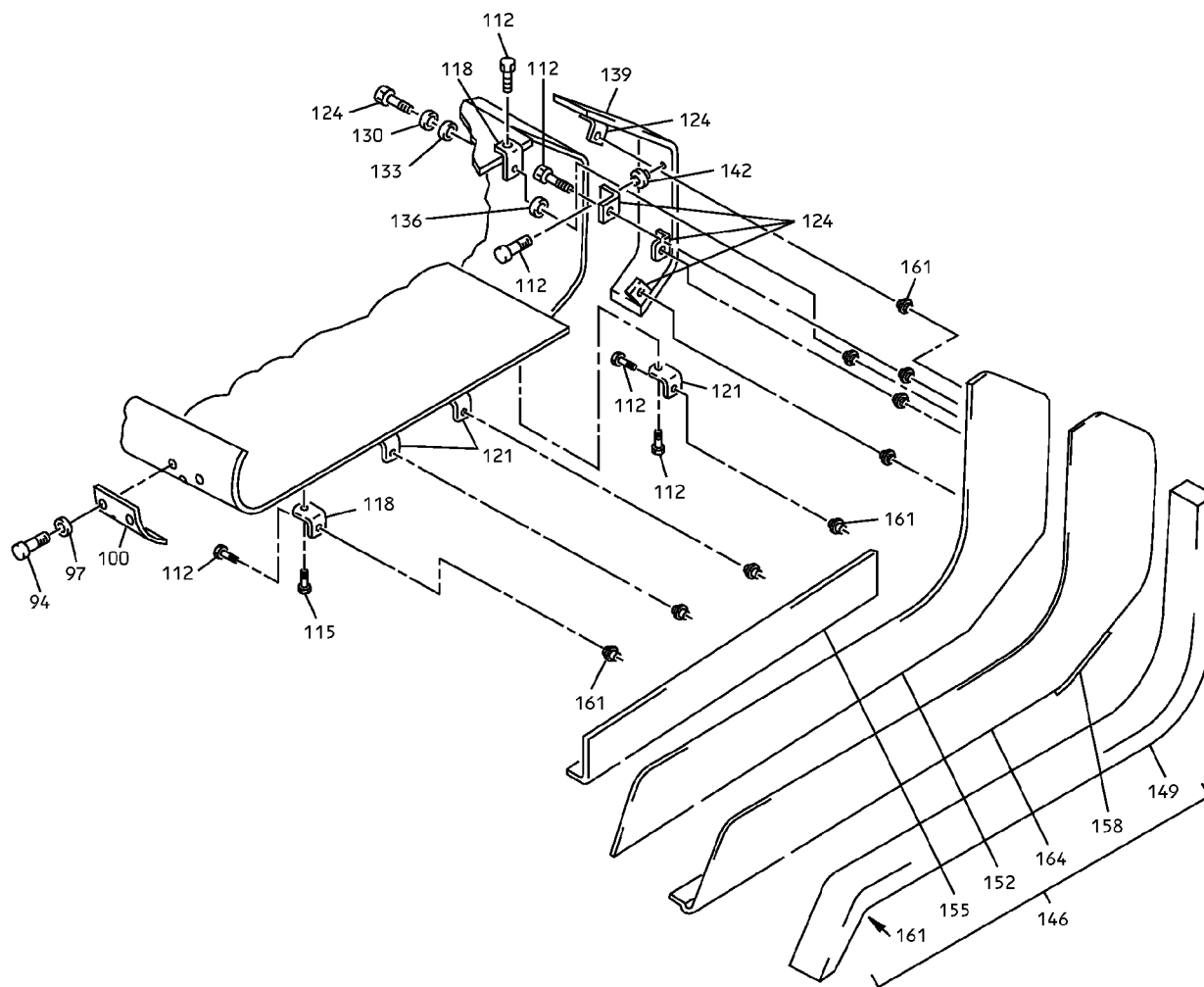
COMPONENT MAINTENANCE MANUAL



Overhead Storage Compartment Assembly  
IPL Figure 9 (Sheet 2 of 16)

**25-28-47**  
ILLUSTRATED PARTS LIST  
Page 1098.295  
Mar 01/2006

# COMPONENT MAINTENANCE MANUAL



C

Overhead Storage Compartment Assembly  
IPL Figure 9 (Sheet 3 of 16)

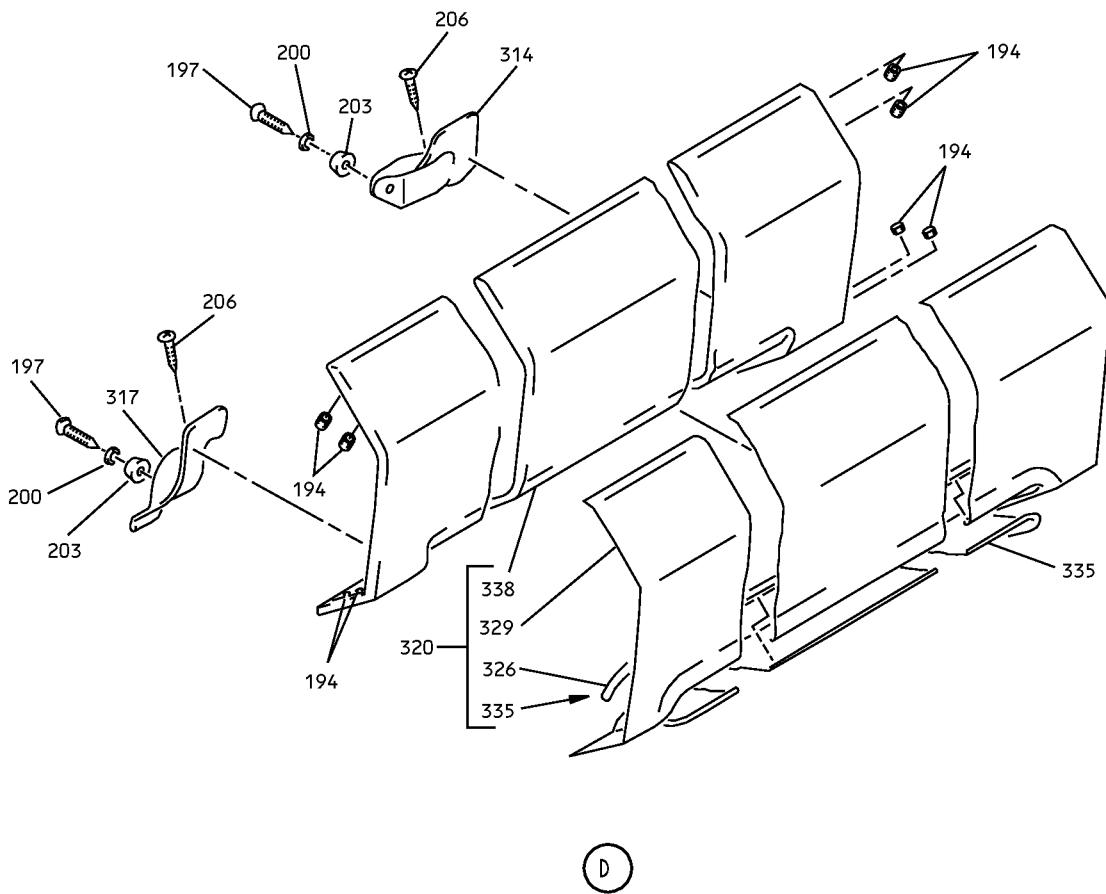
## 25-28-47

ILLUSTRATED PARTS LIST

Page 1098.296

Mar 01/2006

# COMPONENT MAINTENANCE MANUAL



Overhead Stowage Compartment Assembly  
IPL Figure 9 (Sheet 4 of 16)

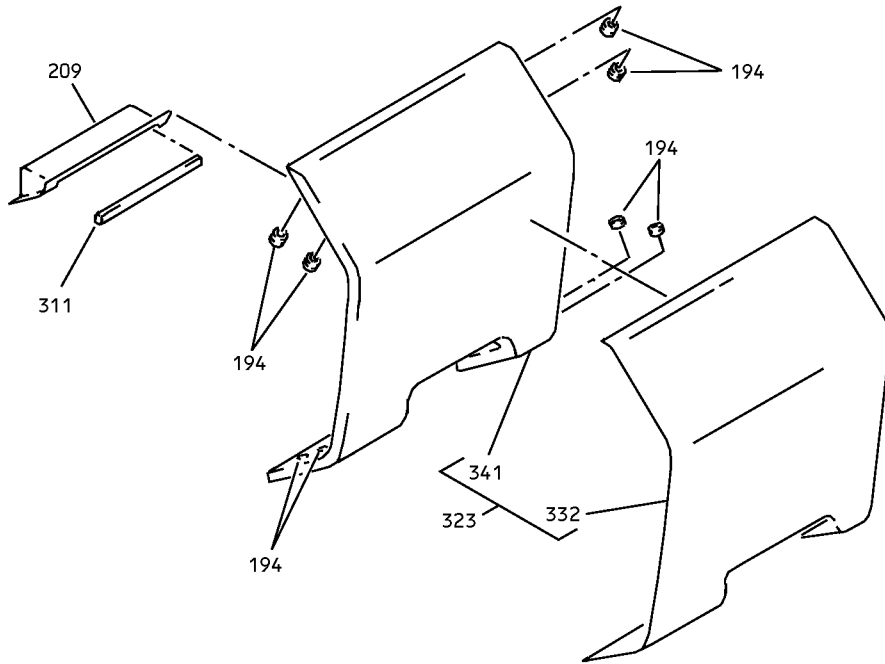
## 25-28-47

ILLUSTRATED PARTS LIST

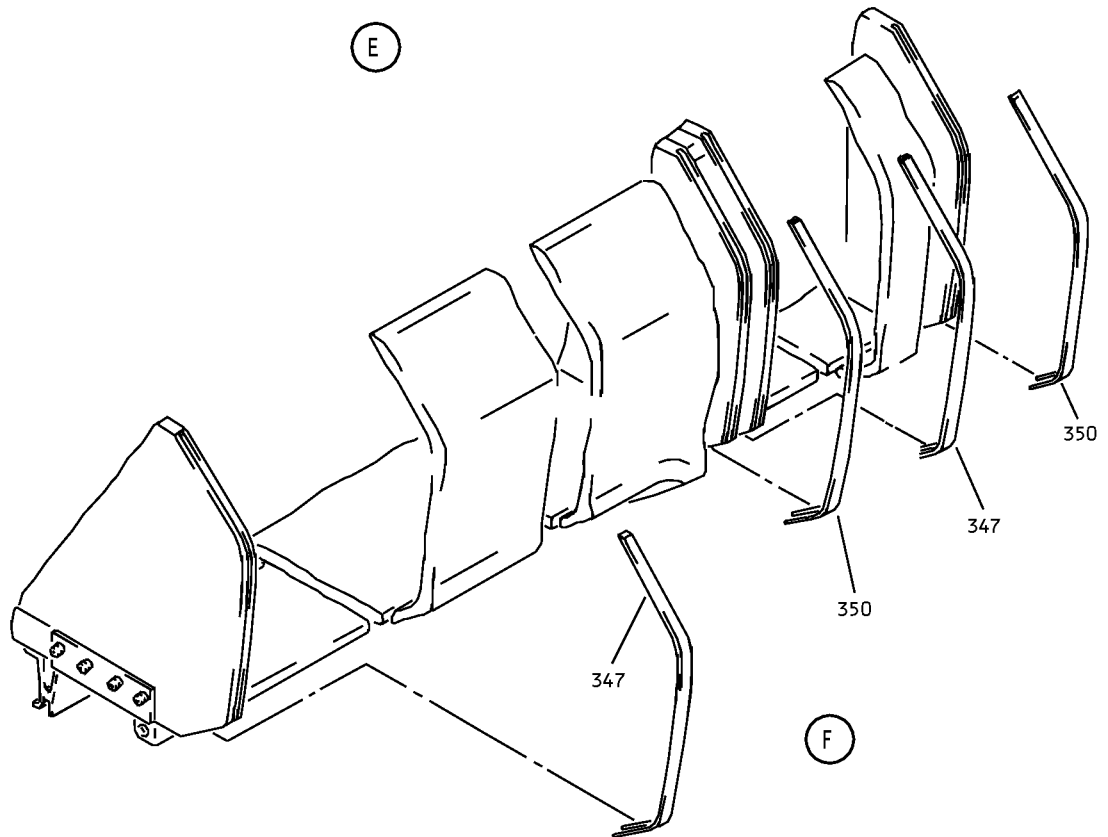
Page 1098.297

Mar 01/2006

COMPONENT MAINTENANCE MANUAL



E



F

Overhead Stowage Compartment Assembly  
IPL Figure 9 (Sheet 5 of 16)

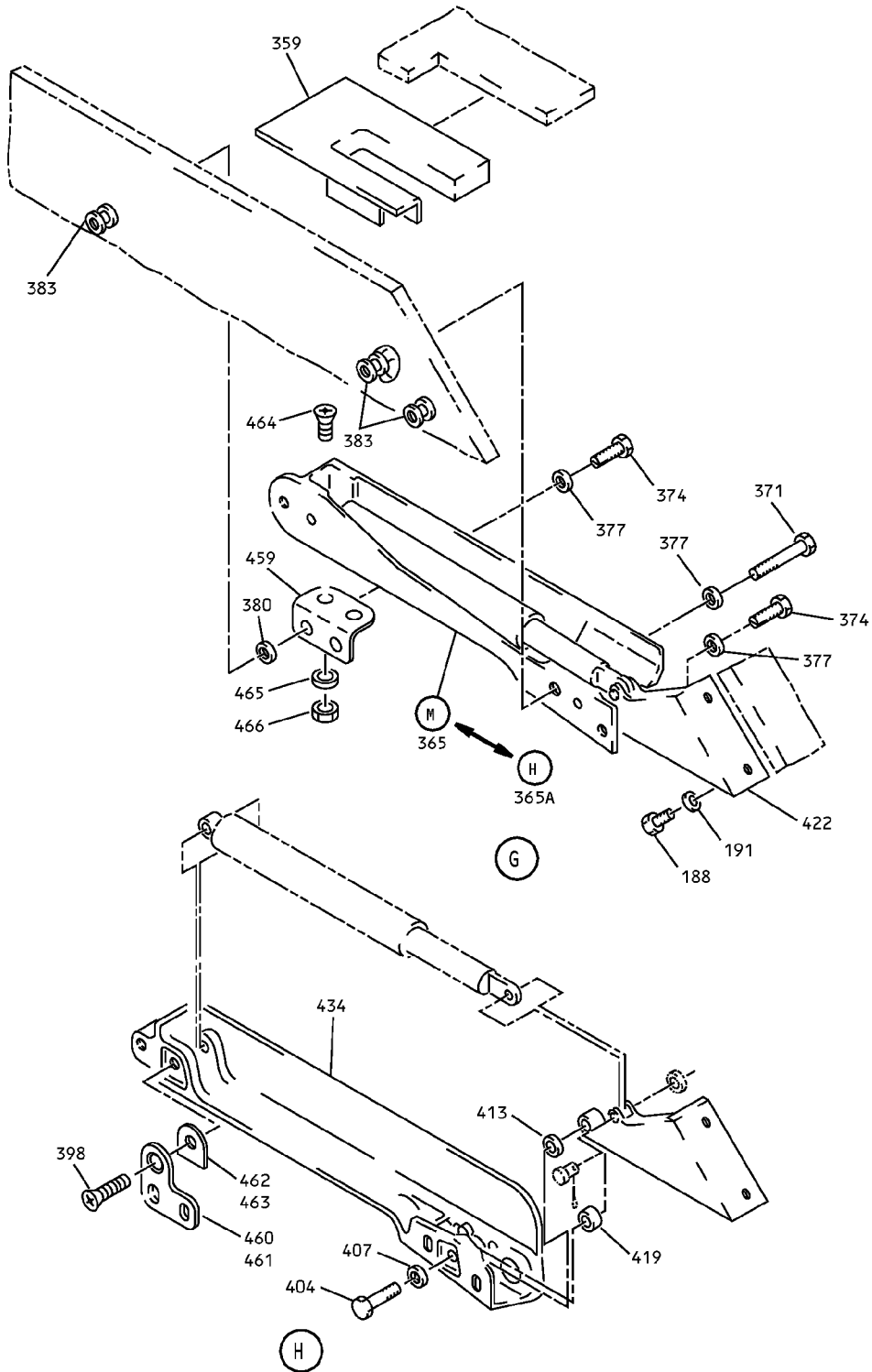
**25-28-47**

ILLUSTRATED PARTS LIST

Page 1098.298

Mar 01/2006

COMPONENT MAINTENANCE MANUAL



Overhead Storage Compartment Assembly  
IPL Figure 9 (Sheet 6 of 16)

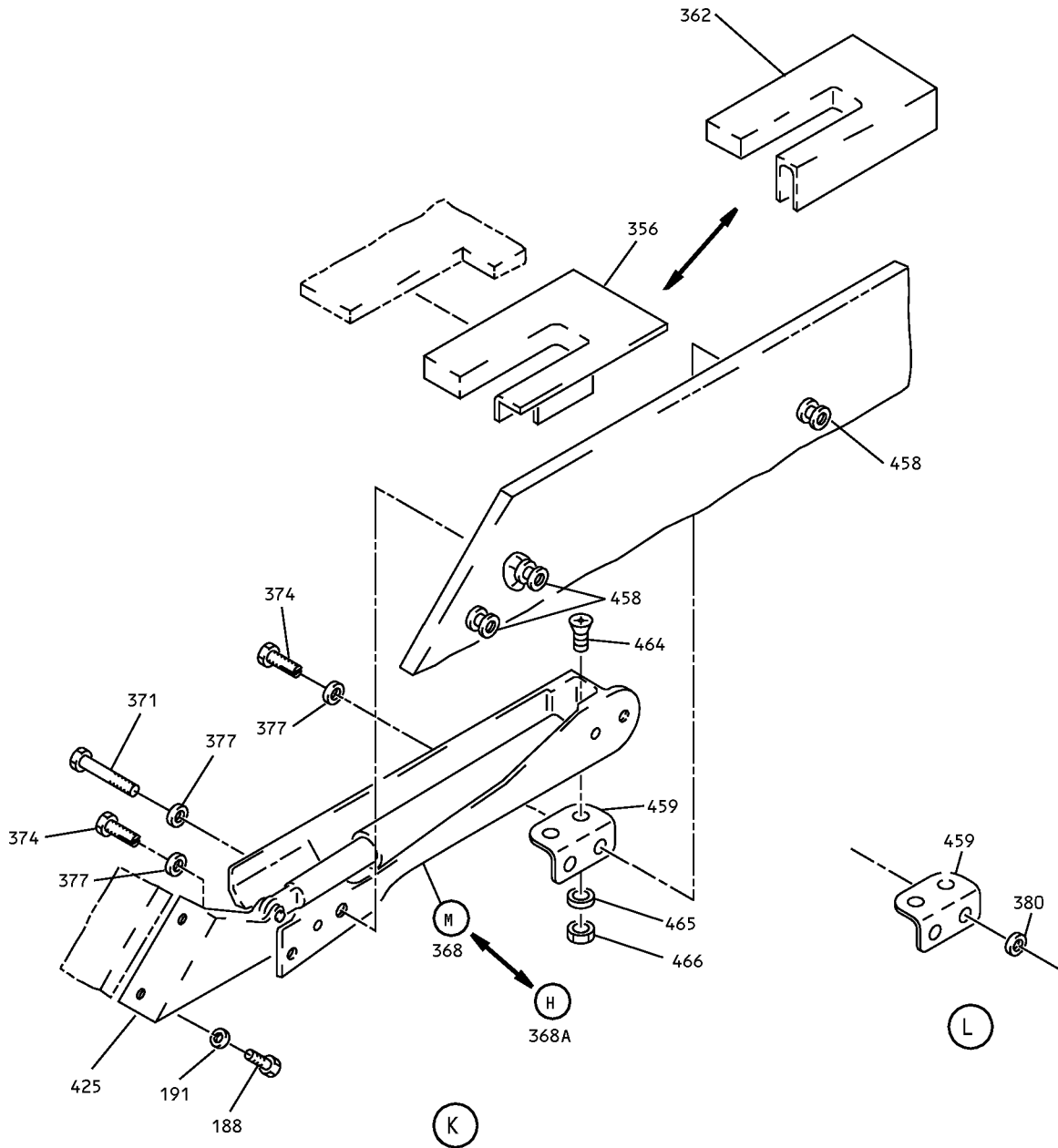
**25-28-47**

ILLUSTRATED PARTS LIST

Page 1098.299

Mar 01/2006

COMPONENT MAINTENANCE MANUAL

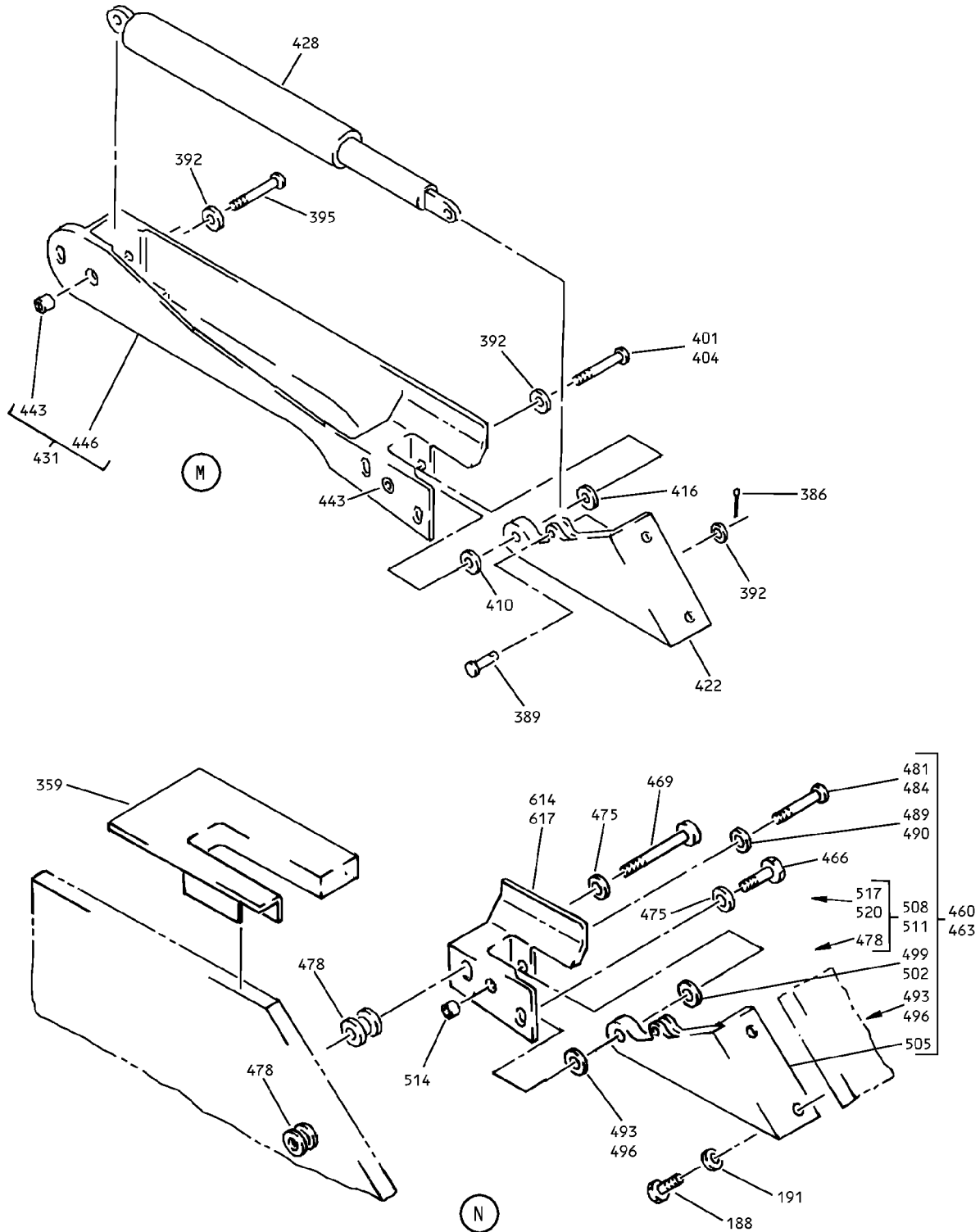


Overhead Stowage Compartment Assembly  
IPL Figure 9 (Sheet 7 of 16)

**25-28-47**  
ILLUSTRATED PARTS LIST  
Page 1098.300  
Mar 01/2006



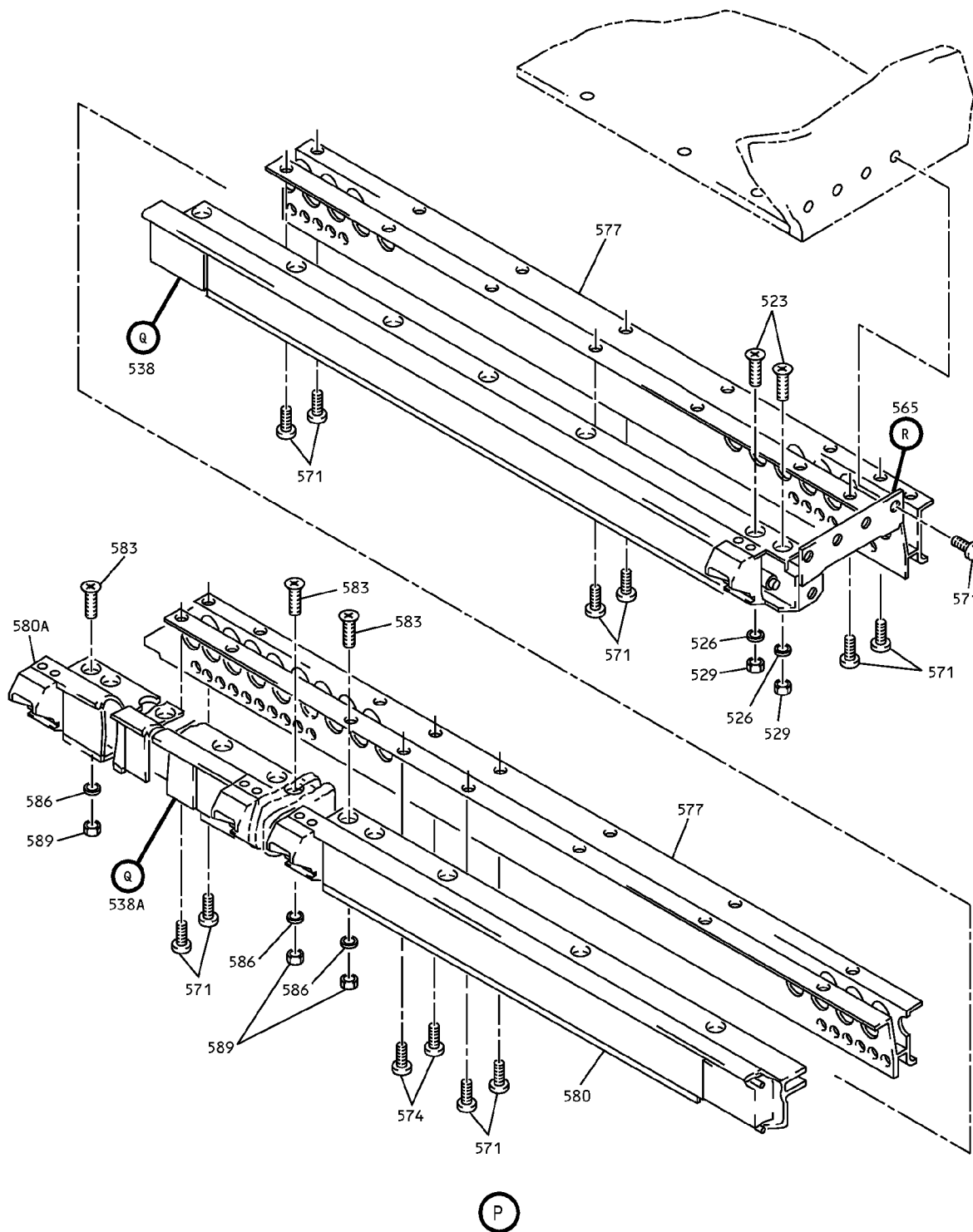
COMPONENT MAINTENANCE MANUAL



Overhead Storage Compartment Assembly  
IPL Figure 9 (Sheet 8 of 16)

**25-28-47**  
ILLUSTRATED PARTS LIST  
Page 1098.301  
Mar 01/2006

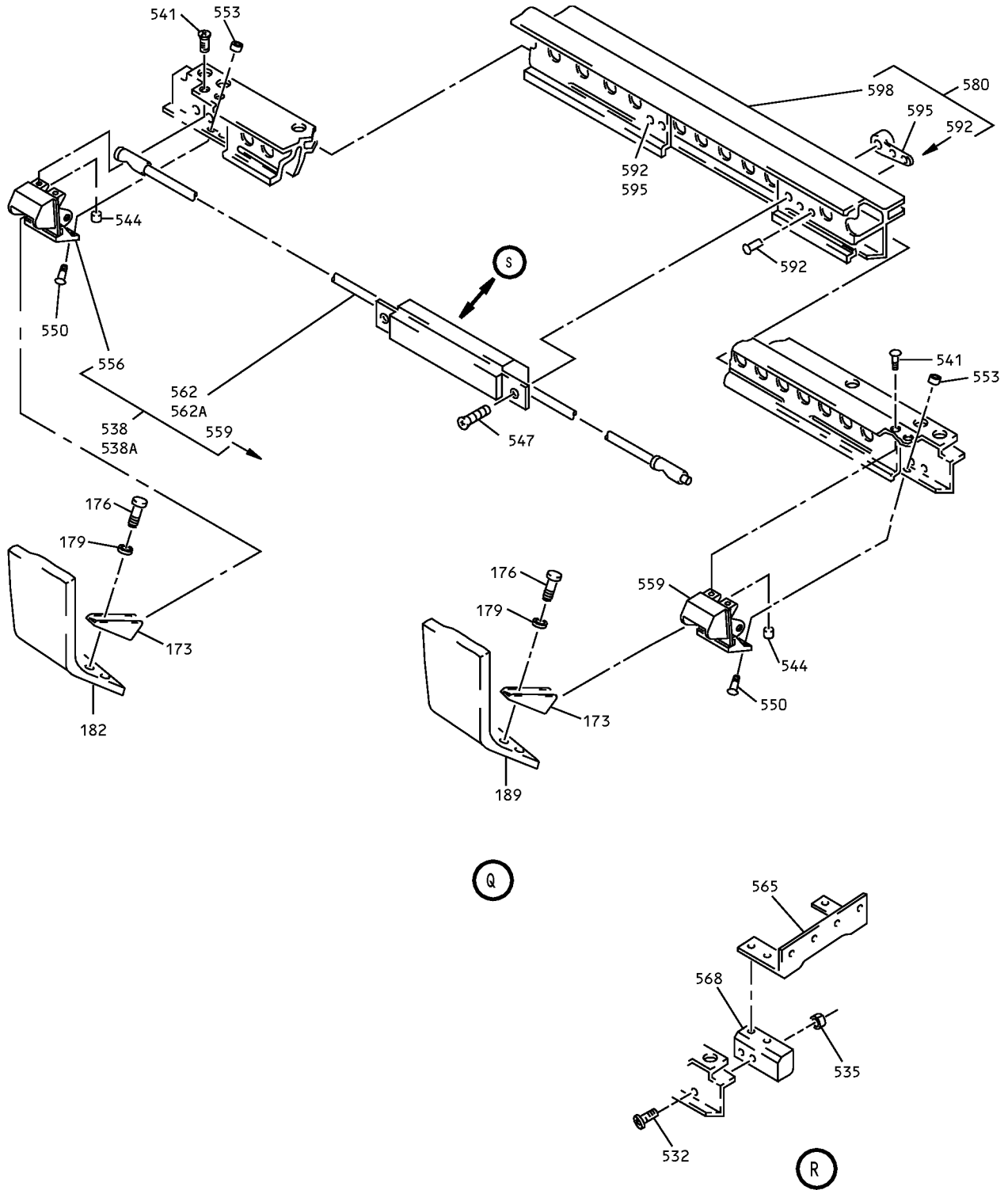
# COMPONENT MAINTENANCE MANUAL



Overhead Storage Compartment Assembly  
IPL Figure 9 (Sheet 9 of 16)

**25-28-47**  
ILLUSTRATED PARTS LIST  
Page 1098.302  
Mar 01/2006

COMPONENT MAINTENANCE MANUAL



Overhead Storage Compartment Assembly  
IPL Figure 9 (Sheet 10 of 16)

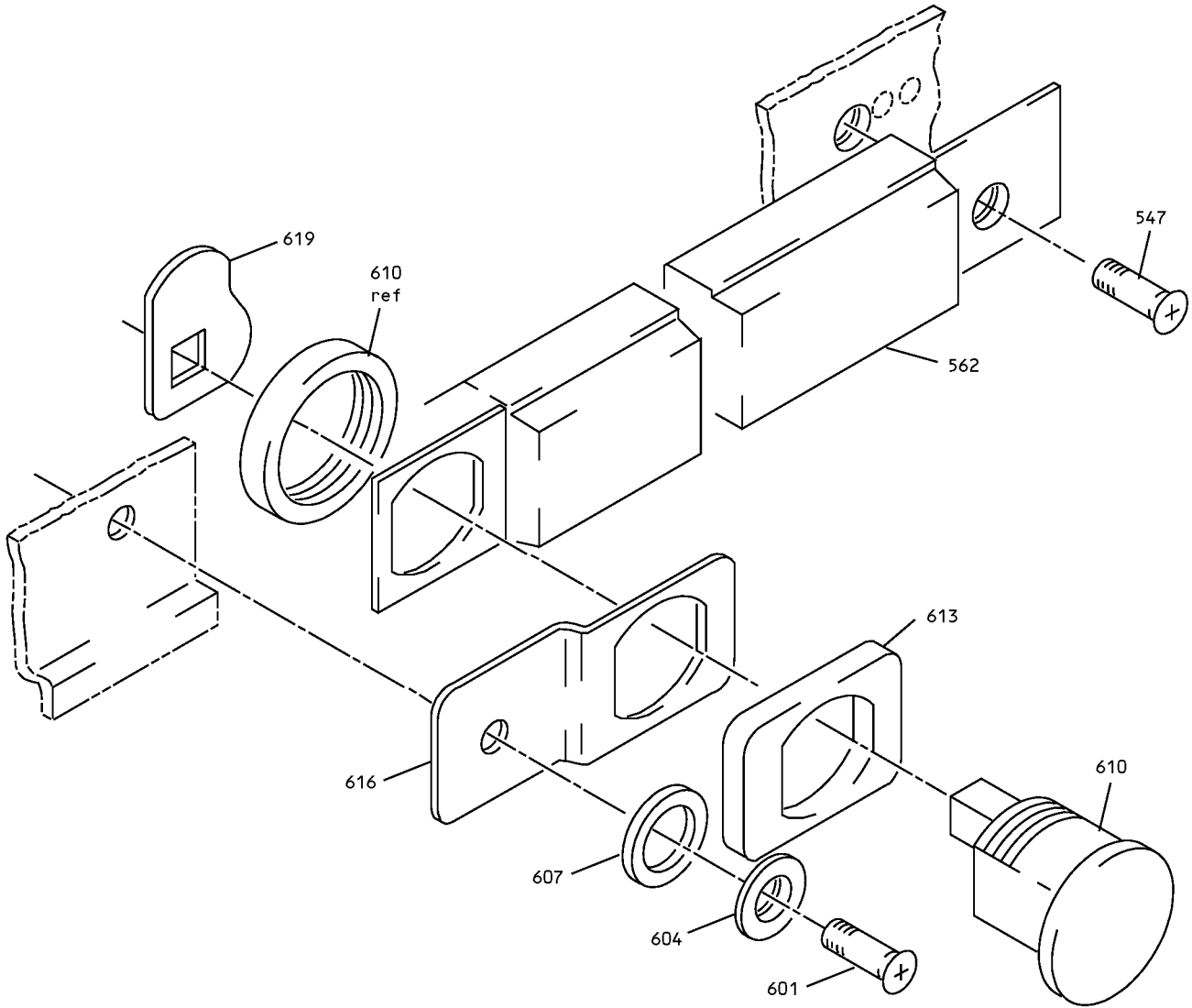
**25-28-47**

ILLUSTRATED PARTS LIST

Page 1098.303

Mar 01/2006

COMPONENT MAINTENANCE MANUAL

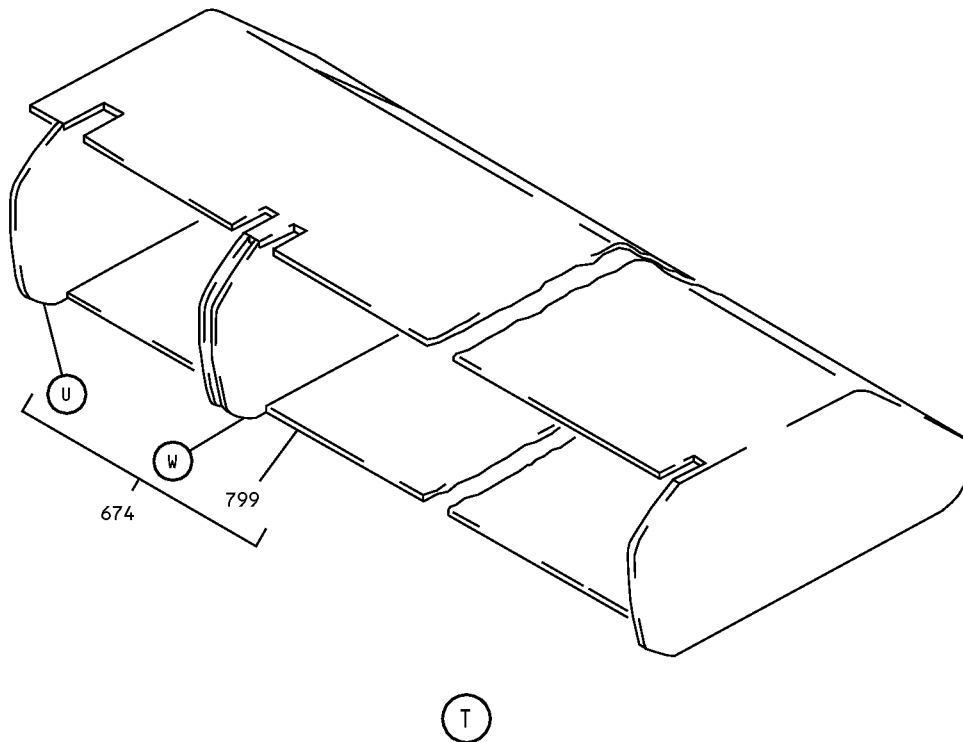


S

Overhead Storage Compartment Assembly  
IPL Figure 9 (Sheet 11 of 16)

**25-28-47**  
ILLUSTRATED PARTS LIST  
Page 1098.304  
Mar 01/2006

COMPONENT MAINTENANCE MANUAL



Overhead Stowage Compartment Assembly  
IPL Figure 9 (Sheet 12 of 16)

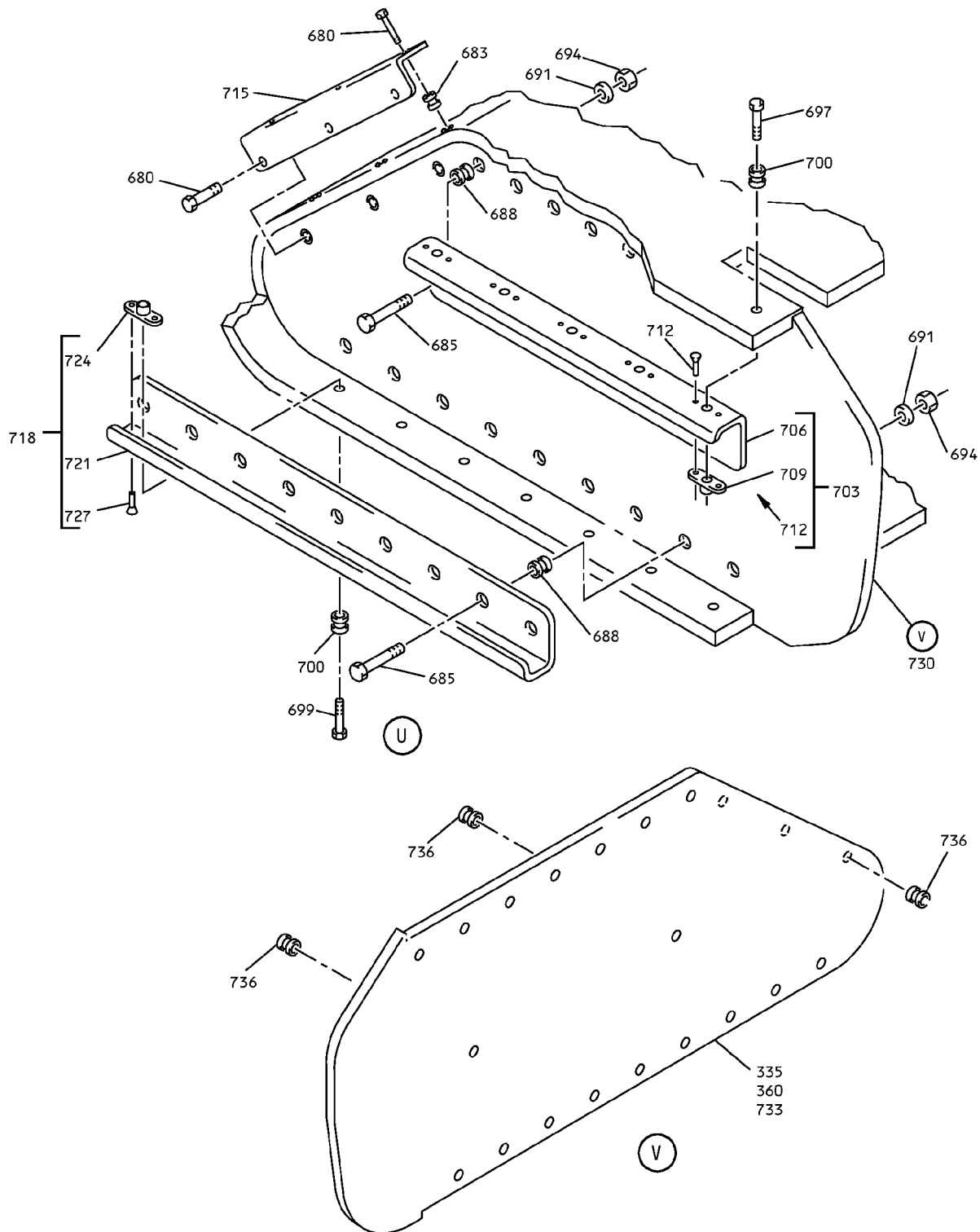
**25-28-47**

ILLUSTRATED PARTS LIST

Page 1098.305

Mar 01/2006

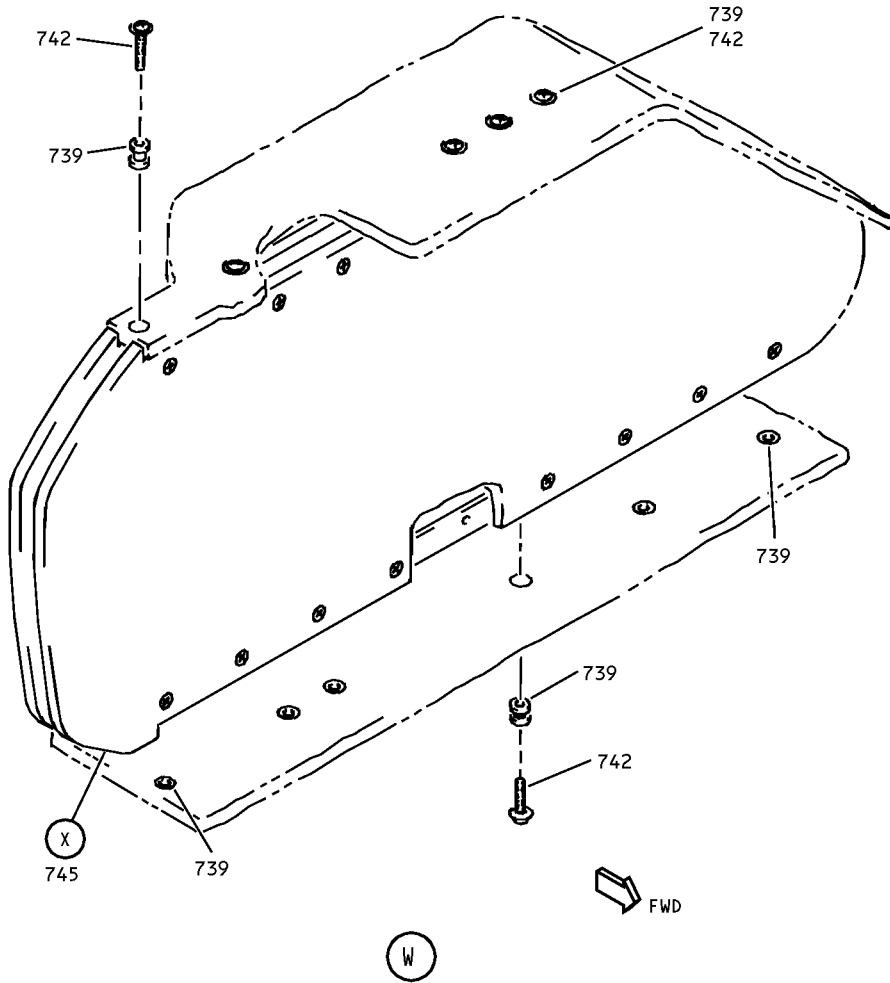
# COMPONENT MAINTENANCE MANUAL



Overhead Storage Compartment Assembly  
IPL Figure 9 (Sheet 13 of 16)

**25-28-47**  
ILLUSTRATED PARTS LIST  
Page 1098.306  
Mar 01/2006

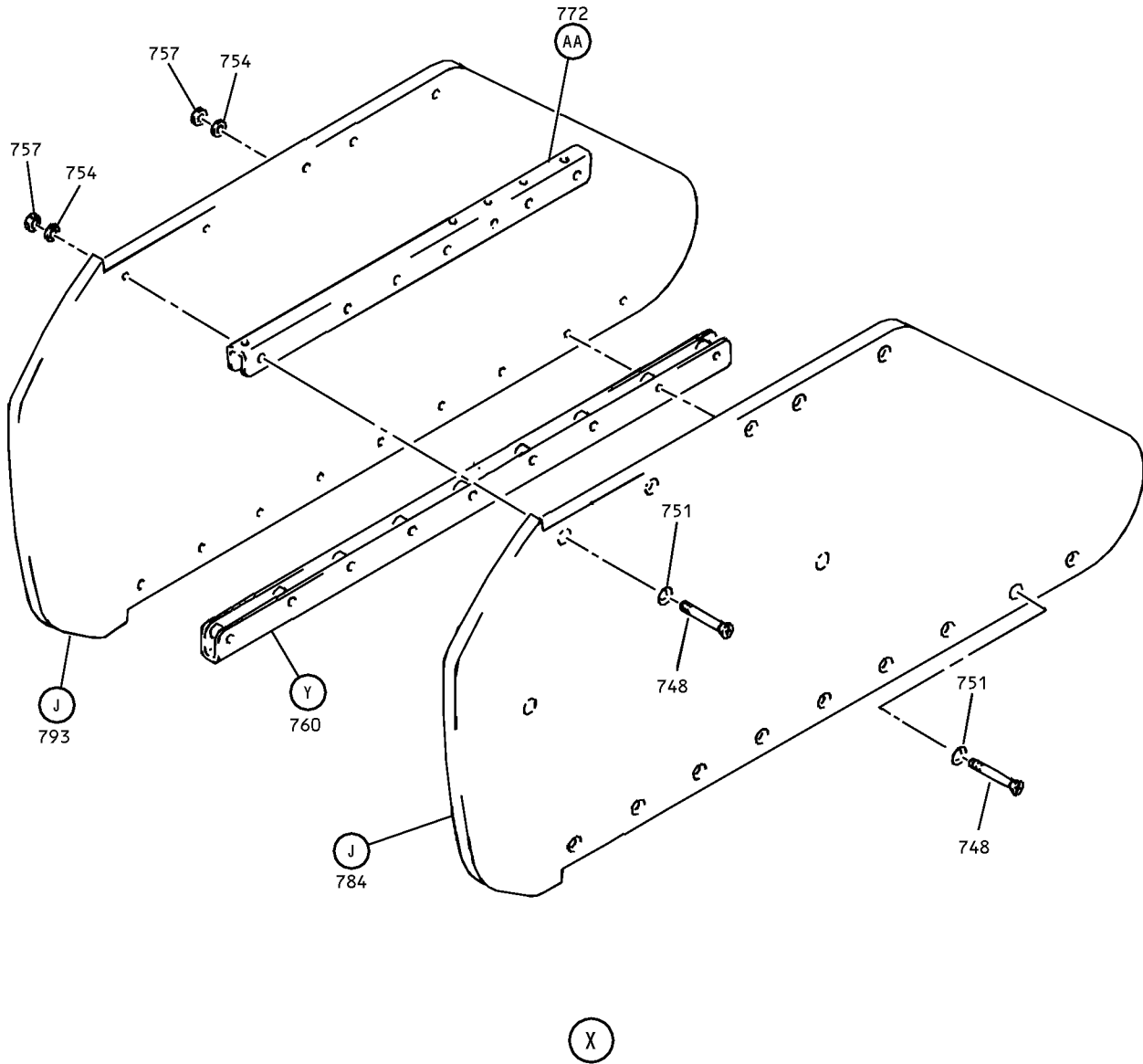
COMPONENT MAINTENANCE MANUAL



Overhead Storage Compartment Assembly  
IPL Figure 9 (Sheet 14 of 16)

**25-28-47**  
ILLUSTRATED PARTS LIST  
Page 1098.307  
Mar 01/2006

COMPONENT MAINTENANCE MANUAL

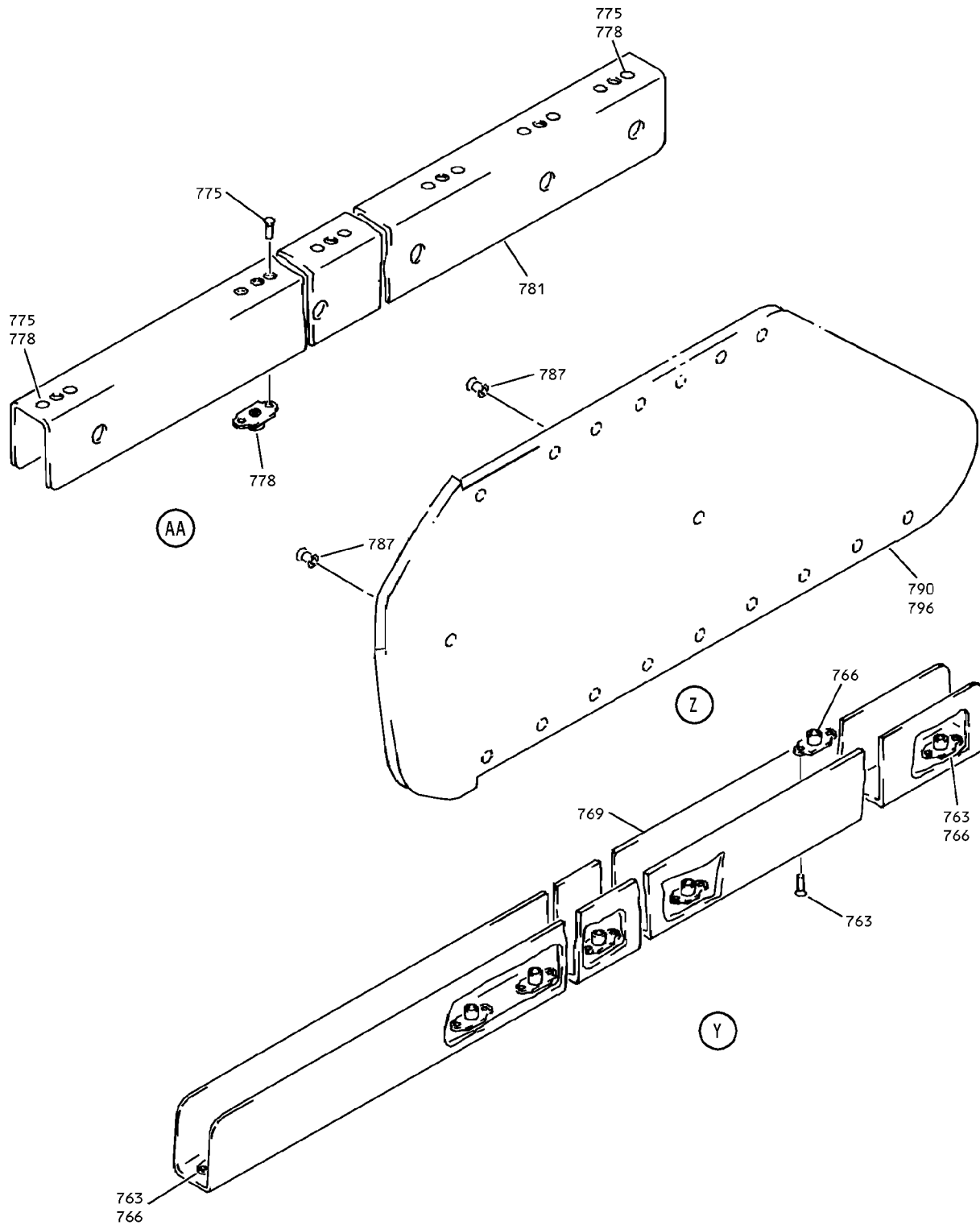


Overhead Storage Compartment Assembly  
IPL Figure 9 (Sheet 15 of 16)

**25-28-47**  
ILLUSTRATED PARTS LIST  
Page 1098.308  
Mar 01/2006



COMPONENT MAINTENANCE MANUAL



Overhead Storage Compartment Assembly  
IPL Figure 9 (Sheet 16 of 16)

**25-28-47**

ILLUSTRATED PARTS LIST

Page 1098.309

Mar 01/2006



## COMPONENT MAINTENANCE MANUAL

FIG/ ITEM	PART NUMBER	AIRLINE PART NUMBER	NOMENCLATURE							USAGE CODE	UNITS PER ASSY
			1	2	3	4	5	6	7		
9-											
1	65C27006-62SP									A	RF
5	BACB30NM3K1										4
8	BACB30NM3K9										2
11	AN960PD10										6
14	BACB30NN3K9										1
17	412N1119-58										1
19	BACS12FA3K4										2
20	NAS1801-3-11										1
23	411N3142-28										1
26	BACS18C8-6										1
29	MS24585-1230										1
31	417N5120-51										1
34	NAS1801-3-5										2
37	AN960PD10L										2
38	65C27481-30										1

-Item not Illustrated

# 25-28-47

ILLUSTRATED PARTS LIST

Page 1098.310

Mar 01/2006



## COMPONENT MAINTENANCE MANUAL

FIG/ ITEM	PART NUMBER	AIRLINE PART NUMBER	NOMENCLATURE							USAGE CODE	UNITS PER ASSY	
			1	2	3	4	5	6	7			
9-												
39	BACR15BA3A								. . RIVET (SIZE DETERMINED ON INST)			2
40	BACN10JR3FR								. . NUTPLATE			1
41	65C27481-31								. . BRACKET			1
43	417N5120-11								. . LAMP ASSY			1
46	2055150								. . . CAP-END (V04169)			2
49	F20T12WW								. . . LAMP-FLUOR.- (V08805)			1
52	LP1625-24								. . . TUBE-COVER- (V60116) (OPT ITEM 66A)			1
-52A	NI152LGWUV1000								. . . TUBE-COVER- (V06034) (OPT ITEM 66)			1
55	800000255-36								. . LIGHT-ASSY- (V05617) (SPEC S417N507-36)			1
58	BACS12ER3K6								. . SCREW (V06710) (SPEC BACS12ER3K6) (OPT BACS12ER3K6 (V06725)) (OPT BACS12ER3K6 (V06950)) (OPT BACS12ER3K6 (V27624)) (OPT BACS12ER3K6 (V34252)) (OPT BACS12ER3K6 (V56878)) (OPT BACS12ER3K6 (V73197)) (OPT BACS12ER3K6 (V80539)) (OPT BACS12ER3K6 (V92215)) (OPT BACS12ER3K6 (V93907)) (OPT BACS12ER3K6 (V97928))			3
61	BACW10UD10								. . WASHER			3
64	F22K1-02								. . NUT (V72962) (SPEC BACN10R10L) (OPT 22K1-02 (V72962)) (OPT 26CL02 (V80539))			3
67	05939-5								. . BALLAST (V17023) (SPEC S283N702-5)			1
70	412N1119-37								. FITTING ASSY			1

-Item not Illustrated

# 25-28-47

ILLUSTRATED PARTS LIST

Page 1098.311

Mar 01/2006





## COMPONENT MAINTENANCE MANUAL

FIG/ ITEM	PART NUMBER	AIRLINE PART NUMBER	NOMENCLATURE							USAGE CODE	UNITS PER ASSY
			1	2	3	4	5	6	7		
9-											
94	BACB30NM3K1		.	BOLT							4
				(V06710)							
				(SPEC BACB30NM3K1)							
				(OPT BACB30NM3K1 (V06725))							
				(OPT BACB30NM3K1 (V06950))							
				(OPT BACB30NM3K1 (V08524))							
				(OPT BACB30NM3K1 (V27624))							
				(OPT BACB30NM3K1 (V56878))							
				(OPT BACB30NM3K1 (V73197))							
				(OPT BACB30NM3K1 (V80539))							
				(OPT BACB30NM3K1 (V92215))							
				(OPT BACB30NM3K1 (V93907))							
				(OPT BACB30NM3K1 (V97928))							
97	AN960JD10		.	WASHER							4
100	412N1119-12		.	FITTING							1
112	BACS12FA3K5		.	BOLT							16
115	BACS12FA3K12		.	BOLT							1
118	412N1145-30		.	BRACKET							2
121	412N1145-29		.	BRACKET							3
124	65C27017-13		.	BRACKET							4
127	BACB30PF4-3		.	SCREW							1
130	AN960C416L		.	WASHER							1
133	NAS1515F4H		.	WASHER							1
136	NAS1515M4L		.	WASHER							1
139	65C27026-23		.	PANEL-FILLER							1
142	NAS1836-3-11		. .	INSERT							4
146	65C27027-3SP		.	CAP ASSY-END							1
149	65C27027-17		. .	SEAL							1
152	65C27027-11		. .	PANEL ASSY							1
155	65C27027-14		. .	SUPPORT,ANGLE							1
158	65C27027-13		. .	FOAM							1
161	SL2334-3A2		. .	INSERT							9
				(V97393)							
164	65C27027-7		. .	CAP-END							1
167	412N1130-5		.	TRIM,VERTICAL							1
168	65C27006-12		.	SEAL							1

-Item not Illustrated

# 25-28-47

ILLUSTRATED PARTS LIST

Page 1098.313

Mar 01/2006



## COMPONENT MAINTENANCE MANUAL

FIG/ ITEM	PART NUMBER	AIRLINE PART NUMBER	NOMENCLATURE							USAGE CODE	UNITS PER ASSY
			1	2	3	4	5	6	7		
9-											
170	65C27009-62SP								. MODULE ASSY		1
173	H3-1152-1								. . PLATE ASSY-STRIKER- (V34941) (SPEC S412N101-1)		4
									ATTACHING PARTS		
176	BACS12FA3K4								. . SCREW		8
179	MS35333-39								. . WASHER		8
									-----*-----		
182	412N1140-44SP								. . DOOR ASSY		1
185	412N1140-76SP								. . DOOR ASSY		1
									ATTACHING PARTS		
188	NAS1801-3-4								. . SCREW		8
191	MS35333-39								. . WASHER		8
									-----*-----		
194	SL628-3A								. . . INSERT (V97393)		8
197	BACS12H4-8								. . . SCREW (USED ON ITEM 182)		2
200	NAS620A8L								. . . WASHER (USED ON ITEM 182)		2
203	412N1245-1								. . . BUMPER		2
206	MS51862-4								. . . SCREW (USED ON ITEM 182)		2
209	412N1143-11								. . . COVER (USED ON ITEM 185)		2
311	412N1140-17								. . . FILLER (USED ON ITEM 185)		1
314	412N1143-13								. . . COVER (USED ON ITEM 182)		1
317	412N1143-14								. . . COVER (USED ON ITEM 182)		1
320	412N1140-61								. . . PANEL ASSY-DOOR- (USED ON ITEM 182)		1
323	412N1140-62								. . . PANEL ASSY-DOOR- (USED ON ITEM 185)		1

-Item not Illustrated

# 25-28-47

ILLUSTRATED PARTS LIST

Page 1098.314

Mar 01/2006



## COMPONENT MAINTENANCE MANUAL

FIG/ ITEM	PART NUMBER	AIRLINE PART NUMBER	NOMENCLATURE							USAGE CODE	UNITS PER ASSY	
			1	2	3	4	5	6	7			
9-												
326	412N1140-13											1
329	412N1141-1											1
332	412N1141-5											1
335	412N1141-7											1
338	412N1142-15											1
341	412N1142-20											1
-344	412N1244-2											1
347	412N1118-1SP											2
350	412N1118-2SP											2
353	65C27009-6											2
356	412N1154-3											1
359	412N1154-4											2
362	412N1154-1											1
365	412N1155-5											1
365A	412N1155-11											1
368	412N1155-6											2
368A	412N1155-12											2
371	BACB30LK3-18											1
-371A	NAS1801-3-10											1
374	412N1227-1											2

-Item not Illustrated

# 25-28-47

ILLUSTRATED PARTS LIST

Page 1098.315

Mar 01/2006



## COMPONENT MAINTENANCE MANUAL

FIG/ ITEM	PART NUMBER	AIRLINE PART NUMBER	NOMENCLATURE							USAGE CODE	UNITS PER ASSY
			1	2	3	4	5	6	7		
9-											
374A	A1C1321-3-8								. . BOLT (OPT ITEM 374)		2
377	BACW10P136AL								. . WASHER		3
380	AN960JD10								. . WASHER		1
383	NAS1833-3-400								. . INSERT		3
386	MS24665-132								. . . PIN-COTTER		1
389	MS20392-2C13								. . . PIN-DRILLED SHANK		1
392	AN960JD10L								. . . WASHER		3
395	NAS6703PU15								. . . BOLT (USED ON ITEMS 365,368)		1
398	BACB30LU3-4								DELETED		
-398A	BACB30LU3-14								. . . BOLT (USED ON ITEMS 365A,368A)		1
401	NAS6703PU11								. . . BOLT (USED ON ITEMS 365,368)		1
404	BACB30NM3K8								. . . BOLT (USED ON ITEMS 365A,368A)		1
407	NA960KD10L								. . . WASHER (USED ON ITEMS 365A,368A)		1
410	NAS43DD3-5								. . . SPACER (USED ON ITEMS 365,368)		1
413	NAS43DD3-3								. . . SPACER (USED ON ITEMS 365A,368A)		1
416	NAS43DD3-6								. . . SPACER (USED ON ITEMS 365,368)		1
419	NAS43DD3-8								. . . SPACER (USED ON ITEMS 365A,368A)		1
422	H2948-2								. . . HINGE (SPEC S412N102-2) (USED ON ITEMS 365,365A)		1
425	H2948-1								. . . HINGE (V83014) (SPEC S412N102-1) (USED ON ITEMS 368,368A)		1
428	SB113								. . . ACTUATOR (V24984) (SPEC S412N104-1)		1

-Item not Illustrated

# 25-28-47

ILLUSTRATED PARTS LIST

Page 1098.316

Mar 01/2006





## COMPONENT MAINTENANCE MANUAL

FIG/ ITEM	PART NUMBER	AIRLINE PART NUMBER	NOMENCLATURE							USAGE CODE	UNITS PER ASSY
			1	2	3	4	5	6	7		
9-											
431	412N1156-1								. . . CHASSIS ASSY (USED ON ITEM 365)		1
434	412N1156-13								. . . CHASSIS ASSY (USED ON ITEM 365A)		1
-437	412N1156-2								. . . CHASSIS ASSY (USED ON ITEM 368)		1
-440	412N1156-14								. . . CHASSIS ASSY (USED ON ITEM 368A)		1
443	6041-3BRX225								. . . . INSERT-DODGE (V01556)		2
446	412N1156-3								. . . CHASSIS (USED ON ITEM 431)		1
-449	412N1156-15								. . . CHASSIS (USED ON ITEM 434)		1
-452	412N1156-4								. . . CHASSIS (USED ON ITEM 437)		1
-455	412N1156-16								. . . CHASSIS (USED ON ITEM 440)		1
458	NAS1833-3-400								. . INSERT		6
459	412N1119-36								. . . FITTING (USED ON ITEMS 365,368)		1
460	412N1119-69								. . . BRACKET (USED ON ITEM 365A)		1
461	412N1119-70								. . . BRACKET (USED ON ITEMS 368A)		1
462	412N1119-71								. . . BRACKET (USED ON ITEM 365A)		1
463	412N1119-72								. . . FILLER (USED ON ITEM 368A)		1
464	NAS514P1032-7								. . . SCREW (USED ON ITEMS 365,368)		2
465	AN960PD10L								. . . WASHER (USED ON ITEMS 365,368)		2
466	BACN10JC3								. . . NUT (USED ON ITEMS 365,368)		3
467	412N1155-3								. . HINGE ASSY (LIMITED USAGE) (OPT ITEM 460A)		1

-Item not Illustrated

# 25-28-47

ILLUSTRATED PARTS LIST

Page 1098.317

Mar 01/2006



## COMPONENT MAINTENANCE MANUAL

FIG/ ITEM	PART NUMBER	AIRLINE PART NUMBER	NOMENCLATURE							USAGE CODE	UNITS PER ASSY
			1	2	3	4	5	6	7		
9-											
467A	412N1155-9								. . HINGE ASSY (LIMITED USAGE) (OPT ITEM 460)		1
468	412N1227-1								. . BOLT (OPT ITEM 466A)		1
-468A	AIC1321-3-8								. . BOLT (V06725) (OPT ITEM 466)		1
469	BACB30LK3-18								. . BOLT (USED ON ITEM 460)		1
-472	NAS1801-3-10								. . BOLT (USED ON ITEM 460A)		1
475	BACW10P136AL								. . WASHER (V10630) (SPEC BACW10P136AL)		2
478	NAS18833-3-400								. . INSERT		2
481	NAS6703PU11								. . . BOLT (USED ON ITEM 460)		1
484	BACS30NM3K8								. . . BOLT (USED ON ITEM 460A)		1
487	AN960PD10L								. . . WASHER (USED ON ITEM 460)		1
490	AN960KD10L								. . . WASHER (USED ON ITEM 460A)		1
493	NAS43DD3-5								. . . SPACER (USED ON ITEM 460)		1
496	NAS43DD3-8								. . . SPACER (USED ON ITEM 460A)		1
499	NAS43DD3-6								. . . SPACER (USED ON ITEM 460)		1
502	NAS43DD3-3								. . . SPACER (USED ON ITEM 460A)		1
505	H2948-2								. . . HINGE (V83014) (SPEC S412N102-1)		1
508	412N1156-5								. . . CHASSIS ASSY (USED ON ITEM 460)		1
511	412N1156-20								. . . CHASSIS ASSY (USED ON ITEM 460A)		1

-Item not Illustrated

**25-28-47**

ILLUSTRATED PARTS LIST

Page 1098.318

Mar 01/2006



## COMPONENT MAINTENANCE MANUAL

FIG/ ITEM	PART NUMBER	AIRLINE PART NUMBER	NOMENCLATURE							USAGE CODE	UNITS PER ASSY
			1	2	3	4	5	6	7		
9-											
514	6041-3BRX225								.... INSERT-DODGE- (V01556)		2
517	412N1156-3								.... CHASSIS (USED ON ITEM 508)		1
520	412N1156-25								.... CHASSIS (USED ON ITEM 511)		1
523	BACS12ER08K14								.. BOLT		2
526	AN960JD8								.. WASHER		2
529	MS21042L08								.. NUT		2
532	BACB30MY6K2								.. BOLT		2
535	MS21043L3								.. NUT		2
538	412N1153-24								.. LATCH ASSY-30 IN.		1
-538A	412N1153-45								.. LATCH ASSY-15 IN.		1
									ATTACHING PARTS		
541	BACS12ER06K8								.. SCREW (V06710) (SPEC BACS12ER06K8) (OPT BACS12ER06K8 (V06725)) (OPT BACS12ER06K8 (V06950)) (OPT BACS12ER06K8 (V27624)) (OPT BACS12ER06K8 (V34252)) (OPT BACS12ER06K8 (V56878)) (OPT BACS12ER06K8 (V73197)) (OPT BACS12ER06K8 (V80539)) (OPT BACS12ER06K8 (V92215)) (OPT BACS12ER06K8 (V93907)) (OPT BACS12ER06K8 (V97928))		4
544	SL210-06-2								.. INSERT (V97393)		4

-Item not Illustrated

# 25-28-47

ILLUSTRATED PARTS LIST

Page 1098.319

Mar 01/2006



## COMPONENT MAINTENANCE MANUAL

FIG/ ITEM	PART NUMBER	AIRLINE PART NUMBER	NOMENCLATURE							USAGE CODE	UNITS PER ASSY	
			1	2	3	4	5	6	7			
9- 547	BACS12ER08K6		. .	SCREW (V06710) (SPEC BACS12ER08K6) (OPT BACS12ER08K6 (V06725)) (OPT BACS12ER08K6 (V06950)) (OPT BACS12ER08K6 (V27624)) (OPT BACS12ER08K6 (V34252)) (OPT BACS12ER08K6 (V56878)) (OPT BACS12ER08K6 (V73197)) (OPT BACS12ER08K6 (V80539)) (OPT BACS12ER08K6 (V92215)) (OPT BACS12ER08K6 (V93907)) (OPT BACS12ER08K6 (V97928))								4
550	NAS514P832-5		. .	SCREW								4
553	SL210-08-1		. .	INSERT (V97393)								4
			-----*									
556	412N1113-7		. . .	COVER (V01556)								1
559	412N1113-8		. . .	COVER								1
562	H3-1145-1-2760		. . .	LATCH ASSY (SPEC S412N101-1130) (USED ON ITEM 538)								1
-562A	S412N101-3015		. . .	LATCH ASSY (V34941) (SPEC S412N101-3015) (USED ON ITEM 538A)								1
565	412N1145-28		. .	BRACKET								1
568	412N1117-2		. .	FITTING								1
571	BACS12FA3K5		. .	SCREW								24
574	BACS12FA3K15		. .	SCREW								2
577	65C27023-21		. .	SUPPORT-PASS. SVCE UNIT								1
580	412N1146-61		. .	SUPPORT-PASS. BULLNOSE								1
-580A	412N1146-52		. .	SUPPORT-PASS. BULLNOSE								1

-Item not Illustrated

**25-28-47**

ILLUSTRATED PARTS LIST

Page 1098.320

Mar 01/2006



## COMPONENT MAINTENANCE MANUAL

FIG/ ITEM	PART NUMBER	AIRLINE PART NUMBER	NOMENCLATURE							USAGE CODE	UNITS PER ASSY
			1	2	3	4	5	6	7		
9-			ATTACHING PARTS								
583	BACS12ER08K12		. . SCREW (V06710) (SPEC BACS12ER08K12) (OPT BACS12ER08K12 (V06725)) (OPT BACS12ER08K12 (V06950)) (OPT BACS12ER08K12 (V27624)) (OPT BACS12ER08K12 (V34252)) (OPT BACS12ER08K12 (V56878)) (OPT BACS12ER08K12 (V73197)) (OPT BACS12ER08K12 (V80539)) (OPT BACS12ER08K12 (V92215)) (OPT BACS12ER08K12 (V93907)) (OPT BACS12ER08K12 (V97928))								21
586	AN960JD8		. . WASHER								21
589	MS21042L08		. . NUT								21
			-----*								
592	BACR15DR3		. . . RIVET (SIZE DETERMINED ON INST)								4
595	BACN10KB08		. . . NUTPLATE (V52828) (SPEC BACN10KB08)								2
598	412N1146-62		. . . SUPPORT (USED ON ITEM 580)								1
-598A	412N1146-53		. . . SUPPORT (USED ON ITEM 580A)								1
601	BACS12ER08K6		. . SCREW (V06710) (SPEC BACS12ER08K6) (OPT BACS12ER08K6 (V06725)) (OPT BACS12ER08K6 (V06950)) (OPT BACS12ER08K6 (V27624)) (OPT BACS12ER08K6 (V34252)) (OPT BACS12ER08K6 (V56878)) (OPT BACS12ER08K6 (V73197)) (OPT BACS12ER08K6 (V80539)) (OPT BACS12ER08K6 (V92215)) (OPT BACS12ER08K6 (V93907)) (OPT BACS12ER08K6 (V97928))								1
604	BACW10DM5		. . WASHER								1
607	AN960PD516L		. . WASHER								1

-Item not Illustrated

# 25-28-47

ILLUSTRATED PARTS LIST

Page 1098.321

Mar 01/2006



## COMPONENT MAINTENANCE MANUAL

FIG/ ITEM	PART NUMBER	AIRLINE PART NUMBER	NOMENCLATURE							USAGE CODE	UNITS PER ASSY	
			1	2	3	4	5	6	7			
9-												
610	AC8400EKAPK625											1
613	65C27016-4											1
616	412N1145-43											1
619	65C27016-5											1
625	65C27012-16											1
-628	65C27012-1030											1
-631	NAS1836-3-11											9
-634	65C27012-1104											1
-637	NAS1836-3-11											8
-640	NAS1836-4-11											2
-643	65C27012-1204											1
-647	NAS1836-3-11											4
-650	SL2334-3A2											4
-653	65C27012-1314											1
-656	65C27012-8											1
-659	NAS1836-3-11											13
-662	65C27012-2007											1
-665	NAS1836-3-11											4
-668	65C27012-2112											1
-671	NAS1836-3-11											4
674	65C27327-24											1
680	BACS12FA3K5											6
683	NAS1836-3-11											3
685	BACB30NN3K6											13
688	SL3378-3-380											13
691	AN960JD10L											13
694	MS1042L3											13
697	BACS12FA3K12											10
700	NAS1834-3-400											12
703	412N1217-57											1

-Item not Illustrated

**25-28-47**

ILLUSTRATED PARTS LIST

Page 1098.322

Mar 01/2006





## COMPONENT MAINTENANCE MANUAL

FIG/ ITEM	PART NUMBER	AIRLINE PART NUMBER	NOMENCLATURE							USAGE CODE	UNITS PER ASSY
			1	2	3	4	5	6	7		
9-											
751	BACW10CT10							.... WASHER (V10630) (SPEC BACW10CT10)			13
754	AN960PD516L							.... WASHER			13
757	SL5-3-145S							.... NUT (V97393) (OPT ITEM 275A)			13
-757A	KD121395-145							.... NUT (V29372) (OPT ITEM 275)			13
760	412N1217-21							..... BRACKET ASSY			1
763	BACR15BA3AD							..... RIVET (SIZE DETERMINED ON INST)			12
766	BRM200A3							..... NUTPLATE (V52828) (SPEC BACN10JP3A) (OPT MK1000-3BAC (V15653)) (OPT NS103197-02 (V80539)) (OPT T8076S1032 (V71087)) (OPT T8076S1032 (V11815)) (OPT VN202A1-02 (V92215))			6
769	412N1217-22							..... BRACKET			1
772	412N1217-91							..... BRACKET ASSY			1
775	BACR15BA3AD							..... RIVET (SIZE DETERMINED ON INST)			10
778	BRM200A3							..... NUTPLATE (V52828) (SPEC BACN10JP3A) (OPT MK1000-3BAC (V15653)) (OPT NS103197-02 (V80539)) (OPT T8076S1032 (V71087)) (OPT T8076S1032 (V11815)) (OPT VN202A1-02 (V92215))			5
781	412N1217-92							..... BRACKET			1
784	412N1116-70							..... PANEL ASSY-DIVIDER			1
787	NAS1836-3-11							..... INSERT			2
790	412N1116-94							..... PANEL ASSY			1
793	412N1116-67							..... PANEL ASSY-DIVIDER			1
796	412N1116-93							..... PANEL ASSY			1

-Item not Illustrated

# 25-28-47

ILLUSTRATED PARTS LIST

Page 1098.324

Mar 01/2006





## COMPONENT MAINTENANCE MANUAL

FIG/ ITEM	PART NUMBER	AIRLINE PART NUMBER	NOMENCLATURE							USAGE CODE	UNITS PER ASSY
			1	2	3	4	5	6	7		
9- 799	412N1215-27										1

-Item not Illustrated

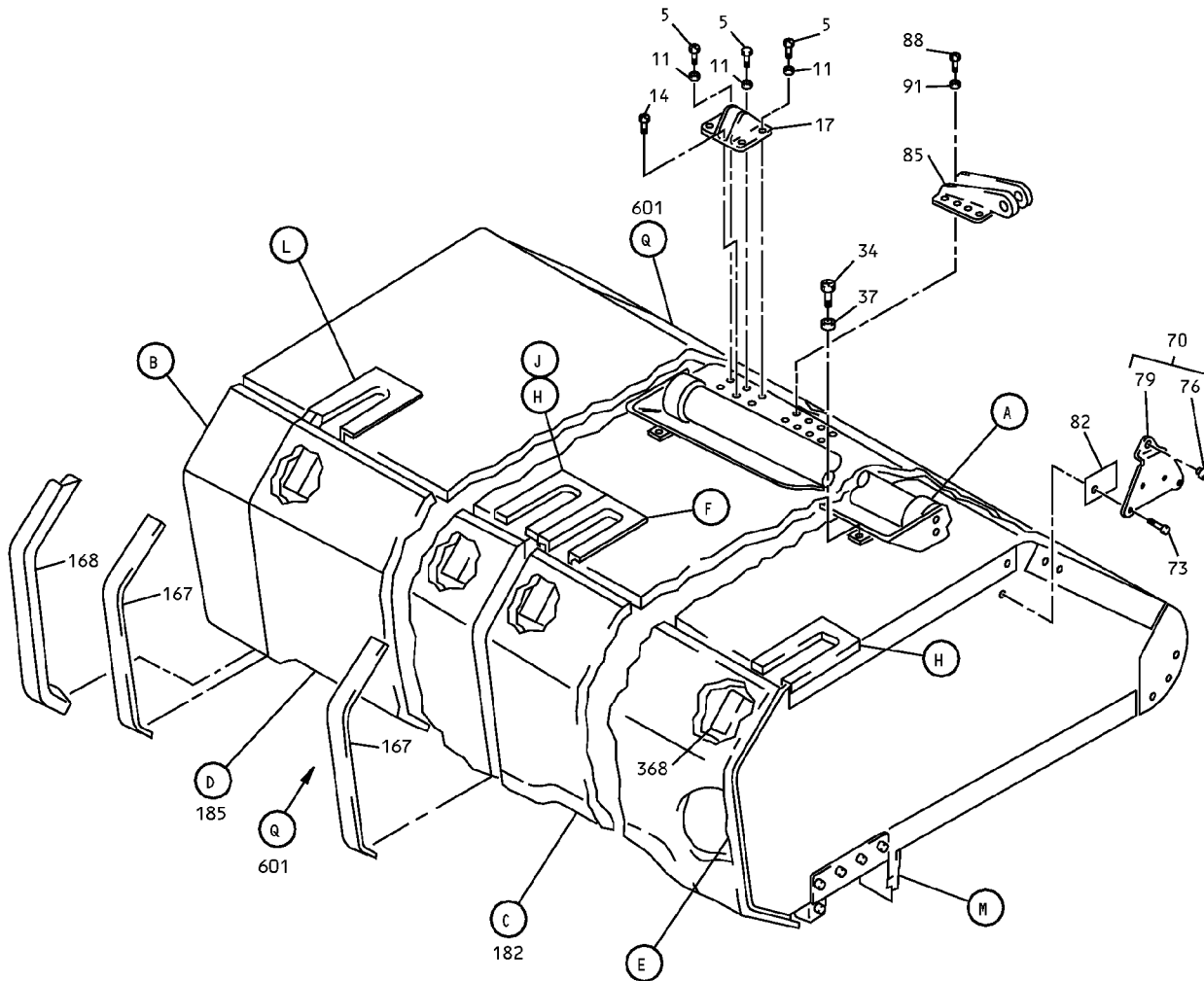
# 25-28-47

ILLUSTRATED PARTS LIST

Page 1098.325

Mar 01/2006

# COMPONENT MAINTENANCE MANUAL



Overhead Stowage Compartment Assembly  
IPL Figure 10 (Sheet 1 of 15)

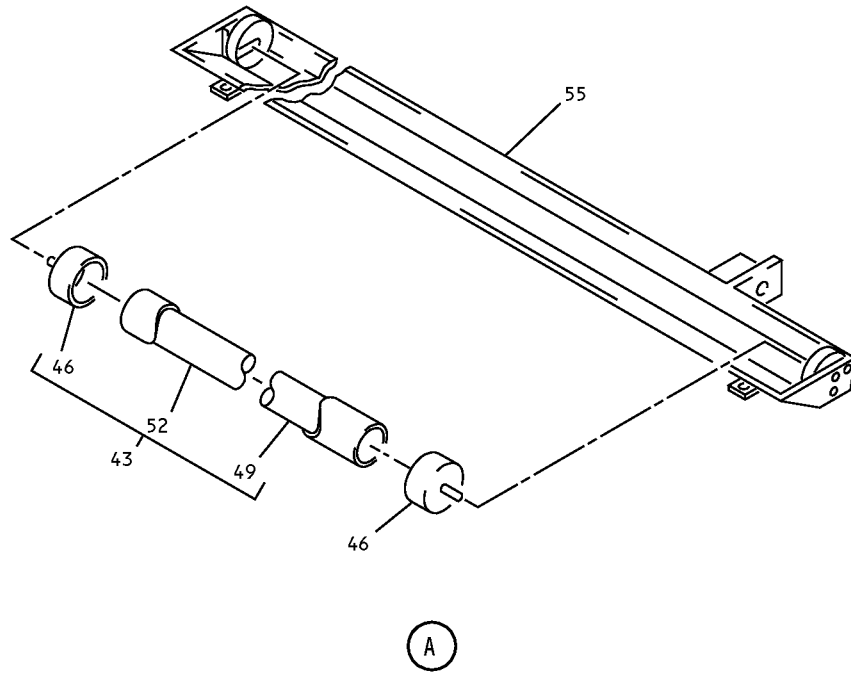
## 25-28-47

ILLUSTRATED PARTS LIST

Page 1098.326

Mar 01/2006

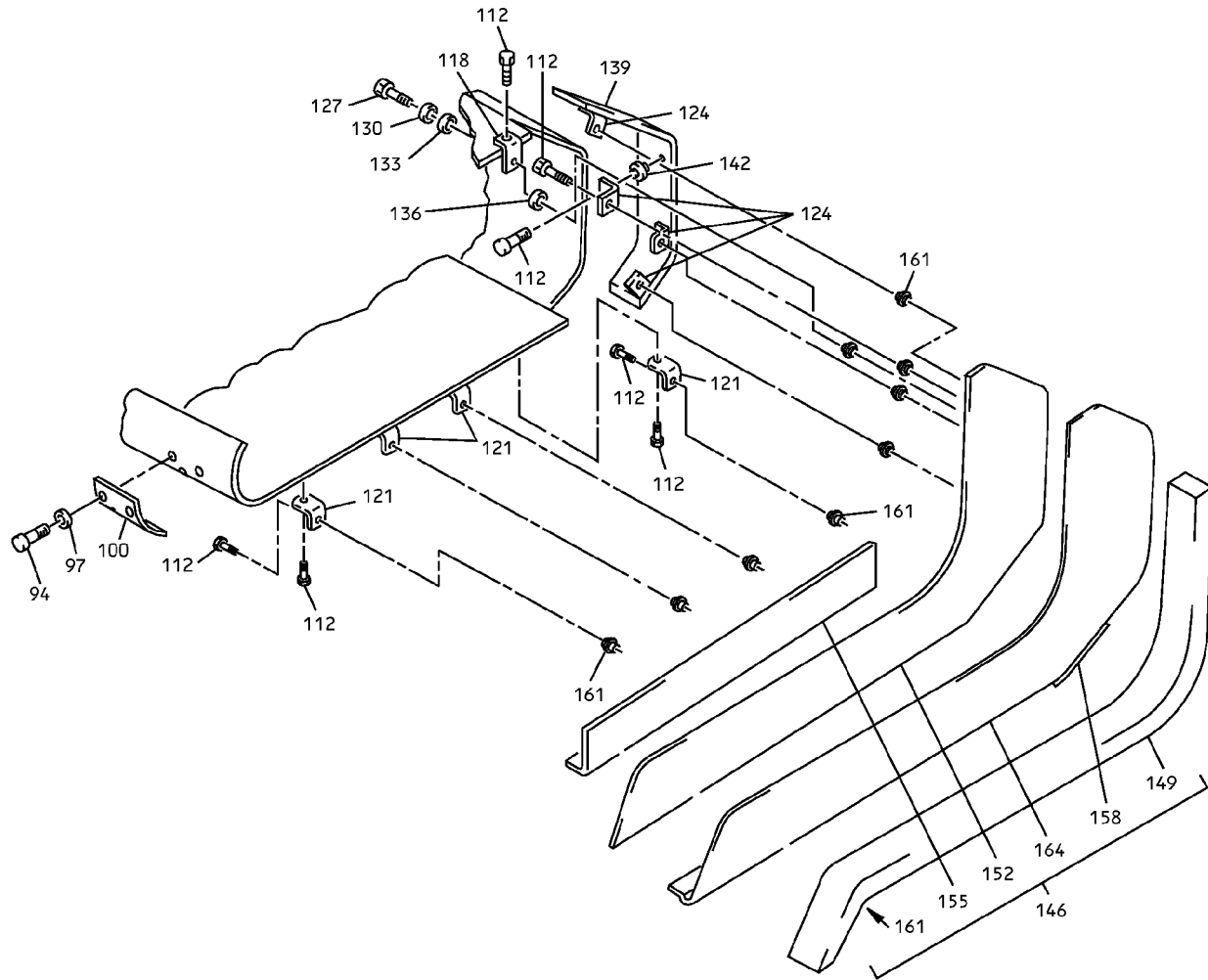
COMPONENT MAINTENANCE MANUAL



Overhead Stowage Compartment Assembly  
IPL Figure 10 (Sheet 2 of 15)

**25-28-47**  
ILLUSTRATED PARTS LIST  
Page 1098.327  
Mar 01/2006

# COMPONENT MAINTENANCE MANUAL



(B)

Overhead Storage Compartment Assembly  
IPL Figure 10 (Sheet 3 of 15)

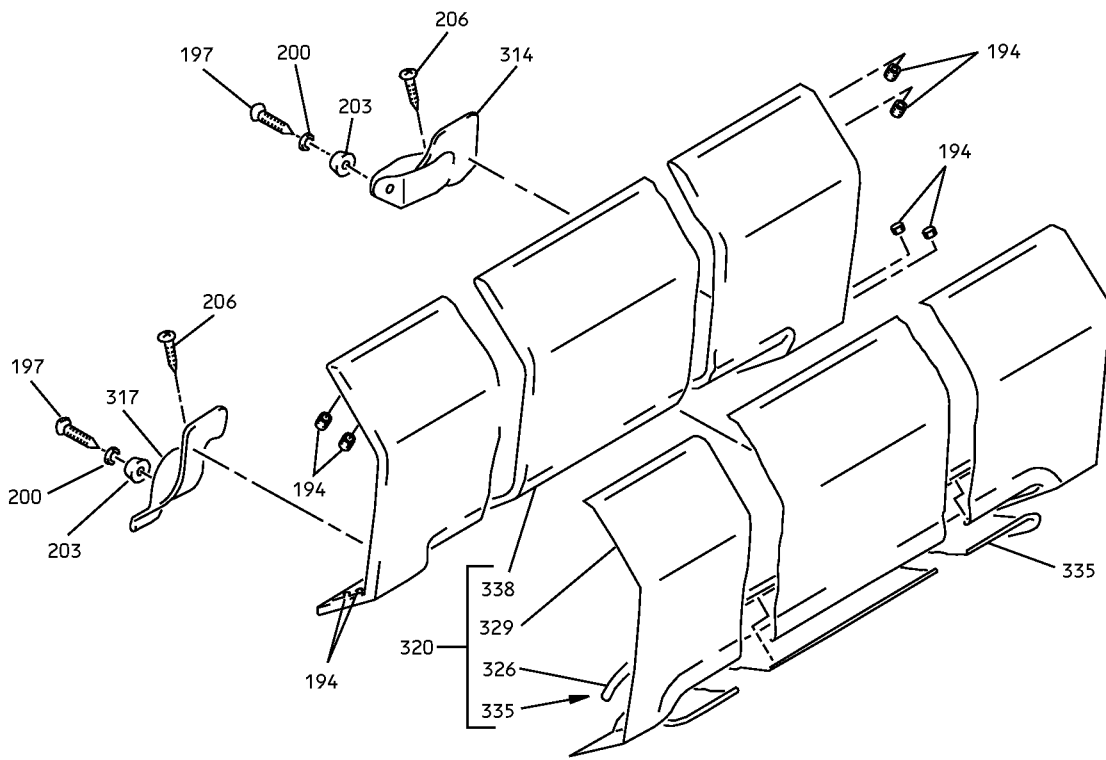
## 25-28-47

ILLUSTRATED PARTS LIST

Page 1098.328

Mar 01/2006

COMPONENT MAINTENANCE MANUAL



(C)

Overhead Stowage Compartment Assembly  
IPL Figure 10 (Sheet 4 of 15)

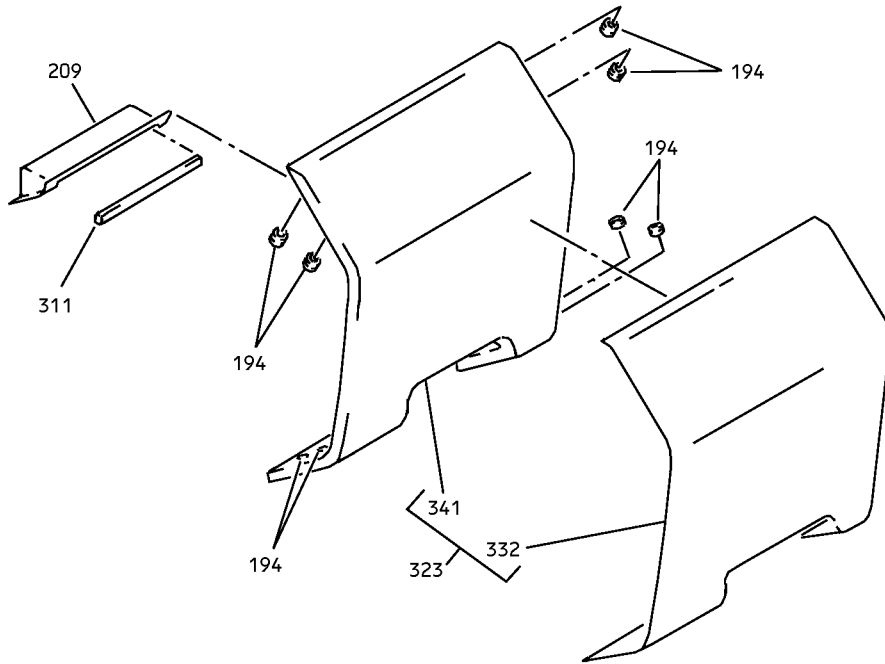
**25-28-47**

ILLUSTRATED PARTS LIST

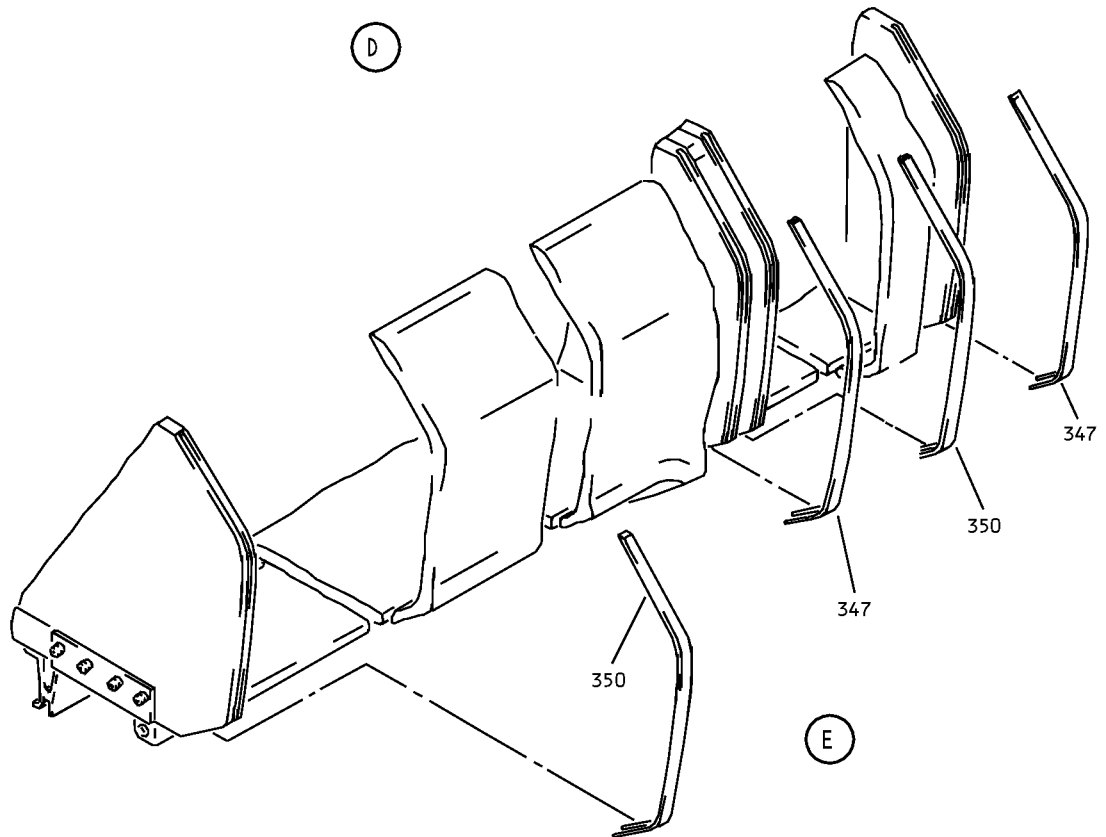
Page 1098.329

Mar 01/2006

# COMPONENT MAINTENANCE MANUAL



D



E

Overhead Stowage Compartment Assembly  
IPL Figure 10 (Sheet 5 of 15)

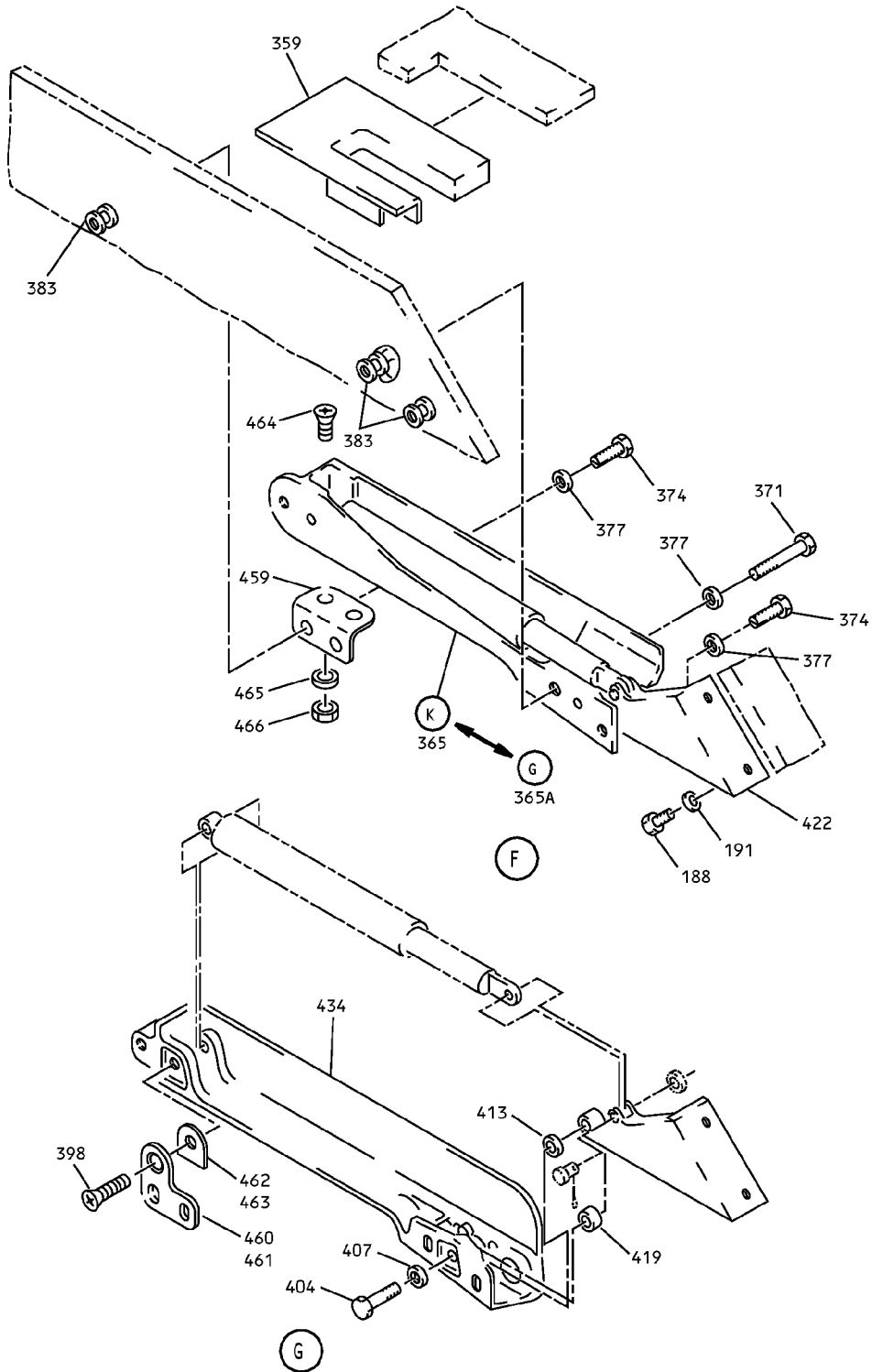
## 25-28-47

ILLUSTRATED PARTS LIST

Page 1098.330

Mar 01/2006

COMPONENT MAINTENANCE MANUAL



Overhead Storage Compartment Assembly  
IPL Figure 10 (Sheet 6 of 15)

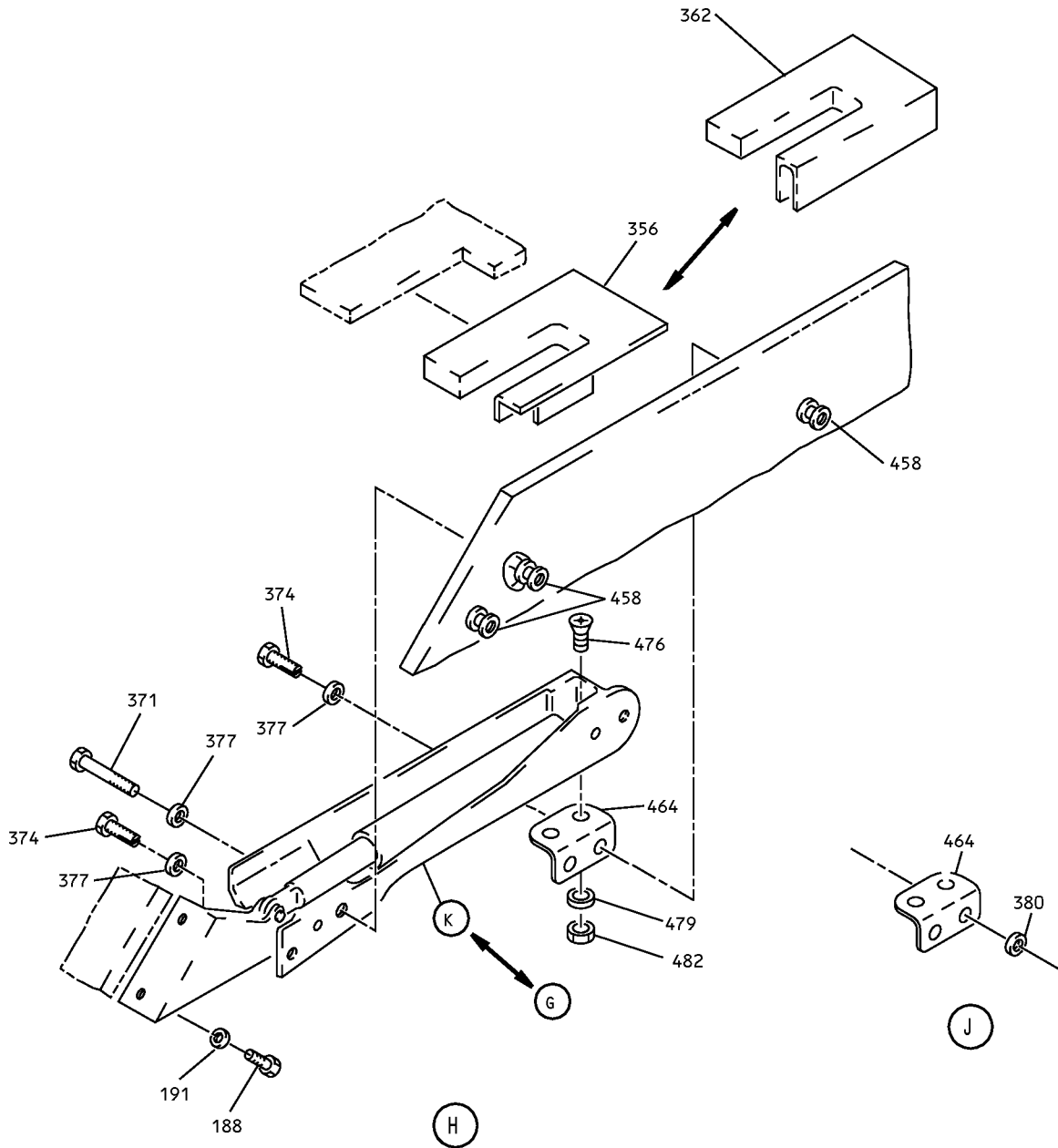
**25-28-47**

ILLUSTRATED PARTS LIST

Page 1098.331

Mar 01/2006

COMPONENT MAINTENANCE MANUAL

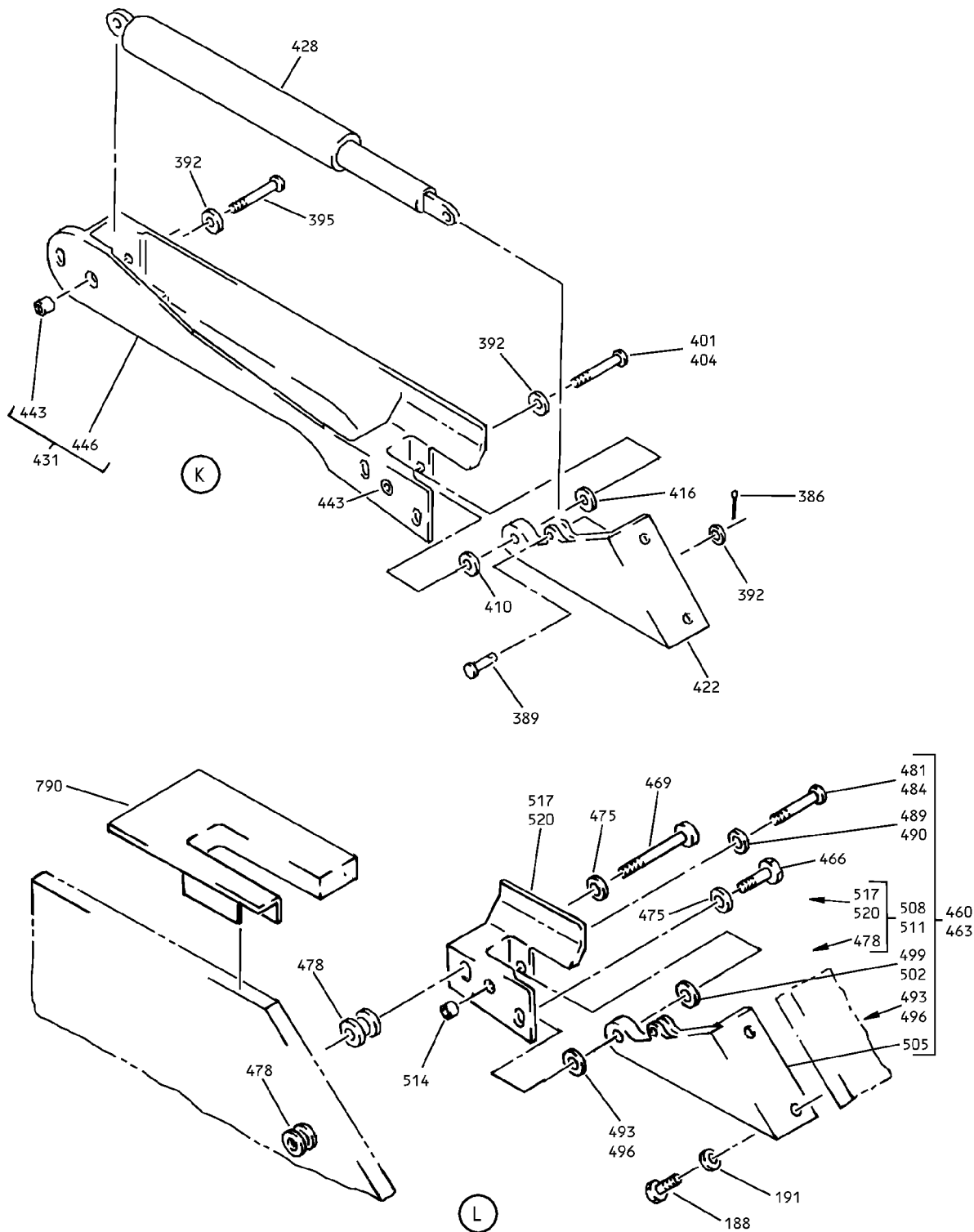


Overhead Stowage Compartment Assembly  
IPL Figure 10 (Sheet 7 of 15)

**25-28-47**  
ILLUSTRATED PARTS LIST  
Page 1098.332  
Mar 01/2006



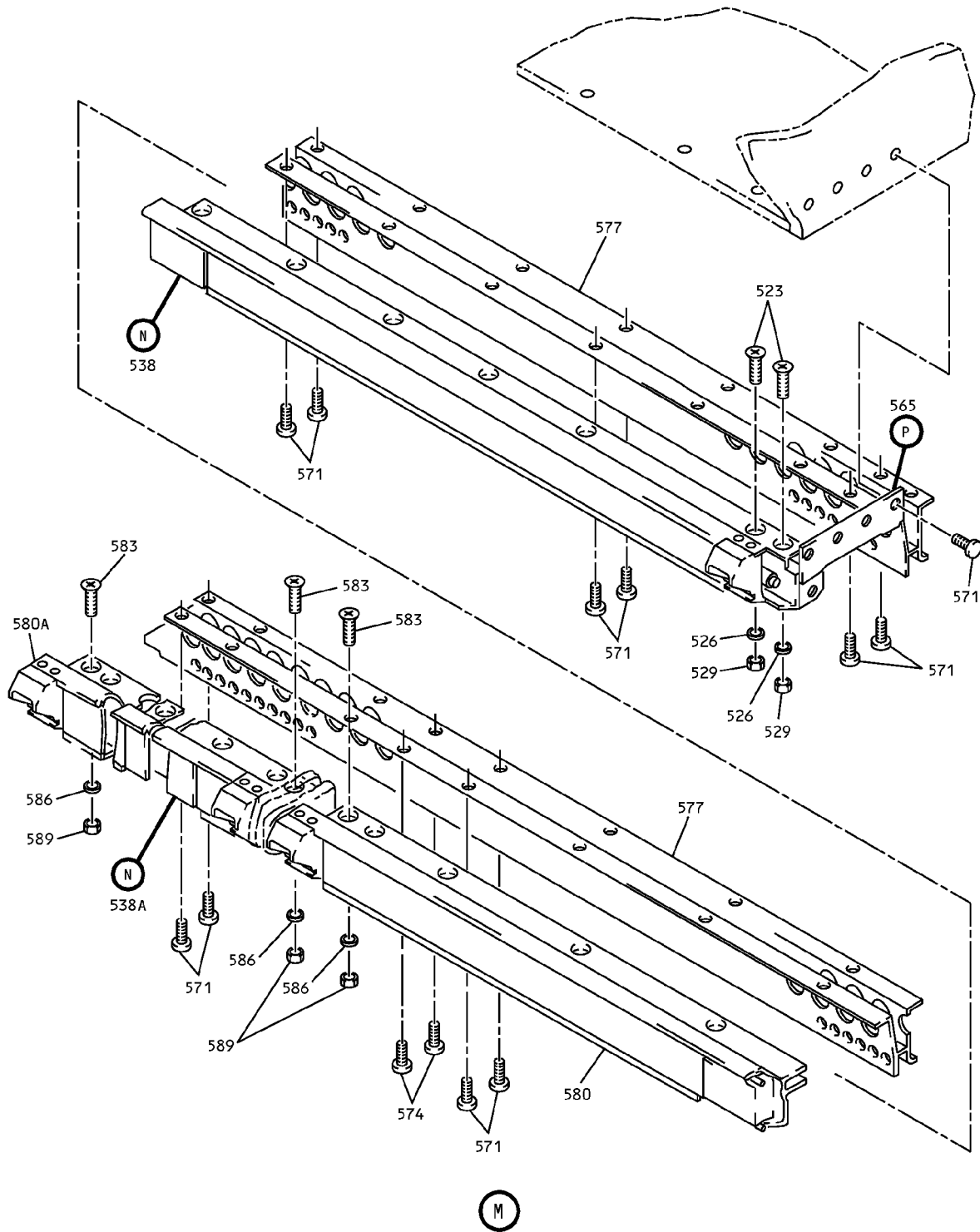
COMPONENT MAINTENANCE MANUAL



Overhead Storage Compartment Assembly  
IPL Figure 10 (Sheet 8 of 15)

**25-28-47**  
ILLUSTRATED PARTS LIST  
Page 1098.333  
Mar 01/2006

# COMPONENT MAINTENANCE MANUAL



Overhead Storage Compartment Assembly  
IPL Figure 10 (Sheet 9 of 15)

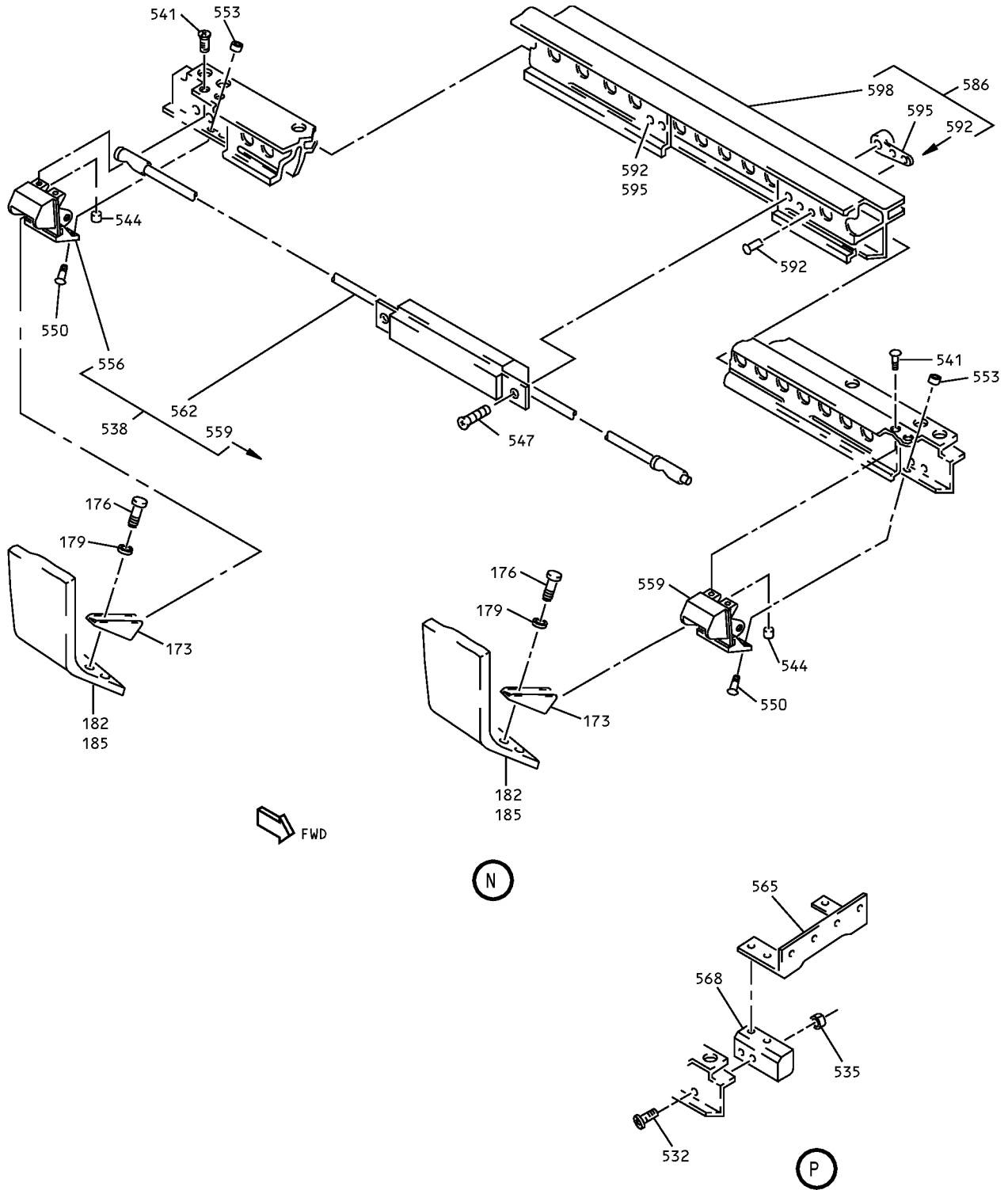
## 25-28-47

ILLUSTRATED PARTS LIST

Page 1098.334

Mar 01/2006

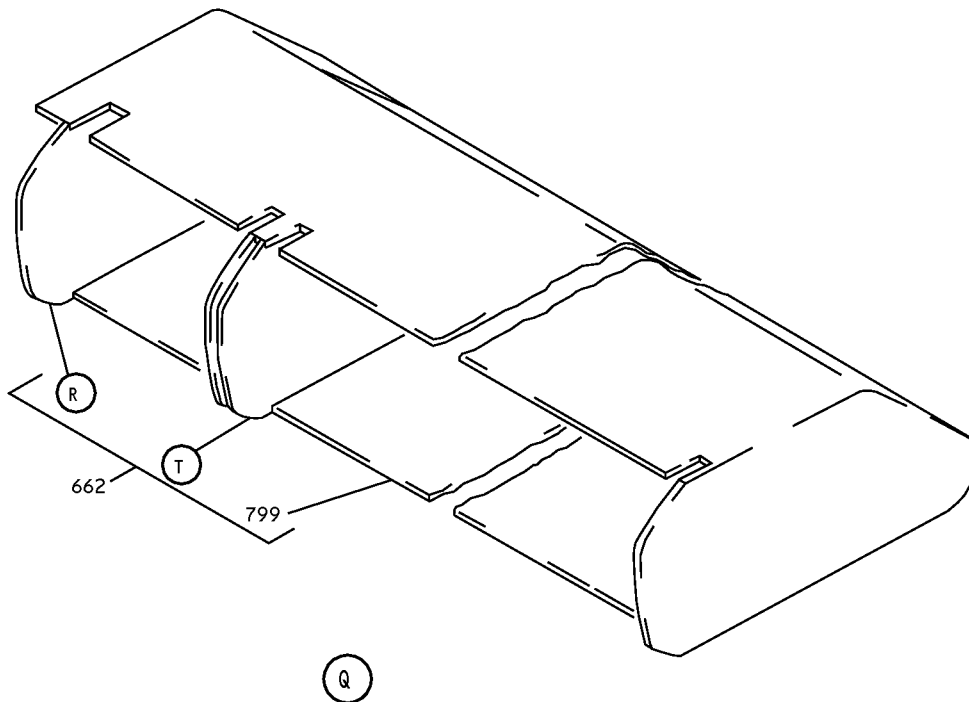
COMPONENT MAINTENANCE MANUAL



Overhead Stowage Compartment Assembly  
IPL Figure 10 (Sheet 10 of 15)

**25-28-47**  
ILLUSTRATED PARTS LIST  
Page 1098.335  
Mar 01/2006

COMPONENT MAINTENANCE MANUAL



Overhead Stowage Compartment Assembly  
IPL Figure 10 (Sheet 11 of 15)

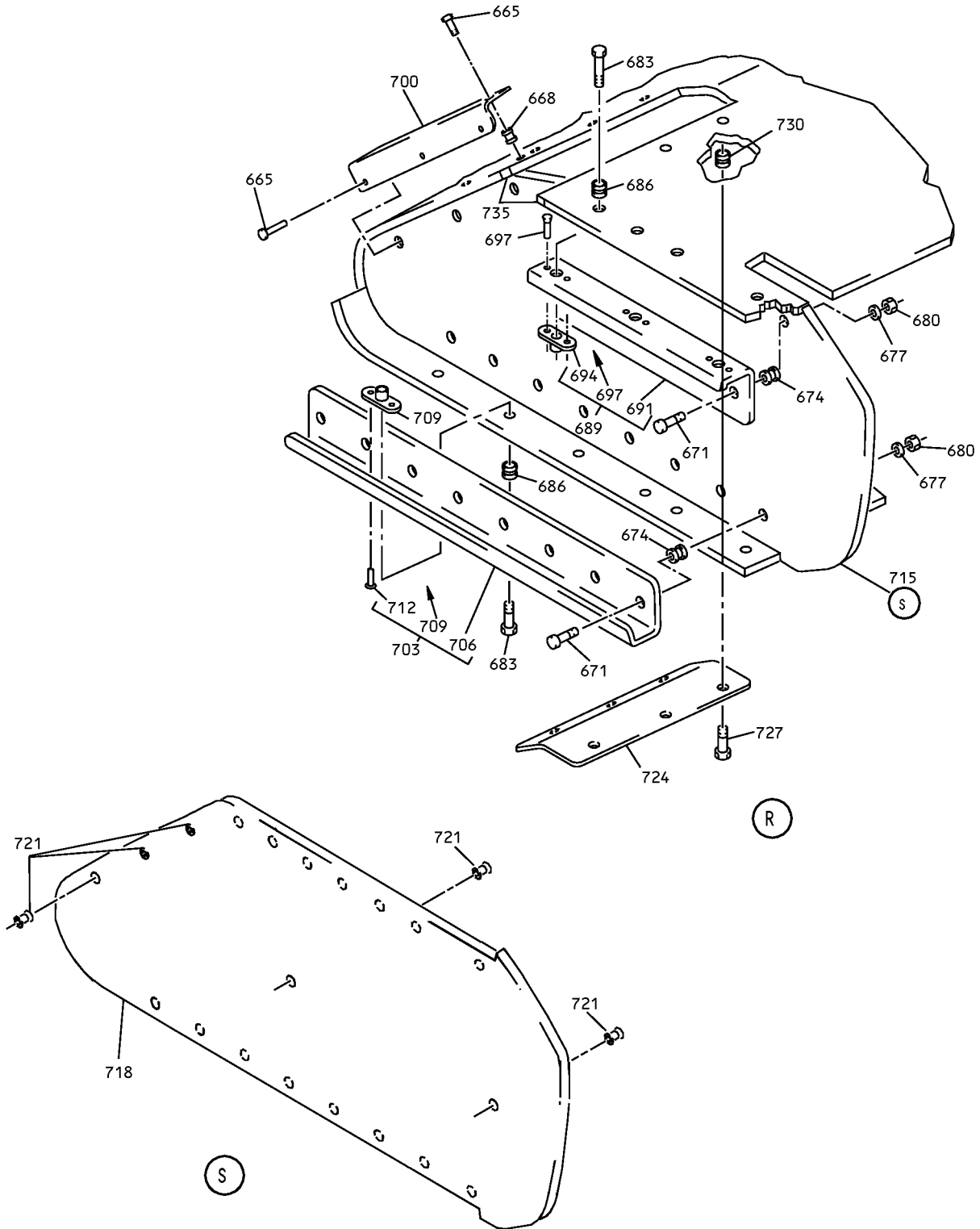
**25-28-47**

ILLUSTRATED PARTS LIST

Page 1098.336

Mar 01/2006

COMPONENT MAINTENANCE MANUAL



Overhead Stowage Compartment Assembly  
IPL Figure 10 (Sheet 12 of 15)

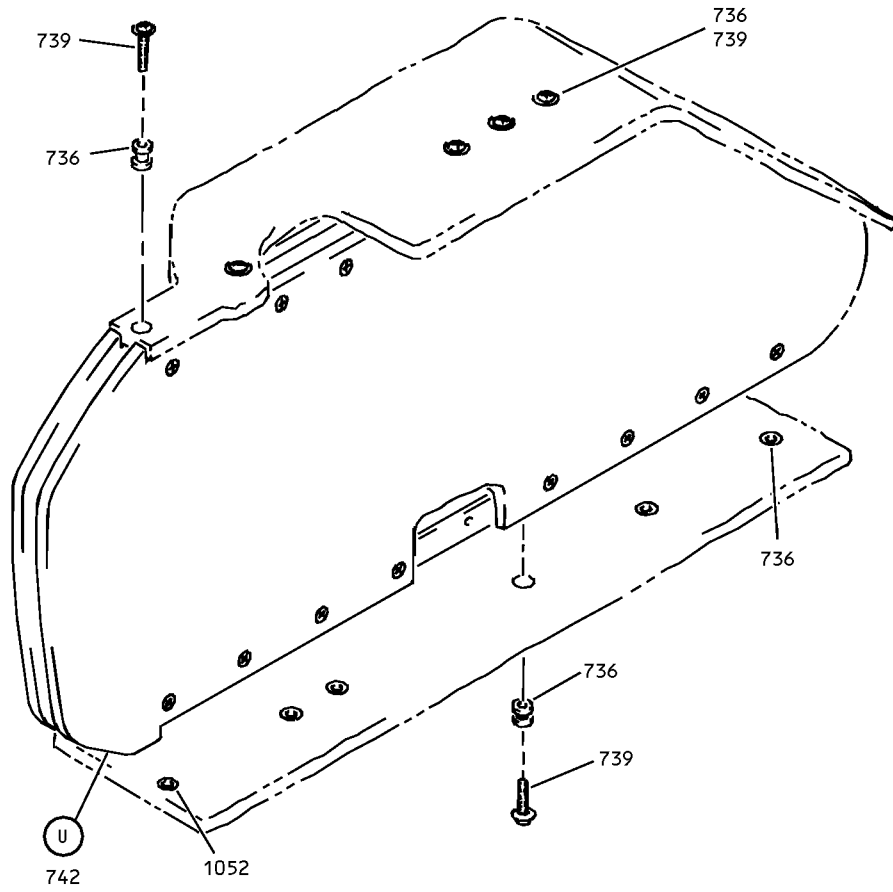
**25-28-47**

ILLUSTRATED PARTS LIST

Page 1098.337

Mar 01/2006

COMPONENT MAINTENANCE MANUAL



(T)

Overhead Stowage Compartment Assembly  
IPL Figure 10 (Sheet 13 of 15)

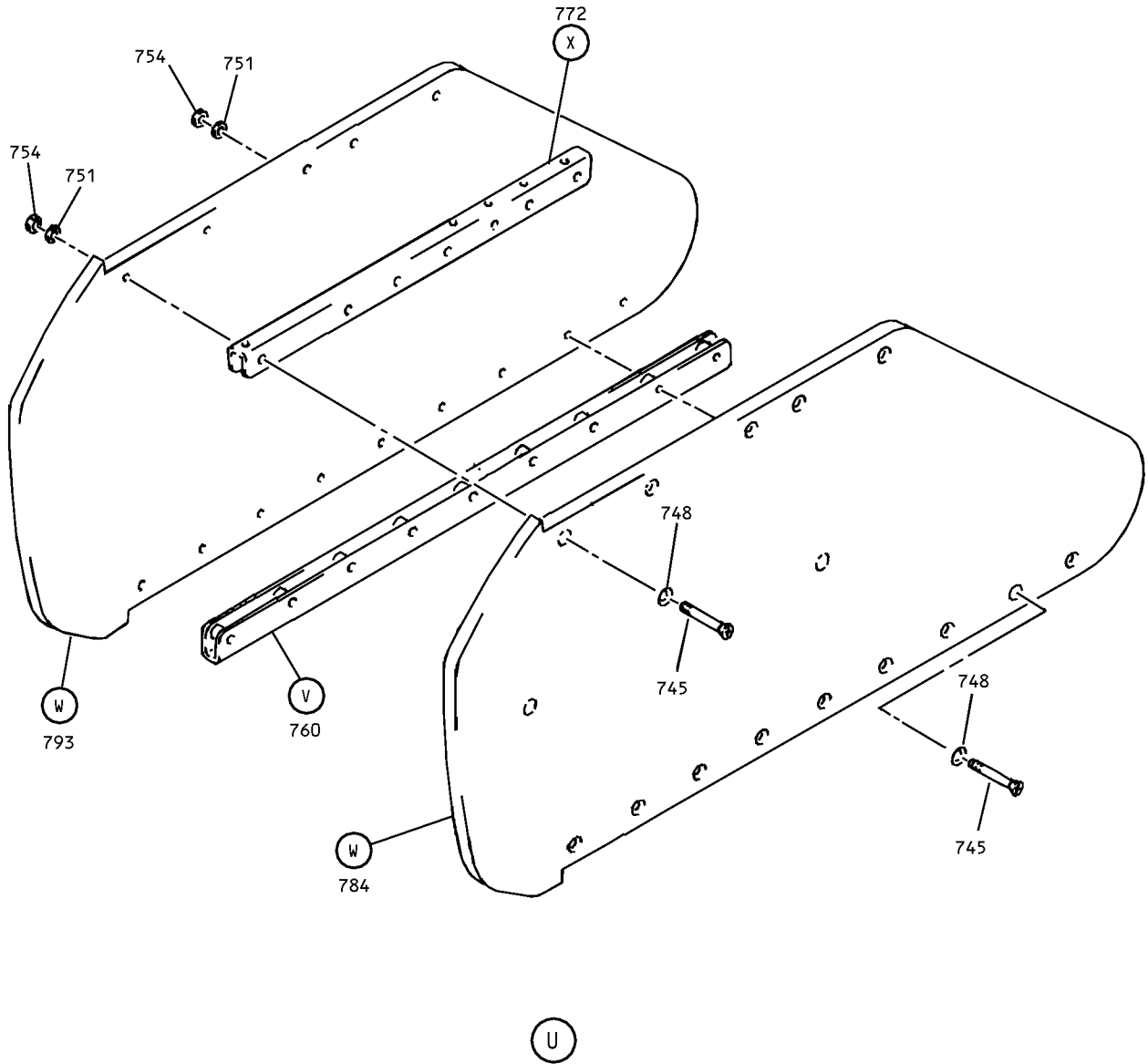
**25-28-47**

ILLUSTRATED PARTS LIST

Page 1098.338

Mar 01/2006

COMPONENT MAINTENANCE MANUAL



Overhead Stowage Compartment Assembly  
IPL Figure 10 (Sheet 14 of 15)

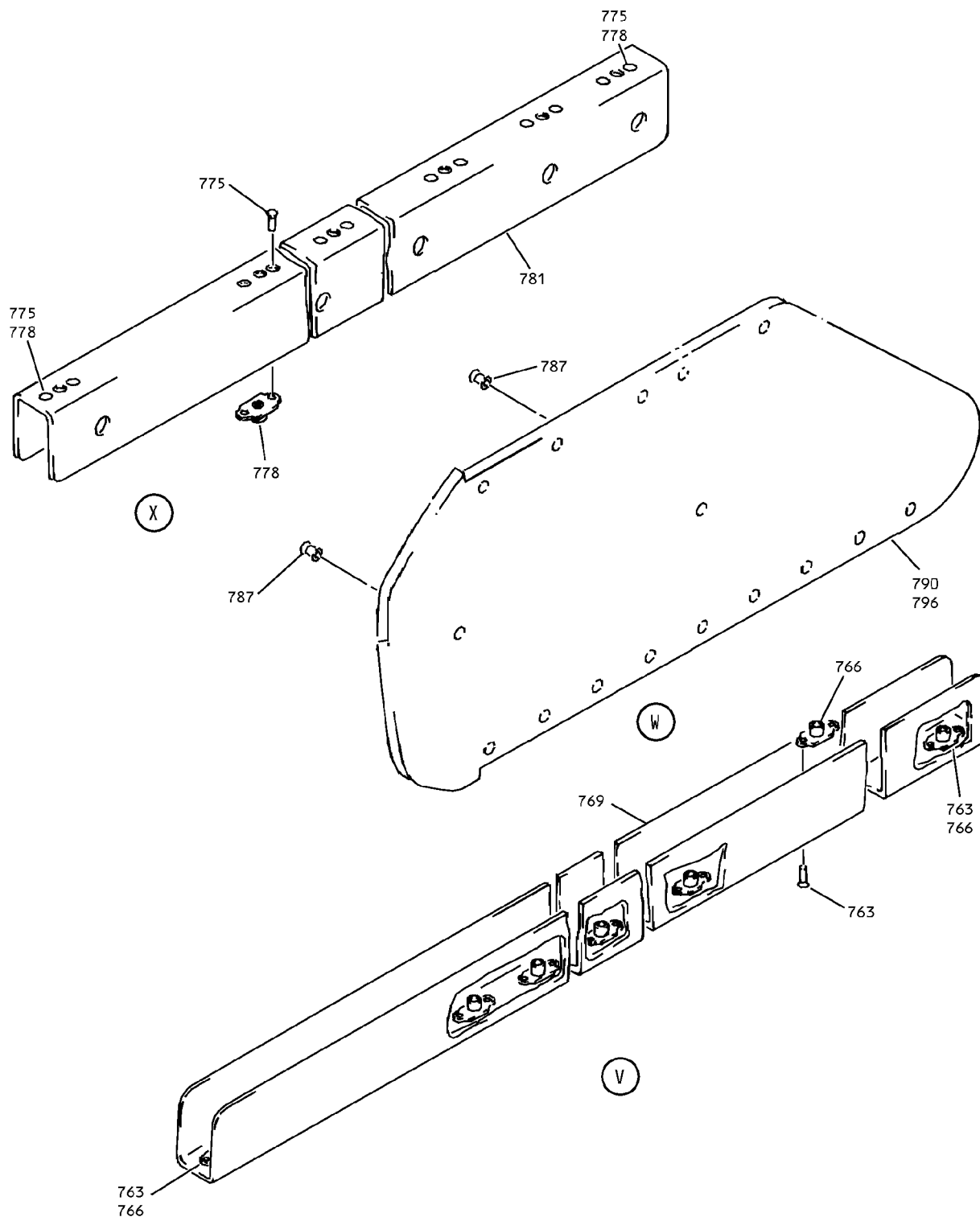
**25-28-47**

ILLUSTRATED PARTS LIST

Page 1098.339

Mar 01/2006

# COMPONENT MAINTENANCE MANUAL



Overhead Storage Compartment Assembly  
IPL Figure 10 (Sheet 15 of 15)

## 25-28-47

ILLUSTRATED PARTS LIST

Page 1098.340

Mar 01/2006





## COMPONENT MAINTENANCE MANUAL

FIG/ ITEM	PART NUMBER	AIRLINE PART NUMBER	NOMENCLATURE							USAGE CODE	UNITS PER ASSY
			1	2	3	4	5	6	7		
10-											
1	65C27006-101SP										RF
5	BACB30NM3K1										4
8	BACB30NM3K9										2
11	AN960PD10										6
14	BACB30NN3K9										1
17	412N1119-26										1
31	417N5120-33										1
34	NAS1801-3-5										2
37	AN960PD10L										2
43	417N5120-11										1
46	2055150										2
49	F20T12WW										1
52	LP1625-24										1

-Item not Illustrated

# 25-28-47

ILLUSTRATED PARTS LIST

Page 1098.341

Mar 01/2006



COMPONENT MAINTENANCE MANUAL

FIG/ ITEM	PART NUMBER	AIRLINE PART NUMBER	NOMENCLATURE							USAGE CODE	UNITS PER ASSY	
			1	2	3	4	5	6	7			
10- -52A	NI152LGWUV1000		.	.	.	TUBE-COVER-						1
						(V06034)						
						(OPT ITEM 66)						
55	800000255-29		.	.	LIGHT-ASSY-							1
						(V05617)						
						(SPEC S417N507-29)						
70	412N1119-37		.	FITTING ASSY								1
				ATTACHING PARTS								
73	BACS12ER3K6		.	SCREW								4
				(V06710)								
				(SPEC BACS12ER3K6)								
				(OPT BACS12ER3K6 (V06725))								
				(OPT BACS12ER3K6 (V06950))								
				(OPT BACS12ER3K6 (V27624))								
				(OPT BACS12ER3K6 (V34252))								
				(OPT BACS12ER3K6 (V56878))								
				(OPT BACS12ER3K6 (V73197))								
				(OPT BACS12ER3K6 (V80539))								
				(OPT BACS12ER3K6 (V92215))								
				(OPT BACS12ER3K6 (V93907))								
				(OPT BACS12ER3K6 (V97928))								
				----- * -----								
76	BACB28B6-220P		.	BUSHING								1
79	412N1119-39		.	FITTING								1
82	65C27017-16		.	SHIM								1
85	412N1161-2		.	FITTING								1
				(OPT ITEM 85A)								
-85A	412N1119-14		.	FITTING								1
				(OPT ITEM 85)								
88	BACB30NM3K1		.	BOLT								8
				(V06710)								
				(SPEC BACB30NM3K1)								
				(OPT BACB30NM3K1 (V06725))								
				(OPT BACB30NM3K1 (V06950))								
				(OPT BACB30NM3K1 (V08524))								
				(OPT BACB30NM3K1 (V27624))								
				(OPT BACB30NM3K1 (V56878))								
				(OPT BACB30NM3K1 (V73197))								
				(OPT BACB30NM3K1 (V80539))								
				(OPT BACB30NM3K1 (V92215))								
				(OPT BACB30NM3K1 (V93907))								
				(OPT BACB30NM3K1 (V97928))								

-Item not Illustrated

**25-28-47**

ILLUSTRATED PARTS LIST

Page 1098.342

Mar 01/2006



## COMPONENT MAINTENANCE MANUAL

FIG/ ITEM	PART NUMBER	AIRLINE PART NUMBER	NOMENCLATURE							USAGE CODE	UNITS PER ASSY	
			1	2	3	4	5	6	7			
10-												
91	AN960JD10		.	W	A	S	H	E	R		8	
94	BACB30NM3K1		.	B	O	L	T				4	
				(V06710)								
				(SPEC BACB30NM3K1)								
				(OPT BACB30NM3K1 (V06725))								
				(OPT BACB30NM3K1 (V06950))								
				(OPT BACB30NM3K1 (V08524))								
				(OPT BACB30NM3K1 (V27624))								
				(OPT BACB30NM3K1 (V56878))								
				(OPT BACB30NM3K1 (V73197))								
				(OPT BACB30NM3K1 (V80539))								
				(OPT BACB30NM3K1 (V92215))								
				(OPT BACB30NM3K1 (V93907))								
				(OPT BACB30NM3K1 (V97928))								
97	AN960PD10		.	W	A	S	H	E	R		4	
100	412N1119-12		.	F	I	T	T	I	N	G	1	
112	BACS12FA3K5		.	B	O	L	T				17	
118	412N1145-30		.	B	R	A	C	K	E	T	1	
121	412N1145-29		.	B	R	A	C	K	E	T	4	
124	65C27017-13		.	B	R	A	C	K	E	T	4	
127	BACB30PF4-3		.	S	C	R	E	W			1	
130	AN960C416L		.	W	A	S	H	E	R		1	
133	NAS1515F4H		.	W	A	S	H	E	R		1	
136	NAS1515M4L		.	W	A	S	H	E	R		1	
139	65C27026-60		.	P	A	N	E	L	-	F	I	L
				LL	I	N	S	E	R	T	4	
142	NAS1836-3-11		.	C	A	P	A	S	S	-	E	
146	65C27027-3SP		.	S	E	A	L				1	
149	65C27027-17		.	S	E	A	L				1	
152	65C27027-11		.	P	A	N	E	L	A	S	S	
155	65C27027-14		.	S	U	P	P	O	R	T	,	
				A	N	G	L	E			1	
158	65C27027-13		.	F	O	A	M				1	
161	SL2334-3A2		.	I	N	S	E	R	T		9	
				(V97393)								
164	65C27027-7		.	C	A	P	-	E	N	D	1	
167	412N1130-5		.	T	R	I	M	-	V	E		
				R	T	I	M	-	V	E		
168	65C27006-12		.	S	E	A	L				1	

-Item not Illustrated

# 25-28-47

ILLUSTRATED PARTS LIST

Page 1098.343

Mar 01/2006



## COMPONENT MAINTENANCE MANUAL

FIG/ ITEM	PART NUMBER	AIRLINE PART NUMBER	NOMENCLATURE							USAGE CODE	UNITS PER ASSY
			1	2	3	4	5	6	7		
10-											
170	65C27009-101SP										1
173	H3-1152-1										4
176	BACS12FA3K4										8
179	MS35333-39										8
182	412N1140-44										1
185	412N1140-66										1
188	NAS1801-3-4										8
191	MS35333-39										8
194	SL628-3A										8
197	BACS12H4-8										2
200	NAS620A8L										2
203	412N1245-1										2
206	MS51862-4										2
209	412N1143-11										2
311	412N1140-17										1
314	412N1143-13										1
317	412N1143-14										1
320	412N1140-61										1
323	412N1140-62										1

-Item not Illustrated

# 25-28-47

ILLUSTRATED PARTS LIST

Page 1098.344

Mar 01/2006



## COMPONENT MAINTENANCE MANUAL

FIG/ ITEM	PART NUMBER	AIRLINE PART NUMBER	NOMENCLATURE	USAGE CODE	UNITS PER ASSY
10-					
326	412N1140-13		. . . . STRIP RETAINER (USED ON ITEM 320)		1
329	412N1141-1		. . . . FACE PLATE (USED ON ITEM 320)		1
332	412N1141-5		. . . . FACE PLATE (USED ON ITEM 323)		1
335	412N1141-7		. . . . MARKER (USED ON ITEM 320)		1
338	412N1142-15		. . . . PANEL ASSY (USED ON ITEM 320)		1
341	412N1142-20		. . . . PANEL ASSY (USED ON ITEM 323)		1
-344	412N1244-2		. . . DOUBLER (USED ON ITEM 185)		1
347	412N1118-1SP		. . RETAINER TRIM		2
350	412N1118-2SP		. . RETAINER TRIM		2
353	65C27009-6		. . EDGE COVER		2
356	412N1154-3		. . REINFORCEMENT-CORNER		1
359	412N1154-4		. . REINFORCEMENT-CORNER		2
362	412N1154-1		. . REINFORCEMENT-CORNER		1
365	412N1155-5		. . HINGE ASSY (LIMITED USAGE) (OPT ITEM 365A)		1
365A	412N1155-11		. . HINGE ASSY (LIMITED USAGE) (OPT ITEM 365)		1
368	412N1155-6		. . HINGE ASSY (LIMITED USAGE) (OPT ITEM 368A)		2
368A	412N1155-12		. . HINGE ASSY (LIMITED USAGE) (OPT ITEM 368)		2
371	BACB30LK3-18		. . BOLT (USED WITH ITEMS 365, 368)		1
-371A	NAS1801-3-10		. . BOLT (USED WITH ITEMS 365A, 368A)		1
374	412N1227-1		. . BOLT (OPT ITEM 374A)		2

-Item not Illustrated

# 25-28-47

ILLUSTRATED PARTS LIST

Page 1098.345

Mar 01/2006



## COMPONENT MAINTENANCE MANUAL

FIG/ ITEM	PART NUMBER	AIRLINE PART NUMBER	NOMENCLATURE							USAGE CODE	UNITS PER ASSY		
			1	2	3	4	5	6	7				
10- -374A	A1C1321-3-8		. .									2	
377	BACW10P136AL		. .									3	
380	AN960JD10		. .									1	
383	NAS1833-3-400		. .									3	
386	MS24665-132		. . .									1	
389	MS20392-2C13		. . .									1	
392	AN960JD10L		. . .									3	
395	NAS6703PU15		. . .									1	
398	BACB30LU3-4		DELETED										
398A	BACB30LU3-14		. . .									1	
401	NAS6703PU11		. . .									1	
404	BACB30NM3K8		. . .									1	
407	NA960KD10L		. . .									1	
410	NAS43DD3-5		. . .									1	
413	NAS43DD3-3		. . .									1	
416	NAS43DD3-6		. . .									1	
419	NAS43DD3-8		. . .									1	
422	H2948-2		. . .									1	
425	H2948-1		. . .									1	
428	SB113		. . .									1	

-Item not Illustrated

# 25-28-47

ILLUSTRATED PARTS LIST

Page 1098.346

Mar 01/2006



## COMPONENT MAINTENANCE MANUAL

FIG/ ITEM	PART NUMBER	AIRLINE PART NUMBER	NOMENCLATURE							USAGE CODE	UNITS PER ASSY
			1	2	3	4	5	6	7		
10-											
431	412N1156-1								... CHASSIS ASSY (USED ON ITEM 365)		1
434	412N1156-13								... CHASSIS ASSY (USED ON ITEM 365A)		1
-437	412N1156-2								... CHASSIS ASSY (USED ON ITEM 368)		1
-440	412N1156-14								... CHASSIS ASSY (USED ON ITEM 368A)		1
443	6041-3BRX225								... INSERT-DODGE- (V01556)		2
446	412N1156-3								... CHASSIS (USED ON ITEM 431)		1
-449	412N1156-15								... CHASSIS (USED ON ITEM 434)		1
-452	412N1156-4								... CHASSIS (USED ON ITEM 437)		1
-455	412N1156-16								... CHASSIS (USED ON ITEM 440)		1
458	NAS1833-3-400								.. INSERT		6
459	412N1119-36								... FITTING (USED ON ITEMS 365,368)		1
460	412N1119-69								... BRACKET (USED ON ITEM 365A)		1
461	412N1119-70								... BRACKET (USED ON ITEM 368A)		1
462	412N1119-71								... FILLER (USED ON ITEM 365A)		1
463	412N1119-72								... FILLER (USED ON ITEM 368A)		1
464	NAS514P1032-7								... SCREW (USED ON ITEMS 365,368)		2
465	AN960PD10L								... WASHER (USED ON ITEMS 365,368)		2
466	BACN10JC3								... NUT (USED ON ITEMS 365,368)		3
467	412N1155-3								.. HINGE ASSY (LIMITED USAGE) (OPT ITEM 460A)		1

-Item not Illustrated

# 25-28-47

ILLUSTRATED PARTS LIST

Page 1098.347

Mar 01/2006



## COMPONENT MAINTENANCE MANUAL

FIG/ ITEM	PART NUMBER	AIRLINE PART NUMBER	NOMENCLATURE							USAGE CODE	UNITS PER ASSY		
			1	2	3	4	5	6	7				
10- 467A	412N1155-9		. .									1	
468	412N1227-1		. .									1	
-468A	AIC1321-3-8		. .									1	
469	BACB30LK3-18		. .									1	
-472	NAS1801-3-10		. .									1	
475	BACW10P136AL		. .									2	
478	NAS18833-3-400		. .									2	
481	NAS6703PU11		. . .									1	
484	BACS30NM3K8		. . .									1	
487	AN960PD10L		. . .									1	
490	AN960KD10L		. . .									1	
493	NAS43DD3-5		. . .									1	
496	NAS43DD3-8		. . .									1	
499	NAS43DD3-6		. . .									1	
502	NAS43DD3-3		. . .									1	
505	H2948-2		. . .									1	
508	412N1156-5		. . .									1	
511	412N1156-20		. . .									1	

-Item not Illustrated

# 25-28-47

ILLUSTRATED PARTS LIST

Page 1098.348

Mar 01/2006





## COMPONENT MAINTENANCE MANUAL

FIG/ ITEM	PART NUMBER	AIRLINE PART NUMBER	NOMENCLATURE							USAGE CODE	UNITS PER ASSY
			1	2	3	4	5	6	7		
10-											
514	6041-3BRX225								.... INSERT-DODGE- (V01556)		2
517	412N1156-4								.... CHASSIS (USED ON ITEM 508)		1
520	412N1156-26								.... CHASSIS (USED ON ITEM 511)		1
523	BACS12ER08K14								.. BOLT		2
526	AN960JD8								.. WASHER		2
529	MS21042L08								.. NUT		2
532	BACB30MY6K2								.. BOLT		2
535	MS21042L3								.. NUT		2
538	412N1153-104								.. LATCH ASSY-30 IN.		1
-538A	412N1153-148								.. LATCH ASSY-18 IN.		1
									ATTACHING PARTS		
541	BACS12ER06K8								.. SCREW (V06710) (SPEC BACS12ER06K8) (OPT BACS12ER06K8 (V06725)) (OPT BACS12ER06K8 (V06950)) (OPT BACS12ER06K8 (V27624)) (OPT BACS12ER06K8 (V34252)) (OPT BACS12ER06K8 (V56878)) (OPT BACS12ER06K8 (V73197)) (OPT BACS12ER06K8 (V80539)) (OPT BACS12ER06K8 (V92215)) (OPT BACS12ER06K8 (V93907)) (OPT BACS12ER06K8 (V97928))		8
544	SL210-06-2								.. INSERT (V97393)		8

-Item not Illustrated

# 25-28-47

ILLUSTRATED PARTS LIST

Page 1098.349

Mar 01/2006



## COMPONENT MAINTENANCE MANUAL

FIG/ ITEM	PART NUMBER	AIRLINE PART NUMBER	NOMENCLATURE							USAGE CODE	UNITS PER ASSY	
			1	2	3	4	5	6	7			
10- 547	BACS12ER08K6		. .									4
550	NAS514P832-5		. .									8
553	SL210-08-1		. .									8
556	412N1113-7		. . .									1
559	412N1113-8		. . .									1
562	H3-1145-1-2760		. . .									1
-562A	H3-1145-3-1560		. . .									1
565	412N1145-28		. .									1
568	412N1117-2		. .									1
571	BACS12FA3K5		. .									34
574	BACS12FA3K15		. .									2
577	65C27023-51		. .									1
580	412N1146-3		. .									1
-580A	412N1146-18		. .									1

-Item not Illustrated

# 25-28-47

ILLUSTRATED PARTS LIST

Page 1098.350

Mar 01/2006



## COMPONENT MAINTENANCE MANUAL

FIG/ ITEM	PART NUMBER	AIRLINE PART NUMBER	NOMENCLATURE							USAGE CODE	UNITS PER ASSY
			1	2	3	4	5	6	7		
10-			ATTACHING PARTS								
583	BACS12ER08K12		. . SCREW (V06710) (SPEC BACS12ER08K12) (OPT BACS12ER08K12 (V06725)) (OPT BACS12ER08K12 (V06950)) (OPT BACS12ER08K12 (V27624)) (OPT BACS12ER08K12 (V34252)) (OPT BACS12ER08K12 (V56878)) (OPT BACS12ER08K12 (V73197)) (OPT BACS12ER08K12 (V80539)) (OPT BACS12ER08K12 (V92215)) (OPT BACS12ER08K12 (V93907)) (OPT BACS12ER08K12 (V97928))								21
586	AN960JD8		. . WASHER								21
589	MS21042L8		. . NUT								21
			-----*								
592	BACR15DR3		. . . RIVET (SIZE DETERMINED ON INST)								4
595	BACN10KB08		. . . NUTPLATE (V52828) (SPEC BACN10KB08)								2
598	412N1146-23		. . . SUPPORT								1
-598A	412N1146-38		. . . SUPPORT								1
601	65C27012-65		. . BODY ASSY								1
-604	65C27012-1054		. . . PATTERN ASSY-INSERT								1
-607	NAS1836-3-11		. . . . INSERT								10
-610	65C27012-1104		. . . PATTERN ASSY-INSERT								1
-613	NAS1836-3-11		. . . . INSERT								8
-617	NAS1836-4-11		. . . . INSERT								2
-620	65C27012-1204		. . . PATTERN ASSY-INSERT								1
-623	NAS1836-3-11		. . . . INSERT								4
-626	SL2334-3A2		. . . . INSERT								4
-629	65C27012-1314		. . . PATTERN ASSY-INSERT								1
-632	65C27012-8		. . . . DOUBLER								1
-635	NAS1836-3-11		. . . . INSERT								13

-Item not Illustrated

# 25-28-47

ILLUSTRATED PARTS LIST

Page 1098.351

Mar 01/2006



## COMPONENT MAINTENANCE MANUAL

FIG/ ITEM	PART NUMBER	AIRLINE PART NUMBER	NOMENCLATURE							USAGE CODE	UNITS PER ASSY	
			1	2	3	4	5	6	7			
10-												
-638	65C27012-2007											1
-641	NAS1836-3-11											4
-644	65C27012-2134											1
-647	NAS1836-3-11											2
-650	65C27012-4014											1
-653	NAS1833-3-400											6
-656	65C27012-4114											1
-659	NAS1833-3-400											4
-662	65C27327-98											1
665	BACS12FA3K5											6
668	NAS1836-3-11											3
671	BACB30NN3K6											13
674	SL3378-3-380											13
677	AN960JD10L											13
680	MS1042L3											13
683	BACS12FA3K12											10
686	NAS1834-3-400											10
689	412N1217-57											1
691	412N1217-59											1
694	BACN10JP3A											5
697	BACR15BA3D											10
700	412N1217-5											1
703	412N1217-66											1
706	412N1217-68											1
709	BACN10JP3A											6
712	BACR15BA3D											12
715	412N1116-73											1
718	412N1116-93											1
721	NAS1836-3-11											5
724	65C27017-41											1
727	BACS12FA3K5											6

-Item not Illustrated

# 25-28-47

ILLUSTRATED PARTS LIST

Page 1098.352

Mar 01/2006



## COMPONENT MAINTENANCE MANUAL

FIG/ ITEM	PART NUMBER	AIRLINE PART NUMBER	NOMENCLATURE							USAGE CODE	UNITS PER ASSY
			1	2	3	4	5	6	7		
10-											
730	NAS1833-3-400								....	INSERT	6
733	65C27327-67								....	EDGING	2
736	NAS1834-4-400								..	INSERT	13
739	BACS12FA3K12								....	SCREW (V06710) (SPEC BACS12FA3K12) (OPT BACS12FA3K12 (V06725)) (OPT BACS12FA3K12 (V06950)) (OPT BACS12FA3K12 (V27624)) (OPT BACS12FA3K12 (V34252)) (OPT BACS12FA3K12 (V56878)) (OPT BACS12FA3K12 (V73197)) (OPT BACS12FA3K12 (V80539)) (OPT BACS12FA3K12 (V92215)) (OPT BACS12FA3K12 (V93907)) (OPT BACS12FA3K12 (V97928))	13
742	412N1216-31								....	PANEL ASSY-DIVIDER	1
745	BACB30NN3K1								....	BOLT (V06710) (SPEC BACB30NN3K1) (OPT BACB30NN3K1 (V06725)) (OPT BACB30NN3K1 (V06950)) (OPT BACB30NN3K1 (V08524)) (OPT BACB30NN3K1 (V27624)) (OPT BACB30NN3K1 (V56878)) (OPT BACB30NN3K1 (V73197)) (OPT BACB30NN3K1 (V80539)) (OPT BACB30NN3K1 (V92215)) (OPT BACB30NN3K1 (V93907)) (OPT BACB30NN3K1 (V97928))	13
748	BACW10CT10								.....	WASHER (V10630) (SPEC BACW10CT10)	13
751	AN960PD516L								.....	WASHER	13
754	SL5-3-145S								.....	NUT (V97393) (OPT ITEM 275A)	13
-757	KD121395-145								.....	NUT (V29372) (OPT ITEM 275)	13
760	412N1217-21								.....	BRACKET ASSY	1

-Item not Illustrated

# 25-28-47

ILLUSTRATED PARTS LIST

Page 1098.353

Mar 01/2006



## COMPONENT MAINTENANCE MANUAL

FIG/ ITEM	PART NUMBER	AIRLINE PART NUMBER	NOMENCLATURE							USAGE CODE	UNITS PER ASSY
			1	2	3	4	5	6	7		
10- 763	BACR15BA3AD		..... RIVET (SIZE DETERMINED ON INST)								12
766	BRM200A3		..... NUTPLATE (V52828) (SPEC BACN10JP3A) (OPT MK1000-3BAC (V15653)) (OPT NS103197-02 (V80539)) (OPT T8076S1032 (V71087)) (OPT T8076S1032 (V11815)) (OPT VN202A1-02 (V92215))								6
769	412N1217-22		..... BRACKET								1
772	412N1217-91		..... BRACKET ASSY								1
775	BACR15BA3AD		..... RIVET (SIZE DETERMINED ON INST)								10
778	BRM200A3		..... NUTPLATE (V52828) (SPEC BACN10JP3A) (OPT MK1000-3BAC (V15653)) (OPT NS103197-02 (V80539)) (OPT T8076S1032 (V71087)) (OPT T8076S1032 (V11815)) (OPT VN202A1-02 (V92215))								5
781	412N1217-92		..... BRACKET								1
784	412N1116-70		..... PANEL ASSY-DIVIDER								1
787	NAS1836-3-11		..... INSERT								2
790	412N1116-94		..... PANEL ASSY								1
793	412N1116-67		..... PANEL ASSY-DIVIDER								1
796	412N1116-93		..... PANEL ASSY								1
799	65C27327-103		.... BODY								1

-Item not Illustrated

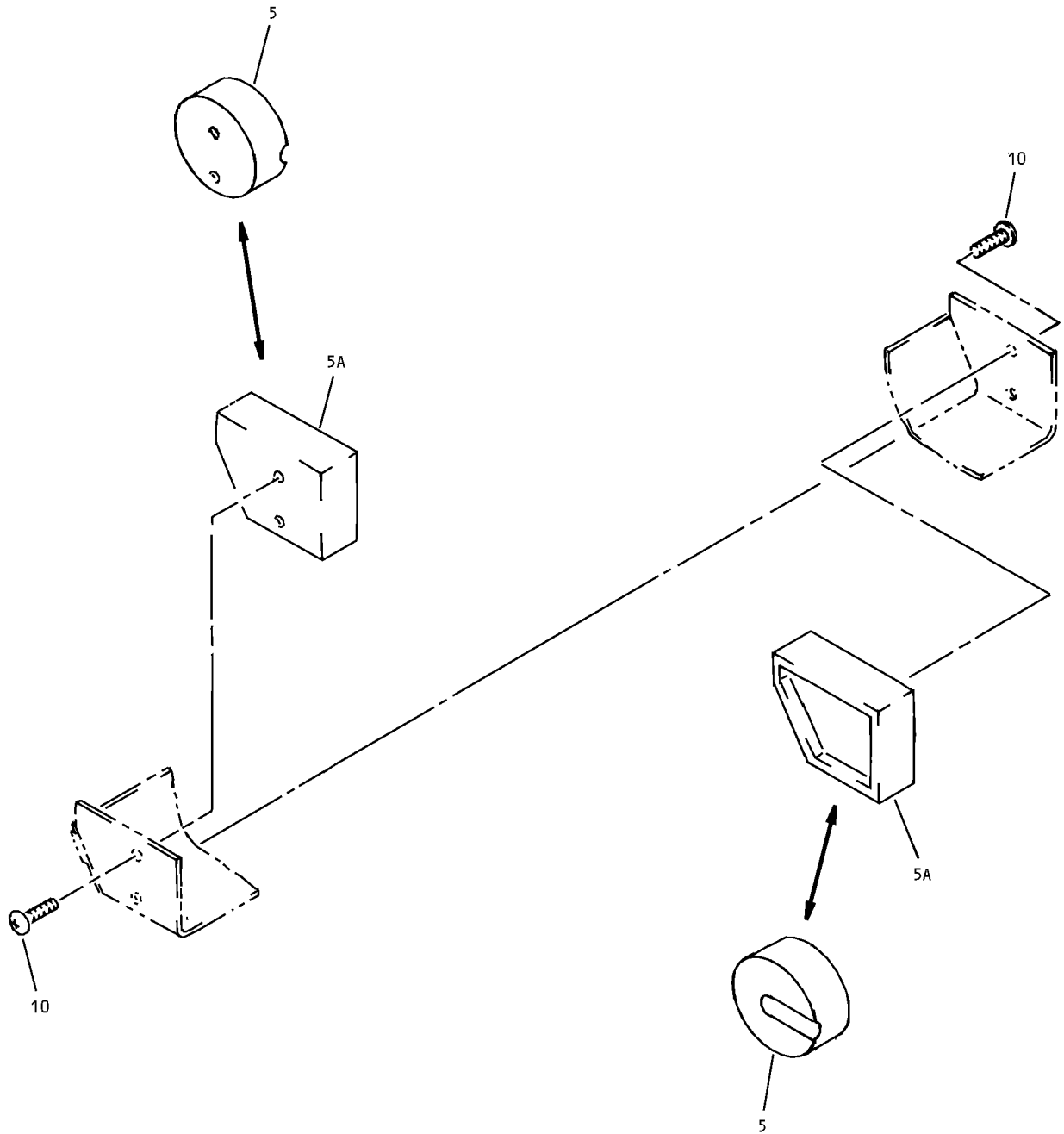
# 25-28-47

ILLUSTRATED PARTS LIST

Page 1098.354

Mar 01/2006

COMPONENT MAINTENANCE MANUAL



Ceiling Light Assembly  
IPL Figure 80

**25-28-47**

ILLUSTRATED PARTS LIST

Page 1098.355

Mar 01/2006



## COMPONENT MAINTENANCE MANUAL

FIG/ ITEM	PART NUMBER	AIRLINE PART NUMBER	NOMENCLATURE							USAGE CODE	UNITS PER ASSY
			1	2	3	4	5	6	7		
80- 1	800000255-16		LIGHT ASSY-CLG (V05617) (SPEC S417N507-16) (THIS ASSEMBLY IS NOT BOEING MANUFACTURED. PARTS BREAKDOWN FOR REFERENCE ONLY. CONSULT VENDOR FOR ANY ADDITIONAL INFORMATION)							A	RF
1A	800000255-20		LIGHT ASSY-CLG (V05617) (SPEC S417N507-20) (THIS ASSEMBLY IS NOT BOEING MANUFACTURED. PARTS BREAKDOWN FOR REFERENCE ONLY. CONSULT VENDOR FOR ANY ADDITIONAL INFORMATION)							B	RF
1B	800000255-22		LIGHT ASSY-CLG (V05617) (SPEC S417N507-22) (THIS ASSEMBLY IS NOT BOEING MANUFACTURED. PARTS BREAKDOWN FOR REFERENCE ONLY. CONSULT VENDOR FOR ANY ADDITIONAL INFORMATION)							C	RF
1C	800000255-29		LIGHT ASSY-CLG (V05617) (SPEC S417N507-29) (THIS ASSEMBLY IS NOT BOEING MANUFACTURED. PARTS BREAKDOWN FOR REFERENCE ONLY. CONSULT VENDOR FOR ANY ADDITIONAL INFORMATION)							D	RF
1D	800000255-6		LIGHT ASSY-CLG (V05617) (SPEC S417N507-6) (THIS ASSEMBLY IS NOT BOEING MANUFACTURED. PARTS BREAKDOWN FOR REFERENCE ONLY. CONSULT VENDOR FOR ANY ADDITIONAL INFORMATION)							E	RF
5	BV03112-03-33		. HOLDER-BRUCE LAMP- (V17023) (USED ON ITEMS 1,1A,1B,1C)								2

-Item not Illustrated

# 25-28-47

ILLUSTRATED PARTS LIST

Page 1098.356

Mar 01/2006





## COMPONENT MAINTENANCE MANUAL

FIG/ ITEM	PART NUMBER	AIRLINE PART NUMBER	NOMENCLATURE							USAGE CODE	UNITS PER ASSY
			1	2	3	4	5	6	7		
80- 5A	BV03112-33										2
10	MS35206-323										4

-Item not Illustrated

# 25-28-47

ILLUSTRATED PARTS LIST

Page 1098.357

Mar 01/2006