



COMPONENT MAINTENANCE MANUAL WITH ILLUSTRATED PARTS LIST

OVERHEAD STOWAGE COMPARTMENT ASSEMBLY

PART NUMBER

**65C32942-1, -10, -100, -101, -102, -103, -104, -105,
-106, -107, -108, -109, -110, -111, -112, -113, -114,
-115, -116, -117, -118, -119, -120, -121, -122, -123,**

BOEING PROPRIETARY, CONFIDENTIAL, AND/OR TRADE SECRET

Copyright © 1995 The Boeing Company
Unpublished Work - All Rights Reserved

Boeing claims copyright in each page of this document only to the extent that the page contains copyrightable subject matter. Boeing also claims copyright in this document as a compilation and/or collective work.

This document includes proprietary information owned by The Boeing Company and/or one or more third parties. Treatment of the document and the information it contains is governed by contract with Boeing. For more information, contact The Boeing Company, P.O. Box 3707, Seattle, Washington 98124.

Boeing, the Boeing signature, the Boeing symbol, 707, 717, 727, 737, 747, 757, 767, 777, 787, Dreamliner, BBJ, DC-8, DC-9, DC-10, KC-10, KDC-10, MD-10, MD-11, MD-80, MD-88, MD-90, P-8A, Poseidon and the Boeing livery are all trademarks owned by The Boeing Company; and no trademark license is granted in connection with this document unless provided in writing by Boeing.

PUBLISHED BY BOEING COMMERCIAL AIRPLANES GROUP, SEATTLE, WASHINGTON, USA
A DIVISION OF THE BOEING COMPANY
PAGE DATE: Jul 01/2009

25-28-48

Page 1
Jul 01/2009



COMPONENT MAINTENANCE MANUAL

PART NUMBER (Cont.)

65C32942-124, -125, -126, -127, -128, -129, -130, -131, -133, -134, -135, -136, -137, -138, -14, -18, -2, -21, -22, -24, -25, -26, -27, -28, -29, -3, -30, -301, -302, -303, -304, -305, -306, -307, -308, -309, -31, -310, -311, -312, -313, -314, -315, -316, -317, -318, -319, -32, -320, -321, -322, -323, -324, -325, -326, -327, -328, -329, -33, -330, -331, -332, -333, -334, -335, -336, -337, -338, -339, -34, -340, -341, -342, -343, -344, -345, -346, -347, -348, -35, -352, -353, -355, -36, -37, -376, -38, -39, -391, -392, -393, -394, -395, -398, -399, -4, -400, -402, -403, -405, -406, -407, -408, -409, -41, -410, -411, -412, -414, -415, -416, -417, -418, -419, -42, -420, -43, -44, -45, -46, -47, -48, -49, -5, -50, -51, -52, -53, -54, -55, -56, -57, -58, -60, -601, -602, -603, -604, -605, -606, -607, -608, -609, -61, -610, -611, -612, -613, -614, -615, -616, -617, -618, -619, -62, -620, -621, -622, -623, -624, -625, -626, -627, -628, -629, -63, -630, -631, -632, -633, -634, -635, -636, -637, -638, -639, -64, -640, -641, -642, -643, -644, -645, -646, -649, -65, -650, -651, -652, -653, -654, -655, -656, -657, -658, -659, -66, -660, -661, -662, -663, -664, -665, -666, -667, -668, -669, -67, -670, -671, -672, -673, -674, -675, -676, -68, -685, -69, -690, -7, -70, -707, -71, -715, -716, -72, -727, -728, -729, -73, -730, -731, -732, -74, -75, -76, -77, -78, -79, -8, -80, -81, -82, -83, -84, -85, -86, -87, -88, -89, -9, -91, -92, -93

25-28-48



COMPONENT MAINTENANCE MANUAL

Revision No. 12
Jul 01/2009

To: All holders of OVERHEAD STOWAGE COMPARTMENT ASSEMBLY 25-28-48.

Attached is the current revision to this COMPONENT MAINTENANCE MANUAL

The COMPONENT MAINTENANCE MANUAL is furnished either as a printed manual, on microfilm, or digital products, or any combination of the three. This revision replaces all previous microfilm cartridges or digital products. All microfilm and digital products are reissued with all obsolete data deleted and all updated pages added.

For printed manuals, changes are indicated on the List of Effective Pages (LEP). The pages which are revised will be identified on the LEP by an R (Revised), A (Added), O (Overflow, i.e. changes to the document structure and/or page layout), or D (Deleted). Each page in the LEP is identified by Chapter-Section-Subject number, page number and page date.

Pages replaced or made obsolete by this revision should be removed and destroyed.

ATTENTION

IF YOU RECEIVE PRINTED REVISIONS, PLEASE VERIFY THAT YOU HAVE RECEIVED AND FILED THE PREVIOUS REVISION. BOEING MUST BE NOTIFIED WITHIN 30 DAYS IF YOU HAVE NOT RECEIVED THE PREVIOUS REVISION. REQUESTS FOR REVISIONS OTHER THAN THE PREVIOUS REVISION WILL REQUIRE A COMPLETE MANUAL REPRINT SUBJECT TO REPRINT CHARGES SHOWN IN THE DATA AND SERVICES CATALOG.

25-28-48

TRANSMITTAL LETTER

Page 1

Jul 01/2009



COMPONENT MAINTENANCE MANUAL

Location of Change

Description of Change

NO HIGHLIGHTS

25-28-48

HIGHLIGHTS

Page 1

Jul 01/2009



COMPONENT MAINTENANCE MANUAL

Subject/Page	Date	Subject/Page	Date	Subject/Page	Date
TITLE PAGE		25-28-48 CLEANING (cont)		25-28-48 SPECIAL TOOLS, FIXTURES, AND EQUIPMENT	
O 1	Jul 01/2009	402	BLANK	901	Mar 01/2006
O 2	Jul 01/2009	25-28-48 CHECK		902	BLANK
25-28-48 TRANSMITTAL LETTER		501	Mar 01/2006	25-28-48 ILLUSTRATED PARTS LIST	
O 1	Jul 01/2009	502	BLANK	1001	Nov 01/2008
2	BLANK	25-28-48 REPAIR - GENERAL		1002	Jul 01/2006
25-28-48 HIGHLIGHTS		601	Mar 01/2007	1003	Jul 01/2006
O 1	Jul 01/2009	602	BLANK	1004	Nov 01/2006
2	BLANK	25-28-48 REPAIR 1-1		1005	Jul 01/2006
25-28-48 EFFECTIVE PAGES		601	Nov 01/2006	1006	Jul 01/2006
1 thru 6	Jul 01/2009	602	Mar 01/2006	1007	Jul 01/2006
25-28-48 CONTENTS		25-28-48 REPAIR 2-1		1008	Mar 01/2006
1	Mar 01/2006	601	Nov 01/2006	1009	Mar 01/2006
2	BLANK	602	BLANK	1010	Mar 01/2006
25-28-48 TR AND SB RECORD		25-28-48 REPAIR 3-1		1011	Mar 01/2006
1	Mar 01/2006	601	Mar 01/2006	1012	Mar 01/2006
2	BLANK	602	BLANK	1013	Mar 01/2006
25-28-48 REVISION RECORD		25-28-48 REPAIR 4-1		1014	Mar 01/2006
1	Mar 01/2006	601	Mar 01/2006	1015	Mar 01/2006
2	Mar 01/2006	602	BLANK	1016	Mar 01/2006
25-28-48 RECORD OF TEMPORARY REVISIONS		25-28-48 REPAIR 5-1		1017	Mar 01/2006
1	Mar 01/2006	601	Mar 01/2006	1018	Mar 01/2006
2	Mar 01/2006	602	BLANK	1019	Mar 01/2006
25-28-48 INTRODUCTION		25-28-48 REPAIR 6-1		1020	Mar 01/2006
1	Mar 01/2009	601	Mar 01/2006	1021	Mar 01/2006
2	BLANK	602	BLANK	1022	Mar 01/2006
25-28-48 DESCRIPTION AND OPERATION		25-28-48 REPAIR 7-1		1023	Mar 01/2006
1	Mar 01/2008	601	Mar 01/2006	1024	Mar 01/2006
2	BLANK	602	BLANK	1025	Mar 01/2006
25-28-48 TESTING AND FAULT ISOLATION		25-28-48 REPAIR 8-1		1026	Mar 01/2006
101	Mar 01/2006	601	Mar 01/2007	1027	Mar 01/2006
102	BLANK	602	BLANK	1028	Mar 01/2006
25-28-48 DISASSEMBLY		25-28-48 ASSEMBLY		1029	Mar 01/2006
301	Mar 01/2006	701	Mar 01/2006	1030	Mar 01/2006
302	BLANK	702	Mar 01/2006	1031	Mar 01/2006
25-28-48 CLEANING		703	Mar 01/2008	1032	Mar 01/2006
401	Mar 01/2006	704	Mar 01/2006	1033	Mar 01/2006
		25-28-48 FITS AND CLEARANCES		1034	Mar 01/2006
		801	Mar 01/2006	1035	Mar 01/2006
		802	BLANK		

A = Added, R = Revised, D = Deleted, O = Overflow

25-28-48

EFFECTIVE PAGES

Page 1

Jul 01/2009



COMPONENT MAINTENANCE MANUAL

Subject/Page	Date	Subject/Page	Date	Subject/Page	Date
25-28-48 ILLUSTRATED PARTS LIST (cont)		25-28-48 ILLUSTRATED PARTS LIST (cont)		25-28-48 ILLUSTRATED PARTS LIST (cont)	
1036	Mar 01/2006	1074	Mar 01/2006	1098.14	Mar 01/2006
1037	Mar 01/2006	1075	Mar 01/2006	1098.15	Mar 01/2006
1038	Mar 01/2006	1076	Mar 01/2006	1098.16	Mar 01/2006
1039	Mar 01/2006	1077	Mar 01/2006	1098.17	Mar 01/2006
1040	Mar 01/2006	1078	Mar 01/2006	1098.18	Mar 01/2006
1041	Mar 01/2006	1079	Mar 01/2006	1098.19	Mar 01/2006
1042	Mar 01/2006	1080	Mar 01/2006	1098.20	Mar 01/2006
1043	Mar 01/2006	1081	Mar 01/2006	1098.21	Mar 01/2006
1044	Mar 01/2006	1082	Mar 01/2006	1098.22	Mar 01/2006
1045	Mar 01/2006	1083	Mar 01/2006	1098.23	Mar 01/2006
1046	Mar 01/2006	1084	Mar 01/2006	1098.24	Mar 01/2006
1047	Mar 01/2006	1085	Mar 01/2006	1098.25	Mar 01/2006
1048	Mar 01/2006	1086	Mar 01/2006	1098.26	Mar 01/2006
1049	Mar 01/2006	1087	Mar 01/2006	1098.27	Mar 01/2006
1050	Mar 01/2006	1088	Mar 01/2006	1098.28	Mar 01/2006
1051	Mar 01/2006	1089	Mar 01/2006	1098.29	Mar 01/2006
1052	Mar 01/2006	1090	Mar 01/2006	1098.30	Mar 01/2006
1053	Mar 01/2006	1091	Mar 01/2006	1098.31	Mar 01/2006
1054	Mar 01/2006	1092	Mar 01/2006	1098.32	Mar 01/2006
1055	Mar 01/2006	1093	Mar 01/2006	1098.33	Mar 01/2006
1056	Mar 01/2006	1094	Mar 01/2006	1098.34	Mar 01/2006
1057	Mar 01/2006	1095	Mar 01/2006	1098.35	Mar 01/2006
1058	Mar 01/2006	1096	Mar 01/2006	1098.36	Mar 01/2006
1059	Mar 01/2006	1097	Mar 01/2006	1098.37	Mar 01/2006
1060	Mar 01/2006	1098	Mar 01/2006	1098.38	Mar 01/2006
1061	Mar 01/2006	1098.1	Mar 01/2006	1098.39	Mar 01/2006
1062	Mar 01/2006	1098.2	Mar 01/2006	1098.40	Mar 01/2006
1063	Mar 01/2006	1098.3	Mar 01/2006	1098.41	Mar 01/2006
1064	Mar 01/2006	1098.4	Mar 01/2006	1098.42	Mar 01/2006
1065	Mar 01/2006	1098.5	Mar 01/2006	1098.43	Mar 01/2006
1066	Mar 01/2006	1098.6	Mar 01/2006	1098.44	Mar 01/2006
1067	Mar 01/2006	1098.7	Mar 01/2006	1098.45	Mar 01/2006
1068	Mar 01/2006	1098.8	Mar 01/2006	1098.46	Mar 01/2006
1069	Mar 01/2006	1098.9	Mar 01/2006	1098.47	Mar 01/2006
1070	Mar 01/2006	1098.10	Mar 01/2006	1098.48	Mar 01/2006
1071	Mar 01/2006	1098.11	Mar 01/2006	1098.49	Mar 01/2006
1072	Mar 01/2006	1098.12	Mar 01/2006	1098.50	Mar 01/2006
1073	Mar 01/2006	1098.13	Mar 01/2006	1098.51	Mar 01/2006

A = Added, R = Revised, D = Deleted, O = Overflow

25-28-48

EFFECTIVE PAGES

Page 2

Jul 01/2009



COMPONENT MAINTENANCE MANUAL

Subject/Page	Date	Subject/Page	Date	Subject/Page	Date
25-28-48 ILLUSTRATED PARTS LIST (cont)		25-28-48 ILLUSTRATED PARTS LIST (cont)		25-28-48 ILLUSTRATED PARTS LIST (cont)	
1098.52	Mar 01/2006	1098.90	Mar 01/2006	1098.128	Mar 01/2006
1098.53	Mar 01/2006	1098.91	Mar 01/2006	1098.129	Mar 01/2006
1098.54	Mar 01/2006	1098.92	Mar 01/2006	1098.130	Mar 01/2006
1098.55	Mar 01/2006	1098.93	Mar 01/2006	1098.131	Mar 01/2006
1098.56	Mar 01/2006	1098.94	Mar 01/2006	1098.132	Mar 01/2006
1098.57	Mar 01/2006	1098.95	Mar 01/2006	1098.133	Mar 01/2006
1098.58	Mar 01/2006	1098.96	Mar 01/2006	1098.134	Mar 01/2006
1098.59	Mar 01/2006	1098.97	Mar 01/2006	1098.135	Mar 01/2006
1098.60	Mar 01/2006	1098.98	Mar 01/2006	1098.136	Mar 01/2006
1098.61	Mar 01/2006	1098.99	Mar 01/2006	1098.137	Mar 01/2006
1098.62	Mar 01/2006	1098.100	Mar 01/2006	1098.138	Mar 01/2006
1098.63	Mar 01/2006	1098.101	Mar 01/2006	1098.139	Mar 01/2006
1098.64	Mar 01/2006	1098.102	Mar 01/2006	1098.140	Mar 01/2006
1098.65	Mar 01/2006	1098.103	Mar 01/2006	1098.141	Mar 01/2006
1098.66	Mar 01/2006	1098.104	Mar 01/2006	1098.142	Mar 01/2006
1098.67	Mar 01/2006	1098.105	Mar 01/2006	1098.143	Mar 01/2006
1098.68	Mar 01/2006	1098.106	Mar 01/2006	1098.144	Mar 01/2006
1098.69	Mar 01/2006	1098.107	Mar 01/2006	1098.145	Mar 01/2006
1098.70	Mar 01/2006	1098.108	Mar 01/2006	1098.146	Mar 01/2006
1098.71	Mar 01/2006	1098.109	Mar 01/2006	1098.147	Mar 01/2006
1098.72	Mar 01/2006	1098.110	Mar 01/2006	1098.148	Mar 01/2006
1098.73	Mar 01/2006	1098.111	Mar 01/2006	1098.149	Mar 01/2006
1098.74	Mar 01/2006	1098.112	Mar 01/2006	1098.150	Mar 01/2006
1098.75	Mar 01/2006	1098.113	Mar 01/2006	1098.151	Mar 01/2006
1098.76	Mar 01/2006	1098.114	Mar 01/2006	1098.152	Mar 01/2006
1098.77	Mar 01/2006	1098.115	Mar 01/2006	1098.153	Mar 01/2006
1098.78	Mar 01/2006	1098.116	Mar 01/2006	1098.154	Mar 01/2006
1098.79	Mar 01/2006	1098.117	Mar 01/2006	1098.155	Mar 01/2006
1098.80	Mar 01/2006	1098.118	Mar 01/2006	1098.156	Mar 01/2006
1098.81	Mar 01/2006	1098.119	Mar 01/2006	1098.157	Mar 01/2006
1098.82	Mar 01/2006	1098.120	Mar 01/2006	1098.158	Mar 01/2006
1098.83	Mar 01/2006	1098.121	Mar 01/2006	1098.159	Mar 01/2006
1098.84	Mar 01/2006	1098.122	Mar 01/2006	1098.160	Mar 01/2006
1098.85	Mar 01/2006	1098.123	Mar 01/2006	1098.161	Mar 01/2006
1098.86	Mar 01/2006	O 1098.124	Jul 01/2009	1098.162	Mar 01/2006
1098.87	Mar 01/2006	1098.125	Mar 01/2006	1098.163	Mar 01/2006
1098.88	Mar 01/2006	1098.126	Mar 01/2006	1098.164	Mar 01/2006
1098.89	Mar 01/2006	1098.127	Mar 01/2006	1098.165	Mar 01/2006

A = Added, R = Revised, D = Deleted, O = Overflow

25-28-48

EFFECTIVE PAGES

Page 3

Jul 01/2009



COMPONENT MAINTENANCE MANUAL

Subject/Page	Date	Subject/Page	Date	Subject/Page	Date
25-28-48 ILLUSTRATED PARTS LIST (cont)		25-28-48 ILLUSTRATED PARTS LIST (cont)		25-28-48 ILLUSTRATED PARTS LIST (cont)	
1098.166	Mar 01/2006	1098.204	Mar 01/2006	1098.242	Mar 01/2006
1098.167	Mar 01/2006	1098.205	Mar 01/2006	1098.243	Mar 01/2006
1098.168	Mar 01/2006	1098.206	Mar 01/2006	1098.244	Mar 01/2006
1098.169	Mar 01/2006	1098.207	Mar 01/2006	1098.245	Mar 01/2006
1098.170	Mar 01/2006	1098.208	Mar 01/2006	1098.246	Mar 01/2006
1098.171	Mar 01/2006	1098.209	Mar 01/2006	1098.247	Mar 01/2006
1098.172	Mar 01/2006	1098.210	Mar 01/2006	1098.248	Mar 01/2006
1098.173	Mar 01/2006	1098.211	Mar 01/2006	1098.249	Mar 01/2006
1098.174	Mar 01/2006	1098.212	Mar 01/2006	1098.250	Mar 01/2006
1098.175	Mar 01/2006	1098.213	Mar 01/2006	1098.251	Mar 01/2006
1098.176	Mar 01/2006	1098.214	Mar 01/2006	1098.252	Mar 01/2006
1098.177	Mar 01/2006	1098.215	Mar 01/2006	1098.253	Mar 01/2006
1098.178	Mar 01/2006	1098.216	Mar 01/2006	1098.254	Mar 01/2006
1098.179	Mar 01/2006	1098.217	Mar 01/2006	1098.255	Mar 01/2006
1098.180	Mar 01/2006	1098.218	Mar 01/2006	1098.256	Mar 01/2006
1098.181	Mar 01/2006	1098.219	Mar 01/2006	1098.257	Mar 01/2006
1098.182	Mar 01/2006	1098.220	Mar 01/2006	1098.258	Mar 01/2006
1098.183	Mar 01/2006	1098.221	Mar 01/2006	1098.259	Mar 01/2006
1098.184	Mar 01/2006	1098.222	Mar 01/2006	1098.260	Mar 01/2006
1098.185	Mar 01/2006	1098.223	Mar 01/2006	1098.261	Mar 01/2006
1098.186	Mar 01/2006	1098.224	Mar 01/2006	1098.262	Mar 01/2006
1098.187	Mar 01/2006	1098.225	Mar 01/2006	1098.263	Mar 01/2006
1098.188	Mar 01/2006	1098.226	Mar 01/2006	1098.264	Mar 01/2006
1098.189	Mar 01/2006	1098.227	Mar 01/2006	1098.265	Mar 01/2006
1098.190	Mar 01/2006	1098.228	Mar 01/2006	1098.266	Mar 01/2006
1098.191	Mar 01/2006	1098.229	Mar 01/2006	1098.267	Mar 01/2006
1098.192	Mar 01/2006	O 1098.230	Jul 01/2009	1098.268	Mar 01/2006
1098.193	Mar 01/2006	1098.231	Mar 01/2006	1098.269	Mar 01/2006
1098.194	Mar 01/2006	1098.232	Mar 01/2006	1098.270	Mar 01/2006
1098.195	Mar 01/2006	1098.233	Mar 01/2006	1098.271	Mar 01/2006
1098.196	Mar 01/2006	1098.234	Mar 01/2006	1098.272	Mar 01/2006
1098.197	Mar 01/2006	1098.235	Mar 01/2006	1098.273	Mar 01/2006
1098.198	Mar 01/2006	1098.236	Mar 01/2006	1098.274	Mar 01/2006
1098.199	Mar 01/2006	1098.237	Mar 01/2006	1098.275	Mar 01/2006
1098.200	Mar 01/2006	1098.238	Mar 01/2006	1098.276	Mar 01/2006
1098.201	Mar 01/2006	1098.239	Mar 01/2006	1098.277	Mar 01/2006
1098.202	Mar 01/2006	1098.240	Mar 01/2006	1098.278	Mar 01/2006
1098.203	Mar 01/2006	O 1098.241	Jul 01/2009	1098.279	Mar 01/2006

A = Added, R = Revised, D = Deleted, O = Overflow

25-28-48

EFFECTIVE PAGES

Page 4

Jul 01/2009



COMPONENT MAINTENANCE MANUAL

Subject/Page	Date	Subject/Page	Date	Subject/Page	Date
25-28-48 ILLUSTRATED PARTS LIST (cont)		25-28-48 ILLUSTRATED PARTS LIST (cont)		25-28-48 ILLUSTRATED PARTS LIST (cont)	
1098.280	Mar 01/2006	1098.318	Mar 01/2006	1098.356	Mar 01/2006
1098.281	Mar 01/2006	O 1098.319	Jul 01/2009	1098.357	Mar 01/2006
1098.282	Mar 01/2006	1098.320	Mar 01/2006	1098.358	Mar 01/2006
1098.283	Mar 01/2006	1098.321	Mar 01/2006	1098.359	Mar 01/2006
1098.284	Mar 01/2006	1098.322	Mar 01/2006	1098.360	Mar 01/2006
1098.285	Mar 01/2006	1098.323	Mar 01/2006	1098.361	Mar 01/2006
1098.286	Mar 01/2006	1098.324	Mar 01/2006	1098.362	Mar 01/2006
1098.287	Mar 01/2006	1098.325	Mar 01/2006	1098.363	Mar 01/2006
1098.288	Mar 01/2006	1098.326	Mar 01/2006	1098.364	Mar 01/2006
1098.289	Mar 01/2006	1098.327	Mar 01/2006	1098.365	Mar 01/2006
1098.290	Mar 01/2006	1098.328	Mar 01/2006	1098.366	Mar 01/2006
O 1098.291	Jul 01/2009	1098.329	Mar 01/2006	1098.367	Mar 01/2006
1098.292	Mar 01/2006	1098.330	Mar 01/2006	1098.368	Mar 01/2006
1098.293	Mar 01/2006	1098.331	Mar 01/2006	1098.369	Mar 01/2006
1098.294	Mar 01/2006	1098.332	Mar 01/2006	1098.370	Mar 01/2006
1098.295	Mar 01/2006	1098.333	Mar 01/2006	1098.371	Mar 01/2006
1098.296	Mar 01/2006	1098.334	Mar 01/2006	1098.372	Mar 01/2006
1098.297	Mar 01/2006	1098.335	Mar 01/2006	1098.373	Mar 01/2006
1098.298	Mar 01/2006	1098.336	Mar 01/2006	1098.374	Mar 01/2006
1098.299	Mar 01/2006	1098.337	Mar 01/2006	1098.375	Mar 01/2006
1098.300	Mar 01/2006	1098.338	Mar 01/2006	1098.376	Mar 01/2006
1098.301	Mar 01/2006	1098.339	Mar 01/2006	1098.377	Mar 01/2006
1098.302	Mar 01/2006	1098.340	Mar 01/2006	1098.378	Mar 01/2006
1098.303	Mar 01/2006	1098.341	Mar 01/2006	1098.379	Mar 01/2006
1098.304	Mar 01/2006	1098.342	Mar 01/2006	1098.380	Mar 01/2006
1098.305	Mar 01/2006	1098.343	Mar 01/2006	1098.381	Mar 01/2006
1098.306	Mar 01/2006	1098.344	Mar 01/2006	1098.382	Mar 01/2006
1098.307	Mar 01/2006	1098.345	Mar 01/2006	1098.383	Mar 01/2006
1098.308	Mar 01/2006	1098.346	Mar 01/2006	1098.384	Mar 01/2006
1098.309	Mar 01/2006	1098.347	Mar 01/2006	1098.385	Mar 01/2006
1098.310	Mar 01/2006	1098.348	Mar 01/2006	1098.386	Mar 01/2006
1098.311	Mar 01/2006	1098.349	Mar 01/2006	1098.387	Mar 01/2006
1098.312	Mar 01/2006	1098.350	Mar 01/2006	1098.388	Mar 01/2006
1098.313	Mar 01/2006	1098.351	Mar 01/2006	1098.389	Mar 01/2006
1098.314	Mar 01/2006	1098.352	Mar 01/2006	1098.390	Mar 01/2006
1098.315	Mar 01/2006	1098.353	Mar 01/2006	1098.391	Mar 01/2006
1098.316	Mar 01/2006	1098.354	Mar 01/2006	1098.392	Mar 01/2006
1098.317	Mar 01/2006	1098.355	Mar 01/2006	1098.393	Mar 01/2006

A = Added, R = Revised, D = Deleted, O = Overflow

25-28-48

EFFECTIVE PAGES

Page 5

Jul 01/2009



COMPONENT MAINTENANCE MANUAL

Subject/Page Date	Subject/Page Date	Subject/Page Date
25-28-48 ILLUSTRATED PARTS LIST (cont) 1098.394 BLANK		

A = Added, R = Revised, D = Deleted, O = Overflow

25-28-48

EFFECTIVE PAGES

Page 6

Jul 01/2009

**COMPONENT MAINTENANCE MANUAL****TABLE OF CONTENTS**

<u>Paragraph Title</u>		<u>Page</u>
OVERHEAD STOWAGE COMPARTMENT ASSEMBLY - DESCRIPTION AND OPERATION		1
TESTING AND FAULT ISOLATION	(Not Applicable)	
DISASSEMBLY		301
CLEANING		401
CHECK	(Not Applicable)	
REPAIR		601
ASSEMBLY		701
FITS AND CLEARANCES	(Not Applicable)	
SPECIAL TOOLS, FIXTURES, AND EQUIPMENT	(Not Applicable)	
ILLUSTRATED PARTS LIST		1001

25-28-48

CONTENTS

Page 1

Mar 01/2006



COMPONENT MAINTENANCE MANUAL

TEMPORARY REVISION AND SERVICE BULLETIN RECORD

BOEING SERVICE BULLETIN	BOEING TEMPORARY REVISION	OTHER DIRECTIVE	DATE OF INCORPORATION INTO MANUAL
		PRR 34034	JUN 05/87
25-1237			SEP 05/89
		PRR 34034-1	JUN 05/90
		PRR 34492-2	JUN 05/90
		PRR 34492	JUN 05/90
		MC 2528MP3002	MAR 05/92
		PRR 34034-2	MAR 05/92
		MC 2560MP3043	MAR 05/92
		PRR 34492-3	MAR 05/92
		PRR 37000-5	MAR 05/92
		PRR 34642	MAR 05/92
		PRR 34649	MAR 05/92
		PRR 34838	MAR 05/92
		MC 2332MP3042	MAR 05/92
25A1283		PRR 35041-2R	SEP 05/92

25-28-48

TR AND SB RECORD

Page 1

Mar 01/2006



COMPONENT MAINTENANCE MANUAL

Revision		Filed		Revision		Filed	
Number	Date	Date	Initials	Number	Date	Date	Initials



COMPONENT MAINTENANCE MANUAL

All temporary revisions to this manual will be accompanied by a cover sheet bearing the temporary revision number. Enter the temporary revision number in numerical order, together with the temporary revision date, the date the temporary revision is inserted and the initials of the person filing. When the temporary revision is incorporated or cancelled, and the pages are removed, enter the date the pages are removed and the initials of the person who removed the temporary revision.

Temporary Revision		Inserted		Removed		Temporary Revision		Inserted		Removed	
Number	Date	Date	Initials	Date	Initials	Date	Initials	Number	Date	Date	Initials



COMPONENT MAINTENANCE MANUAL

Temporary Revision		Inserted		Removed	
Number	Date	Date	Initials	Date	Initials

Temporary Revision		Inserted		Removed	
Date	Initials	Number	Date	Date	Initials

25-28-48

RECORD OF TEMPORARY REVISION

Page 2

Mar 01/2006



COMPONENT MAINTENANCE MANUAL

INTRODUCTION

1. General

- A. The instructions in this manual supply the data necessary to do the maintenance functions together with the test, fault isolation, repair, and replacement of the defective parts.
- B. This manual is divided into different parts:
 - (1) Title Page
 - (2) Transmittal Letter
 - (3) Highlights
 - (4) List of Effective Pages
 - (5) Table of Contents
 - (6) Temporary Revision & Service Bulletin Record
 - (7) Record of Revisions
 - (8) Record of Temporary Revisions
 - (9) Introduction
 - (10) Procedures & IPL Sections
- C. Components that can be repaired have a different repair number for each specified repair. To find the repair number location of a component, look in the Repair-General procedure at the beginning of the REPAIR section. The Repair-General procedure also has an explanation of the True Position Dimension symbols used.
- D. All dimensions, measures, quantities and weights included are in English units. When metric equivalents are given they will be in the parentheses that follow the English units.
- E. The introduction to the Illustrated Parts List (IPL) shows how the IPL data is used.
- F. Design changes, optional parts, configuration differences and Service Bulletin modifications may cause different part numbers. These part numbers are identified in the IPL with an alphabetical letter which is added to the end of the basic item number. This new item number is referred to as an alpha-variant. Throughout the manual, IPL basic item number references also apply to alpha-variants unless shown differently.
- G. The tool reference numbers found in the individual procedures and in the Special Tools, Fixtures, and Equipment section are used to identify if a tool is a standard tool (STD-XXXX), a commercial tool (COM-XXXX), or a Special Tool (SPL-XXXX). This reference number is also used to distinguish between tools with similar names in the same procedure. These reference numbers are for use in the documentation only. They are not to be used for ordering tools.

25-28-48

INTRODUCTION

Page 1

Mar 01/2009



COMPONENT MAINTENANCE MANUAL

OVERHEAD STOWAGE COMPARTMENT ASSEMBLY - DESCRIPTION AND OPERATION

1.
 - A. The overhead stowage compartment has a nomex honeycomb core body which holds a light assembly, bullnose and PSU supports, fittings and brackets, a latch which is mounted on the bullnose extrusion of the body, and a door which is connected to the body by two hinges with mechanical actuator.
2.
 - A. When the pawls are engaged on the latch, with striker rollers on each end of the door, the door is held in the closed position. When force is applied to the latch handle, the pawls disengage from the striker roller. The mechanical actuators push the door up.
3. **Leading Particulars (approximate)**
 - A. Width – 30 inches
 - B. Length – 60 inches
 - C. Height – 14 inches
 - D. Weight – 20-27 pounds

25-28-48

DESCRIPTION AND OPERATION

Page 1

Mar 01/2008



COMPONENT MAINTENANCE MANUAL

TESTING AND FAULT ISOLATION

(NOT APPLICABLE)

25-28-48

TESTING AND FAULT ISOLATION

Page 101

Mar 01/2006



COMPONENT MAINTENANCE MANUAL

DISASSEMBLY

1. Disassembly

CAUTION: THE STOWAGE ASSEMBLY CONSISTS OF APPEARANCE ITEMS. SPECIAL CARE MUST BE TAKEN TO PREVENT MARRING VISIBLE SURFACES.

NOTE: Disassemble this component only as necessary to complete fault isolation, determine part serviceability, perform required repairs, and restore unit to serviceable condition.

A. No special instruction required. Use standard industry practices.

25-28-48

DISASSEMBLY

Page 301

Mar 01/2006



COMPONENT MAINTENANCE MANUAL

CLEANING

1. General

A. Clean all plastic parts per Cleaning of Interior Painted and Plastic Parts in SOPM 20-30-03.

2. Procedure

A. Use standard industry practices for cleaning aluminum parts of overhead compartment assembly.

25-28-48

CLEANING

Page 401

Mar 01/2006



COMPONENT MAINTENANCE MANUAL

CHECK

(NOT APPLICABLE)

25-28-48

CHECK
Page 501
Mar 01/2006



COMPONENT MAINTENANCE MANUAL

REPAIR

1. Contents

A. Repair, refinish, and replacement procedures are included in separate repair sections as follows:

Table 601:

P/N	NAME	REPAIR
412N1119	FITTING ASSY	1-1
412N1147	SUPPORT	2-1
65C27017	BRACKET ASSY	3-1
65C27481	BRACKET ASSY	4-1
65C32942	COMPARTMENT ASSY	5-1
65C32943	MODULE ASSY	6-1
- - -	INSERT REPLACEMENT	7-1
- - -	MISCELLANEOUS PARTS REFINISH	8-1

2. Standard Practices

A. Refer to the following standard practices, as applicable, for details in individual repairs.

- SOPM 20-30-02 Stripping of Protective Finishes
- SOPM 20-41-01 Decoding Table for Boeing Finish Codes
- SOPM 20-41-02 Application of Chemical and Solvent Resistant Finishes
- SOPM 20-41-04 Application and Repair of Interior Decorative Finishes
- SOPM 20-43-01 Chromic Acid Anodizing
- SOPM 20-50-03 Bearing and Bushing Replacement
- SOPM 20-50-12 Application of Adhesives
- SOPM 20-60-02 Finishing Materials
- SOPM 20-60-04 Miscellaneous Materials
- 25-00-66 Repair of Miscellaneous Airplane Interior Components

3. Materials

NOTE: Equivalent substitutes can be used.

A. Adhesive –

- (1) Type 70 adhesive, A00028
- (2) Type 89 adhesive, A00195

B. Lacquer – Interior Semi-Gloss, color 701 black (F-14.904-701)

C. Primer – BMS 10-11 type 1 primer, C00259

25-28-48

REPAIR - GENERAL

Page 601

Mar 01/2007



COMPONENT MAINTENANCE MANUAL

FITTING ASSEMBLY - REPAIR 1-1

412N1119-1, -15, -16, -37

1. General

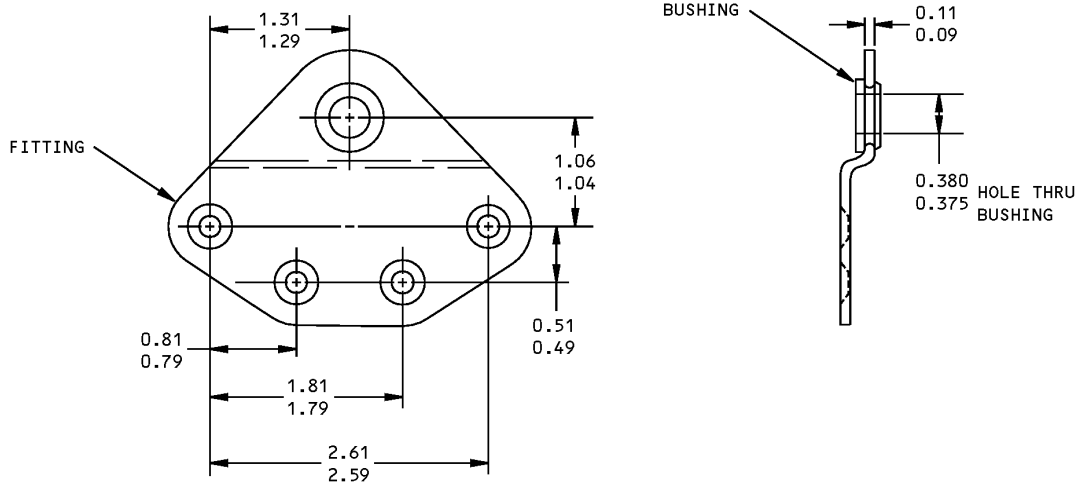
- A. The procedure has the data necessary to repair and refinish the fitting assembly.
- B. Refer to REPAIR-GENERAL, Paragraph 2. for the Standard Overhaul Practice Manual (SOPM) subjects identified in this procedure.
- C. Refer to REPAIR-GENERAL, Paragraph 3. for the description of the consumable codes identified in this procedure.

2. Bushing Replacement (REPAIR 1-1, Figure 601)

- A. Remove bushing.
- B. Install new bushing per SOPM 20-50-03.
- C. Machine 0.375-0.380 inch hole through bushing per REPAIR 1-1, Figure 601.

3. Refinish (REPAIR 1-1, Figure 601)

- A. Fitting - Chromic acid anodize and apply primer, C00259 (F-18.13). Material: Al alloy.



412N1119-1

ALL DIMENSIONS ARE IN INCHES

Bushing Replacement
Figure 601 (Sheet 1 of 2)

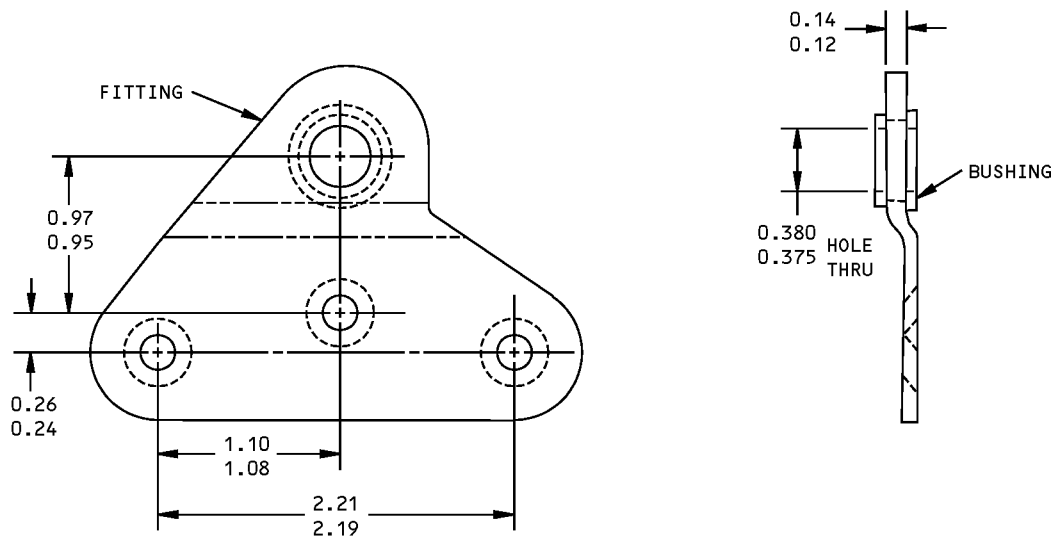
25-28-48

REPAIR 1-1

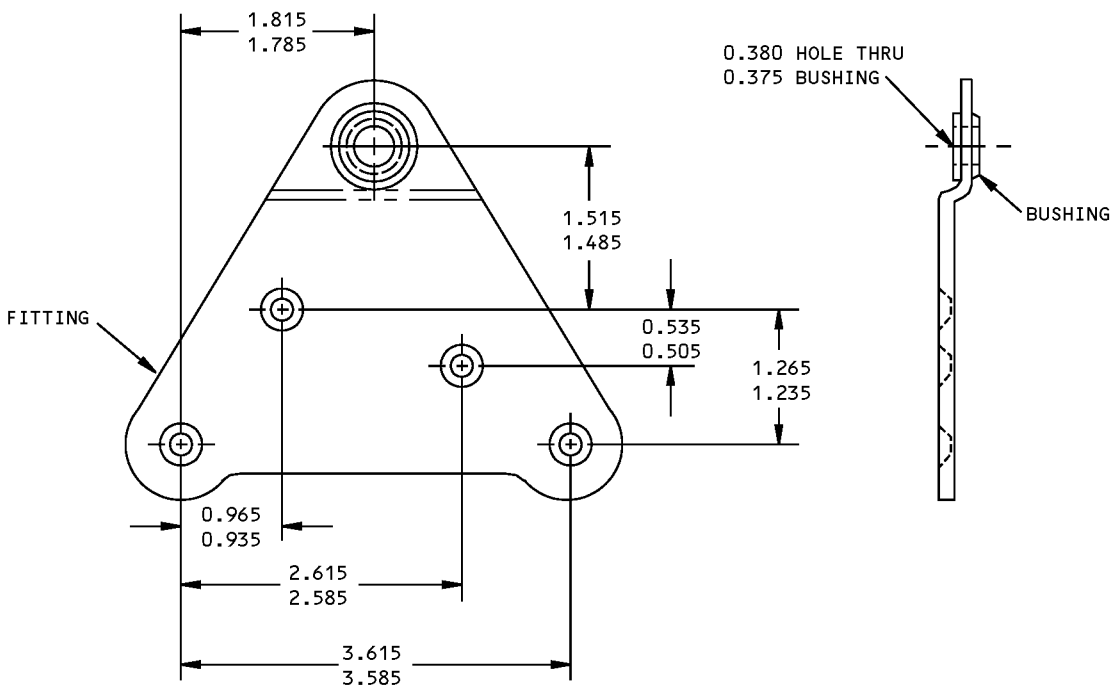
Page 601

Nov 01/2006

COMPONENT MAINTENANCE MANUAL



412N1119-15,-16



ALL DIMENSIONS ARE IN INCHES

412N1119-37

Bushing Replacement
Figure 601 (Sheet 2 of 2)

25-28-48

REPAIR 1-1
Page 602
Mar 01/2006



COMPONENT MAINTENANCE MANUAL

SUPPORT - REPAIR 2-1

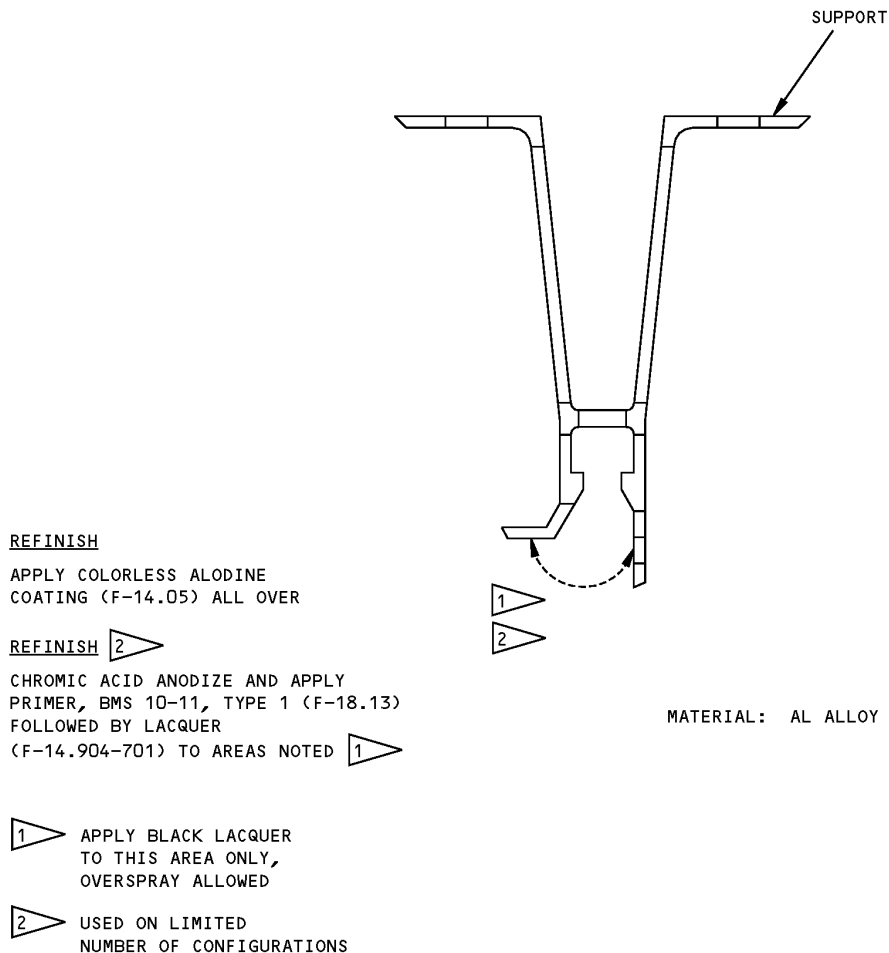
412N1147-1

1. General

- A. The procedure has the data necessary to refinish the support.
- B. Refer to REPAIR-GENERAL, Paragraph 2. for the Standard Overhaul Practice Manual (SOPM) subjects identified in this procedure.
- C. Refer to REPAIR-GENERAL, Paragraph 3. for the description of the consumable codes identified in this procedure.
- D. Refer to IPL Figure 4 for item numbers.

2. Plating Repair

- A. Repair consists of stripping and restoration of original finish. Refer to refinish instructions, REPAIR 2-1, Figure 601.



412N1147-1 Support Refinish
Figure 601

25-28-48

REPAIR 2-1

Page 601

Nov 01/2006



COMPONENT MAINTENANCE MANUAL

BRACKET ASSEMBLY - REPAIR 3-1

65C27017-11, -21, -22, -44

1. General

- A. The procedure has the data necessary to repair and refinish the bracket assembly.
- B. Refer to REPAIR-GENERAL, Paragraph 2. for the Standard Overhaul Practice Manual (SOPM) subjects identified in this procedure.
- C. Refer to REPAIR-GENERAL, Paragraph 3. for the description of the consumable codes identified in this procedure.

2. Bushing Replacement

- A. Remove bushing.
- B. Install new bushing (refer to SOPM 20-50-03).
- C. Machine 0.375-0.380-inch hole through bushing.

3. Refinish

- A. Bracket (P/N 65C27017-12, -24, -46) - Chemical treat and apply primer, C00259 (F-18.06). Material: Al alloy.

25-28-48

REPAIR 3-1

Page 601

Mar 01/2006



COMPONENT MAINTENANCE MANUAL

BRACKET ASSEMBLY - REPAIR 4-1

65C27481-36

1. General

- A. The procedure has the data necessary to repair and refinish the bracket assembly.
- B. Refer to REPAIR-GENERAL, Paragraph 2. for the Standard Overhaul Practice Manual (SOPM) subjects identified in this procedure.
- C. Refer to REPAIR-GENERAL, Paragraph 3. for the description of the consumable codes identified in this procedure.

2. Block Replacement

- A. Bond block on bracket using adhesive, A00335 Type 68 per SOPM 20-50-12.

3. Refinish

- A. Bracket (P/N 65C27481-37) - Chemical treat and apply primer, C00259 (F-18.06). Material: AL alloy.

25-28-48

REPAIR 4-1

Page 601

Mar 01/2006



COMPONENT MAINTENANCE MANUAL

COMPARTMENT ASSEMBLY - REPAIR 5-1

65C32942-()

1. General

- A. The procedure has the data necessary to repair the compartment assembly.
- B. Refer to REPAIR-GENERAL, Paragraph 2. for the Standard Overhaul Practice Manual (SOPM) subjects identified in this procedure.
- C. Refer to REPAIR-GENERAL, Paragraph 3. for the description of the consumable codes identified in this procedure.
- D. Repair of the compartment assembly applies to all 65C32942 dash numbers. These parts are shown in IPL Figure 1 thru IPL Figure 15 except in IPL Figure 4 and IPL Figure 16.

2. Fitting Replacement (P/N 412N1119-12; 412N1161-1, -2)

- A. Bond fitting to compartment using adhesive, A00028 type 70 per SOPM 20-50-12.

3. Fitting Assembly Replacement (P/N 412N1119-1, -15, -16, -23, -115)

- A. Bond fitting assembly to compartment using adhesive, A00028 as specified in SOPM 20-50-12.

4. Bracket (P/N 65C27017-11) and Shim (P/N 65C27017-15) Replacement

- A. Bond shim and bracket to compartment using adhesive, A00028 as specified in SOPM 20-50-12.

25-28-48

REPAIR 5-1

Page 601

Mar 01/2006



COMPONENT MAINTENANCE MANUAL

MODULE ASSEMBLY - REPAIR 6-1

65C32943-()

1. General

- A. The procedure has the data necessary to repair the module assembly.
- B. Refer to REPAIR-GENERAL, Paragraph 2. for the Standard Overhaul Practice Manual (SOPM) subjects identified in this procedure.
- C. Refer to REPAIR-GENERAL, Paragraph 3. for the description of the consumable codes identified in this procedure.
- D. Repair of the module assembly applies to all 65C32943 dash numbers. These parts are shown in IPL Figure 4 and IPL Figure 16.

2. Retainer Replacement (P/N 412N1118-1, -2)

- A. Bond retainer to module using Type 70 adhesive, A00028 or Typr 89 urethane adhesive, A50055 as specified in SOPM 20-50-12.

3. Bracket Replacement (P/N 412N1145-101, -102)

- A. Bond bracket to module using Type 70 adhesive, A00028 as specified in SOPM 20-50-12.

4. Support Replacement (P/N 412N1147-1)

- A. Bond support to module using Type 70 adhesive, A00028 as specified in SOPM 20-50-12.

25-28-48

REPAIR 6-1

Page 601

Mar 01/2006



COMPONENT MAINTENANCE MANUAL

INSERT REPLACEMENT - REPAIR 7-1

1. General

- A. The procedure has the data necessary for insert replacement..
- B. Refer to REPAIR-GENERAL, Paragraph 2. for the Standard Overhaul Practice Manual (SOPM) subjects identified in this procedure.
- C. Refer to REPAIR-GENERAL, Paragraph 3. for the description of the consumable codes identified in this procedure.

2. Insert Replacement

- A. Replace bad inserts by the procedure for potted inserts in 25-00-66.

25-28-48

REPAIR 7-1

Page 601

Mar 01/2006



COMPONENT MAINTENANCE MANUAL

MISCELLANEOUS PARTS REFINISH - REPAIR 8-1

1. General

A. Instruction given in REPAIR 8-1, Table 601 are to repair the finishes of the items.

Table 601: Refinish Details

IPL FIG. & ITEM	MATERIAL	FINISH
Fitting (80,85,90,95, 100, IPL Fig. 1 ; 25, 26, IPL Fig. 2; 25, IPL Fig. 3 ; 15, IPL Fig. 5 thru IPL Fig. 9; 25, IPL Fig. 10, 11, 13, 14; 30, 45,50, IPL Fig. 12 ; 15, IPL Fig. 15)	Al alloy	Chromic acid anodize and apply primer, C00259 (F-18.13).
Bracket (120,125, IPL Fig. 4 ; 200, IPL Fig. 5 ; 40, IPL Fig. 10, 11 ; 70,195, 200, IPL Fig. 16, 17)	Al alloy	Chromic acid anodize and apply primer, C00259 (F-18.13)
Support (160,160A, IPL Fig. 4)	Al alloy	Sulfuric acid anodize (F-14.2992).
Support (140, IPL Fig. 4 ; 225, IPL Fig. 16, 17)	Al alloy	Apply colorless alodine coating (F-14.05) all over.
Fitting (210,215,215A, IPL Fig. 16, 17)	Al alloy	Chromic acid or sulfuric acid anodize (F-17.05)
Bracket (125, IPL Fig. 6 thru 8) Bracket (150, IPL Fig. 15 ; 280, IPL Fig. 16, 17)	Al alloy Al alloy	Chromic acid anodize and apply primer, C00259 (F-18.13)

25-28-48

REPAIR 8-1

Page 601

Mar 01/2007



COMPONENT MAINTENANCE MANUAL

ASSEMBLY

1. Latch and Door Adjustment

- A. Tighten bolt to 5-6 pound-inches on hinge assemblies. Make sure that chassis is not damaged.
- B. Loosen slotted shank bolts to allow movement of hinge assemblies on stowage compartment.
- C. Make sure that striker plates are located on door assembly to the dimension shown on ASSEMBLY, Figure 701.
- D. Close door. Make sure the strikers are located in the center of latch cover. Adjust door on hinge quadrant, if necessary, to correctly align strikers.
- E. Pull down on center of door. Make sure the strikers is located as far down and into the latch covers. Hold the door. Tighten slotted shank bolts which comes out from side panels of compartment.
- F. Tighten screws on striker plates.
- G. Check that the latch is correctly adjusted by the following steps:
 - (1) Make sure the door latches with minimum force.
 - (2) Make sure the pawls engages with striker rollers on doors.
 - (3) Make sure the latch (PUSH) handle comes out from latch housing (refer to ASSEMBLY, Figure 702). The door is not latched if reading is greater than the tolerance shown in ASSEMBLY, Figure 702. Repeat steps 1.A. thru 1.F.
- H. After the adjustment of latch, open the door and tighten slotted-shank bolts on the inside of stowage compartment.

25-28-48

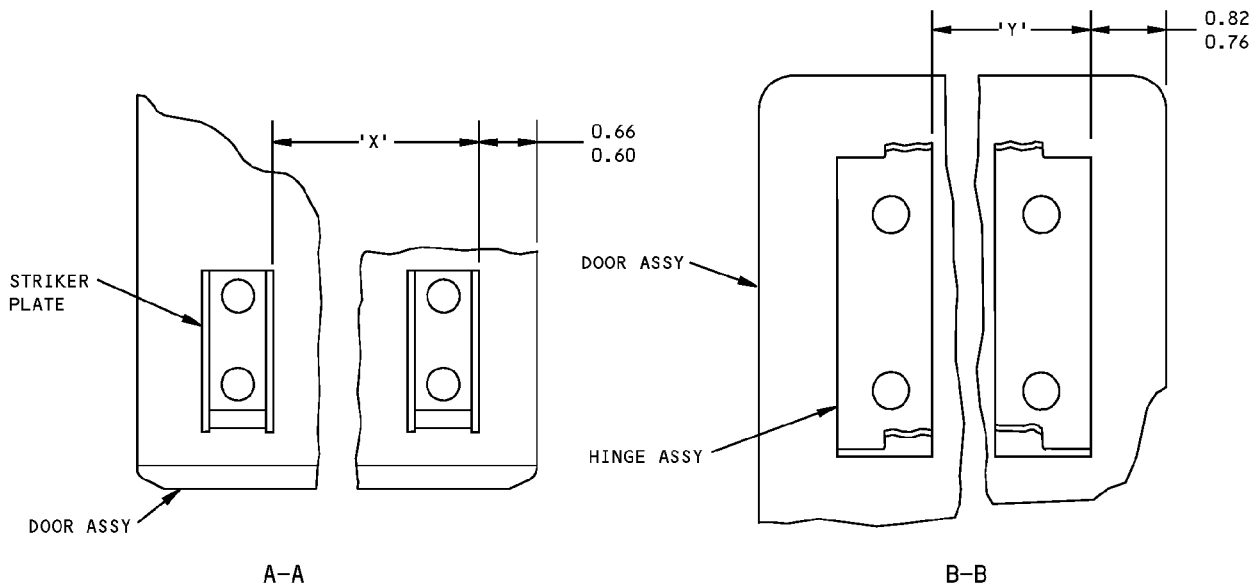
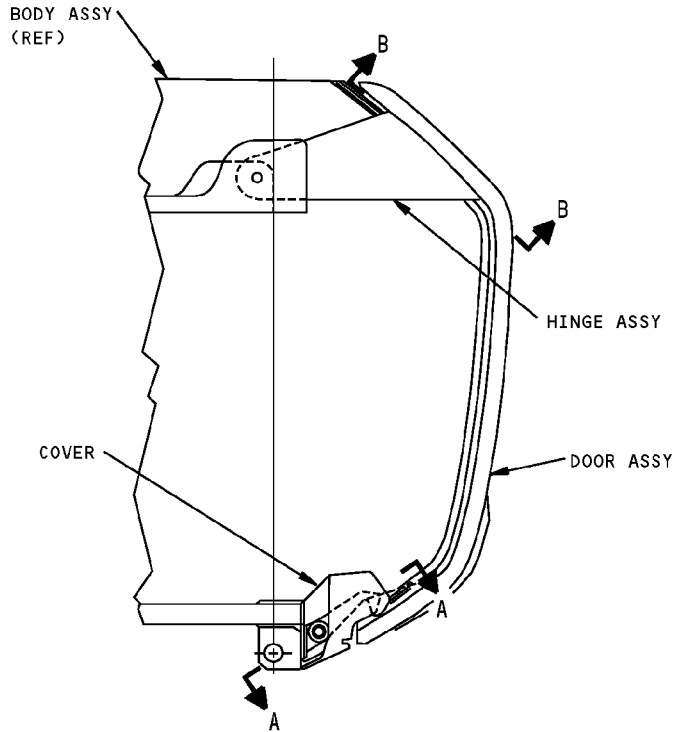
ASSEMBLY

Page 701

Mar 01/2006

COMPONENT MAINTENANCE MANUAL

DOOR ASSY	DIM 'X'	DIM 'Y'
412N1140-41	57.48	56.92
412N1140-42	47.48	46.92
412N1140-43	37.48	36.92
412N1140-44	27.48	26.92



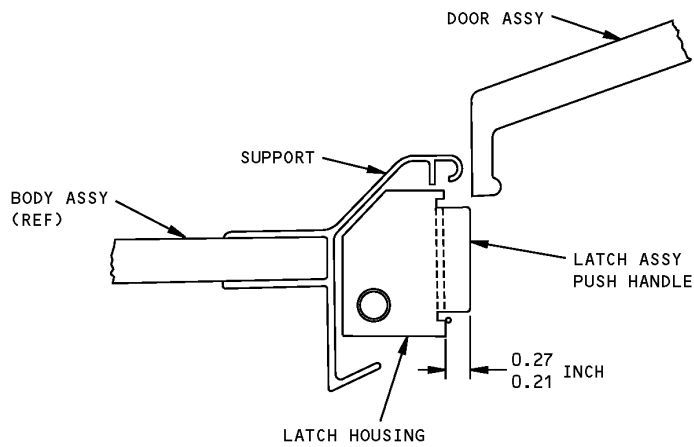
ALL DIMENSIONS ARE IN INCHES

Module Assembly
Figure 701

25-28-48

ASSEMBLY
Page 702
Mar 01/2006

COMPONENT MAINTENANCE MANUAL



Door and Latch Assembly Adjustment
Figure 702

2. -

A. Do a latch and load test as follows:

- (1) Close and latch the door. Use a fixture to put the bin at 60 degrees (refer to ASSEMBLY, Figure 703).
- (2) Open the door for 1 inch and use a spacer block to keep the door open.
- (3) Apply a 7-pound load at position one (1), and pull the spacer out; the door must close and latch at both latch locations.
- (4) Repeat step 2.C. at position (2) on door.
- (5) Repeat step 2 if door does not correctly close and latch.

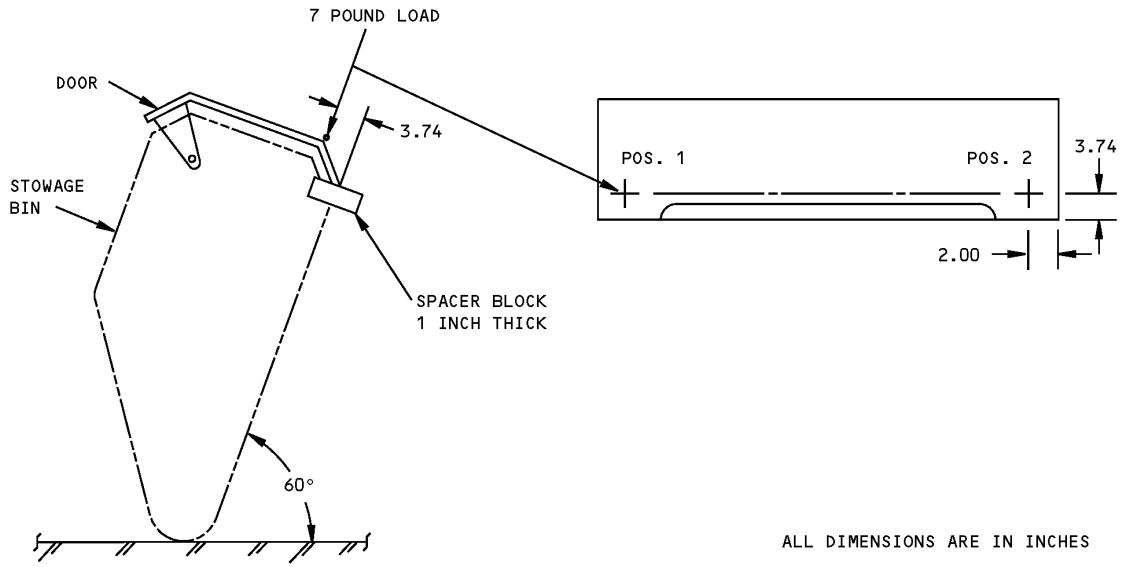
25-28-48

ASSEMBLY

Page 703

Mar 01/2008

COMPONENT MAINTENANCE MANUAL



Door Latching and Loading Test
Figure 703

25-28-48

ASSEMBLY

Page 704

Mar 01/2006



COMPONENT MAINTENANCE MANUAL

FITS AND CLEARANCES

(NOT APPLICABLE)

25-28-48

FITS AND CLEARANCES

Page 801

Mar 01/2006



COMPONENT MAINTENANCE MANUAL

SPECIAL TOOLS, FIXTURES, AND EQUIPMENT

(NOT APPLICABLE)

25-28-48

SPECIAL TOOLS, FIXTURES, AND EQUIPMENT

Page 901

Mar 01/2006



COMPONENT MAINTENANCE MANUAL

ILLUSTRATED PARTS LIST

1. Introduction

- A. The Illustrated Parts List (IPL) contains an illustration and a list of component parts you can repair or replace. The Illustrated Parts Catalog (IPC) shows how to use the Boeing part number system.
- B. This shows how parts are related: The relation of each item to its next higher assembly (NHA) is shown in the NOMENCLATURE column. Use the indenture system that follows:

1	2	3	4	5	6	7
.	Assembly					
.	Attaching parts for assembly					
.	.	Detail parts for assembly				
.	.	Subassembly				
.	.	Attaching parts for subassembly				
.	.	.	Detail parts for subassembly			
.	.	.	Sub-subassembly			
.	.	.	Attaching parts for subassembly			
.	.	.	.	Details parts for sub-subassembly		
						Detail Installation Parts (Included only if installation parts may be sent to the shop as part of assembly)

- C. Each top assembly is given one use code letter (A, B, C, etc.) in the USAGE CODE column. All subsequent component parts in the list can have one or more of the use code letters to show effectivity to top assemblies. A component part without a use code applies to all top assemblies.
- D. An alphabetical letter is added after the item number for optional parts, parts changed by a Service Bulletin, configuration differences (except left-handed and right-handed parts), last engineering releases, and parts added between item numbers in a sequence. The alphabetical letter will not be shown on the illustration for equivalent parts of the same part number.
- E. Color-coded parts are identified with a single digit alpha following the dash number or with "SP" suffix. If the "SP" suffix is used, it represents consolidation of all color codes applicable for a given usage which are not separately listed. Orders for color-coded parts should include the registry number of the airplane for which the parts are ordered.
- F. If a part number is 15 characters long but will not fit in the part number column, the part number will be displayed with a "~" at the end of the line and will be continued on the next line. The "~" denotes that the part number continues on the next line.
- G. Parts changed by a Service Bulletin are shown by PRE SB XXXX and POST SB XXXX added to the NOMENCLATURE column.
- (1) When a new top assembly is added by a Service Bulletin, PRE SB XXXX and POST SB XXXX will be added at the top assembly level only. The configuration differences at the detail part level are shown by use code letters.
- (2) When the top assembly part number is not changed by the Service Bulletin, PRE SB XXXX and POST SB XXXX will be added at the detail level.
- H. Interchangeable Parts

25-28-48

ILLUSTRATED PARTS LIST

Page 1001

Nov 01/2008



COMPONENT MAINTENANCE MANUAL

Optional (OPT)	The part is optional to and interchangeable with other parts that have the same item number.
Replaces, Replaced by and not interchangeable with (REPLACES, REPLACED BY AND NOT INTCHG/W)	The part replaces and is not interchangeable with the initial part.
Replaces, Replaced by (REPLACES, REPLACED BY)	The part replaces and is interchangeable with, or is an alternative to, the initial part.

VENDOR CODES

Code	Name
01556	EMHART FASTENING SYSTEMS GROUP HELI-COIL DIV SHELTER ROCK LANE DANBURY, CONNECTICUT 06810 FORMERLY HELI-COIL DIV OF BLACK AND DECKER
04169	WESTERN SKY INDUSTRIES A DIVISION OF ATLAS CORPORATION 1280 SAN LUIS OBISPO STREET HAYWARD, CALIFORNIA 94544-7916 FORMERLY WESTERN SKY IND VB0008
05617	IDD AEROSPACE CORP 18225 NORTHEAST 76TH STREET PO BOX 97056 REDMOND, WASHINGTON 98073-9756 FORMERLY FARWEST ELEC INC; FORMERY IN BELLEVUE, WA; FORMERLY BELL IND FARWEST MFG DIV; FORMERLY BELL IND ILLUMINATED DISPLAYS DIV
06034	NEWAGE INDUSTRIES INC. 2300 MARYLAND ROAD WILLOW GROVE, PENNSYLVANIA 19090-1709 FORMERLY IN JENKINTOWN, PENNSYLVANIA
06710	LAMSON AND SESSIONS CO THE VALLEY-TODECO 12975 BRADLEY AVENUE SYLMAR, CALIFORNIA 91342-3830 FORMERLY VALLEY BOLT CORP VB0097 IN NORTH HOLLYWOOD, CA
06725	AIR INDUSTRIES CORPORATION 12570 KNOTT STREET GARDEN GROVE, CALIFORNIA 92641-3932 FORMERLY AIR INDUSTRIES OF CALIF IN GARDENA, CALIF.

25-28-48

ILLUSTRATED PARTS LIST

Page 1002

Jul 01/2006



COMPONENT MAINTENANCE MANUAL

Code	Name
06950	SCREWCORP VSI AEROSPACE PRODUCTS DIV FAIRCHILD IND DIV 13001 EAST TEMPLE AVENUE PO BOX 730 CITY OF INDUSTRY, CALIFORNIA 91746-1417 FORMERLY VB0096 AND VSI CORP SCREWCORP DIV FORMERLY IN CULVER CITY, CALIFORNIA SCREW CORP SEE V.S.I. CORP SCREWCORP DIVISION
08524	Replaced: [V08524] DEUTSCH FASTENER CORP SEE CODE V97928 Replaced: [V97928] SEE V17446 HUCK INTL by Code: Name and Address below 17446: HUCK INTL INC AEROSPACE FASTENER DIV 900 WATSON CENTER ROAD CARSON, CALIFORNIA 90745-4201 FORMERLY V32134 REXNORD INC; FORMERLY V97928 HUCK INTL Referenced in FORMERLY line below [17419] DEUTSCH COMPANY THE WELLS FARGO BANK BLDG 2444 WILSHIRE BLVD #600 SANTA MONICA, CALIFORNIA 90403 FORMERLY DEUTSCH FASTENER CORP V08524 FORMERLY IN LOS ANGELES
08805	GENERAL ELECTRIC 1975 NOBLE RD CLEVELAND, OHIO 44112-1719
08806	GENERAL ELECTRIC CO MINIATURE LAMP PRODUCTS DEPT NELA PARK CLEVELAND, OHIO 44112
10630	ANILLO INDUSTRIES, INCORPORATED 2090 NORTH GLASSELL ORANGE, CALIFORNIA 92667 FORMERLY WESTERN WASHER DIV OF SENG CO V87487
11815	CHERRY AEROSPACE FASTENERS DIV OF TEXTRON 1224 EAST WARNER AVENUE PO BOX 2157 SANTA ANA, CALIFORNIA 92707-0157 FORMERLY IN LOS ANGELES, CALIF , FORMERLY CHERRY FASTENERS TOWNSEND DIV OF TEXTRON INC V71087

25-28-48

ILLUSTRATED PARTS LIST

Page 1003

Jul 01/2006



COMPONENT MAINTENANCE MANUAL

Code	Name
15438	AVIA MARINE TECHNOLOGY INC. DBA AVIA MARINE CO 6118 12TH AVE. S. SEATTLE, WASHINGTON 98108-2768 FORMERLY AVIA MARINE CO VB0084 AND VB0087
15653	ALCOA GLOBAL FASTENERS INC DIV KAYNAR PRODUCTS 800 S STATE COLLEGE BLVD FULLERTON, CALIFORNIA 92831-3001 FORMERLY VK6405 MICRODOT AEROSP LTD; FORMERLY KAYNAR TECH FORMERLY FAIRCHILD FASTENERS KAYNAR DIV
17023	BRUCE INDUSTRIES, INCORPORATED 101 EVANS AVENUE PO BOX 1700 DAYTON, NEVADA 89403 FORMERLY IN GARDENA, CALIFORNIA
24403	ENIDINE INCORPORATED 7 CENTER DRIVE ORCHARD PARK, NEW YORK 14127-2281 FORMERLY INTEGRATED DYNAMICS INCORPORATED FORMERLY IN BUFFALO, NEW YORK
24984	HYDRAFLOW 1881 W MALVERN FULLERTON, CALIFORNIA 92833-2403 FORMERLY IN CERRITOS, CA
27045	SABRE INDUSTRIES INC GLENDALE, CALIFORNIA 91204-1814 FORMERLY ADAMS RITE SABRE
27624	PB FASTENERS DIV OF BRILES PAUL R 1700 WEST 132ND STREET GARDENA, CALIFORNIA 90249 FORMERLY PAUL R BRILES INC P.B. FASTENER DIV
30242	AVTECH CORPORATION 3400 WALLINGFORD AVENUE NORTH SEATTLE, WASHINGTON 98103-9041 FORMERLY UNDER V0314B

25-28-48

ILLUSTRATED PARTS LIST

Page 1004

Nov 01/2006



COMPONENT MAINTENANCE MANUAL

Code	Name
34252	GULF OIL CO USA DIV OF GULF OIL CORP PO BOX 1519 HOUSTON, TEXAS 77001
34941	HARPER ENGINEERING COMPANY 200 SOUTH TOBIN STREET RENTON, WASHINGTON 98055-1307
39941	RAD DATA COMMUNICATIONS INC 900 CORPORATE DR MAHWAH, NJ 07430
45722	USM CORP PARKER-KALON FASTENER DIV CAMPBELLSVILLE, KENTUCKY 42718 FORMERLY PARKER-KALON DIV OF GEN AMERICAN TRANSPORTATION FORMERLY IN CLIFTON, NEW JERSEY
52607	ACTRON MANUFACTURING INC 3800 EAST MIRA LOMA AVENUE ANAHEIM, CALIFORNIA 92806-2108 FORMERLY V0493B IN FULLERTON, CALIFORNIA
52828	REPUBLIC FASTENER MFG CORP 1300 RANCHO CONEJO BLVD NEWBURY PARK, CALIFORNIA 91320-1405 FORMERLY IN SYLMAR, CALIFORNIA
53551	ALLFAST FASTENING SYSTEMS INC 15200 EAST DON JULIAN ROAD PO BOX 3166 CITY OF INDUSTRY, CALIFORNIA 91745-1001 FORMERLY V0736B FORMERLY ALLFAST INC V5K545
56878	SPS TECHNOLOGIES INC AEROSPACE AND INDUSTRIAL PRODUCTS DIV 301 HIGHLAND AVE JENKINTOWN, PENNSYLVANIA 19046 FORMERLY STANDARD PRESSED STEEL FORMERLY IN SALT LAKE, UTAH

25-28-48

ILLUSTRATED PARTS LIST

Page 1005

Jul 01/2006



COMPONENT MAINTENANCE MANUAL

Code	Name
60116	PSI WEST 255 SOUTH 7TH AVENUE CITY OF INDUSTRY, CALIFORNIA 91744-3079 FORMERLY V0812B
72962	HARVARD INDUSTRIES INC 3 WERNER WAY SUITE 210 LEBANON, NEW JERSEY 08833 FORMERLY ESNA V7A079 FORMERLY ELASTIC STOP NUT IN UNION, NJ
73197	HI-SHEAR TECHNOLOGY CORP 2600 SKYPARK DRIVE TORRANCE, CALIFORNIA 90509
73439	AMSCO PRODUCTS CAMCAR DIV TEXTRON INC 345 EAST MARSHALL STREET WYTHEVILLE, VIRGINIA 24382-3917 FORMERLY AMERICAN SCREW CO IN WILLIMANTIC, CONNECTICUT FORMERLY TEXTRON INC CAMCAR DIV AMERICAN SCREW CO
80477	ADAMS RITE AEROSPACE INC 4141 N PALM ST FULLERTON, CALIFORNIA 92835-1025 FORMERLY V00163 REID METAL PARTS; FORMERLY ADAMS RITE SABRE INTL IN GLENDALE, CA
80539	SPS TECHNOLOGIES INC DIV AERPSOACE - SANTA ANA 2701 SOUTH HARBOR BOULEVARD SANTA ANA, CALIFORNIA 92704-5803 FORMERLY NUTT-SHEL DIV OF SPC WESTERN CO V80539 AND STANDARD PRESSED STEEL WESTERN DIV V17279
83014	HARTWELL CORPORATION 900 SOUTH RICHFIELD ROAD PLACENTIA, CALIFORNIA 92670-6732 FORMERLY V0532B IN LOS ANGELES, CALIFORNIA
85498	BRITELITE DISTRIBUTORS INC BROOKLYN, NEW YORK CANCELLED WITHOUT REPLACEMENT

25-28-48

ILLUSTRATED PARTS LIST

Page 1006

Jul 01/2006



COMPONENT MAINTENANCE MANUAL

Code	Name
92215	FAIRCHILD IND INC FAIRCHILD AEROSPACE FASTENER DIV 3010 W LOMITA BLVD TORRANCE, CALIFORNIA 90505-5102 FORMERLY VOI-SHAN IN CULVER CITY, CALIF
93907	TEXTRON INC CAMCAR DIV 600 18TH AVENUE ROCKFORD, ILLINOIS 61101
97393	SHUR-LOK CORPORATION 2541 WHITE ROAD PO BOX 19584 IRVINE, CALIFORNIA 92623-9584 FORMERLY SHUR LOK CORP VB0060 FORMERLY IN SANTA ANA, CALIFORNIA 92714
97928	Replaced: [V97928] SEE V17446 HUCK INTL by Code: Name and Address below 17446: HUCK INTL INC AEROSPACE FASTENER DIV 900 WATSON CENTER ROAD CARSON, CALIFORNIA 90745-4201 FORMERLY V32134 REXNORD INC; FORMERLY V97928 HUCK INTL
98996	OLYMPIC FASTENING SYSTEMS INC DOWNEY, CALIFORNIA 90241-4986 OBSOLETE RECORD

25-28-48

ILLUSTRATED PARTS LIST

Page 1007

Jul 01/2006



COMPONENT MAINTENANCE MANUAL

NUMERICAL INDEX

PART NUMBER	AIRLINE PART NUMBER	FIGURE	ITEM	UNITS PER ASSEMBLY
05939-103		2	150B	1
		7	180B	1
		8	180B	1
05939-105		3	195B	1
		9	195B	1
		10	195B	1
		11	195B	1
05939-107		3	150B	1
		9	150B	1
		10	150B	1
		11	150B	1
		12	150B	1
		13	150B	1
		14	150B	1
		15	115B	1
05939-115		12	195B	1
05939-15		12	195	1
		12	195A	1
05939-3		2	150	1
		2	150A	1
		7	180	1
		7	180A	1
		8	180	1
05939-5		8	180A	1
		3	195	1
		3	195A	1
		9	195	1
		9	195A	1
		10	195	1
		10	195A	1
		11	195	1
05939-7		11	195A	1
		3	150	1
		3	150A	1

25-28-48

ILLUSTRATED PARTS LIST

Page 1008

Mar 01/2006



COMPONENT MAINTENANCE MANUAL

PART NUMBER	AIRLINE PART NUMBER	FIGURE	ITEM	UNITS PER ASSEMBLY
		9	150	1
		9	150A	1
		10	150	1
		10	150A	1
		11	150	1
		11	150A	1
		12	150	1
		12	150A	1
		13	150	1
		13	150A	1
		14	150	1
		14	150A	1
		15	115	1
		15	115A	1
102F9207P82		4	155	2
		16	240	2
		17	240	2
1864		2	155	1
		3	200	1
		7	185	1
		8	185	1
		9	200	1
		10	200	1
		11	200	1
1983-1		2	150	1
		2	150A	1
		7	180	1
		7	180A	1
		8	180	1
		8	180A	1
1985-1		3	195	1
		3	195A	1
		9	195	1
		9	195A	1
		10	195	1

25-28-48

ILLUSTRATED PARTS LIST

Page 1009

Mar 01/2006



COMPONENT MAINTENANCE MANUAL

PART NUMBER	AIRLINE PART NUMBER	FIGURE	ITEM	UNITS PER ASSEMBLY
1987-1		10	195A	1
		11	195	1
		11	195A	1
		3	150	1
		3	150A	1
		9	150	1
		9	150A	1
		10	150	1
		10	150A	1
		11	150	1
		11	150A	1
		12	150	1
		12	150A	1
		13	150	1
		13	150A	1
		14	150	1
		14	150A	1
	1995-1		15	115
		15	115A	1
2055132		12	195	1
		12	195A	1
2055150		3	170	2
		9	170	2
		10	170	2
		11	170	2
		12	170	2
		13	170	2
		14	170	2
		15	125	2
		1	190	2
		2	175	2
	3	220	2	
	5	160	2	
	6	160	2	
	7	205	2	

25-28-48

ILLUSTRATED PARTS LIST

Page 1010

Mar 01/2006



COMPONENT MAINTENANCE MANUAL

PART NUMBER	AIRLINE PART NUMBER	FIGURE	ITEM	UNITS PER ASSEMBLY
22K1-02		8	205	2
		9	220	2
		10	220	2
		11	220	2
		12	220	2
		13	220	2
		14	220	2
		2	145	3
		3	145	3
		3	193	3
		7	175	3
		8	175	3
		9	145	3
		9	193	3
		10	145	3
		10	193	3
	26CL02		11	145
		11	193	3
		12	145	3
		12	193	3
		13	145	3
		13	193	3
		14	145	3
		14	193	3
		15	110	3
		2	145	3
		3	145	3
		3	193	3
		7	175	3
		8	175	3
		9	145	3
		9	193	3
		10	145	3
	10	193	3	
	11	145	3	

25-28-48

ILLUSTRATED PARTS LIST

Page 1011

Mar 01/2006



COMPONENT MAINTENANCE MANUAL

PART NUMBER	AIRLINE PART NUMBER	FIGURE	ITEM	UNITS PER ASSEMBLY		
411N3134-1		11	193	3		
		12	145	3		
		12	193	3		
		13	145	3		
		13	193	3		
		14	145	3		
		14	193	3		
		15	110	3		
		1	165	2		
		2	95	2		
		5	125	2		
		6	125	2		
		7	125	2		
		8	125	1		
		411N3142-28		2	115	1
3	115			2		
7	145			1		
8	145			1		
9	115			2		
10	115			2		
11	115			2		
12	115			2		
13	115			2		
14	115			2		
15	80			2		
412N1112-34				4	420	1
				4	902	1
				4	912	1
				16	800	1
		17	800	1		
412N1112-36		16	800A	1		
		17	800A	1		
412N1112-49		4	420A	1		
		4	912A	1		
412N1112-50		16	800B	1		

25-28-48

ILLUSTRATED PARTS LIST

Page 1012

Mar 01/2006



COMPONENT MAINTENANCE MANUAL

PART NUMBER	AIRLINE PART NUMBER	FIGURE	ITEM	UNITS PER ASSEMBLY
412N1112-54		17	800B	1
		16	805	1
		17	805	1
412N1112-57		4	426	1
		4	912C	1
		16	805A	1
412N1112-64		17	805A	1
		4	420B	1
		4	912B	1
412N1112-65		16	805B	1
		17	805B	1
		16	805C	1
		17	805C	1
412N1113-13		4	15A	1
		16	20A	1
		17	20A	1
412N1113-14		4	20A	1
		16	25A	1
		17	25A	1
412N1113-7		4	15	1
		16	20	1
		16	105	1
		17	20	1
		17	105	1
412N1113-8		4	20	1
		16	25	1
		16	110	1
		17	25	1
		17	110	1
412N1116-157		4	910A	1
412N1116-174		4	910	1
412N1116-687		4	910D	1
412N1116-688		4	911	1
412N1116-727		4	910B	1
412N1116-91		4	910C	1

25-28-48

ILLUSTRATED PARTS LIST

Page 1013

Mar 01/2006



COMPONENT MAINTENANCE MANUAL

PART NUMBER	AIRLINE PART NUMBER	FIGURE	ITEM	UNITS PER ASSEMBLY
412N1117-1		4	130	1
		16	210	1
412N1117-2		4	135	1
		17	210	1
412N1117-5		16	215A	1
412N1117-6		17	215	1
412N1117-7		16	215	1
412N1117-8		17	215A	1
412N1118-1SP		4	365	1
		16	415	1
		17	415	1
412N1118-2SP		4	370	1
		16	420	1
		17	420	1
412N1119-1		1	105	2
		2	44	2
		3	30	1
		5	80	1
		6	80	1
		7	80	1
		8	80	1
		9	30	1
		12	30	1
		13	30	1
		14	30	1
		15	20	1
		412N1119-11		10
11	30			1
412N1119-12		1	140	1
		1	142	1
		2	55	1
		2	56	1
		3	50	2
		5	110	2
		6	110	2

25-28-48

ILLUSTRATED PARTS LIST

Page 1014

Mar 01/2006



COMPONENT MAINTENANCE MANUAL

PART NUMBER	AIRLINE PART NUMBER	FIGURE	ITEM	UNITS PER ASSEMBLY
		7	110	2
		8	110	2
		9	50	2
		10	50	2
		11	50	2
		12	50	2
		13	50	2
		14	50	2
		15	50	2
412N1119-15		1	150	1
		2	80	1
412N1119-16		1	120	1
		2	65	1
412N1119-17		1	160	1
		2	90	1
412N1119-18		1	130	1
		2	75	1
412N1119-2		1	115	1
		2	50	1
		3	40	1
		5	95	1
		6	95	1
		7	95	1
		8	95	1
		9	40	1
		12	40	1
		13	40	1
		14	40	1
		15	35	1
412N1119-23		1	145	1
		2	59	1
412N1119-24		1	135	1
		2	60	1
412N1119-27		16	65	1
		17	65	1

25-28-48

ILLUSTRATED PARTS LIST

Page 1015

Mar 01/2006



COMPONENT MAINTENANCE MANUAL

PART NUMBER	AIRLINE PART NUMBER	FIGURE	ITEM	UNITS PER ASSEMBLY		
412N1119-28		16	75	1		
		17	75	1		
412N1119-29		16	85	1		
		17	85	1		
412N1119-41		3	45	1		
		5	55	1		
		6	55	1		
		7	55	1		
		8	55	1		
		9	45	1		
		10	45	1		
		11	45	1		
		12	45	1		
		13	45	1		
		14	45	1		
		412N1119-62		15	60	1
		412N1130-17SP		10	295	1
				11	260	1
412N1130-5SP		15	165	1		
412N1140-101SP		4	295C	1		
		4	299	1		
		16	400A	1		
		16	405	1		
		17	400A	1		
		17	405	1		
		18	1B	RF		
		412N1140-141SP		4	296	1
		16	395A	1		
		17	395A	1		
412N1140-142SP		4	296A	1		
412N1140-241SP		4	295B	1		
		16	405A	1		
		17	405A	1		
		18	1C	RF		
412N1140-258SP		18	65B	1		

25-28-48

ILLUSTRATED PARTS LIST

Page 1016

Mar 01/2006



COMPONENT MAINTENANCE MANUAL

PART NUMBER	AIRLINE PART NUMBER	FIGURE	ITEM	UNITS PER ASSEMBLY
412N1140-41SP		4	295	1
		4	299A	1
		16	400	1
		17	400	1
		18	1	RF
412N1140-42SP		4	295A	1
		18	1A	RF
412N1140-58SP		18	65	1
412N1140-59SP		18	65A	1
412N1140-88SP		4	296B	1
		16	395	1
		17	395	1
412N1140-89SP		4	296C	1
412N1140-96		18	66	2
412N1140-97		18	67	1
412N1140-98		18	68	1
412N1141-1SP		18	69	1
412N1141-21SP		18	69B	1
412N1141-27SP		18	73B	1
412N1141-2SP		18	69A	1
412N1141-7SP		18	73	1
412N1141-8SP		18	73A	1
412N1142-15		18	85	1
412N1142-16		18	85B	1
412N1142-31		18	85A	1
412N1142-32		18	85C	1
412N1143-13SP		18	55	1
412N1143-14SP		18	60	1
412N1145-101		4	120	1
		16	195	1
412N1145-102		4	125	1
		17	195	1
412N1145-103		17	200	1
412N1145-104		16	200	1
412N1145-112		4	909A	5

25-28-48

ILLUSTRATED PARTS LIST

Page 1017

Mar 01/2006



COMPONENT MAINTENANCE MANUAL

PART NUMBER	AIRLINE PART NUMBER	FIGURE	ITEM	UNITS PER ASSEMBLY
412N1145-30		10	40	3
		11	40	3
412N1145-33		4	909	5
		4	909B	5
412N1145-43		16	70	1
		17	70	1
412N1145-69		4	127	1
412N1145-87		2	97N	1
		5	185	1
		6	185	1
412N1145-88		2	99	1
		5	200	1
		6	200	1
412N1146-1		4	145	1
412N1146-111		16	230	1
412N1146-112		17	230A	1
412N1146-115		16	245	1
412N1146-116		17	245A	1
412N1146-135		17	230	1
412N1146-136		17	245	1
412N1146-2		4	145B	1
412N1146-22		4	160B	1
412N1146-41		4	160	1
412N1146-75		16	230A	1
412N1146-76		16	245A	1
412N1147-1		4	140	1
412N1153-101		4	10	1
		16	15	1
		17	15	1
412N1153-102		4	10B	1
412N1153-121		16	100	1
		17	100	1
412N1153-85		4	10A	1
		16	15A	1
		17	15A	1

25-28-48

ILLUSTRATED PARTS LIST

Page 1018

Mar 01/2006



COMPONENT MAINTENANCE MANUAL

PART NUMBER	AIRLINE PART NUMBER	FIGURE	ITEM	UNITS PER ASSEMBLY
412N1154-1		4	170	1
		16	265	1
		17	270	1
412N1154-10		4	175A	1
		16	270A	1
		17	265A	1
412N1154-2		4	175	1
		16	270	1
		17	265	1
412N1154-9		4	170A	1
		16	265A	1
		17	270A	1
412N1155-19		4	205A	1
		16	310A	1
		17	315A	1
412N1155-20		4	210A	1
		16	315A	1
		17	310A	1
412N1155-25		4	205B	1
		16	310B	1
		17	315B	1
412N1155-26		4	210B	1
		16	315B	1
		17	310B	1
412N1155-7		4	205	1
		16	310	1
		17	315	1
412N1155-8		4	210	1
		16	315	1
		17	310	1
412N1156-13		4	265	1
		16	370	1
		17	375	1
412N1156-14		4	280	1
		16	375	1

25-28-48

ILLUSTRATED PARTS LIST

Page 1019

Mar 01/2006



COMPONENT MAINTENANCE MANUAL

PART NUMBER	AIRLINE PART NUMBER	FIGURE	ITEM	UNITS PER ASSEMBLY
412N1156-15		17	370	1
		4	270	1
		16	380	1
412N1156-16		17	385	1
		4	285	1
		16	385	1
412N1156-33		17	380	1
		4	265A	1
		16	370A	1
412N1156-34		17	375A	1
		4	280A	1
		16	375A	1
412N1156-35		17	370A	1
		4	270A	1
		16	380A	1
412N1156-36		17	385A	1
		4	285A	1
		16	385A	1
412N1161-1		17	380A	1
		1	85	1
		1	95	1
		1	102	1
		2	25	1
		2	30	1
412N1161-2		2	37	1
		3	25	1
		9	25	1
		10	25	1
		11	25	1
		1	80	1
		1	90	1
		1	100	1
		2	26	1
		2	35	1
	2	36	1	

25-28-48

ILLUSTRATED PARTS LIST

Page 1020

Mar 01/2006



COMPONENT MAINTENANCE MANUAL

PART NUMBER	AIRLINE PART NUMBER	FIGURE	ITEM	UNITS PER ASSEMBLY
		12	25	1
		13	25	1
		14	25	1
		15	15	1
412N1161-3		5	15	1
		6	15	1
412N1161-4		7	15	1
		8	15	1
412N1162-1		18	45A	2
412N1215-114		4	900	1
412N1215-120		4	903	1
412N1215-121		4	903A	1
412N1215-634		4	903B	1
412N1215-671		4	903D	1
412N1215-672		4	906	1
412N1215-71		4	913	1
412N1215-94		4	903C	1
412N1245-1		18	20	2
		18	40	2
417N5120-10		1	185	1
		2	170	1
		5	155	1
		6	155	1
		7	200	1
		8	200	1
417N5120-11		3	215	1
		9	215	1
		10	215	1
		11	215	1
		12	215	1
		13	215	1
		14	215	1
417N5120-12		3	165	1
		9	165	1
		10	165	1

25-28-48

ILLUSTRATED PARTS LIST

Page 1021

Mar 01/2006



COMPONENT MAINTENANCE MANUAL

PART NUMBER	AIRLINE PART NUMBER	FIGURE	ITEM	UNITS PER ASSEMBLY
		11	165	1
		12	165	1
		13	165	1
		14	165	1
		15	120	1
417N5120-14		2	120	1
		7	150	1
		8	150	1
417N5120-15		2	120A	1
		7	150A	1
		8	150A	1
417N5120-17		1	170	1
		5	130	1
		6	130	1
417N5120-20		15	85	2
417N5120-25		3	185	1
		9	185	1
		10	185	1
		11	185	1
417N5120-26		12	185A	1
417N5120-32		12	185	1
		13	185	1
		14	185	1
417N5120-34		3	185A	1
		9	185A	1
417N5120-47SP		3	130	1
		9	130	1
		10	130	1
		11	130	1
		12	130	1
		13	130	1
		14	130	1
502060-1-3		4	25A	1
		4	25C	1
502060-1-4		4	25	1

25-28-48

ILLUSTRATED PARTS LIST

Page 1022

Mar 01/2006



COMPONENT MAINTENANCE MANUAL

PART NUMBER	AIRLINE PART NUMBER	FIGURE	ITEM	UNITS PER ASSEMBLY
		4	25B	1
6041-3BR225		16	390	2
		17	390	2
6041-3BRX225		4	275A	2
		4	290A	2
65C27011-101		4	375	1
65C27011-102		4	380	1
65C27011-1021		17	450	1
65C27011-1022		16	450	1
65C27011-1023		4	695	1
65C27011-103		4	375A	1
65C27011-104		4	375B	1
65C27011-105		4	375C	1
65C27011-106		4	375D	1
65C27011-107		4	375E	1
65C27011-108		4	375F	1
65C27011-109		4	375G	1
65C27011-110		4	375H	1
65C27011-111		4	375J	1
65C27011-112		4	375K	1
65C27011-113		16	425	1
65C27011-114		17	425	1
65C27011-115		17	425A	1
65C27011-116		16	425A	1
65C27011-117		4	375L	1
65C27011-118		4	375M	1
65C27011-119		4	375N	1
65C27011-120		16	425B	1
65C27011-1201		4	635	1
65C27011-1202		4	665	1
65C27011-1203		4	645	1
65C27011-1204		4	675	1
65C27011-1205		17	465	1
65C27011-1206		16	465	1
65C27011-1207		16	480	1

25-28-48

ILLUSTRATED PARTS LIST

Page 1023

Mar 01/2006



COMPONENT MAINTENANCE MANUAL

PART NUMBER	AIRLINE PART NUMBER	FIGURE	ITEM	UNITS PER ASSEMBLY
65C27011-1208		17	480	1
65C27011-121		4	375P	1
65C27011-1218		4	725	1
65C27011-122		4	375Q	1
65C27011-1229		4	731	1
65C27011-1230		4	734	1
65C27011-1231		4	737	1
65C27011-1232		4	743	1
65C27011-1233		4	749	1
65C27011-1234		4	755	1
65C27011-1235		4	779	1
65C27011-1236		4	785	1
65C27011-1237		4	791	1
65C27011-1238		4	794	1
65C27011-1239		4	797	1
65C27011-1240		4	800	1
65C27011-1241		4	803	1
65C27011-1242		4	809	1
65C27011-1243		4	815	1
65C27011-1244		4	821	1
65C27011-1245		4	827	1
65C27011-1246		4	833	1
65C27011-1247		4	839	1
65C27011-1248		4	842	1
65C27011-1262		16	495	1
65C27011-1263		4	535	1
65C27011-1264		4	550	1
65C27011-1265		4	565	1
65C27011-1266		4	580	1
65C27011-1267		4	761	1
65C27011-1268		4	767	1
65C27011-1269		4	773	1
65C27011-127		4	375R	1
65C27011-1270		4	595	1
65C27011-1271		17	495	1

25-28-48

ILLUSTRATED PARTS LIST

Page 1024

Mar 01/2006



COMPONENT MAINTENANCE MANUAL

PART NUMBER	AIRLINE PART NUMBER	FIGURE	ITEM	UNITS PER ASSEMBLY
65C27011-1273		16	525	1
65C27011-1274		4	776	1
65C27011-128		4	375S	1
65C27011-1281		17	540	1
65C27011-129		4	375T	1
65C27011-1301		4	430	1
65C27011-1302		4	450	1
65C27011-131		4	375U	1
65C27011-1314		16	510	1
65C27011-1315		4	440	1
65C27011-1316		4	845	1
65C27011-1317		4	764	1
65C27011-1318		4	770	1
65C27011-1319		4	848	1
65C27011-132		4	375V	1
65C27011-1320		4	460	1
65C27011-1321		17	510	1
65C27011-1322		4	851	1
65C27011-1324		16	540	1
65C27011-133		4	375W	1
65C27011-134		4	375X	1
65C27011-1341		17	555	1
65C27011-1347		4	782	1
65C27011-1348		4	788	1
65C27011-1349		4	854	1
65C27011-135		4	375Y	1
65C27011-1350		4	857	1
65C27011-1351		4	806	1
65C27011-1352		4	812	1
65C27011-1353		4	818	1
65C27011-1354		4	824	1
65C27011-1359		4	860	1
65C27011-136		4	375Z	1
65C27011-1360		4	863	1
65C27011-1361		4	740	1

25-28-48

ILLUSTRATED PARTS LIST

Page 1025

Mar 01/2006



COMPONENT MAINTENANCE MANUAL

PART NUMBER	AIRLINE PART NUMBER	FIGURE	ITEM	UNITS PER ASSEMBLY
65C27011-1362		4	746	1
65C27011-1363		4	752	1
65C27011-1364		4	758	1
65C27011-1365		4	830	1
65C27011-1366		4	836	1
65C27011-141		4	376	1
65C27011-142		4	376A	1
65C27011-143		17	425B	1
65C27011-144		4	376B	1
65C27011-145		4	376C	1
65C27011-146		17	425C	1
65C27011-147		17	425D	1
65C27011-148		4	376D	1
65C27011-149		4	376E	1
65C27011-150		4	376F	1
65C27011-151		17	425E	1
65C27011-152		4	376G	1
65C27011-153		4	376H	1
65C27011-154		4	376J	1
65C27011-155		4	376K	1
65C27011-156		4	376L	1
65C27011-157		4	376M	1
65C27011-158		4	376N	1
65C27011-159		4	376P	1
65C27011-161		4	376Q	1
65C27011-162		16	425C	1
65C27011-163		17	425F	1
65C27011-164		4	376R	1
65C27011-165		4	376S	1
65C27011-166		4	376T	1
65C27011-167		16	425D	1
65C27011-169		16	425E	1
65C27011-170		4	376U	1
65C27011-171		16	425F	1
65C27011-172		4	376V	1

25-28-48

ILLUSTRATED PARTS LIST

Page 1026

Mar 01/2006



COMPONENT MAINTENANCE MANUAL

PART NUMBER	AIRLINE PART NUMBER	FIGURE	ITEM	UNITS PER ASSEMBLY
65C27011-173		4	376W	1
65C27011-174		4	376X	1
65C27011-175		16	425G	1
65C27011-176		4	376Y	1
65C27011-177		17	425G	1
65C27011-178		16	425H	1
65C27011-179		17	425H	1
65C27011-180		16	425J	1
65C27011-181		16	425K	1
65C27011-182		17	425Z	1
65C27011-183		17	426	1
65C27011-2001		4	485	1
65C27011-2002		16	570	1
65C27011-2004		16	555	1
65C27011-2006		17	525	1
65C27011-2007		4	728	1
65C27011-2021		17	570	1
65C27011-209		4	377A	1
65C27011-210		4	377B	1
65C27011-2101		4	505	1
65C27011-2102		16	585	1
65C27011-2104		16	600	1
65C27011-2106		17	585	1
65C27011-2107		4	866	1
65C27011-211		4	377C	1
65C27011-2110		17	600	1
65C27011-2112		16	615	1
65C27011-212		4	377D	1
65C27011-2121		17	615	1
65C27011-2122		4	869	1
65C27011-2123		17	630	1
65C27011-2124		16	630	1
65C27011-213		4	377E	1
65C27011-214		4	377F	1
65C27011-215		4	377G	1

25-28-48

ILLUSTRATED PARTS LIST

Page 1027

Mar 01/2006



COMPONENT MAINTENANCE MANUAL

PART NUMBER	AIRLINE PART NUMBER	FIGURE	ITEM	UNITS PER ASSEMBLY
65C27011-216		4	377H	1
65C27011-217		4	377J	1
65C27011-218		4	377K	1
65C27011-219		4	377L	1
65C27011-220		4	377M	1
65C27011-2201		4	525	1
65C27011-2202		17	645	1
65C27011-2203		4	872	1
65C27011-2204		16	645	1
65C27011-221		16	425L	1
65C27011-222		17	425J	1
65C27011-223		17	425K	1
65C27011-224		16	425M	1
65C27011-225		4	377N	1
65C27011-227		4	377P	1
65C27011-228		17	425L	1
65C27011-3001		16	660	1
65C27011-3201		4	875	1
		16	675	1
65C27011-3202		4	878	1
		16	690	1
		17	660	1
65C27011-3203		16	705	1
65C27011-3204		4	898	1
65C27011-4007		4	884	1
65C27011-4011		4	715	1
		16	720	1
		17	675	1
65C27011-4012		4	887	1
		16	735	1
		17	690	1
65C27011-4013		17	705	1
65C27011-4101		4	890	1
65C27011-4105		17	720	1
65C27011-4106		17	735	1

25-28-48

ILLUSTRATED PARTS LIST

Page 1028

Mar 01/2006



COMPONENT MAINTENANCE MANUAL

PART NUMBER	AIRLINE PART NUMBER	FIGURE	ITEM	UNITS PER ASSEMBLY
65C27011-4107		4	893	1
		16	750	1
65C27011-4108		4	896	1
65C27011-4109		17	750	1
65C27011-5002		4	625	1
		4	881	1
		16	765	1
65C27011-627		4	377Q	1
65C27011-628		4	377R	1
65C27011-629		4	377S	1
65C27011-630		4	377T	1
65C27011-631		4	377U	1
65C27011-632		4	377V	1
65C27011-633		4	377W	1
65C27011-634		4	377X	1
65C27011-635		4	377Y	1
65C27011-636		4	377Z	1
65C27011-637		4	378	1
65C27011-638		4	378A	1
65C27011-639		16	425N	1
65C27011-640		4	378B	1
65C27011-643		4	378C	1
65C27011-644		17	425M	1
65C27011-645		17	425N	1
65C27011-646		16	425P	1
65C27011-647		4	378D	1
65C27011-648		4	378E	1
65C27011-649		4	378F	1
65C27011-650		4	378G	1
65C27011-651		4	378H	1
65C27011-652		4	378J	1
65C27011-653		4	378K	1
65C27011-654		4	378L	1
65C27011-655		4	378M	1
65C27011-656		4	378N	1

25-28-48

ILLUSTRATED PARTS LIST

Page 1029

Mar 01/2006



COMPONENT MAINTENANCE MANUAL

PART NUMBER	AIRLINE PART NUMBER	FIGURE	ITEM	UNITS PER ASSEMBLY
65C27011-657		4	378P	1
65C27011-658		4	378Q	1
65C27011-659		4	378R	1
65C27011-660		4	378S	1
65C27011-661		4	378T	1
65C27011-662		4	378U	1
65C27011-663		4	378V	1
65C27011-664		4	378W	1
65C27011-665		4	378X	1
65C27011-666		4	378Y	1
65C27011-667		4	378Z	1
65C27011-669		4	379	1
65C27011-670		16	425Y	1
65C27011-671		4	379B	1
65C27011-672		4	379C	1
65C27011-673		4	379D	1
65C27011-674		4	379E	1
65C27011-675		4	379F	1
65C27011-676		4	379G	1
65C27011-677		4	379H	1
65C27011-678		4	379J	1
65C27011-679		4	379K	1
65C27011-680		4	379L	1
65C27011-681		4	379M	1
65C27011-682		4	379N	1
65C27011-683		4	379P	1
65C27011-684		4	379Q	1
65C27011-685		16	425Q	1
65C27011-686		17	425P	1
65C27011-687		17	425Q	1
65C27011-688		16	425R	1
65C27011-689		4	379R	1
65C27011-692		4	379S	1
65C27011-693		16	425S	1
65C27011-694		17	425R	1

25-28-48

ILLUSTRATED PARTS LIST

Page 1030

Mar 01/2006



COMPONENT MAINTENANCE MANUAL

PART NUMBER	AIRLINE PART NUMBER	FIGURE	ITEM	UNITS PER ASSEMBLY
65C27011-697		4	379T	1
65C27011-698		4	379U	1
65C27011-699		4	379V	1
65C27011-700		4	379W	1
65C27011-701		4	379X	1
65C27011-702		17	425S	1
65C27011-703		16	425T	1
65C27011-704		16	425U	1
65C27011-705		17	425T	1
65C27011-706		17	425U	1
65C27011-707		17	425V	1
65C27011-708		4	379Y	1
65C27011-709		4	379Z	1
65C27011-710		16	425V	1
65C27011-711		16	425W	1
65C27011-712		17	425W	1
65C27011-714		17	425X	1
65C27011-715		4	380A	1
65C27011-716		16	425X	1
65C27011-717		4	380B	1
65C27011-719		17	425Y	1
65C27011-723		16	425Z	1
65C27011-724		16	426	1
65C27011-725		4	380C	1
65C27011-726		17	426A	1
65C27011-727		4	380D	1
65C27016-3		16	220	1
		17	220	1
65C27016-6		16	220A	1
		17	220A	1
65C27017-11		3	80	1
		9	80	1
		10	80	1
		11	80	1
65C27017-12		3	90	1

25-28-48

ILLUSTRATED PARTS LIST

Page 1031

Mar 01/2006



COMPONENT MAINTENANCE MANUAL

PART NUMBER	AIRLINE PART NUMBER	FIGURE	ITEM	UNITS PER ASSEMBLY
65C27017-15		9	90	1
		10	90	1
		11	90	1
		3	95	2
		5	60	2
		6	60	2
		7	60	2
		8	60	2
		9	95	2
		10	95	2
		11	95	2
		12	95	2
		13	95	2
		14	95	2
65C27017-21		7	65	1
		8	65	1
65C27017-22		5	65	1
		6	65	1
65C27017-24		5	75	1
		6	75	1
		7	75	1
		8	75	1
65C27017-3		16	280	1
		17	280	1
65C27017-42		15	150	3
65C27017-44		12	80	1
		13	80	1
		14	80	1
65C27017-46		12	90	1
		13	90	1
		14	90	1
65C27023-12		17	225	1
65C27023-15		16	225A	1
65C27023-16		4	140C	1
65C27023-2		17	225A	1

25-28-48

ILLUSTRATED PARTS LIST

Page 1032

Mar 01/2006



COMPONENT MAINTENANCE MANUAL

PART NUMBER	AIRLINE PART NUMBER	FIGURE	ITEM	UNITS PER ASSEMBLY
65C27023-63		4	143	1
		16	225	1
65C27023-83		4	140B	1
65C27481-36		3	235	1
		10	235	1
		12	235	1
		14	235	1
65C27481-37		3	265	1
		10	265	1
		12	265	1
		14	265	1
65C27481-38		3	260	1
		10	260	1
		12	260	1
		14	260	1
65C28117-3		1	180	1
		2	165	1
		3	160	1
		3	210	1
		5	150	1
		6	150	1
		7	195	1
		8	195	1
		9	160	1
		9	210	1
		10	160	1
		10	210	1
		11	160	1
		11	210	1
		12	160	1
		12	210	1
13	160	1		
13	210	1		
14	160	1		
14	210	1		

25-28-48

ILLUSTRATED PARTS LIST

Page 1033

Mar 01/2006



COMPONENT MAINTENANCE MANUAL

PART NUMBER	AIRLINE PART NUMBER	FIGURE	ITEM	UNITS PER ASSEMBLY
65C32942-100SP		1	4F	RF
65C32942-101SP		1	4G	RF
65C32942-102SP		1	4H	RF
		2	2L	RF
65C32942-103SP		1	4J	RF
		2	2M	RF
65C32942-104SP		1	4K	RF
65C32942-105SP		1	4L	RF
65C32942-106SP		1	4M	RF
		2	2N	RF
65C32942-107SP		1	4N	RF
		2	2P	RF
65C32942-108SP		1	4P	RF
65C32942-109SP		1	4Q	RF
65C32942-10SP		1	1E	RF
		2	1	RF
65C32942-110SP		1	4R	RF
		2	2Q	RF
65C32942-111SP		1	4S	RF
		2	2R	RF
65C32942-112SP		1	4T	RF
65C32942-113SP		1	4U	RF
		7	1D	RF
65C32942-114SP		1	4V	RF
		2	2T	RF
65C32942-115SP		1	4W	RF
		12	1C	RF
65C32942-116SP		1	4X	RF
		5	1F	RF
65C32942-117SP		1	4Y	RF
		7	1E	RF
65C32942-118SP		1	4Z	RF
		2	2V	RF
65C32942-119SP		1	5A	RF
		3	1E	RF

25-28-48

ILLUSTRATED PARTS LIST

Page 1034

Mar 01/2006



COMPONENT MAINTENANCE MANUAL

PART NUMBER	AIRLINE PART NUMBER	FIGURE	ITEM	UNITS PER ASSEMBLY
65C32942-120SP		1	5B	RF
		2	2W	RF
65C32942-121SP		1	5C	RF
		6	1	RF
65C32942-122SP		1	5D	RF
		2	2X	RF
65C32942-123SP		1	5E	RF
		2	2Y	RF
65C32942-124SP		1	5F	RF
		10	1	RF
65C32942-125SP		1	5G	RF
		7	1F	RF
65C32942-126SP		1	5H	RF
		7	1G	RF
65C32942-127SP		1	5J	RF
65C32942-128SP		1	5K	RF
		5	1G	RF
65C32942-129SP		1	5L	RF
		2	3A	RF
65C32942-130SP		1	5M	RF
		6	1A	RF
65C32942-131SP		1	5N	RF
		8	1	RF
65C32942-133SP		1	5P	RF
		13	1	RF
65C32942-134SP		1	5Q	RF
		9	1	RF
65C32942-135SP		1	5R	RF
		8	1A	RF
65C32942-136SP		1	5S	RF
		6	1B	RF
65C32942-137SP		1	11R	RF
65C32942-138SP		1	11S	RF
		2	5T	RF
65C32942-14SP		1	1F	RF

25-28-48

ILLUSTRATED PARTS LIST

Page 1035

Mar 01/2006



COMPONENT MAINTENANCE MANUAL

PART NUMBER	AIRLINE PART NUMBER	FIGURE	ITEM	UNITS PER ASSEMBLY
		2	1A	RF
65C32942-18SP		1	1G	RF
		2	1B	RF
65C32942-1SP		1	1	RF
65C32942-21SP		1	1N	RF
		12	1	RF
65C32942-22SP		1	1L	RF
		3	1	RF
65C32942-24SP		1	1P	RF
		15	1	RF
65C32942-25SP		1	1Q	RF
		2	1G	RF
65C32942-26SP		1	1R	RF
		3	1A	RF
65C32942-27SP		1	1S	RF
		12	1A	RF
65C32942-28SP		1	1T	RF
65C32942-29SP		1	1U	RF
		3	1B	RF
65C32942-2SP		1	1H	RF
		2	1C	RF
65C32942-301SP		1	5T	RF
		5	1H	RF
65C32942-302SP		1	5U	RF
		12	1D	RF
65C32942-303SP		1	5V	RF
		3	1F	RF
65C32942-304SP		1	5W	RF
65C32942-305SP		1	5X	RF
		2	3D	RF
65C32942-306SP		1	5Y	RF
		2	3E	RF
65C32942-307SP		1	5Z	RF
65C32942-308SP		1	6	RF
65C32942-309SP		1	6A	RF

25-28-48

ILLUSTRATED PARTS LIST

Page 1036

Mar 01/2006



COMPONENT MAINTENANCE MANUAL

PART NUMBER	AIRLINE PART NUMBER	FIGURE	ITEM	UNITS PER ASSEMBLY
		2	3F	RF
65C32942-30SP		1	1V	RF
		3	1C	RF
65C32942-310SP		1	6B	RF
		2	3G	RF
65C32942-311SP		1	6C	RF
65C32942-312SP		1	6D	RF
65C32942-313SP		1	6E	RF
		2	3H	RF
65C32942-314SP		1	6F	RF
65C32942-315SP		1	6G	RF
65C32942-316SP		1	6H	RF
		2	3J	RF
65C32942-317SP		1	6J	RF
		2	3K	RF
65C32942-318SP		1	6K	RF
65C32942-319SP		1	6L	RF
65C32942-31SP		1	1W	RF
65C32942-320SP		1	6M	RF
		2	3L	RF
65C32942-321SP		1	6N	RF
		2	3M	RF
65C32942-322SP		1	6P	RF
65C32942-323SP		1	6Q	RF
65C32942-324SP		1	6R	RF
		2	3N	RF
65C32942-325SP		1	6S	RF
		7	1H	RF
65C32942-326SP		1	6T	RF
		2	3P	RF
65C32942-327SP		1	6U	RF
		3	1G	RF
65C32942-328SP		1	12A	RF
		2	5X	RF
65C32942-329SP		1	6V	RF

25-28-48

ILLUSTRATED PARTS LIST

Page 1037

Mar 01/2006



COMPONENT MAINTENANCE MANUAL

PART NUMBER	AIRLINE PART NUMBER	FIGURE	ITEM	UNITS PER ASSEMBLY
65C32942-32SP		1	1X	RF
		2	1H	RF
65C32942-330SP		1	6W	RF
		2	3Q	RF
65C32942-331SP		1	6X	RF
		2	3R	RF
65C32942-332SP		1	6Y	RF
65C32942-333SP		1	6Z	RF
65C32942-334SP		1	7	RF
		2	3S	RF
65C32942-335SP		1	7A	RF
		2	3T	RF
65C32942-336SP		1	7B	RF
65C32942-337SP		1	7C	RF
65C32942-338SP		1	7D	RF
		2	3U	RF
65C32942-339SP		1	7E	RF
		2	3V	RF
65C32942-33SP		1	1Y	RF
		2	1J	RF
65C32942-340SP		1	7F	RF
65C32942-341SP		1	7G	RF
65C32942-342SP		1	7H	RF
		2	3W	RF
65C32942-343SP		1	7J	RF
		2	3X	RF
65C32942-344SP		1	7K	RF
65C32942-345SP		1	7L	RF
		7	1J	RF
65C32942-346SP		1	7M	RF
		2	3Z	RF
65C32942-347SP		1	7N	RF
		7	1K	RF
65C32942-348SP		1	7P	RF
		5	1J	RF

25-28-48

ILLUSTRATED PARTS LIST

Page 1038

Mar 01/2006



COMPONENT MAINTENANCE MANUAL

PART NUMBER	AIRLINE PART NUMBER	FIGURE	ITEM	UNITS PER ASSEMBLY
65C32942-34SP		1	1Z	RF
65C32942-352SP		1	7Q	RF
		7	1L	RF
65C32942-353SP		1	7R	RF
		2	4	RF
65C32942-355SP		1	7S	RF
65C32942-35SP		1	2	RF
65C32942-36SP		1	2A	RF
		2	1K	RF
65C32942-376SP		1	7T	RF
		7	1M	RF
65C32942-37SP		1	2B	RF
		2	1L	RF
65C32942-38SP		1	2C	RF
65C32942-391SP		1	7U	RF
		11	1	RF
65C32942-392SP		1	7V	RF
65C32942-393SP		1	7W	RF
		2	4A	RF
65C32942-394SP		1	7X	RF
65C32942-395SP		1	1M	RF
		2	1F	RF
65C32942-398SP		1	7Y	RF
		6	1C	RF
65C32942-399SP		1	7Z	RF
		7	1N	RF
65C32942-39SP		1	2D	RF
65C32942-3SP		1	1J	RF
		2	1D	RF
65C32942-400SP		1	8	RF
		5	1K	RF
65C32942-402SP		1	8A	RF
		5	1L	RF
65C32942-403SP		1	8B	RF
		5	1M	RF

25-28-48

ILLUSTRATED PARTS LIST

Page 1039

Mar 01/2006



COMPONENT MAINTENANCE MANUAL

PART NUMBER	AIRLINE PART NUMBER	FIGURE	ITEM	UNITS PER ASSEMBLY
65C32942-405SP		1	8C	RF
		2	4B	RF
65C32942-406SP		1	8D	RF
		6	1D	RF
65C32942-407SP		1	8E	RF
		9	1A	RF
65C32942-408SP		1	8F	RF
		8	1B	RF
65C32942-409SP		1	8G	RF
		8	1C	RF
65C32942-410SP		1	8H	RF
		2	4E	RF
65C32942-411SP		1	8J	RF
		6	1E	RF
65C32942-412SP		1	8K	RF
65C32942-414SP		1	8L	RF
65C32942-415SP		1	11T	RF
65C32942-416SP		1	11U	RF
		2	5U	RF
65C32942-417SP		1	11V	RF
65C32942-418SP		1	11W	RF
		2	5V	RF
65C32942-419SP		1	8M	RF
		6	1F	RF
65C32942-41SP		1	2E	RF
		2	1M	RF
65C32942-420SP		1	8N	RF
		9	1B	RF
65C32942-42SP		1	2F	RF
65C32942-43SP		1	2G	RF
65C32942-44SP		1	2H	RF
		2	1N	RF
65C32942-45SP		1	2J	RF
		2	1P	RF
65C32942-46SP		1	2K	RF

25-28-48

ILLUSTRATED PARTS LIST

Page 1040

Mar 01/2006



COMPONENT MAINTENANCE MANUAL

PART NUMBER	AIRLINE PART NUMBER	FIGURE	ITEM	UNITS PER ASSEMBLY
65C32942-47SP		1	2L	RF
65C32942-48SP		1	2M	RF
		2	1Q	RF
65C32942-49SP		1	2N	RF
		2	1R	RF
65C32942-4SP		1	1A	RF
65C32942-50SP		1	2P	RF
65C32942-51SP		1	2Q	RF
65C32942-52SP		1	2R	RF
		2	1S	RF
65C32942-53SP		1	2S	RF
		7	1	RF
65C32942-54SP		1	2T	RF
		5	1	RF
65C32942-55SP		1	2U	RF
65C32942-56SP		1	2V	RF
		2	1U	RF
65C32942-57SP		1	2W	RF
		7	1A	RF
65C32942-58SP		1	2X	RF
		5	1A	RF
65C32942-5SP		1	1B	RF
65C32942-601SP		1	8P	RF
		5	1N	RF
65C32942-602SP		1	8Q	RF
		14	1	RF
65C32942-603SP		1	8R	RF
		3	1H	RF
65C32942-604SP		1	8S	RF
65C32942-605SP		1	8T	RF
		2	4F	RF
65C32942-606SP		1	8U	RF
		2	4G	RF
65C32942-607SP		1	8V	RF
65C32942-608SP		1	8W	RF

25-28-48

ILLUSTRATED PARTS LIST

Page 1041

Mar 01/2006



COMPONENT MAINTENANCE MANUAL

PART NUMBER	AIRLINE PART NUMBER	FIGURE	ITEM	UNITS PER ASSEMBLY
65C32942-609SP		1	8X	RF
		2	4H	RF
65C32942-60SP		1	2Y	RF
		5	1B	RF
65C32942-610SP		1	8Y	RF
		2	4J	RF
65C32942-611SP		1	8Z	RF
65C32942-612SP		1	9	RF
65C32942-613SP		1	9A	RF
		2	4K	RF
65C32942-614SP		1	9B	RF
65C32942-615SP		1	9C	RF
65C32942-616SP		1	9D	RF
		2	4L	RF
65C32942-617SP		1	9E	RF
		2	4M	RF
65C32942-618SP		1	9F	RF
65C32942-619SP		1	9G	RF
65C32942-61SP		1	2Z	RF
65C32942-620SP		1	9H	RF
		2	4N	RF
65C32942-621SP		1	9J	RF
		2	4P	RF
65C32942-622SP		1	9K	RF
65C32942-623SP		1	9L	RF
65C32942-624SP		1	9M	RF
		2	4Q	RF
65C32942-625SP		1	9N	RF
		7	1P	RF
65C32942-626SP		1	9P	RF
		2	4R	RF
65C32942-627SP		1	9Q	RF
		3	1J	RF
65C32942-628SP		1	9R	RF
		2	4S	RF

25-28-48

ILLUSTRATED PARTS LIST

Page 1042

Mar 01/2006



COMPONENT MAINTENANCE MANUAL

PART NUMBER	AIRLINE PART NUMBER	FIGURE	ITEM	UNITS PER ASSEMBLY
65C32942-629SP		1	9S	RF
65C32942-62SP		1	3	RF
65C32942-630SP		1	9T	RF
		2	4T	RF
65C32942-631SP		1	9U	RF
		2	4U	RF
65C32942-632SP		1	9V	RF
65C32942-633SP		1	9W	RF
65C32942-634SP		1	9X	RF
		2	4V	RF
65C32942-635SP		1	9Y	RF
		2	4W	RF
65C32942-636SP		1	9Z	RF
65C32942-637SP		1	10A	RF
65C32942-638SP		1	10B	RF
		2	4X	RF
65C32942-639SP		1	10C	RF
		2	4Y	RF
65C32942-63SP		1	3A	RF
		2	1W	RF
65C32942-640SP		1	10D	RF
65C32942-641SP		1	10E	RF
65C32942-642SP		1	10F	RF
		2	4Z	RF
65C32942-643SP		1	10G	RF
		2	5A	RF
65C32942-644SP		1	10H	RF
65C32942-645SP		1	10J	RF
		7	1Q	RF
65C32942-646SP		1	10K	RF
		2	5C	RF
65C32942-649SP		1	10L	RF
		7	1R	RF
65C32942-64SP		1	3B	RF
		5	1C	RF

25-28-48

ILLUSTRATED PARTS LIST

Page 1043

Mar 01/2006



COMPONENT MAINTENANCE MANUAL

PART NUMBER	AIRLINE PART NUMBER	FIGURE	ITEM	UNITS PER ASSEMBLY
65C32942-650SP		1	10M	RF
		2	5E	RF
65C32942-651SP		1	10N	RF
65C32942-652SP		1	10P	RF
		7	1S	RF
65C32942-653SP		1	10Q	RF
		2	5F	RF
65C32942-654SP		1	10R	RF
65C32942-655SP		1	10S	RF
65C32942-656SP		1	10T	RF
		2	5G	RF
65C32942-657SP		1	10U	RF
		2	5H	RF
65C32942-658SP		1	10V	RF
65C32942-659SP		1	10W	RF
65C32942-65SP		1	3C	RF
		2	1X	RF
65C32942-660SP		1	10X	RF
		2	5J	RF
65C32942-661SP		1	10Y	RF
		2	5K	RF
65C32942-662SP		1	10Z	RF
65C32942-663SP		1	11	RF
65C32942-664SP		1	11A	RF
		2	5L	RF
65C32942-665SP		1	11B	RF
		2	5M	RF
65C32942-666SP		1	11C	RF
65C32942-667SP		1	11D	RF
65C32942-668SP		1	11E	RF
		2	5N	RF
65C32942-669SP		1	11F	RF
		2	5P	RF
65C32942-66SP		1	3D	RF
65C32942-670SP		1	11G	RF

25-28-48

ILLUSTRATED PARTS LIST

Page 1044

Mar 01/2006



COMPONENT MAINTENANCE MANUAL

PART NUMBER	AIRLINE PART NUMBER	FIGURE	ITEM	UNITS PER ASSEMBLY
65C32942-671SP		1	11H	RF
		7	1T	RF
65C32942-672SP		1	11J	RF
		2	5R	RF
65C32942-673SP		1	11K	RF
		12	1E	RF
65C32942-674SP		1	11L	RF
		5	1P	RF
65C32942-675SP		1	11M	RF
		3	1K	RF
65C32942-676SP		1	11N	RF
		7	1U	RF
65C32942-67SP		1	3E	RF
		7	1B	RF
65C32942-685SP		1	11P	RF
		6	1G	RF
65C32942-68SP		1	3F	RF
		5	1D	RF
65C32942-690SP		1	11Q	RF
		2	5S	RF
65C32942-696SP		1	12G	RF
		3	1M	RF
65C32942-697SP		1	12H	RF
		12	1F	RF
65C32942-69SP		1	3G	RF
65C32942-707SP		1	11X	RF
		9	1C	RF
65C32942-70SP		1	3H	RF
		2	1Z	RF
65C32942-715SP		1	11Y	RF
65C32942-716SP		1	11Z	RF
		2	5W	RF
65C32942-71SP		1	3J	RF
		2	2	RF
65C32942-727SP		1	12	RF

25-28-48

ILLUSTRATED PARTS LIST

Page 1045

Mar 01/2006



COMPONENT MAINTENANCE MANUAL

PART NUMBER	AIRLINE PART NUMBER	FIGURE	ITEM	UNITS PER ASSEMBLY
		5	1Q	RF
65C32942-728SP		1	12B	RF
		3	1L	RF
65C32942-729SP		1	12C	RF
		7	1V	RF
65C32942-72SP		1	3K	RF
65C32942-730SP		1	12D	RF
65C32942-731SP		1	12E	RF
		6	1H	RF
65C32942-732SP		1	12F	RF
		2	5Y	RF
65C32942-73SP		1	3L	RF
65C32942-74SP		1	3M	RF
		2	2A	RF
65C32942-75SP		1	3N	RF
		2	2B	RF
65C32942-76SP		1	3P	RF
65C32942-77SP		1	3Q	RF
65C32942-78SP		1	3R	RF
		2	2C	RF
65C32942-79SP		1	3S	RF
		2	2D	RF
65C32942-7SP		1	1K	RF
		2	1E	RF
65C32942-80SP		1	3T	RF
65C32942-81SP		1	3U	RF
65C32942-82SP		1	3V	RF
		2	2E	RF
65C32942-83SP		1	3W	RF
		2	2F	RF
65C32942-84SP		1	3X	RF
65C32942-85SP		1	3Y	RF
		7	1C	RF
65C32942-86SP		1	3Z	RF
		2	2H	RF

25-28-48

ILLUSTRATED PARTS LIST

Page 1046

Mar 01/2006



COMPONENT MAINTENANCE MANUAL

PART NUMBER	AIRLINE PART NUMBER	FIGURE	ITEM	UNITS PER ASSEMBLY
65C32942-87SP		1	4	RF
		12	1B	RF
65C32942-88SP		1	4A	RF
		5	1E	RF
65C32942-89SP		1	4B	RF
		3	1D	RF
65C32942-8SP		1	1C	RF
65C32942-91SP		1	4C	RF
		2	2J	RF
65C32942-92SP		1	4D	RF
65C32942-93SP		1	4E	RF
		2	2K	RF
65C32942-9SP		1	1D	RF
65C32943-100		4	360A	1
		16	410A	1
		17	410A	1
65C32943-102SP		7	220E	1
		16	1	RF
65C32943-103SP		2	191L	1
		4	1K	RF
65C32943-104SP		3	270D	1
		16	1A	RF
65C32943-105SP		2	191N	1
		4	1L	RF
65C32943-106SP		2	191M	1
		4	1M	RF
65C32943-107SP		6	205	1
		17	1	RF
65C32943-108SP		2	191P	1
		4	1N	RF
65C32943-109SP		7	220G	1
		16	1B	RF
65C32943-110SP		1	206M	1
		4	1P	RF
65C32943-111SP		5	205G	1

25-28-48

ILLUSTRATED PARTS LIST

Page 1047

Mar 01/2006



COMPONENT MAINTENANCE MANUAL

PART NUMBER	AIRLINE PART NUMBER	FIGURE	ITEM	UNITS PER ASSEMBLY
		17	1A	RF
65C32943-112SP		2	191Q	1
		4	1Q	RF
65C32943-113SP		8	220	1
		16	1C	RF
65C32943-114SP		6	205A	1
		17	1B	RF
65C32943-115SP		13	235	1
		17	1C	RF
65C32943-116SP		9	235	1
		16	1D	RF
65C32943-117SP		8	220A	1
		16	1E	RF
65C32943-118SP		6	205B	1
		17	1D	RF
65C32943-12SP		2	190A	1
		4	1F	RF
65C32943-13SP		7	220	1
		16	1F	RF
65C32943-15SP		12	270	1
		17	1E	RF
65C32943-16SP		3	270	1
		16	1G	RF
65C32943-17SP		4	1R	RF
		15	210	1
65C32943-18		4	360	1
		16	410	1
		17	410	1
65C32943-1SP		1	205	1
		2	190C	1
		4	1	RF
65C32943-20SP		2	190F	1
		4	1S	RF
65C32943-21SP		3	270A	1
		16	1H	RF

25-28-48

ILLUSTRATED PARTS LIST

Page 1048

Mar 01/2006



COMPONENT MAINTENANCE MANUAL

PART NUMBER	AIRLINE PART NUMBER	FIGURE	ITEM	UNITS PER ASSEMBLY
65C32943-22SP		12	270A	1
		17	1F	RF
65C32943-23SP		1	205E	1
		4	1T	RF
65C32943-25SP		3	270B	1
		16	1J	RF
65C32943-26SP		1	205F	1
		4	1U	RF
65C32943-27SP		2	190G	1
		4	1V	RF
65C32943-28SP		2	190H	1
		4	1W	RF
65C32943-29SP		1	205G	1
		4	1X	RF
65C32943-2SP		1	205A	1
		2	190B	1
		4	1A	RF
65C32943-301SP		5	205H	1
		17	1G	RF
65C32943-302SP		12	270D	1
		17	1H	RF
65C32943-303SP		3	270E	1
		16	1K	RF
65C32943-304SP		1	206N	1
		4	1Z	RF
65C32943-305SP		2	191R	1
		4	2	RF
65C32943-306SP		2	191S	1
		4	2A	RF
65C32943-307SP		1	206P	1
		4	2B	RF
65C32943-308SP		1	206Q	1
		4	2C	RF
65C32943-309SP		2	191T	1
		4	2D	RF

25-28-48

ILLUSTRATED PARTS LIST

Page 1049

Mar 01/2006



COMPONENT MAINTENANCE MANUAL

PART NUMBER	AIRLINE PART NUMBER	FIGURE	ITEM	UNITS PER ASSEMBLY
65C32943-30SP		1	205H	1
		4	1Y	RF
65C32943-310SP		2	191U	1
		4	2F	RF
65C32943-311SP		1	206R	1
		4	2G	RF
65C32943-312SP		1	206S	1
		4	2H	RF
65C32943-313SP		2	191V	1
		4	2J	RF
65C32943-314SP		1	206T	1
		4	2K	RF
65C32943-315SP		1	206U	1
		4	2L	RF
65C32943-316SP		2	191W	1
		4	2M	RF
65C32943-317SP		2	191X	1
		4	2N	RF
65C32943-318SP		1	206V	1
		4	2P	RF
65C32943-319SP		1	206W	1
		4	2Q	RF
65C32943-31SP		2	190J	1
		4	2E	RF
65C32943-320SP		2	191Y	1
		4	2S	RF
65C32943-321SP		2	191Z	1
		4	2T	RF
65C32943-322SP		1	206X	1
		4	2U	RF
65C32943-323SP		1	206Y	1
		4	2V	RF
65C32943-324SP		2	192	1
		4	2W	RF
65C32943-325SP		7	220H	1

25-28-48

ILLUSTRATED PARTS LIST

Page 1050

Mar 01/2006



COMPONENT MAINTENANCE MANUAL

PART NUMBER	AIRLINE PART NUMBER	FIGURE	ITEM	UNITS PER ASSEMBLY
		16	1L	RF
65C32943-326SP		2	192A	1
		4	2X	RF
65C32943-328SP		1	207	1
		2	192B	1
		4	2Y	RF
65C32943-329SP		1	207A	1
		4	2Z	RF
65C32943-32SP		2	190K	1
		4	2R	RF
65C32943-330SP		2	192D	1
		4	3A	RF
65C32943-331SP		2	192E	1
		4	3B	RF
65C32943-332SP		1	207B	1
		4	3C	RF
65C32943-333SP		1	207C	1
		4	3D	RF
65C32943-334SP		2	192F	1
		4	3E	RF
65C32943-335SP		2	192G	1
		4	3F	RF
65C32943-336SP		1	207D	1
		4	3G	RF
65C32943-337SP		1	207E	1
		2	192J	1
		4	3H	RF
65C32943-338SP		1	207F	1
		2	192H	1
		4	3J	RF
65C32943-339SP		7	220J	1
		16	1M	RF
65C32943-33SP		1	205J	1
		4	3	RF
65C32943-340SP		1	206Z	1

25-28-48

ILLUSTRATED PARTS LIST

Page 1051

Mar 01/2006



COMPONENT MAINTENANCE MANUAL

PART NUMBER	AIRLINE PART NUMBER	FIGURE	ITEM	UNITS PER ASSEMBLY
		2	192C	1
		4	3L	RF
65C32943-341SP		7	220K	1
		16	1N	RF
65C32943-342SP		5	205J	1
		17	1J	RF
65C32943-346SP		7	220L	1
		16	1P	RF
65C32943-347SP		2	192K	1
		4	3M	RF
65C32943-348SP		2	193X	1
		4	7W	RF
65C32943-349SP		1	207G	1
		4	3N	RF
65C32943-34SP		1	205K	1
		4	3K	RF
65C32943-353SP		2	193W	1
		4	7X	RF
65C32943-36SP		2	190L	1
		4	3P	RF
65C32943-370SP		11	290	1
		16	1Q	RF
65C32943-374SP		1	207H	1
		4	3R	RF
65C32943-375SP		2	192L	1
		4	3S	RF
65C32943-376SP		1	207J	1
		4	3T	RF
65C32943-377SP		7	220M	1
		16	1R	RF
65C32943-378SP		2	190E	1
		4	1J	RF
65C32943-37SP		1	205L	1
		4	3Q	RF
65C32943-381SP		6	205C	1

25-28-48

ILLUSTRATED PARTS LIST

Page 1052

Mar 01/2006



COMPONENT MAINTENANCE MANUAL

PART NUMBER	AIRLINE PART NUMBER	FIGURE	ITEM	UNITS PER ASSEMBLY
		17	1K	RF
65C32943-382SP		7	220N	1
		16	1S	RF
65C32943-383SP		5	205K	1
		17	1L	RF
65C32943-384SP		5	205L	1
		17	1M	RF
65C32943-385SP		5	205M	1
		17	1N	RF
65C32943-386SP		6	205D	1
		17	1P	RF
65C32943-387SP		9	235A	1
		16	1T	RF
65C32943-388SP		8	220B	1
		16	1U	RF
65C32943-389SP		2	192M	1
		4	3V	RF
65C32943-38SP		1	205M	1
		4	3U	RF
65C32943-390SP		2	192N	1
		4	3X	RF
65C32943-392SP		8	220C	1
		16	1V	RF
65C32943-393SP		6	205E	1
		17	1Q	RF
65C32943-394SP		1	207K	1
		4	3Y	RF
65C32943-395SP		1	207L	1
		4	3Z	RF
65C32943-397SP		6	205F	1
		17	1R	RF
65C32943-39SP		2	190M	1
		4	3W	RF
65C32943-3SP		1	205B	1
		4	1B	RF

25-28-48

ILLUSTRATED PARTS LIST

Page 1053

Mar 01/2006



COMPONENT MAINTENANCE MANUAL

PART NUMBER	AIRLINE PART NUMBER	FIGURE	ITEM	UNITS PER ASSEMBLY
65C32943-40SP		2	190N	1
		4	4	RF
65C32943-41SP		1	205N	1
		4	4A	RF
65C32943-42SP		1	205P	1
		4	4B	RF
65C32943-43SP		2	190P	1
		4	4C	RF
65C32943-44SP		2	190Q	1
		4	4D	RF
65C32943-45SP		1	205Q	1
		4	4E	RF
65C32943-46SP		1	205R	1
		4	4F	RF
65C32943-47SP		2	190R	1
		4	4G	RF
65C32943-48SP		5	205	1
		17	1S	RF
65C32943-49SP		1	205S	1
		2	190U	1
65C32943-4SP		4	4H	RF
		2	193V	1
65C32943-50SP		4	7V	RF
		2	190S	1
65C32943-51SP		4	4J	RF
		7	220A	1
65C32943-52SP		16	1W	RF
		5	205A	1
65C32943-53SP		17	1T	RF
		5	205B	1
65C32943-54SP		17	1U	RF
		1	205T	1
65C32943-55SP		4	4K	RF
		1	205U	1
		4	4L	RF

25-28-48

ILLUSTRATED PARTS LIST

Page 1054

Mar 01/2006



COMPONENT MAINTENANCE MANUAL

PART NUMBER	AIRLINE PART NUMBER	FIGURE	ITEM	UNITS PER ASSEMBLY
65C32943-56SP		2	190T	1
		4	4M	RF
65C32943-57SP		5	205C	1
		17	1V	RF
65C32943-59SP		1	205V	1
		4	4N	RF
65C32943-5SP		2	190D	1
		4	1G	RF
65C32943-601SP		5	205N	1
		17	1W	RF
65C32943-602SP		14	270	1
		17	1X	RF
65C32943-603SP		3	270F	1
		16	1Y	RF
65C32943-604SP		1	207M	1
		4	4P	RF
65C32943-605SP		2	192P	1
		4	4Q	RF
65C32943-606SP		2	192Q	1
		4	4R	RF
65C32943-607SP		1	207N	1
		4	4S	RF
65C32943-608SP		1	207P	1
		4	4T	RF
65C32943-609SP		2	192R	1
		4	4U	RF
65C32943-60SP		7	220B	1
		16	1X	RF
65C32943-610SP		2	192S	1
		4	4V	RF
65C32943-611SP		1	207Q	1
		4	4W	RF
65C32943-612SP		1	207R	1
		4	4X	RF
65C32943-613SP		2	192T	1

25-28-48

ILLUSTRATED PARTS LIST

Page 1055

Mar 01/2006



COMPONENT MAINTENANCE MANUAL

PART NUMBER	AIRLINE PART NUMBER	FIGURE	ITEM	UNITS PER ASSEMBLY
		4	4Y	RF
65C32943-614SP		1	207S	1
		4	4Z	RF
65C32943-615SP		1	207T	1
		4	5A	RF
65C32943-616SP		2	192U	1
		4	5B	RF
65C32943-617SP		2	192V	1
		4	5C	RF
65C32943-618SP		1	207U	1
		4	5D	RF
65C32943-619SP		1	207V	1
		4	5E	RF
65C32943-61SP		5	205D	1
		17	1Y	RF
65C32943-620SP		2	192W	1
		4	5G	RF
65C32943-621SP		2	192X	1
		4	5H	RF
65C32943-622SP		1	207W	1
		4	5J	RF
65C32943-623SP		1	207X	1
		4	5K	RF
65C32943-624SP		2	192Y	1
		4	5L	RF
65C32943-625SP		7	220P	1
		16	1Z	RF
65C32943-626SP		2	192Z	1
		4	5M	RF
65C32943-628SP		1	207Z	1
		2	193A	1
		4	5N	RF
65C32943-629SP		1	208	1
		4	5P	RF
65C32943-62SP		2	190W	1

25-28-48

ILLUSTRATED PARTS LIST

Page 1056

Mar 01/2006



COMPONENT MAINTENANCE MANUAL

PART NUMBER	AIRLINE PART NUMBER	FIGURE	ITEM	UNITS PER ASSEMBLY
		4	5F	RF
65C32943-630SP		2	193C	1
		4	5R	RF
65C32943-631SP		2	193D	1
		4	5S	RF
65C32943-632SP		1	208A	1
		4	5T	RF
65C32943-633SP		1	208B	1
		4	5U	RF
65C32943-634SP		2	193E	1
		4	5V	RF
65C32943-635SP		2	193F	1
		4	5W	RF
65C32943-636SP		1	208C	1
		4	5X	RF
65C32943-637SP		1	208D	1
		2	193H	1
		4	5Y	RF
65C32943-638SP		1	208E	1
		2	193G	1
		4	5Z	RF
65C32943-639SP		7	220Q	1
		16	2	RF
65C32943-63SP		1	205X	1
		2	190V	1
		4	5Q	RF
65C32943-640SP		1	207Y	1
		2	193B	1
		4	6A	RF
65C32943-643SP		7	220R	1
		16	2A	RF
65C32943-644SP		2	193J	1
		4	6B	RF
65C32943-645SP		1	208F	1
		4	6C	RF

25-28-48

ILLUSTRATED PARTS LIST

Page 1057

Mar 01/2006



COMPONENT MAINTENANCE MANUAL

PART NUMBER	AIRLINE PART NUMBER	FIGURE	ITEM	UNITS PER ASSEMBLY
65C32943-646SP		7	220S	1
		16	2B	RF
65C32943-647SP		2	193K	1
		4	6D	RF
65C32943-648SP		2	193	1
		4	6E	RF
65C32943-649SP		1	208H	1
		4	6F	RF
65C32943-64SP		1	205Y	1
		4	6	RF
65C32943-650SP		1	208J	1
		2	193L	1
		4	6H	RF
65C32943-651SP		2	193M	1
		4	6J	RF
65C32943-652SP		1	208K	1
		4	6K	RF
65C32943-653SP		2	193N	1
		4	6L	RF
65C32943-654SP		2	193P	1
		4	6M	RF
65C32943-655SP		1	208L	1
		4	6N	RF
65C32943-656SP		1	208M	1
		4	6P	RF
65C32943-657SP		2	193Q	1
		4	6Q	RF
65C32943-658SP		2	193R	1
		4	6R	RF
65C32943-659SP		1	208N	1
		4	6S	RF
65C32943-65SP		2	190X	1
		4	6G	RF
65C32943-660SP		1	208P	1
		2	193T	1

25-28-48

ILLUSTRATED PARTS LIST

Page 1058

Mar 01/2006



COMPONENT MAINTENANCE MANUAL

PART NUMBER	AIRLINE PART NUMBER	FIGURE	ITEM	UNITS PER ASSEMBLY
		4	6U	RF
65C32943-661SP		1	208Q	1
		2	193S	1
		4	6V	RF
65C32943-662SP		7	220T	1
		16	2C	RF
65C32943-663SP		12	270E	1
		17	1Z	RF
65C32943-664SP		5	205P	1
		17	2	RF
65C32943-665SP		3	270G	1
		16	2D	RF
65C32943-666SP		1	208G	1
		4	6W	RF
65C32943-669SP		2	193U	1
		4	6X	RF
65C32943-66SP		2	190Y	1
		4	6T	RF
65C32943-672SP		6	205G	1
		17	2A	RF
65C32943-677SP		7	220U	1
		16	2E	RF
65C32943-679SP		3	270J	1
		16	2N	RF
65C32943-67SP		1	205Z	1
		4	6Y	RF
65C32943-680SP		12	270F	1
		17	2H	RF
65C32943-687SP		9	235B	1
		16	2K	RF
65C32943-68SP		1	206	1
		4	6Z	RF
65C32943-698SP		5	205Q	1
		17	2F	RF
65C32943-69SP		2	190Z	1

25-28-48

ILLUSTRATED PARTS LIST

Page 1059

Mar 01/2006



COMPONENT MAINTENANCE MANUAL

PART NUMBER	AIRLINE PART NUMBER	FIGURE	ITEM	UNITS PER ASSEMBLY
		4	7	RF
65C32943-6SP		1	205C	1
		4	1C	RF
65C32943-704SP		3	270H	1
		16	2L	RF
65C32943-705SP		7	220V	1
		16	2M	RF
65C32943-706SP		1	208R	1
		4	7Y	RF
65C32943-707SP		6	205H	1
		17	2G	RF
65C32943-708SP		2	193Y	1
		4	7Z	RF
65C32943-70SP		2	191	1
		4	7A	RF
65C32943-71SP		1	206A	1
		4	7B	RF
65C32943-72SP		1	206B	1
		2	191B	1
		4	7C	RF
65C32943-73SP		1	206C	1
		2	191A	1
		4	7D	RF
65C32943-74SP		7	220C	1
		16	2F	RF
65C32943-75SP		5	205E	1
		17	2B	RF
65C32943-76SP		12	270B	1
		17	2C	RF
65C32943-77SP		3	270C	1
		16	2G	RF
65C32943-78SP		1	205W	1
		4	7E	RF
65C32943-79SP		2	191C	1
		4	7F	RF

25-28-48

ILLUSTRATED PARTS LIST

Page 1060

Mar 01/2006



COMPONENT MAINTENANCE MANUAL

PART NUMBER	AIRLINE PART NUMBER	FIGURE	ITEM	UNITS PER ASSEMBLY
65C32943-7SP		1	205D	1
		4	1D	RF
65C32943-80SP		1	206D	1
		4	7G	RF
65C32943-81SP		2	191D	1
		4	7H	RF
65C32943-82SP		10	325	1
		16	2H	RF
65C32943-86SP		1	206E	1
		4	7J	RF
65C32943-87SP		1	206F	1
		4	7K	RF
65C32943-88SP		2	191E	1
		4	7L	RF
65C32943-89SP		2	191F	1
		4	7M	RF
65C32943-8SP		2	190	1
		4	1E	RF
65C32943-90SP		1	206G	1
		4	7N	RF
65C32943-91SP		1	206H	1
		4	7P	RF
65C32943-92SP		2	191G	1
		4	7Q	RF
65C32943-93SP		2	191H	1
		4	7R	RF
65C32943-94SP		1	206J	1
		4	7S	RF
65C32943-95SP		1	206K	1
		2	191K	1
		4	7T	RF
65C32943-96SP		1	206L	1
		2	191J	1
		4	7U	RF
65C32943-97SP		7	220D	1

25-28-48

ILLUSTRATED PARTS LIST

Page 1061

Mar 01/2006



COMPONENT MAINTENANCE MANUAL

PART NUMBER	AIRLINE PART NUMBER	FIGURE	ITEM	UNITS PER ASSEMBLY
65C32943-98SP		16	2J	RF
		12	270C	1
		17	2D	RF
65C32943-99SP		5	205F	1
		17	2E	RF
65C32946-11SP		10	305	1
		11	270	1
		15	175	1
65C32946-12SP		10	320A	1
		11	285A	1
65C32946-142		10	310	1
		11	275	1
		15	195	1
65C32946-16		15	205	1
		15	185	2
		15	190	1
65C32946-21		15	180	1
		15	170	1
65C32946-24		10	300	1
		11	265	1
		2	160	1
65C32946-26		7	190	1
		8	190	1
		80	1	RF
65C32946-27SP		2	160A	1
		7	190A	1
		8	190A	1
65C32946-5SP		80	1A	RF
		1	175	1
		5	145	1
65C32946-62SP		6	145	1
		80	1B	RF
		15	140	1
800000255-11		80	1C	RF
		12	205A	1
800000255-12		12	205A	1
		7	190A	1
		8	190A	1
800000255-14		80	1A	RF
		1	175	1
		5	145	1
800000255-17		6	145	1
		80	1B	RF
		15	140	1
800000255-21		80	1C	RF
		12	205A	1

25-28-48

ILLUSTRATED PARTS LIST

Page 1062

Mar 01/2006



COMPONENT MAINTENANCE MANUAL

PART NUMBER	AIRLINE PART NUMBER	FIGURE	ITEM	UNITS PER ASSEMBLY
		80	1D	RF
A2077-3		16	60	1
		17	60	1
AF517-3-3		16	275	2
		17	275	2
AIC1321-3-8		4	180A	6
		16	285A	6
		17	285A	6
AM150		16	55A	1
		17	55A	1
AM15CL4-78-56		16	95	1
		17	95	1
AM15CL75-51		16	90A	1
		17	90A	1
AN960JD10		1	55	8
		1	56	8
		1	57	8
		1	58	8
		1	60	8
		1	65	8
		1	70	4
		1	72	4
		1	75	4
		2	15	8
		2	16	8
		2	17	8
		2	18	8
		2	19	8
		2	20	12
		2	23	4
		2	24	4
		2	24N	4
		3	15	16
		3	70	8
		5	10	10

25-28-48

ILLUSTRATED PARTS LIST

Page 1063

Mar 01/2006



COMPONENT MAINTENANCE MANUAL

PART NUMBER	AIRLINE PART NUMBER	FIGURE	ITEM	UNITS PER ASSEMBLY
		5	50	8
		5	105	8
		5	120	4
		6	10	10
		6	50	8
		6	105	8
		6	120	4
		7	10	10
		7	50	8
		7	105	8
		7	120	4
		8	10	10
		8	50	8
		8	105	8
		8	120	4
		9	15	16
		9	70	8
		10	15	16
		10	70	8
		11	15	16
		11	70	8
		12	15	16
		12	70	8
		13	15	16
		13	70	8
		14	15	16
		14	70	8
		15	10	8
		15	45	8
		16	175	2
		17	175	2
AN960JD10L		4	235A	2
		16	340A	2
		17	340A	2
AN960JD10LL		1	77	3

25-28-48

ILLUSTRATED PARTS LIST

Page 1064

Mar 01/2006



COMPONENT MAINTENANCE MANUAL

PART NUMBER	AIRLINE PART NUMBER	FIGURE	ITEM	UNITS PER ASSEMBLY
		2	130	3
		3	20	4
		3	65	4
		3	125	4
		5	25	4
		5	35	4
		5	140	3
		6	25	4
		6	35	4
		6	140	3
		7	25	4
		7	35	4
		7	160	3
		8	25	4
		8	35	4
		8	160	3
		9	20	4
		9	65	4
		9	125	4
		10	20	4
		10	65	4
		10	125	4
		11	20	4
		11	65	4
		11	125	4
		12	20	4
		12	65	4
		12	125	4
		13	20	4
		13	65	4
		13	125	4
		14	20	4
		14	65	4
		14	125	4
		15	95	4

25-28-48

ILLUSTRATED PARTS LIST

Page 1065

Mar 01/2006



COMPONENT MAINTENANCE MANUAL

PART NUMBER	AIRLINE PART NUMBER	FIGURE	ITEM	UNITS PER ASSEMBLY
		16	180	2
		17	180	2
AN960JD516L		16	45	1
		17	45	1
AN960JD8		4	85	15
		16	170	15
		17	170	15
AN960JD8L		18	15A	2
AN960KD10L		4	235	2
		16	340	2
		17	340	2
AR15TYPE2		16	90	1
		17	90	1
AR292		16	55	1
		17	55	1
B30MY6K2		4	30	2
		4	32	2
		16	140	2
		17	140	2
B30MY6K3		16	145	2
		17	145	2
BACB28B6-220P		1	110	1
		2	45	1
		3	35	1
		5	90	1
		6	90	1
		7	90	1
		8	90	1
		9	35	1
		12	35	1
		13	35	1
		14	35	1
		15	30	1
BACB28B6-235P		3	85	1
		5	70	1

25-28-48

ILLUSTRATED PARTS LIST

Page 1066

Mar 01/2006



COMPONENT MAINTENANCE MANUAL

PART NUMBER	AIRLINE PART NUMBER	FIGURE	ITEM	UNITS PER ASSEMBLY
		6	70	1
		7	70	1
		8	70	1
		9	85	1
		10	85	1
		11	85	1
		12	85	1
		13	85	1
		14	85	1
BACB28B6-250P		1	125	1
		1	155	1
		2	70	1
		2	85	1
BACB30MY6K2		4	30	2
		4	32	2
		16	140	2
		17	140	2
BACB30MY6K3		16	145	2
		17	145	2
BACB30NM3K1		1	15	8
		1	15	8
		1	15	8
		1	15	8
		1	15	8
		1	15	8
		1	15	8
		1	15	8
		1	15	8
		1	15	8
		1	15	8
		1	15	8
		1	15	8
		1	15	8
		1	15	8
		1	15	8
		1	15	8
		1	15	8
		1	15	8
		1	15	8
		1	16	8
		1	16	8
		1	16	8
		1	16	8
		1	16	8

25-28-48



COMPONENT MAINTENANCE MANUAL

PART NUMBER	AIRLINE PART NUMBER	FIGURE	ITEM	UNITS PER ASSEMBLY
		1	20	8
		1	20	8
		1	20	8
		1	20	8
		1	20	8
		1	20	8
		1	20	8
		1	20	8
		1	20	8
		1	20	8
		1	25	8
		1	25	8
		1	25	8
		1	25	8
		1	25	8
		1	25	8
		1	25	8
		1	25	8
		1	25	8
		1	25	8
		1	25	8
		1	25	8
		1	25	8
		1	25	8
		1	25	8
		1	27	4
		1	27	4
		1	27	4
		1	27	4
		1	27	4
		1	27	4
		1	27	4
		1	27	4
		1	27	4
		1	27	4
		1	27	4
		1	27	4
		1	28	4
		1	28	4

25-28-48

ILLUSTRATED PARTS LIST

Page 1069

Mar 01/2006



COMPONENT MAINTENANCE MANUAL

PART NUMBER	AIRLINE PART NUMBER	FIGURE	ITEM	UNITS PER ASSEMBLY
		1	28	4
		1	28	4
		1	28	4
		1	28	4
		1	28	4
		1	28	4
		1	28	4
		1	28	4
		1	28	4
		1	28	4
		1	29	4
		1	29	4
		1	29	4
		1	29	4
		1	29	4
		1	29	4
		1	29	4
		1	29	4
		1	29	4
		1	29	4
		1	29	4
		1	29	4
		1	29	4
		1	29	4
		2	9	8
		2	9	8
		2	9	8
		2	9	8
		2	9	8
		2	9	8
		2	9	8
		2	9	8
		2	9	8
		2	9	8
		2	9	8
		2	9	8
		2	9	8
		2	10	8

25-28-48

ILLUSTRATED PARTS LIST

Page 1070

Mar 01/2006



COMPONENT MAINTENANCE MANUAL

PART NUMBER	AIRLINE PART NUMBER	FIGURE	ITEM	UNITS PER ASSEMBLY
		2	10	8
		2	10	8
		2	10	8
		2	10	8
		2	10	8
		2	10	8
		2	10	8
		2	10	8
		2	10	8
		2	10	8
		2	10	8
		2	10	8
		2	11	8
		2	11	8
		2	11	8
		2	11	8
		2	11	8
		2	11	8
		2	11	8
		2	11	8
		2	11	8
		2	11	8
		2	11	8
		2	11	8
		2	11	8
		2	11	8
		2	11	8
		2	11	8
		2	11	8
		2	11	8
		2	11	8
		2	11	8
		2	11	8
		2	12	8
		2	12	8
		2	12	8
		2	12	8
		2	12	8
		2	12	8
		2	12	8
		2	12	8
		2	12	8
		2	12	8
		2	12	8
		2	12	8
		2	12	8
		2	12	8
		2	12	8
		2	12	8
		2	12	8
		2	12	8
		2	12	8
		2	12	8
		2	12	8
		2	12	8
		2	12	8
		2	12	8
		2	12	8

25-28-48

ILLUSTRATED PARTS LIST

Page 1071

Mar 01/2006



COMPONENT MAINTENANCE MANUAL

PART NUMBER	AIRLINE PART NUMBER	FIGURE	ITEM	UNITS PER ASSEMBLY
		2	13	8
		2	13	8
		2	13	8
		2	13	8
		2	13	8
		2	13	8
		2	13	8
		2	13	8
		2	13	8
		2	13	8
		2	13	8
		2	13	8
		2	13	8
		2	13	8
		2	13	8
		2	14	8
		2	14	8
		2	14	8
		2	14	8
		2	14	8
		2	14	8
		2	14	8
		2	14	8
		2	14	8
		2	14	8
		2	14	8
		2	14	8
		2	14	8
		2	14	8
		2	14	8
		2	14	8
		2	14	8
		2	21	4
		2	21	4
		2	21	4
		2	21	4
		2	21	4
		2	21	4
		2	21	4
		2	21	4
		2	21	4
		2	21	4
		2	21	4
		2	21	4
		2	21	4
		2	21	4
		2	21	4

25-28-48

ILLUSTRATED PARTS LIST

Page 1072

Mar 01/2006



COMPONENT MAINTENANCE MANUAL

PART NUMBER	AIRLINE PART NUMBER	FIGURE	ITEM	UNITS PER ASSEMBLY
		2	21	4
		2	22	4
		2	22	4
		2	22	4
		2	22	4
		2	22	4
		2	22	4
		2	22	4
		2	22	4
		2	22	4
		2	22	4
		2	22	4
		2	22	4
		2	22N	4
		2	22N	4
		2	22N	4
		2	22N	4
		2	22N	4
		2	22N	4
		2	22N	4
		2	22N	4
		2	22N	4
		2	22N	4
		2	22N	4
		2	22N	4
		2	22N	4
		3	5	20
		3	5	20
		3	5	20
		3	5	20
		3	5	20
		3	5	20
		3	5	20
		3	5	20
		3	5	20
		3	5	20
		3	5	20
		3	5	20

25-28-48

ILLUSTRATED PARTS LIST

Page 1073

Mar 01/2006



COMPONENT MAINTENANCE MANUAL

PART NUMBER	AIRLINE PART NUMBER	FIGURE	ITEM	UNITS PER ASSEMBLY
		3	5	20
		3	5	20
		5	5	10
		5	5	10
		5	5	10
		5	5	10
		5	5	10
		5	5	10
		5	5	10
		5	5	10
		5	5	10
		5	5	10
		5	5	10
		5	5	10
		5	5	10
		5	20	4
		5	20	4
		5	20	4
		5	20	4
		5	20	4
		5	20	4
		5	20	4
		5	20	4
		5	20	4
		5	20	4
		5	20	4
		5	20	4
		5	20	4
		5	20	4
		5	100	8
		5	100	8
		5	100	8
		5	100	8
		5	100	8
		5	100	8
		5	100	8
		5	100	8
		5	100	8
		5	100	8
		5	100	8

25-28-48

ILLUSTRATED PARTS LIST

Page 1074

Mar 01/2006



COMPONENT MAINTENANCE MANUAL

PART NUMBER	AIRLINE PART NUMBER	FIGURE	ITEM	UNITS PER ASSEMBLY
		5	100	8
		5	100	8
		5	100	8
		5	115	4
		5	115	4
		5	115	4
		5	115	4
		5	115	4
		5	115	4
		5	115	4
		5	115	4
		5	115	4
		5	115	4
		5	115	4
		5	115	4
		5	115	4
		5	115	4
		5	115	4
		6	5	10
		6	5	10
		6	5	10
		6	5	10
		6	5	10
		6	5	10
		6	5	10
		6	5	10
		6	5	10
		6	5	10
		6	5	10
		6	5	10
		6	5	10
		6	5	10
		6	5	10
		6	20	4
		6	20	4
		6	20	4
		6	20	4
		6	20	4
		6	20	4
		6	20	4
		6	20	4
		6	20	4
		6	20	4

25-28-48

ILLUSTRATED PARTS LIST
Page 1075
Mar 01/2006



COMPONENT MAINTENANCE MANUAL

PART NUMBER	AIRLINE PART NUMBER	FIGURE	ITEM	UNITS PER ASSEMBLY
		6	20	4
		6	20	4
		6	20	4
		6	20	4
		6	100	8
		6	100	8
		6	100	8
		6	100	8
		6	100	8
		6	100	8
		6	100	8
		6	100	8
		6	100	8
		6	100	8
		6	100	8
		6	100	8
		6	115	4
		6	115	4
		6	115	4
		6	115	4
		6	115	4
		6	115	4
		6	115	4
		6	115	4
		6	115	4
		6	115	4
		6	115	4
		6	115	4
		7	5	10
		7	5	10
		7	5	10
		7	5	10
		7	5	10
		7	5	10
		7	5	10



COMPONENT MAINTENANCE MANUAL

PART NUMBER	AIRLINE PART NUMBER	FIGURE	ITEM	UNITS PER ASSEMBLY
		7	5	10
		7	5	10
		7	5	10
		7	5	10
		7	5	10
		7	20	4
		7	20	4
		7	20	4
		7	20	4
		7	20	4
		7	20	4
		7	20	4
		7	20	4
		7	20	4
		7	20	4
		7	20	4
		7	20	4
		7	20	4
		7	20	4
		7	20	4
		7	20	4
		7	20	4
		7	100	8
		7	100	8
		7	100	8
		7	100	8
		7	100	8
		7	100	8
		7	100	8
		7	100	8
		7	100	8
		7	100	8
		7	100	8
		7	100	8
		7	100	8
		7	100	8
		7	100	8
		7	100	8
		7	115	4
		7	115	4
		7	115	4
		7	115	4
		7	115	4
		7	115	4

25-28-48

ILLUSTRATED PARTS LIST

Page 1077

Mar 01/2006



COMPONENT MAINTENANCE MANUAL

PART NUMBER	AIRLINE PART NUMBER	FIGURE	ITEM	UNITS PER ASSEMBLY
		7	115	4
		7	115	4
		7	115	4
		7	115	4
		7	115	4
		7	115	4
		8	5	10
		8	5	10
		8	5	10
		8	5	10
		8	5	10
		8	5	10
		8	5	10
		8	5	10
		8	5	10
		8	5	10
		8	5	10
		8	5	10
		8	5	10
		8	5	10
		8	5	10
		8	20	4
		8	20	4
		8	20	4
		8	20	4
		8	20	4
		8	20	4
		8	20	4
		8	20	4
		8	20	4
		8	20	4
		8	20	4
		8	20	4
		8	20	4
		8	100	8
		8	100	8
		8	100	8
		8	100	8
		8	100	8

25-28-48

ILLUSTRATED PARTS LIST

Page 1078

Mar 01/2006



COMPONENT MAINTENANCE MANUAL

PART NUMBER	AIRLINE PART NUMBER	FIGURE	ITEM	UNITS PER ASSEMBLY
		8	100	8
		8	100	8
		8	100	8
		8	100	8
		8	100	8
		8	100	8
		8	100	8
		8	115	4
		8	115	4
		8	115	4
		8	115	4
		8	115	4
		8	115	4
		8	115	4
		8	115	4
		8	115	4
		8	115	4
		8	115	4
		8	115	4
		8	115	4
		8	115	4
		9	5	20
		9	5	20
		9	5	20
		9	5	20
		9	5	20
		9	5	20
		9	5	20
		9	5	20
		9	5	20
		9	5	20
		9	5	20
		9	5	20
		9	5	20
		9	5	20
		9	5	20
		10	5	20
		10	5	20
		10	5	20
		10	5	20

25-28-48

ILLUSTRATED PARTS LIST

Page 1079

Mar 01/2006



COMPONENT MAINTENANCE MANUAL

PART NUMBER	AIRLINE PART NUMBER	FIGURE	ITEM	UNITS PER ASSEMBLY
		10	5	20
		10	5	20
		10	5	20
		10	5	20
		10	5	20
		10	5	20
		10	5	20
		10	5	20
		11	5	20
		11	5	20
		11	5	20
		11	5	20
		11	5	20
		11	5	20
		11	5	20
		11	5	20
		11	5	20
		11	5	20
		11	5	20
		11	5	20
		11	5	20
		12	5	20
		12	5	20
		12	5	20
		12	5	20
		12	5	20
		12	5	20
		12	5	20
		12	5	20
		12	5	20
		12	5	20
		12	5	20
		12	5	20
		12	5	20
		13	5	20
		13	5	20
		13	5	20

25-28-48

BOEING PROPRIETARY - Copyright © Unpublished Work - See title page for details



COMPONENT MAINTENANCE MANUAL

PART NUMBER	AIRLINE PART NUMBER	FIGURE	ITEM	UNITS PER ASSEMBLY
		13	5	20
		13	5	20
		13	5	20
		13	5	20
		13	5	20
		13	5	20
		13	5	20
		13	5	20
		13	5	20
		14	5	20
		14	5	20
		14	5	20
		14	5	20
		14	5	20
		14	5	20
		14	5	20
		14	5	20
		14	5	20
		14	5	20
		14	5	20
		14	5	20
		14	5	20
		14	5	20
		14	5	20
		14	5	20
		14	5	20
		15	5	8
		15	5	8
		15	5	8
		15	5	8
		15	5	8
		15	5	8
		15	5	8
		15	5	8
		15	5	8
		15	5	8
		15	5	8
		15	5	8
		15	40	8
		15	40	8

25-28-48

ILLUSTRATED PARTS LIST

Page 1081

Mar 01/2006



COMPONENT MAINTENANCE MANUAL

PART NUMBER	AIRLINE PART NUMBER	FIGURE	ITEM	UNITS PER ASSEMBLY
BACB30NM3K12		15	40	8
		15	40	8
		15	40	8
		15	40	8
		15	40	8
		15	40	8
		15	40	8
		15	40	8
		15	40	8
		15	40	8
		16	150	1
		16	150	1
		16	150	1
		16	150	1
		16	150	1
		16	150	1
		16	150	1
		16	150	1
		16	150	1
		16	150	1
		16	150	1
		16	150	1
		16	150	1
		16	150	1
		16	150	1
		17	150	1
		17	150	1
		17	150	1
		17	150	1
		17	150	1
		17	150	1
		17	150	1
		17	150	1
17	150	1		
17	150	1		
17	150	1		
17	150	1		
4	230	1		

BOEING PROPRIETARY - Copyright © Unpublished Work - See title page for details



COMPONENT MAINTENANCE MANUAL

PART NUMBER	AIRLINE PART NUMBER	FIGURE	ITEM	UNITS PER ASSEMBLY
		4	230	1
		4	230	1
		4	230	1
		4	230	1
		4	230	1
		4	230	1
		4	230	1
		4	230	1
		4	230	1
		4	230	1
		4	230	1
		16	335	1
		16	335	1
		16	335	1
		16	335	1
		16	335	1
		16	335	1
		16	335	1
		16	335	1
		16	335	1
		16	335	1
		16	335	1
		16	335	1
		16	335	1
		16	335	1
		16	335	1
		16	335	1
		16	335	1
		16	335	1
		17	335	1
		17	335	1
		17	335	1
		17	335	1
		17	335	1
		17	335	1
		17	335	1
		17	335	1
		17	335	1
		17	335	1
		17	335	1
		17	335	1
		17	335	1
		17	335	1

25-28-48

ILLUSTRATED PARTS LIST

Page 1083

Mar 01/2006



COMPONENT MAINTENANCE MANUAL

PART NUMBER	AIRLINE PART NUMBER	FIGURE	ITEM	UNITS PER ASSEMBLY
BACB30NM3K2		3	60	8
		3	60	8
		3	60	8
		3	60	8
		3	60	8
		3	60	8
		3	60	8
		3	60	8
		3	60	8
		3	60	8
		3	60	8
		3	60	8
		3	60	8
		5	45	8
		5	45	8
		5	45	8
		5	45	8
		5	45	8
		5	45	8
		5	45	8
		5	45	8
		5	45	8
		5	45	8
		5	45	8
		5	45	8
		6	45	8
		6	45	8
		6	45	8
		6	45	8
		6	45	8
	6	45	8	
	6	45	8	
	6	45	8	
	6	45	8	

25-28-48

ILLUSTRATED PARTS LIST

Page 1084

Mar 01/2006



COMPONENT MAINTENANCE MANUAL

PART NUMBER	AIRLINE PART NUMBER	FIGURE	ITEM	UNITS PER ASSEMBLY
		6	45	8
		7	45	8
		7	45	8
		7	45	8
		7	45	8
		7	45	8
		7	45	8
		7	45	8
		7	45	8
		7	45	8
		7	45	8
		7	45	8
		7	45	8
		7	45	8
		7	45	8
		8	45	8
		8	45	8
		8	45	8
		8	45	8
		8	45	8
		8	45	8
		8	45	8
		8	45	8
		8	45	8
		8	45	8
		8	45	8
		8	45	8
		9	60	8
		9	60	8
		9	60	8
		9	60	8
		9	60	8
		9	60	8
		9	60	8
		9	60	8
		9	60	8
		9	60	8
		9	60	8
		9	60	8



COMPONENT MAINTENANCE MANUAL

PART NUMBER	AIRLINE PART NUMBER	FIGURE	ITEM	UNITS PER ASSEMBLY
		9	60	8
		9	60	8
		10	60	8
		10	60	8
		10	60	8
		10	60	8
		10	60	8
		10	60	8
		10	60	8
		10	60	8
		10	60	8
		10	60	8
		10	60	8
		10	60	8
		10	60	8
		10	60	8
		10	60	8
		10	60	8
		10	60	8
		10	60	8
		10	60	8
		10	60	8
		10	60	8
		11	60	8
		11	60	8
		11	60	8
		11	60	8
		11	60	8
		11	60	8
		11	60	8
		11	60	8
		11	60	8
		11	60	8
		11	60	8
		11	60	8
		11	60	8
		11	60	8
		11	60	8
		11	60	8
		11	60	8
		12	60	8
		12	60	8
		12	60	8
		12	60	8
		12	60	8
		12	60	8
		12	60	8
		12	60	8
		12	60	8
		12	60	8
		12	60	8
		12	60	8
		12	60	8
		12	60	8
		12	60	8
		12	60	8
		12	60	8
		12	60	8
		12	60	8
		12	60	8
		12	60	8
		12	60	8

25-28-48

ILLUSTRATED PARTS LIST

Page 1086

Mar 01/2006



COMPONENT MAINTENANCE MANUAL

PART NUMBER	AIRLINE PART NUMBER	FIGURE	ITEM	UNITS PER ASSEMBLY
BACB30NM3K3		12	60	8
		12	60	8
		12	60	8
		13	60	8
		13	60	8
		13	60	8
		13	60	8
		13	60	8
		13	60	8
		13	60	8
		13	60	8
		13	60	8
		13	60	8
		13	60	8
		13	60	8
		13	60	8
		13	60	8
		13	60	8
		14	60	8
		14	60	8
		14	60	8
		14	60	8
		14	60	8
		14	60	8
		14	60	8
		14	60	8
		14	60	8
		14	60	8
		14	60	8
		14	60	8
		3	55	2
		3	55	2
	3	55	2	
	3	55	2	
	3	55	2	
	3	55	2	
	3	55	2	
	3	55	2	
	3	55	2	
	3	55	2	

25-28-48

ILLUSTRATED PARTS LIST

Page 1087

Mar 01/2006



COMPONENT MAINTENANCE MANUAL

PART NUMBER	AIRLINE PART NUMBER	FIGURE	ITEM	UNITS PER ASSEMBLY
		3	55	2
		3	55	2
		3	55	2
		3	55	2
		5	30	2
		5	30	2
		5	30	2
		5	30	2
		5	30	2
		5	30	2
		5	30	2
		5	30	2
		5	30	2
		5	30	2
		5	30	2
		5	30	2
		5	30	2
		5	30	2
		5	30	2
		5	30	2
		5	30	2
		5	30	2
		6	30	2
		6	30	2
		6	30	2
		6	30	2
		6	30	2
		6	30	2
		6	30	2
		6	30	2
		6	30	2
		6	30	2
		6	30	2
		6	30	2
		6	30	2
		6	30	2
		6	30	2
		6	30	2
		6	30	2
		7	30	2
		7	30	2
		7	30	2
		7	30	2
		7	30	2
		7	30	2
		7	30	2
		7	30	2
		7	30	2
		7	30	2
		7	30	2
		7	30	2
		7	30	2

25-28-48
 ILLUSTRATED PARTS LIST
 Page 1088
 Mar 01/2006



COMPONENT MAINTENANCE MANUAL

PART NUMBER	AIRLINE PART NUMBER	FIGURE	ITEM	UNITS PER ASSEMBLY
		7	30	2
		7	30	2
		7	30	2
		7	30	2
		7	30	2
		8	30	2
		8	30	2
		8	30	2
		8	30	2
		8	30	2
		8	30	2
		8	30	2
		8	30	2
		8	30	2
		8	30	2
		8	30	2
		8	30	2
		8	30	2
		9	55	2
		9	55	2
		9	55	2
		9	55	2
		9	55	2
		9	55	2
		9	55	2
		9	55	2
		9	55	2
		9	55	2
		9	55	2
		9	55	2
		9	55	2
		9	55	2
		9	55	2
		10	55	2
		10	55	2
		10	55	2
		10	55	2
		10	55	2
		10	55	2
		10	55	2
		10	55	2
		10	55	2

25-28-48

ILLUSTRATED PARTS LIST

Page 1089

Mar 01/2006



COMPONENT MAINTENANCE MANUAL

PART NUMBER	AIRLINE PART NUMBER	FIGURE	ITEM	UNITS PER ASSEMBLY
		10	55	2
		10	55	2
		10	55	2
		10	55	2
		10	55	2
		10	55	2
		11	55	2
		11	55	2
		11	55	2
		11	55	2
		11	55	2
		11	55	2
		11	55	2
		11	55	2
		11	55	2
		11	55	2
		11	55	2
		11	55	2
		11	55	2
		11	55	2
		11	55	2
		11	55	2
		12	55	2
		12	55	2
		12	55	2
		12	55	2
		12	55	2
		12	55	2
		12	55	2
		12	55	2
		12	55	2
		12	55	2
		12	55	2
		12	55	2
		12	55	2
		12	55	2
		12	55	2
		12	55	2
		12	55	2
		12	55	2
		12	55	2
		12	55	2
		12	55	2
		12	55	2
		13	55	2
		13	55	2
		13	55	2
		13	55	2
		13	55	2
		13	55	2

25-28-48

ILLUSTRATED PARTS LIST

Page 1090

Mar 01/2006



COMPONENT MAINTENANCE MANUAL

PART NUMBER	AIRLINE PART NUMBER	FIGURE	ITEM	UNITS PER ASSEMBLY
BACB30NM3K8		13	55	2
		13	55	2
		13	55	2
		13	55	2
		13	55	2
		13	55	2
		13	55	2
		13	55	2
		14	55	2
		14	55	2
		14	55	2
		14	55	2
		14	55	2
		14	55	2
		14	55	2
		14	55	2
		14	55	2
		14	55	2
		14	55	2
		14	55	2
		14	55	2
		14	55	2
		4	225	1
		4	225	1
		4	225	1
		4	225	1
		4	225	1
		4	225	1
		4	225	1
		4	225	1
		4	225	1
		4	225	1
		4	225	1
	4	225	1	
	16	330	1	
	16	330	1	
	16	330	1	
	16	330	1	

25-28-48

ILLUSTRATED PARTS LIST

Page 1091

Mar 01/2006



COMPONENT MAINTENANCE MANUAL

PART NUMBER	AIRLINE PART NUMBER	FIGURE	ITEM	UNITS PER ASSEMBLY
BACB30NN3K14		16	330	1
		16	330	1
		16	330	1
		16	330	1
		16	330	1
		16	330	1
		16	330	1
		16	330	1
		17	330	1
		17	330	1
		17	330	1
		17	330	1
		17	330	1
		17	330	1
		17	330	1
		17	330	1
		17	330	1
		17	330	1
		17	330	1
		BACB30NN3K20		15
15	155			2
15	155			2
15	155			2
15	155			2
15	155			2
15	155			2
15	155			2
15	155			2
15	155			2
15	155			2
15	155			2
		10	270	1
		10	270	1
		10	270	1

25-28-48

ILLUSTRATED PARTS LIST

Page 1092

Mar 01/2006



COMPONENT MAINTENANCE MANUAL

PART NUMBER	AIRLINE PART NUMBER	FIGURE	ITEM	UNITS PER ASSEMBLY
		10	270	1
		10	270	1
		10	270	1
		10	270	1
		10	270	1
		10	270	1
		10	270	1
		10	270	1
		10	270	1
		11	235	1
		11	235	1
		11	235	1
		11	235	1
		11	235	1
		11	235	1
		11	235	1
		11	235	1
		11	235	1
		11	235	1
		11	235	1
		11	235	1
		11	235	1
BACB30NN3K23		10	275	1
		11	240	1
BACF3F009J009NN		16	205	1
		17	205	1
BACN10JR3FR		3	255	1
		10	255	1
		12	255	1
		14	255	1
BACN10KB08CFD		4	155	2
		16	240	2
		17	240	2
BACN10KB3F		2	98N	4
		5	195	4
		6	195	4

25-28-48

ILLUSTRATED PARTS LIST

Page 1093

Mar 01/2006



COMPONENT MAINTENANCE MANUAL

PART NUMBER	AIRLINE PART NUMBER	FIGURE	ITEM	UNITS PER ASSEMBLY
BACN10R10L		2	145	3
		3	145	3
		3	193	3
		7	175	3
		8	175	3
		9	145	3
		9	193	3
		10	145	3
		10	193	3
		11	145	3
		11	193	3
		12	145	3
		12	193	3
		13	145	3
		13	193	3
		14	145	3
		14	193	3
		15	110	3
		BACR15BA3A		3
10	250			2
12	250			2
14	250			2
BACR15BA3AD		2	98	8
		5	190	8
		6	190	8
BACR15BB4D		3	245A	2
		10	245A	2
		12	245A	2
		14	245A	2
BACR15DR3		4	150	4
		16	235	4
		17	235	4
BACR15DR3P3		16	275	2
		17	275	2
BACS12EFA3K5		15	145	6

25-28-48

ILLUSTRATED PARTS LIST

Page 1094

Mar 01/2006



COMPONENT MAINTENANCE MANUAL

PART NUMBER	AIRLINE PART NUMBER	FIGURE	ITEM	UNITS PER ASSEMBLY
BACS12ER06K8		4	40	4
		4	40	4
		4	40	4
		4	40	4
		4	40	4
		4	40	4
		4	40	4
		4	40	4
		4	40	4
		4	40	4
		4	40	4
		4	40	4
		4	40	4
		16	120	4
		16	120	4
		16	120	4
		16	120	4
		16	120	4
		16	120	4
		16	120	4
		16	120	4
		16	120	4
		16	120	4
		16	120	4
		16	120	4
		16	120	4
		17	120	4
		17	120	4
		17	120	4
		17	120	4
		17	120	4
		17	120	4
	17	120	4	
	17	120	4	
	17	120	4	
	17	120	4	
	17	120	4	

25-28-48

ILLUSTRATED PARTS LIST

Page 1095

Mar 01/2006



COMPONENT MAINTENANCE MANUAL

PART NUMBER	AIRLINE PART NUMBER	FIGURE	ITEM	UNITS PER ASSEMBLY
BACS12ER08K12		17	120	4
		4	60	11
		4	60	11
		4	60	11
		4	60	11
		4	60	11
		4	60	11
		4	60	11
		4	60	11
		4	60	11
		4	60	11
		4	60	11
		4	60	11
		16	160	12
		16	160	12
		16	160	12
		16	160	12
		16	160	12
		16	160	12
		16	160	12
		16	160	12
		16	160	12
		16	160	12
		16	160	12
		16	160	12
		16	160	12
		16	160	12
		16	160	12
		16	160	12
		16	160	12
16	160	12		
16	160	12		

25-28-48

ILLUSTRATED PARTS LIST
 Page 1096
 Mar 01/2006



COMPONENT MAINTENANCE MANUAL

PART NUMBER	AIRLINE PART NUMBER	FIGURE	ITEM	UNITS PER ASSEMBLY
BACS12ER08K14		17	160	12
		17	160	12
		4	55	4
		16	155	3
		17	155	3
BACS12ER08K6		4	9	2
		4	9	2
		4	9	2
		4	9	2
		4	9	2
		4	9	2
		4	9	2
		4	9	2
		4	9	2
		4	9	2
		4	9	2
		4	9	2
		4	9	2
		4	9	2
		4	9	2
		4	9	2
		16	10	2
		16	10	2
		16	10	2
		16	10	2
		16	10	2
		16	10	2
		16	10	2
	16	10	2	
	16	10	2	
	16	10	2	
	16	35	1	
	16	35	1	
	16	35	1	
	16	35	1	
	16	35	1	
	16	35	1	

25-28-48

ILLUSTRATED PARTS LIST

Page 1097

Mar 01/2006



COMPONENT MAINTENANCE MANUAL

PART NUMBER	AIRLINE PART NUMBER	FIGURE	ITEM	UNITS PER ASSEMBLY
BACS12ER3K6		16	35	1
		16	35	1
		16	35	1
		16	35	1
		16	35	1
		16	35	1
		17	10	2
		17	10	2
		17	10	2
		17	10	2
		17	10	2
		17	10	2
		17	10	2
		17	10	2
		17	10	2
		17	10	2
		17	10	2
		17	10	2
		17	10	2
		17	35	1
		17	35	1
		17	35	1
		17	35	1
		17	35	1
		17	35	1
		17	35	1
		17	35	1
		17	35	1
		17	35	1
		17	35	1
17	35	1		
1	30	3		
1	30	3		
1	30	3		
1	30	3		
1	30	3		

25-28-48

ILLUSTRATED PARTS LIST

Page 1098

Mar 01/2006



COMPONENT MAINTENANCE MANUAL

PART NUMBER	AIRLINE PART NUMBER	FIGURE	ITEM	UNITS PER ASSEMBLY
		1	30	3
		1	30	3
		1	30	3
		1	30	3
		1	30	3
		1	30	3
		1	30	3
		1	35	3
		1	35	3
		1	35	3
		1	35	3
		1	35	3
		1	35	3
		1	35	3
		1	35	3
		1	35	3
		1	35	3
		1	35	3
		1	35	3
		1	45	8
		1	45	8
		1	45	8
		1	45	8
		1	45	8
		1	45	8
		1	45	8
		1	45	8
		1	45	8
		1	45	8
		1	45	8
		1	45	8
		2	41	8
		2	41	8
		2	41	8
		2	41	8

BOEING PROPRIETARY - Copyright © Unpublished Work - See title page for details



COMPONENT MAINTENANCE MANUAL

PART NUMBER	AIRLINE PART NUMBER	FIGURE	ITEM	UNITS PER ASSEMBLY
		2	41	8
		2	41	8
		2	41	8
		2	41	8
		2	41	8
		2	41	8
		2	41	8
		2	41	8
		2	42	3
		2	42	3
		2	42	3
		2	42	3
		2	42	3
		2	42	3
		2	42	3
		2	42	3
		2	42	3
		2	42	3
		2	42	3
		2	42	3
		2	43	3
		2	43	3
		2	43	3
		2	43	3
		2	43	3
		2	43	3
		2	43	3
		2	43	3
		2	43	3
		2	43	3
		2	43	3
		2	43	3
		2	135	3
		2	135	3
		2	135	3

25-28-48

ILLUSTRATED PARTS LIST

Page 1098.2

Mar 01/2006



COMPONENT MAINTENANCE MANUAL

PART NUMBER	AIRLINE PART NUMBER	FIGURE	ITEM	UNITS PER ASSEMBLY
		2	135	3
		2	135	3
		2	135	3
		2	135	3
		2	135	3
		2	135	3
		2	135	3
		2	135	3
		2	135	3
		3	10	4
		3	10	4
		3	10	4
		3	10	4
		3	10	4
		3	10	4
		3	10	4
		3	10	4
		3	10	4
		3	10	4
		3	10	4
		3	10	4
		3	10	4
		3	10	4
		3	10	4
		3	135	3
		3	135	3
		3	135	3
		3	135	3
		3	135	3
		3	135	3
		3	135	3
		3	135	3
		3	135	3
		3	135	3
		3	135	3
		3	135	3
		3	135	3
		3	190	3
		3	190	3

25-28-48

ILLUSTRATED PARTS LIST
Page 1098.3
Mar 01/2006



COMPONENT MAINTENANCE MANUAL

PART NUMBER	AIRLINE PART NUMBER	FIGURE	ITEM	UNITS PER ASSEMBLY
		3	190	3
		3	190	3
		3	190	3
		3	190	3
		3	190	3
		3	190	3
		3	190	3
		3	190	3
		3	190	3
		3	190	3
		5	85	4
		5	85	4
		5	85	4
		5	85	4
		5	85	4
		5	85	4
		5	85	4
		5	85	4
		5	85	4
		5	85	4
		5	85	4
		5	85	4
		6	85	4
		6	85	4
		6	85	4
		6	85	4
		6	85	4
		6	85	4
		6	85	4
		6	85	4
		6	85	4
		6	85	4
		6	85	4
		6	85	4
		6	85	4
		6	85	4
		7	85	4

25-28-48

ILLUSTRATED PARTS LIST

Page 1098.4

Mar 01/2006



COMPONENT MAINTENANCE MANUAL

PART NUMBER	AIRLINE PART NUMBER	FIGURE	ITEM	UNITS PER ASSEMBLY
		7	85	4
		7	85	4
		7	85	4
		7	85	4
		7	85	4
		7	85	4
		7	85	4
		7	85	4
		7	85	4
		7	85	4
		7	85	4
		7	85	4
		7	165	3
		7	165	3
		7	165	3
		7	165	3
		7	165	3
		7	165	3
		7	165	3
		7	165	3
		7	165	3
		7	165	3
		7	165	3
		7	165	3
		7	165	3
		7	165	3
		7	165	3
		8	85	4
		8	85	4
		8	85	4
		8	85	4
		8	85	4
		8	85	4
		8	85	4
		8	85	4
		8	85	4
		8	85	4
		8	85	4
		8	85	4
		8	85	4
		8	85	4
		8	85	4
		8	85	4
		8	85	4
		8	85	4
		8	85	4
		8	85	4
		8	85	4
		8	85	4
		8	85	4

25-28-48

ILLUSTRATED PARTS LIST
 Page 1098.5
 Mar 01/2006



COMPONENT MAINTENANCE MANUAL

PART NUMBER	AIRLINE PART NUMBER	FIGURE	ITEM	UNITS PER ASSEMBLY
		8	165	3
		8	165	3
		8	165	3
		8	165	3
		8	165	3
		8	165	3
		8	165	3
		8	165	3
		8	165	3
		8	165	3
		8	165	3
		9	10	4
		9	10	4
		9	10	4
		9	10	4
		9	10	4
		9	10	4
		9	10	4
		9	10	4
		9	10	4
		9	10	4
		9	10	4
		9	10	4
		9	135	3
		9	135	3
		9	135	3
		9	135	3
		9	135	3
		9	135	3
		9	135	3
		9	135	3
		9	135	3
		9	135	3
		9	135	3
		9	135	3
		9	135	3
		9	135	3
		9	135	3
		9	135	3
		9	135	3

25-28-48

ILLUSTRATED PARTS LIST

Page 1098.6

Mar 01/2006



COMPONENT MAINTENANCE MANUAL

PART NUMBER	AIRLINE PART NUMBER	FIGURE	ITEM	UNITS PER ASSEMBLY
		9	135	3
		9	190	3
		9	190	3
		9	190	3
		9	190	3
		9	190	3
		9	190	3
		9	190	3
		9	190	3
		9	190	3
		9	190	3
		9	190	3
		10	10	4
		10	10	4
		10	10	4
		10	10	4
		10	10	4
		10	10	4
		10	10	4
		10	10	4
		10	10	4
		10	10	4
		10	10	4
		10	10	4
		10	10	4
		10	10	4
		10	10	4
		10	10	4
		10	10	4
		10	10	4
		10	10	4
		10	10	4
		10	10	4
		10	135	3
		10	135	3
		10	135	3
		10	135	3
		10	135	3
		10	135	3
		10	135	3
		10	135	3
		10	135	3
		10	135	3
		10	135	3
		10	135	3
		10	135	3



COMPONENT MAINTENANCE MANUAL

PART NUMBER	AIRLINE PART NUMBER	FIGURE	ITEM	UNITS PER ASSEMBLY
		10	135	3
		10	135	3
		10	190	3
		10	190	3
		10	190	3
		10	190	3
		10	190	3
		10	190	3
		10	190	3
		10	190	3
		10	190	3
		10	190	3
		10	190	3
		11	10	4
		11	10	4
		11	10	4
		11	10	4
		11	10	4
		11	10	4
		11	10	4
		11	10	4
		11	10	4
		11	10	4
		11	10	4
		11	10	4
		11	10	4
		11	10	4
		11	135	3
		11	135	3
		11	135	3
		11	135	3
		11	135	3
		11	135	3
		11	135	3
		11	135	3
		11	135	3
		11	135	3
		11	135	3



COMPONENT MAINTENANCE MANUAL

PART NUMBER	AIRLINE PART NUMBER	FIGURE	ITEM	UNITS PER ASSEMBLY
		12	135	3
		12	135	3
		12	135	3
		12	135	3
		12	190	3
		12	190	3
		12	190	3
		12	190	3
		12	190	3
		12	190	3
		12	190	3
		12	190	3
		12	190	3
		12	190	3
		12	190	3
		12	190	3
		12	190	3
		12	190	3
		13	10	4
		13	10	4
		13	10	4
		13	10	4
		13	10	4
		13	10	4
		13	10	4
		13	10	4
		13	10	4
		13	10	4
		13	10	4
		13	10	4
		13	10	4
		13	10	4
		13	135	3
		13	135	3
		13	135	3
		13	135	3
		13	135	3
		13	135	3
		13	135	3
		13	135	3
		13	135	3

25-28-48

ILLUSTRATED PARTS LIST
 Page 1098.10
 Mar 01/2006



COMPONENT MAINTENANCE MANUAL

PART NUMBER	AIRLINE PART NUMBER	FIGURE	ITEM	UNITS PER ASSEMBLY
		13	135	3
		13	135	3
		13	135	3
		13	135	3
		13	135	3
		13	190	3
		13	190	3
		13	190	3
		13	190	3
		13	190	3
		13	190	3
		13	190	3
		13	190	3
		13	190	3
		13	190	3
		13	190	3
		14	10	4
		14	10	4
		14	10	4
		14	10	4
		14	10	4
		14	10	4
		14	10	4
		14	10	4
		14	10	4
		14	10	4
		14	10	4
		14	10	4
		14	10	4
		14	10	4
		14	10	4
		14	10	4
		14	135	3
		14	135	3
		14	135	3
		14	135	3
		14	135	3
		14	135	3

25-28-48

ILLUSTRATED PARTS LIST

Page 1098.11

Mar 01/2006



COMPONENT MAINTENANCE MANUAL

PART NUMBER	AIRLINE PART NUMBER	FIGURE	ITEM	UNITS PER ASSEMBLY
		14	135	3
		14	135	3
		14	135	3
		14	135	3
		14	135	3
		14	135	3
		14	190	3
		14	190	3
		14	190	3
		14	190	3
		14	190	3
		14	190	3
		14	190	3
		14	190	3
		14	190	3
		14	190	3
		14	190	3
		14	190	3
		14	190	3
		14	190	3
		14	190	3
		15	25	4
		15	25	4
		15	25	4
		15	25	4
		15	25	4
		15	25	4
		15	25	4
		15	25	4
		15	25	4
		15	25	4
		15	25	4
		15	25	4
		15	25	4
		15	25	4
		15	25	4
		15	25	4
		15	25	4
		15	25	4
		15	55	4
		15	55	4
		15	55	4
		15	55	4
		15	55	4

25-28-48

ILLUSTRATED PARTS LIST

Page 1098.12

Mar 01/2006



COMPONENT MAINTENANCE MANUAL

PART NUMBER	AIRLINE PART NUMBER	FIGURE	ITEM	UNITS PER ASSEMBLY
		15	55	4
		15	55	4
		15	55	4
		15	55	4
		15	55	4
		15	55	4
		15	55	4
		15	100	3
		15	100	3
		15	100	3
		15	100	3
		15	100	3
		15	100	3
		15	100	3
		15	100	3
		15	100	3
		15	100	3
		15	100	3
		15	100	3
		15	100	3
		15	100	3
		15	100	3
BACS12FA3K4		3	240	2
		4	70	4
		10	240	2
		12	240	2
		14	240	2
		16	250	4
		17	250	4
		18	25	2
BACS12FA3K5		4	50	36
		4	50	36
		4	50	36
		4	50	36
		4	50	36
		4	50	36
		4	50	36
		4	50	36
		4	50	36

25-28-48

ILLUSTRATED PARTS LIST
Page 1098.13
Mar 01/2006



COMPONENT MAINTENANCE MANUAL

PART NUMBER	AIRLINE PART NUMBER	FIGURE	ITEM	UNITS PER ASSEMBLY
		4	50	36
		4	50	36
		4	50	36
		4	50	36
		4	51	2
		4	51	2
		4	51	2
		4	51	2
		4	51	2
		4	51	2
		4	51	2
		4	51	2
		4	51	2
		4	51	2
		4	51	2
		4	51	2
		4	51	2
		4	51	2
		4	51	2
		4	51	2
		4	51	2
		4	52	2
		4	52	2
		4	52	2
		4	52	2
		4	52	2
		4	52	2
		4	52	2
		4	52	2
		4	52	2
		4	52	2
		4	52	2
		4	52	2
		4	52	2
		10	35	6
		10	35	6
		10	35	6
		10	35	6
		10	35	6
		10	35	6
		10	35	6

25-28-48
ILLUSTRATED PARTS LIST
Page 1098.14
Mar 01/2006



COMPONENT MAINTENANCE MANUAL

PART NUMBER	AIRLINE PART NUMBER	FIGURE	ITEM	UNITS PER ASSEMBLY
		10	35	6
		10	35	6
		10	35	6
		10	35	6
		10	35	6
		11	35	6
		11	35	6
		11	35	6
		11	35	6
		11	35	6
		11	35	6
		11	35	6
		11	35	6
		11	35	6
		11	35	6
		11	35	6
		11	35	6
		16	165	39
		16	165	39
		16	165	39
		16	165	39
		16	165	39
		16	165	39
		16	165	39
		16	165	39
		16	165	39
		16	165	39
		16	165	39
		16	165	39
		16	165	39
		16	165	39
		16	165	39
		17	165	39
		17	165	39
		17	165	39
		17	165	39
		17	165	39
		17	165	39

25-28-48

ILLUSTRATED PARTS LIST

Page 1098.15

Mar 01/2006



COMPONENT MAINTENANCE MANUAL

PART NUMBER	AIRLINE PART NUMBER	FIGURE	ITEM	UNITS PER ASSEMBLY
BACS12FA3K6		17	165	39
		17	165	39
		17	165	39
		17	165	39
		17	165	39
		17	165	39
		4	53	2
		4	53	2
		4	53	2
		4	53	2
		4	53	2
		4	53	2
		4	53	2
		4	53	2
		4	53	2
		4	53	2
		4	53	2
		4	53	2
		4	907	10
		4	907	10
		4	907	10
		4	907	10
	4	907	10	
	4	907	10	
	4	907	10	
	4	907	10	
	4	907	10	
	4	907	10	
	4	907	10	
	4	907	10	
	4	907	10	
BACS12FA3K7		18	30	2
		18	30	2
		18	30	2
		18	30	2
		18	30	2

25-28-48

ILLUSTRATED PARTS LIST

Page 1098.16

Mar 01/2006



COMPONENT MAINTENANCE MANUAL

PART NUMBER	AIRLINE PART NUMBER	FIGURE	ITEM	UNITS PER ASSEMBLY
BACS12FA3K9		18	30	2
		18	30	2
		18	30	2
		18	30	2
		18	30	2
		18	30	2
		18	30	2
		18	30	2
		2	96	4
		2	96	4
		2	96	4
		2	96	4
		2	96	4
		2	96	4
		2	96	4
		2	96	4
		2	96	4
		2	96	4
		2	96	4
		2	96	4
		2	96	4
		2	96	4
		2	96	4
		5	175	4
		5	175	4
		5	175	4
		5	175	4
		5	175	4
		5	175	4
		5	175	4
		5	175	4
		5	175	4
5	175	4		
6	175	4		

25-28-48

ILLUSTRATED PARTS LIST

Page 1098.17

Mar 01/2006



COMPONENT MAINTENANCE MANUAL

PART NUMBER	AIRLINE PART NUMBER	FIGURE	ITEM	UNITS PER ASSEMBLY
		6	175	4
		6	175	4
		6	175	4
		6	175	4
		6	175	4
		6	175	4
		6	175	4
		6	175	4
		6	175	4
		6	175	4
		6	175	4
		6	175	4
		6	175	4
		6	175	4
BACS12H4-8		18	5	2
BACS18C8-6		2	105	1
		3	105	2
		7	135	1
		8	135	1
		9	105	2
		10	105	2
		11	105	2
		12	105	2
		13	105	2
		14	105	2
		15	70	2
BACS18K10-28W		10	280	1
		11	245	1
BACS18K10-36W		10	285	1
		11	250	1
BACW10CT10		10	290	2
		10	290	2
		11	255	2
		11	255	2
		15	160	2
		15	160	2
BACW10DM5		16	40	1

25-28-48

ILLUSTRATED PARTS LIST

Page 1098.18

Mar 01/2006



COMPONENT MAINTENANCE MANUAL

PART NUMBER	AIRLINE PART NUMBER	FIGURE	ITEM	UNITS PER ASSEMBLY	
BACW10P136AL		17	40	1	
		4	195	6	
		4	195	6	
		16	290	6	
		16	290	6	
		17	290	6	
		17	290	6	
	BACW10P173AL		16	50	1
		17	50	1	
BACW10UD10		2	140	3	
		3	140	3	
		3	192	3	
		7	170	3	
		8	170	3	
		9	140	3	
		9	192	3	
		10	140	3	
		10	192	3	
		11	140	3	
		11	192	3	
		12	140	3	
		12	192	3	
		13	140	3	
		13	192	3	
		14	140	3	
		14	192	3	
		15	105	3	
	BRF100A3		2	98N	4
			5	195	4
		6	195	4	
BRF100C08D		4	155	2	
		16	240	2	
		17	240	2	
BRF200A3K		3	255	1	
		10	255	1	

25-28-48

ILLUSTRATED PARTS LIST

Page 1098.19

Mar 01/2006



COMPONENT MAINTENANCE MANUAL

PART NUMBER	AIRLINE PART NUMBER	FIGURE	ITEM	UNITS PER ASSEMBLY
		12	255	1
		14	255	1
BV03112-03-33		80	5	2
CCR274SS3-3		16	275	2
		17	275	2
F15T8WW		3	180	1
		9	180	1
		10	180	1
		11	180	1
		12	180	1
		13	180	1
		14	180	1
		15	130	1
F2000-3		2	98N	4
		2	98N	4
		5	195	4
		5	195	4
		6	195	4
		6	195	4
F20T12WW		3	230	1
		9	230	1
		10	230	1
		11	230	1
		12	230	1
		13	230	1
		14	230	1
F22K1-02		2	145	3
		3	145	3
		3	193	3
		7	175	3
		8	175	3
		9	145	3
		9	193	3
		10	145	3
		10	193	3

25-28-48

ILLUSTRATED PARTS LIST

Page 1098.20

Mar 01/2006



COMPONENT MAINTENANCE MANUAL

PART NUMBER	AIRLINE PART NUMBER	FIGURE	ITEM	UNITS PER ASSEMBLY
F40WW		11	145	3
		11	193	3
		12	145	3
		12	193	3
		13	145	3
		13	193	3
		14	145	3
		14	193	3
		15	110	3
		1	200	1
		2	185	1
		5	170	1
		6	170	1
		7	215	1
		8	215	1
F5000-3BCBAC		3	255	1
		10	255	1
		12	255	1
		14	255	1
F51604-08		4	155	2
		4	155	2
		16	240	2
		16	240	2
		17	240	2
		17	240	2
H2948-1		4	260	1
		4	260B	1
		16	365	1
		16	365B	1
		17	360	1
		17	360B	1
H2948-2		4	255	1
		4	255B	1
		16	360	1
		16	360B	1

25-28-48

ILLUSTRATED PARTS LIST

Page 1098.21

Mar 01/2006



COMPONENT MAINTENANCE MANUAL

PART NUMBER	AIRLINE PART NUMBER	FIGURE	ITEM	UNITS PER ASSEMBLY
		17	365	1
		17	365B	1
H3-1145-1-4760		4	25A	1
		4	25C	1
H3-1145-1-5760		4	25	1
		4	25B	1
		16	30	1
		17	30	1
H3-1145-1L5760		16	115	1
		17	115	1
H3-115-31B		4	260C	1
H3-1152-1		4	165	2
		16	260	2
		17	260	2
		18	50	2
H3-1155-1		4	260	1
		4	260B	1
		16	365	1
		16	365B	1
		17	360	1
		17	360B	1
H3-1155-2		4	255	1
		4	255B	1
		16	360	1
		16	360B	1
		17	365	1
		17	365B	1
H3-1155-31		4	260	1
		4	260B	1
		16	365	1
		16	365B	1
		17	360	1
		17	360B	1
H3-1155-31B		16	365C	1
		17	360C	1

25-28-48

ILLUSTRATED PARTS LIST

Page 1098.22

Mar 01/2006



COMPONENT MAINTENANCE MANUAL

PART NUMBER	AIRLINE PART NUMBER	FIGURE	ITEM	UNITS PER ASSEMBLY		
H3-1155-32		4	255	1		
		4	255B	1		
		16	360	1		
		16	360B	1		
		17	365	1		
		17	365B	1		
		H3-1155-32B		4	255C	1
				16	360C	1
17	365C			1		
HL10VAZ6-2		4	30	2		
		4	30	2		
		4	30	2		
		4	30	2		
		4	30	2		
		4	32	2		
		4	32	2		
		4	32	2		
		4	32	2		
		4	32	2		
		4	32	2		
		4	32	2		
		4	32	2		
		4	32	2		
		16	140	2		
		16	140	2		
		16	140	2		
		16	140	2		
		16	140	2		
		17	140	2		
17	140	2				
17	140	2				
17	140	2				
17	140	2				
HL10VAZ6-3		16	145	2		
		16	145	2		
		16	145	2		
		16	145	2		
		17	145	2		
		17	145	2		

25-28-48

ILLUSTRATED PARTS LIST

Page 1098.23

Mar 01/2006



COMPONENT MAINTENANCE MANUAL

PART NUMBER	AIRLINE PART NUMBER	FIGURE	ITEM	UNITS PER ASSEMBLY
		17	145	2
		17	145	2
HL10VAZ6K3		16	145	2
		17	145	2
L8006K2		4	30	2
		4	32	2
		16	140	2
		17	140	2
L8006K3		16	145	2
		17	145	2
LP1610-18		3	175A	1
		9	175A	1
		10	175A	1
		11	175A	1
		12	175A	1
		13	175A	1
		14	175A	1
		15	135	1
LP1625-24		3	225A	1
		9	225A	1
		10	225A	1
		11	225A	1
		12	225A	1
		13	225A	1
		14	225A	1
LP1625-48		1	195A	1
		2	180A	1
		5	165A	1
		6	165A	1
		7	210A	1
		8	210A	1
MS20392-2C13		4	215	1
		16	320	1
		17	320	1
MS21042L08		4	110	15

25-28-48

ILLUSTRATED PARTS LIST

Page 1098.24

Mar 01/2006



COMPONENT MAINTENANCE MANUAL

PART NUMBER	AIRLINE PART NUMBER	FIGURE	ITEM	UNITS PER ASSEMBLY
MS21042L3		16	190	15
		17	190	15
		3	75	2
		4	95	2
		4	97	2
		5	40	2
		6	40	2
		7	40	2
		8	40	2
		9	75	2
		10	75	2
		11	75	2
		12	75	2
		13	75	2
		14	75	2
	MS24585-1230		16	185
		17	185	5
		2	110	1
		3	110A	2
		7	140	1
		8	140	1
		9	110	2
		10	110	2
		11	110	2
		12	110	2
		13	110	2
		14	110	2
MS24665-132			15	75
		4	220	1
		16	325	1
MS35206-323		17	325	1
		80	10	4
MS35333-39		4	75	4
		4	190	4
		16	255	4

25-28-48

ILLUSTRATED PARTS LIST

Page 1098.25

Mar 01/2006



COMPONENT MAINTENANCE MANUAL

PART NUMBER	AIRLINE PART NUMBER	FIGURE	ITEM	UNITS PER ASSEMBLY
		16	305	4
		17	255	4
		17	305	4
		18	35	4
MS39086-1		16	80	1
		17	80	1
MS51861-15		18	5A	2
MS51862-3		18	10	2
NAS1398D4		3	245	2
		10	245	2
		12	245	2
		14	245	2
NAS1801-3-10		4	180	6
		4	180B	6
		16	285	6
		16	285B	6
		17	285	6
		17	285B	6
NAS1801-3-11		2	100	1
		3	100	2
		7	130	1
		8	130	1
		9	100	2
		10	100	2
		11	100	2
		12	100	2
		13	100	2
		14	100	2
		15	65	2
NAS1801-3-4		4	185	4
		16	300	4
		17	300	4
NAS1801-3-5		1	52	3
		2	125	3
		3	120	4

25-28-48

ILLUSTRATED PARTS LIST

Page 1098.26

Mar 01/2006



COMPONENT MAINTENANCE MANUAL

PART NUMBER	AIRLINE PART NUMBER	FIGURE	ITEM	UNITS PER ASSEMBLY
NAS1833-3-400		5	135	3
		6	135	3
		7	155	3
		8	155	3
		9	120	4
		10	120	4
		11	120	4
		12	120	4
		13	120	4
		14	120	4
		15	90	4
		4	200	6
		4	720	16
		4	876	2
		4	879	2
		4	885	3
		4	888	16
		4	891	10
		4	894	4
		4	897	8
		4	898J	2
		4	901	5
		4	908	5
		16	295	6
		16	680	2
		16	695	2
		16	725	16
		16	740	16
		16	755	4
		17	295	6
		17	665	2
		17	680	16
	17	695	16	
	17	710	11	
	17	725	7	

25-28-48

ILLUSTRATED PARTS LIST

Page 1098.27

Mar 01/2006



COMPONENT MAINTENANCE MANUAL

PART NUMBER	AIRLINE PART NUMBER	FIGURE	ITEM	UNITS PER ASSEMBLY
NAS1834-3-400		17	740	4
		2	97	4
		5	180	4
		6	180	4
		4	726	2
NAS1834-4-400		4	726	2
NAS1834-5-400		16	710	2
NAS1836-2-11		4	811	2
NAS1836-3-11		4	435	8
		4	445	8
		4	455	8
		4	465	8
		4	510	4
		4	530	4
		4	540	8
		4	555	8
		4	570	8
		4	585	8
		4	600	8
		4	630	3
		4	700	14
		4	729	4
		4	732	4
		4	735	4
		4	738	8
		4	741	8
		4	744	8
		4	747	8
		4	750	8
4	753	8		
4	756	8		
4	759	8		
4	762	8		
4	765	8		
4	768	8		
4	771	8		

25-28-48

ILLUSTRATED PARTS LIST

Page 1098.28

Mar 01/2006



COMPONENT MAINTENANCE MANUAL

PART NUMBER	AIRLINE PART NUMBER	FIGURE	ITEM	UNITS PER ASSEMBLY
		4	774	8
		4	777	8
		4	780	8
		4	783	8
		4	786	8
		4	789	8
		4	792	8
		4	795	8
		4	798	8
		4	801	8
		4	804	8
		4	807	8
		4	810	8
		4	813	8
		4	816	8
		4	819	8
		4	822	8
		4	825	8
		4	828	8
		4	831	8
		4	834	8
		4	837	8
		4	840	8
		4	843	8
		4	846	8
		4	849	8
		4	852	8
		4	855	8
		4	858	8
		4	861	8
		4	864	8
		4	867	6
		4	870	4
		4	873	4
		4	882	3

25-28-48

ILLUSTRATED PARTS LIST

Page 1098.29

Mar 01/2006



COMPONENT MAINTENANCE MANUAL

PART NUMBER	AIRLINE PART NUMBER	FIGURE	ITEM	UNITS PER ASSEMBLY
NAS1836-4-11		16	455	15
		16	500	8
		16	515	8
		16	530	8
		16	545	10
		16	575	6
		16	590	7
		16	605	4
		16	620	6
		16	635	4
		16	650	4
		16	665	3
		16	770	3
		17	455	15
		17	500	8
		17	515	10
		17	545	8
		17	560	8
		17	575	6
		17	590	3
		17	605	3
		17	620	7
		17	635	6
		17	650	4
		4	545	2
		4	560	2
		4	575	2
		4	590	2
		4	605	2
		4	733	1
		4	736	1
		4	739	2
		4	745	2
	4	751	2	
	4	757	2	

25-28-48

ILLUSTRATED PARTS LIST

Page 1098.30

Mar 01/2006



COMPONENT MAINTENANCE MANUAL

PART NUMBER	AIRLINE PART NUMBER	FIGURE	ITEM	UNITS PER ASSEMBLY
		4	763	2
		4	769	2
		4	775	2
		4	778	2
		4	781	2
		4	787	2
		4	793	2
		4	796	2
		4	799	2
		4	802	2
		4	805	2
		4	817	2
		4	823	2
		4	829	2
		4	835	2
		4	841	2
		4	844	2
		16	505	2
		16	535	2
		17	505	2
		17	550	2
NAS43DD3-3		4	240	1
		16	345	1
		17	345	1
NAS43DD3-8		4	245	1
		16	350	1
		17	350	1
NAS514P832-5		4	45	4
		16	130	4
		17	130	4
NAS620A8L		18	15	2
NI060LGWUV1000		3	175	1
		9	175	1
		10	175	1
		11	175	1

25-28-48

ILLUSTRATED PARTS LIST

Page 1098.31

Mar 01/2006



COMPONENT MAINTENANCE MANUAL

PART NUMBER	AIRLINE PART NUMBER	FIGURE	ITEM	UNITS PER ASSEMBLY		
NI152LGWUV1000		12	175	1		
		13	175	1		
		14	175	1		
		15	135A	1		
		3	225	1		
		9	225	1		
		10	225	1		
		11	225	1		
		12	225	1		
		13	225	1		
		14	225	1		
		NI312LGWUV1000		1	195B	1
				2	180	1
				5	165	1
6	165			1		
7	210			1		
8	210			1		
NS103203-02BC				3	255	1
				10	255	1
		12	255	1		
		14	255	1		
PK87XA4-8		18	5	2		
RMF9201-3BC		3	255	1		
		10	255	1		
		12	255	1		
		14	255	1		
RMF9207-3		2	98N	4		
		5	195	4		
		6	195	4		
RV570A3-3		16	275	2		
		17	275	2		
S283N702-103		2	150B	1		
		7	180B	1		
		8	180B	1		
S283N702-105		3	195B	1		

25-28-48

ILLUSTRATED PARTS LIST

Page 1098.32

Mar 01/2006



COMPONENT MAINTENANCE MANUAL

PART NUMBER	AIRLINE PART NUMBER	FIGURE	ITEM	UNITS PER ASSEMBLY		
S283N702-107		9	195B	1		
		10	195B	1		
		11	195B	1		
		3	150B	1		
		9	150B	1		
		10	150B	1		
		11	150B	1		
		12	150B	1		
		13	150B	1		
		14	150B	1		
		15	115B	1		
		S283N702-113		3	195C	1
				9	195C	1
		S283N702-115		12	195B	1
		S283N702-116		12	195D	1
13	195A			1		
14	195A			1		
3	195D			1		
S283N702-13		9	195D	1		
		12	195	1		
S283N702-15		12	195A	1		
		12	195C	1		
		13	195	1		
S283N702-16		14	195	1		
		2	150	1		
		2	150A	1		
S283N702-3		7	180	1		
		7	180A	1		
		8	180	1		
		8	180A	1		
		3	195	1		
		3	195A	1		
S283N702-5		9	195	1		
		9	195A	1		
		9	195	1		
		10	195	1		
		10	195	1		

25-28-48

ILLUSTRATED PARTS LIST

Page 1098.33

Mar 01/2006



COMPONENT MAINTENANCE MANUAL

PART NUMBER	AIRLINE PART NUMBER	FIGURE	ITEM	UNITS PER ASSEMBLY
S283N702-7		10	195A	1
		11	195	1
		11	195A	1
		3	150	1
		3	150A	1
		9	150	1
		9	150A	1
		10	150	1
		10	150A	1
		11	150	1
		11	150A	1
		12	150	1
		12	150A	1
		13	150	1
		13	150A	1
		14	150	1
		14	150A	1
		S412N101-1		15
15	115A			1
4	165			2
16	260			2
S412N101-1050		17	260	2
		18	50	2
		4	25A	1
S412N101-1060		4	25C	1
		4	25	1
S412N101-1160		4	25B	1
		16	30	1
		17	30	1
		16	115	1
S412N102-1		17	115	1
		4	260	1
		4	260B	1
		16	365	1
		16	365B	1

25-28-48

ILLUSTRATED PARTS LIST

Page 1098.34

Mar 01/2006



COMPONENT MAINTENANCE MANUAL

PART NUMBER	AIRLINE PART NUMBER	FIGURE	ITEM	UNITS PER ASSEMBLY
S412N102-17		17	360	1
		17	360B	1
		4	260C	1
		16	365C	1
		17	360C	1
S412N102-18		4	255C	1
		16	360C	1
		17	365C	1
S412N102-2		4	255	1
		4	255B	1
		16	360	1
		16	360B	1
S412N104-1		17	365	1
		17	365B	1
		4	250A	1
		16	355A	1
		17	355A	1
S412N104-4		4	250C	1
		16	355D	1
		16	355E	1
		17	355E	1
S417N104-4		17	355D	1
S417N507-11		2	160	1
		7	190	1
		8	190	1
		80	1	RF
S417N507-12		2	160A	1
		7	190A	1
		8	190A	1
		80	1A	RF
S417N507-14		1	175	1
		5	145	1
		6	145	1
		80	1B	RF
S417N507-17		15	140	1

25-28-48

ILLUSTRATED PARTS LIST

Page 1098.35

Mar 01/2006



COMPONENT MAINTENANCE MANUAL

PART NUMBER	AIRLINE PART NUMBER	FIGURE	ITEM	UNITS PER ASSEMBLY
S417N507-21		80	1C	RF
		12	205A	1
S417N507-22		80	1D	RF
		3	205	1
		9	205	1
		10	205	1
S417N507-28		11	205	1
		12	205	1
		13	205	1
S417N507-30		14	205	1
		3	205A	1
		9	205A	1
S417N507-37A		9	155	1
		10	155	1
		11	155	1
		12	155	1
		13	155	1
		14	155	1
		9	155A	1
S417N507-37C		10	155A	1
		11	155A	1
		12	155A	1
		13	155A	1
		14	155A	1
S417N507-37E		9	155B	1
		10	155B	1
		11	155B	1
		12	155B	1
		13	155B	1
		14	155B	1
S417N507-37L		9	155C	1
		10	155C	1
		11	155C	1
		12	155C	1
		13	155C	1

25-28-48

ILLUSTRATED PARTS LIST

Page 1098.36

Mar 01/2006



COMPONENT MAINTENANCE MANUAL

PART NUMBER	AIRLINE PART NUMBER	FIGURE	ITEM	UNITS PER ASSEMBLY
S417N507-37M		14	155C	1
		9	155D	1
		10	155D	1
		11	155D	1
		12	155D	1
		13	155D	1
		14	155D	1
S417N507-37SP		3	155	1
S417N507-37W		9	155E	1
		10	155E	1
		11	155E	1
		12	155E	1
		13	155E	1
		14	155E	1
		S417N507-37Y		9
10	155F			1
11	155F			1
12	155F			1
13	155F			1
14	155F			1
SB113				4
		16	355A	1
		17	355A	1
SK145A4-8		18	5	2
SL210-06-2		4	100	4
		16	125	4
		17	125	4
SL210-08-1		4	105	4
		16	135	4
		17	135	4
SL2334-3A2		4	490	4
		4	640	11
		4	650	8
		4	670	11
		4	680	8

25-28-48

ILLUSTRATED PARTS LIST

Page 1098.37

Mar 01/2006



COMPONENT MAINTENANCE MANUAL

PART NUMBER	AIRLINE PART NUMBER	FIGURE	ITEM	UNITS PER ASSEMBLY
		4	727	10
		10	315	6
		11	280	6
		15	200	6
		16	470	12
		16	485	8
		16	516	4
		16	550	4
		16	560	4
		17	470	12
		17	485	8
		17	520	4
		17	530	4
		17	565	4
SL618-3A		18	62	8
		18	64	8
SP5604		4	250A	1
		16	355A	1
		17	355A	1
SP5604-4		4	250C	1
		16	355D	1
		16	355E	1
		17	355D	1
		17	355E	1
T8091S1032BC		3	255	1
		10	255	1
		12	255	1
		14	255	1
T8114S1032S		2	98N	4
		5	195	4
		6	195	4
VN151A1-02		2	98N	4
		5	195	4
		6	195	4
VN15A2-02		3	255	1

25-28-48

ILLUSTRATED PARTS LIST

Page 1098.38

Mar 01/2006

**COMPONENT MAINTENANCE MANUAL**

PART NUMBER	AIRLINE PART NUMBER	FIGURE	ITEM	UNITS PER ASSEMBLY
		10	255	1
		12	255	1
		14	255	1

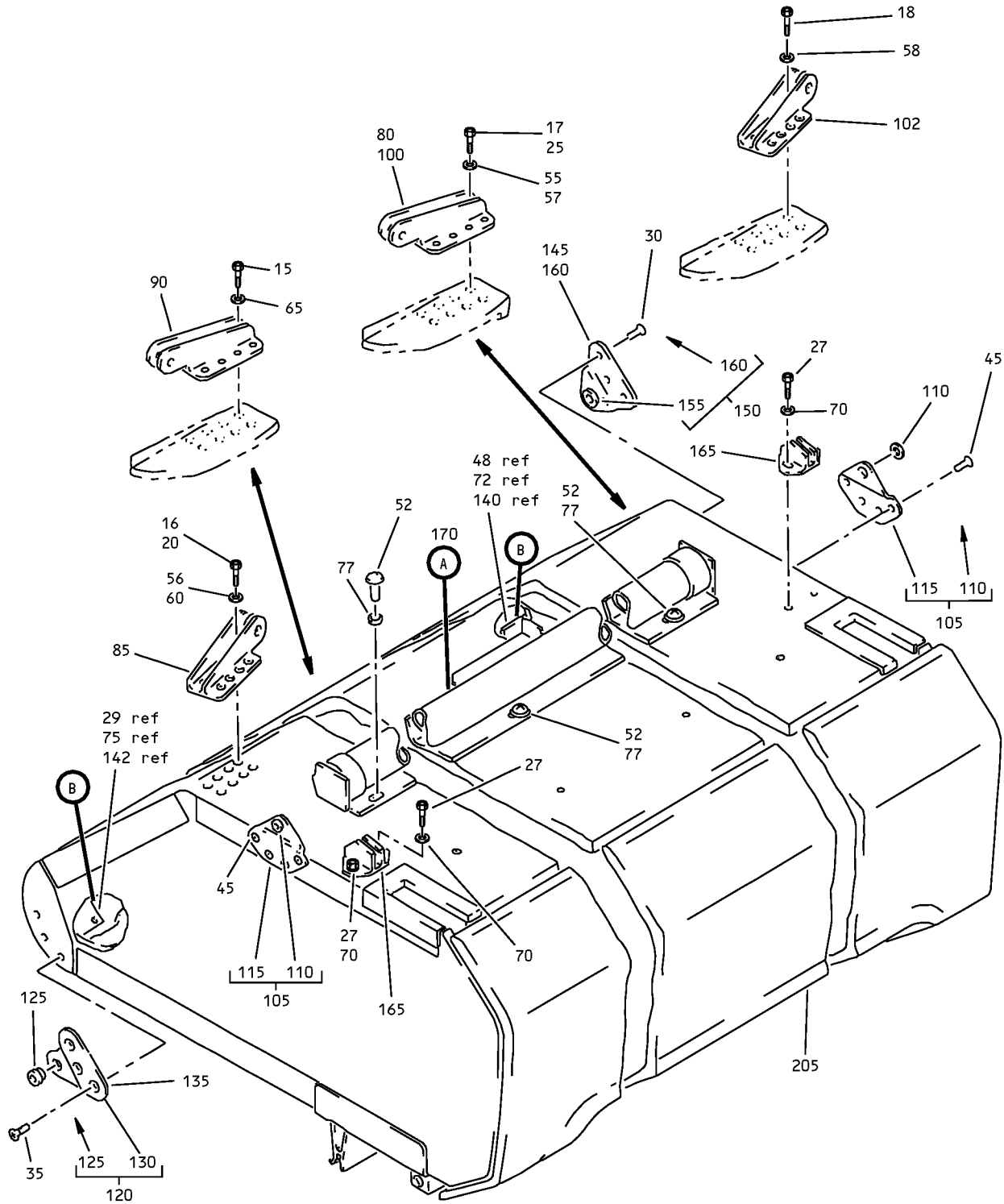
25-28-48

ILLUSTRATED PARTS LIST

Page 1098.39

Mar 01/2006

COMPONENT MAINTENANCE MANUAL



Overhead Storage Compartment Assembly
IPL Figure 1 (Sheet 1 of 2)

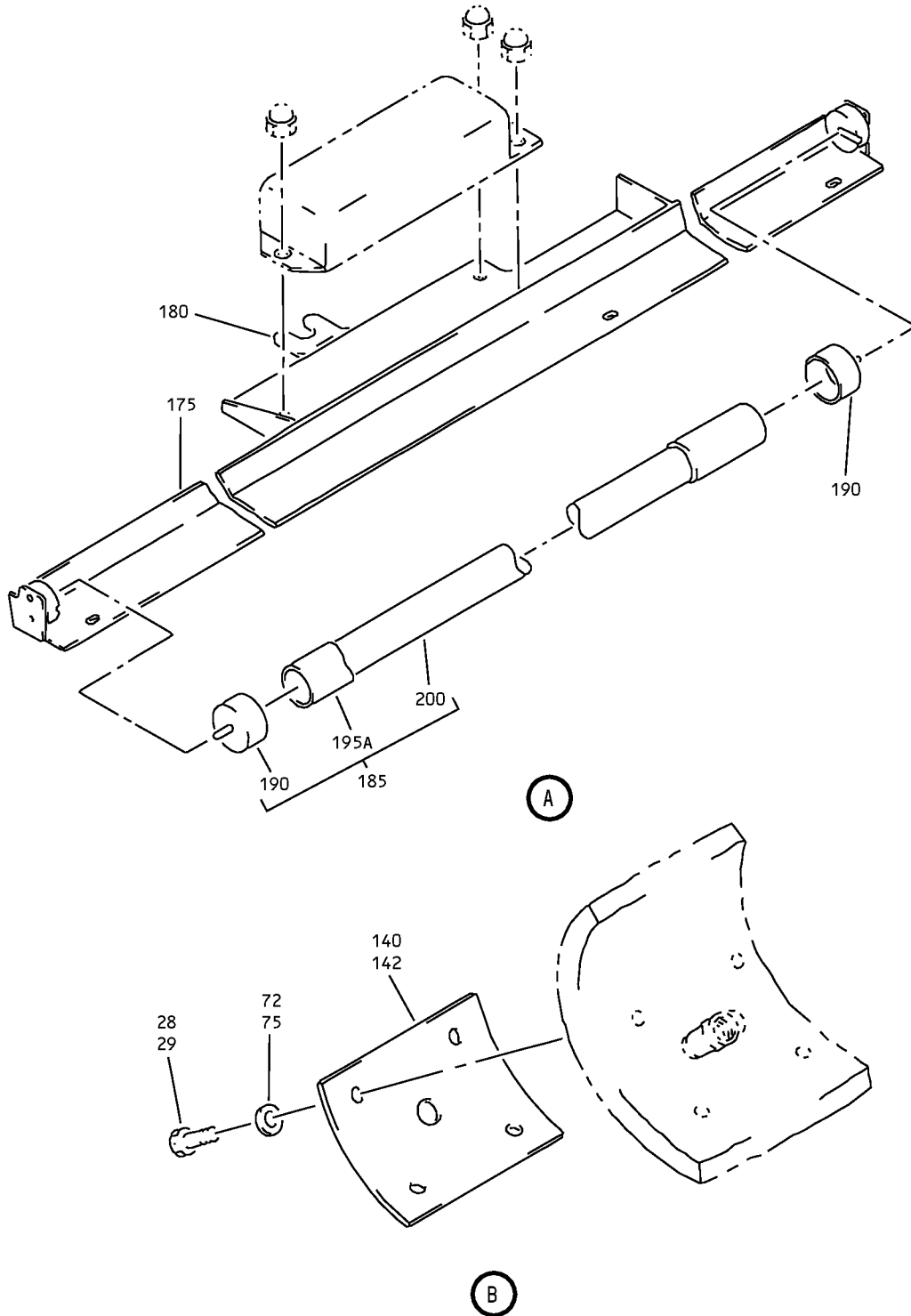
25-28-48

ILLUSTRATED PARTS LIST

Page 1098.40

Mar 01/2006

COMPONENT MAINTENANCE MANUAL



Overhead Storage Compartment Assembly
IPL Figure 1 (Sheet 2 of 2)

25-28-48

ILLUSTRATED PARTS LIST

Page 1098.41

Mar 01/2006



COMPONENT MAINTENANCE MANUAL

FIG/ ITEM	PART NUMBER	AIRLINE PART NUMBER	NOMENCLATURE							USAGE CODE	UNITS PER ASSY
			1	2	3	4	5	6	7		
1-											
-1	65C32942-1SP		COMPARTMENT ASSY-OVERHEAD STOWAGE (REWORKED BY ALERT SB 737- 25A1283) (NO EQUIVALENT BOEING REPLACEMENT PART NUMBER)							A	RF
-1A	65C32942-4SP		COMPARTMENT ASSY-OVERHEAD STOWAGE (REWORKED BY ALERT SB 737- 25A1283) (NO EQUIVALENT BOEING REPLACEMENT PART NUMBER)							B	RF
-1B	65C32942-5SP		COMPARTMENT ASSY-OVERHEAD STOWAGE (REWORKED BY ALERT SB 737- 25A1283) (NO EQUIVALENT BOEING REPLACEMENT PART NUMBER)							C	RF
-1C	65C32942-8SP		COMPARTMENT ASSY-OVERHEAD STOWAGE (REWORKED BY ALERT SB 737- 25A1283) (NO EQUIVALENT BOEING REPLACEMENT PART NUMBER)							D	RF
-1D	65C32942-9SP		COMPARTMENT ASSY-OVERHEAD STOWAGE (REWORKED BY ALERT SB 737- 25A1283) (NO EQUIVALENT BOEING REPLACEMENT PART NUMBER)							E	RF
-1E	65C32942-10SP		COMPARTMENT ASSY-OVERHEAD STOWAGE (FOR DETAILS SEE FIG. 2) (REWORKED BY ALERT SB 737- 25A1283) (NO EQUIVALENT BOEING REPLACEMENT PART NUMBER)							F	RF

-Item not Illustrated

25-28-48

ILLUSTRATED PARTS LIST

Page 1098.42

Mar 01/2006



COMPONENT MAINTENANCE MANUAL

FIG/ ITEM	PART NUMBER	AIRLINE PART NUMBER	NOMENCLATURE							USAGE CODE	UNITS PER ASSY
			1	2	3	4	5	6	7		
1- -1F	65C32942-14SP		COMPARTMENT ASSY-OVERHEAD STOWAGE (FOR DETAILS SEE FIG. 2) (REWORKED BY ALERT SB 737- 25A1283) (NO EQUIVALENT BOEING REPLACEMENT PART NUMBER)							G	RF
-1G	65C32942-18SP		COMPARTMENT ASSY-OVERHEAD STOWAGE (FOR DETAILS SEE FIG. 2) (REWORKED BY ALERT SB 737- 25A1283) (NO EQUIVALENT BOEING REPLACEMENT PART NUMBER)							H	RF
-1H	65C32942-2SP		COMPARTMENT ASSY-OVERHEAD OVERHEAD (FOR DETAILS SEE FIG. 2) (REWORKED BY ALERT SB 737- 25A1283) (NO EQUIVALENT BOEING REPLACEMENT PART NUMBER)							J	RF
-1J	65C32942-3SP		COMPARTMENT ASSY-OVERHEAD STOWAGE (FOR DETAILS SEE FIG. 2) (REWORKED BY ALERT SB 737- 25A1283) (NO EQUIVALENT BOEING REPLACEMENT PART NUMBER)							K	RF
-1K	65C32942-7SP		COMPARTMENT ASSY-OVERHEAD STOWAGE (FOR DETAILS SEE FIG. 2) (REWORKED BY ALERT SB 737- 25A1283) (NO EQUIVALENT BOEING REPLACEMENT PART NUMBER)							L	RF
-1L	65C32942-22SP		COMPARTMENT ASSY-OVERHEAD STOWAGE (FOR DETAILS SEE FIG. 3) (REWORKED BY ALERT SB 737- 25A1283) (NO EQUIVALENT BOEING REPLACEMENT PART NUMBER)							M	RF

-Item not Illustrated

25-28-48

ILLUSTRATED PARTS LIST

Page 1098.43

Mar 01/2006



COMPONENT MAINTENANCE MANUAL

FIG/ ITEM	PART NUMBER	AIRLINE PART NUMBER	NOMENCLATURE							USAGE CODE	UNITS PER ASSY
			1	2	3	4	5	6	7		
1- -1M	65C32942-395SP		COMPARTMENT ASSY-OVERHEAD STOWAGE (FOR DETAILS SEE FIG. 2) (REWORKED BY ALERT SB 737- 25A1283) (NO EQUIVALENT BOEING REPLACEMENT PART NUMBER)							N	RF
-1N	65C32942-21SP		COMPARTMENT ASSY-OVERHEAD STOWAGE (FOR DETAILS SEE FIG. 12) (REWORKED BY ALERT SB 737- 25A1283) (NO EQUIVALENT BOEING REPLACEMENT PART NUMBER)							KR	RF
-1P	65C32942-24SP		COMPARTMENT ASSY-OVERHEAD STOWAGE (FOR DETAILS SEE FIG. 15) (REWORKED BY ALERT SB 737- 25A1283) (NO EQUIVALENT BOEING REPLACEMENT PART NUMBER)							KZ	RF
-1Q	65C32942-25SP		COMPARTMENT ASSY-OVERHEAD STOWAGE (FOR DETAILS SEE FIG. 2) (REWORKED BY ALERT SB 737- 25A1283) (NO EQUIVALENT BOEING REPLACEMENT PART NUMBER)							DD	RF
-1R	65C32942-26SP		COMPARTMENT ASSY-OVERHEAD STOWAGE (FOR DETAILS SEE FIG. 3) (REWORKED BY ALERT SB 737- 25A1283) (NO EQUIVALENT BOEING REPLACEMENT PART NUMBER)							HB	RF
-1S	65C32942-27SP		COMPARTMENT ASSY-OVERHEAD STOWAGE (FOR DETAILS SEE FIG. 12) (REWORKED BY ALERT SB 737- 25A1283) (NO EQUIVALENT BOEING REPLACEMENT PART NUMBER)							KS	RF

-Item not Illustrated

25-28-48

ILLUSTRATED PARTS LIST

Page 1098.44

Mar 01/2006



COMPONENT MAINTENANCE MANUAL

FIG/ ITEM	PART NUMBER	AIRLINE PART NUMBER	NOMENCLATURE							USAGE CODE	UNITS PER ASSY
			1	2	3	4	5	6	7		
1- -1T	65C32942-28SP		COMPARTMENT ASSY-OVERHEAD STOWAGE (REWORKED BY ALERT SB 737- 25A1283) (NO EQUIVALENT BOEING REPLACEMENT PART NUMBER)							P	RF
-1U	65C32942-29SP		COMPARTMENT ASSY-OVERHEAD STOWAGE (FOR DETAILS SEE FIG. 3) (REWORKED BY ALERT SB 737- 25A1283) (NO EQUIVALENT BOEING REPLACEMENT PART NUMBER)							HC	RF
-1V	65C32942-30SP		COMPARTMENT ASSY-OVERHEAD STOWAGE (FOR DETAILS SEE FIG. 3) (REWORKED BY ALERT SB 737- 25A1283) (NO EQUIVALENT BOEING REPLACEMENT PART NUMBER)							HD	RF
-1W	65C32942-31SP		COMPARTMENT ASSY-OVERHEAD STOWAGE (REWORKED BY ALERT SB 737- 25A1283) (NO EQUIVALENT BOEING REPLACEMENT PART NUMBER)							Q	RF
-1X	65C32942-32SP		COMPARTMENT ASSY-OVERHEAD STOWAGE (FOR DETAILS SEE FIG. 2) (REWORKED BY ALERT SB 737- 25A1283) (NO EQUIVALENT BOEING REPLACEMENT PART NUMBER)							DE	RF
-1Y	65C32942-33SP		COMPARTMENT ASSY-OVERHEAD STOWAGE (FOR DETAILS SEE FIG. 2) (REWORKED BY ALERT SB 737- 25A1283) (NO EQUIVALENT BOEING REPLACEMENT PART NUMBER)							DF	RF

-Item not Illustrated

25-28-48

ILLUSTRATED PARTS LIST

Page 1098.45

Mar 01/2006



COMPONENT MAINTENANCE MANUAL

FIG/ ITEM	PART NUMBER	AIRLINE PART NUMBER	NOMENCLATURE							USAGE CODE	UNITS PER ASSY
			1	2	3	4	5	6	7		
1- -1Z	65C32942-34SP		COMPARTMENT ASSY-OVERHEAD STOWAGE (REWORKED BY ALERT SB 737- 25A1283) (NO EQUIVALENT BOEING REPLACEMENT PART NUMBER)							R	RF
-2	65C32942-35SP		COMPARTMENT ASSY-OVERHEAD STOWAGE (REWORKED BY ALERT SB 737- 25A1283) (NO EQUIVALENT BOEING REPLACEMENT PART NUMBER)							S	RF
-2A	65C32942-36SP		COMPARTMENT ASSY-OVERHEAD STOWAGE (FOR DETAILS SEE FIG. 2) (REWORKED BY ALERT SB 737- 25A1283) (NO EQUIVALENT BOEING REPLACEMENT PART NUMBER)							DG	RF
-2B	65C32942-37SP		COMPARTMENT ASSY-OVERHEAD STOWAGE (FOR DETAILS SEE FIG. 2) (REWORKED BY ALERT SB 737- 25A1283) (NO EQUIVALENT BOEING REPLACEMENT PART NUMBER)							DH	RF
-2C	65C32942-38SP		COMPARTMENT ASSY-OVERHEAD STOWAGE (REWORKED BY ALERT SB 737- 25A1283) (NO EQUIVALENT BOEING REPLACEMENT PART NUMBER)							T	RF
-2D	65C32942-39SP		COMPARTMENT ASSY-OVERHEAD STOWAGE (REWORKED BY ALERT SB 737- 25A1283) (NO EQUIVALENT BOEING REPLACEMENT PART NUMBER)							U	RF

-Item not Illustrated

25-28-48

ILLUSTRATED PARTS LIST

Page 1098.46

Mar 01/2006



COMPONENT MAINTENANCE MANUAL

FIG/ ITEM	PART NUMBER	AIRLINE PART NUMBER	NOMENCLATURE							USAGE CODE	UNITS PER ASSY
			1	2	3	4	5	6	7		
1- -2E	65C32942-41SP		COMPARTMENT ASSY-OVERHEAD STOWAGE (FOR DETAILS SEE FIG. 2) (REWORKED BY ALERT SB 737- 25A1283) (NO EQUIVALENT BOEING REPLACEMENT PART NUMBER)							DJ	RF
-2F	65C32942-42SP		COMPARTMENT ASSY-OVERHEAD STOWAGE (REWORKED BY ALERT SB 737- 25A1283) (NO EQUIVALENT BOEING REPLACEMENT PART NUMBER)							V	RF
-2G	65C32942-43SP		COMPARTMENT ASSY-OVERHEAD STOWAGE (REWORKED BY ALERT SB 737- 25A1283) (NO EQUIVALENT BOEING REPLACEMENT PART NUMBER)							W	RF
-2H	65C32942-44SP		COMPARTMENT ASSY-OVERHEAD STOWAGE (FOR DETAILS SEE FIG. 2) (REWORKED BY ALERT SB 737- 25A1283) (NO EQUIVALENT BOEING REPLACEMENT PART NUMBER)							DK	RF
-2J	65C32942-45SP		COMPARTMENT ASSY-OVERHEAD STOWAGE (FOR DETAILS SEE FIG. 2) (REWORKED BY ALERT SB 737- 25A1283) (NO EQUIVALENT BOEING REPLACEMENT PART NUMBER)							DL	RF
-2K	65C32942-46SP		COMPARTMENT ASSY-OVERHEAD STOWAGE (REWORKED BY ALERT SB 737- 25A1283) (NO EQUIVALENT BOEING REPLACEMENT PART NUMBER)							X	RF

-Item not Illustrated

25-28-48

ILLUSTRATED PARTS LIST

Page 1098.47

Mar 01/2006



COMPONENT MAINTENANCE MANUAL

FIG/ ITEM	PART NUMBER	AIRLINE PART NUMBER	NOMENCLATURE							USAGE CODE	UNITS PER ASSY
			1	2	3	4	5	6	7		
1- -2L	65C32942-47SP		COMPARTMENT ASSY-OVERHEAD STOWAGE (REWORKED BY ALERT SB 737- 25A1283) (NO EQUIVALENT BOEING REPLACEMENT PART NUMBER)							Y	RF
-2M	65C32942-48SP		COMPARTMENT ASSY-OVERHEAD STOWAGE (FOR DETAILS SEE FIG. 2) (REWORKED BY ALERT SB 737- 25A1283) (NO EQUIVALENT BOEING REPLACEMENT PART NUMBER)							DM	RF
-2N	65C32942-49SP		COMPARTMENT ASSY-OVERHEAD STOWAGE (FOR DETAILS SEE FIG. 2) (REWORKED BY ALERT SB 737- 25A1283) (NO EQUIVALENT BOEING REPLACEMENT PART NUMBER)							DN	RF
-2P	65C32942-50SP		COMPARTMENT ASSY-OVERHEAD STOWAGE (REWORKED BY ALERT SB 737- 25A1283) (NO EQUIVALENT BOEING REPLACEMENT PART NUMBER)							Z	RF
-2Q	65C32942-51SP		COMPARTMENT ASSY-OVERHEAD STOWAGE (REWORKED BY ALERT SB 737- 25A1283) (NO EQUIVALENT BOEING REPLACEMENT PART NUMBER)							AA	RF
-2R	65C32942-52SP		COMPARTMENT ASSY-OVERHEAD STOWAGE (FOR DETAILS SEE FIG. 2) (REWORKED BY ALERT SB 737- 25A1283) (NO EQUIVALENT BOEING REPLACEMENT PART NUMBER)							DP	RF

-Item not Illustrated

25-28-48

ILLUSTRATED PARTS LIST

Page 1098.48

Mar 01/2006



COMPONENT MAINTENANCE MANUAL

FIG/ ITEM	PART NUMBER	AIRLINE PART NUMBER	NOMENCLATURE							USAGE CODE	UNITS PER ASSY
			1	2	3	4	5	6	7		
1- -2S	65C32942-53SP		COMPARTMENT ASSY-OVERHEAD STOWAGE (FOR DETAILS SEE FIG. 7) (REWORKED BY ALERT SB 737- 25A1283) (NO EQUIVALENT BOEING REPLACEMENT PART NUMBER)							JR	RF
-2T	65C32942-54SP		COMPARTMENT ASSY-OVERHEAD STOWAGE (FOR DETAILS SEE FIG. 5) (REWORKED BY ALERT SB 737- 25A1283) (NO EQUIVALENT BOEING REPLACEMENT PART NUMBER)							HS	RF
-2U	65C32942-55SP		COMPARTMENT ASSY-OVERHEAD STOWAGE (REWORKED BY ALERT SB 737- 25A1283) (NO EQUIVALENT BOEING REPLACEMENT PART NUMBER)							AB	RF
-2V	65C32942-56SP		COMPARTMENT ASSY-OVERHEAD STOWAGE (FOR DETAILS SEE FIG. 2) (REWORKED BY ALERT SB 737- 25A1283) (NO EQUIVALENT BOEING REPLACEMENT PART NUMBER)							DQ	RF
-2W	65C32942-57SP		COMPARTMENT ASSY-OVERHEAD STOWAGE (FOR DETAILS SEE FIG. 7) (REWORKED BY ALERT SB 737- 25A1283) (NO EQUIVALENT BOEING REPLACEMENT PART NUMBER)							JS	RF
-2X	65C32942-58SP		COMPARTMENT ASSY-OVERHEAD STOWAGE (FOR DETAILS SEE FIG. 5) (REWORKED BY ALERT SB 737- 25A1283) (NO EQUIVALENT BOEING REPLACEMENT PART NUMBER)							HT	RF

-Item not Illustrated

25-28-48

ILLUSTRATED PARTS LIST

Page 1098.49

Mar 01/2006



COMPONENT MAINTENANCE MANUAL

FIG/ ITEM	PART NUMBER	AIRLINE PART NUMBER	NOMENCLATURE							USAGE CODE	UNITS PER ASSY
			1	2	3	4	5	6	7		
1- -2Y	65C32942-60SP		COMPARTMENT ASSY-OVERHEAD STOWAGE (FOR DETAILS SEE FIG. 5) (REWORKED BY ALERT SB 737- 25A1283) (NO EQUIVALENT BOEING REPLACEMENT PART NUMBER)							HU	RF
-2Z	65C32942-61SP		COMPARTMENT ASSY-OVERHEAD STOWAGE (REWORKED BY ALERT SB 737- 25A1283) (NO EQUIVALENT BOEING REPLACEMENT PART NUMBER)							AC	RF
-3	65C32942-62SP		COMPARTMENT ASSY-OVERHEAD STOWAGE (REWORKED BY ALERT SB 737- 25A1283) (NO EQUIVALENT BOEING REPLACEMENT PART NUMBER)							AD	RF
-3A	65C32942-63SP		COMPARTMENT ASSY-OVERHEAD STOWAGE (FOR DETAILS SEE FIG. 2) (REWORKED BY ALERT SB 737- 25A1283) (NO EQUIVALENT BOEING REPLACEMENT PART NUMBER)							DR	RF
-3B	65C32942-64SP		COMPARTMENT ASSY-OVERHEAD STOWAGE (FOR DETAILS SEE FIG. 5) (REWORKED BY ALERT SB 737- 25A1283) (NO EQUIVALENT BOEING REPLACEMENT PART NUMBER)							HV	RF
-3C	65C32942-65SP		COMPARTMENT ASSY-OVERHEAD STOWAGE (FOR DETAILS SEE FIG. 2) (REWORKED BY ALERT SB 737- 25A1283) (NO EQUIVALENT BOEING REPLACEMENT PART NUMBER)							DS	RF

-Item not Illustrated

25-28-48

ILLUSTRATED PARTS LIST

Page 1098.50

Mar 01/2006



COMPONENT MAINTENANCE MANUAL

FIG/ ITEM	PART NUMBER	AIRLINE PART NUMBER	NOMENCLATURE							USAGE CODE	UNITS PER ASSY
			1	2	3	4	5	6	7		
1- -3D	65C32942-66SP		COMPARTMENT ASSY-OVERHEAD STOWAGE (REWORKED BY ALERT SB 737- 25A1283) (NO EQUIVALENT BOEING REPLACEMENT PART NUMBER)							AE	RF
-3E	65C32942-67SP		COMPARTMENT ASSY-OVERHEAD STOWAGE (FOR DETAILS SEE FIG. 7) (REWORKED BY ALERT SB 737- 25A1283) (NO EQUIVALENT BOEING REPLACEMENT PART NUMBER)							JT	RF
-3F	65C32942-68SP		COMPARTMENT ASSY-OVERHEAD STOWAGE (FOR DETAILS SEE FIG. 5) (REWORKED BY ALERT SB 737- 25A1283) (NO EQUIVALENT BOEING REPLACEMENT PART NUMBER)							HW	RF
-3G	65C32942-69SP		COMPARTMENT ASSY-OVERHEAD STOWAGE (REWORKED BY ALERT SB 737- 25A1283) (NO EQUIVALENT BOEING REPLACEMENT PART NUMBER)							AF	RF
-3H	65C32942-70SP		COMPARTMENT ASSY-OVERHEAD STOWAGE (FOR DETAILS SEE FIG. 2) (REWORKED BY ALERT SB 737- 25A1283) (NO EQUIVALENT BOEING REPLACEMENT PART NUMBER)							DT	RF
-3J	65C32942-71SP		COMPARTMENT ASSY-OVERHEAD STOWAGE (FOR DETAILS SEE FIG. 2) (REWORKED BY ALERT SB 737- 25A1283) (NO EQUIVALENT BOEING REPLACEMENT PART NUMBER)							DU	RF

-Item not Illustrated

25-28-48

ILLUSTRATED PARTS LIST

Page 1098.51

Mar 01/2006



COMPONENT MAINTENANCE MANUAL

FIG/ ITEM	PART NUMBER	AIRLINE PART NUMBER	NOMENCLATURE							USAGE CODE	UNITS PER ASSY
			1	2	3	4	5	6	7		
1- -3K	65C32942-72SP		COMPARTMENT ASSY-OVERHEAD STOWAGE (REWORKED BY ALERT SB 737- 25A1283) (NO EQUIVALENT BOEING REPLACEMENT PART NUMBER)							AG	RF
-3L	65C32942-73SP		COMPARTMENT ASSY-OVERHEAD STOWAGE (REWORKED BY ALERT SB 737- 25A1283) (NO EQUIVALENT BOEING REPLACEMENT PART NUMBER)							AH	RF
-3M	65C32942-74SP		COMPARTMENT ASSY-OVERHEAD STOWAGE (FOR DETAILS SEE FIG. 2) (REWORKED BY ALERT SB 737- 25A1283) (NO EQUIVALENT BOEING REPLACEMENT PART NUMBER)							DV	RF
-3N	65C32942-75SP		COMPARTMENT ASSY-OVERHEAD STOWAGE (FOR DETAILS SEE FIG. 2) (REWORKED BY ALERT SB 737- 25A1283) (NO EQUIVALENT BOEING REPLACEMENT PART NUMBER)							DW	RF
-3P	65C32942-76SP		COMPARTMENT ASSY-OVERHEAD STOWAGE (REWORKED BY ALERT SB 737- 25A1283) (NO EQUIVALENT BOEING REPLACEMENT PART NUMBER)							AJ	RF
-3Q	65C32942-77SP		COMPARTMENT ASSY-OVERHEAD STOWAGE (REWORKED BY ALERT SB 737- 25A1283) (NO EQUIVALENT BOEING REPLACEMENT PART NUMBER)							AK	RF

-Item not Illustrated

25-28-48

ILLUSTRATED PARTS LIST

Page 1098.52

Mar 01/2006



COMPONENT MAINTENANCE MANUAL

FIG/ ITEM	PART NUMBER	AIRLINE PART NUMBER	NOMENCLATURE							USAGE CODE	UNITS PER ASSY
			1	2	3	4	5	6	7		
1- -3R	65C32942-78SP		COMPARTMENT ASSY-OVERHEAD STOWAGE (FOR DETAILS SEE FIG. 2) (REWORKED BY ALERT SB 737- 25A1283) (NO EQUIVALENT BOEING REPLACEMENT PART NUMBER)							DX	RF
-3S	65C32942-79SP		COMPARTMENT ASSY-OVERHEAD STOWAGE (FOR DETAILS SEE FIG. 2) (REWORKED BY ALERT SB 737- 25A1283) (NO EQUIVALENT BOEING REPLACEMENT PART NUMBER)							DY	RF
-3T	65C32942-80SP		COMPARTMENT ASSY-OVERHEAD STOWAGE (REWORKED BY ALERT SB 737- 25A1283) (NO EQUIVALENT BOEING REPLACEMENT PART NUMBER)							AL	RF
-3U	65C32942-81SP		COMPARTMENT ASSY-OVERHEAD STOWAGE (REWORKED BY ALERT SB 737- 25A1283) (NO EQUIVALENT BOEING REPLACEMENT PART NUMBER)							AM	RF
-3V	65C32942-82SP		COMPARTMENT ASSY-OVERHEAD STOWAGE (FOR DETAILS SEE FIG. 2) (REWORKED BY ALERT SB 737- 25A1283) (NO EQUIVALENT BOEING REPLACEMENT PART NUMBER)							DZ	RF
-3W	65C32942-83SP		COMPARTMENT ASSY-OVERHEAD STOWAGE (FOR DETAILS SEE FIG. 2) (REWORKED BY ALERT SB 737- 25A1283) (NO EQUIVALENT BOEING REPLACEMENT PART NUMBER)							EA	RF

-Item not Illustrated

25-28-48

ILLUSTRATED PARTS LIST

Page 1098.53

Mar 01/2006



COMPONENT MAINTENANCE MANUAL

FIG/ ITEM	PART NUMBER	AIRLINE PART NUMBER	NOMENCLATURE							USAGE CODE	UNITS PER ASSY
			1	2	3	4	5	6	7		
1- -3X	65C32942-84SP		COMPARTMENT ASSY-OVERHEAD STOWAGE (REWORKED BY ALERT SB 737- 25A1283) (NO EQUIVALENT BOEING REPLACEMENT PART NUMBER)							AN	RF
-3Y	65C32942-85SP		COMPARTMENT ASSY-OVERHEAD STOWAGE (FOR DETAILS SEE FIG. 7) (REWORKED BY ALERT SB 737- 25A1283) (NO EQUIVALENT BOEING REPLACEMENT PART NUMBER)							JU	RF
-3Z	65C32942-86SP		COMPARTMENT ASSY-OVERHEAD STOWAGE (FOR DETAILS SEE FIG. 2) (REWORKED BY ALERT SB 737- 25A1283) (NO EQUIVALENT BOEING REPLACEMENT PART NUMBER)							EB	RF
-4	65C32942-87SP		COMPARTMENT ASSY-OVERHEAD STOWAGE (FOR DETAILS SEE FIG. 12) (REWORKED BY ALERT SB 737- 25A1283) (NO EQUIVALENT BOEING REPLACEMENT PART NUMBER)							KT	RF
-4A	65C32942-88SP		COMPARTMENT ASSY-OVERHEAD STOWAGE (FOR DETAILS SEE FIG. 5) (REWORKED BY ALERT SB 737- 25A1283) (NO EQUIVALENT BOEING REPLACEMENT PART NUMBER)							HX	RF
-4B	65C32942-89SP		COMPARTMENT ASSY-OVERHEAD STOWAGE (REWORKED BY ALERT SB 737- 25A1283) (NO EQUIVALENT BOEING REPLACEMENT PART NUMBER)							HE	RF

-Item not Illustrated

25-28-48

ILLUSTRATED PARTS LIST

Page 1098.54

Mar 01/2006



COMPONENT MAINTENANCE MANUAL

FIG/ ITEM	PART NUMBER	AIRLINE PART NUMBER	NOMENCLATURE							USAGE CODE	UNITS PER ASSY
			1	2	3	4	5	6	7		
1- -4C	65C32942-91SP		COMPARTMENT ASSY-OVERHEAD STOWAGE (FOR DETAILS SEE FIG. 2) (REWORKED BY ALERT SB 737- 25A1283) (NO EQUIVALENT BOEING REPLACEMENT PART NUMBER)							EC	RF
-4D	65C32942-92SP		COMPARTMENT ASSY-OVERHEAD STOWAGE (REWORKED BY ALERT SB 737- 25A1283) (NO EQUIVALENT BOEING REPLACEMENT PART NUMBER)							AP	RF
-4E	65C32942-93SP		COMPARTMENT ASSY-OVERHEAD STOWAGE (FOR DETAILS SEE FIG. 2) (REWORKED BY ALERT SB 737- 25A1283) (NO EQUIVALENT BOEING REPLACEMENT PART NUMBER)							ED	RF
-4F	65C32942-100SP		COMPARTMENT ASSY-OVERHEAD STOWAGE (REWORKED BY ALERT SB 737- 25A1283) (NO EQUIVALENT BOEING REPLACEMENT PART NUMBER)							AQ	RF
-4G	65C32942-101SP		COMPARTMENT ASSY-OVERHEAD STOWAGE (REWORKED BY ALERT SB 737- 25A1283) (NO EQUIVALENT BOEING REPLACEMENT PART NUMBER)							AR	RF
-4H	65C32942-102SP		COMPARTMENT ASSY-OVERHEAD STOWAGE (FOR DETAILS SEE FIG. 2) (REWORKED BY ALERT SB 737- 25A1283) (NO EQUIVALENT BOEING REPLACEMENT PART NUMBER)							EE	RF

-Item not Illustrated

25-28-48

ILLUSTRATED PARTS LIST

Page 1098.55

Mar 01/2006



COMPONENT MAINTENANCE MANUAL

FIG/ ITEM	PART NUMBER	AIRLINE PART NUMBER	NOMENCLATURE							USAGE CODE	UNITS PER ASSY
			1	2	3	4	5	6	7		
1- -4J	65C32942-103SP		COMPARTMENT ASSY-OVERHEAD STOWAGE (FOR DETAILS SEE FIG. 2) (REWORKED BY ALERT SB 737- 25A1283) (NO EQUIVALENT BOEING REPLACEMENT PART NUMBER)							EF	RF
-4K	65C32942-104SP		COMPARTMENT ASSY-OVERHEAD STOWAGE (REWORKED BY ALERT SB 737- 25A1283) (NO EQUIVALENT BOEING REPLACEMENT PART NUMBER)							AS	RF
-4L	65C32942-105SP		COMPARTMENT ASSY-OVERHEAD STOWAGE (REWORKED BY ALERT SB 737- 25A1283) (NO EQUIVALENT BOEING REPLACEMENT PART NUMBER)							AT	RF
-4M	65C32942-106SP		COMPARTMENT ASSY-OVERHEAD STOWAGE (FOR DETAILS SEE FIG. 2) (REWORKED BY ALERT SB 737- 25A1283) (NO EQUIVALENT BOEING REPLACEMENT PART NUMBER)							EG	RF
-4N	65C32942-107SP		COMPARTMENT ASSY-OVERHEAD STOWAGE (FOR DETAILS SEE FIG. 2) (REWORKED BY ALERT SB 737- 25A1283) (NO EQUIVALENT BOEING REPLACEMENT PART NUMBER)							EH	RF
-4P	65C32942-108SP		COMPARTMENT ASSY-OVERHEAD STOWAGE (REWORKED BY ALERT SB 737- 25A1283) (NO EQUIVALENT BOEING REPLACEMENT PART NUMBER)							AU	RF

-Item not Illustrated

25-28-48

ILLUSTRATED PARTS LIST

Page 1098.56

Mar 01/2006



COMPONENT MAINTENANCE MANUAL

FIG/ ITEM	PART NUMBER	AIRLINE PART NUMBER	NOMENCLATURE							USAGE CODE	UNITS PER ASSY
			1	2	3	4	5	6	7		
1- -4Q	65C32942-109SP		COMPARTMENT ASSY-OVERHEAD STOWAGE (REWORKED BY ALERT SB 737- 25A1283) (NO EQUIVALENT BOEING REPLACEMENT PART NUMBER)							AV	RF
-4R	65C32942-110SP		COMPARTMENT ASSY-OVERHEAD STOWAGE (FOR DETAILS SEE FIG. 2) (REWORKED BY ALERT SB 737- 25A1283) (NO EQUIVALENT BOEING REPLACEMENT PART NUMBER)							EJ	RF
-4S	65C32942-111SP		COMPARTMENT ASSY-OVERHEAD STOWAGE (FOR DETAILS SEE FIG. 2) (REWORKED BY ALERT SB 737- 25A1283) (NO EQUIVALENT BOEING REPLACEMENT PART NUMBER)							EK	RF
-4T	65C32942-112SP		COMPARTMENT ASSY-OVERHEAD STOWAGE (REWORKED BY ALERT SB 737- 25A1283) (NO EQUIVALENT BOEING REPLACEMENT PART NUMBER)							AW	RF
-4U	65C32942-113SP		COMPARTMENT ASSY-OVERHEAD STOWAGE (FOR DETAILS SEE FIG. 7) (REWORKED BY ALERT SB 737- 25A1283) (NO EQUIVALENT BOEING REPLACEMENT PART NUMBER)							JV	RF
-4V	65C32942-114SP		COMPARTMENT ASSY-OVERHEAD STOWAGE (FOR DETAILS SEE FIG. 2) (REWORKED BY ALERT SB 737- 25A1283) (NO EQUIVALENT BOEING REPLACEMENT PART NUMBER)							EL	RF

-Item not Illustrated

25-28-48

ILLUSTRATED PARTS LIST

Page 1098.57

Mar 01/2006



COMPONENT MAINTENANCE MANUAL

FIG/ ITEM	PART NUMBER	AIRLINE PART NUMBER	NOMENCLATURE							USAGE CODE	UNITS PER ASSY
			1	2	3	4	5	6	7		
1- -4W	65C32942-115SP		COMPARTMENT ASSY-OVERHEAD STOWAGE (FOR DETAILS SEE FIG. 12) (REWORKED BY ALERT SB 737- 25A1283) (NO EQUIVALENT BOEING REPLACEMENT PART NUMBER)							KU	RF
-4X	65C32942-116SP		COMPARTMENT ASSY-OVERHEAD STOWAGE (FOR DETAILS SEE FIG. 5) (REWORKED BY ALERT SB 737- 25A1283) (NO EQUIVALENT BOEING REPLACEMENT PART NUMBER)							HY	RF
-4Y	65C32942-117SP		COMPARTMENT ASSY-OVERHEAD STOWAGE (FOR DETAILS SEE FIG. 7) (REWORKED BY ALERT SB 737- 25A1283) (NO EQUIVALENT BOEING REPLACEMENT PART NUMBER)							JW	RF
-4Z	65C32942-118SP		COMPARTMENT ASSY-OVERHEAD STOWAGE (FOR DETAILS SEE FIG. 2) (REWORKED BY ALERT SB 737- 25A1283) (NO EQUIVALENT BOEING REPLACEMENT PART NUMBER)							EM	RF
5	BACB30NM3K1		DELETED								
-5A	65C32942-119SP		COMPARTMENT ASSY-OVERHEAD STOWAGE (FOR DETAILS SEE FIG. 3) (REWORKED BY ALERT SB 737- 25A1283) (NO EQUIVALENT BOEING REPLACEMENT PART NUMBER)							HF	RF
-5B	65C32942-120SP		COMPARTMENT ASSY-OVERHEAD STOWAGE (FOR DETAILS SEE FIG. 2) (REWORKED BY ALERT SB 737- 25A1283) (NO EQUIVALENT BOEING REPLACEMENT PART NUMBER)							EN	RF

-Item not Illustrated

25-28-48

ILLUSTRATED PARTS LIST

Page 1098.58

Mar 01/2006



COMPONENT MAINTENANCE MANUAL

FIG/ ITEM	PART NUMBER	AIRLINE PART NUMBER	NOMENCLATURE							USAGE CODE	UNITS PER ASSY
			1	2	3	4	5	6	7		
1- -5C	65C32942-121SP		COMPARTMENT ASSY-OVERHEAD STOWAGE (FOR DETAILS SEE FIG. 6) (REWORKED BY ALERT SB 737- 25A1283) (NO EQUIVALENT BOEING REPLACEMENT PART NUMBER)							JH	RF
-5D	65C32942-122SP		COMPARTMENT ASSY-OVERHEAD STOWAGE (FOR DETAILS SEE FIG. 2) (REWORKED BY ALERT SB 737- 25A1283) (NO EQUIVALENT BOEING REPLACEMENT PART NUMBER)							EP	RF
-5E	65C32942-123SP		COMPARTMENT ASSY-OVERHEAD STOWAGE (FOR DETAILS SEE FIG. 2) (REWORKED BY ALERT SB 737- 25A1283) (NO EQUIVALENT BOEING REPLACEMENT PART NUMBER)							EQ	RF
-5F	65C32942-124SP		COMPARTMENT ASSY-OVERHEAD STOWAGE (FOR DETAILS SEE FIG. 10) (REWORKED BY ALERT SB 737- 25A1283) (NO EQUIVALENT BOEING REPLACEMENT PART NUMBER)							HQ	RF
-5G	65C32942-125SP		COMPARTMENT ASSY-OVERHEAD STOWAGE (FOR DETAILS SEE FIG. 7) (REWORKED BY ALERT SB 737- 25A1283) (NO EQUIVALENT BOEING REPLACEMENT PART NUMBER)							JX	RF
-5H	65C32942-126SP		COMPARTMENT ASSY-OVERHEAD STOWAGE (FOR DETAILS SEE FIG. 7) (REWORKED BY ALERT SB 737- 25A1283) (NO EQUIVALENT BOEING REPLACEMENT PART NUMBER)							JY	RF

-Item not Illustrated

25-28-48

ILLUSTRATED PARTS LIST

Page 1098.59

Mar 01/2006



COMPONENT MAINTENANCE MANUAL

FIG/ ITEM	PART NUMBER	AIRLINE PART NUMBER	NOMENCLATURE							USAGE CODE	UNITS PER ASSY
			1	2	3	4	5	6	7		
1- -5J	65C32942-127SP		COMPARTMENT ASSY-OVERHEAD STOWAGE (REWORKED BY ALERT SB 737- 25A1283) (NO EQUIVALENT BOEING REPLACEMENT PART NUMBER)							AX	RF
-5K	65C32942-128SP		COMPARTMENT ASSY-OVERHEAD STOWAGE (FOR DETAILS SEE FIG. 5) (REWORKED BY ALERT SB 737- 25A1283) (NO EQUIVALENT BOEING REPLACEMENT PART NUMBER)							HZ	RF
-5L	65C32942-129SP		COMPARTMENT ASSY-OVERHEAD STOWAGE (FOR DETAILS SEE FIG. 2) (REWORKED BY ALERT SB 737- 25A1283) (NO EQUIVALENT BOEING REPLACEMENT PART NUMBER)							ER	RF
-5M	65C32942-130SP		COMPARTMENT ASSY-OVERHEAD STOWAGE (FOR DETAILS SEE FIG. 6) (REWORKED BY ALERT SB 737- 25A1283) (NO EQUIVALENT BOEING REPLACEMENT PART NUMBER)							JJ	RF
-5N	65C32942-131SP		COMPARTMENT ASSY-OVERHEAD STOWAGE (FOR DETAILS SEE FIG. 8) (REWORKED BY ALERT SB 737- 25A1283) (NO EQUIVALENT BOEING REPLACEMENT PART NUMBER)							KM	RF
-5P	65C32942-133SP		COMPARTMENT ASSY-OVERHEAD STOWAGE (FOR DETAILS SEE FIG. 13) (REWORKED BY ALERT SB 737- 25A1283) (NO EQUIVALENT BOEING REPLACEMENT PART NUMBER)							KX	RF

-Item not Illustrated

25-28-48

ILLUSTRATED PARTS LIST

Page 1098.60

Mar 01/2006



COMPONENT MAINTENANCE MANUAL

FIG/ ITEM	PART NUMBER	AIRLINE PART NUMBER	NOMENCLATURE							USAGE CODE	UNITS PER ASSY
			1	2	3	4	5	6	7		
1- -5Q	65C32942-134SP		COMPARTMENT ASSY-OVERHEAD STOWAGE (FOR DETAILS SEE FIG. 9) (REWORKED BY ALERT SB 737- 25A1283) (NO EQUIVALENT BOEING REPLACEMENT PART NUMBER)							HM	RF
-5R	65C32942-135SP		COMPARTMENT ASSY-OVERHEAD STOWAGE (FOR DETAILS SEE FIG. 8) (REWORKED BY ALERT SB 737- 25A1283) (NO EQUIVALENT BOEING REPLACEMENT PART NUMBER)							KN	RF
-5S	65C32942-136SP		COMPARTMENT ASSY-OVERHEAD STOWAGE (FOR DETAILS SEE FIG. 6) (REWORKED BY ALERT SB 737- 25A1283) (NO EQUIVALENT BOEING REPLACEMENT PART NUMBER)							JK	RF
-5T	65C32942-301SP		COMPARTMENT ASSY-OVERHEAD STOWAGE (FOR DETAILS SEE FIG. 5) (REWORKED BY ALERT SB 737- 25A1283) (NO EQUIVALENT BOEING REPLACEMENT PART NUMBER)							JA	RF
-5U	65C32942-302SP		COMPARTMENT ASSY-OVERHEAD STOWAGE (FOR DETAILS SEE FIG. 12) (REWORKED BY ALERT SB 737- 25A1283) (NO EQUIVALENT BOEING REPLACEMENT PART NUMBER)							KV	RF
-5V	65C32942-303SP		COMPARTMENT ASSY-OVERHEAD STOWAGE (FOR DETAILS SEE FIG. 3) (REWORKED BY ALERT SB 737- 25A1283) (NO EQUIVALENT BOEING REPLACEMENT PART NUMBER)							HG	RF

-Item not Illustrated

25-28-48

ILLUSTRATED PARTS LIST

Page 1098.61

Mar 01/2006



COMPONENT MAINTENANCE MANUAL

FIG/ ITEM	PART NUMBER	AIRLINE PART NUMBER	NOMENCLATURE							USAGE CODE	UNITS PER ASSY
			1	2	3	4	5	6	7		
1- -5W	65C32942-304SP		COMPARTMENT ASSY-OVERHEAD STOWAGE (REWORKED BY ALERT SB 737- 25A1283) (NO EQUIVALENT BOEING REPLACEMENT PART NUMBER)							AY	RF
-5X	65C32942-305SP		COMPARTMENT ASSY-OVERHEAD STOWAGE (FOR DETAILS SEE FIG. 2) (REWORKED BY ALERT SB 737- 25A1283) (NO EQUIVALENT BOEING REPLACEMENT PART NUMBER)							ES	RF
-5Y	65C32942-306SP		COMPARTMENT ASSY-OVERHEAD STOWAGE (FOR DETAILS SEE FIG. 2) (REWORKED BY ALERT SB 737- 25A1283) (NO EQUIVALENT BOEING REPLACEMENT PART NUMBER)							ET	RF
-5Z	65C32942-307SP		COMPARTMENT ASSY-OVERHEAD STOWAGE (REWORKED BY ALERT SB 737- 25A1283) (NO EQUIVALENT BOEING REPLACEMENT PART NUMBER)							AZ	RF
-6	65C32942-308SP		COMPARTMENT ASSY-OVERHEAD STOWAGE (REWORKED BY ALERT SB 737- 25A1283) (NO EQUIVALENT BOEING REPLACEMENT PART NUMBER)							BA	RF
-6A	65C32942-309SP		COMPARTMENT ASSY-OVERHEAD STOWAGE (FOR DETAILS SEE FIG. 2) (REWORKED BY ALERT SB 737- 25A1283) (NO EQUIVALENT BOEING REPLACEMENT PART NUMBER)							EU	RF

-Item not Illustrated

25-28-48

ILLUSTRATED PARTS LIST

Page 1098.62

Mar 01/2006



COMPONENT MAINTENANCE MANUAL

FIG/ ITEM	PART NUMBER	AIRLINE PART NUMBER	NOMENCLATURE							USAGE CODE	UNITS PER ASSY
			1	2	3	4	5	6	7		
1- -6B	65C32942-310SP		COMPARTMENT ASSY-OVERHEAD STOWAGE (FOR DETAILS SEE FIG. 2) (REWORKED BY ALERT SB 737- 25A1283) (NO EQUIVALENT BOEING REPLACEMENT PART NUMBER)							EV	RF
-6C	65C32942-311SP		COMPARTMENT ASSY-OVERHEAD STOWAGE (REWORKED BY ALERT SB 737- 25A1283) (NO EQUIVALENT BOEING REPLACEMENT PART NUMBER)							BB	RF
-6D	65C32942-312SP		COMPARTMENT ASSY-OVERHEAD STOWAGE (REWORKED BY ALERT SB 737- 25A1283) (NO EQUIVALENT BOEING REPLACEMENT PART NUMBER)							BC	RF
-6E	65C32942-313SP		COMPARTMENT ASSY-OVERHEAD STOWAGE (FOR DETAILS SEE FIG. 2) (REWORKED BY ALERT SB 737- 25A1283) (NO EQUIVALENT BOEING REPLACEMENT PART NUMBER)							EW	RF
-6F	65C32942-314SP		COMPARTMENT ASSY-OVERHEAD STOWAGE (REWORKED BY ALERT SB 737- 25A1283) (NO EQUIVALENT BOEING REPLACEMENT PART NUMBER)							BD	RF
-6G	65C32942-315SP		COMPARTMENT ASSY-OVERHEAD STOWAGE (REWORKED BY ALERT SB 737- 25A1283) (NO EQUIVALENT BOEING REPLACEMENT PART NUMBER)							BE	RF

-Item not Illustrated

25-28-48

ILLUSTRATED PARTS LIST

Page 1098.63

Mar 01/2006



COMPONENT MAINTENANCE MANUAL

FIG/ ITEM	PART NUMBER	AIRLINE PART NUMBER	NOMENCLATURE							USAGE CODE	UNITS PER ASSY
			1	2	3	4	5	6	7		
1- -6H	65C32942-316SP		COMPARTMENT ASSY-OVERHEAD STOWAGE (FOR DETAILS SEE FIG. 2) (REWORKED BY ALERT SB 737- 25A1283) (NO EQUIVALENT BOEING REPLACEMENT PART NUMBER)							EX	RF
-6J	65C32942-317SP		COMPARTMENT ASSY-OVERHEAD STOWAGE (FOR DETAILS SEE FIG. 2) (REWORKED BY ALERT SB 737- 25A1283) (NO EQUIVALENT BOEING REPLACEMENT PART NUMBER)							EY	RF
-6K	65C32942-318SP		COMPARTMENT ASSY-OVERHEAD STOWAGE (REWORKED BY ALERT SB 737- 25A1283) (NO EQUIVALENT BOEING REPLACEMENT PART NUMBER)							BF	RF
-6L	65C32942-319SP		COMPARTMENT ASSY-OVERHEAD STOWAGE (REWORKED BY ALERT SB 737- 25A1283) (NO EQUIVALENT BOEING REPLACEMENT PART NUMBER)							BG	RF
-6M	65C32942-320SP		COMPARTMENT ASSY-OVERHEAD STOWAGE (FOR DETAILS SEE FIG. 2) (REWORKED BY ALERT SB 737- 25A1283) (NO EQUIVALENT BOEING REPLACEMENT PART NUMBER)							EZ	RF
-6N	65C32942-321SP		COMPARTMENT ASSY-OVERHEAD STOWAGE (FOR DETAILS SEE FIG. 2) (REWORKED BY ALERT SB 737- 25A1283) (NO EQUIVALENT BOEING REPLACEMENT PART NUMBER)							FA	RF

-Item not Illustrated

25-28-48

ILLUSTRATED PARTS LIST

Page 1098.64

Mar 01/2006



COMPONENT MAINTENANCE MANUAL

FIG/ ITEM	PART NUMBER	AIRLINE PART NUMBER	NOMENCLATURE							USAGE CODE	UNITS PER ASSY
			1	2	3	4	5	6	7		
1- -6P	65C32942-322SP		COMPARTMENT ASSY-OVERHEAD STOWAGE (REWORKED BY ALERT SB 737- 25A1283) (NO EQUIVALENT BOEING REPLACEMENT PART NUMBER)							BH	RF
-6Q	65C32942-323SP		COMPARTMENT ASSY-OVERHEAD STOWAGE (REWORKED BY ALERT SB 737- 25A1283) (NO EQUIVALENT BOEING REPLACEMENT PART NUMBER)							BJ	RF
-6R	65C32942-324SP		COMPARTMENT ASSY-OVERHEAD STOWAGE (FOR DETAILS SEE FIG. 2) (REWORKED BY ALERT SB 737- 25A1283) (NO EQUIVALENT BOEING REPLACEMENT PART NUMBER)							FB	RF
-6S	65C32942-325SP		COMPARTMENT ASSY-OVERHEAD STOWAGE (FOR DETAILS SEE FIG. 7) (REWORKED BY ALERT SB 737- 25A1283) (NO EQUIVALENT BOEING REPLACEMENT PART NUMBER)							JZ	RF
-6T	65C32942-326SP		COMPARTMENT ASSY-OVERHEAD STOWAGE (FOR DETAILS SEE FIG. 2) (REWORKED BY ALERT SB 737- 25A1283) (NO EQUIVALENT BOEING REPLACEMENT PART NUMBER)							FC	RF
-6U	65C32942-327SP		COMPARTMENT ASSY-OVERHEAD STOWAGE (FOR DETAILS SEE FIG. 3) (REWORKED BY ALERT SB 737- 25A1283) (NO EQUIVALENT BOEING REPLACEMENT PART NUMBER)							HH	RF

-Item not Illustrated

25-28-48

ILLUSTRATED PARTS LIST

Page 1098.65

Mar 01/2006



COMPONENT MAINTENANCE MANUAL

FIG/ ITEM	PART NUMBER	AIRLINE PART NUMBER	NOMENCLATURE							USAGE CODE	UNITS PER ASSY
			1	2	3	4	5	6	7		
1- -6V	65C32942-329SP		COMPARTMENT ASSY-OVERHEAD STOWAGE (REWORKED BY ALERT SB 737- 25A1283) (NO EQUIVALENT BOEING REPLACEMENT PART NUMBER)							BK	RF
-6W	65C32942-330SP		COMPARTMENT ASSY-OVERHEAD STOWAGE (FOR DETAILS SEE FIG. 2) (REWORKED BY ALERT SB 737- 25A1283) (NO EQUIVALENT BOEING REPLACEMENT PART NUMBER)							FD	RF
-6X	65C32942-331SP		COMPARTMENT ASSY-OVERHEAD STOWAGE (FOR DETAILS SEE FIG. 2) (REWORKED BY ALERT SB 737- 25A1283) (NO EQUIVALENT BOEING REPLACEMENT PART NUMBER)							FE	RF
-6Y	65C32942-332SP		COMPARTMENT ASSY-OVERHEAD STOWAGE (REWORKED BY ALERT SB 737- 25A1283) (NO EQUIVALENT BOEING REPLACEMENT PART NUMBER)							BL	RF
-6Z	65C32942-333SP		COMPARTMENT ASSY-OVERHEAD STOWAGE (REWORKED BY ALERT SB 737- 25A1283) (NO EQUIVALENT BOEING REPLACEMENT PART NUMBER)							BM	RF
-7	65C32942-334SP		COMPARTMENT ASSY-OVERHEAD STOWAGE (FOR DETAILS SEE FIG. 2) (REWORKED BY ALERT SB 737- 25A1283) (NO EQUIVALENT BOEING REPLACEMENT PART NUMBER)							FF	RF

-Item not Illustrated

25-28-48

ILLUSTRATED PARTS LIST

Page 1098.66

Mar 01/2006



COMPONENT MAINTENANCE MANUAL

FIG/ ITEM	PART NUMBER	AIRLINE PART NUMBER	NOMENCLATURE							USAGE CODE	UNITS PER ASSY
			1	2	3	4	5	6	7		
1- -7A	65C32942-335SP		COMPARTMENT ASSY-OVERHEAD STOWAGE (FOR DETAILS SEE FIG. 2) (REWORKED BY ALERT SB 737- 25A1283) (NO EQUIVALENT BOEING REPLACEMENT PART NUMBER)							FG	RF
-7B	65C32942-336SP		COMPARTMENT ASSY-OVERHEAD STOWAGE (REWORKED BY ALERT SB 737- 25A1283) (NO EQUIVALENT BOEING REPLACEMENT PART NUMBER)							BN	RF
-7C	65C32942-337SP		COMPARTMENT ASSY-OVERHEAD STOWAGE (REWORKED BY ALERT SB 737- 25A1283) (NO EQUIVALENT BOEING REPLACEMENT PART NUMBER)							BP	RF
-7D	65C32942-338SP		COMPARTMENT ASSY-OVERHEAD STOWAGE (FOR DETAILS SEE FIG. 2) (REWORKED BY ALERT SB 737- 25A1283) (NO EQUIVALENT BOEING REPLACEMENT PART NUMBER)							FH	RF
-7E	65C32942-339SP		COMPARTMENT ASSY-OVERHEAD STOWAGE (FOR DETAILS SEE FIG. 2) (REWORKED BY ALERT SB 737- 25A1283) (NO EQUIVALENT BOEING REPLACEMENT PART NUMBER)							FJ	RF
-7F	65C32942-340SP		COMPARTMENT ASSY-OVERHEAD STOWAGE (REWORKED BY ALERT SB 737- 25A1283) (NO EQUIVALENT BOEING REPLACEMENT PART NUMBER)							BQ	RF

-Item not Illustrated

25-28-48

ILLUSTRATED PARTS LIST

Page 1098.67

Mar 01/2006



COMPONENT MAINTENANCE MANUAL

FIG/ ITEM	PART NUMBER	AIRLINE PART NUMBER	NOMENCLATURE							USAGE CODE	UNITS PER ASSY
			1	2	3	4	5	6	7		
1- -7G	65C32942-341SP		COMPARTMENT ASSY-OVERHEAD STOWAGE (REWORKED BY ALERT SB 737- 25A1283) (NO EQUIVALENT BOEING REPLACEMENT PART NUMBER)							BR	RF
-7H	65C32942-342SP		COMPARTMENT ASSY-OVERHEAD STOWAGE (FOR DETAILS SEE FIG. 2) (REWORKED BY ALERT SB 737- 25A1283) (NO EQUIVALENT BOEING REPLACEMENT PART NUMBER)							FK	RF
-7J	65C32942-343SP		COMPARTMENT ASSY-OVERHEAD STOWAGE (FOR DETAILS SEE FIG. 2) (REWORKED BY ALERT SB 737- 25A1283) (NO EQUIVALENT BOEING REPLACEMENT PART NUMBER)							FL	RF
-7K	65C32942-344SP		COMPARTMENT ASSY-OVERHEAD STOWAGE (REWORKED BY ALERT SB 737- 25A1283) (NO EQUIVALENT BOEING REPLACEMENT PART NUMBER)							BS	RF
-7L	65C32942-345SP		COMPARTMENT ASSY-OVERHEAD STOWAGE (FOR DETAILS SEE FIG. 7) (REWORKED BY ALERT SB 737- 25A1283) (NO EQUIVALENT BOEING REPLACEMENT PART NUMBER)							KA	RF
-7M	65C32942-346SP		COMPARTMENT ASSY-OVERHEAD STOWAGE (FOR DETAILS SEE FIG. 2) (REWORKED BY ALERT SB 737- 25A1283) (NO EQUIVALENT BOEING REPLACEMENT PART NUMBER)							FM	RF

-Item not Illustrated

25-28-48

ILLUSTRATED PARTS LIST

Page 1098.68

Mar 01/2006



COMPONENT MAINTENANCE MANUAL

FIG/ ITEM	PART NUMBER	AIRLINE PART NUMBER	NOMENCLATURE							USAGE CODE	UNITS PER ASSY
			1	2	3	4	5	6	7		
1- -7N	65C32942-347SP		COMPARTMENT ASSY-OVERHEAD STOWAGE (FOR DETAILS SEE FIG. 7) (REWORKED BY ALERT SB 737- 25A1283) (NO EQUIVALENT BOEING REPLACEMENT PART NUMBER)							KB	RF
-7P	65C32942-348SP		COMPARTMENT ASSY-OVERHEAD STOWAGE (FOR DETAILS SEE FIG. 5) (REWORKED BY ALERT SB 737- 25A1283) (NO EQUIVALENT BOEING REPLACEMENT PART NUMBER)							JB	RF
-7Q	65C32942-352SP		COMPARTMENT ASSY-OVERHEAD STOWAGE (FOR DETAILS SEE FIG. 7) (REWORKED BY ALERT SB 737- 25A1283) (NO EQUIVALENT BOEING REPLACEMENT PART NUMBER)							KC	RF
-7R	65C32942-353SP		COMPARTMENT ASSY-OVERHEAD STOWAGE (FOR DETAILS SEE FIG. 2) (REWORKED BY ALERT SB 737- 25A1283) (NO EQUIVALENT BOEING REPLACEMENT PART NUMBER)							FN	RF
-7S	65C32942-355SP		COMPARTMENT ASSY-OVERHEAD STOWAGE (REWORKED BY ALERT SB 737- 25A1283) (NO EQUIVALENT BOEING REPLACEMENT PART NUMBER)							BT	RF
-7T	65C32942-376SP		COMPARTMENT ASSY-OVERHEAD STOWAGE (FOR DETAILS SEE FIG. 7) (REWORKED BY ALERT SB 737- 25A1283) (NO EQUIVALENT BOEING REPLACEMENT PART NUMBER)							KD	RF

-Item not Illustrated

25-28-48

ILLUSTRATED PARTS LIST

Page 1098.69

Mar 01/2006



COMPONENT MAINTENANCE MANUAL

FIG/ ITEM	PART NUMBER	AIRLINE PART NUMBER	NOMENCLATURE							USAGE CODE	UNITS PER ASSY
			1	2	3	4	5	6	7		
1- -7U	65C32942-391SP		COMPARTMENT ASSY-OVERHEAD STOWAGE (FOR DETAILS SEE FIG. 11) (REWORKED BY ALERT SB 737- 25A1283) (NO EQUIVALENT BOEING REPLACEMENT PART NUMBER)							HR	RF
-7V	65C32942-392SP		COMPARTMENT ASSY-OVERHEAD STOWAGE (REWORKED BY ALERT SB 737- 25A1283) (NO EQUIVALENT BOEING REPLACEMENT PART NUMBER)							BU	RF
-7W	65C32942-393SP		COMPARTMENT ASSY-OVERHEAD STOWAGE (FOR DETAILS SEE FIG. 2) (REWORKED BY ALERT SB 737- 25A1283) (NO EQUIVALENT BOEING REPLACEMENT PART NUMBER)							FP	RF
-7X	65C32942-394SP		COMPARTMENT ASSY-OVERHEAD STOWAGE (REWORKED BY ALERT SB 737- 25A1283) (NO EQUIVALENT BOEING REPLACEMENT PART NUMBER)							BV	RF
-7Y	65C32942-398SP		COMPARTMENT ASSY-OVERHEAD STOWAGE (FOR DETAILS SEE FIG. 6) (REWORKED BY ALERT SB 737- 25A1283) (NO EQUIVALENT BOEING REPLACEMENT PART NUMBER)							JL	RF
-7Z	65C32942-399SP		COMPARTMENT ASSY-OVERHEAD STOWAGE (FOR DETAILS SEE FIG. 7) (REWORKED BY ALERT SB 737- 25A1283) (NO EQUIVALENT BOEING REPLACEMENT PART NUMBER)							KE	RF

-Item not Illustrated

25-28-48

ILLUSTRATED PARTS LIST

Page 1098.70

Mar 01/2006



COMPONENT MAINTENANCE MANUAL

FIG/ ITEM	PART NUMBER	AIRLINE PART NUMBER	NOMENCLATURE							USAGE CODE	UNITS PER ASSY
			1	2	3	4	5	6	7		
1- -8	65C32942-400SP		COMPARTMENT ASSY-OVERHEAD STOWAGE (FOR DETAILS SEE FIG. 5) (REWORKED BY ALERT SB 737- 25A1283) (NO EQUIVALENT BOEING REPLACEMENT PART NUMBER)							JC	RF
-8A	65C32942-402SP		COMPARTMENT ASSY-OVERHEAD STOWAGE (FOR DETAILS SEE FIG. 5) (REWORKED BY ALERT SB 737- 25A1283) (NO EQUIVALENT BOEING REPLACEMENT PART NUMBER)							JD	RF
-8B	65C32942-403SP		COMPARTMENT ASSY-OVERHEAD STOWAGE (FOR DETAILS SEE FIG. 5) (REWORKED BY ALERT SB 737- 25A1283) (NO EQUIVALENT BOEING REPLACEMENT PART NUMBER)							JE	RF
-8C	65C32942-405SP		COMPARTMENT ASSY-OVERHEAD STOWAGE (FOR DETAILS SEE FIG. 2) (REWORKED BY ALERT SB 737- 25A1283) (NO EQUIVALENT BOEING REPLACEMENT PART NUMBER)							FQ	RF
-8D	65C32942-406SP		COMPARTMENT ASSY-OVERHEAD STOWAGE (FOR DETAILS SEE FIG. 6) (REWORKED BY ALERT SB 737- 25A1283) (NO EQUIVALENT BOEING REPLACEMENT PART NUMBER)							JM	RF
-8E	65C32942-407SP		COMPARTMENT ASSY-OVERHEAD STOWAGE (FOR DETAILS SEE FIG. 9) (REWORKED BY ALERT SB 737- 25A1283) (NO EQUIVALENT BOEING REPLACEMENT PART NUMBER)							HN	RF

-Item not Illustrated

25-28-48

ILLUSTRATED PARTS LIST

Page 1098.71

Mar 01/2006



COMPONENT MAINTENANCE MANUAL

FIG/ ITEM	PART NUMBER	AIRLINE PART NUMBER	NOMENCLATURE							USAGE CODE	UNITS PER ASSY
			1	2	3	4	5	6	7		
1- -8F	65C32942-408SP		COMPARTMENT ASSY-OVERHEAD STOWAGE (FOR DETAILS SEE FIG. 8) (REWORKED BY ALERT SB 737- 25A1283) (NO EQUIVALENT BOEING REPLACEMENT PART NUMBER)							KP	RF
-8G	65C32942-409SP		COMPARTMENT ASSY-OVERHEAD STOWAGE (FOR DETAILS SEE FIG. 8) (REWORKED BY ALERT SB 737- 25A1283) (NO EQUIVALENT BOEING REPLACEMENT PART NUMBER)							KQ	RF
-8H	65C32942-410SP		COMPARTMENT ASSY-OVERHEAD STOWAGE (FOR DETAILS SEE FIG. 2) (REWORKED BY ALERT SB 737- 25A1283) (NO EQUIVALENT BOEING REPLACEMENT PART NUMBER)							FR	RF
-8J	65C32942-411SP		COMPARTMENT ASSY-OVERHEAD STOWAGE (FOR DETAILS SEE FIG. 6) (REWORKED BY ALERT SB 737- 25A1283) (NO EQUIVALENT BOEING REPLACEMENT PART NUMBER)							JN	RF
-8K	65C32942-412SP		COMPARTMENT ASSY-OVERHEAD STOWAGE (REWORKED BY ALERT SB 737- 25A1283) (NO EQUIVALENT BOEING REPLACEMENT PART NUMBER)							BW	RF
-8L	65C32942-414SP		COMPARTMENT ASSY-OVERHEAD STOWAGE (REWORKED BY ALERT SB 737- 25A1283) (NO EQUIVALENT BOEING REPLACEMENT PART NUMBER)							BX	RF

-Item not Illustrated

25-28-48

ILLUSTRATED PARTS LIST

Page 1098.72

Mar 01/2006



COMPONENT MAINTENANCE MANUAL

FIG/ ITEM	PART NUMBER	AIRLINE PART NUMBER	NOMENCLATURE							USAGE CODE	UNITS PER ASSY
			1	2	3	4	5	6	7		
1- -8M	65C32942-419SP		COMPARTMENT ASSY-OVERHEAD STOWAGE (FOR DETAILS SEE FIG. 6) (REWORKED BY ALERT SB 737- 25A1283) (NO EQUIVALENT BOEING REPLACEMENT PART NUMBER)							JP	RF
-8N	65C32942-420SP		COMPARTMENT ASSY-OVERHEAD STOWAGE (FOR DETAILS SEE FIG. 9) (REWORKED BY ALERT SB 737- 25A1283) (NO EQUIVALENT BOEING REPLACEMENT PART NUMBER)							HP	RF
-8P	65C32942-601SP		COMPARTMENT ASSY-OVERHEAD STOWAGE (FOR DETAILS SEE FIG. 5) (REWORKED BY ALERT SB 737- 25A1283) (NO EQUIVALENT BOEING REPLACEMENT PART NUMBER)							JF	RF
-8Q	65C32942-602SP		COMPARTMENT ASSY-OVERHEAD STOWAGE (FOR DETAILS SEE FIG. 14) (REWORKED BY ALERT SB 737- 25A1283) (NO EQUIVALENT BOEING REPLACEMENT PART NUMBER)							KY	RF
-8R	65C32942-603SP		COMPARTMENT ASSY-OVERHEAD STOWAGE (FOR DETAILS SEE FIG. 3) (REWORKED BY ALERT SB 737- 25A1283) (NO EQUIVALENT BOEING REPLACEMENT PART NUMBER)							HJ	RF
-8S	65C32942-604SP		COMPARTMENT ASSY-OVERHEAD STOWAGE (REWORKED BY ALERT SB 737- 25A1283) (NO EQUIVALENT BOEING REPLACEMENT PART NUMBER)							BY	RF

-Item not Illustrated

25-28-48

ILLUSTRATED PARTS LIST

Page 1098.73

Mar 01/2006



COMPONENT MAINTENANCE MANUAL

FIG/ ITEM	PART NUMBER	AIRLINE PART NUMBER	NOMENCLATURE							USAGE CODE	UNITS PER ASSY
			1	2	3	4	5	6	7		
1- -8T	65C32942-605SP		COMPARTMENT ASSY-OVERHEAD STOWAGE (FOR DETAILS SEE FIG. 2) (REWORKED BY ALERT SB 737- 25A1283) (NO EQUIVALENT BOEING REPLACEMENT PART NUMBER)							FS	RF
-8U	65C32942-606SP		COMPARTMENT ASSY-OVERHEAD STOWAGE (FOR DETAILS SEE FIG. 2) (REWORKED BY ALERT SB 737- 25A1283) (NO EQUIVALENT BOEING REPLACEMENT PART NUMBER)							FT	RF
-8V	65C32942-607SP		COMPARTMENT ASSY-OVERHEAD STOWAGE (REWORKED BY ALERT SB 737- 25A1283) (NO EQUIVALENT BOEING REPLACEMENT PART NUMBER)							BZ	RF
-8W	65C32942-608SP		COMPARTMENT ASSY-OVERHEAD STOWAGE (REWORKED BY ALERT SB 737- 25A1283) (NO EQUIVALENT BOEING REPLACEMENT PART NUMBER)							CA	RF
-8X	65C32942-609SP		COMPARTMENT ASSY-OVERHEAD STOWAGE (FOR DETAILS SEE FIG. 2) (REWORKED BY ALERT SB 737- 25A1283) (NO EQUIVALENT BOEING REPLACEMENT PART NUMBER)							FU	RF
-8Y	65C32942-610SP		COMPARTMENT ASSY-OVERHEAD STOWAGE (FOR DETAILS SEE FIG. 2) (REWORKED BY ALERT SB 737- 25A1283) (NO EQUIVALENT BOEING REPLACEMENT PART NUMBER)							FV	RF

-Item not Illustrated

25-28-48

ILLUSTRATED PARTS LIST

Page 1098.74

Mar 01/2006



COMPONENT MAINTENANCE MANUAL

FIG/ ITEM	PART NUMBER	AIRLINE PART NUMBER	NOMENCLATURE							USAGE CODE	UNITS PER ASSY
			1	2	3	4	5	6	7		
1- -8Z	65C32942-611SP		COMPARTMENT ASSY-OVERHEAD STOWAGE (REWORKED BY ALERT SB 737- 25A1283) (NO EQUIVALENT BOEING REPLACEMENT PART NUMBER)							CB	RF
-9	65C32942-612SP		COMPARTMENT ASSY-OVERHEAD STOWAGE (REWORKED BY ALERT SB 737- 25A1283) (NO EQUIVALENT BOEING REPLACEMENT PART NUMBER)							CC	RF
-9A	65C32942-613SP		COMPARTMENT ASSY-OVERHEAD STOWAGE (FOR DETAILS SEE FIG. 2) (REWORKED BY ALERT SB 737- 25A1283) (NO EQUIVALENT BOEING REPLACEMENT PART NUMBER)							FW	RF
-9B	65C32942-614SP		COMPARTMENT ASSY-OVERHEAD STOWAGE (REWORKED BY ALERT SB 737- 25A1283) (NO EQUIVALENT BOEING REPLACEMENT PART NUMBER)							CD	RF
-9C	65C32942-615SP		COMPARTMENT ASSY-OVERHEAD STOWAGE (REWORKED BY ALERT SB 737- 25A1283) (NO EQUIVALENT BOEING REPLACEMENT PART NUMBER)							CE	RF
-9D	65C32942-616SP		COMPARTMENT ASSY-OVERHEAD STOWAGE (FOR DETAILS SEE FIG. 2) (REWORKED BY ALERT SB 737- 25A1283) (NO EQUIVALENT BOEING REPLACEMENT PART NUMBER)							FX	RF

-Item not Illustrated

25-28-48

ILLUSTRATED PARTS LIST

Page 1098.75

Mar 01/2006



COMPONENT MAINTENANCE MANUAL

FIG/ ITEM	PART NUMBER	AIRLINE PART NUMBER	NOMENCLATURE							USAGE CODE	UNITS PER ASSY
			1	2	3	4	5	6	7		
1- -9E	65C32942-617SP		COMPARTMENT ASSY-OVERHEAD STOWAGE (FOR DETAILS SEE FIG. 2) (REWORKED BY ALERT SB 737- 25A1283) (NO EQUIVALENT BOEING REPLACEMENT PART NUMBER)							FY	RF
-9F	65C32942-618SP		COMPARTMENT ASSY-OVERHEAD STOWAGE (REWORKED BY ALERT SB 737- 25A1283) (NO EQUIVALENT BOEING REPLACEMENT PART NUMBER)							CF	RF
-9G	65C32942-619SP		COMPARTMENT ASSY-OVERHEAD STOWAGE (REWORKED BY ALERT SB 737- 25A1283) (NO EQUIVALENT BOEING REPLACEMENT PART NUMBER)							CG	RF
-9H	65C32942-620SP		COMPARTMENT ASSY-OVERHEAD STOWAGE (FOR DETAILS SEE FIG. 2) (REWORKED BY ALERT SB 737- 25A1283) (NO EQUIVALENT BOEING REPLACEMENT PART NUMBER)							FZ	RF
-9J	65C32942-621SP		COMPARTMENT ASSY-OVERHEAD STOWAGE (FOR DETAILS SEE FIG. 2) (REWORKED BY ALERT SB 737- 25A1283) (NO EQUIVALENT BOEING REPLACEMENT PART NUMBER)							GA	RF
-9K	65C32942-622SP		COMPARTMENT ASSY-OVERHEAD STOWAGE (REWORKED BY ALERT SB 737- 25A1283) (NO EQUIVALENT BOEING REPLACEMENT PART NUMBER)							CH	RF

-Item not Illustrated

25-28-48

ILLUSTRATED PARTS LIST

Page 1098.76

Mar 01/2006



COMPONENT MAINTENANCE MANUAL

FIG/ ITEM	PART NUMBER	AIRLINE PART NUMBER	NOMENCLATURE							USAGE CODE	UNITS PER ASSY
			1	2	3	4	5	6	7		
1- -9L	65C32942-623SP		COMPARTMENT ASSY-OVERHEAD STOWAGE (REWORKED BY ALERT SB 737- 25A1283) (NO EQUIVALENT BOEING REPLACEMENT PART NUMBER)							CJ	RF
-9M	65C32942-624SP		COMPARTMENT ASSY-OVERHEAD STOWAGE (FOR DETAILS SEE FIG. 2) (REWORKED BY ALERT SB 737- 25A1283) (NO EQUIVALENT BOEING REPLACEMENT PART NUMBER)							GB	RF
-9N	65C32942-625SP		COMPARTMENT ASSY-OVERHEAD STOWAGE (FOR DETAILS SEE FIG. 7) (REWORKED BY ALERT SB 737- 25A1283) (NO EQUIVALENT BOEING REPLACEMENT PART NUMBER)							KF	RF
-9P	65C32942-626SP		COMPARTMENT ASSY-OVERHEAD STOWAGE (FOR DETAILS SEE FIG. 2) (REWORKED BY ALERT SB 737- 25A1283) (NO EQUIVALENT BOEING REPLACEMENT PART NUMBER)							GC	RF
-9Q	65C32942-627SP		COMPARTMENT ASSY-OVERHEAD STOWAGE (FOR DETAILS SEE FIG. 3) (REWORKED BY ALERT SB 737- 25A1283) (NO EQUIVALENT BOEING REPLACEMENT PART NUMBER)							HK	RF
-9R	65C32942-628SP		COMPARTMENT ASSY-OVERHEAD STOWAGE (FOR DETAILS SEE FIG. 2) (REWORKED BY ALERT SB 737- 25A1283) (NO EQUIVALENT BOEING REPLACEMENT PART NUMBER)							GD	RF

-Item not Illustrated

25-28-48

ILLUSTRATED PARTS LIST

Page 1098.77

Mar 01/2006



COMPONENT MAINTENANCE MANUAL

FIG/ ITEM	PART NUMBER	AIRLINE PART NUMBER	NOMENCLATURE							USAGE CODE	UNITS PER ASSY
			1	2	3	4	5	6	7		
1- -9S	65C32942-629SP		COMPARTMENT ASSY-OVERHEAD STOWAGE (REWORKED BY ALERT SB 737- 25A1283) (NO EQUIVALENT BOEING REPLACEMENT PART NUMBER)							CK	RF
-9T	65C32942-630SP		COMPARTMENT ASSY-OVERHEAD STOWAGE (FOR DETAILS SEE FIG. 2) (REWORKED BY ALERT SB 737- 25A1283) (NO EQUIVALENT BOEING REPLACEMENT PART NUMBER)							GE	RF
-9U	65C32942-631SP		COMPARTMENT ASSY-OVERHEAD STOWAGE (FOR DETAILS SEE FIG. 2) (REWORKED BY ALERT SB 737- 25A1283) (NO EQUIVALENT BOEING REPLACEMENT PART NUMBER)							GF	RF
-9V	65C32942-632SP		COMPARTMENT ASSY-OVERHEAD STOWAGE (REWORKED BY ALERT SB 737- 25A1283) (NO EQUIVALENT BOEING REPLACEMENT PART NUMBER)							CL	RF
-9W	65C32942-633SP		COMPARTMENT ASSY-OVERHEAD STOWAGE (REWORKED BY ALERT SB 737- 25A1283) (NO EQUIVALENT BOEING REPLACEMENT PART NUMBER)							CM	RF
-9X	65C32942-634SP		COMPARTMENT ASSY-OVERHEAD STOWAGE (FOR DETAILS SEE FIG. 2) (REWORKED BY ALERT SB 737- 25A1283) (NO EQUIVALENT BOEING REPLACEMENT PART NUMBER)							GG	RF

-Item not Illustrated

25-28-48

ILLUSTRATED PARTS LIST

Page 1098.78

Mar 01/2006



COMPONENT MAINTENANCE MANUAL

FIG/ ITEM	PART NUMBER	AIRLINE PART NUMBER	NOMENCLATURE							USAGE CODE	UNITS PER ASSY
			1	2	3	4	5	6	7		
1- -9Y	65C32942-635SP		COMPARTMENT ASSY-OVERHEAD STOWAGE (FOR DETAILS SEE FIG. 2) (REWORKED BY ALERT SB 737- 25A1283) (NO EQUIVALENT BOEING REPLACEMENT PART NUMBER)							GH	RF
-9Z	65C32942-636SP		COMPARTMENT ASSY-OVERHEAD STOWAGE (REWORKED BY ALERT SB 737- 25A1283) (NO EQUIVALENT BOEING REPLACEMENT PART NUMBER)							CN	RF
10	BACB30NM3K1		DELETED								
-10A	65C32942-637SP		COMPARTMENT ASSY-OVERHEAD STOWAGE (REWORKED BY ALERT SB 737- 25A1283) (NO EQUIVALENT BOEING REPLACEMENT PART NUMBER)							CP	RF
-10B	65C32942-638SP		COMPARTMENT ASSY-OVERHEAD STOWAGE (FOR DETAILS SEE FIG. 2) (REWORKED BY ALERT SB 737- 25A1283) (NO EQUIVALENT BOEING REPLACEMENT PART NUMBER)							GJ	RF
-10C	65C32942-639SP		COMPARTMENT ASSY-OVERHEAD STOWAGE (FOR DETAILS SEE FIG. 2) (REWORKED BY ALERT SB 737- 25A1283) (NO EQUIVALENT BOEING REPLACEMENT PART NUMBER)							GK	RF
-10D	65C32942-640SP		COMPARTMENT ASSY-OVERHEAD STOWAGE (REWORKED BY ALERT SB 737- 25A1283) (NO EQUIVALENT BOEING REPLACEMENT PART NUMBER)							CQ	RF

-Item not Illustrated

25-28-48

ILLUSTRATED PARTS LIST

Page 1098.79

Mar 01/2006



COMPONENT MAINTENANCE MANUAL

FIG/ ITEM	PART NUMBER	AIRLINE PART NUMBER	NOMENCLATURE							USAGE CODE	UNITS PER ASSY
			1	2	3	4	5	6	7		
1- -10E	65C32942-641SP		COMPARTMENT ASSY-OVERHEAD STOWAGE (REWORKED BY ALERT SB 737- 25A1283) (NO EQUIVALENT BOEING REPLACEMENT PART NUMBER)							CR	RF
-10F	65C32942-642SP		COMPARTMENT ASSY-OVERHEAD STOWAGE (FOR DETAILS SEE FIG. 2) (REWORKED BY ALERT SB 737- 25A1283) (NO EQUIVALENT BOEING REPLACEMENT PART NUMBER)							GL	RF
-10G	65C32942-643SP		COMPARTMENT ASSY-OVERHEAD STOWAGE (FOR DETAILS SEE FIG. 2) (REWORKED BY ALERT SB 737- 25A1283) (NO EQUIVALENT BOEING REPLACEMENT PART NUMBER)							GM	RF
-10H	65C32942-644SP		COMPARTMENT ASSY-OVERHEAD STOWAGE (REWORKED BY ALERT SB 737- 25A1283) (NO EQUIVALENT BOEING REPLACEMENT PART NUMBER)							CS	RF
-10J	65C32942-645SP		COMPARTMENT ASSY-OVERHEAD STOWAGE (FOR DETAILS SEE FIG. 7) (REWORKED BY ALERT SB 737- 25A1283) (NO EQUIVALENT BOEING REPLACEMENT PART NUMBER)							KG	RF
-10K	65C32942-646SP		COMPARTMENT ASSY-OVERHEAD STOWAGE (FOR DETAILS SEE FIG. 2) (REWORKED BY ALERT SB 737- 25A1283) (NO EQUIVALENT BOEING REPLACEMENT PART NUMBER)							GN	RF

-Item not Illustrated

25-28-48

ILLUSTRATED PARTS LIST

Page 1098.80

Mar 01/2006



COMPONENT MAINTENANCE MANUAL

FIG/ ITEM	PART NUMBER	AIRLINE PART NUMBER	NOMENCLATURE							USAGE CODE	UNITS PER ASSY
			1	2	3	4	5	6	7		
1- -10L	65C32942-649SP		COMPARTMENT ASSY-OVERHEAD STOWAGE (FOR DETAILS SEE FIG. 7) (REWORKED BY ALERT SB 737- 25A1283) (NO EQUIVALENT BOEING REPLACEMENT PART NUMBER)							KH	RF
-10M	65C32942-650SP		COMPARTMENT ASSY-OVERHEAD STOWAGE (FOR DETAILS SEE FIG. 2) (REWORKED BY ALERT SB 737- 25A1283) (NO EQUIVALENT BOEING REPLACEMENT PART NUMBER)							GP	RF
-10N	65C32942-651SP		COMPARTMENT ASSY-OVERHEAD STOWAGE (REWORKED BY ALERT SB 737- 25A1283) (NO EQUIVALENT BOEING REPLACEMENT PART NUMBER)							CT	RF
-10P	65C32942-652SP		COMPARTMENT ASSY-OVERHEAD STOWAGE (FOR DETAILS SEE FIG. 7) (REWORKED BY ALERT SB 737- 25A1283) (NO EQUIVALENT BOEING REPLACEMENT PART NUMBER)							KJ	RF
-10Q	65C32942-653SP		COMPARTMENT ASSY-OVERHEAD STOWAGE (FOR DETAILS SEE FIG. 2) (REWORKED BY ALERT SB 737- 25A1283) (NO EQUIVALENT BOEING REPLACEMENT PART NUMBER)							GQ	RF
-10R	65C32942-654SP		COMPARTMENT ASSY-OVERHEAD STOWAGE (REWORKED BY ALERT SB 737- 25A1283) (NO EQUIVALENT BOEING REPLACEMENT PART NUMBER)							CU	RF

-Item not Illustrated

25-28-48

ILLUSTRATED PARTS LIST

Page 1098.81

Mar 01/2006



COMPONENT MAINTENANCE MANUAL

FIG/ ITEM	PART NUMBER	AIRLINE PART NUMBER	NOMENCLATURE							USAGE CODE	UNITS PER ASSY
			1	2	3	4	5	6	7		
1- -10S	65C32942-655SP		COMPARTMENT ASSY-OVERHEAD STOWAGE (REWORKED BY ALERT SB 737- 25A1283) (NO EQUIVALENT BOEING REPLACEMENT PART NUMBER)							CV	RF
-10T	65C32942-656SP		COMPARTMENT ASSY-OVERHEAD STOWAGE (FOR DETAILS SEE FIG. 2) (REWORKED BY ALERT SB 737- 25A1283) (NO EQUIVALENT BOEING REPLACEMENT PART NUMBER)							GR	RF
-10U	65C32942-657SP		COMPARTMENT ASSY-OVERHEAD STOWAGE (FOR DETAILS SEE FIG. 2) (REWORKED BY ALERT SB 737- 25A1283) (NO EQUIVALENT BOEING REPLACEMENT PART NUMBER)							GS	RF
-10V	65C32942-658SP		COMPARTMENT ASSY-OVERHEAD STOWAGE (REWORKED BY ALERT SB 737- 25A1283) (NO EQUIVALENT BOEING REPLACEMENT PART NUMBER)							CW	RF
-10W	65C32942-659SP		COMPARTMENT ASSY-OVERHEAD STOWAGE (REWORKED BY ALERT SB 737- 25A1283) (NO EQUIVALENT BOEING REPLACEMENT PART NUMBER)							CX	RF
-10X	65C32942-660SP		COMPARTMENT ASSY-OVERHEAD STOWAGE (FOR DETAILS SEE FIG. 2) (REWORKED BY ALERT SB 737- 25A1283) (NO EQUIVALENT BOEING REPLACEMENT PART NUMBER)							GT	RF

-Item not Illustrated

25-28-48

ILLUSTRATED PARTS LIST

Page 1098.82

Mar 01/2006



COMPONENT MAINTENANCE MANUAL

FIG/ ITEM	PART NUMBER	AIRLINE PART NUMBER	NOMENCLATURE							USAGE CODE	UNITS PER ASSY
			1	2	3	4	5	6	7		
1- -10Y	65C32942-661SP		COMPARTMENT ASSY-OVERHEAD STOWAGE (FOR DETAILS SEE FIG. 2) (REWORKED BY ALERT SB 737- 25A1283) (NO EQUIVALENT BOEING REPLACEMENT PART NUMBER)							GU	RF
-10Z	65C32942-662SP		COMPARTMENT ASSY-OVERHEAD STOWAGE (REWORKED BY ALERT SB 737- 25A1283) (NO EQUIVALENT BOEING REPLACEMENT PART NUMBER)							CY	RF
-11	65C32942-663SP		COMPARTMENT ASSY-OVERHEAD STOWAGE (REWORKED BY ALERT SB 737- 25A1283) (NO EQUIVALENT BOEING REPLACEMENT PART NUMBER)							CZ	RF
-11A	65C32942-664SP		COMPARTMENT ASSY-OVERHEAD STOWAGE (FOR DETAILS SEE FIG. 2) (REWORKED BY ALERT SB 737- 25A1283) (NO EQUIVALENT BOEING REPLACEMENT PART NUMBER)							GV	RF
-11B	65C32942-665SP		COMPARTMENT ASSY-OVERHEAD STOWAGE (FOR DETAILS SEE FIG. 2) (REWORKED BY ALERT SB 737- 25A1283) (NO EQUIVALENT BOEING REPLACEMENT PART NUMBER)							GW	RF
-11C	65C32942-666SP		COMPARTMENT ASSY-OVERHEAD STOWAGE (REWORKED BY ALERT SB 737- 25A1283) (NO EQUIVALENT BOEING REPLACEMENT PART NUMBER)							DA	RF

-Item not Illustrated

25-28-48

ILLUSTRATED PARTS LIST

Page 1098.83

Mar 01/2006



COMPONENT MAINTENANCE MANUAL

FIG/ ITEM	PART NUMBER	AIRLINE PART NUMBER	NOMENCLATURE							USAGE CODE	UNITS PER ASSY
			1	2	3	4	5	6	7		
1- -11D	65C32942-667SP		COMPARTMENT ASSY-OVERHEAD STOWAGE (REWORKED BY ALERT SB 737- 25A1283) (NO EQUIVALENT BOEING REPLACEMENT PART NUMBER)							DB	RF
-11E	65C32942-668SP		COMPARTMENT ASSY-OVERHEAD STOWAGE (FOR DETAILS SEE FIG. 2) (REWORKED BY ALERT SB 737- 25A1283) (NO EQUIVALENT BOEING REPLACEMENT PART NUMBER)							GX	RF
-11F	65C32942-669SP		COMPARTMENT ASSY-OVERHEAD STOWAGE (FOR DETAILS SEE FIG. 2) (REWORKED BY ALERT SB 737- 25A1283) (NO EQUIVALENT BOEING REPLACEMENT PART NUMBER)							GY	RF
-11G	65C32942-670SP		COMPARTMENT ASSY-OVERHEAD STOWAGE (REWORKED BY ALERT SB 737- 25A1283) (NO EQUIVALENT BOEING REPLACEMENT PART NUMBER)							DC	RF
-11H	65C32942-671SP		COMPARTMENT ASSY-OVERHEAD STOWAGE (FOR DETAILS SEE FIG. 2) (REWORKED BY ALERT SB 737- 25A1283) (NO EQUIVALENT BOEING REPLACEMENT PART NUMBER)							KK	RF
-11J	65C32942-672SP		COMPARTMENT ASSY-OVERHEAD STOWAGE (FOR DETAILS SEE FIG. 2) (REWORKED BY ALERT SB 737- 25A1283) (NO EQUIVALENT BOEING REPLACEMENT PART NUMBER)							GZ	RF

-Item not Illustrated

25-28-48

ILLUSTRATED PARTS LIST

Page 1098.84

Mar 01/2006



COMPONENT MAINTENANCE MANUAL

FIG/ ITEM	PART NUMBER	AIRLINE PART NUMBER	NOMENCLATURE							USAGE CODE	UNITS PER ASSY
			1	2	3	4	5	6	7		
1- -11K	65C32942-673SP		COMPARTMENT ASSY-OVERHEAD STOWAGE (FOR DETAILS SEE FIG. 12) (REWORKED BY ALERT SB 737- 25A1283) (NO EQUIVALENT BOEING REPLACEMENT PART NUMBER)							KW	RF
-11L	65C32942-674SP		COMPARTMENT ASSY-OVERHEAD STOWAGE (FOR DETAILS SEE FIG. 5) (REWORKED BY ALERT SB 737- 25A1283) (NO EQUIVALENT BOEING REPLACEMENT PART NUMBER)							JG	RF
-11M	65C32942-675SP		COMPARTMENT ASSY-OVERHEAD STOWAGE (FOR DETAILS SEE FIG. 3) (REWORKED BY ALERT SB 737- 25A1283) (NO EQUIVALENT BOEING REPLACEMENT PART NUMBER)							HL	RF
-11N	65C32942-676SP		COMPARTMENT ASSY-OVERHEAD STOWAGE (FOR DETAILS SEE FIG. 7) (REWORKED BY ALERT SB 737- 25A1283) (NO EQUIVALENT BOEING REPLACEMENT PART NUMBER)							KL	RF
-11P	65C32942-685SP		COMPARTMENT ASSY-OVERHEAD STOWAGE (FOR DETAILS SEE FIG. 6) (REWORKED BY ALERT SB 737- 25A1283) (NO EQUIVALENT BOEING REPLACEMENT PART NUMBER)							JQ	RF
-11Q	65C32942-690SP		COMPARTMENT ASSY-OVERHEAD STOWAGE (FOR DETAILS SEE FIG. 2) (REWORKED BY ALERT SB 737- 25A1283) (NO EQUIVALENT BOEING REPLACEMENT PART NUMBER)							HA	RF

-Item not Illustrated

25-28-48

ILLUSTRATED PARTS LIST

Page 1098.85

Mar 01/2006



COMPONENT MAINTENANCE MANUAL

FIG/ ITEM	PART NUMBER	AIRLINE PART NUMBER	NOMENCLATURE							USAGE CODE	UNITS PER ASSY
			1	2	3	4	5	6	7		
1- -11R	65C32942-137SP		COMPARTMENT ASSY-OVERHEAD STOWAGE (REWORKED BY ALERT SB 737- 25A1283) (NO EQUIVALENT BOEING REPLACEMENT PART NUMBER)							LA	RF
-11S	65C32942-138SP		COMPARTMENT ASSY-OVERHEAD STOWAGE (FOR DETAILS SEE FIG. 2) (REWORKED BY ALERT SB 737- 25A1283) (NO EQUIVALENT BOEING REPLACEMENT PART NUMBER)							LB	RF
-11T	65C32942-415SP		COMPARTMENT ASSY-OVERHEAD STOWAGE (REWORKED BY ALERT SB 737- 25A1283) (NO EQUIVALENT BOEING REPLACEMENT PART NUMBER)							LC	RF
-11U	65C32942-416SP		COMPARTMENT ASSY-OVERHEAD STOWAGE (FOR DETAILS SEE FIG. 2) (REWORKED BY ALERT SB 737- 25A1283) (NO EQUIVALENT BOEING REPLACEMENT PART NUMBER)							LD	RF
-11V	65C32942-417SP		COMPARTMENT ASSY-OVERHEAD STOWAGE (REWORKED BY ALERT SB 737- 25A1283) (NO EQUIVALENT BOEING REPLACEMENT PART NUMBER)							LE	RF
-11W	65C32942-418SP		COMPARTMENT ASSY-OVERHEAD STOWAGE (FOR DETAILS SEE FIG. 2) (REWORKED BY ALERT SB 737- 25A1283) (NO EQUIVALENT BOEING REPLACEMENT PART NUMBER)							LF	RF

-Item not Illustrated

25-28-48

ILLUSTRATED PARTS LIST

Page 1098.86

Mar 01/2006



COMPONENT MAINTENANCE MANUAL

FIG/ ITEM	PART NUMBER	AIRLINE PART NUMBER	NOMENCLATURE							USAGE CODE	UNITS PER ASSY
			1	2	3	4	5	6	7		
1- -11X	65C32942-707SP		COMPARTMENT ASSY-OVERHEAD STOWAGE (FOR DETAILS SEE FIG. 9) (REWORKED BY ALERT SB 737- 25A1283) (NO EQUIVALENT BOEING REPLACEMENT PART NUMBER)							LG	RF
-11Y	65C32942-715SP		COMPARTMENT ASSY-OVERHEAD STOWAGE (REWORKED BY ALERT SB 737- 25A1283) (NO EQUIVALENT BOEING REPLACEMENT PART NUMBER)							LH	RF
-11Z	65C32942-716SP		COMPARTMENT ASSY-OVERHEAD STOWAGE (FOR DETAILS SEE FIG. 2) (REWORKED BY ALERT SB 737- 25A1283) (NO EQUIVALENT BOEING REPLACEMENT PART NUMBER)							LJ	RF
-12	65C32942-727SP		COMPARTMENT ASSY-OVERHEAD STOWAGE (FOR DETAILS SEE FIG. 5) (REWORKED BY ALERT SB 737- 25A1283) (NO EQUIVALENT BOEING REPLACEMENT PART NUMBER)							LK	RF
-12A	65C32942-328SP		COMPARTMENT ASSY-OVERHEAD STOWAGE (FOR DETAILS SEE FIG. 2) (REWORKED BY ALERT SB 737- 25A1283) (NO EQUIVALENT BOEING REPLACEMENT PART NUMBER)							LM	RF
-12B	65C32942-728SP		COMPARTMENT ASSY-OVERHEAD STOWAGE (FOR DETAILS SEE FIG. 3) (REWORKED BY ALERT SB 737- 25A1283) (NO EQUIVALENT BOEING REPLACEMENT PART NUMBER)							LN	RF

-Item not Illustrated

25-28-48

ILLUSTRATED PARTS LIST

Page 1098.87

Mar 01/2006



COMPONENT MAINTENANCE MANUAL

FIG/ ITEM	PART NUMBER	AIRLINE PART NUMBER	NOMENCLATURE							USAGE CODE	UNITS PER ASSY
			1	2	3	4	5	6	7		
1- -12C	65C32942-729SP		COMPARTMENT ASSY-OVERHEAD STOWAGE (FOR DETAILS SEE FIG. 7) (REWORKED BY ALERT SB 737- 25A1283) (NO EQUIVALENT BOEING REPLACEMENT PART NUMBER)							LP	RF
-12D	65C32942-730SP		COMPARTMENT ASSY-OVERHEAD STOWAGE (REWORKED BY ALERT SB 737- 25A1283) (NO EQUIVALENT BOEING REPLACEMENT PART NUMBER)							LQ	RF
-12E	65C32942-731SP		COMPARTMENT ASSY-OVERHEAD STOWAGE (FOR DETAILS SEE FIG. 6) (REWORKED BY ALERT SB 737- 25A1283) (NO EQUIVALENT BOEING REPLACEMENT PART NUMBER)							LR	RF
-12F	65C32942-732SP		COMPARTMENT ASSY-OVERHEAD STOWAGE (FOR DETAILS SEE FIG. 2) (REWORKED BY ALERT SB 737- 25A1283) (NO EQUIVALENT BOEING REPLACEMENT PART NUMBER)							LS	RF
-12G	65C32942-696SP		COMPARTMENT ASSY-OVERHEAD STOWAGE (FOR DETAILS SEE FIG. 3) (REWORKED BY ALERT SB 737- 25A1283) (NO EQUIVALENT BOEING REPLACEMENT PART NUMBER)							LT	RF
-12H	65C32942-697SP		COMPARTMENT ASSY-OVERHEAD STOWAGE (FOR DETAILS SEE FIG. 12) (REWORKED BY ALERT SB 737- 25A1283) (NO EQUIVALENT BOEING REPLACEMENT PART NUMBER)							LU	RF

-Item not Illustrated

25-28-48

ILLUSTRATED PARTS LIST

Page 1098.88

Mar 01/2006



COMPONENT MAINTENANCE MANUAL

FIG/ ITEM	PART NUMBER	AIRLINE PART NUMBER	NOMENCLATURE							USAGE CODE	UNITS PER ASSY	
			1	2	3	4	5	6	7			
1- 15	BACB30NM3K1		.	B	O	L	T				C, AH, AR, BM, CX, CZ, LA, LC, LE, LH, LE	8
16	BACB30NM3K1		.	B	O	L	T				R, V, X, Z, AL, AN, AU, AW, AX, AZ, BD, BF, BH, BQ, BS, BU-BW, BZ, CD, CF, CH, CQ, CS, DA, DC, LQ	8
17	BACB30NM3K1		.	B	O	L	T				S, U, W, Y, AA, AE, AM, AV, BA, BC, BE, BG, BJ, BR, CA, CC, CE, CG, CJ, CR, CT, DB	8

-Item not Illustrated

25-28-48

ILLUSTRATED PARTS LIST

Page 1098.89

Mar 01/2006



COMPONENT MAINTENANCE MANUAL

FIG/ ITEM	PART NUMBER	AIRLINE PART NUMBER	NOMENCLATURE							USAGE CODE	UNITS PER ASSY	
			1	2	3	4	5	6	7			
1- 18	BACB30NM3K1		.	B	O	L	T				T, BB, CB	8
20	BACB30NM3K1		.	B	O	L	T				B, D, AC, AG, AJ, AP, AQ, AS, BL, BN, CL, CN, CU, CW, CY	8
25	BACB30NM3K1		.	B	O	L	T				A, E, P, Q, AB, AD, AF, AK, AT, AY, BK, BP, BT, BX, BY, CK, CP, CV, CZ	8

-Item not Illustrated

25-28-48

ILLUSTRATED PARTS LIST

Page 1098.90

Mar 01/2006



COMPONENT MAINTENANCE MANUAL

FIG/ ITEM	PART NUMBER	AIRLINE PART NUMBER	NOMENCLATURE							USAGE CODE	UNITS PER ASSY	
			1	2	3	4	5	6	7			
1- 27	BACB30NM3K1		.	B	O	L	T				A-E, P- DC, LA, LC, LE, LH, LQ	4
			.	B	O	L	T				D, E, R- AA, AC, AE, AJ- AN, AS- AX, AZ- BJ, BN- BS, BU- BX, BZ- CJ, CN- CU, CY- DC, LQ	4
			.	B	O	L	T				D, E, Q- AA, AC, AE, AJ- AN, AS- BJ, BN- BS, BU- CJ, CN- CU, CY- DC, LQ	4

-Item not Illustrated

25-28-48

ILLUSTRATED PARTS LIST

Page 1098.91

Mar 01/2006



COMPONENT MAINTENANCE MANUAL

FIG/ ITEM	PART NUMBER	AIRLINE PART NUMBER	NOMENCLATURE							USAGE CODE	UNITS PER ASSY	
			1	2	3	4	5	6	7			
1- 30	BACS12ER3K6		.	S	C	R	E	W			A-C, P, Q, AB, AD, AF- AH, AP- AR, AY, BR, K- BM, BT, BY, CK- CM, CV- CX, LA, LC, LE, LH	3
35	BACS12ER3K6		.	S	C	R	E	W			A-C, P, AB, AD, AF-AH, AP-AR, BK-BM, BT, CK- CM, CV- CX, LA, LC, LE, LH	3
40	BACS12ER3K6											
45	BACS12ER3K6		.	S	C	R	E	W			A-E, P- DC, LA, LC, LE, LH, LQ	8
50	BACS12ER3K6											
52	NAS1801-3-5		.	S	C	R	E	W			A-E, P- DC, LA, LC, LE, LH, LQ	3

-Item not Illustrated

25-28-48

ILLUSTRATED PARTS LIST

Page 1098.92

Mar 01/2006



COMPONENT MAINTENANCE MANUAL

FIG/ ITEM	PART NUMBER	AIRLINE PART NUMBER	NOMENCLATURE							USAGE CODE	UNITS PER ASSY
			1	2	3	4	5	6	7		
1- 55	AN960JD10		.	W	A	S	H	E	R	A, E, P, Q, AB, AD, AF, AK, AT, AY, BK, BP, BT, BX, BY, CK, CP, CV, CZ	8
56	AN960JD10		.	W	A	S	H	E	R	R, V, X, Z, AL, AN, AU, AW, AX, AZ, BD, BF, BH, BQ, BS, BU-BW, BZ, CD, CF, CH, CQ, CS, DA, DC, LQ	8
57	AN960JD10		.	W	A	S	H	E	R	S, U, W, Y, AA, AE, AM, AV, BA, BC, BE, BG, BJ, BR, CA, CC, CE, CG, CJ, CR, CT, DB	8
58	AN960JD10		.	W	A	S	H	E	R	T, BB, CB	8
60	AN960JD10		.	W	A	S	H	E	R	B, D, AC, AG, AJ, AP, AQ, AS, BL, BN, CL, CN, CU, CW, CY	8

-Item not Illustrated

25-28-48

ILLUSTRATED PARTS LIST

Page 1098.93

Mar 01/2006



COMPONENT MAINTENANCE MANUAL

FIG/ ITEM	PART NUMBER	AIRLINE PART NUMBER	NOMENCLATURE							USAGE CODE	UNITS PER ASSY
			1	2	3	4	5	6	7		
1- 65	AN960JD10		.	W	A	S	H	E	R	C, AH, AR, BM, CX, CZ, LA, LC, LE, LH, LE	8
70	AN960JD10		.	W	A	S	H	E	R	A-E, P- DC, LA, LC, LE, LH	4
72	AN960JD10		.	W	A	S	H	E	R	D, E, R- AA, AC, AE, AJ- AN, AS- AX, AZ- BJ, BN- BS, BU- BX, BZ- CJ, CN- CU, CY- DC, LQ	4
75	AN960JD10		.	W	A	S	H	E	R	D, E, Q- AA, AC, AE, AJ- AN, AS- BJ, BN- BS, BU- CJ, CN- CU, CY- DC, LQ	4
77	AN960JD10LL		.	W	A	S	H	E	R	A-E, P- DC, LA, LC, LE, LH, LQ	3
80	412N1161-2		.	F	I	T	T	I	N	A, E, P, Q, AB, AD, AF, AK, AT, AY, BK, BP, BT, BX, BY, CK, CP, CV, CZ	1

-Item not Illustrated

25-28-48

ILLUSTRATED PARTS LIST

Page 1098.94

Mar 01/2006



COMPONENT MAINTENANCE MANUAL

FIG/ ITEM	PART NUMBER	AIRLINE PART NUMBER	NOMENCLATURE							USAGE CODE	UNITS PER ASSY	
			1	2	3	4	5	6	7			
1- 85	412N1161-1		.								B, D, AC, AG, AJ, AP, AQ, AS, BL, BN, CL, CN, CU, CW, CY	1
90	412N1161-2		.								C, AH, AR, BM, CX, CZ, LA, LC, LE, LH, LE	1
95	412N1161-1		.								R, V, X, Z, AL, AN, AU, AW, AX, AZ, BD, BF, BH, BQ, BS, BU-BW, BZ, CD, CF, CH, CQ, CS, DA, DC, LQ	1
100	412N1161-2		.								S, U, W, Y, AA, AE, AM, AV, BA, BC, BE, BG, BJ, BR, CA, CC, CE, CG, CJ, CR, CT, DB	1
102	412N1161-1		.								T, BB, CB	1
105	412N1119-1		.								A-E, P- DC, LA, LC, LE, LH, LQ	2

-Item not Illustrated

25-28-48

ILLUSTRATED PARTS LIST

Page 1098.95

Mar 01/2006



COMPONENT MAINTENANCE MANUAL

FIG/ ITEM	PART NUMBER	AIRLINE PART NUMBER	NOMENCLATURE							USAGE CODE	UNITS PER ASSY	
			1	2	3	4	5	6	7			
1- 110	BACB28B6-220P		.	.							A-E, P- DC, LA, LC, LE, LH, LQ	1
115	412N1119-2		.	.							A-E, P- DC, LA, LC, LE, LH, LQ	1
120	412N1119-16		.								A, B, P, AB, AD, AF, AG, AP, AQ, BK, BL, BT, CK, CL, CV, CW	1
125	BACB28B6-250P		.	.							A, B, P, AB, AD, AF, AG, AP, AQ, BK, BL, BT, CK, CL, CV, CW	1
130	412N1119-18		.	.							A, B, P, AB, AD, AF, AG, AP, AQ, BK, BL, BT, CK, CL, CV, CW	1
135	412N1119-24		.								C, AH, AR, BM, CM, CX, LA, LC, LE, LH, LE	1

-Item not Illustrated

25-28-48

ILLUSTRATED PARTS LIST

Page 1098.96

Mar 01/2006



COMPONENT MAINTENANCE MANUAL

FIG/ ITEM	PART NUMBER	AIRLINE PART NUMBER	NOMENCLATURE							USAGE CODE	UNITS PER ASSY	
			1	2	3	4	5	6	7			
1- 140	412N1119-12		.								D, E, R- AA, AC, AE, AJ- AN, AS- AX, AZ- BJ, BN- BS, BU- BX, BZ- CJ, CN- CU, CY- DC, LQ	1
142	412N1119-12		.								D, E, Q- AA, AC, AE, AJ- AN, AS- BJ, BN- BS, BU- CJ, CN- CU, CY- DC, LQ	1
145	412N1119-23		.								A, P, Q, AB, AD, AF, AY, BK, BT, BY, CK, CV	1
150	412N1119-15		.								B, C, AG, AH, AP- AR, BL, BM, CL, CM, CW, CX, LA, LC, LE, LH	1
155	BACB28B6-250P		.	.							B, C, AG, AH, AP- AR, BL, BM, CL, CM, CW, CX, LA, LC, LE, LH	1

-Item not Illustrated

25-28-48

ILLUSTRATED PARTS LIST

Page 1098.97

Mar 01/2006



COMPONENT MAINTENANCE MANUAL

FIG/ ITEM	PART NUMBER	AIRLINE PART NUMBER	NOMENCLATURE							USAGE CODE	UNITS PER ASSY	
			1	2	3	4	5	6	7			
1- 160	412N1119-17		.	.							B, C, AG, AH, AP- AR, BL, BM, CL, CM, CW, CX, LA, LC, LE, LH	1
165	411N3134-1		.								A-E, P- DC, LA, LC, LE, LH, LQ	2
170	417N5120-17		.								A-E, P- DC, LA, LC, LE, LH, LQ	1
175	800000255-14		.	.							A-E, P- DC, LA, LC, LE, LH, LQ	1
180	65C28117-3		.	.							A-E, P- DC, LA, LC, LE, LH, LQ	1
185	417N5120-10		.	.							A-E, P- DC, LA, LC, LE, LH, LQ	1
190	2055150		.	.	.						A-E, P- DC, LA, LC, LE, LH, LQ	2
195	N312LGWUV1000		DELETED									
195A	LP1625-48		.	.	.						A-E, P- DC, LA, LC, LE, LH, LQ	1
-195B	NI312LGWUV1000		.	.	.						A-E, P- DC, LA, LC, LE, LH, LQ	1

-Item not Illustrated

25-28-48

ILLUSTRATED PARTS LIST

Page 1098.98

Mar 01/2006



COMPONENT MAINTENANCE MANUAL

FIG/ ITEM	PART NUMBER	AIRLINE PART NUMBER	NOMENCLATURE							USAGE CODE	UNITS PER ASSY	
			1	2	3	4	5	6	7			
1- 200	F40WW		.	.	.	LAMP-FLUOR (V08805)					A-E, P- DC, LA, LC, LE, LH, LQ	1
205	65C32943-1SP		.			MODULE ASSY (FOR DETAILS SEE FIG. 4)					A	1
-205A	65C32943-2SP		.			MODULE ASSY (FOR DETAILS SEE FIG. 4)					B	1
-205B	65C32943-3SP		.			MODULE ASSY (FOR DETAILS SEE FIG. 4)					C, LA	1
-205C	65C32943-6SP		.			MODULE ASSY (FOR DETAILS SEE FIG. 4)					D	1
-205D	65C32943-7SP		.			MODULE ASSY (FOR DETAILS SEE FIG. 4)					E	1
-205E	65C32943-23SP		.			MODULE ASSY (FOR DETAILS SEE FIG. 4)					P	1
-205F	65C32943-26SP		.			MODULE ASSY (FOR DETAILS SEE FIG. 4)					Q	1
-205G	65C32943-29SP		.			MODULE ASSY (FOR DETAILS SEE FIG. 4)					R	1
-205H	65C32943-30SP		.			MODULE ASSY (FOR DETAILS SEE FIG. 4)					S	1
-205J	65C32943-33SP		.			MODULE ASSY (FOR DETAILS SEE FIG. 4)					T	1
-205K	65C32943-34SP		.			MODULE ASSY (FOR DETAILS SEE FIG. 4)					U	1
-205L	65C32943-37SP		.			MODULE ASSY (FOR DETAILS SEE FIG. 4)					V	1
-205M	65C32943-38SP		.			MODULE ASSY (FOR DETAILS SEE FIG. 4)					W	1
-205N	65C32943-41SP		.			MODULE ASSY (FOR DETAILS SEE FIG. 4)					X	1
-205P	65C32943-42SP		.			MODULE ASSY (FOR DETAILS SEE FIG. 4)					Y	1
-205Q	65C32943-45SP		.			MODULE ASSY (FOR DETAILS SEE FIG. 4)					Z	1
-205R	65C32943-46SP		.			MODULE ASSY (FOR DETAILS SEE FIG. 4)					AA	1

-Item not Illustrated

25-28-48

ILLUSTRATED PARTS LIST

Page 1098.99

Mar 01/2006



COMPONENT MAINTENANCE MANUAL

FIG/ ITEM	PART NUMBER	AIRLINE PART NUMBER	NOMENCLATURE							USAGE CODE	UNITS PER ASSY
			1	2	3	4	5	6	7		
1-											
-205S	65C32943-49SP									AB	1
-205T	65C32943-54SP									AC	1
-205U	65C32943-55SP									AD	1
-205V	65C32943-59SP									AE	1
-205W	65C32943-78SP									AF	1
-205X	65C32943-63SP									AG	1
-205Y	65C32943-64SP									AH	1
-205Z	65C32943-67SP									AJ	1
-206	65C32943-68SP									AK	1
-206A	65C32943-71SP									AL	1
-206B	65C32943-72SP									AM	1
-206C	65C32943-73SP									AN	1
-206D	65C32943-80SP									AP	1
-206E	65C32943-86SP									AQ	1
-206F	65C32943-87SP									AR	1
-206G	65C32943-90SP									AS	1
-206H	65C32943-91SP									AT	1
-206J	65C32943-94SP									AU	1
-206K	65C32943-95SP									AV	1

-Item not Illustrated

25-28-48

ILLUSTRATED PARTS LIST

Page 1098.100

Mar 01/2006



COMPONENT MAINTENANCE MANUAL

FIG/ ITEM	PART NUMBER	AIRLINE PART NUMBER	NOMENCLATURE							USAGE CODE	UNITS PER ASSY
			1	2	3	4	5	6	7		
1-											
-206L	65C32943-96SP		.							AW	1
-206M	65C32943-110SP		.							AX	1
-206N	65C32943-304SP		.							AY	1
-206P	65C32943-307SP		.							AZ	1
-206Q	65C32943-308SP		.							BA	1
-206R	65C32943-311SP		.							BB	1
-206S	65C32943-312SP		.							BC	1
-206T	65C32943-314SP		.							BD	1
-206U	65C32943-315SP		.							BE	1
-206V	65C32943-318SP		.							BF	1
-206W	65C32943-319SP		.							BG	1
-206X	65C32943-322SP		.							BH	1
-206Y	65C32943-323SP		.							BJ	1
-206Z	65C32943-340SP		.							BK	1
-207	65C32943-328SP		.							BL	1
-207A	65C32943-329SP		.							BM, LC	1
-207B	65C32943-332SP		.							BN	1
-207C	65C32943-333SP		.							BP	1
-207D	65C32943-336SP		.							BQ	1

-Item not Illustrated

25-28-48

ILLUSTRATED PARTS LIST

Page 1098.101

Mar 01/2006



COMPONENT MAINTENANCE MANUAL

FIG/ ITEM	PART NUMBER	AIRLINE PART NUMBER	NOMENCLATURE							USAGE CODE	UNITS PER ASSY
			1	2	3	4	5	6	7		
1-											
-207E	65C32943-337SP									BR	1
-207F	65C32943-338SP									BS	1
-207G	65C32943-349SP									BT	1
-207H	65C32943-374SP									BU	1
-207J	65C32943-376SP									BV	1
-207K	65C32943-394SP									BW	1
-207L	65C32943-395SP									BX	1
-207M	65C32943-604SP									BY	1
-207N	65C32943-607SP									BZ	1
-207P	65C32943-608SP									CA	1
-207Q	65C32943-611SP									CB	1
-207R	65C32943-612SP									CC	1
-207S	65C32943-614SP									CD	1
-207T	65C32943-615SP									CE	1
-207U	65C32943-618SP									CF	1
-207V	65C32943-619SP									CG	1
-207W	65C32943-622SP									CH	1
-207X	65C32943-623SP									CJ	1
-207Y	65C32943-640SP									CK	1

-Item not Illustrated

25-28-48

ILLUSTRATED PARTS LIST

Page 1098.102

Mar 01/2006



COMPONENT MAINTENANCE MANUAL

FIG/ ITEM	PART NUMBER	AIRLINE PART NUMBER	NOMENCLATURE							USAGE CODE	UNITS PER ASSY
			1	2	3	4	5	6	7		
1-											
-207Z	65C32943-628SP		.							CL	1
-208	65C32943-629SP		.							CM, LH	1
-208A	65C32943-632SP		.							CN	1
-208B	65C32943-633SP		.							CP	1
-208C	65C32943-636SP		.							CQ	1
-208D	65C32943-637SP		.							CR	1
-208E	65C32943-638SP		.							CS	1
-208F	65C32943-645SP		.							CT	1
-208G	65C32943-666SP		.							CU	1
-208H	65C32943-649SP		.							CV	1
-208J	65C32943-650SP		.							CW	1
-208K	65C32943-652SP		.							CX, LE	1
-208L	65C32943-655SP		.							CY	1
-208M	65C32943-656SP		.							CZ	1
-208N	65C32943-659SP		.							DA	1
-208P	65C32943-660SP		.							DB	1
-208Q	65C32943-661SP		.							DC	1
-208R	65C32943-706SP		.							LQ	1

-Item not Illustrated

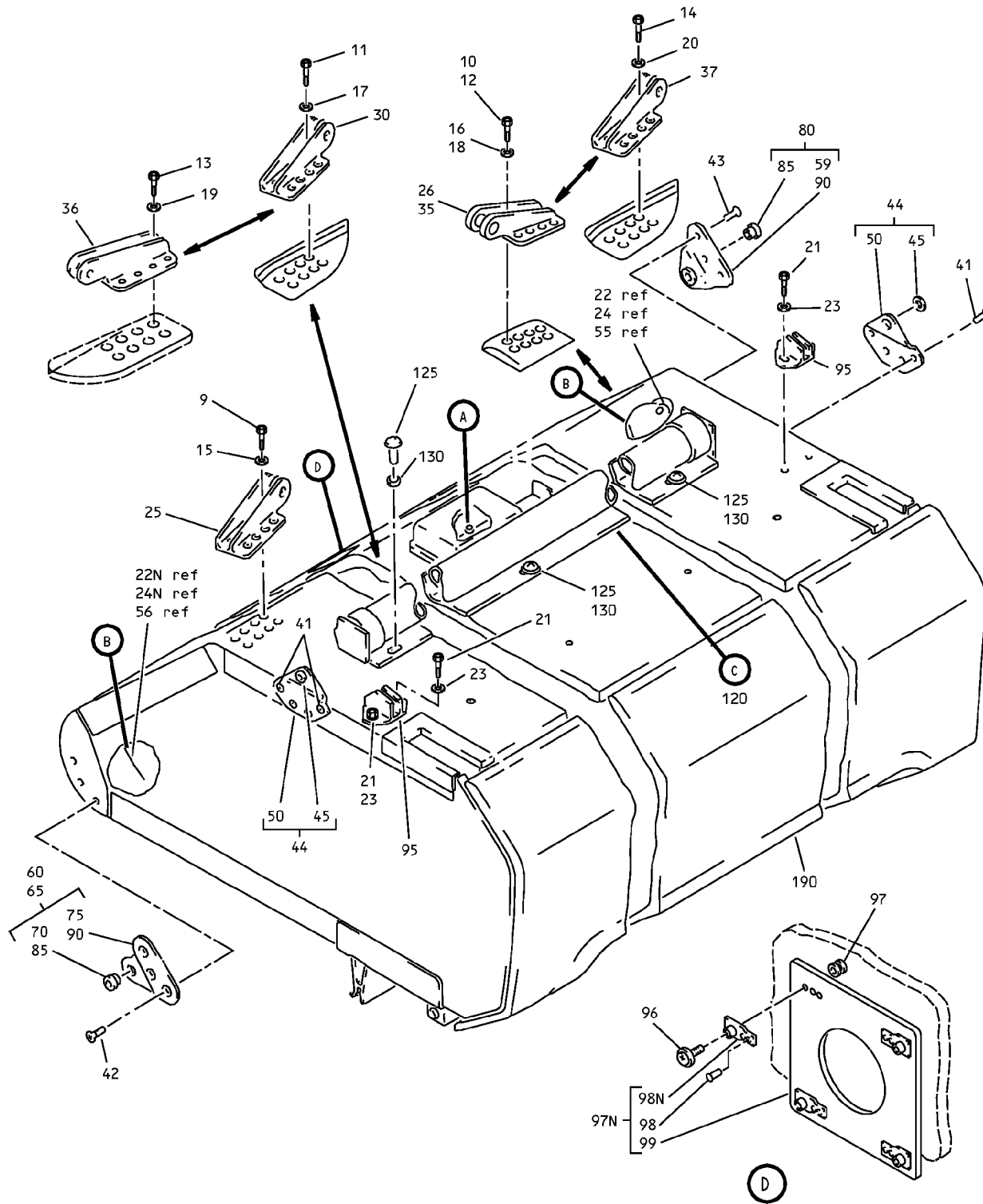
25-28-48

ILLUSTRATED PARTS LIST

Page 1098.103

Mar 01/2006

COMPONENT MAINTENANCE MANUAL



Overhead Storage Compartment Assembly
IPL Figure 2 (Sheet 1 of 2)

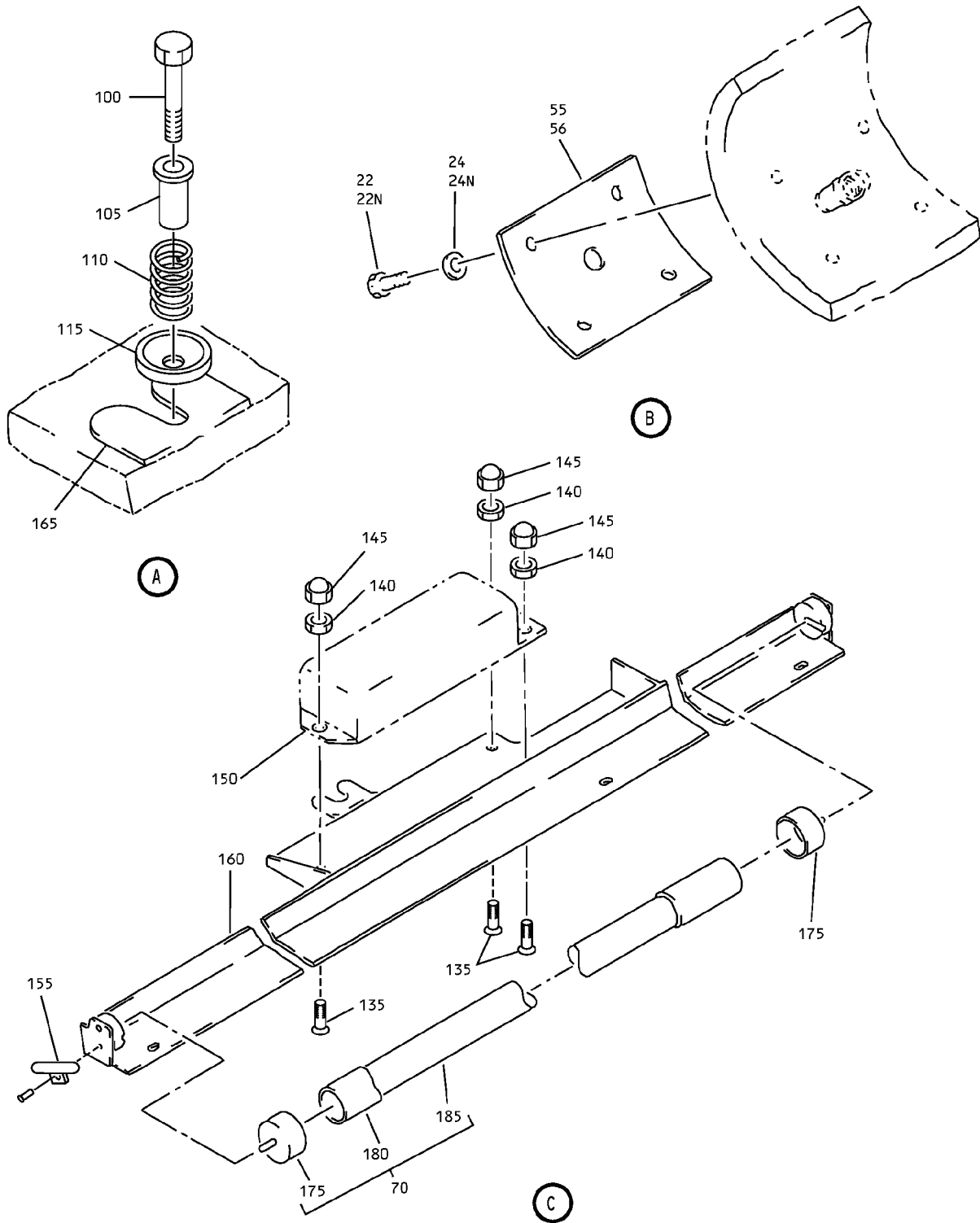
25-28-48

ILLUSTRATED PARTS LIST

Page 1098.104

Mar 01/2006

COMPONENT MAINTENANCE MANUAL



Overhead Stowage Compartment Assembly
IPL Figure 2 (Sheet 2 of 2)

25-28-48

ILLUSTRATED PARTS LIST

Page 1098.105

Mar 01/2006



COMPONENT MAINTENANCE MANUAL

FIG/ ITEM	PART NUMBER	AIRLINE PART NUMBER	NOMENCLATURE							USAGE CODE	UNITS PER ASSY
			1	2	3	4	5	6	7		
2-											
-1	65C32942-10SP									F	RF
-1A	65C32942-14SP									G	RF
-1B	65C32942-18SP									H	RF
-1C	65C32942-2SP									J	RF
-1D	65C32942-3SP									K	RF
-1E	65C32942-7SP									L	RF
-1F	65C32942-395SP									N	RF
-1G	65C32942-25SP									DD	RF
-1H	65C32942-32SP									DE	RF
-1J	65C32942-33SP									DF	RF
-1K	65C32942-36SP									DG	RF
-1L	65C32942-37SP									DH	RF
-1M	65C32942-41SP									DJ	RF
-1N	65C32942-44SP									DK	RF
-1P	65C32942-45SP									DL	RF
-1Q	65C32942-48SP									DM	RF
-1R	65C32942-49SP									DN	RF
-1S	65C32942-52SP									DP	RF

-Item not Illustrated

25-28-48

ILLUSTRATED PARTS LIST

Page 1098.106

Mar 01/2006



COMPONENT MAINTENANCE MANUAL

FIG/ ITEM	PART NUMBER	AIRLINE PART NUMBER	NOMENCLATURE							USAGE CODE	UNITS PER ASSY
			1	2	3	4	5	6	7		
2-											
-1U	65C32942-56SP									DQ	RF
-1W	65C32942-63SP									DR	RF
-1X	65C32942-65SP									DS	RF
-1Z	65C32942-70SP									DT	RF
-2	65C32942-71SP									DU	RF
-2A	65C32942-74SP									DV	RF
-2B	65C32942-75SP									DW	RF
-2C	65C32942-78SP									DX	RF
-2D	65C32942-79SP									DY	RF
-2E	65C32942-82SP									DZ	RF
-2F	65C32942-83SP									EA	RF
-2H	65C32942-86SP									EB	RF
-2J	65C32942-91SP									EC	RF
-2K	65C32942-93SP									ED	RF
-2L	65C32942-102SP									EE	RF
-2M	65C32942-103SP									EF	RF
-2N	65C32942-106SP									EG	RF
-2P	65C32942-107SP									EH	RF
-2Q	65C32942-110SP									EJ	RF

-Item not Illustrated

25-28-48

ILLUSTRATED PARTS LIST

Page 1098.107

Mar 01/2006



COMPONENT MAINTENANCE MANUAL

FIG/ ITEM	PART NUMBER	AIRLINE PART NUMBER	NOMENCLATURE							USAGE CODE	UNITS PER ASSY
			1	2	3	4	5	6	7		
2-											
-2R	65C32942-111SP									EK	RF
-2T	65C32942-114SP									EL	RF
-2V	65C32942-118SP									EM	RF
-2W	65C32942-120SP									EN	RF
-2X	65C32942-122SP									EP	RF
-2Y	65C32942-123SP									EQ	RF
-3A	65C32942-129SP									ER	RF
-3D	65C32942-305SP									ES	RF
-3E	65C32942-306SP									ET	RF
-3F	65C32942-309SP									EU	RF
-3G	65C32942-310SP									EV	RF
-3H	65C32942-313SP									EW	RF
-3J	65C32942-316SP									EX	RF
-3K	65C32942-317SP									EY	RF
-3L	65C32942-320SP									EZ	RF
-3M	65C32942-321SP									FA	RF
-3N	65C32942-324SP									FB	RF
-3P	65C32942-326SP									FC	RF
-3Q	65C32942-330SP									FD	RF

-Item not Illustrated

25-28-48

ILLUSTRATED PARTS LIST

Page 1098.108

Mar 01/2006



COMPONENT MAINTENANCE MANUAL

FIG/ ITEM	PART NUMBER	AIRLINE PART NUMBER	NOMENCLATURE							USAGE CODE	UNITS PER ASSY
			1	2	3	4	5	6	7		
2-											
-3R	65C32942-331SP									FE	RF
-3S	65C32942-334SP									FF	RF
-3T	65C32942-335SP									FG	RF
-3U	65C32942-338SP									FH	RF
-3V	65C32942-339SP									FJ	RF
-3W	65C32942-342SP									FK	RF
-3X	65C32942-343SP									FL	RF
-3Z	65C32942-346SP									FM	RF
-4	65C32942-353SP									FN	RF
-4A	65C32942-393SP									FP	RF
-4B	65C32942-405SP									FQ	RF
-4E	65C32942-410SP									FR	RF
-4F	65C32942-605SP									FS	RF
-4G	65C32942-606SP									FT	RF
-4H	65C32942-609SP									FU	RF
-4J	65C32942-610SP									FV	RF
-4K	65C32942-613SP									FW	RF
-4L	65C32942-616SP									FX	RF
-4M	65C32942-617SP									FY	RF

-Item not Illustrated

25-28-48

ILLUSTRATED PARTS LIST

Page 1098.109

Mar 01/2006



COMPONENT MAINTENANCE MANUAL

FIG/ ITEM	PART NUMBER	AIRLINE PART NUMBER	NOMENCLATURE							USAGE CODE	UNITS PER ASSY
			1	2	3	4	5	6	7		
2-											
-4N	65C32942-620SP									FZ	RF
-4P	65C32942-621SP									GA	RF
-4Q	65C32942-624SP									GB	RF
-4R	65C32942-626SP									GC	RF
-4S	65C32942-628SP									GD	RF
-4T	65C32942-630SP									GE	RF
-4U	65C32942-631SP									GF	RF
-4V	65C32942-634SP									GG	RF
-4W	65C32942-635SP									GH	RF
-4X	65C32942-638SP									GJ	RF
-4Y	65C32942-639SP									GK	RF
-4Z	65C32942-642SP									GL	RF
5	BACB30NM3K1										
-5A	65C32942-643SP									GM	RF
-5C	65C32942-646SP									GN	RF
-5E	65C32942-650SP									GP	RF
-5F	65C32942-653SP									GQ	RF
-5G	65C32942-656SP									GR	RF
-5H	65C32942-657SP									GS	RF

-Item not Illustrated

25-28-48

ILLUSTRATED PARTS LIST

Page 1098.110

Mar 01/2006



COMPONENT MAINTENANCE MANUAL

FIG/ ITEM	PART NUMBER	AIRLINE PART NUMBER	NOMENCLATURE							USAGE CODE	UNITS PER ASSY
			1	2	3	4	5	6	7		
2-											
-5J	65C32942-660SP									GT	RF
-5K	65C32942-661SP									GU	RF
-5L	65C32942-664SP									GV	RF
-5M	65C32942-665SP									GW	RF
-5N	65C32942-668SP									GX	RF
-5P	65C32942-669SP									GY	RF
-5R	65C32942-672SP									GZ	RF
-5S	65C32942-690SP									HA	RF
-5T	65C32942-138SP									LB	RF
-5U	65C32942-416SP									LD	RF
-5V	65C32942-418SP									LF	RF
-5W	65C32942-716SP									LJ	RF
-5X	65C32942-328SP									LM	RF
-5Y	65C32942-732SP									LS	RF

-Item not Illustrated

25-28-48

ILLUSTRATED PARTS LIST

Page 1098.111

Mar 01/2006



COMPONENT MAINTENANCE MANUAL

FIG/ ITEM	PART NUMBER	AIRLINE PART NUMBER	NOMENCLATURE							USAGE CODE	UNITS PER ASSY	
			1	2	3	4	5	6	7			
2- 9	BACB30NM3K1		.	B	O	L	T				F, J, N, DD, DE, DR, DT, DX, EG, FD, FH, GD, GE, GJ, GR, GV, LM	8
10	BACB30NM3K1		.	B	O	L	T				K, L, DS, DU, DW, EC, EF, FE, FG, GF, GH, GP, GS, GU	8
11	BACB30NM3K1		.	B	O	L	T				G, H, DG, DK, DM, DP, DZ, EB, ED, EJ, EL, EM, EP- ES, EU, EX, EZ, FB, FC, FK, FM, FR, FS, FU, FX, FZ, GB, GC, GL, GN, GX, GZ, HA, LSA	8

-Item not Illustrated

25-28-48

ILLUSTRATED PARTS LIST

Page 1098.112

Mar 01/2006



COMPONENT MAINTENANCE MANUAL

FIG/ ITEM	PART NUMBER	AIRLINE PART NUMBER	NOMENCLATURE							USAGE CODE	UNITS PER ASSY	
			1	2	3	4	5	6	7			
2- 12	BACB30NM3K1		.	B	O	L	T				DF, DJ, DL, DN, DQ, DY, EA, EH, EK, EN, ET, EW, EY, FA, FJ, FL, FN-FQ, FT, FW, FY, GA, GK, GM, GQ, GW, GY	8
13	BACB30NM3K1		.	B	O	L	T				DH, EV, FV	8
14	BACB30NM3K1		.	B	O	L	T				DV, EE, FF, GG, GT, LB, LD, LF, LJF	8

-Item not Illustrated

25-28-48

ILLUSTRATED PARTS LIST

Page 1098.113

Mar 01/2006



COMPONENT MAINTENANCE MANUAL

FIG/ ITEM	PART NUMBER	AIRLINE PART NUMBER	NOMENCLATURE							USAGE CODE	UNITS PER ASSY
			1	2	3	4	5	6	7		
2- 15	AN960JD10		.	W	A	S	H	E	R	F, J, N, DD, DE, DR, DT, DX, EG, FD, FH, GD, GE, GJ, GR, GV, LM	8
16	AN960JD10		.	W	A	S	H	E	R	K, L, DS, DU, DW, EC, EF, FE, FG, GF, GH, GP, GS, GU	8
17	AN960JD10		.	W	A	S	H	E	R	G, H, DG, DK, DM, DP, DZ, EB, ED, EJ, EL, EM, EP- ES, EU, EX, EZ, FB, FC, FK, FM, FR, FS, FU, FX, FZ, GB, GC, GL, GN, GX, GZ, HA, LSA	8
18	AN960JD10		.	W	A	S	H	E	R	DF, DJ, DL, DN, DQ, DY, EA, EH, EK, EN, ET, EW, EY, FA, FJ, FL, FN-FQ, FT, FW, FY, GA, GK, GM, GQ, GW, GY	8

-Item not Illustrated

25-28-48

ILLUSTRATED PARTS LIST

Page 1098.114

Mar 01/2006



COMPONENT MAINTENANCE MANUAL

FIG/ ITEM	PART NUMBER	AIRLINE PART NUMBER	NOMENCLATURE							USAGE CODE	UNITS PER ASSY
			1	2	3	4	5	6	7		
2- 19	AN960JD10		.	W	A	S	H	E	R	DH, EV, FV	8
20	AN960JD10		.	W	A	S	H	E	R	DV, EE, FF, GG, GT, LB, LD, LF, LJF	12
21	BACB30NM3K1		.	B	O	L	T	(V06710) (SPEC BACB30NM3K1) (OPT BACB30NM3K1 (V06725)) (OPT BACB30NM3K1 (V06950)) (OPT BACB30NM3K1 (V08524)) (OPT BACB30NM3K1 (V27624)) (OPT BACB30NM3K1 (V56878)) (OPT BACB30NM3K1 (V73197)) (OPT BACB30NM3K1 (V80539)) (OPT BACB30NM3K1 (V92215)) (OPT BACB30NM3K1 (V93907)) (OPT BACB30NM3K1 (V97928))	F-L, N, DD-HA, LB, LD, LF, LJ, LM, LS	4	
22	BACB30NM3K1		.	B	O	L	T	(V06710) (SPEC BACB30NM3K1) (OPT BACB30NM3K1 (V06725)) (OPT BACB30NM3K1 (V06950)) (OPT BACB30NM3K1 (V08524)) (OPT BACB30NM3K1 (V27624)) (OPT BACB30NM3K1 (V56878)) (OPT BACB30NM3K1 (V73197)) (OPT BACB30NM3K1 (V80539)) (OPT BACB30NM3K1 (V92215)) (OPT BACB30NM3K1 (V93907)) (OPT BACB30NM3K1 (V97928))	F-H, L, N, DD-DR, DW-DZ, EB, ED- FC, FG- GD, GH- GN, GQ, GU-HA, LM, LS	4	

-Item not Illustrated

25-28-48

ILLUSTRATED PARTS LIST

Page 1098.115

Mar 01/2006



COMPONENT MAINTENANCE MANUAL

FIG/ ITEM	PART NUMBER	AIRLINE PART NUMBER	NOMENCLATURE							USAGE CODE	UNITS PER ASSY	
			1	2	3	4	5	6	7			
2- 22N	BACB30NM3K1		.	B	O	L	T				F-H, L, N, DD, DF- DR, DW- DZ, EB, ED-ER, ET-FC, FG-FR, FT-GD, GH-GN, GQ, GU- HA, LM, LS	4
				(V06710)								
				(SPEC BACB30NM3K1)								
				(OPT BACB30NM3K1 (V06725))								
				(OPT BACB30NM3K1 (V06950))								
				(OPT BACB30NM3K1 (V08524))								
				(OPT BACB30NM3K1 (V27624))								
				(OPT BACB30NM3K1 (V56878))								
				(OPT BACB30NM3K1 (V73197))								
				(OPT BACB30NM3K1 (V80539))								
				(OPT BACB30NM3K1 (V92215))								
				(OPT BACB30NM3K1 (V93907))								
				(OPT BACB30NM3K1 (V97928))								
23	AN960JD10		.	W	A	S	H	E	R		F-L, N, DD-HA, LS	4
24	AN960JD10		.	W	A	S	H	E	R		F-H, L, N, DD-DR, DW-DZ, EB, ED- FC, FG- GD, GH- GN, GQ, GU-HA, LM, LS	4
24N	AN960JD10		.	W	A	S	H	E	R		F-H, L, N, DD, DF- DR, DW- DZ, EB, ED-ER, ET-FC, FG-FR, FT-GD, GH-GN, GQ, GU- HA, LM, LS	4
25	412N1161-1		.	F	I	T	T	I	N	G	F, J, N, DD, DE, DR, DT, DX, EG, FD, FH, GD, GE, GJ, GR, GV, LM	1

-Item not Illustrated

25-28-48

ILLUSTRATED PARTS LIST

Page 1098.116

Mar 01/2006



COMPONENT MAINTENANCE MANUAL

FIG/ ITEM	PART NUMBER	AIRLINE PART NUMBER	NOMENCLATURE							USAGE CODE	UNITS PER ASSY	
			1	2	3	4	5	6	7			
2- 26	412N1161-2		.								K, L, DS, DU, DW, EC, EF, FE, FG, GF, GH, GP, GS, GU	1
30	412N1161-1		.								G, H, DG, DK, DM, DP, DZ, EB, ED, EJ, EL, EM, EP- ES, EU, EX, EZ, FB, FC, FK, FM, FR, FS, FU, FX, FZ, GB, GC, GL, GN, GX, GZ, HA, LSA	1
35	412N1161-2		.								DF, DJ, DL, DN, DQ, DY, EA, EH, EK, EN, ET, EW, EY, FA, FJ, FL, FN-FQ, FT, FW, FY, GA, GK, GM, GQ, GW, GY	1
36	412N1161-2		.								DH, EV, FV	1
37	412N1161-1		.								DV, EE, FF, GG, GT, LB, LD, LF, LJF	1

-Item not Illustrated

25-28-48

ILLUSTRATED PARTS LIST

Page 1098.117

Mar 01/2006



COMPONENT MAINTENANCE MANUAL

FIG/ ITEM	PART NUMBER	AIRLINE PART NUMBER	NOMENCLATURE							USAGE CODE	UNITS PER ASSY
			1	2	3	4	5	6	7		
2-											
40	412N1119-1										
41	BACS12ER3K6									F-L, N, DD-HA, LB, LD, LF, LJ, LM, LS	8
42	BACS12ER3K6									J, K, DE, DS-DV, EC, EE, ES, ET, FE, FF, FS, GE- GG, GP, GR-GT, LB, LD, LF, LJ	3
43	BACS12ER3K6									J, K, DS- DV, EC, EE, FD- FF, GE- GG, GP, GR-GT, LB, LD, LF, LJF	3
44	412N1119-1									F-L, N, DD-HA, LB, LD, LF, LJ, LM, LS	2

-Item not Illustrated

25-28-48

ILLUSTRATED PARTS LIST

Page 1098.118

Mar 01/2006



COMPONENT MAINTENANCE MANUAL

FIG/ ITEM	PART NUMBER	AIRLINE PART NUMBER	NOMENCLATURE							USAGE CODE	UNITS PER ASSY	
			1	2	3	4	5	6	7			
2- 45	BACB28B6-220P		.	.							F-L, N, DD-HA, LB, LD, LF, LJ, LM, LS	1
50	412N1119-2		.	.							F-L, N, DD-HA, LB, LD, LF, LJ, LM, LS	1
55	412N1119-12		.								F-H, L, DD-DR, DW-DZ, EB, ED- FC, FG- GD, GH- GN, GQ, GU-HA, LM, LS	1
56	412N1119-12		.								F-H, L, DD, DF- DR, DW- DZ, EB, ED-ER, ET-FC, FG-FR, FT-GD, GH-GN, GQ, GU- HA, LM, LS	1
59	412N1119-23		.								DV, EE, FF, GG, GT, LB, LD, LF, LJF	1
60	412N1119-24		.								J, DE, DT, ES, FD, FS, GE, GR	1

-Item not Illustrated

25-28-48

ILLUSTRATED PARTS LIST

Page 1098.119

Mar 01/2006



COMPONENT MAINTENANCE MANUAL

FIG/ ITEM	PART NUMBER	AIRLINE PART NUMBER	NOMENCLATURE							USAGE CODE	UNITS PER ASSY	
			1	2	3	4	5	6	7			
2- 65	412N1119-16		.								K, DS, DU, DV, EC, EE, FE, FF, GF, GG, GP, GS, GT, LB, LD, LF, LJ	1
70	BACB28B6-250P		.	.							K, DS, DU, DV, EC, EE, FE, FF, GF, GG, GP, GS, GT, LB, LD, LF, LJ	1
75	412N1119-18		.	.							K, DS, DU, DV, EC, EE, FE, FF, GF, GG, GP, GS, GT, LB, LD, LF, LJ	1
80	412N1119-15		.								J, K, DS- DU, EC, FD, FE, GE, GF, GP, GR, GS	1
85	BACB28B6-250P		.	.							J, K, DS- DU, EC, FD, FE, GE, GF, GP, GR, GS	1
90	412N1119-17		.	.							J, K, DS- DU, EC, FD, FE, GE, GF, GP, GR, GS	1

-Item not Illustrated

25-28-48

ILLUSTRATED PARTS LIST

Page 1098.120

Mar 01/2006

COMPONENT MAINTENANCE MANUAL

FIG/ ITEM	PART NUMBER	AIRLINE PART NUMBER	NOMENCLATURE							USAGE CODE	UNITS PER ASSY	
			1	2	3	4	5	6	7			
2- 95	411N3134-1		.								F-L, N, DD-HA, LB, LD, LF, LJ, LM, LS	2
96	BACS12FA3K9		.								ER, LS	4
97	NAS1834-3-400		.								ER, LS	4
97N	412N1145-87		.								ER, LS	1
98	BACR15BA3AD		.	.							ER, LS	8
98N	BRF100A3		.	.							ER, LS	4
99	412N1145-88		.	.							ER, LS	1
100	NAS1801-3-11		.								F-L, N, DD-HA, LB, LD, LF, LJ, LM, LS	1
105	BACS18C8-6		.								F-L, N, DD-HA, LB, LD, LF, LJ, LM, LS	1

-Item not Illustrated

25-28-48

ILLUSTRATED PARTS LIST

Page 1098.121

Mar 01/2006



COMPONENT MAINTENANCE MANUAL

FIG/ ITEM	PART NUMBER	AIRLINE PART NUMBER	NOMENCLATURE							USAGE CODE	UNITS PER ASSY	
			1	2	3	4	5	6	7			
2- 110	MS24585-1230		.								F-L, N, DD-HA, LB, LD, LF, LJ, LM, LS	1
115	411N3142-28		.								F-L, N, DD-HA, LB, LD, LF, LJ, LM, LS	1
120	417N5120-14		.								F, H, K, N, DD, DF, DJ, DM, DN, DQ-DS, DU, DX, DY, EB, EC, EG, EH, EL- EP, ET, EW, EZ, FA, FC, FE, FH, FJ, FM- FQ, FT, FW, FZ, GA, GC, GD, GF, GJ, GK, GN-GQ, GS, GV, GW, GZ, LM	1

-Item not Illustrated

25-28-48

ILLUSTRATED PARTS LIST

Page 1098.122

Mar 01/2006



COMPONENT MAINTENANCE MANUAL

FIG/ ITEM	PART NUMBER	AIRLINE PART NUMBER	NOMENCLATURE							USAGE CODE	UNITS PER ASSY		
			1	2	3	4	5	6	7				
2- -120A	417N5120-15		.	L	I	G	H	T	A	S	S		1
												G, J, L, DE, DG, DH, DK, DL, DP, DT, DV, DW, DZ, EA, ED- EF, EJ, EK, EQ- ES, EU, EV, EX, EY, FB, FD, FF, FG, FK, FL, FR, FS, FU, FV, FX, FY, GB, GE, GG, GH, GL, GM, GR, GT, GU, GX, GY, HA, LB, LD, LF, LJ, LS	
125	NAS1801-3-5		.	S	C	R	E	W					3
												F-L, N, DD-HA, LB, LD, LF, LJ, LM, LS	
130	AN960JD10LL		.	W	A	S	H	E	R				3
												F-L, N, DD-HA, LB, LD, LF, LJ, LM, LS	
			-----*										

-Item not Illustrated

25-28-48

ILLUSTRATED PARTS LIST

Page 1098.123

Mar 01/2006



COMPONENT MAINTENANCE MANUAL

FIG/ ITEM	PART NUMBER	AIRLINE PART NUMBER	NOMENCLATURE							USAGE CODE	UNITS PER ASSY	
			1	2	3	4	5	6	7			
2- -135	BACS12ER3K6		.	.	SCREW (V06710) (SPEC BACS12ER3K6) (OPT BACS12ER3K6 (V06725)) (OPT BACS12ER3K6 (V06950)) (OPT BACS12ER3K6 (V27624)) (OPT BACS12ER3K6 (V34252)) (OPT BACS12ER3K6 (V56878)) (OPT BACS12ER3K6 (V73197)) (OPT BACS12ER3K6 (V80539)) (OPT BACS12ER3K6 (V92215)) (OPT BACS12ER3K6 (V93907)) (OPT BACS12ER3K6 (V97928))						F-L, N, DD-HA, LB, LD, LF, LJ, LM, LS	3
140	BACW10UD10		.	.	WASHER					F-L, N, DD-HA, LB, LD, LF, LJ, LM, LS	3	
145	F22K1-02		.	.	NUT (V72962) (SPEC BACN10R10L) (OPT 22K1-02 (V72962)) (OPT 26CL02 (V80539))					F-L, N, DD-HA, LB, LD, LF, LJ, LM, LS	3	
150	05939-3		.	.	BALLAST (V17023) (SPEC S283N702-3) (OPT 1983-1 (V30242)) (OPT ITEM 150B)					F-L, N, DD-HA, LB, LD, LF, LJ, LM, LS	1	
-150A	1983-1		.	.	BALLAST (V30242) (SPEC S283N702-3) (OPT 05939-3 (V17023)) (OPT ITEM 150B)					F-L, N, DD-HA, LB, LD, LF, LJ, LM, LS	1	
-150B	05939-103		.	.	BALLAST (V17023) (SPEC S283N702-103) (OPT ITEM 150, 150A)					F-L, N, DD-HA, LB, LD, LF, LJ, LM, LS	1	

-Item not Illustrated

25-28-48

ILLUSTRATED PARTS LIST

Page 1098.124

Jul 01/2009



COMPONENT MAINTENANCE MANUAL

FIG/ ITEM	PART NUMBER	AIRLINE PART NUMBER	NOMENCLATURE							USAGE CODE	UNITS PER ASSY	
			1	2	3	4	5	6	7			
2- 155	1864		.	.	BULB-NIGHT LIGHT (V08806)						F, H, K, N, DD, DF, DJ, DM, DN, DQ-DS, DU, DX, DY, EB, EC, EG, EH, EL- EP, ET, EW, EZ, FA, FC, FE, FH, FJ, FM- FQ, FT, FW, FZ, GA, GC, GD, GF, GJ, GK, GN-GQ, GS, GV, GW, GZ, LM	1
160	80000255-11		.	.	LIGHT ASSY (V05617) (SPEC S417N507-11) (FOR DETAILS SEE FIG. 80)						F, H, K, N, DD, DF, DJ, DM, DN, DQ-DS, DU, DX, DY, EB, EC, EG, EH, EL- EP, ET, EW, EZ, FA, FC, FE, FH, FJ, FM- FQ, FT, FW, FZ, GA, GC, GD, GF, GJ, GK, GN-GQ, GS, GV, GW, GZ, LM	1

-Item not Illustrated

25-28-48

ILLUSTRATED PARTS LIST

Page 1098.125

Mar 01/2006



COMPONENT MAINTENANCE MANUAL

FIG/ ITEM	PART NUMBER	AIRLINE PART NUMBER	NOMENCLATURE							USAGE CODE	UNITS PER ASSY	
			1	2	3	4	5	6	7			
2- -160A	800000255-12		.	.	LIGHT ASSY (V05617) (SPEC S417N507-12) (FOR DETAILS SEE FIG. 80)						G, J, L, DE, DG, DH, DK, DL, DP, DT, DV, DW, DZ, EA, ED- EF, EJ, EK, EQ- ES, EU, EV, EX, EY, FB, FD, FF, FG, FK, FL, FR, FS, FU, FV, FX, FY, GB, GE, GG, GH, GL, GM, GR, GT, GU, GX, GY, HA, LB, LD, LF, LJ, LS	1
165	65C28117-3		.	.	PAD						F-L, N, DD-HA, LB, LD, LF, LJ, LM, LS	1
170	417N5120-10		.	.	LAMP ASSY						F-L, N, DD-HA, LB, LD, LF, LJ, LM, LS	1
175	2055150		.	.	CAP (V04169)						F-L, N, DD-HA, LB, LD, LF, LJ, LM, LS	2

-Item not Illustrated

25-28-48

ILLUSTRATED PARTS LIST

Page 1098.126

Mar 01/2006



COMPONENT MAINTENANCE MANUAL

FIG/ ITEM	PART NUMBER	AIRLINE PART NUMBER	NOMENCLATURE							USAGE CODE	UNITS PER ASSY	
			1	2	3	4	5	6	7			
2- 180	NI312LGWUV1000		. . .	TUBE-COVER	PROTECTIVE						F-L, N, DD-HA, LB, LD, LF, LJ, LM, LS	1
-180A	LP1625-48		. . .	TUBE-COVER	PROTECTIVE						F-L, N, DD-HA, LB, LD, LF, LJ, LM, LS	1
185	F40WW		. . .	LAMP-FLUOR							F-L, N, DD-HA, LB, LD, LF, LJ, LM, LS	1
190	65C32943-8SP		.	MODULE ASSY							F	1
-190A	65C32943-12SP		.	MODULE ASSY							G, H	1
-190B	65C32943-2SP		.	MODULE ASSY							J	1
-190C	65C32943-1SP		.	MODULE ASSY							K	1
-190D	65C32943-5SP		.	MODULE ASSY							L	1
-190E	65C32943-378SP		.	MODULE ASSY							N	1
-190F	65C32943-20SP		.	MODULE ASSY							DD	1
-190G	65C32943-27SP		.	MODULE ASSY							DE	1
-190H	65C32943-28SP		.	MODULE ASSY							DF	1
-190J	65C32943-31SP		.	MODULE ASSY							DG	1
-190K	65C32943-32SP		.	MODULE ASSY							DH	1
-190L	65C32943-36SP		.	MODULE ASSY							DJ	1

-Item not Illustrated

25-28-48

ILLUSTRATED PARTS LIST

Page 1098.127

Mar 01/2006



COMPONENT MAINTENANCE MANUAL

FIG/ ITEM	PART NUMBER	AIRLINE PART NUMBER	NOMENCLATURE							USAGE CODE	UNITS PER ASSY
			1	2	3	4	5	6	7		
2-											
-190M	65C32943-39SP		.							DK	1
-190N	65C32943-40SP		.							DL	1
-190P	65C32943-43SP		.							DM	1
-190Q	65C32943-44SP		.							DN	1
-190R	65C32943-47SP		.							DP	1
-190S	65C32943-50SP		.							DQ	1
-190T	65C32943-56SP		.							DR	1
-190U	65C32943-49SP		.							DS	1
-190V	65C32943-63SP		.							DT	1
-190W	65C32943-62SP		.							DU	1
-190X	65C32943-65SP		.							DV	1
-190Y	65C32943-66SP		.							DW	1
-190Z	65C32943-69SP		.							DX	1
-191	65C32943-70SP		.							DY	1
-191A	65C32943-73SP		.							DZ, EB	1
-191B	65C32943-72SP		.							EA	1
-191C	65C32943-79SP		.							EC	1
-191D	65C32943-81SP		.							ED	1
-191E	65C32943-88SP		.							EE	1

-Item not Illustrated

25-28-48

ILLUSTRATED PARTS LIST

Page 1098.128

Mar 01/2006



COMPONENT MAINTENANCE MANUAL

FIG/ ITEM	PART NUMBER	AIRLINE PART NUMBER	NOMENCLATURE							USAGE CODE	UNITS PER ASSY
			1	2	3	4	5	6	7		
2-											
-191F	65C32943-89SP		.	MODULE ASSY (FOR DETAILS SEE FIG. 4)						EF	1
-191G	65C32943-92SP		.	MODULE ASSY (FOR DETAILS SEE FIG. 4)						EG	1
-191H	65C32943-93SP		.	MODULE ASSY (FOR DETAILS SEE FIG. 4)						EH	1
-191J	65C32943-96SP		.	MODULE ASSY (FOR DETAILS SEE FIG. 4)						EJ, EL	1
-191K	65C32943-95SP		.	MODULE ASSY (FOR DETAILS SEE FIG. 4)						EK	1
-191L	65C32943-103SP		.	MODULE ASSY (FOR DETAILS SEE FIG. 4)						EM	1
-191M	65C32943-106SP		.	MODULE ASSY (FOR DETAILS SEE FIG. 4)						EN	1
-191N	65C32943-105SP		.	MODULE ASSY (FOR DETAILS SEE FIG. 4)						EP	1
-191P	65C32943-108SP		.	MODULE ASSY (FOR DETAILS SEE FIG. 4)						EQ	1
-191Q	65C32943-112SP		.	MODULE ASSY (FOR DETAILS SEE FIG. 4)						ER	1
-191R	65C32943-305SP		.	MODULE ASSY (FOR DETAILS SEE FIG. 4)						ES	1
-191S	65C32943-306SP		.	MODULE ASSY (FOR DETAILS SEE FIG. 4)						ET	1
-191T	65C32943-309SP		.	MODULE ASSY (FOR DETAILS SEE FIG. 4)						EU	1
-191U	65C32943-310SP		.	MODULE ASSY (FOR DETAILS SEE FIG. 4)						EV	1
-191V	65C32943-313SP		.	MODULE ASSY (FOR DETAILS SEE FIG. 4)						EW	1
-191W	65C32943-316SP		.	MODULE ASSY (FOR DETAILS SEE FIG. 4)						EX	1
-191X	65C32943-317SP		.	MODULE ASSY (FOR DETAILS SEE FIG. 4)						EY	1
-191Y	65C32943-320SP		.	MODULE ASSY (FOR DETAILS SEE FIG. 4)						EZ	1
-191Z	65C32943-321SP		.	MODULE ASSY (FOR DETAILS SEE FIG. 4)						FA	1

-Item not Illustrated

25-28-48

ILLUSTRATED PARTS LIST

Page 1098.129

Mar 01/2006



COMPONENT MAINTENANCE MANUAL

FIG/ ITEM	PART NUMBER	AIRLINE PART NUMBER	NOMENCLATURE							USAGE CODE	UNITS PER ASSY
			1	2	3	4	5	6	7		
2-											
-192	65C32943-324SP		.							FB	1
-192A	65C32943-326SP		.							FC	1
-192B	65C32943-328SP		.							FD	1
-192C	65C32943-340SP		.							FE	1
-192D	65C32943-330SP		.							FF, LD	1
-192E	65C32943-331SP		.							FG	1
-192F	65C32943-334SP		.							FH	1
-192G	65C32943-335SP		.							FJ	1
-192H	65C32943-338SP		.							FK, FM	1
-192J	65C32943-337SP		.							FL	1
-192K	65C32943-347SP		.							FN	1
-192L	65C32943-375SP		.							FP	1
-192M	65C32943-389SP		.							FQ	1
-192N	65C32943-390SP		.							FR	1
-192P	65C32943-605SP		.							FS	1
-192Q	65C32943-606SP		.							FT	1
-192R	65C32943-609SP		.							FU	1
-192S	65C32943-610SP		.							FV	1
-192T	65C32943-613SP		.							FW	1

-Item not Illustrated

25-28-48

ILLUSTRATED PARTS LIST
Page 1098.130
Mar 01/2006



COMPONENT MAINTENANCE MANUAL

FIG/ ITEM	PART NUMBER	AIRLINE PART NUMBER	NOMENCLATURE							USAGE CODE	UNITS PER ASSY
			1	2	3	4	5	6	7		
2-											
-192U	65C32943-616SP		.							FX	1
-192V	65C32943-617SP		.							FY	1
-192W	65C32943-620SP		.							FZ	1
-192X	65C32943-621SP		.							GA	1
-192Y	65C32943-624SP		.							GB	1
-192Z	65C32943-626SP		.							GC	1
-193	65C32943-648SP		.							GD	1
-193A	65C32943-628SP		.							GE	1
-193B	65C32943-640SP		.							GF	1
-193C	65C32943-630SP		.							GG	1
-193D	65C32943-631SP		.							GH	1
-193E	65C32943-634SP		.							GJ	1
-193F	65C32943-635SP		.							GK	1
-193G	65C32943-638SP		.							GL, GN	1
-193H	65C32943-637SP		.							GM	1
-193J	65C32943-644SP		.							GP	1
-193K	65C32943-647SP		.							GQ	1
-193L	65C32943-650SP		.							GR	1
-193M	65C32943-651SP		.							GS	1

-Item not Illustrated

25-28-48

ILLUSTRATED PARTS LIST

Page 1098.131

Mar 01/2006



COMPONENT MAINTENANCE MANUAL

FIG/ ITEM	PART NUMBER	AIRLINE PART NUMBER	NOMENCLATURE							USAGE CODE	UNITS PER ASSY
			1	2	3	4	5	6	7		
2-											
-193N	65C32943-653SP		.							GT	1
-193P	65C32943-654SP		.							GU	1
-193Q	65C32943-657SP		.							GV	1
-193R	65C32943-658SP		.							GW	1
-193S	65C32943-661SP		.							GX, GZ	1
-193T	65C32943-660SP		.							GY	1
-193U	65C32943-669SP		.							HA	1
-193V	65C32943-4SP		.							LB	1
-193W	65C32943-353SP		.							LF	1
-193X	65C32943-348SP		.							LM	1
-193Y	65C32943-708SP		.							LS	1

-Item not Illustrated

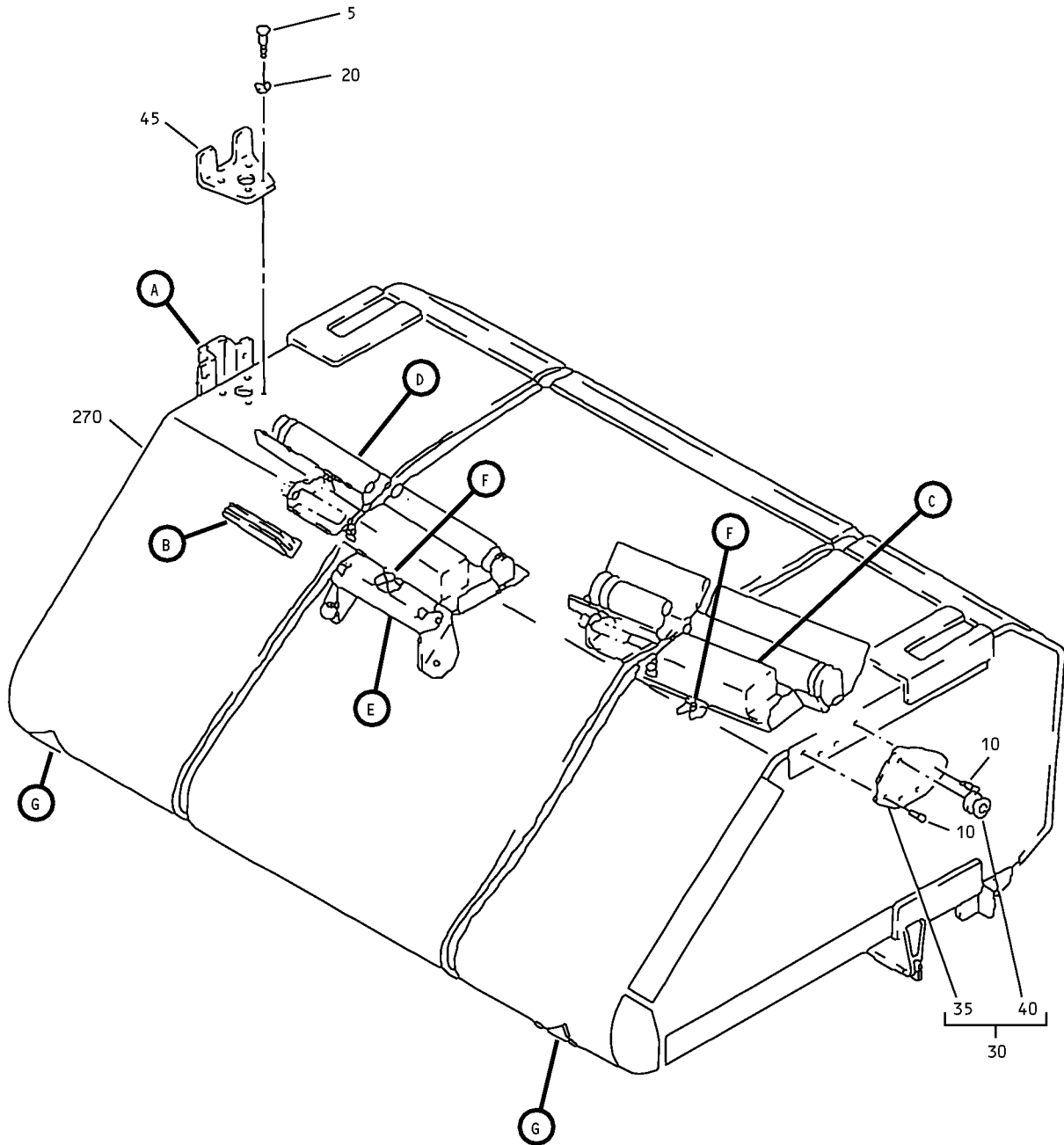
25-28-48

ILLUSTRATED PARTS LIST

Page 1098.132

Mar 01/2006

COMPONENT MAINTENANCE MANUAL



Overhead Stowage Compartment Assembly
IPL Figure 3 (Sheet 1 of 6)

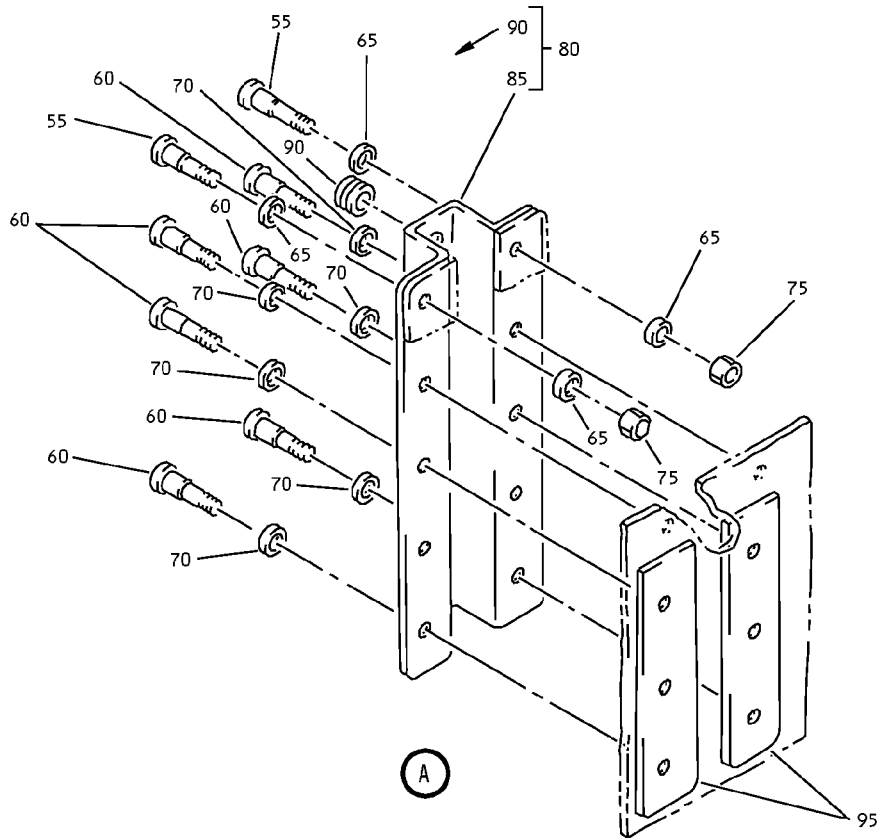
25-28-48

ILLUSTRATED PARTS LIST

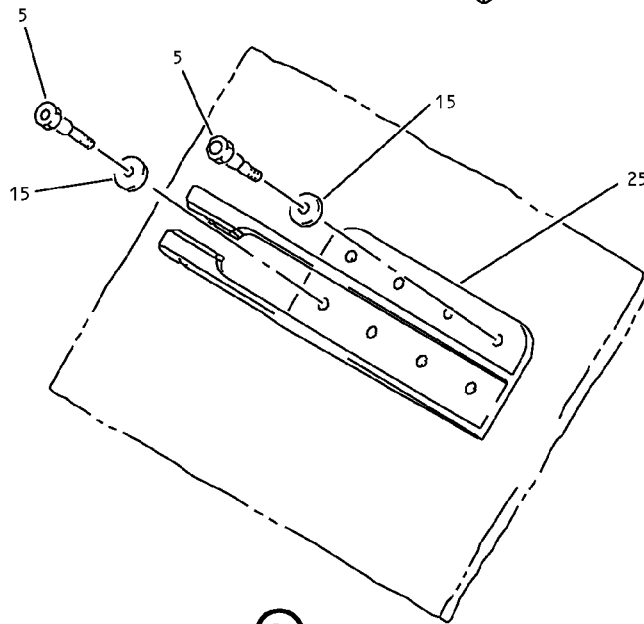
Page 1098.133

Mar 01/2006

COMPONENT MAINTENANCE MANUAL



A



B

Overhead Storage Compartment Assembly
IPL Figure 3 (Sheet 2 of 6)

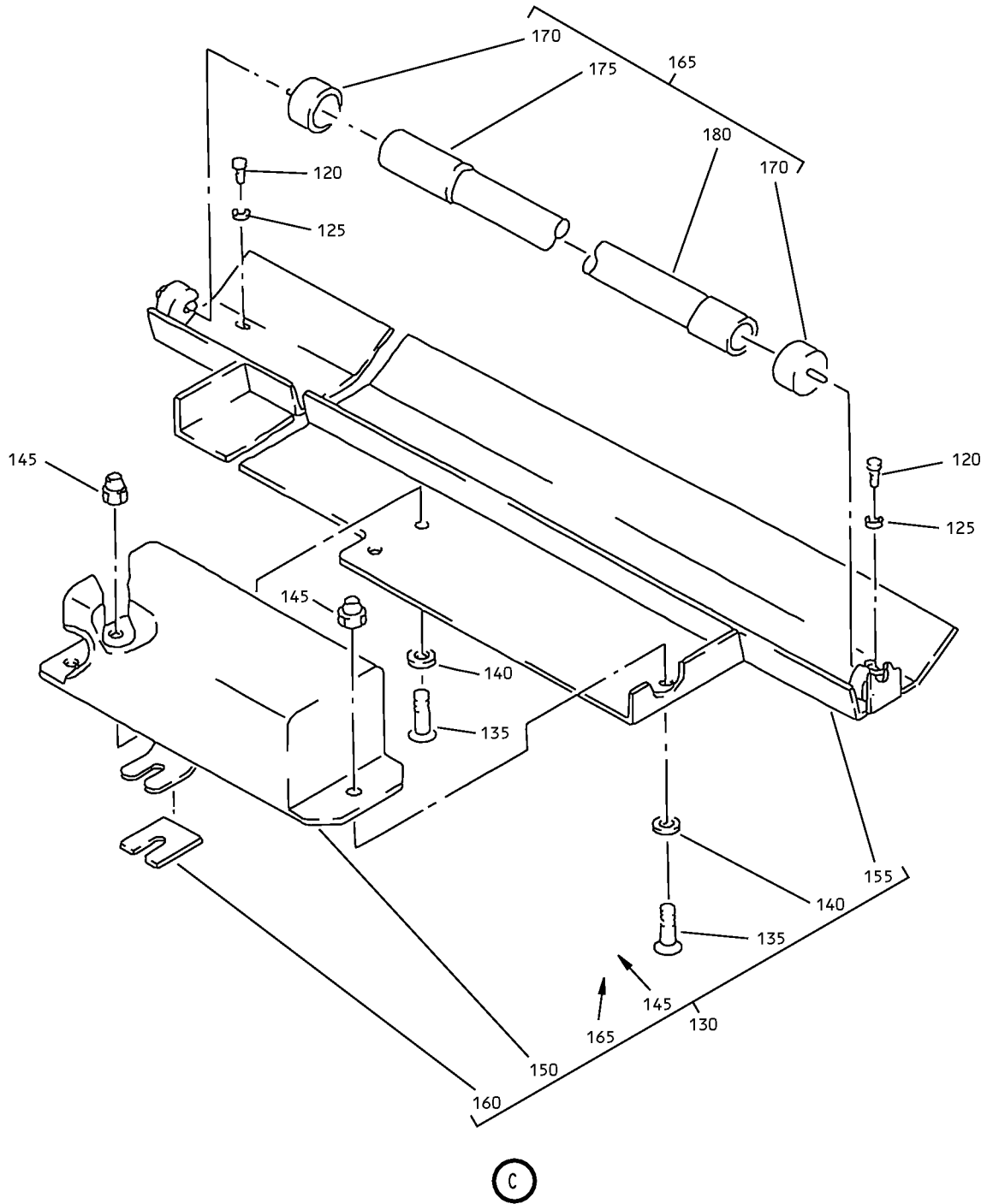
25-28-48

ILLUSTRATED PARTS LIST

Page 1098.134

Mar 01/2006

COMPONENT MAINTENANCE MANUAL



Overhead Stowage Compartment Assembly
IPL Figure 3 (Sheet 3 of 6)

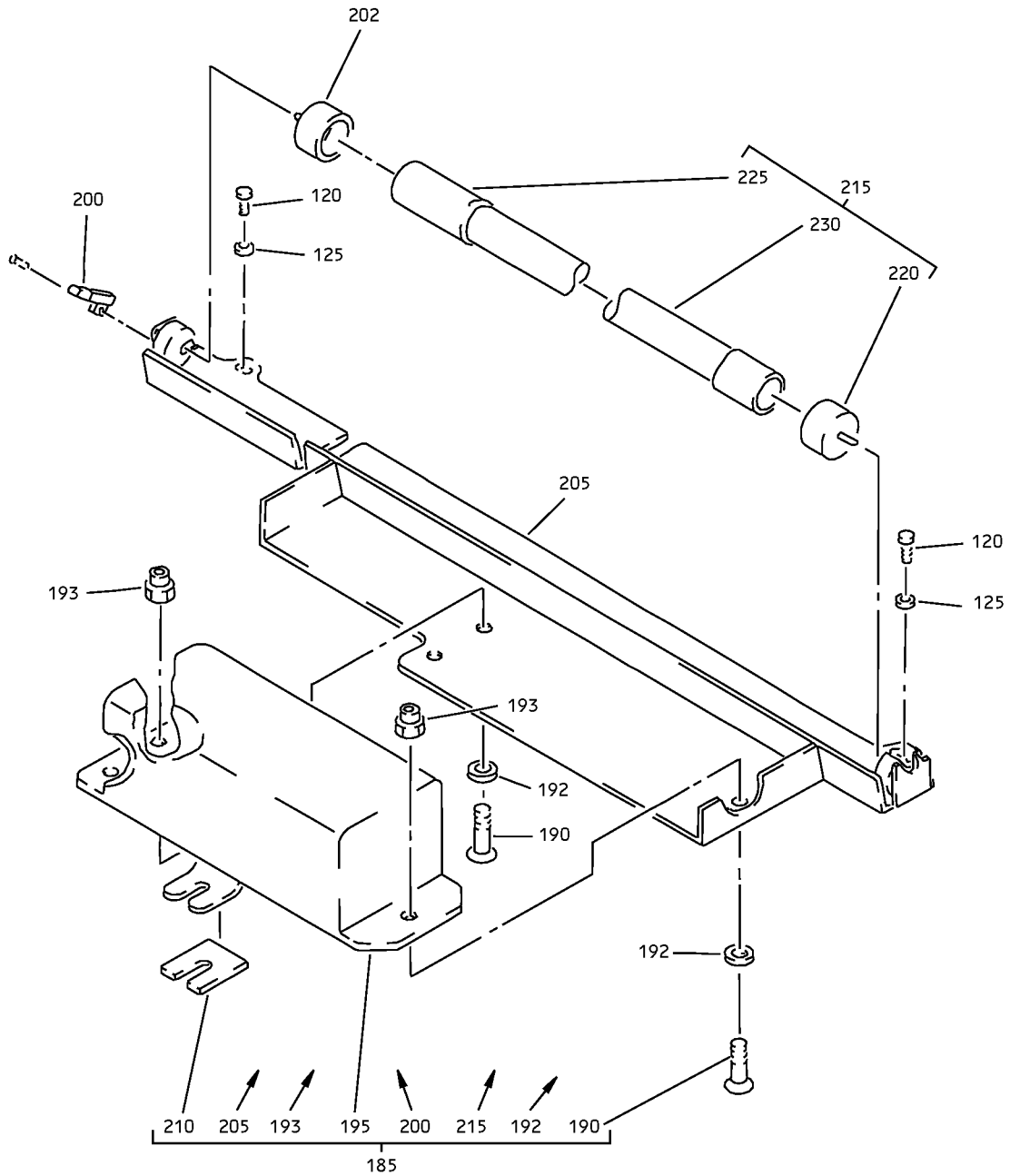
25-28-48

ILLUSTRATED PARTS LIST

Page 1098.135

Mar 01/2006

COMPONENT MAINTENANCE MANUAL



D

Overhead Stowage Compartment Assembly
IPL Figure 3 (Sheet 4 of 6)

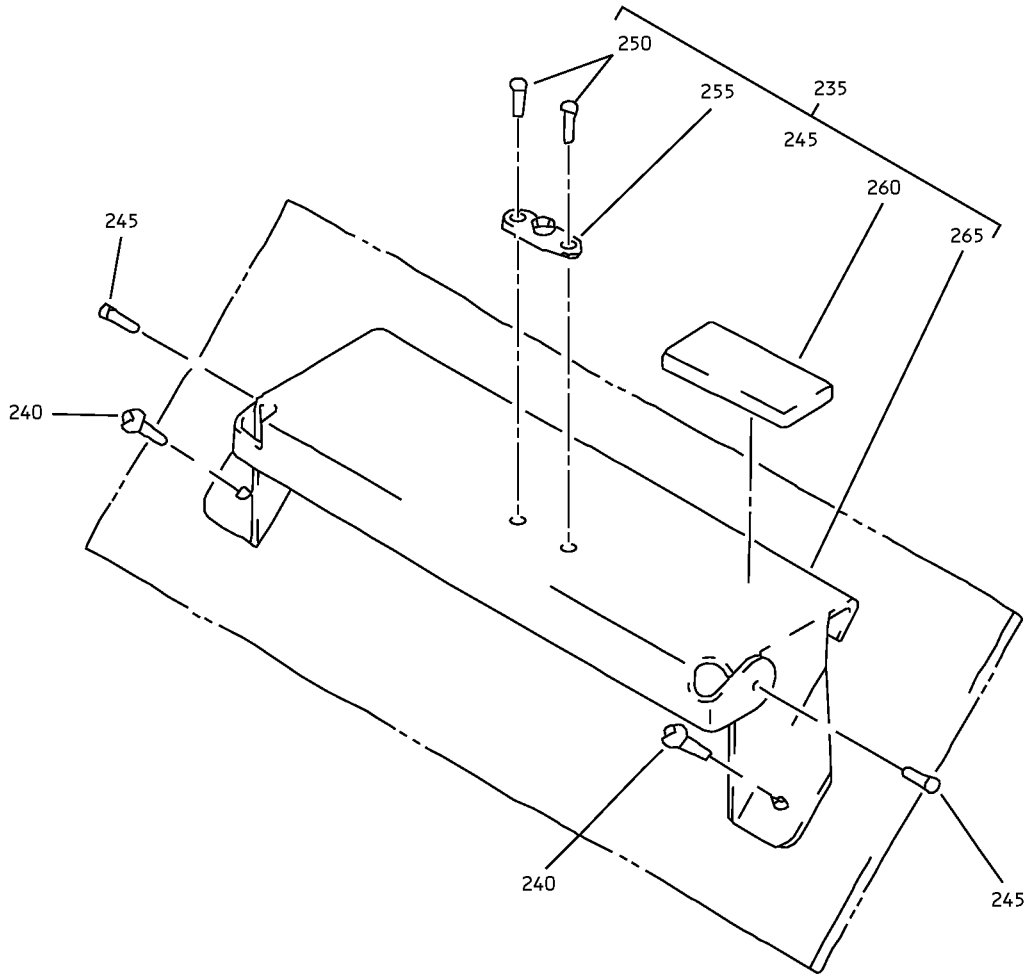
25-28-48

ILLUSTRATED PARTS LIST

Page 1098.136

Mar 01/2006

COMPONENT MAINTENANCE MANUAL



E

Overhead Stowage Compartment Assembly
IPL Figure 3 (Sheet 5 of 6)

25-28-48

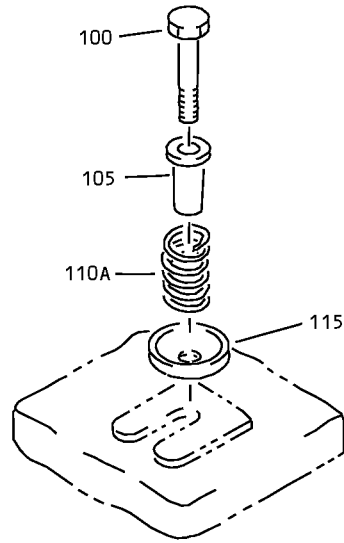
ILLUSTRATED PARTS LIST

Page 1098.137

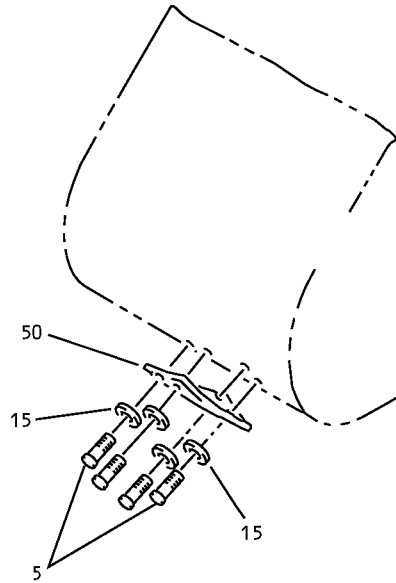
Mar 01/2006



COMPONENT MAINTENANCE MANUAL



F



G

Overhead Stowage Compartment Assembly
IPL Figure 3 (Sheet 6 of 6)

25-28-48
ILLUSTRATED PARTS LIST
Page 1098.138
Mar 01/2006



COMPONENT MAINTENANCE MANUAL

FIG/ ITEM	PART NUMBER	AIRLINE PART NUMBER	NOMENCLATURE							USAGE CODE	UNITS PER ASSY	
			1	2	3	4	5	6	7			
3- 10	BACS12ER3K6		.	S	C	R	E	W			M, HB- HL, LN, LT	4
15	AN960JD10		.	W	A	S	H	E	R		M, HB- HL, LN, LT	16
20	AN960JD10LL		.	W	A	S	H	E	R		M, HB- HL, LN, LT	4
25	412N1161-1		.	F	I	T	T	I	N	G	M, HB- HL, LN, LT	1
30	412N1119-1		.	F	I	T	T	I	N	G	M, HB- HL, LN, LT	1
35	BACB28B6-220P		.	.	B	U	S	H	I	N	M, HB- HL, LN, LT	1
40	412N1119-2		.	.	F	I	T	T	I	N	M, HB- HL, LN, LT	1
45	412N1119-41		.	F	I	T	T	I	N	G	M, HB- HL, LN, LT	1
50	412N1119-12		.	F	I	T	T	I	N	G	M, HB- HL, LN, LT	2

-Item not Illustrated

25-28-48

ILLUSTRATED PARTS LIST

Page 1098.140

Mar 01/2006



COMPONENT MAINTENANCE MANUAL

FIG/ ITEM	PART NUMBER	AIRLINE PART NUMBER	NOMENCLATURE							USAGE CODE	UNITS PER ASSY							
			1	2	3	4	5	6	7									
3- 55	BACB30NM3K3		.	BOLT	(V06710)	(SPEC BACB30NM3K3)	(OPT BACB30NM3K3 (V06725))	(OPT BACB30NM3K3 (V06950))	(OPT BACB30NM3K3 (V08524))	(OPT BACB30NM3K3 (V27624))	(OPT BACB30NM3K3 (V56878))	(OPT BACB30NM3K3 (V73197))	(OPT BACB30NM3K3 (V80539))	(OPT BACB30NM3K3 (V92215))	(OPT BACB30NM3K3 (V93907))	(OPT BACB30NM3K3 (V97928))	M, HB- HL, LN, LT	2
60	BACB30NM3K2		.	BOLT	(V06710)	(SPEC BACB30NM3K2)	(OPT BACB30NM3K2 (V06725))	(OPT BACB30NM3K2 (V06950))	(OPT BACB30NM3K2 (V08524))	(OPT BACB30NM3K2 (V27624))	(OPT BACB30NM3K2 (V56878))	(OPT BACB30NM3K2 (V73197))	(OPT BACB30NM3K2 (V80539))	(OPT BACB30NM3K2 (V92215))	(OPT BACB30NM3K2 (V93907))	(OPT BACB30NM3K2 (V97928))	M, HB- HL, LN, LT	8
65	AN960JD10LL		.	WASHER													M, HB- HL, LN, LT	4
70	AN960JD10		.	WASHER													M, HB- HL, LN, LT	8
75	MS21042L3		.	NUT													M, HB- HL, LN, LT	2
80	65C27017-11		.	BRACKET ASSY													M, HB- HL, LN, LT	1
85	BACB28B6-235P		.	BUSHING													M, HB- HL, LN, LT	1
90	65C27017-12		.	BRACKET													M, HB- HL, LN, LT	1

-Item not Illustrated

25-28-48

ILLUSTRATED PARTS LIST

Page 1098.141

Mar 01/2006



COMPONENT MAINTENANCE MANUAL

FIG/ ITEM	PART NUMBER	AIRLINE PART NUMBER	NOMENCLATURE							USAGE CODE	UNITS PER ASSY	
			1	2	3	4	5	6	7			
3- 95	65C27017-15		.	SHIM							M, HB- HL, LN, LT	2
100	NAS1801-3-11		.	SCREW							M, HB- HL, LN, LT	2
105	BACS18C8-6		.	SPACER							M, HB- HL, LN, LT	2
110	MS2485-1230			DELETED								
110A	MS24585-1230		.	SPRING							M, HB- HL, LN, LT	2
115	411N3142-28		.	WASHER							M, HB- HL, LN, LT	2
120	NAS1801-3-5		.	SCREW							M, HB- HL, LN, LT	4
125	AN960JD10LL		.	WASHER							M, HB- HL, LN, LT	4
130	417N5120-47SP		.	LIGHT ASSY							M, HB- HL, LN, LT	1
135	BACS12ER3K6		.	SCREW (V06710) (SPEC BACS12ER3K6) (OPT BACS12ER3K6 (V06725)) (OPT BACS12ER3K6 (V06950)) (OPT BACS12ER3K6 (V27624)) (OPT BACS12ER3K6 (V34252)) (OPT BACS12ER3K6 (V56878)) (OPT BACS12ER3K6 (V73197)) (OPT BACS12ER3K6 (V80539)) (OPT BACS12ER3K6 (V92215)) (OPT BACS12ER3K6 (V93907)) (OPT BACS12ER3K6 (V97928))							M, HB- HL, LN, LT	3
140	BACW10UD10		.	WASHER							M, HB- HL, LN, LT	3

-Item not Illustrated

25-28-48

ILLUSTRATED PARTS LIST

Page 1098.142

Mar 01/2006



COMPONENT MAINTENANCE MANUAL

FIG/ ITEM	PART NUMBER	AIRLINE PART NUMBER	NOMENCLATURE							USAGE CODE	UNITS PER ASSY
			1	2	3	4	5	6	7		
3- 145	F22K1-02		. .	NUT (V72962) (SPEC BACN10R10L) (OPT 22K1-02 (V72962)) (OPT 26CL02 (V80539))						M, HB- HL, LN, LT	3
150	05939-7		. .	BALLAST (V17023) (SPEC S283N702-7) (OPT 1987-1 (V30242)) (OPT ITEM 150B)						M, HB- HL, LN, LT	1
-150A	1987-1		. .	BALLAST (V30242) (SPEC S283N702-7) (OPT 05939-7 (V17023)) (OPT ITEM 150B)						M, HB- HL, LN, LT	1
-150B	05939-107		. .	BALLAST (V17023) (SPEC S283N702-107) (OPT ITEM 150, 150A)						M, HB- HL, LN, LT	1
155	S417N507-37SP		. .	HOUSING						M, HB- HL, LN, LT	1
160	65C28117-3		. .	PAD						M, HB- HL, LN, LT	1
165	417N5120-12		. .	LAMP ASSY						M, HB- HL, LN, LT	1
170	2055132		. . .	CAP (V04169)						M, HB- HL, LN, LT	2
175	NI060LGWUV1000		. . .	TUBE-COVER PROTECTIVE (V06034) (OPT ITEM 175A)						M, HB- HL, LN, LT	1
-175A	LP1610-18		. . .	TUBE-COVER PROTECTIVE (V60116) (OPT ITEM 175)						M, HB- HL, LN, LT	1
180	F15T8WW		. . .	LAMP-FLUOR (V08805)						M, HB- HL, LN, LT	1

-Item not Illustrated

25-28-48

ILLUSTRATED PARTS LIST

Page 1098.143

Mar 01/2006



COMPONENT MAINTENANCE MANUAL

FIG/ ITEM	PART NUMBER	AIRLINE PART NUMBER	NOMENCLATURE							USAGE CODE	UNITS PER ASSY	
			1	2	3	4	5	6	7			
3- 185	417N5120-25		.								M, HB, HC, HE, HG-HL, LT	1
-185A	417N5120-34		.								HD, HF, LN, LT	1
190	BACS12ER3K6		.	.							M, HB- HL, LN, LT	3
192	BACW10UD10		.	.							M, HB- HL, LN, LT	3
193	F22K1-02		.	.							M, HB- HL, LN, LT	3
195	05939-5		.	.							M, HB, HC, HE, HG-HL, LN, LT	1
-195A	1985-1		.	.							M, HB, HC, HE, HG-HL, LT	1
-195B	05939-105		.	.							M, HB, HC, HE, HG-HL, LT	1
-195C	S283N702-113		.	.							HD, HF, LN	1

-Item not Illustrated

25-28-48

ILLUSTRATED PARTS LIST

Page 1098.144

Mar 01/2006



COMPONENT MAINTENANCE MANUAL

FIG/ ITEM	PART NUMBER	AIRLINE PART NUMBER	NOMENCLATURE							USAGE CODE	UNITS PER ASSY
			1	2	3	4	5	6	7		
3-											
-195D	S283N702-13		. .	BALLAST						HD, HF, LN	1
				(OPT ITEM 195C)							
200	1864		. .	BULB-NIGHT LIGHT						M, HB- HL, LN, LT	1
				(V08806)							
205	S417N507-22		. .	HOUSING						M, HB, HC, HE, HG-HL, LT	1
-205A	S417N507-30		. .	HOUSING						HD, HF, LN	1
210	65C28117-3		. .	PAD						M, HB- HL, LN, LT	1
215	417N5120-11		. .	LAMP ASSY						M, HB- HL, LN, LT	1
220	2055150		. . .	CAP						M, HB- HL, LN, LT	2
				(V04169)							
225	NI152LGWUV1000		. . .	TUBE-COVER PROTECTIVE						M, HB- HL, LN, LT	1
				(V06034)							
				(OPT ITEM 225A)							
-225A	LP1625-24		. . .	TUBE-COVER PROTECTIVE						M, HB- HL, LN, LT	1
				(V60116)							
				(OPT ITEM 225)							
230	F20T12WW		. . .	LAMP-FLUOR						M, HB- HL, LN, LT	1
				(V08805)							
235	65C27481-36		. .	BRACKET ASSY						M, HB- HL, LN, LT	1
				ATTACHING PARTS							
240	BACS12FA3K4		. .	SCREW						M, HB- HL, LN, LT	2
				-----*							
245	NAS1398D4		. .	RIVET						M, HB- HL, LN, LT	2
				(SIZE DETERMINED ON INST)							
				(OPT ITEM 245A)							

-Item not Illustrated

25-28-48

ILLUSTRATED PARTS LIST

Page 1098.145

Mar 01/2006



COMPONENT MAINTENANCE MANUAL

FIG/ ITEM	PART NUMBER	AIRLINE PART NUMBER	NOMENCLATURE							USAGE CODE	UNITS PER ASSY
			1	2	3	4	5	6	7		
3-											
-245A	BACR15BB4D		.	.	RIVET (SIZE DETERMINED ON INST) (OPT ITEM 245)					M, HB- HL, LN, LT	2
250	BACR15BA3A		.	.	RIVET (SIZE DETERMINED ON INST)					M, HB- HL, LN, LT	2
255	BRF200A3K		.	.	NUTPLATE (V52828) (SPEC BACN10JR3FR) (OPT F5000-3BCBAC (V15653)) (OPT NS103203-02BC (V80539)) (OPT RMF9201-3BC (V72962)) (OPT T8091S1032BC (V11815)) (OPT VN15A2-02 (V92215))					M, HB- HL, LN, LT	1
260	65C27481-38		.	.	BLOCK-RUBBER					M, HB- HL, LN, LT	1
265	65C27481-37		.	.	BRACKET					M, HB- HL, LN, LT	1
270	65C32943-16SP		.	.	MODULE ASSY (FOR DETAILS SEE FIG. 16)					M, HD	1
-270A	65C32943-21SP		.	.	MODULE ASSY (FOR DETAILS SEE FIG. 16)					HB	1
-270B	65C32943-25SP		.	.	MODULE ASSY (FOR DETAILS SEE FIG. 16)					HC	1
-270C	65C32943-77SP		.	.	MODULE ASSY (FOR DETAILS SEE FIG. 16)					HE	1
-270D	65C32943-104SP		.	.	MODULE ASSY (FOR DETAILS SEE FIG. 16)					HF	1
-270E	65C32943-303SP		.	.	MODULE ASSY (FOR DETAILS SEE FIG. 16)					HG, HH	1
-270F	65C32943-603SP		.	.	MODULE ASSY (FOR DETAILS SEE FIG. 16)					HJ, HK	1
-270G	65C32943-665SP		.	.	MODULE ASSY (FOR DETAILS SEE FIG. 16)					HL	1
-270H	65C32943-704SP		.	.	MODULE ASSY (FOR DETAILS SEE FIG. 16)					LN	1
-270J	65C32943-679SP		.	.	MODULE ASSY (FOR DETAILS SEE FIG. 16)					LT	1

-Item not Illustrated

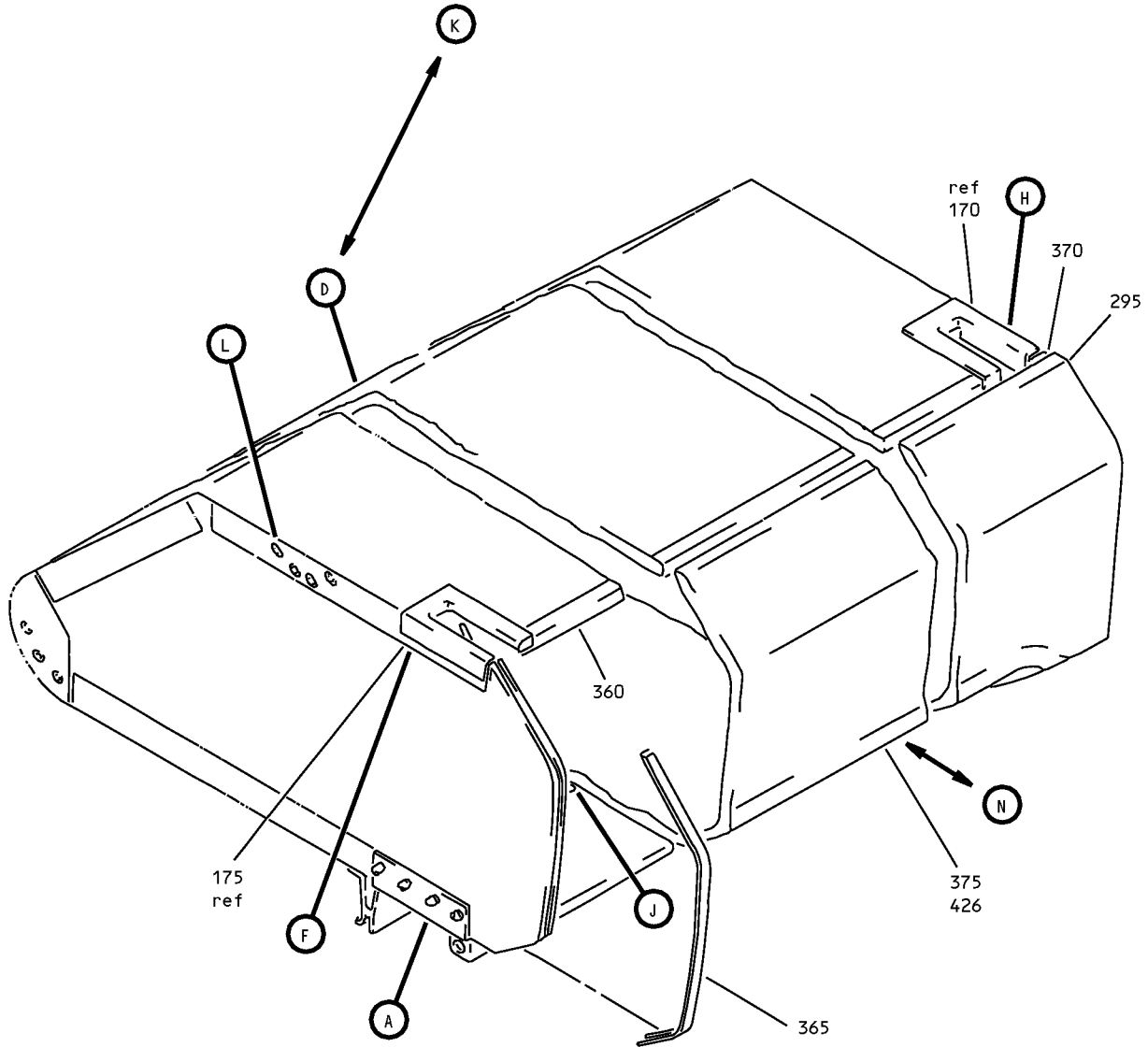
25-28-48

ILLUSTRATED PARTS LIST

Page 1098.146

Mar 01/2006

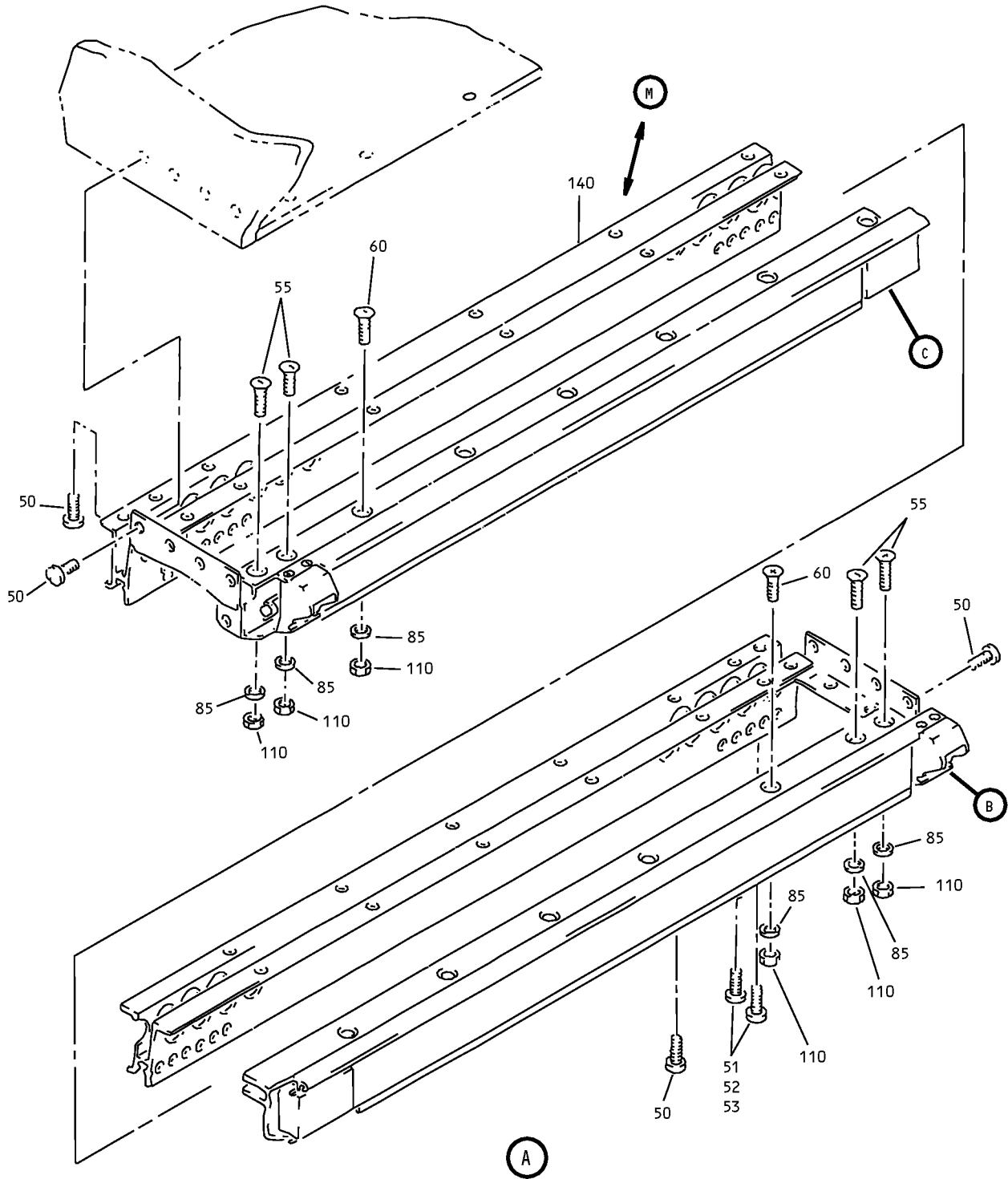
COMPONENT MAINTENANCE MANUAL



Module Assembly
IPL Figure 4 (Sheet 1 of 16)

25-28-48
ILLUSTRATED PARTS LIST
Page 1098.147
Mar 01/2006

COMPONENT MAINTENANCE MANUAL



Module Assembly
IPL Figure 4 (Sheet 2 of 16)

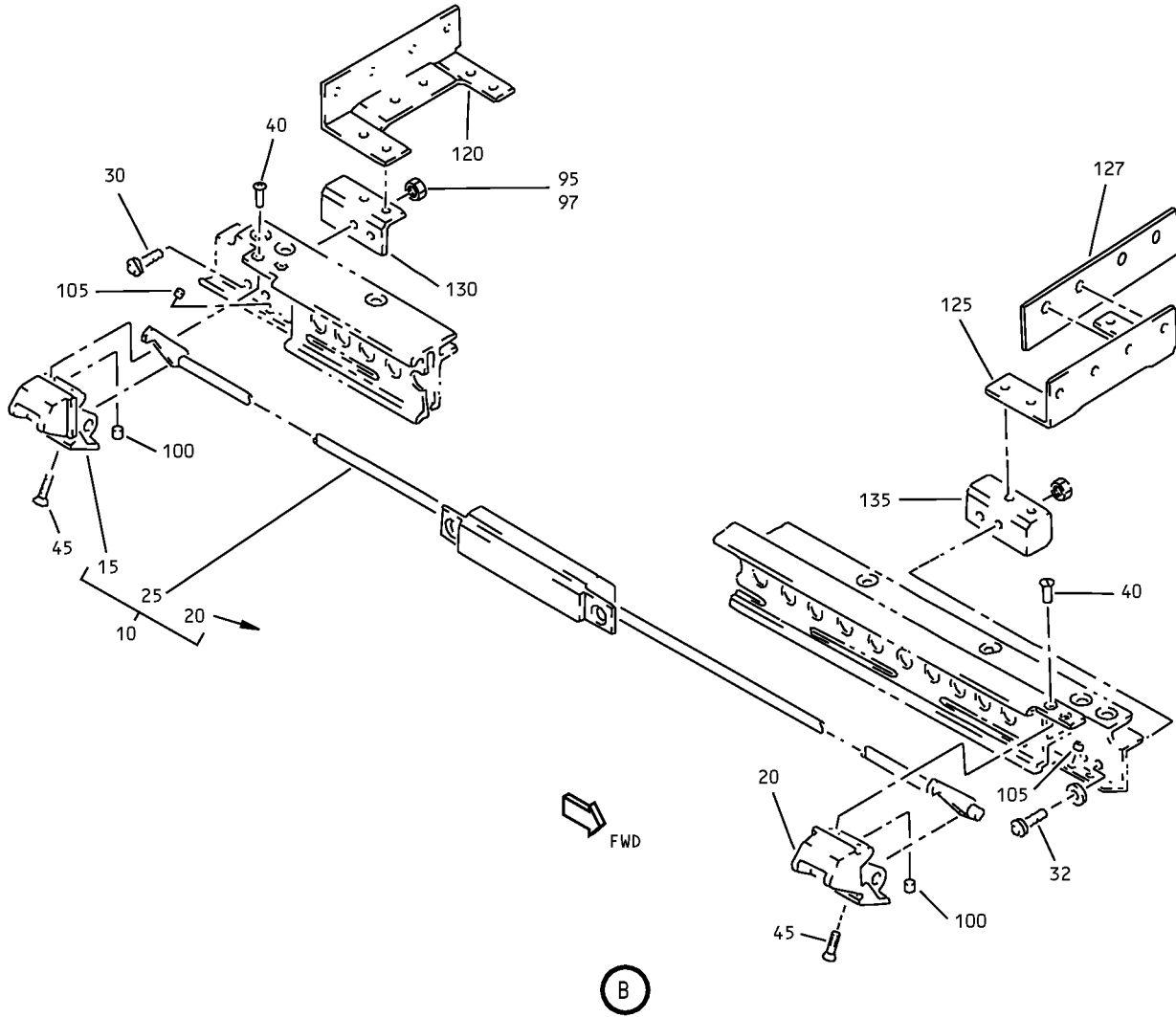
25-28-48

ILLUSTRATED PARTS LIST

Page 1098.148

Mar 01/2006

COMPONENT MAINTENANCE MANUAL



Module Assembly
IPL Figure 4 (Sheet 3 of 16)

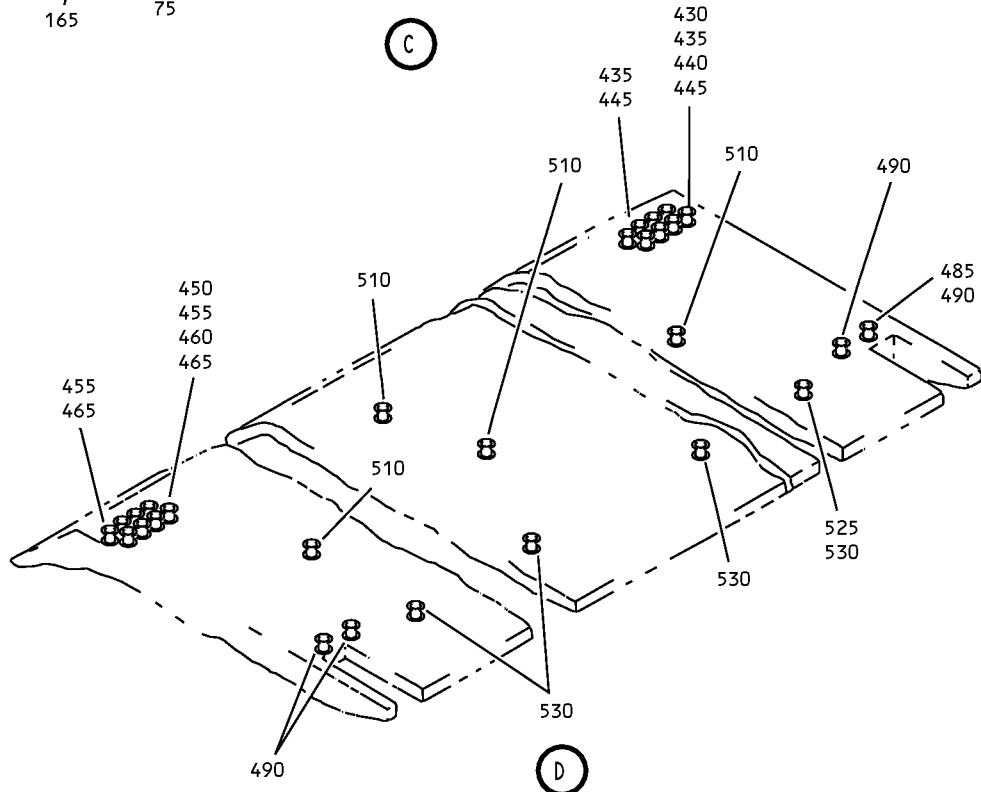
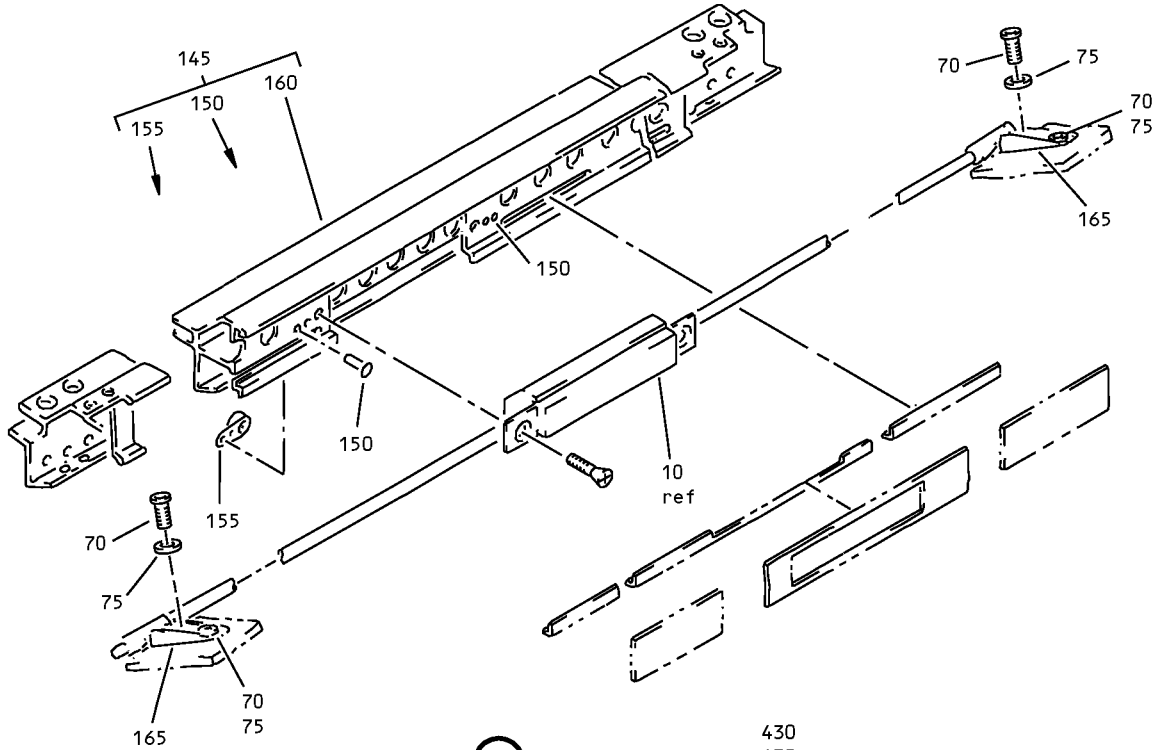
25-28-48

ILLUSTRATED PARTS LIST

Page 1098.149

Mar 01/2006

COMPONENT MAINTENANCE MANUAL



Module Assembly
IPL Figure 4 (Sheet 4 of 16)

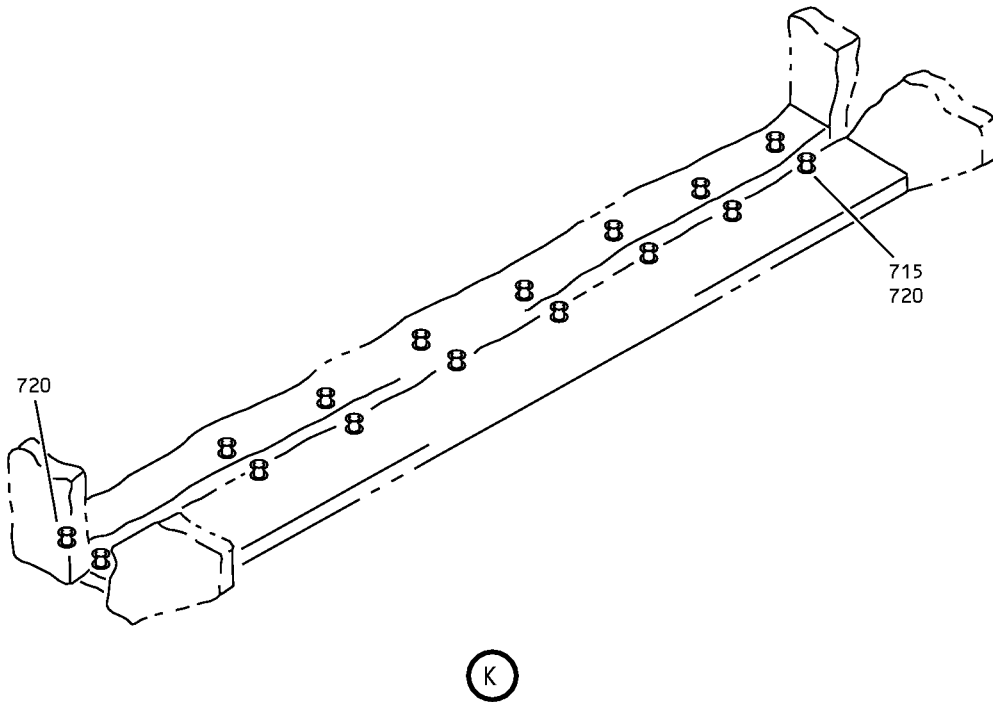
25-28-48

ILLUSTRATED PARTS LIST

Page 1098.150

Mar 01/2006

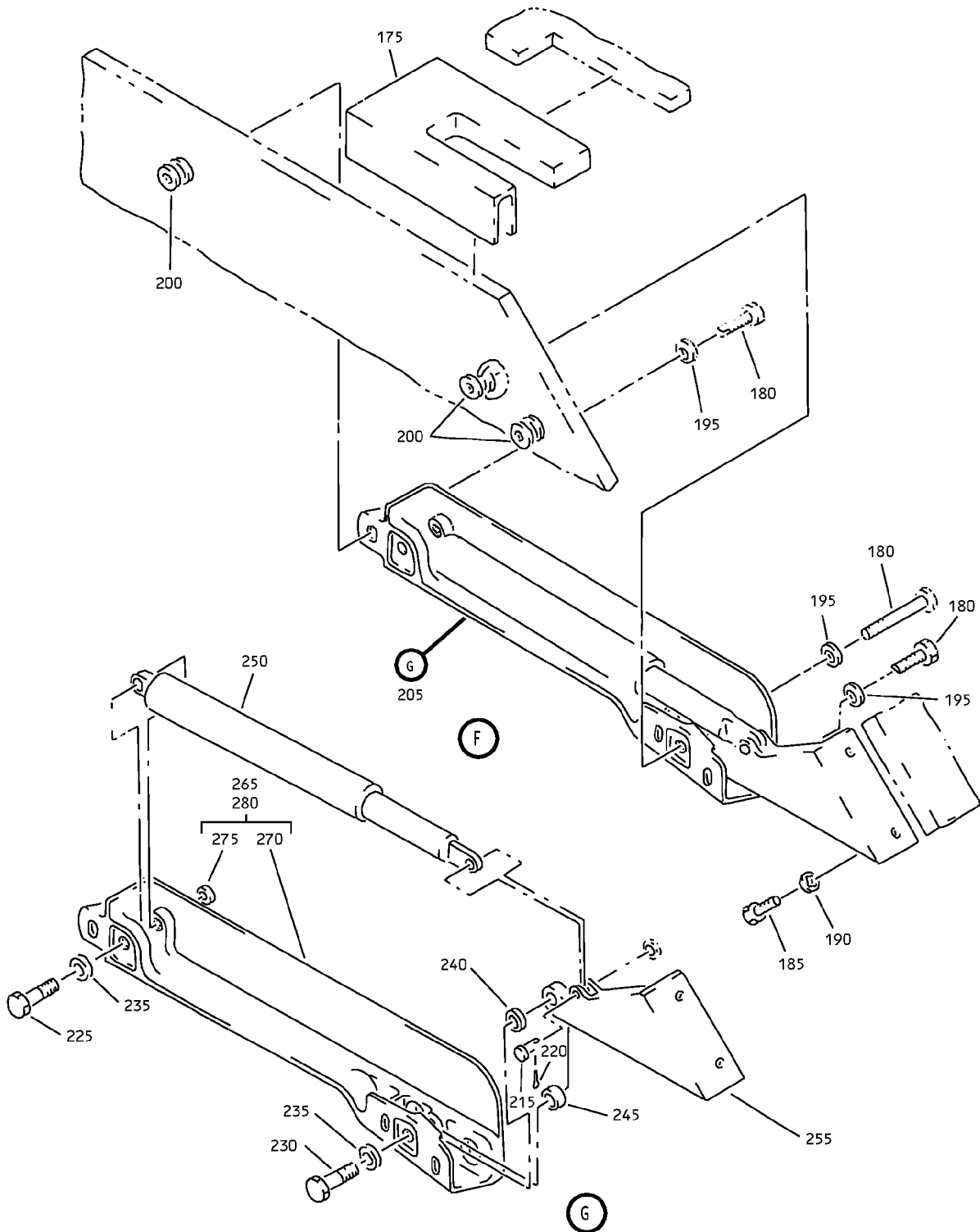
COMPONENT MAINTENANCE MANUAL



Module Assembly
IPL Figure 4 (Sheet 5 of 16)

25-28-48
ILLUSTRATED PARTS LIST
Page 1098.151
Mar 01/2006

COMPONENT MAINTENANCE MANUAL



Module Assembly
IPL Figure 4 (Sheet 6 of 16)

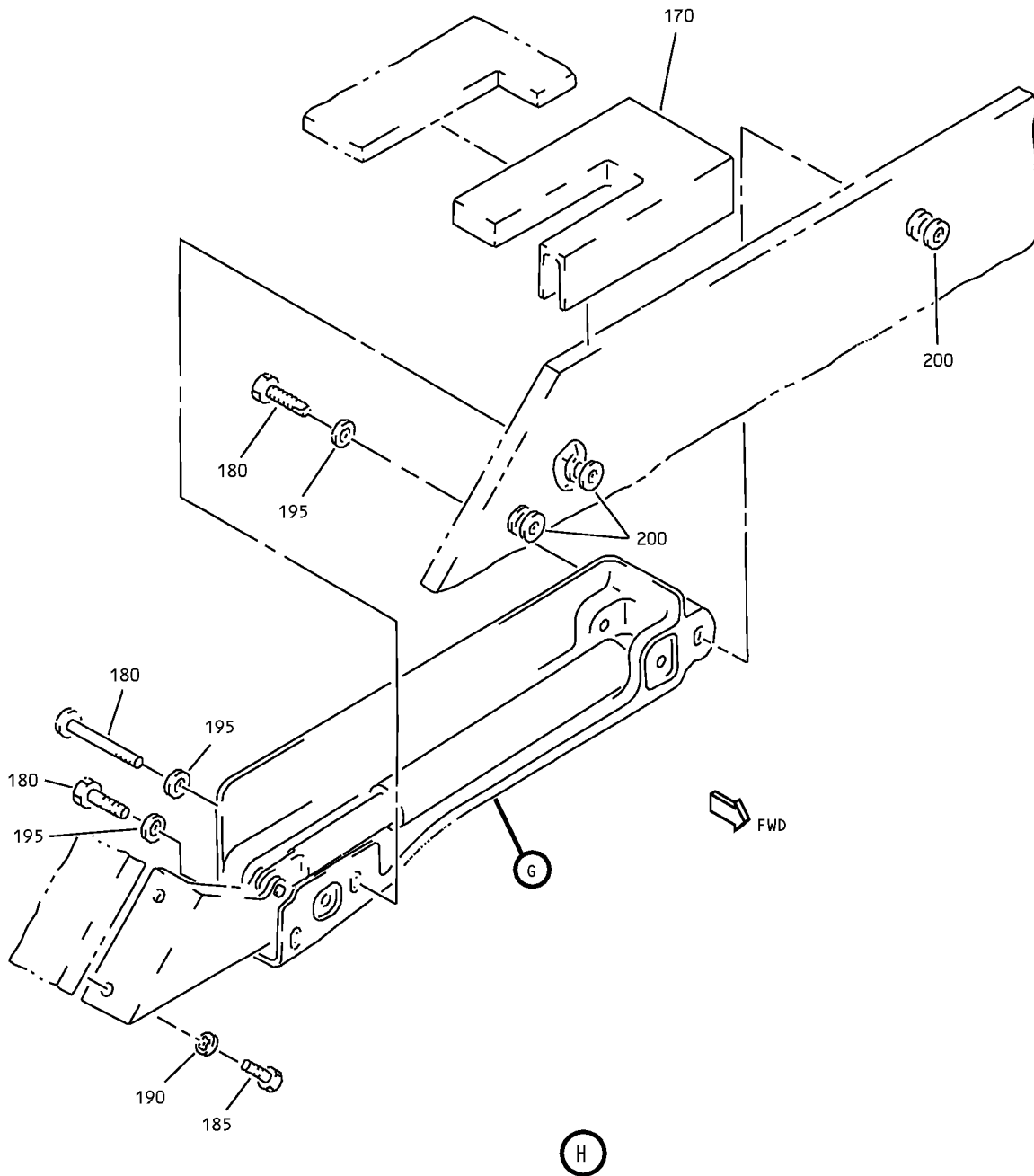
25-28-48

ILLUSTRATED PARTS LIST

Page 1098.152

Mar 01/2006

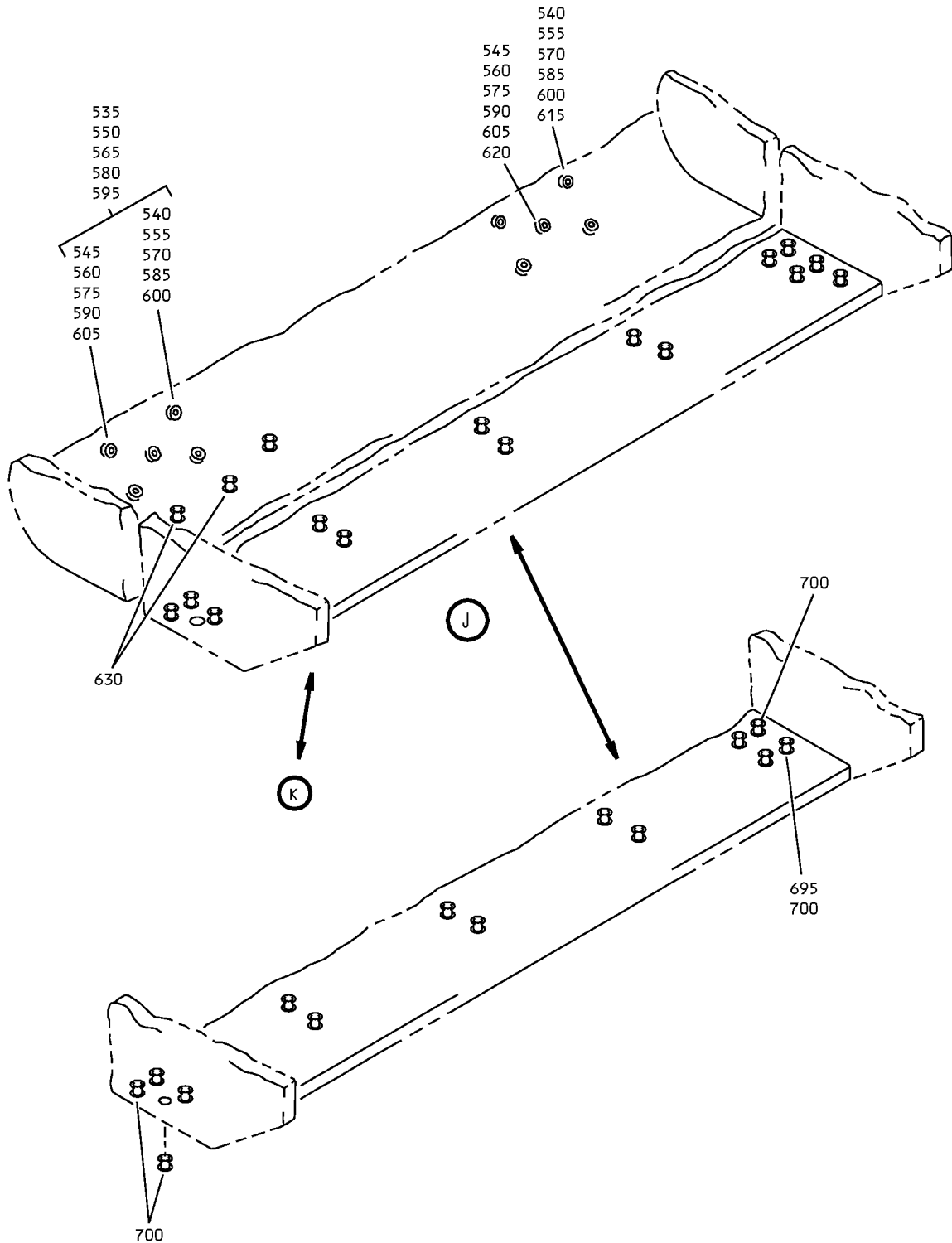
COMPONENT MAINTENANCE MANUAL



Module Assembly
IPL Figure 4 (Sheet 7 of 16)

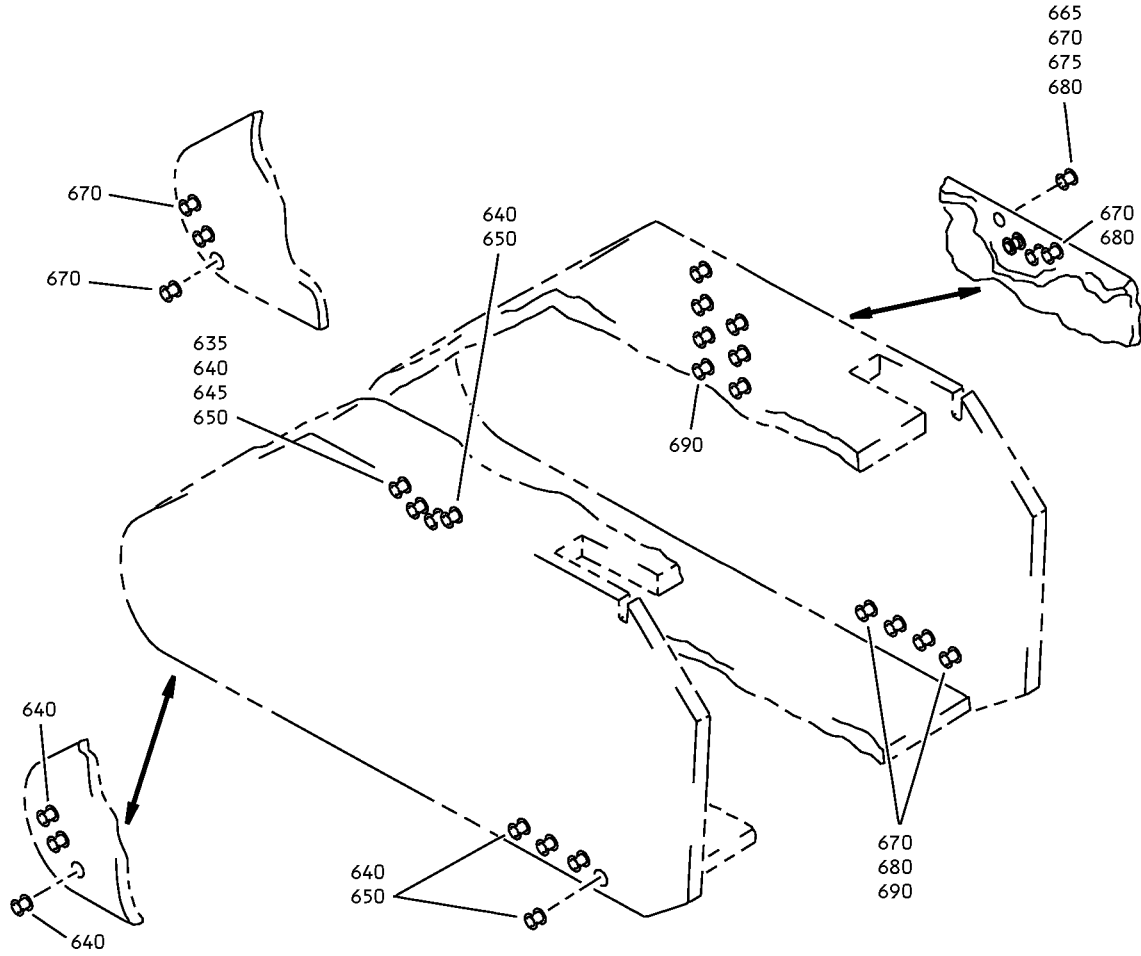
25-28-48
ILLUSTRATED PARTS LIST
Page 1098.153
Mar 01/2006

COMPONENT MAINTENANCE MANUAL



Module Assembly
IPL Figure 4 (Sheet 8 of 16)

COMPONENT MAINTENANCE MANUAL



(L)

Module Assembly
IPL Figure 4 (Sheet 9 of 16)

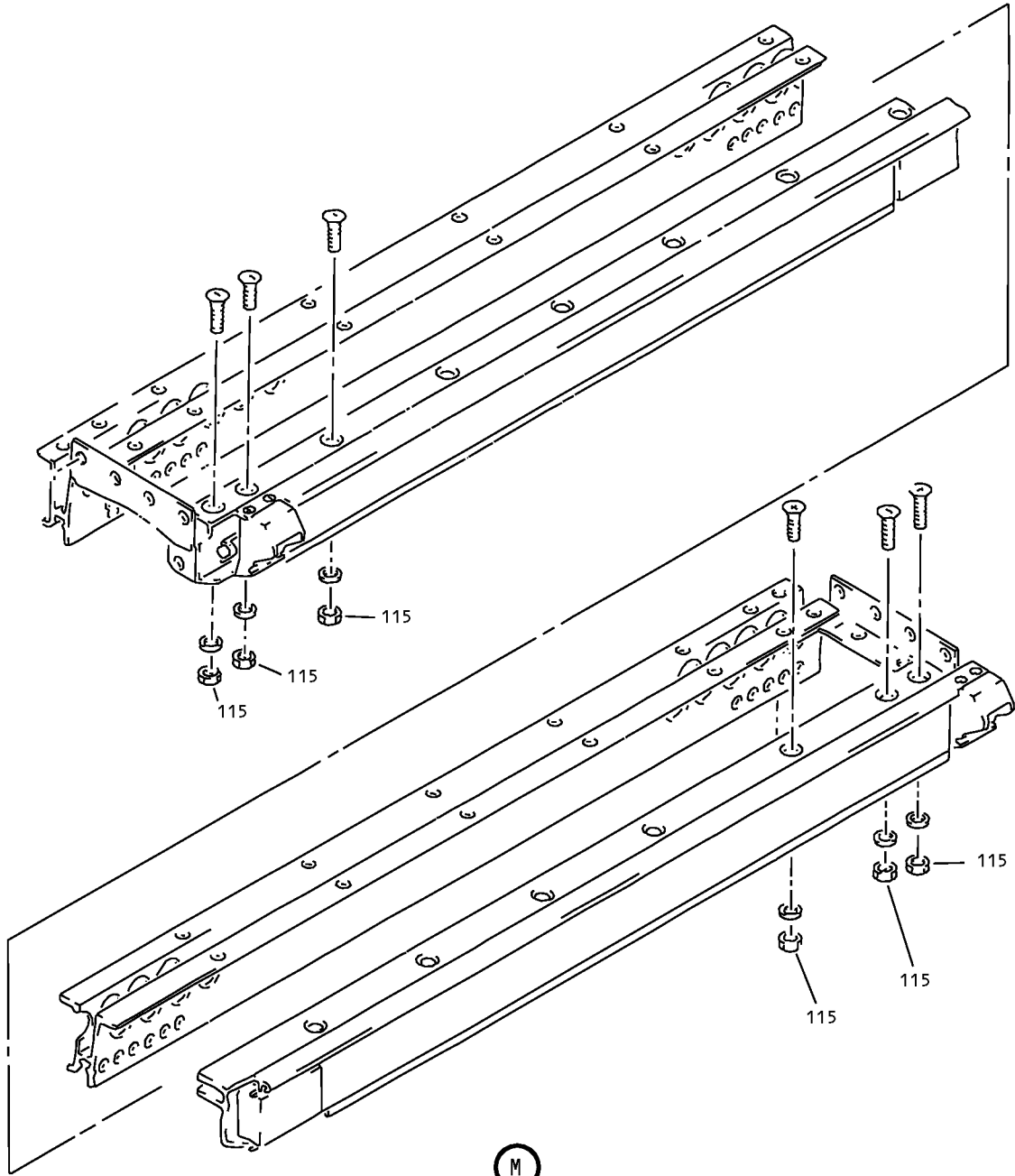
25-28-48

ILLUSTRATED PARTS LIST

Page 1098.155

Mar 01/2006

COMPONENT MAINTENANCE MANUAL



Module Assembly
IPL Figure 4 (Sheet 10 of 16)

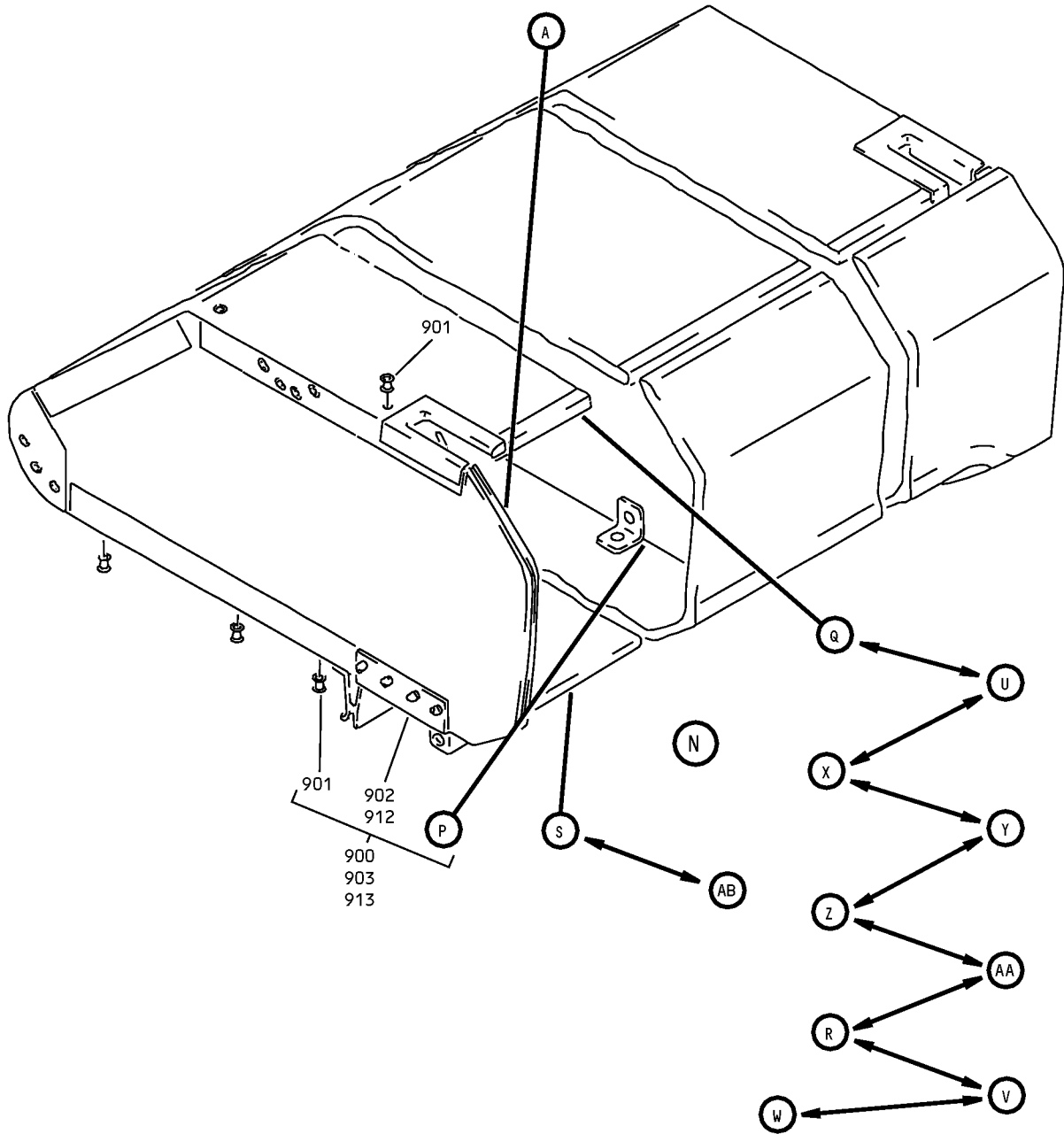
25-28-48

ILLUSTRATED PARTS LIST

Page 1098.156

Mar 01/2006

COMPONENT MAINTENANCE MANUAL



Module Assembly
IPL Figure 4 (Sheet 11 of 16)

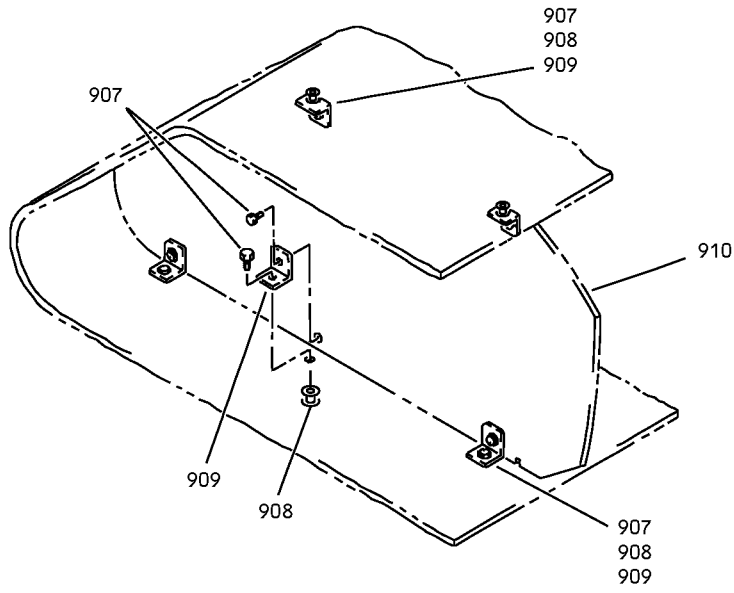
25-28-48

ILLUSTRATED PARTS LIST

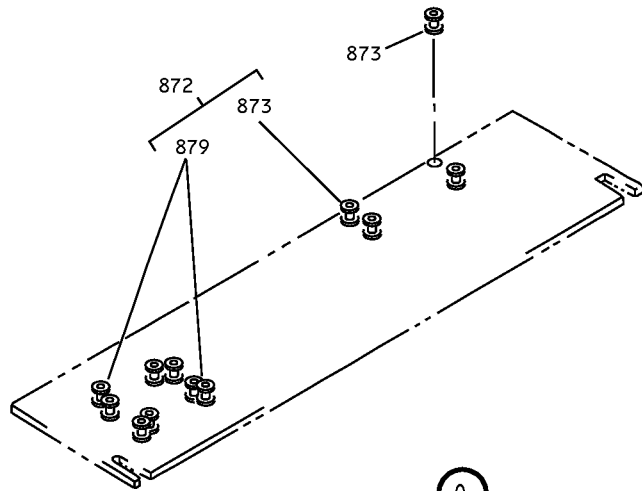
Page 1098.157

Mar 01/2006

COMPONENT MAINTENANCE MANUAL



P

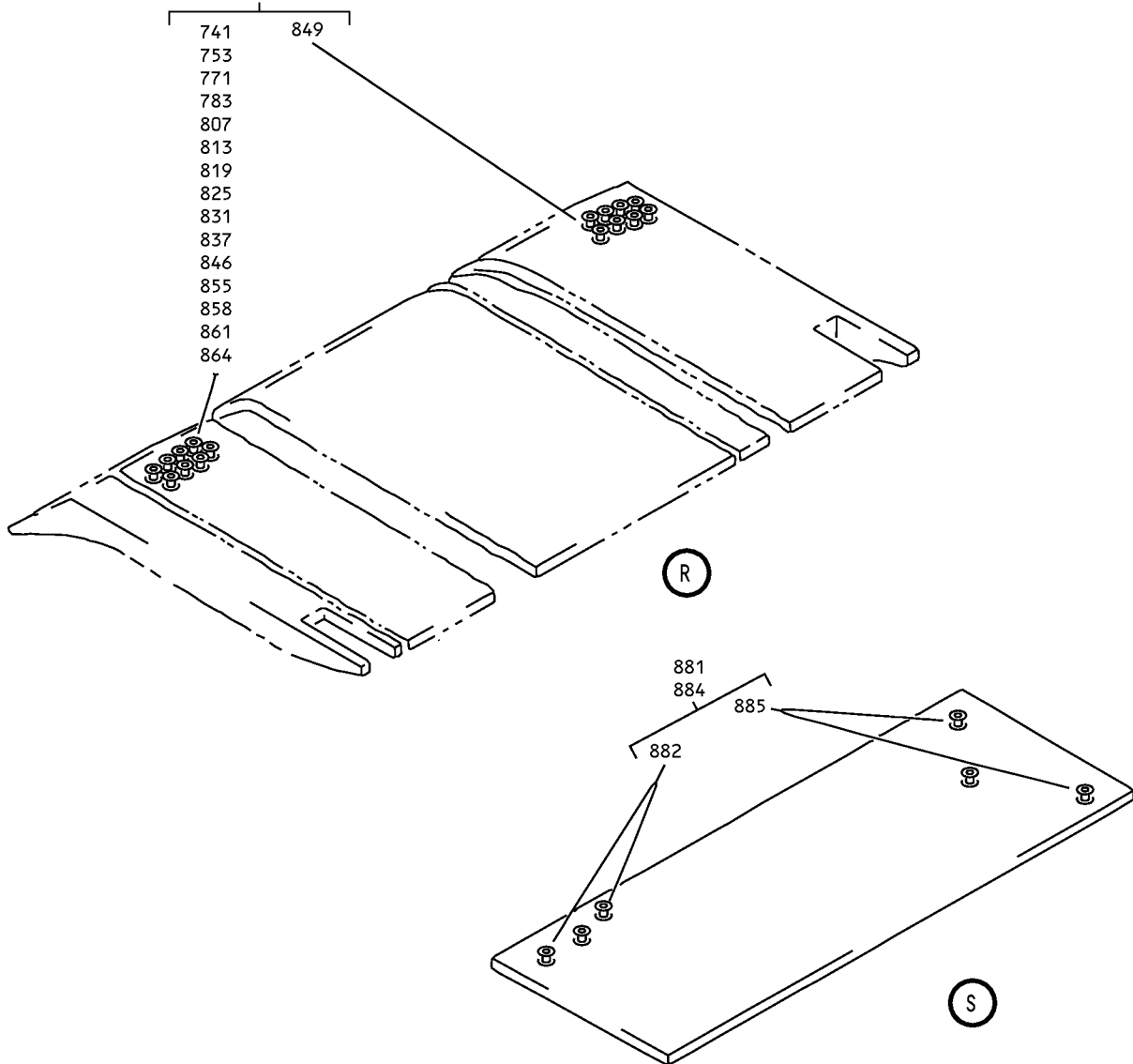


Q

Module Assembly
IPL Figure 4 (Sheet 12 of 16)

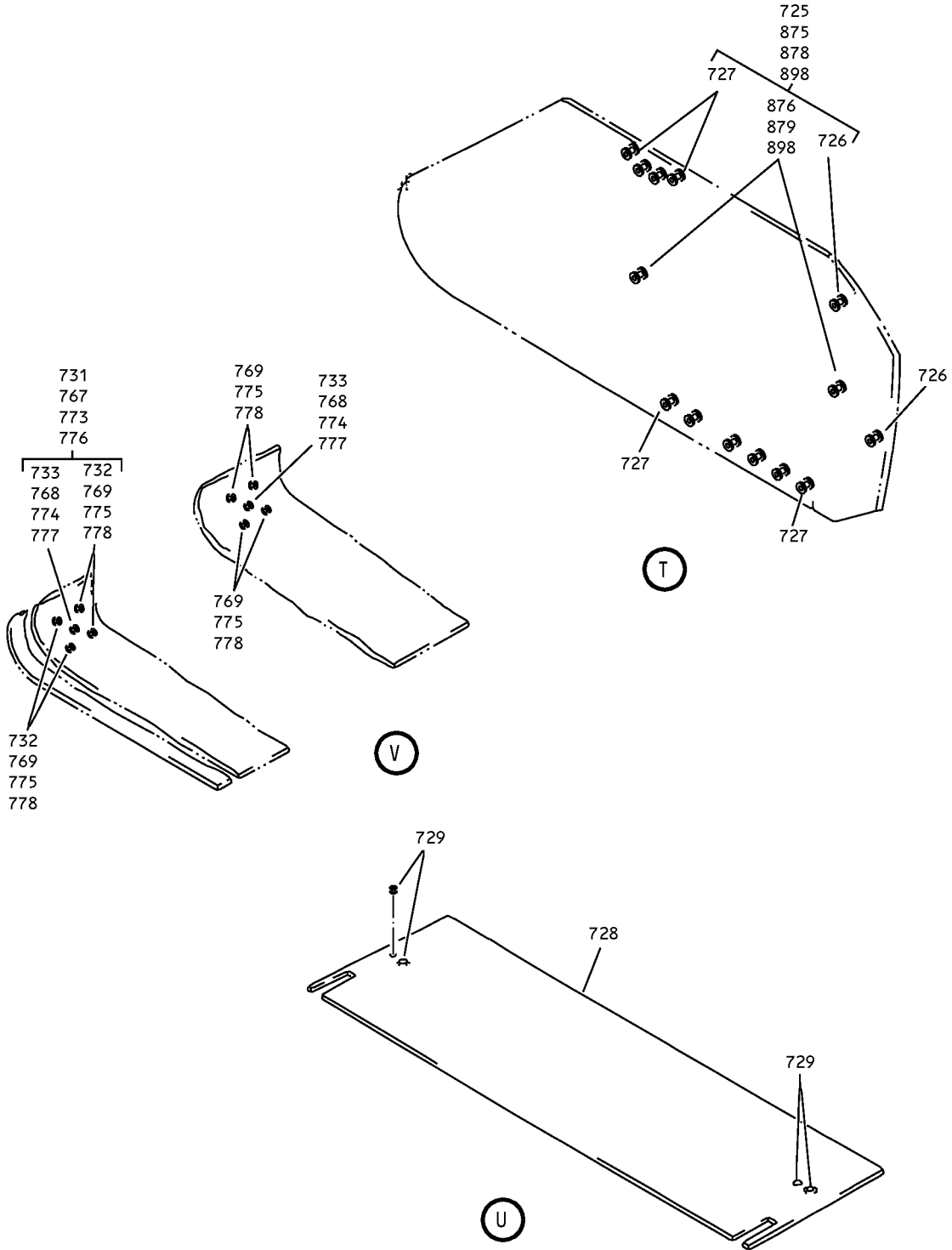
COMPONENT MAINTENANCE MANUAL

- 740
- 752
- 770
- 782
- 806
- 812
- 818
- 824
- 830
- 836
- 845
- 848
- 854
- 857
- 860
- 863



Module Assembly
IPL Figure 4 (Sheet 13 of 16)

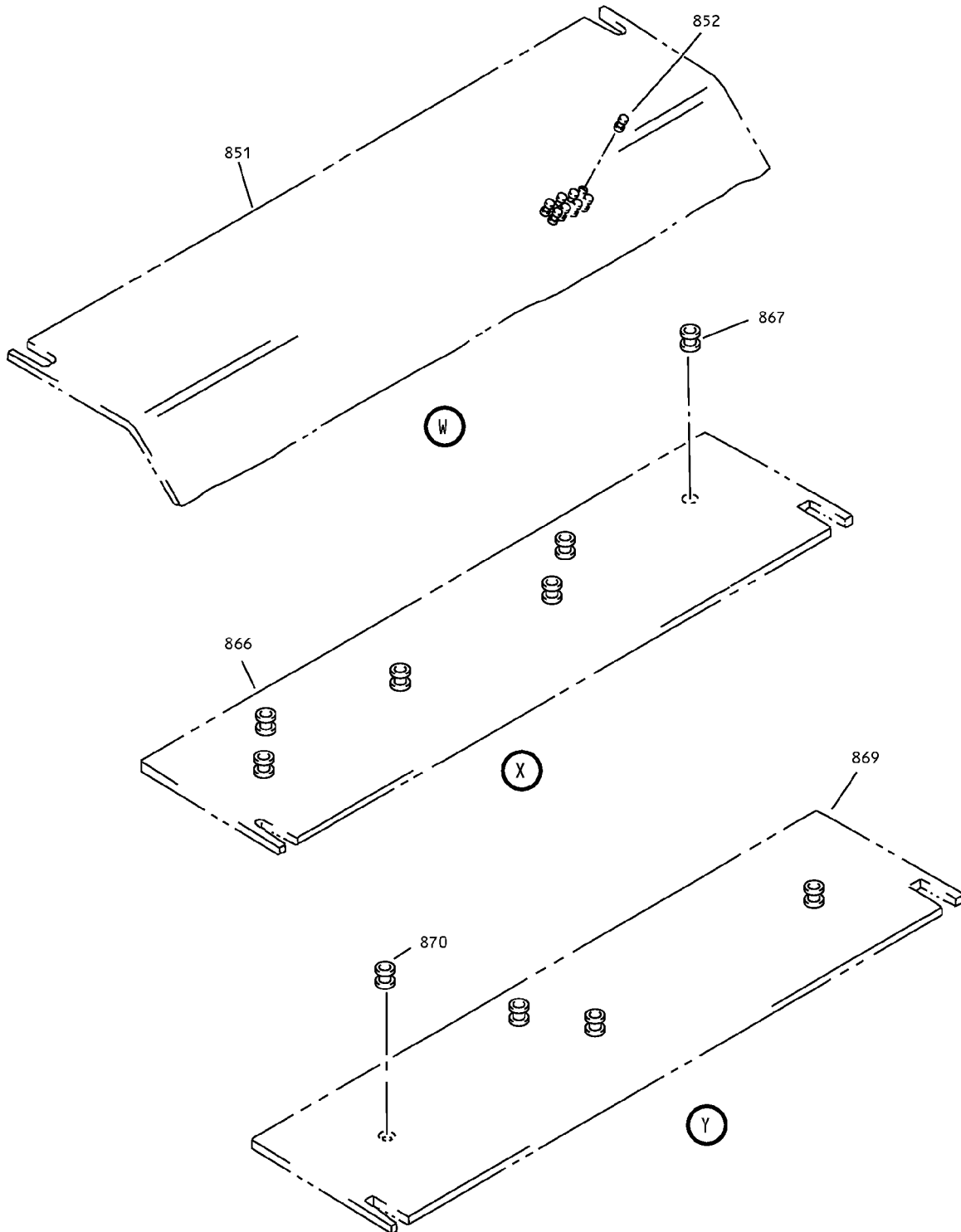
COMPONENT MAINTENANCE MANUAL



Module Assembly
IPL Figure 4 (Sheet 14 of 16)

25-28-48
ILLUSTRATED PARTS LIST
Page 1098.160
Mar 01/2006

COMPONENT MAINTENANCE MANUAL



Module Assembly
IPL Figure 4 (Sheet 15 of 16)

25-28-48

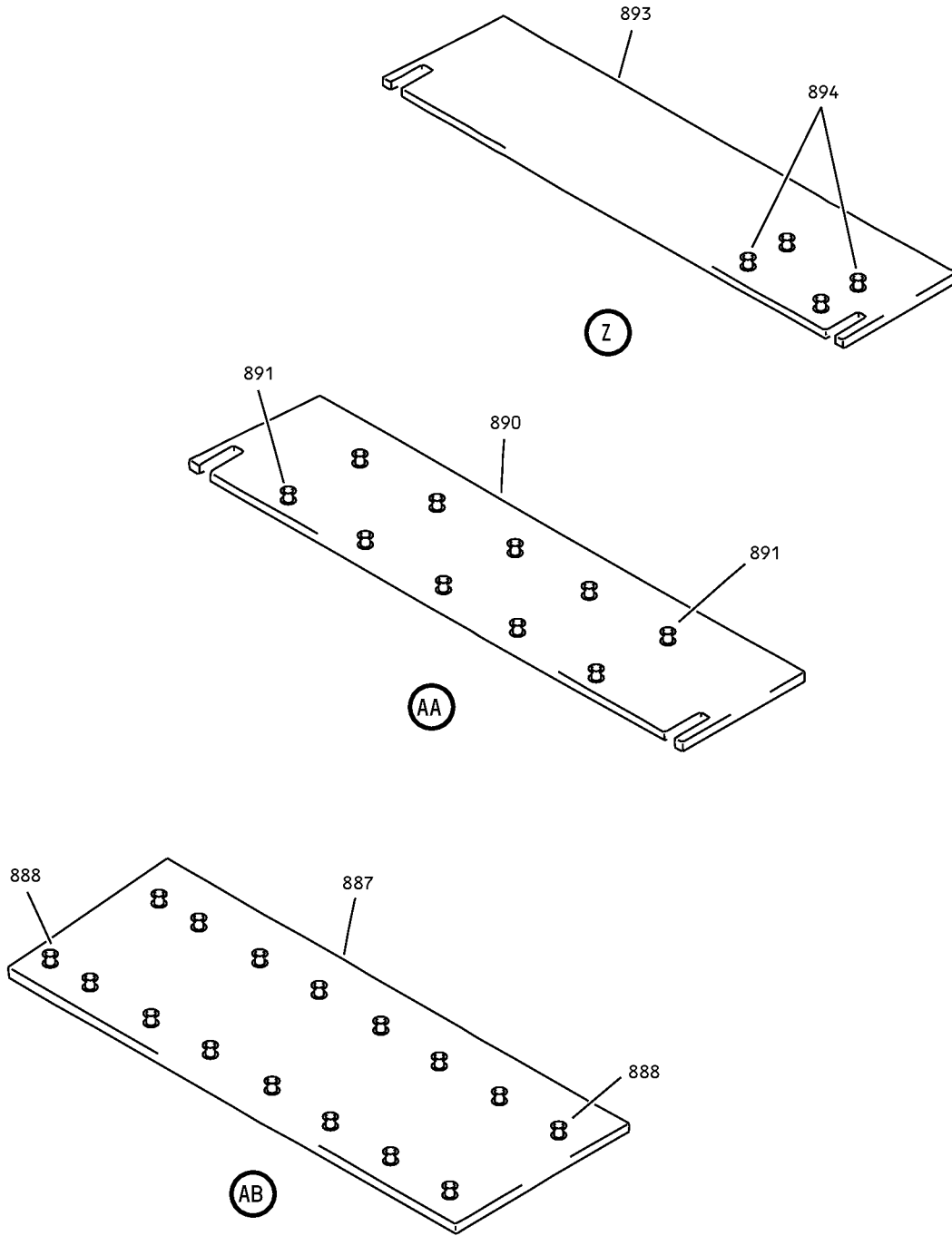
ILLUSTRATED PARTS LIST

Page 1098.161

Mar 01/2006



COMPONENT MAINTENANCE MANUAL



Module Assembly
IPL Figure 4 (Sheet 16 of 16)



COMPONENT MAINTENANCE MANUAL

FIG/ ITEM	PART NUMBER	AIRLINE PART NUMBER	NOMENCLATURE							USAGE CODE	UNITS PER ASSY
			1	2	3	4	5	6	7		
4-											
-1	65C32943-1SP									A, K	RF
-1A	65C32943-2SP									B, J	RF
-1B	65C32943-3SP									C, LA	RF
-1C	65C32943-6SP									D	RF
-1D	65C32943-7SP									E	RF
-1E	65C32943-8SP									F	RF
-1F	65C32943-12SP									G, H	RF
-1G	65C32943-5SP									L	RF
-1H	65C32943-16SP										
-1J	65C32943-378SP									N	RF
-1K	65C32943-103SP									EM	RF
-1L	65C32943-105SP									EP	RF
-1M	65C32943-106SP									EN	RF
-1N	65C32943-108SP									EQ	RF
-1P	65C32943-110SP									AX	RF
-1Q	65C32943-112SP									ER	RF
-1R	65C32943-17SP									KZ	RF
-1S	65C32943-20SP									DD	RF
-1T	65C32943-23SP									P	RF
-1U	65C32943-26SP									Q	RF
-1V	65C32943-27SP									DE	RF
-1W	65C32943-28SP									DF	RF
-1X	65C32943-29SP									R	RF
-1Y	65C32943-30SP									S	RF
-1Z	65C32943-304SP									AY	RF
-2	65C32943-305SP									ES	RF
-2A	65C32943-306SP									ET	RF
-2B	65C32943-307SP									AZ	RF
-2C	65C32943-308SP									BA	RF
-2D	65C32943-309SP									EU	RF
-2E	65C32943-31SP									DG	RF

-Item not Illustrated

25-28-48

ILLUSTRATED PARTS LIST

Page 1098.163

Mar 01/2006



COMPONENT MAINTENANCE MANUAL

FIG/ ITEM	PART NUMBER	AIRLINE PART NUMBER	NOMENCLATURE							USAGE CODE	UNITS PER ASSY
			1	2	3	4	5	6	7		
4-											
-2F	65C32943-310SP									EV	RF
-2G	65C32943-311SP									BB	RF
-2H	65C32943-312SP									BC	RF
-2J	65C32943-313SP									EW	RF
-2K	65C32943-314SP									BD	RF
-2L	65C32943-315SP									BE	RF
-2M	65C32943-316SP									EX	RF
-2N	65C32943-317SP									EY	RF
-2P	65C32943-318SP									BF	RF
-2Q	65C32943-319SP									BG	RF
-2R	65C32943-32SP									DH	RF
-2S	65C32943-320SP									EZ	RF
-2T	65C32943-321SP									FA	RF
-2U	65C32943-322SP									BH	RF
-2V	65C32943-323SP									BJ	RF
-2W	65C32943-324SP									FB	RF
-2X	65C32943-326SP									FC	RF
-2Y	65C32943-328SP									BL, FD	RF
-2Z	65C32943-329SP									BM, LC	RF
-3	65C32943-33SP									T	RF
-3A	65C32943-330SP									FF, LD	RF
-3B	65C32943-331SP									FG	RF
-3C	65C32943-332SP									BN	RF
-3D	65C32943-333SP									BP	RF
-3E	65C32943-334SP									FH	RF
-3F	65C32943-335SP									FJ	RF
-3G	65C32943-336SP									BQ	RF
-3H	65C32943-337SP									BR, FL	RF
-3J	65C32943-338SP									BS, FK, FM	RF
-3K	65C32943-34SP									U	RF
-3L	65C32943-340SP									BK, FE	RF

-Item not Illustrated

25-28-48

ILLUSTRATED PARTS LIST

Page 1098.164

Mar 01/2006



COMPONENT MAINTENANCE MANUAL

FIG/ ITEM	PART NUMBER	AIRLINE PART NUMBER	NOMENCLATURE							USAGE CODE	UNITS PER ASSY
			1	2	3	4	5	6	7		
4-											
-3M	65C32943-347SP									FN	RF
-3N	65C32943-349SP									BT	RF
-3P	65C32943-36SP									DJ	RF
-3Q	65C32943-37SP									V	RF
-3R	65C32943-374SP									BU	RF
-3S	65C32943-375SP									FP	RF
-3T	65C32943-376SP									BV	RF
-3U	65C32943-38SP									W	RF
-3V	65C32943-389SP									FQ	RF
-3W	65C32943-39SP									DK	RF
-3X	65C32943-390SP									FR	RF
-3Y	65C32943-394SP									BW	RF
-3Z	65C32943-395SP									BX	RF
-4	65C32943-40SP									DL	RF
-4A	65C32943-41SP									X	RF
-4B	65C32943-42SP									Y	RF
-4C	65C32943-43SP									DM	RF
-4D	65C32943-44SP									DN	RF
-4E	65C32943-45SP									Z	RF
-4F	65C32943-46SP									AA	RF
-4G	65C32943-47SP									DP	RF
-4H	65C32943-49SP									AB, DS	RF
-4J	65C32943-50SP									DQ	RF
-4K	65C32943-54SP									AC	RF
-4L	65C32943-55SP									AD	RF
-4M	65C32943-56SP									DR	RF
-4N	65C32943-59SP									AE	RF
-4P	65C32943-604SP									BY	RF
-4Q	65C32943-605SP									FS	RF
-4R	65C32943-606SP									FT	RF
-4S	65C32943-607SP									BZ	RF

-Item not Illustrated

25-28-48

ILLUSTRATED PARTS LIST

Page 1098.165

Mar 01/2006



COMPONENT MAINTENANCE MANUAL

FIG/ ITEM	PART NUMBER	AIRLINE PART NUMBER	NOMENCLATURE							USAGE CODE	UNITS PER ASSY
			1	2	3	4	5	6	7		
4-											
-4T	65C32943-608SP									CA	RF
-4U	65C32943-609SP									FU	RF
-4V	65C32943-610SP									FV	RF
-4W	65C32943-611SP									CB	RF
-4X	65C32943-612SP									CC	RF
-4Y	65C32943-613SP									FW	RF
-4Z	65C32943-614SP									CD	RF
5	BACS12ER08K6										
-5A	65C32943-615SP									CE	RF
-5B	65C32943-616SP									FX	RF
-5C	65C32943-617SP									FY	RF
-5D	65C32943-618SP									CF	RF
-5E	65C32943-619SP									CG	RF
-5F	65C32943-62SP									DU	RF
-5G	65C32943-620SP									FZ	RF
-5H	65C32943-621SP									GA	RF
-5J	65C32943-622SP									CH	RF
-5K	65C32943-623SP									CJ	RF
-5L	65C32943-624SP									GB	RF
-5M	65C32943-626SP									GC	RF
-5N	65C32943-628SP									CL, GE	RF
-5P	65C32943-629SP									CM, LH	RF
-5Q	65C32943-63SP									AG, DT	RF
-5R	65C32943-630SP									GG, LJ	RF
-5S	65C32943-631SP									GH	RF
-5T	65C32943-632SP									CN	RF
-5U	65C32943-633SP									CP	RF
-5V	65C32943-634SP									GJ	RF
-5W	65C32943-635SP									GK	RF
-5X	65C32943-636SP									CQ	RF
-5Y	65C32943-637SP									CR, GM	RF

-Item not Illustrated

25-28-48

ILLUSTRATED PARTS LIST

Page 1098.166

Mar 01/2006



COMPONENT MAINTENANCE MANUAL

FIG/ ITEM	PART NUMBER	AIRLINE PART NUMBER	NOMENCLATURE							USAGE CODE	UNITS PER ASSY
			1	2	3	4	5	6	7		
4-											
-5Z	65C32943-638SP									CS, GL, GN	RF
-6	65C32943-64SP									AH	RF
-6A	65C32943-640SP									CK, GF	RF
-6B	65C32943-644SP									GP	RF
-6C	65C32943-645SP									CT	RF
-6D	65C32943-647SP									GQ	RF
-6E	65C32943-648SP									GD	RF
-6F	65C32943-649SP									CV	RF
-6G	65C32943-65SP									DV	RF
-6H	65C32943-650SP									CW, GR	RF
-6J	65C32943-651SP									GS	RF
-6K	65C32943-652SP									CX, LE	RF
-6L	65C32943-653SP									GT	RF
-6M	65C32943-654SP									GU	RF
-6N	65C32943-655SP									CY	RF
-6P	65C32943-656SP									CZ	RF
-6Q	65C32943-657SP									GV	RF
-6R	65C32943-658SP									GW	RF
-6S	65C32943-659SP									DA	RF
-6T	65C32943-66SP									DW	RF
-6U	65C32943-660SP									DB, GY	RF
-6V	65C32943-661SP									DC, GX, GZ	RF
-6W	65C32943-666SP									CU	RF
-6X	65C32943-669SP									HA	RF
-6Y	65C32943-67SP									AJ	RF
-6Z	65C32943-68SP									AK	RF
-7	65C32943-69SP									DX	RF
-7A	65C32943-70SP									DY	RF
-7B	65C32943-71SP									AL	RF
-7C	65C32943-72SP									AM, EA	RF

-Item not Illustrated

25-28-48

ILLUSTRATED PARTS LIST

Page 1098.167

Mar 01/2006



COMPONENT MAINTENANCE MANUAL

FIG/ ITEM	PART NUMBER	AIRLINE PART NUMBER	NOMENCLATURE							USAGE CODE	UNITS PER ASSY			
			1	2	3	4	5	6	7					
4-														
-7D	65C32943-73SP										AN, DZ, EB	RF		
-7E	65C32943-78SP										AF	RF		
-7F	65C32943-79SP										EC	RF		
-7G	65C32943-80SP										AP	RF		
-7H	65C32943-81SP										ED	RF		
-7J	65C32943-86SP										AQ	RF		
-7K	65C32943-87SP										AR	RF		
-7L	65C32943-88SP										EE	RF		
-7M	65C32943-89SP										EF	RF		
-7N	65C32943-90SP										AS	RF		
-7P	65C32943-91SP										AT	RF		
-7Q	65C32943-92SP										EG	RF		
-7R	65C32943-93SP										EH	RF		
-7S	65C32943-94SP										AU	RF		
-7T	65C32943-95SP										AV, EK	RF		
-7U	65C32943-96SP										AW, EJ, EL	RF		
-7V	65C32943-4SP										LB	RF		
-7W	65C32943-348SP										LM	RF		
-7X	65C32943-353SP										LF	RF		
-7Y	65C32943-706SP										LQ	RF		
-7Z	65C32943-708SP										LS	RF		
9	BACS12ER08K6											2		
												. SCREW (V06710) (SPEC BACS12ER08K6) (OPT BACS12ER08K6 (V06725)) (OPT BACS12ER08K6 (V06950)) (OPT BACS12ER08K6 (V27624)) (OPT BACS12ER08K6 (V34252)) (OPT BACS12ER08K6 (V56878)) (OPT BACS12ER08K6 (V73197)) (OPT BACS12ER08K6 (V80539)) (OPT BACS12ER08K6 (V92215)) (OPT BACS12ER08K6 (V93907)) (OPT BACS12ER08K6 (V97928))		

-Item not Illustrated

25-28-48

ILLUSTRATED PARTS LIST

Page 1098.168

Mar 01/2006



COMPONENT MAINTENANCE MANUAL

FIG/ ITEM	PART NUMBER	AIRLINE PART NUMBER	NOMENCLATURE 1 2 3 4 5 6 7	USAGE CODE	UNITS PER ASSY
4- 10	412N1153-101		. LATCH ASSY	A-L, N- AE, AP- BS, BU- CU, DC- DS, EC- GQ, HA, LA-LD, LH, LJ, LM, LQ, LS	1
-10A	412N1153-85		. LATCH ASSY	AF-AN, BT, CV- DB, DT- EB, GR- GZ, LE, LF	1
-10B 15	412N1153-102 412N1113-7		. LATCH ASSY . . COVER	KZ	1
-15A	412N1113-13		. . COVER	A-L, N- AE, AP- BS, BU- CU, DC- DS, EC- GQ, HA, KZ, LA- LD, LH, LJ, LM, LQ, LS	1
20	412N1113-8		. . COVER	AF-AN, BT, CV- DB, DT- EB, GR- GZ, LE, LF	1
			. . COVER	A-L, N- AE, AP- BS, BU- CU, DC- DS, EC- GQ, HA, KZ, LA- LD, LH, LJ, LM, LQ, LS	1

-Item not Illustrated

25-28-48

ILLUSTRATED PARTS LIST

Page 1098.169

Mar 01/2006



COMPONENT MAINTENANCE MANUAL

FIG/ ITEM	PART NUMBER	AIRLINE PART NUMBER	NOMENCLATURE							USAGE CODE	UNITS PER ASSY	
			1	2	3	4	5	6	7			
4- -20A	412N1113-14		.	.							AF-AN, BT, CV- DB, DT- EB, GR- GZ, LE, LF	1
25	H3-1145-1-5760		.	.							A-L, N- HA, LA- LF, LH, LJ, LM, LQ-LS	1
-25A	H3-1145-1-4760		.	.							KZ	1
-25B	502060-1-4		.	.							A-L, N- HA, LA- LF, LH, LJ, LM, LQ, LS	1
-25C	502060-1-3		.	.							KZ	1
30	HL10VAZ6-2		.								A-L, N- HA, KZ, LA-LF, LH, LJ, LM, LQ, LS	2
32	HL10VAZ6-2		.								A-L, N- HA, LA- LF, LH, LJ, LM, LQ, LS	2
35	HL10VAZ6K3											DELETED

-Item not Illustrated

25-28-48

ILLUSTRATED PARTS LIST

Page 1098.170

Mar 01/2006



COMPONENT MAINTENANCE MANUAL

FIG/ ITEM	PART NUMBER	AIRLINE PART NUMBER	NOMENCLATURE							USAGE CODE	UNITS PER ASSY
			1	2	3	4	5	6	7		
4- 40	BACS12ER06K8		.	S	C	R	E	W		A-L, N- HA, KZ, LA-LF, LH, LJ, LM, LQ, LS	4
45	NAS514P832-5		.	S	C	R	E	W		A-L, N- HA, KZ, LA-LF, LH, LJ, LM, LQ, LS	4
50	BACS12FA3K5		.	S	C	R	E	W		A-L, N- HA, KZ, LA-LF, LH, LJ, LM, LQ, LS	36
51	BACS12FA3K5		.	S	C	R	E	W		A-L, N- HA, LA- LF, LH, LJ, LM, LQ, LS	2

-Item not Illustrated

25-28-48

ILLUSTRATED PARTS LIST

Page 1098.171

Mar 01/2006



COMPONENT MAINTENANCE MANUAL

FIG/ ITEM	PART NUMBER	AIRLINE PART NUMBER	NOMENCLATURE							USAGE CODE	UNITS PER ASSY	
			1	2	3	4	5	6	7			
4- 52	BACS12FA3K5		.	SCREW (V06710) (SPEC BACS12FA3K5) (OPT BACS12FA3K5 (V06725)) (OPT BACS12FA3K5 (V06950)) (OPT BACS12FA3K5 (V27624)) (OPT BACS12FA3K5 (V34252)) (OPT BACS12FA3K5 (V56878)) (OPT BACS12FA3K5 (V73197)) (OPT BACS12FA3K5 (V80539)) (OPT BACS12FA3K5 (V92215)) (OPT BACS12FA3K5 (V93907)) (OPT BACS12FA3K5 (V97928))							KZ	2
53	BACS12FA3K6		.	SCREW (V06710) (SPEC BACS12FA3K6) (OPT BACS12FA3K6 (V06725)) (OPT BACS12FA3K6 (V06950)) (OPT BACS12FA3K6 (V27624)) (OPT BACS12FA3K6 (V34252)) (OPT BACS12FA3K6 (V56878)) (OPT BACS12FA3K6 (V73197)) (OPT BACS12FA3K6 (V80539)) (OPT BACS12FA3K6 (V92215)) (OPT BACS12FA3K6 (V93907)) (OPT BACS12FA3K6 (V97928))							KZ	2
55	BACS12ER08K14		.	SCREW							A-L, N- HA, KZ, LA-LF, LH, LJ, LM, LQ, LS	4

-Item not Illustrated

25-28-48

ILLUSTRATED PARTS LIST

Page 1098.172

Mar 01/2006



COMPONENT MAINTENANCE MANUAL

FIG/ ITEM	PART NUMBER	AIRLINE PART NUMBER	NOMENCLATURE							USAGE CODE	UNITS PER ASSY
			1	2	3	4	5	6	7		
4- 60	BACS12ER08K12		.	S	C	R	E	W		A-L, N- HA, KZ, LA-LF, LH, LJ, LM, LQ, LS	11
65	BACS12ER08K12			D	E	L	E	T	E		
70	BACS12FA3K4		.	S	C	R	E	W		A-L, N- BS, CT, CU, DD- FR, GD, GH-GP, KZ, LA- LD, LF, LJ, LM	4
75	MS35333-39		.	W	A	S	H	E	R	A-L, N- BS, CT, CU, DD- FR, GD, GH-GP, KZ, LA- LD, LF, LJ, LM	4
80	AN960JD10			D	E	L	E	T	E		
85	AN960JD8		.	W	A	S	H	E	R	A-L, N- HA, KZ, LA-LF, LH, LJ, LM, LQ, LS	15
90	AN960JD8			D	E	L	E	T	E		

-Item not Illustrated

25-28-48

ILLUSTRATED PARTS LIST

Page 1098.173

Mar 01/2006



COMPONENT MAINTENANCE MANUAL

FIG/ ITEM	PART NUMBER	AIRLINE PART NUMBER	NOMENCLATURE							USAGE CODE	UNITS PER ASSY
			1	2	3	4	5	6	7		
4- 95	MS21042L3		.	NUT						A-L, N- HA, KZ, LA-LF, LH, LJ, LM, LQ, LS	2
97	MS21042L3		.	NUT						KZ	2
100	SL210-06-2		.	INSERT (V97393)						A-L, N- HA, KZ, LA-LF, LH, LJ, LM, LQ, LS	4
105	SL210-08-1		.	INSERT (V97393)						A-L, N- HA, KZ, LA-LF, LH, LJ, LM, LQ, LS	4
110	MS21042L08		.	NUT						A-L, N- HA, KZ, LA-LF, LH, LJ, LM, LQ, LS	15
115	MS21042L08			DELETED							
120	412N1145-101		.	BRACKET						A-L, N- HA, KZ, LA-LF, LH, LJ, LM, LQ, LS	1
125	412N1145-102		.	BRACKET						A-L, N- HA, KZ, LA-LF, LH, LJ, LM, LQ, LS	1
127	412N1145-69		.	STRAP						KZ	1

-Item not Illustrated

25-28-48

ILLUSTRATED PARTS LIST

Page 1098.174

Mar 01/2006



COMPONENT MAINTENANCE MANUAL

FIG/ ITEM	PART NUMBER	AIRLINE PART NUMBER	NOMENCLATURE							USAGE CODE	UNITS PER ASSY		
			1	2	3	4	5	6	7				
4- 130	412N1117-1		.	F	I	T	T	I	N	A	A-L, N- HA, KZ, LA-LF, LH, LJ, LM, LQ, LS	1	
-135	412N1117-2		.	F	I	T	T	I	N	A	A-L, N- HA, LA- LF, LH, LJ, LM, LQ, LS	1	
-135A 140	412N1117-7 412N1147-1										DELETED . SUPPORT-PSU	A-L, N-Y, AA-BG, BL-CG, CJ-HA, LA-LF, LH, LJ, LM, LQ, LS	1
-140A	65C27023-63										DELETED		
-140B	65C27023-83		.	S	U	P	P	S	U		Z, BH, CH	1	
-140C	65C27023-16		.	S	U	P	P	S	U		KZ	1	
143	65C27023-63		.	S	U	P	P	S	U		M	1	
145	412N1146-1		.	S	U	P	P	S	S	A	A-L, N- HA, LA- LF, LH, LJ, LM, LQ, LS	1	
-145A	412N1146-111										DELETED		
-145B	412N1146-2		.	S	U	P	P	S	S	A	KZ	1	
150	BACR15DR3		.	.	R	I	V	E	T		A-L, N- HA, KZ, LA-LF, LH, LJ, LM, LQ, LS	4	
											(SIZE DETERMINED ON INST)		

-Item not Illustrated

25-28-48

ILLUSTRATED PARTS LIST

Page 1098.175

Mar 01/2006



COMPONENT MAINTENANCE MANUAL

FIG/ ITEM	PART NUMBER	AIRLINE PART NUMBER	NOMENCLATURE							USAGE CODE	UNITS PER ASSY	
			1	2	3	4	5	6	7			
4- 155	BRF100C08D		.	.	NUTPLATE (V52828) (SPEC BACN10KB08CFD) (OPT F51604-08 (V15653)) (OPT 102F9207P82 (V72962)) (OPT F51604-08 (V15653))						A-L, N- HA, KZ, LA-LF, LH, LJ, LM, LQ, LS	2
160	412N1146-41		.	.	SUPPORT						A-L, N- HA, LA- LF, LH, LJ, LM, LQ, LS	1
-160A	412N1146-115				DELETED							
-160B	412N1146-22		.	.	SUPPORT						KZ	1
165	H3-1152-1		.		PLATE ASSY-STRIKER (V34941) (SPEC S412N101-1)						A-L, N- BS, CT, CU, DD- FR, GD, GH-GP, KZ, LA- LD, LM	2
170	412N1154-1		.		REINFORCEMENT-CORNER						A-L, N- AE, AP- BS, BU- CU, DC- DS, EC- GQ, HA, KZ, LA- LD, LM, LQ, LS	1
-170A	412N1154-9		.		REINFORCEMENT-CORNER						AF-AN, BT, CV- DB, DT- EB, GR- GZ, LF	1
175	412N1154-2		.		REINFORCEMENT-CORNER						A-L, N- AE, AP- BS, BU- CU, DC- DS, EC- GQ, HA, KZ, LA- LD, LJ, LM, LQ, LS	1

-Item not Illustrated

25-28-48

ILLUSTRATED PARTS LIST

Page 1098.176

Mar 01/2006



COMPONENT MAINTENANCE MANUAL

FIG/ ITEM	PART NUMBER	AIRLINE PART NUMBER	NOMENCLATURE							USAGE CODE	UNITS PER ASSY		
			1	2	3	4	5	6	7				
4- -175A	412N1154-10		.								REINFORCEMENT-CORNER	AF-AN, BT, CV- DB, DT- EB, GR- GZ, LF	1
180	NAS1801-3-10		.								SCREW (OPT ITEM 180A)	A-L, P- AX, CT, CU, DD- ER, GD, GP, KZ, LA, LB	6
-180A	AIC1321-3-8		.								BOLT (V06725) (OPT ITEM 180)	A-L, P- AX, CT, CU, DD- ER, GD, GP, KZ, LA, LB	6
-180B	NAS1801-3-10		.								SCREW	N, AY- CS, CV- DC, ES- GC, GE- GN, GQ- HA, LC- LF, LH, LJ, LM, LQ, LS	6
185	NAS1801-3-4		.								SCREW	A-L, N- HA, KZ, LA-LF, LH, LJ, LM, LQ, LS	4
190	MS35333-39		.								WASHER	A-L, N- HA, KZ, LA-LF, LH, LJ, LM, LQ, LS	4
195	BACW10P136AL		.								WASHER (V10630) (SPEC BACW10P136AL)	A-L, N- HA, KZ, LA-LF, LH, LJ, LM, LQ, LS	6

-Item not Illustrated

25-28-48

ILLUSTRATED PARTS LIST

Page 1098.177

Mar 01/2006



COMPONENT MAINTENANCE MANUAL

FIG/ ITEM	PART NUMBER	AIRLINE PART NUMBER	NOMENCLATURE							USAGE CODE	UNITS PER ASSY	
			1	2	3	4	5	6	7			
4- 200	NAS1833-3-400		.								A-L, N- HA, KZ, LA-LF, LH, LJ, LM, LQ, LS	6
205	412N1155-7		.								A-L, N- AE, AP, AX-BS, BU-CU, DC-DS, EC, ED, EM-GQ, HA, KZ, LA-LD, LH, LJ, LM, LQ, LS	1
-205A	412N1155-19		.								AF-AN, BT, CV- DB, DT- EB, GR- GZ, LE, LF	1
-205B	412N1155-25		.								AQ-AW, EE-EL	1
-210	412N1155-8		.								A-L, N- AE, AP, AX-BS, BU-CU, DC-DS, EC, ED, EM-GQ, HA, KZ, LA-LD, LH, LJ, LM, LQ, LS	1
-210A	412N1155-20		.								AF-AN, BT, CV- DB, DT- EB, GR- GZ, LE, LF	1

-Item not Illustrated

25-28-48

ILLUSTRATED PARTS LIST

Page 1098.178

Mar 01/2006



COMPONENT MAINTENANCE MANUAL

FIG/ ITEM	PART NUMBER	AIRLINE PART NUMBER	NOMENCLATURE							USAGE CODE	UNITS PER ASSY	
			1	2	3	4	5	6	7			
4- -210B	412N1155-26		.								AQ-AW, EE-EL	1
215	MS20392-2C13		.	.							A-L, N- HA, KZ, LA-LF, LH, LJ, LM, LQ, LS	1
220	MS24665-132		.	.							A-L, N- HA, KZ, LA-LF, LH, LJ, LM, LQ, LS	1
225	BACB30NM3K8		.	.							A-L, N- HA, KZ, LA-LF, LH, LJ, LM, LQ, LS	1
230	BACB30NM3K12		.	.							A-L, N- HA, KZ, LA-LF, LH, LJ, LM, LQ, LS	1

-Item not Illustrated

25-28-48

ILLUSTRATED PARTS LIST

Page 1098.179

Mar 01/2006



COMPONENT MAINTENANCE MANUAL

FIG/ ITEM	PART NUMBER	AIRLINE PART NUMBER	NOMENCLATURE							USAGE CODE	UNITS PER ASSY	
			1	2	3	4	5	6	7			
4- 235	AN960KD10L		.	.							A-L, N- AE, AP- BS, BU- CU, DC- DS, EC- GQ, HA, KZ, LA- LD, LH, LJ, LM, LQ, LS	2
-235A	AN960JD10L		.	.							AF-AN, BT, CV- DB, DT- EB, GR- GZ, LE, LF	2
240	NAS43DD3-3		.	.							A-L, N- HA, KZ, LA-LF, LH, LJ, LM, LQ, LS	1
245	NAS43DD3-8		.	.							A-L, N- HA, KZ, LA-LF, LH, LJ, LM, LQ, LS	1
250	SB113		DELETED									
250A	SP5604		.	.							A-L, N- AE, AP, AX-BS, BU-CU, DC-DS, EC, ED, EM-GQ, HA, KZ, LA-LD, LH, LJ, LM, LQ, LS	1
-250B	S412N104-4		DELETED									

-Item not Illustrated

25-28-48

ILLUSTRATED PARTS LIST

Page 1098.180

Mar 01/2006



COMPONENT MAINTENANCE MANUAL

FIG/ ITEM	PART NUMBER	AIRLINE PART NUMBER	NOMENCLATURE							USAGE CODE	UNITS PER ASSY	
			1	2	3	4	5	6	7			
4- -250C	SP5604-4		.	.	ACTUATOR (V24403) (SPEC S412N104-4)						AF-AW, BT, CV- DB, DT- EB, EE- EL, GR- GZ, LE, LF	1
255	H2948-2		.	.	HINGE (V83014) (SPEC S412N102-2) (OPT H3-1155-2 (V34941)) (OPT H3-1155-32 (V34941)) (USED ON ITEMS 205,205B)						A-L, N- AE, AP- BS, BU- CU, DC- DS, EC- GQ, HA, KZ, LA- LD, LH, LJ, LM, LQ, LS	1
-255A	S412N102-18		DELETED									
-255B	H3-1155-32		.	.	HINGE (V34941) (SPEC S412N102-2) (OPT H3-1155-2 (V34941)) (OPT H2948-2 (V83014)) (USED ON ITEMS 205,205B)						A-L, N- AE, AP- BS, BU- CU, DC- DS, EC- GQ, HA, KZ, LA- LD, LH, LJ, LM, LQ, LS	1
-255C	H3-1155-32B		.	.	HINGE (V34941) (SPEC S412N102-18) (USED ON ITEM 205A)						AF-AN, BT, CV- DB, DT- EB, GR- GZ, LE, LF	1
-260	H2948-1		.	.	HINGE (V83014) (SPEC S412N102-1) (OPT H3-1155-1 (V34941)) (OPT H3-1155-31 (V34941)) (USED ON ITEMS 210,210B)						A-L, N- AE, AP- BS, BU- CU, DC- DS, EC- GQ, HA, KZ, LA- LD, LA- LD, LH, LJ, LM, LQ, LS	1

-Item not Illustrated

25-28-48

ILLUSTRATED PARTS LIST

Page 1098.181

Mar 01/2006



COMPONENT MAINTENANCE MANUAL

FIG/ ITEM	PART NUMBER	AIRLINE PART NUMBER	NOMENCLATURE							USAGE CODE	UNITS PER ASSY
			1	2	3	4	5	6	7		
4-											
-260A	S412N102-17										
-260B	H3-1155-31									A-L, N-AE, AP-BS, BU-CU, DC-DS, EC-GQ, HA, KZ, LA-LD, LA-LD, LH, LJ, LM, LQ, LS	1
-260C	H3-115-31B									AF-AN, BT, CV-DB, DT-EB, GR-GZ, LE, LF	1
265	412N1156-13									A-L, N-AE, AP-BS, BU-CU, DC-DS, EC-GQ, HA, KZ, LA-LD, LH, LJ, LM, LQ, LS	1
-265A	412N1156-33									AF-AN, BT, CV-DB, DT-EB, GR-GZ, LE, LF	1
270	412N1156-15									A-L, N-AE, AP-BS, BU-CU, DC-DS, EC-GQ, HA, KZ, LA-LD, LH, LJ, LM, LQ, LS	1

-Item not Illustrated

25-28-48

ILLUSTRATED PARTS LIST

Page 1098.182

Mar 01/2006



COMPONENT MAINTENANCE MANUAL

FIG/ ITEM	PART NUMBER	AIRLINE PART NUMBER	NOMENCLATURE							USAGE CODE	UNITS PER ASSY	
			1	2	3	4	5	6	7			
4- -270A	412N1156-35		.	.	.	CHASSIS					AF-AN, BT, CV- DB, DT- EB, GR- GZ, LE, LF	1
275	6041-3BR225		DELETED									
275A	6041-3BRX225		.	.	.	INSERT (V01556)					A-L, N- HA, KZ, LA-LF, LH, LJ, LM, LQ, LS	2
280	412N1156-14		.	.	CHASSIS ASSY (USED ON ITEMS 210,210B)						A-L, N- AE, AP- BS, BU- CU, DC- DS, EC- GQ, HA, KZ, LA- LD, LH, LJ, LM, LQ, LS	1
-280A	412N1156-34		.	.	CHASSIS ASSY (USED ON ITEM 210A)						AF-AN, BT, CV- DB, DT- EB, GR- GZ, LE, LF	1
-285	412N1156-16		.	.	CHASSIS						A-L, N- AE, AP- BS, BU- CU, DC- DS, EC- GQ, HA, KZ, LA- LD, LH, LJ, LM, LQ, LS	1

-Item not Illustrated

25-28-48

ILLUSTRATED PARTS LIST

Page 1098.183

Mar 01/2006



COMPONENT MAINTENANCE MANUAL

FIG/ ITEM	PART NUMBER	AIRLINE PART NUMBER	NOMENCLATURE							USAGE CODE	UNITS PER ASSY	
			1	2	3	4	5	6	7			
4- -285A	412N1156-36		.	.	.						AF-AN, BT, CV- DB, DT- EB, GR- GZ, LE, LF	1
-290	6041-3BR225										DELETED	
-290A	6041-3BRX225		.	.	.						A-L, N- HA, KZ, LA-LF, LH, LJ, LM, LQ, LS	2
295	412N1140-41SP		.								A-L, N- AE, AP, AX-BS, BU-BX, DD-DS, EC, ED, EM-FR, LA-LD, LM-LD	1
-295A	412N1140-42SP		.								KZ	1
-295B	412N1140-241SP		.								BY-CS, FS-GC, GE-GN, LH, LJ, LQ, LS	1
-295C	412N1140-101SP		.								CT, CU, GD, GP, GQ, HA	1
-296	412N1140-141SP		.								CW-DC, GR-GZ, LE	1
-296A	412N1140-142SP		.								CV	1
-296B	412N1140-88SP		.								AG-AN, AQ-AW, DT-EB, EE-EL, LF-EL	1
-296C	412N1140-89SP		.								AF, BT	1

-Item not Illustrated

25-28-48

ILLUSTRATED PARTS LIST

Page 1098.184

Mar 01/2006



COMPONENT MAINTENANCE MANUAL

FIG/ ITEM	PART NUMBER	AIRLINE PART NUMBER	NOMENCLATURE							USAGE CODE	UNITS PER ASSY
			1	2	3	4	5	6	7		
4-											
-299	412N1140-101SP								. . DOOR ASSY (FOR DETAILS SEE FIG. 18)	CV-DC, GR-GZ	1
-299A	412N1140-41SP								. . DOOR ASSY (FOR DETAILS SEE FIG. 18)	AF-AN, AQ-AW, BT, DT- EB, EE- EL, LF	1
300	412N1140-12SP								DELETED		
305	PK87XA4-8								DELETED		
-305A	MS51861-15								DELETED		
310	MS51862-3								DELETED		
315	NAS620A8L								DELETED		
-315A	AN960JD8L								DELETED		
320	412N1245-1								DELETED		
325	412N1143-13SP								DELETED		
330	412N1143-14SP								DELETED		
335	412N1140-58SP								DELETED		
340	412N1141-1SP								DELETED		
345	412N1141-7SP								DELETED		
350	412N1142-15								DELETED		
-350A	412N1142-31								DELETED		
355	SL618-3A								DELETED		
360	65C32943-18								. COVER-EDGE	A-L, N- AE, AP- BS, BU- CU, DD- DS, EC- GQ, HA, KZ, LA- LD, LH, LJ, LM, LQ, LS	1
-360A	65C32943-100								. COVER-EDGE	AF-AN, BT, CV- DC, DT- EB, GR- GZ, LE, LF	1

-Item not Illustrated

25-28-48

ILLUSTRATED PARTS LIST

Page 1098.185

Mar 01/2006



COMPONENT MAINTENANCE MANUAL

FIG/ ITEM	PART NUMBER	AIRLINE PART NUMBER	NOMENCLATURE							USAGE CODE	UNITS PER ASSY	
			1	2	3	4	5	6	7			
4-												
365	412N1118-1SP		.								A-L, N- HA, KZ, LA-LF, LH, LJ, LM, LQ, LS	1
370	412N1118-2SP		.								A-L, N- HA, KZ, LA-LF, LH, LJ, LM, LQ, LS	1
375	65C27011-101		.								A, K	1
-375A	65C27011-103		.								C, AR, LA	1
-375B	65C27011-104		.								EE, LB	1
-375C	65C27011-105		.								L, EF	1
-375D	65C27011-106		.								D, AS	1
-375E	65C27011-107		.								E, AT	1
-375F	65C27011-108		.								F, EG	1
-375G	65C27011-109		.								EH	1
-375H	65C27011-110		.								AU	1
-375J	65C27011-111		.								AV, EK	1
-375K	65C27011-112		.								G, H, AW, EJ, EL	1
-375L	65C27011-117		.								KZ	1
-375M	65C27011-118		.								DD	1
-375N	65C27011-119		.								P	1
-375P	65C27011-121		.								Q	1
-375Q	65C27011-122		.								DE	1
-375R	65C27011-127		.								DH	1
-375S	65C27011-128		.								T	1
-375T	65C27011-129		.								U	1
-375U	65C27011-131		.								DJ	1
-375V	65C27011-132		.								V	1

-Item not Illustrated

25-28-48

ILLUSTRATED PARTS LIST

Page 1098.186

Mar 01/2006



COMPONENT MAINTENANCE MANUAL

FIG/ ITEM	PART NUMBER	AIRLINE PART NUMBER	NOMENCLATURE							USAGE CODE	UNITS PER ASSY
			1	2	3	4	5	6	7		
4-											
-375W	65C27011-133		.	BODY	ASSY					W	1
-375X	65C27011-134		.	BODY	ASSY					DK	1
-375Y	65C27011-135		.	BODY	ASSY					DL	1
-375Z	65C27011-136		.	BODY	ASSY					X	1
-376	65C27011-141		.	BODY	ASSY					AA	1
-376A	65C27011-142		.	BODY	ASSY					DP	1
-376B	65C27011-144		.	BODY	ASSY					AB, DS	1
-376C	65C27011-145		.	BODY	ASSY					DQ	1
-376D	65C27011-148		.	BODY	ASSY					AC	1
-376E	65C27011-149		.	BODY	ASSY					AD	1
-376F	65C27011-150		.	BODY	ASSY					DR	1
-376G	65C27011-152		.	BODY	ASSY					DF	1
-376H	65C27011-153		.	BODY	ASSY					R	1
-376J	65C27011-154		.	BODY	ASSY					S	1
-376K	65C27011-155		.	BODY	ASSY					DG	1
-376L	65C27011-156		.	BODY	ASSY					Y	1
-376M	65C27011-157		.	BODY	ASSY					DM	1
-376N	65C27011-158		.	BODY	ASSY					DN	1
-376P	65C27011-159		.	BODY	ASSY					Z	1
-376Q	65C27011-161		.	BODY	ASSY					AE	1
-376R	65C27011-164		.	BODY	ASSY					EC	1
-376S	65C27011-165		.	BODY	ASSY					AP	1
-376T	65C27011-166		.	BODY	ASSY					ED	1
-376U	65C27011-170		.	BODY	ASSY					EM	1
-376V	65C27011-172		.	BODY	ASSY					EP	1
-376W	65C27011-173		.	BODY	ASSY					EN	1
-376X	65C27011-174		.	BODY	ASSY					EQ	1
-376Y	65C27011-176		.	BODY	ASSY					ER	1
-377A	65C27011-209		.	BODY	ASSY					DU	1
-377B	65C27011-210		.	BODY	ASSY					AG, DT	1
-377C	65C27011-211		.	BODY	ASSY					AH	1

-Item not Illustrated

25-28-48

ILLUSTRATED PARTS LIST

Page 1098.187

Mar 01/2006



COMPONENT MAINTENANCE MANUAL

FIG/ ITEM	PART NUMBER	AIRLINE PART NUMBER	NOMENCLATURE							USAGE CODE	UNITS PER ASSY
			1	2	3	4	5	6	7		
4-											
-377D	65C27011-212		.	BODY	ASSY					DV	1
-377E	65C27011-213		.	BODY	ASSY					DW	1
-377F	65C27011-214		.	BODY	ASSY					AJ	1
-377G	65C27011-215		.	BODY	ASSY					AK	1
-377H	65C27011-216		.	BODY	ASSY					DX	1
-377J	65C27011-217		.	BODY	ASSY					DY	1
-377K	65C27011-218		.	BODY	ASSY					AL	1
-377L	65C27011-219		.	BODY	ASSY					AM, EA	1
-377M	65C27011-220		.	BODY	ASSY					AN, DZ, EB	1
-377N	65C27011-225		.	BODY	ASSY					AF	1
-377P	65C27011-227		.	BODY	ASSY					AX	1
-377Q	65C27011-627		.	BODY	ASSY					BK, CK, FE, GF	1
-377R	65C27011-628		.	BODY	ASSY					BL, CL, FD, GE	1
-377S	65C27011-629		.	BODY	ASSY					BM, CM, LC, LH	1
-377T	65C27011-630		.	BODY	ASSY					FF, GG, LD, LJ	1
-377U	65C27011-631		.	BODY	ASSY					FG, GH	1
-377V	65C27011-632		.	BODY	ASSY					BN, CN	1
-377W	65C27011-633		.	BODY	ASSY					BP, CP	1
-377X	65C27011-634		.	BODY	ASSY					FH, GJ	1
-377Y	65C27011-635		.	BODY	ASSY					FJ, GK	1
-377Z	65C27011-636		.	BODY	ASSY					BQ, CQ	1
-378	65C27011-637		.	BODY	ASSY					BR, CR, FL, GM	1
-378A	65C27011-638		.	BODY	ASSY					BS, CS, FK, FM, GL, GN	1
-378B	65C27011-640		.	BODY	ASSY					GP	1
-378C	65C27011-643		.	BODY	ASSY					CT	1
-378D	65C27011-647		.	BODY	ASSY					AY, BY	1

-Item not Illustrated

25-28-48

ILLUSTRATED PARTS LIST

Page 1098.188

Mar 01/2006



COMPONENT MAINTENANCE MANUAL

FIG/ ITEM	PART NUMBER	AIRLINE PART NUMBER	NOMENCLATURE							USAGE CODE	UNITS PER ASSY
			1	2	3	4	5	6	7		
4-											
-378E	65C27011-648		.	BODY	ASSY					ES, FS	1
-378F	65C27011-649		.	BODY	ASSY					ET, FT	1
-378G	65C27011-650		.	BODY	ASSY					AZ, BZ	1
-378H	65C27011-651		.	BODY	ASSY					BA, CA	1
-378J	65C27011-652		.	BODY	ASSY					EU, FU	1
-378K	65C27011-653		.	BODY	ASSY					EV, FV	1
-378L	65C27011-654		.	BODY	ASSY					BB, CB	1
-378M	65C27011-655		.	BODY	ASSY					BC, CC	1
-378N	65C27011-656		.	BODY	ASSY					EW, FW	1
-378P	65C27011-657		.	BODY	ASSY					BD, CD	1
-378Q	65C27011-658		.	BODY	ASSY					BE, CE	1
-378R	65C27011-659		.	BODY	ASSY					EX, FX	1
-378S	65C27011-660		.	BODY	ASSY					EY, FY	1
-378T	65C27011-661		.	BODY	ASSY					BF, CF	1
-378U	65C27011-662		.	BODY	ASSY					BG, CG	1
-378V	65C27011-663		.	BODY	ASSY					EZ, FZ	1
-378W	65C27011-664		.	BODY	ASSY					FA, GA	1
-378X	65C27011-665		.	BODY	ASSY					BH, CH	1
-378Y	65C27011-666		.	BODY	ASSY					BJ, CJ	1
-378Z	65C27011-667		.	BODY	ASSY					FB, GB	1
-379	65C27011-669		.	BODY	ASSY					FC, GC	1
-379B	65C27011-671		.	BODY	ASSY					FN, GQ	1
-379C	65C27011-672		.	BODY	ASSY					BT, CV	1
-379D	65C27011-673		.	BODY	ASSY					CW, GR	1
-379E	65C27011-674		.	BODY	ASSY					GS	1
-379F	65C27011-675		.	BODY	ASSY					CX, LE	1
-379G	65C27011-676		.	BODY	ASSY					GT, LF	1
-379H	65C27011-677		.	BODY	ASSY					GU	1
-379J	65C27011-678		.	BODY	ASSY					CY	1
-379K	65C27011-679		.	BODY	ASSY					CZ	1
-379L	65C27011-680		.	BODY	ASSY					GV	1

-Item not Illustrated

25-28-48

ILLUSTRATED PARTS LIST

Page 1098.189

Mar 01/2006



COMPONENT MAINTENANCE MANUAL

FIG/ ITEM	PART NUMBER	AIRLINE PART NUMBER	NOMENCLATURE							USAGE CODE	UNITS PER ASSY
			1	2	3	4	5	6	7		
4-											
-379M	65C27011-681		.	BODY	ASSY					GW	1
-379N	65C27011-682		.	BODY	ASSY					DA	1
-379P	65C27011-683		.	BODY	ASSY					DB, GY	1
-379Q	65C27011-684		.	BODY	ASSY					DC, GX, GZ	1
-379R	65C27011-689		.	BODY	ASSY					CU	1
-379S	65C27011-692		.	BODY	ASSY					HA	1
-379T	65C27011-697		.	BODY	ASSY					BU	1
-379U	65C27011-698		.	BODY	ASSY					FP	1
-379V	65C27011-699		.	BODY	ASSY					BV	1
-379W	65C27011-700		.	BODY	ASSY					N	1
-379X	65C27011-701		.	BODY	ASSY					GD, LM	1
-379Y	65C27011-708		.	BODY	ASSY					FR	1
-379Z	65C27011-709		.	BODY	ASSY					FQ	1
-380	65C27011-102		.	BODY	ASSY					B, J, AQ	1
-380A	65C27011-715		.	BODY	ASSY					BW	1
-380B	65C27011-717		.	BODY	ASSY					BX	1
-380C	65C27011-725		.	BODY	ASSY					LQ	1
-380D	65C27011-727		.	BODY	ASSY					LS	1
-385	65C27011-103			DELETED							
-390	65C27011-106			DELETED							
-395	65C27011-107			DELETED							
-400	65C27011-108			DELETED							
-405	65C27011-112			DELETED							
-410	65C27011-105			DELETED							
-415	65C27011-116			DELETED							
-415A	65C27011-700			DELETED							
420	412N1112-34		.	.	BODY	ASSY				A-L, Q- AC, AE, AQ-AX, DD-DS, ED-ER, LA, LB	1

-Item not Illustrated

25-28-48

ILLUSTRATED PARTS LIST

Page 1098.190

Mar 01/2006



COMPONENT MAINTENANCE MANUAL

FIG/ ITEM	PART NUMBER	AIRLINE PART NUMBER	NOMENCLATURE							USAGE CODE	UNITS PER ASSY	
			1	2	3	4	5	6	7			
4- -420A	412N1112-49		.	.							AG-AN, DT-EB	1
-420B	412N1112-64		.	.							CW-DC, GR-GZ, LE, LF	1
425	412N1112-36										DELETED	
426	412N1112-57		.	.							N, AY- BS, BV- CU, ES- GQ, HA, LC, LD, LH, LJ, LM	1
430	65C27011-1301		.	.							PATTERN ASSY-DIAG SPRT FTG	1
435	NAS1836-3-11		.	.	.						INSERT	8

-Item not Illustrated

25-28-48

ILLUSTRATED PARTS LIST

Page 1098.191

Mar 01/2006



COMPONENT MAINTENANCE MANUAL

FIG/ ITEM	PART NUMBER	AIRLINE PART NUMBER	NOMENCLATURE							USAGE CODE	UNITS PER ASSY	
			1	2	3	4	5	6	7			
4- 440	65C27011-1315		.	.							C, AH, AR, BM, CM, CX, LA, LC, LE, LH, LE	1
445	NAS1836-3-11		.	.	.						C, AH, AR, BM, CM, CX, LA, LC, LE, LH, LE	8
450	65C27011-1302		.	.							B, D, F, J, N, AC, AG, AJ, AP, AQ, AS, BL, BN, CL, CN, CU, CW, CY, DD, DE, DR, DT, DX, EG, ES, FD, FH, FS, GD, GE, GJ, GR, GV, LM	1
455	NAS1836-3-11		.	.	.						B, D, F, J, N, AC, AG, AJ, AP, AQ, AS, BL, BN, CL, CN, CU, CW, CY, DD, DE, DR, DT, DX, EG, ES, FD, FH, FS, GD, GE, GJ, GR, GV, LM	8

-Item not Illustrated

25-28-48

ILLUSTRATED PARTS LIST

Page 1098.192

Mar 01/2006



COMPONENT MAINTENANCE MANUAL

FIG/ ITEM	PART NUMBER	AIRLINE PART NUMBER	NOMENCLATURE							USAGE CODE	UNITS PER ASSY	
			1	2	3	4	5	6	7			
4- 460	65C27011-1320		.	.	PATTERN ASSY-DIAG SPRT FTG						G, H, AN, AW, BS, CS, DC, DZ, EB, ED, EJ, EL, FK, FM, GL, GN, GX, GZ, HA	1
465	NAS1836-3-11		.	.	INSERT						G, H, AN, AW, BS, CS, DC, DZ, EB, ED, EJ, EL, FK, FM, GL, GN, GX, GZ, HA	8
470	65C27011-1314				DELETED							
475	NAS1836-3-11				DELETED							
480	SL2334-3A2				DELETED							
485	65C27011-2001		.	.	PATTERN ASSY-CLG PNL SPRT						A-L, N- HA, LA- LF, LH, LJ, LM, LQ, LS	1
490	SL2334-3A2		.	.	INSERT (V97393)						A-L, N- HA, LA- LF, LH, LJ, LM, LQ, LS	4
495	65C27011-2002				DELETED							
500	NAS1836-3-11				DELETED							
505	65C27011-2101		.	.	PATTERN ASSY-CLG PNL LT						A-L, N- DL, DN- EY, FA- FY, GA- HA, LA- LF, LH, LJ, LM, LQ, LS	1

-Item not Illustrated

25-28-48

ILLUSTRATED PARTS LIST

Page 1098.193

Mar 01/2006



COMPONENT MAINTENANCE MANUAL

FIG/ ITEM	PART NUMBER	AIRLINE PART NUMBER	NOMENCLATURE							USAGE CODE	UNITS PER ASSY
			1	2	3	4	5	6	7		
4-											
510	NAS1836-3-11		. . .	INSERT						A-L, N- DL, DN- EY, FA- FY, GA- HA, LA- LF, LH, LJ, LM, LQ, LS	4
515	65C27011-2102			DELETED							
520	NAS1836-3-11			DELETED							
525	65C27011-2201		. . .	PATTERN ASSY						A-L, N- HA, LA- LF, LH, LJ, LM, LQ, LS	1
530	NAS1836-3-11		. . .	INSERT						A-L, N- HA, LA- LF, LH, LJ, LM, LQ, LS	4
535	65C27011-1263		. . .	PATTERN ASSY						L, DW, EF, FG, GH, GU	1
540	NAS1836-3-11		. . .	INSERT						L, DW, EF, FG, GH, GU	8
545	NAS1836-4-11		. . .	INSERT						L, DW, EF, FG, GH, GU	2
550	65C27011-1264		. . .	PATTERN ASSY						D, AC, AJ, AS, BN, CN, CU, CY	1
555	NAS1836-3-11		. . .	INSERT						D, AC, AJ, AS, BN, CN, CU, CY	8
560	NAS1836-4-11		. . .	INSERT						D, AC, AJ, AS, BN, CN, CU, CY	2

-Item not Illustrated

25-28-48

ILLUSTRATED PARTS LIST

Page 1098.194

Mar 01/2006



COMPONENT MAINTENANCE MANUAL

FIG/ ITEM	PART NUMBER	AIRLINE PART NUMBER	NOMENCLATURE							USAGE CODE	UNITS PER ASSY	
			1	2	3	4	5	6	7			
4-												
565	65C27011-1265		.	.							E, AK, AT, BP, BX, CP, CZ	1
570	NAS1836-3-11		.	.	.						E, AK, AT, BP, BX, CP, CZ	8
575	NAS1836-4-11		.	.	.						E, AK, AT, BP, BX, CP, CZ	2
580	65C27011-1266		.	.							F, N, DD, DR, DX, EG, FH, GD, GJ, GV, LM	1
585	NAS1836-3-11		.	.	.						F, N, DD, DR, DX, EG, FH, GD, GJ, GV, LM	8
590	NAS1836-4-11		.	.	.						F, N, DD, DR, DX, EG, FH, GD, GJ, GV, LM	2
595	65C27011-1270		.	.							G, H, AN, AW, BS, CS, DC, DP, DZ, EB, ED, EJ, EL, FB, FK, FM, GB, GL, GN, GZ, HA	1

-Item not Illustrated

25-28-48

ILLUSTRATED PARTS LIST

Page 1098.195

Mar 01/2006



COMPONENT MAINTENANCE MANUAL

FIG/ ITEM	PART NUMBER	AIRLINE PART NUMBER	NOMENCLATURE							USAGE CODE	UNITS PER ASSY
			1	2	3	4	5	6	7		
4- 600	NAS1836-3-11		. . . INSERT							G, H, AN, AW, BS, CS, DC, DP, DZ, EB, ED, EJ, EL, FB, FK, FM, GB, GL, GN, GZ, HA	8
605	NAS1836-4-11		. . . INSERT							G, H, AN, AW, BS, CS, DC, DP, DZ, EB, ED, EJ, EL, FB, FK, FM, GB, GL, GN, GZ, HA	2
610	65C27011-1262		DELETED								
615	NAS1836-3-11		DELETED								
620	NAS1836-4-11		DELETED								
625	65C27011-5002		. . . PATTERN ASSY							BH, CH	1
630	NAS1836-3-11		. . . INSERT							BH, CH	3
635	65C27011-1201		. . . PATTERN ASSY							A-C, J, K, P, AB, AD, AF- AH, AM, AP-AR, BC, BL, BM, BT, CK-CM, CV-CX, DE, DS- DV, EC, ES, FD- FF, FS, GE-GG, GP, GR- GT, LA, LC-LF, LH, LJ	1

-Item not Illustrated

25-28-48

ILLUSTRATED PARTS LIST

Page 1098.196

Mar 01/2006



COMPONENT MAINTENANCE MANUAL

FIG/ ITEM	PART NUMBER	AIRLINE PART NUMBER	NOMENCLATURE							USAGE CODE	UNITS PER ASSY	
			1	2	3	4	5	6	7			
4- 640	SL2334-3A2		.	.	.	INSERT (V97393)					A-C, J, K, P, AB, AD, AF- AH, AM, AP-AR, BC, BL, BM, BT, CK-CM, CV-CX, DE, DS- DV, EC, ES, FD- FF, FS, GE-GG, GP, GR- GT, LA, LC-LF, LH, LJ	11
645	65C27011-1203		.	.	PATTERN ASSY						D-H, L, N, Q-AA, AC, AE, AJ-AL, AN, AS- BB, BD- BK, BN- BS, BU- CJ, CN- CU, CY- DD, DF- DR, DW- EB, ED- ER, ET- FC, FG- FR, FT- GD, GH- GN, GQ, GU-HA, LB, LM, LQ, LS	1

-Item not Illustrated

25-28-48

ILLUSTRATED PARTS LIST

Page 1098.197

Mar 01/2006



COMPONENT MAINTENANCE MANUAL

FIG/ ITEM	PART NUMBER	AIRLINE PART NUMBER	NOMENCLATURE							USAGE CODE	UNITS PER ASSY
			1	2	3	4	5	6	7		
4- 650	SL2334-3A2								. . . INSERT (V97393)	D-H, L, N, R-AA, AC, AE, AJ-AL, AN, AS- BB, BD- BK, BN- BS, BU- CJ, CN- CU, CY- DD, DF- DR, DW- EB, ED- ER, ET- FC, FG- FR, FT- GD, GH- GN, GQ, GU-HA, LB, LM, LQ, LS	8
655	65C27011-1207								DELETED		
660	SL2334-3A2								DELETED		
665	65C27011-1202								. . . PATTERN ASSY	A-C, J, K, P, Q, AB, AD, AF- AH, AM, AP-AR, AY, BC, BL, BM, BT, BY, CK-CM, CV-CX, DS-DV, EC, FD- FF, GE- GG, GP, GR-GT, LA, LT, C-LF, LH	1

-Item not Illustrated

25-28-48

ILLUSTRATED PARTS LIST

Page 1098.198

Mar 01/2006



COMPONENT MAINTENANCE MANUAL

FIG/ ITEM	PART NUMBER	AIRLINE PART NUMBER	NOMENCLATURE							USAGE CODE	UNITS PER ASSY	
			1	2	3	4	5	6	7			
4- 670	SL2334-3A2		.	.	.	INSERT (V97393)					A-C, J, K, P, Q, AB, AD, AF- AH, AM, AP-AR, AY, BC, BL, BM, BT, BY, CK-CM, CV-CX, DS-DV, EC, FD- FF, GE- GG, GP, GR-GT, LA, LT, C-LF, LH	11
675	65C27011-1204		.	.	PATTERN ASSY						D-H, L, N, R-AA, AC, AE, AJ-AL, AN, AS- AX, AZ- BB, BD- BK, BN- BS, BU- BX, BZ- CJ, CN- CU, CY- DR, DW- EB, ED- FC, FG- GD, GH- GN, GQ, GU-HA, LB, LM, LQ, LS	1

-Item not Illustrated

25-28-48

ILLUSTRATED PARTS LIST

Page 1098.199

Mar 01/2006



COMPONENT MAINTENANCE MANUAL

FIG/ ITEM	PART NUMBER	AIRLINE PART NUMBER	NOMENCLATURE							USAGE CODE	UNITS PER ASSY	
			1	2	3	4	5	6	7			
4- 680	SL2334-3A2		.	.	.	INSERT (V97393)					D-H, L, N, R-AA, AC, AE, AJ-AL, AN, AS- AX, AZ- BB, BD- BK, BN- BS, BU- BX, BZ- CJ, CN- CU, CY- DR, DW- EB, ED- FC, FG- GD, GH- GN, GQ, GU-HA, LB, LM, LQ, LS	8
685	65C27011-1206		DELETED									
690	SL2334-3A2		DELETED									
695	65C27011-1023		.	.	PATTERN ASSY						A-L, N- HA, LA- LF, LH, LJ, LM, LQ, LS	1
700	NAS1836-3-11		.	.	.	INSERT					A-L, N- HA, LA- LF, LH, LJ, LM, LQ, LS	14
705	65C27011-1022		DELETED									
710	NAS1836-3-11		DELETED									
715	65C27011-4011		.	.	.	PATTERN ASSY					N, AB, AE, CT, DD, DQ, DS, EM, EN, FN, FQ, GP, GQ	1

-Item not Illustrated

25-28-48

ILLUSTRATED PARTS LIST

Page 1098.200

Mar 01/2006



COMPONENT MAINTENANCE MANUAL

FIG/ ITEM	PART NUMBER	AIRLINE PART NUMBER	NOMENCLATURE							USAGE CODE	UNITS PER ASSY
			1	2	3	4	5	6	7		
4-											
720	NAS1833-3-400		INSERT						N, AB, AE, CT, DD, DQ, DS, EM, EN, FN, FQ, GP, GQ	16
725	65C27011-1218		. . .	PATTERN ASSY						KZ	1
726	NAS1834-4-400		. . .	INSERT						KZ	2
727	SL2334-3A2		. . .	INSERT (V97393)						KZ	10
728	65C27011-2007		. . .	PATTERN ASSY						KZ	1
729	NAS1836-3-11		. . .	INSERT						KZ	4
731	65C27011-1229		. . .	PATTERN ASSY						DE, ES, FS	1
732	NAS1836-3-11		. . .	INSERT						DE, ES, FS	4
733	NAS1836-4-11		. . .	INSERT						DE, ES, FS	1
734	65C27011-1230		. . .	PATTERN ASSY						Q, AY, BY	1
735	NAS1836-3-11		. . .	INSERT						Q, AY, BY	4
736	NAS1836-4-11		. . .	INSERT						Q, AY, BY	1
737	65C27011-1231		. . .	PATTERN ASSY						R, AZ, BU, BZ	1
738	NAS1836-3-11		. . .	INSERT						R, AZ, BU, BZ	8
739	NAS1836-4-11		. . .	INSERT						R, AZ, BU, BZ	2
740	65C27011-1361		. . .	PATTERN ASSY						R, AZ, BU, BZ	1
741	NAS1836-3-11		. . .	INSERT						R, AZ, BU, BZ	8
743	65C27011-1232		. . .	PATTERN ASSY						DF, ET, FP, FT	1

-Item not Illustrated

25-28-48

ILLUSTRATED PARTS LIST

Page 1098.201

Mar 01/2006



COMPONENT MAINTENANCE MANUAL

FIG/ ITEM	PART NUMBER	AIRLINE PART NUMBER	NOMENCLATURE							USAGE CODE	UNITS PER ASSY
			1	2	3	4	5	6	7		
4-											
744	NAS1836-3-11		. . .	INSERT						DF, ET, FP, FT	8
745	NAS1836-4-11		. . .	INSERT						DF, ET, FP, FT	2
746	65C27011-1362		. .	PATTERN ASSY						DF, ET, FP, FT	1
747	NAS1836-3-11		. . .	INSERT						DF, ET, FP, FT	8
749	65C27011-1233		. .	PATTERN ASSY						DG, EU, FU	1
750	NAS1836-3-11		. . .	INSERT						DG, EU, FU	8
751	NAS1836-4-11		. . .	INSERT						DG, EU, FU	2
752	65C27011-1363		. .	PATTERN ASSY						DG, EU, FU	1
753	NAS1836-3-11		. . .	INSERT						DG, EU, FU	8
755	65C27011-1234		. .	PATTERN ASSY						S, BA, CA	1
756	NAS1836-3-11		. . .	INSERT						S, BA, CA	8
757	NAS1836-4-11		. . .	INSERT						S, BA, CA	2
758	65C27011-1364		. .	PATTERN ASSY						S, BA, CA	1
759	NAS1836-3-11		. . .	INSERT						S, BA, CA	8
761	65C27011-1267		. .	PATTERN ASSY						DQ, DY, EH, FJ, GK, GW	1
762	NAS1836-3-11		. . .	INSERT						DQ, DY, EH, FJ, GK, GW	8
763	NAS1836-4-11		. . .	INSERT						DQ, DY, EH, FJ, GK, GW	2

-Item not Illustrated

25-28-48

ILLUSTRATED PARTS LIST

Page 1098.202

Mar 01/2006



COMPONENT MAINTENANCE MANUAL

FIG/ ITEM	PART NUMBER	AIRLINE PART NUMBER	NOMENCLATURE							USAGE CODE	UNITS PER ASSY
			1	2	3	4	5	6	7		
4-											
764	65C27011-1317		.	.						DQ, DY, EH, FJ, GK, GW	1
765	NAS1836-3-11		.	.	.					DQ, DY, EH, FJ, GK, GW	8
767	65C27011-1268		.	.						AL, AU, BQ, CQ, DA	1
768	NAS1836-3-11		.	.	.					AL, AU, BQ, CQ, DA	8
769	NAS1836-4-11		.	.	.					AL, AU, BQ, CQ, DA	2
770	65C27011-1318		.	.						AL, AU, BQ, CQ, DA	1
771	NAS1836-3-11		.	.	.					AL, AU, BQ, CQ, DA	8
773	65C27011-1269		.	.						AA, AE, AM, AV, BJ, BR, CJ, CR, CT, DB, EA, EK, FL, GM, GY	1
774	NAS1836-3-11		.	.	.					AA, AE, AM, AV, BJ, BR, CJ, CR, CT, DB, EA, EK, FL, GM, GY	8

-Item not Illustrated

25-28-48

ILLUSTRATED PARTS LIST

Page 1098.203

Mar 01/2006



COMPONENT MAINTENANCE MANUAL

FIG/ ITEM	PART NUMBER	AIRLINE PART NUMBER	NOMENCLATURE							USAGE CODE	UNITS PER ASSY
			1	2	3	4	5	6	7		
4-											
775	NAS1836-4-11		. . .	INSERT						AA, AE, AM, AV, BJ, BR, CJ, CR, CT, DB, EA, EK, FL, GM, GY	2
776	65C27011-1274		. .	PATTERN ASSY						KZ	1
777	NAS1836-3-11		. . .	INSERT						KZ	8
778	NAS1836-4-11		. . .	INSERT						KZ	2
779	65C27011-1235		. .	PATTERN ASSY						T, BB, CB	1
780	NAS1836-3-11		. . .	INSERT						T, BB, CB	8
781	NAS1836-4-11		. . .	INSERT						T, BB, CB	2
782	65C27011-1347		. .	PATTERN ASSY						T, BB, CB	1
783	NAS1836-3-11		. . .	INSERT						T, BB, CB	8
785	65C27011-1236		. .	PATTERN ASSY						DH, EV, FV	1
786	NAS1836-3-11		. . .	INSERT						DH, EV, FV	8
787	NAS1836-4-11		. . .	INSERT						DH, EV, FV	2
788	65C27011-1348		. .	PATTERN ASSY						DH, EV, FV	1
789	NAS1836-3-11		. . .	INSERT						DH, EV, FV	8
791	65C27011-1237		. .	PATTERN ASSY						EM, EP, FC, GC	1
792	NAS1836-3-11		. . .	INSERT						EM, EP, FC, GC	8
793	NAS1836-4-11		. . .	INSERT						EM, EP, FC, GC	2
794	65C27011-1238		. .	PATTERN ASSY						U, BB, CC	1

-Item not Illustrated

25-28-48

ILLUSTRATED PARTS LIST

Page 1098.204

Mar 01/2006



COMPONENT MAINTENANCE MANUAL

FIG/ ITEM	PART NUMBER	AIRLINE PART NUMBER	NOMENCLATURE							USAGE CODE	UNITS PER ASSY
			1	2	3	4	5	6	7		
4-											
795	NAS1836-3-11		. . .	INSERT						U, BB, CC	8
796	NAS1836-4-11		. . .	INSERT						U, BB, CC	2
797	65C27011-1239		. .	PATTERN ASSY						V, AX, BD, BV, BW, CD, LQ	1
798	NAS1836-3-11		. . .	INSERT						V, AX, BD, BV, BW, CD, LQ	8
799	NAS1836-4-11		. . .	INSERT						V, AX, BD, BV, BW, CD, LQ	2
800	65C27011-1240		. .	PATTERN ASSY						DJ, EN, EW, FN, FQ, FW, GQ	1
801	NAS1836-3-11		. . .	INSERT						DJ, EN, EW, FN, FQ, FW, GQ	8
802	NAS1836-4-11		. . .	INSERT						DJ, EN, EW, FN, FQ, FW, GQ	2
803	65C27011-1241		. .	PATTERN ASSY						DK, EQ, ER, EX, FR, FX, LS	1
804	NAS1836-3-11		. . .	INSERT						DK, EQ, ER, EX, FR, FX, LS	8
805	NAS1836-4-11		. . .	INSERT						DK, EQ, ER, EX, FR, FX, LS	2

-Item not Illustrated

25-28-48

ILLUSTRATED PARTS LIST

Page 1098.205

Mar 01/2006



COMPONENT MAINTENANCE MANUAL

FIG/ ITEM	PART NUMBER	AIRLINE PART NUMBER	NOMENCLATURE							USAGE CODE	UNITS PER ASSY	
			1	2	3	4	5	6	7			
4- 806	65C27011-1351		.	.							DK, EQ, ER, EX, FR, FX, LS	1
807	NAS1836-3-11		.	.	.						DK, EQ, ER, EX, FR, FX, LS	8
809	65C27011-1242		.	.							W, BE, CE	1
810	NAS1836-3-11		.	.	.						W, BE, CE	8
811	NAS1836-2-11		.	.	.						W, BE, CE	2
812	65C27011-1352		.	.							W, BE, CE	1
813	NAS1836-3-11		.	.	.						W, BE, CE	8
815	65C27011-1243		.	.							X, BF, CF	1
816	NAS1836-3-11		.	.	.						X, BF, CF	8
817	NAS1836-4-11		.	.	.						X, BF, CF	2
818	65C27011-1353		.	.							X, BF, CF	1
819	NAS1836-3-11		.	.	.						X, BF, CF	8
821	65C27011-1244		.	.							DL, EY, FY	1
822	NAS1836-3-11		.	.	.						DL, EY, FY	8
823	NAS1836-4-11		.	.	.						DL, EY, FY	2
824	65C27011-1354		.	.							DL, EY, FY	1
825	NAS1836-3-11		.	.	.						DL, EY, FY	8
827	65C27011-1245		.	.							DM, EZ, FZ	1
828	NAS1836-3-11		.	.	.						DM, EZ, FZ	8

-Item not Illustrated

25-28-48

ILLUSTRATED PARTS LIST

Page 1098.206

Mar 01/2006



COMPONENT MAINTENANCE MANUAL

FIG/ ITEM	PART NUMBER	AIRLINE PART NUMBER	NOMENCLATURE							USAGE CODE	UNITS PER ASSY
			1	2	3	4	5	6	7		
4-											
829	NAS1836-4-11		. . .	INSERT						DM, EZ, FZ	2
830	65C27011-1365		. .	PATTERN ASSY						DM, EZ, FZ	1
831	NAS1836-3-11		. . .	INSERT						DM, EZ, FZ	8
833	65C27011-1246		. .	PATTERN ASSY						Y, BG, CG	1
834	NAS1836-3-11		. . .	INSERT						Y, BG, CG	8
835	NAS1836-4-11		. . .	INSERT						Y, BG, CG	2
836	65C27011-1366		. .	PATTERN ASSY						Y, BG, CG	1
837	NAS1836-3-11		. . .	INSERT						Y, BG, CG	8
839	65C27011-1247		. .	PATTERN ASSY						Z, BH, CH	1
840	NAS1836-3-11		. . .	INSERT						Z, BH, CH	8
841	NAS1836-4-11		. . .	INSERT						Z, BH, CH	2
842	65C27011-1248		. .	PATTERN ASSY						DN, FA, GA	1
843	NAS1836-3-11		. . .	INSERT						DN, FA, GA	8
844	NAS1836-4-11		. . .	INSERT						DN, FA, GA	2
845	65C27011-1316		. .	PATTERN ASSY						DV, EE, FF, GG, GT, LB, LD, LF, LJF	1
846	NAS1836-3-11		. . .	INSERT						DV, EE, FF, GG, GT, LB, LD, LF, LJF	8

-Item not Illustrated

25-28-48

ILLUSTRATED PARTS LIST

Page 1098.207

Mar 01/2006



COMPONENT MAINTENANCE MANUAL

FIG/ ITEM	PART NUMBER	AIRLINE PART NUMBER	NOMENCLATURE							USAGE CODE	UNITS PER ASSY	
			1	2	3	4	5	6	7			
4- 848	65C27011-1319		.	.							AE, AM, AV, BR, CR, CT, DB, EA, EK, FL, GM, GY	1
849	NAS1836-3-11		.	.	.						AE, AM, AV, BR, CR, CT, DB, EA, EK, FL, GM, GY	8
851	65C27011-1322		.	.							KZ	1
852	NAS1836-3-11		.	.	.						KZ	8
854	65C27011-1349		.	.							V, AX, BD, BV, BW, CD, EM, EP, FC, GC, LQ	1
855	NAS1836-3-11		.	.	.						V, AX, BD, BV, BW, CD, EM, EP, FC, GC, LQ	8
857	65C27011-1350		.	.							U, BC, CC, DJ, EN, EW, FN, FQ, FW, GQ, FW	1
858	NAS1836-3-11		.	.	.						U, BC, CC, DJ, EN, EW, FN, FQ, FW, GQ, FW	8
860	65C27011-1359		.	.							BH, CH, DN, DP, FB, GB	1

-Item not Illustrated

25-28-48

ILLUSTRATED PARTS LIST

Page 1098.208

Mar 01/2006



COMPONENT MAINTENANCE MANUAL

FIG/ ITEM	PART NUMBER	AIRLINE PART NUMBER	NOMENCLATURE							USAGE CODE	UNITS PER ASSY
			1	2	3	4	5	6	7		
4-											
861	NAS1836-3-11									BH, CH, DN, DP, FB, GB	8
863	65C27011-1360									AA, BJ, CJ, DN, FA, GA	1
864	NAS1836-3-11									AA, BJ, CJ, DN, FA, GA	8
866	65C27011-2107									KZ	1
867	NAS1836-3-11									KZ	6
869	65C27011-2122									DM, EZ, FZ	1
870	NAS1836-3-11									DM, EZ, FZ	4
872	65C27011-2203									EM, EP, FC, GC	1
873	NAS1836-3-11									EM, EP, FC, GC	4
875	65C27011-3201									P, AF, AP, BU, EN, FQ	1
876	NAS1833-3-400									P, AF, AP, BU, EN, FQ	2
878	65C27011-3202									FP	1
879	NAS1833-3-400									FP	2
881	65C27011-5002									Z, HE- HM	1
882	NAS1836-3-11									Z, HE- HM	3
884	65C27011-4007									BV, ED, HA	1
885	NAS1833-3-400									BV, ED, HA	3
887	65C27011-4012									AC, BW, BX, CU, DR, EQ, FR	1

-Item not Illustrated

25-28-48

ILLUSTRATED PARTS LIST

Page 1098.209

Mar 01/2006



COMPONENT MAINTENANCE MANUAL

FIG/ ITEM	PART NUMBER	AIRLINE PART NUMBER	NOMENCLATURE							USAGE CODE	UNITS PER ASSY
			1	2	3	4	5	6	7		
4-											
888	NAS1833-3-400		. . .	INSERT						AC, BW, BX, CU, DR, EQ, FR	16
890	65C27011-4101		. .	PATTERN ASSY						GD, LM	1
891	NAS1833-3-400		. . .	INSERT						GD, LM	10
893	65C27011-4107		. .	PATTERN ASSY						EN, FQ	1
894	NAS1833-3-400		. . .	INSERT						EN, FQ	4
896	65C27011-4108		. .	PATTERN ASSY						ER, LS	1
897	NAS1833-3-400		. . .	INSERT						ER, LS	8
898	65C27011-3204		. .	PATTERN ASSY						LQ	1
898J	NAS1833-3-400		. . .	INSERT						LQ	2
900	412N1215-114		. .	BODY ASSY						AD	1
901	NAS1833-3-400		. . .	INSERT						AD	5
902	412N1112-34		. . .	BODY ASSY						AD	1
903	412N1215-120		. .	BODY ASSY						EC	1
-903A	412N1215-121		. .	BODY ASSY						AF	1
-903B	412N1215-634		. .	BODY ASSY						BT, CV	1
-903C	412N1215-94		. .	BODY ASSY						P, AP	1
-903D	412N1215-671		. .	BODY ASSY						BU	1
-906	412N1215-672		. .	BODY ASSY						FP	1
907	BACS12FA3K6		. . .	SCREW (V06710) (SPEC BACS12FA3K6) (OPT BACS12FA3K6 (V06725)) (OPT BACS12FA3K6 (V06950)) (OPT BACS12FA3K6 (V27624)) (OPT BACS12FA3K6 (V34252)) (OPT BACS12FA3K6 (V56878)) (OPT BACS12FA3K6 (V73197)) (OPT BACS12FA3K6 (V80539)) (OPT BACS12FA3K6 (V92215)) (OPT BACS12FA3K6 (V93907)) (OPT BACS12FA3K6 (V97928))						P, AF, AP, BT, BU, CV, EC, FP	10
908	NAS1833-3-400		. . .	INSERT						P, AF, AP, BT, BU, CV, EC, FP	5

-Item not Illustrated

25-28-48

ILLUSTRATED PARTS LIST

Page 1098.210

Mar 01/2006



COMPONENT MAINTENANCE MANUAL

FIG/ ITEM	PART NUMBER	AIRLINE PART NUMBER	NOMENCLATURE							USAGE CODE	UNITS PER ASSY
			1	2	3	4	5	6	7		
4-											
909	412N1145-33									EC	5
-909A	412N1145-112									AF, BT, CV	5
-909B	412N1145-33									P, AP, BU, FP	5
910	412N1116-174									EC	1
-910A	412N1116-157									AF	1
-910B	412N1116-727									BT, CV	1
-910C	412N1116-91									P, AP	1
-910D	412N1116-687									BU	1
-911	412N1116-688									FP	1
912	412N1112-34									P, AP, EC	1
-912A	412N1112-49									AF	1
-912B	412N1112-64									BT, CV	1
-912C	412N1112-57									BU, FP, LQ, LS	1
913	412N1215-71									KZ	1

-Item not Illustrated

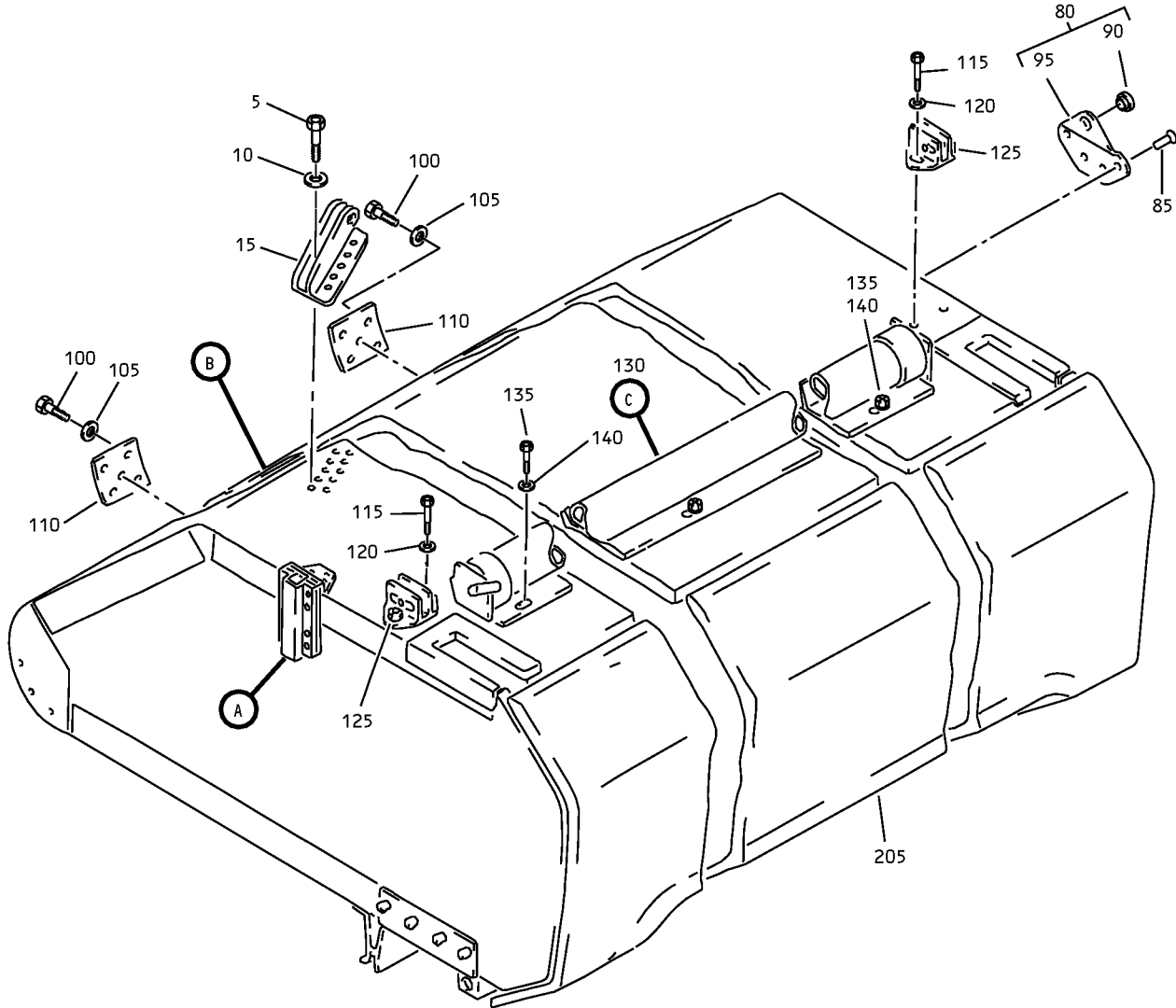
25-28-48

ILLUSTRATED PARTS LIST

Page 1098.211

Mar 01/2006

COMPONENT MAINTENANCE MANUAL



Overhead Stowage Compartment Assembly
IPL Figure 5 (Sheet 1 of 3)

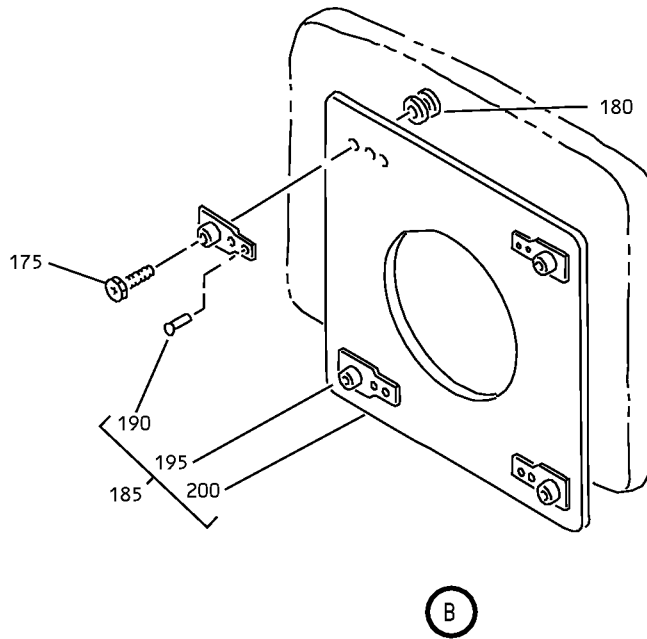
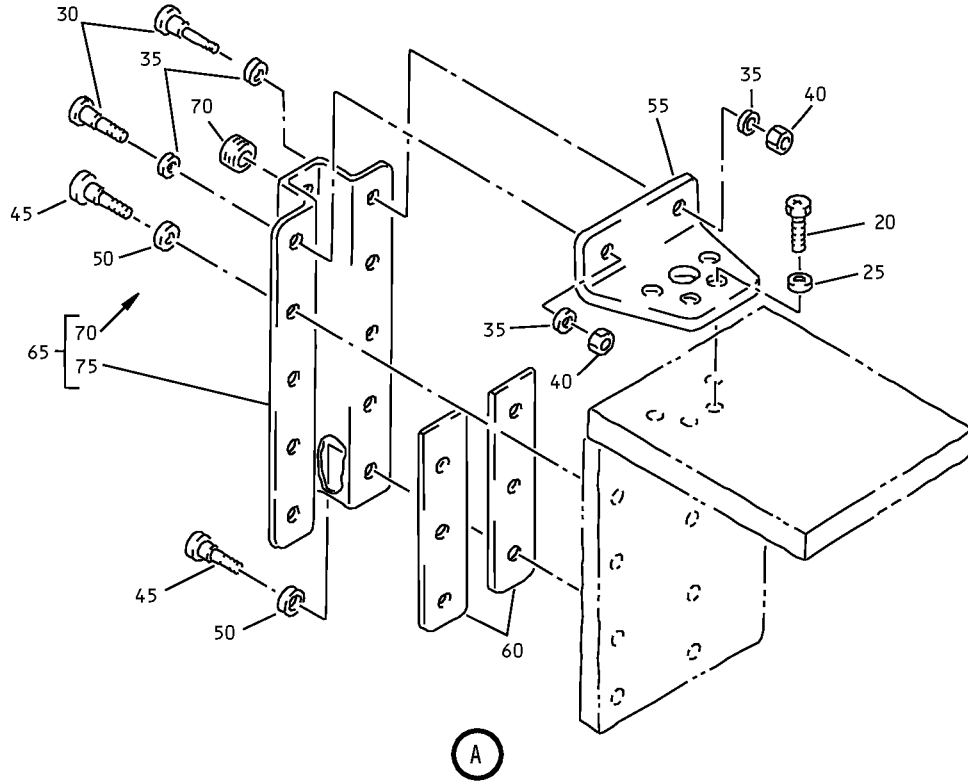
25-28-48

ILLUSTRATED PARTS LIST

Page 1098.212

Mar 01/2006

COMPONENT MAINTENANCE MANUAL



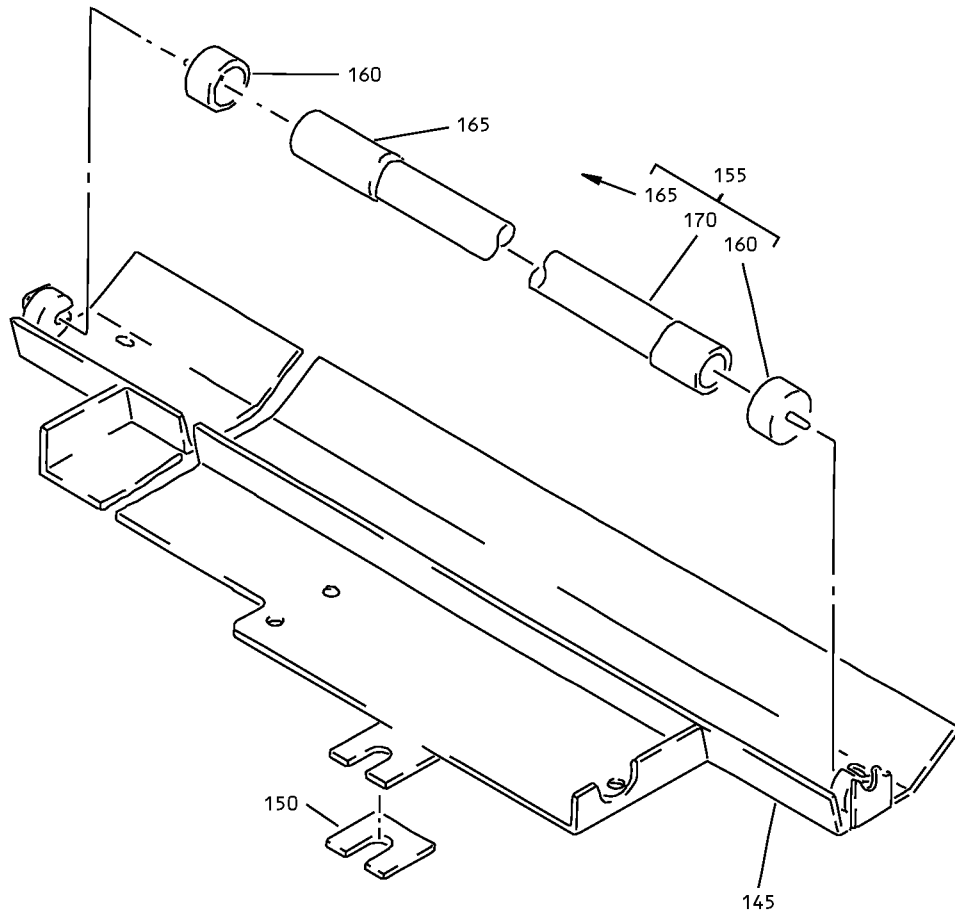
Overhead Stowage Compartment Assembly
IPL Figure 5 (Sheet 2 of 3)

25-28-48

ILLUSTRATED PARTS LIST

Page 1098.213

Mar 01/2006

COMPONENT MAINTENANCE MANUAL**(C)**

Overhead Storage Compartment Assembly
IPL Figure 5 (Sheet 3 of 3)

25-28-48

ILLUSTRATED PARTS LIST

Page 1098.214

Mar 01/2006



COMPONENT MAINTENANCE MANUAL

FIG/ ITEM	PART NUMBER	AIRLINE PART NUMBER	NOMENCLATURE							USAGE CODE	UNITS PER ASSY
			1	2	3	4	5	6	7		
5-											
-1	65C32942-54SP									HS	RF
-1A	65C32942-58SP									HT	RF
-1B	65C32942-60SP									HU	RF
-1C	65C32942-64SP									HV	RF
-1D	65C32942-68SP									HW	RF
-1E	65C32942-88SP									HX	RF
-1F	65C32942-116SP									HY	RF
-1G	65C32942-128SP									HZ	RF
-1H	65C32942-301SP									JA	RF
-1J	65C32942-348SP									JB	RF
-1K	65C32942-400SP									JC	RF
-1L	65C32942-402SP									JD	RF
-1M	65C32942-403SP									JE	RF
-1N	65C32942-601SP									JF	RF
-1P	65C32942-674SP									JG	RF
-1Q	65C32942-727SP									LK	RF

-Item not Illustrated

25-28-48

ILLUSTRATED PARTS LIST

Page 1098.215

Mar 01/2006



COMPONENT MAINTENANCE MANUAL

FIG/ ITEM	PART NUMBER	AIRLINE PART NUMBER	NOMENCLATURE							USAGE CODE	UNITS PER ASSY	
			1	2	3	4	5	6	7			
5-												
5	BACB30NM3K1		.	B	O	L	T				HS-JG, LK	10
				(V06710)	(SPEC BACB30NM3K1)	(OPT BACB30NM3K1 (V06725))	(OPT BACB30NM3K1 (V06950))	(OPT BACB30NM3K1 (V08524))	(OPT BACB30NM3K1 (V27624))	(OPT BACB30NM3K1 (V56878))		
				(OPT BACB30NM3K1 (V73197))	(OPT BACB30NM3K1 (V80539))	(OPT BACB30NM3K1 (V92215))	(OPT BACB30NM3K1 (V93907))	(OPT BACB30NM3K1 (V97928))				
10	AN960JD10		.	W	A	S	H	E	R		HS-JG, LK	10
15	412N1161-3		.	F	I	T	T	I	N	G	HS-JG, LK	1
20	BACB30NM3K1		.	B	O	L	T				HS-JG, LK	4
				(V06710)	(SPEC BACB30NM3K1)	(OPT BACB30NM3K1 (V06725))	(OPT BACB30NM3K1 (V06950))	(OPT BACB30NM3K1 (V08524))	(OPT BACB30NM3K1 (V27624))	(OPT BACB30NM3K1 (V56878))		
				(OPT BACB30NM3K1 (V73197))	(OPT BACB30NM3K1 (V80539))	(OPT BACB30NM3K1 (V92215))	(OPT BACB30NM3K1 (V93907))	(OPT BACB30NM3K1 (V97928))				
25	AN960JD10LL		.	W	A	S	H	E	R		HS-JG, LK	4
30	BACB30NM3K3		.	B	O	L	T				HS-JG, LK	2
				(V06710)	(SPEC BACB30NM3K3)	(OPT BACB30NM3K3 (V06725))	(OPT BACB30NM3K3 (V06950))	(OPT BACB30NM3K3 (V08524))	(OPT BACB30NM3K3 (V27624))	(OPT BACB30NM3K3 (V56878))		
				(OPT BACB30NM3K3 (V73197))	(OPT BACB30NM3K3 (V80539))	(OPT BACB30NM3K3 (V92215))	(OPT BACB30NM3K3 (V93907))	(OPT BACB30NM3K3 (V97928))				

-Item not Illustrated

25-28-48

ILLUSTRATED PARTS LIST

Page 1098.216

Mar 01/2006



COMPONENT MAINTENANCE MANUAL

FIG/ ITEM	PART NUMBER	AIRLINE PART NUMBER	NOMENCLATURE							USAGE CODE	UNITS PER ASSY
			1	2	3	4	5	6	7		
5-											
35	AN960JD10LL		.	W	A	S	H	E	R	HS-JG, LK	4
40	MS21042L3		.	N	U	T				HS-JG, LK	2
45	BACB30NM3K2		.	B	O	L	T			HS-JG, LK	8
				(V06710)							
				(SPEC BACB30NM3K2)							
				(OPT BACB30NM3K2 (V06725))							
				(OPT BACB30NM3K2 (V06950))							
				(OPT BACB30NM3K2 (V08524))							
				(OPT BACB30NM3K2 (V27624))							
				(OPT BACB30NM3K2 (V56878))							
				(OPT BACB30NM3K2 (V73197))							
				(OPT BACB30NM3K2 (V80539))							
				(OPT BACB30NM3K2 (V92215))							
				(OPT BACB30NM3K2 (V93907))							
				(OPT BACB30NM3K2 (V97928))							
50	AN960JD10		.	W	A	S	H	E	R	HS-JG, LK	8
55	412N1119-41		.	F	I	T	T	I	N	HS-JG, LK	1
60	65C27017-15		.	S	H	I	M			HS-JG, LK	2
65	65C27017-22		.	B	R	A	C	K	E	HS-JG, LK	1
70	BACB28B6-235P		.	B						HS-JG, LK	1
75	65C27017-24		.	B	R	A	C	K	E	HS-JG, LK	1
80	412N1119-1		.	F	I	T	T	I	N	HS-JG, LK	1
				A	S	S					

-Item not Illustrated

25-28-48

ILLUSTRATED PARTS LIST

Page 1098.217

Mar 01/2006



COMPONENT MAINTENANCE MANUAL

FIG/ ITEM	PART NUMBER	AIRLINE PART NUMBER	NOMENCLATURE							USAGE CODE	UNITS PER ASSY
			1	2	3	4	5	6	7		
5-			ATTACHING PARTS								
85	BACS12ER3K6		.	SCREW						HS-JG, LK	4
				(V06710)							
				(SPEC BACS12ER3K6)							
				(OPT BACS12ER3K6 (V06725))							
				(OPT BACS12ER3K6 (V06950))							
				(OPT BACS12ER3K6 (V27624))							
				(OPT BACS12ER3K6 (V34252))							
				(OPT BACS12ER3K6 (V56878))							
				(OPT BACS12ER3K6 (V73197))							
				(OPT BACS12ER3K6 (V80539))							
				(OPT BACS12ER3K6 (V92215))							
				(OPT BACS12ER3K6 (V93907))							
				(OPT BACS12ER3K6 (V97928))							
			----- * -----								
90	BACB28B6-220P		.	BUSHING						HS-JG, LK	1
95	412N1119-2		.	FITTING						HS-JG, LK	1
100	BACB30NM3K1		.	BOLT						HS-JG, LK	8
				(V06710)							
				(SPEC BACB30NM3K1)							
				(OPT BACB30NM3K1 (V06725))							
				(OPT BACB30NM3K1 (V06950))							
				(OPT BACB30NM3K1 (V08524))							
				(OPT BACB30NM3K1 (V27624))							
				(OPT BACB30NM3K1 (V56878))							
				(OPT BACB30NM3K1 (V73197))							
				(OPT BACB30NM3K1 (V80539))							
				(OPT BACB30NM3K1 (V92215))							
				(OPT BACB30NM3K1 (V93907))							
				(OPT BACB30NM3K1 (V97928))							
105	AN960JD10		.	WASHER						HS-JG, LK	8
110	412N1119-12		.	FITTING						HS-JG, LK	2

-Item not Illustrated

25-28-48

ILLUSTRATED PARTS LIST

Page 1098.218

Mar 01/2006



COMPONENT MAINTENANCE MANUAL

FIG/ ITEM	PART NUMBER	AIRLINE PART NUMBER	NOMENCLATURE							USAGE CODE	UNITS PER ASSY	
			1	2	3	4	5	6	7			
5- 115	BACB30NM3K1		.	BOLT							HS-JG, LK	4
				(V06710)								
				(SPEC BACB30NM3K1)								
				(OPT BACB30NM3K1 (V06725))								
				(OPT BACB30NM3K1 (V06950))								
				(OPT BACB30NM3K1 (V08524))								
				(OPT BACB30NM3K1 (V27624))								
				(OPT BACB30NM3K1 (V56878))								
				(OPT BACB30NM3K1 (V73197))								
				(OPT BACB30NM3K1 (V80539))								
				(OPT BACB30NM3K1 (V92215))								
				(OPT BACB30NM3K1 (V93907))								
				(OPT BACB30NM3K1 (V97928))								
120	AN960JD10		.	WASHER							HS-JG, LK	4
125	411N3134-1		.	BRACKET ASSY							HS-JG, LK	2
130	417N5120-17		.	LIGHT ASSY							HS-JG, LK	1
				ATTACHING PARTS								
135	NAS1801-3-5		.	SCREW							HS-JG, LK	3
140	AN960JD10LL		.	WASHER							HS-JG, LK	3
				-----*								
145	800000255-14		..	LIGHT ASSY							HS-JG, LK	1
				(V05617)								
				(SPEC S417N507-14)								
				(FOR DETAILS SEE FIG. 80)								
150	65C28117-3		..	PAD							HS-JG, LK	1
155	417N5120-10		..	LAMP ASSY							HS-JG, LK	1
160	2055150		...	CAP							HS-JG, LK	2
				(V04169)								
165	NI312LGWUV1000		...	TUBE-COVER PROTECTIVE							HS-JG, LK	1
				(V06034)								
				(OPT ITEM 165A)								
-165A	LP1625-48		...	TUBE-COVER PROTECTIVE							HS-JG, LK	1
				(V60116)								
				(OPT ITEM 165)								

-Item not Illustrated

25-28-48

ILLUSTRATED PARTS LIST

Page 1098.219

Mar 01/2006



COMPONENT MAINTENANCE MANUAL

FIG/ ITEM	PART NUMBER	AIRLINE PART NUMBER	NOMENCLATURE							USAGE CODE	UNITS PER ASSY	
			1	2	3	4	5	6	7			
5-												
170	F40WW		.	.	.	LAMP-FLUOR					HS-JG, LK	1
						(V08805)						
175	BACS12FA3K9		.			SCREW					HS, HU, JD	4
						(V06710)						
						(SPEC BACS12FA3K9)						
						(OPT BACS12FA3K9 (V06725))						
						(OPT BACS12FA3K9 (V06950))						
						(OPT BACS12FA3K9 (V27624))						
						(OPT BACS12FA3K9 (V34252))						
						(OPT BACS12FA3K9 (V56878))						
						(OPT BACS12FA3K9 (V73197))						
						(OPT BACS12FA3K9 (V80539))						
						(OPT BACS12FA3K9 (V85498))						
						(OPT BACS12FA3K9 (V92215))						
						(OPT BACS12FA3K9 (V93907))						
						(OPT BACS12FA3K9 (V97928))						
180	NAS1834-3-400		.			INSERT					HS, HU, JD	4
185	412N1145-87		.			BRACKET ASSY					HS, HU, JD	1
190	BACR15BA3AD		.	.		RIVET					HS, HU, JD	8
						(SIZE DETERMINED ON INST)						
195	BRF100A3		.	.		NUTPLATE					HS, HU, JD	4
						(V52828)						
						(SPEC BACN10KB3F)						
						(OPT F2000-3 (V15653))						
						(OPT RMF9207-3 (V72962))						
						(OPT T8114S1032S (V11815))						
						(OPT VN151A1-02 (V92215))						
						(OPT F2000-3 (V15653))						
200	412N1145-88		.	.		BRACKET					HS, HU, JD	1
205	65C32943-48SP		.			MODULE ASSY					HS	1
						(FOR DETAILS SEE FIG. 17)						
-205A	65C32943-52SP		.			MODULE ASSY					HT	1
						(FOR DETAILS SEE FIG. 17)						
-205B	65C32943-53SP		.			MODULE ASSY					HU	1
						(FOR DETAILS SEE FIG. 17)						
-205C	65C32943-57SP		.			MODULE ASSY					HV	1
						(FOR DETAILS SEE FIG. 17)						
-205D	65C32943-61SP		.			MODULE ASSY					HW	1
						(FOR DETAILS SEE FIG. 17)						

-Item not Illustrated

25-28-48

ILLUSTRATED PARTS LIST

Page 1098.220

Mar 01/2006



COMPONENT MAINTENANCE MANUAL

FIG/ ITEM	PART NUMBER	AIRLINE PART NUMBER	NOMENCLATURE							USAGE CODE	UNITS PER ASSY
			1	2	3	4	5	6	7		
5-											
-205E	65C32943-75SP										
-205F	65C32943-99SP										
-205G	65C32943-111SP										
-205H	65C32943-301SP										
-205J	65C32943-342SP										
-205K	65C32943-383SP										
-205L	65C32943-384SP										
-205M	65C32943-385SP										
-205N	65C32943-601SP										
-205P	65C32943-664SP										
-205Q	65C32943-698SP										

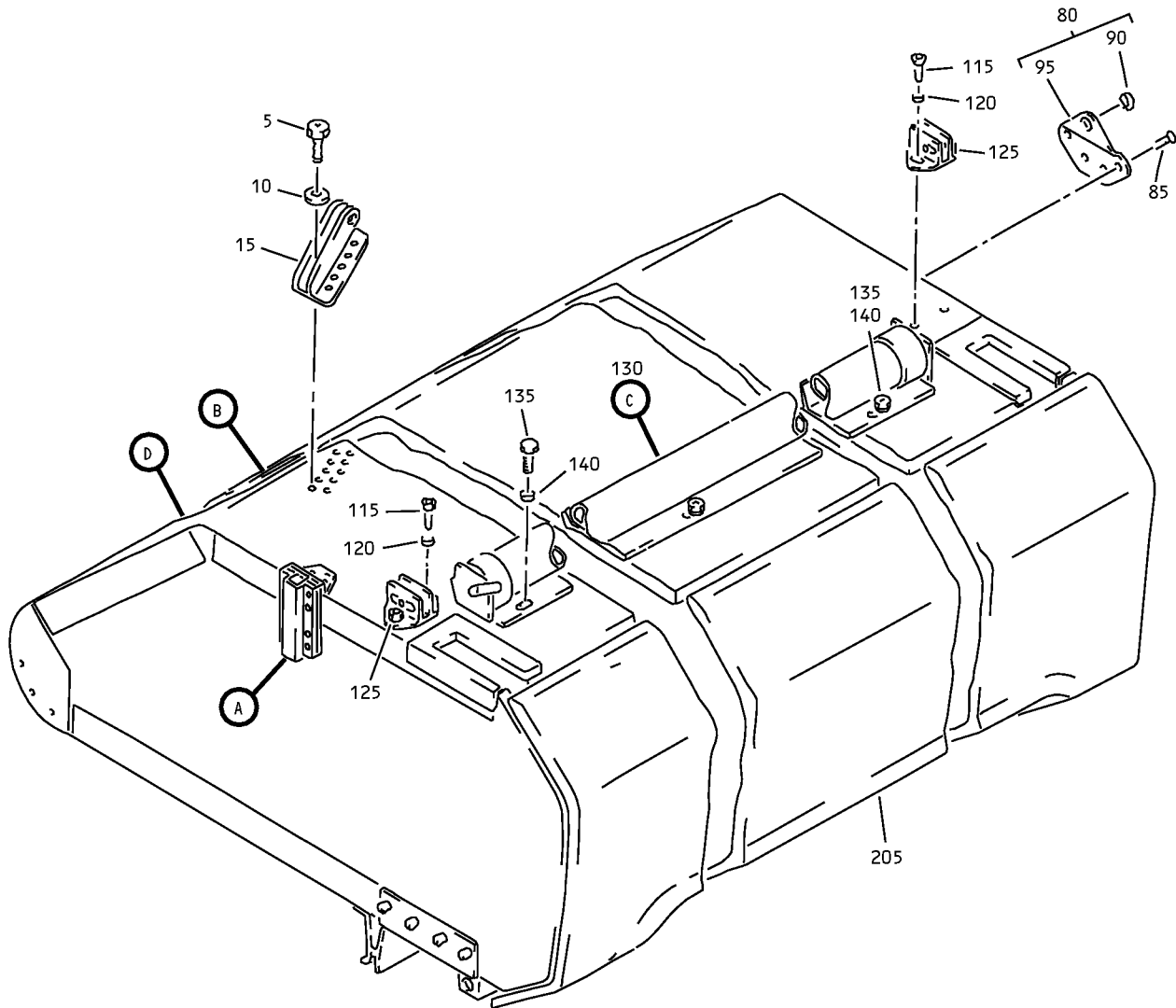
-Item not Illustrated

25-28-48

ILLUSTRATED PARTS LIST

Page 1098.221

Mar 01/2006

COMPONENT MAINTENANCE MANUAL


Overhead Stowage Compartment Assembly
IPL Figure 6 (Sheet 1 of 4)

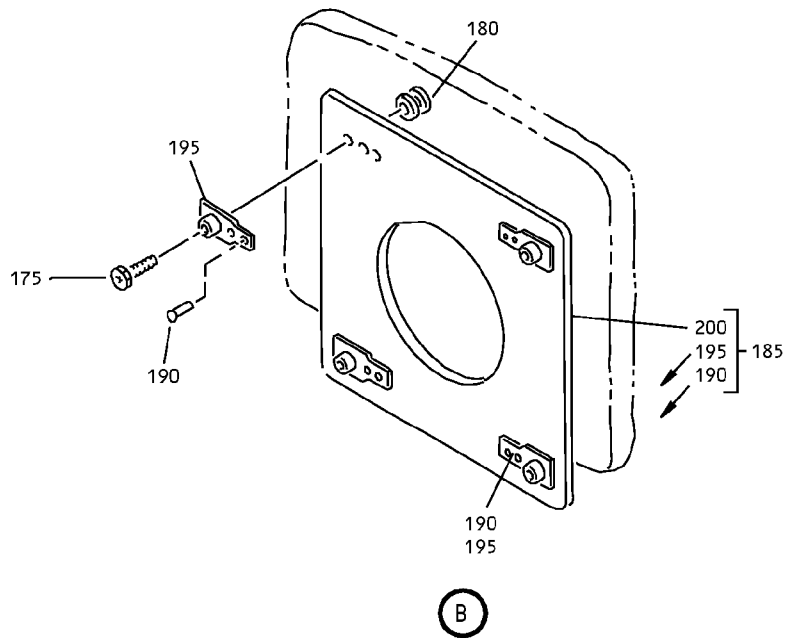
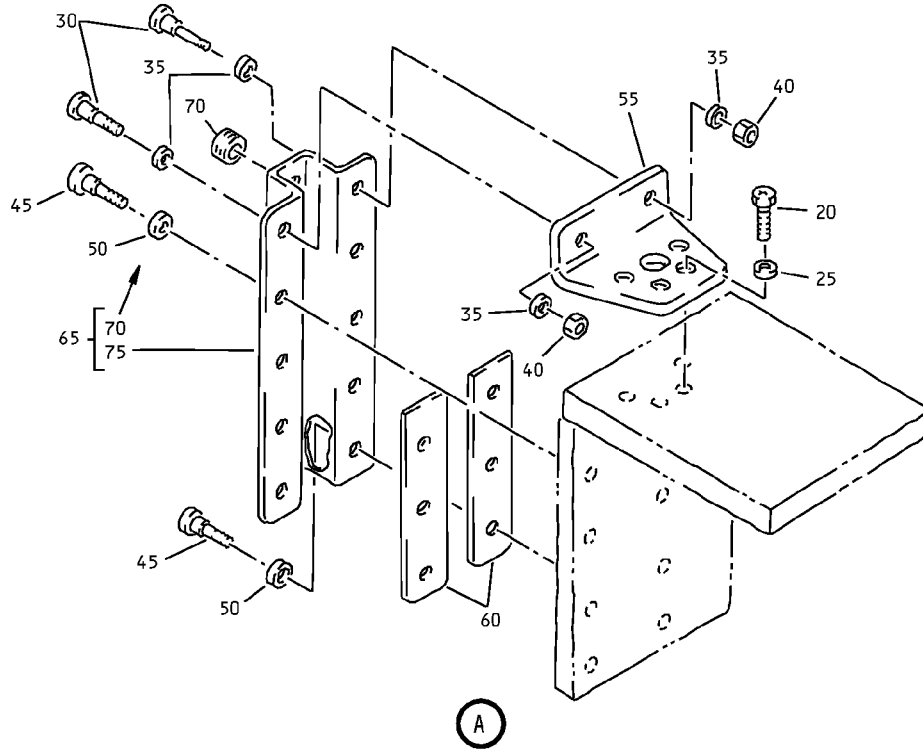
25-28-48

ILLUSTRATED PARTS LIST

Page 1098.222

Mar 01/2006

COMPONENT MAINTENANCE MANUAL



Overhead Storage Compartment Assembly
IPL Figure 6 (Sheet 2 of 4)

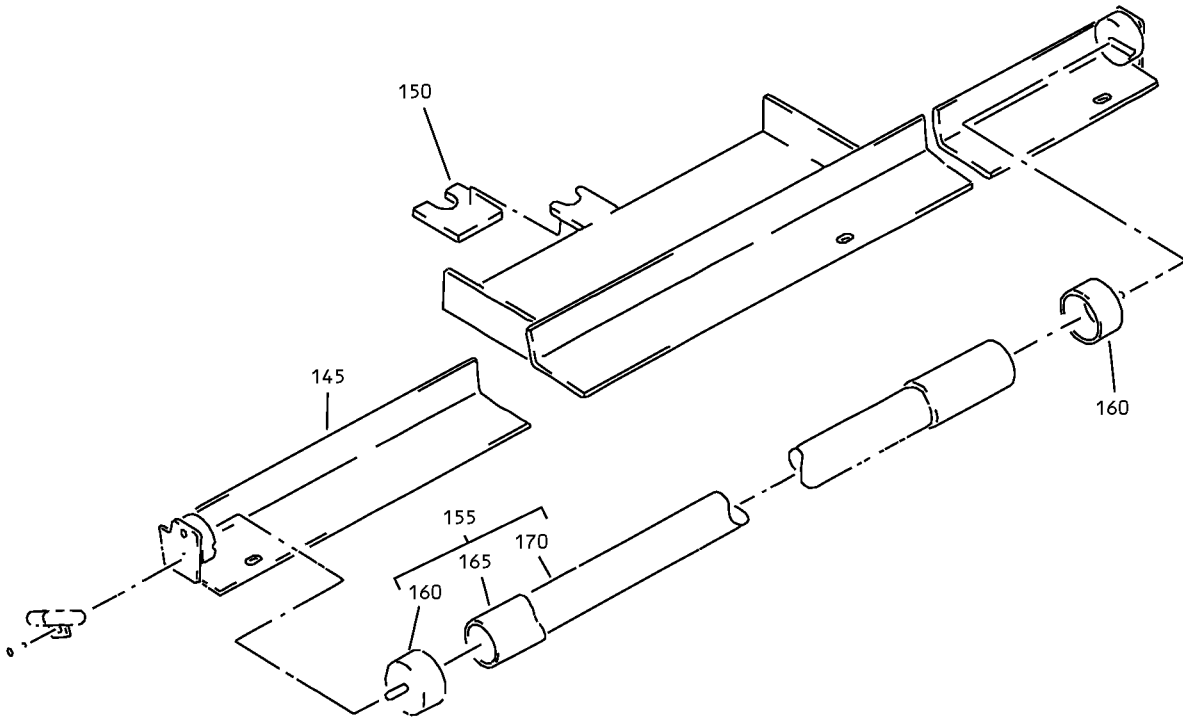
25-28-48

ILLUSTRATED PARTS LIST

Page 1098.223

Mar 01/2006

COMPONENT MAINTENANCE MANUAL



(C)

Overhead Storage Compartment Assembly
IPL Figure 6 (Sheet 3 of 4)

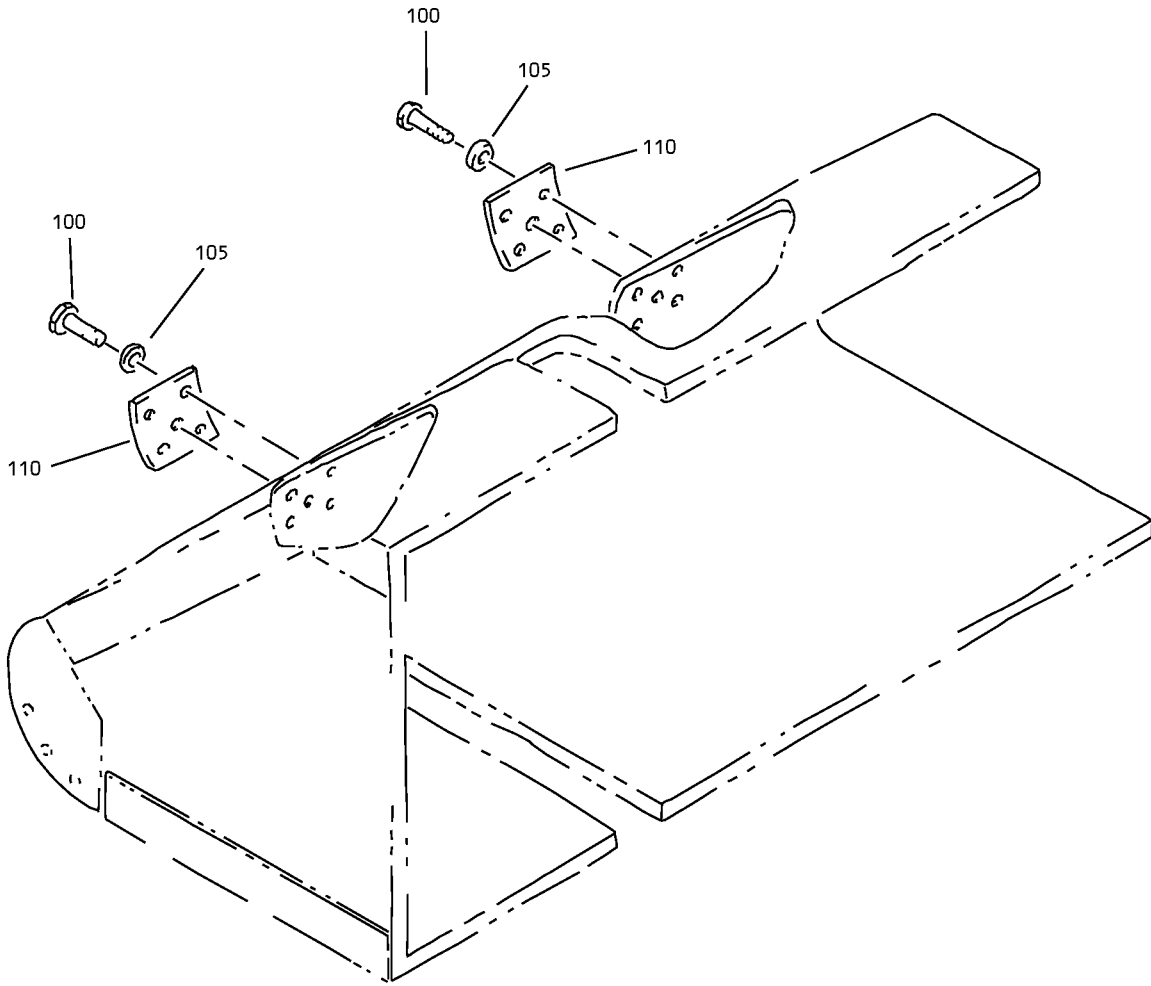
25-28-48

ILLUSTRATED PARTS LIST

Page 1098.224

Mar 01/2006

COMPONENT MAINTENANCE MANUAL



D

Overhead Stowage Compartment Assembly
IPL Figure 6 (Sheet 4 of 4)

25-28-48

ILLUSTRATED PARTS LIST

Page 1098.225

Mar 01/2006



COMPONENT MAINTENANCE MANUAL

FIG/ ITEM	PART NUMBER	AIRLINE PART NUMBER	NOMENCLATURE							USAGE CODE	UNITS PER ASSY
			1	2	3	4	5	6	7		
6-											
-1	65C32942-121SP									JH	RF
-1A	65C32942-130SP									JJ	RF
-1B	65C32942-136SP									JK	RF
-1C	65C32942-398SP									JL	RF
-1D	65C32942-406SP									JM	RF
-1E	65C32942-411SP									JN	RF
-1F	65C32942-419SP									JP	RF
-1G	65C32942-685SP									JQ	RF
-1H	65C32942-731SP									LR	RF
5	BACB30NM3K1									JH-JQ, LR	10
10	AN960JD10									JH-JQ, LR	10
15	412N1161-3									JH-JQ, LR	1

-Item not Illustrated

25-28-48

ILLUSTRATED PARTS LIST

Page 1098.226

Mar 01/2006



COMPONENT MAINTENANCE MANUAL

FIG/ ITEM	PART NUMBER	AIRLINE PART NUMBER	NOMENCLATURE							USAGE CODE	UNITS PER ASSY	
			1	2	3	4	5	6	7			
6- 20	BACB30NM3K1		.	BOLT							JH-JQ, LR	4
				(V06710)								
				(SPEC BACB30NM3K1)								
				(OPT BACB30NM3K1 (V06725))								
				(OPT BACB30NM3K1 (V06950))								
				(OPT BACB30NM3K1 (V08524))								
				(OPT BACB30NM3K1 (V27624))								
				(OPT BACB30NM3K1 (V56878))								
				(OPT BACB30NM3K1 (V73197))								
				(OPT BACB30NM3K1 (V80539))								
				(OPT BACB30NM3K1 (V92215))								
				(OPT BACB30NM3K1 (V93907))								
				(OPT BACB30NM3K1 (V97928))								
25	AN960JD10LL		.	WASHER							JH-JQ, LR	4
30	BACB30NM3K3		.	BOLT							JH-JQ, LR	2
				(V06710)								
				(SPEC BACB30NM3K3)								
				(OPT BACB30NM3K3 (V06725))								
				(OPT BACB30NM3K3 (V06950))								
				(OPT BACB30NM3K3 (V08524))								
				(OPT BACB30NM3K3 (V27624))								
				(OPT BACB30NM3K3 (V56878))								
				(OPT BACB30NM3K3 (V73197))								
				(OPT BACB30NM3K3 (V80539))								
				(OPT BACB30NM3K3 (V92215))								
				(OPT BACB30NM3K3 (V93907))								
				(OPT BACB30NM3K3 (V97928))								
35	AN960JD10LL		.	WASHER							JH-JQ, LR	4
40	MS21042L3		.	NUT							JH-JQ, LR	2
45	BACB30NM3K2		.	BOLT							JH-JQ, LR	8
				(V06710)								
				(SPEC BACB30NM3K2)								
				(OPT BACB30NM3K2 (V06725))								
				(OPT BACB30NM3K2 (V06950))								
				(OPT BACB30NM3K2 (V08524))								
				(OPT BACB30NM3K2 (V27624))								
				(OPT BACB30NM3K2 (V56878))								
				(OPT BACB30NM3K2 (V73197))								
				(OPT BACB30NM3K2 (V80539))								
				(OPT BACB30NM3K2 (V92215))								
				(OPT BACB30NM3K2 (V93907))								
				(OPT BACB30NM3K2 (V97928))								

-Item not Illustrated

25-28-48

ILLUSTRATED PARTS LIST

Page 1098.227

Mar 01/2006



COMPONENT MAINTENANCE MANUAL

FIG/ ITEM	PART NUMBER	AIRLINE PART NUMBER	NOMENCLATURE							USAGE CODE	UNITS PER ASSY		
			1	2	3	4	5	6	7				
6-													
50	AN960JD10		.								WASHER	JH-JQ, LR	8
55	412N1119-41		.								FITTING	JH-JQ, LR	1
60	65C27017-15		.								SHIM	JH-JQ, LR	2
65	65C27017-22		.								BRACKET ASSY	JH-JQ, LR	1
70	BACB28B6-235P		.	.							BUSHING	JH-JQ, LR	1
75	65C27017-24		.	.							BRACKET	JH-JQ, LR	1
80	412N1119-1		.								FITTING ASSY	JH-JQ, LR	1
											ATTACHING PARTS		
85	BACS12ER3K6		.								SCREW (V06710) (SPEC BACS12ER3K6) (OPT BACS12ER3K6 (V06725)) (OPT BACS12ER3K6 (V06950)) (OPT BACS12ER3K6 (V27624)) (OPT BACS12ER3K6 (V34252)) (OPT BACS12ER3K6 (V56878)) (OPT BACS12ER3K6 (V73197)) (OPT BACS12ER3K6 (V80539)) (OPT BACS12ER3K6 (V92215)) (OPT BACS12ER3K6 (V93907)) (OPT BACS12ER3K6 (V97928))	JH-JQ, LR	4
											----- *		
90	BACB28B6-220P		.	.							BUSHING	JH-JQ, LR	1
95	412N1119-2		.	.							FITTING	JH-JQ, LR	1

-Item not Illustrated

25-28-48

ILLUSTRATED PARTS LIST

Page 1098.228

Mar 01/2006



COMPONENT MAINTENANCE MANUAL

FIG/ ITEM	PART NUMBER	AIRLINE PART NUMBER	NOMENCLATURE							USAGE CODE	UNITS PER ASSY					
			1	2	3	4	5	6	7							
6- 100	BACB30NM3K1		.	B	O	L	T				JH-JQ, LR	8				
					(V06710)	(SPEC BACB30NM3K1)	(OPT BACB30NM3K1 (V06725))	(OPT BACB30NM3K1 (V06950))	(OPT BACB30NM3K1 (V08524))	(OPT BACB30NM3K1 (V27624))	(OPT BACB30NM3K1 (V56878))	(OPT BACB30NM3K1 (V73197))	(OPT BACB30NM3K1 (V80539))	(OPT BACB30NM3K1 (V92215))	(OPT BACB30NM3K1 (V93907))	(OPT BACB30NM3K1 (V97928))
105	AN960JD10		.	W	A	S	H	E	R		JH-JQ, LR	8				
110	412N1119-12		.	F	I	T	T	I	N	G	JH-JQ, LR	2				
115	BACB30NM3K1		.	B	O	L	T				JH, JK, JP, LR	4				
					(V06710)	(SPEC BACB30NM3K1)	(OPT BACB30NM3K1 (V06725))	(OPT BACB30NM3K1 (V06950))	(OPT BACB30NM3K1 (V08524))	(OPT BACB30NM3K1 (V27624))	(OPT BACB30NM3K1 (V56878))	(OPT BACB30NM3K1 (V73197))	(OPT BACB30NM3K1 (V80539))	(OPT BACB30NM3K1 (V92215))	(OPT BACB30NM3K1 (V93907))	(OPT BACB30NM3K1 (V97928))
120	AN960JD10		.	W	A	S	H	E	R		JH, JK, JP, LR	4				
125	411N3134-1		.	B	R	A	C	K	E	T	JH, JK, JP, LR	2				
130	417N5120-17		.	L	I	G	H	A	S	S	JH-JQ, LR	1				
					ATTACHING PARTS											
135	NAS1801-3-5		.	S	C	R	E	W			JH-JQ, LR	3				
140	AN960JD10LL		.	W	A	S	H	E	R		JH-JQ, LR	3				
					----- * -----											

-Item not Illustrated

25-28-48

ILLUSTRATED PARTS LIST

Page 1098.229

Mar 01/2006



COMPONENT MAINTENANCE MANUAL

FIG/ ITEM	PART NUMBER	AIRLINE PART NUMBER	NOMENCLATURE							USAGE CODE	UNITS PER ASSY	
			1	2	3	4	5	6	7			
6- -145	800000255-14		.	.	LIGHT ASSY (V05617) (SPEC S417N507-14) (FOR DETAILS SEE FIG. 80)						JH-JQ, LR	1
150	65C28117-3		.	.	PAD						JH-JQ, LR	1
155	417N5120-10		.	.	LAMP ASSY						JH-JQ, LR	1
160	2055150		.	.	CAP (V04169)						JH-JQ, LR	2
165	NI312LGWUV1000		.	.	TUBE-COVER PROTECTIVE (V06034) (OPT ITEM 165A)						JH-JQ, LR	1
-165A	LP1625-48		.	.	TUBE-COVER PROTECTIVE (V60116) (OPT ITEM 165)						JH-JQ, LR	1
170	F40WW		.	.	LAMP-FLUOR (V08805)						JH-JQ, LR	1
175	BACS12FA3K9		.	.	SCREW (V06710) (SPEC BACS12FA3K9) (OPT BACS12FA3K9 (V06725)) (OPT BACS12FA3K9 (V06950)) (OPT BACS12FA3K9 (V27624)) (OPT BACS12FA3K9 (V34252)) (OPT BACS12FA3K9 (V56878)) (OPT BACS12FA3K9 (V73197)) (OPT BACS12FA3K9 (V80539)) (OPT BACS12FA3K9 (V85498)) (OPT BACS12FA3K9 (V92215)) (OPT BACS12FA3K9 (V93907)) (OPT BACS12FA3K9 (V97928))					JK, JN, JP	4	
180	NAS1834-3-400		.	.	INSERT						JK, JN, JP	4
185	412N1145-87		.	.	BRACKET ASSY						JK, JN, JP	1
190	BACR15BA3AD		.	.	RIVET (SIZE DETERMINED ON INST)						JK, JN, JP	8

-Item not Illustrated

25-28-48

ILLUSTRATED PARTS LIST

Page 1098.230

Jul 01/2009



COMPONENT MAINTENANCE MANUAL

FIG/ ITEM	PART NUMBER	AIRLINE PART NUMBER	NOMENCLATURE							USAGE CODE	UNITS PER ASSY	
			1	2	3	4	5	6	7			
6- 195	BRF100A3		.	.	NUTPLATE (V52828) (SPEC BACN10KB3F) (OPT F2000-3 (V15653)) (OPT RMF9207-3 (V72962)) (OPT T8114S1032S (V11815)) (OPT VN151A1-02 (V92215)) (OPT F2000-3 (V15653))						JK, JN, JP	4
200	412N1145-88		.	.	BRACKET						JK, JN, JP	1
205	65C32943-107SP		.		MODULE ASSY (FOR DETAILS SEE FIG. 17)						JH	1
-205A	65C32943-114SP		.		MODULE ASSY (FOR DETAILS SEE FIG. 17)						JJ	1
-205B	65C32943-118SP		.		MODULE ASSY (FOR DETAILS SEE FIG. 17)						JK	1
-205C	65C32943-381SP		.		MODULE ASSY (FOR DETAILS SEE FIG. 17)						JL	1
-205D	65C32943-386SP		.		MODULE ASSY (FOR DETAILS SEE FIG. 17)						JM	1
-205E	65C32943-393SP		.		MODULE ASSY (FOR DETAILS SEE FIG. 17)						JN	1
-205F	65C32943-397SP		.		MODULE ASSY (FOR DETAILS SEE FIG. 17)						JP	1
-205G	65C32943-672SP		.		MODULE ASSY (FOR DETAILS SEE FIG. 17)						JQ	1
-205H	65C32943-707SP		.		MODULE ASSY (FOR DETAILS SEE FIG. 17)						LR	1

-Item not Illustrated

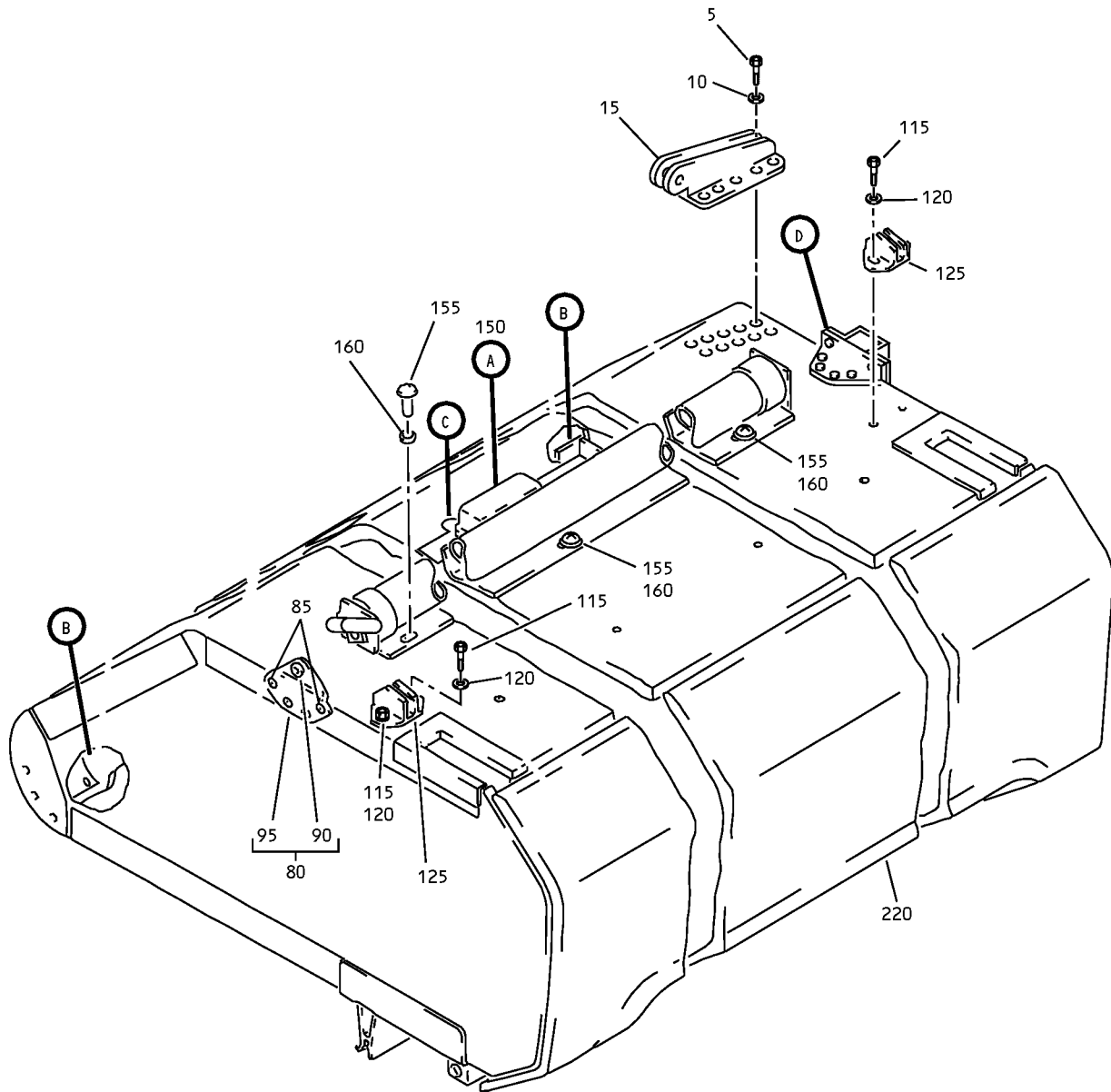
25-28-48

ILLUSTRATED PARTS LIST

Page 1098.231

Mar 01/2006

COMPONENT MAINTENANCE MANUAL



Overhead Stowage Compartment Assembly
IPL Figure 7 (Sheet 1 of 4)

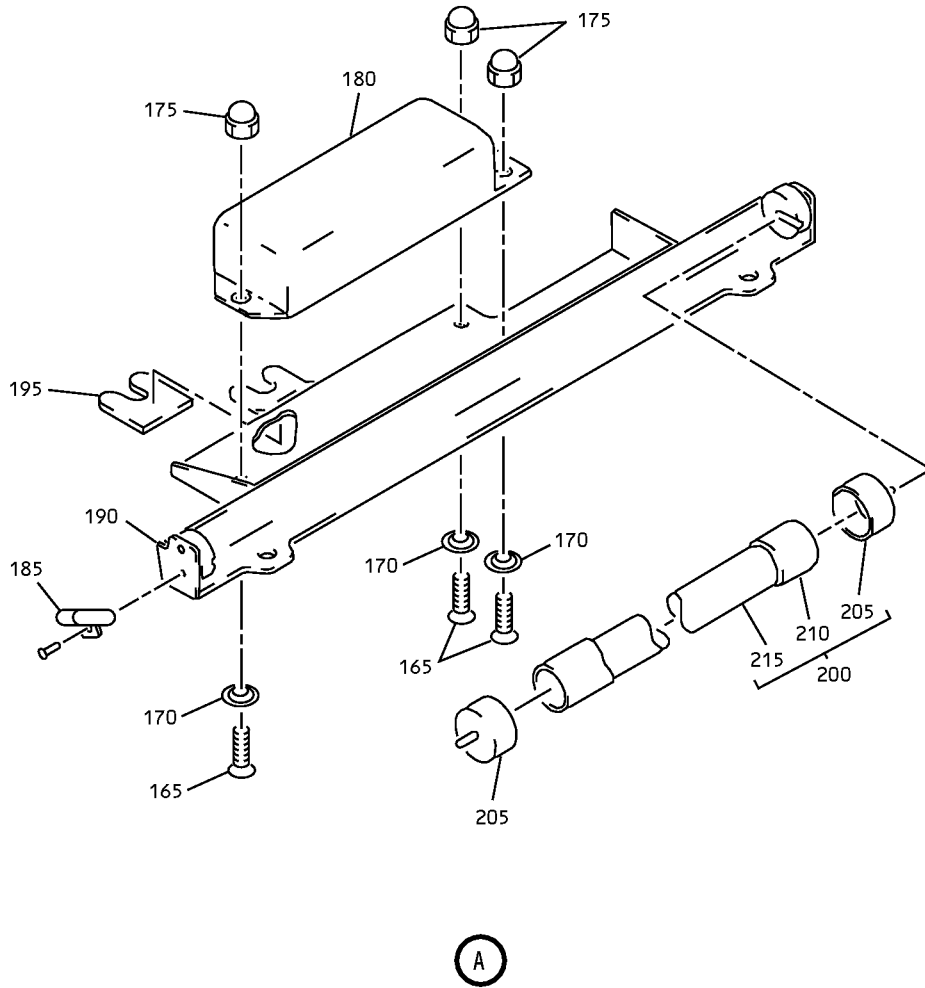
25-28-48

ILLUSTRATED PARTS LIST

Page 1098.232

Mar 01/2006

COMPONENT MAINTENANCE MANUAL



Overhead Stowage Compartment Assembly
IPL Figure 7 (Sheet 2 of 4)

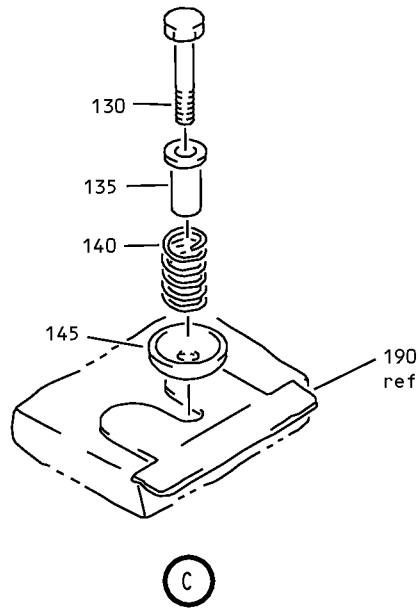
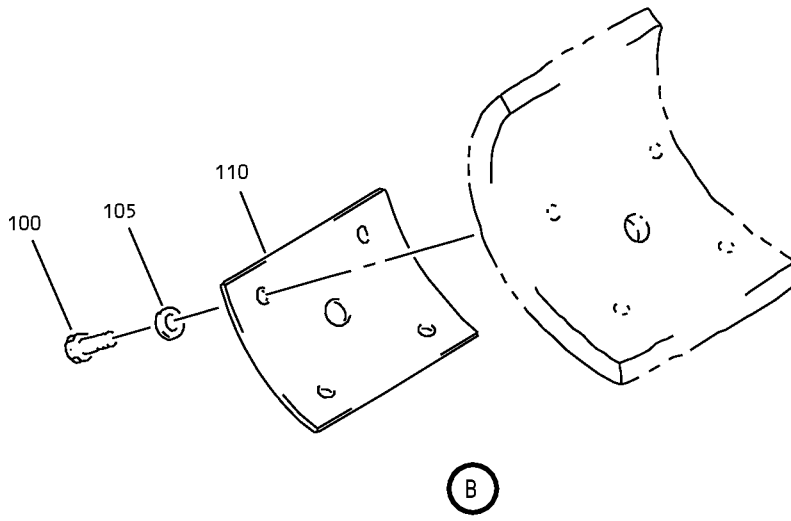
25-28-48

ILLUSTRATED PARTS LIST

Page 1098.233

Mar 01/2006

COMPONENT MAINTENANCE MANUAL



Overhead Stowage Compartment Assembly
IPL Figure 7 (Sheet 3 of 4)

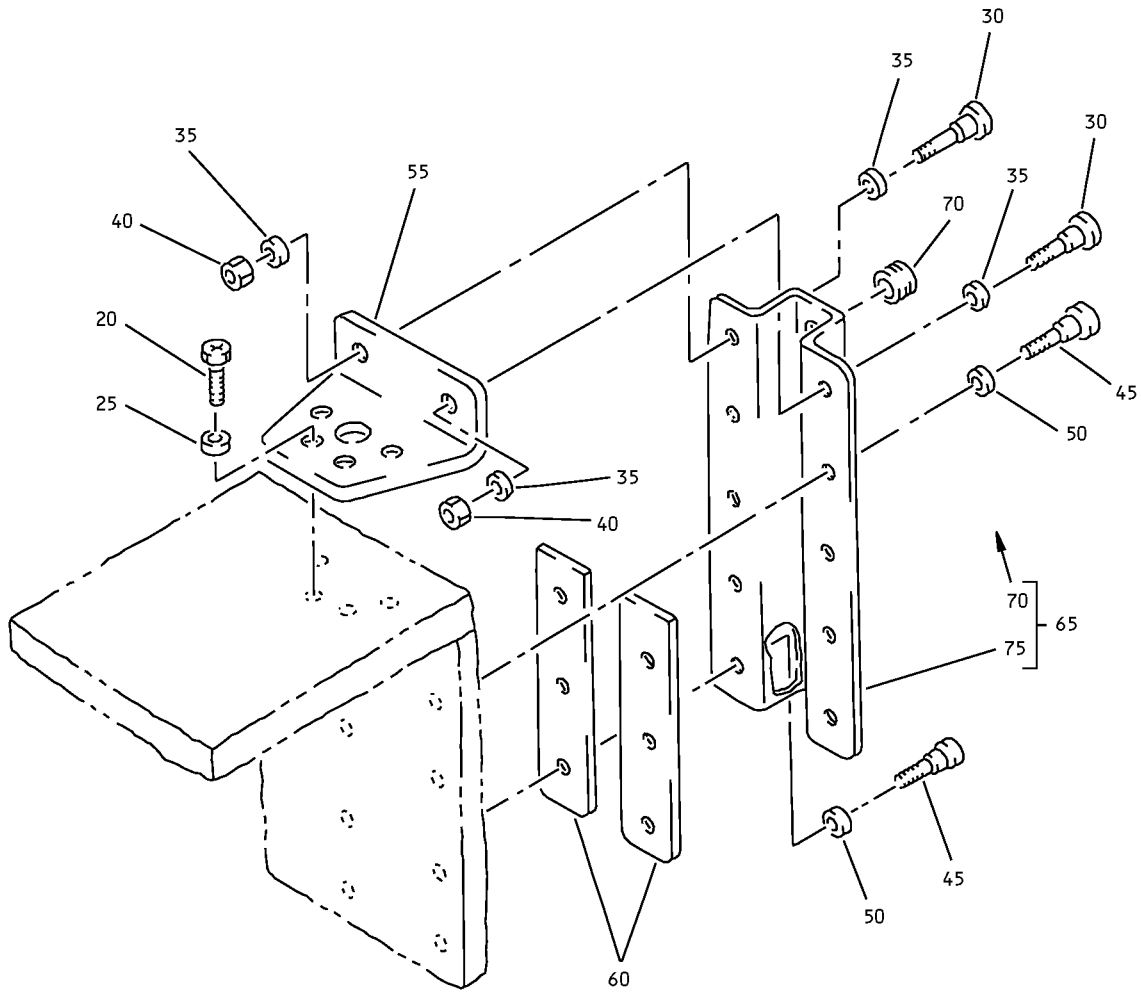
25-28-48

ILLUSTRATED PARTS LIST

Page 1098.234

Mar 01/2006

COMPONENT MAINTENANCE MANUAL



D

Overhead Storage Compartment Assembly
IPL Figure 7 (Sheet 4 of 4)

25-28-48

ILLUSTRATED PARTS LIST

Page 1098.235

Mar 01/2006



COMPONENT MAINTENANCE MANUAL

FIG/ ITEM	PART NUMBER	AIRLINE PART NUMBER	NOMENCLATURE							USAGE CODE	UNITS PER ASSY
			1	2	3	4	5	6	7		
7-											
-1	65C32942-53SP									JR	RF
-1A	65C32942-57SP									JS	RF
-1B	65C32942-67SP									JT	RF
-1C	65C32942-85SP									JU	RF
-1D	65C32942-113SP									JV	RF
-1E	65C32942-117SP									JW	RF
-1F	65C32942-125SP									JX	RF
-1G	65C32942-126SP									JY	RF
-1H	65C32942-325SP									JZ	RF
-1J	65C32942-345SP									KA	RF
-1K	65C32942-347SP									KB	RF
-1L	65C32942-352SP									KC	RF
-1M	65C32942-376SP									KD	RF
-1N	65C32942-399SP									KE	RF
-1P	65C32942-625SP									KF	RF
-1Q	65C32942-645SP									KG	RF
-1R	65C32942-649SP									KH	RF
-1S	65C32942-652SP									KJ	RF

-Item not Illustrated

25-28-48

ILLUSTRATED PARTS LIST

Page 1098.236

Mar 01/2006



COMPONENT MAINTENANCE MANUAL

FIG/ ITEM	PART NUMBER	AIRLINE PART NUMBER	NOMENCLATURE							USAGE CODE	UNITS PER ASSY	
			1	2	3	4	5	6	7			
7-												
-1T	65C32942-671SP									COMPARTMENT ASSY-OVERHEAD STOWAGE	KK	RF
-1U	65C32942-676SP									COMPARTMENT ASSY-OVERHEAD STOWAGE	KL	RF
-1V	65C32942-729SP									COMPARTMENT ASSY-OVERHEAD STOWAGE	LP	RF
5	BACB30NM3K1									. BOLT (V06710) (SPEC BACB30NM3K1) (OPT BACB30NM3K1 (V06725)) (OPT BACB30NM3K1 (V06950)) (OPT BACB30NM3K1 (V08524)) (OPT BACB30NM3K1 (V27624)) (OPT BACB30NM3K1 (V56878)) (OPT BACB30NM3K1 (V73197)) (OPT BACB30NM3K1 (V80539)) (OPT BACB30NM3K1 (V92215)) (OPT BACB30NM3K1 (V93907)) (OPT BACB30NM3K1 (V97928))	JR-KL, LP	10
10	AN960JD10									. WASHER	JR-KL, LP	10
15	412N1161-4									. FITTING	JR-KL, LP	1
20	BACB30NM3K1									. BOLT (V06710) (SPEC BACB30NM3K1) (OPT BACB30NM3K1 (V06725)) (OPT BACB30NM3K1 (V06950)) (OPT BACB30NM3K1 (V08524)) (OPT BACB30NM3K1 (V27624)) (OPT BACB30NM3K1 (V56878)) (OPT BACB30NM3K1 (V73197)) (OPT BACB30NM3K1 (V80539)) (OPT BACB30NM3K1 (V92215)) (OPT BACB30NM3K1 (V93907)) (OPT BACB30NM3K1 (V97928))	JR-KL, LP	4
25	AN960JD10LL									. WASHER	JR-KL, LP	4

-Item not Illustrated

25-28-48

ILLUSTRATED PARTS LIST

Page 1098.237

Mar 01/2006



COMPONENT MAINTENANCE MANUAL

FIG/ ITEM	PART NUMBER	AIRLINE PART NUMBER	NOMENCLATURE							USAGE CODE	UNITS PER ASSY
			1	2	3	4	5	6	7		
7-											
30	BACB30NM3K3		.	BOLT						JR-KL, LP	2
				(V06710)							
				(SPEC BACB30NM3K3)							
				(OPT BACB30NM3K3 (V06725))							
				(OPT BACB30NM3K3 (V06950))							
				(OPT BACB30NM3K3 (V08524))							
				(OPT BACB30NM3K3 (V27624))							
				(OPT BACB30NM3K3 (V56878))							
				(OPT BACB30NM3K3 (V73197))							
				(OPT BACB30NM3K3 (V80539))							
				(OPT BACB30NM3K3 (V92215))							
				(OPT BACB30NM3K3 (V93907))							
				(OPT BACB30NM3K3 (V97928))							
35	AN960JD10LL		.	WASHER						JR-KL, LP	4
40	MS21042L3		.	NUT						JR-KL, LP	2
45	BACB30NM3K2		.	BOLT						JR-KL, LP	8
				(V06710)							
				(SPEC BACB30NM3K2)							
				(OPT BACB30NM3K2 (V06725))							
				(OPT BACB30NM3K2 (V06950))							
				(OPT BACB30NM3K2 (V08524))							
				(OPT BACB30NM3K2 (V27624))							
				(OPT BACB30NM3K2 (V56878))							
				(OPT BACB30NM3K2 (V73197))							
				(OPT BACB30NM3K2 (V80539))							
				(OPT BACB30NM3K2 (V92215))							
				(OPT BACB30NM3K2 (V93907))							
				(OPT BACB30NM3K2 (V97928))							
50	AN960JD10		.	WASHER						JR-KL, LP	8
55	412N1119-41		.	FITTING						JR-KL	1
60	65C27017-15		.	SHIM						JR-KL, LP	2
65	65C27017-21		.	BRACKET ASSY						JR-KL, LP	1
70	BACB28B6-235P		. .	BUSHING						JR-KL, LP	1
75	65C27017-24		. .	BRACKET						JR-KL, LP	1

-Item not Illustrated

25-28-48

ILLUSTRATED PARTS LIST

Page 1098.238

Mar 01/2006



COMPONENT MAINTENANCE MANUAL

FIG/ ITEM	PART NUMBER	AIRLINE PART NUMBER	NOMENCLATURE							USAGE CODE	UNITS PER ASSY
			1	2	3	4	5	6	7		
7- 80	412N1119-1		.							JR-KL, LP	1
			ATTACHING PARTS								
85	BACS12ER3K6		.							JR-KL, LP	4
			SCREW (V06710) (SPEC BACS12ER3K6) (OPT BACS12ER3K6 (V06725)) (OPT BACS12ER3K6 (V06950)) (OPT BACS12ER3K6 (V27624)) (OPT BACS12ER3K6 (V34252)) (OPT BACS12ER3K6 (V56878)) (OPT BACS12ER3K6 (V73197)) (OPT BACS12ER3K6 (V80539)) (OPT BACS12ER3K6 (V92215)) (OPT BACS12ER3K6 (V93907)) (OPT BACS12ER3K6 (V97928))								
			-----*								
90	BACB28B6-220P		.	.						JR-KL, LP	1
95	412N1119-2		.	.						JR-KL, LP	1
100	BACB30NM3K1		.							JR-KL, LP	8
			BOLT (V06710) (SPEC BACB30NM3K1) (OPT BACB30NM3K1 (V06725)) (OPT BACB30NM3K1 (V06950)) (OPT BACB30NM3K1 (V08524)) (OPT BACB30NM3K1 (V27624)) (OPT BACB30NM3K1 (V56878)) (OPT BACB30NM3K1 (V73197)) (OPT BACB30NM3K1 (V80539)) (OPT BACB30NM3K1 (V92215)) (OPT BACB30NM3K1 (V93907)) (OPT BACB30NM3K1 (V97928))								
105	AN960JD10		.							JR-KL, LP	8
110	412N1119-12		.							JR-KL, LP	2

-Item not Illustrated

25-28-48

ILLUSTRATED PARTS LIST

Page 1098.239

Mar 01/2006



COMPONENT MAINTENANCE MANUAL

FIG/ ITEM	PART NUMBER	AIRLINE PART NUMBER	NOMENCLATURE							USAGE CODE	UNITS PER ASSY
			1	2	3	4	5	6	7		
7-											
115	BACB30NM3K1		.	BOLT						JR-KL, LP	4
				(V06710)							
				(SPEC BACB30NM3K1)							
				(OPT BACB30NM3K1 (V06725))							
				(OPT BACB30NM3K1 (V06950))							
				(OPT BACB30NM3K1 (V08524))							
				(OPT BACB30NM3K1 (V27624))							
				(OPT BACB30NM3K1 (V56878))							
				(OPT BACB30NM3K1 (V73197))							
				(OPT BACB30NM3K1 (V80539))							
				(OPT BACB30NM3K1 (V92215))							
				(OPT BACB30NM3K1 (V93907))							
				(OPT BACB30NM3K1 (V97928))							
120	AN960JD10		.	WASHER						JR-KL, LP	4
125	411N3134-1		.	BRACKET ASSY						JR-KL, LP	2
130	NAS1801-3-11		.	SCREW						JR-KL, LP	1
135	BACS18C8-6		.	SPACER						JR-KL, LP	1
140	MS24585-1230		.	SPRING						JR-KL, LP	1
145	411N3142-28		.	WASHER						JR-KL, LP	1
150	417N5120-14		.	LIGHT ASSY						JS, JU, JV, KA, KD, KG, KH, KK, KL, KK	1
-150A	417N5120-15		.	LIGHT ASSY						JR, JT, JW-JZ, KB, KC, KE, KF, KJ, LP	1
				ATTACHING PARTS							
155	NAS1801-3-5		.	SCREW						JR-KL, LP	3
160	AN960JD10LL		.	WASHER						JR-KL, LP	3
				----- * -----							

-Item not Illustrated

25-28-48

ILLUSTRATED PARTS LIST

Page 1098.240

Mar 01/2006



COMPONENT MAINTENANCE MANUAL

FIG/ ITEM	PART NUMBER	AIRLINE PART NUMBER	NOMENCLATURE							USAGE CODE	UNITS PER ASSY	
			1	2	3	4	5	6	7			
7- -165	BACS12ER3K6		.	.							JR-KL, LP	3
170	BACW10UD10		.	.							JR-KL, LP	3
175	F22K1-02		.	.							JR-KL, LP	3
180	05939-3		.	.							JR-KL, LP	1
-180A	1983-1		.	.							JR-KL, LP	1
-180B	05939-103		.	.							JR-KL, LP	1
185	1864		.	.							JS, JU, JV, KA, KD, KG, KH, KK, KL, KK	1
190	800000255-11		.	.							JS, JU, JV, KA, KD, KG, KH, KK, KL, KK	1

-Item not Illustrated

25-28-48

ILLUSTRATED PARTS LIST

Page 1098.241

Jul 01/2009



COMPONENT MAINTENANCE MANUAL

FIG/ ITEM	PART NUMBER	AIRLINE PART NUMBER	NOMENCLATURE							USAGE CODE	UNITS PER ASSY
			1	2	3	4	5	6	7		
7-											
-190A	800000255-12		.	.	LIGHT ASSY (V05617) (SPEC S417N507-12) (FOR DETAILS SEE FIG. 80)					JR, JT, JW-JZ, KB, KC, KE, KF, KJ, LP	1
195	65C28117-3		.	.	PAD					JR-KL, LP	1
200	417N5120-10		.	.	LAMP ASSY					JR-KL, LP	1
205	2055150		.	.	CAP (V04169)					JR-KL, LP	2
210	NI312LGWUV1000		.	.	TUBE-COVER PROTECTIVE (V06034) (OPT ITEM 210A)					JR-KL, LP	1
-210A	LP1625-48		.	.	TUBE-COVER PROTECTIVE (V60116) (OPT ITEM 210)					JR-KL, LP	1
215	F40WW		.	.	LAMP-FLUOR (V08805)					JR-KL, LP	1
220	65C32943-13SP		.	.	MODULE ASSY (FOR DETAILS SEE FIG. 16)					JR	1
-220A	65C32943-51SP		.	.	MODULE ASSY (FOR DETAILS SEE FIG. 16)					JS, JX	1
-220B	65C32943-60SP		.	.	MODULE ASSY (FOR DETAILS SEE FIG. 16)					JT	1
-220C	65C32943-74SP		.	.	MODULE ASSY (FOR DETAILS SEE FIG. 16)					JU	1
-220D	65C32943-97SP		.	.	MODULE ASSY (FOR DETAILS SEE FIG. 16)					JV	1
-220E	65C32943-102SP		.	.	MODULE ASSY (FOR DETAILS SEE FIG. 16)					JW	1
-220G	65C32943-109SP		.	.	MODULE ASSY (FOR DETAILS SEE FIG. 16)					JY	1
-220H	65C32943-325SP		.	.	MODULE ASSY (FOR DETAILS SEE FIG. 16)					JZ	1
-220J	65C32943-339SP		.	.	MODULE ASSY (FOR DETAILS SEE FIG. 16)					KA	1
-220K	65C32943-341SP		.	.	MODULE ASSY (FOR DETAILS SEE FIG. 16)					KB	1

-Item not Illustrated

25-28-48

ILLUSTRATED PARTS LIST

Page 1098.242

Mar 01/2006



COMPONENT MAINTENANCE MANUAL

FIG/ ITEM	PART NUMBER	AIRLINE PART NUMBER	NOMENCLATURE							USAGE CODE	UNITS PER ASSY
			1	2	3	4	5	6	7		
7-											
-220L	65C32943-346SP		.							KC	1
-220M	65C32943-377SP		.							KD	1
-220N	65C32943-382SP		.							KE	1
-220P	65C32943-625SP		.							KF	1
-220Q	65C32943-639SP		.							KG	1
-220R	65C32943-643SP		.							KH	1
-220S	65C32943-646SP		.							KJ	1
-220T	65C32943-662SP		.							KK	1
-220U	65C32943-677SP		.							KL	1
-220V	65C32943-705SP		.							LP	1

-Item not Illustrated

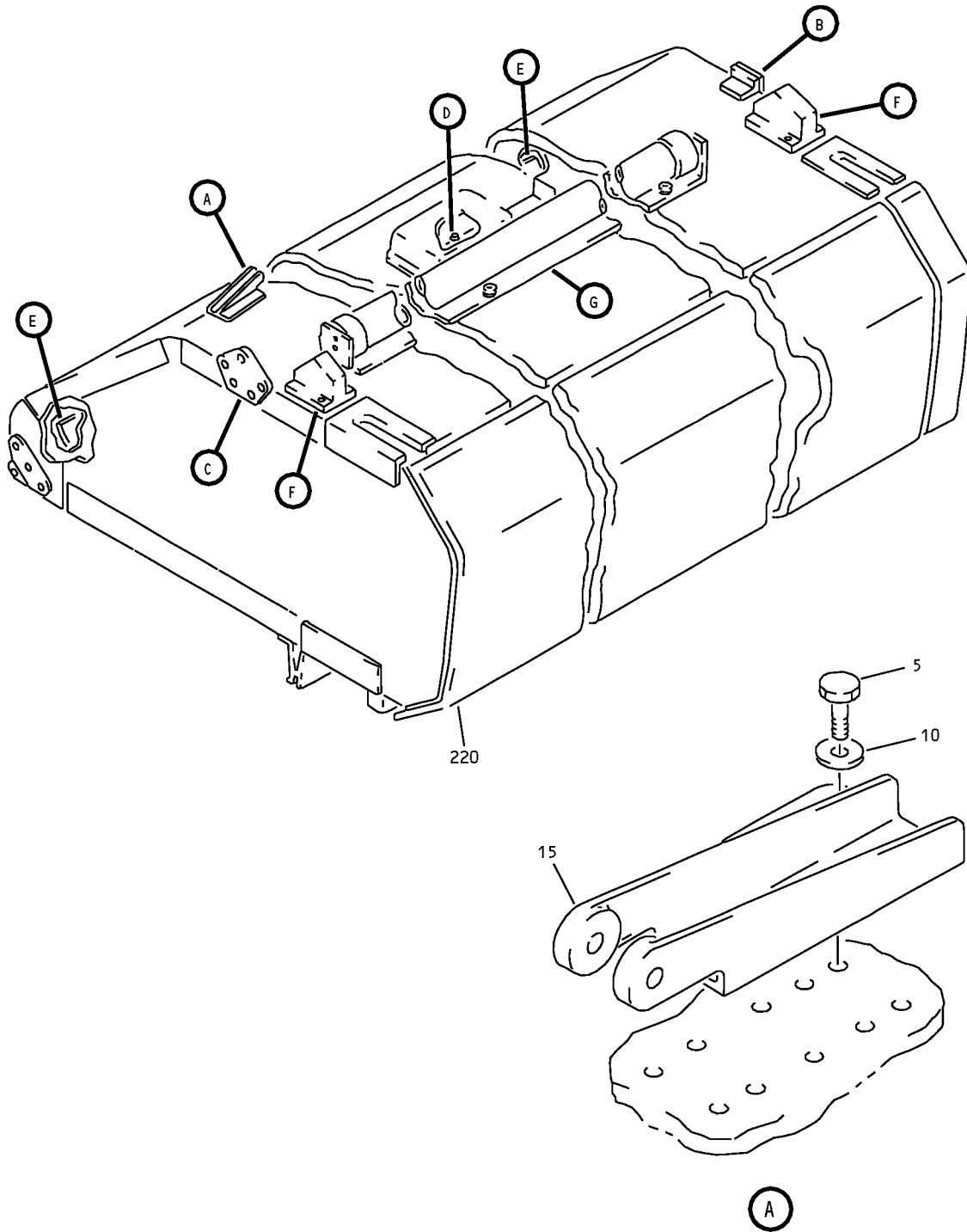
25-28-48

ILLUSTRATED PARTS LIST

Page 1098.243

Mar 01/2006

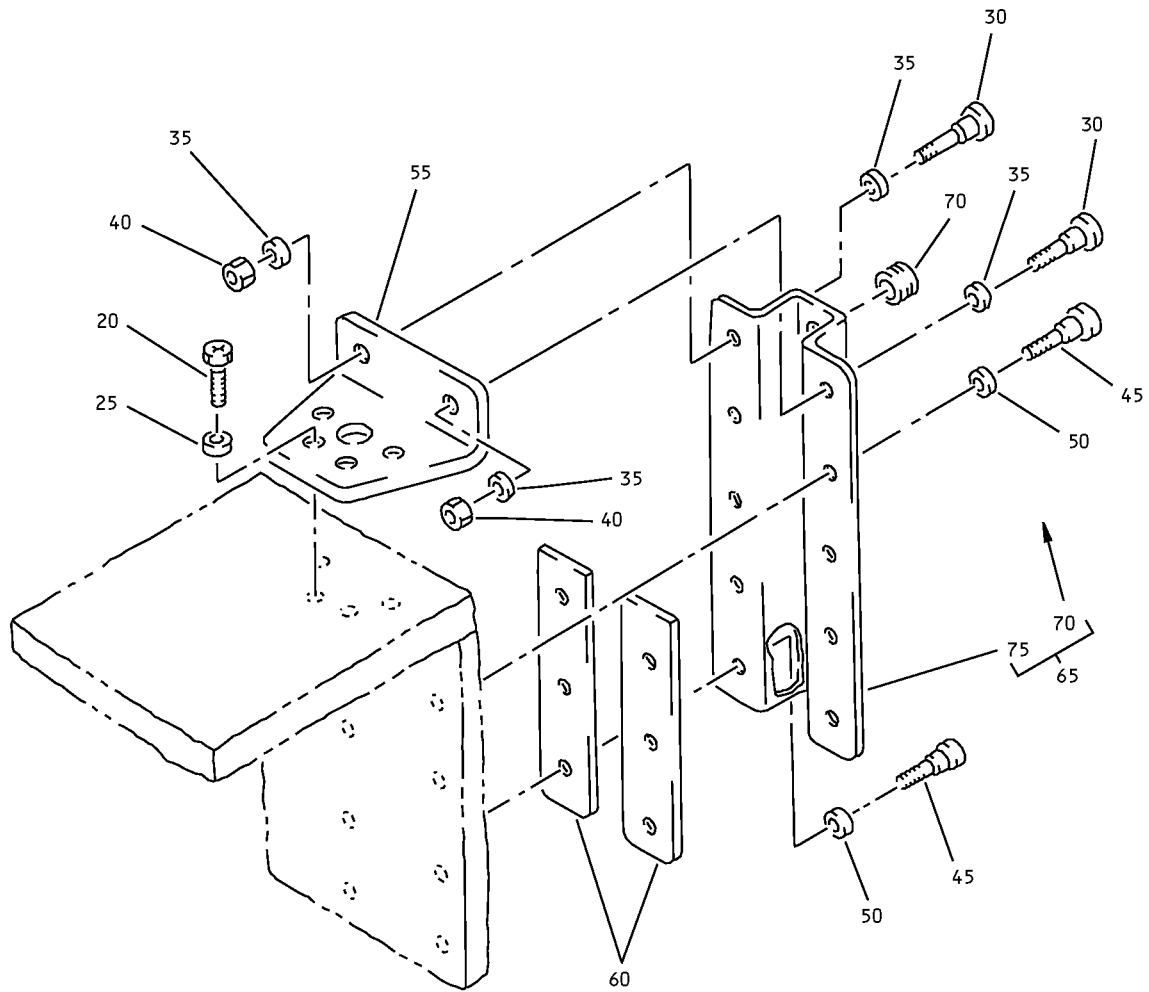
COMPONENT MAINTENANCE MANUAL



Overhead Storage Compartment Assembly
IPL Figure 8 (Sheet 1 of 4)

25-28-48
ILLUSTRATED PARTS LIST
Page 1098.244
Mar 01/2006

COMPONENT MAINTENANCE MANUAL



(B)

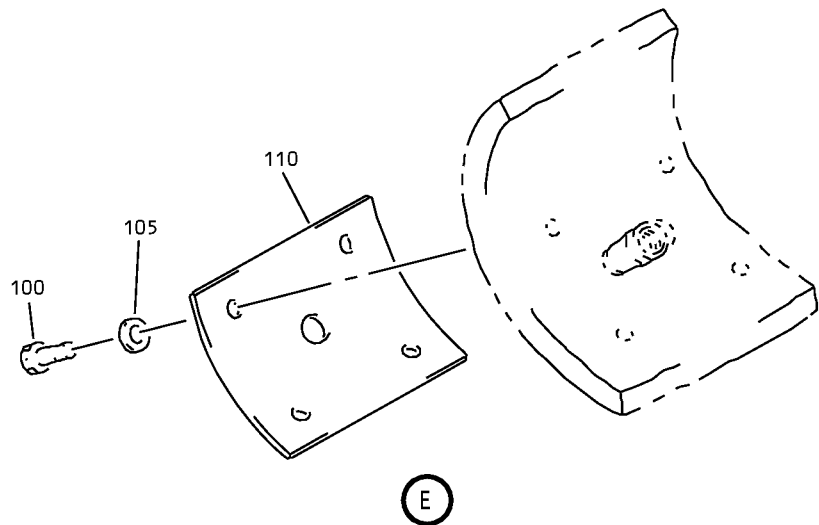
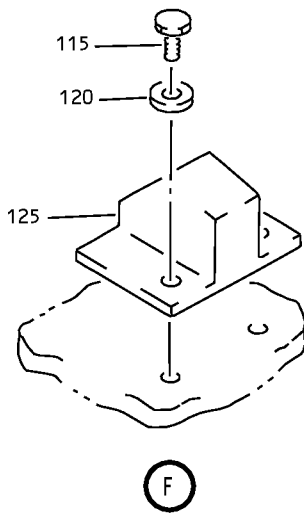
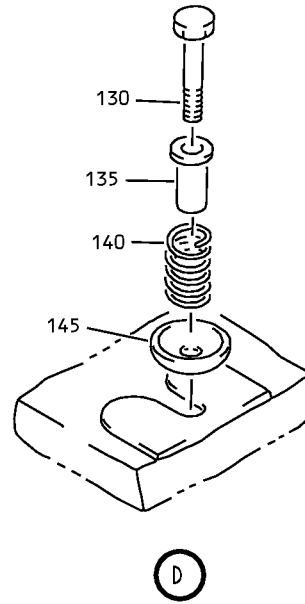
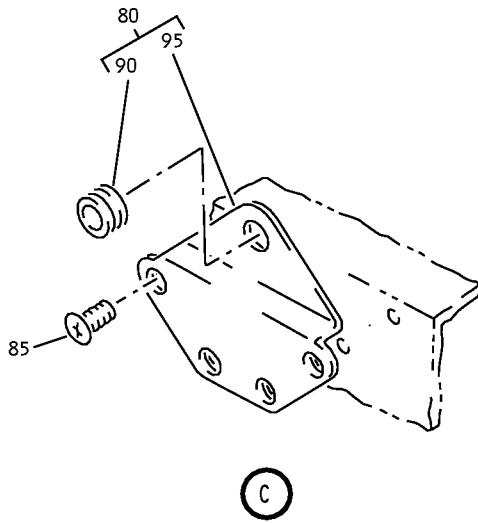
Overhead Storage Compartment Assembly
IPL Figure 8 (Sheet 2 of 4)

25-28-48

ILLUSTRATED PARTS LIST

Page 1098.245

Mar 01/2006

COMPONENT MAINTENANCE MANUAL


Overhead Storage Compartment Assembly
IPL Figure 8 (Sheet 3 of 4)

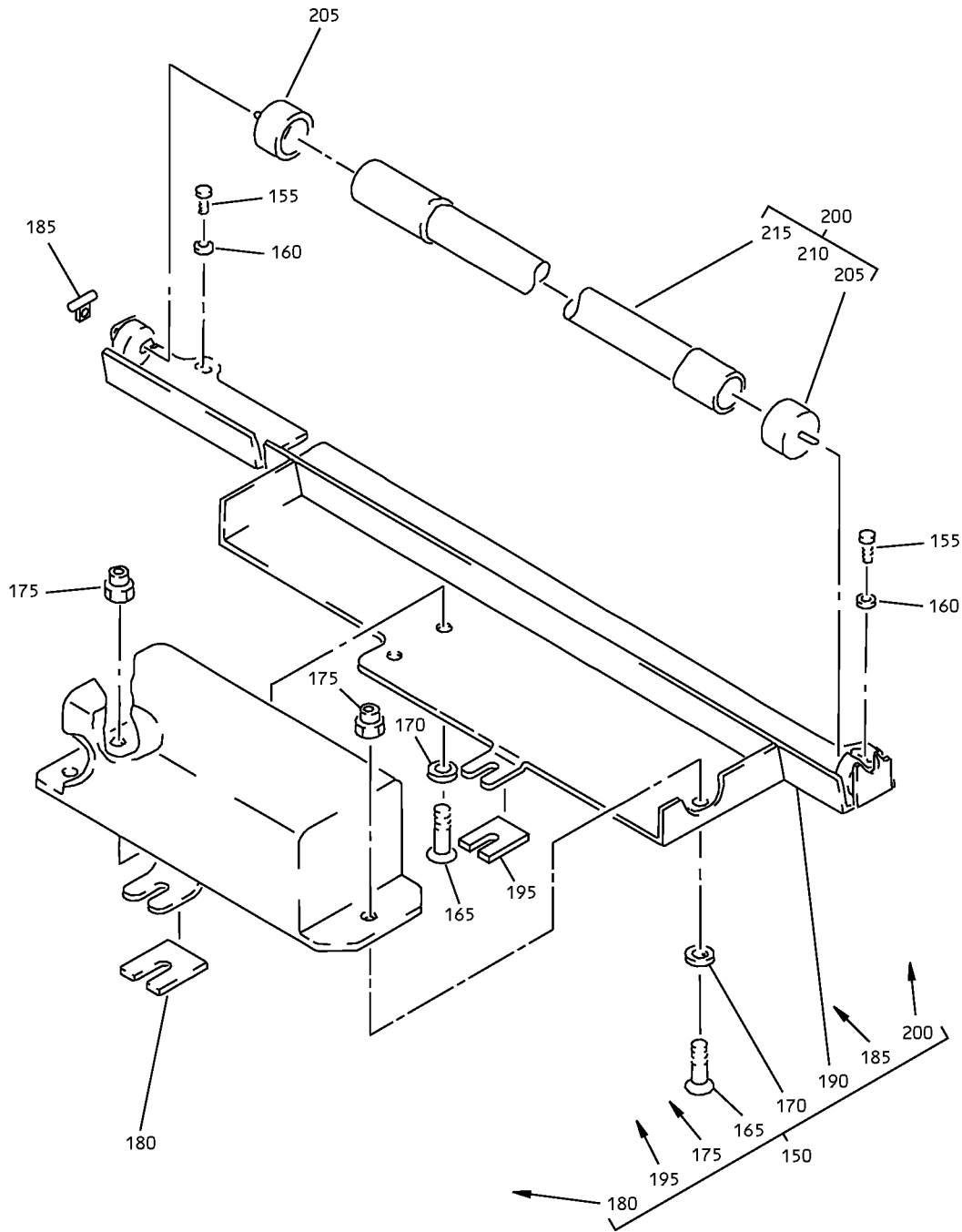
25-28-48

ILLUSTRATED PARTS LIST

Page 1098.246

Mar 01/2006

COMPONENT MAINTENANCE MANUAL



G

Overhead Storage Compartment Assembly
IPL Figure 8 (Sheet 4 of 4)

25-28-48

ILLUSTRATED PARTS LIST

Page 1098.247

Mar 01/2006



COMPONENT MAINTENANCE MANUAL

FIG/ ITEM	PART NUMBER	AIRLINE PART NUMBER	NOMENCLATURE							USAGE CODE	UNITS PER ASSY
			1	2	3	4	5	6	7		
8-											
-1	65C32942-131SP									KM	RF
-1A	65C32942-135SP									KN	RF
-1B	65C32942-408SP									KP	RF
-1C	65C32942-409SP									KQ	RF
5	BACB30NM3K1									KM-KQ	10
10	AN960JD10									KM-KQ	10
15	412N1161-4									KM-KQ	1
20	BACB30NM3K1									KM-KQ	4
25	AN960JD10LL									KM-KQ	4

-Item not Illustrated

25-28-48

ILLUSTRATED PARTS LIST

Page 1098.248

Mar 01/2006



COMPONENT MAINTENANCE MANUAL

FIG/ ITEM	PART NUMBER	AIRLINE PART NUMBER	NOMENCLATURE							USAGE CODE	UNITS PER ASSY
			1	2	3	4	5	6	7		
8- 30	BACB30NM3K3		.	BOLT						KM-KQ	2
				(V06710)							
				(SPEC BACB30NM3K3)							
				(OPT BACB30NM3K3 (V06725))							
				(OPT BACB30NM3K3 (V06950))							
				(OPT BACB30NM3K3 (V08524))							
				(OPT BACB30NM3K3 (V27624))							
				(OPT BACB30NM3K3 (V56878))							
				(OPT BACB30NM3K3 (V73197))							
				(OPT BACB30NM3K3 (V80539))							
				(OPT BACB30NM3K3 (V92215))							
				(OPT BACB30NM3K3 (V93907))							
				(OPT BACB30NM3K3 (V97928))							
35	AN960JD10LL		.	WASHER						KM-KQ	4
40	MS21042L3		.	NUT						KM-KQ	2
45	BACB30NM3K2		.	BOLT						KM-KQ	8
				(V06710)							
				(SPEC BACB30NM3K2)							
				(OPT BACB30NM3K2 (V06725))							
				(OPT BACB30NM3K2 (V06950))							
				(OPT BACB30NM3K2 (V08524))							
				(OPT BACB30NM3K2 (V27624))							
				(OPT BACB30NM3K2 (V56878))							
				(OPT BACB30NM3K2 (V73197))							
				(OPT BACB30NM3K2 (V80539))							
				(OPT BACB30NM3K2 (V92215))							
				(OPT BACB30NM3K2 (V93907))							
				(OPT BACB30NM3K2 (V97928))							
50	AN960JD10		.	WASHER						KM-KQ	8
55	412N1119-41		.	FITTING						KM-KQ	1
60	65C27017-15		.	SHIM						KM-KQ	2
65	65C27017-21		.	BRACKET ASSY						KM-KQ	1
70	BACB28B6-235P		.	BUSHING						KM-KQ	1
75	65C27017-24		.	BRACKET						KM-KQ	1
80	412N1119-1		.	FITTING ASSY						KM-KQ	1

-Item not Illustrated

25-28-48

ILLUSTRATED PARTS LIST

Page 1098.249

Mar 01/2006



COMPONENT MAINTENANCE MANUAL

FIG/ ITEM	PART NUMBER	AIRLINE PART NUMBER	NOMENCLATURE							USAGE CODE	UNITS PER ASSY
			1	2	3	4	5	6	7		
8- 115	BACB30NM3K1		.	BOLT						KN	4
				(V06710)							
				(SPEC BACB30NM3K1)							
				(OPT BACB30NM3K1 (V06725))							
				(OPT BACB30NM3K1 (V06950))							
				(OPT BACB30NM3K1 (V08524))							
				(OPT BACB30NM3K1 (V27624))							
				(OPT BACB30NM3K1 (V56878))							
				(OPT BACB30NM3K1 (V73197))							
				(OPT BACB30NM3K1 (V80539))							
				(OPT BACB30NM3K1 (V92215))							
				(OPT BACB30NM3K1 (V93907))							
				(OPT BACB30NM3K1 (V97928))							
120	AN960JD10		.	WASHER						KN	4
125	411N3134-1		.	BRACKET ASSY						KN	1
130	NAS1801-3-11		.	SCREW						KM-KQ	1
135	BACS18C8-6		.	SPACER						KM-KQ	1
140	MS24585-1230		.	SPRING						KM-KQ	1
145	411N3142-28		.	WASHER						KM-KQ	1
150	417N5120-14		.	LIGHT ASSY						KM	1
-150A	417N5120-15		.	LIGHT ASSY						KN-KQ	1
				ATTACHING PARTS							
155	NAS1801-3-5		.	SCREW						KM-KQ	3
160	AN960JD10LL		.	WASHER						KM-KQ	3
				-----*							
165	BACS12ER3K6		. .	SCREW						KM-KQ	3
				(V06710)							
				(SPEC BACS12ER3K6)							
				(OPT BACS12ER3K6 (V06725))							
				(OPT BACS12ER3K6 (V06950))							
				(OPT BACS12ER3K6 (V27624))							
				(OPT BACS12ER3K6 (V34252))							
				(OPT BACS12ER3K6 (V56878))							
				(OPT BACS12ER3K6 (V73197))							
				(OPT BACS12ER3K6 (V80539))							
				(OPT BACS12ER3K6 (V92215))							
				(OPT BACS12ER3K6 (V93907))							
				(OPT BACS12ER3K6 (V97928))							
170	BACW10UD10		. .	WASHER						KM-KQ	3

-Item not Illustrated

25-28-48

ILLUSTRATED PARTS LIST

Page 1098.251

Mar 01/2006



COMPONENT MAINTENANCE MANUAL

FIG/ ITEM	PART NUMBER	AIRLINE PART NUMBER	NOMENCLATURE							USAGE CODE	UNITS PER ASSY	
			1	2	3	4	5	6	7			
8- 175	F22K1-02		. .	NUT							KM-KQ	3
				(V72962)								
				(SPEC BACN10R10L)								
				(OPT 22K1-02 (V72962))								
				(OPT 26CL02 (V80539))								
180	05939-3		. .	BALLAST							KM-KQ	1
				(V17023)								
				(SPEC S283N702-3)								
				(OPT 1983-1 (V30242))								
				(OPT ITEM 180B)								
-180A	1983-1		. .	BALLAST							KM-KQ	1
				(V30242)								
				(SPEC S283N702-3)								
				(OPT 05939-3 (V17023))								
				(OPT ITEM 180B)								
-180B	05939-103		. .	BALLAST							KM-KQ	1
				(V17023)								
				(SPEC S283N702-103)								
				(OPT ITEM 180, 180A)								
185	1864		. .	BULB-NIGHT LT							KM	1
				(V08806)								
190	800000255-11		. .	LIGHT ASSY							KM	1
				(V05617)								
				(SPEC S417N507-11)								
				(FOR DETAILS SEE FIG. 80)								
-190A	800000255-12		. .	LIGHT ASSY							KN-KQ	1
				(V05617)								
				(SPEC S417N507-12)								
				(FOR DETAILS SEE FIG. 80)								
195	65C28117-3		. .	PAD							KM-KQ	1
200	417N5120-10		. .	LAMP ASSY							KM-KQ	1
205	2055150		. . .	CAP							KM-KQ	2
				(V04169)								
210	NI312LGWUV1000		. . .	TUBE-COVER PROTECTIVE							KM-KQ	1
				(V06034)								
				(OPT ITEM 210A)								
-210A	LP1625-48		. . .	TUBE-COVER PROTECTIVE							KM-KQ	1
				(V60116)								
				(OPT ITEM 210)								
215	F40WW		. . .	LAMP-FLUOR							KM-KQ	1
				(V08805)								

-Item not Illustrated

25-28-48

ILLUSTRATED PARTS LIST

Page 1098.252

Mar 01/2006



COMPONENT MAINTENANCE MANUAL

FIG/ ITEM	PART NUMBER	AIRLINE PART NUMBER	NOMENCLATURE							USAGE CODE	UNITS PER ASSY	
			1	2	3	4	5	6	7			
8- 220	65C32943-113SP		.								KM	1
			(FOR DETAILS SEE FIG. 16)									
-220A	65C32943-117SP		.								KN	1
			(FOR DETAILS SEE FIG. 16)									
-220B	65C32943-388SP		.								KP	1
			(FOR DETAILS SEE FIG. 16)									
-220C	65C32943-392SP		.								KQ	1
			(FOR DETAILS SEE FIG. 16)									

-Item not Illustrated

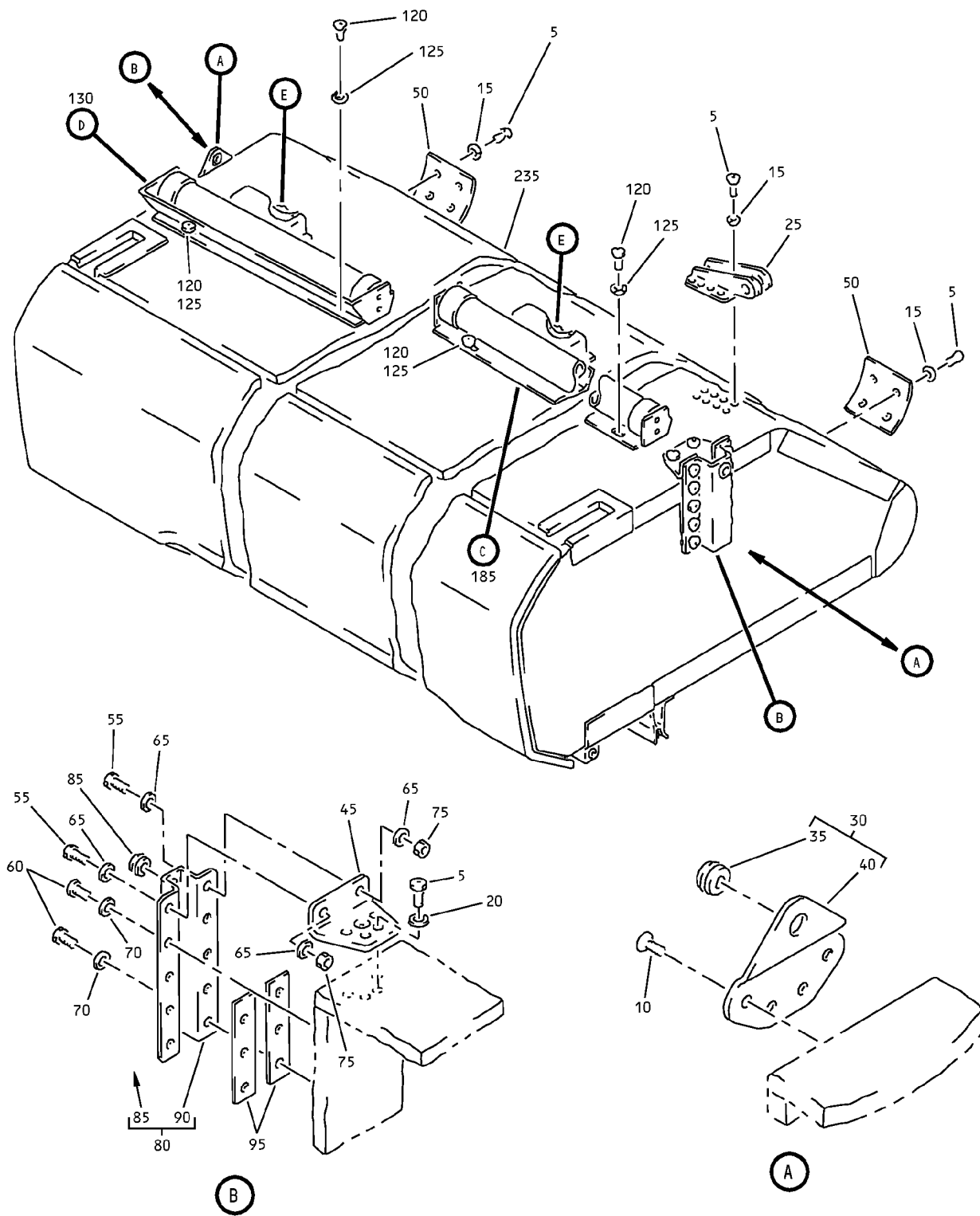
25-28-48

ILLUSTRATED PARTS LIST

Page 1098.253

Mar 01/2006

COMPONENT MAINTENANCE MANUAL



Overhead Stowage Compartment Assembly
IPL Figure 9 (Sheet 1 of 2)

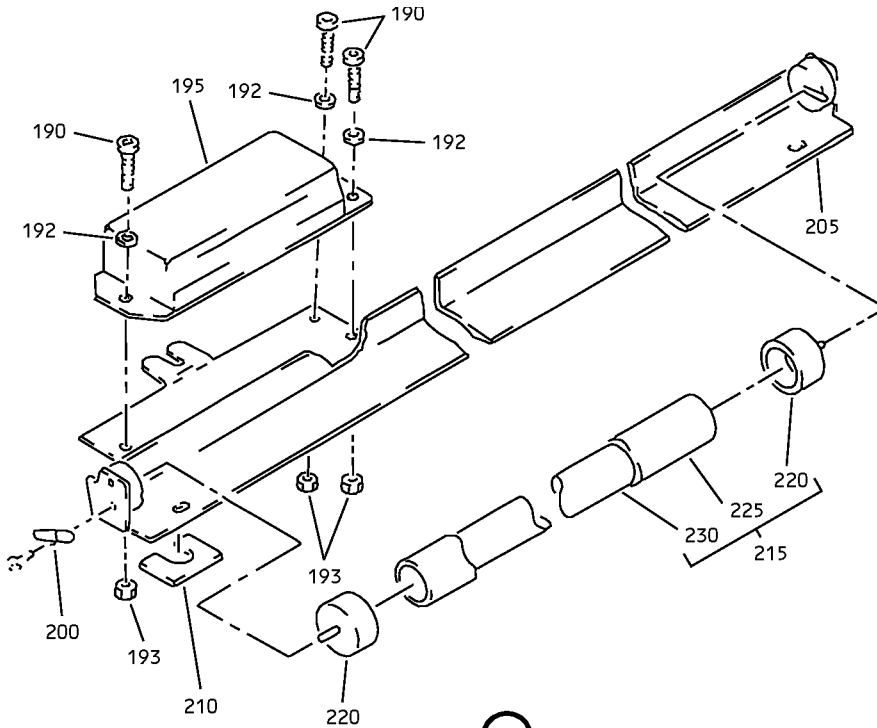
25-28-48

ILLUSTRATED PARTS LIST

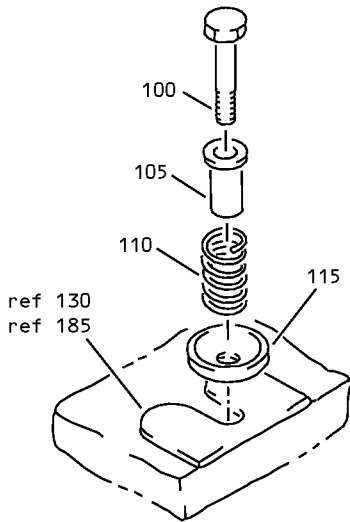
Page 1098.254

Mar 01/2006

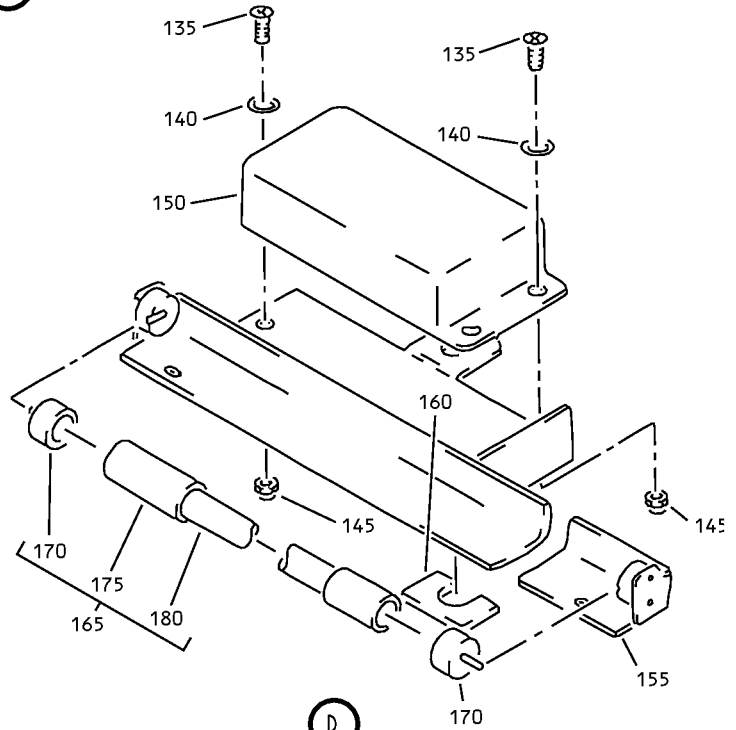
COMPONENT MAINTENANCE MANUAL



C



E



D

Overhead Storage Compartment Assembly
IPL Figure 9 (Sheet 2 of 2)

25-28-48

ILLUSTRATED PARTS LIST

Page 1098.255

Mar 01/2006



COMPONENT MAINTENANCE MANUAL

FIG/ ITEM	PART NUMBER	AIRLINE PART NUMBER	NOMENCLATURE							USAGE CODE	UNITS PER ASSY
			1	2	3	4	5	6	7		
9-											
-1	65C32942-134SP									HM	RF
-1A	65C32942-407SP									HN	RF
-1B	65C32942-420SP									HP	RF
-1C	65C32942-707SP									LG	RF
5	BACB30NM3K1									HM-HP, LG	20
10	BACS12ER3K6									HM-HP, LG	4
15	AN960JD10									HM-HP, LG	16
20	AN960JD10LL									HM-HP, LG	4
25	412N1161-1									HM-HP, LG	1
30	412N1119-1									HM-HP, LG	1

-Item not Illustrated

25-28-48

ILLUSTRATED PARTS LIST

Page 1098.256

Mar 01/2006



COMPONENT MAINTENANCE MANUAL

FIG/ ITEM	PART NUMBER	AIRLINE PART NUMBER	NOMENCLATURE							USAGE CODE	UNITS PER ASSY
			1	2	3	4	5	6	7		
9-											
35	BACB28B6-220P		.	.	BUSHING					HM-HP, LG	1
40	412N1119-2		.	.	FITTING					HM-HP, LG	1
45	412N1119-41		.		FITTING					HM-HP, LG	1
50	412N1119-12		.		FITTING					HM-HP, LG	2
55	BACB30NM3K3		.		BOLT (V06710) (SPEC BACB30NM3K3) (OPT BACB30NM3K3 (V06725)) (OPT BACB30NM3K3 (V06950)) (OPT BACB30NM3K3 (V08524)) (OPT BACB30NM3K3 (V27624)) (OPT BACB30NM3K3 (V56878)) (OPT BACB30NM3K3 (V73197)) (OPT BACB30NM3K3 (V80539)) (OPT BACB30NM3K3 (V92215)) (OPT BACB30NM3K3 (V93907)) (OPT BACB30NM3K3 (V97928))					HM-HP, LG	2
60	BACB30NM3K2		.		BOLT (V06710) (SPEC BACB30NM3K2) (OPT BACB30NM3K2 (V06725)) (OPT BACB30NM3K2 (V06950)) (OPT BACB30NM3K2 (V08524)) (OPT BACB30NM3K2 (V27624)) (OPT BACB30NM3K2 (V56878)) (OPT BACB30NM3K2 (V73197)) (OPT BACB30NM3K2 (V80539)) (OPT BACB30NM3K2 (V92215)) (OPT BACB30NM3K2 (V93907)) (OPT BACB30NM3K2 (V97928))					HM-HP, LG	8
65	AN960JD10LL		.		WASHER					HM-HP, LG	4
70	AN960JD10		.		WASHER					HM-HP, LG	8
75	MS21042L3		.		NUT					HM-HP, LG	2
80	65C27017-11		.		BRACKET ASSY					HM-HP, LG	1

-Item not Illustrated

25-28-48

ILLUSTRATED PARTS LIST

Page 1098.257

Mar 01/2006



COMPONENT MAINTENANCE MANUAL

FIG/ ITEM	PART NUMBER	AIRLINE PART NUMBER	NOMENCLATURE							USAGE CODE	UNITS PER ASSY
			1	2	3	4	5	6	7		
9-											
85	BACB28B6-235P		.	.	BUSHING					HM-HP, LG	1
90	65C27017-12		.	.	BRACKET					HM-HP, LG	1
95	65C27017-15		.		SHIM					HM-HP, LG	2
100	NAS1801-3-11		.		SCREW					HM-HP, LG	2
105	BACS18C8-6		.		SPACER					HM-HP, LG	2
110	MS24585-1230		.		SPRING					HM-HP, LG	2
115	411N3142-28		.		WASHER					HM-HP, LG	2
120	NAS1801-3-5		.		SCREW					HM-HP, LG	4
125	AN960JD10LL		.		WASHER					HM-HP, LG	4
130	417N5120-47SP		.		LIGHT ASSY					HM-HP, LG	1
135	BACS12ER3K6		.	.	SCREW (V06710) (SPEC BACS12ER3K6) (OPT BACS12ER3K6 (V06725)) (OPT BACS12ER3K6 (V06950)) (OPT BACS12ER3K6 (V27624)) (OPT BACS12ER3K6 (V34252)) (OPT BACS12ER3K6 (V56878)) (OPT BACS12ER3K6 (V73197)) (OPT BACS12ER3K6 (V80539)) (OPT BACS12ER3K6 (V92215)) (OPT BACS12ER3K6 (V93907)) (OPT BACS12ER3K6 (V97928))					HM-HP, LG	3
140	BACW10UD10		.	.	WASHER					HM-HP, LG	3
145	F22K1-02		.	.	NUT (V72962) (SPEC BACN10R10L) (OPT 22K1-02 (V72962)) (OPT 26CL02 (V80539))					HM-HP, LG	3

-Item not Illustrated

25-28-48

ILLUSTRATED PARTS LIST

Page 1098.258

Mar 01/2006



COMPONENT MAINTENANCE MANUAL

FIG/ ITEM	PART NUMBER	AIRLINE PART NUMBER	NOMENCLATURE							USAGE CODE	UNITS PER ASSY
			1	2	3	4	5	6	7		
9-											
150	05939-7		. .	BALLAST						HM-HP, LG	1
				(V17023)							
				(SPEC S283N702-7)							
				(OPT 1987-1 (V30242))							
				(OPT ITEM 150B)							
-150A	1987-1		. .	BALLAST						HM-HP, LG	1
				(V30242)							
				(SPEC S283N702-7)							
				(OPT 05939-7 (V17023))							
				(OPT ITEM 150B)							
-150B	05939-107		. .	BALLAST						HM-HP, LG	1
				(V17023)							
				(SPEC S283N702-107)							
				(OPT ITEM 150, 150A)							
155	S417N507-37A		. .	HOUSING						HM-HP, LG	1
				(COLOR OPT-CUST PREFERENCE, BEIGE- ROSEWOOD TRIM)							
-155A	S417N507-37C		. .	HOUSING						HM-HP, LG	1
				(COLOR OPT-CUST PREFERENCE, OFF WHITE- COVERT GRAY TRIM)							
-155B	S417N507-37E		. .	HOUSING						HM-HP, LG	1
				(COLOR OPT-CUST PREFERENCE, IVORY- ROSEWOOD TRIM)							
-155C	S417N507-37L		. .	HOUSING						HM-HP, LG	1
				(COLOR OPT-CUST PREFERENCE, WHITE- BLUE VELVET TRIM)							
-155D	S417N507-37M		. .	HOUSING						HM-HP, LG	1
				(COLOR OPT-CUST PREFERENCE, CREAM- COVERT GRAY TRIM)							
-155E	S417N507-37W		. .	HOUSING						HM-HP, LG	1
				(COLOR OPT-CUST PREFERENCE, PEPPER DUST- DARK GRAY TRIM)							
-155F	S417N507-37Y		. .	HOUSING						HM-HP, LG	1
				(COLOR OPT-CUST PREFERENCE, BEIGE- COVERT GRAY)							
160	65C28117-3		. .	PAD						HM-HP, LG	1
165	417N5120-12		. .	LAMP ASSY						HM-HP, LG	1
170	2055132		. . .	CAP						HM-HP, LG	2
				(V04169)							

-Item not Illustrated

25-28-48

ILLUSTRATED PARTS LIST

Page 1098.259

Mar 01/2006



COMPONENT MAINTENANCE MANUAL

FIG/ ITEM	PART NUMBER	AIRLINE PART NUMBER	NOMENCLATURE							USAGE CODE	UNITS PER ASSY	
			1	2	3	4	5	6	7			
9- 175	NI060LGWUV1000		. . .	TUBE-COVER	PROTECTIVE						HM-HP, LG	1
				(V06034)								
				(OPT ITEM 175A)								
-175A	LP1610-18		. . .	TUBE-COVER	PROTECTIVE						HM-HP, LG	1
				(V60116)								
				(OPT ITEM 175)								
180	F15T8WW		. . .	LAMP-FLUOR							HM-HP, LG	1
				(V08805)								
185	417N5120-25		.	LIGHT	ASSY						HP, LG	1
-185A	417N5120-34		.	LIGHT	ASSY						HM, HN	1
190	BACS12ER3K6		. .	SCREW							HM-HP, LG	3
				(V06710)								
				(SPEC BACS12ER3K6)								
				(OPT BACS12ER3K6 (V06725))								
				(OPT BACS12ER3K6 (V06950))								
				(OPT BACS12ER3K6 (V27624))								
				(OPT BACS12ER3K6 (V34252))								
				(OPT BACS12ER3K6 (V56878))								
				(OPT BACS12ER3K6 (V73197))								
				(OPT BACS12ER3K6 (V80539))								
				(OPT BACS12ER3K6 (V92215))								
				(OPT BACS12ER3K6 (V93907))								
				(OPT BACS12ER3K6 (V97928))								
192	BACW10UD10		. .	WASHER							HM-HP, LG	3
193	F22K1-02		. .	NUT							HM-HP, LG	3
				(V72962)								
				(SPEC BACN10R10L)								
				(OPT 22K1-02 (V72962))								
				(OPT 26CL02 (V80539))								
195	05939-5		. .	BALLAST							HP, LG	1
				(V17023)								
				(SPEC S283N702-5)								
				(OPT 1985-1 (V30242))								
				(OPT ITEM 195B)								
-195A	1985-1		. .	BALLAST							HP, LG	1
				(V30242)								
				(SPEC S283N702-5)								
				(OPT 05939-5 (V17023))								
				(OPT ITEM 195B)								

-Item not Illustrated

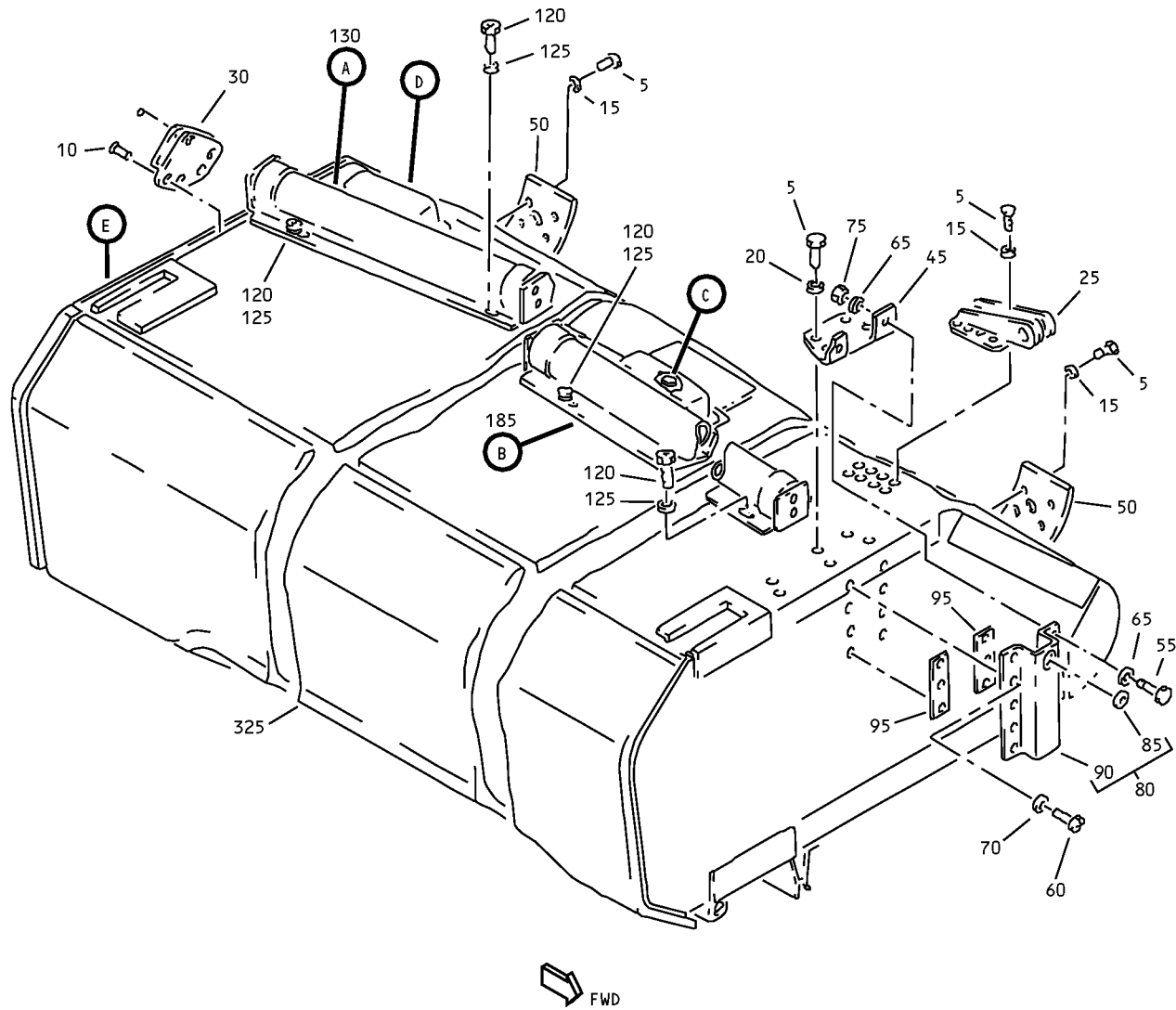
25-28-48

ILLUSTRATED PARTS LIST

Page 1098.260

Mar 01/2006

COMPONENT MAINTENANCE MANUAL



Overhead Stowage Compartment Assembly
IPL Figure 10 (Sheet 1 of 3)

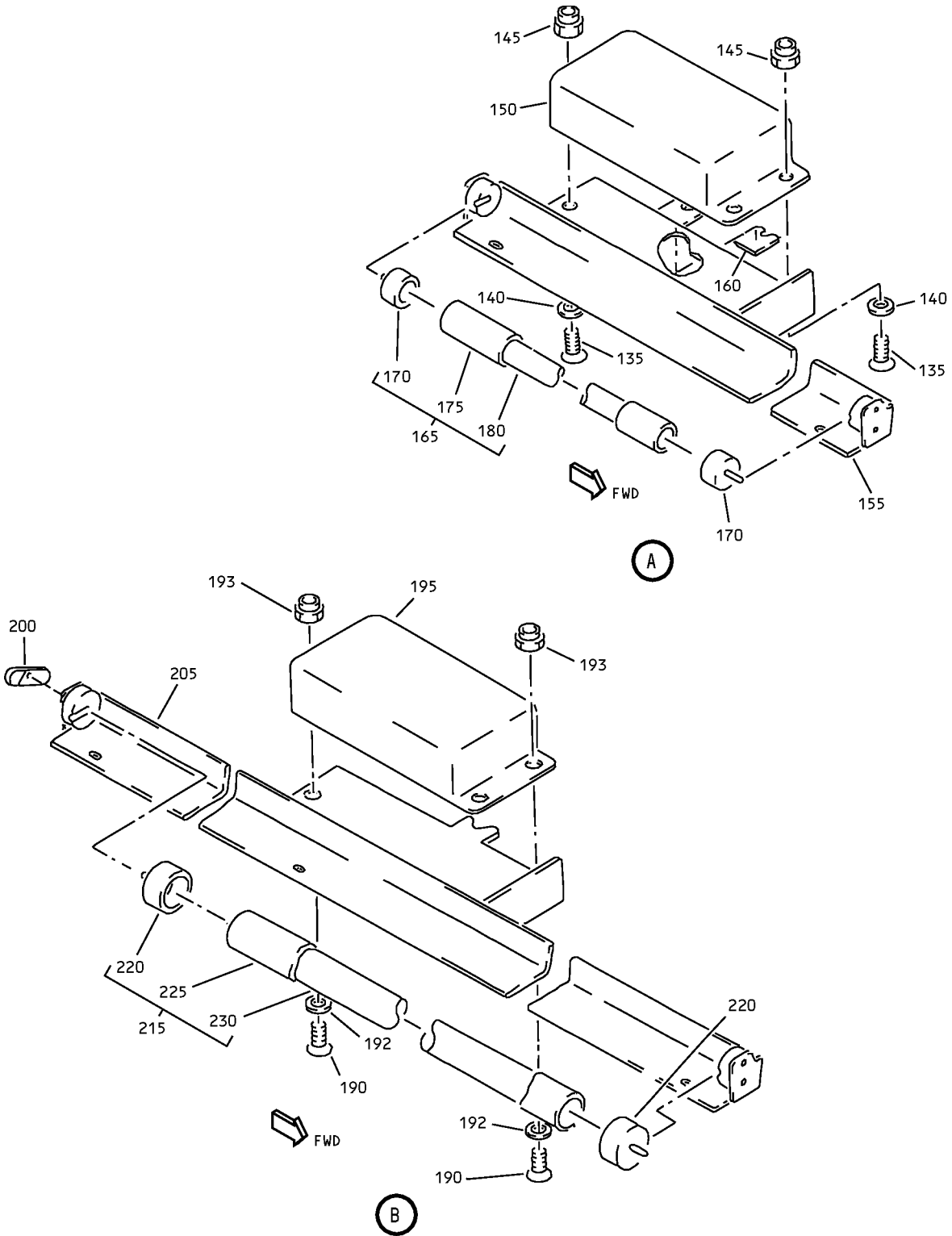
25-28-48

ILLUSTRATED PARTS LIST

Page 1098.262

Mar 01/2006

COMPONENT MAINTENANCE MANUAL



Overhead Storage Compartment Assembly
IPL Figure 10 (Sheet 2 of 3)

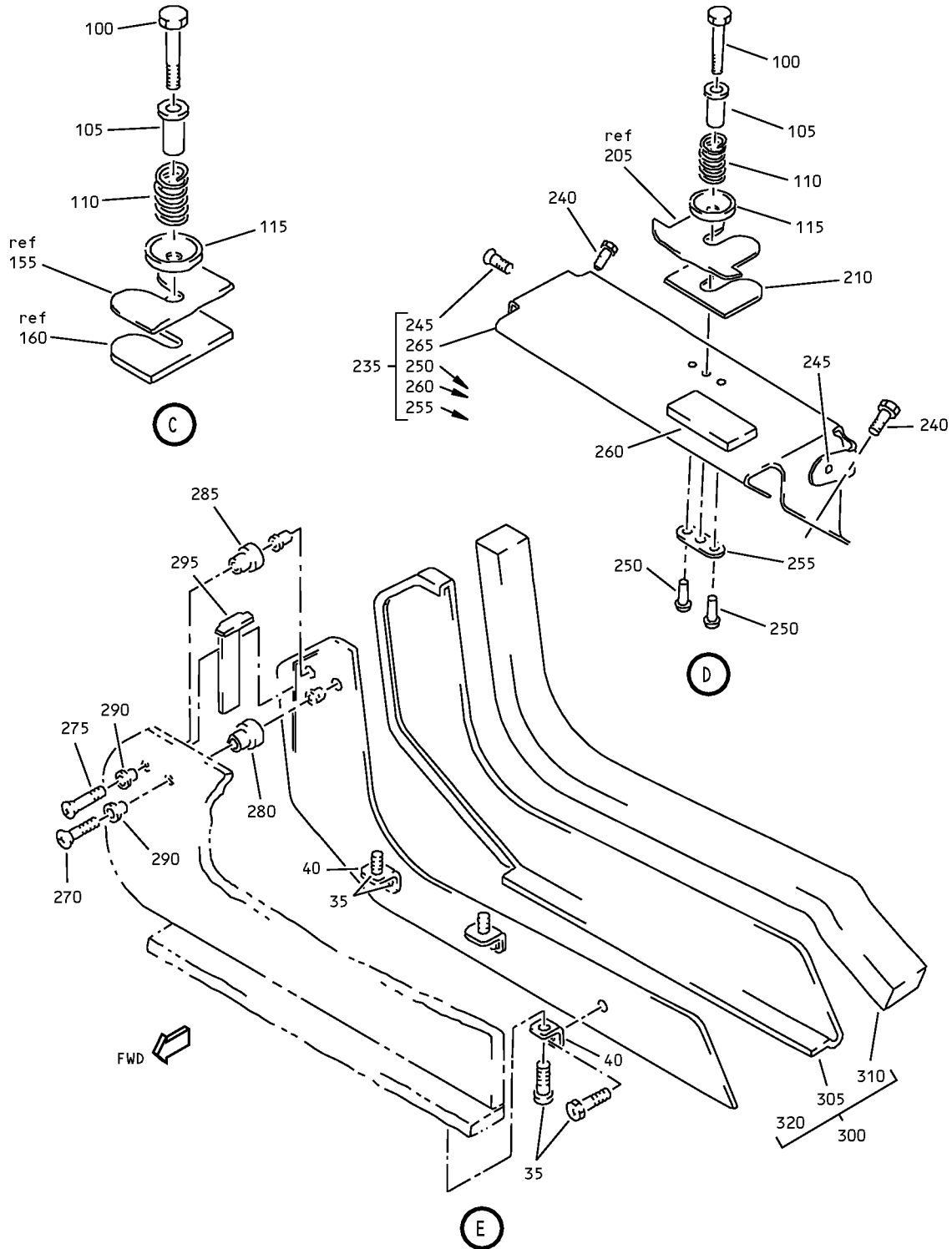
25-28-48

ILLUSTRATED PARTS LIST

Page 1098.263

Mar 01/2006

COMPONENT MAINTENANCE MANUAL



Overhead Storage Compartment Assembly
IPL Figure 10 (Sheet 3 of 3)

25-28-48

ILLUSTRATED PARTS LIST

Page 1098.264

Mar 01/2006



COMPONENT MAINTENANCE MANUAL

FIG/ ITEM	PART NUMBER	AIRLINE PART NUMBER	NOMENCLATURE							USAGE CODE	UNITS PER ASSY
			1	2	3	4	5	6	7		
10-											
-1	65C32942-124SP									HQ	RF
5	BACB30NM3K1									HQ	20
10	BACS12ER3K6									HQ	4
15	AN960JD10									HQ	16
20	AN960JD10LL									HQ	4
25	412N1161-1									HQ	1
30	412N1119-11									HQ	1

-Item not Illustrated

25-28-48

ILLUSTRATED PARTS LIST

Page 1098.265

Mar 01/2006



COMPONENT MAINTENANCE MANUAL

FIG/ ITEM	PART NUMBER	AIRLINE PART NUMBER	NOMENCLATURE	USAGE CODE	UNITS PER ASSY
10- 35	BACS12FA3K5		. SCREW (V06710) (SPEC BACS12FA3K5) (OPT BACS12FA3K5 (V06725)) (OPT BACS12FA3K5 (V06950)) (OPT BACS12FA3K5 (V27624)) (OPT BACS12FA3K5 (V34252)) (OPT BACS12FA3K5 (V56878)) (OPT BACS12FA3K5 (V73197)) (OPT BACS12FA3K5 (V80539)) (OPT BACS12FA3K5 (V92215)) (OPT BACS12FA3K5 (V93907)) (OPT BACS12FA3K5 (V97928))	HQ	6
40	412N1145-30		. BRACKET	HQ	3
45	412N1119-41		. FITTING	HQ	1
50	412N1119-12		. FITTING	HQ	2
55	BACB30NM3K3		. BOLT (V06710) (SPEC BACB30NM3K3) (OPT BACB30NM3K3 (V06725)) (OPT BACB30NM3K3 (V06950)) (OPT BACB30NM3K3 (V08524)) (OPT BACB30NM3K3 (V27624)) (OPT BACB30NM3K3 (V56878)) (OPT BACB30NM3K3 (V73197)) (OPT BACB30NM3K3 (V80539)) (OPT BACB30NM3K3 (V92215)) (OPT BACB30NM3K3 (V93907)) (OPT BACB30NM3K3 (V97928))	HQ	2
60	BACB30NM3K2		. BOLT (V06710) (SPEC BACB30NM3K2) (OPT BACB30NM3K2 (V06725)) (OPT BACB30NM3K2 (V06950)) (OPT BACB30NM3K2 (V08524)) (OPT BACB30NM3K2 (V27624)) (OPT BACB30NM3K2 (V56878)) (OPT BACB30NM3K2 (V73197)) (OPT BACB30NM3K2 (V80539)) (OPT BACB30NM3K2 (V92215)) (OPT BACB30NM3K2 (V93907)) (OPT BACB30NM3K2 (V97928))	HQ	8
65	AN960JD10LL		. WASHER	HQ	4
70	AN960JD10		. WASHER	HQ	8

-Item not Illustrated

25-28-48

ILLUSTRATED PARTS LIST

Page 1098.266

Mar 01/2006



COMPONENT MAINTENANCE MANUAL

FIG/ ITEM	PART NUMBER	AIRLINE PART NUMBER	NOMENCLATURE							USAGE CODE	UNITS PER ASSY
			1	2	3	4	5	6	7		
10-											
75	MS21042L3		.	NUT						HQ	2
80	65C27017-11		.	BRACKET ASSY						HQ	1
85	BACB28B6-235P		. .	BUSHING						HQ	1
90	65C27017-12		. .	BRACKET						HQ	1
95	65C27017-15		.	SHIM						HQ	2
100	NAS1801-3-11		.	SCREW						HQ	2
105	BACS18C8-6		.	SPACER						HQ	2
110	MS24585-1230		.	SPRING						HQ	2
115	411N3142-28		.	WASHER						HQ	2
120	NAS1801-3-5		.	SCREW						HQ	4
125	AN960JD10LL		.	WASHER						HQ	4
130	417N5120-47SP		.	LIGHT ASSY						HQ	1
135	BACS12ER3K6		. .	SCREW						HQ	3
				(V06710)							
				(SPEC BACS12ER3K6)							
				(OPT BACS12ER3K6 (V06725))							
				(OPT BACS12ER3K6 (V06950))							
				(OPT BACS12ER3K6 (V27624))							
				(OPT BACS12ER3K6 (V34252))							
				(OPT BACS12ER3K6 (V56878))							
				(OPT BACS12ER3K6 (V73197))							
				(OPT BACS12ER3K6 (V80539))							
				(OPT BACS12ER3K6 (V92215))							
				(OPT BACS12ER3K6 (V93907))							
				(OPT BACS12ER3K6 (V97928))							
140	BACW10UD10		. .	WASHER						HQ	3
145	F22K1-02		. .	NUT						HQ	3
				(V72962)							
				(SPEC BACN10R10L)							
				(OPT 22K1-02 (V72962))							
				(OPT 26CL02 (V80539))							
150	05939-7		. .	BALLAST						HQ	1
				(V17023)							
				(SPEC S283N702-7)							
				(OPT 1987-1 (V30242))							
				(OPT ITEM 150B)							

-Item not Illustrated

25-28-48

ILLUSTRATED PARTS LIST

Page 1098.267

Mar 01/2006



COMPONENT MAINTENANCE MANUAL

FIG/ ITEM	PART NUMBER	AIRLINE PART NUMBER	NOMENCLATURE							USAGE CODE	UNITS PER ASSY
			1	2	3	4	5	6	7		
10-											
-150A	1987-1		.	.	BALLAST (V30242) (SPEC S283N702-7) (OPT 05939-7 (V17023)) (OPT ITEM 150B)					HQ	1
-150B	05939-107		.	.	BALLAST (V17023) (SPEC S283N702-107) (OPT ITEM 150, 150A)					HQ	1
155	S417N507-37A		.	.	HOUSING (BEIGE/ROSEWOOD TRIM)					HQ	1
-155A	S417N507-37C		.	.	HOUSING (OFF WHITE/COVERT GRAY TRIM)					HQ	1
-155B	S417N507-37E		.	.	HOUSING (IVORY/ROSEWOOD TRIM)					HQ	1
-155C	S417N507-37L		.	.	HOUSING (WHITE/BLUE VELVET TRIM)					HQ	1
-155D	S417N507-37M		.	.	HOUSING (CREAM/COVERT GRAY TRIM)					HQ	1
-155E	S417N507-37W		.	.	HOUSING (PEPPER DUST/DARK GRAY TRIM)					HQ	1
-155F	S417N507-37Y		.	.	HOUSING (BIEGE/COVERT GRAY TRIM)					HQ	1
160	65C28117-3		.	.	PAD					HQ	1
165	417N5120-12		.	.	LAMP ASSY					HQ	1
170	2055132		.	.	CAP (V04169)					HQ	2
175	NI060LGWUV1000		.	.	TUBE-COVER PROTECTIVE (V06034) (OPT ITEM 175A)					HQ	1
-175A	LP1610-18		.	.	TUBE-COVER PROTECTIVE (V60116) (OPT ITEM 175)					HQ	1
180	F15T8WW		.	.	LAMP-FLUOR (V08805)					HQ	1
185	417N5120-25		.	.	LIGHT ASSY					HQ	1

-Item not Illustrated

25-28-48

ILLUSTRATED PARTS LIST

Page 1098.268

Mar 01/2006



COMPONENT MAINTENANCE MANUAL

FIG/ ITEM	PART NUMBER	AIRLINE PART NUMBER	NOMENCLATURE							USAGE CODE	UNITS PER ASSY
			1	2	3	4	5	6	7		
10- 190	BACS12ER3K6		. .	SCREW						HQ	3
				(V06710)							
				(SPEC BACS12ER3K6)							
				(OPT BACS12ER3K6 (V06725))							
				(OPT BACS12ER3K6 (V06950))							
				(OPT BACS12ER3K6 (V27624))							
				(OPT BACS12ER3K6 (V34252))							
				(OPT BACS12ER3K6 (V56878))							
				(OPT BACS12ER3K6 (V73197))							
				(OPT BACS12ER3K6 (V80539))							
				(OPT BACS12ER3K6 (V92215))							
				(OPT BACS12ER3K6 (V93907))							
				(OPT BACS12ER3K6 (V97928))							
192	BACW10UD10		. .	WASHER						HQ	3
193	F22K1-02		. .	NUT						HQ	3
				(V72962)							
				(SPEC BACN10R10L)							
				(OPT 22K1-02 (V72962))							
				(OPT 26CL02 (V80539))							
195	05939-5		. .	BALLAST						HQ	1
				(V17023)							
				(SPEC S283N702-5)							
				(OPT 1985-1 (V30242))							
				(OPT ITEM 195B)							
-195A	1985-1		. .	BALLAST						HQ	1
				(V30242)							
				(SPEC S283N702-5)							
				(OPT 05939-5 (V17023))							
				(OPT ITEM 195B)							
-195B	05939-105		. .	BALLAST						HQ	1
				(V17023)							
				(SPEC S283N702-105)							
				(OPT ITEM 195, 195A)							
200	1864		. .	BULB-NIGHT LIGHT						HQ	1
				(V08806)							
205	S417N507-22		. .	HOUSING						HQ	1
210	65C28117-3		. .	PAD						HQ	1
215	417N5120-11		. .	LAMP ASSY						HQ	1
220	2055150		. . .	CAP						HQ	2
				(V04169)							

-Item not Illustrated

25-28-48

ILLUSTRATED PARTS LIST

Page 1098.269

Mar 01/2006



COMPONENT MAINTENANCE MANUAL

FIG/ ITEM	PART NUMBER	AIRLINE PART NUMBER	NOMENCLATURE							USAGE CODE	UNITS PER ASSY	
			1	2	3	4	5	6	7			
10- 225	NI152LGWUV1000		. . .	TUBE-COVER	PROTECTIVE						HQ	1
				(V06034)								
				(OPT ITEM 225A)								
-225A	LP1625-24		. . .	TUBE-COVER	PROTECTIVE						HQ	1
				(V60116)								
				(OPT ITEM 225)								
230	F20T12WW		. . .	LAMP-FLUOR							HQ	1
				(V08805)								
235	65C27481-36		. BRACKET	ASSY							HQ	1
			ATTACHING	PARTS								
240	BACS12FA3K4		. SCREW								HQ	2
			-----*	-----								
245	NAS1398D4		. . RIVET								HQ	2
				(SIZE DETERMINED ON INST)								
				(OPT ITEM 245A)								
-245A	BACR15BB4D		. . RIVET								HQ	2
				(SIZE DETERMINED ON INST)								
				(OPT ITEM 245)								
250	BACR15BA3A		. . RIVET								HQ	2
				(SIZE DETERMINED ON INST)								
255	BRF200A3K		. . NUTPLATE								HQ	1
				(V52828)								
				(SPEC BACN10JR3FR)								
				(OPT F5000-3BCBAC (V15653))								
				(OPT NS103203-02BC (V80539))								
				(OPT RMF9201-3BC (V72962))								
				(OPT T8091S1032BC (V11815))								
				(OPT VN15A2-02 (V92215))								
260	65C27481-38		. . BLOCK-RUBBER								HQ	1
265	65C27481-37		. . BRACKET								HQ	1

-Item not Illustrated

25-28-48

ILLUSTRATED PARTS LIST

Page 1098.270

Mar 01/2006



COMPONENT MAINTENANCE MANUAL

FIG/ ITEM	PART NUMBER	AIRLINE PART NUMBER	NOMENCLATURE							USAGE CODE	UNITS PER ASSY		
			1	2	3	4	5	6	7				
10- 270	BACB30NN3K20		.	B	O	L	T				HQ	1	
					(V06710)								
					(SPEC BACB30NN3K20)								
					(OPT BACB30NN3K20 (V06725))								
					(OPT BACB30NN3K20 (V06950))								
					(OPT BACB30NN3K20 (V08524))								
					(OPT BACB30NN3K20 (V27624))								
					(OPT BACB30NN3K20 (V56878))								
					(OPT BACB30NN3K20 (V73197))								
					(OPT BACB30NN3K20 (V80539))								
					(OPT BACB30NN3K20 (V92215))								
					(OPT BACB30NN3K20 (V93907))								
					(OPT BACB30NN3K20 (V97928))								
275	BACB30NN3K23		.	B	O	L	T				HQ	1	
280	BACS18K10-28W		.	S	P	A	C	E	R		HQ	1	
285	BACS18K10-36W		.	S	P	A	C	E	R		HQ	1	
290	BACW10CT10		.	W	A	S	H	E	R		HQ	2	
					(V10630)								
					(SPEC BACW10CT10)								
295	412N1130-17SP		.	T	R	I	M	-	S	T	R	I	P
300	65C32946-62SP		.	C	A	P	A	S	S	Y	-	E	N
305	65C32946-11SP		.	.	C	A	P				HQ	1	
310	65C32946-16		.	.	S	E	A	L			HQ	1	
-315	SL2334-3A2		.	.	I	N	S	E	R	-	F	L	O
					(V97393)						HQ	6	
320	65C32946-81												
320A	65C32946-142		.	.	P	A	N	E	L	A	S	S	Y
325	65C32943-82SP		.	M	O	D	U	L	E	A	S	S	Y
					(FOR DETAILS SEE FIG. 16)						HQ	1	

-Item not Illustrated

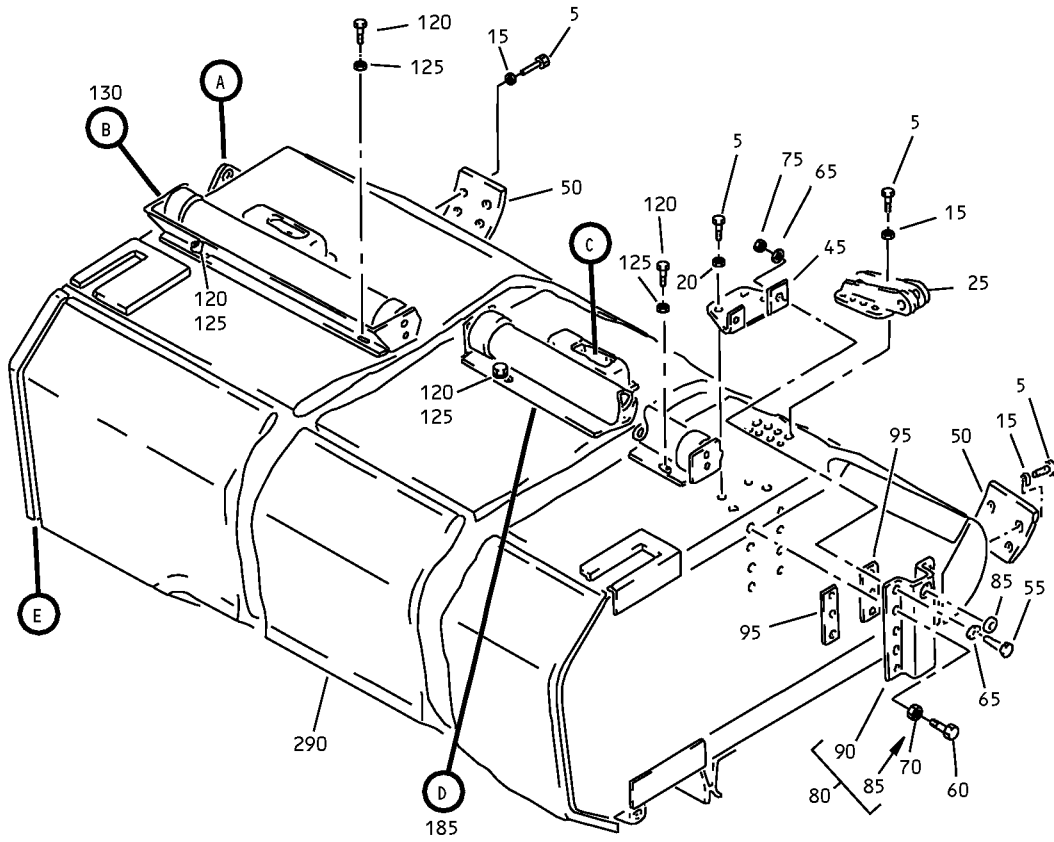
25-28-48

ILLUSTRATED PARTS LIST

Page 1098.271

Mar 01/2006

COMPONENT MAINTENANCE MANUAL



Overhead Stowage Compartment Assembly
IPL Figure 11 (Sheet 1 of 4)

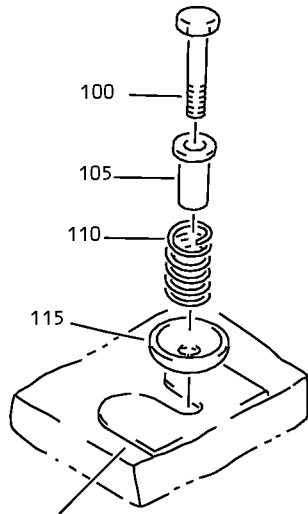
25-28-48

ILLUSTRATED PARTS LIST

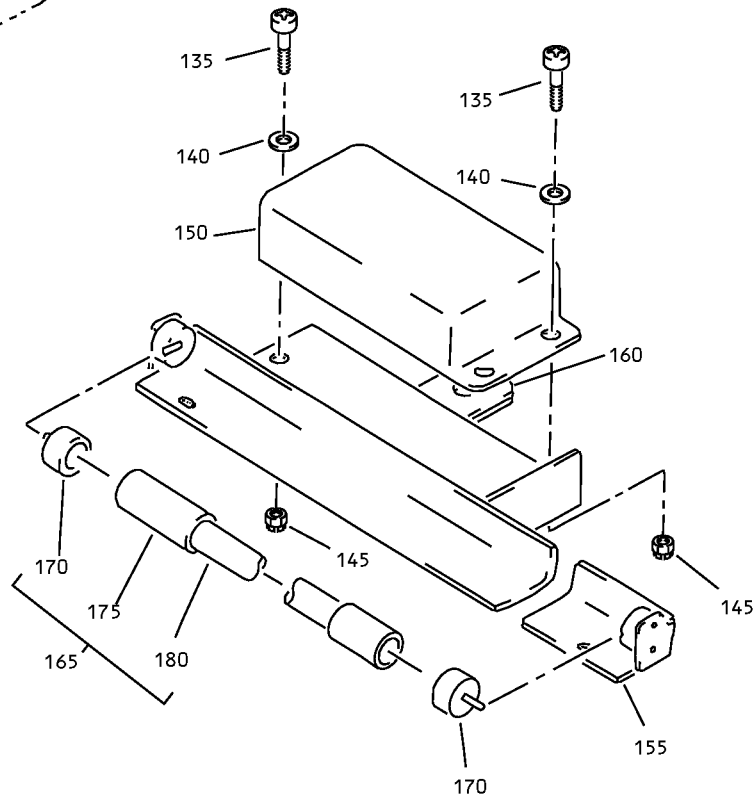
Page 1098.272

Mar 01/2006

COMPONENT MAINTENANCE MANUAL



A



B

Overhead Stowage Compartment Assembly
IPL Figure 11 (Sheet 2 of 4)

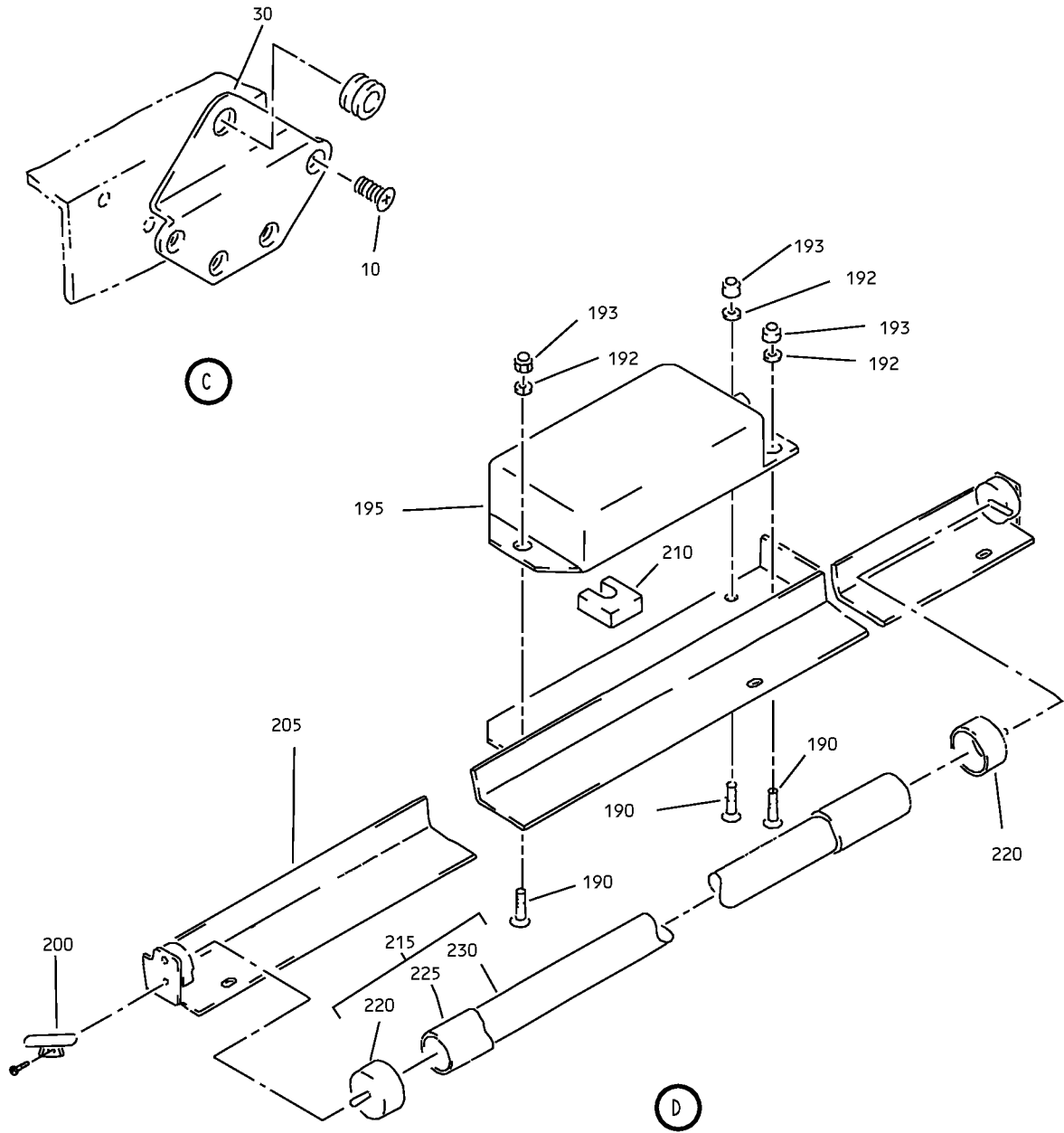
25-28-48

ILLUSTRATED PARTS LIST

Page 1098.273

Mar 01/2006

COMPONENT MAINTENANCE MANUAL



Overhead Stowage Compartment Assembly
IPL Figure 11 (Sheet 3 of 4)

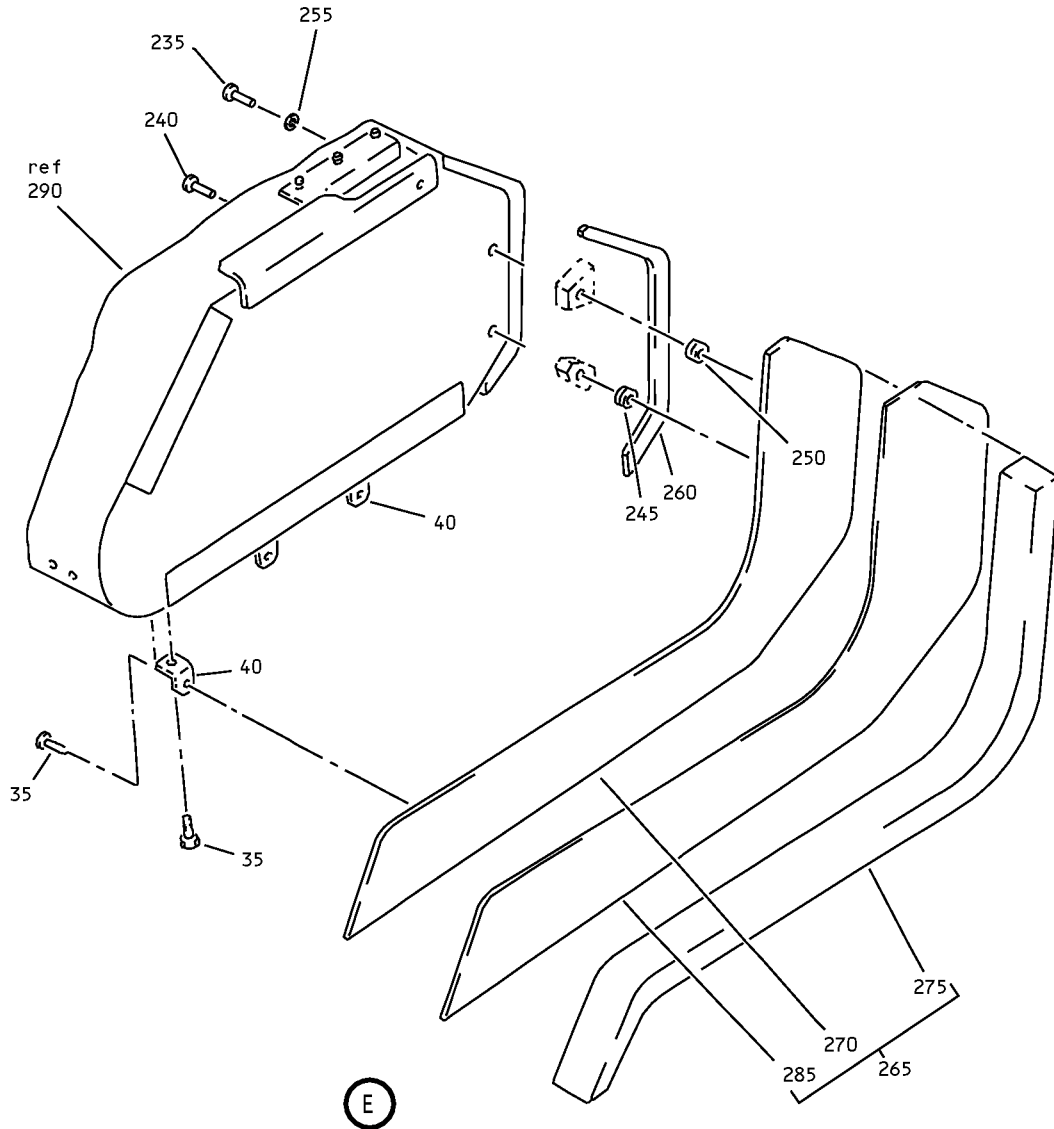
25-28-48

ILLUSTRATED PARTS LIST

Page 1098.274

Mar 01/2006

COMPONENT MAINTENANCE MANUAL



Overhead Storage Compartment Assembly
IPL Figure 11 (Sheet 4 of 4)

25-28-48

ILLUSTRATED PARTS LIST

Page 1098.275

Mar 01/2006



COMPONENT MAINTENANCE MANUAL

FIG/ ITEM	PART NUMBER	AIRLINE PART NUMBER	NOMENCLATURE							USAGE CODE	UNITS PER ASSY
			1	2	3	4	5	6	7		
11-											
-1	65C32942-391SP									HR	RF
5	BACB30NM3K1									HR	20
10	BACS12ER3K6									HR	4
15	AN960JD10									HR	16
20	AN960JD10LL									HR	4
25	412N1161-1									HR	1
30	412N1119-11									HR	1

-Item not Illustrated

25-28-48

ILLUSTRATED PARTS LIST

Page 1098.276

Mar 01/2006



COMPONENT MAINTENANCE MANUAL

FIG/ ITEM	PART NUMBER	AIRLINE PART NUMBER	NOMENCLATURE							USAGE CODE	UNITS PER ASSY
			1	2	3	4	5	6	7		
11-											
75	MS21042L3		.	NUT						HR	2
80	65C27017-11		.	BRACKET ASSY						HR	1
85	BACB28B6-235P		..	BUSHING						HR	1
90	65C27017-12		..	BRACKET						HR	1
95	65C27017-15		.	SHIM						HR	2
100	NAS1801-3-11		.	SCREW						HR	2
105	BACS18C8-6		.	SPACER						HR	2
110	MS24585-1230		.	SPRING						HR	2
115	411N3142-28		.	WASHER						HR	2
120	NAS1801-3-5		.	SCREW						HR	4
125	AN960JD10LL		.	WASHER						HR	4
130	417N5120-47SP		.	LIGHT ASSY						HR	1
135	BACS12ER3K6		..	SCREW						HR	3
				(V06710)							
				(SPEC BACS12ER3K6)							
				(OPT BACS12ER3K6 (V06725))							
				(OPT BACS12ER3K6 (V06950))							
				(OPT BACS12ER3K6 (V27624))							
				(OPT BACS12ER3K6 (V34252))							
				(OPT BACS12ER3K6 (V56878))							
				(OPT BACS12ER3K6 (V73197))							
				(OPT BACS12ER3K6 (V80539))							
				(OPT BACS12ER3K6 (V92215))							
				(OPT BACS12ER3K6 (V93907))							
				(OPT BACS12ER3K6 (V97928))							
140	BACW10UD10		..	WASHER						HR	3
145	F22K1-02		..	NUT						HR	3
				(V72962)							
				(SPEC BACN10R10L)							
				(OPT 22K1-02 (V72962))							
				(OPT 26CL02 (V80539))							
150	05939-7		..	BALLAST						HR	1
				(V17023)							
				(SPEC S283N702-7)							
				(OPT 1987-1 (V30242))							
				(OPT ITEM 150B)							

-Item not Illustrated

25-28-48

ILLUSTRATED PARTS LIST

Page 1098.278

Mar 01/2006



COMPONENT MAINTENANCE MANUAL

FIG/ ITEM	PART NUMBER	AIRLINE PART NUMBER	NOMENCLATURE							USAGE CODE	UNITS PER ASSY	
			1	2	3	4	5	6	7			
11- -150A	1987-1		.	.	BALLAST (V30242) (SPEC S283N702-7) (OPT 05939-7 (V17023)) (OPT ITEM 150B)						HR	1
-150B	05939-107		.	.	BALLAST (V17023) (SPEC S283N702-107) (OPT ITEM 150, 150A)						HR	1
155	S417N507-37A		.	.	HOUSING (BEIGE/ROSEWOOD TRIM)						HR	1
-155A	S417N507-37C		.	.	HOUSING (OFF WHITE/COVERT GRAY TRIM)						HR	1
-155B	S417N507-37E		.	.	HOUSING (IVORY/ROSEWOOD TRIM)						HR	1
-155C	S417N507-37L		.	.	HOUSING (WHITE/BLUE VELVET TRIM)						HR	1
-155D	S417N507-37M		.	.	HOUSING (CREAM/COVERT GRAY TRIM)						HR	1
-155E	S417N507-37W		.	.	HOUSING (PEPPER DUST/DARK GRAY TRIM)						HR	1
-155F	S417N507-37Y		.	.	HOUSING (BIEGE/COVERT GRAY TRIM)						HR	1
160	65C28117-3		.	.	PAD						HR	1
165	417N5120-12		.	.	LAMP ASSY						HR	1
170	2055132		.	.	CAP (V04169)						HR	2
175	NI060LGWUV1000		.	.	TUBE-COVER PROTECTIVE (V06034) (OPT ITEM 175A)						HR	1
-175A	LP1610-18		.	.	TUBE-COVER PROTECTIVE (V60116) (OPT ITEM 175)						HR	1
180	F15T8WW		.	.	LAMP-FLUOR (V08805)						HR	1
185	417N5120-25		.	.	LIGHT ASSY						HR	1

-Item not Illustrated

25-28-48

ILLUSTRATED PARTS LIST

Page 1098.279

Mar 01/2006



COMPONENT MAINTENANCE MANUAL

FIG/ ITEM	PART NUMBER	AIRLINE PART NUMBER	NOMENCLATURE							USAGE CODE	UNITS PER ASSY	
			1	2	3	4	5	6	7			
11- 190	BACS12ER3K6		.	.	SCREW (V06710) (SPEC BACS12ER3K6) (OPT BACS12ER3K6 (V06725)) (OPT BACS12ER3K6 (V06950)) (OPT BACS12ER3K6 (V27624)) (OPT BACS12ER3K6 (V34252)) (OPT BACS12ER3K6 (V56878)) (OPT BACS12ER3K6 (V73197)) (OPT BACS12ER3K6 (V80539)) (OPT BACS12ER3K6 (V92215)) (OPT BACS12ER3K6 (V93907)) (OPT BACS12ER3K6 (V97928))						HR	3
192	BACW10UD10		.	.	WASHER						HR	3
193	F22K1-02		.	.	NUT (V72962) (SPEC BACN10R10L) (OPT 22K1-02 (V72962)) (OPT 26CL02 (V80539))						HR	3
195	05939-5		.	.	BALLAST (V17023) (SPEC S283N702-5) (OPT 1985-1 (V30242)) (OPT ITEM 195B)						HR	1
-195A	1985-1		.	.	BALLAST (V30242) (SPEC S283N702-5) (OPT 05939-5 (V17023)) (OPT ITEM 195B)						HR	1
-195B	05939-105		.	.	BALLAST (V17023) (SPEC S283N702-105) (OPT ITEM 195, 195A)						HR	1
200	1864		.	.	BULB-NIGHT LIGHT (V08806)						HR	1
205	S417N507-22		.	.	HOUSING						HR	1
210	65C28117-3		.	.	PAD						HR	1
215	417N5120-11		.	.	LAMP ASSY						HR	1
220	2055150		.	.	CAP (V04169)						HR	2

-Item not Illustrated

25-28-48

ILLUSTRATED PARTS LIST

Page 1098.280

Mar 01/2006



COMPONENT MAINTENANCE MANUAL

FIG/ ITEM	PART NUMBER	AIRLINE PART NUMBER	NOMENCLATURE							USAGE CODE	UNITS PER ASSY	
			1	2	3	4	5	6	7			
11- 225	NI152LGWUV1000		. . .	TUBE-COVER	PROTECTIVE						HR	1
				(V06034)								
				(OPT ITEM 225A)								
-225A	LP1625-24		. . .	TUBE-COVER	PROTECTIVE						HR	1
				(V60116)								
				(OPT ITEM 225)								
230	F20T12WW		. . .	LAMP-FLUOR							HR	1
				(V08805)								
235	BACB30NN3K20		. BOLT								HR	1
				(V06710)								
				(SPEC BACB30NN3K20)								
				(OPT BACB30NN3K20 (V06725))								
				(OPT BACB30NN3K20 (V06950))								
				(OPT BACB30NN3K20 (V08524))								
				(OPT BACB30NN3K20 (V27624))								
				(OPT BACB30NN3K20 (V56878))								
				(OPT BACB30NN3K20 (V73197))								
				(OPT BACB30NN3K20 (V80539))								
				(OPT BACB30NN3K20 (V92215))								
				(OPT BACB30NN3K20 (V93907))								
				(OPT BACB30NN3K20 (V97928))								
240	BACB30NN3K23		. BOLT								HR	1
245	BACS18K10-28W		. SPACER								HR	1
250	BACS18K10-36W		. SPACER								HR	1
255	BACW10CT10		. WASHER								HR	2
				(V10630)								
				(SPEC BACW10CT10)								
260	412N1130-17SP		. TRIM-STRIP								HR	1
265	65C32946-62SP		. CAP ASSY-END								HR	1
270	65C32946-11SP		. . CAP								HR	1
275	65C32946-16		. . SEAL								HR	1
-280	SL2334-3A2		. . INSERT-FLOATING								HR	6
				(V97393)								
285	65C32946-81		DELETED									
285A	65C32946-142		. . PANEL ASSY								HR	1
290	65C32943-370SP		. MODULE ASSY								HR	1
				(FOR DETAILS SEE FIG. 16)								

-Item not Illustrated

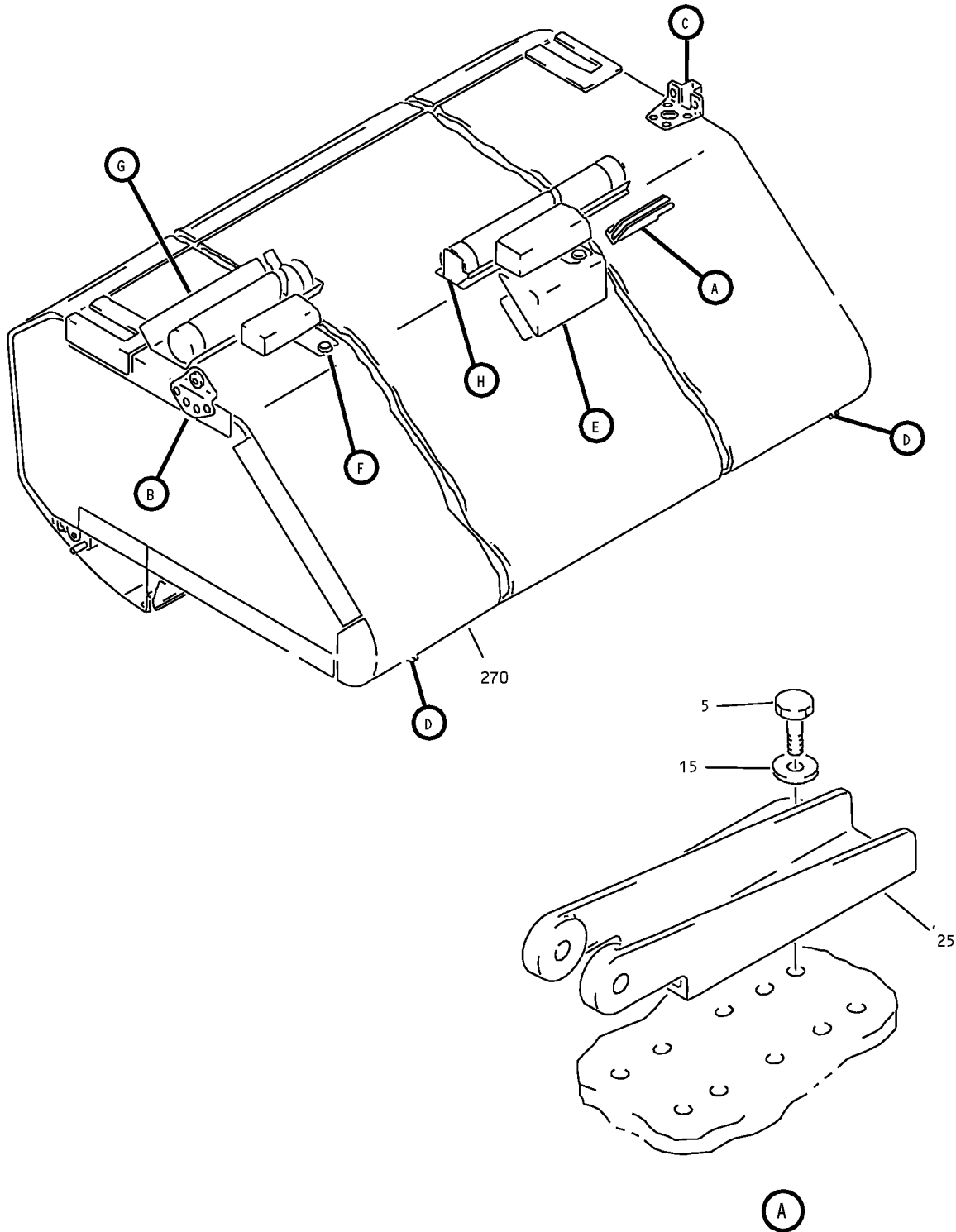
25-28-48

ILLUSTRATED PARTS LIST

Page 1098.281

Mar 01/2006

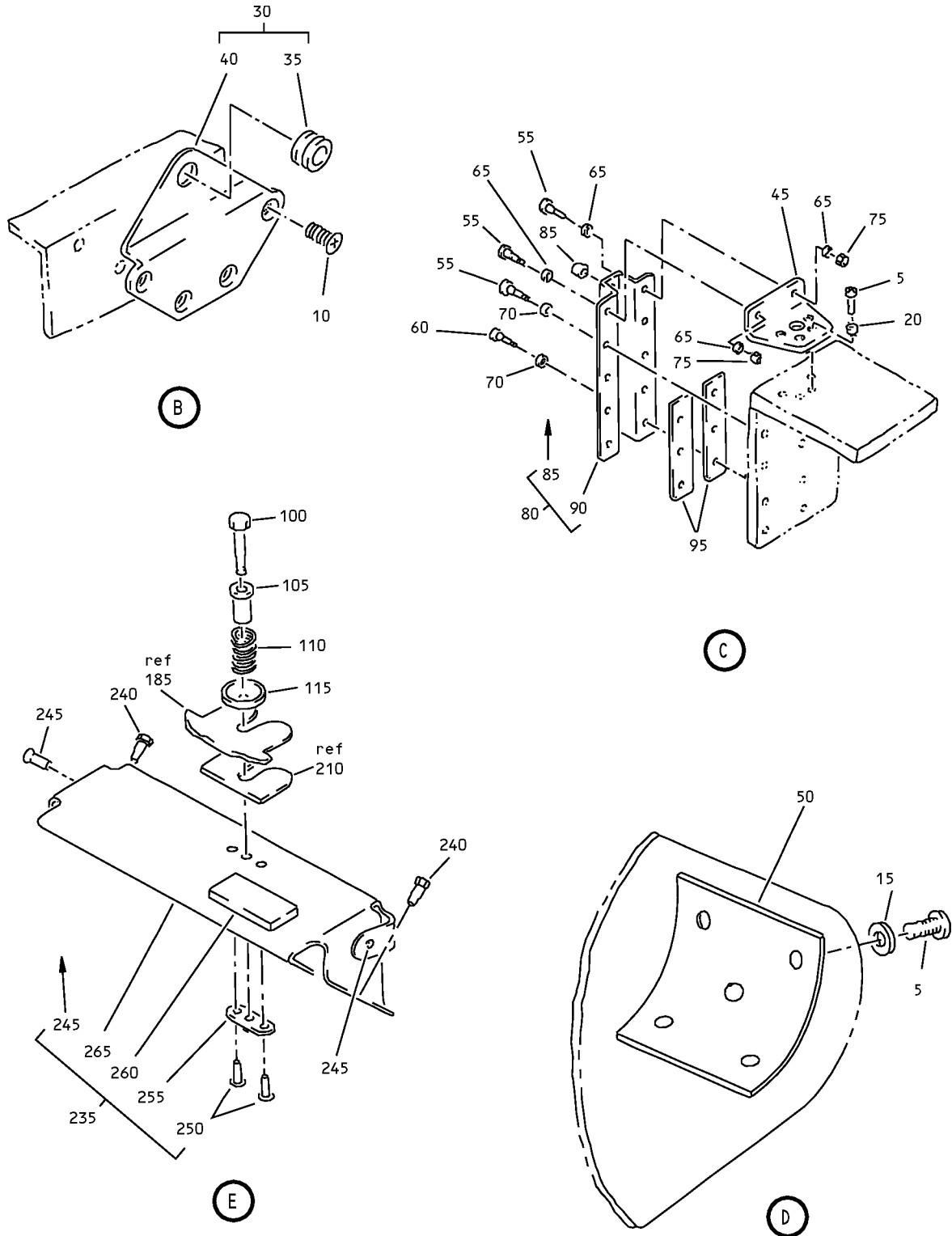
COMPONENT MAINTENANCE MANUAL



Overhead Stowage Compartment Assembly
IPL Figure 12 (Sheet 1 of 3)

25-28-48
ILLUSTRATED PARTS LIST
Page 1098.282
Mar 01/2006

COMPONENT MAINTENANCE MANUAL



Overhead Storage Compartment Assembly
IPL Figure 12 (Sheet 2 of 3)

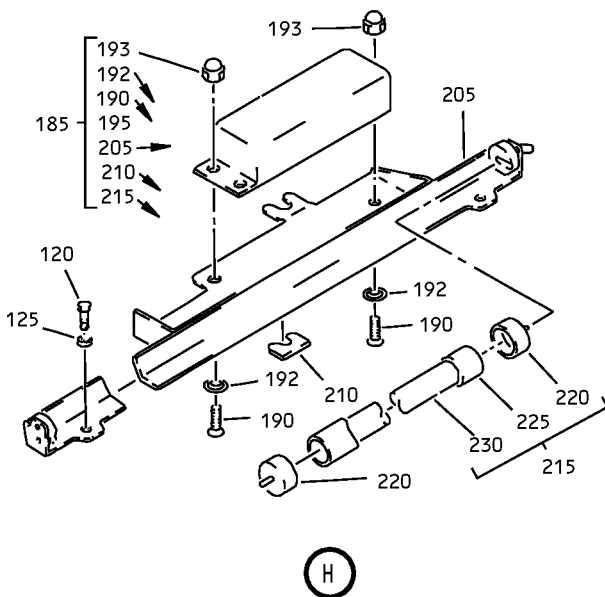
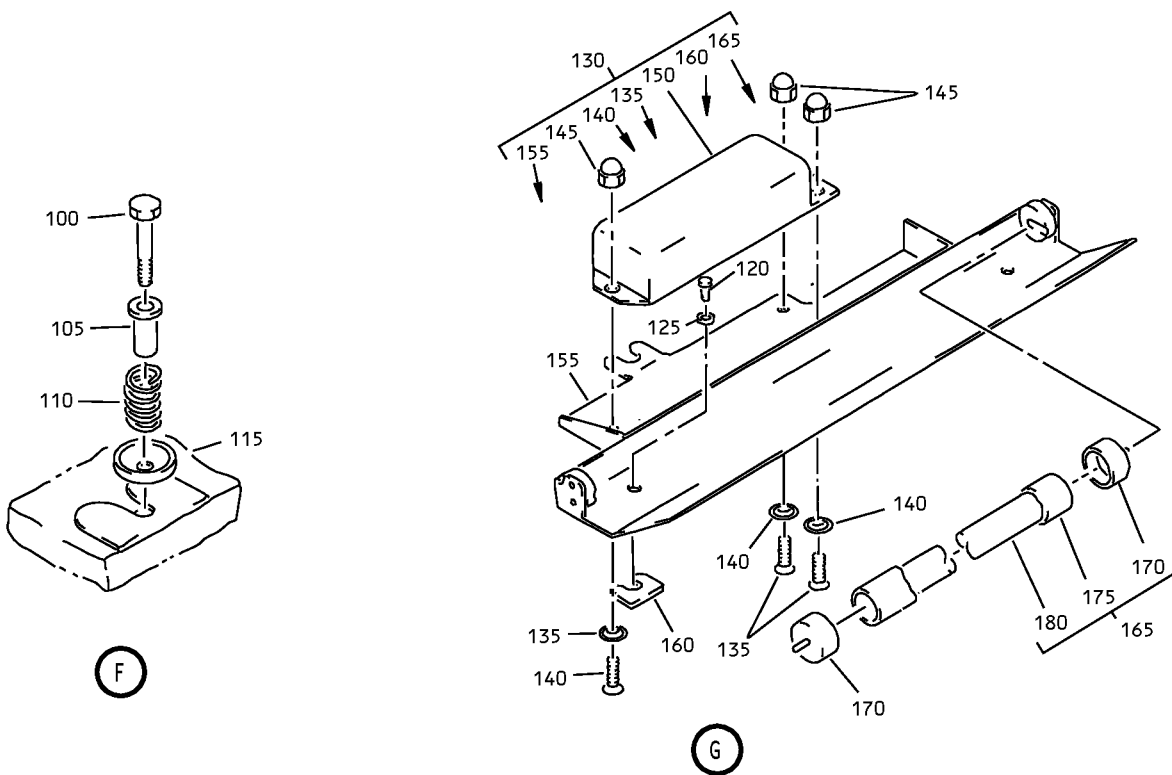
25-28-48

ILLUSTRATED PARTS LIST

Page 1098.283

Mar 01/2006

COMPONENT MAINTENANCE MANUAL



Overhead Storage Compartment Assembly
IPL Figure 12 (Sheet 3 of 3)

25-28-48
ILLUSTRATED PARTS LIST
Page 1098.284
Mar 01/2006



COMPONENT MAINTENANCE MANUAL

FIG/ ITEM	PART NUMBER	AIRLINE PART NUMBER	NOMENCLATURE							USAGE CODE	UNITS PER ASSY
			1	2	3	4	5	6	7		
12-											
-1	65C32942-21SP									KR	RF
-1A	65C32942-27SP									KS	RF
-1B	65C32942-87SP									KT	RF
-1C	65C32942-115SP									KU	RF
-1D	65C32942-302SP									KV	RF
-1E	65C32942-673SP									KW	RF
-1F	65C32942-697SP									LU	RF
5	BACB30NM3K1									KR-KW, LU	20
10	BACS12ER3K6									KR-KW, LU	4
15	AN960JD10									KR-KW, LU	16

-Item not Illustrated

25-28-48

ILLUSTRATED PARTS LIST

Page 1098.285

Mar 01/2006



COMPONENT MAINTENANCE MANUAL

FIG/ ITEM	PART NUMBER	AIRLINE PART NUMBER	NOMENCLATURE							USAGE CODE	UNITS PER ASSY			
			1	2	3	4	5	6	7					
12- 20	AN960JD10LL		.	W	A	S	H	E	R	KR-KW, LU	4			
25	412N1161-2		.	F	I	T	T	I	N	KR-KW, LU	1			
30	412N1119-1		.	F	I	T	T	I	N	A	S	S	KR-KW, LU	1
35	BACB28B6-220P		.	.	B	U	S	H	I	N	G	KR-KW, LU	1	
40	412N1119-2		.	.	F	I	T	T	I	N	G	KR-KW, LU	1	
45	412N1119-41		.	F	I	T	T	I	N	G	KR-KW, LU	1		
50	412N1119-12		.	F	I	T	T	I	N	G	KR-KW, LU	2		
55	BACB30NM3K3		.	B	O	L	T	(V06710) (SPEC BACB30NM3K3) (OPT BACB30NM3K3 (V06725)) (OPT BACB30NM3K3 (V06950)) (OPT BACB30NM3K3 (V08524)) (OPT BACB30NM3K3 (V27624)) (OPT BACB30NM3K3 (V56878)) (OPT BACB30NM3K3 (V73197)) (OPT BACB30NM3K3 (V80539)) (OPT BACB30NM3K3 (V92215)) (OPT BACB30NM3K3 (V93907)) (OPT BACB30NM3K3 (V97928))	KR-KW, LU	2				
60	BACB30NM3K2		.	B	O	L	T	(V06710) (SPEC BACB30NM3K2) (OPT BACB30NM3K2 (V06725)) (OPT BACB30NM3K2 (V06950)) (OPT BACB30NM3K2 (V08524)) (OPT BACB30NM3K2 (V27624)) (OPT BACB30NM3K2 (V56878)) (OPT BACB30NM3K2 (V73197)) (OPT BACB30NM3K2 (V80539)) (OPT BACB30NM3K2 (V92215)) (OPT BACB30NM3K2 (V93907)) (OPT BACB30NM3K2 (V97928))	KR-KW, LU	8				
65	AN960JD10LL		.	W	A	S	H	E	R	KR-KW, LU	4			

-Item not Illustrated

25-28-48

ILLUSTRATED PARTS LIST

Page 1098.286

Mar 01/2006



COMPONENT MAINTENANCE MANUAL

FIG/ ITEM	PART NUMBER	AIRLINE PART NUMBER	NOMENCLATURE							USAGE CODE	UNITS PER ASSY				
			1	2	3	4	5	6	7						
12- 70	AN960JD10		.	W	A	S	H	E	R	KR-KW, LU	8				
75	MS21042L3		.	N	U	T				KR-KW, LU	2				
80	65C27017-44		.	B	R	A	C	K	E	T	A	S	S	KR-KW, LU	1
85	BACB28B6-235P		.	.	B	U	S	H	I	N	G	KR-KW, LU	1		
90	65C27017-46		.	.	B	R	A	C	K	E	T	KR-KW, LU	1		
95	65C27017-15		.	S	H	I	M			KR-KW, LU	2				
100	NAS1801-3-11		.	S	C	R	E	W		KR-KW, LU	2				
105	BACS18C8-6		.	S	P	A	C	E	R	KR-KW, LU	2				
110	MS24585-1230		.	S	P	R	I	N	G	KR-KW, LU	2				
115	411N3142-28		.	W	A	S	H	E	R	KR-KW, LU	2				
120	NAS1801-3-5		.	S	C	R	E	W		KR-KW, LU	4				
125	AN960JD10LL		.	W	A	S	H	E	R	KR-KW, LU	4				
130	417N5120-47SP		.	L	I	G	H	T	A	S	S	KR-KW, LU	1		
135	BACS12ER3K6		.	.	S	C	R	E	W	KR-KW, LU	3				
				(V06710)											
				(SPEC BACS12ER3K6)											
				(OPT BACS12ER3K6 (V06725))											
				(OPT BACS12ER3K6 (V06950))											
				(OPT BACS12ER3K6 (V27624))											
				(OPT BACS12ER3K6 (V34252))											
				(OPT BACS12ER3K6 (V56878))											
				(OPT BACS12ER3K6 (V73197))											
				(OPT BACS12ER3K6 (V80539))											
				(OPT BACS12ER3K6 (V92215))											
				(OPT BACS12ER3K6 (V93907))											
				(OPT BACS12ER3K6 (V97928))											

-Item not Illustrated

25-28-48

ILLUSTRATED PARTS LIST

Page 1098.287

Mar 01/2006



COMPONENT MAINTENANCE MANUAL

FIG/ ITEM	PART NUMBER	AIRLINE PART NUMBER	NOMENCLATURE							USAGE CODE	UNITS PER ASSY	
			1	2	3	4	5	6	7			
12- 140	BACW10UD10		.	.	W	A	S	H	E	R	KR-KW, LU	3
145	F22K1-02		.	.	N	U	T				KR-KW, LU	3
					(V72962)							
					(SPEC BACN10R10L)							
					(OPT 22K1-02 (V72962))							
					(OPT 26CL02 (V80539))							
150	05939-7		.	.	B	A	L	L	A	S	KR-KW, LU	1
					(V17023)							
					(SPEC S283N702-7)							
					(OPT 1987-1 (V30242))							
					(OPT ITEM 150B)							
-150A	1987-1		.	.	B	A	L	L	A	S	KR-KW, LU	1
					(V30242)							
					(SPEC S283N702-7)							
					(OPT 05939-7 (V17023))							
					(OPT ITEM 150B)							
-150B	05939-107		.	.	B	A	L	L	A	S	KR-KW, LU	1
					(V17023)							
					(SPEC S283N702-107)							
					(OPT ITEM 150, 150A)							
155	S417N507-37A		.	.	H	O	U	S	I	N	KR-KW, LU	1
					(BEIGE/ROSEWOOD TRIM)							
-155A	S417N507-37C		.	.	H	O	U	S	I	N	KR-KW, LU	1
					(OFF WHITE/COVERT GRAY TRIM)							
-155B	S417N507-37E		.	.	H	O	U	S	I	N	KR-KW, LU	1
					(IVORY/ROSEWOOD TRIM)							
-155C	S417N507-37L		.	.	H	O	U	S	I	N	KR-KW, LU	1
					(WHITE/BLUE VELVET TRIM)							
-155D	S417N507-37M		.	.	H	O	U	S	I	N	KR-KW, LU	1
					(CREAM/COVERT GRAY TRIM)							
-155E	S417N507-37W		.	.	H	O	U	S	I	N	KR-KW, LU	1
					(PEPPER DUST/DARK GRAY TRIM)							
-155F	S417N507-37Y		.	.	H	O	U	S	I	N	KR-KW, LU	1
					(BIEGE/COVERT GRAY TRIM)							
160	65C28117-3		.	.	P	A	D				KR-KW, LU	1
165	417N5120-12		.	.	L	A	M	P	A	S	KR-KW, LU	1

-Item not Illustrated

25-28-48

ILLUSTRATED PARTS LIST

Page 1098.288

Mar 01/2006



COMPONENT MAINTENANCE MANUAL

FIG/ ITEM	PART NUMBER	AIRLINE PART NUMBER	NOMENCLATURE							USAGE CODE	UNITS PER ASSY	
			1	2	3	4	5	6	7			
12- 170	2055132		. . .	CAP							KR-KW, LU	2
				(V04169)								
175	NI060LGWUV1000		. . .	TUBE-COVER PROTECTIVE							KR-KW, LU	1
				(V06034)								
				(OPT ITEM 175A)								
-175A	LP1610-18		. . .	TUBE-COVER PROTECTIVE							KR-KW, LU	1
				(V60116)								
				(OPT ITEM 175)								
180	F15T8WW		. . .	LAMP-FLUOR							KR-KW, LU	1
				(V08805)								
185	417N5120-32		.	LIGHT ASSY							KR-KV, LU	1
-185A	417N5120-26		.	LIGHT ASSY							KW	1
190	BACS12ER3K6		. .	SCREW							KR-KW, LU	3
				(V06710)								
				(SPEC BACS12ER3K6)								
				(OPT BACS12ER3K6 (V06725))								
				(OPT BACS12ER3K6 (V06950))								
				(OPT BACS12ER3K6 (V27624))								
				(OPT BACS12ER3K6 (V34252))								
				(OPT BACS12ER3K6 (V56878))								
				(OPT BACS12ER3K6 (V73197))								
				(OPT BACS12ER3K6 (V80539))								
				(OPT BACS12ER3K6 (V92215))								
				(OPT BACS12ER3K6 (V93907))								
				(OPT BACS12ER3K6 (V97928))								
192	BACW10UD10		. .	WASHER							KR-KW, LU	3
193	F22K1-02		. .	NUT							KR-KW, LU	3
				(V72962)								
				(SPEC BACN10R10L)								
				(OPT 22K1-02 (V72962))								
				(OPT 26CL02 (V80539))								
195	05939-15		. .	BALLAST							KW	1
				(V17023)								
				(SPEC S283N702-15)								
				(OPT 1995-1 (V30242))								
				(OPT ITEM 195B)								

-Item not Illustrated

25-28-48

ILLUSTRATED PARTS LIST

Page 1098.289

Mar 01/2006



COMPONENT MAINTENANCE MANUAL

FIG/ ITEM	PART NUMBER	AIRLINE PART NUMBER	NOMENCLATURE							USAGE CODE	UNITS PER ASSY	
			1	2	3	4	5	6	7			
12- -245	NAS1398D4		.	.	RIVET (SIZE DETERMINED ON INST) (OPT ITEM 245A)						KR-KW, LU	2
-245A	BACR15BB4D		.	.	RIVET (SIZE DETERMINED ON INST) (OPT ITEM 245)						KR-KW, LU	2
250	BACR15BA3A		.	.	RIVET (SIZE DETERMINED ON INST)						KR-KW, LU	2
255	BRF200A3K		.	.	NUTPLATE (V52828) (SPEC BACN10JR3FR) (OPT F5000-3BCBAC (V15653)) (OPT NS103203-02BC (V80539)) (OPT RMF9201-3BC (V72962)) (OPT T8091S1032BC (V11815)) (OPT VN15A2-02 (V92215))						KR-KW, LU	1
260	65C27481-38		.	.	BLOCK-RUBBER						KR-KW, LU	1
265	65C27481-37		.	.	BRACKET						KR-KW, LU	1
270	65C32943-15SP		.		MODULE ASSY (FOR DETAILS SEE FIG. 17)						KR	1
-270A	65C32943-22SP		.		MODULE ASSY (FOR DETAILS SEE FIG. 17)						KS	1
-270B	65C32943-76SP		.		MODULE ASSY (FOR DETAILS SEE FIG. 17)						KT	1
-270C	65C32943-98SP		.		MODULE ASSY (FOR DETAILS SEE FIG. 17)						KU	1
-270D	65C32943-302SP		.		MODULE ASSY (FOR DETAILS SEE FIG. 17)						KV	1
-270E	65C32943-663SP		.		MODULE ASSY (FOR DETAILS SEE FIG. 17)						KW	1
-270F	65C32943-680SP		.		MODULE ASSY (FOR DETAILS SEE FIG. 17)						LU	1

-Item not Illustrated

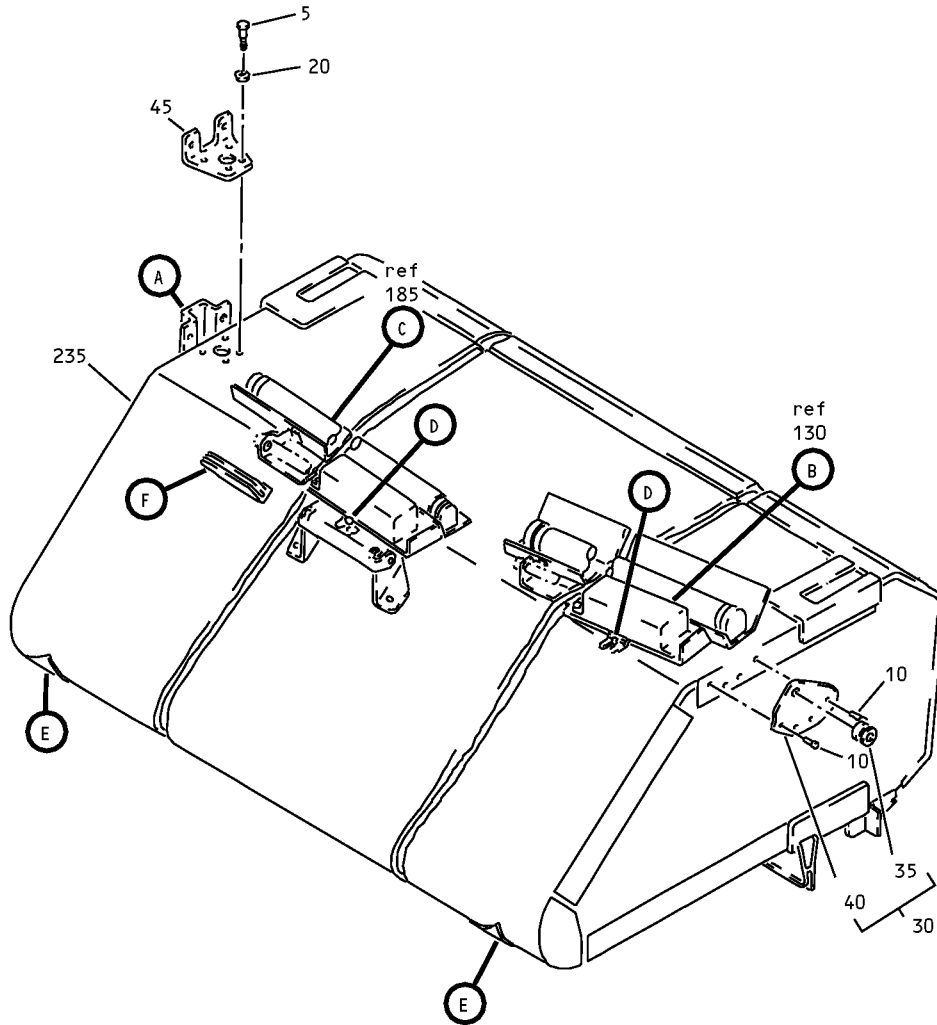
25-28-48

ILLUSTRATED PARTS LIST

Page 1098.291

Jul 01/2009

COMPONENT MAINTENANCE MANUAL



Overhead Stowage Compartment Assembly
IPL Figure 13 (Sheet 1 of 5)

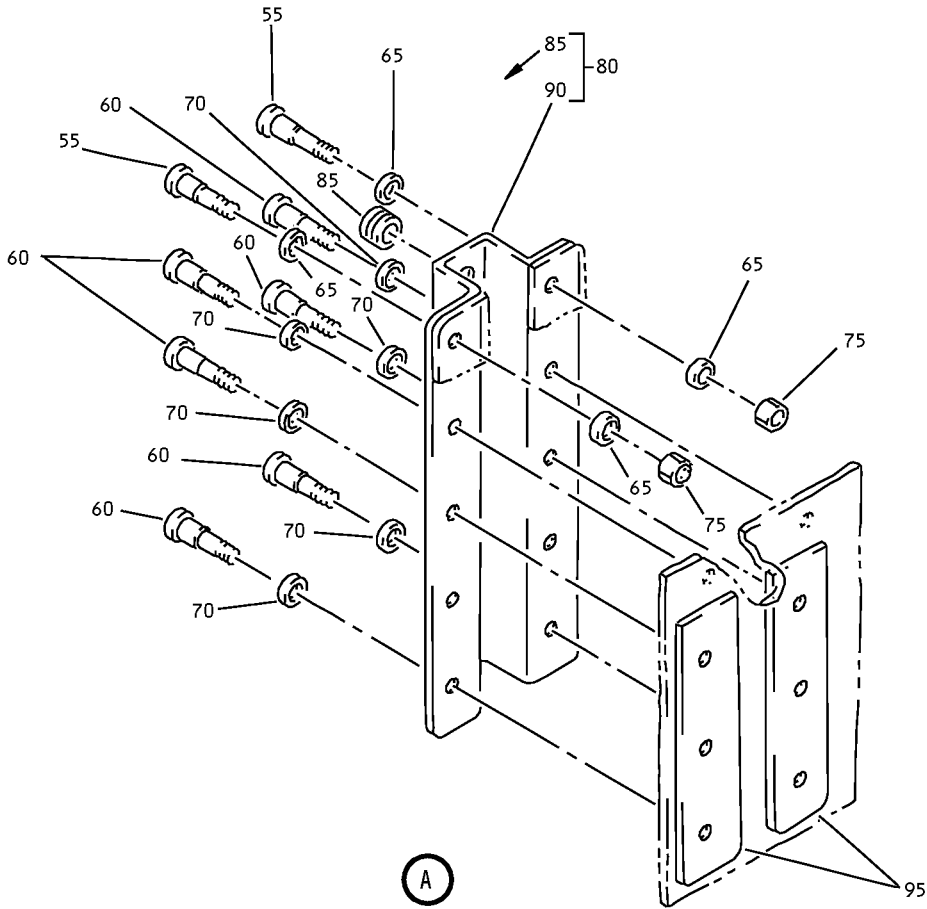
25-28-48

ILLUSTRATED PARTS LIST

Page 1098.292

Mar 01/2006

COMPONENT MAINTENANCE MANUAL



Overhead Stowage Compartment Assembly
IPL Figure 13 (Sheet 2 of 5)

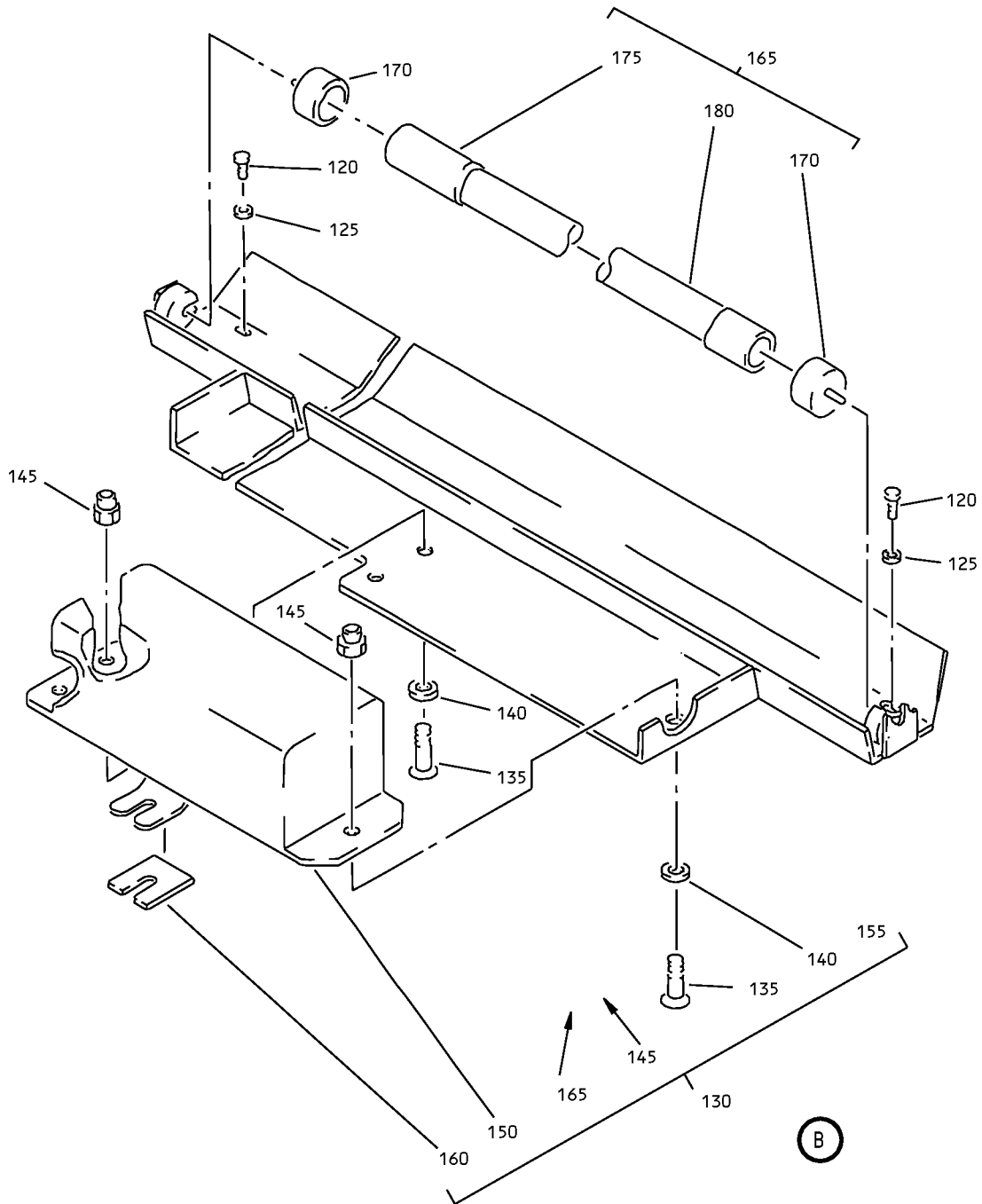
25-28-48

ILLUSTRATED PARTS LIST

Page 1098.293

Mar 01/2006

COMPONENT MAINTENANCE MANUAL



Overhead Stowage Compartment Assembly
IPL Figure 13 (Sheet 3 of 5)

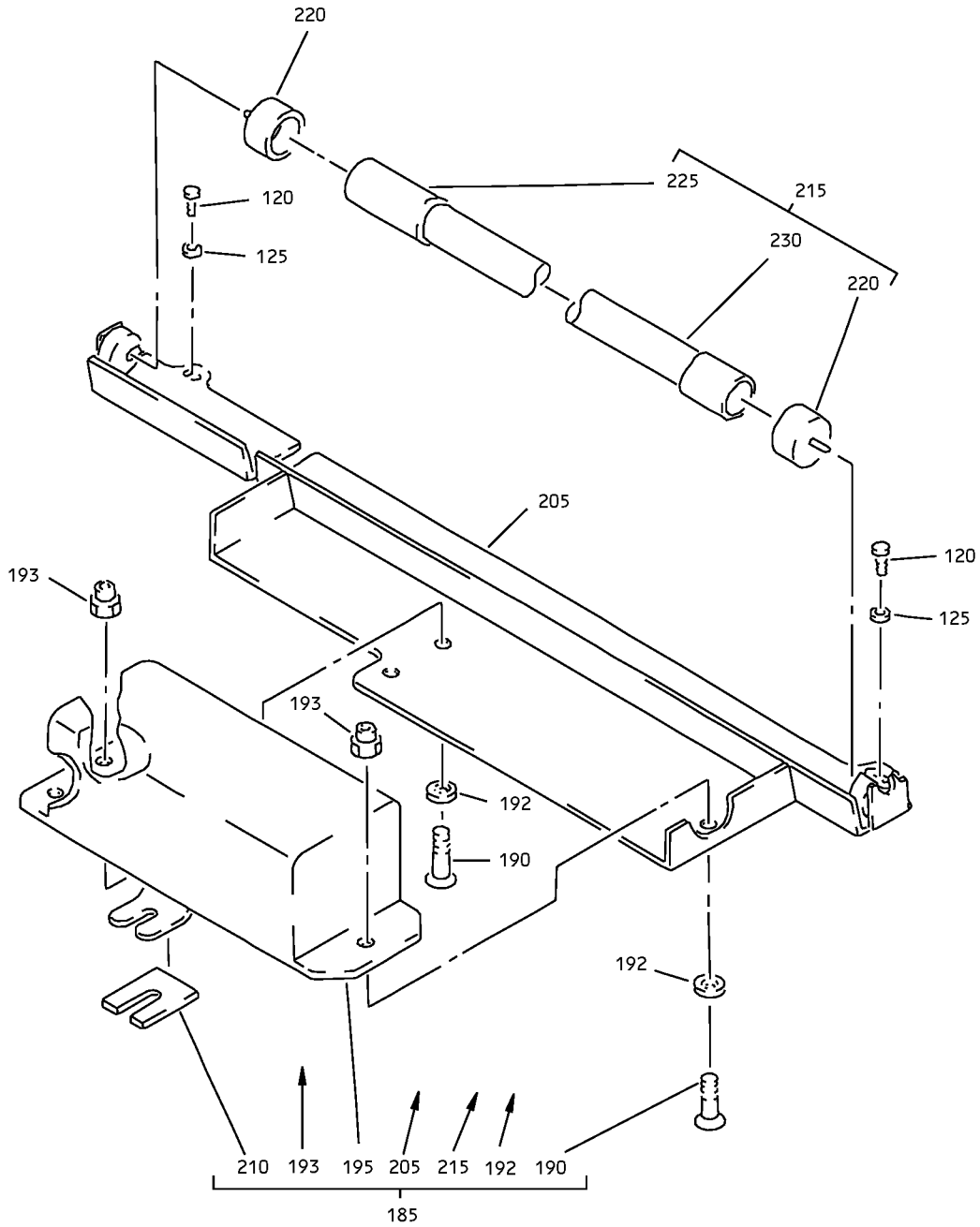
25-28-48

ILLUSTRATED PARTS LIST

Page 1098.294

Mar 01/2006

COMPONENT MAINTENANCE MANUAL



(C)

Overhead Stowage Compartment Assembly
IPL Figure 13 (Sheet 4 of 5)

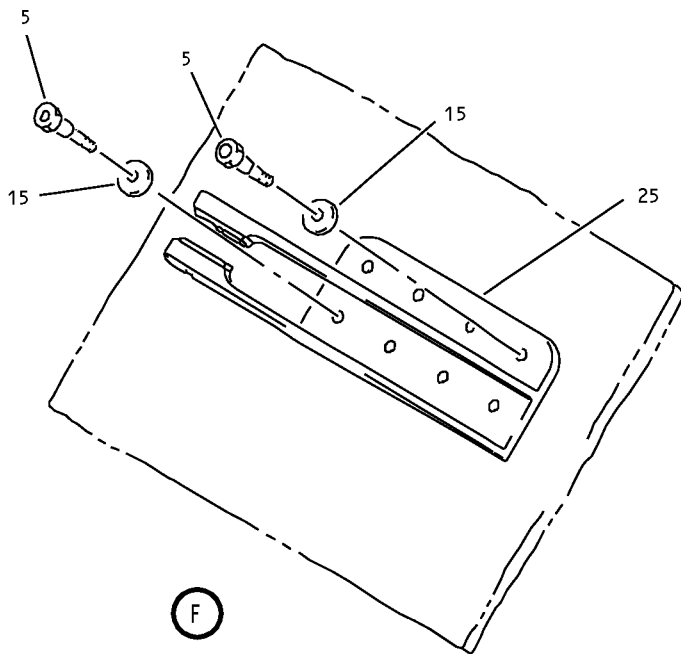
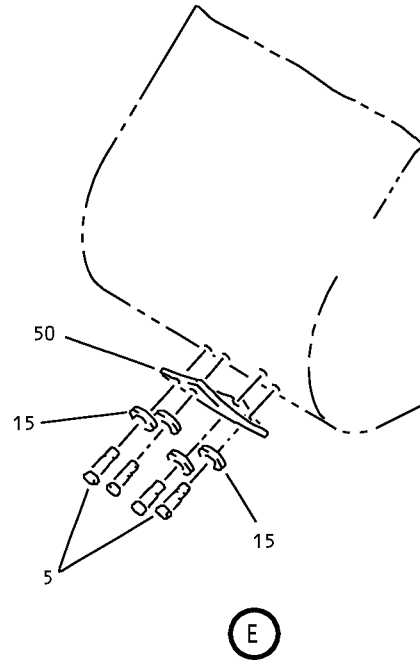
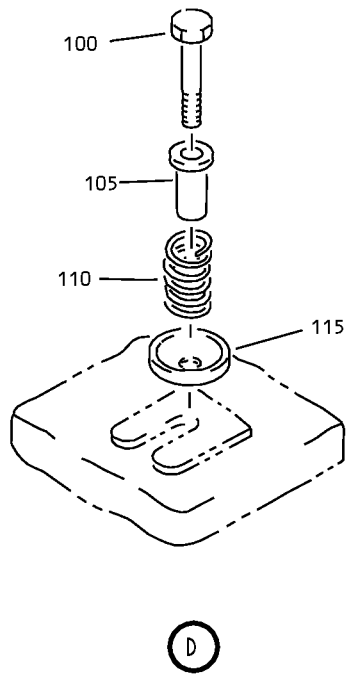
25-28-48

ILLUSTRATED PARTS LIST

Page 1098.295

Mar 01/2006

COMPONENT MAINTENANCE MANUAL



Overhead Stowage Compartment Assembly
IPL Figure 13 (Sheet 5 of 5)

25-28-48

ILLUSTRATED PARTS LIST

Page 1098.296

Mar 01/2006



COMPONENT MAINTENANCE MANUAL

FIG/ ITEM	PART NUMBER	AIRLINE PART NUMBER	NOMENCLATURE							USAGE CODE	UNITS PER ASSY
			1	2	3	4	5	6	7		
13-											
-1	65C32942-133SP									KX	RF
5	BACB30NM3K1									KX	20
10	BACS12ER3K6									KX	4
15	AN960JD10									KX	16
20	AN960JD10LL									KX	4
25	412N1161-2									KX	1
30	412N1119-1									KX	1
35	BACB28B6-220P									KX	1
40	412N1119-2									KX	1
45	412N1119-41									KX	1
50	412N1119-12									KX	2

-Item not Illustrated

25-28-48

ILLUSTRATED PARTS LIST

Page 1098.297

Mar 01/2006



COMPONENT MAINTENANCE MANUAL

FIG/ ITEM	PART NUMBER	AIRLINE PART NUMBER	NOMENCLATURE							USAGE CODE	UNITS PER ASSY
			1	2	3	4	5	6	7		
13- 55	BACB30NM3K3		.	BOLT						KX	2
				(V06710)							
				(SPEC BACB30NM3K3)							
				(OPT BACB30NM3K3 (V06725))							
				(OPT BACB30NM3K3 (V06950))							
				(OPT BACB30NM3K3 (V08524))							
				(OPT BACB30NM3K3 (V27624))							
				(OPT BACB30NM3K3 (V56878))							
				(OPT BACB30NM3K3 (V73197))							
				(OPT BACB30NM3K3 (V80539))							
				(OPT BACB30NM3K3 (V92215))							
				(OPT BACB30NM3K3 (V93907))							
				(OPT BACB30NM3K3 (V97928))							
60	BACB30NM3K2		.	BOLT						KX	8
				(V06710)							
				(SPEC BACB30NM3K2)							
				(OPT BACB30NM3K2 (V06725))							
				(OPT BACB30NM3K2 (V06950))							
				(OPT BACB30NM3K2 (V08524))							
				(OPT BACB30NM3K2 (V27624))							
				(OPT BACB30NM3K2 (V56878))							
				(OPT BACB30NM3K2 (V73197))							
				(OPT BACB30NM3K2 (V80539))							
				(OPT BACB30NM3K2 (V92215))							
				(OPT BACB30NM3K2 (V93907))							
				(OPT BACB30NM3K2 (V97928))							
65	AN960JD10LL		.	WASHER						KX	4
70	AN960JD10		.	WASHER						KX	8
75	MS21042L3		.	NUT						KX	2
80	65C27017-44		.	BRACKET ASSY						KX	1
85	BACB28B6-235P		.	BUSHING						KX	1
90	65C27017-46		.	BRACKET						KX	1
95	65C27017-15		.	SHIM						KX	2
100	NAS1801-3-11		.	SCREW						KX	2
105	BACS18C8-6		.	SPACER						KX	2
110	MS24585-1230		.	SPRING						KX	2
115	411N3142-28		.	WASHER						KX	2
120	NAS1801-3-5		.	SCREW						KX	4
125	AN960JD10LL		.	WASHER						KX	4
130	417N5120-47SP		.	LIGHT ASSY						KX	1

-Item not Illustrated

25-28-48

ILLUSTRATED PARTS LIST

Page 1098.298

Mar 01/2006



COMPONENT MAINTENANCE MANUAL

FIG/ ITEM	PART NUMBER	AIRLINE PART NUMBER	NOMENCLATURE							USAGE CODE	UNITS PER ASSY
			1	2	3	4	5	6	7		
13- 135	BACS12ER3K6		. .	SCREW						KX	3
				(V06710)							
				(SPEC BACS12ER3K6)							
				(OPT BACS12ER3K6 (V06725))							
				(OPT BACS12ER3K6 (V06950))							
				(OPT BACS12ER3K6 (V27624))							
				(OPT BACS12ER3K6 (V34252))							
				(OPT BACS12ER3K6 (V56878))							
				(OPT BACS12ER3K6 (V73197))							
				(OPT BACS12ER3K6 (V80539))							
				(OPT BACS12ER3K6 (V92215))							
				(OPT BACS12ER3K6 (V93907))							
				(OPT BACS12ER3K6 (V97928))							
140	BACW10UD10		. .	WASHER						KX	3
145	F22K1-02		. .	NUT						KX	3
				(V72962)							
				(SPEC BACN10R10L)							
				(OPT 22K1-02 (V72962))							
				(OPT 26CL02 (V80539))							
150	05939-7		. .	BALLAST						KX	1
				(V17023)							
				(SPEC S283N702-7)							
				(OPT 1987-1 (V30242))							
				(OPT ITEM 150B)							
-150A	1987-1		. .	BALLAST						KX	1
				(V30242)							
				(SPEC S283N702-7)							
				(OPT 05939-7 (V17023))							
				(OPT ITEM 150B)							
-150B	05939-107		. .	BALLAST						KX	1
				(V17023)							
				(SPEC S283N702-107)							
				(OPT ITEM 150, 150A)							
155	S417N507-37A		. .	HOUSING						KX	1
				(BEIGE/ROSEWOOD TRIM)							
-155A	S417N507-37C		. .	HOUSING						KX	1
				(OFF WHITE/COVERT GRAY TRIM)							
-155B	S417N507-37E		. .	HOUSING						KX	1
				(IVORY/ROSEWOOD TRIM)							
-155C	S417N507-37L		. .	HOUSING						KX	1
				(WHITE/BLUE VELVET TRIM)							

-Item not Illustrated

25-28-48

ILLUSTRATED PARTS LIST

Page 1098.299

Mar 01/2006



COMPONENT MAINTENANCE MANUAL

FIG/ ITEM	PART NUMBER	AIRLINE PART NUMBER	NOMENCLATURE							USAGE CODE	UNITS PER ASSY
			1	2	3	4	5	6	7		
13-											
-155D	S417N507-37M		.	.	HOUSING (CREAM/COVERT GRAY TRIM)					KX	1
-155E	S417N507-37W		.	.	HOUSING (PEPPER DUST/DARK GRAY TRIM)					KX	1
-155F	S417N507-37Y		.	.	HOUSING (BIEGE/COVERT GRAY TRIM)					KX	1
160	65C28117-3		.	.	PAD					KX	1
165	417N5120-12		.	.	LAMP ASSY					KX	1
170	2055132		.	.	CAP (V04169)					KX	2
175	NI060LGWUV1000		.	.	TUBE-COVER PROTECTIVE (V06034) (OPT ITEM 175A)					KX	1
-175A	LP1610-18		.	.	TUBE-COVER PROTECTIVE (V60116) (OPT ITEM 175)					KX	1
180	F15T8WW		.	.	LAMP-FLUOR (V08805)					KX	1
185	417N5120-32		.		LIGHT ASSY					KX	1
190	BACS12ER3K6		.	.	SCREW (V06710) (SPEC BACS12ER3K6) (OPT BACS12ER3K6 (V06725)) (OPT BACS12ER3K6 (V06950)) (OPT BACS12ER3K6 (V27624)) (OPT BACS12ER3K6 (V34252)) (OPT BACS12ER3K6 (V56878)) (OPT BACS12ER3K6 (V73197)) (OPT BACS12ER3K6 (V80539)) (OPT BACS12ER3K6 (V92215)) (OPT BACS12ER3K6 (V93907)) (OPT BACS12ER3K6 (V97928))					KX	3
192	BACW10UD10		.	.	WASHER					KX	3
193	F22K1-02		.	.	NUT (V72962) (SPEC BACN10R10L) (OPT 22K1-02 (V72962)) (OPT 26CL02 (V80539))					KX	3
195	S283N702-16		.	.	BALLAST (OPT ITEM 195A)					KX	1

-Item not Illustrated

25-28-48

ILLUSTRATED PARTS LIST

Page 1098.300

Mar 01/2006



COMPONENT MAINTENANCE MANUAL

FIG/ ITEM	PART NUMBER	AIRLINE PART NUMBER	NOMENCLATURE							USAGE CODE	UNITS PER ASSY	
			1	2	3	4	5	6	7			
13- -195A	S283N702-116		.	.							KX	1
205	S417N507-28		.	.							KX	1
210	65C28117-3		.	.							KX	1
215	417N5120-11		.	.							KX	1
220	2055150		.	.	.						KX	2
225	NI152LGWUV1000						KX	1
-225A	LP1625-24						KX	1
230	F20T12WW						KX	1
235	65C32943-115SP		.								KX	1

-Item not Illustrated

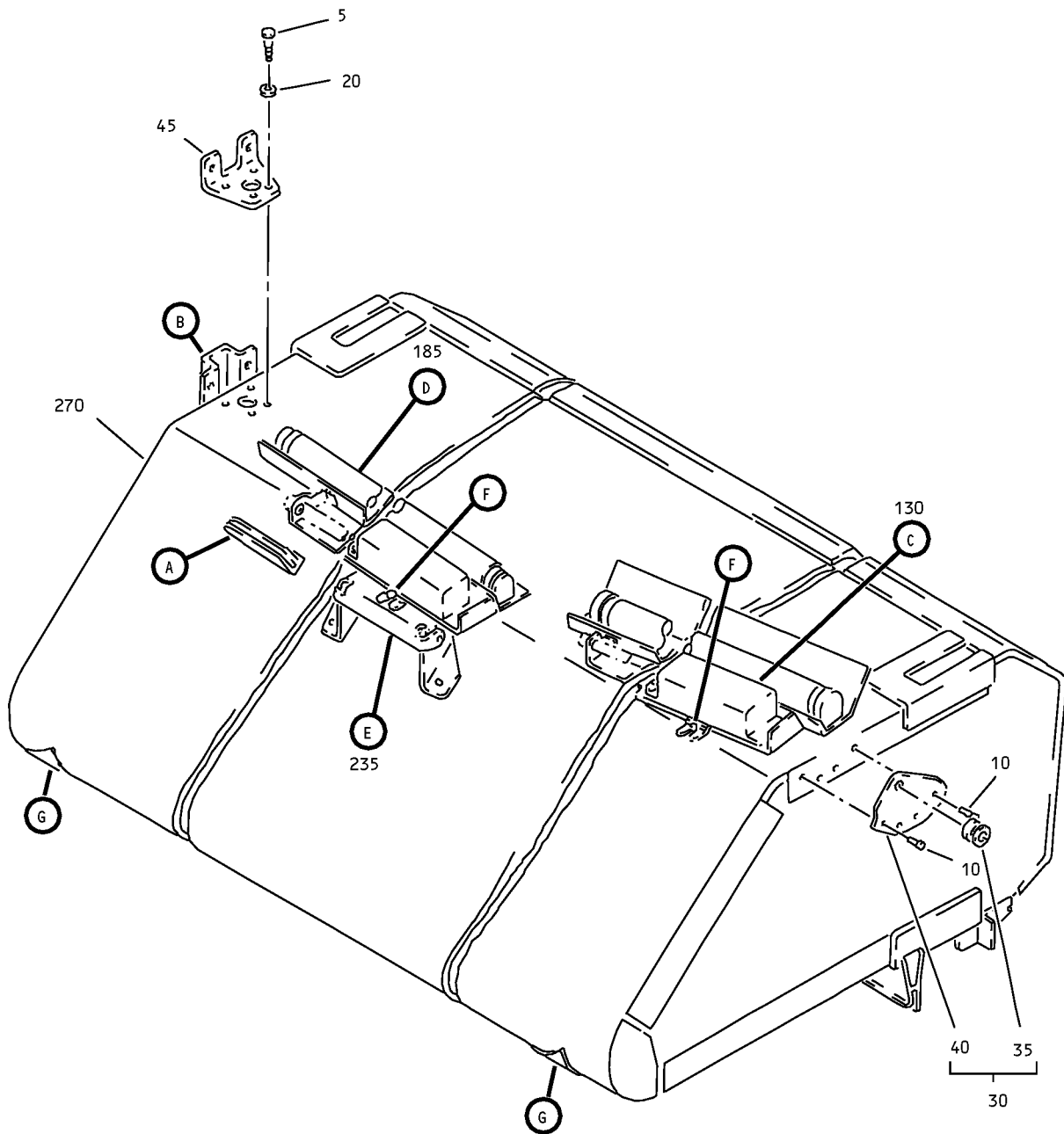
25-28-48

ILLUSTRATED PARTS LIST

Page 1098.301

Mar 01/2006

COMPONENT MAINTENANCE MANUAL



Overhead Stowage Compartment Assembly
IPL Figure 14 (Sheet 1 of 6)

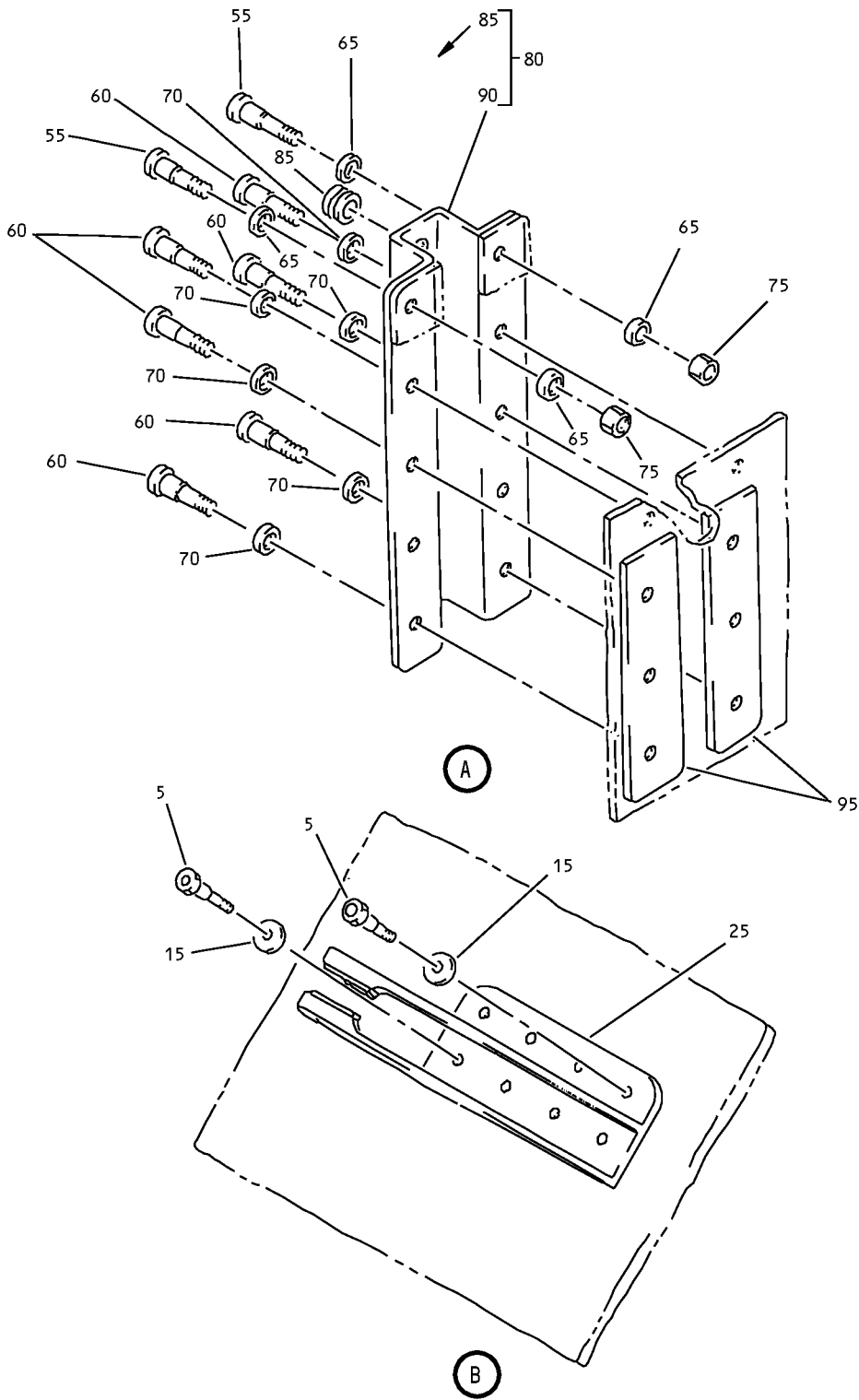
25-28-48

ILLUSTRATED PARTS LIST

Page 1098.302

Mar 01/2006

COMPONENT MAINTENANCE MANUAL



Overhead Stowage Compartment Assembly
IPL Figure 14 (Sheet 2 of 6)

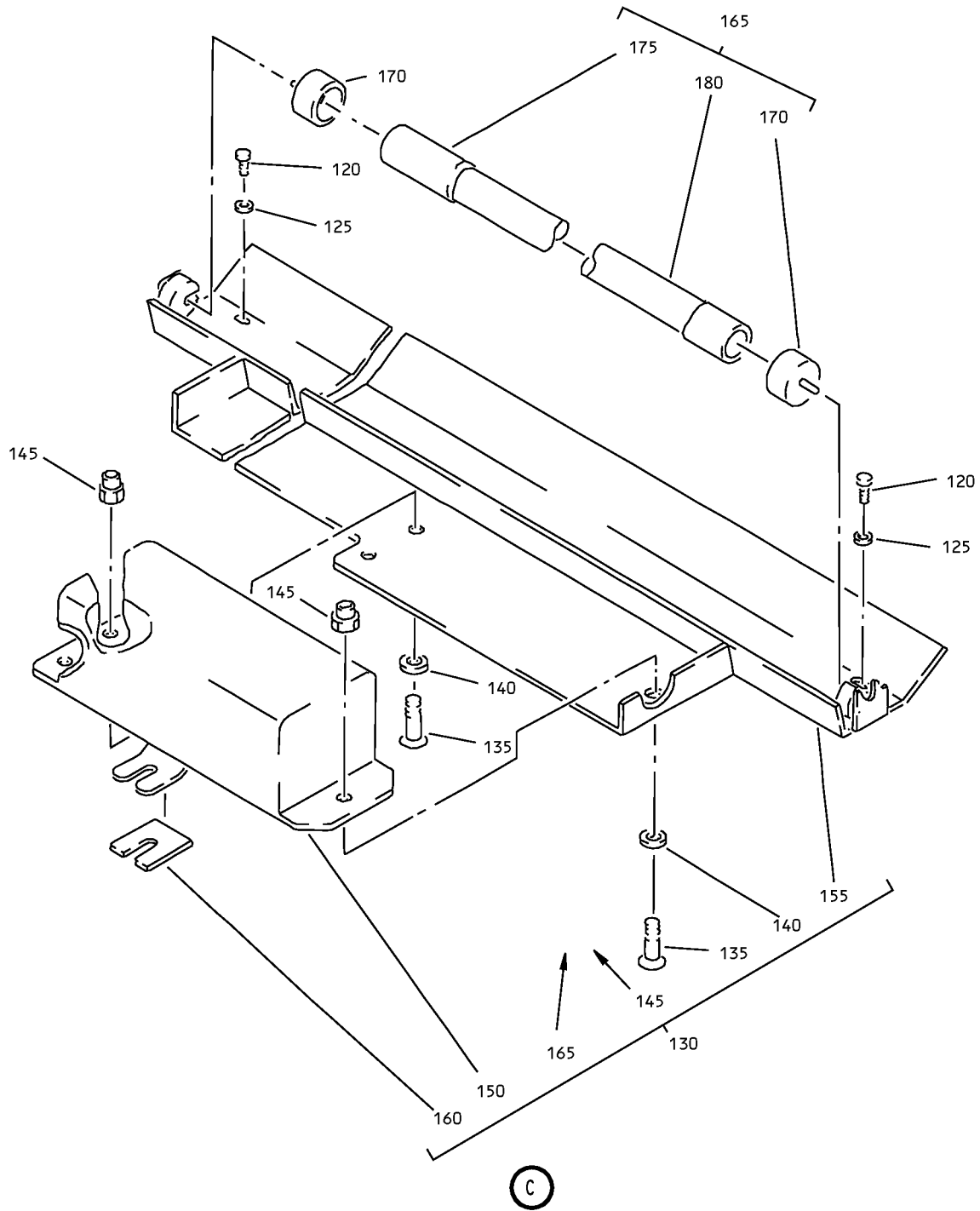
25-28-48

ILLUSTRATED PARTS LIST

Page 1098.303

Mar 01/2006

COMPONENT MAINTENANCE MANUAL



Overhead Storage Compartment Assembly
IPL Figure 14 (Sheet 3 of 6)

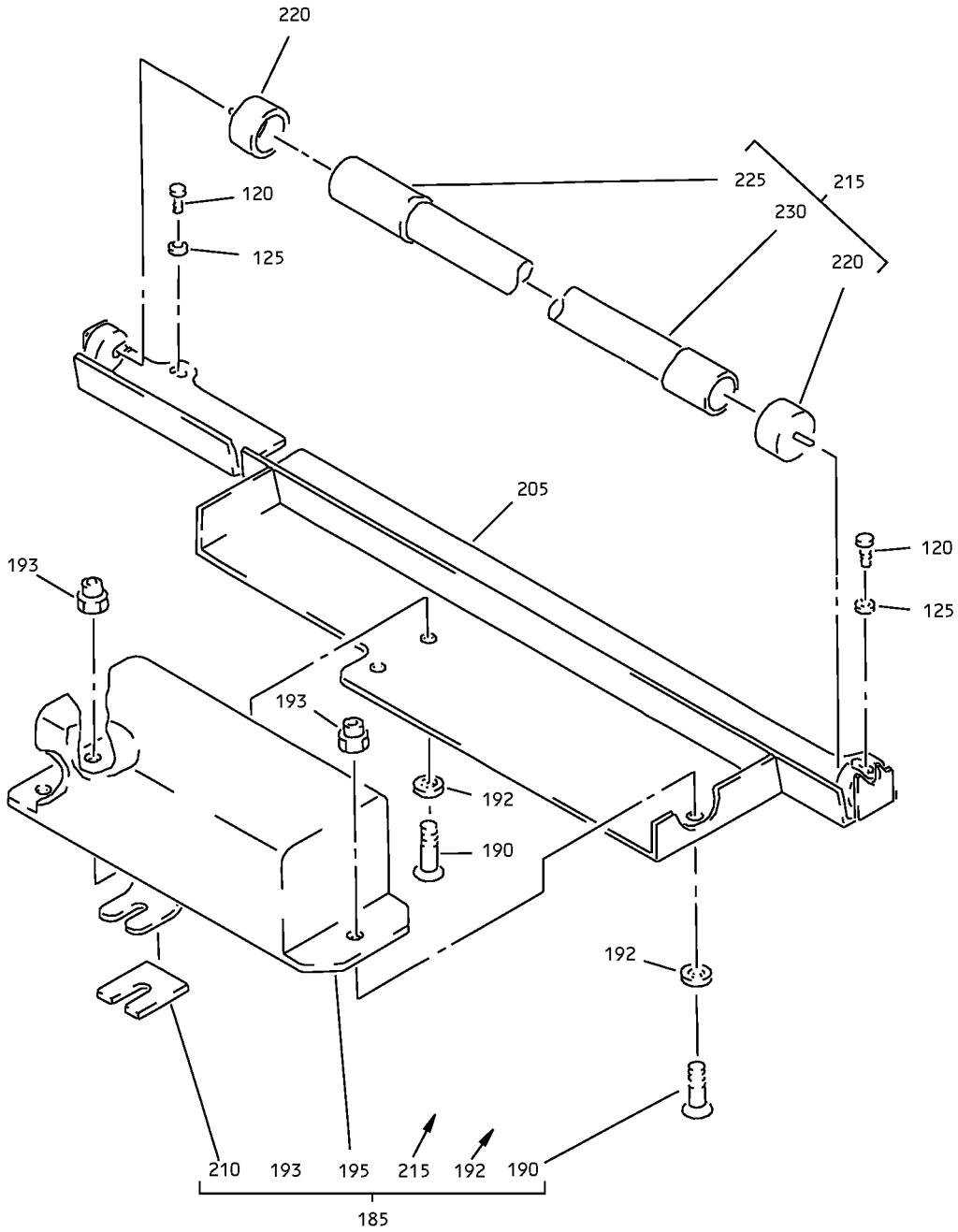
25-28-48

ILLUSTRATED PARTS LIST

Page 1098.304

Mar 01/2006

COMPONENT MAINTENANCE MANUAL

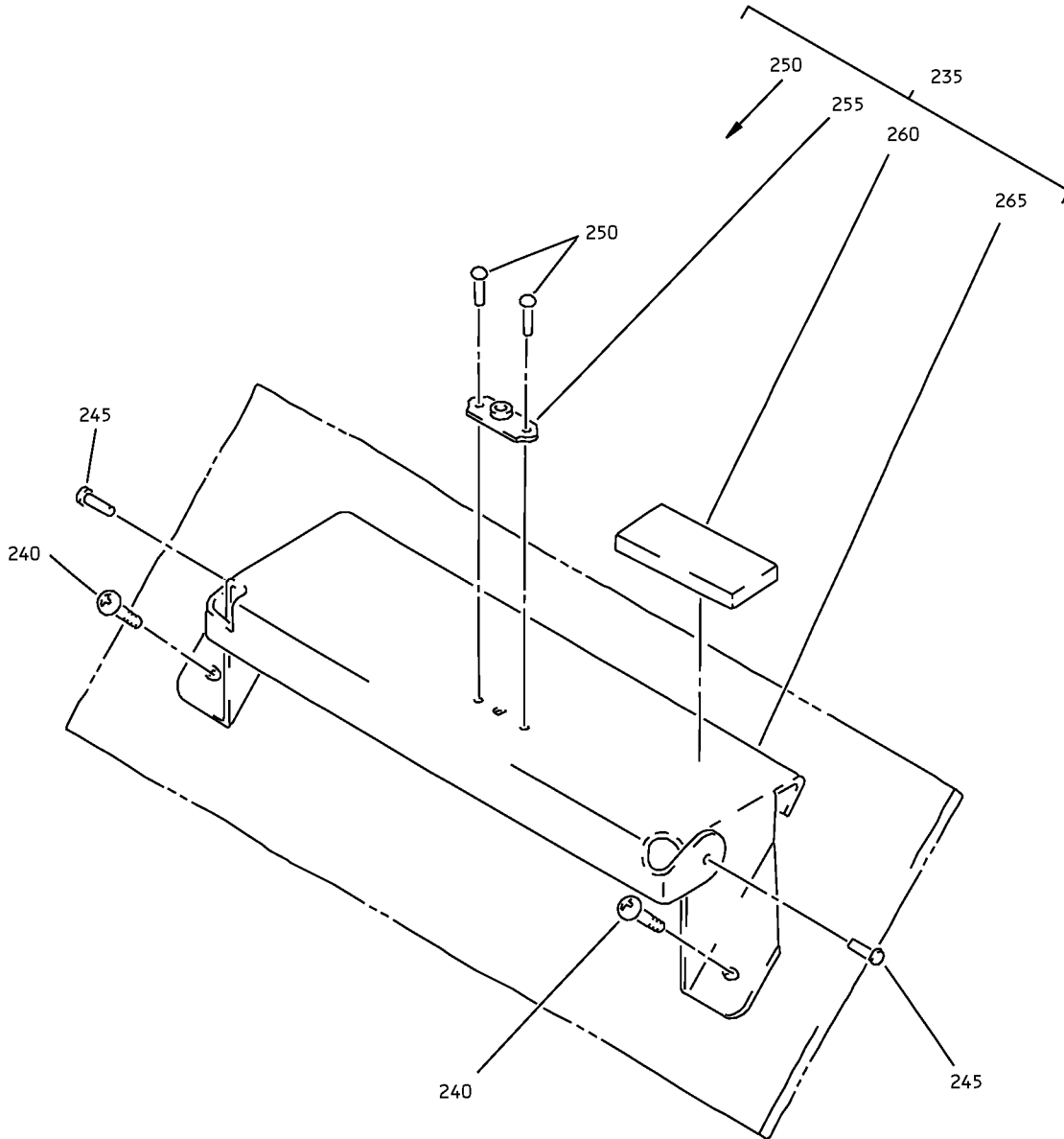


D

Overhead Stowage Compartment Assembly
IPL Figure 14 (Sheet 4 of 6)

25-28-48
ILLUSTRATED PARTS LIST
Page 1098.305
Mar 01/2006

COMPONENT MAINTENANCE MANUAL



E

Overhead Storage Compartment Assembly
IPL Figure 14 (Sheet 5 of 6)

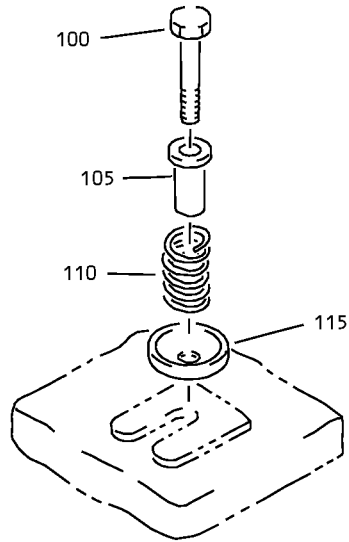
25-28-48

ILLUSTRATED PARTS LIST

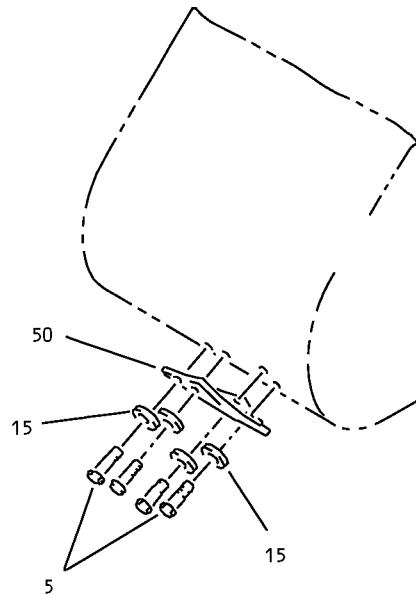
Page 1098.306

Mar 01/2006

COMPONENT MAINTENANCE MANUAL



F



G

Overhead Stowage Compartment Assembly
IPL Figure 14 (Sheet 6 of 6)

25-28-48

ILLUSTRATED PARTS LIST

Page 1098.307

Mar 01/2006



COMPONENT MAINTENANCE MANUAL

FIG/ ITEM	PART NUMBER	AIRLINE PART NUMBER	NOMENCLATURE							USAGE CODE	UNITS PER ASSY
			1	2	3	4	5	6	7		
14-											
-1	65C32942-602SP									KY	RF
5	BACB30NM3K1									KY	20
10	BACS12ER3K6									KY	4
15	AN960JD10									KY	16
20	AN960JD10LL									KY	4
25	412N1161-2									KY	1
30	412N1119-1									KY	1
35	BACB28B6-220P									KY	1
40	412N1119-2									KY	1
45	412N1119-41									KY	1
50	412N1119-12									KY	2

-Item not Illustrated

25-28-48

ILLUSTRATED PARTS LIST

Page 1098.308

Mar 01/2006



COMPONENT MAINTENANCE MANUAL

FIG/ ITEM	PART NUMBER	AIRLINE PART NUMBER	NOMENCLATURE							USAGE CODE	UNITS PER ASSY
			1	2	3	4	5	6	7		
14-											
55	BACB30NM3K3		.	BOLT						KY	2
				(V06710)							
				(SPEC BACB30NM3K3)							
				(OPT BACB30NM3K3 (V06725))							
				(OPT BACB30NM3K3 (V06950))							
				(OPT BACB30NM3K3 (V08524))							
				(OPT BACB30NM3K3 (V27624))							
				(OPT BACB30NM3K3 (V56878))							
				(OPT BACB30NM3K3 (V73197))							
				(OPT BACB30NM3K3 (V80539))							
				(OPT BACB30NM3K3 (V92215))							
				(OPT BACB30NM3K3 (V93907))							
				(OPT BACB30NM3K3 (V97928))							
60	BACB30NM3K2		.	BOLT						KY	8
				(V06710)							
				(SPEC BACB30NM3K2)							
				(OPT BACB30NM3K2 (V06725))							
				(OPT BACB30NM3K2 (V06950))							
				(OPT BACB30NM3K2 (V08524))							
				(OPT BACB30NM3K2 (V27624))							
				(OPT BACB30NM3K2 (V56878))							
				(OPT BACB30NM3K2 (V73197))							
				(OPT BACB30NM3K2 (V80539))							
				(OPT BACB30NM3K2 (V92215))							
				(OPT BACB30NM3K2 (V93907))							
				(OPT BACB30NM3K2 (V97928))							
65	AN960JD10LL		.	WASHER						KY	4
70	AN960JD10		.	WASHER						KY	8
75	MS21042L3		.	NUT						KY	2
80	65C27017-44		.	BRACKET ASSY						KY	1
85	BACB28B6-235P		.	BUSHING						KY	1
90	65C27017-46		.	BRACKET						KY	1
95	65C27017-15		.	SHIM						KY	2
100	NAS1801-3-11		.	SCREW						KY	2
105	BACS18C8-6		.	SPACER						KY	2
110	MS24585-1230		.	SPRING						KY	2
115	411N3142-28		.	WASHER						KY	2
120	NAS1801-3-5		.	SCREW						KY	4
125	AN960JD10LL		.	WASHER						KY	4
130	417N5120-47SP		.	LIGHT ASSY						KY	1

-Item not Illustrated

25-28-48

ILLUSTRATED PARTS LIST

Page 1098.309

Mar 01/2006



COMPONENT MAINTENANCE MANUAL

FIG/ ITEM	PART NUMBER	AIRLINE PART NUMBER	NOMENCLATURE							USAGE CODE	UNITS PER ASSY	
			1	2	3	4	5	6	7			
14- 135	BACS12ER3K6		. .	SCREW							KY	3
				(V06710)								
				(SPEC BACS12ER3K6)								
				(OPT BACS12ER3K6 (V06725))								
				(OPT BACS12ER3K6 (V06950))								
				(OPT BACS12ER3K6 (V27624))								
				(OPT BACS12ER3K6 (V34252))								
				(OPT BACS12ER3K6 (V56878))								
				(OPT BACS12ER3K6 (V73197))								
				(OPT BACS12ER3K6 (V80539))								
				(OPT BACS12ER3K6 (V92215))								
				(OPT BACS12ER3K6 (V93907))								
				(OPT BACS12ER3K6 (V97928))								
140	BACW10UD10		. .	WASHER							KY	3
145	F22K1-02		. .	NUT							KY	3
				(V72962)								
				(SPEC BACN10R10L)								
				(OPT 22K1-02 (V72962))								
				(OPT 26CL02 (V80539))								
150	05939-7		. .	BALLAST							KY	1
				(V17023)								
				(SPEC S283N702-7)								
				(OPT 1987-1 (V30242))								
				(OPT ITEM 150B)								
-150A	1987-1		. .	BALLAST							KY	1
				(V30242)								
				(SPEC S283N702-7)								
				(OPT 05939-7 (V17023))								
				(OPT ITEM 150B)								
-150B	05939-107		. .	BALLAST							KY	1
				(V17023)								
				(SPEC S283N702-107)								
				(OPT ITEM 150, 150A)								
155	S417N507-37A		. .	HOUSING							KY	1
				(BEIGE/ROSEWOOD TRIM)								
-155A	S417N507-37C		. .	HOUSING							KY	1
				(OFF WHITE/COVERT GRAY TRIM)								
-155B	S417N507-37E		. .	HOUSING							KY	1
				(IVORY/ROSEWOOD TRIM)								
-155C	S417N507-37L		. .	HOUSING							KY	1
				(WHITE/BLUE VELVET TRIM)								

-Item not Illustrated

25-28-48

ILLUSTRATED PARTS LIST

Page 1098.310

Mar 01/2006



COMPONENT MAINTENANCE MANUAL

FIG/ ITEM	PART NUMBER	AIRLINE PART NUMBER	NOMENCLATURE							USAGE CODE	UNITS PER ASSY
			1	2	3	4	5	6	7		
14-											
-155D	S417N507-37M		. .							KY	1
-155E	S417N507-37W		. .							KY	1
-155F	S417N507-37Y		. .							KY	1
160	65C28117-3		. .							KY	1
165	417N5120-12		. .							KY	1
170	2055132		. . .							KY	2
175	NI060LGWUV1000		. . .							KY	1
-175A	LP1610-18		. . .							KY	1
180	F15T8WW		. . .							KY	1
185	417N5120-32		. LIGHT							KY	1
190	BACS12ER3K6		. .							KY	3
192	BACW10UD10		. .							KY	3
193	F22K1-02		. .							KY	3
195	S283N702-16		. .							KY	1

-Item not Illustrated

25-28-48

ILLUSTRATED PARTS LIST

Page 1098.311

Mar 01/2006



COMPONENT MAINTENANCE MANUAL

FIG/ ITEM	PART NUMBER	AIRLINE PART NUMBER	NOMENCLATURE							USAGE CODE	UNITS PER ASSY
			1	2	3	4	5	6	7		
14-											
-195A	S283N702-116		. .							KY	1
205	S417N507-28		. .							KY	1
210	65C28117-3		. .							KY	1
215	417N5120-11		. .							KY	1
220	2055150		. . .							KY	2
225	NI152LGWUV1000		. . .							KY	1
-225A	LP1625-24		. . .							KY	1
230	F20T12WW		. . .							KY	1
235	65C27481-36		. BRACKET ASSY							KY	1
			ATTACHING PARTS								
240	BACS12FA3K4		. SCREW							KY	2
			----- * -----								
245	NAS1398D4		. . RIVET							KY	2
			(SIZE DETERMINED ON INST)								
			(OPT ITEM 245A)								
-245A	BACR15BB4D		. . RIVET							KY	2
			(SIZE DETERMINED ON INST)								
			(OPT ITEM 245)								
250	BACR15BA3A		. . RIVET							KY	2
			(SIZE DETERMINED ON INST)								
255	BRF200A3K		. . NUTPLATE							KY	1
			(V52828)								
			(SPEC BACN10JR3FR)								
			(OPT F5000-3BCBAC (V15653))								
			(OPT NS103203-02BC (V80539))								
			(OPT RMF9201-3BC (V72962))								
			(OPT T8091S1032BC (V11815))								
			(OPT VN15A2-02 (V92215))								
260	65C27481-38		. . BLOCK-RUBBER							KY	1
265	65C27481-37		. . BRACKET							KY	1

-Item not Illustrated

25-28-48

ILLUSTRATED PARTS LIST

Page 1098.312

Mar 01/2006



COMPONENT MAINTENANCE MANUAL

FIG/ ITEM	PART NUMBER	AIRLINE PART NUMBER	NOMENCLATURE							USAGE CODE	UNITS PER ASSY	
			1	2	3	4	5	6	7			
14- 270	65C32943-602SP										KY	1

-Item not Illustrated

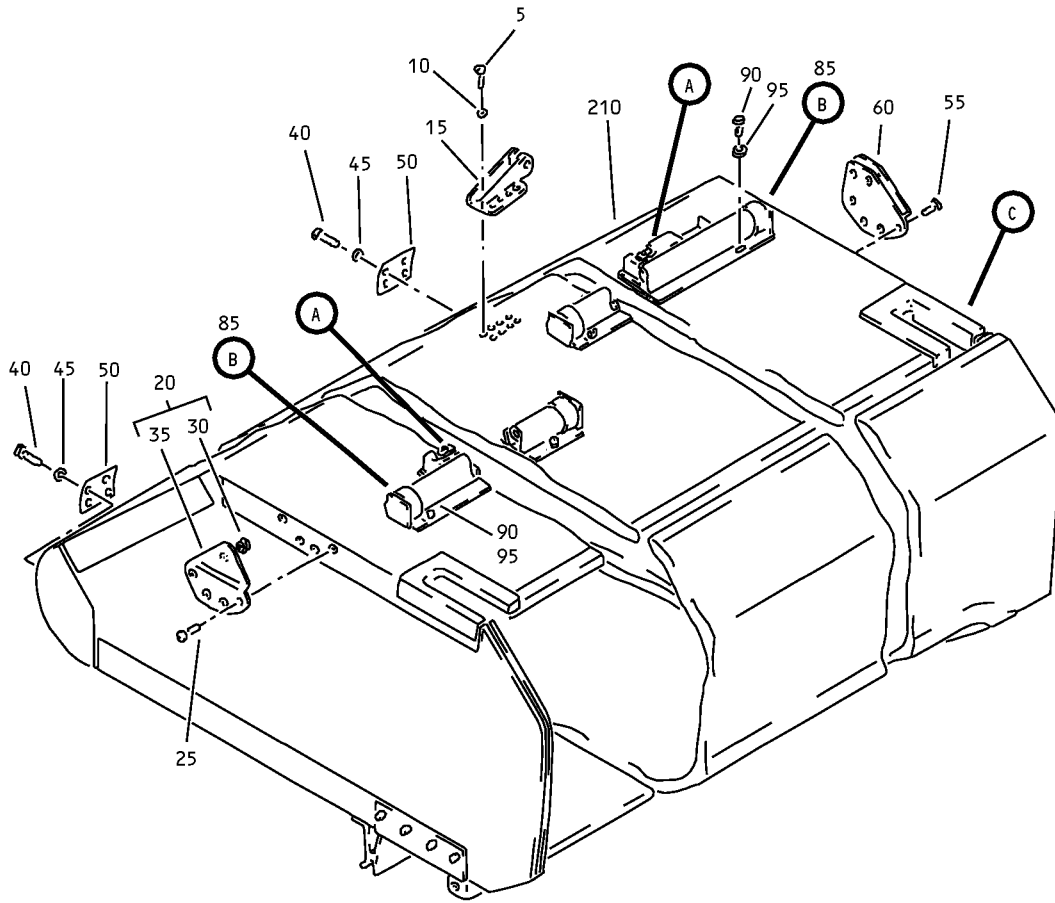
25-28-48

ILLUSTRATED PARTS LIST

Page 1098.313

Mar 01/2006

COMPONENT MAINTENANCE MANUAL



Overhead Stowage Compartment Assembly
IPL Figure 15 (Sheet 1 of 3)

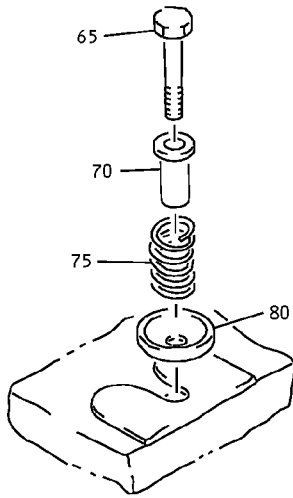
25-28-48

ILLUSTRATED PARTS LIST

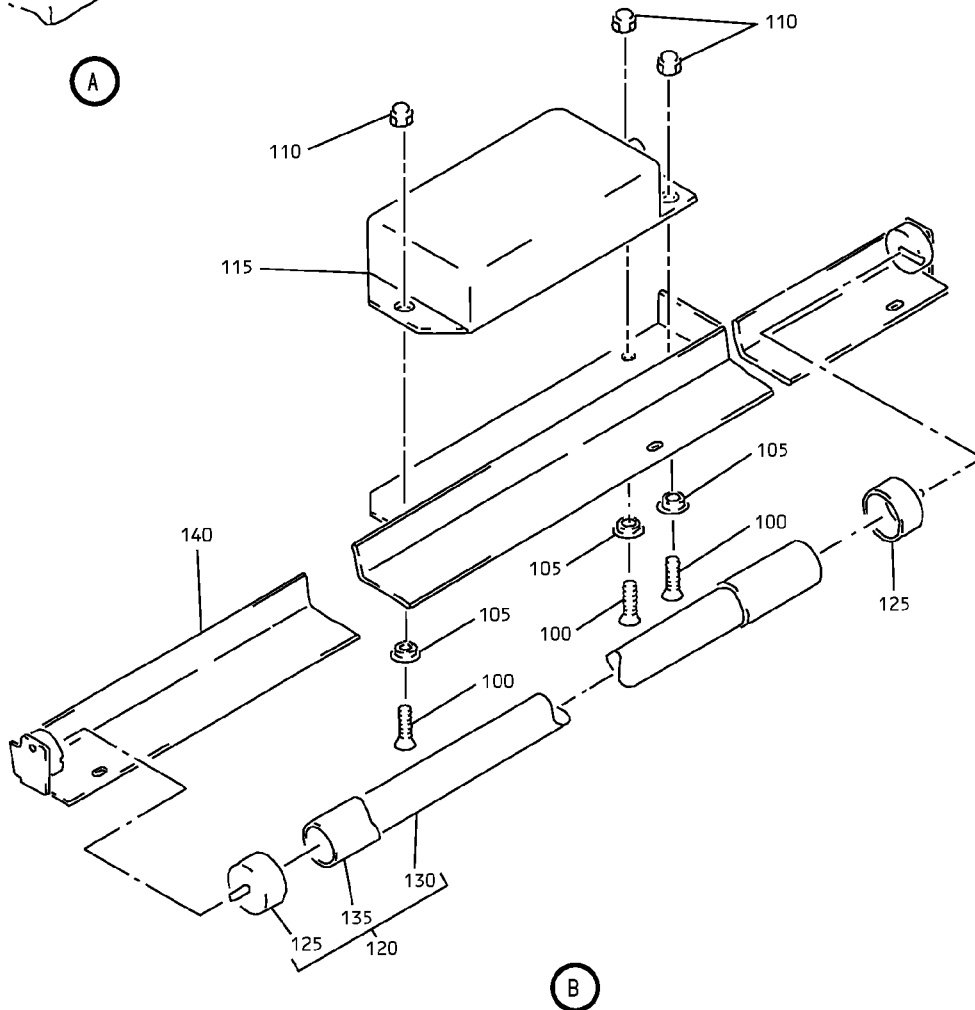
Page 1098.314

Mar 01/2006

COMPONENT MAINTENANCE MANUAL



(A)



(B)

Overhead Storage Compartment Assembly
IPL Figure 15 (Sheet 2 of 3)

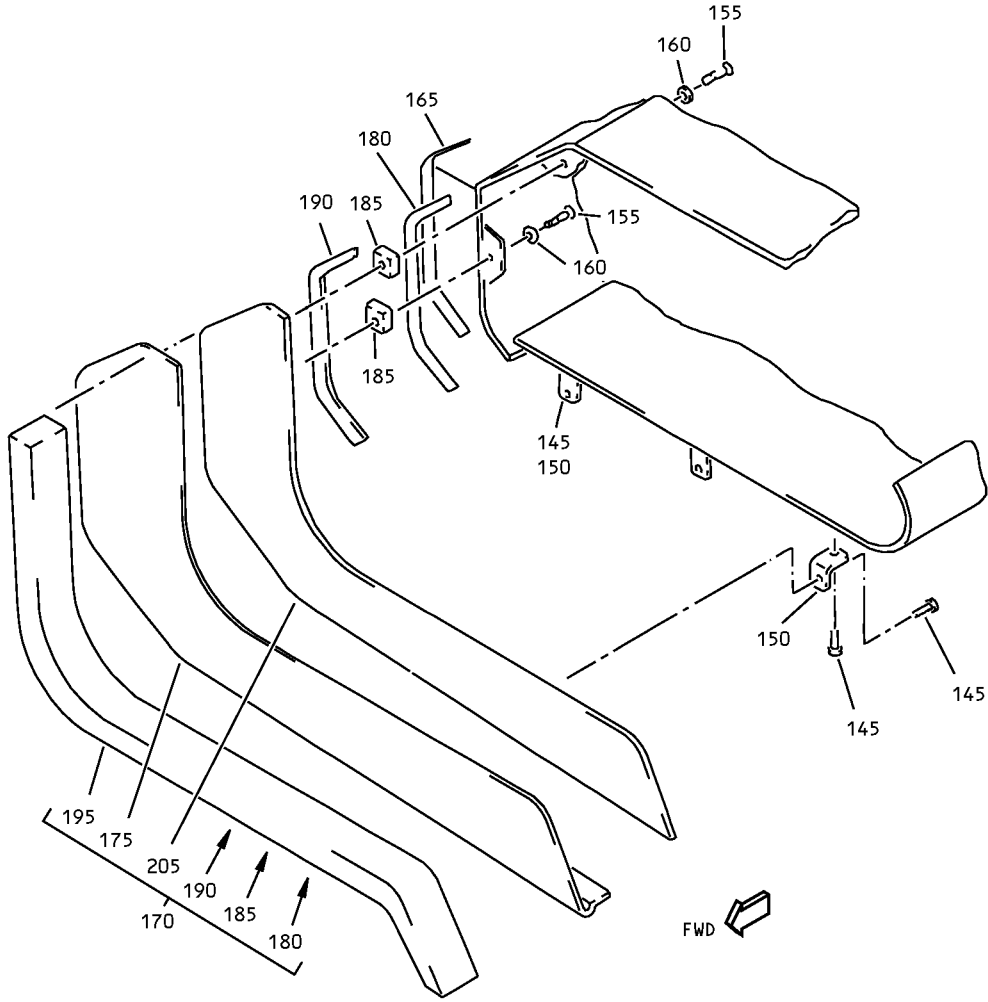
25-28-48

ILLUSTRATED PARTS LIST

Page 1098.315

Mar 01/2006

COMPONENT MAINTENANCE MANUAL



Overhead Stowage Compartment Assembly
IPL Figure 15 (Sheet 3 of 3)

25-28-48

ILLUSTRATED PARTS LIST

Page 1098.316

Mar 01/2006



COMPONENT MAINTENANCE MANUAL

FIG/ ITEM	PART NUMBER	AIRLINE PART NUMBER	NOMENCLATURE							USAGE CODE	UNITS PER ASSY
			1	2	3	4	5	6	7		
15-											
-1	65C32942-24SP									KZ	RF
5	BACB30NM3K1									KZ	8
10	AN960JD10									KZ	8
15	412N1161-2									KZ	1
20	412N1119-1									KZ	1
25	BACS12ER3K6									KZ	4
30	BACB28B6-220P									KZ	1
35	412N1119-2									KZ	1

-Item not Illustrated

25-28-48

ILLUSTRATED PARTS LIST

Page 1098.317

Mar 01/2006



COMPONENT MAINTENANCE MANUAL

FIG/ ITEM	PART NUMBER	AIRLINE PART NUMBER	NOMENCLATURE							USAGE CODE	UNITS PER ASSY
			1	2	3	4	5	6	7		
15- -100	BACS12ER3K6		. .	SCREW						KZ	3
				(V06710)							
				(SPEC BACS12ER3K6)							
				(OPT BACS12ER3K6 (V06725))							
				(OPT BACS12ER3K6 (V06950))							
				(OPT BACS12ER3K6 (V27624))							
				(OPT BACS12ER3K6 (V34252))							
				(OPT BACS12ER3K6 (V56878))							
				(OPT BACS12ER3K6 (V73197))							
				(OPT BACS12ER3K6 (V80539))							
				(OPT BACS12ER3K6 (V92215))							
				(OPT BACS12ER3K6 (V93907))							
				(OPT BACS12ER3K6 (V97928))							
105	BACW10UD10		. .	WASHER						KZ	3
110	F22K1-02		. .	NUT						KZ	3
				(V72962)							
				(SPEC BACN10R10L)							
				(OPT 22K1-02 (V72962))							
				(OPT 26CL02 (V80539))							
115	05939-7		. .	BALLAST						KZ	1
				(V17023)							
				(SPEC S283N702-7)							
				(OPT 1987-1 (V30242))							
				(OPT ITEM 115B)							
-115A	1987-1		. .	BALLAST						KZ	1
				(V30242)							
				(SPEC S283N702-7)							
				(OPT 05939-7 (V17023))							
				(OPT ITEM 115B)							
-115B	05939-107		. .	BALLAST						KZ	1
				(V17023)							
				(SPEC S283N702-107)							
				(OPT ITEM 115, 115A)							
120	417N5120-12		. .	LAMP ASSY						KZ	1
125	2055132		. . .	CAP-END						KZ	2
				(V04169)							
130	F15T8WW		. . .	LAMP-FLUOR.						KZ	1
				(V08805)							
135	LP1610-18		. . .	TUBE-COVER						KZ	1
				(V60116)							
				(OPT ITEM 135A)							

-Item not Illustrated

25-28-48

ILLUSTRATED PARTS LIST

Page 1098.319

Jul 01/2009



COMPONENT MAINTENANCE MANUAL

FIG/ ITEM	PART NUMBER	AIRLINE PART NUMBER	NOMENCLATURE							USAGE CODE	UNITS PER ASSY	
			1	2	3	4	5	6	7			
15- -135A	NI060LGWUV1000		.	.	.	TUBE-COVER (V06034) (OPT ITEM 135)					KZ	1
140	800000255-17		.	.	LIGHT ASSY-CLG (V05617) (SPEC S417N507-17) (FOR DETAILS SEE FIG. 80)						KZ	1
145	BACS12EFA3K5		.	SCREW							KZ	6
150	65C27017-42		.	BRACKET							KZ	3
155	BACB30NN3K14		.	BOLT (V06710) (SPEC BACB30NN3K14) (OPT BACB30NN3K14 (V06725)) (OPT BACB30NN3K14 (V06950)) (OPT BACB30NN3K14 (V08524)) (OPT BACB30NN3K14 (V27624)) (OPT BACB30NN3K14 (V56878)) (OPT BACB30NN3K14 (V73197)) (OPT BACB30NN3K14 (V80539)) (OPT BACB30NN3K14 (V92215)) (OPT BACB30NN3K14 (V93907)) (OPT BACB30NN3K14 (V97928))						KZ	2	
160	BACW10CT10		.	WASHER (V10630) (SPEC BACW10CT10)							KZ	2
165	412N1130-5SP		.	TRIM-VERT. STRIP							KZ	1
170	65C32946-5SP		.	CAP ASSY-END							KZ	1
175	65C32946-12SP		.	CAP							KZ	1
180	65C32946-27SP		.	TRIM-DECORATIVE							KZ	1
185	65C32946-24		.	SPACER							KZ	2
190	65C32946-26		.	FILLER							KZ	1
195	65C32946-16		.	SEAL							KZ	1
-200	SL2334-3A2		.	INSERT-FLOATING (V97393)							KZ	6
205	65C32946-21		.	PANEL ASSY							KZ	1
210	65C32943-17SP		.	MODULE ASSY (FOR DETAILS SEE FIG. 4)							KZ	1

-Item not Illustrated

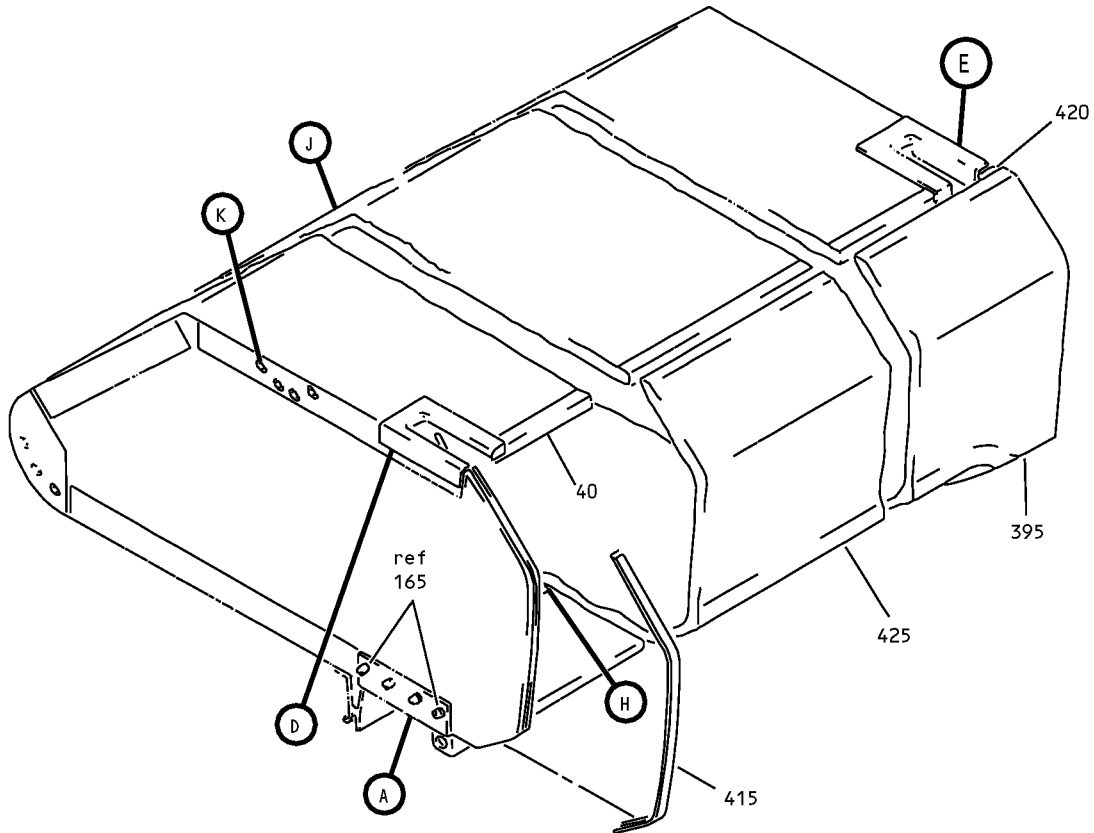
25-28-48

ILLUSTRATED PARTS LIST

Page 1098.320

Mar 01/2006

COMPONENT MAINTENANCE MANUAL



Overhead Stowage Compartment Assembly
IPL Figure 16 (Sheet 1 of 9)

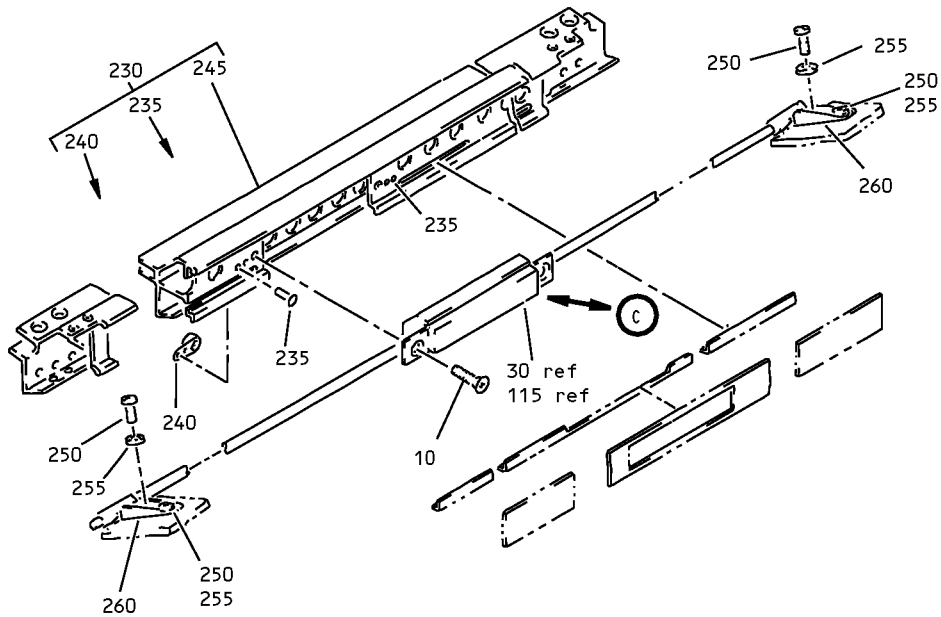
25-28-48

ILLUSTRATED PARTS LIST

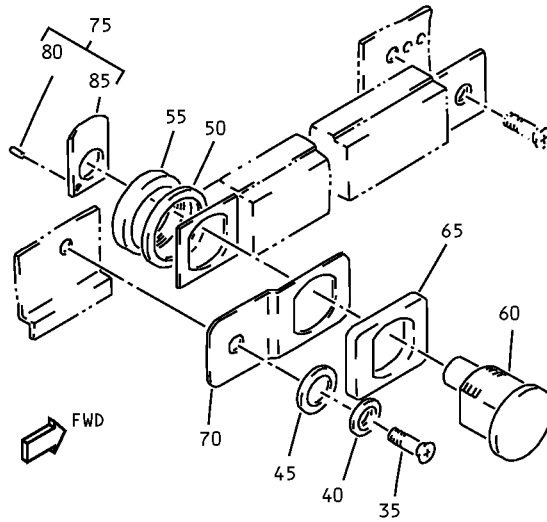
Page 1098.321

Mar 01/2006

COMPONENT MAINTENANCE MANUAL



(B)



(C)

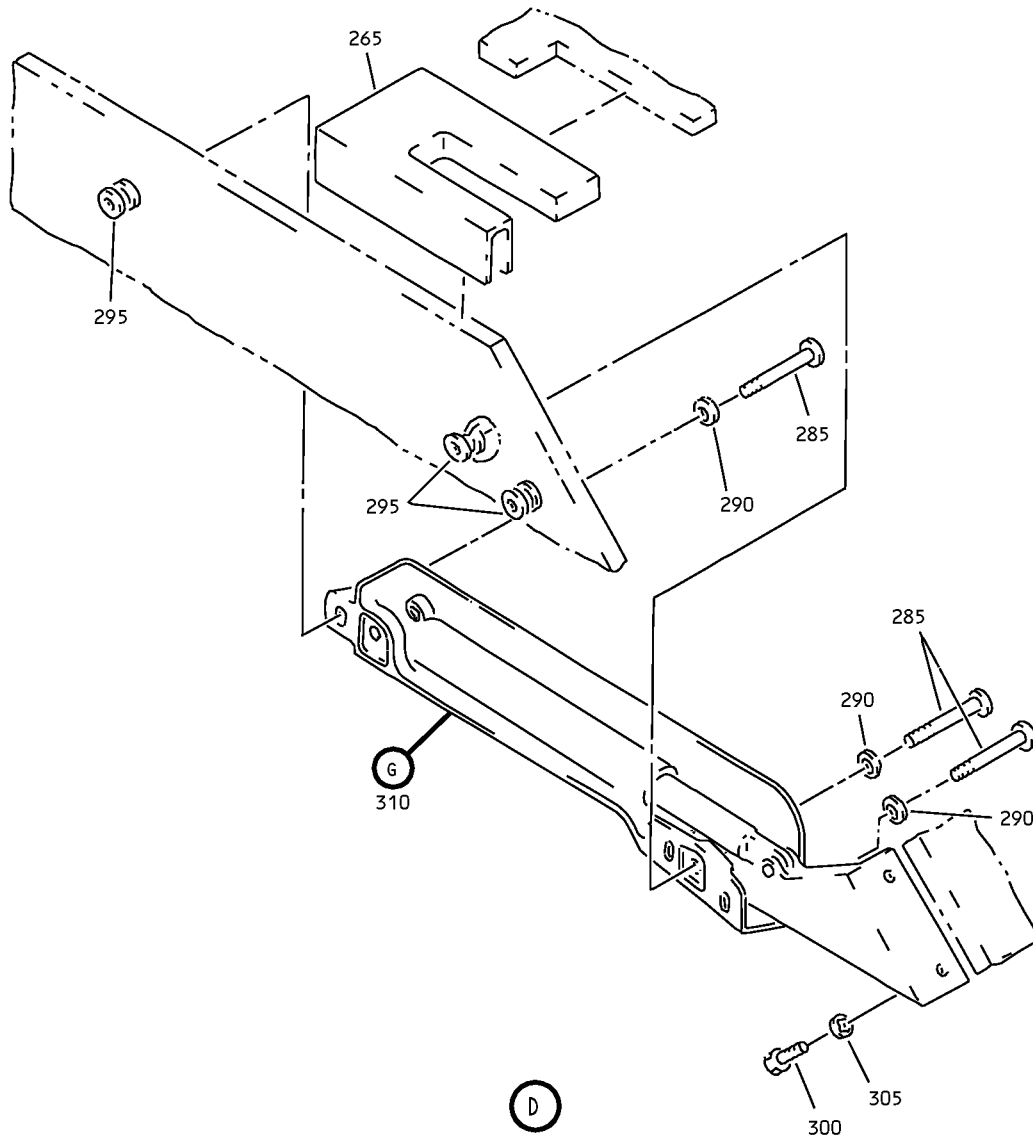
Overhead Storage Compartment Assembly
IPL Figure 16 (Sheet 3 of 9)

25-28-48

ILLUSTRATED PARTS LIST

Page 1098.323

Mar 01/2006

COMPONENT MAINTENANCE MANUAL


Overhead Stowage Compartment Assembly
IPL Figure 16 (Sheet 4 of 9)

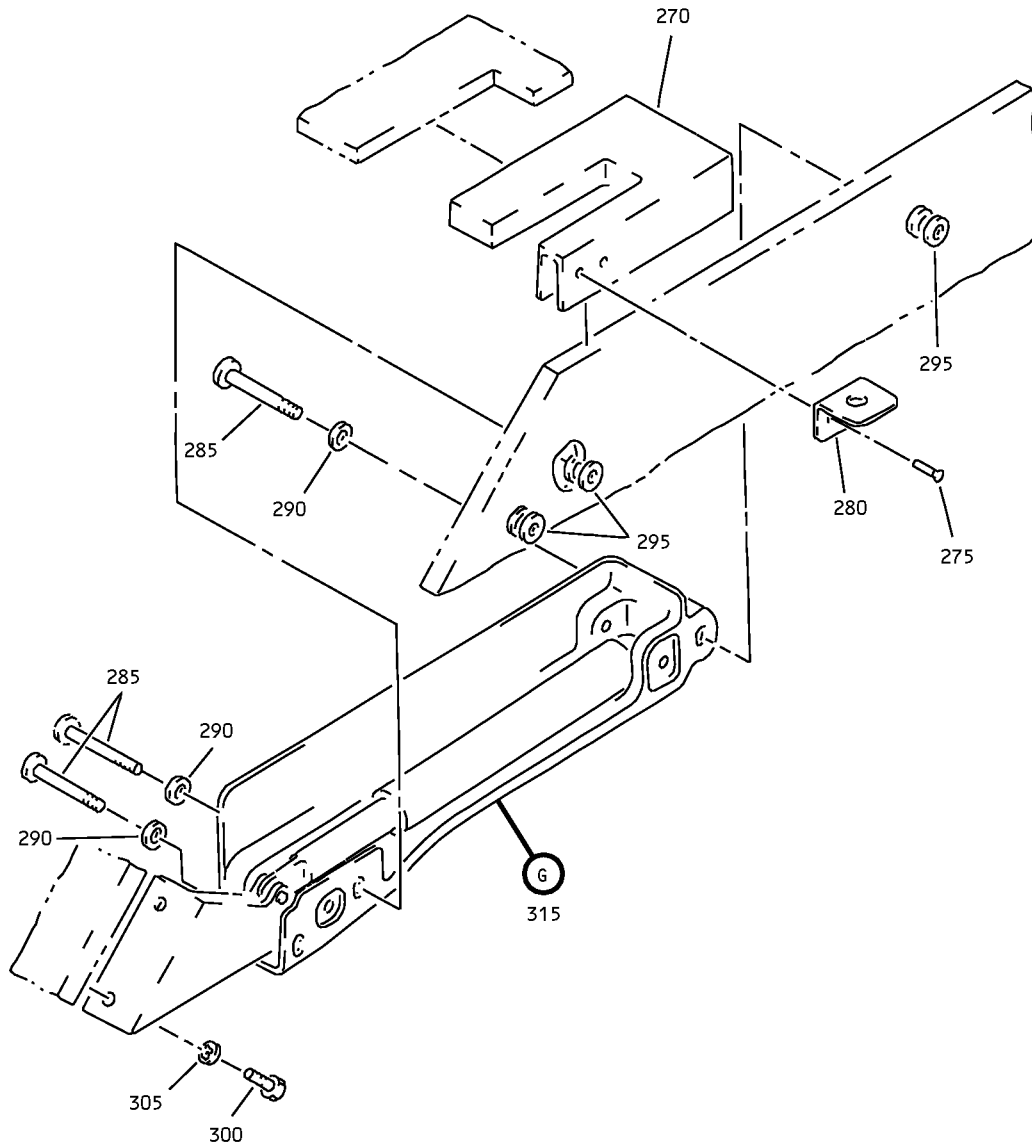
25-28-48

ILLUSTRATED PARTS LIST

Page 1098.324

Mar 01/2006

COMPONENT MAINTENANCE MANUAL



(E)

Overhead Storage Compartment Assembly
IPL Figure 16 (Sheet 5 of 9)

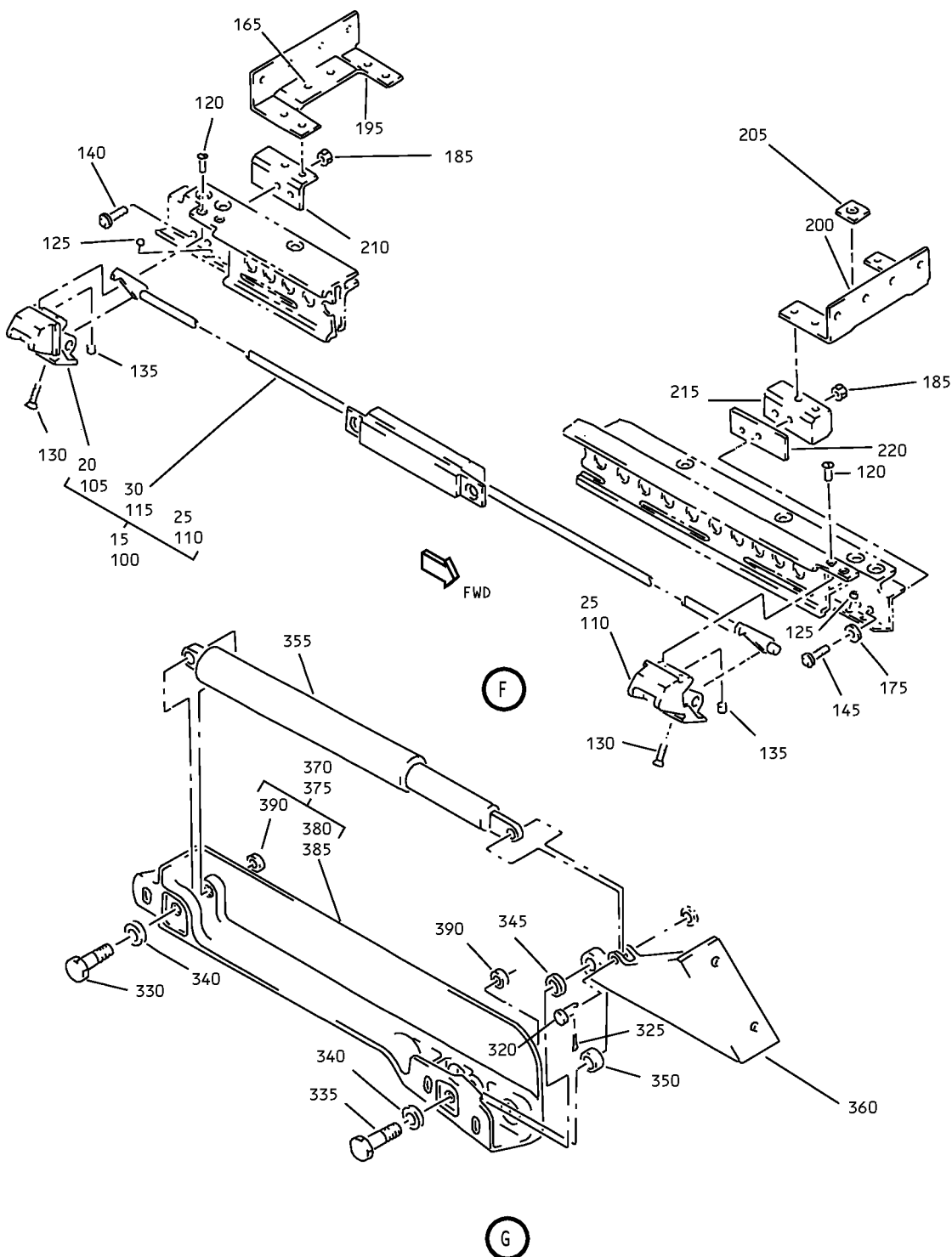
25-28-48

ILLUSTRATED PARTS LIST

Page 1098.325

Mar 01/2006

COMPONENT MAINTENANCE MANUAL



Overhead Storage Compartment Assembly
IPL Figure 16 (Sheet 6 of 9)

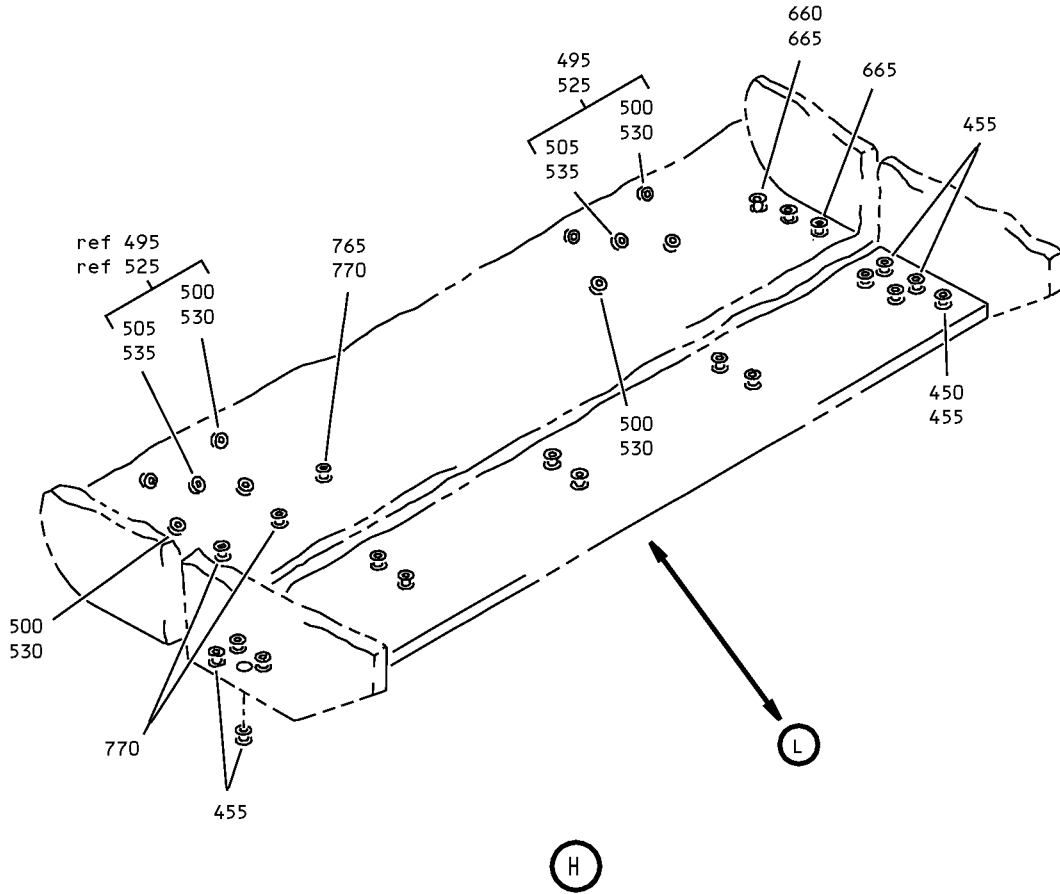
25-28-48

ILLUSTRATED PARTS LIST

Page 1098.326

Mar 01/2006

COMPONENT MAINTENANCE MANUAL



Overhead Stowage Compartment Assembly
IPL Figure 16 (Sheet 7 of 9)

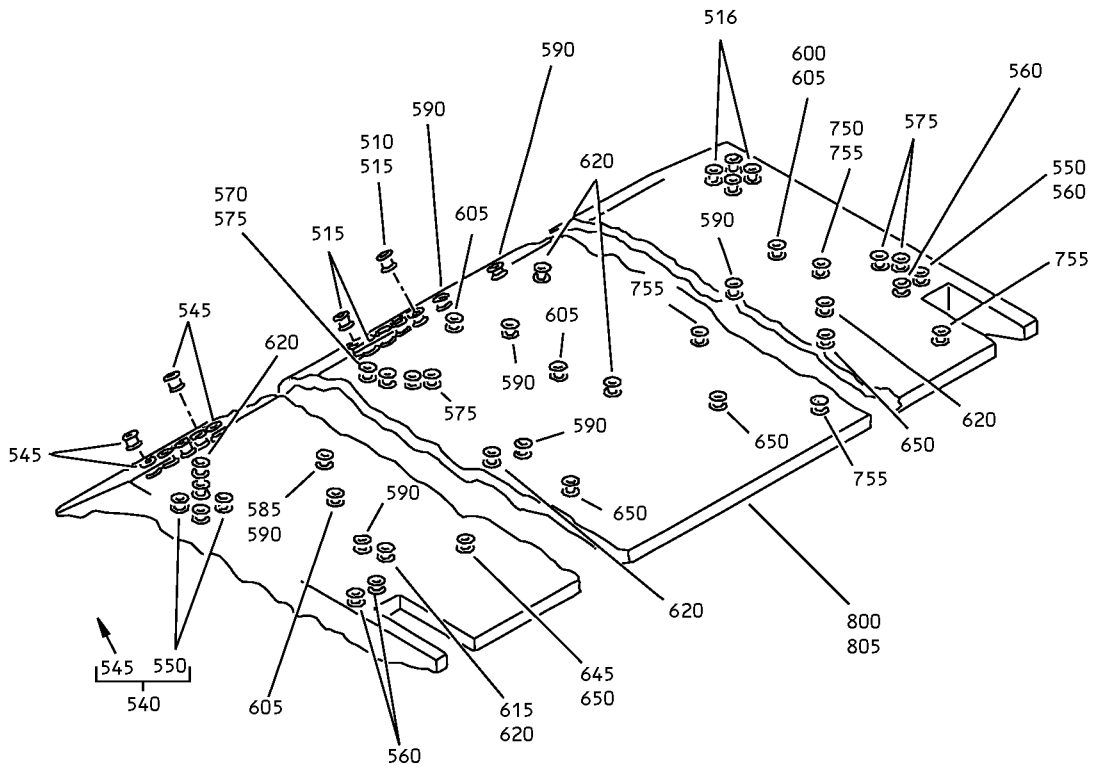
25-28-48

ILLUSTRATED PARTS LIST

Page 1098.327

Mar 01/2006

COMPONENT MAINTENANCE MANUAL



J

Overhead Stowage Compartment Assembly
IPL Figure 16 (Sheet 8 of 9)

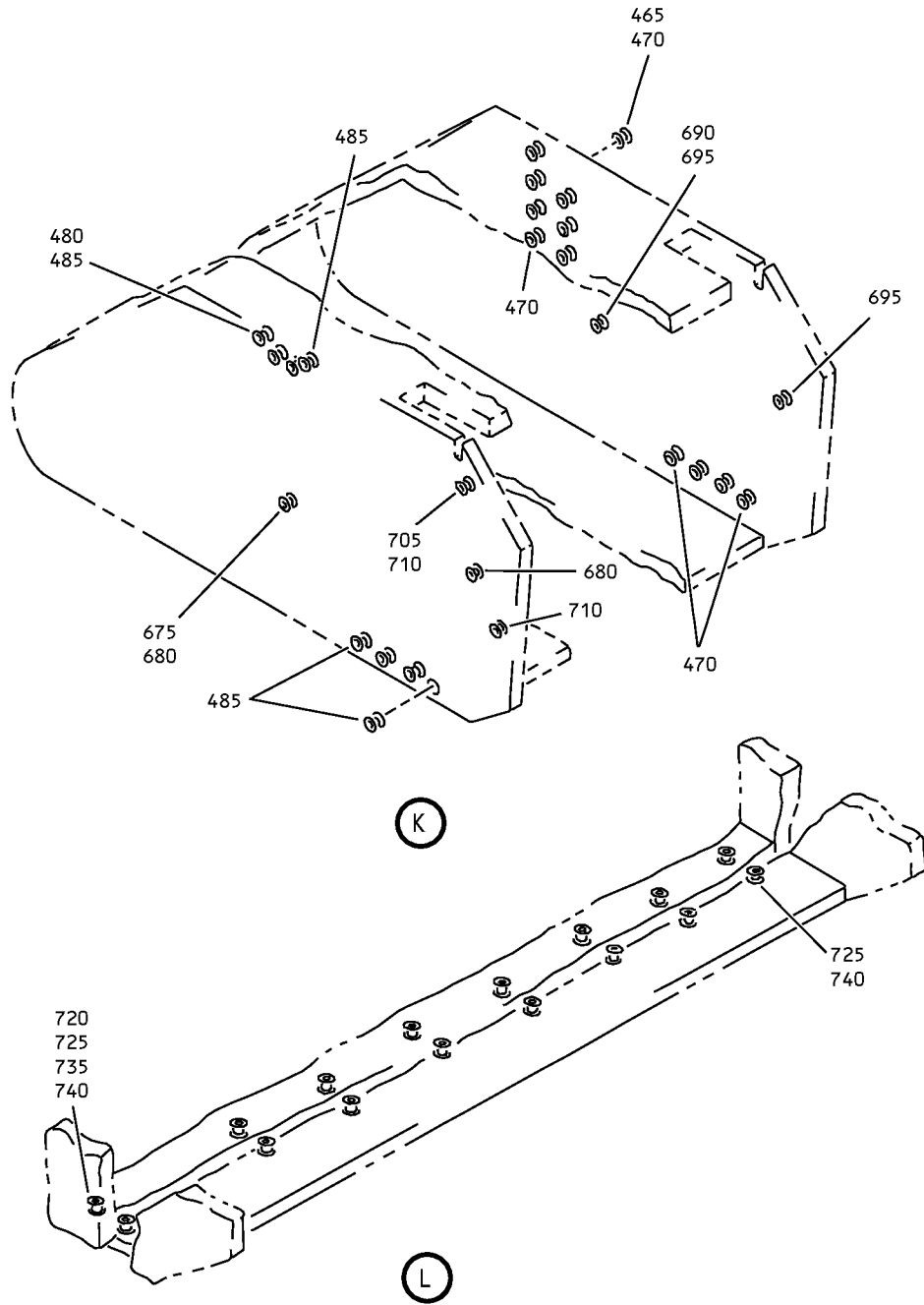
25-28-48

ILLUSTRATED PARTS LIST

Page 1098.328

Mar 01/2006

COMPONENT MAINTENANCE MANUAL



Overhead Stowage Compartment Assembly
IPL Figure 16 (Sheet 9 of 9)

25-28-48

ILLUSTRATED PARTS LIST

Page 1098.329

Mar 01/2006



COMPONENT MAINTENANCE MANUAL

FIG/ ITEM	PART NUMBER	AIRLINE PART NUMBER	NOMENCLATURE							USAGE CODE	UNITS PER ASSY
			1	2	3	4	5	6	7		
16-											
-1	65C32943-102SP									JW	RF
-1A	65C32943-104SP									HF	RF
-1B	65C32943-109SP									JY	RF
-1C	65C32943-113SP									KM	RF
-1D	65C32943-116SP									HM	RF
-1E	65C32943-117SP									KN	RF
-1F	65C32943-13SP									JR	RF
-1G	65C32943-16SP									M, HD	RF
-1H	65C32943-21SP									HB	RF
-1J	65C32943-25SP									HC	RF
-1K	65C32943-303SP									HG, HH	RF
-1L	65C32943-325SP									JZ	RF
-1M	65C32943-339SP									KA	RF
-1N	65C32943-341SP									KB	RF
-1P	65C32943-346SP									KC	RF
-1Q	65C32943-370SP									HR	RF
-1R	65C32943-377SP									KD	RF
-1S	65C32943-382SP									KE	RF
-1T	65C32943-387SP									HN, HP	RF
-1U	65C32943-388SP									KP	RF
-1V	65C32943-392SP									KQ	RF
-1W	65C32943-51SP									JS, JX	RF
-1X	65C32943-60SP									JT	RF
-1Y	65C32943-603SP									HJ, HK	RF
-1Z	65C32943-625SP									KF	RF
-2	65C32943-639SP									KG	RF
-2A	65C32943-643SP									KH	RF
-2B	65C32943-646SP									KJ	RF
-2C	65C32943-662SP									KK	RF
-2D	65C32943-665SP									HL	RF
-2E	65C32943-677SP									KL	RF

-Item not Illustrated

25-28-48

ILLUSTRATED PARTS LIST

Page 1098.330

Mar 01/2006



COMPONENT MAINTENANCE MANUAL

FIG/ ITEM	PART NUMBER	AIRLINE PART NUMBER	NOMENCLATURE							USAGE CODE	UNITS PER ASSY
			1	2	3	4	5	6	7		
16-											
-2F	65C32943-74SP									JU	RF
-2G	65C32943-77SP									HE	RF
-2H	65C32943-82SP									HQ	RF
-2J	65C32943-97SP									JV	RF
-2K	65C32943-687SP									LG	RF
-2L	65C32943-704SP									LN	RF
-2M	65C32943-705SP									LP	RF
-2N	65C32943-679SP									LT	RF
10	BACS12ER08K6									M, HC- HR, JR, JT-JW, JY-KA, KC-KG, KJ-KQ, LG, LN, LP	2
15	412N1153-101									M, HC, HD, HF- HK, HM- HR, JR, JT, JV, JW, JY- KA, KC- KG, KJ, KL-KQ, LG, LN, LP	1
-15A	412N1153-85									HE, HL, JU, KK	1

-Item not Illustrated

25-28-48

ILLUSTRATED PARTS LIST

Page 1098.331

Mar 01/2006



COMPONENT MAINTENANCE MANUAL

FIG/ ITEM	PART NUMBER	AIRLINE PART NUMBER	NOMENCLATURE							USAGE CODE	UNITS PER ASSY	
			1	2	3	4	5	6	7			
16- 20	412N1113-7		.	.							M, HC, HD, HF- HK, HM- HR, JR, JT, JV, JW, JY- KA, KC- KG, KJ, KL-KQ, LG, LP	1
-20A	412N1113-13		.	.							HE, HL, JU, KK	1
25	412N1113-8		.	.							M, HC, HD, HF- HK, HM- HR, JR, JT, JV, JW, JY- KA, KC- KG, KJ, KL-KQ, LG, LP	1
-25A	412N1113-14		.	.							HE, HL, JU, KK	1
30	H3-1145-1-5760		.	.							M, HC- HR, JR, JT-JW, JY-KA, KC-KG, KJ-KQ, LG, LN, LP	1
35	BACS12ER08K6		.	.							HB, JS, JX, KB, KH, LT	1
											(V06710) (SPEC BACS12ER08K6) (OPT BACS12ER08K6 (V06725)) (OPT BACS12ER08K6 (V06950)) (OPT BACS12ER08K6 (V27624)) (OPT BACS12ER08K6 (V34252)) (OPT BACS12ER08K6 (V56878)) (OPT BACS12ER08K6 (V73197)) (OPT BACS12ER08K6 (V80539)) (OPT BACS12ER08K6 (V92215)) (OPT BACS12ER08K6 (V93907)) (OPT BACS12ER08K6 (V97928))	

-Item not Illustrated

25-28-48

ILLUSTRATED PARTS LIST

Page 1098.332

Mar 01/2006



COMPONENT MAINTENANCE MANUAL

FIG/ ITEM	PART NUMBER	AIRLINE PART NUMBER	NOMENCLATURE							USAGE CODE	UNITS PER ASSY
			1	2	3	4	5	6	7		
16-											
40	BACW10DM5		.	W	A	S	H	E	R	HB, JS, JX, KB, KH, LT	1
45	AN960JD516L		.	W	A	S	H	E	R	HB, JS, JX, KB, KH, LT	1
50	BACW10P173AL		.	W	A	S	H	E	R	HB, JS, JX, KB, KH, LT	1
55	AR292		.	N	U	T	-	C	Y	HB, JS, JX, KB, KH, LT	1
										(V80477) (OPT ITEM 55A)	
-55A	AM150		.	N	U	T				HB, JS, JX, KB, KH, LT	1
										(V15438) (OPT ITEM 55)	
60	A2077-3		.	C	Y	L	I	N	E	HB, JS, JX, KB, KH, LT	1
										(V52607)	
65	412N1119-27		.	F	I	T	T	I	N	HB, JS, JX, KB, KH, LT	1
70	412N1145-43		.	B	R	A	C	K	E	HB, JS, JX, KB, KH, LT	1
75	412N1119-28		.	P	A	W	L	A	S	HB, JS, JX, KB, KH, LT	1
										(V15438) (OPT ITEM 95)	
80	MS39086-1		.	.	P	I	N	-	S	HB, JS, JX, KB, KH, LT	1
85	412N1119-29		.	.	P	A	W	L		HB, JS, JX, KB, KH, LT	1
-90	AR15TYPE2		.	C	Y	L	I	N	E	HB, JS, JX, KB, KH, LT	1
										(V80477) (ITEM 90 OR ITEM 90A TOGETHER WITH ITEM 75 OPT ITEM 95)	
-90A	AM15CL75-51		.	C	Y	L	I	N	E	LT	1
										(V15438) (ITEM 90 OR ITEM 90A TOGETHER WITH ITEM 75 OPT ITEM 95)	

-Item not Illustrated

25-28-48

ILLUSTRATED PARTS LIST

Page 1098.333

Mar 01/2006



COMPONENT MAINTENANCE MANUAL

FIG/ ITEM	PART NUMBER	AIRLINE PART NUMBER	NOMENCLATURE							USAGE CODE	UNITS PER ASSY	
			1	2	3	4	5	6	7			
16- -95	AM15CL4-78-56		.								HB, JS, JX, KB, KH, LT	1
100	412N1153-121		.								HB, JS, JX, KB, KH, LT	1
105	412N1113-7		.	.							HB, JS, JX, KB, KH, LT	1
110	412N1113-8		.	.							HB, JS, JX, KB, KH, LT	1
115	H3-1145-1L5760		.	.							HB, JS, JX, KB, KH, LT	1
120	BACS12ER06K8		.								M, HB- HR, JR- KQ, LG, LN, LP, LTLP	4
125	SL210-06-2		.								M, HB- HR, JR- KQ, LG, LN, LP, LTLP	4
130	NAS514P832-5		.								M, HB- HR, JR- KQ, LG, LN, LP, LTLP	4

-Item not Illustrated

25-28-48

ILLUSTRATED PARTS LIST

Page 1098.334

Mar 01/2006



COMPONENT MAINTENANCE MANUAL

FIG/ ITEM	PART NUMBER	AIRLINE PART NUMBER	NOMENCLATURE							USAGE CODE	UNITS PER ASSY	
			1	2	3	4	5	6	7			
16- 135	SL210-08-1		.								M, HB- HR, JR- KQ, LG, LN, LP, LTLP	4
140	HL10VAZ6-2		.								M, HB- HR, JR- KQ, LG, LN, LP, LTLP	2
145	HL10VAZ6K3		.								M, HB- HR, JR- KQ, LG, LN, LP, LTLP	2
150	BACB30NM3K1		.								M, HB- HR, JR- KQ, LG, LN, LP, LTLP	1
155	BACS12ER08K14		.								M, HB- HR, JR- KQ, LG, LN, LP, LTLP	3

-Item not Illustrated

25-28-48

ILLUSTRATED PARTS LIST

Page 1098.335

Mar 01/2006



COMPONENT MAINTENANCE MANUAL

FIG/ ITEM	PART NUMBER	AIRLINE PART NUMBER	NOMENCLATURE							USAGE CODE	UNITS PER ASSY	
			1	2	3	4	5	6	7			
16- 160	BACS12ER08K12		.	S	C	R	E	W			M, HB- HR, JR- KQ, LG, LN, LP, LTLP	12
165	BACS12FA3K5		.	S	C	R	E	W			M, HB- HR, JR- KQ, LG, LN, LP, LTLP	39
170	AN960JD8		.	W	A	S	H	E	R		M, HB- HR, JR- KQ, LG, LN, LP, LTLP	15
175	AN960JD10		.	W	A	S	H	E	R		M, HB- HR, JR- KQ, LG, LN, LP, LTLP	2
180	AN960JD10LL		.	W	A	S	H	E	R		M, HB- HR, JR- KQ, LG, LN, LP, LTLP	2

-Item not Illustrated

25-28-48

ILLUSTRATED PARTS LIST

Page 1098.336

Mar 01/2006



COMPONENT MAINTENANCE MANUAL

FIG/ ITEM	PART NUMBER	AIRLINE PART NUMBER	NOMENCLATURE							USAGE CODE	UNITS PER ASSY	
			1	2	3	4	5	6	7			
16- 185	MS21042L3		.	N	U	T					M, HB- HR, JR- KQ, LG, LN, LP, LTLP	5
190	MS21042L08		.	N	U	T					M, HB- HR, JR- KQ, LG, LN, LP, LTLP	15
195	412N1145-101		.	B	R	A	C	K	E	T	M, HB- HR, JR- KQ, LG, LN, LP, LTLP	1
200	412N1145-104		.	B	R	A	C	K	E	T	M, HB- HR, JR- KQ, LG, LN, LP, LTLP	1
205	BACF3F009J009NN		.	F	I	L	L	E	R		M, HB- HR, JR- KQ, LG, LN, LP, LTLP	1
210	412N1117-1		.	F	I	T	T	I	N	G	M, HB- HR, JR- KQ, LG, LN, LT	1
215	412N1117-7		.	F	I	T	T	I	N	G	M, HB- HR, LG, LN, LP, LT	1
-215A	412N1117-5		.	F	I	T	T	I	N	G	JR-KQ, LP	1
220	65C27016-3		.	F	I	T	T	I	N	G	M, HB- HR, LG, LN, LT	1
-220A	65C27016-6		.	F	I	T	T	I	N	G	JR-KQ, LP	1

-Item not Illustrated

25-28-48

ILLUSTRATED PARTS LIST

Page 1098.337

Mar 01/2006



COMPONENT MAINTENANCE MANUAL

FIG/ ITEM	PART NUMBER	AIRLINE PART NUMBER	NOMENCLATURE							USAGE CODE	UNITS PER ASSY	
			1	2	3	4	5	6	7			
16- 225	65C27023-63		.								M, HB- HR, LG, LN, LT	1
-225A	65C27023-15		.								JR-KQ, LP	1
230	412N1146-111		.								M, HC- HR, JR, JT-JW, JY-KA, KC-KG, KJ-KQ, LG, LN, LP	1
-230A	412N1146-75		.								HB, JS, JX, KB, KH, LT	1
235	BACR15DR3		.	.							M, HB- HR, JR- KQ, LG, LN, LP, LTLP	4
240	BRF100C08D		.	.							M, HB- HR, JR- KQ, LG, LN, LP, LTLP	2
245	412N1146-115		.	.							M, HC- HR, JR, JT-JW, JY-KA, KC-KG, KJ-KQ, LG, LN, LP	1
-245A	412N1146-76		.	.							HB, JS, JX, KB, KH, LT	1
250	BACS12FA3K4		.								M, HB- HH, HM- HR, JR- KE, KH, KL-KQ	4

-Item not Illustrated

25-28-48

ILLUSTRATED PARTS LIST

Page 1098.338

Mar 01/2006



COMPONENT MAINTENANCE MANUAL

FIG/ ITEM	PART NUMBER	AIRLINE PART NUMBER	NOMENCLATURE							USAGE CODE	UNITS PER ASSY
			1	2	3	4	5	6	7		
16- 255	MS35333-39		.	W	A	S	H	E	R	M, HB- HH, HM- HR, JR- KE, KH, KL-KQ	4
260	H3-1152-1		.	P	L	A	S	S	E	M, HB- HH, HM- HR, JR- KE, KH, KL-KQ	2
265	412N1154-1		.	R	E	I	N	F	O	M, HB- HD, HF- HK, HM- HR, JR- JT, JV- KG, KL- KQ, LG, LN, LP, LT	1
-265A	412N1154-9		.	R	E	I	N	F	O	HE, HL, JU, KK	1
270	412N1154-2		.	R	E	I	N	F	O	M, HB- HD, HF- HK, HM- HR, JR- JT, JV- KG, KL- KQ, LG, LN, LP, LT	1
-270A	412N1154-10		.	R	E	I	N	F	O	HE, HL, JU, KK	1
275	AF517-3-3		.	R	I	V	E	T	(V53551) (SPEC BACR15DR3P3) (OPT CCR274SS3-3 (V11815)) (OPT RV570A3-3 (V98996))	M, HB- HR, JR- KQ, LG, LN, LP, LTLP	2
280	65C27017-3		.	B	R	A	C	K	E	M, HB- HR, JR- KQ, LG, LN, LP, LTLP	1

-Item not Illustrated

25-28-48

ILLUSTRATED PARTS LIST

Page 1098.339

Mar 01/2006



COMPONENT MAINTENANCE MANUAL

FIG/ ITEM	PART NUMBER	AIRLINE PART NUMBER	NOMENCLATURE							USAGE CODE	UNITS PER ASSY		
			1	2	3	4	5	6	7				
16- 285	NAS1801-3-10		.	S	C	R	E	W			M, HB- HF, HQ, JR-JY, KH, KM	6	
								(OPT ITEM 285A)					
-285A	AIC1321-3-8		.	B	O	L	T				M, HB- HF, HQ, JR-JY, KH, KM	6	
								(V06725) (OPT ITEM 285)					
-285B	NAS1801-3-10		.	S	C	R	E	W			HG-HP, HR, JZ- KG, KJ- KL, KN, KQ, LG, LN, LP, LT	6	
290	BACW10P136AL		.	W	A	S	H	E	R		M, HB- HR, JR- KQ, LG, LN, LP, LTLP	6	
								(V10630) (SPEC BACW10P136AL)					
295	NAS1833-3-400		.	I	N	S	E	R	T		M, HB- HR, JR- KQ, LG, LN, LP, LTLP	6	
300	NAS1801-3-4		.	S	C	R	E	W			M, HB- HR, JR- KQ, LG, LN, LP, LTLP	4	
305	MS35333-39		.	W	A	S	H	E	R		M, HB- HR, JR- KQ, LG, LN, LP, LTLP	4	
310	412N1155-7		.	H	I	N	G	E	A	S	S	M, HB- HD, HF- HK, HM- HR, JR- JT, JW- KG, KL- KQ, LG, LN, LP, LT	1

-Item not Illustrated

25-28-48

ILLUSTRATED PARTS LIST

Page 1098.340

Mar 01/2006



COMPONENT MAINTENANCE MANUAL

FIG/ ITEM	PART NUMBER	AIRLINE PART NUMBER	NOMENCLATURE							USAGE CODE	UNITS PER ASSY		
			1	2	3	4	5	6	7				
16- 335	BACB30NM3K12		.	.	BOLT (V06710) (SPEC BACB30NM3K12) (OPT BACB30NM3K12 (V06725)) (OPT BACB30NM3K12 (V06950)) (OPT BACB30NM3K12 (V08524)) (OPT BACB30NM3K12 (V27624)) (OPT BACB30NM3K12 (V56878)) (OPT BACB30NM3K12 (V73197)) (OPT BACB30NM3K12 (V80539)) (OPT BACB30NM3K12 (V92215)) (OPT BACB30NM3K12 (V93907)) (OPT BACB30NM3K12 (V97928))							M, HB- HR, JR- KQ, LG, LN, LP, LTLP	1
340	AN960KD10L		.	.	WASHER							M, HB- HD, HF- HK, HM- HR, JR- JT, JV- KG, KL- KQ, LG, LN, LP, LT	2
-340A	AN960JD10L		.	.	WASHER							HE, HL, JU, KK	2
345	NAS43DD3-3		.	.	SPACER							M, HB- HR, JR- KQ, LG, LN, LP, LTLP	1
350	NAS43DD3-8		.	.	SPACER							M, HB- HR, JR- KQ, LG, LN, LP, LTLP	1
355	SB113		DELETED										
355A	SP5604		.	.	ACTUATOR (V24403) (SPEC S412N104-1) (OPT SB113 (V24984)) (OPT ITEM 355E)							M, HB- HD, HF- HK, HM- HR, JR- JT, JW- KG, KL- KQ, LG, LN, LP, LT	1

-Item not Illustrated

25-28-48

ILLUSTRATED PARTS LIST

Page 1098.342

Mar 01/2006



COMPONENT MAINTENANCE MANUAL

FIG/ ITEM	PART NUMBER	AIRLINE PART NUMBER	NOMENCLATURE							USAGE CODE	UNITS PER ASSY
			1	2	3	4	5	6	7		
16-											
-355B	S412N104-4										
-355C	S412N104-4										
-355D	SP5604-4									HE, HL, JU, JV, KK	1
-355E	SP5604-4									M, HB- HD, HF- HK, HM- HR, JR- JT, JW- KG, KL- KQ, LG, LN, LP, LT	1
360	H2948-2									M, HB- HD, HF- HK, HM- HR, JR- JT, JV- KG, KL- KQ, LG, LN, LP, LT	1
-360A	S412N102-18										
-360B	H3-1155-32									M, HB- HD, HF- HK, HM- HR, JR- JT, JV- KG, KL- KQ, LG, LN, LP, LT	1
-360C	H3-1155-32B									HE, HL, JU, KK	1

-Item not Illustrated

25-28-48

ILLUSTRATED PARTS LIST

Page 1098.343

Mar 01/2006



COMPONENT MAINTENANCE MANUAL

FIG/ ITEM	PART NUMBER	AIRLINE PART NUMBER	NOMENCLATURE							USAGE CODE	UNITS PER ASSY	
			1	2	3	4	5	6	7			
16- -365	H2948-1		.	.							M, HB- HD, HF- HK, HM- HR, JR- JT, JV- KG, KL- KQ, LG, LN, LP, LT	1
-365A	S412N102-17										DELETED	
-365B	H3-1155-31		.	.							M, HB- HD, HF- HK, HM- HR, JR- JT, JV- KG, KL- KQ, LG, LN, LP, LT	1
-365C	H3-1155-31B		.	.							HE, HL, JU, KK	1
370	412N1156-13		.	.							M, HB- HD, HF- HK, HM- HR, JR- JT, JV- KG, KL- KQ, LG, LN, LP, LT	1
-370A	412N1156-33		.	.							HE, HL, JU, KK	1
375	412N1156-14		.	.							M, HB- HD, HF- HK, HM- HR, JR- JT, JV- KG, KL- KQ, LG, LN, LP, LT	1

-Item not Illustrated

25-28-48

ILLUSTRATED PARTS LIST

Page 1098.344

Mar 01/2006



COMPONENT MAINTENANCE MANUAL

FIG/ ITEM	PART NUMBER	AIRLINE PART NUMBER	NOMENCLATURE							USAGE CODE	UNITS PER ASSY	
			1	2	3	4	5	6	7			
16-												
-375A	412N1156-34		. .							CHASSIS ASSY (USED ON ITEM 315A)	HE, HL, JU, KK	1
380	412N1156-15		. . .							CHASSIS (USED ON ITEM 370)	M, HB- HD, HF- HK, HM- HR, JR- JT, JV- KG, KL- KQ, LG, LN, LP, LT	1
-380A	412N1156-35		. . .							CHASSIS (USED ON ITEM 370A)	HE, HL, JU, KK	1
385	412N1156-16		. . .							CHASSIS (USED ON ITEM 375)	M, HB- HD, HF- HK, HM- HR, JR- JT, JV- KG, KL- KQ, LG, LN, LP, LT	1
-385A	412N1156-36		. . .							CHASSIS (USED ON ITEM 375A)	HE, HL, JU, KK	1
390	6041-3BR225		. . .							INSERT (V01556)	M, HB- HR, JR- KQ, LG, LN, LP, LTLP	2
395	412N1140-88SP		. DOOR							ASSY	HE, JU, JV	1
-395A	412N1140-141SP		. DOOR							ASSY	HL, KK	1
-400	412N1140-41SP		. . DOOR							ASSY (FOR DETAILS SEE FIG. 18)	HE, JU, JV	1
-400A	412N1140-101SP		. . DOOR							ASSY (FOR DETAILS SEE FIG. 18)	HL, KK	1
-405	412N1140-101SP		. DOOR							ASSY (FOR DETAILS SEE FIG. 18)	KH, KJ, LP	1
-405A	412N1140-241SP		. DOOR							ASSY (FOR DETAILS SEE FIG. 18)	HJ, HK, KF, KG, LG, LN, LT	1

-Item not Illustrated

25-28-48

ILLUSTRATED PARTS LIST

Page 1098.345

Mar 01/2006



COMPONENT MAINTENANCE MANUAL

FIG/ ITEM	PART NUMBER	AIRLINE PART NUMBER	NOMENCLATURE							USAGE CODE	UNITS PER ASSY	
			1	2	3	4	5	6	7			
16- 410	65C32943-18		.								M, HB- HD, HF- HK, HM- HR, JR- JT, JV- KG, KL- KQ, LN, LP, LT	1
-410A	65C32943-100		.								HE, HL, JU, KK	1
415	412N1118-1SP		.								M, HB- HR, JR- KQ, LG, LN, LP, LTLP	1
420	412N1118-2SP		.								M, HB- HR, JR- KQ, LG, LN, LP, LTLP	1
425	65C27011-113		.								JR, JS, JX	1
-425A	65C27011-116		.								M, HB, HD	1
-425B	65C27011-120		.								HC	1
-425C	65C27011-162		.								JT	1
-425D	65C27011-167		.								HQ	1
-425E	65C27011-169		.								JW	1
-425F	65C27011-171		.								HF	1
-425G	65C27011-175		.								JY	1
-425H	65C27011-178		.								KM	1
-425J	65C27011-180		.								HM	1
-425K	65C27011-181		.								KN	1
-425L	65C27011-221		.								JU	1
-425M	65C27011-224		.								HE	1
-425N	65C27011-639		.								JZ-KB, KF-KH	1

-Item not Illustrated

25-28-48

ILLUSTRATED PARTS LIST

Page 1098.346

Mar 01/2006



COMPONENT MAINTENANCE MANUAL

FIG/ ITEM	PART NUMBER	AIRLINE PART NUMBER	NOMENCLATURE							USAGE CODE	UNITS PER ASSY
			1	2	3	4	5	6	7		
16-											
-425P	65C27011-646		.	BODY	ASSY					HG-HK, LT	1
-425Q	65C27011-685		.	BODY	ASSY					KK	1
-425R	65C27011-688		.	BODY	ASSY					HL	1
-425S	65C27011-693		.	BODY	ASSY					HR	1
-425T	65C27011-703		.	BODY	ASSY					KD, KL	1
-425U	65C27011-704		.	BODY	ASSY					KE	1
-425V	65C27011-710		.	BODY	ASSY					HN, HP, LG	1
-425W	65C27011-711		.	BODY	ASSY					KP	1
-425X	65C27011-716		.	BODY	ASSY					KQ	1
-425Y	65C27011-670		.	BODY	ASSY					KC, KJ	1
-425Z	65C27011-723		.	BODY	ASSY					LN	1
-426	65C27011-724		.	BODY	ASSY					LP	1
450	65C27011-1022		.	.	PATTERN	ASSY				M, HB- HR, JR- KQ, LG, LN, LP, LTLP	1
455	NAS1836-3-11		.	.	.	INSERT				M, HB- HR, JR- KQ, LG, LN, LP, LTLP	15
465	65C27011-1206		.	.	PATTERN	ASSY				M, HB- HR, JR- KQ, LG, LN, LP, LTLP	1
470	SL2334-3A2		.	.	.	INSERT (V97393)				M, HB- HR, JR- KQ, LG, LN, LP, LTLP	12
480	65C27011-1207		.	.	PATTERN	ASSY				M, HB- HR, JR- KQ, LG, LN, LP, LTLP	1

-Item not Illustrated

25-28-48

ILLUSTRATED PARTS LIST

Page 1098.347

Mar 01/2006



COMPONENT MAINTENANCE MANUAL

FIG/ ITEM	PART NUMBER	AIRLINE PART NUMBER	NOMENCLATURE							USAGE CODE	UNITS PER ASSY	
			1	2	3	4	5	6	7			
16- 485	SL2334-3A2		. . .	INSERT (V97393)							M, HB- HR, JR- KQ, LG, LN, LP, LTLP	8
495	65C27011-1262		. .	PATTERN ASSY							M, HB- HE, HG- HR, HT, LG, LN, LT, LN	1
500	NAS1836-3-11		. . .	INSERT							M, HB- HE, HG- HR, HT, LG, LN, LT, LN	8
505	NAS1836-4-11		. . .	INSERT							M, HB- HE, HG- HR, HT, LG, LN, LT, LN	2
510	65C27011-1314		. .	PATTERN ASSY							M, HB- HE, HG- HR, HT, LG, LN, LT, LN	1
515	NAS1836-3-11		. . .	INSERT							M, HB- HE, HG- HR, HT, LG, LN, LT, LN	8
516	SL2334-3A2		. . .	INSERT (V97393)							M, HB- HE, HG- HR, HT, LG, LN, LT, LN	4
525	65C27011-1273		. .	PATTERN ASSY							JR-JU, JW-KQ, LP	1
530	NAS1836-3-11		. . .	INSERT							JR-JU, JW-KQ, LP	8

-Item not Illustrated

25-28-48

ILLUSTRATED PARTS LIST

Page 1098.348

Mar 01/2006



COMPONENT MAINTENANCE MANUAL

FIG/ ITEM	PART NUMBER	AIRLINE PART NUMBER	NOMENCLATURE							USAGE CODE	UNITS PER ASSY
			1	2	3	4	5	6	7		
16-											
535	NAS1836-4-11		. . .	INSERT						JR-JU, JW-KQ, LP	2
540	65C27011-1324		. .	PATTERN ASSY						JR-JU, JW-KQ, LP	1
545	NAS1836-3-11		. . .	INSERT						JR-JU, JW-KQ, LP	10
550	SL2334-3A2		. . .	INSERT (V97393)						JR-JU, JW-KQ, LP	4
555	65C27011-2004		. .	PATTERN ASSY						JR-JU, JW-KQ, LP	1
560	SL2334-3A2		. . .	INSERT (V97393)						JR-JU, JW-KQ, LP	4
570	65C27011-2002		. .	PATTERN ASSY						M, HB- HP, LG, LN, LT	1
575	NAS1836-3-11		. . .	INSERT						M, HB- HP, LG, LN, LT	6
585	65C27011-2102		. .	PATTERN ASSY						M, HB- HL, LN, LT	1
590	NAS1836-3-11		. . .	INSERT						M, HB- HK, LN, LT	7
600	65C27011-2104		. .	PATTERN ASSY						JR-JU, JW-KL, LP	1
605	NAS1836-3-11		. . .	INSERT						JR-JU, JW-KL, LP	4
615	65C27011-2112		. .	PATTERN ASSY						HM-HR, LG	1
620	NAS1836-3-11		. . .	INSERT						HM-HR, LG	6

-Item not Illustrated

25-28-48

ILLUSTRATED PARTS LIST

Page 1098.349

Mar 01/2006



COMPONENT MAINTENANCE MANUAL

FIG/ ITEM	PART NUMBER	AIRLINE PART NUMBER	NOMENCLATURE							USAGE CODE	UNITS PER ASSY	
			1	2	3	4	5	6	7			
16-												
-630	65C27011-2124								. .	PATTERN ASSY	KM-KQ	1
-635	NAS1836-3-11								. . .	INSERT	KM-KQ	4
645	65C27011-2204								. .	PATTERN ASSY	KD, KL	1
650	NAS1836-3-11								. . .	INSERT	KD, KL	4
660	65C27011-3001								. .	PATTERN ASSY	HQ, HR	1
665	NAS1836-3-11								. . .	INSERT	HQ, HR	3
675	65C27011-3201								. .	PATTERN ASSY	JT, JY, KE, KN- KQ, LP	1
680	NAS1833-3-400								. . .	INSERT	JT, JY, KE, KN- KQ, LP	2
690	65C27011-3202								. .	PATTERN ASSY	JT, KC, KE, KJ, KQ	1
695	NAS1833-3-400								. . .	INSERT	JT, KC, KE, KJ, KQ	2
705	65C27011-3203								. .	PATTERN ASSY	HQ, HR	1
710	NAS1834-5-400								. . .	INSERT	HQ, HR	2
720	65C27011-4011								. .	PATTERN ASSY	HC, HF, JW, JY, KC, KD, KL, KN, KP, LN, LP	1
725	NAS1833-3-400								. . .	INSERT	HC, HF, JW, JY, KC, KD, KL, KN, KP, LN, LP	16
735	65C27011-4012								. .	PATTERN ASSY	JT	1
740	NAS1833-3-400								. . .	INSERT	JT	16
750	65C27011-4107								. .	PATTERN ASSY	JY, KD, KL, KN, KP, LP	1

-Item not Illustrated

25-28-48

ILLUSTRATED PARTS LIST

Page 1098.350

Mar 01/2006



COMPONENT MAINTENANCE MANUAL

FIG/ ITEM	PART NUMBER	AIRLINE PART NUMBER	NOMENCLATURE							USAGE CODE	UNITS PER ASSY
			1	2	3	4	5	6	7		
16- 755	NAS1833-3-400		.	.	.	INSERT				JY, KD, KL, KN, KP, LP	4
765	65C27011-5002		.	.	PATTERN ASSY					M, HB- HD, HN- HR, LG, LN	1
770	NAS1836-3-11		.	.	INSERT					M, HB- HD, HN- HR, LG, LN	3
800	412N1112-34		.	.	BODY ASSY					JR-JT, JW-JY, KM, KN	1
-800A	412N1112-36		.	.	BODY ASSY					M, HB- HD, HF, HM, HQ, JU	1
-800B	412N1112-50		.	.	BODY ASSY					HE	1
805	412N1112-54		.	.	BODY ASSY					HG-HK, HN, HP, HR, LG, LN, LT	1
-805A	412N1112-57		.	.	BODY ASSY					JZ-KJ, KL, KP, KQ, LP	1
-805B	412N1112-64		.	.	BODY ASSY					KK	1
-805C	412N1112-65		.	.	BODY ASSY					HL	1

-Item not Illustrated

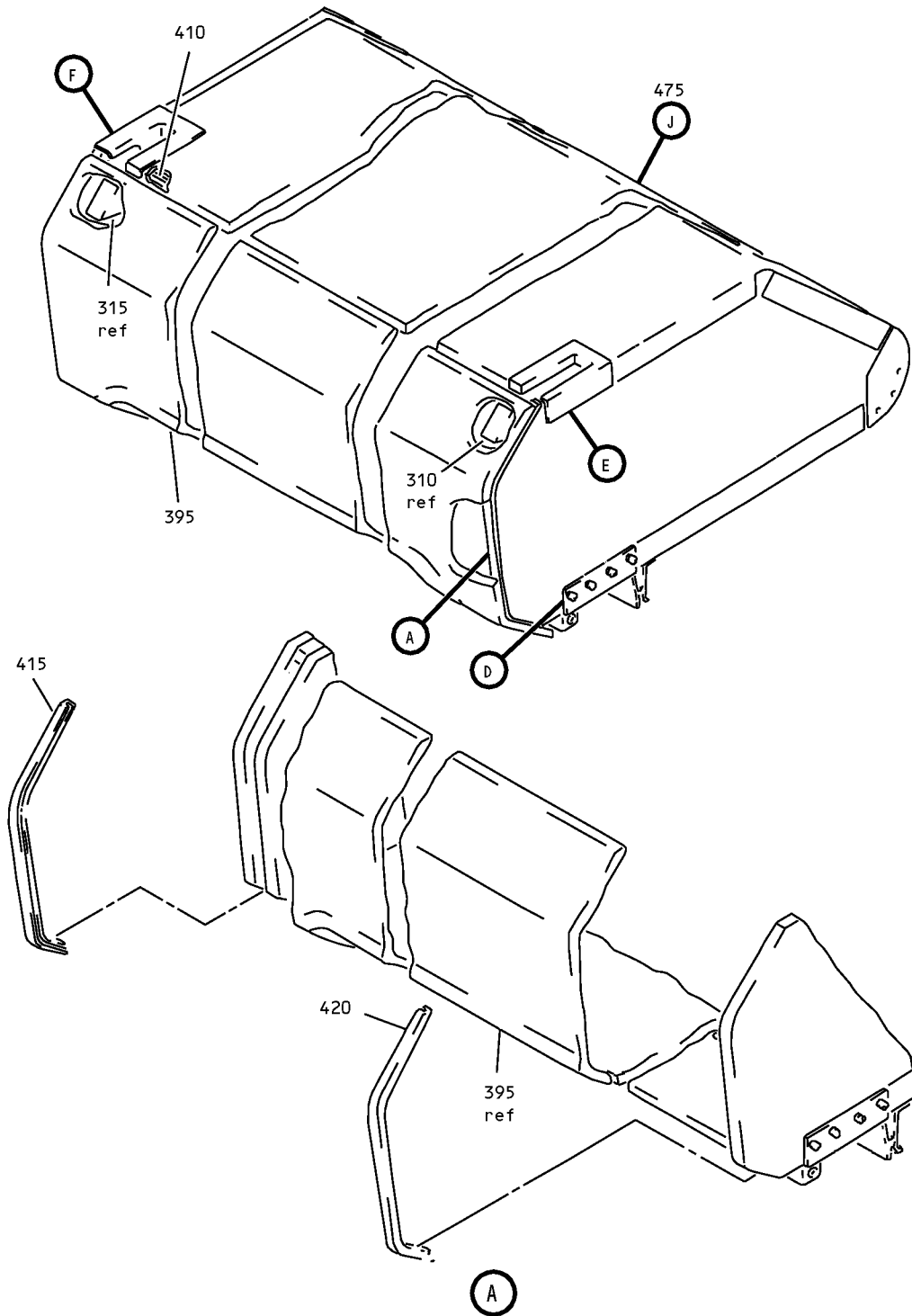
25-28-48

ILLUSTRATED PARTS LIST

Page 1098.351

Mar 01/2006

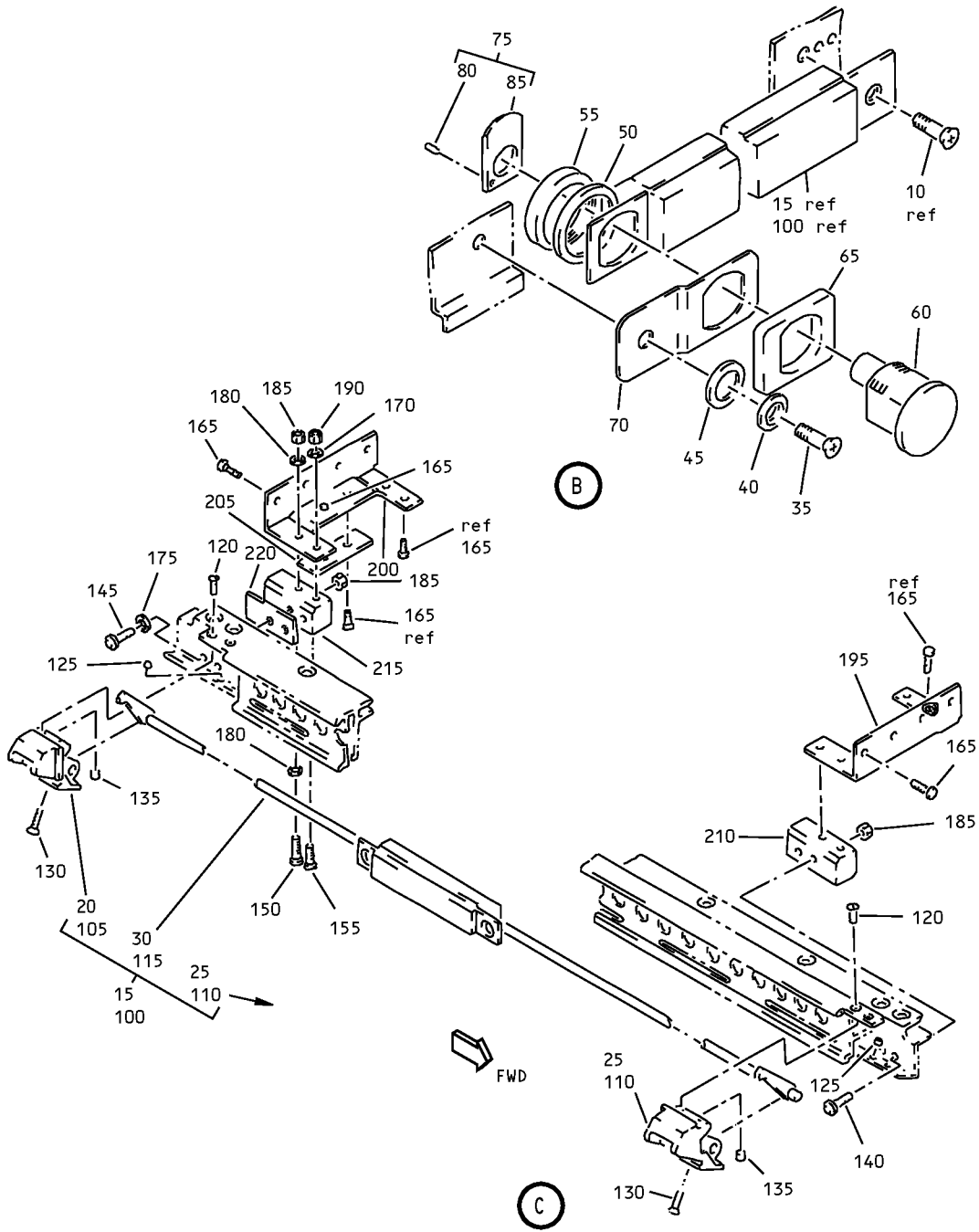
COMPONENT MAINTENANCE MANUAL



Overhead Stowage Compartment Assembly
IPL Figure 17 (Sheet 1 of 8)

25-28-48
ILLUSTRATED PARTS LIST
Page 1098.352
Mar 01/2006

COMPONENT MAINTENANCE MANUAL



Overhead Storage Compartment Assembly
IPL Figure 17 (Sheet 2 of 8)

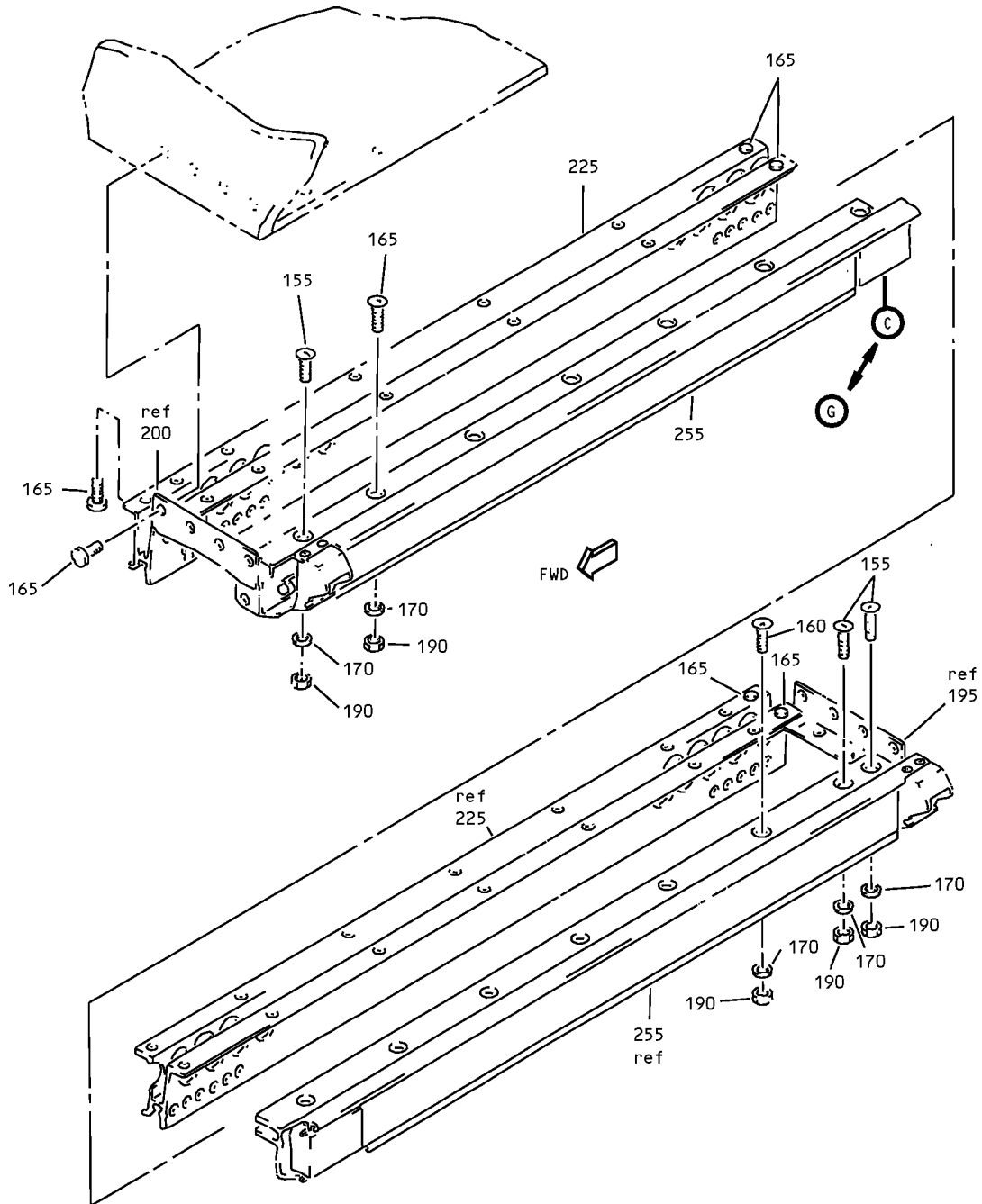
25-28-48

ILLUSTRATED PARTS LIST

Page 1098.353

Mar 01/2006

COMPONENT MAINTENANCE MANUAL



D

Overhead Storage Compartment Assembly
IPL Figure 17 (Sheet 3 of 8)

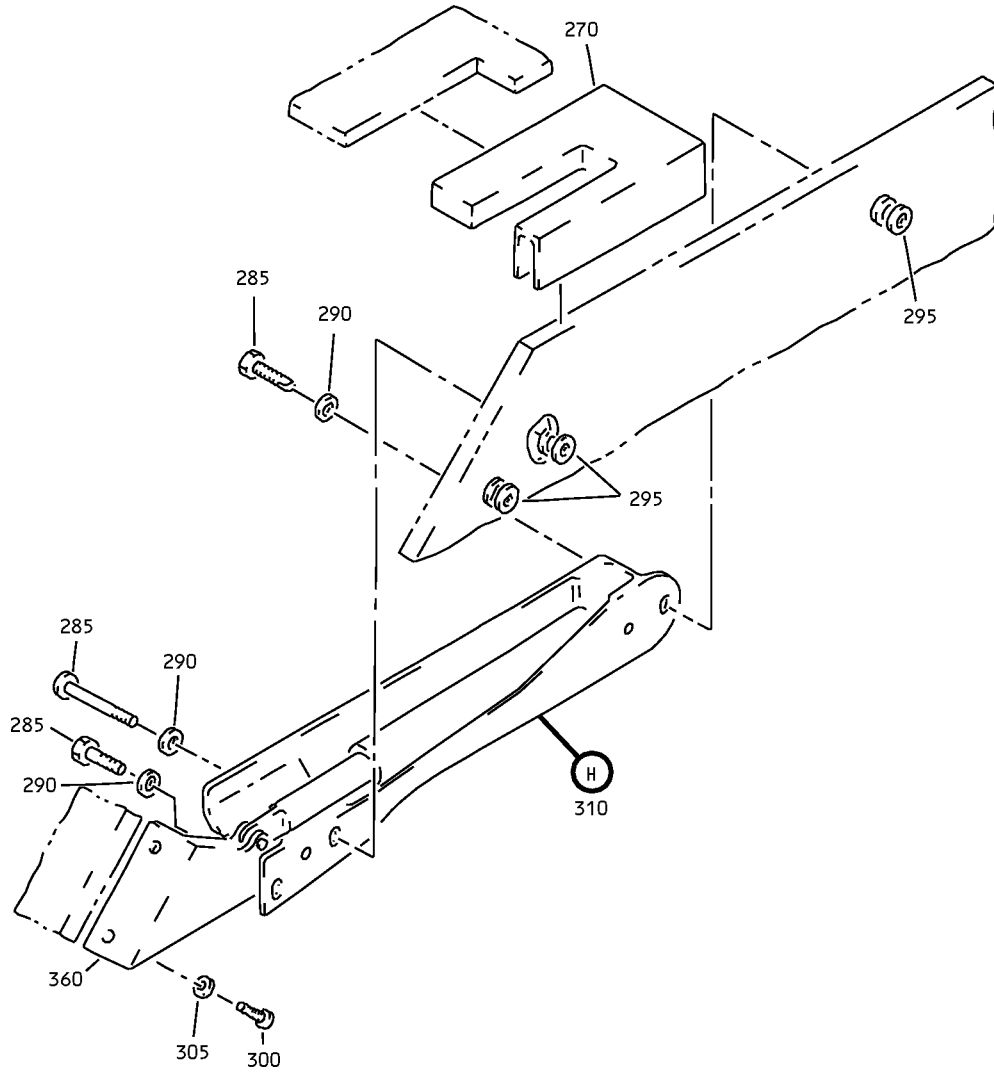
25-28-48

ILLUSTRATED PARTS LIST

Page 1098.354

Mar 01/2006

COMPONENT MAINTENANCE MANUAL



E

Overhead Stowage Compartment Assembly
IPL Figure 17 (Sheet 4 of 8)

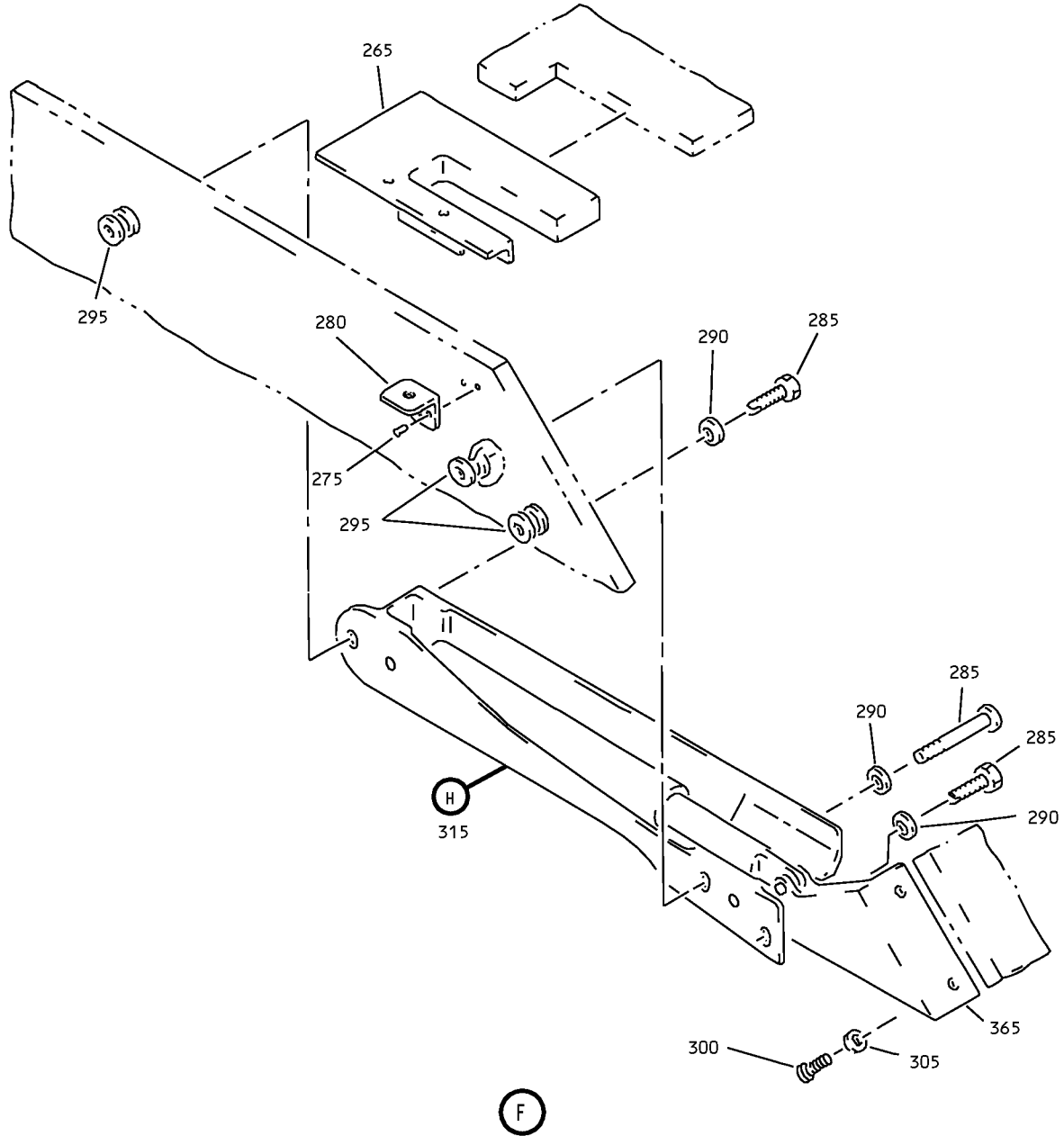
25-28-48

ILLUSTRATED PARTS LIST

Page 1098.355

Mar 01/2006

COMPONENT MAINTENANCE MANUAL



Overhead Storage Compartment Assembly
IPL Figure 17 (Sheet 5 of 8)

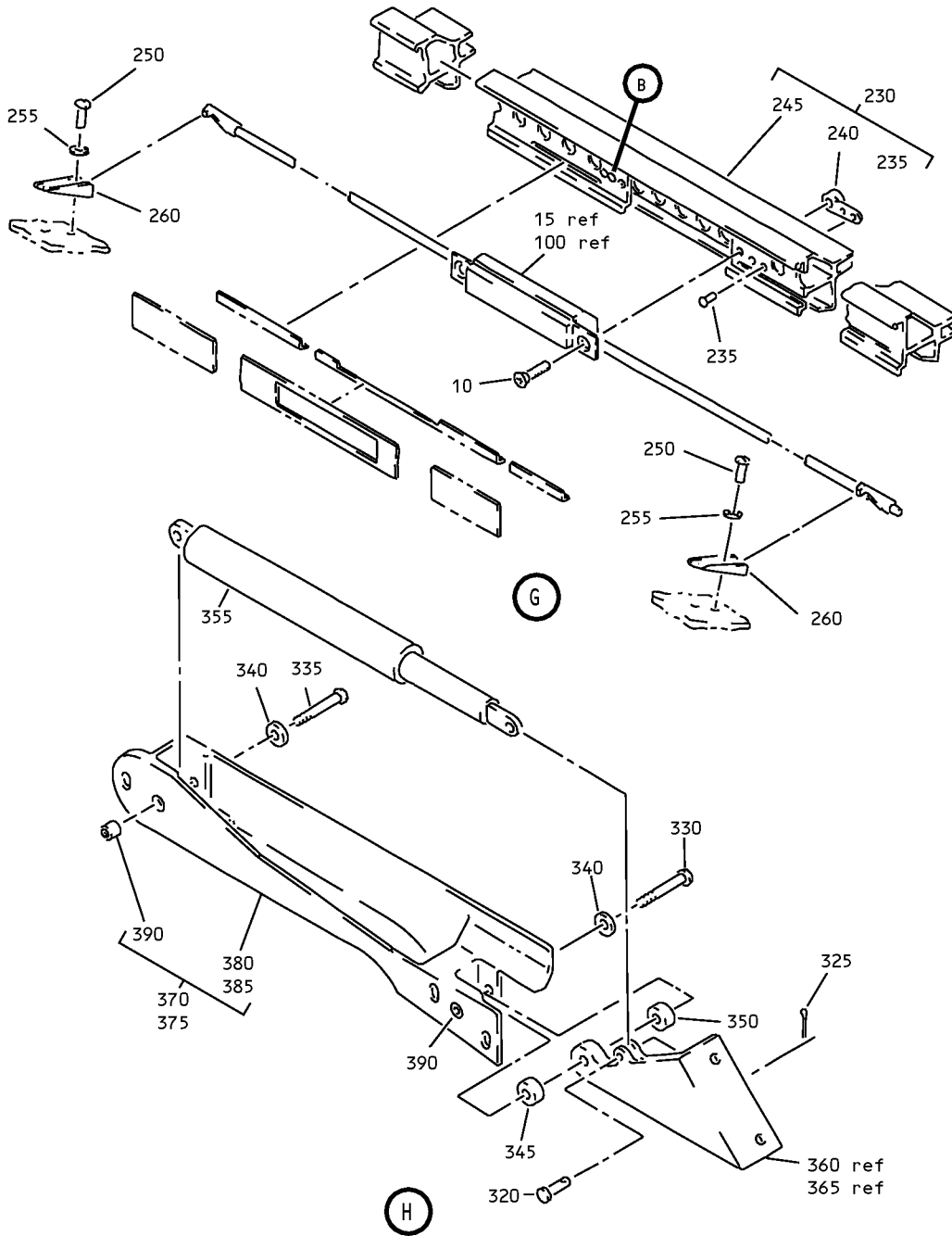
25-28-48

ILLUSTRATED PARTS LIST

Page 1098.356

Mar 01/2006

COMPONENT MAINTENANCE MANUAL



Overhead Storage Compartment Assembly
IPL Figure 17 (Sheet 6 of 8)

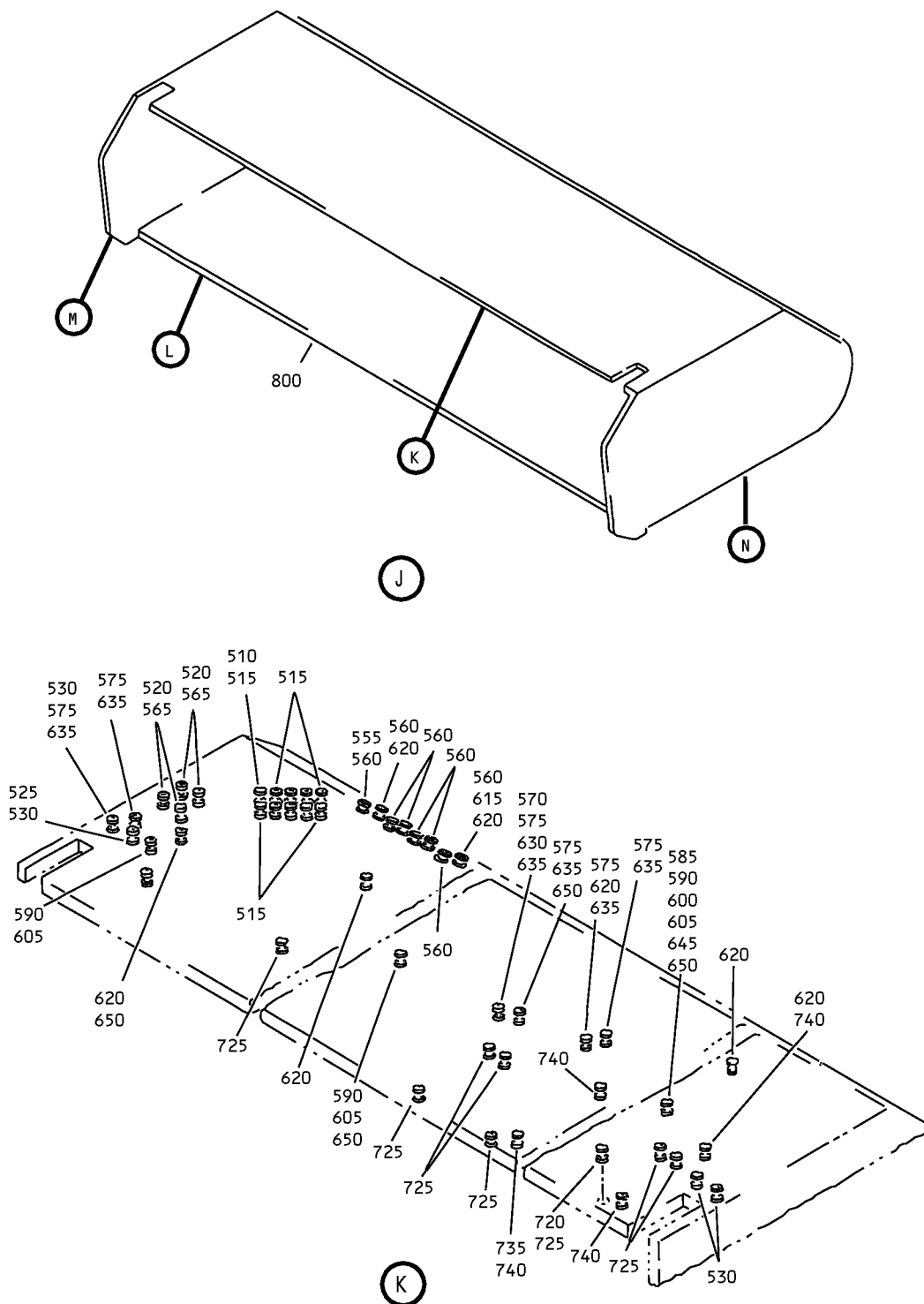
25-28-48

ILLUSTRATED PARTS LIST

Page 1098.357

Mar 01/2006

COMPONENT MAINTENANCE MANUAL



Overhead Storage Compartment Assembly
IPL Figure 17 (Sheet 7 of 8)

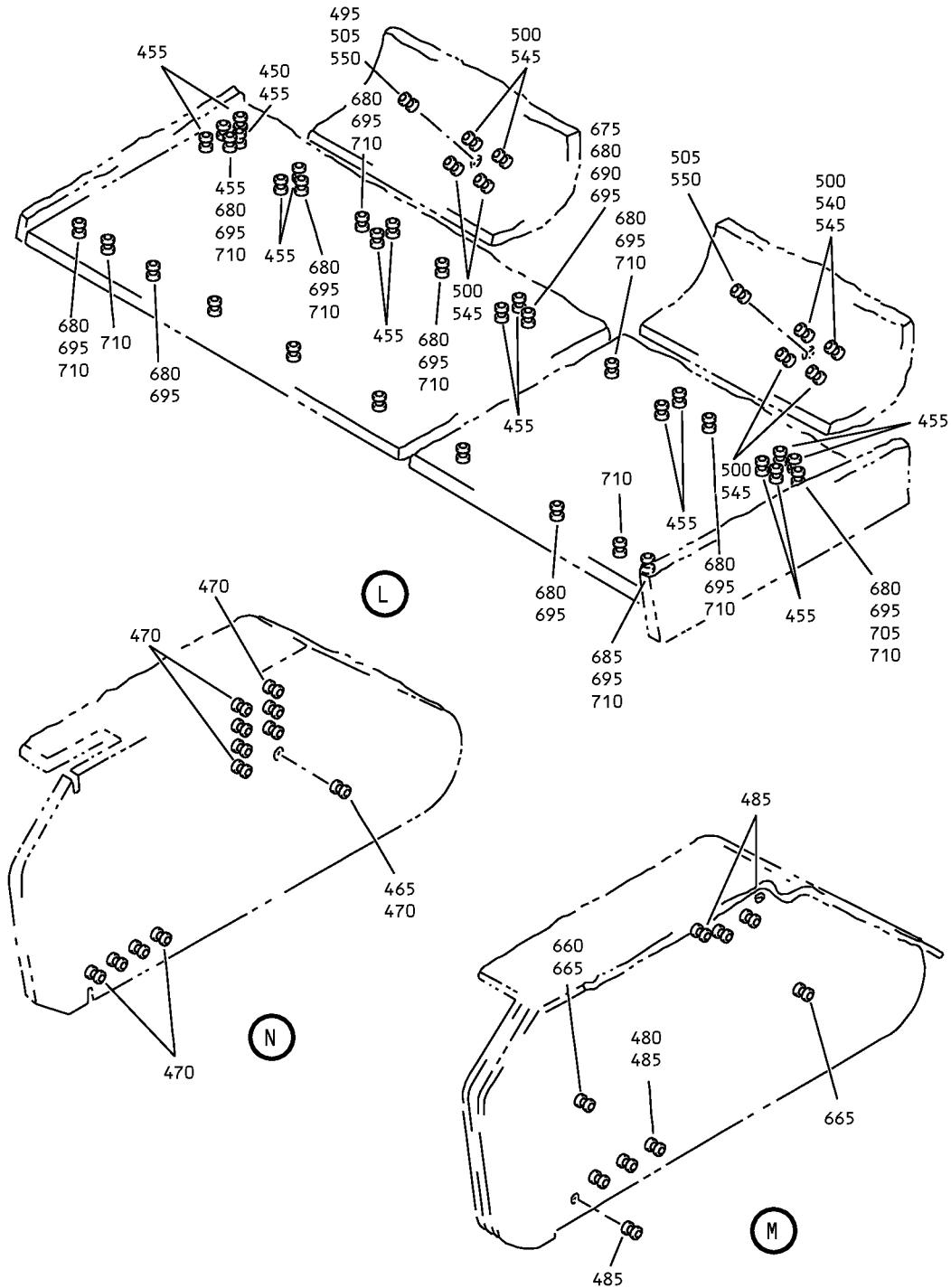
25-28-48

ILLUSTRATED PARTS LIST

Page 1098.358

Mar 01/2006

COMPONENT MAINTENANCE MANUAL



Overhead Stowage Compartment Assembly
IPL Figure 17 (Sheet 8 of 8)

25-28-48

ILLUSTRATED PARTS LIST

Page 1098.359

Mar 01/2006



COMPONENT MAINTENANCE MANUAL

FIG/ ITEM	PART NUMBER	AIRLINE PART NUMBER	NOMENCLATURE							USAGE CODE	UNITS PER ASSY
			1	2	3	4	5	6	7		
17-											
-1	65C32943-107SP									JH	RF
-1A	65C32943-111SP									HZ	RF
-1B	65C32943-114SP									JJ	RF
-1C	65C32943-115SP									KX	RF
-1D	65C32943-118SP									JK	RF
-1E	65C32943-15SP									KR	RF
-1F	65C32943-22SP									KS	RF
-1G	65C32943-301SP									JA	RF
-1H	65C32943-302SP									KV	RF
-1J	65C32943-342SP									JB	RF
-1K	65C32943-381SP									JL	RF
-1L	65C32943-383SP									JC	RF
-1M	65C32943-384SP									JD	RF
-1N	65C32943-385SP									JE	RF
-1P	65C32943-386SP									JM	RF
-1Q	65C32943-393SP									JN	RF
-1R	65C32943-397SP									JP	RF
-1S	65C32943-48SP									HS	RF
-1T	65C32943-52SP									HT	RF
-1U	65C32943-53SP									HU	RF
-1V	65C32943-57SP									HV	RF
-1W	65C32943-601SP									JF	RF
-1X	65C32943-602SP									KY	RF
-1Y	65C32943-61SP									HW	RF
-1Z	65C32943-663SP									KW	RF
-2	65C32943-664SP									JG	RF
-2A	65C32943-672SP									JQ	RF
-2B	65C32943-75SP									HX	RF
-2C	65C32943-76SP									KT	RF
-2D	65C32943-98SP									KU	RF
-2E	65C32943-99SP									HY	RF

-Item not Illustrated

25-28-48

ILLUSTRATED PARTS LIST

Page 1098.360

Mar 01/2006



COMPONENT MAINTENANCE MANUAL

FIG/ ITEM	PART NUMBER	AIRLINE PART NUMBER	NOMENCLATURE							USAGE CODE	UNITS PER ASSY
			1	2	3	4	5	6	7		
17-											
-2F	65C32943-698SP									LK	RF
-2G	65C32943-707SP									LR	RF
-2H	65C32943-680SP									LU	RF
10	BACS12ER08K6									HT, HV- HY, JA- JC, JF, JG, JJ, JL, JQ, KR, KT- KY, LK, LR	2
15	412N1153-101									HT, HV, HW, HY, JA-JC, JF, JJ, JL, JQ, KR, KU, KV, KX, KY, LK	1
-15A	412N1153-85									HX, JG, KT, KW	1
20	412N1113-7									HT, HV, HW, HY, JA-JC, JF, JJ, JL, JQ, KR, KU, KV, KX, KY, LK	1
-20A	412N1113-13									HX, JG, KT, KW	1

-Item not Illustrated

25-28-48

ILLUSTRATED PARTS LIST

Page 1098.361

Mar 01/2006



COMPONENT MAINTENANCE MANUAL

FIG/ ITEM	PART NUMBER	AIRLINE PART NUMBER	NOMENCLATURE							USAGE CODE	UNITS PER ASSY		
			1	2	3	4	5	6	7				
17- 25	412N1113-8		.	.							COVER	HT, HV, HW, HY, JA-JC, JF, JJ, JL, JQ, KR, KU, KV, KX, KY, LK	1
-25A	412N1113-14		.	.							COVER	HX, JG, KT, KW	1
30	H3-1145-1-5760		.	.							LATCH ASSY (V34941) (SPEC S412N101-1060)	HT, HV- HY, JA- JC, JF, JG, JJ, JL, JQ, KR, KT- KY, LK	1
35	BACS12ER08K6		.								SCREW (V06710) (SPEC BACS12ER08K6) (OPT BACS12ER08K6 (V06725)) (OPT BACS12ER08K6 (V06950)) (OPT BACS12ER08K6 (V27624)) (OPT BACS12ER08K6 (V34252)) (OPT BACS12ER08K6 (V56878)) (OPT BACS12ER08K6 (V73197)) (OPT BACS12ER08K6 (V80539)) (OPT BACS12ER08K6 (V92215)) (OPT BACS12ER08K6 (V93907)) (OPT BACS12ER08K6 (V97928))	HS, HU, HZ, JD, JE, JH, JK, JM- JP, KS, LU	1
40	BACW10DM5		.								WASHER	HS, HU, HZ, JD, JE, JH, JK, JM- JP, KS, LR, LU	1
45	AN960JD516L		.								WASHER	HS, HU, HZ, JD, JE, JH, JK, JM- JP, KS, LR, LU	1

-Item not Illustrated

25-28-48

ILLUSTRATED PARTS LIST

Page 1098.362

Mar 01/2006



COMPONENT MAINTENANCE MANUAL

FIG/ ITEM	PART NUMBER	AIRLINE PART NUMBER	NOMENCLATURE							USAGE CODE	UNITS PER ASSY	
			1	2	3	4	5	6	7			
17- 50	BACW10P173AL		.	W	A	S	H	E	R	HS, HU, HZ, JD, JE, JH, JK, JM- JP, KS, LR, LU	1	
55	AR292		.	N	U	T	-	C	Y	L (V80477) (OPT ITEM 55A)	HS, HU, HZ, JD, JE, JH, JK, JM- JP, KS, LR, LU	1
-55A	AM150		.	N	U	T				(V15438) (OPT ITEM 55)	HS, HU, HZ, JD, JE, JH, JK, JM- JP, KS, LR, LU	1
60	A2077-3		.	C	Y	L	I	N	E	R (V52607)	HS, HU, HZ, JD, JE, JH, JK, JM- JP, KS, LR, LU	1
65	412N1119-27		.	F	I	T	T	I	N	G	HS, HU, HZ, JD, JE, JH, JK, JM- JP, KS, LR, LU	1
70	412N1145-43		.	B	R	A	C	K	E	T	HS, HU, HZ, JD, JE, JH, JK, JM- JP, KS, LR, LU	1
75	412N1119-28		.	P	A	W	L	A	S	S	HS, HU, HZ, JD, JE, JH, JK, JM- JP, KS, LR, LU	1

-Item not Illustrated

25-28-48

ILLUSTRATED PARTS LIST

Page 1098.363

Mar 01/2006



COMPONENT MAINTENANCE MANUAL

FIG/ ITEM	PART NUMBER	AIRLINE PART NUMBER	NOMENCLATURE							USAGE CODE	UNITS PER ASSY	
			1	2	3	4	5	6	7			
17- 80	MS39086-1		.	.							HS, HU, HZ, JD, JE, JH, JK, JM- JP, KS, LR, LU	1
85	412N1119-29		.	.							HS, HU, HZ, JD, JE, JH, JK, JM- JP, KS, LR, LU	1
-90	AR15TYPE2		.								HS, HU, HZ, JD, JE, JH, JK, JM- JP, KS, LR, LU	1
-90A	AM15CL75-51		.								LU	1
-95	AM15CL4-78-56		.								HS, HU, HZ, JD, JE, JH, JK, JM- JP, KS, LR, LU	1
100	412N1153-121		.								HS, HU, HZ, JD, JE, JH, JK, JM- JP, KS, LR, LU	1
105	412N1113-7		.	.							HS, HU, HZ, JD, JE, JH, JK, JM- JP, KS, LR, LU	1

-Item not Illustrated

25-28-48

ILLUSTRATED PARTS LIST

Page 1098.364

Mar 01/2006



COMPONENT MAINTENANCE MANUAL

FIG/ ITEM	PART NUMBER	AIRLINE PART NUMBER	NOMENCLATURE							USAGE CODE	UNITS PER ASSY		
			1	2	3	4	5	6	7				
17- 110	412N1113-8		.	.							COVER	HS, HU, HZ, JD, JE, JH, JK, JM- JP, KS, LR, LU	1
115	H3-1145-1L5760		.	.							LATCH ASSY (V34941) (SPEC S412N101-1160)	HS, HU, HZ, JD, JE, JH, JK, JM- JP, KS, LR, LU	1
120	BACS12ER06K8		.								SCREW (V06710) (SPEC BACS12ER06K8) (OPT BACS12ER06K8 (V06725)) (OPT BACS12ER06K8 (V06950)) (OPT BACS12ER06K8 (V27624)) (OPT BACS12ER06K8 (V34252)) (OPT BACS12ER06K8 (V56878)) (OPT BACS12ER06K8 (V73197)) (OPT BACS12ER06K8 (V80539)) (OPT BACS12ER06K8 (V92215)) (OPT BACS12ER06K8 (V93907)) (OPT BACS12ER06K8 (V97928))	HS-JQ, KR-KY, LK, LR, LU	4
125	SL210-06-2		.								INSERT-CLIP (V97393)	HS-JQ, KR-KY, LK, LR, LU	4
130	NAS514P832-5		.								SCREW	HS-JQ, KR-KY, LK, LR, LU	4
135	SL210-08-1		.								INSERT-CLIP (V97393)	HS-JQ, KR-KY, LK, LR, LU	4

-Item not Illustrated

25-28-48

ILLUSTRATED PARTS LIST

Page 1098.365

Mar 01/2006



COMPONENT MAINTENANCE MANUAL

FIG/ ITEM	PART NUMBER	AIRLINE PART NUMBER	NOMENCLATURE							USAGE CODE	UNITS PER ASSY	
			1	2	3	4	5	6	7			
17- 140	HL10VAZ6-2		.	BOLT							HS-JQ, KR-KY, LK, LR, LU	2
				(V56878)								
				(SPEC BACB30MY6K2)								
				(OPT B30MY6K2 (V97928))								
				(OPT HL10VAZ6-2 (V73197))								
				(OPT HL10VAZ6-2 (V92215))								
				(OPT HL10VAZ6-2 (V97928))								
				(OPT L8006K2 (V06725))								
				(OPT HL10VAZ6-2 (V08524))								
145	HL10VAZ6K3		.	BOLT							HS-JQ, KR-KY, LK, LR, LU	2
				(V56878)								
				(SPEC BACB30MY6K3)								
				(OPT B30MY6K3 (V97928))								
				(OPT HL10VAZ6-3 (V73197))								
				(OPT HL10VAZ6-3 (V92215))								
				(OPT HL10VAZ6-3 (V97928))								
				(OPT L8006K3 (V06725))								
				(OPT HL10VAZ6-3 (V08524))								
150	BACB30NM3K1		.	BOLT							HS-JQ, KR-KY, LK, LR, LU	1
				(V06710)								
				(SPEC BACB30NM3K1)								
				(OPT BACB30NM3K1 (V06725))								
				(OPT BACB30NM3K1 (V06950))								
				(OPT BACB30NM3K1 (V08524))								
				(OPT BACB30NM3K1 (V27624))								
				(OPT BACB30NM3K1 (V56878))								
				(OPT BACB30NM3K1 (V73197))								
				(OPT BACB30NM3K1 (V80539))								
				(OPT BACB30NM3K1 (V92215))								
				(OPT BACB30NM3K1 (V93907))								
				(OPT BACB30NM3K1 (V97928))								
155	BACS12ER08K14		.	SCREW							HS-JQ, KR-KY, LK, LR, LU	3

-Item not Illustrated

25-28-48

ILLUSTRATED PARTS LIST

Page 1098.366

Mar 01/2006



COMPONENT MAINTENANCE MANUAL

FIG/ ITEM	PART NUMBER	AIRLINE PART NUMBER	NOMENCLATURE							USAGE CODE	UNITS PER ASSY	
			1	2	3	4	5	6	7			
17- 160	BACS12ER08K12		.	S	C	R	E	W			HS-JQ, KR-KY, LK, LR, LU	12
			.	S	C	R	E	W			HS-JQ, KR-KY, LK, LR, LU	39
170	AN960JD8		.	W	A	S	H	E	R		HS-JQ, KR-KY, LK, LR, LU	15
175	AN960JD10		.	W	A	S	H	E	R		HS-JQ, KR-KY, LK, LR, LU	2
180	AN960JD10LL		.	W	A	S	H	E	R		HS-JQ, KR-KY, LK, LR, LU	2
185	MS21042L3		.	N	U	T					HS-JQ, KR-KY, LK, LR, LU	5

-Item not Illustrated

25-28-48

ILLUSTRATED PARTS LIST

Page 1098.367

Mar 01/2006



COMPONENT MAINTENANCE MANUAL

FIG/ ITEM	PART NUMBER	AIRLINE PART NUMBER	NOMENCLATURE							USAGE CODE	UNITS PER ASSY	
			1	2	3	4	5	6	7			
17- 190	MS21042L08		.	NUT							HS-JQ, KR-KY, LK, LR, LU	15
195	412N1145-102		.	BRACKET							HS-JQ, KR-KY, LK, LR, LU	1
200	412N1145-103		.	BRACKET							HS-JQ, KR-KY, LK, LR, LU	1
205	BACF3F009J009NN		.	FILLER							HS-JQ, KR-KY, LK, LR, LU	1
210	412N1117-2		.	FITTING							HS-JQ, KR-KY, LK, LR, LU	1
215	412N1117-6		.	FITTING							HS-JQ, LK, LR	1
-215A	412N1117-8		.	FITTING							KR-KY, LU	1
220	65C27016-3		.	FITTING							KR-KY, LU	1
-220A	65C27016-6		.	FITTING							HS-JQ, LK, LR	1
225	65C27023-12		.	SUPPORT-PSU							HS-JQ, LK, LR	1
-225A	65C27023-2		.	SUPPORT-PSU							KR-KY	1
230	412N1146-135		.	SUPPORT ASSY-BULLNOSE							HS, HU, HZ, JD, JE, JH, JK, JM- JP, KS, LR, LU	1

-Item not Illustrated

25-28-48

ILLUSTRATED PARTS LIST

Page 1098.368

Mar 01/2006



COMPONENT MAINTENANCE MANUAL

FIG/ ITEM	PART NUMBER	AIRLINE PART NUMBER	NOMENCLATURE							USAGE CODE	UNITS PER ASSY	
			1	2	3	4	5	6	7			
17- -230A	412N1146-112		.								HT, HV- HY, JA- JC, JF, JG, JJ, JL, JQ, KR, KT- KY, LK	1
235	BACR15DR3		.	.							HS-JQ, KR-KY, LK, LR, LU	4
240	BRF100C08D		.	.							HS-JQ, KR-KY, LK, LR, LU	2
245	412N1146-136		.	.							HS, HU, HZ, JD, JE, JH, JK, JM- JP, KS, LR, LU	1
-245A	412N1146-116		.	.							HT, HV- HY, JA- JC, JF, JG, JJ, JL, JQ, KR, KT- KY, LK	1
250	BACS12FA3K4		.								HS-JE, JH-JP, KR-KV, KX, LR, LU, LR	4
255	MS35333-39		.								HS-JE, JH-JP, KR-KV, KX, LR, LU, LR	4
260	H3-1152-1		.								HS-JE, JH-JP, KR-KV, KX	2

-Item not Illustrated

25-28-48

ILLUSTRATED PARTS LIST

Page 1098.369

Mar 01/2006



COMPONENT MAINTENANCE MANUAL

FIG/ ITEM	PART NUMBER	AIRLINE PART NUMBER	NOMENCLATURE							USAGE CODE	UNITS PER ASSY		
			1	2	3	4	5	6	7				
17- 265	412N1154-2		.								REINFORCEMENT-CORNER	HS-HW, HY-JF, JH-JQ, KR, KS, KU, KV, KY, LK, LR, LU	1
-265A	412N1154-10		.								REINFORCEMENT-CORNER	HX, JG, KT, KW	1
270	412N1154-1		.								REINFORCEMENT-CORNER	HS-HW, HY-JF, JH-JQ, KR, KS, KU, KV, KY, LK, LR, LU	1
-270A	412N1154-9		.								REINFORCEMENT-CORNER	HX, JG, KT, KW	1
275	AF517-3-3		.								RIVET (V53551) (SPEC BACR15DR3P3) (OPT CCR274SS3-3 (V11815)) (OPT RV570A3-3 (V98996))	HS-JQ, KR-KY, LK, LR, LU	2
280	65C27017-3		.								BRACKET	HS-JQ, KR-KY, LK, LR, LU	1
285	NAS1801-3-10		.								SCREW (OPT ITEM 285A)	HS-HZ, JH, JJ, KR-KU, KX	6
-285A	AIC1321-3-8		.								BOLT (V06725) (OPT ITEM 285)	HS-HZ, JH, JJ, KR-KU, KX	6
-285B	NAS1801-3-10		.								SCREW	JA-JG, JK-JQ, KV, KW, KY, LK, LR, LU	6

-Item not Illustrated

25-28-48

ILLUSTRATED PARTS LIST

Page 1098.370

Mar 01/2006



COMPONENT MAINTENANCE MANUAL

FIG/ ITEM	PART NUMBER	AIRLINE PART NUMBER	NOMENCLATURE							USAGE CODE	UNITS PER ASSY	
			1	2	3	4	5	6	7			
17- 290	BACW10P136AL		.	W	A	S	H	E	R	HS-JQ, KR-KY, LK, LR, LU	6	
				(V10630)								
			.	S	P	E	C	B	A	C	W	10
295	NAS1833-3-400		.	I	N	S	E	R	T	HS-JQ, KR-KY, LK, LR, LU	6	
300	NAS1801-3-4		.	S	C	R	E	W		HS-JQ, KR-KY, LK, LR, LU	4	
305	MS35333-39		.	W	A	S	H	E	R	HS-JQ, KR-KY, LK, LR, LU	4	
310	412N1155-8		.	H	I	N	G	E	A	S	S	Y
-310A	412N1155-20		.	H	I	N	G	E	A	S	S	Y
-310B	412N1155-26		.	H	I	N	G	E	A	S	S	Y
315	412N1155-7		.	H	I	N	G	E	A	S	S	Y
-315A	412N1155-19		.	H	I	N	G	E	A	S	S	Y
-315B	412N1155-25		.	H	I	N	G	E	A	S	S	Y
320	MS20392-2C13		.	P	I	N				HS-JQ, KR-KY, LK, LR, LU	1	

-Item not Illustrated

25-28-48

ILLUSTRATED PARTS LIST

Page 1098.371

Mar 01/2006



COMPONENT MAINTENANCE MANUAL

FIG/ ITEM	PART NUMBER	AIRLINE PART NUMBER	NOMENCLATURE							USAGE CODE	UNITS PER ASSY	
			1	2	3	4	5	6	7			
17- 325	MS24665-132		.	.	PIN						HS-JQ, KR-KY, LK, LR, LU	1
330	BACB30NM3K8		.	.	BOLT (V06710) (SPEC BACB30NM3K8) (OPT BACB30NM3K8 (V06725)) (OPT BACB30NM3K8 (V06950)) (OPT BACB30NM3K8 (V08524)) (OPT BACB30NM3K8 (V27624)) (OPT BACB30NM3K8 (V56878)) (OPT BACB30NM3K8 (V73197)) (OPT BACB30NM3K8 (V80539)) (OPT BACB30NM3K8 (V92215)) (OPT BACB30NM3K8 (V93907)) (OPT BACB30NM3K8 (V97928))						HS-JQ, KR-KY, LK, LR, LU	1
335	BACB30NM3K12		.	.	BOLT (V06710) (SPEC BACB30NM3K12) (OPT BACB30NM3K12 (V06725)) (OPT BACB30NM3K12 (V06950)) (OPT BACB30NM3K12 (V08524)) (OPT BACB30NM3K12 (V27624)) (OPT BACB30NM3K12 (V56878)) (OPT BACB30NM3K12 (V73197)) (OPT BACB30NM3K12 (V80539)) (OPT BACB30NM3K12 (V92215)) (OPT BACB30NM3K12 (V93907)) (OPT BACB30NM3K12 (V97928))						HS-JQ, KR-KY, LK, LR, LU	1
340	AN960KD10L		.	.	WASHER						HS-HW, HY-JF, JH-JQ, KR, KS, KU, KV, KX, KY, LK, LR, LU	2
-340A	AN960JD10L		.	.	WASHER						HX, JG, KT, KW, LR, LU	2
345	NAS43DD3-3		.	.	SPACER						HS-JQ, KR-KY, LK, LR, LU	1

-Item not Illustrated

25-28-48

ILLUSTRATED PARTS LIST

Page 1098.372

Mar 01/2006



COMPONENT MAINTENANCE MANUAL

FIG/ ITEM	PART NUMBER	AIRLINE PART NUMBER	NOMENCLATURE							USAGE CODE	UNITS PER ASSY	
			1	2	3	4	5	6	7			
17- 350	NAS43DD3-8		.	.	SPACER						HS-JQ, KR-KY, LK, LR, LU	1
355	SB113		DELETED									
355A	SP5604		.	.	ACTUATOR (V24403) (SPEC S412N104-1) (OPT SB113 (V24984)) (OPT ITEM 355E)						HS-HW, HZ-JF, JH-JQ, KR, KS, KV, KX, KY, LK, LR, LU	1
-355B	S412N104-4		DELETED									
-355C	S412N104-4		DELETED									
-355D	SP5604-4		.	.	ACTUATOR (V24403) (SPEC S417N104-4)						HX, HY, JG, KT, KU, KW	1
-355E	SP5604-4		.	.	ACTUATOR (V24403) (SPEC S412N104-4) (OPT ITEM 355A)						HS-HW, HZ-JF, JH-JQ, KR, KS, KV, KX, KY, LK, LR, LU	1
360	H2948-1		.	.	HINGE (V83014) (SPEC S412N102-1) (OPT H3-1155-1 (V34941)) (OPT H3-1155-31 (V34941)) (USED ON ITEMS 310,310B)						HS-HW, HY-JF, JH-JQ, KR, KS, KU, KV, KX, KY, LK, LU	1
-360A	S412N102-17		DELETED									
-360B	H3-1155-31		.	.	HINGE (V34941) (SPEC S412N102-1) (OPT H3-1155-1 (V34941)) (OPT H2948-1 (V83014)) (USED ON ITEMS 310,310B)						HS-HW, HY-JF, JH-JQ, KR, KS, KU, KV, KX, KY, LK, LR, LU	1

-Item not Illustrated

25-28-48

ILLUSTRATED PARTS LIST

Page 1098.373

Mar 01/2006



COMPONENT MAINTENANCE MANUAL

FIG/ ITEM	PART NUMBER	AIRLINE PART NUMBER	NOMENCLATURE							USAGE CODE	UNITS PER ASSY	
			1	2	3	4	5	6	7			
17- -360C	H3-1155-31B		.	.							HX, JG, KT, KW	1
365	H2948-2		.	.							HS-HW, HY-JF, JH-JQ, KR, KS, KU, KV, KX, KY, LK, LR, LU	1
-365A	S412N102-18											
-365B	H3-1155-32		.	.							HS-HW, HY-JF, JH-JQ, KR, KS, KU, KV, KX, KY, LK, LR, LU	1
-365C	H3-1155-32B		.	.							HX, JG, KT, KW	1
370	412N1156-14		.	.							HS-HW, HY-JF, JH-JQ, KR, KS, KU, KV, KX, KY, LK, LR, LU	1
-370A	412N1156-34		.	.							HX, JG, KT, KW	1
375	412N1156-13		.	.							HS-HW, HY-JF, JH-JQ, KR, KS, KU, KV, KX, KY, LK, LR, LU	1

-Item not Illustrated

25-28-48

ILLUSTRATED PARTS LIST

Page 1098.374

Mar 01/2006



COMPONENT MAINTENANCE MANUAL

FIG/ ITEM	PART NUMBER	AIRLINE PART NUMBER	NOMENCLATURE							USAGE CODE	UNITS PER ASSY	
			1	2	3	4	5	6	7			
17- 410	65C32943-18		.								HS-HW, HY-JF, JH-JQ, KR, KS, KU, KV, KX, KY, LR, LU	1
-410A	65C32943-100		.								HX, JG, KT, KW	1
415	412N1118-1SP		.								HS-JQ, KR-KY, LK, LR, LU	1
420	412N1118-2SP		.								HS-JQ, KR-KY, LK, LR, LU	1
425	65C27011-114		.								HY	1
-425A	65C27011-115		.								KR, KS, KU	1
-425B	65C27011-143		.								HS	1
-425C	65C27011-146		.								HT	1
-425D	65C27011-147		.								HU	1
-425E	65C27011-151		.								HV	1
-425F	65C27011-163		.								HW	1
-425G	65C27011-177		.								JJ	1
-425H	65C27011-179		.								KX	1
-425J	65C27011-222		.								HX	1
-425K	65C27011-223		.								KT	1
-425L	65C27011-228		.								HZ	1
-425M	65C27011-644		.								JA, JE, JF	1
-425N	65C27011-645		.								KV, KY, LU	1
-425P	65C27011-686		.								KW	1
-425Q	65C27011-687		.								JG	1
-425R	65C27011-694		.								JQ	1

-Item not Illustrated

25-28-48

ILLUSTRATED PARTS LIST

Page 1098.376

Mar 01/2006



COMPONENT MAINTENANCE MANUAL

FIG/ ITEM	PART NUMBER	AIRLINE PART NUMBER	NOMENCLATURE							USAGE CODE	UNITS PER ASSY
			1	2	3	4	5	6	7		
17-											
-425S	65C27011-702		.	BODY	ASSY					JL	1
-425T	65C27011-705		.	BODY	ASSY					JC	1
-425U	65C27011-706		.	BODY	ASSY					JD	1
-425V	65C27011-707		.	BODY	ASSY					JB	1
-425W	65C27011-712		.	BODY	ASSY					JM, LK	1
-425X	65C27011-714		.	BODY	ASSY					JN	1
-425Y	65C27011-719		.	BODY	ASSY					JP	1
-425Z	65C27011-182		.	BODY	ASSY					JH	1
-426	65C27011-183		.	BODY	ASSY					JK	1
-426A	65C27011-726		.	BODY	ASSY					LR	1
450	65C27011-1021		.	.	PATTERN	ASSY				HS-JQ, KR-KY, LK, LR, LU	1
455	NAS1836-3-11		.	.	.	INSERT				HS-JQ, KR-KY, LK, LR, LU	15
465	65C27011-1205		.	.	PATTERN	ASSY				HS-JQ, KR-KY, LK, LR, LU	1
470	SL2334-3A2		.	.	.	INSERT (V97393)				HS-JQ, KR-KY, LK, LR, LU	12
480	65C27011-1208		.	.	PATTERN	ASSY				HS-JQ, KR-KY, LK, LR, LU	1
485	SL2334-3A2		.	.	.	INSERT (V97393)				HS-JQ, KR-KY, LK, LR, LU	8
495	65C27011-1271		.	.	PATTERN	ASSY				HS-JQ, LK, LR	1
500	NAS1836-3-11		.	.	.	INSERT				HS-JQ, LK, LR	8

-Item not Illustrated

25-28-48

ILLUSTRATED PARTS LIST

Page 1098.377

Mar 01/2006



COMPONENT MAINTENANCE MANUAL

FIG/ ITEM	PART NUMBER	AIRLINE PART NUMBER	NOMENCLATURE							USAGE CODE	UNITS PER ASSY
			1	2	3	4	5	6	7		
17-											
505	NAS1836-4-11		. . .	INSERT						HS-JQ, LK, LR	2
510	65C27011-1321		. .	PATTERN ASSY						HS-JQ, LK, LR	1
515	NAS1836-3-11		. . .	INSERT						HS-JQ, LK, LR	10
520	SL2334-3A2		. . .	INSERT (V97393)						HS-JQ, LK, LR	4
525	65C27011-2006		. .	PATTERN ASSY						HS-JQ, LK, LR	1
530	SL2334-3A2		. . .	INSERT (V97393)						HS-JQ, LK, LR	4
540	65C27011-1281		. .	PATTERN ASSY						KR-KY, LU	1
545	NAS1836-3-11		. . .	INSERT						KR-KY, LU	8
550	NAS1836-4-11		. . .	INSERT						KR-KY, LU	2
555	65C27011-1341		. .	PATTERN ASSY						KR-KY, LU	1
560	NAS1836-3-11		. . .	INSERT						KR-KY, LU	8
565	SL2334-3A2		. . .	INSERT (V97393)						KR-KY, LU	4
570	65C27011-2021		. .	PATTERN ASSY						KR-KY, LU	1
575	NAS1836-3-11		. . .	INSERT						KR-KY, LU	6
585	65C27011-2106		. .	PATTERN ASSY						HS-JG, JK, LR	1
590	NAS1836-3-11		. . .	INSERT						HS-JG, JK, LR	3
600	65C27011-2110		. .	PATTERN ASSY						JH, JJ, JL-JQ, LK	1
605	NAS1836-3-11		. . .	INSERT						JH, JJ, JL-JQ, LK	3

-Item not Illustrated

25-28-48

ILLUSTRATED PARTS LIST

Page 1098.378

Mar 01/2006



COMPONENT MAINTENANCE MANUAL

FIG/ ITEM	PART NUMBER	AIRLINE PART NUMBER	NOMENCLATURE							USAGE CODE	UNITS PER ASSY
			1	2	3	4	5	6	7		
17-											
615	65C27011-2121		.	.	PATTERN ASSY					KR-KW, KY, LU	1
620	NAS1836-3-11		.	.	INSERT					KR-KW, KY, LU	7
630	65C27011-2123		.	.	PATTERN ASSY					KX	1
635	NAS1836-3-11		.	.	INSERT					KX	6
645	65C27011-2202		.	.	PATTERN ASSY					HV	1
650	NAS1836-3-11		.	.	INSERT					HV	4
660	65C27011-3202		.	.	PATTERN ASSY					KW	1
665	NAS1833-3-400		.	.	INSERT					KW	2
675	65C27011-4011		.	.	PATTERN ASSY					JN	1
680	NAS1833-3-400		.	.	INSERT					JN	16
690	65C27011-4012		.	.	PATTERN ASSY					HT, HW, JB, JC, JJ, JL, JQ, KW	1
695	NAS1833-3-400		.	.	INSERT					HT, HW, JB, JC, JJ, JL, JQ, KW	16
705	65C27011-4013		.	.	PATTERN ASSY					HS, HU, HZ, JD, JK, JP, LR	1
710	NAS1833-3-400		.	.	INSERT					HS, HU, HZ, JD, JK, JP, LR	11
720	65C27011-4105		.	.	PATTERN ASSY					HU, JD, JP	1
725	NAS1833-3-400		.	.	INSERT					HU, JD, JP	7
735	65C27011-4106		.	.	PATTERN ASSY					HW, JC, JL	1
740	NAS1833-3-400		.	.	INSERT					HW, JC, JL	4
-750	65C27011-4109		.	.	PATTERN ASSY					JK	1

-Item not Illustrated

25-28-48

ILLUSTRATED PARTS LIST

Page 1098.379

Mar 01/2006



COMPONENT MAINTENANCE MANUAL

FIG/ ITEM	PART NUMBER	AIRLINE PART NUMBER	NOMENCLATURE							USAGE CODE	UNITS PER ASSY	
			1	2	3	4	5	6	7			
17- 800	412N1112-34		.	.	BODY ASSY						HT, HV, HW, HY, HZ, JH, JJ	1
-800A	412N1112-36		.	.	BODY ASSY						HX, KR, KS, KU, KX	1
-800B	412N1112-50		.	.	BODY ASSY						KT	1
805	412N1112-54		.	.	BODY ASSY						KV, KY, LU	1
-805A	412N1112-57		.	.	BODY ASSY						JA-JC, JE, JF, JL-JN, JQ, LK, LR, LK	1
-805B	412N1112-64		.	.	BODY ASSY						JG	1
-805C	412N1112-65		.	.	BODY ASSY						KW	1

-Item not Illustrated

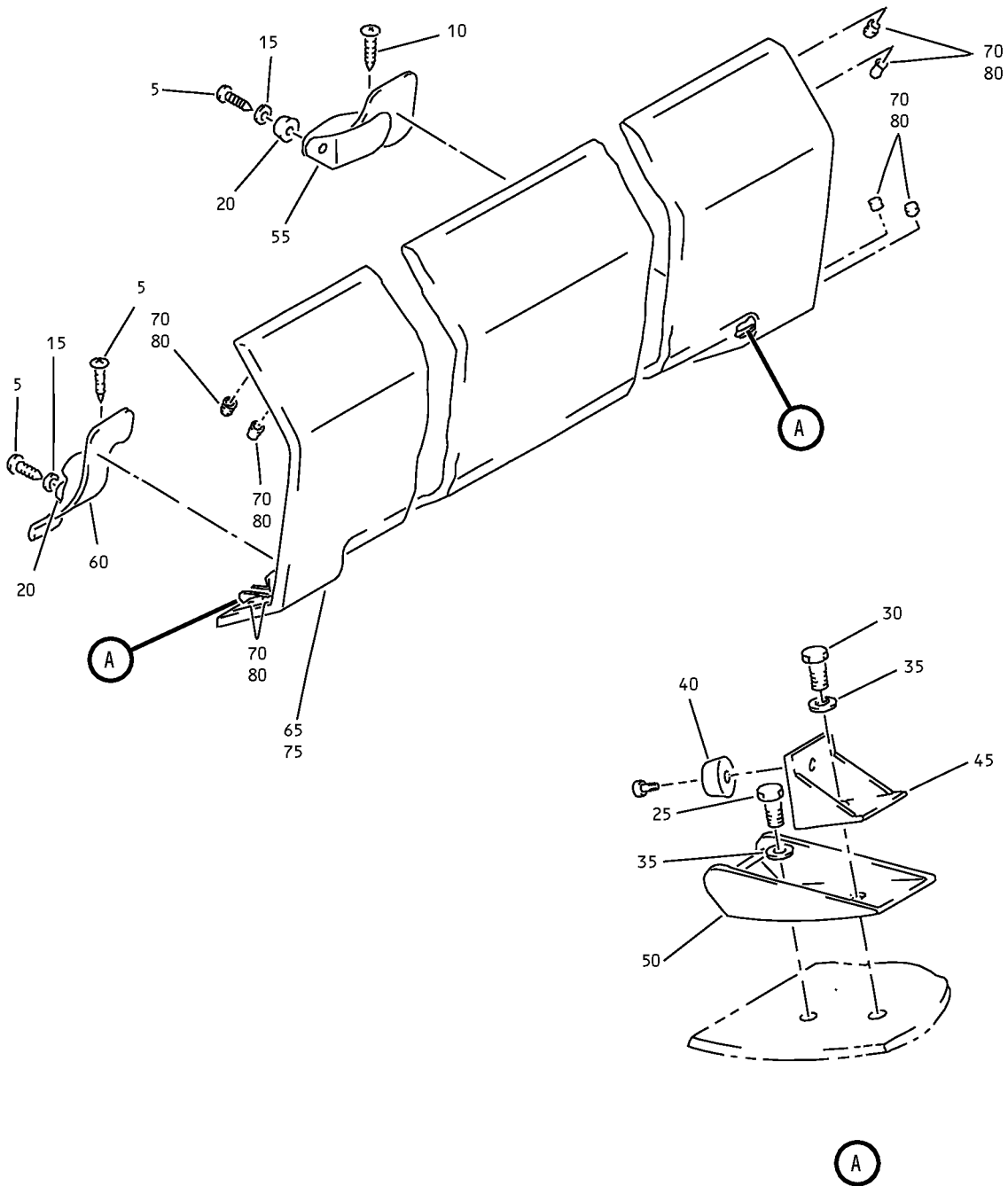
25-28-48

ILLUSTRATED PARTS LIST

Page 1098.380

Mar 01/2006

COMPONENT MAINTENANCE MANUAL



Overhead Storage Compartment Assembly
IPL Figure 18

25-28-48

ILLUSTRATED PARTS LIST

Page 1098.381

Mar 01/2006



COMPONENT MAINTENANCE MANUAL

FIG/ ITEM	PART NUMBER	AIRLINE PART NUMBER	NOMENCLATURE							USAGE CODE	UNITS PER ASSY
			1	2	3	4	5	6	7		
18- -1	412N1140-41SP		DOOR ASSY-OVERHEAD STOWAGE COMPT							A-BX, DD-FR, HB-HH, HM-JE, JH-JP, JR-KE, KM-KV, KX, LA- LD, LF, LM	RF
-1A	412N1140-42SP		DOOR ASSY-OVERHEAD							KZ	RF
-1B	412N1140-101SP		DOOR ASSY-OVERHEAD							CT-DC, GD, GP- HA, HL, JG, JQ, KH-KL, KW, LP	RF
-1C	412N1140-241SP		DOOR ASSY-OVERHEAD							BY-CS, FS-GC, GE-GN, HJ, HK, JF, KF, KG, KY, LG-LK, LN, LQ- LS	RF
5	PK87XA4-8		. SCREW (V45722) (SPEC BACS12H4-8) (OPT SK145A4-8 (V73439)) (OPT ITEM 5A)							A-CS, DD-GC, GE-GN, HB-HK, HM-JF, JH-JP, JR-KG, KM-KV, KX-LD, LF-LK, LM, LN, LQ-LU	2

-Item not Illustrated

25-28-48

ILLUSTRATED PARTS LIST

Page 1098.382

Mar 01/2006



COMPONENT MAINTENANCE MANUAL

FIG/ ITEM	PART NUMBER	AIRLINE PART NUMBER	NOMENCLATURE							USAGE CODE	UNITS PER ASSY
			1	2	3	4	5	6	7		
18- -5A	MS51861-15		.	SCREW (OPT ITEM 5)						A-CS, DD-GC, GE-GN, HB-HK, HM-JF, JH-JP, JR-KG, KM-KV, KX-LD, LF-LK, LM, LN, LQ-LU	2
10	MS51862-3		.	SCREW						A-BX, DD-FR, HB-HH, HM-JE, JH-JP, JR-KE, KM-KV, KX, KZ, LA-LD, LF, LM	2
15	NAS620A8L		.	WASHER (OPT ITEM 15A)						A-BX, DD-FR, HB-HH, HM-JE, JH-JP, JR-KE, KM-KV, KX, KZ- LD, LF, LM	2
-15A	AN960JD8L		.	WASHER (OPT ITEM 15)						A-BX, DD-FR, HB-HH, HM-JE, JH-JP, JR-KE, KM-KV, KX, KZ- LD, LF, LM	2

-Item not Illustrated

25-28-48

ILLUSTRATED PARTS LIST

Page 1098.383

Mar 01/2006



COMPONENT MAINTENANCE MANUAL

FIG/ ITEM	PART NUMBER	AIRLINE PART NUMBER	NOMENCLATURE							USAGE CODE	UNITS PER ASSY
			1	2	3	4	5	6	7		
18- 20	412N1245-1		.	B	U	M	P	E	R	A-BX, DD-FR, HB-HH, HM-JE, JH-JP, JR-KE, KM-KV, KX, KZ- LD, LF, LM	2
25	BACS12FA3K4		.	S	C	R	E	W		BY-DC, FS-HA, HJ-HL, JF, JG, JQ, KG, F-KL, KW, KY, LG-LK, LN-LU	2
30	BACS12FA3K7		.	S	C	R	E	W	(V06710) (SPEC BACS12FA3K7) (OPT BACS12FA3K7 (V06725)) (OPT BACS12FA3K7 (V06950)) (OPT BACS12FA3K7 (V27624)) (OPT BACS12FA3K7 (V34252)) (OPT BACS12FA3K7 (V56878)) (OPT BACS12FA3K7 (V73197)) (OPT BACS12FA3K7 (V80539)) (OPT BACS12FA3K7 (V85498)) (OPT BACS12FA3K7 (V92215)) (OPT BACS12FA3K7 (V93907)) (OPT BACS12FA3K7 (V97928))	BY-DC, FS-HA, HJ-HL, JF, JG, JQ, KG, F-KL, KW, KY, LG-LK, LN-LU	2
35	MS35333-39		.	W	A	S	H	E	R	BY-DC, FS-HA, HJ-HL, JF, JG, JQ, KG, F-KL, KW, KY, LG-LK, LN-LU	4

-Item not Illustrated

25-28-48

ILLUSTRATED PARTS LIST

Page 1098.384

Mar 01/2006



COMPONENT MAINTENANCE MANUAL

FIG/ ITEM	PART NUMBER	AIRLINE PART NUMBER	NOMENCLATURE							USAGE CODE	UNITS PER ASSY												
			1	2	3	4	5	6	7														
18- 40	412N1245-1		.	B	U	M	P	E	R	BY-DC, FS-HA, HJ-HL, JF, JG, JQ, KG, F-KL, KW, KY, LG-LK, LN-LU	2												
45	412N1161-2			D	E	L	E	T	E														
45A	412N1162-1		.	B	R	A	C	K	E	BY-DC, FS-HA, HJ-HL, JF, JG, JQ, KG, F-KL, KW, KY, LG-LK, LN-LU	2												
50	H3-1152-1		.	P	L	A	T	E	A	S	S	Y	-	S	T	R	I	K	E	R	(V34941) (SPEC S412N101-1)	BY-DC, FS-HA, HJ-HL, JF, JG, JQ, KG, F-KL, KW, KY, LG-LK, LN-LU	2
55	412N1143-13SP		.	C	O	V	E	R		A-CS, DD-GC, GE-GN, HB-HK, HM-JF, JH-JP, JR-KG, KM-KV, KX-LD, LF-LK, LM, LN, LQ-LU	1												

-Item not Illustrated

25-28-48

ILLUSTRATED PARTS LIST

Page 1098.385

Mar 01/2006



COMPONENT MAINTENANCE MANUAL

FIG/ ITEM	PART NUMBER	AIRLINE PART NUMBER	NOMENCLATURE							USAGE CODE	UNITS PER ASSY	
			1	2	3	4	5	6	7			
18- 60	412N1143-14SP		.								A-CS, DD-GC, GE-GN, HB-HK, HM-JF, JH-JP, JR-KG, KM-KV, KX-LD, LF-LK, LM, LN, LQ-LU	1
62	SL618-3A		.								A-CS, DD-GC, GE-GN, HB-HK, HM-JF, JH-JP, JR-KG, KM-KV, KX-LD, LF-LK, LM, LN, LQ-LU	8
64	SL618-3A		.	.							CT-DC, GD, GP- HA, HL, JG, JQ, KH-KL, KW, LP	8
65	412N1140-58SP		.								A-BX, DD-FR, HB-HH, HM-JE, JH-JP, JR-KE, KM-KV, KX, LA- LD, LF, LM	1
-65A	412N1140-59SP		.								KZ	1

-Item not Illustrated

25-28-48

ILLUSTRATED PARTS LIST

Page 1098.386

Mar 01/2006



COMPONENT MAINTENANCE MANUAL

FIG/ ITEM	PART NUMBER	AIRLINE PART NUMBER	NOMENCLATURE							USAGE CODE	UNITS PER ASSY	
			1	2	3	4	5	6	7			
18- -65B	412N1140-258SP		.								BY-CS, FS-GC, GE-GN, HJ, HK, JF, KF, KG, KY, LG-LK, LN, LQ- LU	1
66	412N1140-96		.	.							A-CS, DD-GC, GE-GN, HB-HK, HM-JF, JH-JP, JR-KG, KM-KV, KX-LD, LF-LK, LM, LN, LQ-LU	2
-67	412N1140-97		.	.							A-CS, DD-GC, GE-GN, HB-HK, HM-JF, JH-JP, JR-KG, KM-KV, KX-LD, LF-LK, LM, LN, LQ-LU	1
-68	412N1140-98		.	.							A-CS, DD-GC, GE-GN, HB-HK, HM-JF, JH-JP, JR-KG, KM-KV, KX-LD, LF-LK, LM, LN, LQ-LU	1

-Item not Illustrated

25-28-48

ILLUSTRATED PARTS LIST

Page 1098.387

Mar 01/2006



COMPONENT MAINTENANCE MANUAL

FIG/ ITEM	PART NUMBER	AIRLINE PART NUMBER	NOMENCLATURE							USAGE CODE	UNITS PER ASSY	
			1	2	3	4	5	6	7			
18- 69	412N1141-1SP		.	.							A-BX, DD-FR, HB-HH, HM-JE, JH-JP, JR-KE, KM-KV, KX, LA- LD, LF, LM	1
-69A	412N1141-2SP		.	.							KZ	1
-69B	412N1141-21SP		.	.							BY-CS, FS-GC, GE-GN, HJ, HK, JF, KF, KG, KY, LG-LK, LN, LQ- LU	1
70	SL618-3A										DELETED	
73	412N1141-7SP		.	.							A-BX, DD-FR, HB-HH, HM-JE, JH-JP, JR-KE, KM-KV, KX, LA- LD, LF, LM	1
-73A	412N1141-8SP		.	.							KZ	1
-73B	412N1141-27SP		.	.							BY-CS, FS-GC, GE-GN, HJ, HK, JF, KF, KG, KY, LG-LK, LN, LQ- LU	1
75	412N1142-35SP										DELETED	
80	SL618-3A										DELETED	

-Item not Illustrated

25-28-48

ILLUSTRATED PARTS LIST

Page 1098.388

Mar 01/2006



COMPONENT MAINTENANCE MANUAL

FIG/ ITEM	PART NUMBER	AIRLINE PART NUMBER	NOMENCLATURE							USAGE CODE	UNITS PER ASSY	
			1	2	3	4	5	6	7			
18- 85	412N1142-15		.	.							A-CS, DD-GC, GE-GN, HB-HK, HM-JF, JH-JP, JR-KG, KM-KV, KX, KY, LA-LD, LF-LK, LM, LQ- LU	1
-85A	412N1142-31		.	.							A-BX, DD-FR, HB-HH, HM-JE, JH-JP, JR-KE, KM-KV, KX, LA- LD, LF, LM	1
-85B	412N1142-16		.	.							KZ	1
-85C	412N1142-32		.	.							KZ	1

-Item not Illustrated

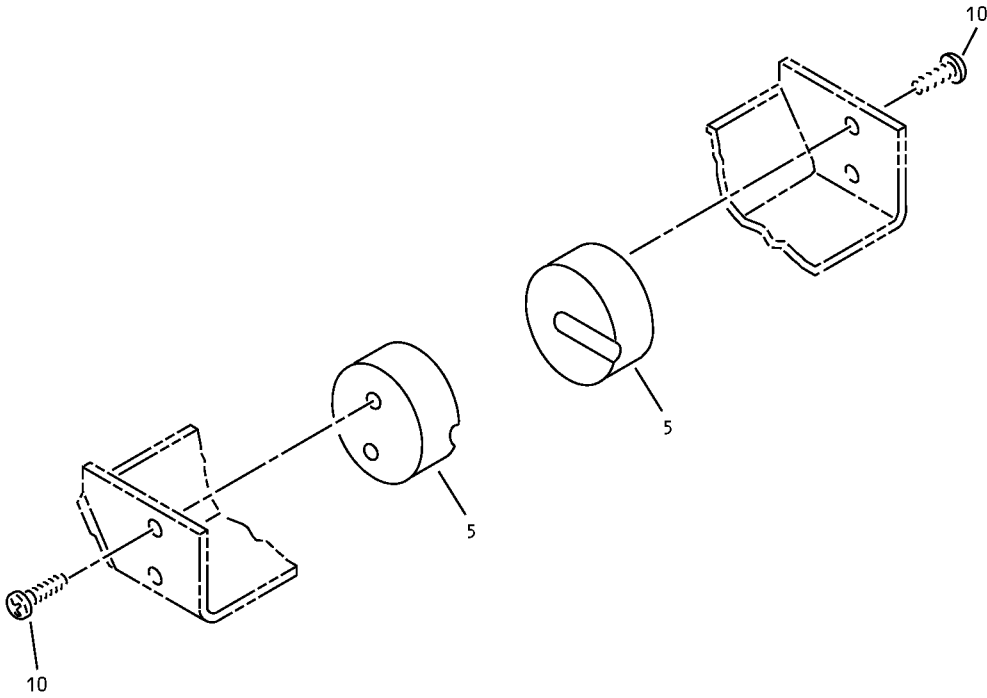
25-28-48

ILLUSTRATED PARTS LIST

Page 1098.389

Mar 01/2006

COMPONENT MAINTENANCE MANUAL



Overhead Stowage Compartment Light Assembly
IPL Figure 80

25-28-48

ILLUSTRATED PARTS LIST

Page 1098.390

Mar 01/2006



COMPONENT MAINTENANCE MANUAL

FIG/ ITEM	PART NUMBER	AIRLINE PART NUMBER	NOMENCLATURE							USAGE CODE	UNITS PER ASSY
			1	2	3	4	5	6	7		
80- -1A	800000255-12		LIGHT ASSY-CLG (V05617) (SPEC S417N507-12)							G, J, L, DE, DG, DH, DK, DL, DP, DT, DV, DW, DZ, EA, ED- EF, EJ, EK, EQ- ES, EU, EV, EX, EY, FB, FD, FF, FG, FK, FL, FR, FS, FU, FV, FX, FY, GB, GE, GG, GH, GL, GM, GR, GT, GU, GX, GY, HA, JR, JT, JW- JZ, KB, KC, KE, KF, KJ, KN-KQ, LB, LD, LF, LJ, LP, LS	RF
-1B	800000255-14		LIGHT ASSY-CLG (V05617) (SPEC S417N507-14)							A-E, P- DC, HS- JQ, LA, LC, LE, LH, LK, LQ, LR	RF
-1C	800000255-17		LIGHT ASSY-CLG (V05617) (SPEC S417N507-17)							KZ	RF
-1D	800000255-21		LIGHT ASSY-CLG (V05617) (SPEC S417N507-21)							KW	RF

-Item not Illustrated

25-28-48

ILLUSTRATED PARTS LIST

Page 1098.392

Mar 01/2006



COMPONENT MAINTENANCE MANUAL

FIG/ ITEM	PART NUMBER	AIRLINE PART NUMBER	NOMENCLATURE							USAGE CODE	UNITS PER ASSY	
			1	2	3	4	5	6	7			
80- 5	BV03112-03-33									. HOLDER-BRUCE LAMP (V17023)	A-L, N- HA, HS- KQ, KW, KZ-LF, LH-LK, LM	2
10	MS35206-323									. SCREW	A-L, N- HA, HS- KQ, KW, KZ-LF, LH-LK, LM	4

-Item not Illustrated

25-28-48

ILLUSTRATED PARTS LIST

Page 1098.393

Mar 01/2006